



# Illustrated Parts Manual

## *Models* **800AJ**

PVC  
2201

P/N  
31219943

January 9, 2023 - Rev C

**ANSI**

**CE**



**UK  
CA**

**AS/NZS**



An Oshkosh Corporation Company



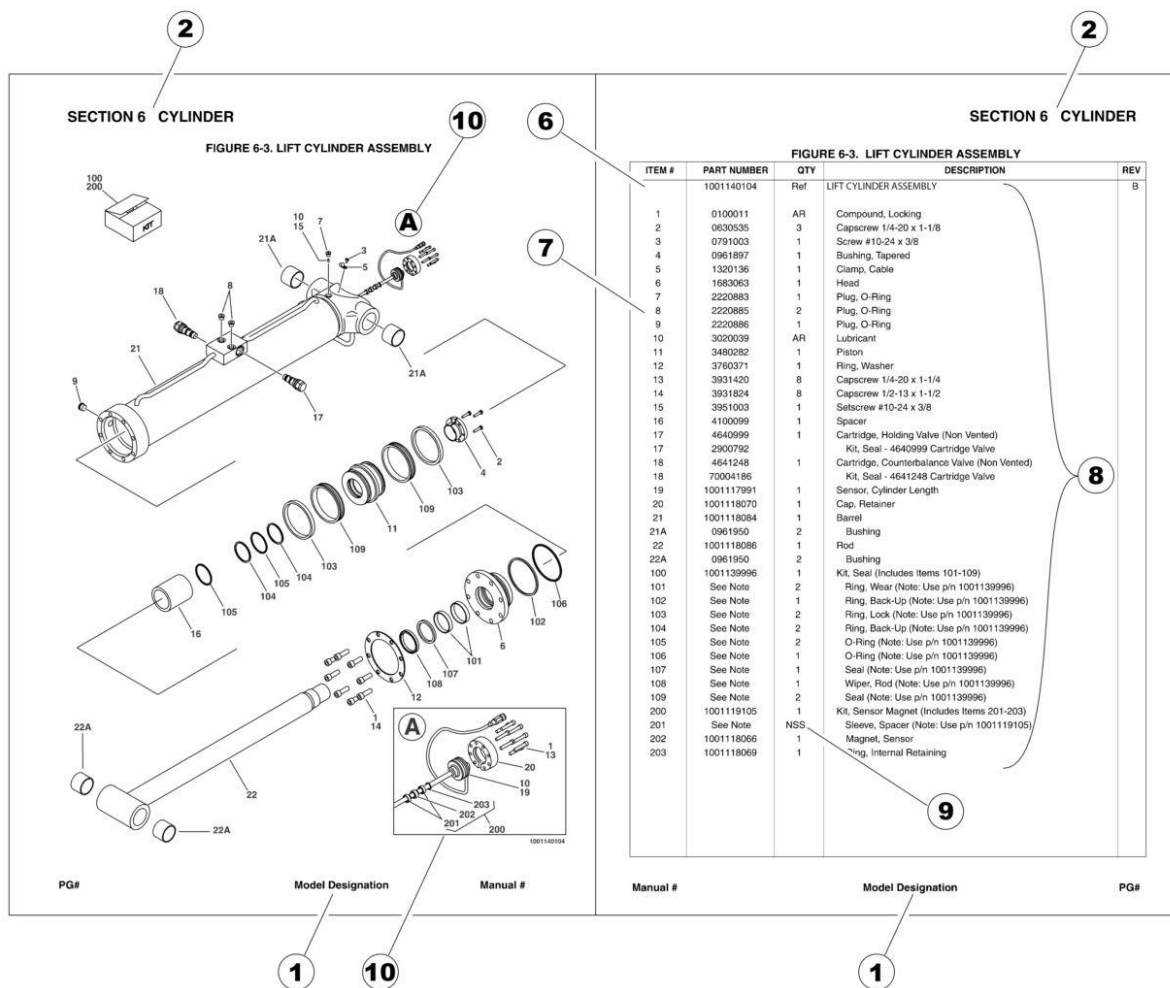
## **REVISION LOG**

January 10, 2022 - A - Original Issue of Manual (Edited to B/M 1001245446 Revision Q)

July 11, 2022 - B - Revised Manual (Edited to B/M 1001245446 Revision T)

January 9, 2023 - C - Revised Manual (Edited to B/M 1001245446 Revision U)

# GENERAL INFORMATION



## 1) MACHINE IDENTIFICATION

Machines are identified by model and in some cases a combination of models, serial number (SN) or regional standard (i.e ANSI, CE, CSA). Components may also be identified by SN or manufacturer. Common components that may be identified by these characteristics are engines and hydraulic components.

## 2) PARTS MANUAL ORGANIZATION

Product information in this manual is organized under section titles. Frame, Cylinder, Hydraulic and Electrical are a few examples. Each section is organized by figure and page number. The information within the Figure is then organized by item number, part number, description and corresponding illustration (s).

## 3) TABLE OF CONTENTS (NOT SHOWN)

A table of contents is found toward the beginning of the manual. Figure number, description and page number are provided for quick reference to the page containing the related information.

## 4) RECOMMENDED SPARE PARTS (NOT SHOWN)

The Recommended Spare Parts List, located near the end of the manual, reference most frequently used maintenance parts.

## 5) PART NUMBER INDEX (NOT SHOWN)

A numerical index listing all part numbers and the corresponding page number(s) appears at the back of the manual.

## GENERAL INFORMATION

### 6) NON-SERVICED PARTS

In some instances, it is necessary to display non-serviced parts, assemblies or installations. In the case of assemblies and installations there will be a Ref in the Qty. column. In case of parts that are not available for service within assemblies or components, there will be a NSS (Not Sold Separately) or NLA (No Longer Available) listed in the Qty. column of the manual.

### 7) PARTS LIST ITEM NUMBERS

Numbers shown in the item# column correspond to numbers used in the associated illustration (s). Item numbers which are missing from the sequence in the parts list are not used on that page.

### 8) INDENTED PARTS DESCRIPTION

An indented part description is included in the item under which it is indented.

### 9) ABBREVIATION AND SYMBOLS

|             |  |              |                                 |
|-------------|--|--------------|---------------------------------|
| AC.....     | Alternating Current                        | L.....       | Liter                           |
| ADE.....    | Advanced Design Electronics                | LB(LBS)..... | Pounds                          |
| AG.....     | Agricultural                               | LCD.....     | Liquid Crystal Display          |
| ANSI.....   | American National Standards Institute      | LED.....     | Light Emitting Diodes           |
| AR.....     | As Required                                | LH.....      | Left Hand                       |
| ASSY.....   | Assembly                                   | LRC.....     | Low Rated Countries             |
| AUS.....    | Australia                                  | LSS.....     | Load Sensing System             |
| AUX.....    | Auxiliary                                  | M(m).....    | Metric/Meter                    |
| AWG.....    | American Wire Gauge                        | MM(mm).....  | Milimeter                       |
| B/M.....    | Bill of Material                           | mA.....      | Miliamps                        |
| CAC.....    | Charge Air Cooler                          | NLA.....     | No Longer Available             |
| CE.....     | European Conformity                        | NPT.....     | National Pipe Threads           |
| CCW.....    | Counter Clockwise                          | NSS.....     | Not Sold Separately             |
| CM.....     | Centimeter                                 | OD.....      | Outside Diameter                |
| CW.....     | Clockwise                                  | ORB.....     | O-Ring Boss                     |
| CSA.....    | Canadian Standards Association             | ORFS.....    | O-Ring Face Seal                |
| CYL.....    | Cylinder                                   | OZ (oz)..... | Ounces                          |
| DIA.....    | Diameter                                   | PG.....      | Page                            |
| DC.....     | Direct Current                             | PN.....      | Part Number                     |
| DEF.....    | Diesel Exhaust Fluid                       | QT(qt.)..... | Quarts                          |
| EMS.....    | Emergency Stop                             | QTY.....     | Quantity                        |
| ENG.....    | Engine                                     | REF.....     | Reference                       |
| FT(ft)..... | Feet                                       | REV.....     | Revision Level                  |
| GA(Ga)..... | Gauge                                      | RH.....      | Right Hand                      |
| HRC.....    | High Rated Countries                       | SAE.....     | Society of Automotive Engineers |
| HVAC.....   | Heating, Ventilating, and Air Conditioning | SN.....      | Serial Number                   |
| HYD.....    | Hydraulic                                  | SPEC(S)..... | Specifications                  |
| Hz.....     | Hertz                                      | T/T.....     | Turntable                       |
| ID.....     | Inside Diameter                            | UGM.....     | Universal Ground Module         |
| IN.....     | inches                                     | V.....       | Volts                           |
| ISO.....    | International Organization for Standards   | W.....       | Watts                           |
| JIC.....    | Joint Industry Council                     | #.....       | Number                          |
| KG.....     | Kilogram                                   |              |                                 |

### 10) ILLUSTRATION REFERENCE LETTERS

When necessary, illustrations may contain reference letters that are intended to track information (i. e. hoses, harnesses) from one point to another or to track visual enlargement of components to show details that may be located in another area on the illustration.

*Note: Due to continuous product improvements, JLG Industries, Inc. reserves the right to make specification changes without prior notification. Contact JLG Industries, Inc. for updated information.*



# TABLE OF CONTENTS

|   |     |
|---|-----|
| SECTION 1 - FRAME.....  | 15  |
| FIGURE 1-1. AXLE INSTALLATION - FIXED.....  | 16  |
| FIGURE 1-2. AXLE INSTALLATION - OSCILLATING.....  | 18  |
| FIGURE 1-3. AXLE INSTALLATION - OSCILLATING WITH TOW PACKAGE.....   | 20  |
| FIGURE 1-4. STEER INSTALLATION - 2WS.....   | 22  |
| FIGURE 1-5. STEER INSTALLATION - 2WS WITH TOW PACKAGE.....  | 24  |
| FIGURE 1-6. STEER INSTALLATION - 4WS.....   | 26  |
| FIGURE 1-7. WHEEL DRIVE AND FRAME VALVES INSTALLATION - 2WD.....  | 28  |
| FIGURE 1-8. WHEEL DRIVE AND FRAME VALVES INSTALLATION - 4WD/2WS.....  | 30  |
| FIGURE 1-9. WHEEL DRIVE AND FRAME VALVES INSTALLATION - 4WD/4WS.....  | 32  |
| FIGURE 1-10. HUB ASSEMBLY - 2WD FRONT.....  | 34  |
| FIGURE 1-11. DRIVE HUB/BRAKE ASSEMBLY.....  | 36  |
| FIGURE 1-12. DRIVE MOTOR ASSEMBLY - 2WD.....  | 38  |
| FIGURE 1-13. DRIVE MOTOR ASSEMBLY - 4WD.....  | 40  |
| FIGURE 1-14. TIRE AND WHEEL INSTALLATION 18-625 NHS FOAM-FILLED TIRE.....   | 42  |
| FIGURE 1-15. TIRE AND WHEEL INSTALLATION 18-625 NHS FOAM-FILLED NON-MARKING TIRE.....   | 44  |
| FIGURE 1-16. TIRE AND WHEEL INSTALLATION 18-625 NHS FOAM-FILLED SAND TIRE.....  | 46  |
| FIGURE 1-17. LP TANK BRACKETS INSTALLATIONS.....  | 48  |
| FIGURE 1-18. FRAME SHIELDS INSTALLATION - 2WS.....  | 50  |
| FIGURE 1-19. FRAME SHIELDS INSTALLATION - 4WS.....  | 52  |
| FIGURE 1-20. TOW PACKAGE INSTALLATION - 2WS (ENGLISH LANGUAGE DECALS).....  | 54  |
| FIGURE 1-21. TOW PACKAGE INSTALLATION - 2WS (CE & UK CA SPECS).....   | 56  |
| FIGURE 1-22. TOW BAR ASSEMBLY.....  | 58  |
| SECTION 2 - TURNTABLE.....  | 61  |
| FIGURE 2-1. CONTROL VALVES INSTALLATION - WITH 2WS.....   | 62  |
| FIGURE 2-2. CONTROL VALVES INSTALLATION - WITH 4WS.....   | 64  |
| FIGURE 2-3. CONTROL VALVE ASSEMBLY - 2WS MACHINES.....  | 66  |
| FIGURE 2-4. CONTROL VALVE ASSEMBLY - 4WS MACHINES.....  | 70  |
| FIGURE 2-5. SWING DRIVE INSTALLATION.....   | 74  |
| FIGURE 2-6. SWING MOTOR/HUB ASSEMBLY.....   | 76  |
| FIGURE 2-7. TURNTABLE BEARING INSTALLATION.....   | 80  |
| FIGURE 2-8. TURNTABLE LOCK INSTALLATION.....  | 82  |
| FIGURE 2-9. ROTARY COUPLING INSTALLATION - 2WS MACHINES.....  | 84  |
| FIGURE 2-10. ROTARY COUPLING INSTALLATION - 4WS MACHINES.....   | 86  |
| FIGURE 2-11. TANK INSTALLATION - DIESEL MACHINE (FUEL TANK WITHOUT SIGHT GLASS) (HELGESEN 6IN DIA BREATHER HYDRAULIC TANK).....                     | 88  |
| FIGURE 2-12. TANK INSTALLATION - DIESEL MACHINE (FUEL TANK WITHOUT SIGHT GLASS) (JIANGYING 4IN DIA BREATHER HYDRAULIC TANK).....                    | 90  |
| FIGURE 2-13. TANK INSTALLATION - DIESEL MACHINE (FUEL TANK WITH SIGHT GLASS) (HELGESEN 6IN DIA BREATHER HYDRAULIC TANK).....                        | 92  |
| FIGURE 2-14. TANK INSTALLATION - DIESEL MACHINE (FUEL TANK WITH SIGHT GLASS) (JIANGYING 4IN DIA BREATHER HYDRAULIC TANK).....                       | 94  |
| FIGURE 2-15. TANK INSTALLATION - DIESEL MACHINE (47.8 GAL).....   | 96  |
| FIGURE 2-16. TANK INSTALLATION - GAS ENGINES (HELGESEN 6IN DIA BREATHER HYDRAULIC TANK).....  | 98  |
| FIGURE 2-17. TANK INSTALLATION - GAS ENGINES (JIANGYING 4IN DIA BREATHER HYDRAULIC TANK).....   | 100 |
| FIGURE 2-18. TANK INSTALLATION - GAS ENGINES (47.8 GAL).....  | 102 |
| FIGURE 2-19. HYDRAULIC TANK ASSEMBLY (HELGESEN 6IN DIA BREATHER HYDRAULIC TANK).....  | 104 |
| FIGURE 2-20. HYDRAULIC TANK ASSEMBLY (JIANGYING 4IN DIA BREATHER HYDRAULIC TANK).....   | 106 |
| FIGURE 2-21. AUXILIARY POWER INSTALLATION - WITHOUT BATTERY DISCONNECT.....   | 108 |
| FIGURE 2-22. AUXILIARY POWER INSTALLATION - WITH BATTERY DISCONNECT.....  | 110 |
| FIGURE 2-23. AUXILIARY POWER PUMP/MOTOR ASSEMBLY.....   | 112 |
| FIGURE 2-24. GROUND CONTROL BOX ASSEMBLY - WITH DEUTZ D2011 ENGINES - WITH DIGITAL DISPLAY (ANSI EXPORT LRC AND AUSTRALIAN SPECS).....              | 114 |
| FIGURE 2-25. GROUND CONTROL BOX ASSEMBLY - WITH DEUTZ D2011 ENGINES - WITH MECHANICAL HOUR METER (ANSI EXPORT LRC AND AUSTRALIAN SPECS).....        | 118 |
| FIGURE 2-26. GROUND CONTROL BOX ASSEMBLY - WITH DEUTZ D2011 AND TOWER STOW - WITH DIGITAL DISPLAY (ANSI EXPORT LRC AND AUSTRALIAN SPECS).....       | 122 |
| FIGURE 2-27. GROUND CONTROL BOX ASSEMBLY - WITH DEUTZ D2011 AND TOWER STOW - WITH MECHANICAL HOUR METER (ANSI EXPORT LRC AND AUSTRALIAN SPECS)..... | 126 |
| FIGURE 2-28. GROUND CONTROL BOX ASSEMBLY - WITH DEUTZ D2011 (CE & UK CA LRC SPECS).....   | 130 |
| FIGURE 2-29. GROUND CONTROL BOX ASSEMBLY - WITH DEUTZ D2011 AND WITH TOWER STOW (CE & UK CA LRC SPECS).....   | 134 |
| FIGURE 2-30. GROUND CONTROL BOX ASSEMBLY - WITH DEUTZ TD2.9L4 - WITH DIGITAL DISPLAY (ANSI SPECS).....  | 138 |

# TABLE OF CONTENTS

|  |     |
|--|-----|
| FIGURE 2-31. GROUND CONTROL BOX ASSEMBLY - WITH DEUTZ TD2.9L4 - WITH MECHANICAL HOUR METER (ANSI SPECS).....                 | 142 |
| FIGURE 2-32. GROUND CONTROL BOX ASSEMBLY - WITH DEUTZ TD2.9L4 AND TOWER STOW - WITH DIGITAL DISPLAY (ANSI SPECS) .....       | 146 |
| FIGURE 2-33. GROUND CONTROL BOX ASSEMBLY - WITH DEUTZ TD2.9L4 AND TOWER STOW - WITH MECHANICAL HOUR METER (ANSI SPECS) ..... | 150 |
| FIGURE 2-34. GROUND CONTROL BOX ASSEMBLY - WITH DEUTZ TD2.9L4 (STAGE V) (CE & UK CA SPECS).....                              | 154 |
| FIGURE 2-35. GROUND CONTROL BOX ASSEMBLY - WITH DEUTZ TD2.9L4 (STAGE V) AND WITH TOWER STOW (CE & UK CA SPECS).....          | 158 |
| FIGURE 2-36. GROUND CONTROL BOX ASSEMBLY - WITH FORD ENGINES - WITH DIGITAL DISPLAY.....                                     | 162 |
| FIGURE 2-37. GROUND CONTROL BOX ASSEMBLY - WITH FORD ENGINES - WITH MECHANICAL HOUR METER .....                              | 166 |
| FIGURE 2-38. GROUND CONTROL BOX ASSEMBLY - WITH FORD ENGINES AND TOWER STOW - WITH DIGITAL DISPLAY .....                     | 170 |
| FIGURE 2-39. GROUND CONTROL BOX ASSEMBLY - WITH FORD ENGINES AND TOWER STOW - WITH MECHANICAL HOUR METER .....               | 174 |
| FIGURE 2-40. LIGHT PANEL INSTALLATION.....   | 178 |
| FIGURE 2-41. ALARM INSTALLATION.....   | 180 |
| FIGURE 2-42. WHITE NOISE ALARM INSTALLATION - ADJUSTABLE AMBIENT .....   | 182 |
| FIGURE 2-43. WHITE NOISE MOTION ALARM INSTALLATION - AMBIENT .....   | 184 |
| FIGURE 2-44. STROBE LIGHT INSTALLATION (AMBER).....  | 186 |
| FIGURE 2-45. STROBE LIGHT INSTALLATION (BLUE) .....  | 188 |
| FIGURE 2-46. STROBE LIGHT INSTALLATION (RED).....  | 190 |
| FIGURE 2-47. SKYAIR AIR COMPRESSOR INSTALLATION (ANSI EXPORT AND CHINA SPECS) .....  | 192 |
| FIGURE 2-48. SKYAIR AIR COMPRESSOR INSTALLATION (ANSI AND CSA SPECS).....  | 194 |
| FIGURE 2-49. AIR COMPRESSOR ASSEMBLY.....  | 196 |
| FIGURE 2-50. HOODS INSTALLATION - ABS (DEUTZ D2011 ENGINES).....   | 200 |
| FIGURE 2-51. HOODS INSTALLATION - ABS (DEUTZ TD2.9L4 ENGINES AND DEUTZ TD2.9L4 (STAGE V PRE-BUY) ENGINES).....               | 204 |
| FIGURE 2-52. HOODS INSTALLATION - ABS (DEUTZ TD2.9L4 (STAGE V) ENGINES).....   | 208 |
| FIGURE 2-53. HOODS INSTALLATION - STEEL (DEUTZ D2011 ENGINES).....   | 212 |
| FIGURE 2-54. HOODS INSTALLATION - STEEL (DEUTZ TD2.9L4 ENGINES).....   | 216 |
| FIGURE 2-55. HOODS INSTALLATION - STEEL (FORD ENGINES).....  | 220 |
| FIGURE 2-56. EXHAUST COVER AND HEAT SHIELDS INSTALLATION - STEEL HOODS (DEUTZ D2011 ENGINES).....                            | 224 |
| FIGURE 2-57. EXHAUST COVER AND HEAT SHIELDS INSTALLATION - STEEL HOODS (DEUTZ TD2.9L4 ENGINES).....                          | 226 |
| FIGURE 2-58. EXHAUST COVER INSTALLATION - STEEL HOODS (FORD ENGINES) .....   | 228 |
| SECTION 3 - ENGINE.....  | 231 |
| FIGURE 3-1. DEUTZ D2011 ENGINE INSTALLATION (WITHOUT ARCTIC PACKAGE) .....   | 232 |
| FIGURE 3-2. DEUTZ D2011 ENGINE INSTALLATION (WITH ARCTIC PACKAGE).....   | 234 |
| FIGURE 3-3. DEUTZ D2011 ENGINE AND PUMP SUB-ASSEMBLY (WITHOUT ARCTIC PACKAGE) .....  | 238 |
| FIGURE 3-4. DEUTZ D2011 ENGINE AND PUMP SUB-ASSEMBLY (WITH ARCTIC PACKAGE).....  | 240 |
| FIGURE 3-5. DEUTZ D2011 ENGINE ASSEMBLY (WITHOUT ARCTIC PACKAGE).....  | 242 |
| FIGURE 3-6. DEUTZ D2011 ENGINE ASSEMBLY (WITH ARCTIC PACKAGE) .....  | 246 |
| FIGURE 3-7. DEUTZ D2011 ENGINE COMPONENTS.....   | 250 |
| FIGURE 3-8. DEUTZ TD2.9L4 ENGINE INSTALLATION (WITHOUT ARCTIC PACKAGE) .....   | 254 |
| FIGURE 3-9. DEUTZ TD2.9L4 ENGINE INSTALLATION (WITH ARCTIC PACKAGE).....   | 258 |
| FIGURE 3-10. DEUTZ TD2.9L4 ENGINE INSTALLATION (STAGE V).....  | 262 |
| FIGURE 3-11. DEUTZ TD2.9L4 ENGINE INSTALLATION (CHINA III SPECS) .....   | 266 |
| FIGURE 3-12. DEUTZ TD2.9L4 ENGINE INSTALLATION (CHINA IV SPECS).....   | 270 |
| FIGURE 3-13. DEUTZ TD2.9L4 ENGINE AND PUMP SUB-ASSEMBLY (WITHOUT ARCTIC PACKAGE) .....                                       | 274 |
| FIGURE 3-14. DEUTZ TD2.9L4 ENGINE AND PUMP SUB-ASSEMBLY (WITH ARCTIC PACKAGE).....   | 276 |
| FIGURE 3-15. DEUTZ TD2.9L4 ENGINE AND PUMP SUB-ASSEMBLY (STAGE V).....   | 278 |
| FIGURE 3-16. DEUTZ TD2.9L4 ENGINE AND PUMP SUB-ASSEMBLY (CHINA III SPECS) .....  | 280 |
| FIGURE 3-17. DEUTZ TD2.9L4 ENGINE AND PUMP SUB-ASSEMBLY (CHINA IV SPECS) (WITH DANFOSS PUMP).....                            | 282 |
| FIGURE 3-18. DEUTZ TD2.9L4 ENGINE AND PUMP SUB-ASSEMBLY (CHINA IV SPECS) (WITH HENGLI PUMP).....                             | 284 |
| FIGURE 3-19. DEUTZ TD2.9L4 ENGINE ASSEMBLY (WITHOUT ARCTIC PACKAGE) .....  | 286 |
| FIGURE 3-20. DEUTZ TD2.9L4 ENGINE ASSEMBLY (WITH ARCTIC PACKAGE).....  | 292 |
| FIGURE 3-21. DEUTZ TD2.9L4 ENGINE ASSEMBLY (STAGE V).....  | 298 |
| FIGURE 3-22. DEUTZ TD2.9L4 ENGINE ASSEMBLY (CHINA III SPECS) .....   | 304 |
| FIGURE 3-23. DEUTZ TD2.9L4 ENGINE ASSEMBLY (CHINA IV SPECS).....   | 310 |
| FIGURE 3-24. DEUTZ TD2.9L4 ENGINE COMPONENTS.....  | 316 |
| FIGURE 3-25. DEUTZ TD2.9L4 ENGINE COMPONENTS (STAGE V).....  | 320 |
| FIGURE 3-26. DEUTZ TD2.9L4 ENGINE COMPONENTS (CHINA III SPECS).....  | 324 |
| FIGURE 3-27. DEUTZ TD2.9L4 ENGINE COMPONENTS (CHINA IV SPECS).....   | 328 |
| FIGURE 3-28. FUEL PUMP/FILTER BRACKET ASSEMBLY (DEUTZ TD2.9L4 ENGINES).....  | 330 |
| FIGURE 3-29. FUEL PUMP/FILTER BRACKET ASSEMBLY (DEUTZ TD2.9L4 (STAGE V) ENGINES).....  | 332 |



# TABLE OF CONTENTS

|  |     |
|--|-----|
| FIGURE 3-30. FUEL PUMP/FILTER BRACKET ASSEMBLY (DEUTZ TD2.9L4 ENGINES) (CHINA III SPECS) .....   | 334 |
| FIGURE 3-31. BREATHER HEATER INST (DEUTZ TD2.9L4 ENGINES).....   | 336 |
| FIGURE 3-32. PUMP COUPLING KIT (DEUTZ ENGINES).....  | 338 |
| FIGURE 3-33. FORD ENGINE INSTALLATION (WITHOUT ARCTIC PACKAGE) .....   | 340 |
| FIGURE 3-34. FORD ENGINE INSTALLATION (WITH ARCTIC PACKAGE).....   | 344 |
| FIGURE 3-35. FORD ENGINE AND PUMP SUB-ASSEMBLY (WITHOUT ARCTIC PACKAGE).....   | 348 |
| FIGURE 3-36. FORD ENGINE AND PUMP SUB-ASSEMBLY (WITH ARCTIC PACKAGE).....  | 350 |
| FIGURE 3-37. FORD ENGINE ASSEMBLY (WITHOUT ARCTIC PACKAGE) .....   | 352 |
| FIGURE 3-38. FORD ENGINE ASSEMBLY (WITH ARCTIC PACKAGE).....   | 358 |
| FIGURE 3-39. FORD ENGINE DRIVE BELT INSTALLATION (MACHINES WITHOUT GENERATOR).....   | 364 |
| FIGURE 3-40. FORD ENGINE COMPONENTS.....   | 366 |
| FIGURE 3-41. FORD ENGINE PREP ASSEMBLY.....  | 370 |
| FIGURE 3-42. FORD ENGINE BRACKETS AND EXHAUST MANIFOLD INSTALLATION.....   | 372 |
| FIGURE 3-43. HYDROSTATIC PUMP ASSEMBLY.....  | 374 |
| FIGURE 3-44. VARIABLE PUMP ASSEMBLY - DANFOSS.....   | 376 |
| FIGURE 3-45. VARIABLE PUMP ASSEMBLY - HENGLI .....   | 380 |
| FIGURE 3-46. EXHAUST PIPE INSTALLATION - DEUTZ TD2.9L4 ENGINES AND DEUTZ TD2.9L4 (STAGE V PRE-BUY) ENGINES .....   | 382 |
| FIGURE 3-47. EXHAUST PIPE INSTALLATION - DEUTZ TD2.9L4 (STAGE V) ENGINES.....  | 384 |
| FIGURE 3-48. EXHAUST PIPE INSTALLATION - FORD ENGINES .....  | 386 |
| FIGURE 3-49. SPARK ARRESTOR MUFFLER INSTALLATION - DEUTZ D2011 ENGINES.....  | 388 |
| FIGURE 3-50. SPARK ARRESTOR MUFFLER INSTALLATION - DEUTZ TD2.9L4 ENGINES.....  | 390 |
| FIGURE 3-51. SPARK ARRESTOR MUFFLER INSTALLATION - FORD ENGINES .....  | 392 |
| FIGURE 3-52. FUEL-WATER SEPARATOR INSTALLATION - DEUTZ D2011 ENGINES.....  | 394 |
| FIGURE 3-53. FUEL-WATER SEPARATOR INSTALLATION - DEUTZ TD2.9L4 ENGINES.....  | 396 |
| FIGURE 3-54. RIGHT ENGINE SUPPORT INSTALLATION (DEUTZ D2011 ENGINES MACHINES WITHOUT GENERATORS).....  | 398 |
| FIGURE 3-55. RIGHT ENGINE SUPPORT INSTALLATION (DEUTZ D2011 ENGINES MACHINES WITH GENERATORS)....  | 400 |
| FIGURE 3-56. ENGINE HOOD Baffle INSTALLATION - DEUTZ TD2.9L4 ENGINES, DEUTZ TD2.9L4 (STAGE V PRE-BUY) ENGINES AND DEUTZ TD2.9L4 (STAGE V) ENGINES WITH ABS HOODS .....                         | 402 |
| FIGURE 3-57. ENGINE HOOD Baffle INSTALLATION - DEUTZ TD2.9L4 ENGINES WITH STEEL HOODS .....  | 404 |
| FIGURE 3-58. ENGINE TRAY JACK INSTALLATION - DEUTZ ENGINES.....  | 406 |
| FIGURE 3-59. ENGINE TRAY JACK INSTALLATION - FORD ENGINES.....   | 408 |
| FIGURE 3-60. 2500W/110V/60HZ GENERATOR INSTALLATION - DEUTZ D2011 ENGINES.....   | 410 |
| FIGURE 3-61. 2500W/110V/60HZ GENERATOR INSTALLATION - DEUTZ TD2.9L4 ENGINES.....   | 412 |
| FIGURE 3-62. 2500W/110V/60HZ GENERATOR INSTALLATION - FORD ENGINES .....   | 416 |
| FIGURE 3-63. 2500W/220V/50HZ GENERATOR INSTALLATION - DEUTZ D2011 ENGINES.....   | 420 |
| FIGURE 3-64. 4000W/50HZ GENERATOR INSTALLATION - DEUTZ D2011 ENGINES .....   | 422 |
| FIGURE 3-65. 4000W/50HZ GENERATOR INSTALLATION - DEUTZ TD2.9L4 ENGINES, DEUTZ TD2.9L4 (STAGE V PRE-BUY) ENGINES AND DEUTZ TD2.9L4 (STAGE V) ENGINES.....                                       | 426 |
| FIGURE 3-66. 4000W/60HZ GENERATOR INSTALLATION - DEUTZ D2011 ENGINES .....   | 430 |
| FIGURE 3-67. 4000W/60HZ GENERATOR INSTALLATION - DEUTZ TD2.9L4 ENGINES.....  | 434 |
| FIGURE 3-68. 7500W/50HZ SKYPOWER GENERATOR INSTALLATION - DEUTZ D2011 ENGINES.....   | 438 |
| FIGURE 3-69. 7500W/50HZ SKYPOWER GENERATOR INSTALLATION - DEUTZ TD2.9L4 ENGINES, DEUTZ TD2.9L4 (STAGE V PRE-BUY) ENGINES AND DEUTZ TD2.9L4 (STAGE V) ENGINES.....                              | 442 |
| FIGURE 3-70. 7500W/60HZ SKYPOWER GENERATOR INSTALLATION - DEUTZ D2011 ENGINES.....   | 446 |
| FIGURE 3-71. 7500W/60HZ SKYPOWER GENERATOR INSTALLATION - DEUTZ TD2.9L4 ENGINES.....   | 450 |
| FIGURE 3-72. 7500W/60HZ SKYPOWER GENERATOR INSTALLATION - FORD ENGINES.....  | 454 |
| SECTION 4 - BOOM.....  | 459 |
| FIGURE 4-1. BOOM INSTALLATION - WITHOUT ARCTIC PACKAGE (Prior to SN 0300288879, SN 0300288881 through 0300289013, SN 0300289020 through 0300289215, SN 0300289220 through 0300291403).....     | 460 |
| FIGURE 4-2. BOOM AND CYLINDER INSTALLATION - WITHOUT ARCTIC PACKAGE (SN 0300289014 through 0300289019, SN 0300289216 through 0300289219, SN 0300291404 to Present, Including 0300288880) ..... | 462 |
| FIGURE 4-3. BOOM INSTALLATION - WITH ARCTIC PACKAGE (Prior to SN 0300288879, SN 0300288881 through 0300289013, SN 0300289020 through 0300289215, SN 0300289220 through 0300291403).....        | 464 |
| FIGURE 4-4. BOOM AND CYLINDER INSTALLATION - WITH ARCTIC PACKAGE (SN 0300289014 through 0300289019, SN 0300289216 through 0300289219, SN 0300291404 to Present, Including 0300288880) .....    | 466 |
| FIGURE 4-5. BOOM ASSEMBLY - MAIN (WITHOUT ARCTIC PACKAGE).....   | 468 |
| FIGURE 4-6. BOOM ASSEMBLY - MAIN (WITH ARCTIC PACKAGE).....  | 470 |
| FIGURE 4-7. TOWER BOOM ASSEMBLY (Prior to SN 0300288872).....  | 472 |
| FIGURE 4-8. TOWER BOOM ASSEMBLY (SN 0300288872 to Present) .....   | 474 |
| FIGURE 4-9. JIB ASSEMBLY.....  | 476 |
| FIGURE 4-10. ROTATOR ASSEMBLY .....  | 478 |
| FIGURE 4-11. SUPPORT, PLATFORM INSTALLATION.....   | 480 |
| FIGURE 4-12. BOOM VALVES AND PROXIMITY SWITCHES INSTALLATION.....  | 482 |

# TABLE OF CONTENTS

|  |     |
|--|-----|
| FIGURE 4-13. BOOM VALVES AND PROXIMITY SWITCHES INSTALLATION WITH TOWER STOW .....                       | 484 |
| FIGURE 4-14. CONTROL VALVES INSTALLATION - WITH 2WS.....   | 486 |
| FIGURE 4-15. CONTROL VALVES INSTALLATION - WITH 4WS.....   | 488 |
| FIGURE 4-16. BOOM VALVE ASSEMBLY .....   | 490 |
| FIGURE 4-17. CONTROL VALVE ASSEMBLY .....  | 492 |
| FIGURE 4-18. POWER TRACK INSTALLATION - MAIN BOOM.....   | 494 |
| FIGURE 4-19. POWER TRACK INSTALLATION - TOWER BOOM WITHOUT ARCTIC PACKAGE .....                          | 496 |
| FIGURE 4-20. POWER TRACK INSTALLATION - TOWER BOOM WITH ARCTIC PACKAGE .....                             | 498 |
| FIGURE 4-21. TRANSPORT POSITION SWITCH INSTALLATION .....  | 500 |
| FIGURE 4-22. UPRIGHT TILT SENSOR INSTALLATION.....   | 502 |
| <br>   |     |
| SECTION 5 - PLATFORM .....   | 505 |
| <br>   |     |
| FIGURE 5-1. PLATFORM ASSEMBLY WITH DROP-BAR - 30IN X 3FT (76CM X 1M) .....                               | 506 |
| FIGURE 5-2. PLATFORM ASSEMBLY WITH GATE - 30IN X 4FT (76CM X 1.22M) .....                                | 508 |
| FIGURE 5-3. PLATFORM ASSEMBLY WITH DROP-BAR - 30IN X 4FT (76CM X 1.22M) .....                            | 510 |
| FIGURE 5-4. PLATFORM ASSEMBLY WITH GATE - 30IN X 6FT (76CM X 1.83M) .....                                | 512 |
| FIGURE 5-5. PLATFORM ASSEMBLY WITH GATE- 36IN X 6FT (91.5CM X 1.83M) .....                               | 514 |
| FIGURE 5-6. PLATFORM ASSEMBLY WITH DROP-BAR - 30IN X 6FT (76CM X 1.83M) .....                            | 516 |
| FIGURE 5-7. PLATFORM ASSEMBLY WITH DROP-BAR - 36IN X 6FT (91.5CM X 1.83M) .....                          | 518 |
| FIGURE 5-8. PLATFORM ASSEMBLY WITH 1 GATE / 2 DROP BARS (TRI-ENTRY) - 36IN X 6FT (91.5CM X 1.83M) .....  | 520 |
| FIGURE 5-9. PLATFORM ASSEMBLY WITH 3 DROP BARS (TRI-ENTRY) - 36IN X 6FT (91.5CM X 1.83M).....            | 522 |
| FIGURE 5-10. PLATFORM ASSEMBLY WITH FALL ARREST (6FT).....   | 524 |
| FIGURE 5-11. PLATFORM ASSEMBLY WITH GATE - 36IN X 8FT (91.5CM X 2.44M) .....                             | 526 |
| FIGURE 5-12. PLATFORM ASSEMBLY WITH DROP-BAR - 36IN X 8FT (91.5CM X 2.44M) .....                         | 528 |
| FIGURE 5-13. PLATFORM ASSEMBLY WITH 1 GATE / 2 DROP BARS (TRI-ENTRY) - 36IN X 8FT (91.5CM X 2.44M) ..... | 530 |
| FIGURE 5-14. PLATFORM ASSEMBLY WITH 3 DROP BARS (TRI-ENTRY) - 36IN X 8FT (91.5CM X 2.44M).....           | 532 |
| FIGURE 5-15. PLATFORM ASSEMBLY WITH FALL ARREST (8FT).....   | 534 |
| FIGURE 5-16. CONSOLE AND FOOT SWITCH INSTALLATION .....  | 536 |
| FIGURE 5-17. CONSOLE AND FOOT SWITCH INSTALLATION WITH TOWER STOW .....                                  | 538 |
| FIGURE 5-18. CONSOLE BOX ASSEMBLY WITH FOOTSWITCH .....  | 540 |
| FIGURE 5-19. CONSOLE BOX ASSEMBLY WITH FOOTSWITCH WITH TOWER STOW .....                                  | 544 |
| FIGURE 5-20. CONTROLLER ASSEMBLY- DRIVE/STEER.....   | 548 |
| FIGURE 5-21. CONTROLLER ASSEMBLY - LIFT/SWING .....  | 550 |
| FIGURE 5-22. FOOTSWITCH ASSEMBLY .....   | 554 |
| FIGURE 5-23. JIB SWITCH INSTALLATION - 800AJ.....  | 556 |
| FIGURE 5-24. LIGHT PANEL INSTALLATION .....  | 558 |
| FIGURE 5-25. STEER SWITCH INSTALLATION - 4WS .....   | 560 |
| FIGURE 5-26. FALL ARREST INSTALLATION (BOLT-ON) 30IN X 4FT (76CM X 1.22M) PLATFORM .....                 | 562 |
| FIGURE 5-27. FALL ARREST INSTALLATION (BOLT-ON) 36IN X 6FT (91.2CM X 1.82M) PLATFORM .....               | 564 |
| FIGURE 5-28. FALL ARREST INSTALLATION (BOLT-ON) 30IN X 6FT (76CM X 1.83M) PLATFORM .....                 | 566 |
| FIGURE 5-29. FALL ARREST INSTALLATION (BOLT-ON) 36IN X 8FT (91.5CM X 2.4M) PLATFORM .....                | 568 |
| FIGURE 5-30. FALL ARREST INSTALLATION (BOLT-ON) 36IN X 6FT (91.5CM X 1.82M) TRI-ENTRY PLATFORM).....     | 570 |
| FIGURE 5-31. SKYCUTTER INSTALLATION.....   | 572 |
| FIGURE 5-32. PLASMA CUTTER ASSEMBLY .....  | 574 |
| FIGURE 5-33. SKYEYE INSTALLATION.....  | 576 |
| FIGURE 5-34. SKYGLAZIER INSTALLATION (ENGLISH LANGUAGE DECALS).....                                      | 578 |
| FIGURE 5-35. SKYGLAZIER INSTALLATION (SPANISH LANGUAGE DECALS).....                                      | 580 |
| FIGURE 5-36. SKYGLAZIER INSTALLATION (PORTUGUESE LANGUAGE DECALS) .....                                  | 582 |
| FIGURE 5-37. SKYGUARD BAR INSTALLATION.....  | 584 |
| FIGURE 5-38. SKYLINE INSTALLATION.....   | 586 |
| FIGURE 5-39. SKYWELDER INSTALLATION (50HZ).....  | 588 |
| FIGURE 5-40. SKYWELDER INSTALLATION (60HZ).....  | 590 |
| FIGURE 5-41. SKYWELDER/SKYCUTTER COMBO INSTALLATION (60HZ).....  | 592 |
| FIGURE 5-42. WELDER ASSEMBLY .....   | 596 |
| FIGURE 5-43. SKYWELDER PREP PACKAGE (60HZ).....  | 598 |
| FIGURE 5-44. SOFT TOUCH SYSTEM INSTALLATION - 6FT/1.83M PLATFORM .....                                   | 600 |
| FIGURE 5-45. SOFT TOUCH SYSTEM INSTALLATION - 6FT/1.83M FALL ARREST PLATFORM .....                       | 602 |
| FIGURE 5-46. SOFT TOUCH SYSTEM INSTALLATION - 8FT/2.44M PLATFORM .....                                   | 604 |
| FIGURE 5-47. SOFT TOUCH SYSTEM INSTALLATION - 8FT/2.44M FALL ARREST PLATFORM .....                       | 606 |
| FIGURE 5-48. STORAGE TRAY INSTALLATION - CENTER .....  | 608 |
| FIGURE 5-49. USB CHARGER INSTALLATION.....   | 610 |
| <br>   |     |
| SECTION 6 - CYLINDER.....  | 613 |
| <br>   |     |
| FIGURE 6-1. AXLE LOCKOUT CYLINDER ASSEMBLY.....  | 614 |

# TABLE OF CONTENTS

|  |            |
|--|------------|
| FIGURE 6-2. LEVEL CYLINDER ASSEMBLY - PLATFORM SLAVE (Prior to SN 0300288879, SN 0300288881 through 0300289013, SN 0300289020 through 0300289215, SN 0300289220 through 0300291403)..... | 616        |
| FIGURE 6-3. LEVEL (SLAVE) CYLINDER ASSEMBLY - JIB (SN 0300289014 through 0300289019, SN 0300289216 through 0300289219, SN 0300291404 to Present, Including 0300288880) .....             | 618        |
| FIGURE 6-4. LEVEL CYLINDER ASSEMBLY - UPRIGHT .....  | 620        |
| FIGURE 6-5. LIFT CYLINDER ASSEMBLY - JIB .....   | 622        |
| FIGURE 6-6. LIFT CYLINDER ASSEMBLY - MAIN BOOM .....   | 624        |
| FIGURE 6-7. LIFT CYLINDER ASSEMBLY - TOWER BOOM.....   | 626        |
| FIGURE 6-8. MASTER CYLINDER ASSEMBLY (Prior to SN 0300288879, SN 0300288881 through 0300289013, SN 0300289020 through 0300289215, SN 0300289220 through 0300291403).....                 | 628        |
| FIGURE 6-9. MASTER CYLINDER ASSEMBLY (SN 0300289014 through 0300289019, SN 0300289216 through 0300289219, SN 0300291404 to Present, Including 0300288880) .....                          | 630        |
| FIGURE 6-10. STEER CYLINDER ASSEMBLY.....  | 632        |
| FIGURE 6-11. TELESCOPE CYLINDER ASSEMBLY - MAIN BOOM .....   | 634        |
| FIGURE 6-12. TELESCOPE CYLINDER ASSEMBLY - TOWER BOOM (Prior to SN 0300288872).....  | 636        |
| FIGURE 6-13. TELESCOPE CYLINDER ASSEMBLY - TOWER BOOM (SN 0300288872 to Present) .....   | 638        |
| <b>SECTION 7 - HYDRAULIC .....</b>   | <b>641</b> |
| FIGURE 7-1. HYDRAULIC DIAGRAM - AXLE (OSCILLATING) .....   | 642        |
| FIGURE 7-2. HYDRAULIC DIAGRAM - DRIVE (2WD/2WS WITHOUT TOW PACKAGE) .....  | 644        |
| FIGURE 7-3. HYDRAULIC DIAGRAM - DRIVE (2WD/2WS WITH TOW PACKAGE).....  | 648        |
| FIGURE 7-4. HYDRAULIC DIAGRAM - DRIVE (4WD/2WS WITHOUT TOW PACKAGE/WITHOUT ARCTIC PACKAGE) .....   | 654        |
| FIGURE 7-5. HYDRAULIC DIAGRAM - DRIVE (4WD/2WS WITHOUT TOW PACKAGE/WITH ARCTIC PACKAGE).....   | 660        |
| FIGURE 7-6. HYDRAULIC DIAGRAM - DRIVE (4WD/2WS WITH TOW PACKAGE/WITHOUT ARCTIC PACKAGE).....   | 666        |
| FIGURE 7-7. HYDRAULIC DIAGRAM - DRIVE (4WD/2WS WITH TOW PACKAGE/WITH ARCTIC PACKAGE) .....   | 672        |
| FIGURE 7-8. HYDRAULIC DIAGRAM - DRIVE (4WD/4WS WITHOUT TOW PACKAGE/WITHOUT ARCTIC PACKAGE) .....   | 678        |
| FIGURE 7-9. HYDRAULIC DIAGRAM - DRIVE (4WD/4WS WITHOUT TOW PACKAGE/WITH ARCTIC PACKAGE).....   | 684        |
| FIGURE 7-10. HYDRAULIC DIAGRAM - STANDARD 800AJ.....   | 690        |
| <b>SECTION 8 - ELECTRICAL.....</b>   | <b>695</b> |
| FIGURE 8-1. 800AJ ELECTRICAL LAYOUT.....   | 696        |
| FIGURE 8-2. AC BOX AT PLATFORM INSTALLATION - 110V GFI RECEPTACLE (ALL SPECS EXCEPT AUSTRALIAN, CE & UK CA SPECS) .....  | 710        |
| FIGURE 8-3. AC BOX AT PLATFORM INSTALLATION - 220V (ANSI, CSA & JAPANESE SPECS) .....  | 712        |
| FIGURE 8-4. AC BOX AT PLATFORM MID-BOOM PLUG INSTALLATION (WITH 4000W/60HZ GENERATOR) (ANSI, ANSI EXPORT, CHINA, CSA & JAPANESE SPECS) .....   | 714        |
| FIGURE 8-5. AC BOX AT PLATFORM MID-BOOM PLUG INSTALLATION (WITHOUT 7500W SKYPOWER GENERATOR) (ALL SPECS EXCEPT ANSI & CSA SPECS).....  | 716        |
| FIGURE 8-6. AC BOX AT PLATFORM MID-BOOM PLUG INSTALLATION (WITH 7500W SKYPOWER GENERATOR).....   | 718        |
| FIGURE 8-7. AC BOX AT PLATFORM INSTALLATION - 110V IEC YELLOW (CE & UK CA SPECS) (MACHINES WITH 2500W GENERATOR OR NO GENERATOR OPTION) .....  | 720        |
| FIGURE 8-8. AC BOX AT PLATFORM INSTALLATION - 110V IEC YELLOW (CE & UK CA SPECS) (MACHINES WITH 4000W GENERATOR).....  | 722        |
| FIGURE 8-9. AC BOX AT PLATFORM INSTALLATION - 220V IEC BLUE (CE & UK CA SPECS) (MACHINES WITH 2500W GENERATOR OR NO GENERATOR OPTION).....   | 724        |
| FIGURE 8-10. AC BOX AT PLATFORM INSTALLATION - 220V IEC BLUE (CE & UK CA SPECS) (MACHINES WITH 4000W GENERATOR).....   | 726        |
| FIGURE 8-11. AC BOX AT PLATFORM INSTALLATION - 220V CEE7 POST GROUND (CE & UK CA SPECS) (MACHINES WITH 2500W GENERATOR OR NO GENERATOR OPTION) .....                                     | 728        |
| FIGURE 8-12. AC BOX AT PLATFORM INSTALLATION - 220V CEE7 POST GROUND (CE & UK CA SPECS) (MACHINES WITH 4000W GENERATOR) .....  | 730        |
| FIGURE 8-13. AC BOX AT PLATFORM INSTALLATION - 220V CEE7 SIDE GROUND (CE & UK CA SPECS) (MACHINES WITH 2500W GENERATOR OR NO GENERATOR OPTION) .....                                     | 732        |
| FIGURE 8-14. AC BOX AT PLATFORM INSTALLATION - 220V CEE7 SIDE GROUND (CE & UK CA SPECS) (MACHINES WITH 4000W GENERATOR) .....  | 734        |
| FIGURE 8-15. AC BOX AT PLATFORM INSTALLATION - 220V AFSINT 107 KEYED GROUND (CE & UK CA SPECS) (MACHINES WITH 2500W GENERATOR OR NO GENERATOR OPTION) .....                              | 736        |
| FIGURE 8-16. AC BOX AT PLATFORM INSTALLATION - 220V AFSINT 107 KEYED GROUND (CE & UK CA SPECS) (MACHINES WITH 4000W GENERATOR) .....   | 738        |
| FIGURE 8-17. AC BOX AT PLATFORM INSTALLATION - 220V (2X4 BOX & COVER ONLY - LOCALLY SUPPLIED RECEPTACLE) (4000W GENERATOR) .....   | 740        |
| FIGURE 8-18. AC BOX AT PLATFORM INSTALLATION - 240V GFCI RECEPTACLE (ANSI, ANSI EXPORT AND CSA SPECS WITH 4000W SKYPOWER GENERATOR).....   | 742        |
| FIGURE 8-19. AC BOX AT PLATFORM INSTALLATION - 240V GFCI RECEPTACLE (ANSI AND CSA SPECS WITH 7500W SKYPOWER GENERATOR) .....   | 744        |

# TABLE OF CONTENTS

|   |         |
|---|---------|
| FIGURE 8-20. BEACON CONTROL HARNESS (BLUE AND RED STROBE LIGHTS) .....  | 746     |
| FIGURE 8-21. BATTERY DISCONNECT SWITCH INSTALLATION .....   | 748     |
| FIGURE 8-22. BOOM CABLES INSTALLATION - WITH 2500W GENERATOR OR NO GENERATOR OPTION (ANSI & CSA SPECS).....                                       | 750     |
| FIGURE 8-23. BOOM CABLES INSTALLATION - WITH 2500W GENERATOR OR NO GENERATOR OPTION (CE & UK CA SPECS).....                                       | 752     |
| FIGURE 8-24. BOOM CABLES INSTALLATION - WITH 2500W GENERATOR OR NO GENERATOR OPTION (ANSI EXPORT, AUSTRALIAN, CHINA & JAPANESE SPECS) .....       | 754     |
| FIGURE 8-25. BOOM CABLES INSTALLATION - WITH 2500W GENERATOR OR NO GENERATOR OPTION & ARCTIC PACKAGE (ANSI, ANSI EXPORT, CHINA & CSA SPECS) ..... | 756     |
| FIGURE 8-26. BOOM CABLES INSTALLATION - WITH 4000W GENERATOR (ALL SPECS) .....  | 758     |
| FIGURE 8-27. BOOM CABLES INSTALLATION - WITH 7500W SKYPOWER GENERATOR (ALL SPECS EXCEPT CE & UK CA SPECS).....                                    | 760     |
| FIGURE 8-28. BOOM CABLES INSTALLATION - WITH 7500W SKYPOWER GENERATOR (CE & UK CA SPECS).....   | 762     |
| FIGURE 8-29. BOOM CABLES INSTALLATION - WITH 7500W SKYPOWER GENERATOR & ARCTIC PACKAGE (ANIT, ANSI EXPORT, CHINA & CSA SPECS) .....               | 764     |
| FIGURE 8-30. BOOM CABLES INSTALLATION - WITH 7500W SKYPOWER GENERATOR AND COMMUNICATION CABLES (ANSI SPECS) .....                                 | 766     |
| FIGURE 8-31. BOOM CABLE - MAIN BOOM (WITH ARCTIC PACKAGE).....  | 768     |
| FIGURE 8-32. BOOM CABLE - MAIN BOOM.....  | 770     |
| FIGURE 8-33. BOOM CABLE - TOWER BOOM WITHOUT ARCTIC PACKAGE .....   | 772     |
| FIGURE 8-34. BOOM CABLE - TOWER BOOM WITH ARCTIC PACKAGE.....   | 774     |
| FIGURE 8-35. BOOM VALVE HARNESS.....  | 776     |
| FIGURE 8-36. BREAKER BOX INSTALLATION (BRAZIL SPECS).....   | 778     |
| FIGURE 8-37. BREAKER BOX INSTALLATION (CE & UK CA SPECS WITHOUT 4000W GENERATOR) .....  | 780     |
| FIGURE 8-38. BREAKER BOX KIT - ONE DOUBLE 16AMP BREAKER (BRAZIL SPECS, CE & UK CA SPECS WITHOUT 4000W GENERATOR).....                             | 782     |
| FIGURE 8-39. BREAKER BOX KIT - ONE DOUBLE 16AMP BREAKER (CE & UK CA SPECS WITH 4000W GENERATOR) ..  | 784     |
| FIGURE 8-40. ENGINE HARNESS - DEUTZ D2011 ENGINES.....  | 786     |
| FIGURE 8-41. ENGINE HARNESS - DEUTZ TD2.9L4 ENGINES.....  | 788     |
| FIGURE 8-42. ENGINE HARNESS - DEUTZ TD2.9L4 ENGINES AND DEUTZ TD2.9L4 (STAGE V PRE-BUY) ENGINES.....  | 790     |
| FIGURE 8-43. ENGINE HARNESS - DEUTZ TD2.9L4 (STAGE V) ENGINES.....  | 794     |
| FIGURE 8-44. ENGINE HARNESS - FORD ENGINES .....  | 798     |
| FIGURE 8-45. FUEL PUMP HARNESS - DEUTZ TD2.9L4 ENGINES.....   | 800     |
| FIGURE 8-46. FUEL HARNESS - DEUTZ TD2.9L4 (STAGE V) ENGINE.....   | 802     |
| FIGURE 8-47. GENERATOR HARNESS - 4000W GENERATOR.....   | 804     |
| FIGURE 8-48. GENERATOR HARNESS - 7500W SKYPOWER GENERATOR.....  | 806     |
| FIGURE 8-49. GENERATOR TO ENGINE HARNESS - 2500W (FORD ENGINES).....  | 808     |
| FIGURE 8-50. GENERATOR TO ENGINE HARNESS - 4000W (DEUTZ D2011 ENGINES).....   | 810     |
| FIGURE 8-51. GENERATOR TO ENGINE HARNESS - 4000W (DEUTZ TD2.9L4 ENGINES).....   | 812     |
| FIGURE 8-52. GENERATOR TO ENGINE HARNESS - 7500W SKYPOWER GENERATOR (DEUTZ D2011 ENGINES) .....   | 814     |
| FIGURE 8-53. GENERATOR TO ENGINE HARNESS - 7500W SKYPOWER (FORD DF 2.5L ENGINES).....   | 816     |
| FIGURE 8-54. GENERATOR HARNESS - 7500W SKYPOWER (DEUTZ TD2.9L4 T4F ENGINES) .....   | 818     |
| FIGURE 8-55. GENERATOR TO REAR OF BOOM HARNESS - 110V .....   | 820     |
| FIGURE 8-56. GENERATOR TO REAR OF BOOM HARNESS - 220V .....   | 822     |
| FIGURE 8-57. GROUND CONTROL BOX HARNESS .....   | 824     |
| FIGURE 8-58. PLATFORM CONSOLE BOX HARNESS.....  | 828     |
| FIGURE 8-59. RECEPTACLE BOX KIT - 110V IEC YELLOW (CE & UK CA SPECS).....   | 830     |
| FIGURE 8-60. RECEPTACLE BOX KIT - 220V IEC BLUE (CE & UK CA SPECS).....   | 832     |
| FIGURE 8-61. RECEPTACLE BOX KIT - 220V CEE7 POST GROUND 2X4 BOX (CE & UK CA SPECS).....   | 834     |
| FIGURE 8-62. RECEPTACLE BOX KIT - 220V CEE7 SIDE GROUND 2X4 BOX (CE & UK CA SPECS).....   | 836     |
| FIGURE 8-63. RECEPTACLE BOX KIT - 220V AFSINT107 KEYED GROUND (CE & UK CA SPECS).....   | 838     |
| FIGURE 8-64. RECEPTACLE/BREAKER BOX ASSEMBLY - 240V (7500W SKYPOWER GENERATORS) (ANSI, ANSI EXPORT AND CSA SPECS).....                            | 840     |
| FIGURE 8-65. SKYEYE EMITTER HARNESS .....   | 842     |
| FIGURE 8-66. SKYEYE INTERMEDIATE HARNESS .....  | 844     |
| FIGURE 8-67. SKYEYE RECEIVER HARNESS.....   | 846     |
| FIGURE 8-68. SKYLINE HARNESS.....   | 848     |
| FIGURE 8-69. SKYGUARD INTERFACE HARNESS.....  | 850     |
| FIGURE 8-70. VALVE HARNESS.....   | 852     |
| FIGURE 8-71. WHITE NOISE ALARM HARNESS .....  | 854     |
| <br>SECTION 9 - DECALS .....  | <br>857 |
| FIGURE 9-1. DECAL INSTALLATION - ANSI SPECS.....  | 858     |
| FIGURE 9-2. DECAL INSTALLATION - AUSTRALIAN SPECS.....  | 860     |
| FIGURE 9-3. DECAL INSTALLATION - BRAZILIAN SPECS .....  | 862     |

## TABLE OF CONTENTS

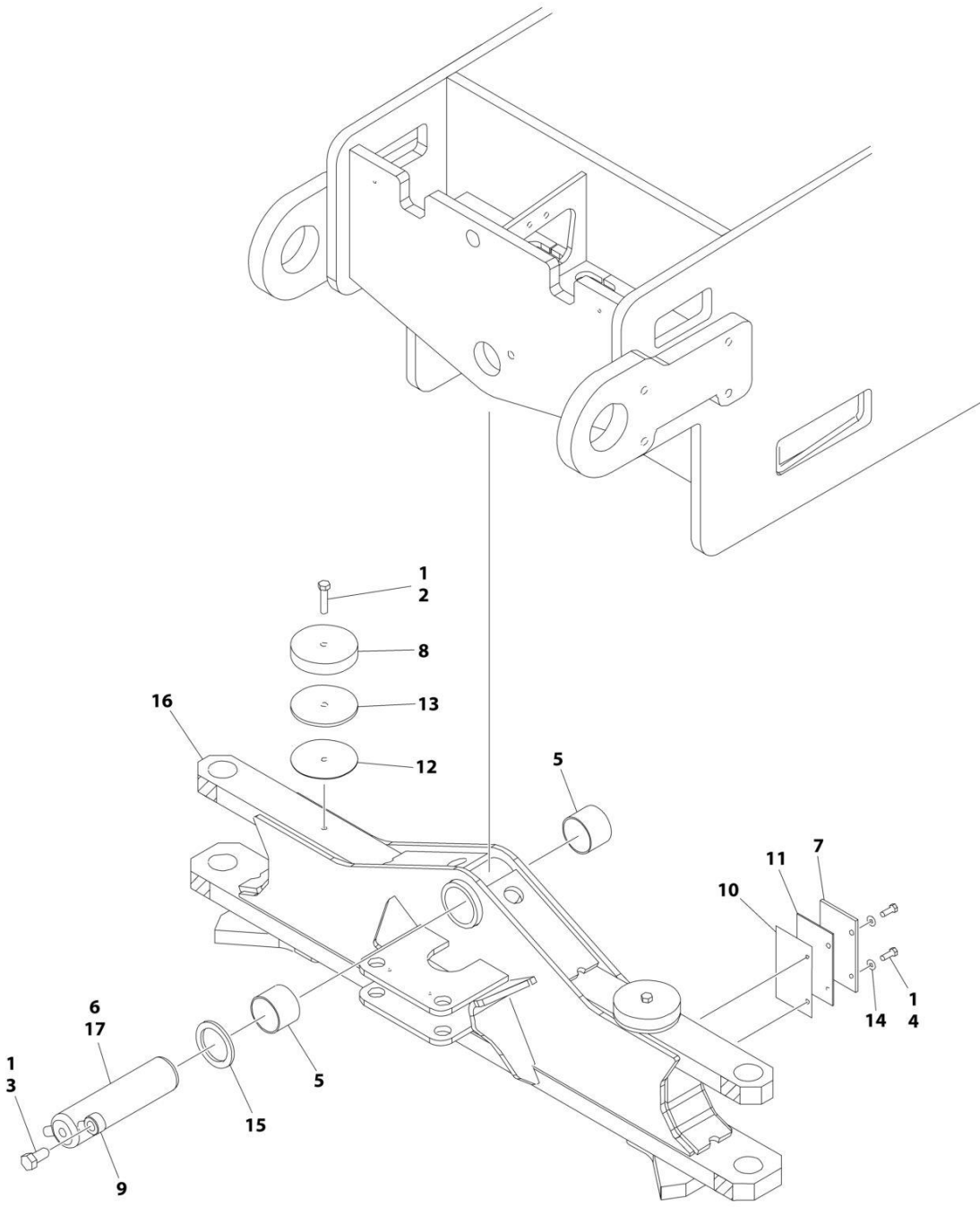
|   |     |
|---|-----|
| FIGURE 9-4. DECAL INSTALLATION - CE & UK CA SPECS .....     | 864 |
| FIGURE 9-5. DECAL INSTALLATION - CHINESE SPECS.....         | 866 |
| FIGURE 9-6. DECAL INSTALLATION - CSA SPECS.....             | 868 |
| FIGURE 9-7. DECAL INSTALLATION - JAPANESE SPECS.....        | 870 |
| FIGURE 9-8. DECAL INSTALLATION - KOREAN SPECS .....         | 872 |
| FIGURE 9-9. DECAL INSTALLATION - LATIN AMERICAN SPECS ..... | 874 |
| FIGURE 9-10. DECAL INSTALLATION - OPTIONS .....             | 876 |
| FIGURE 9-11. SKYCUTTER DECAL INSTALLATION.....              | 880 |
| FIGURE 9-12. SKYWELDER DECAL INSTALLATION - 50HZ .....      | 882 |
| FIGURE 9-13. SKYWELDER DECAL INSTALLATION - 60HZ .....      | 884 |
| SECTION 10 - RECOMMENDED SERVICE PARTS STOCK.....           | 887 |
| FIGURE 10-1. RECOMMENDED SERVICE PARTS STOCK .....          | 888 |
| SECTION 11 - SPECIAL OPTIONS/ACCESSORIES/KITS .....         | 891 |
| FIGURE 11-1. SPECIAL OPTIONS/ACCESSORIES/KITS .....         | 892 |
| PART NUMBER INDEX.....                                      | 897 |



**SECTION 1 - FRAME**

# SECTION 1 - FRAME

## FIGURE 1-1. AXLE INSTALLATION - FIXED



ART\_1001151037



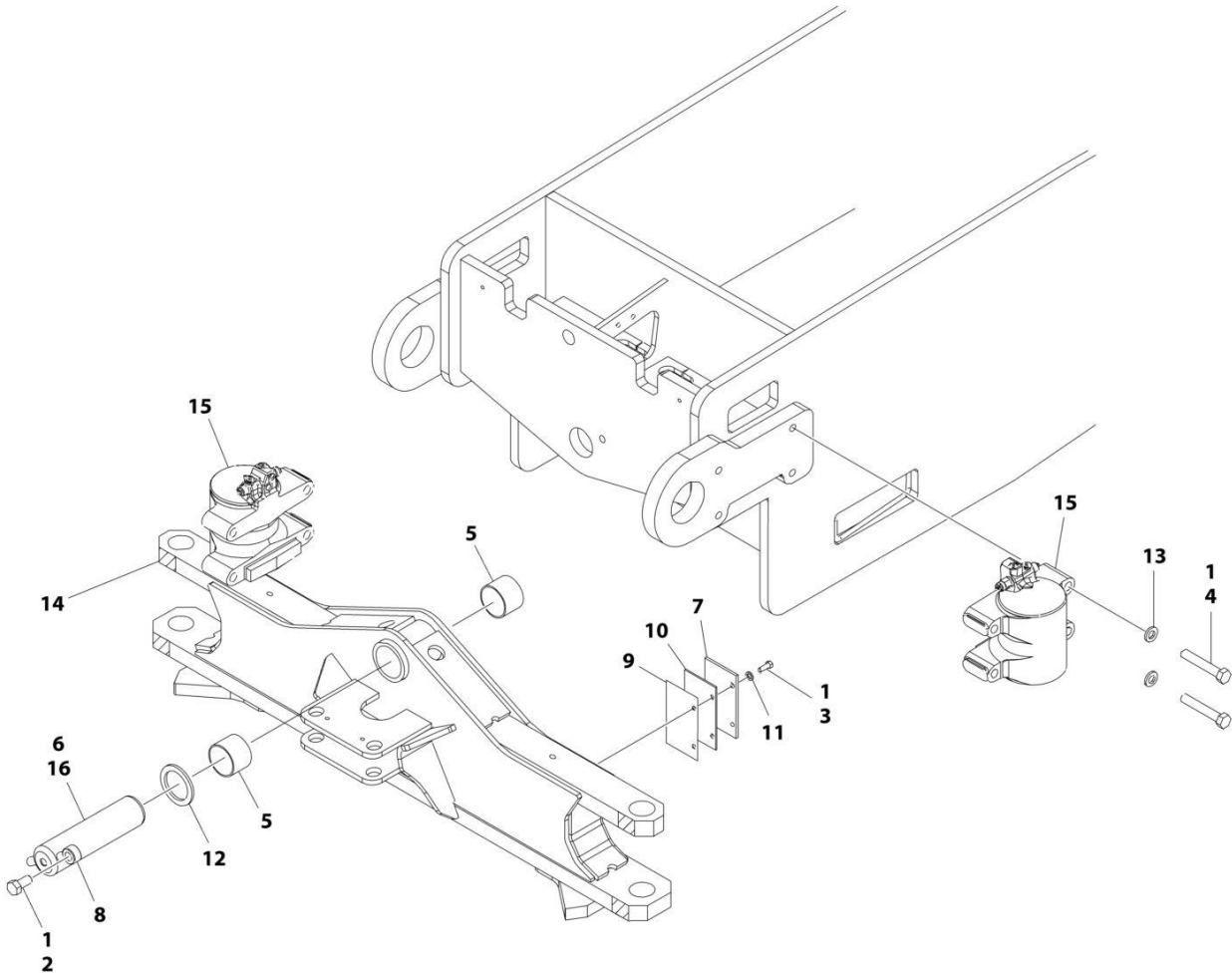
# SECTION 1 - FRAME

## FIGURE 1-1. AXLE INSTALLATION - FIXED

| ITEM | PART NUMBER | QTY | DESCRIPTION             | REV |
|------|-------------|-----|-------------------------|-----|
|      | 1001151037  | Ref | FIXED AXLE INSTALLATION | C   |
| 1    | 0100011     | AR  | Compound, Locking       |     |
| 2    | 0641818     | 2   | Bolt 1/2 x 2-1/4        |     |
| 3    | 0642212     | 1   | Bolt 3/4 x 1-1/2        |     |
| 4    | 0681608     | 4   | Bolt 3/8 x 1 Grade 8    |     |
| 5    | 0962102     | 2   | Bushing                 |     |
| 6    | 3020039     | AR  | Lubricant               |     |
| 7    | 3538047     | 2   | Shim, Wear              |     |
| 8    | 3539877     | 2   | Plate, Stop             |     |
| 9    | 3841287     | 1   | Keeper, Pin             |     |
| 10   | 4070878     | AR  | Shim 1/16               |     |
| 11   | 4070879     | AR  | Shim 1/8                |     |
| 12   | 4070944     | AR  | Shim 1/16               |     |
| 13   | 4070945     | AR  | Shim 1/4                |     |
| 14   | 4711600     | 4   | Washer 3/8              |     |
| 15   | 4740472     | 1   | Washer, Special         |     |
| 16   | 1001152719  | 1   | Axle                    |     |
| 17   | 1001156710  | 1   | Pin                     |     |

# SECTION 1 - FRAME

## FIGURE 1-2. AXLE INSTALLATION - OSCILLATING



ART\_1001154584

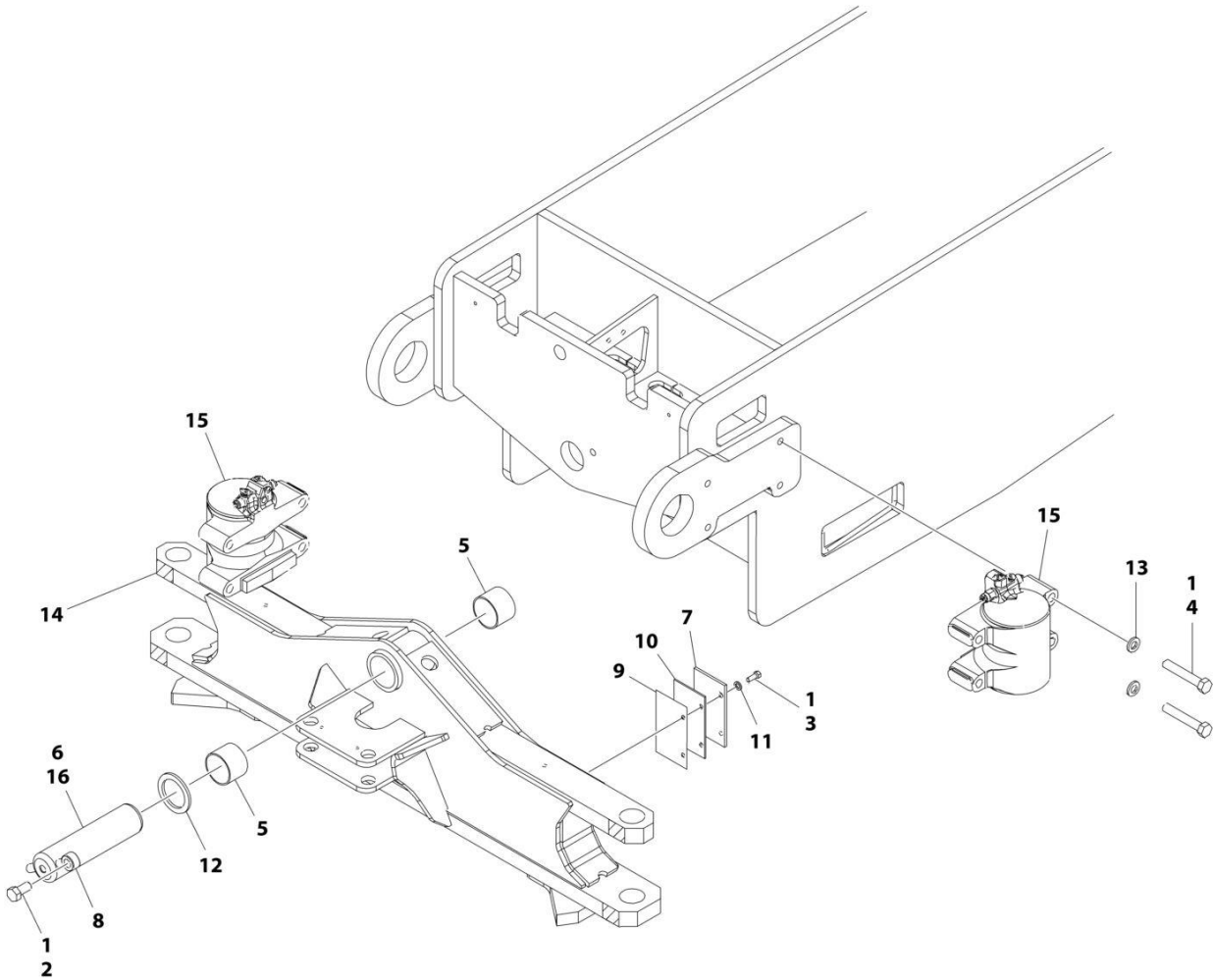
## SECTION 1 - FRAME

**FIGURE 1-2. AXLE INSTALLATION - OSCILLATING**

| ITEM | PART NUMBER | QTY | DESCRIPTION   | REV |
|------|-------------|-----|---|-----|
|      | 1001154584  | Ref | AXLE INSTALLATION   | D   |
| 1    | 0100011     | AR  | Compound, Locking   |     |
| 2    | 0642212     | 1   | Bolt 3/4 x 1-1/2  |     |
| 3    | 0681608     | 4   | Bolt 3/8 x 1 Grade 8  |     |
| 4    | 0682236     | 8   | Bolt 3/4 x 4-1/2 Grade 8  |     |
| 5    | 0962102     | 2   | Bushing   |     |
| 6    | 3020039     | AR  | Lubricant   |     |
| 7    | 3538047     | 2   | Shim .25  |     |
| 8    | 3841287     | 1   | Keeper, Pin   |     |
| 9    | 4070878     | AR  | Shim 16 Gauge   |     |
| 10   | 4070879     | AR  | Shim 11 Gauge   |     |
| 11   | 4711600     | 4   | Washer 3/8  |     |
| 12   | 4740472     | 1   | Washer  |     |
| 13   | 4892200     | 8   | Washer 3/4  |     |
| 14   | 1001152719  | 1   | Axle  |     |
| 15   | 1001204560  | 2   | Axle Lockout Cylinder Assembly (See Separate Breakdown in CYLINDER SECTION) |     |
| 16   | 1001156710  | 1   | Pin   |     |

# SECTION 1 - FRAME

## FIGURE 1-3. AXLE INSTALLATION - OSCILLATING WITH TOW PACKAGE



ART\_1001155194

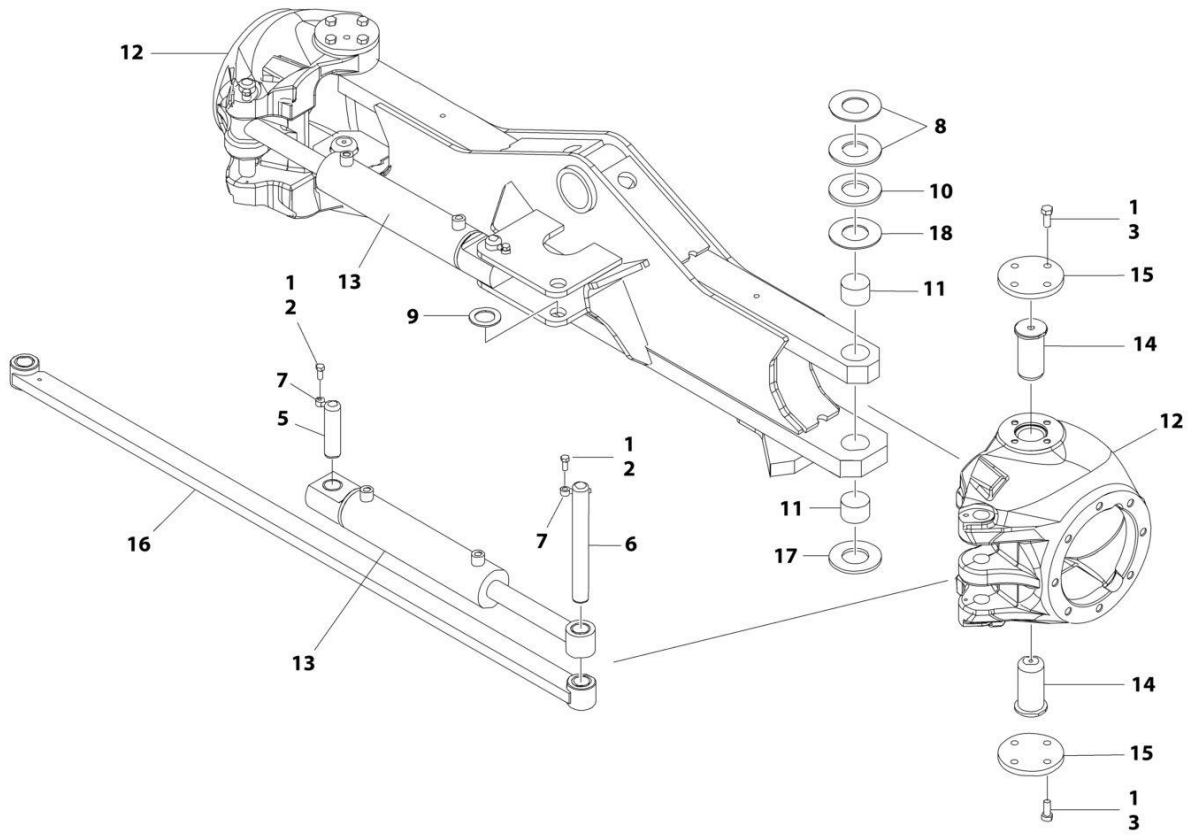
## SECTION 1 - FRAME

**FIGURE 1-3. AXLE INSTALLATION - OSCILLATING WITH TOW PACKAGE**

| ITEM | PART NUMBER | QTY | DESCRIPTION   | REV |
|------|-------------|-----|---|-----|
|      | 1001155194  | Ref | AXLE INSTALLATION   | D   |
| 1    | 0100011     | AR  | Compound, Locking   |     |
| 2    | 0642212     | 1   | Bolt 3/4 x 1-1/2  |     |
| 3    | 0681608     | 4   | Bolt 3/8 x 1 Grade 8  |     |
| 4    | 0682236     | 8   | Bolt 3/4 x 4-1/2 Grade 8  |     |
| 5    | 0962102     | 2   | Bushing   |     |
| 6    | 3020039     | AR  | Lubricant   |     |
| 7    | 3538047     | 2   | Shim .25  |     |
| 8    | 3841287     | 1   | Keeper, Pin   |     |
| 9    | 4070878     | AR  | Shim 16 Gauge   |     |
| 10   | 4070879     | AR  | Shim 11 Gauge   |     |
| 11   | 4711600     | 4   | Washer 3/8  |     |
| 12   | 4740472     | 1   | Washer  |     |
| 13   | 4892200     | 8   | Washer 3/4  |     |
| 14   | 1001154875  | 1   | Axle  |     |
| 15   | 1001204560  | 2   | Axle Lockout Cylinder Assembly (See Separate Breakdown in CYLINDER SECTION) |     |
| 16   | 1001156710  | 1   | Pin   |     |

# SECTION 1 - FRAME

## FIGURE 1-4. STEER INSTALLATION - 2WS



ART\_1001151034

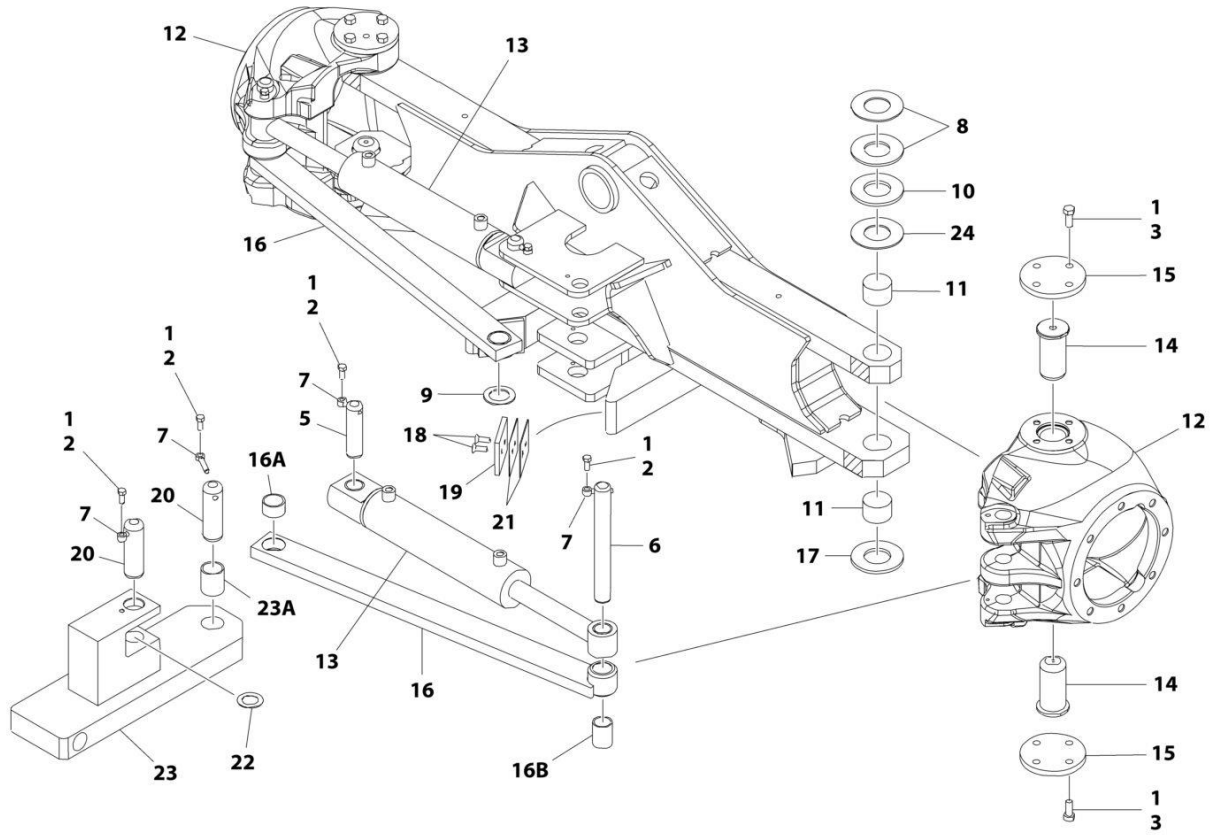
# SECTION 1 - FRAME

## FIGURE 1-4. STEER INSTALLATION - 2WS

| ITEM | PART NUMBER | QTY | DESCRIPTION  | REV |
|------|-------------|-----|--|-----|
|      | 1001151034  | Ref | STEER INSTALLATION   | H   |
| 1    | 0100011     | AR  | Compound, Locking  |     |
| 2    | 0641607     | 4   | Bolt 3/8 x 7/8   |     |
| 3    | 0641810     | 16  | Bolt 1/2 x 1-1/4   |     |
| 5    | 3422417     | 2   | Pin  |     |
| 6    | 3422790     | 2   | Pin  |     |
| 7    | 3841520     | 4   | Keeper, Pin  |     |
| 8    | 4740256     | AR  | Washer, Thrust   |     |
| 9    | 4740473     | 2   | Washer   |     |
| 10   | 1001103810  | AR  | Washer, Thrust   |     |
| 11   | 1001165657  | 4   | Bearing  |     |
| 12   | 1001150372  | 2   | Spindle  |     |
| 13   | 1001150539  | 2   | Steer Cylinder Assembly (See Separate Breakdown in CYLINDER SECTION) |     |
| 14   | 1001161355  | 4   | Kingpin  |     |
| 15   | 1001150937  | 4   | Plate  |     |
| 16   | 1001151980  | 1   | Tie-Rod  |     |
| 17   | 1001161399  | 2   | Washer, Thrust   |     |
| 18   | 4740463     | AR  | Washer, Thrust   |     |

# SECTION 1 - FRAME

**FIGURE 1-5. STEER INSTALLATION - 2WS WITH TOW PACKAGE**



ART\_1001155192



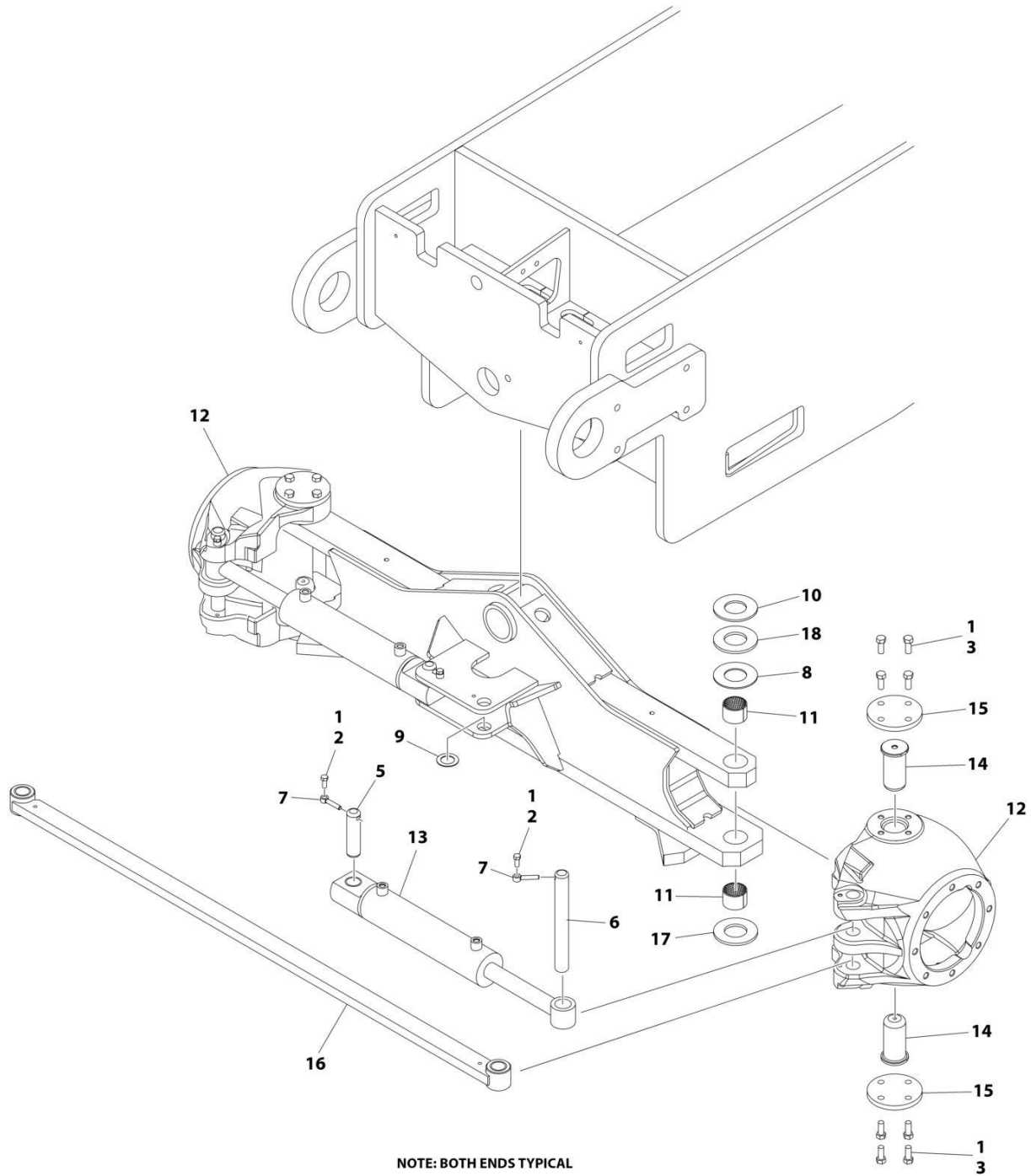
## SECTION 1 - FRAME

**FIGURE 1-5. STEER INSTALLATION - 2WS WITH TOW PACKAGE**

| ITEM | PART NUMBER | QTY | DESCRIPTION  | REV |
|------|-------------|-----|--|-----|
|      | 1001155192  | Ref | STEER INSTALLATION   | G   |
| 1    | 0100011     | AR  | Compound, Locking  |     |
| 2    | 0641607     | 6   | Bolt 3/8 x 7/8   |     |
| 3    | 0641810     | 16  | Bolt 1/2 x 1-1/4   |     |
| 5    | 3422417     | 2   | Pin  |     |
| 6    | 3422790     | 2   | Pin  |     |
| 7    | 3841520     | 6   | Keeper, Pin  |     |
| 8    | 4740256     | AR  | Washer, Thrust   |     |
| 9    | 4740473     | 2   | Washer   |     |
| 10   | 1001103810  | AR  | Washer, Thrust   |     |
| 11   | 1001165657  | 4   | Bearing  |     |
| 12   | 1001150372  | 2   | Spindle  |     |
| 13   | 1001150539  | 2   | Steer Cylinder Assembly (See Separate Breakdown in CYLINDER SECTION) |     |
| 14   | 1001161355  | 4   | Kingpin  |     |
| 15   | 1001150937  | 4   | Plate  |     |
| 16   | 1001154931  | 2   | Tie-Rod  |     |
| 16A  | 0962181     | 1   | Bushing  |     |
| 16B  | 0962152     | 1   | Bushing  |     |
| 17   | 1001161399  | 2   | Washer, Thrust   |     |
| 18   | 0741609     | 4   | Screw 3/8 x 1-1/8  |     |
| 19   | 3340966     | 2   | Pad, Stop  |     |
| 20   | 3422848     | 2   | Pin, Hitch   |     |
| 21   | 4071059     | AR  | Shim 16 Gauge  |     |
| 22   | 4740155     | 3   | Washer, Thrust   |     |
| 23   | 1001155035  | 1   | Link   |     |
| 23A  | 0962348     | 1   | Bushing  |     |
| 24   | 4740463     | AR  | Washer, Thrust   |     |

# SECTION 1 - FRAME

## FIGURE 1-6. STEER INSTALLATION - 4WS



ART\_1001151035

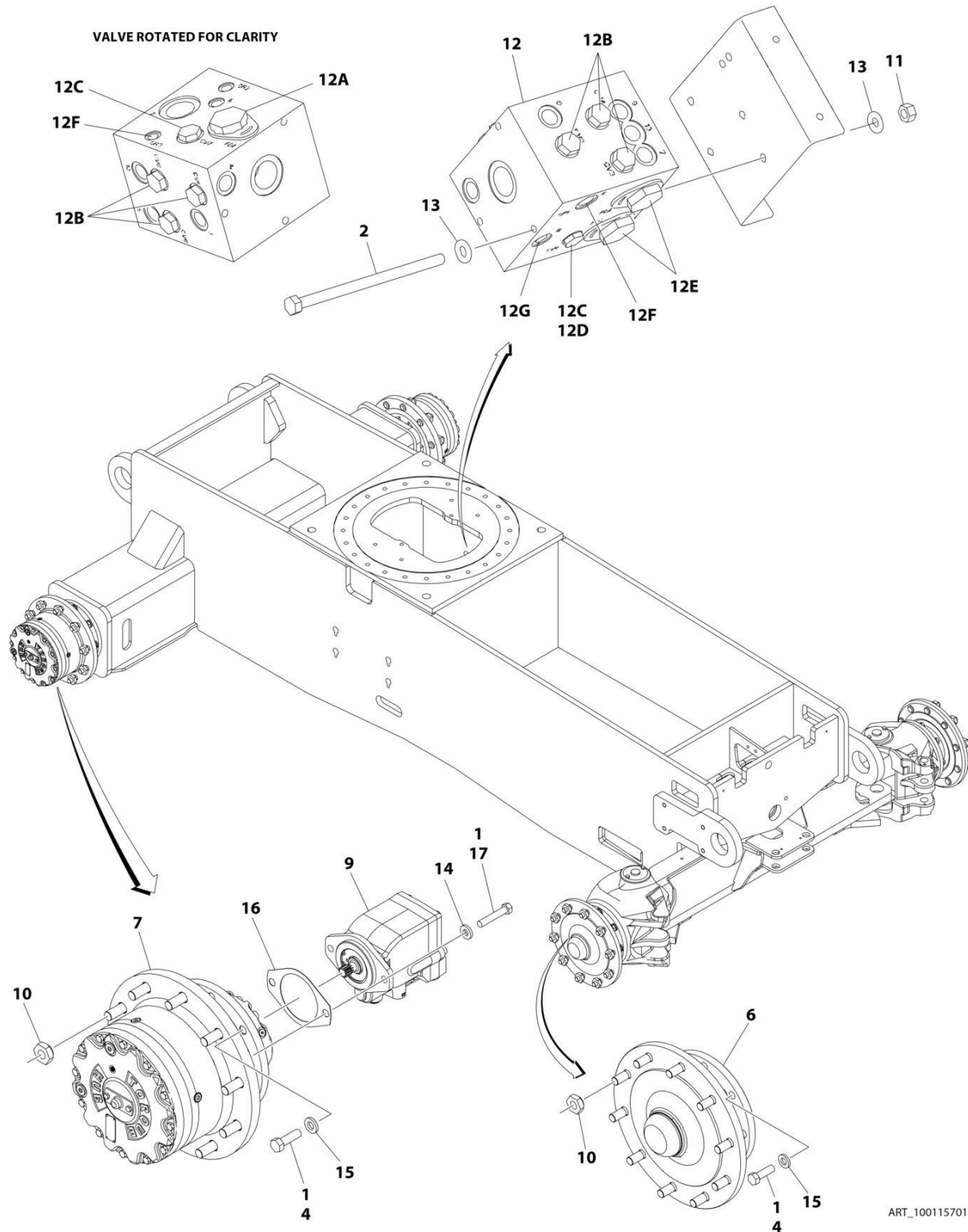
# SECTION 1 - FRAME

## FIGURE 1-6. STEER INSTALLATION - 4WS

| ITEM | PART NUMBER | QTY | DESCRIPTION  | REV |
|------|-------------|-----|--|-----|
|      | 1001151035  | Rev | STEERING INSTALLATION - 4WS  | G   |
| 1    | 0100011     | AR  | Compound, Locking  |     |
| 2    | 0641607     | 8   | Bolt 3/8 x 7/8   |     |
| 3    | 0641810     | 32  | Bolt 1/2 x 1-1/4   |     |
| 5    | 3422417     | 4   | Pin  |     |
| 6    | 3422790     | 4   | Pin  |     |
| 7    | 3841520     | 8   | Keeper, Pin  |     |
| 8    | 4740256     | AR  | Washer, Thrust   |     |
| 9    | 4740473     | 4   | Washer   |     |
| 10   | 1001103810  | 4   | Washer, Thrust   |     |
| 11   | 1001165657  | 8   | Bearing  |     |
| 12   | 1001150372  | 4   | Spindle  |     |
| 13   | 1001150539  | 4   | Steer Cylinder Assembly (See Separate Breakdown in CYLINDER SECTION) |     |
| 14   | 1001161355  | 8   | Kingpin  |     |
| 15   | 1001150937  | 8   | Plate  |     |
| 16   | 1001151980  | 2   | Tie-Rod  |     |
| 17   | 1001161399  | 4   | Washer, Thrust   |     |
| 18   | 4740463     | AR  | Washer, Thrust   |     |

# SECTION 1 - FRAME

## FIGURE 1-7. WHEEL DRIVE AND FRAME VALVES INSTALLATION - 2WD



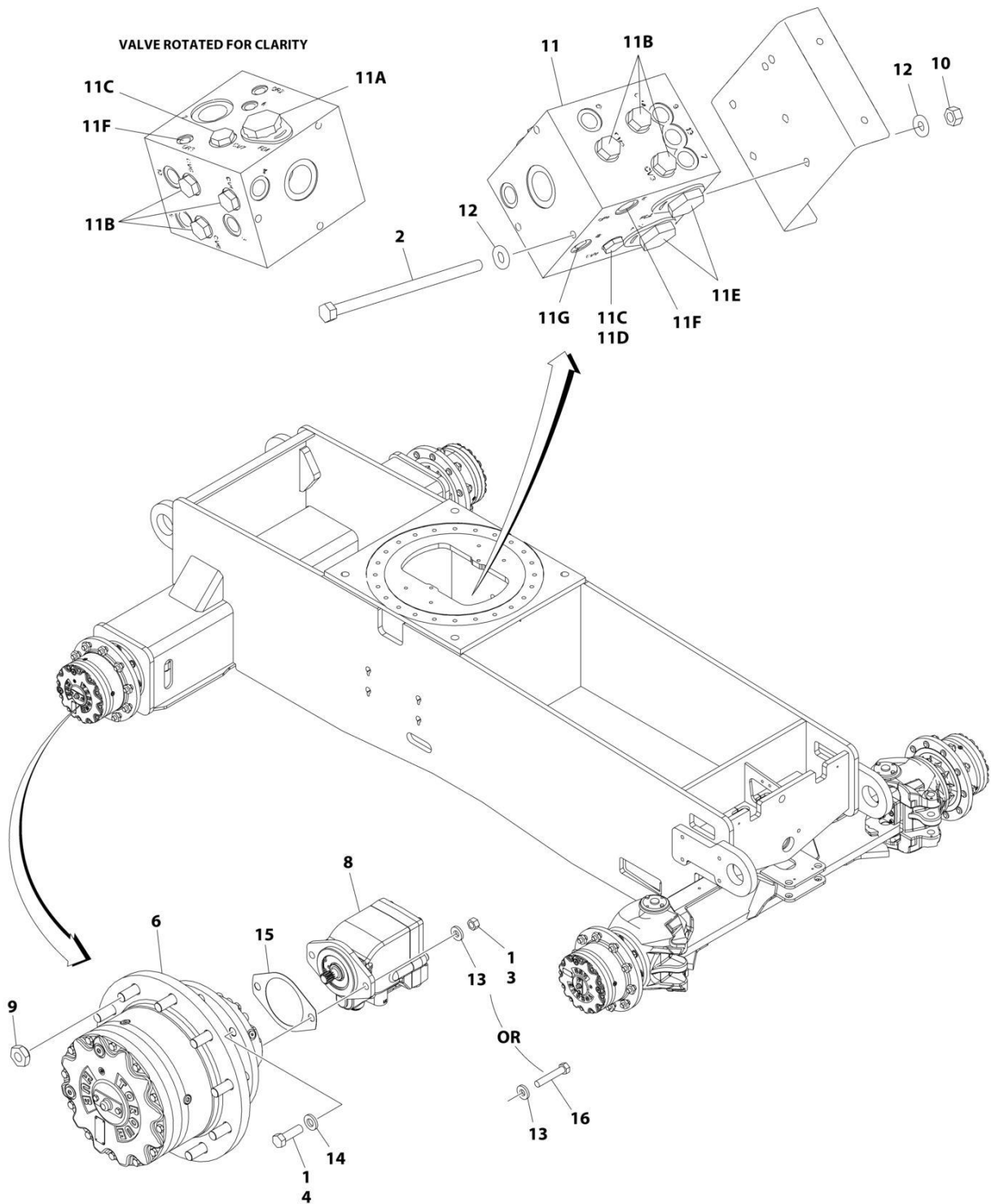
## SECTION 1 - FRAME

**FIGURE 1-7. WHEEL DRIVE AND FRAME VALVES INSTALLATION - 2WD**

| ITEM | PART NUMBER | QTY | DESCRIPTION   | REV |
|------|-------------|-----|---|-----|
|      | 1001157015  | Ref | WHEEL DRIVE INSTALLATION - 2WD                                | E   |
| 1    | 0100011     | AR  | Compound, Locking   |     |
| 2    | 0641542     | 2   | Bolt 5/16 x 5 1/4   |     |
| 4    | 0682016     | 32  | Bolt 5/8 x 2 Grade 8  |     |
| 6    | 2780229     | 2   | Hub Assembly (See Separate Breakdown in this Section)         |     |
| 7    | 1001219219  | 2   | Drive Hub Assembly (See Separate Breakdown in this Section)   |     |
| 9    | 3160347     | 2   | Drive Motor Assembly (See Separate Breakdown in this Section) |     |
| 10   | 3300007     | 40  | Nut, Wheel  |     |
| 11   | 3311505     | 2   | Nut 5/16  |     |
| 12   | 1001099870  | 1   | Flow Divider Valve Assembly                                   | C   |
| 12A  | 7023933     | 1   | Cartridge, Flow Divider                                       |     |
| 12A  | 7021625     | 1   | Seal Kit - 7023933 Cartridge                                  |     |
| 12A  | 70000781    | 1   | Lockdown Kit  |     |
| 12B  | 7022397     | 1   | Cartridge, Check  |     |
| 12B  | 7022399     | 1   | Seal Kit - 7022397 Cartridge                                  |     |
| 12C  | 70002390    | 1   | Cartridge, Check  |     |
| 12C  | 7022399     | 1   | Seal Kit - 70002390 Cartridge                                 |     |
| 12D  | 7024881     | 1   | Piston, Pilot   |     |
| 12E  | 7017406     | 1   | Plug  |     |
| 12F  | 7024844     | 1   | Plug  |     |
| 12F  | 7017492     | 1   | Orifice   |     |
| 13   | 4711500     | 4   | Washer 5/16   |     |
| 14   | 4891800     | 4   | Washer, 1/2   |     |
| 15   | 4892000     | 32  | Washer 5/8  |     |
| 16   | 3960526     | 2   | Gasket  |     |
| 17   | 0681822     | 4   | Bolt 1/2 x 2-3/4 Grade 8                                      |     |

# SECTION 1 - FRAME

## FIGURE 1-8. WHEEL DRIVE AND FRAME VALVES INSTALLATION - 4WD/2WS



ART\_1001157016

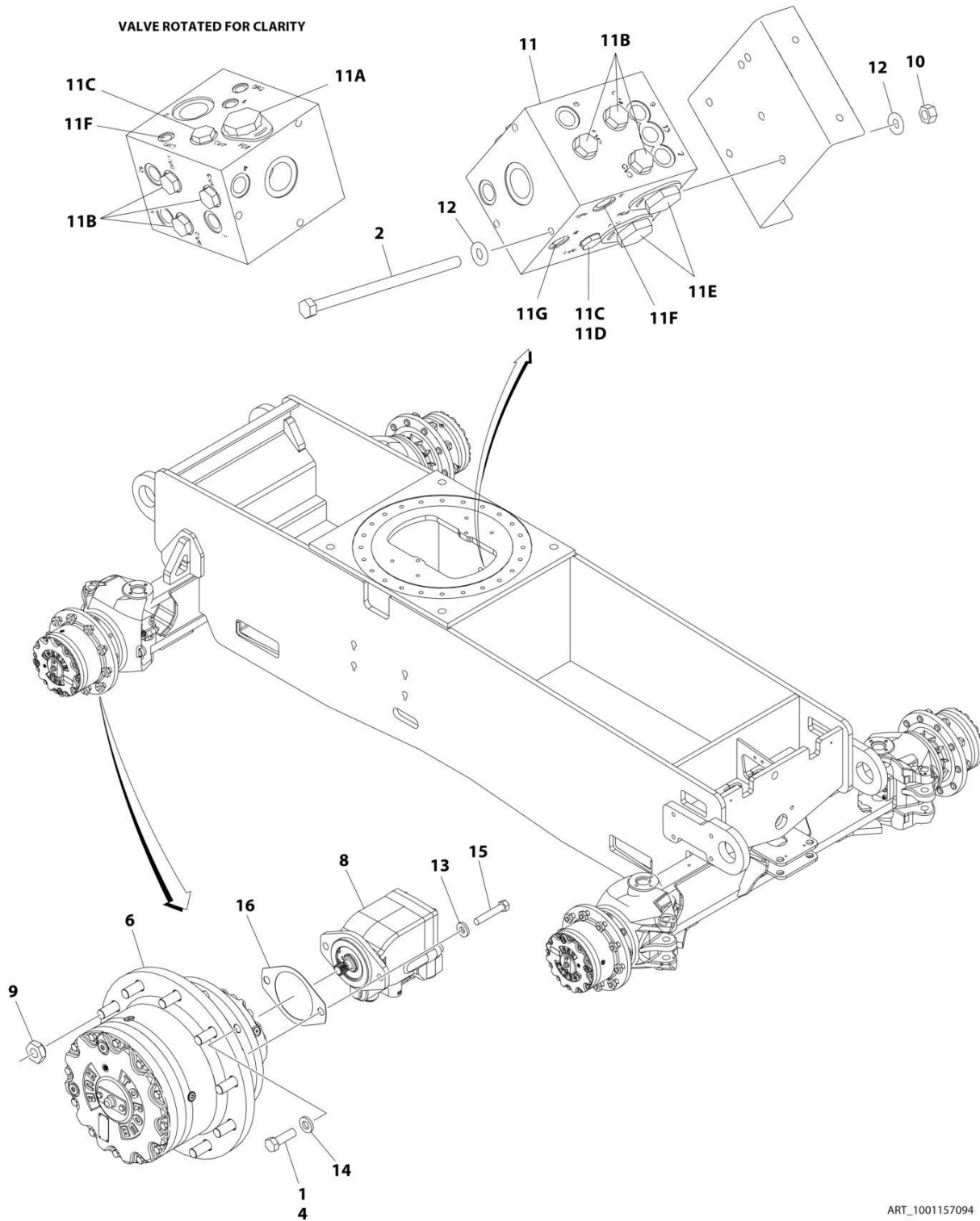
## SECTION 1 - FRAME

**FIGURE 1-8. WHEEL DRIVE AND FRAME VALVES INSTALLATION - 4WD/2WS**

| ITEM | PART NUMBER | QTY | DESCRIPTION   | REV |
|------|-------------|-----|---|-----|
|      | 1001157016  | Ref | WHEEL DRIVE AND FRAME VALVES INSTALLATION                     | E   |
| 1    | 0100011     | AR  | Compound, Locking   |     |
| 2    | 0641560     | 3   | Bolt 5/16 x 7-1/2   |     |
| 3    | 3311801     | 8   | Nut 1/2   |     |
| 4    | 0682016     | 32  | Bolt 5/8 x 2 Grade 8  |     |
| 5    | 2300016     | AR  | Fluid, Hydraulic (Not Shown)                                  |     |
| 6    | 1001219219  | 4   | Drive Hub Assembly (See Separate Breakdown in this Section)   |     |
| 8    | 3160348     | 4   | Drive Motor Assembly (See Separate Breakdown in this Section) |     |
| 9    | 3300007     | 40  | Nut, Wheel  |     |
| 10   | 3311505     | 3   | Nut 5/16  |     |
| 11   | 4641303     | 1   | Flow Divider Valve Assembly                                   | C   |
| 11A  | 7023933     | 1   | Cartridge, Flow Divider                                       |     |
| 11A  | 7021625     | 1   | Seal Kit - 7023933 Cartridge                                  |     |
| 11B  | 7022397     | 6   | Cartridge, Check  |     |
| 11B  | 7022399     | 6   | Seal Kit - 7022397 Cartridge                                  |     |
| 11C  | 7021639     | 2   | Cartridge, Check Valves                                       |     |
| 11C  | 2900756     | 2   | Seal Kit - 7021639 Cartridge                                  |     |
| 11D  | 7024881     | 1   | Piston, Pilot   |     |
| 11E  | 7023917     | 2   | Cartridge, Flow Divider                                       |     |
| 11E  | 7021625     | 2   | Seal Kit - 7023917 Cartridge                                  |     |
| 11F  | 70003935    | 2   | Orifice   |     |
| 11G  | 70003936    | 1   | Orifice   |     |
| 12   | 4711500     | 6   | Washer 5/16   |     |
| 13   | 4891800     | 8   | Washer 1/2  |     |
| 14   | 4892000     | 32  | Washer 5/8  |     |
| 15   | 3960526     | 2   | Gasket  |     |
| 16   | 0681822     | 4   | Bolt 1/2 x 2-3/4  |     |

# SECTION 1 - FRAME

## FIGURE 1-9. WHEEL DRIVE AND FRAME VALVES INSTALLATION - 4WD/4WS





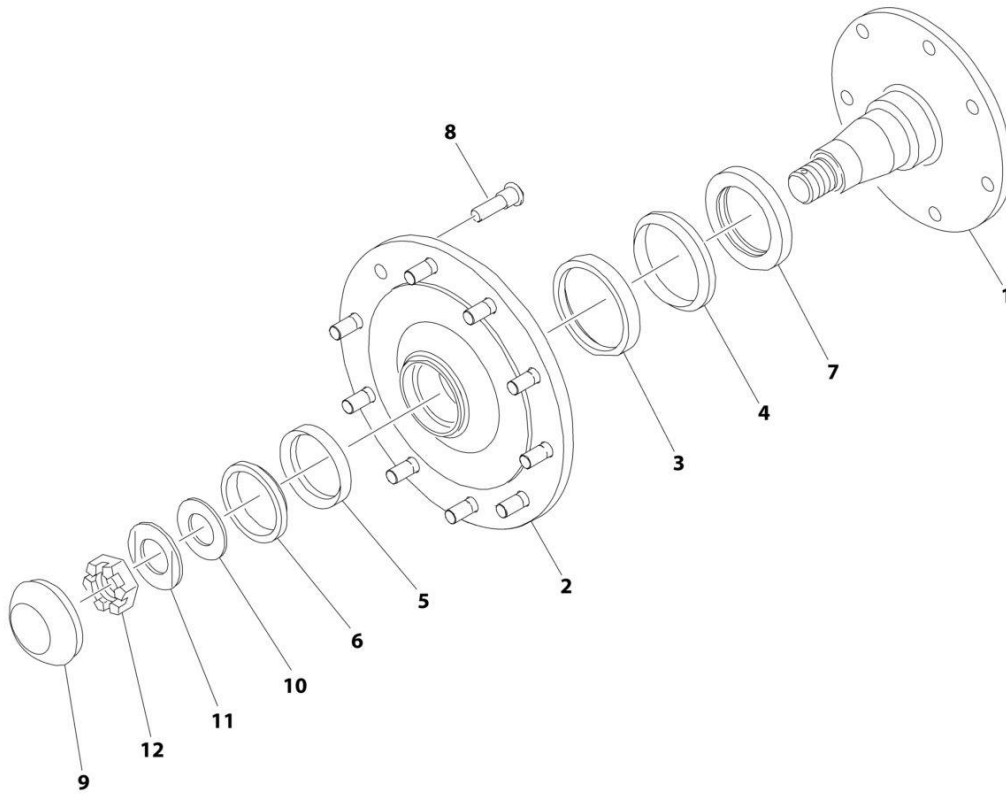
## SECTION 1 - FRAME

**FIGURE 1-9. WHEEL DRIVE AND FRAME VALVES INSTALLATION - 4WD/4WS**

| ITEM | PART NUMBER | QTY | DESCRIPTION   | REV |
|------|-------------|-----|---|-----|
|      | 1001157094  | Ref | WHEEL DRIVE AND FRAME VALVES INSTALLATION                     | E   |
| 1    | 0100011     | AR  | Compound, Locking   |     |
| 2    | 0641560     | 3   | Bolt 5/16 x 7-1/2   |     |
| 4    | 0682016     | 32  | Bolt 5/8 x 2 Grade 8  |     |
| 6    | 1001219219  | 4   | Drive Hub Assembly (See Separate Breakdown in this Section)   |     |
| 8    | 3160348     | 4   | Drive Motor Assembly (See Separate Breakdown in this Section) |     |
| 9    | 3300007     | 40  | Nut, Wheel  |     |
| 10   | 3311505     | 3   | Nut 5/16  |     |
| 11   | 4641303     | 1   | Flow Divider Valve Assembly                                   | C   |
| 11A  | 7023933     | 1   | Cartridge, Flow Divider                                       |     |
| 11A  | 7021625     | 1   | Seal Kit - 7023933 Cartridge                                  |     |
| 11B  | 7022397     | 6   | Cartridge, Check  |     |
| 11B  | 7022399     | 6   | Seal Kit - 7022397 Cartridge                                  |     |
| 11C  | 7021639     | 2   | Cartridge, Check Valves                                       |     |
| 11C  | 2900756     | 2   | Seal Kit - 7021639 Cartridge                                  |     |
| 11D  | 7024881     | 1   | Piston, Pilot   |     |
| 11E  | 7023917     | 2   | Cartridge, Flow Divider                                       |     |
| 11E  | 7021625     | 2   | Seal Kit - 7023917 Cartridge                                  |     |
| 11F  | 70003935    | 2   | Orifice   |     |
| 11G  | 70003936    | 1   | Orifice   |     |
| 12   | 4711500     | 6   | Washer 5/16   |     |
| 13   | 4891800     | 8   | Washer 1/2  |     |
| 14   | 4892000     | 32  | Washer 5/8  |     |
| 15   | 0681822     | 8   | Bolt 1/2 x 2-3/4 Grade 8                                      |     |
| 16   | 3960526     | 4   | Gasket  |     |

# SECTION 1 - FRAME

## FIGURE 1-10. HUB ASSEMBLY - 2WD FRONT



ART\_2780229

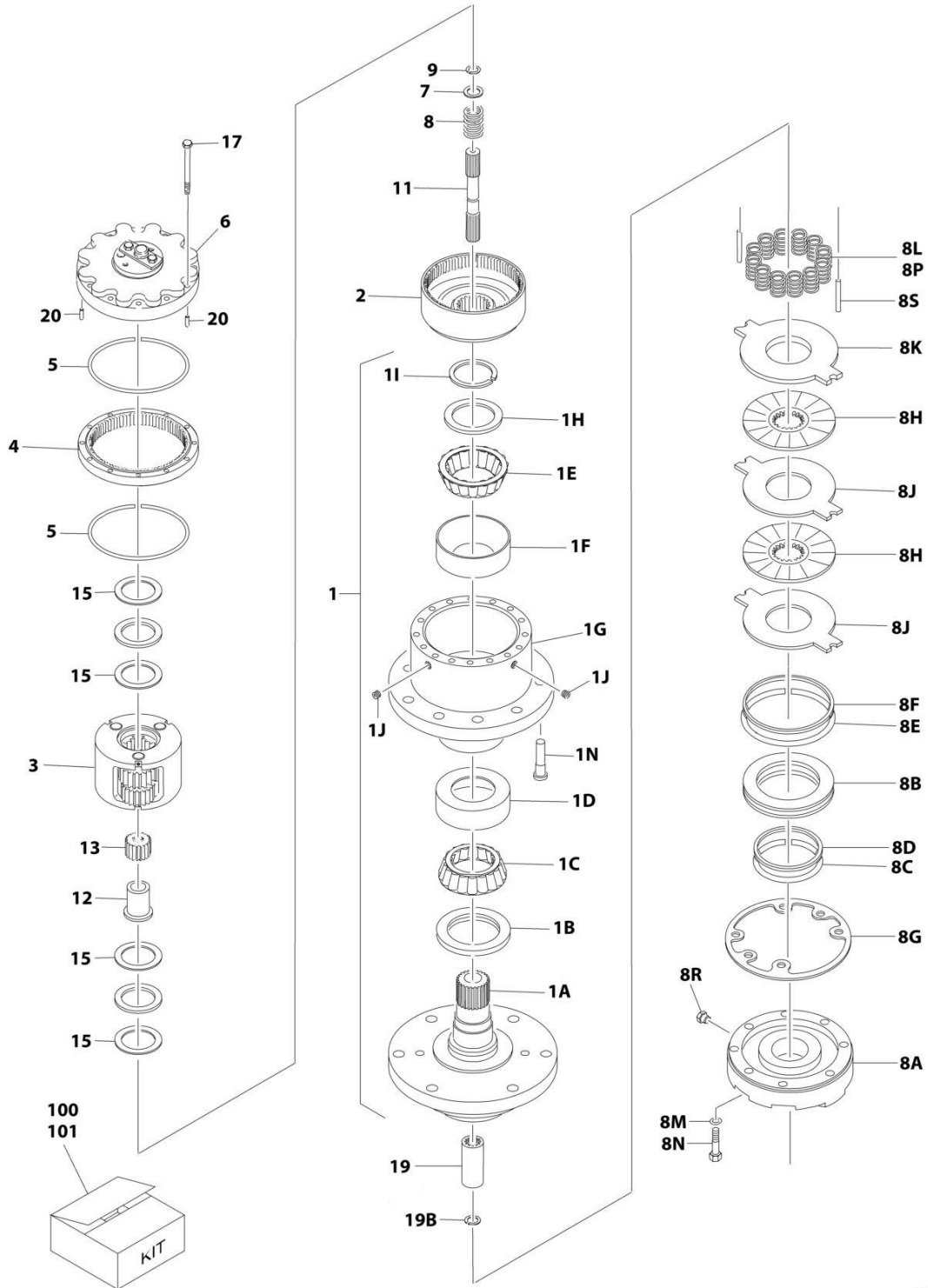
## SECTION 1 - FRAME

**FIGURE 1-10. HUB ASSEMBLY - 2WD FRONT**

| ITEM | PART NUMBER | QTY | DESCRIPTION                            | REV |
|------|-------------|-----|--|-----|
|      | 2780229     | Ref | HUB ASSEMBLY                           | A   |
| 1    | 7017052     | 1   | Spindle (1 per Assembly)               |     |
| 2    | 7017053     | 1   | Housing (1 per Assembly)               |     |
| 3    | 7010404     | 1   | Cup, Bearing - Inner (1 per Assembly)  |     |
| 4    | 7010405     | 1   | Cone, Bearing - Inner (1 per Assembly) |     |
| 5    | 7017056     | 1   | Cup, Bearing - Outer (1 per Assembly)  |     |
| 6    | 7017055     | 1   | Cone, Bearing - Outer (1 per Assembly) |     |
| 7    | 7010406     | 1   | Seal, Lip (1 per Assembly)             |     |
| 8    | 7000265     | 10  | Stud (10 per Assembly)                 |     |
| 9    | 7017054     | 1   | Dust Cap (1 per Assembly)              |     |
| 10   | 7017051     | 1   | Washer, Special (1 per Assembly)       |     |
| 11   | 7017057     | 1   | Washer, Tanged (1 per Assembly)        |     |
| 12   | 7017058     | 1   | Nut, Bearing (1 per Assembly)          |     |

# SECTION 1 - FRAME

## FIGURE 1-11. DRIVE HUB/BRAKE ASSEMBLY



ART\_1001219219

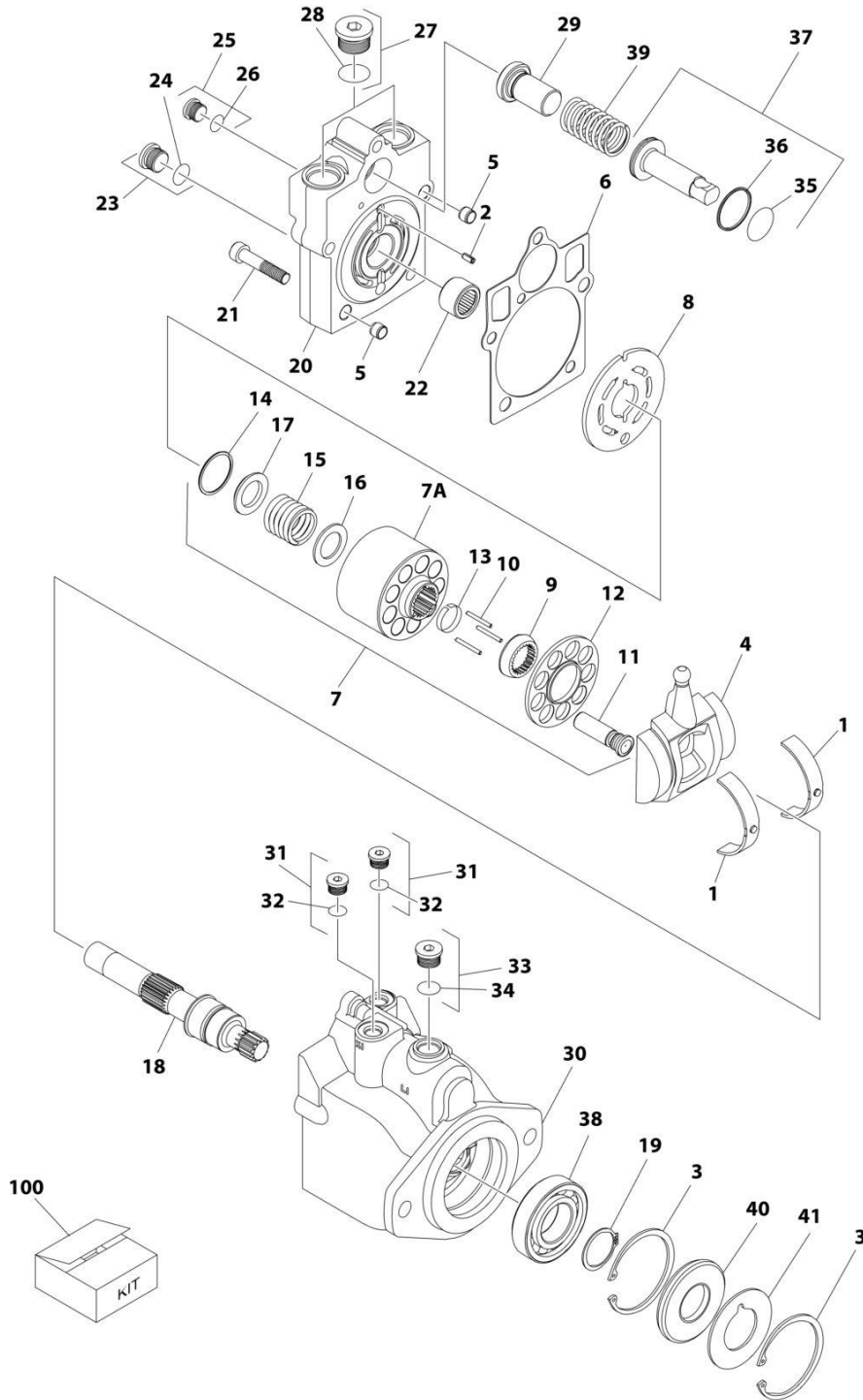
# SECTION 1 - FRAME

## FIGURE 1-11. DRIVE HUB/BRAKE ASSEMBLY

| ITEM | PART NUMBER | QTY | DESCRIPTION   | REV |
|------|-------------|-----|---|-----|
|      | 1001219219  | Ref | DRIVE HUB/BRAKE ASSEMBLY  | C   |
| 1    | See Note    | NSS | Spindle/Housing Assembly (Note: Not Available - Purchase Individual Components) |     |
| 1A   | 70006677    | 1   | Spindle   |     |
| 1B   | 70006678    | 1   | Seal  |     |
| 1C   | 1001091460  | 1   | Cone, Bearing   |     |
| 1D   | 1001091460  | 1   | Cup, Bearing  |     |
| 1E   | 1001091461  | 1   | Cone, Bearing   |     |
| 1F   | 1001091461  | 1   | Cup, Bearing  |     |
| 1G   | See Note    | NSS | Housing (Note: Not Available - Not Available for Purchase)                      |     |
| 1H   | 7000239     | 1   | Thrustwasher  |     |
| 1I   | 7000240     | 1   | Ring, Retaining   |     |
| 1J   | 7001928     | 1   | Plug, Pipe  |     |
| 1N   | See Note    | NSS | Stud, Wheel (Note: Not Available - Not Available for Purchase)                  |     |
| 2    | 7024782     | 1   | Gear, Ring  |     |
| 3    | 70006673    | 1   | Carrier Assembly  |     |
| 4    | 7024151     | 1   | Gear, Internal  |     |
| 5    | 7000224     | 2   | O-Ring  |     |
| 6    | 70006674    | NSS | Cover Assembly (Note: Not Available - Not Available for Purchase)               |     |
| 7    | 70006691    | 1   | Thrustwasher  |     |
| 8    | 7000283     | 1   | Spring  |     |
| 8A   | 7024191     | 1   | Housing, Piston   |     |
| 8B   | 70006684    | 1   | Piston  |     |
| 8C   | See Note    | NSS | O-Ring (Note: Use Item 101)   |     |
| 8D   | See Note    | NSS | Ring, Back-up (Note: Use Item 101)  |     |
| 8E   | See Note    | NSS | O-Ring (Note: Use Item 101)   |     |
| 8F   | See Note    | NSS | Ring, Back-up (Note: Use Item 101)  |     |
| 8G   | See Note    | NSS | Gasket (Note: Use Items 100 & 101)  |     |
| 8H   | See Note    | NSS | Brake, Stator (Note: Use Item 100)  |     |
| 8J   | See Note    | NSS | Brake, Rotor (Note: Use Item 100)   |     |
| 8K   | See Note    | NSS | Plate, Pressure (Note: Use Item 100)  |     |
| 8L   | 80344004    | 10  | Spring  |     |
| 8M   | 70006685    | 6   | Capscrew  |     |
| 8N   | 70006690    | 6   | Lockwasher  |     |
| 8P   | 70006680    | 2   | Spring  |     |
| 8R   | 7017082     | 2   | Plug  |     |
| 8S   | 7024190     | 2   | Pin, Dowel  |     |
| 9    | 7000284     | 1   | Ring, Retaining   |     |
| 11   | 70006675    | 1   | Shaft, Input  |     |
| 12   | 7024154     | 1   | Spacer, Input   |     |
| 13   | 7024149     | 1   | Gear, Sun   |     |
| 15   | 70006692    | 2   | Thrustwasher  |     |
| 17   | 7000289     | 12  | Bolt 3/8 x 2-1/2in (Grade 8)  |     |
| 19   | 70006676    | 1   | Coupling  |     |
| 19B  | 7017028     | 1   | Ring, Retaining   |     |
| 20   | 7017047     | 2   | Pin, Dowel  |     |
| 100  | 70006832    | 1   | Friction Disc Kit (Includes Items 8G, 8H, 8J & 8K)                              |     |
| 101  | 70006833    | 1   | Seal Kit (Includes Items - 8C-8G)   |     |

# SECTION 1 - FRAME

## FIGURE 1-12. DRIVE MOTOR ASSEMBLY - 2WD



ART\_3160347

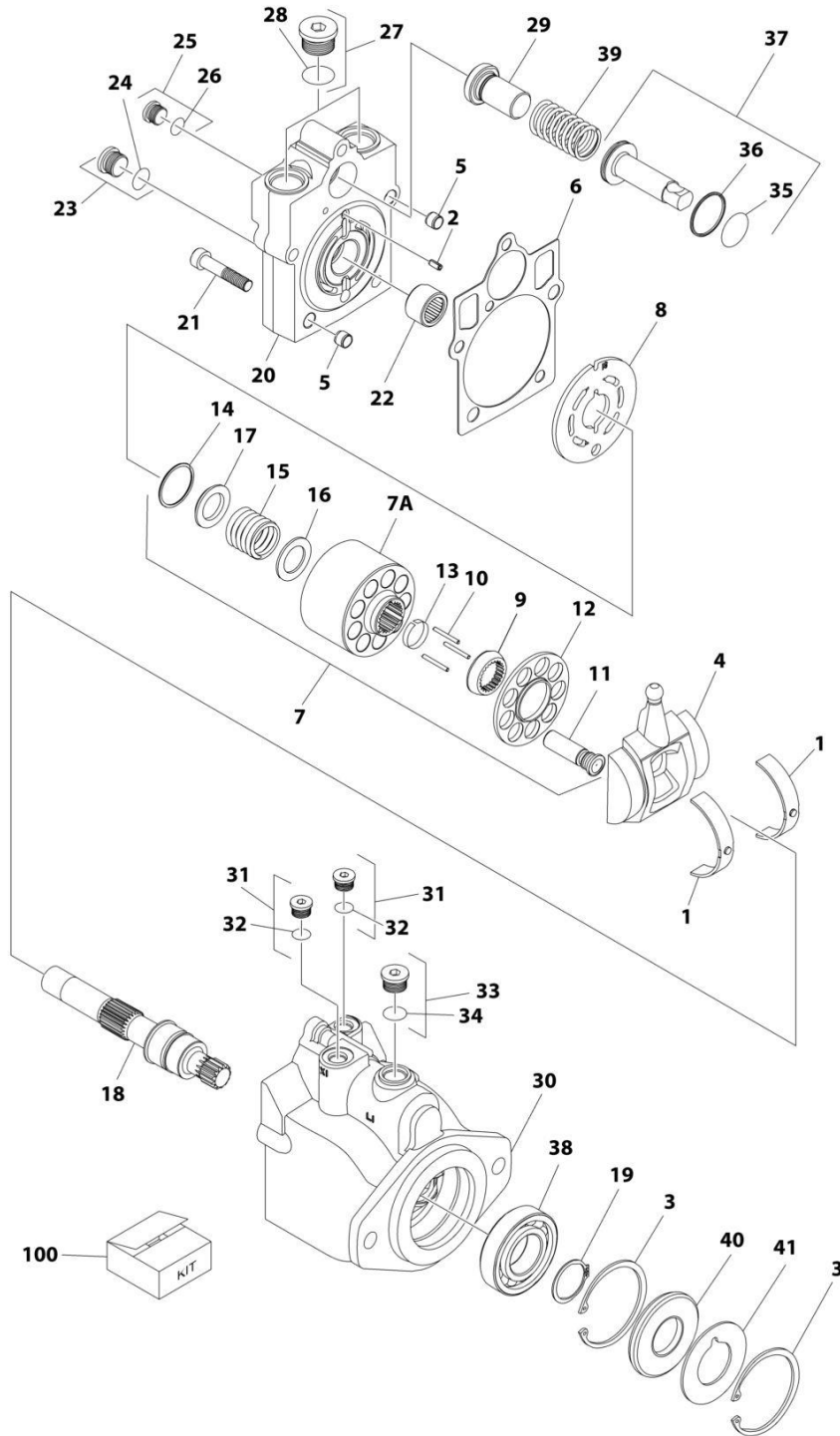
# SECTION 1 - FRAME

## FIGURE 1-12. DRIVE MOTOR ASSEMBLY - 2WD

| ITEM | PART NUMBER | QTY | DESCRIPTION  | REV |
|------|-------------|-----|--|-----|
|      | 3160347     | Ref | DRIVE MOTOR ASSEMBLY   | B   |
| 1    | 7022302     | 2   | Bearing, Journal   |     |
| 2    | 7007446     | 1   | Pin  |     |
| 3    | 7007438     | 2   | Ring, Retaining  |     |
| 4    | 7022305     | 1   | Swash Plate  |     |
| 5    | See Note    | 2   | Pin (Note: Not Available for Purchase)                       |     |
| 6    | See Note    | NSS | Gasket (Note: Use Item 100)                                  |     |
| 7    | 7027740     | 1   | Cylinder Block Kit (Includes Items 7A & 9-17)                |     |
| 7A   | See Note    | NSS | Block, Cylinder (Note: Use Item 7)                           |     |
| 8    | 7024862     | 1   | Plate, Valve   |     |
| 9    | 7021277     | 1   | Guide, Slipper Retainer                                      |     |
| 10   | 7021275     | 3   | Pin, Slipper Hold Down                                       |     |
| 11   | See Note    | NSS | Piston Assembly (Note: Use Item 7)                           |     |
| 12   | See Note    | NSS | Retainer, Slipper (Note: Use Item 7)                         |     |
| 13   | See Note    | NSS | Retainer, Hold Down Pin (Note: Use Item 7)                   |     |
| 14   | 7022311     | 1   | Ring, Retaining  |     |
| 15   | 7024867     | 1   | Spring   |     |
| 16   | 7022313     | 1   | Washer   |     |
| 17   | 7022314     | 1   | Retainer, Spring   |     |
| 18   | 7023910     | 1   | Shaft  |     |
| 19   | 7007439     | 1   | Ring, Retaining  |     |
| 20   | 70000795    | 1   | Cap, End - Axial   |     |
| 21   | 7022368     | 5   | Screw  |     |
| 22   | 7021249     | 1   | Bearing, Needle  |     |
| 23   | 2220886     | 1   | Plug (Includes Item 24)                                      |     |
| 24   | See Note    | 1   | O-Ring (Note: Use Item 23 or 100)                            |     |
| 25   | 2220883     | 1   | Plug (Includes Item 26)                                      |     |
| 26   | See Note    | NSS | O-Ring (Note: Use Item 25 or 100)                            |     |
| 27   | 2220888     | 2   | Plug (Includes Item 28)                                      |     |
| 28   | See Note    | NSS | O-Ring (Note: Use Item 27 or 100)                            |     |
| 29   | 7027741     | 1   | Seat, Spring   |     |
| 30   | See Note    | NSS | Housing (Note: Not Available - Purchase Complete Assembly)   |     |
| 31   | 2220883     | 2   | Plug (Includes Item 32)                                      |     |
| 32   | See Note    | NSS | O-Ring (Note: Use Item 31 or 100)                            |     |
| 33   | 2220886     | 1   | Plug (Includes Item 34)                                      |     |
| 34   | See Note    | NSS | O-Ring (Note: Use Item 33 or 100)                            |     |
| 35   | See Note    | NSS | O-Ring (Note: Use Item 100)                                  |     |
| 36   | See Note    | NSS | Ring, Seal (Note: Use Item 100)                              |     |
| 37   | 7024871     | 1   | Piston, Servo (Includes Items 35 & 36)                       |     |
| 38   | 7007437     | 1   | Bearing  |     |
| 39   | 7022326     | 1   | Spring   |     |
| 40   | See Note    | NSS | Seal, Lip (Note: Use Item 100)                               |     |
| 41   | 7022371     | 1   | Washer, Support  |     |
|      |             | Ref | KIT OPTIONS:   |     |
| 100  | 7022328     | 1   | Seal Kit (Includes Items 6, 24, 26, 28, 32, 34, 35, 36 & 40) |     |

# SECTION 1 - FRAME

## FIGURE 1-13. DRIVE MOTOR ASSEMBLY - 4WD



ART\_3160348



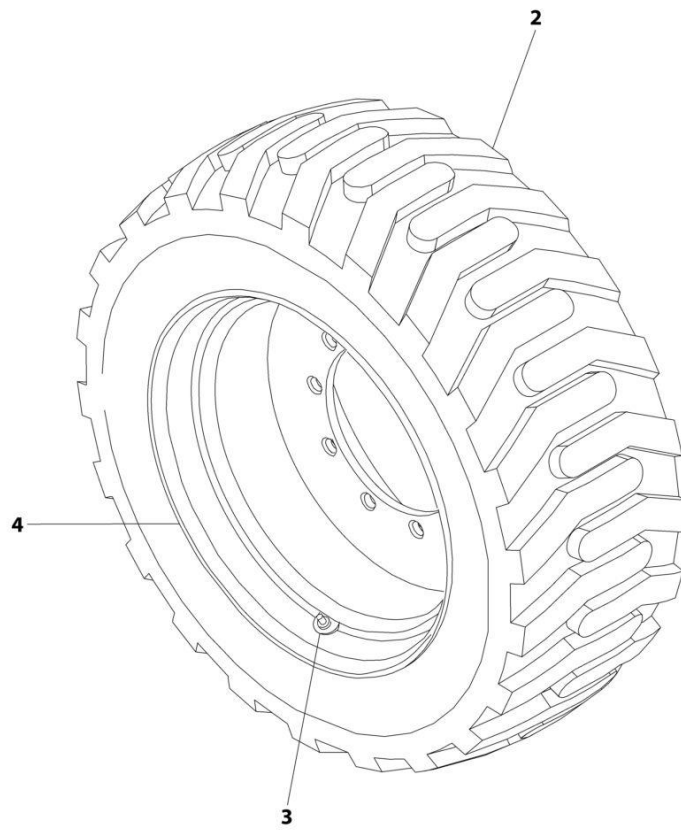
# SECTION 1 - FRAME

## FIGURE 1-13. DRIVE MOTOR ASSEMBLY - 4WD

| ITEM | PART NUMBER | QTY | DESCRIPTION  | REV |
|------|-------------|-----|--|-----|
|      | 3160348     | Ref | DRIVE MOTOR ASSEMBLY   | D   |
| 1    | 7022302     | 2   | Bearing, Journal   |     |
| 2    | 7007446     | 1   | Pin  |     |
| 3    | 7007438     | 2   | Ring, Retaining  |     |
| 4    | 7022305     | 1   | Swash Plate  |     |
| 5    | See Note    | 2   | Pin (Note: Not Available for Purchase)                       |     |
| 6    | See Note    | NSS | Gasket (Note: Use Item 100)                                  |     |
| 7    | 7023907     | 1   | Cylinder Block Kit (Includes Items 7A & 9-17)                |     |
| 7A   | See Note    | NSS | Block, Cylinder (Note: Use Item 7)                           |     |
| 8    | 7023908     | 1   | Plate, Valve   |     |
| 9    | 7021277     | 1   | Guide, Slipper Retainer                                      |     |
| 10   | 7021275     | 3   | Pin, Slipper Hold Down                                       |     |
| 11   | See Note    | NSS | Piston Assembly (Note: Use Item 7)                           |     |
| 12   | 7022310     | 1   | Retainer, Slipper  |     |
| 13   | 7021276     | 1   | Retainer, Hold Down Pin                                      |     |
| 14   | 7022311     | 1   | Ring, Retaining  |     |
| 15   | 7022312     | 1   | Spring   |     |
| 16   | 7024868     | 1   | Washer   |     |
| 17   | 7022314     | 1   | Retainer, Spring   |     |
| 18   | 7023910     | 1   | Shaft  |     |
| 19   | 7007439     | 1   | Ring, Retaining  |     |
| 20   | 70000797    | 1   | Cap, End - Axial   |     |
| 21   | 7022368     | 5   | Screw  |     |
| 22   | 7021249     | 1   | Bearing, Needle  |     |
| 23   | 2220886     | 1   | Plug (Includes Item 24)                                      |     |
| 24   | See Note    | 1   | O-Ring (Note: Use Item 23 or 100)                            |     |
| 25   | 2220883     | 1   | Plug (Includes Item 26)                                      |     |
| 26   | See Note    | NSS | O-Ring (Note: Use Item 25 or 100)                            |     |
| 27   | 2220888     | 2   | Plug (Includes Item 28)                                      |     |
| 28   | See Note    | NSS | O-Ring (Note: Use Item 27 or 100)                            |     |
| 29   | 7022372     | 1   | Seat, Spring   |     |
| 30   | See Note    | NSS | Housing (Note: Not Available - Purchase Complete Assembly)   |     |
| 31   | 2220883     | 2   | Plug (Includes Item 32)                                      |     |
| 32   | See Note    | NSS | O-Ring (Note: Use Item 31 or 100)                            |     |
| 33   | 2220886     | 1   | Plug (Includes Item 34)                                      |     |
| 34   | See Note    | NSS | O-Ring (Note: Use Item 33 or 100)                            |     |
| 35   | See Note    | NSS | O-Ring (Note: Use Item 100)                                  |     |
| 36   | See Note    | NSS | Ring, Seal (Note: Use Item 100)                              |     |
| 37   | 7024854     | 1   | Piston, Servo (Includes Items 35 & 36)                       |     |
| 38   | 7007437     | 1   | Bearing  |     |
| 39   | 7022326     | 1   | Spring   |     |
| 40   | See Note    | 1   | Seal, Lip (Note: Use Item 100)                               |     |
| 41   | 7022371     | 1   | Washer, Support  |     |
|      |             | Ref | KIT OPTIONS:   |     |
| 100  | 7022328     | 1   | Seal Kit (Includes Items 6, 24, 26, 28, 32, 34, 35, 36 & 40) |     |

## SECTION 1 - FRAME

FIGURE 1-14. TIRE AND WHEEL INSTALLATION 18-625 NHS FOAM-FILLED TIRE



ART\_0270888

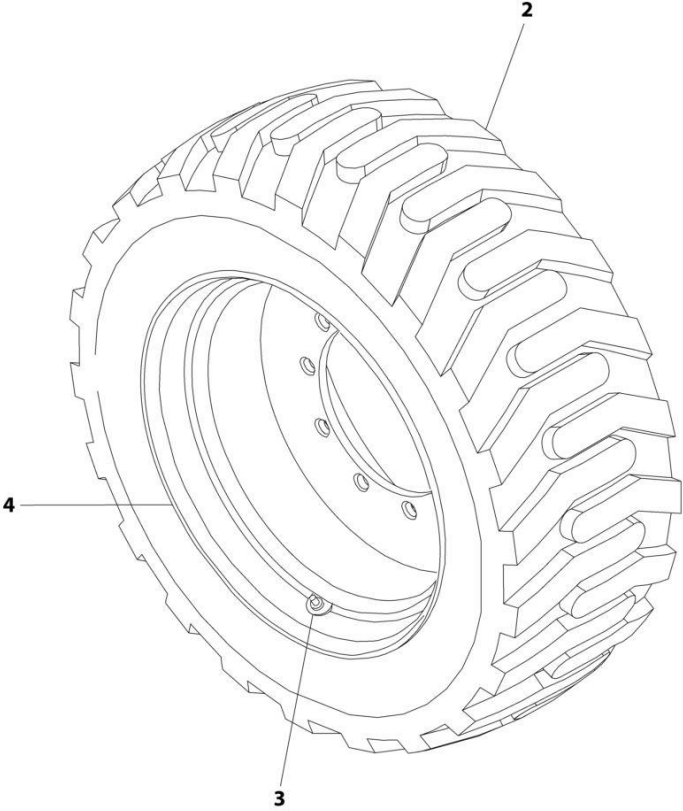
**SECTION 1 - FRAME**

**FIGURE 1-14. TIRE AND WHEEL INSTALLATION 18-625 NHS FOAM-FILLED TIRE**

| ITEM | PART NUMBER | QTY | DESCRIPTION  | REV |
|------|-------------|-----|--|-----|
|      | 0270888     | Ref | TIRE AND WHEEL INSTALLATION  | C   |
|      | 0271090     | 2   | Tire and Wheel Assembly - 18-625 NHS Foam-Filled LH Side   | G   |
|      | 0271091     | 2   | Tire and Wheel Assembly - 18-625 NHS Foam-Filled RH Side   | G   |
|      |             | Ref | Note: Assemblies may require ballast/foam filling to manufacturer's specifications prior to installing on a machine. Refer to Operation and Safety or Service and Maintenance Manuals. |     |
|      |             | Ref | Purchase individual tire and/or rim only if able to foam fill tire and wheel assembly, otherwise, purchase complete assembly.  |     |
| 2    | 4520253     | 1   | Tire 18-625  |     |
| 3    | 4641122     | 1   | Valve, Air   |     |
| 4    | 4860225     | 1   | Rim, Wheel - 15 x 24.5 Rim   |     |

**SECTION 1 - FRAME**

**FIGURE 1-15. TIRE AND WHEEL INSTALLATION 18-625 NHS FOAM-FILLED NON-MARKING TIRE**



ART\_1001169757

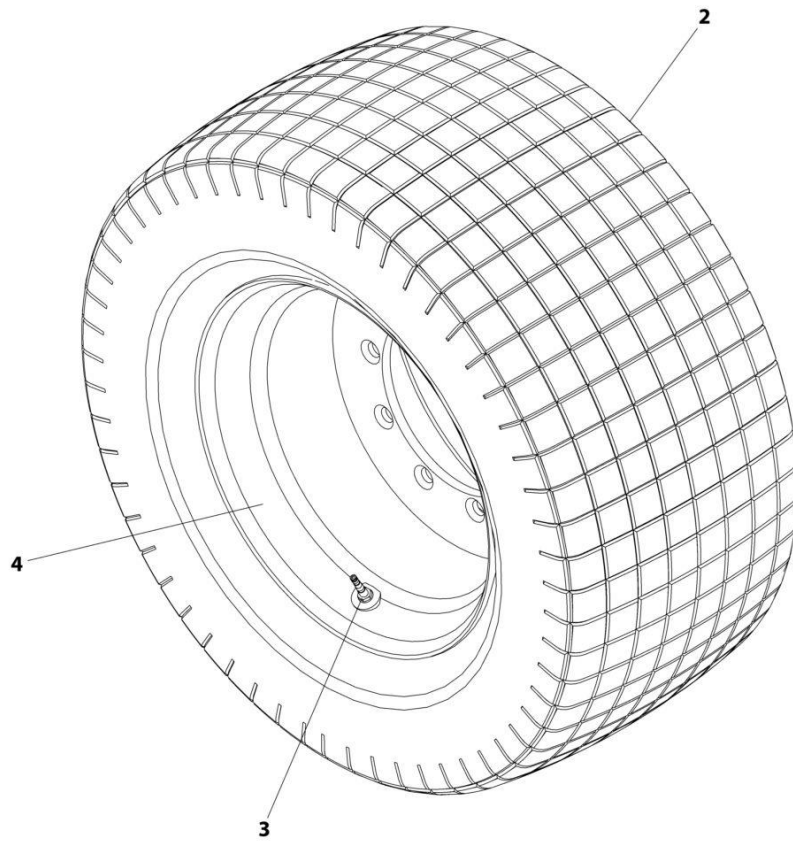
## SECTION 1 - FRAME

**FIGURE 1-15. TIRE AND WHEEL INSTALLATION 18-625 NHS FOAM-FILLED NON-MARKING TIRE**

| ITEM | PART NUMBER | QTY | DESCRIPTION  | REV |
|------|-------------|-----|--|-----|
|      | 1001169757  | Ref | TIRE AND WHEEL INSTALLATION  | A   |
|      | 1001169755  | 2   | Tire and Wheel Assembly - 18-625 NHS Foam-Filled Non-Marking LH Side   | D   |
|      | 1001169756  | 2   | Tire and Wheel Assembly - 18-625 NHS Foam-Filled Non-Marking RH Side   | D   |
|      |             | Ref | Note: Assemblies may require ballast/foam filling to manufacturer's specifications prior to installing on a machine. Refer to Operation and Safety or Service and Maintenance Manuals. |     |
|      |             | Ref | Purchase individual tire and/or rim only if able to foam fill tire and wheel assembly, otherwise, purchase complete assembly.  |     |
| 2    | 1001169754  | 1   | Tire 18-625 Non-Marking  |     |
| 3    | 4641122     | 1   | Valve, Air   |     |
| 4    | 4860225     | 1   | Rim, Wheel - 15 x 24.5 Rim   |     |

## SECTION 1 - FRAME

FIGURE 1-16. TIRE AND WHEEL INSTALLATION 18-625 NHS FOAM-FILLED SAND TIRE



ART\_1001243645

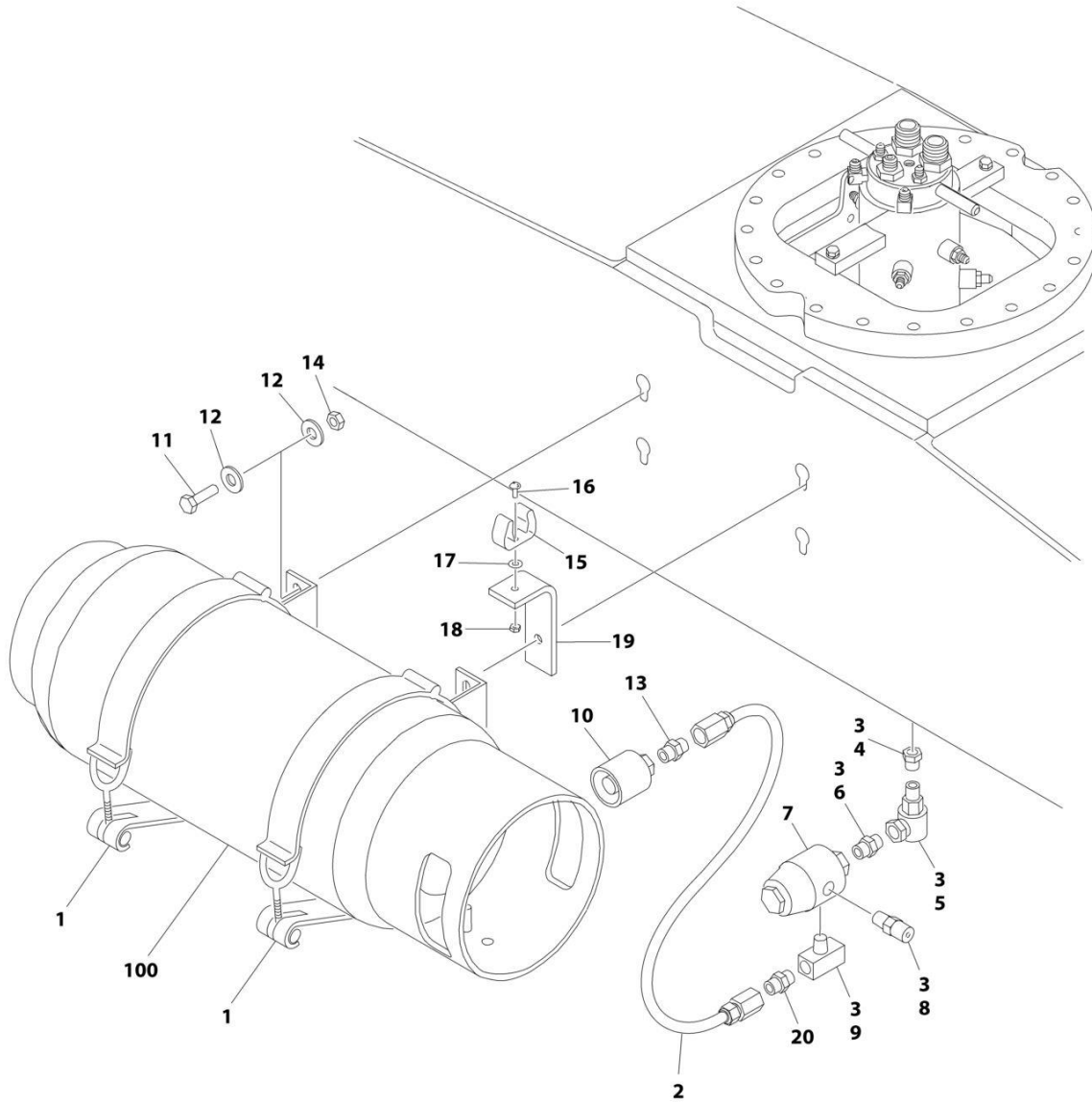
**SECTION 1 - FRAME**

**FIGURE 1-16. TIRE AND WHEEL INSTALLATION 18-625 NHS FOAM-FILLED SAND TIRE**

| ITEM | PART NUMBER | QTY | DESCRIPTION  | REV |
|------|-------------|-----|--|-----|
|      | 1001243645  | Ref | TIRE AND WHEEL INSTALLATION  | A   |
|      | 1001245049  | 4   | Tire and Wheel Assembly - 18-625 NHS Foam-Filled Sand  | B   |
|      |             | Ref | Note: Assemblies may require ballast/foam filling to manufacturer's specifications prior to installing on a machine. Refer to Operation and Safety or Service and Maintenance Manuals. |     |
|      |             | Ref | Purchase individual tire and/or rim only if able to foam fill tire and wheel assembly, otherwise, purchase complete assembly.  |     |
| 2    | 4520256     | 1   | Tire 18-625 Non-Marking  |     |
| 3    | 4641122     | 1   | Valve, Air   |     |
| 4    | 1001209982  | 1   | Rim, Wheel - 22.5 x 14   |     |

# SECTION 1 - FRAME

## FIGURE 1-17. LP TANK BRACKETS INSTALLATIONS



ART\_1001151010



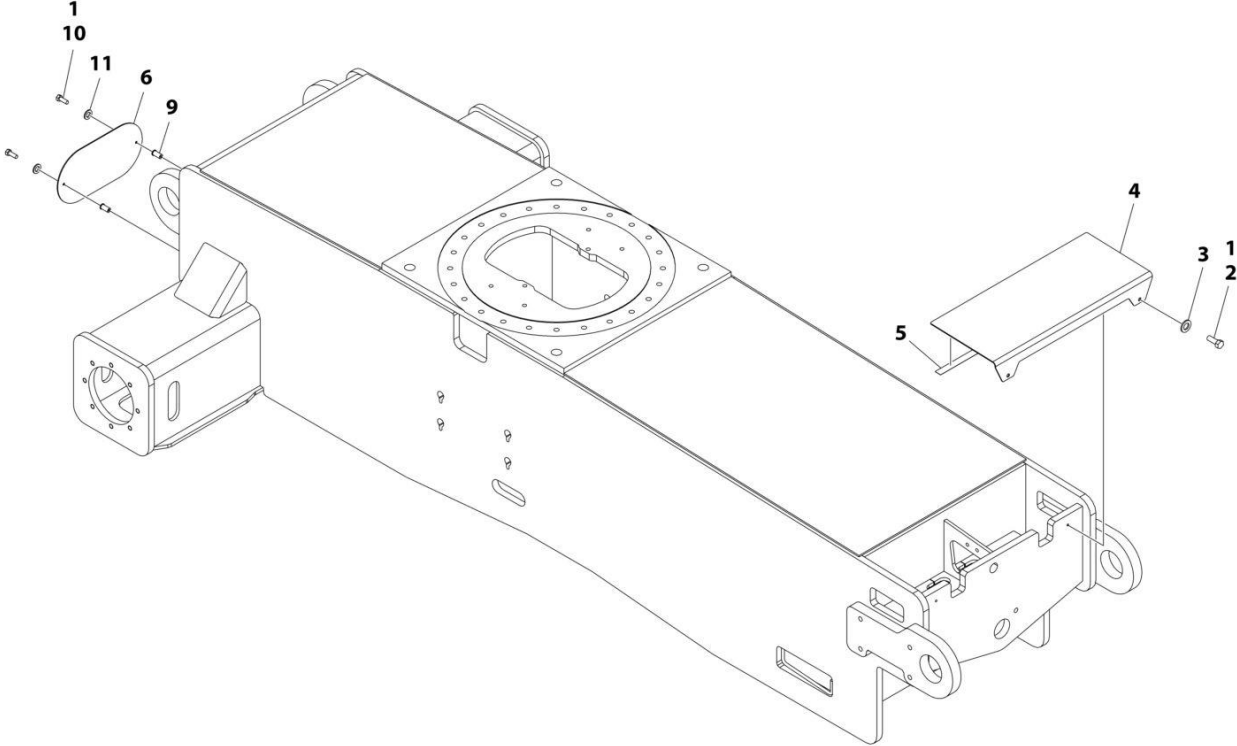
# SECTION 1 - FRAME

## FIGURE 1-17. LP TANK BRACKETS INSTALLATIONS

| ITEM | PART NUMBER | QTY | DESCRIPTION                     | REV |
|------|-------------|-----|---------------------------------|-----|
|      | 1001151010  | Ref | LP TANK BRACKETS INSTALLATION   | E   |
| 1    | 1320220     | 2   | Clamp                           |     |
| 1    | 1320127     | 2   | Clamp, Toggle (1 Per Clamp)     |     |
| 2    | 2720144     | 2   | Hose                            |     |
| 3    | 0100020     | AR  | Sealant, Pipe                   |     |
| 4    | 2221197     | 1   | Fitting, Reducer                |     |
| 5    | 1001247358  | 1   | Fitting, 90 Swivel              |     |
| 6    | 2220261     | 1   | Fitting, Nipple                 |     |
| 7    | 2180388     | 1   | Fitting, Bulkhead               |     |
| 8    | 2180389     | 1   | Valve, Relief                   |     |
| 9    | 2220418     | 1   | Fitting, Tee                    |     |
| 10   | 2180387     | 2   | Fitting, Straight               |     |
| 11   | 0641617     | 8   | Bolt 3/8 x 2-1/8                |     |
| 12   | 4751600     | 16  | Washer 3/8                      |     |
| 13   | 2180418     | 2   | Fitting, Connector              |     |
| 14   | 3311605     | 8   | Nut 3/8                         |     |
| 15   | 1320218     | 2   | Clamp, Spring                   |     |
| 16   | 0720804     | 2   | Screw #8 x 1/2                  |     |
| 17   | 4750800     | 4   | Washer #8                       |     |
| 18   | 3310805     | 2   | Nut #8                          |     |
| 19   | 0181949     | 2   | Angle, Support                  |     |
| 20   | 2221024     | 2   | Fitting, Union Ball Check       |     |
| 100  | 4400275     | 1   | Tank, LP - 43.5 Lbs. (Aluminum) |     |

**SECTION 1 - FRAME**

**FIGURE 1-18. FRAME SHIELDS INSTALLATION - 2WS**



ART\_1001158203

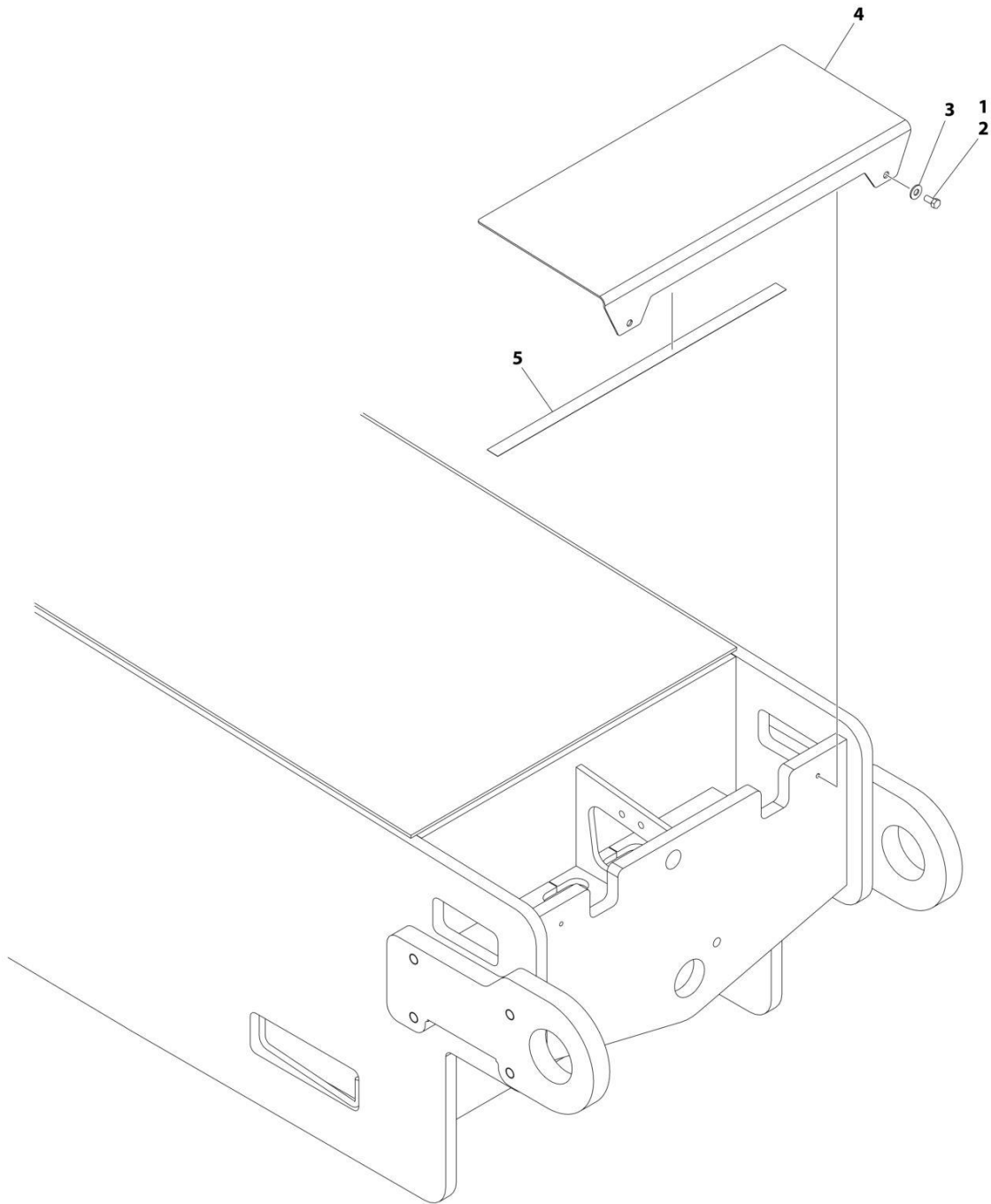
# SECTION 1 - FRAME

## FIGURE 1-18. FRAME SHIELDS INSTALLATION - 2WS

| ITEM | PART NUMBER | QTY            | DESCRIPTION                | REV |
|------|-------------|----------------|----------------------------|-----|
|      | 1001158203  | Ref            | FRAME SHIELDS INSTALLATION | D   |
| 1    | 0100011     | AR             | Compound, Locking          |     |
| 2    | 0641606     | 2              | Bolt 3/8 x 3/4             |     |
| 3    | 4751600     | 2              | Washer 3/8                 |     |
| 4    | 1001158187  | 1              | Cover                      |     |
| 5    | 4280296     | 27 in/<br>68cm | Trim                       |     |
| 6    | 1001158188  | 1              | Cover                      |     |
| 9    | 8580420     | 2              | Nut, Well                  |     |
| 10   | 0641410     | 2              | Bolt 1/4 x 1-1/4           |     |
| 11   | 4751400     | 2              | Washer 1/4                 |     |

# SECTION 1 - FRAME

## FIGURE 1-19. FRAME SHIELDS INSTALLATION - 4WS



ART\_1001158204

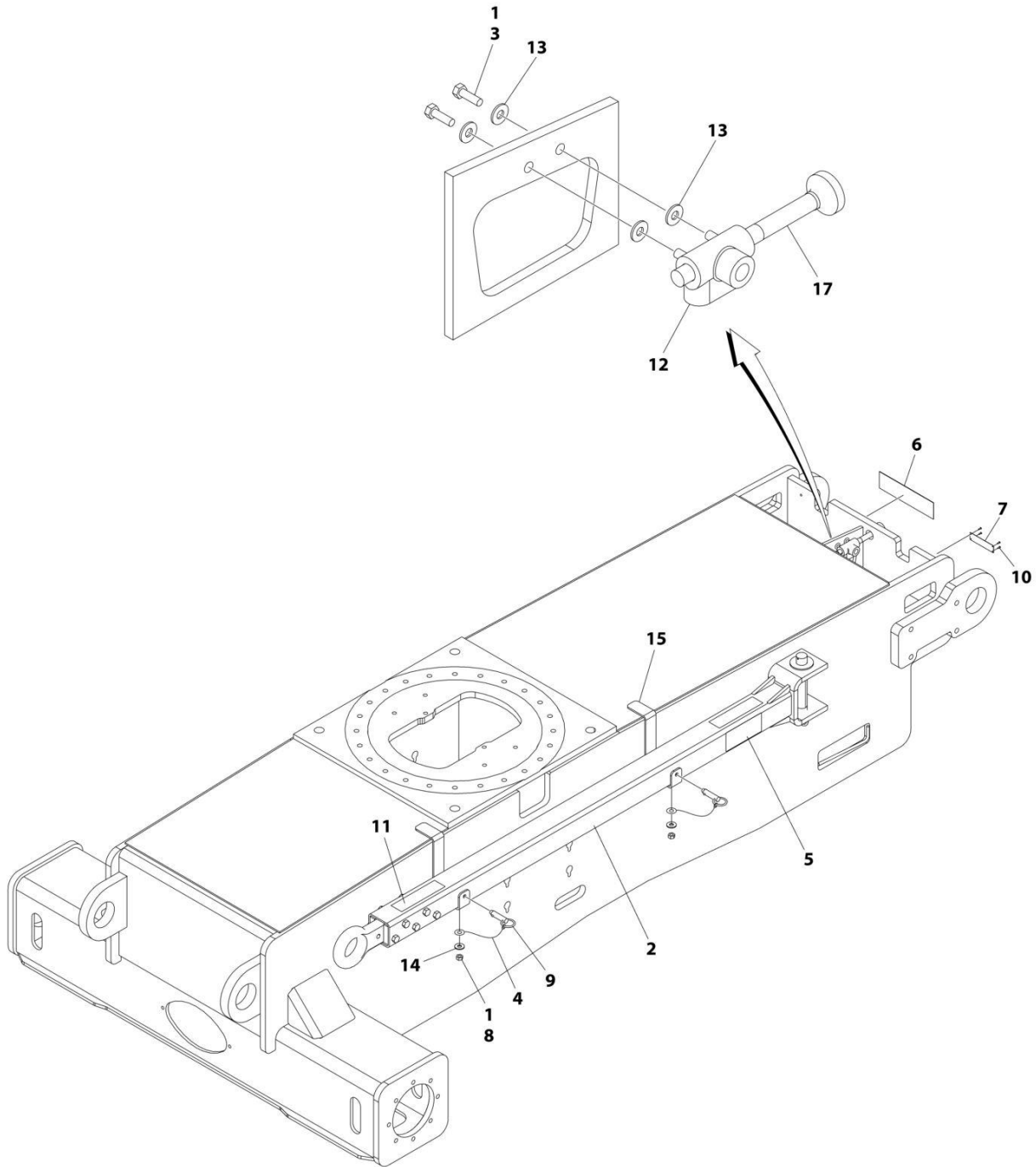
## SECTION 1 - FRAME

### FIGURE 1-19. FRAME SHIELDS INSTALLATION - 4WS

| ITEM | PART NUMBER | QTY            | DESCRIPTION                 | REV |
|------|-------------|----------------|-----------------------------|-----|
|      | 1001158204  | Ref            | FRAME SHIELDS INSTSALLATION | C   |
| 1    | 0100011     | AR             | Compound, Locking           |     |
| 2    | 0641606     | 2              | Bolt 3/8 x 3/4              |     |
| 3    | 4751600     | 2              | Washer 3/8                  |     |
| 4    | 1001158187  | 1              | Cover                       |     |
| 5    | 4280296     | 27 in/<br>68cm | Trim                        |     |

# SECTION 1 - FRAME

FIGURE 1-20. TOW PACKAGE INSTALLATION - 2WS (ENGLISH LANGUAGE DECALS)



ART\_1001158258

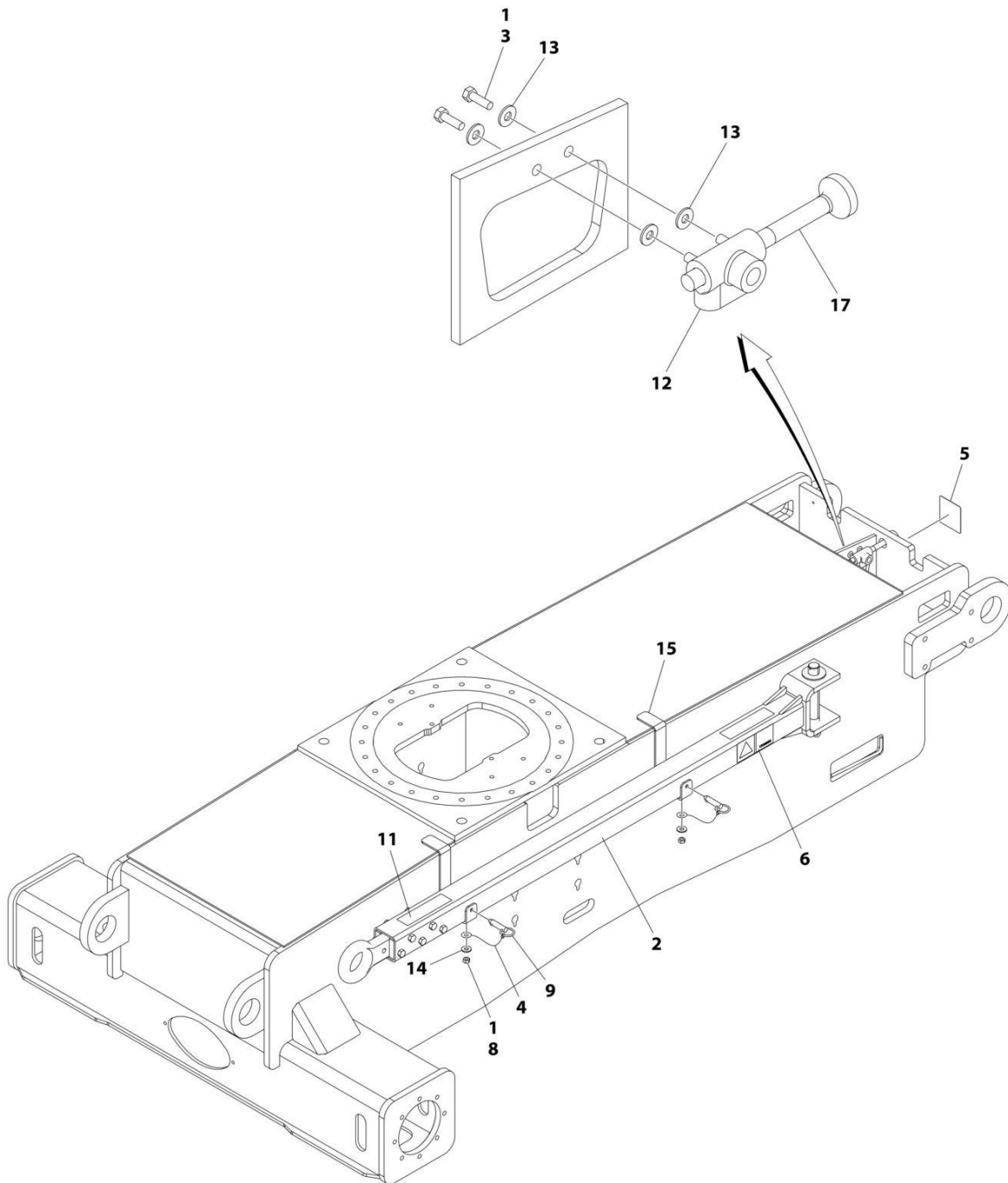
## SECTION 1 - FRAME

**FIGURE 1-20. TOW PACKAGE INSTALLATION - 2WS (ENGLISH LANGUAGE DECALS)**

| ITEM | PART NUMBER | QTY       | DESCRIPTION   | REV |
|------|-------------|-----------|---|-----|
|      | 1001158258  | Ref       | TOW PACKAGE INSTALLATION                                  | B   |
| 1    | 0100011     | AR        | Compound, Locking   |     |
| 2    | 0232121     | 1         | Tow Bar Assembly (See Separate Breakdown in this Section) |     |
| 3    | 0641508     | 2         | Bolt 5/16 x 1   |     |
| 4    | 1260017     | 2 ft/0.3m | Chain   |     |
| 5    | 1704578     | 2         | Decal - Crushing  |     |
| 6    | 1705090     | 1         | Decal - Towing Instructions                               |     |
| 7    | 3250872     | 1         | Nameplate - Steer/Tow Valve                               |     |
| 8    | 3311401     | 2         | Nut 1/4   |     |
| 9    | 3420292     | 2         | Pin   |     |
| 10   | 3820001     | 4         | Rivet, Pop  |     |
| 11   | 4420051     | 2 ft/0.3m | Tape  |     |
| 12   | 4640261     | 1         | Valve, Float Position                                     |     |
| 13   | 4751500     | 4         | Washer 5/16   |     |
| 14   | 4751400     | 2         | Washer 1/4  |     |
| 15   | 1001158522  | 2         | Bracket   |     |
| 17   | 1001160780  | 1         | Rod, Extension  |     |

# SECTION 1 - FRAME

FIGURE 1-21. TOW PACKAGE INSTALLATION - 2WS (CE & UK CA SPECS)



ART\_1001166806



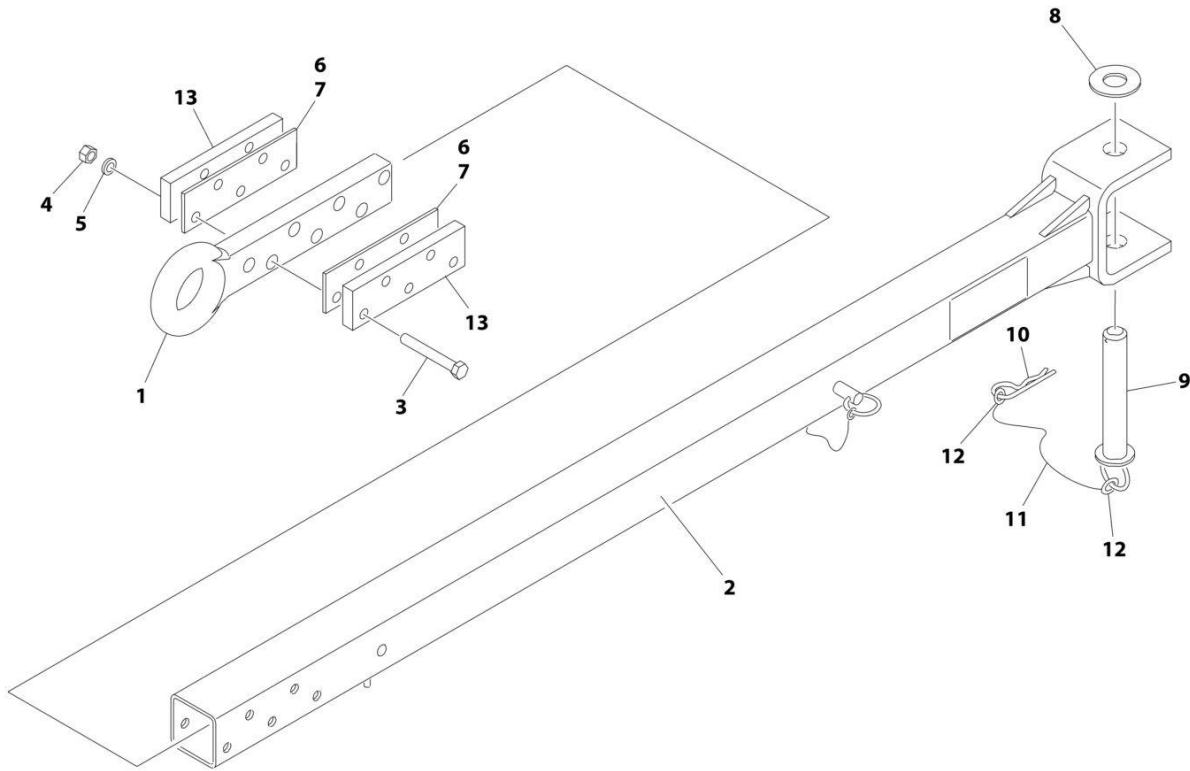
## SECTION 1 - FRAME

**FIGURE 1-21. TOW PACKAGE INSTALLATION - 2WS (CE & UK CA SPECS)**

| ITEM | PART NUMBER | QTY       | DESCRIPTION   | REV |
|------|-------------|-----------|---|-----|
|      | 1001166806  | Ref       | TOW BAR INSTALLATION                                      | B   |
| 1    | 0100011     | AR        | Compound, Locking   |     |
| 2    | 0232121     | 1         | Tow Bar Assembly (See Separate Breakdown in this Section) |     |
| 3    | 0641508     | 2         | Bolt 5/16 x 1   |     |
| 4    | 1260017     | 2 ft/0.3m | Chain   |     |
| 5    | 1706957     | 1         | Decal - Tow Bar and Steer Select                          |     |
| 6    | 1706960     | 2         | Decal - Crushing  |     |
| 7    | 2792700     | 1         | Hydraulic Diagram, Tow Bar Circuit (Not Shown)            |     |
| 8    | 3311401     | 2         | Nut 1/4   |     |
| 9    | 3420292     | 2         | Pin   |     |
| 11   | 4420051     | 2 ft/0.3m | Tape  |     |
| 12   | 4640261     | 1         | Valve, Float Position                                     |     |
| 13   | 4751500     | AR        | Washer 5/16   |     |
| 14   | 4751400     | 2         | Washer 1/4  |     |
| 15   | 1001158522  | 1         | Bracket   |     |
| 17   | 1001160780  | 1         | Rod, Extension  |     |

# SECTION 1 - FRAME

## FIGURE 1-22. TOW BAR ASSEMBLY



ART\_232121

FIGURE 1-22. TOW BAR ASSEMBLY

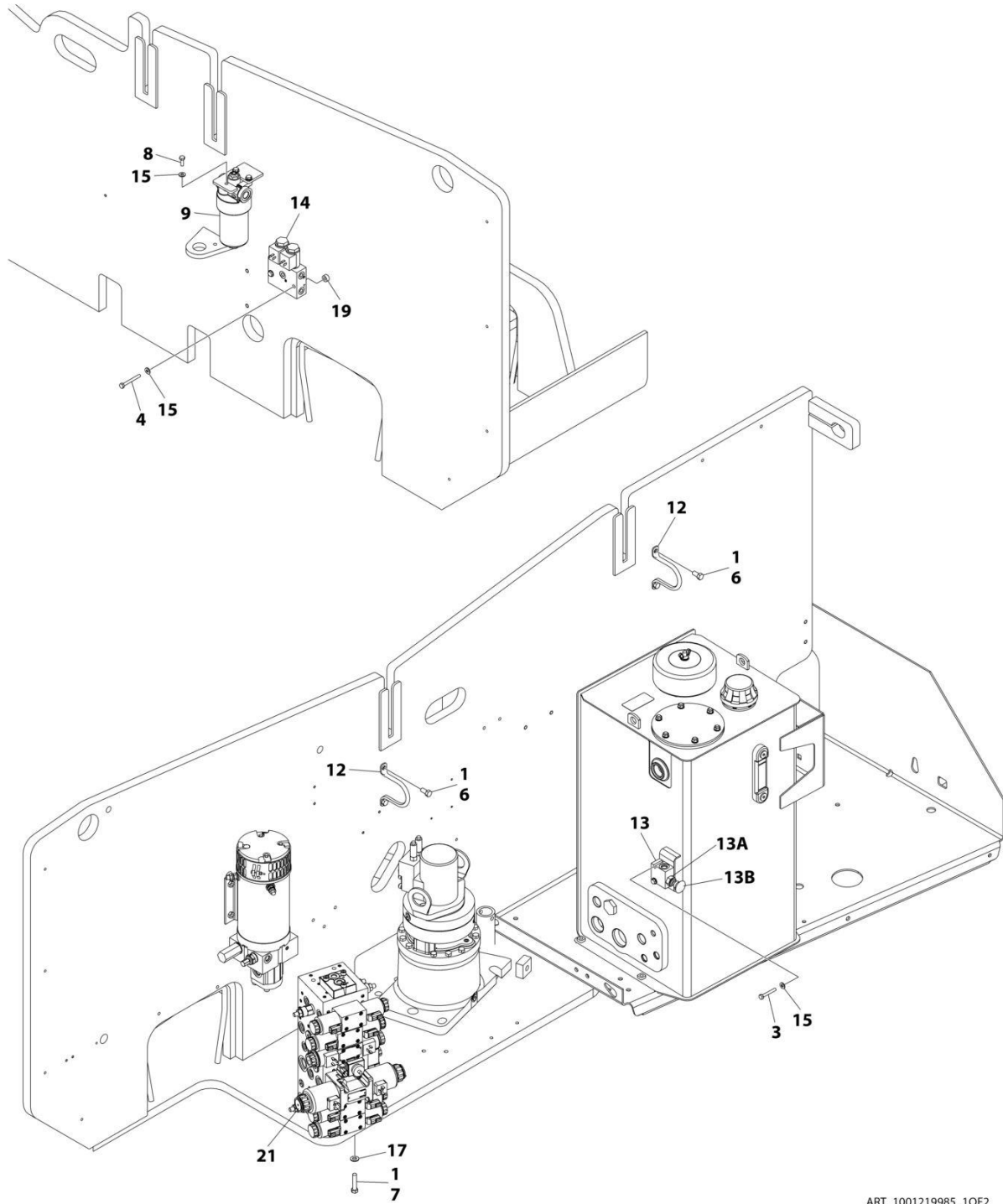
| ITEM | PART NUMBER | QTY | DESCRIPTION      | REV |
|------|-------------|-----|------------------|-----|
|      | 0232121     | Ref | TOW BAR ASSEMBLY | 7-G |
| 1    | 0360406     | 1   | Bar, Draw        |     |
| 2    | 4843777     | 1   | Bar, Tow         |     |
| 3    | 0642038     | 5   | Bolt 5/8 x 4-3/4 |     |
| 4    | 3312001     | 5   | Nut 5/8          |     |
| 5    | 4762000     | 5   | Washer 5/8       |     |
| 6    | 4070450     | AR  | Shim             |     |
| 7    | 4070561     | AR  | Shim             |     |
| 8    | 4740036     | 1   | Washer 1-1/2     |     |
| 9    | 3420447     | 1   | Pin              |     |
| 10   | 3420372     | 1   | Pin              |     |
| 11   | 1260135     | 1   | Chain            |     |
| 12   | 3760170     | 2   | Ring             |     |
| 13   | 4070560     | 2   | Shim             |     |



**SECTION 2 - TURNTABLE**

# SECTION 2 - TURNTABLE

## FIGURE 2-1. CONTROL VALVES INSTALLATION - WITH 2WS



ART\_1001219985\_10F2

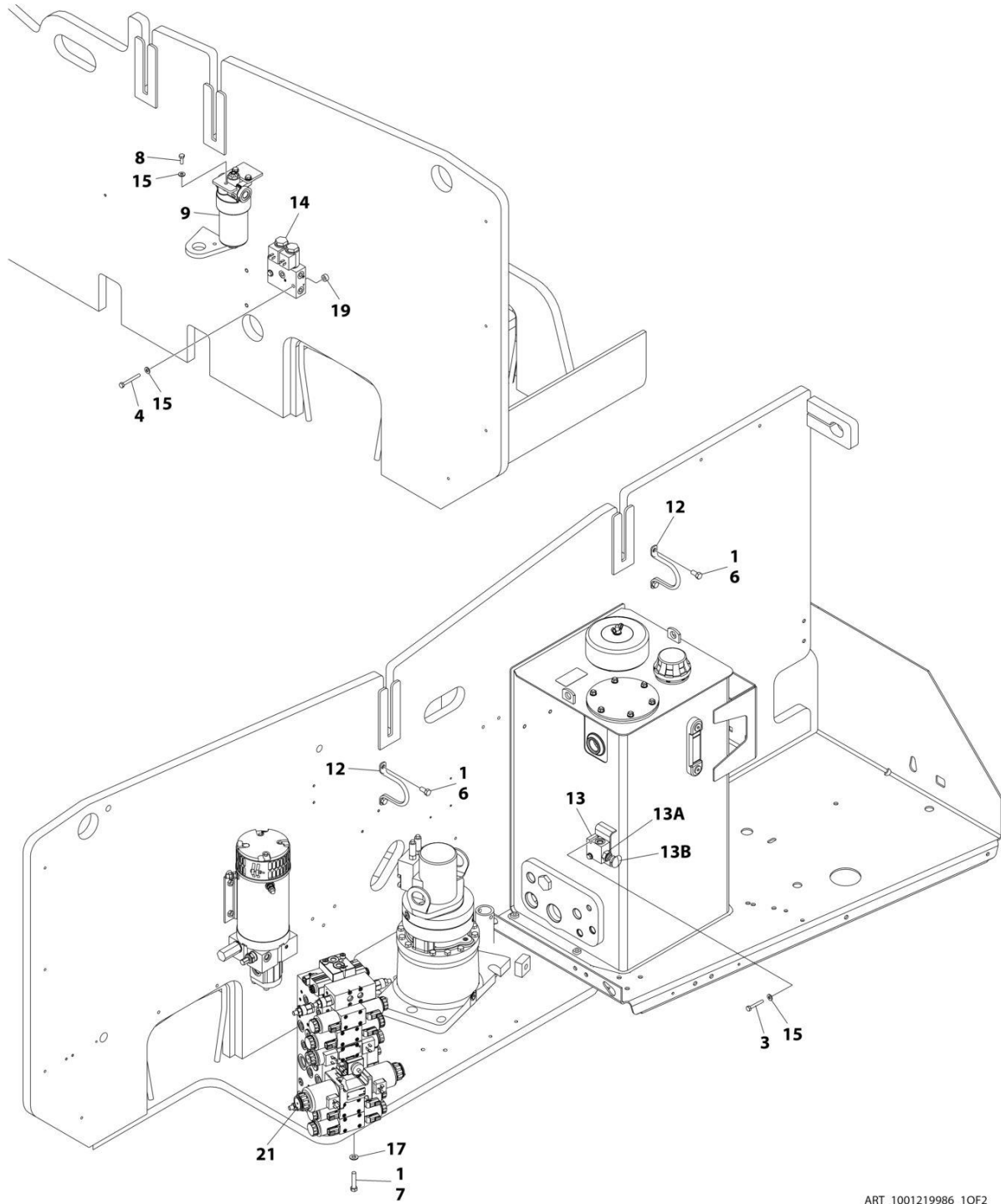
**SECTION 2 - TURNTABLE**

**FIGURE 2-1. CONTROL VALVES INSTALLATION - WITH 2WS**

| ITEM | PART NUMBER | QTY | DESCRIPTION  | REV |
|------|-------------|-----|--|-----|
|      | 1001219985  | Ref | BOOM VALVES INSTALLATION                                     | B   |
| 1    | 0100011     | AR  | Compound, Locking  |     |
| 3    | 0641414     | 2   | Bolt 1/4 x 1-3/4   |     |
| 4    | 0641418     | 4   | Bolt 1/4 x 2-1/4   |     |
| 6    | 0641606     | 4   | Bolt 3/8 x 3/4   |     |
| 7    | 0641614     | 3   | Bolt 3/8 x 1-3/4   |     |
| 8    | 0651406     | 3   | Bolt 1/4 x 3/4   |     |
| 9    | 2120209     | 1   | Pressure Filter Assembly                                     |     |
| 9    | 2120210     | 1   | Element, Filter  |     |
| 12   | 3841340     | 2   | Loop, Hose   |     |
| 13   | 4640866     | 1   | Level Valve Assembly   |     |
| 13A  | 7017466     | 1   | Cartridge  |     |
| 13A  | 2900708     | 1   | Seal Kit   |     |
| 13B  | 7012959     | 1   | Knob   |     |
| 14   | 4641317     | 1   | Brake/2 Speed Valve Assembly                                 |     |
| 14   | 7012944     | 1   | Coil   |     |
| 14   | 7012941     | 1   | Cartridge without Coil                                       |     |
| 14   | 7010543     | 1   | Seal Kit- 7012941 Cartridge (1 Per Cartridge)                |     |
| 15   | 4711400     | 11  | Washer 1/4   |     |
| 17   | 4711600     | 3   | Washer 3/8   |     |
| 19   | 1001110425  | 2   | Spacer   |     |
| 21   | 1001228170  | 1   | Main Valve Assembly (See Separate Breakdown in this Section) |     |

# SECTION 2 - TURNTABLE

## FIGURE 2-2. CONTROL VALVES INSTALLATION - WITH 4WS



ART\_1001219986\_10F2



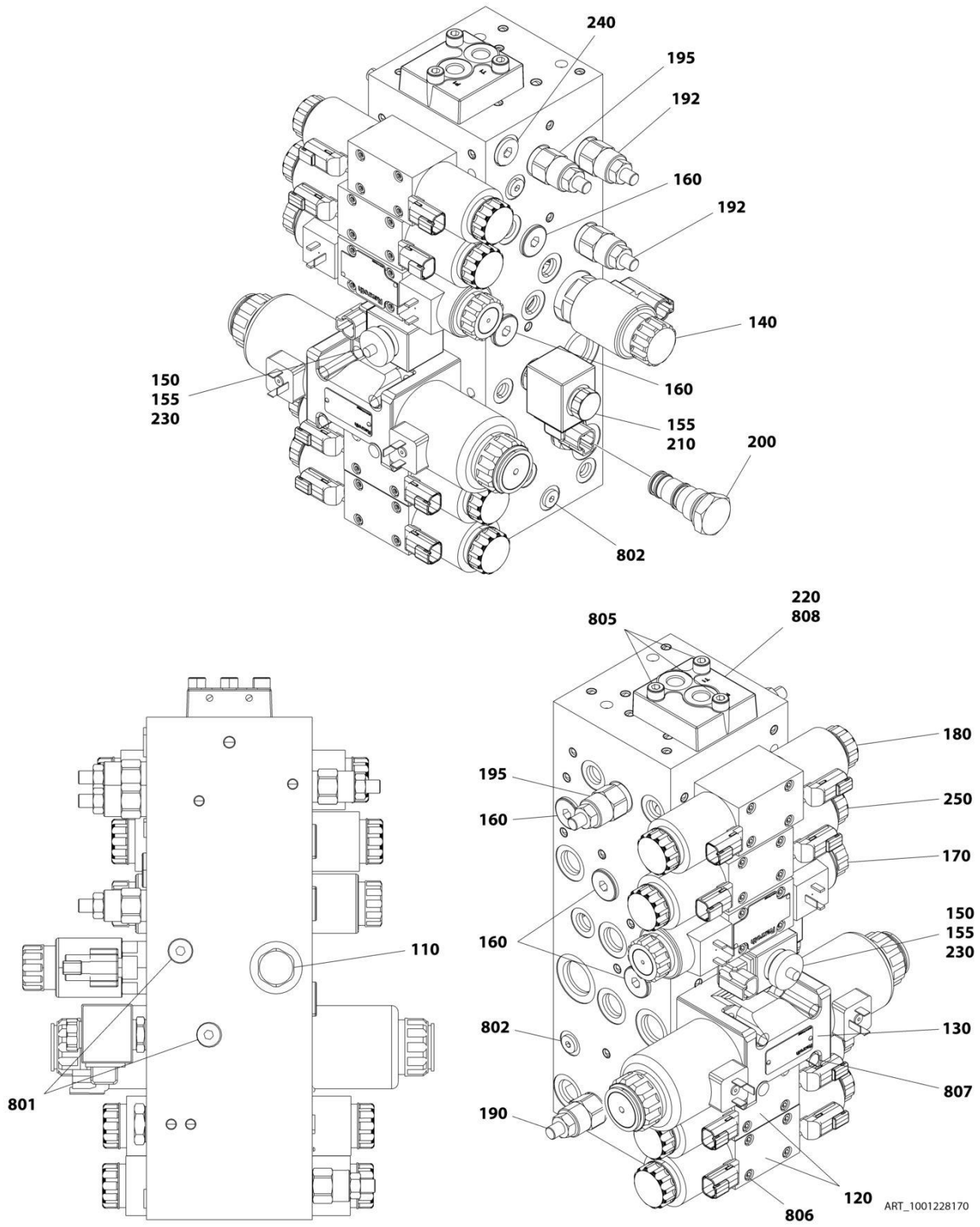
## SECTION 2 - TURNTABLE

### FIGURE 2-2. CONTROL VALVES INSTALLATION - WITH 4WS

| ITEM | PART NUMBER | QTY | DESCRIPTION  | REV |
|------|-------------|-----|--|-----|
|      | 1001219986  | Ref | VALVES INSTALLATION  | B   |
| 1    | 0100011     | AR  | Compound, Locking  |     |
| 3    | 0641414     | 2   | Bolt 1/4 x 1-3/4   |     |
| 4    | 0641418     | 4   | Bolt 1/4 x 2-1/4   |     |
| 6    | 0641606     | 4   | Bolt 3/8 x 3/4   |     |
| 7    | 0641614     | 3   | Bolt 3/8 x 1-3/4   |     |
| 8    | 0651406     | 3   | Bolt 1/4 x 3/4   |     |
| 9    | 2120209     | 1   | Pressure Filter Assembly                                     |     |
| 9    | 2120210     | 1   | Element, Filter  |     |
| 12   | 3841340     | 2   | Loop, Hose   |     |
| 13   | 4640866     | 1   | Level Valve Assembly   |     |
| 13A  | 7017466     | 1   | Cartridge  |     |
| 13A  | 2900708     | 1   | Seal Kit   |     |
| 13B  | 7012959     | 1   | Knob   |     |
| 14   | 4641317     | 1   | Brake/2 Speed Valve Assembly                                 |     |
| 14   | 7012944     | 2   | Coil   |     |
| 14   | 7012941     | 2   | Cartridge without Coil                                       |     |
| 14   | 7010543     | 2   | Seal Kit- 7012941 Cartridge (1 Per Cartridge)                |     |
| 15   | 4711400     | 11  | Washer 1/4   |     |
| 17   | 4711600     | 3   | Washer 3/8   |     |
| 19   | 1001110425  | 2   | Spacer   |     |
| 21   | 1001228171  | 1   | Main Valve Assembly (See Separate Breakdown in this Section) |     |

# SECTION 2 - TURNTABLE

## FIGURE 2-3. CONTROL VALVE ASSEMBLY - 2WS MACHINES



## SECTION 2 - TURNTABLE

**FIGURE 2-3. CONTROL VALVE ASSEMBLY - 2WS MACHINES**

| ITEM | PART NUMBER | QTY | DESCRIPTION   | REV |
|------|-------------|-----|---|-----|
|      | 1001228170  | Ref | MAIN VALVE ASSEMBLY                                 | C   |
| 110  | 70005194    | 1   | Valve, Check Cartridge                              |     |
| 110  | 70004584    | 1   | Seal Kit - 70005194 Valve                           |     |
| 120  | 70004459    | 2   | Valve Assembly (Tower Tele and Tower Lift)          |     |
| 120  | 7012773     | 2   | Seal Kit - 70004459 Valve                           |     |
| 120  | 70004460    | 4   | Coil  |     |
| 120  | 7021375     | 4   | Nut, Coil   |     |
| 120  | 70004461    | 4   | O-Ring, Pole Tube                                   |     |
| 130  | 70006955    | 1   | Valve Assembly (Upper Tele)                         |     |
| 130  | 70006957    | 1   | Seal Kit - 70006955 Valve                           |     |
| 130  | 70006956    | 2   | Coil  |     |
| 140  | 70004657    | 1   | Valve, Cartridge (Flow Control)                     |     |
| 140  | 70004594    | 1   | Seal Kit - 70004657 Valve                           |     |
| 140  | 70004595    | 1   | Coil  |     |
| 140  | 70004596    | 1   | O-Ring, Pole Tube                                   |     |
| 140  | 70004597    | 1   | Nut, Coil   |     |
| 150  | 70004598    | 1   | Valve, Cartridge Less Coil (Steer Dump)             |     |
| 150  | 70004055    | 1   | Seal Kit - 70004598 Valve                           |     |
| 155  | 70004653    | 2   | Coil  |     |
| 155  | 70004051    | 2   | Nut, Coil   |     |
| 160  | 70023859    | 5   | Valve, Shuffle Cartridge                            |     |
| 160  | 70023860    | 5   | Seal Kit - 70023859 Valve                           |     |
| 170  | 7018992     | 1   | Valve Assembly (Upper Lift)                         |     |
| 170  | 7024021     | 1   | Seal Kit - 7018992 Valve                            |     |
| 170  | 7018991     | 2   | Coil  |     |
| 170  | 7021375     | 2   | Nut, Coil   |     |
| 170  | 70004461    | 2   | O-Ring, Pole Tube                                   |     |
| 180  | 70005195    | 1   | Valve Assembly (Front Steer)                        |     |
| 180  | 7012773     | 1   | Seal Kit - 70005195 Valve                           |     |
| 180  | 70004463    | 2   | Coil  |     |
| 180  | 7021375     | 2   | Nut, Coil   |     |
| 180  | 70004461    | 2   | O-Ring, Pole Tube                                   |     |
| 190  | 70003019    | 1   | Valve, Relief Catridge (was PN 70006959)            |     |
| 190  | See Note    | NSS | Seal Kit - Valve (Note: Not Available for Purchase) |     |
| 192  | 70003019    | 1   | Valve, Relief Catridge (was PN 70006960)            |     |
| 192  | See Note    | NSS | Seal Kit - Valve (Note: Not Available for Purchase) |     |
| 195  | 70003019    | 1   | Valve, Relief Catridge (was PN 70006958)            |     |
| 195  | See Note    | NSS | Seal Kit - Valve (Note: Not Available for Purchase) |     |
| 200  | 70004665    | 1   | Valve, Check - Catridge                             |     |
| 200  | 70023862    | 1   | Seal Kit - 70004665 Valve                           |     |
| 210  | 70004457    | 1   | Valve, Cartridge Less Coil (Main Dump)              |     |
| 210  | 70004050    | 1   | Seal Kit - 70004665 Valve                           |     |
| 210  | 70004653    | 1   | Coil  |     |
| 220  | 70004667    | 1   | Cover   |     |
| 230  | 70005196    | 1   | Orifice .118  |     |
| 240  | 70005197    | 1   | Plug (2WS)  |     |
| 240  | 70004052    | 1   | Seal Kit - 70005197 Plug                            |     |
| 250  | 70005198    | 1   | Valve Assembly (Swing)                              |     |
| 250  | 70006961    | 1   | Seal Kit - 70005198 Valve                           |     |
| 250  | 70004463    | 2   | Coil  |     |

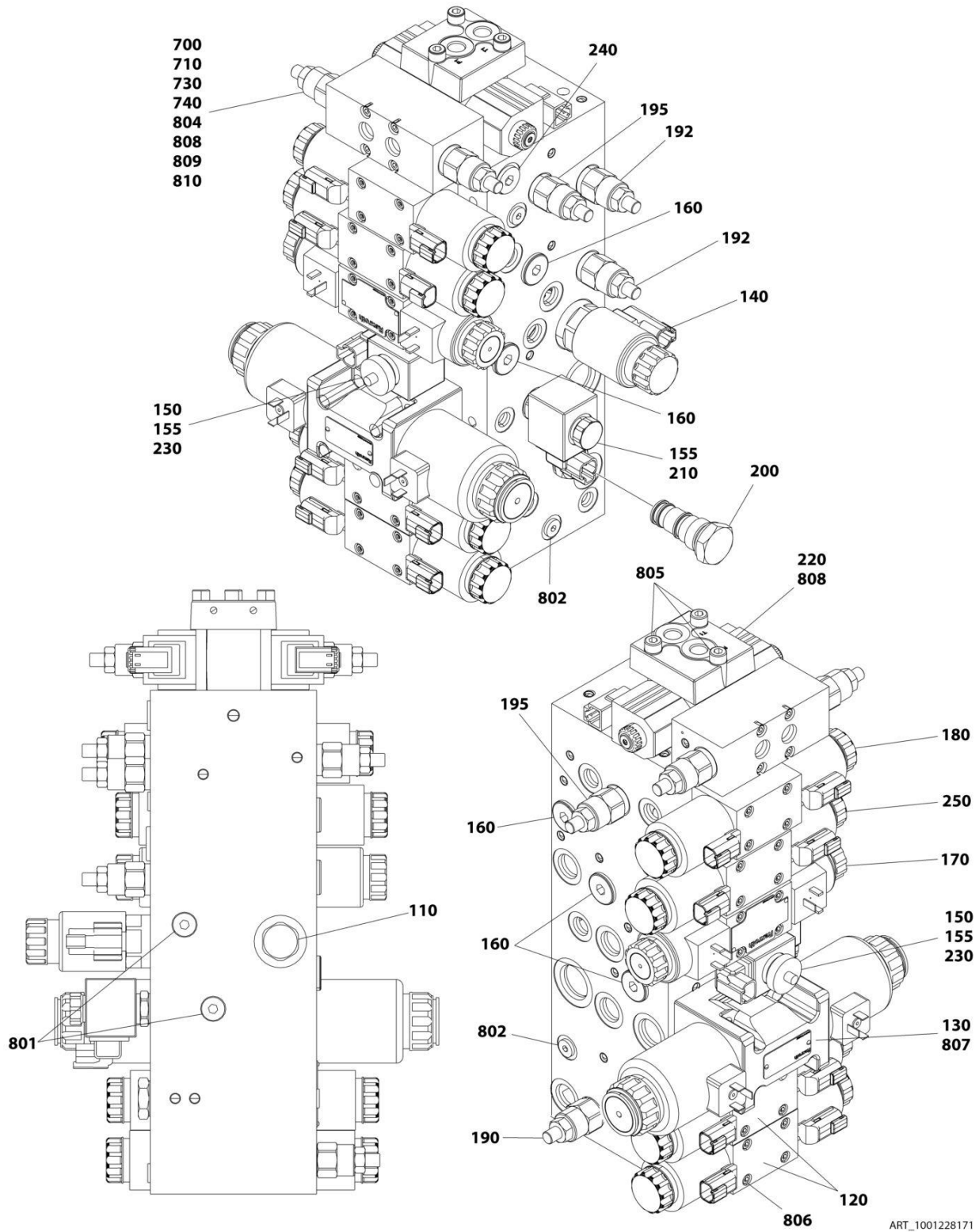
## SECTION 2 - TURNTABLE

| ITEM | PART NUMBER | QTY | DESCRIPTION       | REV |
|------|-------------|-----|-------------------|-----|
| 250  | 7021375     | 2   | Nut, Coil         |     |
| 250  | 70004461    | 2   | O-Ring, Pole Tube |     |
| 801  | 70005199    | 2   | Plug              |     |
| 802  | 70005200    | 4   | Plug              |     |
| 805  | 70005201    | 3   | Capscrew          |     |
| 806  | 7018942     | 20  | Capscrew          |     |
| 807  | 7018951     | 4   | Capscrew          |     |
| 808  | 70005202    | 2   | O-Ring            |     |



# SECTION 2 - TURNTABLE

## FIGURE 2-4. CONTROL VALVE ASSEMBLY - 4WS MACHINES



ART\_1001228171

## SECTION 2 - TURNTABLE

**FIGURE 2-4. CONTROL VALVE ASSEMBLY - 4WS MACHINES**

| ITEM | PART NUMBER | QTY | DESCRIPTION  | REV |
|------|-------------|-----|--|-----|
|      | 1001228171  | Ref | MAIN VALVE ASSEMBLY  | C   |
| 110  | 70005194    | 1   | Valve, Check Cartridge                                       |     |
| 110  | 70004584    | 1   | Seal Kit - 70005194 Valve                                    |     |
| 120  | 70004459    | 2   | Valve Assembly (Tower Tele and Tower Lift)                   |     |
| 120  | 7012773     | 2   | Seal Kit - 70004459 Valve                                    |     |
| 120  | 70004460    | 4   | Coil   |     |
| 120  | 7021375     | 4   | Nut, Coil  |     |
| 120  | 70004461    | 4   | O-Ring, Pole Tube  |     |
| 130  | 70006955    | 1   | Valve Assembly (Upper Tele)                                  |     |
| 130  | 70006957    | 1   | Seal Kit - 70006955 Valve                                    |     |
| 130  | 70006956    | 2   | Coil   |     |
| 140  | 70004657    | 1   | Valve, Cartridge (Flow Control)                              |     |
| 140  | 70004594    | 1   | Seal Kit - 70004657 Valve                                    |     |
| 140  | 70004595    | 1   | Coil   |     |
| 140  | 70004596    | 1   | O-Ring, Pole Tube  |     |
| 140  | 70004597    | 1   | Nut, Coil  |     |
| 150  | 70004598    | 1   | Valve, Cartridge Less Coil (Steer Dump)                      |     |
| 150  | 70004055    | 1   | Seal Kit - 70004598 Valve                                    |     |
| 155  | 70004653    | 2   | Coil   |     |
| 155  | 70004051    | 2   | Nut, Coil  |     |
| 160  | 70023859    | 5   | Valve, Shuffle Cartridge                                     |     |
| 160  | 70023860    | 5   | Seal Kit - 70023859 Valve                                    |     |
| 170  | 7018992     | 1   | Valve Assembly (Upper Lift)                                  |     |
| 170  | 7024021     | 1   | Seal Kit - 7018992 Valve                                     |     |
| 170  | 7018991     | 2   | Coil   |     |
| 170  | 7021375     | 2   | Nut, Coil  |     |
| 170  | 70004461    | 2   | O-Ring, Pole Tube  |     |
| 180  | 70005195    | 1   | Valve Assembly (Front Steer)                                 |     |
| 180  | 7012773     | 1   | Seal Kit - 70005195 Valve                                    |     |
| 180  | 70004463    | 2   | Coil   |     |
| 180  | 7021375     | 2   | Nut, Coil  |     |
| 180  | 70004461    | 2   | O-Ring, Pole Tube  |     |
| 190  | 70006959    | 1   | Valve, Relief Cartridge                                      |     |
| 190  | See Note    | NSS | Seal Kit - 70006959 Valve (Note: Not Available for Purchase) |     |
| 192  | 70006960    | 2   | Valve, Relief Cartridge                                      |     |
| 192  | See Note    | NSS | Seal Kit - 70006960 Valve (Note: Not Available for Purchase) |     |
| 195  | 70006962    | 2   | Valve, Relief Cartridge                                      |     |
| 195  | See Note    | NSS | Seal Kit - 70006958 Valve (Note: Not Available for Purchase) |     |
| 200  | 70004665    | 1   | Valve, Check - Cartridge                                     |     |
| 200  | 70023862    | 1   | Seal Kit - 70004665 Valve                                    |     |
| 210  | 70004457    | 1   | Valve, Cartridge Less Coil (Main Dump)                       |     |
| 210  | 70004050    | 1   | Seal Kit - 70004665 Valve                                    |     |
| 210  | 70004653    | 1   | Coil   |     |
| 220  | 70004667    | 1   | Cover  |     |
| 230  | 70005196    | 1   | Orifice .118   |     |
| 240  | 70004670    | 1   | Blocking Plug  |     |
| 250  | 70005198    | 1   | Valve Assembly (Swing)                                       |     |
| 250  | 70006961    | 1   | Seal Kit - 70005198 Valve                                    |     |
| 250  | 70004463    | 2   | Coil   |     |
| 250  | 7021375     | 2   | Nut, Coil  |     |

## SECTION 2 - TURNTABLE

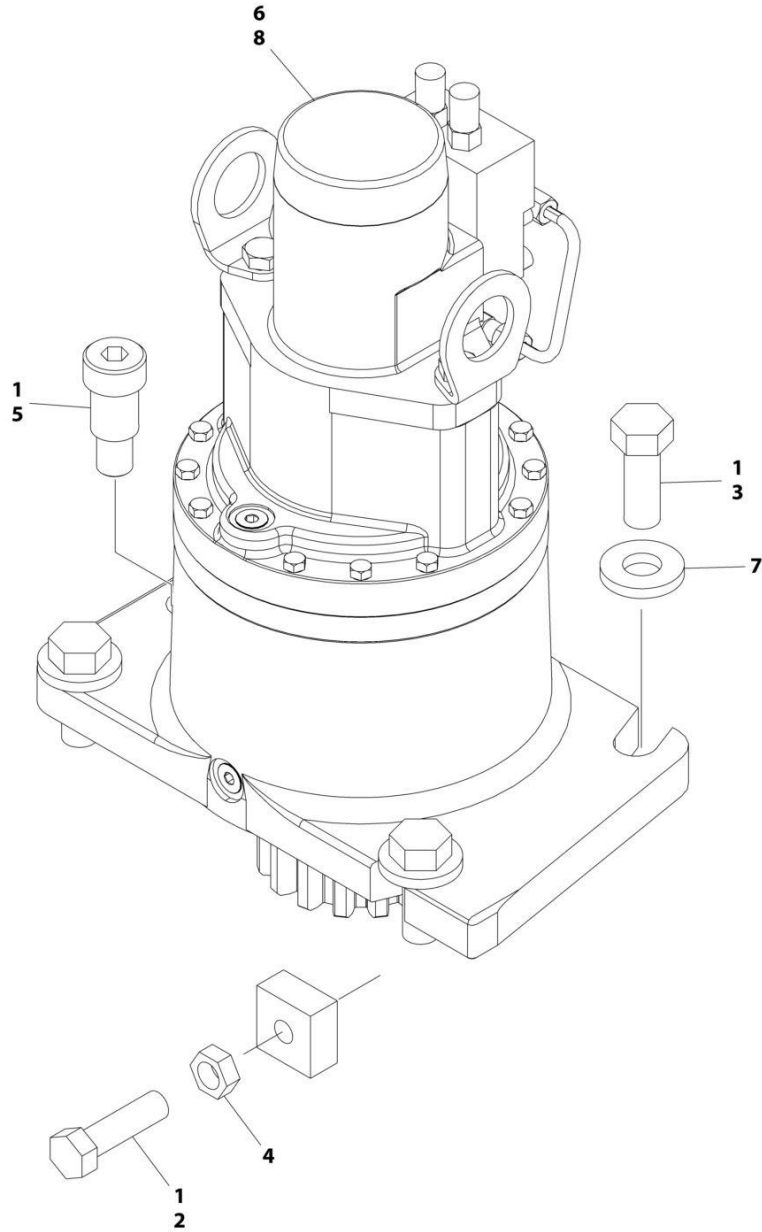
| ITEM | PART NUMBER | QTY | DESCRIPTION                 | REV |
|------|-------------|-----|-----------------------------|-----|
| 250  | 70004461    | 2   | O-Ring, Pole Tube           |     |
| 700  | 70004671    | 1   | Valve Assembly (Rear Steer) |     |
| 710  | 70004673    | 2   | Coil                        |     |
| 730  | 70006963    | 2   | Valve, Relief Cartridge     |     |
| 740  | 70005232    | 4   | Capscrew                    |     |
| 801  | 70005199    | 2   | Plug                        |     |
| 802  | 70005200    | 4   | Plug                        |     |
| 805  | 70005201    | 3   | Capscrew                    |     |
| 806  | 7018942     | 20  | Capscrew                    |     |
| 807  | 7018951     | 4   | Capscrew                    |     |
| 808  | 70005202    | 2   | O-Ring                      |     |
| 809  | 91474405    | 2   | O-Ring                      |     |
| 810  | 70021202    | 1   | Bolt Kit                    |     |





# SECTION 2 - TURNTABLE

## FIGURE 2-5. SWING DRIVE INSTALLATION



ART\_1001156136\_B

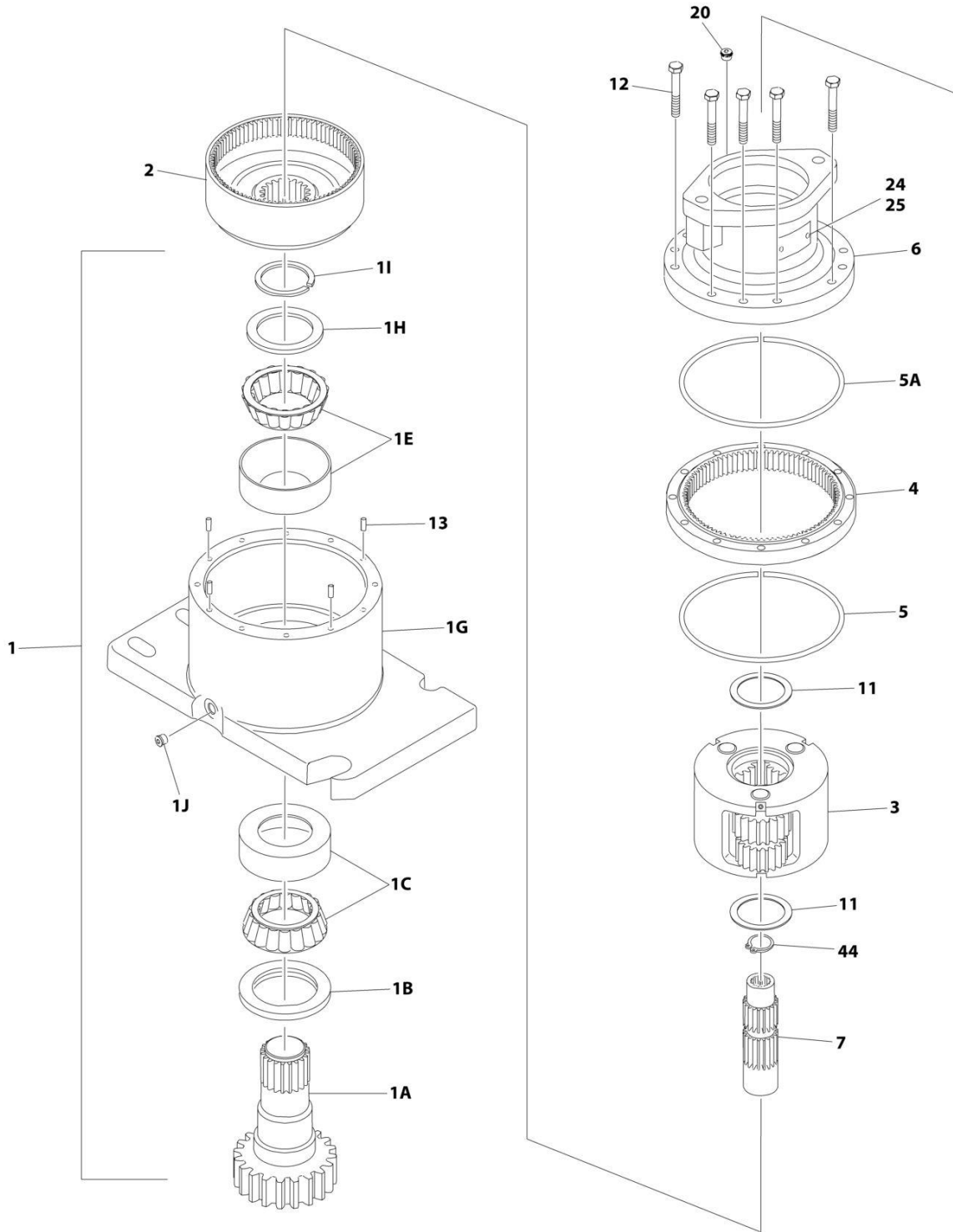
**SECTION 2 - TURNTABLE**

**FIGURE 2-5. SWING DRIVE INSTALLATION**

| ITEM | PART NUMBER | QTY | DESCRIPTION   | REV |
|------|-------------|-----|---|-----|
|      | 1001156136  | Ref | SWING DRIVE INSTALLATION  | B   |
| 1    | 0100019     | AR  | Compound, Locking   |     |
| 2    | 3952020     | 1   | Setscrew 5/8 x 2-1/2  |     |
| 3    | 0682216     | 4   | Bolt 3/4 x 2 Grade 8  |     |
| 4    | 3312002     | 1   | Nut 5/8   |     |
| 5    | 3900293     | 1   | Screw 1 x 1-1/4   |     |
| 6    | 1001125492  | 1   | Shim  |     |
| 7    | 4740057     | 4   | Washer  |     |
| 8    | 1001229810  | 1   | Swing Motor/Hub Assembly (See Separate Breakdown in this Section) |     |

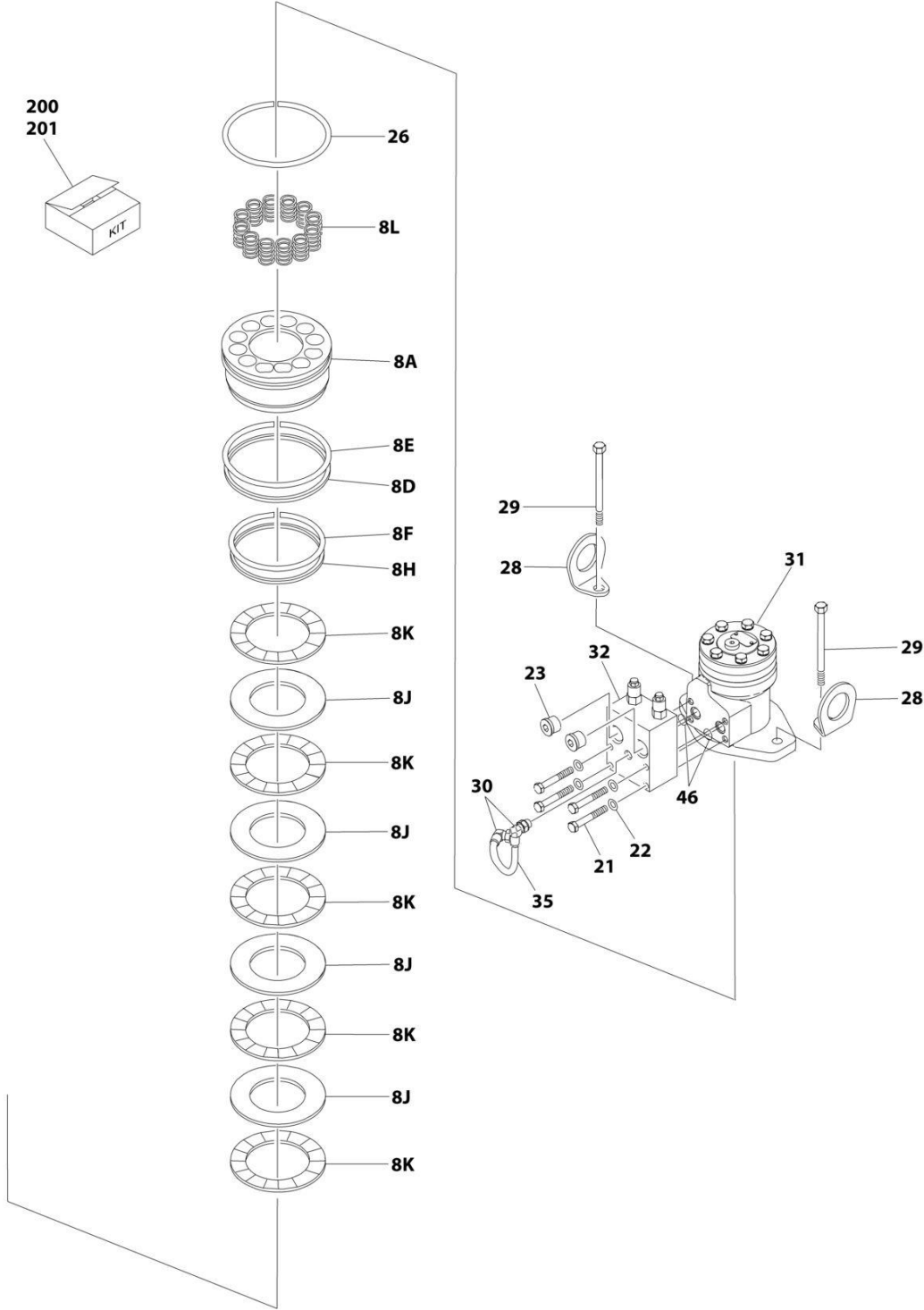
# SECTION 2 - TURNTABLE

## FIGURE 2-6. SWING MOTOR/HUB ASSEMBLY



ART\_1001229810\_10F2

SECTION 2 - TURNTABLE



ART\_1001229810\_20F2

## SECTION 2 - TURNTABLE

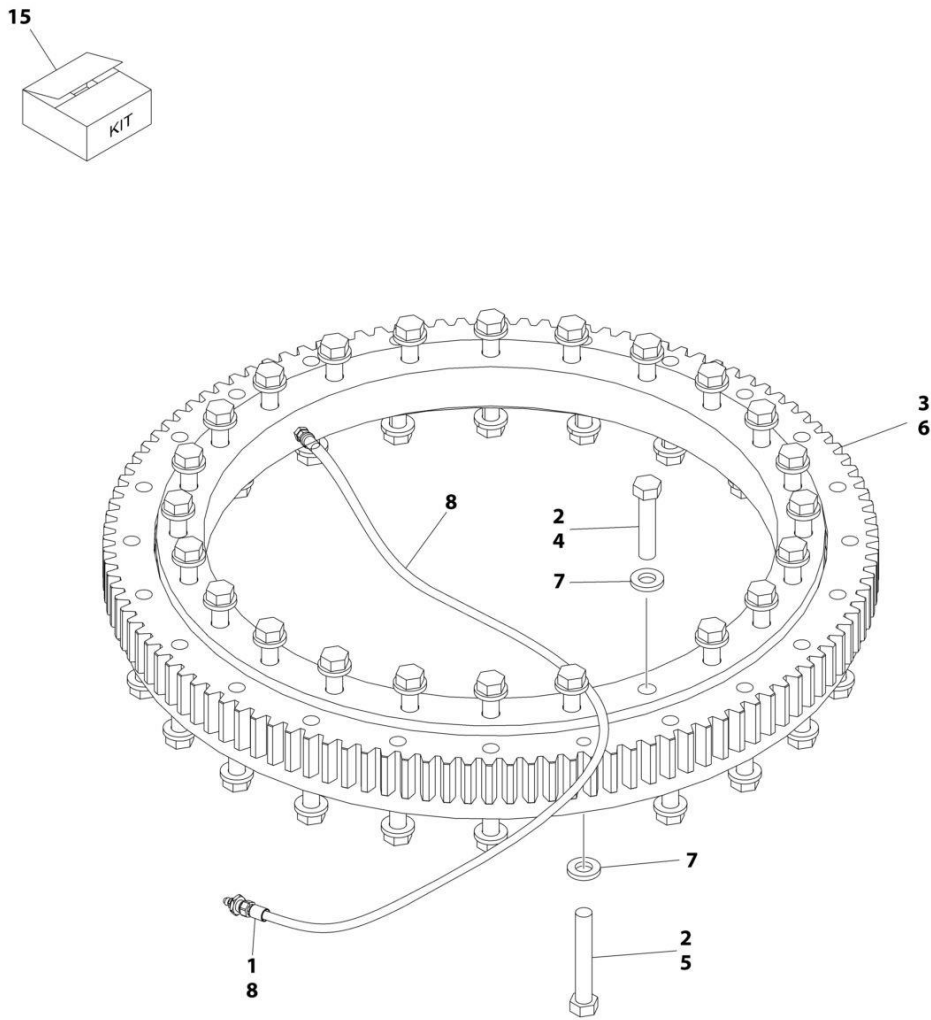
**FIGURE 2-6. SWING MOTOR/HUB ASSEMBLY**

| ITEM | PART NUMBER | QTY | DESCRIPTION   | REV |
|------|-------------|-----|---|-----|
|      | 1001229810  | Ref | SWING MOTOR/HUB ASSEMBLY  | C   |
| 1    | See Note    | 1   | Housing/Shaft Assembly (Note: Not Available - Purchase Individual Components) |     |
| 1A   | 7010492     | 1   | Shaft, Output   |     |
| 1B   | 7000228     | 1   | Seal, Lip   |     |
| 1C   | 7000255     | 1   | Bearing Kit (Includes Cup and Cone)   |     |
| 1E   | 7000257     | 1   | Bearing Kit (Includes Cup and Cone)   |     |
| 1G   | 7024762     | 1   | Housing   |     |
| 1H   | 7007633     | 1   | Washer, Thrust  |     |
| 1I   | 7000229     | 1   | Ring, Retaining   |     |
| 1J   | 7017072     | 1   | Plug, Pipe  |     |
| 2    | 7000246     | 1   | Gear, Internal  |     |
| 3    | 7000247     | 1   | Carrier Assembly  |     |
| 4    | 7000248     | 1   | Gear, Ring  |     |
| 5    | 7000230     | 1   | O-Ring  |     |
| 5A   | 7017070     | 1   | O-Ring  |     |
| 6    | 1001229810  | NSS | Housing, Brake (Note: Not Available - Purchase Complete Assembly)             |     |
| 7    | 70005203    | 1   | Gear, Sun   |     |
| 8A   | 70004037    | 1   | Piston  |     |
| 8D   | 70004041    | 1   | O-Ring  |     |
| 8E   | 70004044    | 1   | Ring, Back-up   |     |
| 8F   | 70004042    | 1   | O-Ring  |     |
| 8H   | 70004043    | 1   | Ring, Back-up   |     |
| 8J   | 70002085    | 4   | Disc, Rotor   |     |
| 8K   | 70002085    | 5   | Disc, Stator  |     |
| 8L   | 70002066    | 14  | Spring  |     |
| 11   | 7000253     | 2   | Washer, Thrust  |     |
| 12   | 7000217     | 12  | Bolt 3/8 x 2-1/4 Grade 8  |     |
| 13   | 7017080     | 4   | Pin, Dowel  |     |
| 20   | 7017072     | 1   | Plug, Pipe  |     |
| 21   | 7024704     | 4   | Bolt 5/16 x 2 Grade 8   |     |
| 22   | 70004045    | 4   | Washer  |     |
| 23   | 7017023     | 2   | Plug, Pipe  |     |
| 24   | See Note    | NSS | Plate, ID (Note: Not Available for Purchase)                                  |     |
| 25   | See Note    | NSS | Rivet (Note: Not Available for Purchase)                                      |     |
| 26   | 7024763     | 1   | O-Ring  |     |
| 28   | See Note    | NSS | Lug, Lifting (Note: Not Available for Purchase)                               |     |
| 29   | 70004040    | 2   | Bolt 1/2 x 1 (Grade 8)  |     |
| 30   | 7017085     | 2   | Elbow   |     |
| 31   | 70006304    | 1   | Motor Assembly  |     |
| 32   | 7024784     | 1   | Valve Assembly - Complete (No Serviceable Parts)                              |     |
| 35   | 70004047    | 1   | Tube  |     |
| 44   | 7017028     | 1   | Ring, Internal Retaining  |     |
| 45   | 7000213     | 2   | O-Ring  |     |
|      |             | Ref | KIT OPTIONS:  |     |
| 200  | 7024100     | 1   | Seal Kit - Swing Hub (Includes Items 1B, 1I, 5, 5A & 11)                      |     |
| 201  | 70002085    | 1   | Disc Kit - Swing Brake (Includes Items 8J & 8K)                               |     |



# SECTION 2 - TURNTABLE

## FIGURE 2-7. TURNTABLE BEARING INSTALLATION



ART\_1001157049



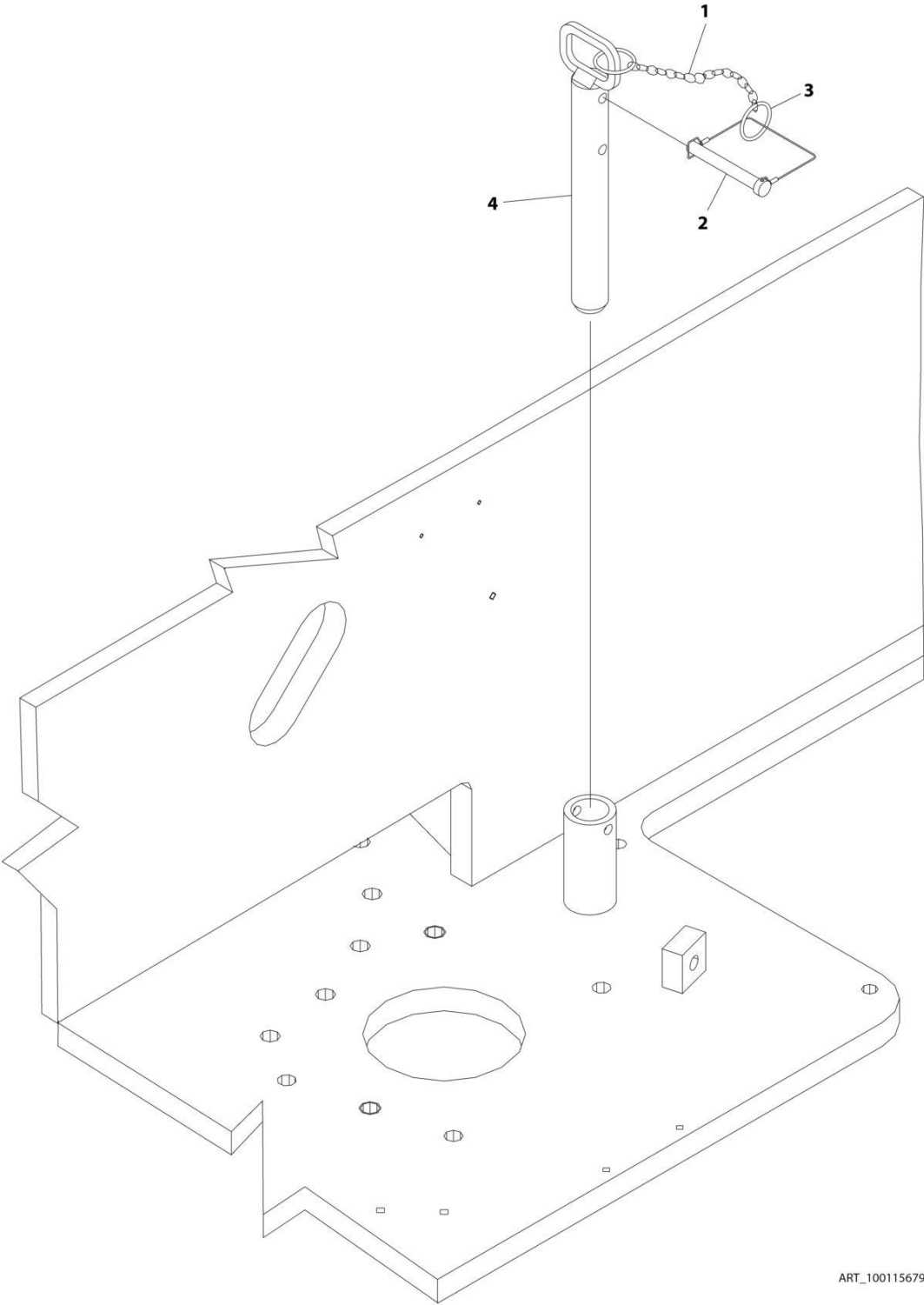
**SECTION 2 - TURNTABLE**

**FIGURE 2-7. TURNTABLE BEARING INSTALLATION**

| <b>ITEM</b> | <b>PART NUMBER</b> | <b>QTY</b> | <b>DESCRIPTION</b>                      | <b>REV</b> |
|-------------|--------------------|------------|---|------------|
|             | 1001157049         | Ref        | TURNTABLE BEARING AND LUBE INSTALLATION | B          |
| 1           | 0100011            | AR         | Compound, Locking                       |            |
| 2           | 0100019            | AR         | Compound, Locking                       |            |
| 3           | 0440244            | 1          | Bearing, Turntable                      |            |
| 4           | 0682023            | 24         | Bolt 5/8 x 2-7/8 Grade 8                |            |
| 5           | 0682032            | 24         | Bolt 5/8 x 4 Grade 8                    |            |
| 6           | 3020029            | AR         | Lubricant                               |            |
| 7           | 4892000            | 48         | Washer 5/8                              |            |
| 8           | 1001157058         | 1          | Hose                                    |            |
| 15          | 2915094            | 1          | Turntable Bearing Kit                   |            |

**SECTION 2 - TURNTABLE**

**FIGURE 2-8. TURNTABLE LOCK INSTALLATION**



ART\_1001156798

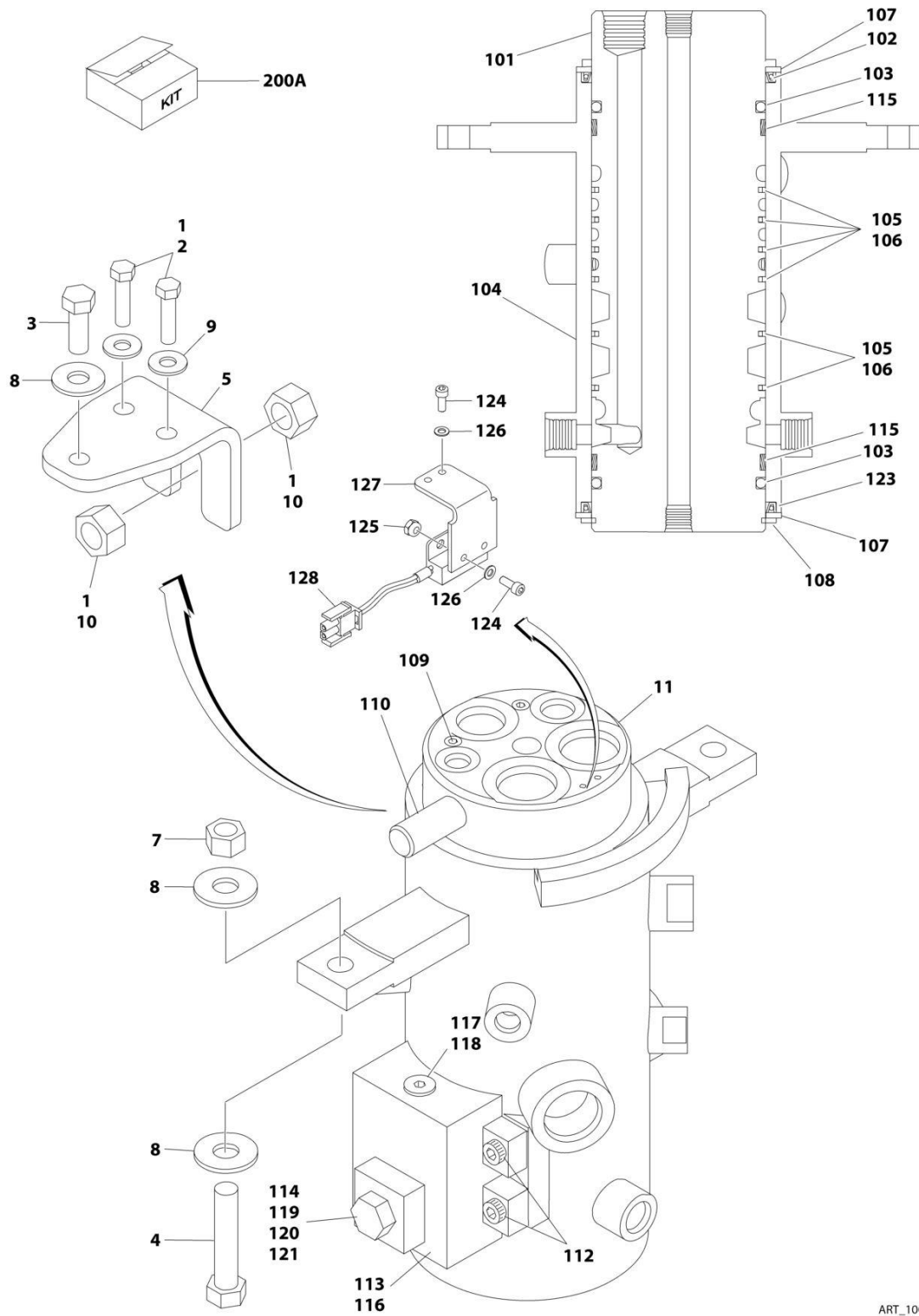
**SECTION 2 - TURNTABLE**

**FIGURE 2-8. TURNTABLE LOCK INSTALLATION**

| <b>ITEM</b> | <b>PART NUMBER</b> | <b>QTY</b> | <b>DESCRIPTION</b>          | <b>REV</b> |
|-------------|--------------------|------------|-----------------------------|------------|
|             | 1001156798         | Ref        | TURNTABLE LOCK INSTALLATION | A          |
| 1           | 1260017            | 9 in/23cm  | Chain                       |            |
| 2           | 3421565            | 1          | Pin, Snap                   |            |
| 3           | 3760170            | 2          | Ring, Quick Release         |            |
| 4           | 4844958            | 1          | Pin                         |            |

# SECTION 2 - TURNTABLE

## FIGURE 2-9. ROTARY COUPLING INSTALLATION - 2WS MACHINES



ART\_1001107529

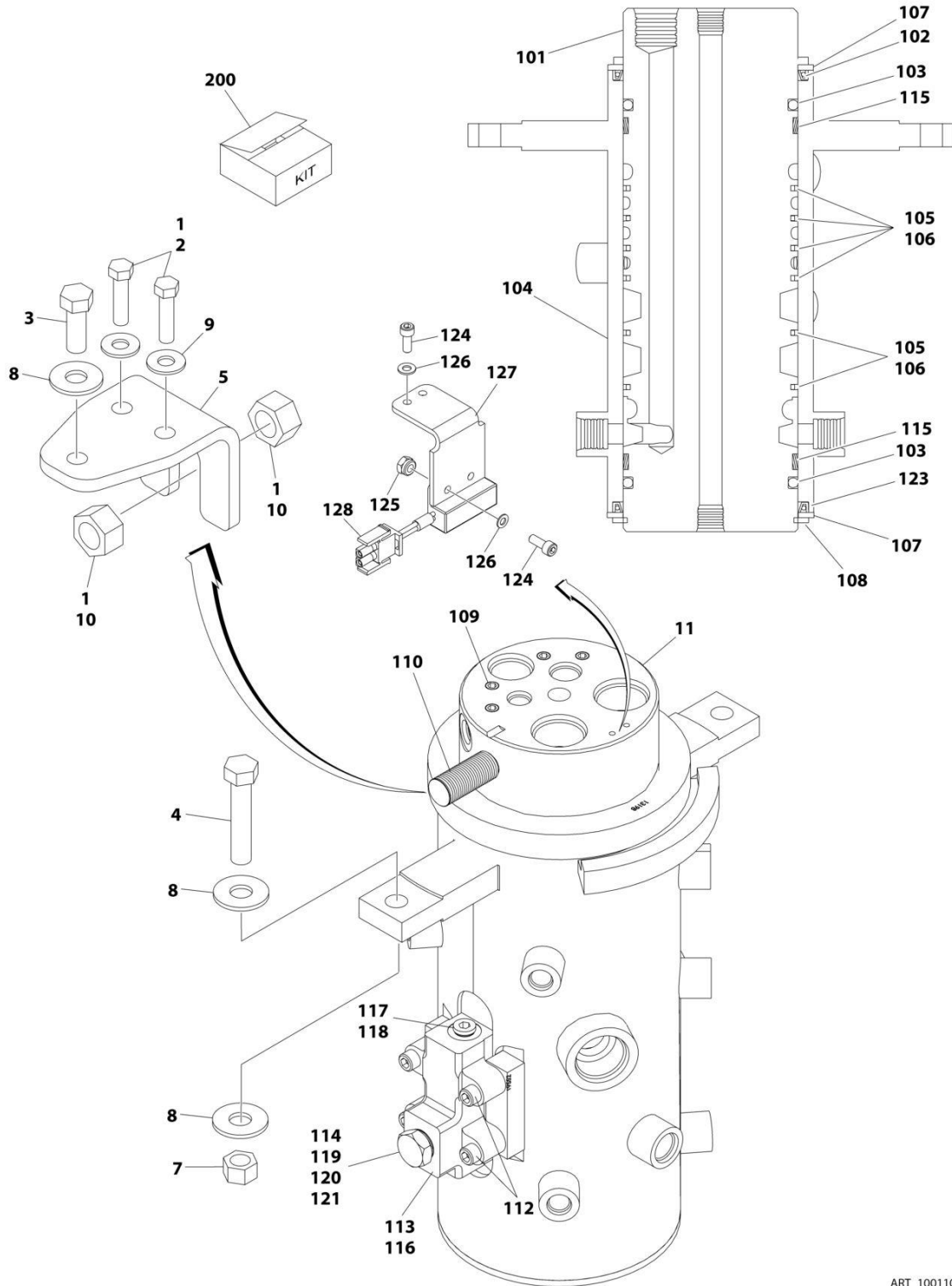
## SECTION 2 - TURNTABLE

### FIGURE 2-9. ROTARY COUPLING INSTALLATION - 2WS MACHINES

| ITEM | PART NUMBER | QTY | DESCRIPTION   | REV |
|------|-------------|-----|---|-----|
|      | 1001107529  | Ref | ROTARY COUPLING INSTALLATION                                      | B   |
| 1    | 0100011     | AR  | Compound, Locking   |     |
| 2    | 0641611     | 2   | Bolt 3/8 x 1-3/8  |     |
| 3    | 0641812     | 1   | Bolt 1/2 x 1-1/2  |     |
| 4    | 0641820     | 2   | Bolt 1/2 x 2-1/2  |     |
| 5    | 0903242     | 1   | Bracket   |     |
| 7    | 3271805     | 2   | Nut 1/2   |     |
| 8    | 4751800     | 5   | Washer 1/2  |     |
| 9    | 4891600     | 2   | Washer 3/8  |     |
| 10   | 3322201     | 2   | Nut 3/4   |     |
| 11   | 1001106974  | 1   | Coupling, Rotary Assembly (See Items 101-128 for Breakdown)       |     |
|      | 1001106974  | Ref | ROTARY COUPLING ASSEMBLY  | B   |
| 101  | See Note    | NSS | Body (Note: Not Available - Purchase Complete Assembly)           |     |
| 102  | See Note    | NSS | Seal (Note: Use Item 200A)  |     |
| 103  | See Note    | NSS | O-Ring (Note: Use Item 200A)                                      |     |
| 104  | See Note    | NSS | Housing (Note: Not Available - Purchase Complete Assembly)        |     |
| 105  | See Note    | NSS | Seal, Cap (Note: Use Item 200A)                                   |     |
| 106  | See Note    | NSS | O-Ring (Note: Use Item 200A)                                      |     |
| 107  | 7026503     | 2   | Ring  |     |
| 108  | 7026504     | 1   | Ring, Retaining   |     |
| 109  | 80934561    | AR  | Plug  |     |
| 110  | See Note    | NSS | Lug, Torque (Note: Not Available for Purchase)                    |     |
| 112  | 7026197     | 4   | Bolt 5/16 x 1-1/4   |     |
| 113  | See Note    | NSS | O-Ring (Note: Use Item 200A)                                      |     |
| 114  | See Note    | NSS | O-Ring (Note: Use Item 200A)                                      |     |
| 115  | See Note    | NSS | Bearing (Note: Use Item 200A)                                     |     |
| 116  | 7024404     | 1   | Block Valve Assembly  |     |
| 117  | 7026505     | 1   | Plug  |     |
| 118  | 7026506     | 1   | Valve, Check  |     |
| 119  | 7026507     | 1   | Plug  |     |
| 120  | See Note    | NSS | Plunger, Valve (Note: Use p/n 7024404)                            |     |
| 121  | 7026509     | 1   | Spring, Compression   |     |
| 123  | See Note    | NSS | Seal (Note: Use Item 200A)  |     |
| 124  | See Note    | NSS | Capscrew #10 x 1/2 (Note: Not Available for Purchase)             |     |
| 125  | See Note    | NSS | Nut #10 (Note: Not Available for Purchase)                        |     |
| 126  | See Note    | NSS | Flatwasher #10 (Note: Not Available for Purchase)                 |     |
| 127  | 70003454    | 1   | Bracket, Switch Mounting  |     |
| 128  | 4360517     | 1   | Switch, Proximity   |     |
| 200A | 70001248    | 1   | Seal Kit (Includes Items 102, 103, 105, 106, 113, 114, 115 & 123) |     |

# SECTION 2 - TURNTABLE

## FIGURE 2-10. ROTARY COUPLING INSTALLATION - 4WS MACHINES



ART\_1001107530

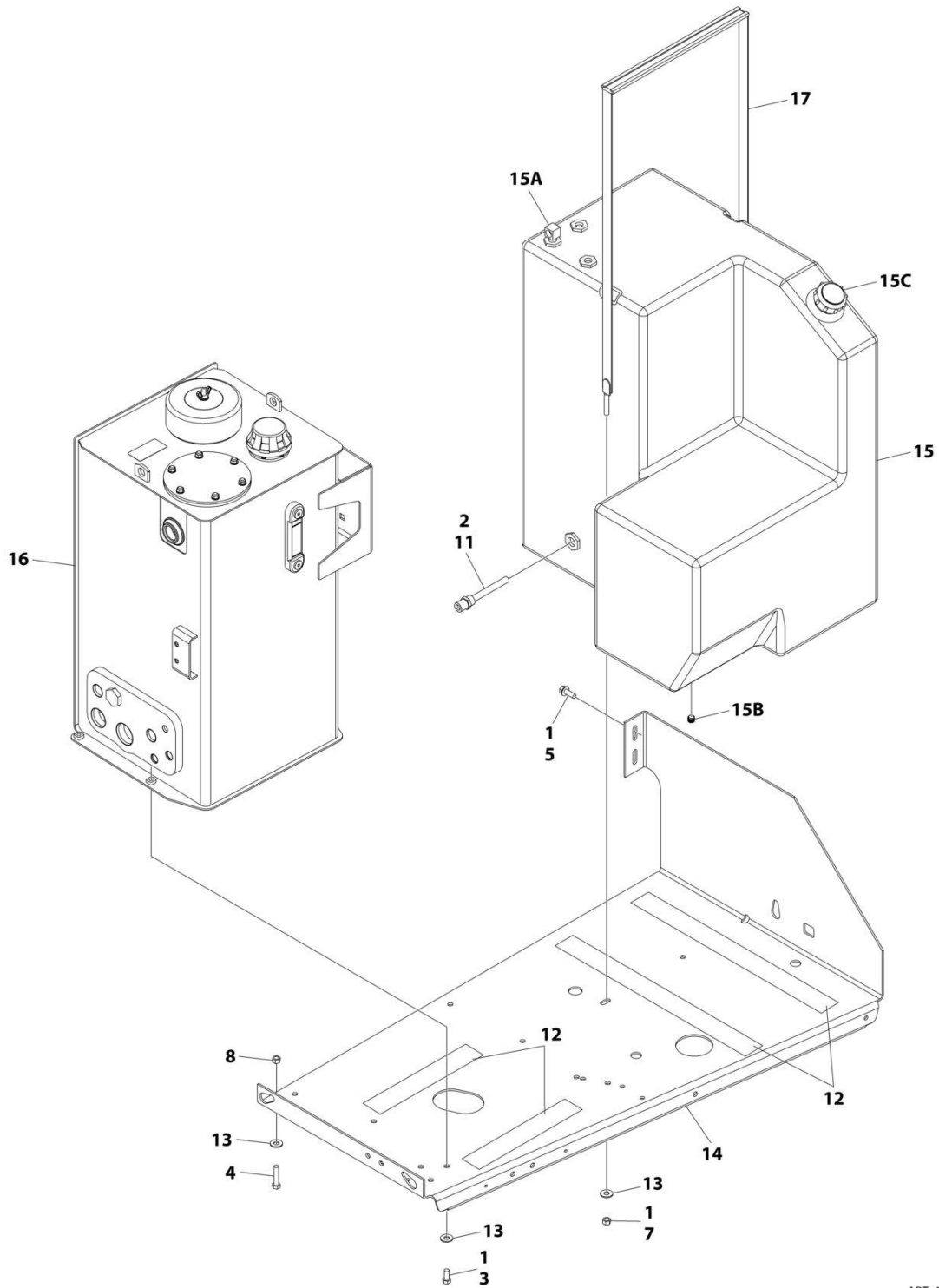
## SECTION 2 - TURNTABLE

### FIGURE 2-10. ROTARY COUPLING INSTALLATION - 4WS MACHINES

| ITEM | PART NUMBER | QTY | DESCRIPTION   | REV |
|------|-------------|-----|---|-----|
|      | 1001107530  | Ref | ROTARY COUPLING INSTALLATION                                      | B   |
| 1    | 0100011     | AR  | Compound, Locking   |     |
| 2    | 0641611     | 2   | Bolt 3/8 x 1-3/8  |     |
| 3    | 0641812     | 1   | Bolt 1/2 x 1-1/2  |     |
| 4    | 0641820     | 2   | Bolt 1/2 x 2-1/2  |     |
| 5    | 0903242     | 1   | Bracket   |     |
| 7    | 3271805     | 2   | Nut 1/2   |     |
| 8    | 4751800     | 5   | Washer 1/2  |     |
| 9    | 4891600     | 2   | Washer 3/8  |     |
| 10   | 3322201     | 2   | Nut 3/4   |     |
| 11   | 1001106975  | 1   | Rotary Coupling Assembly (See Items 101-128 for Breakdown)        |     |
|      | 1001106975  | 1   | ROTARY COUPLING ASSEMBLY  | B   |
| 101  | See Note    | NSS | Body (Note: Not Available - Purchase Complete Assembly)           |     |
| 102  | See Note    | NSS | Seal (Note: Use Item 200A)  |     |
| 103  | See Note    | NSS | O-Ring (Note: Use Item 200A)                                      |     |
| 104  | See Note    | NSS | Housing (Note: Not Available - Purchase Complete Assembly)        |     |
| 105  | See Note    | NSS | Seal, Cap (Note: Use Item 200A)                                   |     |
| 106  | See Note    | NSS | O-Ring (Note: Use Item 200A)                                      |     |
| 107  | 7026503     | 2   | Ring  |     |
| 108  | 7026504     | 1   | Ring, Retaining   |     |
| 109  | 80934561    | AR  | Plug  |     |
| 110  | See Note    | NSS | Lug, Torque (Note: Not Available for Purchase)                    |     |
| 112  | 7026197     | 4   | Bolt 5/16 x 1-1/4   |     |
| 113  | See Note    | NSS | O-Ring (Note: Use Item 200A)                                      |     |
| 114  | See Note    | NSS | O-Ring (Note: Use Item 200A)                                      |     |
| 115  | See Note    | NSS | Bearing (Note: Use Item 200A)                                     |     |
| 116  | 7024404     | 1   | Block Valve Assembly  |     |
| 117  | 7026505     | 1   | Plug  |     |
| 118  | 7026506     | 1   | Valve, Check  |     |
| 119  | 7026507     | 1   | Plug  |     |
| 120  | See Note    | NSS | Plunger, Valve (Note: Use p/n 7024404)                            |     |
| 121  | 7026509     | 1   | Spring, Compression   |     |
| 123  | See Note    | NSS | Seal (Note: Use Item 200A)  |     |
| 124  | See Note    | NSS | Capscrew #10 x 1/2 (Note: Not Available for Purchase)             |     |
| 125  | See Note    | NSS | Nut #10 (Note: Not Available for Purchase)                        |     |
| 126  | See Note    | NSS | Flatwasher #10 (Note: Not Available for Purchase)                 |     |
| 127  | 70003454    | 1   | Bracket, Switch Mounting  |     |
| 128  | 4360517     | 1   | Switch, Proximity   |     |
| 200  | 70002212    | 1   | Seal Kit (Includes Items 102, 103, 105, 106, 113, 114, 115 & 123) |     |

## SECTION 2 - TURNTABLE

FIGURE 2-11. TANK INSTALLATION - DIESEL MACHINE (FUEL TANK WITHOUT SIGHT GLASS)  
(HELGESEN 6IN DIA BREATHER HYDRAULIC TANK)



ART\_1001178174



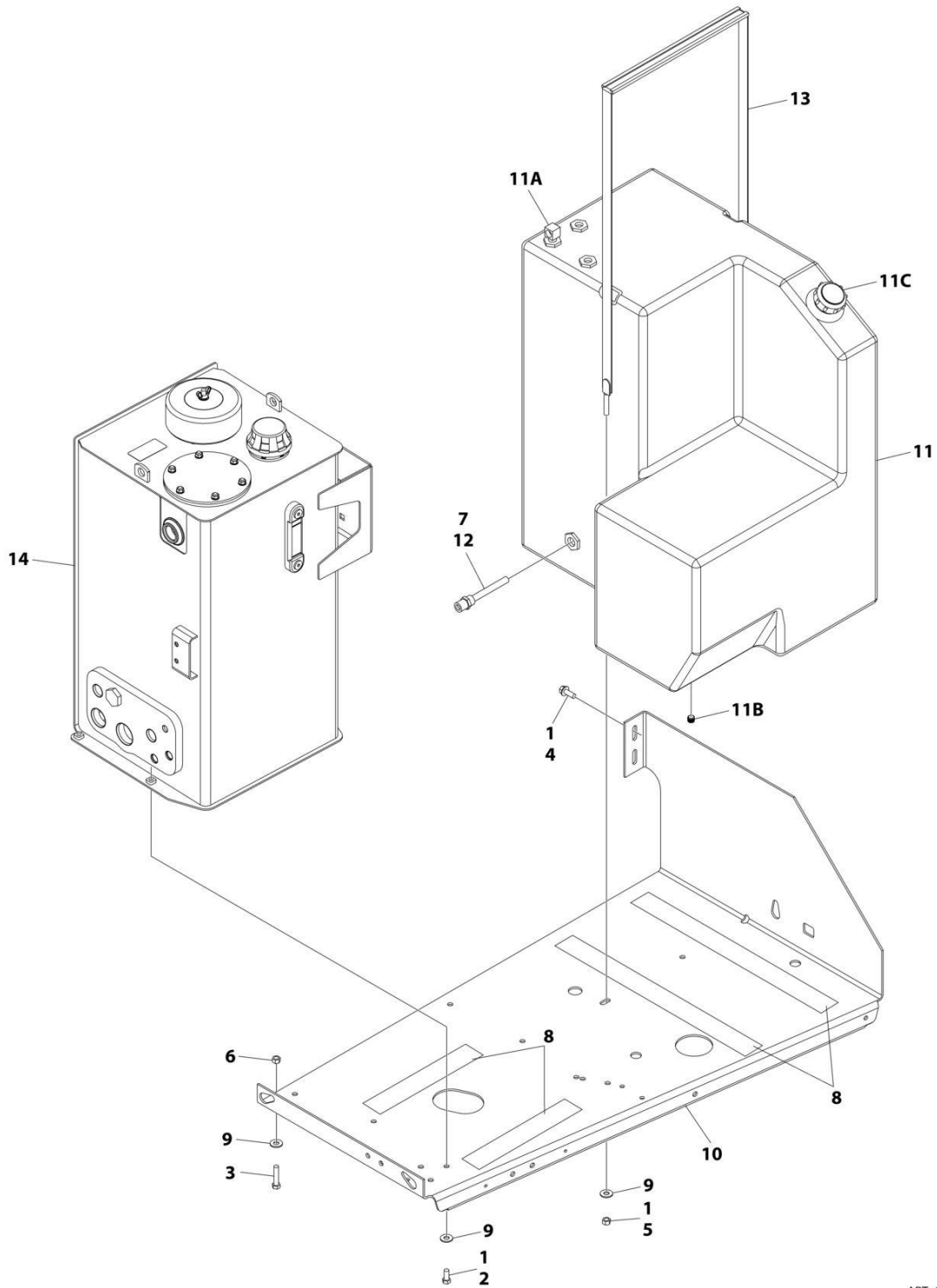
## SECTION 2 - TURNTABLE

**FIGURE 2-11. TANK INSTALLATION - DIESEL MACHINE (FUEL TANK WITHOUT SIGHT GLASS)  
(HELGESEN 6IN DIA BREATHER HYDRAULIC TANK)**

| ITEM | PART NUMBER | QTY             | DESCRIPTION  | REV |
|------|-------------|-----------------|--|-----|
|      | 1001178174  | Ref             | TANK INSTALLATION  | D   |
| 1    | 0100011     | AR              | Compound, Locking  |     |
| 2    | 1001182997  | AR              | Adhesive   |     |
| 3    | 0641607     | 4               | Bolt 3/8 x 7/8   |     |
| 4    | 0641614     | 2               | Bolt 3/8 x 1-3/4   |     |
| 5    | 0811608     | 2               | Bolt 3/8 x 1   |     |
| 7    | 3311601     | 2               | Nut 3/8  |     |
| 8    | 3311605     | 2               | Nut 3/8  |     |
| 11   | 4360436     | 1               | Switch, Fuel Level   |     |
| 12   | 4420038     | 73 in<br>/1.85m | Tape, Rubber   |     |
| 13   | 4751600     | 8               | Washer 3/8   |     |
| 14   | 1001156190  | 1               | Tray   |     |
| 15   | 1001173897  | 1               | Tank, Fuel (Includes Non-Locking Cap) (Diesel Machines)          |     |
| 15A  | 70004184    | 1               | Fitting and Pick-up Tube (Diesel Machines)                       |     |
| 15B  | 2200222     | 1               | Fitting (Diesel Machines Only)                                   |     |
| 15B  | 0100020     | AR              | Sealant  |     |
| 15C  | 7016314     | 1               | Cap  |     |
| 16   | 1001178057  | 1               | Hydraulic Tank Assembly (See Separate Breakdown in this Section) |     |
| 17   | 1001231888  | 1               | Strap Assembly (Includes Strap & Protective Strip)               |     |
| 17   | 4240113     | 1               | Strap, Tank  |     |

## SECTION 2 - TURNTABLE

FIGURE 2-12. TANK INSTALLATION - DIESEL MACHINE (FUEL TANK WITHOUT SIGHT GLASS)  
(JIANGYING 4IN DIA BREATHER HYDRAULIC TANK)



ART\_1001284873

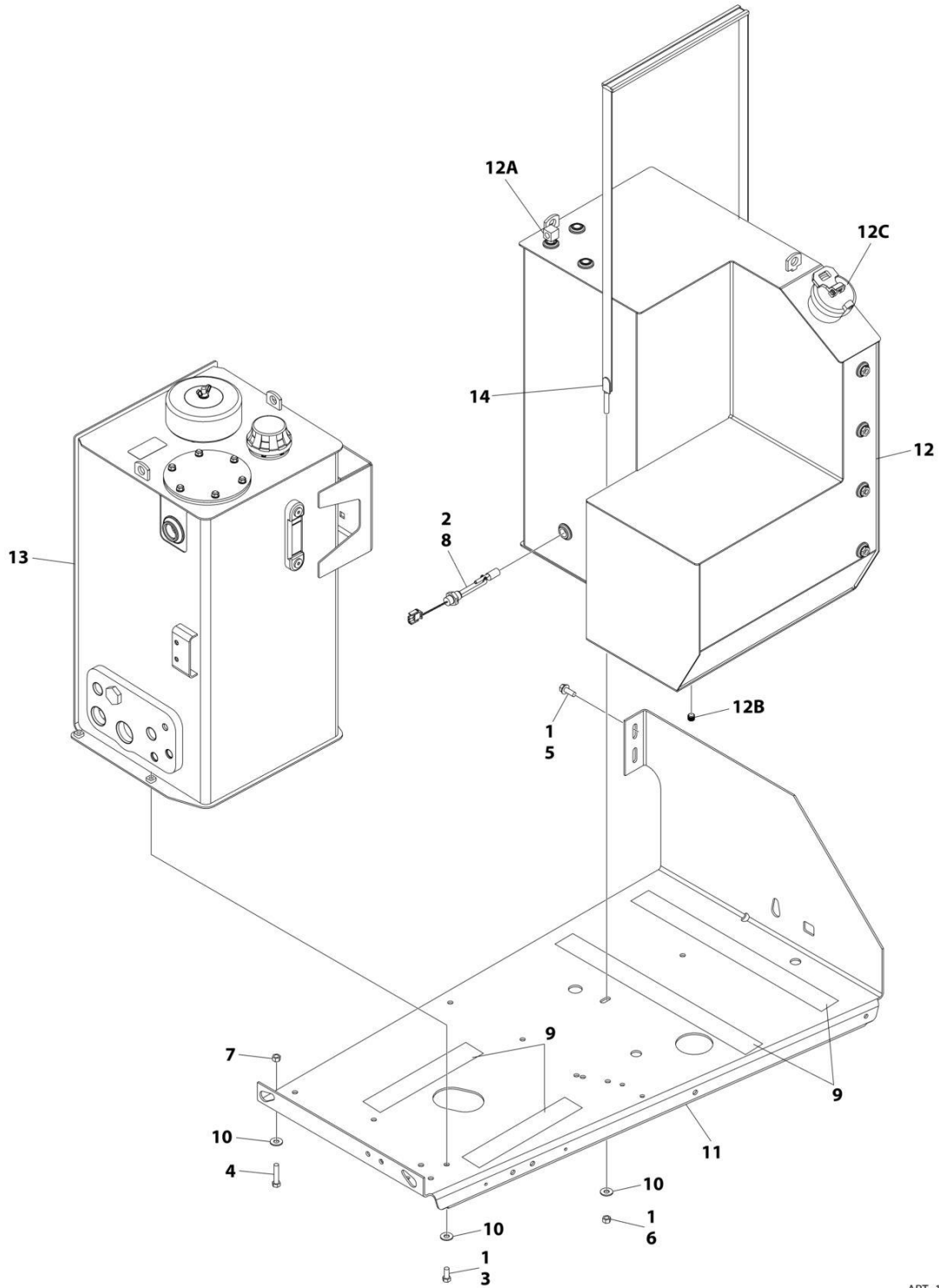
## SECTION 2 - TURNTABLE

**FIGURE 2-12. TANK INSTALLATION - DIESEL MACHINE (FUEL TANK WITHOUT SIGHT GLASS)  
(JIANGYING 4IN DIA BREATHER HYDRAULIC TANK)**

| ITEM | PART NUMBER | QTY             | DESCRIPTION  | REV |
|------|-------------|-----------------|--|-----|
|      | 1001284873  | Ref             | TANK INSTALLATION  | A   |
| 1    | 0100011     | AR              | Compound, Locking  |     |
| 2    | 0641607     | 4               | Bolt 3/8 x 7/8   |     |
| 3    | 0641614     | 2               | Bolt 3/8 x 1-3/4   |     |
| 4    | 0811608     | 2               | Bolt 3/8 x 1   |     |
| 5    | 3311601     | 2               | Nut 3/8  |     |
| 6    | 3311605     | 2               | Nut 3/8  |     |
| 7    | 4360436     | 1               | Switch, Fuel Level   |     |
| 8    | 4420038     | 73 in<br>/1.85m | Tape, Rubber   |     |
| 9    | 4751600     | 8               | Washer 3/8   |     |
| 10   | 1001156190  | 1               | Tray   |     |
| 11   | 1001173897  | 1               | Tank, Fuel (Includes Non-Locking Cap) (Diesel Machines)          |     |
| 11A  | 70004184    | 1               | Fitting and Pick-up Tube (Diesel Machines)                       |     |
| 11B  | 2200222     | 1               | Fitting (Diesel Machines Only)                                   |     |
| 11B  | 0100020     | AR              | Sealant  |     |
| 11C  | 7016314     | 1               | Cap  |     |
| 12   | 1001182997  | AR              | Adhesive   |     |
| 13   | 1001231888  | 1               | Strap Assembly (Includes Strap & Protective Strip)               |     |
| 13   | 4240113     | 1               | Strap, Tank  |     |
| 14   | 1001267678  | 1               | Hydraulic Tank Assembly (See Separate Breakdown in this Section) |     |

## SECTION 2 - TURNTABLE

FIGURE 2-13. TANK INSTALLATION - DIESEL MACHINE (FUEL TANK WITH SIGHT GLASS)  
(HELGESEN 6IIN DIA BREATHER HYDRAULIC TANK)



ART\_1001250643

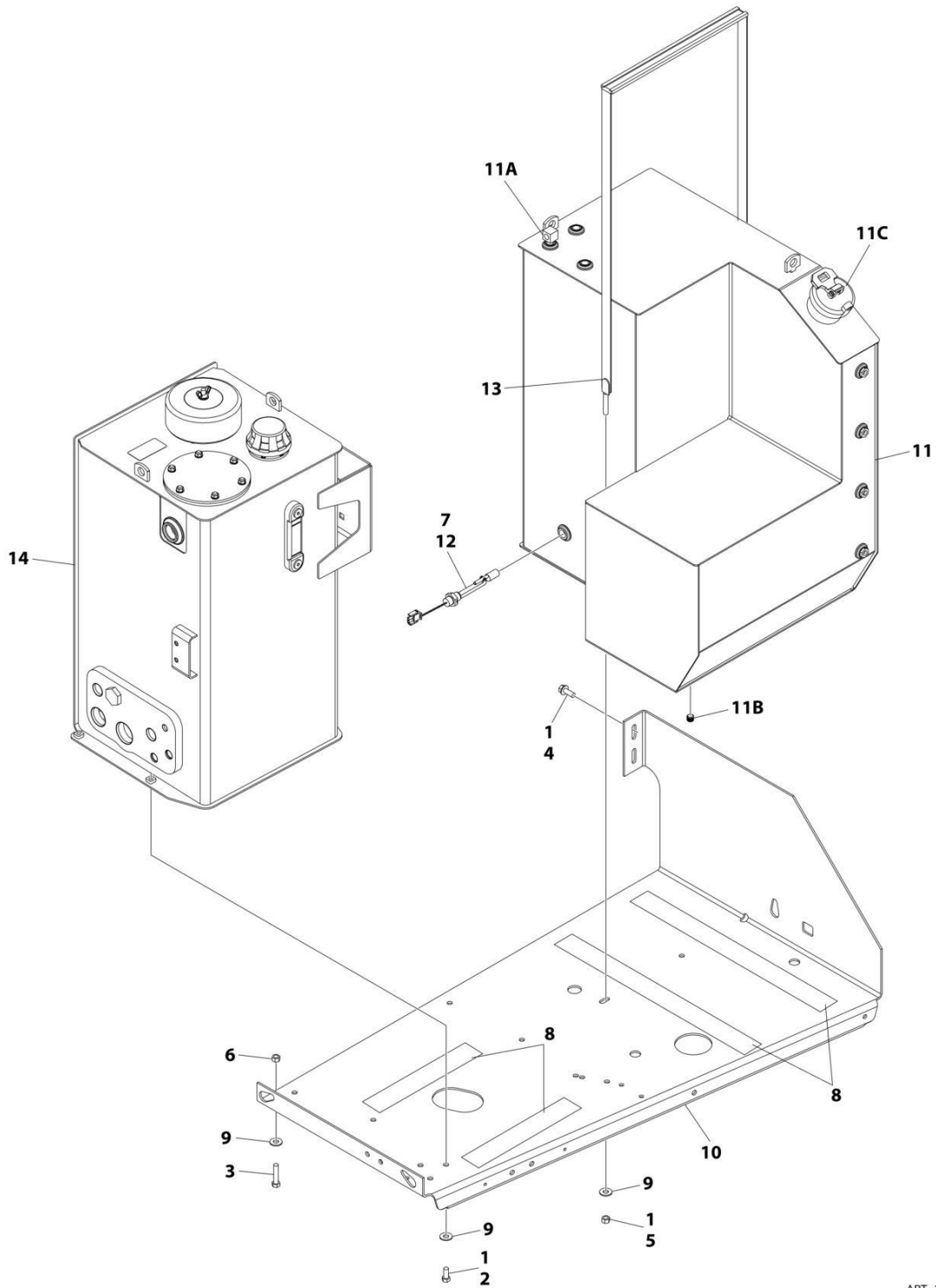
## SECTION 2 - TURNTABLE

**FIGURE 2-13. TANK INSTALLATION - DIESEL MACHINE (FUEL TANK WITH SIGHT GLASS)  
(HELGESEN 6IN DIA BREATHER HYDRAULIC TANK)**

| ITEM | PART NUMBER | QTY             | DESCRIPTION  | REV |
|------|-------------|-----------------|--|-----|
|      | 1001250643  | Ref             | TANK INSTALLATION  | A   |
| 1    | 0100011     | AR              | Compound, Locking  |     |
| 2    | 1001182997  | AR              | Adhesive   |     |
| 3    | 0641607     | 4               | Bolt 3/8 x 7/8   |     |
| 4    | 0641614     | 2               | Bolt 3/8 x 1-3/4   |     |
| 5    | 0811608     | 2               | Bolt 3/8 x 1   |     |
| 6    | 3311601     | 2               | Nut 3/8  |     |
| 7    | 3311605     | 2               | Nut 3/8  |     |
| 8    | 4360436     | 1               | Switch, Fuel Level   |     |
| 9    | 4420038     | 73 in<br>/1.85m | Tape, Rubber   |     |
| 10   | 4751600     | 8               | Washer 3/8   |     |
| 11   | 1001156190  | 1               | Tray   |     |
| 12   | 1001179040  | 1               | Tank, Fuel (Includes Non-Locking Cap) (Diesel Machines)          |     |
| 12A  | 70007508    | 1               | Fitting and Pick-up Tube (Diesel Machines)                       |     |
| 12B  | 70002112    | 1               | Fitting (Diesel Machines Only)                                   |     |
| 12C  | 1001080707  | 1               | Cap  |     |
| 13   | 1001178057  | 1               | Hydraulic Tank Assembly (See Separate Breakdown in this Section) |     |
| 14   | 1001231888  | 1               | Strap Assembly (Includes Strap & Protective Strip)               |     |
| 14   | 4240113     | 1               | Strap, Tank  |     |

## SECTION 2 - TURNTABLE

FIGURE 2-14. TANK INSTALLATION - DIESEL MACHINE (FUEL TANK WITH SIGHT GLASS)  
(JIANGYING 4IN DIA BREATHER HYDRAULIC TANK)



ART\_1001284872

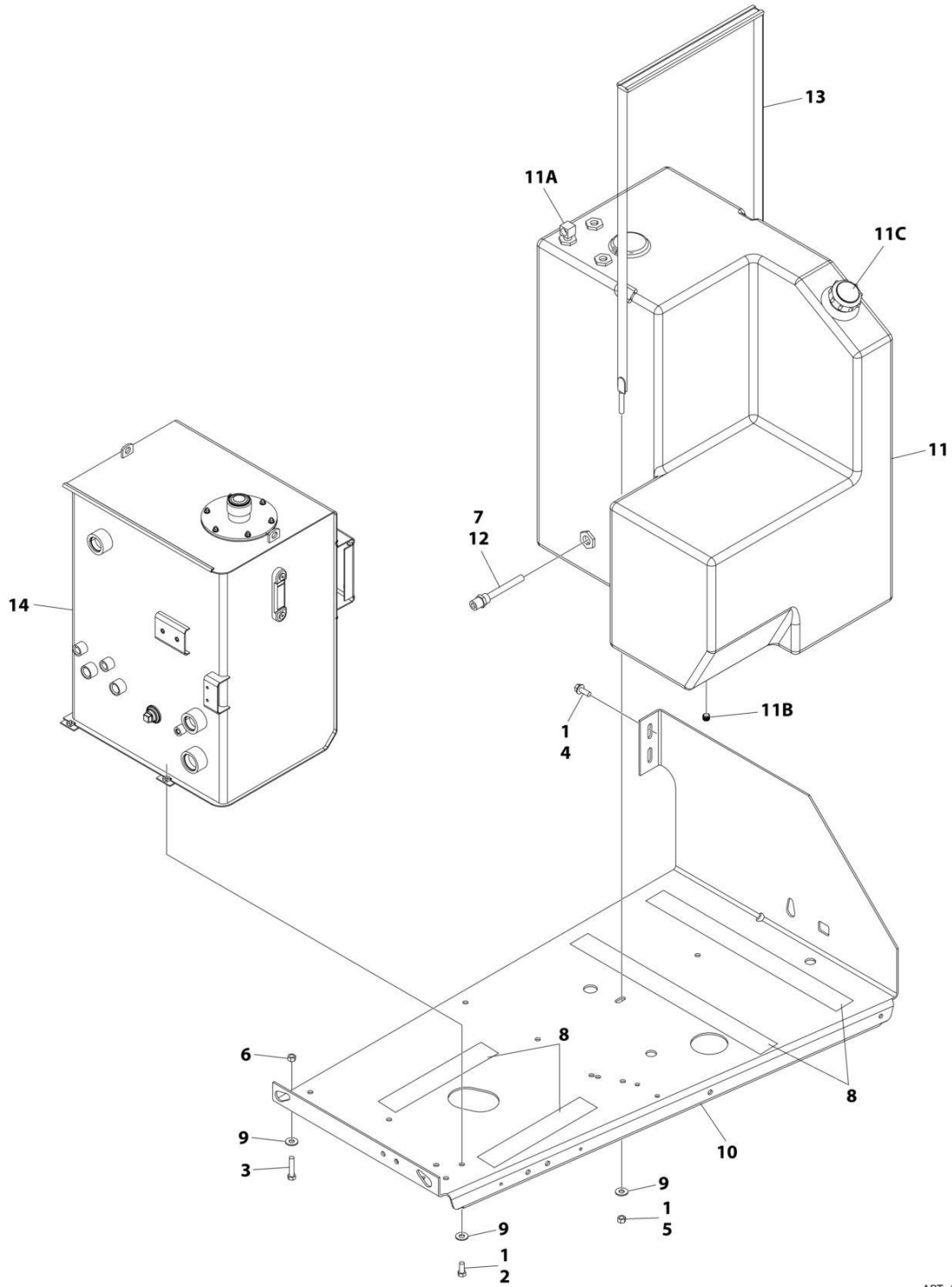
## SECTION 2 - TURNTABLE

**FIGURE 2-14. TANK INSTALLATION - DIESEL MACHINE (FUEL TANK WITH SIGHT GLASS)  
(JIANGYING 4IN DIA BREATHER HYDRAULIC TANK)**

| ITEM | PART NUMBER | QTY             | DESCRIPTION  | REV |
|------|-------------|-----------------|--|-----|
|      | 1001284872  | Ref             | TANK INSTALLATION  | A   |
| 1    | 0100011     | AR              | Compound, Locking  |     |
| 2    | 0641607     | 4               | Bolt 3/8 x 7/8   |     |
| 3    | 0641614     | 2               | Bolt 3/8 x 1-3/4   |     |
| 4    | 0811608     | 2               | Bolt 3/8 x 1   |     |
| 5    | 3311601     | 2               | Nut 3/8  |     |
| 6    | 3311605     | 2               | Nut 3/8  |     |
| 7    | 4360436     | 1               | Switch, Fuel Level   |     |
| 8    | 4420038     | 73 in<br>/1.85m | Tape, Rubber   |     |
| 9    | 4751600     | 8               | Washer 3/8   |     |
| 10   | 1001156190  | 1               | Tray   |     |
| 11   | 1001179040  | 1               | Tank, Fuel (Includes Non-Locking Cap) (Diesel Machines)          |     |
| 11A  | 70007508    | 1               | Fitting and Pick-up Tube (Diesel Machines)                       |     |
| 11B  | 70002112    | 1               | Fitting (Diesel Machines Only)                                   |     |
| 11C  | 1001080707  | 1               | Cap  |     |
| 12   | 1001182997  | AR              | Adhesive   |     |
| 13   | 1001231888  | 1               | Strap Assembly (Includes Strap & Protective Strip)               |     |
| 13   | 4240113     | 1               | Strap, Tank  |     |
| 14   | 1001267678  | 1               | Hydraulic Tank Assembly (See Separate Breakdown in this Section) |     |

# SECTION 2 - TURNTABLE

## FIGURE 2-15. TANK INSTALLATION - DIESEL MACHINE (47.8 GAL)



ART\_1001285832



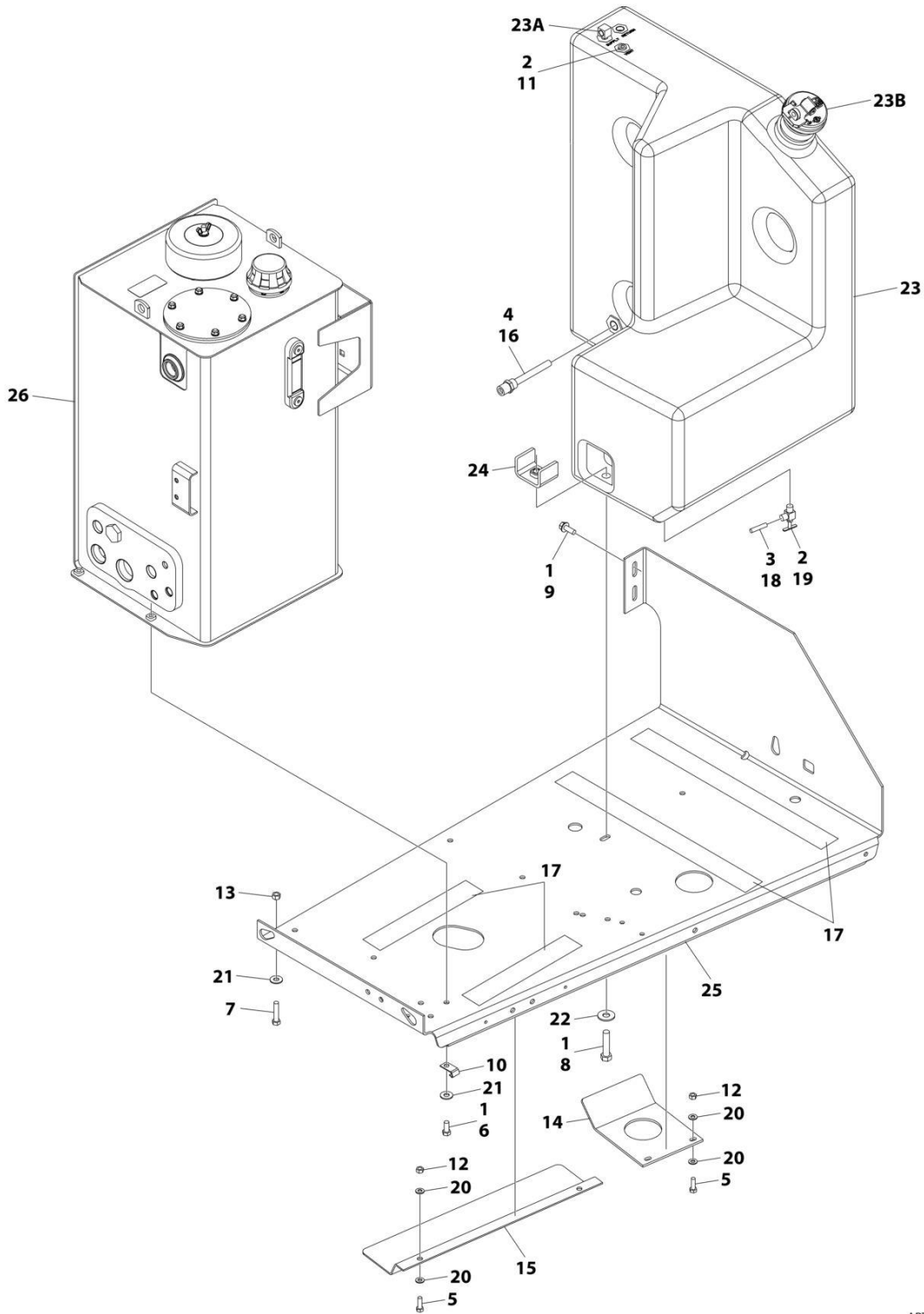
**SECTION 2 - TURNTABLE**

**FIGURE 2-15. TANK INSTALLATION - DIESEL MACHINE (47.8 GAL)**

| ITEM | PART NUMBER | QTY             | DESCRIPTION  | REV |
|------|-------------|-----------------|--|-----|
|      | 1001285832  | Ref             | TANK INSTALLATION  | A   |
| 1    | 0100011     | AR              | Compound, Locking  |     |
| 2    | 0641607     | 4               | Bolt 3/8 x 7/8   |     |
| 3    | 0641614     | 2               | Bolt 3/8 x 1-3/4   |     |
| 4    | 0811608     | 2               | Bolt 3/8 x 1   |     |
| 5    | 3311601     | 2               | Nut 3/8  |     |
| 6    | 3311605     | 2               | Nut 3/8  |     |
| 7    | 4360436     | 1               | Switch, Fuel Level   |     |
| 8    | 4420038     | 73 in<br>/1.85m | Tape, Rubber   |     |
| 9    | 4751600     | 8               | Washer 3/8   |     |
| 10   | 1001156190  | 1               | Tray   |     |
| 11   | 1001173897  | 1               | Tank, Fuel (Includes Non-Locking Cap) (Diesel Machines)          |     |
| 11A  | 70004184    | 1               | Fitting and Pick-up Tube (Diesel Machines)                       |     |
| 11B  | 2200222     | 1               | Fitting (Diesel Machines Only)                                   |     |
| 11B  | 0100020     | AR              | Sealant  |     |
| 11C  | 7016314     | 1               | Cap  |     |
| 12   | 1001182997  | AR              | Adhesive   |     |
| 13   | 1001231888  | 1               | Strap Assembly (Includes Strap & Protective Strip)               |     |
| 13   | 4240113     | 1               | Strap, Tank  |     |
| 14   | 1001285677  | 1               | Hydraulic Tank Assembly (See Separate Breakdown in this Section) |     |

# SECTION 2 - TURNTABLE

## FIGURE 2-16. TANK INSTALLATION - GAS ENGINES (HELGESEN 6IN DIA BREATHER HYDRAULIC TANK)



ART\_1001178175

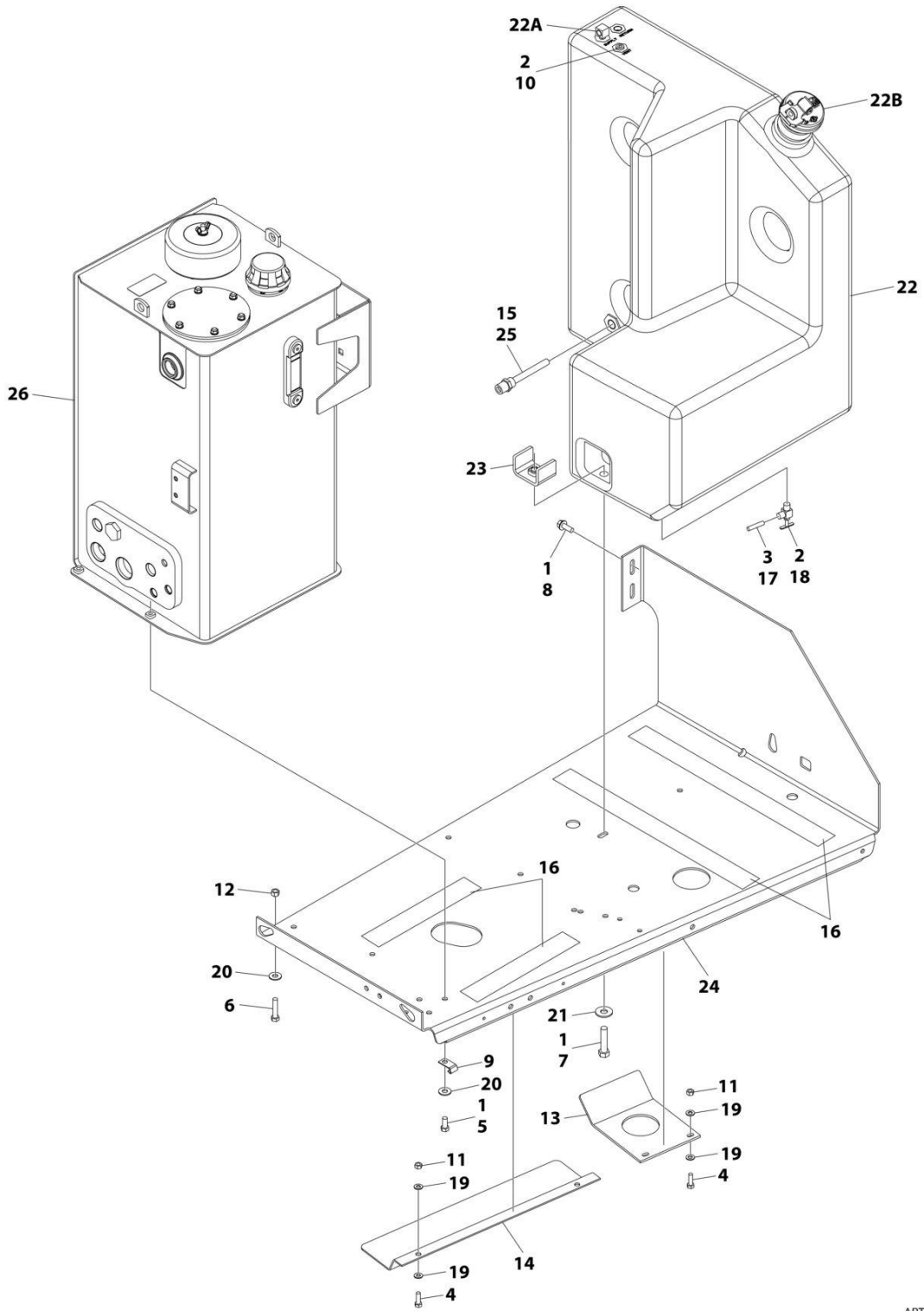
## SECTION 2 - TURNTABLE

**FIGURE 2-16. TANK INSTALLATION - GAS ENGINES (HELGESEN 6IN DIA BREATHER HYDRAULIC TANK)**

| ITEM | PART NUMBER | QTY             | DESCRIPTION  | REV |
|------|-------------|-----------------|--|-----|
|      | 1001178175  | Ref             | TANK INSTALLATION  | B   |
| 1    | 0100011     | AR              | Compound, Locking  |     |
| 2    | 0100020     | AR              | Sealant, Pipe  |     |
| 3    | 0100062     | AR              | Compound, Locking  |     |
| 4    | 1001182997  | AR              | Adhesive   |     |
| 5    | 0641508     | 4               | Bolt 5/16 x 1  |     |
| 6    | 0641607     | 4               | Bolt 3/8 x 7/8   |     |
| 7    | 0641614     | 2               | Bolt 3/8 x 1-3/4   |     |
| 8    | 0641818     | 2               | Bolt 1/2 x 2-1/4   |     |
| 9    | 0811608     | 2               | Bolt 3/8 x 1   |     |
| 10   | 1320223     | 1               | Clamp  |     |
| 11   | 2200233     | 1               | Plug   |     |
| 12   | 3311505     | 4               | Nut 5/16   |     |
| 13   | 3311605     | 2               | Nut 3/8  |     |
| 14   | 3572423     | 1               | Plate, Valve Needle  |     |
| 15   | 3576755     | 1               | Cover, Fuel Pump   |     |
| 16   | 4360436     | 1               | Switch, Fuel Level   |     |
| 17   | 4420038     | 45 in<br>/1.14m | Tape, Rubber (Gas Machines)                                      |     |
| 18   | 4568119     | 1               | Tube, Fuel   |     |
| 19   | 4641022     | 1               | Valve, Needle  |     |
| 20   | 4711500     | 8               | Washer 5/16  |     |
| 21   | 4751600     | 2               | Washer 3/8   |     |
| 22   | 4751800     | 2               | Washer 1/2   |     |
| 23   | 1001111514  | 1               | Tank, Fuel (Includes Non-Locking Cap) (Gas Machines)             |     |
| 23A  | 70004149    | 1               | Fitting and Pick-up Tube (Gas Machines)                          |     |
| 23B  | 70002715    | 1               | Cap  |     |
| 23B  | 70002716    | 1               | Adapter, Cap   |     |
| 24   | 1001118133  | 2               | Bracket  |     |
| 25   | 1001156190  | 1               | Tray   |     |
| 26   | 1001178057  | 1               | Hydraulic Tank Assembly (See Separate Breakdown in this Section) |     |

# SECTION 2 - TURNTABLE

## FIGURE 2-17. TANK INSTALLATION - GAS ENGINES (JIANGYING 4IN DIA BREATHER HYDRAULIC TANK)



ART\_1001284874

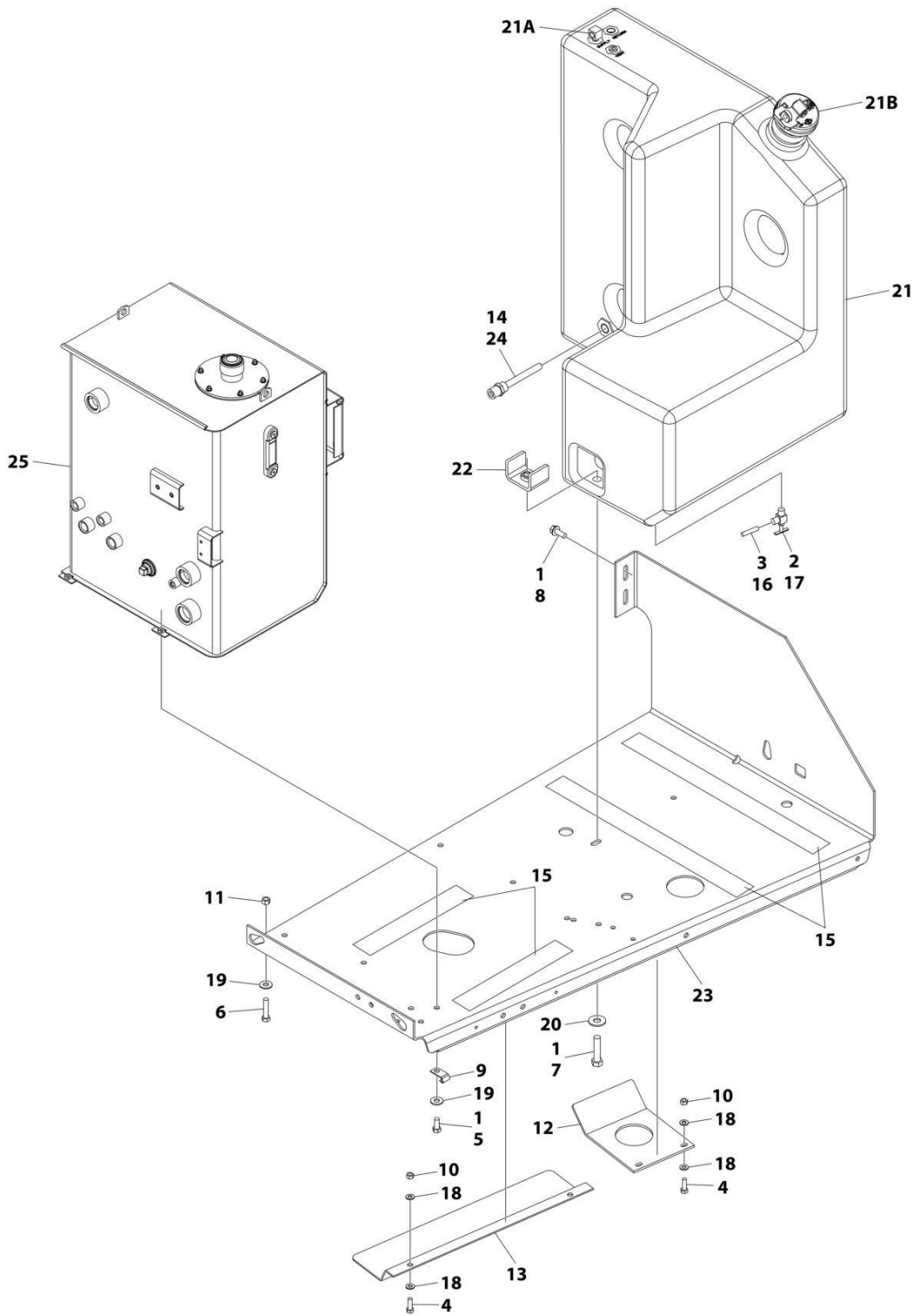
## SECTION 2 - TURNTABLE

**FIGURE 2-17. TANK INSTALLATION - GAS ENGINES (JIANGYING 4IN DIA BREATHER HYDRAULIC TANK)**

| ITEM | PART NUMBER | QTY             | DESCRIPTION  | REV |
|------|-------------|-----------------|--|-----|
|      | 1001284874  | Ref             | TANK INSTALLATION  | A   |
| 1    | 0100011     | AR              | Compound, Locking  |     |
| 2    | 0100020     | AR              | Sealant, Pipe  |     |
| 3    | 0100062     | AR              | Compound, Locking  |     |
| 4    | 0641508     | 4               | Bolt 5/16 x 1  |     |
| 5    | 0641607     | 4               | Bolt 3/8 x 7/8   |     |
| 6    | 0641614     | 2               | Bolt 3/8 x 1-3/4   |     |
| 7    | 0641818     | 2               | Bolt 1/2 x 2-1/4   |     |
| 8    | 0811608     | 2               | Bolt 3/8 x 1   |     |
| 9    | 1320223     | 1               | Clamp  |     |
| 10   | 2200233     | 1               | Plug   |     |
| 11   | 3311505     | 4               | Nut 5/16   |     |
| 12   | 3311605     | 2               | Nut 3/8  |     |
| 13   | 3572423     | 1               | Plate, Valve Needle  |     |
| 14   | 3576755     | 1               | Cover, Fuel Pump   |     |
| 15   | 4360436     | 1               | Switch, Fuel Level   |     |
| 16   | 4420038     | 45 in<br>/1.14m | Tape, Rubber (Gas Machines)                                      |     |
| 17   | 4568119     | 1               | Tube, Fuel   |     |
| 18   | 4641022     | 1               | Valve, Needle  |     |
| 19   | 4711500     | 8               | Washer 5/16  |     |
| 20   | 4751600     | 2               | Washer 3/8   |     |
| 21   | 4751800     | 2               | Washer 1/2   |     |
| 22   | 1001111514  | 1               | Tank, Fuel (Includes Non-Locking Cap) (Gas Machines)             |     |
| 22A  | 70004149    | 1               | Fitting and Pick-up Tube (Gas Machines)                          |     |
| 22B  | 70002715    | 1               | Cap  |     |
| 22B  | 70002716    | 1               | Adapter, Cap   |     |
| 23   | 1001118133  | 2               | Bracket  |     |
| 24   | 1001156190  | 1               | Tray   |     |
| 25   | 1001182997  | AR              | Adhesive   |     |
| 26   | 1001267678  | 1               | Hydraulic Tank Assembly (See Separate Breakdown in this Section) |     |

# SECTION 2 - TURNTABLE

## FIGURE 2-18. TANK INSTALLATION - GAS ENGINES (47.8 GAL)



ART\_1001285833

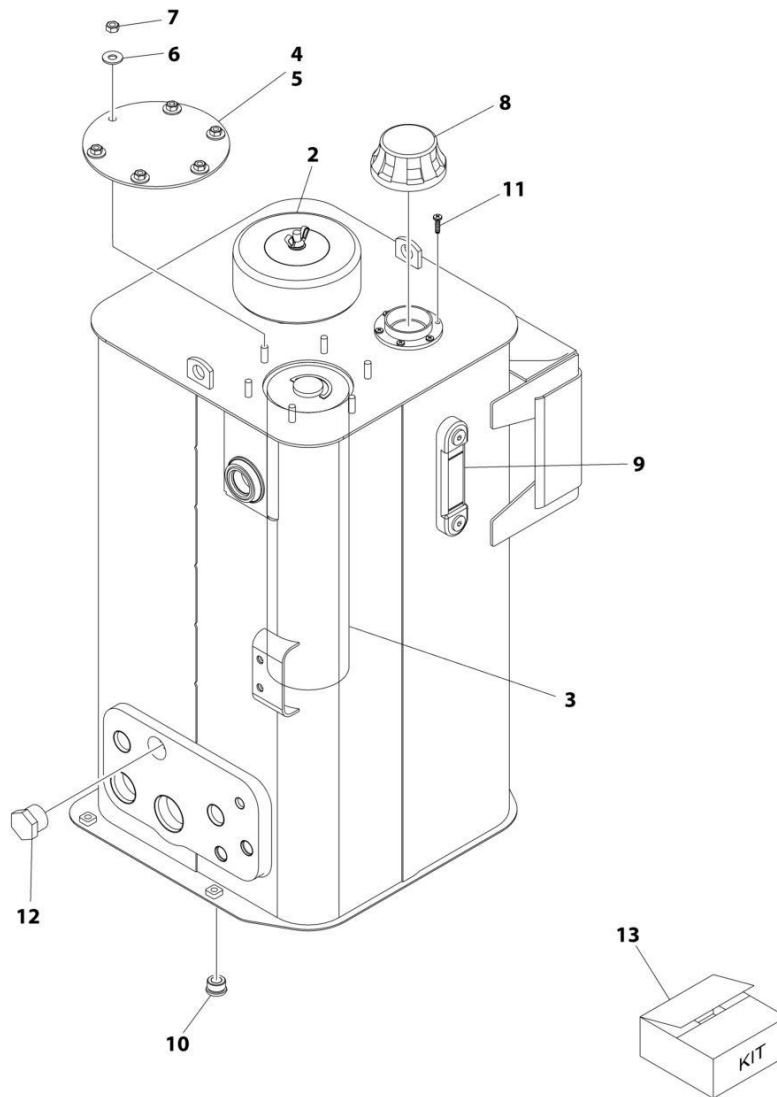
## SECTION 2 - TURNTABLE

**FIGURE 2-18. TANK INSTALLATION - GAS ENGINES (47.8 GAL)**

| ITEM | PART NUMBER | QTY             | DESCRIPTION  | REV |
|------|-------------|-----------------|--|-----|
|      | 1001285833  | Ref             | TANK INSTALLATION  | A   |
| 1    | 0100011     | AR              | Compound, Locking  |     |
| 2    | 0100020     | AR              | Sealant, Pipe  |     |
| 3    | 0100062     | AR              | Compound, Locking  |     |
| 4    | 0641508     | 4               | Bolt 5/16 x 1  |     |
| 5    | 0641607     | 4               | Bolt 3/8 x 7/8   |     |
| 6    | 0641614     | 2               | Bolt 3/8 x 1-3/4   |     |
| 7    | 0641818     | 2               | Bolt 1/2 x 2-1/4   |     |
| 8    | 0811608     | 2               | Bolt 3/8 x 1   |     |
| 9    | 1320223     | 1               | Clamp  |     |
| 10   | 3311505     | 4               | Nut 5/16   |     |
| 11   | 3311605     | 2               | Nut 3/8  |     |
| 12   | 3572423     | 1               | Plate, Valve Needle  |     |
| 13   | 3576755     | 1               | Cover, Fuel Pump   |     |
| 14   | 4360436     | 1               | Switch, Fuel Level   |     |
| 15   | 4420038     | 45 in<br>/1.14m | Tape, Rubber (Gas Machines)                                      |     |
| 16   | 4568119     | 1               | Tube, Fuel   |     |
| 17   | 4641022     | 1               | Valve, Needle  |     |
| 18   | 4711500     | 8               | Washer 5/16  |     |
| 19   | 4751600     | 2               | Washer 3/8   |     |
| 20   | 4751800     | 2               | Washer 1/2   |     |
| 21   | 1001111514  | 1               | Tank, Fuel (Includes Non-Locking Cap) (Gas Machines)             |     |
| 21A  | 70004149    | 1               | Fitting and Pick-up Tube (Gas Machines)                          |     |
| 21B  | 70002715    | 1               | Cap  |     |
| 21B  | 70002716    | 1               | Adapter, Cap   |     |
| 22   | 1001118133  | 2               | Bracket  |     |
| 23   | 1001156190  | 1               | Tray   |     |
| 24   | 1001182997  | AR              | Adhesive   |     |
| 25   | 1001285677  | 1               | Hydraulic Tank Assembly (See Separate Breakdown in this Section) |     |

## SECTION 2 - TURNTABLE

FIGURE 2-19. HYDRAULIC TANK ASSEMBLY (HELGESEN 6IN DIA BREATHER HYDRAULIC TANK)



ART\_1001178057



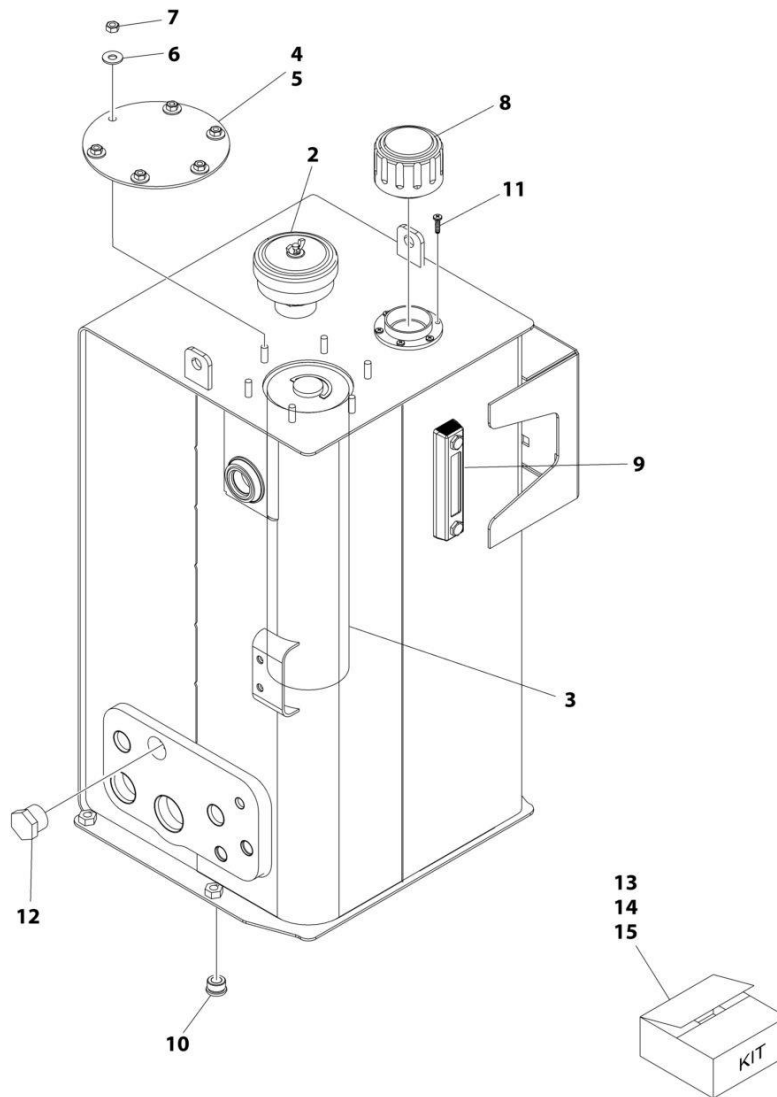
## SECTION 2 - TURNTABLE

**FIGURE 2-19. HYDRAULIC TANK ASSEMBLY (HELGESEN 6IN DIA BREATHER HYDRAULIC TANK)**

| ITEM | PART NUMBER | QTY | DESCRIPTION  | REV |
|------|-------------|-----|--|-----|
|      | 1001178057  | Ref | HYDRAULIC TANK ASSEMBLY                                    | D   |
| 2    | 70005708    | 1   | Breather Assembly (Includes Breather, Element and Wingnut) |     |
| 2    | See Note    | NSS | Element, Breather (Note: Use p/n 70005708 or Item 13)      |     |
| 3    | See Note    | NSS | Element, Hydraulic (Note: Use Item 13)                     |     |
| 4    | 70002839    | 1   | Gasket   |     |
| 5    | See Note    | NSS | Cover (Note: Not Available for Purchase)                   |     |
| 6    | 83304173    | 6   | Washer 5/16  |     |
| 7    | 70004199    | 6   | Nut 5/16   |     |
| 8    | 70002838    | 1   | Cap, Fill  |     |
| 9    | 7024441     | 1   | Gauge, Level   |     |
| 10   | 70002112    | 1   | Plug   |     |
| 11   | 70004795    | 6   | Screw #10 x 3/4  |     |
| 12   | See Note    | NSS | Plug (Note: Not Available - Purchase Locally)              |     |
| 13   | 70002814    | 1   | Hydraulic Tank Service Kit (Includes Items 2-4)            |     |

## SECTION 2 - TURNTABLE

FIGURE 2-20. HYDRAULIC TANK ASSEMBLY (JIANGYING 4IN DIA BREATHER HYDRAULIC TANK)



ART\_1001267678

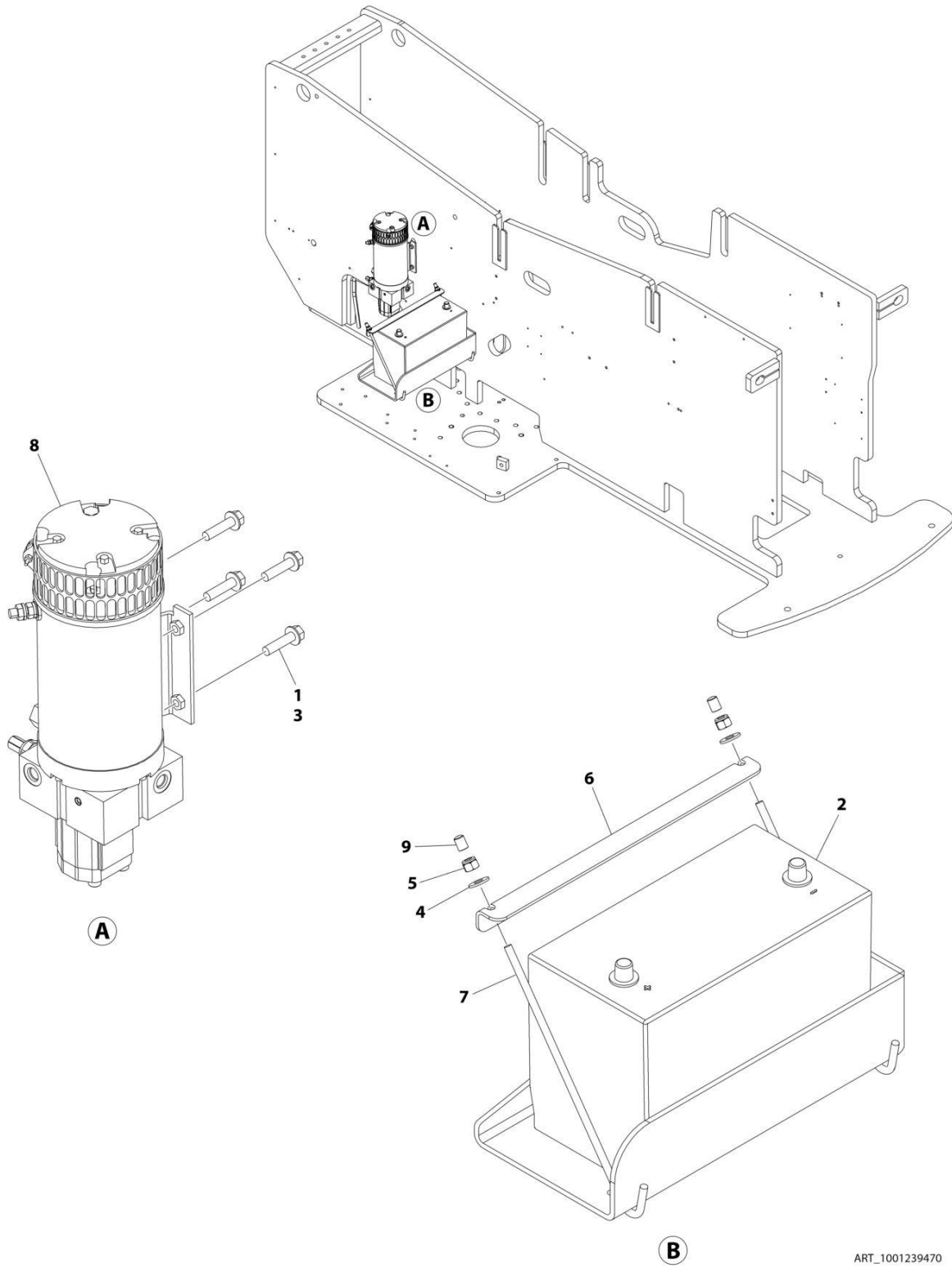
## SECTION 2 - TURNTABLE

**FIGURE 2-20. HYDRAULIC TANK ASSEMBLY (JIANGYING 4IN DIA BREATHER HYDRAULIC TANK)**

| ITEM | PART NUMBER | QTY | DESCRIPTION  | REV |
|------|-------------|-----|--|-----|
|      | 1001267678  | REF | HYDRAULIC TANK ASSEMBLY  | A   |
| 1    | See Note    | NSS | Hydraulic Tank Weldment (Not Shown) (Note: Not Available for Purchase) |     |
| 2    | See Note    | NSS | Breather Assembly (Note: Use Item 13)                                  |     |
| 3    | See Note    | NSS | Element, Filter (Note: Use Item Use Item 14)                           |     |
| 4    | 70002839    | 1   | Gasket   |     |
| 5    | See Note    | NSS | Cover (Note: Not Available for Purchase)                               |     |
| 6    | 83304173    | 6   | Washer 1/4   |     |
| 7    | 70004199    | 6   | Nut 5/16   |     |
| 8    | 70002838    | 1   | Cap, Fill  |     |
| 9    | 70024441    | 1   | Gauge, Level   |     |
| 10   | 70002112    | 1   | Plug   |     |
| 11   | 70004795    | 6   | Screw 10 x 3/4   |     |
| 12   | See Note    | NSS | Plug (Note: Not Available for Purchase)                                |     |
| 13   | 70007726    | 1   | Breather Kit (Note: Includes Item 2)                                   |     |
| 14   | 70007727    | 1   | Return Filter Kit (Note: Includes Item 3)                              |     |
| 15   | 70007725    | 1   | Level Gauge Kit  |     |

# SECTION 2 - TURNTABLE

## FIGURE 2-21. AUXILIARY POWER INSTALLATION - WITHOUT BATTERY DISCONNECT



ART\_1001239470

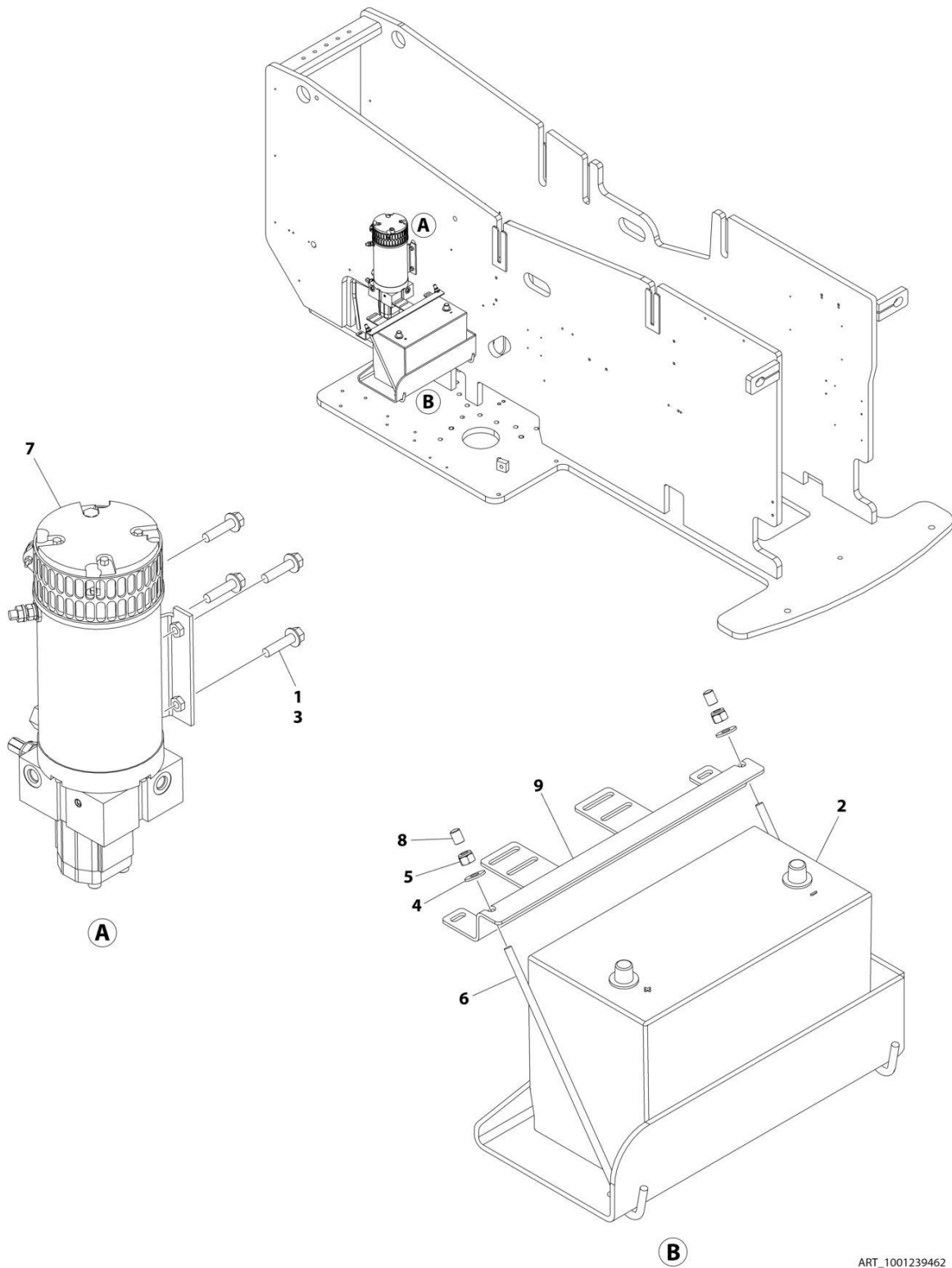
**SECTION 2 - TURNTABLE**

**FIGURE 2-21. AUXILIARY POWER INSTALLATION - WITHOUT BATTERY DISCONNECT**

| ITEM | PART NUMBER | QTY | DESCRIPTION   | REV |
|------|-------------|-----|---|-----|
|      | 1001239470  | Ref | AUXILIARY POWER INSTALLATION  | A   |
| 1    | 0100011     | AR  | Compound, Locking   |     |
| 2    | 0400075     | 1   | Battery   |     |
| 3    | 0811612     | 4   | Screw 3/8 x 1-1/2   |     |
| 4    | 4751500     | 2   | Washer 5/16   |     |
| 5    | 88521205    | 2   | Nut 5/16  |     |
| 6    | 91401281    | 1   | Bracket, Battery Hold Down  |     |
| 7    | 1001093382  | 2   | J - Bolt  |     |
| 8    | 1001137460  | 1   | Auxillary Power Pump/ Motor Assembly (See Separate Breakdown in this Section) |     |
| 9    | 1001218572  | 2   | Cap   |     |

# SECTION 2 - TURNTABLE

## FIGURE 2-22. AUXILIARY POWER INSTALLATION - WITH BATTERY DISCONNECT



ART\_1001239462

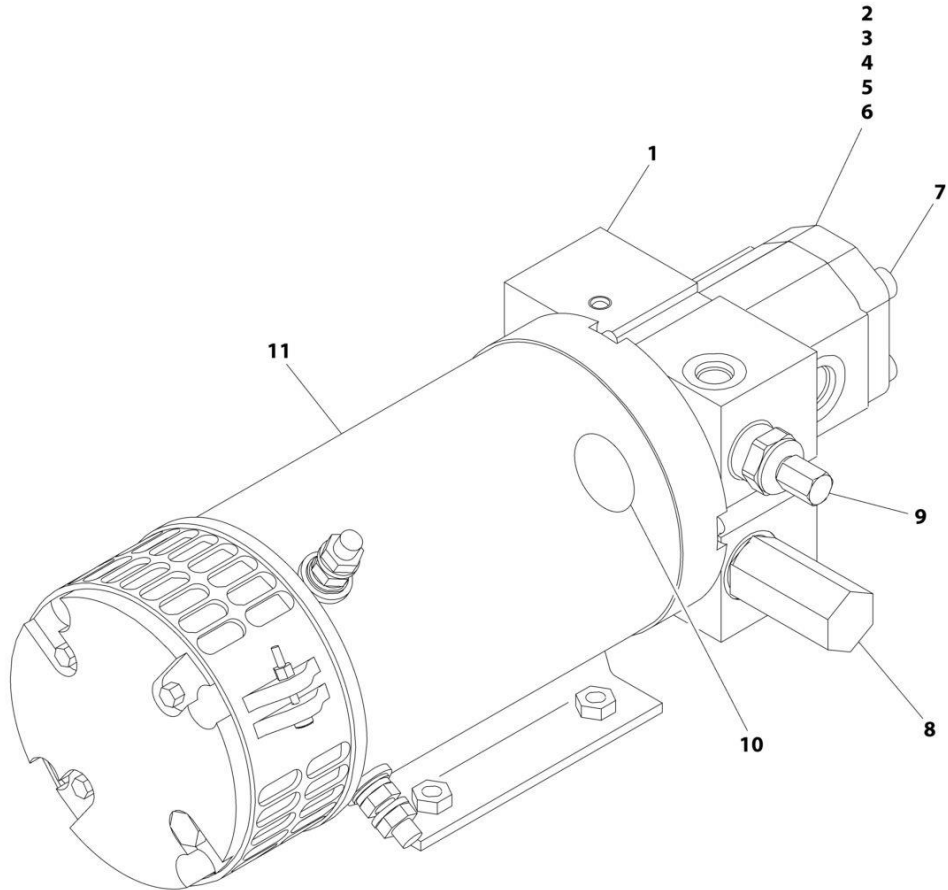
## SECTION 2 - TURNTABLE

**FIGURE 2-22. AUXILIARY POWER INSTALLATION - WITH BATTERY DISCONNECT**

| ITEM | PART NUMBER | QTY | DESCRIPTION  | REV |
|------|-------------|-----|--|-----|
|      | 1001239462  | Ref | AUXILIARY POWER INSTALLATION   | A   |
| 1    | 0100011     | AR  | Compound, Locking  |     |
| 2    | 0400075     | 1   | Battery  |     |
| 3    | 0811612     | 4   | Screw 3/8 x 1-1/2  |     |
| 4    | 4751500     | 2   | Washer 5/16  |     |
| 5    | 88521205    | 2   | Nut 5/16   |     |
| 6    | 1001093382  | 2   | J - Bolt   |     |
| 7    | 1001137460  | 1   | Auxiliary Power Pump/Motor Assembly (See Separate Breakdown in this Section) |     |
| 8    | 1001218572  | 2   | Cap  |     |
| 9    | 1001236303  | 1   | Bracket, Battery Hold Down   |     |

## SECTION 2 - TURNTABLE

FIGURE 2-23. AUXILIARY POWER PUMP/MOTOR ASSEMBLY



ART\_1001137460



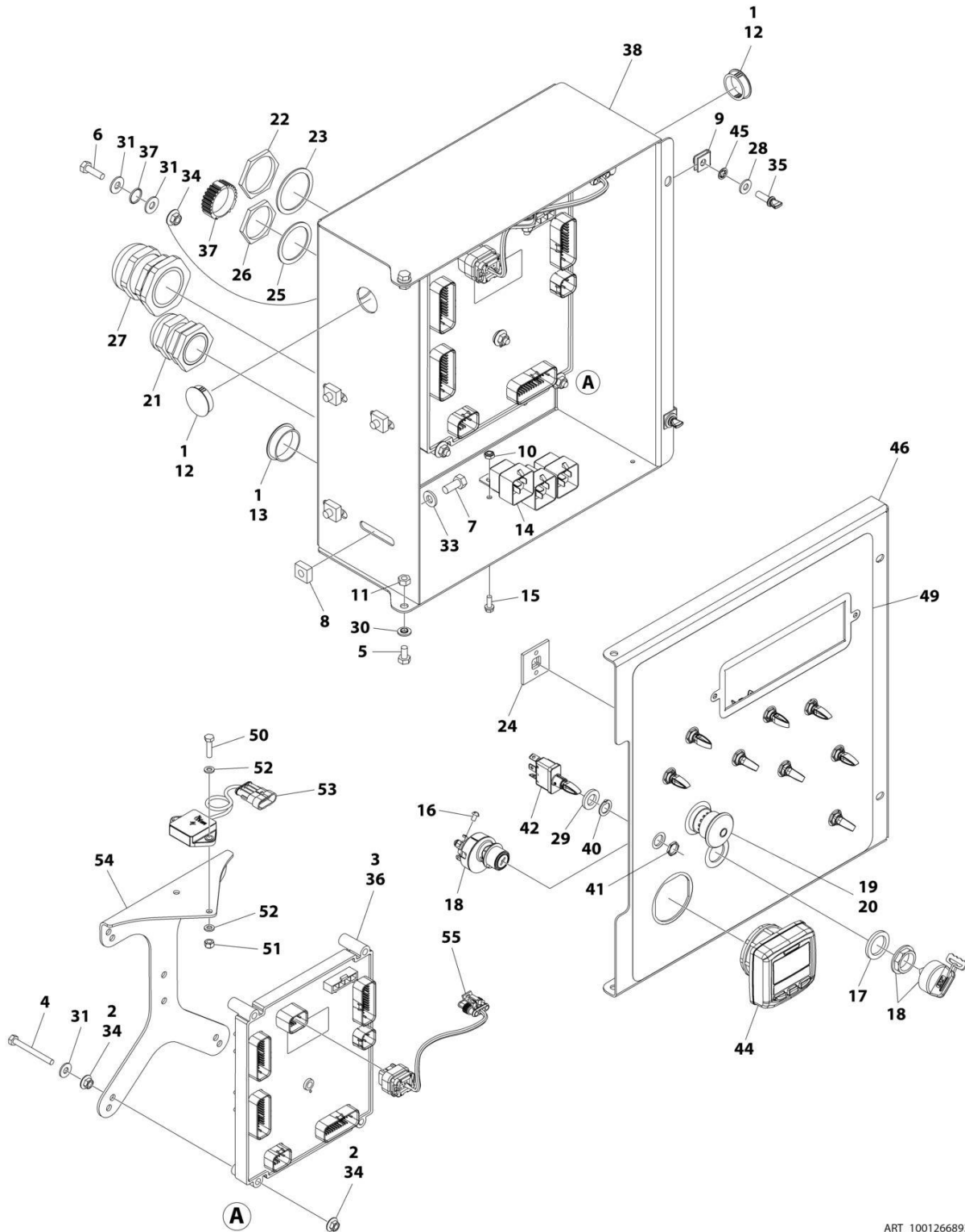
**SECTION 2 - TURNTABLE**

**FIGURE 2-23. AUXILIARY POWER PUMP/MOTOR ASSEMBLY**

| ITEM | PART NUMBER | QTY | DESCRIPTION                            | REV |
|------|-------------|-----|--|-----|
|      | 1001137460  | Ref | AUXILIARY PUMP ASSEMBLY                | A   |
| 1    | 70004125    | 1   | Base Assembly                          |     |
| 1    | 70003993    | 1   | Seal, Shaft                            |     |
| 2    | See Note    | NSS | Pin, Dowel (Note: Use Item 1)          |     |
| 3    | See Note    | NSS | O-Ring (Note: Use Item 1)              |     |
| 4    | See Note    | NSS | Pump (Note: Use Item 1)                |     |
| 5    | See Note    | NSS | O-Ring (Note: Use Item 1)              |     |
| 6    | See Note    | NSS | Cover, Rear (Note: Use Item 1)         |     |
| 7    | See Note    | NSS | Screw (Note: Use Item 1)               |     |
| 8    | 70003989    | 1   | Valve, Logic                           |     |
| 9    | See Note    | 1   | Valve, Relief (Note: Use Item 1)       |     |
| 10   | See Note    | 1   | Shaft, Intermediate (Note: Use Item 1) |     |
| 11   | 70003992    | 1   | Motor                                  |     |

## SECTION 2 - TURNTABLE

FIGURE 2-24. GROUND CONTROL BOX ASSEMBLY - WITH DEUTZ D2011 ENGINES - WITH DIGITAL DISPLAY (ANSI EXPORT LRC AND AUSTRALIAN SPECS)



ART\_1001266893

## SECTION 2 - TURNTABLE

**FIGURE 2-24. GROUND CONTROL BOX ASSEMBLY - WITH DEUTZ D2011 ENGINES - WITH DIGITAL DISPLAY (ANSI EXPORT LRC AND AUSTRALIAN SPECS)**

| ITEM | PART NUMBER | QTY   | DESCRIPTION   | REV |
|------|-------------|-------|---|-----|
|      | 1001266893  | Ref   | GROUND CONTROL BOX ASSEMBLY   | B   |
| 1    | 0100009     | AR    | Sealant   |     |
| 2    | 0100011     | AR    | Compound, Locking   |     |
| 3    | 0100048     | AR    | Grease, Dielectric  |     |
| 4    | 0630548     | 5     | Bolt 2-1/2  |     |
| 5    | 0641404     | 2     | Bolt 1/4 x 1/2  |     |
| 6    | 0641407     | 1     | Bolt 1/4 x 7/8  |     |
| 7    | 0641506     | 4     | Bolt 5/16 x 3/4   |     |
| 8    | 3300205     | 4     | Nut, Retainer   |     |
| 9    | 3300353     | 2     | Nut, Tinnerman  |     |
| 10   | 3300408     | 3     | Nut, Nylon Insert   |     |
| 11   | 3311405     | 2     | Nut 1/4   |     |
| 12   | 3520031     | 2     | Plug  |     |
| 13   | 3520035     | 1     | Plug  |     |
| 14   | 3740049     | 3     | Relay   |     |
| 15   | 3900268     | 3     | Screw #10x1/2   |     |
| 16   | 3910804     | 6     | Screw #8 x 1/4  |     |
| 17   | 4070991     | 1     | Shim  |     |
| 18   | 4360469     | 1     | Switch, Key   |     |
| 18   | 2860030     | 1 Set | Key Replacement   |     |
| 19   | 4360475     | 1     | Switch, Emergency Stop  |     |
| 19   | 7020175     | 1     | Cap, Mushroom   |     |
| 19   | 7020176     | 1     | Block, Contact  |     |
| 20   | 4360476     | 1     | Switch, Contact Block   |     |
| 21   | 4460426     | 1     | Connector, Strain Relief  |     |
| 22   | 4460470     | 1     | Nut, Terminal   |     |
| 23   | 4460471     | 1     | Lockwasher, Terminal  |     |
| 24   | 4460488     | 6     | Mounting Base, Terminal   |     |
| 25   | 4460496     | 1     | Washer, Terminal  |     |
| 26   | 4460497     | 1     | Nut, Terminal   |     |
| 27   | 4460526     | 1     | Connector, Strain Relief  |     |
| 28   | 4711400     | 2     | Washer 1/4  |     |
| 29   | 4740397     | 9     | Spacer  |     |
| 30   | 4740518     | 2     | Washer  |     |
| 31   | 4751400     | 7     | Washer 1/4  |     |
| 33   | 4891500     | 4     | Washer 5/16   |     |
| 34   | 77143013    | 11    | Nut 1/4   |     |
| 35   | 1001103308  | 2     | Thumbscrew 1/4 x 3/4  |     |
| 36   | 1001103667  | 1     | Module, Ground Control (Please Verify Part Number on Module Decal Before Purchasing) (Note: Recalibration Required When Replaced) |     |
| 36   | 1001280600  | 1     | Module, Ground Control (Please Verify Part Number on Module Decal Before Purchasing) (Note: Recalibration Required When Replaced) |     |
| 37   | 1001106736  | 1     | Cap, Dust   |     |
| 38   | 1001152175  | 1     | Box   |     |
| 39   | 1001153713  | 1     | Engine Harness (Not Shown - See Separate Breakdown in ELECTRICAL Section)   |     |
| 40   | 1001155043  | 9     | Washer  |     |
| 41   | 1001155044  | 9     | Nut 15/32   |     |

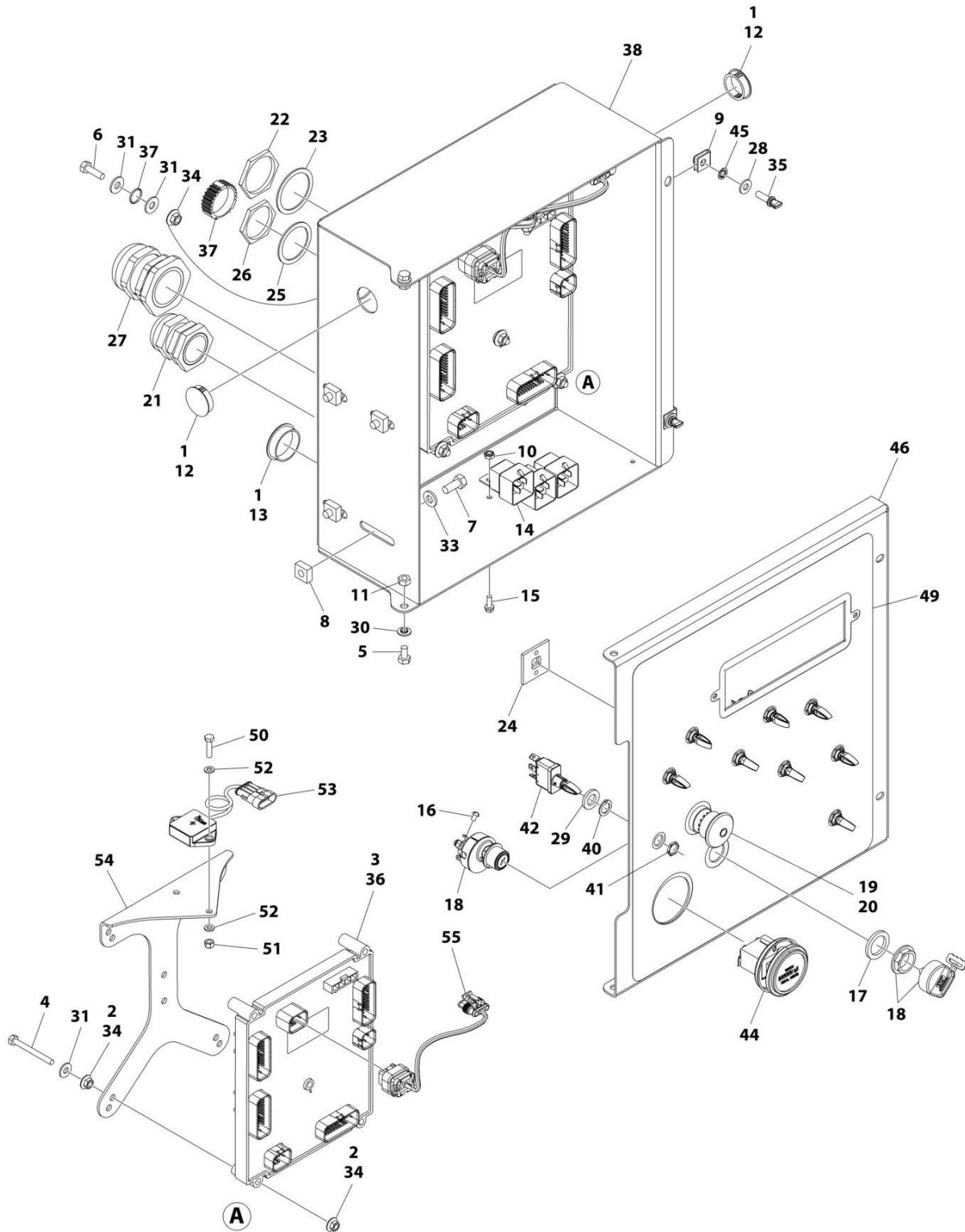
## SECTION 2 - TURNTABLE

| ITEM | PART NUMBER | QTY | DESCRIPTION   | REV |
|------|-------------|-----|---|-----|
| 42   | 1001155045  | 9   | Switch, Toggle  |     |
| 43   | 1001170808  | 1   | Control Valve Harness (Not Shown - See Separate Breakdown in ELECTRICAL Section)      |     |
| 44   | 1001171482  | 1   | Gauge, Display  |     |
| 45   | 1001188874  | 2   | Nut   |     |
| 46   | 1001263352  | 1   | Lid   |     |
| 47   | 1001266628  | 1   | Ground Control Box Harness (Not Shown - See Separate Breakdown in ELECTRICAL Section) |     |
| 49   | 1001266876  | 1   | Decal - Ground Control Box  |     |
| 50   | 0760612     | 2   | Bolt M6 x 25  |     |
| 51   | 3290605     | 2   | Nut M6  |     |
| 52   | 4811700     | 4   | Washer M6   |     |
| 53   | 1001219601  | 1   | Sensor, Tilt Dual Axis CAN  |     |
| 54   | 1001271794  | 1   | Bracket, Tilt Sensor  |     |
| 55   | 1001276143  | 1   | Harness, Tilt Sensor  |     |



## SECTION 2 - TURNTABLE

FIGURE 2-25. GROUND CONTROL BOX ASSEMBLY - WITH DEUTZ D2011 ENGINES - WITH MECHANICAL HOUR METER (ANSI EXPORT LRC AND AUSTRALIAN SPECS)



ART\_1001266893\_C

## SECTION 2 - TURNTABLE

**FIGURE 2-25. GROUND CONTROL BOX ASSEMBLY - WITH DEUTZ D2011 ENGINES - WITH MECHANICAL HOUR METER (ANSI EXPORT LRC AND AUSTRALIAN SPECS)**

| ITEM | PART NUMBER | QTY   | DESCRIPTION  | REV |
|------|-------------|-------|--|-----|
|      | 1001266893  | Ref   | GROUND CONTROL BOX ASSEMBLY  | C   |
| 1    | 0100009     | AR    | Sealant  |     |
| 2    | 0100011     | AR    | Compound, Locking  |     |
| 3    | 0100048     | AR    | Grease, Dielectric   |     |
| 4    | 0630548     | 5     | Bolt 2-1/2   |     |
| 5    | 0641404     | 2     | Bolt 1/4 x 1/2   |     |
| 6    | 0641407     | 1     | Bolt 1/4 x 7/8   |     |
| 7    | 0641506     | 4     | Bolt 5/16 x 3/4  |     |
| 8    | 3300205     | 4     | Nut, Retainer  |     |
| 9    | 3300353     | 2     | Nut, Tinnerman   |     |
| 10   | 3300408     | 3     | Nut, Nylon Insert  |     |
| 11   | 3311405     | 2     | Nut 1/4  |     |
| 12   | 3520031     | 2     | Plug   |     |
| 13   | 3520035     | 1     | Plug   |     |
| 14   | 3740049     | 3     | Relay  |     |
| 15   | 3900268     | 3     | Screw #10x1/2  |     |
| 16   | 3910804     | 6     | Screw #8 x 1/4   |     |
| 17   | 4070991     | 1     | Shim   |     |
| 18   | 4360469     | 1     | Switch, Key  |     |
| 18   | 2860030     | 1 Set | Key Replacement  |     |
| 19   | 4360475     | 1     | Switch, Emergency Stop   |     |
| 19   | 7020175     | 1     | Cap, Mushroom  |     |
| 19   | 7020176     | 1     | Block, Contact   |     |
| 20   | 4360476     | 1     | Switch, Contact Block  |     |
| 21   | 4460426     | 1     | Connector, Strain Relief   |     |
| 22   | 4460470     | 1     | Nut, Terminal  |     |
| 23   | 4460471     | 1     | Lockwasher, Terminal   |     |
| 24   | 4460488     | 6     | Mounting Base, Terminal  |     |
| 25   | 4460496     | 1     | Washer, Terminal   |     |
| 26   | 4460497     | 1     | Nut, Terminal  |     |
| 27   | 4460526     | 1     | Connector, Strain Relief   |     |
| 28   | 4711400     | 2     | Washer 1/4   |     |
| 29   | 4740397     | 9     | Spacer   |     |
| 30   | 4740518     | 2     | Washer   |     |
| 31   | 4751400     | 7     | Washer 1/4   |     |
| 33   | 4891500     | 4     | Washer 5/16  |     |
| 34   | 77143013    | 11    | Nut 1/4  |     |
| 35   | 1001103308  | 2     | Thumbscrew 1/4 x 3/4   |     |
| 36   | 1001280600  | 1     | Module, Ground Control (Note: Recalibration Required When Replaced)              |     |
| 37   | 1001106736  | 1     | Cap, Dust  |     |
| 38   | 1001152175  | 1     | Box  |     |
| 39   | 1001153713  | 1     | Engine Harness (Not Shown - See Separate Breakdown in ELECTRICAL Section)        |     |
| 40   | 1001155043  | 9     | Washer   |     |
| 41   | 1001155044  | 9     | Nut 15/32  |     |
| 42   | 1001155045  | 9     | Switch, Toggle   |     |
| 43   | 1001170808  | 1     | Control Valve Harness (Not Shown - See Separate Breakdown in ELECTRICAL Section) |     |

## SECTION 2 - TURNTABLE

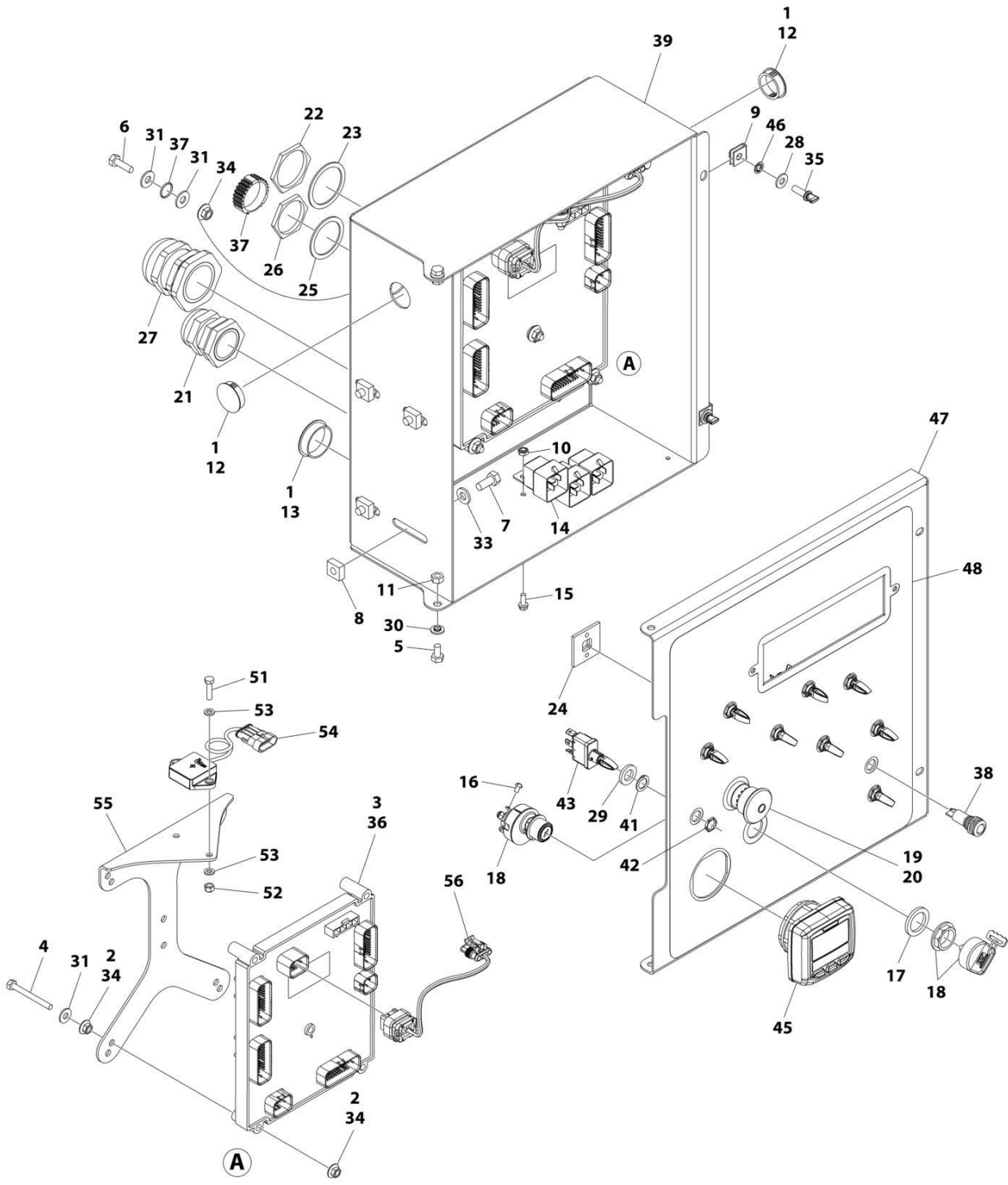
| ITEM | PART NUMBER | QTY | DESCRIPTION   | REV |
|------|-------------|-----|---|-----|
| 44   | 10836804    | 1   | Hour Meter  |     |
| 45   | 1001188874  | 2   | Nut   |     |
| 46   | 1001280403  | 1   | Lid   |     |
| 47   | 1001266628  | 1   | Ground Control Box Harness (Not Shown - See Separate Breakdown in ELECTRICAL Section) |     |
| 49   | 1001266876  | 1   | Decal - Ground Control Box  |     |
| 50   | 0760612     | 2   | Bolt M6 x 25  |     |
| 51   | 3290605     | 2   | Nut M6  |     |
| 52   | 4811700     | 4   | Washer M6   |     |
| 53   | 1001219601  | 1   | Sensor, Tilt Dual Axis CAN  |     |
| 54   | 1001271794  | 1   | Bracket, Tilt Sensor  |     |
| 55   | 1001276143  | 1   | Harness, Tilt Sensor  |     |





# SECTION 2 - TURNTABLE

FIGURE 2-26. GROUND CONTROL BOX ASSEMBLY - WITH DEUTZ D2011 AND TOWER STOW - WITH DIGITAL DISPLAY (ANSI EXPORT LRC AND AUSTRALIAN SPECS)



ART\_1001263361

## SECTION 2 - TURNTABLE

**FIGURE 2-26. GROUND CONTROL BOX ASSEMBLY - WITH DEUTZ D2011 AND TOWER STOW - WITH DIGITAL DISPLAY (ANSI EXPORT LRC AND AUSTRALIAN SPECS)**

| ITEM | PART NUMBER | QTY   | DESCRIPTION   | REV |
|------|-------------|-------|---|-----|
|      | 1001263361  | Ref   | GROUND CONTROL BOX ASSEMBLY   | B   |
| 1    | 0100009     | AR    | Sealant   |     |
| 2    | 0100011     | AR    | Compound, Locking   |     |
| 3    | 0100048     | AR    | Grease, Dielectric  |     |
| 4    | 0630548     | 5     | Bolt 2-1/2  |     |
| 5    | 0641404     | 2     | Bolt 1/4 x 1/2  |     |
| 6    | 0641407     | 1     | Bolt 1/4 x 7/8  |     |
| 7    | 0641506     | 4     | Bolt 5/16 x 3/4   |     |
| 8    | 3300205     | 4     | Nut, Retainer   |     |
| 9    | 3300353     | 2     | Nut, Tinnerman  |     |
| 10   | 3300408     | 3     | Nut, Nylon Insert   |     |
| 11   | 3311405     | 2     | Nut 1/4   |     |
| 12   | 3520031     | 2     | Plug  |     |
| 13   | 3520035     | 1     | Plug  |     |
| 14   | 3740049     | 3     | Relay   |     |
| 15   | 3900268     | 3     | Screw #10x1/2   |     |
| 16   | 3910804     | 6     | Screw #8 x 1/4  |     |
| 17   | 4070991     | 1     | Shim  |     |
| 18   | 4360469     | 1     | Switch, Key   |     |
| 18   | 2860030     | 1 Set | Key Replacement   |     |
| 19   | 4360475     | 1     | Switch, Emergency Stop  |     |
| 19   | 7020175     | 1     | Cap, Mushroom   |     |
| 19   | 7020176     | 1     | Block, Contact  |     |
| 20   | 4360476     | 1     | Switch, Contact Block   |     |
| 21   | 4460426     | 1     | Connector, Strain Relief  |     |
| 22   | 4460470     | 1     | Nut, Terminal   |     |
| 23   | 4460471     | 1     | Lockwasher, Terminal  |     |
| 24   | 4460488     | 6     | Mounting Base, Terminal   |     |
| 25   | 4460496     | 1     | Washer, Terminal  |     |
| 26   | 4460497     | 1     | Nut, Terminal   |     |
| 27   | 4460526     | 1     | Connector, Strain Relief  |     |
| 28   | 4711400     | 2     | Washer 1/4  |     |
| 29   | 4740397     | 9     | Spacer  |     |
| 30   | 4740518     | 2     | Washer  |     |
| 31   | 4751400     | 7     | Washer 1/4  |     |
| 33   | 4891500     | 4     | Washer 5/16   |     |
| 34   | 77143013    | 11    | Nut 1/4   |     |
| 35   | 1001103308  | 2     | Thumbscrew 1/4 x 3/4  |     |
| 36   | 1001103667  | 1     | Module, Ground Control (Please Verify Part Number on Module Decal Before Purchasing) (Note: Recalibration Required When Replaced) |     |
| 36   | 1001280600  | 1     | Module, Ground Control (Please Verify Part Number on Module Decal Before Purchasing) (Note: Recalibration Required When Replaced) |     |
| 37   | 1001106736  | 1     | Cap, Dust   |     |
| 38   | 1001137364  | 1     | Light, Indicator  |     |
| 39   | 1001152175  | 1     | Box   |     |
| 40   | 1001153713  | 1     | Engine Harness (Not Shown - See Separate Breakdown in ELECTRICAL Section)   |     |
| 41   | 1001155043  | 9     | Washer  |     |

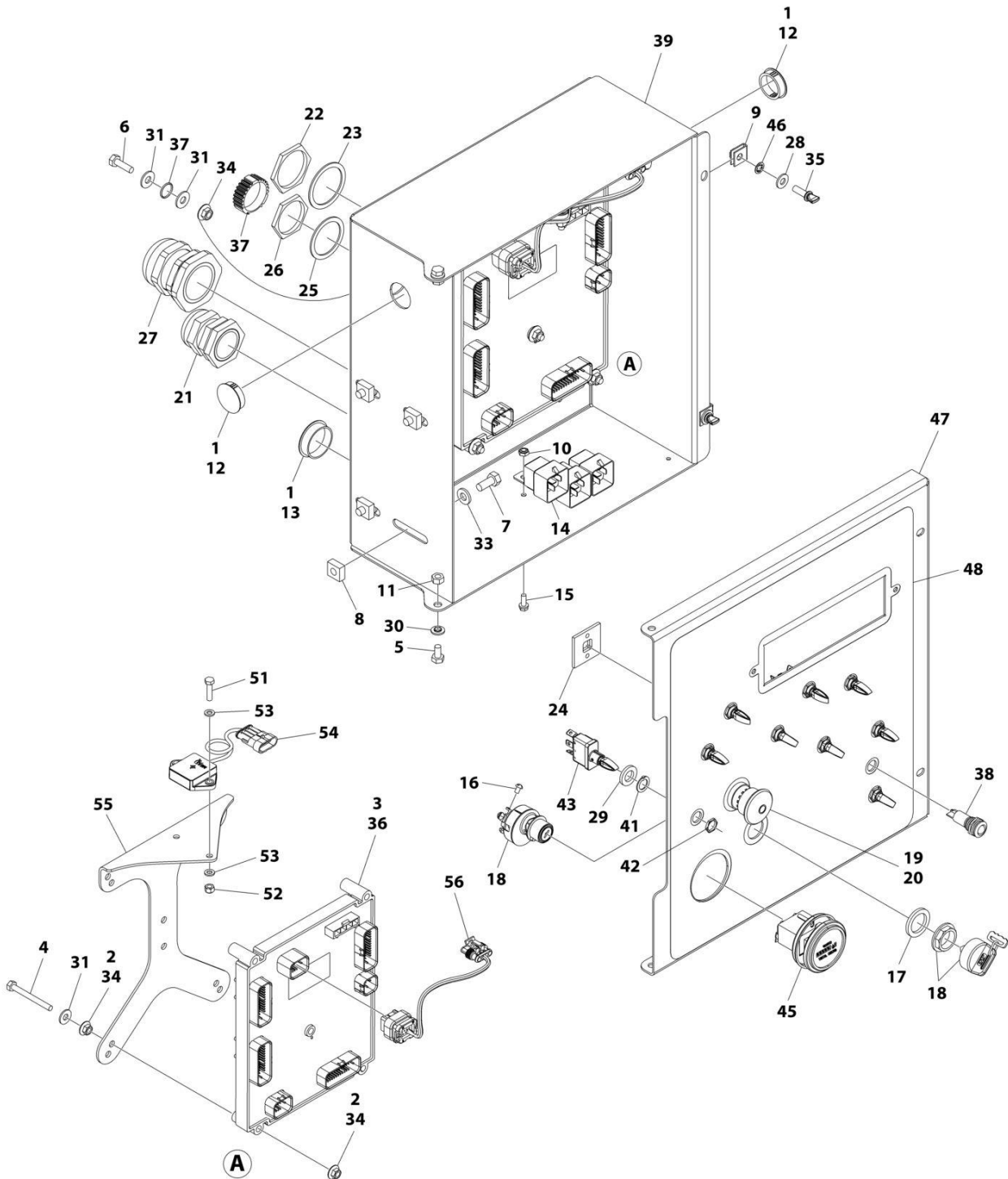
## SECTION 2 - TURNTABLE

| ITEM | PART NUMBER | QTY | DESCRIPTION   | REV |
|------|-------------|-----|---|-----|
| 42   | 1001155044  | 9   | Nut 15/32   |     |
| 43   | 1001155045  | 9   | Switch, Toggle  |     |
| 44   | 1001170808  | 1   | Control Valve Harness (Not Shown - See Separate Breakdown in ELECTRICAL Section)      |     |
| 45   | 1001171482  | 1   | Gauge, Display  |     |
| 46   | 1001188874  | 2   | Nut   |     |
| 47   | 1001263352  | 1   | Lid   |     |
| 48   | 1001263356  | 1   | Decal - Ground Control Box  |     |
| 49   | 1001266628  | 1   | Ground Control Box Harness (Not Shown - See Separate Breakdown in ELECTRICAL Section) |     |
| 51   | 0760612     | 2   | Bolt M6 x 25  |     |
| 52   | 3290605     | 2   | Nut M6  |     |
| 53   | 4811700     | 4   | Washer M6   |     |
| 54   | 1001219601  | 1   | Sensor, Tilt Dual Axis CAN  |     |
| 55   | 1001271794  | 1   | Bracket, Tilt Sensor  |     |
| 56   | 1001276143  | 1   | Harness, Tilt Sensor  |     |



## SECTION 2 - TURNTABLE

FIGURE 2-27. GROUND CONTROL BOX ASSEMBLY - WITH DEUTZ D2011 AND TOWER STOW - WITH MECHANICAL HOUR METER (ANSI EXPORT LRC AND AUSTRALIAN SPECS)



ART\_1001263361\_C

## SECTION 2 - TURNTABLE

**FIGURE 2-27. GROUND CONTROL BOX ASSEMBLY - WITH DEUTZ D2011 AND TOWER STOW - WITH MECHANICAL HOUR METER (ANSI EXPORT LRC AND AUSTRALIAN SPECS)**

| ITEM | PART NUMBER | QTY   | DESCRIPTION   | REV |
|------|-------------|-------|---|-----|
|      | 1001263361  | Ref   | GROUND CONTROL BOX ASSEMBLY   | C   |
| 1    | 0100009     | AR    | Sealant   |     |
| 2    | 0100011     | AR    | Compound, Locking   |     |
| 3    | 0100048     | AR    | Grease, Dielectric  |     |
| 4    | 0630548     | 5     | Bolt 2-1/2  |     |
| 5    | 0641404     | 2     | Bolt 1/4 x 1/2  |     |
| 6    | 0641407     | 1     | Bolt 1/4 x 7/8  |     |
| 7    | 0641506     | 4     | Bolt 5/16 x 3/4   |     |
| 8    | 3300205     | 4     | Nut, Retainer   |     |
| 9    | 3300353     | 2     | Nut, Tinnerman  |     |
| 10   | 3300408     | 3     | Nut, Nylon Insert   |     |
| 11   | 3311405     | 2     | Nut 1/4   |     |
| 12   | 3520031     | 2     | Plug  |     |
| 13   | 3520035     | 1     | Plug  |     |
| 14   | 3740049     | 3     | Relay   |     |
| 15   | 3900268     | 3     | Screw #10x1/2   |     |
| 16   | 3910804     | 6     | Screw #8 x 1/4  |     |
| 17   | 4070991     | 1     | Shim  |     |
| 18   | 4360469     | 1     | Switch, Key   |     |
| 18   | 2860030     | 1 Set | Key Replacement   |     |
| 19   | 4360475     | 1     | Switch, Emergency Stop  |     |
| 19   | 7020175     | 1     | Cap, Mushroom   |     |
| 19   | 7020176     | 1     | Block, Contact  |     |
| 20   | 4360476     | 1     | Switch, Contact Block   |     |
| 21   | 4460426     | 1     | Connector, Strain Relief  |     |
| 22   | 4460470     | 1     | Nut, Terminal   |     |
| 23   | 4460471     | 1     | Lockwasher, Terminal  |     |
| 24   | 4460488     | 6     | Mounting Base, Terminal   |     |
| 25   | 4460496     | 1     | Washer, Terminal  |     |
| 26   | 4460497     | 1     | Nut, Terminal   |     |
| 27   | 4460526     | 1     | Connector, Strain Relief  |     |
| 28   | 4711400     | 2     | Washer 1/4  |     |
| 29   | 4740397     | 9     | Spacer  |     |
| 30   | 4740518     | 2     | Washer  |     |
| 31   | 4751400     | 7     | Washer 1/4  |     |
| 33   | 4891500     | 4     | Washer 5/16   |     |
| 34   | 77143013    | 11    | Nut 1/4   |     |
| 35   | 1001103308  | 2     | Thumbscrew 1/4 x 3/4  |     |
| 36   | 1001280600  | 1     | Module, Ground Control (Note: Recalibration Required When Replaced)       |     |
| 37   | 1001106736  | 1     | Cap, Dust   |     |
| 38   | 1001137364  | 1     | Light, Indicator  |     |
| 39   | 1001152175  | 1     | Box   |     |
| 40   | 1001153713  | 1     | Engine Harness (Not Shown - See Separate Breakdown in ELECTRICAL Section) |     |
| 41   | 1001155043  | 9     | Washer  |     |
| 42   | 1001155044  | 9     | Nut 15/32   |     |
| 43   | 1001155045  | 9     | Switch, Toggle  |     |
| 44   | 1001170808  | 1     | Control Valve Harness (Not Shown - See Separate Breakdown in              |     |

## SECTION 2 - TURNTABLE

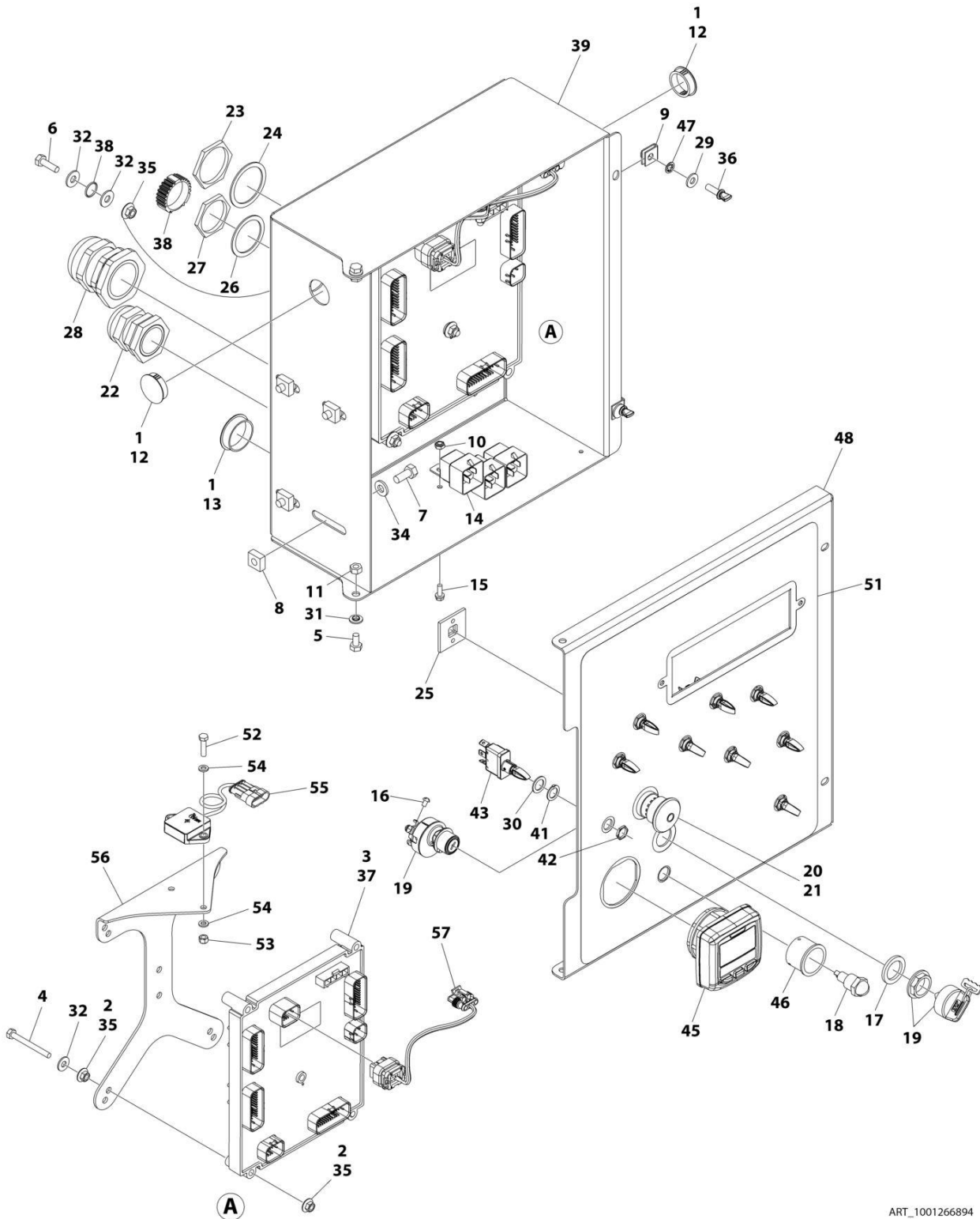
| ITEM | PART NUMBER | QTY | DESCRIPTION   | REV |
|------|-------------|-----|---|-----|
|      |             |     | ELECTRICAL Section)   |     |
| 45   | 10836804    | 1   | Hour Meter  |     |
| 46   | 1001188874  | 2   | Nut   |     |
| 47   | 1001280403  | 1   | Lid   |     |
| 48   | 1001263356  | 1   | Decal - Ground Control Box  |     |
| 49   | 1001266628  | 1   | Ground Control Box Harness (Not Shown - See Separate Breakdown in ELECTRICAL Section) |     |
| 51   | 0760612     | 2   | Bolt M6 x 25  |     |
| 52   | 3290605     | 2   | Nut M6  |     |
| 53   | 4811700     | 4   | Washer M6   |     |
| 54   | 1001219601  | 1   | Sensor, Tilt Dual Axis CAN  |     |
| 55   | 1001271794  | 1   | Bracket, Tilt Sensor  |     |
| 56   | 1001276143  | 1   | Harness, Tilt Sensor  |     |





# SECTION 2 - TURNTABLE

## FIGURE 2-28. GROUND CONTROL BOX ASSEMBLY - WITH DEUTZ D2011 (CE & UK CA LRC SPECS)



ART\_1001266894

## SECTION 2 - TURNTABLE

**FIGURE 2-28. GROUND CONTROL BOX ASSEMBLY - WITH DEUTZ D2011 (CE & UK CA LRC SPECS)**

| ITEM | PART NUMBER | QTY   | DESCRIPTION  | REV |
|------|-------------|-------|--|-----|
|      | 1001266894  | Ref   | GROUND CONTROL BOX ASSEMBLY  | B   |
| 1    | 0100009     | AR    | Sealant  |     |
| 2    | 0100011     | AR    | Compound, Locking  |     |
| 3    | 0100048     | AR    | Grease, Dielectric   |     |
| 4    | 0630548     | 5     | Bolt 2-1/2   |     |
| 5    | 0641404     | 2     | Bolt 1/4 x 1/2   |     |
| 6    | 0641407     | 1     | Bolt 1/4 x 7/8   |     |
| 7    | 0641506     | 4     | Bolt 5/16 x 3/4  |     |
| 8    | 3300205     | 4     | Nut, Retainer  |     |
| 9    | 3300353     | 2     | Nut, Tinnerman   |     |
| 10   | 3300408     | 3     | Nut, Nylon Insert  |     |
| 11   | 3311405     | 2     | Nut 1/4  |     |
| 12   | 3520031     | 2     | Plug   |     |
| 13   | 3520035     | 1     | Plug   |     |
| 14   | 3740049     | 3     | Relay  |     |
| 15   | 3900268     | 3     | Screw #10x1/2  |     |
| 16   | 3910804     | 6     | Screw #8 x 1/4   |     |
| 17   | 4070991     | 1     | Shim   |     |
| 18   | 4360387     | 1     | Switch, Push Button  |     |
| 19   | 4360469     | 1     | Switch, Key  |     |
| 19   | 2860030     | 1 Set | Key Replacement  |     |
| 20   | 4360475     | 1     | Switch, Emergency Stop   |     |
| 20   | 7020175     | 1     | Cap, Mushroom  |     |
| 20   | 7020176     | 1     | Block, Contact   |     |
| 21   | 4360476     | 1     | Switch, Contact Block  |     |
| 22   | 4460426     | 1     | Connector, Strain Relief   |     |
| 23   | 4460470     | 1     | Nut, Terminal  |     |
| 24   | 4460471     | 1     | Lockwasher, Terminal   |     |
| 25   | 4460488     | 6     | Mounting Base, Terminal  |     |
| 26   | 4460496     | 1     | Washer, Terminal   |     |
| 27   | 4460497     | 1     | Nut, Terminal  |     |
| 28   | 4460526     | 1     | Connector, Strain Relief   |     |
| 29   | 4711400     | 2     | Washer 1/4   |     |
| 30   | 4740397     | 9     | Spacer   |     |
| 31   | 4740518     | 2     | Washer   |     |
| 32   | 4751400     | 7     | Washer 1/4   |     |
| 34   | 4891500     | 4     | Washer 5/16  |     |
| 35   | 77143013    | 11    | Nut 1/4  |     |
| 36   | 1001103308  | 2     | Thumbscrew 1/4 x 3/4   |     |
| 37   | 1001103667  | 1     | Module, Ground Control (Note: Recalibration Required When Replaced)              |     |
| 38   | 1001106736  | 1     | Cap, Dust  |     |
| 39   | 1001152175  | 1     | Box  |     |
| 40   | 1001153713  | 1     | Engine Harness (Not Shown - See Separate Breakdown in ELECTRICAL Section)        |     |
| 41   | 1001155043  | 9     | Washer   |     |
| 42   | 1001155044  | 9     | Nut 15/32  |     |
| 43   | 1001155045  | 9     | Switch, Toggle   |     |
| 44   | 1001170808  | 1     | Control Valve Harness (Not Shown - See Separate Breakdown in ELECTRICAL Section) |     |

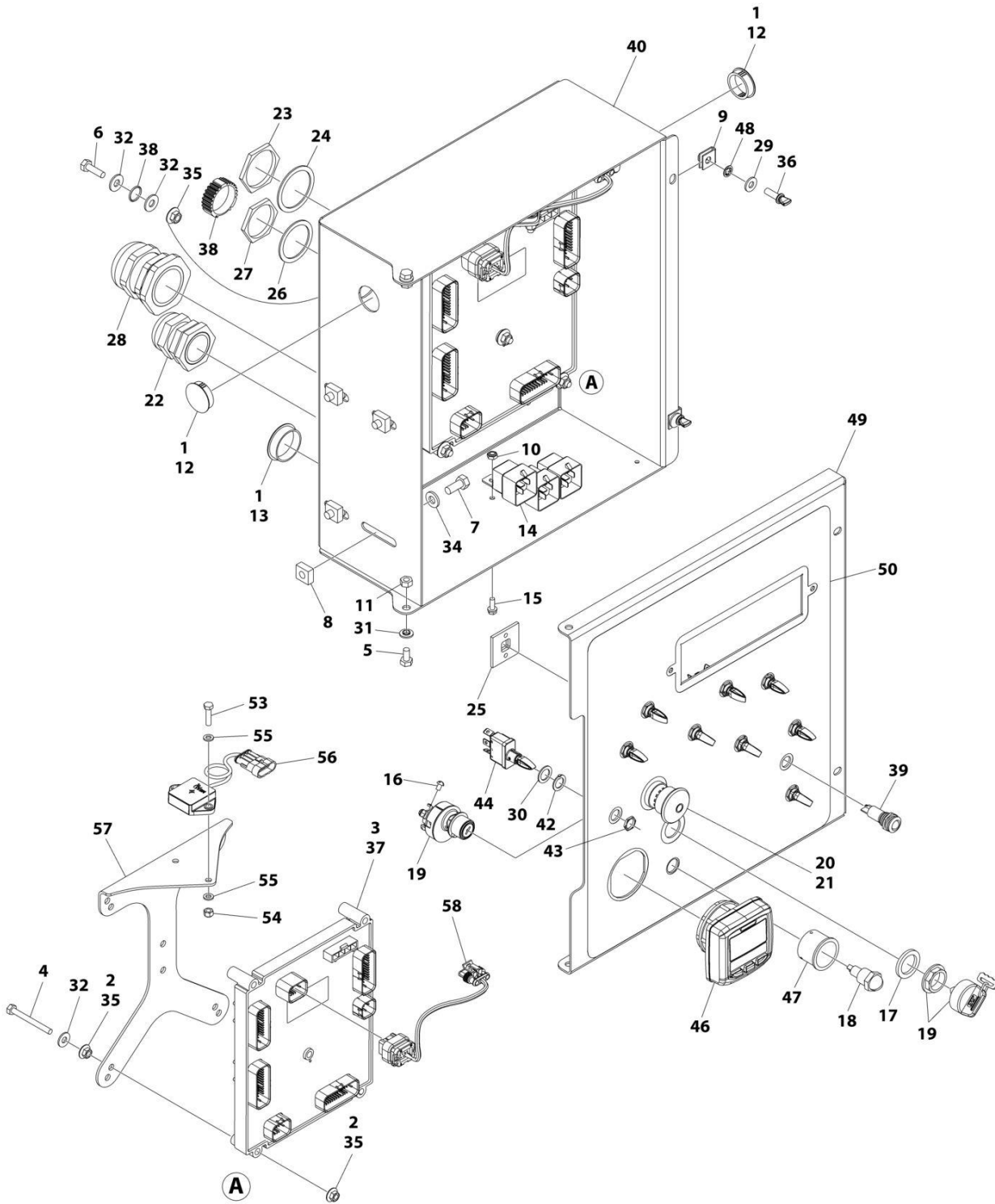
## SECTION 2 - TURNTABLE

| ITEM | PART NUMBER | QTY | DESCRIPTION   | REV |
|------|-------------|-----|---|-----|
| 45   | 1001171482  | 1   | Gauge, Display  |     |
| 46   | 1001176469  | 1   | Shroud  |     |
| 47   | 1001188874  | 2   | Nut   |     |
| 48   | 1001263353  | 1   | Lid   |     |
| 49   | 1001266628  | 1   | Ground Control Box Harness (Not Shown - See Separate Breakdown in ELECTRICAL Section) |     |
| 51   | 1001266874  | 1   | Decal - Ground Control Box  |     |
| 52   | 0760612     | 2   | Bolt M6 x 25  |     |
| 53   | 3290605     | 2   | Nut M6  |     |
| 54   | 4811700     | 4   | Washer M6   |     |
| 55   | 1001219601  | 1   | Sensor, Tilt Dual Axis CAN  |     |
| 56   | 1001271794  | 1   | Bracket, Tilt Sensor  |     |
| 57   | 1001276143  | 1   | Harness, Tilt Sensor  |     |



# SECTION 2 - TURNTABLE

FIGURE 2-29. GROUND CONTROL BOX ASSEMBLY - WITH DEUTZ D2011 AND WITH TOWER STOW (CE & UK CA LRC SPECS)



ART\_1001263362

## SECTION 2 - TURNTABLE

**FIGURE 2-29. GROUND CONTROL BOX ASSEMBLY - WITH DEUTZ D2011 AND WITH TOWER STOW  
(CE & UK CA LRC SPECS)**

| ITEM | PART NUMBER | QTY   | DESCRIPTION   | REV |
|------|-------------|-------|---|-----|
|      | 1001263362  | Ref   | GROUND CONTROL BOX ASSEMBLY   | B   |
| 1    | 0100009     | AR    | Sealant   |     |
| 2    | 0100011     | AR    | Compound, Locking   |     |
| 3    | 0100048     | AR    | Grease, Dielectric  |     |
| 4    | 0630548     | 5     | Bolt 2-1/2  |     |
| 5    | 0641404     | 2     | Bolt 1/4 x 1/2  |     |
| 6    | 0641407     | 1     | Bolt 1/4 x 7/8  |     |
| 7    | 0641506     | 4     | Bolt 5/16 x 3/4   |     |
| 8    | 3300205     | 4     | Nut, Retainer   |     |
| 9    | 3300353     | 2     | Nut, Tinnerman  |     |
| 10   | 3300408     | 3     | Nut, Nylon Insert   |     |
| 11   | 3311405     | 2     | Nut 1/4   |     |
| 12   | 3520031     | 2     | Plug  |     |
| 13   | 3520035     | 1     | Plug  |     |
| 14   | 3740049     | 3     | Relay   |     |
| 15   | 3900268     | 3     | Screw #10x1/2   |     |
| 16   | 3910804     | 6     | Screw #8 x 1/4  |     |
| 17   | 4070991     | 1     | Shim  |     |
| 18   | 4360387     | 1     | Switch, Push Button   |     |
| 19   | 4360469     | 1     | Switch, Key   |     |
| 19   | 2860030     | 1 Set | Key Replacement   |     |
| 20   | 4360475     | 1     | Switch, Emergency Stop  |     |
| 20   | 7020175     | 1     | Cap, Mushroom   |     |
| 20   | 7020176     | 1     | Block, Contact  |     |
| 21   | 4360476     | 1     | Switch, Contact Block   |     |
| 22   | 4460426     | 1     | Connector, Strain Relief  |     |
| 23   | 4460470     | 1     | Nut, Terminal   |     |
| 24   | 4460471     | 1     | Lockwasher, Terminal  |     |
| 25   | 4460488     | 6     | Mounting Base, Terminal   |     |
| 26   | 4460496     | 1     | Washer, Terminal  |     |
| 27   | 4460497     | 1     | Nut, Terminal   |     |
| 28   | 4460526     | 1     | Connector, Strain Relief  |     |
| 29   | 4711400     | 2     | Washer 1/4  |     |
| 30   | 4740397     | 9     | Spacer  |     |
| 31   | 4740518     | 2     | Washer  |     |
| 32   | 4751400     | 7     | Washer 1/4  |     |
| 34   | 4891500     | 4     | Washer 5/16   |     |
| 35   | 77143013    | 11    | Nut 1/4   |     |
| 36   | 1001103308  | 2     | Thumbscrew 1/4 x 3/4  |     |
| 37   | 1001103667  | 1     | Module, Ground Control (Note: Recalibration Required When Replaced)       |     |
| 38   | 1001106736  | 1     | Cap, Dust   |     |
| 39   | 1001137364  | 1     | Light, Indicator  |     |
| 40   | 1001152175  | 1     | Box   |     |
| 41   | 1001153713  | 1     | Engine Harness (Not Shown - See Separate Breakdown in ELECTRICAL Section) |     |
| 42   | 1001155043  | 9     | Washer  |     |
| 43   | 1001155044  | 9     | Nut 15/32   |     |
| 44   | 1001155045  | 9     | Switch, Toggle  |     |

## SECTION 2 - TURNTABLE

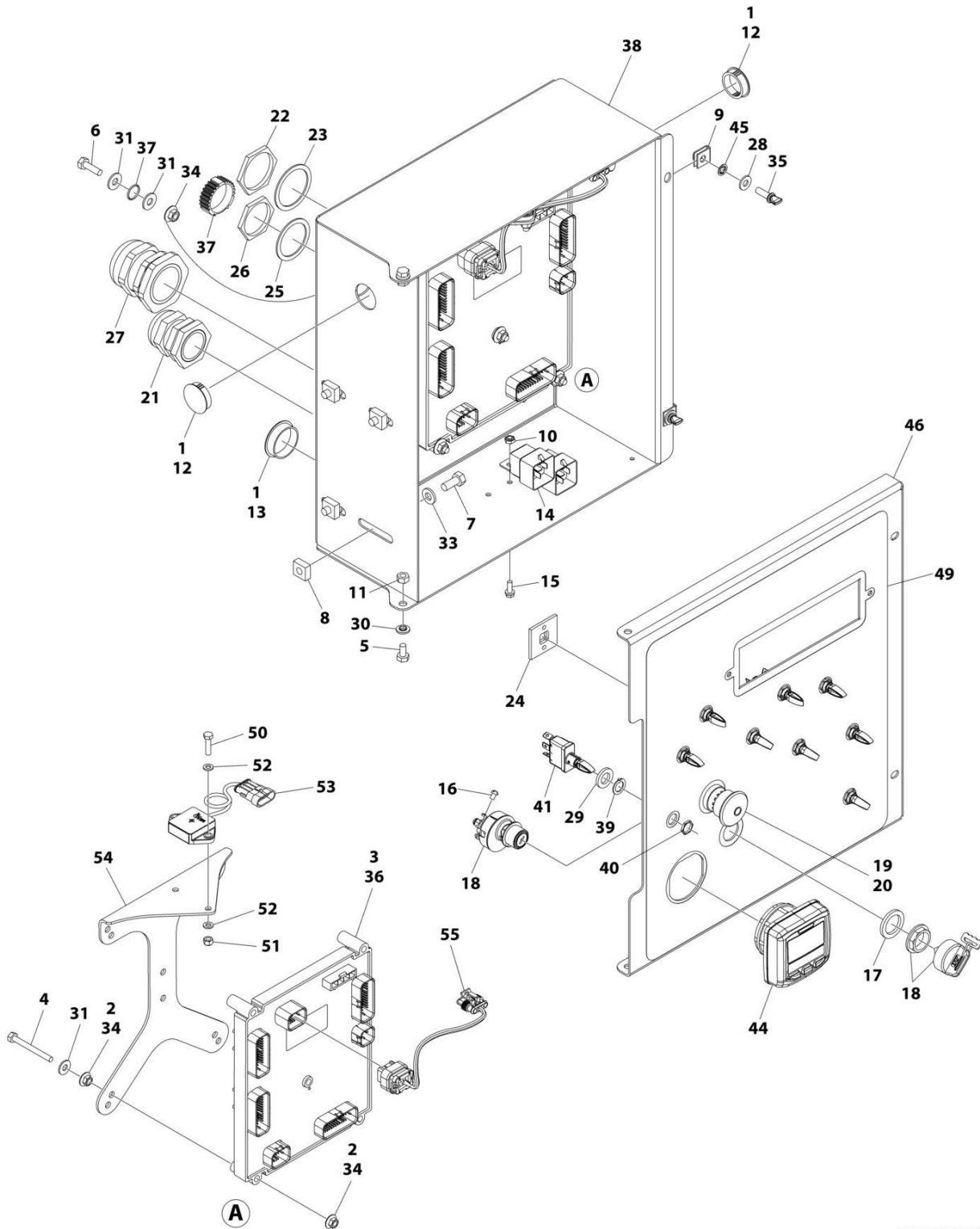
| ITEM | PART NUMBER | QTY | DESCRIPTION   | REV |
|------|-------------|-----|---|-----|
| 45   | 1001170808  | 1   | Control Valve Harness (Not Shown - See Separate Breakdown in ELECTRICAL Section)      |     |
| 46   | 1001171482  | 1   | Gauge, Display  |     |
| 47   | 1001176469  | 1   | Shroud  |     |
| 48   | 1001188874  | 2   | Nut   |     |
| 49   | 1001263353  | 1   | Lid   |     |
| 50   | 1001263355  | 1   | Decal - Ground Control Box  |     |
| 51   | 1001266628  | 1   | Ground Control Box Harness (Not Shown - See Separate Breakdown in ELECTRICAL Section) |     |
| 53   | 0760612     | 2   | Bolt M6 x 25  |     |
| 54   | 3290605     | 2   | Nut M6  |     |
| 55   | 4811700     | 4   | Washer M6   |     |
| 56   | 1001219601  | 1   | Sensor, Tilt Dual Axis CAN  |     |
| 57   | 1001271794  | 1   | Bracket, Tilt Sensor  |     |
| 58   | 1001276143  | 1   | Harness, Tilt Sensor  |     |





# SECTION 2 - TURNTABLE

## FIGURE 2-30. GROUND CONTROL BOX ASSEMBLY - WITH DEUTZ TD2.9L4 - WITH DIGITAL DISPLAY (ANSI SPECS)



ART\_1001266875

## SECTION 2 - TURNTABLE

**FIGURE 2-30. GROUND CONTROL BOX ASSEMBLY - WITH DEUTZ TD2.9L4 - WITH DIGITAL DISPLAY (ANSI SPECS)**

| ITEM | PART NUMBER | QTY   | DESCRIPTION   | REV |
|------|-------------|-------|---|-----|
|      | 1001266875  | Ref   | GROUND CONTROL BOX ASSEMBLY   | B   |
| 1    | 0100009     | AR    | Sealant   |     |
| 2    | 0100011     | AR    | Compound, Locking   |     |
| 3    | 0100048     | AR    | Grease, Dielectric  |     |
| 4    | 0630548     | 5     | Bolt 2-1/2  |     |
| 5    | 0641404     | 2     | Bolt 1/4 x 1/2  |     |
| 6    | 0641407     | 1     | Bolt 1/4 x 7/8  |     |
| 7    | 0641506     | 4     | Bolt 5/16 x 3/4   |     |
| 8    | 3300205     | 4     | Nut, Retainer   |     |
| 9    | 3300353     | 2     | Nut, Tinnerman  |     |
| 10   | 3300408     | 2     | Nut, Nylon Insert   |     |
| 11   | 3311405     | 2     | Nut 1/4   |     |
| 12   | 3520031     | 2     | Plug  |     |
| 13   | 3520035     | 1     | Plug  |     |
| 14   | 3740049     | 2     | Relay   |     |
| 15   | 3900268     | 2     | Screw #10x1/2   |     |
| 16   | 3910804     | 6     | Screw #8 x 1/4  |     |
| 17   | 4070991     | 1     | Shim  |     |
| 18   | 4360469     | 1     | Switch, Key   |     |
| 18   | 2860030     | 1 Set | Key Replacement   |     |
| 19   | 4360475     | 1     | Switch, Emergency Stop  |     |
| 19   | 7020175     | 1     | Cap, Mushroom   |     |
| 19   | 7020176     | 1     | Block, Contact  |     |
| 20   | 4360476     | 1     | Switch, Contact Block   |     |
| 21   | 4460426     | 1     | Connector, Strain Relief  |     |
| 22   | 4460470     | 1     | Nut, Terminal   |     |
| 23   | 4460471     | 1     | Lockwasher, Terminal  |     |
| 24   | 4460488     | 6     | Mounting Base, Terminal   |     |
| 25   | 4460496     | 1     | Washer, Terminal  |     |
| 26   | 4460497     | 1     | Nut, Terminal   |     |
| 27   | 4460526     | 1     | Connector, Strain Relief  |     |
| 28   | 4711400     | 2     | Washer 1/4  |     |
| 29   | 4740397     | 9     | Spacer  |     |
| 30   | 4740518     | 2     | Washer  |     |
| 31   | 4751400     | 7     | Washer 1/4  |     |
| 33   | 4891500     | 4     | Washer 5/16   |     |
| 34   | 77143013    | 11    | Nut 1/4   |     |
| 35   | 1001103308  | 2     | Thumbscrew 1/4 x 3/4  |     |
| 36   | 1001103667  | 1     | Module, Ground Control (Please Verify Part Number on Module Decal Before Purchasing) (Note: Recalibration Required When Replaced) |     |
| 36   | 1001280600  | 1     | Module, Ground Control (Please Verify Part Number on Module Decal Before Purchasing) (Note: Recalibration Required When Replaced) |     |
| 37   | 1001106736  | 1     | Cap, Dust   |     |
| 38   | 1001152175  | 1     | Box   |     |
| 39   | 1001155043  | 9     | Washer  |     |
| 40   | 1001155044  | 9     | Nut 15/32   |     |
| 41   | 1001155045  | 9     | Switch, Toggle  |     |
| 42   | 1001165776  | 1     | Engine Harness (Not Shown - See Separate Breakdown in   |     |

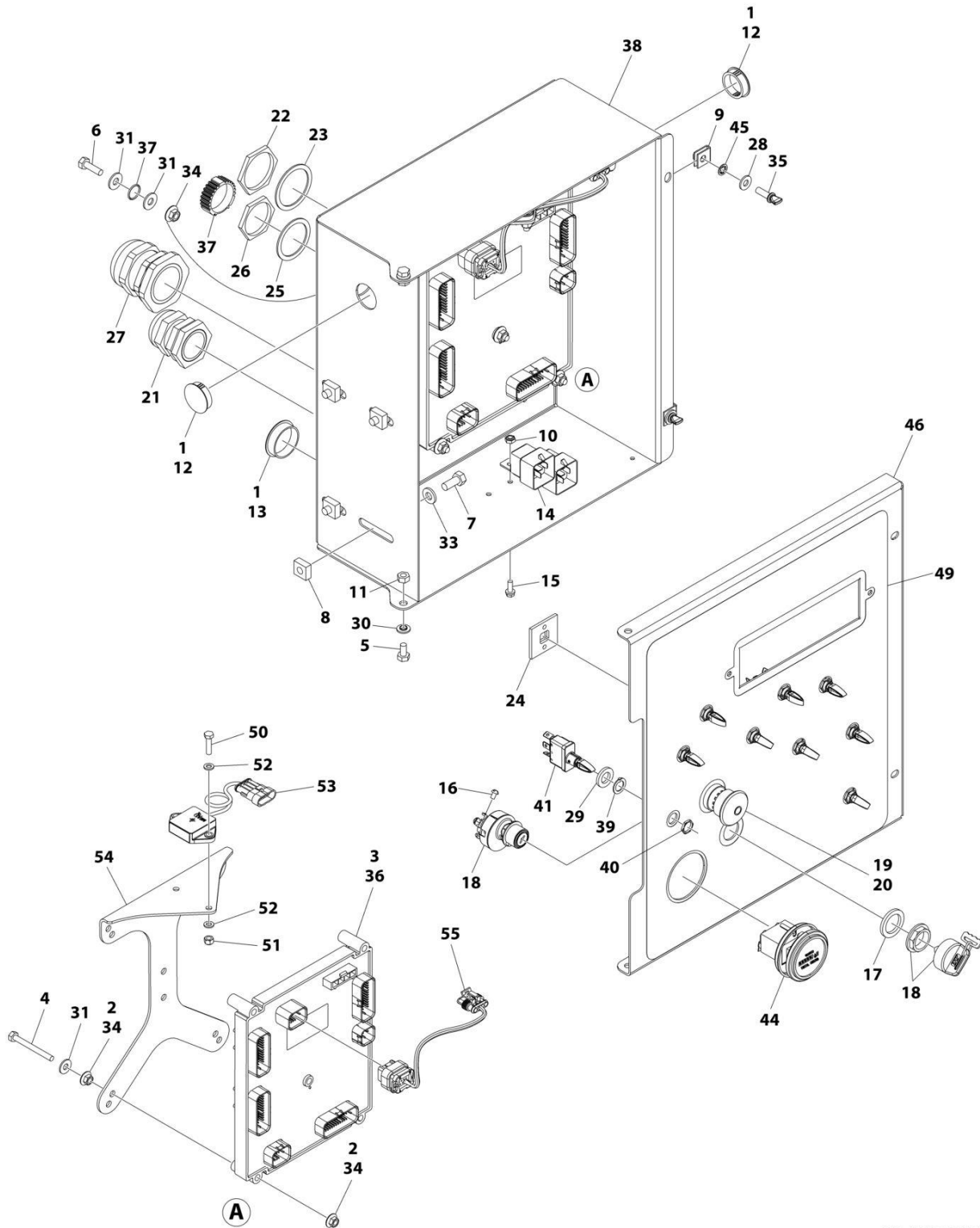
## SECTION 2 - TURNTABLE

| ITEM | PART NUMBER | QTY | DESCRIPTION   | REV |
|------|-------------|-----|---|-----|
| 43   | 1001170808  | 1   | ELECTRICAL Section)<br>Control Valve Harness (Not Shown - See Separate Breakdown in ELECTRICAL Section) |     |
| 44   | 1001171482  | 1   | Gauge, Display  |     |
| 45   | 1001188874  | 2   | Nut   |     |
| 46   | 1001263352  | 1   | Lid   |     |
| 47   | 1001266628  | 1   | Ground Control Box Harness (Not Shown - See Separate Breakdown in ELECTRICAL Section)                   |     |
| 49   | 1001266876  | 1   | Decal - Ground Control Box  |     |
| 50   | 0760612     | 2   | Bolt M6 x 25  |     |
| 51   | 3290605     | 2   | Nut M6  |     |
| 52   | 4811700     | 4   | Washer M6   |     |
| 53   | 1001219601  | 1   | Sensor, Tilt Dual Axis CAN  |     |
| 54   | 1001271794  | 1   | Bracket, Tilt Sensor  |     |
| 55   | 1001276143  | 1   | Harness, Tilt Sensor  |     |



# SECTION 2 - TURNTABLE

## FIGURE 2-31. GROUND CONTROL BOX ASSEMBLY - WITH DEUTZ TD2.9L4 - WITH MECHANICAL HOUR METER (ANSI SPECS)



ART\_1001266875\_C

## SECTION 2 - TURNTABLE

**FIGURE 2-31. GROUND CONTROL BOX ASSEMBLY - WITH DEUTZ TD2.9L4 - WITH MECHANICAL HOUR METER (ANSI SPECS)**

| ITEM | PART NUMBER | QTY   | DESCRIPTION  | REV |
|------|-------------|-------|--|-----|
|      | 1001266875  | Ref   | GROUND CONTROL BOX ASSEMBLY  | C   |
| 1    | 0100009     | AR    | Sealant  |     |
| 2    | 0100011     | AR    | Compound, Locking  |     |
| 3    | 0100048     | AR    | Grease, Dielectric   |     |
| 4    | 0630548     | 5     | Bolt 2-1/2   |     |
| 5    | 0641404     | 2     | Bolt 1/4 x 1/2   |     |
| 6    | 0641407     | 1     | Bolt 1/4 x 7/8   |     |
| 7    | 0641506     | 4     | Bolt 5/16 x 3/4  |     |
| 8    | 3300205     | 4     | Nut, Retainer  |     |
| 9    | 3300353     | 2     | Nut, Tinnerman   |     |
| 10   | 3300408     | 2     | Nut, Nylon Insert  |     |
| 11   | 3311405     | 2     | Nut 1/4  |     |
| 12   | 3520031     | 2     | Plug   |     |
| 13   | 3520035     | 1     | Plug   |     |
| 14   | 3740049     | 2     | Relay  |     |
| 15   | 3900268     | 2     | Screw #10x1/2  |     |
| 16   | 3910804     | 6     | Screw #8 x 1/4   |     |
| 17   | 4070991     | 1     | Shim   |     |
| 18   | 4360469     | 1     | Switch, Key  |     |
| 18   | 2860030     | 1 Set | Key Replacement  |     |
| 19   | 4360475     | 1     | Switch, Emergency Stop   |     |
| 19   | 7020175     | 1     | Cap, Mushroom  |     |
| 19   | 7020176     | 1     | Block, Contact   |     |
| 20   | 4360476     | 1     | Switch, Contact Block  |     |
| 21   | 4460426     | 1     | Connector, Strain Relief   |     |
| 22   | 4460470     | 1     | Nut, Terminal  |     |
| 23   | 4460471     | 1     | Lockwasher, Terminal   |     |
| 24   | 4460488     | 6     | Mounting Base, Terminal  |     |
| 25   | 4460496     | 1     | Washer, Terminal   |     |
| 26   | 4460497     | 1     | Nut, Terminal  |     |
| 27   | 4460526     | 1     | Connector, Strain Relief   |     |
| 28   | 4711400     | 2     | Washer 1/4   |     |
| 29   | 4740397     | 9     | Spacer   |     |
| 30   | 4740518     | 2     | Washer   |     |
| 31   | 4751400     | 7     | Washer 1/4   |     |
| 33   | 4891500     | 4     | Washer 5/16  |     |
| 34   | 77143013    | 11    | Nut 1/4  |     |
| 35   | 1001103308  | 2     | Thumbscrew 1/4 x 3/4   |     |
| 36   | 1001280600  | 1     | Module, Ground Control (Note: Recalibration Required When Replaced)              |     |
| 37   | 1001106736  | 1     | Cap, Dust  |     |
| 38   | 1001152175  | 1     | Box  |     |
| 39   | 1001155043  | 9     | Washer   |     |
| 40   | 1001155044  | 9     | Nut 15/32  |     |
| 41   | 1001155045  | 9     | Switch, Toggle   |     |
| 42   | 1001165776  | 1     | Engine Harness (Not Shown - See Separate Breakdown in ELECTRICAL Section)        |     |
| 43   | 1001170808  | 1     | Control Valve Harness (Not Shown - See Separate Breakdown in ELECTRICAL Section) |     |

## SECTION 2 - TURNTABLE

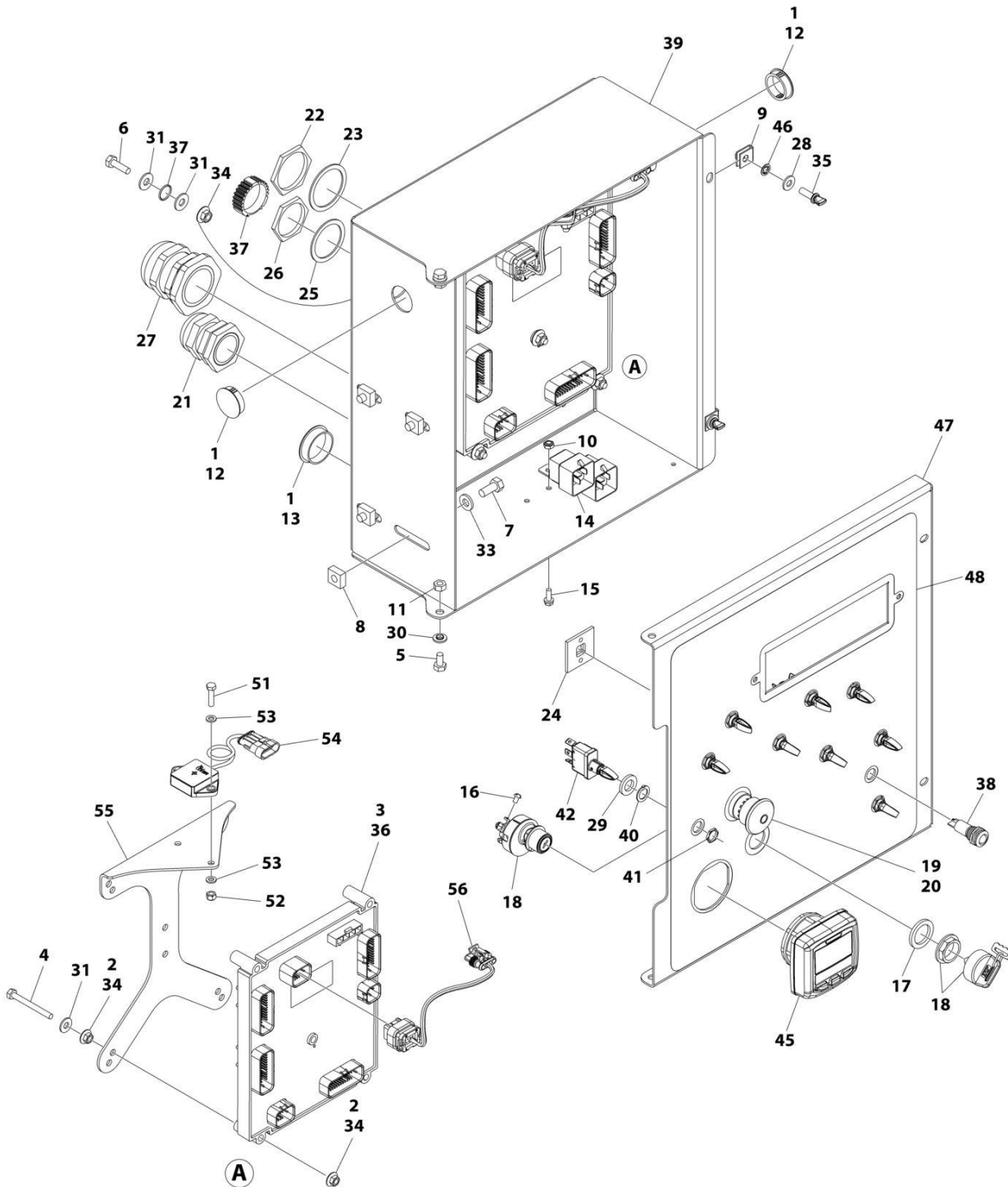
| ITEM | PART NUMBER | QTY | DESCRIPTION   | REV |
|------|-------------|-----|---|-----|
| 44   | 10836804    | 1   | Hour Meter  |     |
| 45   | 1001188874  | 2   | Nut   |     |
| 46   | 1001280403  | 1   | Lid   |     |
| 47   | 1001266628  | 1   | Ground Control Box Harness (Not Shown - See Separate Breakdown in ELECTRICAL Section) |     |
| 49   | 1001266876  | 1   | Decal - Ground Control Box  |     |
| 50   | 0760612     | 2   | Bolt M6 x 25  |     |
| 51   | 3290605     | 2   | Nut M6  |     |
| 52   | 4811700     | 4   | Washer M6   |     |
| 53   | 1001219601  | 1   | Sensor, Tilt Dual Axis CAN  |     |
| 54   | 1001271794  | 1   | Bracket, Tilt Sensor  |     |
| 55   | 1001276143  | 1   | Harness, Tilt Sensor  |     |





## SECTION 2 - TURNTABLE

FIGURE 2-32. GROUND CONTROL BOX ASSEMBLY - WITH DEUTZ TD2.9L4 AND TOWER STOW - WITH DIGITAL DISPLAY (ANSI SPECS)



ART\_1001263360

## SECTION 2 - TURNTABLE

**FIGURE 2-32. GROUND CONTROL BOX ASSEMBLY - WITH DEUTZ TD2.9L4 AND TOWER STOW - WITH DIGITAL DISPLAY (ANSI SPECS)**

| ITEM | PART NUMBER | QTY   | DESCRIPTION   | REV |
|------|-------------|-------|---|-----|
|      | 1001263360  | Ref   | GROUND CONTROL BOX ASSEMBLY   | B   |
| 1    | 0100009     | AR    | Sealant   |     |
| 2    | 0100011     | AR    | Compound, Locking   |     |
| 3    | 0100048     | AR    | Grease, Dielectric  |     |
| 4    | 0630548     | 5     | Bolt 2-1/2  |     |
| 5    | 0641404     | 2     | Bolt 1/4 x 1/2  |     |
| 6    | 0641407     | 1     | Bolt 1/4 x 7/8  |     |
| 7    | 0641506     | 4     | Bolt 5/16 x 3/4   |     |
| 8    | 3300205     | 4     | Nut, Retainer   |     |
| 9    | 3300353     | 2     | Nut, Tinnerman  |     |
| 10   | 3300408     | 2     | Nut, Nylon Insert   |     |
| 11   | 3311405     | 2     | Nut 1/4   |     |
| 12   | 3520031     | 2     | Plug  |     |
| 13   | 3520035     | 1     | Plug  |     |
| 14   | 3740049     | 2     | Relay   |     |
| 15   | 3900268     | 2     | Screw #10x1/2   |     |
| 16   | 3910804     | 6     | Screw #8 x 1/4  |     |
| 17   | 4070991     | 1     | Shim  |     |
| 18   | 4360469     | 1     | Switch, Key   |     |
| 18   | 2860030     | 1 Set | Key Replacement   |     |
| 19   | 4360475     | 1     | Switch, Emergency Stop  |     |
| 19   | 7020175     | 1     | Cap, Mushroom   |     |
| 19   | 7020176     | 1     | Block, Contact  |     |
| 20   | 4360476     | 1     | Switch, Contact Block   |     |
| 21   | 4460426     | 1     | Connector, Strain Relief  |     |
| 22   | 4460470     | 1     | Nut, Terminal   |     |
| 23   | 4460471     | 1     | Lockwasher, Terminal  |     |
| 24   | 4460488     | 6     | Mounting Base, Terminal   |     |
| 25   | 4460496     | 1     | Washer, Terminal  |     |
| 26   | 4460497     | 1     | Nut, Terminal   |     |
| 27   | 4460526     | 1     | Connector, Strain Relief  |     |
| 28   | 4711400     | 2     | Washer 1/4  |     |
| 29   | 4740397     | 9     | Spacer  |     |
| 30   | 4740518     | 2     | Washer  |     |
| 31   | 4751400     | 7     | Washer 1/4  |     |
| 33   | 4891500     | 4     | Washer 5/16   |     |
| 34   | 77143013    | 11    | Nut 1/4   |     |
| 35   | 1001103308  | 2     | Thumbscrew 1/4 x 3/4  |     |
| 36   | 1001103667  | 1     | Module, Ground Control (Please Verify Part Number on Module Decal Before Purchasing) (Note: Recalibration Required When Replaced) |     |
| 36   | 1001280600  | 1     | Module, Ground Control (Please Verify Part Number on Module Decal Before Purchasing) (Note: Recalibration Required When Replaced) |     |
| 37   | 1001106736  | 1     | Cap, Dust   |     |
| 38   | 1001137364  | 1     | Light, Indicator  |     |
| 39   | 1001152175  | 1     | Box   |     |
| 40   | 1001155043  | 9     | Washer  |     |
| 41   | 1001155044  | 9     | Nut 15/32   |     |
| 42   | 1001155045  | 9     | Switch, Toggle  |     |

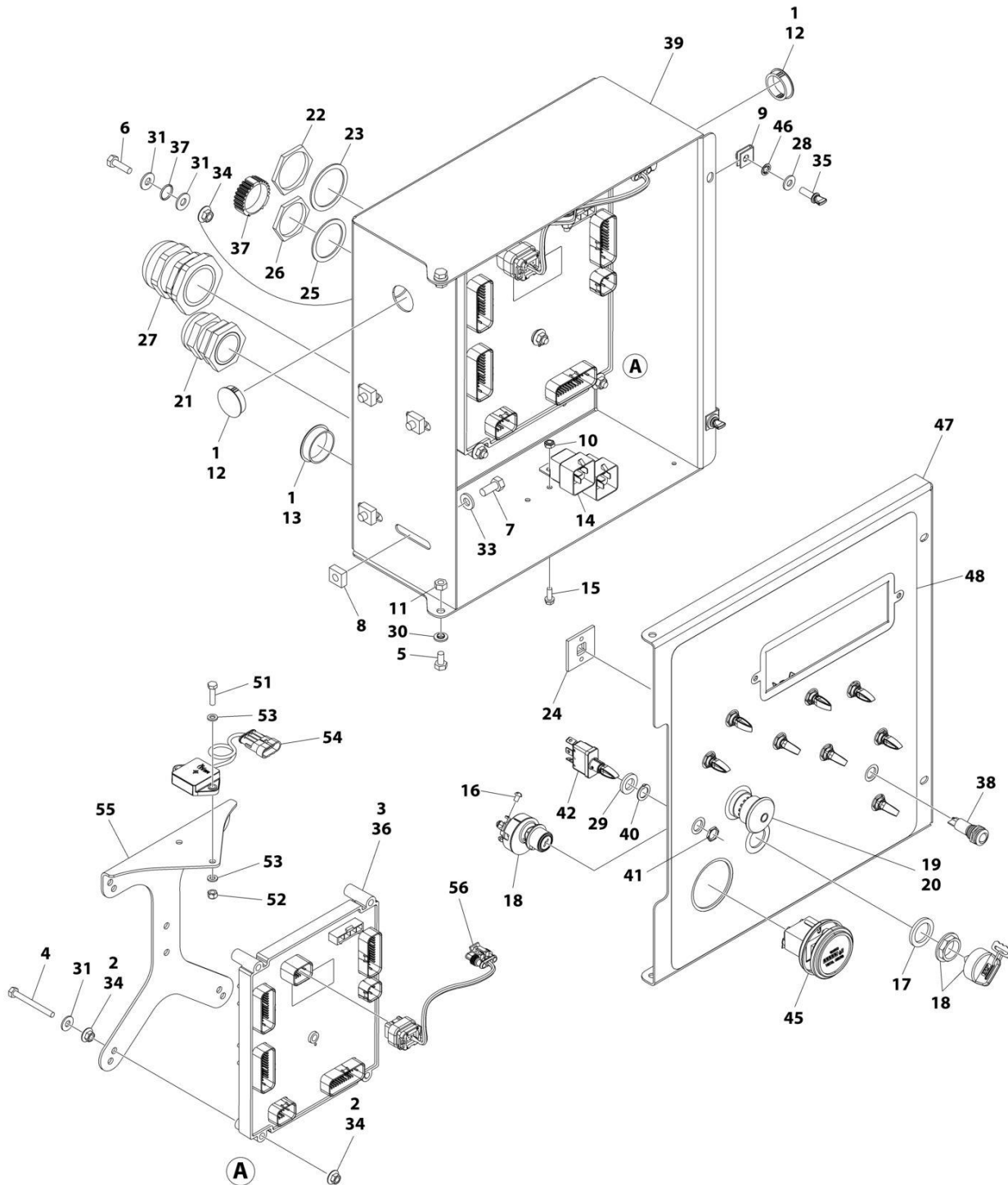
## SECTION 2 - TURNTABLE

| ITEM | PART NUMBER | QTY | DESCRIPTION   | REV |
|------|-------------|-----|---|-----|
| 43   | 1001165776  | 1   | Engine Harness (Not Shown - See Separate Breakdown in ELECTRICAL Section)             |     |
| 44   | 1001170808  | 1   | Control Valve Harness (Not Shown - See Separate Breakdown in ELECTRICAL Section)      |     |
| 45   | 1001171482  | 1   | Gauge, Display  |     |
| 46   | 1001188874  | 2   | Nut   |     |
| 47   | 1001263352  | 1   | Lid   |     |
| 48   | 1001263356  | 1   | Decal - Ground Control Box  |     |
| 49   | 1001266628  | 1   | Ground Control Box Harness (Not Shown - See Separate Breakdown in ELECTRICAL Section) |     |
| 51   | 0760612     | 2   | Bolt M6 x 25  |     |
| 52   | 3290605     | 2   | Nut M6  |     |
| 53   | 4811700     | 4   | Washer M6   |     |
| 54   | 1001219601  | 1   | Sensor, Tilt Dual Axis CAN  |     |
| 55   | 1001271794  | 1   | Bracket, Tilt Sensor  |     |
| 56   | 1001276143  | 1   | Harness, Tilt Sensor  |     |



## SECTION 2 - TURNTABLE

FIGURE 2-33. GROUND CONTROL BOX ASSEMBLY - WITH DEUTZ TD2.9L4 AND TOWER STOW - WITH MECHANICAL HOUR METER (ANSI SPECS)



ART\_1001263360\_C

## SECTION 2 - TURNTABLE

**FIGURE 2-33. GROUND CONTROL BOX ASSEMBLY - WITH DEUTZ TD2.9L4 AND TOWER STOW - WITH MECHANICAL HOUR METER (ANSI SPECS)**

| ITEM | PART NUMBER | QTY   | DESCRIPTION   | REV |
|------|-------------|-------|---|-----|
|      | 1001263360  | Ref   | GROUND CONTROL BOX ASSEMBLY   | C   |
| 1    | 0100009     | AR    | Sealant   |     |
| 2    | 0100011     | AR    | Compound, Locking   |     |
| 3    | 0100048     | AR    | Grease, Dielectric  |     |
| 4    | 0630548     | 5     | Bolt 2-1/2  |     |
| 5    | 0641404     | 2     | Bolt 1/4 x 1/2  |     |
| 6    | 0641407     | 1     | Bolt 1/4 x 7/8  |     |
| 7    | 0641506     | 4     | Bolt 5/16 x 3/4   |     |
| 8    | 3300205     | 4     | Nut, Retainer   |     |
| 9    | 3300353     | 2     | Nut, Tinnerman  |     |
| 10   | 3300408     | 2     | Nut, Nylon Insert   |     |
| 11   | 3311405     | 2     | Nut 1/4   |     |
| 12   | 3520031     | 2     | Plug  |     |
| 13   | 3520035     | 1     | Plug  |     |
| 14   | 3740049     | 2     | Relay   |     |
| 15   | 3900268     | 2     | Screw #10x1/2   |     |
| 16   | 3910804     | 6     | Screw #8 x 1/4  |     |
| 17   | 4070991     | 1     | Shim  |     |
| 18   | 4360469     | 1     | Switch, Key   |     |
| 18   | 2860030     | 1 Set | Key Replacement   |     |
| 19   | 4360475     | 1     | Switch, Emergency Stop  |     |
| 19   | 7020175     | 1     | Cap, Mushroom   |     |
| 19   | 7020176     | 1     | Block, Contact  |     |
| 20   | 4360476     | 1     | Switch, Contact Block   |     |
| 21   | 4460426     | 1     | Connector, Strain Relief  |     |
| 22   | 4460470     | 1     | Nut, Terminal   |     |
| 23   | 4460471     | 1     | Lockwasher, Terminal  |     |
| 24   | 4460488     | 6     | Mounting Base, Terminal   |     |
| 25   | 4460496     | 1     | Washer, Terminal  |     |
| 26   | 4460497     | 1     | Nut, Terminal   |     |
| 27   | 4460526     | 1     | Connector, Strain Relief  |     |
| 28   | 4711400     | 2     | Washer 1/4  |     |
| 29   | 4740397     | 9     | Spacer  |     |
| 30   | 4740518     | 2     | Washer  |     |
| 31   | 4751400     | 7     | Washer 1/4  |     |
| 33   | 4891500     | 4     | Washer 5/16   |     |
| 34   | 77143013    | 11    | Nut 1/4   |     |
| 35   | 1001103308  | 2     | Thumbscrew 1/4 x 3/4  |     |
| 36   | 1001280600  | 1     | Module, Ground Control (Note: Recalibration Required When Replaced)       |     |
| 37   | 1001106736  | 1     | Cap, Dust   |     |
| 38   | 1001137364  | 1     | Light, Indicator  |     |
| 39   | 1001152175  | 1     | Box   |     |
| 40   | 1001155043  | 9     | Washer  |     |
| 41   | 1001155044  | 9     | Nut 15/32   |     |
| 42   | 1001155045  | 9     | Switch, Toggle  |     |
| 43   | 1001165776  | 1     | Engine Harness (Not Shown - See Separate Breakdown in ELECTRICAL Section) |     |
| 44   | 1001170808  | 1     | Control Valve Harness (Not Shown - See Separate Breakdown in              |     |

## SECTION 2 - TURNTABLE

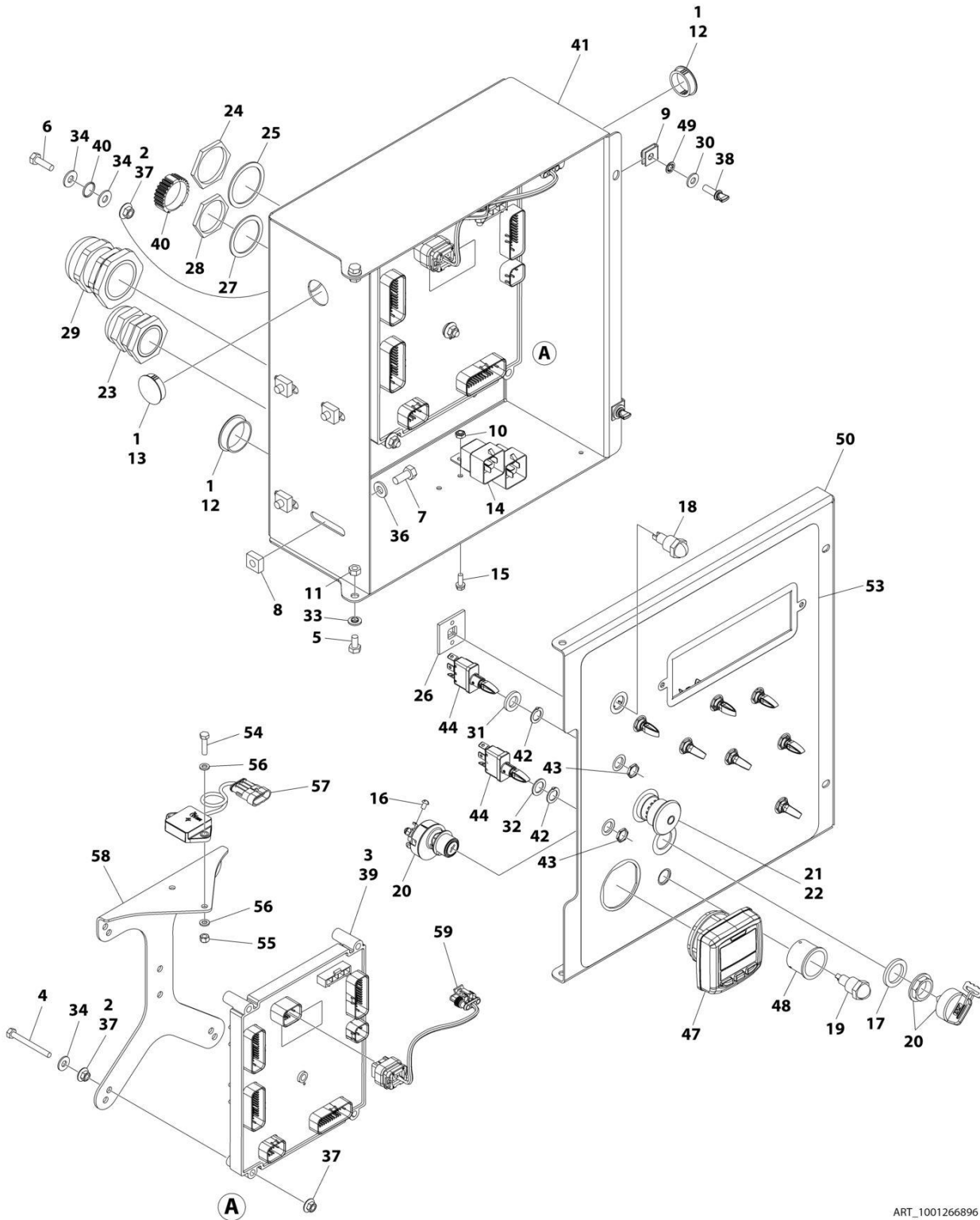
| ITEM | PART NUMBER | QTY | DESCRIPTION   | REV |
|------|-------------|-----|---|-----|
|      |             |     | ELECTRICAL Section)   |     |
| 45   | 10836804    | 1   | Hour Meter  |     |
| 46   | 1001188874  | 2   | Nut   |     |
| 47   | 1001280403  | 1   | Lid   |     |
| 48   | 1001263356  | 1   | Decal - Ground Control Box  |     |
| 49   | 1001266628  | 1   | Ground Control Box Harness (Not Shown - See Separate Breakdown in ELECTRICAL Section) |     |
| 51   | 0760612     | 2   | Bolt M6 x 25  |     |
| 52   | 3290605     | 2   | Nut M6  |     |
| 53   | 4811700     | 4   | Washer M6   |     |
| 54   | 1001219601  | 1   | Sensor, Tilt Dual Axis CAN  |     |
| 55   | 1001271794  | 1   | Bracket, Tilt Sensor  |     |
| 56   | 1001276143  | 1   | Harness, Tilt Sensor  |     |





# SECTION 2 - TURNTABLE

## FIGURE 2-34. GROUND CONTROL BOX ASSEMBLY - WITH DEUTZ TD2.9L4 (STAGE V) (CE & UK CA SPECS)



ART\_1001266896

## SECTION 2 - TURNTABLE

**FIGURE 2-34. GROUND CONTROL BOX ASSEMBLY - WITH DEUTZ TD2.9L4 (STAGE V) (CE & UK CA SPECS)**

| ITEM | PART NUMBER | QTY   | DESCRIPTION   | REV |
|------|-------------|-------|---|-----|
|      | 1001266896  | Ref   | GROUND CONTROL BOX ASSEMBLY   | B   |
| 1    | 0100009     | AR    | Sealant   |     |
| 2    | 0100011     | AR    | Compound, Locking   |     |
| 3    | 0100048     | AR    | Grease, Dielectric  |     |
| 4    | 0630548     | 5     | Bolt 2-1/2  |     |
| 5    | 0641404     | 2     | Bolt 1/4 x 1/2  |     |
| 6    | 0641407     | 1     | Bolt 1/4 x 7/8  |     |
| 7    | 0641506     | 4     | Bolt 5/16 x 3/4   |     |
| 8    | 3300205     | 4     | Nut, Retainer   |     |
| 9    | 3300353     | 2     | Nut, Tinnerman  |     |
| 10   | 3300408     | 2     | Nut, Nylon Insert   |     |
| 11   | 3311405     | 2     | Nut 1/4   |     |
| 12   | 3520031     | 2     | Plug  |     |
| 13   | 3520035     | 1     | Plug  |     |
| 14   | 3740049     | 2     | Relay   |     |
| 15   | 3900268     | 2     | Screw #10x1/2   |     |
| 16   | 3910804     | 6     | Screw #8 x 1/4  |     |
| 17   | 4070991     | 1     | Shim  |     |
| 18   | 4360274     | 1     | Switch, Push Button   |     |
| 19   | 4360387     | 1     | Switch, Push Button   |     |
| 20   | 4360469     | 1     | Switch, Key   |     |
| 20   | 2860030     | 1 Set | Key Replacement   |     |
| 21   | 4360475     | 1     | Switch, Emergency Stop  |     |
| 21   | 7020175     | 1     | Cap, Mushroom   |     |
| 21   | 7020176     | 1     | Block, Contact  |     |
| 22   | 4360476     | 1     | Switch, Contact Block   |     |
| 23   | 4460426     | 1     | Connector, Strain Relief  |     |
| 24   | 4460470     | 1     | Nut, Terminal   |     |
| 25   | 4460471     | 1     | Lockwasher, Terminal  |     |
| 26   | 4460488     | 6     | Mounting Base, Terminal   |     |
| 27   | 4460496     | 1     | Washer, Terminal  |     |
| 28   | 4460497     | 1     | Nut, Terminal   |     |
| 29   | 4460526     | 1     | Connector, Strain Relief  |     |
| 30   | 4711400     | 2     | Washer 1/4  |     |
| 31   | 4740397     | 8     | Spacer  |     |
| 32   | 4740444     | 1     | Washer  |     |
| 33   | 4740518     | 2     | Washer  |     |
| 34   | 4751400     | 7     | Washer 1/4  |     |
| 36   | 4891500     | 4     | Washer 5/16   |     |
| 37   | 77143013    | 11    | Nut 1/4   |     |
| 38   | 1001103308  | 2     | Thumbscrew 1/4 x 3/4  |     |
| 39   | 1001103667  | 1     | Module, Ground Control (Note: Recalibration Required When Replaced) |     |
| 40   | 1001106736  | 1     | Cap, Dust   |     |
| 41   | 1001152175  | 1     | Box   |     |
| 42   | 1001155043  | 9     | Washer  |     |
| 43   | 1001155044  | 9     | Nut 15/32   |     |
| 44   | 1001155045  | 9     | Switch, Toggle  |     |
| 45   | 1001165776  | 1     | Engine Harness (Not Shown - See Separate Breakdown in               |     |

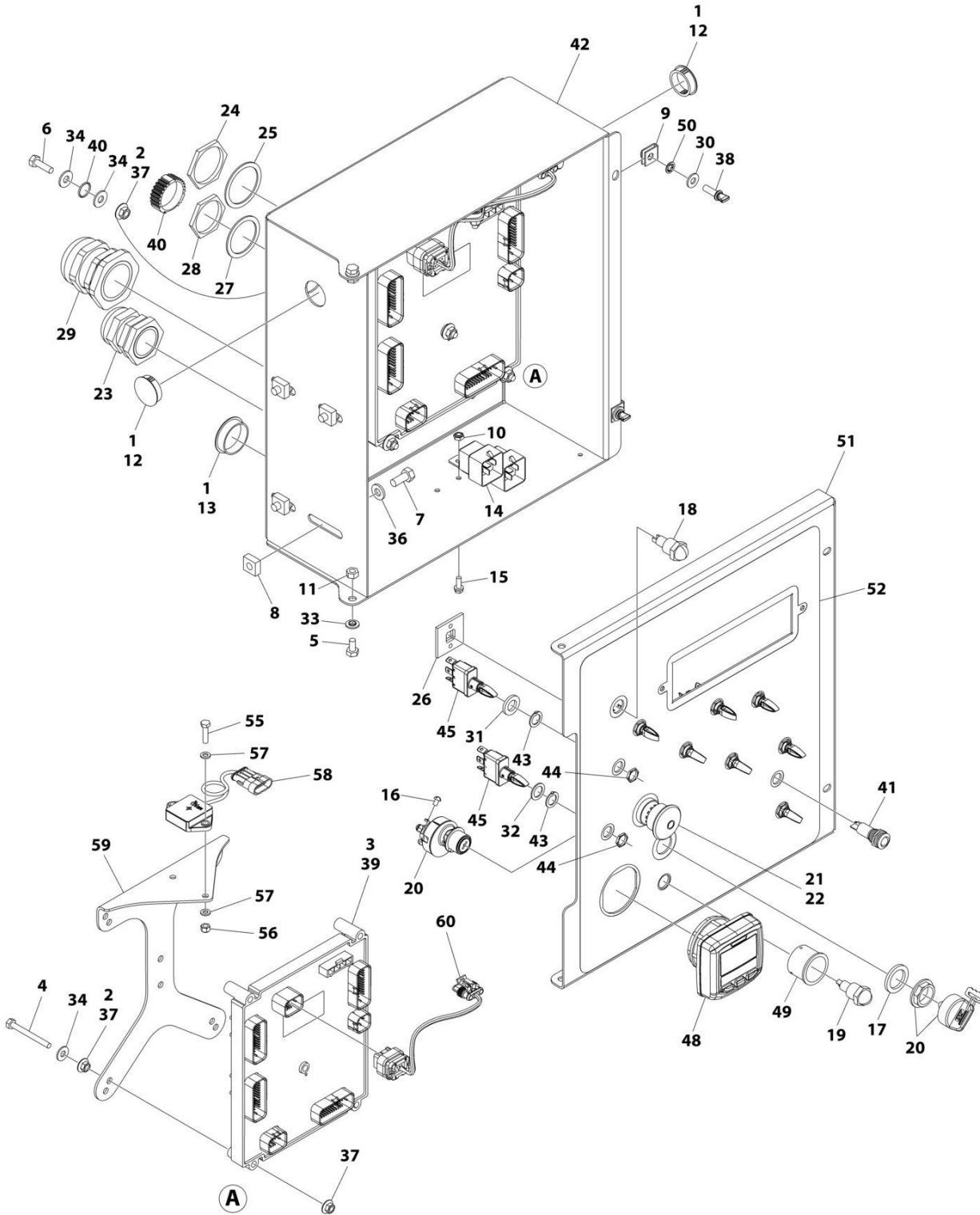
## SECTION 2 - TURNTABLE

| ITEM | PART NUMBER | QTY | DESCRIPTION   | REV |
|------|-------------|-----|---|-----|
| 46   | 1001170808  | 1   | ELECTRICAL Section)<br>Control Valve Harness (Not Shown - See Separate Breakdown in ELECTRICAL Section) |     |
| 47   | 1001171482  | 1   | Gauge, Display  |     |
| 48   | 1001176469  | 1   | Shroud  |     |
| 49   | 1001188874  | 2   | Nut   |     |
| 50   | 1001263353  | 1   | Lid   |     |
| 51   | 1001266628  | 1   | Ground Control Box Harness (Not Shown - See Separate Breakdown in ELECTRICAL Section)                   |     |
| 53   | 1001266878  | 1   | Decal - Ground Control Box  |     |
| 54   | 0760612     | 2   | Bolt M6 x 25  |     |
| 55   | 3290605     | 2   | Nut M6  |     |
| 56   | 4811700     | 4   | Washer M6   |     |
| 57   | 1001219601  | 1   | Sensor, Tilt Dual Axis CAN  |     |
| 58   | 1001271794  | 1   | Bracket, Tilt Sensor  |     |
| 59   | 1001276143  | 1   | Harness, Tilt Sensor  |     |



# SECTION 2 - TURNTABLE

FIGURE 2-35. GROUND CONTROL BOX ASSEMBLY - WITH DEUTZ TD2.9L4 (STAGE V) AND WITH TOWER STOW (CE & UK CA SPECS)



ART\_1001263364

## SECTION 2 - TURNTABLE

**FIGURE 2-35. GROUND CONTROL BOX ASSEMBLY - WITH DEUTZ TD2.9L4 (STAGE V) AND WITH TOWER STOW (CE & UK CA SPECS)**

| ITEM | PART NUMBER | QTY   | DESCRIPTION   | REV |
|------|-------------|-------|---|-----|
|      | 1001263364  | Ref   | GROUND CONTROL BOX ASSEMBLY   | B   |
| 1    | 0100009     | AR    | Sealant   |     |
| 2    | 0100011     | AR    | Compound, Locking   |     |
| 3    | 0100048     | AR    | Grease, Dielectric  |     |
| 4    | 0630548     | 5     | Bolt 2-1/2  |     |
| 5    | 0641404     | 2     | Bolt 1/4 x 1/2  |     |
| 6    | 0641407     | 1     | Bolt 1/4 x 7/8  |     |
| 7    | 0641506     | 4     | Bolt 5/16 x 3/4   |     |
| 8    | 3300205     | 4     | Nut, Retainer   |     |
| 9    | 3300353     | 2     | Nut, Tinnerman  |     |
| 10   | 3300408     | 2     | Nut, Nylon Insert   |     |
| 11   | 3311405     | 2     | Nut 1/4   |     |
| 12   | 3520031     | 2     | Plug  |     |
| 13   | 3520035     | 1     | Plug  |     |
| 14   | 3740049     | 2     | Relay   |     |
| 15   | 3900268     | 2     | Screw #10x1/2   |     |
| 16   | 3910804     | 6     | Screw #8 x 1/4  |     |
| 17   | 4070991     | 1     | Shim  |     |
| 18   | 4360274     | 1     | Switch, Push Button   |     |
| 19   | 4360387     | 1     | Switch, Push Button   |     |
| 20   | 4360469     | 1     | Switch, Key   |     |
| 20   | 2860030     | 1 Set | Key Replacement   |     |
| 21   | 4360475     | 1     | Switch, Emergency Stop  |     |
| 21   | 7020175     | 1     | Cap, Mushroom   |     |
| 21   | 7020176     | 1     | Block, Contact  |     |
| 22   | 4360476     | 1     | Switch, Contact Block   |     |
| 23   | 4460426     | 1     | Connector, Strain Relief  |     |
| 24   | 4460470     | 1     | Nut, Terminal   |     |
| 25   | 4460471     | 1     | Lockwasher, Terminal  |     |
| 26   | 4460488     | 6     | Mounting Base, Terminal   |     |
| 27   | 4460496     | 1     | Washer, Terminal  |     |
| 28   | 4460497     | 1     | Nut, Terminal   |     |
| 29   | 4460526     | 1     | Connector, Strain Relief  |     |
| 30   | 4711400     | 2     | Washer 1/4  |     |
| 31   | 4740397     | 8     | Spacer  |     |
| 32   | 4740444     | 1     | Washer  |     |
| 33   | 4740518     | 2     | Washer  |     |
| 34   | 4751400     | 7     | Washer 1/4  |     |
| 36   | 4891500     | 4     | Washer 5/16   |     |
| 37   | 77143013    | 11    | Nut 1/4   |     |
| 38   | 1001103308  | 2     | Thumbscrew 1/4 x 3/4  |     |
| 39   | 1001103667  | 1     | Module, Ground Control (Note: Recalibration Required When Replaced) |     |
| 40   | 1001106736  | 1     | Cap, Dust   |     |
| 41   | 1001137364  | 1     | Light, Indicator  |     |
| 42   | 1001152175  | 1     | Box   |     |
| 43   | 1001155043  | 9     | Washer  |     |
| 44   | 1001155044  | 9     | Nut 15/32   |     |
| 45   | 1001155045  | 9     | Switch, Toggle  |     |

## SECTION 2 - TURNTABLE

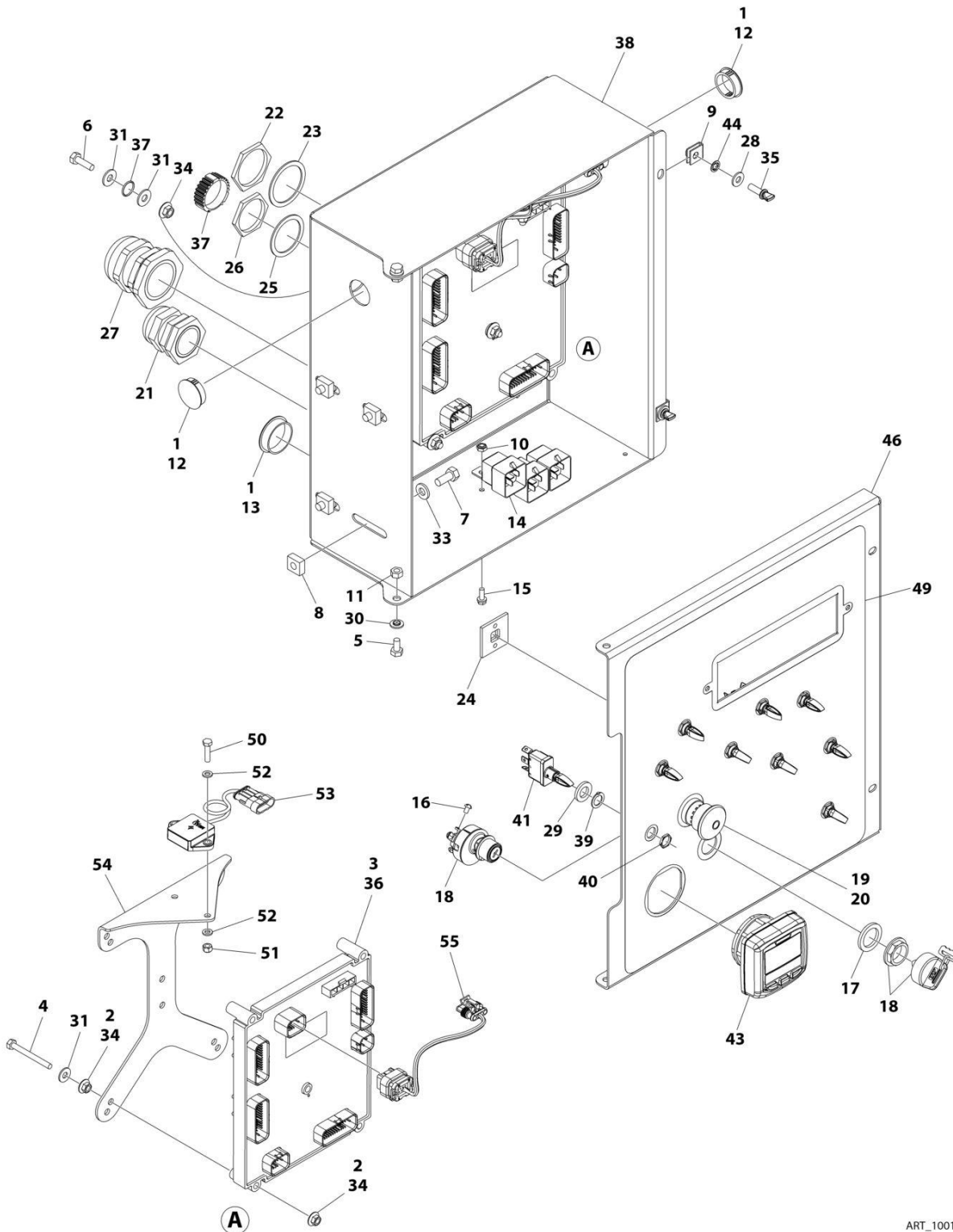
| ITEM | PART NUMBER | QTY | DESCRIPTION   | REV |
|------|-------------|-----|---|-----|
| 46   | 1001165776  | 1   | Engine Harness (Not Shown - See Separate Breakdown in ELECTRICAL Section)             |     |
| 47   | 1001170808  | 1   | Control Valve Harness (Not Shown - See Separate Breakdown in ELECTRICAL Section)      |     |
| 48   | 1001171482  | 1   | Gauge, Display  |     |
| 49   | 1001176469  | 1   | Shroud  |     |
| 50   | 1001188874  | 2   | Nut   |     |
| 51   | 1001263353  | 1   | Lid   |     |
| 52   | 1001263357  | 1   | Decal - Ground Control Box  |     |
| 53   | 1001266628  | 1   | Ground Control Box Harness (Not Shown - See Separate Breakdown in ELECTRICAL Section) |     |
| 55   | 0760612     | 2   | Bolt M6 x 25  |     |
| 56   | 3290605     | 2   | Nut M6  |     |
| 57   | 4811700     | 4   | Washer M6   |     |
| 58   | 1001219601  | 1   | Sensor, Tilt Dual Axis CAN  |     |
| 59   | 1001271794  | 1   | Bracket, Tilt Sensor  |     |
| 60   | 1001276143  | 1   | Harness, Tilt Sensor  |     |





# SECTION 2 - TURNTABLE

## FIGURE 2-36. GROUND CONTROL BOX ASSEMBLY - WITH FORD ENGINES - WITH DIGITAL DISPLAY



ART\_1001266895

## SECTION 2 - TURNTABLE

**FIGURE 2-36. GROUND CONTROL BOX ASSEMBLY - WITH FORD ENGINES - WITH DIGITAL DISPLAY**

| ITEM | PART NUMBER | QTY   | DESCRIPTION   | REV |
|------|-------------|-------|---|-----|
|      | 1001266895  | Ref   | GROUND CONTROL BOX ASSEMBLY   | B   |
| 1    | 0100009     | AR    | Sealant   |     |
| 2    | 0100011     | AR    | Compound, Locking   |     |
| 3    | 0100048     | AR    | Grease, Dielectric  |     |
| 4    | 0630548     | 5     | Bolt 2-1/2  |     |
| 5    | 0641404     | 2     | Bolt 1/4 x 1/2  |     |
| 6    | 0641407     | 1     | Bolt 1/4 x 7/8  |     |
| 7    | 0641506     | 4     | Bolt 5/16 x 3/4   |     |
| 8    | 3300205     | 4     | Nut, Retainer   |     |
| 9    | 3300353     | 2     | Nut, Tinnerman  |     |
| 10   | 3300408     | 3     | Nut, Nylon Insert   |     |
| 11   | 3311405     | 2     | Nut 1/4   |     |
| 12   | 3520031     | 2     | Plug  |     |
| 13   | 3520035     | 1     | Plug  |     |
| 14   | 3740049     | 3     | Relay   |     |
| 15   | 3900268     | 3     | Screw #10x1/2   |     |
| 16   | 3910804     | 6     | Screw #8 x 1/4  |     |
| 17   | 4070991     | 1     | Shim  |     |
| 18   | 4360469     | 1     | Switch, Key   |     |
| 18   | 2860030     | 1 Set | Key Replacement   |     |
| 19   | 4360475     | 1     | Switch, Emergency Stop  |     |
| 19   | 7020175     | 1     | Cap, Mushroom   |     |
| 19   | 7020176     | 1     | Block, Contact  |     |
| 20   | 4360476     | 1     | Switch, Contact Block   |     |
| 21   | 4460426     | 1     | Connector, Strain Relief  |     |
| 22   | 4460470     | 1     | Nut, Terminal   |     |
| 23   | 4460471     | 1     | Lockwasher, Terminal  |     |
| 24   | 4460488     | 6     | Mounting Base, Terminal   |     |
| 25   | 4460496     | 1     | Washer, Terminal  |     |
| 26   | 4460497     | 1     | Nut, Terminal   |     |
| 27   | 4460526     | 1     | Connector, Strain Relief  |     |
| 28   | 4711400     | 2     | Washer 1/4  |     |
| 29   | 4740397     | 9     | Spacer  |     |
| 30   | 4740518     | 2     | Washer  |     |
| 31   | 4751400     | 7     | Washer 1/4  |     |
| 33   | 4891500     | 4     | Washer 5/16   |     |
| 34   | 77143013    | 11    | Nut 1/4   |     |
| 35   | 1001103308  | 2     | Thumbscrew 1/4 x 3/4  |     |
| 36   | 1001103667  | 1     | Module, Ground Control (Please Verify Part Number on Module Decal Before Purchasing) (Note: Recalibration Required When Replaced) |     |
| 36   | 1001280600  | 1     | Module, Ground Control (Please Verify Part Number on Module Decal Before Purchasing) (Note: Recalibration Required When Replaced) |     |
| 37   | 1001106736  | 1     | Cap, Dust   |     |
| 38   | 1001152175  | 1     | Box   |     |
| 39   | 1001155043  | 9     | Washer  |     |
| 40   | 1001155044  | 9     | Nut 15/32   |     |
| 41   | 1001155045  | 9     | Switch, Toggle  |     |
| 42   | 1001170808  | 1     | Control Valve Harness (Not Shown - See Separate Breakdown in  |     |

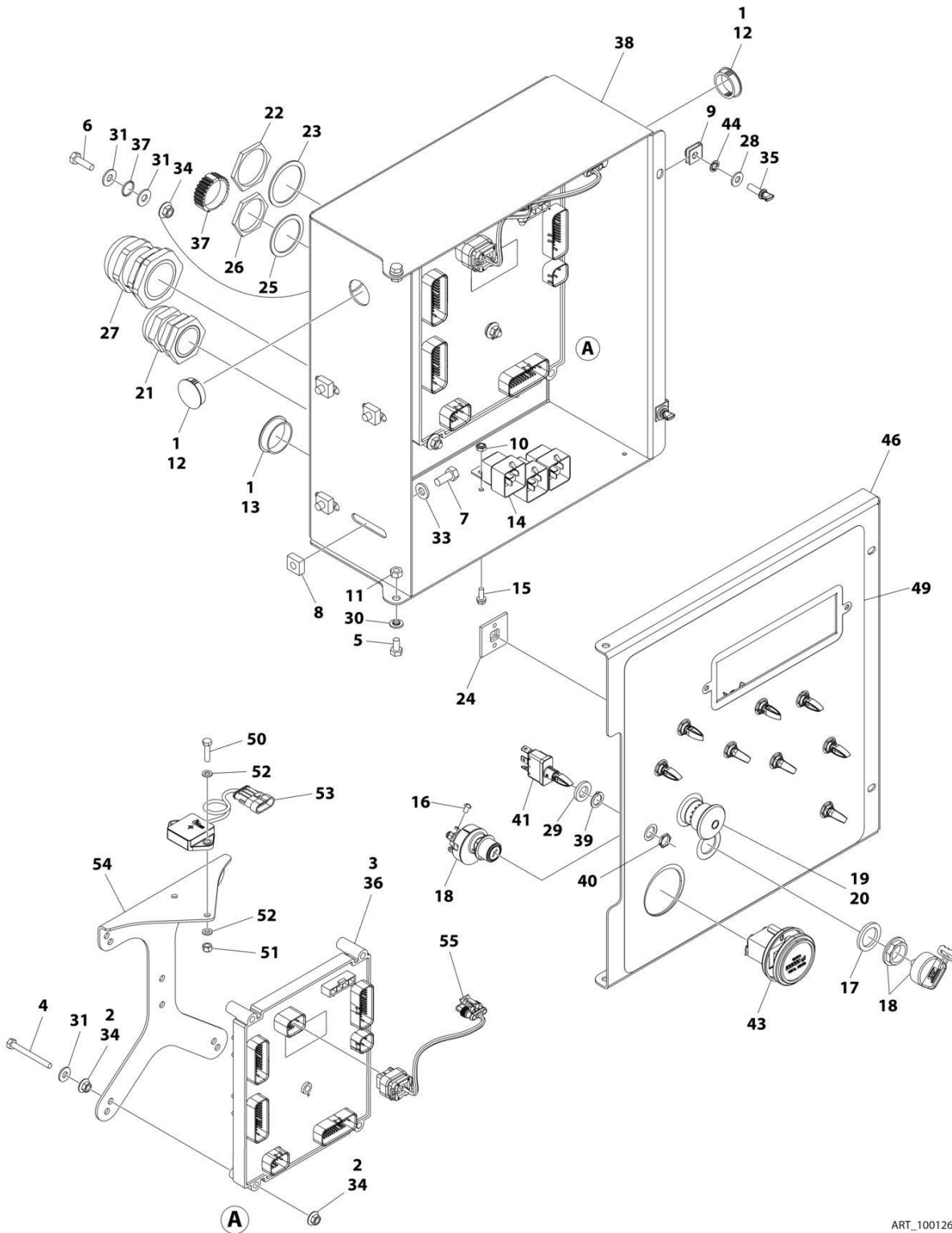
## SECTION 2 - TURNTABLE

| ITEM | PART NUMBER | QTY | DESCRIPTION   | REV |
|------|-------------|-----|---|-----|
|      |             |     | ELECTRICAL Section)   |     |
| 43   | 1001171482  | 1   | Gauge, Display  |     |
| 44   | 1001188874  | 2   | Nut   |     |
| 45   | 1001216230  | 1   | Engine Harness (Not Shown - See Separate Breakdown in ELECTRICAL Section)             |     |
| 46   | 1001263352  | 1   | Lid   |     |
| 47   | 1001266628  | 1   | Ground Control Box Harness (Not Shown - See Separate Breakdown in ELECTRICAL Section) |     |
| 49   | 1001266876  | 1   | Decal - Ground Control Box  |     |
| 50   | 0760612     | 2   | Bolt M6 x 25  |     |
| 51   | 3290605     | 2   | Nut M6  |     |
| 52   | 4811700     | 4   | Washer M6   |     |
| 53   | 1001219601  | 1   | Sensor, Tilt Dual Axis CAN  |     |
| 54   | 1001271794  | 1   | Bracket, Tilt Sensor  |     |
| 55   | 1001276143  | 1   | Harness, Tilt Sensor  |     |



# SECTION 2 - TURNTABLE

## FIGURE 2-37. GROUND CONTROL BOX ASSEMBLY - WITH FORD ENGINES - WITH MECHANICAL HOUR METER



ART\_1001266895\_C

## SECTION 2 - TURNTABLE

**FIGURE 2-37. GROUND CONTROL BOX ASSEMBLY - WITH FORD ENGINES - WITH MECHANICAL HOUR METER**

| ITEM | PART NUMBER | QTY   | DESCRIPTION  | REV |
|------|-------------|-------|--|-----|
|      | 1001266895  | Ref   | GROUND CONTROL BOX ASSEMBLY  | C   |
| 1    | 0100009     | AR    | Sealant  |     |
| 2    | 0100011     | AR    | Compound, Locking  |     |
| 3    | 0100048     | AR    | Grease, Dielectric   |     |
| 4    | 0630548     | 5     | Bolt 2-1/2   |     |
| 5    | 0641404     | 2     | Bolt 1/4 x 1/2   |     |
| 6    | 0641407     | 1     | Bolt 1/4 x 7/8   |     |
| 7    | 0641506     | 4     | Bolt 5/16 x 3/4  |     |
| 8    | 3300205     | 4     | Nut, Retainer  |     |
| 9    | 3300353     | 2     | Nut, Tinnerman   |     |
| 10   | 3300408     | 3     | Nut, Nylon Insert  |     |
| 11   | 3311405     | 2     | Nut 1/4  |     |
| 12   | 3520031     | 2     | Plug   |     |
| 13   | 3520035     | 1     | Plug   |     |
| 14   | 3740049     | 3     | Relay  |     |
| 15   | 3900268     | 3     | Screw #10 x 1/2  |     |
| 16   | 3910804     | 6     | Screw #8 x 1/4   |     |
| 17   | 4070991     | 1     | Shim   |     |
| 18   | 4360469     | 1     | Switch, Key  |     |
| 18   | 2860030     | 1 Set | Key Replacement  |     |
| 19   | 4360475     | 1     | Switch, Emergency Stop   |     |
| 19   | 7020175     | 1     | Cap, Mushroom  |     |
| 19   | 7020176     | 1     | Block, Contact   |     |
| 20   | 4360476     | 1     | Switch, Contact Block  |     |
| 21   | 4460426     | 1     | Connector, Strain Relief   |     |
| 22   | 4460470     | 1     | Nut, Terminal  |     |
| 23   | 4460471     | 1     | Lockwasher, Terminal   |     |
| 24   | 4460488     | 6     | Mounting Base, Terminal  |     |
| 25   | 4460496     | 1     | Washer, Terminal   |     |
| 26   | 4460497     | 1     | Nut, Terminal  |     |
| 27   | 4460526     | 1     | Connector, Strain Relief   |     |
| 28   | 4711400     | 2     | Washer 1/4   |     |
| 29   | 4740397     | 9     | Spacer   |     |
| 30   | 4740518     | 2     | Washer   |     |
| 31   | 4751400     | 7     | Washer 1/4   |     |
| 33   | 4891500     | 4     | Washer 5/16  |     |
| 34   | 77143013    | 11    | Nut 1/4  |     |
| 35   | 1001103308  | 2     | Thumbscrew 1/4 x 3/4   |     |
| 36   | 1001280600  | 1     | Module, Ground Control (Note: Recalibration Required When Replaced)              |     |
| 37   | 1001106736  | 1     | Cap, Dust  |     |
| 38   | 1001152175  | 1     | Box  |     |
| 39   | 1001155043  | 9     | Washer   |     |
| 40   | 1001155044  | 9     | Nut 15/32  |     |
| 41   | 1001155045  | 9     | Switch, Toggle   |     |
| 42   | 1001170808  | 1     | Control Valve Harness (Not Shown - See Separate Breakdown in ELECTRICAL Section) |     |
| 43   | 10836804    | 1     | Hour Meter   |     |
| 44   | 1001188874  | 2     | Nut  |     |

## SECTION 2 - TURNTABLE

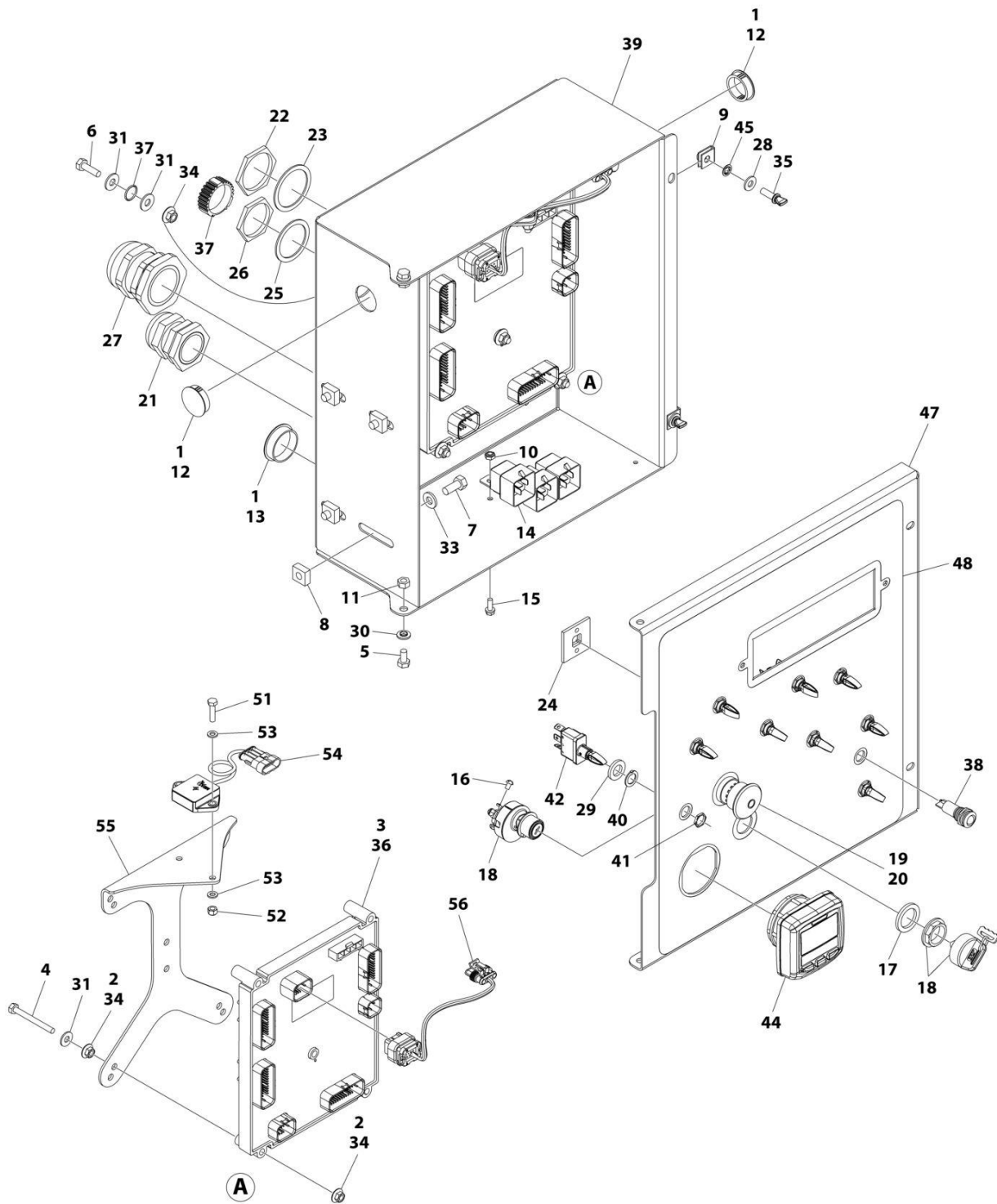
| ITEM | PART NUMBER | QTY | DESCRIPTION   | REV |
|------|-------------|-----|---|-----|
| 45   | 1001216230  | 1   | Engine Harness (Not Shown - See Separate Breakdown in ELECTRICAL Section)             |     |
| 46   | 1001280403  | 1   | Lid   |     |
| 47   | 1001266628  | 1   | Ground Control Box Harness (Not Shown - See Separate Breakdown in ELECTRICAL Section) |     |
| 49   | 1001266876  | 1   | Decal - Ground Control Box  |     |
| 50   | 0760612     | 2   | Bolt M6 x 25  |     |
| 51   | 3290605     | 2   | Nut M6  |     |
| 52   | 4811700     | 4   | Washer M6   |     |
| 53   | 1001219601  | 1   | Sensor, Tilt Dual Axis CAN  |     |
| 54   | 1001271794  | 1   | Bracket, Tilt Sensor  |     |
| 55   | 1001276143  | 1   | Harness, Tilt Sensor  |     |





# SECTION 2 - TURNTABLE

## FIGURE 2-38. GROUND CONTROL BOX ASSEMBLY - WITH FORD ENGINES AND TOWER STOW - WITH DIGITAL DISPLAY



ART\_1001263363

## SECTION 2 - TURNTABLE

**FIGURE 2-38. GROUND CONTROL BOX ASSEMBLY - WITH FORD ENGINES AND TOWER STOW - WITH DIGITAL DISPLAY**

| ITEM | PART NUMBER | QTY   | DESCRIPTION   | REV |
|------|-------------|-------|---|-----|
|      | 1001263363  | Ref   | GROUND CONTROL BOX ASSEMBLY   | B   |
| 1    | 0100009     | AR    | Sealant   |     |
| 2    | 0100011     | AR    | Compound, Locking   |     |
| 3    | 0100048     | AR    | Grease, Dielectric  |     |
| 4    | 0630548     | 5     | Bolt 2-1/2  |     |
| 5    | 0641404     | 2     | Bolt 1/4 x 1/2  |     |
| 6    | 0641407     | 1     | Bolt 1/4 x 7/8  |     |
| 7    | 0641506     | 4     | Bolt 5/16 x 3/4   |     |
| 8    | 3300205     | 4     | Nut, Retainer   |     |
| 9    | 3300353     | 2     | Nut, Tinnerman  |     |
| 10   | 3300408     | 3     | Nut, Nylon Insert   |     |
| 11   | 3311405     | 2     | Nut 1/4   |     |
| 12   | 3520031     | 2     | Plug  |     |
| 13   | 3520035     | 1     | Plug  |     |
| 14   | 3740049     | 3     | Relay   |     |
| 15   | 3900268     | 3     | Screw #10x1/2   |     |
| 16   | 3910804     | 6     | Screw #8 x 1/4  |     |
| 17   | 4070991     | 1     | Shim  |     |
| 18   | 4360469     | 1     | Switch, Key   |     |
| 18   | 2860030     | 1 Set | Key Replacement   |     |
| 19   | 4360475     | 1     | Switch, Emergency Stop  |     |
| 19   | 7020175     | 1     | Cap, Mushroom   |     |
| 19   | 7020176     | 1     | Block, Contact  |     |
| 20   | 4360476     | 1     | Switch, Contact Block   |     |
| 21   | 4460426     | 1     | Connector, Strain Relief  |     |
| 22   | 4460470     | 1     | Nut, Terminal   |     |
| 23   | 4460471     | 1     | Lockwasher, Terminal  |     |
| 24   | 4460488     | 6     | Mounting Base, Terminal   |     |
| 25   | 4460496     | 1     | Washer, Terminal  |     |
| 26   | 4460497     | 1     | Nut, Terminal   |     |
| 27   | 4460526     | 1     | Connector, Strain Relief  |     |
| 28   | 4711400     | 2     | Washer 1/4  |     |
| 29   | 4740397     | 9     | Spacer  |     |
| 30   | 4740518     | 2     | Washer  |     |
| 31   | 4751400     | 7     | Washer 1/4  |     |
| 33   | 4891500     | 4     | Washer 5/16   |     |
| 34   | 77143013    | 11    | Nut 1/4   |     |
| 35   | 1001103308  | 2     | Thumbscrew 1/4 x 3/4  |     |
| 36   | 1001103667  | 1     | Module, Ground Control (Please Verify Part Number on Module Decal Before Purchasing) (Note: Recalibration Required When Replaced) |     |
| 36   | 1001280600  | 1     | Module, Ground Control (Please Verify Part Number on Module Decal Before Purchasing) (Note: Recalibration Required When Replaced) |     |
| 37   | 1001106736  | 1     | Cap, Dust   |     |
| 38   | 1001137364  | 1     | Light, Indicator  |     |
| 39   | 1001152175  | 1     | Box   |     |
| 40   | 1001155043  | 9     | Washer  |     |
| 41   | 1001155044  | 9     | Nut 15/32   |     |
| 42   | 1001155045  | 9     | Switch, Toggle  |     |

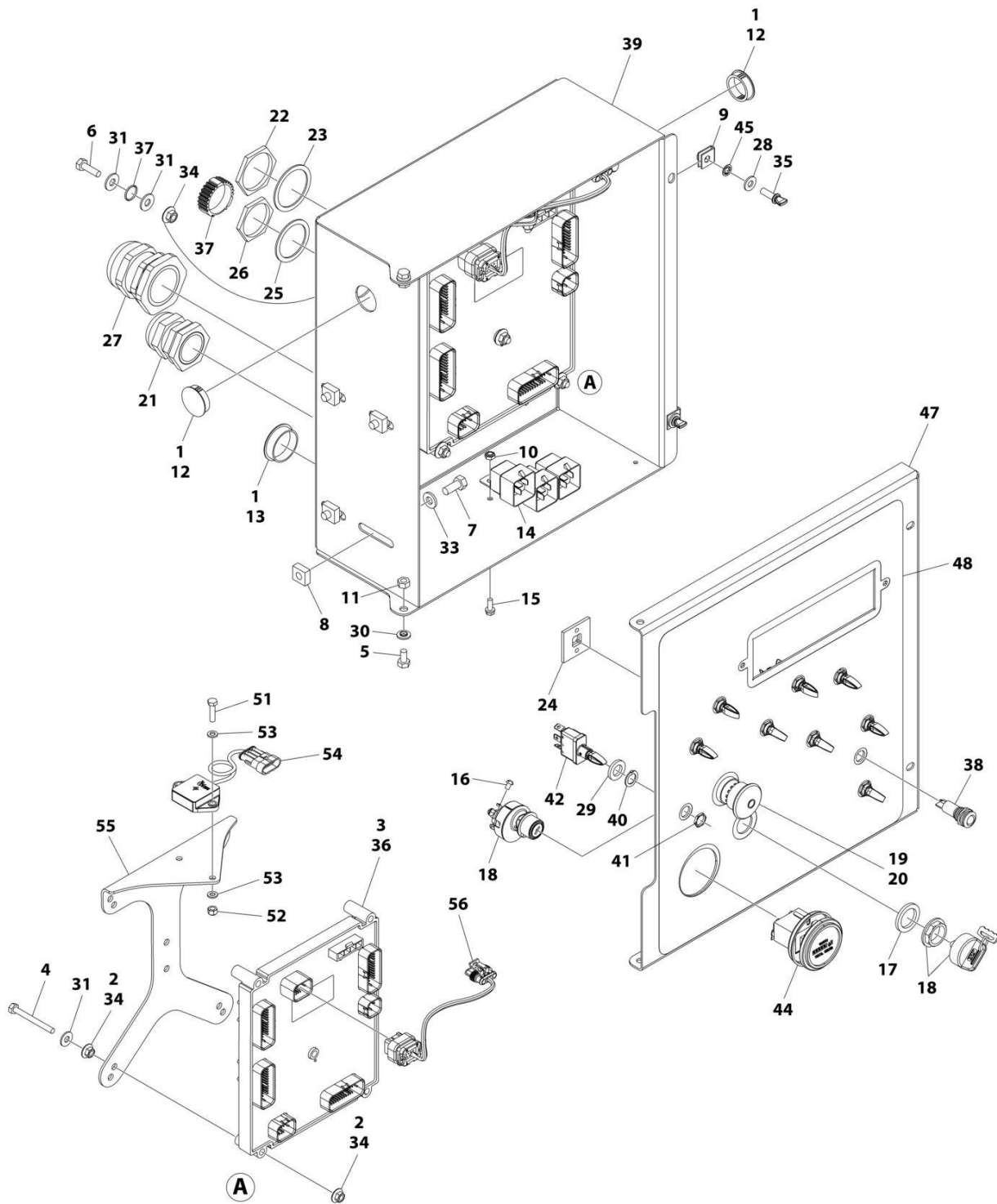
## SECTION 2 - TURNTABLE

| ITEM | PART NUMBER | QTY | DESCRIPTION   | REV |
|------|-------------|-----|---|-----|
| 43   | 1001170808  | 1   | Control Valve Harness (Not Shown - See Separate Breakdown in ELECTRICAL Section)      |     |
| 44   | 1001171482  | 1   | Gauge, Display  |     |
| 45   | 1001188874  | 2   | Nut   |     |
| 46   | 1001216230  | 1   | Engine Harness (Not Shown - See Separate Breakdown in ELECTRICAL Section)             |     |
| 47   | 1001263352  | 1   | Lid   |     |
| 48   | 1001263356  | 1   | Decal - Ground Control Box  |     |
| 49   | 1001266628  | 1   | Ground Control Box Harness (Not Shown - See Separate Breakdown in ELECTRICAL Section) |     |
| 51   | 0760612     | 2   | Bolt M6 x 25  |     |
| 52   | 3290605     | 2   | Nut M6  |     |
| 53   | 4811700     | 4   | Washer M6   |     |
| 54   | 1001219601  | 1   | Sensor, Tilt Dual Axis CAN  |     |
| 55   | 1001271794  | 1   | Bracket, Tilt Sensor  |     |
| 56   | 1001276143  | 1   | Harness, Tilt Sensor  |     |



# SECTION 2 - TURNTABLE

## FIGURE 2-39. GROUND CONTROL BOX ASSEMBLY - WITH FORD ENGINES AND TOWER STOW - WITH MECHANICAL HOUR METER



ART\_1001263363\_C

## SECTION 2 - TURNTABLE

**FIGURE 2-39. GROUND CONTROL BOX ASSEMBLY - WITH FORD ENGINES AND TOWER STOW - WITH MECHANICAL HOUR METER**

| ITEM | PART NUMBER | QTY   | DESCRIPTION  | REV |
|------|-------------|-------|--|-----|
|      | 1001263363  | Ref   | GROUND CONTROL BOX ASSEMBLY  | C   |
| 1    | 0100009     | AR    | Sealant  |     |
| 2    | 0100011     | AR    | Compound, Locking  |     |
| 3    | 0100048     | AR    | Grease, Dielectric   |     |
| 4    | 0630548     | 5     | Bolt 2-1/2   |     |
| 5    | 0641404     | 2     | Bolt 1/4 x 1/2   |     |
| 6    | 0641407     | 1     | Bolt 1/4 x 7/8   |     |
| 7    | 0641506     | 4     | Bolt 5/16 x 3/4  |     |
| 8    | 3300205     | 4     | Nut, Retainer  |     |
| 9    | 3300353     | 2     | Nut, Tinnerman   |     |
| 10   | 3300408     | 3     | Nut, Nylon Insert  |     |
| 11   | 3311405     | 2     | Nut 1/4  |     |
| 12   | 3520031     | 2     | Plug   |     |
| 13   | 3520035     | 1     | Plug   |     |
| 14   | 3740049     | 3     | Relay  |     |
| 15   | 3900268     | 3     | Screw #10x1/2  |     |
| 16   | 3910804     | 6     | Screw #8 x 1/4   |     |
| 17   | 4070991     | 1     | Shim   |     |
| 18   | 4360469     | 1     | Switch, Key  |     |
| 18   | 2860030     | 1 Set | Key Replacement  |     |
| 19   | 4360475     | 1     | Switch, Emergency Stop   |     |
| 19   | 7020175     | 1     | Cap, Mushroom  |     |
| 19   | 7020176     | 1     | Block, Contact   |     |
| 20   | 4360476     | 1     | Switch, Contact Block  |     |
| 21   | 4460426     | 1     | Connector, Strain Relief   |     |
| 22   | 4460470     | 1     | Nut, Terminal  |     |
| 23   | 4460471     | 1     | Lockwasher, Terminal   |     |
| 24   | 4460488     | 6     | Mounting Base, Terminal  |     |
| 25   | 4460496     | 1     | Washer, Terminal   |     |
| 26   | 4460497     | 1     | Nut, Terminal  |     |
| 27   | 4460526     | 1     | Connector, Strain Relief   |     |
| 28   | 4711400     | 2     | Washer 1/4   |     |
| 29   | 4740397     | 9     | Spacer   |     |
| 30   | 4740518     | 2     | Washer   |     |
| 31   | 4751400     | 7     | Washer 1/4   |     |
| 33   | 4891500     | 4     | Washer 5/16  |     |
| 34   | 77143013    | 11    | Nut 1/4  |     |
| 35   | 1001103308  | 2     | Thumbscrew 1/4 x 3/4   |     |
| 36   | 1001280600  | 1     | Module, Ground Control (Note: Recalibration Required When Replaced)              |     |
| 37   | 1001106736  | 1     | Cap, Dust  |     |
| 38   | 1001137364  | 1     | Light, Indicator   |     |
| 39   | 1001152175  | 1     | Box  |     |
| 40   | 1001155043  | 9     | Washer   |     |
| 41   | 1001155044  | 9     | Nut 15/32  |     |
| 42   | 1001155045  | 9     | Switch, Toggle   |     |
| 43   | 1001170808  | 1     | Control Valve Harness (Not Shown - See Separate Breakdown in ELECTRICAL Section) |     |
| 44   | 10836804    | 1     | Hour Meter   |     |

## SECTION 2 - TURNTABLE

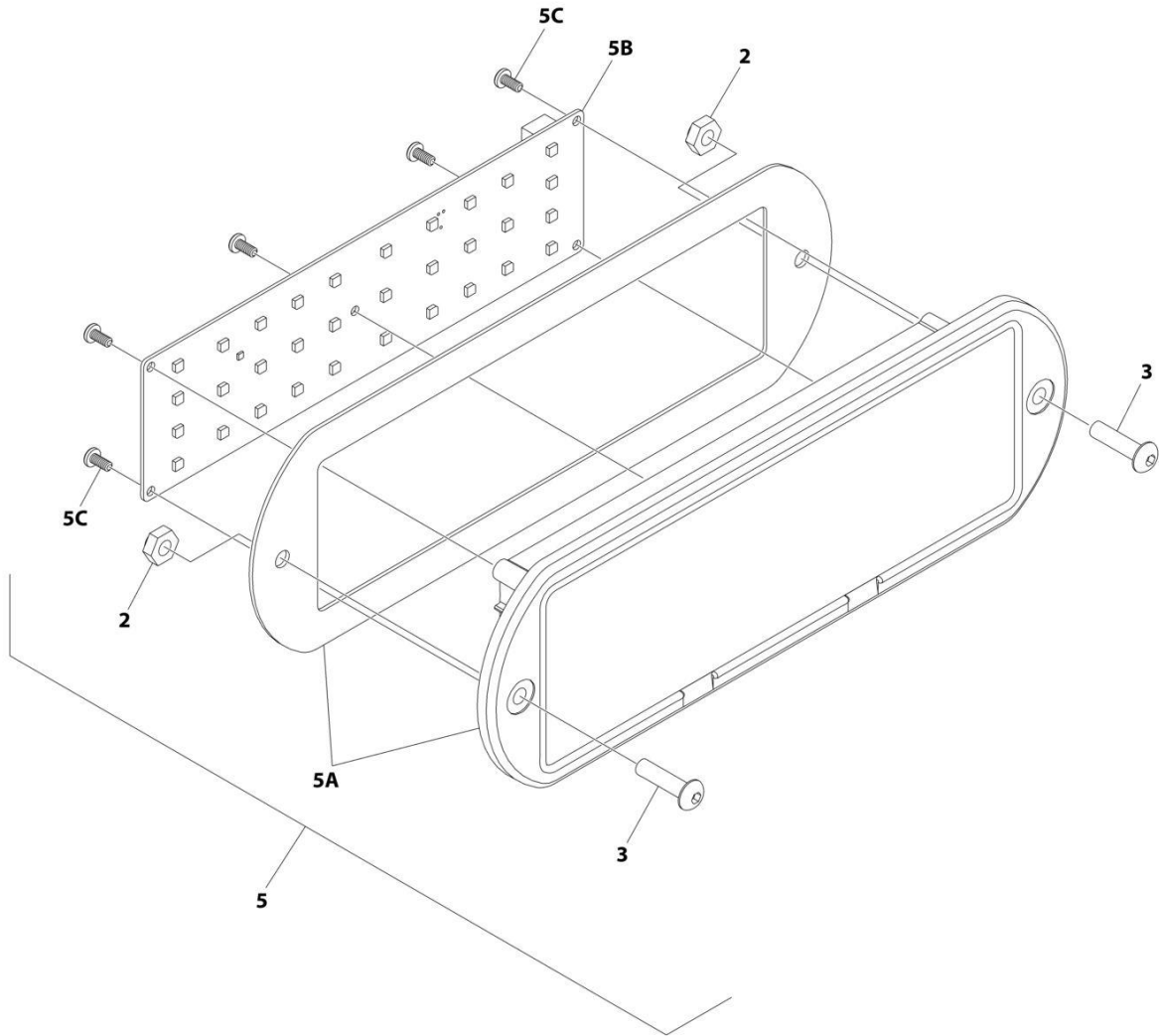
| ITEM | PART NUMBER | QTY | DESCRIPTION   | REV |
|------|-------------|-----|---|-----|
| 45   | 1001188874  | 2   | Nut   |     |
| 46   | 1001216230  | 1   | Engine Harness (Not Shown - See Separate Breakdown in ELECTRICAL Section)             |     |
| 47   | 1001280403  | 1   | Lid   |     |
| 48   | 1001263356  | 1   | Decal - Ground Control Box  |     |
| 49   | 1001266628  | 1   | Ground Control Box Harness (Not Shown - See Separate Breakdown in ELECTRICAL Section) |     |
| 51   | 0760612     | 2   | Bolt M6 x 25  |     |
| 52   | 3290605     | 2   | Nut M6  |     |
| 53   | 4811700     | 4   | Washer M6   |     |
| 54   | 1001219601  | 1   | Sensor, Tilt Dual Axis CAN  |     |
| 55   | 1001271794  | 1   | Bracket, Tilt Sensor  |     |
| 56   | 1001276143  | 1   | Harness, Tilt Sensor  |     |





# SECTION 2 - TURNTABLE

## FIGURE 2-40. LIGHT PANEL INSTALLATION



ART\_1001241403\_10F2

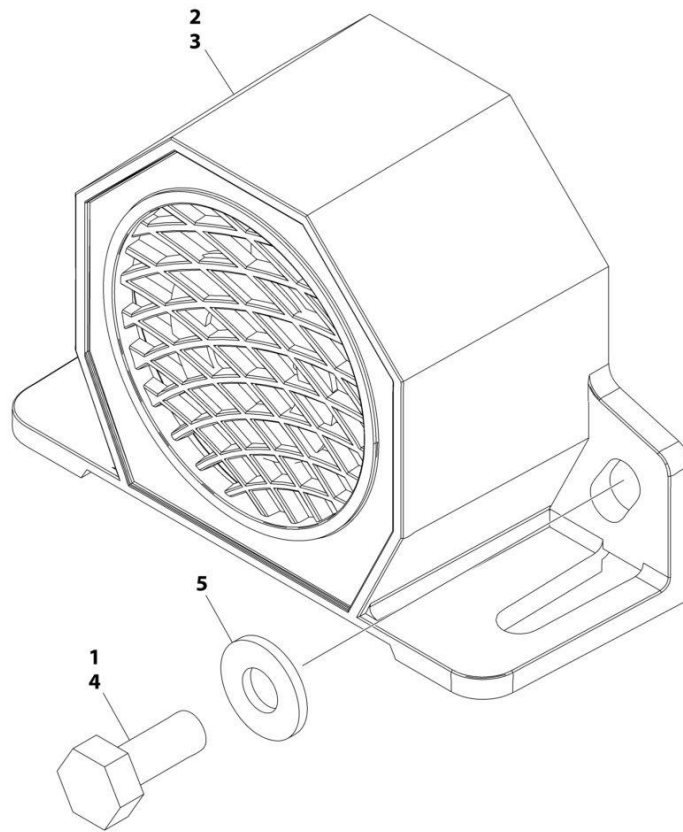
**SECTION 2 - TURNTABLE**

**FIGURE 2-40. LIGHT PANEL INSTALLATION**

| <b>ITEM</b> | <b>PART NUMBER</b> | <b>QTY</b> | <b>DESCRIPTION</b>   | <b>REV</b> |
|-------------|--------------------|------------|--|------------|
|             | 1001241403         | Ref        | LIGHT PANEL INSTALLATION - GROUND CONTROL                              | C          |
| 2           | 3300408            | 2          | Nut, Nylon Insert  |            |
| 3           | 0630518            | 2          | Screw #10 x 3/4  |            |
| 5           | 1001238674         | 1          | Light Panel Assembly   | H          |
| 5A          | 1001236092         | 1          | Lens Assembly (Includes Housing Shell, Decal/Lens with Icons & Gasket) |            |
| 5B          | 1001238732         | 1          | Panel, LED Light   |            |
| 5C          |                    | Ref        | Screw  |            |

## SECTION 2 - TURNTABLE

FIGURE 2-41. ALARM INSTALLATION



ART\_1001158364

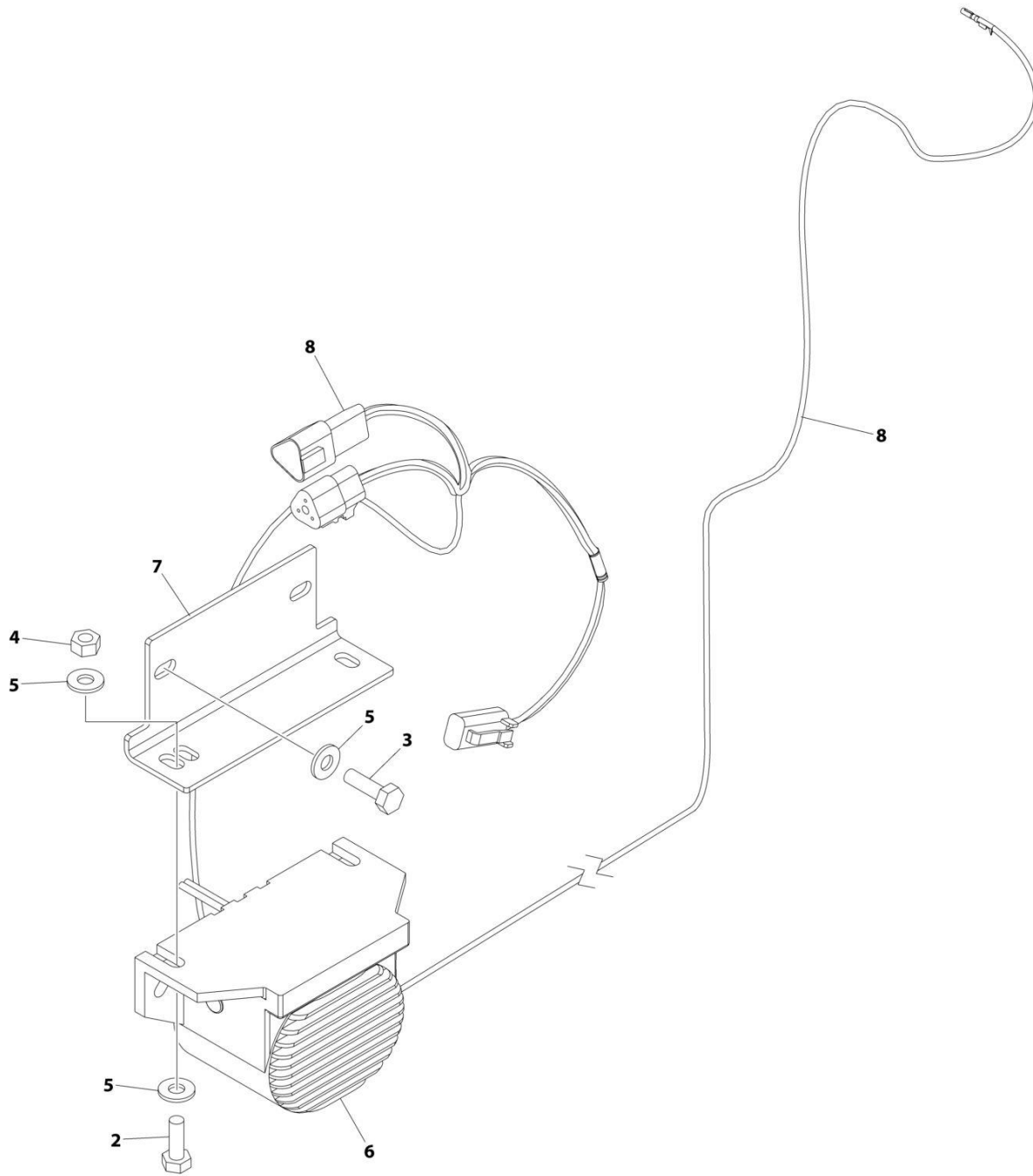
**SECTION 2 - TURNTABLE**

**FIGURE 2-41. ALARM INSTALLATION**

| <b>ITEM</b> | <b>PART NUMBER</b> | <b>QTY</b> | <b>DESCRIPTION</b> | <b>REV</b> |
|-------------|--------------------|------------|--------------------|------------|
|             | 1001158364         | Ref        | ALARM INSTALLATION | A          |
| 1           | 0100011            | AR         | Compound, Locking  |            |
| 2           | 0100048            | AR         | Grease, Dielectric |            |
| 3           | 0140044            | 1          | Alarm              |            |
| 4           | 0641405            | 2          | Bolt 1/4 x 5/8     |            |
| 5           | 4711400            | 2          | Washer 1/4         |            |

# SECTION 2 - TURNTABLE

## FIGURE 2-42. WHITE NOISE ALARM INSTALLATION - ADJUSTABLE AMBIENT



ART\_1001241385

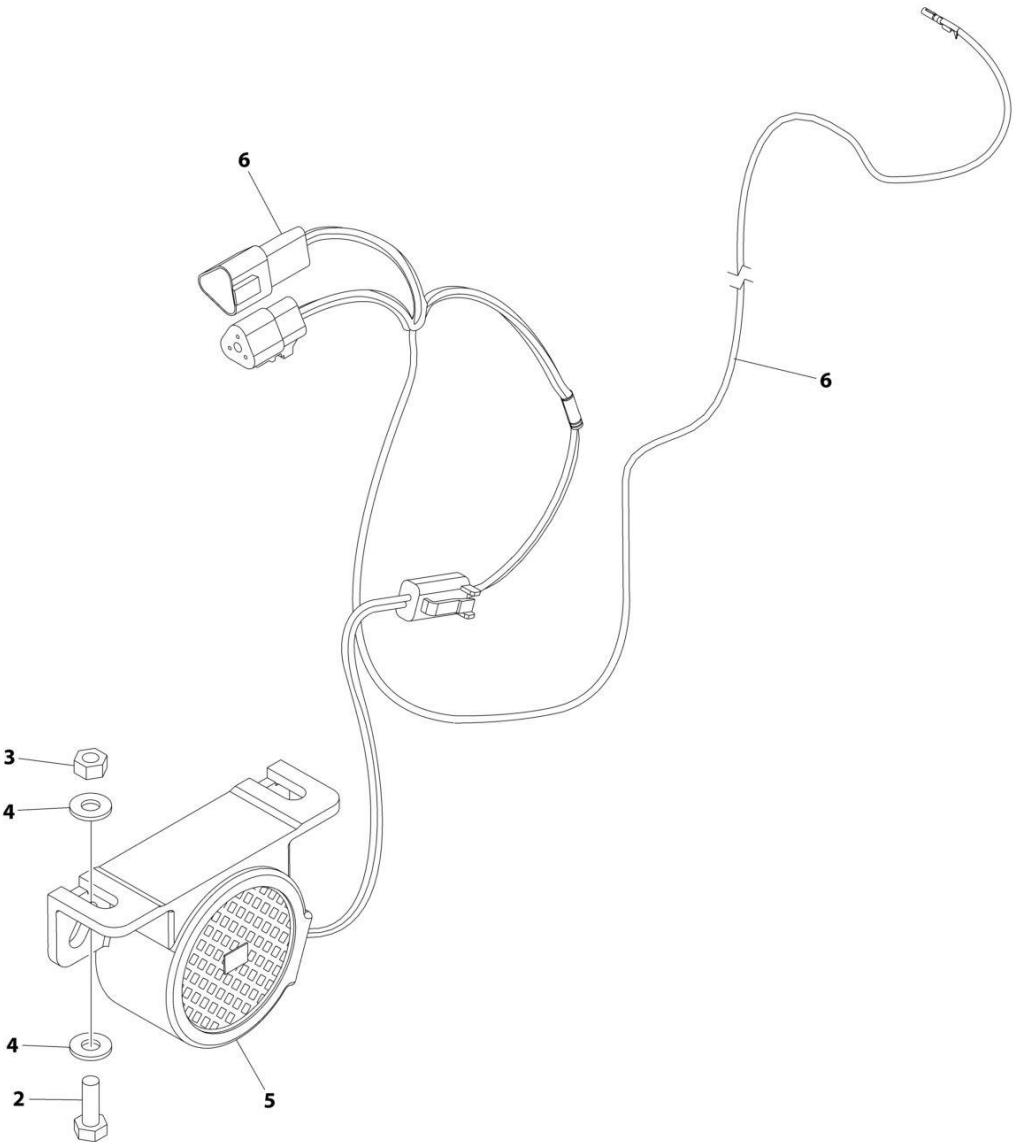
**SECTION 2 - TURNTABLE**

**FIGURE 2-42. WHITE NOISE ALARM INSTALLATION - ADJUSTABLE AMBIENT**

| <b>ITEM</b> | <b>PART NUMBER</b> | <b>QTY</b> | <b>DESCRIPTION</b>  | <b>REV</b> |
|-------------|--------------------|------------|---|------------|
|             | 1001241385         | Ref        | WHITE NOISE ALARM INSTALLATION  | A          |
| 1           | 0100048            | AR         | Compound, Silicone (Not Shown)  |            |
| 2           | 0641406            | 2          | Bolt 1/4 x 3/4  |            |
| 3           | 0641407            | 2          | Bolt 1/4 x 7/8  |            |
| 4           | 3311405            | 2          | Nut 1/4   |            |
| 5           | 4711400            | 6          | Washer 1/4  |            |
| 6           | 1001182806         | 1          | Alarm   |            |
| 7           | 1001231886         | 1          | Plate   |            |
| 8           | 1001243682         | 1          | White Noise Motion Alarm Harness (See Separate Breakdown in this Section) |            |

**SECTION 2 - TURNTABLE**

**FIGURE 2-43. WHITE NOISE MOTION ALARM INSTALLATION - AMBIENT**



ART\_1001239347



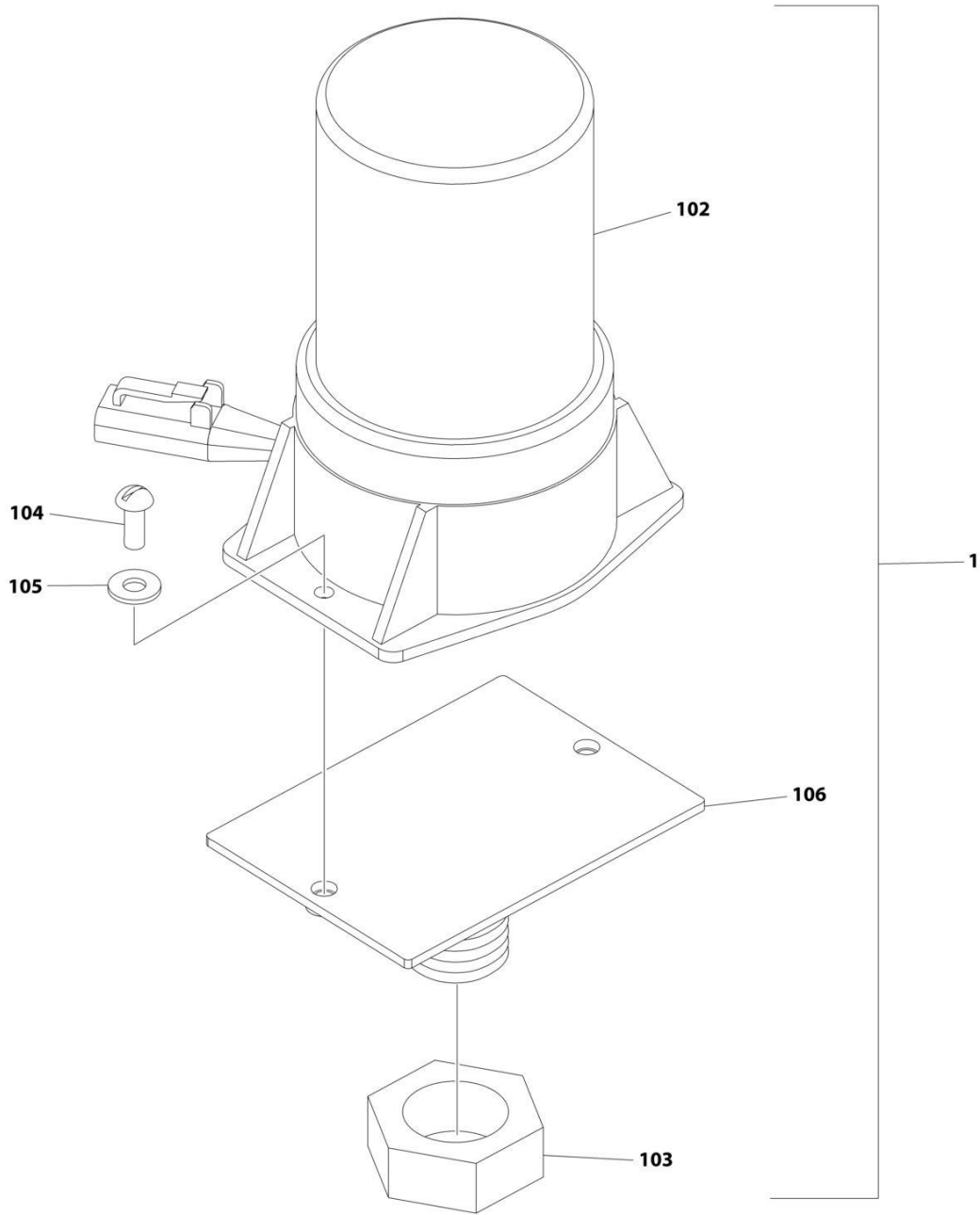
**SECTION 2 - TURNTABLE**

**FIGURE 2-43. WHITE NOISE MOTION ALARM INSTALLATION - AMBIENT**

| <b>ITEM</b> | <b>PART NUMBER</b> | <b>QTY</b> | <b>DESCRIPTION</b>  | <b>REV</b> |
|-------------|--------------------|------------|---|------------|
|             | 1001239347         | Ref        | WHITE NOISE MOTION ALARM INSTALLATION                                     | A          |
| 1           | 0100048            | AR         | Compound, Silicone (Not Shown)  |            |
| 2           | 0641406            | 2          | Bolt 1/4 x 3/4  |            |
| 3           | 3311405            | 2          | Nut 1/4   |            |
| 4           | 4711400            | 4          | Washer 1/4  |            |
| 5           | 1001184682         | 1          | Alarm   |            |
| 6           | 1001243682         | 1          | White Noise Motion Alarm Harness (See Separate Breakdown in this Section) |            |

# SECTION 2 - TURNTABLE

## FIGURE 2-44. STROBE LIGHT INSTALLATION (AMBER)



ART\_1001160077

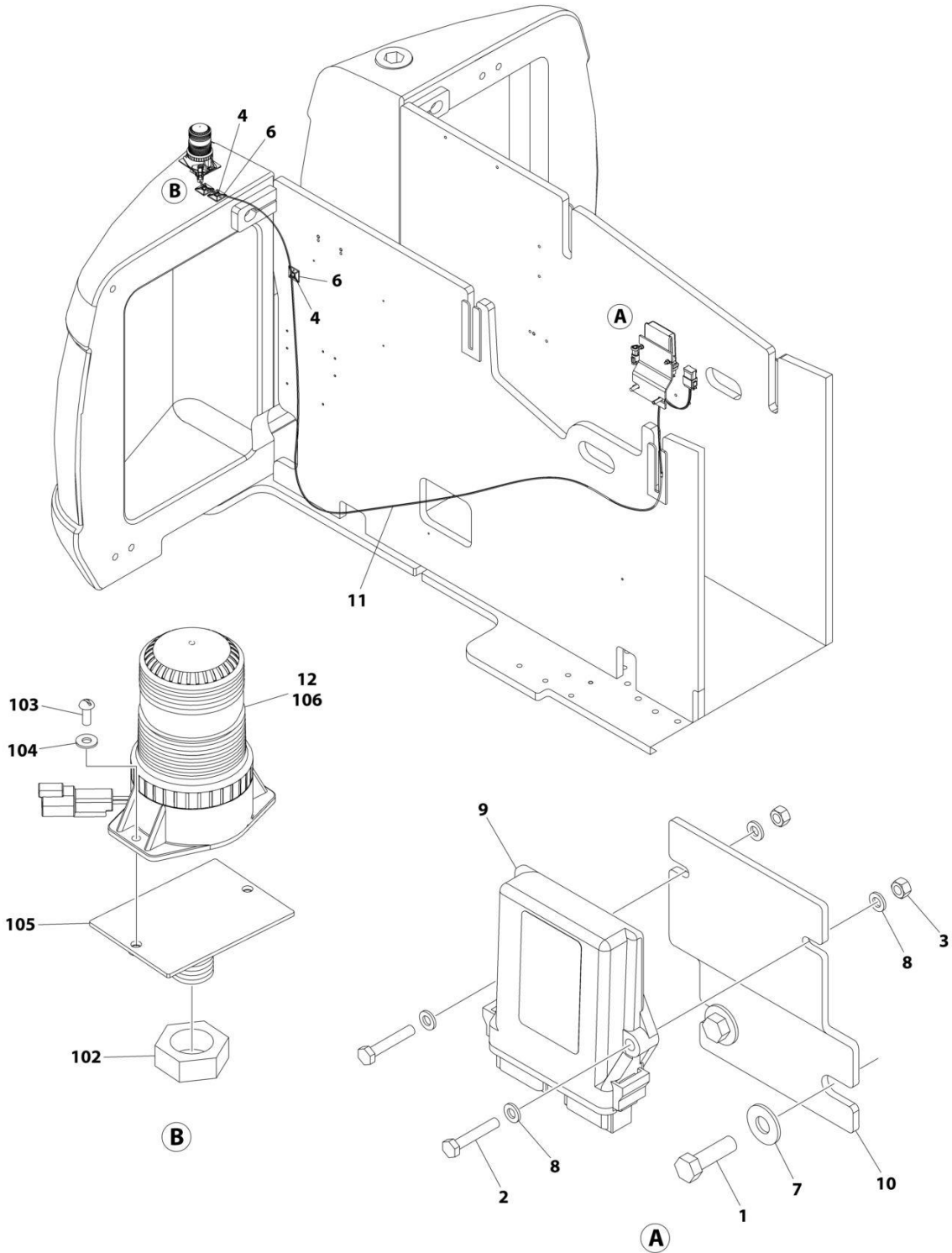
**SECTION 2 - TURNTABLE**

**FIGURE 2-44. STROBE LIGHT INSTALLATION (AMBER)**

| <b>ITEM</b> | <b>PART NUMBER</b> | <b>QTY</b> | <b>DESCRIPTION</b>                             | <b>REV</b> |
|-------------|--------------------|------------|--|------------|
|             | 1001160077         | Ref        | STROBE LIGHT INSTALLATION (AMBER)              | B          |
| 1           | 1001150406         | 1          | Strobe Light Assembly (Includes Items 102-106) | D          |
| 102         | 2920161            | 1          | Strobe Light/Harness Assembly                  |            |
| 102         | 7016319            | 1          | Bulb   |            |
| 102         | 7016372            | 1          | Lens   |            |
| 103         | 3312602            | 1          | Nut 1  |            |
| 104         | 3900085            | 2          | Screw #10 x 1/2                                |            |
| 105         | 4751000            | 2          | Washer 1/4                                     |            |
| 106         | 1001149994         | 1          | Mount, Strobe                                  |            |

# SECTION 2 - TURNTABLE

## FIGURE 2-45. STROBE LIGHT INSTALLATION (BLUE)



ART\_1001242255

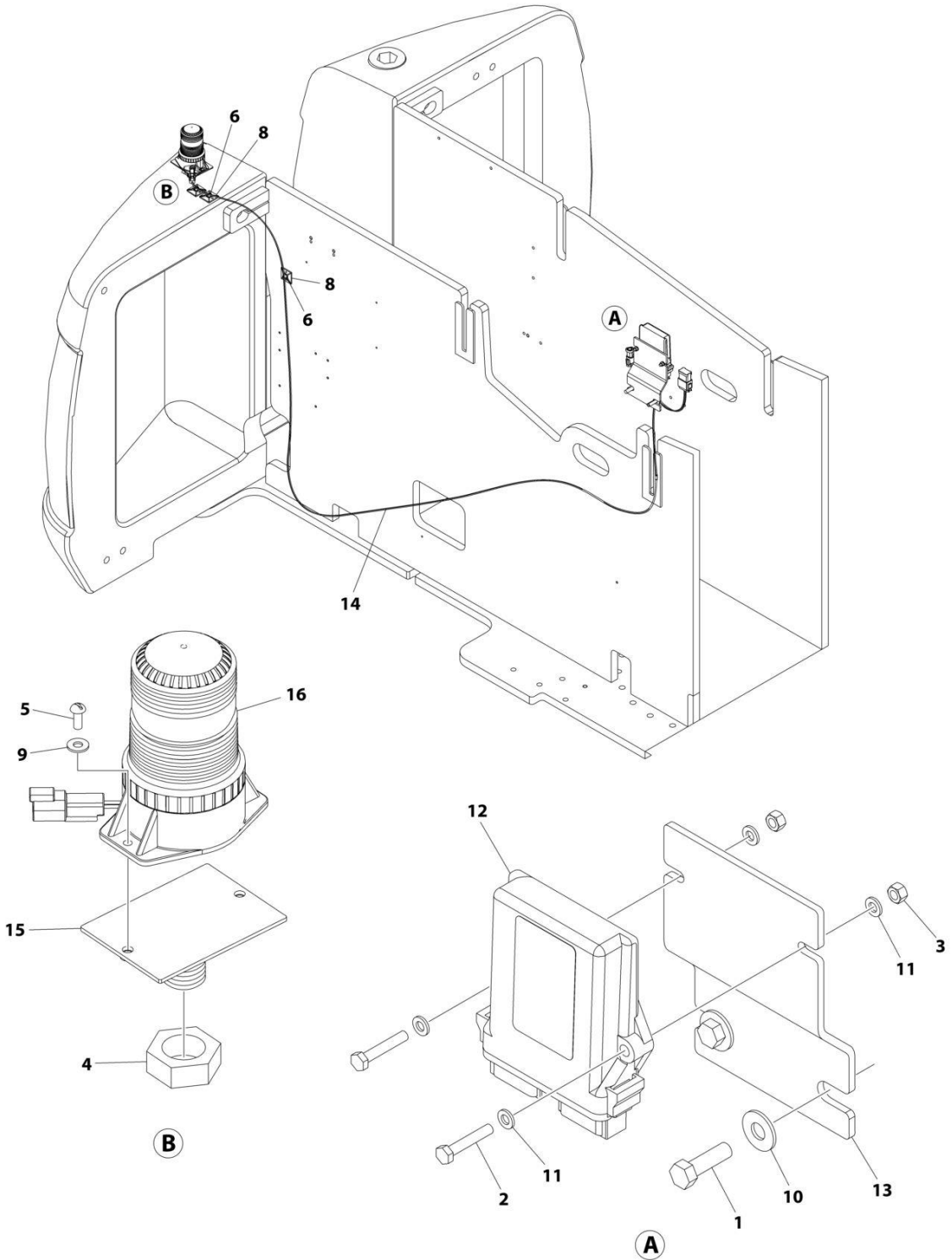
**SECTION 2 - TURNTABLE**

**FIGURE 2-45. STROBE LIGHT INSTALLATION (BLUE)**

| ITEM | PART NUMBER | QTY | DESCRIPTION   | REV |
|------|-------------|-----|---|-----|
|      | 1001242255  | Ref | STROBE LIGHT INSTALLATION (BLUE)                                      | A   |
| 1    | 0641610     | 2   | Bolt 3/8 x 1-1/4  |     |
| 2    | 0700615     | 2   | Bolt 6 x 35   |     |
| 3    | 3290607     | 2   | Nut M6  |     |
| 4    | 4240032     | AR  | Tie-Strap   |     |
| 5    | 4240033     | AR  | Tie-Cable (Not Shown)   |     |
| 6    | 4460488     | AR  | Base, Terminal, Mounting  |     |
| 7    | 4751600     | 2   | Washer 3/8  |     |
| 8    | 4811700     | 4   | Washer M6   |     |
| 9    | 1001142683  | 1   | Module, Control - Beacon  |     |
| 10   | 1001142722  | 1   | Bracket   |     |
| 11   | 1001142736  | 1   | Beacon Control Harness (See Separate Breakdown in ELECTRICAL SECTION) |     |
| 12   | 1001217005  | 1   | Beacon Kit - Blue (Includes Items 102 - 106)                          |     |
| 102  | 3312602     | 1   | Nut   |     |
| 103  | 3900085     | 2   | Screw   |     |
| 104  | 4751000     | 2   | Washer #10  |     |
| 105  | 1001149994  | 1   | Mount, Strobe   |     |
| 106  | 1001200910  | 1   | Light, Beacon   |     |

# SECTION 2 - TURNTABLE

## FIGURE 2-46. STROBE LIGHT INSTALLATION (RED)



ART\_1001242256

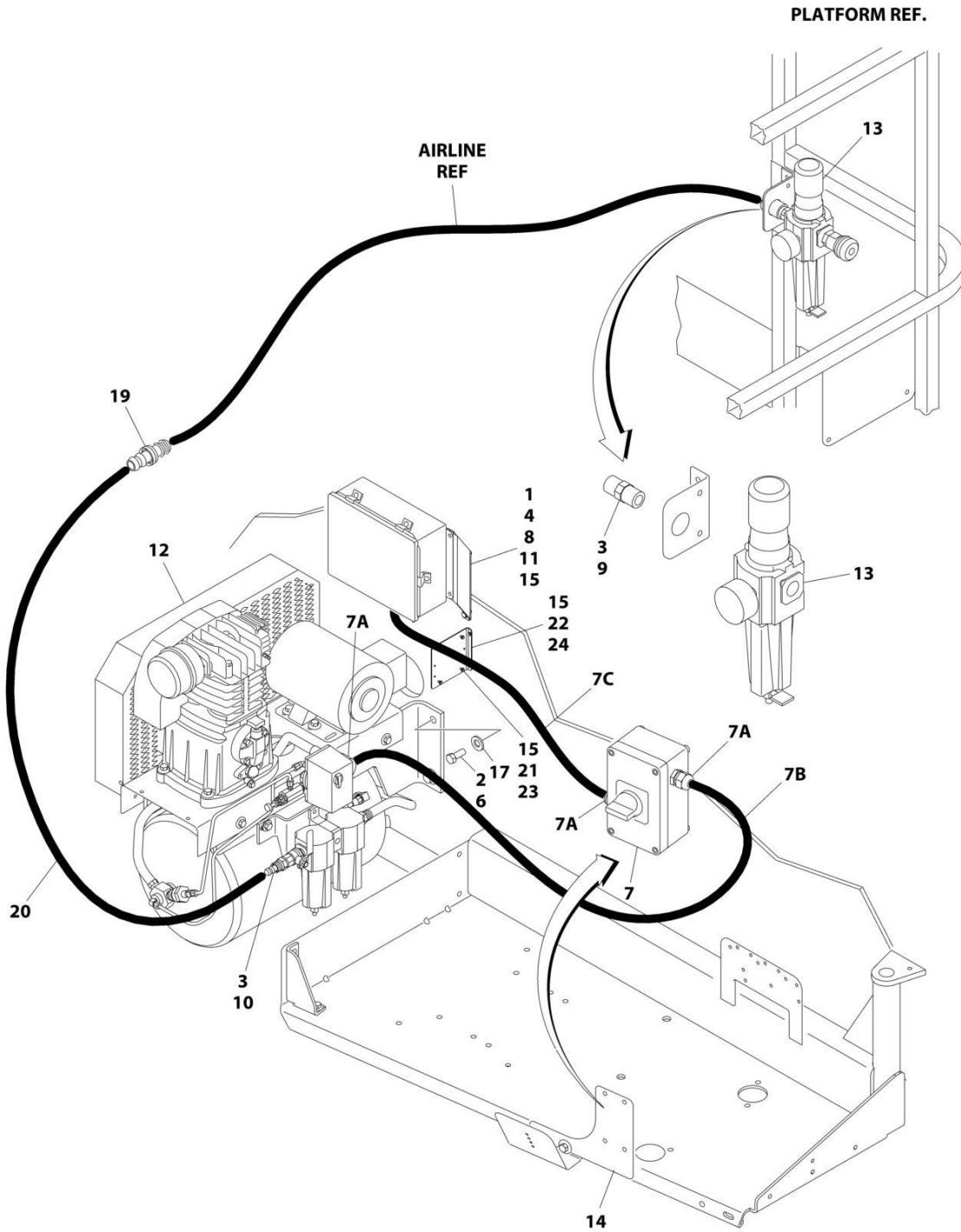
**SECTION 2 - TURNTABLE**

**FIGURE 2-46. STROBE LIGHT INSTALLATION (RED)**

| ITEM | PART NUMBER | QTY | DESCRIPTION   | REV |
|------|-------------|-----|---|-----|
|      | 1001242256  | Ref | STROBE LIGHT INSTALLATION (RED)                                       | A   |
| 1    | 0641610     | 2   | Bolt 3/8 x 1-1/4  |     |
| 2    | 0700615     | 2   | Bolt 6 x 35   |     |
| 3    | 3290607     | 2   | Nut M6  |     |
| 4    | 3312602     | 1   | Nut   |     |
| 5    | 3900085     | 2   | Screw   |     |
| 6    | 4240032     | AR  | Tie Strap   |     |
| 7    | 4240033     | AR  | Tie Cable (Not Shown)   |     |
| 8    | 4460488     | AR  | Base, Terminal, Mounting  |     |
| 9    | 4751000     | 2   | Washer  |     |
| 10   | 4751600     | 2   | Washer 3/8  |     |
| 11   | 4811700     | 4   | Washer  |     |
| 12   | 1001142683  | 1   | Module, Control   |     |
| 13   | 1001142722  | 1   | Bracket   |     |
| 14   | 1001142736  | 1   | Beacon Control Harness (See Separate Breakdown in ELECTRICAL SECTION) |     |
| 15   | 1001149994  | 1   | Mount, Strobe   |     |
| 16   | 1001207004  | 1   | Light, Beacon   |     |

# SECTION 2 - TURNTABLE

## FIGURE 2-47. SKYAIR AIR COMPRESSOR INSTALLATION (ANSI EXPORT AND CHINA SPECS)



ART\_0274031



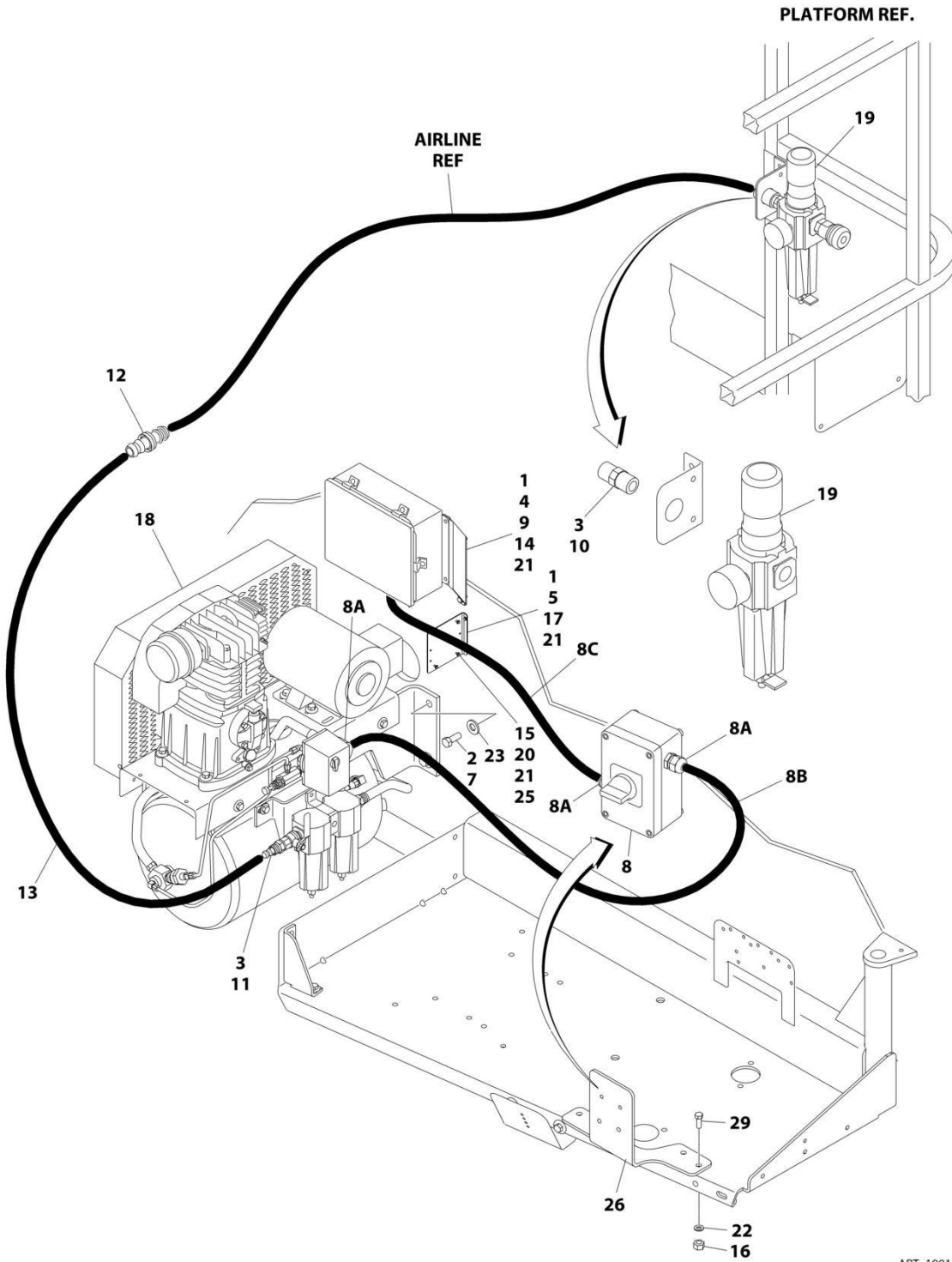
## SECTION 2 - TURNTABLE

**FIGURE 2-47. SKYAIR AIR COMPRESSOR INSTALLATION (ANSI EXPORT AND CHINA SPECS)**

| ITEM | PART NUMBER | QTY | DESCRIPTION  | REV |
|------|-------------|-----|--|-----|
|      | 0274031     | Ref | SKYAIR AIR COMPRESSOR INSTALLATION                               | D   |
| 1    | 0100011     | AR  | Compound, Locking  |     |
| 2    | 0100019     | AR  | Compound, Locking  |     |
| 3    | 0100020     | 3   | Sealant  |     |
| 4    | 0641405     | 4   | Bolt 1/4 x 5/8   |     |
| 6    | 0641810     | 4   | Bolt 1/2 x 1-1/4   |     |
| 7    | 0861642     | 1   | Control Box Assembly   |     |
| 7A   | 4460633     | 3   | Connector, Strain Relief   |     |
| 7B   | 70002948    | AR  | Cable, Electrical - 12/4 (13ft/4m)                               |     |
| 7C   | 70002948    | AR  | Cable, Electrical - 12/4 (30in/76cm)                             |     |
| 8    | 0903088     | 2   | Bracket, Generator Box   |     |
| 9    | 2220252     | 1   | Fitting, Adapter NPT   |     |
| 10   | 2220750     | 1   | Fitting  |     |
| 11   | 3300454     | 4   | Nut, Tinnerman 1/4   |     |
| 12   | 3600386     | 1   | Air Compressor Assembly (See Separate Breakdown in this section) |     |
| 13   | 3720021     | 1   | Filter/Regulator Assembly  |     |
| 13   | 7027781     | 1   | Service Kit (Includes Gaskets and Seals)                         |     |
| 13   | 7027782     | 1   | Filter   |     |
| 13   | 7027784     | 1   | Gauge  |     |
| 13   | 7027783     | 1   | Valve, Drain   |     |
| 14   | 4340747     | 1   | Bracket, Control Box   |     |
| 15   | 4711400     | 14  | Washer 1/4   |     |
| 17   | 4751800     | 4   | Washer 1/2   |     |
| 19   | 2221037     | 1   | Fitting, Barbed  |     |
| 20   | 2720545     | 1   | Hose, Air  |     |
| 21   | 0641409     | 4   | Bolt 1/4 x 1-1/8   |     |
| 22   | 0641410     | 2   | Bolt 1/4 x 1-1/4   |     |
| 23   | 3311405     | 4   | Nut 1/4  |     |
| 24   | 3575874     | 1   | Bracket, Module  |     |
| 25   | 4460428     | 1   | Connector  |     |

# SECTION 2 - TURNTABLE

## FIGURE 2-48. SKYAIR AIR COMPRESSOR INSTALLATION (ANSI AND CSA SPECS)



ART\_1001144438

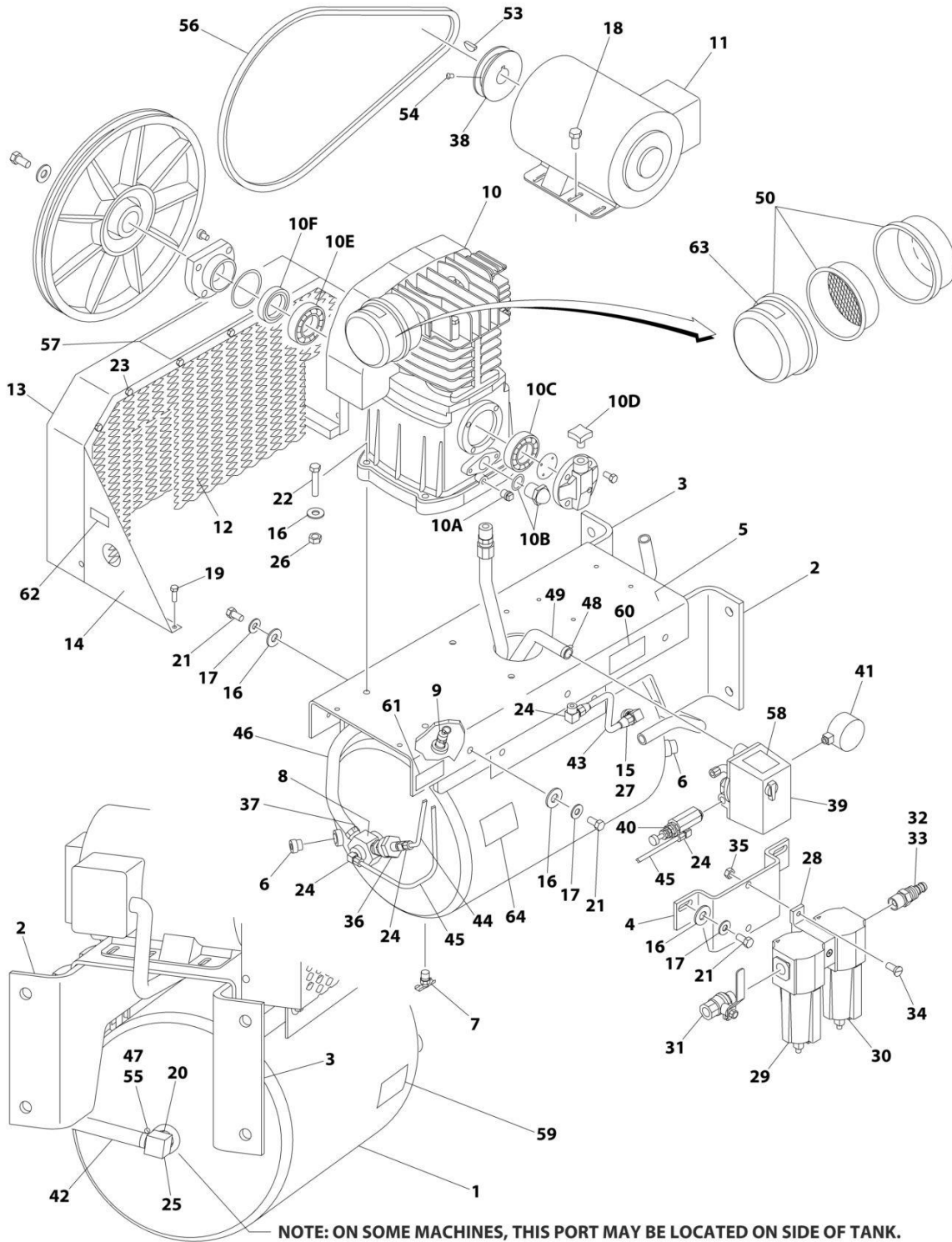
## SECTION 2 - TURNTABLE

**FIGURE 2-48. SKYAIR AIR COMPRESSOR INSTALLATION (ANSI AND CSA SPECS)**

| ITEM | PART NUMBER | QTY | DESCRIPTION  | REV |
|------|-------------|-----|--|-----|
|      | 1001144438  | Ref | SKYAIR AIR COMPRESSOR INSTALLATION                               | B   |
| 1    | 0100011     | AR  | Compound, Locking  |     |
| 2    | 0100019     | AR  | Compound, Locking  |     |
| 3    | 0100020     | AR  | Sealant  |     |
| 4    | 0641405     | 4   | Bolt 1/4 x 5/8   |     |
| 5    | 0641410     | 2   | Bolt 1/4 x 1-1/4   |     |
| 7    | 0641810     | 4   | Bolt 1/2 x 1-1/4   |     |
| 8    | 0861642     | 1   | Control Box Assembly   |     |
| 8A   | 4460633     | 3   | Connector, Strain Relief   |     |
| 8B   | 70002948    | AR  | Cable, Electrical - 12/4 (13ft/4m)                               |     |
| 8C   | 70002948    | AR  | Cable, Electrical - 12/4 (30in/76cm)                             |     |
| 9    | 0903088     | 2   | Bracket, Generator Box   |     |
| 10   | 2220252     | 1   | Fitting, Adapter NPT   |     |
| 11   | 2220750     | 1   | Fitting  |     |
| 12   | 2221037     | 1   | Fitting, Barbed  |     |
| 13   | 2720545     | 1   | Hose, Air  |     |
| 14   | 3300454     | 4   | Nut, Tinnerman 1/4   |     |
| 15   | 3311405     | 4   | Nut 1/4  |     |
| 16   | 3311605     | 3   | Nut 3/8  |     |
| 17   | 3575874     | 1   | Bracket, Module  |     |
| 18   | 3600386     | 1   | Air Compressor Assembly (See Separate Breakdown in this Section) |     |
| 19   | 3720021     | 1   | Filter/Regulator Assembly  |     |
| 19   | 7027781     | 1   | Service Kit (Includes Gaskets and Seals)                         |     |
| 19   | 7027782     | 1   | Filter   |     |
| 19   | 7027784     | 1   | Gauge  |     |
| 19   | 7027783     | 1   | Valve, Drain   |     |
| 20   | 3931424     | 4   | Capscrew 1/4 x 1-1/2   |     |
| 21   | 4711400     | 14  | Washer 1/4   |     |
| 22   | 4711600     | 4   | Washer 3/8   |     |
| 23   | 4751800     | 4   | Washer 1/2   |     |
| 25   | 1001110425  | 4   | Spacer   |     |
| 26   | 1001144447  | 1   | Bracket, Control Box   |     |
| 27   | 0641606     | 1   | Bolt 3/8 x 3/4 (Not Shown)                                       |     |
| 28   | 8406201     | 1   | Clip (Not Shown)   |     |
| 29   | 0641609     | 3   | Bolt 3/8 X 1-1/8   |     |

# SECTION 2 - TURNTABLE

## FIGURE 2-49. AIR COMPRESSOR ASSEMBLY



ART\_3600386

## SECTION 2 - TURNTABLE

### FIGURE 2-49. AIR COMPRESSOR ASSEMBLY

| ITEM | PART NUMBER | QTY | DESCRIPTION  | REV |
|------|-------------|-----|--|-----|
|      | 3600386     | Ref | AIR COMPRESSOR ASSEMBLY  | B   |
| 1    | 7026632     | 1   | Tank   |     |
| 2    | See Note    | 1   | Bracket, Mounting (Note: Not Available for Purchase)           |     |
| 3    | See Note    | 1   | Bracket, Mounting (Note: Not Available for Purchase)           |     |
| 4    | See Note    | 1   | Bracket, Regulator Mounting (Note: Not Available for Purchase) |     |
| 5    | See Note    | 1   | Deck (Note: Not Available for Purchase)                        |     |
| 6    | See Note    | 2   | Plug (Note: Not Available for Purchase)                        |     |
| 7    | 7026633     | 1   | Valve, Drain   |     |
| 8    | 7026634     | 1   | Valve, Check   |     |
| 9    | 7026635     | 1   | Valve, Safety  |     |
| 10   | 7026636     | 1   | Pump Assembly  |     |
| 10   | 7026659     | 1   | Gasket and Seal Kit  |     |
| 10A  | 7026651     | 1   | Plug, Oil Drain  |     |
| 10B  | 7026652     | 1   | Gauge, Oil Sight   |     |
| 10C  | 7026653     | 1   | Bearing  |     |
| 10D  | 7026654     | 1   | Cap, Oil Fill  |     |
| 10E  | 7026655     | 1   | Bearing  |     |
| 10F  | 7026656     | 1   | Seal   |     |
| 11   | 7026637     | 1   | Motor Assembly   |     |
| 11   | See Note    | 1   | Brush Kit (Note: Not Available for Purchase)                   |     |
| 12   | See Note    | 1   | Screen, Inner (Note: Not Available for Purchase)               |     |
| 13   | See Note    | 1   | Guard, Belt (Note: Not Available for Purchase)                 |     |
| 14   | See Note    | 2   | Support (Note: Not Available for Purchase)                     |     |
| 15   | See Note    | 1   | Bushing (Note: Not Available for Purchase)                     |     |
| 16   | 4751600     | 18  | Washer 3/8   |     |
| 17   | 4761600     | 10  | Washer 3/8   |     |
| 18   | 0641506     | 4   | Bolt 5/16 x 3/4  |     |
| 19   | 0641406     | 8   | Bolt 1/4 x 3/4   |     |
| 20   | See Note    | 1   | Bushing (Note: Not Available for Purchase)                     |     |
| 21   | 0641610     | 10  | Bolt 3/8 x 1-1/4   |     |
| 22   | 0641616     | 4   | Bolt 3/8 x 2   |     |
| 23   | See Note    | 10  | Bolt 1/4 x 1/2 (Note: Not Available for Purchase)              |     |
| 24   | See Note    | 4   | Fitting (Note: Not Available for Purchase)                     |     |
| 25   | See Note    | 1   | Fitting, Barbed (Note: Not Available for Purchase)             |     |
| 26   | 3311605     | 4   | Nut 3/8  |     |
| 27   | See Note    | 1   | Fitting, Compression (Note: Not Available for Purchase)        |     |
| 28   | See Note    | 1   | Bracket, Mounting (Note: Not Available for Purchase)           |     |
| 29   | 7026660     | 1   | Filter, Oil Removal  |     |
| 30   | 7026661     | 1   | Filter, Water Removal  |     |
| 31   | 70001663    | 1   | Valve, Ball Shut-Off   |     |
| 32   | See Note    | 1   | Bushing (Note: Not Available for Purchase)                     |     |
| 33   | See Note    | 1   | Fitting, Barbed (Note: Not Available for Purchase)             |     |
| 34   | See Note    | 2   | Screw 1/4 x 1 (Note: Not Available for Purchase)               |     |
| 35   | 3311405     | 2   | Nut 1/4  |     |
| 36   | See Note    | 1   | Unloader (Note: Not Available for Purchase)                    |     |
| 37   | See Note    | 1   | Fitting (Note: Not Available for Purchase)                     |     |
| 38   | See Note    | 1   | Pulley (Note: Not Available for Purchase)                      |     |
| 39   | 7026638     | 1   | Switch, Pressure   |     |
| 40   | 7026639     | 1   | Vale, Pilot  |     |
| 41   | 7026640     | 1   | Gauge  |     |

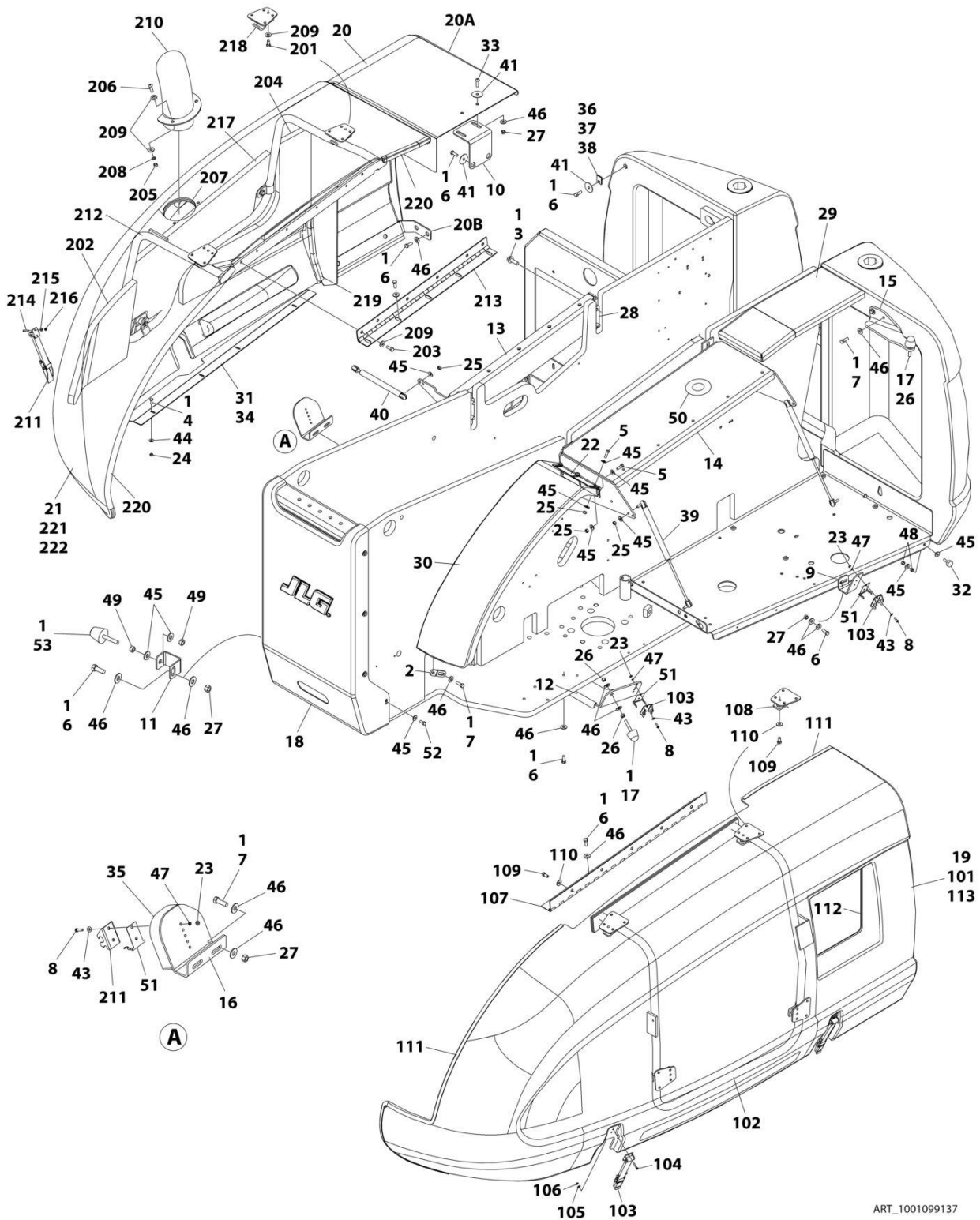
## SECTION 2 - TURNTABLE

| ITEM | PART NUMBER | QTY   | DESCRIPTION   | REV |
|------|-------------|-------|---|-----|
| 42   | See Note    | 1     | Hose (Note: Not Available for Purchase)             |     |
| 43   | See Note    | 1     | Tube, Feed (Note: Not Available for Purchase)       |     |
| 44   | See Note    | 1     | Tube (Note: Not Available for Purchase)             |     |
| 45   | See Note    | 1     | Tube (Note: Not Available for Purchase)             |     |
| 46   | See Note    | 1     | Aftercooler (Note: Not Available for Purchase)      |     |
| 47   | See Note    | 2     | Clamp (Note: Not Available for Purchase)            |     |
| 48   | See Note    | 2     | Clamp (Note: Not Available for Purchase)            |     |
| 49   | See Note    | 1     | Harness, Wiring (Note: Not Available for Purchase)  |     |
| 50   | 7026658     | 1     | Filter Assembly                                     |     |
| 50   | 7026641     | 1     | Element, Filter                                     |     |
| 51   | See Note    | 23 oz | Oil, Compressor (Note: Not Available for Purchase)  |     |
| 52   | 0100020     | AR    | Sealant   |     |
| 53   | See Note    | 1     | Key (Note: Not Available for Purchase)              |     |
| 54   | See Note    | 2     | Setscrew (Note: Not Available for Purchase)         |     |
| 55   | See Note    | 2     | Cover, Clamp End (Note: Not Available for Purchase) |     |
| 56   | 7026642     | 1     | Belt  |     |
| 57   | 7026643     | 1     | Decal - Unit Warning                                |     |
| 58   | 7026644     | 1     | Decal - Pressure Switch Warning                     |     |
| 59   | 7026645     | 1     | Decal - Drain Tank Warning                          |     |
| 60   | 7026646     | 1     | Decal - Compressor Maintenance                      |     |
| 61   | 7026647     | 1     | Decal - Initial Oil Fill                            |     |
| 62   | 7026648     | 1     | Decal - Hot Surfaces Warning                        |     |
| 63   | 7026649     | 1     | Decal - Paper Element Cleaning                      |     |
| 64   | 7026650     | 1     | Decal - Dual Control                                |     |



# SECTION 2 - TURNTABLE

## FIGURE 2-50. HOODS INSTALLATION - ABS (DEUTZ D2011 ENGINES)



ART\_1001099137



## SECTION 2 - TURNTABLE

**FIGURE 2-50. HOODS INSTALLATION - ABS (DEUTZ D2011 ENGINES)**

| ITEM | PART NUMBER | QTY             | DESCRIPTION   | REV |
|------|-------------|-----------------|---|-----|
|      | 1001099137  | Ref             | HOODS INSTALLATION  | F   |
| 1    | 0100011     | AR              | Compound, Locking   |     |
| 2    | 0362770     | 1               | Bar, Panel Mounting   |     |
| 3    | 0811812     | 8               | Bolt  |     |
| 4    | 0641406     | 4               | Bolt 1/4 x 3/4  |     |
| 5    | 0641508     | 6               | Bolt 5/16 x 1   |     |
| 6    | 0641608     | 22              | Bolt 3/8 x 1  |     |
| 7    | 0641609     | 5               | Bolt 3/8 x 1-1/8  |     |
| 8    | 0721006     | 6               | Screw #10 x 3/4   |     |
| 9    | 0902143     | 1               | Bracket, Latch (Tank Side)  |     |
| 10   | 0902161     | 1               | Bracket, Hood Spacer Mounting (Engine Side)                               |     |
| 11   | 0902219     | 2               | Bracket, Bumper   |     |
| 12   | 0902223     | 1               | Bracket, Latch (Tank Side)  |     |
| 13   | 1001207558  | 1               | Bracket, Hood Mounting (Engine Side)                                      |     |
| 14   | 0902412     | 1               | Bracket, Hood Mounting (Tank Side)  |     |
| 15   | 0902426     | 1               | Bracket, Bumper - Counterweight Mounted                                   |     |
| 16   | 0902491     | 1               | Bracket, Latch (Engine Side)  |     |
| 17   | 0940071     | 2               | Bumper  |     |
| 18   | 1670842     | 1               | Cover, Turntable End  |     |
| 19   | 1671228     | 1               | Hood Assembly - Tank Side (See Items 101-113 for Breakdown)               |     |
| 19   |             | Ref             | Note: Replacement Decals Must be Ordered Separately - See DECALS SECTION. |     |
| 20   | 1671233     | 1               | Spacer Assembly   |     |
| 20A  | 3960453     | 68 in<br>/1.73m | Seal  |     |
| 20B  | 0903308     | 1               | Bracket   |     |
| 21   | 1001099138  | 1               | Hood Assembly - Engine Side (See Items 201-221 for Breakdown):            |     |
| 21   |             | Ref             | Note: Replacement Decals Must be Ordered Separately - See DECAL SECTION.  |     |
| 22   | 2600244     | 1               | Adapter, Panel Hinge  |     |
| 23   | 3311001     | 6               | Nut #10   |     |
| 24   | 3311405     | 4               | Nut 1/4   |     |
| 25   | 3311505     | 9               | Nut 5/16  |     |
| 26   | 3311601     | 4               | Nut 3/8   |     |
| 27   | 3311605     | 7               | Nut 3/8   |     |
| 28   | 1001150260  | 4               | Plate, Hinge Block  |     |
| 29   | 1001290021  | 1               | Cover, Top (Tank Side)  |     |
| 30   | 3380444     | 1               | Panel, Adapter  |     |
| 31   | 3571712     | 1               | Plate, Seal   |     |
| 32   | 0940049     | 1               | Stopper, Hood   |     |
| 33   | 3900232     | 2               | Screw 3/8 x 1-1/4   |     |
| 34   | 3960389     | 3.5 ft/1m       | Seal  |     |
| 35   | 3960470     | 1               | Seal, Latch   |     |
| 36   | 4070410     | AR              | Shim 1/16   |     |
| 37   | 4070411     | AR              | Shim 1/8  |     |
| 38   | 4070412     | AR              | Shim 3/16   |     |
| 39   | 4160139     | 2               | Spring, Gas (Tank Side)   |     |
| 40   | 4160143     | 1               | Spring, Gas (Engine Side)   |     |
| 41   | 4740076     | 5               | Washer, Fender  |     |

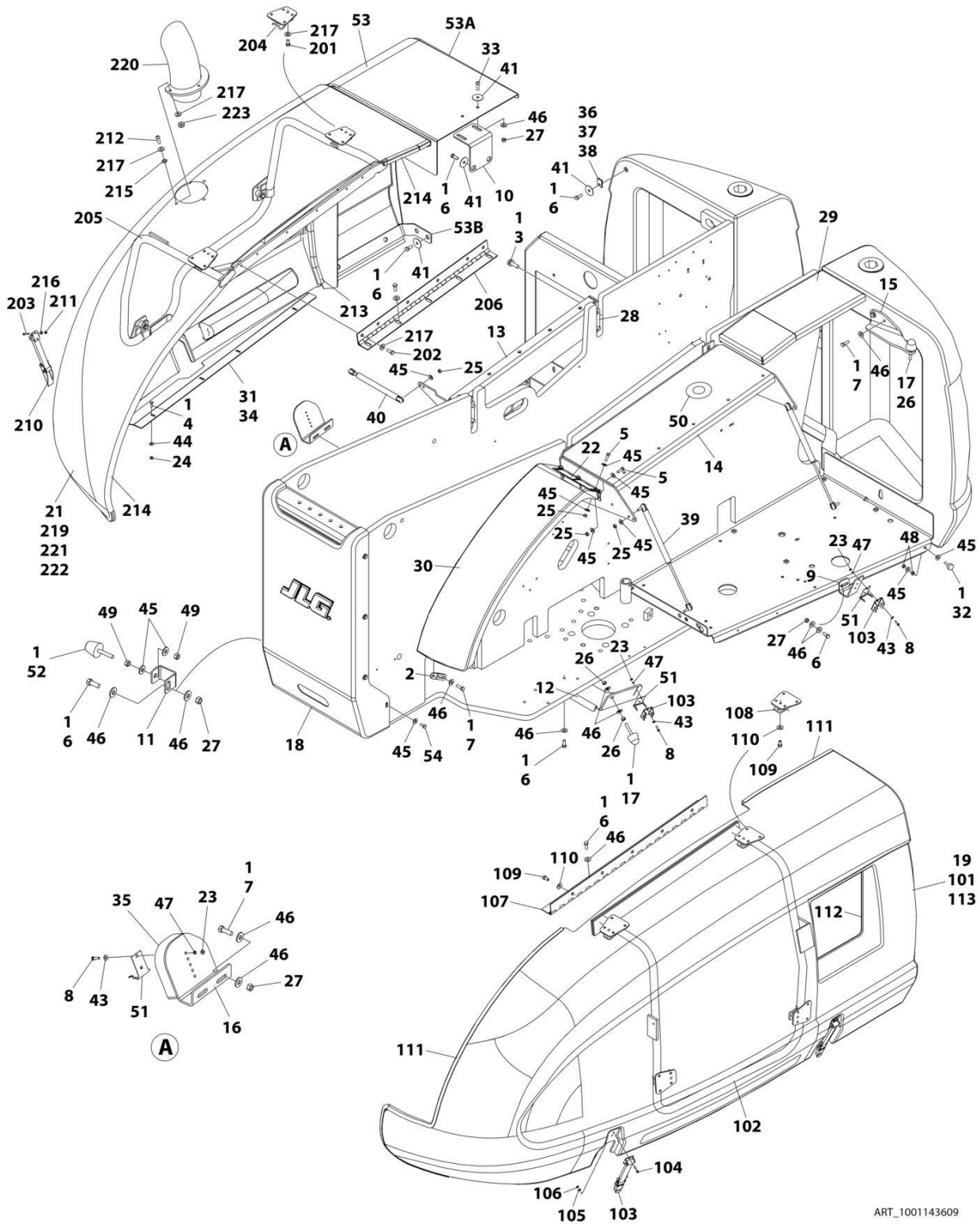
## SECTION 2 - TURNTABLE

| ITEM | PART NUMBER | QTY             | DESCRIPTION                 | REV |
|------|-------------|-----------------|-----------------------------|-----|
| 43   | 4751000     | 6               | Washer #10                  |     |
| 44   | 4751400     | 4               | Washer 1/4                  |     |
| 45   | 4751500     | 29              | Washer 5/16                 |     |
| 46   | 4751600     | 35              | Washer 3/8                  |     |
| 47   | 4761000     | 6               | Washer #10                  |     |
| 48   | 3311501     | 2               | Nut 5/16                    |     |
| 49   | 3321501     | 4               | Nut 5/16                    |     |
| 50   | 1120601     | 1               | Plug                        |     |
| 51   | 2940188     | 3               | Latch                       |     |
| 52   | 0641506     | 8               | Bolt, 5/16 x 3/4            |     |
| 53   | 0940088     | 2               | Bumper                      |     |
|      | 1671228     | Ref             | HOOD ASSEMBLY (TANK SIDE)   | A   |
| 101  | 1671231     | 1               | Hood                        |     |
| 102  | 1671232     | 1               | Frame, Tubular              |     |
| 103  | 2940088     | 2               | Latch                       |     |
| 104  | 0721008     | 4               | Screw, #10 x 1              |     |
| 105  | 4751000     | 4               | Washer #10                  |     |
| 106  | 3311001     | 4               | Nut #10                     |     |
| 107  | 2600233     | 1               | Hinge                       |     |
| 108  | 1321384     | 4               | Hold Down                   |     |
| 109  | 0641606     | 9               | Bolt 3/8 x 3/4              |     |
| 110  | 4711600     | 9               | Washer 3/8                  |     |
| 111  | 3960464     | 83 in<br>/2.11m | Seal                        |     |
| 112  | 3960438     | 55 in/1.4m      | Seal                        |     |
| 113  | 3960462     | 53 in<br>/1.35m | Seal                        |     |
|      | 1001099138  | Ref             | HOOD ASSEMBLY (ENGINE SIDE) | B   |
| 201  | 0641606     | 4               | Bolt 3/8 x 3/4              |     |
| 202  | 2820233     | 1               | Insulation, Rear Sound      |     |
| 203  | 0641608     | 6               | Insulation, Center Sound    |     |
| 204  | 2820235     | 1               | Insulation, Rear Sound      |     |
| 205  | 3311605     | 2               | Nut 3/8                     |     |
| 206  | 3900232     | 2               | Screw 3/8 x 1-1/4           |     |
| 207  | 1001101623  | 1               | Shield, Heat Gasket         |     |
| 208  | 4740500     | 2               | Washer                      |     |
| 209  | 4751600     | 14              | Washer 3/8                  |     |
| 210  | 1001099121  | 1               | Exhaust Tube Weldment       |     |
| 211  | 2940088     | 1               | Latch                       |     |
| 212  | 1671230     | 1               | Frame, Tubular              |     |
| 213  | 2600209     | 1               | Hinge                       |     |
| 214  | 0721008     | 2               | Screw, #10 x 1              |     |
| 215  | 4751000     | 2               | Washer #10                  |     |
| 216  | 3311001     | 2               | Nut #10                     |     |
| 217  | 2820234     | AR              | Insulation                  |     |
| 218  | 1321384     | 4               | Hold Down                   |     |
| 219  | 3960462     | 61 in<br>/1.55m | Seal                        |     |
| 220  | 3960464     | 65 in<br>/1.67m | Seal                        |     |
| 221  | 1001101673  | AR              | Insulation                  |     |



# SECTION 2 - TURNTABLE

## FIGURE 2-51. HOODS INSTALLATION - ABS (DEUTZ TD2.9L4 ENGINES AND DEUTZ TD2.9L4 (STAGE V PRE-BUY) ENGINES)



ART\_1001143609

## SECTION 2 - TURNTABLE

**FIGURE 2-51. HOODS INSTALLATION - ABS (DEUTZ TD2.9L4 ENGINES AND DEUTZ TD2.9L4 (STAGE V PRE-BUY) ENGINES)**

| ITEM | PART NUMBER | QTY       | DESCRIPTION   | REV |
|------|-------------|-----------|---|-----|
|      | 1001143609  | Ref       | HOODS INSTALLATION  | F   |
| 1    | 0100011     | AR        | Compound, Locking   |     |
| 2    | 0362770     | 1         | Bar, Panel Mounting   |     |
| 3    | 0811812     | 8         | Bolt  |     |
| 4    | 0641406     | 4         | Bolt 1/4 x 3/4  |     |
| 5    | 0641508     | AR        | Bolt 5/16 x 1   |     |
| 6    | 0641608     | 22        | Bolt 3/8 x 1  |     |
| 7    | 0641609     | 5         | Bolt 3/8 x 1-1/8  |     |
| 8    | 0721006     | 6         | Screw #10 x 3/4   |     |
| 9    | 0902143     | 1         | Bracket, Latch (Tank Side)  |     |
| 10   | 0902161     | 1         | Bracket, Hood Spacer Mounting (Engine Side)                               |     |
| 11   | 0902219     | 2         | Bracket, Bumper   |     |
| 12   | 0902223     | 1         | Bracket, Latch (Tank Side)  |     |
| 13   | 1001207558  | 1         | Bracket, Hood Mounting (Engine Side)                                      |     |
| 14   | 0902412     | 1         | Bracket, Hood Mounting (Tank Side)  |     |
| 15   | 0902426     | 1         | Bracket, Bumper - Counterweight Mounted                                   |     |
| 16   | 0902491     | 1         | Bracket, Latch (Engine Side)  |     |
| 17   | 0940071     | 2         | Bumper  |     |
| 18   | 1670842     | 1         | Cover, Turntable End  |     |
| 19   | 1671228     | 1         | Hood Assembly - Tank Side (See Items 101-113 for Breakdown)               |     |
| 19   |             | Ref       | Note: Replacement Decals Must be Ordered Separately - See DECALS Section. |     |
| 21   | 1001143607  | 1         | Hood Assembly - Engine Side (See Items 201-223 for Breakdown)             |     |
| 21   |             | Ref       | Note: Replacement Decals Must be Ordered Separately - See DECAL Section.  |     |
| 22   | 2600244     | 1         | Adapter, Panel Hinge  |     |
| 23   | 3311001     | 6         | Nut #10   |     |
| 24   | 3311405     | 4         | Nut 1/4   |     |
| 25   | 3311505     | 9         | Nut 5/16  |     |
| 26   | 3311601     | AR        | Nut 3/8   |     |
| 27   | 3311605     | 7         | Nut 3/8   |     |
| 28   | 1001150260  | 4         | Plate, Hinge Block  |     |
| 29   | 1001290021  | 1         | Cover, Top (Tank Side)  |     |
| 30   | 3380444     | 1         | Panel, Adapter  |     |
| 31   | 1001143858  | 1         | Plate, Seal (Deutz TD2.9L4 and Deutz TD2.9L4 (Stage V Pre-Buy) Engines)   |     |
| 32   | 0940049     | 1         | Stopper, Hood   |     |
| 33   | 3900232     | 2         | Screw 3/8 x 1-1/4   |     |
| 34   | 3960389     | 3.5 ft/1m | Seal  |     |
| 35   | 3960470     | 1         | Seal, Latch   |     |
| 36   | 4070410     | AR        | Shim 1/16   |     |
| 37   | 4070411     | AR        | Shim 1/8  |     |
| 38   | 4070412     | AR        | Shim 3/16   |     |
| 39   | 4160139     | 2         | Spring, Gas (Tank Side)   |     |
| 40   | 4160143     | 1         | Spring, Gas (Engine Side)   |     |
| 41   | 4740076     | 5         | Washer, Fender  |     |
| 43   | 4751000     | 6         | Washer #10  |     |
| 44   | 4751400     | 4         | Washer 1/4  |     |
| 45   | 4751500     | AR        | Washer 5/16   |     |

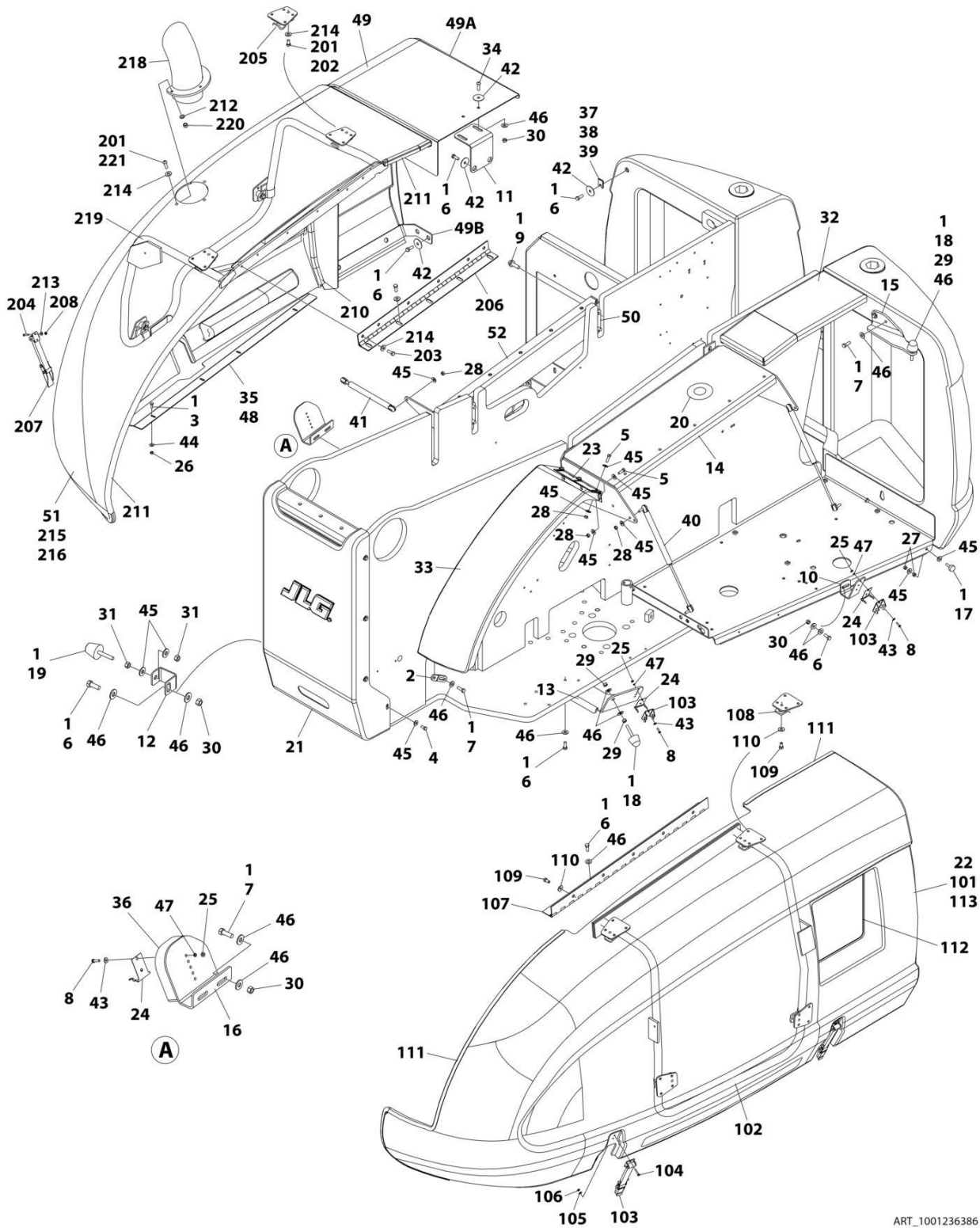
## SECTION 2 - TURNTABLE

| ITEM | PART NUMBER | QTY             | DESCRIPTION                 | REV |
|------|-------------|-----------------|-----------------------------|-----|
| 46   | 4751600     | AR              | Washer 3/8                  |     |
| 47   | 4761000     | 6               | Washer #10                  |     |
| 48   | 3311501     | 2               | Nut 5/16                    |     |
| 49   | 3321501     | AR              | Nut 5/16                    |     |
| 50   | 1120601     | 1               | Plug                        |     |
| 51   | 2940188     | 3               | Latch                       |     |
| 52   | 0940088     | 2               | Stopper                     |     |
| 53   | 1001149673  | 1               | Spacer                      |     |
| 54   | 0641506     | 8               | Screw 5/16 x 3/4            |     |
|      | 1671228     | Ref             | HOOD ASSEMBLY (TANK SIDE)   | A   |
| 101  | 1671231     | 1               | Hood                        |     |
| 102  | 1671232     | 1               | Frame, Tubular              |     |
| 103  | 2940088     | 2               | Latch                       |     |
| 104  | 0721008     | 4               | Screw, Machine #10 x 1      |     |
| 105  | 4751000     | 4               | Washer #10                  |     |
| 106  | 3311001     | 4               | Nut #10                     |     |
| 107  | 2600233     | 1               | Hinge                       |     |
| 108  | 1321384     | 4               | Hold Down                   |     |
| 109  | 0641606     | 9               | Bolt 3/8 x 3/4              |     |
| 110  | 4711600     | 9               | Washer 3/8                  |     |
| 111  | 3960464     | 83 in<br>/2.11m | Seal                        |     |
| 112  | 3960438     | 55 in/1.4m      | Seal                        |     |
| 113  | 3960462     | 53 in<br>/1.35m | Seal                        |     |
|      | 1001143607  | Ref             | HOOD ASSEMBLY (ENGINE SIDE) | G   |
| 201  | 0641606     | 4               | Bolt 3/8 x 3/4              |     |
| 202  | 0641608     | 6               | Bolt 3/8 x 1                |     |
| 203  | 0721008     | 2               | Screw #10 x 1               |     |
| 204  | 1321384     | 4               | Hold Down                   |     |
| 205  | 1001153435  | 1               | Frame, Tubular              |     |
| 206  | 2600209     | 1               | Hinge                       |     |
| 210  | 2940088     | 1               | Latch                       |     |
| 211  | 3311001     | 2               | Nut #10                     |     |
| 212  | 3900316     | 3               | Bolt 3/8 x 1                |     |
| 212  | 88261039    | 3               | Bolt 3/8 x 2                |     |
| 213  | 3960462     | 61 in<br>/1.55m | Seal                        |     |
| 214  | 3960464     | 65 in<br>/1.67m | Seal                        |     |
| 215  | 4740500     | 3               | Washer                      |     |
| 216  | 4751000     | 2               | Washer #10                  |     |
| 217  | 4751600     | 16              | Washer 3/8                  |     |
| 220  | 1001143611  | 1               | Pipe, Exhaust               |     |
| 221  | 1001152566  | AR              | Insulate, Heat              |     |
| 222  | 1001117140  | AR              | Tape                        |     |
| 223  | 3311605     | 3               | Nut 3/8                     |     |



# SECTION 2 - TURNTABLE

## FIGURE 2-52. HOODS INSTALLATION - ABS (DEUTZ TD2.9L4 (STAGE V) ENGINES)



ART\_1001236386



## SECTION 2 - TURNTABLE

**FIGURE 2-52. HOODS INSTALLATION - ABS (DEUTZ TD2.9L4 (STAGE V) ENGINES)**

| ITEM | PART NUMBER | QTY       | DESCRIPTION  | REV |
|------|-------------|-----------|--|-----|
|      | 1001236386  | Ref       | HOODS INSTALLATION   | C   |
| 1    | 0100011     | AR        | Compound, Locking  |     |
| 2    | 0362770     | 1         | Bar, Panel Mounting  |     |
| 3    | 0641406     | 4         | Bolt 1/4 x 3/4   |     |
| 4    | 0641506     | 8         | Bolt 5/16 x 3/4  |     |
| 5    | 0641508     | 6         | Bolt 5/16 x 1  |     |
| 6    | 0641608     | 21        | Bolt 3/8 x 1   |     |
| 7    | 0641609     | 5         | Bolt 3/8 x 1-1/8   |     |
| 8    | 0721006     | 6         | Screw #10 x 3/4  |     |
| 9    | 0811812     | 8         | Bolt   |     |
| 10   | 0902143     | 1         | Bracket, Latch (Tank Side)   |     |
| 11   | 0902161     | 1         | Bracket, Hood Spacer Mounting (Engine Side)                                  |     |
| 12   | 0902219     | 1         | Bracket, Bumper  |     |
| 13   | 0902223     | 1         | Bracket, Latch (Tank Side)   |     |
| 14   | 0902412     | 1         | Bracket, Hood Mounting (Tank Side)   |     |
| 15   | 0902426     | 1         | Bracket, Bumper - Counterweight Mounted                                      |     |
| 16   | 0902491     | 1         | Bracket, Latch (Engine Side)   |     |
| 17   | 0940049     | 1         | Stopper, Hood  |     |
| 18   | 0940071     | 2         | Bumper   |     |
| 19   | 0940088     | 2         | Stopper  |     |
| 20   | 1120601     | 1         | Plug   |     |
| 21   | 1670842     | 1         | Cover, Turntable End   |     |
| 22   | 1671228     | 1         | Hood Assembly - Tank Side (See Items 101-113 for Breakdown)                  |     |
| 22   |             | Ref       | Note: Replacement Decals Must be Ordered Separately - See<br>DECALS SECTION. |     |
| 23   | 2600244     | 1         | Adapter, Panel Hinge   |     |
| 24   | 2940188     | 3         | Latch  |     |
| 25   | 3311001     | 6         | Nut #10  |     |
| 26   | 3311405     | 4         | Nut 1/4  |     |
| 27   | 3311501     | 2         | Nut 5/16   |     |
| 28   | 3311505     | 9         | Nut 5/16   |     |
| 29   | 3311601     | 4         | Nut 3/8  |     |
| 30   | 3311605     | 6         | Nut 3/8  |     |
| 31   | 3321501     | 4         | Nut 5/16   |     |
| 32   | 1001290021  | 1         | Cover, Top (Tank Side)   |     |
| 33   | 3380444     | 1         | Panel, Adapter   |     |
| 34   | 3900232     | 2         | Screw 3/8 x 1-1/4  |     |
| 35   | 3960389     | 3.5 ft/1m | Seal   |     |
| 36   | 3960470     | 1         | Seal, Latch  |     |
| 37   | 4070410     | AR        | Shim 1/16  |     |
| 38   | 4070411     | AR        | Shim 1/8   |     |
| 39   | 4070412     | AR        | Shim 3/16  |     |
| 40   | 4160139     | 2         | Spring, Gas (Tank Side)  |     |
| 41   | 4160143     | 1         | Spring, Gas (Engine Side)  |     |
| 42   | 4740076     | 7         | Washer, Fender   |     |
| 43   | 4751000     | 6         | Washer #10   |     |
| 44   | 4751400     | 4         | Washer 1/4   |     |
| 45   | 4751500     | 29        | Washer 5/16  |     |
| 46   | 4751600     | 31        | Washer 3/8   |     |
| 47   | 4761000     | 6         | Washer #10   |     |

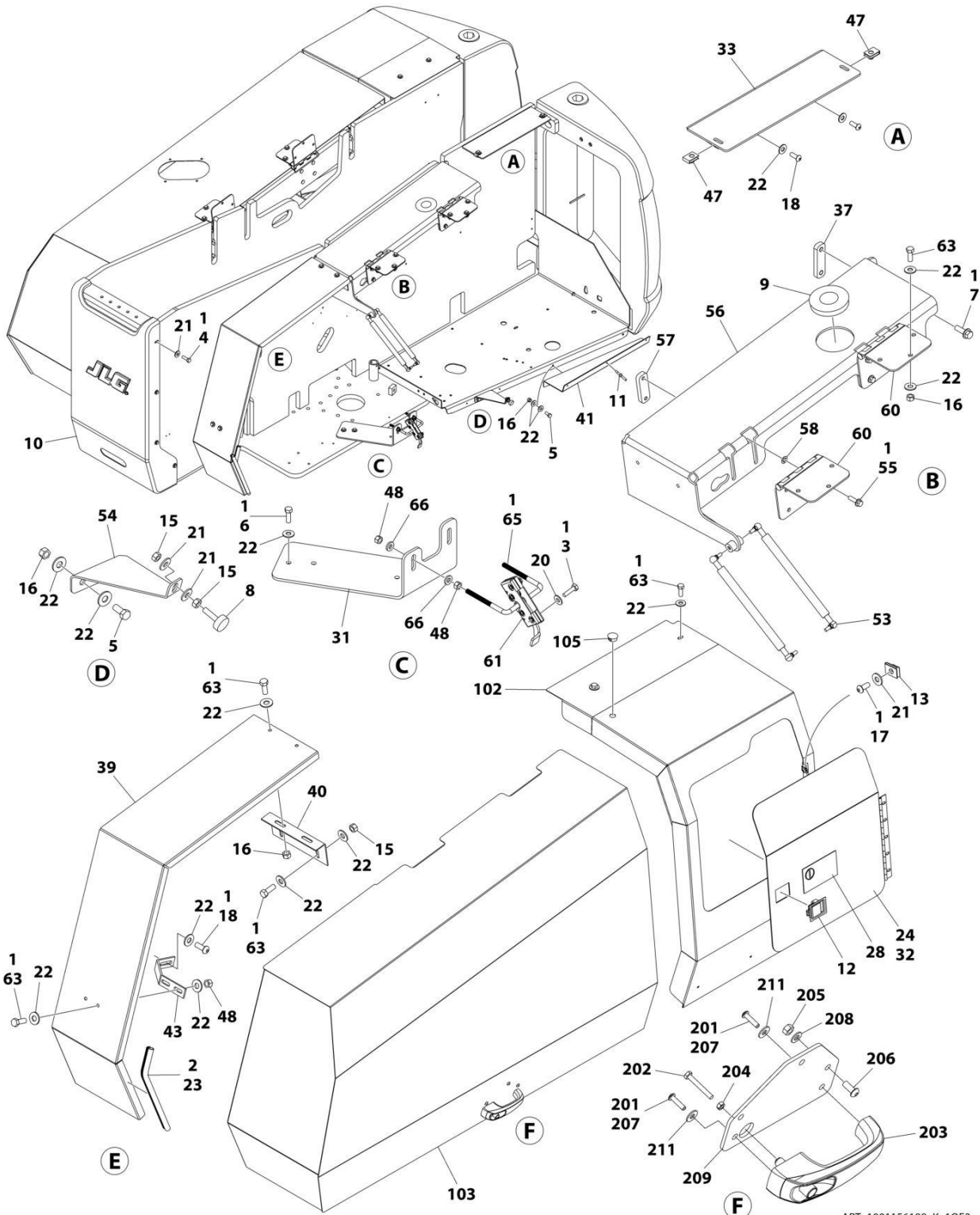
## SECTION 2 - TURNTABLE

| ITEM | PART NUMBER | QTY             | DESCRIPTION  | REV |
|------|-------------|-----------------|--|-----|
| 48   | 1001143858  | 1               | Plate, Seal (Deutz TD2.9L4 and Deutz TD2.9L4 (Stage V Pre-Buy) Engines)  |     |
| 49   | 1001149673  | 1               | Spacer   |     |
| 50   | 1001150260  | 4               | Plate, Hinge Block   |     |
| 51   | 1001236387  | 1               | Hood Assembly - Engine Side (See Items 201-221 for Breakdown)            |     |
| 51   |             | Ref             | Note: Replacement Decals Must be Ordered Separately - See DECAL SECTION. |     |
| 52   | 1001207558  | 1               | Bracket, Hood Mounting (Engine Side)                                     |     |
|      | 1671228     | Ref             | HOOD ASSEMBLY (TANK SIDE)  | A   |
| 101  | 1671231     | 1               | Hood   |     |
| 102  | 1671232     | 1               | Frame, Tubular   |     |
| 103  | 2940088     | 2               | Latch  |     |
| 104  | 0721008     | 4               | Screw, Machine #10 x 1   |     |
| 105  | 4751000     | 4               | Washer #10   |     |
| 106  | 3311001     | 4               | Nut #10  |     |
| 107  | 2600233     | 1               | Hinge  |     |
| 108  | 1321384     | 4               | Hold Down  |     |
| 109  | 0641606     | 9               | Bolt 3/8 x 3/4   |     |
| 110  | 4711600     | 9               | Washer 3/8   |     |
| 111  | 3960464     | 83 in<br>/2.11m | Seal   |     |
| 112  | 3960438     | 55 in/1.4m      | Seal   |     |
| 113  | 3960462     | 53 in<br>/1.35m | Seal   |     |
|      | 1001236387  | Ref             | HOOD ASSEMBLY (ENGINE SIDE)  | C   |
| 201  | 0100011     | AR              | Compound, Locking  |     |
| 202  | 0641606     | 4               | Bolt 3/8 x 3/4   |     |
| 203  | 0641608     | 6               | Bolt 3/8 x 1   |     |
| 204  | 0721008     | 2               | Screw #10 x 1  |     |
| 205  | 1321384     | 4               | Hold Down  |     |
| 206  | 2600209     | 1               | Hinge  |     |
| 207  | 2940088     | 1               | Latch  |     |
| 208  | 3311001     | 2               | Nut #10  |     |
| 210  | 3960462     | 61 in<br>/1.55m | Seal   |     |
| 211  | 3960464     | 65<br>in/1.67m  | Seal   |     |
| 212  | 4740500     | 3               | Washer   |     |
| 213  | 4751000     | 2               | Washer #10   |     |
| 214  | 4751600     | 16              | Washer 3/8   |     |
| 215  | 1001117140  | AR              | Tape   |     |
| 216  | 1001270099  | AR              | Insulate, Heat   |     |
| 218  | 1001236389  | 1               | Pipe, Exhaust  |     |
| 219  | 1001236871  | 1               | Frame, Tubular   |     |
| 220  | 3271601     | 1               | Nut 3/8  |     |
| 221  | 3900232     | 3               | Screw 3/8 x 1-1/4  |     |



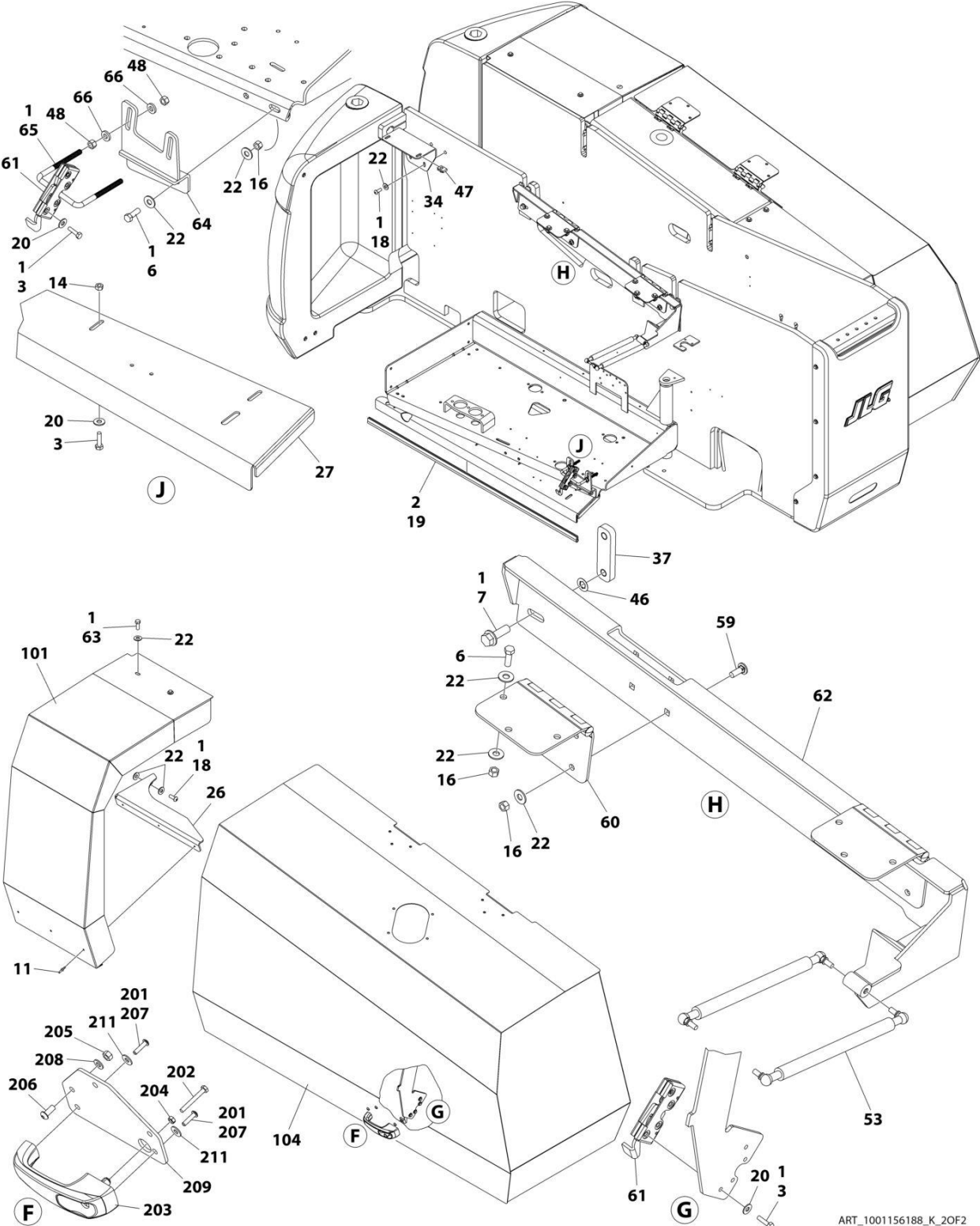
# SECTION 2 - TURNTABLE

## FIGURE 2-53. HOODS INSTALLATION - STEEL (DEUTZ D2011 ENGINES)



ART\_1001156188\_K\_10F2

# SECTION 2 - TURNTABLE



ART\_1001156188\_K\_20F2

## SECTION 2 - TURNTABLE

FIGURE 2-53. HOODS INSTALLATION - STEEL (DEUTZ D2011 ENGINES)

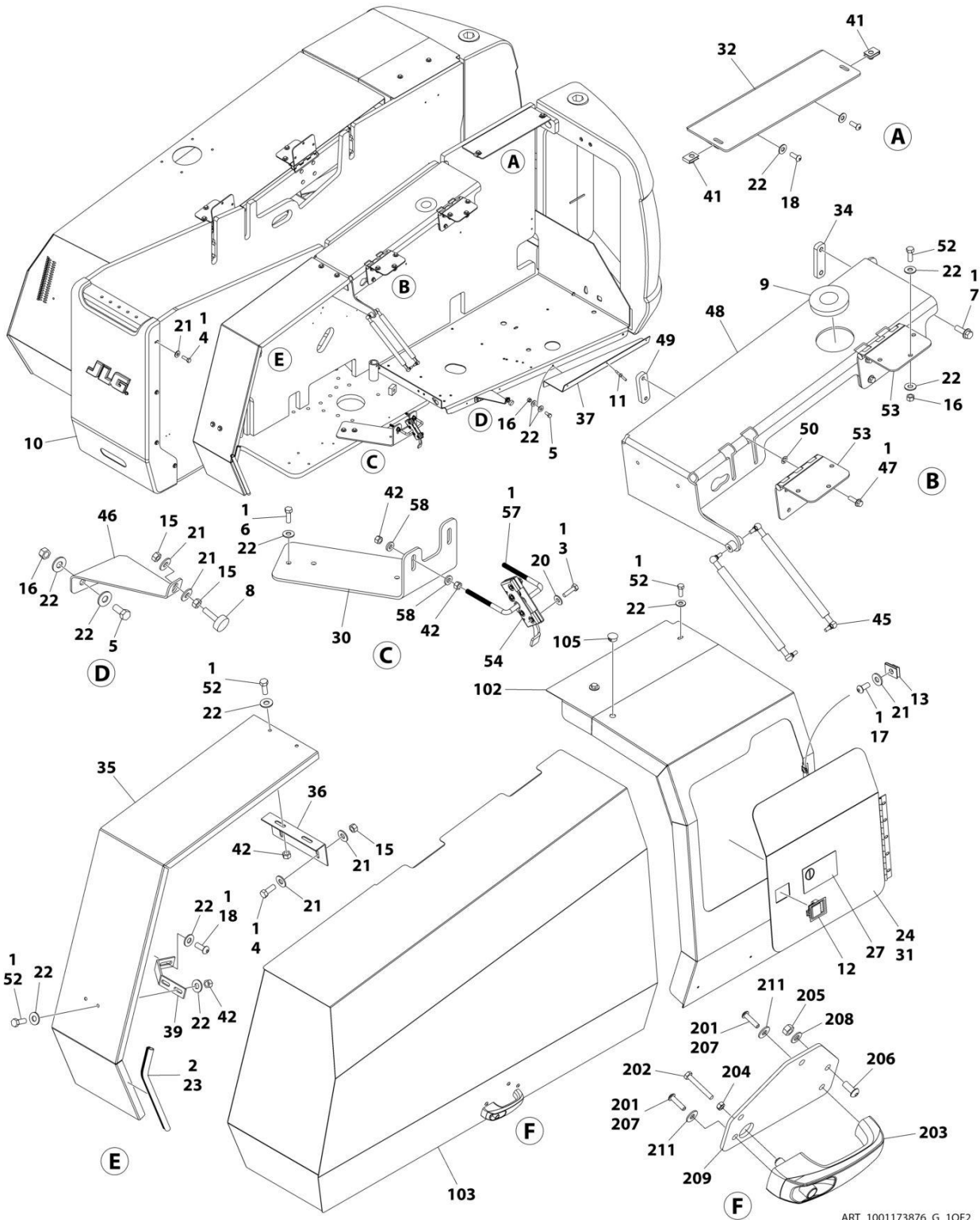
| ITEM | PART NUMBER | QTY             | DESCRIPTION   | REV |
|------|-------------|-----------------|---|-----|
|      |             | Ref             | NOTE: REPLACEMENT DECALS MUST BE PURCHASED SEPARATELY - SEE DECALS SECTION. |     |
|      | 1001156188  | Ref             | HOODS INSTALLATION  | K   |
| 1    | 0100011     | AR              | Compound, Locking   |     |
| 2    | 0100081     | AR              | Adhesive  |     |
| 3    | 0641408     | 12              | Bolt 1/4 x 1  |     |
| 4    | 0641508     | 8               | Bolt 5/16 x 1   |     |
| 5    | 0641607     | 4               | Bolt 3/8 x 7/8  |     |
| 6    | 0641609     | 10              | Bolt 3/8 x 1-1/8  |     |
| 7    | 0811812     | 8               | Bolt 1/2 x 2-1/4  |     |
| 8    | 0940049     | 1               | Stopper, Hood   |     |
| 9    | 1120601     | 1               | Plug  |     |
| 10   | 1670842     | 1               | Cover, Turntable End  |     |
| 11   | 2080040     | 6               | Fastener  |     |
| 12   | 2940045     | 1               | Latch, Paddle   |     |
| 13   | 3300364     | 3               | Nut, Tinnerman 5/16   |     |
| 14   | 3311405     | 4               | Nut 1/4   |     |
| 15   | 3311501     | 2               | Nut 5/16  |     |
| 16   | 3311605     | 30              | Nut 3/8   |     |
| 17   | 3900210     | 3               | Screw 5/16 x 3/4  |     |
| 18   | 3900316     | 7               | Screw 3/8 x 1   |     |
| 19   | 3960389     | 4.2 ft<br>/1.3m | Seal  |     |
| 20   | 4751400     | 12              | Washer 1/4  |     |
| 21   | 4751500     | 13              | Washer 5/16   |     |
| 22   | 4751600     | 69              | Washer 3/8  |     |
| 23   | 1001110166  | 59 in/1.5m      | Seal  |     |
| 24   | 1001113047  | 6.5 ft/2m       | Seal  |     |
| 26   | 1001117234  | 1               | Bracket   |     |
| 27   | 1001117249  | 1               | Plate   |     |
| 28   | 1001117307  | 1               | Decal - Emergency Stop  |     |
| 31   | 1001250293  | 1               | Bracket, Striker  |     |
| 32   | 1001117598  | 1               | Door  |     |
| 33   | 1001158175  | 1               | Bracket, Hood Mounting  |     |
| 34   | 1001157867  | 1               | Bracket, Hood Mounting  |     |
| 37   | 1001150260  | 4               | Plate, Hinge  |     |
| 39   | 1001155899  | 1               | Plate, Spacer   |     |
| 40   | 1001157612  | 1               | Bracket, Hood Support   |     |
| 41   | 1001157726  | 1               | Bracket, Hood Support   |     |
| 43   | 1001158077  | 1               | Bracket, Spacer Panel   |     |
| 46   | 2080072     | 4               | Retainer, Bolt  |     |
| 47   | 88662523    | 4               | Nut, Tinnerman  |     |
| 48   | 3311601     | 10              | Nut 3/8   |     |
| 53   | 4160194     | 4               | Spring, Gas   |     |
| 54   | 1001161089  | 1               | Bracket, Bumper   |     |
| 55   | 0811610     | 8               | Screw 3/8 x 1-1/4   |     |
| 56   | 1001155895  | 1               | Mount, Hood   |     |
| 57   | 1001186251  | 4               | Plate, Hinge  |     |
| 58   | 8310070     | 8               | Nut 3/8   |     |
| 59   | 0630485     | 8               | Bolt 3/8 x 1  |     |

## SECTION 2 - TURNTABLE

| ITEM | PART NUMBER | QTY | DESCRIPTION  | REV |
|------|-------------|-----|--|-----|
| 60   | 1001186254  | 4   | Hinge  |     |
| 61   | 2940173     | 2   | Latch, Rotary  |     |
| 62   | 1001196768  | 1   | Mount, Hood  |     |
| 63   | 0641608     | 16  | Screw 3/8 x 1  |     |
| 64   | 1001250292  | 1   | Bracket  |     |
| 65   | 1001243414  | 2   | Bolt 3/8   |     |
| 66   | 4891600     | 8   | Washer 3/8   |     |
| 100  | 1001174408  | 1   | Kit, Hood (Includes Items 101-104)   |     |
| 101  | 1001117219  | 1   | Hood, Fixed Engine Side  |     |
| 102  | 1001120962  | 1   | Hood, Fixed Tank Side  |     |
| 103  | 1001157209  | 1   | Hood Assembly - Tank Side (Includes Items 201-211)   |     |
| 104  | 1001157208  | 1   | Hood Assembly - Engine Side (Includes Items 201-211) (Note: Heat Shield must be transferred from original hood or replaced before putting machine back in service) |     |
| 105  | 3250030     | 1   | Plug   |     |
|      | 1001157208  | Ref | HOOD ASSEMBLY - ENGINE SIDE  | D   |
| 201  | 0100011     | AR  | Compound, Locking  |     |
| 202  | 0700618     | 1   | Bolt M6 x 50   |     |
| 203  | 2560187     | 1   | Handle, Push Button  |     |
| 204  | 3290601     | 1   | Nut M6   |     |
| 205  | 3311505     | 3   | Nut 5/16   |     |
| 206  | 3900210     | 3   | Screw 5/16 x 3/4   |     |
| 207  | 3900363     | 2   | Screw M6 x 25  |     |
| 208  | 4711500     | 3   | Washer 5/16  |     |
| 209  | 1001116290  | 1   | Plate, Latch Mounting  |     |
| 211  | 4751400     | 2   | Washer 1/4   |     |

# SECTION 2 - TURNTABLE

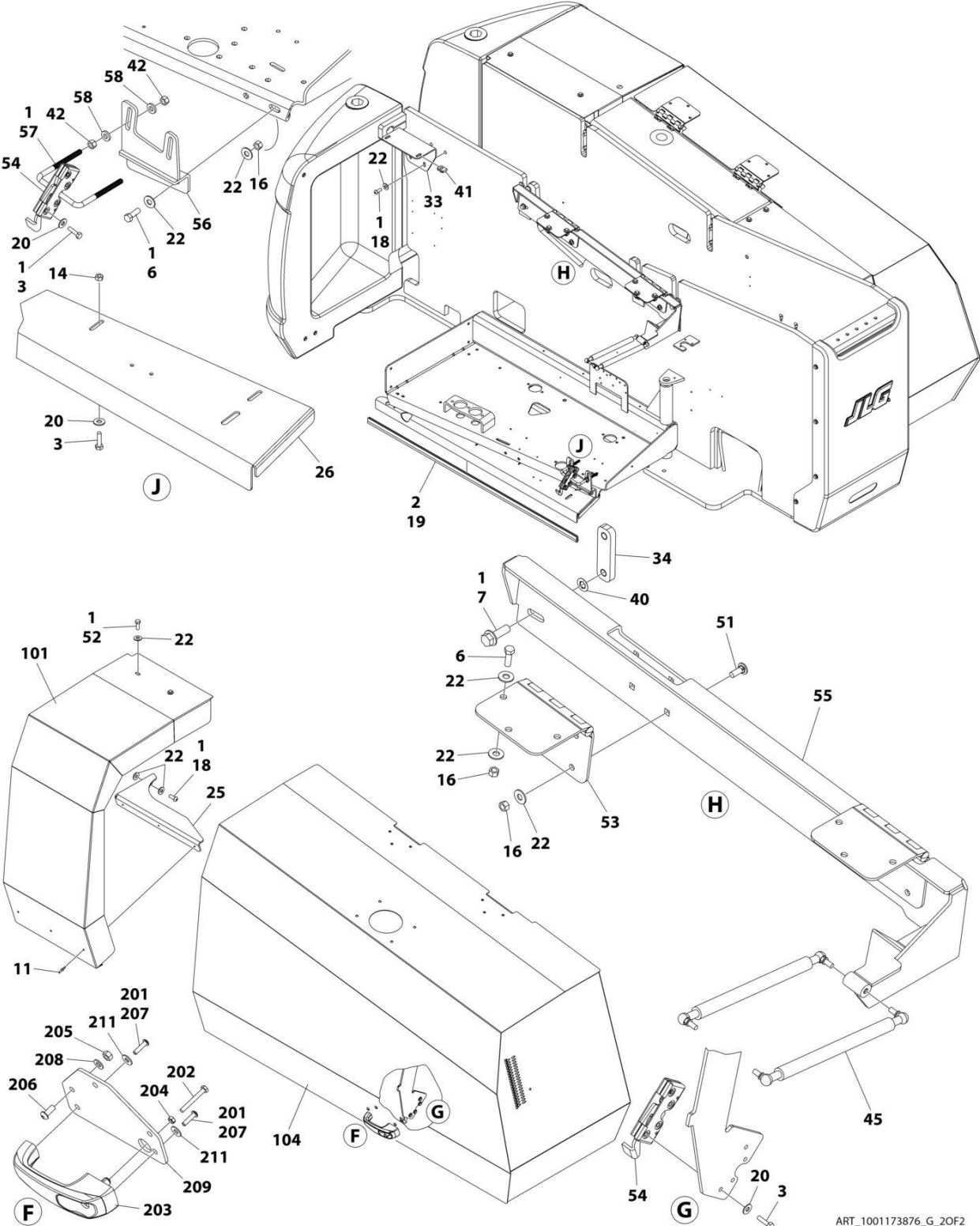
## FIGURE 2-54. HOODS INSTALLATION - STEEL (DEUTZ TD2.9L4 ENGINES)



ART\_1001173876\_G\_10F2



# SECTION 2 - TURNTABLE



ART\_1001173876\_G\_20F2

## SECTION 2 - TURNTABLE

FIGURE 2-54. HOODS INSTALLATION - STEEL (DEUTZ TD2.9L4 ENGINES)

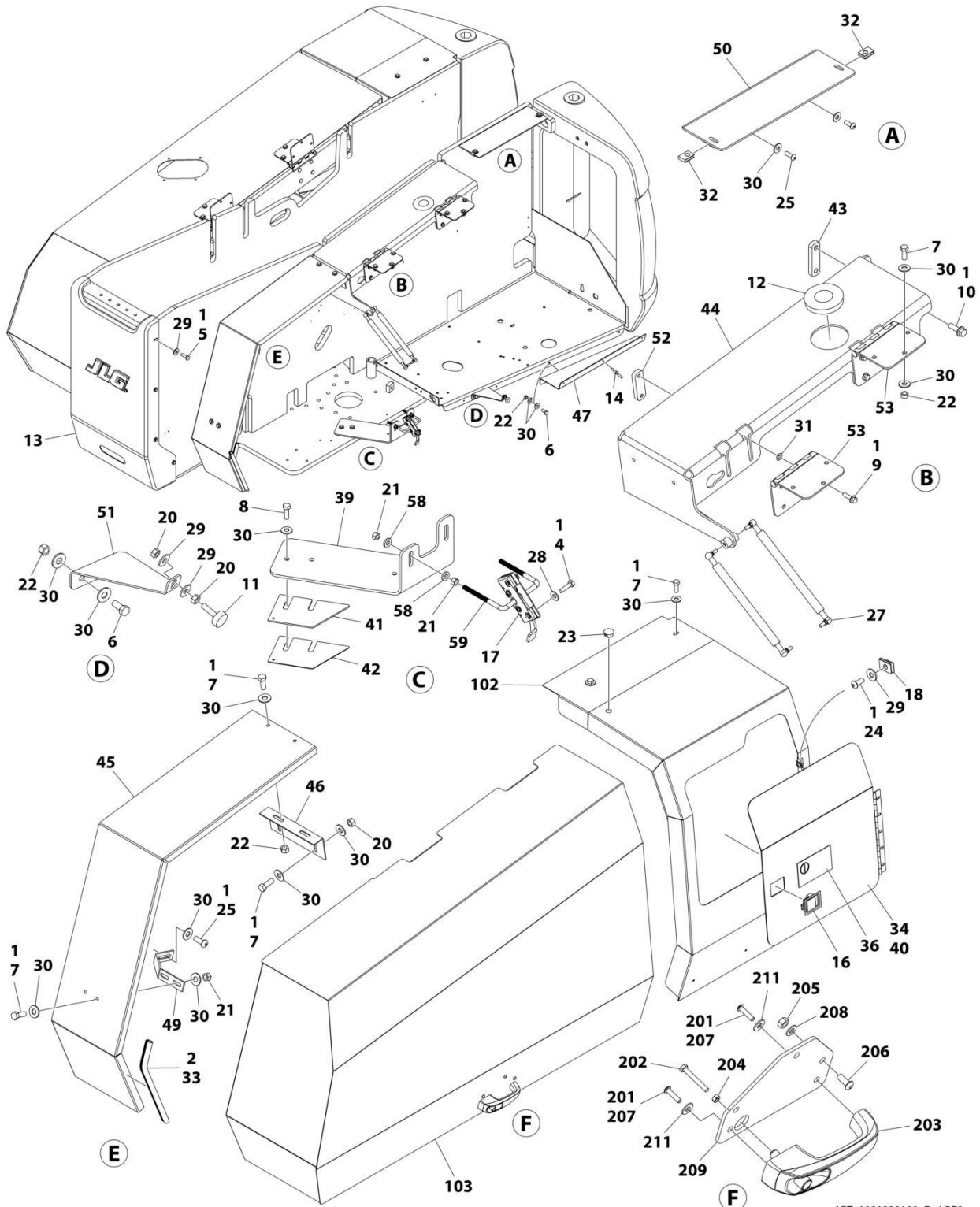
| ITEM | PART NUMBER | QTY             | DESCRIPTION   | REV |
|------|-------------|-----------------|---|-----|
|      |             | Ref             | NOTE: REPLACEMENT DECALS MUST BE PURCHASED SEPARATELY - SEE DECALS SECTION. |     |
|      | 1001173876  | Ref             | HOODS INSTALLATION (DEUTZ TD2.9L4 ENGINES MACHINES)                         | G   |
| 1    | 0100011     | AR              | Compound, Locking   |     |
| 2    | 0100081     | AR              | Adhesive  |     |
| 3    | 0641408     | 12              | Bolt 1/4 x 1  |     |
| 4    | 0641508     | 10              | Bolt 5/16 x 1   |     |
| 5    | 0641607     | 2               | Bolt 3/8 x 7/8  |     |
| 6    | 0641609     | 10              | Bolt 3/8 x 1-1/8  |     |
| 7    | 0811812     | 8               | Bolt 1/2 x 2-1/4  |     |
| 8    | 0940049     | 1               | Stopper, Hood   |     |
| 9    | 1120601     | 1               | Plug  |     |
| 10   | 1670842     | 1               | Cover, Turntable End  |     |
| 11   | 2080040     | 6               | Fastener  |     |
| 12   | 2940045     | 1               | Latch, Paddle   |     |
| 13   | 3300364     | 3               | Nut, Tinnerman 5/16   |     |
| 14   | 3311405     | 4               | Nut 1/4   |     |
| 15   | 3311501     | 4               | Nut 5/16  |     |
| 16   | 3311605     | 24              | Nut 3/8   |     |
| 17   | 3900210     | 3               | Screw 5/16 x 3/4  |     |
| 18   | 3900316     | 7               | Screw 3/8 x 1   |     |
| 19   | 3960389     | 4.2 ft<br>/1.3m | Seal  |     |
| 20   | 4751400     | 12              | Washer 1/4  |     |
| 21   | 4751500     | 15              | Washer 5/16   |     |
| 22   | 4751600     | 57              | Washer 3/8  |     |
| 23   | 1001110166  | 59 in/1.5m      | Seal  |     |
| 24   | 1001113047  | 6.5 ft/2m       | Seal  |     |
| 25   | 1001117234  | 1               | Bracket   |     |
| 26   | 1001117249  | 1               | Plate   |     |
| 27   | 1001117307  | 1               | Decal - Emergency Stop  |     |
| 30   | 1001250293  | 1               | Bracket, Striker  |     |
| 31   | 1001117598  | 1               | Door  |     |
| 32   | 1001158175  | 1               | Bracket, Hood Mounting  |     |
| 33   | 1001157867  | 1               | Bracket, Hood Mounting  |     |
| 34   | 1001150260  | 4               | Plate, Hinge  |     |
| 35   | 1001155899  | 1               | Plate, Spacer   |     |
| 36   | 1001157612  | 1               | Bracket, Hood Support   |     |
| 37   | 1001157726  | 1               | Bracket, Hood Support   |     |
| 39   | 1001158077  | 1               | Bracket, Spacer Panel   |     |
| 40   | 2080072     | 4               | Retainer, Bolt  |     |
| 41   | 88662523    | 4               | Nut, Tinnerman  |     |
| 42   | 3311601     | 12              | Nut 3/8   |     |
| 45   | 4160194     | 4               | Spring, Gas   |     |
| 46   | 1001161089  | 1               | Bracket, Bumper   |     |
| 47   | 0811610     | 8               | Screw 3/8 x 1-1/4   |     |
| 48   | 1001155895  | 1               | Mount, Hood   |     |
| 49   | 1001186251  | 4               | Plate, Hinge  |     |
| 50   | 8310070     | 8               | Nut 3/8   |     |
| 51   | 0630485     | 8               | Bolt 3/8 x 1  |     |

## SECTION 2 - TURNTABLE

| ITEM | PART NUMBER | QTY | DESCRIPTION  | REV |
|------|-------------|-----|--|-----|
| 52   | 0641608     | 14  | Bolt 3/8 x 1   |     |
| 53   | 1001186254  | 4   | Hinge  |     |
| 54   | 2940173     | 2   | Latch, Rotary  |     |
| 55   | 1001196768  | 1   | Mount, Hood  |     |
| 56   | 1001250292  | 1   | Bracket  |     |
| 57   | 1001243414  | 2   | Bolt 3/8   |     |
| 58   | 4891600     | 8   | Washer 3/8   |     |
| 100  | 1001174277  | 1   | Kit, Hood (Includes Items 101-104)   |     |
| 101  | 1001117219  | 1   | Hood, Fixed Engine Side  |     |
| 102  | 1001120962  | 1   | Hood, Fixed Tank Side  |     |
| 103  | 1001157209  | 1   | Hood Assembly - Tank Side (Includes Items 201-211)   |     |
| 104  | 1001162915  | 1   | Hood Assembly - Engine Side (Includes Items 201-211) (Note: Heat Shield must be transferred from original hood or replaced before putting machine back in service) |     |
| 105  | 3250030     | 1   | Plug   |     |
|      | 1001162915  | Ref | HOOD ASSEMBLY - ENGINE SIDE  | C   |
| 201  | 0100011     | AR  | Compound, Locking  |     |
| 202  | 0700618     | 1   | Bolt M6 x 50   |     |
| 203  | 2560187     | 1   | Handle, Push Button  |     |
| 204  | 3290601     | 1   | Nut M6   |     |
| 205  | 3311505     | 3   | Nut 5/16   |     |
| 206  | 3900210     | 3   | Screw 5/16 x 3/4   |     |
| 207  | 3900363     | 2   | Screw M6 x 25  |     |
| 208  | 4711500     | 3   | Washer 5/16  |     |
| 209  | 1001116290  | 1   | Plate, Latch Mounting  |     |
| 211  | 4751400     | 2   | Washer 1/4   |     |

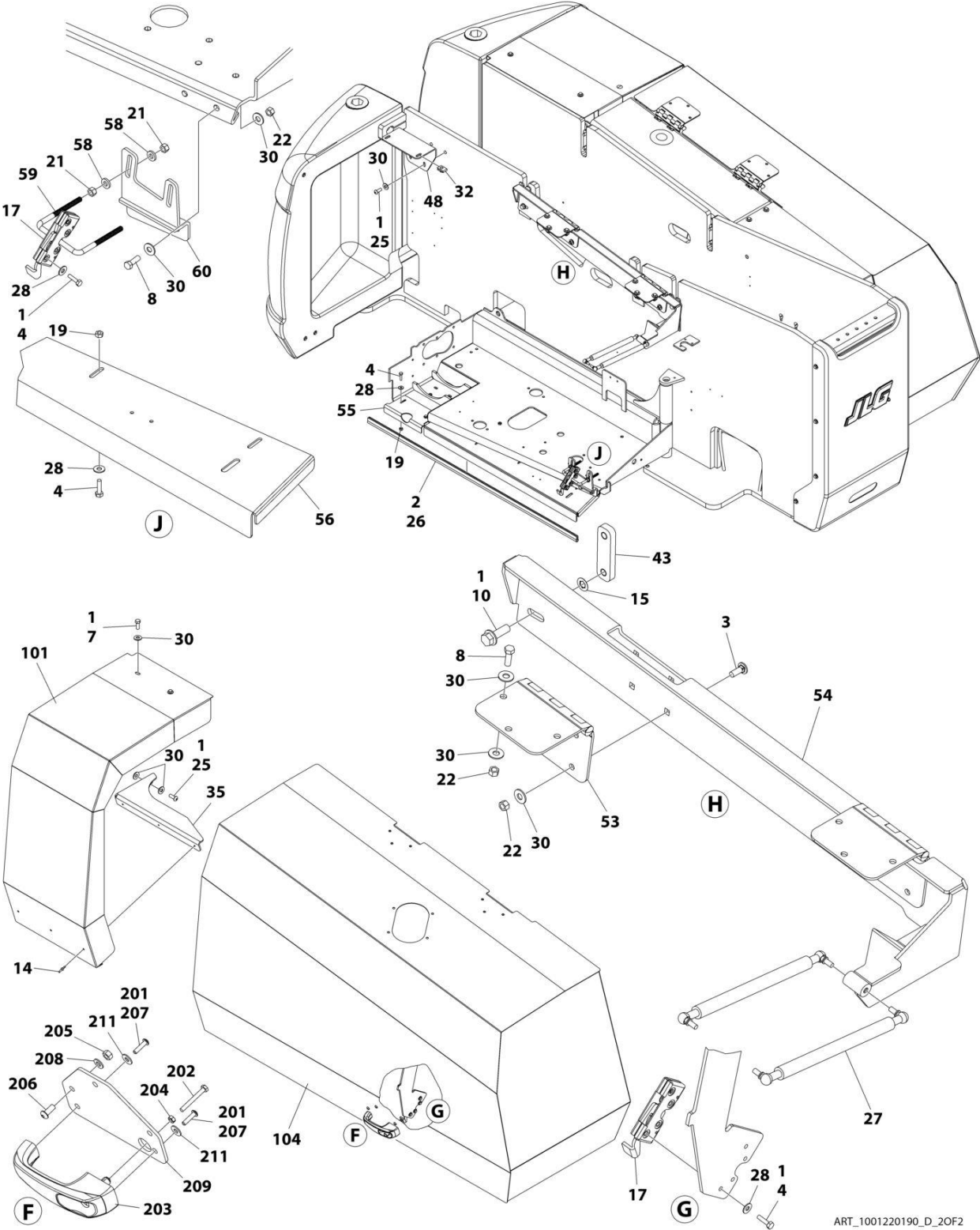
# SECTION 2 - TURNTABLE

## FIGURE 2-55. HOODS INSTALLATION - STEEL (FORD ENGINES)



ART\_1001220190\_D\_10F2

# SECTION 2 - TURNTABLE



ART\_1001220190\_D\_20F2

## SECTION 2 - TURNTABLE

**FIGURE 2-55. HOODS INSTALLATION - STEEL (FORD ENGINES)**

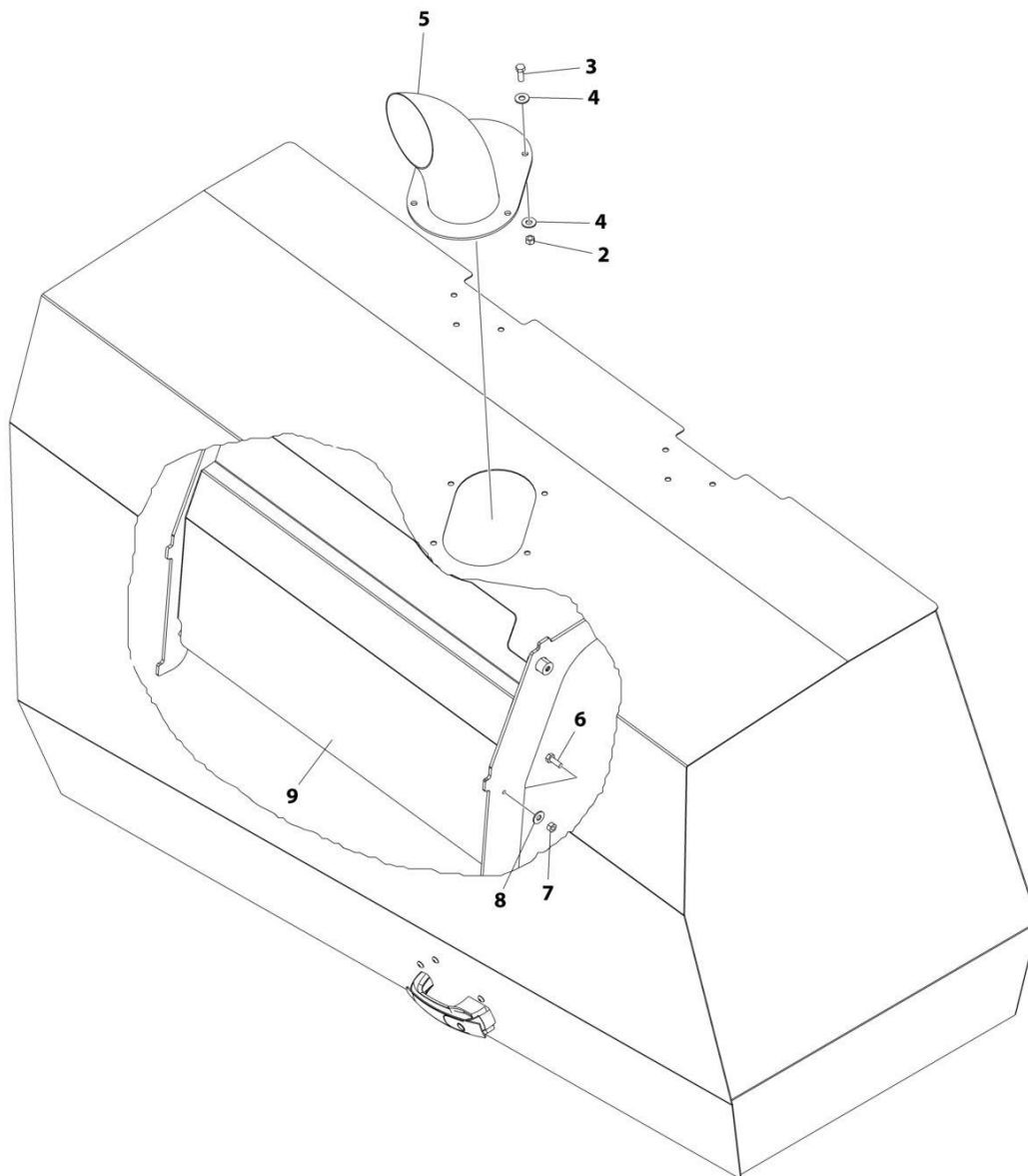
| ITEM | PART NUMBER | QTY             | DESCRIPTION   | REV |
|------|-------------|-----------------|---|-----|
|      |             | Ref             | NOTE: REPLACEMENT DECALS MUST BE PURCHASED SEPARATELY - SEE DECALS SECTION. |     |
|      | 1001220190  | Ref             | HOODS INSTALLATION (FORD ENGINES MACHINES)                                  | D   |
| 1    | 0100011     | AR              | Compound, Locking   |     |
| 2    | 0100081     | AR              | Adhesive  |     |
| 3    | 0630485     | 8               | Bolt 3/8 x 1  |     |
| 4    | 0641408     | 13              | Bolt 1/4 x 1  |     |
| 5    | 0641508     | 8               | Bolt 5/16 x 1   |     |
| 6    | 0641607     | 4               | Bolt 3/8 x 7/8  |     |
| 7    | 0641608     | 16              | Bolt 3/8 x 1  |     |
| 8    | 0641609     | 12              | Bolt 3/8 x 1-1/8  |     |
| 9    | 0811610     | 8               | Screw 3/8 x 1-1/4   |     |
| 10   | 0811812     | 8               | Bolt 1/2 x 2-1/4  |     |
| 11   | 0940049     | 1               | Stopper, Hood   |     |
| 12   | 1120601     | 1               | Plug  |     |
| 13   | 1670842     | 1               | Cover, Turntable End  |     |
| 14   | 2080040     | 6               | Fastener  |     |
| 15   | 2080072     | 4               | Retainer, Bolt  |     |
| 16   | 2940045     | 1               | Latch, Paddle   |     |
| 17   | 2940173     | 2               | Latch, Rotary   |     |
| 18   | 3300364     | 3               | Nut, Tinnerman 5/16   |     |
| 19   | 3311405     | 5               | Nut 1/4   |     |
| 20   | 3311501     | 2               | Nut 5/16  |     |
| 21   | 3311601     | 10              | Nut 3/8   |     |
| 22   | 3311605     | 30              | Nut 3/8   |     |
| 23   | 3520030     | 1               | Plug  |     |
| 24   | 3900210     | 3               | Screw 5/16 x 3/4i   |     |
| 25   | 3900316     | 7               | Screw 3/8 x 1   |     |
| 26   | 3960389     | 4.2 ft<br>/1.3m | Seal  |     |
| 27   | 4160194     | 4               | Spring, Gas   |     |
| 28   | 4751400     | 13              | Washer 1/4  |     |
| 29   | 4751500     | 13              | Washer 5/16   |     |
| 30   | 4751600     | 69              | Washer 3/8  |     |
| 31   | 8310070     | 8               | Nut 3/8   |     |
| 32   | 88662523    | 4               | Nut, Tinnerman  |     |
| 33   | 1001110166  | 59 in/1.5m      | Seal  |     |
| 34   | 1001113047  | 6.5 ft/2m       | Seal  |     |
| 35   | 1001117234  | 1               | Bracket   |     |
| 36   | 1001117307  | 1               | Decal - Emergency Stop  |     |
| 39   | 1001250293  | 1               | Bracket, Striker  |     |
| 40   | 1001117598  | 1               | Door  |     |
| 41   | 1001121122  | AR              | Shim 3  |     |
| 42   | 1001121123  | AR              | Shim 1.5  |     |
| 43   | 1001150260  | 4               | Plate, Hinge  |     |
| 44   | 1001155895  | 1               | Mount, Hood   |     |
| 45   | 1001155899  | 1               | Plate, Spacer   |     |
| 46   | 1001157612  | 1               | Bracket, Hood Support   |     |
| 47   | 1001157726  | 1               | Bracket, Hood Support   |     |
| 48   | 1001157867  | 1               | Bracket, Hood Mounting  |     |

## SECTION 2 - TURNTABLE

| ITEM | PART NUMBER | QTY | DESCRIPTION   | REV |
|------|-------------|-----|---|-----|
| 49   | 1001158077  | 1   | Bracket, Spacer Panel   |     |
| 50   | 1001158175  | 1   | Bracket, Hood Mounting  |     |
| 51   | 1001161089  | 1   | Bracket, Bumper   |     |
| 52   | 1001186251  | 4   | Plate, Hinge  |     |
| 53   | 1001186254  | 4   | Hinge   |     |
| 54   | 1001196768  | 1   | Mount, Hood   |     |
| 55   | 1001220002  | 1   | Plate   |     |
| 56   | 1001220067  | 1   | Plate   |     |
| 58   | 4891600     | 4   | Washer 3/8  |     |
| 59   | 1001243414  | 2   | Bolt 3/8  |     |
| 60   | 1001250292  | 1   | Bracket   |     |
| 100  | 1001174408  | 1   | Kit, Hood (Includes Items 101-104)  |     |
| 101  | 1001117219  | 1   | Hood, Fixed Engine Side   |     |
| 102  | 1001120962  | 1   | Hood, Fixed Tank Side   |     |
| 103  | 1001157209  | 1   | Hood Assembly - Tank Side (Includes Items 201-211)  |     |
| 104  | 1001157208  | 1   | Hood Assembly - Engine Side (Includes Items 201-211) (Note: Heat Shield item 309 must be transferred from original hood or replaced before putting machine back in service) |     |
|      | 1001157208  | Ref | HOOD ASSEMBLY- ENGINE SIDE  | D   |
| 201  | 0100011     | AR  | Compound, Locking   |     |
| 202  | 0700618     | 1   | Bolt M6 x 50  |     |
| 203  | 2560187     | 1   | Handle, Push Button   |     |
| 204  | 3290601     | 1   | Nut M6  |     |
| 205  | 3311505     | 3   | Nut 5/16  |     |
| 206  | 3900210     | 3   | Screw 5/16 x 3/4  |     |
| 207  | 3900363     | 2   | Screw M6 x 25   |     |
| 208  | 4711500     | 3   | Washer 5/16   |     |
| 209  | 1001116290  | 1   | Plate, Latch Mounting   |     |
| 211  | 4751400     | 2   | Washer 1/4  |     |

## SECTION 2 - TURNTABLE

FIGURE 2-56. EXHAUST COVER AND HEAT SHIELDS INSTALLATION - STEEL HOODS (DEUTZ D2011 ENGINES)



ART\_1001158167



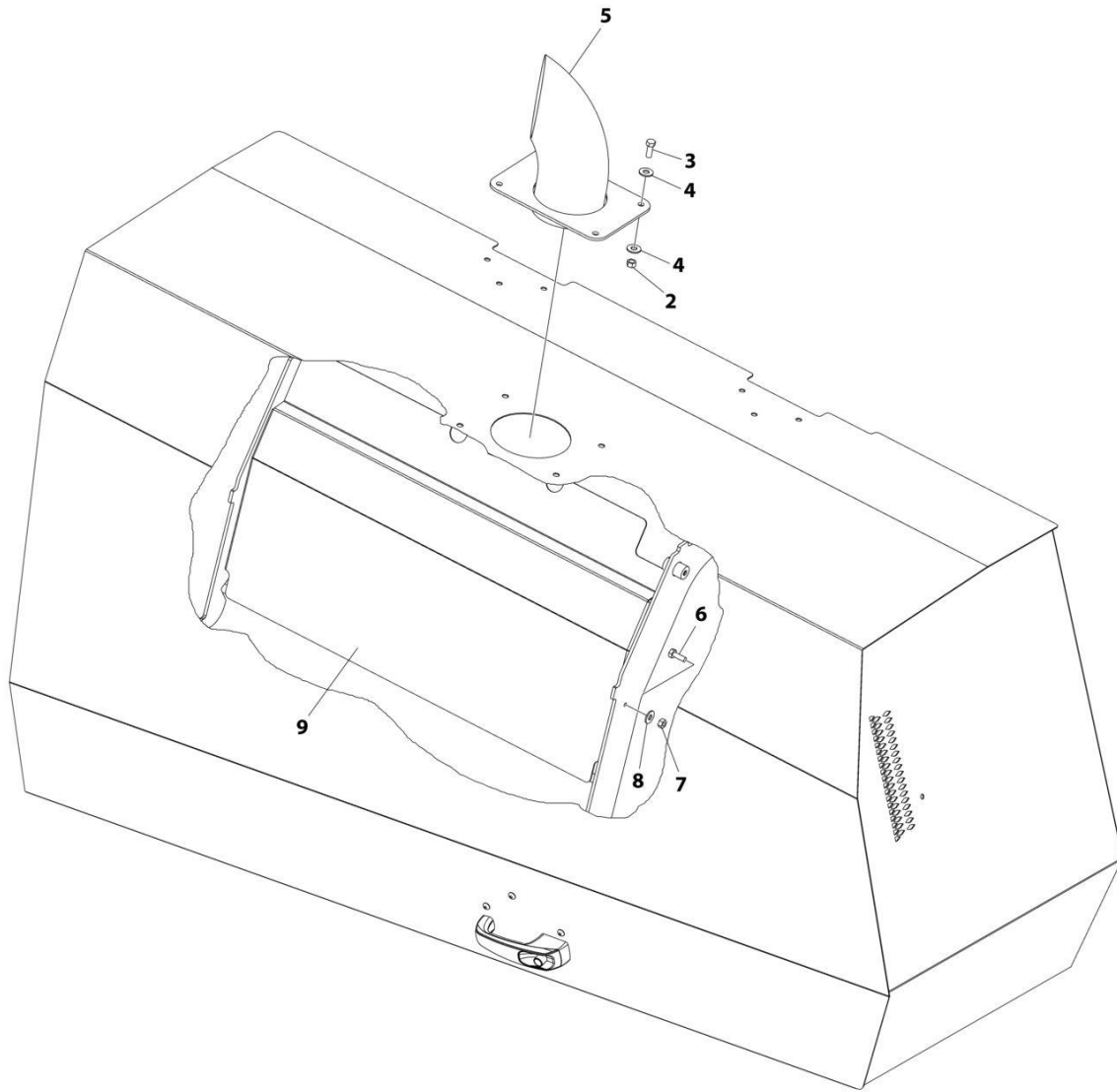
## SECTION 2 - TURNTABLE

**FIGURE 2-56. EXHAUST COVER AND HEAT SHIELDS INSTALLATION - STEEL HOODS (DEUTZ D2011 ENGINES)**

| ITEM | PART NUMBER | QTY | DESCRIPTION        | REV |
|------|-------------|-----|--------------------|-----|
|      | 1001158167  | Ref | HOODS INSTALLATION | E   |
| 2    | 3311605     | 4   | Nut 3/8            |     |
| 3    | 0641608     | 4   | Bolt 3/8 x 1       |     |
| 4    | 4751600     | 8   | Washer 3/8         |     |
| 5    | 1001116456  | 1   | Pipe, Exhaust      |     |
| 6    | 0641406     | 3   | Bolt 1/4 x 3/4     |     |
| 7    | 3311405     | 3   | Nut 1/4            |     |
| 8    | 4751400     | 3   | Washer 1/4         |     |
| 9    | 1001150561  | 1   | Shield, Heat       |     |

## SECTION 2 - TURNTABLE

FIGURE 2-57. EXHAUST COVER AND HEAT SHIELDS INSTALLATION - STEEL HOODS (DEUTZ TD2.9L4 ENGINES)



ART\_1001173878

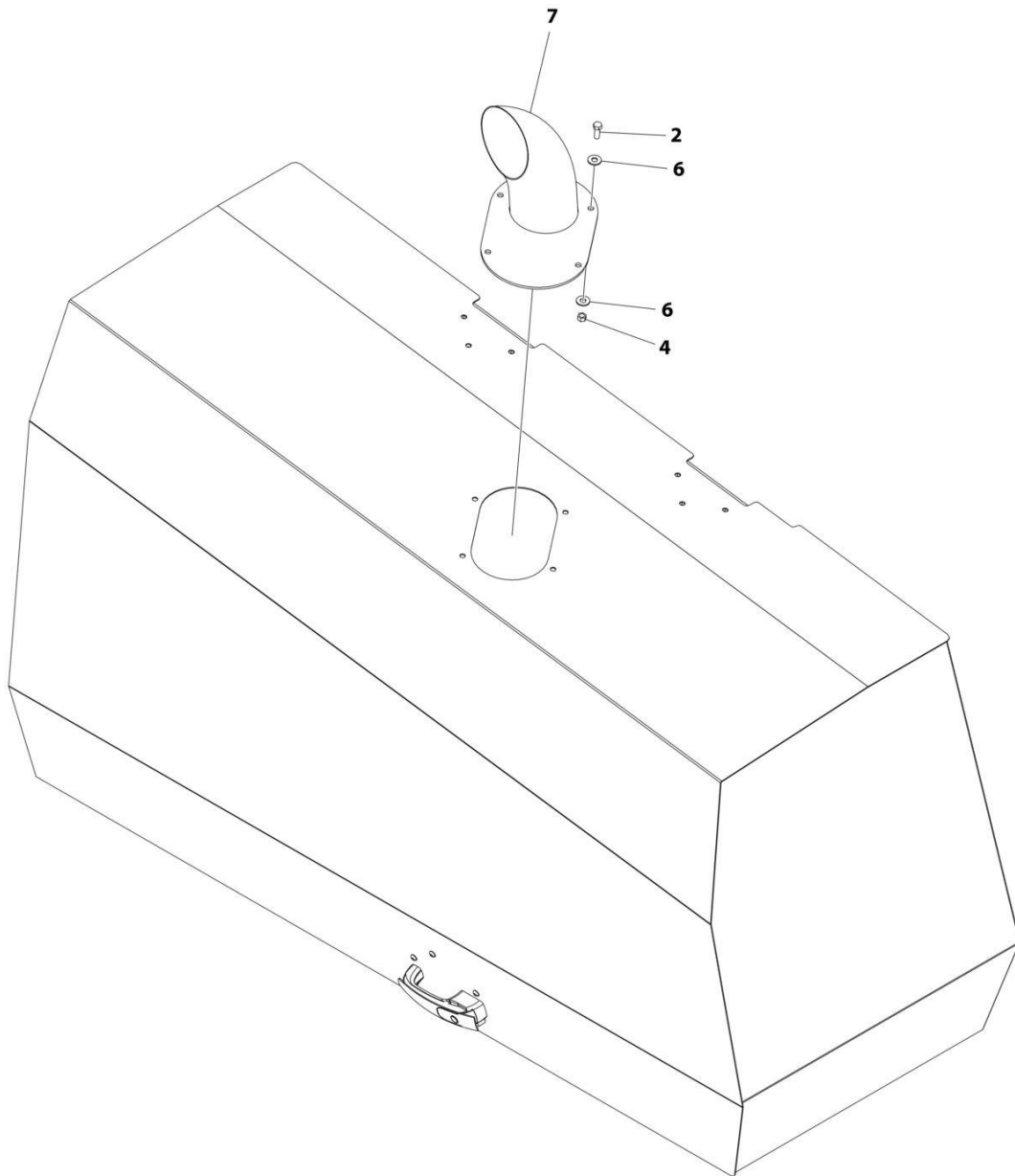
**SECTION 2 - TURNTABLE**

**FIGURE 2-57. EXHAUST COVER AND HEAT SHIELDS INSTALLATION - STEEL HOODS (DEUTZ TD2.9L4 ENGINES)**

| ITEM | PART NUMBER | QTY | DESCRIPTION        | REV |
|------|-------------|-----|--------------------|-----|
|      | 1001173878  | Ref | HOODS INSTALLATION | C   |
| 2    | 3311605     | 4   | Nut 3/8            |     |
| 3    | 0641608     | 4   | Bolt 3/8 x 1       |     |
| 4    | 4751600     | 8   | Washer 3/8         |     |
| 5    | 1001144527  | 1   | Pipe, Exhaust      |     |
| 6    | 0641406     | 3   | Bolt 1/4 x 3/4     |     |
| 7    | 3311405     | 3   | Nut 1/4            |     |
| 8    | 4751400     | 3   | Washer 1/4         |     |
| 9    | 1001163101  | 1   | Shield, Heat       |     |

## SECTION 2 - TURNTABLE

FIGURE 2-58. EXHAUST COVER INSTALLATION - STEEL HOODS (FORD ENGINES)



ART\_1001220189

**SECTION 2 - TURNTABLE**

**FIGURE 2-58. EXHAUST COVER INSTALLATION - STEEL HOODS (FORD ENGINES)**

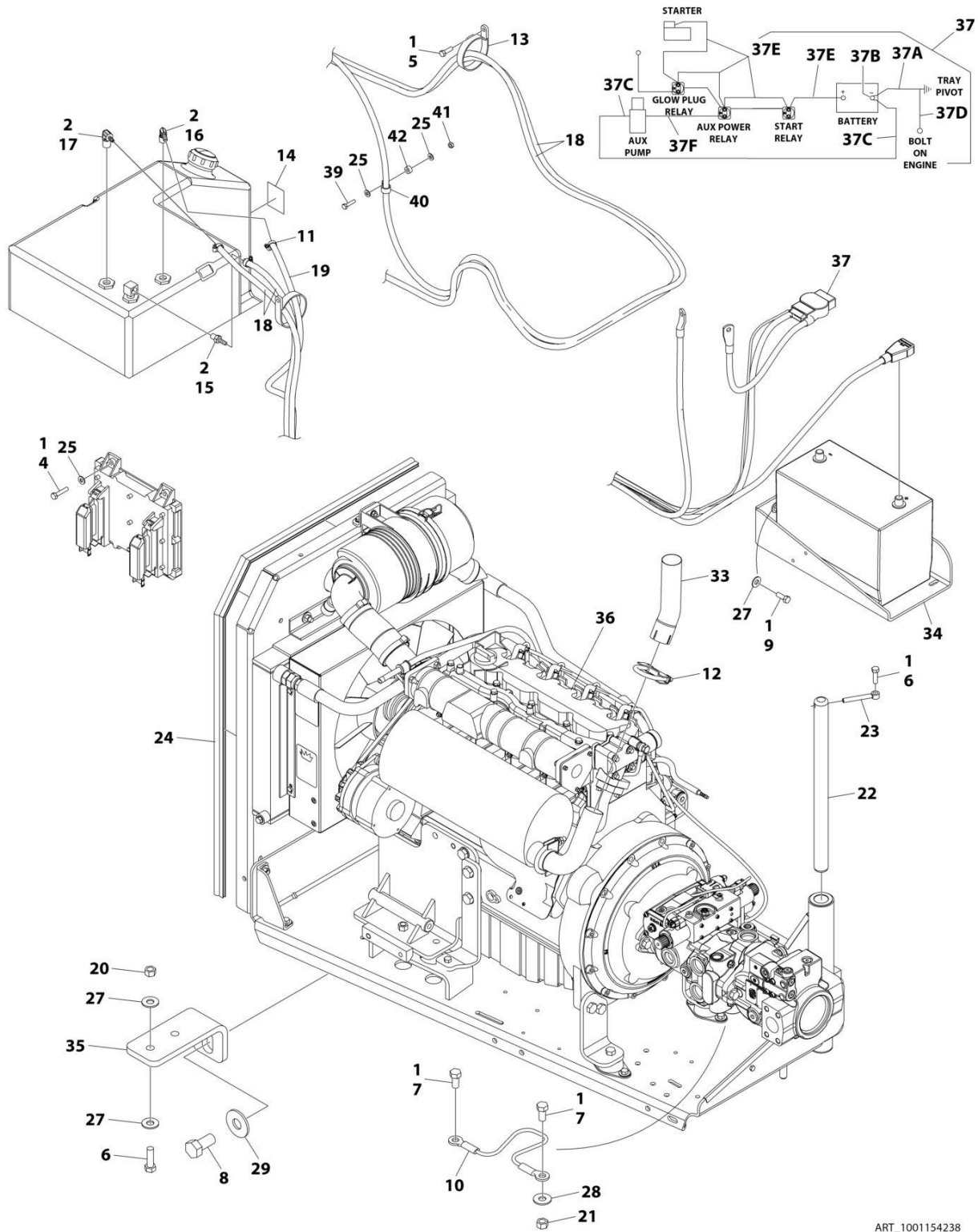
| <b>ITEM</b> | <b>PART NUMBER</b> | <b>QTY</b> | <b>DESCRIPTION</b> | <b>REV</b> |
|-------------|--------------------|------------|--------------------|------------|
|             | 1001220189         | Ref        | HOODS INSTALLATION | C          |
| 2           | 0641608            | 4          | Bolt 3/8 x 1       |            |
| 4           | 3311605            | 4          | Nut 3/8            |            |
| 6           | 4751600            | 8          | Washer 3/8         |            |
| 7           | 1001116457         | 1          | Pipe, Exhaust      |            |



**SECTION 3 - ENGINE**

# SECTION 3 - ENGINE

## FIGURE 3-1. DEUTZ D2011 ENGINE INSTALLATION (WITHOUT ARCTIC PACKAGE)



ART\_1001154238



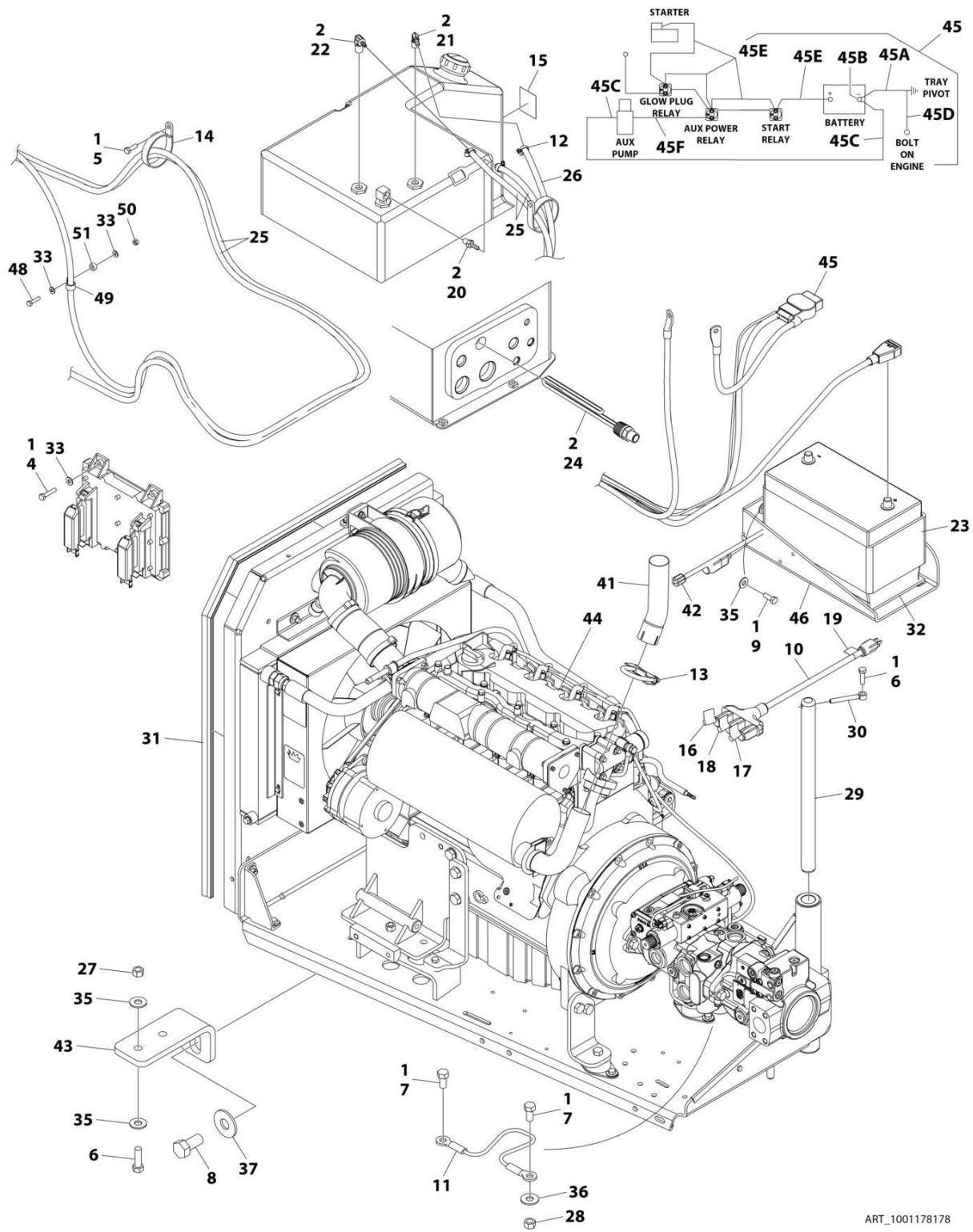
## SECTION 3 - ENGINE

**FIGURE 3-1. DEUTZ D2011 ENGINE INSTALLATION (WITHOUT ARCTIC PACKAGE)**

| ITEM | PART NUMBER | QTY        | DESCRIPTION  | REV |
|------|-------------|------------|--|-----|
|      | 1001154238  | Ref        | DEUTZ D2011 ENGINE INSTALLATION (WITHOUT ARCTIC PACKAGE)                                 | F   |
| 1    | 0100011     | AR         | Compound, Locking  |     |
| 2    | 0100020     | AR         | Sealant, Pipe  |     |
| 4    | 0641410     | 4          | Bolt 1/4 x 1-1/4   |     |
| 5    | 0641508     | 1          | Bolt 5/16 x 1  |     |
| 6    | 0641610     | 3          | Bolt 3/8 x 1-1/4   |     |
| 7    | 0641808     | 2          | Bolt 1/2 x 1   |     |
| 8    | 0642010     | 1          | Bolt 5/8 x 1-1/4   |     |
| 9    | 0681608     | 3          | Bolt 3/8 x 1 Grade 8   |     |
| 10   | 1060637     | 1          | Cable, Lanyard   |     |
| 11   | 1320022     | 5          | Clamp, Hose  |     |
| 12   | 1320176     | 1          | Clamp  |     |
| 13   | 1321339     | 1          | Clamp  |     |
| 14   | 1701505     | 1          | Decal - Diesel (Not Shown - Located on Hood)   |     |
| 15   | 2180348     | 1          | Fitting, Straight NPT/Barbed   |     |
| 16   | 2220313     | 1          | Fitting, 90 NPT/Barbed   |     |
| 17   | 2221176     | 1          | Fitting, 90 NPT/Barbed   |     |
| 18   | 2720058     | 30 ft/ 9m  | Hose   |     |
| 19   | 2750532     | 6 ft/ 1.8m | Hose   |     |
| 20   | 3311605     | 2          | Nut 3/8  |     |
| 21   | 3311801     | 1          | Nut 1/2  |     |
| 22   | 3422446     | 1          | Pin, Pivot   |     |
| 23   | 3841143     | 1          | Pin, Keeper  |     |
| 24   | 3960389     | 5 ft/ 1.5m | Seal   |     |
| 25   | 4711400     | 6          | Washer 1/4   |     |
| 27   | 4751600     | 7          | Washer 3/8   |     |
| 28   | 4751800     | 1          | Washer 1/2   |     |
| 29   | 4752000     | 1          | Washer 5/8   |     |
| 33   | 1001101600  | 1          | Tube, Exhaust  |     |
| 34   | 1001162497  | 1          | Bracket  |     |
| 35   | 1001151070  | 1          | Plate  |     |
| 36   | 1001154236  | 1          | Engine and Pump Assembly without Arctic Package (See Separate Breakdown in this Section) |     |
| 37   | 1001155143  | 1          | Kit, Battery Cable   |     |
| 37A  | 7027092     | 1          | Cable, Battery (Black) (Battery - to Tray Pivot and Relay Grd)                           |     |
| 37B  | 8270147     | 1          | Terminal, Battery (With Boot) Cable, Battery (Black)                                     |     |
| 37C  | 7027093     | 1          | Cable, Battery (Black) (Battery - to Aux Pump Ground)                                    |     |
| 37D  | 7027053     | 1          | Cable, Battery (Black) (Engine to Tray Pivot Grd)  |     |
| 37E  | 7027094     | 1          | Cable (Red) (Battery + to Relays/Starter)  |     |
| 37F  | 7027095     | 1          | Cable (Red) (Aux Relay to Aux Pump)  |     |
| 39   | 0641409     | 1          | Bolt 1/4 x 1-1/8   |     |
| 40   | 1320224     | 1          | Clamp  |     |
| 41   | 3311405     | 1          | Nut 1/4  |     |
| 42   | 1001110425  | 1          | Spacer   |     |

# SECTION 3 - ENGINE

## FIGURE 3-2. DEUTZ D2011 ENGINE INSTALLATION (WITH ARCTIC PACKAGE)



ART\_1001178178

## SECTION 3 - ENGINE

**FIGURE 3-2. DEUTZ D2011 ENGINE INSTALLATION (WITH ARCTIC PACKAGE)**

| ITEM | PART NUMBER | QTY        | DESCRIPTION   | REV |
|------|-------------|------------|---|-----|
|      | 1001178178  | Ref        | DEUTZ D2011 ENGINE INSTALLATION (WITH ARCTIC PACKAGE)                                 | E   |
| 1    | 0100011     | AR         | Compound, Locking   |     |
| 2    | 0100020     | AR         | Sealant, Pipe   |     |
| 4    | 0641410     | 4          | Bolt 1/4 x 1-1/4  |     |
| 5    | 0641508     | 1          | Bolt 5/16 x 1   |     |
| 6    | 0641610     | 3          | Bolt 3/8 x 1-1/4  |     |
| 7    | 0641808     | 2          | Bolt 1/2 x 1  |     |
| 8    | 0642010     | 1          | Bolt 5/8 x 1-1/4  |     |
| 9    | 0681608     | 3          | Bolt 3/8 x 1 Grade 8  |     |
| 10   | 1060626     | 1          | Cord, 3 Way Extension (Located on Left Front of Engine)                               |     |
| 11   | 1060637     | 1          | Lanyard   |     |
| 12   | 1320022     | 5          | Clamp   |     |
| 13   | 1320176     | 1          | Clamp   |     |
| 14   | 1321339     | 1          | Clamp   |     |
| 15   | 1701505     | 1          | Decal - Fuel (Diesel)   |     |
| 16   | 1702941     | 1          | Decal - Battery Heater (Located on Battery Heater)                                    |     |
| 17   | 1702942     | 1          | Decal - Engine Block Heater (Located on Right Side of Engine)                         |     |
| 18   | 1702943     | 1          | Decal - Hydraulic Tank Heater (Located on bottom of Hydraulic Oil Tank)               |     |
| 19   | 1702944     | 1          | Decal - Heater Cord (Located on Left Front of Engine)                                 |     |
| 20   | 2180348     | 1          | Fitting, Straight Barbed  |     |
| 21   | 2220313     | 1          | Fitting, 90 NPT/Barbed  |     |
| 22   | 2221176     | 1          | Fitting, 90 NPT/Barbed  |     |
| 23   | 2580024     | 1          | Heater, Battery (Located on Battery)  |     |
| 24   | 1001188972  | 1          | Heater, Hydraulic Tank (Located on bottom of Hydraulic Oil Tank)                      |     |
| 25   | 2720058     | 30 ft/ 9m  | Hose  |     |
| 26   | 2750532     | 6 ft/ 1.8m | Hose  |     |
| 27   | 3311605     | 2          | Nut 3/8   |     |
| 28   | 3311801     | 1          | Nut 1/2   |     |
| 29   | 3422446     | 1          | Pin, Pivot  |     |
| 30   | 3841143     | 1          | Pin, Keeper   |     |
| 31   | 3960389     | 5 ft/ 1.5m | Seal  |     |
| 32   | 3980007     | 1          | Seat, Battery   |     |
| 33   | 4711400     | 6          | Washer 1/4  |     |
| 35   | 4751600     | 7          | Washer 3/8  |     |
| 36   | 4751800     | 1          | Washer 1/2  |     |
| 37   | 4752000     | 1          | Washer 5/8  |     |
| 41   | 1001101600  | 1          | Tube, Exhaust   |     |
| 42   | 1001150918  | 1          | Cord, 8ft Extension (Located near Battery)  |     |
| 43   | 1001151070  | 1          | Plate   |     |
| 44   | 1001154237  | 1          | Engine and Pump Assembly with Arctic Package (See Separate Breakdown in this Section) |     |
| 45   | 1001155143  | 1          | Kit, Battery Cable  |     |
| 45   | 7027092     | 1          | Cable, Battery (Black) (Battery - to Tray Pivot and Relay Grd)                        |     |
| 45   | 8270147     | 1          | Terminal, Battery (With Boot) Cable, Battery (Black)                                  |     |
| 45   | 7027093     | 1          | Cable, Battery (Black) (Battery - to Aux Pump Ground)                                 |     |
| 45   | 7027053     | 1          | Cable, Battery (Black) (Engine to Tray Pivot Grd)                                     |     |
| 45   | 7027094     | 1          | Cable (Red) (Battery + to Relays/Starter)   |     |
| 45   | 7027095     | 1          | Cable (Red) (Aux Relay to Aux Pump)   |     |

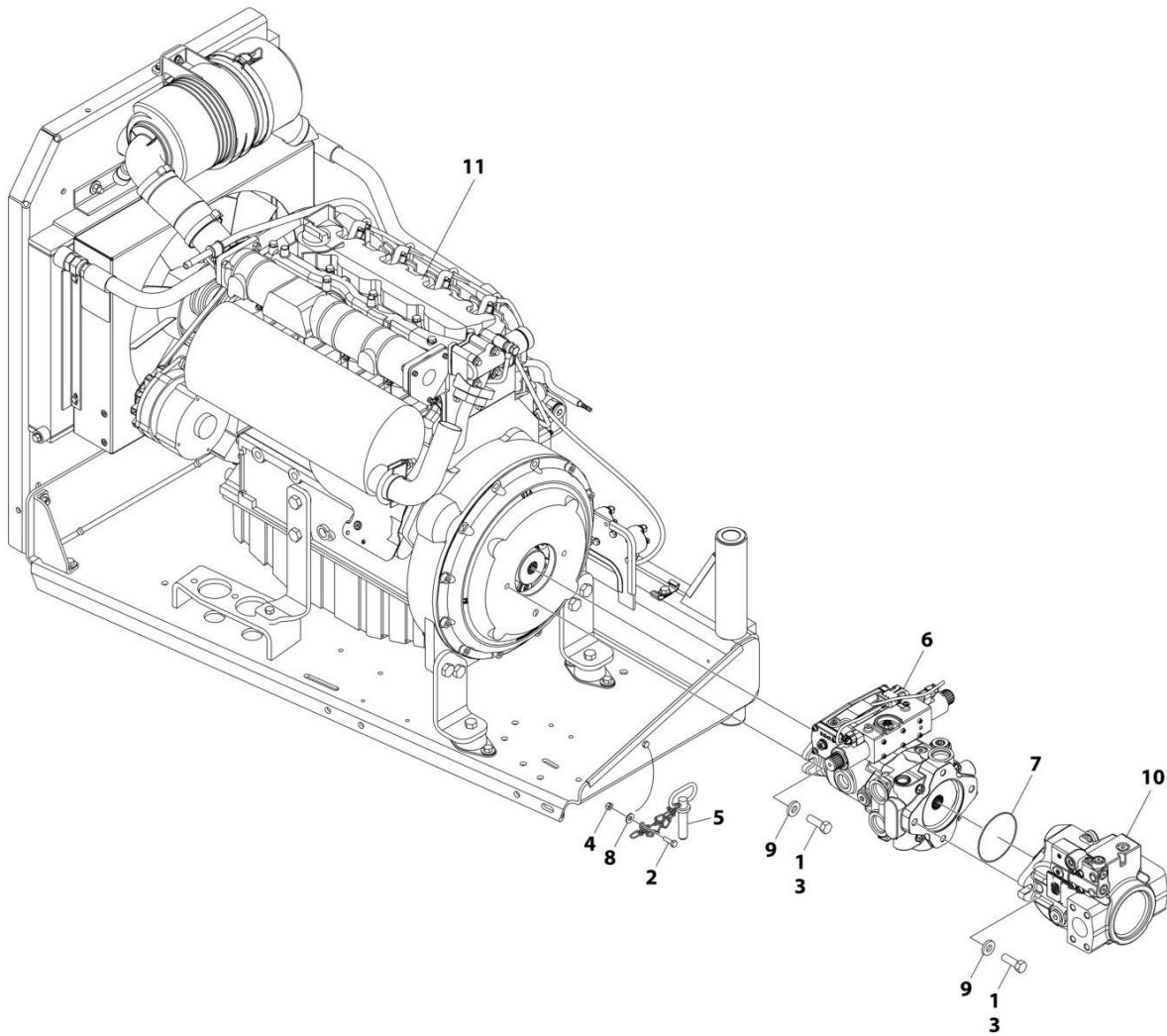
## SECTION 3 - ENGINE

| ITEM | PART NUMBER | QTY | DESCRIPTION      | REV |
|------|-------------|-----|------------------|-----|
| 46   | 1001162497  | 1   | Bracket, Battery |     |
| 48   | 0641409     | 1   | Bolt 1/4 x 1-1/8 |     |
| 49   | 1320224     | 1   | Clamp            |     |
| 50   | 3311405     | 1   | Nut 1/4          |     |
| 51   | 1001110425  | 1   | Spacer           |     |



# SECTION 3 - ENGINE

## FIGURE 3-3. DEUTZ D2011 ENGINE AND PUMP SUB-ASSEMBLY (WITHOUT ARCTIC PACKAGE)



ART\_1001154236

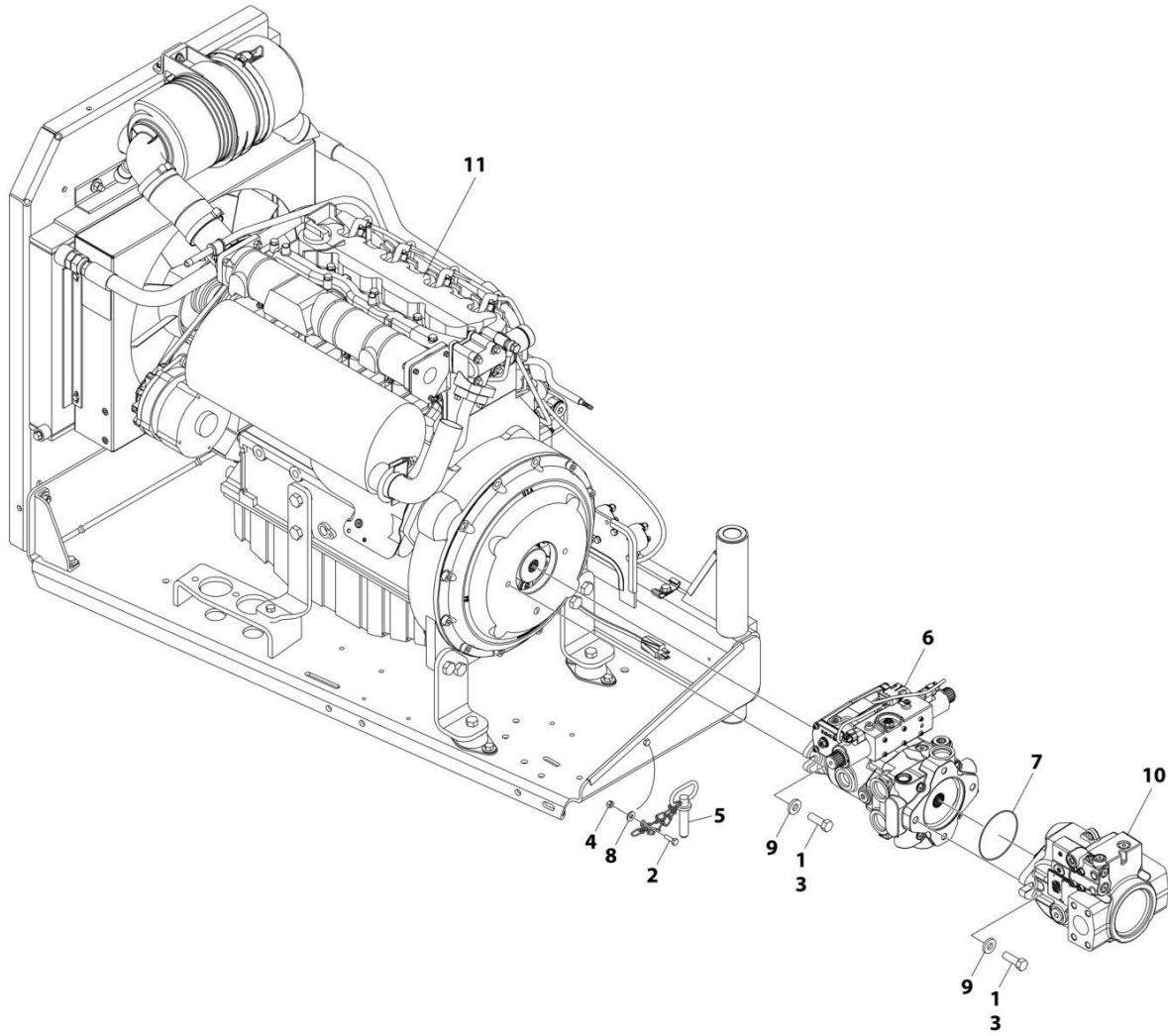
## SECTION 3 - ENGINE

**FIGURE 3-3. DEUTZ D2011 ENGINE AND PUMP SUB-ASSEMBLY (WITHOUT ARCTIC PACKAGE)**

| ITEM | PART NUMBER | QTY | DESCRIPTION  | REV |
|------|-------------|-----|--|-----|
|      | 1001154236  | Ref | DEUTZ D2011 ENGINE AND PUMP SUB-ASSEMBLY (WITHOUT ARCTIC PACKAGE)                | D   |
| 1    | 0100011     | AR  | Compound, Locking  |     |
| 2    | 0641407     | 1   | Bolt 1/4 x 7/8   |     |
| 3    | 0641812     | 4   | Bolt 1/2 x 1-1/2   |     |
| 4    | 3311405     | 1   | Nut 1/4  |     |
| 5    | 3422532     | 1   | Pin, Hitch   |     |
| 6    | 1001225745  | 1   | Hydrostatic Pump Assembly with Fittings (See Separate Breakdown in this Section) |     |
| 7    | 3790044     | 1   | O-Ring   |     |
| 8    | 4751400     | 1   | Washer 1/4   |     |
| 9    | 4891800     | 4   | Washer 1/2   |     |
| 10   | 1001094595  | 1   | Variable Pump Assembly with Fittings (See Separate Breakdown in this Section)    |     |
| 11   | 1001153396  | 1   | Engine Assembly Without Arctic Package (See Separate Breakdown in this Section)  |     |

# SECTION 3 - ENGINE

FIGURE 3-4. DEUTZ D2011 ENGINE AND PUMP SUB-ASSEMBLY (WITH ARCTIC PACKAGE)



ART\_1001154237



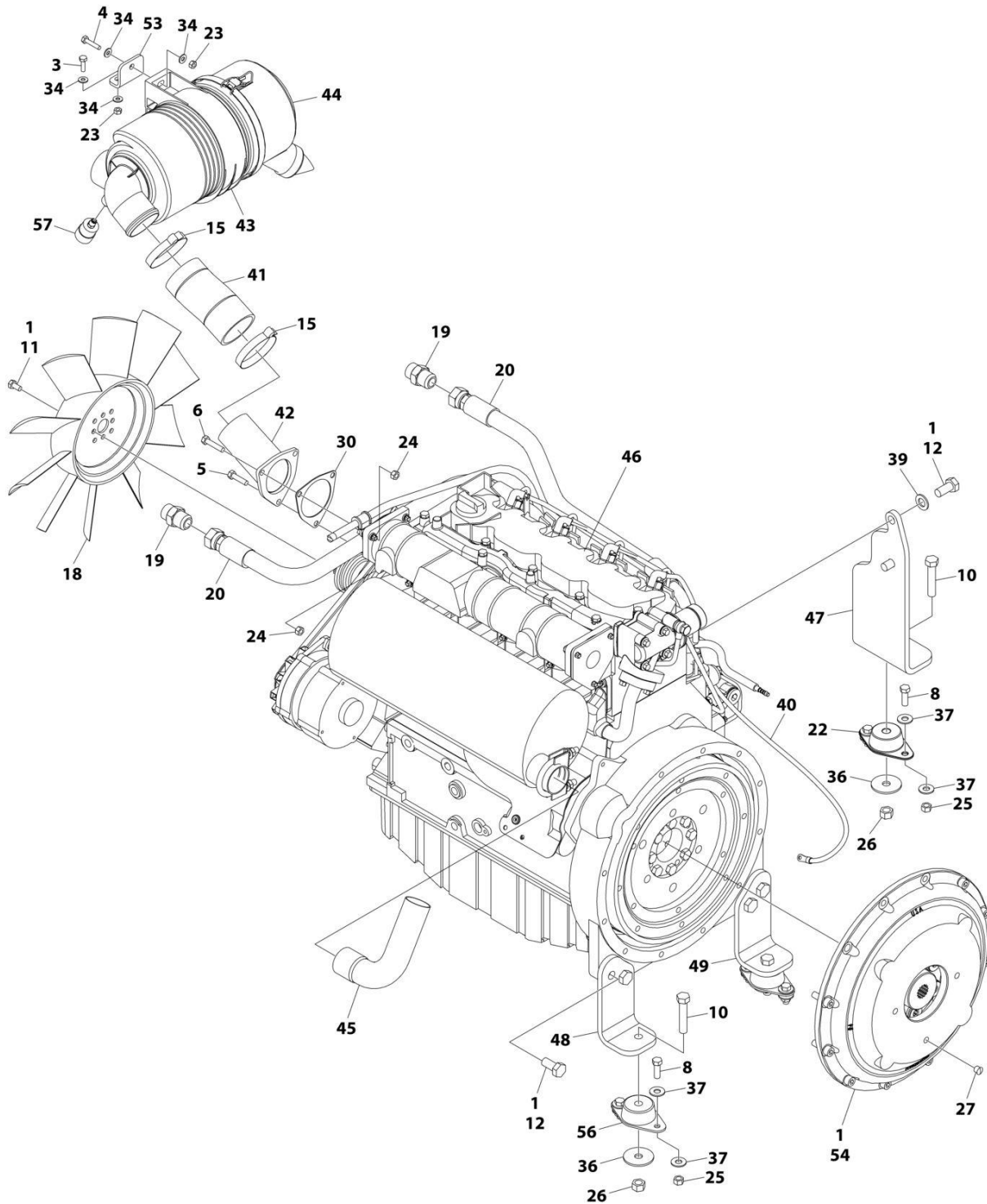
## SECTION 3 - ENGINE

**FIGURE 3-4. DEUTZ D2011 ENGINE AND PUMP SUB-ASSEMBLY (WITH ARCTIC PACKAGE)**

| ITEM | PART NUMBER | QTY | DESCRIPTION  | REV |
|------|-------------|-----|--|-----|
|      | 1001154237  | Ref | DEUTZ D2011 ENGINE AND PUMP SUB-ASSEMBLY (WITH ARCTIC PACKAGE)                   | D   |
| 1    | 0100011     | AR  | Compound, Locking  |     |
| 2    | 0641407     | 1   | Bolt 1/4 x 7/8   |     |
| 3    | 0641812     | 4   | Bolt 1/2 x 1-1/2   |     |
| 4    | 3311405     | 1   | Nut 1/4  |     |
| 5    | 3422532     | 1   | Pin, Hitch   |     |
| 6    | 1001225745  | 1   | Hydrostatic Pump Assembly with Fittings (See Separate Breakdown in this Section) |     |
| 7    | 3790044     | 1   | O-Ring   |     |
| 8    | 4751400     | 1   | Washer 1/4   |     |
| 9    | 4891800     | 4   | Washer 1/2   |     |
| 10   | 1001094595  | 1   | Variable Pump Assembly with Fittings (See Separate Breakdown in this Section)    |     |
| 11   | 1001153779  | 1   | Engine Assembly With Arctic Package (See Separate Breakdown in this Section)     |     |

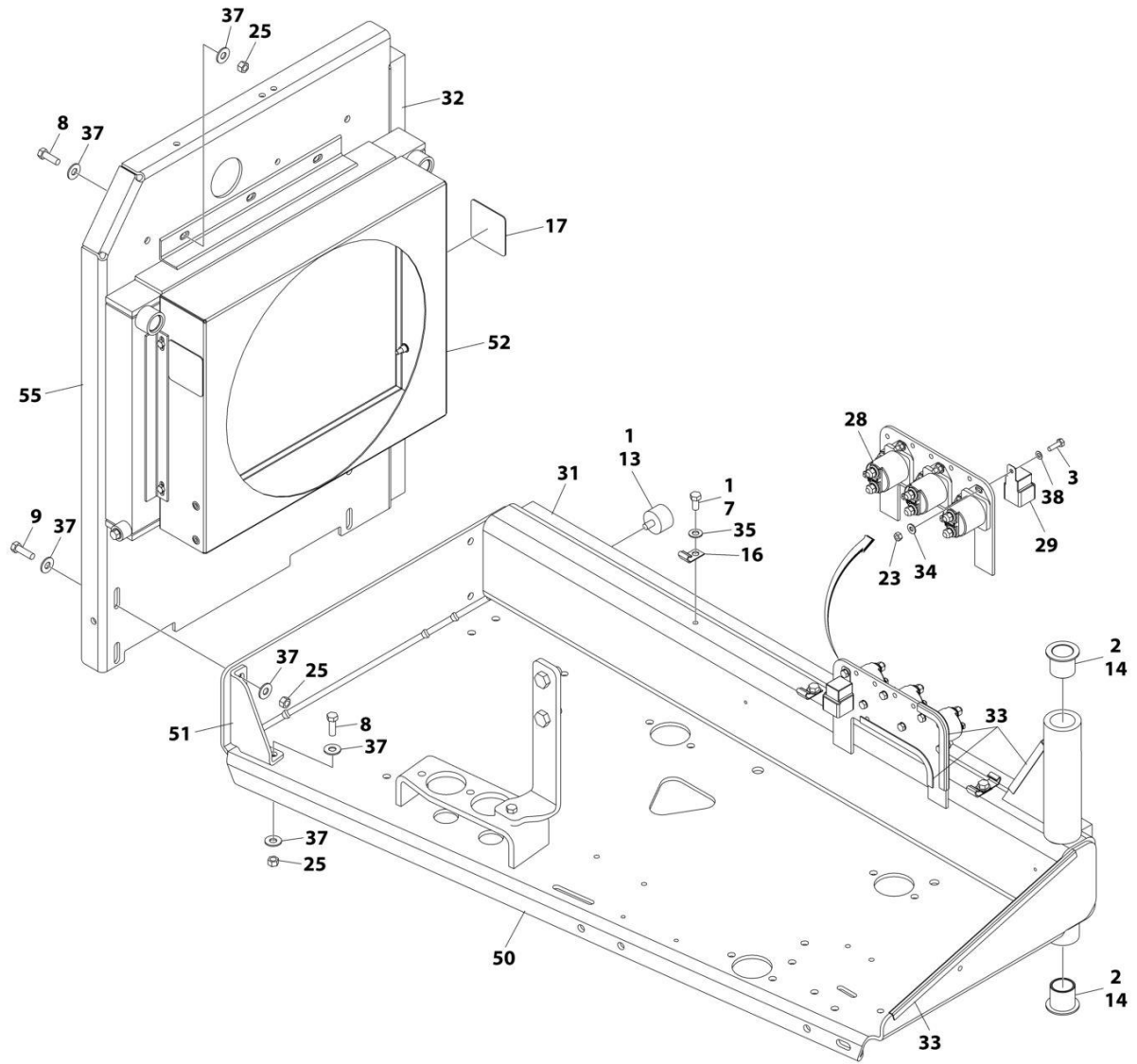
# SECTION 3 - ENGINE

## FIGURE 3-5. DEUTZ D2011 ENGINE ASSEMBLY (WITHOUT ARCTIC PACKAGE)



ART\_1001153396\_1OF2

# SECTION 3 - ENGINE



ART\_1001153396\_20F2

## SECTION 3 - ENGINE

**FIGURE 3-5. DEUTZ D2011 ENGINE ASSEMBLY (WITHOUT ARCTIC PACKAGE)**

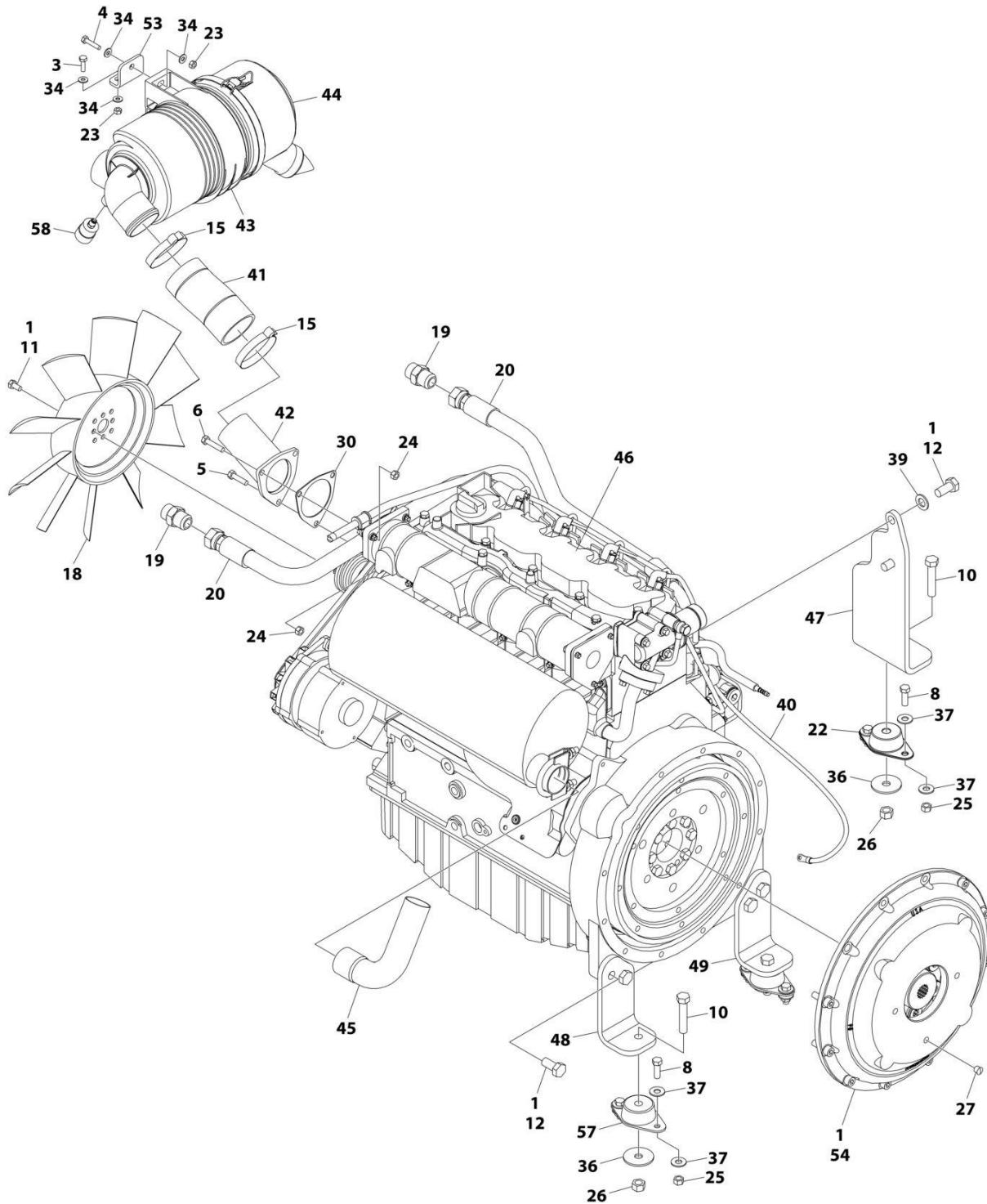
| ITEM | PART NUMBER | QTY      | DESCRIPTION  | REV |
|------|-------------|----------|--|-----|
|      | 1001153396  | Ref      | ENGINE ASSEMBLY WITHOUT ARCTIC PACKAGE                       | H   |
| 1    | 0100011     | AR       | Compound, Locking  |     |
| 2    | 0100062     | AR       | Compound, Locking  |     |
| 3    | 0641407     | 8        | Bolt 1/4 x 7/8   |     |
| 4    | 0641410     | 2        | Bolt 1/4 x 1-1/4   |     |
| 5    | 0641510     | 2        | Bolt 5/16 x 1-1/4  |     |
| 6    | 0641512     | 1        | Bolt 5/16 x 1-1/2  |     |
| 7    | 0641606     | 3        | Bolt 3/8 x 3/4   |     |
| 8    | 0641609     | 14       | Bolt 3/8 x 1-1/8   |     |
| 9    | 0641610     | 4        | Bolt 3/8 x 1-1/4   |     |
| 10   | 0641820     | 3        | Bolt 1/2 x 2-1/2   |     |
| 11   | 0700808     | 4        | Bolt M8 x 16   |     |
| 12   | 0771414     | 6        | Bolt M14 x 30  |     |
| 13   | 0940070     | 1        | Bumper   |     |
| 14   | 0961986     | 2        | Bushing, Flanged   |     |
| 15   | 1320016     | 2        | Clamp  |     |
| 16   | 1320223     | 4        | J-Clip   |     |
| 17   | 1703162     | 2        | Decal - Caution Fan Blade                                    |     |
| 18   | 2060025     | 1        | Fan  |     |
| 19   | 2220451     | 2        | Fitting, Straight  |     |
| 20   | 2720398     | 2        | Hose, Oil Cooler   |     |
| 22   | 3200406     | 1        | Mount, Motor   |     |
| 23   | 3311405     | 10       | Nut 1/4  |     |
| 24   | 3311505     | 3        | Nut 5/16   |     |
| 25   | 3311605     | 18       | Nut 3/8  |     |
| 26   | 3311805     | 3        | Nut 1/2  |     |
| 27   | 3520054     | 2        | Plug   |     |
| 28   | 3740067     | 3        | Relay  |     |
| 29   | 3740080     | 1        | Relay  |     |
| 30   | 3960407     | 1        | Gasket, Air Intake   |     |
| 31   | 3960468     | 1        | Seal   |     |
| 32   | 3960469     | 1        | Seal   |     |
| 33   | 4060805     | 37 in/1m | Flex-Trim  |     |
| 34   | 4711400     | 14       | Washer 1/4   |     |
| 35   | 4711600     | 3        | Washer 3/8   |     |
| 36   | 4740274     | 3        | Washer, Snubbing   |     |
| 37   | 4751600     | 36       | Washer 3/8   |     |
| 38   | 4791400     | 6        | Washer, Star 1/4   |     |
| 39   | 4812200     | 2        | Washer M14   |     |
| 40   | 4923379     | 1        | Harness, Glow Plug   |     |
| 41   | 1001001939  | 1        | Hose, Flex   |     |
| 42   | 1001146273  | 1        | Adapter, Air Intake  |     |
| 43   | 1001147812  | 1        | Clamp  |     |
| 44   | 1001147813  | 1        | Air Cleaner Assembly Filter Element                          |     |
| 44   | 70004020    | 1        | Element, Filter (Not Shown)                                  |     |
| 45   | 1001147820  | 1        | Pipe, Exhaust  |     |
| 46   | 1001147823  | 1        | Engine, Deutz D2011 (See Separate Breakdown in this section) |     |
| 47   | 1001149704  | 1        | Support, Engine  |     |
| 48   | 1001149705  | 1        | Support, Engine  |     |
| 49   | 1001149706  | 1        | Support, Engine  |     |

## SECTION 3 - ENGINE

| ITEM | PART NUMBER | QTY | DESCRIPTION  | REV |
|------|-------------|-----|--|-----|
| 50   | 1001149793  | 1   | Tray, Engine   |     |
| 51   | 1001150915  | 1   | Gusset   |     |
| 52   | 1001150998  | 1   | Radiator   |     |
| 53   | 1001152459  | 1   | Plate, Air Cleaner Mounting                                |     |
| 54   | 1001153282  | 1   | Pump Coupling Kit (See Separate Breakdown in this section) |     |
| 55   | 1001153414  | 1   | Plate, Radiator Mounting                                   |     |
| 56   | 3200401     | 2   | Mount, Motor   |     |
| 57   | 1001143390  | 1   | Indicator  |     |

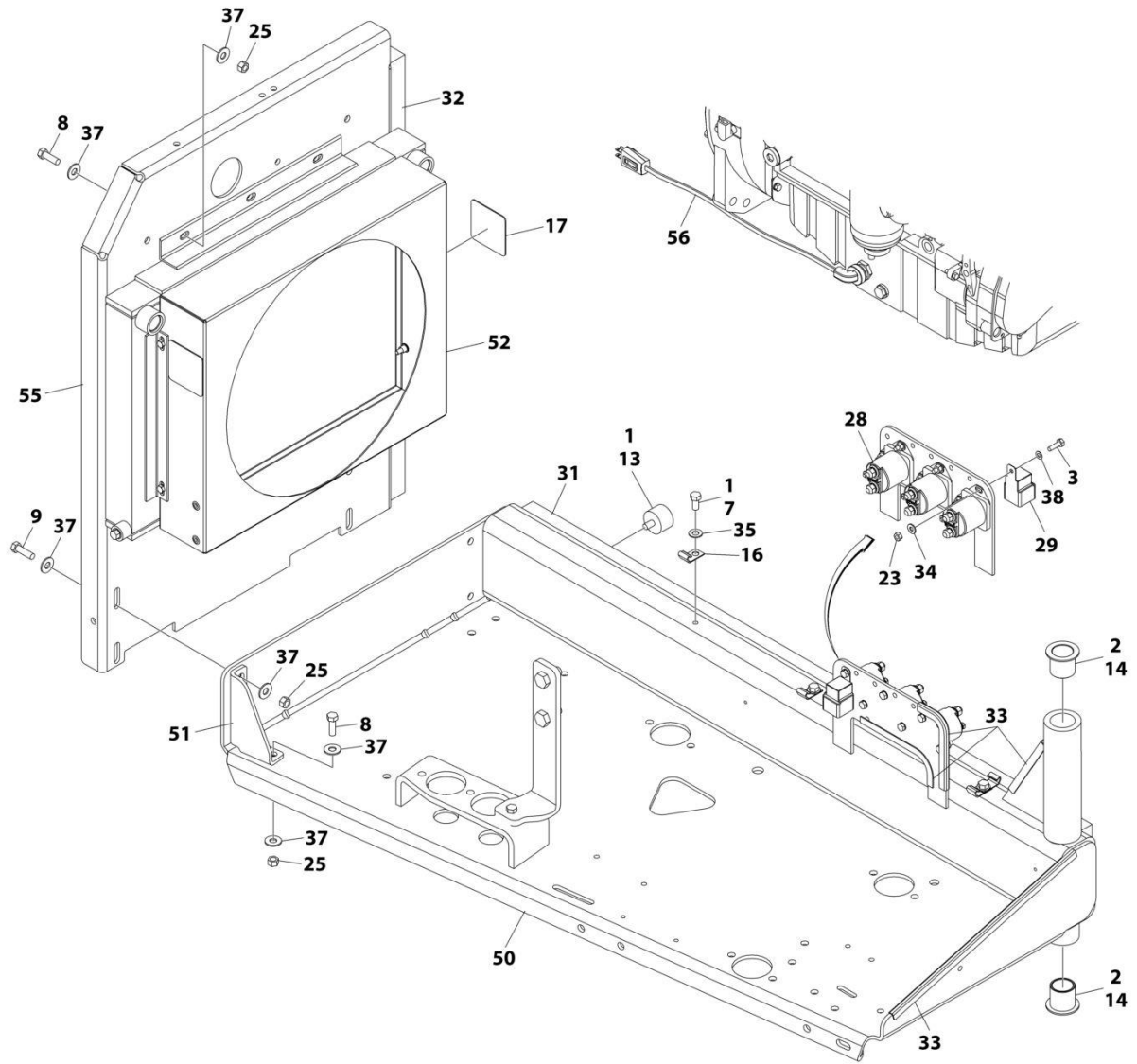
# SECTION 3 - ENGINE

## FIGURE 3-6. DEUTZ D2011 ENGINE ASSEMBLY (WITH ARCTIC PACKAGE)



ART\_1001153779\_10F2

# SECTION 3 - ENGINE



ART\_1001153779\_20F2

## SECTION 3 - ENGINE

**FIGURE 3-6. DEUTZ D2011 ENGINE ASSEMBLY (WITH ARCTIC PACKAGE)**

| ITEM | PART NUMBER | QTY      | DESCRIPTION  | REV |
|------|-------------|----------|--|-----|
|      | 1001153779  | Ref      | ENGINE ASSEMBLY WITH ARCTIC PACKAGE                          | H   |
| 1    | 0100011     | AR       | Compound, Locking  |     |
| 2    | 0100062     | AR       | Compound, Locking  |     |
| 3    | 0641407     | 8        | Bolt 1/4 x 7/8   |     |
| 4    | 0641410     | 2        | Bolt 1/4 x 1-1/4   |     |
| 5    | 0641510     | 2        | Bolt 5/16 x 1-1/4  |     |
| 6    | 0641512     | 1        | Bolt 5/16 x 1-1/2  |     |
| 7    | 0641606     | 3        | Bolt 3/8 x 3/4   |     |
| 8    | 0641609     | 14       | Bolt 3/8 x 1-1/8   |     |
| 9    | 0641610     | 4        | Bolt 3/8 x 1-1/4   |     |
| 10   | 0641820     | 3        | Bolt 1/2 x 2-1/2   |     |
| 11   | 0700808     | 4        | Bolt M8 x 16   |     |
| 12   | 0771414     | 6        | Bolt M14 x 30  |     |
| 13   | 0940070     | 1        | Bumper   |     |
| 14   | 0961986     | 2        | Bushing, Flanged   |     |
| 15   | 1320016     | 2        | Clamp  |     |
| 16   | 1320223     | 4        | J-Clip   |     |
| 17   | 1703162     | 2        | Decal - Caution Fan Blade                                    |     |
| 18   | 2060025     | 1        | Fan  |     |
| 19   | 2220451     | 2        | Fitting, Straight  |     |
| 20   | 2720398     | 2        | Hose, Oil Cooler   |     |
| 22   | 3200406     | 1        | Mount, Motor   |     |
| 23   | 3311405     | 10       | Nut 1/4  |     |
| 24   | 3311505     | 3        | Nut 5/16   |     |
| 25   | 3311605     | 18       | Nut 3/8  |     |
| 26   | 3311805     | 3        | Nut 1/2  |     |
| 27   | 3520054     | 2        | Plug   |     |
| 28   | 3740067     | 3        | Relay  |     |
| 29   | 3740080     | 1        | Relay  |     |
| 30   | 3960407     | 1        | Gasket, Air Intake   |     |
| 31   | 3960468     | 1        | Seal   |     |
| 32   | 3960469     | 1        | Seal   |     |
| 33   | 4060805     | 37 in/1m | Flex-Trim  |     |
| 34   | 4711400     | 14       | Washer 1/4   |     |
| 35   | 4711600     | 3        | Washer 3/8   |     |
| 36   | 4740274     | 3        | Washer, Snubbing   |     |
| 37   | 4751600     | 36       | Washer 3/8   |     |
| 38   | 4791400     | 6        | Washer, Star 1/4   |     |
| 39   | 4812200     | 2        | Washer M14   |     |
| 40   | 4923379     | 1        | Harness, Glow Plug   |     |
| 41   | 1001001939  | 1        | Hose, Flex   |     |
| 42   | 1001146273  | 1        | Adapter, Air Intake  |     |
| 43   | 1001147812  | 1        | Clamp  |     |
| 44   | 1001147813  | 1        | Air Cleaner Assembly Filter Element                          |     |
| 44   | 70004020    | 1        | Element, Filter (Not Shown)                                  |     |
| 45   | 1001147820  | 1        | Pipe, Exhaust  |     |
| 46   | 1001147823  | 1        | Engine, Deutz D2011 (See Separate Breakdown in this Section) |     |
| 47   | 1001149704  | 1        | Support, Engine  |     |
| 48   | 1001149705  | 1        | Support, Engine  |     |
| 49   | 1001149706  | 1        | Support, Engine  |     |

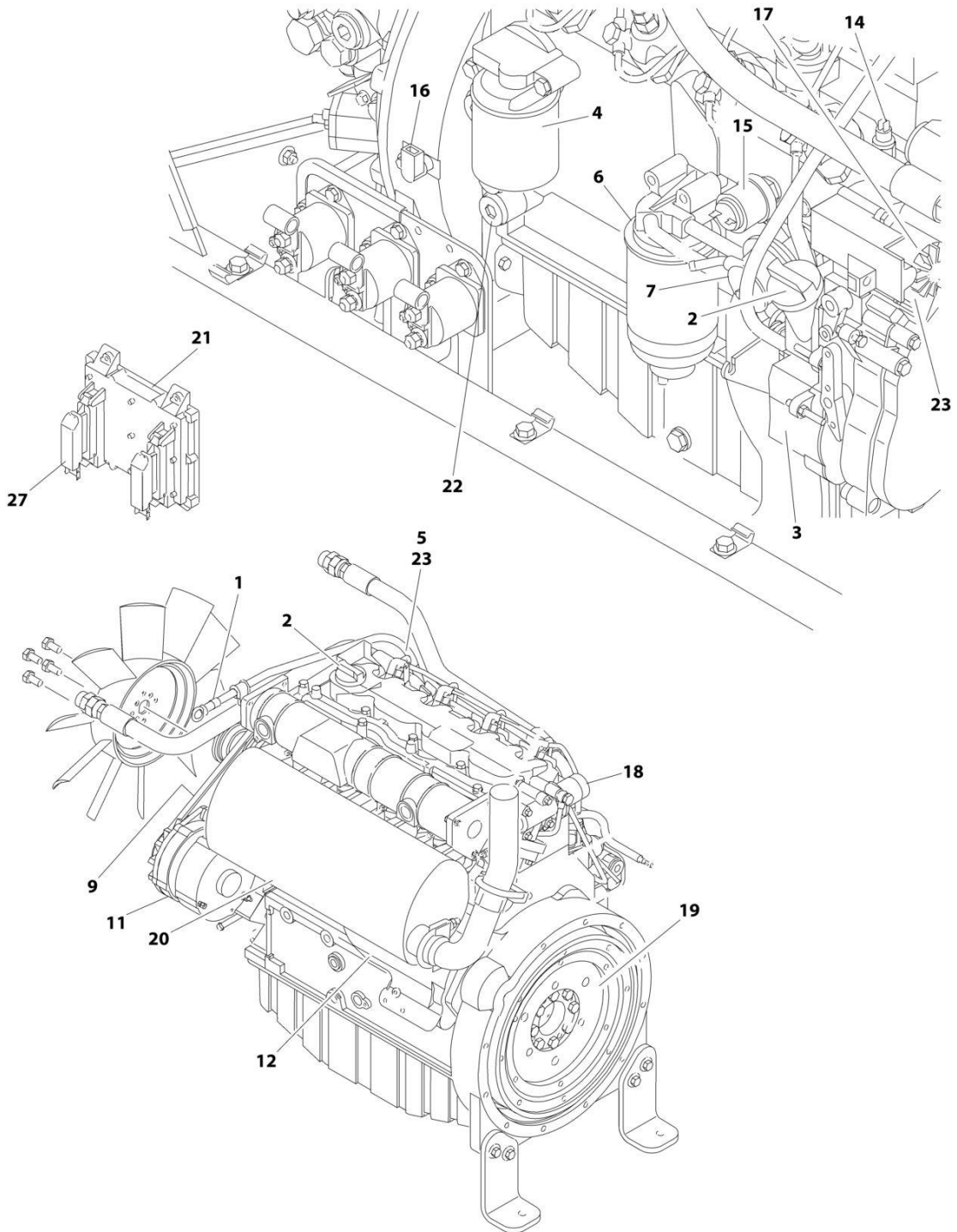


## SECTION 3 - ENGINE

| ITEM | PART NUMBER | QTY | DESCRIPTION  | REV |
|------|-------------|-----|--|-----|
| 50   | 1001149793  | 1   | Tray, Engine   |     |
| 51   | 1001150915  | 1   | Gusset   |     |
| 52   | 1001150998  | 1   | Radiator   |     |
| 53   | 1001152459  | 1   | Plate, Air Cleaner Mounting                                |     |
| 54   | 1001153282  | 1   | Pump Coupling Kit (See Separate Breakdown in this Section) |     |
| 55   | 1001153414  | 1   | Plate, Radiator Mounting                                   |     |
| 56   | 2580062     | 1   | Heater, Block  |     |
| 57   | 3200401     | 2   | Mount, Motor   |     |
| 58   | 1001143390  | 1   | Indicator  |     |

# SECTION 3 - ENGINE

## FIGURE 3-7. DEUTZ D2011 ENGINE COMPONENTS



ART\_1001147823

## SECTION 3 - ENGINE

### FIGURE 3-7. DEUTZ D2011 ENGINE COMPONENTS

| ITEM | PART NUMBER | QTY | DESCRIPTION  | REV |
|------|-------------|-----|--|-----|
|      | 1001147823  | Ref | ENGINE COMPONENTS  | C   |
| 1    | 70004287    | 1   | Dipstick   |     |
| 1    | 70000044    | 1   | Seal, Dipstick   |     |
| 1    | 70001002    | 1   | Tube, Dipstick   |     |
| 1    | 7020403     | 1   | Seal, Dipstick Tube                                      |     |
| 2    | 7020465     | 2   | Cap, Filler  |     |
| 3    | 70001850    | 1   | Pump, Oil Lube   |     |
| 3    | 7020468     | 1   | Seal Between Oil Pump and Engine Block (Not Shown)       |     |
| 4    | 7016331     | 1   | Filter, Oil  |     |
| 4    | 70003472    | 1   | Bracket, Oil Filter                                      |     |
| 4    | 7027236     | 1   | Sender, Temperature                                      |     |
| 4    | 70025082    | 1   | Ring, Sealing  |     |
| 5    | 70000912    | 4   | Series A Injector  |     |
| 5    | 70000913    | 4   | Series B Injector  |     |
| 5    | 70000914    | 4   | Series C Injector  |     |
| 5    | 70000915    | 4   | Series D Injector  |     |
| 5    | 70003464    | 4   | Seal/Gasket, Pump (1 Per Injector)                       |     |
| 5    | 70003478    | 4   | Injector, Fuel   |     |
| 5    | 70003136    | 4   | Seal/Gasket, Pump (1 Per Injector)                       |     |
| 6    | 7016328     | 1   | Filter, Fuel   |     |
| 6    | 70003465    | 1   | Sensor   |     |
| 6    | 70003466    | 1   | Seal, Sensor   |     |
| 7    | 70000916    | 1   | Pump, Fuel Supply  |     |
| 7    | 70001435    | 1   | Repair Kit for Fuel Supply Pump                          |     |
| 7    | 70000919    | 1   | Hand Pump for Fuel Supply Pump                           |     |
| 7    | 70000917    | 1   | O - Seal Between Fuel Pump and Engine Block              |     |
| 7    | 70000918    | 1   | O - Seal Between Fuel Pump and Hand Pump                 |     |
| 8    | 70001871    | 4   | Gasket, Intake Manifold                                  |     |
| 9    | 7020408     | 1   | V-Belt   |     |
| 10   |             | Ref | Exhaust Manifold Components (Not Shown)                  |     |
| 10   | 70001835    | 1   | Gasket, Exhaust Adapter to Exhaust Rail                  |     |
| 10   | 70001841    | 1   | Valve, Exhaust (Fits into Exhaust Adapter)               |     |
| 10   | 70001836    | 1   | Gasket, Exhaust Rail to Cylinder Head                    |     |
| 10   | 70001837    | 1   | Gasket, Exhaust Manifold to Muffler                      |     |
| 10   | 70002200    | 4   | Stud, Mounting   |     |
| 10   | See Note    | AR  | Nut, Exhaust Manifold                                    |     |
| 11   | 70004056    | 1   | Alternator   |     |
| 11   | 70001868    | 1   | Regulator, Voltage (Not Shown)                           |     |
| 11   | 70001866    | 1   | Seal, Gasket for Voltage Regulator (Not Shown)           |     |
| 11   | 70002234    | 1   | Bar, Alternator Adjustment                               |     |
| 12   | 7020479     | 1   | Starter  |     |
| 12   | 70004058    | 1   | Relay  |     |
| 13   | 70004060    | 2   | Plug-In Connector  |     |
| 14   | 7027791     | 1   | Transmitter, Temperature                                 |     |
| 15   | 7027790     | 1   | Sensor, Oil Pressure                                     |     |
| 16   | 70004272    | 1   | Sensor, Speed  |     |
| 17   | 7027792     | 1   | Throttle Actuator  |     |
| 17   | 7027276     | 2   | Spring   |     |
| 18   | 70003475    | 1   | Thermostat (Located at rear of engine block - Not Shown) |     |
| 19   | 70001870    | 1   | Flywheel with Ring Gear                                  |     |

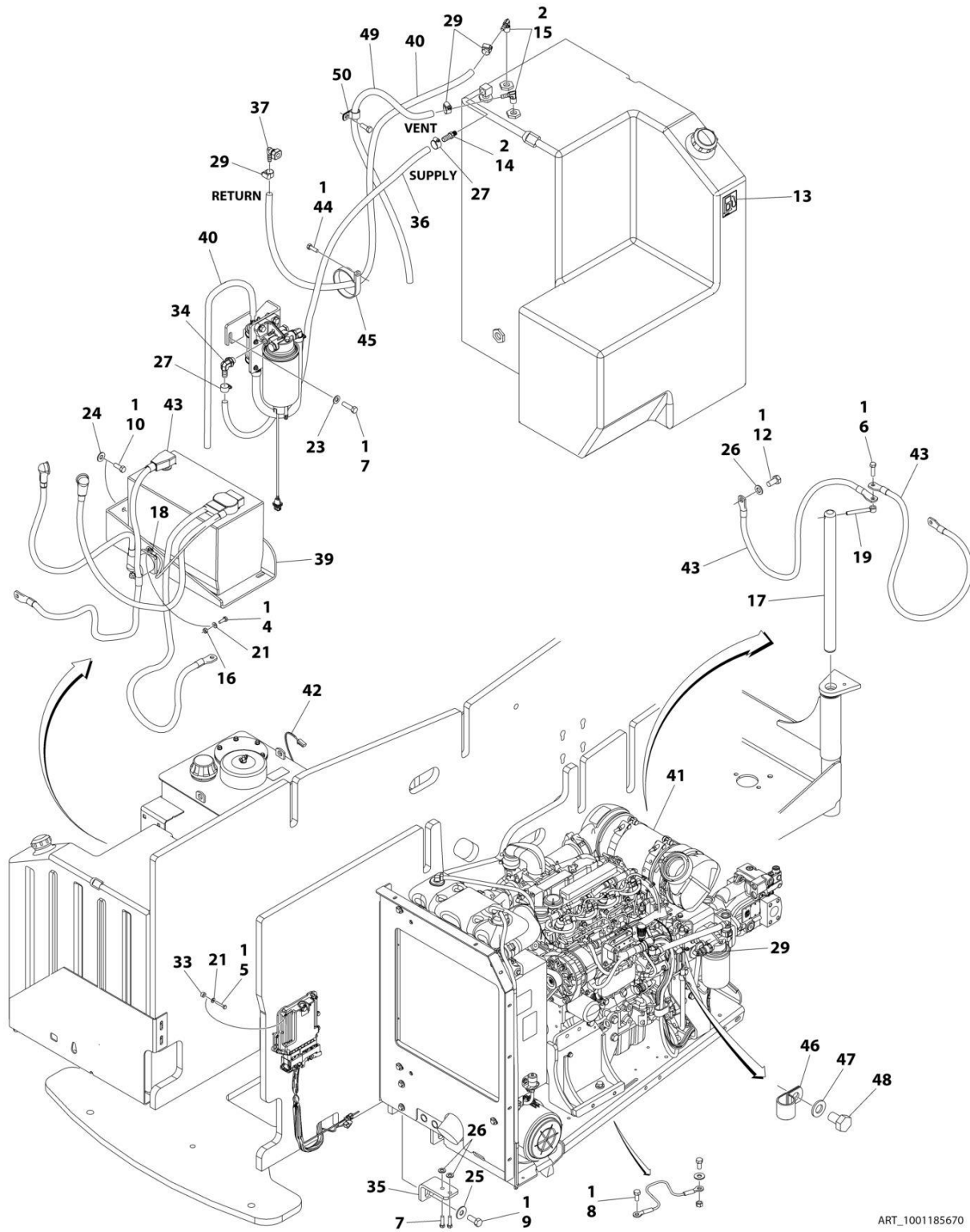
## SECTION 3 - ENGINE

| ITEM | PART NUMBER | QTY | DESCRIPTION   | REV |
|------|-------------|-----|---|-----|
| 19   | 7024579     | 1   | Gear, Ring 110 Tooth  |     |
| 20   | 7000695     | 1   | Muffler   |     |
| 20   | 70001844    | 1   | U-Ciamp   |     |
| 20   | 7020471     | 4   | Gasket  |     |
| 21   | 7027795     | 1   | Module, Control   |     |
| 22   | 70001181    | 1   | Valve, Pressure Control   |     |
| 22   | 70124410    | 1   | Spring  |     |
| 22   | 70025082    | 1   | Seal  |     |
| 22   | 70124440    | 1   | Screw, Locking  |     |
| 23   | 70000345    | 4   | Plug, Glow  |     |
| 24   | 70000800    | 1   | Camshaft Pulley Repair Kit (Not Shown)                            |     |
| 26   | 70002415    | 1   | Gasket, Head with 1 Notch (Not Shown)                             |     |
| 62   | 70002416    | 1   | Gasket, Head with 2 Notch (Not Shown)                             |     |
| 26   | 70002417    | 1   | Gasket, Head with 3 Notch (Not Shown)                             |     |
| 27   | 7027796     | 1   | Harness, Engine (Connects to Item 421)                            |     |
| 27   | 70001872    | 1   | Harness, Engine (Connects to p/n 7027796)                         |     |
| 28   |             | Ref | Gaskets and Seals - Miscellaneous (Not Shown)                     |     |
| 28   | 70004289    | 1   | Gasket Set  |     |
| 28   | 70002718    | 1   | Seal, Rear Main   |     |
| 28   | 70004280    | 1   | Seal, Front Main  |     |
| 29   | 70025752    | 1   | Valve, Pressure Relief (Not Shown - Located at Engine Front Left) |     |
| 29   | 70025753    | 1   | Spring  |     |
| 29   | 70005916    | 1   | Seal  |     |
| 29   | 70005917    | 1   | Plug, Locking   |     |



# SECTION 3 - ENGINE

## FIGURE 3-8. DEUTZ TD2.9L4 ENGINE INSTALLATION (WITHOUT ARCTIC PACKAGE)



ART\_1001185670

## SECTION 3 - ENGINE

**FIGURE 3-8. DEUTZ TD2.9L4 ENGINE INSTALLATION (WITHOUT ARCTIC PACKAGE)**

| ITEM | PART NUMBER | QTY            | DESCRIPTION  | REV |
|------|-------------|----------------|--|-----|
|      | 1001185670  | Ref            | DEUTZ ENGINE INSTALLATION WITHOUT ARCTIC PACKAGE   | F   |
| 1    | 0100011     | AR             | Compound, Locking  |     |
| 2    | 0100020     | AR             | Sealant, Pipe  |     |
| 4    | 0641406     | 2              | Bolt 1/4 x 3/4   |     |
| 5    | 0641412     | 4              | Bolt 1/4 x 1-1/2   |     |
| 6    | 0641610     | 1              | Bolt 3/8 x 1-1/4   |     |
| 7    | 0641611     | 4              | Bolt 3/8 x 1-3/8   |     |
| 8    | 0641808     | 1              | Bolt 1/2 x 1   |     |
| 9    | 0642012     | 1              | Bolt 5/8 x 1-1/2   |     |
| 10   | 0681608     | 3              | Bolt 3/8 x 1   |     |
| 12   | 0771212     | 1              | Bolt M12 x 25  |     |
| 13   | 1701505     | 1              | Decal - Diesel Fuel (Not Shown Located on Fuel Tank)                                     |     |
| 14   | 2180832     | 1              | Fitting, 90 NPT/ Barbed  |     |
| 15   | 2220313     | 2              | Fitting, 90 NPT/Barbed   |     |
| 16   | 3311405     | 2              | Nut 1/4-20   |     |
| 17   | 3422446     | 1              | Pin, Pivot   |     |
| 18   | 3740067     | 1              | Relay  |     |
| 19   | 3841143     | 1              | Pin, Keeper  |     |
| 20   | 4240033     | 1              | Tie-Strap (Not Shown)  |     |
| 21   | 4711400     | 6              | Washer 1/4   |     |
| 23   | 4711600     | 2              | Washer 3/8   |     |
| 24   | 4751600     | 3              | Washer 3/8   |     |
| 25   | 4752000     | 1              | Washer 5/8   |     |
| 26   | 4812100     | 3              | Washer M12   |     |
| 27   | 8405006     | 2              | Clamp  |     |
| 29   | 8410013     | 4              | Clamp  |     |
| 33   | 1001110425  | 4              | Spacer   |     |
| 34   | 1001142501  | 1              | Fitting, Straight Metric/Barbed  |     |
| 35   | 1001153359  | 1              | Mount, Engine  |     |
| 36   | 1001154405  | 54 in/<br>1.4m | Hose   |     |
| 37   | 1001155823  | 1              | Fitting, Quick Disconnect 90   |     |
| 39   | 1001162497  | 1              | Bracket, Battery   |     |
| 40   | 1001165035  | 28 ft/<br>8.5m | Hose   |     |
| 41   | 1001185667  | 1              | Engine and Pump Assembly without Arctic Package (See Separate Breakdown in this Section) |     |
| 42   | 1001138491  | 1              | Harness, Fuel (Not Shown - See Separate Breakdown in ELECTRICAL SECTION)                 |     |
| 43   | 1001143736  | 1              | Battery Cable Kit (Not Shown)  | F   |
| 43   | 7027084     | 1              | Cable, Battery (Black) (Battery - to Tray Pivot and Relay Grounds)                       |     |
| 43   | 8270147     | 1              | Terminal, Battery (With Boot) Cable, Battery (Black)                                     |     |
| 43   | 7027085     | 1              | Cable, Battery (Black) (Battery - to Aux Pump Ground)                                    |     |
| 43   | 7027086     | 1              | Cable, Battery (Black) (Engine to Tray Pivot Ground)                                     |     |
| 43   | 7027087     | 1              | Cable (Red) (Battery + to Relays/Starter)  |     |
| 43   | 7027088     | 1              | Cable (Red) (Aux Relay to Aux Pump)  |     |
| 43   | See Note    | 1              | Cable (Auxiliary Relay to Starter) (Note: Use p/n 7027087)                               |     |
| 44   | 0641508     | 1              | Bolt 5/16 x 1  |     |
| 45   | 1321339     | 1              | Clamp  |     |
| 46   | 1320061     | 1              | Clamp  |     |

## SECTION 3 - ENGINE

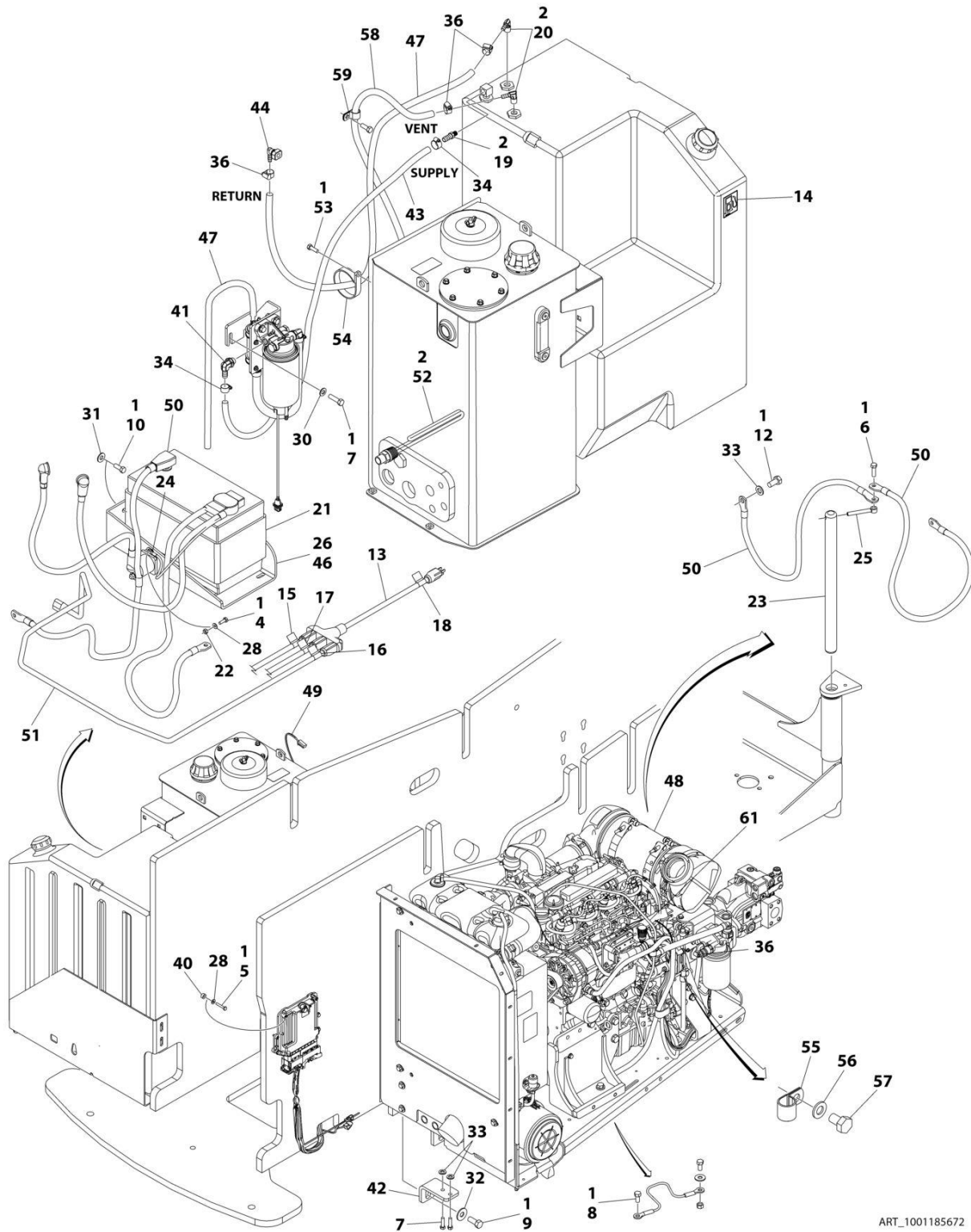
| ITEM | PART NUMBER | QTY        | DESCRIPTION      | REV |
|------|-------------|------------|------------------|-----|
| 47   | 4812000     | 1          | Washer M10       |     |
| 48   | 0761008     | 1          | Bolt M10 x 16    |     |
| 49   | 2750532     | 4 ft/ 1.2m | Hose (Vent Line) |     |
| 50   | 8406102     | 1          | Clip             |     |





# SECTION 3 - ENGINE

## FIGURE 3-9. DEUTZ TD2.9L4 ENGINE INSTALLATION (WITH ARCTIC PACKAGE)



ART\_1001185672

## SECTION 3 - ENGINE

**FIGURE 3-9. DEUTZ TD2.9L4 ENGINE INSTALLATION (WITH ARCTIC PACKAGE)**

| ITEM | PART NUMBER | QTY            | DESCRIPTION   | REV |
|------|-------------|----------------|---|-----|
|      | 1001185672  | Ref            | DEUTZ ENGINE INSTALLATION WITH ARCTIC PACKAGE                                       | G   |
| 1    | 0100011     | AR             | Compound, Locking   |     |
| 2    | 0100020     | AR             | Sealant, Pipe   |     |
| 4    | 0641406     | 2              | Bolt 1/4 x 3/4  |     |
| 5    | 0641412     | 4              | Bolt 1/4 x 1-1/2  |     |
| 6    | 0641610     | 1              | Bolt 3/8 x 1-1/4  |     |
| 7    | 0641611     | 4              | Bolt 3/8 x 1-3/8  |     |
| 8    | 0641808     | 1              | Bolt 1/2 x 1  |     |
| 9    | 0642012     | 1              | Bolt 5/8 x 1-1/2  |     |
| 10   | 0681608     | 3              | Bolt 3/8 x 1 Grade 8  |     |
| 12   | 0771212     | 1              | Bolt M12 x 25 Grade 10.9  |     |
| 13   | 1060626     | 1              | Cord, 3 Way Extension   |     |
| 14   | 1701505     | 1              | Decal - Diesel Fuel (Not Shown Located on Fuel Tank)                                |     |
| 15   | 1702941     | 1              | Decal - Battery Heater  |     |
| 16   | 1702942     | 1              | Decal - Engine Block Heater   |     |
| 17   | 1702943     | 1              | Decal - Hydraulic Tank Heater   |     |
| 18   | 1702944     | 1              | Decal - Heater Cord   |     |
| 19   | 2180832     | 1              | Fitting, 90 NPT/ Barbed   |     |
| 20   | 2220313     | 2              | Fitting, 90 NPT/Barbed  |     |
| 21   | 2580024     | 1              | Heater, Battery   |     |
| 22   | 3311405     | 2              | Nut 1/4   |     |
| 23   | 3422446     | 1              | Pin, Pivot  |     |
| 24   | 3740067     | 1              | Relay   |     |
| 25   | 3841143     | 1              | Pin, Keeper   |     |
| 26   | 3980007     | 1              | Seat, Battery   |     |
| 27   | 4240033     | 1              | Tie-Strap (Not Shown)   |     |
| 28   | 4711400     | 6              | Washer 1/4  |     |
| 30   | 4711600     | 2              | Washer 3/8  |     |
| 31   | 4751600     | 3              | Washer 3/8  |     |
| 32   | 4752000     | 1              | Washer 5/8  |     |
| 33   | 4812100     | 3              | Washer M12  |     |
| 34   | 8405006     | 2              | Clamp   |     |
| 36   | 8410013     | 4              | Clamp   |     |
| 40   | 1001110425  | 4              | Spacer  |     |
| 41   | 1001142501  | 1              | Fitting, Straight Metric/Barbed   |     |
| 42   | 1001153359  | 1              | Mount, Engine   |     |
| 43   | 1001154405  | 54 in/<br>1.4m | Hose  |     |
| 44   | 1001155823  | 1              | Fitting, Quick Disconnect 90  |     |
| 46   | 1001162497  | 1              | Bracket, Battery  |     |
| 47   | 1001165035  | 28 ft/<br>8.5m | Hose  |     |
| 48   | 1001185671  | 1              | Deutz TD2.9L4 Engine and Pump Sub-Assembly (See Separate Breakdown in this Section) |     |
| 49   | 1001138491  | 1              | Harness, Fuel (Not Shown - See Separate Breakdown in ELECTRICAL SECTION)            |     |
| 50   | 1001143736  | 1              | Battery Cable Kit (Not Shown)   | E   |
| 50   | 7027084     | 1              | Cable, Battery (Black) (Battery - to Tray Pivot Grd)                                |     |
| 50   | 8270147     | 1              | Terminal, Battery (With Boot)   |     |
| 50   | 7027085     | 1              | Cable, Battery (Black) (Battery - to Aux Pump and Relay Grds)                       |     |

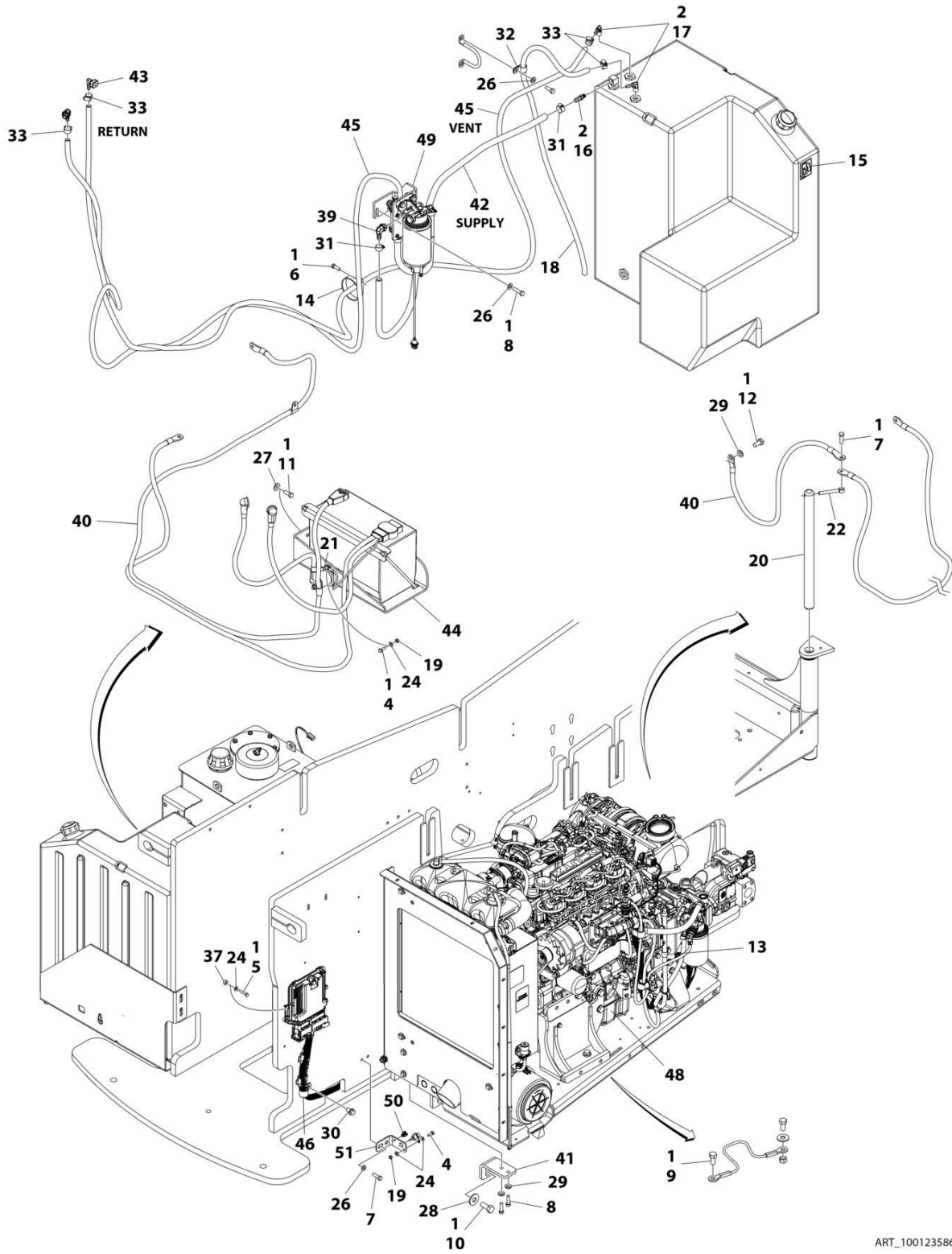
## SECTION 3 - ENGINE

| ITEM | PART NUMBER | QTY        | DESCRIPTION   | REV |
|------|-------------|------------|---|-----|
| 50   | 7027086     | 1          | Cable, Battery (Black) (Engine to Tray Pivot Grd)                                 |     |
| 50   | 7027087     | 1          | Cable (Red) (Battery + to Aux Relay/Power Module/Starter)                         |     |
| 50   | 7027088     | 1          | Cable (Red) (Aux Relay to Aux Pump)   |     |
| 51   | 1001150918  | 1          | Cord, 8ft Extension   |     |
| 52   | 1001188972  | 1          | Heater, Hydraulic Tank  |     |
| 53   | 0641508     | 1          | Bolt 5/16 x 1   |     |
| 54   | 1321339     | 1          | Clamp   |     |
| 55   | 1320061     | 1          | Clamp   |     |
| 56   | 4812000     | 1          | Washer M10  |     |
| 57   | 0761008     | 1          | Bolt M10 x 16   |     |
| 58   | 2750532     | 4 ft/ 1.2m | Hose (Vent Line)  |     |
| 59   | 8406102     | 1          | Clip  |     |
| 61   | 1001233763  | Ref        | Breather Heater Installation (Not Shown - See Separate Breakdown in this Section) |     |



# SECTION 3 - ENGINE

## FIGURE 3-10. DEUTZ TD2.9L4 ENGINE INSTALLATION (STAGE V)



ART\_1001235860

## SECTION 3 - ENGINE

**FIGURE 3-10. DEUTZ TD2.9L4 ENGINE INSTALLATION (STAGE V)**

| ITEM | PART NUMBER | QTY            | DESCRIPTION  | REV |
|------|-------------|----------------|--|-----|
|      | 1001235860  | Ref            | DEUTZ 2.9L4 (STAGE V) ENGINE INSTALLATION                                | F   |
| 1    | 0100011     | AR             | Compound, Locking  |     |
| 2    | 0100020     | AR             | Sealant, Pipe  |     |
| 4    | 0641406     | 2              | Bolt 1/4 x 3/4   |     |
| 5    | 0641412     | 4              | Bolt 1/4 x 1-1/2   |     |
| 6    | 0641508     | 1              | Bolt 5/16 x 1  |     |
| 7    | 0641610     | 1              | Bolt 3/8 x 1-1/4   |     |
| 8    | 0641611     | 4              | Bolt 3/8 x 1-3/8   |     |
| 9    | 0641808     | 1              | Bolt 1/2 x 1   |     |
| 10   | 0642012     | 1              | Bolt 5/8 x 1-1/2   |     |
| 11   | 0681608     | 3              | Bolt 3/8 x 1   |     |
| 12   | 0771212     | 1              | Bolt M12 x 25  |     |
| 13   | 1320061     | 1              | Clamp  |     |
| 14   | 1321339     | 1              | Clamp  |     |
| 15   | 1701505     | 1              | Decal - Diesel Fuel (Not Shown Located on Fuel Tank)                     |     |
| 16   | 2180832     | 1              | Fitting, 90 NPT/ Barbed  |     |
| 17   | 2220313     | 2              | Fitting, 90 NPT/Barbed   |     |
| 18   | 2750532     | 4 ft/ 1.2m     | Hose (Vent Line)   |     |
| 19   | 3311405     | 2              | Nut 1/4  |     |
| 20   | 3422446     | 1              | Pin, Pivot   |     |
| 21   | 3740067     | 1              | Relay  |     |
| 22   | 3841143     | 1              | Pin, Keeper  |     |
| 23   | 4240099     | AR             | Tie-Strap (Not Shown)  |     |
| 24   | 4711400     | 8              | Washer 1/4   |     |
| 26   | 4711600     | 4              | Washer 3/8   |     |
| 27   | 4751600     | 3              | Washer 3/8   |     |
| 28   | 4752000     | 1              | Washer 5/8   |     |
| 29   | 4812100     | 3              | Washer M12   |     |
| 30   | 5251210     | 1              | Bolt M12 x 20  |     |
| 31   | 8405006     | 2              | Clamp  |     |
| 32   | 8406102     | 1              | Clip   |     |
| 33   | 8410013     | 4              | Clamp  |     |
| 37   | 1001110425  | 4              | Spacer   |     |
| 38   | 1001138491  | 1              | Harness, Fuel (Not Shown - See Separate Breakdown in ELECTRICAL Section) |     |
| 39   | 1001142501  | 1              | Fitting, Straight Metric/Barbed  |     |
| 40   | 1001143736  | 1              | Battery Cable Kit  | E   |
| 40   | 7027084     | 1              | Cable, Battery (Black) (Battery - to Tray Pivot Grd)                     |     |
| 40   | 8270147     | 1              | Terminal, Battery (With Boot)  |     |
| 40   | 7027085     | 1              | Cable, Battery (Black) (Battery - to Aux Pump and Relay Grds)            |     |
| 40   | 7027086     | 1              | Cable, Battery (Black) (Engine to Tray Pivot Grd)                        |     |
| 40   | 7027087     | 1              | Cable (Red) (Battery + to Aux Relay/Power Module/Starter)                |     |
| 40   | 7027088     | 1              | Cable (Red) (Aux Relay to Aux Pump)                                      |     |
| 41   | 1001153359  | 1              | Mount, Engine  |     |
| 42   | 1001154405  | 54 in/<br>1.4m | Hose   |     |
| 43   | 1001155823  | 1              | Fitting, Quick Disconnect 90   |     |
| 44   | 1001162497  | 1              | Bracket, Battery   |     |
| 45   | 1001165035  | 28 ft/<br>8.5m | Hose   |     |

## SECTION 3 - ENGINE

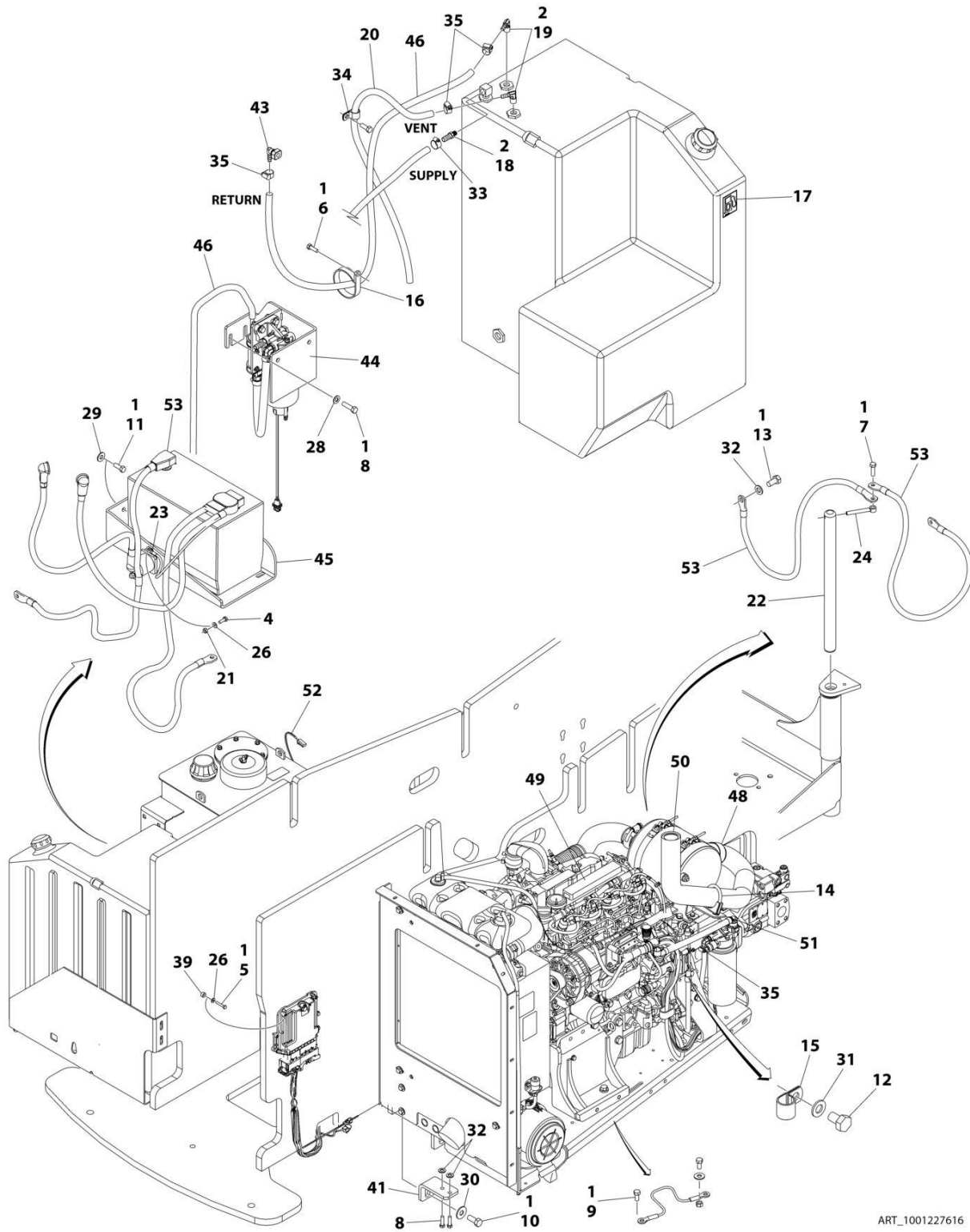
| ITEM | PART NUMBER | QTY | DESCRIPTION   | REV |
|------|-------------|-----|---|-----|
| 46   | 1001191620  | 1   | Clamp   |     |
| 48   | 1001235861  | 1   | Deutz TD2.9L4 Engine and Pump Sub-Assembly (STAGE V) (See Separate Breakdown in this Section) |     |
| 49   | 1001235949  | 1   | Bracket Assembly Less Filter/Pump (See Separate Breakdown in this Section)                    |     |
| 50   | 1001146588  | 1   | Strap   |     |
| 51   | 1001256879  | 1   | Bracket   |     |
| 52   | 1062255     | 1   | Tie-Strap (Not Shown)   |     |





# SECTION 3 - ENGINE

## FIGURE 3-11. DEUTZ TD2.9L4 ENGINE INSTALLATION (CHINA III SPECS)



ART\_1001227616

## SECTION 3 - ENGINE

**FIGURE 3-11. DEUTZ TD2.9L4 ENGINE INSTALLATION (CHINA III SPECS)**

| ITEM | PART NUMBER | QTY            | DESCRIPTION   | REV |
|------|-------------|----------------|---|-----|
|      | 1001227616  | Ref            | DEUTZ ENGINE INSTALLATION   | D   |
| 1    | 0100011     | AR             | Compound, Locking   |     |
| 2    | 0100020     | AR             | Sealant, Pipe   |     |
| 4    | 0641406     | 2              | Bolt 1/4 x 3/4  |     |
| 5    | 0641412     | 4              | Bolt 1/4 x 1-1/2  |     |
| 6    | 0641508     | 1              | Bolt 5/16 x 1   |     |
| 7    | 0641610     | 1              | Bolt 3/8 x 1-1/4  |     |
| 8    | 0641611     | 4              | Bolt 3/8 x 1-3/8  |     |
| 9    | 0641808     | 1              | Bolt 1/2 x 1  |     |
| 10   | 0642012     | 1              | Bolt 5/8 x 1-1/2  |     |
| 11   | 0681608     | 3              | Bolt 3/8 x 1  |     |
| 12   | 0761008     | 1              | Bolt M10 x 16   |     |
| 13   | 0771212     | 1              | Bolt M12 x 25   |     |
| 14   | 1320011     | 1              | Clamp, Muffler (Located on Exhaust)   |     |
| 15   | 1320061     | 1              | Clamp   |     |
| 16   | 1321339     | 1              | Clamp   |     |
| 17   | 1701505     | 1              | Decal - Diesel Fuel (Not Shown Located on Fuel Tank)                                |     |
| 18   | 2180832     | 1              | Fitting, 90 NPT/ Barbed   |     |
| 19   | 2220313     | 2              | Fitting, 90 NPT/Barbed  |     |
| 20   | 2750532     | 4 ft/ 1.2m     | Hose (Vent Line)  |     |
| 21   | 3311405     | 2              | Nut 1/4-20  |     |
| 22   | 3422446     | 1              | Pin, Pivot  |     |
| 23   | 3740067     | 1              | Relay   |     |
| 24   | 3841143     | 1              | Pin, Keeper   |     |
| 25   | 4240033     | AR             | Tie-Strap (Not Shown)   |     |
| 26   | 4711400     | 7              | Washer 1/4  |     |
| 28   | 4711600     | 2              | Washer 3/8  |     |
| 29   | 4751600     | 3              | Washer 3/8  |     |
| 30   | 4752000     | 1              | Washer 5/8  |     |
| 31   | 4812000     | 1              | Washer M10  |     |
| 32   | 4812100     | 3              | Washer M12  |     |
| 33   | 8405006     | 1              | Clamp   |     |
| 34   | 8406102     | 1              | Clip  |     |
| 35   | 8410013     | 4              | Clamp   |     |
| 39   | 1001110425  | 4              | Spacer  |     |
| 41   | 1001153359  | 1              | Mount, Engine   |     |
| 43   | 1001155823  | 1              | Fitting, Quick Disconnect 90  |     |
| 44   | 1001227224  | 1              | Bracket Assembly Less Filter/Pump (See Separate Breakdown in this Section)          |     |
| 45   | 1001162497  | 1              | Bracket, Battery  |     |
| 46   | 1001165035  | 28 ft/<br>8.5m | Hose  |     |
| 48   | 1001221212  | 1              | Clamp (Located on Exhaust)  |     |
| 49   | 1001227615  | 1              | Deutz TD2.9L4 Engine and Pump Sub-Assembly (See Separate Breakdown in this Section) |     |
| 50   | 1001247013  | 1              | Pipe  |     |
| 51   | 1001227620  | 1              | Plate (Located on Exhaust)  |     |
| 52   | 1001138491  | 1              | Harness, Fuel (Not Shown - See Separate Breakdown in ELECTRICAL SECTION)            |     |
| 53   | 1001143736  | 1              | Battery Cable Kit (Not Shown)   | E   |

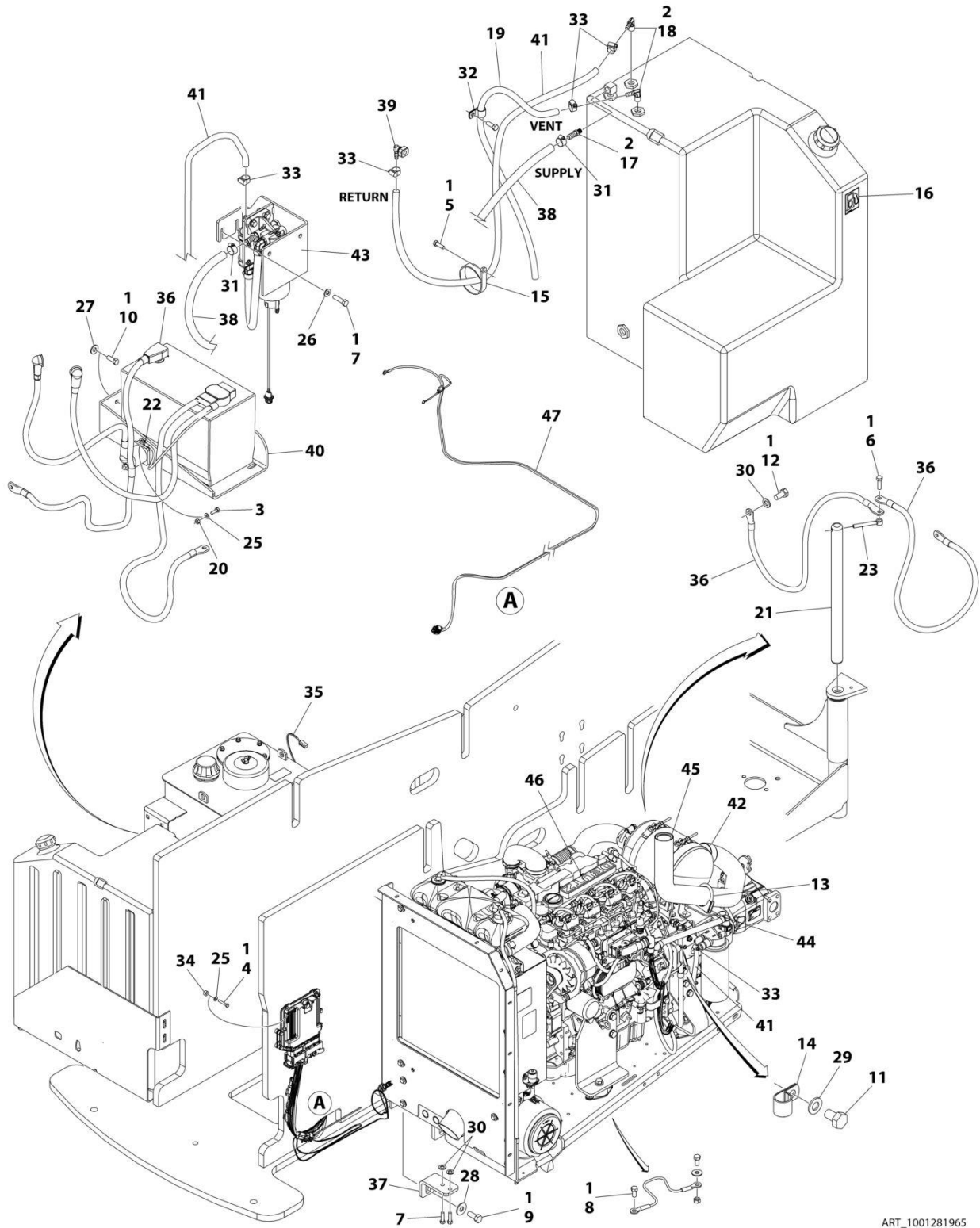
## SECTION 3 - ENGINE

| ITEM | PART NUMBER | QTY | DESCRIPTION   | REV |
|------|-------------|-----|---|-----|
| 53   | 7027084     | 1   | Cable, Battery (Black) (Battery - to Tray Pivot Grd)          |     |
| 53   | 8270147     | 1   | Terminal, Battery (With Boot)                                 |     |
| 53   | 7027085     | 1   | Cable, Battery (Black) (Battery - to Aux Pump and Relay Grds) |     |
| 53   | 7027086     | 1   | Cable, Battery (Black) (Engine to Tray Pivot Grd)             |     |
| 53   | 7027087     | 1   | Cable (Red) (Battery + to Aux Relay/Power Module/Starter)     |     |
| 53   | 7027088     | 1   | Cable (Red) (Aux Relay to Aux Pump)                           |     |



# SECTION 3 - ENGINE

## FIGURE 3-12. DEUTZ TD2.9L4 ENGINE INSTALLATION (CHINA IV SPECS)



ART\_1001281965

## SECTION 3 - ENGINE

**FIGURE 3-12. DEUTZ TD2.9L4 ENGINE INSTALLATION (CHINA IV SPECS)**

| ITEM | PART NUMBER | QTY            | DESCRIPTION  | REV |
|------|-------------|----------------|--|-----|
|      | 1001281965  | Ref            | DEUTZ ENGINE INSTALLATION  | C   |
| 1    | 0100011     | AR             | Compound, Locking  |     |
| 2    | 0100020     | AR             | Sealant, Pipe  |     |
| 3    | 0641406     | 2              | Bolt 1/4 x 3/4   |     |
| 4    | 0641412     | 4              | Bolt 1/4 x 1-1/2   |     |
| 5    | 0641508     | 1              | Bolt 5/16 x 1  |     |
| 6    | 0641610     | 1              | Bolt 3/8 x 1-1/4   |     |
| 7    | 0641611     | 4              | Bolt 3/8 x 1-3/8   |     |
| 8    | 0641808     | 1              | Bolt 1/2 x 1   |     |
| 9    | 0642012     | 1              | Bolt 5/8 x 1-1/2   |     |
| 10   | 0681608     | 3              | Bolt 3/8 x 1   |     |
| 11   | 0761008     | 1              | Bolt M10 x 16  |     |
| 12   | 0771212     | 1              | Bolt M12 x 25  |     |
| 13   | 1320011     | 1              | Clamp, Muffler (Located on Exhaust)  |     |
| 14   | 1320061     | 1              | Clamp  |     |
| 15   | 1321339     | 1              | Clamp  |     |
| 16   | 1701505     | 1              | Decal - Diesel Fuel (Located on Fuel Tank)                                 |     |
| 17   | 2180832     | 1              | Fitting, 90 NPT/ Barbed  |     |
| 18   | 2220313     | 2              | Fitting, 90 NPT/Barbed   |     |
| 19   | 2750532     | 4 ft/ 1.2m     | Hose (Vent Line)   |     |
| 20   | 3311405     | 2              | Nut 1/4-20   |     |
| 21   | 3422446     | 1              | Pin, Pivot   |     |
| 22   | 3740067     | 1              | Relay  |     |
| 23   | 3841143     | 1              | Pin, Keeper  |     |
| 24   | 4240033     | AR             | Tie-Strap (Not Shown)  |     |
| 25   | 4711400     | 7              | Washer 1/4   |     |
| 26   | 4711600     | 2              | Washer 3/8   |     |
| 27   | 4751600     | 3              | Washer 3/8   |     |
| 28   | 4752000     | 1              | Washer 5/8   |     |
| 29   | 4812000     | 1              | Washer M10   |     |
| 30   | 4812100     | 3              | Washer M12   |     |
| 31   | 8405006     | 2              | Clamp  |     |
| 32   | 8406102     | 1              | Clip   |     |
| 33   | 8410013     | 5              | Clamp  |     |
| 34   | 1001110425  | 4              | Spacer   |     |
| 35   | 1001138491  | 1              | Harness, Fuel (See Separate Breakdown in ELECTRICAL Section)               |     |
| 36   | 1001143736  | 1              | Battery Cable Kit  | E   |
| 37   | 1001153359  | 1              | Mount, Engine  |     |
| 38   | 1001154405  | 1              | Hose   |     |
| 39   | 1001155823  | 1              | Fitting, Quick Disconnect 90   |     |
| 40   | 1001162497  | 1              | Bracket, Battery   |     |
| 41   | 1001165035  | 28 ft/<br>8.5m | Hose   |     |
| 42   | 1001221212  | 1              | Clamp (Located on Exhaust)   |     |
| 43   | 1001227224  | 1              | Bracket Assembly Less Filter/Pump (See Separate Breakdown in this Section) |     |
| 44   | 1001227620  | 1              | Plate (Located on Exhaust)   |     |
| 45   | 1001247013  | 1              | Pipe   |     |
| 46   | 1001281608  | 1              | Deutz TD2.9L4 Engine and Pump Sub-Assembly (See Separate                   |     |

## SECTION 3 - ENGINE

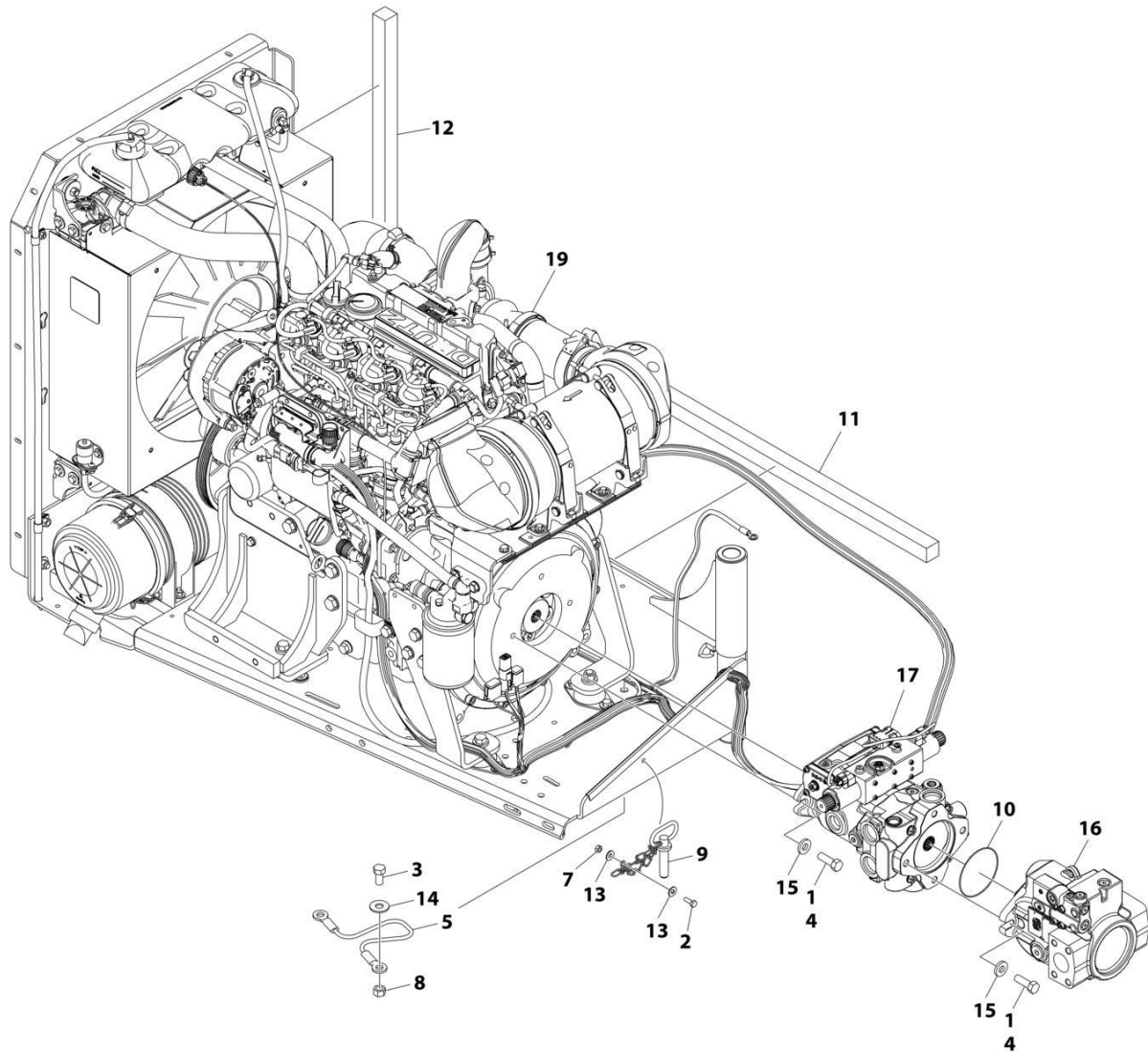
| ITEM | PART NUMBER | QTY | DESCRIPTION   | REV |
|------|-------------|-----|---|-----|
| 47   | 1001289593  | 1   | Breakdown in this Section)<br>ECM Jumper Harness (See Separate Breakdown ELECTRICAL<br>Section) |     |





# SECTION 3 - ENGINE

FIGURE 3-13. DEUTZ TD2.9L4 ENGINE AND PUMP SUB-ASSEMBLY (WITHOUT ARCTIC PACKAGE)



ART\_1001185667

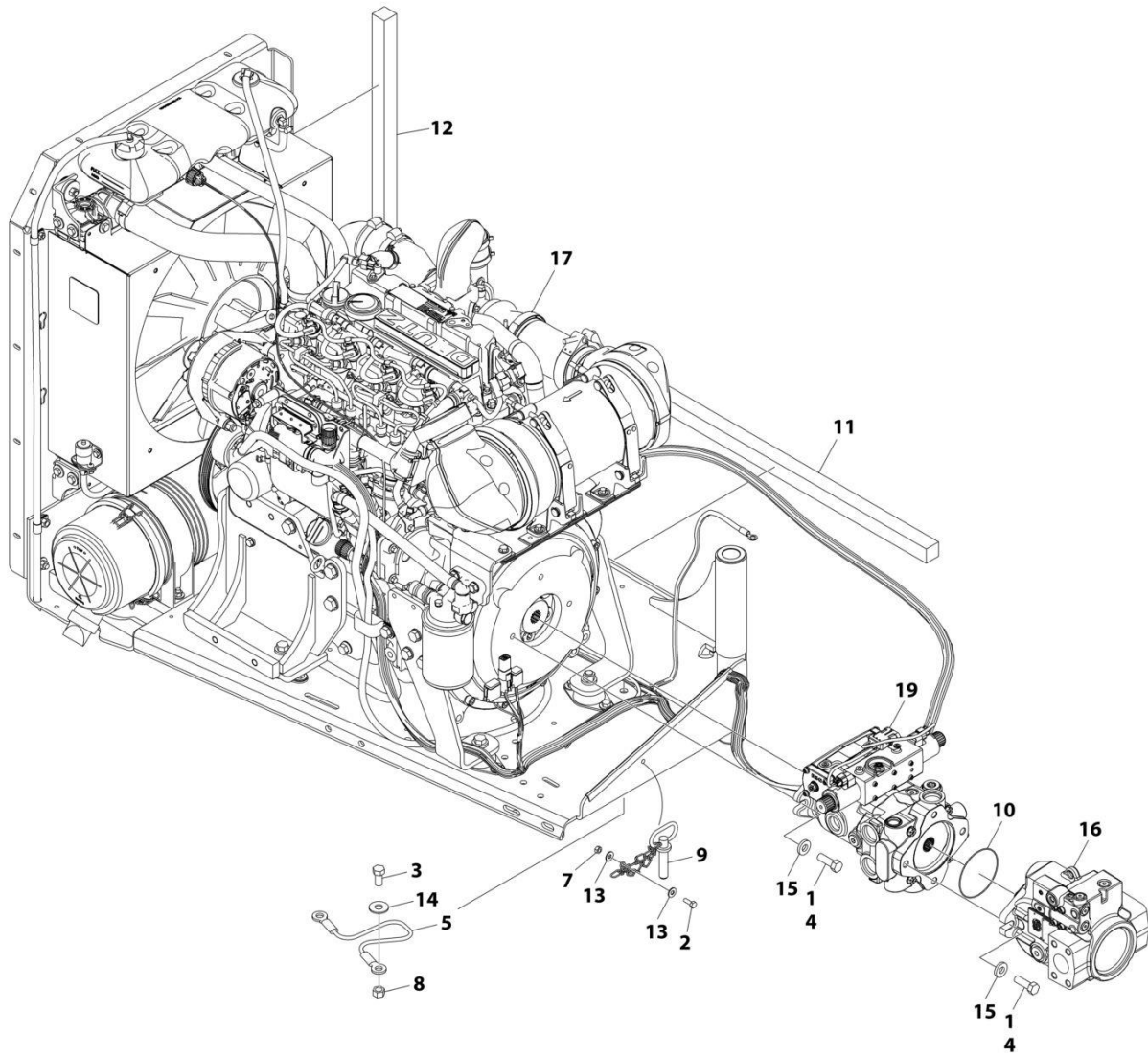
## SECTION 3 - ENGINE

**FIGURE 3-13. DEUTZ TD2.9L4 ENGINE AND PUMP SUB-ASSEMBLY (WITHOUT ARCTIC PACKAGE)**

| ITEM | PART NUMBER | QTY | DESCRIPTION  | REV |
|------|-------------|-----|--|-----|
|      | 1001185667  | Ref | DEUTZ TD2.9L4 ENGINE AND PUMP SUB-ASSEMBLY<br>(WITHOUT ARCTIC PACKAGE)             | H   |
| 1    | 0100011     | AR  | Compound, Locking  |     |
| 2    | 0641406     | 1   | Bolt 1/4 x 3/4   |     |
| 3    | 0641808     | 1   | Bolt 1/2 x 1   |     |
| 4    | 0641812     | 4   | Bolt 1/2 x 1-1/2   |     |
| 5    | 1060637     | 1   | Lanyard  |     |
| 7    | 3311405     | 1   | Nut 1/4  |     |
| 8    | 3311801     | 1   | Nut 1/2  |     |
| 9    | 3422532     | 1   | Pin  |     |
| 10   | 3790044     | 1   | O-Ring   |     |
| 11   | 3960468     | 1   | Seal   |     |
| 12   | 3960469     | 1   | Seal   |     |
| 13   | 4751400     | 2   | Washer 1/4   |     |
| 14   | 4751800     | 1   | Washer 1/2   |     |
| 15   | 4891800     | 4   | Washer 1/2   |     |
| 16   | 1001094595  | 1   | Variable Pump Assembly (See Separate Breakdown in this<br>Section)                 |     |
| 17   | 1001225745  | 1   | Hydrostatic Pump Assembly (See Separate Breakdown in this<br>Section)              |     |
| 19   | 1001176027  | 1   | Engine Assembly Without Arctic Package (See Separate<br>Breakdown in this Section) |     |

# SECTION 3 - ENGINE

## FIGURE 3-14. DEUTZ TD2.9L4 ENGINE AND PUMP SUB-ASSEMBLY (WITH ARCTIC PACKAGE)



ART\_1001185671

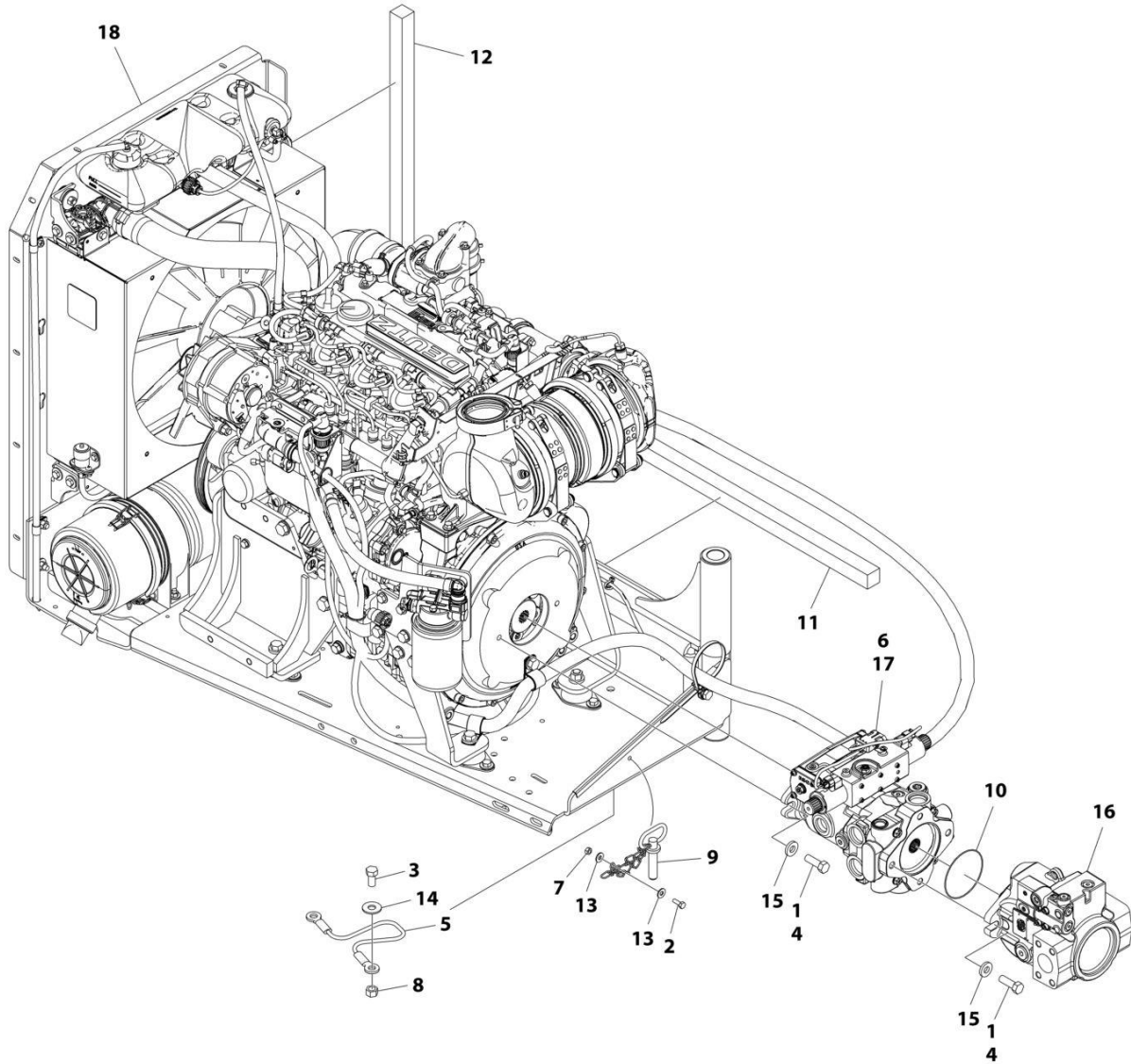
## SECTION 3 - ENGINE

**FIGURE 3-14. DEUTZ TD2.9L4 ENGINE AND PUMP SUB-ASSEMBLY (WITH ARCTIC PACKAGE)**

| ITEM | PART NUMBER | QTY | DESCRIPTION   | REV |
|------|-------------|-----|---|-----|
|      | 1001185671  | Ref | DEUTZ TD2.9L4 ENGINE AND PUMP SUB-ASSEMBLY (WITH ARCTIC PACKAGE)              | H   |
| 1    | 0100011     | AR  | Compound, Locking   |     |
| 2    | 0641406     | 1   | Bolt 1/4 x 3/4  |     |
| 3    | 0641808     | 1   | Bolt 1/2 x 1  |     |
| 4    | 0641812     | 4   | Bolt 1/2 x 1-1/2  |     |
| 5    | 1060637     | 1   | Cable, Lanyard  |     |
| 7    | 3311405     | 1   | Nut 1/4   |     |
| 8    | 3311801     | 1   | Nut 1/2   |     |
| 9    | 3422532     | 1   | Pin, Hitch  |     |
| 10   | 3790044     | 1   | O-Ring  |     |
| 11   | 3960468     | 1   | Seal  |     |
| 12   | 3960469     | 1   | Seal  |     |
| 13   | 4751400     | 2   | Washer 1/4  |     |
| 14   | 4751800     | 1   | Washer 1/2  |     |
| 15   | 4891800     | 4   | Washer 1/2  |     |
| 16   | 1001094595  | 1   | Variable Pump Assembly with Fittings (See Separate Breakdown in this Section) |     |
| 17   | 1001176035  | 1   | Engine Assembly With Arctic Package (See Separate Breakdown in this Section)  |     |
| 19   | 1001225745  | 1   | Hydrostatic Pump Assembly (See Separate Breakdown in this Section)            |     |

# SECTION 3 - ENGINE

## FIGURE 3-15. DEUTZ TD2.9L4 ENGINE AND PUMP SUB-ASSEMBLY (STAGE V)



ART\_1001235861

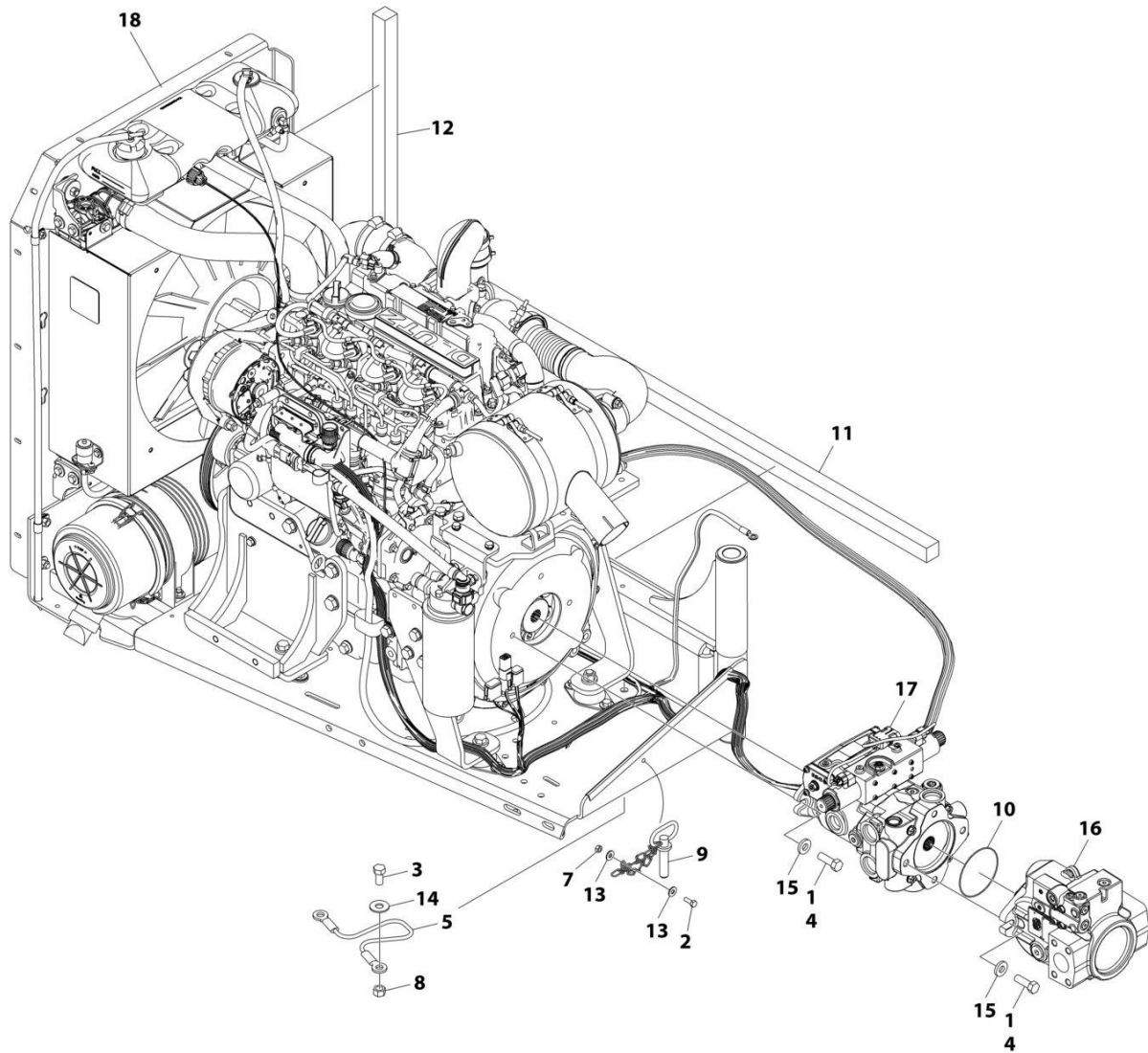
## SECTION 3 - ENGINE

**FIGURE 3-15. DEUTZ TD2.9L4 ENGINE AND PUMP SUB-ASSEMBLY (STAGE V)**

| ITEM | PART NUMBER | QTY | DESCRIPTION  | REV |
|------|-------------|-----|--|-----|
|      | 1001235861  | Ref | DEUTZ TD2.9L4 ENGINE AND PUMP SUB-ASSEMBLY (STAGE V)                                     | B   |
| 1    | 0100011     | AR  | Compound, Locking  |     |
| 2    | 0641406     | 1   | Bolt 1/4 x 3/4   |     |
| 3    | 0641808     | 1   | Bolt 1/2 x 1   |     |
| 4    | 0641812     | 4   | Bolt 1/2 x 1-1/2   |     |
| 5    | 1060637     | 1   | Lanyard  |     |
| 6    | 3020037     | AR  | Lubricant  |     |
| 7    | 3311405     | 1   | Nut 1/4  |     |
| 8    | 3311801     | 1   | Nut 1/2  |     |
| 9    | 3422532     | 1   | Pin, Hitch   |     |
| 10   | 3790044     | 1   | O-Ring   |     |
| 11   | 3960468     | 1   | Seal   |     |
| 12   | 3960469     | 1   | Seal   |     |
| 13   | 4751400     | 2   | Washer 1/4   |     |
| 14   | 4751800     | 1   | Washer 1/2   |     |
| 15   | 4891800     | 4   | Washer 1/2   |     |
| 16   | 1001094595  | 1   | Variable Pump Assembly with Fittings (See Separate Breakdown in this Section)            |     |
| 17   | 1001225745  | 1   | Hydrostatic Pump Assembly (See Separate Breakdown in this Section)                       |     |
| 18   | 1001235862  | 1   | Engine Assembly - DEUTZ 2.9L4 (Stage V) Engines (See Separate Breakdown in this Section) |     |

# SECTION 3 - ENGINE

## FIGURE 3-16. DEUTZ TD2.9L4 ENGINE AND PUMP SUB-ASSEMBLY (CHINA III SPECS)



ART\_1001227615



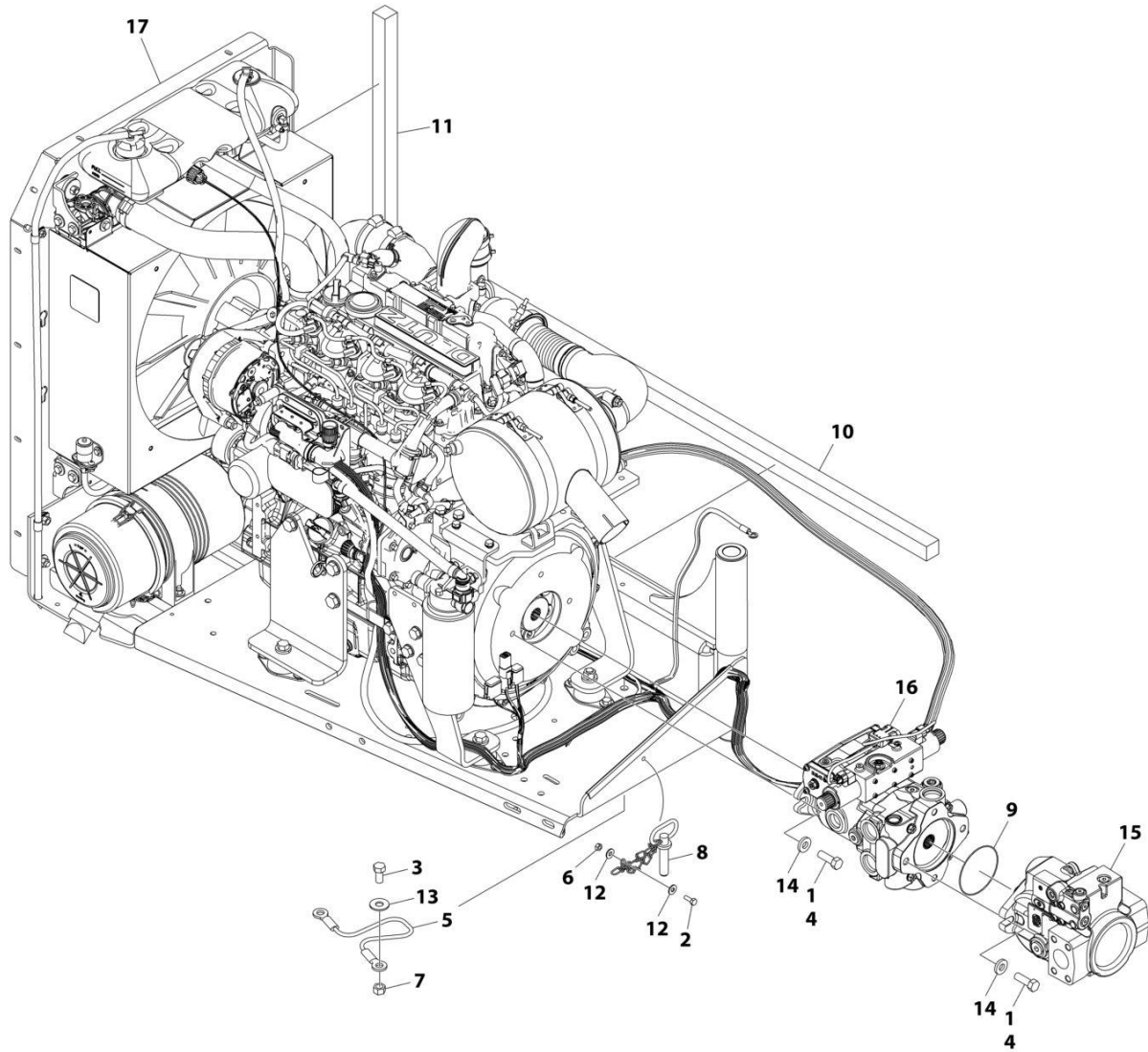
## SECTION 3 - ENGINE

**FIGURE 3-16. DEUTZ TD2.9L4 ENGINE AND PUMP SUB-ASSEMBLY (CHINA III SPECS)**

| ITEM | PART NUMBER | QTY | DESCRIPTION   | REV |
|------|-------------|-----|---|-----|
|      | 1001227615  | Ref | DEUTZ TD2.9L4 ENGINE AND PUMP SUB-ASSEMBLY                                    | F   |
| 1    | 0100011     | AR  | Compound, Locking   |     |
| 2    | 0641406     | 1   | Bolt 1/4 x 3/4  |     |
| 3    | 0641808     | 1   | Bolt 1/2 x 1  |     |
| 4    | 0641812     | 4   | Bolt 1/2 x 1-1/2  |     |
| 5    | 1060637     | 1   | Lanyard   |     |
| 7    | 3311405     | 1   | Nut 1/4   |     |
| 8    | 3311801     | 1   | Nut 1/2   |     |
| 9    | 3422532     | 1   | Pin, Hitch  |     |
| 10   | 3790044     | 1   | O-Ring  |     |
| 11   | 3960468     | 1   | Seal  |     |
| 12   | 3960469     | 1   | Seal  |     |
| 13   | 4751400     | 2   | Washer 1/4  |     |
| 14   | 4751800     | 1   | Washer 1/2  |     |
| 15   | 4891800     | 4   | Washer 1/2  |     |
| 16   | 1001094595  | 1   | Variable Pump Assembly with Fittings (See Separate Breakdown in this Section) |     |
| 17   | 1001225745  | 1   | Hydrostatic Pump Assembly (See Separate Breakdown in this Section)            |     |
| 18   | 1001227614  | 1   | Engine Assembly (See Separate Breakdown in this Section)                      |     |

# SECTION 3 - ENGINE

## FIGURE 3-17. DEUTZ TD2.9L4 ENGINE AND PUMP SUB-ASSEMBLY (CHINA IV SPECS) (WITH DANFOSS PUMP)



ART\_1001281608

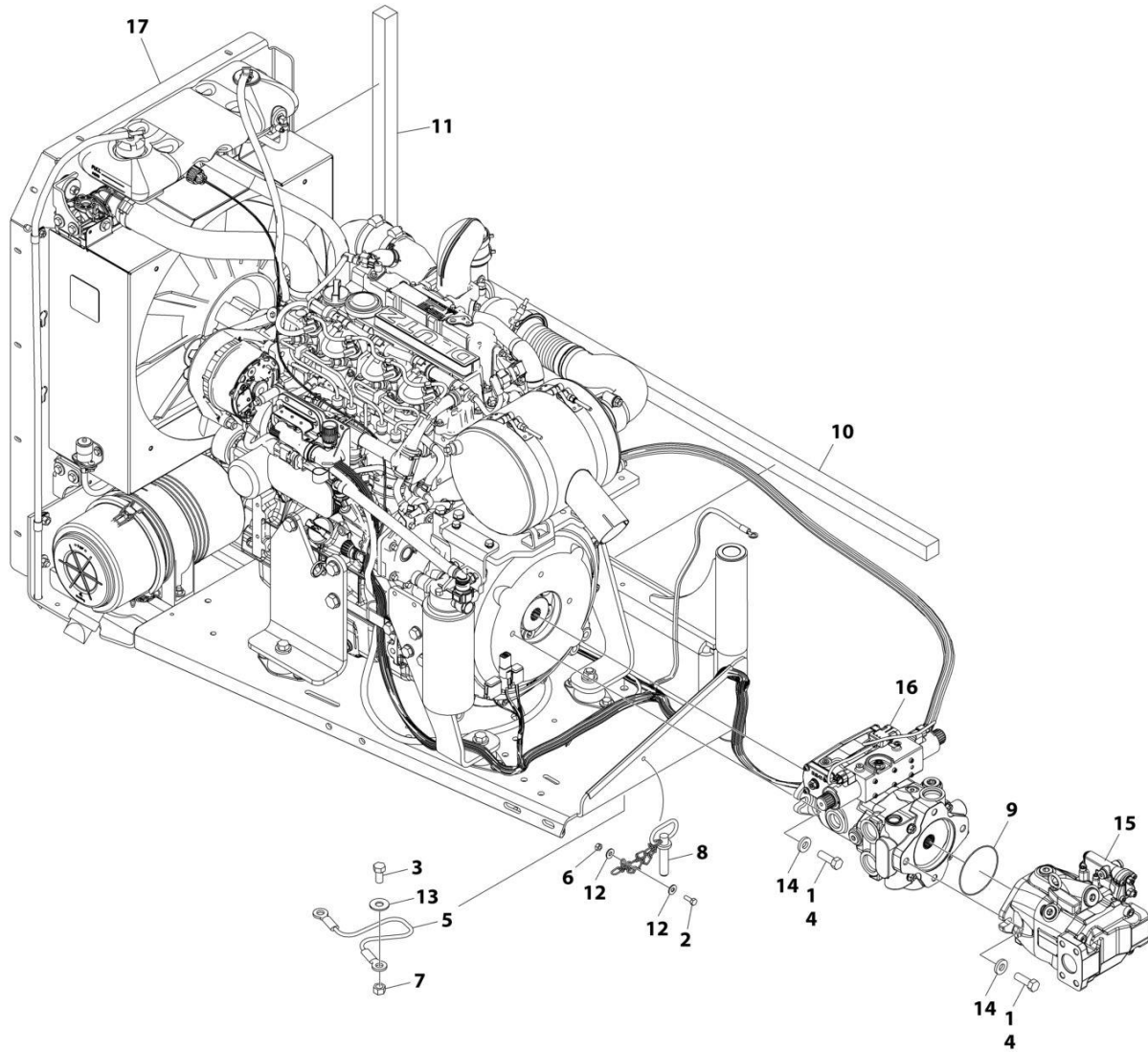
## SECTION 3 - ENGINE

**FIGURE 3-17. DEUTZ TD2.9L4 ENGINE AND PUMP SUB-ASSEMBLY (CHINA IV SPECS) (WITH DANFOSS PUMP)**

| ITEM | PART NUMBER | QTY | DESCRIPTION   | REV |
|------|-------------|-----|---|-----|
|      | 1001281608  | Ref | DEUTZ TD2.9L4 ENGINE AND PUMP SUB-ASSEMBLY                                    | A   |
| 1    | 0100011     | AR  | Compound, Locking   |     |
| 2    | 0641406     | 1   | Bolt 1/4 x 3/4  |     |
| 3    | 0641808     | 1   | Bolt 1/2 x 1  |     |
| 4    | 0641812     | 4   | Bolt 1/2 x 1-1/2  |     |
| 5    | 1060637     | 1   | Lanyard   |     |
| 6    | 3311405     | 1   | Nut 1/4   |     |
| 7    | 3311801     | 1   | Nut 1/2   |     |
| 8    | 3422532     | 1   | Pin, Hitch  |     |
| 9    | 3790044     | 1   | O-Ring  |     |
| 10   | 3960468     | 1   | Seal  |     |
| 11   | 3960469     | 1   | Seal  |     |
| 12   | 4751400     | 2   | Washer 1/4  |     |
| 13   | 4751800     | 1   | Washer 1/2  |     |
| 14   | 4891800     | 4   | Washer 1/2  |     |
| 15   | 1001094595  | 1   | Variable Pump Assembly with Fittings (See Separate Breakdown in this Section) |     |
| 16   | 1001225745  | 1   | Hydrostatic Pump Assembly (See Separate Breakdown in this Section)            |     |
| 17   | 1001281609  | 1   | Engine Assembly (See Separate Breakdown in this Section)                      |     |

# SECTION 3 - ENGINE

FIGURE 3-18. DEUTZ TD2.9L4 ENGINE AND PUMP SUB-ASSEMBLY (CHINA IV SPECS) (WITH HENGLI PUMP)



ART\_1001281608\_B

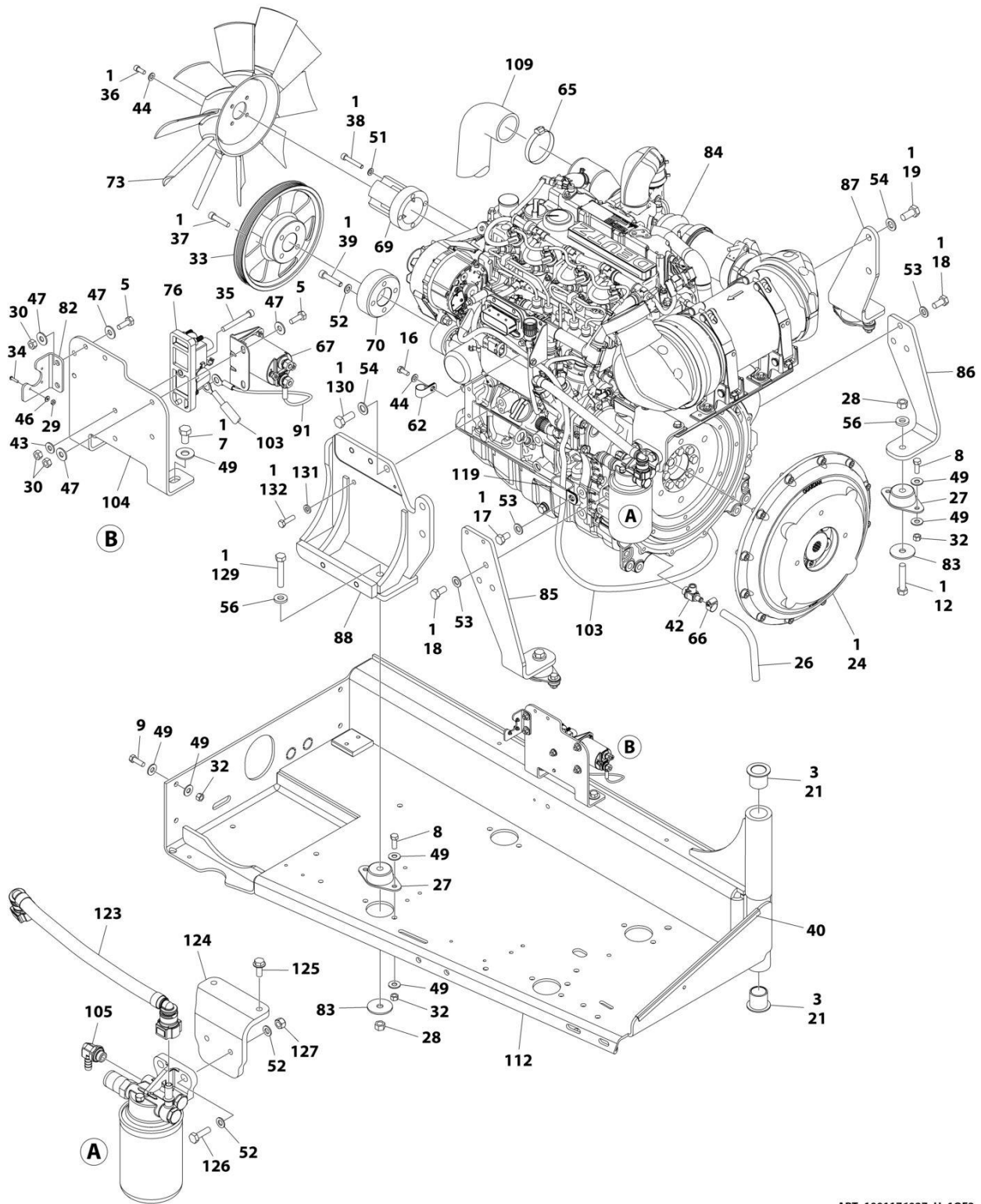
## SECTION 3 - ENGINE

**FIGURE 3-18. DEUTZ TD2.9L4 ENGINE AND PUMP SUB-ASSEMBLY (CHINA IV SPECS) (WITH HENGLI PUMP)**

| ITEM | PART NUMBER | QTY | DESCRIPTION   | REV |
|------|-------------|-----|---|-----|
|      | 1001281608  | Ref | DEUTZ TD2.9L4 ENGINE AND PUMP SUB-ASSEMBLY                                    | B   |
| 1    | 0100011     | AR  | Compound, Locking   |     |
| 2    | 0641406     | 1   | Bolt 1/4 x 3/4  |     |
| 3    | 0641808     | 1   | Bolt 1/2 x 1  |     |
| 4    | 0641812     | 4   | Bolt 1/2 x 1-1/2  |     |
| 5    | 1060637     | 1   | Lanyard   |     |
| 6    | 3311405     | 1   | Nut 1/4   |     |
| 7    | 3311801     | 1   | Nut 1/2   |     |
| 8    | 3422532     | 1   | Pin, Hitch  |     |
| 9    | 3790044     | 1   | O-Ring  |     |
| 10   | 3960468     | 1   | Seal  |     |
| 11   | 3960469     | 1   | Seal  |     |
| 12   | 4751400     | 2   | Washer 1/4  |     |
| 13   | 4751800     | 1   | Washer 1/2  |     |
| 14   | 4891800     | 4   | Washer 1/2  |     |
| 15   | 1001276377  | 1   | Variable Pump Assembly with Fittings (See Separate Breakdown in this Section) |     |
| 16   | 1001225745  | 1   | Hydrostatic Pump Assembly (See Separate Breakdown in this Section)            |     |
| 17   | 1001281609  | 1   | Engine Assembly (See Separate Breakdown in this Section)                      |     |

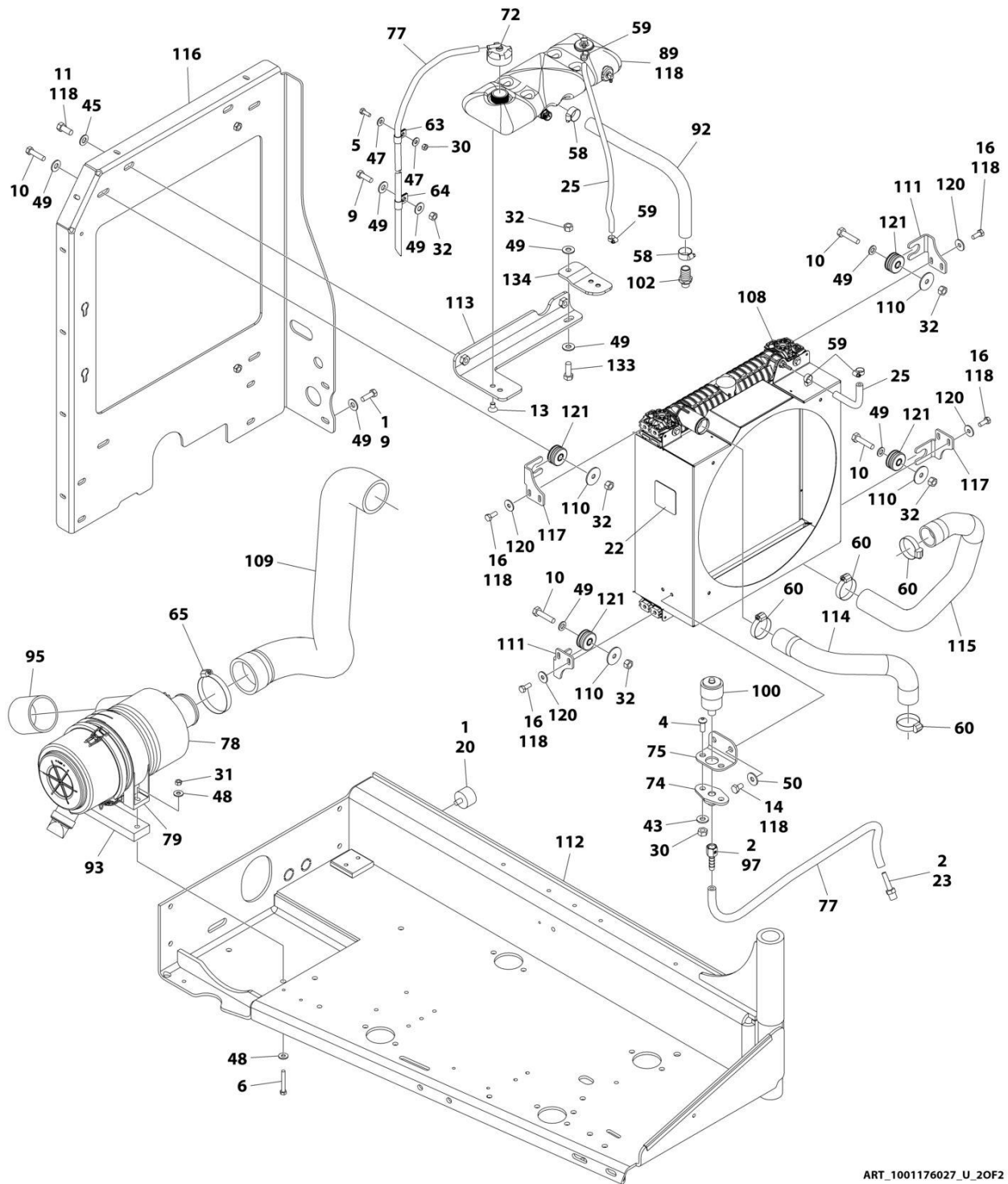
# SECTION 3 - ENGINE

## FIGURE 3-19. DEUTZ TD2.9L4 ENGINE ASSEMBLY (WITHOUT ARCTIC PACKAGE)



ART\_1001176027\_U\_10F2

# SECTION 3 - ENGINE



ART\_1001176027\_U\_20F2

## SECTION 3 - ENGINE

**FIGURE 3-19. DEUTZ TD2.9L4 ENGINE ASSEMBLY (WITHOUT ARCTIC PACKAGE)**

| ITEM | PART NUMBER | QTY              | DESCRIPTION  | REV |
|------|-------------|------------------|--|-----|
|      | 1001176027  | Ref              | ENGINE ASSEMBLY WITHOUT ARCTIC PACKAGE                     | U   |
| 1    | 0100011     | AR               | Locking, Compound  |     |
| 2    | 0100020     | AR               | Sealant  |     |
| 3    | 0100062     | 2                | Compound, Locking  |     |
| 4    | 0630407     | 5                | Screw 1/4 x 5/8  |     |
| 5    | 0641406     | 2                | Bolt 1/4 x 3/4   |     |
| 6    | 0641518     | 2                | Bolt 5/16 x 2-1/4  |     |
| 7    | 0641605     | 8                | Bolt 3/8 x 5/8   |     |
| 8    | 0641608     | 6                | Bolt 3/8 x 1   |     |
| 9    | 0641609     | 4                | Bolt 3/8 x 1-1/8   |     |
| 10   | 0641612     | 2                | Bolt 3/8 x 1-1/2   |     |
| 11   | 0641708     | 3                | Bolt 7/16 x 1  |     |
| 12   | 0681820     | 2                | Bolt 1/2 x 2-1/2   |     |
| 13   | 0741605     | 2                | Screw 3/8 x 5/8  |     |
| 14   | 0760605     | AR               | Bolt M6 x 10   |     |
| 16   | 0760810     | 9                | Bolt M8 x 20   |     |
| 17   | 0761210     | 1                | Bolt M12 x 20  |     |
| 18   | 0771212     | 6                | Bolt M12 x 25  |     |
| 19   | 0771414     | 2                | Bolt M14 x 30  |     |
| 20   | 0940070     | 1                | Bumper   |     |
| 21   | 0961986     | 2                | Bushing, Flanged   |     |
| 22   | 1703162     | 1                | Decal - Caution Fan Blade                                  |     |
| 23   | 2220315     | 1                | Fitting, Straight Barbed                                   |     |
| 24   | 1001153282  | 1                | Pump Coupling Kit (See Separate Breakdown in this section) |     |
| 25   | 2720015     | 40 in/1m         | Hose   |     |
| 26   | 2720340     | 12 in<br>/30.5cm | Hose   |     |
| 27   | 3200401     | 4                | Mount, Motor   |     |
| 28   | 3271801     | 4                | Nut 1/2-13   |     |
| 29   | 3310401     | 3                | Nut #4   |     |
| 30   | 3311405     | 8                | Nut 1/4  |     |
| 31   | 3311505     | 2                | Locknut 5/16   |     |
| 32   | 3311605     | 17               | Nut 3/8  |     |
| 33   | 3580320     | 1                | Pulley   |     |
| 34   | 3910408     | 3                | Screw #4 x 1/2   |     |
| 35   | 3931432     | 1                | Capscrew 1/4 x 2   |     |
| 36   | 3931512     | 4                | Capscrew 5/16 x 3/4  |     |
| 37   | 3931628     | 4                | Capscrew 3/8 x 1-3/4                                       |     |
| 38   | 4031914     | 4                | Capscrew M8 x 50   |     |
| 39   | 4032014     | 4                | Capscrew M10 x 50  |     |
| 40   | 4060805     | 15 in<br>/38cm   | Flex-Trim  |     |
| 41   | 4240099     | AR               | Tie-Strap (Not Shown)                                      |     |
| 42   | 4640751     | 1                | Valve, Oil Drain   |     |
| 43   | 4711400     | 3                | Washer 1/4   |     |
| 44   | 4711500     | 5                | Washer 5/16  |     |
| 45   | 4711700     | 2                | Washer 7/16  |     |
| 46   | 4750400     | 3                | Washer #4  |     |
| 47   | 4751400     | 10               | Washer 1/4   |     |
| 48   | 4751500     | 4                | Washer 5/16  |     |



## SECTION 3 - ENGINE

| ITEM | PART NUMBER | QTY        | DESCRIPTION  | REV |
|------|-------------|------------|--|-----|
| 49   | 4751600     | 34         | Washer 3/8   |     |
| 50   | 4811702     | 2          | Washer M6  |     |
| 51   | 4811900     | 4          | Washer M8  |     |
| 52   | 4812000     | 8          | Washer M10   |     |
| 53   | 4812100     | 7          | Washer M12   |     |
| 54   | 4812200     | 5          | Washer M14   |     |
| 56   | 4891800     | 4          | Washer 1/2   |     |
| 58   | 8405007     | 2          | Clamp  |     |
| 59   | 8405009     | 4          | Clamp  |     |
| 60   | 8405104     | 4          | Clamp  |     |
| 62   | 8406102     | 1          | Clip   |     |
| 63   | 8406109     | 1          | Clip   |     |
| 64   | 8406110     | 1          | Clip   |     |
| 65   | 8410011     | 2          | Clamp  |     |
| 66   | 8410013     | 1          | Clamp  |     |
| 67   | 1001117308  | 1          | Relay  |     |
| 69   | 1001135138  | 1          | Adapter  |     |
| 70   | 1001135679  | 1          | Adapter  |     |
| 72   | 1001136834  | 1          | Cap, Tank  |     |
| 73   | 1001137276  | 1          | Fan  |     |
| 74   | 1001138173  | 1          | Support  |     |
| 75   | 1001138175  | 1          | Bracket  |     |
| 76   | 1001138228  | 1          | Relay, Power Module  |     |
| 76   | 70023593    | 1          | Fuse 30Amp (Battery Output)  |     |
| 76   | 70023592    | 1          | Fuse 20Amp (Switch Output)   |     |
| 77   | 1001138248  | 62 in/1.6m | Tube   |     |
| 78   | 1001138489  | 1          | Air Cleaner Assembly   |     |
| 78   | 91403102    | 1          | Element, Filter  |     |
| 79   | 1001138557  | 1          | Clamp  |     |
| 82   | 1001139240  | 1          | Bracket  |     |
| 83   | 1001139409  | 4          | Washer, Special  |     |
| 84   | 1001249942  | 1          | Engine, Deutz TD2.9L4 T4F (See Separate Breakdown in this Section)               |     |
| 85   | 1001140448  | 1          | Mount, Rear Engine   |     |
| 86   | 1001140450  | 1          | Mount, Rear Engine   |     |
| 87   | 1001140454  | 1          | Mount, Front Engine  |     |
| 88   | 1001202368  | 1          | Mount, Generator/Engine  |     |
| 89   | 1001230635  | 1          | Tank   |     |
| 89   | 0100020     | AR         | Sealant, Pipe  |     |
| 89   | 1001134488  | 1          | Fitting, 90 NPT/ Barbed  |     |
| 89   | 1001138827  | 1          | Sensor, Coolant Level  |     |
| 89   | 1001140564  | 1          | Fitting, 90 NPT/ Barbed  |     |
| 89   | 1001229542  | 1          | Tank, Surge  |     |
| 91   | 1001141304  | 1          | Harness, Glow Plug   |     |
| 92   | 1001141370  | 1          | Hose   |     |
| 93   | 1001267256  | 1          | Shim   |     |
| 95   | 1001141585  | 1          | Hose, Inlet  |     |
| 97   | 1001141995  | 1          | Fitting, Straight NPT/Barbed   |     |
| 100  | 1001143390  | 1          | Indicator, Service   |     |
| 101  | 1001143726  | 1          | Harness, Deutz Engine (Not Shown - See Separate Breakdown in ELECTRICAL Section) |     |
| 102  | 1001143797  | 1          | Fitting, Straight Metric/Barbed  |     |

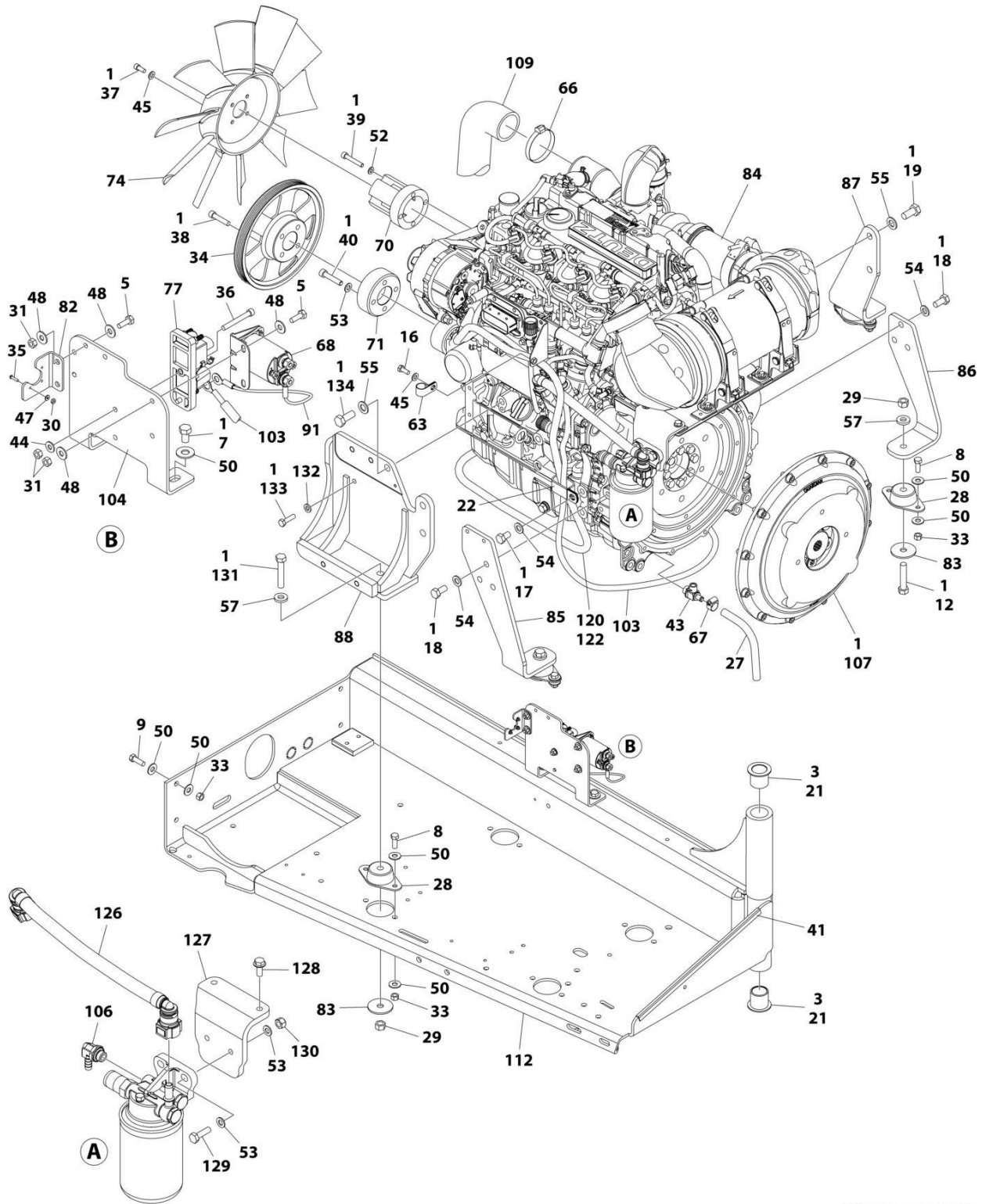
## SECTION 3 - ENGINE

| ITEM | PART NUMBER | QTY | DESCRIPTION   | REV |
|------|-------------|-----|---|-----|
| 103  | 1001143907  | 1   | Cable, Alternator Power   |     |
| 104  | 1001145154  | 1   | Plate, Relay Mounting   |     |
| 105  | 1001152489  | 1   | Fitting, 90 Metric/ Barbed  |     |
| 108  | 1001167042  | 1   | Radiator  |     |
| 109  | 1001266525  | 1   | Hose  |     |
| 110  | 1001169138  | 4   | Washer  |     |
| 111  | 1001204325  | 2   | Bracket, Radiator   |     |
| 112  | 1001190610  | 1   | Tray  |     |
| 113  | 1001260413  | 1   | Bracket, Tank   |     |
| 114  | 1001177844  | 1   | Hose, Radiator - Upper  |     |
| 115  | 1001177845  | 1   | Hose, Radiator - Lower  |     |
| 116  | 1001186985  | 1   | Plate, Mounting (Modine Radiator)   |     |
| 117  | 1001178223  | 2   | Bracket, Radiator   |     |
| 118  | 1001180620  | 1   | Adhesive  |     |
| 119  | 1001181899  | 1   | P-Clamp   |     |
| 120  | 4811902     | 8   | Washer M8   |     |
| 121  | 1001169054  | 4   | Pad, Isolator   |     |
| 123  | 1001177359  | 1   | Hose  |     |
| 124  | 1001178876  | 1   | Mount, Fuel Filter  |     |
| 125  | 5250810     | 2   | Bolt M8 x 20  |     |
| 126  | 0761015     | 2   | Bolt M10 x 35   |     |
| 127  | 3291005     | 2   | Nut M10   |     |
| 129  | 0681822     | 1   | Bolt 1/2 x 2-3/4 Grade 8  |     |
| 130  | 0771415     | 3   | Bolt M14 x 35 Grade 10.9  |     |
| 131  | 5240800     | 1   | Washer M8   |     |
| 132  | 0700814     | 1   | Bolt M8 x 30  |     |
| 133  | 0681608     | 1   | Bolt 3/8 x 1 Grade 8  |     |
| 134  | 1001260412  | 1   | Bracket   |     |
| 135  | 1001162335  | 1   | Bracket, Fuel Pump/Filter Assy (Not Shown - See Separate Breakdown in this Section) |     |



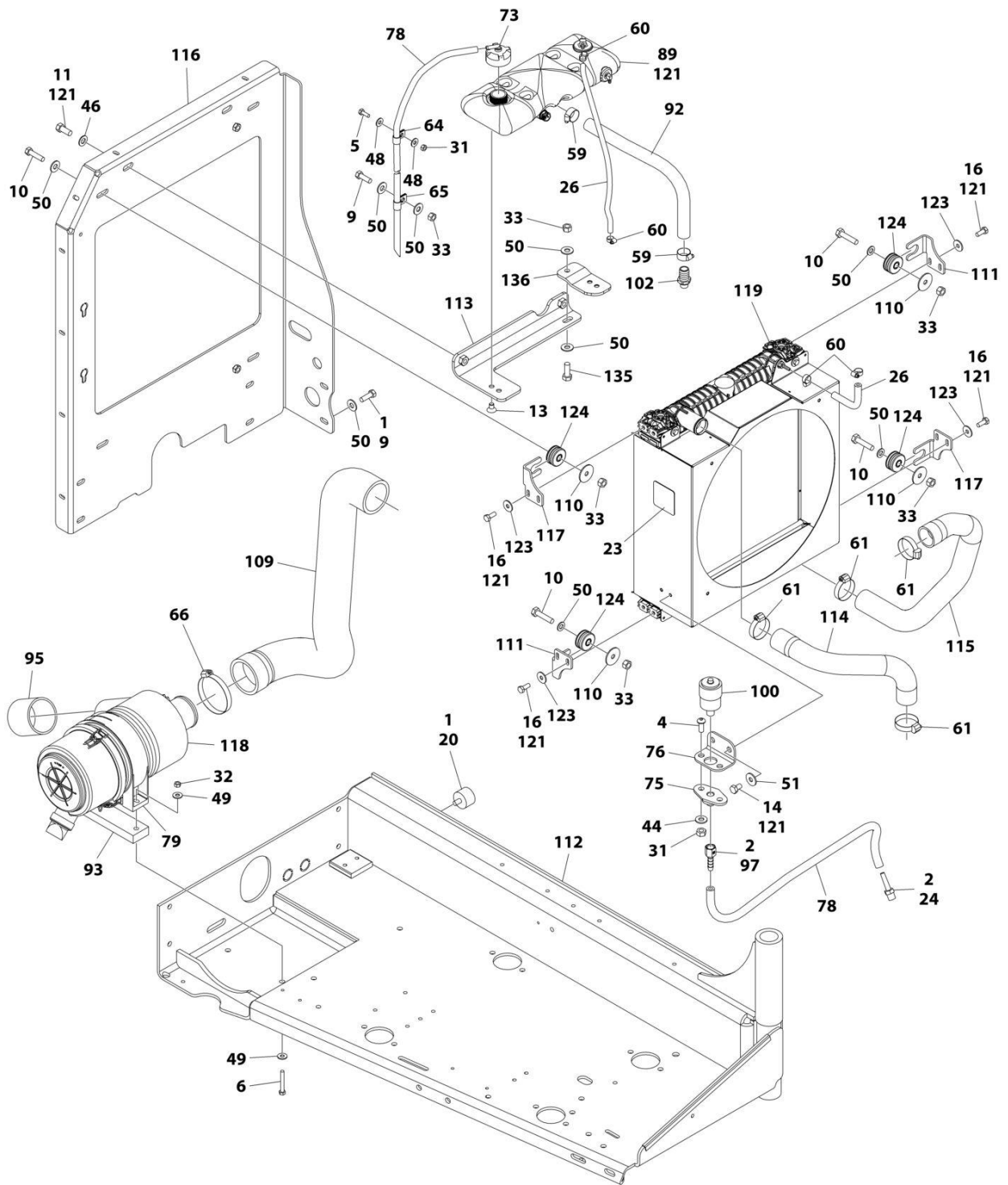
# SECTION 3 - ENGINE

## FIGURE 3-20. DEUTZ TD2.9L4 ENGINE ASSEMBLY (WITH ARCTIC PACKAGE)



ART\_1001176035\_U\_10F2

# SECTION 3 - ENGINE



ART\_1001176035\_U\_20F2

## SECTION 3 - ENGINE

**FIGURE 3-20. DEUTZ TD2.9L4 ENGINE ASSEMBLY (WITH ARCTIC PACKAGE)**

| ITEM | PART NUMBER | QTY              | DESCRIPTION   | REV |
|------|-------------|------------------|---|-----|
|      | 1001176035  | Ref              | DEUTZ TD2.9L4 ENGINE ASSEMBLY (WITH ARCTIC PACKAGE) | U   |
| 1    | 0100011     | AR               | Locking, Compound                                   |     |
| 2    | 0100020     | AR               | Sealant   |     |
| 3    | 0100062     | 2                | Compound, Locking                                   |     |
| 4    | 0630407     | 5                | Screw 1/4 x 5/8                                     |     |
| 5    | 0641406     | 2                | Bolt 1/4 x 3/4                                      |     |
| 6    | 0641518     | 2                | Bolt 5/16 x 2-1/4                                   |     |
| 7    | 0641605     | 8                | Bolt 3/8 x 5/8                                      |     |
| 8    | 0641608     | 6                | Bolt 3/8 x 1  |     |
| 9    | 0641609     | 4                | Bolt 3/8 x 1-1/8                                    |     |
| 10   | 0641612     | 2                | Bolt 3/8 x 1-1/2                                    |     |
| 11   | 0641708     | 3                | Bolt 7/16 x 1                                       |     |
| 12   | 0681820     | 2                | Bolt 1/2 x 2-1/2 Grade 8                            |     |
| 13   | 0741605     | 2                | Screw 3/8 x 5/8                                     |     |
| 14   | 0760605     | 2                | Bolt M6 x 10  |     |
| 16   | 0760810     | 9                | Bolt M8 x 20  |     |
| 17   | 0761210     | 1                | Bolt M12 x 20                                       |     |
| 18   | 0771212     | 6                | Bolt M12 x 25 Grade 10.9                            |     |
| 19   | 0771414     | 2                | Bolt M14 x 30 Grade 10.9                            |     |
| 20   | 0940070     | 1                | Bumper  |     |
| 21   | 0961986     | 2                | Bushing, Flanged                                    |     |
| 22   | 1001181899  | 1                | P-Clamp   |     |
| 23   | 1703162     | 1                | Decal - Caution Fan Blade                           |     |
| 24   | 2220315     | 1                | Fitting, Straight Barbed                            |     |
| 26   | 2720015     | 40 in/1m         | Hose  |     |
| 27   | 2720340     | 12 in<br>/30.5cm | Hose  |     |
| 28   | 3200401     | 4                | Mount, Motor  |     |
| 29   | 3271801     | 4                | Nut 1/2   |     |
| 30   | 3310401     | 3                | Nut #4  |     |
| 31   | 3311405     | 8                | Nut 1/4   |     |
| 32   | 3311505     | 2                | Nut 5/16  |     |
| 33   | 3311605     | 17               | Nut 3/8   |     |
| 34   | 3580320     | 1                | Pulley  |     |
| 35   | 3910408     | 3                | Screw #4 x 1/2                                      |     |
| 36   | 3931432     | 1                | Capscrew 1/4 x 2                                    |     |
| 37   | 3931512     | 4                | Capscrew 5/16 x 3/4                                 |     |
| 38   | 3931628     | 4                | Capscrew 3/8 x 1-3/4                                |     |
| 39   | 4031914     | 4                | Capscrew M8 x 50                                    |     |
| 40   | 4032014     | 4                | Capscrew M10 x 50                                   |     |
| 41   | 4060805     | 15 in<br>/38cm   | Flex-Trim   |     |
| 42   | 4240099     | AR               | Tie-Strap (Not Shown)                               |     |
| 43   | 4640751     | 1                | Valve, Oil Drain                                    |     |
| 44   | 4711400     | 3                | Washer 1/4  |     |
| 45   | 4711500     | 5                | Washer 5/16   |     |
| 46   | 4711700     | 2                | Washer 7/16   |     |
| 47   | 4750400     | 3                | Washer #4   |     |
| 48   | 4751400     | 10               | Washer 1/4  |     |
| 49   | 4751500     | 4                | Washer 5/16   |     |

## SECTION 3 - ENGINE

| ITEM | PART NUMBER | QTY        | DESCRIPTION  | REV |
|------|-------------|------------|--|-----|
| 50   | 4751600     | 34         | Washer 3/8   |     |
| 51   | 4811702     | 2          | Washer M6  |     |
| 52   | 4811900     | 4          | Washer M8  |     |
| 53   | 4812000     | 8          | Washer M10   |     |
| 54   | 4812100     | 7          | Washer M12   |     |
| 55   | 4812200     | 5          | Washer M14   |     |
| 57   | 4891800     | 4          | Washer 1/2   |     |
| 59   | 8405007     | 2          | Clamp  |     |
| 60   | 8405009     | 4          | Clamp  |     |
| 61   | 8405104     | 4          | Clamp  |     |
| 63   | 8406102     | 1          | Clip   |     |
| 64   | 8406109     | 1          | Clip   |     |
| 65   | 8406110     | 1          | Clip   |     |
| 66   | 8410011     | 2          | Clamp  |     |
| 67   | 8410013     | 1          | Clamp  |     |
| 68   | 1001117308  | 1          | Relay  |     |
| 70   | 1001135138  | 1          | Adapter  |     |
| 71   | 1001135679  | 1          | Adapter  |     |
| 73   | 1001136834  | 1          | Cap, Tank  |     |
| 74   | 1001137276  | 1          | Fan  |     |
| 75   | 1001138173  | 1          | Support  |     |
| 76   | 1001138175  | 1          | Bracket  |     |
| 77   | 1001138228  | 1          | Relay, Power Module  |     |
| 77   | 70023592    | 1          | Fuse 20Amp (Switch Output)   |     |
| 77   | 70023593    | 1          | Fuse 30Amp (Battery Output)  |     |
| 78   | 1001138248  | 62 in/1.6m | Tube   |     |
| 79   | 1001138557  | 1          | Clamp  |     |
| 82   | 1001139240  | 1          | Bracket  |     |
| 83   | 1001139409  | 4          | Washer, Special  |     |
| 84   | 1001249942  | 1          | Engine, Deutz TD2.9L4 T4F (See Separate Breakdown in this Section)               |     |
| 85   | 1001140448  | 1          | Mount, Rear Engine   |     |
| 86   | 1001140450  | 1          | Mount, Rear Engine   |     |
| 87   | 1001140454  | 1          | Mount, Front Engine  |     |
| 88   | 1001202368  | 1          | Mount, Generator/Engine  |     |
| 89   | 1001230635  | 1          | Tank   |     |
| 89   | 0100020     | 1          | Sealant  |     |
| 89   | 1001134488  | 1          | Fitting, 90 NPT/ Barbed  |     |
| 89   | 1001138827  | 1          | Sensor, Coolant Level  |     |
| 89   | 1001140564  | 1          | Fitting, 90 NPT/ Barbed  |     |
| 89   | 1001229542  | 1          | Tank, Surge  |     |
| 91   | 1001141304  | 1          | Harness, Glow Plug   |     |
| 92   | 1001141370  | 1          | Hose   |     |
| 93   | 1001267256  | 1          | Shim   |     |
| 95   | 1001141585  | 1          | Hose, Inlet  |     |
| 97   | 1001141995  | 1          | Fitting, Straight NPT/Barbed   |     |
| 100  | 1001143390  | 1          | Indicator, Service   |     |
| 101  | 1001143726  | 1          | Harness, Deutz Engine (Not Shown - See Separate Breakdown in ELECTRICAL Section) |     |
| 102  | 1001143797  | 1          | Fitting, Straight Metric/Barbed  |     |
| 103  | 1001143907  | 1          | Cable, Alternator Power  |     |
| 104  | 1001145154  | 1          | Plate, Relay Mounting  |     |

## SECTION 3 - ENGINE

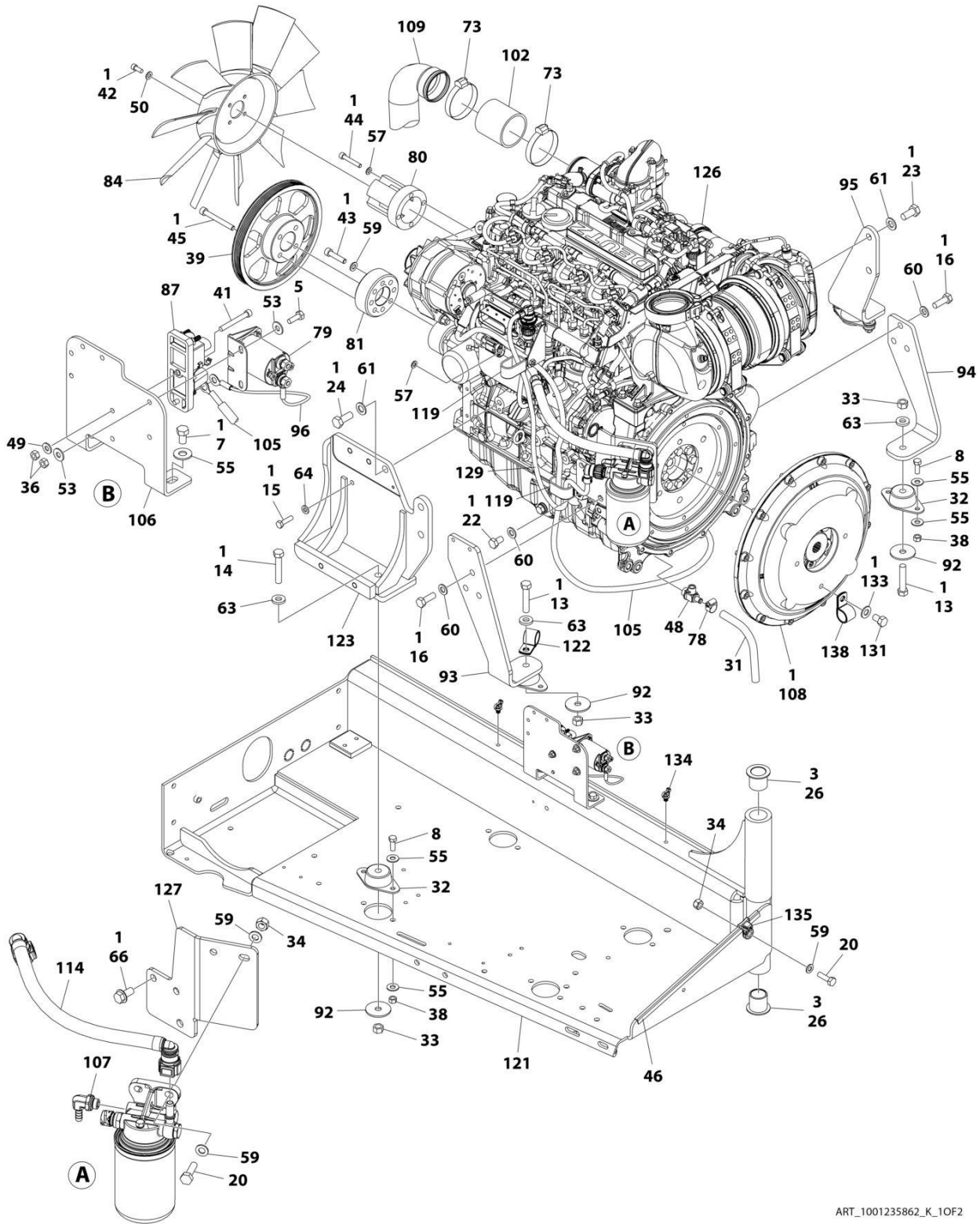
| ITEM | PART NUMBER | QTY | DESCRIPTION   | REV |
|------|-------------|-----|---|-----|
| 106  | 1001152489  | 1   | Fitting, 90 Metric/ Barbed  |     |
| 107  | 1001153282  | 1   | Pump Coupling Kit (See Separate Breakdown in this Section)                          |     |
| 109  | 1001266525  | 1   | Pipe  |     |
| 110  | 1001169138  | 4   | Washer  |     |
| 111  | 1001204325  | 2   | Bracket, Radiator   |     |
| 112  | 1001190610  | 1   | Tray  |     |
| 113  | 1001260413  | 1   | Bracket, Tank   |     |
| 114  | 1001177844  | 1   | Hose, Radiator - Upper  |     |
| 115  | 1001177845  | 1   | Hose, Radiator - Lower  |     |
| 116  | 1001186985  | 1   | Plate, Mounting   |     |
| 117  | 1001178223  | 2   | Bracket, Radiator   |     |
| 118  | 1001138489  | 1   | Air Cleaner Assembly  |     |
| 118  | 91403102    | 1   | Element, Filter   |     |
| 119  | 1001167042  | 1   | Radiator  |     |
| 120  | 1001140312  | 1   | Heater, Engine Block  |     |
| 121  | 1001180620  | 1   | Adhesive  |     |
| 122  | 1001181895  | 1   | Adhesive  |     |
| 123  | 4811902     | 8   | Washer M8   |     |
| 124  | 1001169054  | 4   | Pad, Isolator   |     |
| 126  | 1001177359  | 1   | Hose  |     |
| 127  | 1001178876  | 1   | Mount, Fuel Filter  |     |
| 128  | 5250810     | 2   | Bolt M8 x 20  |     |
| 129  | 0761015     | 2   | Bolt M10 x 35   |     |
| 130  | 3291005     | 2   | Nut M10   |     |
| 131  | 0681822     | 1   | Bolt 1/2 x 2-3/4 Grade 8  |     |
| 132  | 5240800     | 1   | Washer M8   |     |
| 133  | 0700814     | 1   | Bolt M8 x 30  |     |
| 134  | 0771415     | 3   | Bolt M14 x 35 Grade 10.9  |     |
| 135  | 0681608     | 1   | Bolt 3/8 x 1 Grade 8  |     |
| 136  | 1001260412  | 1   | Bracket   |     |
| 137  | 1001162335  | 1   | Bracket, Fuel Pump/Filter Assy (Not Shown - See Separate Breakdown in this Section) |     |





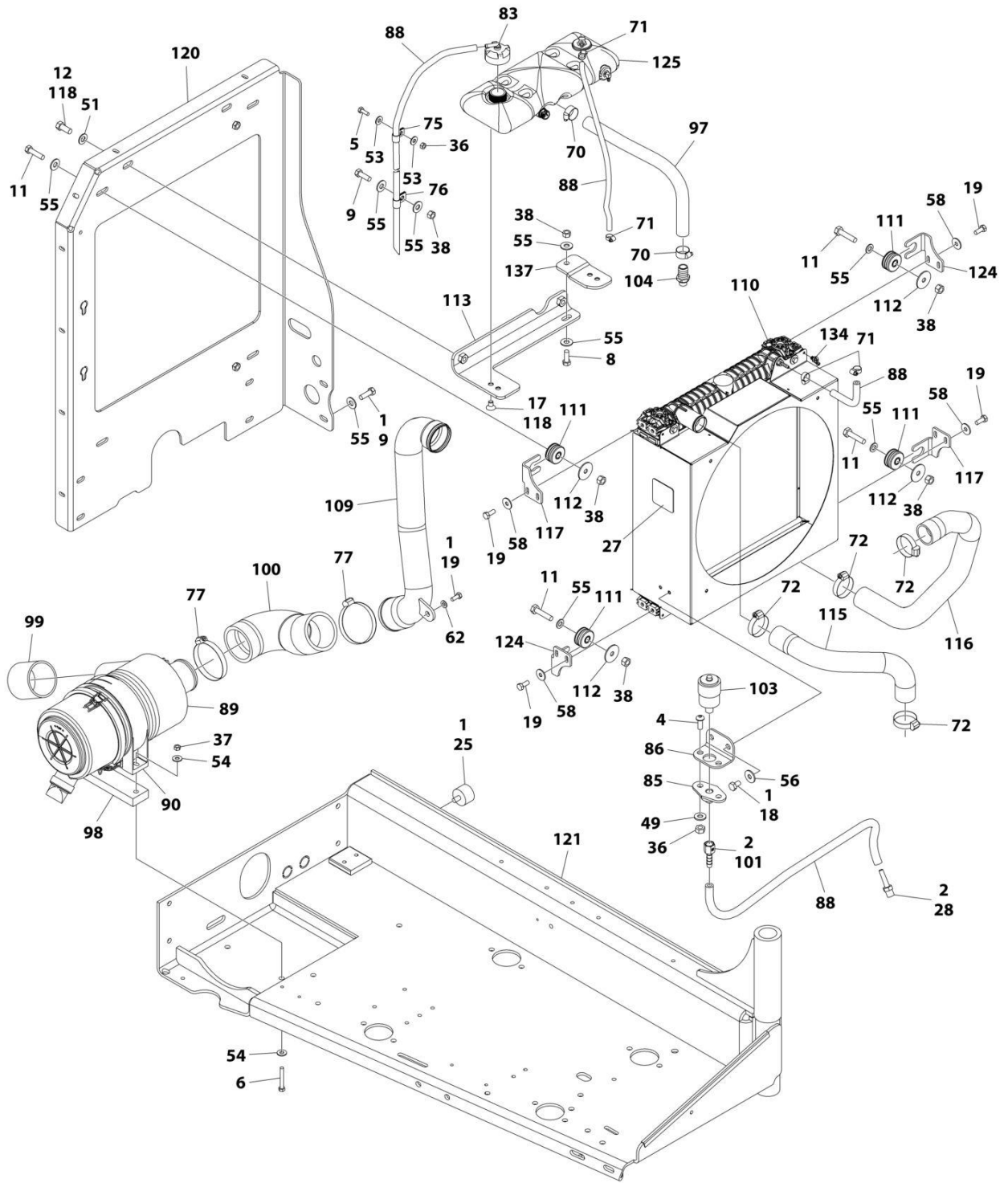
# SECTION 3 - ENGINE

## FIGURE 3-21. DEUTZ TD2.9L4 ENGINE ASSEMBLY (STAGE V)



ART\_1001235862\_K\_10F2

# SECTION 3 - ENGINE



ART\_1001235862\_K\_2OF2

## SECTION 3 - ENGINE

FIGURE 3-21. DEUTZ TD2.9L4 ENGINE ASSEMBLY (STAGE V)

| ITEM | PART NUMBER | QTY              | DESCRIPTION                             | REV |
|------|-------------|------------------|---|-----|
|      | 1001235862  | Ref              | DEUTZ TD2.9L4 ENGINE ASSEMBLY (STAGE V) | K   |
| 1    | 0100011     | AR               | Locking, Compound                       |     |
| 2    | 0100020     | AR               | Sealant                                 |     |
| 3    | 0100062     | AR               | Compound, Locking                       |     |
| 4    | 0630407     | 2                | Screw 1/4 x 5/8                         |     |
| 5    | 0641406     | 3                | Bolt 1/4 x 3/4                          |     |
| 6    | 0641518     | 2                | Bolt 5/16 x 2-1/4                       |     |
| 7    | 0641605     | 2                | Bolt 3/8 x 5/8                          |     |
| 8    | 0641608     | 9                | Bolt 3/8 x 1                            |     |
| 9    | 0641609     | 6                | Bolt 3/8 x 1-1/8                        |     |
| 11   | 0641612     | 4                | Bolt 3/8 x 1-1/2                        |     |
| 12   | 0641708     | 2                | Bolt 7/16 x 1                           |     |
| 13   | 0681820     | 3                | Bolt 1/2 x 2-1/2 Grade 8                |     |
| 14   | 0681822     | 1                | Bolt 1/2 x 2-3/4 Grade 8                |     |
| 15   | 0700814     | 1                | Bolt M8 x 30                            |     |
| 16   | 0711215     | 6                | Bolt M12 x 35                           |     |
| 17   | 0741605     | 2                | Screw 3/8 x 5/8                         |     |
| 18   | 0760605     | 2                | Bolt M6 x 10                            |     |
| 19   | 0760810     | 9                | Bolt M8 x 20                            |     |
| 20   | 0761015     | 3                | Bolt M10 x 35                           |     |
| 22   | 0761210     | 1                | Bolt M12 x 20                           |     |
| 23   | 0771414     | 2                | Bolt M14 x 30 Grade 10.9                |     |
| 24   | 0771415     | 3                | Bolt M14 x 35 Grade 10.9                |     |
| 25   | 0940070     | 1                | Bumper                                  |     |
| 26   | 0961986     | 2                | Bushing, Flanged                        |     |
| 27   | 1703162     | 1                | Decal - Caution Fan Blade               |     |
| 28   | 2220315     | 1                | Fitting, Straight Barbed                |     |
| 31   | 2720340     | 12 in<br>/30.5cm | Hose                                    |     |
| 32   | 3200401     | 4                | Mount, Motor                            |     |
| 33   | 3271801     | 4                | Nut 1/2 Grade 8                         |     |
| 34   | 3291005     | 3                | Nut M10                                 |     |
| 36   | 3311405     | 6                | Nut 1/4                                 |     |
| 37   | 3311505     | 2                | Nut 5/16                                |     |
| 38   | 3311605     | 17               | Nut 3/8                                 |     |
| 39   | 1001260432  | 1                | Pulley                                  |     |
| 41   | 3931432     | 1                | Capscrew 1/4 x 2                        |     |
| 42   | 3931512     | 4                | Capscrew 5/16 x 3/4                     |     |
| 43   | 1001261045  | 4                | Capscrew M10 x 45                       |     |
| 44   | 4031914     | 4                | Capscrew M8 x 50                        |     |
| 45   | 1001261085  | 4                | Capscrew M10 x 85                       |     |
| 46   | 4060805     | 15 in<br>/38cm   | Flex-Trim                               |     |
| 47   | 4240099     | AR               | Tie-Strap (Not Shown)                   |     |
| 48   | 4640751     | 1                | Valve, Oil Drain                        |     |
| 49   | 4711400     | 3                | Washer 1/4                              |     |
| 50   | 4711500     | 4                | Washer 5/16                             |     |
| 51   | 4711700     | 2                | Washer 7/16                             |     |
| 53   | 4751400     | 6                | Washer 1/4                              |     |
| 54   | 4751500     | 4                | Washer 5/16                             |     |

## SECTION 3 - ENGINE

| ITEM | PART NUMBER | QTY        | DESCRIPTION                     | REV |
|------|-------------|------------|---------------------------------|-----|
| 55   | 4751600     | 34         | Washer 3/8                      |     |
| 56   | 4811702     | 2          | Washer M6                       |     |
| 57   | 4811900     | 5          | Washer M8                       |     |
| 58   | 4811902     | 8          | Washer M8                       |     |
| 59   | 4812000     | 10         | Washer M10                      |     |
| 60   | 4812100     | 7          | Washer M12                      |     |
| 61   | 4812200     | 5          | Washer M14                      |     |
| 62   | 4891500     | 1          | Washer 5/16                     |     |
| 63   | 4891800     | 4          | Washer 1/2                      |     |
| 64   | 5240800     | 1          | Washer M8                       |     |
| 66   | 5251010     | 2          | Bolt M10 x 20                   |     |
| 70   | 8405007     | 2          | Clamp                           |     |
| 71   | 8405009     | 4          | Clamp                           |     |
| 72   | 8405104     | 4          | Clamp                           |     |
| 73   | 8405204     | 2          | Clamp                           |     |
| 75   | 8406109     | 1          | Clip                            |     |
| 76   | 8406110     | 1          | Clip                            |     |
| 77   | 8410011     | 2          | Clamp                           |     |
| 78   | 8410013     | 1          | Clamp                           |     |
| 79   | 1001117308  | 1          | Relay                           |     |
| 80   | 1001135138  | 1          | Adapter                         |     |
| 81   | 1001258800  | 1          | Adapter                         |     |
| 83   | 1001136834  | 1          | Cap, Tank                       |     |
| 84   | 1001137276  | 1          | Fan                             |     |
| 85   | 1001138173  | 1          | Support                         |     |
| 86   | 1001138175  | 1          | Bracket                         |     |
| 87   | 1001138228  | 1          | Relay, Power Module             |     |
| 87   | 70023593    | 1          | Fuse 30Amp (Battery Output)     |     |
| 87   | 70023592    | 1          | Fuse 20Amp (Switch Output)      |     |
| 88   | 1001138248  | 90 in/2.3m | Tube                            |     |
| 89   | 1001138489  | 1          | Air Cleaner Assembly            |     |
| 89   | 91403102    | 1          | Element, Filter                 |     |
| 90   | 1001138557  | 1          | Clamp                           |     |
| 92   | 1001139409  | 4          | Washer, Special                 |     |
| 93   | 1001140448  | 1          | Mount, Rear Engine              |     |
| 94   | 1001140450  | 1          | Mount, Rear Engine              |     |
| 95   | 1001140454  | 1          | Mount, Front Engine             |     |
| 96   | 1001141304  | 1          | Harness, Glow Plug              |     |
| 97   | 1001141370  | 1          | Hose                            |     |
| 98   | 1001141419  | 1          | Shim                            |     |
| 99   | 1001141585  | 1          | Hose, Inlet                     |     |
| 100  | 1001141586  | 1          | Pipe, Intake                    |     |
| 101  | 1001141995  | 1          | Fitting, Straight NPT/Barbed    |     |
| 102  | 1001142623  | 1          | Hose, Inlet                     |     |
| 103  | 1001143390  | 1          | Indicator, Service              |     |
| 104  | 1001143797  | 1          | Fitting, Straight Metric/Barbed |     |
| 105  | 1001143907  | 1          | Cable, Alternator Power         |     |
| 106  | 1001145154  | 1          | Plate, Relay Mounting           |     |
| 107  | 1001152489  | 1          | Fitting, 90 Metric/ Barbed      |     |
| 109  | 1001165842  | 1          | Pipe                            |     |
| 110  | 1001167042  | 1          | Radiator (Modine Radiator)      |     |

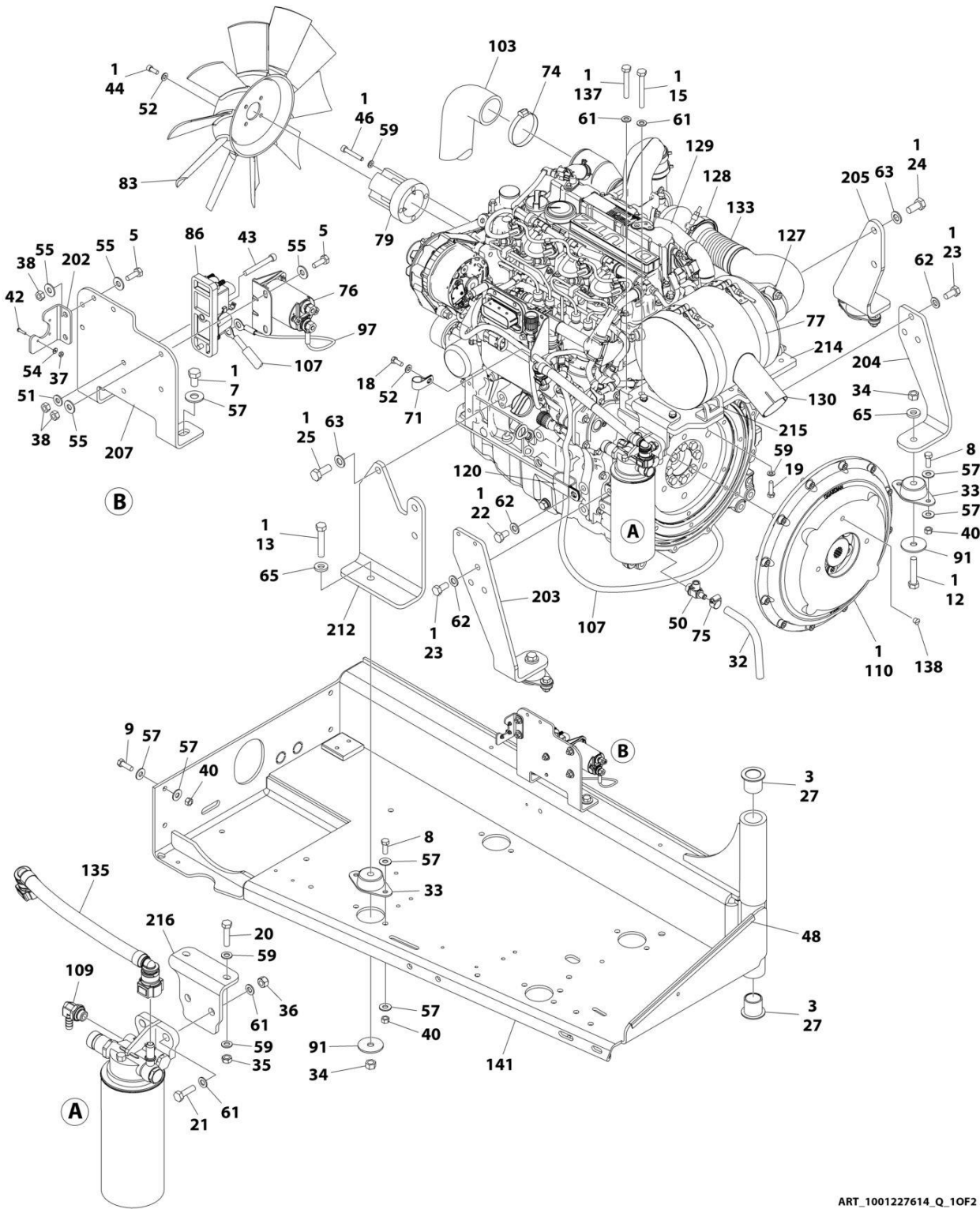
## SECTION 3 - ENGINE

| ITEM | PART NUMBER | QTY | DESCRIPTION  | REV |
|------|-------------|-----|--|-----|
| 111  | 1001169054  | 4   | Pad, Isolator  |     |
| 112  | 1001169138  | 4   | Washer   |     |
| 113  | 1001260413  | 1   | Bracket, Tank  |     |
| 114  | 1001177359  | 1   | Hose   |     |
| 115  | 1001177844  | 1   | Hose, Radiator - Upper   |     |
| 116  | 1001177845  | 1   | Hose, Radiator - Lower   |     |
| 117  | 1001178223  | 2   | Bracket, Radiator  |     |
| 118  | 1001180620  | AR  | Adhesive   |     |
| 119  | 1001181899  | 2   | P-Clamp  |     |
| 120  | 1001186985  | 1   | Plate, Mounting  |     |
| 121  | 1001190610  | 1   | Tray   |     |
| 122  | 1001191620  | 1   | Clamp  |     |
| 123  | 1001202368  | 1   | Mount, Generator/Engine  |     |
| 124  | 1001204325  | 2   | Bracket, Radiator  |     |
| 125  | 1001230635  | 1   | Tank   |     |
| 125  | 0100020     | 1   | Sealant, Pipe  |     |
| 125  | 1001134488  | 1   | Fitting, 90 NPT/ Barbed  |     |
| 125  | 1001138827  | 1   | Sensor, Coolant Level  |     |
| 125  | 1001140564  | 1   | Fitting, 90 NPT/ Barbed  |     |
| 125  | 1001229542  | 1   | Tank, Surge  |     |
| 126  | 1001232844  | 1   | Engine, Deutz TD2.9L4 (Stage V) (See Separate Breakdown in this Section)                           |     |
| 127  | 1001238268  | 1   | Mount, Fuel Filter   |     |
| 128  | 1001238878  | 1   | Harness, Deutz TD2.9L4 (Stage V) Engine (Not Shown - See Separate Breakdown in ELECTRICAL Section) |     |
| 129  | 1001245913  | 1   | Harness, Deutz TD2.9L4 (Stage V) Engine Fuel Filter (See Separate Breakdown in ELECTRICAL Section) |     |
| 131  | 0641806     | 1   | Bolt 1/2 x 3/4   |     |
| 133  | 4711800     | 1   | Washer 1/2   |     |
| 134  | 1001146588  | 3   | Strap  |     |
| 135  | 1001156107  | 1   | Holder, Cable  |     |
| 136  | 1001235949  | 1   | Bracket, Fuel Pump/Filter Assy (Not Shown - See Separate Breakdown in this Section)                |     |
| 137  | 1001260412  | 1   | Bracket, Surge Tank  |     |
| 138  | 85031405    | 1   | Clamp  |     |



# SECTION 3 - ENGINE

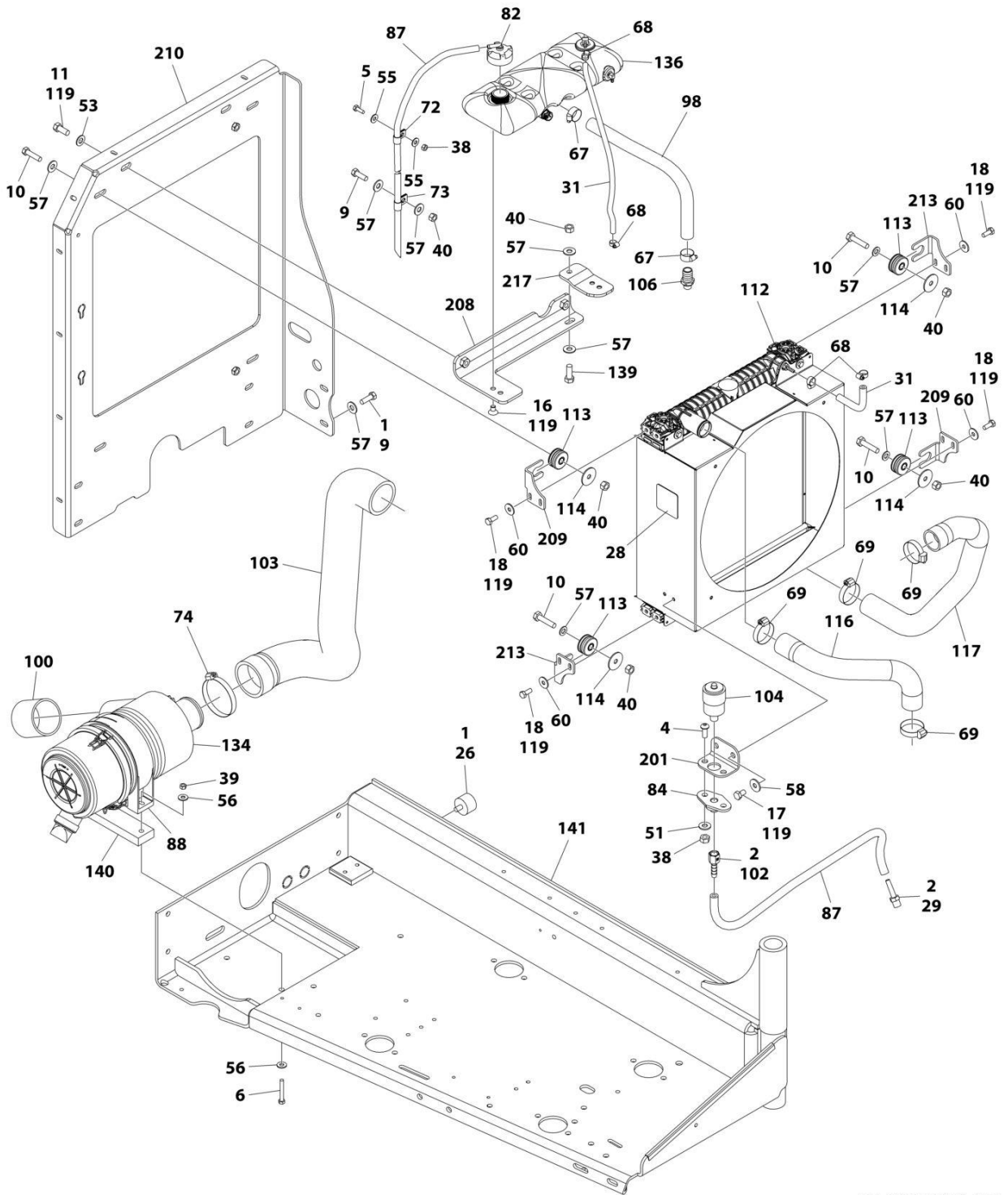
## FIGURE 3-22. DEUTZ TD2.9L4 ENGINE ASSEMBLY (CHINA III SPECS)



ART\_1001227614\_Q\_10F2



# SECTION 3 - ENGINE



ART\_1001227614\_Q\_20F2

## SECTION 3 - ENGINE

FIGURE 3-22. DEUTZ TD2.9L4 ENGINE ASSEMBLY (CHINA III SPECS)

| ITEM | PART NUMBER | QTY               | DESCRIPTION                   | REV |
|------|-------------|-------------------|-------------------------------|-----|
|      | 1001227614  | Ref               | DEUTZ TD2.9L4 ENGINE ASSEMBLY | Q   |
| 1    | 0100011     | AR                | Compound, Locking             |     |
| 2    | 0100020     | AR                | Sealant                       |     |
| 3    | 0100062     | AR                | Compound, Locking             |     |
| 4    | 0630407     | 2                 | Screw 1/4 x 5/8               |     |
| 5    | 0641406     | 5                 | Bolt 1/4 x 3/4                |     |
| 6    | 0641518     | 2                 | Bolt 5/16 x 2-1/4             |     |
| 7    | 0641605     | 2                 | Bolt 3/8 x 5/8                |     |
| 8    | 0641608     | 8                 | Bolt 3/8 x 1                  |     |
| 9    | 0641609     | 6                 | Bolt 3/8 x 1-1/8              |     |
| 10   | 0641612     | 4                 | Bolt 3/8 x 1-1/2              |     |
| 11   | 0641708     | 2                 | Bolt 7/16 x 1                 |     |
| 12   | 0681820     | 3                 | Bolt 1/2 x 2-1/2 Grade 8      |     |
| 13   | 0681822     | 1                 | Bolt 1/2 x 2-3/4 Grade 8      |     |
| 15   | 0701025     | 2                 | Bolt M10 x 85                 |     |
| 16   | 0741605     | 2                 | Screw 3/8 x 5/8               |     |
| 17   | 0760605     | 2                 | Bolt M6 x 10                  |     |
| 18   | 0760810     | 10                | Bolt M8 x 20                  |     |
| 19   | 0760814     | 4                 | Bolt M8 x 30                  |     |
| 20   | 0760815     | 2                 | Bolt M8 x 35                  |     |
| 21   | 0761015     | 2                 | Bolt M10 x 35                 |     |
| 22   | 0761210     | 1                 | Bolt M12 x 20                 |     |
| 23   | 0771212     | 6                 | Bolt M12 x 25 Grade 10.9      |     |
| 24   | 0771414     | 2                 | Bolt M14 x 30 Grade 10.9      |     |
| 25   | 0771415     | 3                 | Bolt M14 x 35                 |     |
| 26   | 0940070     | 1                 | Bumper                        |     |
| 27   | 0961986     | 2                 | Bushing, Flanged              |     |
| 28   | 1703162     | 1                 | Decal - Caution Fan Blade     |     |
| 29   | 2220315     | 1                 | Fitting, Straight Barbed      |     |
| 31   | 2720015     | 2.32 ft<br>/0.71m | Hose                          |     |
| 32   | 2720340     | 1 ft<br>/0.31m    | Hose                          |     |
| 33   | 3200401     | 4                 | Mount, Motor                  |     |
| 34   | 3271801     | 4                 | Nut 1/2                       |     |
| 35   | 3290801     | 2                 | Nut M8                        |     |
| 36   | 3291005     | 2                 | Nut M10                       |     |
| 37   | 3310401     | 3                 | Nut #4                        |     |
| 38   | 3311405     | 8                 | Nut 1/4                       |     |
| 39   | 3311505     | 2                 | Locknut 5/16                  |     |
| 40   | 3311605     | 17                | Nut 3/8                       |     |
| 42   | 3910408     | 3                 | Screw #4 x 1/2                |     |
| 43   | 3931432     | 1                 | Capscrew 1/4 x 2              |     |
| 44   | 3931512     | 4                 | Capscrew 5/16 x 3/4           |     |
| 46   | 4031914     | 4                 | Capscrew M8 x 50              |     |
| 48   | 4060805     | 1.2 m<br>/0.39m   | Flex-Trim                     |     |
| 49   | 4240099     | AR                | Tie-Strap (Not Shown)         |     |
| 50   | 4640751     | 1                 | Valve, Oil Drain              |     |
| 51   | 4711400     | 3                 | Washer 1/4                    |     |

## SECTION 3 - ENGINE

| ITEM | PART NUMBER | QTY        | DESCRIPTION  | REV |
|------|-------------|------------|--|-----|
| 52   | 4711500     | 5          | Washer 5/16  |     |
| 53   | 4711700     | 2          | Washer 7/16  |     |
| 54   | 4750400     | 3          | Washer #4  |     |
| 55   | 4751400     | 10         | Washer 1/4   |     |
| 56   | 4751500     | 4          | Washer 5/16  |     |
| 57   | 4751600     | 34         | Washer 3/8   |     |
| 58   | 4811702     | 2          | Washer M6  |     |
| 59   | 4811900     | 12         | Washer M8  |     |
| 60   | 4811902     | 8          | Washer M8  |     |
| 61   | 4812000     | 8          | Washer M10   |     |
| 62   | 4812100     | 7          | Washer M12   |     |
| 63   | 4812200     | 5          | Washer M14   |     |
| 65   | 4891800     | 4          | Washer 1/2   |     |
| 67   | 8405007     | 2          | Clamp  |     |
| 68   | 8405009     | 4          | Clamp  |     |
| 69   | 8405104     | 4          | Clamp  |     |
| 71   | 8406102     | 1          | Clip   |     |
| 72   | 8406109     | 1          | Clip   |     |
| 73   | 8406110     | 1          | Clip   |     |
| 74   | 8410011     | 2          | Clamp  |     |
| 75   | 8410013     | 1          | Clamp  |     |
| 76   | 1001117308  | 1          | Relay  |     |
| 77   | 1001233089  | 2          | Strap  |     |
| 79   | 1001135138  | 1          | Adapter  |     |
| 82   | 1001136834  | 1          | Cap, Tank  |     |
| 83   | 1001137276  | 1          | Fan  |     |
| 84   | 1001138173  | 1          | Support  |     |
| 86   | 1001138228  | 1          | Relay, Power Module  |     |
| 87   | 1001138248  | 62 in/1.6m | Tube   |     |
| 88   | 1001138557  | 1          | Clamp  |     |
| 91   | 1001139409  | 4          | Washer, Special  |     |
| 97   | 1001141304  | 1          | Harness, Glow Plug   |     |
| 98   | 1001141370  | 1          | Hose   |     |
| 100  | 1001141585  | 1          | Hose, Inlet  |     |
| 102  | 1001141995  | 1          | Fitting, Straight NPT/Barbed   |     |
| 103  | 1001266525  | 1          | Hose, Inlet  |     |
| 104  | 1001143390  | 1          | Indicator, Service   |     |
| 105  | 1001143726  | 1          | Harness, Deutz Engine (Not Shown - See Separate Breakdown in ELECTRICAL SECTION) |     |
| 106  | 1001143797  | 1          | Fitting, Straight Metric/Barbed  |     |
| 107  | 1001143907  | 1          | Cable, Alternator Power  |     |
| 109  | 1001152489  | 1          | Fitting, 90 Metric/ Barbed   |     |
| 110  | 1001153282  | 1          | Pump Coupling Kit (See Separate Breakdown in this Section)                       |     |
| 112  | 1001167042  | 1          | Radiator   |     |
| 113  | 1001169054  | 4          | Isolator   |     |
| 114  | 1001169138  | 4          | Washer   |     |
| 116  | 1001177844  | 1          | Hose, Radiator - Upper   |     |
| 117  | 1001177845  | 1          | Hose, Radiator - Lower   |     |
| 119  | 1001180620  | AR         | Adhesive   |     |
| 120  | 1001181899  | 1          | P-Clamp  |     |
| 127  | 1001221212  | 1          | Clamp  |     |
| 128  | 1001221219  | 1          | Clamp  |     |

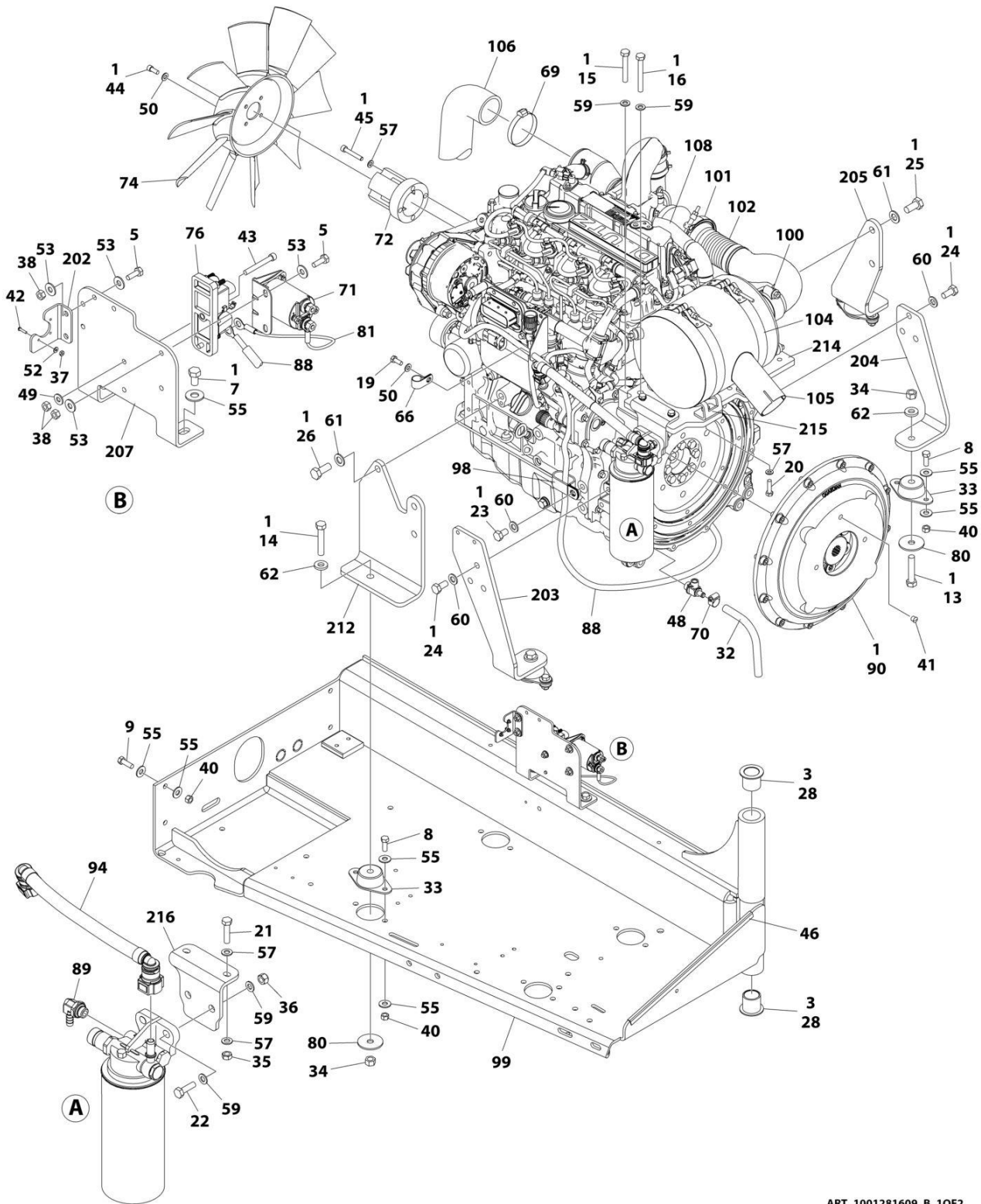
## SECTION 3 - ENGINE

| ITEM | PART NUMBER | QTY | DESCRIPTION   | REV |
|------|-------------|-----|---|-----|
| 129  | 1001223591  | 1   | Engine, Deutz TD2.9L4 Components (See Separate Breakdown in this Section) |     |
| 130  | 1001257278  | 1   | Muffler   |     |
| 133  | 1001224940  | 1   | Pipe, Exhaust   |     |
| 134  | 1001138489  | 1   | Air Cleaner Assembly  |     |
| 134  | 91403102    | 1   | Element, Filter   |     |
| 135  | 1001177359  | 1   | Hose  |     |
| 136  | 1001230635  | 1   | Tank  |     |
| 137  | 0701022     | 2   | Bolt M10 x 70   |     |
| 138  | 3520054     | 1   | Plug  |     |
| 139  | 0681608     | 1   | Bolt 3/8 x 1 Grade 8  |     |
| 140  | 1001267256  | 1   | Shim, Air Cleaner   |     |
| 141  | 1001190610  | 1   | Support, Engine Try   |     |
| 200  | 1001257412  | 1   | Bracket Engine Kit (Includes Items 201-217)                               | E   |
| 201  | 1001138175  | 1   | Bracket   |     |
| 202  | 1001139240  | 1   | Bracket   |     |
| 203  | 1001140448  | 1   | Mount, Rear Engine  |     |
| 204  | 1001140450  | 1   | Mount, Rear Engine  |     |
| 205  | 1001140454  | 1   | Mount, Front Engine   |     |
| 207  | 1001145154  | 1   | Plate, Relay Mounting   |     |
| 208  | 1001260413  | 1   | Bracket, Tank   |     |
| 209  | 1001178223  | 2   | Bracket, Radiator   |     |
| 210  | 1001186985  | 1   | Plate, Mounting   |     |
| 212  | 1001266499  | 1   | Mount, Generator/Engine   |     |
| 213  | 1001204325  | 2   | Bracket, Radiator   |     |
| 214  | 1001221203  | 1   | Bracket   |     |
| 215  | 1001224936  | 1   | Mount, Doc Weldment   |     |
| 216  | 1001224937  | 2   | Mount, Fuel Filter  |     |
| 217  | 1001260412  | 1   | Bracket   |     |



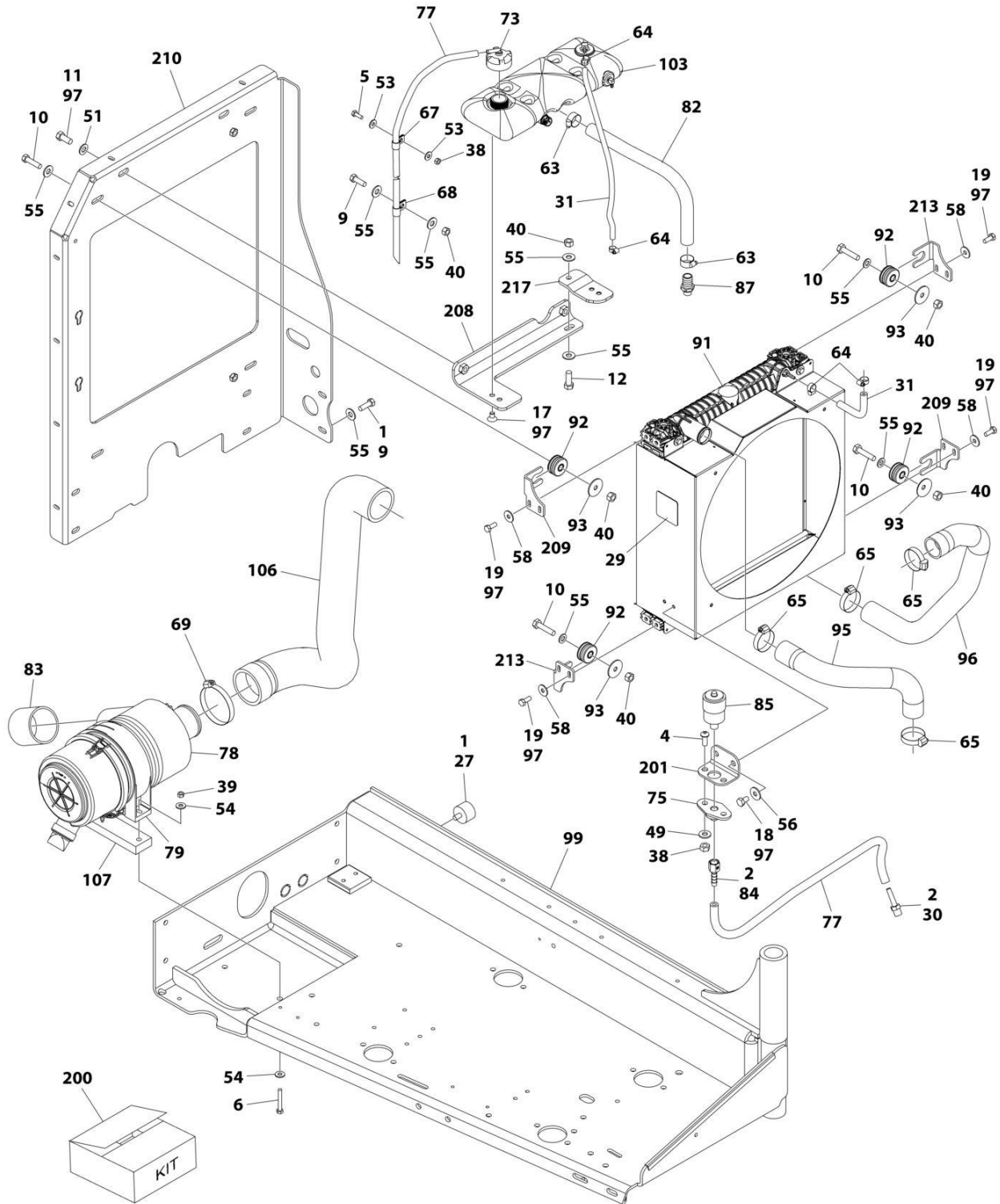
# SECTION 3 - ENGINE

## FIGURE 3-23. DEUTZ TD2.9L4 ENGINE ASSEMBLY (CHINA IV SPECS)



ART\_1001281609\_B\_10F2

# SECTION 3 - ENGINE



ART\_1001281609\_B\_20F2

## SECTION 3 - ENGINE

**FIGURE 3-23. DEUTZ TD2.9L4 ENGINE ASSEMBLY (CHINA IV SPECS)**

| ITEM | PART NUMBER | QTY               | DESCRIPTION                   | REV |
|------|-------------|-------------------|-------------------------------|-----|
|      | 1001281609  | Ref               | DEUTZ TD2.9L4 ENGINE ASSEMBLY | B   |
| 1    | 0100011     | AR                | Compound, Locking             |     |
| 2    | 0100020     | AR                | Sealant                       |     |
| 3    | 0100062     | AR                | Compound, Locking             |     |
| 4    | 0630407     | 2                 | Screw 1/4 x 5/8               |     |
| 5    | 0641406     | 5                 | Bolt 1/4 x 3/4                |     |
| 6    | 0641518     | 2                 | Bolt 5/16 x 2-1/4             |     |
| 7    | 0641605     | 2                 | Bolt 3/8 x 5/8                |     |
| 8    | 0641608     | 8                 | Bolt 3/8 x 1                  |     |
| 9    | 0641609     | 6                 | Bolt 3/8 x 1-1/8              |     |
| 10   | 0641612     | 4                 | Bolt 3/8 x 1-1/2              |     |
| 11   | 0641708     | 2                 | Bolt 7/16 x 1                 |     |
| 12   | 0681608     | 1                 | Bolt 3/8 x 1 Grade 8          |     |
| 13   | 0681820     | 3                 | Bolt 1/2 x 2-1/2 Grade 8      |     |
| 14   | 0681822     | 1                 | Bolt 1/2 x 2-3/4 Grade 8      |     |
| 15   | 0701022     | 2                 | Bolt M10 x 70                 |     |
| 16   | 0701025     | 2                 | Bolt M10 x 85                 |     |
| 17   | 0741605     | 2                 | Screw 3/8 x 5/8               |     |
| 18   | 0760605     | 2                 | Bolt M6 x 10                  |     |
| 19   | 0760810     | 9                 | Bolt M8 x 20                  |     |
| 20   | 0760814     | 4                 | Bolt M8 x 30                  |     |
| 21   | 0760815     | 2                 | Bolt M8 x 35                  |     |
| 22   | 0761015     | 2                 | Bolt M10 x 35                 |     |
| 23   | 0761210     | 1                 | Bolt M12 x 20                 |     |
| 24   | 0771212     | 6                 | Bolt M12 x 25 Grade 10.9      |     |
| 25   | 0771414     | 2                 | Bolt M14 x 30 Grade 10.9      |     |
| 26   | 0771415     | 3                 | Bolt M14 x 35                 |     |
| 27   | 0940070     | 1                 | Bumper                        |     |
| 28   | 0961986     | 2                 | Bushing, Flanged              |     |
| 29   | 1703162     | 1                 | Decal - Caution Fan Blade     |     |
| 30   | 2220315     | 1                 | Fitting, Straight Barbed      |     |
| 31   | 2720015     | 2.32 ft<br>/0.71m | Hose                          |     |
| 32   | 2720340     | 1 ft<br>/0.31m    | Hose                          |     |
| 33   | 3200401     | 4                 | Mount, Motor                  |     |
| 34   | 3271801     | 4                 | Nut 1/2                       |     |
| 35   | 3290801     | 2                 | Nut M8                        |     |
| 36   | 3291005     | 2                 | Nut M10                       |     |
| 37   | 3310401     | 3                 | Nut #4                        |     |
| 38   | 3311405     | 8                 | Nut 1/4                       |     |
| 39   | 3311505     | 2                 | Locknut 5/16                  |     |
| 40   | 3311605     | 17                | Nut 3/8                       |     |
| 41   | 3520054     | 1                 | Plug                          |     |
| 42   | 3910408     | 3                 | Screw #4 x 1/2                |     |
| 43   | 3931432     | 1                 | Capscrew 1/4 x 2              |     |
| 44   | 3931512     | 4                 | Capscrew 5/16 x 3/4           |     |
| 45   | 4031914     | 4                 | Capscrew M8 x 50              |     |
| 46   | 4060805     | 1.2 m<br>/0.39m   | Flex-Trim                     |     |



## SECTION 3 - ENGINE

| ITEM | PART NUMBER | QTY        | DESCRIPTION  | REV |
|------|-------------|------------|--|-----|
| 47   | 4240099     | AR         | Tie-Strap (Not Shown)  |     |
| 48   | 4640751     | 1          | Valve, Oil Drain   |     |
| 49   | 4711400     | 3          | Washer 1/4   |     |
| 50   | 4711500     | 5          | Washer 5/16  |     |
| 51   | 4711700     | 2          | Washer 7/16  |     |
| 52   | 4750400     | 3          | Washer #4  |     |
| 53   | 4751400     | 10         | Washer 1/4   |     |
| 54   | 4751500     | 4          | Washer 5/16  |     |
| 55   | 4751600     | 34         | Washer 3/8   |     |
| 56   | 4811702     | 2          | Washer M6  |     |
| 57   | 4811900     | 12         | Washer M8  |     |
| 58   | 4811902     | 8          | Washer M8  |     |
| 59   | 4812000     | 8          | Washer M10   |     |
| 60   | 4812100     | 7          | Washer M12   |     |
| 61   | 4812200     | 5          | Washer M14   |     |
| 62   | 4891800     | 4          | Washer 1/2   |     |
| 63   | 8405007     | 2          | Clamp  |     |
| 64   | 8405009     | 4          | Clamp  |     |
| 65   | 8405104     | 4          | Clamp  |     |
| 66   | 8406102     | 1          | Clip   |     |
| 67   | 8406109     | 1          | Clip   |     |
| 68   | 8406110     | 1          | Clip   |     |
| 69   | 8410011     | 2          | Clamp  |     |
| 70   | 8410013     | 1          | Clamp  |     |
| 71   | 1001117308  | 1          | Relay  |     |
| 72   | 1001135138  | 1          | Adapter  |     |
| 73   | 1001136834  | 1          | Cap, Tank  |     |
| 74   | 1001137276  | 1          | Fan  |     |
| 75   | 1001138173  | 1          | Support  |     |
| 76   | 1001138228  | 1          | Relay, Power Module  |     |
| 77   | 1001138248  | 62 in/1.6m | Tube   |     |
| 78   | 1001138489  | 1          | Air Cleaner Assembly   |     |
| 78   | 91403102    | 1          | Element, Filter  |     |
| 79   | 1001138557  | 1          | Clamp  |     |
| 80   | 1001139409  | 4          | Washer, Special  |     |
| 81   | 1001141304  | 1          | Harness, Glow Plug   |     |
| 82   | 1001141370  | 1          | Hose   |     |
| 83   | 1001141585  | 1          | Hose, Inlet  |     |
| 84   | 1001141995  | 1          | Fitting, Straight NPT/Barbed   |     |
| 85   | 1001143390  | 1          | Indicator, Service   |     |
| 86   | 1001238878  | 1          | Harness, Deutz Engine (Not Shown - See Separate Breakdown in ELECTRICAL Section) |     |
| 87   | 1001143797  | 1          | Fitting, Straight Metric/Barbed  |     |
| 88   | 1001143907  | 1          | Cable, Alternator Power  |     |
| 89   | 1001152489  | 1          | Fitting, 90 Metric/ Barbed   |     |
| 90   | 1001153282  | 1          | Pump Coupling Kit (See Separate Breakdown in this Section)                       |     |
| 91   | 1001167042  | 1          | Radiator   |     |
| 92   | 1001169054  | 4          | Isolator   |     |
| 93   | 1001169138  | 4          | Washer   |     |
| 94   | 1001177359  | 1          | Hose   |     |
| 95   | 1001177844  | 1          | Hose, Radiator - Upper   |     |
| 96   | 1001177845  | 1          | Hose, Radiator - Lower   |     |

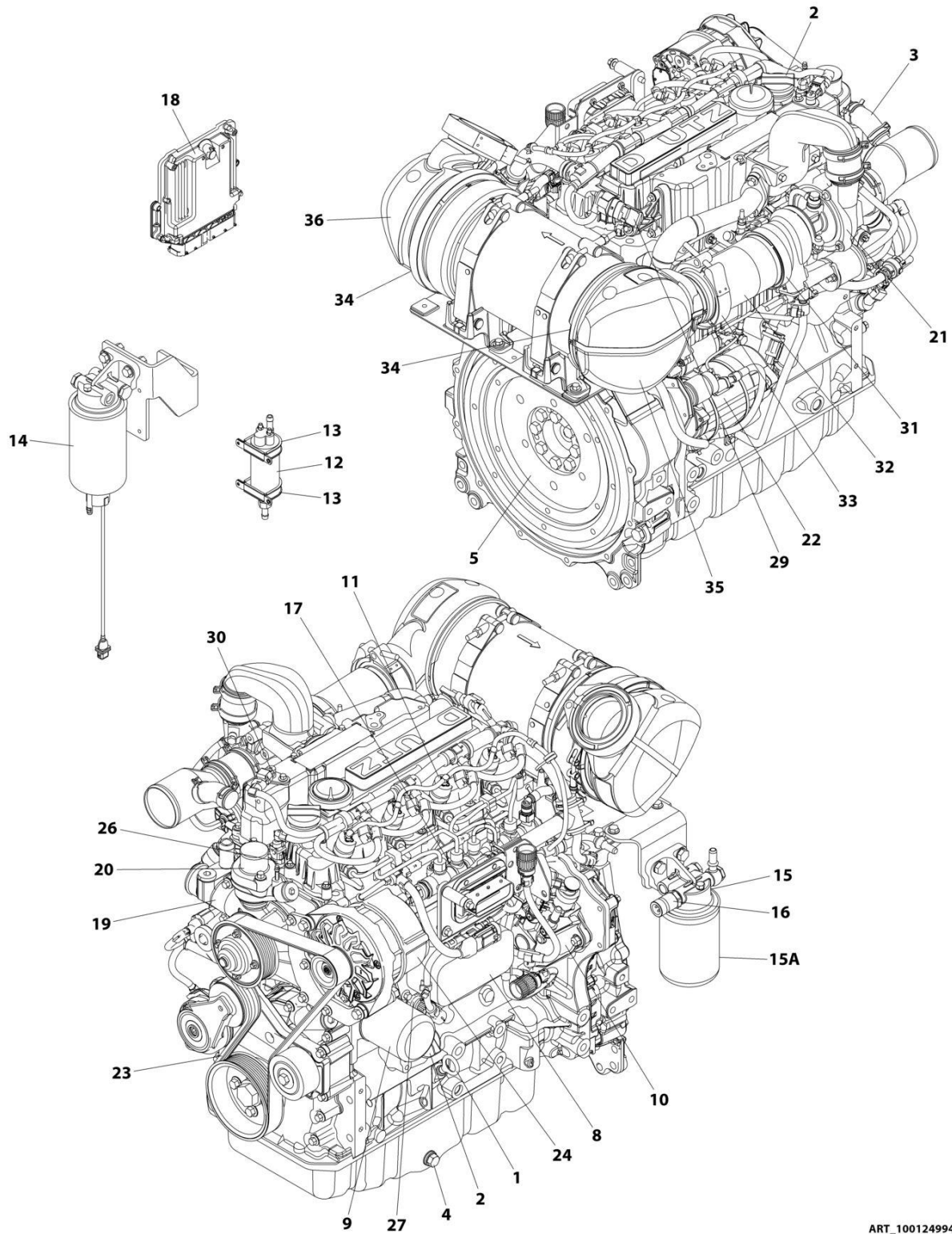
## SECTION 3 - ENGINE

| ITEM | PART NUMBER | QTY | DESCRIPTION   | REV |
|------|-------------|-----|---|-----|
| 97   | 1001180620  | AR  | Adhesive  |     |
| 98   | 1001181899  | 1   | P-Clamp   |     |
| 99   | 1001190610  | 1   | Support, Engine Try   |     |
| 100  | 1001221212  | 1   | Clamp   |     |
| 101  | 1001221219  | 1   | Clamp   |     |
| 102  | 1001224940  | 1   | Pipe, Exhaust   |     |
| 103  | 1001230635  | 1   | Tank  |     |
| 104  | 1001233089  | 2   | Strap   |     |
| 105  | 1001257278  | 1   | Muffler   |     |
| 106  | 1001266525  | 1   | Hose, Inlet   |     |
| 107  | 1001267256  | 1   | Shim, Air Cleaner   |     |
| 108  | 1001281610  | 1   | Engine, Deutz TD2.9L4 Components (See Separate Breakdown in this Section) |     |
| 109  | 1001281985  | 1   | Connector (Not Shown - Use With Harness 1001238878)                       |     |
| 110  | 1001281986  | 1   | Connector (Not Shown - Use With Harness 1001238878)                       |     |
| 200  | 1001257412  | 1   | Bracket Engine Kit (Includes Items 201-217)                               | D   |
| 201  | 1001138175  | 1   | Bracket   |     |
| 202  | 1001139240  | 1   | Bracket   |     |
| 203  | 1001140448  | 1   | Mount, Rear Engine  |     |
| 204  | 1001140450  | 1   | Mount, Rear Engine  |     |
| 205  | 1001140454  | 1   | Mount, Front Engine   |     |
| 207  | 1001145154  | 1   | Plate, Relay Mounting   |     |
| 208  | 1001260413  | 1   | Bracket, Tank   |     |
| 209  | 1001178223  | 2   | Bracket, Radiator   |     |
| 210  | 1001186985  | 1   | Plate, Mounting   |     |
| 212  | 1001266499  | 1   | Mount, Generator/Engine   |     |
| 213  | 1001204325  | 2   | Bracket, Radiator   |     |
| 214  | 1001221203  | 1   | Bracket   |     |
| 215  | 1001224936  | 2   | Mount, Doc Weldment   |     |
| 216  | 1001224937  | 1   | Mount, Fuel Filter  |     |
| 217  | 1001260412  | 1   | Bracket   |     |



# SECTION 3 - ENGINE

## FIGURE 3-24. DEUTZ TD2.9L4 ENGINE COMPONENTS



ART\_1001249942

## SECTION 3 - ENGINE

**FIGURE 3-24. DEUTZ TD2.9L4 ENGINE COMPONENTS**

| ITEM | PART NUMBER | QTY | DESCRIPTION   | REV |
|------|-------------|-----|---|-----|
|      | 1001249942  | Ref | ENGINE COMPONENTS - DEUTZ TD2.9L4                         | A   |
| 1    | 70024904    | 1   | Dipstick  |     |
| 1    | 70024905    | 1   | Seal  |     |
| 2    | 7020465     | 2   | Cap, Oil Fill   |     |
| 3    | 70025111    | 2   | Clamp   |     |
| 3    | 70005920    | 1   | Hose, Breather  |     |
| 4    | 70005941    | 2   | Plug  |     |
| 4    | 70005942    | 2   | Seal  |     |
| 5    | 70001870    | 1   | Flywheel with Ring Gear                                   |     |
| 5    | 7024579     | 1   | Gear, Ring  |     |
| 6    |             | Ref | Gasket and Seal Options (Not Shown)                       |     |
| 6    | 70004279    | 1   | Gasket Kit  |     |
| 6    | 70024906    | 1   | Gasket, Head  |     |
| 6    | 70025205    | 1   | Gasket, Small Valve Cover                                 |     |
| 6    | 70005171    | 1   | Gasket, Large Valve Cover                                 |     |
| 6    | 70005176    | 1   | O-Seal, Valve Cover to Air Charge Elbow                   |     |
| 6    | 70005177    | 1   | Gasket, Air Charge Pipe to Head                           |     |
| 6    | 70029557    | 2   | Gasket, Air Charge Pipe                                   |     |
| 6    | 70025164    | 1   | Gasket, Exhaust Manifold to Head                          |     |
| 6    | 70025179    | 1   | Gasket, Exhaust Manifold to EGR Pipe                      |     |
| 6    | 70007354    | 1   | Gasket, EGR Pipe to EGR Valve                             |     |
| 6    | 70007326    | 1   | Gasket, EGR Valve to Housing                              |     |
| 7    | 70005172    | 1   | Pump, Oil Lube (Not Shown - Located Front Left Side)      |     |
| 7    | 70025135    | 1   | O-Ring  |     |
| 7    | 70005173    | 1   | Gasket  |     |
| 8    | 70024494    | 1   | Cooler, Oil   |     |
| 8    | 70024925    | 1   | Gasket  |     |
| 9    | 7016331     | 1   | Filter, Oil   |     |
| 10   | 70024924    | 1   | Pump, High Pressure (Not Shown - Located Front Left Side) |     |
| 10   | 70025152    | 1   | O-Ring (Between Pump and Spacer)                          |     |
| 10   | 70024517    | 1   | O-Ring (Between Spacer and Engine Block)                  |     |
| 10   | 70004505    | 1   | Valve, Overflow   |     |
| 10   | 70004506    | 1   | O-Ring  |     |
| 10   | 70004507    | 1   | O-Ring  |     |
| 10   | 70004508    | 1   | Valve, Volume Control                                     |     |
| 10   | 70004509    | 1   | O-Ring  |     |
| 10   | 70004510    | 1   | O-Ring  |     |
| 11   | 70025181    | 4   | Injector Fuel   |     |
| 11   | 70025140    | 4   | Washer, Sealing   |     |
| 11   | 70025146    | 4   | Clamp (Top of Injector)                                   |     |
| 11   | 70025145    | 4   | O-Seal  |     |
| 11   | 70025154    | 4   | Shoe, Clamping  |     |
| 11   | 70000345    | 4   | Plug, Glow  |     |
| 11   | 70025231    | 1   | Harness, Glow Plug (Not Shown)                            |     |
| 12   | 70006144    | 1   | Pump, Fuel  |     |
| 13   | 70025144    | 2   | Clamp   |     |
| 14   | 70024961    | 1   | Filter, Fuel  |     |
| 14   | 70025153    | 1   | Element, Filter   |     |
| 14   | 70024513    | 1   | Cable, Sensor   |     |
| 14   | 70025239    | 1   | Seal  |     |

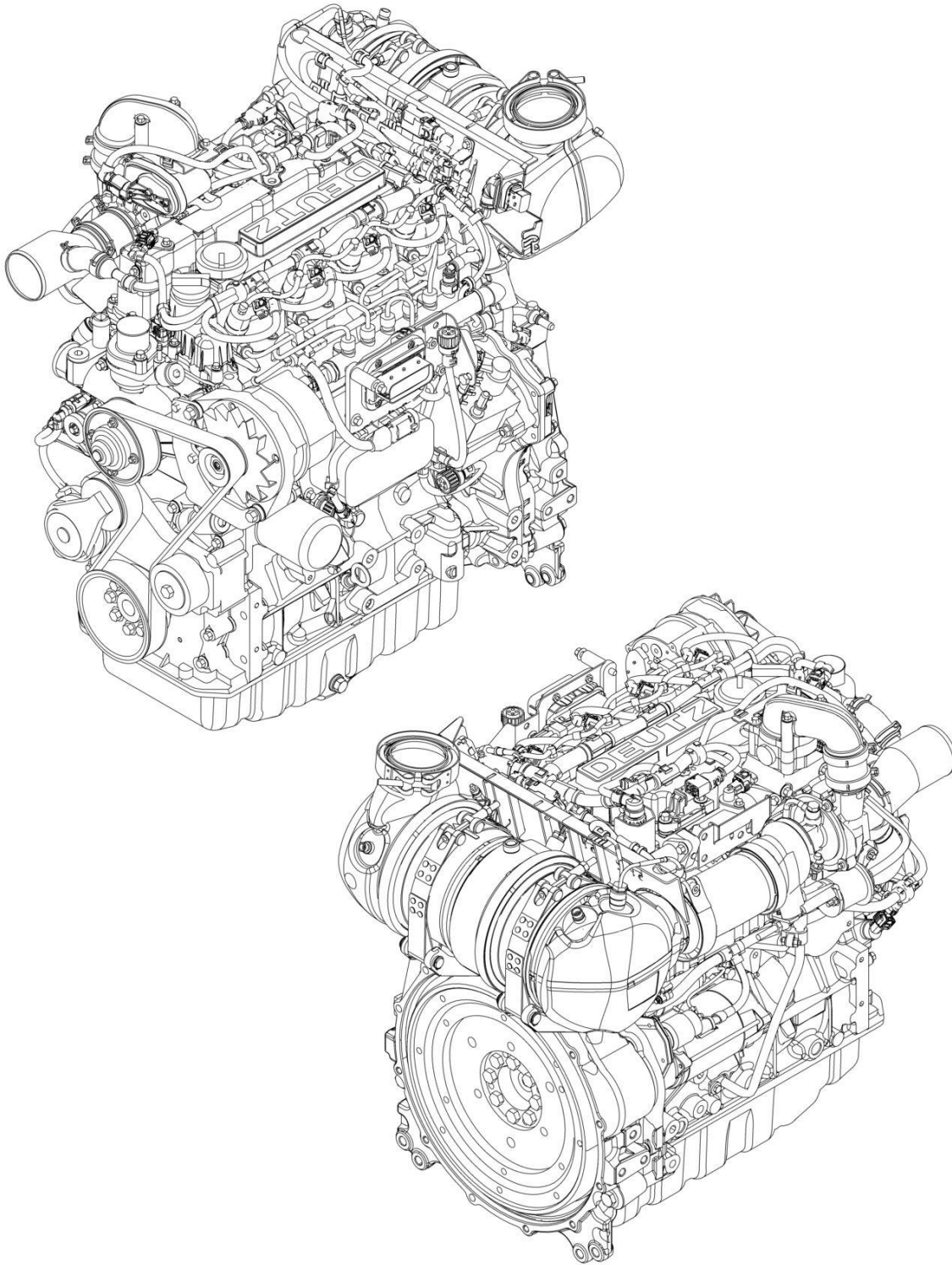
## SECTION 3 - ENGINE

| ITEM | PART NUMBER | QTY | DESCRIPTION   | REV |
|------|-------------|-----|---|-----|
| 15   | 70029451    | 1   | Filter With Head  |     |
| 15A  | 70025161    | 1   | Filter, Fuel  |     |
| 16   | 70028538    | 1   | Sensor, Pressure  |     |
| 16   | 70024920    | 1   | Seal  |     |
| 17   | 70025151    | 1   | Rail, Fuel  |     |
| 17   | 70025235    | 1   | Repair Kit  |     |
| 17   | 70025182    | 1   | Line, Fuel (Cylinders 1 & 2)  |     |
| 17   | 70025183    | 1   | Line, Fuel (Cylinders 3 & 4)  |     |
| 17   | 70025184    | 1   | Line, Fuel (To Rail)  |     |
| 18   | 70025210    | 1   | ECU (Engine Control Unit)   |     |
| 19   | 70029797    | 1   | Pump, Water   |     |
| 19   | 70025200    | 1   | Seal  |     |
| 19   | 70007325    | 1   | Gasket  |     |
| 20   | 70005929    | 1   | Thermostat  |     |
| 20   | 70005184    | 1   | O-Seal  |     |
| 20   | 70025142    | 1   | Cover, Thermostat   |     |
| 20   | 70005931    | 1   | Gasket  |     |
| 21   | 70004276    | 1   | Turbocharger  |     |
| 21   | 70024912    | 1   | Gasket, Square  |     |
| 21   | 70024509    | 1   | Gasket, Return Line   |     |
| 21   | 70006294    | 1   | O-Seal  |     |
| 22   | 70024915    | 1   | Starter   |     |
| 22   | 70005648    | 1   | Relay   |     |
| 22   | 70005647    | 1   | Solenoid  |     |
| 23   | 70004277    | 1   | Belt Drive  |     |
| 24   | 70006652    | 1   | Alternator  |     |
| 24   | 70006653    | 1   | Regulator, Voltage  |     |
| 25   | 70007489    | 1   | Harness, Engine (Not Shown)   |     |
| 26   | 70028540    | 1   | Sender, Temperature   |     |
| 27   | 70028538    | 1   | Sensor, Pressure  |     |
| 27   | 70024920    | 1   | Seal  |     |
| 28   | 70026210    | 2   | Sensor, Speed (Not Shown -Located Left Side Front and Flywheel Housing) |     |
| 28   | 70024917    | 1   | Seal (Cam Shaft Speed Sensor)   |     |
| 28   | 70005191    | 1   | Seal (Flywheel Shaft Speed Sensor)                                      |     |
| 29   | 70024507    | 1   | Sensor, Pressure  |     |
| 29   | 70025120    | 1   | Seal  |     |
| 30   | 70024922    | 1   | Sender, Temperature   |     |
| 30   | 70025212    | 1   | O-Seal  |     |
| 31   | 70005527    | 1   | Clamp   |     |
| 31   | 70025788    | 1   | Nut   |     |
| 32   | 70004504    | 1   | Compensator   |     |
| 33   | 70025242    | 1   | Gasket  |     |
| 33   | 70029433    | 1   | Clamp   |     |
| 34   | 70029517    | 2   | Clamp   |     |
| 34   | 70029520    | 2   | Gasket  |     |
| 35   | 70007355    | 1   | Inlet   |     |
| 35   | 70007331    | 1   | Outlet  |     |



## SECTION 3 - ENGINE

FIGURE 3-25. DEUTZ TD2.9L4 ENGINE COMPONENTS (STAGE V)



ART\_1001232844



## SECTION 3 - ENGINE

**FIGURE 3-25. DEUTZ TD2.9L4 ENGINE COMPONENTS (STAGE V)**

| ITEM | PART NUMBER | QTY | DESCRIPTION   | REV |
|------|-------------|-----|---|-----|
|      | 1001232844  | Ref | DEUTZ ENGINE COMPONENTS   | F   |
|      |             | Ref | Note: For complete list of parts, contact JLG Parts Department                          |     |
|      |             | Ref | Air Intake System Components  |     |
|      | 70004276    | 1   | Turbocharger  |     |
|      |             | Ref | Cooling System Components   |     |
|      | 70029797    | 1   | Pump, Coolant (Includes Gasket & Seals)   |     |
|      | 70007603    | 1   | Thermostat  |     |
|      | 70005184    | 1   | O-Ring  |     |
|      | 70005931    | 1   | Gasket  |     |
|      | 70025142    | 1   | Cover   |     |
|      |             | Ref | Electrical System Components  |     |
|      | 70029512    | 1   | Module, ECU/ECM   |     |
|      |             | Ref | Generator (Includes Controller, Fan & Hardware)   |     |
|      |             | Ref | Starter (Includes Solenoid & Relay)   |     |
|      |             | Ref | Sender, Tacho-Generator (Speed) (On Rear of Block) (Includes Seal)                      |     |
|      | 70024916    | 1   | Sender, Tacho-Generator (Speed) (On Cover) (Includes Seal)                              |     |
|      | 70024922    | 1   | Sender, Temperature (Includes Seal) (On Air Intake Manifold)                            |     |
|      | 70024507    | 1   | Sensor, Pressure (Includes Seal) (On Air Intake Manifold)                               |     |
|      | 70024504    | 1   | Sensor, Pressure (Includes Seal) (On Fuel Filter & Side of Block)                       |     |
|      |             | Ref | Sensor, Pressure (Includes Seal) (On Exhaust Manifold)                                  |     |
|      |             | Ref | Sensor, Temperature (Includes Seal) (On Exhaust Manifold)                               |     |
|      | 70000345    | 4   | Plug, Glow  |     |
|      |             | Ref | Exhaust System Components   |     |
|      |             | Ref | Valve, EGR  |     |
|      | 70025130    | 8   | Bolt, Exhaust Manifold  |     |
|      | 70025164    | 1   | Gasket, Exhaust Manifold  |     |
|      |             | Ref | Outlet, Muffler   |     |
|      |             | Ref | Muffler   |     |
|      |             | Ref | Bracket, Muffler Mounting   |     |
|      | 70004504    | 1   | Compensator, Exhaust  |     |
|      |             | Ref | Fuel System Components  |     |
|      |             | Ref | Pump, High Pressure   |     |
|      | 70025181    | 4   | Injector (Includes Sealing washer, Clamp & O-Ring)                                      |     |
|      | 70006144    | 1   | Pump, Fuel Supply (Includes Clamps)   |     |
|      | 70024961    | 1   | Filter, Fuel (Pre-Filter Assembly) (Includes Head, Spin on filter, Sensor Cable & Seal) |     |
|      | 70025153    | 1   | Filter, Fuel Spin On  |     |
|      | 70024513    | 1   | Sensor Cable (Includes Seal)  |     |
|      | 70025160    | 1   | Filter, Fuel (Assembly) (Includes Head & Spin on Filter)                                |     |
|      | 70025161    | 1   | Filter, Fuel Spin On  |     |
|      | 70004508    | 1   | Vol. Control Valve (Includes O-Ring & Gasket)   |     |
|      |             | Ref | Lubricating System Components   |     |
|      | 7020465     | 2   | Cap, Oil Fill   |     |
|      | 70005941    | 2   | Plug, Oil Drain   |     |
|      | 70005942    | 2   | Seal, Oil Drain Plug  |     |
|      | 70005172    | 1   | Pump, Oil (Includes Seal & Gasket)  |     |
|      | 7016331     | 1   | Filter, Oil   |     |
|      | 70024494    | 1   | Cooler, Oil   |     |
|      | 70024925    | 1   | Gasket, Oil Cooler  |     |

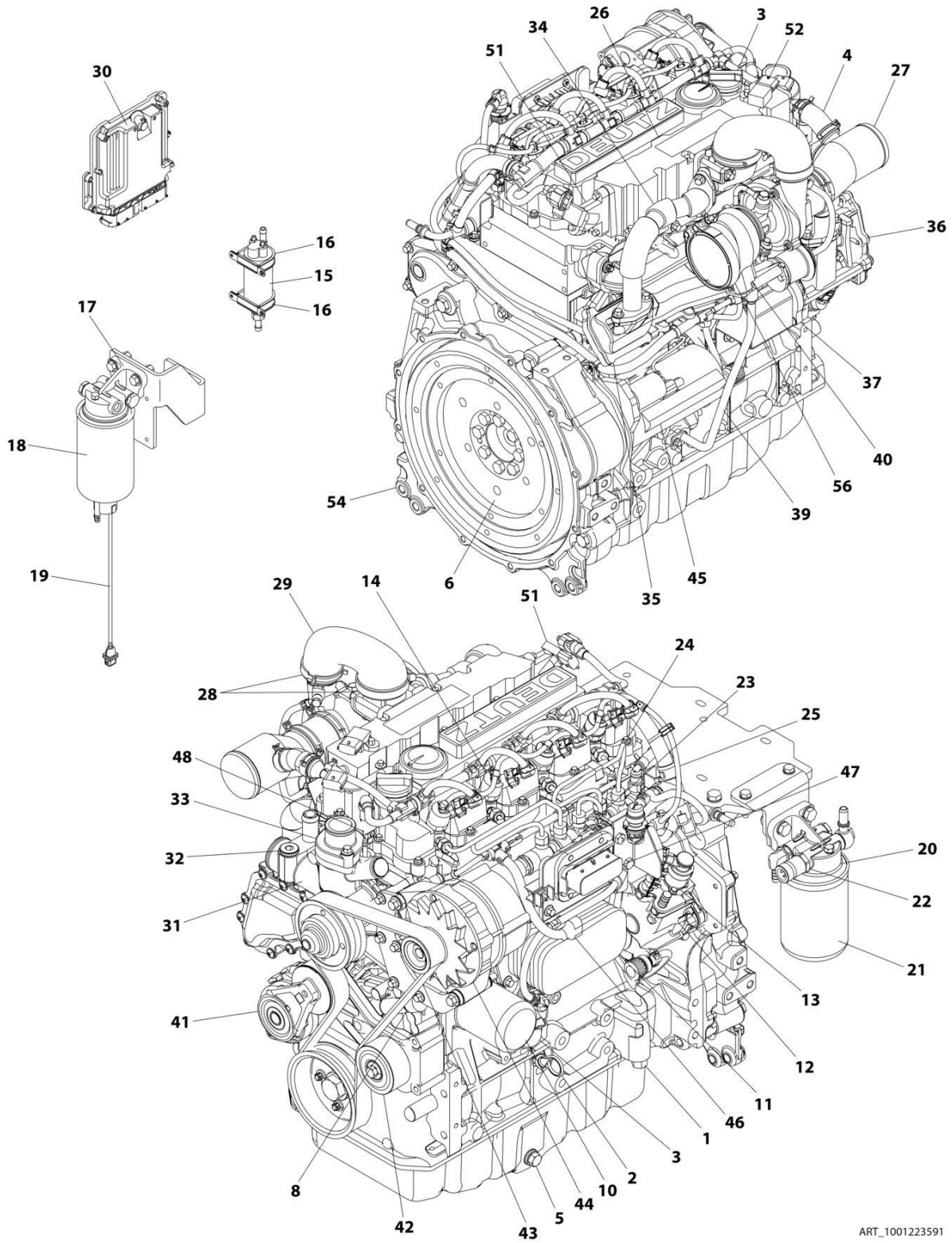
## SECTION 3 - ENGINE

| ITEM | PART NUMBER | QTY | DESCRIPTION              | REV |
|------|-------------|-----|--------------------------|-----|
|      | 70024904    | 1   | Dipstick (Includes Seal) |     |
|      |             | Ref | Mechanical Components    |     |
|      | 70001870    | 1   | Flywheel (includes Gear) |     |
|      | 70004277    | 1   | V-Belt                   |     |
|      | 70030359    | 1   | Belt Tensioner           |     |
|      | 70005938    | 1   | Gasket Set - Complete    |     |



# SECTION 3 - ENGINE

## FIGURE 3-26. DEUTZ TD2.9L4 ENGINE COMPONENTS (CHINA III SPECS)



ART\_1001223591

## SECTION 3 - ENGINE

**FIGURE 3-26. DEUTZ TD2.9L4 ENGINE COMPONENTS (CHINA III SPECS)**

| ITEM | PART NUMBER | QTY | DESCRIPTION                                     | REV |
|------|-------------|-----|---|-----|
|      | 1001223591  | Ref | DEUTZ TD2.9L4 ENGINE COMPONENTS                 | C   |
| 1    | 70025660    | 1   | Plug  |     |
| 1    | 70006264    | 1   | Valve, Plunger                                  |     |
| 1    | 70006265    | 1   | Spring  |     |
| 1    | 70006266    | 1   | Seal  |     |
| 2    | 70024904    | 1   | Dipstick  |     |
| 2    | 70024905    | 2   | Seal  |     |
| 3    | 7020465     | 2   | Cap, Fill                                       |     |
| 4    | 70005920    | 1   | Line, Breather                                  |     |
| 4    | 70025111    | 2   | Clamp   |     |
| 5    | 70006941    | 2   | Plug  |     |
| 5    | 70005942    | 2   | Seal  |     |
| 6    | 70001870    | 1   | Flywheel  |     |
| 6    | 7024579     | 1   | Ring Gear                                       |     |
| 6    | 70025139    | 8   | Bolt  |     |
| 7    |             | Ref | Gasket & Seal Options (Not Shown):              |     |
| 7    | 70005938    | 1   | Gasket Kit                                      |     |
| 7    | 70024906    | 1   | Gasket, Head                                    |     |
| 7    | 70005922    | 1   | Gasket, Valve Cover                             |     |
| 7    | 70028185    | 1   | Gasket, Front Cover                             |     |
| 7    | 70004280    | 1   | Seal, Front Main                                |     |
| 7    | 70002718    | 1   | Seal, Rear Main                                 |     |
| 8    | See Note    | NSS | Valve, Slide (Note: Not Available for Purchase) |     |
| 8    | 70025082    | 1   | Seal  |     |
| 9    | 70005172    | 1   | Pump, Lube (Not Shown - Located RH Rear)        |     |
| 9    | 70025135    | 1   | O-Seal  |     |
| 9    | 70005173    | 1   | Gasket  |     |
| 10   | 7016331     | 1   | Filter, Oil                                     |     |
| 11   | 70024494    | 1   | Cooler, Oil                                     |     |
| 11   | 70024925    | 1   | Gasket, Oil Filter                              |     |
| 12   | 70024924    | 1   | Pump, High Pressure                             |     |
| 12   | 70025152    | 1   | Gasket (Spacer to Pump)                         |     |
| 12   | 70024488    | 1   | Spacer  |     |
| 12   | 70024517    | 1   | Gasket (Spacer to Block)                        |     |
| 12   | 70004505    | 1   | Valve, Overflow                                 |     |
| 12   | 70004506    | 1   | Gasket, Overflow                                |     |
| 12   | 70004507    | 1   | Gasket, Overflow                                |     |
| 13   | 70004508    | 1   | Valve, Volume Control                           |     |
| 13   | 70004509    | 1   | O-Ring  |     |
| 13   | 70004510    | 1   | Gasket  |     |
| 14   | 70025181    | 4   | Injector  |     |
| 14   | 70025140    | 4   | Washer, Sealing                                 |     |
| 14   | 70025146    | 4   | Clamp   |     |
| 14   | 70025145    | 4   | O-Seal  |     |
| 14   | 70025154    | 4   | Shoe/Pad, Clamping                              |     |
| 15   | 70006144    | NLA | Pump, Fuel Supply (Use p/n 1001226098)          |     |
| 16   | 70025144    | 2   | Clip, Clamp                                     |     |
| 17   | 70024961    | 1   | Fuel Filter Assembly                            |     |
| 18   | 1001225430  | 1   | Element, Filter                                 |     |
| 19   | 70024513    | 1   | Cable, Sensor                                   |     |

## SECTION 3 - ENGINE

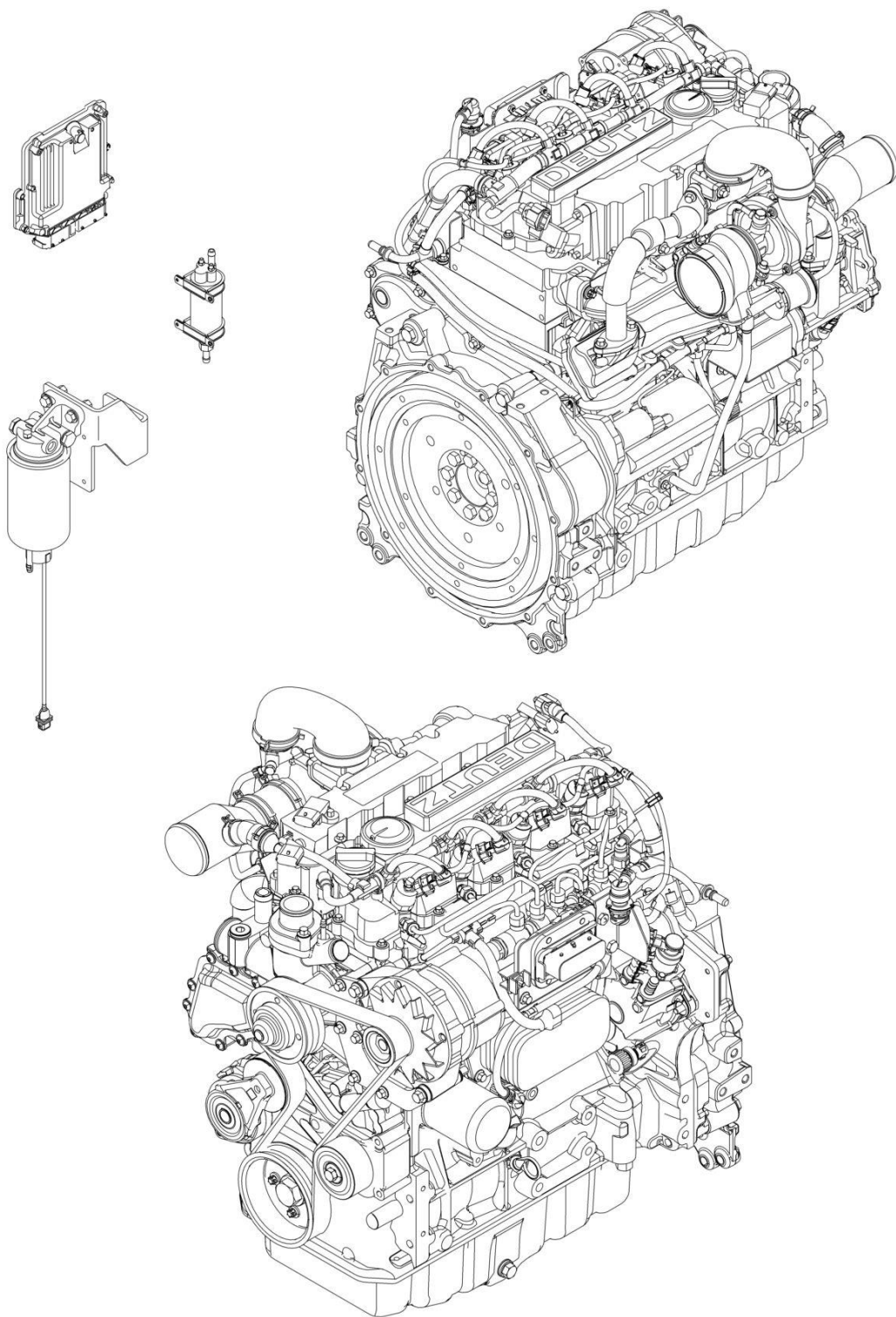
| ITEM | PART NUMBER | QTY | DESCRIPTION   | REV |
|------|-------------|-----|---|-----|
| 19   | 70025239    | 1   | Seal, Ring  |     |
| 20   | 70004511    | 1   | Fuel Filter Assembly                                      |     |
| 20   | 70004513    | 2   | Seal (at Hollow Bolt)                                     |     |
| 21   | 1001225432  | 1   | Element, Filter   |     |
| 22   | 70028538    | 1   | Sensor, Pressure  |     |
| 22   | 70024920    | 1   | O-Seal  |     |
| 23   | 70025151    | 1   | Rail, Fuel  |     |
| 23   | 70025235    | 1   | Repair Kit - Fuel Rail                                    |     |
| 23   | 70025240    | 1   | O-Ring  |     |
| 24   | 70025182    | 1   | Tube, Fuel - Cylinders 1 & 2                              |     |
| 24   | 70025183    | 1   | Tube, Fuel - Cylinders 3 & 4                              |     |
| 24   | 70025184    | 1   | Tube, Fuel  |     |
| 25   | 70024502    | 1   | Pipe, Fuel Leakage  |     |
| 25   | 70025185    | 1   | Hose, Fuel  |     |
| 25   | 70025158    | 1   | Manifold  |     |
| 25   | 70025109    | 2   | Clamp, Spring   |     |
| 25   | 70025115    | 1   | Clamp   |     |
| 25   | 70025133    | 1   | Hose  |     |
| 25   | 70025101    | 2   | Clamp   |     |
| 25   | 70025148    | 1   | Connector, Plug-in  |     |
| 26   | 70005923    | 1   | Manifold, Charger Air                                     |     |
| 26   | 70005177    | 1   | Gasket, Charger Air Manifold                              |     |
| 26   | 70005924    | 1   | Seal (Manifold to Elbow)                                  |     |
| 26   | 7000180     | 1   | Line, Breather (Not Shown)                                |     |
| 26   | 70005181    | 1   | O-Seal (Breather to Manifold)                             |     |
| 27   | 70005926    | 1   | Elbow   |     |
| 27   | 70025112    | 2   | Clamp   |     |
| 27   | 70004501    | 1   | Sleeve, Rubber  |     |
| 28   | See Note    | NSS | Sleeve (Note: Not Available for Purchase)                 |     |
| 28   | 70025107    | 2   | Clamp   |     |
| 29   | 70005928    | 1   | Elbow, Air Charge   |     |
| 30   | 70025210    | 1   | Module, ECU   |     |
| 31   | 70028802    | 1   | Pump, Coolant   |     |
| 31   | 70025200    | 1   | Ring, Sealing (Pump to Block)                             |     |
| 32   | 70025084    | 2   | Plug  |     |
| 32   | 7020492     | 2   | Ring, Sealing   |     |
| 33   | 70005929    | 1   | Thermostat  |     |
| 33   | 70005184    | 1   | O-Seal (Thermostat to Housing)                            |     |
| 33   | 70025142    | 1   | Housing, Thermostat                                       |     |
| 33   | 70005931    | 1   | O-Seal (Thermostat to Pump)                               |     |
| 33   | 70025124    | 2   | Bolt  |     |
| 34   | See Note    | NSS | Tube (Note: Not Available for Purchase)                   |     |
| 34   | 70025179    | 2   | Gasket (at Either End of Tube)                            |     |
| 35   | See Note    | NSS | Valve, Shuttle (Note: Not Available for Purchase)         |     |
| 35   | 70025180    | 1   | Gasket  |     |
| 35   | See Note    | NSS | Housing, Shuttle Valve (Note: Not Available for Purchase) |     |
| 35   | 70025175    | 1   | Cap, Shuttle Valve  |     |
| 36   | 70025203    | 1   | Module, EGR   |     |
| 36   | 70025155    | 1   | Plug (Not Shown)  |     |
| 37   | 70005188    | 1   | Valve, EGR Control  |     |
| 37   | 70005189    | 1   | Seal (Valve to Module)                                    |     |

## SECTION 3 - ENGINE

| ITEM | PART NUMBER | QTY | DESCRIPTION                                      | REV |
|------|-------------|-----|--|-----|
| 38   | 70004282    | 1   | Manifold, Exhaust (Not Shown)                    |     |
| 38   | 70025164    | 1   | Gasket, Manifold to Head (Not Shown)             |     |
| 38   | 70025130    | 8   | Bolt, Manifold (Not Shown)                       |     |
| 38   | 70026995    | 1   | Elbow, Exhaust (Not Shown)                       |     |
| 38   | 70025179    | 2   | Gasket, Manifold to Elbow (Not Shown)            |     |
| 39   | 70005932    | 1   | Tube, Oil Return                                 |     |
| 39   | 70025132    | 1   | O-Seal   |     |
| 40   | 70004276    | 1   | Turbocharger                                     |     |
| 40   | 70024509    | 1   | Gasket (Turbocharger to Oil Return Tube Housing) |     |
| 40   | 1001191599  | 1   | Gasket (Turbocharger to Exhaust)                 |     |
| 41   | 70025477    | 1   | Tensioner, Belt                                  |     |
| 42   | 70024484    | 1   | Roller, Idler                                    |     |
| 43   | 70004277    | 1   | Belt   |     |
| 44   | 70025733    | 1   | Pulley, Alternator                               |     |
| 44   | 70006652    | 1   | Alternator                                       |     |
| 44   | 70006653    | 1   | Controller                                       |     |
| 44   | See Note    | NSS | Fan (Note: Not Available for Purchase)           |     |
| 45   | 70024915    | 1   | Starter  |     |
| 45   | 70005647    | 1   | Switch, Solenoid                                 |     |
| 45   | 70005648    | 1   | Relay  |     |
| 46   | 70000345    | 4   | Glow Plug  |     |
| 46   | 70025231    | 1   | Harness, Glow Plug                               |     |
| 46   | 70025233    | 1   | Connector, Plug-in                               |     |
| 47   | 70025077    | 1   | Harness, Engine                                  |     |
| 48   | 70024918    | 1   | Sender, Temperature                              |     |
| 49   | 70028538    | 1   | Sensor, Pressure (Not Shown - RH Front)          |     |
| 49   | 70024920    | 1   | O-Seal   |     |
| 50   | 70026210    | 1   | Sensor, Speed (Not Shown - Front)                |     |
| 50   | 70005191    | 1   | Ring, Seal                                       |     |
| 51   | 70024507    | 1   | Sensor, Pressure                                 |     |
| 51   | 70025120    | 1   | O-Seal   |     |
| 51   | 70005933    | 1   | Adapter  |     |
| 51   | 70005934    | 1   | O-Seal   |     |
| 52   | 70024922    | 1   | Sender, Temperature                              |     |
| 52   | 70025212    | 1   | O-Seal   |     |
| 53   | 70026210    | 1   | Sensor, Speed (Not Shown - Front)                |     |
| 53   | 70024917    | 1   | O-Seal   |     |
| 54   | 70025192    | 1   | Housing  |     |
| 56   | 70005527    | 1   | Clip   |     |

# SECTION 3 - ENGINE

FIGURE 3-27. DEUTZ TD2.9L4 ENGINE COMPONENTS (CHINA IV SPECS)



ART\_1001281610



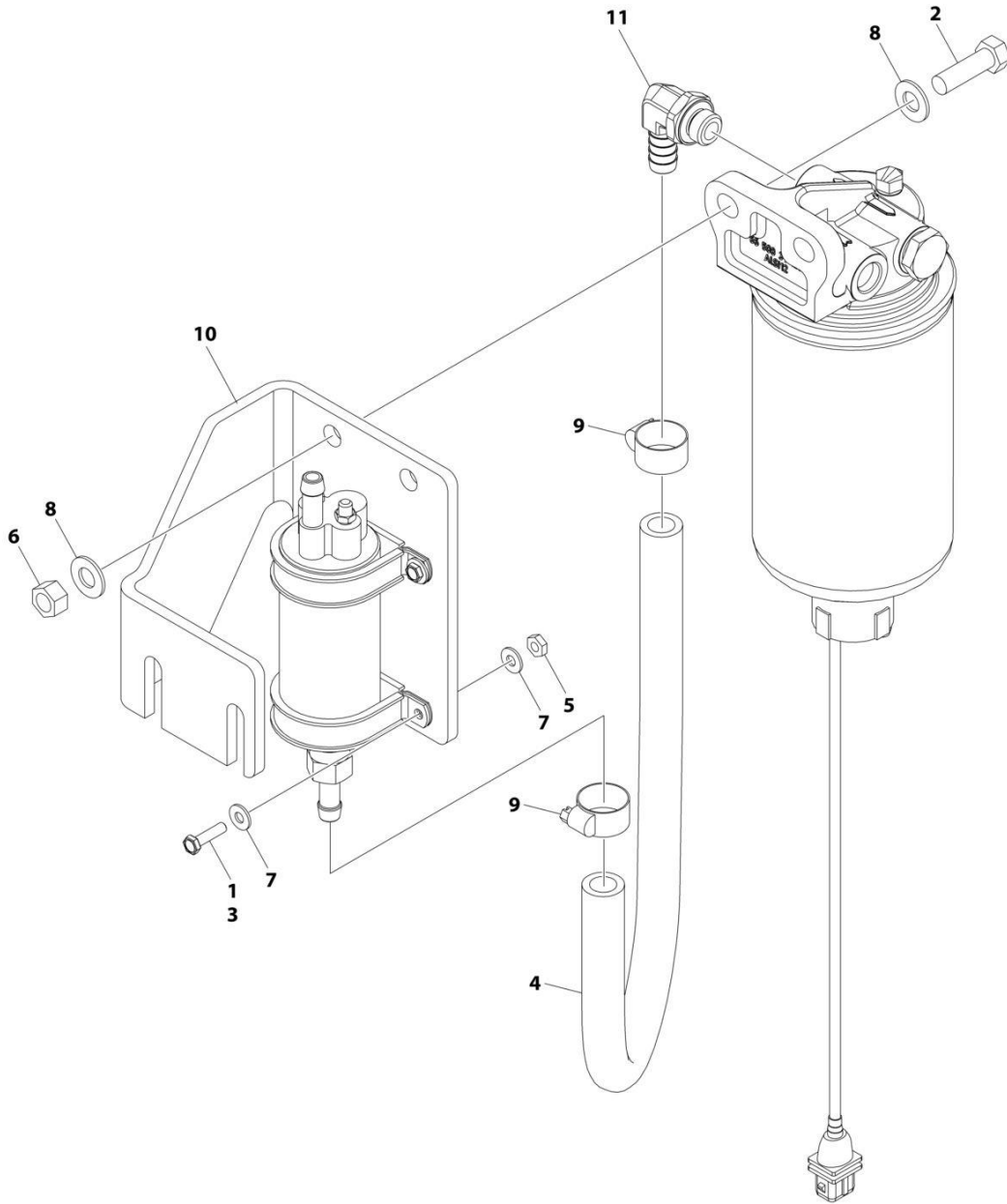
## SECTION 3 - ENGINE

**FIGURE 3-27. DEUTZ TD2.9L4 ENGINE COMPONENTS (CHINA IV SPECS)**

| ITEM | PART NUMBER | QTY | DESCRIPTION  | REV |
|------|-------------|-----|--|-----|
|      | 1001281610  | Ref | DEUTZ TD2.9L4 ENGINE COMPONENTS                      | A   |
|      | See Note    | Ref | Note: No Service Parts Available at Time of Printing |     |

# SECTION 3 - ENGINE

## FIGURE 3-28. FUEL PUMP/FILTER BRACKET ASSEMBLY (DEUTZ TD2.9L4 ENGINES)



ART\_1001162335

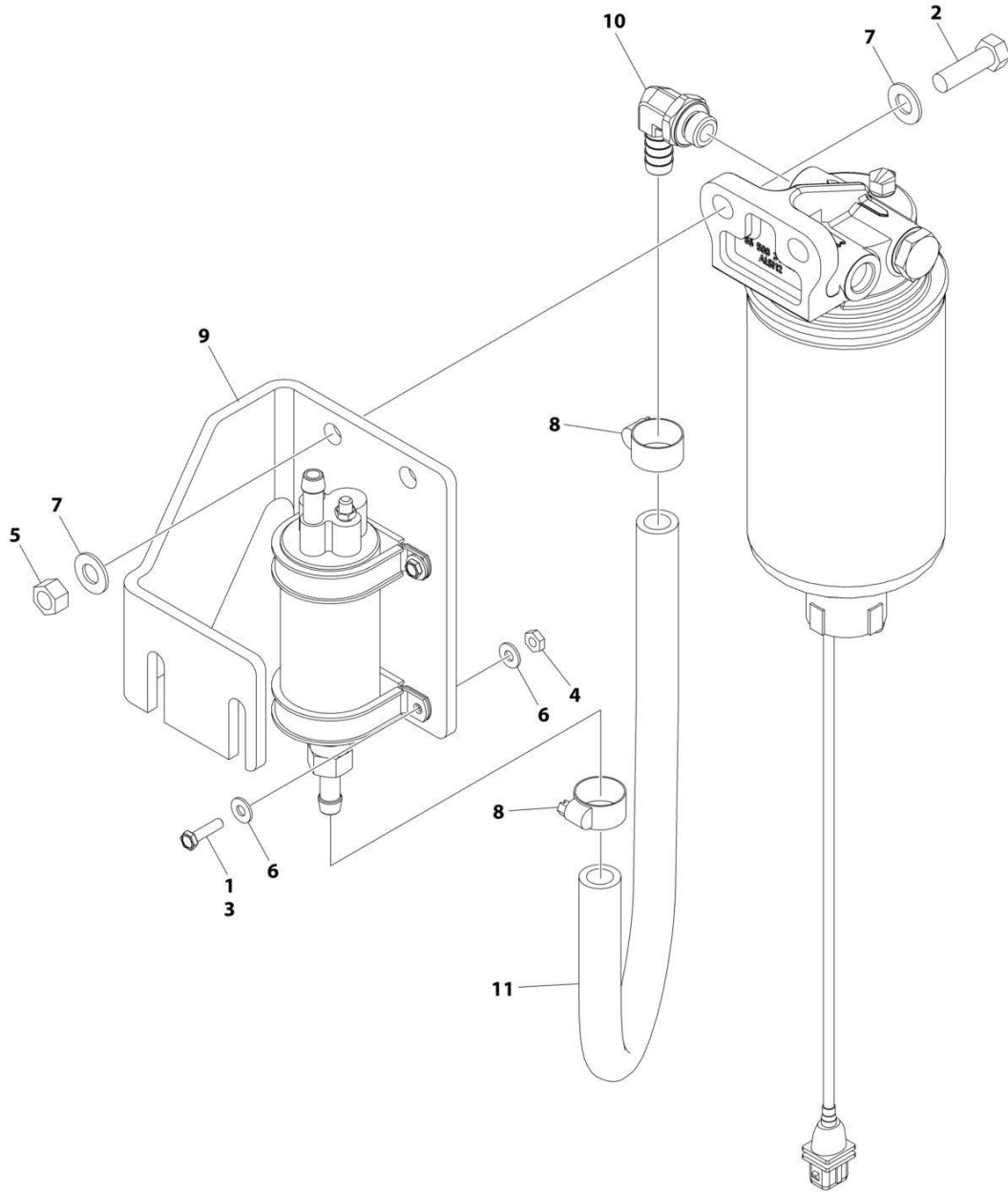
## SECTION 3 - ENGINE

**FIGURE 3-28. FUEL PUMP/FILTER BRACKET ASSEMBLY (DEUTZ TD2.9L4 ENGINES)**

| ITEM | PART NUMBER | QTY | DESCRIPTION   | REV |
|------|-------------|-----|---|-----|
|      | 1001162335  | Ref | BRACKET ASSEMBLY - FUEL PUMP AND FILTER (DEUTZ D2.9L4 ENGINE) | E   |
| 1    | 0100011     | AR  | Compound, Locking   |     |
| 2    | 0641610     | 2   | Bolt 3/8 x 1-1/4  |     |
| 3    | 0721006     | 4   | Bolt #10 x 3/4  |     |
| 4    | 1001154405  | AR  | Hose  |     |
| 5    | 3311001     | 4   | Nut #10   |     |
| 6    | 3311605     | 2   | Nut 3/8   |     |
| 7    | 4711000     | 8   | Washer #10  |     |
| 8    | 4711600     | 4   | Washer 3/8  |     |
| 9    | 8405006     | 2   | Clamp   |     |
| 10   | 1001141870  | 1   | Plate, Fuel Pump Mount  |     |
| 11   | 1001142501  | 1   | Fitting, Elbow Barbed   |     |

# SECTION 3 - ENGINE

## FIGURE 3-29. FUEL PUMP/FILTER BRACKET ASSEMBLY (DEUTZ TD2.9L4 (STAGE V) ENGINES)



ART\_1001235949

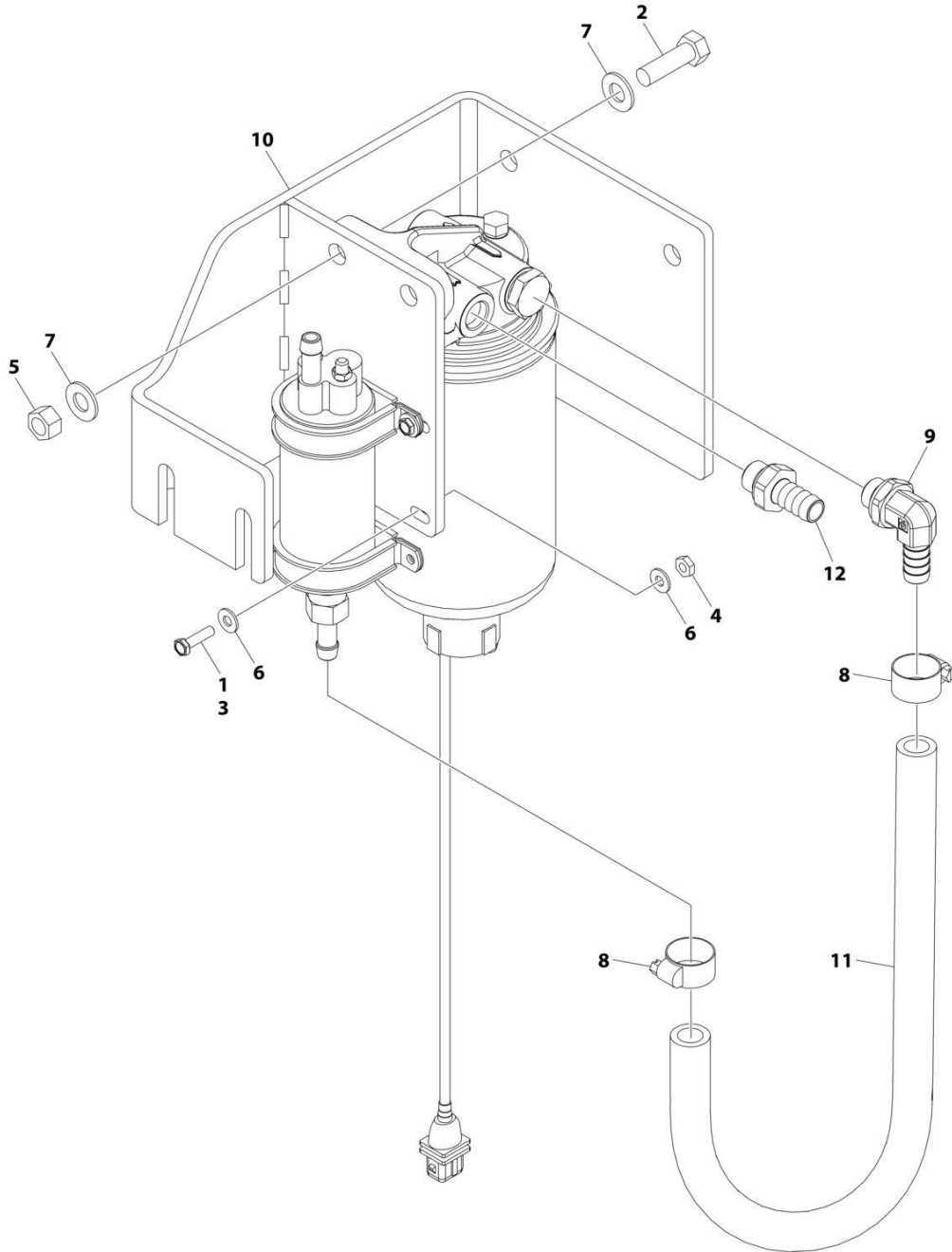
## SECTION 3 - ENGINE

**FIGURE 3-29. FUEL PUMP/FILTER BRACKET ASSEMBLY (DEUTZ TD2.9L4 (STAGE V) ENGINES)**

| ITEM | PART NUMBER | QTY             | DESCRIPTION   | REV |
|------|-------------|-----------------|---|-----|
|      | 1001235949  | Ref             | BRACKET ASSEMBLY - FUEL PUMP AND FILTER (DEUTZ D2.9L4 (STAGE V) ENGINE) | A   |
| 1    | 0100035     | AR              | Compound, Locking   |     |
| 2    | 0641610     | 2               | Bolt 3/8 x 1-1/4  |     |
| 3    | 0721006     | 4               | Bolt #10 x 3/4  |     |
| 4    | 3311001     | 4               | Nut #10   |     |
| 5    | 3311605     | 2               | Nut 3/8   |     |
| 6    | 4711000     | 8               | Washer #10  |     |
| 7    | 4711600     | 4               | Washer 3/8  |     |
| 8    | 8405006     | 2               | Clamp   |     |
| 9    | 1001141870  | 1               | Plate, Fuel Pump Mount  |     |
| 10   | 1001142501  | 1               | Fitting, Elbow Barbed   |     |
| 11   | 1001154405  | 1.5 ft<br>/0.4m | Hose  |     |

# SECTION 3 - ENGINE

## FIGURE 3-30. FUEL PUMP/FILTER BRACKET ASSEMBLY (DEUTZ TD2.9L4 ENGINES) (CHINA III SPECS)



ART\_1001227224

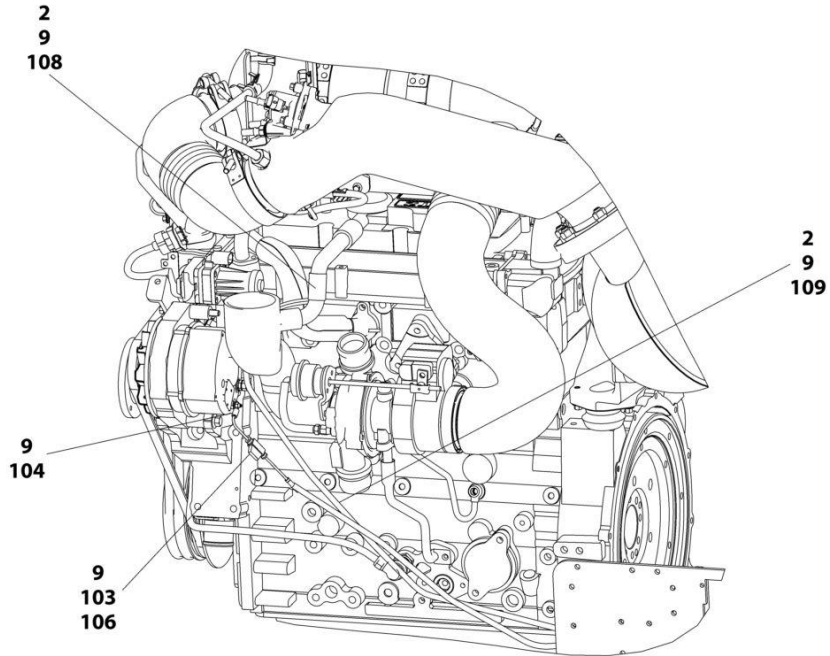
## SECTION 3 - ENGINE

**FIGURE 3-30. FUEL PUMP/FILTER BRACKET ASSEMBLY (DEUTZ TD2.9L4 ENGINES) (CHINA III SPECS)**

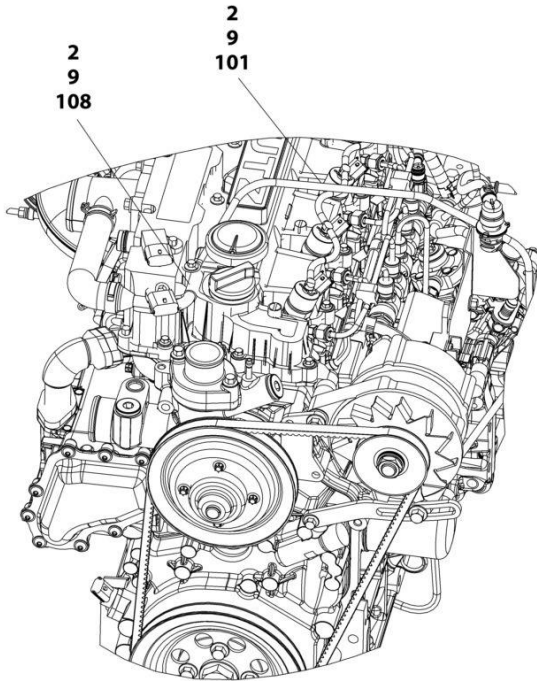
| ITEM | PART NUMBER | QTY | DESCRIPTION                                  | REV |
|------|-------------|-----|--|-----|
|      | 1001227224  | Ref | BRACKET ASSEMBLY (LESS FUEL PUMP AND FILTER) | D   |
| 1    | 0100011     | AR  | Locking, Compound                            |     |
| 2    | 0641610     | 2   | Bolt 3/8 x 1-1/4                             |     |
| 3    | 0721006     | 4   | Bolt #10 x 3/4                               |     |
| 4    | 3311001     | 4   | Nut #10                                      |     |
| 5    | 3311605     | 2   | Nut 3/8                                      |     |
| 6    | 4711000     | 8   | Washer #10                                   |     |
| 7    | 4711600     | 4   | Washer 3/8                                   |     |
| 8    | 8405006     | 2   | Clamp  |     |
| 9    | 1001142501  | 1   | Fitting, 90 Metric/Barbed                    |     |
| 10   | 1001226285  | 1   | Plate, Fuel Pump Mount                       |     |
| 11   | 1001154405  | AR  | Hose   |     |
| 12   | 1001141718  | 1   | Fitting, Straight (Not Shown)                |     |

# SECTION 3 - ENGINE

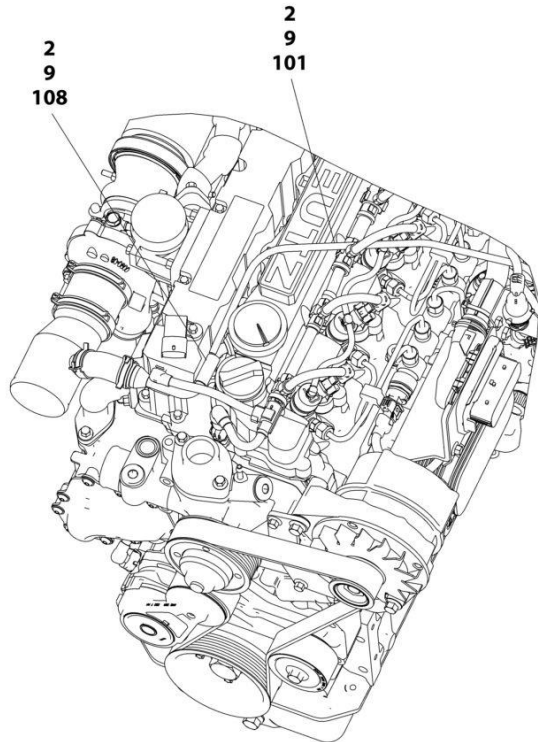
## FIGURE 3-31. BREATHER HEATER INST (DEUTZ TD2.9L4 ENGINES)



TDC3.6 ENGINES



D2.9L4 ENGINES



TCD2.9L4 AND TD2.9L4 ENGINES

ART\_1001233763



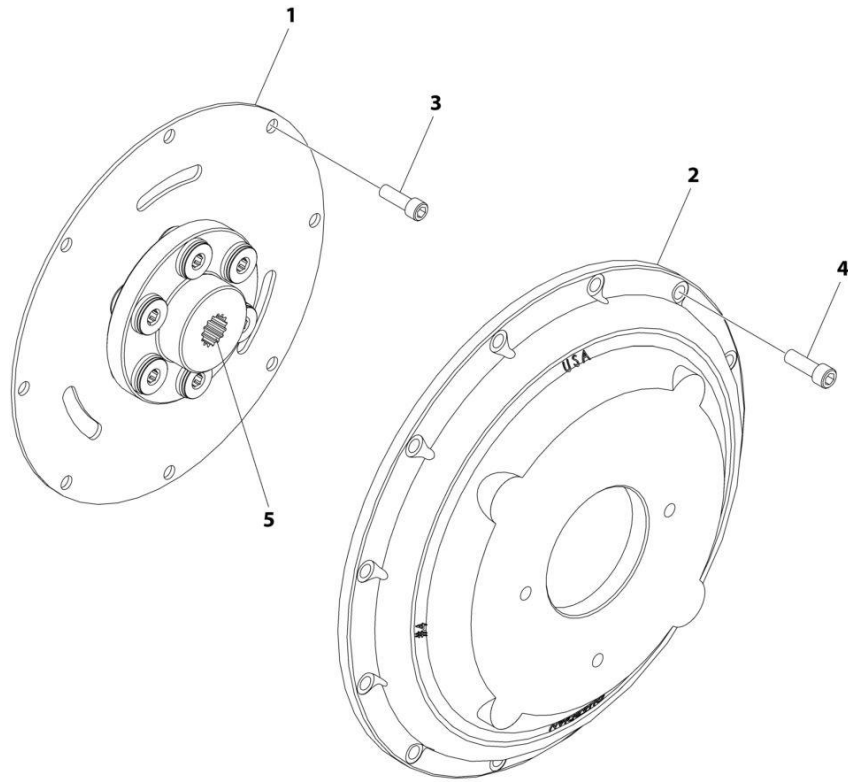
## SECTION 3 - ENGINE

**FIGURE 3-31. BREATHER HEATER INST (DEUTZ TD2.9L4 ENGINES)**

| ITEM | PART NUMBER | QTY | DESCRIPTION                                  | REV |
|------|-------------|-----|--|-----|
|      | 1001233763  | Ref | BREATHER HEATER INSTALLATION - DEUTZ ENGINES | D   |
| 2    | 4240099     | AR  | Tie-Strap                                    |     |
| 9    | 1001243895  | 1   | Breather Heater Harness                      | C   |
| 101  | 2820035     | AR  | Insulation                                   |     |
| 103  | 2400060     | 1   | Fuseholder with Cover                        |     |
| 104  | 4460043     | 1   | Terminal, Ring                               |     |
| 105  | 4460722     | 1   | Terminal, Ring (Not Shown)                   |     |
| 106  | 1001196634  | 1   | Fuse - 2 Amp                                 |     |
| 108  | 1001232842  | 1   | Breather Heater Kit                          |     |

# SECTION 3 - ENGINE

## FIGURE 3-32. PUMP COUPLING KIT (DEUTZ ENGINES)



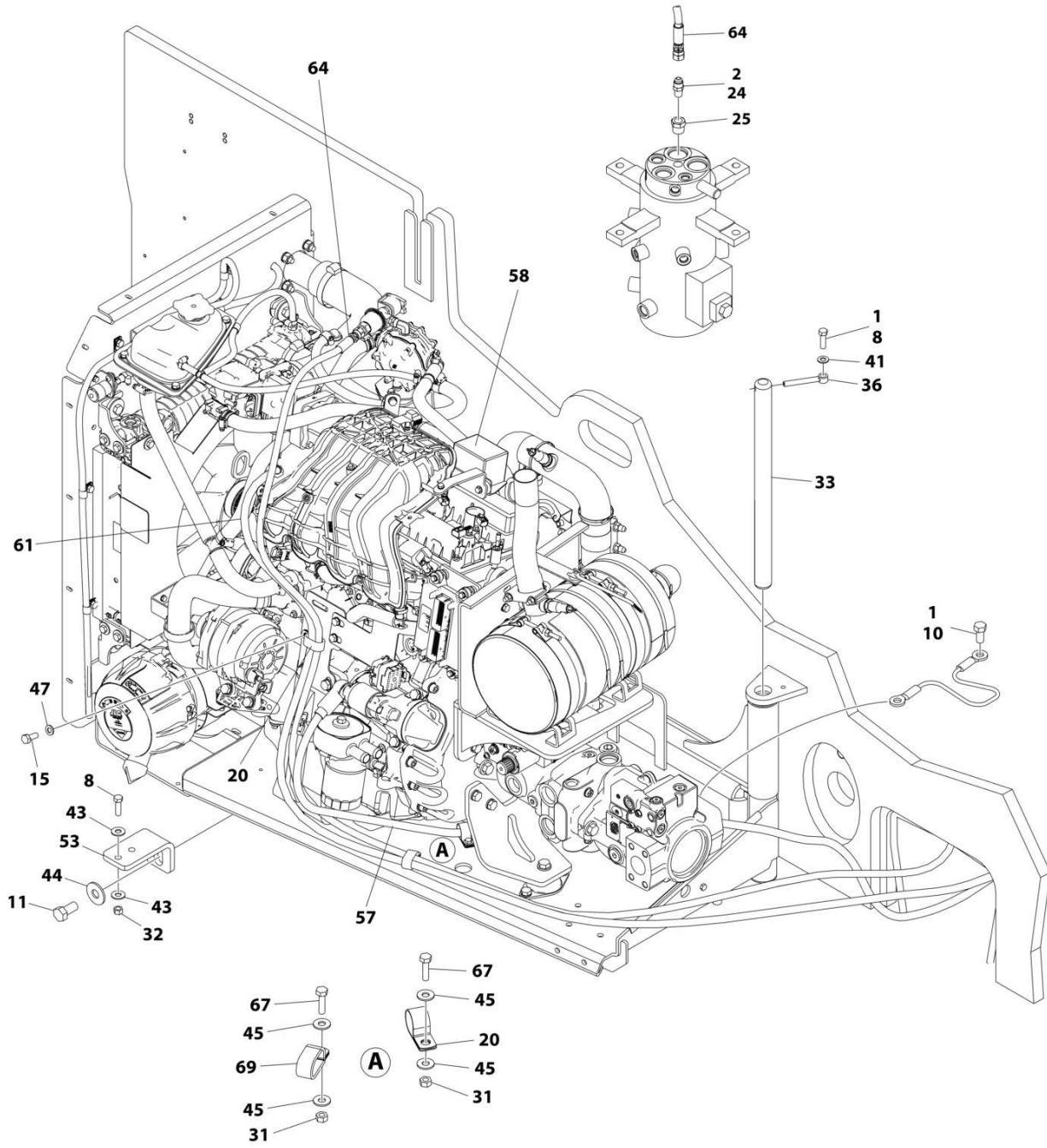
ART\_1001153282

**SECTION 3 - ENGINE****FIGURE 3-32. PUMP COUPLING KIT (DEUTZ ENGINES)**

| <b>ITEM</b> | <b>PART NUMBER</b> | <b>QTY</b> | <b>DESCRIPTION</b>  | <b>REV</b> |
|-------------|--------------------|------------|---|------------|
|             | 1001153282         | Ref        | PUMP COUPLING KIT   | E          |
| 1           | 70004183           | 1          | Coupling Guardian   |            |
| 2           | See Note           | NSS        | Plate, Pump Adapter (Note: Use p/n 1001153282)  |            |
| 3           | See Note           | 8          | Capscrew M10 x 20 Grade 10.9 (Note: Not Available - Purchase Locally or Purchase Kit) |            |
| 4           | See Note           | 12         | Capscrew M10 x 25 Grade 10.9 (Note: Not Available - Purchase Locally or Purchase Kit) |            |
| 5           | 3020021            | AR         | Grease, Coupling  |            |

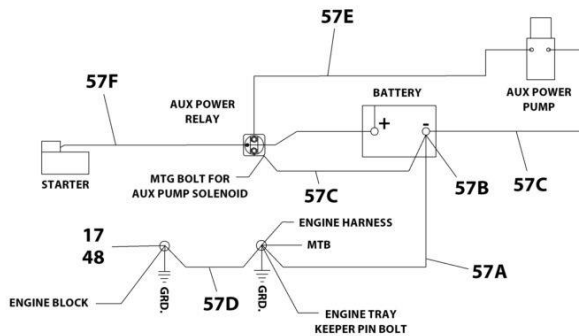
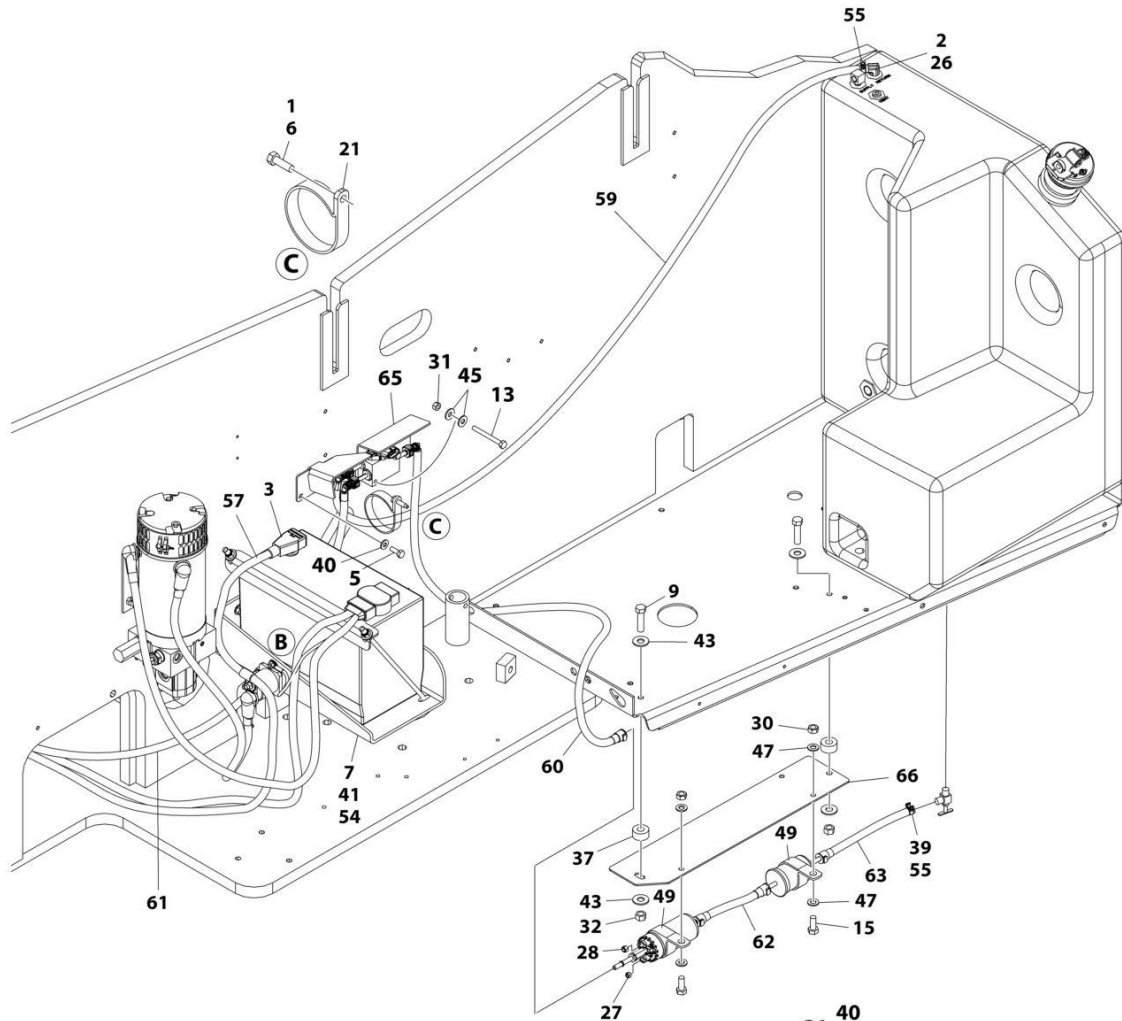
# SECTION 3 - ENGINE

## FIGURE 3-33. FORD ENGINE INSTALLATION (WITHOUT ARCTIC PACKAGE)

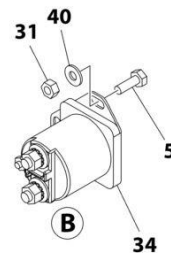


ART\_1001217199\_10F2

# SECTION 3 - ENGINE



**BATTERY CABLE KIT - ITEM 57**



ART\_1001217199\_20F2

## SECTION 3 - ENGINE

**FIGURE 3-33. FORD ENGINE INSTALLATION (WITHOUT ARCTIC PACKAGE)**

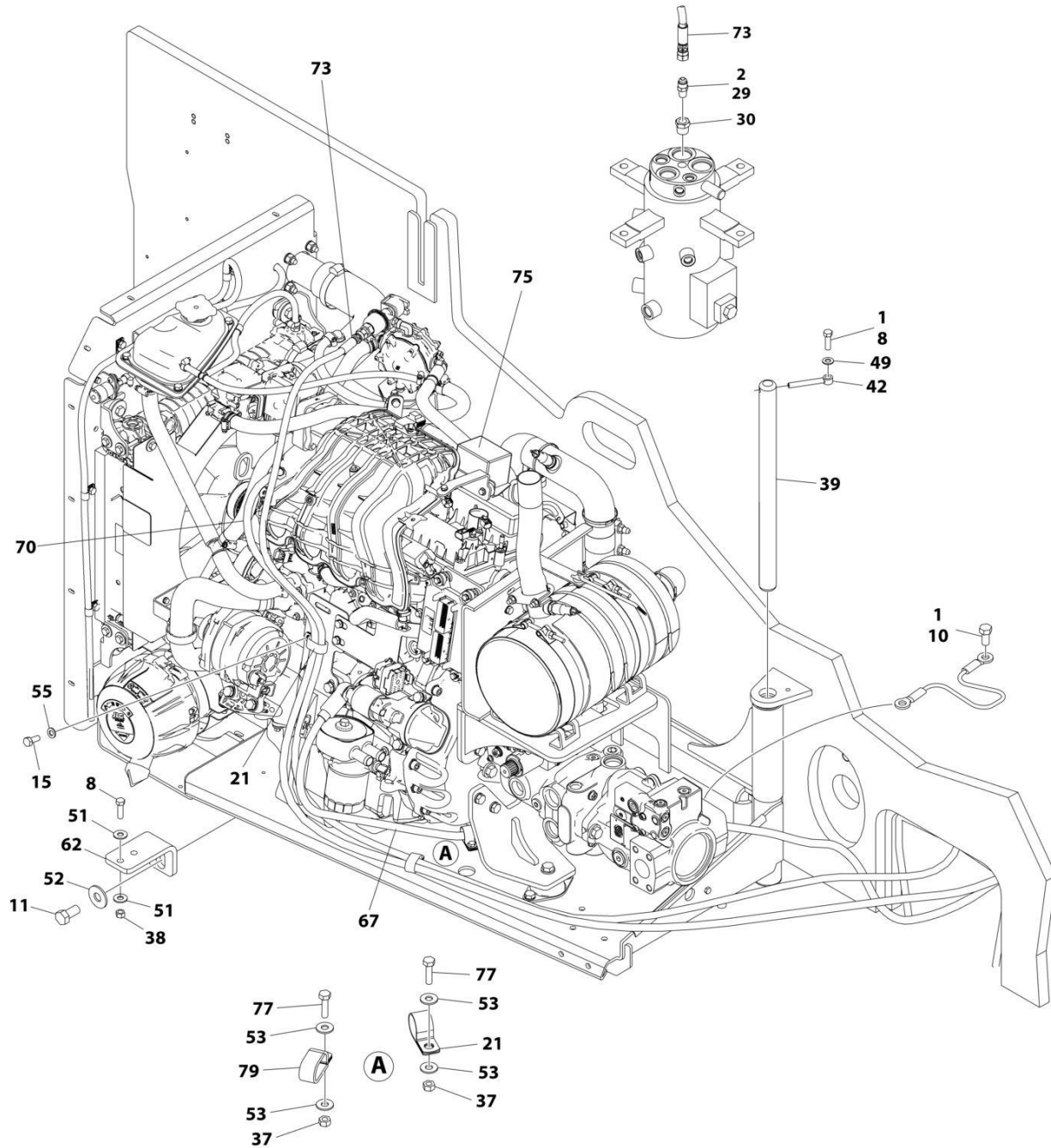
| ITEM | PART NUMBER | QTY | DESCRIPTION  | REV |
|------|-------------|-----|--|-----|
|      | 1001217199  | Ref | Ford Engine Installation without Arctic Package              | H   |
| 1    | 0100011     | AR  | Compound, Locking  |     |
| 2    | 0100020     | AR  | Sealant  |     |
| 3    | 0100048     | AR  | Grease, Terminal   |     |
| 5    | 0641406     | 4   | Bolt 1/4 x 3/4   |     |
| 6    | 0641508     | 1   | Bolt 5/16 x 1  |     |
| 7    | 0641607     | 3   | Bolt 3/8 x 7/8   |     |
| 8    | 0641610     | 3   | Bolt 3/8 x 1-1/4   |     |
| 9    | 0641612     | 2   | Bolt 3/8 x 1-1/2   |     |
| 10   | 0641808     | 1   | Bolt 1/2 x 1   |     |
| 11   | 0642010     | 1   | Bolt 5/8 x 1-1/4   |     |
| 13   | 0641420     | 2   | Bolt 1/4 x 2-1/2   |     |
| 15   | 0760810     | 3   | Bolt M8 x 20   |     |
| 17   | 0761008     | 1   | Bolt M10 x 16  |     |
| 20   | 1321283     | 2   | Clamp  |     |
| 21   | 1321339     | 1   | Clamp  |     |
| 22   | 1701542     | 1   | Decal - Gas (Not Shown)                                      |     |
| 23   | 1701543     | 2   | Decal - LPG (Not Shown)                                      |     |
| 24   | 2180418     | 1   | Fitting, Straight  |     |
| 25   | 2221197     | 1   | Fitting, Reducer NPT/NPT                                     |     |
| 26   | 2221176     | 1   | Fitting, 90  |     |
| 27   | 3290405     | 1   | Nut M4   |     |
| 28   | 3290505     | 1   | Nut M5   |     |
| 30   | 3290801     | 2   | Nut M8   |     |
| 31   | 3311405     | 6   | Nut 1/4  |     |
| 32   | 3311605     | 4   | Nut 3/8  |     |
| 33   | 3422446     | 1   | Pin  |     |
| 34   | 3740067     | 1   | Relay  |     |
| 35   | 3790012     | 1   | O-Ring (Not Shown - Located on Platform Console Box)         |     |
| 36   | 3841143     | 1   | Keeper, Pin  |     |
| 37   | 4071122     | 2   | Shim   |     |
| 38   | 4360336     | 1   | Switch, Toggle (Not Shown - Located on Platform Console Box) |     |
| 39   | 1001221488  | 1   | Tube, Fuel Line  |     |
| 40   | 4711400     | 6   | Washer 1/4   |     |
| 41   | 4711600     | 4   | Washer 3/8   |     |
| 43   | 4751600     | 8   | Washer 3/8   |     |
| 44   | 4752000     | 1   | Washer 5/8   |     |
| 45   | 4751400     | 8   | Washer 1/4   |     |
| 47   | 4811900     | 5   | Washer M8  |     |
| 48   | 4812000     | 1   | Washer M10   |     |
| 49   | 85941018    | 2   | Clamp  |     |
| 53   | 1001153359  | 1   | Mount  |     |
| 54   | 1001162497  | 1   | Bracket, Battery   |     |
| 55   | 1001174486  | 2   | Clamp  |     |
| 57   | 1001216568  | 1   | Battery Cable Kit  | B   |
| 57A  | 7027084     | 1   | Cable, Battery - Ground to Battery -                         |     |
| 57B  | 8270147     | 1   | Terminal, Battery with Boot                                  |     |
| 57C  | 7027085     | 1   | Cable, Battery - Auxiliary Pump/Relay to Battery -           |     |
| 57D  | 7027086     | 1   | Cable, Battery - Engine to Ground                            |     |
| 57E  | 7027088     | 1   | Cable, Battery - Auxiliary Relay to Auxiliary Pump           |     |

## SECTION 3 - ENGINE

| ITEM | PART NUMBER | QTY | DESCRIPTION  | REV |
|------|-------------|-----|--|-----|
| 57F  | 70009020    | 1   | Cable, Battery - Starter/Auxiliary Relay to Battery +  |     |
| 58   | 1001217192  | 1   | Ford Engine and Pump Sub-Assembly (Without Arctic Package)<br>(See Separate Breakdown in this Section) |     |
| 59   | 1001219364  | 1   | Hose   |     |
| 60   | 1001219365  | 1   | Hose   |     |
| 61   | 1001219366  | 1   | Hose   |     |
| 62   | 1001219367  | 1   | Hose   |     |
| 63   | 1001219368  | 1   | Hose   |     |
| 64   | 1001219369  | 1   | Hose   |     |
| 65   | 1001219370  | 1   | Bracket  |     |
| 66   | 1001219809  | 1   | Bracket  |     |
| 67   | 0641408     | 2   | Bolt 1/4 x 1   |     |
| 69   | 8406201     | 1   | Clip   |     |
| 70   | 4240099     | AR  | Tie-Strap (Not Shown)  |     |

# SECTION 3 - ENGINE

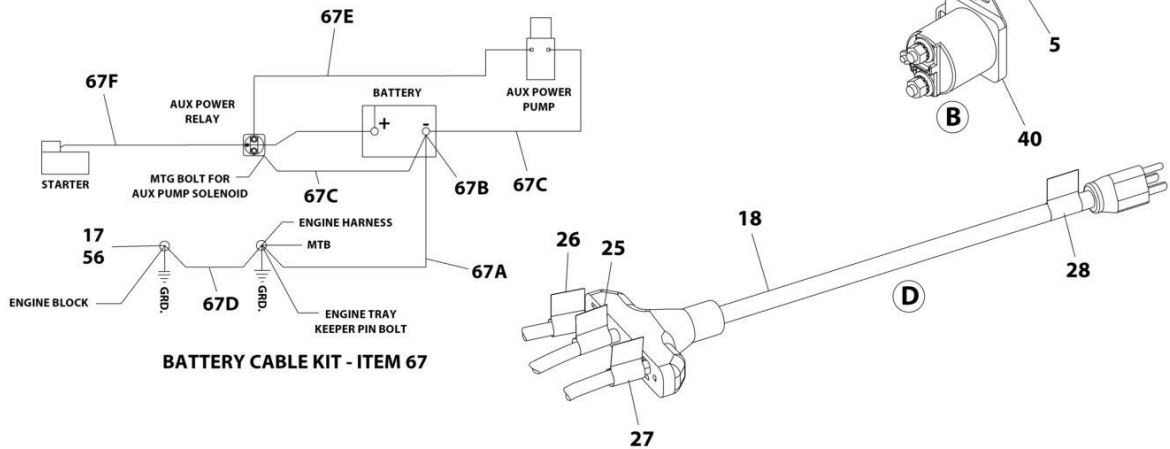
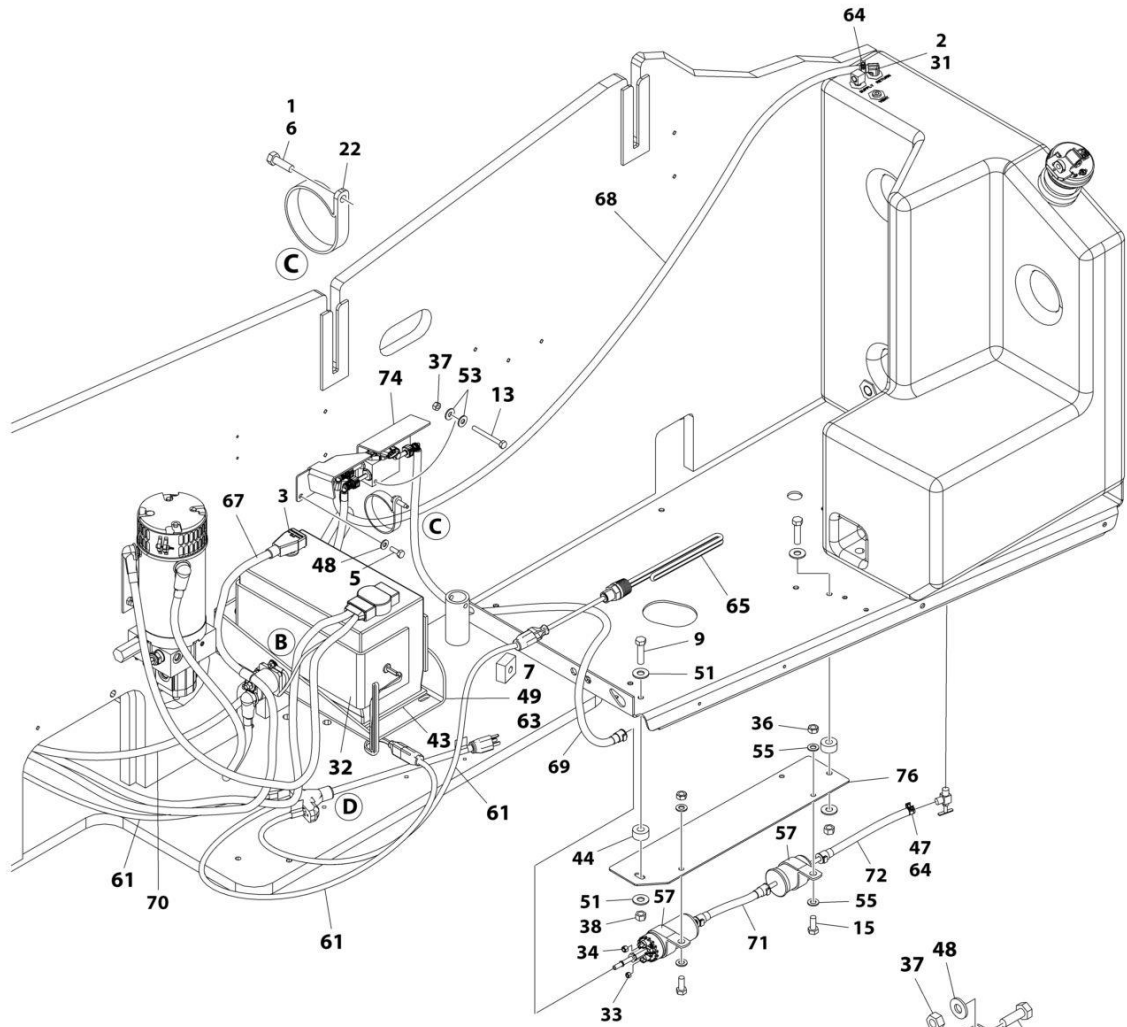
## FIGURE 3-34. FORD ENGINE INSTALLATION (WITH ARCTIC PACKAGE)



ART\_1001219610\_10F2



# SECTION 3 - ENGINE



ART\_1001219610\_20F2

## SECTION 3 - ENGINE

**FIGURE 3-34. FORD ENGINE INSTALLATION (WITH ARCTIC PACKAGE)**

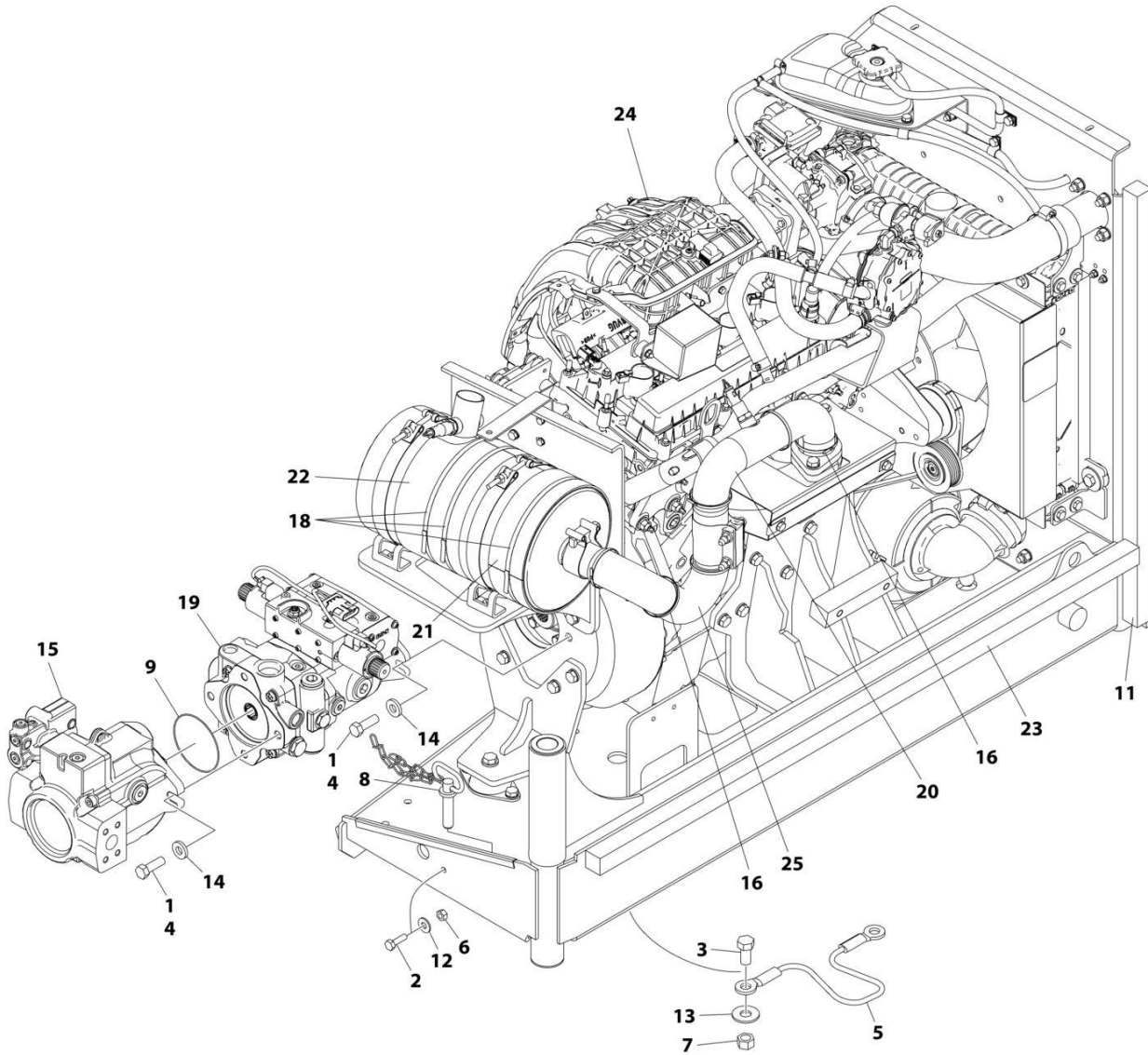
| ITEM | PART NUMBER | QTY | DESCRIPTION  | REV |
|------|-------------|-----|--|-----|
|      | 1001219610  | Ref | FORD ENGINE INSTALLATION (WITH ARCTIC PACKAGE)               | H   |
| 1    | 0100011     | AR  | Compound, Locking  |     |
| 2    | 0100020     | AR  | Sealant  |     |
| 3    | 0100048     | AR  | Grease, Terminal   |     |
| 5    | 0641406     | 4   | Bolt 1/4 x 3/4   |     |
| 6    | 0641508     | 1   | Bolt 5/16 x 1  |     |
| 7    | 0641607     | 3   | Bolt 3/8 x 7/8   |     |
| 8    | 0641610     | 3   | Bolt 3/8 x 1-1/4   |     |
| 9    | 0641612     | 2   | Bolt 3/8 x 1-1/2   |     |
| 10   | 0641808     | 1   | Bolt 1/2 x 1   |     |
| 11   | 0642010     | 1   | Bolt 5/8 x 1-1/4   |     |
| 13   | 0641420     | 2   | Bolt 1/4 x 2-1/2   |     |
| 15   | 0760810     | 3   | Bolt M8 x 20   |     |
| 17   | 0761008     | 1   | Bolt M10 x 16  |     |
| 18   | 1060626     | 1   | Plug, 3 Way  |     |
| 21   | 1321283     | 2   | Clamp  |     |
| 22   | 1321339     | 1   | Clamp  |     |
| 23   | 1701542     | 1   | Decal - Gas (Not Shown)                                      |     |
| 24   | 1701543     | 2   | Decal - LPG (Not Shown)                                      |     |
| 25   | 1702941     | 1   | Decal - Battery Heater                                       |     |
| 26   | 1702942     | 1   | Decal - Engine Block Heater                                  |     |
| 27   | 1702943     | 1   | Decal - Hydraulic Tank Heater                                |     |
| 28   | 1702944     | 1   | Decal - Heater Cord  |     |
| 29   | 2180418     | 1   | Fitting, Straight  |     |
| 30   | 2221197     | 1   | Fitting, Reducer NPT/NPT                                     |     |
| 31   | 2221176     | 1   | Fitting, 90  |     |
| 32   | 2580024     | 1   | Heater, Battery  |     |
| 33   | 3290405     | 1   | Nut M4   |     |
| 34   | 3290505     | 1   | Nut M5   |     |
| 36   | 3290801     | 2   | Nut M8   |     |
| 37   | 3311405     | 6   | Nut 1/4  |     |
| 38   | 3311605     | 4   | Nut 3/8  |     |
| 39   | 3422446     | 1   | Pin  |     |
| 40   | 3740067     | 1   | Relay  |     |
| 41   | 3790012     | 1   | O-Ring (Not Shown - Located on Platform Console Box)         |     |
| 42   | 3841143     | 1   | Keeper, Pin  |     |
| 43   | 3980007     | 1   | Seat, Battery  |     |
| 44   | 4071122     | 2   | Shim   |     |
| 45   | 4240099     | AR  | Tie-Strap (Not Shown)  |     |
| 46   | 4360336     | 1   | Switch, Toggle (Not Shown - Located on Platform Console Box) |     |
| 47   | 1001221488  | 1   | Tube, Fuel Line  |     |
| 48   | 4711400     | 6   | Washer 1/4   |     |
| 49   | 4711600     | 4   | Washer 3/8   |     |
| 51   | 4751600     | 8   | Washer 3/8   |     |
| 52   | 4752000     | 1   | Washer 5/8   |     |
| 53   | 4751400     | 8   | Washer 1/4   |     |
| 55   | 4811900     | 5   | Washer M8  |     |
| 56   | 4812000     | 1   | Washer M10   |     |
| 57   | 85941018    | 2   | Clamp  |     |
| 61   | 1001150918  | 1   | Cable, Immersion Heater                                      |     |

## SECTION 3 - ENGINE

| ITEM | PART NUMBER | QTY | DESCRIPTION  | REV |
|------|-------------|-----|--|-----|
| 62   | 1001153359  | 1   | Mount  |     |
| 63   | 1001162497  | 1   | Bracket, Battery   |     |
| 64   | 1001174486  | 2   | Clamp  |     |
| 65   | 1001188972  | 1   | Heater, Hydraulic Tank   |     |
| 67   | 1001216568  | 1   | Battery Cable Kit  | B   |
| 67A  | 7027084     | 1   | Cable, Battery - Ground to Battery -   |     |
| 67B  | 8270147     | 1   | Terminal, Battery with Boot  |     |
| 67C  | 7027085     | 1   | Cable, Battery - Auxiliary Pump/Relay to Battery -   |     |
| 67D  | 7027086     | 1   | Cable, Battery - Engine to Ground  |     |
| 67E  | 7027088     | 1   | Cable, Battery - Auxiliary Relay to Auxiliary Pump   |     |
| 67F  | 70009020    | 1   | Cable, Battery - Starter/Auxiliary Relay to Battery +  |     |
| 68   | 1001219364  | 1   | Hose   |     |
| 69   | 1001219365  | 1   | Hose   |     |
| 70   | 1001219366  | 1   | Hose   |     |
| 71   | 1001219367  | 1   | Hose   |     |
| 72   | 1001219368  | 1   | Hose   |     |
| 73   | 1001219369  | 1   | Hose   |     |
| 74   | 1001219370  | 1   | Bracket  |     |
| 75   | 1001219609  | 1   | Ford Engine and Pump Sub-Assembly (with Arctic Package) (See Separate Breakdown in this Section) |     |
| 76   | 1001219809  | 1   | Bracket  |     |
| 77   | 0641408     | 1   | Bolt 1/4 x 1   |     |
| 79   | 8406201     | 1   | Clip, Tube   |     |

# SECTION 3 - ENGINE

## FIGURE 3-35. FORD ENGINE AND PUMP SUB-ASSEMBLY (WITHOUT ARCTIC PACKAGE)



ART\_1001217192

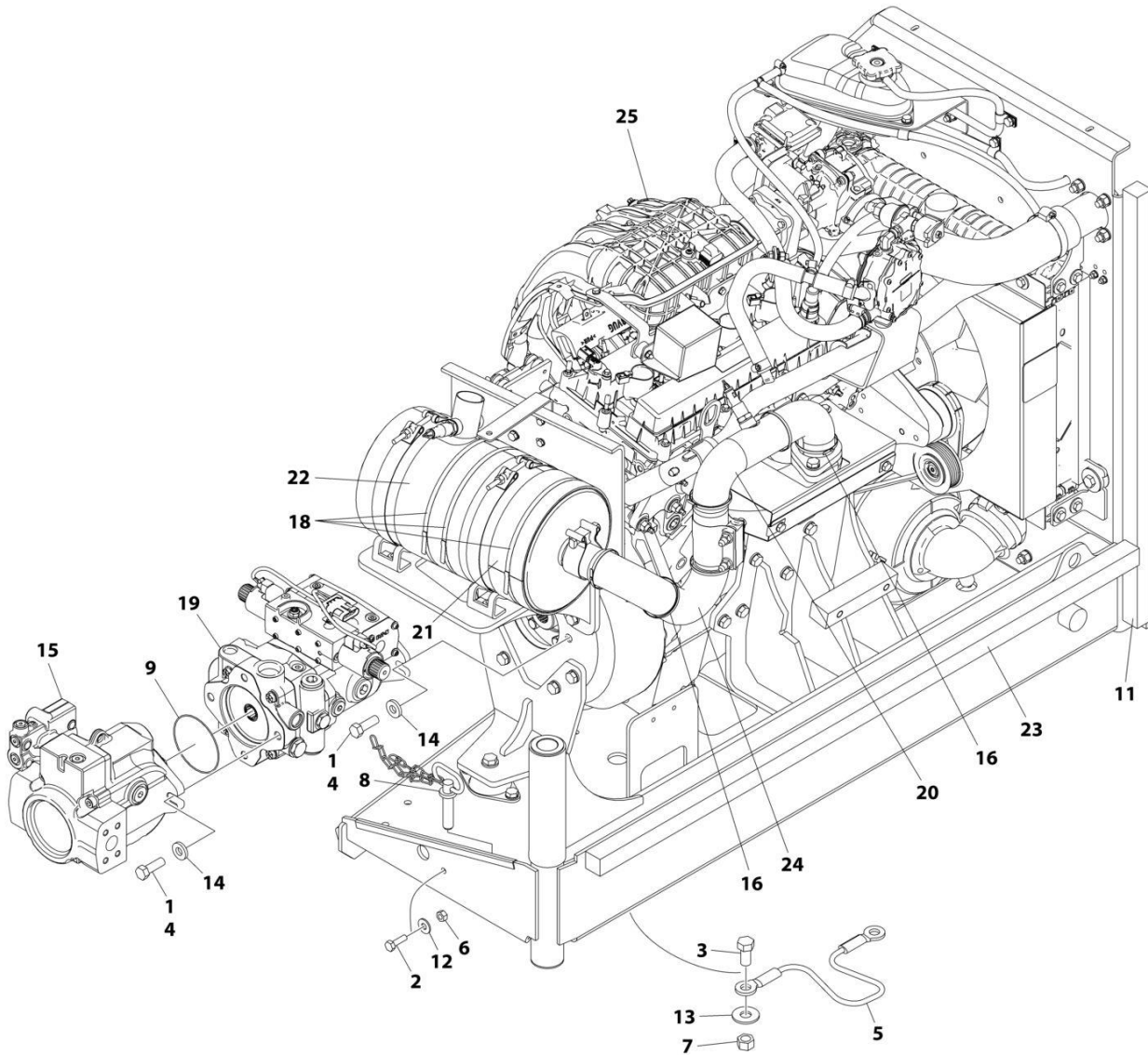
## SECTION 3 - ENGINE

**FIGURE 3-35. FORD ENGINE AND PUMP SUB-ASSEMBLY (WITHOUT ARCTIC PACKAGE)**

| ITEM | PART NUMBER | QTY | DESCRIPTION  | REV |
|------|-------------|-----|--|-----|
|      | 1001217192  | Ref | FORD ENGINE AND PUMP SUB-ASSEMBLY (WITHOUT ARCTIC PACKAGE)                           | G   |
| 1    | 0100011     | AR  | Compound, Locking  |     |
| 2    | 0641407     | 1   | Bolt 1/4 x 7/8   |     |
| 3    | 0641808     | 1   | Bolt 1/2 x 1   |     |
| 4    | 0641812     | 4   | Bolt 1/2 x 1-1/2   |     |
| 5    | 1060637     | 1   | Cable, Lanyard   |     |
| 6    | 3311405     | 1   | Nut 1/4  |     |
| 7    | 3311805     | 1   | Nut 1/2  |     |
| 8    | 3422532     | 1   | Pin  |     |
| 9    | 3790044     | 1   | O-Ring   |     |
| 11   | 3960469     | 1   | Seal   |     |
| 12   | 4751400     | 1   | Washer 1/4   |     |
| 13   | 4751800     | 1   | Washer 1/2   |     |
| 14   | 4891800     | 4   | Washer 1/2   |     |
| 15   | 1001094595  | 1   | Variable Pump Assembly (See Separate Breakdown in this Section)                      |     |
| 16   | 1001100825  | 6   | Strap  |     |
| 18   | 1001221464  | 3   | Strap  |     |
| 19   | 1001225745  | 1   | Hydrostatic Pump Assembly (See Separate Breakdown in this Section)                   |     |
| 20   | 1001216532  | 1   | Insulate, Exhaust Pipe   |     |
| 21   | 1001216534  | 1   | Insulate, Muffler  |     |
| 22   | 1001216535  | 1   | Insulate, Muffler  |     |
| 23   | 1001217170  | 1   | Seal   |     |
| 24   | 1001217191  | 1   | Ford Engine Assembly without Arctic Package (See Separate Breakdown in this Section) |     |
| 25   | 1001218085  | 1   | Insulate, Exhaust Pipe   |     |

# SECTION 3 - ENGINE

## FIGURE 3-36. FORD ENGINE AND PUMP SUB-ASSEMBLY (WITH ARCTIC PACKAGE)



ART\_1001219609

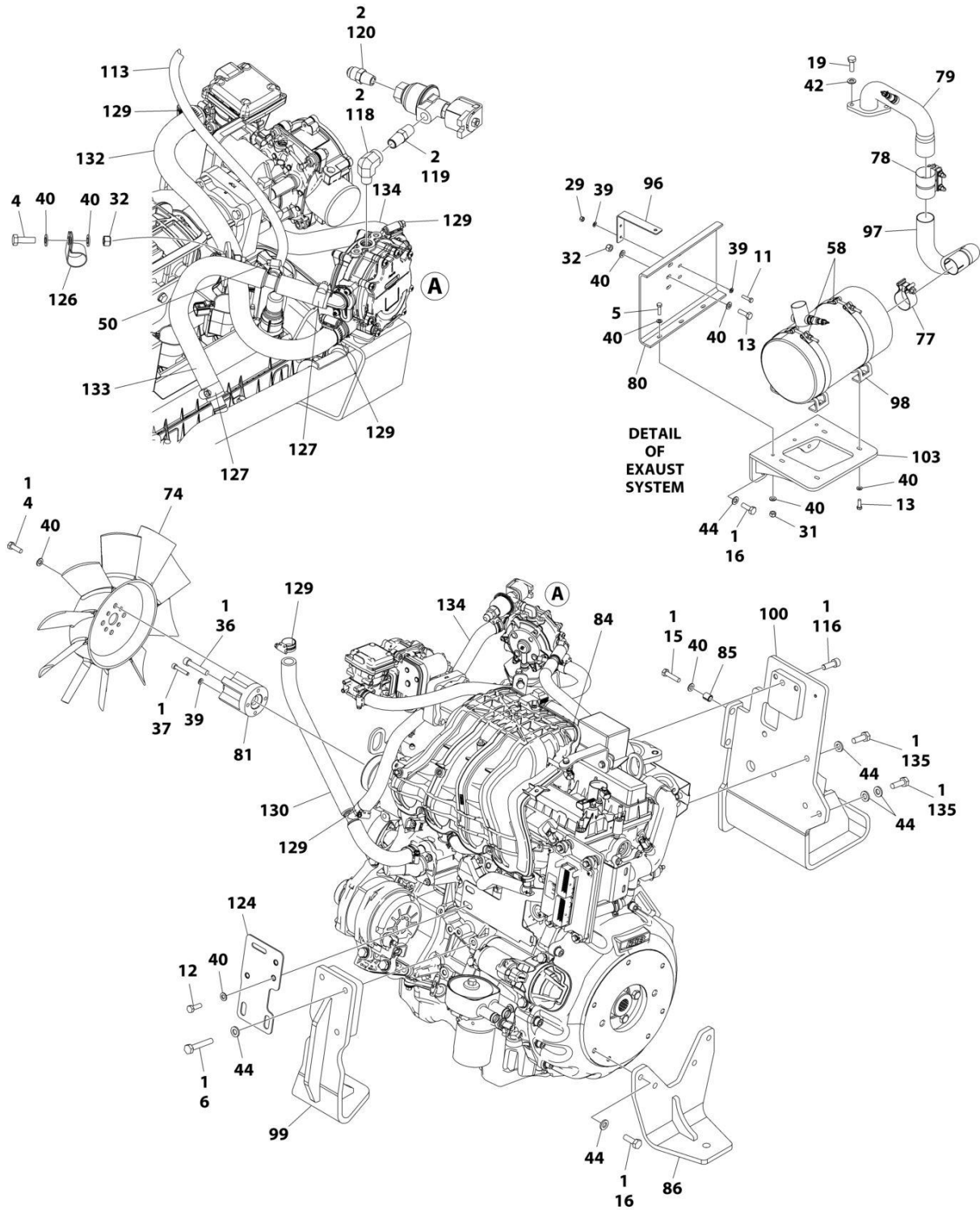
## SECTION 3 - ENGINE

**FIGURE 3-36. FORD ENGINE AND PUMP SUB-ASSEMBLY (WITH ARCTIC PACKAGE)**

| ITEM | PART NUMBER | QTY | DESCRIPTION   | REV |
|------|-------------|-----|---|-----|
|      | 1001219609  | Ref | FORD ENGINE AND PUMP SUB-ASSEMBLY (WITH ARCTIC PACKAGE)                           | E   |
| 1    | 0100011     | AR  | Compound, Locking   |     |
| 2    | 0641407     | 1   | Bolt 1/4 x 7/8  |     |
| 3    | 0641808     | 1   | Bolt 1/2 x 1  |     |
| 4    | 0641812     | 4   | Bolt 1/2 x 1-1/2  |     |
| 5    | 1060637     | 1   | Cable, Lanyard  |     |
| 6    | 3311405     | 1   | Nut 1/4   |     |
| 7    | 3311805     | 1   | Nut 1/2   |     |
| 8    | 3422532     | 1   | Pin   |     |
| 9    | 3790044     | 1   | O-Ring  |     |
| 11   | 3960469     | 1   | Seal  |     |
| 12   | 4751400     | 1   | Washer 1/4  |     |
| 13   | 4751800     | 1   | Washer 1/2  |     |
| 14   | 4891800     | 4   | Washer 1/2  |     |
| 15   | 1001094595  | 1   | Variable Pump Assembly (See Separate Breakdown in this Section)                   |     |
| 16   | 1001100825  | 6   | Strap   |     |
| 18   | 1001137336  | 3   | Strap   |     |
| 19   | 1001225745  | 1   | Hydrostatic Pump Assembly (See Separate Breakdown in this Section)                |     |
| 20   | 1001216532  | 1   | Insulate, Exhaust Pipe  |     |
| 21   | 1001216534  | 1   | Insulate, Muffler   |     |
| 22   | 1001216535  | 1   | Insulate, Muffler   |     |
| 23   | 1001217170  | 1   | Seal  |     |
| 24   | 1001218085  | 1   | Insulate, Exhaust Pipe  |     |
| 25   | 1001219608  | 1   | Ford Engine Assembly with Arctic Package (See Separate Breakdown in this Section) |     |

# SECTION 3 - ENGINE

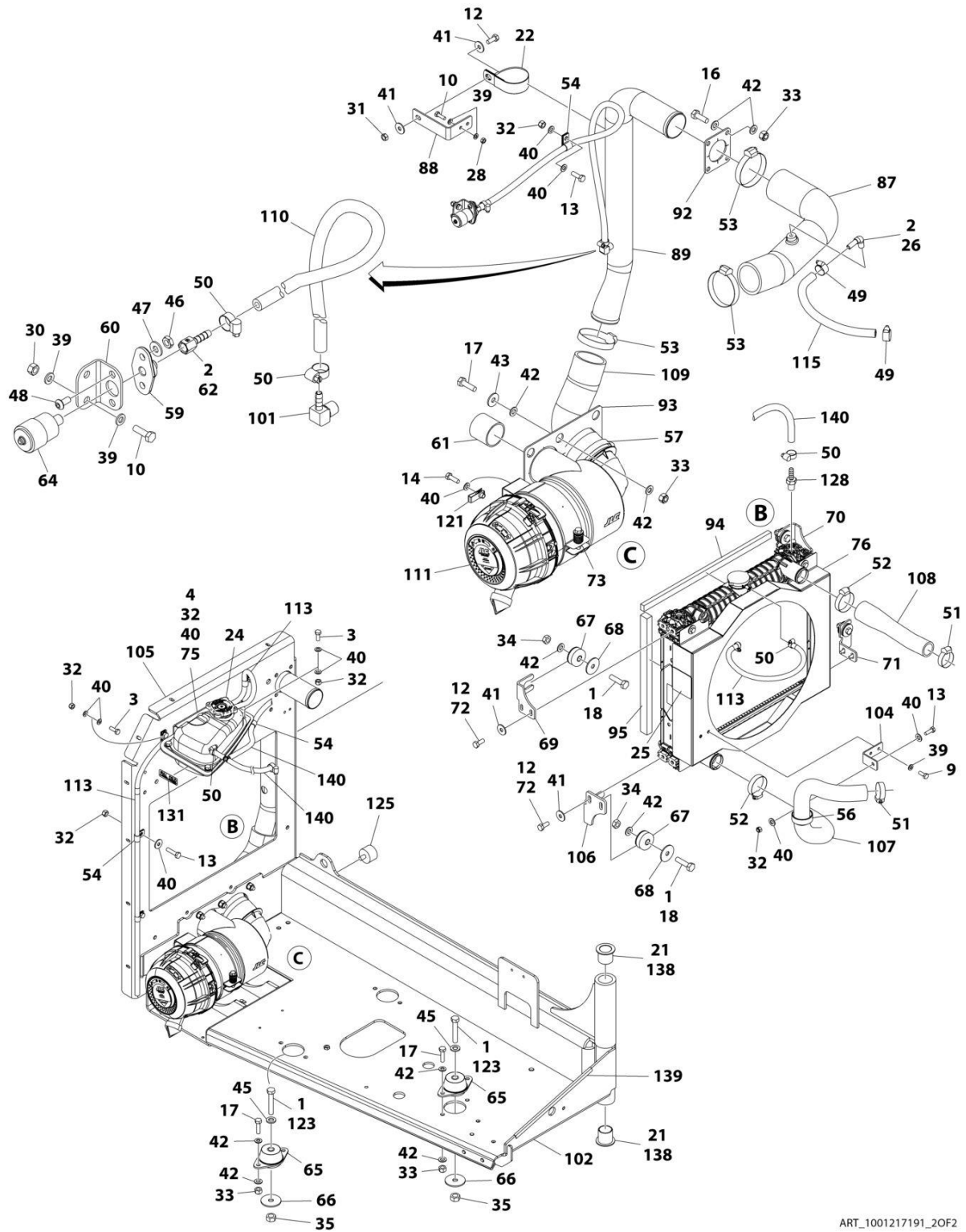
## FIGURE 3-37. FORD ENGINE ASSEMBLY (WITHOUT ARCTIC PACKAGE)



ART\_1001217191\_1OF2



# SECTION 3 - ENGINE



ART\_1001217191\_20F2

## SECTION 3 - ENGINE

**FIGURE 3-37. FORD ENGINE ASSEMBLY (WITHOUT ARCTIC PACKAGE)**

| ITEM | PART NUMBER | QTY | DESCRIPTION                | REV |
|------|-------------|-----|----------------------------|-----|
|      | 1001217191  | Ref | FORD ENGINE ASSEMBLY       | Q   |
| 1    | 0100011     | AR  | Compound, Locking          |     |
| 2    | 0100020     | AR  | Sealant                    |     |
| 3    | 0700810     | 3   | Bolt 8 x 20                |     |
| 4    | 0700812     | 7   | Bolt 8 x 25                |     |
| 5    | 0700814     | 3   | Bolt 8 x 30                |     |
| 6    | 0711020     | 3   | Bolt M10 x 60              |     |
| 9    | 0760608     | 2   | Bolt 6 x 16                |     |
| 10   | 0760610     | 4   | Bolt M6 x 20               |     |
| 11   | 0760612     | 2   | Bolt 6 x 25                |     |
| 12   | 0760810     | 11  | Bolt M8 x 20               |     |
| 13   | 0760812     | 12  | Bolt M8 x 25               |     |
| 14   | 0760814     | 2   | Bolt M8 x 30               |     |
| 15   | 0760815     | 2   | Bolt M8 x 35               |     |
| 16   | 0761014     | 11  | Bolt M10 x 30              |     |
| 17   | 0761015     | 12  | Bolt M10 x 35              |     |
| 18   | 0761016     | 4   | Bolt M10 x 40              |     |
| 19   | 0771014     | 2   | Bolt 10 x 30               |     |
| 21   | 0961986     | 2   | Bearing, Flange            |     |
| 22   | 1320110     | 1   | Clamp                      |     |
| 23   | 1001187781  | 1   | Tie-Strap (Not Shown)      |     |
| 24   | 1001223584  | 1   | Tank, Surge                |     |
| 25   | 1703162     | 2   | Decal - Fan Blade          |     |
| 26   | 2180467     | 1   | Fitting, Straight NPT/Barb |     |
| 28   | 3290601     | 2   | Nut M6                     |     |
| 29   | 3290605     | 2   | Nut M6                     |     |
| 30   | 3290607     | 2   | Nut M6                     |     |
| 31   | 3290801     | 4   | Nut M8                     |     |
| 32   | 3290805     | 14  | Nut M8                     |     |
| 33   | 3291005     | 16  | Nut M10                    |     |
| 34   | 3291001     | 4   | Nut M10                    |     |
| 35   | 3291201     | 3   | Nut M12                    |     |
| 36   | 3931640     | 1   | Screw 3/8 x 2-1/2          |     |
| 37   | 4031711     | 4   | Capscrew M6 x 35           |     |
| 38   | 4240099     | AR  | Tie-Strap (Not Shown)      |     |
| 39   | 4811700     | 18  | Washer M6                  |     |
| 40   | 4811900     | 48  | Washer M8                  |     |
| 41   | 4811902     | 10  | Washer M8                  |     |
| 42   | 4812000     | 38  | Washer M10                 |     |
| 43   | 4812002     | 6   | Washer M10                 |     |
| 44   | 5241000     | 16  | Washer M10                 |     |
| 45   | 5241200     | 3   | Washer M12                 |     |
| 46   | 8305401     | 2   | Nut Jam                    |     |
| 47   | 8307109     | 2   | Washer                     |     |
| 48   | 8310548     | 2   | Screw 1/4 x 1/2            |     |
| 49   | 8405006     | 2   | Clamp                      |     |
| 50   | 8405009     | 5   | Gear                       |     |
| 51   | 8405102     | 2   | Clamp                      |     |
| 52   | 8405104     | 2   | Clamp                      |     |
| 53   | 8405203     | 3   | Clamp                      |     |

## SECTION 3 - ENGINE

| ITEM | PART NUMBER | QTY    | DESCRIPTION  | REV |
|------|-------------|--------|--|-----|
| 54   | 8406109     | 6      | Clip   |     |
| 56   | 8410001     | 1      | Clamp  |     |
| 57   | 8410011     | 1      | Clamp  |     |
| 58   | 1001128901  | 2      | Strap  |     |
| 59   | 1001138173  | 1      | Support  |     |
| 60   | 1001138175  | 1      | Bracket  |     |
| 61   | 1001141585  | 1      | Hose   |     |
| 62   | 1001141995  | 2      | Fitting, Straight NPT/Barbed                                       |     |
| 64   | 1001149639  | 1      | Indicator, Restriction   |     |
| 65   | 1001191610  | 3      | Mount, Motor   |     |
| 66   | 1001168018  | 3      | Washer   |     |
| 67   | 1001169054  | 4      | Isolator   |     |
| 68   | 1001169138  | 4      | Pad, Snubbing  |     |
| 69   | 1001169967  | 1      | Bracket  |     |
| 70   | 1001170035  | 1      | Bracket  |     |
| 71   | 1001176329  | 1      | Bracket  |     |
| 72   | 1001180620  | AR     | Adhesive   |     |
| 73   | 1001186426  | 1      | Clamp  |     |
| 74   | 1001223042  | 1      | Fan  |     |
| 75   | 1001225442  | 1      | Bracket  |     |
| 76   | 1001223923  | 1      | Radiator   |     |
| 77   | 1001215681  | 1      | Clamp  |     |
| 78   | 1001215974  | 1      | Clamp  |     |
| 79   | 1001216075  | 1      | Pipe, Exhaust  |     |
| 80   | 1001216092  | 1      | Shield, Heat   |     |
| 81   | 1001216201  | 1      | Adapter  |     |
| 84   | 1001216910  | 1      | Ford Engine Prep Assembly (See Separate Breakdown in this Section) |     |
| 85   | 1001216919  | 2      | Sleeve   |     |
| 86   | 1001290252  | 1      | Mount, Engine Rear   |     |
| 87   | 1001217032  | 1      | Tube   |     |
| 88   | 1001217046  | 1      | Bracket  |     |
| 89   | 1001217090  | 1      | Tube   |     |
| 92   | 1001217174  | 1      | Seal   |     |
| 93   | 1001217175  | 1      | Seal   |     |
| 94   | 1001217183  | 2      | Seal   |     |
| 95   | 1001217185  | 2      | Seal   |     |
| 96   | 1001217186  | 1      | Support  |     |
| 97   | 1001217317  | 1      | Pipe   |     |
| 98   | 1001217543  | 2      | Mount  |     |
| 99   | 1001218362  | 1      | Mount  |     |
| 100  | 1001218449  | 1      | Bracket  |     |
| 101  | 1001134488  | 1      | Fitting  |     |
| 102  | 1001219259  | 1      | Support  |     |
| 103  | 1001219345  | 1      | Muffler  |     |
| 104  | 1001219361  | 1      | Support  |     |
| 105  | 1001219363  | 1      | Plate  |     |
| 106  | 1001219480  | 1      | Bracket  |     |
| 107  | 1001219611  | 1      | Hose   |     |
| 108  | 1001219612  | 1      | Hose   |     |
| 109  | 1001219613  | 1      | Tube   |     |
| 110  | 1001138248  | 31 in/ | Tube   |     |

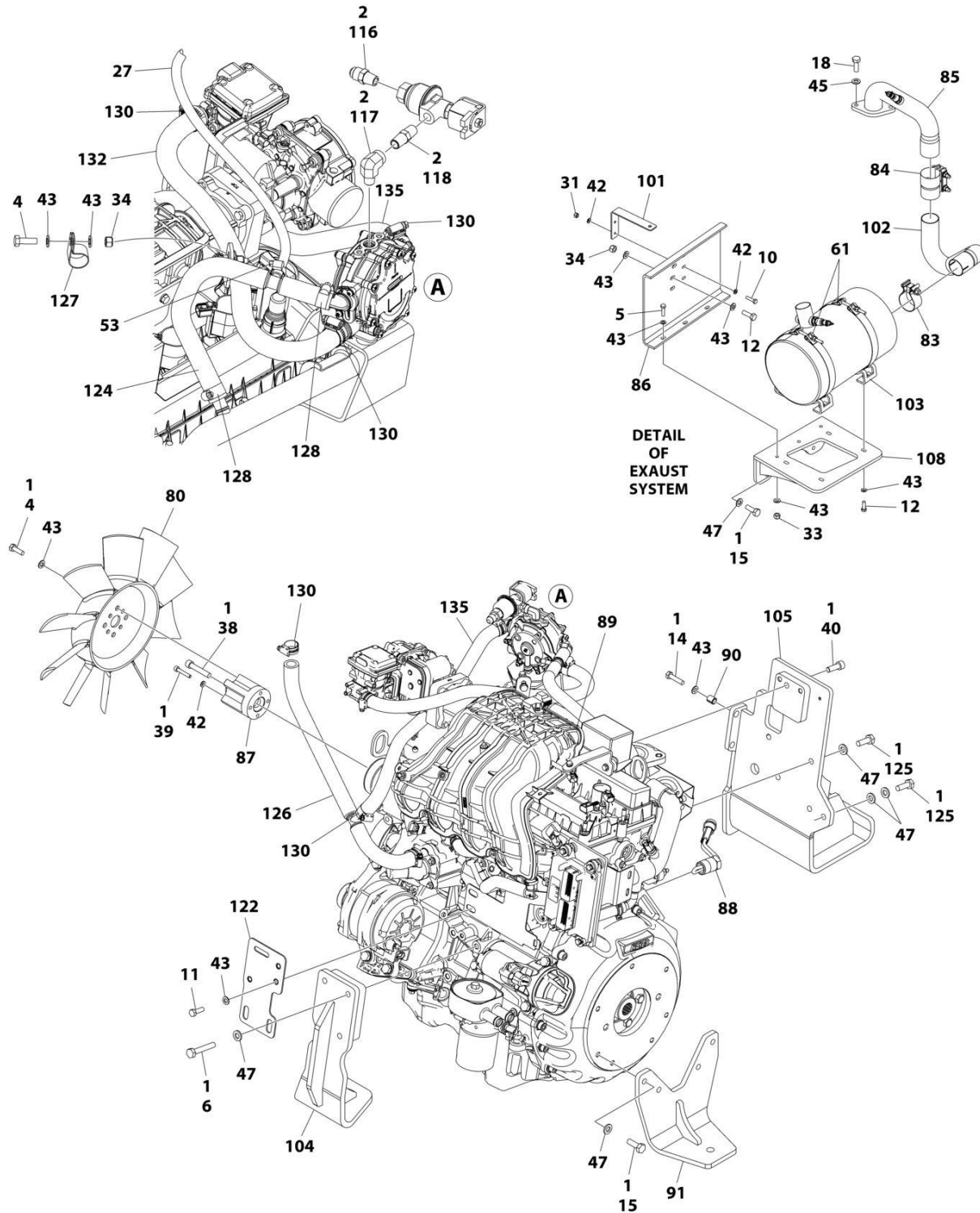
## SECTION 3 - ENGINE

| ITEM | PART NUMBER | QTY            | DESCRIPTION                | REV |
|------|-------------|----------------|----------------------------|-----|
|      |             | 77cm           |                            |     |
| 111  | 1001189979  | 1              | Air Filter Assembly        |     |
| 111  | 70005008    | 1              | Element, Filter - Primary  |     |
| 111  | 70006460    | 1              | Element, Filter -Secondary |     |
| 111  | 8273291     | 1              | Valve, Dust Evacuator      |     |
| 111  | 70006461    | 1              | Cover                      |     |
| 113  | 2720058     | 55 in/<br>1.5m | Hose                       |     |
| 115  | 1001165035  | 10 26cm        | Hose                       |     |
| 116  | 5272010     | 1              | Bolt M10 x 30              |     |
| 118  | 1001247359  | 1              | Fitting, 90 FSNPSM/NPTF    |     |
| 119  | 2220261     | 1              | Fitting                    |     |
| 120  | 2180418     | 1              | Fitting                    |     |
| 121  | 1001221615  | 2              | Nut M8                     |     |
| 123  | 0711223     | 3              | Bolt 12 x 75               |     |
| 124  | 1001222033  | 1              | Plate                      |     |
| 125  | 0940070     | 1              | Bumper                     |     |
| 126  | 8406201     | 1              | Clip                       |     |
| 127  | 8410009     | 2              | Gear Clamp                 |     |
| 128  | 2180348     | 1              | Fitting                    |     |
| 129  | 1001173535  | 6              | Clamp                      |     |
| 130  | 1001224489  | 1              | Hose                       |     |
| 131  | 1001225510  | 1              | Decal                      |     |
| 132  | 1001216531  | 1              | Hose                       |     |
| 133  | 1001227666  | 1              | Hose                       |     |
| 134  | 1001224486  | 1              | Hose                       |     |
| 135  | 0711014     | 5              | Bolt 10 x 30               |     |
| 138  | 0100062     | AR             | Compound Locking           |     |
| 139  | 4060805     | 16 in/<br>41cm | Shield                     |     |
| 140  | 1001227667  | 1              | Hose                       |     |



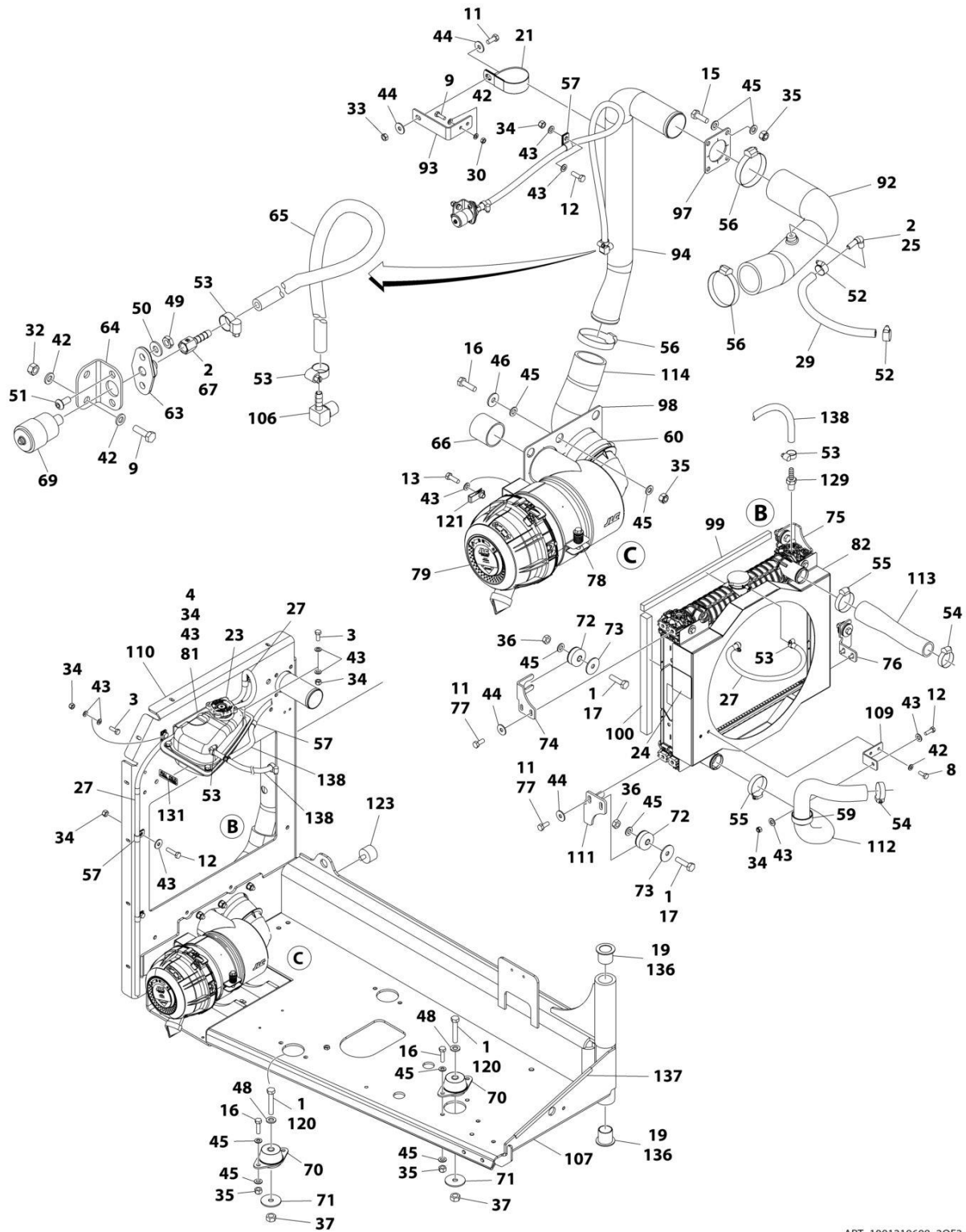
# SECTION 3 - ENGINE

## FIGURE 3-38. FORD ENGINE ASSEMBLY (WITH ARCTIC PACKAGE)



ART\_1001219608\_1OF2

# SECTION 3 - ENGINE



ART\_1001219608\_20F2

## SECTION 3 - ENGINE

**FIGURE 3-38. FORD ENGINE ASSEMBLY (WITH ARCTIC PACKAGE)**

| ITEM | PART NUMBER | QTY            | DESCRIPTION                | REV |
|------|-------------|----------------|----------------------------|-----|
|      | 1001219608  | Ref            | FORD ENGINE ASSEMBLY       | M   |
| 1    | 0100011     | AR             | Compound, Locking          |     |
| 2    | 0100020     | AR             | Sealant                    |     |
| 3    | 0700810     | 3              | Bolt M8 x 20               |     |
| 4    | 0700812     | 7              | Bolt M8 x 25               |     |
| 5    | 0700814     | 3              | Bolt M8 x 30               |     |
| 6    | 0711020     | 3              | Bolt M10 x 60              |     |
| 8    | 0760608     | 2              | Bolt M6 x 16               |     |
| 9    | 0760610     | 4              | Bolt M6 x 20               |     |
| 10   | 0760612     | 2              | Bolt M6 x 25               |     |
| 11   | 0760810     | 11             | Bolt M8 x 20               |     |
| 12   | 0760812     | 12             | Bolt M8 x 25               |     |
| 13   | 0760814     | 2              | Bolt M8 x 30               |     |
| 14   | 0760815     | 2              | Bolt M8 x 35               |     |
| 15   | 0761014     | 11             | Bolt M10 x 30              |     |
| 16   | 0761015     | 12             | Bolt M10 x 35              |     |
| 17   | 0761016     | 4              | Bolt M10 x 40              |     |
| 18   | 0771014     | 2              | Bolt M10 x 30              |     |
| 19   | 0961986     | 2              | Bearing, Flange            |     |
| 21   | 1320110     | 1              | Clamp                      |     |
| 22   | 1001187781  | 1              | Tie-Strap (Not Shown)      |     |
| 23   | 1001223584  | 1              | Tank, Surge                |     |
| 24   | 1703162     | 2              | Decal - Fan Blade          |     |
| 25   | 2180467     | 1              | Fitting, Straight NPT/Barb |     |
| 27   | 2720058     | 55 in/<br>1.5m | Hose                       |     |
| 29   | 1001165035  | 10 26cm        | Hose                       |     |
| 30   | 3290601     | 2              | Nut M6                     |     |
| 31   | 3290605     | 2              | Nut M6                     |     |
| 32   | 3290607     | 2              | Nut M6                     |     |
| 33   | 3290801     | 4              | Nut M8                     |     |
| 34   | 3290805     | 14             | Nut M8                     |     |
| 35   | 3291005     | 16             | Nut M10                    |     |
| 36   | 3291001     | 4              | Nut M10                    |     |
| 37   | 3291201     | 3              | Nut M12                    |     |
| 38   | 3931640     | 1              | Screw 3/8 x 2-1/2          |     |
| 39   | 4031711     | 4              | Capscrew M6 x 35           |     |
| 40   | 5272010     | 1              | Bolt M10 x 30              |     |
| 41   | 4240099     | AR             | Tie-Strap (Not Shown)      |     |
| 42   | 4811700     | 18             | Washer M6                  |     |
| 43   | 4811900     | 48             | Washer M8                  |     |
| 44   | 4811902     | 10             | Washer M8                  |     |
| 45   | 4812000     | 38             | Washer M10                 |     |
| 46   | 4812002     | 6              | Washer M10                 |     |
| 47   | 5241000     | 16             | Washer M10                 |     |
| 48   | 5241200     | 3              | Washer M12                 |     |
| 49   | 8305401     | 2              | Nut Jam                    |     |
| 50   | 8307109     | 2              | Washer                     |     |
| 51   | 8310548     | 2              | Bolt 1/4 x 1/2             |     |
| 52   | 8405006     | 2              | Clamp                      |     |



## SECTION 3 - ENGINE

| ITEM | PART NUMBER | QTY            | DESCRIPTION  | REV |
|------|-------------|----------------|--|-----|
| 53   | 8405009     | 5              | Gear   |     |
| 54   | 8405102     | 2              | Clamp  |     |
| 55   | 8405104     | 2              | Clamp  |     |
| 56   | 8405203     | 3              | Clamp  |     |
| 57   | 8406109     | 6              | Clip   |     |
| 59   | 8410001     | 1              | Clamp  |     |
| 60   | 8410011     | 1              | Clamp  |     |
| 61   | 1001128901  | 2              | Strap  |     |
| 63   | 1001138173  | 1              | Support  |     |
| 64   | 1001138175  | 1              | Bracket  |     |
| 65   | 1001138248  | 31 in/<br>77cm | Tube   |     |
| 66   | 1001141585  | 1              | Hose   |     |
| 67   | 1001141995  | 1              | Fitting, Straight NPT/Barbed                                       |     |
| 69   | 1001149639  | 1              | Indicator, Restriction   |     |
| 70   | 1001191610  | 3              | Mount, Motor   |     |
| 71   | 1001168018  | 3              | Washer   |     |
| 72   | 1001169054  | 4              | Isolator   |     |
| 73   | 1001169138  | 4              | Pad, Snubbing  |     |
| 74   | 1001169967  | 1              | Bracket  |     |
| 75   | 1001170035  | 1              | Bracket  |     |
| 76   | 1001176329  | 1              | Bracket  |     |
| 77   | 1001180620  | AR             | Adhesive   |     |
| 78   | 1001186426  | 1              | Clamp  |     |
| 79   | 1001189979  | 1              | Air Filter Assembly  |     |
| 79   | 70005008    | 4              | Element, Filter - Primary  |     |
| 79   | 70006460    | 4              | Element, Filter - Secondary  |     |
| 79   | 8273291     | 1              | Valve, Dust Evacuator  |     |
| 79   | 70006461    | 1              | Cover  |     |
| 80   | 1001223042  | 1              | Fan  |     |
| 81   | 1001225442  | 1              | Bracket  |     |
| 82   | 1001223923  | 1              | Radiator   |     |
| 83   | 1001215681  | 1              | Clamp  |     |
| 84   | 1001215974  | 1              | Clamp  |     |
| 85   | 1001216075  | 1              | Pipe, Exhaust  |     |
| 86   | 1001216092  | 1              | Shield, Heat   |     |
| 87   | 1001216201  | 1              | Adapter  |     |
| 88   | 1001216393  | 1              | Heater, Block  |     |
| 89   | 1001216910  | 1              | Ford Engine Prep Assembly (See Separate Breakdown in this Section) |     |
| 90   | 1001216919  | 2              | Sleeve   |     |
| 91   | 1001216995  | 1              | Mount, Engine Rear   |     |
| 92   | 1001217032  | 1              | Tube   |     |
| 93   | 1001217046  | 1              | Bracket  |     |
| 94   | 1001217090  | 1              | Tube   |     |
| 97   | 1001217174  | 1              | Seal   |     |
| 98   | 1001217175  | 1              | Seal   |     |
| 99   | 1001217183  | 2              | Seal   |     |
| 100  | 1001217185  | 2              | Seal   |     |
| 101  | 1001217186  | 1              | Support  |     |
| 102  | 1001217317  | 1              | Pipe   |     |
| 103  | 1001217543  | 2              | Mount  |     |

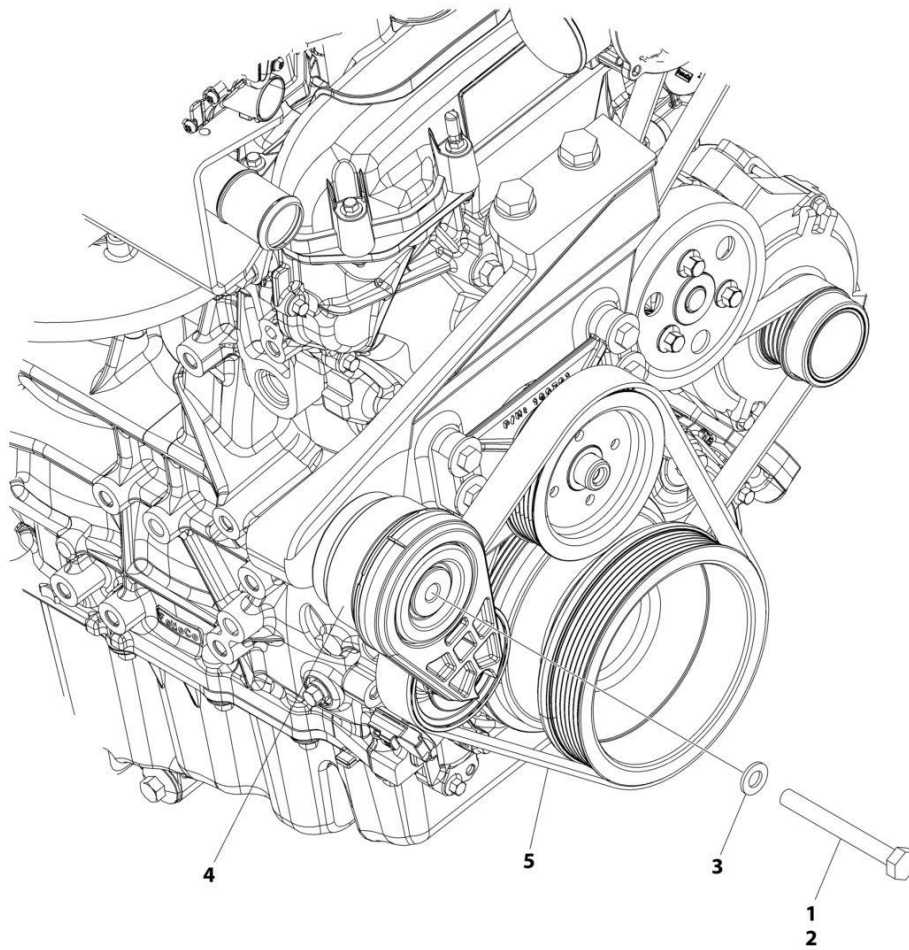
## SECTION 3 - ENGINE

| ITEM | PART NUMBER | QTY            | DESCRIPTION             | REV |
|------|-------------|----------------|-------------------------|-----|
| 104  | 1001218362  | 1              | Mount                   |     |
| 105  | 1001218449  | 1              | Bracket                 |     |
| 106  | 1001134488  | 1              | Fitting                 |     |
| 107  | 1001219259  | 1              | Support                 |     |
| 108  | 1001219345  | 1              | Muffler                 |     |
| 109  | 1001219361  | 1              | Support                 |     |
| 110  | 1001219363  | 1              | Plate                   |     |
| 111  | 1001219480  | 1              | Bracket                 |     |
| 112  | 1001219611  | 1              | Hose                    |     |
| 113  | 1001219612  | 1              | Hose                    |     |
| 114  | 1001219613  | 1              | Tube                    |     |
| 116  | 2180418     | 1              | Fitting                 |     |
| 117  | 1001247359  | 1              | Fitting, 90 FSNPSM/NPTF |     |
| 118  | 2220261     | 1              | Fitting                 |     |
| 120  | 0711223     | 3              | Bolt M12 x 75           |     |
| 121  | 1001221615  | 2              | Nut M8                  |     |
| 122  | 1001222033  | 1              | Plate                   |     |
| 123  | 0940070     | 1              | Bumper                  |     |
| 124  | 1001227666  | 1              | Hose                    |     |
| 125  | 0711014     | 5              | Bolt M10 x 30           |     |
| 126  | 1001224489  | 1              | Hose                    |     |
| 127  | 8406201     | 1              | Clip                    |     |
| 128  | 8410009     | 2              | Gear Clamp              |     |
| 129  | 2180348     | 1              | Fitting                 |     |
| 130  | 1001173535  | 6              | Clamp                   |     |
| 131  | 1001225510  | 1              | Decal                   |     |
| 132  | 1001216531  | 1              | Hose                    |     |
| 135  | 1001224486  | 1              | Hose                    |     |
| 136  | 0100062     | AR             | Compound Locking        |     |
| 137  | 4060805     | 16 in/<br>41cm | Shield                  |     |
| 138  | 1001227667  | 1              | Hose                    |     |



# SECTION 3 - ENGINE

## FIGURE 3-39. FORD ENGINE DRIVE BELT INSTALLATION (MACHINES WITHOUT GENERATOR)



ART\_1001220404

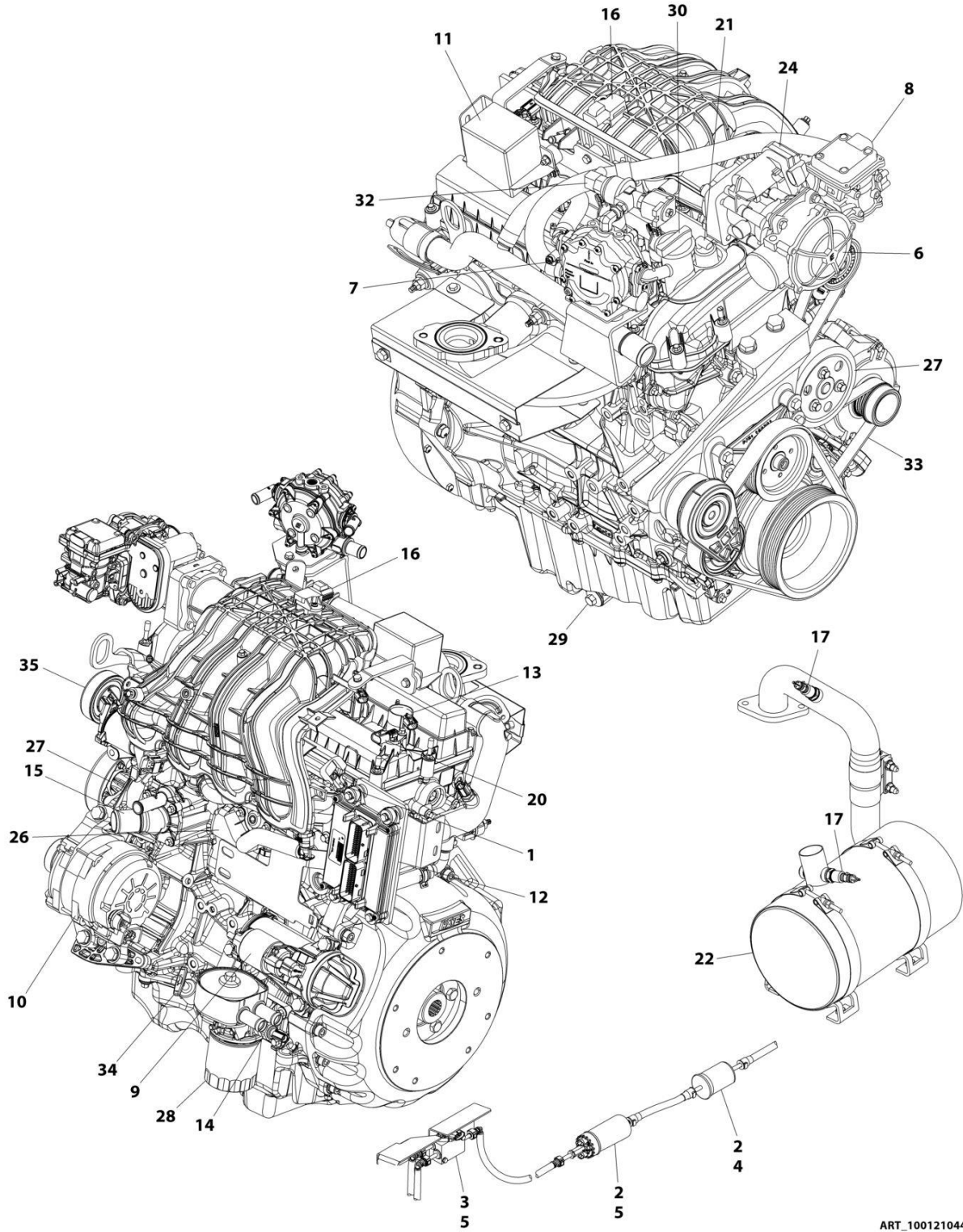
## SECTION 3 - ENGINE

**FIGURE 3-39. FORD ENGINE DRIVE BELT INSTALLATION (MACHINES WITHOUT GENERATOR)**

| ITEM | PART NUMBER | QTY | DESCRIPTION             | REV |
|------|-------------|-----|-------------------------|-----|
|      | 1001220404  | Ref | DRIVE BELT INSTALLATION | C   |
| 1    | 0100011     | AR  | Compound, Locking       |     |
| 2    | 0701026     | 1   | Bolt M10 x 90           |     |
| 3    | 4812002     | 1   | Washer M10              |     |
| 4    | 1001216300  | 1   | Pulley                  |     |
| 5    | 1001216619  | 1   | V-Belt                  |     |

# SECTION 3 - ENGINE

## FIGURE 3-40. FORD ENGINE COMPONENTS



ART\_1001210448

## SECTION 3 - ENGINE

### FIGURE 3-40. FORD ENGINE COMPONENTS

| ITEM | PART NUMBER | QTY | DESCRIPTION  | REV |
|------|-------------|-----|--|-----|
|      | 1001210448  | Ref | FORD ENGINE COMPONENTS   | H   |
| 1    | 70006145    | 4   | Injector, Fuel   |     |
| 1    | 70006147    | 1   | Rail, Fuel   |     |
| 2    | 70006150    | 1   | Pump, Fuel   |     |
| 2    | 70006154    | 1   | Fitting M10  |     |
| 3    | 70006151    | 1   | Block, Fuel  |     |
| 3    | 70006152    | 2   | Fitting SAE6   |     |
| 3    | 70006153    | 1   | Fitting SAE3   |     |
| 3    | 70006189    | 1   | Harness, Fuel Block  |     |
| 4    | 70006155    | 1   | Filter, Fuel   |     |
| 5    | 7022162     | 8   | Clamp  |     |
| 5    | 70006157    | 8   | Clip, Fuel Quick Disconnect  |     |
| 6    | 70006158    | 1   | Mixer, LP  |     |
| 6    | 70006168    | 1   | Mixer Diaphragm Replacement Kit  |     |
| 6    | 70006159    | 1   | Adapter, Mixer to Governor   |     |
| 6    | 70006160    | 1   | O-Ring, Mixer to Adapter   |     |
| 6    | 70006161    | 1   | Seal, Mixer to Adapter   |     |
| 7    | 70006162    | 1   | Regulator, LP Vapor  |     |
| 7    | 70006166    | 2   | Fitting  |     |
| 7    | 70006167    | 1   | Fitting, Straight  |     |
| 7    | 70006165    | 2   | Isolator, Rubber   |     |
| 8    | 70006163    | 1   | Regulator, Direct Electronic Pressure                                  |     |
| 8    | 70006164    | 1   | Adapter, Fitting 90  |     |
| 9    | 70006169    | 1   | Starter  |     |
| 9    | 70006233    | 1   | Harness, Alternator/Starter  |     |
| 10   | 70006170    | 1   | Alternator   |     |
| 11   | 70006173    | 1   | Cover, Relay Box   |     |
| 11   | 70006171    | 2   | Relay (Fuel Pump & Power)  |     |
| 11   | 70006172    | 1   | Relay (Starter)  |     |
| 11   | 70006175    | 1   | Fuse - 20Amp (Starter)   |     |
| 11   | 70006174    | 1   | Decal - Relay Box Cover  |     |
| 11   | 70006188    | 1   | Harness, Engine  |     |
| 11   | 70006165    | 2   | Isolator, Rubber   |     |
| 12   | 70006176    | 1   | Module - Engine Control Unit (ECU/GCP)                                 |     |
| 12   | 70006191    | 1   | Software & Diagnostic Cable  |     |
| 13   | 70006177    | 4   | Coil and Boot Assembly   |     |
| 13   | 70006178    | 4   | Plug, Spark  |     |
| 14   | 70006179    | 1   | Switch, Oil Pressure   |     |
| 15   | 70006180    | 1   | Sensor, Knock  |     |
| 16   | 70006181    | 1   | Sensor, TMAP   |     |
| 17   | 70006182    | 2   | Sensor, O2   |     |
| 18   | 70006183    | 1   | Sensor, Coolant Temperature (Not Shown - Located Rear of Engine Block) |     |
| 19   | 70006184    | 1   | Sensor, Crank Position (Not Shown - Located at Front RH Side of Block) |     |
| 20   | 70006185    | 1   | Sensor, Cam Position   |     |
| 21   | 70006186    | 1   | Solenoid, Timing   |     |
| 21   | 70006187    | 1   | Grommet, Rubber  |     |
| 22   | 70006194    | 1   | Muffler  |     |
| 22   | 70006195    | 1   | Plug (Located at Muffler Outlet)                                       |     |

## SECTION 3 - ENGINE

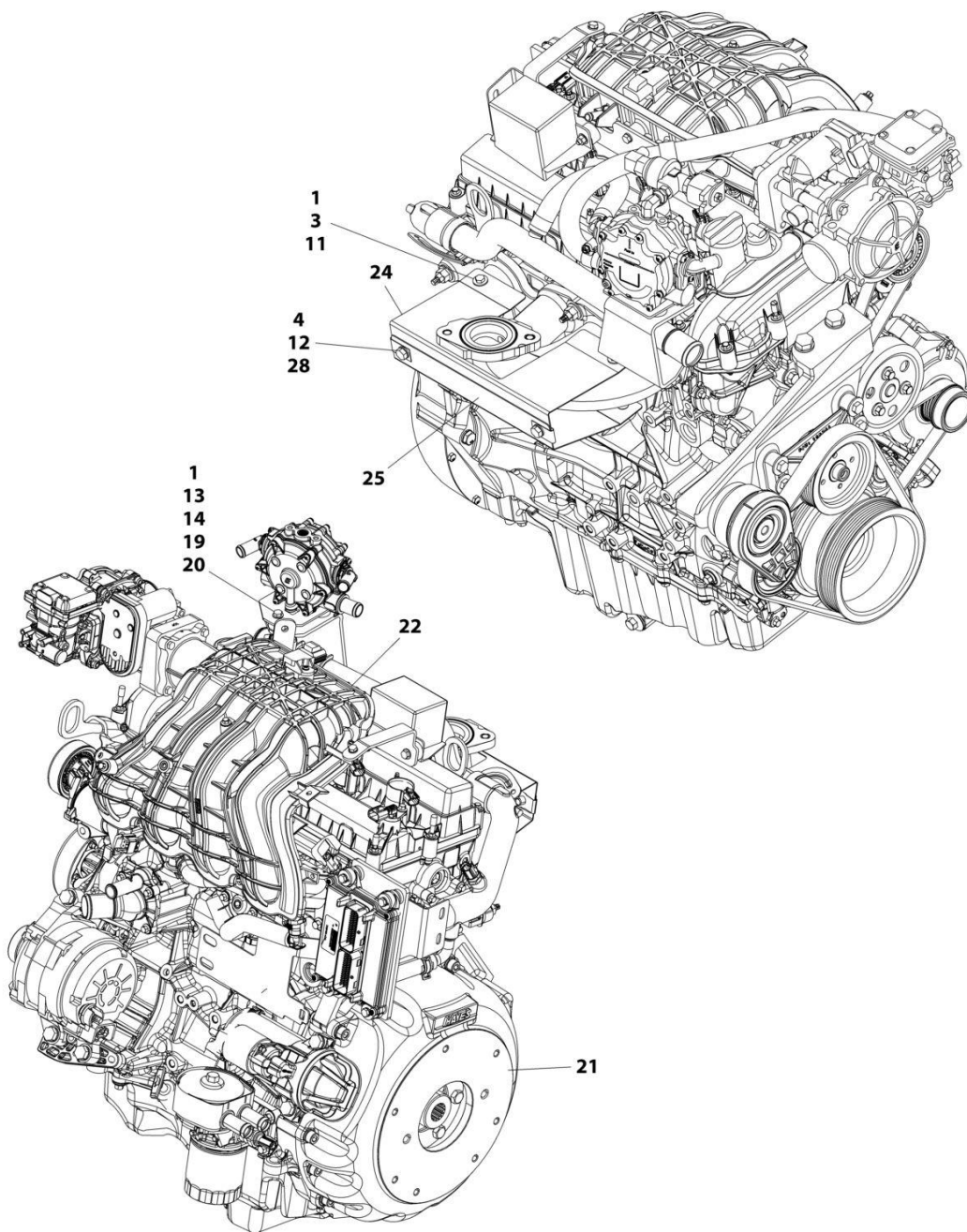
| ITEM | PART NUMBER | QTY | DESCRIPTION  | REV |
|------|-------------|-----|--|-----|
| 23   |             | Ref | Gasket Options (Not Shown)   |     |
| 23   | 70006196    | 1   | Gasket, Exhaust Manifold to Head                                   |     |
| 23   | 70006197    | 1   | Gasket, Exhaust Manifold Outlet                                    |     |
| 23   | 70006200    | 1   | Gasket, Intake Manifold to Head                                    |     |
| 23   | 70006219    | 1   | Gasket Set - Camshaft Cover  |     |
| 23   | 70006225    | 1   | Gasket, Cylinder Head  |     |
| 24   | 70006198    | 1   | Governor   |     |
| 24   | 7027404     | 1   | Gasket, Governor Actuator  |     |
| 24   | 70006199    | 1   | Gasket, Governor to Intake Manifold Adapter                        |     |
| 25   | 70006203    | 1   | Flywheel (Not Shown)   |     |
| 26   | 70006205    | 1   | Thermostat (Includes Housing)                                      |     |
| 26   | 70006206    | 1   | Gasket, Water Inlet  |     |
| 27   | 70006207    | 1   | Pump, Water  |     |
| 27   | 70006208    | 1   | O-Ring, Water Pump   |     |
| 27   | See Note    | NSS | Pulley, Water Pump (Note: Not Available for Purchase at This Time) |     |
| 28   | 70006213    | 1   | Filter, Oil  |     |
| 29   | 70006215    | 1   | Plug, Oil Drain  |     |
| 29   | 70006217    | 1   | Gasket, Oil Drain Plug   |     |
| 30   | 70006221    | 1   | Cap, Oil Fill  |     |
| 31   | 70006232    | 1   | Sensor, Crank (Not Shown)  |     |
| 32   | 70006235    | 1   | Valve, Lock-Off (Includes Filter)                                  |     |
| 33   | 70006202    | 1   | Belt   |     |
| 34   | 70006236    | 1   | Dipstick   |     |
| 35   | 70007108    | 1   | Belt Tensioner   |     |





# SECTION 3 - ENGINE

## FIGURE 3-41. FORD ENGINE PREP ASSEMBLY



ART\_1001216910\_F

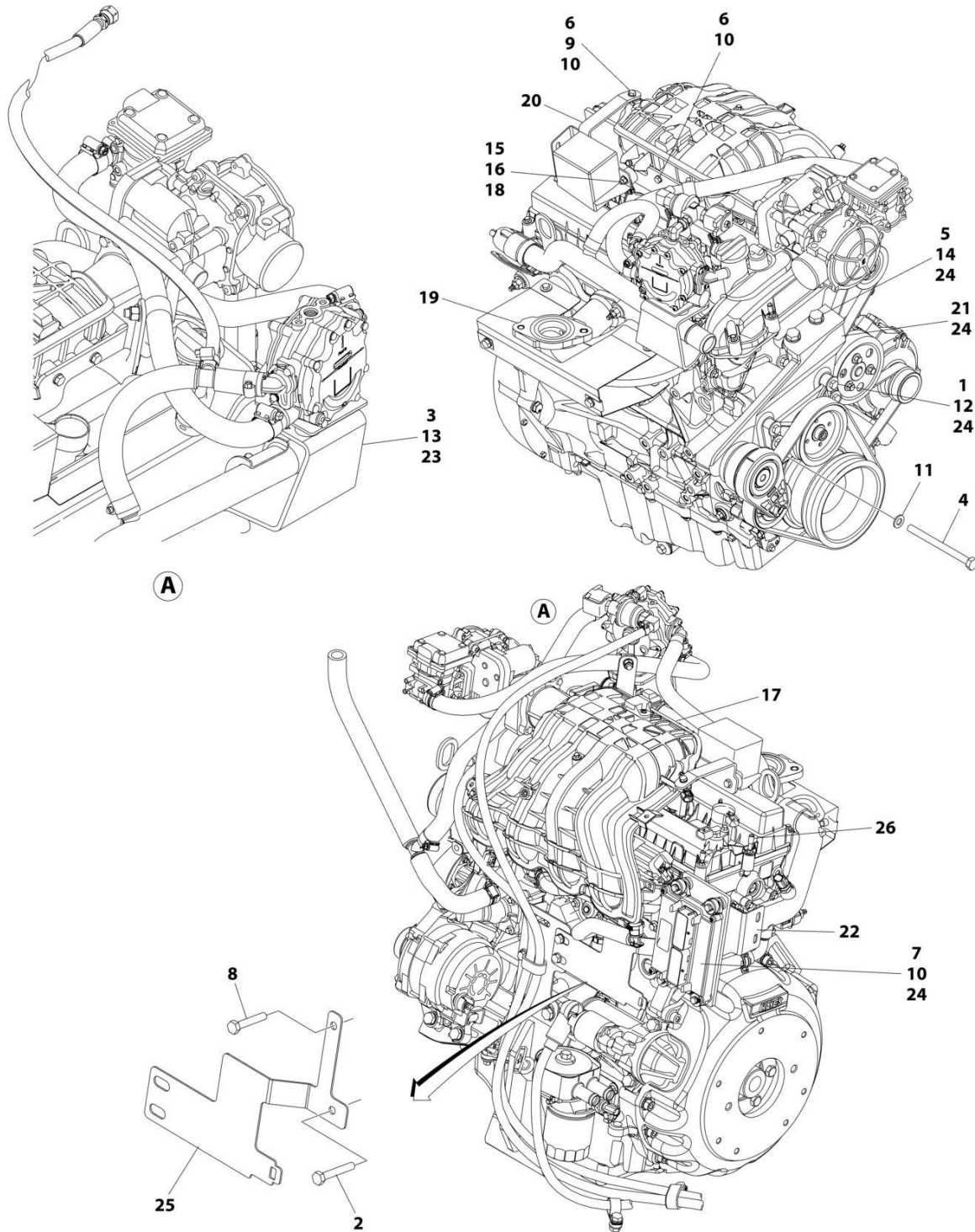
## SECTION 3 - ENGINE

**FIGURE 3-41. FORD ENGINE PREP ASSEMBLY**

| ITEM | PART NUMBER | QTY | DESCRIPTION   | REV |
|------|-------------|-----|---|-----|
|      | 1001216910  | Ref | FORD ENGINE PREP ASSEMBLY                                     | F   |
| 1    | 0100011     | AR  | Compound, Locking   |     |
| 3    | 0760605     | 4   | Bolt M6 x 10  |     |
| 4    | 0760807     | 2   | Bolt M8 x 14  |     |
| 11   | 4811702     | 4   | Washer M6   |     |
| 12   | 4811900     | 2   | Washer M8   |     |
| 13   | 5250605     | 3   | Bolt M6 x 10  |     |
| 14   | 5260600     | 1   | Nut M6 Class 10   |     |
| 19   | 1001211794  | 3   | Mount, Isolator   |     |
| 20   | 1001227769  | 1   | Plate   |     |
| 21   | 1001213810  | 1   | Pump Coupling Kit   |     |
| 21   | 70006134    | 1   | Coupling  |     |
| 21   | 70006135    | 1   | Housing   |     |
| 21   | 70006136    | 1   | Hardware Kit  |     |
| 22   | 1001216065  | 1   | Ford Engine Assembly (See Separate Breakdown in this Section) |     |
| 24   | 1001216768  | 1   | Bracket   |     |
| 25   | 1001216769  | 1   | Bracket   |     |
| 28   | 1001149160  | 2   | Nut, Tinnerman M8   |     |

# SECTION 3 - ENGINE

## FIGURE 3-42. FORD ENGINE BRACKETS AND EXHAUST MANIFOLD INSTALLATION



ART\_1001216065

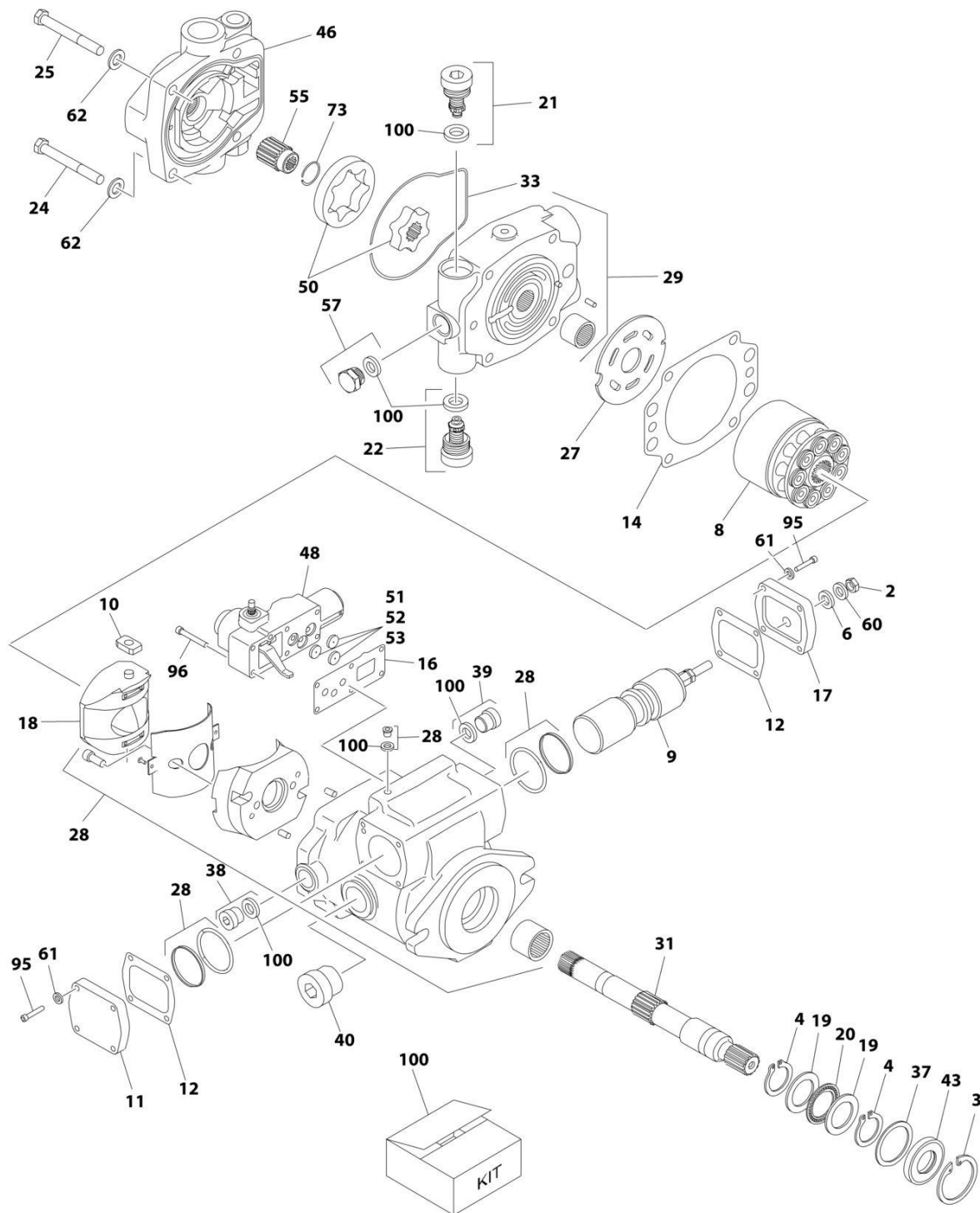
## SECTION 3 - ENGINE

**FIGURE 3-42. FORD ENGINE BRACKETS AND EXHAUST MANIFOLD INSTALLATION**

| ITEM | PART NUMBER | QTY | DESCRIPTION  | REV |
|------|-------------|-----|--|-----|
|      | 1001216065  | Ref | FORD ENGINE ASSEMBLY - BRACKETS/EXHAUST MANIFOLD           | N   |
| 1    | 0700816     | 4   | Bolt M8 x 40   |     |
| 2    | 0700818     | 1   | Bolt M8 x 50   |     |
| 3    | 0701014     | 2   | Bolt M10 x 30  |     |
| 4    | 0710827     | 1   | Bolt M8 x 100 Grade 10.9                                   |     |
| 5    | 0711216     | 2   | Bolt M12 x 40  |     |
| 6    | 0760610     | 3   | Bolt M6 x 20   |     |
| 7    | 0760615     | 4   | Bolt M6 x 35   |     |
| 8    | 0760817     | 1   | Bolt M8 x 45   |     |
| 9    | 3290601     | 1   | Nut M6   |     |
| 10   | 4811700     | 8   | Washer M6  |     |
| 11   | 4811900     | 1   | Washer M8  |     |
| 12   | 4811902     | 4   | Washer M8  |     |
| 13   | 4812000     | 1   | Washer M10   |     |
| 14   | 4812100     | 2   | Washer M12   |     |
| 15   | 5250605     | 2   | Bolt M6 x 10   |     |
| 16   | 5260600     | 2   | Nut M6 Class 10  |     |
| 17   | 1001210448  | 1   | Engine, Ford 2.5L (See Separate Breakdown in this Section) |     |
| 18   | 1001211794  | 2   | Mount  |     |
| 19   | 1001214827  | 1   | Manifold, Exhaust  |     |
| 20   | 1001215384  | 1   | Bracket  |     |
| 21   | 1001216071  | 1   | Bracket  |     |
| 22   | 1001216144  | 1   | Support, Muffler   |     |
| 23   | 1001227772  | 1   | Mount, Vaporizer   |     |
| 24   | 0100011     | AR  | Compound, Locking  |     |
| 25   | 1001221545  | 1   | Plate  |     |
| 26   | 1001222641  | 6   | Cap  |     |

# SECTION 3 - ENGINE

## FIGURE 3-43. HYDROSTATIC PUMP ASSEMBLY



ART\_1001225745

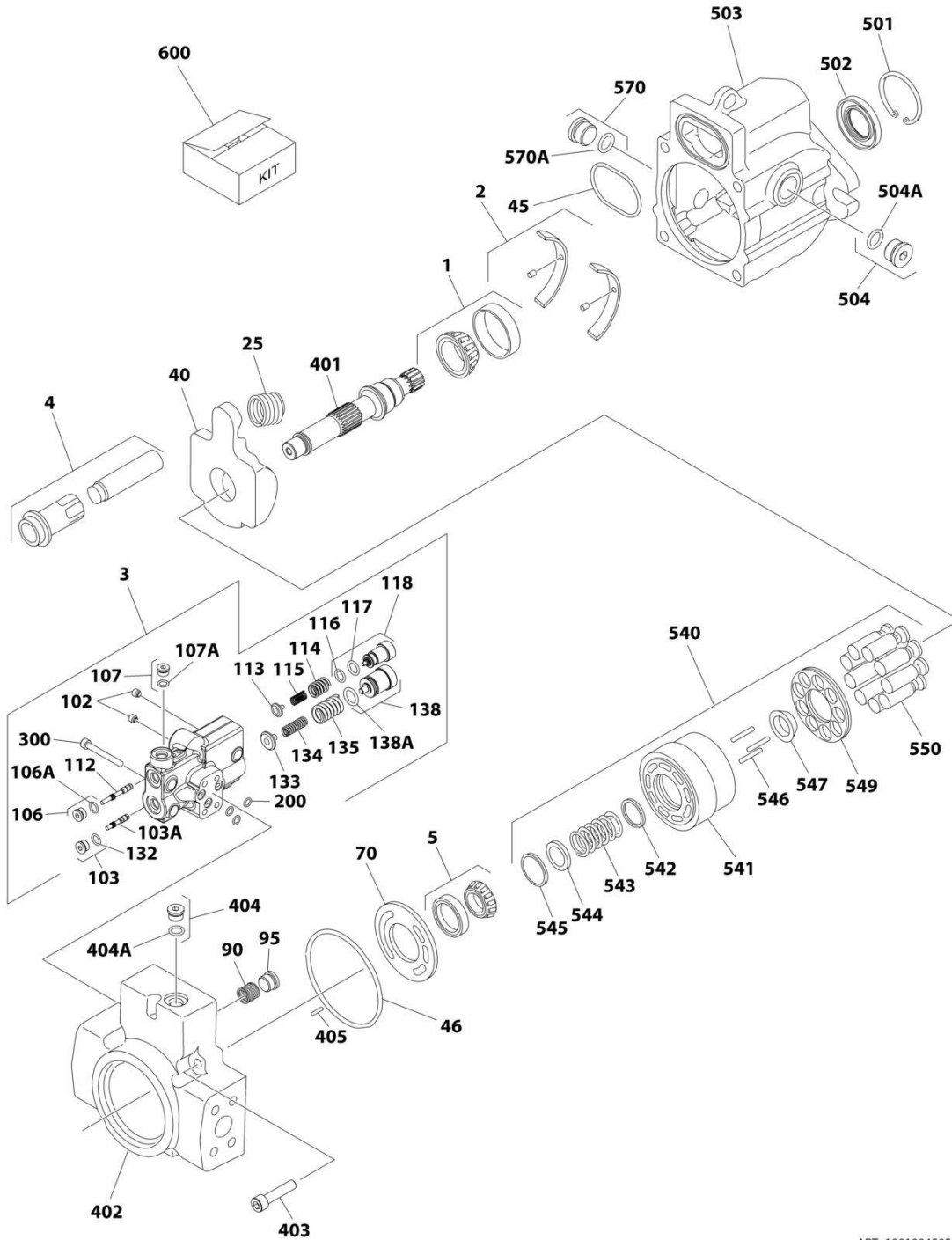
## SECTION 3 - ENGINE

**FIGURE 3-43. HYDROSTATIC PUMP ASSEMBLY**

| ITEM | PART NUMBER | QTY | DESCRIPTION  | REV |
|------|-------------|-----|--|-----|
|      | 1001225745  | Ref | HYDROSTATIC PUMP ASSEMBLY  | A   |
| 2    | 70004329    | 1   | Nut  |     |
| 3    | See Note    | NSS | Ring, Retaining (Note: Use Item 100)   |     |
| 4    | See Note    | NSS | Ring, Retaining (Note: Use Item 100)   |     |
| 6    | See Note    | NSS | Washer, Seal (Note: Use Item 100)  |     |
| 8    | 70004331    | 1   | Cylinder Block Assembly  |     |
| 9    | 70004332    | 1   | Servo Piston Assembly  |     |
| 10   | 70004333    | 1   | Follower, Servo Piston   |     |
| 11   | 70005458    | 1   | Cover  |     |
| 12   | See Note    | NSS | Gasket, Cover (Note: Use Item 100)   |     |
| 14   | See Note    | NSS | Gasket, Housing (Note: Use Item 100)   |     |
| 16   | See Note    | NSS | Gasket, Control Housing (Note: Use Item 100)   |     |
| 17   | 70005459    | 1   | Cover  |     |
| 18   | 70004336    | 1   | Camplate Assembly  |     |
| 19   | 7004907     | 2   | Race, Thrust   |     |
| 20   | 7004908     | 1   | Bearing, Thrust  |     |
| 21   | 70004337    | 1   | Relief Valve Assembly  |     |
| 22   | 70004337    | 1   | Relief Valve Assembly  |     |
| 24   | 70004338    | 2   | Capscrew   |     |
| 25   | 70004338    | 2   | Capscrew   |     |
| 27   | 70004340    | 1   | Plate, Valve   |     |
| 28   | See Note    | NSS | Housing (Note: Not Available - Purchase Assembly)  |     |
| 29   | 70005460    | 1   | End Cover Assembly   |     |
| 31   | 70004342    | 1   | Shaft, Drive   |     |
| 33   | See Note    | NSS | O-Ring (Note: Use Item 100)  |     |
| 37   | 7004906     | 1   | Washer   |     |
| 38   | 70005461    | 1   | Plug   |     |
| 39   | 70005461    | 1   | Plug   |     |
| 40   | 70005462    | 1   | Plug   |     |
| 43   | See Note    | NSS | Seal, Shaft (Note: Use Item 100)   |     |
| 46   | 70004343    | 1   | Adapter, Charge Pump   |     |
| 48   | 70004344    | 1   | Servo Control Assembly   |     |
| 50   | 70004345    | 1   | Gerotor  |     |
| 51   | 70004346    | 1   | Orifice  |     |
| 52   | 70004346    | 1   | Orifice  |     |
| 53   | 70004346    | 1   | Orifice  |     |
| 55   | 70004347    | 1   | Coupler  |     |
| 57   | 70005463    | 1   | Plug   |     |
| 60   | 70004348    | 1   | Washer   |     |
| 61   | 70004349    | 8   | Washer   |     |
| 62   | 70004350    | 4   | Washer   |     |
| 73   | 70004351    | 1   | Ring, Retaining  |     |
| 95   | 70005464    | 8   | Capscrew   |     |
| 96   | 70005465    | 6   | Capscrew   |     |
| 100  | 70004352    | 1   | Seal Kit - Pump (Includes Items 3, 4, 6, 12, 14, 16, 33 & 43 and Valve and Plug O-Rings and Seals) |     |

# SECTION 3 - ENGINE

## FIGURE 3-44. VARIABLE PUMP ASSEMBLY - DANFOSS



ART\_1001094595



## SECTION 3 - ENGINE

**FIGURE 3-44. VARIABLE PUMP ASSEMBLY - DANFOSS**

| ITEM | PART NUMBER | QTY | DESCRIPTION  | REV |
|------|-------------|-----|--|-----|
|      | 1001094595  | Ref | VARIABLE PUMP ASSEMBLY                               | A   |
| 1    | 7023947     | 1   | Bearing, Front (Includes Cup and Cone)               |     |
| 2    | 7023948     | 1   | Bearings, Swash Plate (Includes Both Sides and Pins) |     |
| 3    | 7023956     | 1   | Control Valve Assembly (Includes Items 102-300)      |     |
| 4    | 7023949     | 1   | Servo Piston Assembly                                |     |
| 5    | 7023950     | 1   | Bearing, Rear (Includes Cup and Cone)                |     |
| 25   | 7023951     | 1   | Spring   |     |
| 40   | 7023952     | 1   | Swash Plate  |     |
| 45   | See Note    | NSS | O-Ring (Note: Use Item 600)                          |     |
| 46   | See Note    | NSS | O-Ring (Note: Use Item 600)                          |     |
| 70   | 70001954    | 1   | Plate, Valve   |     |
| 90   | 70001955    | 1   | Spring, Check Valve                                  |     |
| 95   | 70001956    | 1   | Poppet, Check Valve                                  |     |
| 102  | See Note    | NSS | Setscrew (Note: Use Item 3)                          |     |
| 103  | See Note    | NSS | Plug (Note: Use Item 3)                              |     |
| 103A | See Note    | NSS | O-Ring (Note: Use Item 600)                          |     |
| 106  | See Note    | NSS | Plug (Note: Use Item 3)                              |     |
| 106A | See Note    | NSS | O-Ring (Note: Use Item 600)                          |     |
| 107  | See Note    | NSS | Plug (Note: Use Item 3)                              |     |
| 107A | See Note    | NSS | O-Ring (Note: Use Item 600)                          |     |
| 112  | See Note    | NSS | Spool, Control (Note: Use Item 3)                    |     |
| 113  | See Note    | NSS | Guide, Spring (Note: Use Item 3)                     |     |
| 114  | See Note    | NSS | Spring (Note: Use Item 3)                            |     |
| 115  | See Note    | NSS | Spring (Note: Use Item 3)                            |     |
| 116  | See Note    | NSS | O-Ring (Note: Use Item 600)                          |     |
| 117  | See Note    | NSS | Ring, Back-up (Note: Use Item 600)                   |     |
| 118  | See Note    | NSS | Plug, Adjusting (Note: Use Item 3)                   |     |
| 132  | See Note    | NSS | Spool, Control (Note: Use Item 3)                    |     |
| 133  | See Note    | NSS | Guide, Spring (Note: Use Item 3)                     |     |
| 134  | See Note    | NSS | Spring (Note: Use Item 3)                            |     |
| 135  | See Note    | NSS | Spring (Note: Use Item 3)                            |     |
| 138  | See Note    | NSS | Plug, PC Adjusting (Note: Use Item 3)                |     |
| 138A | See Note    | NSS | O-Ring (Note: Use Item 600)                          |     |
| 200  | See Note    | NSS | Ring, Seal (Note: Use Item 600)                      |     |
| 300  | 7023957     | 4   | Screw  |     |
| 401  | 7023958     | 1   | Shaft  |     |
| 402  | 70001957    | 1   | Cap, End   |     |
| 403  | 7023960     | 4   | Screw  |     |
| 404  | 7022318     | 1   | Plug   |     |
| 404A | See Note    | NSS | O-Ring (Note: Use Item 600)                          |     |
| 405  | 7023961     | 1   | Pin  |     |
| 501  | 7023962     | 1   | Ring, Retaining                                      |     |
| 502  | See Note    | NSS | Seal, Lip (Note: Use Item 600)                       |     |
| 503  | See Note    | NSS | Housing (Note: Not Available - Purchase Assembly)    |     |
| 504  | 7023964     | 1   | Plug   |     |
| 504A | 7007415     | 1   | O-Ring   |     |
| 540  | 7023965     | 1   | Cylinder Block Assembly                              |     |
| 541  | See Note    | NSS | Block, Cylinder (Note: Use Item 540)                 |     |
| 542  | 7024868     | 1   | Washer   |     |
| 543  | 7024867     | 1   | Spring   |     |

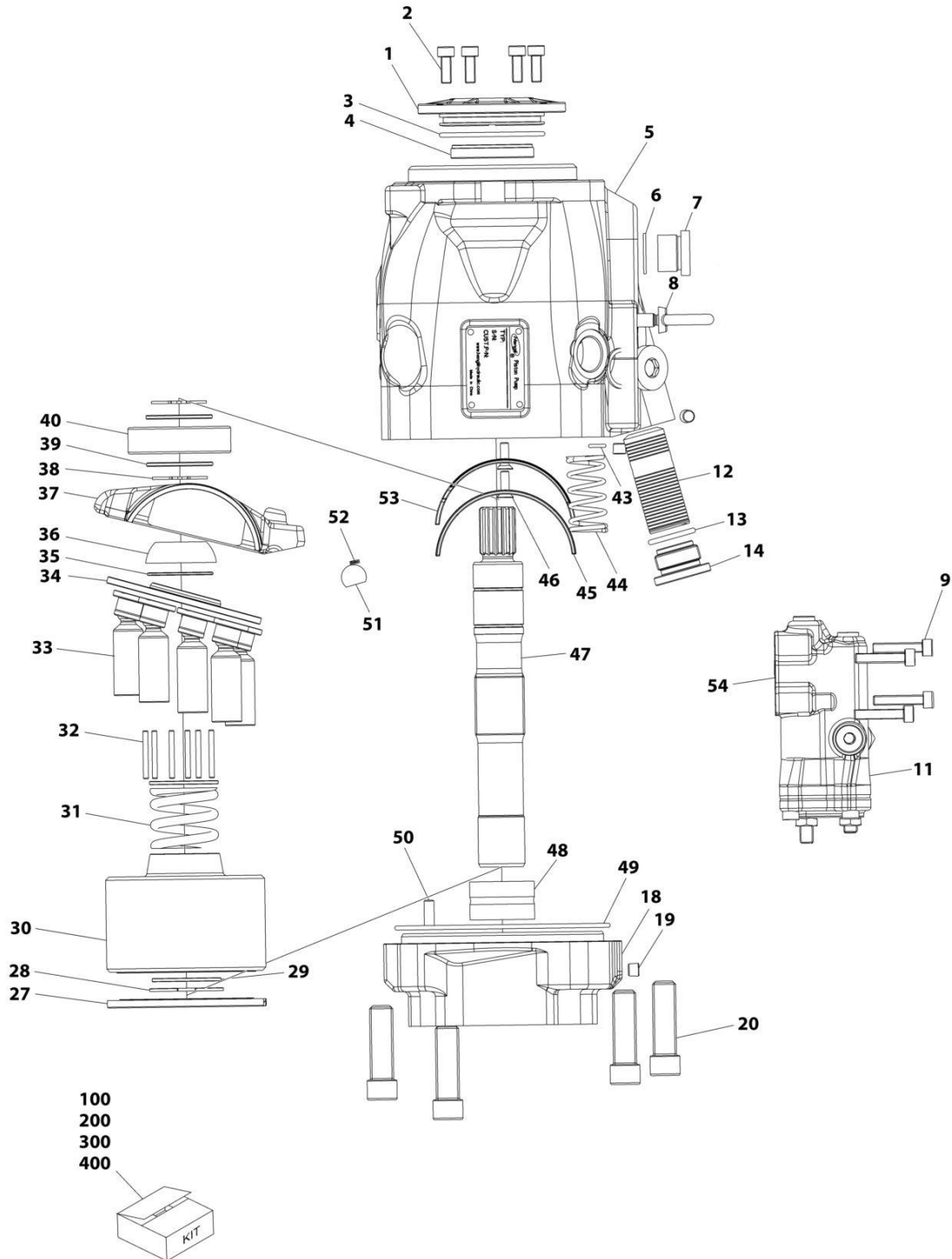
## SECTION 3 - ENGINE

| ITEM | PART NUMBER | QTY | DESCRIPTION   | REV |
|------|-------------|-----|---|-----|
| 544  | 7022314     | 1   | Retainer, Spring  |     |
| 545  | 7022311     | 1   | Ring, Retaining   |     |
| 546  | 7021275     | 3   | Pin, Slipper  |     |
| 547  | 7024864     | 1   | Guide, Slipper  |     |
| 549  | 7024866     | 1   | Retainer, Slipper   |     |
| 550  | 7023966     | 9   | Piston Assembly   |     |
| 570  | 7023964     | 1   | Plug  |     |
| 570A | 7007415     | 1   | O-Ring  |     |
| 600  | 7023967     | 1   | Seal Kit - Complete (Includes Items 45, 46, 103A, 106A, 107A, 118, 138A, 200, 444A & 502) |     |



# SECTION 3 - ENGINE

## FIGURE 3-45. VARIABLE PUMP ASSEMBLY - HENGLI



ART\_1001276377

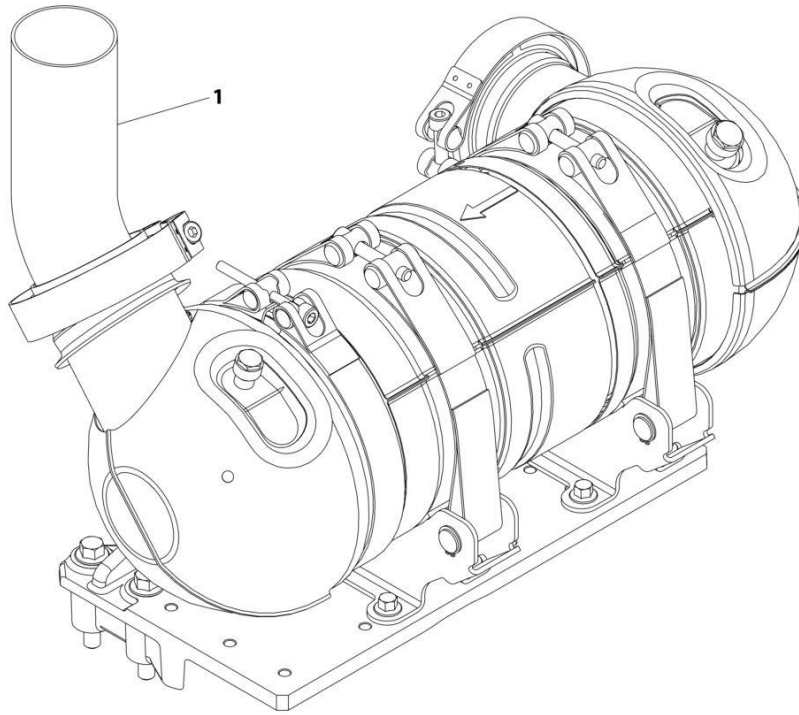
## SECTION 3 - ENGINE

**FIGURE 3-45. VARIABLE PUMP ASSEMBLY - HENGLI**

| ITEM | PART NUMBER | QTY | DESCRIPTION                                       | REV |
|------|-------------|-----|---|-----|
|      | 1001276377  | Ref | VARIABLE PUMP ASSEMBLY                            | B   |
| 1    | 70007789    | 1   | Case, Oil Seal                                    |     |
| 2    | See Note    | NSS | Capscrew M6 x 16 (Note: Purchase Separately)      |     |
| 3    | See Note    | NSS | O-Ring (Note: Use Item 100)                       |     |
| 4    | 70007798    | 1   | Seal, Oil   |     |
| 5    | See Note    | NSS | Housing (Note: Not Available - Purchase Assembly) |     |
| 6    | See Note    | NSS | O-Ring (Note: Use Item 100)                       |     |
| 7    | 70007790    | 3   | Plug  |     |
| 8    | See Note    | NSS | Bolt, Eye M8 (Note: Purchase Separately)          |     |
| 9    | See Note    | NSS | Capscrew M9 x 30 (Note: Purchase Separately)      |     |
| 11   | 70007787    | 1   | Valve, Control                                    |     |
| 12   | 70007800    | 1   | Piston  |     |
| 13   | See Note    | NSS | O-Ring (Note: Use Item 100)                       |     |
| 14   | 70007801    | 1   | Plug  |     |
| 18   | See Note    | NSS | Cover (Note: Not Available - Purchase Assembly)   |     |
| 19   | 70007791    | 3   | Plug  |     |
| 20   | See Note    | NSS | Capscrew M12 x 45 (Note: Purchase Separately)     |     |
| 27   | See Note    | NSS | Plate, Valve (Note: Use Item 200)                 |     |
| 28   | See Note    | NSS | Circlip (Note: Use Item 200)                      |     |
| 29   | See Note    | NSS | Shim (Note: Use Item 200)                         |     |
| 30   | See Note    | NSS | Cylinder (Note: Use Item 200)                     |     |
| 31   | See Note    | NSS | Spring (Note: Use Item 200)                       |     |
| 32   | See Note    | NSS | Pin (Note: Use Item 200)                          |     |
| 33   | See Note    | NSS | Piston Assembly (Note: Use Item 200)              |     |
| 34   | See Note    | NSS | Retainer (Note: Use Item 200)                     |     |
| 35   | See Note    | NSS | Shim (Note: Use Item 200)                         |     |
| 36   | See Note    | NSS | Bushing (Note: Use Item 200)                      |     |
| 37   | See Note    | NSS | Plate, Swash (Note: Use Item 300)                 |     |
| 38   | See Note    | NSS | Circlip (Note: Use Item 400)                      |     |
| 39   | See Note    | NSS | Shim (Note: Use Item 400)                         |     |
| 40   | See Note    | NSS | Bearing, Cylinder (Note: Use Item 400)            |     |
| 43   | See Note    | NSS | O-Ring (Note: Use Item 100)                       |     |
| 44   | 70007792    | 1   | Spring  |     |
| 45   | 70007793    | 1   | Bushing   |     |
| 46   | 70007796    | 2   | Capscrew M5 x 16                                  |     |
| 47   | See Note    | NSS | Shaft (Note: Use Item 400)                        |     |
| 48   | 70007797    | 1   | Bearing   |     |
| 49   | See Note    | NSS | O-Ring (Note: Use Item 100)                       |     |
| 50   | 70007794    | 1   | Spring  |     |
| 51   | See Note    | NSS | Ball, Steel (Note: Use Item 300)                  |     |
| 52   | See Note    | NSS | Spring (Note: Use Item 300)                       |     |
| 53   | 70007795    | 1   | Bushing   |     |
| 54   | 70007799    | 1   | Gasket  |     |
| 100  | 70007802    | 1   | Seal Kit (Includes Items 3, 6, 13, 43 & 49)       |     |
| 200  | 70007786    | 1   | Cylinder Assembly (Includes Items 27 - 36)        |     |
| 300  | 70007788    | 1   | Swash Plate Assembly (Includes Items 37, 51 & 52) |     |
| 400  | 70007785    | 1   | Shaft Assembly (Includes Items 38 - 40 & 47)      |     |

## SECTION 3 - ENGINE

FIGURE 3-46. EXHAUST PIPE INSTALLATION - DEUTZ TD2.9L4 ENGINES AND DEUTZ TD2.9L4 (STAGE V PRE-BUY) ENGINES



ART\_1001216220

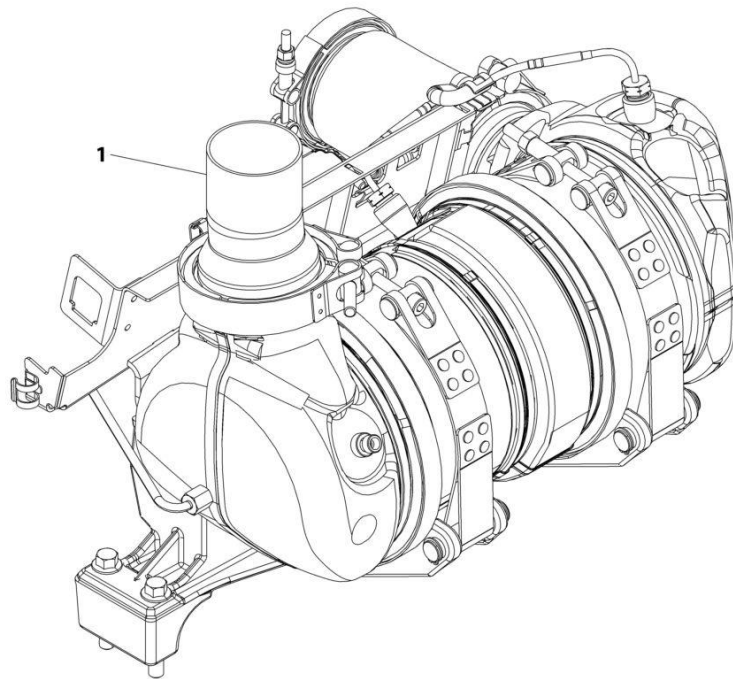
## SECTION 3 - ENGINE

**FIGURE 3-46. EXHAUST PIPE INSTALLATION - DEUTZ TD2.9L4 ENGINES AND DEUTZ TD2.9L4 (STAGE V PRE-BUY) ENGINES**

| ITEM | PART NUMBER | QTY | DESCRIPTION               | REV |
|------|-------------|-----|---------------------------|-----|
| 1    | 1001216220  | Ref | EXHAUST PIPE INSTALLATION | A   |
|      | 1001149908  | 1   | Pipe, Exhaust             |     |

## SECTION 3 - ENGINE

FIGURE 3-47. EXHAUST PIPE INSTALLATION - DEUTZ TD2.9L4 (STAGE V) ENGINES



ART\_1001236334



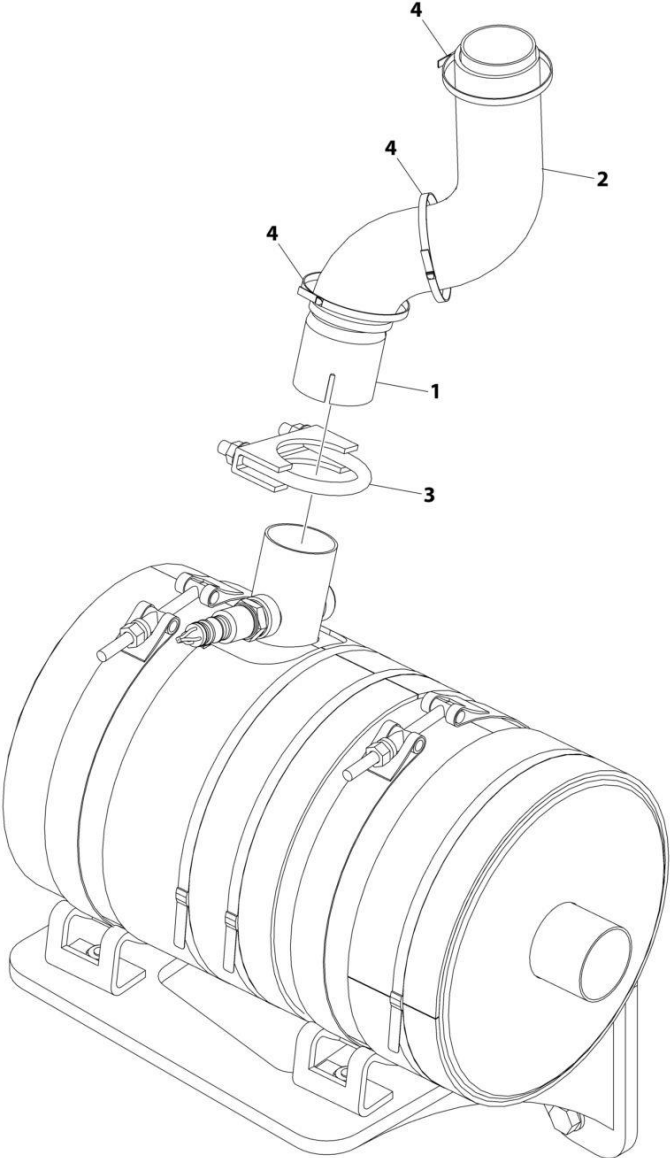
## SECTION 3 - ENGINE

**FIGURE 3-47. EXHAUST PIPE INSTALLATION - DEUTZ TD2.9L4 (STAGE V) ENGINES**

| ITEM | PART NUMBER | QTY | DESCRIPTION               | REV |
|------|-------------|-----|---------------------------|-----|
| 1    | 1001236334  | Ref | EXHAUST PIPE INSTALLATION | B   |
|      | 1001236335  | 1   | Pipe, Exhaust             |     |

**SECTION 3 - ENGINE**

**FIGURE 3-48. EXHAUST PIPE INSTALLATION - FORD ENGINES**



ART\_1001220141

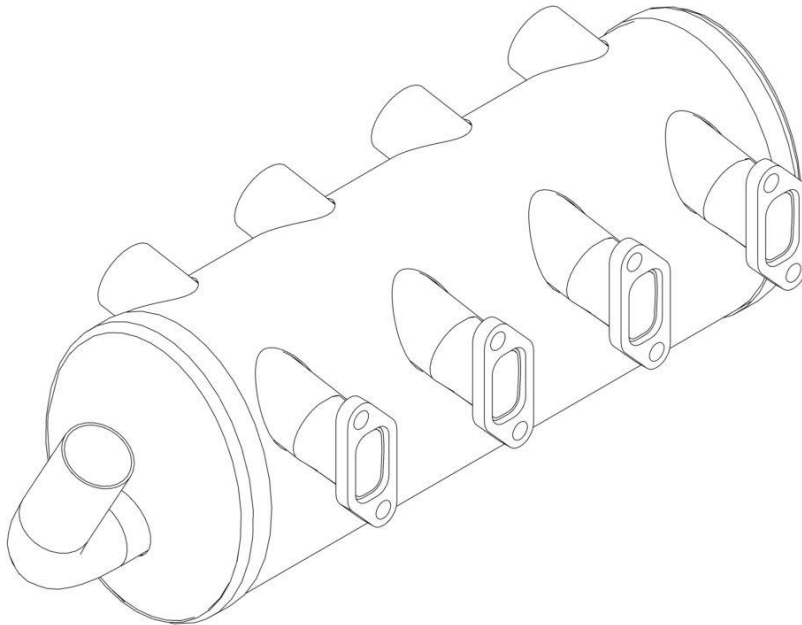
## SECTION 3 - ENGINE

### FIGURE 3-48. EXHAUST PIPE INSTALLATION - FORD ENGINES

| ITEM | PART NUMBER | QTY | DESCRIPTION                   | REV |
|------|-------------|-----|-------------------------------|-----|
|      | 1001220141  | Ref | EXHAUST PIPE INSTALIATION     | B   |
| 1    | 1001217478  | 1   | Tail Pipe                     |     |
| 1    | 1001217477  | 1   | Tail Pipe with Spark Arrestor |     |
| 2    | 1001218089  | 1   | Insulate                      |     |
| 3    | 1001221397  | 1   | Clamp                         |     |
| 4    | 1001100825  | 3   | Strap                         |     |

## SECTION 3 - ENGINE

FIGURE 3-49. SPARK ARRESTOR MUFFLER INSTALLATION - DEUTZ D2011 ENGINES



ART\_1001257283

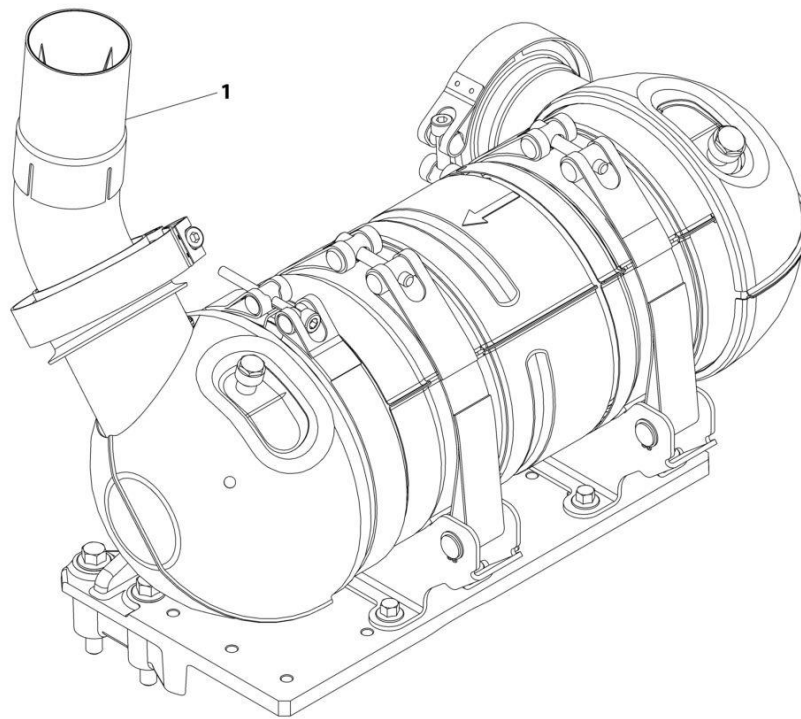
## SECTION 3 - ENGINE

**FIGURE 3-49. SPARK ARRESTOR MUFFLER INSTALLATION - DEUTZ D2011 ENGINES**

| ITEM | PART NUMBER            | QTY      | DESCRIPTION  | REV |
|------|------------------------|----------|--|-----|
|      | 1001257283<br>See Note | Ref<br>1 | MUFFLER INSTALLATION SPARK ARRESTOR<br>Muffler, (Note: Use P/N 1001257283) | A   |

## SECTION 3 - ENGINE

FIGURE 3-50. SPARK ARRESTOR MUFFLER INSTALLATION - DEUTZ TD2.9L4 ENGINES



ART\_1001145750

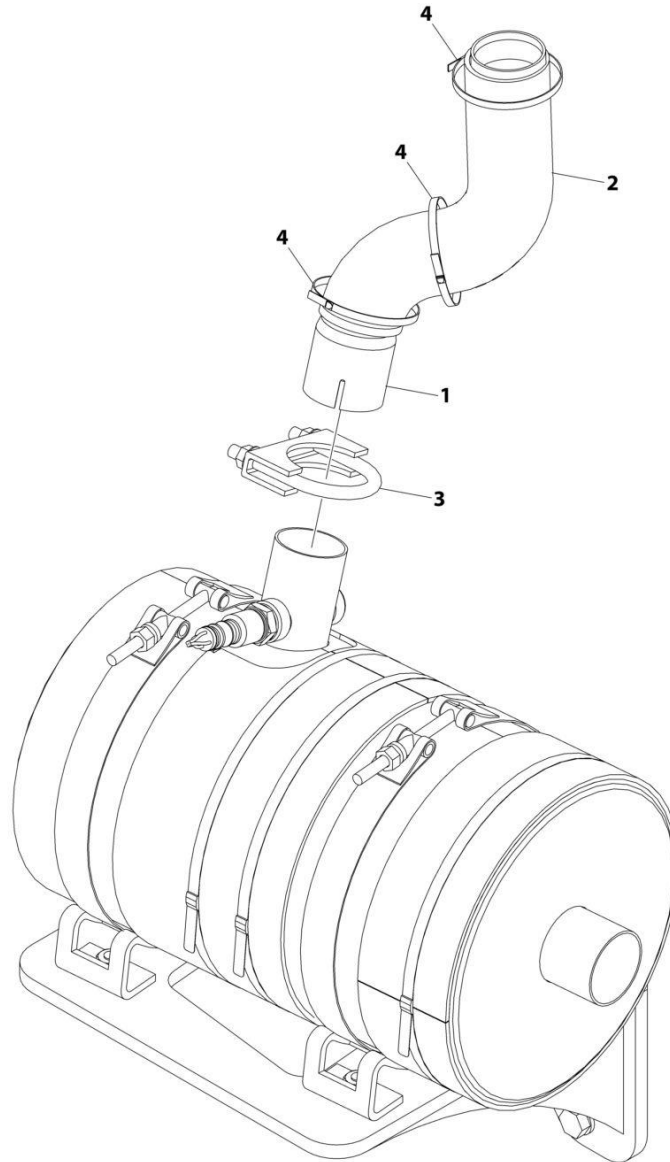
## SECTION 3 - ENGINE

**FIGURE 3-50. SPARK ARRESTOR MUFFLER INSTALLATION - DEUTZ TD2.9L4 ENGINES**

| ITEM | PART NUMBER | QTY | DESCRIPTION                       | REV |
|------|-------------|-----|-----------------------------------|-----|
| 1    | 1001145750  | Ref | EXHAUST PIPE INSTALLATION         | B   |
|      | 1001145751  | 1   | Pipe, Exhaust with Spark Arrester |     |

## SECTION 3 - ENGINE

FIGURE 3-51. SPARK ARRESTOR MUFFLER INSTALLATION - FORD ENGINES



ART\_1001219906



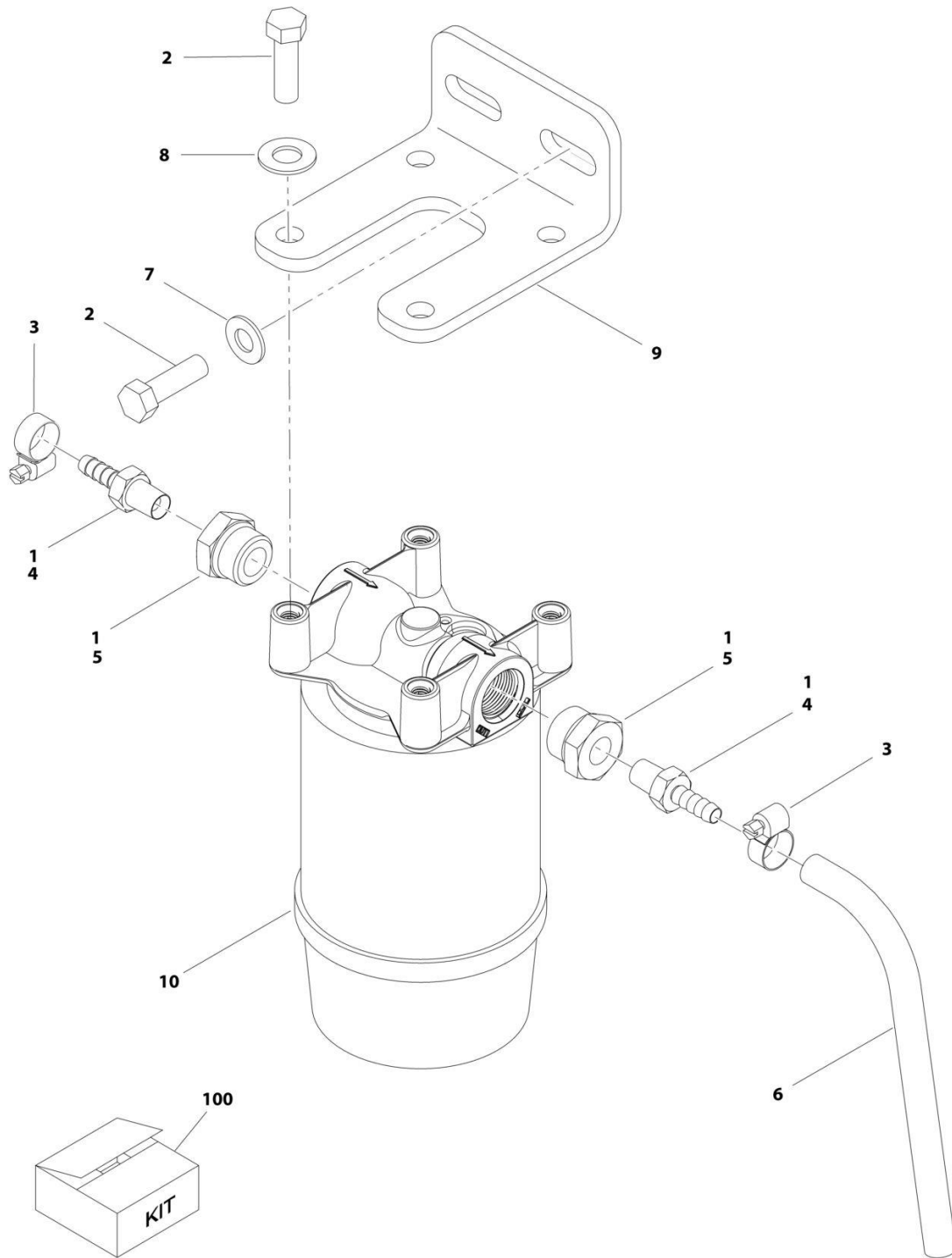
## SECTION 3 - ENGINE

**FIGURE 3-51. SPARK ARRESTOR MUFFLER INSTALLATION - FORD ENGINES**

| ITEM | PART NUMBER | QTY | DESCRIPTION               | REV |
|------|-------------|-----|---------------------------|-----|
|      | 1001219906  | Ref | EXHAUST PIPE INSTALLATION | B   |
| 1    | 1001217477  | 1   | Tail Pipe                 |     |
| 2    | 1001218089  | 1   | Insulate                  |     |
| 3    | 1001221397  | 1   | Clamp                     |     |
| 4    | 1001100825  | 3   | Strap                     |     |

# SECTION 3 - ENGINE

## FIGURE 3-52. FUEL-WATER SEPARATOR INSTALLATION - DEUTZ D2011 ENGINES



ART\_1001199733

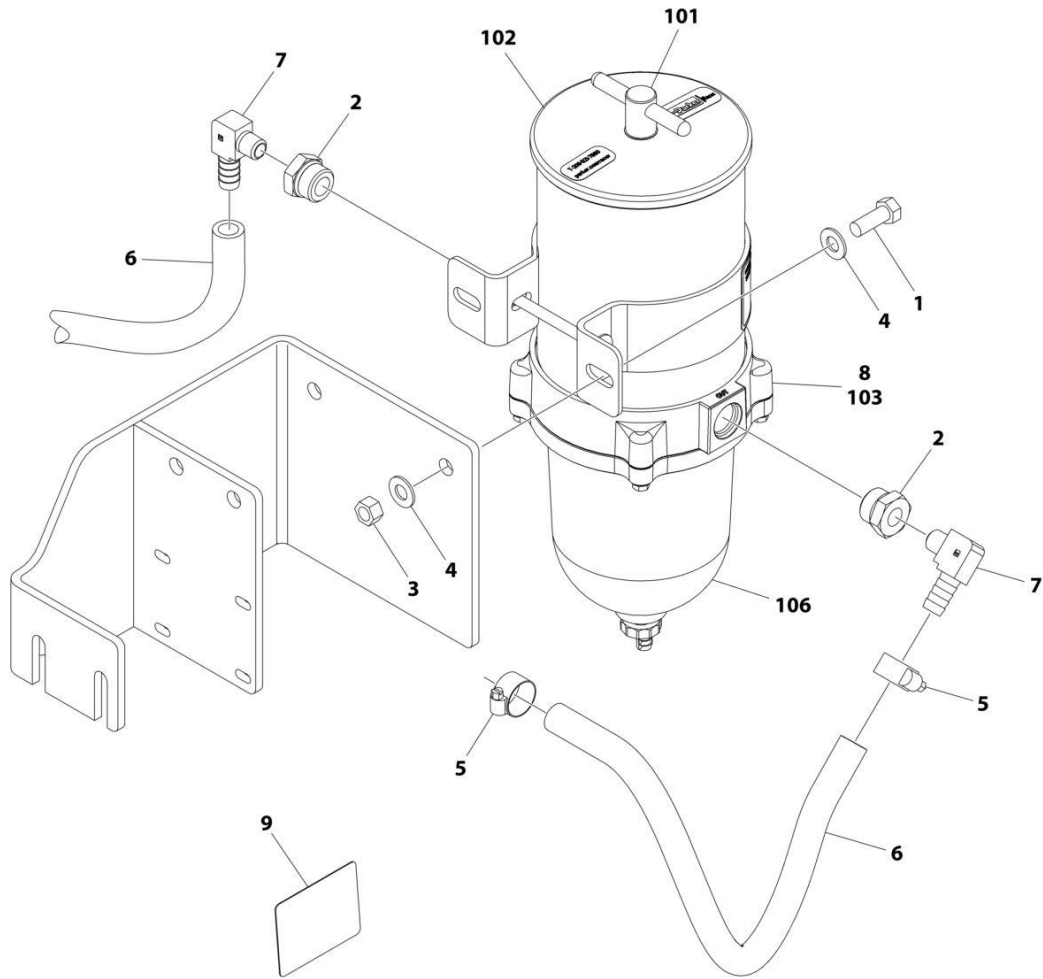
## SECTION 3 - ENGINE

**FIGURE 3-52. FUEL-WATER SEPARATOR INSTALLATION - DEUTZ D2011 ENGINES**

| ITEM | PART NUMBER | QTY            | DESCRIPTION   | REV |
|------|-------------|----------------|---|-----|
|      | 1001199733  | Ref            | FUEL-WATER SEPARATOR INSTALLATION - DEUTZ TD2011 (OPTIONAL) | A   |
| 1    | 0100079     | 1              | Sealant   |     |
| 2    | 0641610     | 6              | Bolt 3/8 X 1-1/4  |     |
| 3    | 1320022     | 2              | Clamp   |     |
| 4    | 2180348     | 2              | Fitting, Straight   |     |
| 5    | 2220816     | 2              | Fitting, Straight   |     |
| 6    | 2720058     | 35 in/<br>89cm | Hose  |     |
| 7    | 4711600     | 2              | Washer 3/8  |     |
| 8    | 4711700     | 4              | Washer 7/16   |     |
| 9    | 1001188884  | 1              | Bracket   |     |
| 10   | 1001188887  | 1              | Fuel/Water Separator Assembly                               |     |
| 10   | 1001202280  | 1              | Head  |     |
| 10   | 1001202281  | 1              | Element   |     |
| 100  | 1001204667  | 1              | Water/Separator Add-On Kit                                  |     |

# SECTION 3 - ENGINE

## FIGURE 3-53. FUEL-WATER SEPARATOR INSTALLATION - DEUTZ TD2.9L4 ENGINES



NOTE : LOCATED ON HOOD

ART\_1001230032

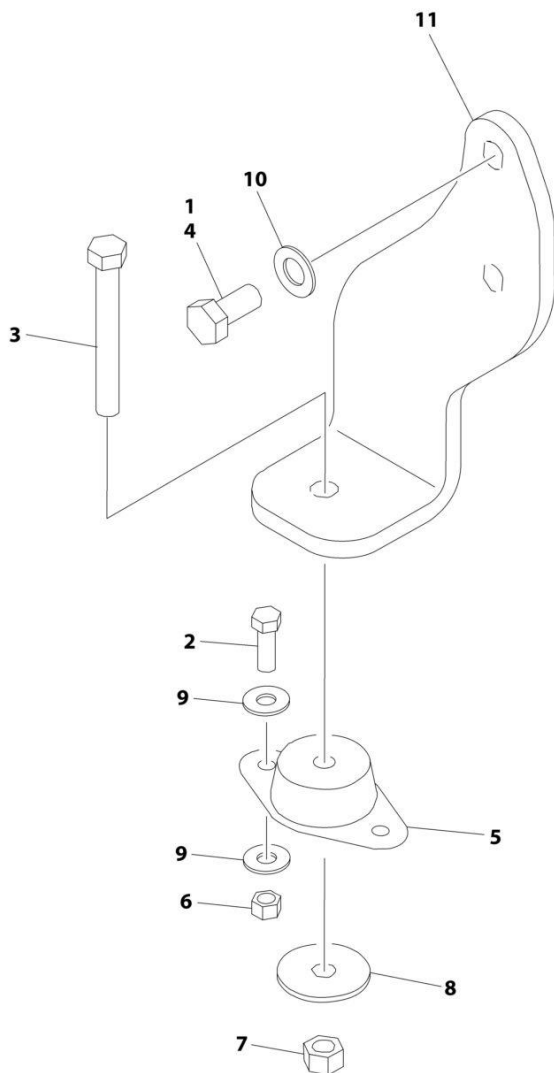
## SECTION 3 - ENGINE

**FIGURE 3-53. FUEL-WATER SEPARATOR INSTALLATION - DEUTZ TD2.9L4 ENGINES**

| ITEM | PART NUMBER | QTY             | DESCRIPTION  | REV |
|------|-------------|-----------------|--|-----|
|      | 1001230032  | Ref             | FUEL FILTER INSTALLATION                               | A   |
| 1    | 0641608     | 2               | Bolt 3/8 x 1   |     |
| 2    | 2220816     | 2               | Fitting, Straight NPT                                  |     |
| 3    | 3311605     | 2               | Nut 3/8  |     |
| 4    | 4711600     | 4               | Washer 3/8   |     |
| 5    | 8405006     | 2               | Clamp  |     |
| 6    | 1001154405  | 54 in/<br>1.65m | Hose   |     |
| 7    | 1001178797  | 2               | Fitting, 90  |     |
| 8    | 1001222817  | 1               | Fuel Filter Assembly (See Items 101-107 for Breakdown) |     |
| 9    | 1001226923  | 1               | Decal - Fuel Water Separator                           |     |
|      | 1001222817  | Ref             | FUEL FILTER ASSEMBLY                                   |     |
| 101  | 70006403    | 1               | T-Handle Kit (Includes O-Ring)                         |     |
| 102  | 70006404    | 1               | Lid Kit (Includes Gasket)                              |     |
| 103  | 70006405    | 1               | Element  |     |
| 104  | 70006406    | 1               | Checkball & Gasket Kit (Not Shown)                     |     |
| 105  | 70006407    | 1               | Centrifuge and Baffle Kit (Not Shown)                  |     |
| 106  | 70006409    | 1               | Bowl Kit (Includes Gasket, O-Ring and Drain)           |     |
| 106  | 70006408    | 1               | Gasket, Bowl   |     |
| 107  | 70006410    | 1               | Bowl Ring Kit (Includes Gasket & Hardware) (Not Shown) |     |

# SECTION 3 - ENGINE

## FIGURE 3-54. RIGHT ENGINE SUPPORT INSTALLATION (DEUTZ D2011 ENGINES MACHINES WITHOUT GENERATORS)



ART\_1001151253

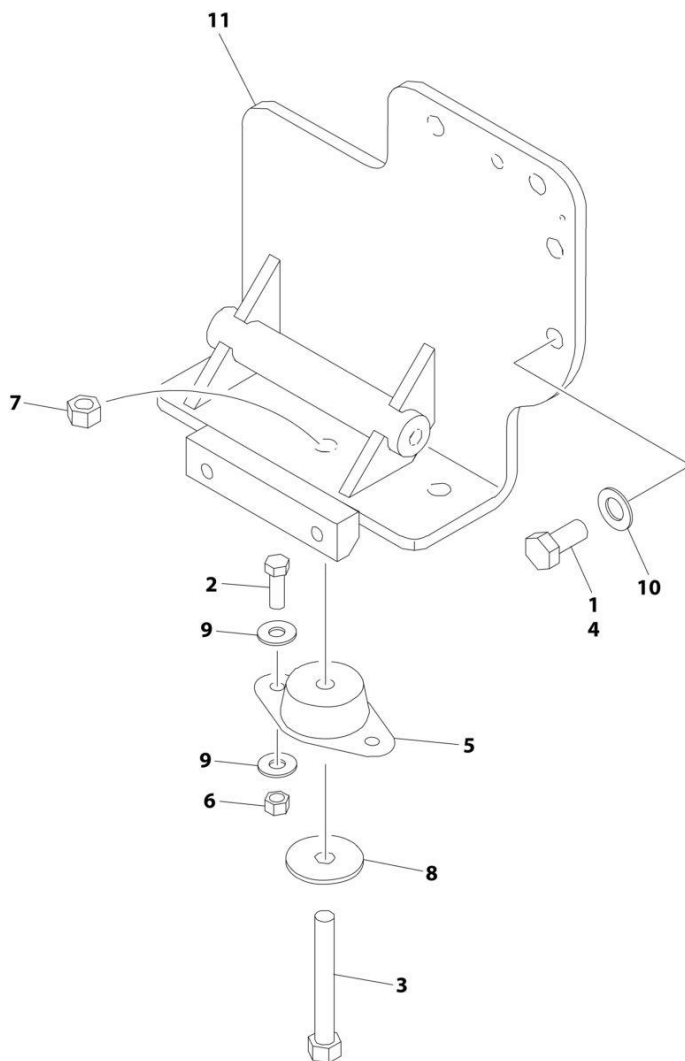
## SECTION 3 - ENGINE

**FIGURE 3-54. RIGHT ENGINE SUPPORT INSTALLATION (DEUTZ D2011 ENGINES MACHINES WITHOUT GENERATORS)**

| ITEM | PART NUMBER | QTY | DESCRIPTION                       | REV |
|------|-------------|-----|-----------------------------------|-----|
|      | 1001151253  | Ref | RIGHT ENGINE SUPPORT INSTALLATION | A   |
| 1    | 0100011     | AR  | Compound, Locking                 |     |
| 2    | 0641609     | 2   | Bolt 3/8 x 1-1/8                  |     |
| 3    | 0641820     | 1   | Bolt 1/2 x 2-1/2                  |     |
| 4    | 0711414     | 2   | Bolt M14 x 30 Grade 10.9          |     |
| 5    | 3200401     | 1   | Mount, Motor                      |     |
| 6    | 3311605     | 2   | Nut 3/8                           |     |
| 7    | 3311805     | 1   | Nut 1/2                           |     |
| 8    | 4740274     | 1   | Washer                            |     |
| 9    | 4751600     | 4   | Washer 3/8                        |     |
| 10   | 4812200     | 2   | Washer M14                        |     |
| 11   | 1001149703  | 1   | Support, Engine (Right Front)     |     |

# SECTION 3 - ENGINE

## FIGURE 3-55. RIGHT ENGINE SUPPORT INSTALLATION (DEUTZ D2011 ENGINES MACHINES WITH GENERATORS)



ART\_1001151252



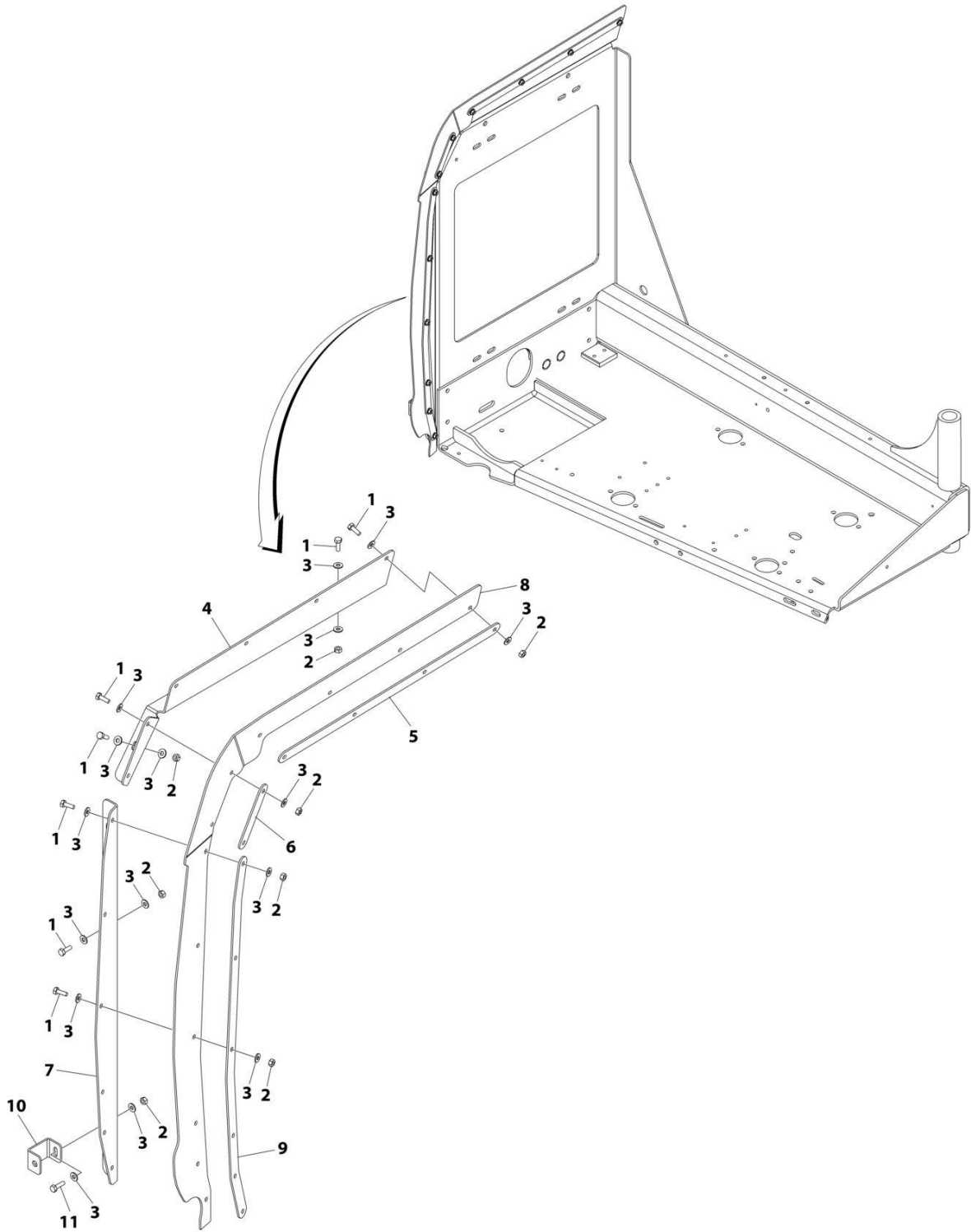
## SECTION 3 - ENGINE

**FIGURE 3-55. RIGHT ENGINE SUPPORT INSTALLATION (DEUTZ D2011 ENGINES MACHINES WITH GENERATORS)**

| ITEM | PART NUMBER | QTY | DESCRIPTION                       | REV |
|------|-------------|-----|-----------------------------------|-----|
|      | 1001151252  | Ref | RIGHT ENGINE SUPPORT INSTALLATION | B   |
| 1    | 0100011     | AR  | Compound, Locking                 |     |
| 2    | 0641609     | 2   | Bolt 3/8 x 1-1/8                  |     |
| 3    | 0641818     | 1   | Bolt 1/2 x 2-1/2                  |     |
| 4    | 0711414     | 3   | Bolt M14 x 30 Grade 10.9          |     |
| 5    | 3200401     | 1   | Mount, Motor                      |     |
| 6    | 3311605     | 2   | Nut 3/8                           |     |
| 7    | 3311805     | 1   | Nut 1/2                           |     |
| 8    | 4740274     | 1   | Washer                            |     |
| 9    | 4751600     | 4   | Washer 3/8                        |     |
| 10   | 4812200     | 3   | Washer M14                        |     |
| 11   | 1001150890  | 1   | Support, Engine (Right Front)     |     |

# SECTION 3 - ENGINE

**FIGURE 3-56. ENGINE HOOD Baffle INSTALLATION - DEUTZ TD2.9L4 ENGINES, DEUTZ TD2.9L4 (STAGE V PRE-BUY) ENGINES AND DEUTZ TD2.9L4 (STAGE V) ENGINES WITH ABS HOODS**



ART\_1001143484

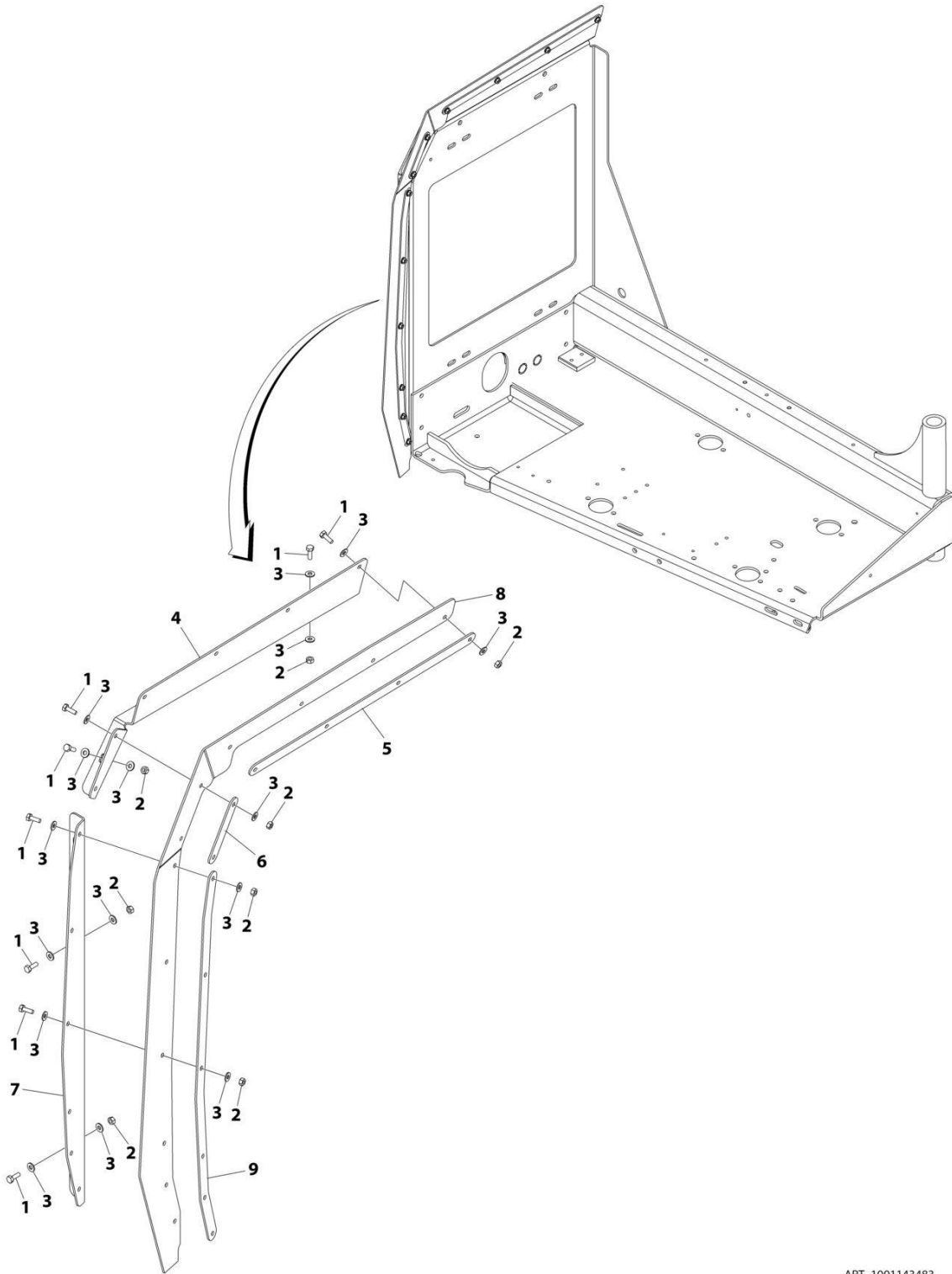
## SECTION 3 - ENGINE

**FIGURE 3-56. ENGINE HOOD Baffle INSTALLATION - DEUTZ TD2.9L4 ENGINES, DEUTZ TD2.9L4 (STAGE V PRE-BUY) ENGINES AND DEUTZ TD2.9L4 (STAGE V) ENGINES WITH ABS HOODS**

| ITEM | PART NUMBER | QTY | DESCRIPTION                      | REV |
|------|-------------|-----|----------------------------------|-----|
|      | 1001143484  | Ref | BAFFLES INSTALLATION (ABS HOODS) | C   |
| 1    | 0641406     | 18  | Bolt 1/4 x 3/4                   |     |
| 2    | 3311405     | 19  | Nut 1/4                          |     |
| 3    | 4711400     | 38  | Washer 1/4                       |     |
| 4    | 1001174745  | 1   | Bracket                          |     |
| 5    | 1001142031  | 1   | Bracket                          |     |
| 6    | 1001142032  | 1   | Bracket                          |     |
| 7    | 1001143449  | 1   | Bracket                          |     |
| 8    | 1001195967  | 1   | Baffle                           |     |
| 9    | 1001143525  | 1   | Bracket                          |     |
| 10   | 1001143860  | 1   | Bracket, Bumper                  |     |
| 11   | 0641407     | 1   | Bolt 1/4 x 78                    |     |

# SECTION 3 - ENGINE

## FIGURE 3-57. ENGINE HOOD Baffle INSTALLATION - DEUTZ TD2.9L4 ENGINES WITH STEEL HOODS



ART\_1001143483

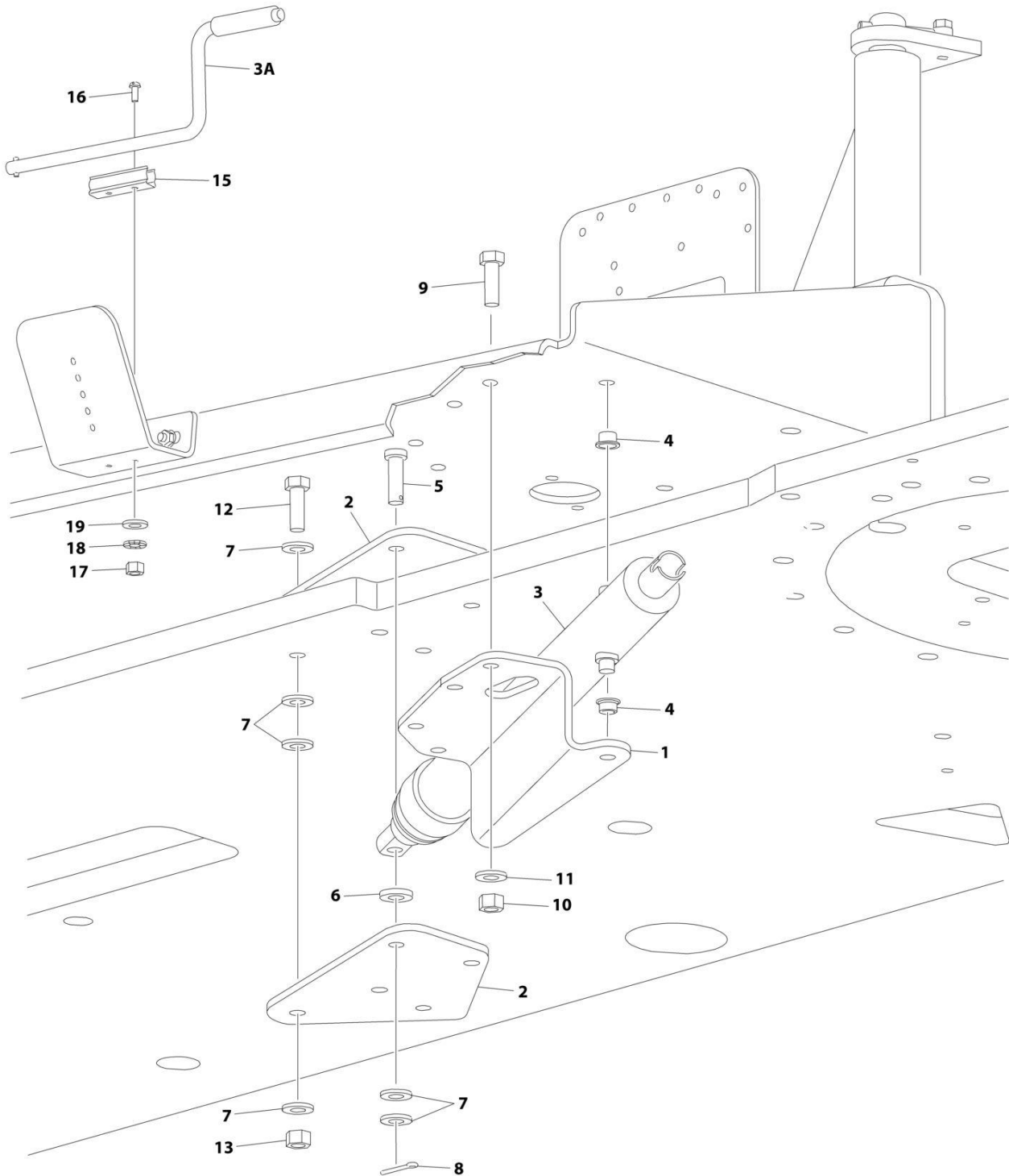
## SECTION 3 - ENGINE

**FIGURE 3-57. ENGINE HOOD Baffle INSTALLATION - DEUTZ TD2.9L4 ENGINES WITH STEEL HOODS**

| ITEM | PART NUMBER | QTY | DESCRIPTION                        | REV |
|------|-------------|-----|------------------------------------|-----|
|      | 1001143483  | Ref | BAFFLES INSTALLATION (STEEL HOODS) | B   |
| 1    | 0641406     | 19  | Bolt 1/4 x 3/4                     |     |
| 2    | 3311405     | 19  | Nut 1/4                            |     |
| 3    | 4711400     | 38  | Washer 1/4                         |     |
| 4    | 1001174745  | 1   | Bracket                            |     |
| 5    | 1001142031  | 1   | Bracket                            |     |
| 6    | 1001142032  | 1   | Bracket                            |     |
| 7    | 1001143449  | 1   | Bracket                            |     |
| 8    | 1001174746  | 1   | Baffle                             |     |
| 9    | 1001143525  | 1   | Bracket                            |     |

# SECTION 3 - ENGINE

## FIGURE 3-58. ENGINE TRAY JACK INSTALLATION - DEUTZ ENGINES



ART\_0258728

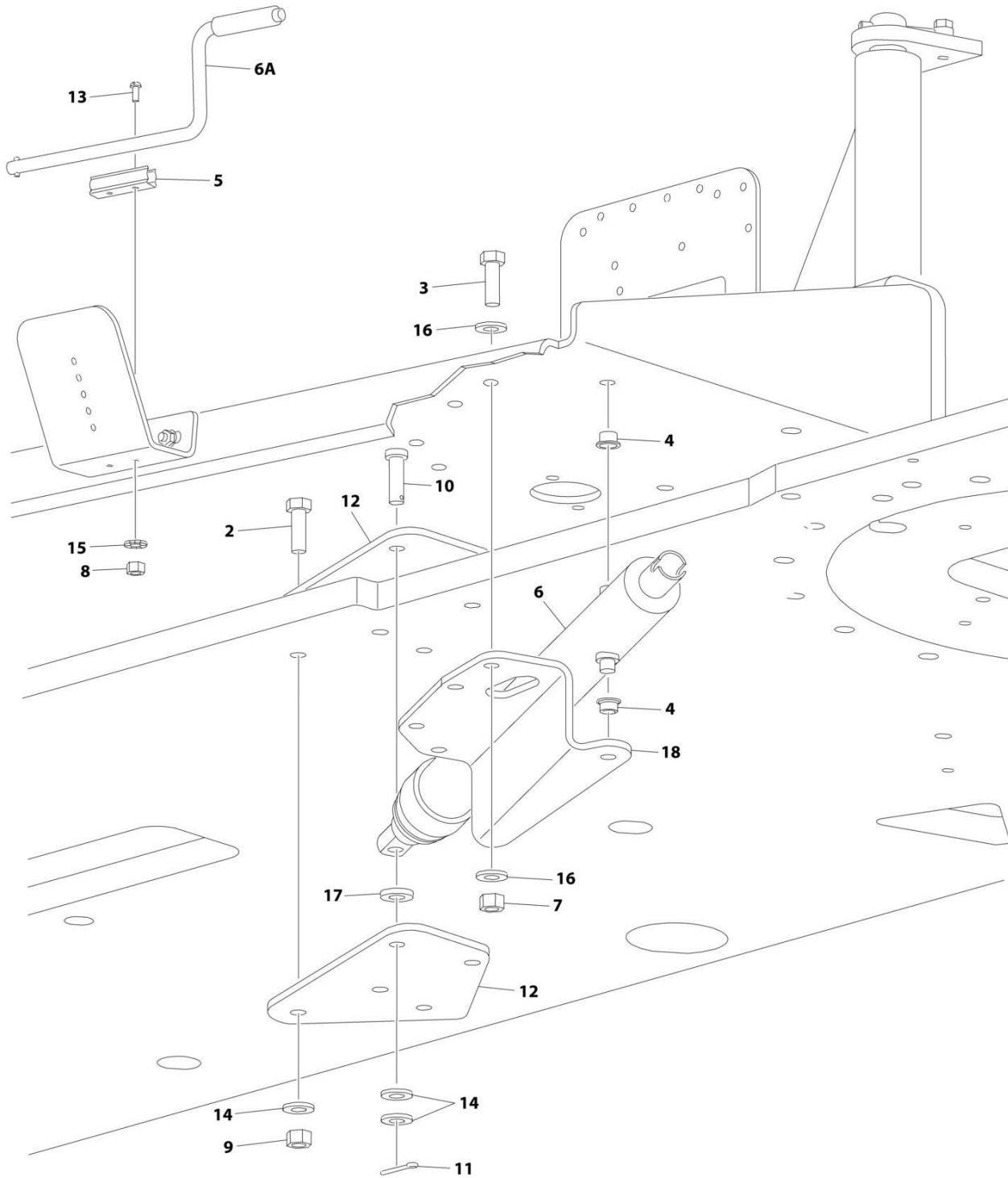
## SECTION 3 - ENGINE

**FIGURE 3-58. ENGINE TRAY JACK INSTALLATION - DEUTZ ENGINES**

| ITEM | PART NUMBER | QTY | DESCRIPTION                   | REV |
|------|-------------|-----|-------------------------------|-----|
|      | 0258728     | Ref | ENGINE TRAY JACK INSTALLATION | 2-C |
| 1    | 3537445     | 1   | Bracket                       |     |
| 2    | 3537446     | 2   | Bracket                       |     |
| 3    | 2840016     | 1   | Jack and Handle Assembly      | F   |
| 3A   | 7024598     | 1   | Handle                        |     |
| 4    | 0962051     | 2   | Bearing, Flange               |     |
| 5    | 3430816     | 1   | Pin, Clevis                   |     |
| 6    | 4891800     | 1   | Washer 1/2                    |     |
| 7    | 4711800     | 6   | Washer 1/2                    |     |
| 8    | 3450404     | 1   | Pin, Cotter 1/8 x 1           |     |
| 9    | 0641609     | 4   | Bolt 3/8 x 1-1/8              |     |
| 10   | 3311605     | 4   | Nut 3/8                       |     |
| 11   | 4891600     | 4   | Washer 3/8                    |     |
| 12   | 0641818     | 4   | Bolt 1/2 x 2-1/4              |     |
| 13   | 3311805     | 4   | Nut 1/2                       |     |
| 15   | 1380147     | 1   | Clip, Spring                  |     |
| 16   | 3910608     | 2   | Screw #6 x 1                  |     |
| 17   | 3310601     | 2   | Nut #6                        |     |
| 18   | 4770600     | 2   | Washer #6                     |     |
| 19   | 4740119     | 2   | Washer                        |     |

# SECTION 3 - ENGINE

## FIGURE 3-59. ENGINE TRAY JACK INSTALLATION - FORD ENGINES



ART\_1001219881



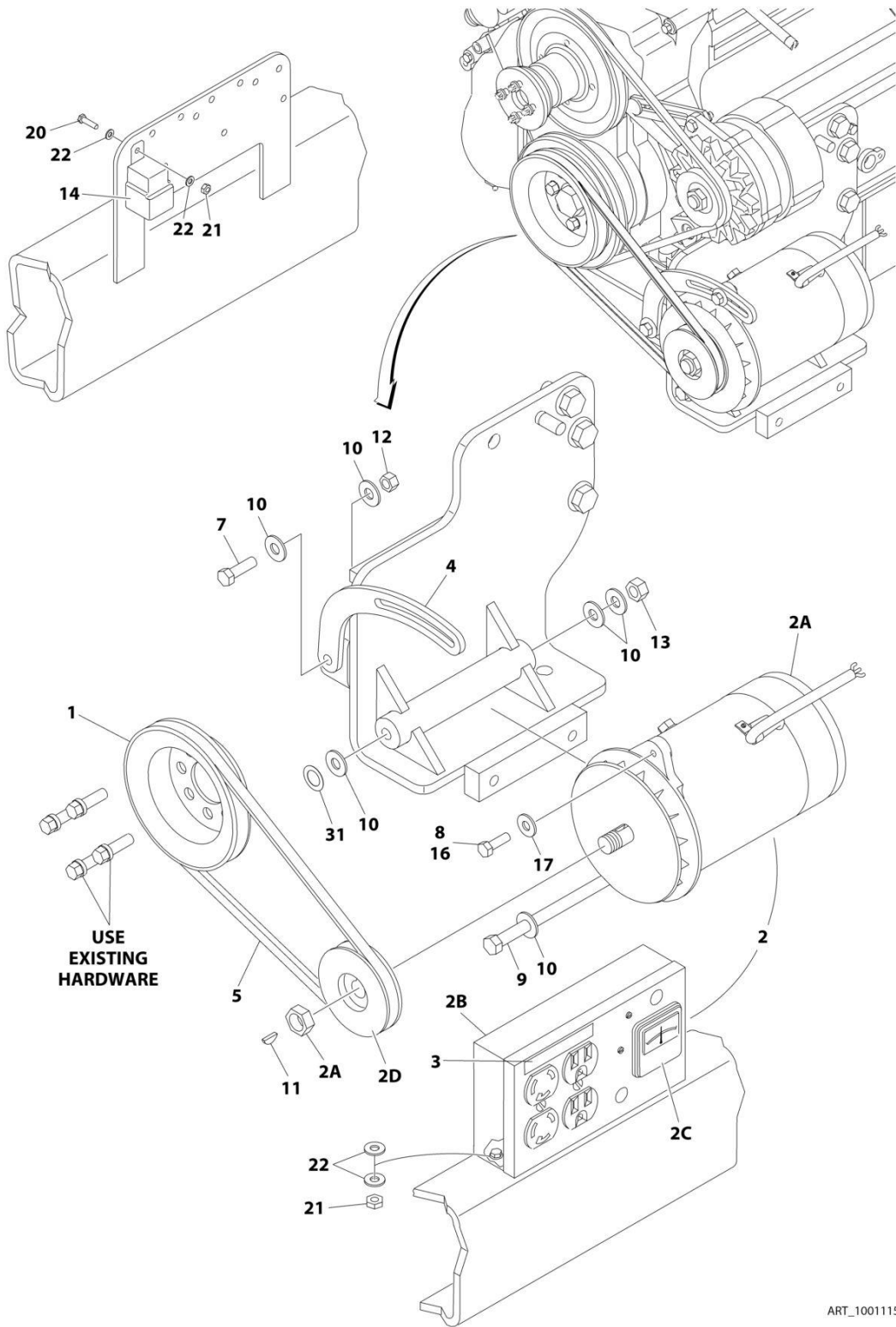
## SECTION 3 - ENGINE

**FIGURE 3-59. ENGINE TRAY JACK INSTALLATION - FORD ENGINES**

| ITEM | PART NUMBER | QTY | DESCRIPTION                   | REV |
|------|-------------|-----|-------------------------------|-----|
|      | 1001219881  | Ref | ENGINE TRAY JACK INSTALLATION | B   |
| 2    | 0641818     | 4   | Bolt 1/2 x 2-1/4              |     |
| 3    | 0761014     | 3   | Bolt M10 x 30                 |     |
| 4    | 0962051     | 2   | Bearing, Flange               |     |
| 5    | 1380147     | 1   | Clip, Spring                  |     |
| 6    | 2840016     | 1   | Jack and Handle Assembly      | F   |
| 6A   | 7024598     | 1   | Handle                        |     |
| 7    | 3291007     | 3   | Nut M10                       |     |
| 8    | 3310601     | 2   | Nut #6-32                     |     |
| 9    | 3311805     | 4   | Nut 1/2-13                    |     |
| 10   | 3430816     | 1   | Pin, Clevis                   |     |
| 11   | 3450404     | 1   | Pin, Cotter 1/8 x 1           |     |
| 12   | 3537446     | 2   | Bracket                       |     |
| 13   | 3910608     | 2   | Screw #6-32 x 1               |     |
| 14   | 4711800     | 6   | Washer 1/2                    |     |
| 15   | 4770600     | 2   | Washer #6                     |     |
| 16   | 4812000     | 6   | Washer M10                    |     |
| 17   | 4891800     | 1   | Washer 1/2                    |     |
| 18   | 1001218547  | 1   | Bracket                       |     |

# SECTION 3 - ENGINE

## FIGURE 3-60. 2500W/110V/60HZ GENERATOR INSTALLATION - DEUTZ D2011 ENGINES



ART\_1001115405

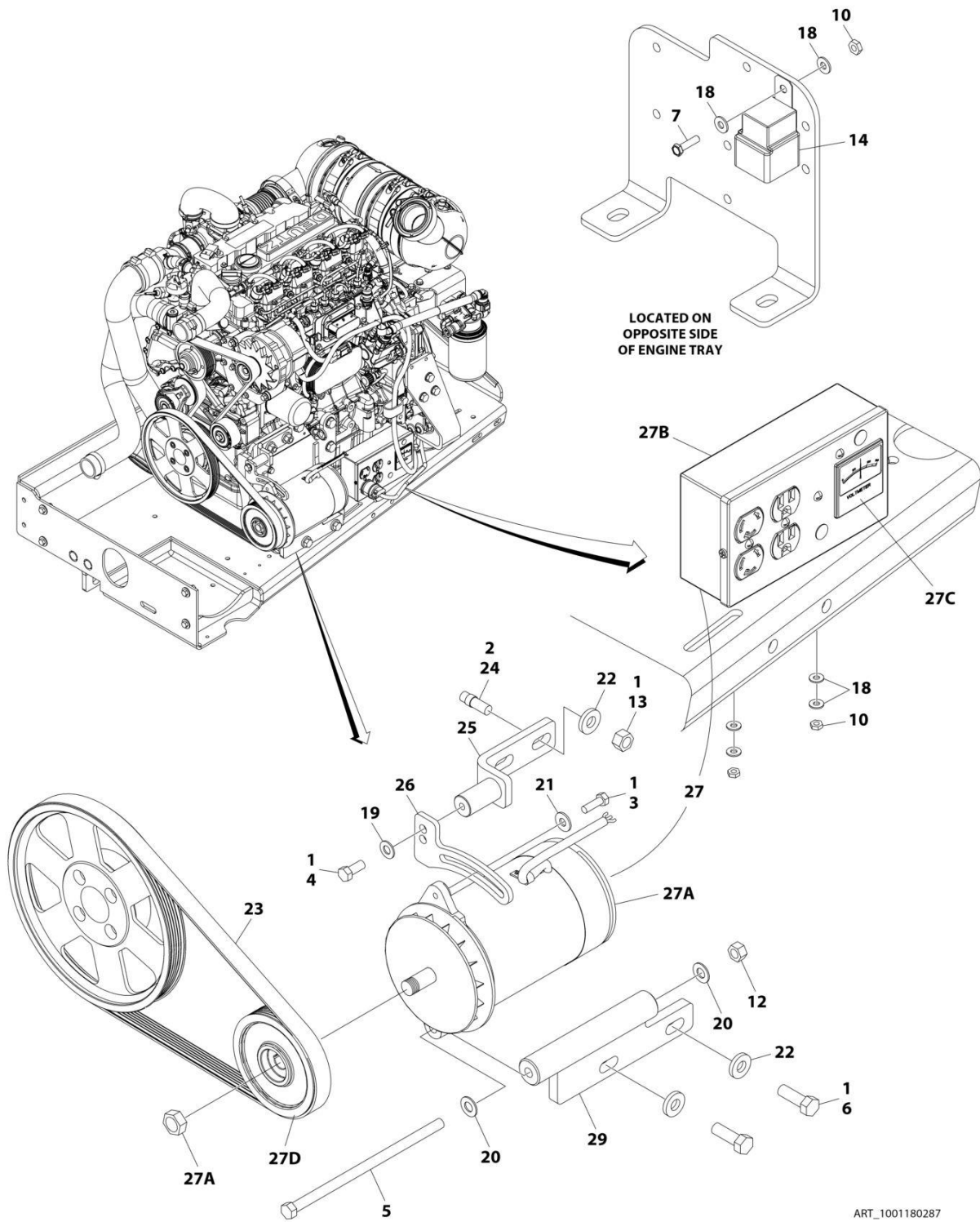
## SECTION 3 - ENGINE

**FIGURE 3-60. 2500W/110V/60HZ GENERATOR INSTALLATION - DEUTZ D2011 ENGINES**

| ITEM | PART NUMBER | QTY        | DESCRIPTION   | REV |
|------|-------------|------------|---|-----|
|      | 1001115405  | Ref        | 2500W GENERATOR INSTALLATION - 110V/60Hz  | B   |
| 1    | 3580158     | 1          | Pulley  |     |
| 2    | 2460055     | 1          | Generator and Control Box Assembly:   |     |
| 2A   | 7012558     | 1          | Generator Only - 110V/60Hz  |     |
| 2A   |             | Ref        | Note: Replacement Generators come standard with p/n 3580134 pulley. This pulley may not be correct for all applications. Refer to pulley options below. |     |
| 2A   | 7026199     | 1          | Armature with Slip Rings  |     |
| 2A   | 7012513     | 4          | Cap, Brush Holder   |     |
| 2A   | 7020108     | 4          | Brush   |     |
| 2A   | 7020109     | 4          | Holder, Brush   |     |
| 2A   | 7012514     | 1          | Fan   |     |
| 2A   | 7020110     | 1          | Bell, Front   |     |
| 2A   | 7020111     | 1          | Bell, Rear  |     |
| 2A   | 7020190     | 1          | Bearing   |     |
| 2B   | 7019680     | 1          | Box, Control  |     |
| 2B   |             | Ref        | Receptacle Options:   |     |
| 2B   | 4460190     | 1          | Receptacle, Standard  |     |
| 2B   | 4460027     | 1          | Receptacle, Twistlock   |     |
| 2B   | 4360542     | 1          | Breaker, Circuit  |     |
| 2B   | 3520028     | 1          | Plug, Hole  |     |
| 2C   | 2420203     | 1          | Voltmeter   |     |
| 2D   | 3580276     | 1          | Pulley  |     |
| 2D   | 7027887     | 1          | Key, Woodruff   |     |
| 3    | 3251243     | 1          | Decal - 110V/60Hz   |     |
| 4    | 0200742     | 1          | Arm, Adjusting  |     |
| 5    | 0480121     | 1          | V-Belt  |     |
| 7    | 0641610     | 1          | Bolt 3/8 x 1-1/4  |     |
| 8    | 0100011     | AR         | Compound, Locking   |     |
| 9    | 0641772     | 1          | Bolt 7/16 x 9   |     |
| 10   | 4751600     | 6          | Washer 3/8  |     |
| 11   | 2860012     | 1          | Key, Woodruff   |     |
| 12   | 3311605     | 1          | Nut 3/8   |     |
| 13   | 3311705     | 1          | Nut 7/16  |     |
| 14   | 3740080     | 1          | Relay   |     |
| 16   | 0641508     | 1          | Bolt 5/16 x 1   |     |
| 17   | 4751500     | AR         | Washer 5/16   |     |
| 18   | 1001112588  | 1          | Wiring Diagram Components (Not Shown)   |     |
| 18   | 1001112589  | 1          | Generator Harness (Not Shown)   |     |
| 18   | 4922641     | 1          | Generator ON/OFF Switch Harness (Not Shown - Located at Platform)   |     |
| 20   | 0721006     | AR         | Bolt #10 x 3/4  |     |
| 21   | 3311005     | 3          | Nut #10   |     |
| 22   | 4751000     | AR         | Washer #10  |     |
| 25   | 4360336     | 1          | Switch, Toggle (Not Shown - Located at Platform)  |     |
| 26   | 4740397     | 1          | Bushing (Not Shown - Located at Platform)   |     |
| 27   | 4060802     | 1          | Guard, Switch (Not Shown - Located at Platform)   |     |
| 29   | 2820031     | 4 in/ 10cm | Heat Shrink (Not Shown - Located at Platform)   |     |
| 30   | 3251102     | 1          | Decal (Not Shown - Located at Platform)   |     |
| 31   | 4070585     | AR         | Shim  |     |

# SECTION 3 - ENGINE

## FIGURE 3-61. 2500W/110V/60HZ GENERATOR INSTALLATION - DEUTZ TD2.9L4 ENGINES



ART\_1001180287

## SECTION 3 - ENGINE

**FIGURE 3-61. 2500W/110V/60HZ GENERATOR INSTALLATION - DEUTZ TD2.9L4 ENGINES**

| ITEM | PART NUMBER | QTY | DESCRIPTION   | REV |
|------|-------------|-----|---|-----|
|      | 1001180287  | Ref | 2500W GENERATOR INSTALLATION - DEUTZ TD2.9L4 (OPTIONAL)   | C   |
| 1    | 0100011     | AR  | Compound, Locking   |     |
| 2    | 0100019     | AR  | Compound, Locking   |     |
| 3    | 0641508     | 1   | Bolt 5/16 x 1   |     |
| 4    | 0641607     | 1   | Bolt 3/8 x 7/8  |     |
| 5    | 0641772     | 1   | Bolt 7/16 x 9   |     |
| 6    | 0641812     | 2   | Bolt 1/2 x 1-1/2  |     |
| 7    | 0721006     | 1   | Screw #10 x 3/4   |     |
| 8    | 2820031     | AR  | Heat Shrink (Not Shown - Located at Platform)   |     |
| 9    | 3251102     | 1   | Name Plate - Generator On (Not Shown - Located at Platform)   |     |
| 10   | 3311005     | 3   | Nut #10   |     |
| 12   | 3311705     | 1   | Nut 7/16  |     |
| 13   | 3311801     | 2   | Nut 1/2   |     |
| 14   | 3740080     | 1   | Relay   |     |
| 15   | 4060802     | 1   | Guard, Switch (Not Shown - Located at Platform)   |     |
| 16   | 4240018     | AR  | Strap, Cable Tie (Not Shown)  |     |
| 17   | 4360336     | 1   | Switch, Toggle (Not Shown - Located at Platform)  |     |
| 18   | 4711000     | 6   | Washer #10  |     |
| 19   | 4711600     | 1   | Washer 3/8  |     |
| 20   | 4711700     | 2   | Washer 7/16   |     |
| 21   | 4751500     | 1   | Washer 5/16   |     |
| 22   | 4891800     | 4   | Washer 1/2  |     |
| 23   | 1001148138  | 1   | V-Belt  |     |
| 24   | 1001163599  | 2   | Stud  |     |
| 25   | 1001216015  | 1   | Bracket   |     |
| 26   | 1001179837  | 1   | Arm, Adjustment   |     |
| 27   | 1001180001  | 1   | Generator and Control Box Assembly  |     |
| 27A  | 7012558     | 1   | Generator Only - 110V/60Hz  |     |
| 27A  |             | Ref | Note: Replacement Generators come standard with p/n 3580134 pulley. This pulley may not be correct for all applications. Refer to pulley options below. |     |
| 27A  | 7026199     | 1   | Armature with Slip Rings  |     |
| 27A  | 7012513     | 4   | Cap, Brush Holder   |     |
| 27A  | 7020108     | 4   | Brush   |     |
| 27A  | 7020109     | 4   | Holder, Brush   |     |
| 27A  | 7012514     | 1   | Fan   |     |
| 27A  | 7020110     | 1   | Bell, Front   |     |
| 27A  | 7020111     | 1   | Bell, Rear  |     |
| 27A  | 7020190     | 2   | Bearing   |     |
| 27B  | 7019680     | 1   | Box, Control - 110V/60Hz  |     |
| 27B  |             | Ref | Receptacle Options:   |     |
| 27B  | 4460190     | 1   | Receptacle, Standard (110V Only)  |     |
| 27B  | 4460027     | 1   | Receptacle, Twistlock (110V Only)   |     |
| 27B  | 4360542     | 1   | Breaker, Circuit  |     |
| 27B  | 3520028     | 1   | Plug, Hole  |     |
| 27C  | 2420203     | 1   | Voltmeter   |     |
| 27D  | 3580276     | 1   | Pulley  |     |
| 27D  | 7027887     | 1   | Key, Woodruff   |     |
| 28   |             | Ref | Wiring Diagram Components (Not Shown)   |     |

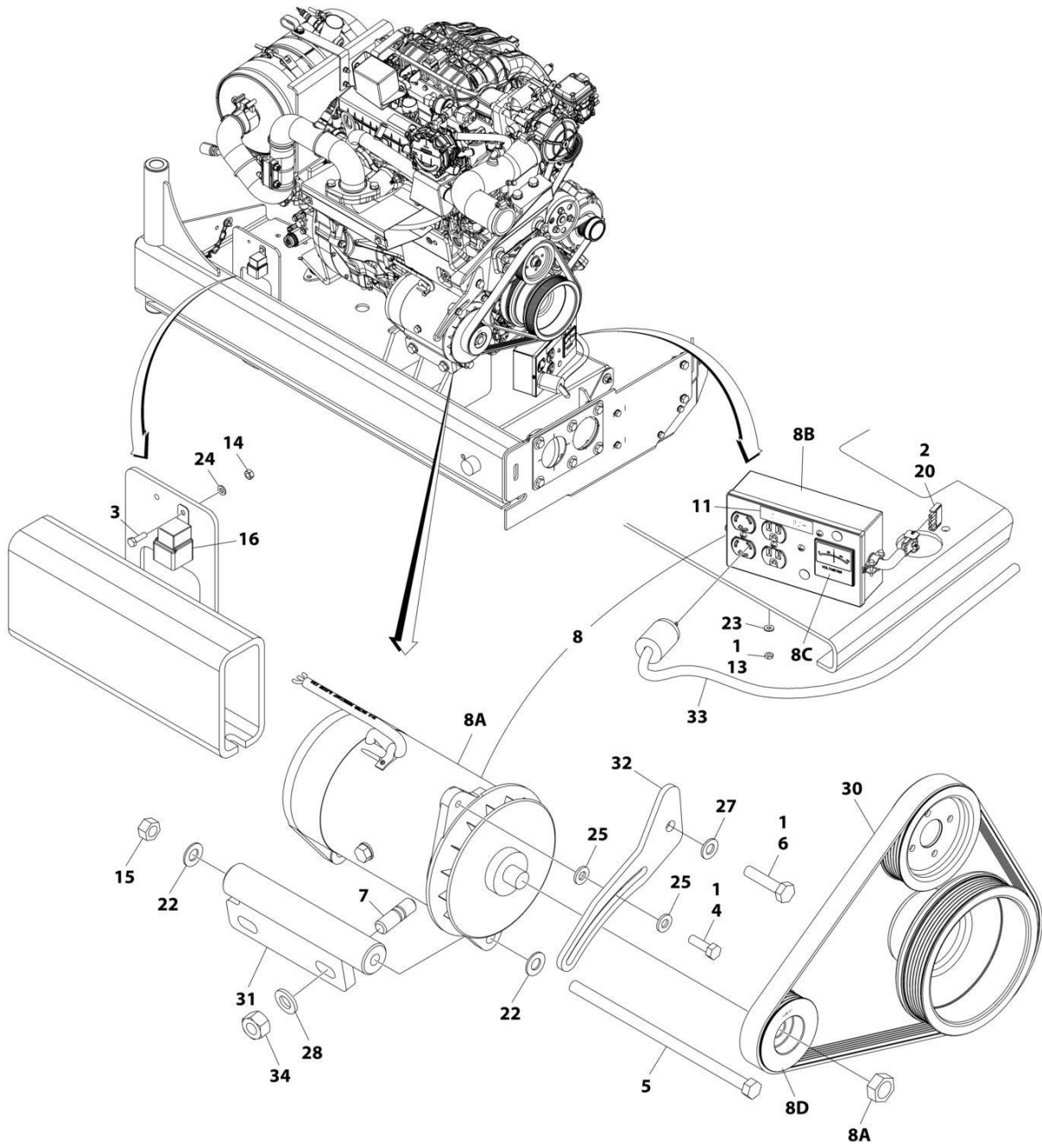
## SECTION 3 - ENGINE

| ITEM | PART NUMBER | QTY | DESCRIPTION   | REV |
|------|-------------|-----|---|-----|
| 28   | 4922641     | 1   | Generator On/Off Switch Harness (Not Shown - Located at Platform) |     |
| 28   | 1001180052  | 1   | Generator Harness (Not Shown)                                     |     |
| 29   | 1001181243  | 1   | Mount, Generator  |     |



# SECTION 3 - ENGINE

## FIGURE 3-62. 2500W/110V/60HZ GENERATOR INSTALLATION - FORD ENGINES



ART\_1001219619



## SECTION 3 - ENGINE

**FIGURE 3-62. 2500W/110V/60HZ GENERATOR INSTALLATION - FORD ENGINES**

| ITEM | PART NUMBER | QTY | DESCRIPTION   | REV |
|------|-------------|-----|---|-----|
|      | 1001219619  | Ref | 2500W GENERATOR INSTALLATION - FORD MACHINES (OPTIONAL)   | E   |
| 1    | 0100011     | AR  | Compound, Locking   |     |
| 2    | 0100048     | AR  | Grease, Dielectric  |     |
| 3    | 0760610     | 1   | Bolt M6 x 20  |     |
| 4    | 0641508     | 1   | Bolt 5/16 x 1   |     |
| 5    | 0641772     | 1   | Bolt 7/16 x 9   |     |
| 6    | 0761016     | 1   | Bolt M10 x 40   |     |
| 7    | 1001155041  | 1   | Stud  |     |
| 8    | 2460051     | 1   | Generator and Control Box Assembly  |     |
| 8A   | 7012558     | 1   | Generator Only - 110V/60Hz  |     |
|      |             | Ref | Note: Replacement Generators come standard with pin 3580134 pulley. This pulley may not be correct for all applications. Refer to pulley options below. |     |
| 8A   | 7026199     | 1   | Armature with Slip Rings  |     |
| 8A   | 7012513     | 4   | Cap, Brush Holder   |     |
| 8A   | 7020108     | 4   | Brush   |     |
| 8A   | 7020109     | 4   | Holder, Brush   |     |
| 8A   | 7012514     | 1   | Fan   |     |
| 8A   | 7020110     | 1   | Bell, Front   |     |
| 8A   | 7020111     | 1   | Bell, Rear  |     |
| 8A   | 7020190     | 2   | Bearing   |     |
| 8B   | 7019680     | 1   | Box, Control - 110V/60Hz  |     |
| 8B   |             | Ref | Receptacle Options:   |     |
| 8B   | 4460190     | 1   | Receptacle, Standard (110V Only)  |     |
| 8B   | 4460027     | 1   | Receptacle, Twistlock (110V Only)   |     |
| 8B   | 4360542     | 1   | Breaker, Circuit  |     |
| 8B   | 3520028     | 1   | Plug, Hole  |     |
| 8C   | 2420203     | 1   | Voltmeter   |     |
| 8D   | 3580324     | 1   | Pulley  |     |
| 8D   | 7027887     | 1   | Key, Woodruff   |     |
| 9    | 2820031     | 1   | Heat Shrink (Not Shown - Located at Platform)   |     |
| 10   | 3251102     | 1   | Nameplate Generator (Not Shown - Located at Platform)   |     |
| 11   | 3251243     | 1   | Decal - 120V-60Hz   |     |
| 13   | 3311005     | 2   | Nut #10   |     |
| 14   | 3290601     | 1   | Nut M6  |     |
| 15   | 3311705     | 1   | Nut 7/16  |     |
| 16   | 3740080     | 1   | Relay   |     |
| 17   | 4060802     | 1   | Guard Switch (Not Shown - Located at Platform)  |     |
| 18   | 4240099     | AR  | Tie-Strap (Not Shown)   |     |
| 19   | 4360336     | 1   | Switch, Toggle (Not Shown - Located at Platform)  |     |
| 20   | 4460321     | 1   | Plug, Male - 4 Position   |     |
| 22   | 4711700     | 2   | Washer 7/16   |     |
| 23   | 4751000     | 2   | Washer #10  |     |
| 24   | 4811700     | 1   | Washer M6   |     |
| 25   | 4891500     | 2   | Washer 5/16   |     |
| 27   | 4812000     | 1   | Washer M10  |     |
| 28   | 4812200     | 2   | Washer M14  |     |
| 29   |             | Ref | Wiring Diagram Components (Not Shown)   |     |
| 29   | 4922641     | 1   | Generator On/Off Switch Harness (Not Shown - Located at   |     |

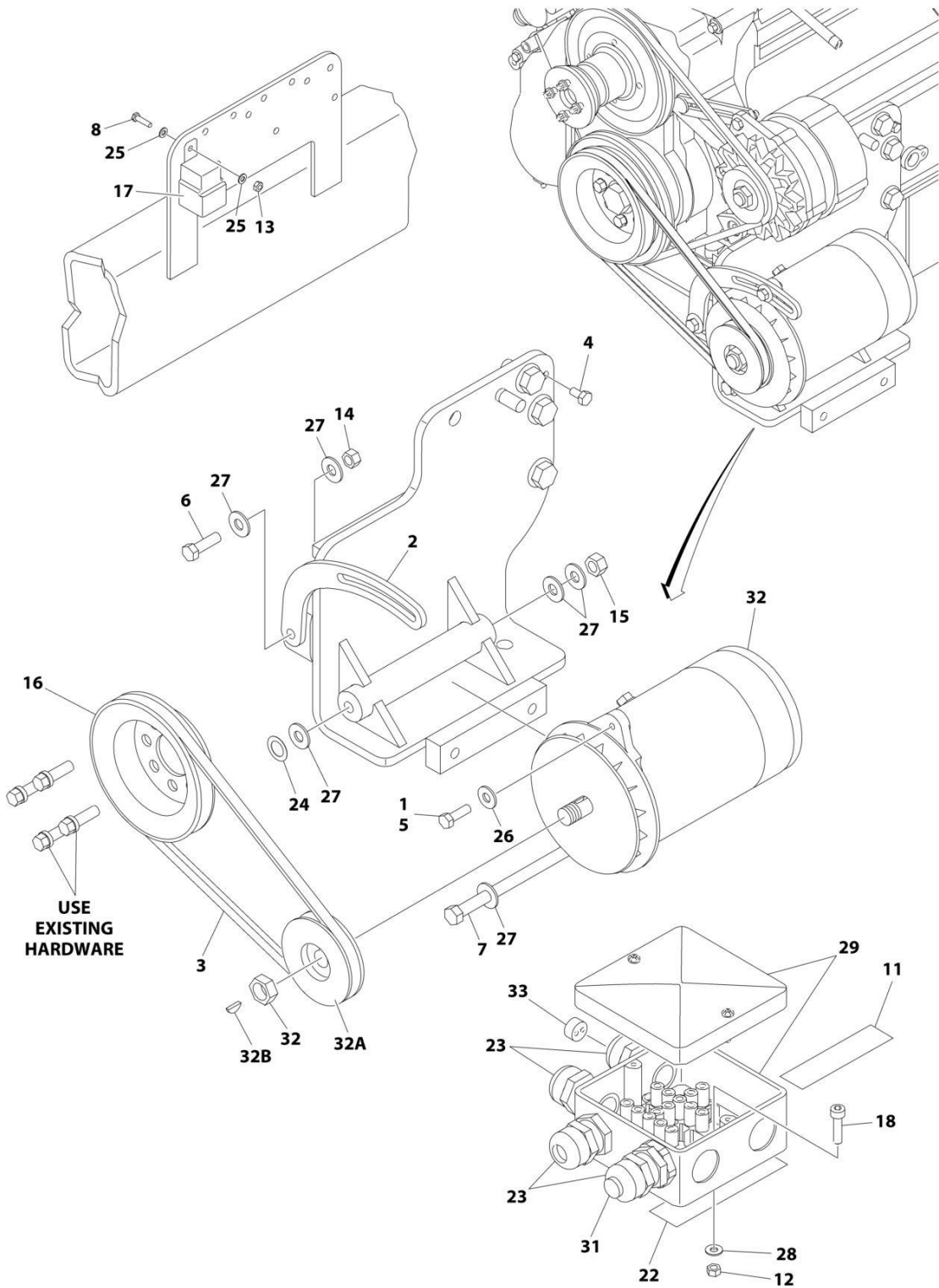
## SECTION 3 - ENGINE

| ITEM | PART NUMBER | QTY | DESCRIPTION   | REV |
|------|-------------|-----|---|-----|
| 29   | 4923445     | 1   | Platform)<br>Generator Harness (Not Shown - See Separate Breakdown in ELECTRICAL SECTION) |     |
| 30   | 1001216391  | 1   | V-Belt  |     |
| 31   | 1001219630  | 1   | Mount, Generator  |     |
| 32   | 1001219632  | 1   | Arm, Adjustment   |     |
| 33   | 4921829     | 1   | Harness, Inverter   |     |
| 34   | 3291201     | 2   | Nut M12   |     |



# SECTION 3 - ENGINE

## FIGURE 3-63. 2500W/220V/50HZ GENERATOR INSTALLATION - DEUTZ D2011 ENGINES



ART\_1001115409

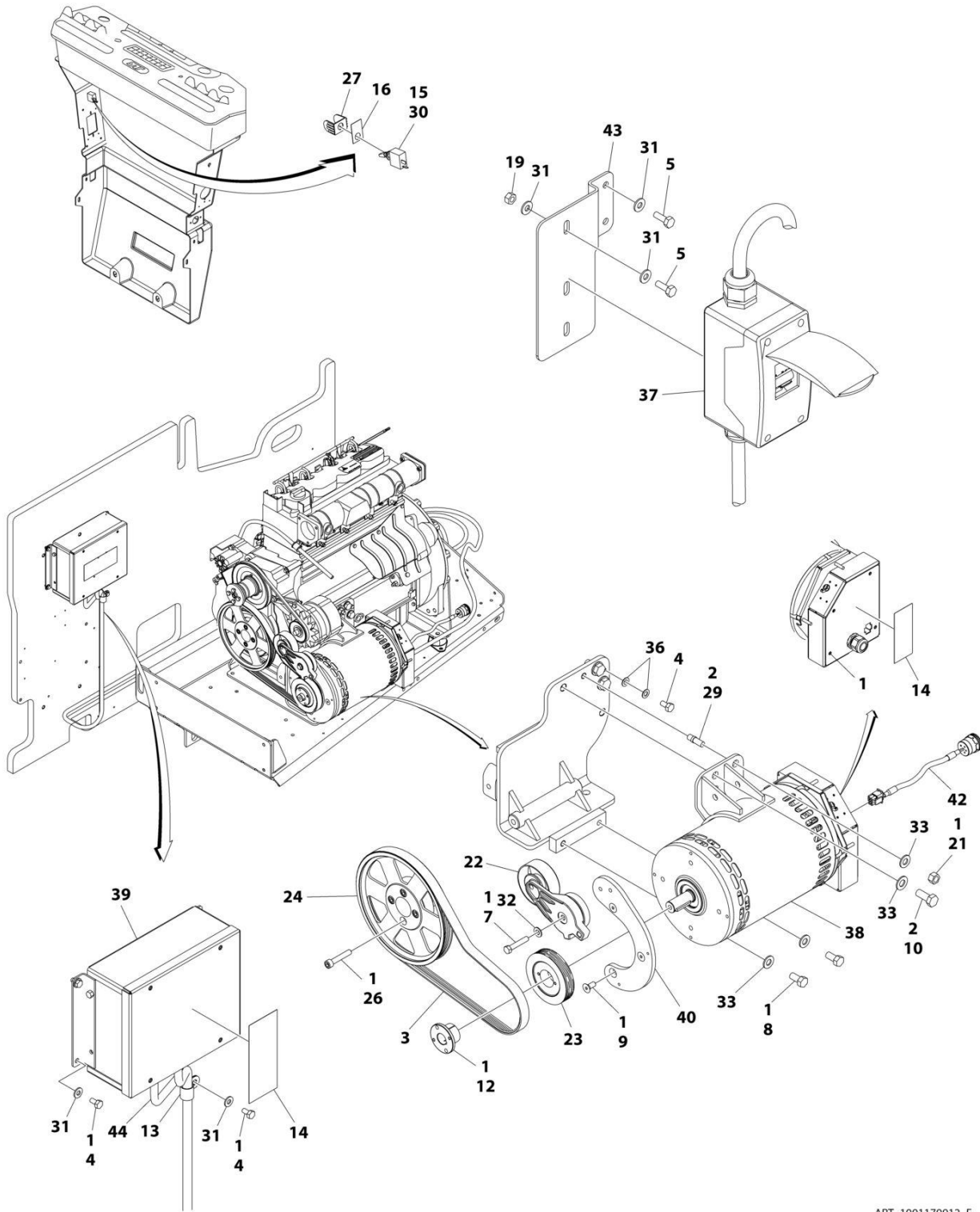
## SECTION 3 - ENGINE

**FIGURE 3-63. 2500W/220V/50HZ GENERATOR INSTALLATION - DEUTZ D2011 ENGINES**

| ITEM | PART NUMBER | QTY       | DESCRIPTION   | REV |
|------|-------------|-----------|---|-----|
|      | 1001115409  | Ref       | 2500W GENERATOR INSTALLATION - 220V/50Hz                            | B   |
| 1    | 0100011     | AR        | Compound, Locking   |     |
| 2    | 0200742     | 1         | Arm, Adjusting  |     |
| 3    | 0480121     | 1         | V-Belt  |     |
| 4    | 0641404     | 1         | Bolt 1/4 x 1/2  |     |
| 5    | 0641508     | 1         | Bolt 5/16 x 1   |     |
| 6    | 0641610     | 1         | Bolt 3/8 x 1-1/4  |     |
| 7    | 0641772     | 1         | Bolt 7/16 x 9   |     |
| 8    | 0721006     | AR        | Bolt #10 x 3/4  |     |
| 9    | 2820031     | 4 in/10cm | Heat Shrink (Not Shown - Located at Platform)                       |     |
| 10   | 3251102     | 1         | Decal (Not Shown - Located at Platform)                             |     |
| 11   | 3252507     | 2         | Decal - 220V - 50Hz   |     |
|      |             | Ref       | Note: One Decal Not Shown - Located on the Inside of Platform Rail. |     |
| 12   | 3290505     | 1         | Nut M5  |     |
| 13   | 3311005     | 1         | Nut #10   |     |
| 14   | 3311605     | 1         | Nut 3/8   |     |
| 15   | 3311705     | 1         | Nut 7/16  |     |
| 16   | 3580158     | 1         | Pulley  |     |
| 17   | 3740080     | 1         | Relay   |     |
| 18   | 4031608     | 1         | Bolt M5 x 20  |     |
| 19   | 4060802     | 1         | Guard, Switch (Not Shown - Located at Platform)                     |     |
| 20   | 4240018     | 1         | Tie Strap (Not Shown)   |     |
| 21   | 4360336     | 1         | Switch, Toggle (Not Shown - Located at Platform)                    |     |
| 22   | 4420060     | AR        | Tape, Double Coated Acrylic Foam                                    |     |
| 23   | 4460968     | 3         | Connector, Strain Relief  |     |
| 24   | 4740397     | 1         | Shim  |     |
| 25   | 4751000     | 2         | Washer #10  |     |
| 26   | 4751500     | 1         | Washer 5/16   |     |
| 27   | 4751600     | 6         | Washer 3/8  |     |
| 28   | 4811600     | 1         | Washer M5   |     |
| 29   | 1001099869  | 1         | Box, Junction   |     |
| 30   |             | Ref       | Wiring Diagram Components (Not Shown)                               |     |
| 30   | 4922641     | 1         | Generator On/Off Switch Harness (Not Shown - Located at Platform)   |     |
| 30   | 1001112589  | 1         | Generator Harness (Not Shown)                                       |     |
| 31   | 1001100234  | 1         | Light, Red  |     |
| 32   | 1001100321  | 1         | Generator   |     |
| 32   | 70000123    | 1         | Armature with Slip Rings  |     |
| 32   | 7012513     | 4         | Cap, Brush Holder   |     |
| 32   | 7020108     | 4         | Brush   |     |
| 32   | 7020109     | 4         | Holder, Brush   |     |
| 32   | 7012514     | 1         | Fan   |     |
| 32   | 7020110     | 1         | Bell, Front   |     |
| 32   | 7020111     | 1         | Bell, Rear  |     |
| 32   | 7020190     | 1         | Bearing   |     |
| 32A  | 3580134     | 1         | Pulley - 50Hz   |     |
| 32B  | 7027887     | 1         | Key, Woodruff   |     |
| 33   | 0962449     | 1         | Bushing   |     |

# SECTION 3 - ENGINE

## FIGURE 3-64. 4000W/50HZ GENERATOR INSTALLATION - DEUTZ D2011 ENGINES



ART\_1001179912\_E

## SECTION 3 - ENGINE

**FIGURE 3-64. 4000W/50HZ GENERATOR INSTALLATION - DEUTZ D2011 ENGINES**

| ITEM | PART NUMBER | QTY              | DESCRIPTION  | REV |
|------|-------------|------------------|--|-----|
|      | 1001179912  | Ref              | 4000W/50Hz GENERATOR INSTALLATION - DEUTZ D2011 ENGINES                    | E   |
| 1    | 0100011     | AR               | Compound, Locking  |     |
| 2    | 0100019     | AR               | Compound, Locking  |     |
| 3    | 0480126     | 1                | Belt, Generator (50Hz)   |     |
| 4    | 0641404     | 6                | Bolt 1/4 x 1/2   |     |
| 5    | 0641406     | 1                | Bolt 1/4 x 3/4   |     |
| 7    | 0641616     | 1                | Bolt 3/8 x 2   |     |
| 8    | 0641808     | 2                | Bolt 1/2 x 1   |     |
| 9    | 0741607     | 3                | Screw 3/8 x 7/8  |     |
| 10   | 0771415     | 1                | Bolt M14 x 35  |     |
| 12   | 0962520     | 1                | Bushing, Split   |     |
| 13   | 1320318     | 1                | Clamp  |     |
| 14   | 1705489     | 1                | Decal - Hazardous Voltage  |     |
| 15   | 2820031     | 0.33 ft<br>/0.1m | Heat Shrink  |     |
| 16   | 3251102     | 1                | Nameplate - Generator  |     |
| 19   | 3311405     | 1                | Nut 1/4  |     |
| 21   | 3311801     | 1                | Nut 1/2  |     |
| 22   | 3580317     | 1                | Tensioner, Belt with Pulley  |     |
| 23   | 3580319     | 1                | Pulley, Generator  |     |
| 24   | 3580320     | 1                | Pulley, Engine   |     |
| 26   | 4032015     | 4                | Capscrew M10 x 55  |     |
| 27   | 4060802     | 1                | Guard, Switch  |     |
| 28   | 4240018     | AR               | Tie-Strap (Not Shown)  |     |
| 29   | 4300157     | 1                | Stud   |     |
| 30   | 4360336     | 1                | Switch, Toggle   |     |
| 31   | 4711400     | 11               | Washer 1/4   |     |
| 32   | 4711600     | 1                | Washer 3/8   |     |
| 33   | 4711800     | 3                | Washer 1/2   |     |
| 36   | 4791400     | 2                | Washer 1/4   |     |
| 37   | 1001165368  | 1                | Breaker Box Kit (Not Shown - See Separate Breakdown in ELECTRICAL SECTION) |     |
| 38   | 1001138565  | 1                | Generator Assembly (50Hz)  |     |
| 38   | 70003709    | 1                | Ring, Retaining (External)   |     |
| 38   | 70003708    | 1                | Ring, Retaining (Internal)   |     |
| 38   | 70001966    | 1                | Bearing  |     |
| 38   | 70004092    | 1                | Endbell (Shaft End)  |     |
| 38   | 70004171    | 1                | Key  |     |
| 38   | 70004676    | 1                | Rotor  |     |
| 38   | 70004677    | 1                | Stator (50Hz)  |     |
| 38   | 70004678    | 1                | Endbell (Rear)   |     |
| 38   | 70004679    | 1                | Cover, Endbell (Rear)  |     |
| 38   | 70004680    | 1                | Enclosure, Wiring  |     |
| 38   | 70004681    | 1                | Cover, Enclosure (50Hz)  |     |
| 38   | 70004682    | 1                | Switch, Reset (Located on Enclosure Cover)                                 |     |
| 38   | 70004683    | 1                | Connector, Strain Relief (50Hz) (Located on Enclosure Cover)               |     |
| 39   | 1001138566  | 1                | Control Box Assembly   |     |
| 39   | 70006552    | 1                | Capacitor  |     |
| 39   | 70006553    | 1                | Relay  |     |

## SECTION 3 - ENGINE

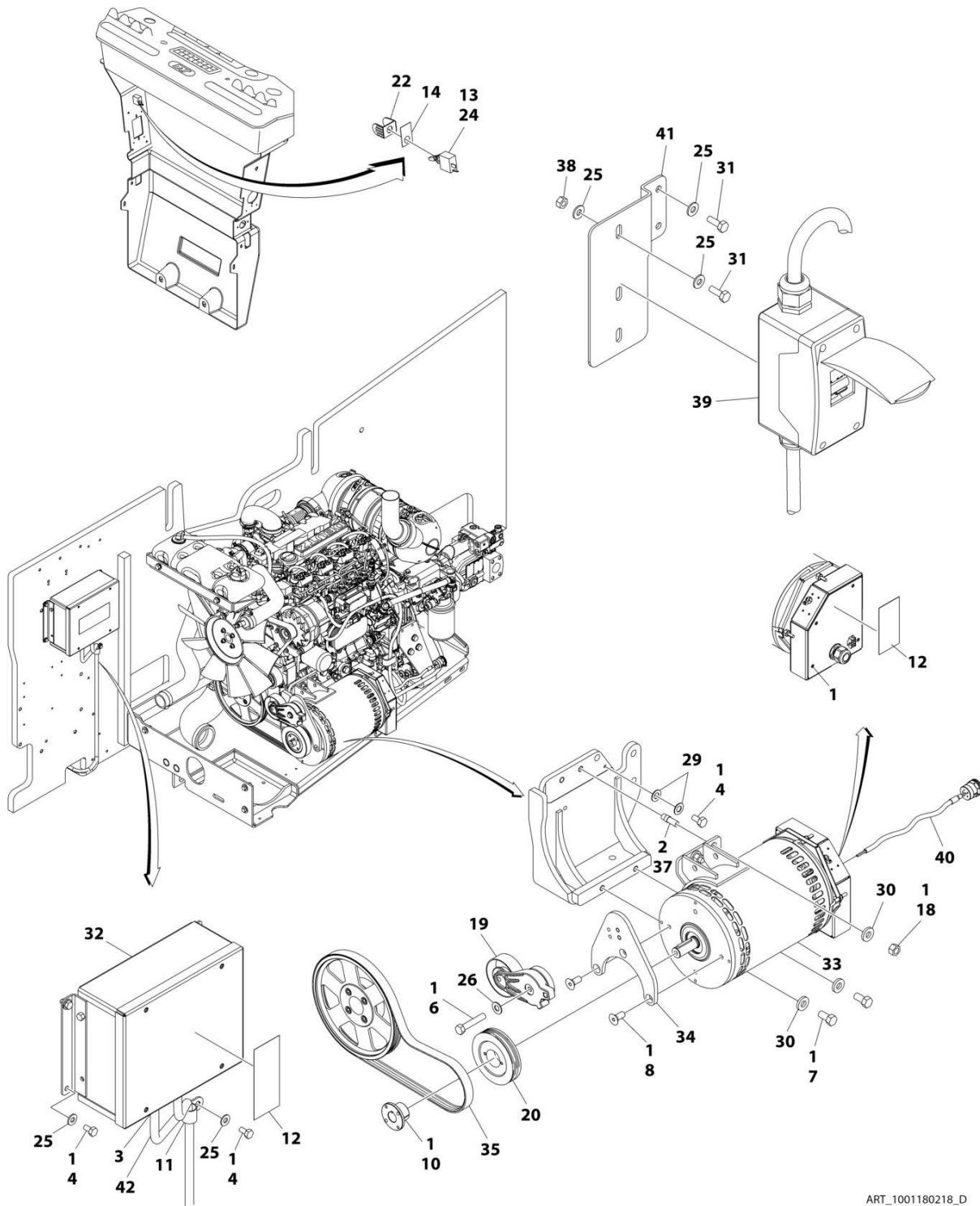
| ITEM | PART NUMBER | QTY | DESCRIPTION  | REV |
|------|-------------|-----|--|-----|
| 40   | 1001139357  | 1   | Mount, Tensioner   |     |
| 42   | 1001152532  | 1   | Generator to Control Box, Harness (See Separate Breakdown in ELECTRICAL SECTION)       |     |
| 43   | 1001177035  | 1   | Bracket  |     |
| 44   | 1001153197  | 1   | Generator Control Box to Engine Harness (See Separate Breakdown in ELECTRICAL SECTION) |     |





# SECTION 3 - ENGINE

## FIGURE 3-65. 4000W/50HZ GENERATOR INSTALLATION - DEUTZ TD2.9L4 ENGINES, DEUTZ TD2.9L4 (STAGE V PRE-BUY) ENGINES AND DEUTZ TD2.9L4 (STAGE V) ENGINES



ART\_1001180218\_D

## SECTION 3 - ENGINE

**FIGURE 3-65. 4000W/50HZ GENERATOR INSTALLATION - DEUTZ TD2.9L4 ENGINES, DEUTZ TD2.9L4 (STAGE V PRE-BUY) ENGINES AND DEUTZ TD2.9L4 (STAGE V) ENGINES**

| ITEM | PART NUMBER | QTY              | DESCRIPTION   | REV |
|------|-------------|------------------|---|-----|
|      | 1001180218  | 1                | 4000W/Hz GENERATOR INSTALLATION - DEUTZ TD2.9L4 ENGINES | D   |
| 1    | 0100011     | AR               | Compound, Locking                                       |     |
| 2    | 0100019     | AR               | Compound, Locking                                       |     |
| 3    | 0100048     | AR               | Grease Dielectric                                       |     |
| 4    | 0641404     | 6                | Bolt 1/4 x 1/2  |     |
| 6    | 0641616     | 1                | Bolt 3/8 x 2  |     |
| 7    | 0641808     | 2                | Bolt 1/2 x 1  |     |
| 8    | 0741607     | 3                | Screw 3/8 x 7/8   |     |
| 10   | 0962520     | 1                | Bushing, Split  |     |
| 11   | 1320318     | 1                | Clamp   |     |
| 12   | 1705489     | 2                | Decal - Hazardous Voltage                               |     |
| 13   | 2820031     | 0.33 ft<br>/0.1m | Heat Shrink   |     |
| 14   | 3251102     | 1                | Nameplate, Generator                                    |     |
| 18   | 3311801     | 2                | Nut 1/2   |     |
| 19   | 3580317     | 1                | Tensioner, Belt with Pulley                             |     |
| 20   | 3580319     | 1                | Pulley, Generator                                       |     |
| 22   | 4060802     | 1                | Guard, Switch   |     |
| 23   | 4240018     | AR               | Tie-Strap (Not Shown)                                   |     |
| 24   | 4360336     | 1                | Switch, Toggle  |     |
| 25   | 4711400     | 11               | Washer 1/4  |     |
| 26   | 4711600     | 1                | Washer 3/8  |     |
| 29   | 4791400     | 2                | Washer 1/4  |     |
| 30   | 4891800     | 4                | Washer 1/2  |     |
| 31   | 0641406     | 4                | Bolt 1/4 x 3/4  |     |
| 32   | 1001138566  | 1                | Control Box Assembly                                    |     |
| 32   | 70006552    | 1                | Capacitor   |     |
| 32   | 70006553    | 1                | Relay   |     |
| 33   | 1001140347  | 1                | Generator Assembly                                      |     |
| 33   | 70003709    | 1                | Ring, Retaining (External)                              |     |
| 33   | 70003708    | 1                | Ring, Retaining (Internal)                              |     |
| 33   | 70001966    | 1                | Bearing   |     |
| 33   | 70004092    | 1                | Endbell (Shaft End)                                     |     |
| 33   | 70004099    | 1                | Key   |     |
| 33   | 70004676    | 1                | Rotor   |     |
| 33   | 70004686    | 1                | Stator  |     |
| 33   | 70004678    | 1                | Endbell (Rear)  |     |
| 33   | 70004679    | 1                | Cover, Endbell (Rear)                                   |     |
| 33   | 70004680    | 1                | Enclosure, Wiring                                       |     |
| 33   | 70004681    | 1                | Cover, Enclosure  |     |
| 33   | 70004682    | 1                | Switch, Reset (Located on Enclosure Cover)              |     |
| 33   | 70004683    | 1                | Connector, Strain Relief (Located on Enclosure Cover)   |     |
| 33   | 4460224     | 1                | Connector - 6 Position (Located on Enclosure Cover)     |     |
| 33   | 4460294     | 2                | Pin, Male (Located on Enclosure Cover)                  |     |
| 34   | 1001142643  | 1                | Support, Tensioner                                      |     |
| 35   | 1001142645  | 1                | Belt, Generator   |     |
| 37   | 1001163599  | 2                | Stud  |     |
| 38   | 3311405     | 4                | Nut 1/4   |     |

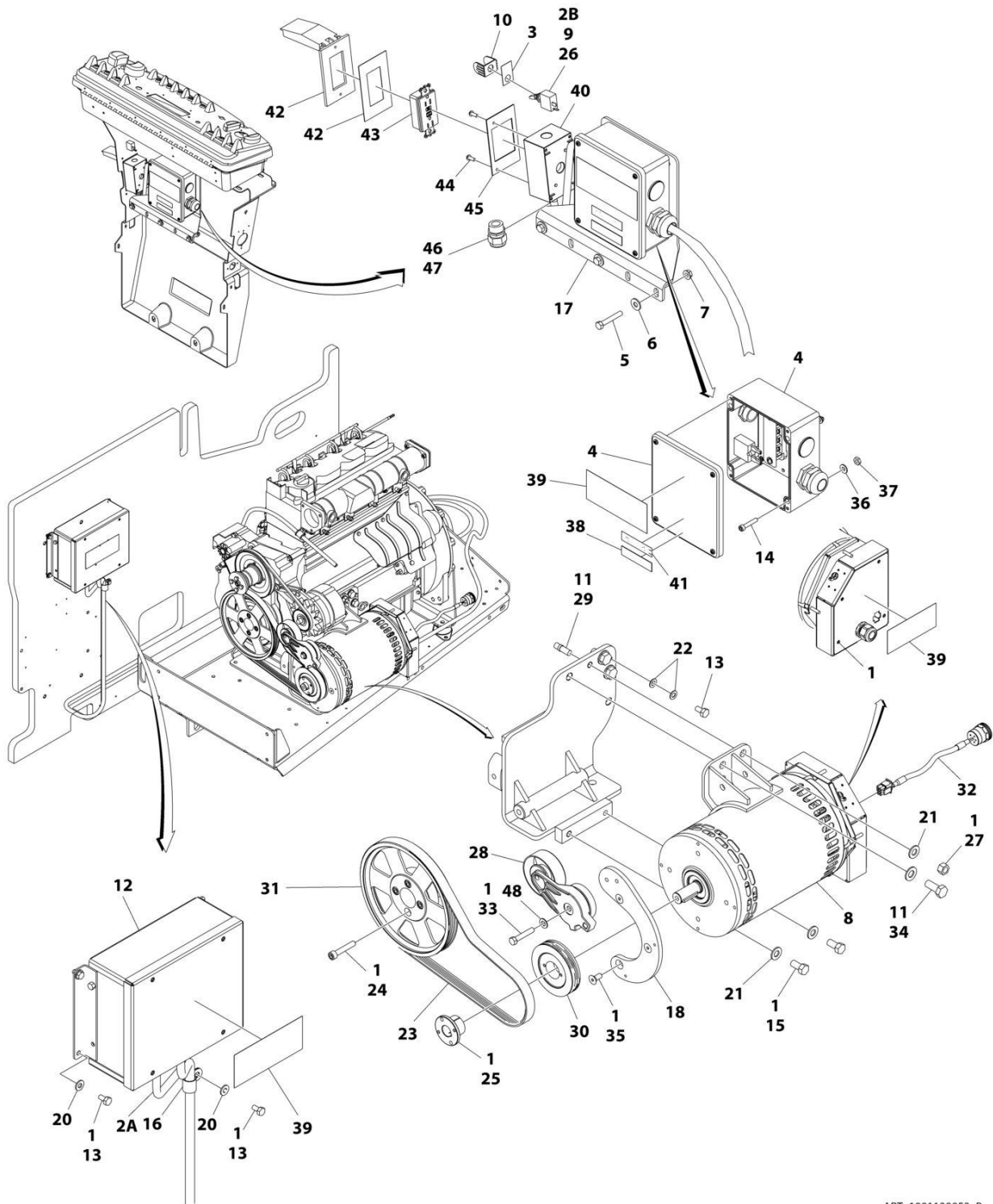
## SECTION 3 - ENGINE

| ITEM | PART NUMBER | QTY | DESCRIPTION  | REV |
|------|-------------|-----|--|-----|
| 39   | 1001165368  | 1   | Breaker Box Kit (Not Shown - See Separate Breakdown in ELECTRICAL SECTION)             |     |
| 40   | 1001152532  | 1   | Generator to Control Box Harness (See Separate Breakdown in ELECTRICAL SECTION)        |     |
| 41   | 1001177035  | 1   | Bracket  |     |
| 42   | 1001153259  | 1   | Generator Control Box to Engine Harness (See Separate Breakdown in ELECTRICAL SECTION) |     |



# SECTION 3 - ENGINE

## FIGURE 3-66. 4000W/60HZ GENERATOR INSTALLATION - DEUTZ D2011 ENGINES



ART\_1001139952\_B

## SECTION 3 - ENGINE

**FIGURE 3-66. 4000W/60HZ GENERATOR INSTALLATION - DEUTZ D2011 ENGINES**

| ITEM | PART NUMBER | QTY     | DESCRIPTION  | REV |
|------|-------------|---------|--|-----|
|      | 1001139952  | Ref     | 4000W/60Hz GENERATOR INSTALLATION - DEUTZ D2011 ENGINES                                | B   |
| 1    | 0100011     | AR      | Compound, Locking  |     |
| 2    |             | Ref     | Wiring Diagram Components (Not Shown)  |     |
| 2A   | 1001153197  | 1       | Generator Control Box to Engine Harness (See Separate Breakdown in ELECTRICAL SECTION) |     |
| 2B   | 4462641     | 1       | Generator On/Off Switch Harness  |     |
| 3    | 3251102     | 1       | Nameplate - Generator  |     |
| 4    | 1001152457  | 1       | Junction Box Assembly  |     |
| 4    | 3300396     | 1       | Cover, Breaker   |     |
| 4    | 4360070     | 1       | Breaker, Circuit - 15Amp   |     |
| 4    | 4460425     | 1       | Connector, Strain Relief (LH Side)   |     |
| 4    | 4460426     | 1       | Connector, Strain Relief (RH Side)   |     |
| 5    | 0641516     | 3       | Bolt 5/16 x 2  |     |
| 6    | 4751500     | 3       | Washer 5/16  |     |
| 7    | 3311508     | 3       | Nut 5/16   |     |
| 8    | 1001129858  | 1       | Generator Assembly   |     |
| 8    | 70003709    | 1       | Ring, Retaining (External)   |     |
| 8    | 70003708    | 1       | Ring, Retaining (Internal)   |     |
| 8    | 70001966    | 1       | Bearing  |     |
| 8    | 70004092    | 1       | Endbell (Shaft End)  |     |
| 8    | 70004171    | 1       | Key  |     |
| 8    | 70004676    | 1       | Rotor  |     |
| 8    | 70004684    | 1       | Stator   |     |
| 8    | 70004678    | 1       | Endbell (Rear)   |     |
| 8    | 70004679    | 1       | Cover, Endbell (Rear)  |     |
| 8    | 70004680    | 1       | Enclosure, Wiring  |     |
| 8    | 70004685    | 1       | Cover, Enclosure   |     |
| 8    | 70004682    | 1       | Switch, Reset (Located on Enclosure Cover)   |     |
| 8    | 70004098    | 1       | Connector, Strain Relief (Located on Enclosure Cover)                                  |     |
| 9    | 4360336     | 1       | Switch, Toggle   |     |
| 10   | 4060802     | 1       | Guard, Switch  |     |
| 11   | 0100019     | AR      | Compound, Locking  |     |
| 12   | 1001138566  | 1       | Control Box Assembly   |     |
| 12   | 70006552    | 1       | Capacitor  |     |
| 12   | 70006553    | 1       | Relay  |     |
| 13   | 0641404     | 6       | Bolt 1/4 x 1/2   |     |
| 14   | 3931016     | 4       | Capscrew #10 x 1   |     |
| 15   | 0641808     | 2       | Bolt 1/2 x 1   |     |
| 16   | 1320318     | 1       | Clamp  |     |
| 17   | 0902888     | 1       | Bracket  |     |
| 18   | 1001139357  | 1       | Mount, Tensioner   |     |
| 19   | 4240018     | AR      | Tie-Strap (Not Shown)  |     |
| 20   | 4711400     | 5       | Washer 1/4   |     |
| 21   | 4711800     | 3       | Washer 1/2   |     |
| 22   | 4791400     | 2       | Washer 1/4   |     |
| 23   | 0480129     | 1       | Belt, Generator  |     |
| 24   | 4032015     | 4       | Capscrew M10 x 55  |     |
| 25   | 0962520     | 1       | Bushing, Split   |     |
| 26   | 2820031     | 0.33 ft | Heat Shrink  |     |

## SECTION 3 - ENGINE

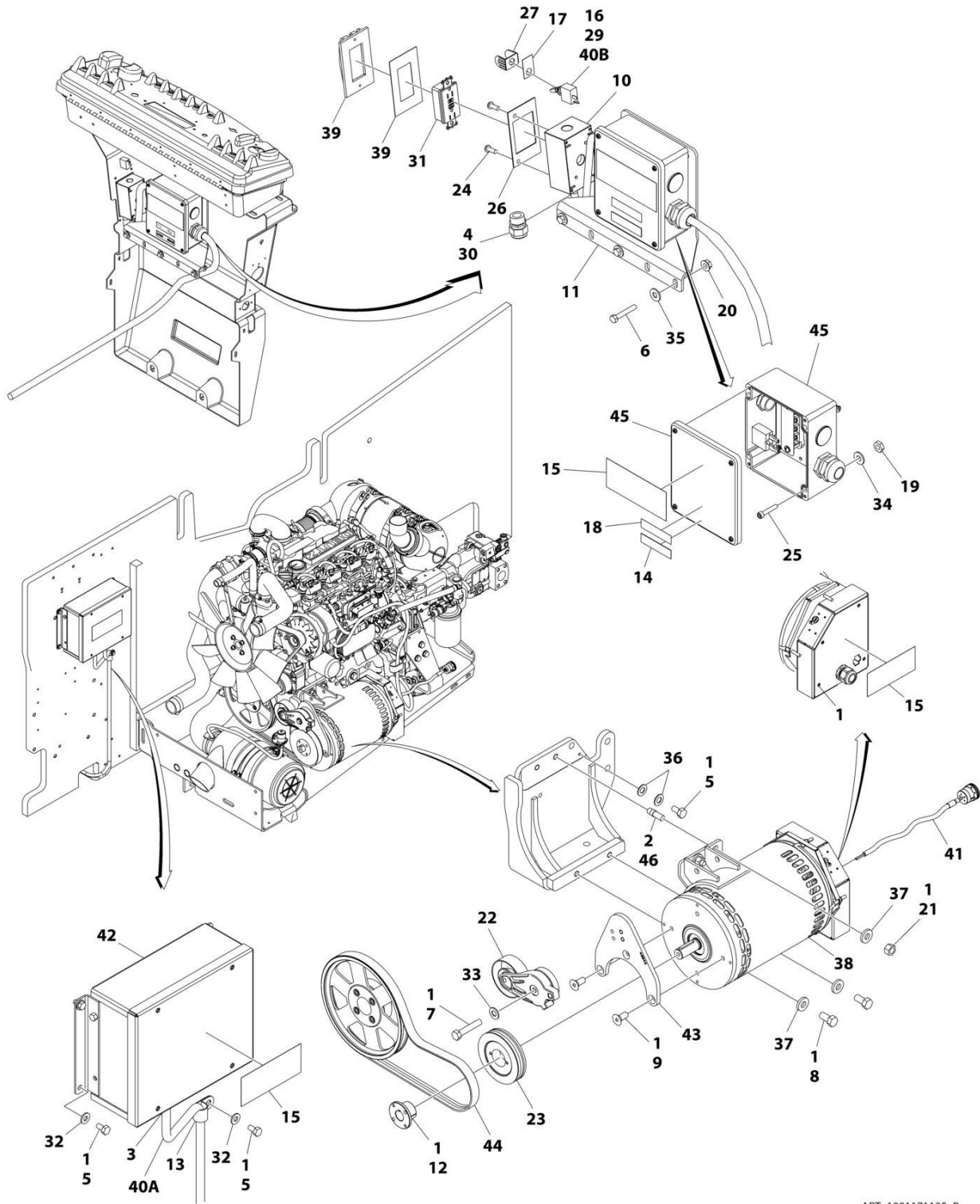
| ITEM | PART NUMBER | QTY   | DESCRIPTION   | REV |
|------|-------------|-------|---|-----|
|      |             | /0.1m |   |     |
| 27   | 3311801     | 1     | Nut 1/2   |     |
| 28   | 3580317     | 1     | Tensioner, Belt with Pulley   |     |
| 29   | 4300157     | 1     | Stud  |     |
| 30   | 3580318     | 1     | Pulley, Generator   |     |
| 31   | 3580320     | 1     | Pulley, Engine  |     |
| 32   | 1001152532  | 1     | Generator to Control Box Harness (See Separate Breakdown in ELECTRICAL SECTION) |     |
| 33   | 0641616     | 1     | Bolt 3/8 x 2  |     |
| 34   | 0771415     | 1     | Bolt M14 x 35   |     |
| 35   | 0741607     | 3     | Screw 3/8 x 7/8   |     |
| 36   | 4751000     | 4     | Washer #10  |     |
| 37   | 3311005     | 4     | Nut #10   |     |
| 38   | 1705374     | 1     | Decal - 240V  |     |
| 39   | 1705387     | 3     | Decal - Hazardous Voltage   |     |
| 40   | 0860038     | 1     | Box, Switch - Weatherhead   |     |
| 41   | 3251243     | 1     | Decal - 120V  |     |
| 42   | 1001110873  | 1     | Cover, Receptacle   |     |
| 43   | 4460346     | 1     | Receptacle  |     |
| 44   | 3910606     | 4     | Screw #6 x 3/8  |     |
| 45   | 3960422     | 1     | Gasket  |     |
| 46   | 0100020     | AR    | Sealant #567  |     |
| 47   | 4460071     | 1     | Connector   |     |
| 48   | 4711600     | 1     | Washer 3/8  |     |





# SECTION 3 - ENGINE

## FIGURE 3-67. 4000W/60HZ GENERATOR INSTALLATION - DEUTZ TD2.9L4 ENGINES



ART\_1001171125\_B

## SECTION 3 - ENGINE

**FIGURE 3-67. 4000W/60HZ GENERATOR INSTALLATION - DEUTZ TD2.9L4 ENGINES**

| ITEM | PART NUMBER | QTY              | DESCRIPTION                       | REV |
|------|-------------|------------------|-----------------------------------|-----|
|      | 1001171125  | 1                | 4000W/60Hz GENERATOR INSTALLATION | B   |
| 1    | 0100011     | AR               | Compound, Locking                 |     |
| 2    | 0100019     | AR               | Compound, Locking                 |     |
| 3    | 0100048     | AR               | Grease Dielectric                 |     |
| 4    | 0100079     | AR               | Sealant                           |     |
| 5    | 0641404     | 6                | Bolt 1/4 x 1/2                    |     |
| 6    | 0641516     | 3                | Bolt 5/16 x 2                     |     |
| 7    | 0641616     | 1                | Bolt 3/8 x 2                      |     |
| 8    | 0641808     | 2                | Bolt 1/2 x 1                      |     |
| 9    | 0741607     | 3                | Screw 3/8 x 7/8                   |     |
| 10   | 0860038     | 1                | Box, Switch                       |     |
| 11   | 0902888     | 1                | Bracket, Junction Box             |     |
| 12   | 0962520     | 1                | Bushing, Split                    |     |
| 13   | 1320318     | 1                | Clamp                             |     |
| 14   | 1705374     | 1                | Decal - 240V                      |     |
| 15   | 1705387     | 3                | Decal - Hazardous Voltage         |     |
| 16   | 2820031     | 0.33 ft<br>/0.1m | Heat Shrink                       |     |
| 17   | 3251102     | 1                | Nameplate, Generator              |     |
| 18   | 3251243     | 1                | Decal - 120V                      |     |
| 19   | 3311005     | 4                | Nut #10                           |     |
| 20   | 3311508     | 3                | Nut 5/16                          |     |
| 21   | 3311801     | 2                | Nut 1/2                           |     |
| 22   | 3580317     | 1                | Tensioner, Belt with Pulley       |     |
| 23   | 3580318     | 1                | Pulley, Generator                 |     |
| 24   | 3910606     | 4                | Screw 6 x 3/8                     |     |
| 25   | 3931016     | 4                | Capscrew #10 x 1                  |     |
| 26   | 3960422     | 1                | Gasket, AC Receptacle             |     |
| 27   | 4060802     | 1                | Guard, Switch                     |     |
| 28   | 4240018     | AR               | Tie-Strap (Not Shown)             |     |
| 29   | 4360336     | 1                | Switch, Toggle                    |     |
| 30   | 4460071     | 1                | Connector, Strain Relief          |     |
| 31   | 4460346     | 1                | Receptacle                        |     |
| 32   | 4711400     | 5                | Washer 1/4                        |     |
| 33   | 4711600     | 1                | Washer 3/8                        |     |
| 34   | 4751000     | 4                | Washer #10                        |     |
| 35   | 4751500     | 3                | Washer 5/16                       |     |
| 36   | 4791400     | 2                | Washer 1/4                        |     |
| 37   | 4891800     | 4                | Washer 1/2                        |     |
| 38   | 1001140346  | 1                | Generator Assembly                |     |
| 38   | 70003709    | 1                | Ring, Retaining (External)        |     |
| 38   | 70003708    | 1                | Ring, Retaining (Internal)        |     |
| 38   | 70001966    | 1                | Bearing                           |     |
| 38   | 70004092    | 1                | Endbell (Shaft End)               |     |
| 38   | 70004099    | 1                | Key                               |     |
| 38   | 70004676    | 1                | Rotor                             |     |
| 38   | 70004687    | 1                | Stator                            |     |
| 38   | 70004678    | 1                | Endbell (Rear)                    |     |
| 38   | 70004679    | 1                | Cover, Endbell (Rear)             |     |
| 38   | 70004680    | 1                | Enclosure, Wiring                 |     |

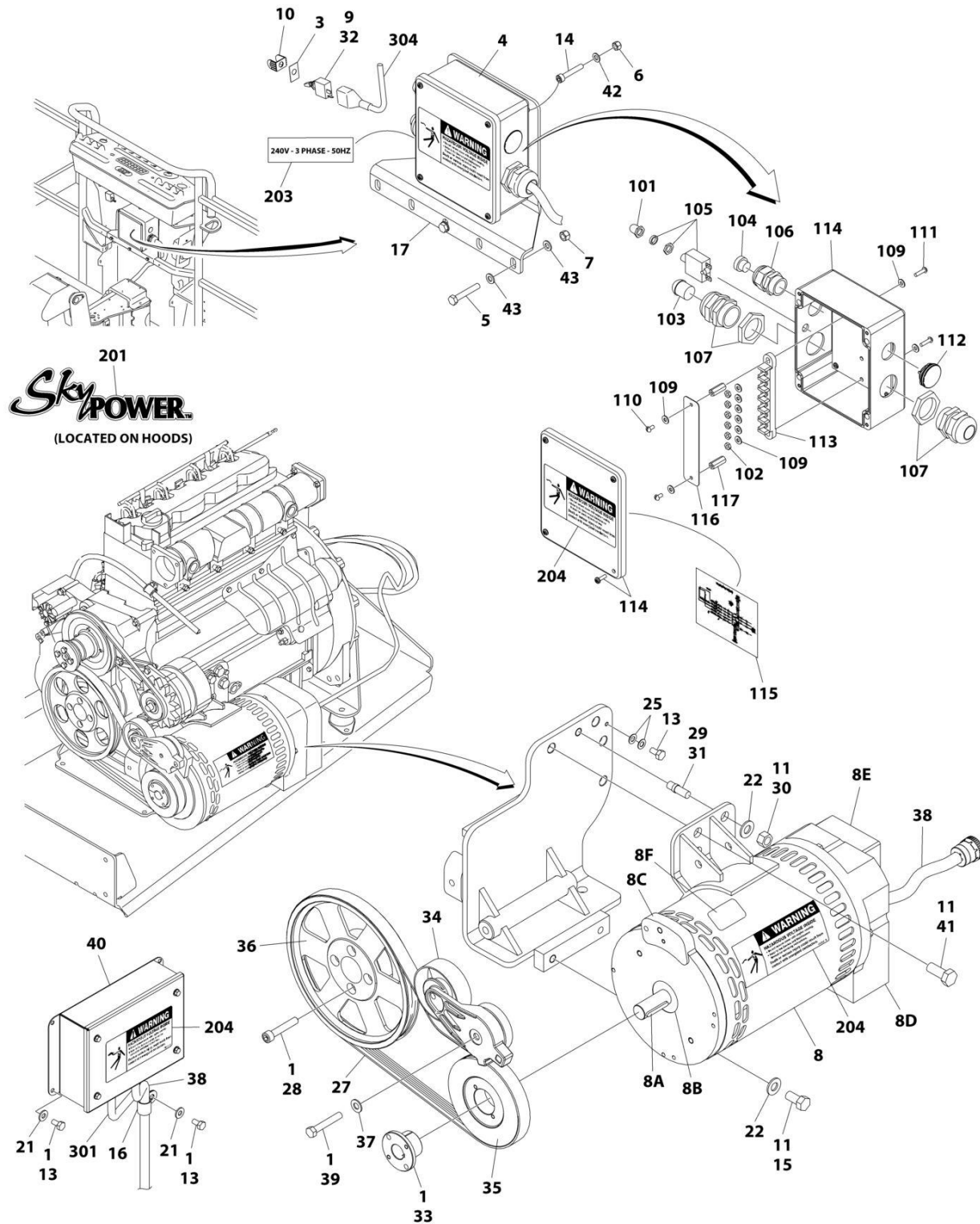
## SECTION 3 - ENGINE

| ITEM | PART NUMBER | QTY | DESCRIPTION  | REV |
|------|-------------|-----|--|-----|
| 38   | 70004685    | 1   | Cover, Enclosure   |     |
| 38   | 70004682    | 1   | Switch, Reset (Located on Enclosure Cover)   |     |
| 38   | 70004098    | 1   | Connector, Strain Relief (Located on Enclosure Cover)                                  |     |
| 39   | 1001110873  | 1   | Cover, Receptacle  |     |
| 40   |             | Ref | Wiring Diagram Components (Not Shown)  |     |
| 40A  | 1001153259  | 1   | Generator Control Box to Engine Harness (See Separate Breakdown in ELECTRICAL SECTION) |     |
| 40B  | 4922641     | 1   | Generator On/Off Switch Harness  |     |
| 41   | 1001152532  | 1   | Generator to Control Box (See Separate Breakdown in ELECTRICAL SECTION)                |     |
| 42   | 1001138566  | 1   | Control Box Assembly   |     |
| 42   | 70006552    | 1   | Capacitor  |     |
| 42   | 70006553    | 1   | Relay  |     |
| 43   | 1001142643  | 1   | Support, Tensioner   |     |
| 44   | 1001142646  | 1   | Belt, Generator  |     |
| 45   | 1001152457  | 1   | Junction Box Assembly  |     |
| 45   | 3300396     | 1   | Cover, Breaker   |     |
| 45   | 4360070     | 1   | Breaker, Circuit - 15Amp   |     |
| 45   | 4460425     | 1   | Connector, Strain Relief (LH Side)   |     |
| 45   | 4460426     | 1   | Connector, Strain Relief (RH Side)   |     |
| 46   | 1001163599  | 2   | Stud   |     |



# SECTION 3 - ENGINE

## FIGURE 3-68. 7500W/50HZ SKYPOWER GENERATOR INSTALLATION - DEUTZ D2011 ENGINES



## SECTION 3 - ENGINE

**FIGURE 3-68. 7500W/50HZ SKYPOWER GENERATOR INSTALLATION - DEUTZ D2011 ENGINES**

| ITEM | PART NUMBER | QTY | DESCRIPTION  | REV |
|------|-------------|-----|--|-----|
|      | 100115389   | Ref | 7500W/50HZ SKYPOWER GENERATOR INSTALLATION - DEUTZ D2011 ENGINE MACHINES | E   |
| 1    | 0100011     | AR  | Compound, Locking  |     |
| 3    | 3252764     | 1   | Nameplate  |     |
| 4    | 1001157525  | 1   | Junction Box Assembly (See Items 101-117 for Breakdown)                  |     |
| 5    | 0641516     | 3   | Bolt 5/16 x 2  |     |
| 6    | 3311005     | 4   | Nut #10  |     |
| 7    | 3311508     | 3   | Nut 5/16   |     |
| 8    | 2460048     | 1   | Generator Assembly (Deutz D2011 Engines)                                 |     |
| 8    | 70001100    | 1   | Rotor (Includes p/n 70001384 & 70000863) (Not Shown)                     |     |
| 8    | 70001384    | 1   | Bearing, Ball Radial (Not Shown):  |     |
| 8    | 70000863    | 1   | Fan (Not Shown)  |     |
| 8    | 70002088    | 1   | Stator   |     |
| 8    | 70002297    | 1   | Stud   |     |
| 8    | 7024484     | NLA | Brushholder Assembly (Not Shown) (Use p/n 70003631)                      |     |
| 8A   | 7024561     | NLA | Key  |     |
| 8B   | 70001966    | 1   | Bearing, Ball Radial (Located in Belt Tensioner Endbell)                 |     |
| 8B   | 70003708    | 1   | Ring, Internal Retaining (Located in Belt Tensioner Endbell)             |     |
| 8B   | 70003709    | 1   | Ring, External Retaining (Located in Belt Tensioner Endbell)             |     |
| 8C   | 70001953    | 1   | Endbell, Belt Tensioner  |     |
| 8D   | 70001385    | NLA | Endbell, Brush Block (use p/n 70004169)                                  |     |
| 8E   | 70002290    | NLA | Shroud (Use p/n 70004169)  |     |
| 8E   | See Note    | NSS | Insulator, Endbell (Note: Not Available for Purchase)                    |     |
| 8E   | 7027799     | 1   | Block, Connector 6 Position (Not Shown)                                  |     |
| 8E   | 70002460    | 1   | Nut, Brass (Attaches p/n 7027799 to Cover) (Not Shown)                   |     |
| 8E   | 7024485     | 1   | Breaker, Circuit 30Amp (Not Shown):                                      |     |
| 8E   | 70001696    | 1   | Boot, Breaker (Not Shown):   |     |
| 8E   | 7026626     | 1   | Connector, 6 Position (Includes Seal) (Not Shown - Plugs into Item 36)   |     |
| 8E   | 7026597     | 1   | Connector, W/Leads (Not Shown)   |     |
| 8E   | 7026188     | 1   | Clamp, Cable (Not Shown)   |     |
| 8E   | 70004169    | 1   | Plate, End Panel   |     |
| 8E   | 70001974    | 1   | Decal - Terminal Connections   |     |
| 8F   | 70001973    | 1   | Decal - Warning Moving Parts   |     |
| 9    | 4360336     | 1   | Switch, Toggle   |     |
| 10   | 4060802     | 1   | Guard, Switch  |     |
| 11   | 0100019     | AR  | Compound, Locking  |     |
| 13   | 0641404     | 6   | Bolt 1/4 x 1/2   |     |
| 14   | 3931016     | 4   | Capscrew 3/8 x 1   |     |
| 15   | 0641808     | 2   | Bolt 1/2 x 1   |     |
| 16   | 1320318     | 1   | Clamp  |     |
| 17   | 0902888     | 1   | Bracket, Box Mounting  |     |
| 20   | 4240018     | AR  | Tie-Strap (Not Shown)  |     |
| 21   | 4711400     | 5   | Washer 1/4   |     |
| 22   | 4711800     | 3   | Washer 1/2   |     |
| 25   | 4791400     | 2   | Washer 1/4   |     |
| 27   | 0480126     | 1   | Belt, Drive  |     |
| 28   | 4032015     | 4   | Capscrew M10 x 55  |     |
| 29   | 4300157     | 1   | Stud   |     |
| 30   | 3311801     | 1   | Nut 1/2  |     |

## SECTION 3 - ENGINE

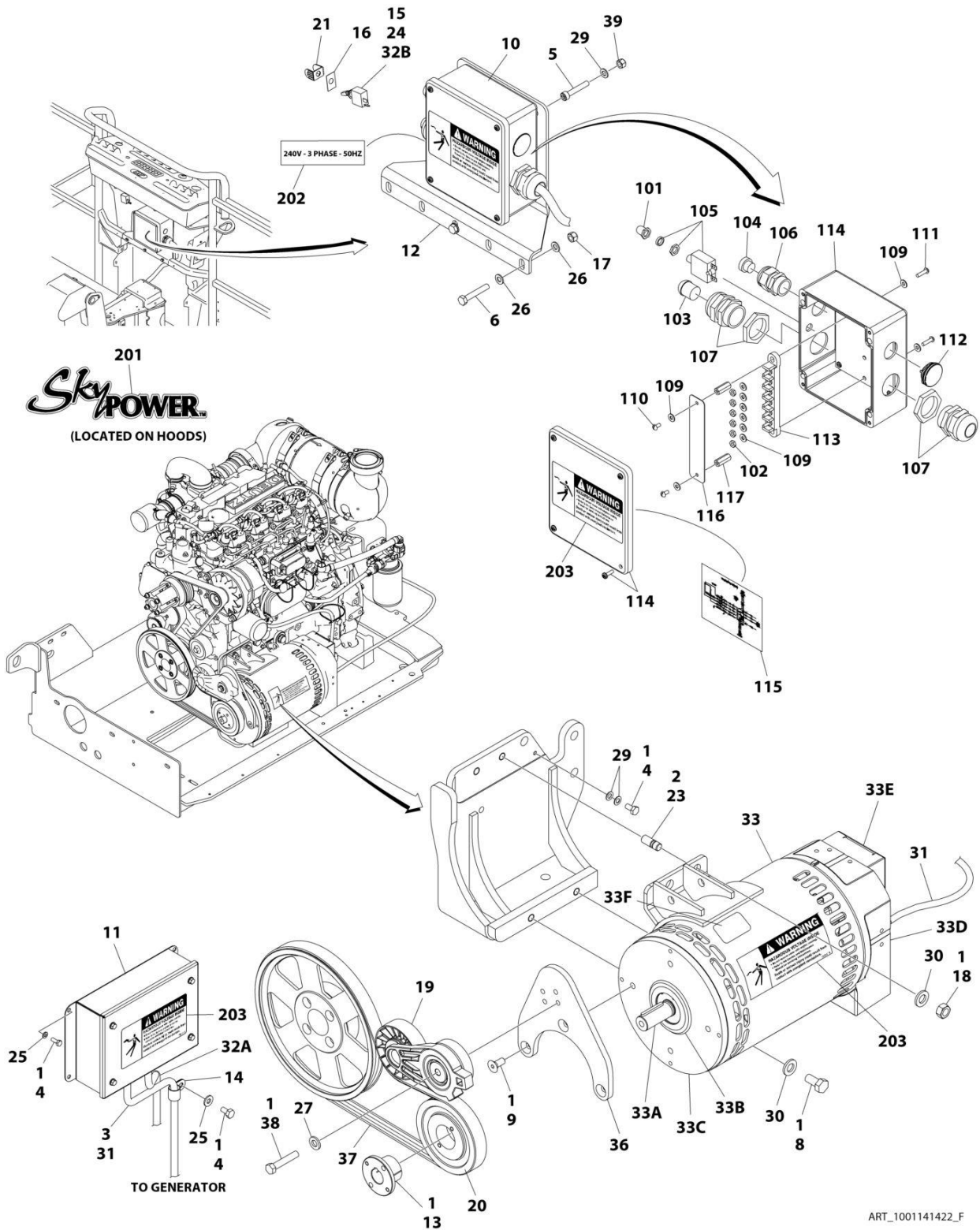
| ITEM | PART NUMBER | QTY | DESCRIPTION  | REV |
|------|-------------|-----|--|-----|
| 31   | 0100062     | AR  | Adhesive (Not Shown)   |     |
| 32   | 2820031     | 1   | Insulator  |     |
| 33   | 0962520     | 1   | Bushing, Split Taper   |     |
| 34   | 3580317     | 1   | Tensioner, Belt  |     |
| 35   | 3580319     | 1   | Pulley   |     |
| 36   | 3580320     | 1   | Pulley   |     |
| 37   | 4711600     | 1   | Washer 3/8   |     |
| 38   | 4922925     | 1   | Generator to Control Box Harness (See Separate Breakdown in ELECTRICAL SECTION)  |     |
| 39   | 0641618     | 1   | Bolt 3/8 x 2-1/4   |     |
| 40   | 0861572     | 1   | Control Box Assembly   |     |
| 40   | 7024488     | 1   | Card, Circuit - Generator Power  |     |
| 40   | See Note    | 1   | Fuse (Note: Not Available - Purchase Locally)  |     |
| 40   | 70000619    | 1   | Harness, Control Box (Internal)  |     |
| 40   | 7024489     | 1   | Card, Circuit - Control  |     |
|      |             | Ref | Note: Same Circuit Card (P/N 7024489) is used for both 60Hz & 50Hz Specs. When replacing card, rocker switch on card must be set for required application. |     |
| 41   | 0771415     | 1   | Bolt M14 x 35 Grade 10.9   |     |
| 42   | 4751000     | 4   | Washer #10   |     |
| 43   | 4751500     | 3   | Washer 5/16  |     |
|      | 1001157525  | Ref | JUNCTION BOX ASSEMBLY  | B   |
| 101  | 3300396     | 1   | Cover, Fuse  |     |
| 102  | 3311001     | 6   | Nut #10-24   |     |
| 103  | 3520189     | 1   | Plug   |     |
| 104  | 3520192     | 1   | Plug   |     |
| 105  | 4360070     | 1   | Circuit Breaker - 15 Amp   |     |
| 106  | 4460425     | 1   | Connector, Strain Relief   |     |
| 107  | 4460426     | 2   | Connector, Strain Relief   |     |
| 109  | 4711000     | 10  | Washer #10   |     |
| 110  | 10702077    | 2   | Screw #10 x 3/8  |     |
| 111  | 10702082    | 2   | Screw #10 x 3/4  |     |
| 112  | 1001152525  | 1   | Plug   |     |
| 113  | 1001157520  | 1   | Block, Terminal  |     |
| 114  | 1001157521  | 1   | Box, Junction  |     |
| 115  | 1001157528  | 1   | Decal - Wiring Schematic   |     |
| 116  | 1001158007  | 1   | Cover, PVC   |     |
| 117  | 1001158008  | 2   | Stand-Off  |     |
|      | 0272589     | Ref | DECAL INSTALLATION   | A   |
| 201  | 1705460     | 2   | Decal - SkyPower   |     |
| 203  | 1705461     | 1   | Decal - 240V - 3 Phase   |     |
| 204  | 1705489     | 3   | Decal, Hazardous Voltage   |     |
|      | 1001157769  | Ref | ELECTRICAL DIAGRAM COMPONENTS  | B   |
| 301  | 1001152429  | 1   | Generator Harness (See Separate Breakdown in ELECTRICAL SECTION)   |     |
| 304  | 4922641     | 1   | Switch Harness   |     |





# SECTION 3 - ENGINE

**FIGURE 3-69. 7500W/50HZ SKYPOWER GENERATOR INSTALLATION - DEUTZ TD2.9L4 ENGINES, DEUTZ TD2.9L4 (STAGE V PRE-BUY) ENGINES AND DEUTZ TD2.9L4 (STAGE V) ENGINES**



## SECTION 3 - ENGINE

**FIGURE 3-69. 7500W/50HZ SKYPOWER GENERATOR INSTALLATION - DEUTZ TD2.9L4 ENGINES,  
DEUTZ TD2.9L4 (STAGE V PRE-BUY) ENGINES AND DEUTZ TD2.9L4 (STAGE V) ENGINES**

| ITEM | PART NUMBER | QTY | DESCRIPTION  | REV |
|------|-------------|-----|--|-----|
|      | 1001141422  | Ref | 7500W SKYPOWER GENERATOR INSTALLATION  | F   |
| 1    | 0100011     | AR  | Compound, Locking  |     |
| 2    | 0100019     | AR  | Compound, Locking  |     |
| 3    | 0100048     | AR  | Compound Terminal  |     |
| 4    | 0641404     | 6   | Bolt 1/4 x 1/2   |     |
| 5    | 3931016     | 4   | Capscrew #10 x 1   |     |
| 6    | 0641516     | 3   | Bolt 5/16 x 2  |     |
| 8    | 0641808     | 2   | Bolt 1/2 x 1   |     |
| 9    | 0741607     | 3   | Screw 3/8 x 7/8  |     |
| 10   | 1001157525  | 1   | Junction Box Assembly (See Items 101 - 117 for Breakdown)  |     |
| 11   | 0861572     | 1   | Control Box Assembly   |     |
| 11   | 0860038     | 1   | Box, Receptacle  |     |
| 11   | 7024488     | 1   | Card, Circuit - Generator Power  |     |
| 11   | See Note    | NSS | Fuse (Note: Not Available - Purchase Locally)  |     |
| 11   | 7024489     | 1   | Card, Circuit - Control  |     |
| 11   | 70000619    | 1   | Harness, Control Box (Internal)  |     |
| 11   |             | Ref | Note: Same Circuit Card (P/N 7024489) is used for both 60Hz and 50Hz. When replacing card, rocker switch on card must be set for required application. |     |
| 12   | 0902888     | 1   | Bracket  |     |
| 13   | 0962520     | 1   | Bushing, Split   |     |
| 14   | 1320318     | 1   | Clamp  |     |
| 15   | 2820031     | AR  | Heat Shrink  |     |
| 16   | 3252764     | 1   | Nameplate - AC & Weld  |     |
| 17   | 3311505     | 3   | Nut 5/16   |     |
| 18   | 3311801     | 2   | Nut 1/2  |     |
| 19   | 3580317     | 1   | Tensioner, Belt  |     |
| 20   | 3580319     | 1   | Pulley   |     |
| 21   | 4060802     | 1   | Guard, Switch  |     |
| 22   | 4240018     | AR  | Tie - Strap (Not Shown)  |     |
| 23   | 1001163599  | 2   | Stud   |     |
| 24   | 4360336     | 1   | Switch, Toggle   |     |
| 25   | 4711400     | 5   | Washer 1/4   |     |
| 26   | 4711500     | 6   | Washer 5/16  |     |
| 27   | 4711600     | 1   | Washer 3/8   |     |
| 28   | 4751000     | 4   | Washer #10   |     |
| 29   | 4791400     | 2   | Washer 1/4   |     |
| 30   | 4891800     | 4   | Washer 1/2   |     |
| 31   | 4922925     | 1   | Generator to Control Box Harness (See Separate Breakdown in ELECTRICAL SECTION)  |     |
| 32   |             | Ref | Wiring Diagram Components (Not Shown)  |     |
| 32A  | 1001119968  | 1   | Generator to Engine Harness (See Separate Breakdown in ELECTRICAL SECTION)   |     |
| 32B  | 4922641     | 1   | Generator On/Off Switch Harness  |     |
| 33   | 1001212223  | 1   | Generator Assembly   |     |
| 33   | 70001100    | 1   | Rotor (Includes p/n 70001384 & 70000863) (Not Shown)   |     |
| 33   | 70001384    | 1   | Bearing, Ball Radial (Not Shown)   |     |
| 33   | 70000863    | 1   | Fan (Not Shown)  |     |
| 33   | 70006093    | 1   | Stator (Not Shown)   |     |
| 33   | 70002297    | 1   | Stud   |     |

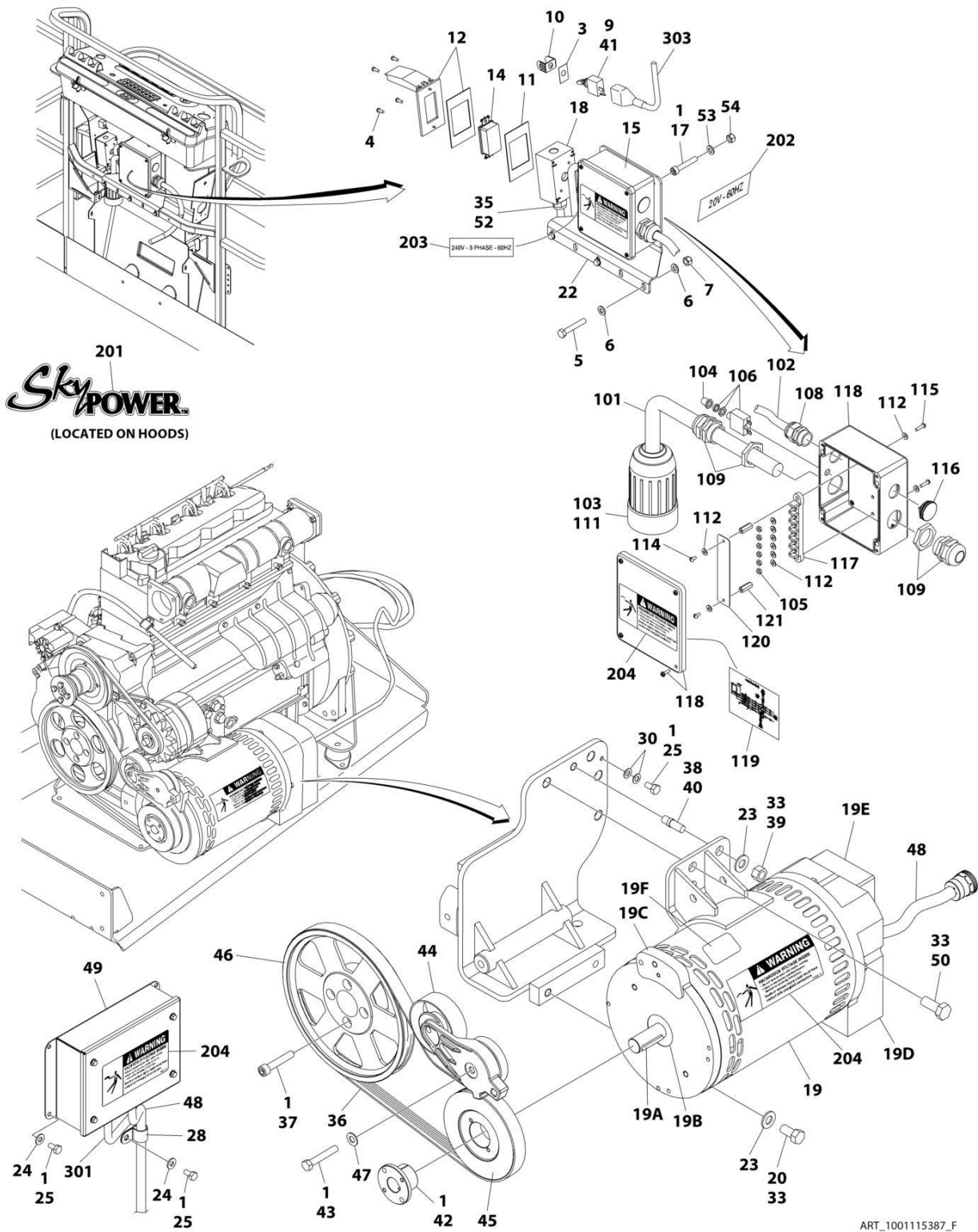
## SECTION 3 - ENGINE

| ITEM | PART NUMBER | QTY | DESCRIPTION  | REV |
|------|-------------|-----|--|-----|
| 33   | 70003631    | 1   | Brushholder Assembly (Not Shown) (was p/n 7024484)                     |     |
| 33A  | 70004099    | 1   | Key  |     |
| 33B  | 70001966    | 1   | Bearing, Ball Radial (Located in Belt Tensioner Endbell)               |     |
| 33B  | 70003708    | 1   | Ring, Internal Retaining (Located in Belt Tensioner Endbell)           |     |
| 33B  | 70003709    | 1   | Ring, External Retaining (Located in Belt Tensioner Endbell)           |     |
| 33C  | 70004092    | 1   | Endbell, Belt Tensioner  |     |
| 33D  | 70004094    | 1   | Endbell, Brush Block   |     |
| 33E  | 70006094    | 1   | Shroud   |     |
| 33E  | 70002291    | 1   | Insulator, Endbell   |     |
| 33E  | 7027799     | 1   | Block, Connector - 6 Position (Not Shown)                              |     |
| 33E  | 70002460    | 1   | Nut, Brass (Attaches p/n 7027799 to Cover) (Not Shown)                 |     |
| 33E  | 70006095    | 1   | Breaker, Circuit 30Amp (Not Shown)                                     |     |
| 33E  | 70006096    | 1   | Boot, Breaker (Not Shown)  |     |
| 33E  | 7026626     | 1   | Connector, 6 Position (Includes Seal) (Not Shown - Plugs into Item 45) |     |
| 33E  | 7026597     | 1   | Connector with Leads (Not Shown)                                       |     |
| 33E  | 70004098    | 1   | Clamp, Cable (Not Shown)   |     |
| 33E  | 70006097    | 1   | Plate, End Panel   |     |
| 33E  | 70001974    | 1   | Decal - Terminal Connections   |     |
| 33F  | 70001973    | 1   | Decal - Warning Moving Parts   |     |
| 36   | 1001142643  | 1   | Support  |     |
| 37   | 1001142645  | 1   | Belt   |     |
| 38   | 0641616     | 1   | Bolt 3/8 x 2   |     |
| 39   | 3311005     | 4   | Nut #10  |     |
|      | 1001157525  | Ref | JUNCTION BOX ASSEMBLY  | B   |
| 101  | 3300396     | 1   | Cover, Fuse  |     |
| 102  | 3311001     | 6   | Nut #10  |     |
| 103  | 3520189     | 1   | Plug   |     |
| 104  | 3520192     | 1   | Plug   |     |
| 105  | 4360070     | 1   | Circuit Breaker - 15Amp  |     |
| 106  | 4460425     | 1   | Connector, Strain Relief   |     |
| 107  | 4460426     | 2   | Connector, Strain Relief   |     |
| 109  | 4711000     | 10  | Washer #10   |     |
| 110  | 10702077    | 2   | Screw #10 x 3/8  |     |
| 111  | 10702082    | 2   | Screw #10 x 3/4  |     |
| 112  | 1001152525  | 1   | Plug   |     |
| 113  | 1001152520  | 1   | Block, Terminal  |     |
| 114  | 1001157521  | 1   | Box, Junction  |     |
| 115  | 1001157528  | 1   | Decal - Wiring Schematic   |     |
| 116  | 1001158007  | 1   | Cover, PVC   |     |
| 117  | 1001158008  | 2   | Stand-Off  |     |
|      | 0272589     | Ref | DECAL INSTALLATION   | A   |
| 201  | 1705460     | 2   | Decal - SkyPower   |     |
| 202  | 1705461     | 1   | Decal - 240V - 3 Phase - 50Hz  |     |
| 203  | 1705489     | 3   | Decal - Hazardous Voltage  |     |



# SECTION 3 - ENGINE

## FIGURE 3-70. 7500W/60HZ SKYPOWER GENERATOR INSTALLATION - DEUTZ D2011 ENGINES



## SECTION 3 - ENGINE

**FIGURE 3-70. 7500W/60HZ SKYPOWER GENERATOR INSTALLATION - DEUTZ D2011 ENGINES**

| ITEM | PART NUMBER | QTY | DESCRIPTION  | REV |
|------|-------------|-----|--|-----|
|      | 1001115387  | Ref | 7500W 60HZ SKYPOWER GENERATOR INSTALLATION - DEUTZ D2011 ENGINE MACHINES | F   |
| 1    | 0100011     | AR  | Compound, Locking  |     |
| 3    | 3252764     | 1   | Nameplate  |     |
| 4    | 3910606     | 4   | Screw #6 x 3/8   |     |
| 5    | 0641516     | 3   | Bolt 5/16 x 2  |     |
| 6    | 4751500     | 3   | Washer 5/16  |     |
| 7    | 3311508     | 3   | Nut 5/16   |     |
| 9    | 4360336     | 1   | Switch, Toggle   |     |
| 10   | 4060802     | 1   | Guard, Switch  |     |
| 11   | 3960422     | 1   | Gasket   |     |
| 12   | 1001110873  | 1   | Cover, Receptacle (60Hz Specs)   |     |
| 14   | 4460346     | 1   | Receptacle, Female   |     |
| 15   | 1001157592  | 1   | Junction Box Assembly (See Items 101-124 for Breakdown)                  |     |
| 17   | 3931016     | 4   | Capscrew 3/8 x 1   |     |
| 18   | 0860038     | 1   | Box, Switch  |     |
| 19   | 2460048     | 1   | Generator Assembly (Deutz D2011 Engines)                                 |     |
| 19   | 70001100    | 1   | Rotor (Includes p/n 70001384 & 70000863) (Not Shown)                     |     |
| 19   | 70001384    | 1   | Bearing, Ball Radial (Not Shown):  |     |
| 19   | 70000863    | 1   | Fan (Not Shown)  |     |
| 19   | 70002088    | 1   | Stator   |     |
| 19   | 70002297    | 1   | Stud   |     |
| 19   | 7024484     | NLA | Brushholder Assembly (Not Shown) (Use p/n 70003631)                      |     |
| 19A  | 7024561     | NLA | Key - 2460048 Generator (Use p/n 70004171)                               |     |
| 19B  | 70001966    | 1   | Bearing, Ball Radial (Located in Belt Tensioner Endbell)                 |     |
| 19B  | 70003708    | 1   | Ring, Internal Retaining (Located in Belt Tensioner Endbell)             |     |
| 19B  | 70003709    | 1   | Ring, External Retaining (Located in Belt Tensioner Endbell)             |     |
| 19C  | 70001953    | 1   | Endbell, Belt Tensioner  |     |
| 19D  | 70001385    | NLA | Endbell, Brush Block - (Use p/n 70004169)                                |     |
| 19E  | 70002290    | NLA | Shroud - (Use p/n 70004169)  |     |
| 19E  | See Note    | NSS | Insulator, Endbell (Note: Not Available for Purchase)                    |     |
| 19E  | 7027799     | 1   | Block, Connector 6 Position (Not Shown)                                  |     |
| 19E  | 70002460    | 1   | Nut, Brass (Attaches p/n 7027799 to Cover) (Not Shown)                   |     |
| 19E  | 7024485     | 1   | Breaker, Circuit 30Amp (Not Shown)                                       |     |
| 19E  | 70006095    | 1   | Breaker - 1001212223 Generator   |     |
| 19E  | 70001696    | 1   | Boot, Breaker (Not Shown):   |     |
| 19E  | 7026626     | 1   | Connector, 6 Position (Includes Seal) (Not Shown - Plugs into Item 36)   |     |
| 19E  | 7026597     | 1   | Connector, W/Leads (Not Shown)   |     |
| 19E  | 7026188     | 1   | Clamp, Cable (Not Shown)   |     |
| 19E  | 70004169    | 1   | Plate, End Panel:  |     |
| 19E  | 70001974    | 1   | Decal - Terminal Connections   |     |
| 19F  | 70001973    | 1   | Decal - Warning Moving Parts   |     |
| 20   | 0641808     | 2   | Bolt 1/2 x 1   |     |
| 22   | 0902888     | 1   | Bracket, Box Mounting  |     |
| 23   | 4711800     | 3   | Washer 1/2   |     |
| 24   | 4711400     | 5   | Washer 1/4   |     |
| 25   | 0641404     | 6   | Bolt 1/4 x 1/2   |     |
| 28   | 1320318     | 1   | Clamp  |     |
| 29   | 4240018     | AR  | Tie-Strap (Not Shown)  |     |

## SECTION 3 - ENGINE

| ITEM | PART NUMBER | QTY             | DESCRIPTION  | REV |
|------|-------------|-----------------|--|-----|
| 30   | 4791400     | 2               | Washer 1/4   |     |
| 33   | 0100019     | AR              | Compound, Locking  |     |
| 35   | 4460071     | 1               | Connector, Strain Relief   |     |
| 36   | 0480129     | 1               | Belt, Drive  |     |
| 37   | 4032015     | 4               | Capscrew M10 x 55  |     |
| 38   | 4300157     | 1               | Stud   |     |
| 39   | 3311801     | 1               | Nut 1/2-13   |     |
| 40   | 0100062     | AR              | Compound, Locking  |     |
| 41   | 2820031     | 1               | Insulator  |     |
| 42   | 0962520     | 1               | Bushing, Split Taper   |     |
| 43   | 0641618     | 1               | Bolt 3/8 x 2-1/4   |     |
| 44   | 3580317     | 1               | Tensioner, Belt  |     |
| 45   | 3580318     | 1               | Pulley   |     |
| 46   | 3580320     | 1               | Pulley   |     |
| 47   | 4711600     | 1               | Washer 3/8   |     |
| 48   | 4922925     | 1               | Generator to Control Box Harness (See Separate Breakdown in ELECTRICAL SECTION)  |     |
| 49   | 0861538     | 1               | Control Box Assembly   |     |
| 49   | 7024488     | 1               | Card, Circuit - Generator Power  |     |
| 49   | See Note    | 1               | Fuse (Note: Not Available - Purchase Locally)  |     |
| 49   | 70000619    | 1               | Harness, Control Box (Internal)  |     |
| 49   | 7024489     | 1               | Card, Circuit - Control  |     |
| 49   |             | Ref             | Note: Same Circuit Card (P/N 7024489) is used for both 60Hz & 50Hz Specs. When replacing card, rocker switch on card must be set for required application. |     |
| 50   | 0771415     | 1               | Bolt M14 x 35 Grade 10.9   |     |
| 52   | 0100020     | AR              | Sealant  |     |
| 53   | 4751000     | 4               | Washer #10   |     |
| 54   | 3311005     | 4               | Nut #10  |     |
|      | 1001157592  | Ref             | JUNCTION BOX ASSEMBLY  | C   |
| 101  | 1060343     | 1.5 ft<br>/.46m | Cable, Electrical 10/4   |     |
| 102  | 1001179154  | 2.5 ft<br>/.76m | Cable, Electrical 12/3   |     |
| 103  | 1671092     | 1               | Cover  |     |
| 104  | 3300396     | 1               | Cover, Fuse  |     |
| 105  | 3311001     | 6               | Nut #10  |     |
| 106  | 4360070     | 1               | Circuit Breaker - 15 Amp   |     |
| 108  | 4460425     | 1               | Connector, Strain Relief   |     |
| 109  | 4460426     | 2               | Connector, Strain Relief   |     |
| 111  | 4460963     | 1               | Connector  |     |
| 112  | 4711000     | 4               | Washer #10   |     |
| 114  | 10702077    | 2               | Screw #10 x 3/8  |     |
| 115  | 10702082    | 2               | Screw #10 x 3/4  |     |
| 116  | 1001152525  | 1               | Plug   |     |
| 117  | 1001157520  | 1               | Block, Terminal  |     |
| 118  | 1001157521  | 1               | Box, Junction  |     |
| 119  | 1001157528  | 1               | Decal - Wiring Schematic   |     |
| 120  | 1001158007  | 1               | Cover, PVC   |     |
| 121  | 1001158008  | 1               | Stand-Off  |     |
|      | 0272435     | Ref             | DECAL INSTALLATION   | D   |
| 201  | 1705460     | 2               | Decal - SkyPower   |     |

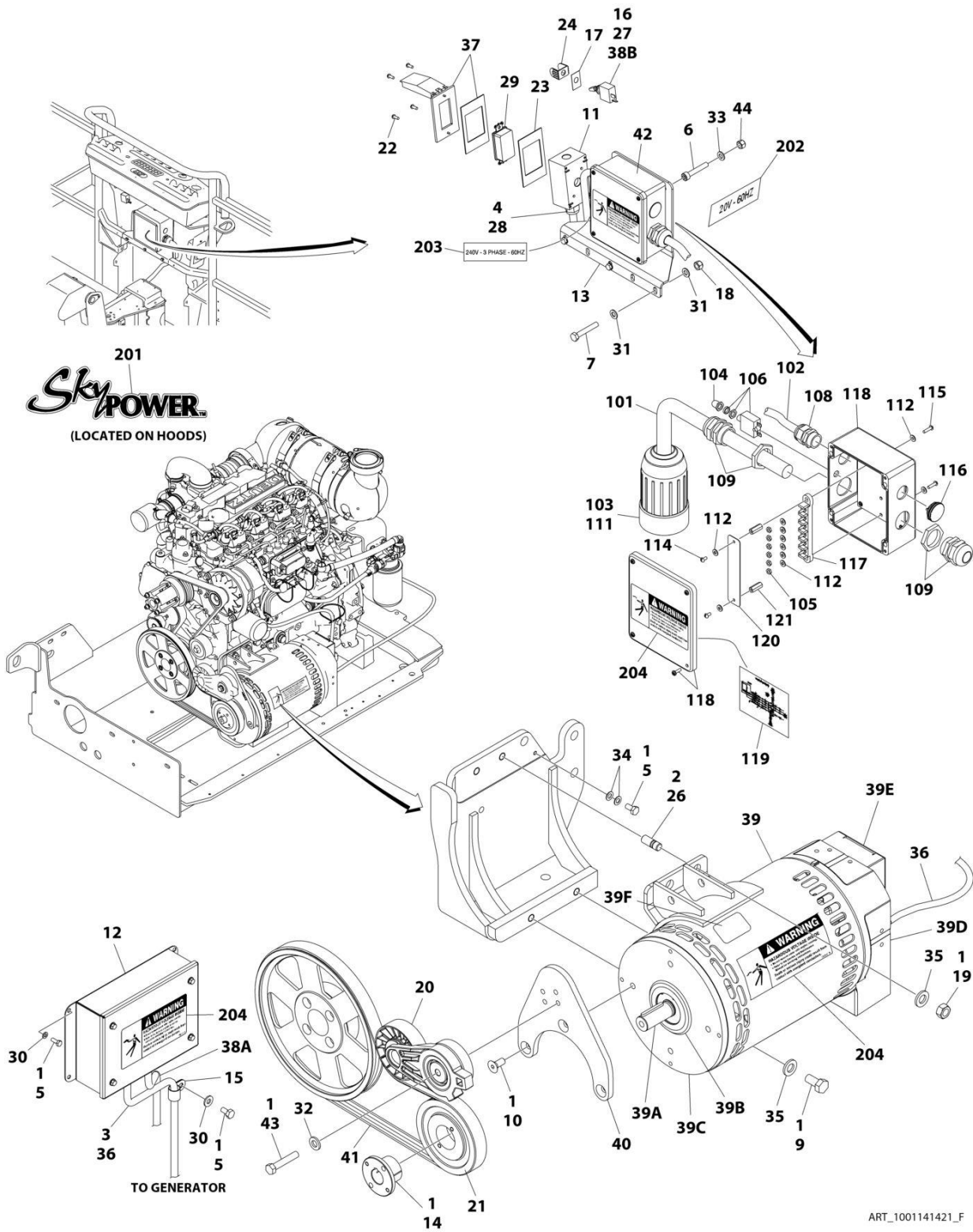


## SECTION 3 - ENGINE

| ITEM | PART NUMBER | QTY | DESCRIPTION  | REV |
|------|-------------|-----|--|-----|
| 202  | 3251243     | 1   | Decal - 120V - 60Hz (Not Shown - Located on Platform Receptacle) |     |
| 203  | 1705375     | 1   | Decal - 240V - 3 Phase   |     |
| 204  | 1705387     | 3   | Decal, Hazardous Voltage   |     |
|      | 1001157769  | Ref | ELECTRICAL DIAGRAM COMPONENTS                                    | B   |
| 301  | 1001152429  | 1   | Generator Harness (See Separate Breakdown in ELECTRICAL SECTION) | C   |
| 303  | 4922641     | 1   | Switch Harness   |     |

# SECTION 3 - ENGINE

## FIGURE 3-71. 7500W/60HZ SKYPOWER GENERATOR INSTALLATION - DEUTZ TD2.9L4 ENGINES



## SECTION 3 - ENGINE

**FIGURE 3-71. 7500W/60HZ SKYPOWER GENERATOR INSTALLATION - DEUTZ TD2.9L4 ENGINES**

| ITEM | PART NUMBER | QTY | DESCRIPTION  | REV |
|------|-------------|-----|--|-----|
|      | 1001141421  | Ref | 7500W SKYPOWER GENERATOR INSTALLATION  | F   |
| 1    | 0100011     | AR  | Compound, Locking  |     |
| 2    | 0100019     | AR  | Compound, Locking  |     |
| 3    | 0100048     | AR  | Compound Terminal  |     |
| 4    | 0100079     | AR  | Sealant  |     |
| 5    | 0641404     | 6   | Bolt 1/4 x 1/2   |     |
| 6    | 3931016     | 4   | Capscrew #10 x 1   |     |
| 7    | 0641516     | 3   | Bolt 5/16 x 2  |     |
| 9    | 0641808     | 2   | Bolt 1/2 x 1   |     |
| 10   | 0741607     | 3   | Screw 3/8 x 7/8  |     |
| 11   | 0860038     | 1   | Box, Receptacle  |     |
| 12   | 0861538     | 1   | Control Box Assembly   |     |
| 12   | 7024488     | 1   | Card, Circuit - Generator Power  |     |
| 12   | See Note    | NSS | Fuse (Note: Not Available - Purchase Locally)  |     |
| 12   | 7024489     | 1   | Card, Circuit - Control  |     |
| 12   | 70000619    | 1   | Harness, Control Box (Internal)  |     |
|      |             | Ref | Note: Same Circuit Card (P/N 7024489) is used for both 60Hz and 50Hz. When replacing card, rocker switch on card must be set for required application. |     |
| 13   | 0902888     | 1   | Bracket  |     |
| 14   | 0962520     | 1   | Bushing, Split   |     |
| 15   | 1320318     | 1   | Clamp  |     |
| 16   | 2820031     | AR  | Heat Shrink  |     |
| 17   | 3252764     | 1   | Nameplate - AC & Weld  |     |
| 18   | 3311505     | 3   | Nut 5/16   |     |
| 19   | 3311801     | 2   | Nut 1/2  |     |
| 20   | 3580317     | 1   | Tensioner, Belt  |     |
| 21   | 3580318     | 1   | Pulley   |     |
| 22   | 3910606     | 4   | Screw #6 x 3/8   |     |
| 23   | 3960422     | 1   | Gasket   |     |
| 24   | 4060802     | 1   | Guard, Switch  |     |
| 25   | 4240018     | AR  | Tie - Strap (Not Shown)  |     |
| 26   | 1001163599  | 2   | Stud   |     |
| 27   | 4360336     | 1   | Switch, Toggle   |     |
| 28   | 4460071     | 1   | Connector, Strain Relief   |     |
| 29   | 4460346     | 1   | Receptacle   |     |
| 30   | 4711400     | 5   | Washer 1/4   |     |
| 31   | 4711500     | 6   | Washer 5/16  |     |
| 32   | 4711600     | 1   | Washer 3/8   |     |
| 33   | 4751000     | 4   | Washer #10   |     |
| 34   | 4791400     | 2   | Washer 1/4   |     |
| 35   | 4891800     | 4   | Washer 1/2   |     |
| 36   | 4922925     | 1   | Generator to Control Box Harness (See Separate Breakdown in ELECTRICAL SECTION)  |     |
| 37   | 1001110873  | 1   | Cover  |     |
| 38   |             | Ref | Wiring Diagram Components (Not Shown)  |     |
| 38A  | 1001119968  | 1   | Generator to Engine Harness (See Separate Breakdown in ELECTRICAL SECTION)   |     |
| 38B  | 4922641     | 1   | Generator ON/OFF Switch Harness  |     |
| 39   | 1001212223  | 1   | Generator Assembly   |     |

## SECTION 3 - ENGINE

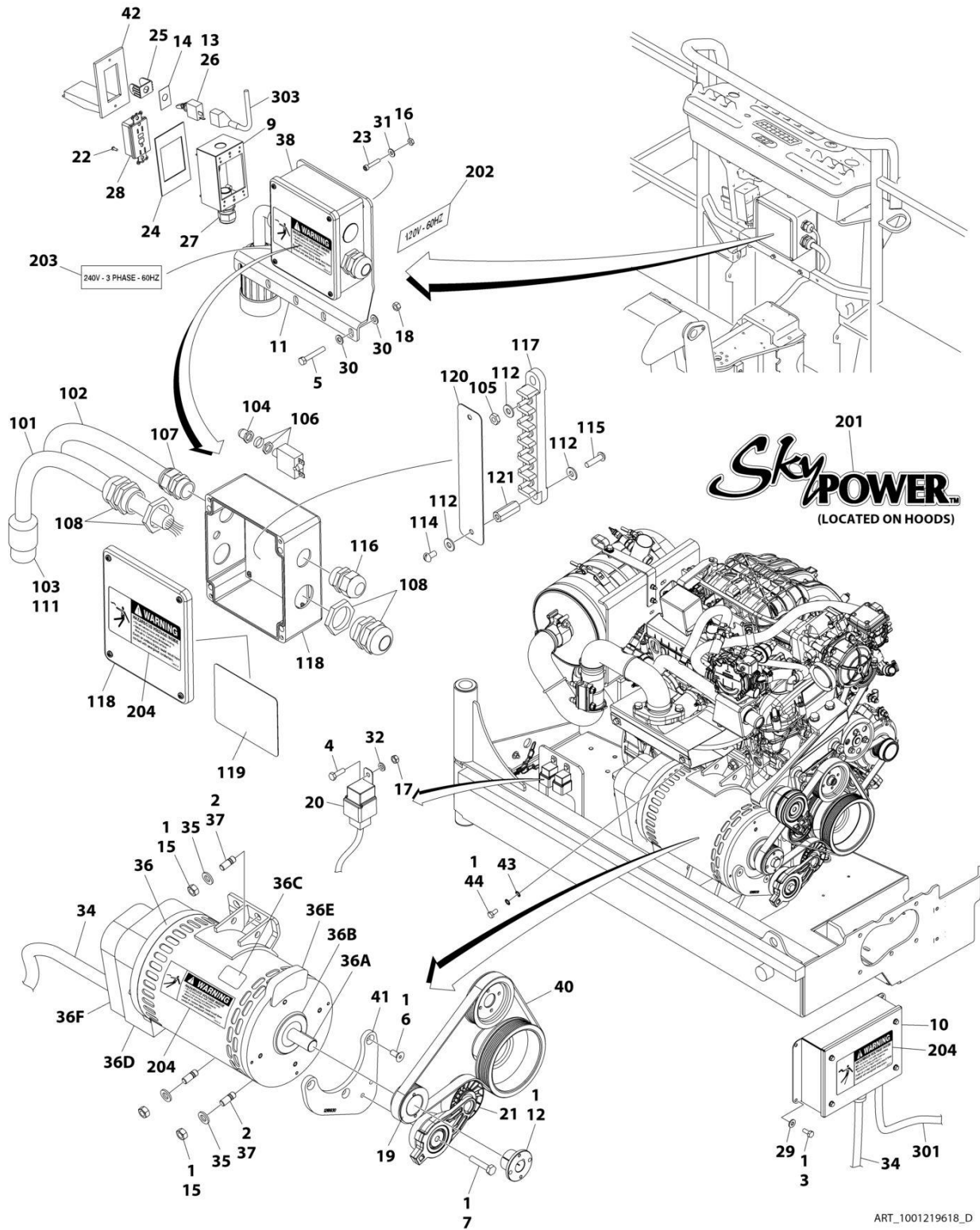
| ITEM | PART NUMBER | QTY             | DESCRIPTION  | REV |
|------|-------------|-----------------|--|-----|
| 39   | 70001100    | 1               | Rotor (Includes p/n 70001384 & 70000863) (Not Shown)                   |     |
| 39   | 70001384    | 1               | Bearing, Ball Radial (Not Shown)                                       |     |
| 39   | 70000863    | 1               | Fan (Not Shown)  |     |
| 39   | 70006093    | 1               | Stator (Not Shown)   |     |
| 39   | 70002297    | 1               | Stud   |     |
| 39   | 70003631    | 1               | Brushholder Assembly (Not Shown) (was p/n 7024484)                     |     |
| 39A  | 70004099    | 1               | Key  |     |
| 39B  | 70001966    | 1               | Bearing, Ball Radial (Located in Belt Tensioner Endbell)               |     |
| 39B  | 70003708    | 1               | Ring, Internal Retaining (Located in Belt Tensioner Endbell)           |     |
| 39B  | 70003709    | 1               | Ring, External Retaining (Located in Belt Tensioner Endbell)           |     |
| 39C  | 70004092    | 1               | Endbell, Belt Tensioner  |     |
| 39D  | 70004094    | 1               | Endbell, Brush Block   |     |
| 39E  | 70006094    | 1               | Shroud   |     |
| 39E  | 70002291    | 1               | Insulator, Endbell   |     |
| 39E  | 7027799     | 1               | Block, Connector - 6 Position (Not Shown)                              |     |
| 39E  | 70002460    | 1               | Nut, Brass (Attaches p/n 7027799 to Cover) (Not Shown)                 |     |
| 39E  | 70006095    | 1               | Breaker, Circuit 30Amp (Not Shown)                                     |     |
| 39E  | 70006096    | 1               | Boot, Breaker (Not Shown)  |     |
| 39E  | 7026626     | 1               | Connector, 6 Position (Includes Seal) (Not Shown - Plugs into Item 45) |     |
| 39E  | 7026597     | 1               | Connector with Leads (Not Shown)                                       |     |
| 39E  | 70004098    | 1               | Clamp, Cable (Not Shown)   |     |
| 39E  | 70006097    | 1               | Plate, End Panel   |     |
| 39E  | 70001974    | 1               | Decal - Terminal Connections   |     |
| 39F  | 70001973    | 1               | Decal - Warning Moving Parts   |     |
| 40   | 1001142643  | 1               | Support  |     |
| 41   | 1001142646  | 1               | Belt   |     |
| 42   | 1001157592  | 1               | Junction Box Assembly (See Items 101-121 for Breakdown)                |     |
| 43   | 0641616     | 1               | Bolt 3/8 x 2   |     |
| 44   | 3311005     | 4               | Nut #10  |     |
|      | 1001157592  | Ref             | JUNCTION BOX ASSEMBLY  | C   |
| 101  | 1060343     | 1.5 ft/<br>0.5m | Cable, Electrical 10/4   |     |
| 102  | 1001179154  | 2.5 ft/<br>76cm | Cable, Electrical 12/3   |     |
| 103  | 1671092     | 1               | Cover, Connector   |     |
| 104  | 3300396     | 1               | Cover, Fuse  |     |
| 105  | 3311001     | 6               | Nut #10  |     |
| 106  | 4360070     | 1               | Circuit Breaker - 15Amp  |     |
| 108  | 4460425     | 1               | Connector, Strain Relief   |     |
| 109  | 4460426     | 2               | Connector, Strain Relief   |     |
| 111  | 4460963     | 1               | Connector  |     |
| 112  | 4711000     | 4               | Washer #10   |     |
| 114  | 10702077    | 2               | Screw #10 x 3/8  |     |
| 115  | 10702082    | 2               | Screw #10 x 3/4  |     |
| 116  | 1001152525  | 1               | Plug   |     |
| 117  | 1001157520  | 1               | Block, Terminal  |     |
| 118  | 1001157521  | 1               | Box, Junction  |     |
| 119  | 1001157528  | 1               | Decal - Wiring Schematic   |     |
| 120  | 1001158007  | 1               | Cover, PVC   |     |
| 121  | 1001158008  | 1               | Stand-Off  |     |
|      | 0272435     | Ref             | DECAL INSTALLATION   | D   |

## SECTION 3 - ENGINE

| ITEM | PART NUMBER | QTY | DESCRIPTION                   | REV |
|------|-------------|-----|-------------------------------|-----|
| 201  | 1705460     | 2   | Decal - SkyPower              |     |
| 202  | 3251243     | 1   | Decal - 120V-60Hz             |     |
| 203  | 1705375     | 1   | Decal - 240V - 3 Phase - 60Hz |     |
| 204  | 1705387     | 3   | Decal - Hazardous Voltage     |     |

# SECTION 3 - ENGINE

FIGURE 3-72. 7500W/60HZ SKYPOWER GENERATOR INSTALLATION - FORD ENGINES



ART\_1001219618\_D

## SECTION 3 - ENGINE

**FIGURE 3-72. 7500W/60HZ SKYPOWER GENERATOR INSTALLATION - FORD ENGINES**

| ITEM | PART NUMBER | QTY | DESCRIPTION  | REV |
|------|-------------|-----|--|-----|
|      | 1001219618  | Ref | 7500W SKYPOWER GENERATOR INSTALLATION - FORD ENGINES                 | D   |
|      |             | Ref | Note: See ELECTRICAL SECTION for Boom Cable Components.              |     |
| 1    | 0100011     | AR  | Compound, Locking  |     |
| 2    | 0100019     | AR  | Compound, Locking  |     |
| 3    | 0641405     | 4   | Bolt 1/4 x 5/8   |     |
| 4    | 0760610     | 2   | Bolt M6 x 20   |     |
| 5    | 0641516     | 3   | Bolt 5/16 x 2  |     |
| 6    | 0741607     | 3   | Screw 3/8 x 7/8  |     |
| 7    | 0761018     | 1   | Bolt M10 x 50  |     |
| 9    | 0860038     | 1   | Box, Switch  |     |
| 10   | 0861538     | 1   | Control Box Assembly   |     |
| 10   | 7024488     | 1   | Card, Circuit - Generator Power                                      |     |
| 10   | See Note    | 1   | Fuse (Note: Not Available - Purchase Locally)                        |     |
| 10   | 7024489     | 1   | Card, Circuit - Control  |     |
| 10   | 70000619    | 1   | Harness, Circuit Card  |     |
| 11   | 0902888     | 1   | Bracket, Box Mounting  |     |
| 12   | 0962520     | 1   | Bushing, Split Taper   |     |
| 13   | 2820031     | 1   | Heat Shrink  |     |
| 14   | 3252764     | 1   | Nameplate - AC & Weld  |     |
| 15   | 3291201     | 4   | Nut M12  |     |
| 16   | 3311005     | 4   | Nut #10  |     |
| 17   | 3290601     | 2   | Nut M6   |     |
| 18   | 3311505     | 3   | Nut 5/16   |     |
| 19   | 3580314     | 1   | Pulley   |     |
| 20   | 3740080     | 2   | Relay  |     |
| 21   | 3580317     | 1   | Tensioner, Belt  |     |
| 22   | 3910606     | 2   | Screw #6 x 3/8   |     |
| 23   | 3931016     | 4   | Capscrew #10 x 1   |     |
| 24   | 3960422     | 1   | Gasket   |     |
| 25   | 4060802     | 1   | Guard, Switch  |     |
| 26   | 4360336     | 1   | Switch, Toggle   |     |
| 27   | 4460071     | 1   | Connector, Strain Relief   |     |
| 28   | 4460346     | 1   | Receptacle   |     |
| 29   | 4711400     | 4   | Washer 1/4   |     |
| 30   | 4711500     | 6   | Washer 5/16  |     |
| 31   | 4751000     | 4   | Washer #10   |     |
| 32   | 4811700     | 2   | Washer M6  |     |
| 34   | 4922925     | 1   | Harness, Generator   |     |
| 35   | 5241200     | 4   | Washer M12   |     |
| 36   | 1001136104  | 1   | Generator Assembly   |     |
| 36   | 70003631    | 1   | Brushholder Assembly (Not Shown) (was p/n 7024484)                   |     |
| 36   | 7024485     | 1   | Breaker, Circuit 30Amp (Not Shown)                                   |     |
| 36   | 70001696    | 1   | Boot, Breaker (was p/n 7024486 - Not Shown)                          |     |
| 36   | 70001966    | 1   | Bearing, Ball Radial (Located In Belt Tensioner Endbell - Not Shown) |     |
| 36   | 7027799     | 1   | Block, Connector 6 Position (Not Shown)                              |     |
| 36   | 70002460    | 6   | Nut, Brass (Attaches p/n 7027799 to Cover) (Not Shown)               |     |
| 36   | 7026188     | 1   | Clamp, Cable (Not Shown)   |     |
| 36   | 7026597     | 1   | Connector, W/Leads (Not Shown)                                       |     |

## SECTION 3 - ENGINE

| ITEM | PART NUMBER | QTY              | DESCRIPTION  | REV |
|------|-------------|------------------|--|-----|
| 36   | 7026626     | 1                | Connector - 6 Position with Seal (Not Shown)                                   |     |
| 36   | 70002088    | 1                | Stator (Not Shown)   |     |
| 36   | 70004169    | 1                | Panel, End (Not Shown) (was p/n 70002255)                                      |     |
| 36   | 70001974    | 1                | Decal - Terminal Connections (Not Shown)                                       |     |
| 36   | 70000863    | 1                | Fan (Not Shown)  |     |
| 36   | 70002297    | 4                | Stud (Not Shown)   |     |
| 36A  | 70004171    | 1                | Key (was p/n 7024561)  |     |
| 36A  | 70001100    | 1                | Armature, Generator (Includes Radial Ball Bearing on End with Brushes and Fan) |     |
| 36A  | 70001384    | 1                | Bearing, Ball Radial   |     |
| 36B  | 70001966    | 1                | Bearing, Radial Ball   |     |
| 36B  | 70003708    | 1                | Ring, Internal Retaining (Located in Belt Tensioner Endbell)                   |     |
| 36B  | 70003709    | 1                | Ring, External Retaining (Located in Belt Tensioner Endbell)                   |     |
| 36C  | 70001973    | 1                | Decal - Warning Moving Parts   |     |
| 36D  | 70004169    | 1                | Endbell, Brush Block (was p/n 70001385)  |     |
| 36E  | 70001953    | 1                | Endbell, Belt Tensioner  |     |
| 36F  | 70004169    | 1                | Endbell, Shroud Assembly (was p/n 70002290)                                    |     |
| 37   | 1001196382  | 4                | Stud   |     |
| 38   | 1001157592  | 1                | Junction Box Assembly (See Items 101-121 for Breakdown)                        |     |
| 40   | 1001216390  | 1                | V-Belt   |     |
| 41   | 1001218930  | 1                | Mount, Tensioner   |     |
| 42   | 1001110873  | 1                | Cover, Receptacle  |     |
| 43   | 4871700     | 2                | Washer M6  |     |
| 44   | 0760606     | 1                | Bolt M6 x 12   |     |
|      | 1001157592  | Ref              | JUNCTION BOX ASSEMBLY  | C   |
| 101  | 1060343     | 1.5 ft<br>/0.46m | Cable, Electrical - 10/4 (60Hz Only)   |     |
| 102  | 1001179154  | 2.5 ft<br>/0.76m | Cable Electrical - 12/3  |     |
| 103  | 1671092     | 1                | Cover, Connector   |     |
| 104  | 3300396     | 1                | Cover, Fuse  |     |
| 105  | 3311001     | 6                | Nut #10  |     |
| 106  | 4360070     | 1                | Breaker, Circuit 15Amp   |     |
| 107  | 4460425     | 1                | Connector, Strain Relief   |     |
| 108  | 4460426     | 2                | Connector, Strain Relief   |     |
| 111  | 4460963     | 1                | Receptacle   |     |
| 112  | 4711000     | 10               | Washer #10   |     |
| 114  | 10702077    | 2                | Screw #10 x 3/8  |     |
| 115  | 10702082    | 2                | Screw #10 x 3/4  |     |
| 116  | 1001152525  | 1                | Plug, Hole   |     |
| 117  | 1001157520  | 1                | Block, Terminal Pole   |     |
| 118  | 1001157521  | 1                | Box, Junction  |     |
| 119  | 1001157528  | 1                | Decal - Box Junction   |     |
| 120  | 1001158007  | 1                | Cover  |     |
| 121  | 1001158008  | 2                | Standoff   |     |
|      | 0272435     | Ref              | DECAL INSTALLATION   | D   |
| 201  | 1705460     | 2                | Decal - SkyPower   |     |
| 202  | 3251243     | 1                | Decal - 120V - 60Hz (60Hz Spec Only) (Located on Opposite Side)                |     |
| 203  | 1705375     | 1                | Decal - 240V - 3 Phase   |     |
| 204  | 1705387     | 3                | Decal, Hazardous Voltage   |     |
|      | 1001221498  | Ref              | ELECTRICAL DIAGRAM COMPONENTS  | B   |
| 301  | 1001257972  | 1                | Generator to Engine Harness (See Separate Breakdown in                         |     |



## SECTION 3 - ENGINE

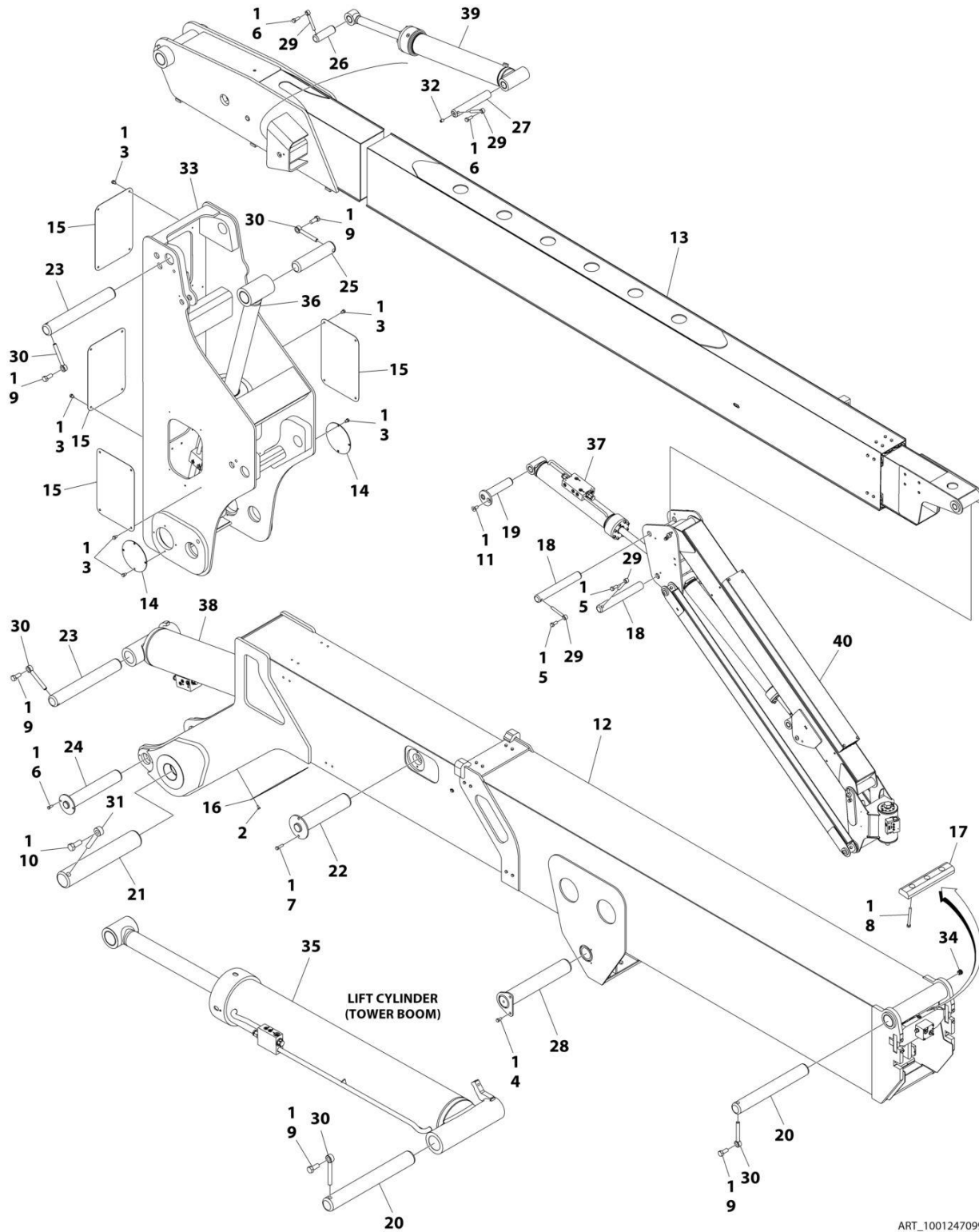
| ITEM | PART NUMBER | QTY | DESCRIPTION  | REV |
|------|-------------|-----|--|-----|
| 303  | 4922641     | 1   | ELECTRICAL SECTION)<br>Generator On/Off Switch Harness |     |



**SECTION 4 - BOOM**

# SECTION 4 - BOOM

FIGURE 4-1. BOOM INSTALLATION - WITHOUT ARCTIC PACKAGE (Prior to SN 030028879, SN 030028881 through 0300289013, SN 0300289020 through 0300289215, SN 0300289220 through 0300291403)



ART\_1001247099

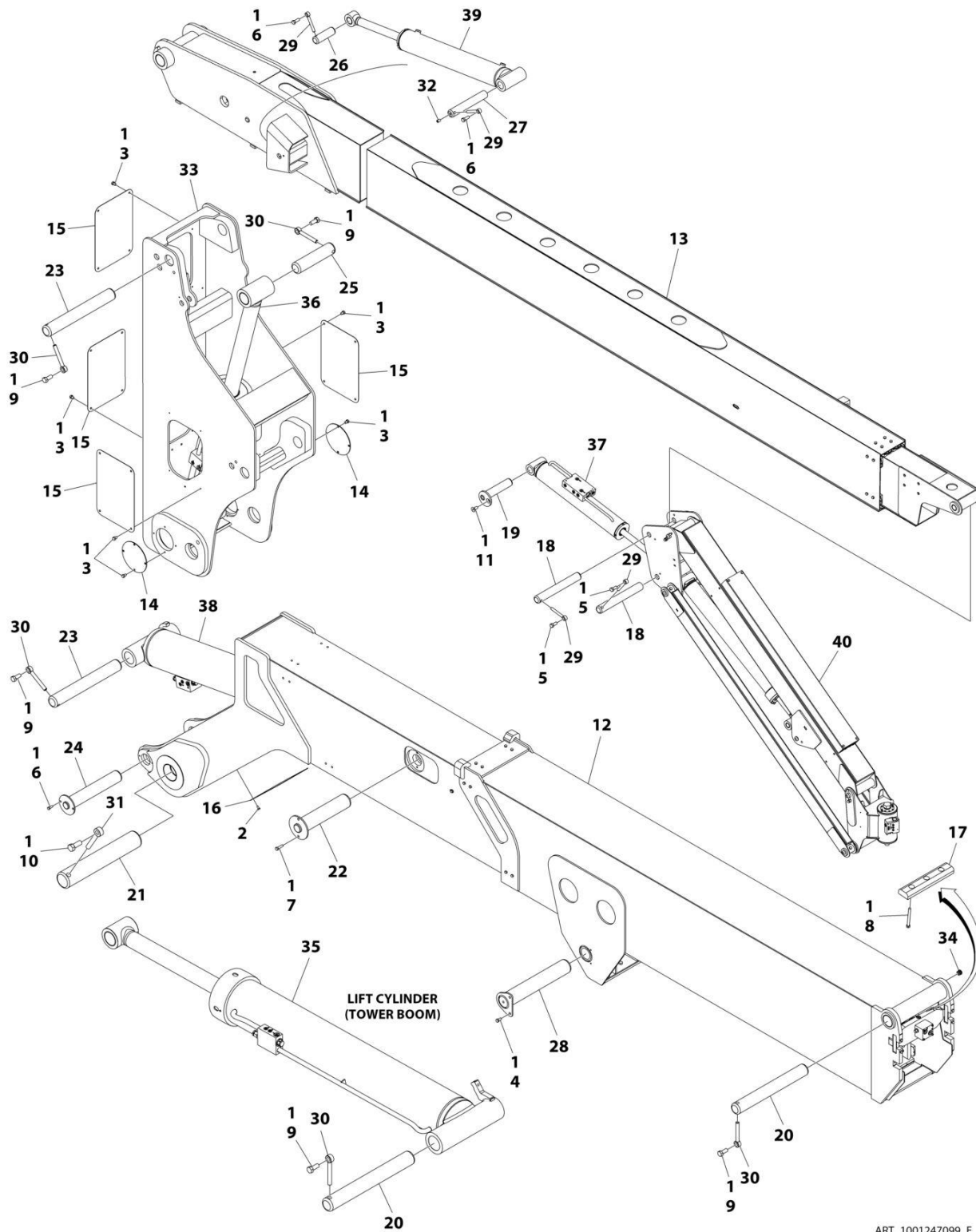
## SECTION 4 - BOOM

**FIGURE 4-1. BOOM INSTALLATION - WITHOUT ARCTIC PACKAGE (Prior to SN 030028879, SN 030028881 through 0300289013, SN 0300289020 through 0300289215, SN 0300289220 through 0300291403)**

| ITEM | PART NUMBER | QTY | DESCRIPTION   | REV |
|------|-------------|-----|---|-----|
|      | 1001247099  | Ref | BOOM INSTALLATION   | D   |
| 1    | 0100011     | AR  | Compound, Locking   |     |
| 2    | 0641404     | 4   | Bolt 1/4 x 1/2  |     |
| 3    | 0641604     | 24  | Bolt 3/8 x 1/2  |     |
| 4    | 0641606     | 2   | Bolt 3/8 x 3/4  |     |
| 5    | 0641607     | 2   | Bolt 3/8 x 7/8  |     |
| 6    | 0641608     | 4   | Bolt 3/8 x 1  |     |
| 7    | 0641611     | 2   | Bolt 3/8 x 1-3/8  |     |
| 8    | 0641840     | 3   | Bolt 1/2 x 5  |     |
| 9    | 0642214     | 5   | Bolt 3/4 x 1-3/4  |     |
| 10   | 0642620     | 1   | Bolt 1 x 2-1/2  |     |
| 11   | 0741607     | 1   | Screw 3/8 x 7/8   |     |
| 12   | 0801132     | 1   | Boom Assembly - Tower (See Separate Breakdown in this Section)                        |     |
| 13   | 0801136     | 1   | Boom Assembly - Main (See Separate Breakdown in this Section)                         |     |
| 14   | 1120510     | 2   | Cover, Upright  |     |
| 15   | 1670844     | 4   | Cover, Upright  |     |
| 16   | 1670850     | 1   | Cover, Tower Fly  |     |
| 17   | 3340835     | 1   | Pad Rest  |     |
| 18   | 3422561     | 2   | Pin   |     |
| 19   | 3422583     | 1   | Pin   |     |
| 20   | 3422681     | 2   | Pin   |     |
| 21   | 3422683     | 1   | Pin   |     |
| 22   | 3422684     | 1   | Pin   |     |
| 23   | 3422685     | 2   | Pin   |     |
| 24   | 3422686     | 1   | Pin   |     |
| 25   | 3422687     | 1   | Pin   |     |
| 26   | 3422688     | 1   | Pin   |     |
| 27   | 3422689     | 1   | Pin   |     |
| 28   | 3422729     | 1   | Pin   |     |
| 29   | 3841143     | 4   | Keeper, Pin   |     |
| 30   | 3841287     | 5   | Keeper, Pin   |     |
| 31   | 3841356     | 1   | Keeper, Pin   |     |
| 32   | 3900239     | 1   | Set Screw   |     |
| 33   | 4845593     | 1   | Upright   |     |
| 34   | 1001213705  | 1   | Cap   |     |
| 35   | 1001251009  | 1   | Lift Cylinder Assembly - Tower Boom (See Separate Breakdown in CYLINDER Section)      |     |
| 36   | 1001251010  | 1   | Lift Cylinder Assembly - Main Boom (See Separate Breakdown in CYLINDER Section)       |     |
| 37   | 1001228030  | 1   | Level Cylinder Assembly - Platform Slave (See Separate Breakdown in CYLINDER Section) |     |
| 38   | 1001251041  | 1   | Level Cylinder Assembly - Upright (See Separate Breakdown in CYLINDER Section)        |     |
| 39   | 1001228050  | 1   | Master Cylinder Assembly (See Separate Breakdown in CYLINDER Section)                 |     |
| 40   | 1001247147  | 1   | Jib Assembly (See Separate Breakdown in this Section)                                 |     |

# SECTION 4 - BOOM

FIGURE 4-2. BOOM AND CYLINDER INSTALLATION - WITHOUT ARCTIC PACKAGE (SN 0300289014 through 0300289019, SN 0300289216 through 0300289219, SN 0300291404 to Present, Including 0300288880)



ART\_1001247099\_E

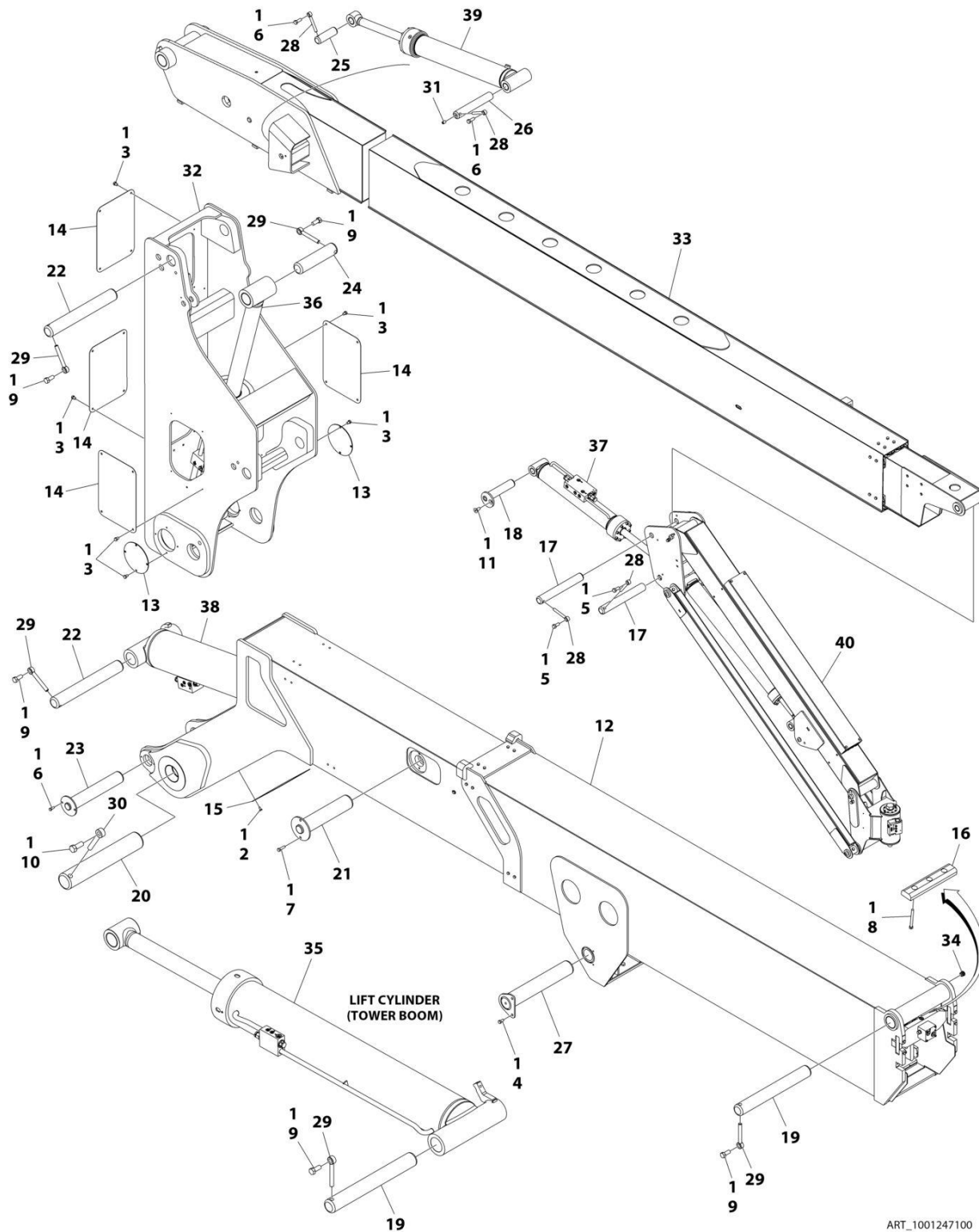
## SECTION 4 - BOOM

**FIGURE 4-2. BOOM AND CYLINDER INSTALLATION - WITHOUT ARCTIC PACKAGE (SN 0300289014 through 0300289019, SN 0300289216 through 0300289219, SN 0300291404 to Present, Including 0300288880)**

| ITEM | PART NUMBER | QTY | DESCRIPTION   | REV |
|------|-------------|-----|---|-----|
|      | 1001247099  | Ref | BOOM INSTALLATION   | E   |
| 1    | 0100011     | AR  | Compound, Locking   |     |
| 2    | 0641404     | 4   | Bolt 1/4 x 1/2  |     |
| 3    | 0641604     | 24  | Bolt 3/8 x 1/2  |     |
| 4    | 0641606     | 2   | Bolt 3/8 x 3/4  |     |
| 5    | 0641607     | 2   | Bolt 3/8 x 7/8  |     |
| 6    | 0641608     | 4   | Bolt 3/8 x 1  |     |
| 7    | 0641611     | 2   | Bolt 3/8 x 1-3/8  |     |
| 8    | 0641840     | 3   | Bolt 1/2 x 5  |     |
| 9    | 0642214     | 5   | Bolt 3/4 x 1-3/4  |     |
| 10   | 0642620     | 1   | Bolt 1 x 2-1/2  |     |
| 11   | 0741607     | 1   | Screw 3/8 x 7/8   |     |
| 12   | 0801132     | 1   | Boom Assembly - Tower (See Separate Breakdown in this Section)                        |     |
| 13   | 0801136     | 1   | Boom Assembly - Main (See Separate Breakdown in this Section)                         |     |
| 14   | 1120510     | 2   | Cover, Upright  |     |
| 15   | 1670844     | 4   | Cover, Upright  |     |
| 16   | 1670850     | 1   | Cover, Tower Fly  |     |
| 17   | 3340835     | 1   | Pad Rest  |     |
| 18   | 3422561     | 2   | Pin   |     |
| 19   | 3422583     | 1   | Pin   |     |
| 20   | 3422681     | 2   | Pin   |     |
| 21   | 3422683     | 1   | Pin   |     |
| 22   | 3422684     | 1   | Pin   |     |
| 23   | 3422685     | 2   | Pin   |     |
| 24   | 3422686     | 1   | Pin   |     |
| 25   | 3422687     | 1   | Pin   |     |
| 26   | 3422688     | 1   | Pin   |     |
| 27   | 3422689     | 1   | Pin   |     |
| 28   | 3422729     | 1   | Pin   |     |
| 29   | 3841143     | 4   | Keeper, Pin   |     |
| 30   | 3841287     | 5   | Keeper, Pin   |     |
| 31   | 3841356     | 1   | Keeper, Pin   |     |
| 32   | 3900239     | 1   | Set Screw   |     |
| 33   | 4845593     | 1   | Upright   |     |
| 34   | 1001213705  | 1   | Cap   |     |
| 35   | 1001251009  | 1   | Lift Cylinder Assembly - Tower Boom (See Separate Breakdown in CYLINDER Section)      |     |
| 36   | 1001251010  | 1   | Lift Cylinder Assembly - Main Boom (See Separate Breakdown in CYLINDER Section)       |     |
| 37   | 1001251030  | 1   | Level Cylinder Assembly - Platform Slave (See Separate Breakdown in CYLINDER Section) |     |
| 38   | 1001251041  | 1   | Level Cylinder Assembly - Upright (See Separate Breakdown in CYLINDER Section)        |     |
| 39   | 1001251050  | 1   | Master Cylinder Assembly (See Separate Breakdown in CYLINDER Section)                 |     |
| 40   | 1001247147  | 1   | Jib Assembly (See Separate Breakdown in this Section)                                 |     |

# SECTION 4 - BOOM

FIGURE 4-3. BOOM INSTALLATION - WITH ARCTIC PACKAGE (Prior to SN 0300288879, SN 0300288881 through 0300289013, SN 0300289020 through 0300289215, SN 0300289220 through 0300291403)



ART\_1001247100



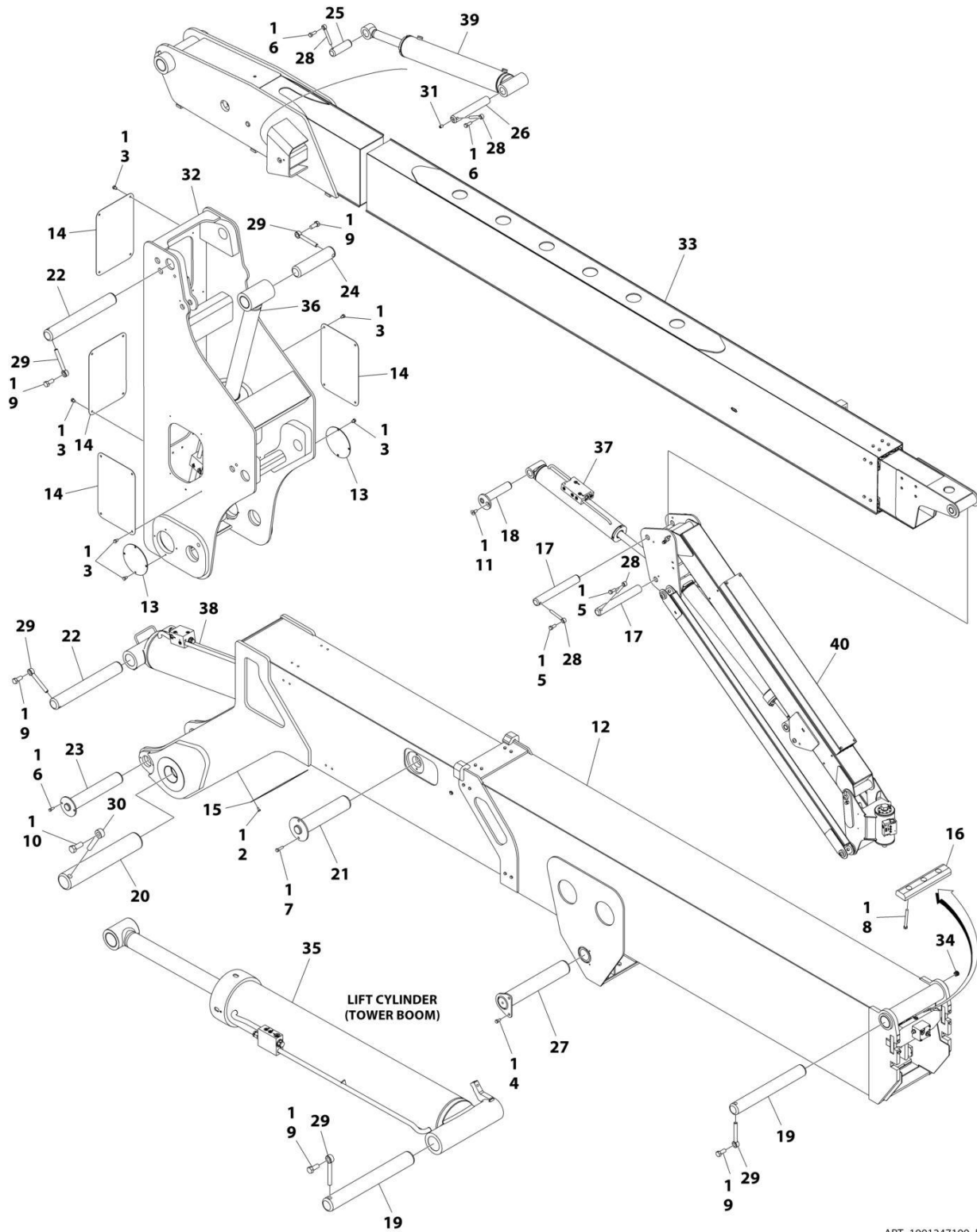
## SECTION 4 - BOOM

**FIGURE 4-3. BOOM INSTALLATION - WITH ARCTIC PACKAGE (Prior to SN 0300288879, SN 0300288881 through 0300289013, SN 0300289020 through 0300289215, SN 0300289220 through 0300291403)**

| ITEM | PART NUMBER | QTY | DESCRIPTION   | REV |
|------|-------------|-----|---|-----|
|      | 1001247100  | Ref | BOOM INSTALLATION - 800AJ WITH ARTIC PACKAGE  | D   |
| 1    | 0100011     | AR  | Compound, Locking   |     |
| 2    | 0641404     | 4   | Bolt 1/4 x 1/2  |     |
| 3    | 0641604     | 24  | Bolt 3/8 x 1/2  |     |
| 4    | 0641606     | 2   | Bolt 3/8 x 3/4  |     |
| 5    | 0641607     | 2   | Bolt 3/8 x 7/8  |     |
| 6    | 0641608     | 4   | Bolt 3/8 x 1  |     |
| 7    | 0641611     | 2   | Bolt 3/8 x 1-3/8  |     |
| 8    | 0641840     | 3   | Bolt 1/2 x 5  |     |
| 9    | 0642214     | 5   | Bolt 3/4 x 1-3/4  |     |
| 10   | 0642620     | 1   | Bolt 1 x 2-1/2  |     |
| 11   | 0741607     | 1   | Screw 3/8 x 7/8   |     |
| 12   | 0801132     | 1   | Boom Assembly - Tower (See Separate Breakdown in this Section)                        |     |
| 13   | 1120510     | 2   | Cover, Upright  |     |
| 14   | 1670844     | 4   | Cover, Upright  |     |
| 15   | 1670850     | 1   | Cover, Tower Fly  |     |
| 16   | 3340835     | 1   | Pad Rest  |     |
| 17   | 3422561     | 2   | Pin   |     |
| 18   | 3422583     | 1   | Pin   |     |
| 19   | 3422681     | 2   | Pin   |     |
| 20   | 3422683     | 1   | Pin   |     |
| 21   | 3422684     | 1   | Pin   |     |
| 22   | 3422685     | 2   | Pin   |     |
| 23   | 3422686     | 1   | Pin   |     |
| 24   | 3422687     | 1   | Pin   |     |
| 25   | 3422688     | 1   | Pin   |     |
| 26   | 3422689     | 1   | Pin   |     |
| 27   | 3422729     | 1   | Pin   |     |
| 28   | 3841143     | 4   | Keeper, Pin   |     |
| 29   | 3841287     | 5   | Keeper, Pin   |     |
| 30   | 3841356     | 1   | Keeper, Pin   |     |
| 31   | 3900239     | 1   | Set Screw   |     |
| 32   | 4845593     | 1   | Upright   |     |
| 33   | 1001149286  | 1   | Boom Assembly - Main (See Separate Breakdown in this Section)                         |     |
| 34   | 1001213705  | 1   | Cap   |     |
| 35   | 1001251009  | 1   | Lift Cylinder Assembly - Tower Boom (See Separate Breakdown in CYLINDER SECTION)      |     |
| 36   | 1001251010  | 1   | Lift Cylinder Assembly - Main Boom (See Separate Breakdown in CYLINDER SECTION)       |     |
| 37   | 1001228030  | 1   | Level Cylinder Assembly - Platform Slave (See Separate Breakdown in CYLINDER SECTION) |     |
| 38   | 1001251041  | 1   | Level Cylinder Assembly - Upright (See Separate Breakdown in CYLINDER SECTION)        |     |
| 39   | 1001228050  | 1   | Master Cylinder Assembly (See Separate Breakdown in CYLINDER SECTION)                 |     |
| 40   | 1001247147  | 1   | Jib Assembly (See Separate Breakdown in this Section)                                 |     |

# SECTION 4 - BOOM

FIGURE 4-4. BOOM AND CYLINDER INSTALLATION - WITH ARCTIC PACKAGE (SN 0300289014 through 0300289019, SN 0300289216 through 0300289219, SN 0300291404 to Present, Including 0300288880)



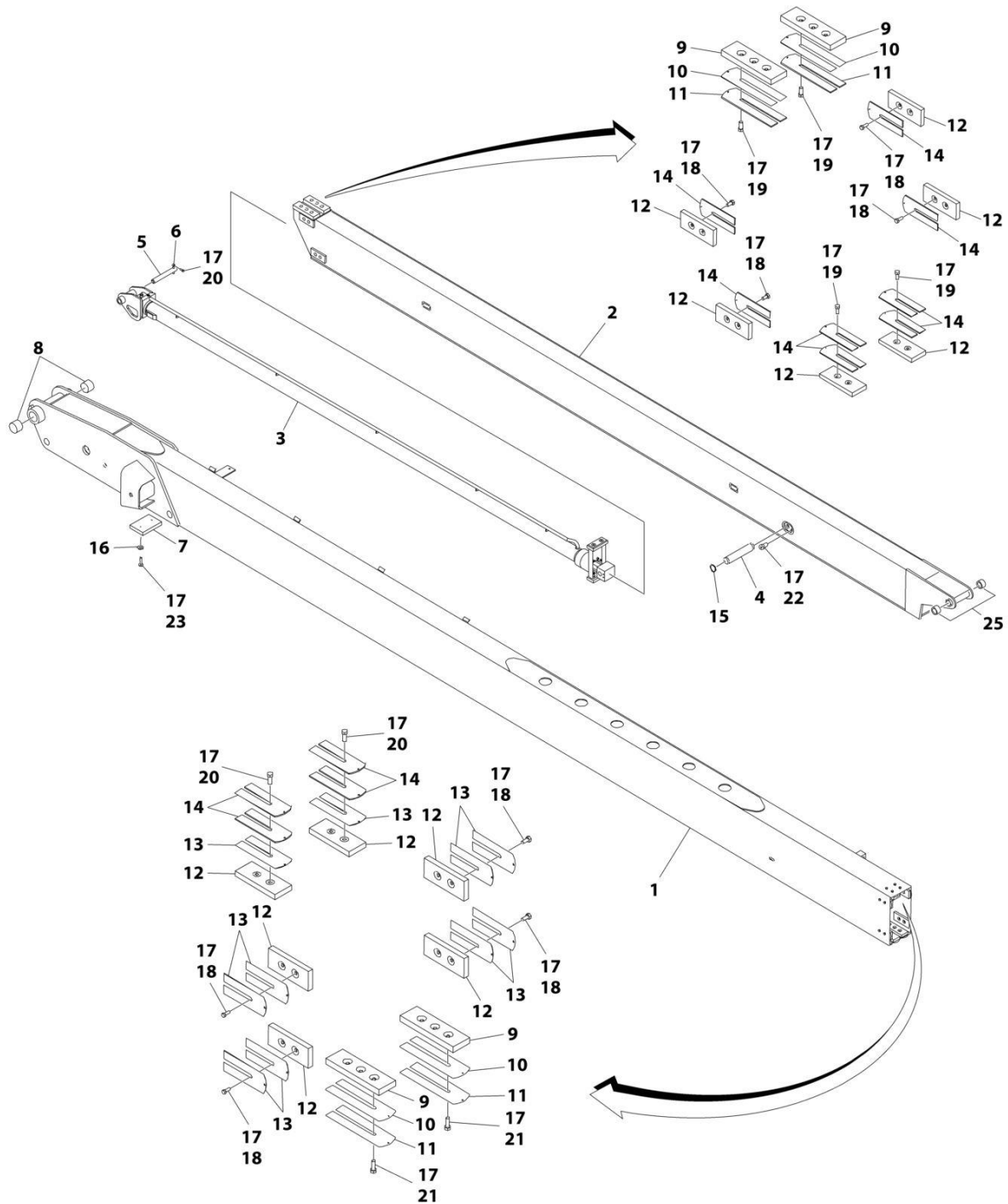
## SECTION 4 - BOOM

**FIGURE 4-4. BOOM AND CYLINDER INSTALLATION - WITH ARCTIC PACKAGE (SN 0300289014 through 0300289019, SN 0300289216 through 0300289219, SN 0300291404 to Present, Including 0300288880)**

| ITEM | PART NUMBER | QTY | DESCRIPTION   | REV |
|------|-------------|-----|---|-----|
|      | 1001247100  | Ref | BOOM INSTALLATION - 800AJ WITH ARTIC PACKAGE  | E   |
| 1    | 0100011     | AR  | Compound, Locking   |     |
| 2    | 0641404     | 4   | Bolt 1/4 x 1/2  |     |
| 3    | 0641604     | 24  | Bolt 3/8 x 1/2  |     |
| 4    | 0641606     | 2   | Bolt 3/8 x 3/4  |     |
| 5    | 0641607     | 2   | Bolt 3/8 x 7/8  |     |
| 6    | 0641608     | 4   | Bolt 3/8 x 1  |     |
| 7    | 0641611     | 2   | Bolt 3/8 x 1-3/8  |     |
| 8    | 0641840     | 3   | Bolt 1/2 x 5  |     |
| 9    | 0642214     | 5   | Bolt 3/4 x 1-3/4  |     |
| 10   | 0642620     | 1   | Bolt 1 x 2-1/2  |     |
| 11   | 0741607     | 1   | Screw 3/8 x 7/8   |     |
| 12   | 0801132     | 1   | Boom Assembly - Tower (See Separate Breakdown in this Section)                        |     |
| 13   | 1120510     | 2   | Cover, Upright  |     |
| 14   | 1670844     | 4   | Cover, Upright  |     |
| 15   | 1670850     | 1   | Cover, Tower Fly  |     |
| 16   | 3340835     | 1   | Pad Rest  |     |
| 17   | 3422561     | 2   | Pin   |     |
| 18   | 3422583     | 1   | Pin   |     |
| 19   | 3422681     | 2   | Pin   |     |
| 20   | 3422683     | 1   | Pin   |     |
| 21   | 3422684     | 1   | Pin   |     |
| 22   | 3422685     | 2   | Pin   |     |
| 23   | 3422686     | 1   | Pin   |     |
| 24   | 3422687     | 1   | Pin   |     |
| 25   | 3422688     | 1   | Pin   |     |
| 26   | 3422689     | 1   | Pin   |     |
| 27   | 3422729     | 1   | Pin   |     |
| 28   | 3841143     | 4   | Keeper, Pin   |     |
| 29   | 3841287     | 5   | Keeper, Pin   |     |
| 30   | 3841356     | 1   | Keeper, Pin   |     |
| 31   | 3900239     | 1   | Set Screw   |     |
| 32   | 4845593     | 1   | Upright   |     |
| 33   | 1001149286  | 1   | Boom Assembly - Main (See Separate Breakdown in this Section)                         |     |
| 34   | 1001213705  | 1   | Cap   |     |
| 35   | 1001251009  | 1   | Lift Cylinder Assembly - Tower Boom (See Separate Breakdown in CYLINDER Section)      |     |
| 36   | 1001251010  | 1   | Lift Cylinder Assembly - Main Boom (See Separate Breakdown in CYLINDER Section)       |     |
| 37   | 1001251030  | 1   | Level Cylinder Assembly - Platform Slave (See Separate Breakdown in CYLINDER Section) |     |
| 38   | 1001251041  | 1   | Level Cylinder Assembly - Upright (See Separate Breakdown in CYLINDER Section)        |     |
| 39   | 1001251050  | 1   | Master Cylinder Assembly (See Separate Breakdown in CYLINDER Section)                 |     |
| 40   | 1001247147  | 1   | Jib Assembly (See Separate Breakdown in this Section)                                 |     |

# SECTION 4 - BOOM

## FIGURE 4-5. BOOM ASSEMBLY - MAIN (WITHOUT ARCTIC PACKAGE)



ART\_0801136

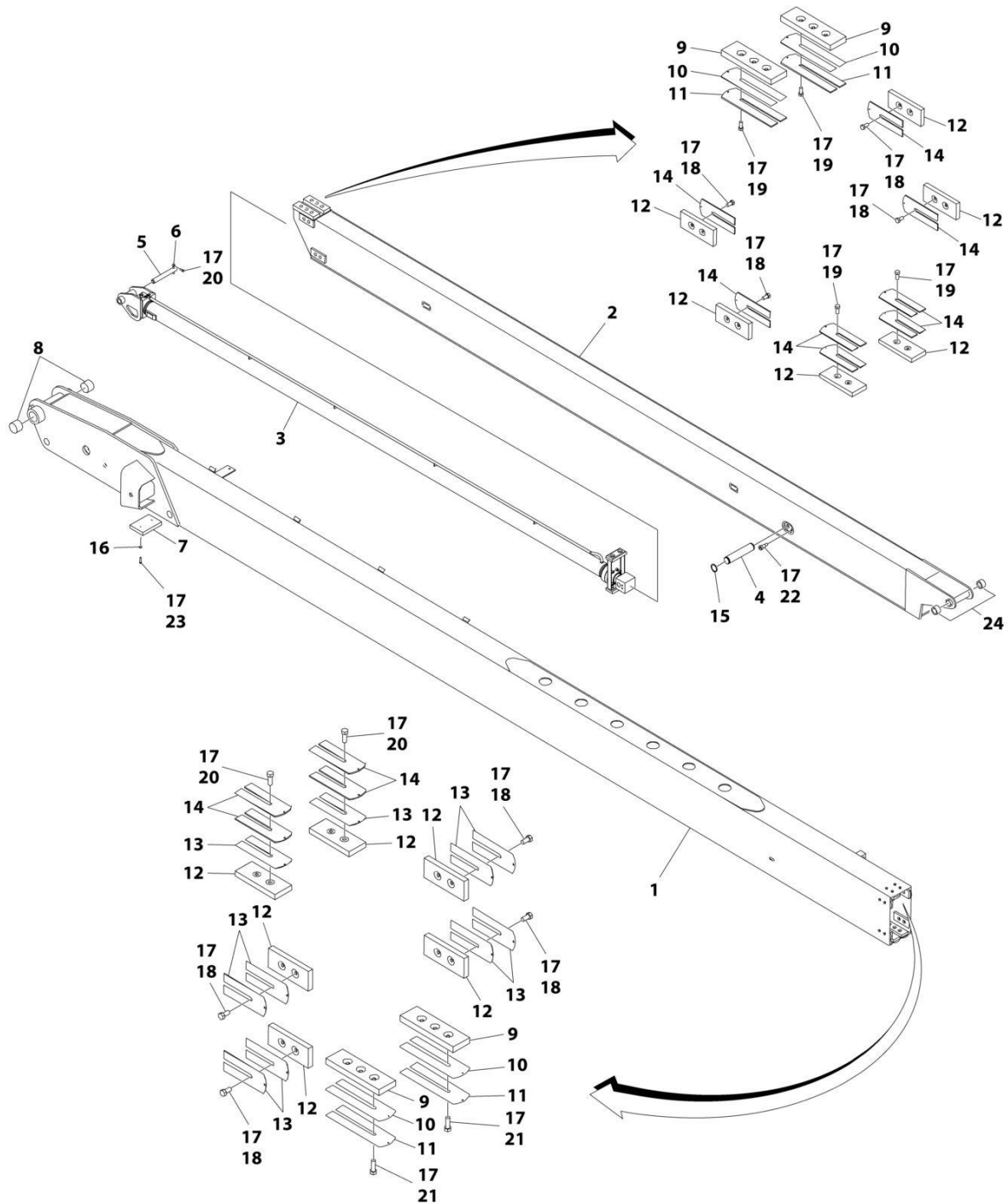
## SECTION 4 - BOOM

**FIGURE 4-5. BOOM ASSEMBLY - MAIN (WITHOUT ARCTIC PACKAGE)**

| ITEM | PART NUMBER | QTY | DESCRIPTION  | REV |
|------|-------------|-----|--|-----|
|      | 0801136     | Ref | MAIN BOOM ASSEMBLY   | N   |
| 1    | 0801591     | 1   | Base, Boom   |     |
| 2    | 0801573     | 1   | Fly, Boom  |     |
| 3    | 1001228087  | 1   | Telescope Cylinder Assembly (See Separate Breakdown in CYLINDER SECTION) |     |
| 4    | 3422457     | 1   | Pin  |     |
| 5    | 3422690     | 1   | Pin  |     |
| 6    | 3841143     | 1   | Keeper, Pin  |     |
| 7    | 0561295     | 1   | Block, Boom Rest   |     |
| 8    | 0962102     | 2   | Bushing  |     |
| 9    | 3340871     | 4   | Pad, Wear  |     |
| 10   | 4070863     | 4   | Shim 1/8   |     |
| 11   | 4070864     | 4   | Shim .05   |     |
| 12   | 1001148652  | 12  | Pad, Wear  |     |
| 13   | 4070897     | 10  | Shim .05   |     |
| 14   | 4070898     | 12  | Shim 1/8   |     |
| 15   | 3760133     | 2   | Ring, Retaining  |     |
| 16   | 4711600     | 2   | Washer 3/8   |     |
| 17   | 0100011     | AR  | Compound, Locking  |     |
| 18   | 0641606     | 16  | Bolt 3/8 x 3/4   |     |
| 19   | 0641607     | 10  | Bolt 3/8 x 7/8   |     |
| 20   | 0641608     | 5   | Bolt 3/8 x 1   |     |
| 21   | 0641609     | 6   | Bolt 3/8 x 1-1/8   |     |
| 22   | 3900259     | 4   | Bolt, Shoulder   |     |
| 23   | 0641612     | 2   | Bolt 3/8 x 1-1/2   |     |
| 25   | 0961951     | 2   | Bushing  |     |

# SECTION 4 - BOOM

## FIGURE 4-6. BOOM ASSEMBLY - MAIN (WITH ARCTIC PACKAGE)



ART\_1001149286\_D

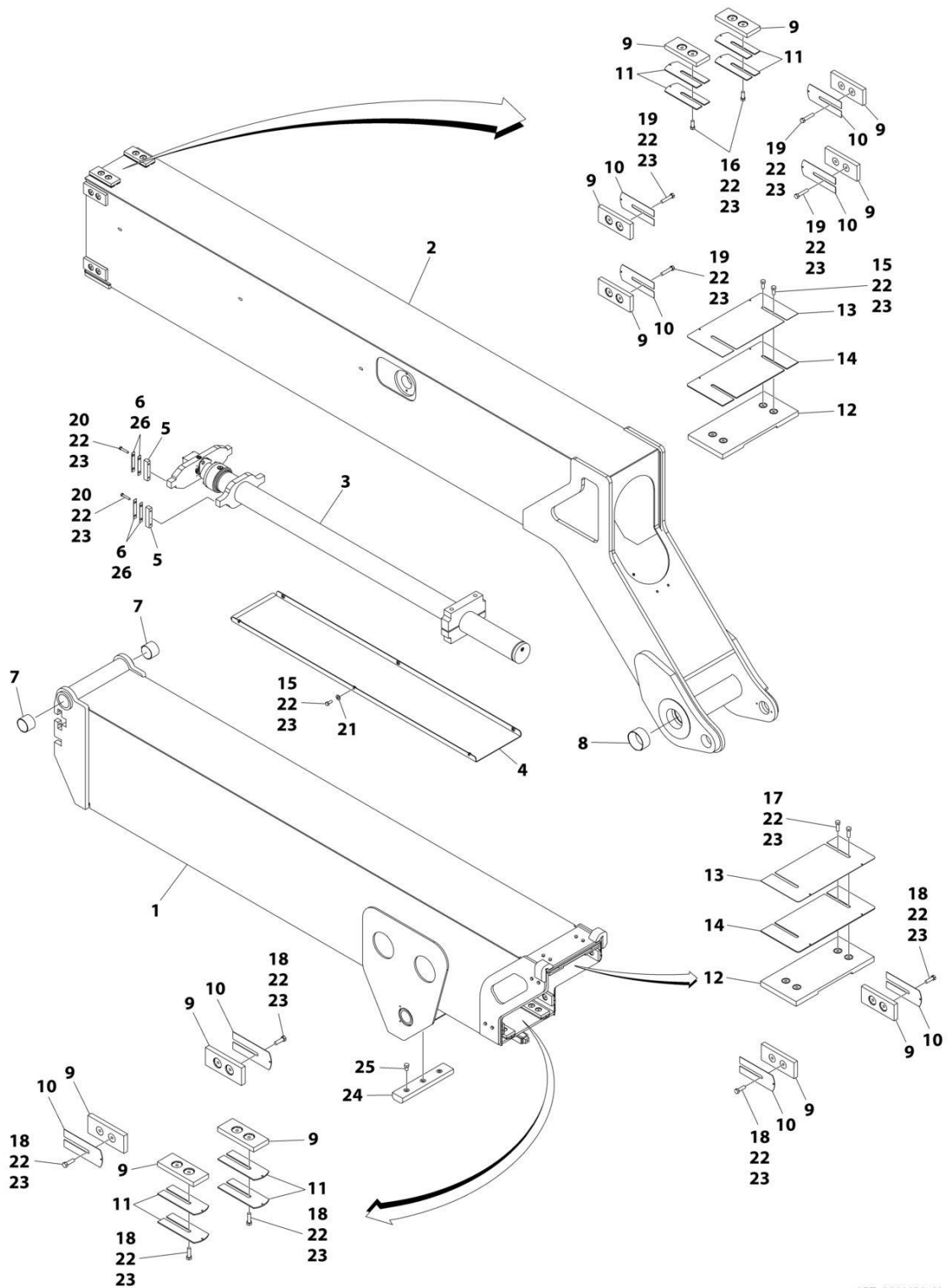
## SECTION 4 - BOOM

**FIGURE 4-6. BOOM ASSEMBLY - MAIN (WITH ARCTIC PACKAGE)**

| ITEM | PART NUMBER | QTY | DESCRIPTION  | REV |
|------|-------------|-----|--|-----|
|      | 1001149286  | Ref | MAIN BOOM ASSEMBLY   | D   |
| 1    | 0801591     | 1   | Base, Boom   |     |
| 2    | 0801573     | 1   | Fly, Boom  |     |
| 3    | 1001251087  | 1   | Telescope Cylinder Assembly (See Separate Breakdown in CYLINDER Section) |     |
| 4    | 3422457     | 1   | Pin  |     |
| 5    | 3422690     | 1   | Pin  |     |
| 6    | 3841143     | 1   | Keeper, Pin  |     |
| 7    | 0561295     | 1   | Block, Boom Rest   |     |
| 8    | 0962102     | 2   | Bushing  |     |
| 9    | 3340871     | 4   | Pad, Wear  |     |
| 10   | 4070863     | 4   | Shim 1/8   |     |
| 11   | 4070864     | 4   | Shim .05   |     |
| 12   | 1001148652  | 12  | Pad, Wear  |     |
| 13   | 4070897     | 10  | Shim .05   |     |
| 14   | 4070898     | 12  | Shim 1/8   |     |
| 15   | 3760133     | 2   | Ring, Retaining  |     |
| 16   | 4711600     | 2   | Washer 3/8   |     |
| 17   | 0100011     | AR  | Compound, Locking  |     |
| 18   | 0641606     | 16  | Bolt 3/8 x 3/4   |     |
| 19   | 0641607     | 10  | Bolt 3/8 x 7/8   |     |
| 20   | 0641608     | 5   | Bolt 3/8 x 1   |     |
| 21   | 0641609     | 6   | Bolt 3/8 x 1-1/8   |     |
| 22   | 3900259     | 4   | Bolt, Shoulder   |     |
| 23   | 0641612     | 2   | Bolt 3/8 x 1-1/2   |     |
| 24   | 0961951     | 2   | Bushing  |     |

# SECTION 4 - BOOM

## FIGURE 4-7. TOWER BOOM ASSEMBLY (Prior to SN 0300288872)



ART\_0801132\_H



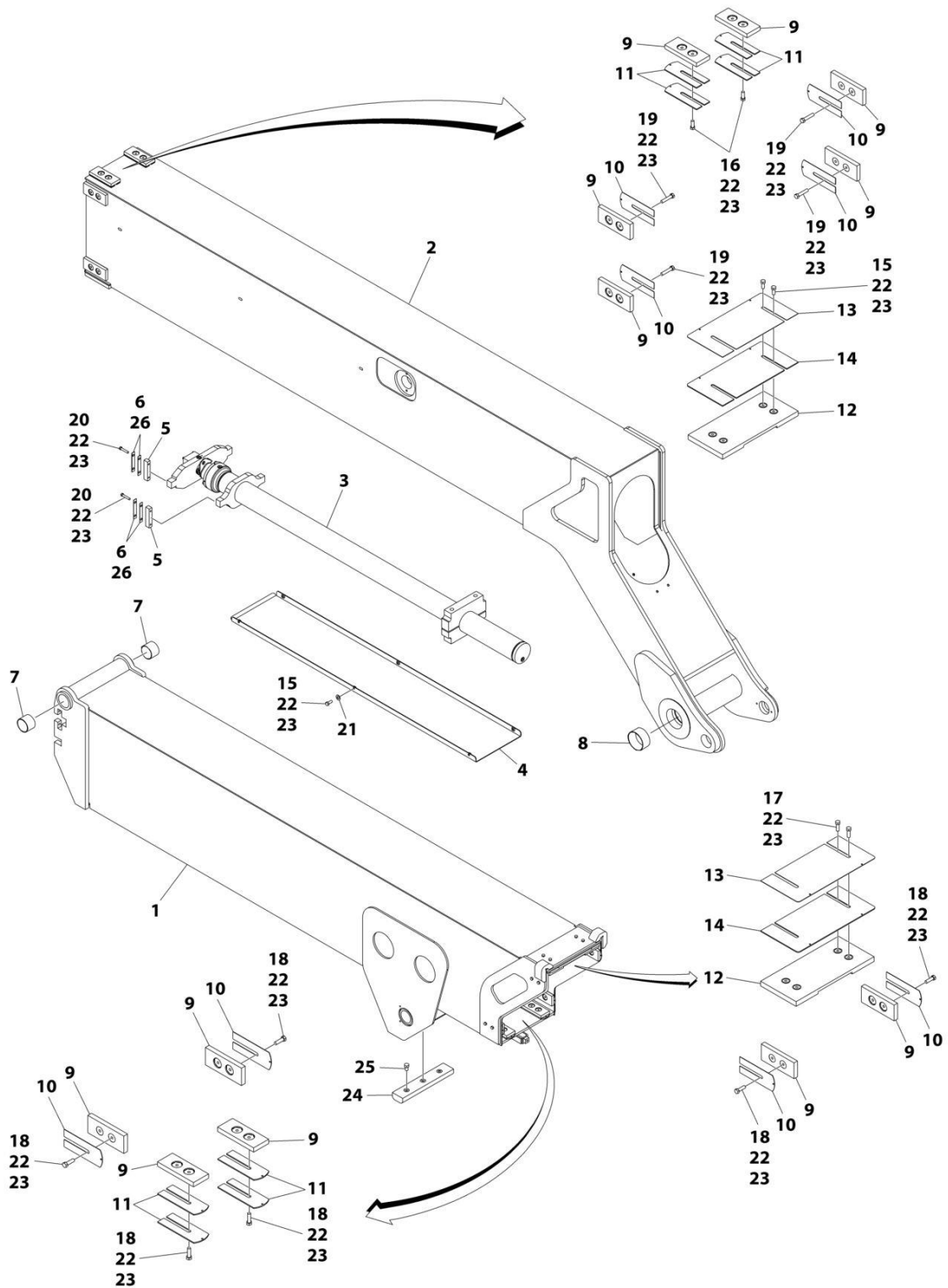
## SECTION 4 - BOOM

**FIGURE 4-7. TOWER BOOM ASSEMBLY (Prior to SN 0300288872)**

| ITEM | PART NUMBER | QTY | DESCRIPTION  | REV |
|------|-------------|-----|--|-----|
|      | 0801132     | Ref | TOWER BOOM ASSEMBLY  | H   |
| 1    | 0801594     | 1   | Base, Boom   |     |
| 2    | 0801496     | 1   | Fly, Boom  |     |
| 3    | 1001228086  | 1   | Tower Telescope Cylinder Assembly (See Separate Breakdown in CYLINDER Section) |     |
| 4    | 4340706     | 1   | Support  |     |
| 5    | 0561185     | 4   | Block, Attach  |     |
| 6    | 4070929     | 4   | Shim 1/16  |     |
| 7    | 0962102     | 2   | Bushing  |     |
| 8    | 0962122     | 2   | Bushing  |     |
| 9    | 3340881     | 12  | Pad, Wear  |     |
| 10   | 4070897     | 8   | Shim .05   |     |
| 11   | 4070898     | 8   | Shim .12   |     |
| 12   | 3340828     | 2   | Pad, Wear  |     |
| 13   | 4070967     | 2   | Shim .05   |     |
| 14   | 4070968     | 2   | Shim .12   |     |
| 15   | 0641607     | 10  | Bolt 3/8 x 7/8   |     |
| 16   | 0641608     | 4   | Bolt 3/8 x 1   |     |
| 17   | 0641609     | 4   | Bolt 3/8 x 1-1/8   |     |
| 18   | 0641610     | 12  | Bolt 3/8 x 1-1/4   |     |
| 19   | 0641615     | 8   | Bolt 3/8 x 1-7/8   |     |
| 20   | 0641616     | 8   | Bolt 3/8 x 2   |     |
| 21   | 4711600     | 6   | Washer 3/8   |     |
| 22   | 0100011     | AR  | Compound, Locking  |     |
| 23   | 0100038     | AR  | Primer, Locking  |     |
| 24   | 3340835     | 1   | Pad, Boom Rest   |     |
| 25   | 0641806     | 3   | Bolt 1/2 x 3/4   |     |
| 26   | 4071007     | 4   | Shim 20Ga  |     |

# SECTION 4 - BOOM

## FIGURE 4-8. TOWER BOOM ASSEMBLY (SN 030028872 to Present)



ART\_0801132\_I

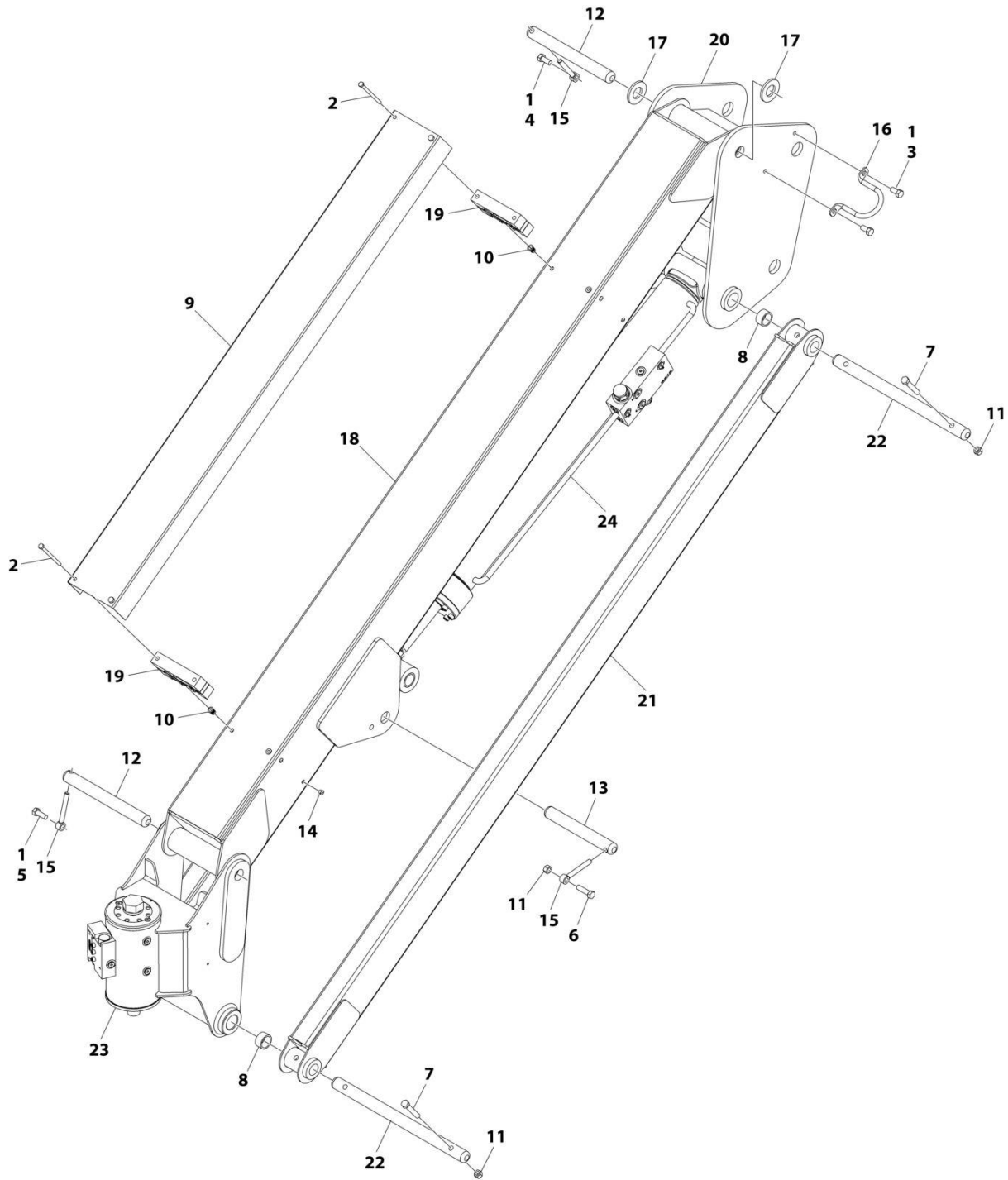
## SECTION 4 - BOOM

**FIGURE 4-8. TOWER BOOM ASSEMBLY (SN 0300288872 to Present)**

| ITEM | PART NUMBER | QTY | DESCRIPTION  | REV |
|------|-------------|-----|--|-----|
|      | 0801132     | Ref | TOWER BOOM ASSEMBLY  | I   |
| 1    | 0801594     | 1   | Base, Boom   |     |
| 2    | 0801496     | 1   | Fly, Boom  |     |
| 3    | 1001251086  | 1   | Tower Telescope Cylinder Assembly (See Separate Breakdown in CYLINDER Section) |     |
| 4    | 4340706     | 1   | Support  |     |
| 5    | 0561185     | 4   | Block, Attach  |     |
| 6    | 4070929     | 4   | Shim 1/16  |     |
| 7    | 0962102     | 2   | Bushing  |     |
| 8    | 0962122     | 2   | Bushing  |     |
| 9    | 3340881     | 12  | Pad, Wear  |     |
| 10   | 4070897     | 8   | Shim .05   |     |
| 11   | 4070898     | 8   | Shim .12   |     |
| 12   | 3340828     | 2   | Pad, Wear  |     |
| 13   | 4070967     | 2   | Shim .05   |     |
| 14   | 4070968     | 2   | Shim .12   |     |
| 15   | 0641607     | 10  | Bolt 3/8 x 7/8   |     |
| 16   | 0641608     | 4   | Bolt 3/8 x 1   |     |
| 17   | 0641609     | 4   | Bolt 3/8 x 1-1/8   |     |
| 18   | 0641610     | 12  | Bolt 3/8 x 1-1/4   |     |
| 19   | 0641615     | 8   | Bolt 3/8 x 1-7/8   |     |
| 20   | 0641616     | 8   | Bolt 3/8 x 2   |     |
| 21   | 4711600     | 6   | Washer 3/8   |     |
| 22   | 0100011     | AR  | Compound, Locking  |     |
| 23   | 0100038     | AR  | Primer, Locking  |     |
| 24   | 3340835     | 1   | Pad, Boom Rest   |     |
| 25   | 0641806     | 3   | Bolt 1/2 x 3/4   |     |
| 26   | 4071007     | 4   | Shim 20Ga  |     |

# SECTION 4 - BOOM

## FIGURE 4-9. JIB ASSEMBLY



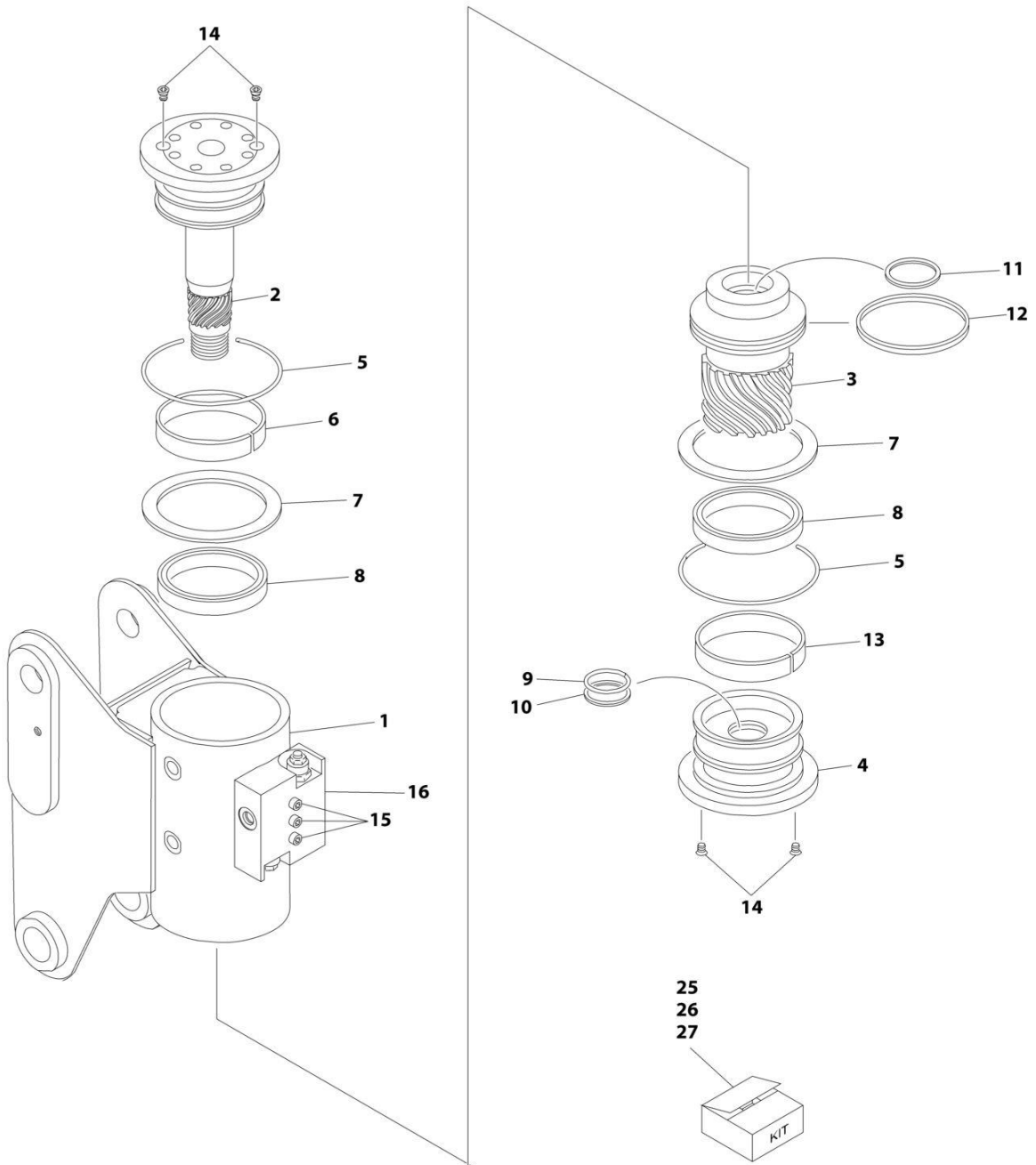
ART\_1001247147\_C

FIGURE 4-9. JIB ASSEMBLY

| ITEM | PART NUMBER | QTY | DESCRIPTION   | REV |
|------|-------------|-----|---|-----|
|      | 1001247147  | Ref | JIB ASSEMBLY  | C   |
| 1    | 0100011     | AR  | Compound, Locking   |     |
| 2    | 0700626     | 4   | Bolt M6 x 90  |     |
| 3    | 0641606     | 2   | Bolt 3/8 x 3/4  |     |
| 4    | 0641607     | 1   | Bolt 3/8 x 7/8  |     |
| 5    | 0641608     | 1   | Bolt 3/8 x 1  |     |
| 6    | 0641611     | 1   | Bolt 3/8 x 1-3/8  |     |
| 7    | 0641618     | 4   | Bolt 3/8 x 2-1/4  |     |
| 8    | 0961947     | 6   | Bearing   |     |
| 9    | 1671034     | 1   | Cover   |     |
| 10   | 1001176636  | 4   | Fastner M6  |     |
| 11   | 3311605     | 5   | Nut 3/8   |     |
| 12   | 3422860     | 2   | Pin   |     |
| 13   | 3422867     | 1   | Pin   |     |
| 14   | 3520034     | 8   | Plug  |     |
| 15   | 3841143     | 3   | Keeper, Pin   |     |
| 16   | 3841340     | 1   | Loop, Hose  |     |
| 17   | 4740439     | 2   | Washer  |     |
| 18   | 4844816     | 1   | Tube (Top)  |     |
| 19   | 1001165350  | 2   | Block, Clamp  |     |
| 20   | 1001170548  | 1   | Pivot   |     |
| 21   | 4844817     | 2   | Link  |     |
| 22   | 3422861     | 2   | Pin   |     |
| 23   | 1001217780  | 1   | Rotator Assembly (See Separate Breakdown in this Section)                 |     |
| 24   | 1001248012  | 1   | Lift Cylinder Assembly - Jib (See Separate Breakdown in CYLINDER Section) |     |

# SECTION 4 - BOOM

## FIGURE 4-10. ROTATOR ASSEMBLY



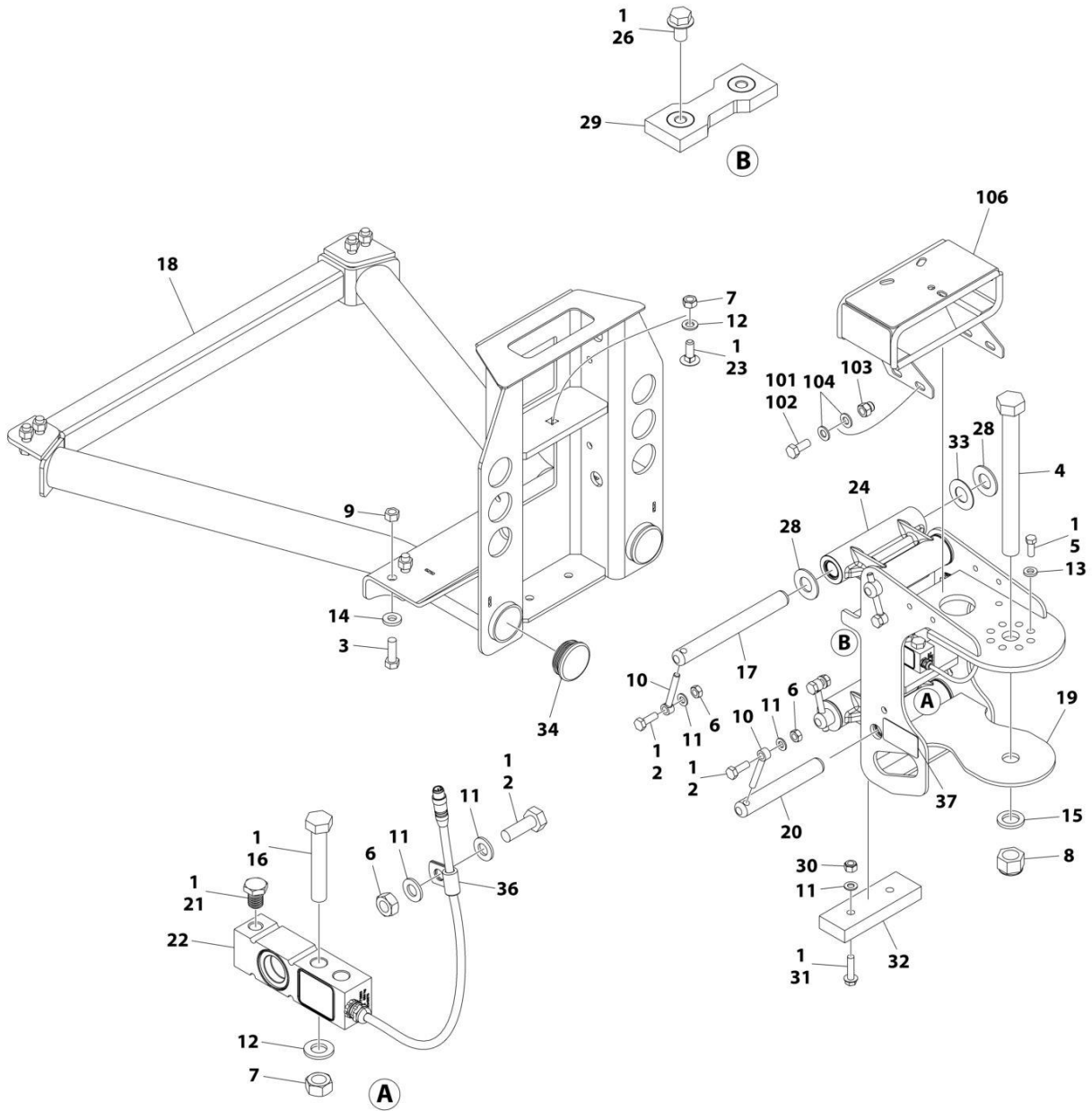
ART\_1001217780

FIGURE 4-10. ROTATOR ASSEMBLY

| ITEM | PART NUMBER | QTY | DESCRIPTION   | REV |
|------|-------------|-----|---|-----|
|      | 1001217780  | Ref | ROTATOR ASSEMBLY  | A   |
| 1    | See Note    | NSS | Housing/Ring Gear Assembly (Note: Not Available - Purchase Complete Assembly)                           |     |
| 2    | 7017162     | 1   | Shaft   |     |
| 2    | 7017195     | 2   | Bushing, Shaft  |     |
| 3    | 7017163     | 1   | Piston/Sleeve Assembly  |     |
| 4    | 7017164     | 1   | Cap, End  |     |
| 5    | See Note    | NSS | O-Ring (Note: Use Item 25)  |     |
| 6    | See Note    | NSS | Bearing, Shaft (Note: Use Item 26)  |     |
| 7    | See Note    | NSS | Washer, Thrust (Note: Use Item 26)  |     |
| 8    | See Note    | NSS | Packing, Bearing (Note: Use Item 25)  |     |
| 9    | See Note    | NSS | Seal, Cap (Note: Use Item 25)   |     |
| 10   | See Note    | NSS | Ring, Back-up Cap (Note: Use Item 25)   |     |
| 11   | See Note    | NSS | Seal, Rod (Note: Use Item 25)   |     |
| 12   | See Note    | NSS | Seal, Piston (Note: Use Item 25)  |     |
| 13   | See Note    | NSS | Bearing, Cap (Note: Use Item 26)  |     |
| 14   | 70001697    | 6   | Capscrew 1/4 x 3/8 Grade 8  |     |
| 15   | See Note    | 3   | Bolt 1/4 x 1-1/2 Grade 8 (Note: Not Available - Purchase Locally)                                       |     |
| 16   | 7017172     | 1   | Valve Assembly  |     |
| 16   | 7017192     | 2   | Cartridge, Valve  |     |
| 16   | See Note    | NSS | Seal Kit - 7017192 Valve (Note: Not Available - Purchase Cartridge)                                     |     |
| 16   | See Note    | NSS | Cartridge, Valve (Not Shown - Located on Side of Block) (Note: Not Available - Purchase Complete Valve) |     |
| 16   | See Note    | NSS | Seal Kit - Valve Located on Side of Block (Note: Not Available - Purchase Cartridge)                    |     |
| 25   | 70000342    | 1   | Seal Kit (Includes Items 5, 8-12 & 27)  |     |
| 26   | 7017159     | 1   | Bearing Kit (Includes Items 6, 7 & 13)  |     |
| 27   | 7017142     | 1   | Hardware Kit (Includes Dowel Pins, Plugs and Item 14)   |     |

# SECTION 4 - BOOM

## FIGURE 4-11. SUPPORT, PLATFORM INSTALLATION



ART\_1001167596



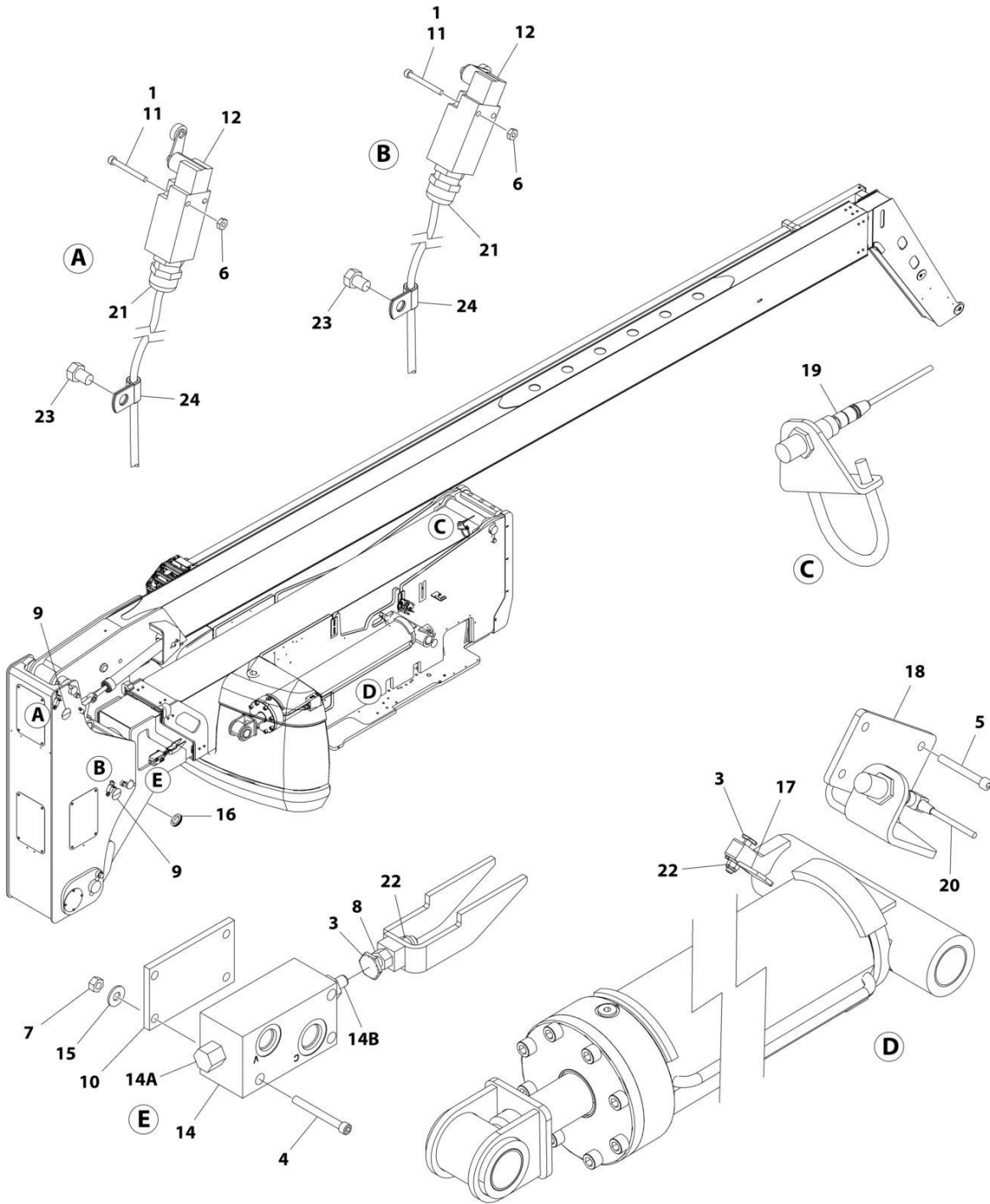
## SECTION 4 - BOOM

### FIGURE 4-11. SUPPORT, PLATFORM INSTALLATION

| ITEM | PART NUMBER | QTY | DESCRIPTION                        | REV |
|------|-------------|-----|------------------------------------|-----|
|      | 1001167596  | Ref | PLATFORM SUPPORT INSTALLATION      | N   |
| 1    | 0100011     | AR  | Compound, Locking                  |     |
| 2    | 0761014     | 5   | Bolt M10 x 30                      |     |
| 3    | 0761216     | 8   | Bolt M12 x 40                      |     |
| 4    | 1001255133  | 1   | Bolt 1 x 11                        |     |
| 5    | 0681608     | 8   | Bolt 3/8 x 1                       |     |
| 6    | 3291001     | 5   | Nut M10                            |     |
| 7    | 3291201     | 3   | Nut M12                            |     |
| 8    | 1001174040  | 1   | Nut 1                              |     |
| 9    | 3291205     | 8   | Nut M12                            |     |
| 10   | 3841143     | 4   | Keeper, Pin                        |     |
| 11   | 4812000     | 8   | Washer M10                         |     |
| 12   | 4812100     | 3   | Washer M12                         |     |
| 13   | 4891600     | 8   | Washer 3/8                         |     |
| 14   | 5241200     | 8   | Washer M12                         |     |
| 15   | 4892600001  | 1   | Washer 1                           |     |
| 16   | 1001098828  | 2   | Bolt M12 x 70 Grade 10.9           |     |
| 17   | 1001167565  | 2   | Pin                                |     |
| 18   | 1001200494  | 1   | Support, Platform                  |     |
| 19   | 1001167567  | 1   | Support, Rotator                   |     |
| 20   | 1001168402  | 2   | Pin                                |     |
| 21   | 1001188622  | 1   | Screw                              |     |
| 22   | 1001247468  | 1   | Gauge, Load Sensing                |     |
| 23   | 1001188844  | 1   | Bolt M12 x 35                      |     |
| 24   | 1001201351  | 2   | Link                               |     |
| 26   | 5251008     | 2   | Bolt M10 x 16                      |     |
| 28   | 1001189002  | 8   | Bearing                            |     |
| 29   | 1001190985  | 1   | Pad, Wear                          |     |
| 30   | 3291005     | 2   | Nut M10                            |     |
| 31   | 5251016     | 2   | Bolt M10 x 40                      |     |
| 32   | 1001200491  | 1   | Pad, Wear                          |     |
| 33   | 1001189001  | 4   | Bearing                            |     |
| 34   | 1001204725  | 2   | Plug                               |     |
| 36   | 91203039    | 1   | Clamp                              |     |
| 37   | 1001216630  | 2   | Decal - Tie Down/No Lift           |     |
| 38   | 1001238421  | Ref | Kit, Platform Leveling (Not Shown) |     |
|      | 1001202687  | Ref | VALVE MOUNT INSTALLATION           | B   |
| 101  | 0100011     | AR  | Compound, Locking                  |     |
| 102  | 0760810     | 4   | Bolt M8 x 20                       |     |
| 103  | 3290806     | 4   | Nut M8                             |     |
| 104  | 4811900     | 8   | Washer M8                          |     |
| 106  | 1001208994  | 1   | Mount, Valve                       |     |

# SECTION 4 - BOOM

## FIGURE 4-12. BOOM VALVES AND PROXIMITY SWITCHES INSTALLATION



ART\_0258217

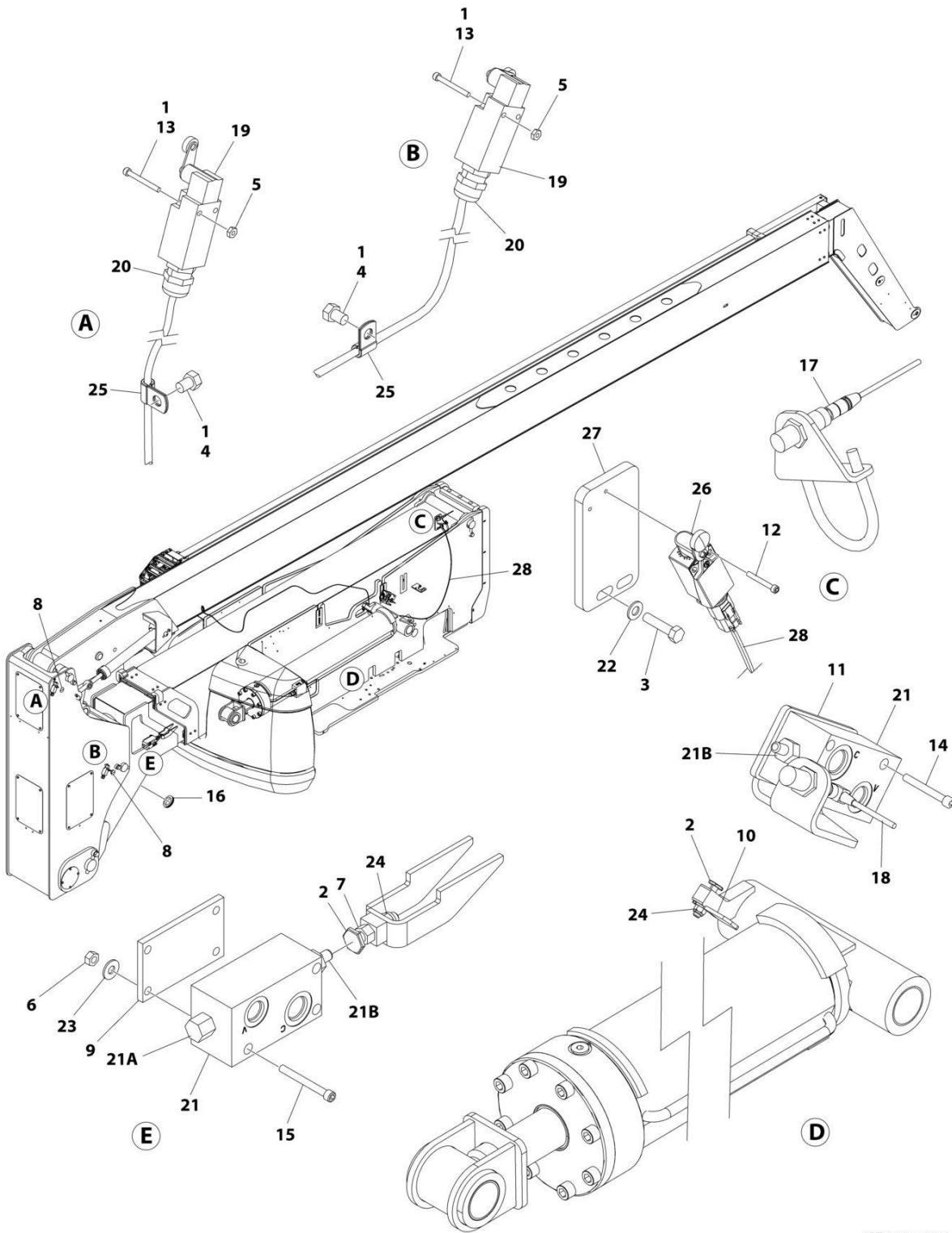
## SECTION 4 - BOOM

**FIGURE 4-12. BOOM VALVES AND PROXIMITY SWITCHES INSTALLATION**

| ITEM | PART NUMBER | QTY       | DESCRIPTION  | REV |
|------|-------------|-----------|--|-----|
|      | 0258217     | Ref       | BOOM VALVE AND LIMIT SWITCHES INSTALLATION   | S   |
| 1    | 0100011     | AR        | Compound, Locking  |     |
| 3    | 0630427     | 2         | Bolt   |     |
| 4    | 3931436     | 3         | Capscrew 1/4 x 2-1/4   |     |
| 5    | 3931464     | 3         | Capscrew 1/4 x 4   |     |
| 5    | 3931432     | 3         | Capscrew 1/4 x 2   |     |
| 6    | 3310801     | 4         | Nut #8   |     |
| 7    | 3311405     | AR        | Nut 1/4  |     |
| 8    | 3311801     | 1         | Nut 1/2  |     |
| 9    | 3520035     | 2         | Plug   |     |
| 10   | 3570928     | 2         | Plate, Spacer  |     |
| 11   | 3930824     | 2         | Capscrew #8 x 1-1/2  |     |
| 12   | 4360578     | 2         | Switch, Limit  |     |
| 14   | 4641435     | 2         | Valve, Switch  |     |
| 14A  | 7011342     | 2         | Valve, Check (1 Per Assembly)  |     |
| 14A  | 7011333     | 2         | Seal Kit - Check Valve (1 Per Assembly)  |     |
| 14B  | See Note    | NSS       | Valve, Plunger (1 Per Assembly) (Note: Not Available - Purchase Complete Valve Assembly) |     |
| 14B  | See Note    | NSS       | Seal Kit (1 Per Assembly) (Note: Not Available for Purchase)                             |     |
| 15   | 4751400     | AR        | Washer 1/4   |     |
| 16   | 4060805     | 7 in/25cm | Trim   |     |
| 17   | 3572606     | 1         | Plate, Switch Target   |     |
| 18   | 3572607     | 1         | Plate, Switch Mount  |     |
| 19   | 4360498     | 1         | Switch, Proximity  |     |
| 20   | 4360499     | 1         | Switch, Proximity  |     |
| 21   | 4460968     | 2         | Connector, Strain Relief   |     |
| 22   | 88521008    | 2         | Nut 1/2  |     |
| 23   | 0641604     | 2         | Bolt 3/8 x 1/2   |     |
| 24   | 91203039    | 2         | Clamp  |     |

# SECTION 4 - BOOM

## FIGURE 4-13. BOOM VALVES AND PROXIMITY SWITCHES INSTALLATION WITH TOWER STOW



ART\_1001266164

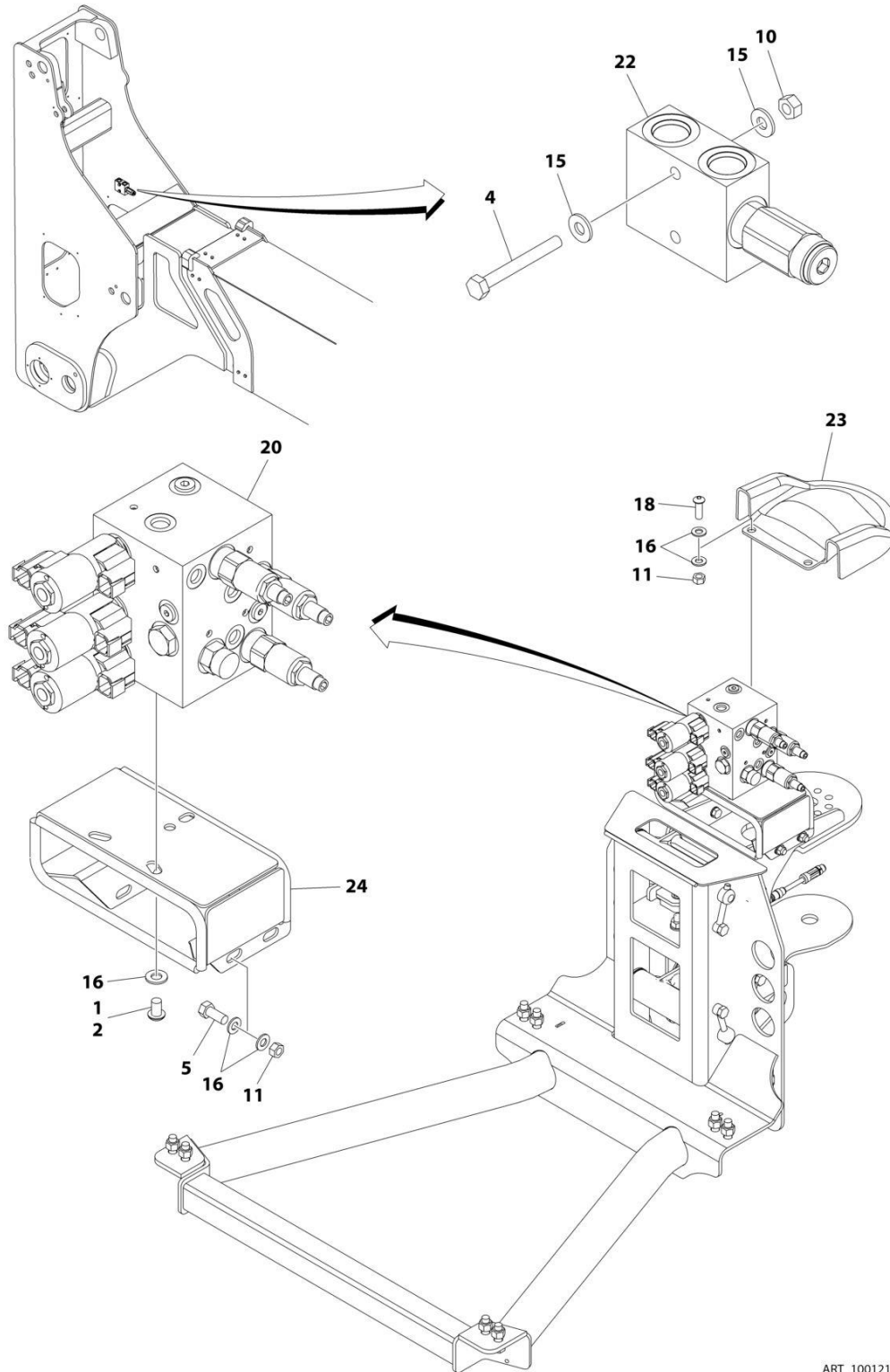
## SECTION 4 - BOOM

**FIGURE 4-13. BOOM VALVES AND PROXIMITY SWITCHES INSTALLATION WITH TOWER STOW**

| ITEM | PART NUMBER | QTY        | DESCRIPTION  | REV |
|------|-------------|------------|--|-----|
|      | 1001266164  | Ref        | BOOM VALVE AND LIMIT SWITCHES INSTALLATION   | A   |
| 1    | 0100011     | AR         | Compound, Locking  |     |
| 2    | 0630427     | 2          | Bolt   |     |
| 3    | 0641511     | 2          | Bolt 5/16 x 1-3/8  |     |
| 4    | 0641604     | 2          | Bolt 3/8 x 1/2   |     |
| 5    | 3310801     | 4          | Nut #8   |     |
| 6    | 3311405     | 3          | Nut 1/4  |     |
| 7    | 3311801     | 1          | Nut 1/2  |     |
| 8    | 3520035     | 2          | Plug   |     |
| 9    | 3570928     | 1          | Plate, Spacer  |     |
| 10   | 3572606     | 1          | Plate, Switch Target   |     |
| 11   | 3572607     | 1          | Plate, Switch Mount  |     |
| 12   | 3930820     | 2          | Capscrew #8 x 1-1/4  |     |
| 13   | 3930824     | 4          | Capscrew #8 x 1-1/2  |     |
| 14   | 3931432     | 3          | Capscrew 1/4 x 2   |     |
| 15   | 3931436     | 3          | Capscrew 1/4 x 2-1/4   |     |
| 16   | 4060805     | 6 in/1.9 m | Trim   |     |
| 17   | 4360498     | 1          | Switch, Proximity  |     |
| 18   | 4360499     | 2          | Switch, Proximity  |     |
| 19   | 4360578     | 2          | Switch, Limit  |     |
| 20   | 4460968     | 2          | Connector, Strain Relief   |     |
| 21   | 4641435     | 2          | Valve, Switch  |     |
| 21A  | 7011342     | 2          | Valve, Check (1 Per Assembly)  |     |
| 21A  | 7011333     | 2          | Seal Kit - Check Valve (1 Per Assembly)  |     |
| 21B  | See Note    | NSS        | Valve, Plunger (1 Per Assembly) (Note: Not Available - Purchase Complete Valve Assembly) |     |
| 21B  | See Note    | NSS        | Seal Kit (1 Per Assembly) (Note: Not Available for Purchase)                             |     |
| 22   | 4711500     | 2          | Washer 5/16  |     |
| 23   | 4751400     | 3          | Washer 1/4   |     |
| 24   | 88521008    | 2          | Nut 1/2  |     |
| 25   | 91203039    | 2          | Clamp  |     |
| 26   | 1001172271  | 1          | Switch, Roller Limit   |     |
| 27   | 1001260475  | 1          | Bracket, Limit Switch  |     |
| 28   | 1001266829  | 1          | Harness Tower Stow   |     |
| 28   | 4460884     | 1          | Plug, Male - 4 Position  |     |
| 28   | 4460465     | 2          | Socket, Female   |     |
| 28   | 4460910     | 1          | Connector  |     |
| 28   | 1001116695  | 2          | Terminal   |     |

# SECTION 4 - BOOM

## FIGURE 4-14. CONTROL VALVES INSTALLATION - WITH 2WS



ART\_1001219985\_20F2

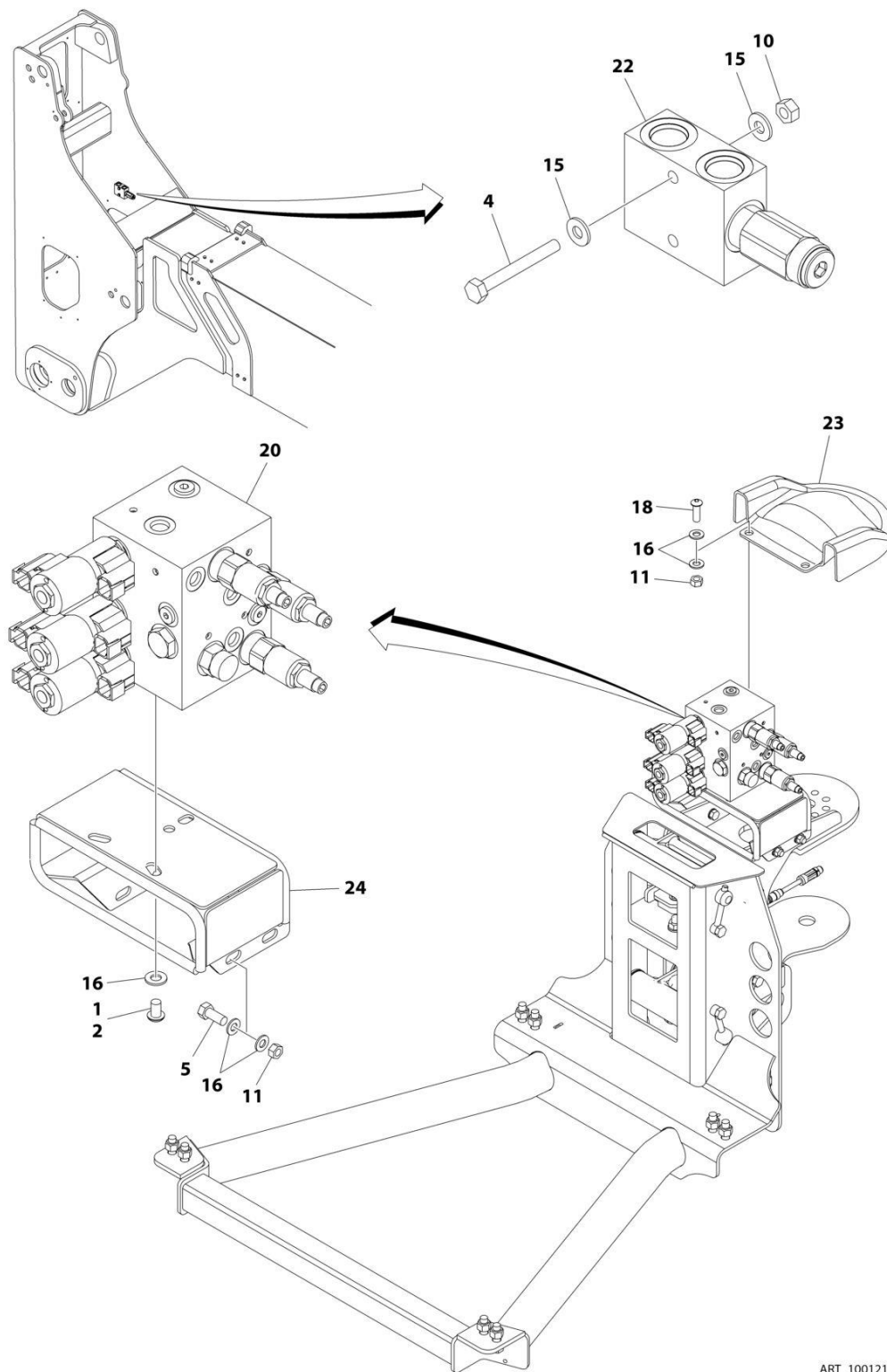
## SECTION 4 - BOOM

**FIGURE 4-14. CONTROL VALVES INSTALLATION - WITH 2WS**

| ITEM | PART NUMBER | QTY | DESCRIPTION  | REV |
|------|-------------|-----|--|-----|
|      | 1001219985  | Ref | BOOM VALVES INSTALLATION                                     | B   |
| 1    | 0100011     | AR  | Compound, Locking  |     |
| 2    | 0630467     | 3   | Screw 5/16 x 1/2   |     |
| 4    | 0641418     | 4   | Bolt 1/4 x 2-1/4   |     |
| 5    | 0641507     | 4   | Bolt 5/16 x 7/8  |     |
| 10   | 3311405     | 2   | Nut 1/4  |     |
| 11   | 3311505     | 6   | Nut 5/16   |     |
| 15   | 4711400     | 11  | Washer 1/4   |     |
| 16   | 4711500     | 15  | Washer 5/16  |     |
| 18   | 88261024    | 2   | Capscrew 5/16 x 1  |     |
| 20   | 1001152565  | 1   | Boom Valve Assembly (See Separate Breakdown in this Section) |     |
| 22   | 1001200054  | 1   | Valve Assembly (Relief)                                      |     |
| 22   | 7012970     | 1   | Cartridge, Valve   |     |
| 22   | 7012953     | 1   | Seal Kit - 7012970 Valve                                     |     |
| 23   | 1001207969  | 1   | Cover  |     |
| 24   | 1001208994  | 1   | Mount  |     |

# SECTION 4 - BOOM

## FIGURE 4-15. CONTROL VALVES INSTALLATION - WITH 4WS



ART\_1001219986\_20F2



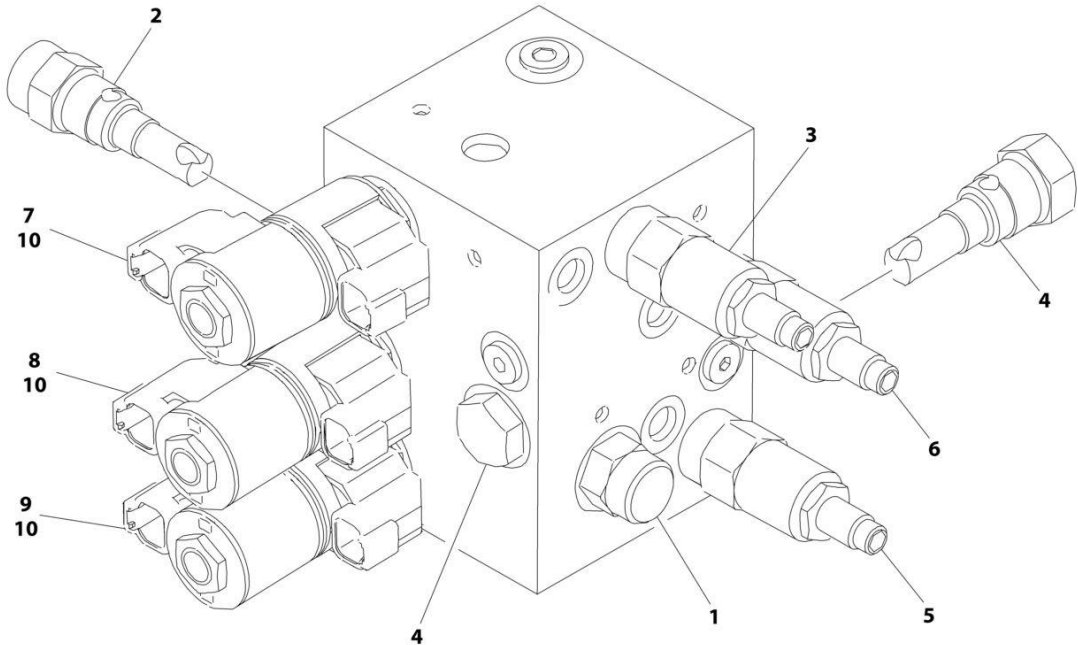
## SECTION 4 - BOOM

**FIGURE 4-15. CONTROL VALVES INSTALLATION - WITH 4WS**

| ITEM | PART NUMBER | QTY | DESCRIPTION  | REV |
|------|-------------|-----|--|-----|
|      | 1001219986  | Ref | BOOM VALVES INSTALLATION                                     | B   |
| 1    | 0100011     | AR  | Compound, Locking  |     |
| 2    | 0630467     | 3   | Screw 5/16 x 1/2   |     |
| 4    | 0641418     | 2   | Bolt 1/4 x 2-1/4   |     |
| 5    | 0641507     | 1   | Bolt 5/16 x 7/8  |     |
| 10   | 3311405     | 2   | Nut 1/4  |     |
| 11   | 3311505     | 6   | Nut 5/16   |     |
| 15   | 4711400     | 11  | Washer 1/4   |     |
| 16   | 4711500     | 15  | Washer 5/16  |     |
| 18   | 88261024    | 2   | Capscrew 5/16 x 1  |     |
| 20   | 1001152565  | 1   | Boom Valve Assembly (See Separate Breakdown in this Section) |     |
| 22   | 1001200054  | 1   | Valve Assembly (Relief)                                      |     |
| 22   | 7012970     | 1   | Cartridge, Valve   |     |
| 22   | 7012953     | 1   | Seal Kit - 7012970 Valve                                     |     |
| 23   | 1001207969  | 1   | Cover  |     |
| 24   | 1001208994  | 1   | Mount  |     |

**SECTION 4 - BOOM**

**FIGURE 4-16. BOOM VALVE ASSEMBLY**



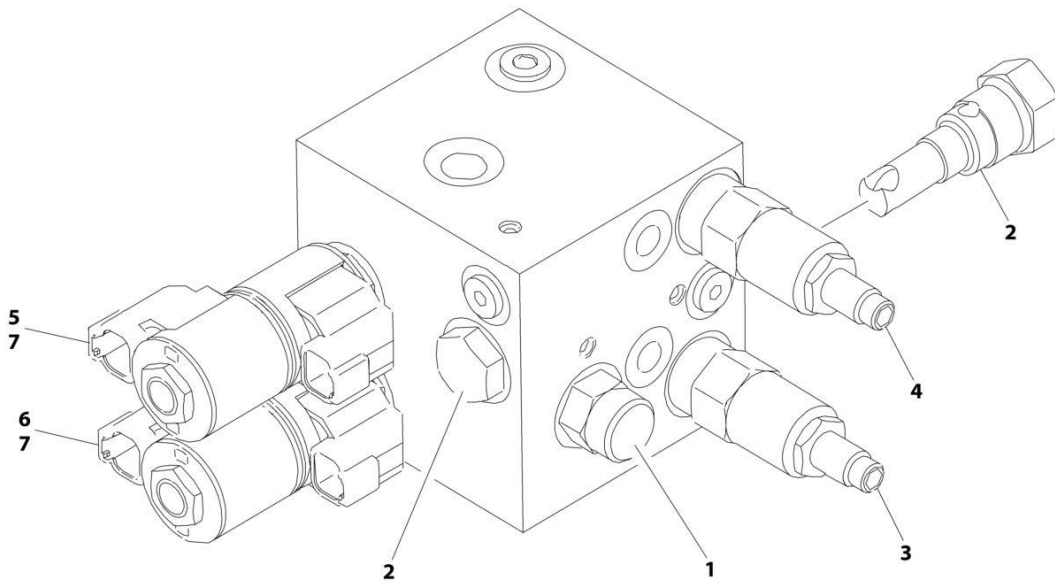
ART\_1001152565

FIGURE 4-16. BOOM VALVE ASSEMBLY

| ITEM | PART NUMBER | QTY | DESCRIPTION                      | REV |
|------|-------------|-----|----------------------------------|-----|
|      | 1001152565  | Ref | BOOM VALVE ASSEMBLY              | C   |
| 1    | 7012989     | 1   | Valve, Flow                      |     |
| 1    | 7012953     | 1   | Seal Kit - 7012989 Valve         |     |
| 2    | 7012965     | 1   | Valve, Flow                      |     |
| 2    | 7012953     | 1   | Seal Kit - 7012965 Valve         |     |
| 3    | 70003790    | 1   | Valve, Relief                    |     |
| 3    | 7021653     | 1   | Seal Kit - 70003790 Valve        |     |
| 4    | 7012914     | 2   | Valve, Cartridge                 |     |
| 4    | 7012918     | 2   | Seal Kit - 7012914 Valve         |     |
| 5    | 7023911     | 1   | Valve, Relief                    |     |
| 5    | 7012967     | 1   | Seal Kit - 7023911 Valve         |     |
| 6    | 7023912     | 1   | Valve, Relief                    |     |
| 6    | 7012967     | 1   | Seal Kit - 7023912 Valve         |     |
| 7    | 7017452     | 1   | Valve, Solenoid (Jib)            |     |
| 7    | 7017402     | 2   | Seal Kit - 7017452 Valve         |     |
| 8    | 7017452     | 1   | Valve, Solenoid (Platform Level) |     |
| 8    | 7017402     | 1   | Seal Kit - 7017452 Valve         |     |
| 9    | 7017452     | 1   | Valve, Solenoid (Rotator)        |     |
| 9    | 7017402     | 2   | Seal Kit - 7017452 Valve         |     |
| 10   | 70002386    | 6   | Coil                             |     |
| 11   | 70002064    | 2   | Plug, Orifice (Not Shown)        |     |
| 12   | 7017406     | 2   | Plug (Not Shown)                 |     |

# SECTION 4 - BOOM

## FIGURE 4-17. CONTROL VALVE ASSEMBLY



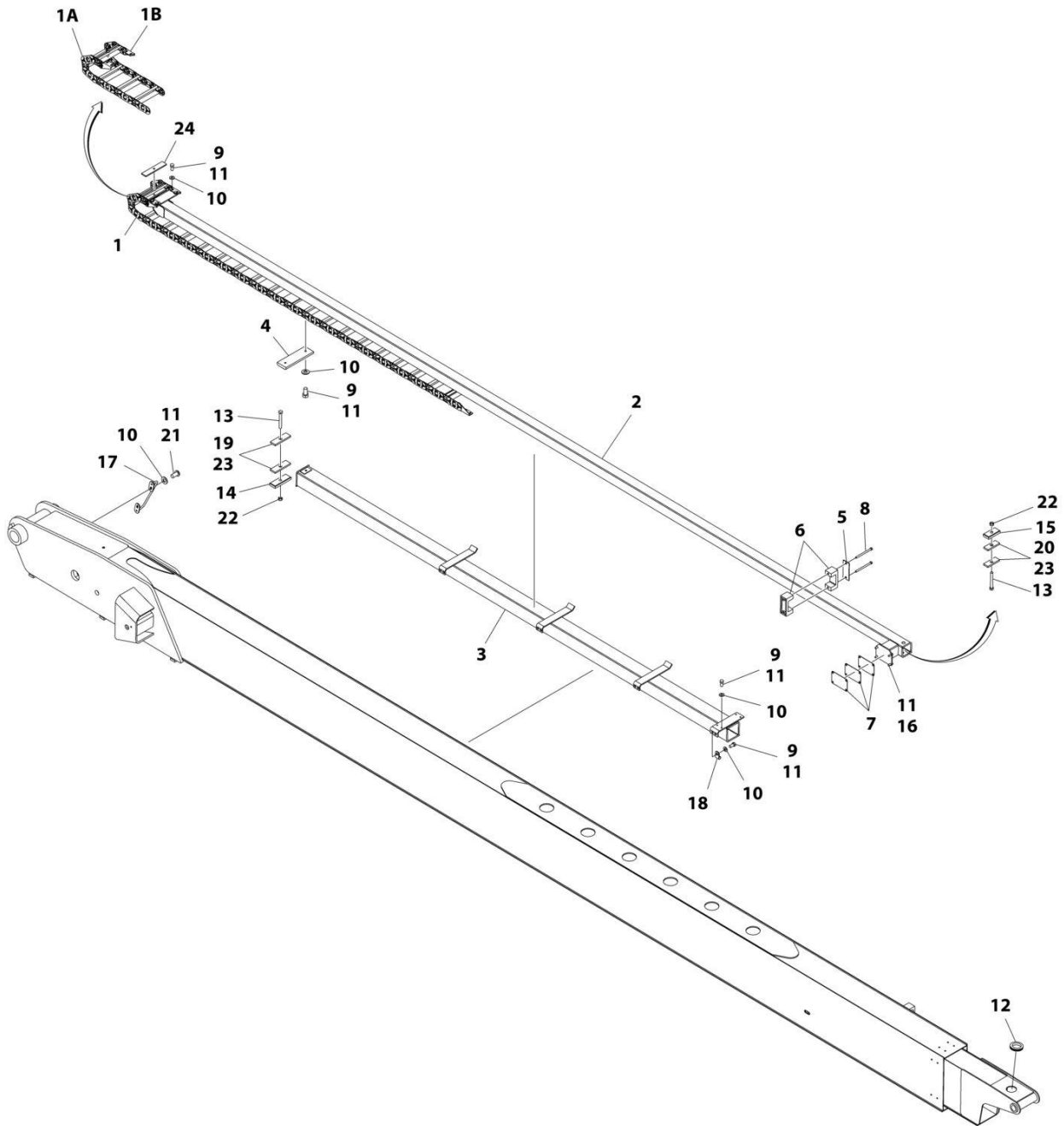
ART\_1001152564

FIGURE 4-17. CONTROL VALVE ASSEMBLY

| ITEM | PART NUMBER | QTY | DESCRIPTION                      | REV |
|------|-------------|-----|----------------------------------|-----|
|      | 1001152564  | Ref | CONTROL VALVE ASSEMBLY           | D   |
| 1    | 7012965     | 1   | Valve, Flow                      |     |
| 1    | 7012953     | 1   | Seal Kit - 7012965 Valves        |     |
| 2    | 7012914     | 2   | Valve, Cartridge                 |     |
| 2    | 7012918     | 2   | Seal Kit - 7012914 Valve         |     |
| 3    | 7023911     | 1   | Valve, Relief                    |     |
| 3    | 7012967     | 1   | Seal Kit - 7023911 Valve         |     |
| 4    | 7023912     | 1   | Valve, Relief                    |     |
| 4    | 7012967     | 1   | Seal Kit - 7023912 Valve         |     |
| 5    | 7017452     | 1   | Valve, Solenoid (Platform Level) |     |
| 5    | 7017402     | 1   | Seal Kit - 7017452 Valve         |     |
| 6    | 7017452     | 1   | Valve, Solenoid (Rotator)        |     |
| 6    | 7017402     | 2   | Seal Kit - 7017452 Valve         |     |
| 7    | 70002386    | 4   | Coil                             |     |
| 8    | 70002064    | 2   | Plug, Orifice (Not Shown)        |     |
| 9    | 7017406     | 2   | Plug (Not Shown)                 |     |

# SECTION 4 - BOOM

## FIGURE 4-18. POWER TRACK INSTALLATION - MAIN BOOM



ART\_0258077

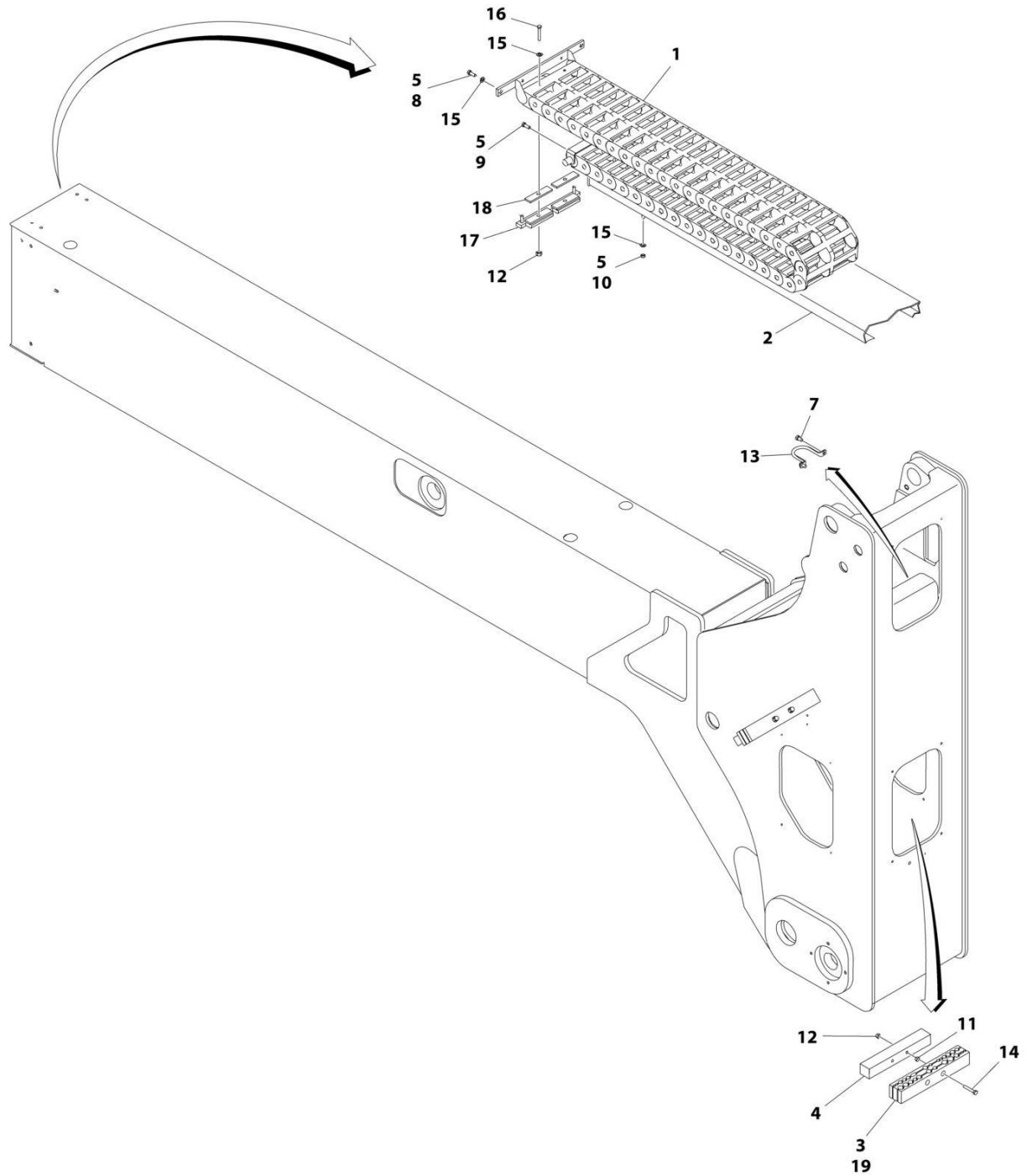
## SECTION 4 - BOOM

**FIGURE 4-18. POWER TRACK INSTALLATION - MAIN BOOM**

| ITEM | PART NUMBER | QTY        | DESCRIPTION   | REV |
|------|-------------|------------|---|-----|
|      | 0258077     | Ref        | POWER TRACK INSTALLATION                                      | K   |
| 1    | 1001099837  | 1          | Track, Power  |     |
| 1A   | 70002013    | AR         | Carrier Repair Section (Includes 1 Pin Assembly for each end) |     |
| 1B   | 70002014    | 1          | Mounting Foot Kit (Includes Both Pair of Feet)                |     |
| 2    | 1001170527  | 1          | Tube, Push  |     |
| 3    | 4845730     | 1          | Support   |     |
| 4    | 3340840     | 1          | Pad   |     |
| 5    | 1001136400  | 1          | Plate. Backing  |     |
| 6    | 3340764     | 2          | Pad   |     |
| 7    | 4070969     | 3          | Shim 16 Gauge   |     |
| 8    | 0641640     | 2          | Bolt 3/8 x 5  |     |
| 9    | 0641606     | 18         | Bolt 3/8 x 3/4  |     |
| 10   | 4711600     | 20         | Washer 3/8  |     |
| 11   | 0100011     | AR         | Compound, Locking   |     |
| 12   | 4060805     | 8 in/ 20cm | Flex-Trim   |     |
| 13   | 0641624     | 2          | Bolt 3/8 x 3  |     |
| 14   | 1320289     | 1          | Clamp   |     |
| 15   | 1320288     | 1          | Clamp   |     |
| 16   | 0641607     | 4          | Bolt 3/8 x 7/8  |     |
| 17   | 3841406     | 1          | Loop, Hose  |     |
| 18   | 91203039    | 1          | Pad   |     |
| 19   | 3340943     | 2          | Pad, Rubber   |     |
| 20   | 3340941     | 2          | Pad   |     |
| 21   | 3900283     | 2          | Screw 3/8 x 3/4   |     |
| 22   | 3311605     | 2          | Nut 3/8   |     |
| 23   | 0100081     | AR         | Adhesive  |     |
| 24   | 4071052     | 2          | Shim 1/4  |     |

# SECTION 4 - BOOM

## FIGURE 4-19. POWER TRACK INSTALLATION - TOWER BOOM WITHOUT ARCTIC PACKAGE



ART\_1001171203



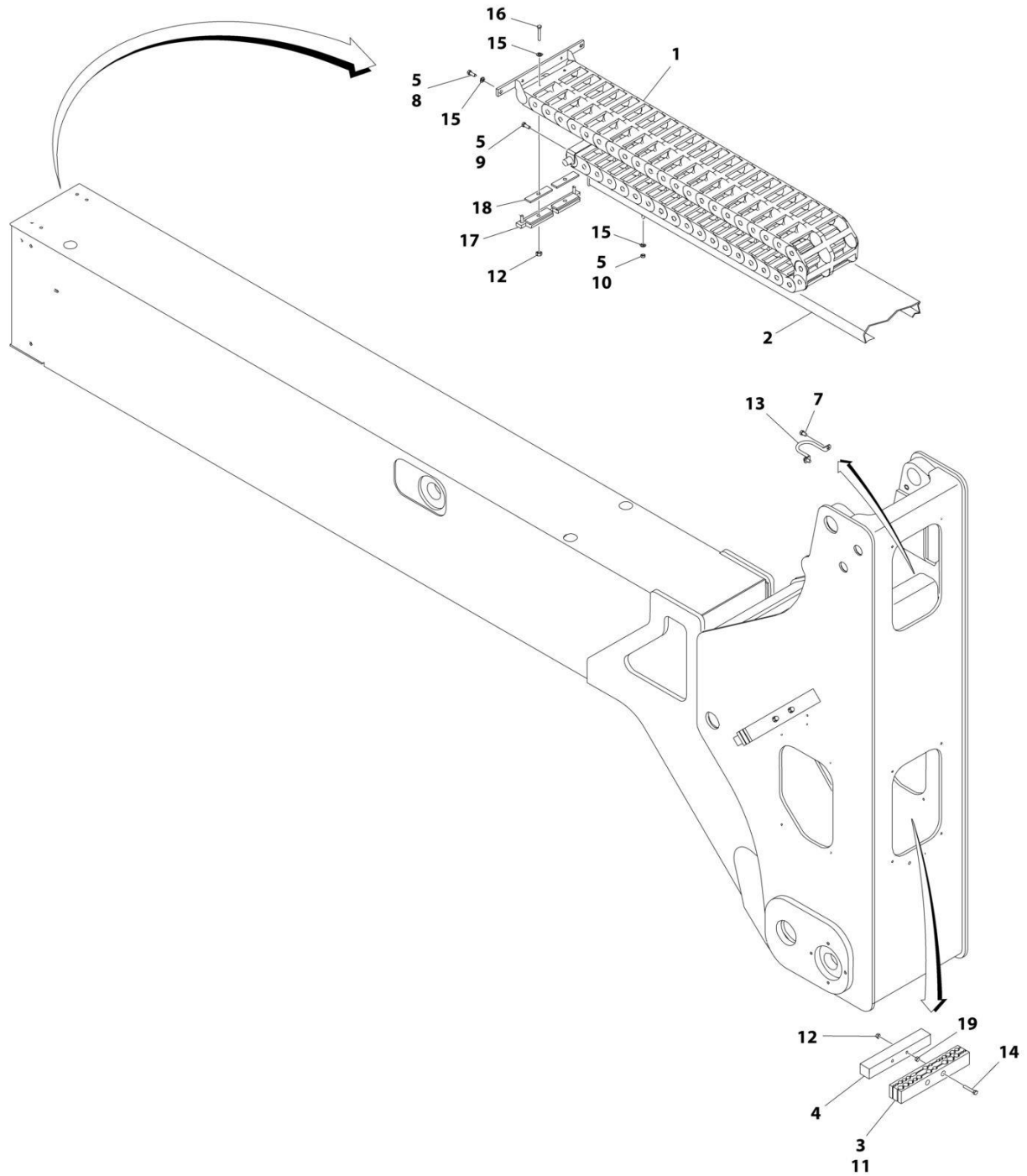
## SECTION 4 - BOOM

**FIGURE 4-19. POWER TRACK INSTALLATION - TOWER BOOM WITHOUT ARCTIC PACKAGE**

| ITEM | PART NUMBER | QTY | DESCRIPTION              | REV |
|------|-------------|-----|--------------------------|-----|
|      | 1001171203  | Ref | POWER TRACK INSTALLATION | D   |
| 1    | 1180346     | 1   | Track, Power             |     |
| 1    | 7020064     | 1   | Bracket, End (Moving)    |     |
| 1    | 7020065     | 1   | Bracket, End (Fixed)     |     |
| 1    | 7020066     | 1   | Section, Repair          |     |
| 1    | 7020067     | 1   | Link, Repair             |     |
| 2    | 4845680     | 1   | Tube, Hose               |     |
| 3    | 0100038     | AR  | Primer, Locking          |     |
| 4    | 1320250     | 2   | Bar                      |     |
| 5    | 0100011     | AR  | Compound, Locking        |     |
| 7    | 0641605     | 2   | Bolt 3/8 x 5/8           |     |
| 8    | 0641606     | 2   | Bolt 3/8 x 3/4           |     |
| 9    | 0641622     | 2   | Bolt 3/8 x 2-3/4         |     |
| 10   | 3311601     | 4   | Nut 3/8                  |     |
| 11   | 3311602     | 4   | Nut 3/8                  |     |
| 12   | 3311605     | 6   | Nut 3/8                  |     |
| 13   | 3841340     | 1   | Rod, Hose Loop           |     |
| 14   | 3900262     | 4   | Bolt 3/8 x 4-3/4         |     |
| 15   | 4711600     | 8   | Washer 3/8               |     |
| 16   | 0641624     | 2   | Bolt 3/8 x 3             |     |
| 17   | 0259420     | 1   | Clamp                    |     |
| 17   | 3340859     | 2   | Pad                      |     |
| 18   | 3340859     | 2   | Pad                      |     |
| 19   | 1001172179  | 2   | Clamp, Block             |     |

# SECTION 4 - BOOM

## FIGURE 4-20. POWER TRACK INSTALLATION - TOWER BOOM WITH ARCTIC PACKAGE



ART\_1001171202

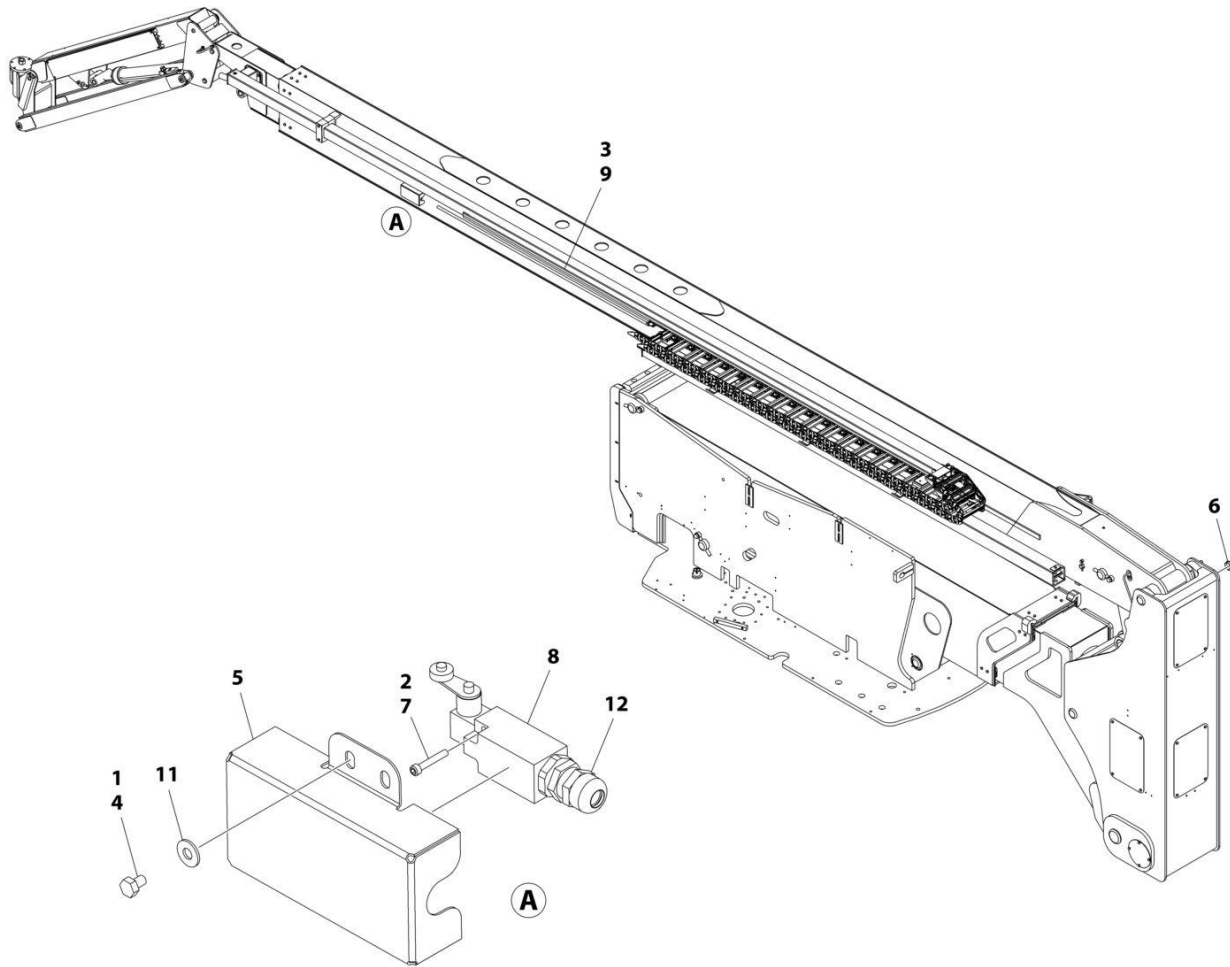
## SECTION 4 - BOOM

**FIGURE 4-20. POWER TRACK INSTALLATION - TOWER BOOM WITH ARCTIC PACKAGE**

| ITEM | PART NUMBER | QTY | DESCRIPTION              | REV |
|------|-------------|-----|--------------------------|-----|
|      | 1001171202  | Ref | POWER TRACK INSTALLATION | C   |
| 1    | 1180346     | 1   | Track, Power             |     |
| 1    | 7020064     | 1   | Bracket, End (Moving)    |     |
| 1    | 7020065     | 1   | Bracket, End (Fixed)     |     |
| 1    | 7020066     | 1   | Section, Repair          |     |
| 1    | 7020067     | 1   | Link, Repair             |     |
| 2    | 4845680     | 1   | Tube, Hose               |     |
| 3    | 0100038     | AR  | Primer, Locking          |     |
| 4    | 1320250     | 2   | Bar                      |     |
| 5    | 0100011     | AR  | Compound, Locking        |     |
| 7    | 0641605     | 2   | Bolt 3/8 x 5/8           |     |
| 8    | 0641606     | 2   | Bolt 3/8 x 3/4           |     |
| 9    | 0641622     | 2   | Bolt 3/8 x 2-3/4         |     |
| 10   | 3311601     | 4   | Nut 3/8                  |     |
| 11   | 1001172179  | 2   | Clamp, Block             |     |
| 12   | 3311605     | 6   | Nut 3/8                  |     |
| 13   | 3841340     | 1   | Hose                     |     |
| 14   | 3900262     | 4   | Bolt 3/8 x 4-3/4         |     |
| 15   | 4711600     | 8   | Washer 3/8               |     |
| 16   | 0641624     | 2   | Bolt 3/8 x 3             |     |
| 17   | 0259420     | 1   | Clamp                    |     |
| 17   | 3340859     | 2   | Pad                      |     |
| 18   | 3340859     | 2   | Pad                      |     |
| 19   | 3311602     | 4   | Nut 3/8                  |     |

# SECTION 4 - BOOM

## FIGURE 4-21. TRANSPORT POSITION SWITCH INSTALLATION



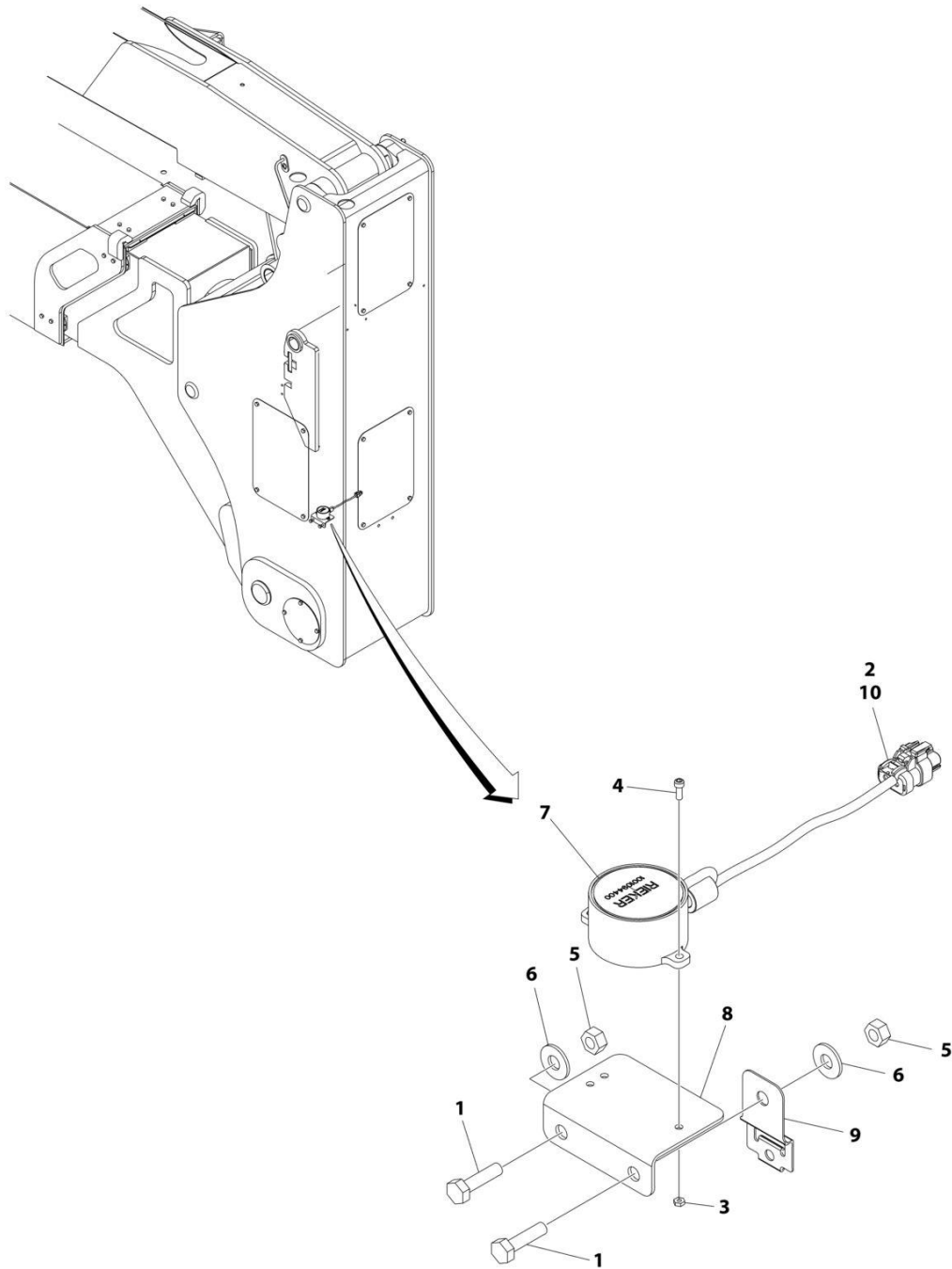
ART\_0258567

**FIGURE 4-21. TRANSPORT POSITION SWITCH INSTALLATION**

| <b>ITEM</b> | <b>PART NUMBER</b> | <b>QTY</b> | <b>DESCRIPTION</b>                     | <b>REV</b> |
|-------------|--------------------|------------|--|------------|
|             | 0258567            | Ref        | TRANSPORT POSITION SWITCH INSTALLATION | F          |
| 1           | 0100011            | AR         | Compound, Locking                      |            |
| 2           | 0100035            | AR         | Compound, Locking                      |            |
| 3           | 1001106481         | 1          | Bar, Fiberglass                        |            |
| 4           | 0641403            | 4          | Bolt 1/4 x 3/8                         |            |
| 5           | 3380535            | 1          | Cover, Switch                          |            |
| 6           | 3520035            | 1          | Plug, Cap                              |            |
| 7           | 3930816            | 2          | Capscrew #8 x 1                        |            |
| 8           | 4360578            | 1          | Switch, Limit                          |            |
| 9           | 4420060            | AR         | Tape                                   |            |
| 11          | 4751400            | 4          | Washer 1/4                             |            |
| 12          | 4460968            | 1          | Connector, Strain Relief               |            |

# SECTION 4 - BOOM

## FIGURE 4-22. UPRIGHT TILT SENSOR INSTALLATION



ART\_0275733

FIGURE 4-22. UPRIGHT TILT SENSOR INSTALLATION

| ITEM | PART NUMBER | QTY | DESCRIPTION              | REV |
|------|-------------|-----|--------------------------|-----|
|      | 0275733     | Ref | TILT SENSOR INSTALLATION | B   |
| 1    | 0641408     | 2   | Bolt 1/4 x 1             |     |
| 2    | 0100048     | AR  | Grease, Dielectric       |     |
| 3    | 3310605     | 3   | Nut #6                   |     |
| 4    | 3930606     | 3   | Screw #6 x 3/4           |     |
| 5    | 3311405     | 2   | Nut 1/4                  |     |
| 6    | 4751400     | 2   | Washer 1/4               |     |
| 7    | 1001094400  | 1   | Sensor, Dual Axis        |     |
| 8    | 1001096736  | 1   | Bracket, Tilt Sensor     |     |
| 9    | 1001153749  | 1   | Clip                     |     |
| 10   | 1001200497  | 1   | Connector - 3 Position   |     |

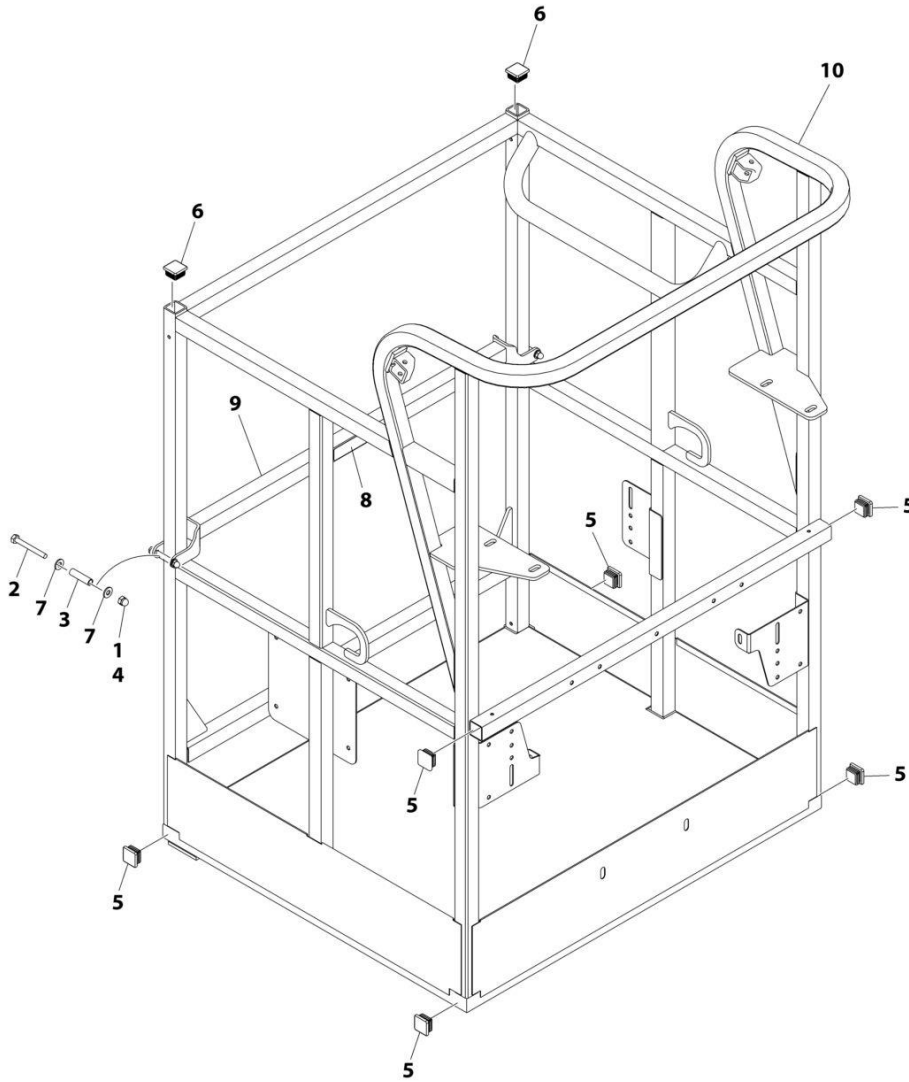




**SECTION 5 - PLATFORM**

# SECTION 5 - PLATFORM

FIGURE 5-1. PLATFORM ASSEMBLY WITH DROP-BAR - 30IN X 3FT (76CM X 1M)



ART\_1001228215

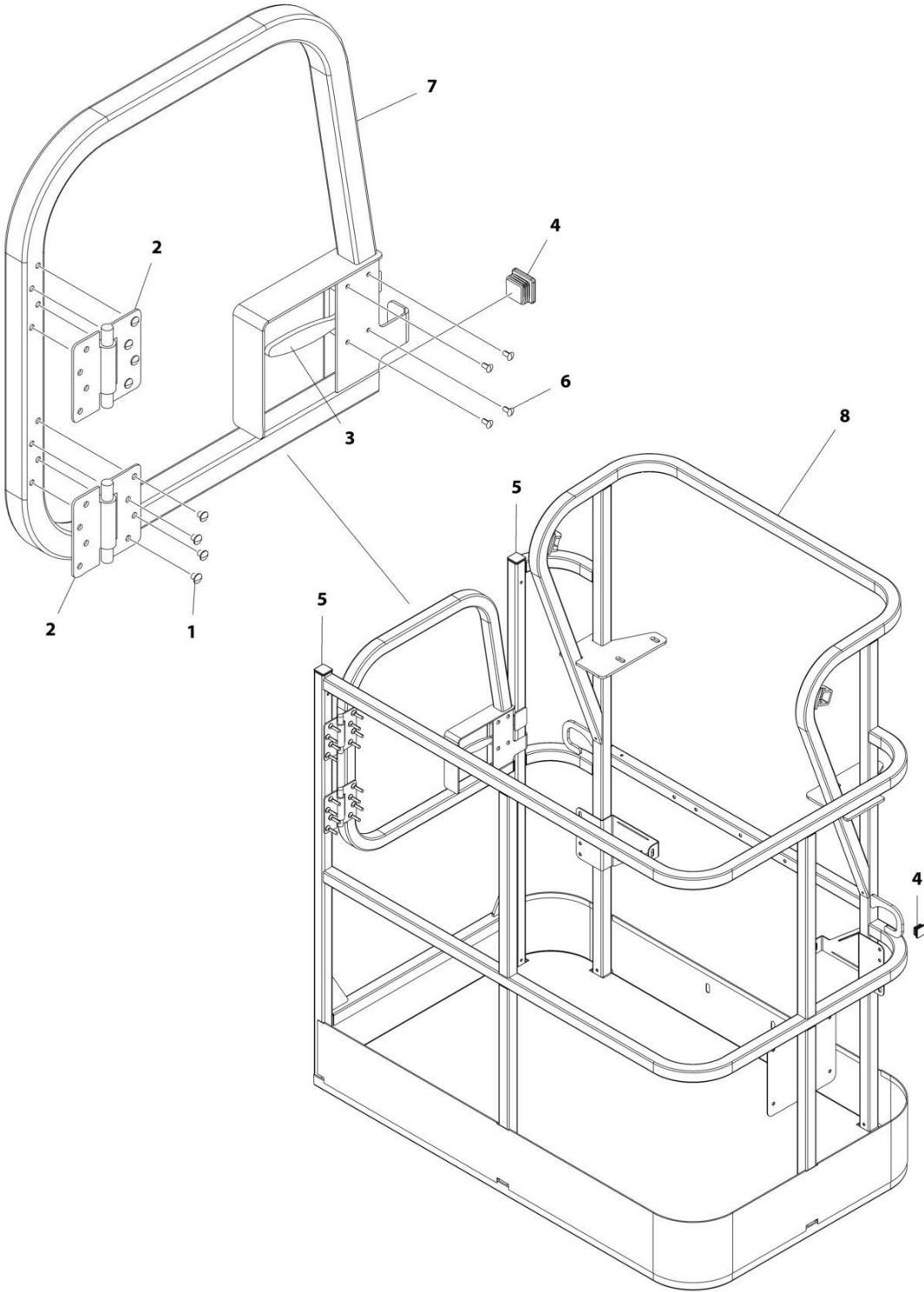
## SECTION 5 - PLATFORM

**FIGURE 5-1. PLATFORM ASSEMBLY WITH DROP-BAR - 30IN X 3FT (76CM X 1M)**

| ITEM | PART NUMBER | QTY | DESCRIPTION   | REV |
|------|-------------|-----|---|-----|
|      | 1001228215  | Ref | PLATFORM ASSEMBLY   | A   |
|      | See Note    | Ref | Note: Platform and Mesh must be ordered separately for Platforms with Mesh. See SPECIAL OPTIONS SECTION for Mesh Installations. |     |
|      | See Note    | Ref | Note: Replacement Decals Must be Ordered Separately - See DECAL SECTION.  |     |
| 1    | 0100011     | AR  | Compound, Locking   |     |
| 2    | 0641418     | 2   | Bolt 1/4 x 2-1/4  |     |
| 3    | 0961845     | 2   | Bushing   |     |
| 4    | 3300151     | 2   | Nut 1/4   |     |
| 5    | 3520072     | 6   | Cap, Plug   |     |
| 6    | 3520198     | 2   | Cap, Plug   |     |
| 7    | 4711400     | 4   | Washer 1/4  |     |
| 8    | 1001140429  | 1   | Decal - Drop Bar  |     |
| 9    | 1001226872  | 1   | Bar, Drop   |     |
| 10   | See Note    | NSS | Platform (Note: Not Available - Purchase Platform Assembly)   |     |

# SECTION 5 - PLATFORM

FIGURE 5-2. PLATFORM ASSEMBLY WITH GATE - 30IN X 4FT (76CM X 1.22M)



ART\_1001186387

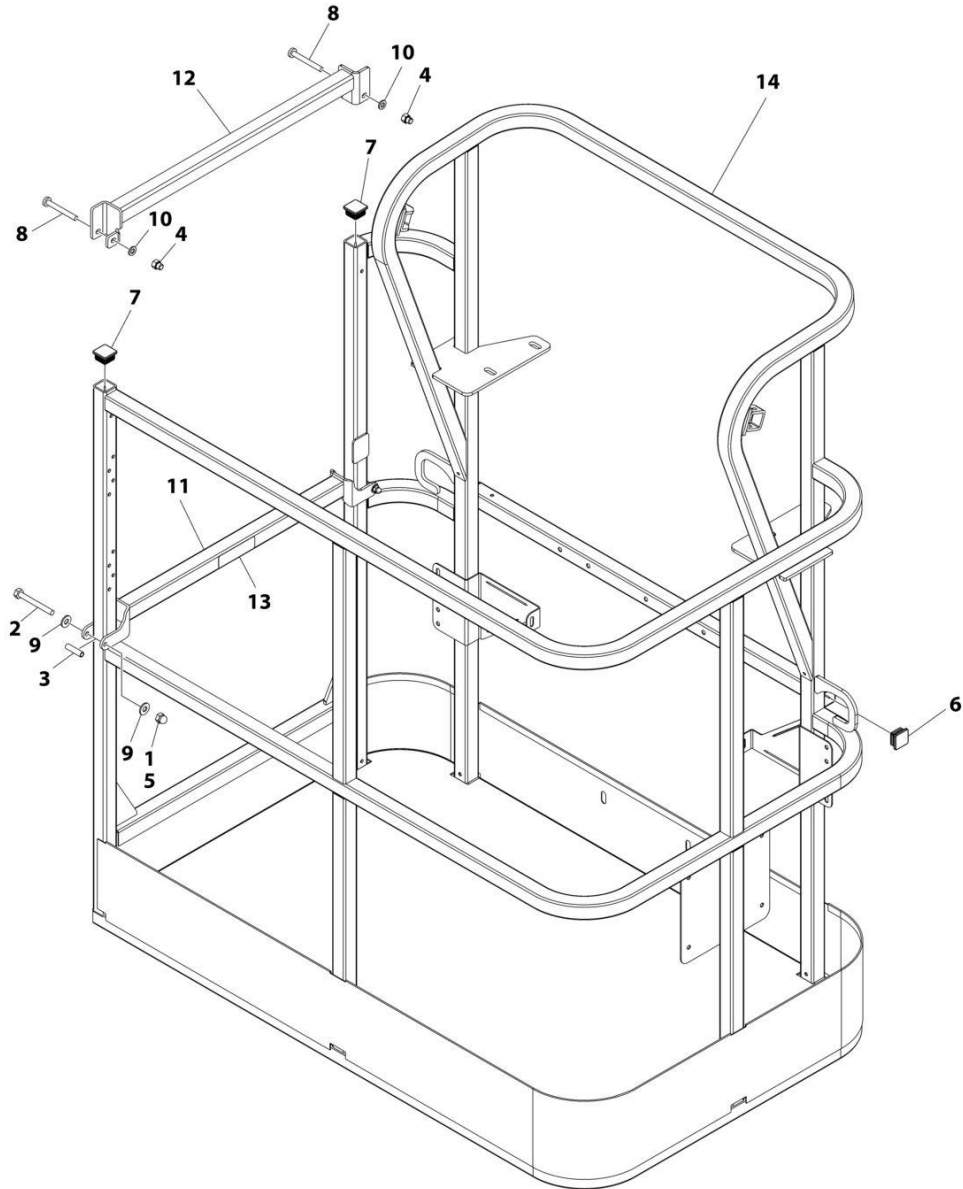
## SECTION 5 - PLATFORM

**FIGURE 5-2. PLATFORM ASSEMBLY WITH GATE - 30IN X 4FT (76CM X 1.22M)**

| ITEM | PART NUMBER | QTY | DESCRIPTION   | REV |
|------|-------------|-----|---|-----|
|      | 1001186387  | Ref | PLATFORM ASSEMBLY   | C   |
|      |             | Ref | Note: Platform and Mesh must be ordered separately for Platforms with Mesh. See SPECIAL OPTIONS SECTION for Mesh Installations. |     |
|      |             | Ref | Note: Replacement Decals Must be Ordered Separately - See DECALS SECTION.   |     |
| 1    | 2080040     | 16  | Fastener, Huck  |     |
| 2    | 2600281     | 2   | Hinge, Self-Closing   |     |
| 3    | 2940074     | 1   | Latch   |     |
| 4    | 3520072     | 3   | Plug  |     |
| 5    | 3520198     | 2   | Plug  |     |
| 6    | 3820020     | 4   | Rivet   |     |
| 7    | 1001144629  | 1   | Gate  |     |
| 8    | See Note    | 1   | Platform (Note: Not Available - Purchase Platform Assembly)   |     |

# SECTION 5 - PLATFORM

FIGURE 5-3. PLATFORM ASSEMBLY WITH DROP-BAR - 30IN X 4FT (76CM X 1.22M)



ART\_1001186375

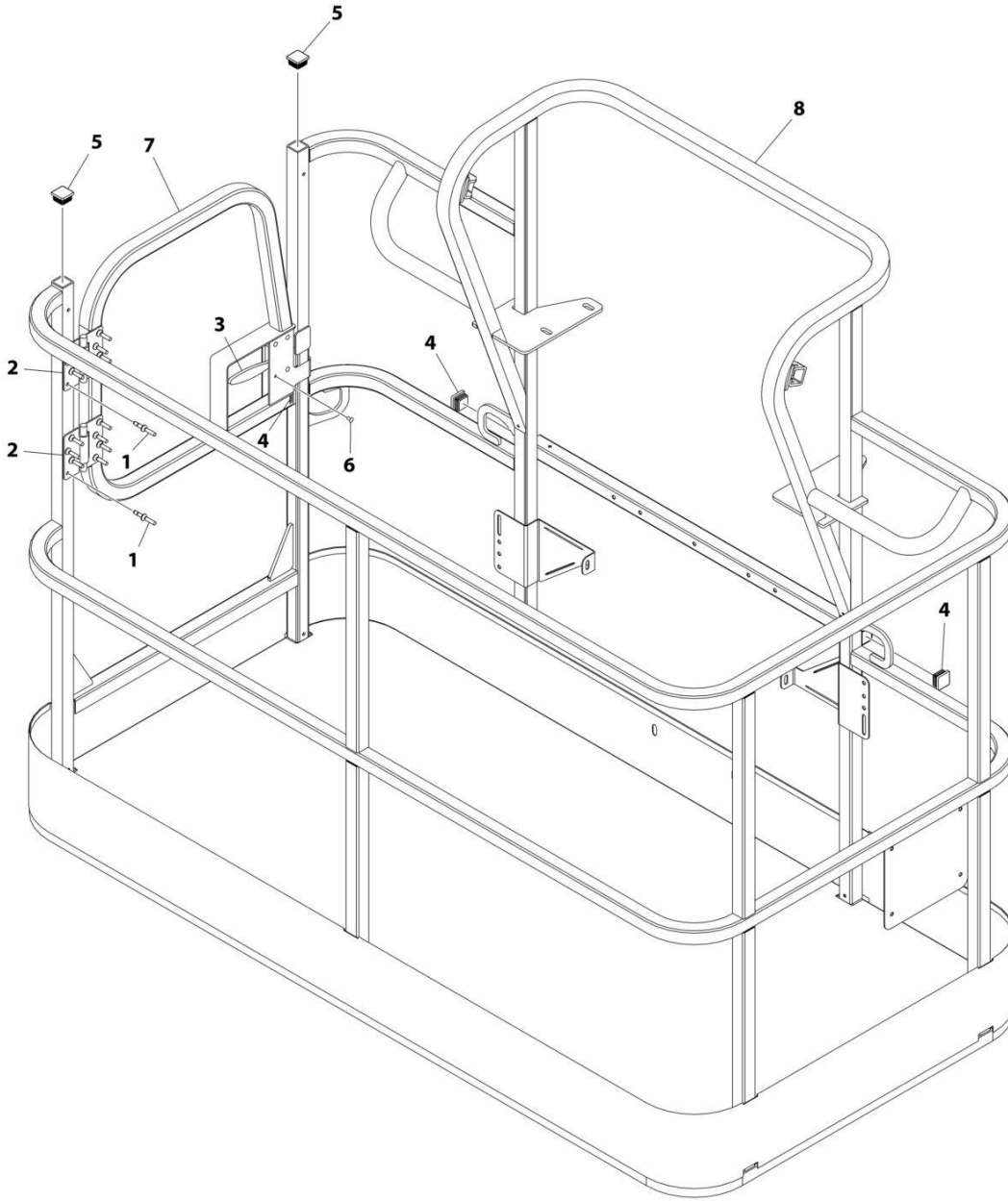
## SECTION 5 - PLATFORM

**FIGURE 5-3. PLATFORM ASSEMBLY WITH DROP-BAR - 30IN X 4FT (76CM X 1.22M)**

| ITEM | PART NUMBER | QTY | DESCRIPTION   | REV |
|------|-------------|-----|---|-----|
|      | 1001186375  | Ref | PLATFORM ASSEMBLY   | B   |
|      |             | Ref | Note: Platform and Mesh must be ordered separately for Platforms with Mesh. See SPECIAL OPTIONS SECTION for Mesh Installations. |     |
|      |             | Ref | Note: Replacement Decals Must be Ordered Separately - See DECALS SECTION.   |     |
| 1    | 0100011     | AR  | Compound, Locking   |     |
| 2    | 0641418     | 2   | Bolt 1/4 x 2-1/4  |     |
| 3    | 0961845     | 2   | Bushing   |     |
| 4    | 3290606     | 2   | Nut M6  |     |
| 5    | 3300151     | 2   | Nut 1/4   |     |
| 6    | 3520072     | 2   | Plug  |     |
| 7    | 3520198     | 2   | Plug  |     |
| 8    | 4010618     | 2   | Screw M6 x 50   |     |
| 9    | 4711400     | 4   | Washer 1/4  |     |
| 10   | 4811700     | 2   | Washer M6   |     |
| 11   | 1001138494  | 1   | Bar, Drop   |     |
| 12   | 1001138514  | 1   | Rail - Top  |     |
| 13   | 1001140429  | 1   | Decal - Drop Bar  |     |
| 14   | See Note    | 1   | Platform (Note: Not Available - Purchase Platform Assembly)   |     |

# SECTION 5 - PLATFORM

FIGURE 5-4. PLATFORM ASSEMBLY WITH GATE - 30IN X 6FT (76CM X 1.83M)



ART\_1001186385



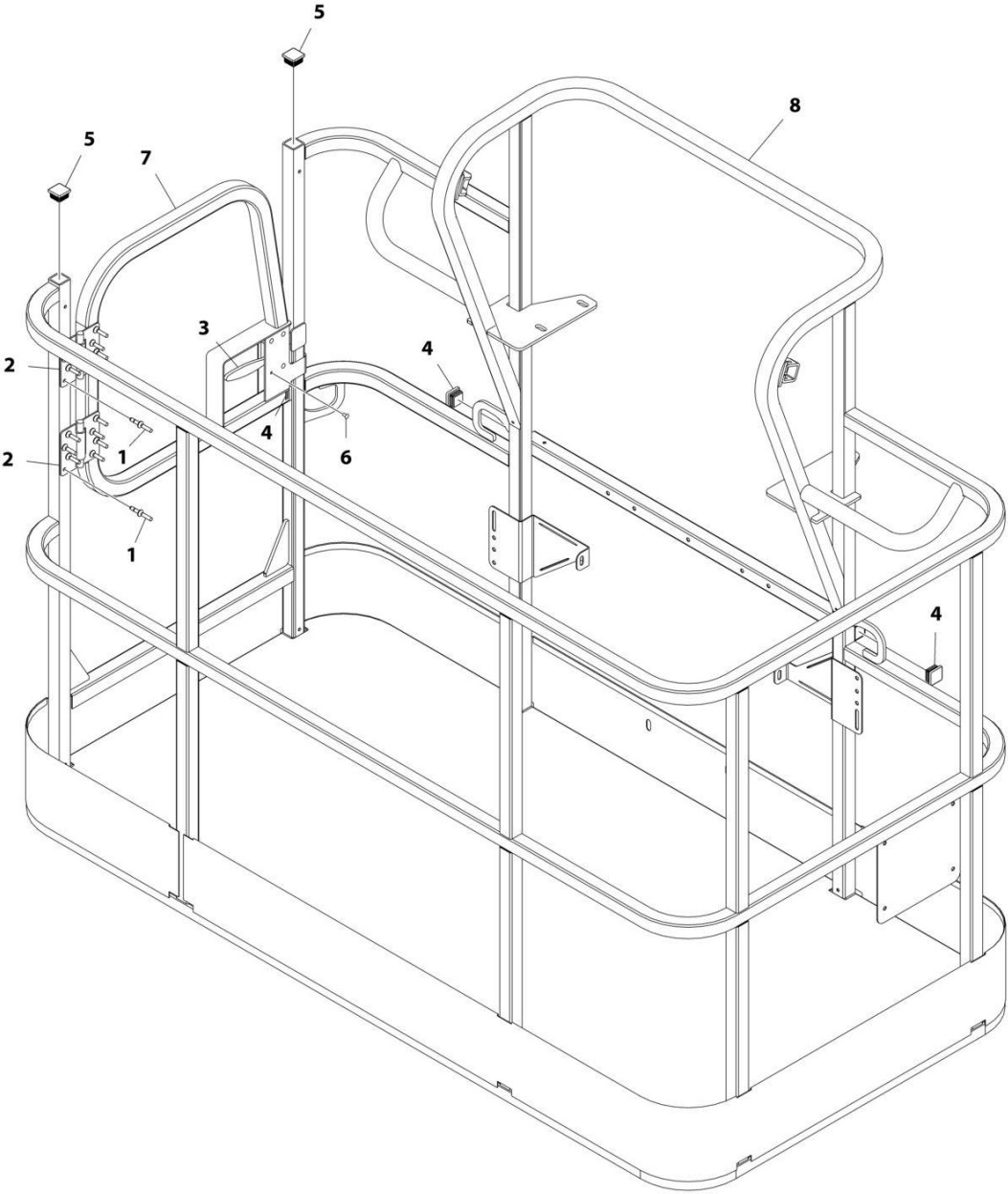
## SECTION 5 - PLATFORM

**FIGURE 5-4. PLATFORM ASSEMBLY WITH GATE - 30IN X 6FT (76CM X 1.83M)**

| ITEM | PART NUMBER | QTY | DESCRIPTION   | REV |
|------|-------------|-----|---|-----|
|      | 1001186385  | Ref | PLATFORM ASSEMBLY   | D   |
|      |             | Ref | Note: Platform and Mesh must be ordered separately for Platforms with Mesh. See SPECIAL OPTIONS SECTION for Mesh Installations. |     |
|      |             | Ref | Note: Replacement Decals Must be Ordered Separately - See DECALS SECTION.   |     |
| 1    | 2080040     | 16  | Fastener, Huck  |     |
| 2    | 2600281     | 2   | Hinge   |     |
| 3    | 2940074     | 1   | Latch   |     |
| 4    | 3520072     | 3   | Plug  |     |
| 5    | 3520198     | 2   | Plug  |     |
| 6    | 3820020     | 4   | Rivet   |     |
| 7    | 1001144629  | 1   | Gate  |     |
| 8    | See Note    | NSS | Platform (Note: Not Available - Purchase Platform Assembly)   |     |

**SECTION 5 - PLATFORM**

**FIGURE 5-5. PLATFORM ASSEMBLY WITH GATE- 36IN X 6FT (91.5CM X 1.83M)**



ART\_1001186384

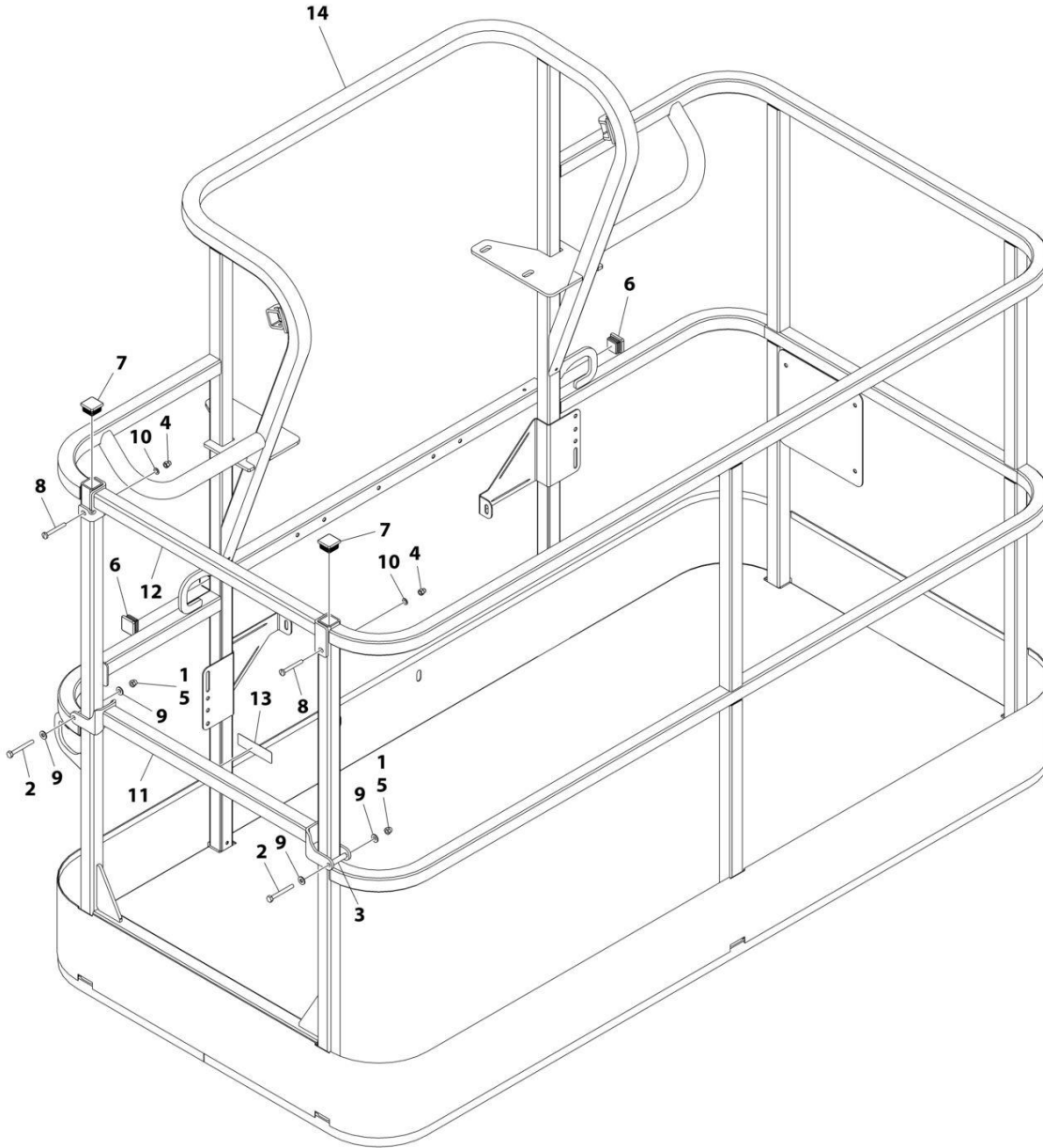
## SECTION 5 - PLATFORM

**FIGURE 5-5. PLATFORM ASSEMBLY WITH GATE- 36IN X 6FT (91.5CM X 1.83M)**

| ITEM | PART NUMBER | QTY | DESCRIPTION   | REV |
|------|-------------|-----|---|-----|
|      | 1001186384  | Ref | PLATFORM ASSEMBLY - 36IN X 6FT (91.5CM X 1.83M) WITH SWING GATE   | C   |
|      | See Note    | Ref | Note: Platform and Mesh must be ordered separately for Platforms with Mesh. See SPECIAL OPTIONS SECTION for Mesh Installations. |     |
|      | See Note    | Ref | Note: Replacement Decals Must be Ordered Separately - See DECALS SECTION.   |     |
| 1    | 2080040     | 16  | Fastener, Huck  |     |
| 2    | 2600281     | 2   | Hinge   |     |
| 3    | 2940074     | 1   | Latch   |     |
| 4    | 3520072     | 3   | Plug  |     |
| 5    | 3520198     | 2   | Plug  |     |
| 6    | 3820020     | 4   | Rivet   |     |
| 7    | 1001144629  | 1   | Gate  |     |
| 8    | See Note    | NSS | Platform (Note: Not Available - Purchase Platform Assembly)   |     |

# SECTION 5 - PLATFORM

FIGURE 5-6. PLATFORM ASSEMBLY WITH DROP-BAR - 30IN X 6FT (76CM X 1.83M)



ART\_1001186378

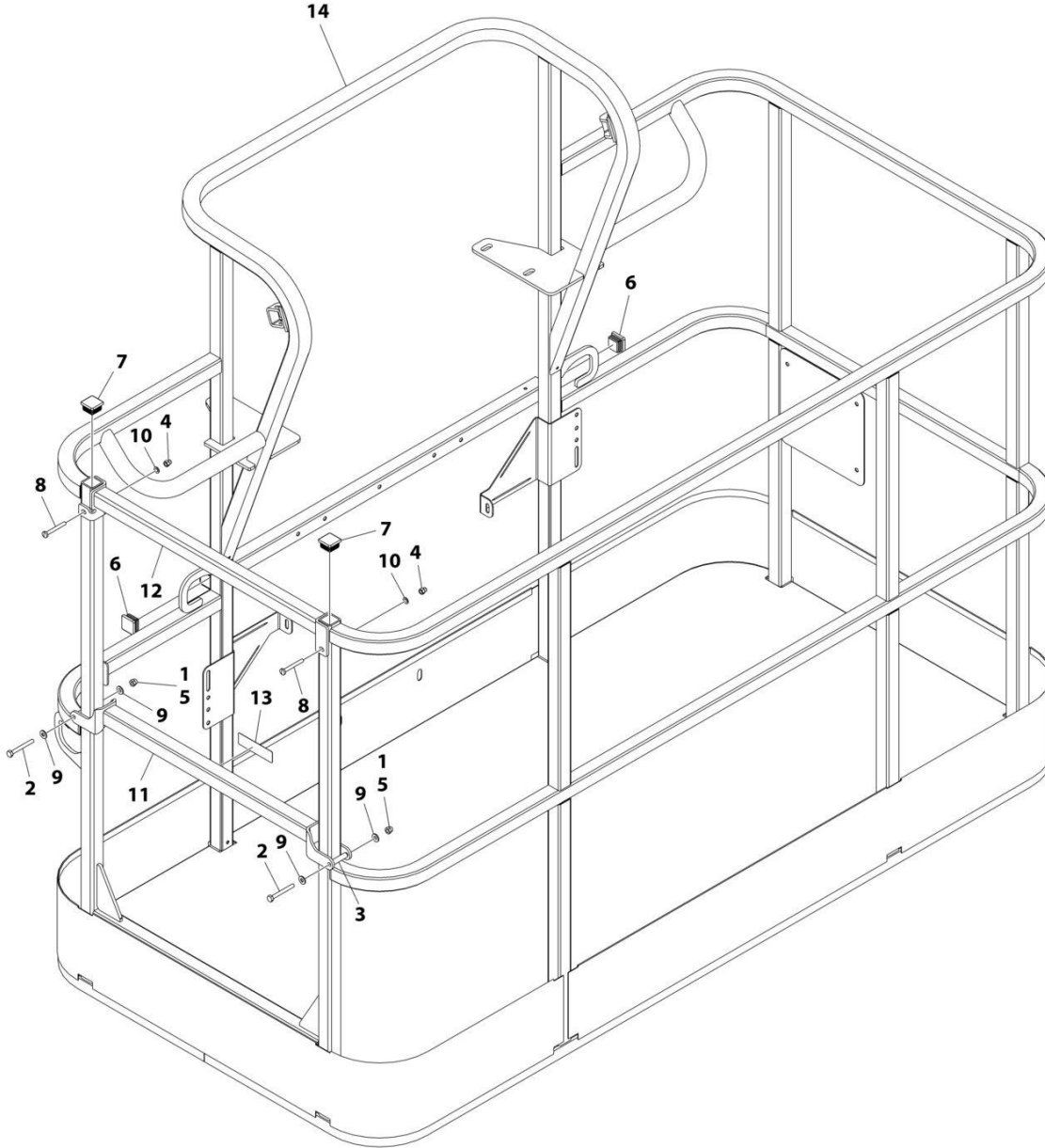
## SECTION 5 - PLATFORM

**FIGURE 5-6. PLATFORM ASSEMBLY WITH DROP-BAR - 30IN X 6FT (76CM X 1.83M)**

| ITEM | PART NUMBER | QTY | DESCRIPTION   | REV |
|------|-------------|-----|---|-----|
|      | 1001186378  | Ref | PLATFORM ASSEMBLY   | C   |
|      |             | Ref | Note: Platform and Mesh must be ordered separately for Platforms with Mesh. See SPECIAL OPTIONS SECTION for Mesh Installations. |     |
|      |             | Ref | Note: Replacement Decals Must be Ordered Separately - See DECALS SECTION.   |     |
| 1    | 0100011     | AR  | Compound, Locking   |     |
| 2    | 0641418     | 2   | Bolt 1/4 x 2-1/4  |     |
| 3    | 0961845     | 2   | Bushing   |     |
| 4    | 3290606     | 2   | Nut M6  |     |
| 5    | 3300151     | 2   | Nut 1/4   |     |
| 6    | 3520072     | 2   | Plug  |     |
| 7    | 3520198     | 2   | Plug  |     |
| 8    | 4010618     | 2   | Screw M6 x 50   |     |
| 9    | 4711400     | 4   | Washer 1/4  |     |
| 10   | 4811700     | 2   | Washer M6   |     |
| 11   | 1001138494  | 1   | Bar, Drop   |     |
| 12   | 1001138514  | 1   | Rail (Top)  |     |
| 13   | 1001140429  | 1   | Decal - Drop Bar  |     |
| 14   | See Note    | NSS | Platform (Note: Not Available - Purchase Platform Assembly)   |     |

# SECTION 5 - PLATFORM

FIGURE 5-7. PLATFORM ASSEMBLY WITH DROP-BAR - 36IN X 6FT (91.5CM X 1.83M)



ART\_1001186379

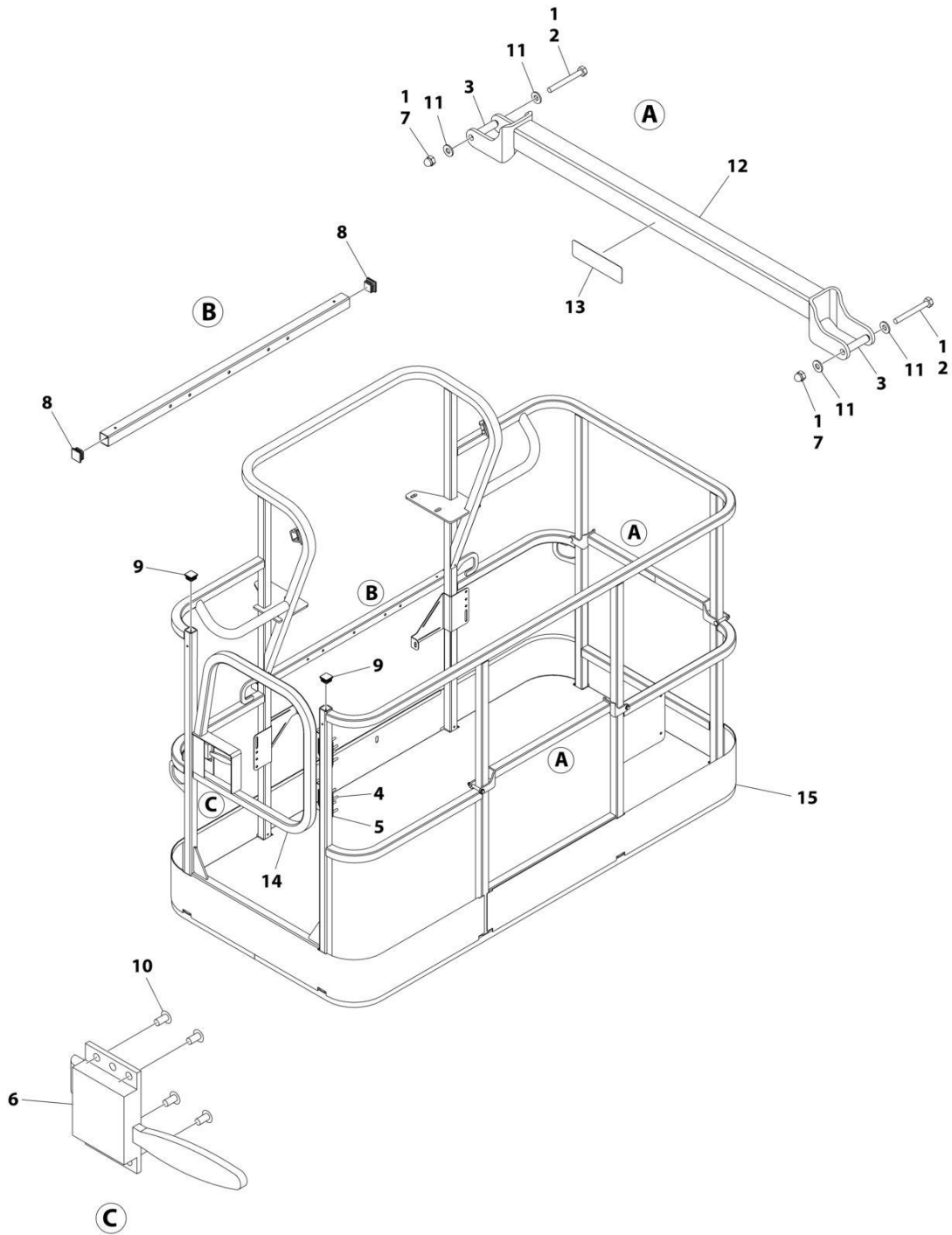
## SECTION 5 - PLATFORM

**FIGURE 5-7. PLATFORM ASSEMBLY WITH DROP-BAR - 36IN X 6FT (91.5CM X 1.83M)**

| ITEM | PART NUMBER | QTY | DESCRIPTION   | REV |
|------|-------------|-----|---|-----|
|      | 1001186379  | Ref | PLATFORM ASSEMBLY - 36IN X 6FT (91.5CM X 1.83M) WITH DROP BAR   | B   |
|      |             | Ref | Note: Platform and Mesh must be ordered separately for Platforms with Mesh. See SPECIAL OPTIONS SECTION for Mesh Installations. |     |
|      |             | Ref | Note: Replacement Decals Must be Ordered Separately - See DECALS SECTION.   |     |
| 1    | 0100011     | AR  | Compound, Locking   |     |
| 2    | 0641418     | 2   | Bolt 1/4 x 2-1/4  |     |
| 3    | 0961845     | 2   | Bushing   |     |
| 4    | 3290606     | 2   | Nut M6  |     |
| 5    | 3300151     | 2   | Nut 1/4   |     |
| 6    | 3520072     | 2   | Plug  |     |
| 7    | 3520198     | 2   | Plug  |     |
| 8    | 4010618     | 2   | Screw M6 x 50   |     |
| 9    | 4711400     | 4   | Washer 1/4  |     |
| 10   | 4811700     | 2   | Washer M6   |     |
| 11   | 1001138494  | 1   | Bar, Drop   |     |
| 12   | 1001138514  | 1   | Rail (Top)  |     |
| 13   | 1001140429  | 1   | Decal - Drop Bar  |     |
| 14   | See Note    | NSS | Platform (Note: Not Available - Purchase Platform Assembly)   |     |

# SECTION 5 - PLATFORM

FIGURE 5-8. PLATFORM ASSEMBLY WITH 1 GATE / 2 DROP BARS (TRI-ENTRY) - 36IN X 6FT (91.5CM X 1.83M)



ART\_1001228376



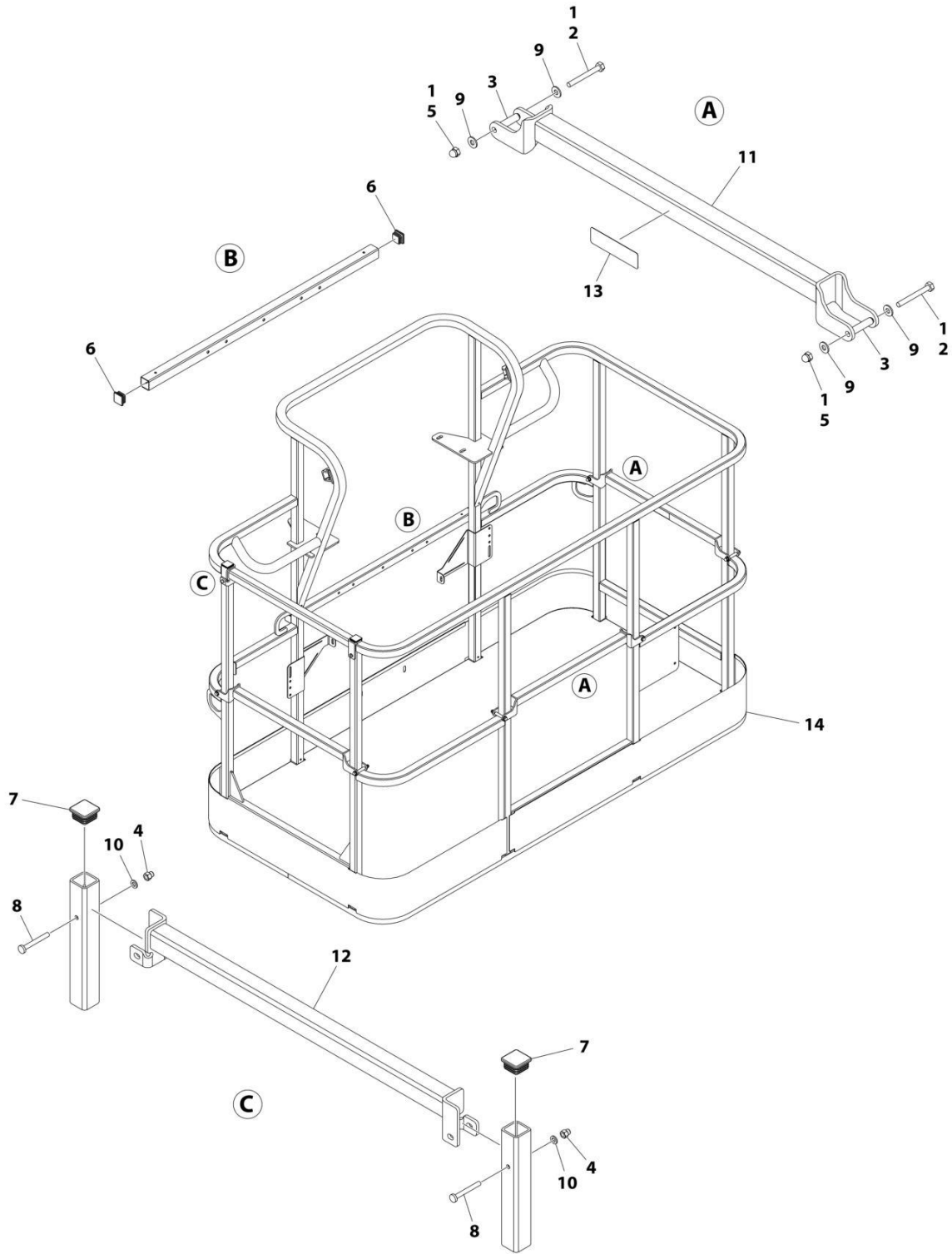
## SECTION 5 - PLATFORM

**FIGURE 5-8. PLATFORM ASSEMBLY WITH 1 GATE / 2 DROP BARS (TRI-ENTRY) - 36IN X 6FT  
(91.5CM X 1.83M)**

| ITEM | PART NUMBER | QTY | DESCRIPTION   | REV |
|------|-------------|-----|---|-----|
|      | 1001228376  | Ref | PLATFORM ASSEMBLY - 36IN x 6FT (91.5CM x 1.83M)   | B   |
|      |             | Ref | Note: Platform and Mesh must be ordered separately for Platforms with Mesh. See SPECIAL OPTIONS SECTION for Mesh Installations. |     |
|      |             | Ref | Note: Replacement Decals Must be Ordered Separately - See DECAL SECTION.  |     |
| 1    | 0100011     | AR  | Compound, Locking   |     |
| 2    | 0641418     | 4   | Bolt 1/4 x 2-1/4  |     |
| 3    | 0961845     | 4   | Bushing   |     |
| 4    | 2080040     | 16  | Fastener  |     |
| 5    | 2600281     | 2   | Hinge   |     |
| 6    | 2940074     | 1   | Latch   |     |
| 7    | 3300151     | 4   | Nut 1/4   |     |
| 8    | 3520072     | 3   | Plug  |     |
| 9    | 3520198     | 2   | Plug  |     |
| 10   | 3820020     | 4   | Rivet   |     |
| 11   | 4711400     | 8   | Washer 1/4  |     |
| 12   | 1001138494  | 2   | Bar, Drop   |     |
| 13   | 1001140429  | 2   | Decal - Drop Bar  |     |
| 14   | 1001144629  | 1   | Gate  |     |
| 15   | See Note    | NSS | Platform (Note: Not Available - Purchase Platform Assembly)   |     |

# SECTION 5 - PLATFORM

FIGURE 5-9. PLATFORM ASSEMBLY WITH 3 DROP BARS (TRI-ENTRY) - 36IN X 6FT (91.5CM X 1.83M)



ART\_1001228377

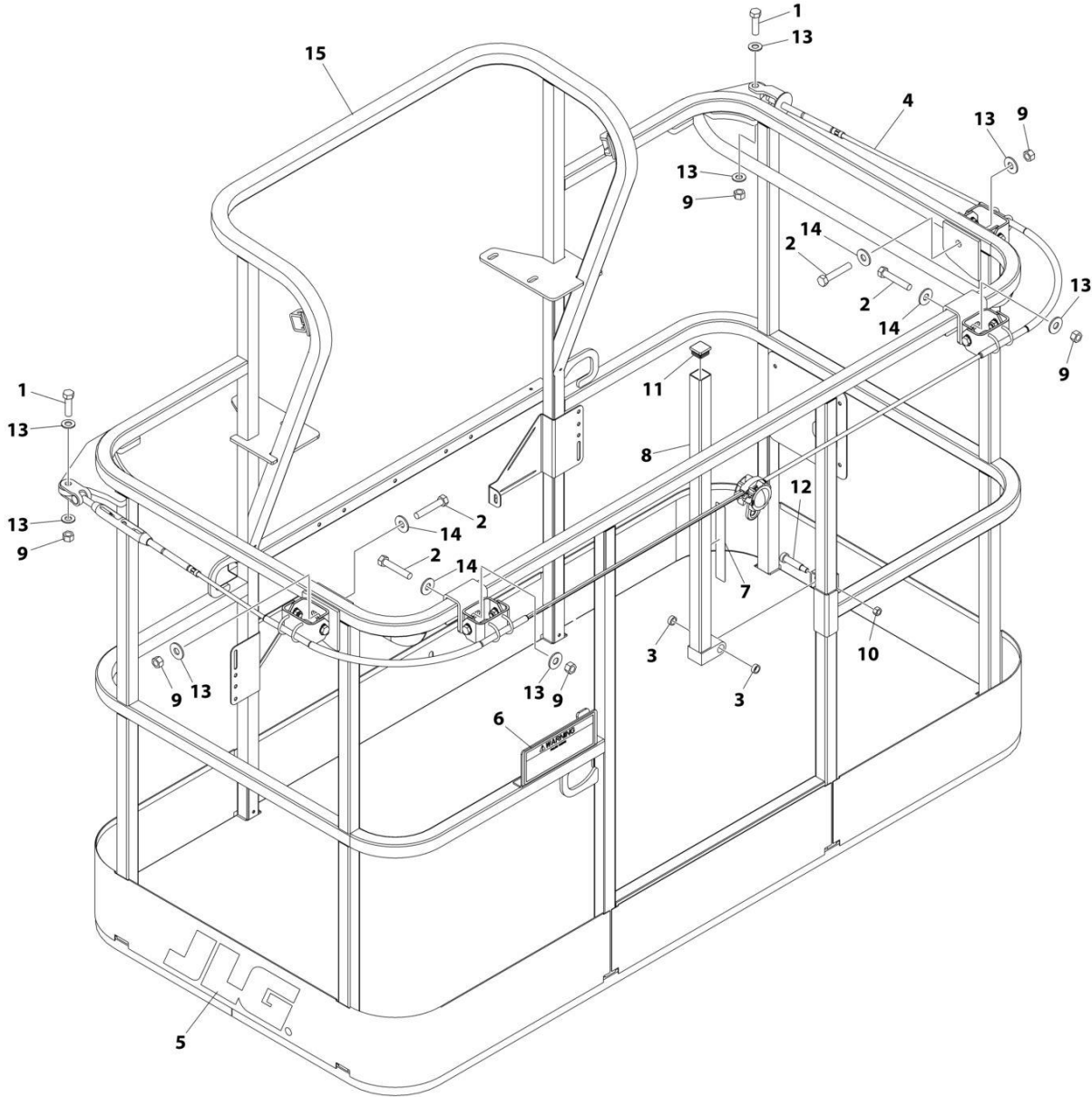
## SECTION 5 - PLATFORM

**FIGURE 5-9. PLATFORM ASSEMBLY WITH 3 DROP BARS (TRI-ENTRY) - 36IN X 6FT (91.5CM X 1.83M)**

| ITEM | PART NUMBER | QTY | DESCRIPTION   | REV |
|------|-------------|-----|---|-----|
|      | 1001228377  | Ref | PLATFORM ASSEMBLY - 36IN x 6FT (91.5CM x 1.83M)   | B   |
|      |             | Ref | Note: Platform and Mesh must be ordered separately for Platforms with Mesh. See SPECIAL OPTIONS SECTION for Mesh Installations. |     |
|      |             | Ref | Note: Replacement Decals Must be Ordered Separately - See DECAL SECTION.  |     |
| 1    | 0100011     | 1   | Compound, Locking   |     |
| 2    | 0641418     | 6   | Bolt 1/4 x 2-1/4  |     |
| 3    | 0961845     | 6   | Bushing   |     |
| 4    | 3290606     | 2   | Nut M6  |     |
| 5    | 3300151     | 6   | Nut 1/4   |     |
| 6    | 3520072     | 2   | Plug  |     |
| 7    | 3520198     | 2   | Plug  |     |
| 8    | 4010618     | 2   | Screw M6 x 50   |     |
| 9    | 4711400     | 12  | Washer 1/4  |     |
| 10   | 4811700     | 2   | Washer M6   |     |
| 11   | 1001138494  | 3   | Bar, Drop   |     |
| 12   | 1001138514  | 1   | Rail (Top)  |     |
| 13   | 1001140429  | 3   | Decal - Drop Bar  |     |
| 14   | See Note    | NSS | Platform, Weldment (Note: Not Available - Purchase Platform Assembly)   |     |

# SECTION 5 - PLATFORM

## FIGURE 5-10. PLATFORM ASSEMBLY WITH FALL ARREST (6FT)



ART\_1001186333

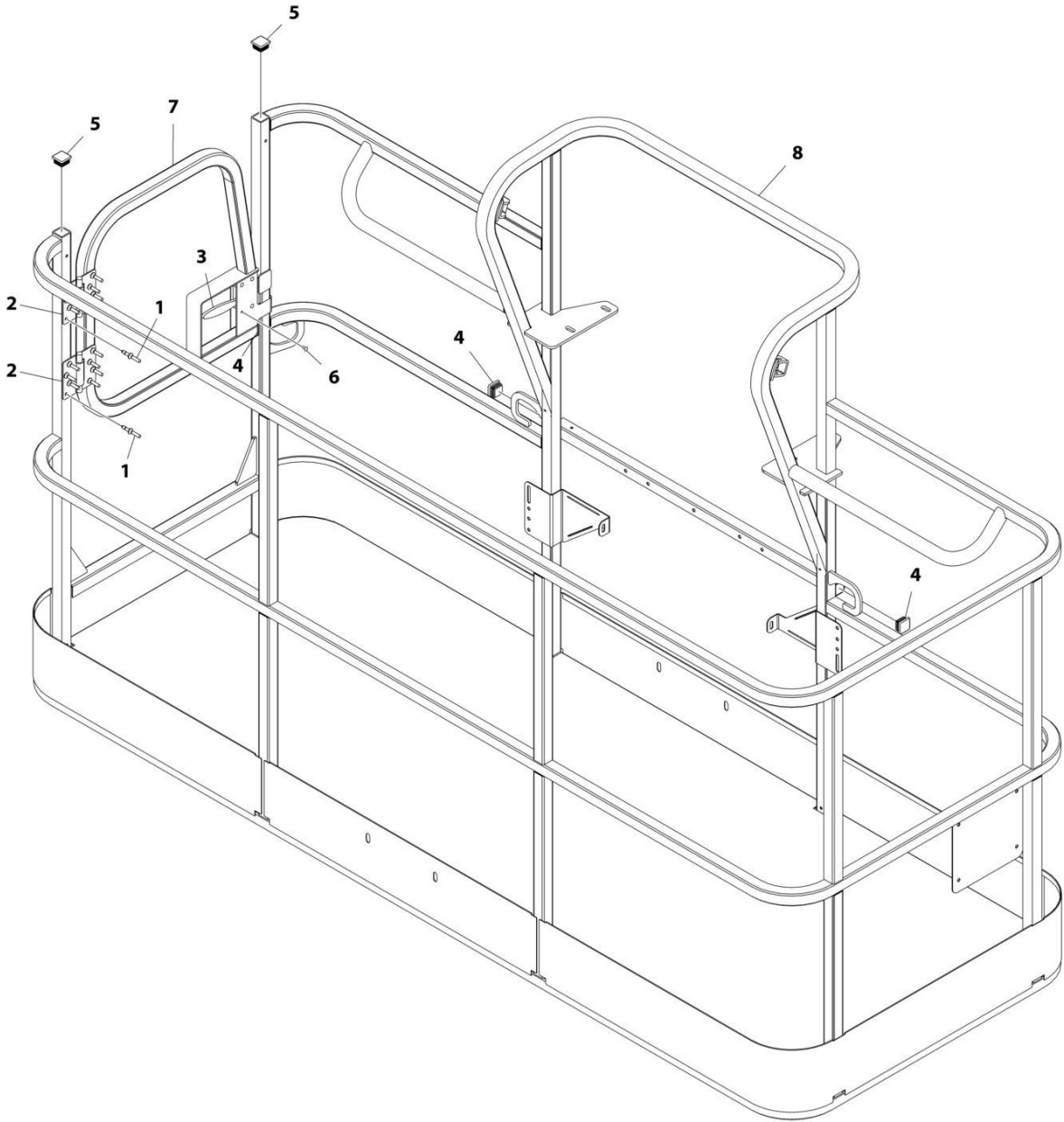
## SECTION 5 - PLATFORM

**FIGURE 5-10. PLATFORM ASSEMBLY WITH FALL ARREST (6FT)**

| ITEM | PART NUMBER | QTY | DESCRIPTION   | REV |
|------|-------------|-----|---|-----|
|      | 1001186333  | Ref | PLATFORM ASSEMBLY   | C   |
|      |             | Ref | Note: Replacement Decals Must be Ordered Separately - See DECALS SECTION. |     |
| 1    | 0681814     | 2   | Bolt 1/2 x 1-3/4 Grade 8  |     |
| 2    | 0681822     | 4   | Bolt 1/2 x 2-3/4 Grade 8  |     |
| 3    | 0962270     | 2   | Bearing   |     |
| 4    | 1001203655  | 1   | Cable   |     |
| 5    | 1702773     | 1   | Decal - JLG   |     |
| 6    | 1705014     | 1   | Decal - Safety  |     |
| 7    | 1706385     | 1   | Decal - Drop Bar  |     |
| 8    | 2410014     | 1   | Bar, Drop   |     |
| 9    | 3271805     | 6   | Nut 1/2 Grade 8   |     |
| 10   | 3311605     | 1   | Nut 3/8   |     |
| 11   | 3520072     | 1   | Plug  |     |
| 12   | 3900054     | 1   | Bolt 1/2 x 1-3/4  |     |
| 13   | 4711800     | 8   | Washer 1/2  |     |
| 14   | 4751800     | 4   | Washer 1/2  |     |
| 15   | See Note    | NSS | Platform (Note: Not Available - Purchase Platform Assembly)               |     |

# SECTION 5 - PLATFORM

FIGURE 5-11. PLATFORM ASSEMBLY WITH GATE - 36IN X 8FT (91.5CM X 2.44M)



ART\_1001186383

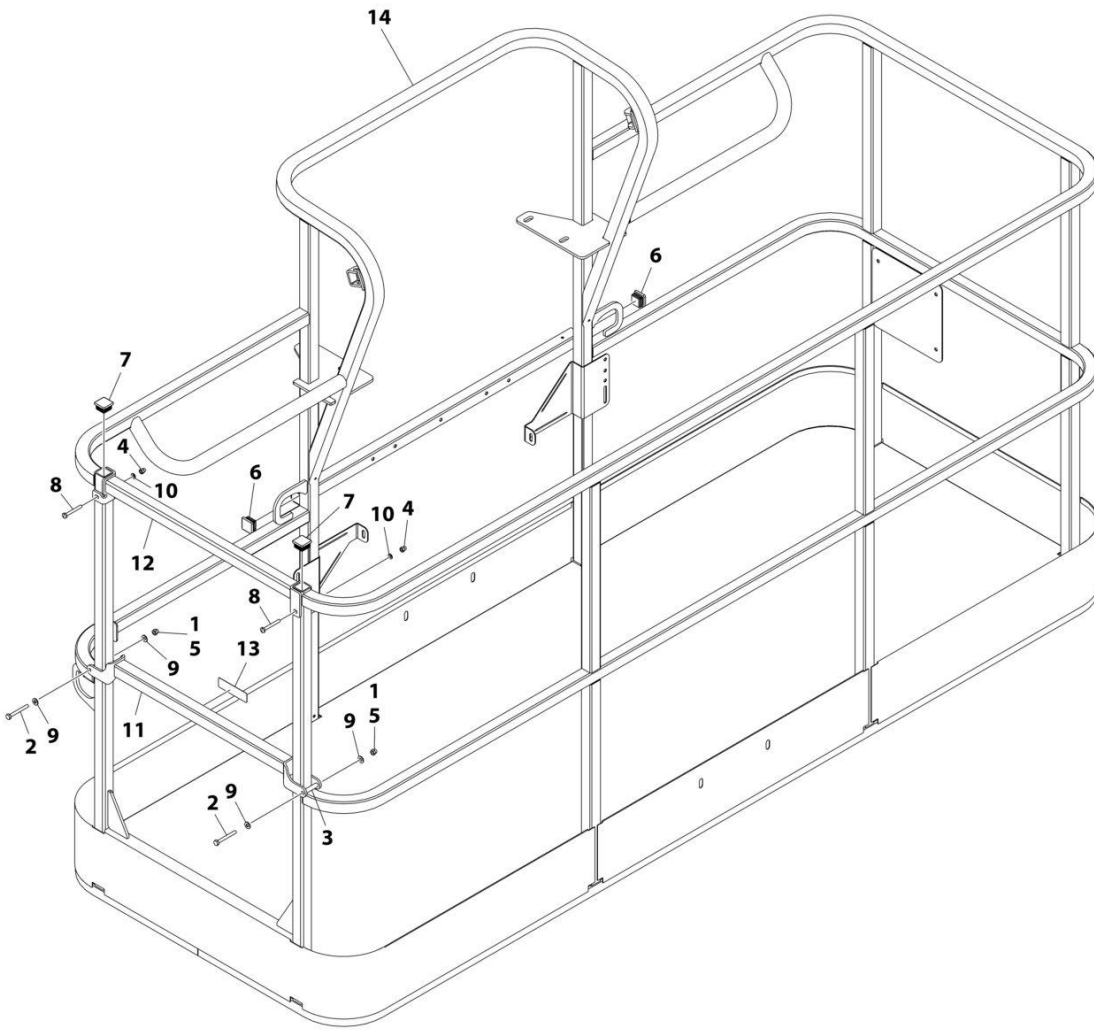
## SECTION 5 - PLATFORM

**FIGURE 5-11. PLATFORM ASSEMBLY WITH GATE - 36IN X 8FT (91.5CM X 2.44M)**

| ITEM | PART NUMBER | QTY | DESCRIPTION   | REV |
|------|-------------|-----|---|-----|
|      | 1001186383  | Ref | PLATFORM ASSEMBLY - 36IN X 8FT (91.5CM X 2.44M) WITH SWING GATE   | D   |
|      |             | Ref | Note: Platform and Mesh must be ordered separately for Platforms with Mesh. See SPECIAL OPTIONS SECTION for Mesh Installations. |     |
|      |             | Ref | Note: Replacement Decals Must be Ordered Separately - See DECALS SECTION.   |     |
| 1    | 2080040     | 16  | Fastener, Huck  |     |
| 2    | 2600281     | 2   | Hinge   |     |
| 3    | 2940074     | 1   | Latch   |     |
| 4    | 3520072     | 3   | Plug  |     |
| 5    | 3520198     | 2   | Plug  |     |
| 6    | 3820020     | 4   | Rivet   |     |
| 7    | 1001144629  | 1   | Gate  |     |
| 8    | See Note    | NSS | Platform (Note: Not Available - Purchase Platform Assembly)   |     |

# SECTION 5 - PLATFORM

FIGURE 5-12. PLATFORM ASSEMBLY WITH DROP-BAR - 36IN X 8FT (91.5CM X 2.44M)



ART\_1001186382



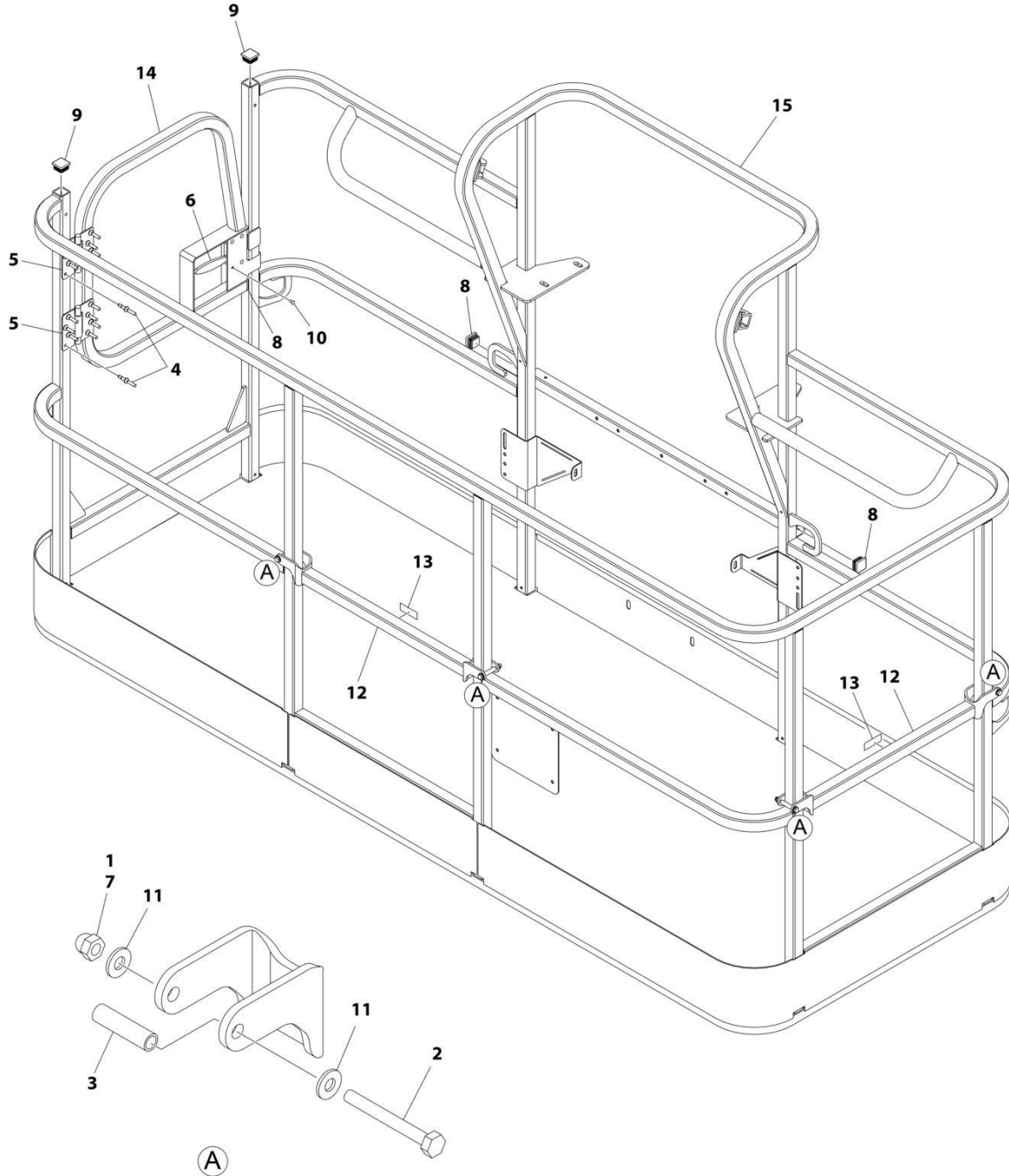
## SECTION 5 - PLATFORM

**FIGURE 5-12. PLATFORM ASSEMBLY WITH DROP-BAR - 36IN X 8FT (91.5CM X 2.44M)**

| ITEM | PART NUMBER | QTY | DESCRIPTION   | REV |
|------|-------------|-----|---|-----|
|      | 1001186382  | Ref | PLATFORM ASSEMBLY - 36IN X 8FT (91.5CM X 2.44M) WITH DROP BAR   | C   |
|      |             | Ref | Note: Platform and Mesh must be ordered separately for Platforms with Mesh. See SPECIAL OPTIONS SECTION for Mesh Installations. |     |
|      |             | Ref | Note: Replacement Decals Must be Ordered Separately - See DECALS SECTION.   |     |
| 1    | 0100011     | AR  | Compound, Locking   |     |
| 2    | 0641418     | 2   | Bolt 1/4 x 2-1/4  |     |
| 3    | 0961845     | 2   | Bushing   |     |
| 4    | 3290606     | 2   | Nut M6  |     |
| 5    | 3300151     | 2   | Nut 1/4   |     |
| 6    | 3520072     | 2   | Plug  |     |
| 7    | 3520198     | 2   | Plug  |     |
| 8    | 4010618     | 2   | Screw M6 x 50   |     |
| 9    | 4711400     | 4   | Washer 1/4  |     |
| 10   | 4811700     | 2   | Washer M6   |     |
| 11   | 1001138494  | 1   | Bar, Drop   |     |
| 12   | 1001138514  | 1   | Rail (Top)  |     |
| 13   | 1001140429  | 1   | Decal - Drop Bar  |     |
| 14   | See Note    | NSS | Platform (Note: Not Available - Purchase Platform Assembly)   |     |

# SECTION 5 - PLATFORM

FIGURE 5-13. PLATFORM ASSEMBLY WITH 1 GATE / 2 DROP BARS (TRI-ENTRY) - 36IN X 8FT  
(91.5CM X 2.44M)



ART\_1001228243

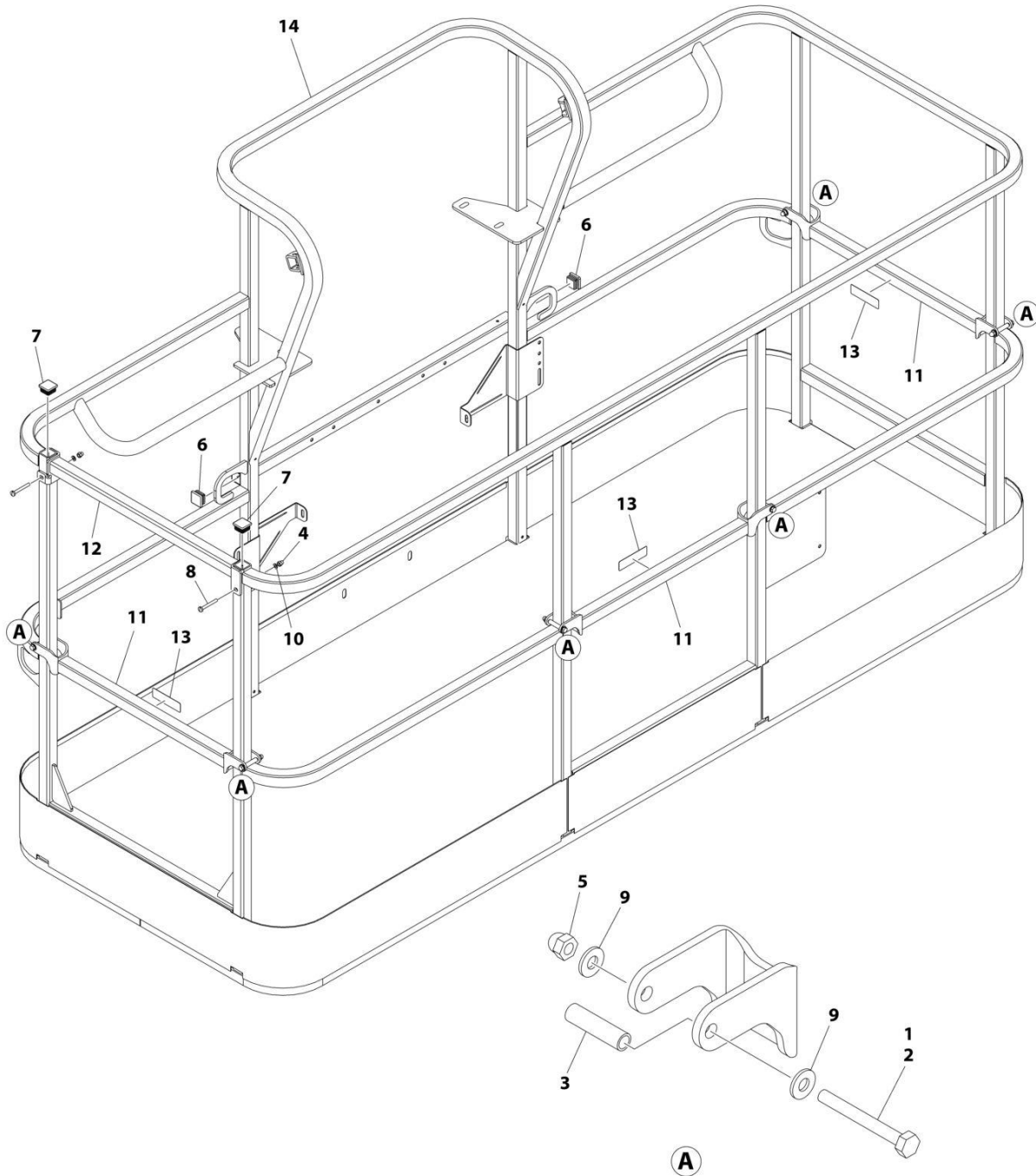
## SECTION 5 - PLATFORM

**FIGURE 5-13. PLATFORM ASSEMBLY WITH 1 GATE / 2 DROP BARS (TRI-ENTRY) - 36IN X 8FT  
(91.5CM X 2.44M)**

| ITEM | PART NUMBER | QTY | DESCRIPTION   | REV |
|------|-------------|-----|---|-----|
|      | 1001228243  | Ref | PLATFORM ASSEMBLY - 36IN X 8FT (91.5CM X 2.44M) WITH TRI-ENTRY  | A   |
|      |             | Ref | Note: Platform and Mesh must be ordered separately for Platforms with Mesh. See SPECIAL OPTIONS SECTION for Mesh Installations. |     |
| 1    | 0100011     | AR  | Compound, Locking   |     |
| 2    | 0641418     | 4   | Bolt 1/4 x 2-1/4  |     |
| 3    | 0961845     | 4   | Bushing   |     |
| 4    | 2080040     | 16  | Fastener, Huck  |     |
| 5    | 2600281     | 2   | Hinge, Self-Closing   |     |
| 6    | 2940074     | 1   | Latch   |     |
| 7    | 3300151     | 4   | Nut 1/4   |     |
| 8    | 3520072     | 3   | Cap, Plug   |     |
| 9    | 3520198     | 2   | Cap, Plug   |     |
| 10   | 3820020     | 4   | Rivet   |     |
| 11   | 4711400     | 8   | Washer 1/4  |     |
| 12   | 1001138494  | 2   | Bar, Drop   |     |
| 13   | 1001140429  | 2   | Decal - Drop Bar  |     |
| 14   | 1001144629  | 1   | Gate, Weldment  |     |
| 15   | See Note    | 1   | Platform (Note: Not Available - Purchase Platform Assembly)   |     |

# SECTION 5 - PLATFORM

FIGURE 5-14. PLATFORM ASSEMBLY WITH 3 DROP BARS (TRI-ENTRY) - 36IN X 8FT (91.5CM X 2.44M)



ART\_1001228375

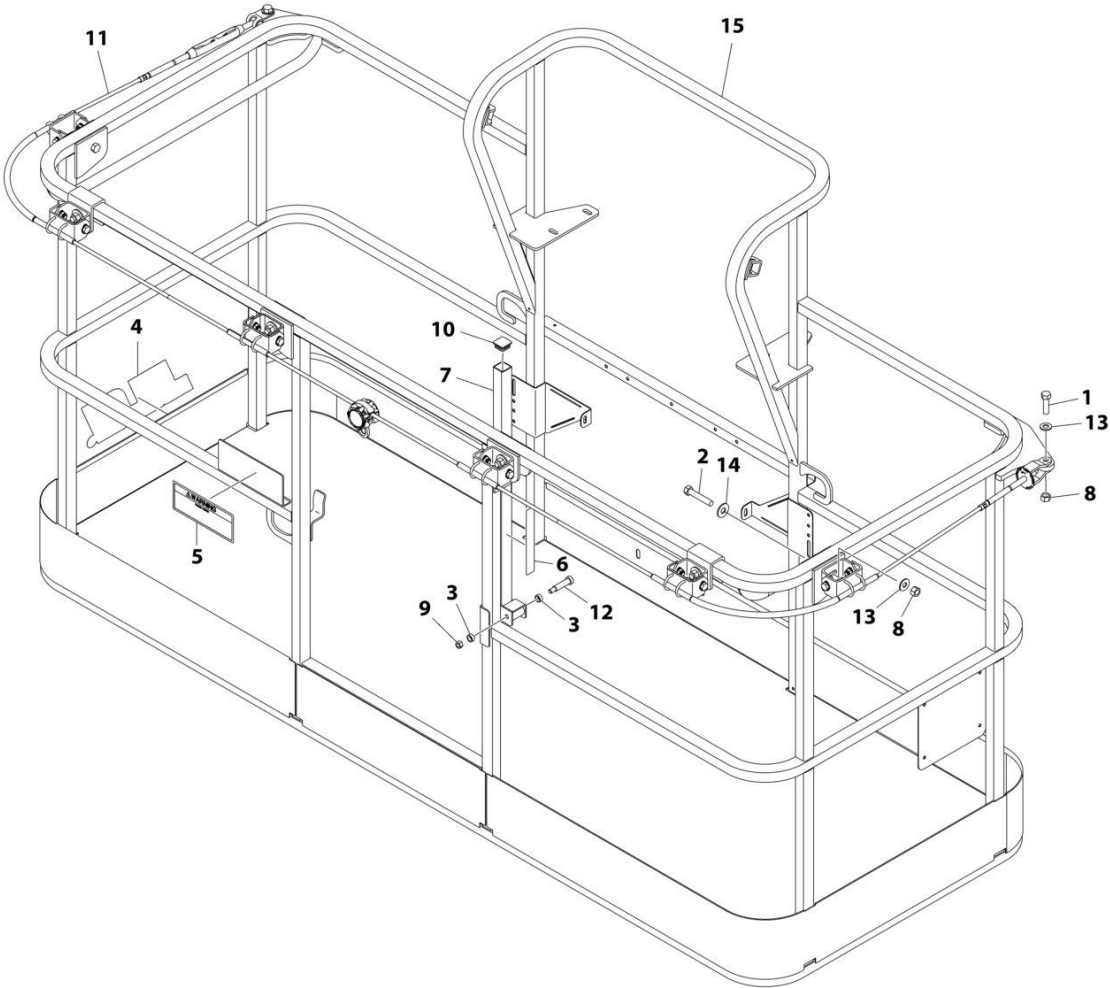
## SECTION 5 - PLATFORM

**FIGURE 5-14. PLATFORM ASSEMBLY WITH 3 DROP BARS (TRI-ENTRY) - 36IN X 8FT (91.5CM X 2.44M)**

| ITEM | PART NUMBER | QTY | DESCRIPTION   | REV |
|------|-------------|-----|---|-----|
|      | 1001228375  | Ref | PLATFORM ASSEMBLY - 36IN X 8FT (91.5CM X 2.44M) WITH TRI-ENTRY  | A   |
|      |             | Ref | Note: Platform and Mesh must be ordered separately for Platforms with Mesh. See SPECIAL OPTIONS SECTION for Mesh Installations. |     |
|      |             | Ref | Note: Replacement Decals Must be Ordered Separately - See DECAL SECTION.  |     |
| 1    | 0100011     | AR  | Compound, Locking   |     |
| 2    | 0641418     | 6   | Bolt 1/4 x 2-1/4  |     |
| 3    | 0961845     | 6   | Bushing   |     |
| 4    | 3290606     | 2   | Nut M6 x 1  |     |
| 5    | 3300151     | 6   | Nut 1/4   |     |
| 6    | 3520072     | 2   | Cap, Plug   |     |
| 7    | 3520198     | 2   | Cap, Plug   |     |
| 8    | 4010618     | 2   | Screw M6 x 50   |     |
| 9    | 4711400     | 12  | Washer 1/4  |     |
| 10   | 4811700     | 2   | Washer M6   |     |
| 11   | 1001138494  | 3   | Bar, Drop   |     |
| 12   | 1001138514  | 1   | Rail (Top)  |     |
| 13   | 1001140429  | 3   | Decal - Drop Bar  |     |
| 14   | See Note    | 1   | Platform (Note: Not Available - Purchase Platform Assembly)   |     |

**SECTION 5 - PLATFORM**

**FIGURE 5-15. PLATFORM ASSEMBLY WITH FALL ARREST (8FT)**



ART\_1001186334

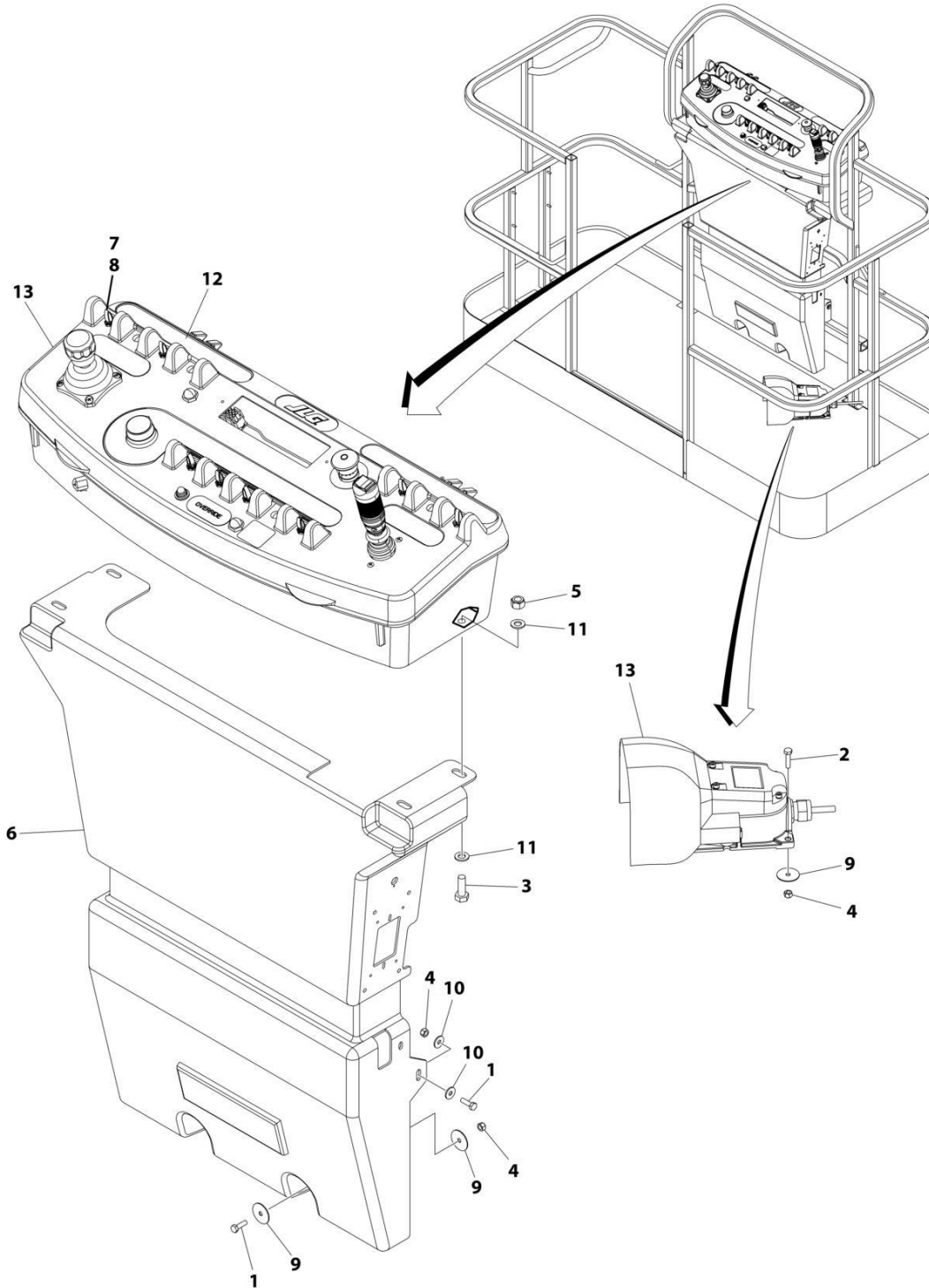
## SECTION 5 - PLATFORM

**FIGURE 5-15. PLATFORM ASSEMBLY WITH FALL ARREST (8FT)**

| ITEM | PART NUMBER | QTY | DESCRIPTION   | REV |
|------|-------------|-----|---|-----|
|      | 1001186334  | Ref | PLATFORM ASSEMBLY   | D   |
|      |             | Ref | Note: Replacement Decals Must be Ordered Separately - See DECALS SECTION. |     |
| 1    | 0681814     | 2   | Bolt 1/2 x 1-3/4 Grade 8  |     |
| 2    | 0681822     | 6   | Bolt 1/2 x 2-3/4 Grade 8  |     |
| 3    | 0962270     | 2   | Bearing   |     |
| 4    | 1702773     | 1   | Decal - JLG   |     |
| 5    | 1705014     | 1   | Decal - Safety  |     |
| 6    | 1706385     | 1   | Decal - Drop Bar  |     |
| 7    | 2410014     | 1   | Bar, Drop   |     |
| 8    | 3271805     | 8   | Nut 1/2 Grade 8   |     |
| 9    | 3311605     | 1   | Nut 3/8   |     |
| 10   | 3520072     | 1   | Plug  |     |
| 11   | 1001203656  | 1   | Cable   |     |
| 12   | 3900054     | 1   | Bolt 1/2 x 1-3/4  |     |
| 13   | 4711800     | 2   | Washer 1/2  |     |
| 14   | 4751800     | 6   | Washer 1/2  |     |
| 15   | See Note    | NSS | Platform (Note: Purchase Platform Assembly)                               |     |

# SECTION 5 - PLATFORM

## FIGURE 5-16. CONSOLE AND FOOT SWITCH INSTALLATION



ART\_1001266073



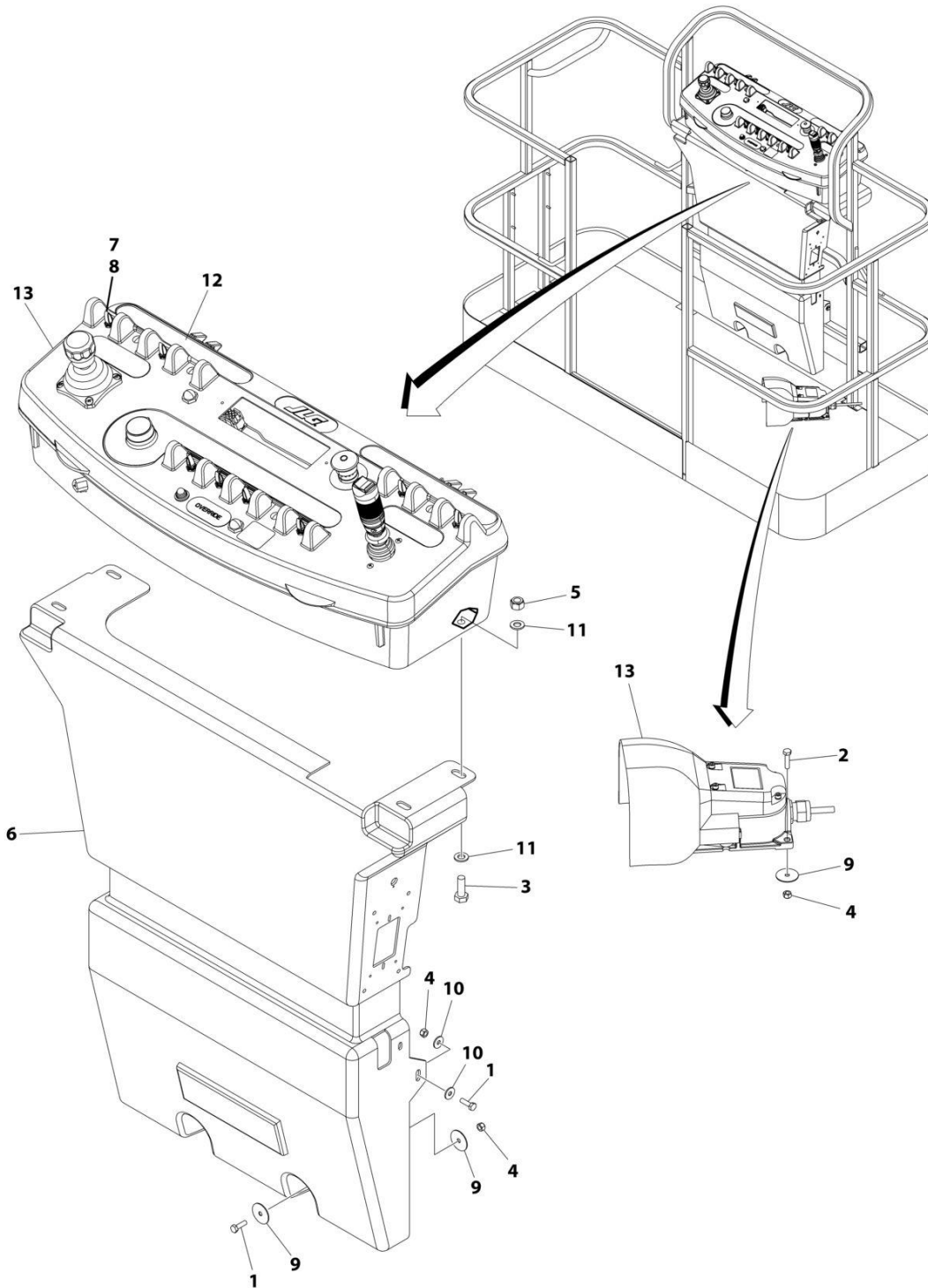
## SECTION 5 - PLATFORM

**FIGURE 5-16. CONSOLE AND FOOT SWITCH INSTALLATION**

| ITEM | PART NUMBER | QTY | DESCRIPTION  | REV |
|------|-------------|-----|--|-----|
|      | 1001266073  | Ref | PLATFORM CONSOLE AND FOOTSWITCH INSTALLATION                       | A   |
| 1    | 0641406     | 4   | Bolt 1/4 x 3/4   |     |
| 2    | 0641408     | 3   | Bolt 1/4 x 1   |     |
| 3    | 0641610     | 4   | Bolt 3/8 x 1-1/4   |     |
| 4    | 3311405     | 7   | Nut 1/4  |     |
| 5    | 3311605     | 4   | Nut 3/8  |     |
| 6    | 3380434     | 1   | Panel  |     |
| 7    | 3790012     | 1   | O-Ring   |     |
| 8    | 4360331     | 1   | Switch, Toggle   |     |
| 9    | 4740362     | 7   | Washer   |     |
| 10   | 4751400     | 4   | Washer 1/4   |     |
| 11   | 4761600     | 8   | Washer 3/8   |     |
| 12   | 1001184626  | 1   | Decal - Horn   |     |
| 13   | 1001266069  | 1   | Platform Console Assembly (See Separate Breakdown in this Section) |     |

# SECTION 5 - PLATFORM

## FIGURE 5-17. CONSOLE AND FOOT SWITCH INSTALLATION WITH TOWER STOW



ART\_1001264239

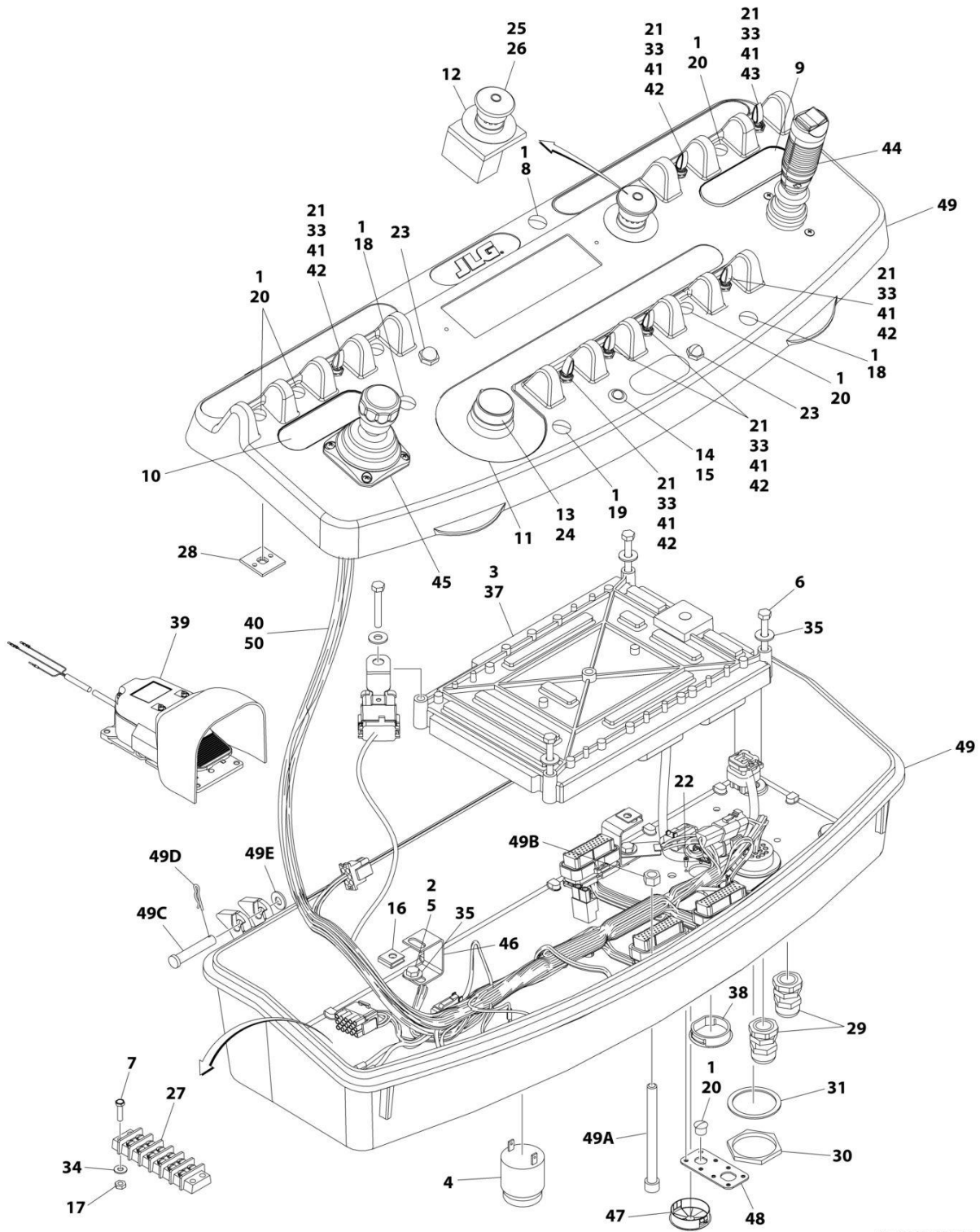
## SECTION 5 - PLATFORM

**FIGURE 5-17. CONSOLE AND FOOT SWITCH INSTALLATION WITH TOWER STOW**

| ITEM | PART NUMBER | QTY | DESCRIPTION   | REV |
|------|-------------|-----|---|-----|
|      | 1001264239  | Ref | PLATFORM CONSOLE AND FOOTSWITCH INSTALLATION<br>(TOWER STOW)          | A   |
| 1    | 0641406     | 4   | Bolt 1/4 x 3/4  |     |
| 2    | 0641408     | 3   | Bolt 1/4 x 1  |     |
| 3    | 0641610     | 4   | Bolt 3/8 x 1-1/4  |     |
| 4    | 3311405     | 7   | Nut 1/4   |     |
| 5    | 3311605     | 4   | Nut 3/8   |     |
| 6    | 3380434     | 1   | Panel   |     |
| 7    | 3790012     | AR  | O-Ring  |     |
| 8    | 4360331     | AR  | Switch, Toggle  |     |
| 9    | 4740362     | 7   | Washer  |     |
| 10   | 4751400     | 4   | Washer 1/4  |     |
| 11   | 4761600     | 8   | Washer 3/8  |     |
| 12   | 1001184626  | AR  | Decal - Horn  |     |
| 13   | 1001263588  | 1   | Platform Console Assembly (See Separate Breakdown in this<br>Section) |     |

# SECTION 5 - PLATFORM

## FIGURE 5-18. CONSOLE BOX ASSEMBLY WITH FOOTSWITCH



ART\_1001266069

## SECTION 5 - PLATFORM

**FIGURE 5-18. CONSOLE BOX ASSEMBLY WITH FOOTSWITCH**

| ITEM | PART NUMBER | QTY | DESCRIPTION  | REV |
|------|-------------|-----|--|-----|
|      | 1001266069  | Ref | CONSOLE BOX ASSEMBLY   | A   |
| 1    | 0100009     | AR  | Sealant  |     |
| 2    | 0100035     | AR  | Compound, Locking  |     |
| 3    | 0100048     | AR  | Grease, Dielectric   |     |
| 4    | 0140011     | 1   | Alarm  |     |
| 5    | 0641404     | 4   | Bolt 1/4 x 1/2   |     |
| 6    | 0641414     | 4   | Bolt 1/4 x 1-3/4   |     |
| 7    | 0721006     | 1   | Bolt #10 x 3/4   |     |
| 8    | 1671314     | 1   | Cover  |     |
| 9    | 1702565     | 1   | Decal - Drive and Steer  |     |
| 10   | 1702566     | 1   | Decal - Lift and Swing   |     |
| 11   | 1702567     | 1   | Decal - Function Speed   |     |
| 12   | 1704260     | 1   | Decal - Emergency Stop   |     |
| 13   | 2560136     | 1   | Handle, Knob   |     |
| 14   | 2920028     | 1   | Light, Indicator   |     |
| 15   | 2920029     | 1   | Bulb, Light  |     |
| 16   | 3300353     | 4   | Nut, Tinnerman   |     |
| 17   | 3311005     | 2   | Nut #10  |     |
| 18   | 3520026     | 2   | Plug   |     |
| 19   | 3520027     | 1   | Plug   |     |
| 20   | 3520054     | 5   | Plug   |     |
| 21   | 3790012     | 7   | O-Ring   |     |
| 22   | 3900349     | 8   | Capscrew M2.5 x 8  |     |
| 23   | 4360387     | 2   | Switch, Push Button  |     |
| 24   | 4360407     | 1   | Controller, Speed  |     |
| 24   | 4460224     | 1   | Receptacle, Female - 6 Position  |     |
| 24   | 4460226     | 6   | Socket, Female   |     |
| 24   | See Note    | 1   | Gasket "Top Hat" (Included with Switch) (Note: Not Available - Purchase Complete Controller) |     |
| 24   | 70003784    | 1   | Seal   |     |
| 25   | 4360475     | 1   | Switch, Emergency Stop   |     |
| 25   | 7020175     | 1   | Cap, Red   |     |
| 25   | 7020176     | 1   | Block, Contact   |     |
| 26   | 4360476     | 1   | Contact, Switch  |     |
| 27   | 4460007     | 1   | Bussbar  |     |
| 28   | 4460234     | 3   | Mount, Tie-Strap   |     |
| 29   | 4460428     | 2   | Connector, Strain Relief   |     |
| 30   | 4460470     | 1   | Nut, Terminal  |     |
| 31   | 4460471     | 1   | Washer, Terminal   |     |
| 32   | 4460708     | 2   | Connector - 15 Position (Not Shown)  |     |
| 33   | 4740397     | 7   | Washer   |     |
| 34   | 4751000     | 2   | Washer #10   |     |
| 35   | 4751400     | 8   | Washer 1/4   |     |
| 36   | 4922666     | 1   | Analyzer Harness (Not Shown)   |     |
| 36   | 4460761     | 1   | Receptacle, Female - 4 Position  |     |
| 36   | 4460227     | 4   | Pin, Male  |     |
| 37   | 1001106938  | 1   | Module, Platform (Note: Re-calibration Required when Replaced)                               |     |
| 38   | 1001110434  | 1   | Plug   |     |
| 39   | 1001117174  | 1   | Footswitch Assembly (See Separate Breakdown in this Section)                                 |     |
| 40   | 1001139135  | 1   | Boom Valve Harness (Not Shown - See Separate Breakdown in                                    |     |

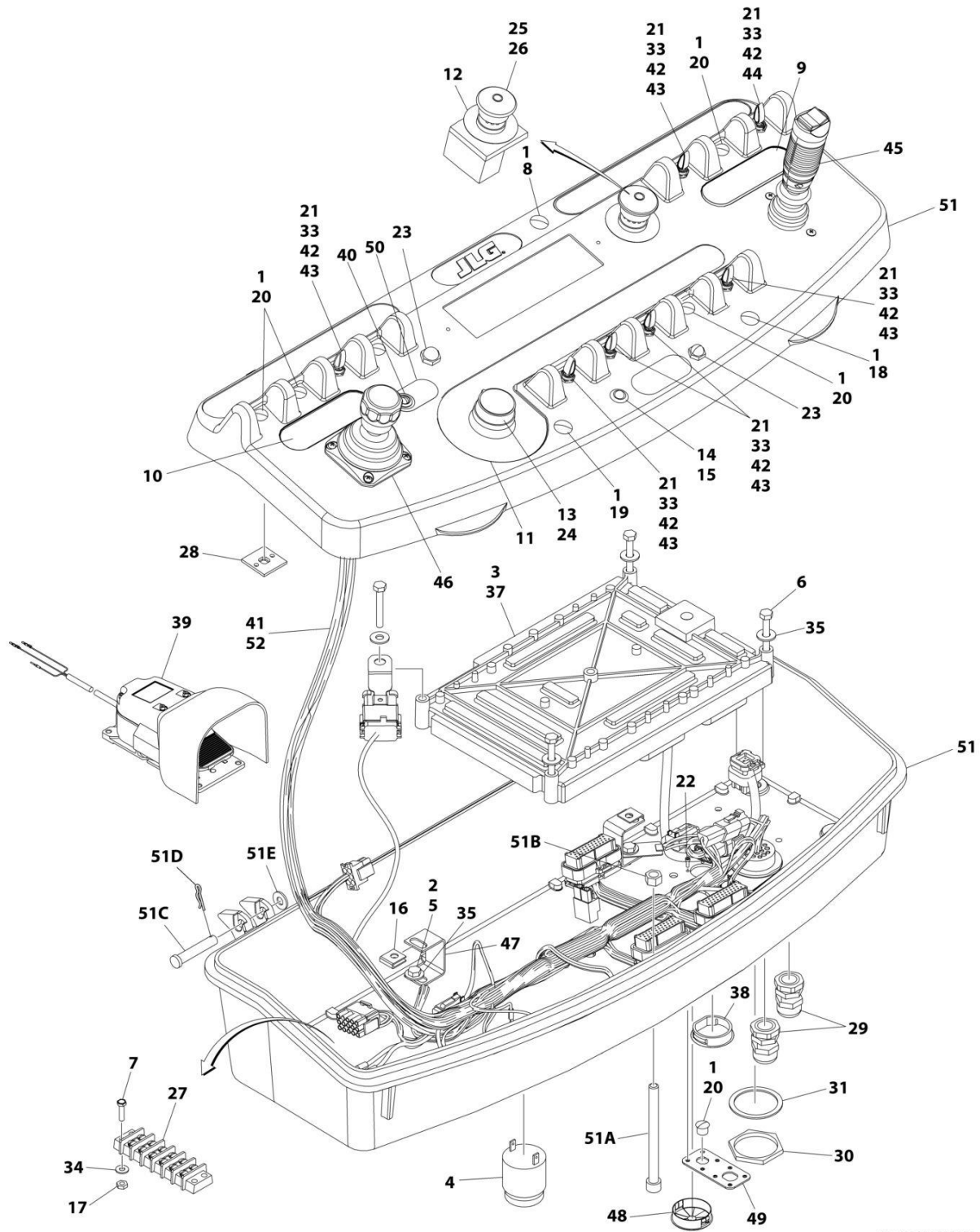
## SECTION 5 - PLATFORM

| ITEM | PART NUMBER | QTY | DESCRIPTION   | REV |
|------|-------------|-----|---|-----|
|      |             |     | ELECTRICAL SECTION)   |     |
| 41   | 1001155044  | 7   | Nut 15/32   |     |
| 42   | 1001155045  | 6   | Switch, Toggle  |     |
| 43   | 1001159256  | 1   | Switch, Toggle  |     |
| 44   | 1001166538  | NLA | Controller Assembly (Drive and Steer) (Use p/n 1001212415) (See Separate Breakdown in this Section) |     |
| 45   | 1001166539  | NLA | Controller Assembly (Lift and Swing) (Use p/n 1001129555) (See Separate Breakdown in this Section)  |     |
| 46   | 1001172760  | 4   | Bracket   |     |
| 47   | 1001185281  | 1   | Plug  |     |
| 48   | 1001213882  | 1   | Mount   |     |
| 49   | 1001263587  | 1   | Console Box Assembly  |     |
| 49A  | 0630568     | 1   | Capscrew 3/8 x 4-1/2  |     |
| 49B  | 3311601     | 1   | Nut 3/8   |     |
| 49C  | 3430616     | 2   | Pin   |     |
| 49D  | 3470003     | 2   | Hairpin   |     |
| 49E  | 4711600     | 2   | Washer 3/8  |     |
| 50   | 1001266648  | 1   | Platform Console Harness (See Separate Breakdown in ELECTRICAL SECTION)                             |     |



# SECTION 5 - PLATFORM

## FIGURE 5-19. CONSOLE BOX ASSEMBLY WITH FOOTSWITCH WITH TOWER STOW



ART\_1001263588



## SECTION 5 - PLATFORM

**FIGURE 5-19. CONSOLE BOX ASSEMBLY WITH FOOTSWITCH WITH TOWER STOW**

| ITEM | PART NUMBER | QTY | DESCRIPTION  | REV |
|------|-------------|-----|--|-----|
|      | 1001263588  | Ref | CONSOLE BOX ASSEMBLY   | A   |
| 1    | 0100009     | AR  | Sealant  |     |
| 2    | 0100035     | AR  | Compound, Locking  |     |
| 3    | 0100048     | AR  | Grease, Dielectric   |     |
| 4    | 0140011     | 1   | Alarm  |     |
| 5    | 0641404     | 4   | Bolt 1/4 x 1/2   |     |
| 6    | 0641414     | 4   | Bolt 1/4 x 1-3/4   |     |
| 7    | 0721006     | 1   | Bolt #10 x 3/4   |     |
| 8    | 1671314     | 1   | Cover  |     |
| 9    | 1702565     | 1   | Decal - Drive and Steer  |     |
| 10   | 1702566     | 1   | Decal - Lift and Swing   |     |
| 11   | 1702567     | 1   | Decal - Function Speed   |     |
| 12   | 1704260     | 1   | Decal - Emergency Stop   |     |
| 13   | 2560136     | 1   | Handle, Knob   |     |
| 14   | 2920028     | 1   | Light, Indicator   |     |
| 15   | 2920029     | 1   | Bulb, Light  |     |
| 16   | 3300353     | 4   | Nut, Tinnerman   |     |
| 17   | 3311005     | 2   | Nut #10  |     |
| 18   | 3520026     | 2   | Plug   |     |
| 19   | 3520027     | 1   | Plug   |     |
| 20   | 3520054     | 5   | Plug   |     |
| 21   | 3790012     | 7   | O-Ring   |     |
| 22   | 3900349     | 8   | Capscrew M2.5 x 8  |     |
| 23   | 4360387     | 2   | Switch, Push Button  |     |
| 24   | 4360407     | 1   | Controller, Speed  |     |
| 24   | 4460224     | 1   | Receptacle, Female - 6 Position  |     |
| 24   | 4460226     | 6   | Socket, Female   |     |
| 24   | See Note    | 1   | Gasket "Top Hat" (Included with Switch) (Note: Not Available - Purchase Complete Controller) |     |
| 24   | 70003784    | 1   | Seal   |     |
| 25   | 4360475     | 1   | Switch, Emergency Stop   |     |
| 25   | 7020175     | 1   | Cap, Red   |     |
| 25   | 7020176     | 1   | Block, Contact   |     |
| 26   | 4360476     | 1   | Contact, Switch  |     |
| 27   | 4460007     | 1   | Bussbar  |     |
| 28   | 4460234     | 3   | Mount, Tie-Strap   |     |
| 29   | 4460428     | 2   | Connector, Strain Relief   |     |
| 30   | 4460470     | 1   | Nut, Terminal  |     |
| 31   | 4460471     | 1   | Washer, Terminal   |     |
| 32   | 4460708     | 2   | Connector - 15 Position (Not Shown)  |     |
| 33   | 4740397     | 7   | Washer   |     |
| 34   | 4751000     | 2   | Washer #10   |     |
| 35   | 4751400     | 8   | Washer 1/4   |     |
| 36   | 4922666     | 1   | Analyzer Harness (Not Shown)   |     |
| 36   | 4460761     | 1   | Receptacle, Female - 4 Position  |     |
| 36   | 4460227     | 4   | Pin, Male  |     |
| 37   | 1001106938  | 1   | Module, Platform (Note: Re-calibration Required when Replaced)                               |     |
| 38   | 1001110434  | 1   | Plug   |     |
| 39   | 1001117174  | 1   | Footswitch Assembly (See Separate Breakdown in this Section)                                 |     |
| 40   | 1001137364  | 1   | Light, Indicator   |     |

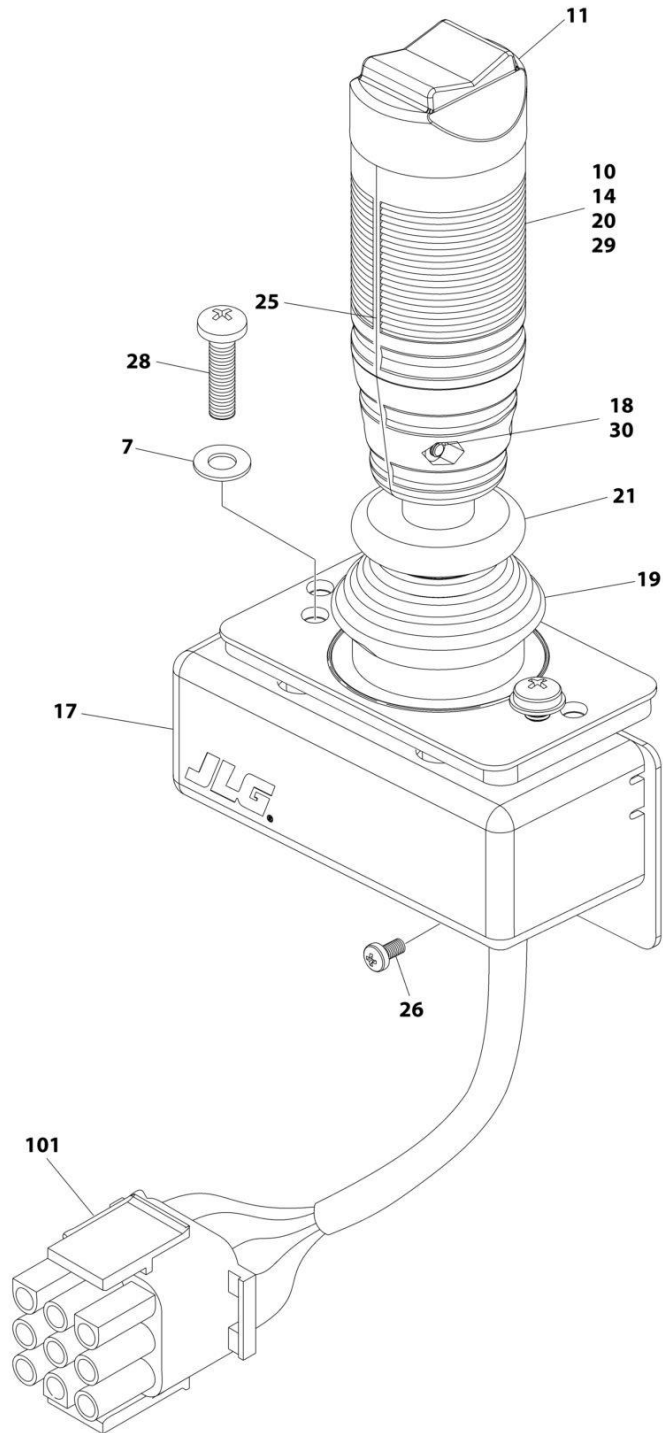
## SECTION 5 - PLATFORM

| ITEM | PART NUMBER | QTY | DESCRIPTION   | REV |
|------|-------------|-----|---|-----|
| 41   | 1001139135  | 1   | Boom Valve Harness (Not Shown - See Separate Breakdown in ELECTRICAL SECTION)                       |     |
| 42   | 1001155044  | 7   | Nut 15/32   |     |
| 43   | 1001155045  | 6   | Switch, Toggle  |     |
| 44   | 1001159256  | 1   | Switch, Toggle  |     |
| 45   | 1001166538  | NLA | Controller Assembly (Drive and Steer) (Use p/n 1001212415) (See Separate Breakdown in this Section) |     |
| 46   | 1001166539  | NLA | Controller Assembly (Lift and Swing) (Use p/n 1001129555) (See Separate Breakdown in this Section)  |     |
| 47   | 1001172760  | 4   | Bracket   |     |
| 48   | 1001185281  | 1   | Plug  |     |
| 49   | 1001213882  | 1   | Mount   |     |
| 50   | 1001260937  | 1   | Decal – Tower Stow  |     |
| 51   | 1001263587  | 1   | Console Box Assembly  |     |
| 51A  | 0630568     | 1   | Capscrew 3/8 x 4-1/2  |     |
| 51B  | 3311601     | 1   | Nut 3/8   |     |
| 51C  | 3430616     | 2   | Pin   |     |
| 51D  | 3470003     | 2   | Hairpin   |     |
| 51E  | 4711600     | 2   | Washer 3/8  |     |
| 52   | 1001266648  | 1   | Platform Console Harness (See Separate Breakdown in ELECTRICAL SECTION)                             |     |



# SECTION 5 - PLATFORM

## FIGURE 5-20. CONTROLLER ASSEMBLY- DRIVE/STEER



ART\_1001166538

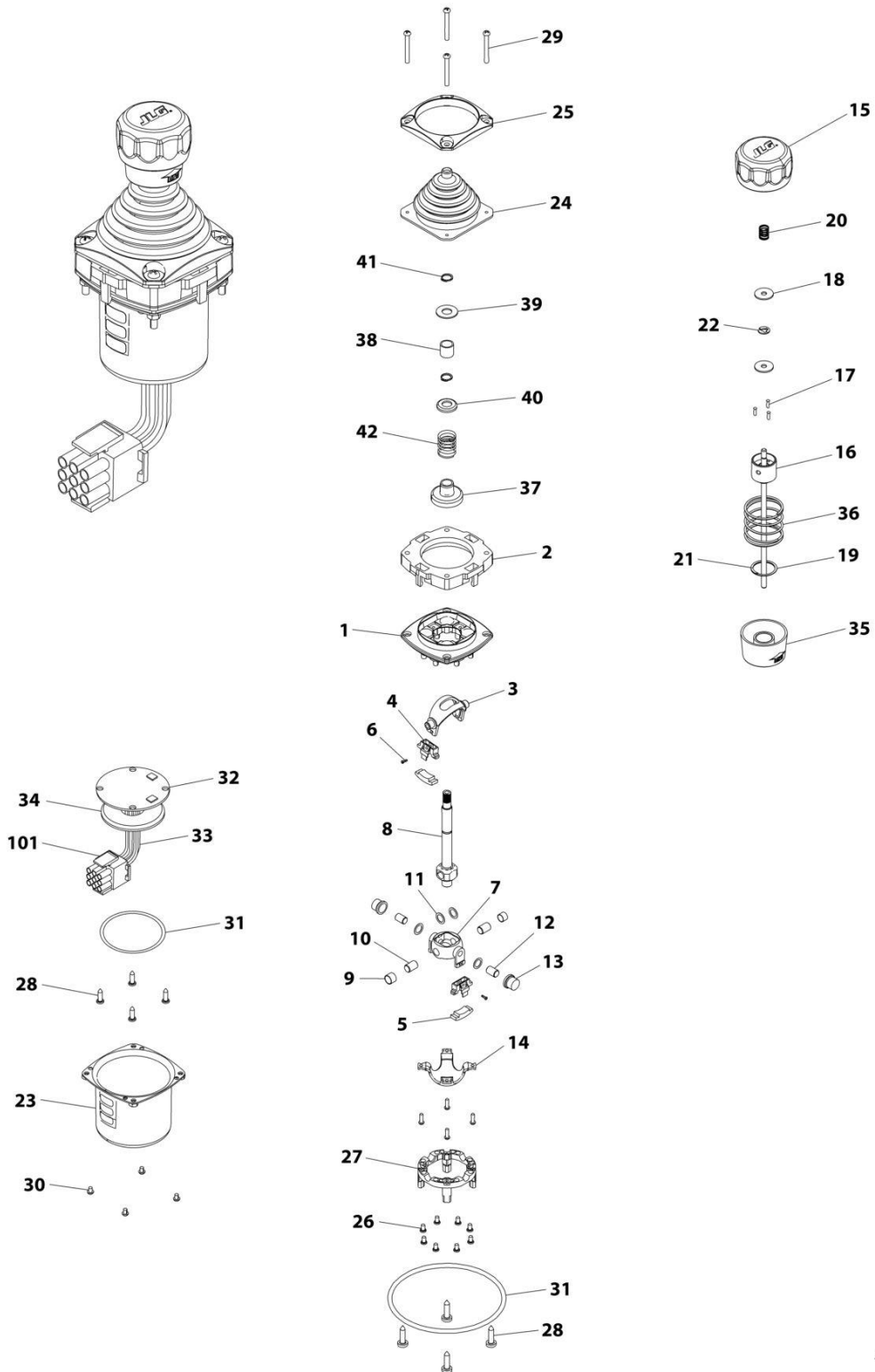
## SECTION 5 - PLATFORM

**FIGURE 5-20. CONTROLLER ASSEMBLY- DRIVE/STEER**

| ITEM | PART NUMBER | QTY | DESCRIPTION  | REV |
|------|-------------|-----|--|-----|
|      | 1001166538  | Ref | CONTROLLER ASSEMBLY - DRIVE AND STEER                  | G   |
|      |             | Ref | Note: For Replacement, Use p/n 1001212415.             |     |
| 7    | 70004738    | 2   | Washer   |     |
| 10   | 70004739    | 1   | Roller   |     |
| 11   | 70004740    | 1   | Boot, Switch   |     |
| 14   | 70004741    | 2   | Half, Handle   |     |
| 17   | 70004742    | 1   | Enclosure  |     |
| 18   | 70004743    | 4   | Nut  |     |
| 19   | 70004744    | NLA | Boot, Controller (Use p/n 70005230 Boot/Base Assembly) |     |
| 20   | 70004745    | NLA | Tube, Locking (Use p/n 70005230 Boot/Base Assembly)    |     |
| 21   | 70004746    | NLA | Disc, Locking (Use p/n 70005230 Boot/Base Assembly)    |     |
| 25   | 70004747    | 2   | Seal, Rope   |     |
| 26   | 70004748    | 1   | Screw M3 x 6   |     |
| 28   | 70004749    | 2   | Screw M5 x 20  |     |
| 29   | 70004750    | 1   | Pin, Dowel   |     |
| 30   | 70004751    | 4   | Screw M3 x 16  |     |
| 101  | 4460265     | 1   | Connector - 9 Position                                 |     |
| 101  | 4460226     | 7   | Socket, Female   |     |

# SECTION 5 - PLATFORM

## FIGURE 5-21. CONTROLLER ASSEMBLY - LIFT/SWING



ART\_1001166539

## SECTION 5 - PLATFORM

### FIGURE 5-21. CONTROLLER ASSEMBLY - LIFT/SWING

| ITEM | PART NUMBER | QTY | DESCRIPTION   | REV |
|------|-------------|-----|---|-----|
|      | 1001166539  | Ref | CONTROLLER ASSEMBLY   | E   |
|      |             | Ref | Note: Original Equipment Controller May Have Been Replaced with Service Replacement Controller. Visually Identify Controller Before Ordering Parts. |     |
|      |             | Ref | Note: For Replacement, Use p/n 1001129555   |     |
| 1    | See Note    | NSS | Main Cast Body (Note: Not Available - Purchase Complete Assembly)   |     |
| 2    | 70004752    | 1   | Adapter   |     |
| 3    | See Note    | NSS | Pivot Arm, Plastic (Note: Not Available - Purchase Complete Assembly)   |     |
| 4    | See Note    | NSS | Holder, Magnet (Note: Not Available - Purchase Complete Assembly)   |     |
| 5    | See Note    | NSS | Arc, Magnet (Note: Not Available - Purchase Complete Assembly)  |     |
| 6    | See Note    | NSS | Screw (Note: Not Available for Purchase)  |     |
| 7    | See Note    | NSS | Pivot Arm, Cast (Note: Not Available - Purchase Complete Assembly)  |     |
| 8    | See Note    | NSS | Shaft, Main (Note: Not Available - Purchase Complete Assembly)  |     |
| 9    | See Note    | NSS | Bearing (Note: Not Available - Purchase Complete Assembly)  |     |
| 10   | See Note    | NSS | Pin (Note: Not Available - Purchase Complete Assembly)  |     |
| 11   | See Note    | NSS | Shim (Note: Not Available - Purchase Complete Assembly)   |     |
| 12   | See Note    | NSS | Pin (Note: Not Available - Purchase Complete Assembly)  |     |
| 13   | See Note    | NSS | Bearing (Note: Not Available - Purchase Complete Assembly)  |     |
| 14   | See Note    | NSS | Dome, Centering (Note: Not Available - Purchase Complete Assembly)  |     |
| 15   | 70004753    | 1   | Cap   |     |
| 16   | 70004754    | 1   | Insert, Cap   |     |
| 17   | 70004755    | 3   | Pin   |     |
| 18   | 70004756    | 2   | Washer  |     |
| 19   | 70004757    | 1   | Pin, Centering  |     |
| 20   | 70004758    | 1   | Spring  |     |
| 21   | 70004759    | 1   | Ring, Retaining   |     |
| 22   | 70004760    | 1   | E-Ring  |     |
| 23   | 70004761    | 1   | Can, Enclosure  |     |
| 24   | 70004762    | 1   | Boot  |     |
| 25   | 70004763    | 1   | Bezel   |     |
| 26   | See Note    | NSS | Screw (Note: Not Available for Purchase)  |     |
| 27   | See Note    | NSS | Base Mounting (Note: Not Available - Purchase Complete Assembly)  |     |
| 28   | See Note    | NSS | Screw (Note: Not Available for Purchase)  |     |
| 29   | 70004764    | 4   | Screw   |     |
| 30   | 70004765    | 4   | Screw   |     |
| 31   | 70004766    | 1   | O-Ring  |     |
| 32   | See Note    | NSS | Plate (Note: Not Available - Purchase Complete Assembly)  |     |
| 33   | See Note    | NSS | Harness (Note: Not Available - Purchase Complete Assembly)  |     |
| 34   | 70004767    | 1   | Grommet, Rubber   |     |
| 35   | 70004768    | 1   | Housing   |     |
| 36   | 70004769    | 1   | Spring  |     |
| 37   | 70004770    | 1   | Stopper   |     |
| 38   | 70004771    | 1   | Spacer  |     |
| 39   | 70004772    | 1   | Washer  |     |
| 40   | 70004773    | 1   | Disc  |     |

## SECTION 5 - PLATFORM

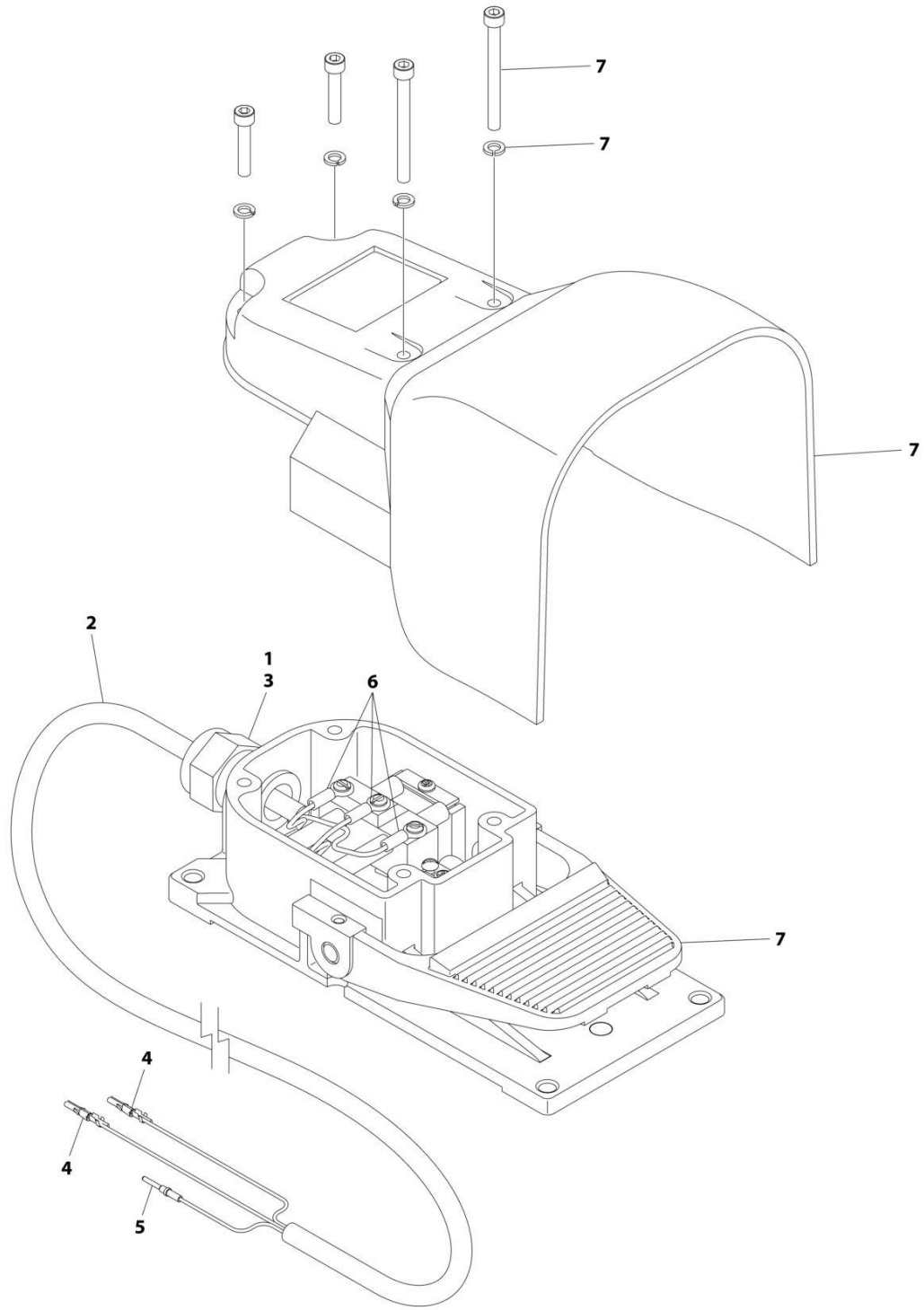
| ITEM | PART NUMBER | QTY | DESCRIPTION            | REV |
|------|-------------|-----|------------------------|-----|
| 41   | 70004774    | 2   | Ring, Retaining        |     |
| 42   | 70004775    | 1   | Spring                 |     |
| 101  | 4460265     | 1   | Connector - 9 Position |     |
| 101  | 4460226     | 6   | Socket, Female         |     |





# SECTION 5 - PLATFORM

## FIGURE 5-22. FOOTSWITCH ASSEMBLY



ART\_1001117174

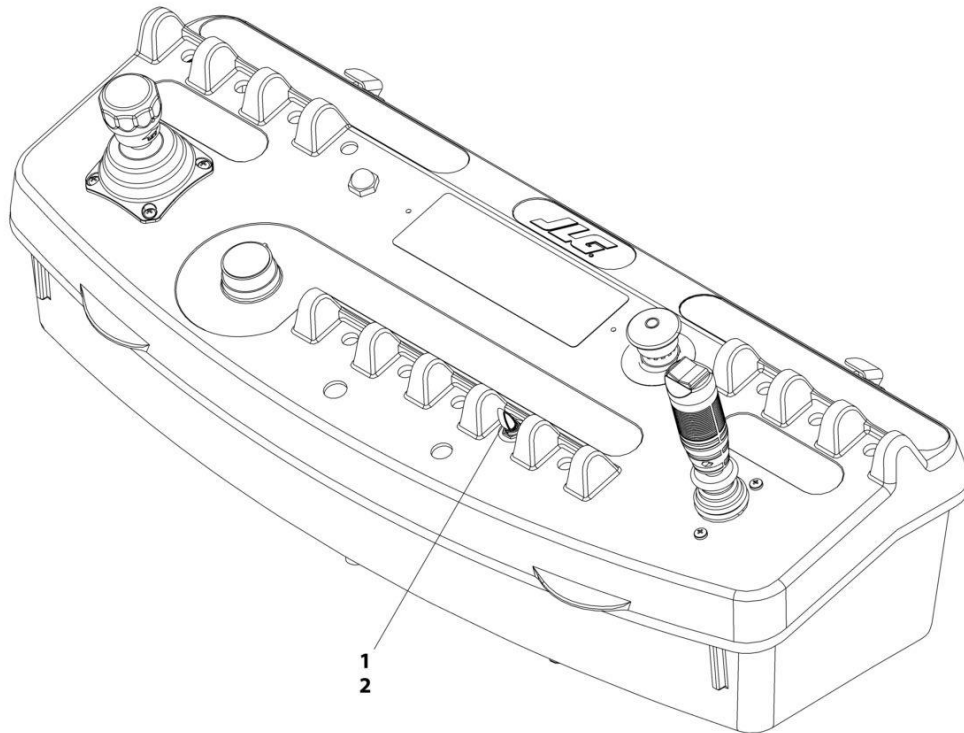
## SECTION 5 - PLATFORM

**FIGURE 5-22. FOOTSWITCH ASSEMBLY**

| ITEM | PART NUMBER | QTY             | DESCRIPTION              | REV |
|------|-------------|-----------------|--------------------------|-----|
|      | 1001117174  | Ref             | FOOTSWITCH ASSEMBLY      | B   |
| 1    | 0100020     | AR              | Sealant                  |     |
| 2    | 1060918     | 7.5 ft/<br>2.3m | Cable, Electrical - 18/3 |     |
| 3    | 4460071     | 1               | Connector, Strain Relief |     |
| 4    | 4460226     | 2               | Socket, Female           |     |
| 5    | 4460464     | 1               | Pin, Male                |     |
| 6    | 1001098122  | 3               | Terminal                 |     |
| 7    | 1001117172  | 1               | Footswitch               |     |
| 7    | 70002902    | 1               | Switch, 20Amp            |     |
| 7    | 70002903    | 1               | Gasket                   |     |
| 7    | 70002905    | 1               | Cover                    |     |
| 7    | 70002904    | 1               | Kit, Replacement Bolt    |     |

# SECTION 5 - PLATFORM

## FIGURE 5-23. JIB SWITCH INSTALLATION - 800AJ



ART\_0271340

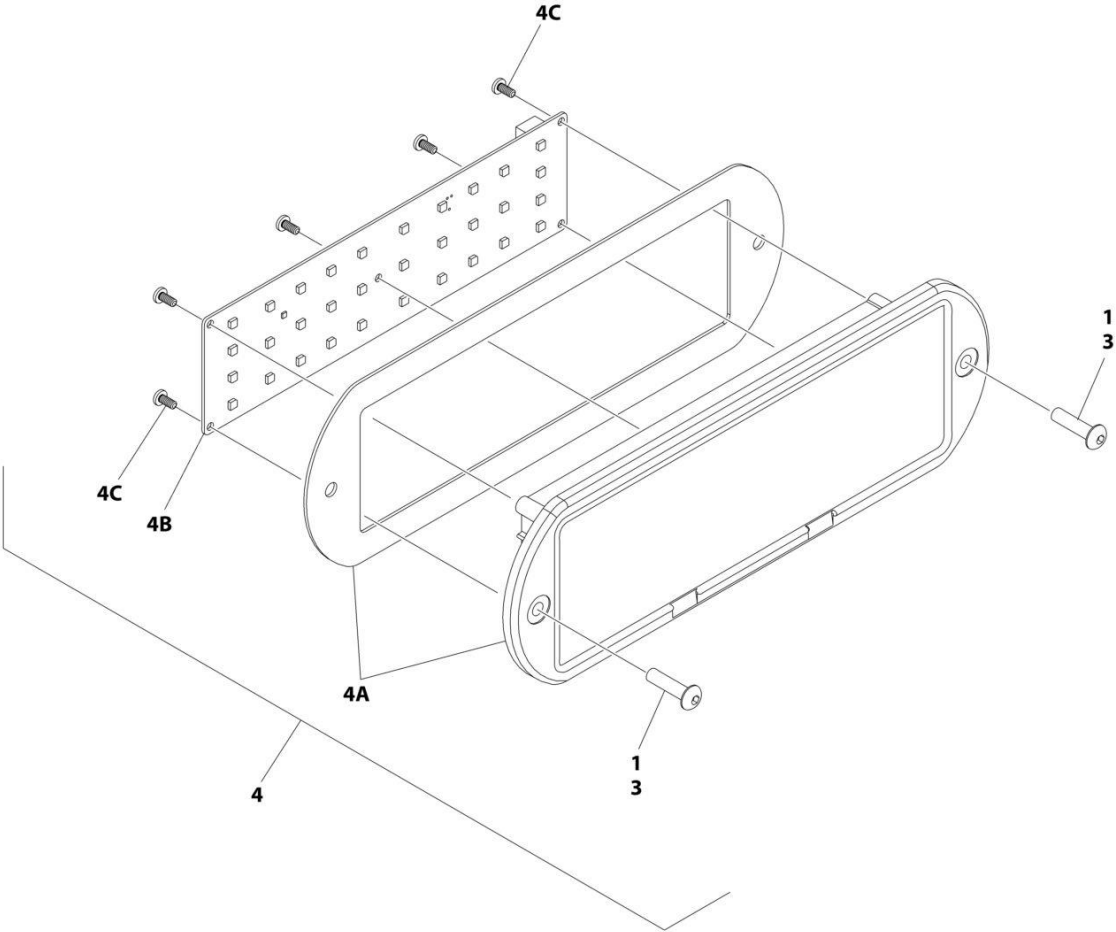
## SECTION 5 - PLATFORM

**FIGURE 5-23. JIB SWITCH INSTALLATION - 800AJ**

| ITEM | PART NUMBER | QTY | DESCRIPTION             | REV |
|------|-------------|-----|-------------------------|-----|
|      | 0271340     | Ref | JIB SWITCH INSTALLATION | 1/A |
| 1    | 4360328     | 1   | Switch, Toggle          |     |
| 2    | 3790012     | 1   | O-Ring                  |     |

**SECTION 5 - PLATFORM**

**FIGURE 5-24. LIGHT PANEL INSTALLATION**



ART\_1001241403\_20F2

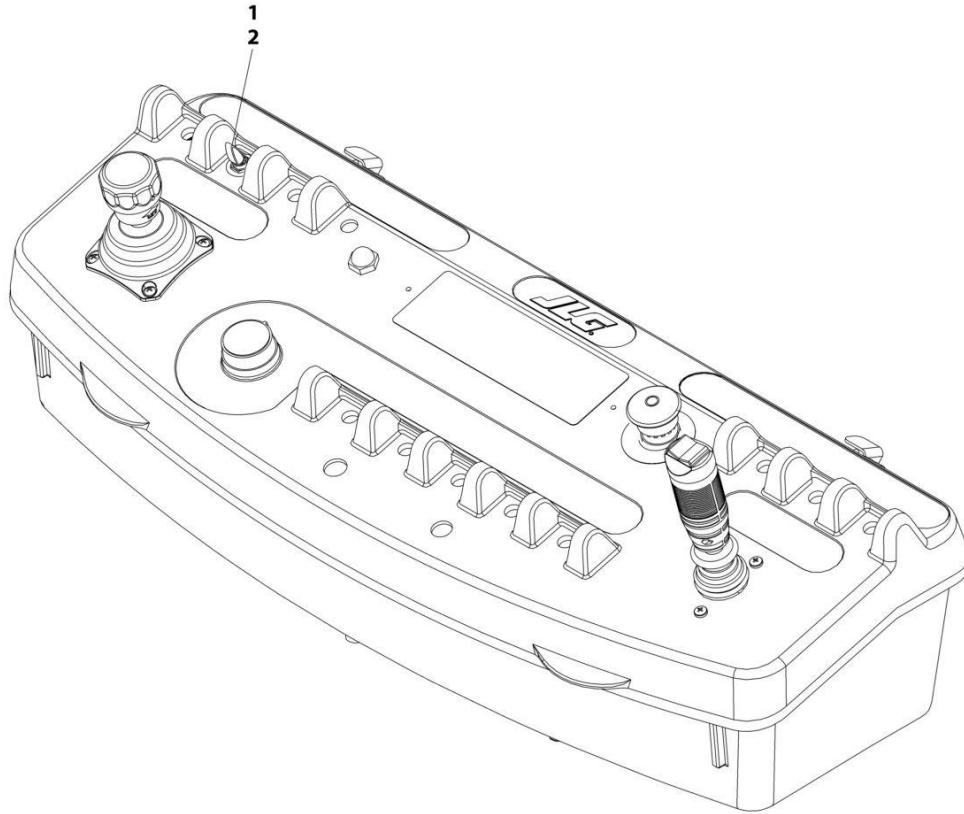
## SECTION 5 - PLATFORM

**FIGURE 5-24. LIGHT PANEL INSTALLATION**

| ITEM | PART NUMBER | QTY | DESCRIPTION  | REV |
|------|-------------|-----|--|-----|
|      | 1001241403  | Ref | LIGHT PANEL INSTALLATION - PLATFORM CONSOLE                            | C   |
| 1    | 3300408     | 1   | Nut, Nylon Insert  |     |
| 3    | 0630518     | 2   | Screw #10 x 3/4  |     |
| 4    | 1001238672  | 1   | Light Panel Electrical Assembly  | H   |
| 4A   | 1001236089  | 1   | Lens Assembly (Includes Housing Shell, Decal/Lens with Icons & Gasket) |     |
| 4B   | 1001238732  | 1   | Panel, LED Light   |     |
| 4C   |             | Ref | Screw  |     |

# SECTION 5 - PLATFORM

## FIGURE 5-25. STEER SWITCH INSTALLATION - 4WS



ART\_0258945



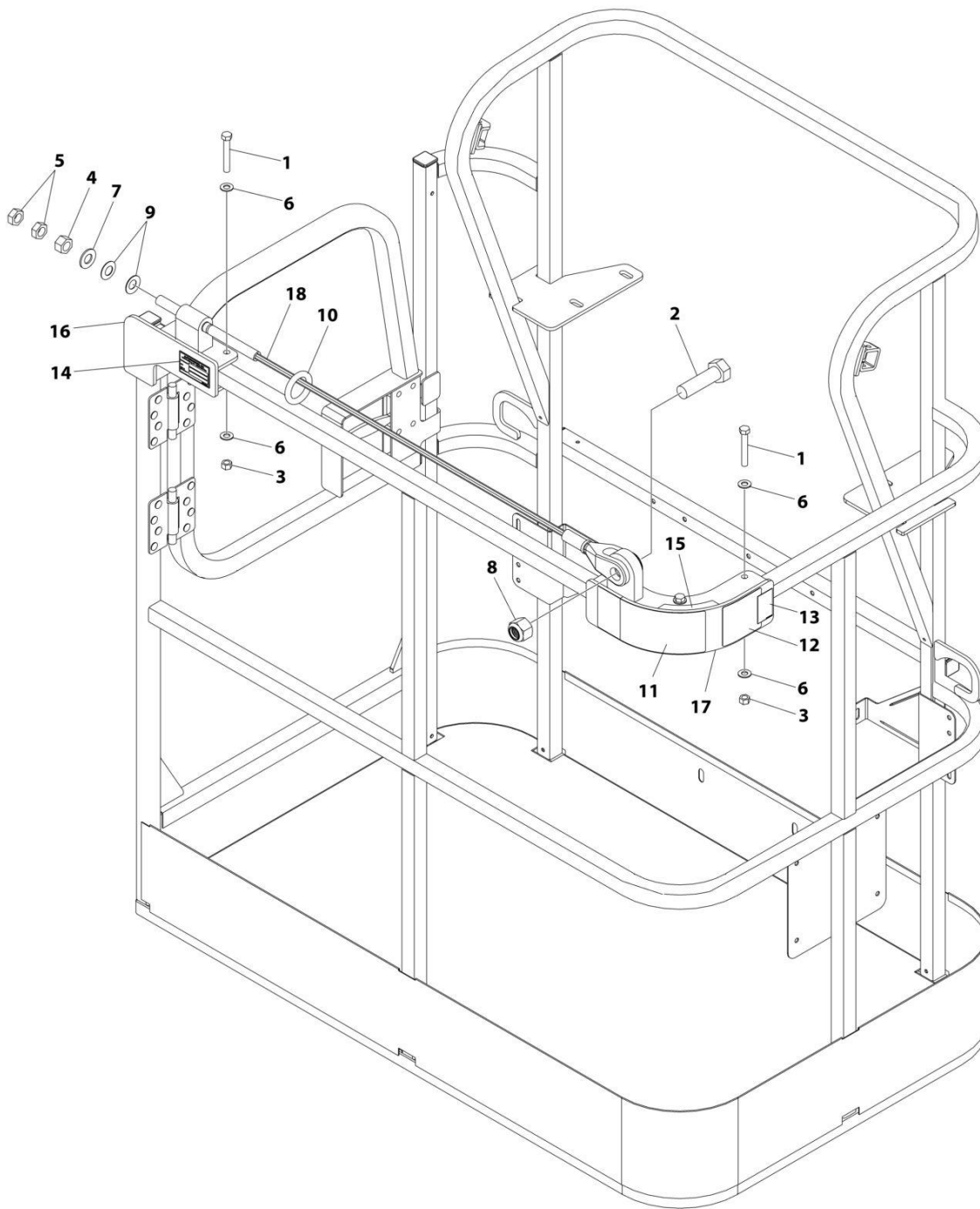
## SECTION 5 - PLATFORM

### FIGURE 5-25. STEER SWITCH INSTALLATION - 4WS

| ITEM | PART NUMBER | QTY | DESCRIPTION                     | REV |
|------|-------------|-----|---------------------------------|-----|
|      | 0258945     | Ref | STEER SWITCH INSTALLATION - 4WS | A   |
| 1    | 4360331     | 1   | Switch, Toggle                  |     |
| 2    | 3790012     | 1   | O-Ring                          |     |

# SECTION 5 - PLATFORM

FIGURE 5-26. FALL ARREST INSTALLATION (BOLT-ON) 30IN X 4FT (76CM X 1.22M) PLATFORM



ART\_1001261338

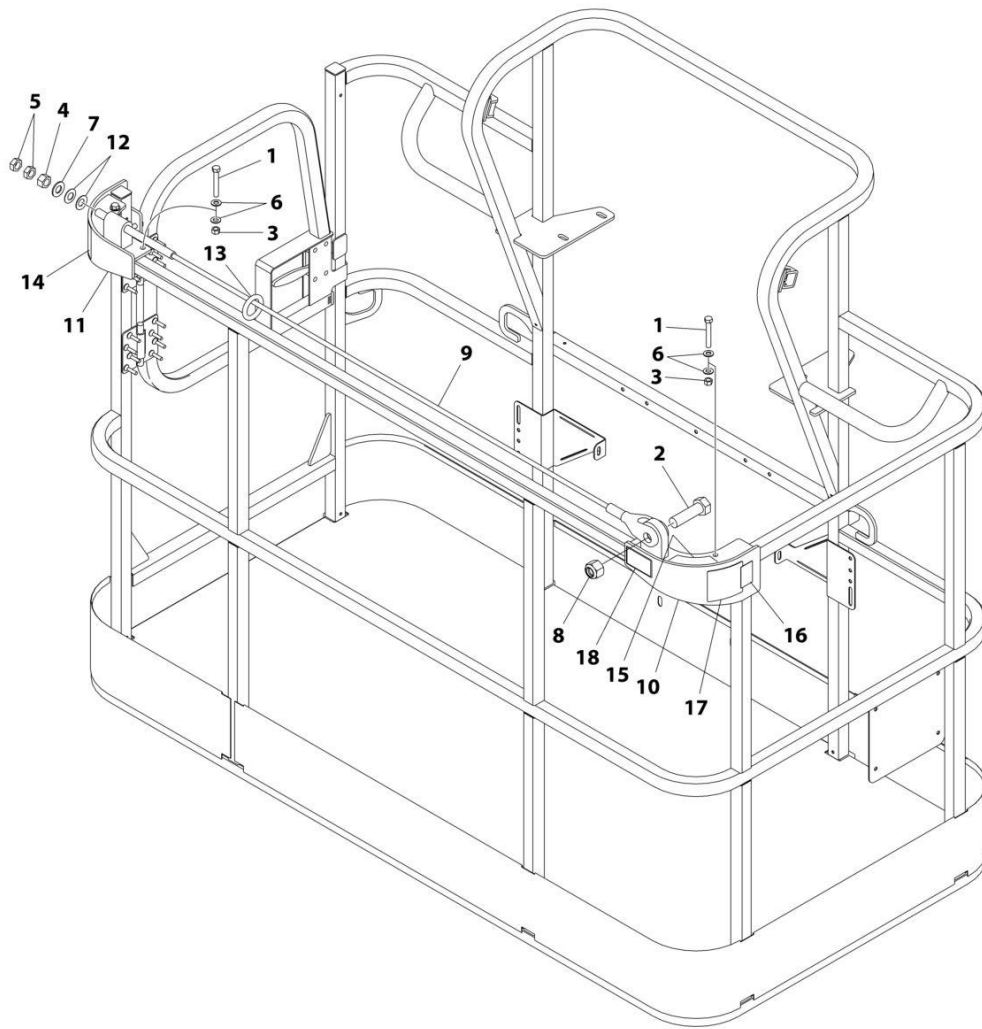
## SECTION 5 - PLATFORM

**FIGURE 5-26. FALL ARREST INSTALLATION (BOLT-ON) 30IN X 4FT (76CM X 1.22M) PLATFORM**

| ITEM | PART NUMBER | QTY | DESCRIPTION  | REV |
|------|-------------|-----|--|-----|
|      | 1001261338  | Ref | FALL ARREST INSTALLATION   | A   |
| 1    | 0681620     | 6   | Bolt 3/8 x 2-1/2   |     |
| 2    | 0682424     | 1   | Bolt 7/8 x 3   |     |
| 3    | 3271605     | 6   | Nut 3/8  |     |
| 4    | 3272001     | 1   | Nut 5/8  |     |
| 5    | 3312002     | 2   | Nut 5/8  |     |
| 6    | 4711600     | 12  | Washer 3/8   |     |
| 7    | 4712000     | 1   | Washer 5/8   |     |
| 8    | 88521214    | 1   | Nut 7/8  |     |
| 9    | 1001236891  | 2   | Washer   |     |
| 10   | 1001236895  | 1   | Ring   |     |
| 11   | 1001238263  | 1   | Decal - Warning Falling Hazard   |     |
| 12   | 1001248140  | 1   | Decal - Bolt Fall Arrest Re-Cert   |     |
| 13   | 1001248141  | 1   | Decal - Incription   |     |
| 14   | See Note    | NSS | Nameplate - Manufacturers Serial Number (Note: Not Available for Purchase) |     |
| 15   | 1001252629  | 1   | Decal - Weight   |     |
| 16   | 1001257271  | 1   | Bracket (RH)   |     |
| 17   | 1001257274  | 1   | Bracket (LH)   |     |
| 18   | 1001261335  | 1   | Rope   |     |

# SECTION 5 - PLATFORM

FIGURE 5-27. FALL ARREST INSTALLATION (BOLT-ON) 36IN X 6FT (91.2CM X 1.82M) PLATFORM



ART\_1001236747

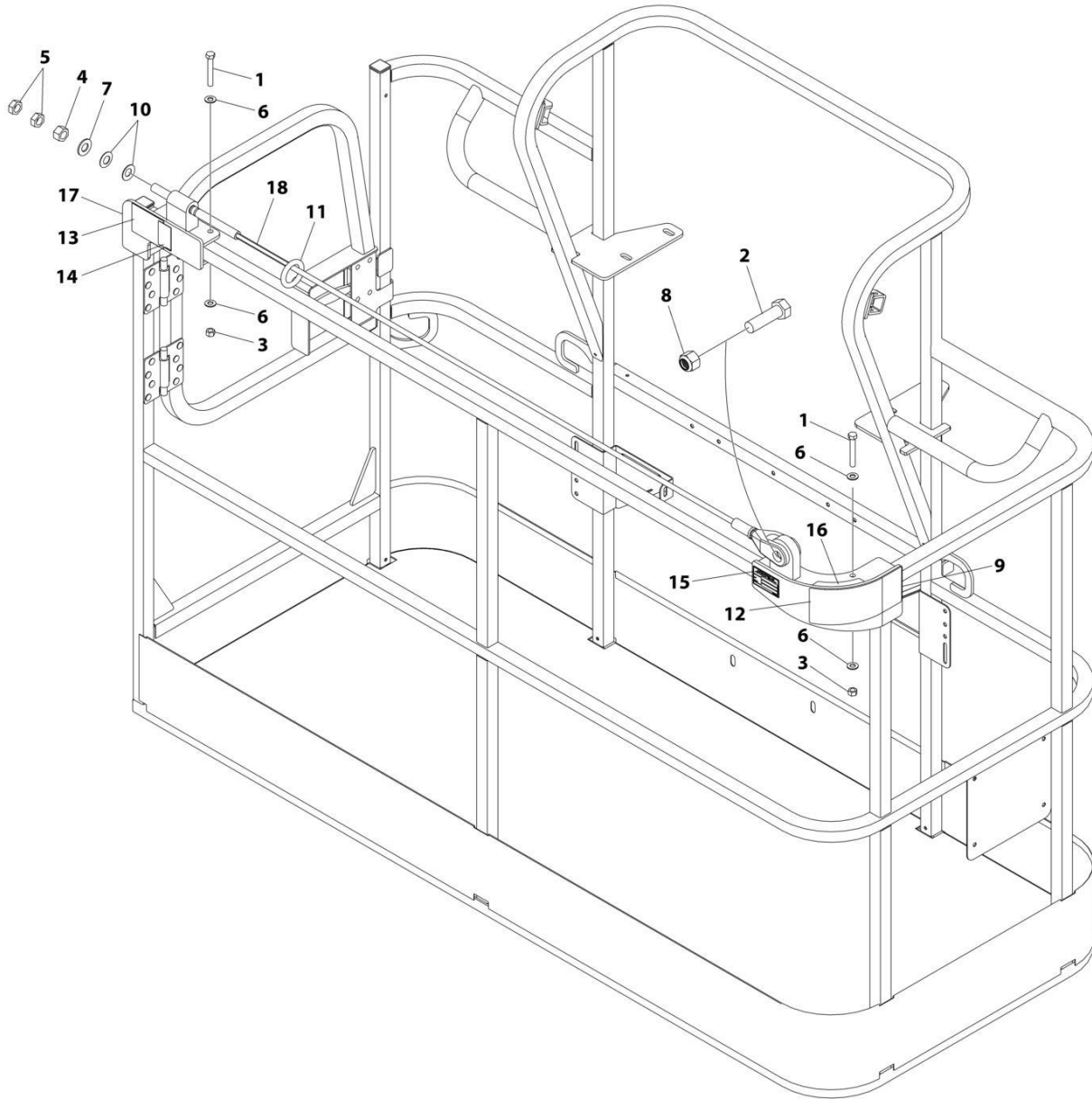
## SECTION 5 - PLATFORM

**FIGURE 5-27. FALL ARREST INSTALLATION (BOLT-ON) 36IN X 6FT (91.2CM X 1.82M) PLATFORM**

| ITEM | PART NUMBER | QTY | DESCRIPTION   | REV |
|------|-------------|-----|---|-----|
|      | 1001236747  | Ref | FALL ARREST INSTALLATION (BOLT - ON) 6FT/1.82M PLATFORM | C   |
| 1    | 0681620     | 6   | Bolt 3/8 x 2-1/2  |     |
| 2    | 0682424     | 1   | Bolt 7/8 x 3  |     |
| 3    | 3271605     | 6   | Nut 3/8   |     |
| 4    | 3272001     | 1   | Nut 5/8   |     |
| 5    | 3312002     | 2   | Nut 5/8   |     |
| 6    | 4711600     | 12  | Washer 3/8  |     |
| 7    | 4712000     | 1   | Washer 5/8  |     |
| 8    | 88521214    | 1   | Nut 7/8   |     |
| 9    | 1001231950  | 1   | Rope  |     |
| 10   | 1001232010  | 1   | Bracket (RH)  |     |
| 11   | 1001232011  | 1   | Bracket (LH)  |     |
| 12   | 1001236891  | 2   | Washer  |     |
| 13   | 1001236895  | 1   | Ring  |     |
| 14   | 1001238263  | 1   | Decal - Warning Falling Hazard                          |     |
| 15   | 1001252629  | 1   | Decal - Weight  |     |
| 16   | 1001248140  | 1   | Decal - Bolt Fall Arrest Re-Cert                        |     |
| 17   | 1001248141  | 1   | Decal - Inscription                                     |     |

# SECTION 5 - PLATFORM

FIGURE 5-28. FALL ARREST INSTALLATION (BOLT-ON) 30IN X 6FT (76CM X 1.83M) PLATFORM



ART\_1001261339

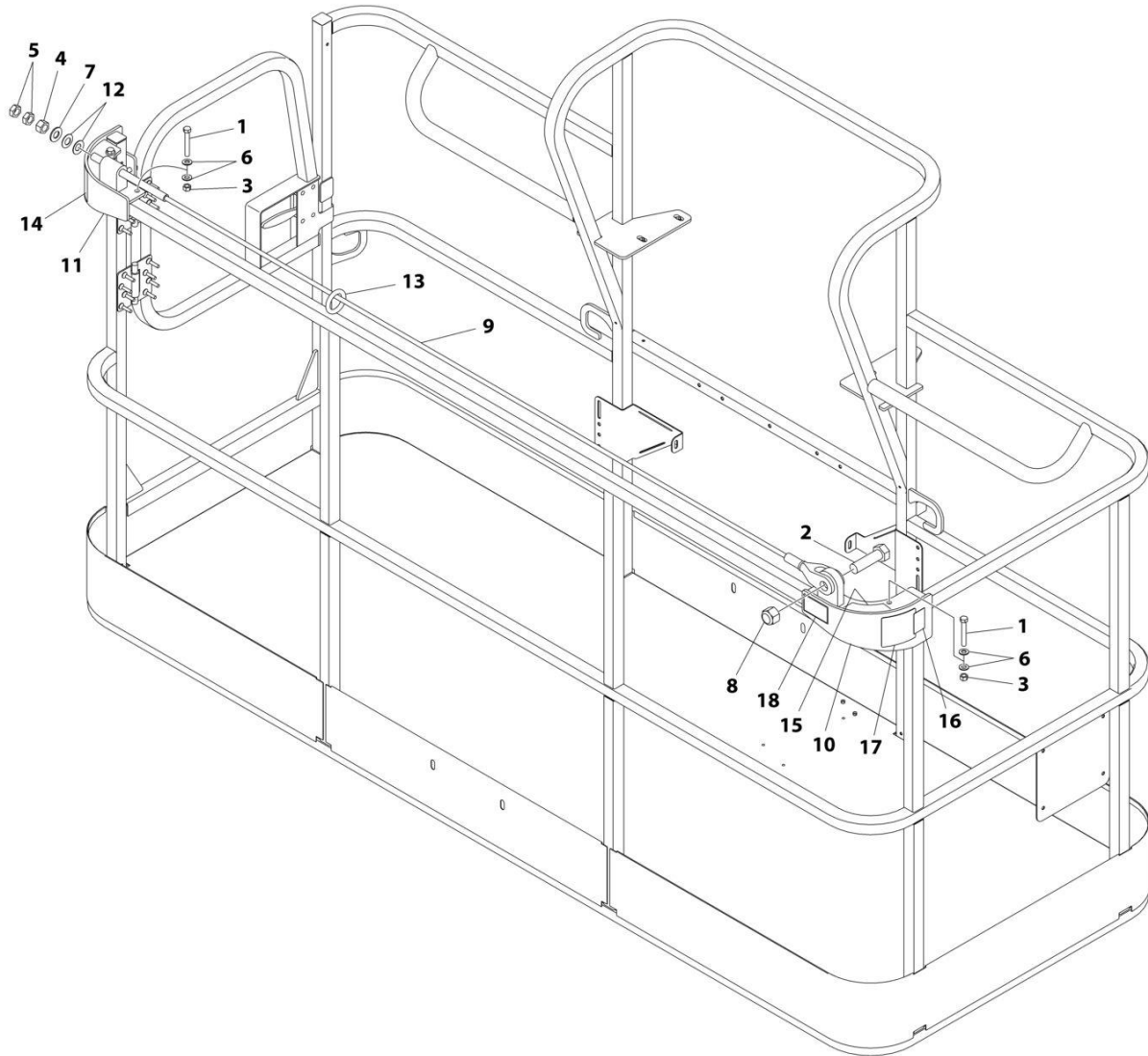
## SECTION 5 - PLATFORM

**FIGURE 5-28. FALL ARREST INSTALLATION (BOLT-ON) 30IN X 6FT (76CM X 1.83M) PLATFORM**

| ITEM | PART NUMBER | QTY | DESCRIPTION  | REV |
|------|-------------|-----|--|-----|
|      | 1001261339  | Ref | FALL ARREST INSTALLATION (BOLT-ON) 30IN X 6FT (76CM X 1.83M) PLATFORM      | A   |
| 1    | 0681620     | 6   | Bolt 3/8 x 2-1/2   |     |
| 2    | 0682424     | 1   | Bolt 7/8 x 3   |     |
| 3    | 3271605     | 6   | Nut 3/8  |     |
| 4    | 3272001     | 1   | Nut 5/8  |     |
| 5    | 3312002     | 2   | Nut 5/8  |     |
| 6    | 4711600     | 12  | Washer 3/8   |     |
| 7    | 4712000     | 1   | Washer 5/8   |     |
| 8    | 88521214    | 1   | Nut 7/8  |     |
| 9    | 1001232010  | 1   | Bracket  |     |
| 10   | 1001236891  | 2   | Washer   |     |
| 11   | 1001236895  | 1   | Ring   |     |
| 12   | 1001238263  | 1   | Decal - Warning Falling Hazard   |     |
| 13   | 1001248140  | 1   | Decal - Bolt Fall Arrest Re-Cert   |     |
| 14   | 1001248141  | 1   | Decal - Incrption  |     |
| 15   | See Note    | NSS | Nameplate - Manufacturers Serial Number (Note: Not Available for Purchase) |     |
| 16   | 1001252629  | 1   | Decal - Weight   |     |
| 17   | 1001257271  | 1   | Bracket  |     |
| 18   | 1001261336  | 1   | Rope   |     |

# SECTION 5 - PLATFORM

FIGURE 5-29. FALL ARREST INSTALLATION (BOLT-ON) 36IN X 8FT (91.5CM X 2.4M) PLATFORM



ART\_1001236746



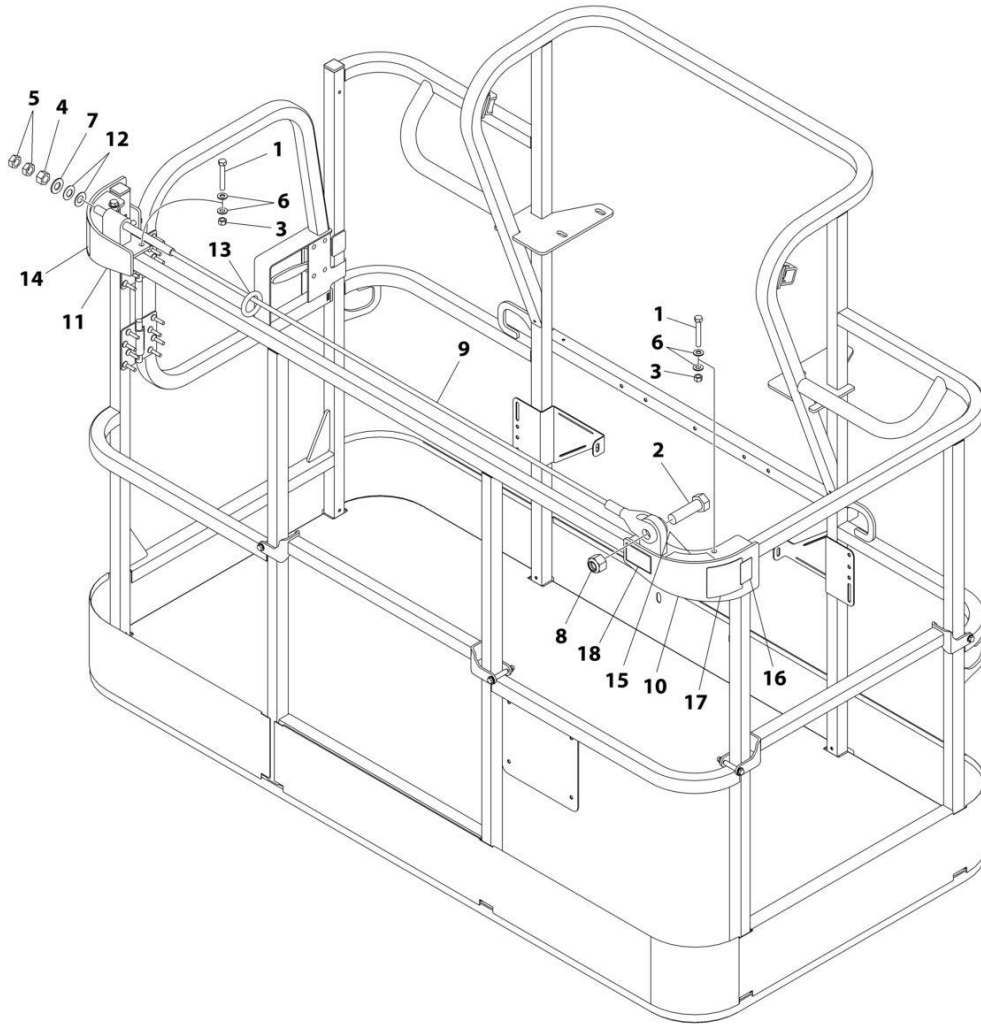
## SECTION 5 - PLATFORM

**FIGURE 5-29. FALL ARREST INSTALLATION (BOLT-ON) 36IN X 8FT (91.5CM X 2.4M) PLATFORM**

| ITEM | PART NUMBER | QTY | DESCRIPTION  | REV |
|------|-------------|-----|--|-----|
|      | 1001236746  | Ref | FALL ARREST INSTALLATION (BOLT - ON) 8FT/2.4M PLATFORM | C   |
| 1    | 0681620     | 6   | Bolt 3/8 x 2-1/2                                       |     |
| 2    | 0682424     | 1   | Bolt 7/8 x 3   |     |
| 3    | 3271605     | 6   | Nut 3/8  |     |
| 4    | 3272001     | 1   | Nut 5/8  |     |
| 5    | 3312002     | 2   | Nut 5/8  |     |
| 6    | 4711600     | 12  | Washer 3/8   |     |
| 7    | 4712000     | 1   | Washer 5/8   |     |
| 8    | 88521214    | 1   | Nut 7/8  |     |
| 9    | 1001231949  | 1   | Rope   |     |
| 10   | 1001232010  | 1   | Bracket (RH)   |     |
| 11   | 1001232011  | 1   | Bracket (LH)   |     |
| 12   | 1001236891  | 2   | Washer   |     |
| 13   | 1001236895  | 1   | Ring   |     |
| 14   | 1001238263  | 1   | Decal - Warning Falling Hazard                         |     |
| 15   | 1001252629  | 1   | Decal - Weight 23LBS/10.4KG                            |     |
| 16   | 1001248140  | 1   | Decal - Bolt Fall Arrest Re-Cert                       |     |
| 17   | 1001248141  | 1   | Decal - Inscription                                    |     |

# SECTION 5 - PLATFORM

FIGURE 5-30. FALL ARREST INSTALLATION (BOLT-ON) 36IN X 6FT (91.5CM X 1.82M) TRI-ENTRY PLATFORM)



ART\_1001238463

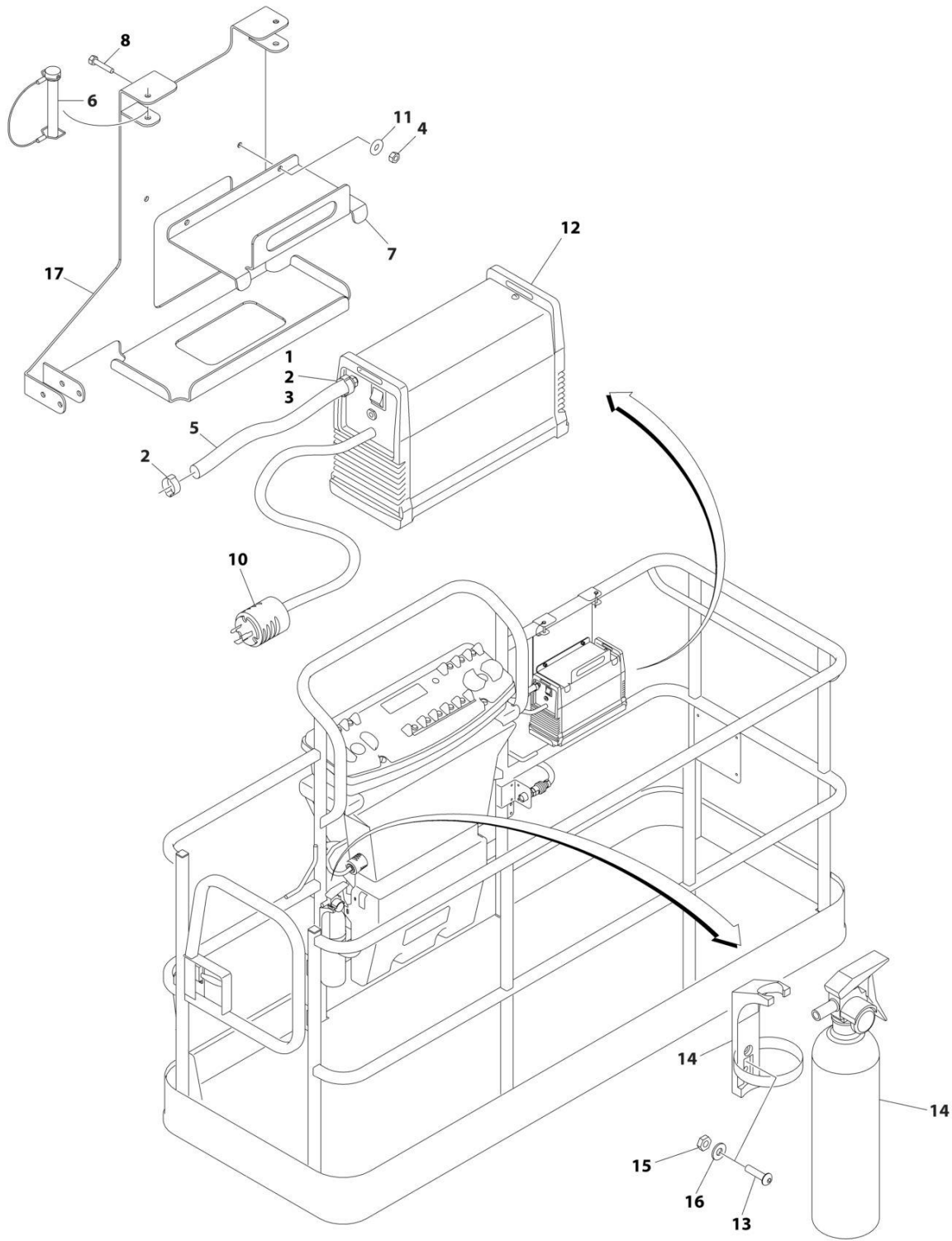
## SECTION 5 - PLATFORM

**FIGURE 5-30. FALL ARREST INSTALLATION (BOLT-ON) 36IN X 6FT (91.5CM X 1.82M) TRI-ENTRY PLATFORM)**

| ITEM | PART NUMBER | QTY | DESCRIPTION   | REV |
|------|-------------|-----|---|-----|
|      | 1001238463  | Ref | FALL ARREST INSTALLATION (BOLT - ON) 6FT/1.82M PLATFORM | C   |
| 1    | 0681620     | 6   | Bolt 3/8 x 2-1/2  |     |
| 2    | 0682424     | 1   | Bolt 7/8 x 3  |     |
| 3    | 3271605     | 6   | Nut 3/8   |     |
| 4    | 3272001     | 1   | Nut 5/8   |     |
| 5    | 3312002     | 2   | Nut 5/8   |     |
| 6    | 4711600     | 12  | Washer 3/8  |     |
| 7    | 4712000     | 1   | Washer 5/8  |     |
| 8    | 88521214    | 1   | Nut 7/8   |     |
| 9    | 1001231950  | 1   | Rope  |     |
| 10   | 1001232010  | 1   | Bracket (RH)  |     |
| 11   | 1001232011  | 1   | Bracket (LH)  |     |
| 12   | 1001236891  | 2   | Washer  |     |
| 13   | 1001236895  | 1   | Ring  |     |
| 14   | 1001238263  | 1   | Decal - Warning Falling Hazard                          |     |
| 15   | 1001252629  | 1   | Decal - Weight  |     |
| 16   | 1001248140  | 1   | Decal - Bolt Fall Arrest Re-Cert                        |     |
| 17   | 1001248141  | 1   | Decal - Inscription                                     |     |

# SECTION 5 - PLATFORM

## FIGURE 5-31. SKYCUTTER INSTALLATION



ART\_1001098149\_D

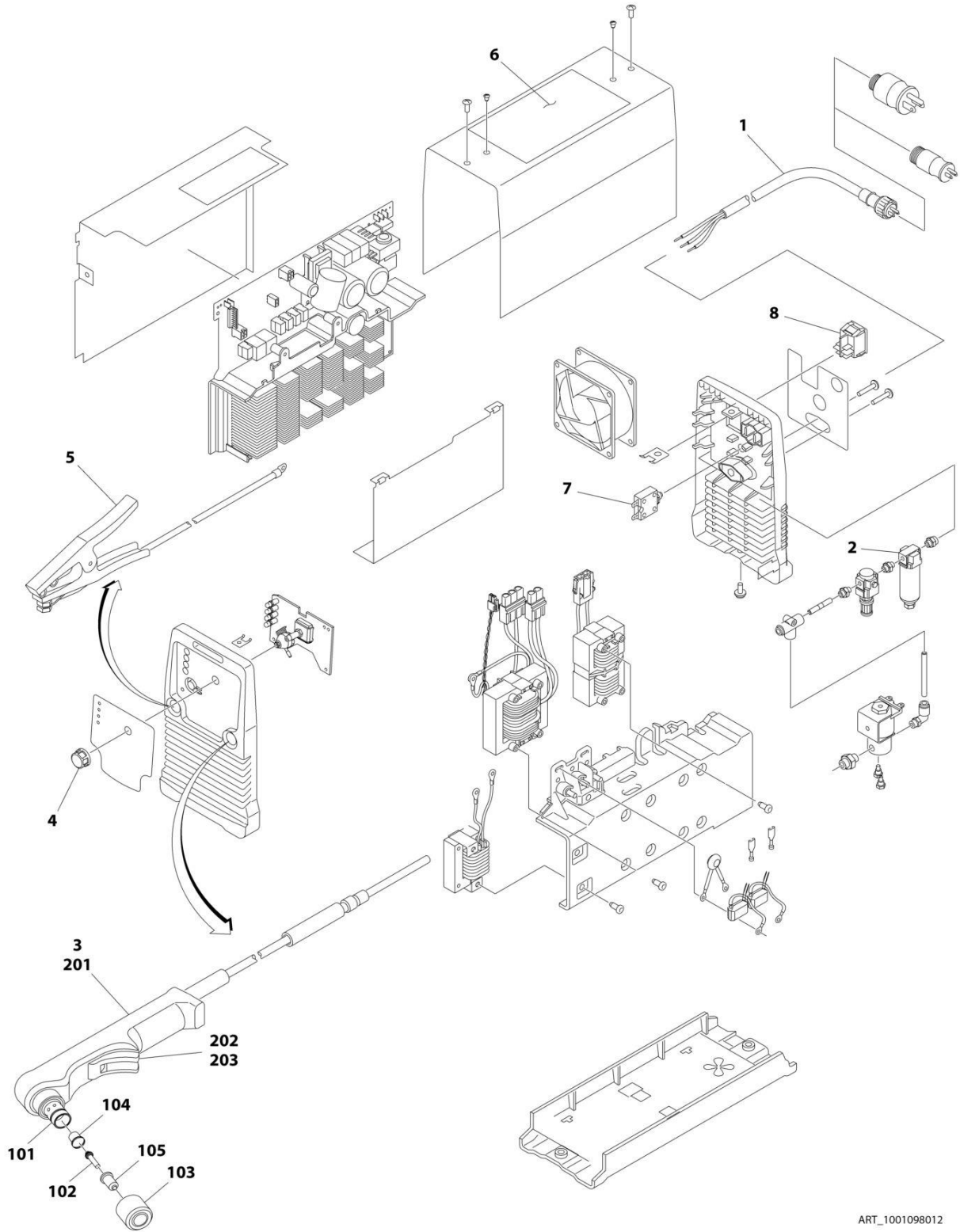
## SECTION 5 - PLATFORM

**FIGURE 5-31. SKYCUTTER INSTALLATION**

| ITEM | PART NUMBER | QTY       | DESCRIPTION  | REV |
|------|-------------|-----------|--|-----|
|      | 1001098149  | Ref       | SKYCUTTER INSTALLATION   | D   |
|      |             | Ref       | Note: When replacing platform on machines with SkyCutter option, new bracket p/n 1001145405 must be purchased to accommodate SkyCutter components. |     |
| 1    | 0100020     | AR        | Sealant  |     |
| 2    | 1320177     | 2         | Clamp, Hose  |     |
| 3    | 2180832     | 1         | Fitting, NPT/Barbed  |     |
| 4    | 3290605     | 2         | Nut M6   |     |
| 5    | 2720160     | 3 ft /.9m | Hose   |     |
| 6    | 3421453     | 3         | Pin  |     |
| 7    | 3576799     | 1         | Plate, Hold-Down   |     |
| 8    | 4010608     | 2         | Screw M6 x 16  |     |
| 10   | 4460971     | 1         | Plug, Twistlock  |     |
| 11   | 4811700     | 2         | Washer M6  |     |
| 12   | 1001098012  | 1         | Plasma Cutter Assembly (See Separate Breakdown in this Section)  |     |
| 13   | 0630518     | 2         | Screw #10 x 3/4  |     |
| 14   | 2030010     | 1         | Extinguisher, Fire   |     |
| 15   | 3311005     | 2         | Nut #10  |     |
| 16   | 4751000     | 2         | Washer #10   |     |
| 17   | 1001145405  | 1         | Support  |     |

# SECTION 5 - PLATFORM

## FIGURE 5-32. PLASMA CUTTER ASSEMBLY



ART\_1001098012

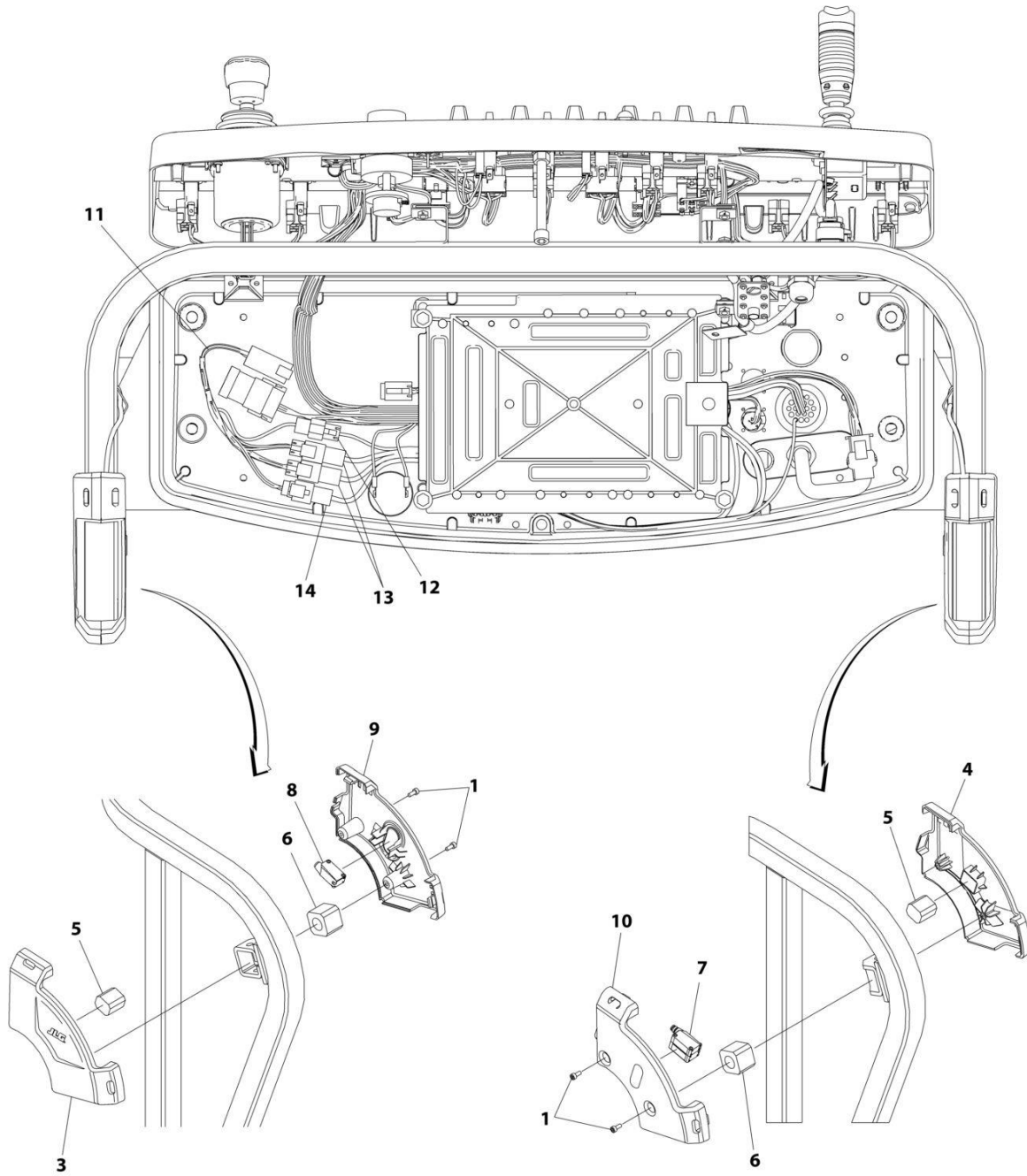
## SECTION 5 - PLATFORM

### FIGURE 5-32. PLASMA CUTTER ASSEMBLY

| ITEM | PART NUMBER | QTY | DESCRIPTION  | REV |
|------|-------------|-----|--|-----|
|      | 1001098012  | Ref | PLASMA CUTTER ASSEMBLY   | A   |
|      |             | Ref | Note: For Other Components, contact your Miller Welder Dealer. |     |
| 1    | 70001424    | 1   | Cable, Power   |     |
| 1    | 70001425    | 1   | Decal - Voltage Warning  |     |
| 2    | 70001427    | 1   | Filter, Regulator  |     |
| 3    | 70001428    | 1   | Torch Assembly (See Items 101-203 for Breakdown)               |     |
| 4    | 7024471     | 1   | Knob   |     |
| 5    | 70001429    | 1   | Clamp with Cable   |     |
| 6    | 70001430    | 1   | Decal - Caution  |     |
| 7    | 70001431    | 1   | Breaker, Circuit   |     |
| 8    | 70001432    | 1   | Switch, Rocker   |     |
|      | 70001428    | Ref | TORCH ASSEMBLY   |     |
| 101  | 7024530     | 1   | O-Ring   |     |
| 102  | 7024531     | 1   | Electrode  |     |
| 103  | 7024532     | 1   | Cup, Retaining   |     |
| 104  | 7024533     | 1   | Swirl Ring   |     |
| 105  | 7024534     | 1   | Tip  |     |
| 201  | 7024535     | 1   | Handle, Torch  |     |
| 202  | 7024536     | 1   | Switch   |     |
| 203  | 7024537     | 1   | Trigger  |     |

# SECTION 5 - PLATFORM

## FIGURE 5-33. SKYEYE INSTALLATION



ART\_1001229341



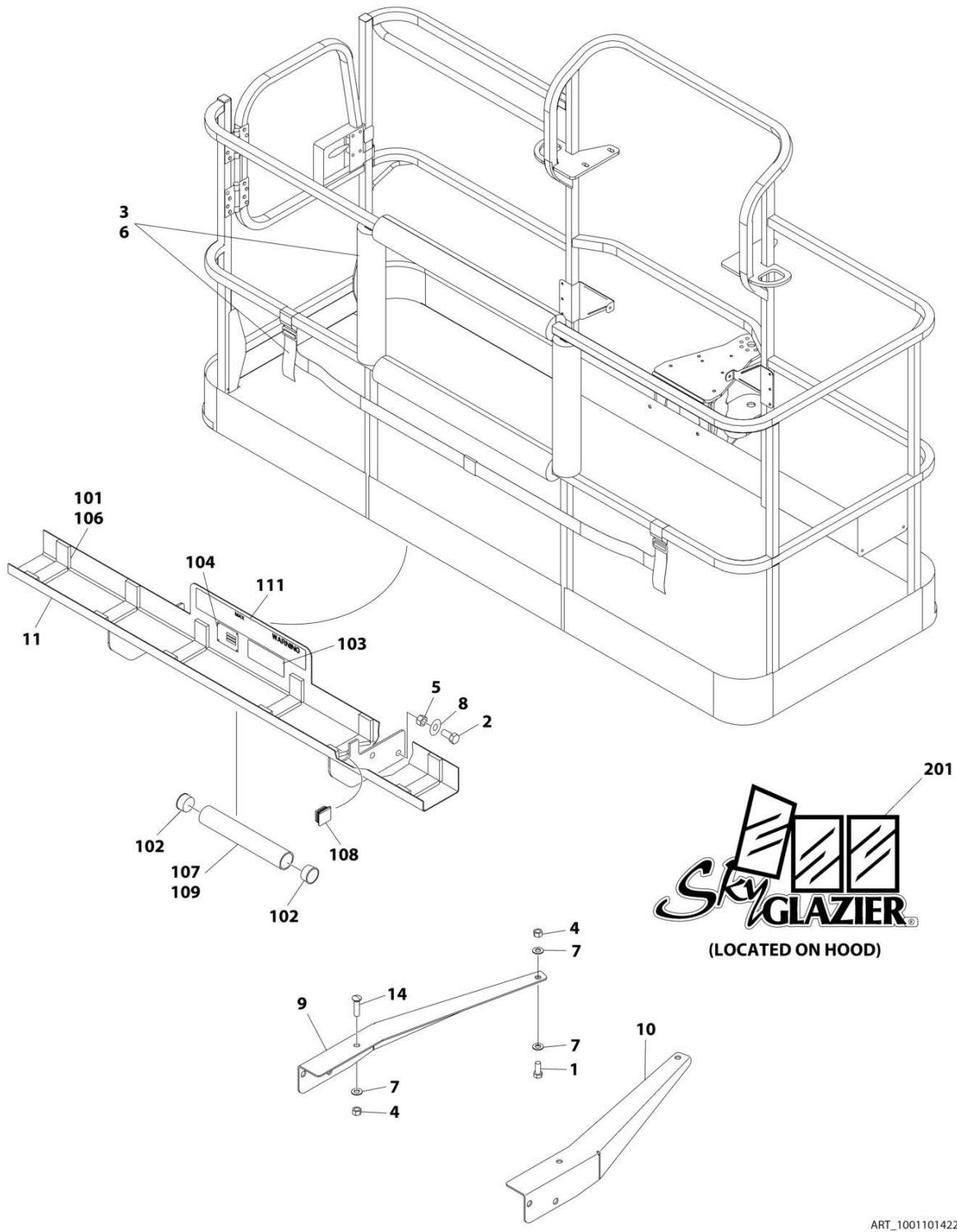
## SECTION 5 - PLATFORM

### FIGURE 5-33. SKYEYE INSTALLATION

| ITEM | PART NUMBER | QTY | DESCRIPTION   | REV |
|------|-------------|-----|---|-----|
|      | 1001229341  | Ref | SKYEYE INSTALLATION   | B   |
| 1    | 4031505     | 4   | Bolt M4 x 10  |     |
| 2    | 4240033     | AR  | Tie-Strap (Not Shown)   |     |
| 3    | 1001227633  | 1   | Housing, LH Outer   |     |
| 4    | 1001227634  | 1   | Housing, RH Outer   |     |
| 5    | 1001227985  | 2   | Shim  |     |
| 6    | 1001227987  | 2   | Shim  |     |
| 7    | 1001228224  | 2   | Sensor, Receiver  |     |
| 8    | 1001228225  | 1   | Sensor, Emitter   |     |
| 9    | 1001232164  | 1   | Housing, LH Inner   |     |
| 10   | 1001232165  | 1   | Housing, RH Inner   |     |
| 11   | 1001237865  | 1   | Harness, Skyeye Intermediate (See Separate Breakdown in ELECTRICAL Section) |     |
| 12   | 1001238319  | NLA | Harness, Skyeye Drain Jumper  |     |
| 12   | 1001187674  | 1   | Plug, Male - 2 Position   |     |
| 12   | 4460942     | 1   | Terminal  |     |
| 12   | 4460466     | 1   | Plug, Terminal  |     |
| 12   | 4460508     | 1   | Pin, Male   |     |
| 13   | 1001237863  | 2   | Harness, Skyeye Receiver (See Separate Breakdown in ELECTRICAL Section)     |     |
| 14   | 1001237864  | 1   | Harness, Skyeye Emitter (See Separate Breakdown in ELECTRICAL Section)      |     |

# SECTION 5 - PLATFORM

## FIGURE 5-34. SKYGLAZIER INSTALLATION (ENGLISH LANGUAGE DECALS)



ART\_1001101422

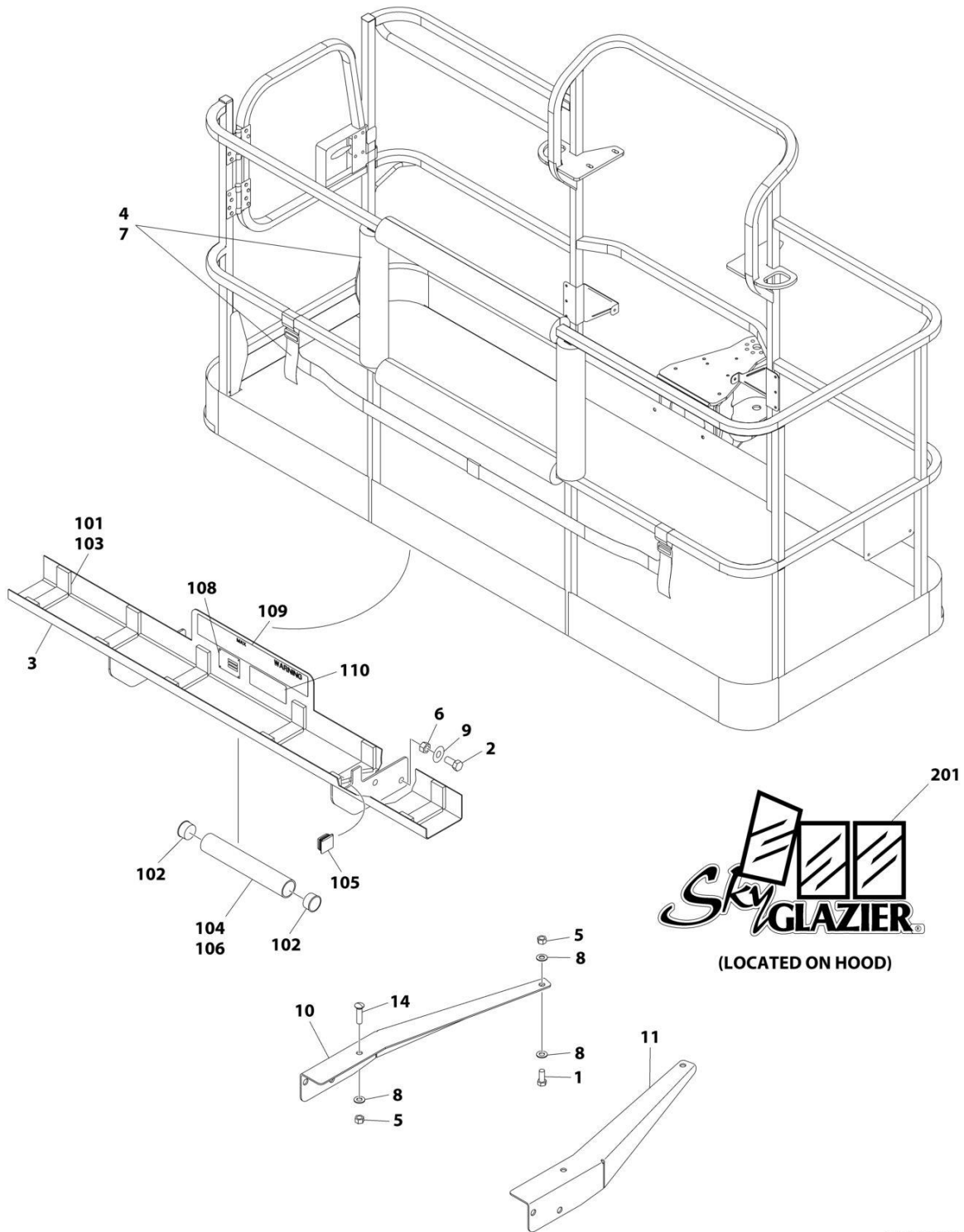
## SECTION 5 - PLATFORM

**FIGURE 5-34. SKYGLAZIER INSTALLATION (ENGLISH LANGUAGE DECALS)**

| ITEM | PART NUMBER | QTY | DESCRIPTION  | REV |
|------|-------------|-----|--|-----|
|      | 1001101422  | Ref | SKYGLAZIER INSTALLATION                                      | C   |
| 1    | 0642012     | 2   | Bolt 5/8 x 1-1/2   |     |
| 2    | 0642212     | 4   | Bolt 3/4 x 1-1/2   |     |
| 3    | 2902212     | 1   | Bumpers and Strap Kit  |     |
| 3    | 0940102     | 1   | Bumper Only  |     |
| 3    | 4240149     | 1   | Strap Only   |     |
| 4    | 3312005     | 4   | Nut 5/8  |     |
| 5    | 3312205     | 4   | Nut 3/4  |     |
| 6    | 4420014     | AR  | Tape   |     |
| 7    | 4712000     | 6   | Washer 5/8   |     |
| 8    | 4712200     | 8   | Washer 3/4   |     |
| 9    | 1001099366  | 1   | Support  |     |
| 10   | 1001099367  | 1   | Support  |     |
| 11   | 1001101421  | 1   | Tray Assembly (See Items 101-111 for Breakdown)              |     |
| 14   | 8310129     | 2   | Bolt 3/4 x 2-1/2   |     |
|      | 1001101421  | Ref | TRAY ASSEMBLY  | F   |
| 101  | 0100081     | AR  | Adhesive   |     |
| 102  | 1120555     | 2   | Cap, Tube  |     |
| 103  | 1701509     | 1   | Decal - Manual   |     |
| 104  | See Note    | NSS | Nameplate - Serial Number (Note: Not Available for Purchase) |     |
| 106  | 3340956     | 1   | Pad Kit  |     |
| 107  | 3460334     | 1   | Tube   |     |
| 108  | 3520071     | 2   | Plug   |     |
| 109  | 4420066     | AR  | Tape, Double Sided   |     |
| 111  | 1001163131  | 2   | Decal - Glazier Capacity                                     |     |
|      | 0272418     | Ref | SKYGLAZIER DECAL INSTALLATION                                | 4   |
| 201  | 1705358     | 2   | Decal - SkyGlazier   |     |

# SECTION 5 - PLATFORM

## FIGURE 5-35. SKYGLAZIER INSTALLATION (SPANISH LANGUAGE DECALS)



ART\_1001099421

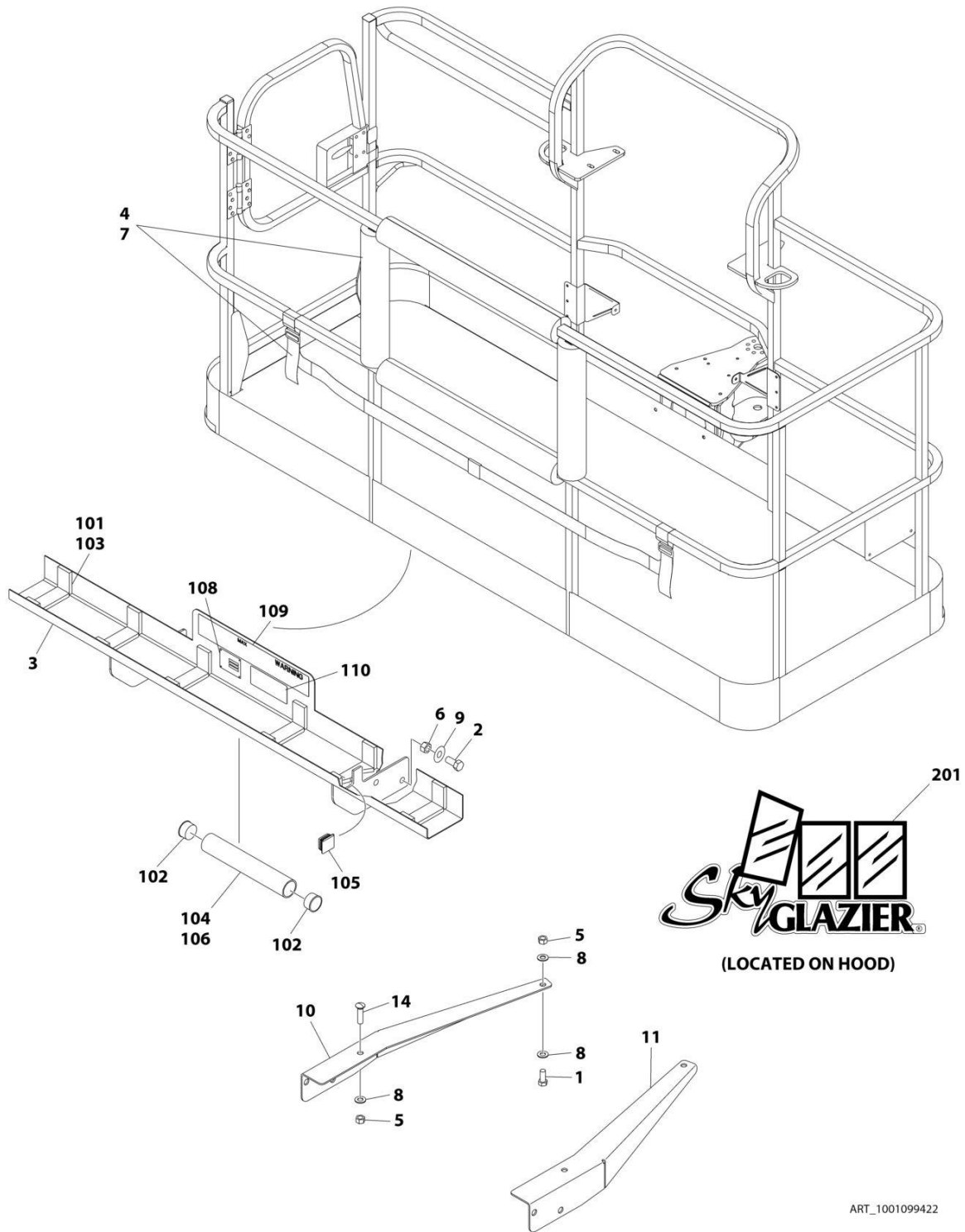
## SECTION 5 - PLATFORM

**FIGURE 5-35. SKYGLAZIER INSTALLATION (SPANISH LANGUAGE DECALS)**

| ITEM | PART NUMBER | QTY | DESCRIPTION  | REV |
|------|-------------|-----|--|-----|
|      | 1001099421  | Ref | SKYGLAZIER INSTALLATION                                      | C   |
| 1    | 0642012     | 2   | Bolt 5/8 x 1-1/2   |     |
| 2    | 0642212     | 4   | Bolt 3/4 x 1-1/2   |     |
| 3    | 0272948     | 1   | Tray Assembly (See Items 101-110 for Breakdown)              |     |
| 4    | 2902212     | 1   | Bumpers and Strap Kit  |     |
| 4    | 0940102     | 1   | Bumper Only  |     |
| 4    | 4240149     | 1   | Strap Only   |     |
| 5    | 3312005     | 4   | Nut 5/8  |     |
| 6    | 3312205     | 4   | Nut 3/4  |     |
| 7    | 4420014     | AR  | Tape   |     |
| 8    | 4712000     | 6   | Washer 5/8   |     |
| 9    | 4712200     | 8   | Washer 3/4   |     |
| 10   | 1001099366  | 1   | Support  |     |
| 11   | 1001099367  | 1   | Support  |     |
| 14   | 8310129     | 2   | Bolt 3/4 x 2-1/2   |     |
|      | 0272948     | Ref | TRAY ASSEMBLY  | F   |
| 101  | 0100081     | AR  | Adhesive   |     |
| 102  | 1120555     | 2   | Cap, Tube  |     |
| 103  | 3340956     | 1   | Pad Kit  |     |
| 104  | 3460334     | 1   | Tube   |     |
| 105  | 3520071     | 2   | Plug   |     |
| 106  | 4420066     | AR  | Tape, Double Sided   |     |
| 108  | See Note    | NSS | Nameplate - Serial Number (Note: Not Available for Purchase) |     |
| 109  | 1001163296  | 2   | Decal - Glazier Capacity                                     |     |
| 110  | 1701509     | 1   | Decal - Manual   |     |
|      | 0272418     | Ref | SKYGLAZIER DECAL INSTALLATION                                | 4   |
| 201  | 1705358     | 2   | Decal - SkyGlazier   |     |

# SECTION 5 - PLATFORM

## FIGURE 5-36. SKYGLAZIER INSTALLATION (PORTUGUESE LANGUAGE DECALS)



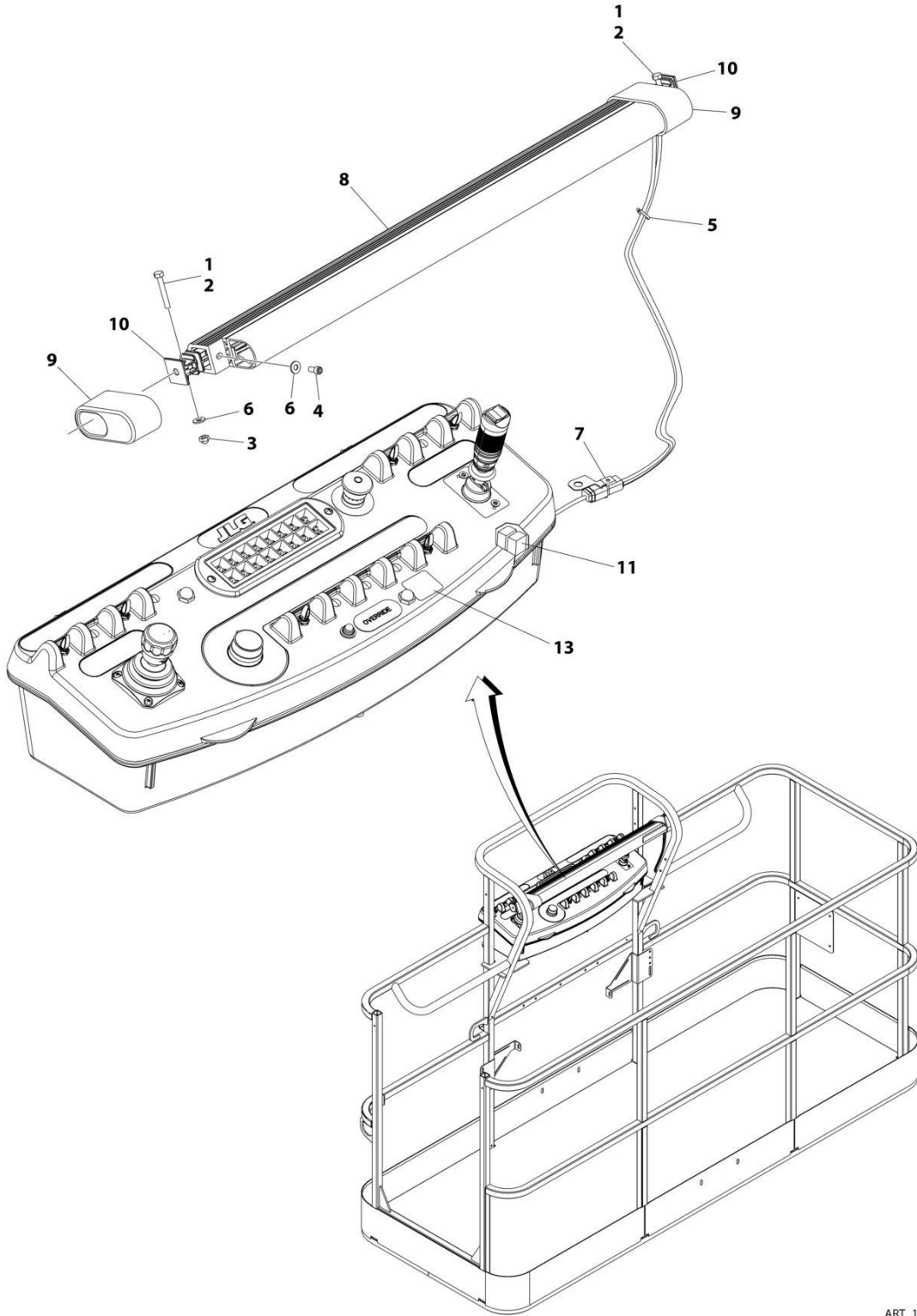
## SECTION 5 - PLATFORM

**FIGURE 5-36. SKYGLAZIER INSTALLATION (PORTUGUESE LANGUAGE DECALS)**

| ITEM | PART NUMBER | QTY | DESCRIPTION  | REV |
|------|-------------|-----|--|-----|
|      | 1001099422  | Ref | SKYGLAZIER INSTALLATION                                      | C   |
| 1    | 0642012     | 2   | Bolt 5/8 x 1-1/2   |     |
| 2    | 0642212     | 4   | Bolt 3/4 x 1-1/2   |     |
| 3    | 0272951     | 1   | Tray Assembly (See Items 101-110 for Breakdown)              |     |
| 4    | 2902212     | 1   | Bumpers and Strap Kit  |     |
| 4    | 0940102     | 1   | Bumper Only  |     |
| 4    | 4240149     | 1   | Strap Only   |     |
| 5    | 3312005     | 4   | Nut 5/8  |     |
| 6    | 3312205     | 4   | Nut 3/4  |     |
| 7    | 4420014     | AR  | Tape   |     |
| 8    | 4712000     | 6   | Washer 5/8   |     |
| 9    | 4712200     | 8   | Washer 3/4   |     |
| 10   | 1001099366  | 1   | Support  |     |
| 11   | 1001099367  | 1   | Support  |     |
| 14   | 8310129     | 2   | Bolt 3/4 x 2-1/2   |     |
|      | 0272951     | Ref | TRAY ASSEMBLY  | F   |
| 101  | 0100081     | AR  | Adhesive   |     |
| 102  | 1120555     | 2   | Cap, Tube  |     |
| 103  | 3340956     | 1   | Pad Kit  |     |
| 104  | 3460334     | 1   | Tube   |     |
| 105  | 3520071     | 2   | Plug   |     |
| 106  | 4420066     | AR  | Tape, Double Sided   |     |
| 108  | See Note    | NSS | Nameplate - Serial Number (Note: Not Available for Purchase) |     |
| 109  | 1001163297  | 2   | Decal - Glazier Capacity                                     |     |
| 110  | 1701509     | 1   | Decal - Manual   |     |
|      | 0272418     | Ref | SKYGLAZIER DECAL INSTALLATION                                | 4   |
| 201  | 1705358     | 2   | Decal - SkyGlazier   |     |

# SECTION 5 - PLATFORM

## FIGURE 5-37. SKYGUARD BAR INSTALLATION



ART\_1001238495



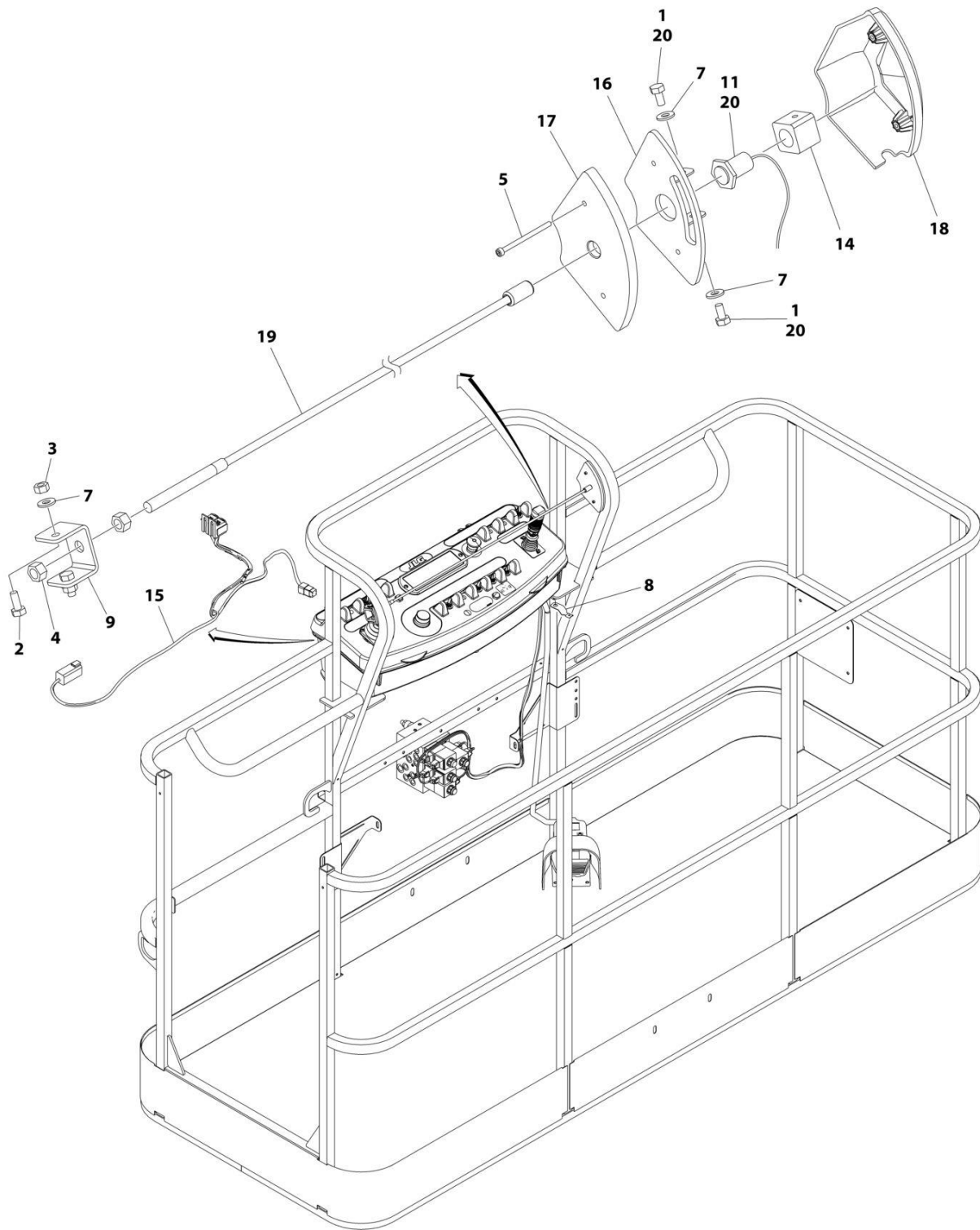
## SECTION 5 - PLATFORM

**FIGURE 5-37. SKYGUARD BAR INSTALLATION**

| ITEM | PART NUMBER | QTY | DESCRIPTION  | REV |
|------|-------------|-----|--|-----|
|      | 1001238495  | Ref | SKYGUARD BAR INSTALLATION  | A   |
| 1    | 0100011     | AR  | Compound, Locking  |     |
| 2    | 0641414     | 2   | Bolt 1/4 x 1-3/4   |     |
| 3    | 3300430     | 2   | Nut 1/4  |     |
| 4    | 3931408     | 2   | Capscrew 1/4 x 1/2   |     |
| 5    | 4240033     | 8   | Tie-Strap  |     |
| 6    | 4711400     | 6   | Washer 1/4   |     |
| 7    | 1001120328  | 1   | Mount  |     |
| 8    | 1001137673  | 1   | SkyGuard Switch Assembly   |     |
| 9    | 1001186517  | 2   | Cover, Platform Sensor   |     |
| 10   | 1001209664  | 2   | Support, Block   |     |
| 11   | 1001186431  | 2   | Relay  |     |
| 12   | 1001225580  | 1   | Interface Harness Assembly (Not Shown - Located Inside Console Box) (See Separate Breakdown in ELECTRICAL Section) |     |
| 13   | 1001144433  | 1   | Decal - No Weight SkyGuard   |     |

# SECTION 5 - PLATFORM

## FIGURE 5-38. SKYLINE INSTALLATION



ART\_1001238559\_D

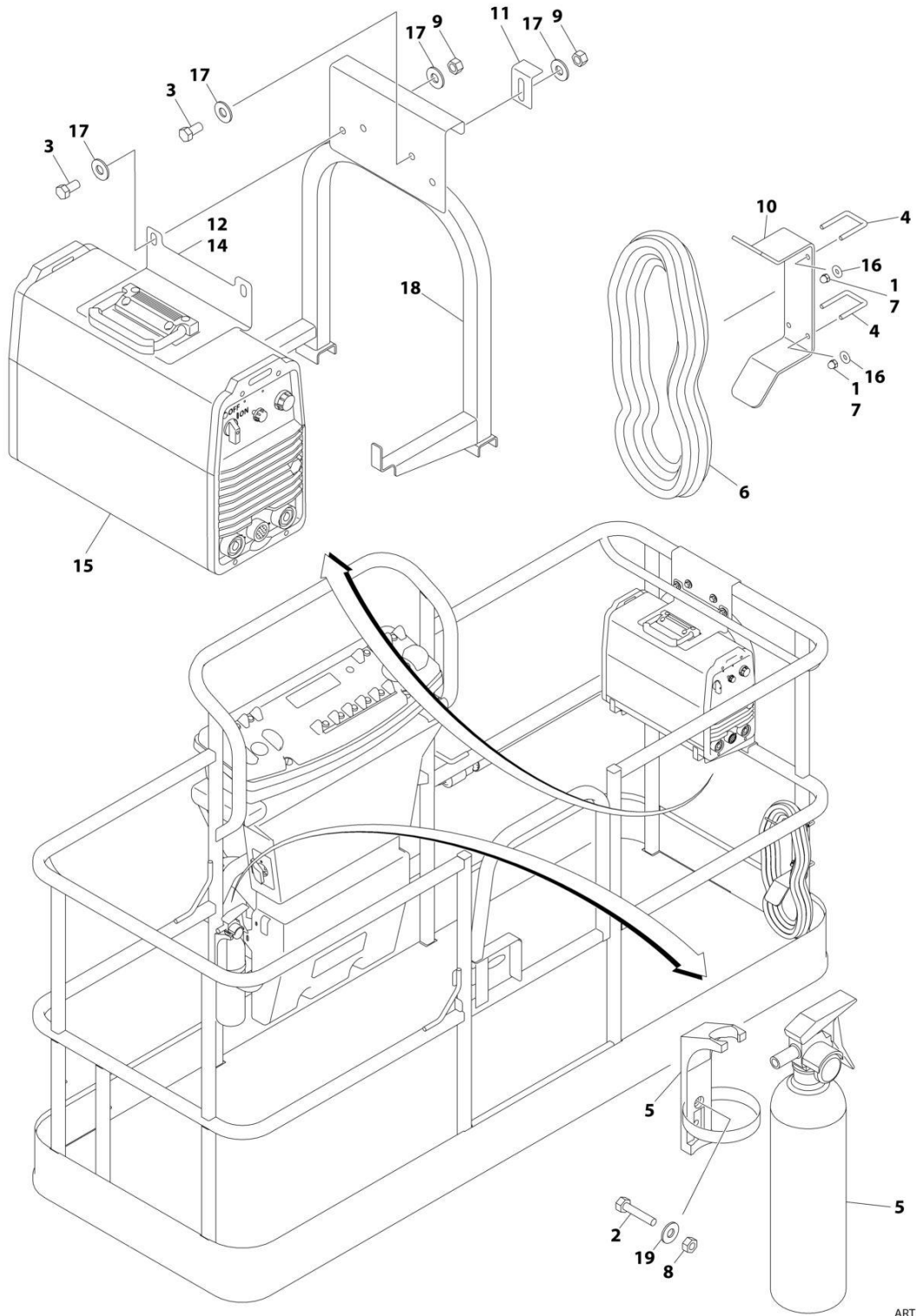
## SECTION 5 - PLATFORM

**FIGURE 5-38. SKYLINE INSTALLATION**

| ITEM | PART NUMBER | QTY | DESCRIPTION   | REV |
|------|-------------|-----|---|-----|
|      | 1001238559  | Ref | SKYLINE INSTALLATION  | D   |
| 1    | 0641404     | 2   | Bolt 1/4 x 1/2  |     |
| 2    | 0641405     | 2   | Bolt 1/4 x 5/8  |     |
| 3    | 3311405     | 2   | Nut 1/4   |     |
| 4    | 3311601     | 2   | Nut 3/8   |     |
| 5    | 4031516     | 2   | Capscrew M4 x 60  |     |
| 6    | 4240033     | AR  | Tie-Strap (Not Shown)   |     |
| 7    | 4711400     | 4   | Washer 1/4  |     |
| 8    | 1001120328  | 1   | Mount   |     |
| 9    | 1001232642  | 1   | Bracket   |     |
| 11   | 1001232667  | 1   | Sensor, Proximity   |     |
| 14   | 1001236552  | 1   | Block   |     |
| 15   | 1001238418  | 1   | Harness, Skyline (See Separate Breakdown in ELECTRICAL Section) |     |
| 16   | 1001238472  | 1   | Mount   |     |
| 17   | 1001254473  | 1   | Housing, LH   |     |
| 18   | 1001241965  | 1   | Housing, RH   |     |
| 19   | 1001254472  | 1   | Rod   |     |
| 20   | 0100011     | AR  | Compound, Locking   |     |

# SECTION 5 - PLATFORM

## FIGURE 5-39. SKYWELDER INSTALLATION (50HZ)



ART\_0272521\_F

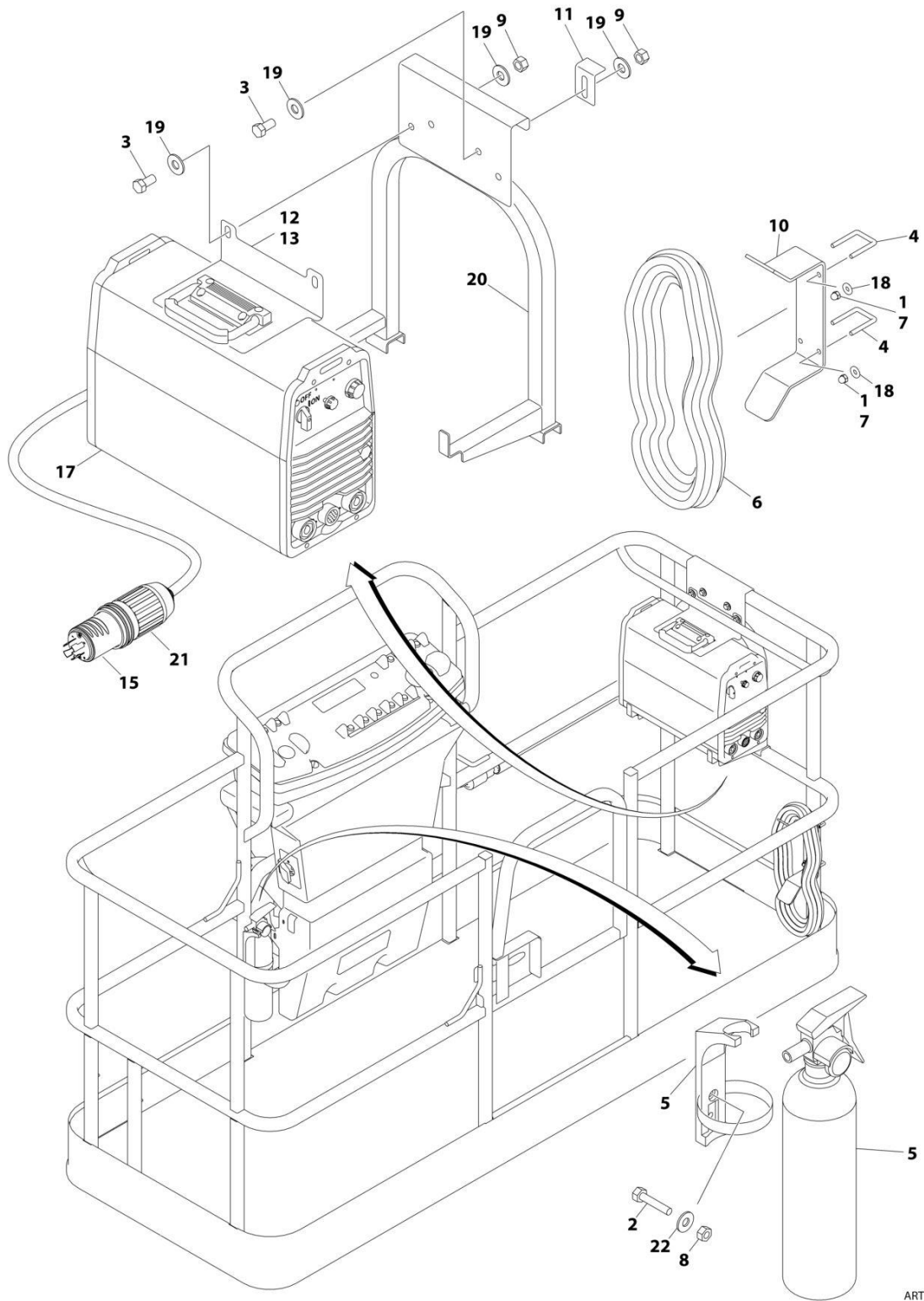
## SECTION 5 - PLATFORM

**FIGURE 5-39. SKYWELDER INSTALLATION (50HZ)**

| ITEM | PART NUMBER | QTY | DESCRIPTION  | REV |
|------|-------------|-----|--|-----|
|      | 0272521     | Ref | SKYWELDER INSTALLATION                                   | F   |
| 1    | 0100011     | AR  | Compound, Locking  |     |
| 2    | 0630518     | 2   | Screw #10 x 3/4  |     |
| 3    | 0641606     | 4   | Bolt 3/8 x 3/4   |     |
| 4    | 1320302     | 2   | U-Clamp  |     |
| 5    | 2030010     | 1   | Extinguisher, Fire                                       |     |
| 6    | 2902217     | 1   | Weld Leads Kit   |     |
| 7    | 3300151     | 4   | Nut 1/4  |     |
| 8    | 3311005     | 2   | Nut #10  |     |
| 9    | 3311605     | 4   | Nut 3/8  |     |
| 10   | 3573400     | 1   | Bracket  |     |
| 11   | 3577121     | 2   | Angle  |     |
| 12   | 3573642     | 1   | Plate  |     |
| 13   | 4240099     | AR  | Tie-Strap (Not Shown)                                    |     |
| 14   | 4420037     | AR  | Tape   |     |
| 15   | 4530028     | 1   | Welder Assembly (See Separate Breakdown in this Section) |     |
| 16   | 4751400     | 4   | Washer 1/4   |     |
| 17   | 4751600     | 8   | Washer 3/8   |     |
| 18   | 4846627     | 1   | Support  |     |
| 19   | 4751000     | 2   | Washer #10   |     |

# SECTION 5 - PLATFORM

## FIGURE 5-40. SKYWELDER INSTALLATION (60HZ)



ART\_0272254\_I

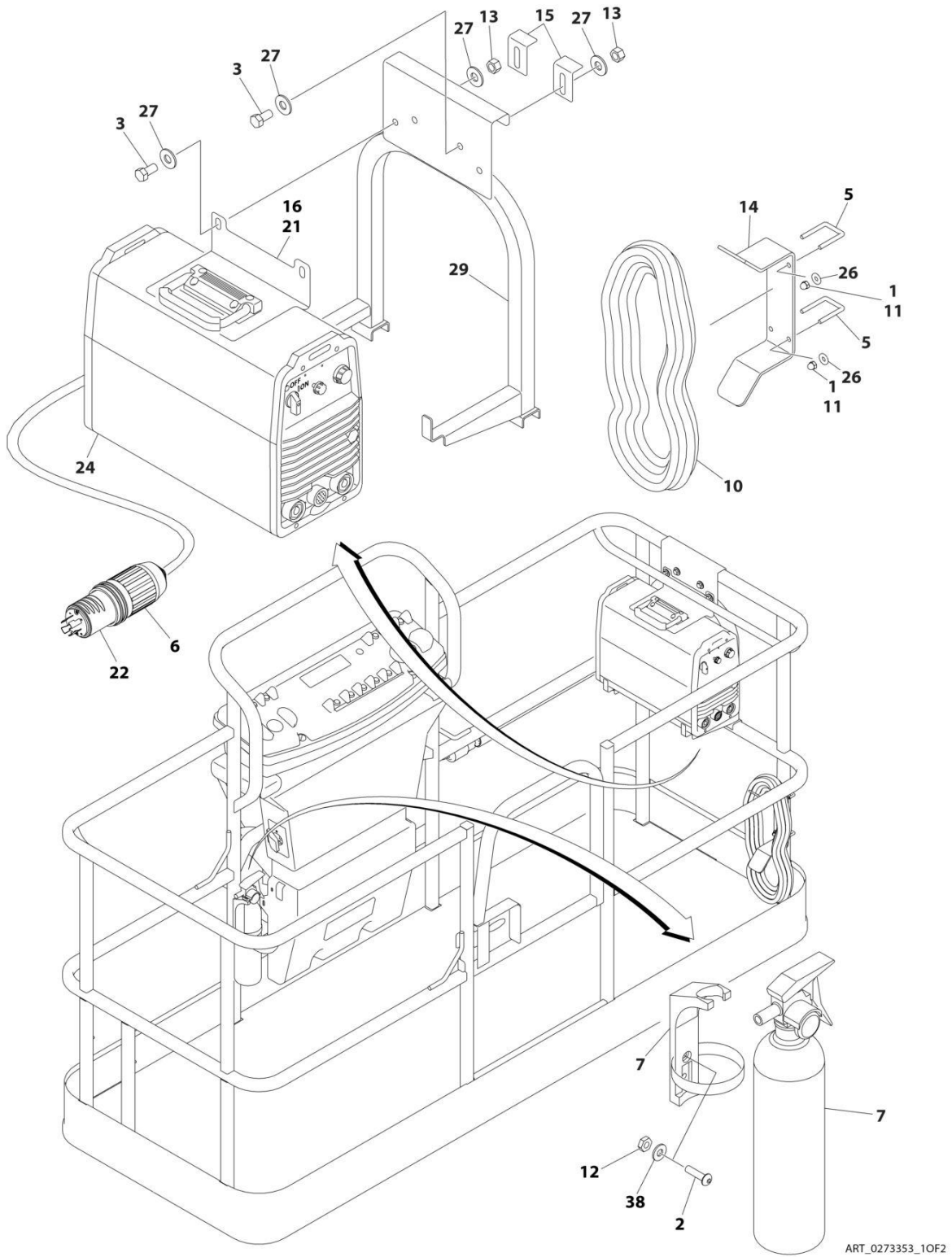
## SECTION 5 - PLATFORM

**FIGURE 5-40. SKYWELDER INSTALLATION (60HZ)**

| ITEM | PART NUMBER | QTY | DESCRIPTION  | REV |
|------|-------------|-----|--|-----|
|      | 0272254     | Ref | SKYWELDER INSTALLATION                                   | I   |
| 1    | 0100011     | AR  | Compound, Locking  |     |
| 2    | 0630518     | 2   | Screw #10 x 3/4  |     |
| 3    | 0641606     | 4   | Bolt 3/8 x 3/4   |     |
| 4    | 1320302     | 2   | U-Clamp  |     |
| 5    | 2030010     | 1   | Extinguisher, Fire                                       |     |
| 6    | 2902217     | 1   | Weld Leads Kit   |     |
| 7    | 3300151     | 4   | Nut 1/4  |     |
| 8    | 3311005     | 2   | Nut #10  |     |
| 9    | 3311605     | 4   | Nut 3/8  |     |
| 10   | 3573400     | 1   | Bracket  |     |
| 11   | 3577121     | 2   | Angle  |     |
| 12   | 3573642     | 1   | Plate  |     |
| 13   | 4420037     | AR  | Tape   |     |
| 14   | 4240099     | AR  | Tie-Strap (Not Shown)                                    |     |
| 15   | 4460962     | 1   | Plug, Male Twistlock                                     |     |
| 17   | 4530028     | 1   | Welder Assembly (See Separate Breakdown in this Section) |     |
| 18   | 4751400     | 4   | Washer 1/4   |     |
| 19   | 4751600     | 8   | Washer 3/8   |     |
| 20   | 4846627     | 1   | Support  |     |
| 21   | 1671093     | 1   | Cover, Plug  |     |
| 22   | 4751000     | 2   | Washer #10   |     |

# SECTION 5 - PLATFORM

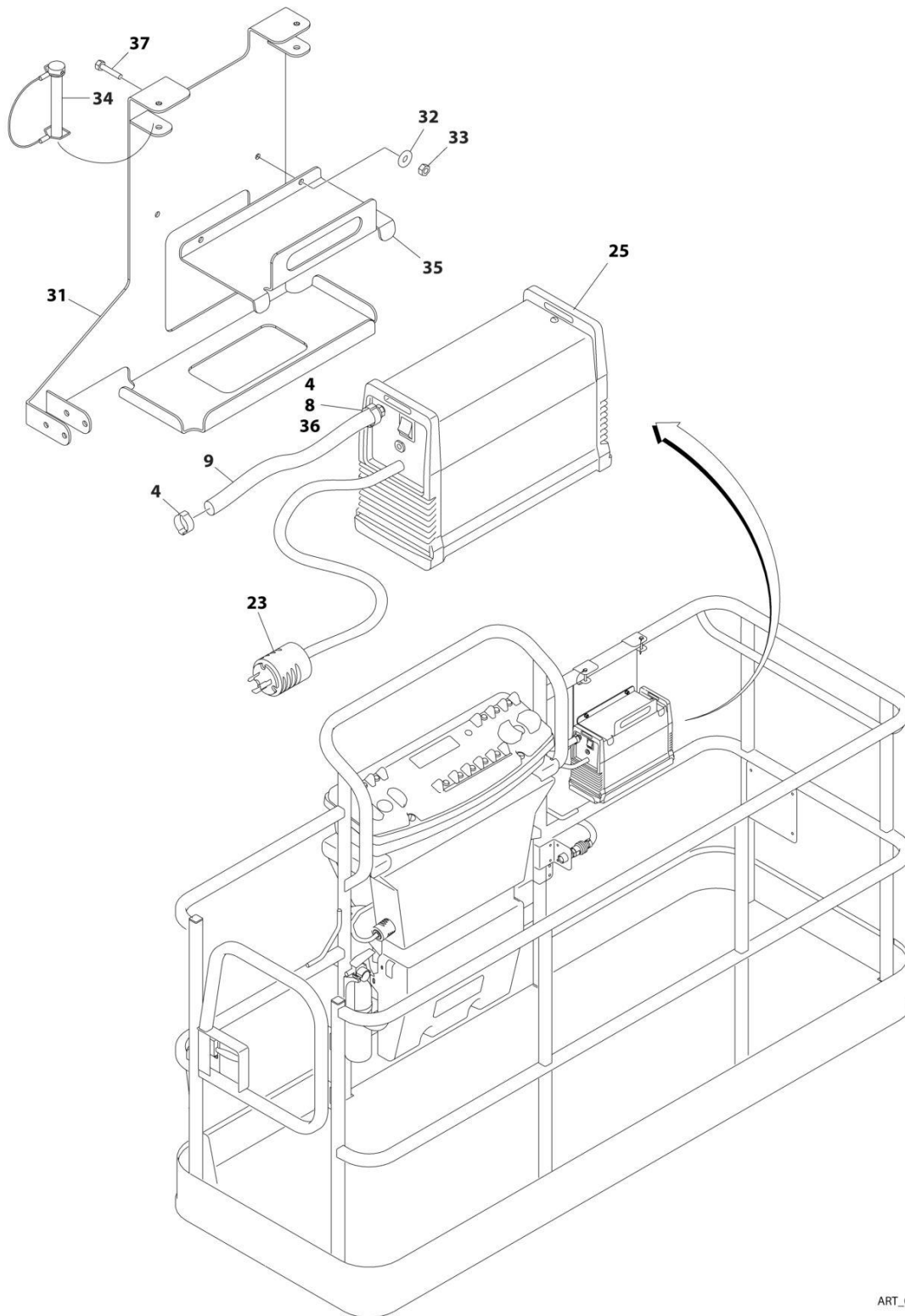
## FIGURE 5-41. SKYWELDER/SKYCUTTER COMBO INSTALLATION (60HZ)



ART\_0273353\_10F2



# SECTION 5 - PLATFORM



ART\_0273353\_20F2

## SECTION 5 - PLATFORM

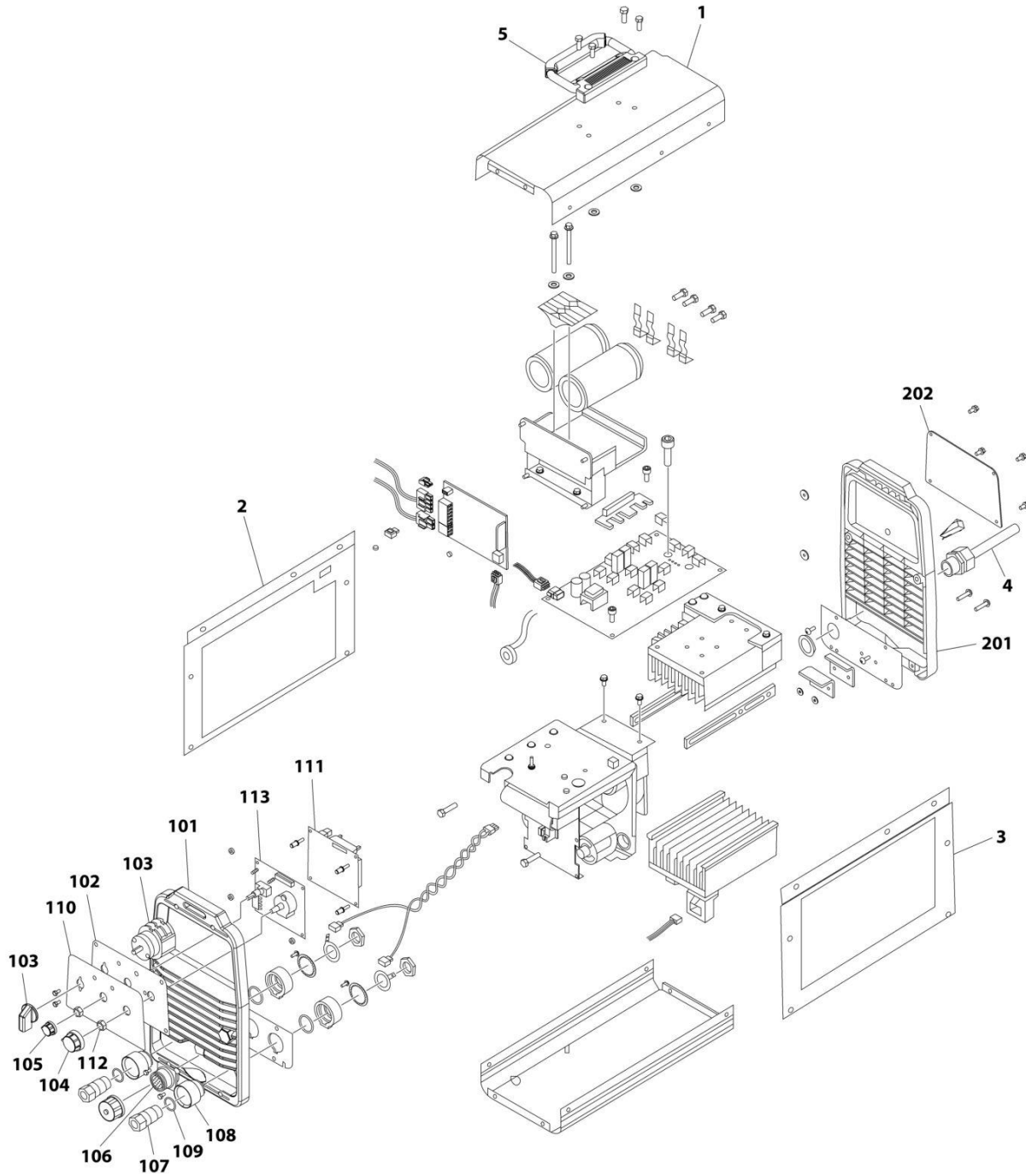
**FIGURE 5-41. SKYWELDER/SKYCUTTER COMBO INSTALLATION (60HZ)**

| ITEM | PART NUMBER | QTY              | DESCRIPTION   | REV |
|------|-------------|------------------|---|-----|
|      | 0273353     | Ref              | SKYWELDER/SKYCUTTER COMBO INSTALLATION (60HZ)                   | G   |
| 1    | 0100011     | AR               | Compound, Locking   |     |
| 2    | 0630518     | 2                | Screw #10 x 3/4   |     |
| 3    | 0641606     | 4                | Bolt 3/8 x 3/4  |     |
| 4    | 1320177     | 2                | Clamp   |     |
| 5    | 1320302     | 2                | Clamp   |     |
| 6    | 1671093     | 1                | Cover, Plug   |     |
| 7    | 2030010     | 1                | Extinguisher, Fire  |     |
| 8    | 2180832     | 1                | Fitting, Barbed/NPT   |     |
| 9    | 2720160     | 4.5 ft<br>/1.37m | Hose  |     |
| 10   | 2902217     | 1                | Weld Leads Kit  |     |
| 11   | 3300151     | 4                | Nut 1/4   |     |
| 12   | 3311005     | 2                | Nut #10   |     |
| 13   | 3311605     | 4                | Nut 3/8   |     |
| 14   | 3573400     | 1                | Bracket   |     |
| 15   | 3577121     | 2                | Angle   |     |
| 16   | 3573642     | 1                | Plate   |     |
| 20   | 4240099     | AR               | Tie-Strap (Not Shown)   |     |
| 21   | 4420037     | 2.36 ft<br>/.71m | Tape  |     |
| 22   | 4460962     | 1                | Plug, Twist Lock  |     |
| 23   | 4460971     | 1                | Plug, Twist Lock  |     |
| 24   | 4530028     | 1                | Welder Assembly (See Separate Breakdown in this section)        |     |
| 25   | 1001098012  | 1                | Plasma Cutter Assembly (See Separate Breakdown in this Section) |     |
| 26   | 4751400     | 4                | Washer 1/4  |     |
| 27   | 4751600     | 8                | Washer 3/8  |     |
| 29   | 4846627     | 1                | Support   |     |
| 31   | 1001145405  | 1                | Bracket   |     |
| 32   | 4811700     | 2                | Washer M6   |     |
| 33   | 3290605     | 2                | Nut M6  |     |
| 34   | 3421453     | 3                | Pin   |     |
| 35   | 3576799     | 1                | Plate, Hold-Down  |     |
| 36   | 0100020     | 1                | Sealant   |     |
| 37   | 4010608     | 2                | Screw M6 x 16   |     |
| 38   | 4751000     | 2                | Washer #10  |     |



# SECTION 5 - PLATFORM

## FIGURE 5-42. WELDER ASSEMBLY



ART\_4530028

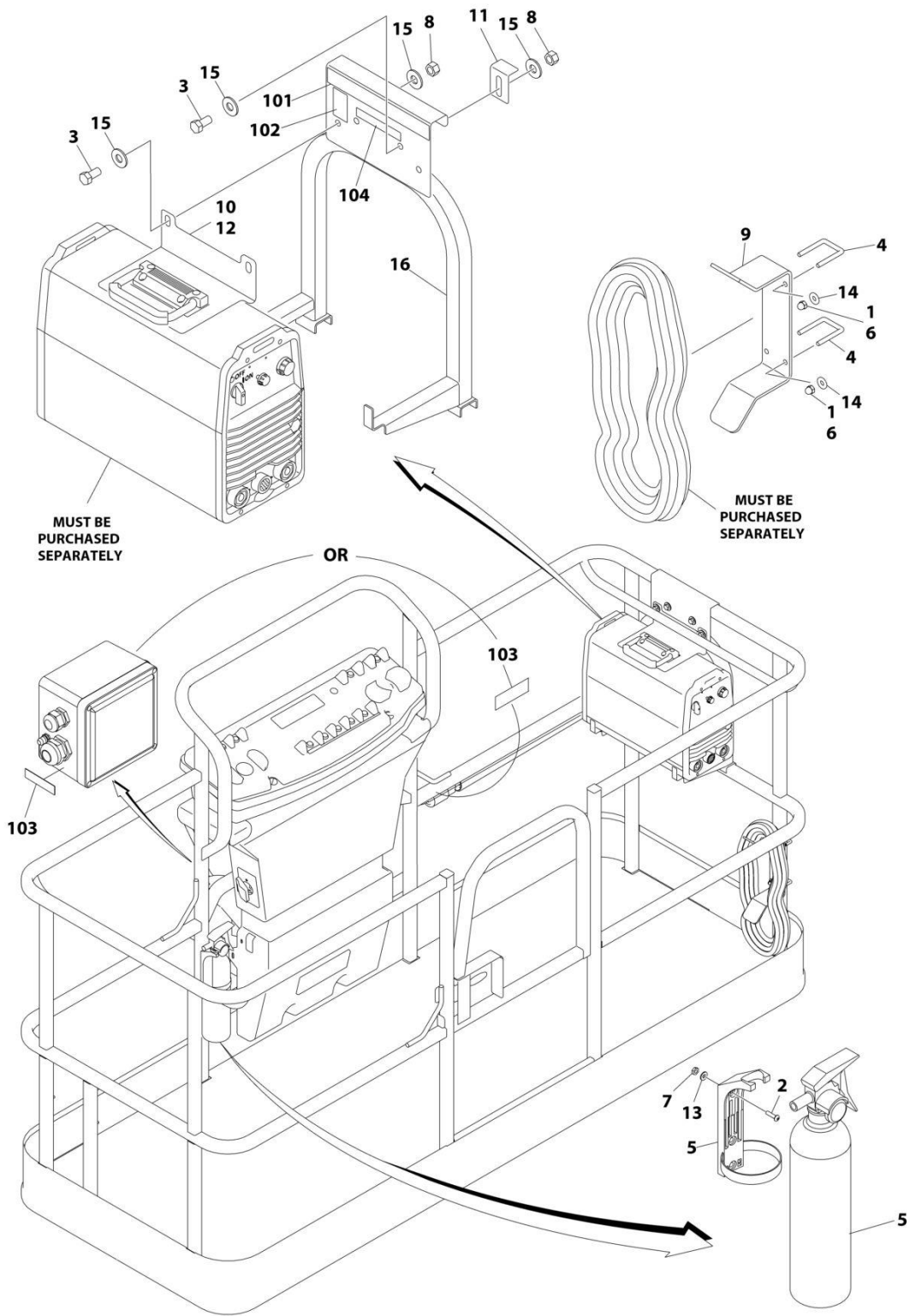
## SECTION 5 - PLATFORM

### FIGURE 5-42. WELDER ASSEMBLY

| ITEM | PART NUMBER | QTY | DESCRIPTION  | REV |
|------|-------------|-----|--|-----|
|      | 4530028     | Ref | WELDER ASSEMBLY  | B   |
|      |             | Ref | Note: For Other Components, contact your Miller Welder Dealer. |     |
| 1    | 7027773     | 1   | Cover, Top   |     |
| 1    | 7027774     | 1   | Decal - Static Precautionary Warning                           |     |
| 2    | See Note    | NSS | Panel, LH Side (Note: Part of Item 1. Purchase Item 1)         |     |
| 3    | See Note    | NSS | Panel, RH Side (Note: Part of Item 1. Purchase Item 1)         |     |
| 4    | 7024467     | 1   | Cable, Power   |     |
| 4    | 7027775     | 1   | Decal - Electrical Shock Warning (Not Shown)                   |     |
| 5    | 7027776     | 1   | Handle, Carrying   |     |
| 101  | 7024462     | 1   | Panel, Front   |     |
| 102  | 7024463     | 1   | Panel, Console   |     |
| 103  | 7024469     | 1   | Switch with Lead   |     |
| 104  | 7024470     | 1   | Knob   |     |
| 105  | 7024471     | 1   | Knob   |     |
| 106  | 7024472     | 1   | Receptacle with Leads and Plugs                                |     |
| 107  | 7024473     | 2   | Receptacle, Twistlock Female                                   |     |
| 108  | 7024474     | 2   | Insulator  |     |
| 109  | 7024475     | 2   | O-Ring   |     |
| 110  | 7027777     | 1   | Nameplate  |     |
| 111  | 7027779     | 1   | Circuit Card Assembly (Process Control)                        |     |
| 112  | 7024478     | 2   | Nut  |     |
| 113  | 7027778     | 1   | Circuit Card Assembly (Operator Interface)                     |     |
| 201  | 7024462     | 1   | Panel, Rear  |     |
| 202  | 7027780     | 1   | Panel, Cover   |     |

# SECTION 5 - PLATFORM

## FIGURE 5-43. SKYWELDER PREP PACKAGE (60HZ)



ART\_1001128527\_B

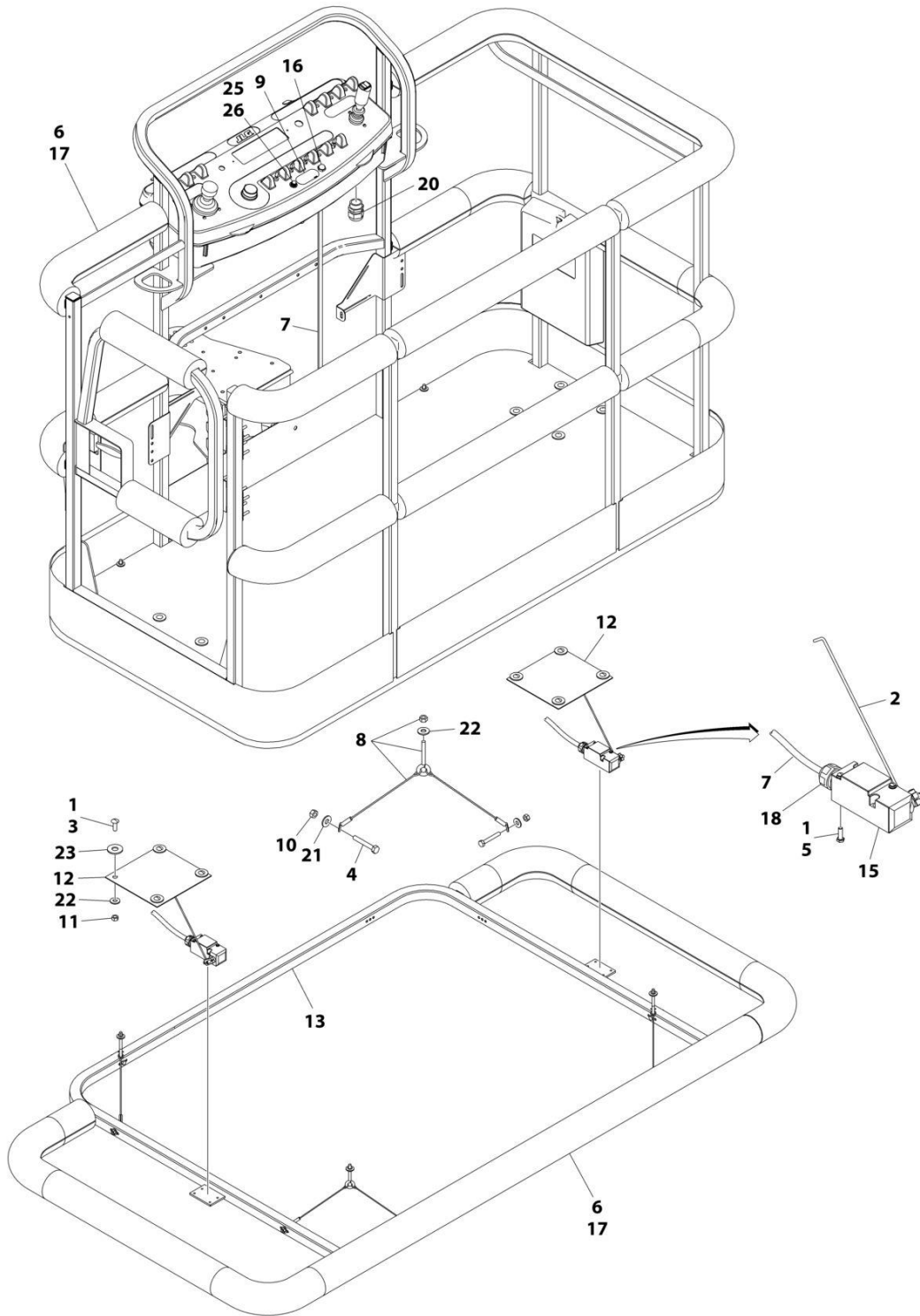
## SECTION 5 - PLATFORM

**FIGURE 5-43. SKYWELDER PREP PACKAGE (60HZ)**

| ITEM | PART NUMBER | QTY | DESCRIPTION                   | REV |
|------|-------------|-----|-------------------------------|-----|
|      | 1001128527  | Ref | SKYWELDER PREP PACKAGE        | B   |
| 1    | 0100011     | AR  | Compound, Locking             |     |
| 2    | 0630518     | 2   | Screw #10 x 3/4               |     |
| 3    | 0641606     | 4   | Bolt 3/8 x 3/4                |     |
| 4    | 1320302     | 2   | U-Clamp                       |     |
| 5    | 2030010     | 1   | Extinguisher, Fire            |     |
| 6    | 3300151     | 4   | Nut 1/4                       |     |
| 7    | 3311005     | 2   | Nut #10                       |     |
| 8    | 3311605     | 4   | Nut 3/8                       |     |
| 9    | 3573400     | 1   | Bracket                       |     |
| 10   | 3573642     | 1   | Plate                         |     |
| 11   | 3577121     | 2   | Angle                         |     |
| 12   | 4420037     | AR  | Tape                          |     |
| 13   | 4751000     | 2   | Washer #10                    |     |
| 14   | 4751400     | 4   | Washer 1/4                    |     |
| 15   | 4751600     | 8   | Washer 3/8                    |     |
| 16   | 4846627     | 1   | Support                       |     |
|      | 1001128556  | Ref | SKYWELDER DECAL INSTALLATION  | C   |
| 101  | 1702868     | 1   | Decal - No Hands              |     |
| 102  | 1705305     | 1   | Decal - Weld Lead             |     |
| 103  | 1705375     | 1   | Decal - 240V - 3 Phase - 60Hz |     |
| 104  | 1001228988  | 1   | Decal - Weight                |     |

# SECTION 5 - PLATFORM

## FIGURE 5-44. SOFT TOUCH SYSTEM INSTALLATION - 6FT/1.83M PLATFORM



ART\_0273824



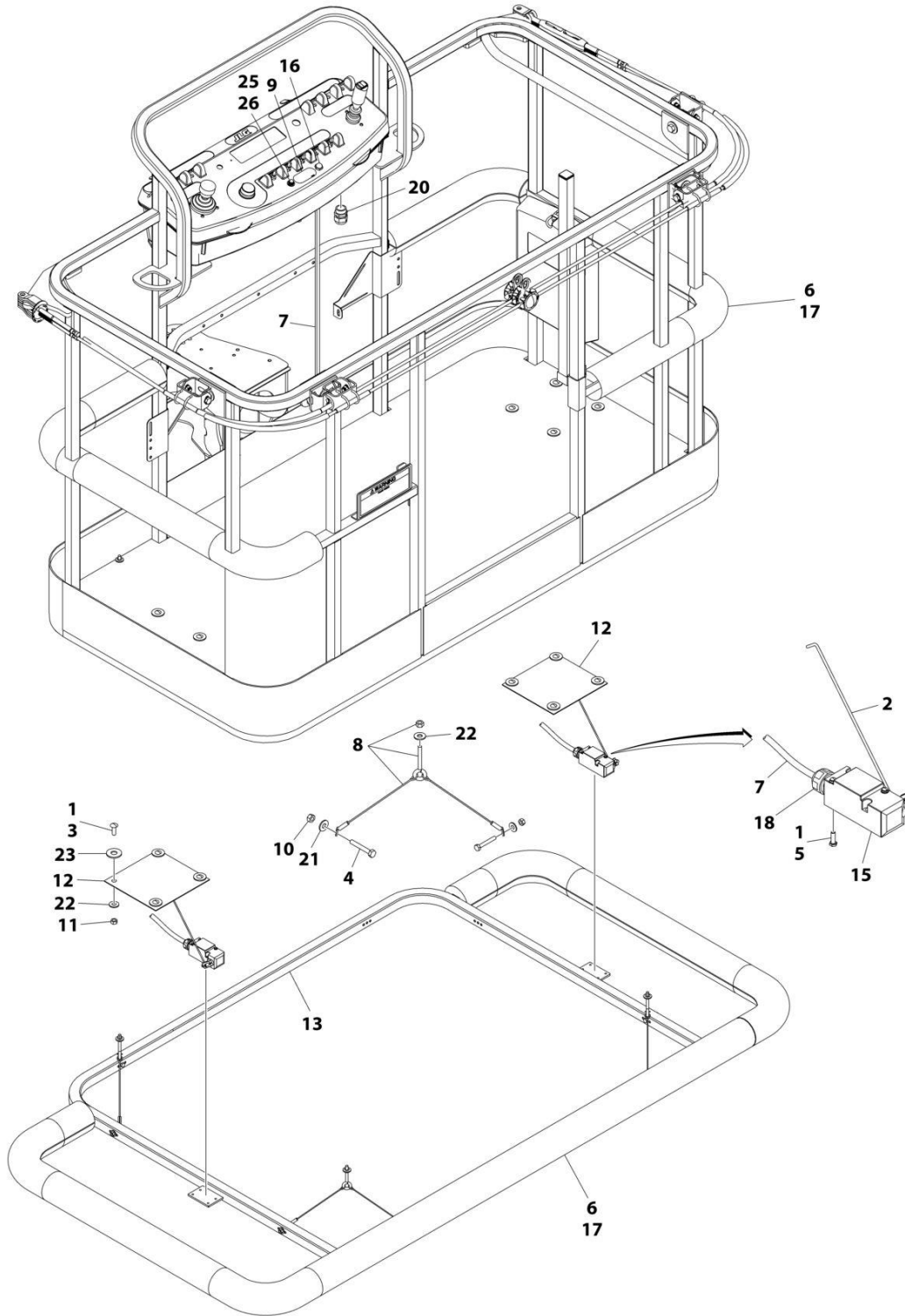
## SECTION 5 - PLATFORM

**FIGURE 5-44. SOFT TOUCH SYSTEM INSTALLATION - 6FT/1.83M PLATFORM**

| ITEM | PART NUMBER | QTY      | DESCRIPTION   | REV |
|------|-------------|----------|---|-----|
|      | 0273824     | Ref      | SOFT TOUCH SYSTEM INSTALLATION  | D   |
| 1    | 0100011     | AR       | Compound, Locking   |     |
| 2    | 0200048     | 2        | Arm, Switch   |     |
| 3    | 0630462     | 8        | Bolt  |     |
| 4    | 0641414     | 8        | Bolt 1/4 x 1-3/4  |     |
| 5    | 0731005     | 4        | Bolt #10 x 5/8  |     |
| 6    | 0940134     | 1        | Bumper Kit (Includes Corners and Enough Straight Material for One Platform) |     |
| 6    | 0940092     | AR       | Bumper (Corner)   |     |
| 6    | 0940094     | AR       | Bumper (12ft Length)  |     |
| 7    | 1060341     | 23 ft/7m | Cable, Soft Touch - 16/2  |     |
| 8    | 1060903     | 4        | Wire Rope and Eyebolt Assembly  |     |
| 9    | 1702938     | 1        | Decal - Soft Touch Override   |     |
| 10   | 3311401     | 8        | Nut 1/4   |     |
| 11   | 3311501     | 8        | Nut 5/16  |     |
| 12   | 3575359     | 2        | Plate, Switch Strike  |     |
| 13   | 3641569     | 1        | Rail, Soft Touch  |     |
| 14   | 4240099     | 7        | Tie-Strap (Not Shown)   |     |
| 15   | 4360057     | 2        | Switch, Limit   |     |
| 16   | 4360387     | 1        | Switch, Push Button   |     |
| 17   | 4420068     | AR       | Tape, Adhesive  |     |
| 17   | 1001197017  | AR       | Tie-Strap   |     |
| 18   | 4460049     | 2        | Connector, Strain Relief  |     |
| 19   | 4460234     | 7        | Tie-Strap (Not Shown)   |     |
| 20   | 4460425     | 1        | Connector, Strain Relief  |     |
| 21   | 4751400     | 8        | Washer 1/4  |     |
| 22   | 4751500     | 12       | Washer 5/16   |     |
| 23   | 4751800     | 8        | Washer 1/2  |     |
| 24   | 4933218     | 1        | Wiring Diagram (Not Shown - Reference Only)                                 |     |
| 25   | 2920028     | 1        | Light, Indicator  |     |
| 26   | 2920029     | 1        | Bulb, Light   |     |

# SECTION 5 - PLATFORM

## FIGURE 5-45. SOFT TOUCH SYSTEM INSTALLATION - 6FT/1.83M FALL ARREST PLATFORM



ART\_1001108256

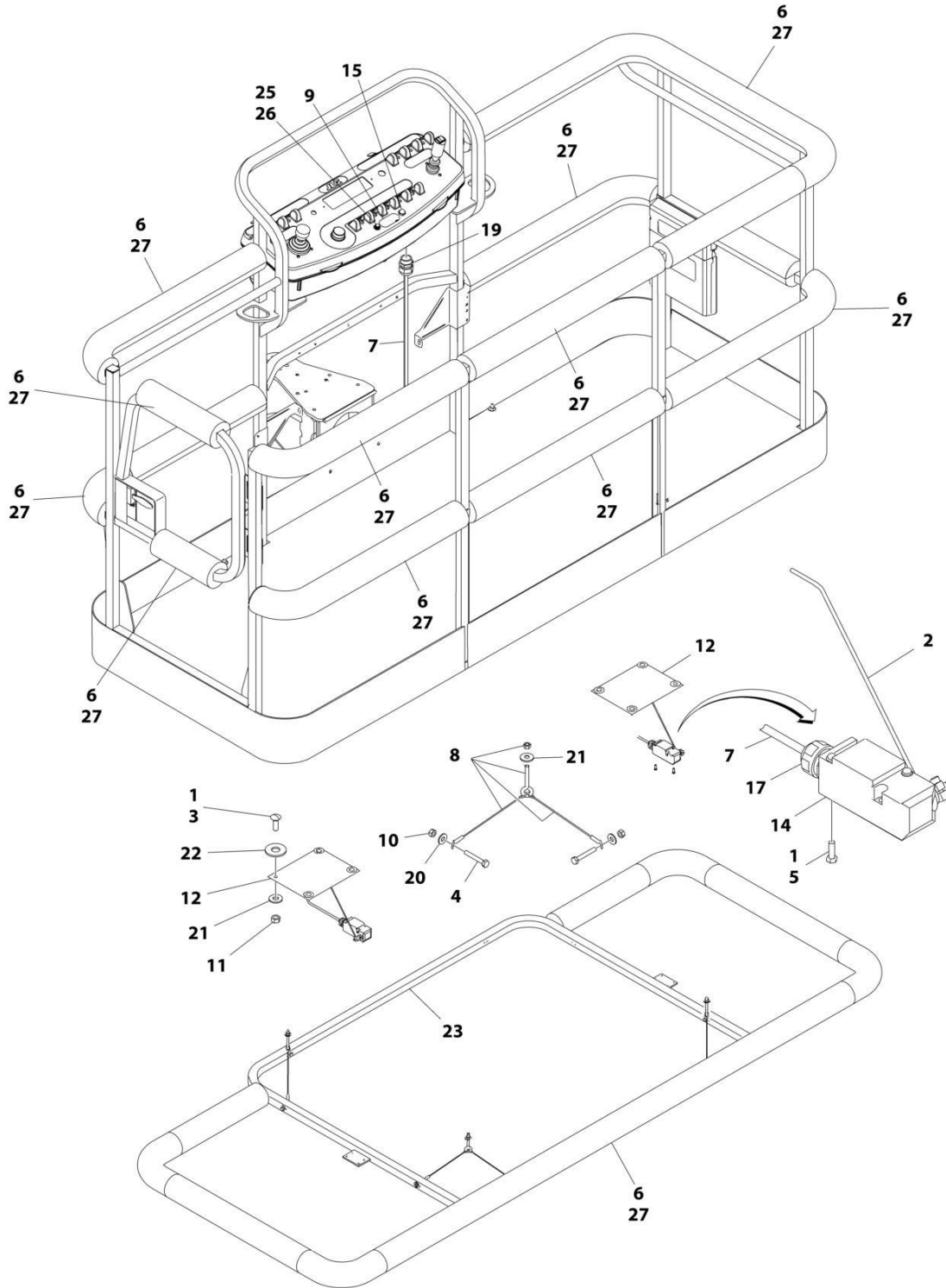
## SECTION 5 - PLATFORM

**FIGURE 5-45. SOFT TOUCH SYSTEM INSTALLATION - 6FT/1.83M FALL ARREST PLATFORM**

| ITEM | PART NUMBER | QTY      | DESCRIPTION   | REV |
|------|-------------|----------|---|-----|
|      | 1001108256  | Ref      | SOFT TOUCH INSTALLATION   | C   |
| 1    | 0100011     | AR       | Compound, Locking   |     |
| 2    | 0200048     | 2        | Arm, Switch   |     |
| 3    | 0630462     | 8        | Bolt  |     |
| 4    | 0641414     | 8        | Bolt 1/4 x 1-3/4  |     |
| 5    | 0731005     | 4        | Bolt #10 x 5/8  |     |
| 6    | 0940177     | 1        | Bumper Kit (Includes Corners and Enough Straight Material for One Platform) |     |
| 6    | 0940092     | 8        | Bumper (Corner)   |     |
| 6    | 0940094     | AR       | Bumper (12ft Length)  |     |
| 7    | 1060341     | 23 ft/7m | Cable, Soft Touch - 16/2  |     |
| 8    | 1060903     | 4        | Wire Rope and Eyebolt Assembly  |     |
| 9    | 1702938     | 1        | Decal - Soft Touch Override   |     |
| 10   | 3311401     | 8        | Nut 1/4   |     |
| 11   | 3311501     | 8        | Nut 5/16  |     |
| 12   | 3575359     | 2        | Plate, Switch Strike  |     |
| 13   | 3641569     | 1        | Rail, Soft Touch  |     |
| 14   | 4240099     | 7        | Tie-Strap (Not Shown)   |     |
| 15   | 4360057     | 2        | Switch, Limit   |     |
| 16   | 4360387     | 1        | Switch, Push Button   |     |
| 17   | 4420068     | AR       | Tape, Adhesive  |     |
| 17   | 1001197017  | AR       | Tie-Strap   |     |
| 18   | 4460049     | 2        | Connector, Strain Relief  |     |
| 19   | 4460234     | 7        | Tie-Strap (Not Shown)   |     |
| 20   | 4460425     | 1        | Connector, Strain Relief  |     |
| 21   | 4751400     | 8        | Washer 1/4  |     |
| 22   | 4751500     | 9        | Washer 5/16   |     |
| 23   | 4751800     | 8        | Washer 1/2  |     |
| 25   | 2920028     | 1        | Light, Indicator  |     |
| 26   | 2920029     | 1        | Bulb, Light   |     |

# SECTION 5 - PLATFORM

## FIGURE 5-46. SOFT TOUCH SYSTEM INSTALLATION - 8FT/2.44M PLATFORM



ART\_0272427\_G

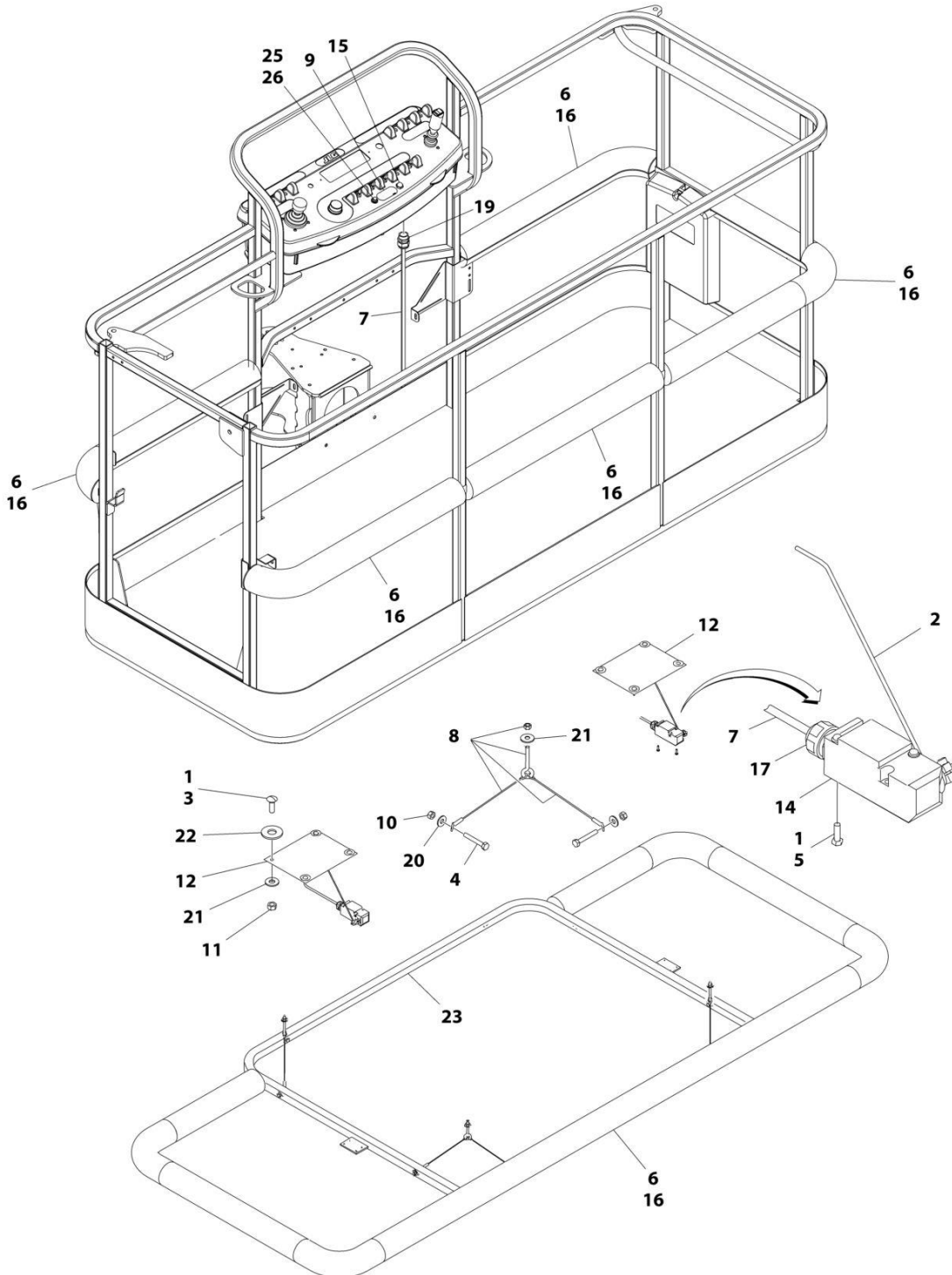
## SECTION 5 - PLATFORM

**FIGURE 5-46. SOFT TOUCH SYSTEM INSTALLATION - 8FT/2.44M PLATFORM**

| ITEM | PART NUMBER | QTY      | DESCRIPTION   | REV |
|------|-------------|----------|---|-----|
|      | 0272427     | Ref      | SOFT TOUCH INSTALLATION - 36IN X 8FT (91.5CM X 2.44M) PLATFORM (OPTIONAL)   | G   |
| 1    | 0100011     | AR       | Compound, Locking   |     |
| 2    | 0200048     | 2        | Arm, Switch   |     |
| 3    | 0630462     | 8        | Bolt  |     |
| 4    | 0641414     | 8        | Bolt 1/4 x 1-3/4  |     |
| 5    | 0721005     | 4        | Bolt #10 x 5/8  |     |
| 6    | 0940103     | 1        | Bumper Kit (Includes Corners and Enough Straight Material for One Platform) |     |
| 6    | 0940092     | 12       | Bumper (Corner)   |     |
| 6    | 0940094     | AR       | Bumper (12ft Length)  |     |
| 7    | 1060341     | 23 ft/7m | Cable, Soft Touch - 16/2  |     |
| 8    | 1060903     | 4        | Wire Rope and Eyebolt Assembly  |     |
| 9    | 1702938     | 1        | Decal - Soft Touch Override   |     |
| 10   | 3311401     | 8        | Nut 1/4   |     |
| 11   | 3311501     | 8        | Nut 5/16  |     |
| 12   | 3574091     | 2        | Plate, Switch Strike  |     |
| 13   | 4240099     | 7        | Tie-Strap (Not Shown)   |     |
| 14   | 4360057     | 2        | Switch, Limit   |     |
| 15   | 4360387     | 1        | Switch, Push Button   |     |
| 16   | 4420068     | AR       | Tape, Adhesive  |     |
| 16   | 1001197017  | AR       | Tie-Strap   |     |
| 17   | 4460049     | 2        | Connector, Strain Relief  |     |
| 18   | 4460234     | 7        | Tie-Strap (Not Shown)   |     |
| 19   | 4460425     | 1        | Connector, Strain Relief  |     |
| 20   | 4751400     | 8        | Washer 1/4  |     |
| 21   | 4751500     | 12       | Washer 5/16   |     |
| 22   | 4751800     | 8        | Washer 1/2  |     |
| 23   | 4846673     | 1        | Rail, Soft Touch  |     |
| 24   | 4933218     | 1        | Soft Touch Wiring Diagram (Not Shown - Reference Only)                      |     |
| 25   | 2920028     | 1        | Light, Indicator  |     |
| 26   | 2920029     | 1        | Bulb, Light   |     |

# SECTION 5 - PLATFORM

## FIGURE 5-47. SOFT TOUCH SYSTEM INSTALLATION - 8FT/2.44M FALL ARREST PLATFORM



ART\_0273706

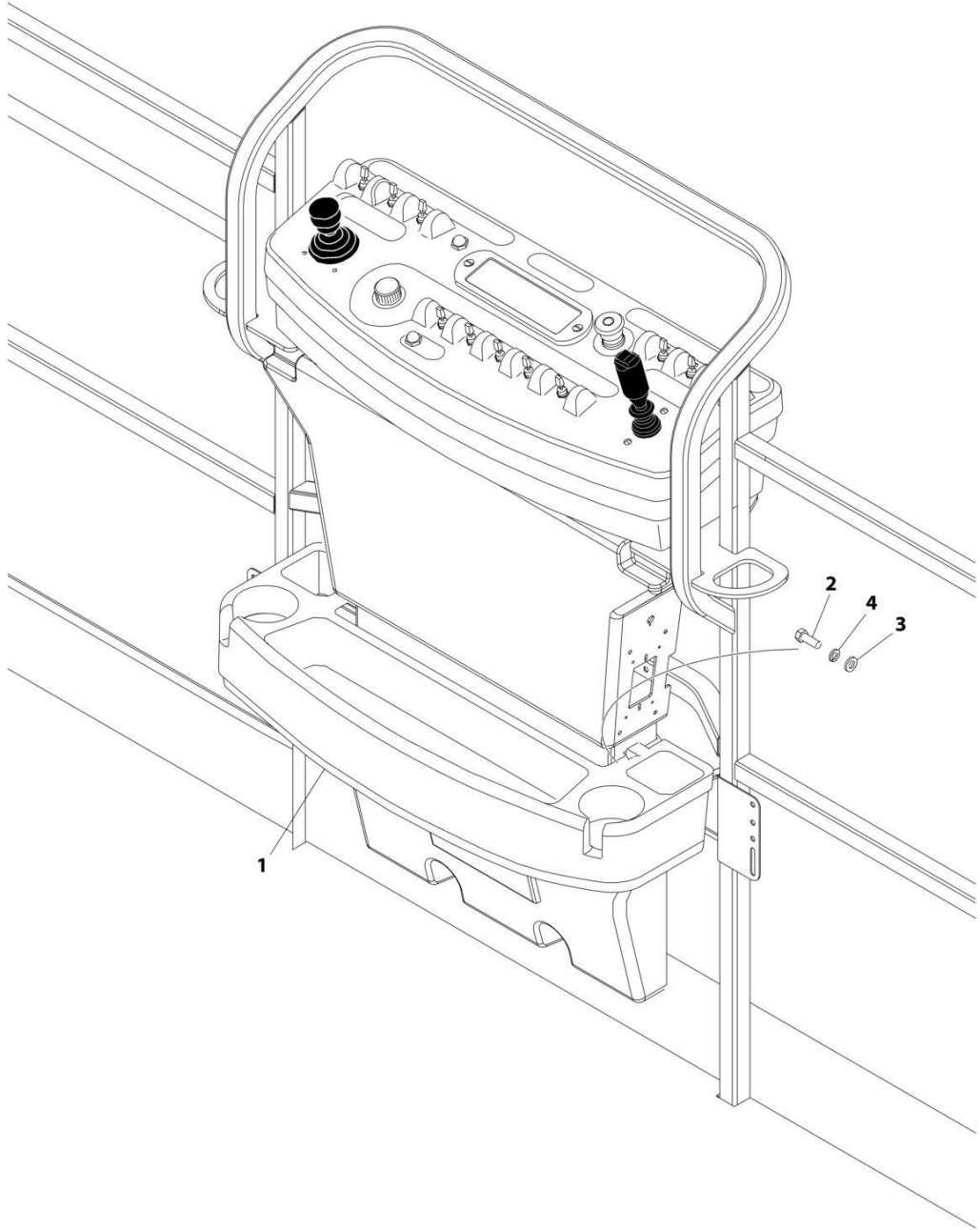
## SECTION 5 - PLATFORM

**FIGURE 5-47. SOFT TOUCH SYSTEM INSTALLATION - 8FT/2.44M FALL ARREST PLATFORM**

| ITEM | PART NUMBER | QTY      | DESCRIPTION   | REV |
|------|-------------|----------|---|-----|
|      | 0273706     | Ref      | SOFT TOUCH INSTALLATION   | D   |
| 1    | 0100011     | AR       | Compound, Locking   |     |
| 2    | 0200048     | 2        | Arm, Switch   |     |
| 3    | 0630462     | 8        | Bolt  |     |
| 4    | 0641414     | 8        | Bolt 1/4 x 1-3/4  |     |
| 5    | 0721005     | 4        | Bolt #10 x 5/8  |     |
| 6    | 0940133     | 1        | Bumper Kit (Includes Corners and Enough Straight Material for One Platform) |     |
| 6    | 0940092     | 8        | Bumper (Corner)   |     |
| 6    | 0940094     | AR       | Bumper (12ft Length)  |     |
| 7    | 1060341     | 23 ft/7m | Cable, Soft Touch - 16/2  |     |
| 8    | 1060903     | 4        | Wire Rope and Eyebolt Assembly  |     |
| 9    | 1702938     | 1        | Decal - Soft Touch Override   |     |
| 10   | 3311401     | 8        | Nut 1/4   |     |
| 11   | 3311501     | 8        | Nut 5/16  |     |
| 12   | 3574091     | 2        | Plate, Switch Strike  |     |
| 13   | 4240099     | 7        | Tie-Strap (Not Shown)   |     |
| 14   | 4360057     | 2        | Switch, Limit   |     |
| 15   | 4360387     | 1        | Switch, Push Button   |     |
| 16   | 4420068     | AR       | Tape, Adhesive  |     |
| 16   | 1001197017  | AR       | Tie-Strap   |     |
| 17   | 4460049     | 2        | Connector, Strain Relief  |     |
| 18   | 4460234     | 7        | Tie-Strap (Not Shown)   |     |
| 19   | 4460425     | 1        | Connector, Strain Relief  |     |
| 20   | 4751400     | 8        | Washer 1/4  |     |
| 21   | 4751500     | 12       | Washer 5/16   |     |
| 22   | 4751800     | 8        | Washer 1/2  |     |
| 23   | 4846673     | 1        | Rail, Soft Touch  |     |
| 25   | 2920028     | 1        | Light, Indicator  |     |
| 26   | 2920029     | 1        | Bulb, Light   |     |

**SECTION 5 - PLATFORM**

**FIGURE 5-48. STORAGE TRAY INSTALLATION - CENTER**



ART\_1580012



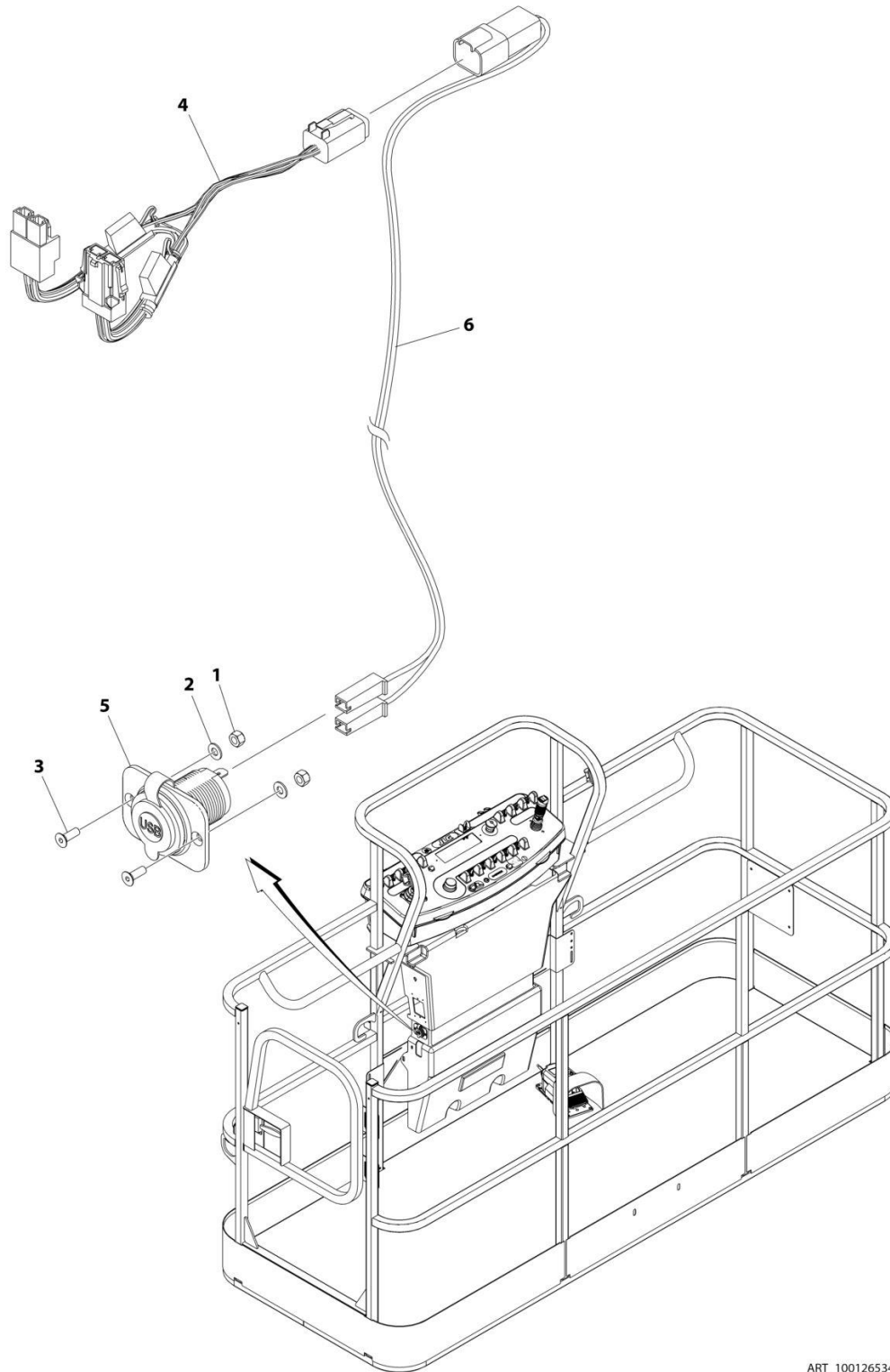
## SECTION 5 - PLATFORM

### FIGURE 5-48. STORAGE TRAY INSTALLATION - CENTER

| ITEM | PART NUMBER | QTY | DESCRIPTION   | REV |
|------|-------------|-----|---|-----|
|      | 1580012     | Ref | TRAY ASSEMBLY                                       | C   |
| 1    | See Note    | NSS | Tray, Storage (Center) (Note: Purchase p/n 1580012) |     |
| 2    | 0641406     | 2   | Bolt 1/4 x 3/4                                      |     |
| 3    | 4751400     | 2   | Washer 1/4  |     |
| 4    | 4761400     | 2   | Washer 1/4  |     |

# SECTION 5 - PLATFORM

## FIGURE 5-49. USB CHARGER INSTALLATION



ART\_1001265342

## SECTION 5 - PLATFORM

**FIGURE 5-49. USB CHARGER INSTALLATION**

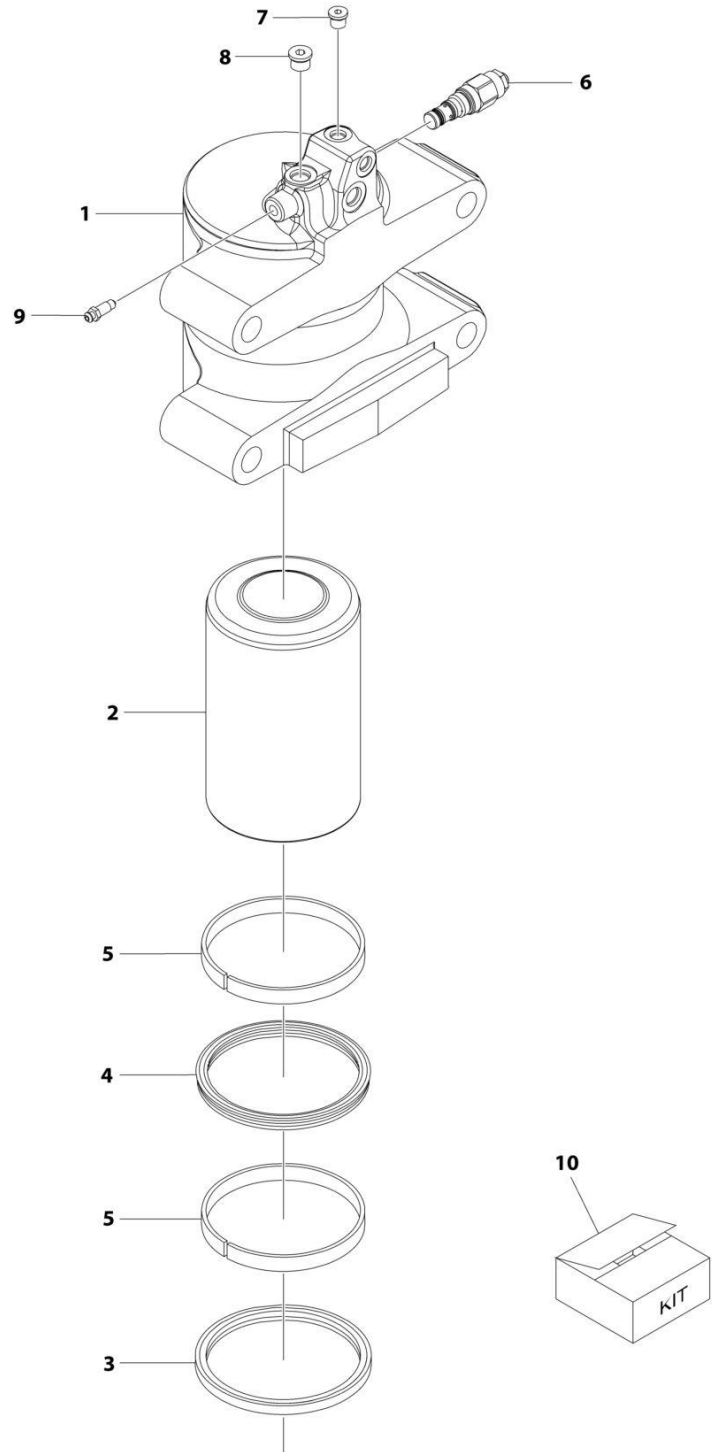
| ITEM | PART NUMBER | QTY | DESCRIPTION                      | REV |
|------|-------------|-----|----------------------------------|-----|
|      | 1001265342  | Ref | USB CHARGER INSTALLATION         | A   |
| 1    | 3290405     | 2   | Nut M4                           |     |
| 2    | 4811400     | 2   | Washer M4                        |     |
| 3    | 1001097244  | 2   | Screw M4 x 12                    |     |
| 4    | 1001120484  | 1   | Harness, Work Lights             |     |
| 4    | 4460879     | 1   | Plug, Male - 2 Position          |     |
| 4    | 4460887     | 2   | Terminal                         |     |
| 4    | 2400060     | 2   | Fuseholder Includes Cover        |     |
| 4    | 8229249     | 2   | Fuse, 3 Amp                      |     |
| 4    | 4460884     | 1   | Connector - 4 Position           |     |
| 4    | 4460465     | 4   | Socket, Female                   |     |
| 4    | 1001120471  | 1   | Connector - 2 Position           |     |
| 4    | 1001120477  | 2   | Terminal                         |     |
| 5    | 1001210636  | 1   | Receptacle, USB                  |     |
| 6    | 1001265163  | 1   | Harness, USB                     | A   |
| 6    | 4460260     | 2   | Cover, Terminal                  |     |
| 6    | 4460259     | 2   | Terminal                         |     |
| 6    | 4460932     | 1   | Receptacle, Bussbar - 4 Position |     |
| 6    | 4460464     | 2   | Pin, Male                        |     |
| 6    | 4460466     | 2   | Plug, Terminal                   |     |



**SECTION 6 - CYLINDER**

# SECTION 6 - CYLINDER

## FIGURE 6-1. AXLE LOCKOUT CYLINDER ASSEMBLY



ART\_1001204560

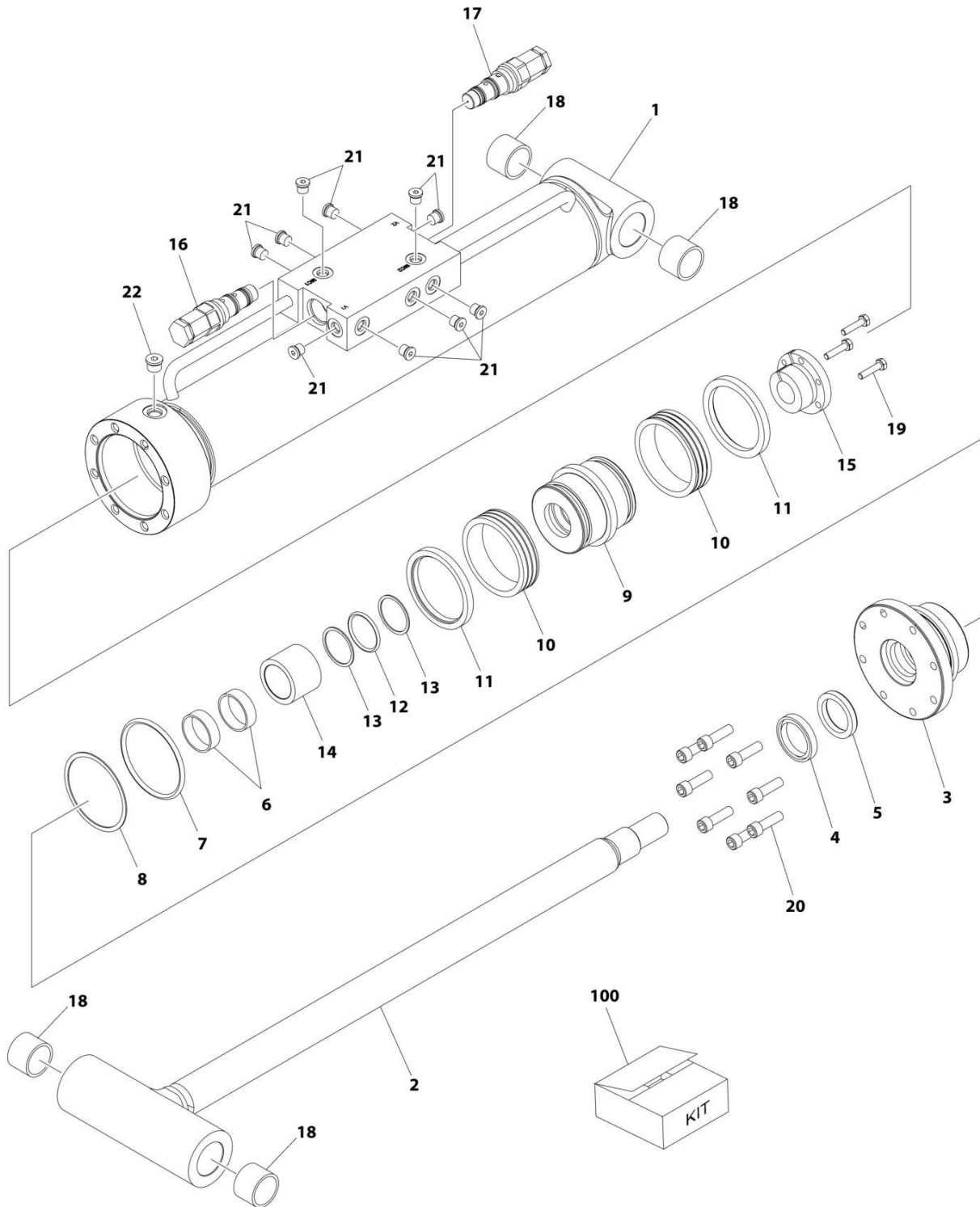
## SECTION 6 - CYLINDER

**FIGURE 6-1. AXLE LOCKOUT CYLINDER ASSEMBLY**

| ITEM | PART NUMBER | QTY | DESCRIPTION                                  | REV |
|------|-------------|-----|--|-----|
|      | 1001204560  | Ref | AXLE LOCKOUT CYLINDER ASSEMBLY               | D   |
| 1    | 1001154126  | 1   | Barrel                                       |     |
| 2    | 1001154687  | 1   | Rod  |     |
| 3    | See Note    | NSS | Wiper (Note: Use Item 10)                    |     |
| 4    | See Note    | NSS | Seal, Rod (Note: Use Item 10)                |     |
| 5    | See Note    | NSS | Ring, Wear (Note: Use Item 10)               |     |
| 6    | 1001117372  | 1   | Cartridge, Valve (Counterbalance)            |     |
| 6    | 70002842    | 1   | Seal Kit - 1001117372 Valve (1 Per Assembly) |     |
| 7    | 2220883     | 1   | Plug, O-Ring                                 |     |
| 8    | 2220885     | 1   | Plug, O-Ring                                 |     |
| 9    | 4640858     | 1   | Valve, Bleeder                               |     |
| 10   | 1001098167  | 1   | Seal Kit (Includes Items 3-5)                |     |

# SECTION 6 - CYLINDER

**FIGURE 6-2. LEVEL CYLINDER ASSEMBLY - PLATFORM SLAVE (Prior to SN 0300288879, SN 0300288881 through 0300289013, SN 0300289020 through 0300289215, SN 0300289220 through 0300291403)**



ART\_1001228030



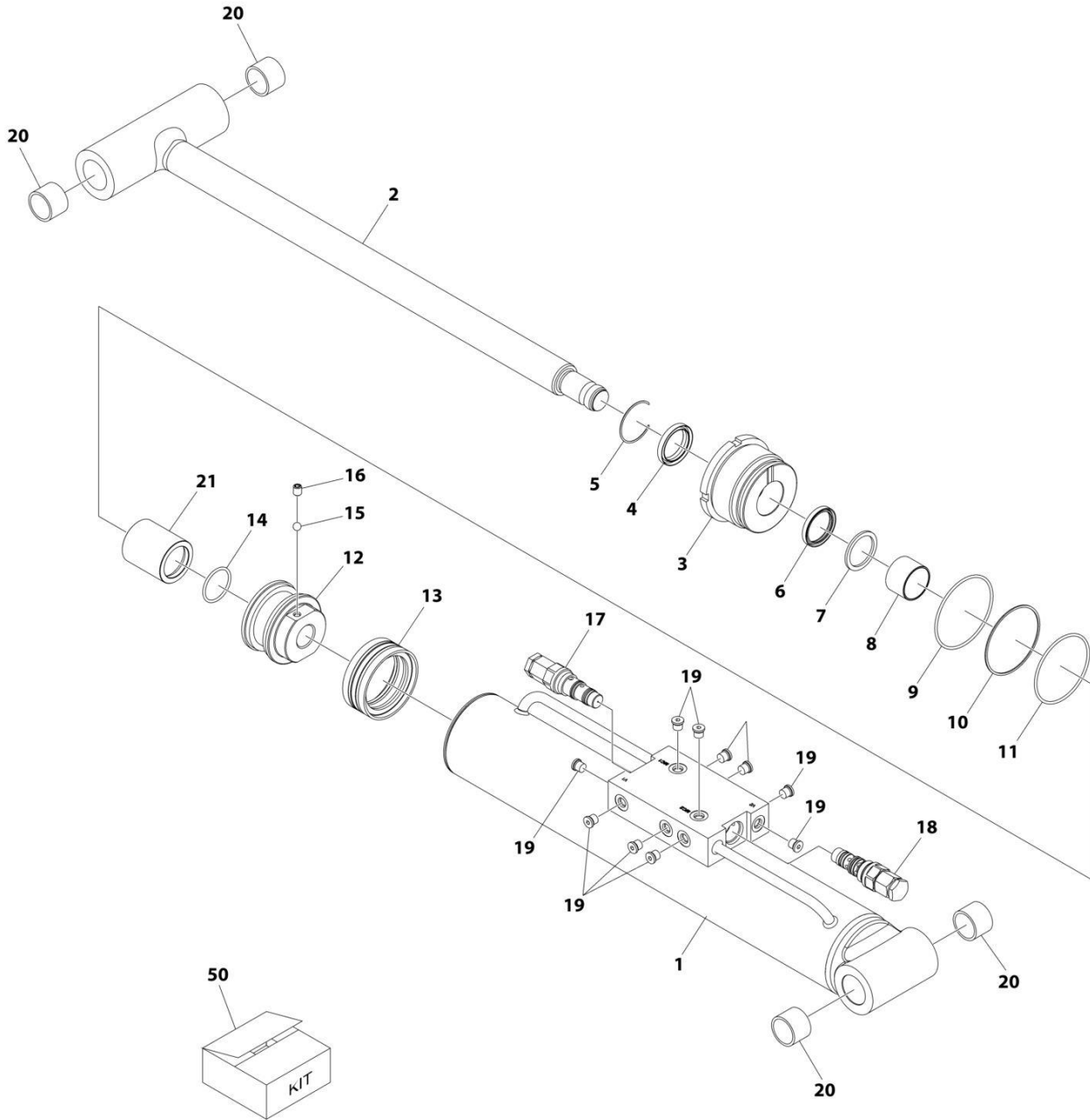
## SECTION 6 - CYLINDER

**FIGURE 6-2. LEVEL CYLINDER ASSEMBLY - PLATFORM SLAVE (Prior to SN 0300288879, SN 0300288881 through 0300289013, SN 0300289020 through 0300289215, SN 0300289220 through 0300291403)**

| ITEM | PART NUMBER | QTY | DESCRIPTION   | REV |
|------|-------------|-----|---|-----|
|      | 1001228030  | Ref | LEVEL (SLAVE) CYLINDER ASSEMBLY   | E   |
|      |             | Ref | Note: Original Cylinder may have been replaced with Service Replacement. Identify PN Stamped on Cylinder Before Ordering Parts. |     |
| 1    | See Note    | NSS | Barrel (Note: Not Available for Purchase)   |     |
| 2    | 70006642    | 1   | Rod   |     |
| 3    | 70006643    | 1   | Head  |     |
| 4    | See Note    | NSS | Wiper (Note: Use Item 100)  |     |
| 5    | See Note    | NSS | Seal (Note: Use Item 100)   |     |
| 6    | See Note    | NSS | Ring, Wear (Note: Use Item 100)   |     |
| 7    | See Note    | NSS | O-Ring (Note: Use Item 100)   |     |
| 8    | See Note    | NSS | Ring, Back-up (Note: Use Item 100)  |     |
| 9    | 70006644    | 1   | Piston  |     |
| 10   | See Note    | NSS | Seal (Note: Use Item 100)   |     |
| 11   | See Note    | NSS | Ring, Lock (Note: Use Item 100)   |     |
| 12   | See Note    | NSS | O-Ring (Note: Use Item 100)   |     |
| 13   | See Note    | NSS | Ring, Back-up (Note: Use Item 100)  |     |
| 14   | 70006645    | 1   | Spacer, Tube  |     |
| 15   | 0961894     | 1   | Bushing, Tapered  |     |
| 16   | 4640932     | 1   | Valve, Cartridge  |     |
| 16   | 7011112     | 1   | Seal Kit - 4640932 Valve  |     |
| 17   | 4640605     | 1   | Valve, Cartridge  |     |
| 17   | 2900792     | 1   | Seal Kit - 4640605 Valve  |     |
| 18   | 0961951     | 4   | Bushing   |     |
| 19   | 0630535     | 3   | Bolt  |     |
| 20   | 3931620     | 8   | Capscrew 3/8-16 x 1-1/4   |     |
| 21   | 2220883     | 10  | Plug, O-Ring  |     |
| 22   | 2220885     | 1   | Plug, O-Ring  |     |
| 100  | 1001138796  | 1   | Seal Kit (Includes Items 4-8 & 10-13)   |     |

# SECTION 6 - CYLINDER

FIGURE 6-3. LEVEL (SLAVE) CYLINDER ASSEMBLY - JIB (SN 0300289014 through 0300289019, SN 0300289216 through 0300289219, SN 0300291404 to Present, Including 0300288880)



ART\_1001251030

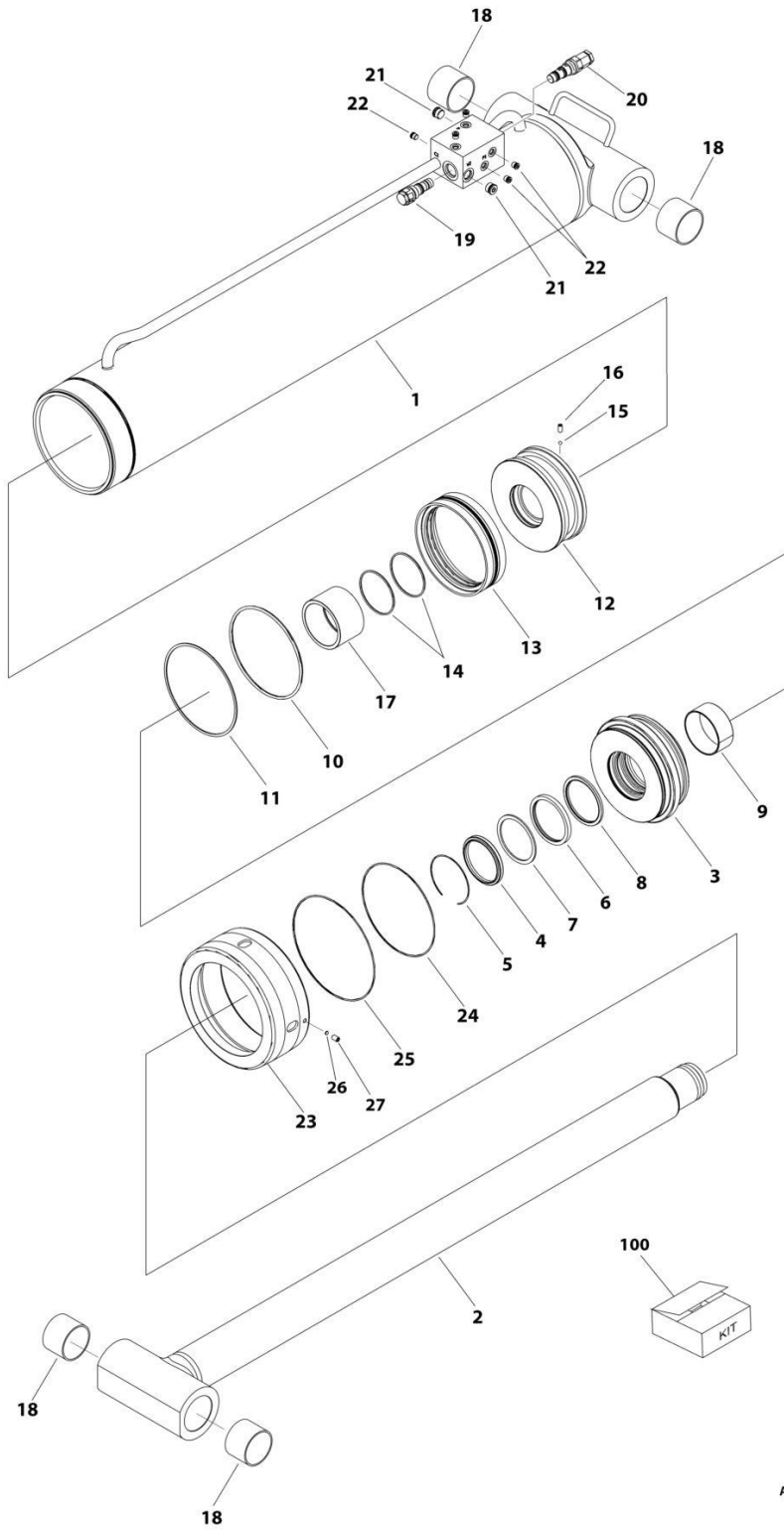
## SECTION 6 - CYLINDER

**FIGURE 6-3. LEVEL (SLAVE) CYLINDER ASSEMBLY - JIB (SN 0300289014 through 0300289019, SN 0300289216 through 0300289219, SN 0300291404 to Present, Including 0300288880)**

| ITEM | PART NUMBER | QTY | DESCRIPTION   | REV |
|------|-------------|-----|---|-----|
|      | 1001251030  | Ref | LEVEL (SLAVE) CYLINDER ASSEMBLY   | B   |
|      |             | Ref | Note: Cylinder May Have Been Replaced with Service Replacement. Identify PN Stamped Cylinder Before Ordering Parts. |     |
| 1    | See Note    | NSS | Barrel (Note: Use PN 1001251030)  |     |
| 2    | 70007966    | 1   | Rod   |     |
| 3    | 70007967    | 1   | Head  |     |
| 4    | See Note    | NSS | Wiper (Note: Use Item 50)   |     |
| 5    | 70002373    | 1   | Ring, Retaining   |     |
| 6    | See Note    | NSS | Seal, Rod (Note: Use Item 50)   |     |
| 7    | See Note    | NSS | Ring, Back-up (Note: Use Item 50)   |     |
| 8    | 70005143    | 1   | Bearing   |     |
| 9    | See Note    | NSS | O-Ring (Note: Use Item 50)  |     |
| 10   | See Note    | NSS | Ring, Back-up (Note: Use Item 50)   |     |
| 11   | See Note    | NSS | O-Ring (Note: Use Item 50)  |     |
| 12   | 70005144    | 1   | Piston  |     |
| 13   | See Note    | NSS | Seal, Piston (Note: Use Item 50)  |     |
| 14   | See Note    | NSS | O-Ring (Note: Use Item 50)  |     |
| 15   | 70022564    | 1   | Ball, Steel   |     |
| 16   | 70006596    | 1   | Setscrew M8 x 12  |     |
| 17   | 4640932     | 1   | Cartridge, Valve - Counterbalance   |     |
| 17   | 7011112     | 1   | Seal Kit - 4640932 Valve  |     |
| 18   | 4640605     | 1   | Cartridge, Valve - Counterbalance   |     |
| 18   | 2900792     | 1   | Seal Kit - 4640605 Valve  |     |
| 19   | 70023370    | 10  | Plug 7/16   |     |
| 20   | 0961951     | 4   | Bearing   |     |
| 21   | 70007968    | 1   | Spacer  |     |
| 50   | 70007969    | 1   | Seal Kit - 1001251030 Cylinder (Includes Items 4, 6, 7, 9-11, 13 & 14)  |     |

# SECTION 6 - CYLINDER

## FIGURE 6-4. LEVEL CYLINDER ASSEMBLY - UPRIGHT



ART\_1001251041

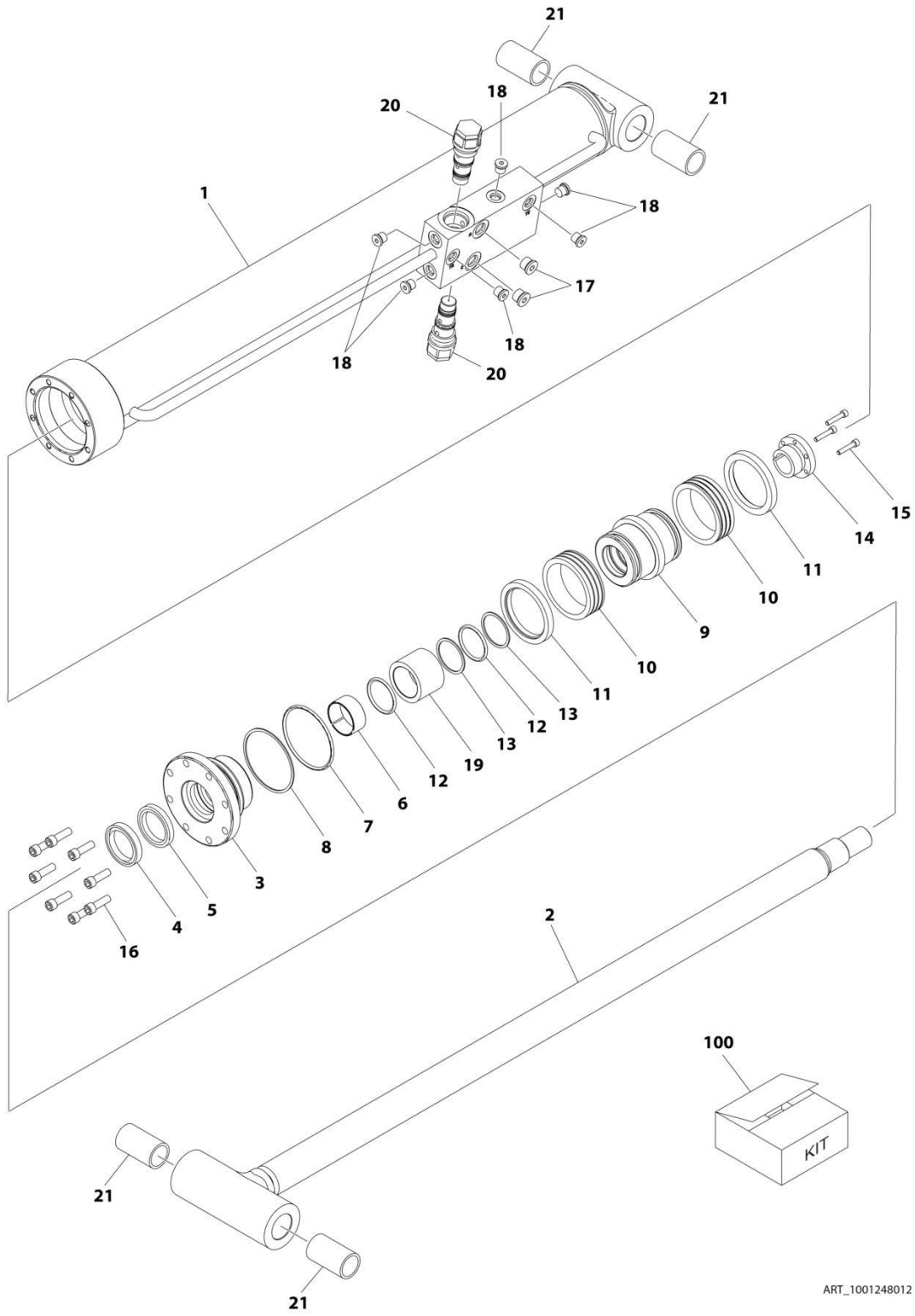
## SECTION 6 - CYLINDER

**FIGURE 6-4. LEVEL CYLINDER ASSEMBLY - UPRIGHT**

| ITEM | PART NUMBER | QTY | DESCRIPTION   | REV |
|------|-------------|-----|---|-----|
|      | 1001251041  | Ref | LIFT CYLINDER ASSEMBLY  | C   |
|      |             | Ref | Note: Original Cylinder may have been replaced with Service Replacement. Identify PN Stamped on Cylinder Before Ordering Parts. |     |
| 1    | See Note    | NSS | Barrel (Note: Not Available for Purchase)   |     |
| 2    | 70007427    | 1   | Rod   |     |
| 3    | 70007422    | 1   | Head  |     |
| 4    | See Note    | NSS | Wiper (Note: Use Item 100)  |     |
| 5    | 70023380    | 1   | Ring, Retaining   |     |
| 6    | See Note    | NSS | Seal (Note: Use Item 100)   |     |
| 7    | See Note    | NSS | Ring, Back-up (Note: Use Item 100)  |     |
| 8    | See Note    | NSS | Ring, Buffer (Note: Use Item 100)   |     |
| 9    | 70007423    | 1   | Ring, Wear  |     |
| 10   | See Note    | NSS | O-Ring (Note: Use Item 100)   |     |
| 11   | See Note    | NSS | Ring, Back-up (Note: Use Item 100)  |     |
| 12   | 70007428    | 1   | Piston  |     |
| 13   | See Note    | NSS | Seal (Note: Use Item 100)   |     |
| 14   | See Note    | NSS | O-Ring (Note: Use Item 100)   |     |
| 15   | 70022564    | 1   | Steel Ball  |     |
| 16   | 70007246    | 1   | Screw, Set  |     |
| 17   | 70007429    | 1   | Spacer  |     |
| 18   | 0962102     | 4   | Bushing   |     |
| 19   | 4640509     | 1   | Cartridge, Valve  |     |
| 19   | 2900792     | 1   | Seal Kit - 4640509 Valve  |     |
| 20   | 4640605     | 1   | Cartridge, Valve  |     |
| 20   | 2900792     | 1   | Seal Kit - 4640605 Valve  |     |
| 21   | 2220886     | 2   | Plug, O-Ring  |     |
| 22   | 2220883     | 5   | Plug, O-Ring  |     |
| 23   | 70007278    | 1   | Cap   |     |
| 24   | See Note    | 1   | O-Ring (Note: Use Item 100)   |     |
| 25   | See Note    | NSS | O-Ring (Note: Use Item 100)   |     |
| 26   | 70007282    | 1   | Insert, Locking   |     |
| 27   | 70026287    | 1   | Screw, Set  |     |
| 100  | 70007430    | 1   | Seal Kit (Includes Items 4, 6-8, 10, 11, 13, 14, 24 & 25)   |     |

# SECTION 6 - CYLINDER

## FIGURE 6-5. LIFT CYLINDER ASSEMBLY - JIB



ART\_1001248012

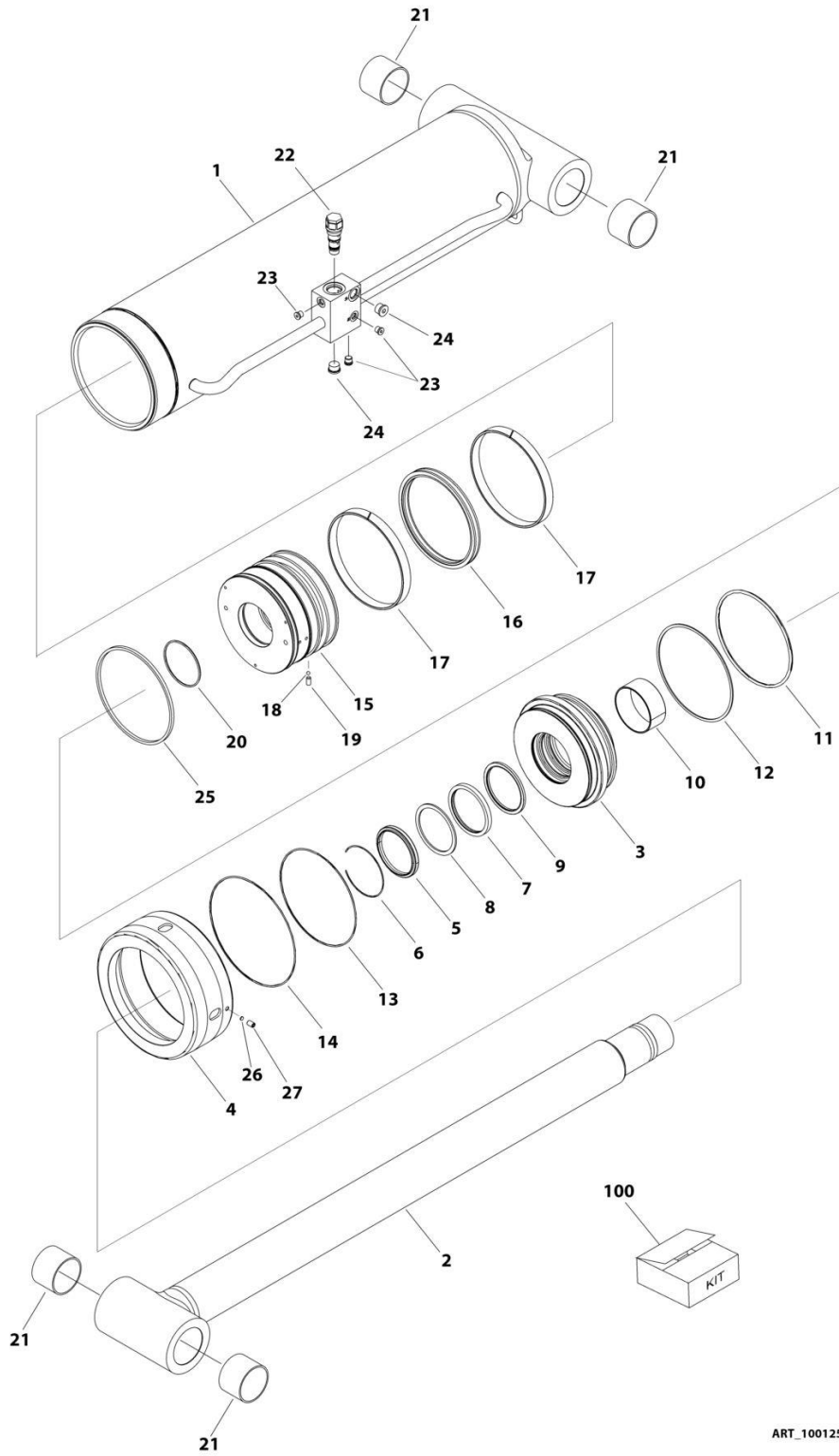
## SECTION 6 - CYLINDER

### FIGURE 6-5. LIFT CYLINDER ASSEMBLY - JIB

| ITEM | PART NUMBER | QTY | DESCRIPTION   | REV |
|------|-------------|-----|---|-----|
|      | 1001248012  | Ref | LIFT CYLINDER ASSEMBLY - JIB  | C   |
|      |             | Ref | Note: Original Cylinder May Have Been Replaced with Service Replacement. Identify PN Stamped on Cylinder Before Ordering Parts. |     |
| 1    | See Note    | NSS | Barrel (Note: Not Available for Purchase)   |     |
| 2    | 70006734    | 1   | Rod   |     |
| 3    | 70006649    | 1   | Head  |     |
| 4    | See Note    | NSS | Wiper (Note: Use Item 100)  |     |
| 5    | See Note    | NSS | Seal, Rod (Note: Use Item 100)  |     |
| 6    | See Note    | NSS | Ring, Wear (Note: Use Item 100)   |     |
| 7    | See Note    | NSS | O-Ring (Note: Use Item 100)   |     |
| 8    | See Note    | NSS | Ring, Back-up (Note: Use Item 100)  |     |
| 9    | 70006650    | 1   | Piston  |     |
| 10   | See Note    | NSS | Seal (Note: Use Item 100)   |     |
| 11   | See Note    | NSS | Ring, Lock (Note: Use Item 100)   |     |
| 12   | See Note    | NSS | O-Ring (Note: Use Item 100)   |     |
| 13   | See Note    | NSS | Ring, Back-up (Note: Use Item 100)  |     |
| 14   | 0961893     | 1   | Bushing, Tapered  |     |
| 15   | 0630534     | 3   | Capscrew, Socket Head #10 x 1   |     |
| 16   | 70006735    | 8   | Capscrew 5/16   |     |
| 17   | 2220885     | 2   | Plug, O-Ring  |     |
| 18   | 2220883     | 6   | Plug, O-Ring  |     |
| 19   | 70006736    | 1   | Spacer  |     |
| 20   | 4640509     | 2   | Cartridge, Valve  |     |
| 20   | 2900792     | 2   | Seal Kit - 4640509 Valve  |     |
| 21   | 0962336     | 4   | Bushing   |     |
| 100  | 1001138795  | 1   | Seal Kit (Includes Items 4-8 & 10-13)   |     |

# SECTION 6 - CYLINDER

## FIGURE 6-6. LIFT CYLINDER ASSEMBLY - MAIN BOOM



ART\_1001251010



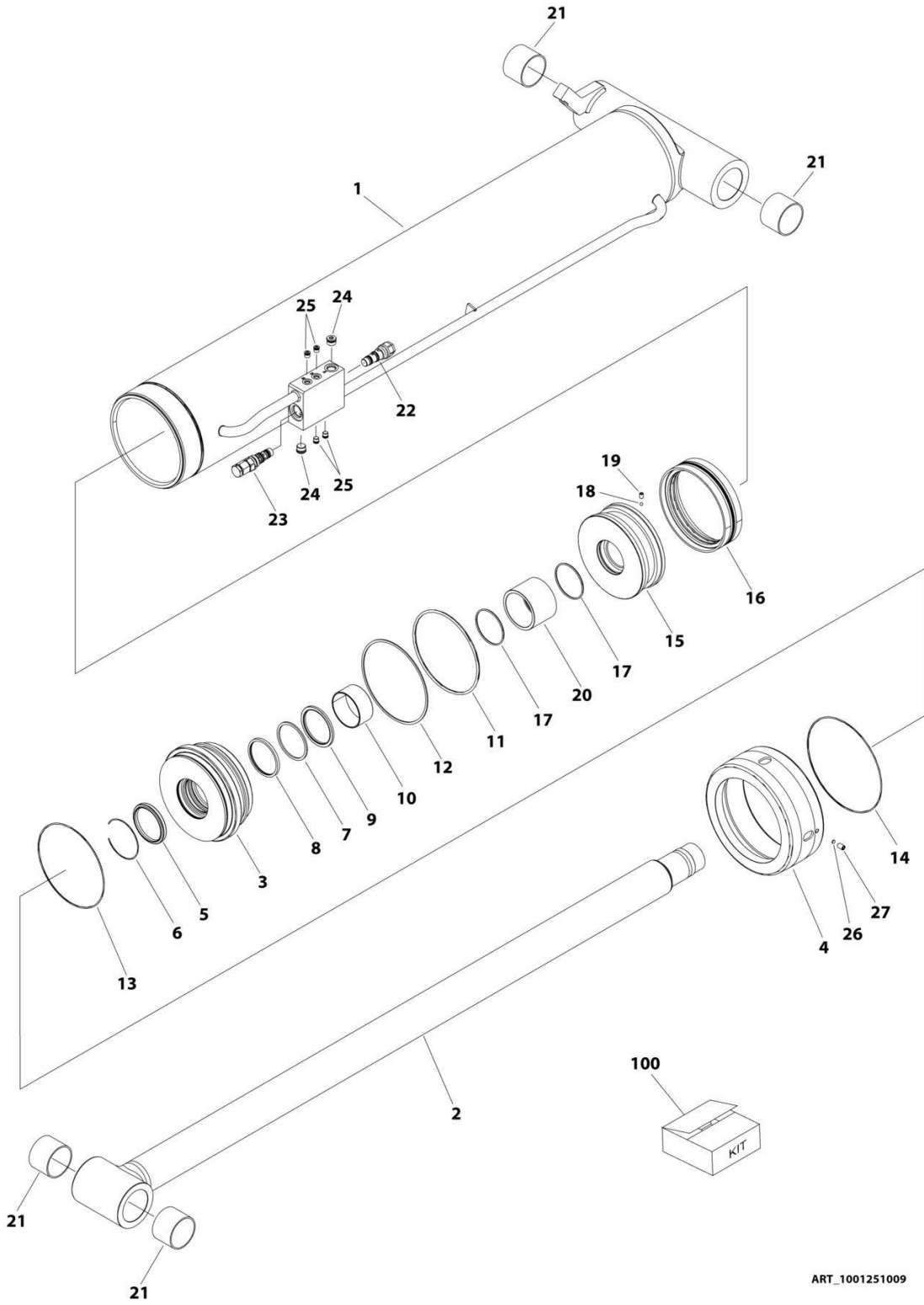
## SECTION 6 - CYLINDER

**FIGURE 6-6. LIFT CYLINDER ASSEMBLY - MAIN BOOM**

| ITEM | PART NUMBER | QTY | DESCRIPTION   | REV |
|------|-------------|-----|---|-----|
|      | 1001251010  | Ref | LIFT CYLINDER ASSEMBLY  | C   |
|      |             | Ref | Note: Original Cylinder may have been replaced with Service Replacement. Identify PN Stamped on Cylinder Before Ordering Parts. |     |
| 1    | See Note    | NSS | Barrel (Note: Not Available for Purchase)   |     |
| 2    | 70007421    | 1   | Rod   |     |
| 3    | 70007422    | 1   | Head  |     |
| 4    | 70007278    | 1   | Cap   |     |
| 5    | See Note    | NSS | Wiper (Note: Use Item 100)  |     |
| 6    | 70023380    | 1   | Ring, Retaining   |     |
| 7    | See Note    | NSS | Seal (Note: Use Item 100)   |     |
| 8    | See Note    | NSS | Ring, Back-up (Note: Use Item 100)  |     |
| 9    | See Note    | NSS | Ring, Buffer (Note: Use Item 100)   |     |
| 10   | 70007423    | 1   | Ring, Wear  |     |
| 11   | See Note    | NSS | O-Ring (Note: Use Item 100)   |     |
| 12   | See Note    | NSS | Ring, Back-up (Note: Use Item 100)  |     |
| 13   | See Note    | NSS | O-Ring (Note: Use Item 100)   |     |
| 14   | See Note    | NSS | O-Ring (Note: Use Item 100)   |     |
| 15   | 70007424    | 1   | Piston  |     |
| 16   | See Note    | NSS | Seal (Note: Use Item 100)   |     |
| 17   | See Note    | NSS | Ring, Wear (Note: Use Item 100)   |     |
| 18   | 70022564    | 1   | Steel Ball  |     |
| 19   | 70007246    | 1   | Screw, Set  |     |
| 20   | See Note    | 1   | O-Ring (Note: Use Item 100)   |     |
| 21   | 0962102     | 4   | Bushing   |     |
| 22   | 4640509     | 1   | Cartridge, Valve  |     |
| 22   | 2900792     | 1   | Seal Kit - 4640509 Valve  |     |
| 23   | 2220883     | 3   | Plug, O-Ring  |     |
| 24   | 2220886     | 2   | Plug, O-Ring  |     |
| 25   | 70007425    | 1   | Ring, Piston  |     |
| 26   | 70007282    | 1   | Insert, Locking   |     |
| 27   | 70026287    | 1   | Screw, Set  |     |
| 100  | 70007426    | 1   | Seal Kit (Includes Items 5, 7-9, 11-14, 16, 17 & 20)  |     |

# SECTION 6 - CYLINDER

## FIGURE 6-7. LIFT CYLINDER ASSEMBLY - TOWER BOOM



ART\_1001251009

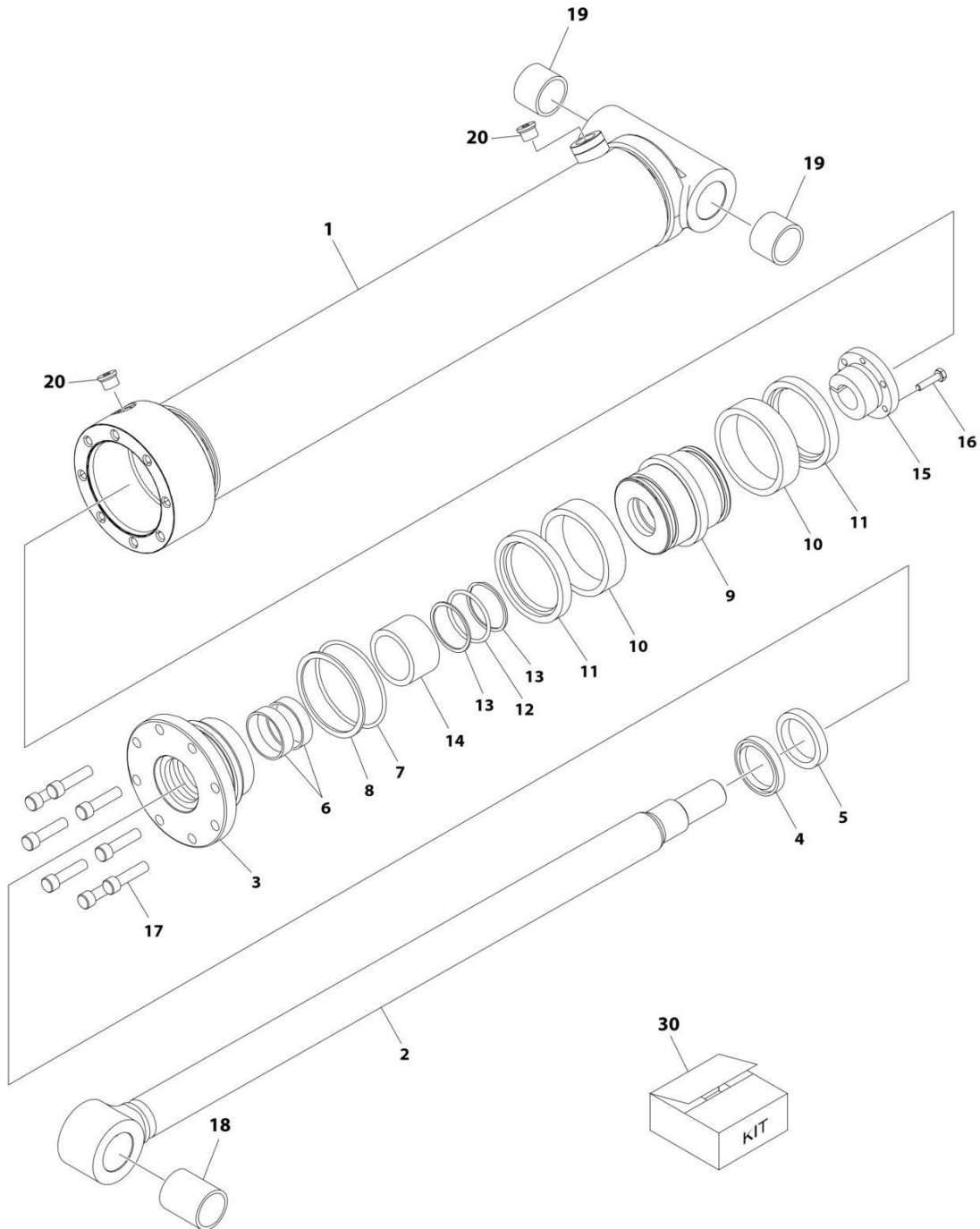
## SECTION 6 - CYLINDER

### FIGURE 6-7. LIFT CYLINDER ASSEMBLY - TOWER BOOM

| ITEM | PART NUMBER | QTY | DESCRIPTION   | REV |
|------|-------------|-----|---|-----|
|      | 1001251009  | Ref | LIFT CYLINDER ASSEMBLY  | C   |
|      |             | Ref | Note: Original Cylinder may have been replaced with Service Replacement. Identify PN Stamped on Cylinder Before Ordering Parts. |     |
| 1    | See Note    | NSS | Barrel (Note: Not Available for Purchase)   |     |
| 2    | 70007419    | 1   | Rod   |     |
| 3    | 70007277    | 1   | Head  |     |
| 4    | 70007278    | 1   | Cap   |     |
| 5    | See Note    | NSS | Wiper (Note: Use Item 100)  |     |
| 6    | 70027750    | 1   | Ring, Retaining   |     |
| 7    | See Note    | NSS | Seal (Note: Use Item 100)   |     |
| 8    | See Note    | NSS | Ring, Back-up (Note: Use Item 100)  |     |
| 9    | See Note    | NSS | Ring, Buffer (Note: Use Item 100)   |     |
| 10   | 70007279    | 1   | Ring, Wear  |     |
| 11   | See Note    | NSS | O-Ring (Note: Use Item 100)   |     |
| 12   | See Note    | NSS | Ring, Back-up (Note: Use Item 100)  |     |
| 13   | See Note    | NSS | O-Ring (Note: Use Item 100)   |     |
| 14   | See Note    | NSS | O-Ring (Note: Use Item 100)   |     |
| 15   | 70007280    | 1   | Piston  |     |
| 16   | See Note    | NSS | Seal (Note: Use Item 100)   |     |
| 17   | See Note    | NSS | O-Ring (Note: Use Item 100)   |     |
| 18   | 70022564    | 1   | Steel Ball  |     |
| 19   | 70029468    | 1   | Screw, Set  |     |
| 20   | 70007420    | 1   | Spacer  |     |
| 21   | 0962102     | 4   | Bushing   |     |
| 22   | 4640509     | 1   | Cartridge, Valve  |     |
| 22   | 2900792     | 1   | Seal Kit - 4640509 Valve  |     |
| 23   | 4640605     | 1   | Cartridge, Valve  |     |
| 23   | 2900792     | 1   | Seal Kit - 4640605 Valve  |     |
| 24   | 2220886     | 1   | Plug, O-Ring  |     |
| 25   | 2220883     | 4   | Plug, O-Ring  |     |
| 26   | 70007282    | 1   | Insert, Locking   |     |
| 27   | 70026287    | 1   | Screw, Set  |     |
| 100  | 70007283    | 1   | Seal Kit (Includes Items 5, 7-9, 11-14, 16 & 17)  |     |

# SECTION 6 - CYLINDER

**FIGURE 6-8. MASTER CYLINDER ASSEMBLY (Prior to SN 030028879, SN 030028881 through 0300289013, SN 0300289020 through 0300289215, SN 0300289220 through 0300291403)**



ART\_1001228050

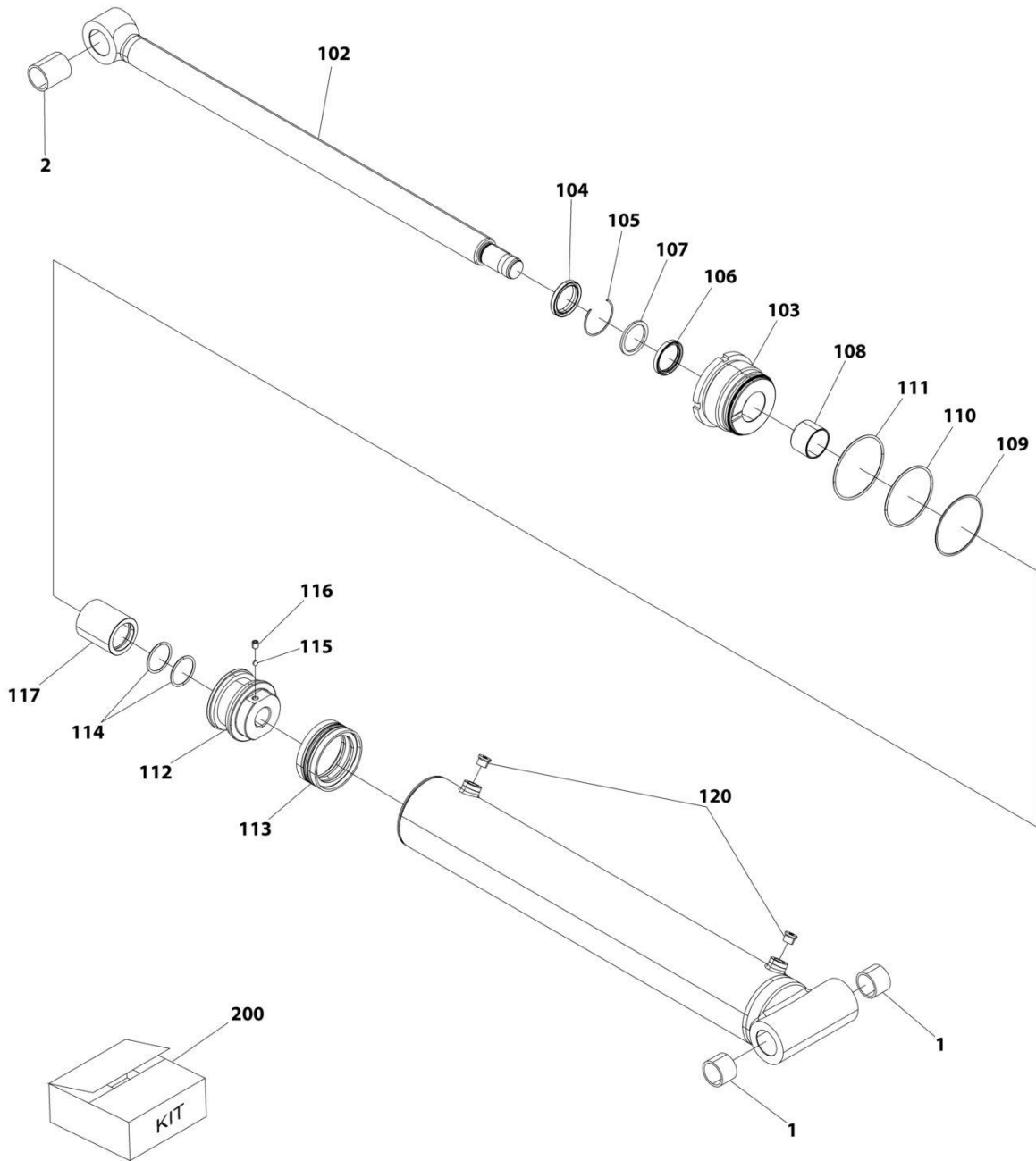
## SECTION 6 - CYLINDER

**FIGURE 6-8. MASTER CYLINDER ASSEMBLY (Prior to SN 0300288879, SN 0300288881 through 0300289013, SN 0300289020 through 0300289215, SN 0300289220 through 0300291403)**

| ITEM | PART NUMBER | QTY | DESCRIPTION   | REV |
|------|-------------|-----|---|-----|
|      | 1001228050  | Ref | MASTER CYLINDER ASSEMBLY  | C   |
|      |             | Ref | Note: Original Cylinder may have been replaced with Service Replacement. Identify PN Stamped on Cylinder Before Ordering Parts. |     |
| 1    | See Note    | NSS | Barrel (Note: Not Available for Purchase)   |     |
| 2    | 70006668    | 1   | Rod   |     |
| 3    | 70006643    | 1   | Head  |     |
| 4    | See Note    | NSS | Wiper (Note: Use Item 30)   |     |
| 5    | See Note    | NSS | Seal, Rod (Note: Use Item 30)   |     |
| 6    | See Note    | NSS | Ring, Wear (Note: Use Item 30)  |     |
| 7    | See Note    | NSS | O-Ring (Note: Use Item 30)  |     |
| 8    | See Note    | NSS | Ring, Back-up (Note: Use Item 30)   |     |
| 9    | 70006644    | 1   | Piston  |     |
| 10   | See Note    | NSS | Ring, Wear (Note: Use Item 30)  |     |
| 11   | See Note    | NSS | Ring, Lock (Note: Use Item 30)  |     |
| 12   | See Note    | NSS | O-Ring (Note: Use Item 30)  |     |
| 13   | See Note    | NSS | Ring, Back-up (Note: Use Item 30)   |     |
| 14   | 70006651    | 1   | Spacer, Tube  |     |
| 15   | 0961894     | 1   | Bushing, Tapered  |     |
| 16   | 0630535     | 3   | Capscrew 1/4 x 1-1/8  |     |
| 17   | 3931620     | 8   | Capscrew 3/8 x 1-1/4  |     |
| 18   | 0962155     | 1   | Bushing   |     |
| 19   | 0961951     | 2   | Bushing   |     |
| 20   | 2220885     | 2   | Plug, O-Ring  |     |
| 30   | 1001138796  | 1   | Seal Kit (Machines with Arctic Package) (Includes Items 4-8 & 10-13)  |     |

# SECTION 6 - CYLINDER

FIGURE 6-9. MASTER CYLINDER ASSEMBLY (SN 0300289014 through 0300289019, SN 0300289216 through 0300289219, SN 0300291404 to Present, Including 0300288880)



ART\_1001251050

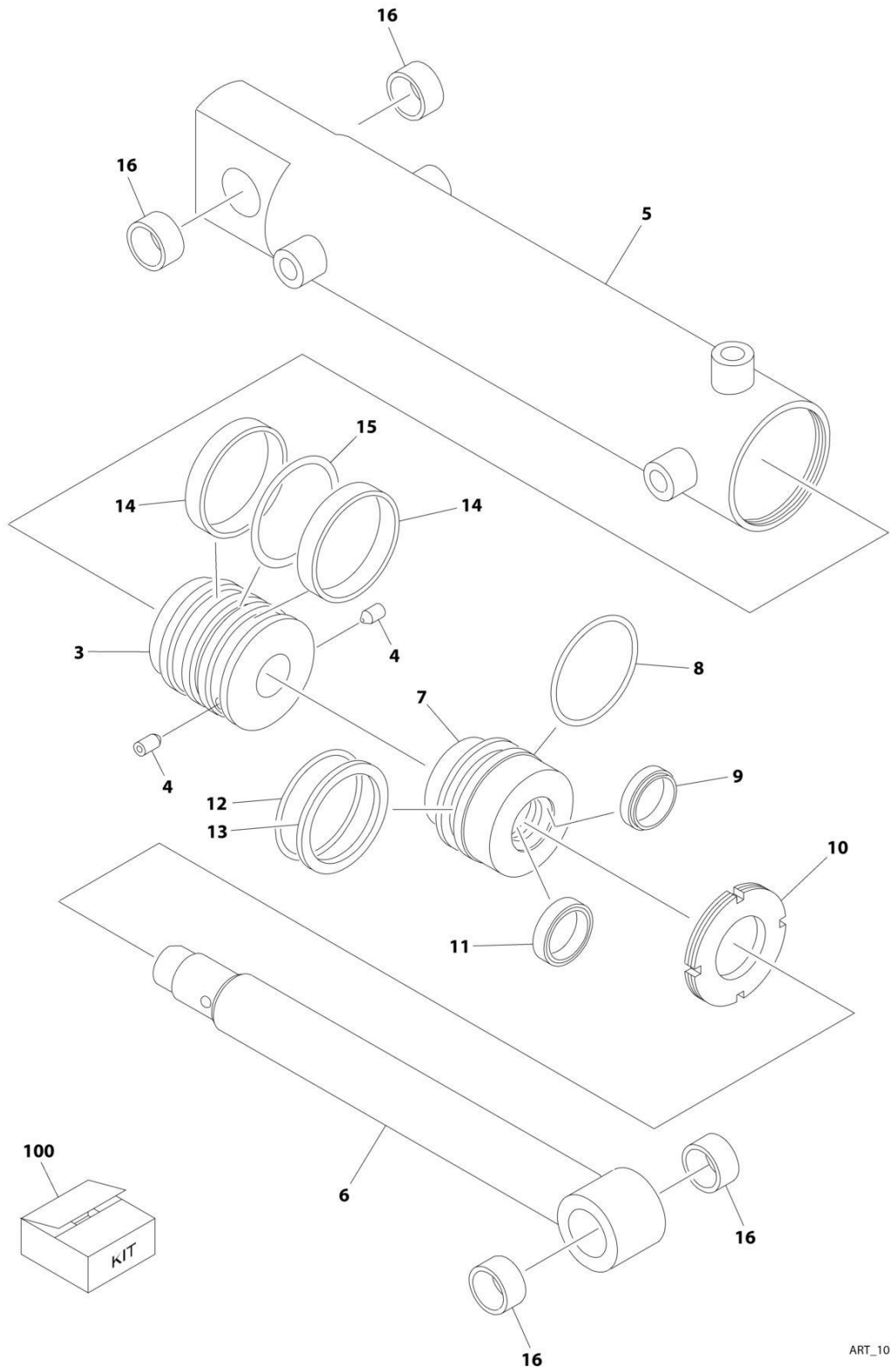
## SECTION 6 - CYLINDER

**FIGURE 6-9. MASTER CYLINDER ASSEMBLY (SN 0300289014 through 0300289019, SN 0300289216 through 0300289219, SN 0300291404 to Present, Including 0300288880)**

| ITEM | PART NUMBER | QTY | DESCRIPTION   | REV |
|------|-------------|-----|---|-----|
|      | 1001251050  | Ref | MASTER CYLINDER ASSEMBLY  | B   |
|      |             | Ref | Note: Cylinder May Have Been Replaced with Service Replacement. Identify PN Stamped Cylinder Before Ordering Parts. |     |
| 1    | 0961951     | 2   | Bushing   |     |
| 2    | 0962155     | 1   | Bushing   |     |
| 102  | 70007992    | 1   | Rod   |     |
| 103  | 70007967    | 1   | Head  |     |
| 104  | See Note    | NSS | Wiper (Note: Use Item 200)  |     |
| 105  | 70002373    | 1   | Ring, Retaining   |     |
| 106  | See Note    | NSS | Seal (Note: Use Item 200)   |     |
| 107  | See Note    | NSS | Ring (Note: Use Item 200)   |     |
| 108  | 70005143    | 1   | Bearing   |     |
| 109  | See Note    | NSS | O-Ring (Note: Use Item 200)   |     |
| 110  | See Note    | NSS | Ring (Note: Use Item 200)   |     |
| 111  | See Note    | NSS | O-Ring (Note: Use Item 200)   |     |
| 112  | 70005144    | 1   | Piston  |     |
| 113  | See Note    | NSS | Seal (Note: Use Item 200)   |     |
| 114  | See Note    | NSS | O-Ring (Note: Use Item 200)   |     |
| 115  | 70022564    | 1   | Ball, Steel   |     |
| 116  | 70006596    | 1   | Setscrew M8 x 1-1/4   |     |
| 117  | 70007968    | 1   | Spacer  |     |
| 120  | 2220885     | 2   | Plug  |     |
| 200  | 70007969    | 1   | Seal Kit (Includes 104, 106, 107, 109-111, 113 & 114)   |     |

# SECTION 6 - CYLINDER

## FIGURE 6-10. STEER CYLINDER ASSEMBLY



ART\_1001150539



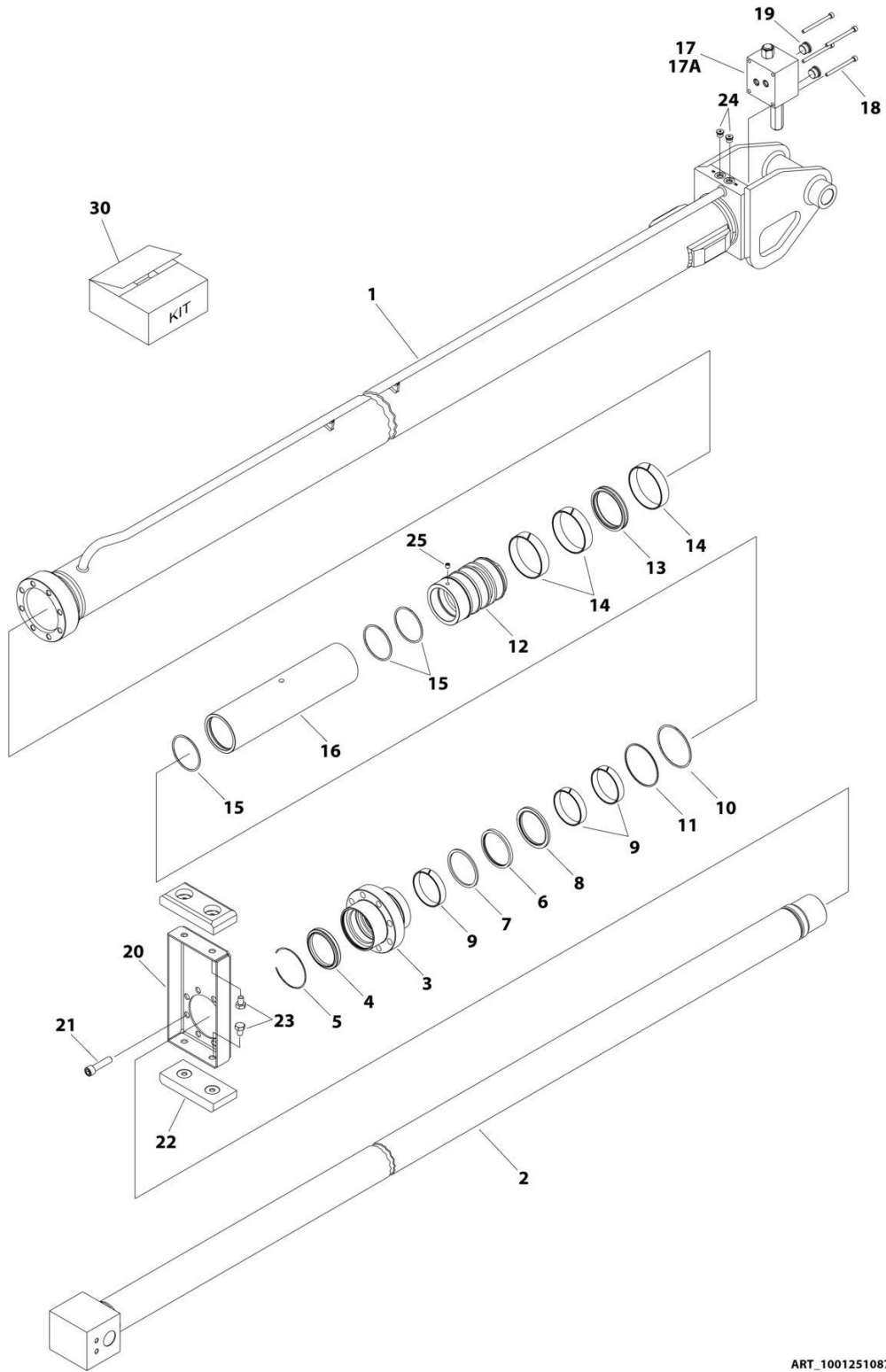
## SECTION 6 - CYLINDER

**FIGURE 6-10. STEER CYLINDER ASSEMBLY**

| ITEM | PART NUMBER | QTY | DESCRIPTION   | REV |
|------|-------------|-----|---|-----|
|      | 1001150539  | Ref | STEER CYLINDER ASSEMBLY   | F   |
|      |             | Ref | Note: Original Cylinder may have been replaced with Service Replacement. Identify PN Stamped on Cylinder Before Ordering Parts. |     |
| 3    | 70002744    | 1   | Piston  |     |
| 4    | 70002745    | 2   | Setscrew M6 x 10  |     |
| 5    | 70004381    | 1   | Barrel  |     |
| 6    | 70004382    | 1   | Rod   |     |
| 7    | 70002748    | 1   | Head  |     |
| 8    | See Note    | NSS | Ring (Note: Use Item 100)   |     |
| 9    | See Note    | NSS | Wiper (Note: Use Item 100)  |     |
| 10   | 70002749    | 1   | Nut, Spanner  |     |
| 11   | See Note    | NSS | Seal (Note: Use Item 100)   |     |
| 12   | See Note    | NSS | O-Ring (Note: Use Item 100)   |     |
| 13   | See Note    | NSS | Ring, Back-up (Note: Use Item 100)  |     |
| 14   | See Note    | NSS | Ring, Wear (Note: Use Item 100)   |     |
| 15   | See Note    | NSS | Seal (Note: Use Item 100)   |     |
| 16   | 0962152     | 4   | Bushings  |     |
| 100  | 70002751    | 1   | Seal Kit (Includes Items 8, 9 & 11-15)  |     |

# SECTION 6 - CYLINDER

## FIGURE 6-11. TELESCOPE CYLINDER ASSEMBLY - MAIN BOOM



ART\_1001251087

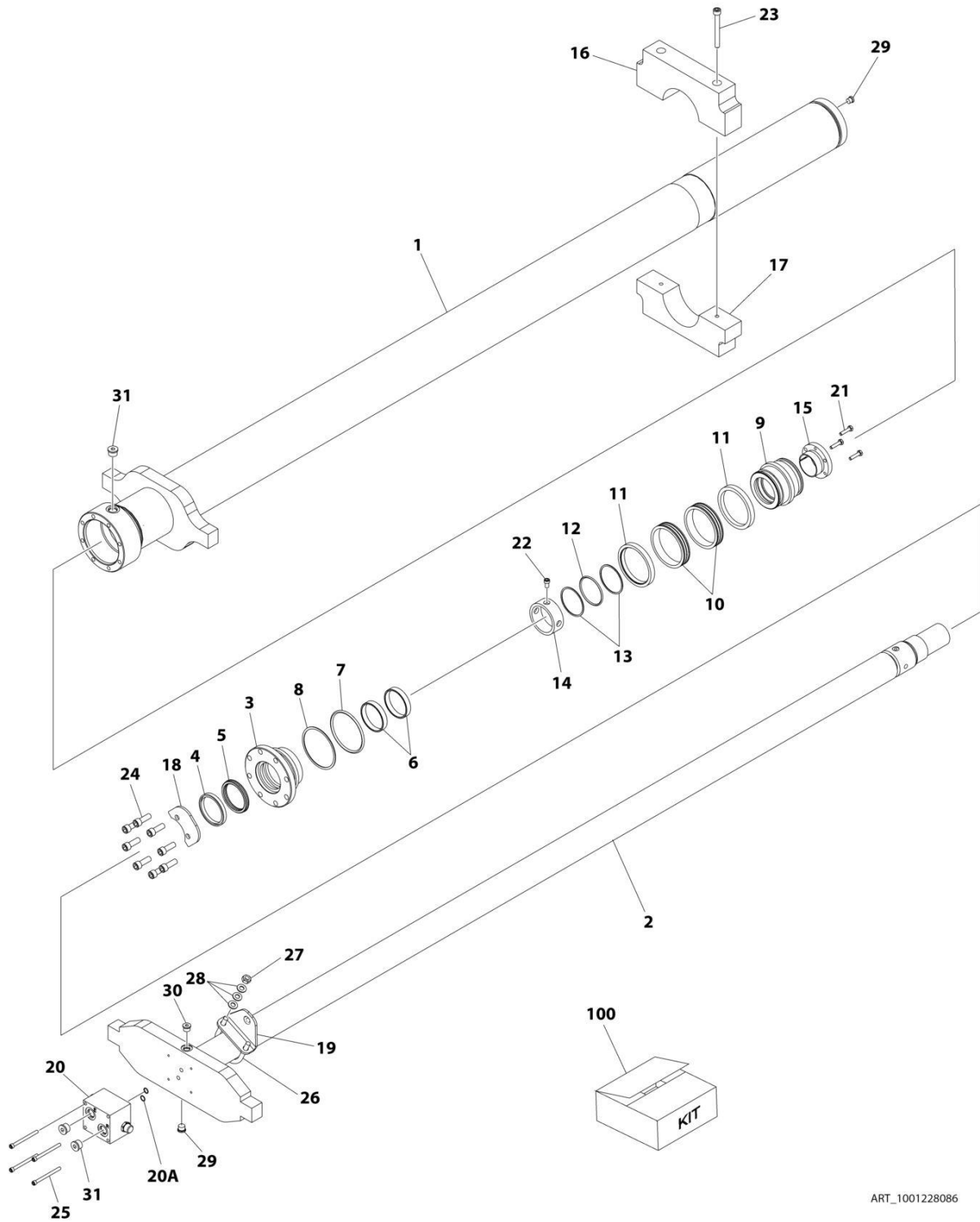
## SECTION 6 - CYLINDER

**FIGURE 6-11. TELESCOPE CYLINDER ASSEMBLY - MAIN BOOM**

| ITEM | PART NUMBER | QTY | DESCRIPTION   | REV |
|------|-------------|-----|---|-----|
|      | 1001251087  | Ref | TELESCOPE CYLINDER ASSEMBLY   | A   |
|      |             | Ref | Note: Original Cylinder may have been replaced with Service Replacement. Identify PN Stamped on Cylinder Before Ordering Parts. |     |
| 1    | See Note    | NSS | Barrel (Note: Not Available for Purchase)   |     |
| 2    | 70007514    | 1   | Rod   |     |
| 3    | 70007515    | 1   | Head  |     |
| 4    | See Note    | NSS | Wiper (Note: Use Item 30)   |     |
| 5    | 70027259    | 1   | Ring, Retaining   |     |
| 6    | See Note    | NSS | Seal, Rod (Note: Use Item 30)   |     |
| 7    | See Note    | NSS | Ring, Back-up (Note: Use Item 30)   |     |
| 8    | See Note    | NSS | Ring, Buffer (Note: Use Item 30)  |     |
| 9    | See Note    | NSS | Ring, Wear (Note: Use Item 30)  |     |
| 10   | See Note    | NSS | O-Ring (Note: Use Item 30)  |     |
| 11   | See Note    | NSS | Ring, Back-up (Note: Use Item 30)   |     |
| 12   | 70007516    | 1   | Piston  |     |
| 13   | See Note    | NSS | Seal, Piston (Note: Use Item 30)  |     |
| 14   | See Note    | NSS | Ring, Wear (Note: Use Item 30)  |     |
| 15   | See Note    | NSS | O-Ring (Note: Use Item 30)  |     |
| 16   | 70007517    | 1   | Spacer  |     |
| 17   | 4641033     | 1   | Valve Assembly (No serviceable parts - sold as assembly only)   |     |
| 17A  | 7024508     | 2   | O-Ring (Between Valve and Cylinder Barrel)  |     |
| 18   | 70006802    | 4   | Capscrew M6   |     |
| 19   | 2220886     | 2   | Plug, O-Ring  |     |
| 20   | 70007518    | 1   | Plate   |     |
| 21   | 70007519    | 8   | Capscrew M12  |     |
| 22   | 70007520    | 2   | Pad, Wear   |     |
| 23   | 70007521    | 4   | Bolt M10  |     |
| 24   | 2220883     | 2   | Plug, O-Ring  |     |
| 25   | 70006799    | 1   | Screw, Set  |     |
| 30   | 70007522    | 1   | Seal Kit (Includes Items 4, 6, 7, 9-11 & 13-15)   |     |

# SECTION 6 - CYLINDER

FIGURE 6-12. TELESCOPE CYLINDER ASSEMBLY - TOWER BOOM (Prior to SN 0300288872)



ART\_1001228086

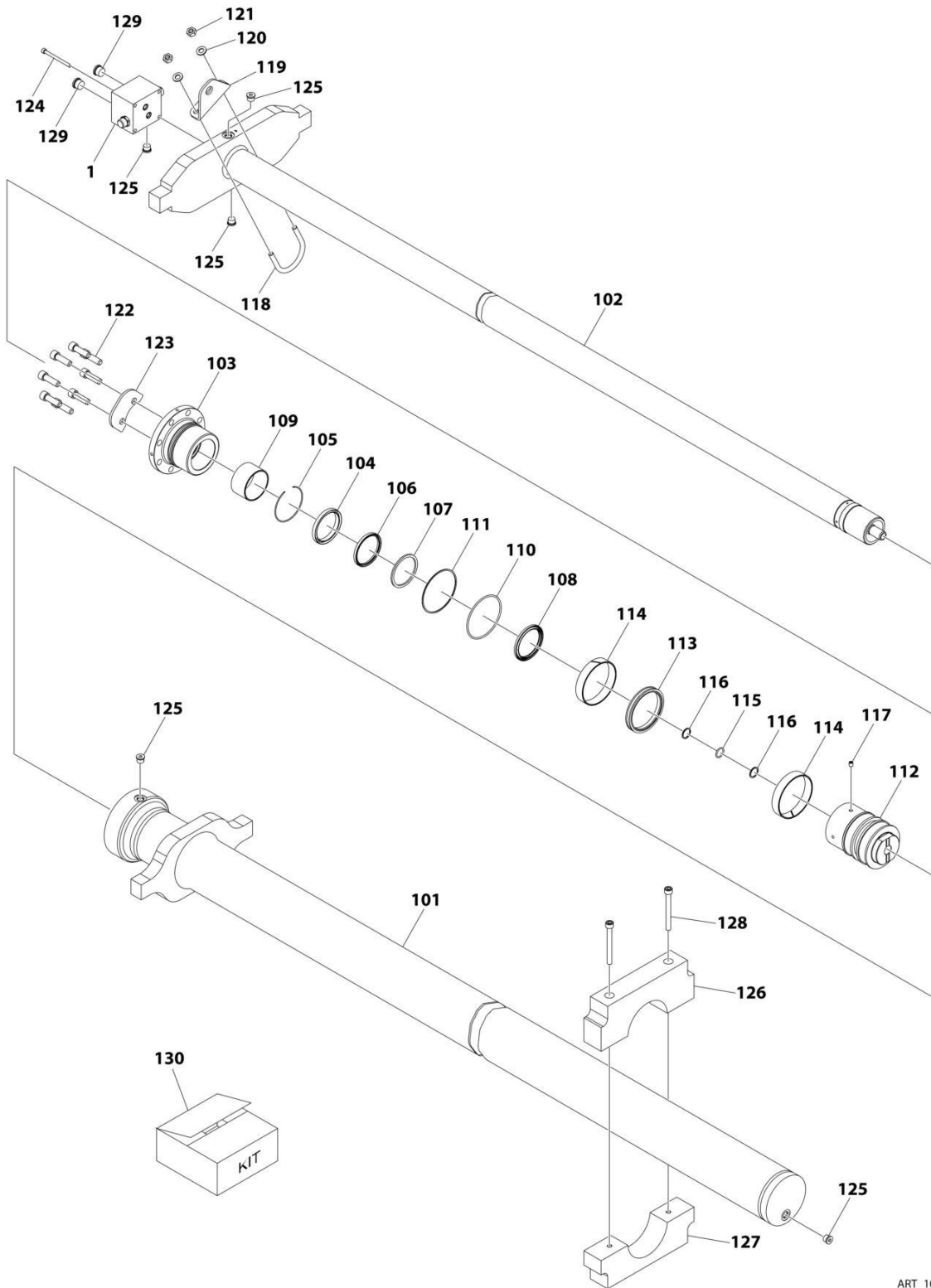
## SECTION 6 - CYLINDER

**FIGURE 6-12. TELESCOPE CYLINDER ASSEMBLY - TOWER BOOM (Prior to SN 0300288872)**

| ITEM | PART NUMBER | QTY | DESCRIPTION   | REV |
|------|-------------|-----|---|-----|
|      | 1001228086  | Ref | TELESCOPE CYLINDER ASSEMBLY   | C   |
|      |             | Ref | Note: Original Cylinder may have been replaced with Service Replacement. Identify PN Stamped on Cylinder Before Ordering Parts. |     |
| 1    | See Note    | NSS | Barrel (Note: Not Available for Purchase)   |     |
| 2    | 70006921    | 1   | Rod   |     |
| 3    | 70006480    | 1   | Head  |     |
| 4    | See Note    | NSS | Wiper (Note: Use Item 100)  |     |
| 5    | See Note    | NSS | Seal, Rod (Note: Use Item 100)  |     |
| 6    | See Note    | NSS | Ring, Wear (Note: Use Item 100)   |     |
| 7    | See Note    | NSS | O-Ring (Note: Use Item 100)   |     |
| 8    | See Note    | NSS | Ring, Back-up (Note: Use Item 100)  |     |
| 9    | 70006479    | 1   | Piston  |     |
| 10   | See Note    | NSS | Seal, Piston (Note: Use Item 100)   |     |
| 11   | See Note    | NSS | Ring, Lock (Note: use Item 100)   |     |
| 12   | See Note    | NSS | O-Ring (Note: Use Item 100)   |     |
| 13   | See Note    | NSS | Ring, Back-up (Note: Use Item 100)  |     |
| 14   | 70006922    | 1   | Spacer  |     |
| 15   | 0961897     | 1   | Bushing, Tapered  |     |
| 16   | 70006923    | 1   | Pad, Wear   |     |
| 17   | 70006924    | 1   | Pad, Wear   |     |
| 18   | 70006925    | 1   | Plate   |     |
| 19   | 70006926    | 1   | Plate   |     |
| 20   | 4641032     | 1   | Valve Assembly (No serviceable parts - sold as assembly only)   |     |
| 20A  | 7024397     | 2   | O-Ring (Between Valve and Cylinder Barrel)  |     |
| 21   | 0630535     | 3   | Bolt 1/4 x 1-1/8  |     |
| 22   | 70006731    | 1   | Bolt  |     |
| 23   | 70006927    | 2   | Bolt M10  |     |
| 24   | 70006728    | 8   | Bolt 7/16   |     |
| 25   | 70006733    | 4   | Bolt M8   |     |
| 26   | 70006928    | 1   | U-Bolt M10  |     |
| 27   | 70005594    | 2   | Nut M10   |     |
| 28   | 70006344    | 6   | Washer M10  |     |
| 29   | 2220883     | 2   | Plug, O-Ring  |     |
| 30   | 2220885     | 1   | Plug, O-Ring  |     |
| 31   | 2220886     | 3   | Plug, O-Ring  |     |
| 100  | 1001188842  | 1   | Seal Kit - 1001228086 Cylinder (Includes Items 4-8 & 10-13)   |     |

# SECTION 6 - CYLINDER

FIGURE 6-13. TELESCOPE CYLINDER ASSEMBLY - TOWER BOOM (SN 0300288872 to Present)



ART\_1001251086

## SECTION 6 - CYLINDER

**FIGURE 6-13. TELESCOPE CYLINDER ASSEMBLY - TOWER BOOM (SN 0300288872 to Present)**

| ITEM | PART NUMBER | QTY | DESCRIPTION   | REV |
|------|-------------|-----|---|-----|
|      | 1001251086  | Ref | TELESCOPE CYLINDER ASSEMBLY - TOWER BOOM  | A   |
|      |             | Ref | Note: Original Cylinder May Have Been Replaced with Service Replacement. Identify PN Stamped on Cylinder Before Ordering Parts. |     |
| 1    | 4641032     | 1   | Valve Assembly (No serviceable parts - sold as assembly only)   |     |
| 1    | 7002388     | 1   | Seal Kit  |     |
| 101  | See Note    | NSS | Tube (Note: Not Available for Purchase)   |     |
| 102  | 70008199    | 1   | Rod   |     |
| 103  | 70008200    | 1   | Head  |     |
| 104  | See Note    | NSS | Wiper, Dust (Note: Use Item 130)  |     |
| 105  | 70050795    | 1   | Ring, Retaining   |     |
| 106  | See Note    | NSS | Seal, Rod (Note: Use Item 130)  |     |
| 107  | See Note    | NSS | Ring, Backup (Note: Use Item 130)   |     |
| 108  | See Note    | NSS | Ring, Buffer (Note: Use Item 130)   |     |
| 109  | 70008201    | 1   | Bushing   |     |
| 110  | See Note    | NSS | O-Ring (Note: Use Item 130)   |     |
| 111  | See Note    | NSS | Ring, Backup (Note: Use Item 130)   |     |
| 112  | 70008202    | 1   | Piston  |     |
| 113  | See Note    | NSS | Seal, Piston (Note: Use Item 130)   |     |
| 114  | See Note    | NSS | Ring, Wear (Note: Use Item 130)   |     |
| 115  | See Note    | NSS | O-Ring (Note: Use Item 130)   |     |
| 116  | See Note    | 1   | Ring, Backup (Note: Use Item 130)   |     |
| 117  | 70005839    | 1   | Setscrew  |     |
| 118  | 70008203    | 1   | U-Bolt M10 x 1.5  |     |
| 119  | 70008204    | 1   | Plate   |     |
| 120  | 70006344    | 2   | Washer M10  |     |
| 121  | 70005594    | 2   | Nut M12   |     |
| 122  | 70008205    | 8   | Bolt M12 x 40   |     |
| 123  | 70008206    | 1   | Plate   |     |
| 124  | 70007981    | 4   | Bolt M6 x 75  |     |
| 125  | 2220885     | 5   | Plug 9/16   |     |
| 126  | 70008207    | 1   | Pad   |     |
| 127  | 70008208    | 1   | Pad   |     |
| 128  | 70008209    | 2   | Bolt M10 x 95   |     |
| 129  | 2220886     | 1   | Plug 3/4  |     |
| 130  | 70008210    | 1   | Seal Kit (Includes Items 104, 106-108, 110-111 & 113-116)   |     |

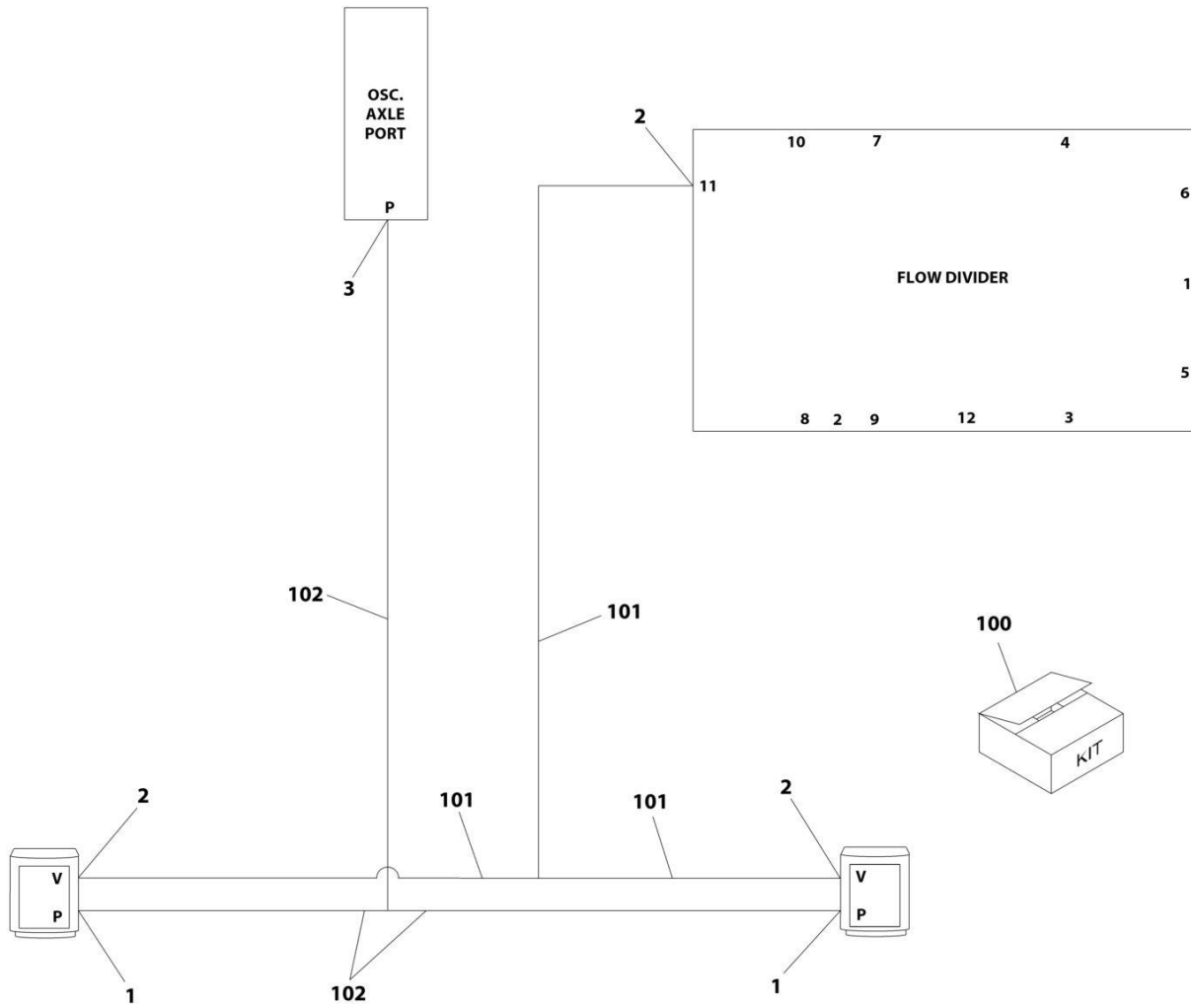




**SECTION 7 - HYDRAULIC**

# SECTION 7 - HYDRAULIC

## FIGURE 7-1. HYDRAULIC DIAGRAM - AXLE (OSCILLATING)



ART\_1001157400

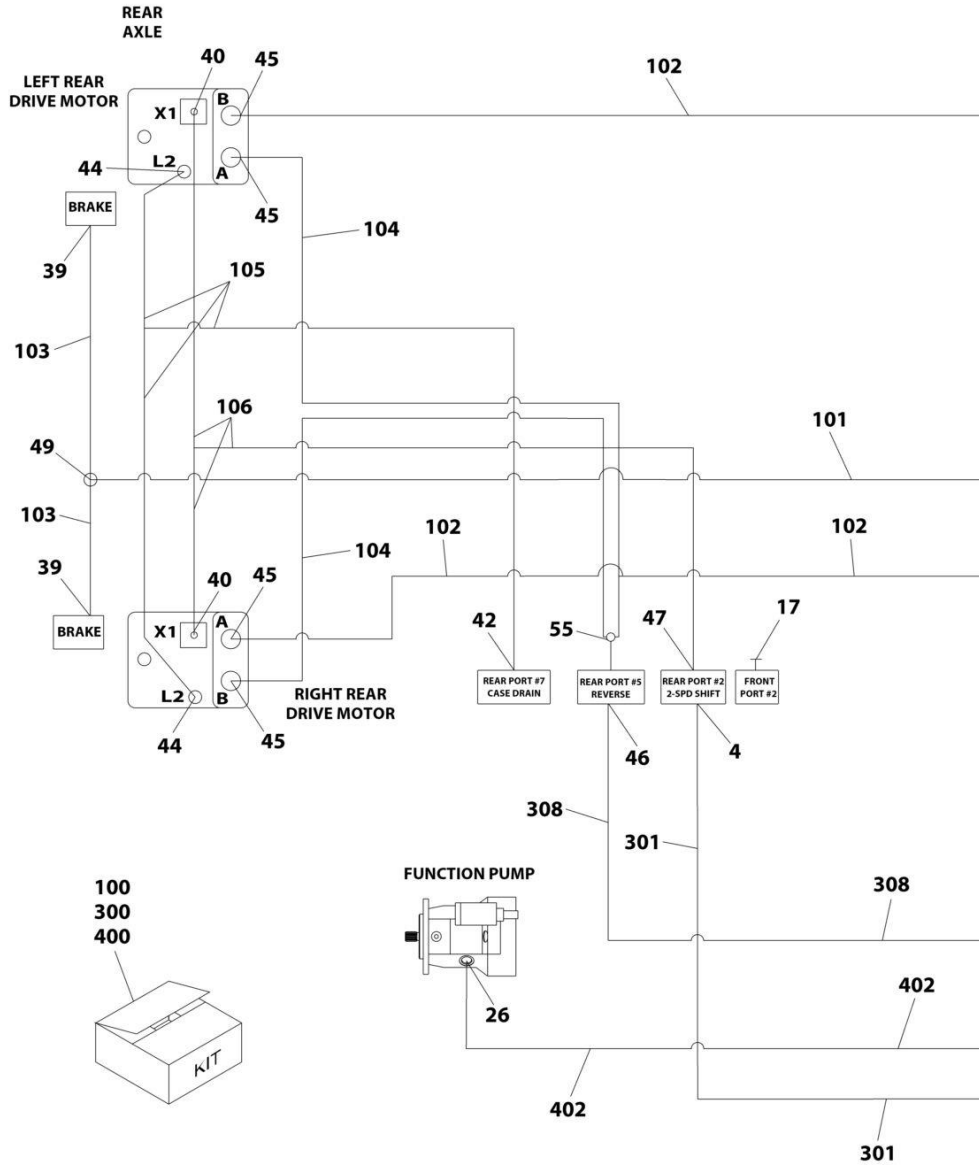
## SECTION 7 - HYDRAULIC

### FIGURE 7-1. HYDRAULIC DIAGRAM - AXLE (OSCILLATING)

| ITEM | PART NUMBER | QTY | DESCRIPTION                    | REV |
|------|-------------|-----|--------------------------------|-----|
|      | 1001157400  | Ref | AXLE LOCKOUT HYDRAULIC DIAGRAM | G   |
| 1    | 2110404     | 2   | Fitting, Straight ORFS/ORB     |     |
| 2    | 2110606     | 3   | Fitting, Straight ORFS/ORB     |     |
| 3    | 2110408     | 1   | Fitting, Straight ORFS/ORB     |     |
| 100  | 1001270068  | 1   | Hose Lockout Kit               |     |
| 101  | 1001198336  | 1   | Hose with Crimped Tee          |     |
| 102  | 1001198339  | 1   | Hose with Crimped Tee          |     |

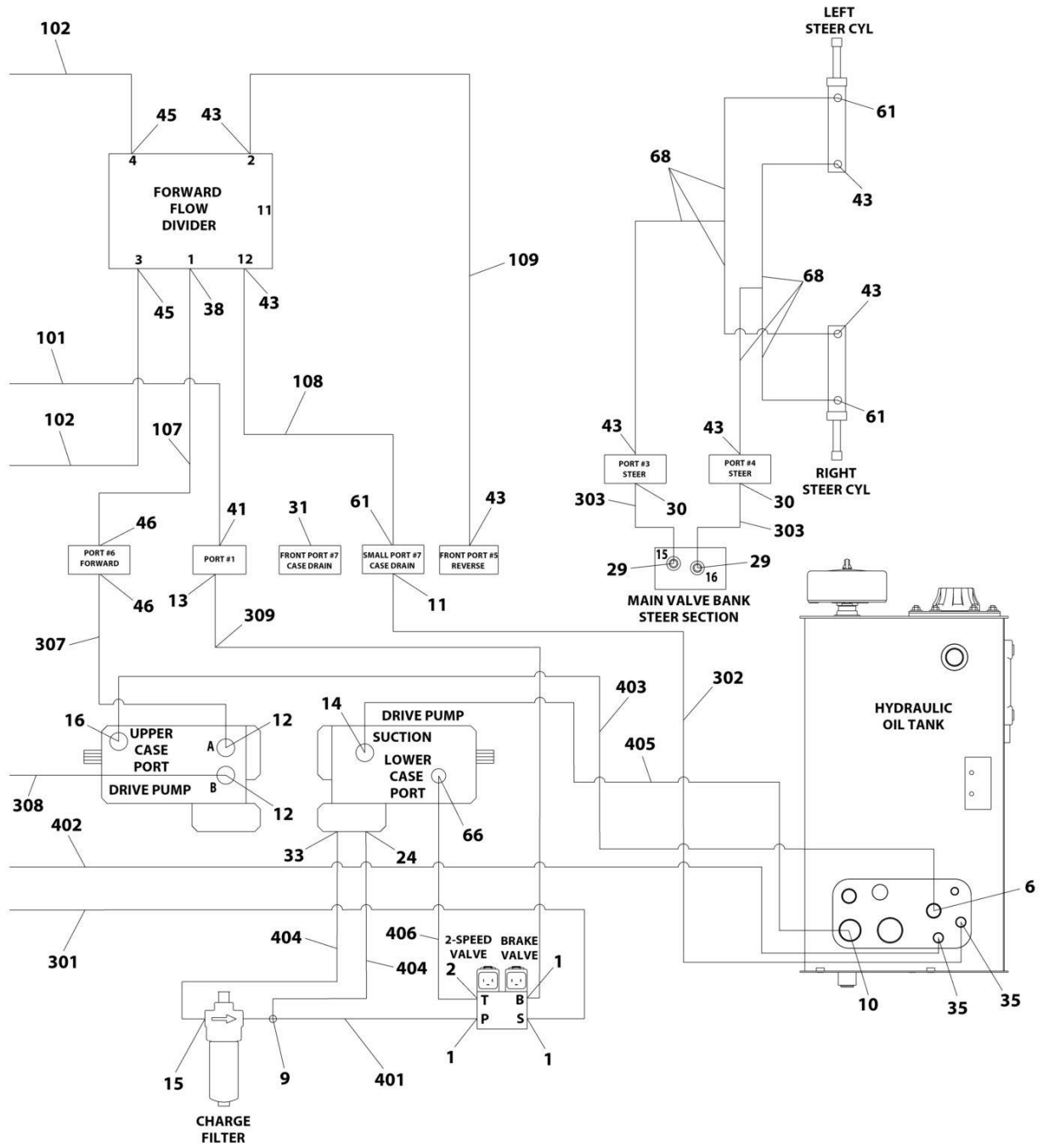
# SECTION 7 - HYDRAULIC

## FIGURE 7-2. HYDRAULIC DIAGRAM - DRIVE (2WD/2WS WITHOUT TOW PACKAGE)



ART\_1001178203\_10F2

# SECTION 7 - HYDRAULIC



ART\_1001178203\_20F2

# SECTION 7 - HYDRAULIC

## FIGURE 7-2. HYDRAULIC DIAGRAM - DRIVE (2WD/2WS WITHOUT TOW PACKAGE)

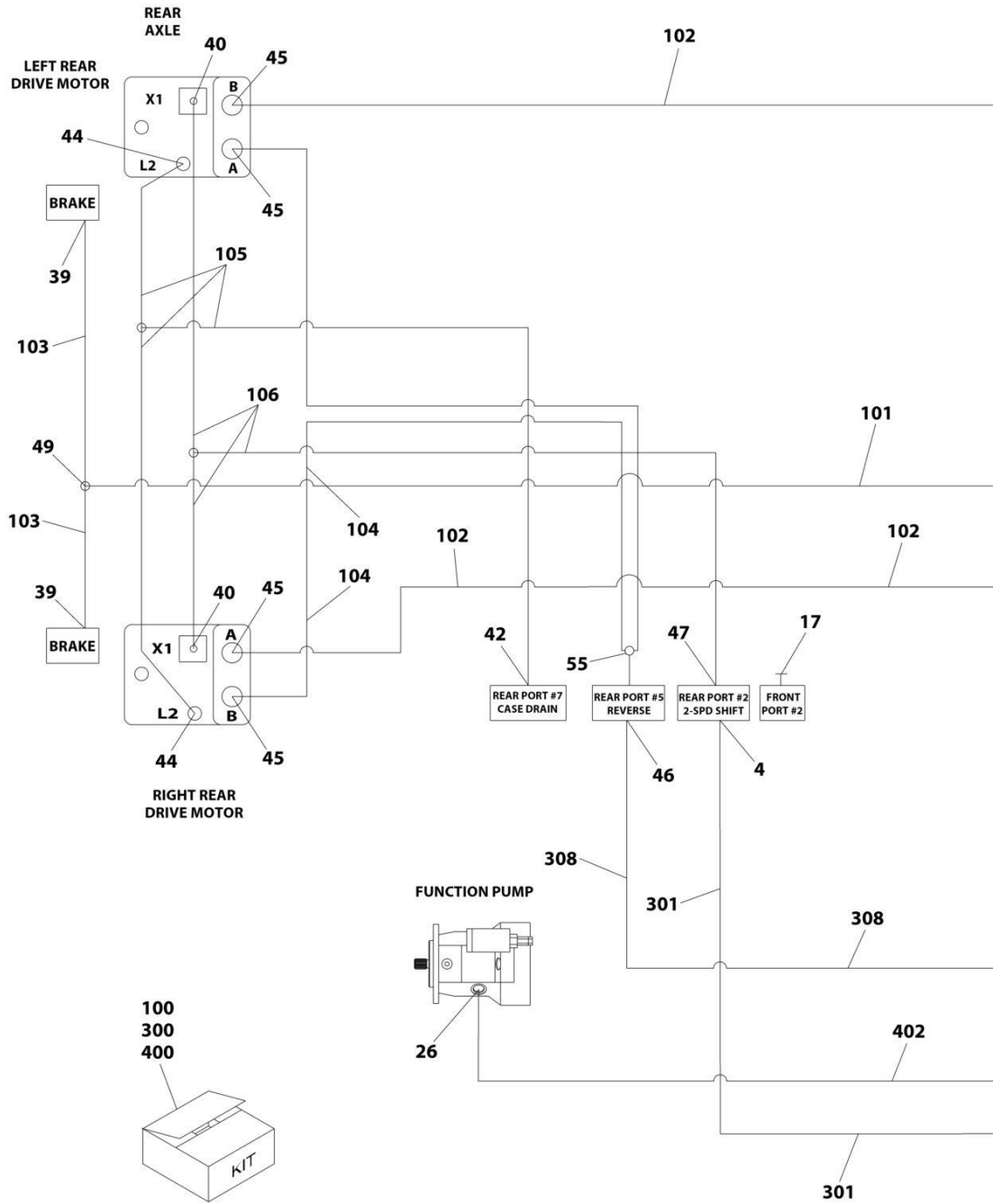
| ITEM | PART NUMBER | QTY | DESCRIPTION                   | REV |
|------|-------------|-----|-------------------------------|-----|
|      | 1001178203  | Ref | DRIVE HYDRAULIC DIAGRAM - 2WD | K   |
| 1    | 2220466     | 3   | Fitting, 90 ORB/FL            |     |
| 2    | 2220940     | 1   | Fitting, 90 ORB/FL            |     |
| 4    | 2220582     | 1   | Fitting, Straight ORB/FL      |     |
| 6    | 2220451     | 1   | Fitting, Straight JIC/ORB     |     |
| 9    | 1001199394  | 1   | Fitting, Tee JIC/ORB/JIC      |     |
| 10   | 2220380     | 1   | Fitting, Straight ORB/FL      |     |
| 11   | 2220375     | 1   | Fitting, Straight ORB/FL      |     |
| 12   | 2131616     | 2   | Fitting, 90 ORFS/ORB          |     |
| 13   | 2220468     | 1   | Fitting, Straight ORB/FL      |     |
| 14   | 8770050     | 1   | Fitting, 90 JIC/ORB           |     |
| 15   | 2220596     | 1   | Fitting, 90 ORB/FL            |     |
| 16   | 2220578     | 1   | Fitting, 90 JIC/ORB           |     |
| 17   | 2220237     | 1   | Plug                          |     |
| 24   | 2220374     | 1   | Fitting, Straight JIC/ORB     |     |
| 26   | 2220671     | 1   | Fitting, 90 JIC/ORB           |     |
| 29   | 2220371     | 2   | Fitting, Straight JIC/ORB     |     |
| 30   | 2220473     | 2   | Fitting, 90 ORB/FL            |     |
| 31   | 2220238     | 1   | Plug                          |     |
| 33   | 2220800     | 1   | Fitting, Straight ORB/FL      |     |
| 35   | 2220373     | 2   | Fitting, Straight JIC/ORB     |     |
| 38   | 2151616     | 1   | Fitting, 45 ORFS/ORB          |     |
| 39   | 2110404     | 2   | Fitting, Straight ORFS/ORB    |     |
| 40   | 2110406     | 2   | Fitting, Straight ORFS/ORB    |     |
| 41   | 2110408     | 1   | Fitting, Straight ORFS/ORB    |     |
| 42   | 2130808     | 1   | Fitting, 90 ORFS/ORB          |     |
| 43   | 2110606     | 7   | Fitting, Straight ORFS/ORB    |     |
| 44   | 2110808     | 2   | Fitting, Straight ORFS/ORB    |     |
| 45   | 2111212     | 6   | Fitting, Straight ORFS/ORB    |     |
| 46   | 2111616     | 3   | Fitting, Straight ORFS/ORB    |     |
| 47   | 2150406     | 1   | Fitting, 45 ORFS/ORB          |     |
| 49   | 2170504     | 1   | Fitting, Tee ORFS             |     |
| 55   | 1001199395  | 1   | Fitting, Tee ORFS/ORB         |     |
| 61   | 2130606     | 3   | Fitting, 90 ORFS/ORB          |     |
| 66   | 1001215296  | 1   | Fitting, 90 JIC/SORB          |     |
| 68   | 1001198333  | 2   | Hose                          |     |
| 100  | 1001270084  | 1   | Towbar Rear Hose Kit          |     |
| 101  | 2753622     | 1   | Hose                          |     |
| 102  | 2753688     | 2   | Hose                          |     |
| 103  | 2754337     | 2   | Hose                          |     |
| 104  | 1001159854  | 2   | Hose                          |     |
| 105  | 1001198334  | 1   | Hose                          |     |
| 106  | 1001198340  | 1   | Hose                          |     |
| 107  | 2753635     | 1   | Hose                          |     |
| 108  | 2754242     | 1   | Hose                          |     |
| 109  | 2754243     | 1   | Hose                          |     |
| 300  | 1001270091  | 1   | Arctic Towbar Hose Kit        |     |
| 301  | 2751399     | 1   | Hose                          |     |
| 302  | 2751500     | 1   | Hose                          |     |
| 303  | 2752489     | 2   | Hose                          |     |

## SECTION 7 - HYDRAULIC

| ITEM | PART NUMBER | QTY | DESCRIPTION            | REV |
|------|-------------|-----|------------------------|-----|
| 307  | 1001156332  | 1   | Hose                   |     |
| 308  | 1001156333  | 1   | Hose                   |     |
| 309  | 2752997     | 1   | Hose                   |     |
| 400  | 1001270090  | 1   | Arctic Towbar Hose Kit |     |
| 401  | 2752434     | 1   | Hose                   |     |
| 402  | 2752938     | 1   | Hose                   |     |
| 403  | 1001188135  | 1   | Hose                   |     |
| 404  | 2752495     | 1   | Hose                   |     |
| 405  | 2752754     | 1   | Hose                   |     |
| 406  | 1001151354  | 1   | Hose                   |     |

# SECTION 7 - HYDRAULIC

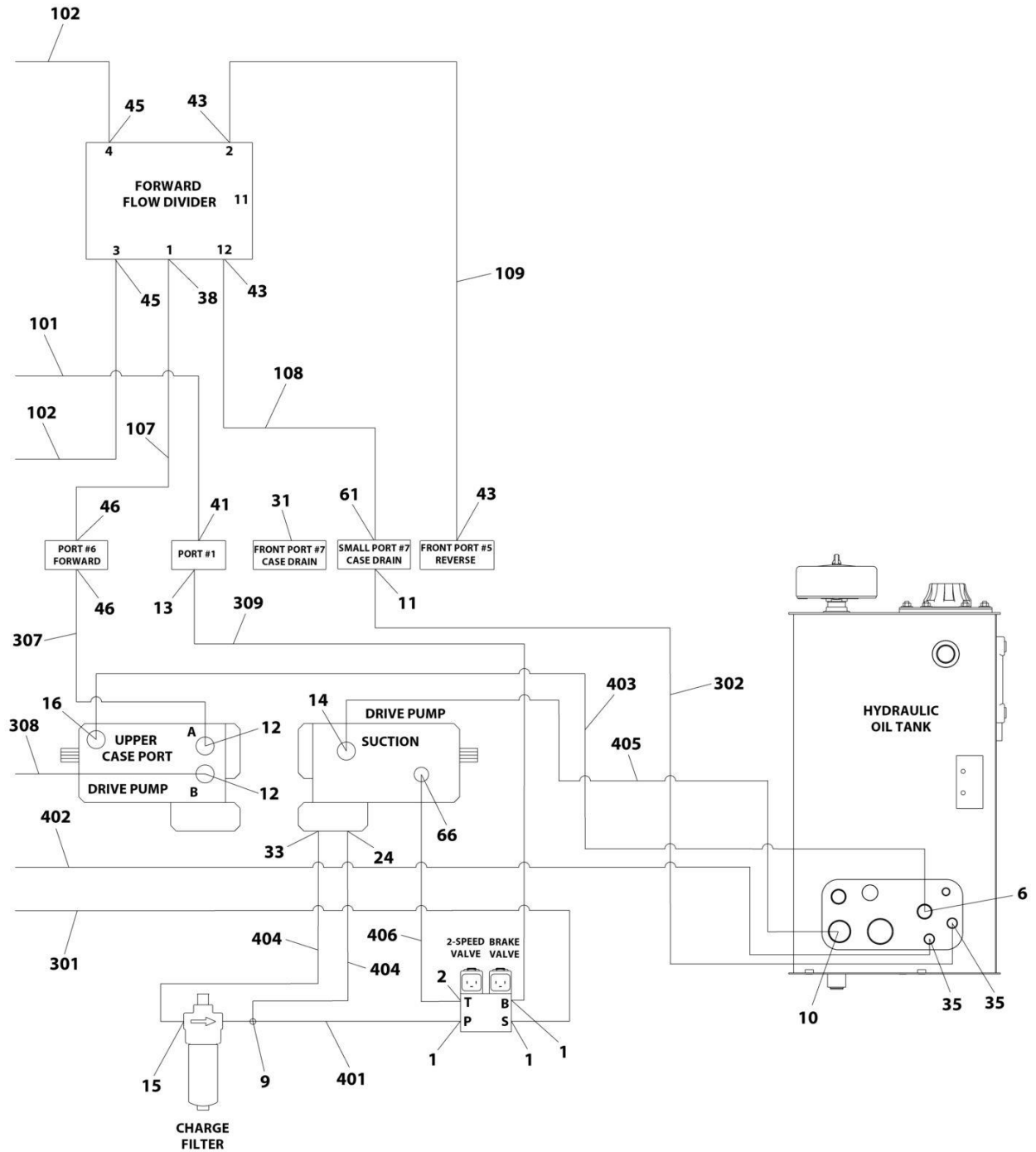
## FIGURE 7-3. HYDRAULIC DIAGRAM - DRIVE (2WD/2WS WITH TOW PACKAGE)



ART\_1001217194\_10F3

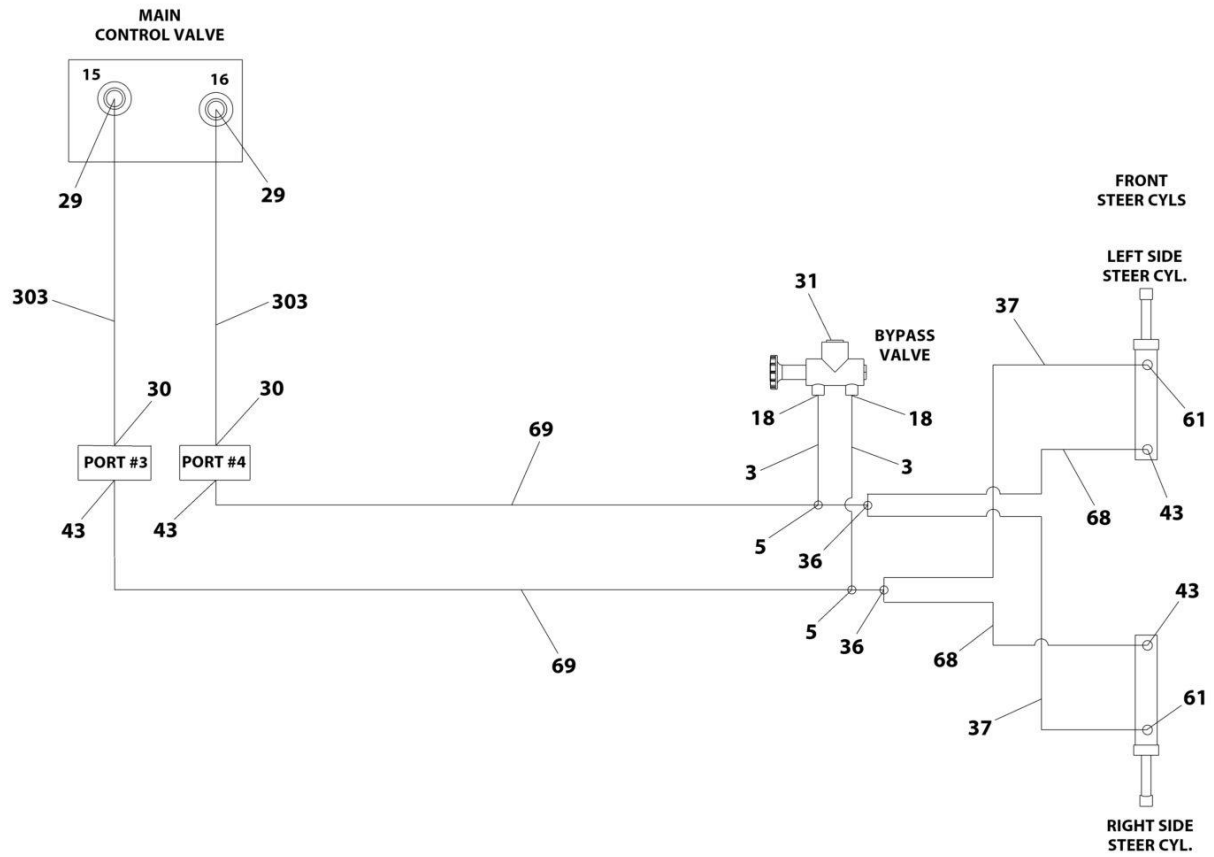


# SECTION 7 - HYDRAULIC



ART\_1001217194\_2OF3

# SECTION 7 - HYDRAULIC



ART\_1001217194\_30F3

## SECTION 7 - HYDRAULIC

**FIGURE 7-3. HYDRAULIC DIAGRAM - DRIVE (2WD/2WS WITH TOW PACKAGE)**

| ITEM | PART NUMBER | QTY | DESCRIPTION                       | REV |
|------|-------------|-----|-----------------------------------|-----|
|      | 1001217194  | Ref | DRIVE HYDRAULIC DIAGRAM - 2WD/2WS | E   |
| 1    | 2220466     | 3   | Fitting, 90 ORB/FL                |     |
| 2    | 2220940     | 1   | Fitting, 90 ORB/FL                |     |
| 3    | 2753879     | 2   | Hose                              |     |
| 4    | 2220582     | 1   | Fitting, Straight ORB/FL          |     |
| 5    | 2170706     | 2   | Fitting, Tee - ORFS/ORFS/ORFS     |     |
| 6    | 2220451     | 1   | Fitting, Straight JIC/ORB         |     |
| 9    | 1001199394  | 1   | Fitting, Tee JIC/ORB/JIC          |     |
| 10   | 2220380     | 1   | Fitting, Straight ORB/FL          |     |
| 11   | 2220375     | 1   | Fitting, Straight ORB/FL          |     |
| 12   | 2131616     | 2   | Fitting, 90 ORFS/ORB              |     |
| 13   | 2220468     | 1   | Fitting, Straight ORB/FL          |     |
| 14   | 8770050     | 1   | Fitting, 90 JIC/ORB               |     |
| 15   | 2220596     | 1   | Fitting, 90 ORB/FL                |     |
| 16   | 2220578     | 1   | Fitting, 90 JIC/ORB               |     |
| 17   | 2220237     | 1   | Plug                              |     |
| 18   | 2110608     | 2   | Fitting, Straight ORFS/ORB        |     |
| 24   | 2220374     | 1   | Fitting, Straight JIC/ORB         |     |
| 26   | 2220671     | 1   | Fitting, 90 JIC/ORB               |     |
| 29   | 2220371     | 2   | Fitting, Straight JIC/ORB         |     |
| 30   | 2220473     | 2   | Fitting, 90 ORB/FL                |     |
| 31   | 2220238     | 2   | Plug                              |     |
| 33   | 2220800     | 1   | Fitting, Straight ORB/FL          |     |
| 35   | 2220373     | 2   | Fitting, Straight JIC/ORB         |     |
| 36   | 2170506     | 2   | Fitting, Tee ORFS/ORFS/ORFS       |     |
| 37   | 2753656     | 2   | Hose                              |     |
| 38   | 2151616     | 1   | Fitting, 45 ORFS/ORB              |     |
| 39   | 2110404     | 2   | Fitting, Straight ORFS/ORB        |     |
| 40   | 2110406     | 2   | Fitting, Straight ORFS/ORB        |     |
| 41   | 2110408     | 1   | Fitting, Straight ORFS/ORB        |     |
| 42   | 2130808     | 1   | Fitting, 90 ORFS/ORB              |     |
| 43   | 2110606     | 7   | Fitting, Straight ORFS/ORB        |     |
| 44   | 2110808     | 2   | Fitting, Straight ORFS/ORB        |     |
| 45   | 2111212     | 6   | Fitting, Straight ORFS/ORB        |     |
| 46   | 2111616     | 3   | Fitting, Straight ORFS/ORB        |     |
| 47   | 2150406     | 1   | Fitting, 45 ORFS/ORB              |     |
| 49   | 2170504     | 1   | Fitting, Tee ORFS                 |     |
| 55   | 1001199395  | 1   | Fitting, Tee ORFS/ORB             |     |
| 61   | 2130606     | 3   | Fitting, 90 ORFS/ORB              |     |
| 66   | 1001215296  | 1   | Fitting, 90 JIC/SORB              |     |
| 68   | 1001159340  | 2   | Hose                              |     |
| 69   | 2753732     | 2   | Hose                              |     |
| 100  | 1001270084  | 1   | Towbar Rear Hose Kit              |     |
| 101  | 2753622     | 1   | Hose                              |     |
| 102  | 2753688     | 2   | Hose                              |     |
| 103  | 2754337     | 2   | Hose                              |     |
| 104  | 1001159854  | 2   | Hose                              |     |
| 105  | 1001198334  | 1   | Hose                              |     |
| 106  | 1001198340  | 1   | Hose                              |     |
| 107  | 2753635     | 1   | Hose                              |     |

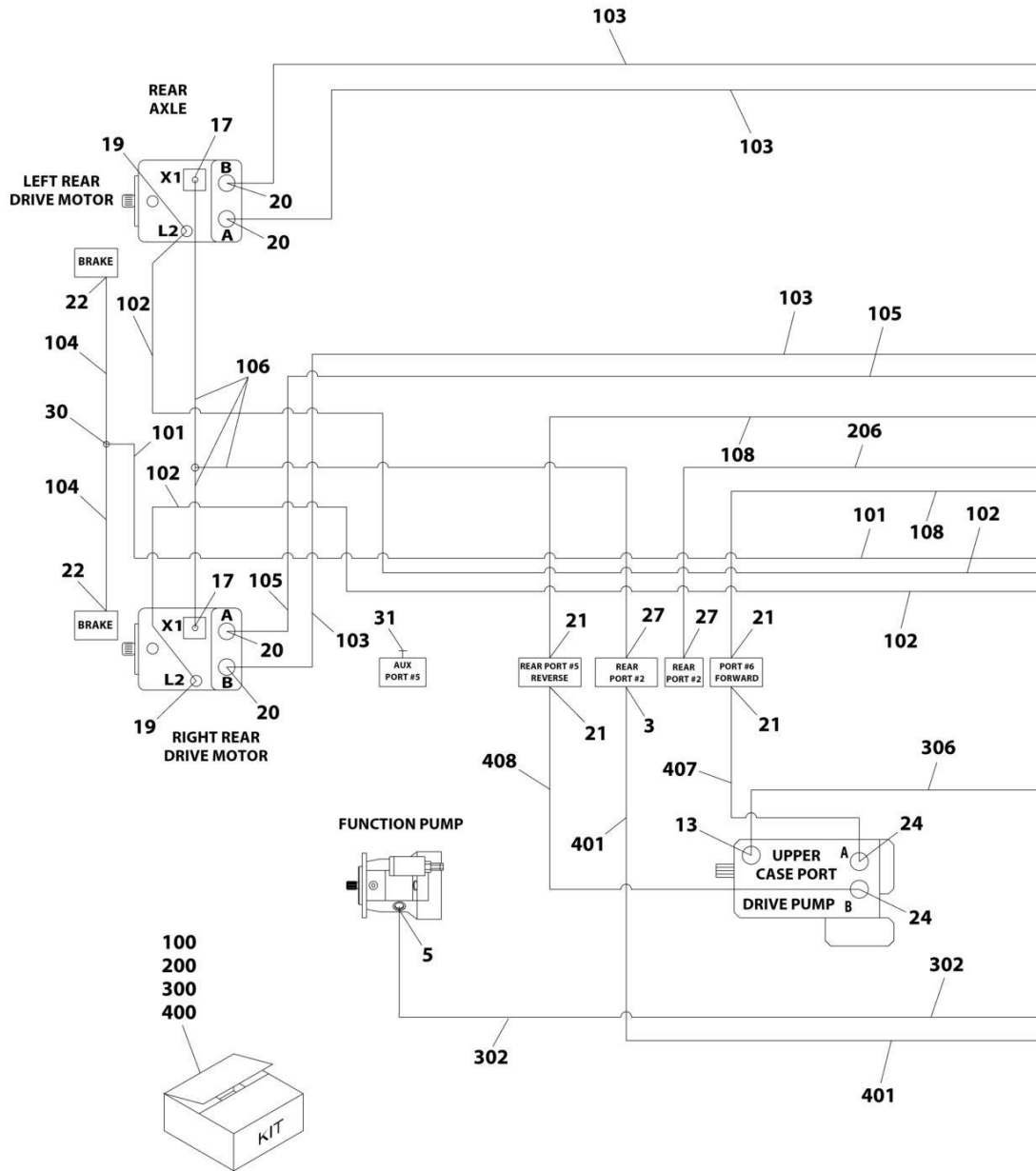
## SECTION 7 - HYDRAULIC

| ITEM | PART NUMBER | QTY | DESCRIPTION            | REV |
|------|-------------|-----|------------------------|-----|
| 108  | 2754242     | 1   | Hose                   |     |
| 109  | 2754243     | 1   | Hose                   |     |
| 300  | 1001270091  | 1   | Arctic Towbar Hose Kit |     |
| 301  | 2751399     | 1   | Hose                   |     |
| 302  | 2751500     | 1   | Hose                   |     |
| 303  | 2752489     | 2   | Hose                   |     |
| 307  | 1001156332  | 1   | Hose                   |     |
| 308  | 1001156333  | 1   | Hose                   |     |
| 309  | 2752997     | 1   | Hose                   |     |
| 400  | 1001270090  | 1   | Towbar Hose Kit        |     |
| 401  | 2752434     | 1   | Hose                   |     |
| 402  | 2752938     | 1   | Hose                   |     |
| 403  | 1001188135  | 1   | Hose                   |     |
| 404  | 2752495     | 1   | Hose                   |     |
| 405  | 2752754     | 1   | Hose                   |     |
| 406  | 1001151354  | 1   | Hose                   |     |



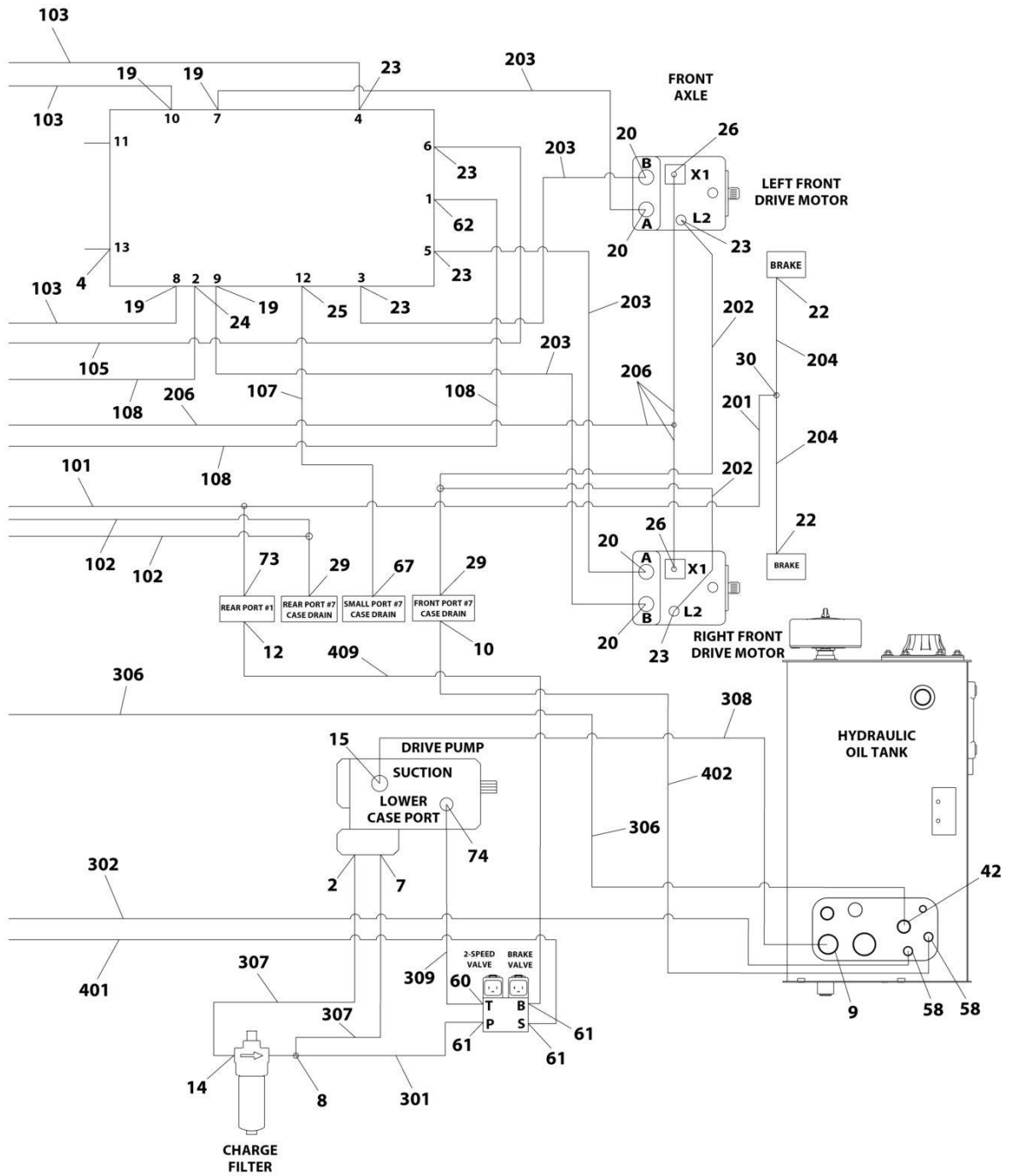
# SECTION 7 - HYDRAULIC

FIGURE 7-4. HYDRAULIC DIAGRAM - DRIVE (4WD/2WS WITHOUT TOW PACKAGE/WITHOUT ARCTIC PACKAGE)



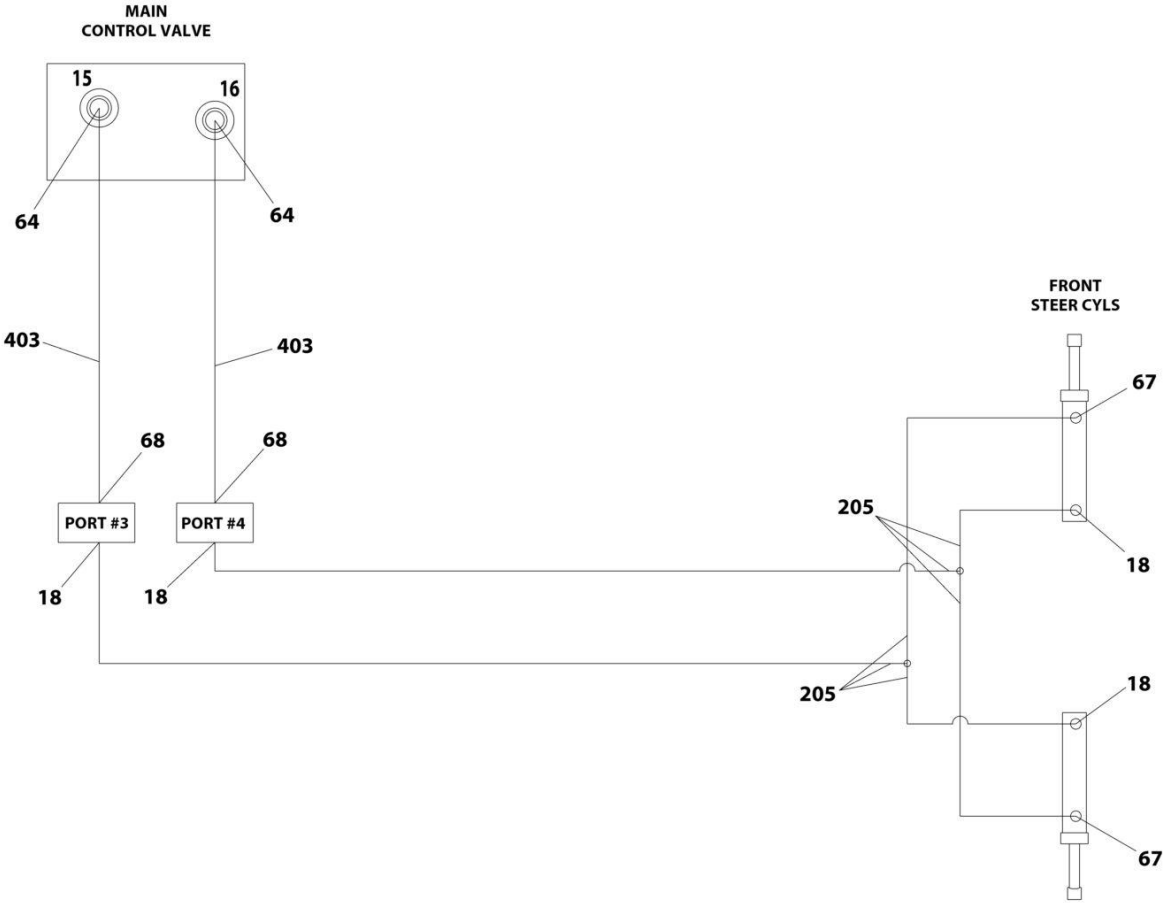
ART\_1001178204\_1OF3

# SECTION 7 - HYDRAULIC



ART\_1001178204\_2OF3

# SECTION 7 - HYDRAULIC



ART\_1001178204\_30F3



## SECTION 7 - HYDRAULIC

**FIGURE 7-4. HYDRAULIC DIAGRAM - DRIVE (4WD/2WS WITHOUT TOW PACKAGE/WITHOUT ARCTIC PACKAGE)**

| ITEM | PART NUMBER | QTY | DESCRIPTION                       | REV |
|------|-------------|-----|-----------------------------------|-----|
|      | 1001178204  | Ref | DRIVE HYDRAULIC DIAGRAM - 4WD/2WS | J   |
| 2    | 2220800     | 1   | Fitting, Straight ORB/FL          |     |
| 3    | 2220582     | 1   | Fitting, Straight ORB/FL          |     |
| 4    | 2220238     | 1   | Plug                              |     |
| 5    | 2220671     | 1   | Fitting, 90 JIC/ORB               |     |
| 7    | 2220374     | 1   | Fitting, Straight JIC/ORB         |     |
| 8    | 1001199394  | 1   | Fitting, Tee JIC/ORB/JIC          |     |
| 9    | 2220380     | 1   | Fitting, Straight ORB/FL          |     |
| 10   | 2220375     | 1   | Fitting, Straight ORB/FL          |     |
| 12   | 2220468     | 1   | Fitting, Straight ORB/FL          |     |
| 13   | 2220578     | 1   | Fitting, 90 JIC/ORB               |     |
| 14   | 2220596     | 1   | Fitting, 90 JIC/FL                |     |
| 15   | 8770050     | 1   | Fitting, 90 JIC/ORB               |     |
| 17   | 2110406     | 2   | Fitting, Straight ORFS/ORB        |     |
| 18   | 2110606     | 4   | Fitting, Straight ORFS/ORB        |     |
| 19   | 2110808     | 6   | Fitting, Straight ORFS/ORB        |     |
| 20   | 2110812     | 8   | Fitting, Straight ORFS/ORB        |     |
| 21   | 2111616     | 4   | Fitting, Straight ORFS/ORB        |     |
| 22   | 2110404     | 4   | Fitting, Straight ORFS/ORB        |     |
| 23   | 2130808     | 6   | Fitting, 90 ORFS/ORB              |     |
| 24   | 2131616     | 3   | Fitting, 90 ORFS/ORB              |     |
| 25   | 2130604     | 1   | Fitting, 90 ORFS/ORB              |     |
| 26   | 2130406     | 2   | Fitting, 90 ORFS/ORB              |     |
| 27   | 2150406     | 2   | Fitting, 45 ORFS/ORB              |     |
| 29   | 2170408     | 2   | Fitting, Tee ORFS/ORFS/ORB        |     |
| 30   | 2170504     | 2   | Fitting, Tee ORFS                 |     |
| 31   | 2220237     | 1   | Plug                              |     |
| 42   | 2220451     | 1   | Fitting, Straight JIC/ORB         |     |
| 58   | 2220373     | 2   | Fitting, Straight JIC/ORB         |     |
| 60   | 2220940     | 1   | Fitting, 90 ORB/FL                |     |
| 61   | 2220466     | 3   | Fitting, 90 ORB/FL                |     |
| 62   | 2151616     | 1   | Fitting, 90 ORFS/ORB              |     |
| 64   | 2220371     | 2   | Fitting, Straight JIC/ORB         |     |
| 67   | 2130606     | 3   | Fitting, 90 ORFS/ORB              |     |
| 68   | 2220473     | 2   | Fitting, 90 ORB/FL                |     |
| 73   | 1001198338  | 1   | Fitting, Tee ORFS/ORB             |     |
| 74   | 1001215296  | 1   | Fitting, 90 JIC/SORB              |     |
| 100  | 1001270069  | 1   | Arctic Towbar Hose Kit            |     |
| 101  | 2753622     | 1   | Hose                              |     |
| 102  | 2753686     | 2   | Hose                              |     |
| 103  | 2753971     | 3   | Hose                              |     |
| 104  | 2754337     | 2   | Hose                              |     |
| 105  | 2754338     | 1   | Hose                              |     |
| 106  | 1001198340  | 1   | Hose                              |     |
| 107  | 2753626     | 1   | Hose                              |     |
| 108  | 2753634     | 1   | Hose                              |     |
| 200  | 1001270630  | 1   | Front Hose Kit                    |     |
| 201  | 2753542     | 1   | Hose                              |     |
| 202  | 2753628     | 2   | Hose                              |     |

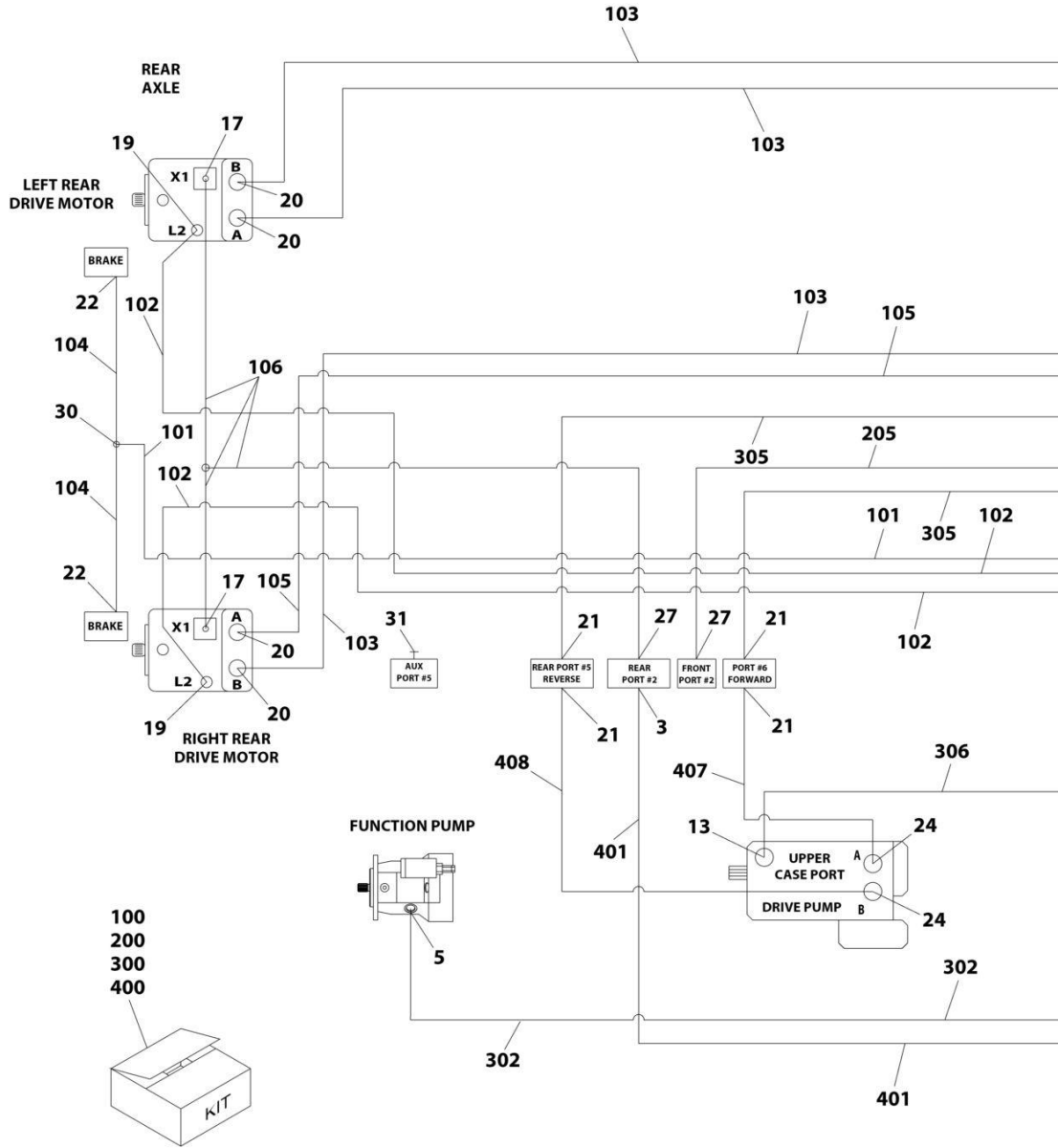
## SECTION 7 - HYDRAULIC

| ITEM | PART NUMBER | QTY | DESCRIPTION            | REV |
|------|-------------|-----|------------------------|-----|
| 203  | 2753970     | 4   | Hose                   |     |
| 204  | 2754512     | 2   | Hose                   |     |
| 205  | 1001198333  | 2   | Hose                   |     |
| 206  | 1001198341  | 1   | Hose                   |     |
| 300  | 1001270090  | 1   | Arctic Towbar Hose Kit |     |
| 301  | 2752434     | 1   | Hose                   |     |
| 302  | 2752938     | 1   | Hose                   |     |
| 306  | 1001188135  | 1   | Hose                   |     |
| 307  | 2752495     | 1   | Hose                   |     |
| 308  | 2752754     | 1   | Hose                   |     |
| 309  | 1001151354  | 1   | Hose                   |     |
| 400  | 1001270091  | 1   | Arctic Towbar Hose Kit |     |
| 401  | 2751399     | 1   | Hose                   |     |
| 402  | 2751500     | 1   | Hose                   |     |
| 403  | 2752489     | 2   | Hose                   |     |
| 407  | 1001156332  | 1   | Hose                   |     |
| 408  | 1001156333  | 1   | Hose                   |     |
| 409  | 2752997     | 1   | Hose                   |     |



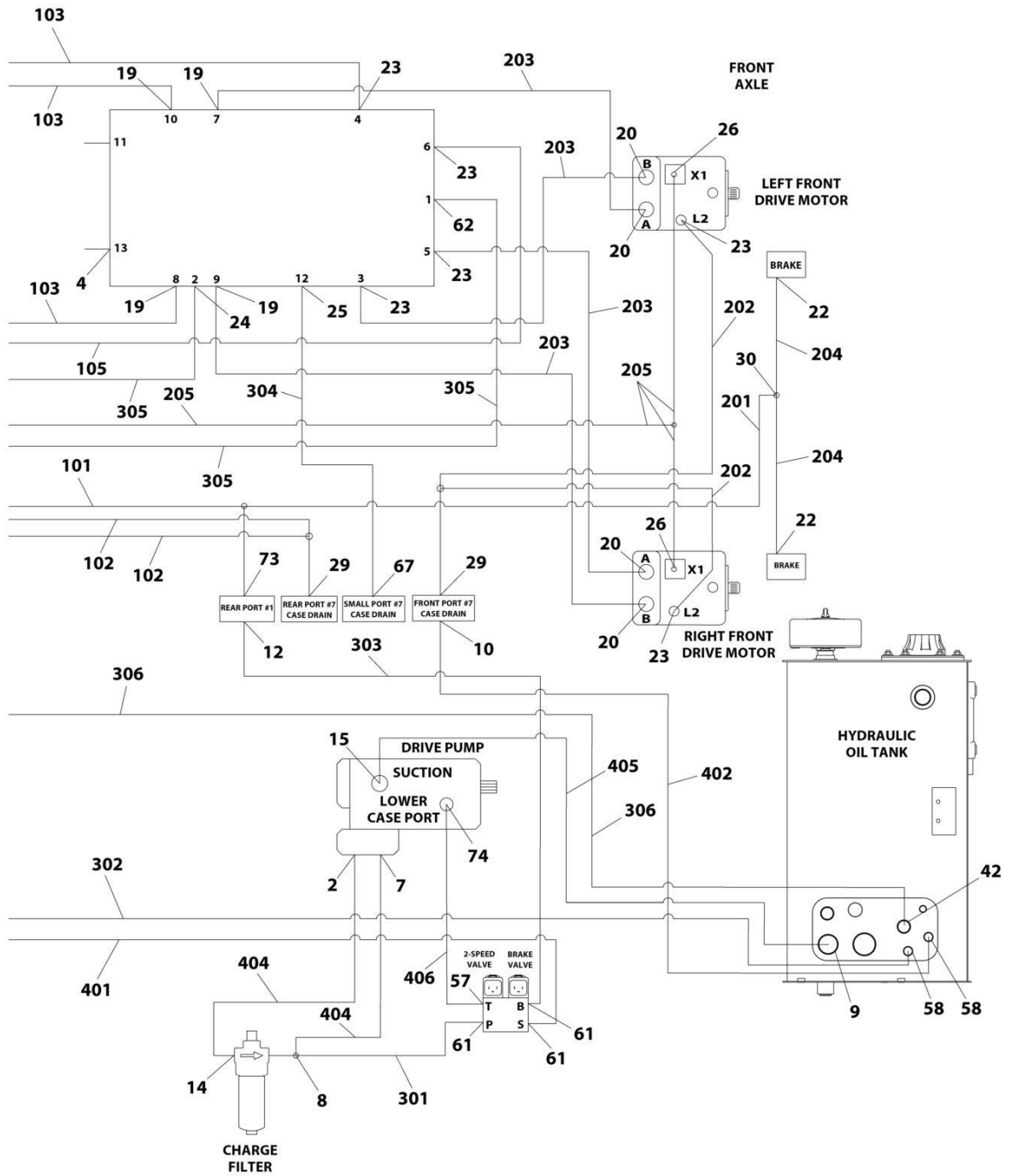
# SECTION 7 - HYDRAULIC

FIGURE 7-5. HYDRAULIC DIAGRAM - DRIVE (4WD/2WS WITHOUT TOW PACKAGE/WITH ARCTIC PACKAGE)



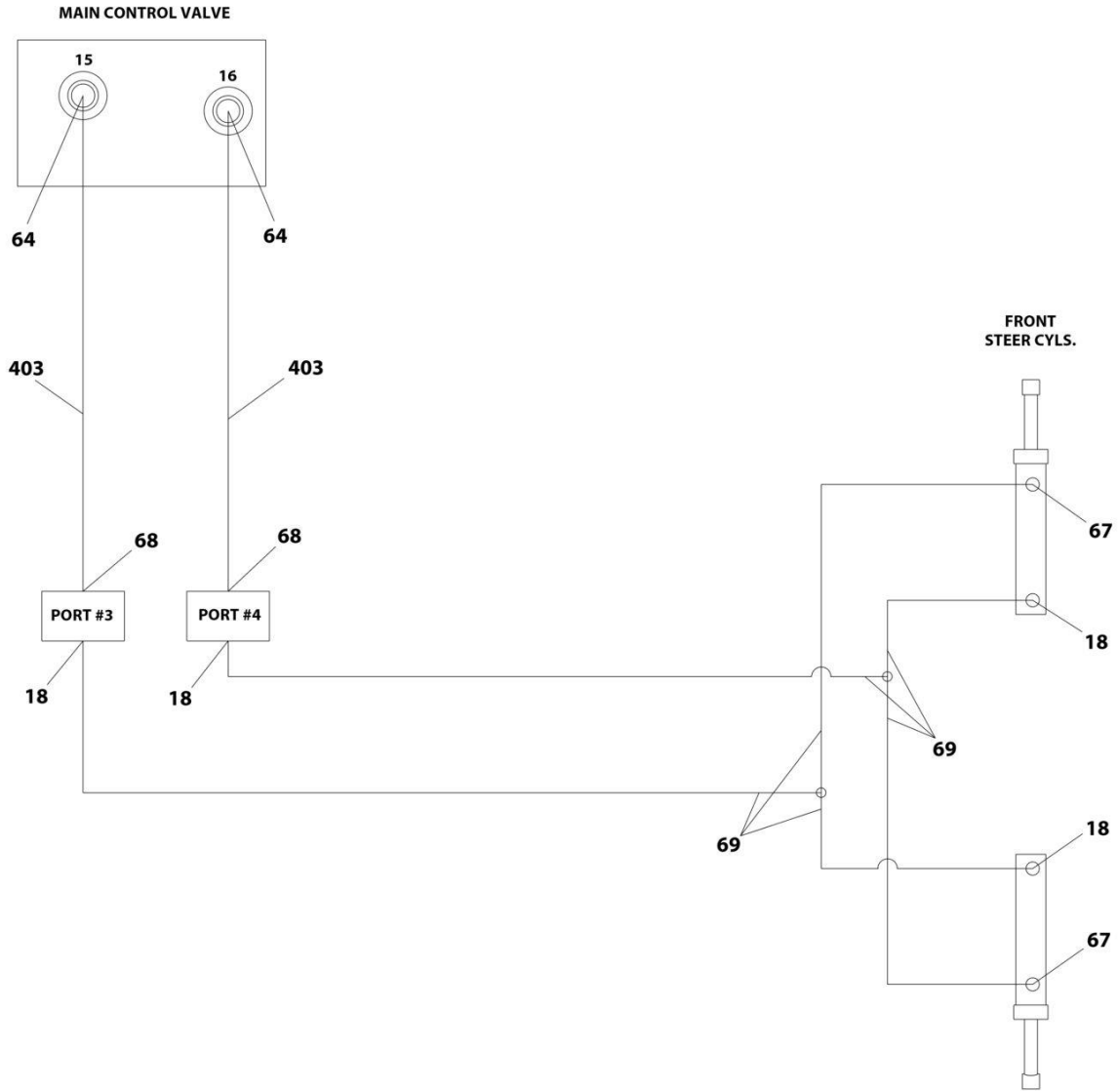
ART\_1001178205\_1OF3

# SECTION 7 - HYDRAULIC



ART\_1001178205\_2OF3

# SECTION 7 - HYDRAULIC



ART\_1001178205\_30F3

## SECTION 7 - HYDRAULIC

**FIGURE 7-5. HYDRAULIC DIAGRAM - DRIVE (4WD/2WS WITHOUT TOW PACKAGE/WITH ARCTIC PACKAGE)**

| ITEM | PART NUMBER | QTY | DESCRIPTION                       | REV |
|------|-------------|-----|-----------------------------------|-----|
|      | 1001178205  | Ref | DRIVE HYDRAULIC DIAGRAM - 4WD/2WS | H   |
| 2    | 2220800     | 1   | Fitting, Straight ORB/FL          |     |
| 3    | 2220582     | 1   | Fitting, Straight ORB/FL          |     |
| 4    | 2220238     | 1   | Plug                              |     |
| 5    | 2220671     | 1   | Fitting, 90 JIC/ORB               |     |
| 7    | 2220374     | 1   | Fitting, Straight JIC/ORB         |     |
| 8    | 1001199394  | 1   | Fitting, Tee JIC/ORB/JIC          |     |
| 9    | 2220380     | 1   | Fitting, Straight ORB/FL          |     |
| 10   | 2220375     | 1   | Fitting, Straight ORB/FL          |     |
| 12   | 2220468     | 1   | Fitting, Straight ORB/FL          |     |
| 13   | 2220578     | 1   | Fitting, 90 JIC/ORB               |     |
| 14   | 2220596     | 1   | Fitting, 90 JIC/FL                |     |
| 15   | 8770050     | 1   | Fitting, 90 JIC/ORB               |     |
| 17   | 2110406     | 2   | Fitting, Straight ORFS/ORB        |     |
| 18   | 2110606     | 4   | Fitting, Straight ORFS/ORB        |     |
| 19   | 2110808     | 6   | Fitting, Straight ORFS/ORB        |     |
| 20   | 2110812     | 8   | Fitting, Straight ORFS/ORB        |     |
| 21   | 2111616     | 4   | Fitting, Straight ORFS/ORB        |     |
| 22   | 2110404     | 4   | Fitting, Straight ORFS/ORB        |     |
| 23   | 2130808     | 6   | Fitting, 90 ORFS/ORB              |     |
| 24   | 2131616     | 3   | Fitting, 90 ORFS/ORB              |     |
| 25   | 2130604     | 1   | Fitting, 90 ORFS/ORB              |     |
| 26   | 2130406     | 2   | Fitting, 90 ORFS/ORB              |     |
| 27   | 2150406     | 2   | Fitting, 45 ORFS/ORB              |     |
| 29   | 2170408     | 2   | Fitting, Tee ORFS/ORFS/ORB        |     |
| 30   | 2170504     | 2   | Fitting, Tee ORFS                 |     |
| 31   | 2220237     | 1   | Plug                              |     |
| 42   | 2220451     | 1   | Fitting, Straight JIC/ORB         |     |
| 57   | 2220940     | 1   | Fitting, 90 ORB/FL                |     |
| 58   | 2220373     | 2   | Fitting, Straight JIC/ORB         |     |
| 61   | 2220466     | 3   | Fitting, 90 ORB/FL                |     |
| 62   | 2151616     | 1   | Fitting, 90 ORFS/ORB              |     |
| 64   | 2220371     | 2   | Fitting, Straight JIC/ORB         |     |
| 67   | 2130606     | 3   | Fitting, 90 ORFS/ORB              |     |
| 68   | 2220473     | 2   | Fitting, 90 ORB/FL                |     |
| 69   | 1001198333  | 2   | Hose                              |     |
| 73   | 1001198338  | 1   | Fitting, Tee ORFS/ORB             |     |
| 74   | 1001215296  | 1   | Fitting, 90 JIC/SORB              |     |
| 100  | 1001270069  | 1   | Arctic Towbar Hose Kit            |     |
| 101  | 2753622     | 1   | Hose                              |     |
| 102  | 2753686     | 2   | Hose                              |     |
| 103  | 2753971     | 3   | Hose                              |     |
| 104  | 2754337     | 2   | Hose                              |     |
| 105  | 2754338     | 1   | Hose                              |     |
| 106  | 1001198340  | 1   | Hose                              |     |
| 200  | 1001270073  | 1   | Arctic Towbar Hose Kit            |     |
| 201  | 2753542     | 1   | Hose                              |     |
| 202  | 2754720     | 2   | Hose                              |     |
| 203  | 2754743     | 4   | Hose                              |     |

## SECTION 7 - HYDRAULIC

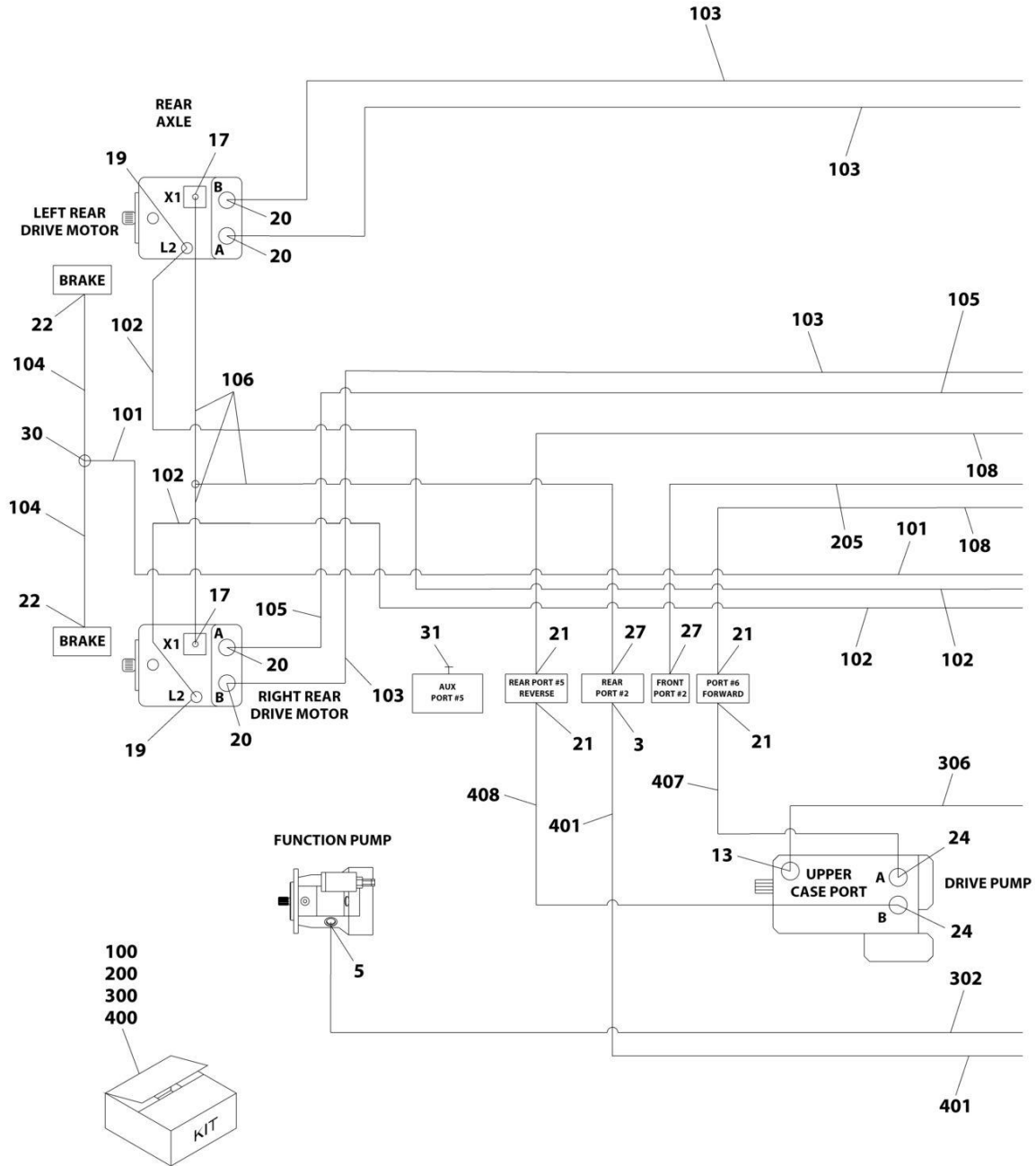
| ITEM | PART NUMBER | QTY | DESCRIPTION            | REV |
|------|-------------|-----|------------------------|-----|
| 204  | 1001106957  | 2   | Hose                   |     |
| 205  | 1001204269  | 1   | Hose                   |     |
| 300  | 1001270090  | 1   | Arctic Towbar Hose Kit |     |
| 301  | 2752434     | 1   | Hose                   |     |
| 302  | 2752938     | 1   | Hose                   |     |
| 303  | 2752997     | 1   | Hose                   |     |
| 304  | 2753626     | 1   | Hose                   |     |
| 305  | 2753634     | 2   | Hose                   |     |
| 306  | 1001188135  | 1   | Hose                   |     |
| 400  | 1001270091  | 1   | Arctic Towbar Hose Kit |     |
| 401  | 2751399     | 1   | Hose                   |     |
| 402  | 2751500     | 1   | Hose                   |     |
| 403  | 2752489     | 2   | Hose                   |     |
| 404  | 2752495     | 2   | Hose                   |     |
| 405  | 2752754     | 1   | Hose                   |     |
| 406  | 1001151354  | 1   | Hose                   |     |
| 407  | 1001156332  | 1   | Hose                   |     |
| 408  | 1001156333  | 1   | Hose                   |     |





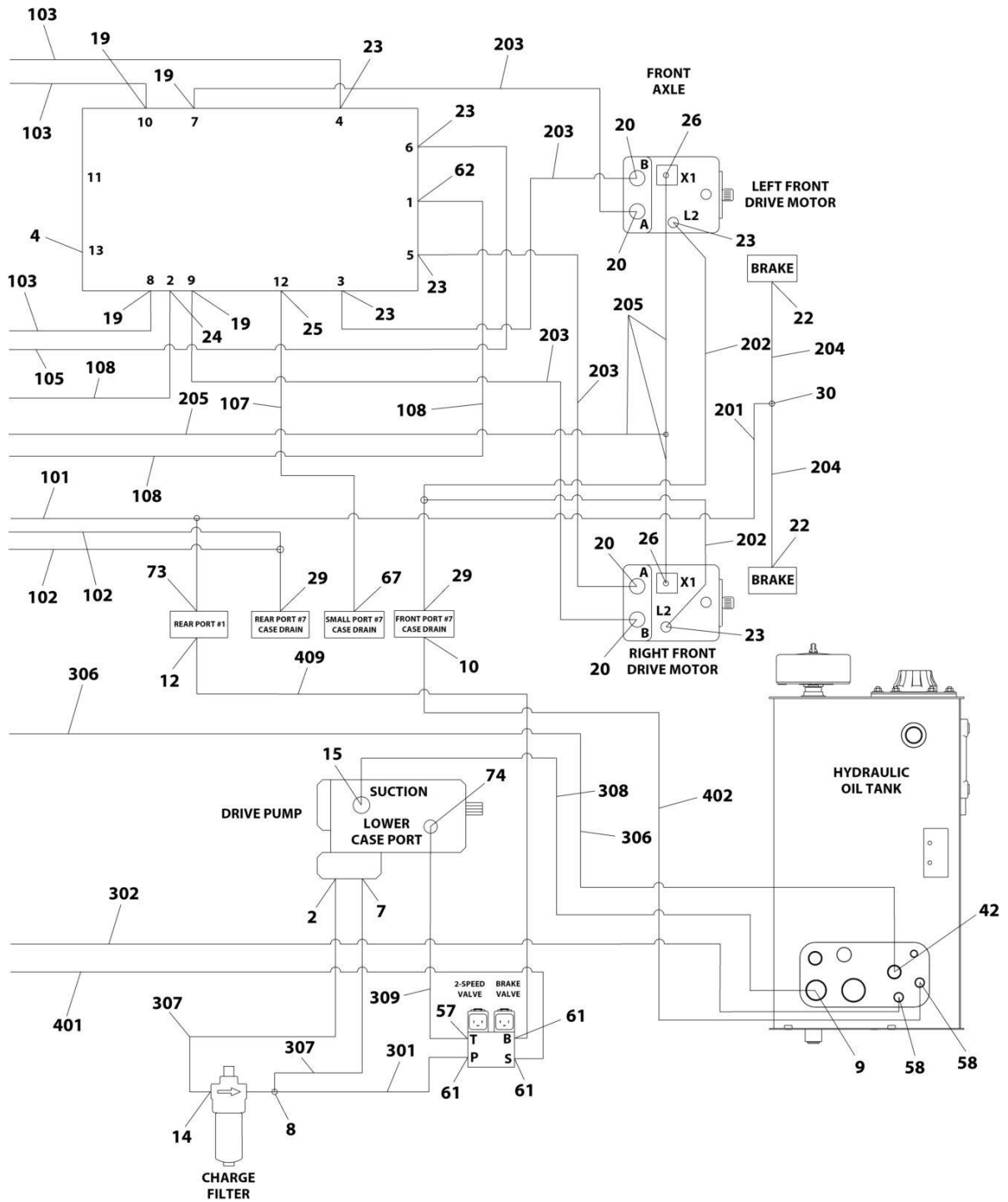
# SECTION 7 - HYDRAULIC

FIGURE 7-6. HYDRAULIC DIAGRAM - DRIVE (4WD/2WS WITH TOW PACKAGE/WITHOUT ARCTIC PACKAGE)



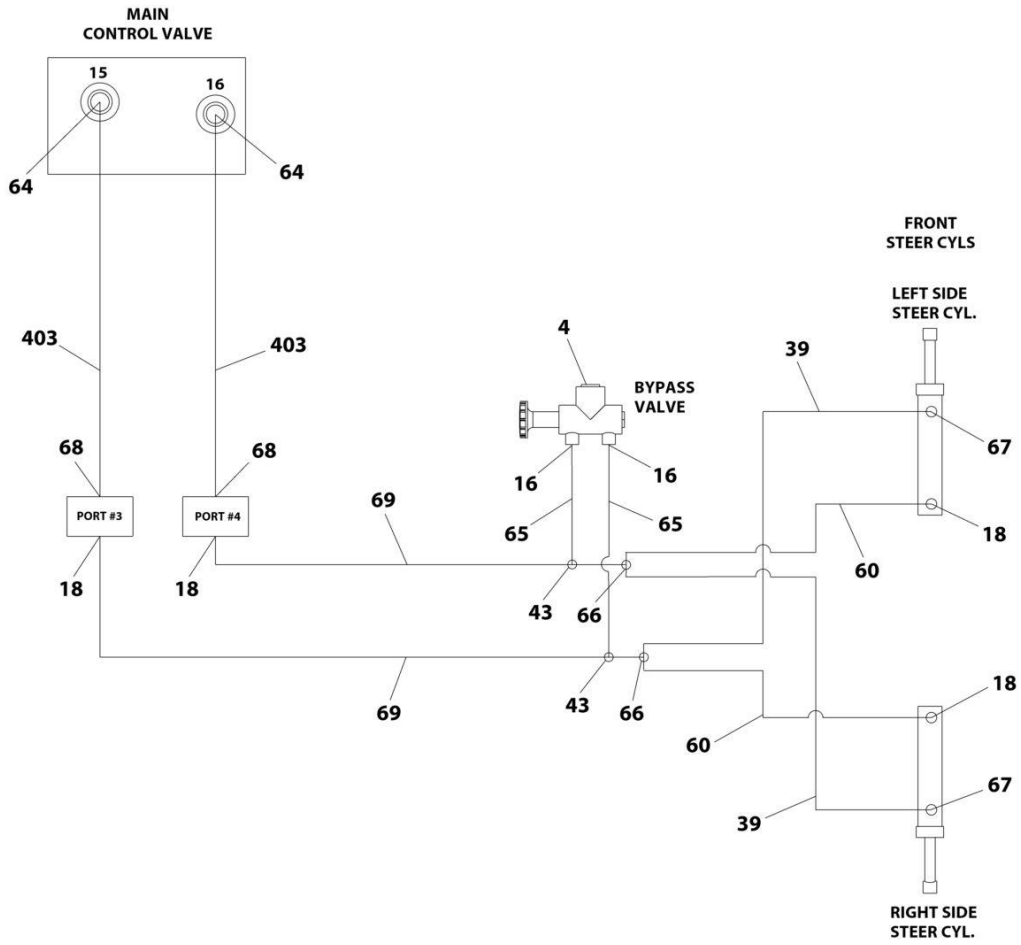
ART\_1001217196\_10F3

# SECTION 7 - HYDRAULIC



ART\_1001217196\_20F3

# SECTION 7 - HYDRAULIC



ART\_1001217196\_3OF3

## SECTION 7 - HYDRAULIC

**FIGURE 7-6. HYDRAULIC DIAGRAM - DRIVE (4WD/2WS WITH TOW PACKAGE/WITHOUT ARCTIC PACKAGE)**

| ITEM | PART NUMBER | QTY | DESCRIPTION                       | REV |
|------|-------------|-----|-----------------------------------|-----|
|      | 1001217196  | Ref | Drive Hydraulic Diagram - 4WD/2WS | D   |
| 2    | 2220800     | 1   | Fitting, Straight ORB/FL          |     |
| 3    | 2220582     | 1   | Fitting, Straight ORB/FL          |     |
| 4    | 2220238     | 2   | Plug                              |     |
| 5    | 2220671     | 1   | Fitting, 90 JIC/ORB               |     |
| 7    | 2220374     | 1   | Fitting, Straight JIC/ORB         |     |
| 8    | 1001199394  | 1   | Fitting, Tee JIC/ORB/JIC          |     |
| 9    | 2220380     | 1   | Fitting, Straight ORB/FL          |     |
| 10   | 2220375     | 1   | Fitting, Straight ORB/FL          |     |
| 12   | 2220468     | 1   | Fitting, Straight ORB/FL          |     |
| 13   | 2220578     | 1   | Fitting, 90 JIC/ORB               |     |
| 14   | 2220596     | 1   | Fitting, 90 ORB/FL                |     |
| 15   | 8770050     | 1   | Fitting, 90 JIC/ORB               |     |
| 16   | 2110608     | 2   | Fitting, Straight ORFS/ORB        |     |
| 17   | 2110406     | 2   | Fitting, Straight ORFS/ORB        |     |
| 18   | 2110606     | 4   | Fitting, Straight ORFS/ORB        |     |
| 19   | 2110808     | 6   | Fitting, Straight ORFS/ORB        |     |
| 20   | 2110812     | 8   | Fitting, Straight ORFS/OBS        |     |
| 21   | 2131616     | 4   | Fitting, 90 ORFS/ORB              |     |
| 22   | 2110404     | 4   | Fitting, Straight ORFS/ORB        |     |
| 23   | 2130808     | 6   | Fitting, 90 ORFS/ORB              |     |
| 24   | 2111616     | 3   | Fitting, Straight ORFS/ORB        |     |
| 25   | 2130604     | 1   | Fitting, 90 ORFS/OBS              |     |
| 26   | 2130406     | 2   | Fitting, 90 ORFS/OBS              |     |
| 27   | 2150406     | 2   | Fitting, 45 ORFS/ORB              |     |
| 29   | 2170408     | 2   | Fitting, Tee ORFS/ORFS/OBS        |     |
| 30   | 2170504     | 2   | Fitting, Tee ORFS                 |     |
| 31   | 2220237     | 1   | Plug                              |     |
| 39   | 2753656     | 2   | Hose                              |     |
| 42   | 2220451     | 1   | Fitting, Straight JIC/ORB         |     |
| 43   | 2170706     | 2   | Fitting, Tee - ORFS/ORFS/ORFS     |     |
| 57   | 2220940     | 1   | Fitting, 90 ORB/FL                |     |
| 58   | 2220373     | 2   | Fitting, Straight JIC/ORB         |     |
| 60   | 1001159340  | 2   | Hose                              |     |
| 61   | 2220466     | 3   | Fitting, 90 ORB/FL                |     |
| 62   | 2151616     | 1   | Fitting, 45 ORFS/ORB              |     |
| 64   | 2220371     | 2   | Fitting, Straight JIC/ORB         |     |
| 65   | 2753879     | 2   | Hose                              |     |
| 66   | 2170506     | 2   | Fitting, Tee ORFS/ORFS/ORFS       |     |
| 67   | 2130606     | 3   | Fitting, 90 ORFS/ORB              |     |
| 68   | 2220473     | 2   | Fitting, 90 ORB/FL                |     |
| 69   | 2753732     | 2   | Hose                              |     |
| 73   | 1001198338  | 1   | Fitting, Tee ORFS/ORB             |     |
| 74   | 1001215296  | 1   | Fitting, 90 JIC/SORB              |     |
| 100  | 1001270069  | 1   | Arctic Towbar Hose Kit            |     |
| 101  | 2753622     | 1   | Hose                              |     |
| 102  | 2753686     | 2   | Hose                              |     |
| 103  | 2753971     | 3   | Hose                              |     |
| 104  | 2754337     | 2   | Hose                              |     |

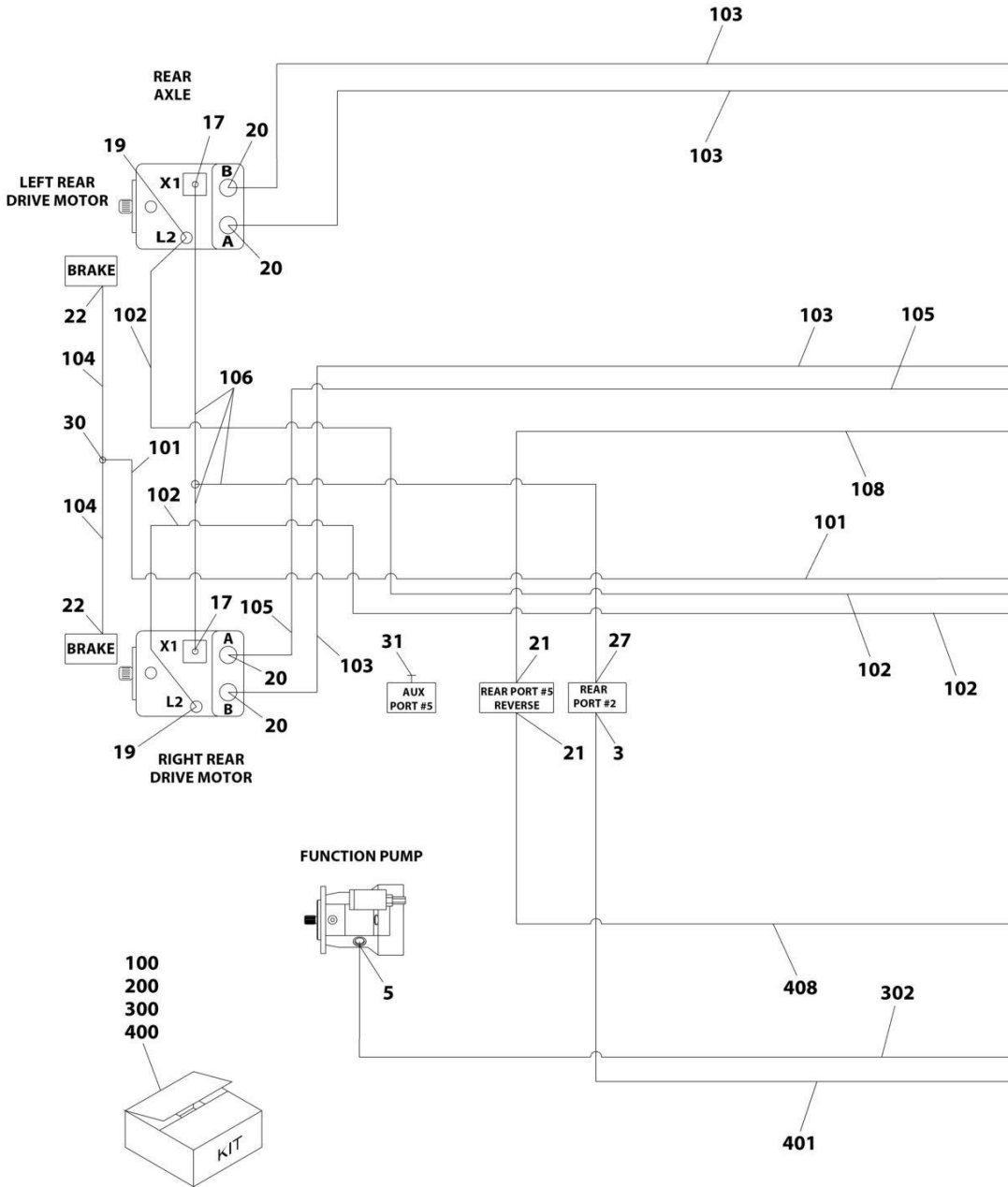
## SECTION 7 - HYDRAULIC

| ITEM | PART NUMBER | QTY | DESCRIPTION            | REV |
|------|-------------|-----|------------------------|-----|
| 105  | 2754338     | 1   | Hose                   |     |
| 106  | 1001198340  | 1   | Hose                   |     |
| 107  | 2753626     | 1   | Hose                   |     |
| 108  | 2753634     | 1   | Hose                   |     |
| 200  | 1001270073  | 1   | Arctic Towbar Hose Kit |     |
| 201  | 2753542     | 1   | Hose                   |     |
| 202  | 2754720     | 2   | Hose                   |     |
| 203  | 2754743     | 4   | Hose                   |     |
| 204  | 1001106957  | 2   | Hose                   |     |
| 205  | 1001204269  | 1   | Hose                   |     |
| 300  | 1001270090  | 1   | Arctic Towbar Hose Kit |     |
| 301  | 2752434     | 1   | Hose                   |     |
| 302  | 2752938     | 1   | Hose                   |     |
| 306  | 1001188135  | 1   | Hose                   |     |
| 307  | 2752495     | 1   | Hose                   |     |
| 308  | 2752754     | 1   | Hose                   |     |
| 309  | 1001151354  | 1   | Hose                   |     |
| 400  | 1001270091  | 1   | Arctic Towbar Hose Kit |     |
| 401  | 2751399     | 1   | Hose                   |     |
| 402  | 2751500     | 1   | Hose                   |     |
| 403  | 2752489     | 2   | Hose                   |     |
| 407  | 1001156332  | 1   | Hose                   |     |
| 408  | 1001156333  | 1   | Hose                   |     |
| 409  | 2752997     | 1   | Hose                   |     |



# SECTION 7 - HYDRAULIC

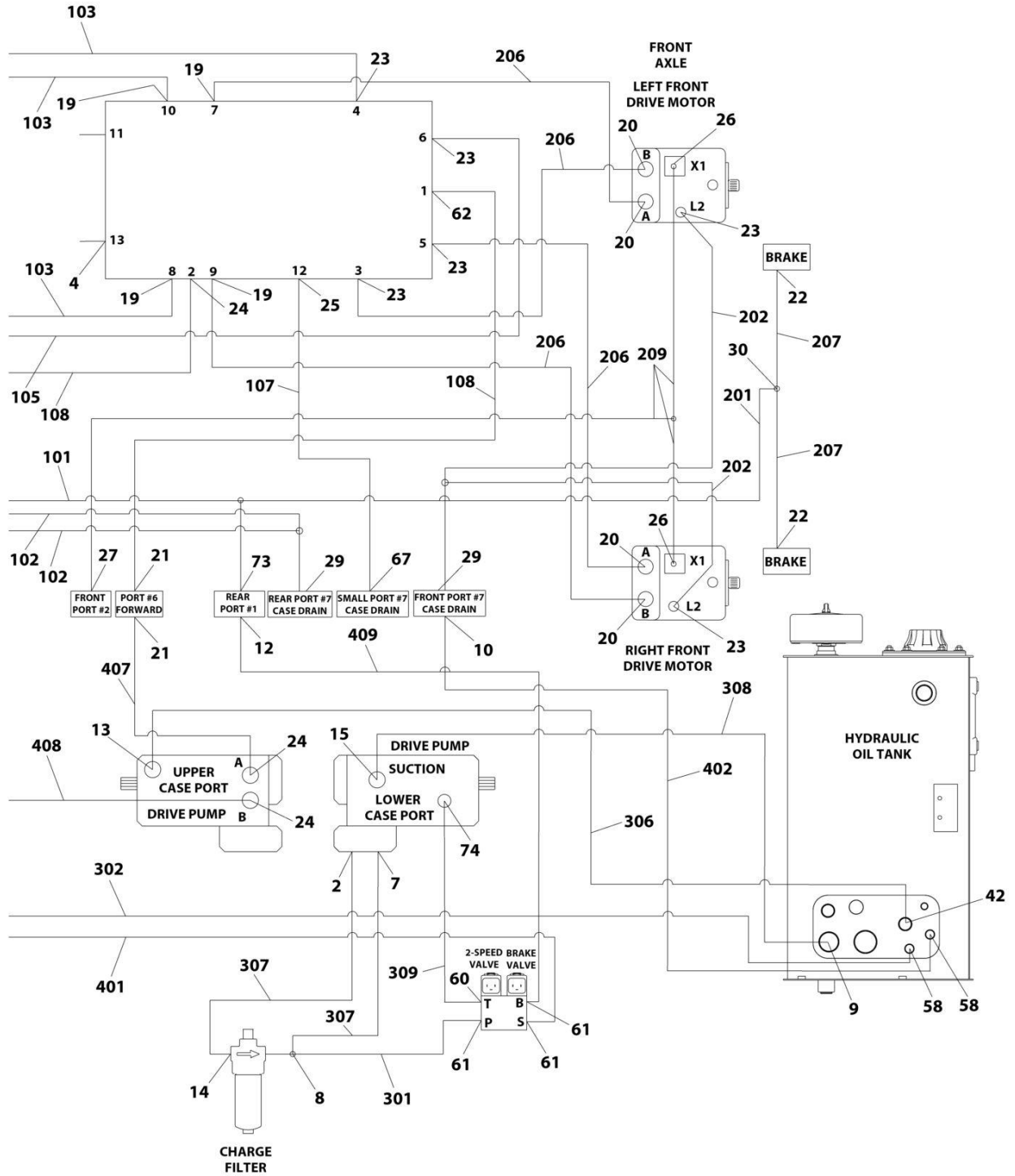
FIGURE 7-7. HYDRAULIC DIAGRAM - DRIVE (4WD/2WS WITH TOW PACKAGE/WITH ARCTIC PACKAGE)



ART\_1001217195\_10F3

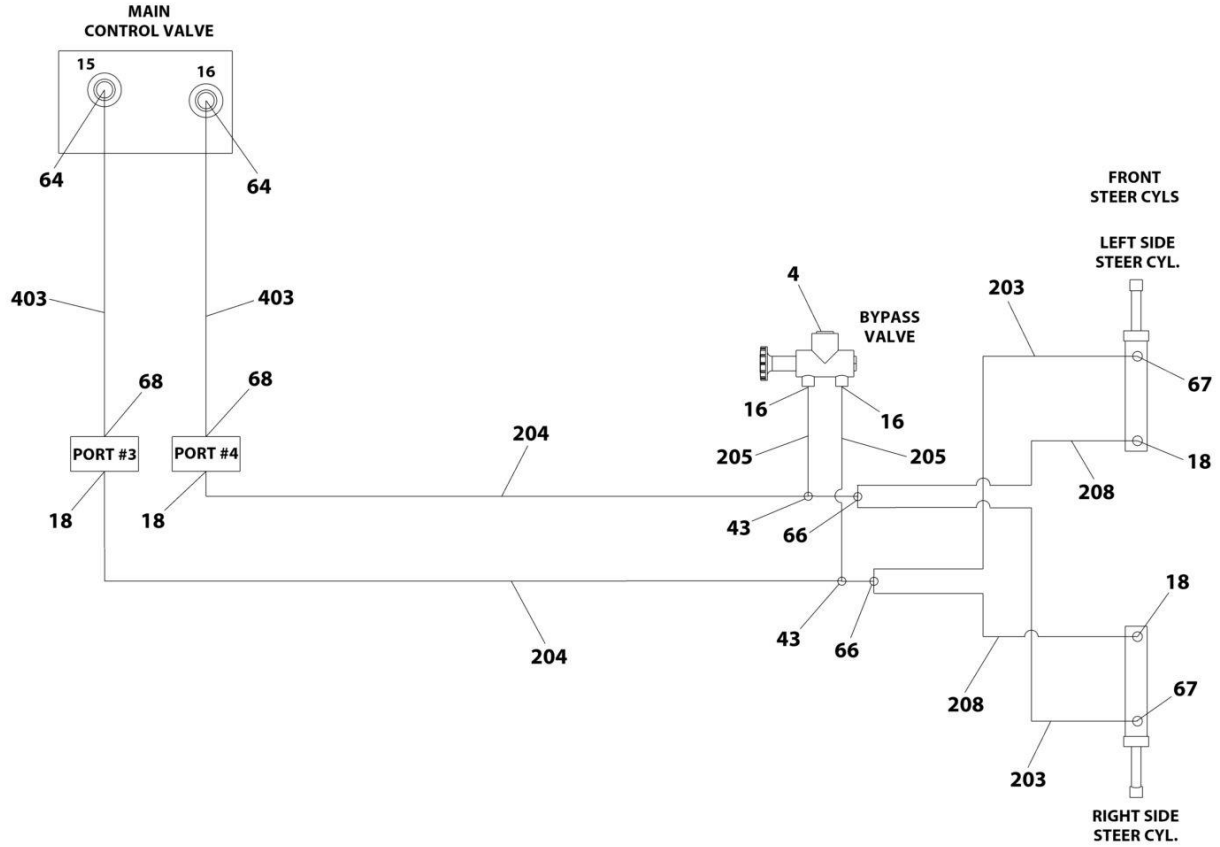


# SECTION 7 - HYDRAULIC



ART\_1001217195\_20F3

# SECTION 7 - HYDRAULIC



ART\_1001217195\_3OF3

## SECTION 7 - HYDRAULIC

**FIGURE 7-7. HYDRAULIC DIAGRAM - DRIVE (4WD/2WS WITH TOW PACKAGE/WITH ARCTIC PACKAGE)**

| ITEM | PART NUMBER | QTY | DESCRIPTION                         | REV |
|------|-------------|-----|-------------------------------------|-----|
|      | 1001217195  | Ref | HYDRAULIC DIAGRAM - DRIVE (4WD/2WS) | D   |
| 2    | 2220800     | 1   | Fitting, Straight ORB/FL            |     |
| 3    | 2220582     | 1   | Fitting, Straight ORB/FL            |     |
| 4    | 2220238     | 2   | Plug                                |     |
| 5    | 2220671     | 1   | Fitting, 90 JIC/ORB                 |     |
| 7    | 2220374     | 1   | Fitting, Straight JIC/ORB           |     |
| 8    | 1001199394  | 1   | Fitting, Tee JIC/ORB/JIC            |     |
| 9    | 2220380     | 1   | Fitting, Straight ORB/FL            |     |
| 10   | 2220375     | 1   | Fitting, Straight ORB/FL            |     |
| 12   | 2220468     | 1   | Fitting, Straight ORB/FL            |     |
| 13   | 2220578     | 1   | Fitting, 90 JIC/ORB                 |     |
| 14   | 2220596     | 1   | Fitting, 90 ORB/FL                  |     |
| 15   | 8770050     | 1   | Fitting, 90 JIC/ORB                 |     |
| 16   | 2110608     | 2   | Fitting, Straight ORFS/ORB          |     |
| 17   | 2110406     | 2   | Fitting, Straight ORFS/ORB          |     |
| 18   | 2110606     | 4   | Fitting, Straight ORFS/ORB          |     |
| 19   | 2110808     | 6   | Fitting, Straight ORFS/ORB          |     |
| 20   | 2110812     | 8   | Fitting, Straight ORFS/OBS          |     |
| 21   | 2131616     | 4   | Fitting, 90 ORFS/ORB                |     |
| 22   | 2110404     | 4   | Fitting, Straight ORFS/ORB          |     |
| 23   | 2130808     | 6   | Fitting, 90 ORFS/ORB                |     |
| 24   | 2111616     | 3   | Fitting, Straight ORFS/ORB          |     |
| 25   | 2130604     | 1   | Fitting, 90 ORFS/OBS                |     |
| 26   | 2130406     | 2   | Fitting, 90 ORFS/OBS                |     |
| 27   | 2150406     | 2   | Fitting, 45 ORFS/ORB                |     |
| 29   | 2170408     | 2   | Fitting, Tee ORFS/ORFS/OBS          |     |
| 30   | 2170504     | 2   | Fitting, Tee ORFS                   |     |
| 31   | 2220237     | 1   | Plug                                |     |
| 42   | 2220451     | 1   | Fitting, Straight JIC/ORB           |     |
| 43   | 2170706     | 2   | Fitting, Tee - ORFS/ORFS/ORFS       |     |
| 58   | 2220373     | 2   | Fitting, Straight JIC/ORB           |     |
| 60   | 2220940     | 1   | Fitting, 90 ORB/FL                  |     |
| 61   | 2220466     | 3   | Fitting, 90 ORB/FL                  |     |
| 62   | 2151616     | 1   | Fitting, 45 ORFS/ORB                |     |
| 64   | 2220371     | 2   | Fitting, Straight JIC/ORB           |     |
| 66   | 2170506     | 2   | Fitting, Tee ORFS/ORFS/ORFS         |     |
| 67   | 2130606     | 3   | Fitting, 90 ORFS/ORB                |     |
| 68   | 2220473     | 2   | Fitting, 90 ORB/FL                  |     |
| 73   | 1001198338  | 1   | Fitting, Tee ORFS/ORB               |     |
| 74   | 1001215296  | 1   | Fitting, 90 JIC/SORB                |     |
| 100  | 1001270069  | 1   | Arctic Twobar Hose Kit              |     |
| 101  | 2753622     | 1   | Hose                                |     |
| 102  | 2753686     | 2   | Hose                                |     |
| 103  | 2753971     | 3   | Hose                                |     |
| 104  | 2754337     | 2   | Hose                                |     |
| 105  | 2754338     | 1   | Hose                                |     |
| 106  | 1001198340  | 1   | Hose                                |     |
| 107  | 2753626     | 1   | Hose                                |     |
| 108  | 2753634     | 1   | Hose                                |     |

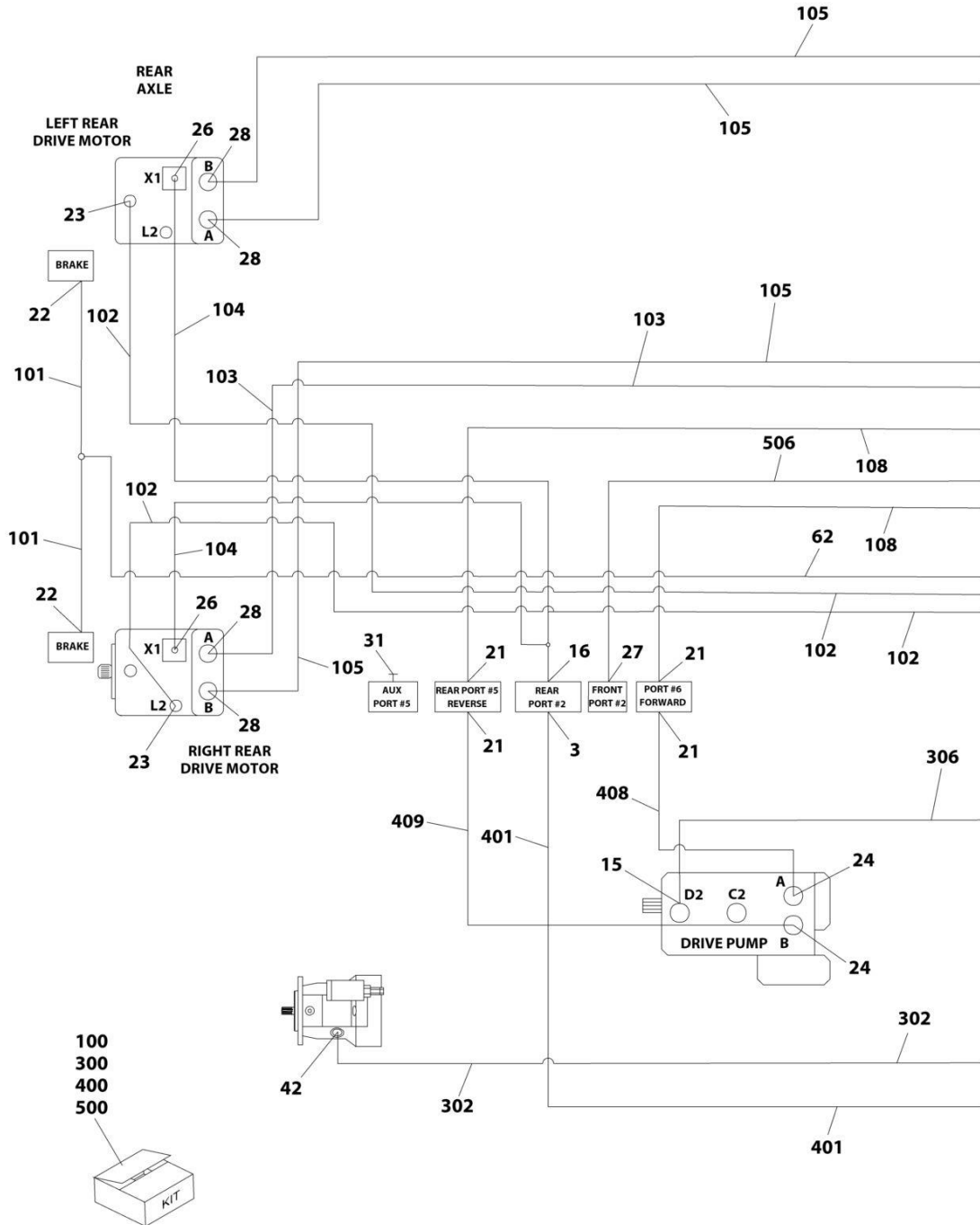
## SECTION 7 - HYDRAULIC

| ITEM | PART NUMBER | QTY | DESCRIPTION            | REV |
|------|-------------|-----|------------------------|-----|
| 200  | 1001270096  | 1   | Towbar Front Hose Kit  |     |
| 201  | 2753542     | 1   | Hose                   |     |
| 202  | 2753628     | 2   | Hose                   |     |
| 203  | 2753656     | 2   | Hose                   |     |
| 204  | 2753732     | 2   | Hose                   |     |
| 205  | 2753879     | 2   | Hose                   |     |
| 206  | 2753970     | 4   | Hose                   |     |
| 207  | 2754512     | 2   | Hose                   |     |
| 208  | 1001159340  | 2   | Hose                   |     |
| 209  | 1001198341  | 1   | Hose                   |     |
| 300  | 1001270090  | 1   | Arctic Twobar Hose Kit |     |
| 301  | 2752434     | 1   | Hose                   |     |
| 302  | 2752938     | 1   | Hose                   |     |
| 306  | 1001188135  | 1   | Hose                   |     |
| 307  | 2752495     | 1   | Hose                   |     |
| 308  | 2752754     | 1   | Hose                   |     |
| 309  | 1001151354  | 1   | Hose                   |     |
| 400  | 1001270091  | 1   | Arctic Twobar Hose Kit |     |
| 401  | 2751399     | 1   | Hose                   |     |
| 402  | 2751500     | 1   | Hose                   |     |
| 403  | 2752489     | 2   | Hose                   |     |
| 407  | 1001156332  | 1   | Hose                   |     |
| 408  | 1001156333  | 1   | Hose                   |     |
| 409  | 2752997     | 1   | Hose                   |     |



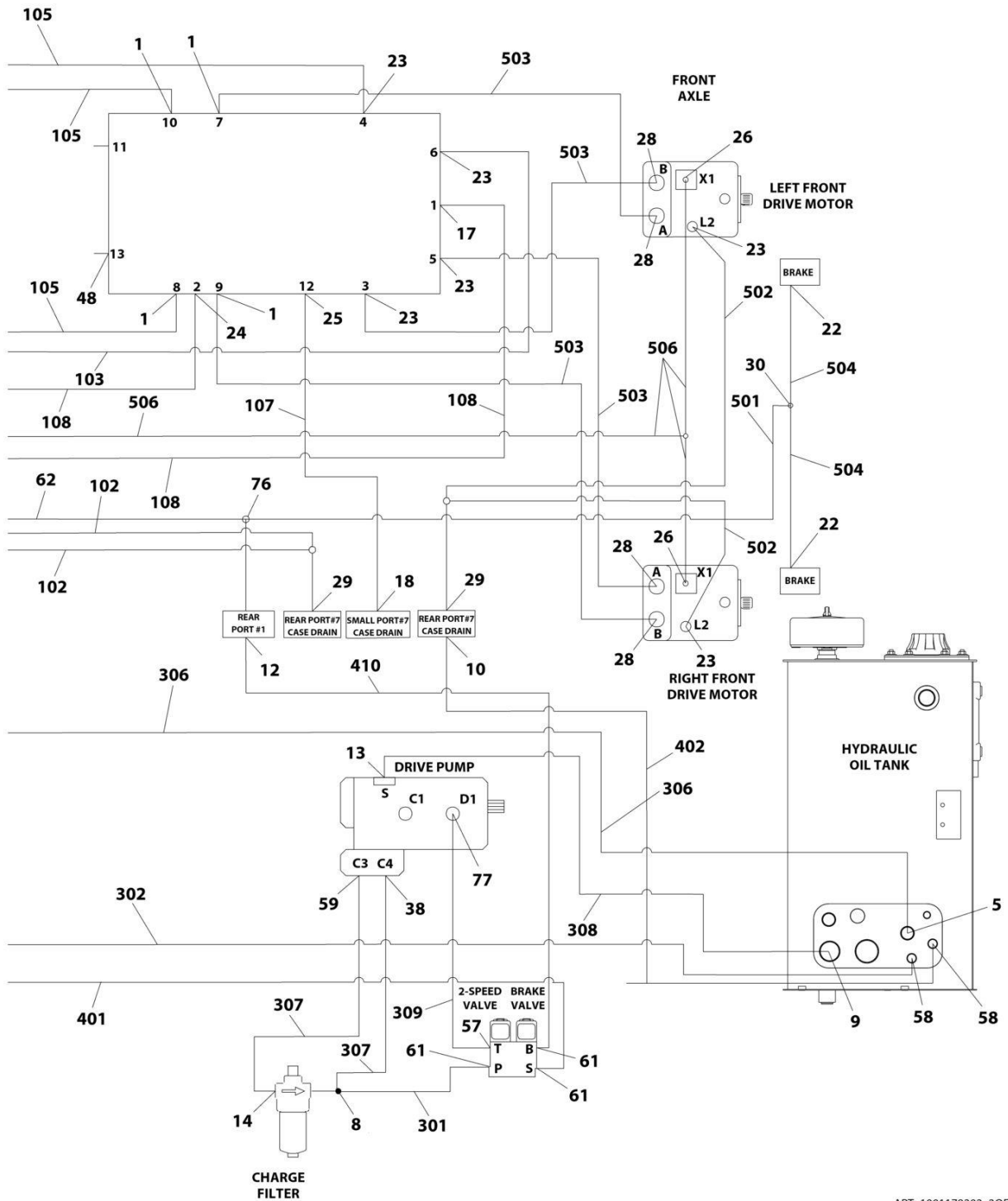
# SECTION 7 - HYDRAULIC

## FIGURE 7-8. HYDRAULIC DIAGRAM - DRIVE (4WD/4WS WITHOUT TOW PACKAGE/WITHOUT ARCTIC PACKAGE)



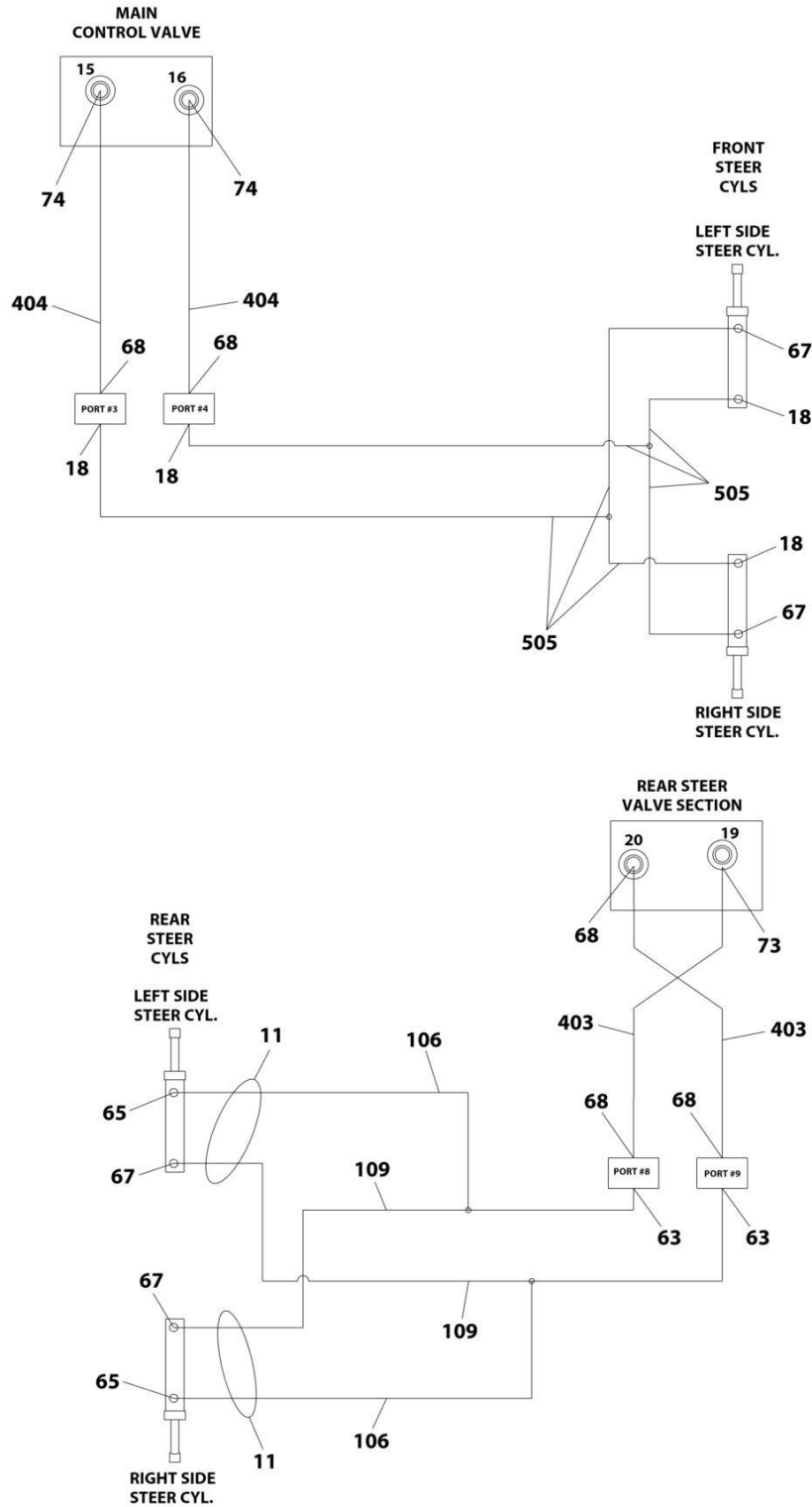
ART\_1001178202\_10F3

# SECTION 7 - HYDRAULIC



ART\_1001178202\_20F3

# SECTION 7 - HYDRAULIC



ART\_1001178202\_3OF3



## SECTION 7 - HYDRAULIC

**FIGURE 7-8. HYDRAULIC DIAGRAM - DRIVE (4WD/4WS WITHOUT TOW PACKAGE/WITHOUT ARCTIC PACKAGE)**

| ITEM | PART NUMBER | QTY      | DESCRIPTION                 | REV |
|------|-------------|----------|-----------------------------|-----|
|      | 1001178202  | Ref      | DRIVE HYDRAULIC DIAGRAM     | J   |
| 1    | 2110808     | 4        | Fitting, Straight ORFS/ORB  |     |
| 3    | 2220582     | 1        | Fitting, Straight ORB/JIC   |     |
| 5    | 2220451     | 1        | Fitting, Straight ORB/JIC   |     |
| 8    | 1001199394  | 1        | Fitting, Tee JIC/ORB/JIC    |     |
| 9    | 2220380     | 1        | Fitting, Straight ORB/JIC   |     |
| 10   | 2220375     | 1        | Fitting, Straight ORB/JIC   |     |
| 11   | 4100026     | 2 ft/ 1m | Sleeve                      |     |
| 12   | 2220468     | 1        | Fitting, Straight ORB/JIC   |     |
| 13   | 8770050     | 1        | Fitting, 90 JIC/ORB         |     |
| 14   | 2220596     | 1        | Fitting, 90 ORB/JIC         |     |
| 15   | 2220578     | 1        | Fitting, 90 JIC/ORB         |     |
| 16   | 2170350     | 1        | Fitting, Tee ORFS/ORFS/OBS  |     |
| 17   | 2151616     | 1        | Fitting, 45 ORFS/OBS        |     |
| 18   | 2110606     | 5        | Fitting, Straight ORFS/OBS  |     |
| 21   | 2111616     | 4        | Fitting, Straight ORFS/OBS  |     |
| 22   | 2110404     | 4        | Fitting, Straight ORFS/OBS  |     |
| 23   | 2130808     | 8        | Fitting, 90 ORFS/OBS        |     |
| 24   | 2131616     | 3        | Fitting, 90 ORFS/OBS        |     |
| 25   | 2130604     | 1        | Fitting, 90 ORFS/OBS        |     |
| 26   | 2130406     | 4        | Fitting, 90 ORFS/OBS        |     |
| 27   | 2150406     | 1        | Fitting, 45 ORFS/OBS        |     |
| 28   | 2110812     | 8        | Fitting, 45 ORFS/OBS        |     |
| 29   | 2170408     | 2        | Fitting, Tee ORFS/ORFS/OBS  |     |
| 30   | 2170504     | 1        | Fitting, Tee ORFS/ORFS/ORFS |     |
| 31   | 2220237     | 1        | Plug                        |     |
| 38   | 2220374     | 1        | Fitting, Straight           |     |
| 42   | 2220671     | 1        | Fitting, 90 JIC/ORB         |     |
| 48   | 2220238     | 1        | Plug ORB                    |     |
| 57   | 2220940     | 1        | Fitting, 90 JIC/JIC         |     |
| 58   | 2220373     | 2        | Fitting, Straight ORB/JIC   |     |
| 59   | 2220800     | 1        | Sitting, Straight ORB/ORB   |     |
| 61   | 2220466     | 3        | Fitting, 90 ORB/JIC         |     |
| 62   | 2170804     | 1        | Fitting, Tee ORFS/ORB/ORFS  |     |
| 63   | 2170306     | 2        | Fitting, Tee ORFS/ORB/ORFS  |     |
| 65   | 2150606     | 2        | Fitting, 45 ORFS/ORB        |     |
| 67   | 2130606     | 4        | Fitting, 90 ORFS/ORB        |     |
| 68   | 2220473     | 5        | Fitting, 90 ORB/JIC         |     |
| 73   | 2220819     | 1        | Fitting, 90 JIC/ORB         |     |
| 74   | 2220371     | 2        | Fitting, Straight ORB/JIC   |     |
| 76   | 1001198338  | 1        | Fitting, Tee ORFS/ORB       |     |
| 77   | 1001215296  | 1        | Fitting, 90 JIC/SORB        |     |
| 100  | 1001270093  | 1        | Rear Hose Kit               |     |
| 101  | 2753544     | 2        | Hose                        |     |
| 102  | 2753753     | 2        | Hose                        |     |
| 103  | 2753971     | 1        | Hose                        |     |
| 104  | 1001159338  | 2        | Hose                        |     |
| 105  | 1001159339  | 3        | Hose                        |     |
| 106  | 2717235     | 1        | Hose                        |     |

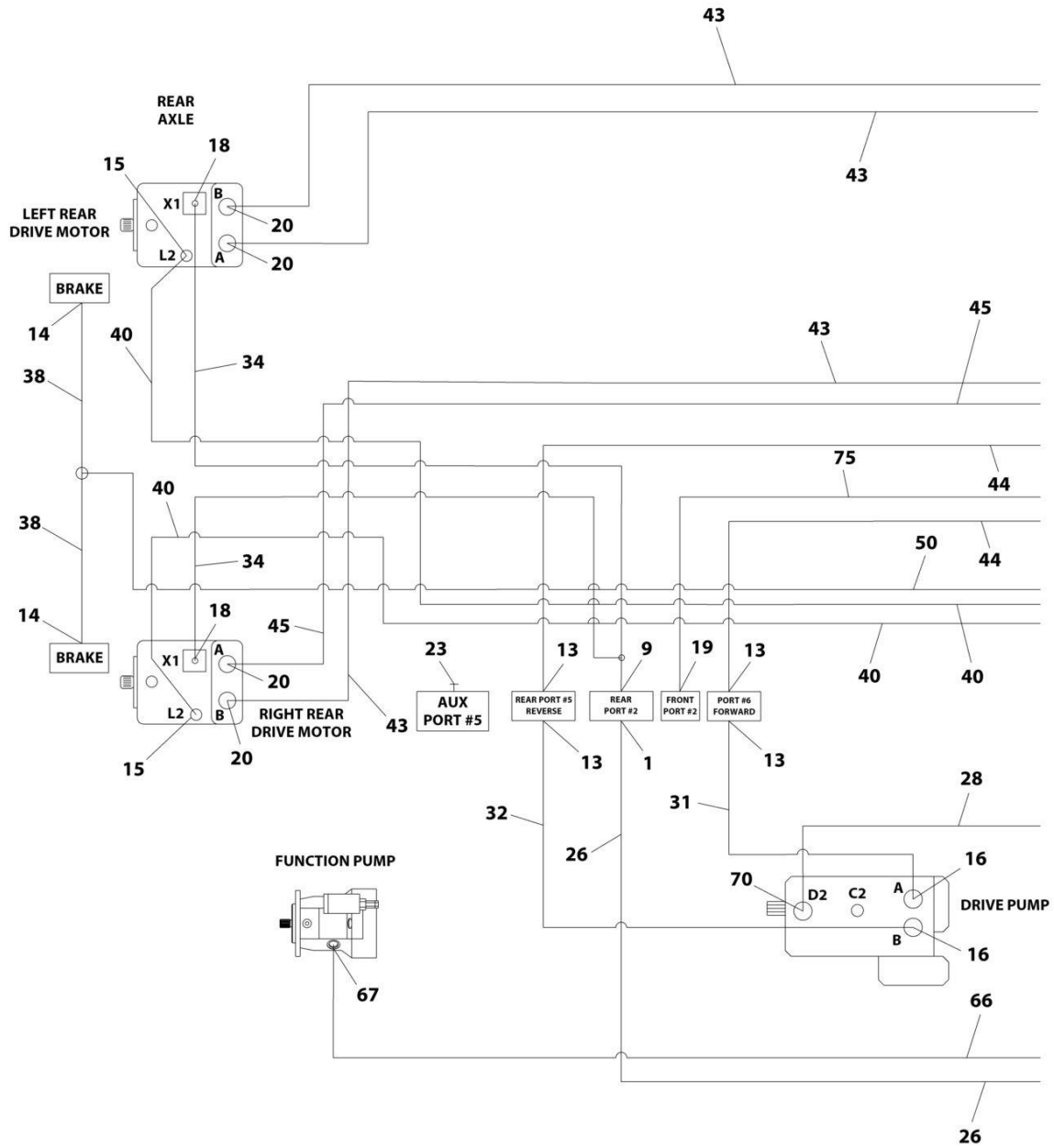
## SECTION 7 - HYDRAULIC

| ITEM | PART NUMBER | QTY | DESCRIPTION            | REV |
|------|-------------|-----|------------------------|-----|
| 107  | 2753626     | 1   | Hose                   |     |
| 108  | 2753634     | 1   | Hose                   |     |
| 109  | 2753727     | 1   | Hose                   |     |
| 300  | 1001270090  | 1   | Arctic Towbar Hose Kit |     |
| 301  | 2752434     | 1   | Hose                   |     |
| 302  | 2752938     | 1   | Hose                   |     |
| 306  | 1001188135  | 1   | Hose                   |     |
| 307  | 2752495     | 1   | Hose                   |     |
| 308  | 2752754     | 1   | Hose                   |     |
| 309  | 1001151354  | 1   | Hose                   |     |
| 400  | 1001272112  | 1   | 4WD/4WS Hose Kit       |     |
| 401  | 2751399     | 1   | Hose                   |     |
| 402  | 2751500     | 1   | Hose                   |     |
| 403  | 2752466     | 2   | Hose                   |     |
| 404  | 2752489     | 2   | Hose                   |     |
| 408  | 1001156332  | 1   | Hose                   |     |
| 409  | 1001156333  | 1   | Hose                   |     |
| 410  | 2752997     | 1   | Hose                   |     |
| 500  | 1001270630  | 1   | Front Hose Kit         |     |
| 501  | 2753542     | 1   | Hose                   |     |
| 502  | 2753628     | 1   | Hose                   |     |
| 503  | 2753970     | 1   | Hose                   |     |
| 504  | 2754512     | 1   | Hose                   |     |
| 505  | 1001198333  | 1   | Hose                   |     |
| 506  | 1001198341  | 1   | Hose                   |     |



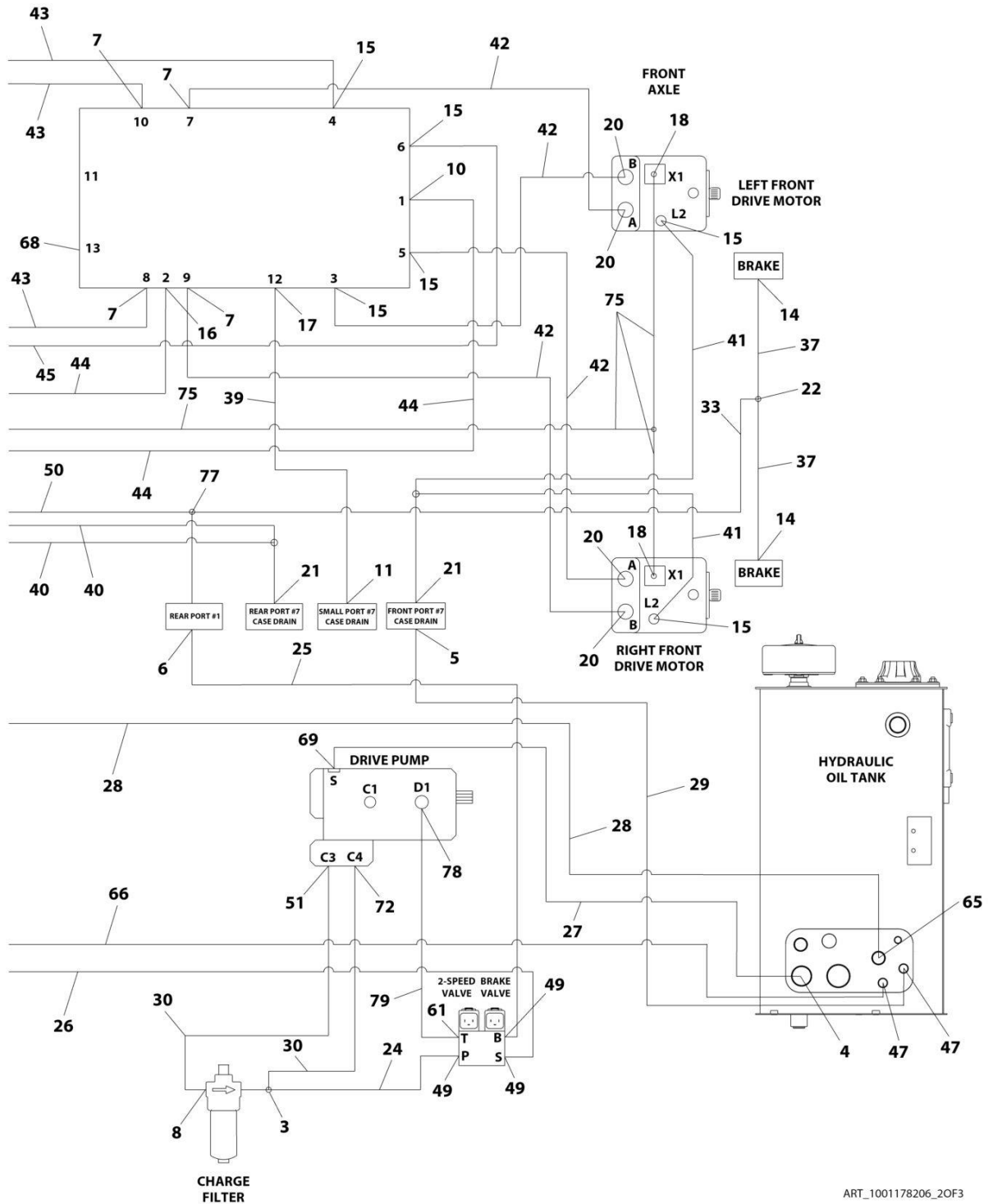
# SECTION 7 - HYDRAULIC

FIGURE 7-9. HYDRAULIC DIAGRAM - DRIVE (4WD/4WS WITHOUT TOW PACKAGE/WITH ARCTIC PACKAGE)



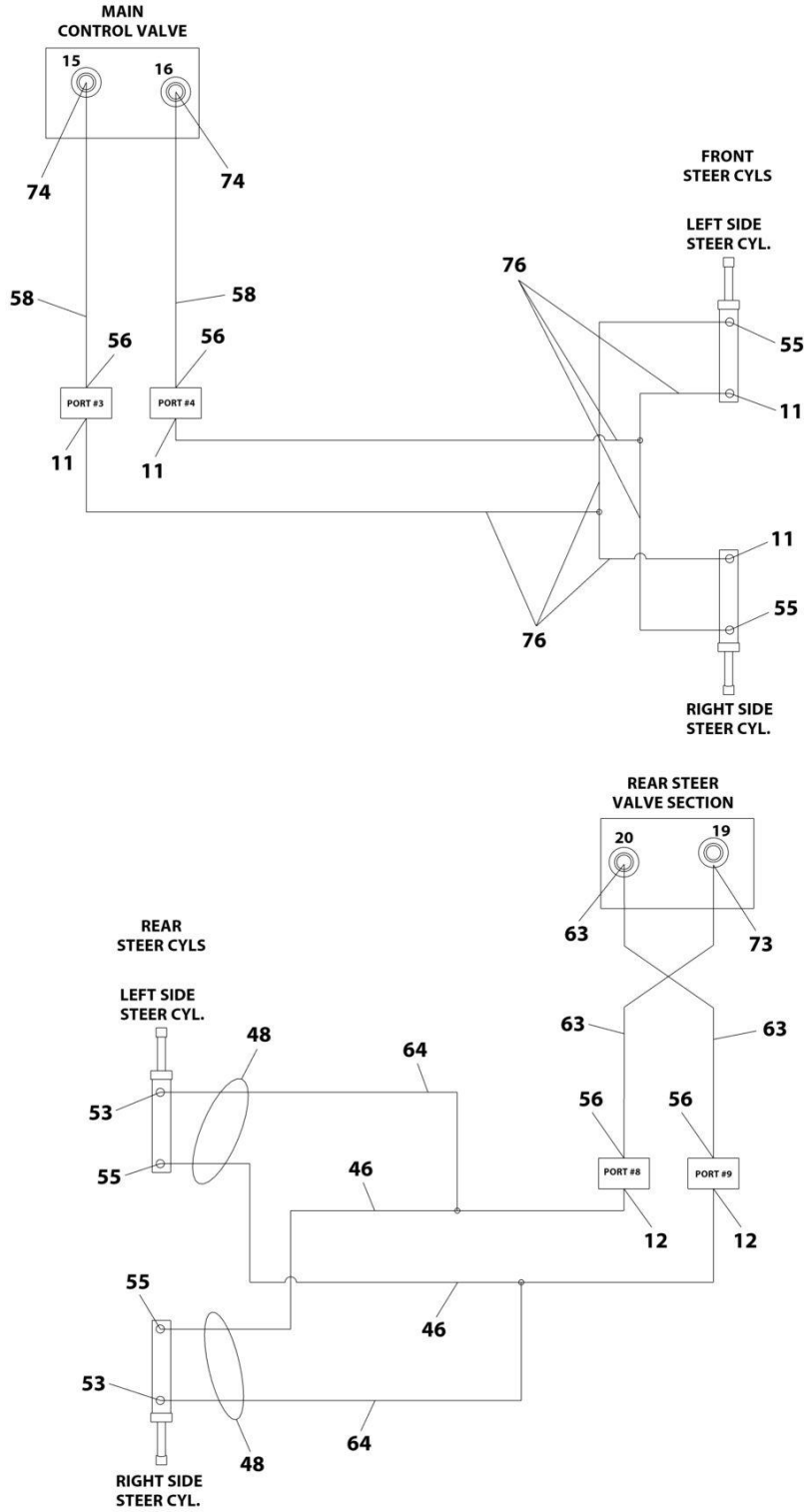
ART\_1001178206\_10F3

# SECTION 7 - HYDRAULIC



ART\_1001178206\_2OF3

# SECTION 7 - HYDRAULIC



ART\_1001178206\_3OF3

## SECTION 7 - HYDRAULIC

**FIGURE 7-9. HYDRAULIC DIAGRAM - DRIVE (4WD/4WS WITHOUT TOW PACKAGE/WITH ARCTIC PACKAGE)**

| ITEM | PART NUMBER | QTY            | DESCRIPTION                       | REV |
|------|-------------|----------------|-----------------------------------|-----|
|      | 1001178206  | 1              | DRIVE HYDRAULIC DIAGRAM - 4WD/4WS | I   |
| 1    | 2220582     | 1              | Fitting, Straight ORB/FL          |     |
| 3    | 1001199394  | 1              | Fitting, Tee JIC/ORB/JIC          |     |
| 4    | 2220380     | 1              | Fitting, Straight ORB/FL          |     |
| 5    | 2220375     | 1              | Fitting, Straight ORB/FL          |     |
| 6    | 2220468     | 1              | Fitting, Straight ORB/FL          |     |
| 7    | 2110808     | 4              | Fitting, Straight ORFS/ORB        |     |
| 8    | 2220596     | 1              | Fitting, 90 ORB/FL                |     |
| 9    | 2170350     | 1              | Fitting, Tee ORFS/ORFS/ORB        |     |
| 10   | 2151616     | 1              | Fitting, 45 ORFS/ORB              |     |
| 11   | 2110606     | 5              | Fitting, Straight ORFS/ORB        |     |
| 12   | 2170306     | 2              | Fitting                           |     |
| 13   | 2111616     | 4              | Fitting, Straight ORFS/ORB        |     |
| 14   | 2110404     | 4              | Fitting, Straight ORFS/ORB        |     |
| 15   | 2130808     | 8              | Fitting, 90 ORFS/ORB              |     |
| 16   | 2131616     | 3              | Fitting, 90 ORFS/ORB              |     |
| 17   | 2130604     | 1              | Fitting, 90 ORFS/ORB              |     |
| 18   | 2130406     | 4              | Fitting, 90 ORFS/ORB              |     |
| 19   | 2150406     | 1              | Fitting, 45 ORFS/ORB              |     |
| 20   | 2110812     | 8              | Fitting, Straight ORFS/ORB        |     |
| 21   | 2170408     | 2              | Fitting, Tee ORFS/ORFS/OBS        |     |
| 22   | 2170504     | 1              | Fitting, Tee ORFS                 |     |
| 23   | 2220237     | 1              | Plug                              |     |
| 24   | 2752434     | 1              | Hose                              |     |
| 25   | 2752997     | 1              | Hose                              |     |
| 26   | 2751399     | 1              | Hose                              |     |
| 27   | 2752754     | 1              | Hose                              |     |
| 28   | 1001188135  | 1              | Hose                              |     |
| 29   | 2751500     | 1              | Hose                              |     |
| 30   | 2752495     | 2              | Hose                              |     |
| 31   | 1001156332  | 1              | Hose                              |     |
| 32   | 1001156333  | 1              | Hose                              |     |
| 33   | 2753542     | 1              | Hose                              |     |
| 34   | 1001159306  | 2              | Hose                              |     |
| 37   | 1001106957  | 2              | Hose                              |     |
| 38   | 1001159305  | 2              | Hose                              |     |
| 39   | 2753626     | 1              | Hose                              |     |
| 40   | 1001159304  | 2              | Hose                              |     |
| 41   | 2754720     | 2              | Hose                              |     |
| 42   | 2754743     | 4              | Hose                              |     |
| 43   | 1001159295  | 3              | Hose                              |     |
| 44   | 2753634     | 2              | Hose                              |     |
| 45   | 1001159293  | 1              | Hose                              |     |
| 46   | 2753727     | 2              | Hose                              |     |
| 47   | 2220373     | 2              | Fitting, Straight JIC/ORB         |     |
| 48   | 4100026     | 2 ft/<br>0.61m | Sleeve                            |     |
| 49   | 2220466     | 3              | Fitting, 90 ORB/FL                |     |
| 50   | 2170804     | 1              | Fitting                           |     |

## SECTION 7 - HYDRAULIC

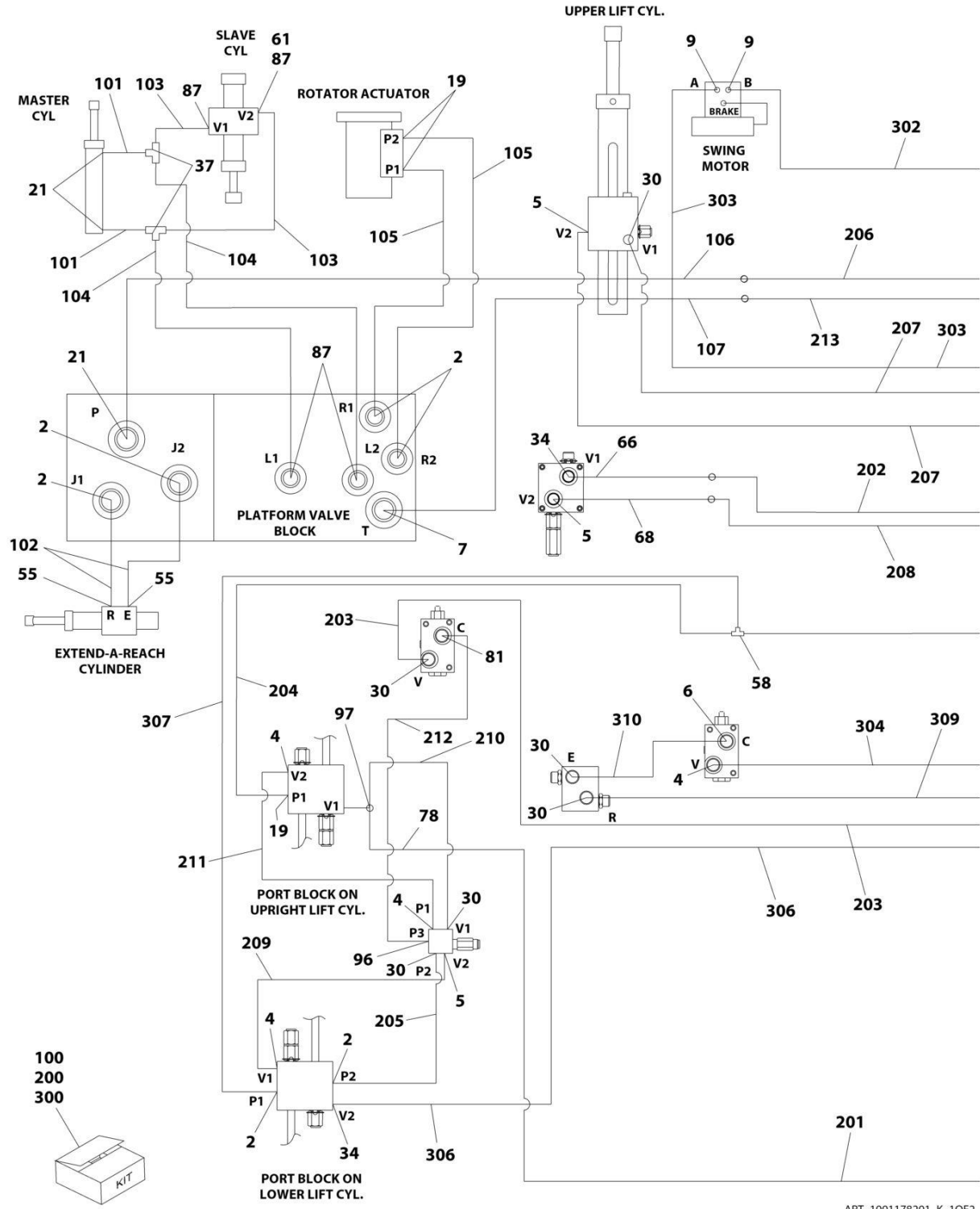
| ITEM | PART NUMBER | QTY | DESCRIPTION                | REV |
|------|-------------|-----|----------------------------|-----|
| 51   | 2220800     | 1   | Fitting, Straight ORB/FL   |     |
| 53   | 2150606     | 2   | Fitting                    |     |
| 55   | 2130606     | 4   | Fitting, 90 ORFS/ORB       |     |
| 56   | 2220473     | 5   | Fitting, 90 ORB/FL         |     |
| 58   | 2752489     | 2   | Hose                       |     |
| 61   | 2220940     | 1   | Fitting, 90 ORB/FL         |     |
| 63   | 2752466     | 2   | Hose                       |     |
| 64   | 2717235     | 2   | Hose                       |     |
| 65   | 2220451     | 1   | Fitting, Straight JIC/ORB  |     |
| 66   | 2752938     | 1   | Hose                       |     |
| 67   | 2220671     | 1   | Fitting, 90 JIC/ORB        |     |
| 68   | 2220238     | 1   | Plug                       |     |
| 69   | 8770050     | 1   | Fitting, 90 JIC/ORB        |     |
| 70   | 2220578     | 1   | Fitting, 90 JIC/ORB        |     |
| 72   | 2220374     | 1   | Fitting, Straight JIC/ORB  |     |
| 73   | 2220819     | 1   | Fitting, Tee ORFS/ORFS/OBS |     |
| 74   | 2220371     | 2   | Fitting, Straight JIC/ORB  |     |
| 75   | 1001204269  | 1   | Hose                       |     |
| 76   | 1001198333  | 2   | Hose                       |     |
| 77   | 1001198338  | 1   | Fitting, Tee ORFS/ORB      |     |
| 78   | 1001215296  | 1   | Fitting, 90 JIC/SORB       |     |
| 79   | 1001151354  | 1   | Hose                       |     |





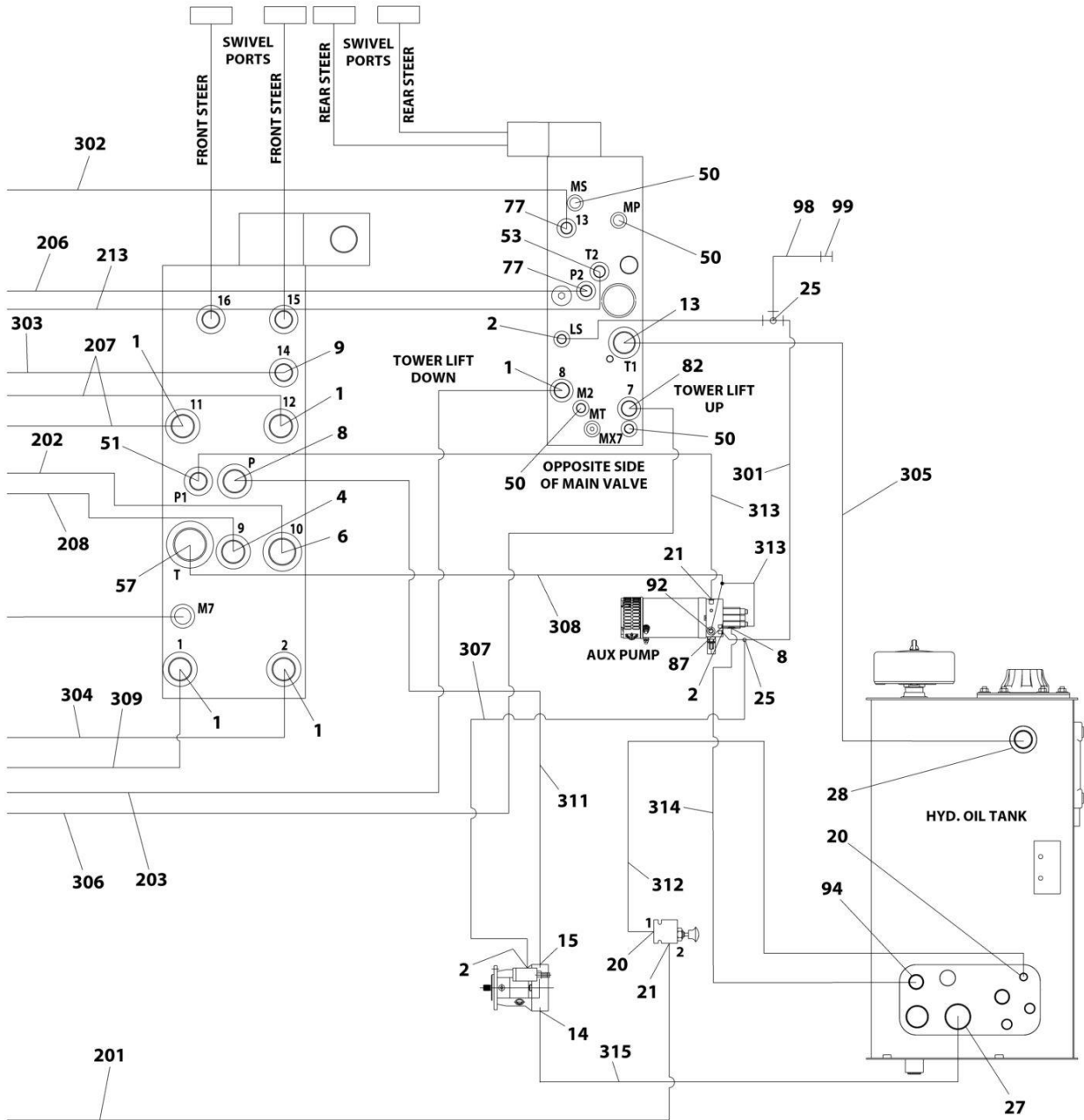
# SECTION 7 - HYDRAULIC

## FIGURE 7-10. HYDRAULIC DIAGRAM - STANDARD 800AJ



ART\_1001178201\_K\_10F2

# SECTION 7 - HYDRAULIC



ART\_1001178201\_K\_20F2

# SECTION 7 - HYDRAULIC

## FIGURE 7-10. HYDRAULIC DIAGRAM - STANDARD 800AJ

| ITEM | PART NUMBER | QTY | DESCRIPTION  | REV |
|------|-------------|-----|--|-----|
|      | 1001178201  | Ref | STANDARD HYDRAULIC DIAGRAM                                       | K   |
| 1    | 2220381     | 5   | Fitting, Straight ORB/FL   |     |
| 2    | 2220415     | 9   | Fitting, Straight ORB/FL   |     |
| 4    | 2220373     | 5   | Fitting, Straight ORB/FL   |     |
| 5    | 2220500     | 3   | Fitting, 45 ORB/FL   |     |
| 6    | 2220947     | 2   | Fitting, Straight ORB/FL   |     |
| 7    | 2220600     | 1   | Fitting, Straight JIC/ORB  |     |
| 8    | 2220593     | 2   | Fitting, Straight ORB/FL   |     |
| 9    | 2220371     | 3   | Fitting, Straight ORB/FL   |     |
| 13   | 1001179329  | 1   | Fitting, Straight JIC/ORB  |     |
| 14   | 2220737     | 1   | Split Flange Kit #24   |     |
| 15   | 2220478     | 1   | Split Flange Kit #16   |     |
| 19   | 2220466     | 3   | Fitting, 90 ORB/FL   |     |
| 20   | 2220582     | 2   | Fitting, Straight ORB/FL   |     |
| 21   | 2220473     | 5   | Fitting, 90 ORB/FL   |     |
| 22   | 2220602     | 1   | Fitting, Tee ORB/FL  |     |
| 25   | 2220605     | 2   | Fitting, Tee FL/FL   |     |
| 27   | 2220765     | 1   | Fitting, Straight ORB/FL   |     |
| 28   | 2220377     | 1   | Fitting, Straight JIC/ORB  |     |
| 30   | 2220596     | 6   | Fitting, 90 ORB/FL   |     |
| 34   | 2220852     | 2   | Fitting, Straight ORB/FL   |     |
| 37   | 2220490     | 2   | Fitting, Tee FL/FL   |     |
| 50   | 2221086     | 4   | Fitting, Diagnostic Test Port, EM3A                              |     |
| 51   | 4640780     | 1   | Fitting, Check Valve   |     |
| 53   | 1001136881  | 1   | Fitting, 45 ORB/FG   |     |
| 55   | 2220472     | 2   | Fitting, 90 ORB/FL (800AJ)                                       |     |
| 57   | 2220577     | 1   | Fitting, Straight ORB/FL   |     |
| 58   | 2221034     | 1   | Fitting, Tee FL/FL/ORB   |     |
| 61   | 4567139     | 1   | Tube   |     |
| 66   | 2752767     | 1   | Hose   |     |
| 68   | 2753190     | 1   | Hose   |     |
| 77   | 2220501     | 2   | Fitting, 45 ORB/FL   |     |
| 78   | 4567757     | 1   | Tube   |     |
| 79   | 4100062     | 4   | Protection, Hose (Not Shown - Located at Tower Boom Power Track) |     |
| 81   | 2221036     | 1   | Fitting, 90 ORB/FL   |     |
| 82   | 2220950     | 1   | Fitting, 45 ORB/FL   |     |
| 87   | 2220603     | 5   | Fitting, Straight ORB/FL   |     |
| 92   | 2220899     | 1   | Fitting, Tee ORB/FL/FL   |     |
| 94   | 2220451     | 1   | Fitting, Straight JIC/ORB  |     |
| 96   | 2220468     | 1   | Fitting, Straight JIC/ORB  |     |
| 97   | 1001215289  | 1   | Fitting, Tee JIC/ORB/JIC   |     |
| 98   | 2752995     | 1   | Hose   |     |
| 99   | 91143177    | 1   | Fitting - Diagnostic Test Port                                   |     |
| 100  | 1001183225  | 1   | Upper Boom Hose Kit  |     |
| 101  | 2753126     | 2   | Hose   |     |
| 102  | 2753442     | 2   | Hose   |     |
| 103  | 1001119602  | 2   | Hose   |     |
| 104  | 1001155673  | 2   | Hose   |     |
| 105  | 1001159707  | 2   | Hose   |     |

## SECTION 7 - HYDRAULIC

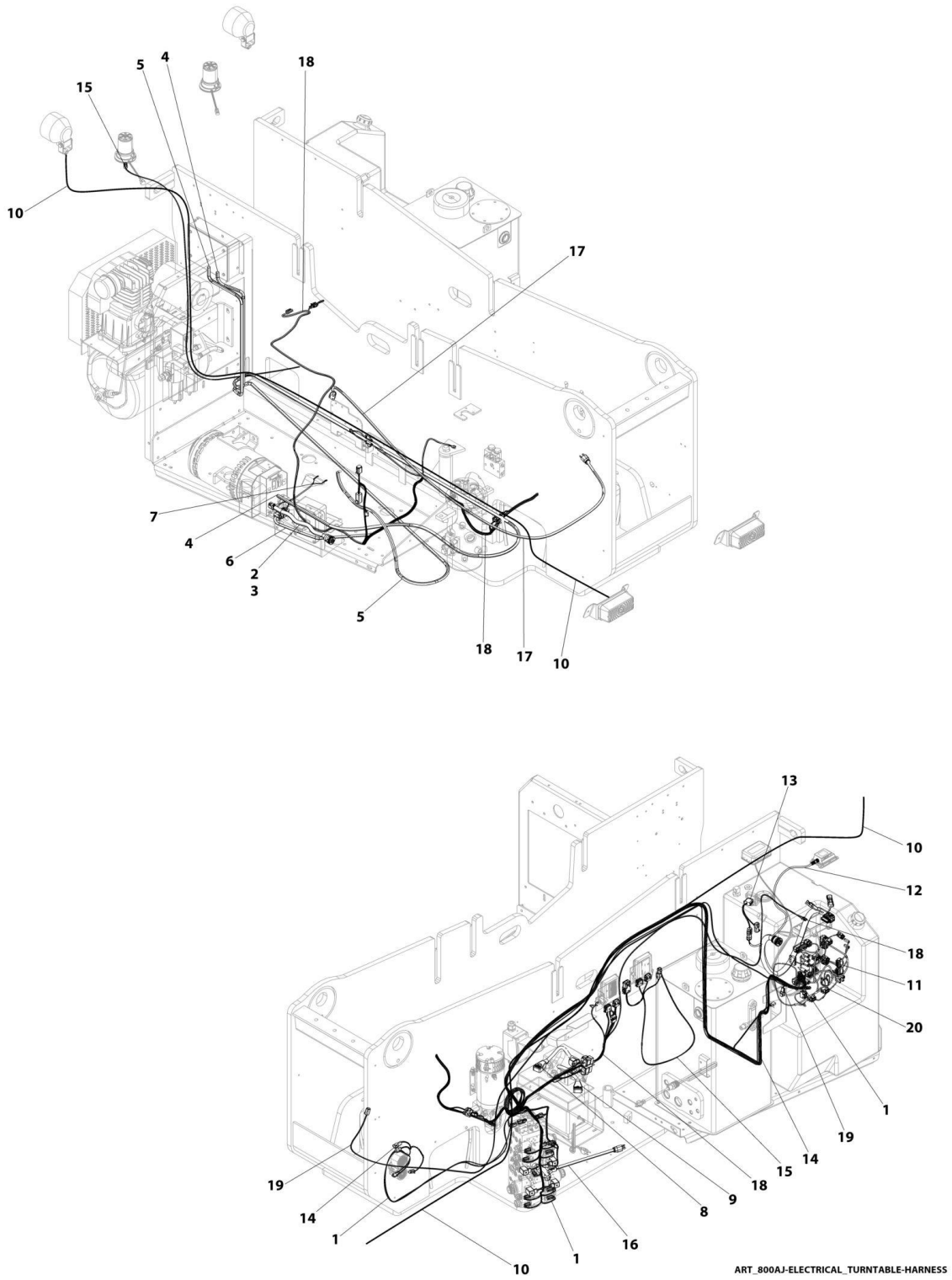
| ITEM | PART NUMBER | QTY | DESCRIPTION         | REV |
|------|-------------|-----|---------------------|-----|
| 106  | 1001179545  | 1   | Hose                |     |
| 107  | 1001179546  | 1   | Hose                |     |
| 200  | 1001183226  | 1   | Lower Boom Hose Kit |     |
| 201  | 2752468     | 1   | Hose                |     |
| 202  | 2752766     | 1   | Hose                |     |
| 203  | 2752930     | 1   | Hose                |     |
| 204  | 2752978     | 1   | Hose                |     |
| 205  | 2753008     | 1   | Hose                |     |
| 206  | 2753123     | 1   | Hose                |     |
| 207  | 2753189     | 2   | Hose                |     |
| 208  | 2753191     | 1   | Hose                |     |
| 209  | 2753195     | 1   | Hose                |     |
| 210  | 2753196     | 1   | Hose                |     |
| 211  | 2753197     | 1   | Hose                |     |
| 212  | 2753199     | 1   | Hose                |     |
| 213  | 1001182162  | 1   | Hose                |     |
| 300  | 1001270089  | 1   | Turntable Hose Kit  |     |
| 301  | 2752434     | 1   | Hose                |     |
| 302  | 2752461     | 1   | Hose                |     |
| 303  | 2752484     | 1   | Hose                |     |
| 304  | 2752494     | 1   | Hose                |     |
| 305  | 2752723     | 1   | Hose                |     |
| 306  | 2752768     | 1   | Hose                |     |
| 307  | 2753010     | 2   | Hose                |     |
| 308  | 2753118     | 1   | Hose                |     |
| 309  | 2753192     | 1   | Hose                |     |
| 310  | 2753200     | 1   | Hose                |     |
| 311  | 2753231     | 1   | Hose                |     |
| 312  | 2753274     | 1   | Hose                |     |
| 313  | 1001109690  | 2   | Hose                |     |
| 314  | 1001149410  | 1   | Hose                |     |
| 315  | 1001179079  | 1   | Hose                |     |



**SECTION 8 - ELECTRICAL**

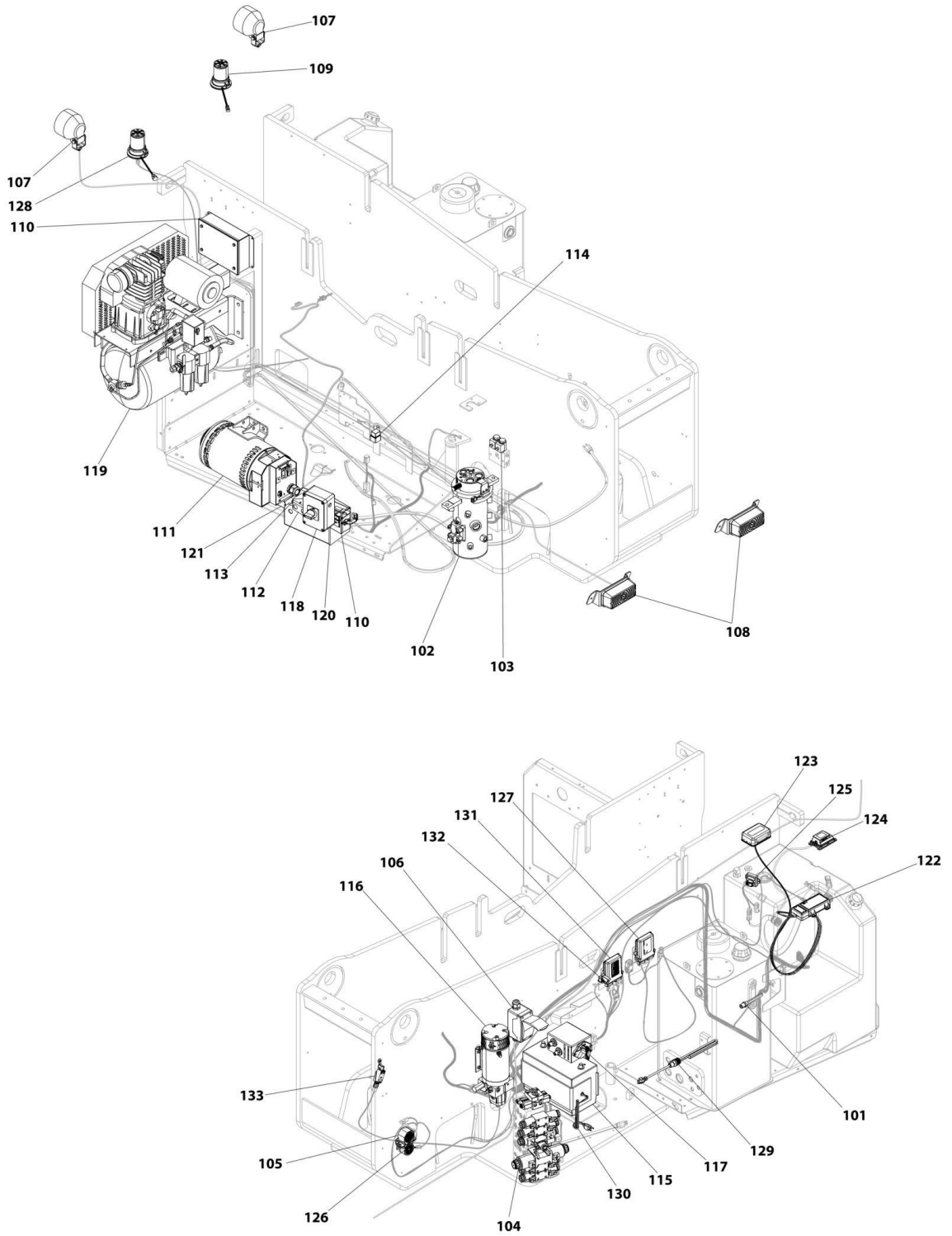
# SECTION 8 - ELECTRICAL

## FIGURE 8-1. 800AJ ELECTRICAL LAYOUT



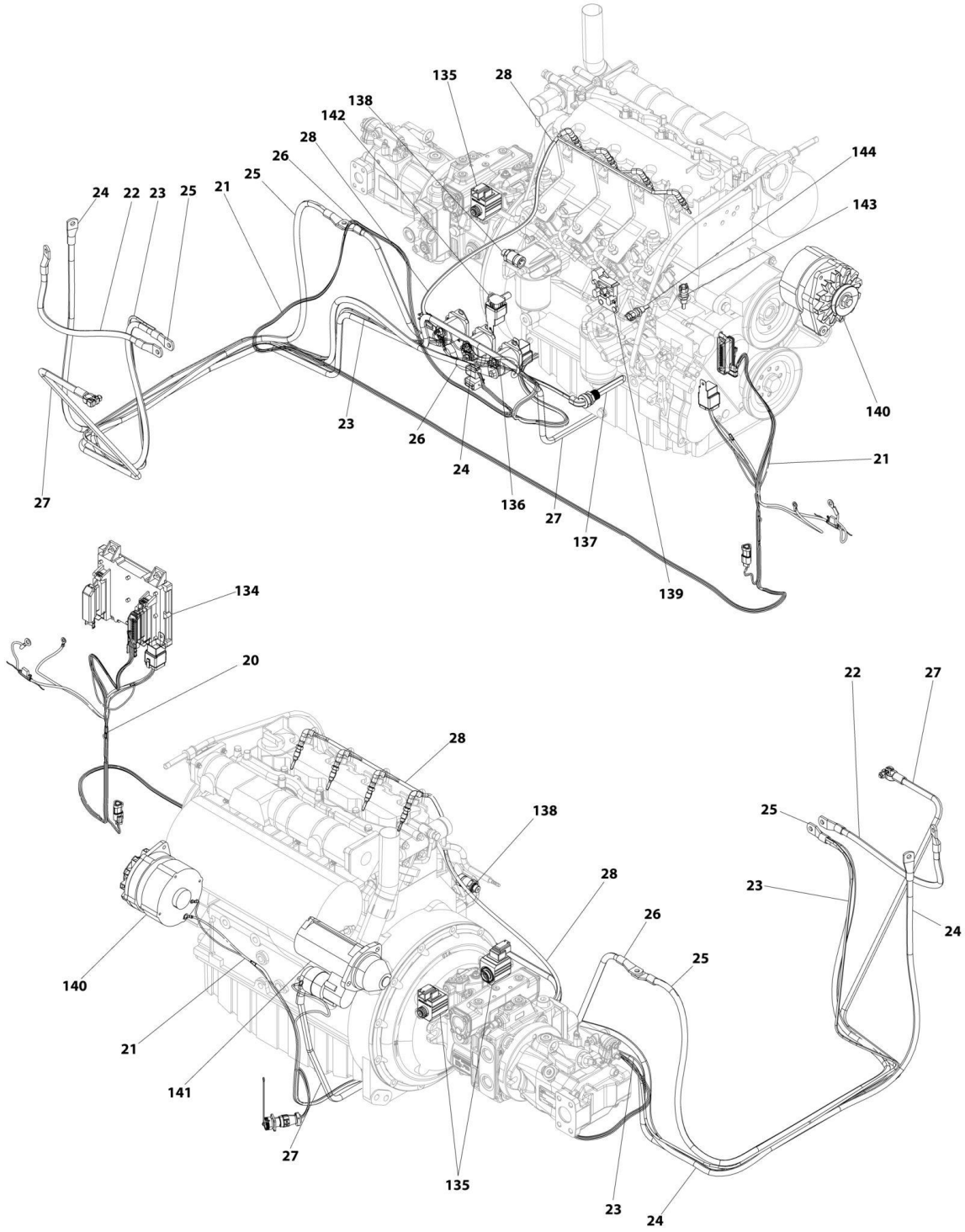


# SECTION 8 - ELECTRICAL



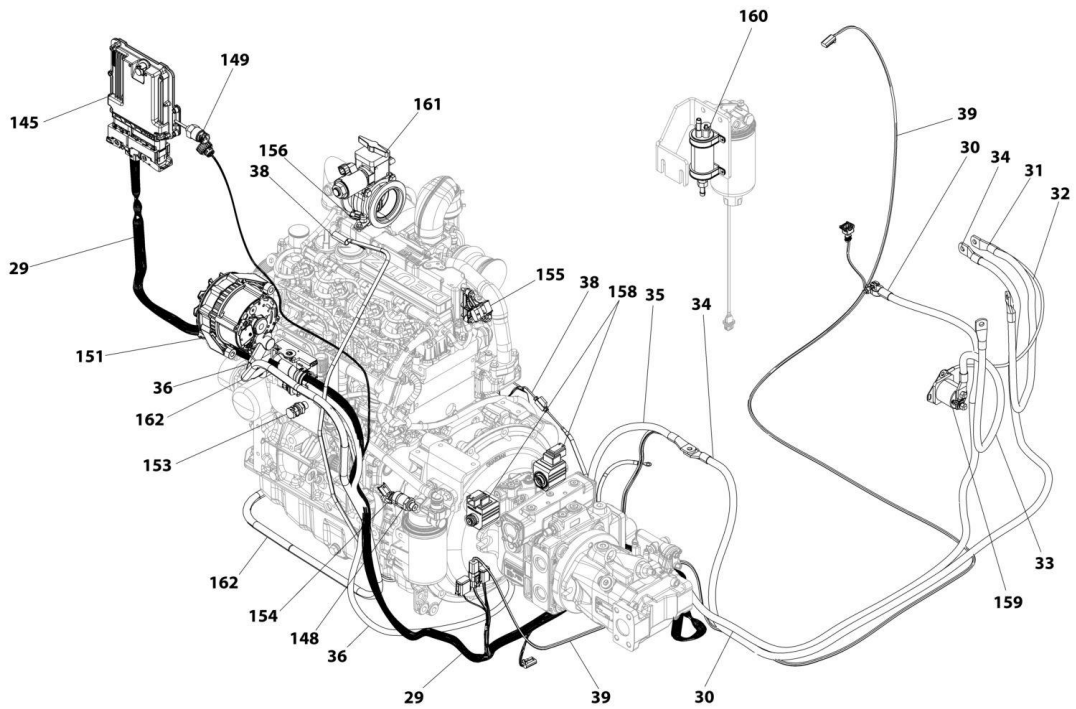
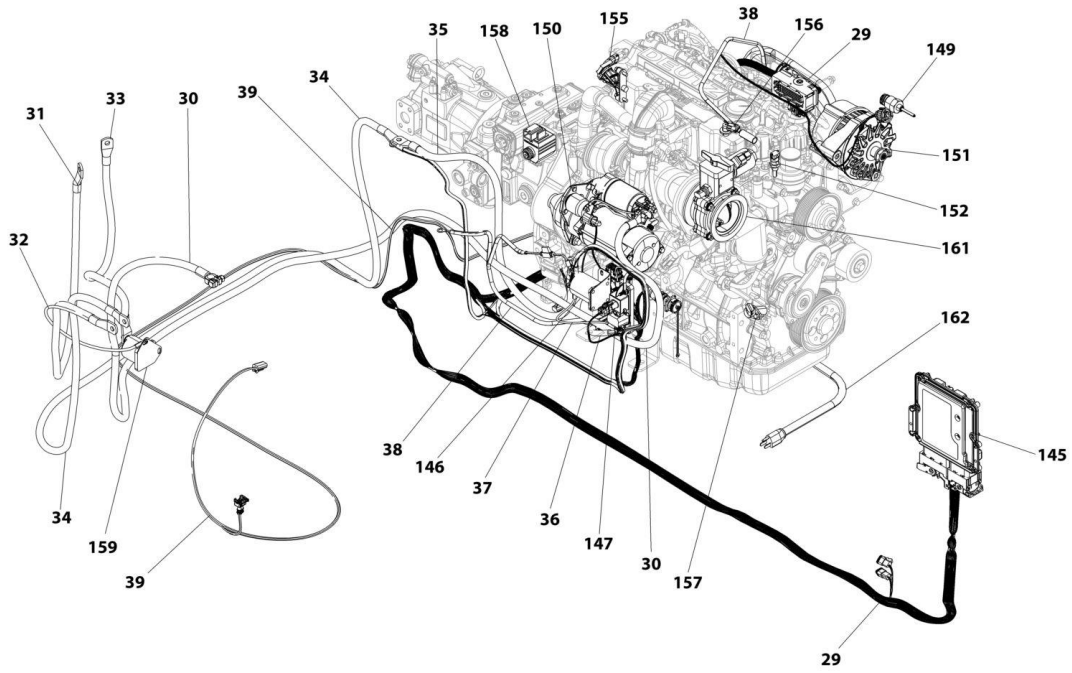
ART\_800AJ-ELECTRICAL\_TURNTABLE-COMPONENT

# SECTION 8 - ELECTRICAL



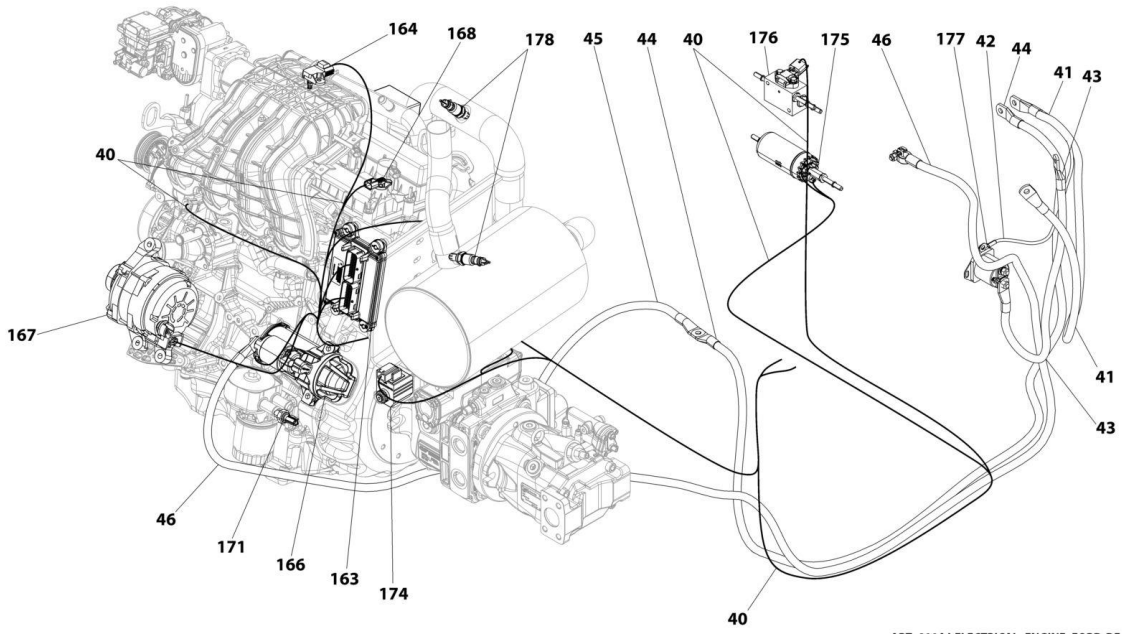
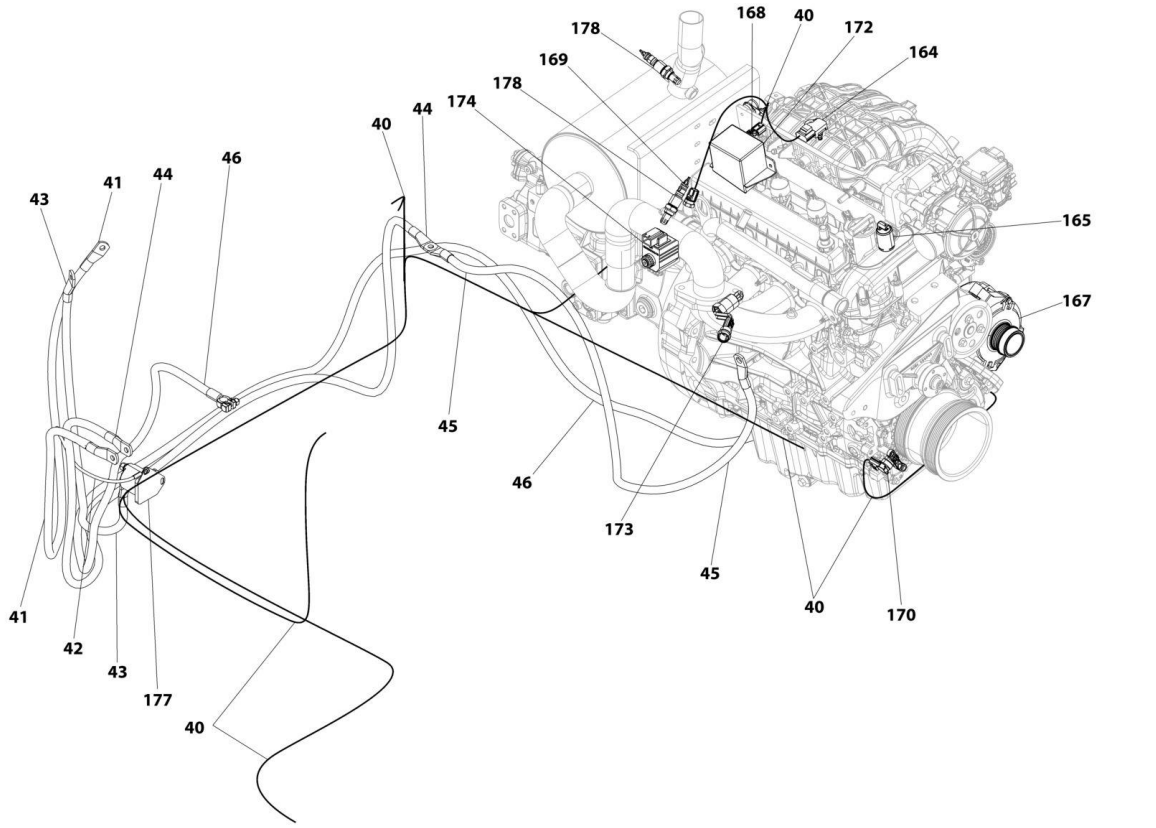
ART\_800AJ-ELECTRICAL\_ENGINE\_DEUTZ-D2011

# SECTION 8 - ELECTRICAL



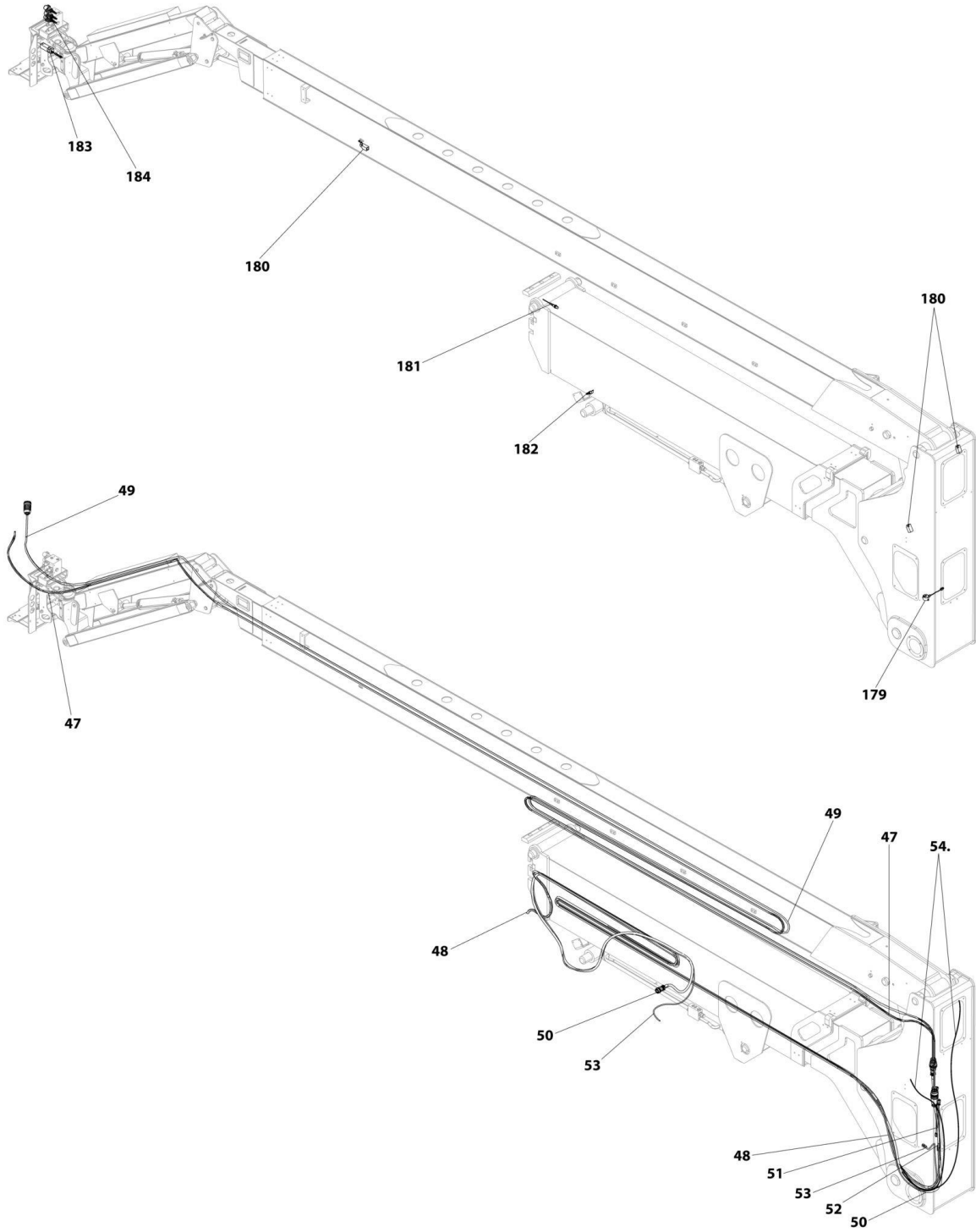
ART\_800AJ-ELECTRICAL\_ENGINE\_DEUTZ-2.9L4

# SECTION 8 - ELECTRICAL



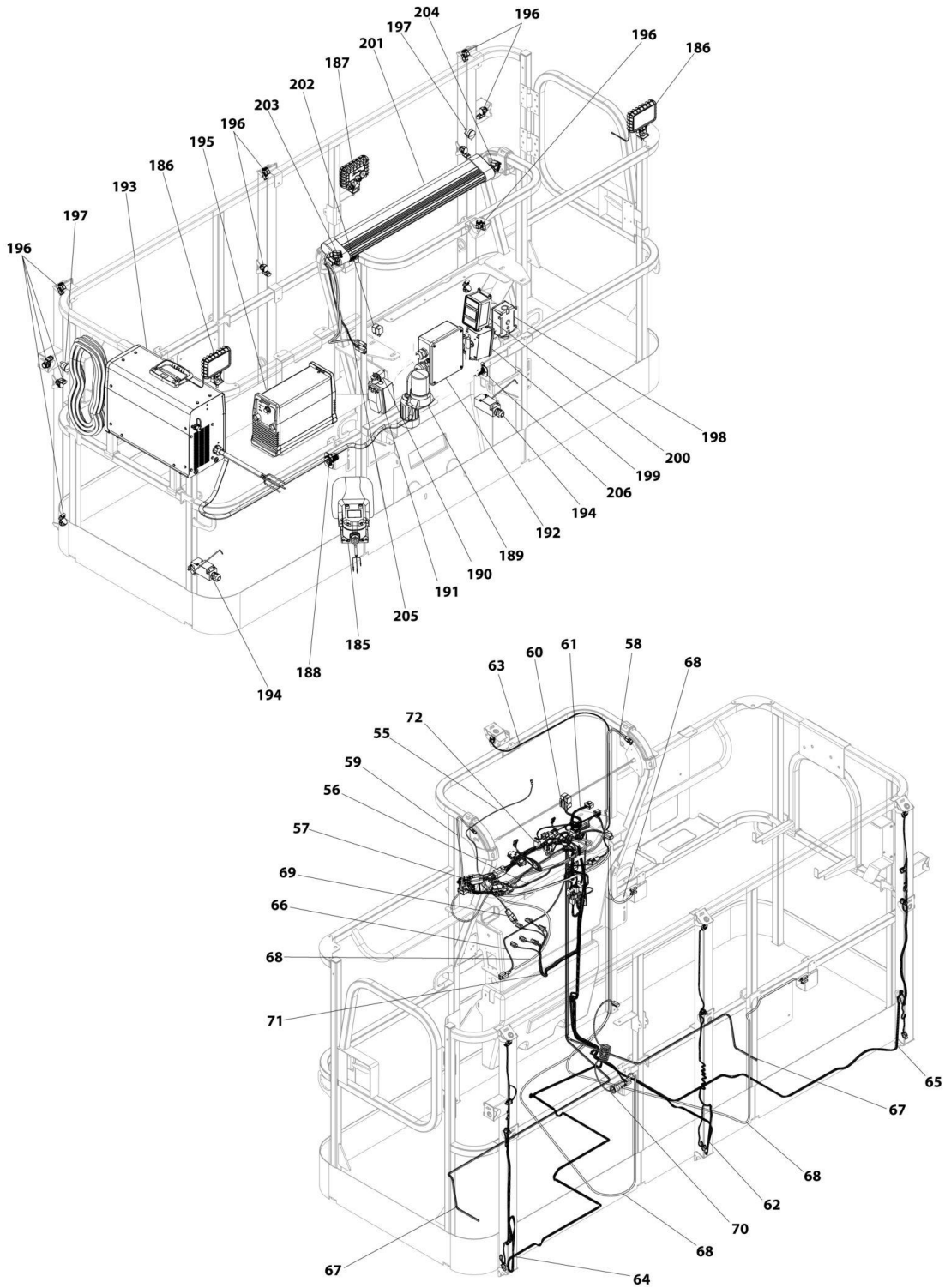
ART\_800AJ-ELECTRICAL\_ENGINE\_FORD-DF

# SECTION 8 - ELECTRICAL



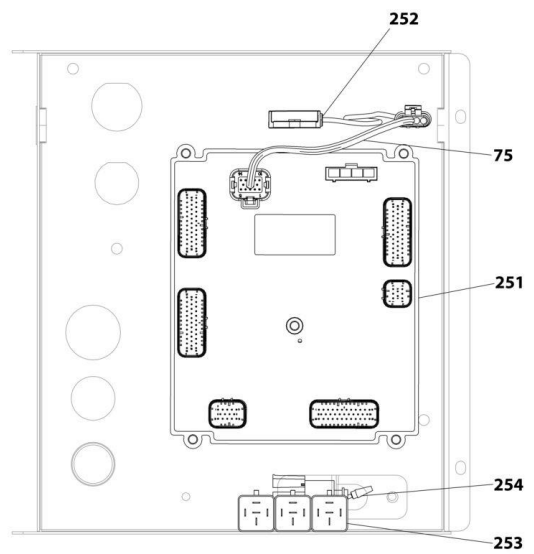
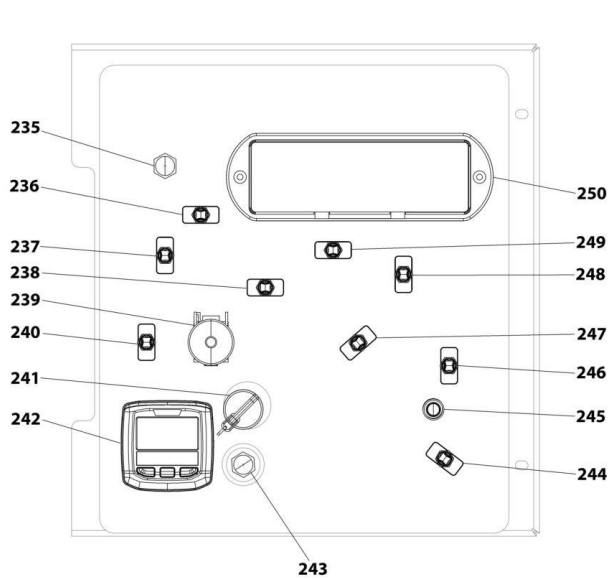
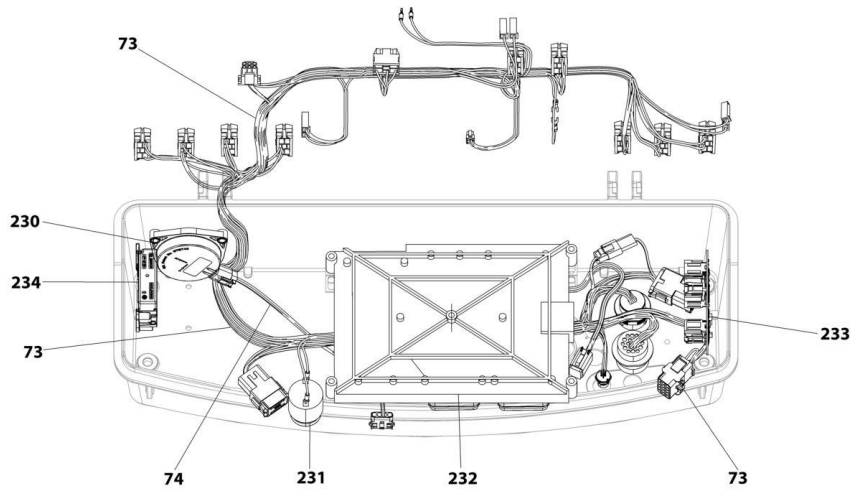
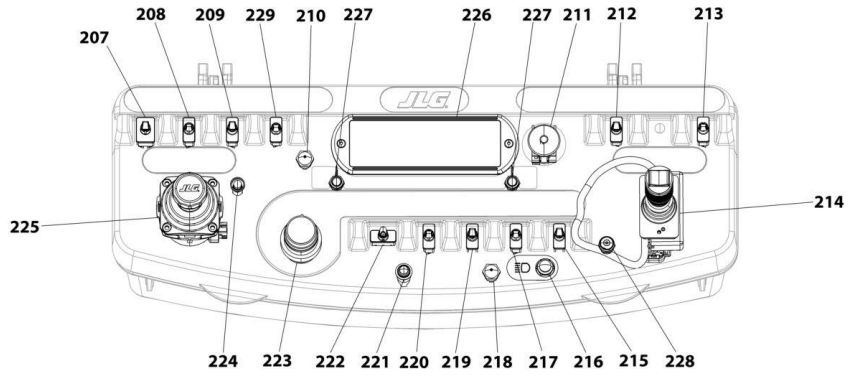
ART\_800AJ-ELECTRICAL\_BOOM

# SECTION 8 - ELECTRICAL



ART\_800AJ-ELECTRICAL\_PLATFORM

# SECTION 8 - ELECTRICAL



ART\_800AJ-ELECTRICAL\_CONTROLS

# SECTION 8 - ELECTRICAL

## FIGURE 8-1. 800AJ ELECTRICAL LAYOUT

| ITEM | PART NUMBER | QTY | DESCRIPTION  | REV |
|------|-------------|-----|--|-----|
|      |             | Ref | HARNESS LIST                                       |     |
|      |             | Ref | Note: This figure is for part identification only. |     |
| 1    |             | Ref | Harness, Main Valve                                |     |
| 2    |             | Ref | Harness, 7500W Generator                           |     |
| 3    |             | Ref | Harness, 4000W Generator                           |     |
| 4    |             | Ref | Harness, Generator to Control Box                  |     |
| 5    |             | Ref | Harness, Generator Control Box to Engine           |     |
| 6    |             | Ref | Harness, 2500W Generator                           |     |
| 7    |             | Ref | Harness, Hourmeter                                 |     |
| 8    |             | Ref | Cable, Battery (+) to Disconnect                   |     |
| 9    |             | Ref | Cable, Battery (-) to Disconnect                   |     |
| 10   |             | Ref | Harness, Head and Tail Light                       |     |
| 11   |             | Ref | Harness, Clearsky                                  |     |
| 12   |             | Ref | Harness, Telematics                                |     |
| 13   |             | Ref | Harness, Xirgo Jumper                              |     |
| 14   |             | Ref | Harness, White Noise Alarm                         |     |
| 15   |             | Ref | Harness, Strobe Light Control                      |     |
| 16   |             | Ref | 3-Way Plug   |     |
| 17   |             | Ref | Cable, Extension                                   |     |
| 18   |             | Ref | Harness, ASOV                                      |     |
| 19   |             | Ref | Harness, Tower Stow                                |     |
| 20   |             | Ref | Harness, Ground Control                            |     |
| 21   |             | Ref | Harness, Engine                                    |     |
| 22   |             | Ref | Cable, Battery (-) to Aux Pump                     |     |
| 23   |             | Ref | Cable, Battery (-) to Relay                        |     |
| 24   |             | Ref | Cable, Aux Pump to Relay                           |     |
| 25   |             | Ref | Cable, Battery (-) to Ground                       |     |
| 26   |             | Ref | Cable, Engine Ground                               |     |
| 27   |             | Ref | Cable, Battery (+) to Starter                      |     |
| 28   |             | Ref | Harness, Glow Plug                                 |     |
| 29   |             | Ref | Harness, Engine                                    |     |
| 30   |             | Ref | Cable, Battery (+) to Starter                      |     |
| 31   |             | Ref | Cable, Battery (-) to Aux Pump                     |     |
| 32   |             | Ref | Cable, Battery (-) to Relay                        |     |
| 33   |             | Ref | Cable, Aux Pump to Relay                           |     |
| 34   |             | Ref | Cable, Battery (-) to Ground                       |     |
| 35   |             | Ref | Cable, Engine Ground                               |     |
| 36   |             | Ref | Harness, Alternator Power                          |     |
| 37   |             | Ref | Harness, Glow Plug Fuse                            |     |
| 38   |             | Ref | Heater, Breather                                   |     |
| 39   |             | Ref | Harness, Fuel Pump                                 |     |
| 40   |             | Ref | Harness, Engine                                    |     |
| 41   |             | Ref | Cable, Battery (-) to Aux Pump                     |     |
| 42   |             | Ref | Cable, Battery (-) to Relay                        |     |
| 43   |             | Ref | Cable, Aux Pump to Relay                           |     |
| 44   |             | Ref | Cable, Battery (-) to Ground                       |     |
| 45   |             | Ref | Cable, Engine Ground                               |     |
| 46   |             | Ref | Cable, Battery (+) to Starter                      |     |
| 47   |             | Ref | Cable, AC Ground to Platform (Upper)               |     |
| 48   |             | Ref | Cable, AC Ground to Platform (Lower)               |     |



## SECTION 8 - ELECTRICAL

| ITEM | PART NUMBER | QTY | DESCRIPTION                            | REV |
|------|-------------|-----|--|-----|
| 49   |             | Ref | Cable, Boom (Upper)                    |     |
| 50   |             | Ref | Cable, Boom (Lower)                    |     |
| 51   |             | Ref | Harness, Communication (Upper)         |     |
| 52   |             | Ref | Harness, Communication (Lower)         |     |
| 53   |             | Ref | Harness, Tilt Sensor                   |     |
| 54   |             | Ref | Harness, Proximity Sensor              |     |
| 55   |             | Ref | Harness, Platform Strobe Light         |     |
| 56   |             | Ref | Harness, SkyGuard                      |     |
| 57   |             | Ref | Harness, SkyEye Intermediate           |     |
| 58   |             | Ref | Harness, SkyEye Receiver               |     |
| 59   |             | Ref | Harness, SkyEye Emitter                |     |
| 60   |             | Ref | Harness, SkyLine                       |     |
| 61   |             | Ref | Harness, SkySense Main                 |     |
| 62   |             | Ref | Harness, SkySense Mid Tube             |     |
| 63   |             | Ref | Harness SkySense Overhead Sensor       |     |
| 64   |             | Ref | Harness, SkySense Left Tube            |     |
| 65   |             | Ref | Harness, SkySense Right Tube           |     |
| 66   |             | Ref | Harness, USB                           |     |
| 67   |             | Ref | Cable, Soft Touch                      |     |
| 68   |             | Ref | Harness, Portable Work Light           |     |
| 69   |             | Ref | Harness, Portable Light Power          |     |
| 70   |             | Ref | Harness, Portable Work Light Extension |     |
| 71   |             | Ref | Harness, Platform Valve                |     |
| 72   |             | Ref | Harness, Platform Work Light           |     |
| 73   |             | Ref | Harness, Platform Console              |     |
| 74   |             | Ref | Harness, Tilt Sensor                   |     |
| 75   |             | Ref | Harness, Tilt Sensor                   |     |
|      |             | Ref | COMPONENT LIST                         |     |
| 101  |             | Ref | Sensor, Fuel Level                     |     |
| 102  |             | Ref | Rotary Coupling                        |     |
| 103  |             | Ref | Solenoids, Axle Valve                  |     |
| 104  |             | Ref | Solenoids, Main Control Valve          |     |
| 105  |             | Ref | Alarm                                  |     |
| 106  |             | Ref | AC Breaker Box                         |     |
| 107  |             | Ref | Headlight                              |     |
| 108  |             | Ref | Taillight                              |     |
| 109  |             | Ref | Light, Strobe (Amber)                  |     |
| 110  |             | Ref | Box, Generator Control                 |     |
| 111  |             | Ref | Generator                              |     |
| 112  |             | Ref | Generator Junction Box                 |     |
| 113  |             | Ref | Light, Generator                       |     |
| 114  |             | Ref | Relay                                  |     |
| 115  |             | Ref | Battery                                |     |
| 116  |             | Ref | Auxiliary Pump/Motor                   |     |
| 117  |             | Ref | Switch, Battery Disconnect             |     |
| 118  |             | Ref | Box, Air Compressor Control            |     |
| 119  |             | Ref | Air Compressor                         |     |
| 120  |             | Ref | Transformer, Cold Weather              |     |
| 121  |             | Ref | Generator Hourmeter                    |     |
| 122  |             | Ref | Module, ClearSky Telematics CANBUS     |     |
| 123  |             | Ref | Antenna, ClearSky Telematics           |     |

## SECTION 8 - ELECTRICAL

| ITEM | PART NUMBER | QTY | DESCRIPTION                            | REV |
|------|-------------|-----|--|-----|
| 124  |             | Ref | Module, ClearSky Telematics 3-Wire     |     |
| 125  |             | Ref | Voltage Regulator, ClearSky Telematics |     |
| 126  |             | Ref | Alarm, White Noise                     |     |
| 127  |             | Ref | Module, Strobe Control                 |     |
| 128  |             | Ref | Light, Strobe                          |     |
| 129  |             | Ref | Heater, Immersion                      |     |
| 130  |             | Ref | Heater, Battery                        |     |
| 131  |             | Ref | Module, ASOV Control                   |     |
| 132  |             | Ref | Switch, ASOV                           |     |
| 133  |             | Ref | Sensor, Tower Stow                     |     |
| 134  |             | Ref | Module, Engine Control                 |     |
| 135  |             | Ref | Solenoids, Hydrostatic Pump            |     |
| 136  |             | Ref | Relays                                 |     |
| 137  |             | Ref | Heater, Engine Block                   |     |
| 138  |             | Ref | Sensor, Temperature                    |     |
| 139  |             | Ref | Sensor                                 |     |
| 140  |             | Ref | Alternator                             |     |
| 141  |             | Ref | Starter                                |     |
| 142  |             | Ref | Sensor, Speed                          |     |
| 143  |             | Ref | Sensor, Engine Coolant Temperature     |     |
| 144  |             | Ref | Sensor, Pressure                       |     |
| 145  |             | Ref | Module, Engine Control                 |     |
| 146  |             | Ref | Relay                                  |     |
| 147  |             | Ref | Relay                                  |     |
| 148  |             | Ref | Sensor, Pressure                       |     |
| 149  |             | Ref | Sensor, Coolant Level                  |     |
| 150  |             | Ref | Starter                                |     |
| 151  |             | Ref | Alternator                             |     |
| 152  |             | Ref | Sensor, Engine Coolant Temperature     |     |
| 153  |             | Ref | Sensor, Pressure                       |     |
| 154  |             | Ref | Sensor, Speed                          |     |
| 155  |             | Ref | Sensor, Oil Pressure                   |     |
| 156  |             | Ref | Sensor, Temperature                    |     |
| 157  |             | Ref | Sensor, Speed                          |     |
| 158  |             | Ref | Solenoids, Hydrostatic Pump            |     |
| 159  |             | Ref | Relay                                  |     |
| 160  |             | Ref | Fuel Pump                              |     |
| 161  |             | Ref | Air Shut Off Valve (ASOV)              |     |
| 162  |             | Ref | Heater, Engine Block                   |     |
| 163  |             | Ref | Module, Engine Control                 |     |
| 164  |             | Ref | Sensor, TMAP                           |     |
| 165  |             | Ref | Solenoid, Timing                       |     |
| 166  |             | Ref | Starter                                |     |
| 167  |             | Ref | Alternator                             |     |
| 168  |             | Ref | Sensor, Speed                          |     |
| 169  |             | Ref | Engine Coolant Temperature Sensor      |     |
| 170  |             | Ref | Sensor, Speed                          |     |
| 171  |             | Ref | Sensor, Oil Pressure                   |     |
| 172  |             | Ref | Fuse Box                               |     |
| 173  |             | Ref | Heater, Engine Block                   |     |
| 174  |             | Ref | Solenoids, Hydrostatic Pump            |     |

## SECTION 8 - ELECTRICAL

| ITEM | PART NUMBER | QTY | DESCRIPTION                                   | REV |
|------|-------------|-----|---|-----|
| 175  |             | Ref | Fuel Pump                                     |     |
| 176  |             | Ref | Fuel Block                                    |     |
| 177  |             | Ref | Relay   |     |
| 178  |             | Ref | Sensor, O2                                    |     |
| 179  |             | Ref | Sensor, Tilt                                  |     |
| 180  |             | Ref | Sensor, Transport Position                    |     |
| 181  |             | Ref | Sensor, Proximity                             |     |
| 182  |             | Ref | Sensor, Proximity                             |     |
| 183  |             | Ref | Cell, Load Sensing                            |     |
| 184  |             | Ref | Solenoids, Platform Valve                     |     |
| 185  |             | Ref | Footswitch                                    |     |
| 186  |             | Ref | Platform Work Light                           |     |
| 187  |             | Ref | Portable Work Light                           |     |
| 188  |             | Ref | AC Receptacle                                 |     |
| 189  |             | Ref | Light, Platform Strobe                        |     |
| 190  |             | Ref | Switch, Generator                             |     |
| 191  |             | Ref | AC Receptacle                                 |     |
| 192  |             | Ref | Junction Box                                  |     |
| 193  |             | Ref | Welding Machine                               |     |
| 194  |             | Ref | Switch, Soft Touch Limit                      |     |
| 195  |             | Ref | Plasma Cutter                                 |     |
| 196  |             | Ref | Sensor, SkySense                              |     |
| 197  |             | Ref | Alarm   |     |
| 198  |             | Ref | AC Receptacle                                 |     |
| 199  |             | Ref | AC Receptacle                                 |     |
| 200  |             | Ref | AC Receptacle/Breaker Box                     |     |
| 201  |             | Ref | Switch, SkyGuard                              |     |
| 202  |             | Ref | Relay   |     |
| 203  |             | Ref | Sensor, SkyEye Receiver                       |     |
| 204  |             | Ref | Sensor, SkyEye Emitter                        |     |
| 205  |             | Ref | Sensor, SkyLine Proximity                     |     |
| 206  |             | Ref | USB Receptacle                                |     |
| 207  |             | Ref | Switch, Drive Speed/ Torque Select            |     |
| 208  |             | Ref | Switch, Steer Select                          |     |
| 209  |             | Ref | Switch, Platform Leveling Override            |     |
| 210  |             | Ref | Switch, Horn                                  |     |
| 211  |             | Ref | Switch, Emergency Stop                        |     |
| 212  |             | Ref | Switch, Start/Auxilliary Power                |     |
| 213  |             | Ref | Switch, Drive Orientation Override            |     |
| 214  |             | Ref | Controller, Drive/Steer                       |     |
| 215  |             | Ref | Switch, Boom Telescope                        |     |
| 216  |             | Ref | Switch, Lights                                |     |
| 217  |             | Ref | Switch, Jib Up/Down                           |     |
| 218  |             | Ref | Switch, Soft Touch/SkyGuard/SkySense Override |     |
| 219  |             | Ref | Switch, Tower Telescope                       |     |
| 220  |             | Ref | Switch, Tower Lift                            |     |
| 221  |             | Ref | Light, Soft Touch/SkyGuard/SkySense Indicator |     |
| 222  |             | Ref | Switch, Platform Rotate                       |     |
| 223  |             | Ref | Switch, Function Speed Control                |     |
| 224  |             | Ref | Light, Boom Stow Indicator                    |     |
| 225  |             | Ref | Controller, Main Lift/Swing                   |     |

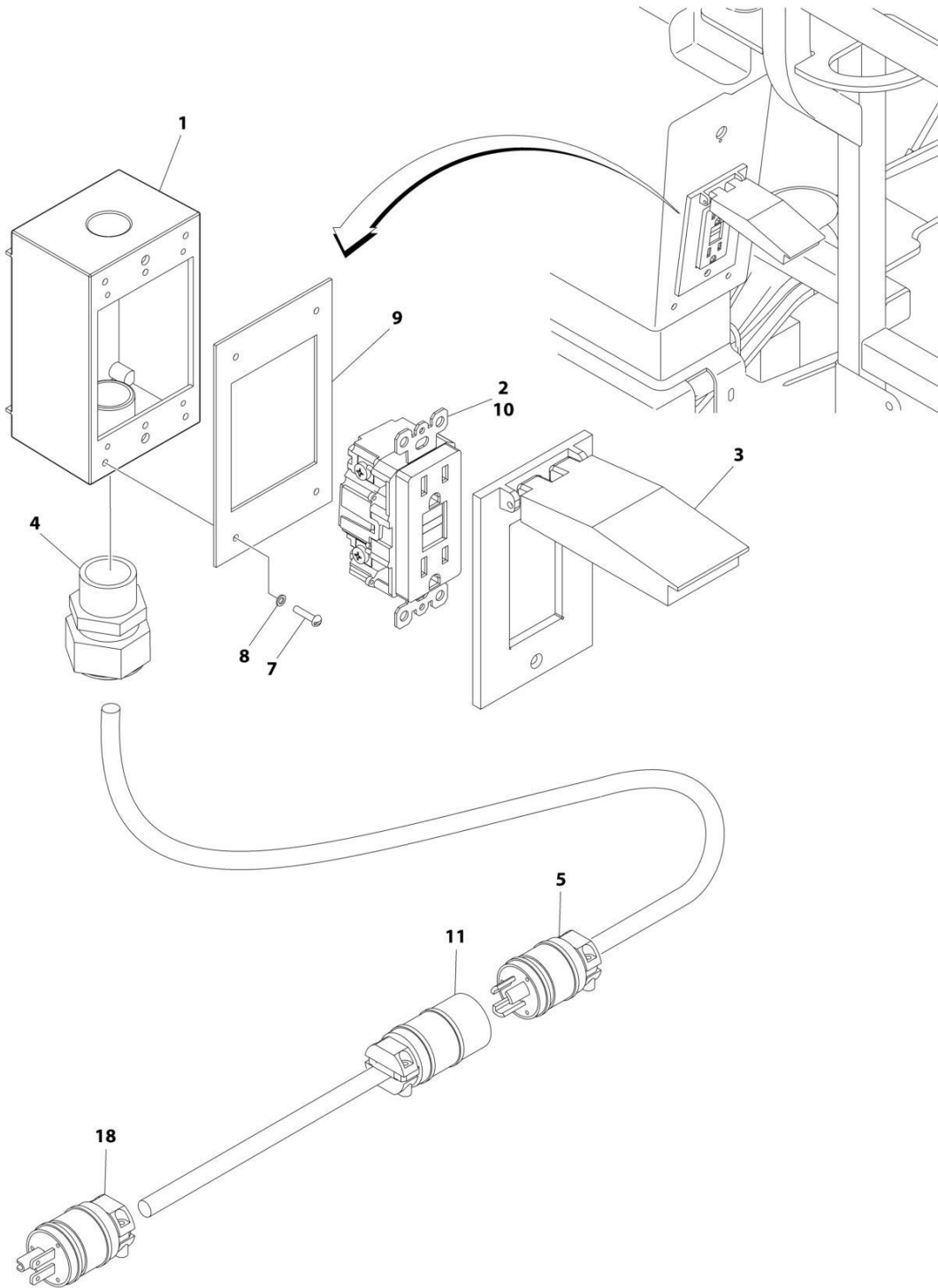
## SECTION 8 - ELECTRICAL

| ITEM | PART NUMBER | QTY | DESCRIPTION                                   | REV |
|------|-------------|-----|---|-----|
| 226  |             | Ref | Display, Platform                             |     |
| 227  |             | Ref | Light, SkySense Indicator                     |     |
| 228  |             | Ref | Switch, SkySense                              |     |
| 229  |             | Ref | Switch, Fuel Select                           |     |
| 230  |             | Ref | Sensor, Tilt                                  |     |
| 231  |             | Ref | Alarm   |     |
| 232  |             | Ref | Module, Platform                              |     |
| 233  |             | Ref | Module, SkySense Control                      |     |
| 234  |             | Ref | Module, SkySense Sensor                       |     |
| 235  |             | Ref | Switch, Diesel Particulate Filter (DPF)       |     |
| 236  |             | Ref | Switch, Platform Rotate                       |     |
| 237  |             | Ref | Switch, Platform Leveling Override            |     |
| 238  |             | Ref | Switch, Jib Up/Down                           |     |
| 239  |             | Ref | Switch, Emergency Stop                        |     |
| 240  |             | Ref | Switch, Engine Start/ Auxiliary Power         |     |
| 241  |             | Ref | Switch, Key                                   |     |
| 242  |             | Ref | Display, Ground                               |     |
| 243  |             | Ref | Switch, Machine Safety System Override (MSSO) |     |
| 244  |             | Ref | Switch, Turntable Swing                       |     |
| 245  |             | Ref | Light, Boom Stow/ASOV Indicator               |     |
| 246  |             | Ref | Switch, Tower Lift                            |     |
| 247  |             | Ref | Switch, Tower Telescope                       |     |
| 248  |             | Ref | Switch, Boom Lift                             |     |
| 249  |             | Ref | Switch, Boom Telescope                        |     |
| 250  |             | Ref | Indicator Panel                               |     |
| 251  |             | Ref | Module, Ground Control                        |     |
| 252  |             | Ref | Sensor, Tilt                                  |     |
| 253  |             | Ref | Relay   |     |
| 254  |             | Ref | Switch, Cribbing                              |     |



# SECTION 8 - ELECTRICAL

FIGURE 8-2. AC BOX AT PLATFORM INSTALLATION - 110V GFI RECEPTACLE (ALL SPECS EXCEPT AUSTRALIAN, CE & UK CA SPECS)



ART\_0272259

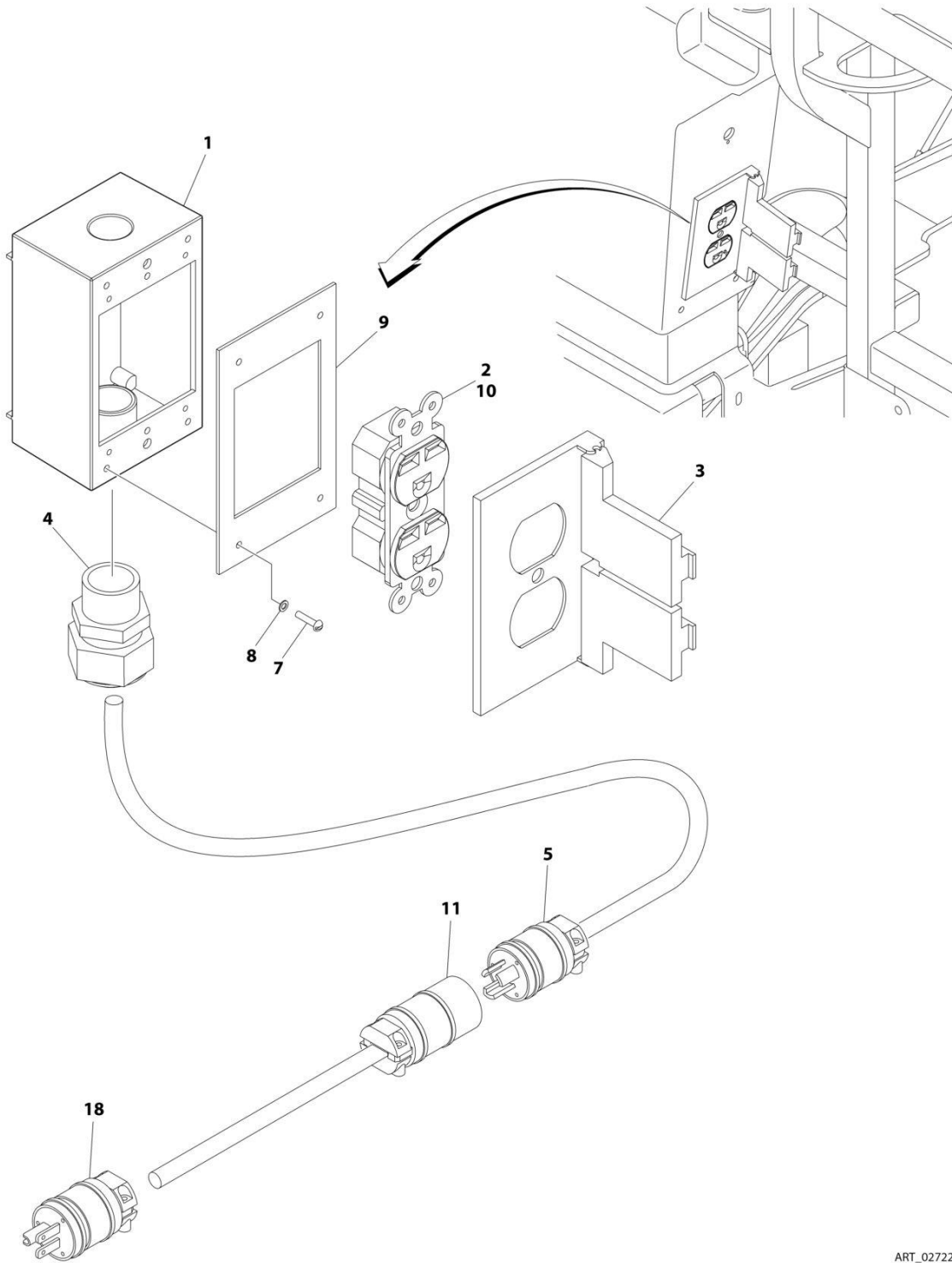
## SECTION 8 - ELECTRICAL

**FIGURE 8-2. AC BOX AT PLATFORM INSTALLATION - 110V GFI RECEPTACLE (ALL SPECS EXCEPT AUSTRALIAN, CE & UK CA SPECS)**

| ITEM | PART NUMBER | QTY | DESCRIPTION   | REV |
|------|-------------|-----|---|-----|
|      | 0272259     | Ref | AC BOX AT PLATFORM INSTALLATION - 110V GFI RECEPTACLE | C   |
| 1    | 0860038     | 1   | Box, Switch   |     |
| 2    | 4460346     | 1   | Receptacle  |     |
| 3    | 1001110873  | 1   | Shield, Cover   |     |
| 4    | 4460051     | 1   | Connector, Strain Relief                              |     |
| 5    | 1001213584  | 1   | Plug, Male  |     |
| 7    | 3910610     | 4   | Screw #6 x 5/8  |     |
| 8    | 4760600     | 4   | Washer #6   |     |
| 9    | 3960422     | 1   | Gasket  |     |
| 10   | 4460315     | 3   | Terminal, Spade                                       |     |
| 11   | 1001213585  | 1   | Receptacle, Female                                    |     |
| 18   | 4460205     | 1   | Plug, Male  |     |

# SECTION 8 - ELECTRICAL

FIGURE 8-3. AC BOX AT PLATFORM INSTALLATION - 220V (ANSI, CSA & JAPANESE SPECS)



ART\_0272260



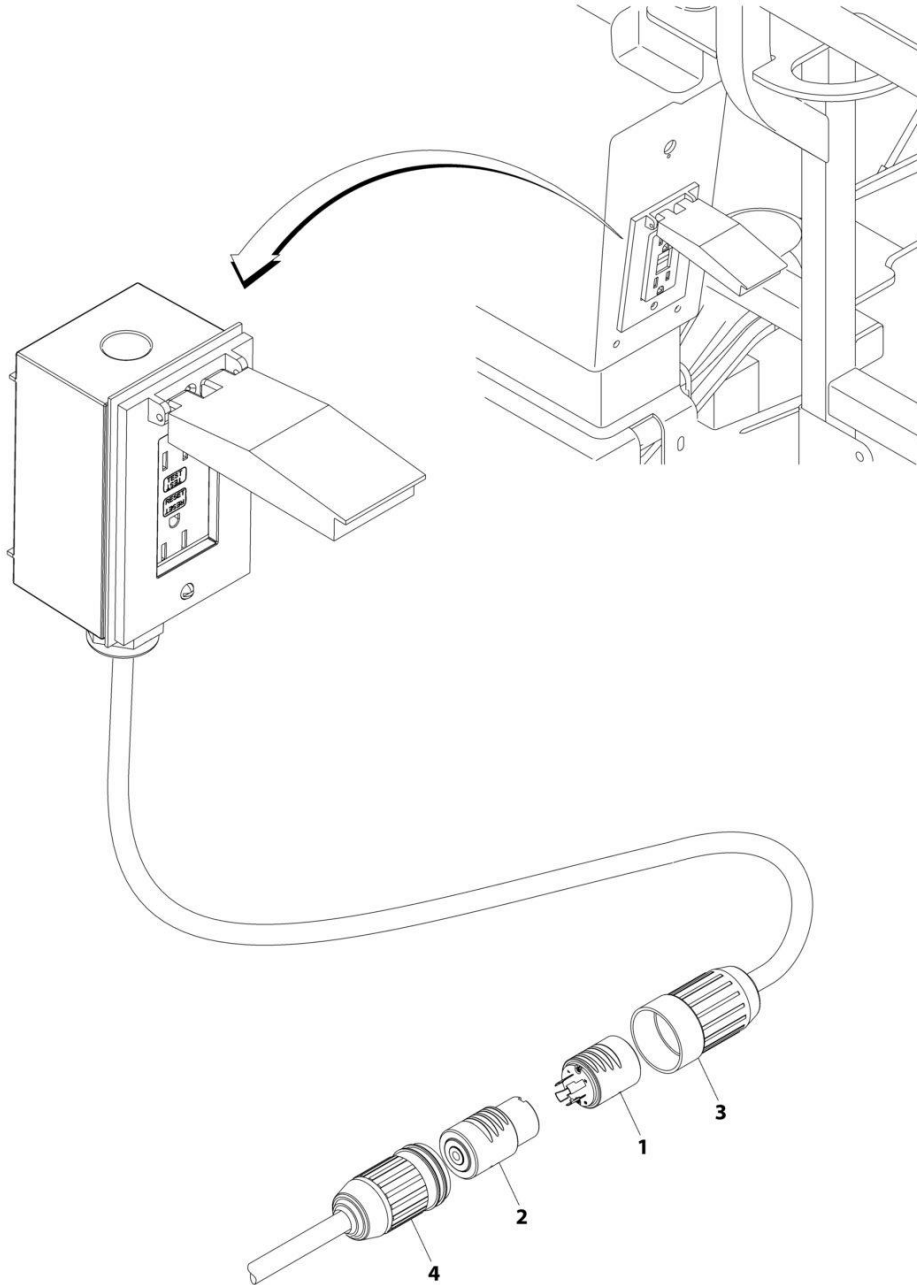
## SECTION 8 - ELECTRICAL

**FIGURE 8-3. AC BOX AT PLATFORM INSTALLATION - 220V (ANSI, CSA & JAPANESE SPECS)**

| ITEM | PART NUMBER | QTY | DESCRIPTION                            | REV |
|------|-------------|-----|--|-----|
|      | 0272260     | Ref | AC BOX AT PLATFORM INSTALLATION - 220V | C   |
| 1    | 0860038     | 1   | Box, Switch                            |     |
| 2    | 4460125     | 1   | Receptacle                             |     |
| 3    | 4060092     | 1   | Shield                                 |     |
| 4    | 4460051     | 1   | Connector, Strain Relief               |     |
| 5    | 1001213584  | 2   | Plug, Male                             |     |
| 7    | 3910610     | 4   | Screw #6 x 5/8                         |     |
| 8    | 4760600     | 4   | Washer #6                              |     |
| 9    | 3960422     | 1   | Gasket                                 |     |
| 10   | 4460315     | 1   | Terminal, Spade                        |     |
| 11   | 1001213585  | 1   | Receptacle, Female                     |     |
| 18   | 4460233     | 1   | Plug, Male                             |     |

## SECTION 8 - ELECTRICAL

**FIGURE 8-4. AC BOX AT PLATFORM MID-BOOM PLUG INSTALLATION (WITH 4000W/60HZ GENERATOR) (ANSI, ANSI EXPORT, CHINA, CSA & JAPANESE SPECS)**



ART\_1001160272

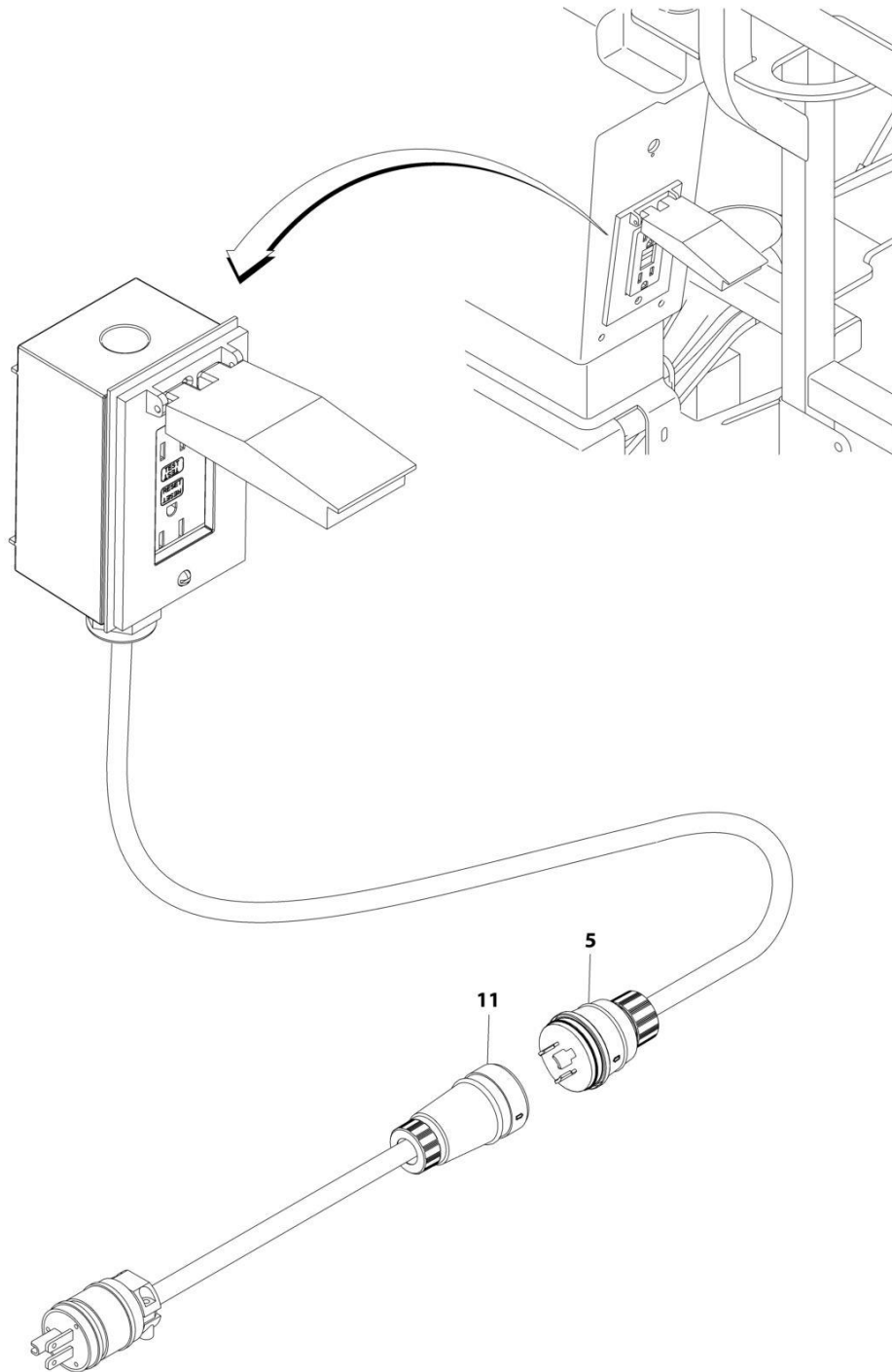
## SECTION 8 - ELECTRICAL

**FIGURE 8-4. AC BOX AT PLATFORM MID-BOOM PLUG INSTALLATION (WITH 4000W/60HZ GENERATOR) (ANSI, ANSI EXPORT, CHINA, CSA & JAPANESE SPECS)**

| ITEM | PART NUMBER | QTY | DESCRIPTION                                       | REV |
|------|-------------|-----|---|-----|
|      | 1001160272  | Ref | AC CABLE CONNECTOR INSTALLATION – 4000W GENERATOR | A   |
| 1    | 4460962     | 1   | Plug, Male  |     |
| 2    | 4460963     | 1   | Connector   |     |
| 3    | 1671092     | 1   | Cover   |     |
| 4    | 1671093     | 1   | Plug  |     |

## SECTION 8 - ELECTRICAL

**FIGURE 8-5. AC BOX AT PLATFORM MID-BOOM PLUG INSTALLATION (WITHOUT 7500W SKYPOWER GENERATOR) (ALL SPECS EXCEPT ANSI & CSA SPECS)**



ART\_0256202

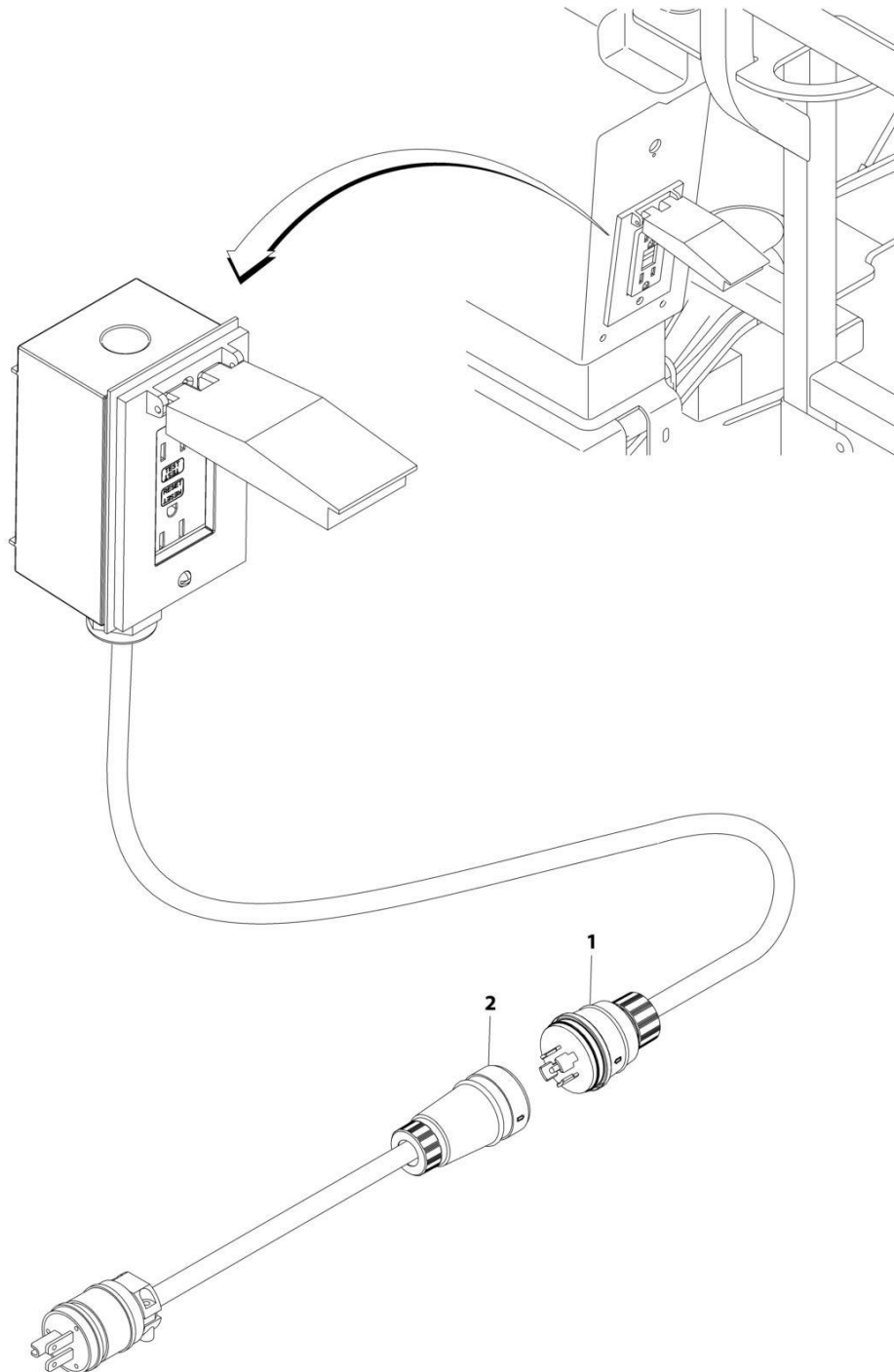
## SECTION 8 - ELECTRICAL

**FIGURE 8-5. AC BOX AT PLATFORM MID-BOOM PLUG INSTALLATION (WITHOUT 7500W SKYPOWER GENERATOR) (ALL SPECS EXCEPT ANSI & CSA SPECS)**

| ITEM | PART NUMBER | QTY | DESCRIPTION                                   | REV |
|------|-------------|-----|---|-----|
|      | 0256202     | Ref | AC BOX AT PLATFORM MID-BOOM PLUG INSTALLATION | D   |
| 5    | 1001213584  | 1   | Plug  |     |
| 11   | 1001213585  | 1   | Receptacle                                    |     |

## SECTION 8 - ELECTRICAL

FIGURE 8-6. AC BOX AT PLATFORM MID-BOOM PLUG INSTALLATION (WITH 7500W SKYPOWER GENERATOR)



ART\_0272433

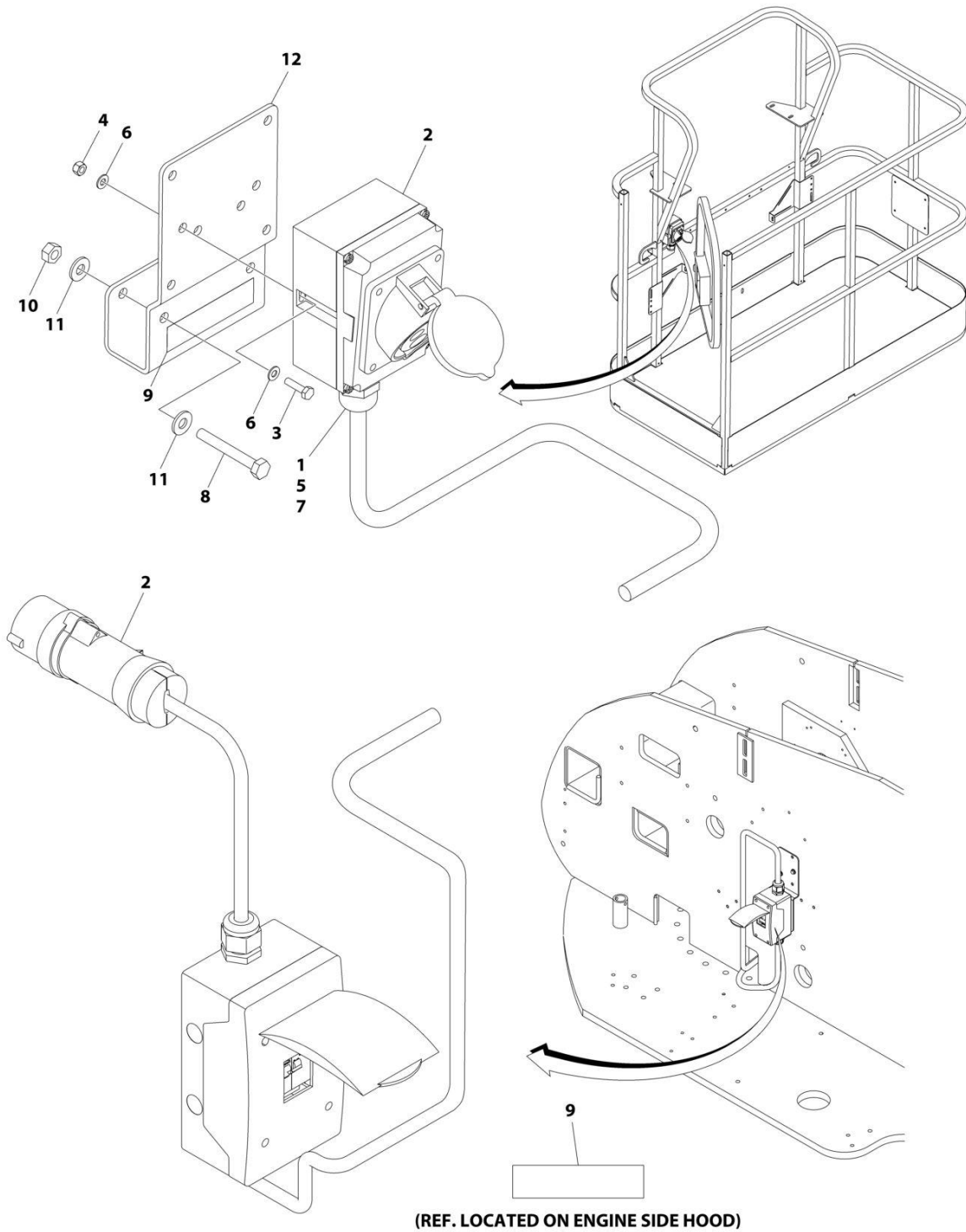
## SECTION 8 - ELECTRICAL

**FIGURE 8-6. AC BOX AT PLATFORM MID-BOOM PLUG INSTALLATION (WITH 7500W SKYPOWER GENERATOR)**

| ITEM | PART NUMBER | QTY | DESCRIPTION                       | REV |
|------|-------------|-----|-----------------------------------|-----|
|      | 0272433     | Ref | AC CABLE INSTALLATION - 110V/220V | D   |
| 1    | 1001218622  | 1   | Plug, Male                        |     |
| 2    | 1001218623  | 1   | Plug, Female                      |     |

# SECTION 8 - ELECTRICAL

**FIGURE 8-7. AC BOX AT PLATFORM INSTALLATION - 110V IEC YELLOW (CE & UK CA SPECS)  
(MACHINES WITH 2500W GENERATOR OR NO GENERATOR OPTION)**



ART\_1001091969



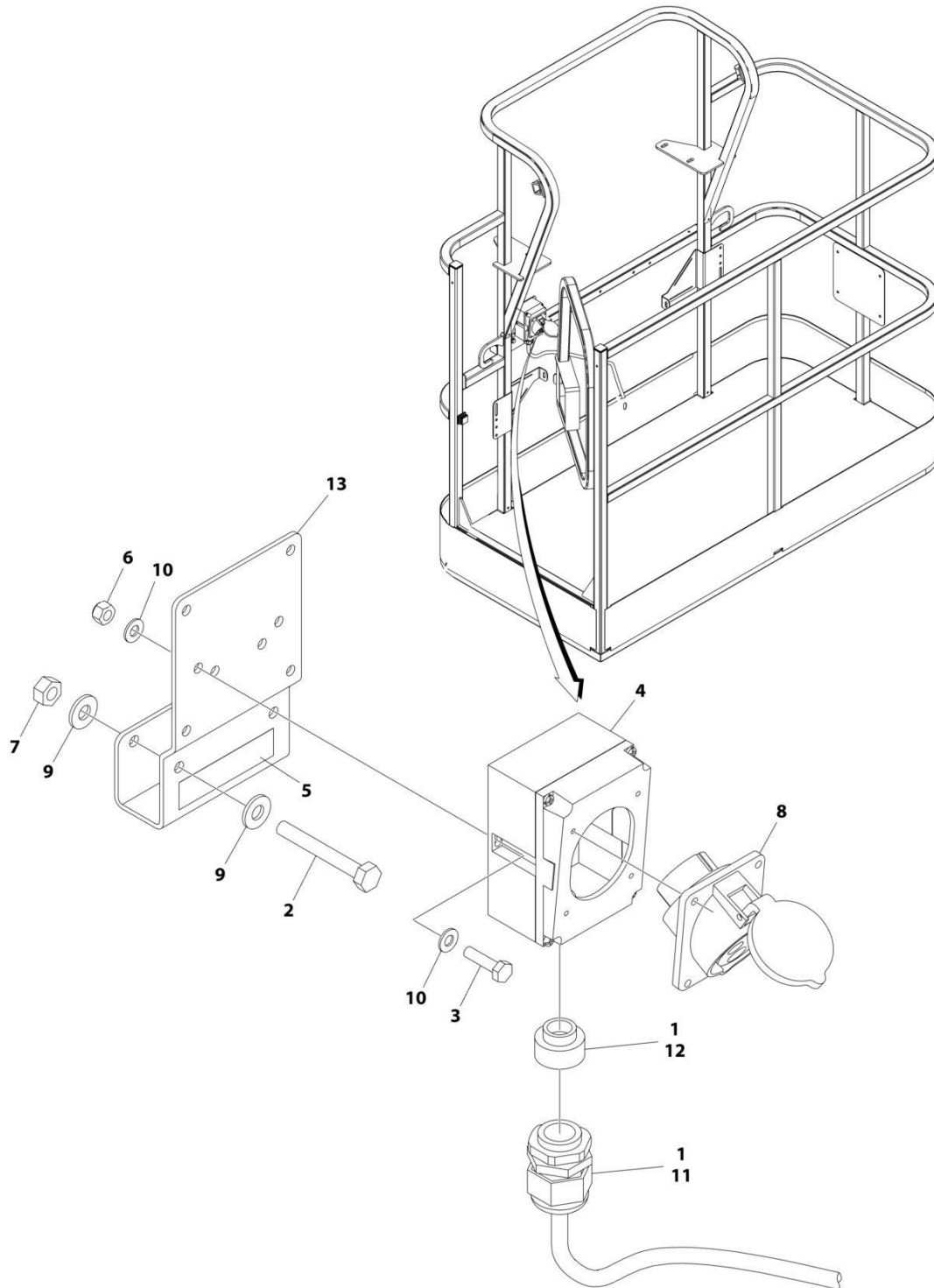
## SECTION 8 - ELECTRICAL

**FIGURE 8-7. AC BOX AT PLATFORM INSTALLATION - 110V IEC YELLOW (CE & UK CA SPECS)  
(MACHINES WITH 2500W GENERATOR OR NO GENERATOR OPTION)**

| ITEM | PART NUMBER | QTY | DESCRIPTION   | REV |
|------|-------------|-----|---|-----|
|      | 1001091969  | Ref | AC BOX AT PLATFORM INSTALLATION - 110V IEC YELLOW           | D   |
| 1    | 0100020     | AR  | Sealant, Pipe   |     |
| 2    | 0275216     | 1   | Receptacle Box Kit (See Separate Breakdown in this Section) |     |
| 3    | 0700408     | 2   | Bolt M4 x 16  |     |
| 4    | 3290405     | 2   | Nut M4  |     |
| 5    | 1001101196  | 1   | Adapter   |     |
| 6    | 4811400     | 4   | Washer M4   |     |
| 7    | 1001101191  | 1   | Connector, Strain Relief                                    |     |
| 8    | 0641416     | 2   | Bolt 1/4 x 2  |     |
| 9    | 1705325     | 2   | Decal - 110V  |     |
| 10   | 3311405     | 2   | Nut 1/4   |     |
| 11   | 4711400     | 4   | Washer 1/4  |     |
| 12   | 1001193018  | 1   | Bracket   |     |

# SECTION 8 - ELECTRICAL

**FIGURE 8-8. AC BOX AT PLATFORM INSTALLATION - 110V IEC YELLOW (CE & UK CA SPECS)  
(MACHINES WITH 4000W GENERATOR)**



ART\_1001206253

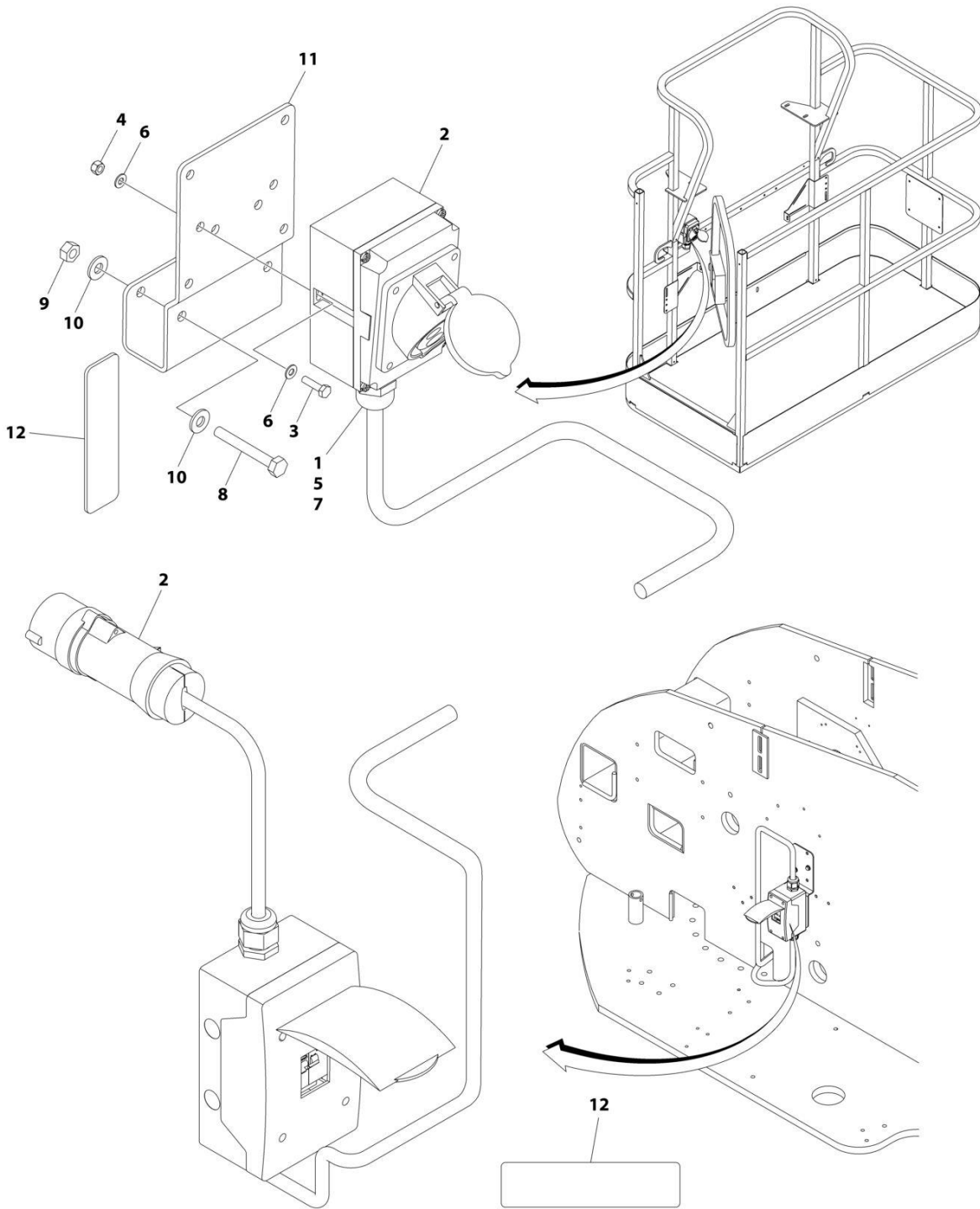
## SECTION 8 - ELECTRICAL

**FIGURE 8-8. AC BOX AT PLATFORM INSTALLATION - 110V IEC YELLOW (CE & UK CA SPECS)  
(MACHINES WITH 4000W GENERATOR)**

| ITEM | PART NUMBER | QTY | DESCRIPTION  | REV |
|------|-------------|-----|--|-----|
|      | 1001206253  | Ref | AC BOX AT PLATFORM INSTALLATION - 110V IEC 60309<br>YELLOW WITHOUT 4000W GENERATOR | A   |
| 1    | 0100020     | AR  | Sealant, Pipe  |     |
| 2    | 0641416     | 2   | Bolt 1/4 x 2   |     |
| 3    | 0700408     | 2   | Bolt M4 x 16   |     |
| 4    | 0861781     | 1   | Box, Switch  |     |
| 5    | 1705325     | 1   | Decal - 110V   |     |
| 6    | 3290405     | 2   | Nut M4   |     |
| 7    | 3311405     | 2   | Nut 1/4  |     |
| 8    | 4461198     | 1   | Receptacle   |     |
| 9    | 4711400     | 4   | Washer 1/4   |     |
| 10   | 4811400     | 4   | Washer M4  |     |
| 11   | 1001101191  | 1   | Connector, Strain Relief   |     |
| 12   | 1001101196  | 1   | Adapter  |     |
| 13   | 1001193018  | 1   | Bracket, AC Receptacle   |     |

# SECTION 8 - ELECTRICAL

**FIGURE 8-9. AC BOX AT PLATFORM INSTALLATION - 220V IEC BLUE (CE & UK CA SPECS)  
(MACHINES WITH 2500W GENERATOR OR NO GENERATOR OPTION)**



(REF. LOCATED ON ENGINE SIDE HOOD)

ART\_1001091970

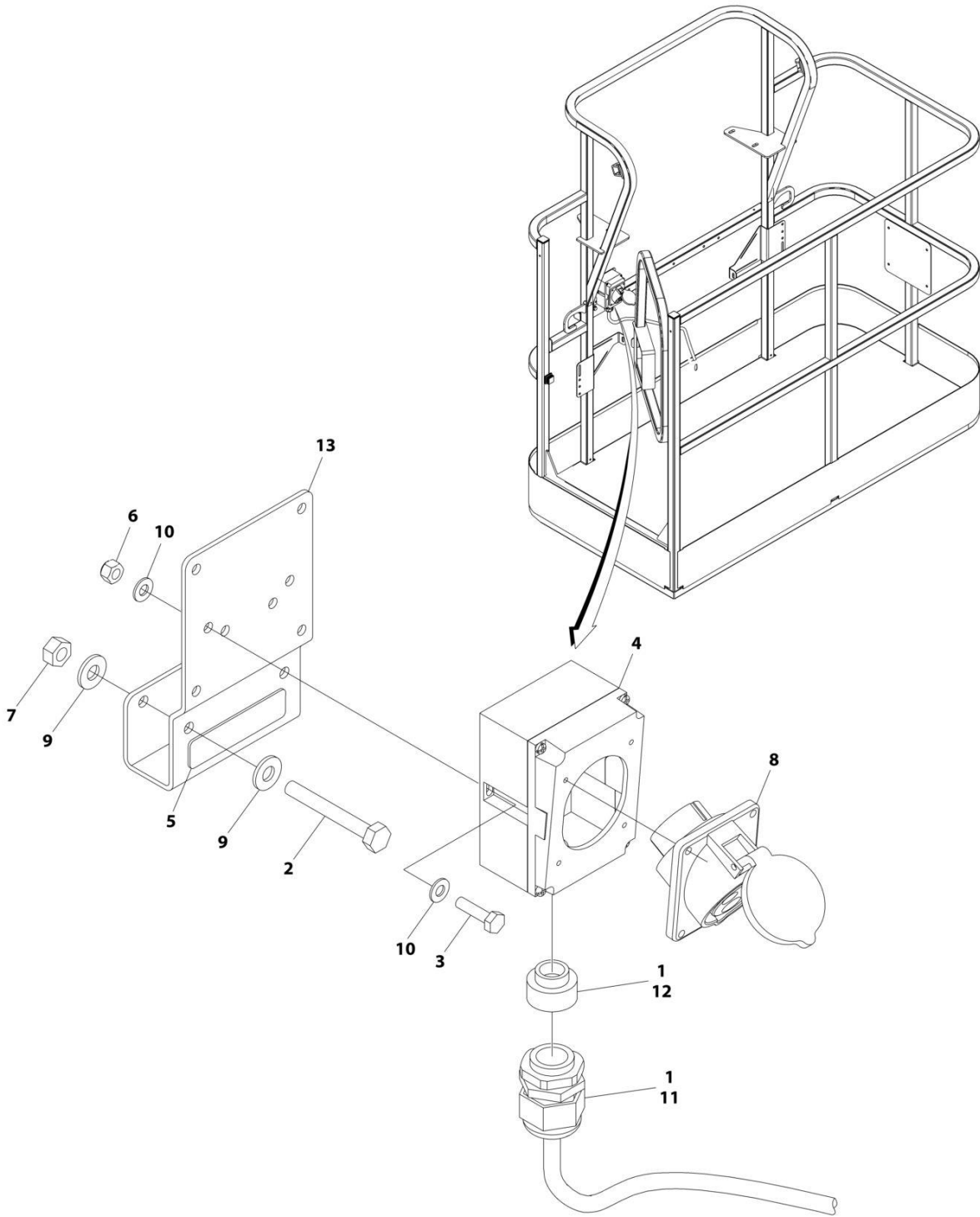
## SECTION 8 - ELECTRICAL

**FIGURE 8-9. AC BOX AT PLATFORM INSTALLATION - 220V IEC BLUE (CE & UK CA SPECS)  
(MACHINES WITH 2500W GENERATOR OR NO GENERATOR OPTION)**

| ITEM | PART NUMBER | QTY | DESCRIPTION   | REV |
|------|-------------|-----|---|-----|
|      | 1001091970  | Ref | AC BOX AT PLATFORM INSTALLATION - 220V IEC BLUE             | D   |
| 1    | 0100020     | AR  | Sealant, Pipe   |     |
| 2    | 0275217     | 1   | Receptacle Box Kit (See Separate Breakdown in this Section) |     |
| 3    | 0700408     | 2   | Bolt M4 x 16  |     |
| 4    | 3290405     | 2   | Nut M4  |     |
| 5    | 1001101196  | 1   | Adapter   |     |
| 6    | 4811400     | 4   | Washer M4   |     |
| 7    | 1001101191  | 1   | Connector, Strain Relief                                    |     |
| 8    | 0641416     | 2   | Bolt 1/4 x 2  |     |
| 9    | 3311405     | 2   | Nut 1/4   |     |
| 10   | 4711400     | 4   | Washer 1/4  |     |
| 11   | 1001193018  | 1   | Bracket   |     |
| 12   | 3251242     | 2   | Decal - 240V/50Hz   |     |

# SECTION 8 - ELECTRICAL

FIGURE 8-10. AC BOX AT PLATFORM INSTALLATION - 220V IEC BLUE (CE & UK CA SPECS)  
(MACHINES WITH 4000W GENERATOR)



ART\_1001206254

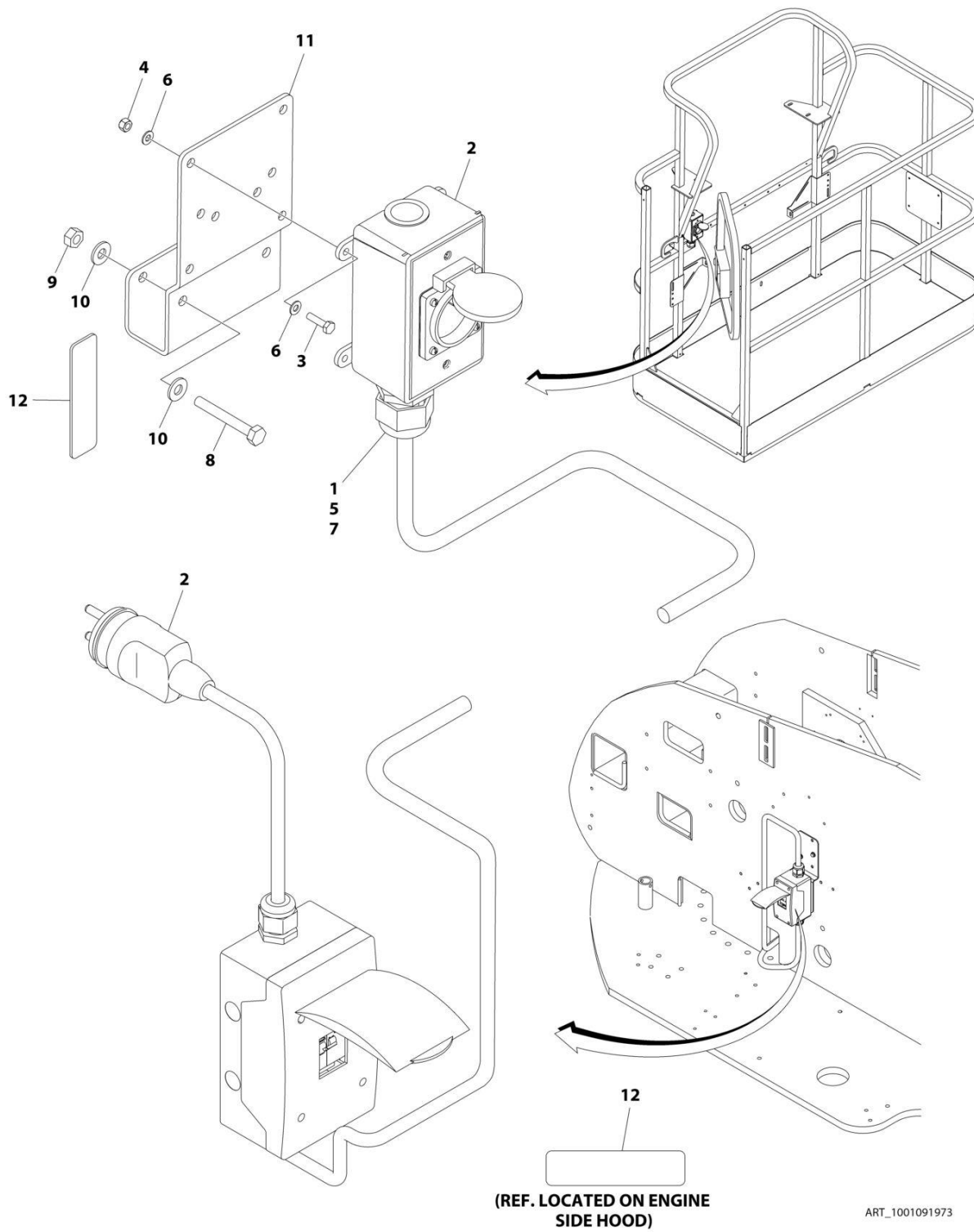
## SECTION 8 - ELECTRICAL

**FIGURE 8-10. AC BOX AT PLATFORM INSTALLATION - 220V IEC BLUE (CE & UK CA SPECS)  
(MACHINES WITH 4000W GENERATOR)**

| ITEM | PART NUMBER | QTY | DESCRIPTION                                     | REV |
|------|-------------|-----|---|-----|
|      | 1001206254  | Ref | AC BOX AT PLATFORM INSTALLATION - 220V IEC BLUE | A   |
| 1    | 0100020     | AR  | Sealant, Pipe                                   |     |
| 2    | 0641416     | 2   | Bolt 1/4 x 2                                    |     |
| 3    | 0700408     | 2   | Bolt M4 x 16                                    |     |
| 4    | 0861781     | 1   | Box, Switch                                     |     |
| 5    | 3251242     | 1   | Decal - 240V/50Hz                               |     |
| 6    | 3290405     | 2   | Nut M4  |     |
| 7    | 3311405     | 2   | Nut 1/4   |     |
| 8    | 4461201     | 1   | Receptacle                                      |     |
| 9    | 4711400     | 4   | Washer 1/4                                      |     |
| 10   | 4811400     | 4   | Washer M4                                       |     |
| 11   | 1001101191  | 1   | Connector, Strain Relief                        |     |
| 12   | 1001101196  | 1   | Adapter   |     |
| 13   | 1001193018  | 1   | Bracket, AC Receptacle                          |     |

# SECTION 8 - ELECTRICAL

**FIGURE 8-11. AC BOX AT PLATFORM INSTALLATION - 220V CEE7 POST GROUND (CE & UK CA SPECS) (MACHINES WITH 2500W GENERATOR OR NO GENERATOR OPTION)**





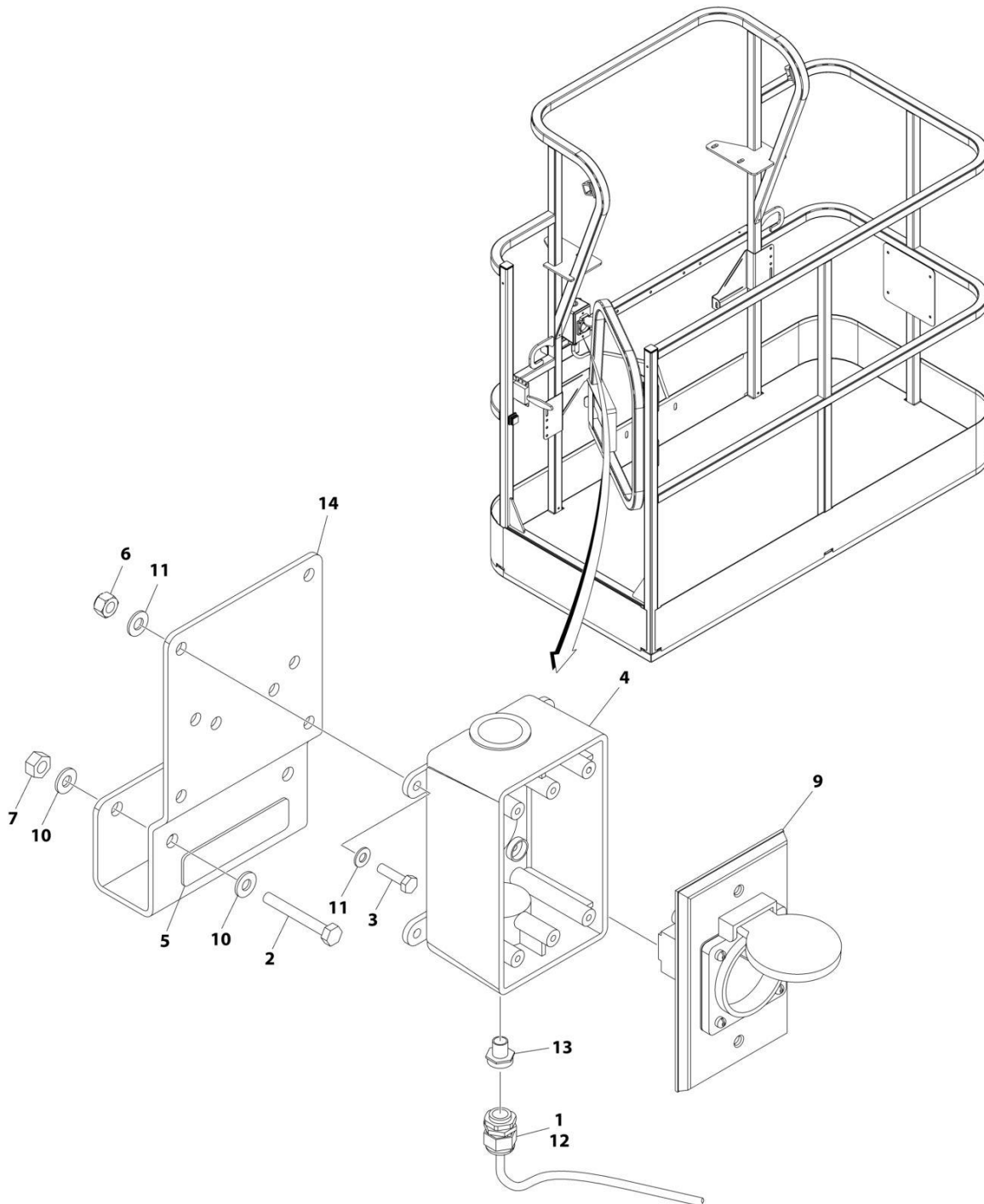
## SECTION 8 - ELECTRICAL

**FIGURE 8-11. AC BOX AT PLATFORM INSTALLATION - 220V CEE7 POST GROUND (CE & UK CA SPECS) (MACHINES WITH 2500W GENERATOR OR NO GENERATOR OPTION)**

| ITEM | PART NUMBER | QTY | DESCRIPTION   | REV |
|------|-------------|-----|---|-----|
|      | 1001091973  | Ref | AC BOX AT PLATFORM INSTALLATION - 220V CEE7 2X4 BOX POST GROUND | F   |
| 1    | 0100020     | AR  | Sealant, Pipe   |     |
| 2    | 0275452     | 1   | Receptacle Box Kit (See Separate Breakdown in this Section)     |     |
| 3    | 0700408     | 4   | Bolt M4 x 16  |     |
| 4    | 3290405     | 4   | Nut M4  |     |
| 5    | 1001101197  | 1   | Adapter   |     |
| 6    | 4811400     | 8   | Washer M4   |     |
| 7    | 1001101191  | 1   | Connector, Strain Relief  |     |
| 8    | 0641416     | 2   | Bolt 1/4 x 2  |     |
| 9    | 3311405     | 2   | Nut 1/4   |     |
| 10   | 4711400     | 4   | Washer 1/4  |     |
| 11   | 1001193018  | 1   | Bracket   |     |
| 12   | 3251242     | 2   | Decal - 240V/50Hz   |     |
| 13   | 4460806     | 2   | Terminal, Fork (Not Shown)                                      |     |
| 14   | 1001205958  | 1   | Terminal (Not Shown)  |     |

# SECTION 8 - ELECTRICAL

FIGURE 8-12. AC BOX AT PLATFORM INSTALLATION - 220V CEE7 POST GROUND (CE & UK CA SPECS) (MACHINES WITH 4000W GENERATOR)



ART\_1001206250

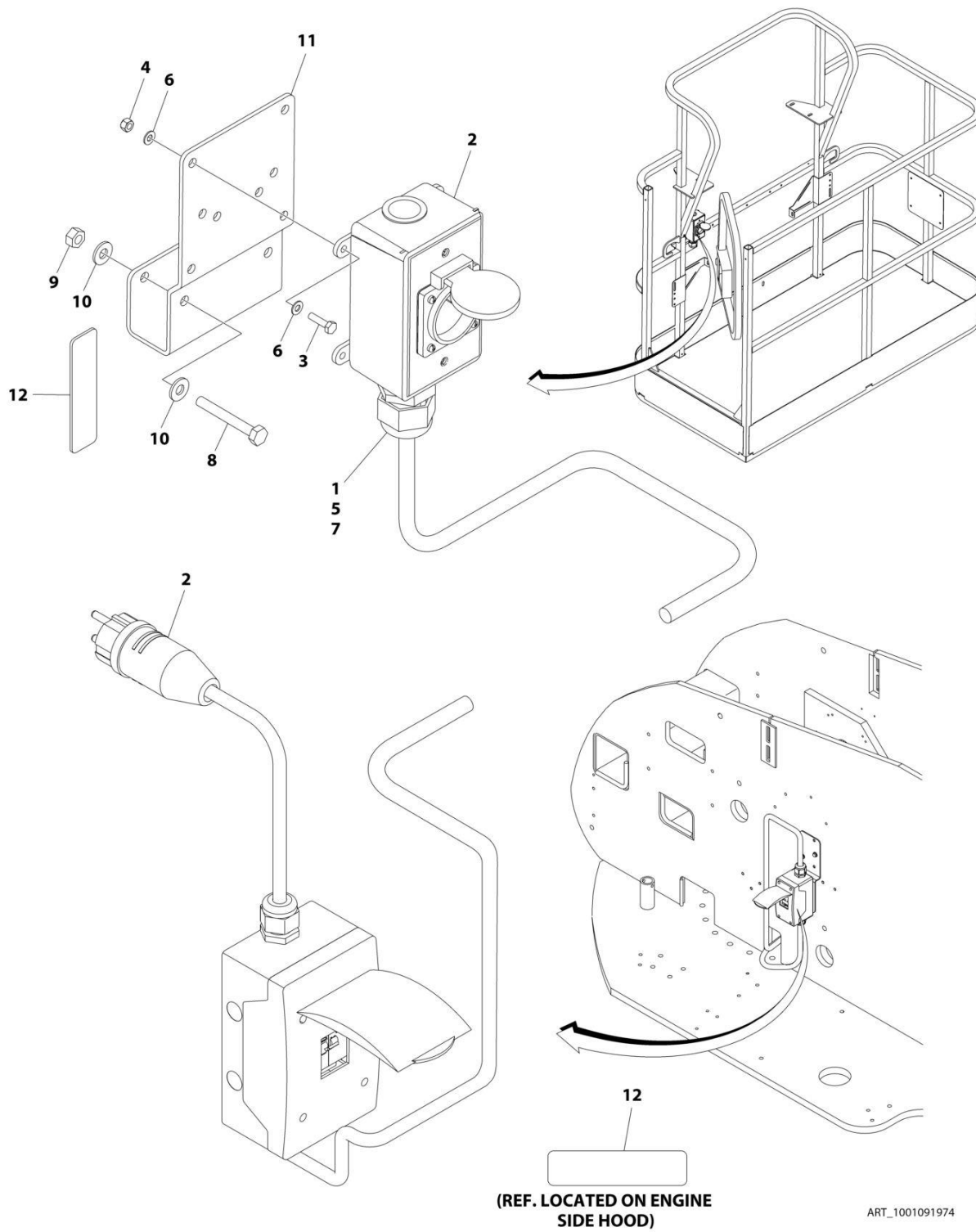
## SECTION 8 - ELECTRICAL

**FIGURE 8-12. AC BOX AT PLATFORM INSTALLATION - 220V CEE7 POST GROUND (CE & UK CA SPECS) (MACHINES WITH 4000W GENERATOR)**

| ITEM | PART NUMBER | QTY | DESCRIPTION   | REV |
|------|-------------|-----|---|-----|
|      | 1001206250  | Ref | AC BOX AT PLATFORM INSTALLATION - 220V CEE7 2X4 BOX POST GROUND | A   |
| 1    | 0100020     | AR  | Sealant, Pipe   |     |
| 2    | 0641416     | 2   | Bolt 1/4 x 2  |     |
| 3    | 0700408     | 4   | Bolt M4 x 16  |     |
| 4    | 0861731     | 1   | Box, Switch   |     |
| 5    | 3251242     | 1   | Decal - 240V/50Hz   |     |
| 6    | 3290405     | 4   | Nut M4  |     |
| 7    | 3311405     | 2   | Nut 1/4   |     |
| 8    | 4460806     | 2   | Terminal, Fork (Not Shown)                                      |     |
| 9    | 4461244     | 1   | Receptacle  |     |
| 10   | 4711400     | 4   | Washer 1/4  |     |
| 11   | 4811400     | 8   | Washer M4   |     |
| 12   | 1001101191  | 1   | Connector, Strain Relief  |     |
| 13   | 1001101197  | 1   | Adapter   |     |
| 14   | 1001193018  | 1   | Bracket, AC Receptacle  |     |
| 15   | 1001205958  | 1   | Terminal (Not Shown)  |     |

# SECTION 8 - ELECTRICAL

**FIGURE 8-13. AC BOX AT PLATFORM INSTALLATION - 220V CEE7 SIDE GROUND (CE & UK CA SPECS) (MACHINES WITH 2500W GENERATOR OR NO GENERATOR OPTION)**



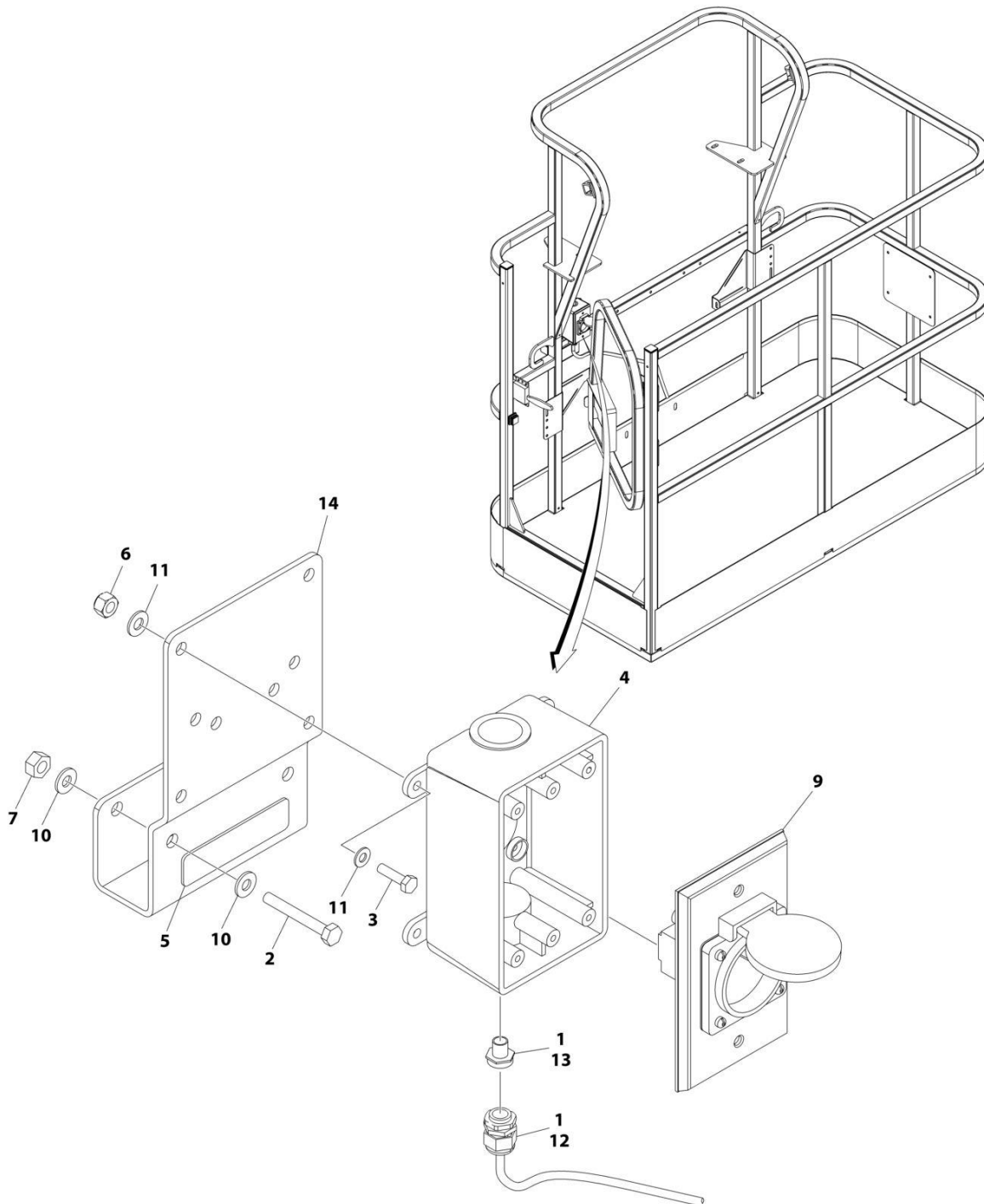
## SECTION 8 - ELECTRICAL

**FIGURE 8-13. AC BOX AT PLATFORM INSTALLATION - 220V CEE7 SIDE GROUND (CE & UK CA SPECS) (MACHINES WITH 2500W GENERATOR OR NO GENERATOR OPTION)**

| ITEM | PART NUMBER | QTY | DESCRIPTION   | REV |
|------|-------------|-----|---|-----|
|      | 1001091974  | Ref | AC BOX AT PLATFORM INSTALLATION - 220V CEE7 2X4 BOX SIDE GROUND | F   |
| 1    | 0100020     | AR  | Sealant, Pipe   |     |
| 2    | 0275453     | 1   | Receptacle Box Kit (See Separate Breakdown in this Section)     |     |
| 3    | 0700408     | 4   | Bolt M4 x 16  |     |
| 4    | 3290405     | 4   | Nut M4  |     |
| 5    | 1001101197  | 1   | Adapter   |     |
| 6    | 4811400     | 8   | Washer M4   |     |
| 7    | 1001101191  | 1   | Connector, Strain Relief  |     |
| 8    | 0641416     | 2   | Bolt 1/4 x 2  |     |
| 9    | 3311405     | 2   | Nut 1/4   |     |
| 10   | 4711400     | 4   | Washer 1/4  |     |
| 11   | 1001193018  | 1   | Bracket   |     |
| 12   | 3251242     | 2   | Decal - 240V/50Hz   |     |
| 13   | 4460806     | 2   | Terminal, Fork (Not Shown)                                      |     |
| 14   | 1001205958  | 1   | Terminal (Not Shown)  |     |

# SECTION 8 - ELECTRICAL

**FIGURE 8-14. AC BOX AT PLATFORM INSTALLATION - 220V CEE7 SIDE GROUND (CE & UK CA SPECS) (MACHINES WITH 4000W GENERATOR)**



ART\_1001206251

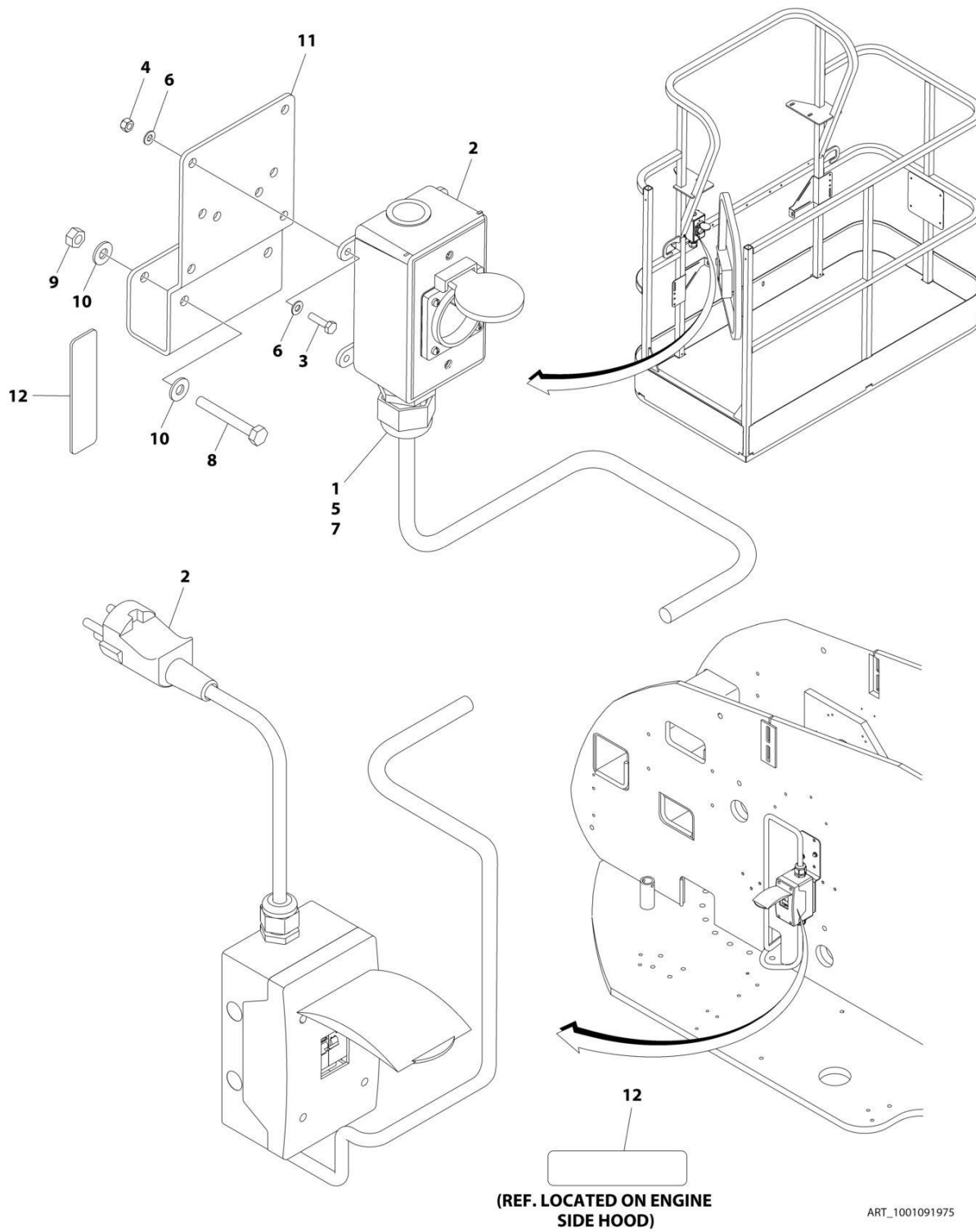
## SECTION 8 - ELECTRICAL

**FIGURE 8-14. AC BOX AT PLATFORM INSTALLATION - 220V CEE7 SIDE GROUND (CE & UK CA SPECS) (MACHINES WITH 4000W GENERATOR)**

| ITEM | PART NUMBER | QTY | DESCRIPTION  | REV |
|------|-------------|-----|--|-----|
|      | 1001206251  | Ref | AC BOX AT PLATFORM INSTALLATION - 220V CEE7 2X4 BOX<br>SIDE GROUND | A   |
| 1    | 0100020     | AR  | Sealant, Pipe  |     |
| 2    | 0641416     | 2   | Bolt 1/4 x 2   |     |
| 3    | 0700408     | 4   | Bolt M4 x 16   |     |
| 4    | 0861731     | 1   | Box, Switch  |     |
| 5    | 3251242     | 1   | Decal - 240V/50Hz  |     |
| 6    | 3290405     | 4   | Nut M4   |     |
| 7    | 3311405     | 2   | Nut 1/4  |     |
| 8    | 4460806     | 2   | Terminal, Fork (Not Shown)   |     |
| 9    | 4461245     | 1   | Receptacle   |     |
| 10   | 4711400     | 4   | Washer 1/4   |     |
| 11   | 4811400     | 8   | Washer M4  |     |
| 12   | 1001101191  | 1   | Connector, Strain Relief   |     |
| 13   | 1001101197  | 1   | Adapter  |     |
| 14   | 1001193018  | 1   | Bracket, AC Receptacle   |     |
| 15   | 1001205958  | 1   | Terminal (Not Shown)   |     |

## SECTION 8 - ELECTRICAL

**FIGURE 8-15. AC BOX AT PLATFORM INSTALLATION - 220V AFSINT 107 KEYED GROUND (CE & UK CA SPECS) (MACHINES WITH 2500W GENERATOR OR NO GENERATOR OPTION)**





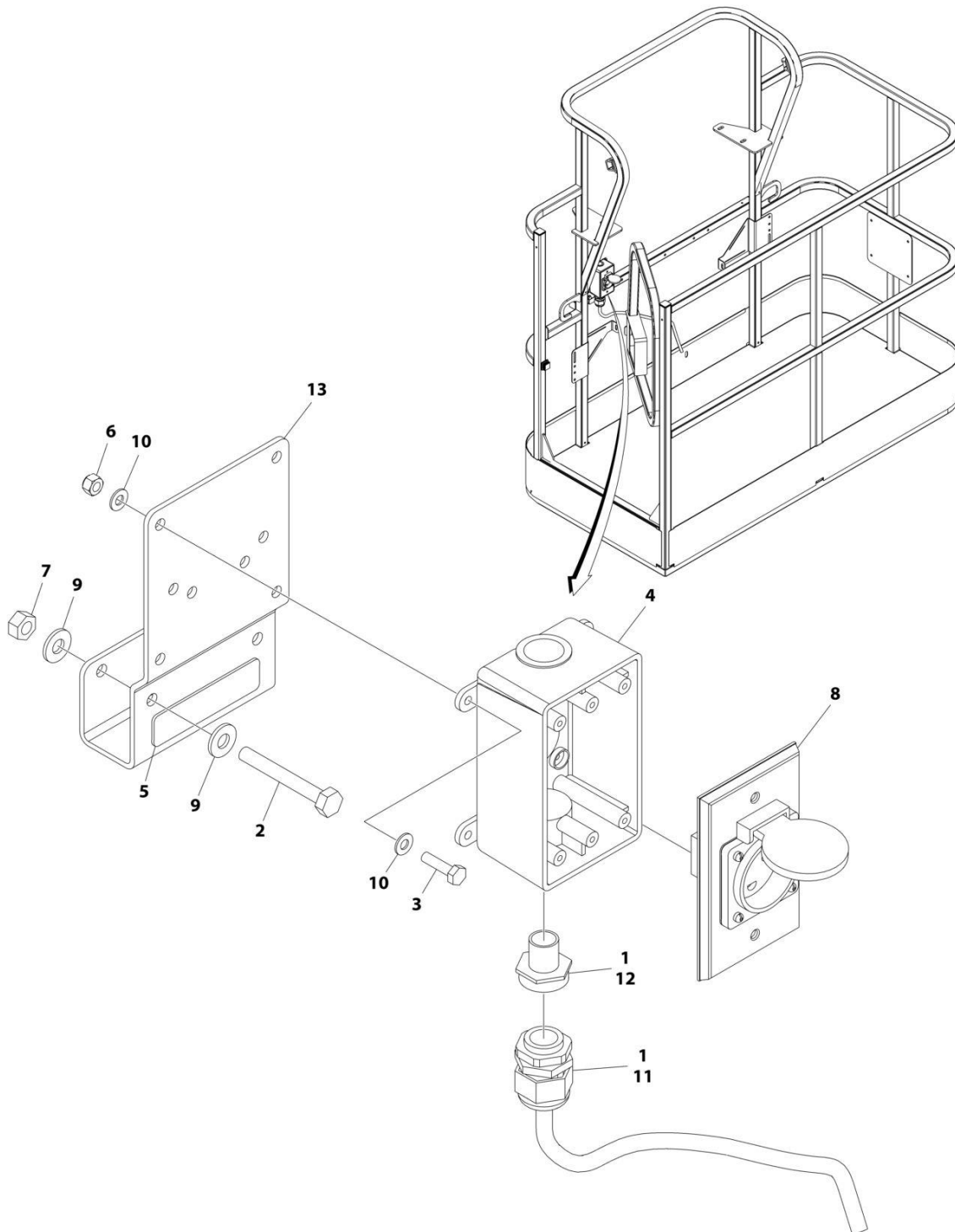
## SECTION 8 - ELECTRICAL

**FIGURE 8-15. AC BOX AT PLATFORM INSTALLATION - 220V AFSINT 107 KEYED GROUND (CE & UK CA SPECS) (MACHINES WITH 2500W GENERATOR OR NO GENERATOR OPTION)**

| ITEM | PART NUMBER | QTY | DESCRIPTION  | REV |
|------|-------------|-----|--|-----|
|      | 1001091975  | Ref | AC BOX AT PLATFORM INSTALLATION - 220V AFSINT 107 2X4 BOX KEYED GROUND | F   |
| 1    | 0100020     | AR  | Sealant, Pipe  |     |
| 2    | 0275454     | 1   | Receptacle Box Kit (See Separate Breakdown in this Section)            |     |
| 3    | 0700408     | 4   | Bolt M4 x 16   |     |
| 4    | 3290405     | 4   | Nut M4   |     |
| 5    | 1001101197  | 1   | Adapter  |     |
| 6    | 4811400     | 8   | Washer M4  |     |
| 7    | 1001101191  | 1   | Connector, Strain Relief   |     |
| 8    | 0641416     | 2   | Bolt 1/4 x 2   |     |
| 9    | 3311405     | 2   | Nut 1/4  |     |
| 10   | 4711400     | 4   | Washer 1/4   |     |
| 11   | 1001193018  | 1   | Bracket  |     |
| 12   | 3251242     | 2   | Decal - 240V/50Hz  |     |
| 13   | 1001205958  | 3   | Terminal (Not Shown)   |     |

# SECTION 8 - ELECTRICAL

FIGURE 8-16. AC BOX AT PLATFORM INSTALLATION - 220V AFSINT 107 KEYED GROUND (CE & UK CA SPECS) (MACHINES WITH 4000W GENERATOR)



ART\_1001206252

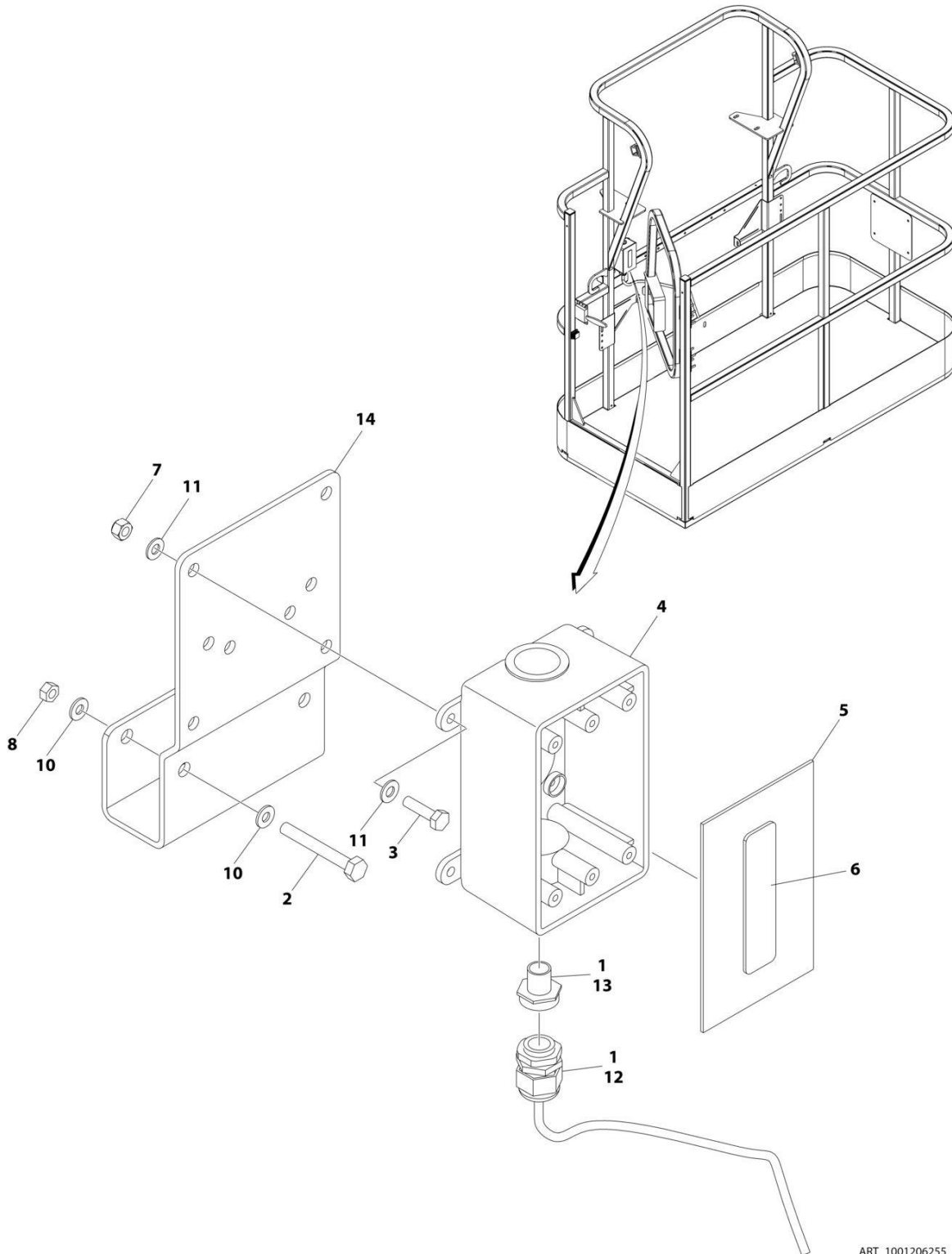
## SECTION 8 - ELECTRICAL

**FIGURE 8-16. AC BOX AT PLATFORM INSTALLATION - 220V AFSINT 107 KEYED GROUND (CE & UK CA SPECS) (MACHINES WITH 4000W GENERATOR)**

| ITEM | PART NUMBER | QTY | DESCRIPTION   | REV |
|------|-------------|-----|---|-----|
|      | 1001206252  | Ref | AC BOX AT PLATFORM INSTALLATION - 220V AFSINT 107 2x4<br>BOX KEYED GROUND | A   |
| 1    | 0100020     | AR  | Sealant, Pipe   |     |
| 2    | 0641416     | 2   | Bolt 1/4 x 2  |     |
| 3    | 0700408     | 4   | Bolt M4 x 16  |     |
| 4    | 0861731     | 1   | Box, Switch   |     |
| 5    | 3251242     | 1   | Decal - 240V/50Hz   |     |
| 6    | 3290405     | 4   | Nut M4  |     |
| 7    | 3311405     | 2   | Nut 1/4   |     |
| 8    | 4461246     | 1   | Receptacle  |     |
| 9    | 4711400     | 4   | Washer 1/4  |     |
| 10   | 4811400     | 8   | Washer M4   |     |
| 11   | 1001101191  | 1   | Connector, Strain Relief  |     |
| 12   | 1001101197  | 1   | Adapter   |     |
| 13   | 1001193018  | 1   | Bracket, AC Receptacle  |     |
| 14   | 1001205958  | 3   | Terminal (Not Shown)  |     |

# SECTION 8 - ELECTRICAL

FIGURE 8-17. AC BOX AT PLATFORM INSTALLATION - 220V (2X4 BOX & COVER ONLY - LOCALLY SUPPLIED RECEPTACLE) (4000W GENERATOR)



ART\_1001206255

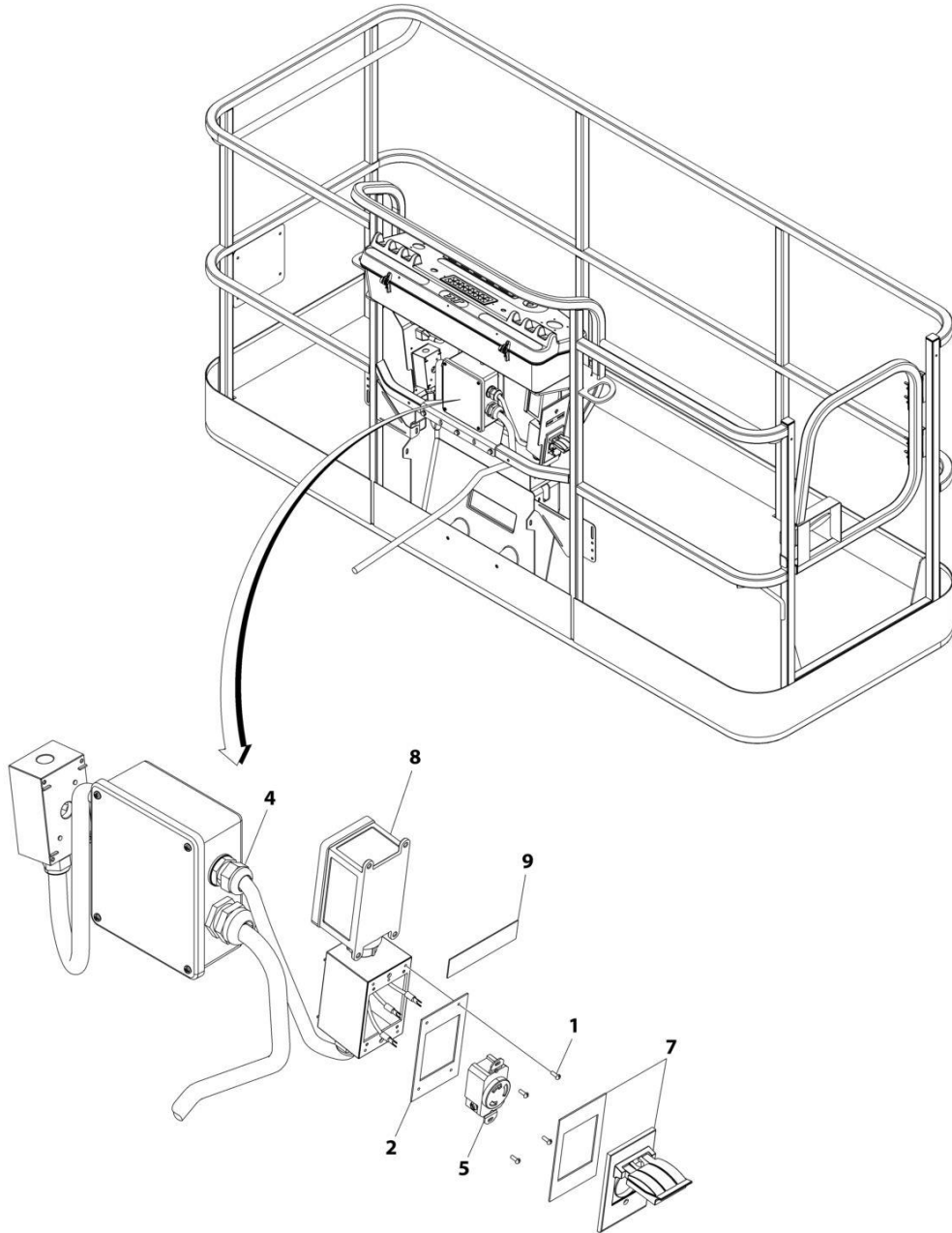
## SECTION 8 - ELECTRICAL

**FIGURE 8-17. AC BOX AT PLATFORM INSTALLATION - 220V (2X4 BOX & COVER ONLY - LOCALLY SUPPLIED RECEPTACLE) (4000W GENERATOR)**

| ITEM | PART NUMBER | QTY | DESCRIPTION   | REV |
|------|-------------|-----|---|-----|
|      | 1001206255  | Ref | AC BOX AT PLATFORM INSTALLATION - BOX WITH COVER (2X4 BOX) WITH 4000W GENERATOR | A   |
| 1    | 0100020     | AR  | Sealant, Pipe   |     |
| 2    | 0641416     | 2   | Bolt 1/4 x 2  |     |
| 3    | 0700408     | 4   | Bolt M4 x 16  |     |
| 4    | 0861731     | 1   | Box, Switch   |     |
| 5    | 1670603     | 1   | Cover   |     |
| 6    | 3251242     | 1   | Decal - 240V-50Hz   |     |
| 7    | 3290405     | 4   | Nut M4  |     |
| 8    | 3311405     | 2   | Nut 1/4   |     |
| 10   | 4711400     | 4   | Washer 1/4  |     |
| 11   | 4811400     | 8   | Washer M4   |     |
| 12   | 1001101191  | 1   | Connector, Strain Relief  |     |
| 13   | 1001101197  | 1   | Adapter   |     |
| 14   | 1001193018  | 1   | Bracket, AC Receptacle  |     |

## SECTION 8 - ELECTRICAL

**FIGURE 8-18. AC BOX AT PLATFORM INSTALLATION - 240V GFCI RECEPTACLE (ANSI, ANSI EXPORT AND CSA SPECS WITH 4000W SKYPOWER GENERATOR)**



ART\_1001171131

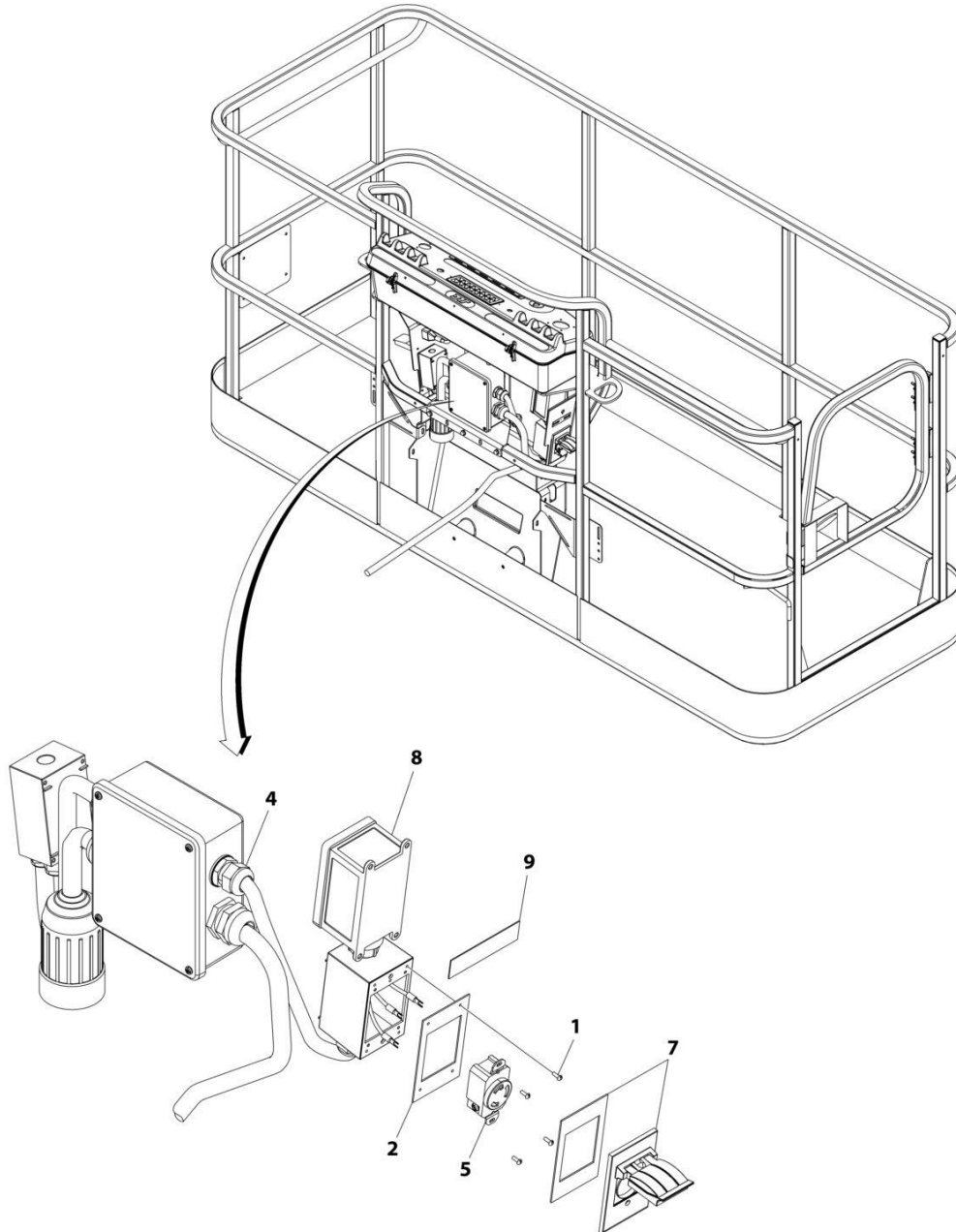
## SECTION 8 - ELECTRICAL

**FIGURE 8-18. AC BOX AT PLATFORM INSTALLATION - 240V GFCI RECEPTACLE (ANSI, ANSI EXPORT AND CSA SPECS WITH 4000W SKYPOWER GENERATOR)**

| ITEM | PART NUMBER | QTY | DESCRIPTION                                       | REV |
|------|-------------|-----|---|-----|
|      | 1001171131  | Ref | AC BOX AT PLATFORM INSTALLATION - 240V RECEPTACLE | B   |
| 1    | 3910606     | 4   | Screw 6 x 3/8                                     |     |
| 2    | 3960422     | 1   | Gasket  |     |
| 3    | 4240018     | AR  | Tie-Strap (Not Shown)                             |     |
| 4    | 4460425     | 1   | Connector, Strain Relief                          |     |
| 5    | 1001176862  | 1   | Receptacle  |     |
| 7    | 1001110872  | 1   | Cover, Receptacle                                 |     |
| 8    | 1001159120  | 1   | Receptacle/Breaker Box Assembly                   |     |
| 8    | 1001148675  | 1   | Box, Receptacle                                   |     |
| 8    | 1001159118  | 1   | Breaker GFCI 30Amp 240VAC                         |     |
| 8    | 4460612     | 1   | Connector, Strain Relief                          |     |
| 8    | 1001159119  | 1   | Connector (Between Boxes)                         |     |
| 9    | 1705374     | 1   | Decal - 240V/60Hz                                 |     |

## SECTION 8 - ELECTRICAL

FIGURE 8-19. AC BOX AT PLATFORM INSTALLATION - 240V GFCI RECEPTACLE (ANSI AND CSA SPECS WITH 7500W SKYPOWER GENERATOR)



ART\_1001159121



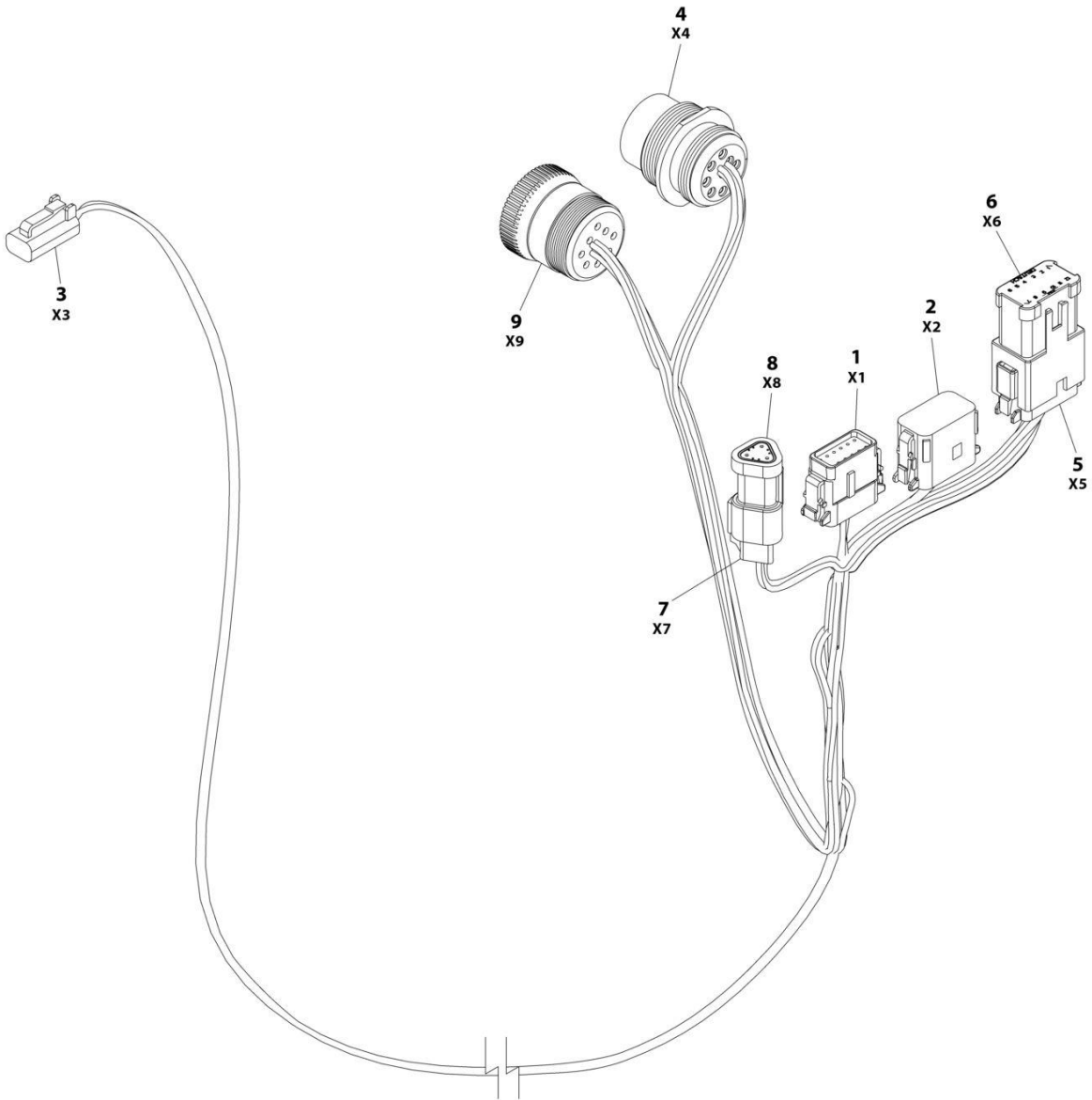
## SECTION 8 - ELECTRICAL

**FIGURE 8-19. AC BOX AT PLATFORM INSTALLATION - 240V GFCI RECEPTACLE (ANSI AND CSA SPECS WITH 7500W SKYPOWER GENERATOR)**

| ITEM | PART NUMBER | QTY | DESCRIPTION                                       | REV |
|------|-------------|-----|---|-----|
|      | 1001159121  | Ref | AC BOX AT PLATFORM INSTALLATION - 240V RECEPTACLE | B   |
| 1    | 3910606     | 4   | Screw 6 x 3/8                                     |     |
| 2    | 3960422     | 1   | Gasket  |     |
| 3    | 4240018     | AR  | Tie-Strap (Not Shown)                             |     |
| 4    | 4460425     | 1   | Connector, Strain Relief                          |     |
| 5    | 4460958     | 1   | Receptacle  |     |
| 7    | 1001110872  | 1   | Cover, Receptacle                                 |     |
| 8    | 1001159120  | 1   | Receptacle/Breaker Box Assembly                   |     |
| 8    | 1001148675  | 1   | Box, Receptacle                                   |     |
| 8    | 1001159118  | 1   | Breaker Box Assembly                              |     |
| 8    | 4460612     | 1   | Connector, Strain Relief                          |     |
| 8    | 1001159119  | 1   | Connector (Between Boxes)                         |     |
| 9    | 1705374     | 1   | Decal - 240V/60Hz                                 |     |

# SECTION 8 - ELECTRICAL

## FIGURE 8-20. BEACON CONTROL HARNESS (BLUE AND RED STROBE LIGHTS)



ART\_1001142736

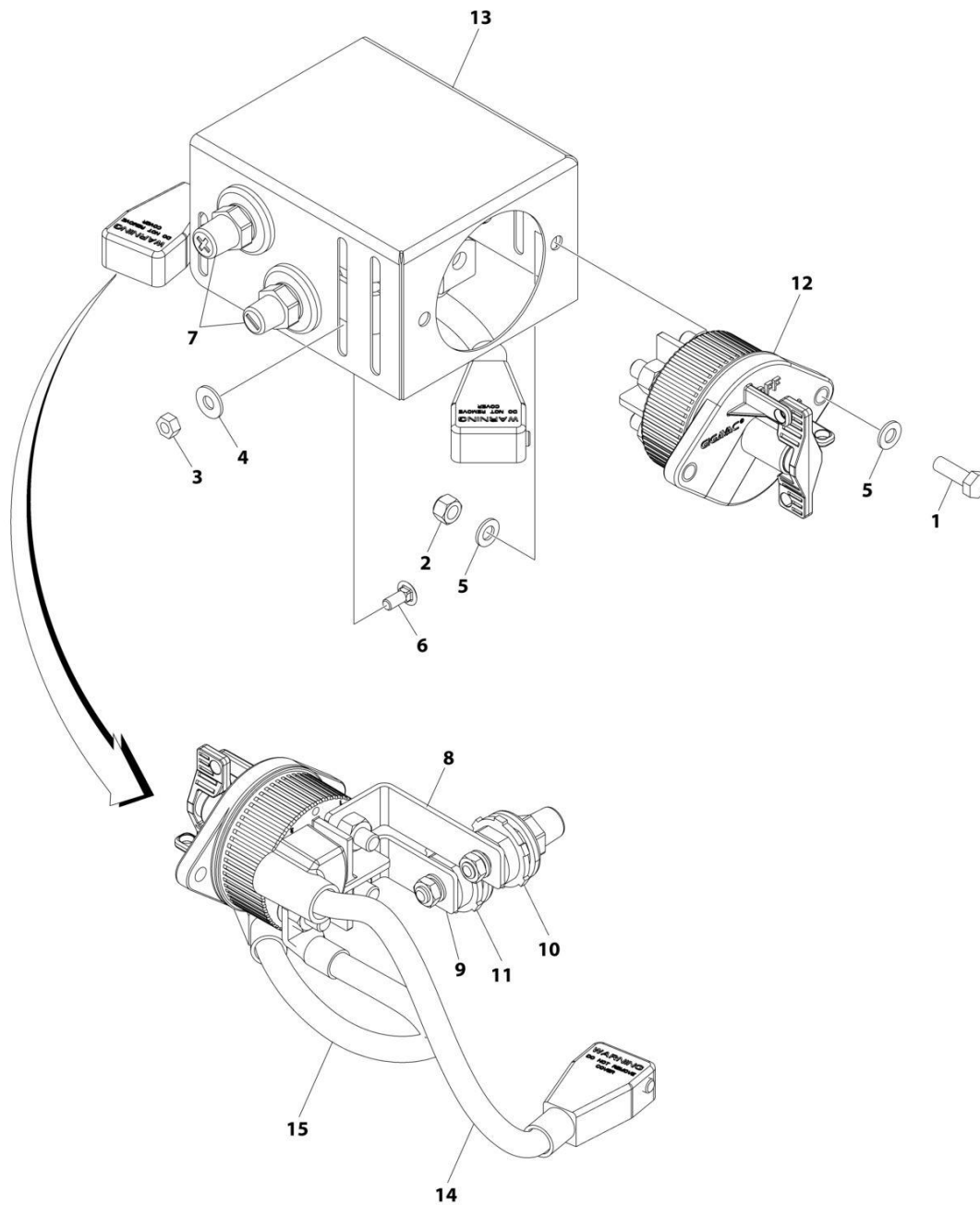
## SECTION 8 - ELECTRICAL

**FIGURE 8-20. BEACON CONTROL HARNESS (BLUE AND RED STROBE LIGHTS)**

| ITEM | PART NUMBER | QTY | DESCRIPTION              | REV |
|------|-------------|-----|--------------------------|-----|
|      | 1001142736  | Ref | STROBE LIGHT HARNESS     | F   |
| 1    | 1001116808  | 1   | Plug, Male - 12 Position |     |
| 1    | 4460928     | 3   | Socket, Female           |     |
| 1    | 4460518     | 9   | Plug, Terminal           |     |
| 2    | 1001116774  | 1   | Plug, Male - 12 Position |     |
| 2    | 4460928     | 3   | Socket, Female           |     |
| 2    | 4460518     | 9   | Plug, Terminal           |     |
| 3    | 4460891     | 1   | Plug, Male - 2 Position  |     |
| 3    | 4460465     | 2   | Socket, Female           |     |
| 4    | 1001112612  | 1   | Connector - 9 Position   |     |
| 4    | 4460464     | 6   | Pin, Male                |     |
| 4    | 4460466     | 3   | Plug, Terminal           |     |
| 5    | 4460933     | 1   | Plug, Male - 12 Position |     |
| 5    | 4460465     | 12  | Socket, Female           |     |
| 6    | 1001119020  | 1   | Bussbar - 12 Position    |     |
| 7    | 4461095     | 1   | Plug, Male - 3 Position  |     |
| 7    | 4460465     | 3   | Socket, Female           |     |
| 8    | 4461070     | 1   | Bussbar - 3 Position     |     |
| 9    | 1001112796  | 1   | Connector - 9 Position   |     |
| 9    | 4460465     | 6   | Socket, Female           |     |
| 9    | 4460466     | 3   | Plug, Terminal           |     |

# SECTION 8 - ELECTRICAL

## FIGURE 8-21. BATTERY DISCONNECT SWITCH INSTALLATION



ART\_1001236304

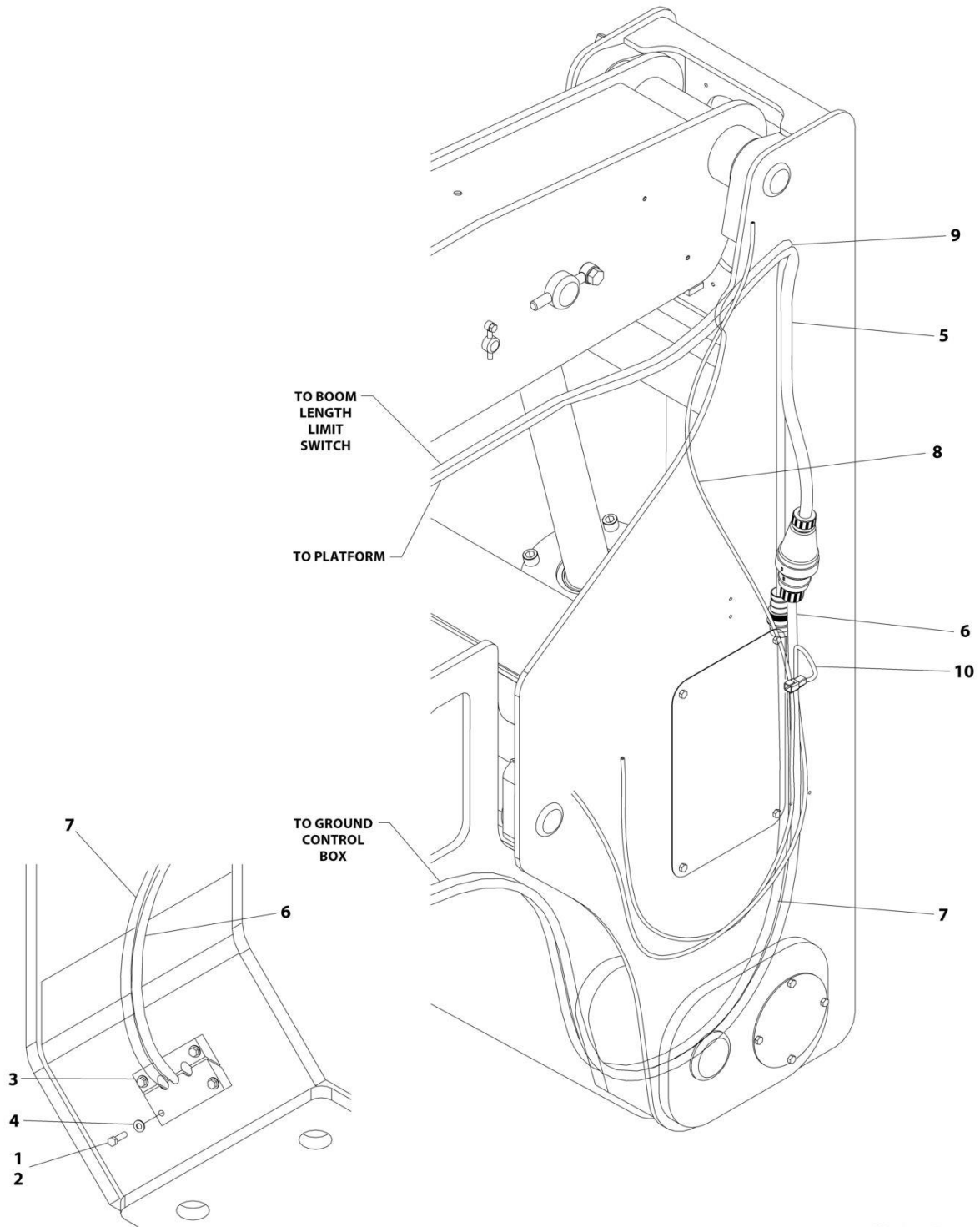
## SECTION 8 - ELECTRICAL

**FIGURE 8-21. BATTERY DISCONNECT SWITCH INSTALLATION**

| ITEM | PART NUMBER | QTY | DESCRIPTION                            | REV |
|------|-------------|-----|--|-----|
|      | 1001236304  | Ref | BATTERY DISCONNECT SWITCH INSTALLATION | A   |
| 1    | 0760812     | 2   | Bolt M8 x 25                           |     |
| 2    | 3290805     | 2   | Nut M8                                 |     |
| 3    | 3311405     | 3   | Nut 1/4                                |     |
| 4    | 4751400     | 3   | Washer 1/4                             |     |
| 5    | 4811900     | 4   | Washer M8                              |     |
| 6    | 88411013    | 3   | Bolt 1/4 x 3/4                         |     |
| 7    | 1001206476  | 1   | Connectors, Post                       |     |
| 8    | 1001209432  | 1   | Bussbar                                |     |
| 9    | 1001209474  | 1   | Bussbar                                |     |
| 10   | 1001214570  | 1   | Connector (Red)                        |     |
| 11   | 1001214571  | 1   | Connector (Black)                      |     |
| 12   | 1001225346  | 1   | Switch, Battery                        |     |
| 13   | 1001226531  | 1   | Mount                                  |     |
| 14   | 1001236504  | 1   | Cable, Battery (+)                     |     |
| 15   | 1001236505  | 1   | Cable, Battery (-)                     |     |

# SECTION 8 - ELECTRICAL

FIGURE 8-22. BOOM CABLES INSTALLATION - WITH 2500W GENERATOR OR NO GENERATOR OPTION (ANSI & CSA SPECS)



ART\_1001227610

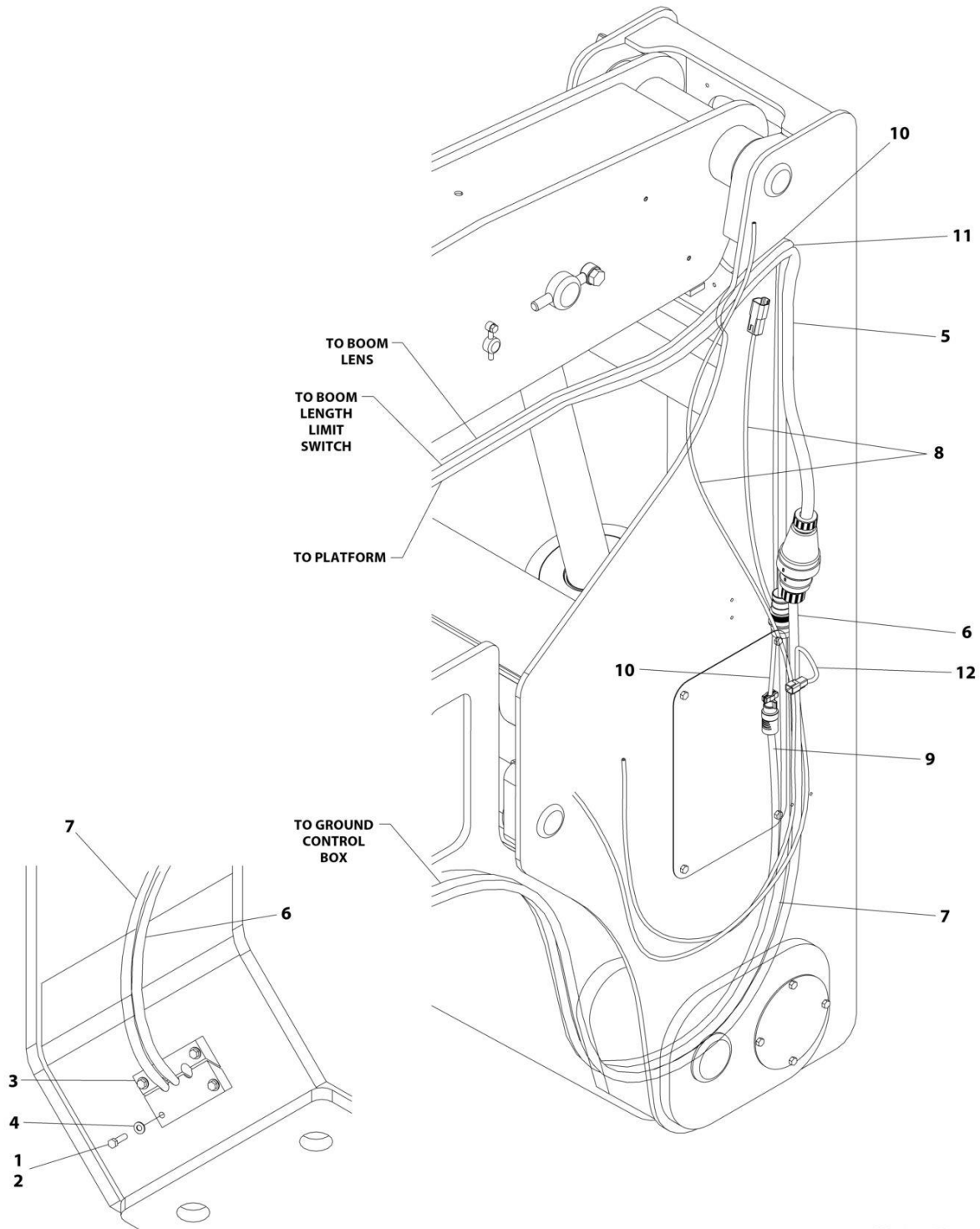
## SECTION 8 - ELECTRICAL

**FIGURE 8-22. BOOM CABLES INSTALLATION - WITH 2500W GENERATOR OR NO GENERATOR  
OPTION (ANSI & CSA SPECS)**

| ITEM | PART NUMBER | QTY | DESCRIPTION   | REV |
|------|-------------|-----|---|-----|
|      | 1001227610  | Ref | BOOM CABLES INSTALLATION                                | A   |
| 1    | 0100011     | AR  | Compound, Locking                                       |     |
| 2    | 0641612     | 4   | Bolt 3/8 x 1-1/2  |     |
| 3    | 1320256     | 1   | Clamp, Block  |     |
| 4    | 4711600     | 4   | Washer 3/8  |     |
| 5    | 4922216     | 1   | AC Cable, 10/3 (Main Boom)                              |     |
| 6    | 4922217     | 1   | AC Cable, 10/3 (Tower Boom)                             |     |
| 7    | 4922576     | 1   | Boom Cable - Tower Boom (See Separate Breakdown in this |     |
| 8    | 4922578     | 2   | Cable, Main Boom Elevation Limit Switch                 |     |
| 9    | 1001227518  | 1   | Boom Cable - Main Boom (See Separate Breakdown in this  |     |
| 10   | 1001227359  | 1   | Tilt Sensor Harness                                     |     |
| 10   | 1001097051  | 1   | Connector - 4 Position                                  |     |
| 10   | 1001097082  | 3   | Terminal  |     |

# SECTION 8 - ELECTRICAL

## FIGURE 8-23. BOOM CABLES INSTALLATION - WITH 2500W GENERATOR OR NO GENERATOR OPTION (CE & UK CA SPECS)



ART\_1001227783



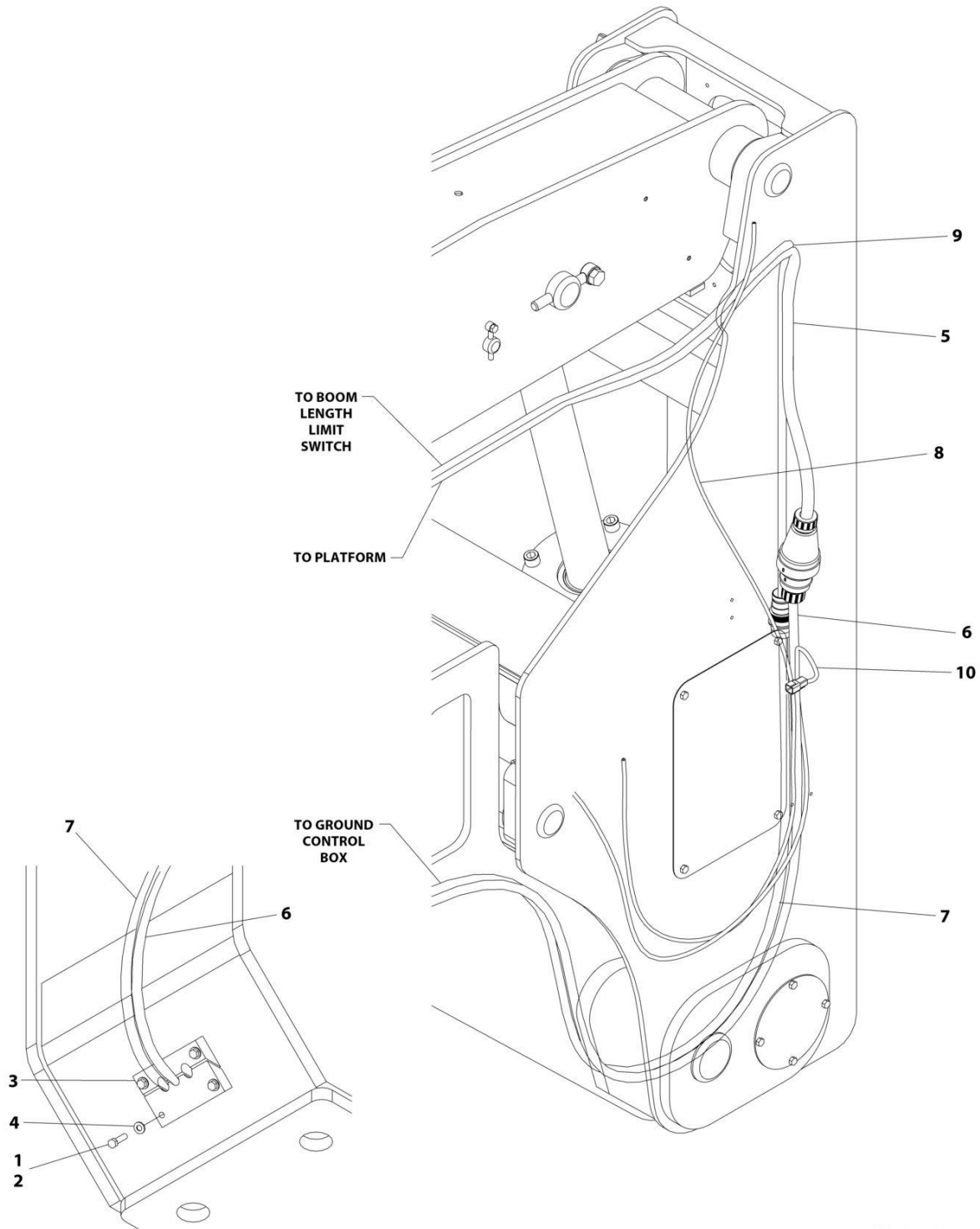
## SECTION 8 - ELECTRICAL

**FIGURE 8-23. BOOM CABLES INSTALLATION - WITH 2500W GENERATOR OR NO GENERATOR  
OPTION (CE & UK CA SPECS)**

| ITEM | PART NUMBER | QTY | DESCRIPTION  | REV |
|------|-------------|-----|--|-----|
|      | 1001227783  | Ref | BOOM CABLES INSTALLATION   | A   |
| 1    | 0100011     | AR  | Compound, Locking  |     |
| 2    | 0641612     | 4   | Bolt 3/8 X 1-1/2   |     |
| 3    | 1320256     | 1   | Clamp, Block   |     |
| 4    | 4711600     | 4   | Washer 3/8   |     |
| 5    | 4922219     | 1   | AC Cable, 10/3 (Main Boom)                                       |     |
| 6    | 4922220     | 1   | AC Cable, 10/3 (Tower Boom)                                      |     |
| 7    | 4922576     | 1   | Boom Cable - Tower Boom (See Separate Breakdown in this Section) |     |
| 8    | 4922578     | 2   | Main Boom Elevation Limit Switch Harness                         |     |
| 9    | 4922579     | 1   | Boom Lens Harness (Tower Boom)                                   |     |
| 9    | 4460891     | 1   | Plug, Male - 2 Position  |     |
| 9    | 4460465     | 2   | Socket, Female   |     |
| 10   | 4922580     | 1   | Boom Lens Harness (Main Boom)                                    |     |
| 10   | 4460897     | 1   | Receptacle, Female - 2 Position                                  |     |
| 10   | 4460464     | 2   | Pin, Male  |     |
| 11   | 1001227518  | 1   | Boom Cable - Main Boom (See Separate Breakdown in this Section)  |     |
| 12   | 1001227359  | 1   | Tilt Sensor Harness  |     |
| 12   | 1001097051  | 1   | Connector - 4 Position   |     |
| 12   | 1001097082  | 3   | Terminal   |     |

# SECTION 8 - ELECTRICAL

**FIGURE 8-24. BOOM CABLES INSTALLATION - WITH 2500W GENERATOR OR NO GENERATOR OPTION (ANSI EXPORT, AUSTRALIAN, CHINA & JAPANESE SPECS)**



ART\_1001227800

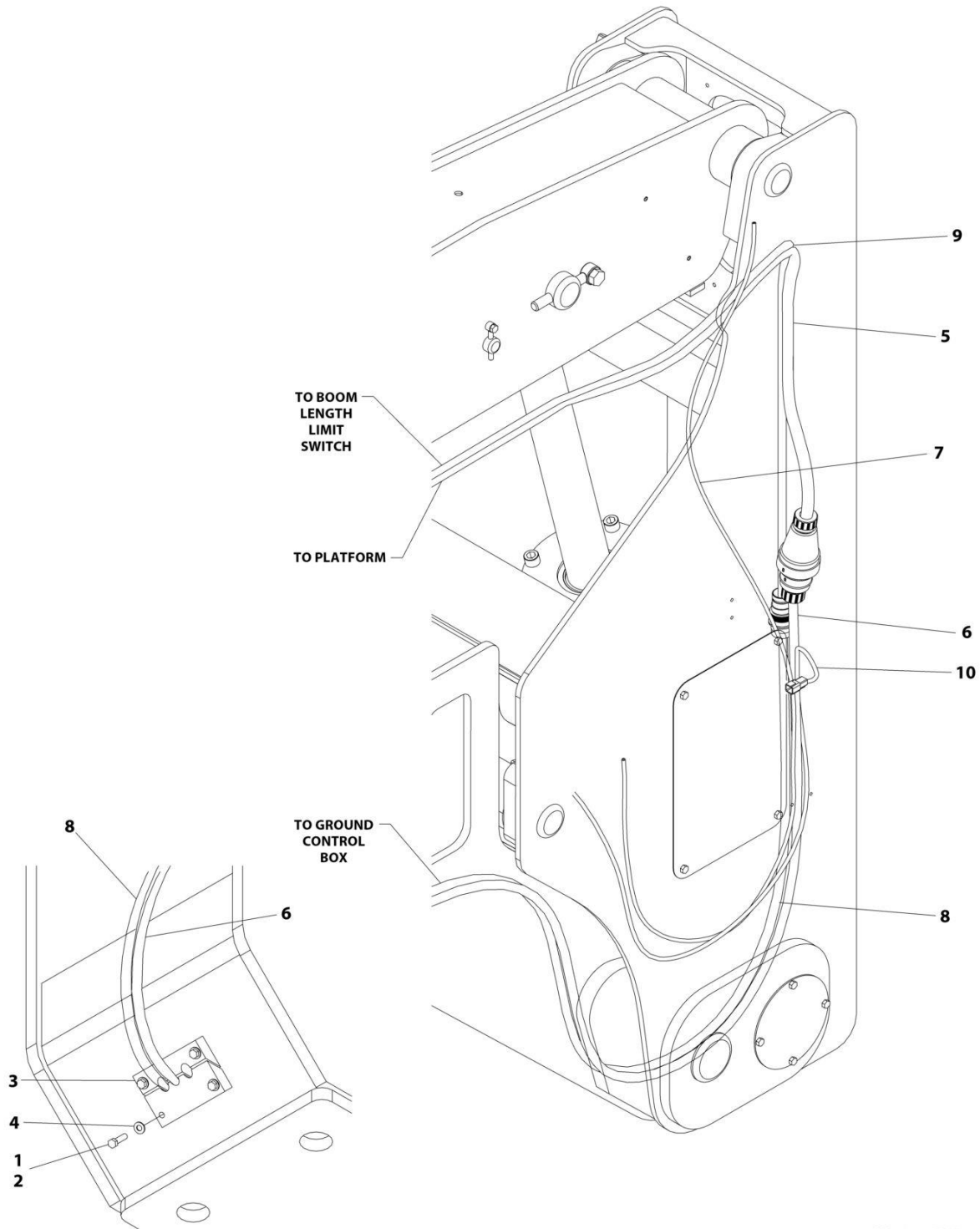
## SECTION 8 - ELECTRICAL

**FIGURE 8-24. BOOM CABLES INSTALLATION - WITH 2500W GENERATOR OR NO GENERATOR OPTION (ANSI EXPORT, AUSTRALIAN, CHINA & JAPANESE SPECS)**

| ITEM | PART NUMBER | QTY | DESCRIPTION  | REV |
|------|-------------|-----|--|-----|
|      | 1001227800  | Ref | BOOM CABLES INSTALLATION   | A   |
| 1    | 0100011     | AR  | Compound, Locking  |     |
| 2    | 0641612     | 4   | Bolt 3/8 x 1-1/2   |     |
| 3    | 1320256     | 1   | Clamp, Block   |     |
| 4    | 4711600     | 4   | Washer 3/8   |     |
| 5    | 4922219     | 1   | AC Cable, 10/3 (Main Boom)                                       |     |
| 6    | 4922220     | 1   | AC Cable, 10/3 (Tower Boom)                                      |     |
| 7    | 4922576     | 1   | Boom Cable - Tower Boom (See Separate Breakdown in this Section) |     |
| 8    | 4922578     | 2   | Cable, Main Boom Elevation Limit Switch                          |     |
| 9    | 1001227518  | 1   | Boom Cable - Main Boom (See Separate Breakdown in this Section)  |     |
| 10   | 1001227359  | 1   | Tilt Sensor Harness  |     |
| 10   | 1001097051  | 1   | Connector - 4 Position   |     |
| 10   | 1001097082  | 3   | Terminal   |     |

# SECTION 8 - ELECTRICAL

**FIGURE 8-25. BOOM CABLES INSTALLATION - WITH 2500W GENERATOR OR NO GENERATOR OPTION & ARCTIC PACKAGE (ANSI, ANSI EXPORT, CHINA & CSA SPECS)**



ART\_1001227785

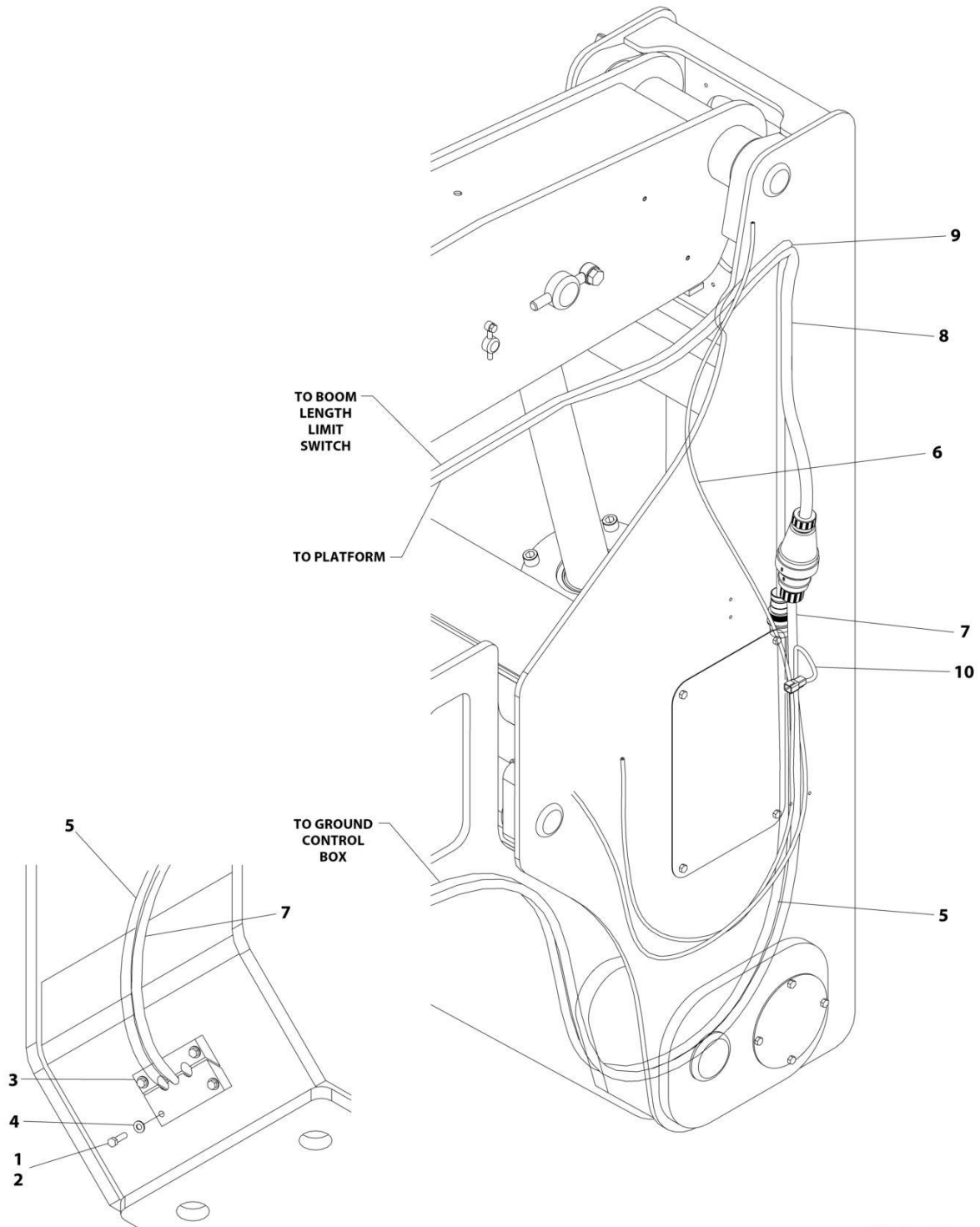
## SECTION 8 - ELECTRICAL

**FIGURE 8-25. BOOM CABLES INSTALLATION - WITH 2500W GENERATOR OR NO GENERATOR  
OPTION & ARCTIC PACKAGE (ANSI, ANSI EXPORT, CHINA & CSA SPECS)**

| ITEM | PART NUMBER | QTY | DESCRIPTION  | REV |
|------|-------------|-----|--|-----|
|      | 1001227785  | Ref | BOOM CABLES INSTALLATION   | A   |
| 1    | 0100011     | AR  | Compound, Locking  |     |
| 2    | 0641612     | 4   | Bolt 3/8 x 1-1/2   |     |
| 3    | 1320256     | 1   | Clamp, Block   |     |
| 4    | 4711600     | 4   | Washer 3/8   |     |
| 5    | 4923485     | 1   | AC Cable, 10/3 (Main Boom)                                       |     |
| 6    | 4923486     | 1   | AC Cable, 10/3 (Tower Boom)                                      |     |
| 7    | 4923487     | 1   | Cable, Main Boom Elevation Limit Switch                          |     |
| 8    | 4923489     | 1   | Boom Cable - Tower Boom (See Separate Breakdown in this Section) |     |
| 9    | 1001227351  | 1   | Boom Cable - Main Boom (See Separate Breakdown in this Section)  |     |
| 10   | 1001227359  | 1   | Tilt Sensor Harness  |     |
| 10   | 1001097051  | 1   | Connector - 4 Position   |     |
| 10   | 1001097082  | 3   | Terminal   |     |

# SECTION 8 - ELECTRICAL

## FIGURE 8-26. BOOM CABLES INSTALLATION - WITH 4000W GENERATOR (ALL SPECS)



ART\_1001227520

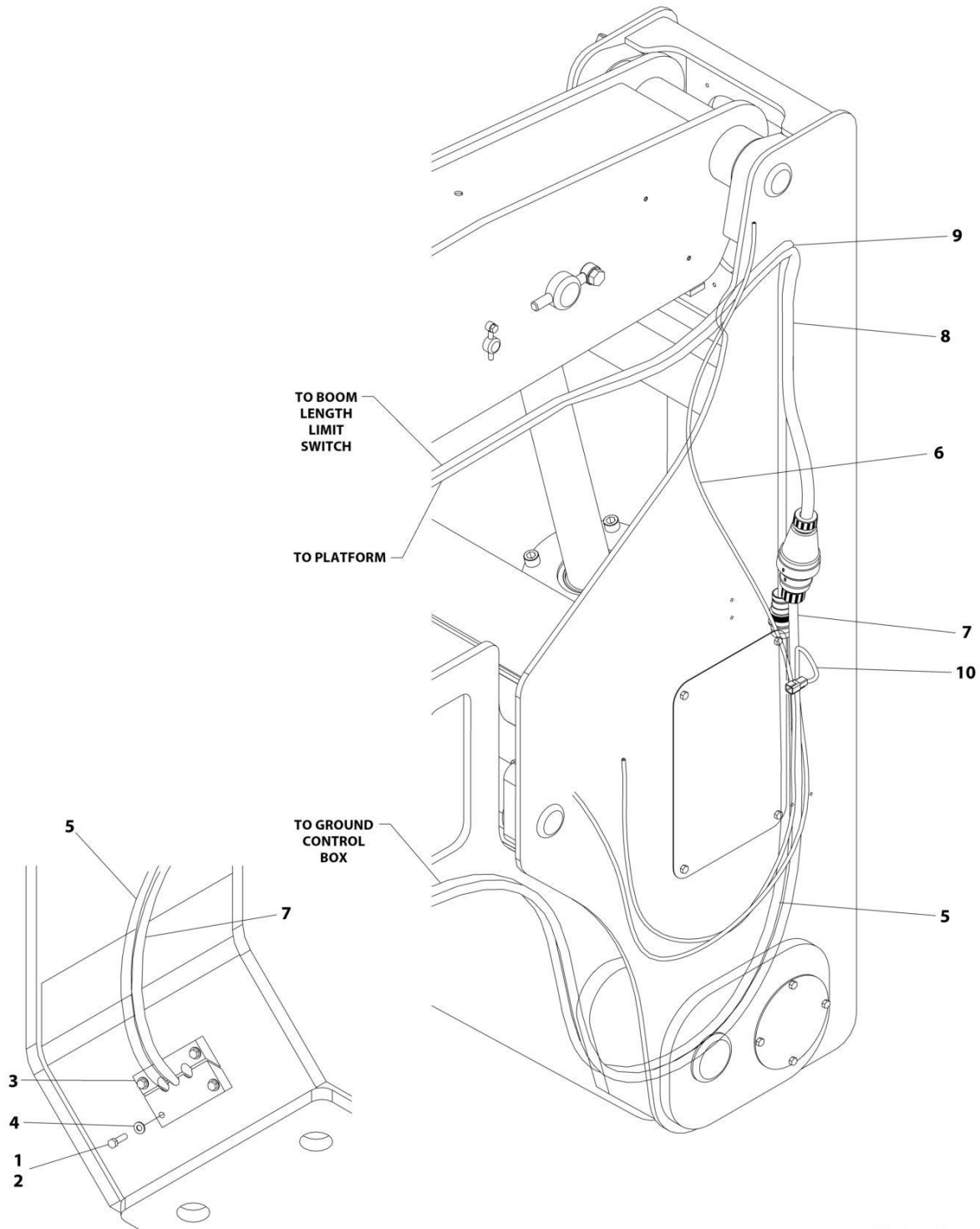
## SECTION 8 - ELECTRICAL

**FIGURE 8-26. BOOM CABLES INSTALLATION - WITH 4000W GENERATOR (ALL SPECS)**

| ITEM | PART NUMBER | QTY | DESCRIPTION  | REV |
|------|-------------|-----|--|-----|
|      | 1001227520  | Ref | BOOM CABLES INSTALLATION   | A   |
| 1    | 0100011     | AR  | Compound, Locking  |     |
| 2    | 0641612     | 4   | Bolt 3/8 x 1-1/2   |     |
| 3    | 1320256     | 1   | Clamp, Block   |     |
| 4    | 4711600     | 4   | Washer 3/8   |     |
| 5    | 4922576     | 1   | Boom Cable - Tower Boom (See Separate Breakdown in this Section) |     |
| 6    | 4922578     | 2   | Cable, Main Boom Elevation Limit Switch                          |     |
| 7    | 1001156693  | 1   | AC Cable, 10/4 (Tower Boom)                                      |     |
| 8    | 1001156694  | 1   | AC Cable, 10/4 (Main Boom)                                       |     |
| 9    | 1001227518  | 1   | Boom Cable - Main Boom (See Separate Breakdown in this Section)  |     |
| 10   | 1001227359  | 1   | Tilt Sensor Harness  |     |
| 10   | 1001097051  | 1   | Connector - 4 Position   |     |
| 10   | 1001097082  | 3   | Terminal   |     |

# SECTION 8 - ELECTRICAL

FIGURE 8-27. BOOM CABLES INSTALLATION - WITH 7500W SKYPOWER GENERATOR (ALL SPECS EXCEPT CE & UK CA SPECS)



ART\_1001227782



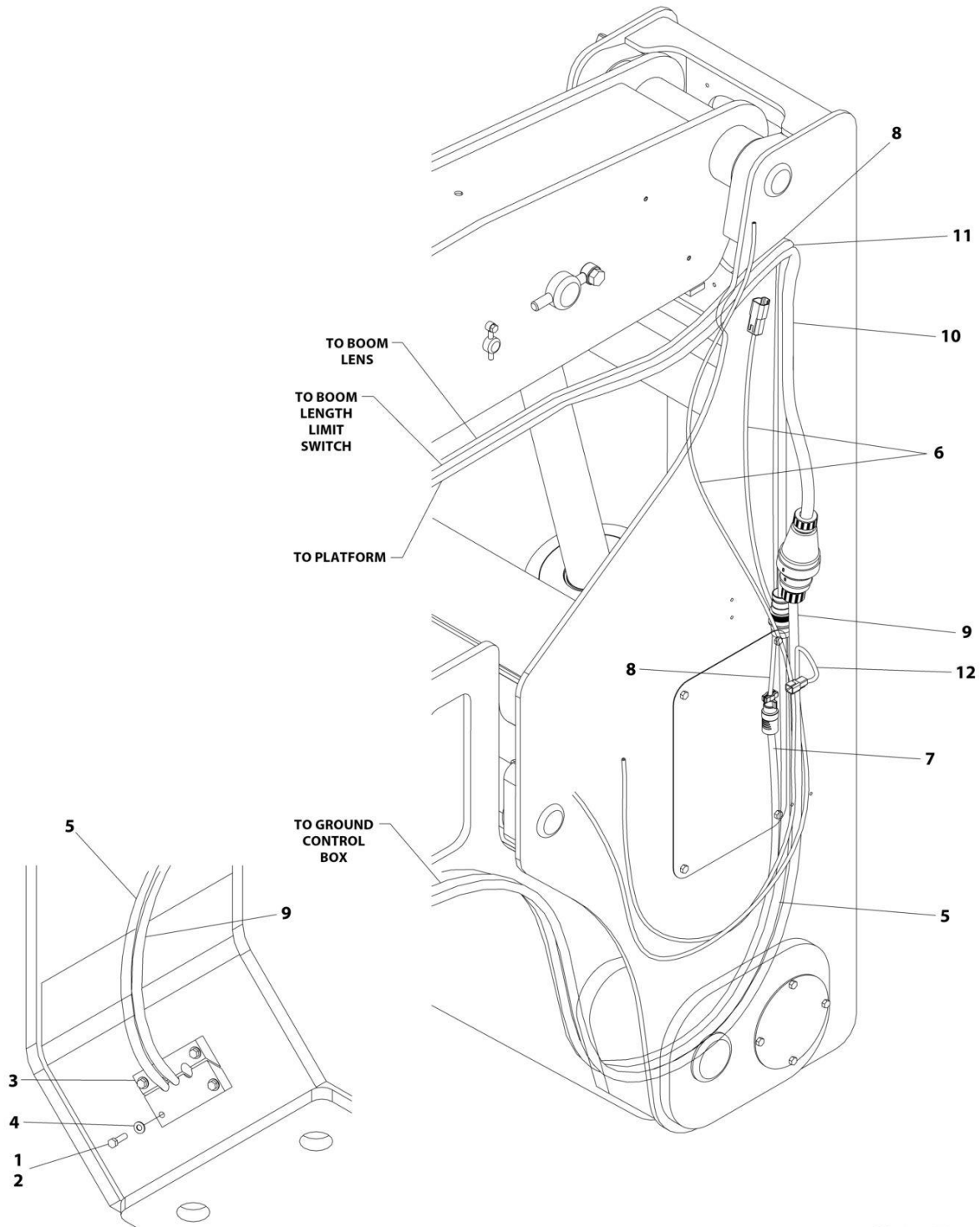
## SECTION 8 - ELECTRICAL

**FIGURE 8-27. BOOM CABLES INSTALLATION - WITH 7500W SKYPOWER GENERATOR (ALL SPECS EXCEPT CE & UK CA SPECS)**

| ITEM | PART NUMBER | QTY | DESCRIPTION  | REV |
|------|-------------|-----|--|-----|
|      | 1001227782  | Ref | BOOM CABLES INSTALLATION   | B   |
| 1    | 0100011     | AR  | Compound, Locking  |     |
| 2    | 0641612     | 4   | Bolt 3/8 x 1-1/2   |     |
| 3    | 1320256     | 1   | Clamp, Block   |     |
| 4    | 4711600     | 4   | Washer 3/8   |     |
| 5    | 4922576     | 1   | Boom Cable - Tower Boom (See Separate Breakdown in this Section) |     |
| 6    | 4922578     | 2   | Cable, Main Boom Elevation Limit Switch                          |     |
| 7    | 1001125125  | 1   | AC Cable, 8/5 (Tower Boom)                                       |     |
| 8    | 1001125126  | 1   | AC Cable, 8/5 (Main Boom)  |     |
| 9    | 1001227518  | 1   | Boom Cable - Main Boom (See Separate Breakdown in this Section)  |     |
| 10   | 1001227359  | 1   | Tilt Sensor Harness  |     |
| 10   | 1001097051  | 1   | Connector - 4 Position   |     |
| 10   | 1001097082  | 3   | Terminal   |     |

# SECTION 8 - ELECTRICAL

FIGURE 8-28. BOOM CABLES INSTALLATION - WITH 7500W SKYPOWER GENERATOR (CE & UK CA SPECS)



ART\_1001227781

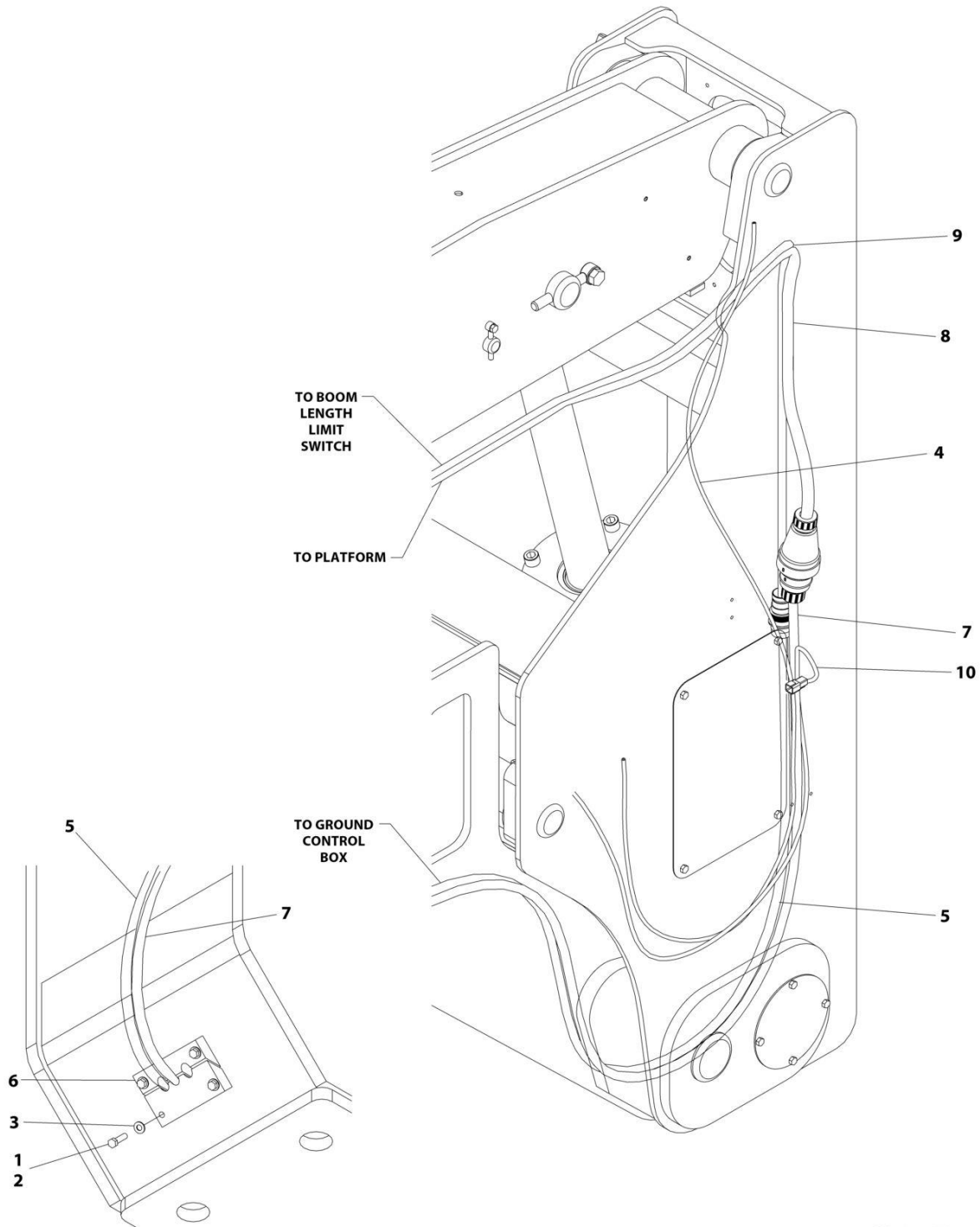
## SECTION 8 - ELECTRICAL

**FIGURE 8-28. BOOM CABLES INSTALLATION - WITH 7500W SKYPOWER GENERATOR (CE & UK CA SPECS)**

| ITEM | PART NUMBER | QTY | DESCRIPTION  | REV |
|------|-------------|-----|--|-----|
|      | 1001227781  | Ref | BOOM CABLES INSTALLATION   | A   |
| 1    | 0100011     | AR  | Compound, Locking  |     |
| 2    | 0641612     | 4   | Bolt 3/8 X 1-1/2   |     |
| 3    | 1320256     | 1   | Clamp, Block   |     |
| 4    | 4711600     | 4   | Washer 3/8   |     |
| 5    | 4922576     | 1   | Boom Cable - Tower Boom (See Separate Breakdown in this Section) |     |
| 6    | 4922578     | 2   | Main Boom Elevation Limit Switch Harness                         |     |
| 7    | 4922579     | 1   | Boom Lens Harness (Tower Boom)                                   |     |
| 7    | 4460891     | 1   | Plug, Male - 2 Position  |     |
| 7    | 4460465     | 2   | Socket, Female   |     |
| 8    | 4922580     | 1   | Boom Lens Harness (Main Boom)                                    |     |
| 8    | 4460897     | 1   | Receptacle, Female - 2 Position                                  |     |
| 8    | 4460464     | 2   | Pin, Male  |     |
| 9    | 1001125125  | 1   | AC Cable, 8/5 (Tower Boom)                                       |     |
| 10   | 1001125126  | 1   | AC Cable, 8/5 (Main Boom)  |     |
| 11   | 1001227518  | 1   | Boom Cable - Main Boom (See Separate Breakdown in this Section)  |     |
| 12   | 1001227359  | 1   | Tilt Sensor Harness  |     |
| 12   | 1001097051  | 1   | Connector - 4 Position   |     |
| 12   | 1001097082  | 3   | Terminal   |     |

# SECTION 8 - ELECTRICAL

**FIGURE 8-29. BOOM CABLES INSTALLATION - WITH 7500W SKYPOWER GENERATOR & ARCTIC PACKAGE (ANIT, ANSI EXPORT, CHINA & CSA SPECS)**



ART\_1001227799

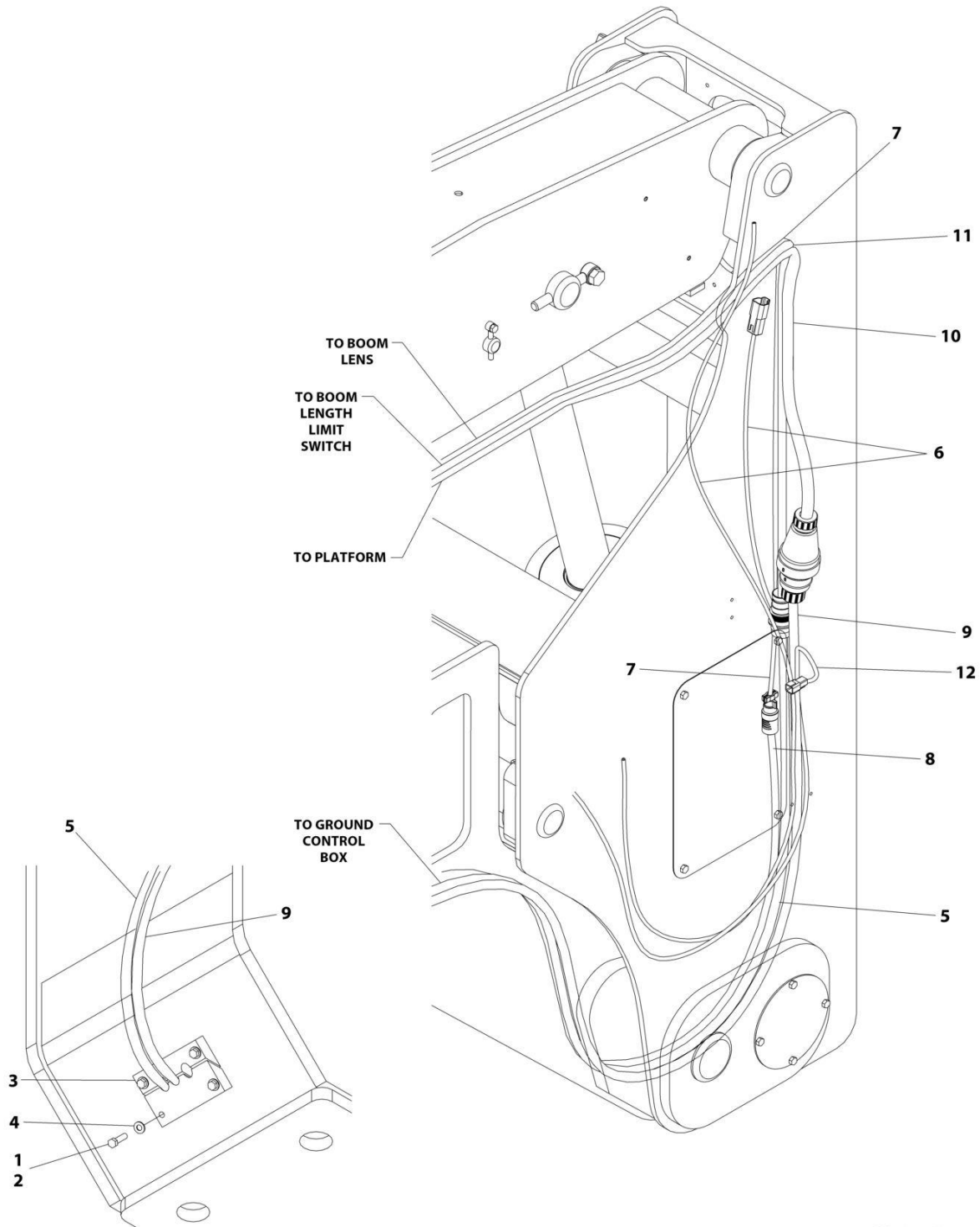
## SECTION 8 - ELECTRICAL

**FIGURE 8-29. BOOM CABLES INSTALLATION - WITH 7500W SKYPOWER GENERATOR & ARCTIC PACKAGE (ANIT, ANSI EXPORT, CHINA & CSA SPECS)**

| ITEM | PART NUMBER | QTY | DESCRIPTION  | REV |
|------|-------------|-----|--|-----|
|      | 1001227799  | Ref | BOOM CABLES INSTALLATION   | A   |
| 1    | 0100011     | AR  | Compound, Locking  |     |
| 2    | 0641612     | 4   | Bolt 3/8 x 1-1/2   |     |
| 3    | 4711600     | 4   | Washer 3/8   |     |
| 4    | 4923487     | 2   | Cable, Main Boom Elevation Limit Switch                          |     |
| 5    | 4923489     | 1   | Boom Cable - Tower Boom (See Separate Breakdown in this Section) |     |
| 6    | 1001092384  | 1   | Clamp, Block   |     |
| 7    | 1001125125  | 1   | AC Cable, 8/5 (Tower Boom)                                       |     |
| 8    | 1001125126  | 1   | AC Cable, 8/5 (Main Boom)  |     |
| 9    | 1001227351  | 1   | Boom Cable - Main Boom (See Separate Breakdown in this Section)  |     |
| 10   | 1001227359  | 1   | Tilt Sensor Harness  |     |
| 10   | 1001097051  | 1   | Connector - 4 Position   |     |
| 10   | 1001097082  | 3   | Terminal   |     |

# SECTION 8 - ELECTRICAL

## FIGURE 8-30. BOOM CABLES INSTALLATION - WITH 7500W SKYPOWER GENERATOR AND COMMUNICATION CABLES (ANSI SPECS)



ART\_1001227801

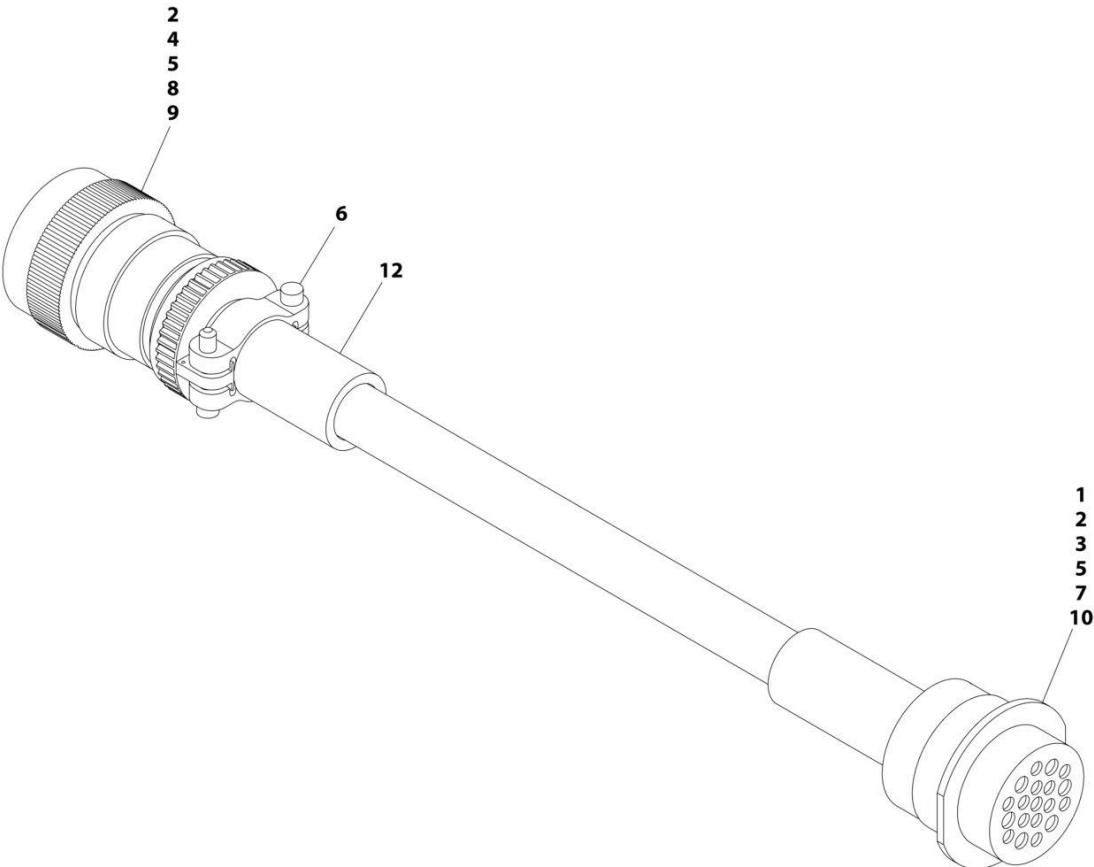
## SECTION 8 - ELECTRICAL

**FIGURE 8-30. BOOM CABLES INSTALLATION - WITH 7500W SKYPOWER GENERATOR AND COMMUNICATION CABLES (ANSI SPECS)**

| ITEM | PART NUMBER | QTY | DESCRIPTION   | REV |
|------|-------------|-----|---|-----|
|      | 1001227801  | Ref | BOOM CABLES INSTALLATION  | A   |
| 1    | 0100011     | AR  | Compound, Locking   |     |
| 2    | 0641612     | 4   | Bolt 3/8 X 1-1/2  |     |
| 3    | 1320256     | 1   | Clamp, Block  |     |
| 4    | 4711600     | 4   | Washer 3/8  |     |
| 5    | 4922576     | 1   | Boom Cable- Tower Boom (See Separate Breakdown in this Section) |     |
| 6    | 4922578     | 2   | Main Boom Elevation Limit Switch Harness                        |     |
| 7    | 1001107755  | 1   | Communication Harness (Main Boom)                               |     |
| 8    | 1001116473  | 1   | Communication Harness (Tower Boom)                              |     |
| 9    | 1001125125  | 1   | AC Cable, 8/5 (Tower Boom)                                      |     |
| 10   | 1001125126  | 1   | AC Cable, 8/5 (Main Boom)                                       |     |
| 11   | 1001227518  | 1   | Boom Cable - Main Boom (See Separate Breakdown in this Section) |     |
| 12   | 1001227359  | 1   | Tilt Sensor Harness   |     |
| 12   | 1001097051  | 1   | Connector - 4 Position  |     |
| 12   | 1001097082  | 3   | Terminal  |     |

**SECTION 8 - ELECTRICAL**

**FIGURE 8-31. BOOM CABLE - MAIN BOOM (WITH ARCTIC PACKAGE)**



ART\_1001227351



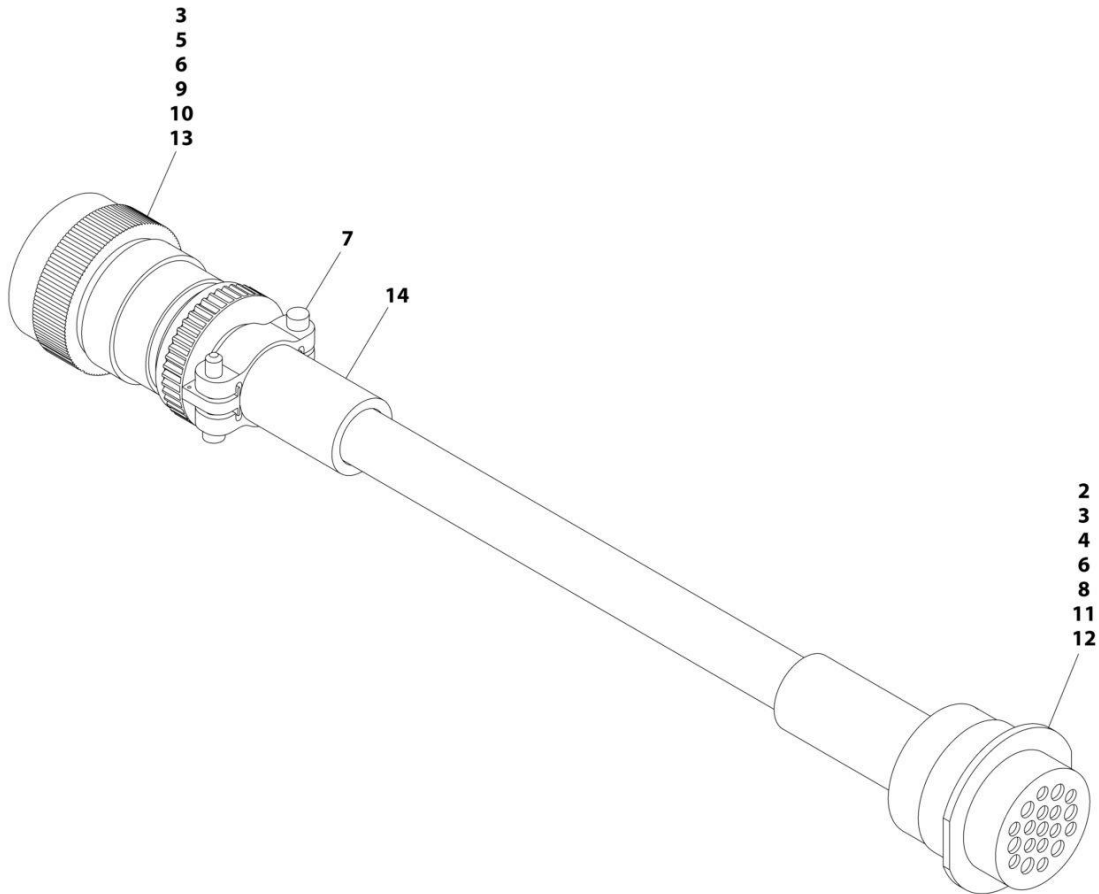
## SECTION 8 - ELECTRICAL

**FIGURE 8-31. BOOM CABLE - MAIN BOOM (WITH ARCTIC PACKAGE)**

| ITEM | PART NUMBER | QTY | DESCRIPTION             | REV |
|------|-------------|-----|-------------------------|-----|
|      | 1001227351  | Ref | BOOM CABLE - MAIN BOOM  | A   |
| 1    | 2820031     | AR  | Heatshrink              |     |
| 2    | 2820118     | AR  | Heatshrink, Clear       |     |
| 3    | 4460464     | 11  | Pin, Male               |     |
| 4    | 4460465     | 11  | Socket, Female          |     |
| 5    | 4460466     | 11  | Plug, Terminal          |     |
| 6    | 4460473     | 1   | Clamp                   |     |
| 7    | 4460508     | 4   | Pin, Male               |     |
| 8    | 4460509     | 4   | Socket, Female          |     |
| 9    | 4460865     | 1   | Connector - 19 Position |     |
| 10   | 4460866     | 1   | Connector - 19 Position |     |
| 12   | 1001226400  | AR  | Insulate, Heatshrink    |     |

# SECTION 8 - ELECTRICAL

## FIGURE 8-32. BOOM CABLE - MAIN BOOM



ART\_1001227518

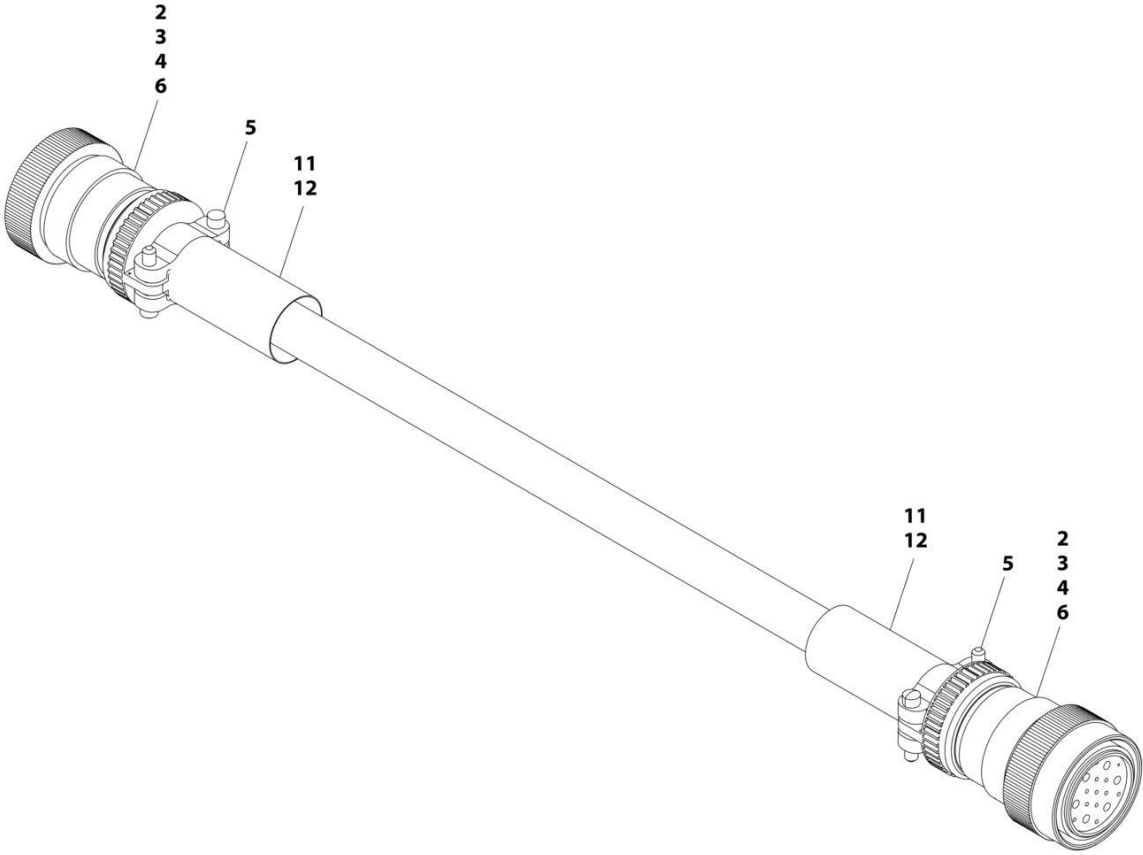
## SECTION 8 - ELECTRICAL

**FIGURE 8-32. BOOM CABLE - MAIN BOOM**

| ITEM | PART NUMBER | QTY | DESCRIPTION             | REV |
|------|-------------|-----|-------------------------|-----|
|      | 1001227518  | Ref | BOOM CABLE - MAIN BOOM  | A   |
| 2    | 2820031     | AR  | Heatshrink              |     |
| 3    | 2820118     | AR  | Heatshrink, Clear       |     |
| 4    | 4460464     | 5   | Pin, Male               |     |
| 5    | 4460465     | 8   | Socket, Female          |     |
| 6    | 4460466     | 11  | Plug, Terminal          |     |
| 7    | 4460473     | 1   | Clamp                   |     |
| 8    | 4460508     | 4   | Pin, Male               |     |
| 9    | 4460509     | 4   | Socket, Female          |     |
| 10   | 4460865     | 1   | Connector - 19 Position |     |
| 11   | 4460866     | 1   | Connector - 19 Position |     |
| 12   | 4460943     | 3   | Pin, Male               |     |
| 13   | 4460944     | 3   | Socket, Female          |     |
| 14   | 1001226400  | AR  | Insulate, Heatshrink    |     |

**SECTION 8 - ELECTRICAL**

**FIGURE 8-33. BOOM CABLE - TOWER BOOM WITHOUT ARCTIC PACKAGE**



ART\_4922576

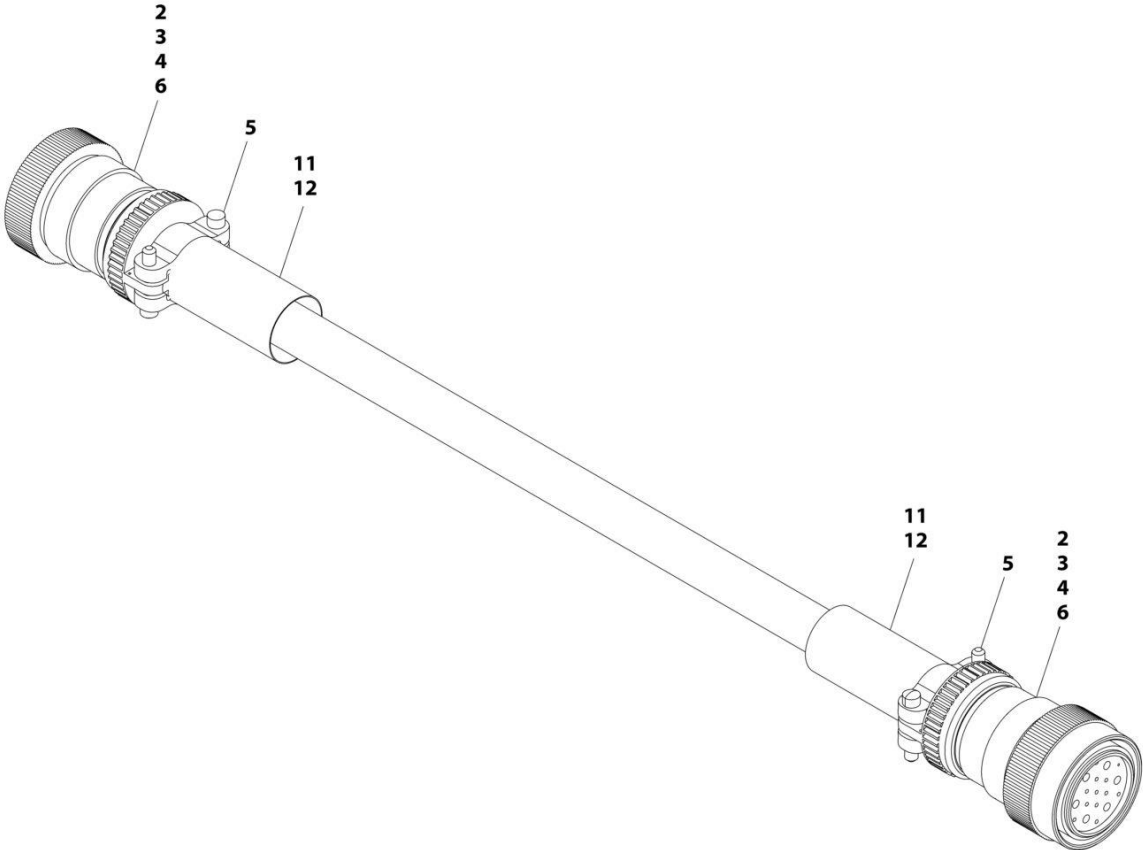
## SECTION 8 - ELECTRICAL

### FIGURE 8-33. BOOM CABLE - TOWER BOOM WITHOUT ARCTIC PACKAGE

| ITEM | PART NUMBER | QTY | DESCRIPTION             | REV |
|------|-------------|-----|-------------------------|-----|
|      | 4922576     | Ref | BOOM CABLE - TOWER BOOM | E   |
| 2    | 4460465     | 22  | Socket, Female          |     |
| 3    | 4460865     | 2   | Connector - 19 Position |     |
| 4    | 4460509     | 8   | Socket, Female          |     |
| 5    | 4460473     | 2   | Clamp                   |     |
| 6    | 4460466     | 8   | Plug, Terminal          |     |
| 11   | 2820118     | AR  | Heatshrink, Clear       |     |
| 12   | 1001226400  | AR  | Insulate, Heatshrink    |     |

**SECTION 8 - ELECTRICAL**

**FIGURE 8-34. BOOM CABLE - TOWER BOOM WITH ARCTIC PACKAGE**



ART\_4923489

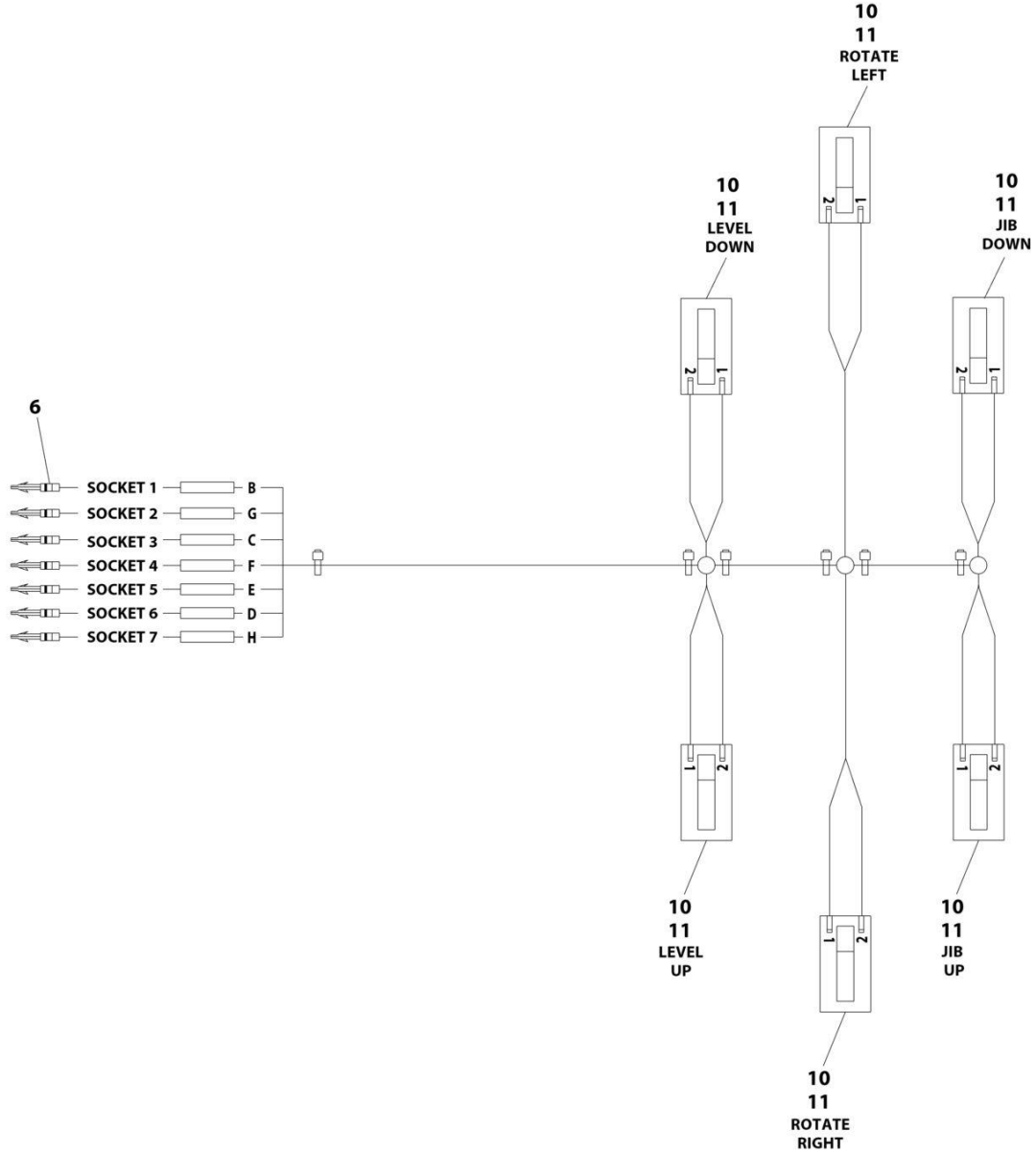
## SECTION 8 - ELECTRICAL

### FIGURE 8-34. BOOM CABLE - TOWER BOOM WITH ARCTIC PACKAGE

| ITEM | PART NUMBER | QTY | DESCRIPTION             | REV |
|------|-------------|-----|-------------------------|-----|
|      | 4923489     | Ref | BOOM CABLE - TOWER BOOM | B   |
| 2    | 4460465     | 22  | Socket, Female          |     |
| 3    | 4460865     | 2   | Connector - 19 Position |     |
| 4    | 4460509     | 8   | Socket, Female          |     |
| 5    | 4460473     | 2   | Clamp                   |     |
| 6    | 4460466     | 8   | Plug, Terminal          |     |
| 11   | 2820118     | AR  | Heatshrink, Clear       |     |
| 12   | 1001226400  | AR  | Insulate, Heatshrink    |     |

# SECTION 8 - ELECTRICAL

## FIGURE 8-35. BOOM VALVE HARNESS



ART\_1001139135



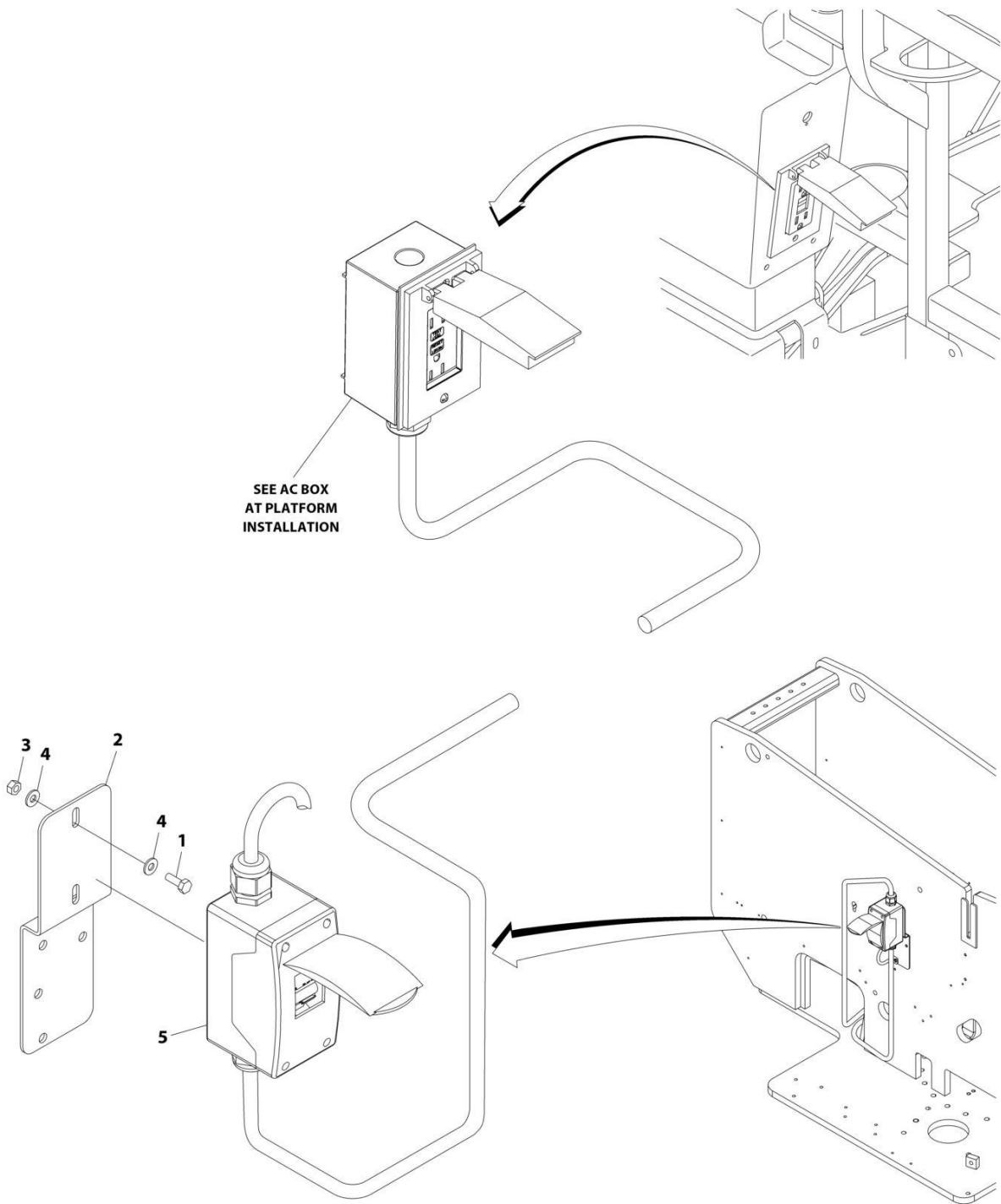
## SECTION 8 - ELECTRICAL

### FIGURE 8-35. BOOM VALVE HARNESS

| ITEM | PART NUMBER | QTY | DESCRIPTION        | REV |
|------|-------------|-----|--------------------|-----|
|      | 1001139135  | Ref | BOOM VALVE HARNESS | 3   |
| 6    | 4460226     | 7   | Terminal, Socket   |     |
| 10   | 4460891     | 6   | Deutsch connector  |     |
| 11   | 1001116692  | 12  | Socket             |     |

# SECTION 8 - ELECTRICAL

## FIGURE 8-36. BREAKER BOX INSTALLATION (BRAZIL SPECS)



ART\_1001171016

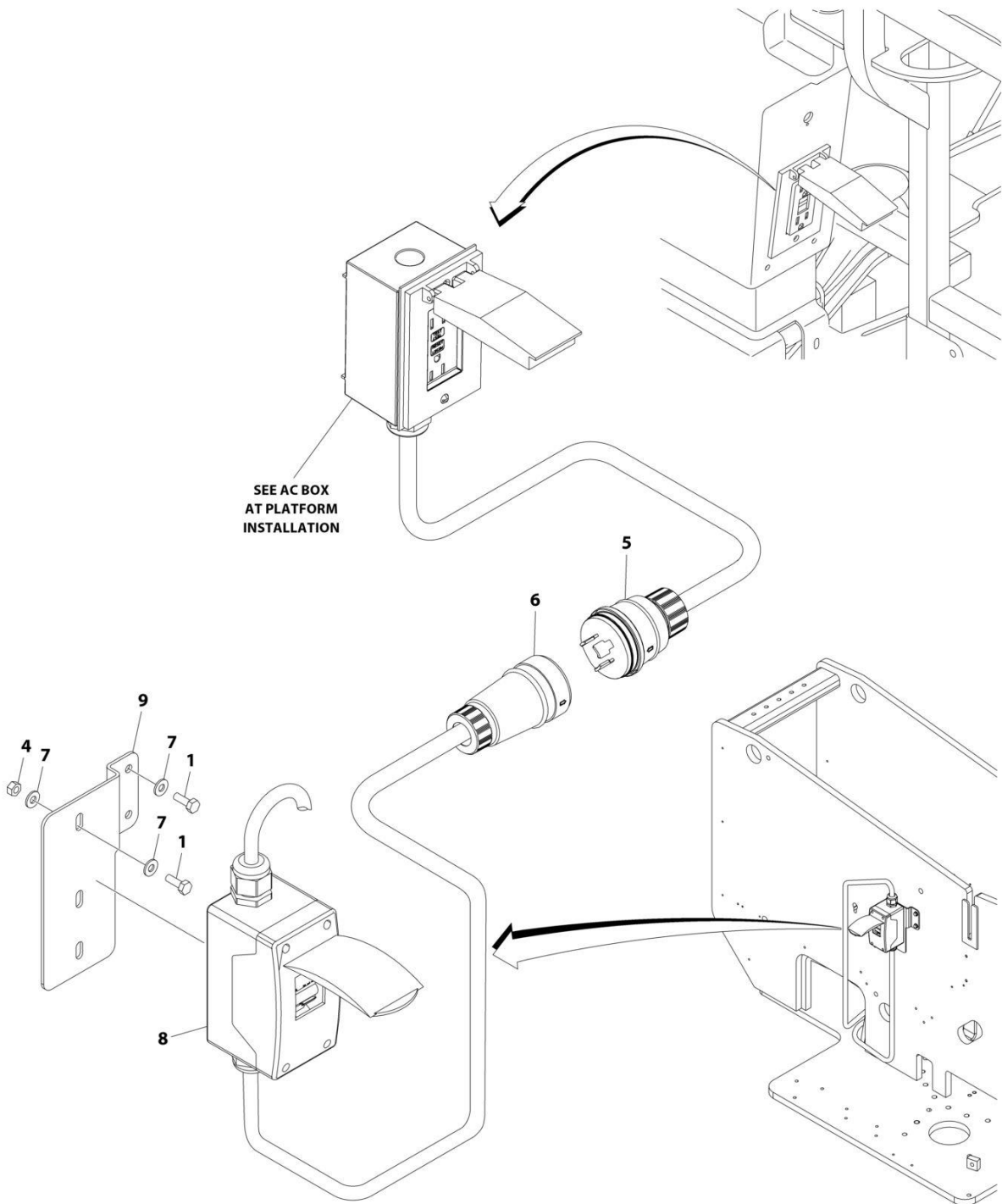
## SECTION 8 - ELECTRICAL

**FIGURE 8-36. BREAKER BOX INSTALLATION (BRAZIL SPECS)**

| ITEM | PART NUMBER | QTY | DESCRIPTION  | REV |
|------|-------------|-----|--|-----|
|      | 1001171016  | Ref | AC BREAKER BOX INSTALLATION  | A   |
| 1    | 0641406     | 2   | Bolt 1/4 x 3/4   |     |
| 2    | 0903697     | 1   | Bracket  |     |
| 3    | 3311405     | 2   | Nut 1/4  |     |
| 4    | 4711400     | 4   | Washer 1/4   |     |
| 5    | 1001109654  | 1   | Breaker Box Kit - With 2 Breakers (See Separate Breakdown in this Section) |     |

# SECTION 8 - ELECTRICAL

## FIGURE 8-37. BREAKER BOX INSTALLATION (CE & UK CA SPECS WITHOUT 4000W GENERATOR)



ART\_100117710

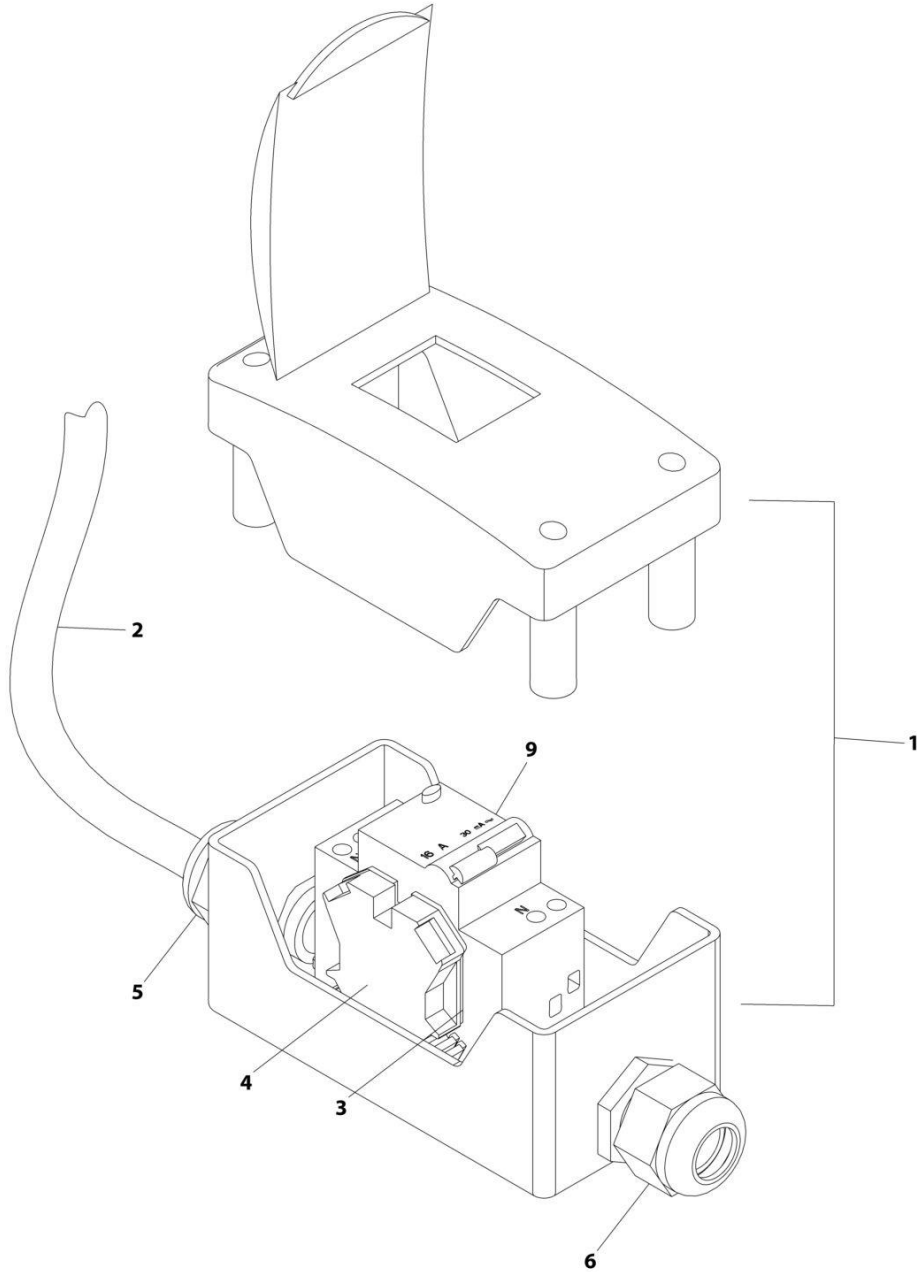
## SECTION 8 - ELECTRICAL

**FIGURE 8-37. BREAKER BOX INSTALLATION (CE & UK CA SPECS WITHOUT 4000W GENERATOR)**

| ITEM | PART NUMBER | QTY | DESCRIPTION  | REV |
|------|-------------|-----|--|-----|
|      | 1001177710  | Ref | AC BREAKER BOX INSTALLATION  | C   |
| 1    | 0641406     | 4   | Bolt 1/4 x 3/4   |     |
| 4    | 3311405     | 2   | Nut 1/4  |     |
| 5    | 1001213584  | 1   | Plug, Male   |     |
| 6    | 1001213585  | 1   | Receptacle, Female   |     |
| 7    | 4711400     | 6   | Washer 1/4   |     |
| 8    | 1001109654  | 1   | Breaker Box Kit - With 2 Breakers (See Separate Breakdown in this Section) |     |
| 9    | 1001177035  | 1   | Bracket  |     |

## SECTION 8 - ELECTRICAL

FIGURE 8-38. BREAKER BOX KIT - ONE DOUBLE 16AMP BREAKER (BRAZIL SPECS, CE & UK CA SPECS WITHOUT 4000W GENERATOR)



ART\_1001109654

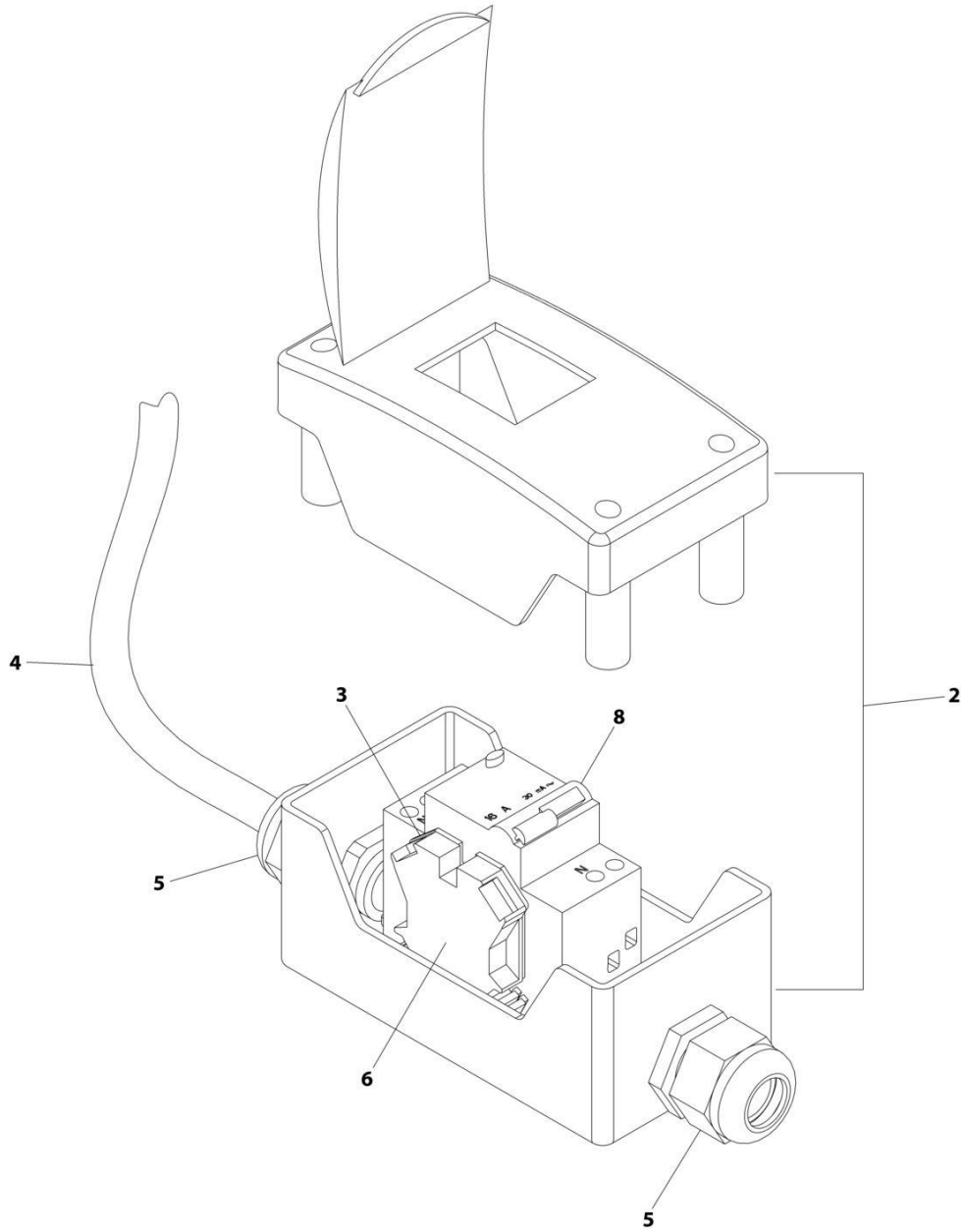
## SECTION 8 - ELECTRICAL

**FIGURE 8-38. BREAKER BOX KIT - ONE DOUBLE 16AMP BREAKER (BRAZIL SPECS, CE & UK CA SPECS WITHOUT 4000W GENERATOR)**

| ITEM | PART NUMBER | QTY            | DESCRIPTION                 | REV |
|------|-------------|----------------|-----------------------------|-----|
|      | 1001109654  | Ref            | BREAKER BOX KIT             | B   |
| 1    | 0861880     | 1              | Box, Breaker                |     |
| 2    | 1060908     | 12 ft/<br>3.6m | Cable 12/3                  |     |
| 3    | 4460956     | 1              | Barrier, Terminal Block End |     |
| 4    | 4460957     | 1              | Block, Terminal             |     |
| 5    | 1001097150  | 1              | Connector, Strain Relief    |     |
| 6    | 1001101191  | 1              | Connector, Strain Relief    |     |
| 9    | 1001181045  | 1              | Breaker - 30mA/16Amp        |     |

# SECTION 8 - ELECTRICAL

**FIGURE 8-39. BREAKER BOX KIT - ONE DOUBLE 16AMP BREAKER (CE & UK CA SPECS WITH 4000W GENERATOR)**



ART\_1001165368\_B



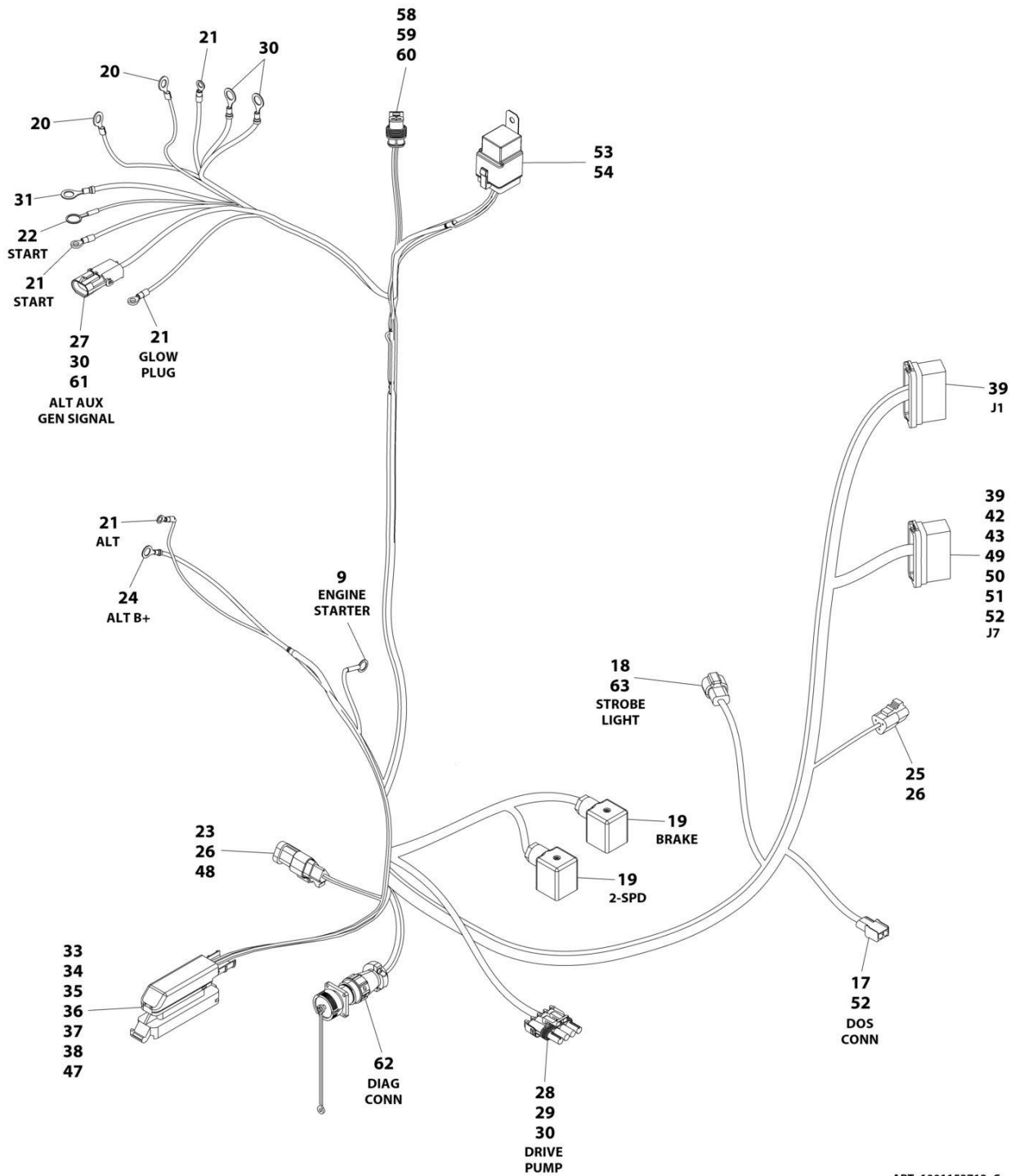
## SECTION 8 - ELECTRICAL

**FIGURE 8-39. BREAKER BOX KIT - ONE DOUBLE 16AMP BREAKER (CE & UK CA SPECS WITH 4000W GENERATOR)**

| ITEM | PART NUMBER | QTY            | DESCRIPTION                 | REV |
|------|-------------|----------------|-----------------------------|-----|
|      | 1001165368  | Ref            | BREAKER BOX KIT             | B   |
| 2    | 0861880     | 1              | Box, Circuit Breaker        |     |
| 3    | 4460956     | 1              | Barrier, Terminal Block End |     |
| 4    | 1060545     | 12 ft/<br>3.6m | Cable, Electrical 10/3      |     |
| 5    | 1001101191  | 2              | Connector, Strain Relief    |     |
| 6    | 4460957     | 1              | Block, Terminal             |     |
| 8    | 1001181045  | 1              | Breaker 30mA/16Amp          |     |

# SECTION 8 - ELECTRICAL

## FIGURE 8-40. ENGINE HARNESS - DEUTZ D2011 ENGINES



ART\_1001153713\_C

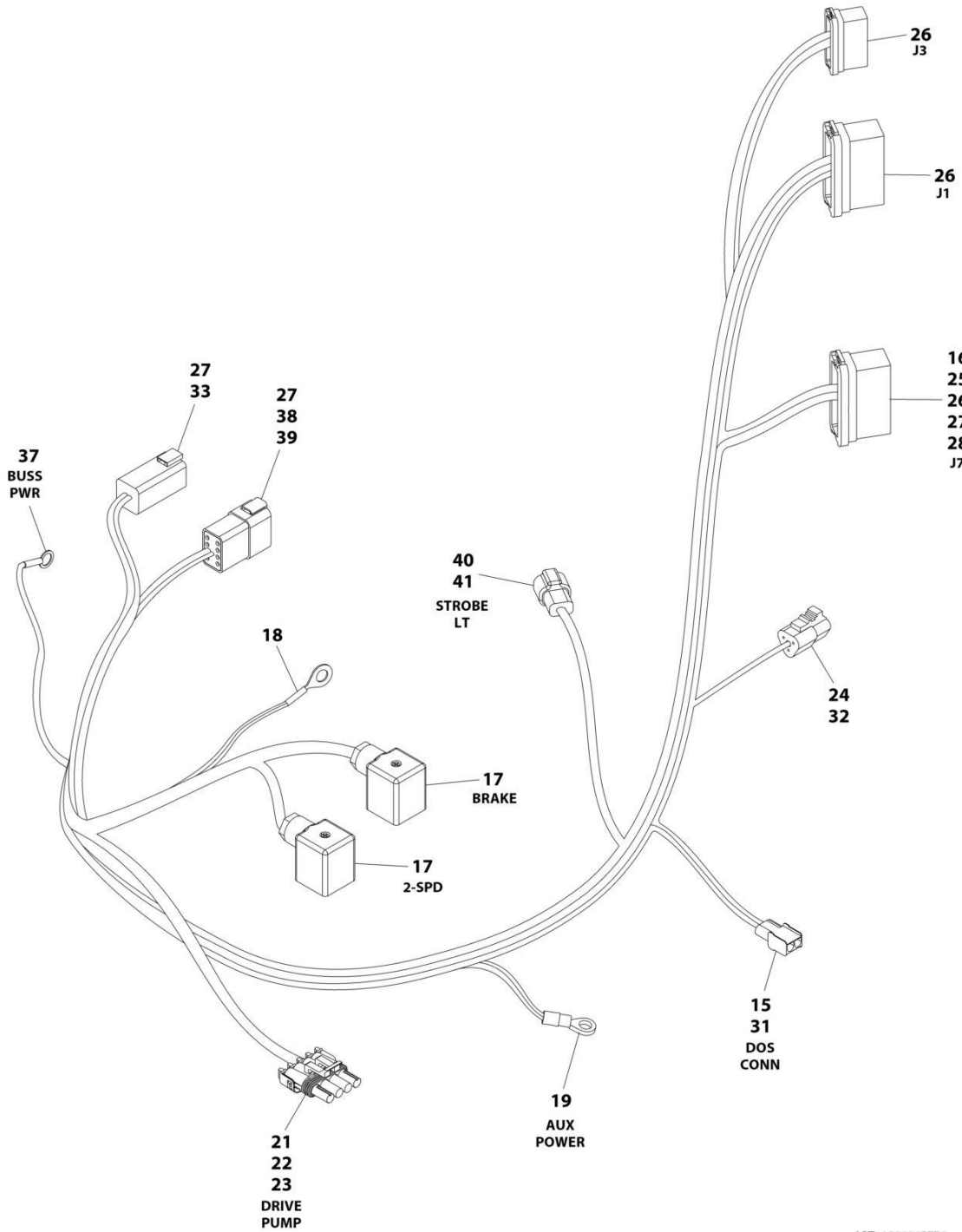
## SECTION 8 - ELECTRICAL

### FIGURE 8-40. ENGINE HARNESS - DEUTZ D2011 ENGINES

| ITEM | PART NUMBER | QTY | DESCRIPTION                          | REV |
|------|-------------|-----|--------------------------------------|-----|
|      | 1001153713  | Ref | ENGINE HARNESS - DEUTZ D2011 ENGINES | C   |
| 9    | 4460142     | 1   | Terminal - Ring                      |     |
| 17   | 4460424     | 1   | Connector - 2 Position               |     |
| 18   | 4460464     | 2   | Pin, Male                            |     |
| 19   | 1001263923  | 2   | Connector, Din                       |     |
| 20   | 4460312     | 2   | Terminal, Ring                       |     |
| 21   | 4460313     | 4   | Terminal, Ring                       |     |
| 22   | 4460019     | 1   | Terminal, Ring                       |     |
| 23   | 4461070     | 1   | Connector - 3 Position               |     |
| 24   | 4460043     | 1   | Terminal, Ring 16 GA 1/4 Stud        |     |
| 25   | 4460539     | 1   | Position Plug, Male - 3 Position     |     |
| 26   | 4460944     | 6   | Socket, Female                       |     |
| 27   | 4460979     | 2   | Pin, Male                            |     |
| 28   | 4460460     | 1   | Connector                            |     |
| 29   | 4460457     | 4   | Sleeve                               |     |
| 30   | 4460458     | 6   | Seal                                 |     |
| 31   | 4460670     | 3   | Terminal, Ring                       |     |
| 33   | 4461052     | 1   | Conenctor - 25 Position              |     |
| 34   | 4461005     | 5   | Terminal                             |     |
| 35   | 4461060     | 2   | Terminal                             |     |
| 36   | 4461006     | 5   | Seal                                 |     |
| 37   | 4461054     | 2   | Seal                                 |     |
| 38   | 4461008     | 18  | Plug, Terminal                       |     |
| 39   | 4460871     | 10  | Socket, Female                       |     |
| 42   | 4460464     | 1   | Terminal                             |     |
| 43   | 4460887     | 1   | Terminal                             |     |
| 47   | 4461053     | 1   | Cover                                |     |
| 48   | 4461095     | 1   | Plug, Male - 3 Position              |     |
| 49   | 4460465     | 2   | Socket, Female                       |     |
| 50   | 4460259     | 1   | Terminal                             |     |
| 51   | 4460260     | 1   | Cover, Terminal                      |     |
| 52   | 4460226     | 4   | Socket, Female                       |     |
| 53   | 4460374     | 1   | Plug                                 |     |
| 54   | 4460375     | 4   | Terminal                             |     |
| 58   | 1001102290  | 1   | Connector                            |     |
| 59   | 1001102304  | 2   | Seal                                 |     |
| 60   | 1001102291  | 2   | Terminal                             |     |
| 61   | 4461157     | 1   | Connector - 2 Position               |     |
| 62   | 2902443     | 1   | Kit, Receptacle                      |     |
| 62   | 4461073     | 1   | Cap, Dust                            |     |
| 63   | 4460897     | 1   | Connector                            |     |

# SECTION 8 - ELECTRICAL

## FIGURE 8-41. ENGINE HARNESS - DEUTZ TD2.9L4 ENGINES



ART\_1001165776

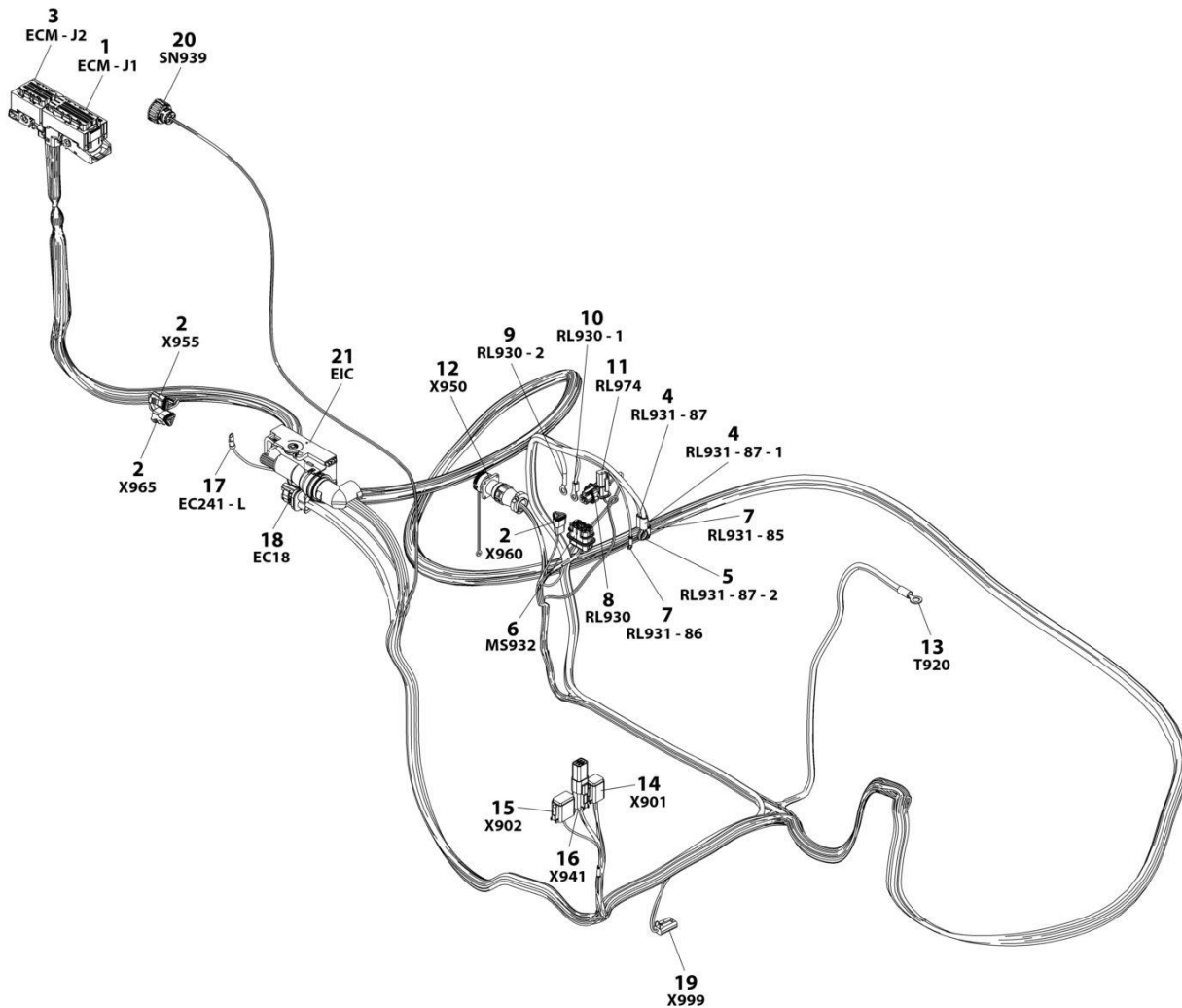
## SECTION 8 - ELECTRICAL

**FIGURE 8-41. ENGINE HARNESS - DEUTZ TD2.9L4 ENGINES**

| ITEM | PART NUMBER | QTY | DESCRIPTION                            | REV |
|------|-------------|-----|--|-----|
|      | 1001165776  | Ref | ENGINE HARNESS - DEUTZ TD2.9L4 ENGINES | F   |
| 15   | 4460424     | 1   | Connector - 2 Position                 |     |
| 16   | 4460268     | 1   | Socket, Female                         |     |
| 17   | 4460880     | 2   | Connector, Din                         |     |
| 18   | 4460019     | 1   | Terminal, Ring                         |     |
| 19   | 4460313     | 1   | Terminal, Ring                         |     |
| 21   | 4460460     | 1   | Connector                              |     |
| 22   | 4460457     | 4   | Terminal                               |     |
| 23   | 4460458     | 4   | Seal                                   |     |
| 24   | 4460539     | 1   | Connector - 3 Position                 |     |
| 25   | 4460465     | 3   | Socket, Female                         |     |
| 26   | 4460871     | 11  | Socket, Female                         |     |
| 27   | 4460464     | 11  | Pin, Male                              |     |
| 28   | 4460887     | 1   | Terminal                               |     |
| 31   | 4460226     | 2   | Socket, Female                         |     |
| 32   | 4460944     | 3   | Socket, Female                         |     |
| 33   | 4460899     | 1   | Receptacle, Female - 6 Position        |     |
| 37   | 4460738     | 1   | Terminal, Ring                         |     |
| 38   | 4460931     | 1   | Plug, Male                             |     |
| 39   | 4460466     | 4   | Plug, Terminal                         |     |
| 40   | 4460897     | 1   | Connector - 2 Position                 |     |
| 41   | 1001116693  | 2   | Terminal                               |     |

# SECTION 8 - ELECTRICAL

## FIGURE 8-42. ENGINE HARNESS - DEUTZ TD2.9L4 ENGINES AND DEUTZ TD2.9L4 (STAGE V PRE-BUY) ENGINES



ART\_1001143726

## SECTION 8 - ELECTRICAL

**FIGURE 8-42. ENGINE HARNESS - DEUTZ TD2.9L4 ENGINES AND DEUTZ TD2.9L4 (STAGE V PRE-BUY) ENGINES**

| ITEM | PART NUMBER | QTY | DESCRIPTION                      | REV |
|------|-------------|-----|----------------------------------|-----|
|      | 1001143726  | Ref | ENGINE HARNESS                   | L   |
| 1    | 1001133956  | 1   | Connector - 94 Position          |     |
| 1    | 1001126351  | 2   | Terminal                         |     |
| 1    | 1001126352  | 6   | Terminal                         |     |
| 1    | 1001126384  | 21  | Terminal                         |     |
| 1    | 1001126357  | 2   | Plug, Terminal                   |     |
| 1    | 1001126356  | 63  | Plug, Terminal                   |     |
| 2    | 4461095     | 3   | Plug, Male - 3 Position          |     |
| 2    | 4460944     | 6   | Socket, Female                   |     |
| 2    | 4460466     | 3   | Plug, Terminal                   |     |
| 3    | 1001133957  | 1   | Connector - 60 Position          |     |
| 3    | 1001126351  | 13  | Terminal                         |     |
| 3    | 1001126384  | 17  | Terminal                         |     |
| 3    | 1001126357  | 11  | Plug, Terminal                   |     |
| 3    | 1001126356  | 19  | Plug, Terminal                   |     |
| 4    | 1001117107  | 2   | Terminal, Ring                   |     |
| 5    | 4460703     | 1   | Terminal, Ring                   |     |
| 6    | 80484084    | 1   | Plug, Male - 8 Position          |     |
| 6    | 8229242     | 1   | Fuse - 5Amp                      |     |
| 6    | 80983191    | 1   | Fuse - 10Amp                     |     |
| 6    | 1001116728  | 4   | Socket, Female                   |     |
| 6    | 1001116727  | 4   | Plug, Terminal                   |     |
| 6    | 4460458     | 4   | Seal, Terminal                   |     |
| 6    | 1001147264  | 1   | Cap                              |     |
| 7    | 4460247     | 2   | Terminal, Ring                   |     |
| 8    | 1001116952  | 1   | Plug, Male - 2 Position          |     |
| 8    | 4460465     | 2   | Socket, Female                   |     |
| 9    | 1001117106  | 1   | Terminal, Ring                   |     |
| 10   | 4460043     | 1   | Terminal, Ring                   |     |
| 11   | 1001138110  | 1   | Connector - 2 Position           |     |
| 11   | 1001138111  | 2   | Terminal                         |     |
| 11   | 1001138113  | 2   | Seal                             |     |
| 12   | 2902443     | 1   | Receptacle Kit                   |     |
| 12   | 4461073     | 1   | Cap, Dust                        |     |
| 12   | 4461071     | 6   | Terminal                         |     |
| 13   | 8220115     | 1   | Terminal, Ring                   |     |
| 14   | 4460894     | 1   | Plug, Male - 6 Position          |     |
| 14   | 4460465     | 3   | Socket, Female                   |     |
| 14   | 4460944     | 2   | Socket, Female                   |     |
| 14   | 4460466     | 1   | Plug, Terminal                   |     |
| 15   | 4460930     | 1   | Plug, Male - 8 Position          |     |
| 15   | 4460465     | 1   | Socket, Female                   |     |
| 15   | 4460466     | 7   | Plug, Terminal                   |     |
| 16   | 1001220379  | 1   | Plug, Male - 4 Position          |     |
| 16   | 1001220379  | 1   | Plug, Male - 4 Position          |     |
| 16   | 4460465     | 2   | Socket, Female                   |     |
| 16   | 4460942     | 2   | Socket, Female                   |     |
| 16   | 4460932     | 1   | Receptacle, Bussbar - 4 Position |     |
| 17   | 4460042     | 1   | Terminal, Ring                   |     |

## SECTION 8 - ELECTRICAL

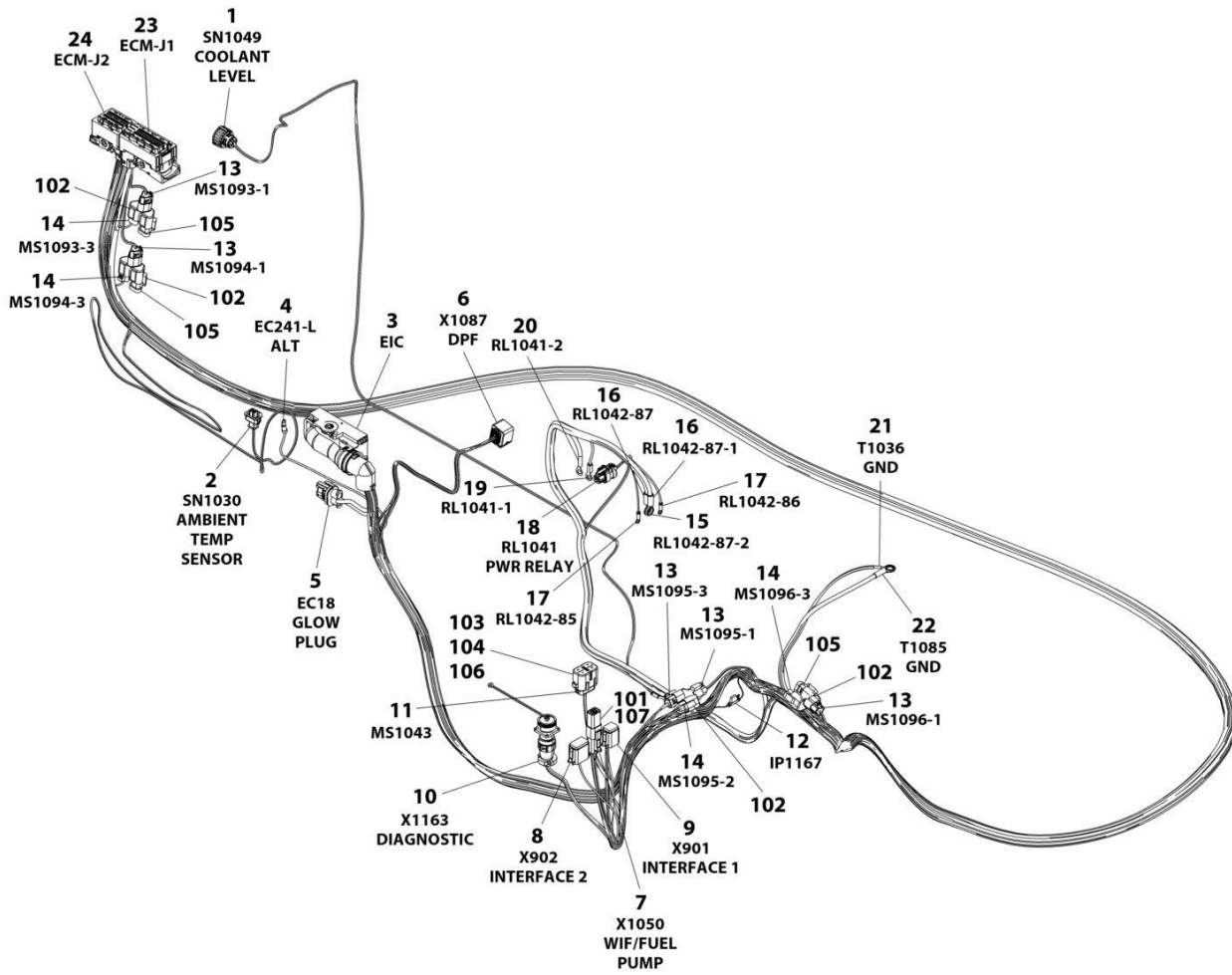
| ITEM | PART NUMBER | QTY | DESCRIPTION                     | REV |
|------|-------------|-----|---------------------------------|-----|
| 18   | 1001142938  | 1   | Plug, Male - 2 Position         |     |
| 18   | 1001142940  | 2   | Terminal                        |     |
| 18   | 1001142941  | 2   | Seal                            |     |
| 19   | 4460891     | 1   | Plug, Male - 4 Position         |     |
| 19   | 4460465     | 2   | Socket, Female                  |     |
| 19   | 1001171403  | 1   | Resistor Assembly               |     |
| 19   | 4460897     | 1   | Receptacle, Female - 4 Position |     |
| 20   | 1001133714  | 1   | Connector - 4 Position          |     |
| 20   | 1001133715  | 3   | Terminal                        |     |
| 20   | 1001135650  | 3   | Seal, Terminal                  |     |
| 20   | 1001135651  | 1   | Plug, Terminal                  |     |
| 21   | 1001126362  | 1   | Connector - 62 Position         |     |
| 21   | 1001126363  | 23  | Terminal                        |     |
| 21   | 1001126392  | 10  | Terminal                        |     |
| 21   | 1001126365  | 2   | Terminal                        |     |
| 21   | 1001126391  | 23  | Plug, Terminal                  |     |
| 21   | 4461008     | 4   | Plug, Terminal                  |     |
| 21   | 1001256506  | 2   | Seal, Terminal                  |     |
| 21   | 1001126364  | 21  | Seal, Terminal                  |     |
| 21   | 1001223459  | 10  | Seal, Terminal                  |     |
| 21   | 4461008     | 4   | Plug, Terminal                  |     |
| 21   | 1001151856  | 1   | Elbow                           |     |





# SECTION 8 - ELECTRICAL

## FIGURE 8-43. ENGINE HARNESS - DEUTZ TD2.9L4 (STAGE V) ENGINES



ART\_1001238878

## SECTION 8 - ELECTRICAL

**FIGURE 8-43. ENGINE HARNESS - DEUTZ TD2.9L4 (STAGE V) ENGINES**

| ITEM | PART NUMBER | QTY | DESCRIPTION                    | REV |
|------|-------------|-----|--------------------------------|-----|
|      | 1001238878  | Ref | Engine Harness - Deutz Engines | F   |
| 1    | 1001133714  | 1   | Connector - 4 Position         |     |
| 1    | 1001133715  | 3   | Terminal                       |     |
| 1    | 1001135650  | 3   | Seal, Terminal                 |     |
| 1    | 1001135651  | 1   | Plug, Terminal                 |     |
| 2    | 1001126487  | 1   | Connector - 2 Position         |     |
| 2    | 1001167635  | 2   | Terminal                       |     |
| 2    | 1001126485  | 2   | Seal, Terminal                 |     |
| 3    | 1001126362  | 1   | Connector - 62 Position        |     |
| 3    | 1001126363  | 37  | Terminal                       |     |
| 3    | 1001126392  | 12  | Terminal                       |     |
| 3    | 1001126391  | 7   | Plug, Terminal                 |     |
| 3    | 4461008     | 4   | Plug, Terminal                 |     |
| 3    | 1001167632  | 2   | Terminal                       |     |
| 3    | 1001126364  | 37  | Seal, Terminal                 |     |
| 3    | 1001223459  | 12  | Seal, Terminal                 |     |
| 3    | 4461054     | 2   | Seal, Terminal                 |     |
| 4    | 4460042     | 1   | Terminal, Ring                 |     |
| 5    | 1001142938  | 1   | Plug, Male - 2 Position        |     |
| 5    | 1001142940  | 2   | Terminal                       |     |
| 5    | 1001142941  | 2   | Seal                           |     |
| 6    | 1001239202  | 1   | Connector - 8 Position         |     |
| 6    | 1001126363  | 7   | Terminal                       |     |
| 6    | 1001126391  | 1   | Plug, Terminal                 |     |
| 6    | 1001126364  | 7   | Seal, Terminal                 |     |
| 7    | 4460884     | 1   | Connector - 4 Position         |     |
| 7    | 4460465     | 2   | Socket, Female                 |     |
| 7    | 4460942     | 2   | Socket, Female                 |     |
| 8    | 4460930     | 1   | Plug, Male - 8 Position        |     |
| 8    | 4460465     | 1   | Socket, Female                 |     |
| 8    | 4460466     | 7   | Plug, Terminal                 |     |
| 9    | 4460894     | 1   | Plug, Male - 6 Position        |     |
| 9    | 4460465     | 2   | Socket, Female                 |     |
| 9    | 4460944     | 2   | Socket, Female                 |     |
| 9    | 4460466     | 2   | Plug, Terminal                 |     |
| 10   | 2902443     | 1   | Receptacle Kit                 |     |
| 10   | 4461073     | 1   | Cap, Dust                      |     |
| 10   | 4461071     | 6   | Terminal                       |     |
| 11   | 80484084    | 1   | Plug, Male - 8 Position        |     |
| 11   | 4460748     | 4   | Seal, Terminal                 |     |
| 11   | 4460746     | 3   | Terminal                       |     |
| 11   | 1001234800  | 1   | Terminal                       |     |
| 11   | 4460458     | 4   | Seal, Terminal                 |     |
| 12   | 1001170764  | 1   | Fuse Holder, Includes Resistor |     |
| 12   | 1001197719  | 1   | Resistor 0.5W                  |     |
| 13   | 1001116812  | 5   | Plug, Male - 3 Position        |     |
| 13   | 4460944     | 10  | Socket, Female                 |     |
| 13   | 4460466     | 5   | Plug, Terminal                 |     |
| 14   | 4460539     | 4   | Connector - 3 Position         |     |
| 14   | 4460944     | 8   | Socket, Female                 |     |

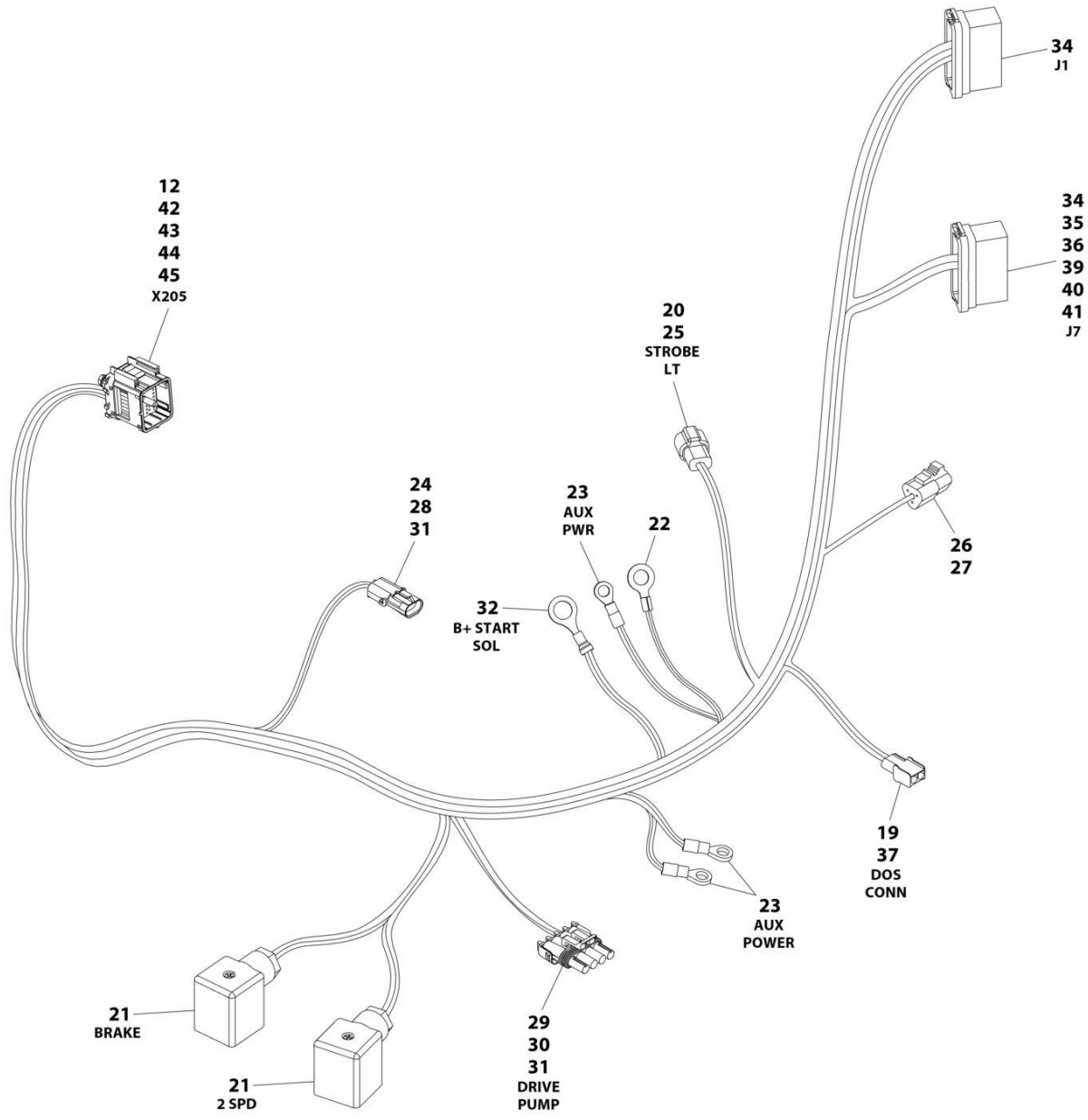
## SECTION 8 - ELECTRICAL

| ITEM | PART NUMBER | QTY | DESCRIPTION             | REV |
|------|-------------|-----|-------------------------|-----|
| 14   | 4460466     | 4   | Plug, Terminal          |     |
| 15   | 4460703     | 1   | Terminal, Ring          |     |
| 16   | 1001117107  | 2   | Terminal, Ring          |     |
| 17   | 4460247     | 2   | Terminal, Ring          |     |
| 18   | 1001116952  | 1   | Plug, Male - 2 Position |     |
| 18   | 4460465     | 2   | Socket, Female          |     |
| 19   | 4460043     | 1   | Terminal, Ring          |     |
| 20   | 1001117106  | 1   | Terminal, Ring          |     |
| 21   | 4460019     | 1   | Terminal, Ring          |     |
| 22   | 8220164     | 1   | Terminal, Ring          |     |
| 23   | 1001133956  | 1   | Connector - 94 Position |     |
| 23   | 1001126351  | 3   | Terminal                |     |
| 23   | 1001182361  | 6   | Terminal                |     |
| 23   | 1001230934  | 25  | Terminal                |     |
| 23   | 1001230935  | 55  | Plug, Terminal          |     |
| 23   | 1001252527  | 4   | Terminal                |     |
| 23   | 1001230936  | 1   | Plug, Terminal          |     |
| 23   | 1001182365  | 6   | Seal, Terminal          |     |
| 24   | 1001133957  | 1   | Connector - 60 Position |     |
| 24   | 1001126351  | 13  | Terminal                |     |
| 24   | 1001230935  | 10  | Plug, Terminal          |     |
| 24   | 1001230934  | 26  | Terminal                |     |
| 24   | 1001230936  | 11  | Plug, Terminal          |     |
| 101  | 4460932     | 1   | Connector - Female      |     |
| 102  | 4460945     | 4   | Receptacle, 3 Way       |     |
| 103  | 8229242     | 1   | Fuse - 5Amp             |     |
| 104  | 80983191    | 1   | Fuse - 10Amp            |     |
| 105  | 1001116815  | 3   | Connector               |     |
| 106  | 1001147264  | 1   | Cap                     |     |
| 107  | 4460466     | 4   | Seal, Terminal          |     |



# SECTION 8 - ELECTRICAL

## FIGURE 8-44. ENGINE HARNESS - FORD ENGINES



ART\_1001216230

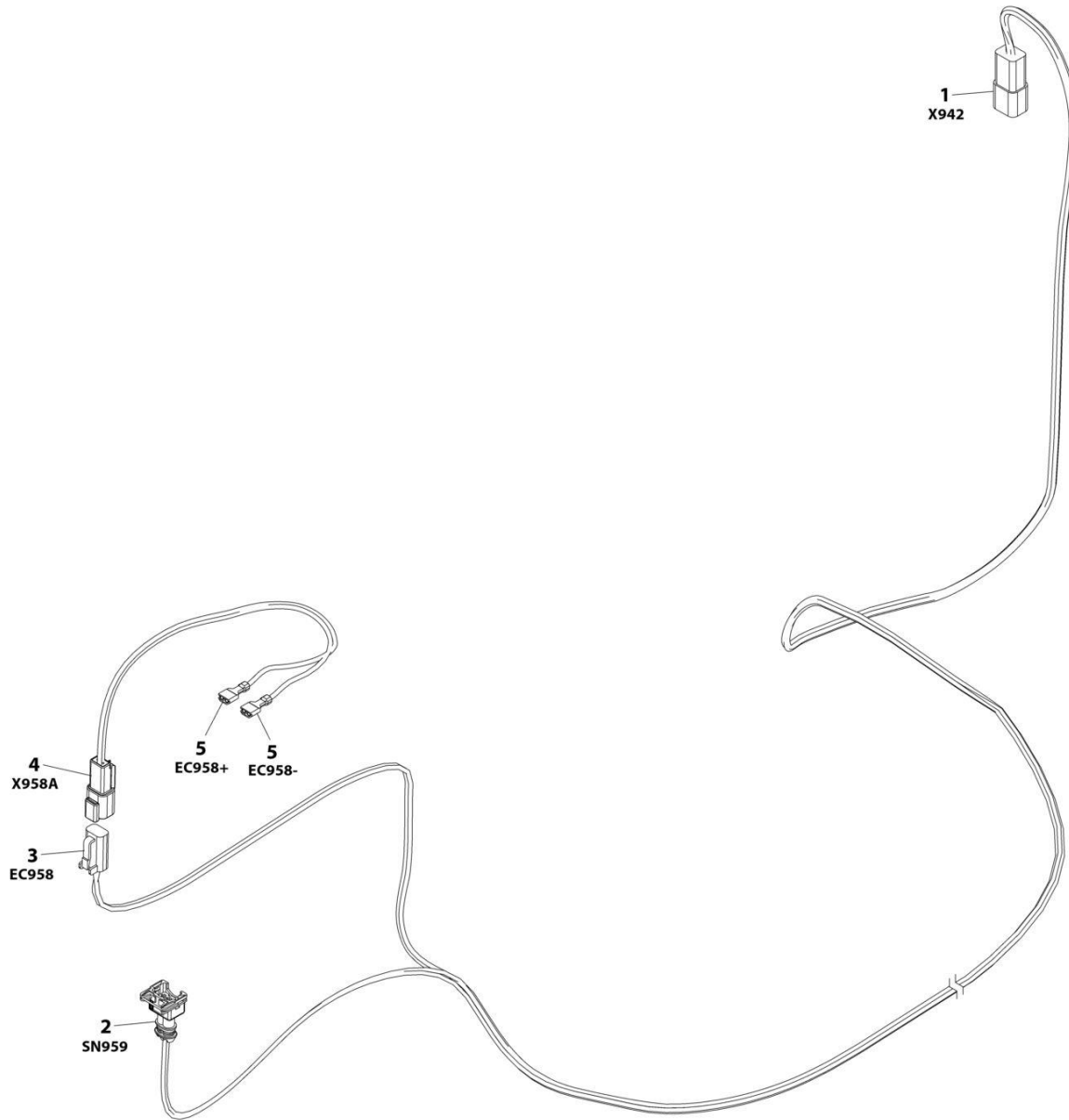
## SECTION 8 - ELECTRICAL

### FIGURE 8-44. ENGINE HARNESS - FORD ENGINES

| ITEM | PART NUMBER | QTY | DESCRIPTION  | REV |
|------|-------------|-----|--|-----|
|      | 1001216230  | Ref | ENGINE HARNESS - FORD ENGINES                      | C   |
| 12   | 1001216213  | 3   | Terminal, Plug                                     |     |
| 19   | 4460424     | 1   | Connector - 2 Position                             |     |
| 20   | 1001116693  | 2   | Terminal   |     |
| 21   | 4460880     | 2   | Connector, Din                                     |     |
| 22   | 4460312     | 1   | Terminal, Ring                                     |     |
| 23   | 4460313     | 3   | Terminal, Ring                                     |     |
| 24   | 4460979     | 2   | Terminal   |     |
| 25   | 4460897     | 1   | Receptacle, Female - 4 Position                    |     |
| 26   | 4460539     | 1   | Plug, Male - 3 Position                            |     |
| 27   | 4460944     | 3   | Socket, Female                                     |     |
| 28   | 4461157     | 1   | Connector - 2 Position                             |     |
| 29   | 4460460     | 1   | Connector - 4 Position                             |     |
| 30   | 4460457     | 4   | Sleeve   |     |
| 31   | 4460458     | 6   | Seal   |     |
| 32   | 4460738     | 1   | Terminal, Ring                                     |     |
| 34   | 4460871     | 9   | Socket   |     |
| 35   | 4460464     | 1   | Pin, Male  |     |
| 36   | 4460887     | 1   | Terminal   |     |
| 37   | 4460226     | 3   | Socket, Female                                     |     |
| 39   | 4460465     | 2   | Socket, Female                                     |     |
| 40   | 4460259     | 1   | Terminal   |     |
| 41   | 4460260     | 1   | Cover Terminal                                     |     |
| 42   | 1001215016  | NLA | Connector, Ford - 42 Position (Use p/n 1001265676) |     |
| 42   | 1001265676  | 1   | Connector, Ford - 42 Position Kit                  |     |
| 43   | 1001215091  | 5   | Terminal   |     |
| 44   | 1001215534  | 33  | Plug, Terminal                                     |     |
| 45   | 1001216212  | 1   | Terminal   |     |

# SECTION 8 - ELECTRICAL

## FIGURE 8-45. FUEL PUMP HARNESS - DEUTZ TD2.9L4 ENGINES



ART\_1001138491



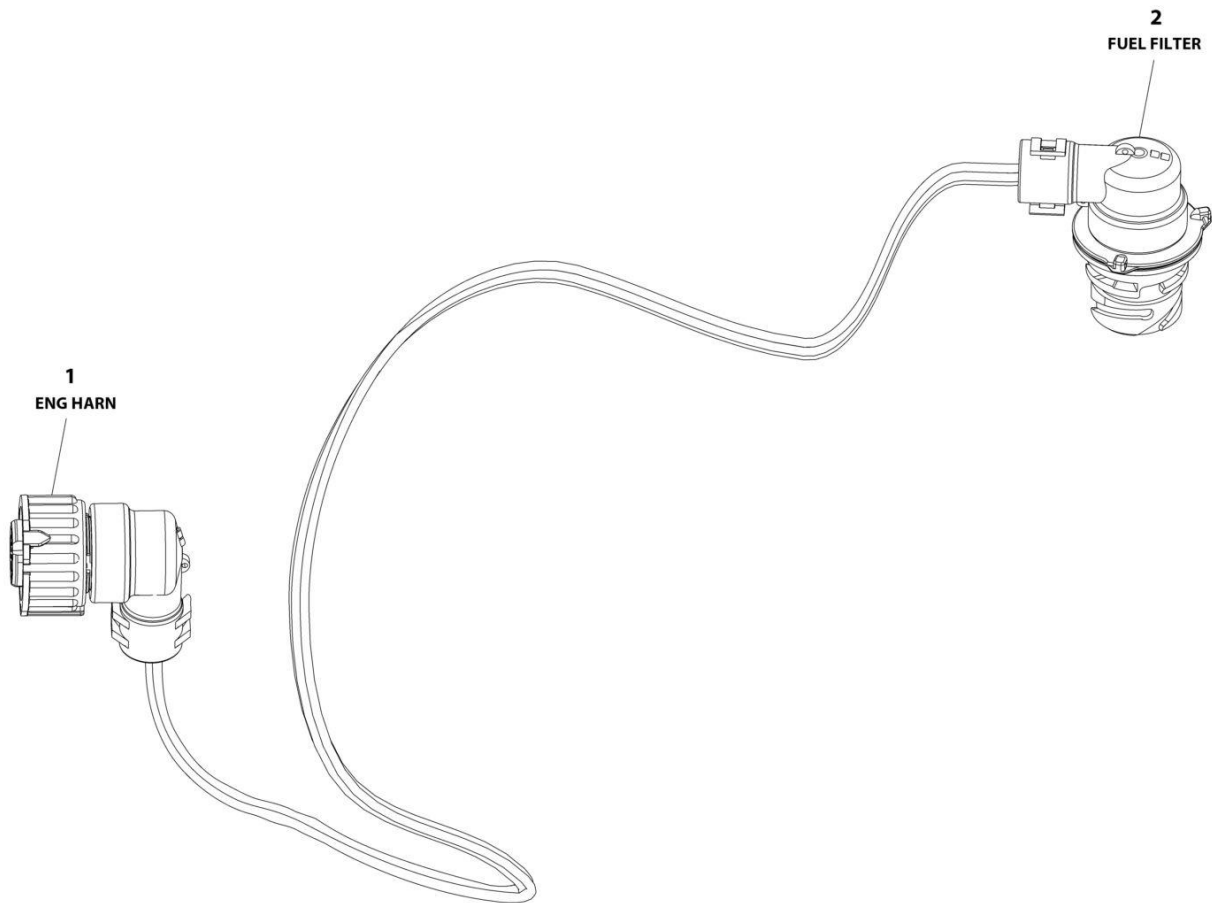
## SECTION 8 - ELECTRICAL

**FIGURE 8-45. FUEL PUMP HARNESS - DEUTZ TD2.9L4 ENGINES**

| ITEM | PART NUMBER | QTY | DESCRIPTION                     | REV |
|------|-------------|-----|---------------------------------|-----|
|      | 1001138491  | Ref | FUEL PUMP HARNESS               | D   |
| 1    | 4460932     | 1   | Receptacle, Female - 4 Position |     |
| 1    | 4460941     | 2   | Pin, Male                       |     |
| 1    | 4460464     | 2   | Pin, Male                       |     |
| 2    | 1001116983  | 1   | Plug, Male - 2 Position         |     |
| 2    | 1001116710  | 2   | Socket, Female                  |     |
| 2    | 4461054     | 2   | Seal                            |     |
| 3    | 4460891     | 1   | Plug, Male - 2 Position         |     |
| 3    | 4460942     | 2   | Socket, Female                  |     |
| 4    | 4460897     | 1   | Connector - 2 Position          |     |
| 4    | 4460941     | 2   | Pin, Male                       |     |
| 5    | 8220051     | 2   | Terminal, Ring                  |     |

## SECTION 8 - ELECTRICAL

FIGURE 8-46. FUEL HARNESS - DEUTZ TD2.9L4 (STAGE V) ENGINE



ART\_1001245913

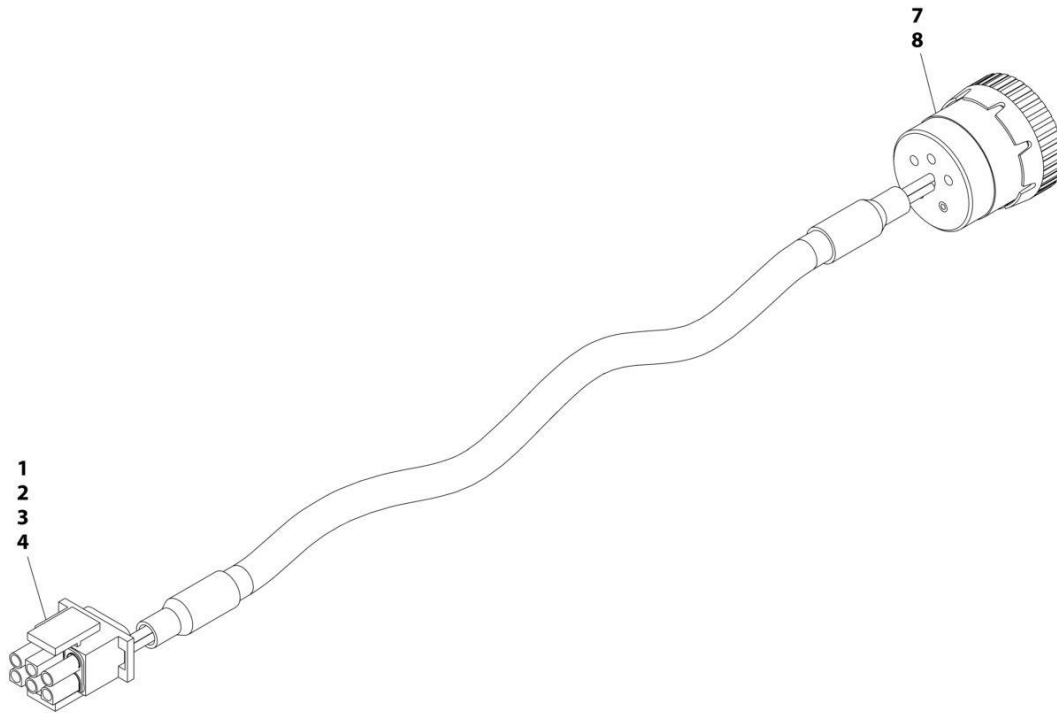
## SECTION 8 - ELECTRICAL

**FIGURE 8-46. FUEL HARNESS - DEUTZ TD2.9L4 (STAGE V) ENGINE**

| ITEM | PART NUMBER | QTY | DESCRIPTION                           | REV |
|------|-------------|-----|---------------------------------------|-----|
|      | 1001245913  | Ref | FUEL HARNESS - DEUTZ (STAGE V) ENGINE | D   |
| 1    | 1001148842  | 1   | Connector - 4 Position                |     |
| 1    | 1001148841  | 4   | Pin, Male                             |     |
| 1    | 1001135650  | 4   | Seal                                  |     |
| 2    | 1001133714  | 1   | Plug, Male - 4 Position               |     |
| 2    | 1001133715  | 4   | Socket, Female                        |     |
| 2    | 1001135650  | 4   | Seal                                  |     |

# SECTION 8 - ELECTRICAL

FIGURE 8-47. GENERATOR HARNESS - 4000W GENERATOR



ART\_1001152532

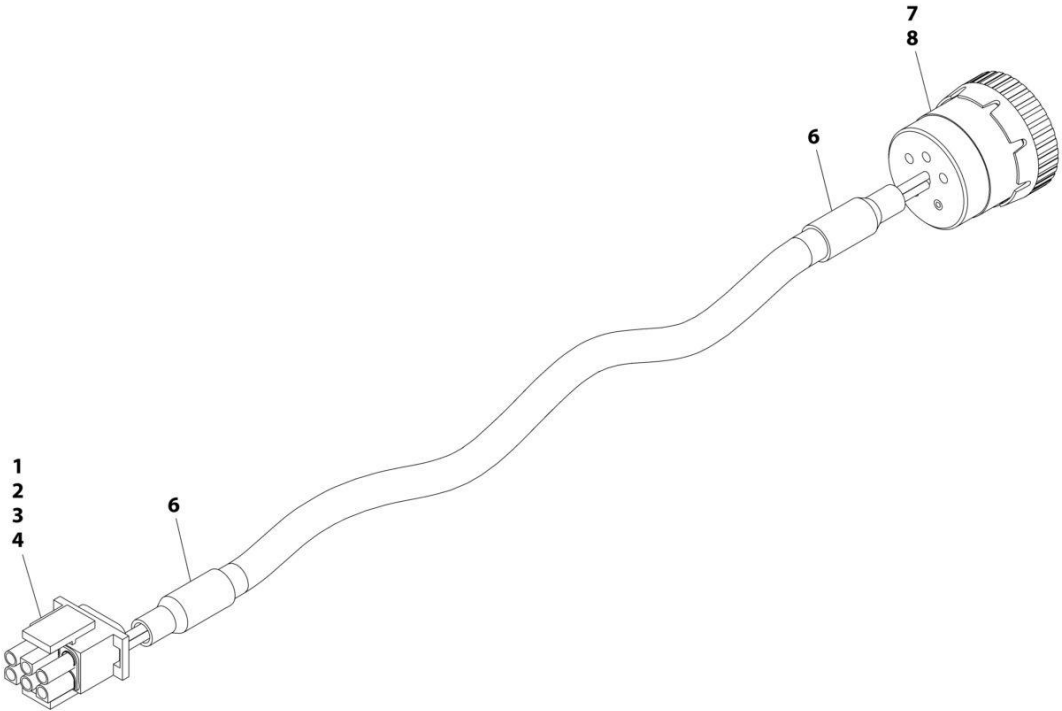
## SECTION 8 - ELECTRICAL

### FIGURE 8-47. GENERATOR HARNESS - 4000W GENERATOR

| ITEM | PART NUMBER | QTY | DESCRIPTION            | REV |
|------|-------------|-----|------------------------|-----|
|      | 1001152532  | Ref | GENERATOR HARNESS      | A   |
| 1    | 4460225     | 1   | Connector - 6 Position |     |
| 2    | 4460268     | 2   | Socket, Female         |     |
| 3    | 4460807     | 1   | Seal                   |     |
| 4    | 4460808     | 1   | Seal                   |     |
| 7    | 4460465     | 2   | Socket, Female         |     |
| 8    | 77363233    | 1   | Connector - 6 Position |     |

**SECTION 8 - ELECTRICAL**

**FIGURE 8-48. GENERATOR HARNESS - 7500W SKYPOWER GENERATOR**



ART\_4922925

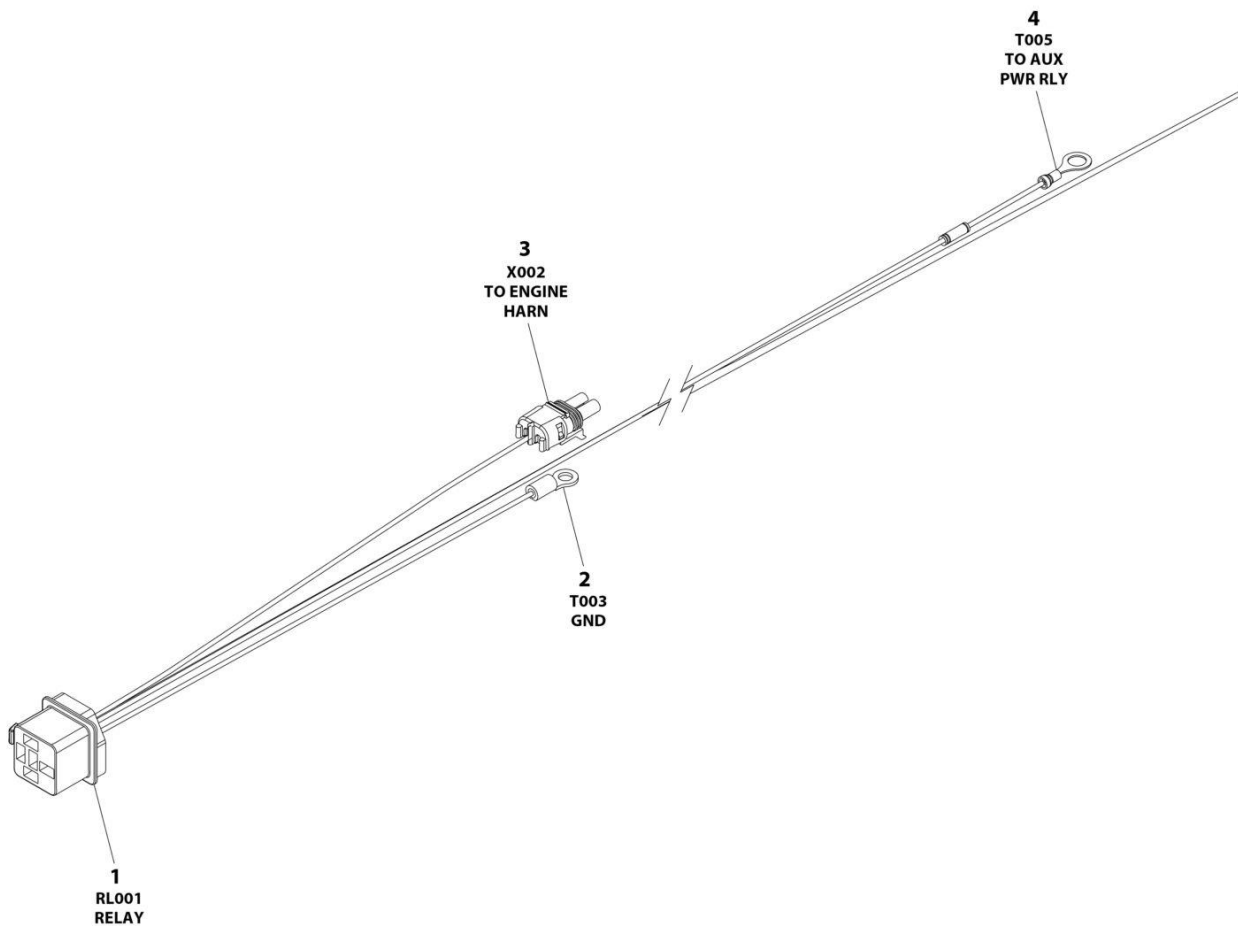
## SECTION 8 - ELECTRICAL

### FIGURE 8-48. GENERATOR HARNESS - 7500W SKYPOWER GENERATOR

| ITEM | PART NUMBER | QTY | DESCRIPTION  | REV |
|------|-------------|-----|--|-----|
|      | 4922925     | Ref | GENERATOR TO CONTROL BOX HARNESS (7500W GENERATOR) | C   |
| 1    | 4460225     | 1   | Plug, Male - 2 Position                            |     |
| 2    | 4460268     | 6   | Socket, Female                                     |     |
| 3    | 4460807     | 1   | Seal   |     |
| 4    | 4460808     | 1   | Seal   |     |
| 6    | 2820019     | AR  | Heat Shrink  |     |
| 7    | 4460465     | 6   | Socket, Female                                     |     |
| 8    | 77363233    | 1   | Connector - 6 Position                             |     |

# SECTION 8 - ELECTRICAL

## FIGURE 8-49. GENERATOR TO ENGINE HARNESS - 2500W (FORD ENGINES)



ART\_4923445



## SECTION 8 - ELECTRICAL

**FIGURE 8-49. GENERATOR TO ENGINE HARNESS - 2500W (FORD ENGINES)**

| ITEM | PART NUMBER | QTY | DESCRIPTION                 | REV |
|------|-------------|-----|-----------------------------|-----|
|      | 4923445     | Ref | GENERATOR TO ENGINE HARNESS | B   |
| 1    | 4460374     | 1   | Plug, Sealed Relay          |     |
| 1    | 1001116734  | 2   | Socket, Female              |     |
| 1    | 1001116733  | 2   | Socket, Female              |     |
| 2    | 4460043     | 1   | Terminal, Ring              |     |
| 3    | 4460742     | 1   | Plug, Male - 2 Position     |     |
| 3    | 4460457     | 1   | Socket, Female              |     |
| 3    | 4460458     | 1   | Seal, Terminal              |     |
| 3    | 1001116727  | 1   | Plug, Terminal              |     |
| 4    | 4460670     | 1   | Terminal, Ring              |     |

# SECTION 8 - ELECTRICAL

## FIGURE 8-50. GENERATOR TO ENGINE HARNESS - 4000W (DEUTZ D2011 ENGINES)



ART\_1001153197

## SECTION 8 - ELECTRICAL

**FIGURE 8-50. GENERATOR TO ENGINE HARNESS - 4000W (DEUTZ D2011 ENGINES)**

| ITEM | PART NUMBER | QTY | DESCRIPTION                 | REV |
|------|-------------|-----|-----------------------------|-----|
|      | 1001153197  | Ref | GENERATOR TO ENGINE HARNESS | B   |
| 1    | 4460967     | 1   | Plug, Male - 3 Position     |     |
| 1    | 4460465     | 2   | Socket, Female              |     |
| 2    | 4460043     | 1   | Terminal, Ring              |     |
| 3    | 4460742     | 1   | Plug, Male - 2 Position     |     |
| 3    | 4460743     | 1   | Socket, Female              |     |
| 3    | 4460458     | 1   | Seal, Terminal              |     |
| 3    | 1001116727  | 1   | Plug, Terminal              |     |

# SECTION 8 - ELECTRICAL

## FIGURE 8-51. GENERATOR TO ENGINE HARNESS - 4000W (DEUTZ TD2.9L4 ENGINES)



ART\_1001153259

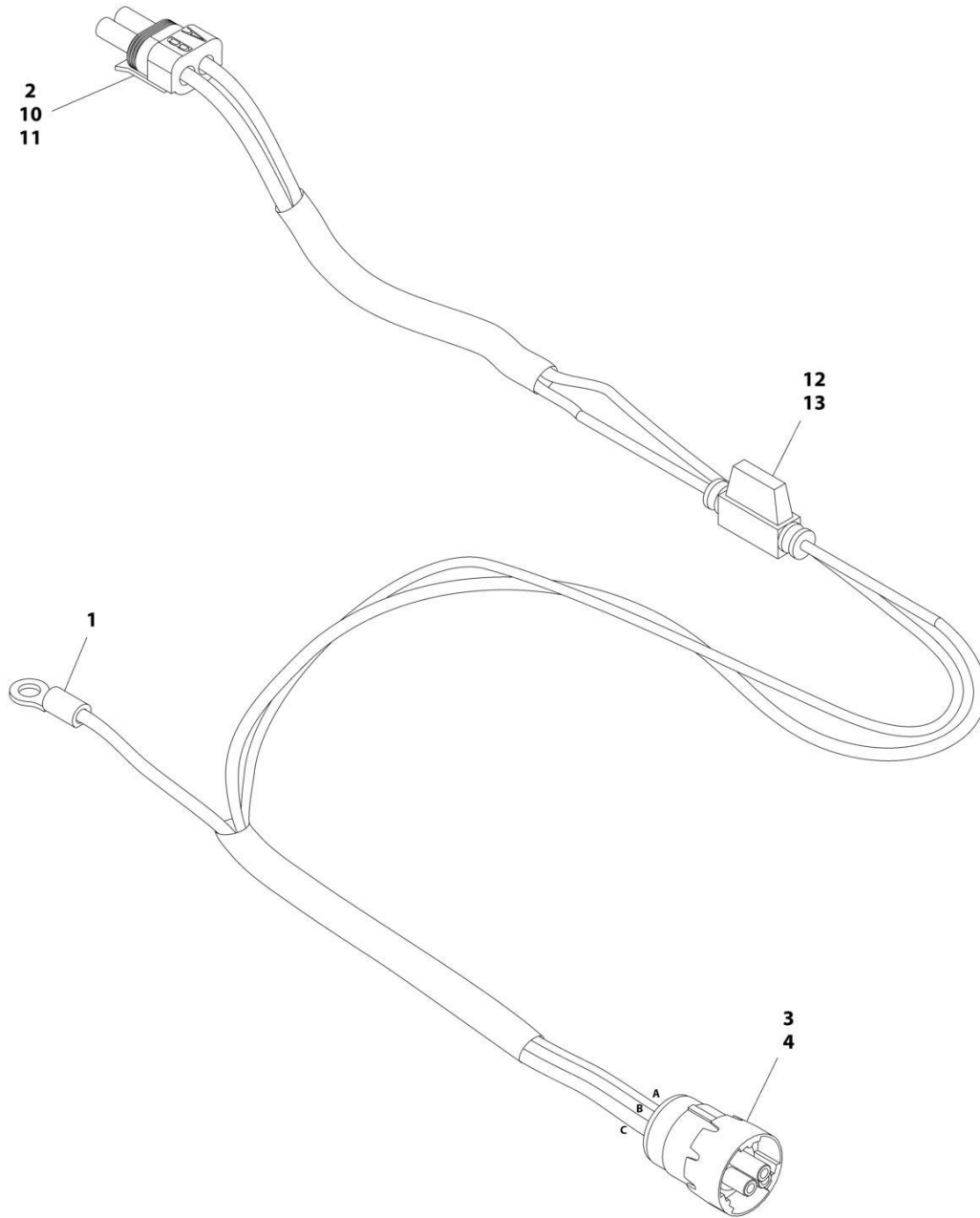
## SECTION 8 - ELECTRICAL

**FIGURE 8-51. GENERATOR TO ENGINE HARNESS - 4000W (DEUTZ TD2.9L4 ENGINES)**

| ITEM | PART NUMBER | QTY | DESCRIPTION  | REV |
|------|-------------|-----|--|-----|
|      | 1001153259  | Ref | GENERATOR TO PLATFORM HARNESS (4000W-60HZ GENERATOR) | B   |
| 1    | 4460967     | 1   | Connector - 3 Position                               |     |
| 1    | 4460465     | 2   | Socket, Female                                       |     |
| 2    | 4460465     | 2   | Socket, Female                                       |     |

# SECTION 8 - ELECTRICAL

**FIGURE 8-52. GENERATOR TO ENGINE HARNESS - 7500W SKYPOWER GENERATOR (DEUTZ D2011 ENGINES)**



ART\_1001152429

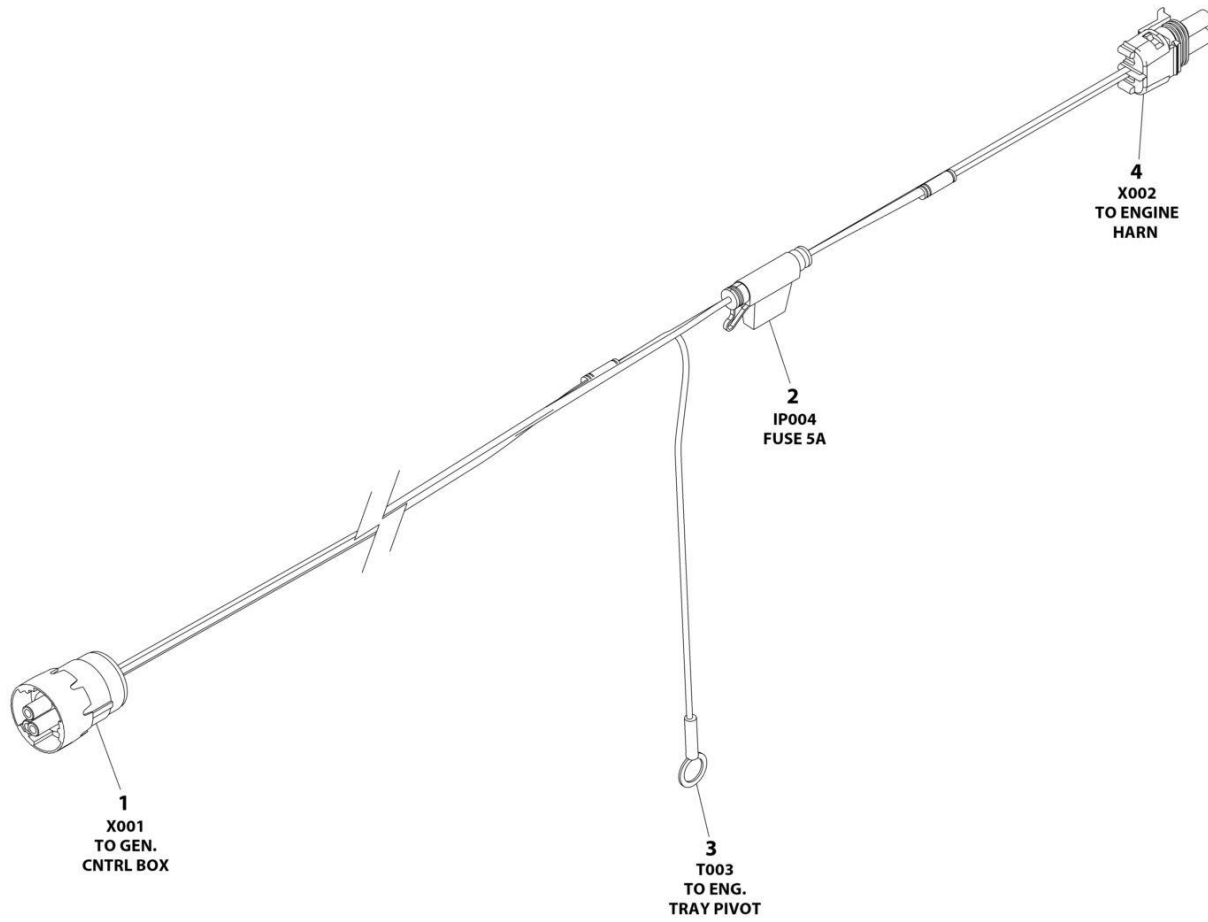
## SECTION 8 - ELECTRICAL

**FIGURE 8-52. GENERATOR TO ENGINE HARNESS - 7500W SKYPOWER GENERATOR (DEUTZ D2011 ENGINES)**

| ITEM | PART NUMBER | QTY | DESCRIPTION                 | REV |
|------|-------------|-----|-----------------------------|-----|
|      | 1001152429  | Ref | GENERATOR TO ENGINE HARNESS | C   |
| 1    | 4460043     | 1   | Terminal, Ring              |     |
| 2    | 4460742     | 1   | Plug, Male - 2 Position     |     |
| 3    | 4460967     | 1   | Connector - 3 Position      |     |
| 4    | 4460465     | 3   | Socket, Female              |     |
| 10   | 4460743     | 2   | Terminal, Female            |     |
| 11   | 4460458     | 2   | Seal                        |     |
| 12   | 2400060     | 1   | Fuseholder (Includes Cover) |     |
| 13   | 2400064     | 1   | Fuse - 5Amp                 |     |

# SECTION 8 - ELECTRICAL

FIGURE 8-53. GENERATOR TO ENGINE HARNESS - 7500W SKYPOWER (FORD DF 2.5L ENGINES)



ART\_1001257972



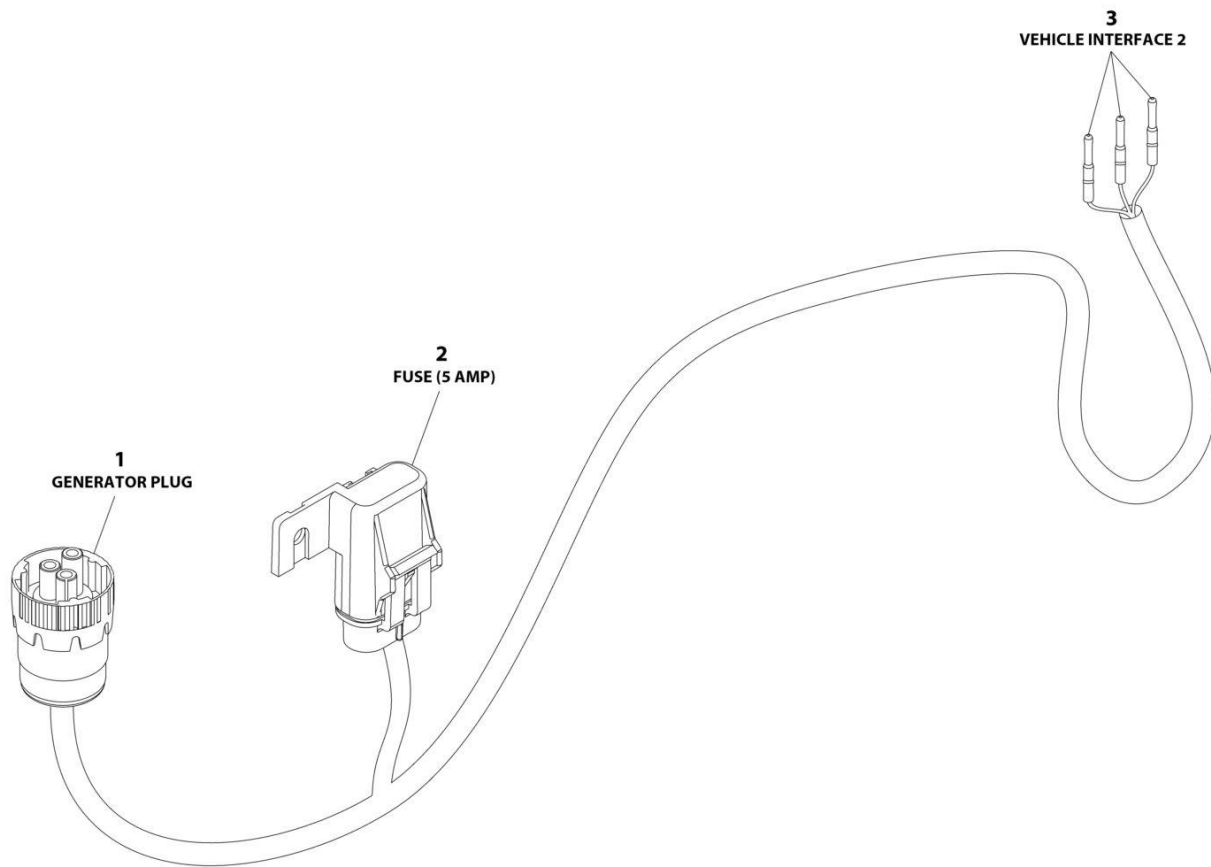
## SECTION 8 - ELECTRICAL

**FIGURE 8-53. GENERATOR TO ENGINE HARNESS - 7500W SKYPOWER (FORD DF 2.5L ENGINES)**

| ITEM | PART NUMBER | QTY | DESCRIPTION                  | REV |
|------|-------------|-----|------------------------------|-----|
|      | 1001257972  | Ref | GENERATOR TO ENGINE HARNESS  | A   |
| 1    | 4460967     | 1   | Plug, Male - 3 Position      |     |
| 1    | 4460465     | 3   | Socket, Female               |     |
| 2    | 2400060     | 1   | Fuse-holder (Includes Cover) |     |
| 2    | 2400064     | 1   | Fuse - 5Amp                  |     |
| 3    | 4460256     | 1   | Terminal, Ring               |     |
| 4    | 4460742     | 1   | Plug, Male - 2 Position      |     |
| 4    | 4460457     | 2   | Socket, Female               |     |
| 4    | 4460458     | 2   | Seal, Terminal               |     |

# SECTION 8 - ELECTRICAL

FIGURE 8-54. GENERATOR HARNESS - 7500W SKYPOWER (DEUTZ TD2.9L4 T4F ENGINES)



ART\_1001119968

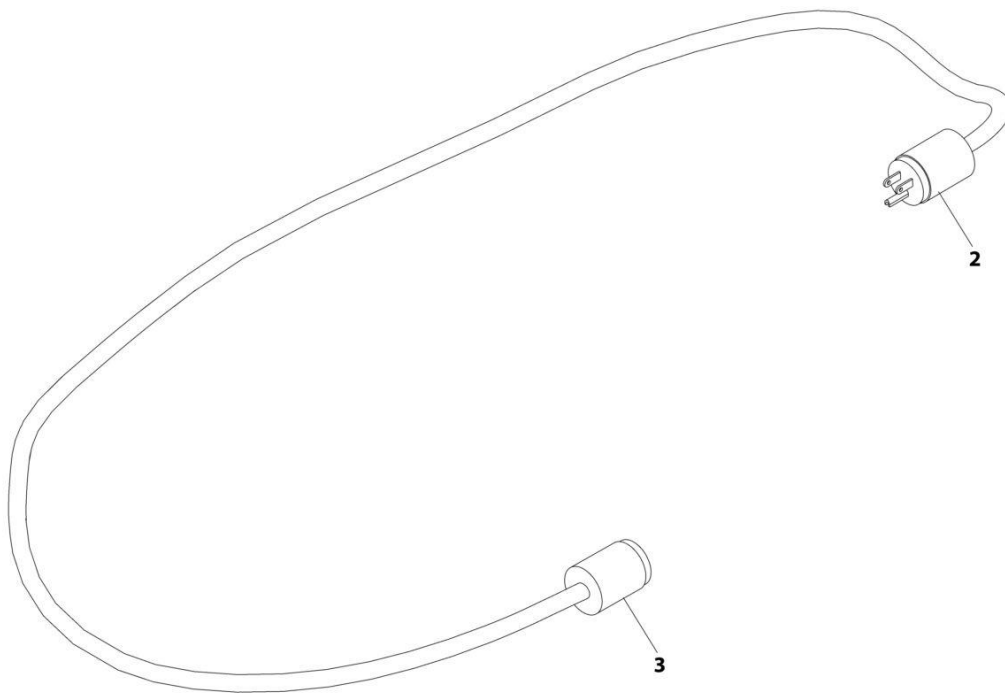
## SECTION 8 - ELECTRICAL

**FIGURE 8-54. GENERATOR HARNESS - 7500W SKYPOWER (DEUTZ TD2.9L4 T4F ENGINES)**

| ITEM | PART NUMBER | QTY | DESCRIPTION                          | REV |
|------|-------------|-----|--------------------------------------|-----|
|      | 1001119968  | Ref | GENERATOR HARNESS - 7500W GENERATOR  | C   |
| 1    | 4460967     | 1   | Connector - 3 Position               |     |
| 1    | 4460465     | 3   | Socket, Female                       |     |
| 2    | 1001117078  | 1   | Connector, Metri-Pack with 5Amp Fuse |     |
| 3    | 4460465     | 3   | Socket, Female                       |     |

# SECTION 8 - ELECTRICAL

FIGURE 8-55. GENERATOR TO REAR OF BOOM HARNESS - 110V



ART\_4921829

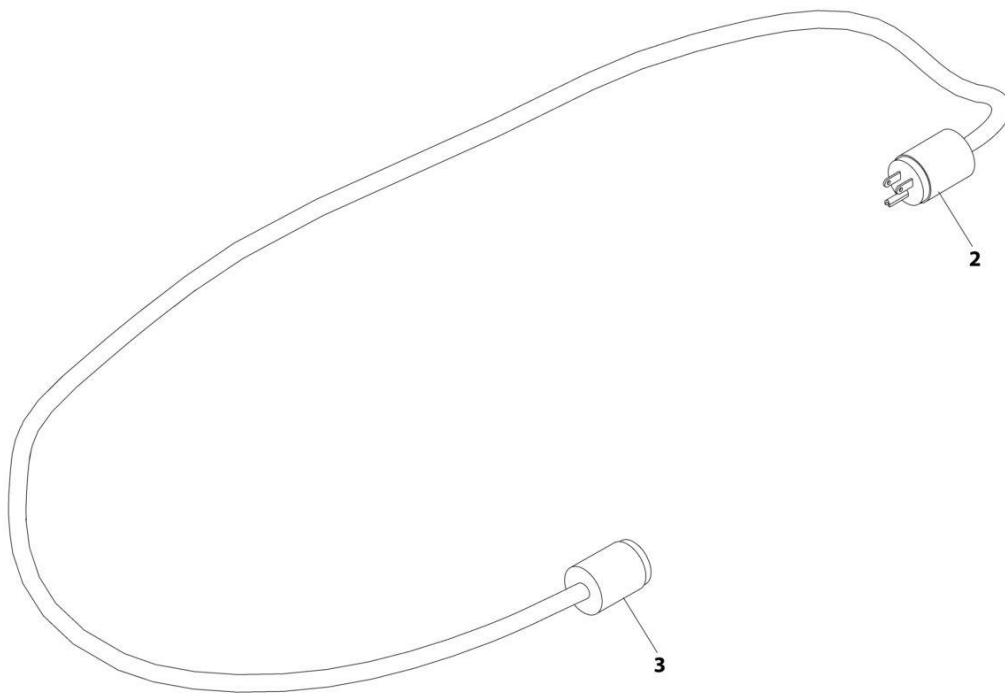
## SECTION 8 - ELECTRICAL

**FIGURE 8-55. GENERATOR TO REAR OF BOOM HARNESS - 110V**

| ITEM | PART NUMBER | QTY | DESCRIPTION                              | REV |
|------|-------------|-----|--|-----|
|      | 4921829     | Ref | GENERATOR TO REAR OF BOOM HARNESS - 110V | Z-A |
| 2    | 4460205     | 1   | Plug, Male                               |     |
| 3    | 4460134     | 1   | Connector, Female                        |     |

# SECTION 8 - ELECTRICAL

FIGURE 8-56. GENERATOR TO REAR OF BOOM HARNESS - 220V



ART\_4921955

## SECTION 8 - ELECTRICAL

**FIGURE 8-56. GENERATOR TO REAR OF BOOM HARNESS - 220V**

| ITEM | PART NUMBER | QTY | DESCRIPTION                              | REV |
|------|-------------|-----|--|-----|
|      | 4921955     | Ref | GENERATOR TO REAR OF BOOM HARNESS - 220V | A   |
| 2    | 4460233     | 1   | Terminal, Plug                           |     |
| 3    | 4460701     | 1   | Terminal, Connector                      |     |





## SECTION 8 - ELECTRICAL

### FIGURE 8-57. GROUND CONTROL BOX HARNESS

| ITEM | PART NUMBER | QTY | DESCRIPTION                       | REV |
|------|-------------|-----|-----------------------------------|-----|
|      | 1001266628  | Ref | GROUND CONTROL BOX HARNESS        | C   |
| 12   | 4460297     | 4   | Terminal                          |     |
| 16   | 4460536     | 1   | Receptacle, Female - 3 Position   |     |
| 17   | 4460943     | 12  | Pin, Male                         |     |
| 21   | 3990010     | 2   | Diode, 6 Amp                      |     |
| 22   | 4460905     | 2   | Seal, Terminal                    |     |
| 23   | 4460227     | 36  | Pin, Male                         |     |
| 24   | 4460434     | 2   | Plug Male - 15 Position           |     |
| 26   | 4460873     | 1   | Connector - 35 Position           |     |
| 27   | 4460508     | 4   | Terminal                          |     |
| 28   | 1001237667  | 1   | Plug Male - 6 Position            |     |
| 29   | 1001237668  | 5   | Terminal                          |     |
| 34   | 1001159186  | 18  | Terminal                          |     |
| 35   | 4460418     | 9   | Connector, Switch                 |     |
| 36   | 4460806     | 5   | Terminal, Fork                    |     |
| 38   | 4460871     | 84  | Socket, Female                    |     |
| 39   | 4460876     | 1   | Connector - 35 Position           |     |
| 40   | 4460259     | 15  | Terminal                          |     |
| 41   | 4460260     | 19  | Housing, Terminal                 |     |
| 42   | 4460464     | 13  | Pin, Male                         |     |
| 43   | 4460866     | 1   | Connector - 19 Position           |     |
| 44   | 4460878     | 1   | Plug Male - 4 Position            |     |
| 45   | 4460887     | 3   | Terminal                          |     |
| 46   | 4460142     | 4   | Terminal, Ring                    |     |
| 47   | 4460313     | 3   | Terminal                          |     |
| 49   | 1001119020  | 2   | Connector, Buss Bar - 12 Position |     |
| 50   | 4460761     | 1   | Receptacle, Female - 4 Position   |     |
| 51   | 4460868     | AR  | Terminal                          |     |
| 53   | 4460465     | 35  | Socket, Female                    |     |
| 54   | 2400060     | 2   | Fuse Holder with Cover            |     |
| 55   | 8229242     | 3   | Fuse 5Amp                         |     |
| 56   | 4460933     | 2   | Plug, Male - 12 Position          |     |
| 57   | 4460872     | 1   | Connector - 14 Position           |     |
| 58   | 1001113961  | 1   | Connector - 8 Position            |     |
| 59   | 4460874     | 1   | Connector - 35 Position           |     |
| 60   | 4460875     | 1   | Connector - 35 Position           |     |
| 61   | 1001112612  | 1   | Connector - 9 Position            |     |
| 62   | 4460884     | 1   | Plug, Male - 4 Position           |     |
| 63   | 4460466     | 7   | Plug, Terminal                    |     |
| 64   | 4460894     | 1   | Plug, Male - 6 Position           |     |
| 65   | 4460419     | 8   | Terminal                          |     |
| 69   | 1001229530  | 1   | Receptacle, Female - 3 Position   |     |
| 70   | 1001200497  | 1   | Plug, Male - 3 Position           |     |
| 71   | 1001116812  | 2   | Plug, Male - 3 Position           |     |
| 72   | 4460944     | 4   | Socket, Female                    |     |
| 73   | 1001116815  | 1   | Plug, Male - 3 Position           |     |
| 74   | 4460945     | 1   | Connector, 3-Way Tee              |     |
| 75   | 4460877     | 4   | Terminal                          |     |
| 76   | 4460320     | 1   | Connector - 2 Position            |     |
| 77   | 1001201885  | 2   | Terminal                          |     |

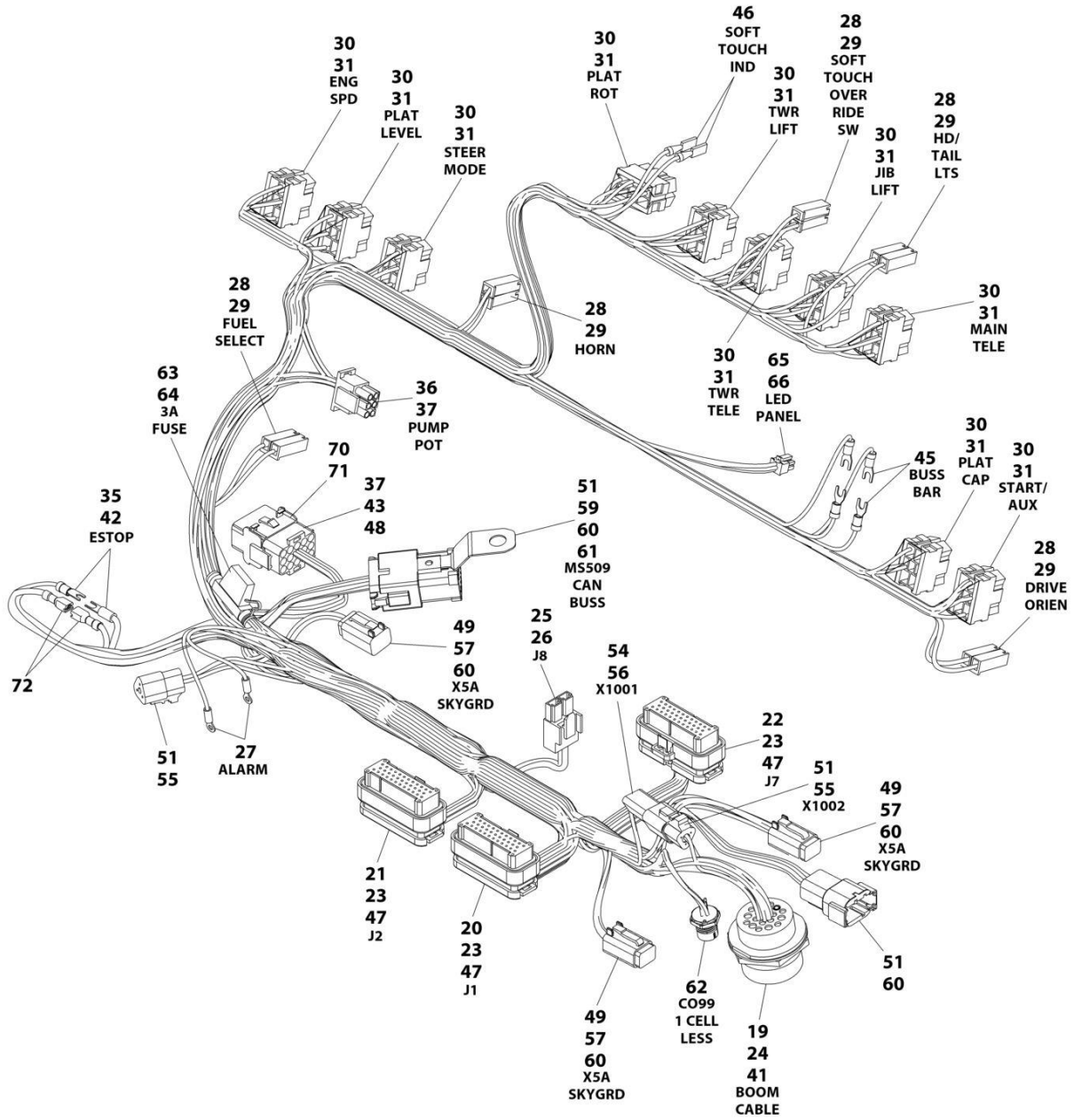
## SECTION 8 - ELECTRICAL

| ITEM | PART NUMBER | QTY | DESCRIPTION                                  | REV |
|------|-------------|-----|--|-----|
| 78   | 4460891     | 1   | Plug, Male - 2 Position                      |     |
| 79   | 4460911     | 1   | Connector - 3 Position                       |     |
| 80   | 1001116694  | 3   | Terminal                                     |     |
| 82   | 2400060     | AR  | Fuse Holder with Cover (Prior to PVC 2201)   |     |
| 82   | 1001255901  | AR  | Fuse Holder with Cover (PVC 2201 to Present) |     |



# SECTION 8 - ELECTRICAL

## FIGURE 8-58. PLATFORM CONSOLE BOX HARNESS



ART\_1001266648

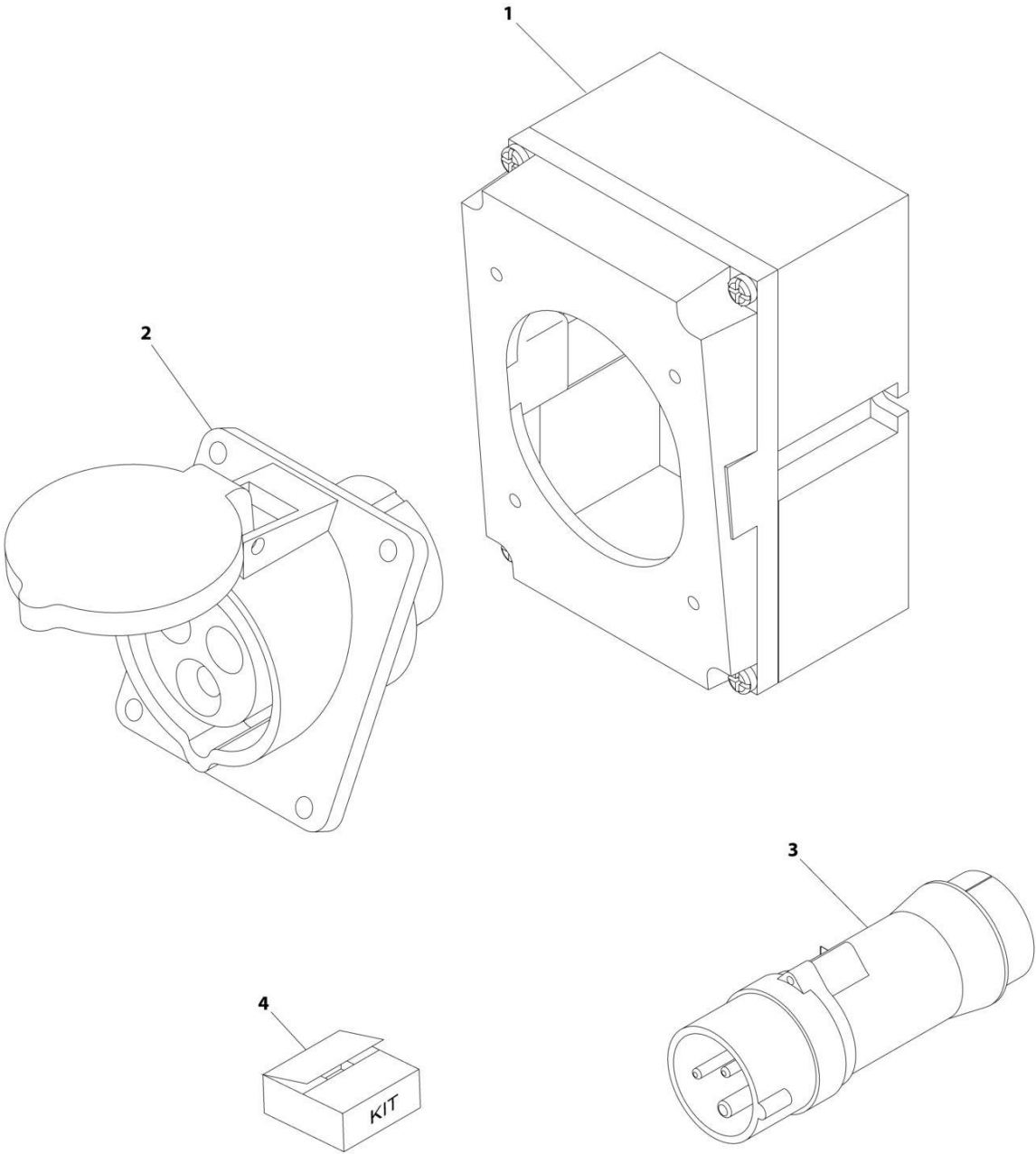
## SECTION 8 - ELECTRICAL

**FIGURE 8-58. PLATFORM CONSOLE BOX HARNESS**

| ITEM | PART NUMBER | QTY | DESCRIPTION                            | REV |
|------|-------------|-----|--|-----|
|      | 1001266648  | Ref | PLATFORM CONSOLE BOX HARNESS           | B   |
| 19   | 4460866     | 1   | Connector - 19 Position                |     |
| 20   | 4460874     | 1   | Connector - 35 Position                |     |
| 21   | 4460875     | 1   | Connector - 35 Position                |     |
| 22   | 4460873     | 1   | Connector - 35 Position                |     |
| 23   | 4460871     | 81  | Socket, Female                         |     |
| 24   | 4460464     | 6   | Pin, Male                              |     |
| 25   | 4460879     | 1   | Plug, Male - 2 Position                |     |
| 26   | 4460887     | 2   | Terminal                               |     |
| 27   | 1001098122  | 2   | Terminal, Ring                         |     |
| 28   | 4460260     | 10  | Housing, Terminal                      |     |
| 29   | 4460259     | 10  | Terminal                               |     |
| 30   | 4460418     | 9   | Connector, Switch                      |     |
| 31   | 4460419     | 27  | Terminal                               |     |
| 32   | 4120035     | 14  | Socket, Light (Not Shown)              |     |
| 33   | 4460634     | 14  | Socket, Lamp (Single Wire) (Not Shown) |     |
| 34   | 4460635     | 14  | Socket, Lamp (Double Wire) (Not Shown) |     |
| 35   | 4460888     | 1   | Terminal, Fork                         |     |
| 36   | 4460225     | 1   | Plug, Male - 6 Position                |     |
| 37   | 4460227     | 31  | Pin, Male                              |     |
| 41   | 4460508     | 3   | Pin, Male                              |     |
| 42   | 4460806     | 1   | Terminal, Fork                         |     |
| 43   | 4460434     | 2   | Connector - 15 Position                |     |
| 44   | 2920129     | 14  | Bulb (Not Shown)                       |     |
| 45   | 4460183     | 4   | Terminal, Fork                         |     |
| 46   | 4460016     | 2   | Terminal                               |     |
| 47   | 4460905     | 24  | Plug, Terminal                         |     |
| 48   | 4460267     | 1   | Pin, Male                              |     |
| 49   | 4460465     | 5   | Socket, Female                         |     |
| 51   | 4460944     | 11  | Socket, Female                         |     |
| 54   | 4460536     | 1   | Receptacle, Female - 3 Position        |     |
| 55   | 4460539     | 1   | Plug, Male - 3 Position                |     |
| 56   | 4460943     | 3   | Pin, Male                              |     |
| 57   | 4460894     | 2   | Plug, Male - 6 Position                |     |
| 59   | 4460933     | 2   | Plug, Male - 12 Position               |     |
| 60   | 4460466     | 5   | Plug, Terminal                         |     |
| 61   | 1001119020  | 1   | Connector, Buss Bar - 12 Position      |     |
| 62   | 1001213447  | 1   | Connector - 5 Position                 |     |
| 63   | 2400060     | 1   | Fuseholder Includes Cover              |     |
| 64   | 8229249     | 1   | Fuse, 3 Amp                            |     |
| 65   | 1001237667  | 1   | Plug, Male - 6 Position                |     |
| 66   | 1001237668  | 4   | Socket, Female                         |     |
| 70   | 4460708     | 2   | Connector - 15 Position                |     |
| 71   | 4460226     | 2   | Socket, Female                         |     |
| 72   | 1001201885  | 2   | Terminal                               |     |

**SECTION 8 - ELECTRICAL**

**FIGURE 8-59. RECEPTACLE BOX KIT - 110V IEC YELLOW (CE & UK CA SPECS)**



ART\_0275216

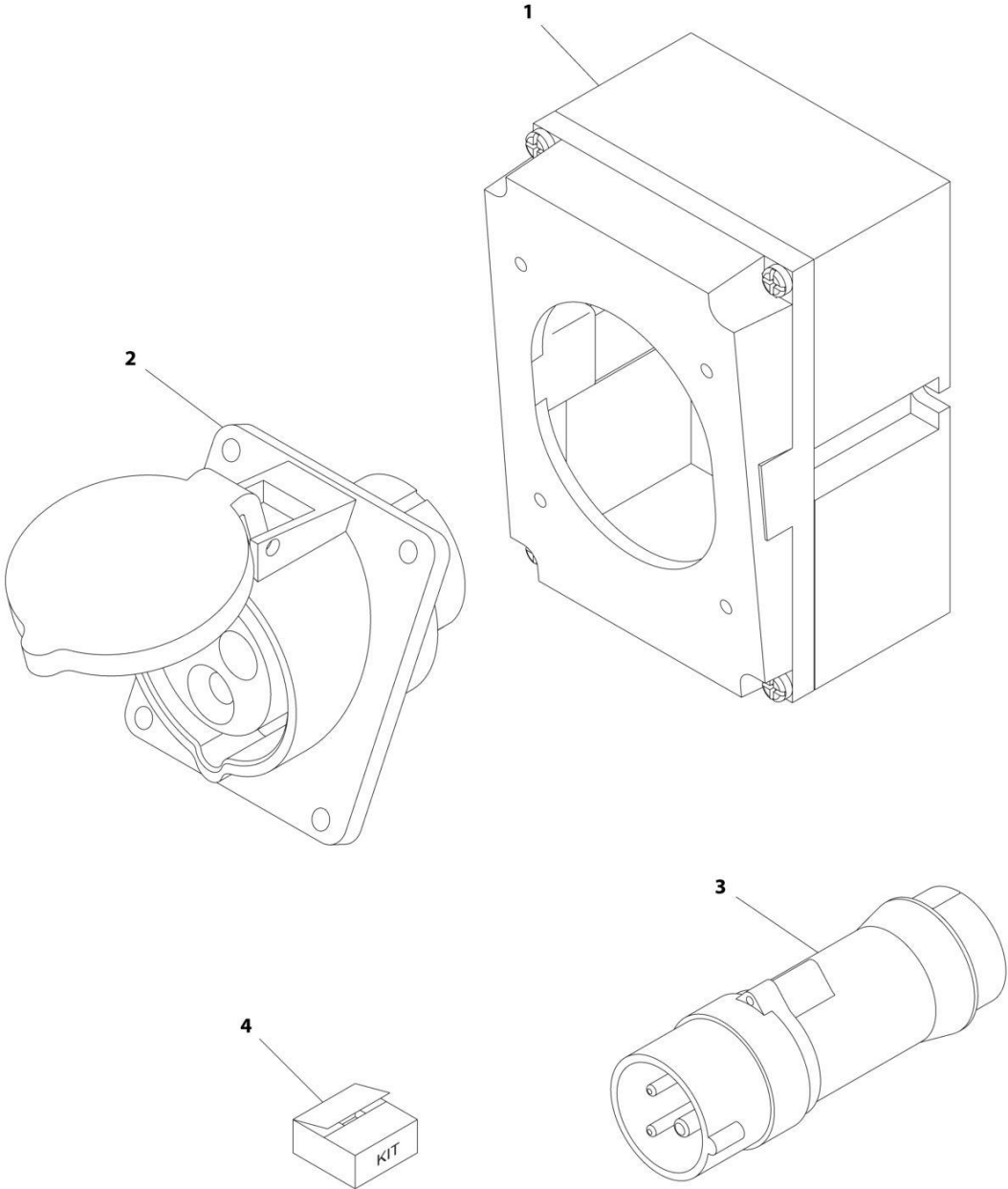
## SECTION 8 - ELECTRICAL

**FIGURE 8-59. RECEPTACLE BOX KIT - 110V IEC YELLOW (CE & UK CA SPECS)**

| ITEM | PART NUMBER | QTY | DESCRIPTION  | REV |
|------|-------------|-----|--|-----|
|      | 0275216     | Ref | RECEPTACLE BOX KIT - 110V IEC YELLOW                                 | B   |
| 1    | 0861781     | 1   | Box, Switch  |     |
| 2    | 4461198     | 1   | Receptacle   |     |
| 3    | 4461196     | 1   | Plug, Male   |     |
| 4    | 1001100341  | 1   | Plug and Socket Kit (Includes Items 1-3 and Female Plug p/n 4461197) |     |

**SECTION 8 - ELECTRICAL**

**FIGURE 8-60. RECEPTACLE BOX KIT - 220V IEC BLUE (CE & UK CA SPECS)**



ART\_0275217



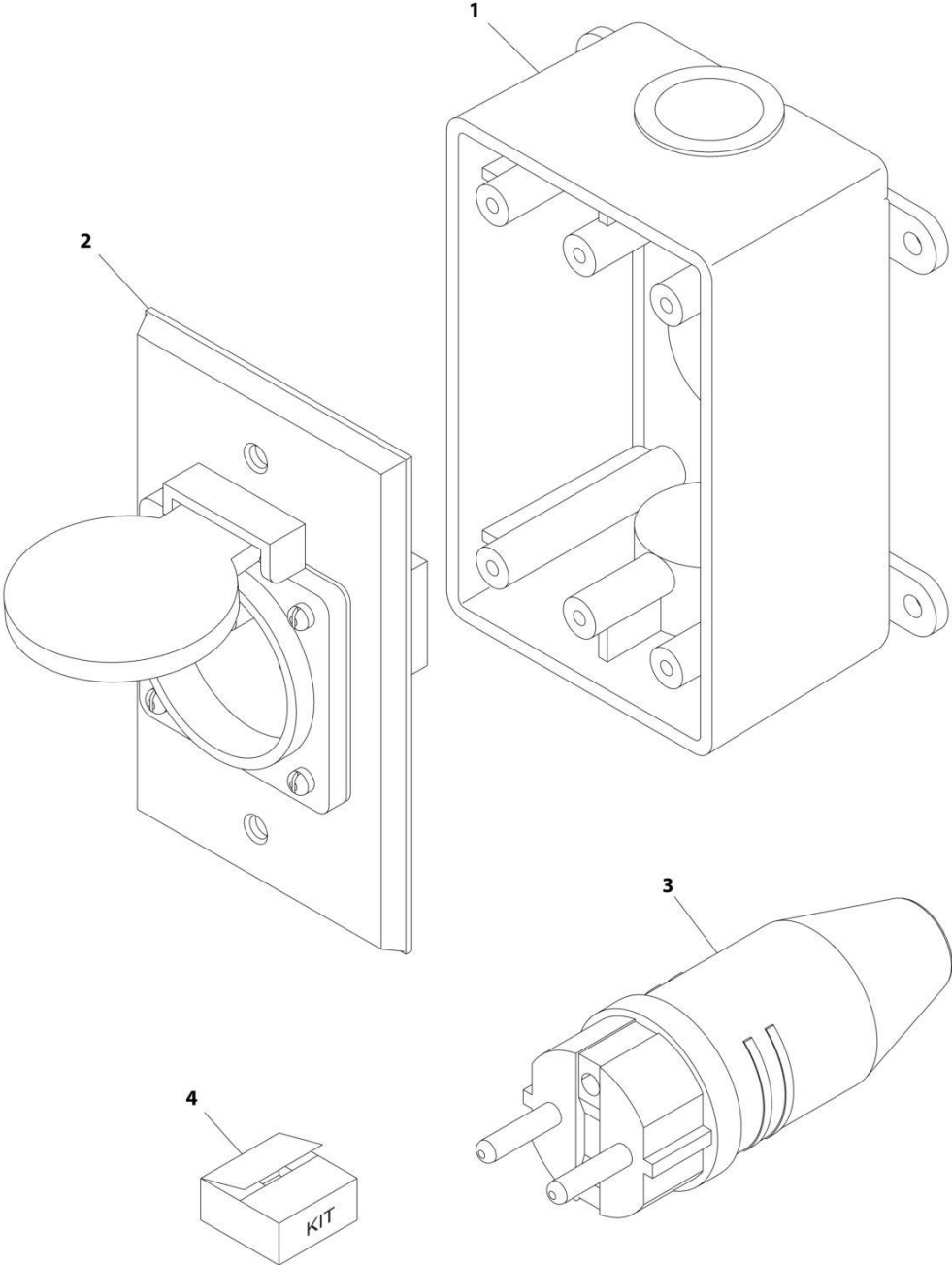
## SECTION 8 - ELECTRICAL

**FIGURE 8-60. RECEPTACLE BOX KIT - 220V IEC BLUE (CE & UK CA SPECS)**

| ITEM | PART NUMBER | QTY | DESCRIPTION  | REV |
|------|-------------|-----|--|-----|
|      | 0275217     | Ref | RECEPTACLE BOX KIT - 220V IEC BLUE                                   | B   |
| 1    | 0861781     | 1   | Box, Switch  |     |
| 2    | 4461201     | 1   | Receptacle   |     |
| 3    | 4461199     | 1   | Plug, Male   |     |
| 4    | 1001100342  | 1   | Plug and Socket Kit (Includes Items 1-3 and Female Plug p/n 4461200) |     |

**SECTION 8 - ELECTRICAL**

**FIGURE 8-61. RECEPTACLE BOX KIT - 220V CEE7 POST GROUND 2X4 BOX (CE & UK CA SPECS)**



ART\_0275452-C

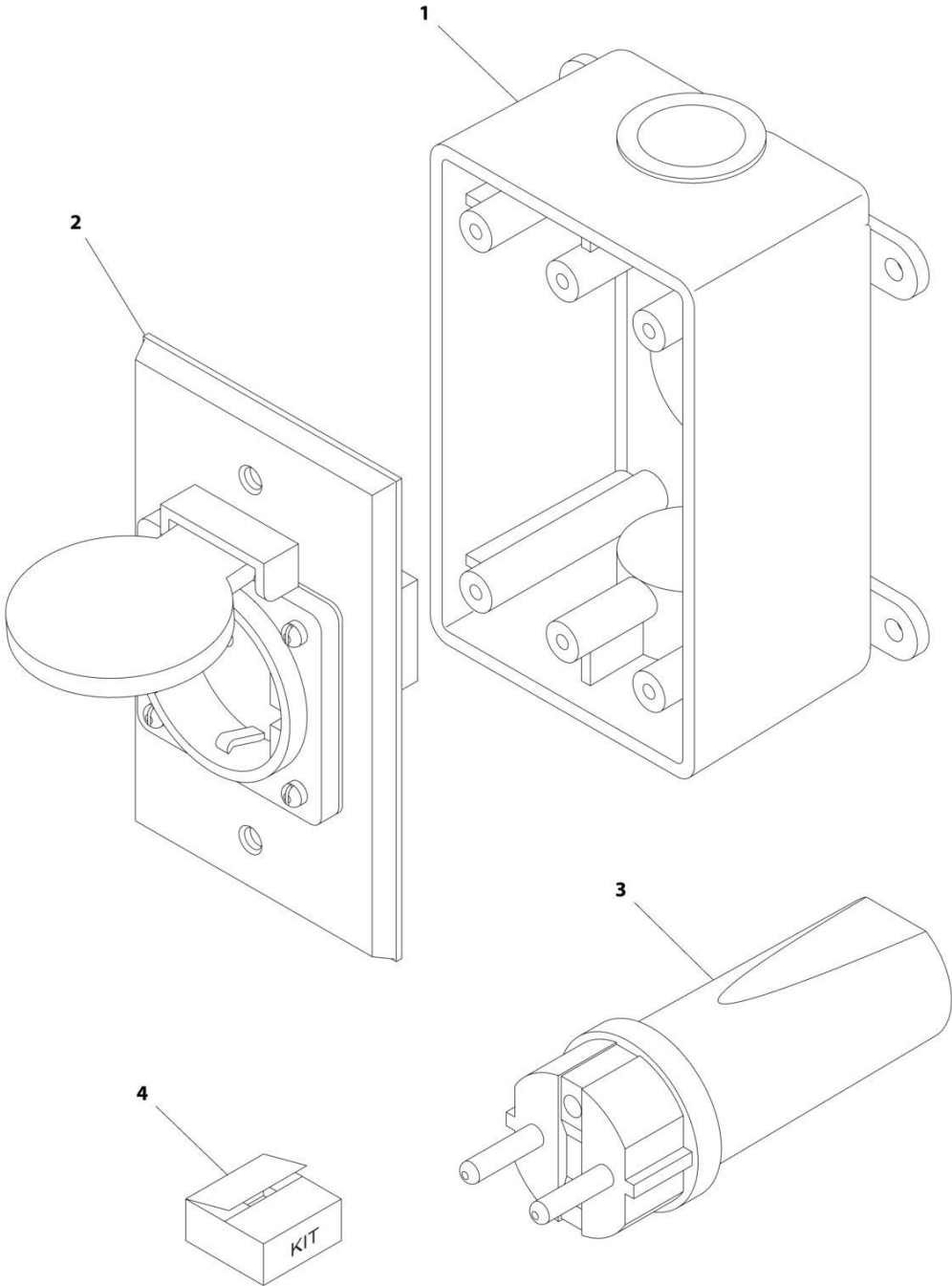
## SECTION 8 - ELECTRICAL

**FIGURE 8-61. RECEPTACLE BOX KIT - 220V CEE7 POST GROUND 2X4 BOX (CE & UK CA SPECS)**

| ITEM | PART NUMBER | QTY | DESCRIPTION  | REV |
|------|-------------|-----|--|-----|
|      | 0275452     | Ref | RECEPTACLE BOX KIT - 220V CEE7 POST GROUND 2IN X 4IN BOX             | C   |
| 1    | 0861731     | 1   | Box, Switch  |     |
| 2    | 4461244     | 1   | Receptacle   |     |
| 3    | 4461205     | 1   | Plug, Male   |     |
| 4    | 1001100345  | 1   | Plug and Socket Kit (Includes Items 1-3 and Female Plug p/n 4461203) |     |

**SECTION 8 - ELECTRICAL**

**FIGURE 8-62. RECEPTACLE BOX KIT - 220V CEE7 SIDE GROUND 2X4 BOX (CE & UK CA SPECS)**



ART\_0275453

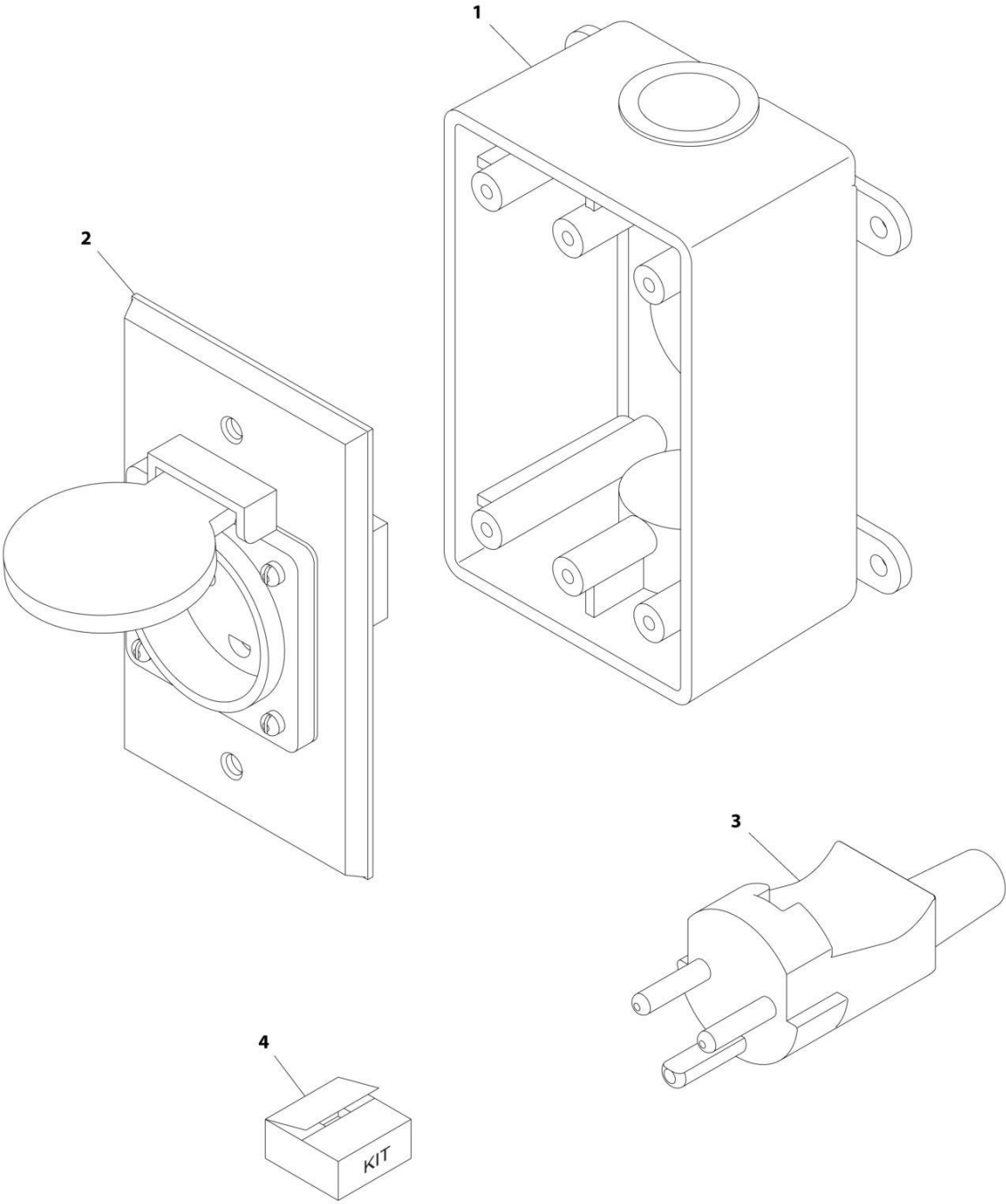
## SECTION 8 - ELECTRICAL

**FIGURE 8-62. RECEPTACLE BOX KIT - 220V CEE7 SIDE GROUND 2X4 BOX (CE & UK CA SPECS)**

| ITEM | PART NUMBER | QTY | DESCRIPTION  | REV |
|------|-------------|-----|--|-----|
|      | 0275453     | Ref | RECEPTACLE BOX KIT - 220V CEE7 SIDE GROUND                           | B   |
| 1    | 0861731     | 1   | Box, Switch  |     |
| 2    | 4461245     | 1   | Receptacle   |     |
| 3    | 4461205     | 1   | Plug, Male   |     |
| 4    | 1001100347  | 1   | Plug and Socket Kit (Includes Items 1-3 and Female Plug p/n 4461206) |     |

**SECTION 8 - ELECTRICAL**

**FIGURE 8-63. RECEPTACLE BOX KIT - 220V AFSINT107 KEYED GROUND (CE & UK CA SPECS)**



ART\_0275454

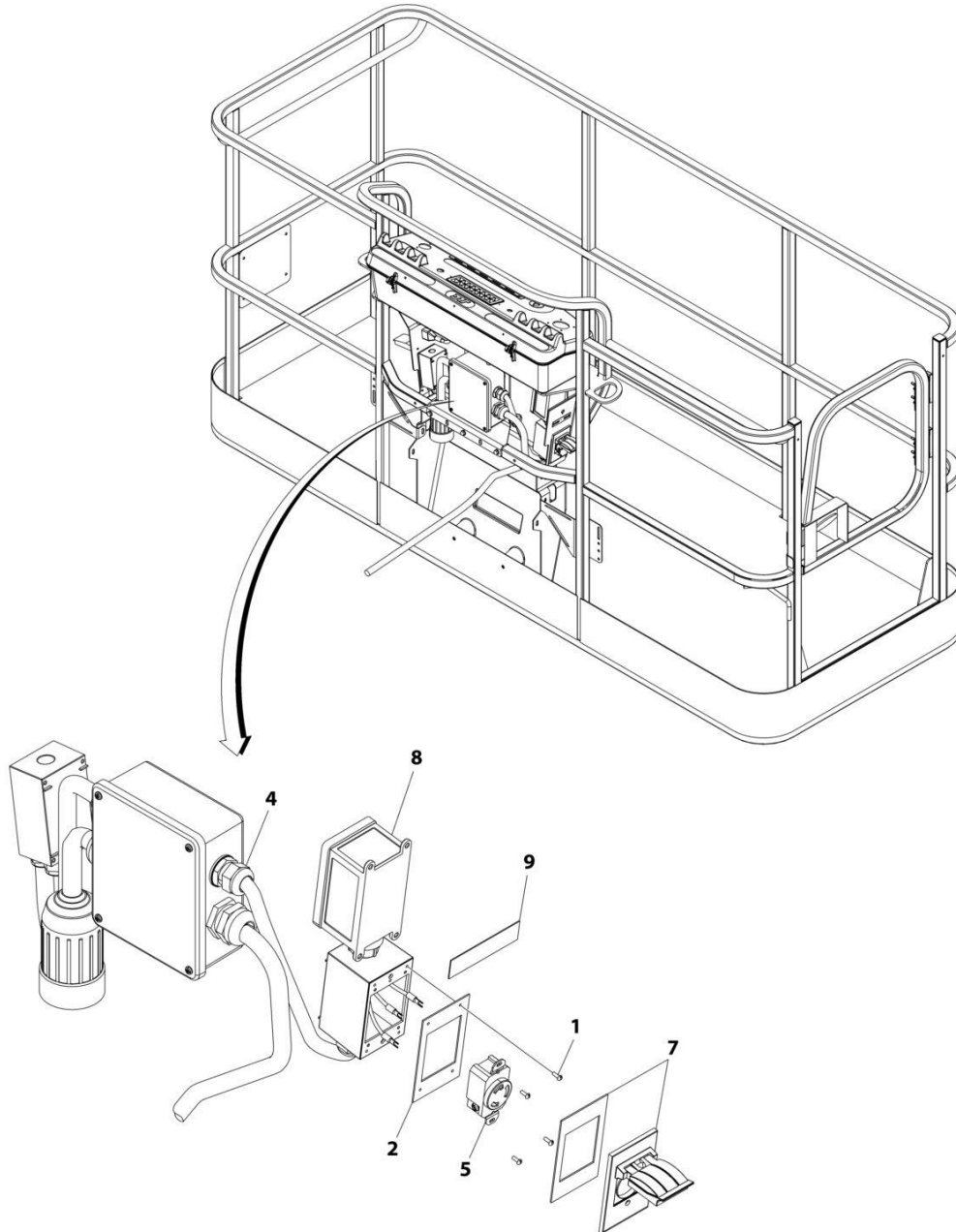
## SECTION 8 - ELECTRICAL

**FIGURE 8-63. RECEPTACLE BOX KIT - 220V AFSINT107 KEYED GROUND (CE & UK CA SPECS)**

| ITEM | PART NUMBER | QTY | DESCRIPTION  | REV |
|------|-------------|-----|--|-----|
|      | 0275454     | Ref | RECEPTACLE BOX KIT - 220V AFSINT 107                                 | B   |
| 1    | 0861731     | 1   | Box, Switch  |     |
| 2    | 4461246     | 1   | Receptacle   |     |
| 3    | 4461249     | 1   | Plug, Male   |     |
| 4    | 1001100346  | 1   | Plug and Socket Kit (Includes Items 1-3 and Female Plug p/n 4461250) |     |

## SECTION 8 - ELECTRICAL

FIGURE 8-64. RECEPTACLE/BREAKER BOX ASSEMBLY - 240V (7500W SKYPOWER GENERATORS)  
(ANSI, ANSI EXPORT AND CSA SPECS)



ART\_1001159121



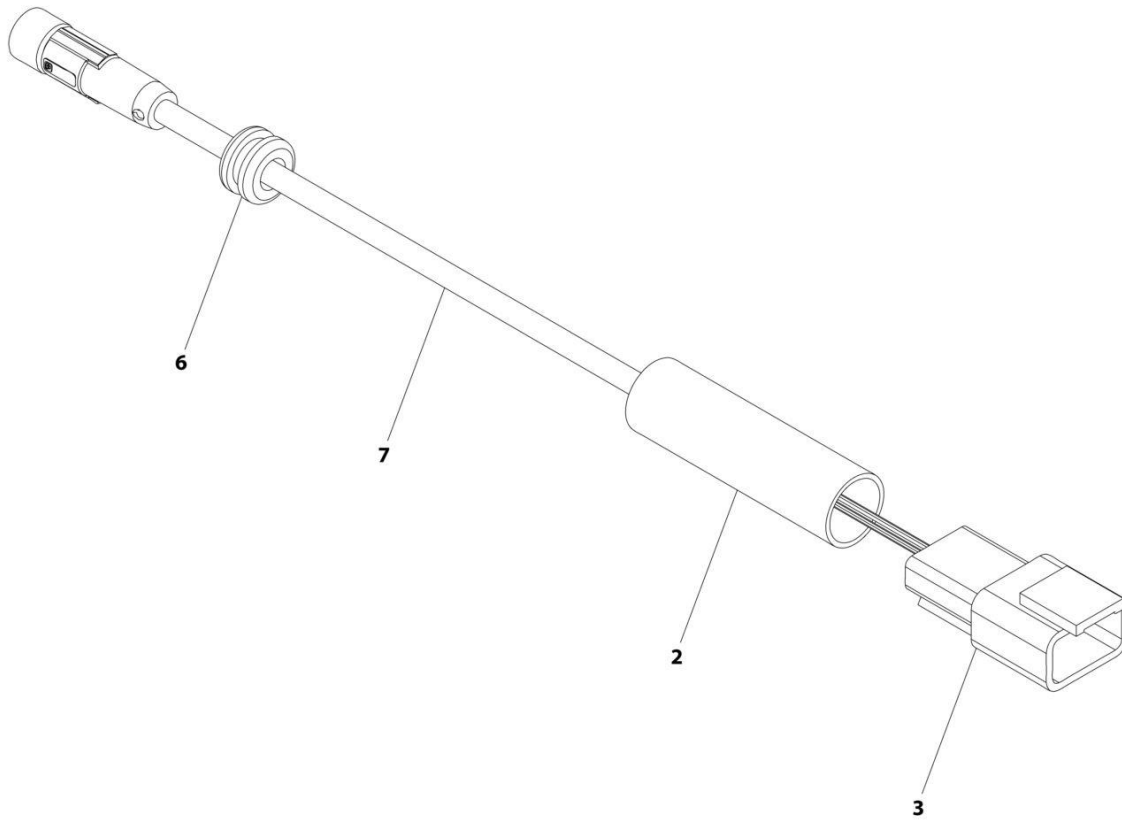
## SECTION 8 - ELECTRICAL

**FIGURE 8-64. RECEPTACLE/BREAKER BOX ASSEMBLY - 240V (7500W SKYPOWER GENERATORS)  
(ANSI, ANSI EXPORT AND CSA SPECS)**

| ITEM | PART NUMBER | QTY | DESCRIPTION                                       | REV |
|------|-------------|-----|---|-----|
|      | 1001159121  | Ref | AC BOX AT PLATFORM INSTALLATION - 240V RECEPTACLE | B   |
| 1    | 3910606     | 4   | Screw 6 x 3/8                                     |     |
| 2    | 3960422     | 1   | Gasket  |     |
| 3    | 4240018     | AR  | Tie-Strap (Not Shown)                             |     |
| 4    | 4460425     | 1   | Connector, Strain Relief                          |     |
| 5    | 4460958     | 1   | Receptacle  |     |
| 7    | 1001110872  | 1   | Cover, Receptacle                                 |     |
| 8    | 1001159120  | 1   | Receptacle/Breaker Box Assembly                   |     |
| 8    | 1001148675  | 1   | Box, Receptacle                                   |     |
| 8    | 1001159118  | 1   | Breaker Box Assembly                              |     |
| 8    | 4460612     | 1   | Connector, Strain Relief                          |     |
| 8    | 1001159119  | 1   | Connector (Between Boxes)                         |     |
| 9    | 1705374     | 1   | Decal - 240V/60Hz                                 |     |

# SECTION 8 - ELECTRICAL

## FIGURE 8-65. SKYEYE EMITTER HARNESS



ART\_1001237864

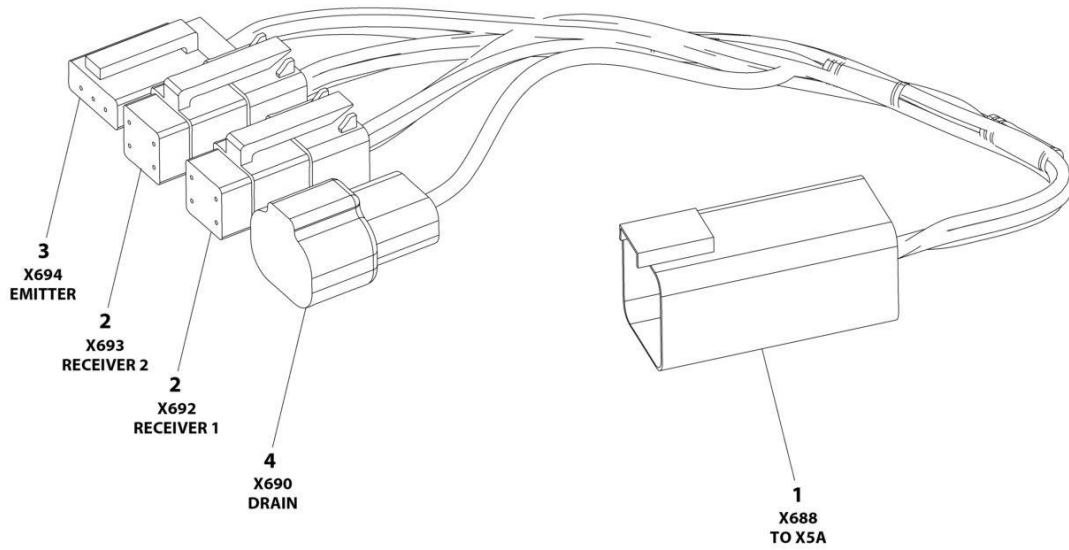
## SECTION 8 - ELECTRICAL

### FIGURE 8-65. SKYEYE EMITTER HARNESS

| ITEM | PART NUMBER | QTY | DESCRIPTION              | REV |
|------|-------------|-----|--------------------------|-----|
|      | 1001237864  | Ref | SKYEYE EMITTER HARNESS   | A   |
| 2    | 2820247     | AR  | Tubing, Heat Shrink      |     |
| 3    | 4460910     | 1   | Connector - 3 Position   |     |
| 3    | 1001119620  | 3   | Pin, Male                |     |
| 6    | 1001227996  | 1   | Grommet                  |     |
| 7    | 1001237862  | 1   | Cable, M8 Female Cordset |     |

# SECTION 8 - ELECTRICAL

## FIGURE 8-66. SKYEYE INTERMEDIATE HARNESS



ART\_1001237865

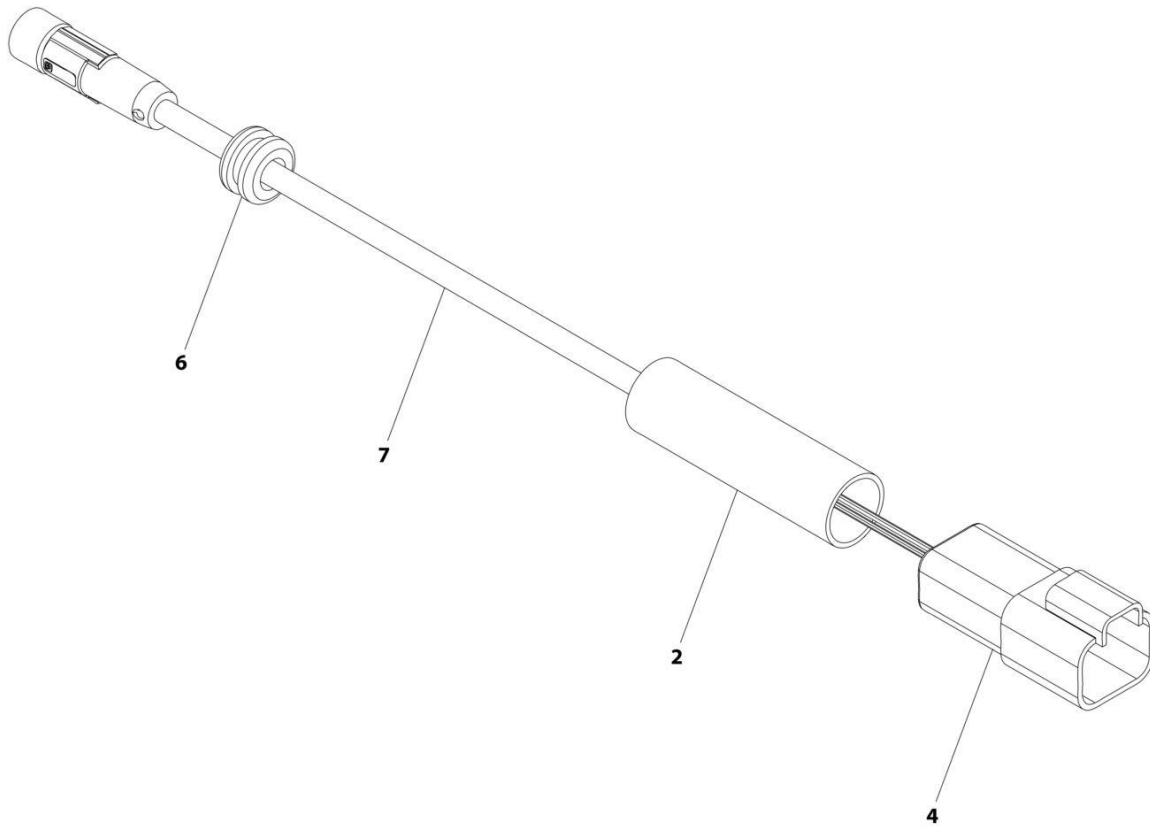
## SECTION 8 - ELECTRICAL

### FIGURE 8-66. SKYEYE INTERMEDIATE HARNESS

| ITEM | PART NUMBER | QTY | DESCRIPTION                 | REV |
|------|-------------|-----|-----------------------------|-----|
|      | 1001237865  | Ref | SKYEYE INTERMEDIATE HARNESS | A   |
| 1    | 4460899     | 1   | Connector - 6 Position      |     |
| 1    | 4460943     | 4   | Pin, Male                   |     |
| 1    | 4460466     | 2   | Plug, Terminal              |     |
| 2    | 4461077     | 2   | Connector - 4 Position      |     |
| 2    | 1001119619  | 8   | Socket, Female              |     |
| 3    | 4460911     | 1   | Connector - 3 Position      |     |
| 3    | 1001119619  | 3   | Socket, Female              |     |
| 4    | 1001187681  | 1   | Connector - 2 Position      |     |
| 4    | 4460941     | 1   | Pin, Male                   |     |
| 4    | 4460466     | 1   | Plug, Terminal              |     |

# SECTION 8 - ELECTRICAL

## FIGURE 8-67. SKYEYE RECEIVER HARNESS



ART\_1001237863

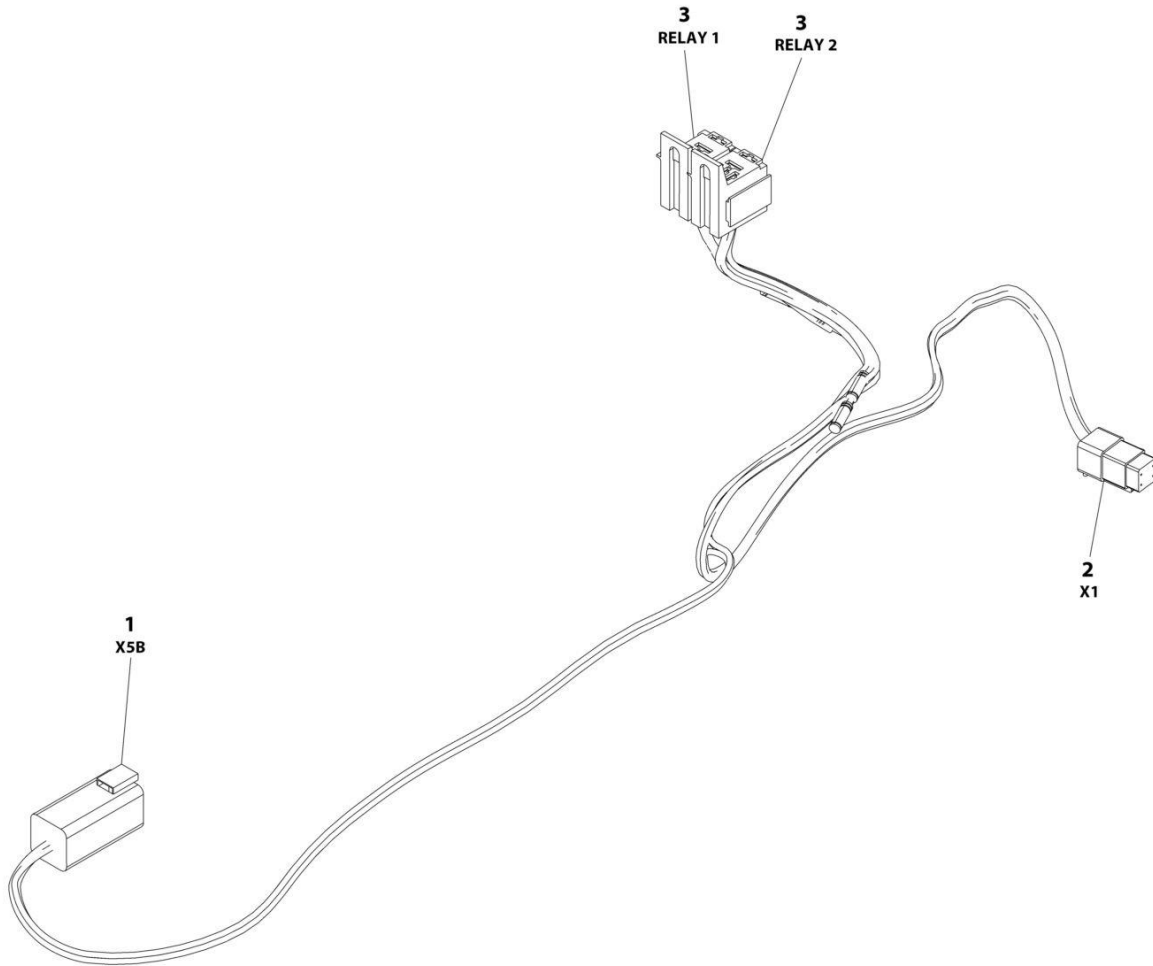
## SECTION 8 - ELECTRICAL

### FIGURE 8-67. SKYEYE RECEIVER HARNESS

| ITEM | PART NUMBER | QTY | DESCRIPTION              | REV |
|------|-------------|-----|--------------------------|-----|
|      | 1001237863  | Ref | SKYEYE RECEIVER HARNESS  | A   |
| 2    | 2820247     | AR  | Tubing, Heat Shrink      |     |
| 4    | 1001097051  | 1   | Connector - 4 Position   |     |
| 4    | 1001119620  | 4   | Pin, Male                |     |
| 6    | 1001227996  | 1   | Grommet                  |     |
| 7    | 1001237862  | 1   | Cable, M8 Female Cordset |     |

# SECTION 8 - ELECTRICAL

## FIGURE 8-68. SKYLINE HARNESS



ART\_1001238418



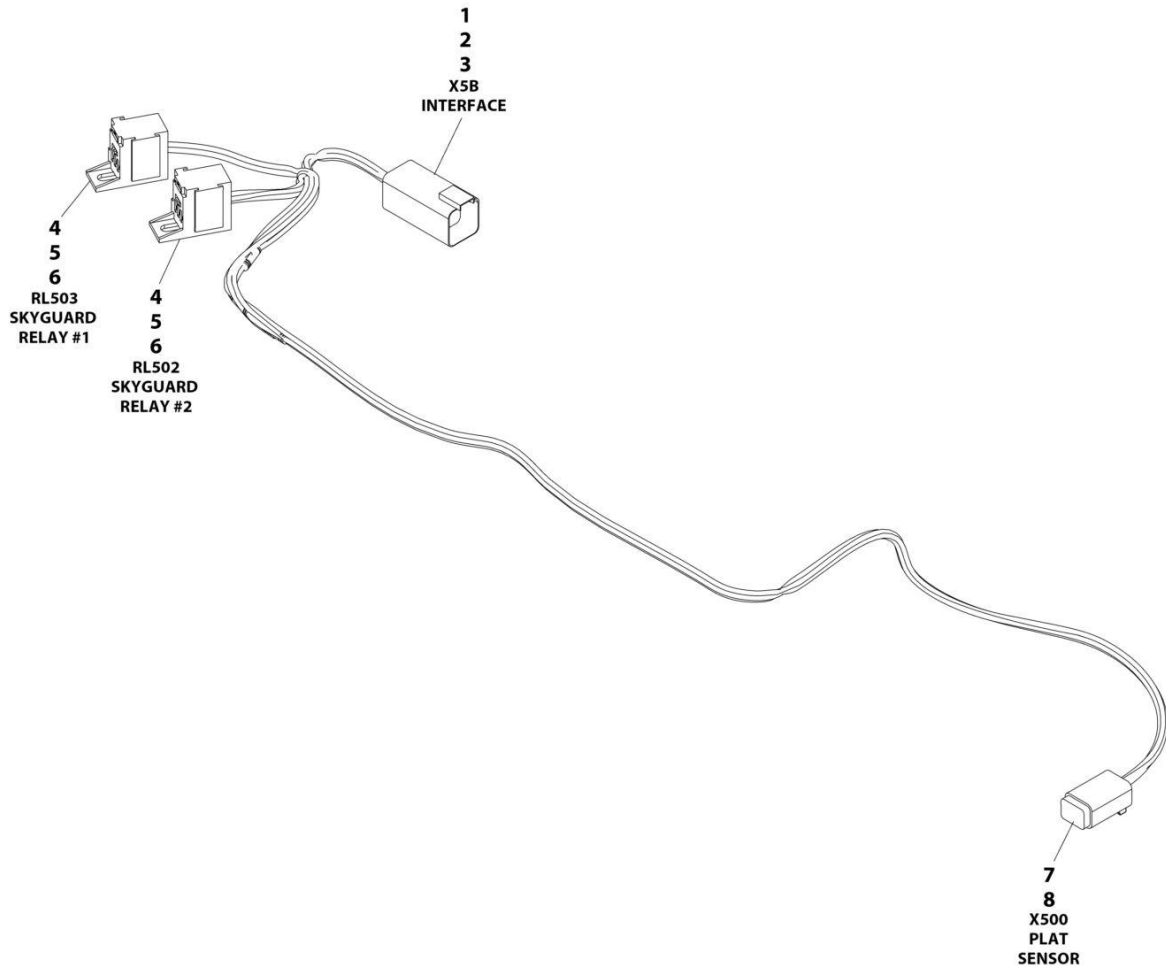
## SECTION 8 - ELECTRICAL

### FIGURE 8-68. SKYLINE HARNESS

| ITEM | PART NUMBER | QTY | DESCRIPTION            | REV |
|------|-------------|-----|------------------------|-----|
|      | 1001238418  | Ref | SKYLINE HARNESS        | B   |
| 1    | 4460899     | 1   | Connector - 6 Position |     |
| 1    | 4460464     | 4   | Pin, Male              |     |
| 1    | 4460466     | 2   | Plug, Terminal         |     |
| 2    | 4461077     | 1   | Connector - 4 Position |     |
| 2    | 1001126009  | 4   | Socket, Female         |     |
| 3    | 1001186432  | 2   | Plug, Relay            |     |
| 3    | 1001118388  | 5   | Terminal               |     |
| 3    | 1001118384  | 3   | Terminal               |     |
| 3    | 3740086     | 2   | Relay                  |     |

# SECTION 8 - ELECTRICAL

## FIGURE 8-69. SKYGUARD INTERFACE HARNESS



ART\_1001225580\_E

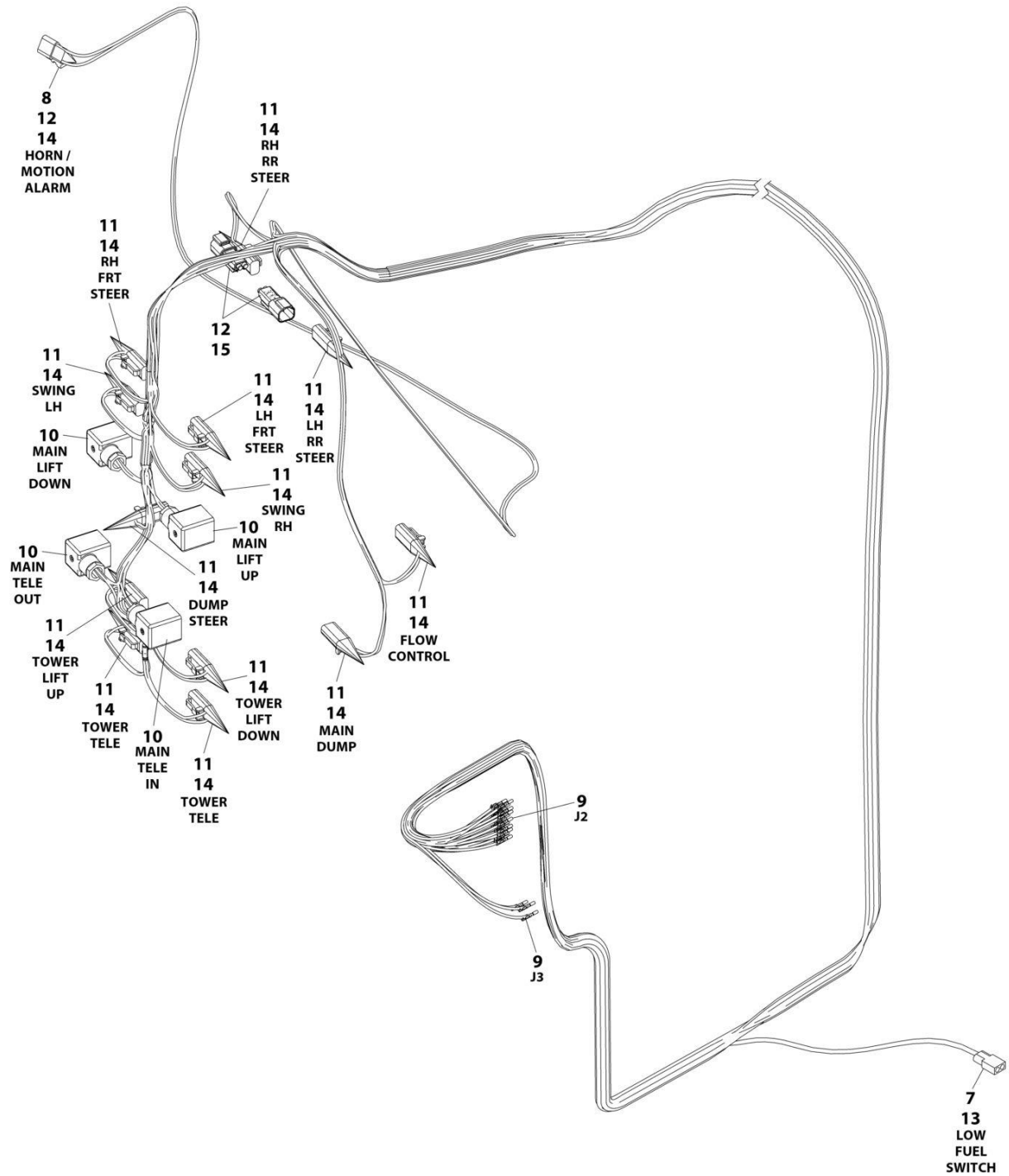
## SECTION 8 - ELECTRICAL

### FIGURE 8-69. SKYGUARD INTERFACE HARNESS

| ITEM | PART NUMBER | QTY | DESCRIPTION                                  | REV |
|------|-------------|-----|--|-----|
|      | 1001225580  | Ref | PLATFORM INTERFACE HARNESS - WITH 1 CELL LSS | E   |
| 1    | 4460899     | 1   | Connector                                    |     |
| 2    | 4460464     | 4   | Terminal                                     |     |
| 3    | 4460466     | 2   | Plug   |     |
| 4    | 1001186432  | 2   | Connector                                    |     |
| 5    | 1001253375  | 4   | Terminal                                     |     |
| 6    | 1001104519  | 4   | Terminal                                     |     |
| 7    | 4460884     | 1   | Connector                                    |     |
| 8    | 4460465     | 4   | Terminal                                     |     |

# SECTION 8 - ELECTRICAL

## FIGURE 8-70. VALVE HARNESS



ART\_1001170808\_G

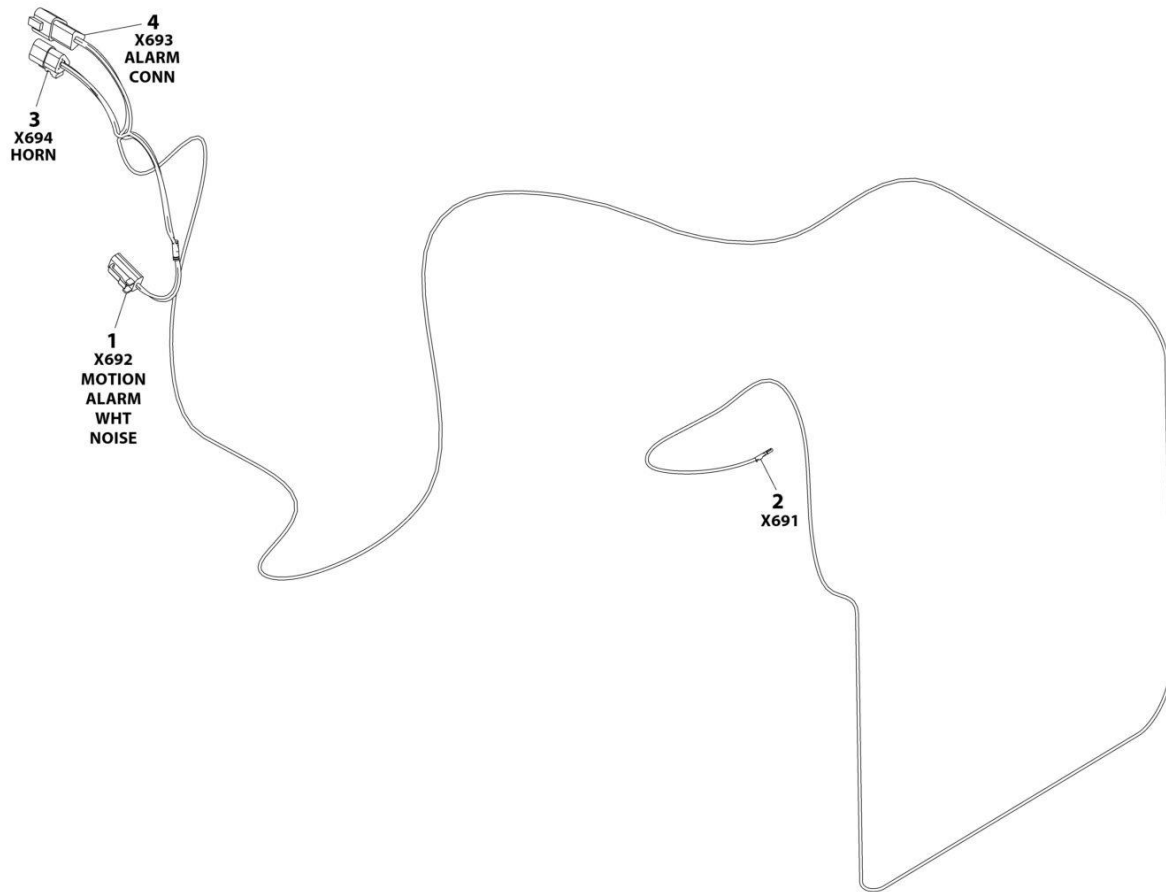
## SECTION 8 - ELECTRICAL

### FIGURE 8-70. VALVE HARNESS

| ITEM | PART NUMBER | QTY | DESCRIPTION                     | REV |
|------|-------------|-----|---------------------------------|-----|
|      | 1001170808  | Ref | VALVE HARNESS                   | G   |
| 7    | 4460268     | 2   | Socket, Female                  |     |
| 8    | 4460539     | 1   | Plug, Male - 3 Position         |     |
| 9    | 4460871     | 27  | Socket, Female                  |     |
| 10   | 1001263923  | 4   | Connector, Din                  |     |
| 11   | 4460891     | 13  | Plug, Male - 2 Position         |     |
| 12   | 4460466     | 5   | Plug, Terminal                  |     |
| 13   | 4460424     | 1   | Receptacle, Female - 2 Position |     |
| 14   | 4460465     | 28  | Socket, Female                  |     |
| 15   | 4460897     | 2   | Receptacle, Female - 2 Position |     |

# SECTION 8 - ELECTRICAL

## FIGURE 8-71. WHITE NOISE ALARM HARNESS



ART\_1001243682

## SECTION 8 - ELECTRICAL

### FIGURE 8-71. WHITE NOISE ALARM HARNESS

| ITEM | PART NUMBER | QTY | DESCRIPTION                    | REV |
|------|-------------|-----|--------------------------------|-----|
|      | 1001243682  | Ref | WHITE NOISE ALARM HARNESS      | A   |
| 1    | 4460891     | 1   | Plug, Male - 2 Position        |     |
| 1    | 4460465     | 2   | Socket, Female                 |     |
| 2    | 4460871     | 1   | Terminal                       |     |
| 3    | 4460539     | 1   | Plug, Male- 3 Position         |     |
| 3    | 4460465     | 3   | Socket, Female                 |     |
| 4    | 4460536     | 1   | Receptacle, Female- 3 Position |     |
| 4    | 4460464     | 3   | Pin, Male                      |     |

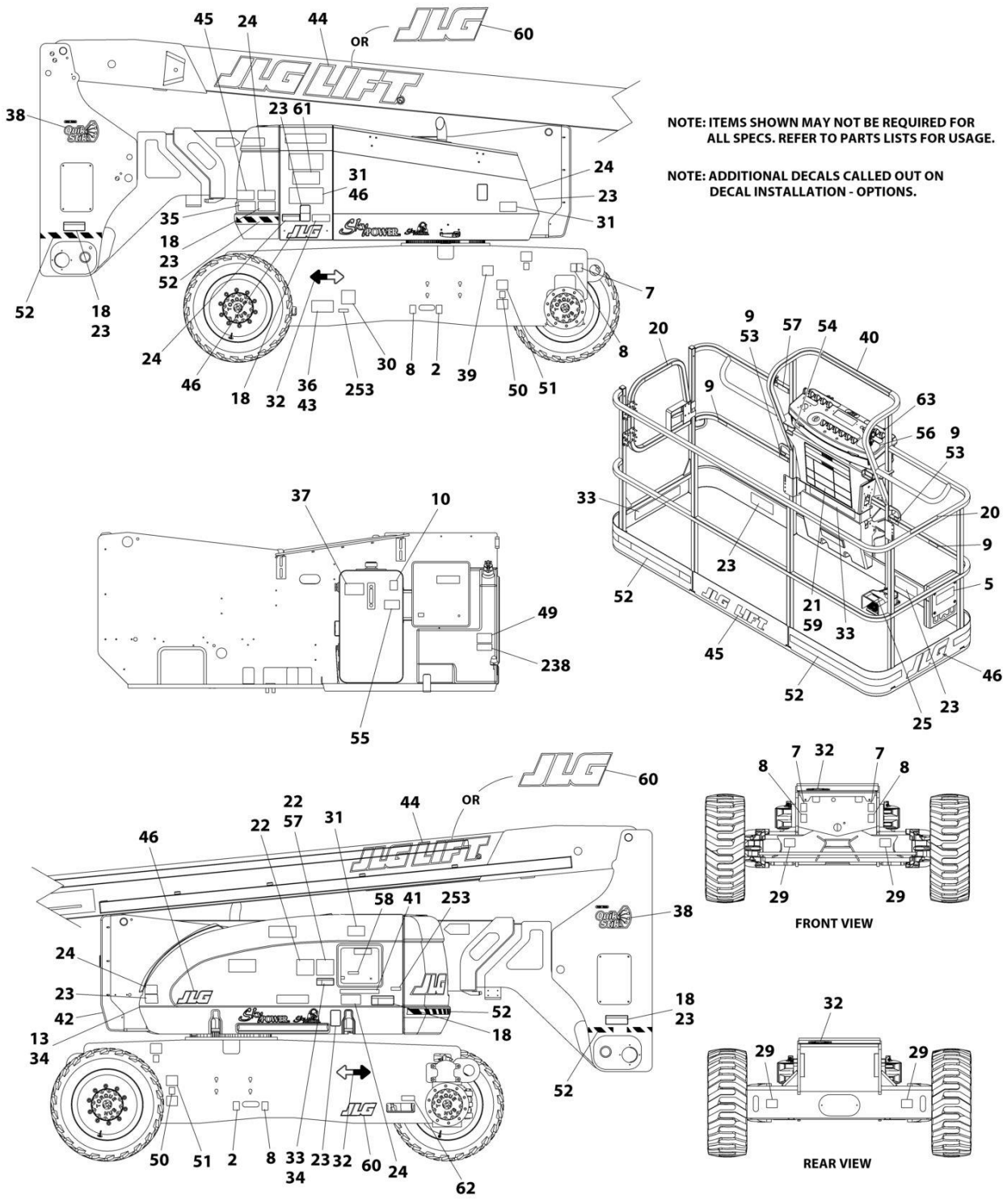




**SECTION 9 - DECALS**

# SECTION 9 - DECALS

## FIGURE 9-1. DECAL INSTALLATION - ANSI SPECS



ART\_1001244620

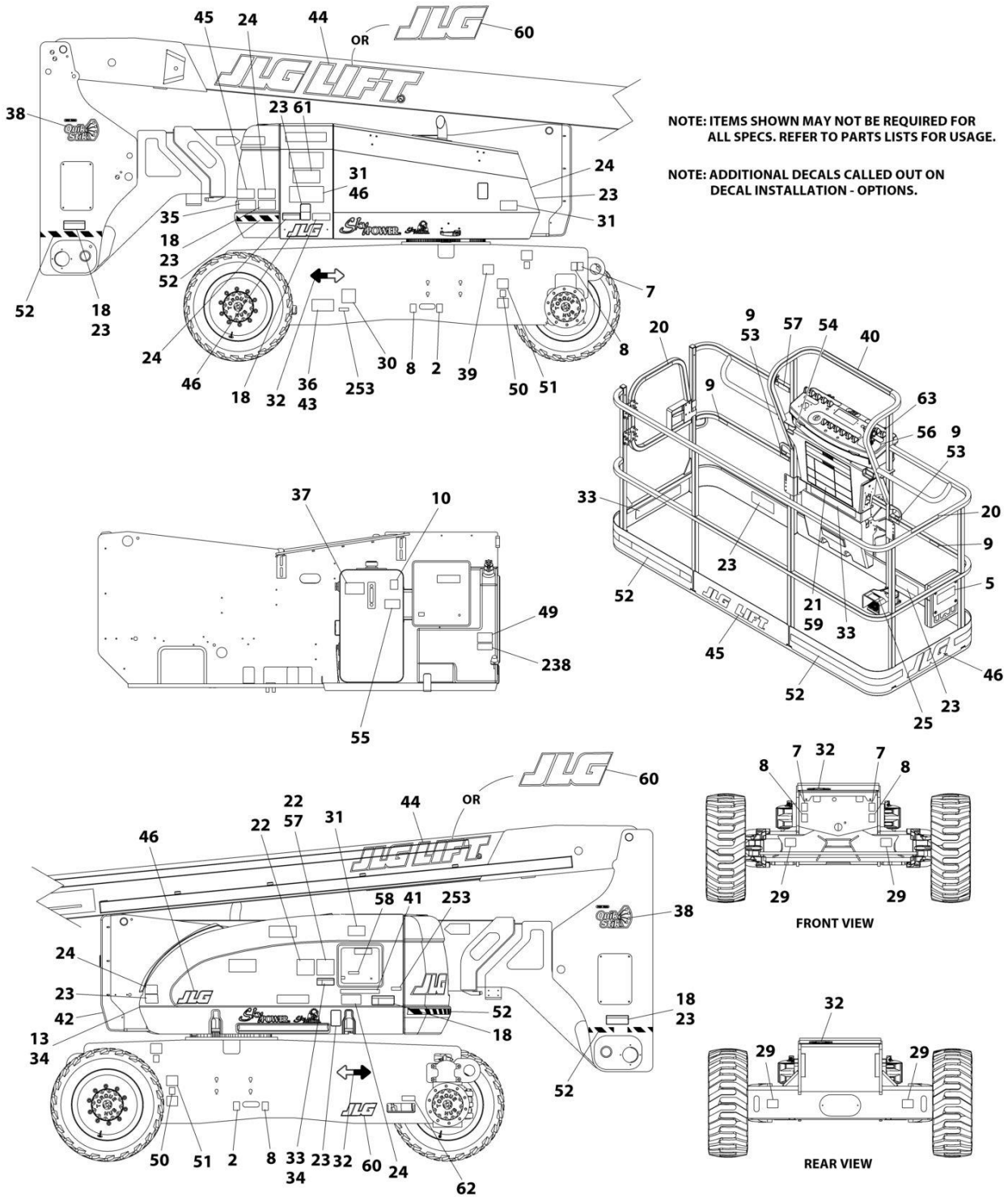
## SECTION 9 - DECALS

### FIGURE 9-1. DECAL INSTALLATION - ANSI SPECS

| ITEM | PART NUMBER | QTY              | DESCRIPTION   | REV |
|------|-------------|------------------|---|-----|
|      | 1001244620  | Ref              | DECAL INSTALLATION (ENGLISH LANGUAGE)               | F   |
| 2    | 1701499     | 2                | Decal - No Lifting                                  |     |
| 5    | 1701509     | 1                | Decal - Manual                                      |     |
| 7    | 1703811     | 4                | Decal - Lifting Lug                                 |     |
| 8    | 1703814     | 6                | Decal - Tie Down                                    |     |
| 9    | 1704277     | 3                | Decal - Lanyard Attach Graphic                      |     |
| 10   | 1704412     | 1                | Decal - Hydraulic Oil Chart                         |     |
| 13   | 3251243     | 1                | Nameplate - 120V-60Hz                               |     |
| 18   | 1703953     | 5                | Decal - Warning Crushing                            |     |
| 20   | 1702868     | 2                | Decal - No Hands                                    |     |
| 21   | 1703797     | 1                | Decal - Warning/Danger                              |     |
| 22   | 1705336     | 1                | Decal - Warning Inspection                          |     |
| 23   | 1703804     | 4                | Decal - Warning Crushing                            |     |
| 24   | 1703805     | 5                | Decal - Danger Electrocution                        |     |
| 25   | 3252347     | 1                | Decal - Footswitch                                  |     |
| 29   | 1703960     | 4                | Decal - Maximum Tire Load                           |     |
| 30   | See Note    | NSS              | Decal - Bar Code (Note: Not Available for Purchase) |     |
| 31   | 1703773     | 2                | Decal - 800AJ ( <b>Prior to SN 0300280293</b> )     |     |
| 31   | 1001267312  | 2                | Decal - 800AJ ( <b>SN 0300280293 to Present</b> )   |     |
| 32   | 1701501     | 4                | Decal - Arrow                                       |     |
| 33   | 1001253920  | 1                | Decal - Warning Maximum Capacity                    |     |
| 34   | 1001253921  | 1                | Decal - Warning Maximum Capacity                    |     |
| 37   | 1001096141  | 1                | Decal - Upright Level Override                      |     |
| 38   | 1703959     | 2                | Decal - Quick Stick                                 |     |
| 39   | 1001131269  | 1                | Decal - Patent                                      |     |
| 43   | 3820001     | 2                | Rivet   |     |
| 52   | 4420051     | 23.5<br>ft/7.16m | Tape, Safety  |     |
| 56   | 1705351     | 1                | Decal - Drive/Steer Instructions                    |     |
| 60   | 1001223055  | 1                | Decal - Yearly Inspection                           |     |
| 61   | 1001284686  | 1                | Decal - Lift Diagram                                |     |
| 62   | 1001223453  | 1                | Decal - ICES  |     |
| 63   | 1001184618  | 1                | Decal - Stop & Auxiliary Power                      |     |

# SECTION 9 - DECALS

## FIGURE 9-2. DECAL INSTALLATION - AUSTRALIAN SPECS



ART\_1001244636

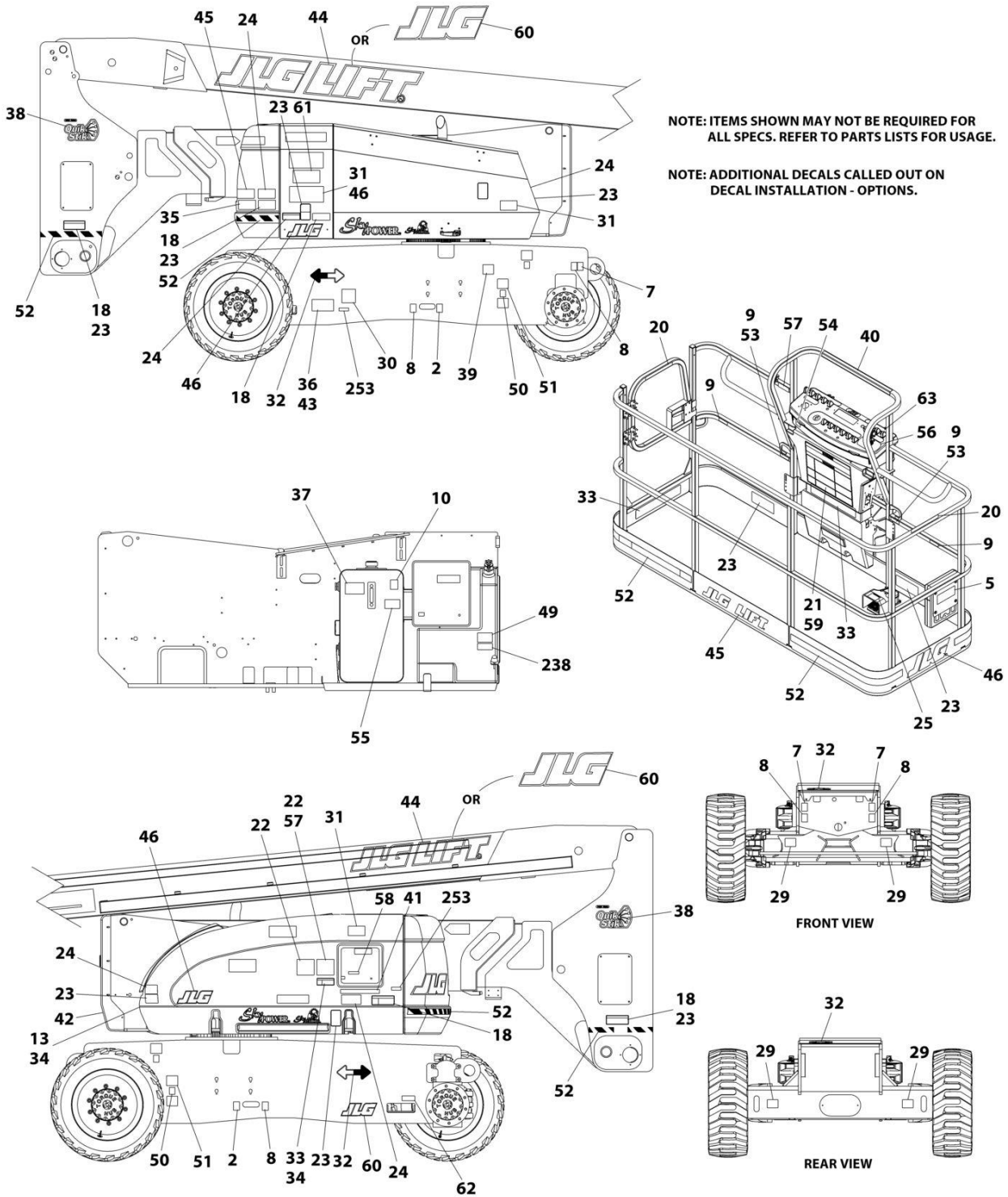
## SECTION 9 - DECALS

**FIGURE 9-2. DECAL INSTALLATION - AUSTRALIAN SPECS**

| ITEM | PART NUMBER | QTY               | DESCRIPTION   | REV |
|------|-------------|-------------------|---|-----|
|      | 1001244636  | Ref               | DECALS INSTALLATION (ENGLISH LANGUAGE)              | F   |
| 2    | 1701499     | 2                 | Decal - No Lifting                                  |     |
| 5    | 1701509     | 1                 | Decal - Manual                                      |     |
| 7    | 1703811     | 4                 | Decal - Lifting Lug                                 |     |
| 8    | 1703814     | 6                 | Decal - Tie Down                                    |     |
| 9    | 1704277     | 3                 | Decal - Lanyard Attach Graphic                      |     |
| 10   | 1704412     | 1                 | Decal - Hydraulic Oil Chart                         |     |
| 21   | 1705921     | 1                 | Decal - Tipping/Electrocution                       |     |
| 22   | 1705822     | 1                 | Decal - Electrical/ Safety Manual                   |     |
| 23   | 1701518     | 9                 | Decal - Warning Crushing                            |     |
| 24   | 1705961     | 5                 | Decal - Danger Electrocution                        |     |
| 25   | 1705828     | 1                 | Decal - Footswitch                                  |     |
| 29   | 1703960     | 4                 | Decal - Maximum Tire Load                           |     |
| 30   | See Note    | NSS               | Decal - Bar Code (Note: Not Available for Purchase) |     |
| 31   | 1703773     | 2                 | Decal - 800AJ ( <b>Prior to SN 0300280293</b> )     |     |
| 31   | 1001267312  | 2                 | Decal - 800AJ ( <b>SN 0300280293 to Present</b> )   |     |
| 32   | 1701501     | 4                 | Decal - Arrow                                       |     |
| 33   | 1705978     | 2                 | Decal - Capacity                                    |     |
| 37   | 1705977     | 1                 | Decal - Upright Level Override                      |     |
| 38   | 1703959     | 2                 | Decal - Quick Stick                                 |     |
| 43   | 3820001     | 2                 | Rivet   |     |
| 52   | 4420051     | 23.1 ft/<br>7.04m | Tape, Safety  |     |
| 57   | 1001112551  | 1                 | Decal - Emergency Controls                          |     |
| 61   | 1001284686  | 1                 | Decal - Lift Diagram                                |     |
| 63   | 1001184618  | 1                 | Decal - Stop & Auxiliary Power                      |     |

# SECTION 9 - DECALS

## FIGURE 9-3. DECAL INSTALLATION - BRAZILIAN SPECS



NOTE: ITEMS SHOWN MAY NOT BE REQUIRED FOR ALL SPECS. REFER TO PARTS LISTS FOR USAGE.

NOTE: ADDITIONAL DECALS CALLED OUT ON DECAL INSTALLATION - OPTIONS.

ART\_1001244628

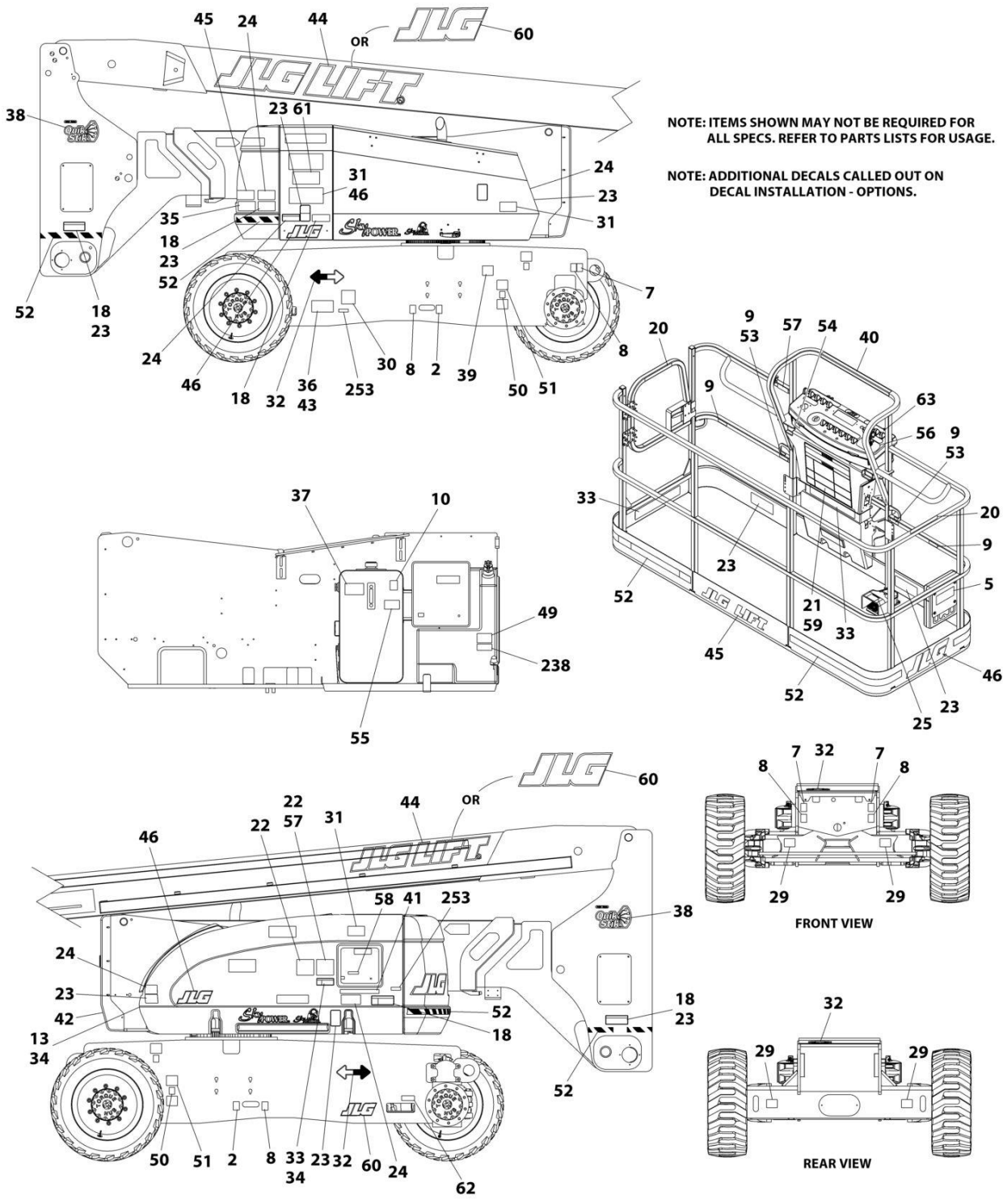
## SECTION 9 - DECALS

**FIGURE 9-3. DECAL INSTALLATION - BRAZILIAN SPECS**

| ITEM | PART NUMBER | QTY              | DESCRIPTION   | REV |
|------|-------------|------------------|---|-----|
|      | 1001244628  | Ref              | DECAL INSTALLTION (ENGLISH/PORTUGUESE LANGUAGE)     | G   |
| 2    | 1701499     | 2                | Decal - No Lifting                                  |     |
| 5    | 1701509     | 1                | Decal - Manual                                      |     |
| 7    | 1703811     | 4                | Decal - Lifting Lug                                 |     |
| 8    | 1703814     | 6                | Decal - Tie Down                                    |     |
| 9    | 1704277     | 3                | Decal - Lanyard Attach Graphic                      |     |
| 10   | 1704412     | 1                | Decal - Hydraulic Oil Chart                         |     |
| 13   | 3251243     | 1                | Nameplate - 120V-60Hz                               |     |
| 18   | 1705903     | 5                | Decal - Warning Crushing                            |     |
| 20   | 1705967     | 2                | Decal - No Hands                                    |     |
| 21   | 1705895     | 1                | Decal - Warning/Danger                              |     |
| 22   | 1705896     | 1                | Decal - Warning Inspection                          |     |
| 23   | 1705898     | 4                | Decal - Warning Crushing                            |     |
| 24   | 1705897     | 5                | Decal - Danger Electrocution                        |     |
| 25   | 1705902     | 1                | Decal - Footswitch                                  |     |
| 29   | 1703960     | 4                | Decal - Maximum Tire Load                           |     |
| 30   | See Note    | NSS              | Decal - Bar Code (Note: Not Available for Purchase) |     |
| 31   | 1703773     | 2                | Decal - 800AJ ( <b>Prior to SN 0300280293</b> )     |     |
| 31   | 1001267312  | 2                | Decal - 800AJ ( <b>SN 0300280293 to Present</b> )   |     |
| 32   | 1701501     | 4                | Decal - Arrow                                       |     |
| 33   | 1001253936  | 1                | Decal - Warning Dual Capacity                       |     |
| 34   | 1001253937  | 1                | Decal - Warning Dual Capacity                       |     |
| 37   | 1705977     | 1                | Decal - Upright Level Override                      |     |
| 38   | 1703959     | 2                | Decal - Quick Stick                                 |     |
| 43   | 3820001     | 2                | Rivet   |     |
| 52   | 4420051     | 23.5<br>ft/7.16m | Tape, Safety  |     |
| 56   | 1705905     | 1                | Decal - Drive/Steer Instructions                    |     |
| 60   | 1001224052  | 1                | Decal - Yearly Inspection (LAT.POR/LAT.SPA.)        |     |
| 60   | 1001267885  | 1                | Decal - Yearly Inspection (ENG/LAT.POR)             |     |
| 61   | 1001284686  | 1                | Decal - Lift Diagram                                |     |
| 63   | 1001184618  | 1                | Decal - Stop and Auxiliary Power                    |     |

# SECTION 9 - DECALS

## FIGURE 9-4. DECAL INSTALLATION - CE & UK CA SPECS



NOTE: ITEMS SHOWN MAY NOT BE REQUIRED FOR ALL SPECS. REFER TO PARTS LISTS FOR USAGE.

NOTE: ADDITIONAL DECALS CALLED OUT ON DECAL INSTALLATION - OPTIONS.

ART\_1001244632



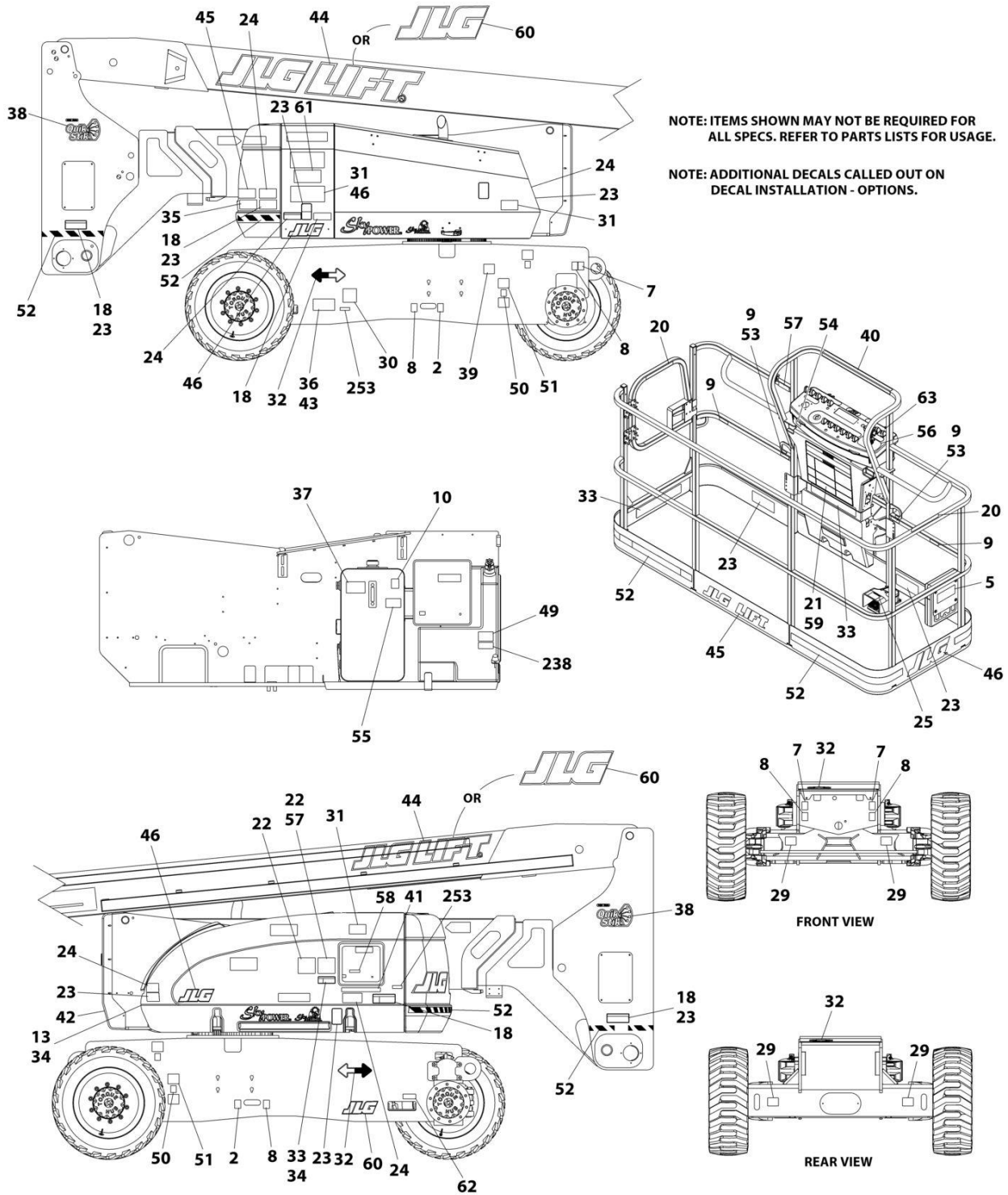
## SECTION 9 - DECALS

**FIGURE 9-4. DECAL INSTALLATION - CE & UK CA SPECS**

| ITEM | PART NUMBER | QTY               | DESCRIPTION   | REV |
|------|-------------|-------------------|---|-----|
|      | 1001244632  | Ref               | DECALS INSTALLATION (ENGLISH LANGUAGE)              | F   |
| 2    | 1701499     | 2                 | Decal - No Lifting                                  |     |
| 5    | 1701509     | 1                 | Decal - Manual                                      |     |
| 7    | 1703811     | 4                 | Decal - Lifting Lug                                 |     |
| 8    | 1703814     | 6                 | Decal - Tie Down                                    |     |
| 9    | 1704277     | 3                 | Decal - Lanyard Attach Graphic                      |     |
| 10   | 1704412     | 1                 | Decal - Hydraulic Oil Chart                         |     |
| 21   | 1705921     | 1                 | Decal - Tipping Electrocution                       |     |
| 22   | 1705822     | 1                 | Decal - Electrical/Safety Manual                    |     |
| 23   | 1701518     | 9                 | Decal - Warning Crushing                            |     |
| 24   | 1705961     | 5                 | Decal - Danger Electrocution                        |     |
| 25   | 1705828     | 1                 | Nmaeplate - Footswitch                              |     |
| 29   | 1703960     | 4                 | Decal - Maximum Tire Load                           |     |
| 30   | See Note    | NSS               | Decal - Bar Code (Note: Not Available for Purchase) |     |
| 31   | 1703773     | 2                 | Decal - 800AJ <b>(Prior to SN 0300280293)</b>       |     |
| 31   | 1001267312  | 2                 | Decal - 800AJ <b>(SN 0300280293 to Present)</b>     |     |
| 32   | 1701501     | 4                 | Decal - Arrow                                       |     |
| 33   | 1705978     | 2                 | Decal - Capacity                                    |     |
| 37   | 1705977     | 1                 | Decal - Upright Level Override                      |     |
| 38   | 1703959     | 2                 | Decal - Quick Stick                                 |     |
| 43   | 3820001     | 2                 | Rivet   |     |
| 46   | 1702773     | 3                 | Decal - JLG   |     |
| 52   | 4420051     | 23.1 ft/<br>7.04m | Tape, Safety  |     |
| 60   | 1001159323  | 2                 | Decal - JLG   |     |
| 61   | 1001284686  | 1                 | Decal - Lift Diagram                                |     |
| 63   | 1001184618  | 1                 | Decal - Stop and Auxiliary Power                    |     |

# SECTION 9 - DECALS

## FIGURE 9-5. DECAL INSTALLATION - CHINESE SPECS



ART\_1001244624

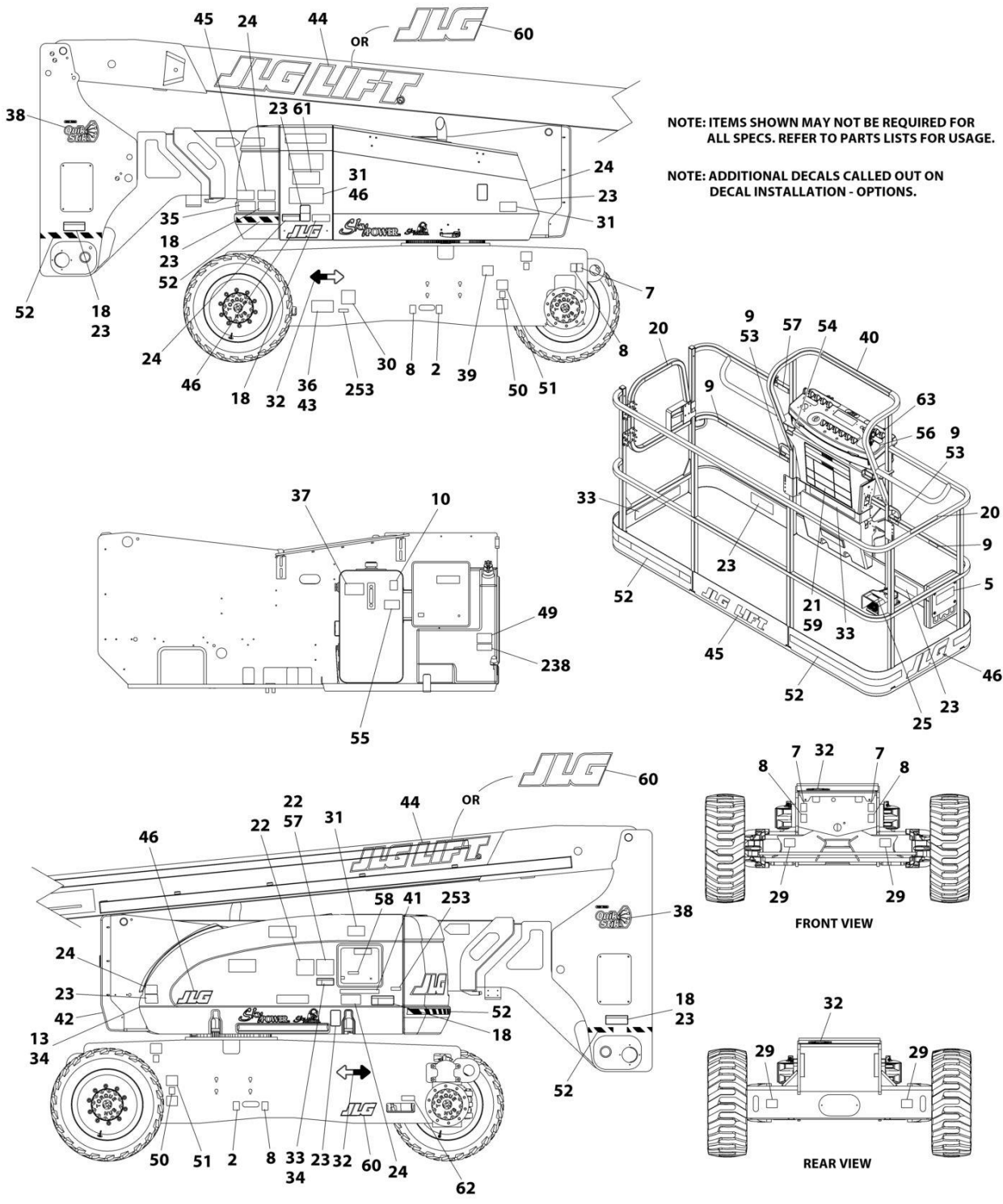
## SECTION 9 - DECALS

### FIGURE 9-5. DECAL INSTALLATION - CHINESE SPECS

| ITEM | PART NUMBER | QTY               | DESCRIPTION   | REV |
|------|-------------|-------------------|---|-----|
|      | 1001244624  | Ref               | DECALS INSTALLATION (ENGLISH/CHINESE LANGUAGE)      | G   |
| 2    | 1701499     | 2                 | Decal - No Lifting                                  |     |
| 5    | 1701509     | 1                 | Decal - Manual                                      |     |
| 7    | 1703811     | 4                 | Decal - Lifting Lug                                 |     |
| 8    | 1703814     | 6                 | Decal - Tie Down                                    |     |
| 9    | 1704277     | 3                 | Decal - Lanyard Attach Graphic                      |     |
| 10   | 1704412     | 1                 | Decal - Hydraulic Oil Chart                         |     |
| 18   | 1703943     | 5                 | Decal - Warning Crushing                            |     |
| 20   | 1705968     | 2                 | Decal - No Hands                                    |     |
| 21   | 1703925     | 1                 | Decal - Warning/Danger                              |     |
| 22   | 1705348     | 1                 | Decal - Warning Inspection                          |     |
| 23   | 1703949     | 4                 | Decal - Warning Crushing                            |     |
| 24   | 1703937     | 5                 | Decal - Danger Electrocutation                      |     |
| 25   | 1703982     | 1                 | Decal - Footswitch                                  |     |
| 29   | 1703960     | 4                 | Decal - Maximum Tire Load                           |     |
| 30   | See Note    | NSS               | Decal - Bar Code (Note: Not Available for Purchase) |     |
| 31   | 1703773     | 2                 | Decal - 800AJ ( <b>Prior to SN 0300280293</b> )     |     |
| 31   | 1001267312  | 2                 | Decal - 800AJ ( <b>SN 0300280293 to Present</b> )   |     |
| 32   | 1701501     | 4                 | Decal - Arrow                                       |     |
| 33   | 1001253926  | 1                 | Decal - Warning Maximum Capacity                    |     |
| 34   | 1001253927  | 1                 | Decal - Warning Maximum Capacity                    |     |
| 37   | 1705977     | 1                 | Decal - Upright Level Override                      |     |
| 38   | 1703959     | 2                 | Decal - Quick Stick                                 |     |
| 43   | 3820001     | 2                 | Rivet   |     |
| 52   | 4420051     | 23.5 ft/<br>7.16m | Tape, Safety  |     |
| 56   | 1705430     | 1                 | Decal - Drive/Steer Instructions                    |     |
| 60   | 1001224050  | 1                 | Decal - Yearly Inspection                           |     |
| 61   | 1001284686  | 1                 | Decal - Lift Diagram                                |     |
| 63   | 1001184618  | 1                 | Decal - Stop & Auxiliary Power                      |     |

# SECTION 9 - DECALS

## FIGURE 9-6. DECAL INSTALLATION - CSA SPECS



ART\_1001244630

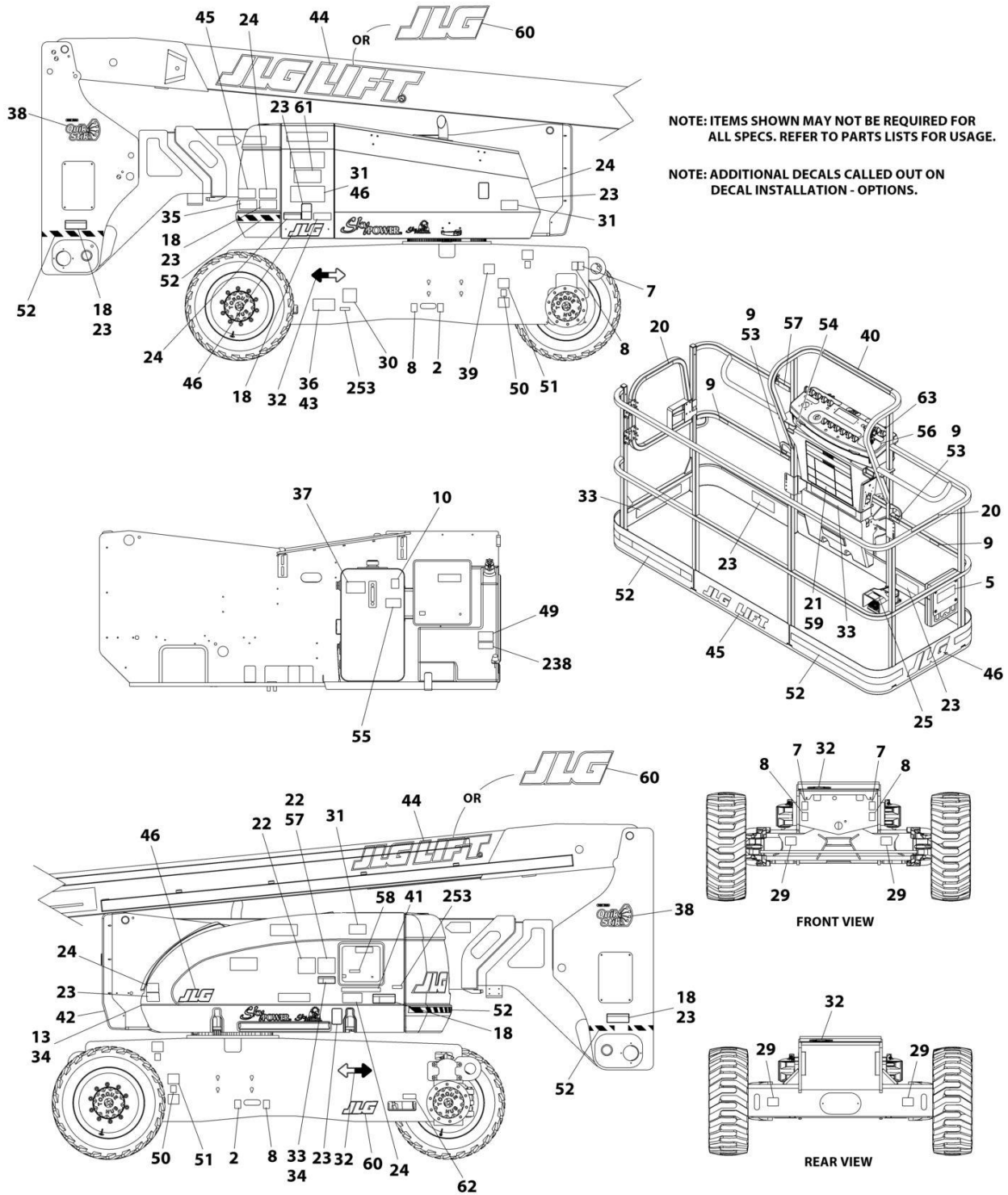
## SECTION 9 - DECALS

### FIGURE 9-6. DECAL INSTALLATION - CSA SPECS

| ITEM | PART NUMBER | QTY              | DESCRIPTION   | REV |
|------|-------------|------------------|---|-----|
|      | 1001244630  | Ref              | DECALS INSTALLATION (ENGLISH/FRENCH LANGUAGE)       | F   |
| 2    | 1701499     | 2                | Decal - No Lifting                                  |     |
| 5    | 1701509     | 1                | Decal - Manual                                      |     |
| 7    | 1703811     | 4                | Decal - Lifting Lug                                 |     |
| 8    | 1703814     | 6                | Decal - Tie Down                                    |     |
| 9    | 1704277     | 3                | Decal - Lanyard Attach Graphic                      |     |
| 10   | 1704412     | 1                | Decal - Hydraulic Oil Chart                         |     |
| 13   | 3251243     | 1                | Nameplate - 120V-60Hz                               |     |
| 18   | 1703942     | 5                | Decal - Warning Crushing                            |     |
| 20   | 1704000     | 2                | Decal - No Hands                                    |     |
| 21   | 1703924     | 1                | Decal - Warning/Danger                              |     |
| 22   | 1705347     | 1                | Decal - Warning Inspection                          |     |
| 23   | 1703948     | 4                | Decal - Warning Crushing                            |     |
| 24   | 1703936     | 5                | Decal - Danger Electrocution                        |     |
| 25   | 1703984     | 1                | Decal - Footswitch                                  |     |
| 29   | 1703960     | 4                | Decal - Maximum Tire Load                           |     |
| 30   | See Note    | NSS              | Decal - Bar Code (Note: Not Available for Purchase) |     |
| 31   | 1703773     | 2                | Decal - 800AJ <b>(Prior to SN 0300280293)</b>       |     |
| 31   | 1001267312  | 2                | Decal - 800AJ <b>(SN 0300280293 to Present)</b>     |     |
| 32   | 1701501     | 4                | Decal - Arrow                                       |     |
| 33   | 1001253922  | 1                | Decal - Warning Maximum Capacity                    |     |
| 34   | 1001253923  | 1                | Decal - Warning Maximum Capacity                    |     |
| 37   | 1705977     | 1                | Decal - Upright Level Override                      |     |
| 38   | 1703959     | 2                | Decal - Quick Stick                                 |     |
| 43   | 3820001     | 2                | Rivet   |     |
| 52   | 4420051     | 23.5<br>ft/7.16m | Tape, Safety  |     |
| 56   | 1705429     | 1                | Decal - Drive/Steer Instructions                    |     |
| 60   | 1001223971  | 1                | Decal - Yearly Inspection                           |     |
| 61   | 1001284686  | 1                | Decal - Lift Diagram                                |     |
| 62   | 1001223453  | 1                | Decal - ICES  |     |
| 63   | 1001184618  | 1                | Decal - Stop and Auxiliary Power                    |     |

# SECTION 9 - DECALS

## FIGURE 9-7. DECAL INSTALLATION - JAPANESE SPECS



ART\_1001244634

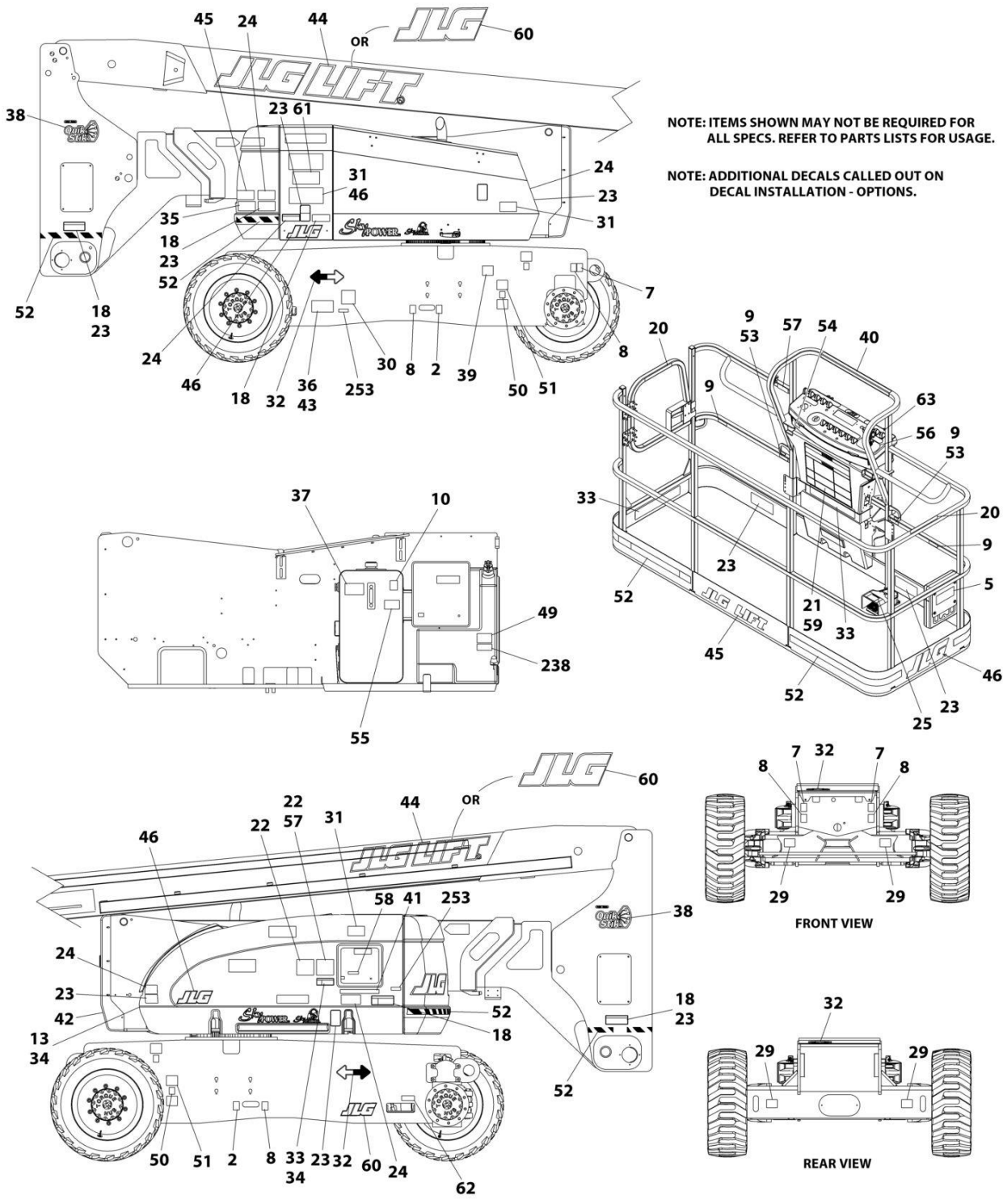
## SECTION 9 - DECALS

### FIGURE 9-7. DECAL INSTALLATION - JAPANESE SPECS

| ITEM | PART NUMBER | QTY              | DESCRIPTION   | REV |
|------|-------------|------------------|---|-----|
|      | 1001244634  | Ref              | DECALS INSTALLATION (ENGLISH/JAPANESE LANGUAGE)     | F   |
| 2    | 1701499     | 2                | Decal - No Lifting                                  |     |
| 5    | 1701509     | 1                | Decal - Manual                                      |     |
| 7    | 1703811     | 4                | Decal - Lifting Lug                                 |     |
| 8    | 1703814     | 6                | Decal - Tie Down                                    |     |
| 9    | 1704277     | 3                | Decal - Lanyard Attach Graphic                      |     |
| 10   | 1704412     | 1                | Decal - Hydraulic Oil Chart                         |     |
| 13   | 3251243     | 1                | Nameplate - 120V-60Hz                               |     |
| 18   | 1703944     | 5                | Decal - Warning Crushing                            |     |
| 21   | 1703926     | 1                | Decal - Warning/Danger                              |     |
| 22   | 1705344     | 1                | Decal - Warning Inspection                          |     |
| 23   | 1703950     | 4                | Decal - Warning Crushing                            |     |
| 24   | 1703938     | 5                | Decal - Danger Electrocutation                      |     |
| 25   | 1703980     | 1                | Decal - Footswitch                                  |     |
| 9    | 1703960     | 4                | Decal - Maximum Tire Load                           |     |
| 30   | See Note    | NSS              | Decal - Bar Code (Note: Not Available for Purchase) |     |
| 31   | 1703773     | 2                | Decal - 800AJ <b>(Prior to SN 0300280293)</b>       |     |
| 31   | 1001267312  | 2                | Decal - 800AJ <b>(SN 0300280293 to Present)</b>     |     |
| 32   | 1701501     | 4                | Decal - Arrow                                       |     |
| 33   | 1001253932  | 1                | Decal - Warning Maximum Capacity                    |     |
| 34   | 1001253933  | 1                | Decal - Warning Maximum Capacity                    |     |
| 37   | 1705977     | 1                | Decal - Upright Level Override                      |     |
| 38   | 1703959     | 2                | Decal - Quick Stick                                 |     |
| 43   | 3820001     | 2                | Rivet   |     |
| 52   | 4420051     | 23.5<br>ft/7.16m | Tape, Safety  |     |
| 56   | 1705426     | 1                | Decal - Drive/Steer Instructions                    |     |
| 60   | 1001224053  | 1                | Decal - Yearly Inspection                           |     |
| 61   | 1001284686  | 1                | Decal - Lift Diagram                                |     |
| 63   | 1001184618  | 1                | Decal - Stop and Auxiliary Power                    |     |

# SECTION 9 - DECALS

## FIGURE 9-8. DECAL INSTALLATION - KOREAN SPECS



ART\_1001244622



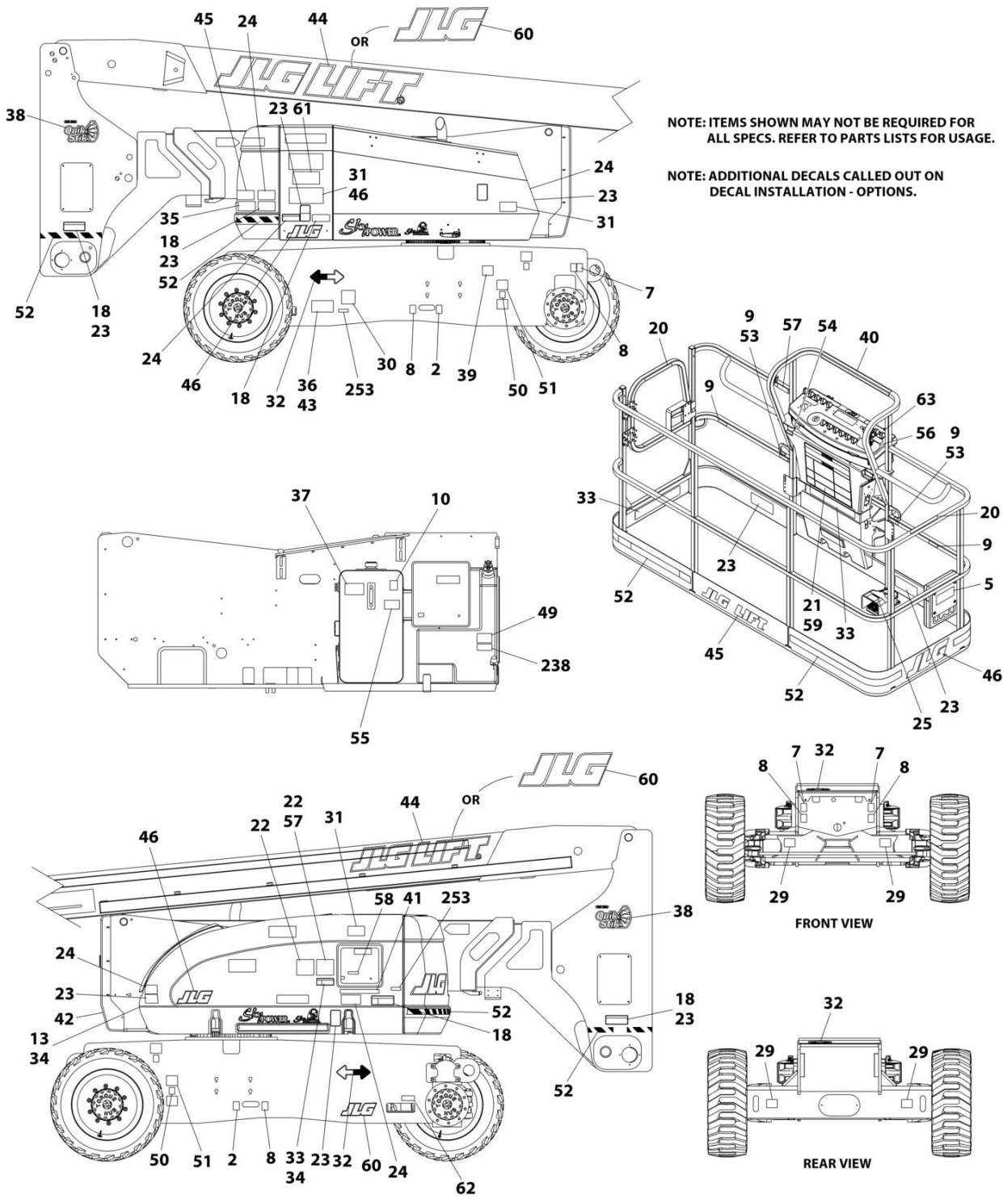
## SECTION 9 - DECALS

### FIGURE 9-8. DECAL INSTALLATION - KOREAN SPECS

| ITEM | PART NUMBER | QTY              | DESCRIPTION   | REV |
|------|-------------|------------------|---|-----|
|      | 1001244622  | Ref              | DECALS INSTALLATION (ENGLISH/KOREAN LANGUAGE)       | F   |
| 2    | 1701499     | 2                | Decal - No Lifting                                  |     |
| 5    | 1701509     | 1                | Decal - Manual                                      |     |
| 7    | 1703811     | 4                | Decal - Lifting Lug                                 |     |
| 8    | 1703814     | 6                | Decal - Tie Down                                    |     |
| 9    | 1704277     | 3                | Decal - Lanyard Attach Graphic                      |     |
| 10   | 1704412     | 1                | Decal - Hydraulic Oil Chart                         |     |
| 18   | 1703945     | 5                | Decal - Warning Crushing                            |     |
| 20   | 1705969     | 2                | Decal - No Hands                                    |     |
| 21   | 1703927     | 1                | Decal - Warning/Danger                              |     |
| 22   | 1705345     | 1                | Decal - Warning Inspection                          |     |
| 23   | 1703951     | 4                | Decal - Warning Crushing                            |     |
| 24   | 1703939     | 5                | Decal - Danger Electrocutation                      |     |
| 25   | 1703981     | 1                | Decal - Footswitch                                  |     |
| 29   | 1703960     | 4                | Decal - Maximum Tire Load                           |     |
| 30   | See Note    | NSS              | Decal - Bar Code (Note: Not Available for Purchase) |     |
| 31   | 1703773     | 2                | Decal - 800AJ <b>(Prior to SN 0300280293)</b>       |     |
| 31   | 1001267312  | 2                | Decal - 800AJ <b>(SN 0300280293 to Present)</b>     |     |
| 32   | 1701501     | 4                | Decal - Arrow                                       |     |
| 33   | 1001253924  | 1                | Decal - Warning Maximum Capacity                    |     |
| 34   | 1001253925  | 1                | Decal - Warning Maximum Capacity                    |     |
| 37   | 1705977     | 1                | Decal - Upright Level Override                      |     |
| 38   | 1703959     | 2                | Decal - Quick Stick                                 |     |
| 43   | 3820001     | 2                | Rivet   |     |
| 52   | 4420051     | 23.5<br>ft/7.16m | Tape, Safety  |     |
| 56   | 1705427     | 1                | Decal - Drive/Steer Instructions                    |     |
| 60   | 1001224048  | 1                | Decal - Yearly Inspection                           |     |
| 61   | 1001284686  | 1                | Decal - Lift Diagram                                |     |
| 63   | 1001184618  | 1                | Decal - Stop & Auxiliary Power                      |     |

# SECTION 9 - DECALS

## FIGURE 9-9. DECAL INSTALLATION - LATIN AMERICAN SPECS



ART\_1001244626

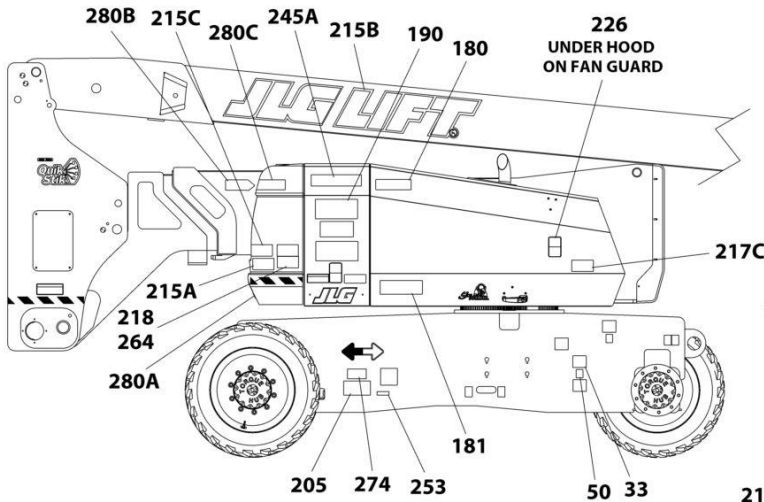
## SECTION 9 - DECALS

### FIGURE 9-9. DECAL INSTALLATION - LATIN AMERICAN SPECS

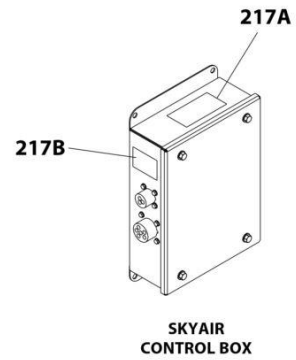
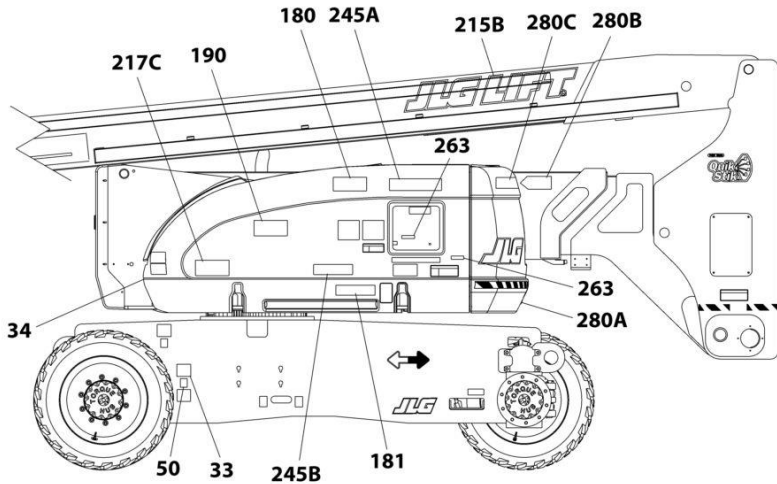
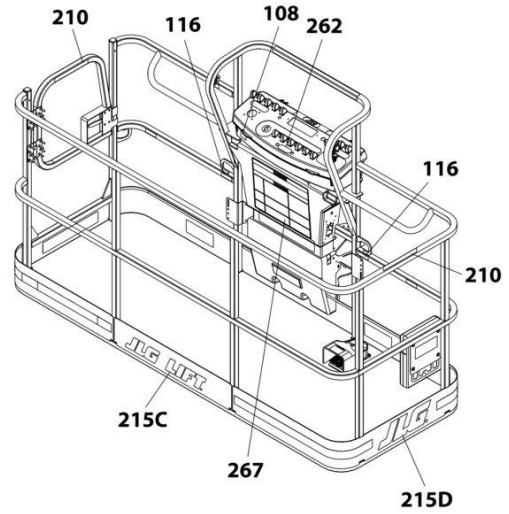
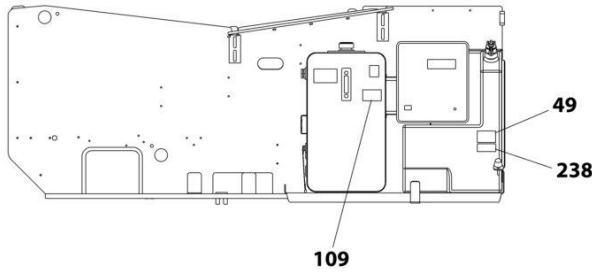
| ITEM | PART NUMBER | QTY              | DESCRIPTION   | REV |
|------|-------------|------------------|---|-----|
|      | 1001244626  | Ref              | DECALS INSTALLATION (ENGLISH/SPANISH LANGUAGE)      | F   |
| 2    | 1701499     | 2                | Decal - No Lifting                                  |     |
| 5    | 1701509     | 1                | Decal - Manual                                      |     |
| 7    | 1703811     | 4                | Decal - Lifting Lug                                 |     |
| 8    | 1703814     | 6                | Decal - Tie Down                                    |     |
| 9    | 1704277     | 3                | Decal - Lanyard Attach Graphic                      |     |
| 10   | 1704412     | 1                | Decal - Hydraulic Oil Chart                         |     |
| 13   | 3251243     | 1                | Nameplate - 120V-60Hz                               |     |
| 18   | 1703941     | 5                | Decal - Warning Crushing                            |     |
| 20   | 1704001     | 2                | Decal - No Hands                                    |     |
| 21   | 1703923     | 1                | Decal - Warning/Danger                              |     |
| 22   | 1705917     | 1                | Decal - Warning Inspection                          |     |
| 23   | 1703947     | 4                | Decal - Warning Crushing                            |     |
| 24   | 1703935     | 5                | Decal - Danger Electrocution                        |     |
| 25   | 1703983     | 1                | Decal - Footswitch                                  |     |
| 29   | 1703960     | 4                | Decal - Maximum Tire Load                           |     |
| 30   | See Note    | NSS              | Decal - Bar Code (Note: Not Available for Purchase) |     |
| 31   | 1703773     | 2                | Decal - 800AJ ( <b>Prior to SN 0300280293</b> )     |     |
| 31   | 1001267312  | 2                | Decal - 800AJ ( <b>SN 0300280293 to Present</b> )   |     |
| 32   | 1701501     | 4                | Decal - Arrow                                       |     |
| 33   | 1001253930  | 1                | Decal - Warning Maximum Capacity                    |     |
| 34   | 1001253931  | 1                | Decal - Warning Maximum Capacity                    |     |
| 37   | 1705977     | 1                | Decal - Upright Level Override                      |     |
| 38   | 1703959     | 2                | Decal - Quick Stick                                 |     |
| 43   | 3820001     | 2                | Rivet   |     |
| 52   | 4420051     | 23.5<br>ft/7.16m | Tape, Safety  |     |
| 56   | 1705910     | 1                | Decal - Drive/Steer Instructions                    |     |
| 60   | 1001224049  | 1                | Decal - Yearly Inspection                           |     |
| 61   | 1001284686  | 1                | Decal - Lift Diagram                                |     |
| 63   | 1001184618  | 1                | Decal - Stop and Auxiliary Power                    |     |

# SECTION 9 - DECALS

## FIGURE 9-10. DECAL INSTALLATION - OPTIONS



NOTE: ITEMS SHOWN MAY NOT BE REQUIRED FOR ALL SPECS. REFER TO PARTS LISTS FOR USAGE.



ART\_DECAL\_OPTIONS

## SECTION 9 - DECALS

**FIGURE 9-10. DECAL INSTALLATION - OPTIONS**

| ITEM | PART NUMBER | QTY | DESCRIPTION   | REV |
|------|-------------|-----|---|-----|
|      |             | Ref | DECAL INSTALLATION - OPTIONS  |     |
| 33   | 1700818     | 1   | Decal - Fuel (LP Gas Machines) (English Language) (ANSI & Australian Specs)                         |     |
| 33   | 1704271     | 1   | Decal - Fuel (LP Gas Machines) (English/French Languages) (CSA Specs)                               |     |
| 33   | 1702720     | 1   | Decal - Fuel (LP Gas Machines) (English/Spansih Languages) (ANSI Export Specs)                      |     |
| 34   | 3251242     | 1   | Nameplate - 240-50HZ (CE & UK CA Specs)   |     |
| 49   | 1701505     | 1   | Decal - Fuel (Diesel)   |     |
| 49   | 1701542     | 1   | Decal - Fuel (Gas)  |     |
| 50   | 1701543     | 2   | Decal - LP Gas (LP GASS Machines)   |     |
| 108  | 1001231801  | 1   | Decal - Warning Proposition 65 (ANSI Specs)   |     |
| 109  | 1702788     | 1   | Decal - Biodegradeable Hydraulic Fluid (English Language) (ANSI, Australian, CSA, CE & UK CA Specs) |     |
| 109  | 1703479     | 1   | Decal - Biodegradeable Hydraulic Fluid (German Language) (CE & UK CA Specs)                         |     |
| 116  | 1703175     | 1   | Decal - Lanyard Attachment (GM Specs)   |     |
| 180  | 0271584     | Ref | Decal Installation - Jetblast   |     |
| 180  | 1705006     | 2   | Decal - Jetblast  |     |
| 181  | 0271585     | Ref | Decal Installation - Fall Arrest (Machines with Fall Arrest Option)                                 |     |
| 181  | 1705012     | 2   | Decal - Fall Arrest   |     |
| 190  | 0272418     | Ref | Decal - SkyGiazier (Machines with SkyGlazier Option)  |     |
| 190  | 1705358     | 2   | Decal - SkyGlazier  |     |
| 205  | See Note    | 1   | Nameplate - Manufacturers Serial Number (Note: Not Available for Purchase)                          |     |
| 210  | 1702868     | 2   | Decal - No Hands (English Language)   |     |
| 210  | 1705968     | 2   | Decal - No Hands (English/Chinese Language)   |     |
| 210  | 1704000     | 2   | Decal - No Hands (English/French Language)  |     |
| 210  | 1705969     | 2   | Decal - No Hands (English/Korean Language)  |     |
| 210  | 1705967     | 2   | Decal - No Hands (English/Portuguese Language)  |     |
| 210  | 1704001     | 2   | Decal - No Hands (English/Spanish Language)   |     |
| 215  | 0274519     | Ref | Decal - Logo Installation (All Specs Except CE & UK CA Specs)                                       |     |
| 215A | 1704885     | 1   | Decal - Website   |     |
| 215B | 1702861     | 2   | Decal - JLG Lift  |     |
| 215C | 1702774     | 2   | Decal - JLG Lift  |     |
| 215D | 1702773     | 1   | Decal - JLG   |     |
| 217  | 0273687     | Ref | Decal - SkyAir (Machines with SkyAir Option)  |     |
| 217A | 1705836     | 1   | Decal - Hazardous Voltage   |     |
| 217B | 1705837     | 1   | Decal - Air Compressor  |     |
| 217C | 1705886     | 2   | Decal - SkyAir  |     |
| 218  | 3251813     | 1   | Decal - USA   |     |
| 226  | 1704972     | 1   | Decal - Warning Explosion/ Fire (English Language) (Diesel Machines) (ANSI Specs)                   |     |
| 226  | 1706098     | 1   | Decal - Warning Explosion/Fire (English Language) (Diesel Machines) (Australian, CE & UK CA Specs)  |     |
| 226  | 1706059     | 1   | Decal - Warning Explosion/Fire (English/Portuguese Language) (Diesel Machines) (Brazil Specs)       |     |
| 226  | 1706060     | 1   | Decal - Warning Explosion/Fire (English/Chinese Language) (Diesel Machines) (Chinese Specs)         |     |
| 226  | 1706064     | 1   | Decal - Warning Explosion/Fire (English Language) (Diesel Machines) (CSA Specs)                     |     |
| 226  | 1706062     | 1   | Decal - Warning Explosion/Fire (English/Japanes Language)   |     |

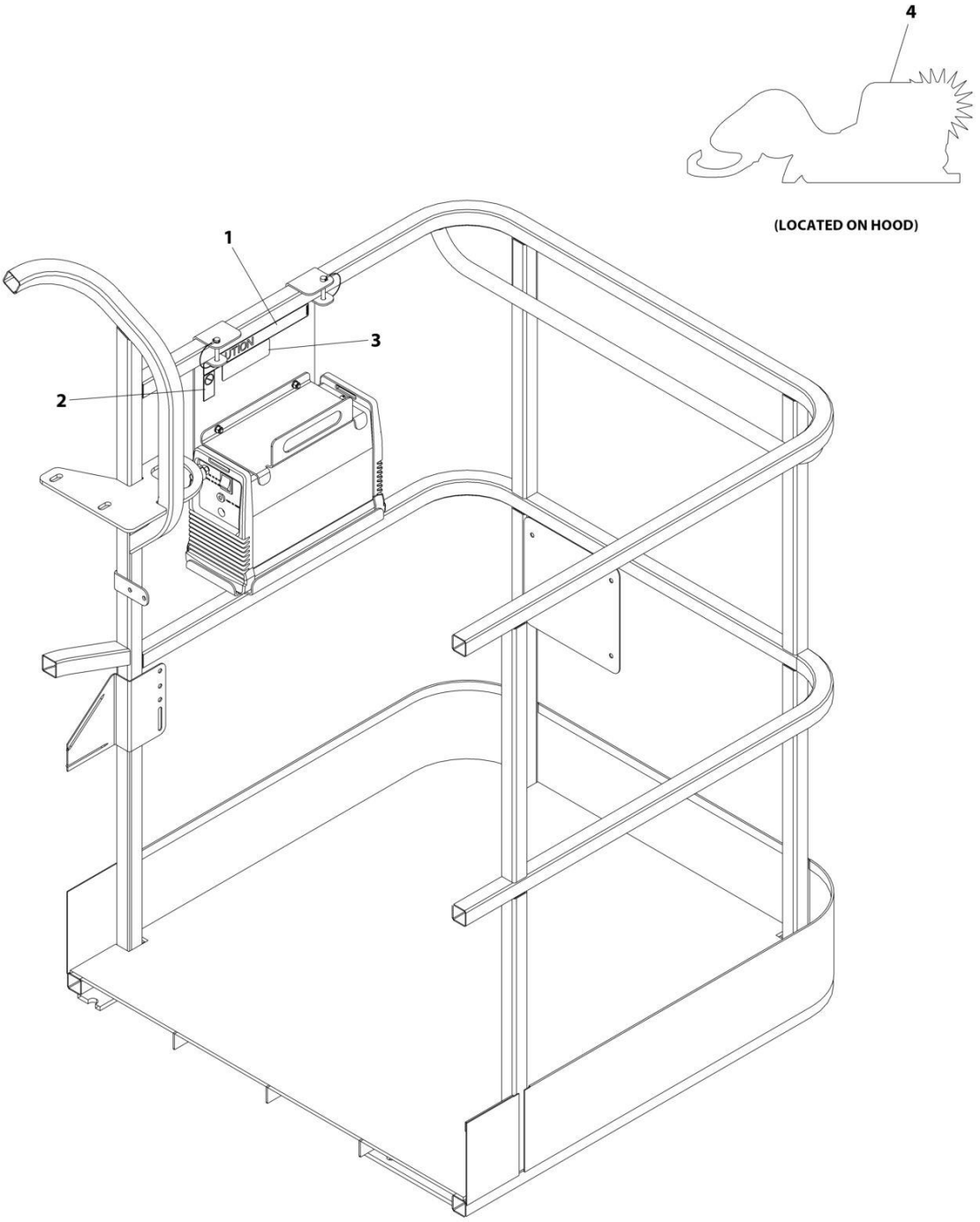
## SECTION 9 - DECALS

| ITEM | PART NUMBER | QTY | DESCRIPTION   | REV |
|------|-------------|-----|---|-----|
|      |             |     | (Diesel Machines) (Japanese Specs)  |     |
| 226  | 1706061     | 1   | Decal - Warning Explosion/Fire (English/Korean Language) (Diesel Machines) (Korean Specs)                           |     |
| 226  | 1706063     | 1   | Decal - Warning Explosion/Fire - (English/Spanish Language) (Diesel Machines) (Latin American Specs)                |     |
| 238  | 1001125387  | 1   | Decal - Ultra Low Sulfur Fuel (Diesel Machines) (ANSI & CSA Specs)  |     |
| 238  | 1001139654  | 1   | Decal - Ultra Low Sulfur Fuel (Diesel Machines) (CE & UK CA Specs)  |     |
| 245  | 1001127094  | Ref | Decal Installation - ClearSky (Machines with ClearSky Option)   |     |
| 245A | 1001116208  | 2   | Decal - ClearSky  |     |
| 245B | 1001120989  | 1   | Decal - Radio Frequency   |     |
| 253  | 1001143852  | 1   | Decal - Emission Compliance (Diesel Machines) (ANSI, Australian, China, CE & UK CA Specs)                           |     |
| 262  | 1001141300  | 1   | Decal - SkyGuard Override (Machines without Soft Touch Option)  |     |
| 262  | 1001141302  | 1   | Decal - SkyGuard Override (Machines with Soft Touch Option)   |     |
| 263  | 1001197408  | 1   | Decal - MSSO (CE Specs)   |     |
| 264  | 1705980     | 1   | Decal - Sound Power (Machines with Deutz D2011 Engines) (Australian, CE & UK CA Specs)                              |     |
| 264  | 1705368     | 1   | Decal - Sound Power (Machines with Deutz TD2.9L4 Engines, Deutz TD2.9L4 (Stage V Pre-Buy) Engines and Deutz TD2.9L4 |     |
| 264  | 1001191525  | 1   | Decal, Sound Power (CE) (Stage V)   |     |
| 267  | 1001200124  | 1   | Decal - Quick Start Guide (Danish Language)   |     |
| 267  | 1001200121  | 1   | Decal - Quick Start Guide (Dutch Language)  |     |
| 267  | 1001180861  | 1   | Decal - Quick Start Guide (English Language)  |     |
| 267  | 1001200120  | 1   | Decal - Quick Start Guide (French Language)   |     |
| 267  | 1001200122  | 1   | Decal - Quick Start Guide (German Language)   |     |
| 267  | 1001200127  | 1   | Decal - Quick Start Guide (Norwegian Language)  |     |
| 267  | 1001200125  | 1   | Decal - Quick Start Guide (Swedish Language)  |     |
| 267  | 1001200126  | 1   | Decal - Quick Start Guide (Spanish Language)  |     |
| 274  | 1001214030  | Ref | Decal Installation- EAC (Russian/CIS Specs)   |     |
| 274  | 1001173703  | 1   | Decal - EAC   |     |
| 280  | 1001220864  | Ref | Decal Kit - Boom Transport Position   |     |
| 280A | 1001220512  | 2   | Decal - Lower Boom  |     |
| 280B | 1001220510  | 2   | Decal - Warning Arrow   |     |
| 280C | 1001220511  | 2   | Decal - Warning Stripe  |     |



**SECTION 9 - DECALS**

**FIGURE 9-11. SKYCUTTER DECAL INSTALLATION**



ART\_0272599



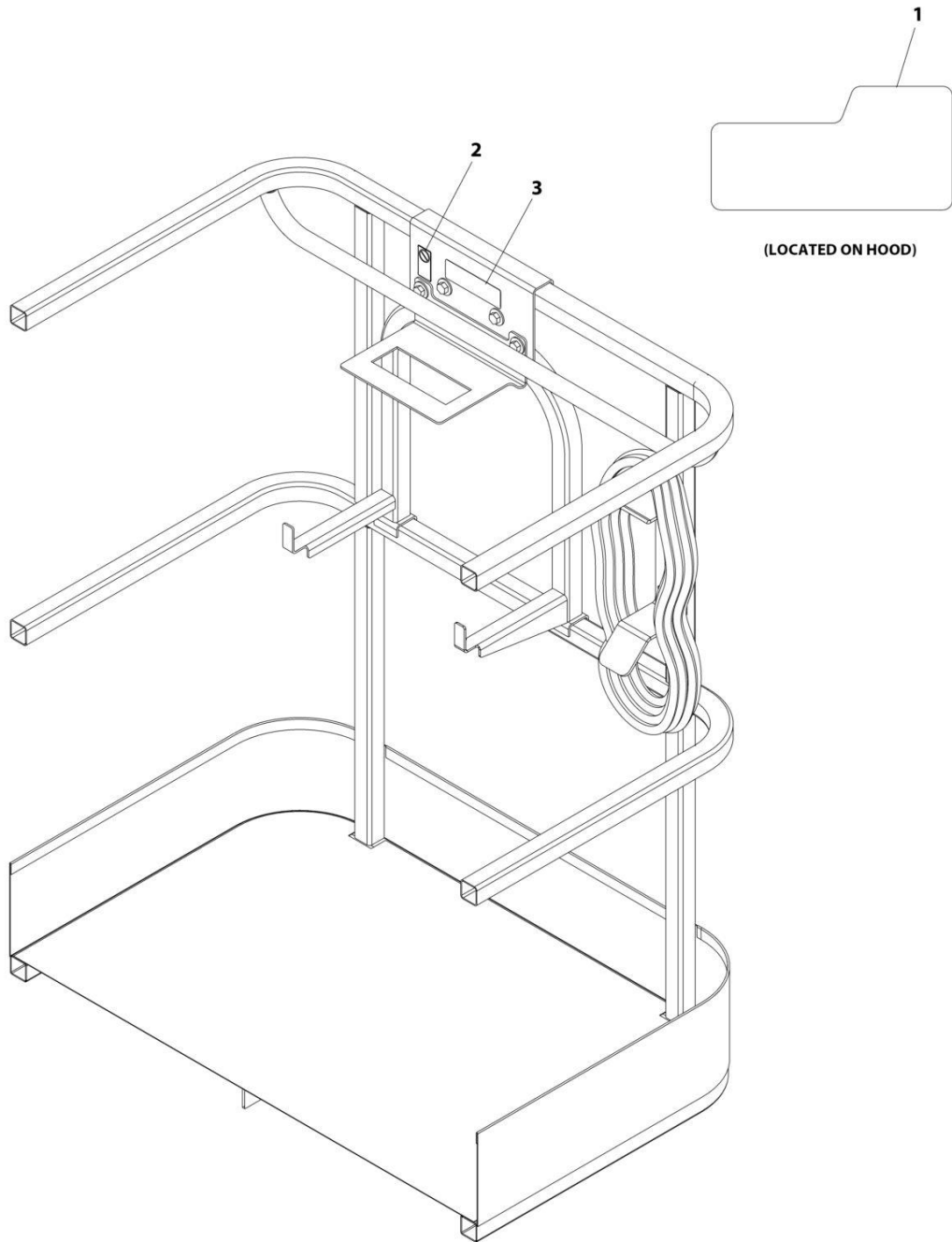
## SECTION 9 - DECALS

### FIGURE 9-11. SKYCUTTER DECAL INSTALLATION

| ITEM | PART NUMBER | QTY | DESCRIPTION                  | REV |
|------|-------------|-----|------------------------------|-----|
|      | 0272599     | Ref | SKYCUTTER DECAL INSTALLATION | C   |
| 1    | 1702868     | 1   | Decal - No Hands             |     |
| 2    | 1705305     | 1   | Decal - Weld Leads           |     |
| 3    | 1001252627  | 1   | Decal - Weight               |     |
| 4    | 1705490     | 2   | Decal - SkyCutter            |     |

# SECTION 9 - DECALS

## FIGURE 9-12. SKYWELDER DECAL INSTALLATION - 50HZ



ART\_0272588

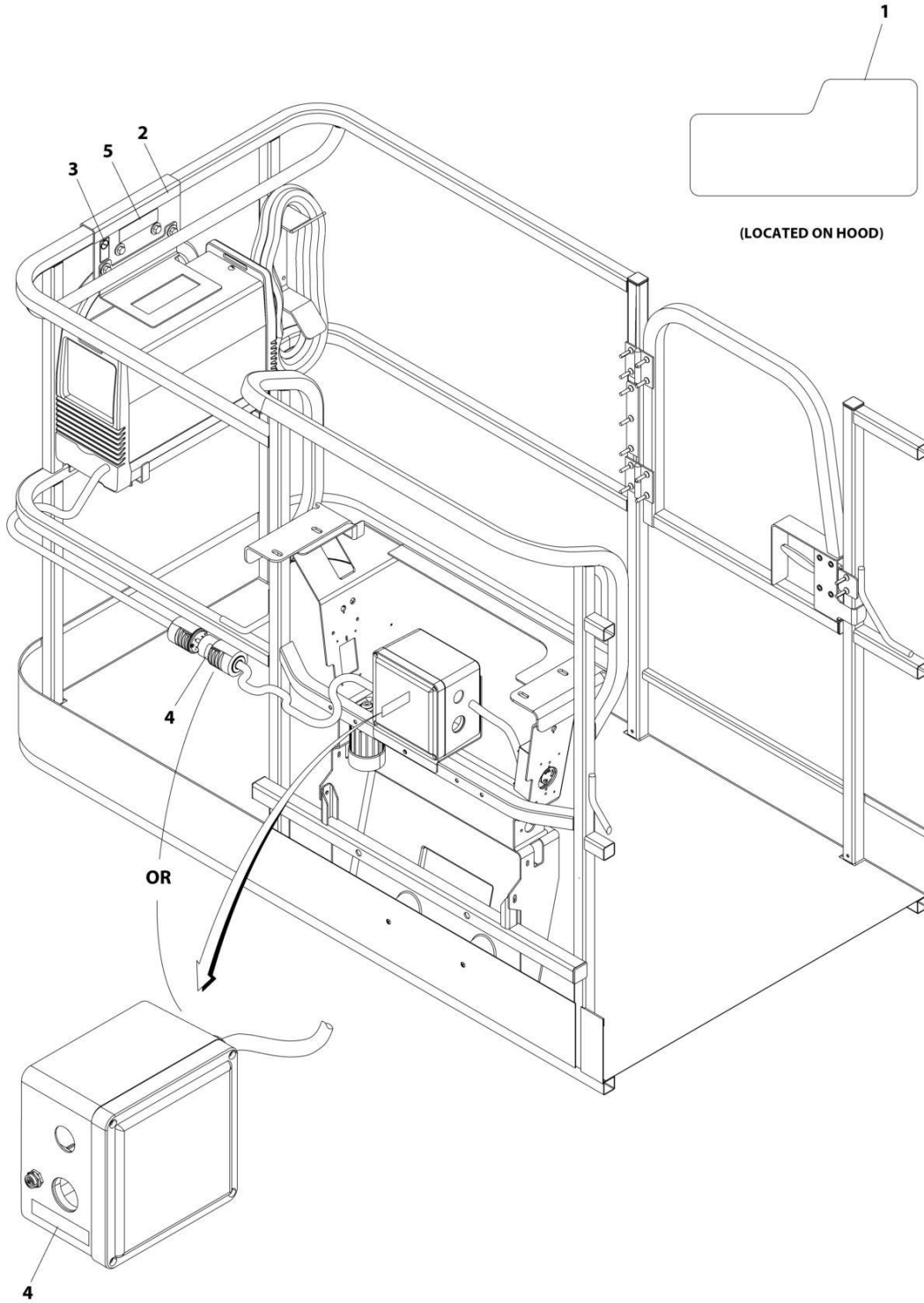
## SECTION 9 - DECALS

**FIGURE 9-12. SKYWELDER DECAL INSTALLATION - 50HZ**

| ITEM | PART NUMBER | QTY | DESCRIPTION                         | REV |
|------|-------------|-----|-------------------------------------|-----|
|      | 0272588     | Ref | SKYWELDER DECAL INSTALLATION - 50Hz | B   |
| 1    | 1705355     | 2   | Decal - SkyWelder                   |     |
| 2    | 1705305     | 1   | Decal - Weld Lead                   |     |
| 3    | 1001228988  | 1   | Decal - Weight                      |     |

# SECTION 9 - DECALS

## FIGURE 9-13. SKYWELDER DECAL INSTALLATION - 60HZ



ART\_0272448\_C

## SECTION 9 - DECALS

### FIGURE 9-13. SKYWELDER DECAL INSTALLATION - 60HZ

| ITEM | PART NUMBER | QTY | DESCRIPTION                         | REV |
|------|-------------|-----|-------------------------------------|-----|
|      | 0272448     | Ref | SKYWELDER DECAL INSTALLATION - 60Hz | C   |
| 1    | 1705355     | 2   | Decal - SkyWelder                   |     |
| 2    | 1702868     | 1   | Decal - No Hands                    |     |
| 3    | 1705305     | 1   | Decal - Weld Lead                   |     |
| 4    | 1705375     | 1   | Decal - 240V - 3 Phase - 60Hz       |     |
| 5    | 1001228988  | 1   | Decal - Weight                      |     |



## **SECTION 10 - RECOMMENDED SERVICE PARTS STOCK**

## **SECTION 10 - RECOMMENDED SERVICE PARTS STOCK**

# SECTION 10 - RECOMMENDED SERVICE PARTS STOCK

FIGURE 10-1. RECOMMENDED SERVICE PARTS STOCK

| ITEM | PART NUMBER | QTY | DESCRIPTION  | REV |
|------|-------------|-----|--|-----|
|      | Note        | Ref | <b>Note: The following list will service one machine (built to current production per date on the front cover) with emergency repair parts which can be installed in the field. Parts from the list should be replaced when inventory is depleted to keep service parts stock supplied. For further information, contact your JLG dealer or the JLG Industries Parts Department.</b> |     |
|      | 4360070     | 1   | Breaker, Circuit 15Amp (4000W/60HZ & 7500W Generators)   |     |
|      | 4360542     | 1   | Breaker, Circuit 20Amp (2500W/60HZ Generators)   |     |
|      | 7024485     | 1   | Breaker, Circuit 30Amp (7500W Generators with Deutz D2011 or Ford Engines)   |     |
|      | 70006095    | 1   | Breaker, Circuit 30Amp (7500W Generator with Deutz TD2.9L4 Engine and 7500W/60HZ Generator with Deutz D2011 Engine)  |     |
|      | 1001159118  | 1   | Breaker GFCI 30Amp 240VAC (240V AC Box At Platform)  |     |
|      | 1001181045  | 1   | Breaker, 30mA/16Amp (Breaker Box Kit)  |     |
|      | 70001431    | 1   | Breaker, Circuit (Plasma Cutter)   |     |
|      | 70005708    | 1   | Breather Assembly (Hydraulic Tank)   |     |
|      | 7018991     | 1   | Coil (2WS and 4WS Control Valve Assembly)  |     |
|      | 70004460    | 1   | Coil (2WS and 4WS Control Valve Assembly)  |     |
|      | 70004463    | 1   | Coil (2WS and 4WS Control Valve Assembly)  |     |
|      | 70004595    | 1   | Coil (2WS and 4WS Control Valve Assembly)  |     |
|      | 70004653    | 1   | Coil (2WS and 4WS Control Valve Assembly)  |     |
|      | 70006956    | 1   | Coil (2WS and 4WS Control Valve Assembly)  |     |
|      | 70004673    | 1   | Coil (4WS Control Valve Assembly)  |     |
|      | 70002386    | 1   | Coil (Boom and Control Valve Assemblies)   |     |
|      | 7012944     | 1   | Coil (Control Valves Installation)   |     |
|      | 4360476     | 1   | Contactora (Ground Control Boxes and Platform Console Boxes)   |     |
|      | 7020176     | 1   | Contactora (Ground Control Boxes and Platform Console Boxes)   |     |
|      | 1001129555  | 1   | Controller Assembly (Lift and Swing) (Platform Console Box)  |     |
|      | 1001212415  | 1   | Controller Assembly (Drive and Steer) (Platform Console Box)   |     |
|      | 1001117174  | 1   | Controller, Footswitch   |     |
|      | 4360407     | 1   | Controller, Speed (Platform Console Box)   |     |
|      | 3990010     | 2   | Diode, 6 Amp (Ground Control Box Harness)  |     |
|      |             | Ref | Engine - Deutz D2011   |     |
|      | 70004020    | 12  | Filter, Air  |     |
|      | 7016328     | 12  | Filter, Fuel   |     |
|      | 7016331     | 12  | Filter, Oil  |     |
|      | 7027795     | 1   | Module, Control  |     |
|      | 3740067     | 1   | Relay  |     |
|      | 3740080     | 1   | Relay  |     |
|      | 70004058    | 1   | Relay  |     |
|      |             | Ref | Engine - Deutz TD2.9L4   |     |
|      | 91403102    | 12  | Filter, Air  |     |
|      | 70025153    | 12  | Filter, Fuel (Frame Mounted Filter)  |     |
|      | 70025161    | 12  | Filter, Fuel (Engine Mounted Filter)   |     |
|      | 7016331     | 12  | Filter, Oil  |     |
|      | 1001196634  | 2   | Fuse, 2Amp (Breather Heater Harness)   |     |
|      | 8229242     | 2   | Fuse, 5Amp   |     |
|      | 80983191    | 2   | Fuse, 10Amp  |     |
|      | 70023592    | 2   | Fuse, 20Amp  |     |
|      | 70023593    | 2   | Fuse, 30Amp  |     |



## SECTION 10 - RECOMMENDED SERVICE PARTS STOCK

| ITEM | PART NUMBER | QTY | DESCRIPTION   | REV |
|------|-------------|-----|---|-----|
|      | 70025210    | 1   | Module, ECU   |     |
|      | 3740067     | 1   | Relay   |     |
|      | 70005648    | 1   | Relay   |     |
|      | 1001117308  | 1   | Relay   |     |
|      |             | Ref | Engine - Deutz TD2.9L4 (China III)                            |     |
|      | 91403102    | 12  | Filter, Air   |     |
|      | 1001225430  | 12  | Filter, Fuel (Frame Mounted Filter)                           |     |
|      | 1001225432  | 12  | Filter, Fuel (Engine Mounted Filter)                          |     |
|      | 7016331     | 12  | Filter, Oil   |     |
|      | 70025210    | 1   | Module, ECU   |     |
|      | 3740067     | 1   | Relay   |     |
|      | 70005648    | 1   | Relay   |     |
|      | 1001117308  | 1   | Relay   |     |
|      |             | Ref | Engine - Deutz TD2.9L4 (Stage V)                              |     |
|      | 91403102    | 12  | Filter, Air   |     |
|      | 70025153    | 12  | Filter, Fuel (Frame Mounted Filter)                           |     |
|      | 70025161    | 12  | Filter, Fuel (Engine Mounted Filter)                          |     |
|      | 7016331     | 12  | Filter, Oil   |     |
|      | 1001196634  | 2   | Fuse, 2Amp (Breather Heater Harness)                          |     |
|      | 8229242     | 2   | Fuse, 5Amp  |     |
|      | 80983191    | 2   | Fuse, 10Amp   |     |
|      | 70023592    | 2   | Fuse, 20Amp   |     |
|      | 70023593    | 2   | Fuse, 30Amp   |     |
|      | 70025210    | 1   | Module, ECU   |     |
|      | 3740067     | 1   | Relay   |     |
|      | 70005648    | 1   | Relay   |     |
|      | 1001117308  | 1   | Relay   |     |
|      |             | Ref | Engine - Ford   |     |
|      | 70005008    | 12  | Filter, Primary Air   |     |
|      | 70006460    | 12  | Filter, Secondary Air   |     |
|      | 70006155    | 12  | Filter, Fuel  |     |
|      | 70006213    | 12  | Filter, Oil   |     |
|      | 70006175    | 2   | Fuse, 20Amp   |     |
|      | 70006176    | 1   | Module, Engine Control Unit                                   |     |
|      | 3740067     | 1   | Relay   |     |
|      | 70006171    | 1   | Relay   |     |
|      | 70006172    | 1   | Relay   |     |
|      | 2120210     | 12  | Element, Filter (Control Valves Installation)                 |     |
|      | 8229249     | 2   | Fuse, 3Amp (USB Charger & Platform Console Box Harness)       |     |
|      | 8229242     | 2   | Fuse, 5Amp (Control Box Harness)                              |     |
|      | 2400064     | 2   | Fuse, 5Amp (Generator to Engine Harness)                      |     |
|      | 2860030     | 1   | Key, Replacement (Ground Control Boxes)                       |     |
|      | 2940074     | 1   | Latch (Platform Assemblies with Gates)                        |     |
|      | 1001103667  | 1   | Module, Ground Control  |     |
|      | 1001106938  | 1   | Module, Platform  |     |
|      | 1001142683  | 1   | Module, Control (Strobe Light Installations)                  |     |
|      | 3740049     | 1   | Relay (Ground Control Boxes)                                  |     |
|      | 3740080     | 1   | Relay (2500W Generators and 7500W Generator with Ford Engine) |     |
|      | 3740086     | 1   | Relay (SkyLine Harness)                                       |     |
|      | 70006553    | 1   | Relay (4000W Generators)                                      |     |
|      | 1001186431  | 1   | Relay (SkyGuard)  |     |

## SECTION 10 - RECOMMENDED SERVICE PARTS STOCK

| ITEM | PART NUMBER | QTY | DESCRIPTION   | REV |
|------|-------------|-----|---|-----|
|      | 1001094400  | 1   | Sensor, Dual Axis (Upright Tilt Sensor Installation)  |     |
|      | 1001228225  | 1   | Sensor, Emitter (SkyEye)  |     |
|      | 4360436     | 1   | Sensor, Fuel Level (Tank Installations)   |     |
|      | 4360578     | 1   | Sensor, Limit (Boom Valves and Proximity Switches Installation and Transport Position Switch) |     |
|      | 4360057     | 1   | Sensor, Limit (Soft Touch Installation)   |     |
|      | 7026638     | 1   | Sensor, Pressure (Air Compressor)   |     |
|      | 4360498     | 1   | Sensor, Proximity (Boom Valves and Proximity Switches Installation)                           |     |
|      | 4360499     | 1   | Sensor, Proximity (Boom Valves and Proximity Switches Installation)                           |     |
|      | 4360517     | 1   | Sensor, Proximity (Rotary Coupling)   |     |
|      | 1001232667  | 1   | Sensor, Proximity (SkyLine)   |     |
|      | 1001228224  | 1   | Sensor, Receiver (SkyEye)   |     |
|      | 1001172271  | 1   | Sensor, Roller Limit (Boom Valves and Proximity Switches Installation with Tower Stow)        |     |
|      | 1001225346  | 1   | Switch, Battery (Battery Disconnect Installation)   |     |
|      | 4360475     | 1   | Switch, Emergency Stop (Ground Control and Platform Conosole Boxes)                           |     |
|      | 4360469     | 1   | Switch, Key (Ground Control Boxes)  |     |
|      | 4360387     | 1   | Switch, Push Button (CE & UK CA Ground Control Boxes, Platform Console Boxes, and Soft Touch) |     |
|      | 4360274     | 1   | Switch, Push Button (Ground Control Boxes with Deutz Stage V Engine)                          |     |
|      | 70001432    | 1   | Switch, Rocker (Plasma Cutter)  |     |
|      | 4360336     | 1   | Switch, Toggle (Generator Installations)  |     |
|      | 1001155045  | 1   | Switch, Toggle (Ground Control and Platform Console Boxes)                                    |     |
|      | 4360328     | 1   | Switch, Toggle (Jib Switch Installation)  |     |
|      | 4360331     | 1   | Switch, Toggle (Platform Console Boxes)   |     |
|      | 1001159256  | 1   | Switch, Toggle (Platform Console Boxes)   |     |
|      | 7024469     | 1   | Switch with Lead (Welder Assembly)  |     |

**SECTION 11 - SPECIAL OPTIONS/ACCESSORIES/KITS**

**SECTION 11 - SPECIAL OPTIONS/ACCESSORIES/KITS**

# SECTION 11 - SPECIAL OPTIONS/ACCESSORIES/KITS

## FIGURE 11-1. SPECIAL OPTIONS/ACCESSORIES/KITS

| ITEM | PART NUMBER | QTY | DESCRIPTION   | REV |
|------|-------------|-----|---|-----|
|      |             | Ref | Note: This list is to accommodate machines ordered with special equipment. Options may not be applicable to all models. For more specific parts information contact JLG Parts Department. |     |
|      |             | Ref | MISCELLANEOUS SPECIAL OPTIONS/ACCESSORIES/KITS  |     |
|      | 1001229762  | Ref | Air Intake Shut-off Valve (Deutz TD2.9L4 Engines) (Factory Installed)   |     |
|      | 0258805     | Ref | Airline to Platform Installation - 1/2in  |     |
|      | 1001092092  | Ref | Airline to Platform Installation - 1/2in (With Arctic Package)  |     |
|      | 1001249695  | Ref | Analyzer and Cable Kit  |     |
|      | 1001249941  | Ref | Battery Powered Analyzer Installation Kit   |     |
|      | 0258737     | Ref | Bellows Installation - Boom   |     |
|      | 1001158259  | Ref | Bellows Installation - Chassis  |     |
|      | 1001158260  | Ref | Bellows Installation - Chassis  |     |
|      | 2910887     | Ref | Boom Wear Pad Kit   |     |
|      | 0258654     | Ref | Boom Wipers Installation  |     |
|      | 1001233047  | Ref | Breather Heater Kit (Deutz TD2.9L4 Engines)   |     |
|      | 1001172045  | Ref | Cable/Ladder Carrier Installation   |     |
|      | 1001233472  | Ref | Cable/Hose Protection Installation (Boom/Jib)   |     |
|      |             | Ref | ClearSky Telematics Installation (Factory Installed)  |     |
|      | 1001228949  | Ref | ClearSky Telematics Installation - 3G Canbus Connection (Factory Installed) (ANSI Export, CE & UK CA Specs)   |     |
|      | 1001246473  | Ref | ClearSky Telematics Installation - 3G Canbus Connection (Factory Installed) (Australian Specs)  |     |
|      | 1001227448  | Ref | ClearSky Telematics Installation - 4G Canbus Connection (Factory Installed) (All Specs Except China Specs)  |     |
|      | 1001246474  | Ref | ClearSky Telematics Installation - 4G Canbus Connection (Factory Installed) (China Specs)   |     |
|      | 1001276610  | Ref | ClearSky Telematics Installation - 3 Wire GT1030 Connection (Factory Installed)   |     |
|      |             | Ref | ClearSky Telematics Kits (Dealer Installed)   |     |
|      | 1001242409  | Ref | ClearSky Telematics Access Control Add-on Kit   |     |
|      | 1001243183  | Ref | ClearSky Telematics Access Control Add-on Kit - Canbus (ANSI & CSA Specs)   |     |
|      | 1001243184  | Ref | ClearSky Telematics Access Control Add-on Kit - Canbus (ANSI Export, CE & UK CA Specs)  |     |
|      | 1001246142  | Ref | ClearSky Telematics Add-On Kit (Australian Specs)   |     |
|      | 1001119939  | Ref | ClearSky Telematics Add-On Kit (ANSI Spec)  |     |
|      | 1001119947  | Ref | ClearSky Telematics Add-On Kit (CSA Spec)   |     |
|      | 1001276923  | Ref | ClearSky (Telematics) Add-on Kit (Contact JLG for Approved Countries)   |     |
|      | 1001178208  | Ref | Cold Weather Package Installation - Deutz D2011 Engines   |     |
|      | 1001178207  | Ref | Cold Weather Package Installation - Deutz TD2.9L4 Engines, Deutz TD2.9L4 (Stage V Pre-Buy) Engines and Deutz TD2.9L4 (Stage V) Engines  |     |
|      | 1001255807  | Ref | Cold Weather Package Installation - Deutz TD2.9L4 (Stage V)   |     |
|      | 1001282099  | Ref | Cold Weather Package Installation - Deutz TD2.9L4 (China IV Engines))   |     |
|      | 1001219840  | Ref | Cold Weather Package Installation - Ford Engines  |     |
|      | 0274883     | Ref | Cold Weather Transformer Installation (ANSI Export, Australian, CE & UK CA, and Japanese Specs Only)  |     |
|      | 1001109263  | Ref | Communication System (David Clark) Installation (ANSI Spec Only)  |     |

## SECTION 11 - SPECIAL OPTIONS/ACCESSORIES/KITS

| ITEM | PART NUMBER | QTY | DESCRIPTION  | REV |
|------|-------------|-----|--|-----|
|      | 1001115918  | Ref | Cribbing Installation  |     |
|      | 0257195     | Ref | Decal - Government Warranty  |     |
|      |             | Ref | Decals Kits:   |     |
|      | 1001270517  | Ref | Machine - ANSI 9220  |     |
|      | 1001108721  | Ref | Platform   |     |
|      | 1001272200  | Ref | Platform - ANSI 9220   |     |
|      | 1001119563  | Ref | Platform Console   |     |
|      | 1001272088  | Ref | Platform Console - ANSI 9220   |     |
|      | 2902396     | Ref | Drive/Steer Cutout Kit   |     |
|      | 1001253619  | Ref | Electrical Assembly Module Box 12 Kit  |     |
|      | 1001253618  | Ref | Electrical Assembly Module Box 4/8 Kit   |     |
|      | 1001148902  | Ref | Electrical Connector Kits - Amp  |     |
|      | 1001148903  | Ref | Electrical Connector Kits - Deutsch DT   |     |
|      | 1001148904  | Ref | Electrical Connector Kits - Deutsch HD   |     |
|      | 1001148905  | Ref | Electrical Connector Kits - Packard  |     |
|      | 1001148906  | Ref | Electrical Connector Kits - Various  |     |
|      | 1001218022  | Ref | Engine Block Heater Installation - Ford Engines  |     |
|      | 1001108962  | Ref | Exhaust Rain Cap Installation (Australian, CE & UK CA Specs)   |     |
|      | 1001269630  | Ref | Fall Arrest (Bolt-On) Add-On Kit (30inch x 4 Ft/1.22m Platform)  |     |
|      | 1001269629  | Ref | Fall Arrest (Bolt-On) Add-On Kit (30inch x 5 Ft/1.52m Platform)  |     |
|      | 1001269631  | Ref | Fall Arrest (Bolt-On) Add-On Kit (30inch x 6 Ft/1.82m Platform)  |     |
|      | 1001237883  | Ref | Fall Arrest (Bolt-On) Add-On Kit (6 Ft/1.82m Platform) (ANSI, ANSI Export, China, CSA & Japanese Specs)  |     |
|      | 1001237882  | Ref | Fall Arrest (Bolt-On) Add-On Kit (8 Ft/2.4m Platform) (ANSI, ANSI Export, China, CSA & Japanese Specs)   |     |
|      |             | Ref | Fan Cover/Grille Options   |     |
|      | 1001182599  | Ref | Fan Cover Installation (Deutz D2011 Engines)   |     |
|      | 1001177694  | Ref | Fan Grille Installation (Deutz TD2.9L4 Engines, Deutz TD2.9L4 (Stage V Pre-Buy) Engines) and Deutz TD2.9L4 (Stage V) Engines (Modine Radiator) |     |
|      |             | Ref | Filter Kits:   |     |
|      |             | Ref | Combined Filter Kit Options (Hydraulic/Air and Fuel/Engine Oil)  |     |
|      | 1001241774  | Ref | Deutz D2011 Engine Machines  |     |
|      | 1001195533  | Ref | Deutz TD2.9L4 Engine Machines  |     |
|      | 1001241776  | Ref | Ford Engine Machines   |     |
|      | 1001139099  | Ref | Fire Extinguisher Installation (20lb)  |     |
|      | 1001274833  | Ref | Floor Mat Add-on Kit (30x48 Platform) (Dealer Installed)   |     |
|      | 1001274831  | Ref | Floor Mat Add-on Kit (30x72 Platform) (Dealer Installed)   |     |
|      | 1001274830  | Ref | Floor Mat Add-on Kit (36x72 Platform) (Dealer Installed)   |     |
|      | 1001274829  | Ref | Floor Mat Add-on Kit (36x96 Platform) (Dealer Installed)   |     |
|      | 1001117294  | Ref | Footswitch Shield (Note: Move Decal to Shield)   |     |
|      | 1001202749  | Ref | Fuel Cap Cover Installation (Black) (Note: Lock p/n 1001102157 must be Purchased Separately)   |     |
|      | 1001191395  | Ref | Fuel Cap Cover Installation (Green) (Diesel Machines) (Note: Lock p/n 1001102157 must be Purchased Separately)                                 |     |
|      | 1001205441  | Ref | Fuel Cap Cover Installation (Red) (Gas Machines) (Note: Lock p/n 1001102157 must be Purchased Separately)                                      |     |
|      | 1001094475  | Ref | Generator Hourmeter Installation   |     |
|      | 1001241413  | Ref | Hostile Environment - 2WD Add-on Kit   |     |
|      | 1001241415  | Ref | Hostile Environment - 4WD Add-on Kit   |     |
|      | 1001183226  | Ref | Hose Kit - Boom (Lower)  |     |
|      | 1001183225  | Ref | Hose Kit - Boom (Upper)  |     |
|      | 1001209632  | Ref | Hose Kit - Platform Valve  |     |

## SECTION 11 - SPECIAL OPTIONS/ACCESSORIES/KITS

| ITEM | PART NUMBER | QTY | DESCRIPTION  | REV |
|------|-------------|-----|--|-----|
|      | 1001268736  | Ref | Jib Link Kit   |     |
|      | 1001148971  | Ref | Lanyard (Bolt-On) Kit Installation   |     |
|      | 1001236211  | Ref | Leveling Cylinder Valve Cover Assembly Kit   |     |
|      |             | Ref | Light Options  |     |
|      | 0271768     | Ref | Headlights & Taillights Installation (ARS Hoods)   |     |
|      | 1001164786  | Ref | Headlights & Taillights Installation (Steel Hoods)   |     |
|      | 0273485     | Ref | Platform Worklights Installation   |     |
|      | 1001257561  | Ref | Portable Worklights Installation   |     |
|      | 1001152965  | Ref | Strobe Light Installation - Platform Mounted (Amber)   |     |
|      | 1001154231  | Ref | Strobe Light Installation - Platform & Ground Mounted (Amber)  |     |
|      | 1001236951  | Ref | Low Temperature Cutout Installation (Russian Specs)  |     |
|      |             | Ref | Oil Cooler Options:  |     |
|      | 1001156172  | Ref | Oil Cooler Installation - Deutz D2011 Engine Machines  |     |
|      | 1001184569  | Ref | Oil Cooler Installation - Deutz TD2.9L4 Engine, Deutz TD2.9L4 (Stage V Pre-Buy) Engine and Deutz TD2.9L4 (Stage V) Engine Machines |     |
|      | 1001219633  | Ref | Oil Cooler Installation - Ford Engine Machines   |     |
|      | 1001200700  | Ref | Oil Cooler Replacement Kit (RCP to YMER)   |     |
|      | 1001272166  | Ref | Pipe Rack Kit  |     |
|      | 1001195304  | Ref | Platform Console Cover Installation (Factory Installed)  |     |
|      | 1001270482  | Ref | Platform Console Enclosure Cover Installation - Steel (Dealer Installed)   |     |
|      | 1001266290  | Ref | Platform Console Enclosure Cover Installation - Steel (Factory Installed)  |     |
|      | 2915228     | Ref | Platform Conversion Kit (Front to Side Entry)  |     |
|      | 1001142504  | Ref | Platform Entry Kit - Drop Bar (Replaces Swing Gate with Drop Bar)  |     |
|      | 1001142505  | Ref | Platform Entry Kit - Swing Gate (Replaces Drop Bar with Swing Gate)  |     |
|      | 1001266098  | Ref | Platform Mesh to Mid Rail Installation - 3ft x 8ft Platforms (Plastic) (ANSI/ANSI Export, CSA, Australia, and China Specs)         |     |
|      | 1001269389  | Ref | Platform Mesh to Mid Rail Installation - 3ft x 8ft Platforms (Steel) (ANSI/ANSI Export, CSA, Australia, and China Specs)           |     |
|      | 1001266807  | Ref | Platform Mesh to Top Rail Installation - 2.5ft x 4ft Platforms (Plastic) (ANSI/ANSI Export, CSA, and China Specs)                  |     |
|      | 1001272182  | Ref | Platform Mesh to Top Rail Installation - 2.5ft x 4ft Platforms (Steel) (ANSI/ANSI Export, CSA, and China Specs)                    |     |
|      | 1001266489  | Ref | Platform Mesh to Top Rail Installation - 3ft x 6ft Platforms (Plastic) (ANSI/ANSI Export, CSA, and China Specs)                    |     |
|      | 1001271642  | Ref | Platform Mesh to Top Rail Installation - 3ft x 6ft Platforms (Steel) (ANSI/ANSI Export, CSA, and China Specs)                      |     |
|      | 1001266056  | Ref | Platform Mesh to Top Rail Installation - 3ft x 8ft Platforms (Plastic) (ANSI/ANSI Export, CSA, and China Specs)                    |     |
|      | 1001269187  | Ref | Platform Mesh to Top Rail Installation - 3ft x 8ft Platforms (Steel) (ANSI/ANSI Export, CSA, and China Specs)                      |     |
|      |             | Ref | Platform Mesh to Top Rail Add-on Kits:   |     |
|      | 1001214552  | Ref | 2.5ft x 4ft (76cm x 1.22m) (Steel) with Gate   |     |
|      | 1001214561  | Ref | 3ft x 6ft (91.5cm x 1.83m) (Steel) with Gate   |     |
|      | 1001214562  | Ref | 3ft x 8ft (91.5cm x 2.44m) (Steel) with Gate   |     |
|      | 0272733     | Ref | Platform, Top Rail Extension Installation - 3ft x 6ft Platforms  |     |
|      | 0272725     | Ref | Platform, Top Rail Extension Installation - 3ft x 8ft Platforms  |     |
|      | 1580013     | Ref | Platform Storage Tray  |     |
|      | 1001209059  | Ref | Platform Work Surface Installation   |     |
|      | 1001162546  | Ref | Pump Coupling Replacement Kit  |     |
|      | 1001139944  | Ref | Pump Mounting Bracket Kit (Sauer Danfoss)  |     |

## SECTION 11 - SPECIAL OPTIONS/ACCESSORIES/KITS

| ITEM | PART NUMBER | QTY | DESCRIPTION  | REV |
|------|-------------|-----|--|-----|
|      | 1001199488  | Ref | Radiator Replacement Kit (RCP to Modine Radiator)  |     |
|      | 1001190888  | Ref | Service Kits   | R   |
|      | 1001241547  | Ref | SkyEye Housing Kit (Left Side)   |     |
|      | 1001241548  | Ref | SkyEye Housing Kit (Right Side)  |     |
|      | 1001247073  | Ref | SkyEye Retrofit Kit  |     |
|      | 1001206477  | Ref | SkyGuard Complete Add-On Kit (Blue Beacon) (UGM Machines)<br>(Note: Requires 7500W SkyPower Generator) |     |
|      | 1001210026  | Ref | SkyGuard Complete Add-On Kit (Red Beacon) (UGM Machines)<br>(Note: Requires 7500W SkyPower Generator)  |     |
|      | 1001137672  | Ref | SkyGuard Platform Sensor Kit (UGM Machines)  |     |
|      | 1001137440  | 1   | SkyGuard Sensor Harness  |     |
|      | 1001186431  | 2   | Relay  |     |
|      | 1001250035  | Ref | SkyGuard Platform Sensor Retrofit Kit  |     |
|      | 1001206311  | Ref | SkyGuard Strobe Light Kit - Hood Mounted (Blue Beacon)   |     |
|      | 1001210025  | Ref | SkyGuard Strobe Light Kit - Hood Mounted (Red Beacon)  |     |
|      | 1001250595  | Ref | SkyGuard 6-Pin Retrofit Installation Kit   |     |
|      | 1001249052  | Ref | SkyGuard Retrofit Kit (Dealer Installed)   |     |
|      | 1001262016  | Ref | SkyLine Add on Kit (Dealer Installed)  |     |
|      | 1001252033  | Ref | SkySense/Enhanced Detection System (EDS) Level 1 (2-Bar) Add<br>on Kit (Dealer Installed)              |     |
|      | 1001252034  | Ref | SkySense/Enhanced Detection System (EDS) Level 2 (3-Bar) Add<br>on Kit (Dealer Installed)              |     |
|      | 1001250465  | Ref | SkySense/Enhanced Detection System (EDS) Level 1 (2-Bar)<br>Installation (Factory Installed)           |     |
|      | 1001250466  | Ref | SkySense/Enhanced Detection System (EDS) Level 2 (3-Bar)<br>Installation (Factory Installed)           |     |
|      | 1001231235  | Ref | SkyWelder Locking Bracket Installation   |     |
|      | 1001157013  | Ref | Softtouch Counterweight Installation (Required with Soft Touch<br>Option)                              |     |
|      |             | Ref | Tools for Service  |     |
|      | 70000017    | 1   | ADE Software CD  |     |
|      | 1600244     | 1   | Analyzer, Machine System   |     |
|      | 7002840     | 1   | Antirotation Pin Removal Tool  |     |
|      | 4460510     | 1   | Extractor - 12-14 Gauge (For Removal of Pin/Sockets from<br>Deutsch Connectors)                        |     |
|      | 4460467     | 1   | Extractor - 16-18 Gauge (For Removal of Pin/Sockets from<br>Deutsch Connectors)                        |     |
|      | 7016652     | 1   | Huck Bolt Fastener (For Small Huck Bolts Only)   |     |
|      | 7002823     | 1   | Pin/Socket Extractor - Universal (To Remove Pins/Sockets from<br>Connectors)                           |     |
|      | 7016654     | 1   | Screwdriver, Magnetic  |     |
|      | 7002822     | 1   | Screwdriver, Potentiometer (To Adjust Drive Controllers)   |     |
|      | 7004275     | 1   | Seal Installation Tool - 1in   |     |
|      | 7004276     | 1   | Seal Installation Tool - 1-1/2in   |     |
|      | 7002826     | 1   | Seal Installation Tool - 2in   |     |
|      | 1001137005  | 1   | Software Cable Kit   |     |
|      | 70005663    | 1   | Tool, Port Plate for Pump p/n 1001142522   |     |
|      | 7002821     | 1   | Wire Crimper (To install wire ends to wires)   |     |
|      | 7016655     | 1   | Wire Rope Sheave Gauge   |     |
|      | 8896941     | 1   | Wire Stripper  |     |
|      | 1001258953  | Ref | Tower Stow Switch Installation Kit   |     |
|      | 2915094     | Ref | Turntable Bearing Kit  |     |
|      | 1001274249  | Ref | USB Charger Add-on Kit (Dealer Installed)  |     |
|      | 1001262959  | Ref | Voltage Regulator Clearsky Locate Kit  |     |

## SECTION 11 - SPECIAL OPTIONS/ACCESSORIES/KITS

| ITEM | PART NUMBER | QTY | DESCRIPTION                            | REV |
|------|-------------|-----|--|-----|
|      | 0256196     | Ref | Wheel Covers Installation              |     |
|      | 1001228544  | Ref | Wheel Drive Kit (Replaces Hub 2780272) |     |



# SECTION 11 - SPECIAL OPTIONS/ACCESSORIES/KITS

## PART NUMBER INDEX

# SECTION 11 - SPECIAL OPTIONS/ACCESSORIES/KITS

|  |   |  |   |
|--|---|--|---|
| 0100009....115, 119, 123,<br>127, 131, 135, 139,<br>143, 147, 151, 155,<br>159, 163, 167, 171,<br>175, 541, 545  | 435, 443, 451, 503,<br>541, 545   | 0360406 ..... 59   | 0641420.....342, 346  |
| 0100011....17, 19, 21, 23,<br>25, 27, 29, 31, 33, 51,<br>53, 55, 57, 63, 65, 81,<br>85, 87, 89, 91, 93, 95,<br>97, 99, 101, 103, 109,<br>111, 115, 119, 123,<br>127, 131, 135, 139,<br>143, 147, 151, 155,<br>159, 163, 167, 171,<br>175, 181, 193, 195,<br>201, 205, 209, 210,<br>214, 215, 218, 219,<br>222,223, 233, 235, 239,<br>241, 244, 248, 255,<br>259, 263, 267, 271,<br>275, 277, 279, 281,<br>283, 285, 288, 294,<br>300, 306, 312, 331,<br>335, 342, 346, 349,<br>351, 354, 360, 365,<br>371, 373, 399, 401,<br>411, 413, 417, 421,<br>423, 427, 431, 435,<br>439, 443, 447, 451,<br>455, 461, 463, 465,<br>467, 469, 471, 473,<br>475, 477, 481, 483,<br>485, 487, 489, 495,<br>497, 499, 501, 507,<br>511, 517, 519, 521,<br>523, 529, 531, 533,<br>585, 587, 589, 591,<br>594, 599, 601, 603,<br>605, 607, 751, 753,<br>755, 757, 759, 761,<br>763, 765, 767 | 0100062 .... 99, 101, 103,<br>244, 248, 288, 294,<br>300, 306, 312, 356,<br>362, 440, 448   | 0362770 .... 201, 205, 209<br>0400075 ..... 109, 111<br>0440244 ..... 81<br>0480121 ..... 411, 421<br>0480126 ..... 423, 439<br>0480129 ..... 431, 448<br>0561185 ..... 473, 475<br>0561295 ..... 469, 471<br>0630407 ... 288, 294, 300,<br>306, 312<br>0630427 ..... 483, 485<br>0630462 ... 601, 603, 605,<br>607<br>0630467 ..... 487, 489<br>0630485 ... 214, 218, 222<br>0630518 ... 179, 559, 573,<br>589, 591, 594, 599<br>0630534 ..... 623<br>0630535 .... 617, 629, 637<br>0630548 ... 115, 119, 123,<br>127, 131, 135, 139,<br>143, 147, 151, 155,<br>159, 163, 167, 171, 175<br>0630568 ..... 542, 546<br>0641403 ..... 501<br>0641404 ... 115, 119, 123,<br>127, 131, 135, 139,<br>143, 147, 151, 155,<br>159, 163, 167, 171,<br>175, 421, 423, 427,<br>431, 435, 439, 443,<br>447, 451, 461, 463,<br>465, 467, 541, 545, 587<br>0641405 ... 181, 193, 195,<br>455, 587<br>0641406 ... 183, 185, 197,<br>201, 205, 209, 225,<br>227, 255, 259, 263,<br>267, 271, 275, 277,<br>279, 281, 283, 285,<br>288, 294, 300, 306,<br>312, 342, 346, 403,<br>405, 423, 427, 537,<br>539, 609, 779, 781<br>0641407 ... 115, 119, 123,<br>127, 131, 135, 139,<br>143, 147, 151, 155,<br>159, 163, 167, 171,<br>175, 183, 239, 241,<br>244, 248, 349, 351, 403<br>0641408 ... 214, 218, 222,<br>343, 347, 503, 537, 539<br>0641409 .... 193, 233, 236<br>0641410 ..... 51, 193, 195,<br>233, 235, 244, 248<br>0641412 ... 255, 259, 263,<br>267, 271<br>064141463, 65, 541, 545,<br>585, 601, 603, 605, 607<br>0641416 ... 721, 723, 725,<br>727, 729, 731, 733,<br>735, 737, 739, 741<br>064141863, 65, 487, 489,<br>507, 511, 517, 519,<br>521, 523, 529, 531, 533 | 0641506....115, 119, 123,<br>127, 131, 135, 139,<br>143, 147, 151, 155,<br>159, 163, 167, 171,<br>175, 197, 202, 206, 209<br>0641507.....487, 489<br>0641508..55, 57, 99, 101,<br>103, 201, 205, 209,<br>214, 218, 222, 233,<br>235, 255, 260, 263,<br>267, 271, 342, 346,<br>411, 413, 417, 421<br>0641510.....244, 248<br>0641511.....485<br>0641512.....244, 248<br>0641516....431, 435, 439,<br>443, 447, 451, 455<br>0641518....288, 294, 300,<br>306, 312<br>0641542.....29<br>0641560.....31, 33<br>0641604....461, 463, 465,<br>467, 483, 485<br>0641605....288, 294, 300,<br>306, 312, 497, 499<br>0641606....51, 53, 63, 65,<br>195, 202, 206, 210,<br>244, 248, 461, 463,<br>465, 467, 469, 471,<br>477, 495, 497, 499,<br>589, 591, 594, 599<br>0641607....23, 25, 27, 89,<br>91, 93, 95, 97, 99, 101,<br>103, 214, 218, 222,<br>342, 346, 413, 461,<br>463, 465, 467, 469,<br>471, 473, 475, 477, 495<br>0641608....201, 202, 205,<br>206, 209, 210, 215,<br>219, 222, 225, 227,<br>229, 288, 294, 300,<br>306, 312, 397, 461,<br>463, 465, 467, 469,<br>471, 473, 475, 477<br>0641609....195, 201, 205,<br>209, 214, 218, 222,<br>244, 248, 288, 294,<br>300, 306, 312, 399,<br>401, 407, 469, 471,<br>473, 475<br>0641610....189, 191, 197,<br>233, 235, 244, 248,<br>255, 259, 263, 267,<br>271, 331, 333, 335,<br>342, 346, 395, 411,<br>421, 473, 475, 537, 539<br>064161185, 87, 255, 259,<br>263, 267, 271, 461,<br>463, 465, 467, 477<br>0641612....288, 294, 300,<br>306, 312, 342, 346,<br>469, 471, 751, 753,<br>755, 757, 759, 761,<br>763, 765, 767 |
| 010001975, 81, 193, 195,<br>413, 423, 427, 431,<br>435, 439, 443, 448,<br>451, 455   | 0100079 .....395, 435, 451<br>0100081 ... 214, 218, 222,<br>495, 579, 581, 583<br>0140011 .....541, 545<br>0140044 ..... 181<br>0181949 ..... 49<br>0200048 ... 601, 603, 605,<br>607<br>0200742 .....411, 421<br>0232121 .....55, 57, 59<br>0256196 ..... 896<br>0256202 ..... 717<br>0257195 ..... 893<br>0258077 ..... 495<br>0258217 ..... 483<br>0258567 ..... 501<br>0258654 ..... 892<br>0258728 ..... 407<br>0258737 ..... 892<br>0258805 ..... 892<br>0258945 ..... 561<br>0259420 .....497, 499<br>0270888 ..... 43<br>0271090 ..... 43<br>0271091 ..... 43<br>0271340 ..... 557<br>0271584 ..... 877<br>0271585 ..... 877<br>0271768 ..... 894<br>0272254 ..... 591<br>0272259 ..... 711<br>0272260 ..... 713<br>0272418 ... 579, 581, 583,<br>877<br>0272427 ..... 605<br>0272433 ..... 719<br>0272435 ....448, 452, 456<br>0272448 ..... 885<br>0272521 ..... 589<br>0272588 ..... 883<br>0272589 .....440, 444<br>0272599 ..... 881<br>0272725 ..... 894<br>0272733 ..... 894<br>0272948 ..... 581<br>0272951 ..... 583<br>0273353 ..... 594<br>0273485 ..... 894<br>0273687 ..... 877<br>0273706 ..... 607<br>0273824 ..... 601<br>0274031 ..... 193<br>0274519 ..... 877<br>0274883 ..... 892<br>0275216 .....721, 831<br>0275217 .....725, 833<br>0275452 .....729, 835<br>0275453 .....733, 837<br>0275454 .....737, 839<br>0275733 ..... 503 |  |   |
| 0100020....49, 89, 91, 97,<br>99, 101, 103, 193, 195,<br>198, 233, 235, 255,<br>259, 263, 267, 271,<br>288, 289, 294, 295,<br>300, 302, 306, 312,<br>342, 346, 354, 360,<br>432, 448, 555, 573,<br>594, 721, 723, 725,<br>727, 729, 731, 733,<br>735, 737, 739, 741  |   |  |   |
| 0100035....333, 501, 541,<br>545   |   |  |   |
| 0100038....473, 475, 497,<br>499   |   |  |   |
| 0100048....115, 119, 123,<br>127, 131, 135, 139,<br>143, 147, 151, 155,<br>159, 163, 167, 171,<br>175, 181, 183, 185,<br>342, 346, 417, 427,   |   |  |   |

## SECTION 11 - SPECIAL OPTIONS/ACCESSORIES/KITS

|   |  |   |   |
|---|--|---|---|
| 0641614 ... 63, 65, 89, 91,<br>93, 95, 97, 99, 101, 103   | 0700408.... 721, 723, 725,<br>727, 729, 731, 733,<br>735, 737, 739, 741  | 0761210.... 288, 294, 300,<br>306, 312                        | 0961893 ..... 623   |
| 0641615 ..... 473, 475  | 0700615..... 189, 191  | 0761216..... 481  | 0961894 ..... 617, 629  |
| 0641616 ... 197, 423, 427,<br>432, 435, 444, 452,<br>473, 475   | 0700618.... 215, 219, 223  | 0771014..... 354, 360   | 0961897 ..... 637   |
| 0641617 ..... 49  | 0700626..... 477   | 0771212.... 255, 259, 263,<br>267, 271, 288, 294,<br>306, 312 | 0961947 ..... 477   |
| 0641618 .... 440, 448, 477  | 0700808..... 244, 248  | 0771414.... 244, 248, 288,<br>294, 300, 306, 312              | 0961951 ... 469, 471, 617,<br>619, 629, 631                             |
| 0641622 ..... 497, 499  | 0700810..... 354, 360  | 0771415.... 290, 296, 300,<br>306, 312, 423, 432,<br>440, 448 | 0961986 ... 244, 248, 288,<br>294, 300, 306, 312,<br>354, 360           |
| 0641624 .... 495, 497, 499  | 0700812..... 354, 360  | 0801132... 461, 463, 465,<br>467, 473, 475                    | 0962051 ..... 407, 409  |
| 0641640 ..... 495   | 0700814.... 290, 296, 300,<br>354, 360   | 0801136.... 461, 463, 469                                     | 0962102. 17, 19, 21, 469,<br>471, 473, 475, 621,<br>625, 627            |
| 0641708 ... 288, 294, 300,<br>306, 312  | 0700816..... 373   | 0801496..... 473, 475   | 0962122 ..... 473, 475  |
| 0641772 ... 411, 413, 417,<br>421   | 0700818..... 373   | 0801573..... 469, 471   | 0962152 ..... 25, 633   |
| 0641806 .... 302, 473, 475  | 0701014..... 373   | 0801591 ..... 469, 471  | 0962181 ..... 25  |
| 0641808 ... 233, 235, 255,<br>259, 263, 267, 271,<br>275, 277, 279, 281,<br>283, 285, 342, 346,<br>349, 351, 423, 427,<br>431, 435, 439, 443,<br>447, 451 | 0701022..... 308, 312  | 0801594..... 473, 475   | 0962270 ..... 525, 535  |
| 0641810. 23, 25, 27, 193,<br>195  | 0701025..... 306, 312  | 0811608.... 89, 91, 93, 95,<br>97, 99, 101, 103               | 0962336 ..... 623   |
| 064181285, 87, 239, 241,<br>275, 277, 279, 281,<br>283, 285, 349, 351, 413  | 0701026..... 365   | 0811610.... 214, 218, 222                                     | 0962348 ..... 25  |
| 064181817, 99, 101, 103,<br>401, 407, 409   | 0710827..... 373   | 0811612..... 109, 111   | 0962449 ..... 421   |
| 064182085, 87, 244, 248,<br>399   | 0711014..... 356, 362  | 081812.... 201, 205, 209,<br>214, 218, 222                    | 0962520 ... 423, 427, 431,<br>435, 440, 443, 448,<br>451, 455           |
| 0641840 ... 461, 463, 465,<br>467   | 0711020..... 354, 360  | 0860038.... 432, 435, 443,<br>447, 451, 455, 711, 713         | 1001001939 ..... 244, 248   |
| 0642010 ... 233, 235, 342,<br>346   | 0711215..... 300   | 0861538.... 448, 451, 455                                     | 1001080707 ..... 93, 95   |
| 0642012 ... 255, 259, 263,<br>267, 271, 579, 581, 583   | 0711216..... 373   | 0861572..... 440, 443   | 1001091460 ..... 37   |
| 0642038 ..... 59  | 0711223..... 356, 362  | 0861642..... 193, 195   | 1001091461 ..... 37   |
| 0642212. 17, 19, 21, 579,<br>581, 583   | 0711414..... 399, 401  | 0861731.... 731, 735, 739,<br>741, 835, 837, 839              | 1001091969 ..... 721  |
| 0642214 ... 461, 463, 465,<br>467   | 0720804..... 49  | 0861781.... 723, 727, 831,<br>833                             | 1001091970 ..... 725  |
| 0642620 ... 461, 463, 465,<br>467   | 0721005..... 605, 607  | 0861880..... 783, 785   | 1001091973 ..... 729  |
| 0651406 ..... 63, 65  | 0721006.... 201, 205, 209,<br>331, 333, 335, 411,<br>413, 421, 541, 545  | 0902143.... 201, 205, 209                                     | 1001091974 ..... 733  |
| 0681608. 17, 19, 21, 233,<br>235, 255, 259, 263,<br>267, 271, 290, 296,<br>308, 312, 481  | 0721008.... 202, 206, 210  | 0902161.... 201, 205, 209                                     | 1001091975 ..... 737  |
| 0681620 ... 563, 565, 567,<br>569, 571  | 0731005..... 601, 603  | 0902219.... 201, 205, 209                                     | 1001092092 ..... 892  |
| 0681814 ..... 525, 535  | 0741605.... 288, 294, 300,<br>306, 312   | 0902223.... 201, 205, 209                                     | 1001092384 ..... 765  |
| 0681820 ... 288, 294, 300,<br>306, 312  | 0741607.... 423, 427, 432,<br>435, 443, 451, 455,<br>461, 463, 465, 467  | 0902412.... 201, 205, 209                                     | 1001093382 ..... 109, 111   |
| 0681822. 29, 31, 33, 290,<br>296, 300, 306, 312,<br>525, 535  | 0741609..... 25  | 0902426.... 201, 205, 209                                     | 1001094400 ..... 503, 890   |
| 0682016 ..... 29, 31, 33  | 0760605.... 288, 294, 300,<br>306, 312, 371  | 0902491.... 201, 205, 209                                     | 1001094475 ..... 893  |
| 0682023 ..... 81  | 0760606..... 456   | 0902888.... 431, 435, 439,<br>443, 447, 451, 455              | 1001094595 ..... 239, 241,<br>275, 277, 279, 281,<br>283, 349, 351, 377 |
| 0682032 ..... 81  | 0760608..... 354, 360  | 0903088..... 193, 195   | 1001096141 ..... 859  |
| 0682216 ..... 75  | 0760610.... 354, 360, 373,<br>417, 455   | 0903242..... 85, 87   | 1001096736 ..... 503  |
| 0682236 ..... 19, 21  | 0760612.... 116, 120, 124,<br>128, 132, 136, 140,<br>144, 148, 152, 156,<br>160, 164, 168, 172,<br>176, 354, 360 | 0903308..... 201  | 1001097051 ..... 751, 753,<br>755, 757, 759, 761,<br>763, 765, 767, 847 |
| 0682424 ... 563, 565, 567,<br>569, 571  | 0760615..... 373   | 0903697..... 779  | 1001097082 ..... 751, 753,<br>755, 757, 759, 761,<br>763, 765, 767      |
|   | 0760807..... 371   | 0940049.... 201, 205, 209,<br>214, 218, 222                   | 1001097150 ..... 783  |
|   | 0760810.... 288, 294, 300,<br>306, 312, 342, 346,<br>354, 360, 481   | 0940070.... 244, 248, 288,<br>294, 300, 306, 312,<br>356, 362 | 1001097244 ..... 611  |
|   | 0760812.... 354, 360, 749  | 0940071 .... 201, 205, 209                                    | 1001098012 ..... 573, 575,<br>594                                       |
|   | 0760814.... 306, 312, 354,<br>360  | 0940088.... 202, 206, 209                                     | 1001098122 ..... 555, 829   |
|   | 0760815.... 306, 312, 354,<br>360  | 0940092.... 601, 603, 605,<br>607                             | 1001098149 ..... 573  |
|   | 0760817..... 373   | 0940094.... 601, 603, 605,<br>607                             | 1001098167 ..... 615  |
|   | 0761008.... 256, 260, 267,<br>271, 342, 346  | 0940102.... 579, 581, 583                                     | 1001098828 ..... 481  |
|   | 0761014.... 354, 360, 409,<br>481  | 0940103..... 605  | 1001099121 ..... 202  |
|   | 0761015.... 290, 296, 300,<br>306, 312, 354, 360   | 0940133..... 607  | 1001099137 ..... 201  |
|   | 0761016.... 354, 360, 417  | 0940134..... 601  | 1001099138 ..... 201, 202   |
|   | 0761018..... 455   | 0940177..... 603  | 1001099366 ..... 579, 581,<br>583                                       |
|   |  | 0961845.... 507, 511, 517,<br>519, 521, 523, 529,<br>531, 533 | 1001099367 ..... 579, 581,<br>583                                       |
|   |  |   | 1001099421 ..... 581  |
|   |  |   | 1001099422 ..... 583  |
|   |  |   | 1001099837 ..... 495  |

## SECTION 11 - SPECIAL OPTIONS/ACCESSORIES/KITS

|   |  |  |  |
|---|--|--|--|
| 1001099869.....421  | 1001110873..... 432, 436,<br>447, 451, 456, 711  | 1001119939 ..... 892   | 1001137460..... 109, 111,<br>113                                 |
| 1001099870.....29   | 1001111514.99, 101, 103                          | 1001119947 ..... 892   | 1001137672.....895   |
| 1001100234.....421  | 1001112551 ..... 861                             | 1001119968 ..... 443, 451,<br>819                                  | 1001137673.....585   |
| 1001100321.....421  | 1001112588 ..... 411                             | 1001120328 ..... 585, 587  | 1001138110.....791   |
| 1001100341.....831  | 1001112589 .....411, 421                         | 1001120471 ..... 611   | 1001138111.....791   |
| 1001100342.....833  | 1001112612 .....747, 825                         | 1001120477 ..... 611   | 1001138113.....791   |
| 1001100345.....835  | 1001112796 ..... 747                             | 1001120484 ..... 611   | 1001138173.....289, 295,<br>301, 307, 313, 355, 361              |
| 1001100346.....839  | 1001113047 ..... 214, 218,<br>222                | 1001120962 ..... 215, 219,<br>223                                  | 1001138175.....289, 295,<br>301, 308, 314, 355, 361              |
| 1001100347.....837  | 1001113961 ..... 825                             | 1001120989 ..... 878   | 1001138228.....289, 295,<br>301, 307, 313                        |
| 1001100825.....349, 351,<br>387, 393  | 1001115387 ..... 447                             | 1001121122 ..... 222   | 1001138248.....289, 295,<br>301, 307, 313, 355, 361              |
| 1001101191.....721, 723,<br>725, 727, 729, 731,<br>733, 735, 737, 739,<br>741, 783, 785                   | 1001115389 ..... 439                             | 1001121123 ..... 222   | 1001138489.....289, 296,<br>301, 308, 313                        |
| 1001101196.....721, 723,<br>725, 727  | 1001115405 ..... 411                             | 1001125125 ..... 761, 763,<br>765, 767                             | 1001138491.....255, 259,<br>263, 267, 271, 801                   |
| 1001101197.....729, 731,<br>733, 735, 737, 739, 741   | 1001115409 ..... 421                             | 1001125126 ..... 761, 763,<br>765, 767                             | 1001138494.....511, 517,<br>519, 521, 523, 529,<br>531, 533      |
| 1001101421.....579  | 1001115918 ..... 893                             | 1001125387 ..... 878   | 1001138514.....511, 517,<br>519, 523, 529, 533                   |
| 1001101422.....579  | 1001116208 ..... 878                             | 1001125492 ..... 75  | 1001138557.....289, 295,<br>301, 307, 313                        |
| 1001101600.....233, 235   | 1001116290 ..... 215, 219,<br>223                | 1001126009 ..... 849   | 1001138565.....423   |
| 1001101623.....202  | 1001116456 ..... 225                             | 1001126351 ..... 791, 796  | 1001138566.....423, 427,<br>431, 436                             |
| 1001101673.....202  | 1001116457 ..... 229                             | 1001126352 ..... 791   | 1001138795.....623   |
| 1001102290.....787  | 1001116473 ..... 767                             | 1001126356 ..... 791   | 1001138796.....617, 629  |
| 1001102291.....787  | 1001116692 ..... 777                             | 1001126357 ..... 791   | 1001138827.....289, 295,<br>302                                  |
| 1001102304.....787  | 1001116693 .....789, 799                         | 1001126362 ..... 792, 795  | 1001139099.....893   |
| 1001103308.....115, 119,<br>123, 127, 131, 135,<br>139, 143, 147, 151,<br>155, 159, 163, 167,<br>171, 175 | 1001116694 ..... 826                             | 1001126363 ..... 792, 795  | 1001139135.....541, 546,<br>777                                  |
| 1001103667.....115, 123,<br>131, 135, 139, 147,<br>155, 159, 163, 171, 889                                | 1001116695 ..... 485                             | 1001126364 ..... 792, 795  | 1001139240.....289, 295,<br>308, 314                             |
| 1001103810.....23, 25, 27   | 1001116710 ..... 801                             | 1001126365 ..... 792   | 1001139357.....424, 431  |
| 1001104519.....851  | 1001116727 ..... 791, 809,<br>811                | 1001126384 ..... 791   | 1001139409.....289, 295,<br>301, 307, 313                        |
| 1001106481.....501  | 1001116728 ..... 791                             | 1001126391 ..... 792, 795  | 1001139654.....878   |
| 1001106736.....115, 119,<br>123, 127, 131, 135,<br>139, 143, 147, 151,<br>155, 159, 163, 167,<br>171, 175 | 1001116733 ..... 809                             | 1001126392 ..... 792, 795  | 1001139944.....894   |
| 1001106938.....541, 545,<br>889   | 1001116734 ..... 809                             | 1001126485 ..... 795   | 1001139952.....431   |
| 1001106957.....664, 670,<br>687   | 1001116774 ..... 747                             | 1001126487 ..... 795   | 1001140312.....296   |
| 1001106974.....85   | 1001116808 ..... 747                             | 1001127094 ..... 878   | 1001140346.....435   |
| 1001106975.....87   | 1001116812 .....795, 825                         | 1001128527 ..... 599   | 1001140347.....427   |
| 1001107529.....85   | 1001116815 .....796, 825                         | 1001128556 ..... 599   | 1001140429.....507, 511,<br>517, 519, 521, 523,<br>529, 531, 533 |
| 1001107530.....87   | 1001116952 .....791, 796                         | 1001128901 ..... 355, 361  | 1001140448.....289, 295,<br>301, 308, 314                        |
| 1001107755.....767  | 1001116983 ..... 801                             | 1001129555 ..... 888   | 1001140450.....289, 295,<br>301, 308, 314                        |
| 1001108256.....603  | 1001117078 ..... 819                             | 1001129858 ..... 431   | 1001140454.....289, 295,<br>301, 308, 314                        |
| 1001108721.....893  | 1001117106 .....791, 796                         | 1001131269 ..... 859   | 1001140564.....289, 295,<br>302                                  |
| 1001108962.....893  | 1001117107 .....791, 796                         | 1001133714 ..... 792, 795,<br>803                                  | 1001141300.....878   |
| 1001109263.....892  | 1001117140 .....206, 210                         | 1001133715 ..... 792, 795,<br>803                                  | 1001141302.....878   |
| 1001109654.....779, 781,<br>783   | 1001117172 ..... 555                             | 1001133956 ..... 791, 796  | 1001141304.....289, 295,<br>301, 307, 313                        |
| 1001109690.....693  | 1001117174 ..... 541, 545,<br>555, 888           | 1001133957 ..... 791, 796  | 1001141370.....289, 295,<br>301, 307, 313                        |
| 1001110166.....214, 218,<br>222   | 1001117219 ..... 215, 219,<br>223                | 1001134488 ..... 289, 295,<br>302, 355, 362                        | 1001141419.....301   |
| 1001110425..63, 65, 195,<br>233, 236, 255, 259,<br>263, 267, 271  | 1001117234 ..... 214, 218,<br>222                | 1001135138 ..... 289, 295,<br>301, 307, 313                        | 1001141421.....451   |
| 1001110434.....541, 545   | 1001117249 .....214, 218                         | 1001135650 ..... 792, 795,<br>803                                  | 1001141422.....443   |
| 1001110872.....743, 745,<br>841   | 1001117294 ..... 893                             | 1001135651 ..... 792, 795  |  |
|   | 1001117307 ..... 214, 218,<br>222                | 1001135679 ..... 289, 295  |  |
|   | 1001117308 ..... 289, 295,<br>301, 307, 313, 889 | 1001136104 ..... 455   |  |
|   | 1001117372 ..... 615                             | 1001136400 ..... 495   |  |
|   | 1001117598 ..... 214, 218,<br>222                | 1001136834 ..... 289, 295,<br>301, 307, 313                        |  |
|   | 1001118133.99, 101, 103                          | 1001136881 ..... 692   |  |
|   | 1001118384 ..... 849                             | 1001137005 ..... 895   |  |
|   | 1001118388 ..... 849                             | 1001137276 ..... 289, 295,<br>301, 307, 313                        |  |
|   | 1001119020 ..... 747, 825,<br>829                | 1001137336 ..... 351   |  |
|   | 1001119563 ..... 893                             | 1001137364 ..... 123, 127,<br>135, 147, 151, 159,<br>171, 175, 545 |  |
|   | 1001119602 ..... 692                             | 1001137440 ..... 895   |  |
|   | 1001119619 ..... 845                             |  |  |
|   | 1001119620 .....843, 847                         |  |  |

## SECTION 11 - SPECIAL OPTIONS/ACCESSORIES/KITS

|  |  |   |  |
|--|--|---|--|
| 1001141585..... 289, 295,<br>301, 307, 313, 355, 361 | 1001148675..... 743, 745,<br>841   | 1001152565..... 487, 489,<br>491  | 1001156332..... 647, 652,<br>658, 664, 670, 676,<br>682, 687 |
| 1001141586..... 301                                  | 1001148841..... 803  | 1001152566..... 206   | 1001156333..... 647, 652,<br>658, 664, 670, 676,<br>682, 687 |
| 1001141718..... 335                                  | 1001148842..... 803  | 1001152719..... 17, 19  | 1001156693..... 759  |
| 1001141870..... 331, 333                             | 1001148902..... 893  | 1001152965..... 894   | 1001156694..... 759  |
| 1001141995..... 289, 295,<br>301, 307, 313, 355, 361 | 1001148903..... 893  | 1001153197..... 424, 431,<br>811  | 1001156710..... 17, 19, 21                                   |
| 1001142031..... 403, 405                             | 1001148904..... 893  | 1001153259..... 428, 436,<br>813  | 1001156798..... 83   |
| 1001142032..... 403, 405                             | 1001148905..... 893  | 1001153282..... 245, 249,<br>288, 296, 307, 313, 339  | 1001157013..... 895  |
| 1001142501..... 255, 259,<br>263, 331, 333, 335      | 1001148906..... 893  | 1001153359..... 255, 259,<br>263, 267, 271, 342, 347  | 1001157015..... 29   |
| 1001142504..... 894                                  | 1001148971..... 894  | 1001153396..... 239, 244  | 1001157016..... 31   |
| 1001142505..... 894                                  | 1001149160..... 371  | 1001153414..... 245, 249  | 1001157049..... 81   |
| 1001142623..... 301                                  | 1001149286..... 465, 467,<br>471   | 1001153435..... 206   | 1001157058..... 81   |
| 1001142643..... 427, 436,<br>444, 452                | 1001149410..... 693  | 1001153713..... 115, 119,<br>123, 127, 131, 135, 787  | 1001157094..... 33   |
| 1001142645..... 427, 444                             | 1001149639..... 355, 361   | 1001153749..... 503   | 1001157208..... 215, 223                                     |
| 1001142646..... 436, 452                             | 1001149673..... 206, 210   | 1001153779..... 241, 248  | 1001157209..... 215, 219,<br>223                             |
| 1001142683..... 189, 191,<br>889                     | 1001149703..... 399  | 1001154126..... 615   | 1001157400..... 643  |
| 1001142722..... 189, 191                             | 1001149704..... 244, 248   | 1001154231..... 894   | 1001157520..... 440, 448,<br>452, 456                        |
| 1001142736..... 189, 191,<br>747                     | 1001149705..... 244, 248   | 1001154236..... 233, 239  | 1001157521..... 440, 444,<br>448, 452, 456                   |
| 1001142938..... 792, 795                             | 1001149706..... 244, 248   | 1001154237..... 235, 241  | 1001157525..... 439, 440,<br>443, 444                        |
| 1001142940..... 792, 795                             | 1001149793..... 245, 249   | 1001154238..... 233   | 1001157528..... 440, 444,<br>448, 452, 456                   |
| 1001142941..... 792, 795                             | 1001149908..... 383  | 1001154405..... 255, 259,<br>263, 271, 331, 333,<br>335, 397  | 1001157592..... 447, 448,<br>452, 456                        |
| 1001143390..... 245, 249,<br>289, 295, 301, 307, 313 | 1001149994..... 187, 189,<br>191   | 1001154584..... 19  | 1001157612..... 214, 218,<br>222                             |
| 1001143449..... 403, 405                             | 1001150260..... 201, 205,<br>210, 214, 218, 222  | 1001154687..... 615   | 1001157726..... 214, 218,<br>222                             |
| 1001143483..... 405                                  | 1001150372..... 23, 25, 27   | 1001154875..... 21  | 1001157769..... 440, 449                                     |
| 1001143484..... 403                                  | 1001150406..... 187  | 1001154931..... 25  | 1001157867..... 214, 218,<br>222                             |
| 1001143525..... 403, 405                             | 1001150539..... 23, 25, 27,<br>633   | 1001155035..... 25  | 1001158007..... 440, 444,<br>448, 452, 456                   |
| 1001143607..... 205, 206                             | 1001150561..... 225  | 1001155041..... 417   | 1001158008..... 440, 444,<br>448, 452, 456                   |
| 1001143609..... 205                                  | 1001150890..... 401  | 1001155043..... 115, 119,<br>123, 127, 131, 135,<br>139, 143, 147, 151,<br>155, 159, 163, 167,<br>171, 175                | 1001158077..... 214, 218,<br>223                             |
| 1001143611..... 206                                  | 1001150915..... 245, 249   | 1001155044..... 115, 119,<br>124, 127, 131, 135,<br>139, 143, 147, 151,<br>155, 159, 163, 167,<br>171, 175, 542, 546      | 1001158167..... 225  |
| 1001143726..... 289, 295,<br>307, 791                | 1001150918..... 235, 260,<br>346   | 1001155045..... 116, 119,<br>124, 127, 131, 135,<br>139, 143, 147, 151,<br>155, 159, 163, 167,<br>171, 175, 542, 546, 890 | 1001158175..... 214, 218,<br>223                             |
| 1001143736..... 255, 259,<br>263, 267, 271           | 1001150937..... 23, 25, 27   | 1001155143..... 233, 235  | 1001158187..... 51, 53                                       |
| 1001143797..... 289, 295,<br>301, 307, 313           | 1001150998..... 245, 249   | 1001155192..... 25  | 1001158188..... 51   |
| 1001143852..... 878                                  | 1001151010..... 49   | 1001155194..... 21  | 1001158203..... 51   |
| 1001143858..... 205, 210                             | 1001151034..... 23   | 1001155673..... 692   | 1001158204..... 53   |
| 1001143860..... 403                                  | 1001151035..... 27   | 1001155823..... 255, 259,<br>263, 267, 271  | 1001158258..... 55   |
| 1001143907..... 290, 295,<br>301, 307, 313           | 1001151037..... 17   | 1001155895..... 214, 218,<br>222  | 1001158259..... 892  |
| 1001144433..... 585                                  | 1001151070..... 233, 235   | 1001155899..... 214, 218,<br>222  | 1001158260..... 892  |
| 1001144438..... 195                                  | 1001151252..... 401  | 1001156107..... 302   | 1001158364..... 181  |
| 1001144447..... 195                                  | 1001151253..... 399  | 1001156136..... 75  | 1001158522..... 55, 57                                       |
| 1001144527..... 227                                  | 1001151354..... 647, 652,<br>658, 664, 670, 676,<br>682, 688   | 1001156172..... 894   | 1001159118..... 743, 745,<br>841, 888                        |
| 1001144629..... 509, 513,<br>515, 521, 527, 531      | 1001151856..... 792  | 1001156188..... 214   | 1001159119..... 743, 745,<br>841                             |
| 1001145154..... 290, 295,<br>301, 308, 314           | 1001151980..... 23, 27   | 1001156190..... 89, 91, 93,<br>95, 97, 99, 101, 103   | 1001159120..... 743, 745,<br>841                             |
| 1001145405..... 573, 594                             | 1001152175..... 115, 119,<br>123, 127, 131, 135,<br>139, 143, 147, 151,<br>155, 159, 163, 167,<br>171, 175 |   | 1001159121..... 745, 841                                     |
| 1001145750..... 391                                  | 1001152429..... 440, 449,<br>815   |   | 1001159186..... 825  |
| 1001145751..... 391                                  | 1001152457..... 431, 436   |   | 1001159256..... 542, 546,<br>890                             |
| 1001146273..... 244, 248                             | 1001152459..... 245, 249   |   | 1001159293..... 687  |
| 1001146588..... 264, 302                             | 1001152489..... 290, 296,<br>301, 307, 313   |   | 1001159295..... 687  |
| 1001147264..... 791, 796                             | 1001152520..... 444  |   |  |
| 1001147812..... 244, 248                             | 1001152525..... 440, 444,<br>448, 452, 456   |   |  |
| 1001147813..... 244, 248                             | 1001152532..... 424, 428,<br>432, 436, 805   |   |  |
| 1001147820..... 244, 248                             | 1001152564..... 493  |   |  |
| 1001147823..... 244, 248,<br>251                     |  |   |  |
| 1001148138..... 413                                  |  |   |  |
| 1001148652..... 469, 471                             |  |   |  |

## SECTION 11 - SPECIAL OPTIONS/ACCESSORIES/KITS

|   |   |  |  |
|---|---|--|--|
| 1001159304.....687  | 1001170808..... 116, 119,<br>124, 127, 131, 136,<br>140, 143, 148, 151,<br>156, 160, 163, 167,<br>172, 175, 853 | 1001179329 ..... 692   | 1001188844..... 481  |
| 1001159305.....687  |   | 1001179545 ..... 693   | 1001188874..... 116, 120,<br>124, 128, 132, 136,<br>140, 144, 148, 152,<br>156, 160, 164, 167,<br>172, 176 |
| 1001159306.....687  |   | 1001179546 ..... 693   |  |
| 1001159323.....865  |   | 1001179837 ..... 413   |  |
| 1001159338.....681  |   | 1001179912 ..... 423   |  |
| 1001159339.....681  | 1001171016..... 779   | 1001180001 ..... 413   | 1001188884..... 395  |
| 1001159340.....651, 669,<br>676                                   | 1001171125 ..... 435  | 1001180052 ..... 414   | 1001188887..... 395  |
| 1001159707.....692  | 1001171131 ..... 743  | 1001180218 ..... 427   | 1001188972..... 235, 260,<br>347   |
| 1001159854..... 646, 651  | 1001171202 ..... 499  | 1001180287 ..... 413   |  |
| 1001160077..... 187   | 1001171203 ..... 497  | 1001180620 ..... 290, 296,<br>302, 307, 314, 355, 361              | 1001189001..... 481  |
| 1001160272..... 715   | 1001171403 ..... 792  | 1001180861 ..... 878   | 1001189002..... 481  |
| 1001160780..... 55, 57  | 1001171482..... 116, 124,<br>132, 136, 140, 148,<br>156, 160, 164, 172  | 1001181045 ..... 783, 785,<br>888                                  | 1001189979..... 356, 361   |
| 1001161089..... 214, 218,<br>223                                  | 1001172045 ..... 892  | 1001181243 ..... 414   | 1001190610..... 290, 296,<br>302, 308, 314   |
| 1001161355..... 23, 25, 27  | 1001172179 ..... 497, 499   | 1001181895 ..... 296   | 1001190888..... 895  |
| 1001161399..... 23, 25, 27  | 1001172271 ..... 485, 890   | 1001181899 ..... 290, 294,<br>302, 307, 314                        | 1001190985..... 481  |
| 1001162335..... 290, 296,<br>331                                  | 1001172760 ..... 542, 546   | 1001182162 ..... 693   | 1001191395..... 893  |
| 1001162497..... 233, 236,<br>255, 259, 263, 267,<br>271, 342, 347 | 1001173535 ..... 356, 362   | 1001182361 ..... 796   | 1001191525..... 878  |
| 1001162546..... 894   | 1001173703 ..... 878  | 1001182365 ..... 796   | 1001191599..... 327  |
| 1001162915..... 219   | 1001173876 ..... 218  | 1001182599 ..... 893   | 1001191610..... 355, 361   |
| 1001163101..... 227   | 1001173878 ..... 227  | 1001182806 ..... 183   | 1001191620..... 264, 302   |
| 1001163131..... 579   | 1001173897 ..... 89, 91, 97   | 1001182997 ... 89, 91, 93,<br>95, 97, 99, 101, 103                 | 1001193018..... 721, 723,<br>725, 727, 729, 731,<br>733, 735, 737, 739, 741                                |
| 1001163296..... 581   | 1001174040 ..... 481  | 1001183225 ..... 692, 893  | 1001195304..... 894  |
| 1001163297..... 583   | 1001174277 ..... 219  | 1001183226 ..... 693, 893  | 1001195533..... 893  |
| 1001163599..... 413, 427,<br>436, 443, 451                        | 1001174408 ..... 215, 223   | 1001184569 ..... 894   | 1001195967..... 403  |
| 1001164786..... 894   | 1001174486 ..... 342, 347   | 1001184618 ..... 859, 861,<br>863, 865, 867, 869,<br>871, 873, 875 | 1001196382..... 456  |
| 1001165035..... 255, 259,<br>263, 267, 271, 356, 360              | 1001174745 ..... 403, 405   | 1001184626 ..... 537, 539  | 1001196634..... 337, 888,<br>889   |
| 1001165350..... 477   | 1001174746 ..... 405  | 1001184682 ..... 185   | 1001196768..... 215, 219,<br>223   |
| 1001165368..... 423, 428,<br>785                                  | 1001176027 ..... 275, 288   | 1001185281 ..... 542, 546  | 1001197017..... 601, 603,<br>605, 607  |
| 1001165657..... 23, 25, 27  | 1001176035 ..... 277, 294   | 1001185667 ..... 255, 275  | 1001197408..... 878  |
| 1001165776..... 139, 143,<br>148, 151, 155, 160, 789              | 1001176329 ..... 355, 361   | 1001185670 ..... 255   | 1001197719..... 795  |
| 1001165842..... 301   | 1001176469 ..... 132, 136,<br>156, 160  | 1001185671 ..... 259, 277  | 1001198333..... 646, 658,<br>663, 682, 688   |
| 1001166538..... 542, 546,<br>549                                  | 1001176636 ..... 477  | 1001185672 ..... 259   | 1001198334..... 646, 651   |
| 1001166539..... 542, 546,<br>551                                  | 1001176862 ..... 743  | 1001186251 ..... 214, 218,<br>223                                  | 1001198336..... 643  |
| 1001166806..... 57  | 1001177035 ..... 424, 428,<br>781   | 1001186254 ..... 215, 219,<br>223                                  | 1001198338..... 657, 663,<br>669, 675, 681, 688  |
| 1001167042..... 290, 296,<br>301, 307, 313                        | 1001177359 ..... 290, 296,<br>302, 308, 313   | 1001186333 ..... 525   | 1001198339..... 643  |
| 1001167565..... 481   | 1001177694 ..... 893  | 1001186334 ..... 535   | 1001198340..... 646, 651,<br>657, 663, 670, 675  |
| 1001167567..... 481   | 1001177710 ..... 781  | 1001186375 ..... 511   | 1001198341..... 658, 676,<br>682   |
| 1001167596..... 481   | 1001177844 ..... 290, 296,<br>302, 307, 313   | 1001186378 ..... 517   | 1001199394..... 646, 651,<br>657, 663, 669, 675,<br>681, 687   |
| 1001167632..... 795   | 1001177845 ..... 290, 296,<br>302, 307, 313   | 1001186379 ..... 519   | 1001199395..... 646, 651   |
| 1001167635..... 795   | 1001178019 ..... 692  | 1001186382 ..... 529   | 1001199488..... 895  |
| 1001168018..... 355, 361  | 1001178201 ..... 681  | 1001186383 ..... 527   | 1001199733..... 395  |
| 1001168402..... 481   | 1001178202 ..... 681  | 1001186384 ..... 515   | 1001200054..... 487, 489   |
| 1001169054..... 290, 296,<br>302, 307, 313, 355, 361              | 1001178203 ..... 646  | 1001186385 ..... 513   | 1001200120..... 878  |
| 1001169138..... 290, 296,<br>302, 307, 313, 355, 361              | 1001178204 ..... 657  | 1001186387 ..... 509   | 1001200121..... 878  |
| 1001169754..... 45  | 1001178205 ..... 663  | 1001186426 ..... 355, 361  | 1001200122..... 878  |
| 1001169755..... 45  | 1001178206 ..... 687  | 1001186431 ..... 585, 889,<br>895                                  | 1001200124..... 878  |
| 1001169756..... 45  | 1001178207 ..... 892  | 1001186432 ..... 849, 851  | 1001200125..... 878  |
| 1001169757..... 45  | 1001178208 ..... 892  | 1001186517 ..... 585   | 1001200126..... 878  |
| 1001169967..... 355, 361  | 1001178223 ..... 290, 296,<br>302, 308, 314   | 1001186985 ..... 290, 296,<br>302, 308, 314                        | 1001200127..... 878  |
| 1001170035..... 355, 361  | 1001178797 ..... 397  | 1001187674 ..... 577   | 1001200491..... 481  |
| 1001170527..... 495   | 1001178876 ..... 290, 296   | 1001187681 ..... 845   | 1001200494..... 481  |
| 1001170548..... 477   | 1001179040 ..... 93, 95   | 1001187781 ..... 354, 360  | 1001200497..... 503, 825   |
| 1001170764..... 795   | 1001179079 ..... 693  | 1001188135 ..... 647, 652,<br>658, 664, 670, 676,<br>682, 687      | 1001200700..... 894  |
|   | 1001179154 ..... 448, 452,<br>456   | 1001188622 ..... 481   | 1001200910..... 189  |
|   |   | 1001188842 ..... 637   |  |

## SECTION 11 - SPECIAL OPTIONS/ACCESSORIES/KITS

|   |  |  |   |
|---|--|--|---|
| 1001201351..... 481                             | 1001215296..... 646, 651,<br>657, 663, 669, 675,<br>681, 688 | 1001219219.....29, 31, 33,<br>37   | 1001223971..... 869   |
| 1001201885..... 825, 829                        | 1001215384..... 373  | 1001219259..... 355, 362   | 1001224048..... 873   |
| 1001202280..... 395                             | 1001215534..... 799  | 1001219345..... 355, 362   | 1001224049..... 875   |
| 1001202281..... 395                             | 1001215681..... 355, 361                                     | 1001219361..... 355, 362   | 1001224050..... 867   |
| 1001202368..... 289, 295,<br>302                | 1001215974..... 355, 361                                     | 1001219363..... 355, 362   | 1001224052..... 863   |
| 1001202687..... 481                             | 1001216015..... 413  | 1001219364..... 343, 347   | 1001224053..... 871   |
| 1001202749..... 893                             | 1001216065..... 371, 373                                     | 1001219365..... 343, 347   | 1001224486..... 356, 362  |
| 1001203655..... 525                             | 1001216071..... 373  | 1001219366..... 343, 347   | 1001224489..... 356, 362  |
| 1001203656..... 535                             | 1001216075..... 355, 361                                     | 1001219367..... 343, 347   | 1001224937..... 308, 314  |
| 1001204269..... 664, 670,<br>688                | 1001216092..... 355, 361                                     | 1001219368..... 343, 347   | 1001224940..... 308, 314  |
| 1001204325..... 290, 296,<br>302, 308, 314      | 1001216144..... 373  | 1001219369..... 343, 347   | 1001225346..... 749, 890  |
| 1001204560.. 19, 21, 615                        | 1001216201..... 355, 361                                     | 1001219370..... 343, 347   | 1001225430..... 325, 889  |
| 1001204667..... 395                             | 1001216212..... 799  | 1001219480..... 355, 362   | 1001225432..... 326, 889  |
| 1001204725..... 481                             | 1001216213..... 799  | 1001219601..... 116, 120,<br>124, 128, 132, 136,<br>140, 144, 148, 152,<br>156, 160, 164, 168,<br>172, 176 | 1001225442..... 355, 361  |
| 1001205441..... 893                             | 1001216220..... 383  | 1001219608..... 351, 360   | 1001225510..... 356, 362  |
| 1001205958..... 729, 731,<br>733, 735, 737, 739 | 1001216230..... 164, 168,<br>172, 176, 799                   | 1001219609..... 347, 351   | 1001225580..... 585, 851  |
| 1001206250..... 731                             | 1001216300..... 365  | 1001219610..... 346  | 1001225745..... 239, 241,<br>275, 277, 279, 281,<br>283, 285, 349, 351, 375 |
| 1001206251..... 735                             | 1001216390..... 456  | 1001219611..... 355, 362   | 1001226285..... 335   |
| 1001206252..... 739                             | 1001216391..... 418  | 1001219612..... 355, 362   | 1001226400..... 769, 771,<br>773, 775                                       |
| 1001206253..... 723                             | 1001216393..... 361  | 1001219613..... 355, 362   | 1001226531..... 749   |
| 1001206254..... 727                             | 1001216531..... 356, 362                                     | 1001219618..... 455  | 1001226872..... 507   |
| 1001206255..... 741                             | 1001216532..... 349, 351                                     | 1001219619..... 417  | 1001226923..... 397   |
| 1001206311..... 895                             | 1001216533..... 361  | 1001219630..... 418  | 1001227224..... 267, 271,<br>335  |
| 1001206476..... 749                             | 1001216534..... 349, 351                                     | 1001219632..... 418  | 1001227351..... 757, 765,<br>769  |
| 1001206477..... 895                             | 1001216535..... 349, 351                                     | 1001219633..... 894  | 1001227359..... 751, 753,<br>755, 757, 759, 761,<br>763, 765, 767           |
| 1001207004..... 191                             | 1001216568..... 342, 347                                     | 1001219809..... 343, 347   | 1001227448..... 892   |
| 1001207558..... 201, 205,<br>210                | 1001216619..... 365  | 1001219840..... 892  | 1001227518..... 751, 753,<br>755, 759, 761, 763,<br>767, 771                |
| 1001207969..... 487, 489                        | 1001216630..... 481  | 1001219881..... 409  | 1001227520..... 759   |
| 1001208994..... 481, 487,<br>489                | 1001216768..... 371  | 1001219906..... 393  | 1001227610..... 751   |
| 1001209059..... 894                             | 1001216769..... 371  | 1001219985..... 63, 487  | 1001227614..... 281, 306  |
| 1001209432..... 749                             | 1001216910..... 355, 361,<br>371                             | 1001219986..... 65, 489  | 1001227615..... 267, 281  |
| 1001209474..... 749                             | 1001216919..... 355, 361                                     | 1001220002..... 223  | 1001227616..... 267   |
| 1001209632..... 893                             | 1001216995..... 361  | 1001220067..... 223  | 1001227620..... 267, 271  |
| 1001209664..... 585                             | 1001217005..... 189  | 1001220141..... 387  | 1001227633..... 577   |
| 1001209982..... 47                              | 1001217032..... 355, 361                                     | 1001220189..... 229  | 1001227634..... 577   |
| 1001210025..... 895                             | 1001217046..... 355, 361                                     | 1001220190..... 222  | 1001227666..... 356, 362  |
| 1001210026..... 895                             | 1001217090..... 355, 361                                     | 1001220379..... 791  | 1001227667..... 356, 362  |
| 1001210448..... 367, 373                        | 1001217170..... 349, 351                                     | 1001220404..... 365  | 1001227769..... 371   |
| 1001210636..... 611                             | 1001217174..... 355, 361                                     | 1001220510..... 878  | 1001227772..... 373   |
| 1001211794..... 371, 373                        | 1001217183..... 355, 361                                     | 1001220511..... 878  | 1001227781..... 763   |
| 1001212223..... 443, 451                        | 1001217185..... 355, 361                                     | 1001220512..... 878  | 1001227782..... 761   |
| 1001212415..... 888                             | 1001217186..... 355, 361                                     | 1001220864..... 878  | 1001227783..... 753   |
| 1001213447..... 829                             | 1001217191..... 349, 354                                     | 1001221203..... 308, 314   | 1001227785..... 757   |
| 1001213584..... 711, 713,<br>717, 781           | 1001217192..... 343, 349                                     | 1001221212..... 267, 271,<br>307, 314  | 1001227799..... 765   |
| 1001213585..... 711, 713,<br>717, 781           | 1001217194..... 651  | 1001221219..... 307, 314   | 1001227800..... 755   |
| 1001213705..... 461, 463,<br>465, 467           | 1001217195..... 675  | 1001221397..... 387, 393   | 1001227801..... 767   |
| 1001213810..... 371                             | 1001217196..... 669  | 1001221464..... 349  | 1001227985..... 577   |
| 1001213882..... 542, 546                        | 1001217199..... 342  | 1001221488..... 342, 346   | 1001227987..... 577   |
| 1001214030..... 878                             | 1001217317..... 355, 361                                     | 1001221498..... 456  | 1001227996..... 843, 847  |
| 1001214552..... 894                             | 1001217477..... 387, 393                                     | 1001221545..... 373  | 1001228030..... 461, 465,<br>617  |
| 1001214561..... 894                             | 1001217478..... 387  | 1001221615..... 356, 362   | 1001228050..... 461, 465,<br>629  |
| 1001214562..... 894                             | 1001217543..... 355, 361                                     | 1001222033..... 356, 362   | 1001228086..... 473, 637  |
| 1001214570..... 749                             | 1001217780..... 477, 479                                     | 1001222641..... 373  | 1001228087..... 469   |
| 1001214571..... 749                             | 1001218022..... 893  | 1001222817..... 397  | 1001228170..... 63, 67  |
| 1001214827..... 373                             | 1001218085..... 349, 351                                     | 1001223042..... 355, 361   | 1001228171..... 65, 71  |
| 1001215016..... 799                             | 1001218089..... 387, 393                                     | 1001223055..... 859  |   |
| 1001215091..... 799                             | 1001218362..... 355, 362                                     | 1001223453..... 859, 869   |   |
| 1001215289..... 692                             | 1001218449..... 355, 362                                     | 1001223459..... 792, 795   |   |
|   | 1001218547..... 409  | 1001223584..... 354, 360   |   |
|   | 1001218572..... 109, 111                                     | 1001223591..... 308, 325   |   |
|   | 1001218622..... 719  | 1001223923..... 355, 361   |   |
|   | 1001218623..... 719  |  |   |
|   | 1001218930..... 456  |  |   |

## SECTION 11 - SPECIAL OPTIONS/ACCESSORIES/KITS

|   |   |   |  |
|---|---|---|--|
| 1001228215.....507                        | 1001236891.....563, 565,<br>567, 569, 571 | 1001247073.....895                        | 1001256506.....792   |
| 1001228224.....577, 890                   | 1001236895.....563, 565,<br>567, 569, 571 | 1001247099.....461, 463                   | 1001256879.....264   |
| 1001228225.....577, 890                   | 1001236951.....894                        | 1001247100.....465, 467                   | 1001257271.....563, 567  |
| 1001228243.....531                        | 1001237667.....825, 829                   | 1001247147.....461, 463,<br>465, 467, 477 | 1001257274.....563   |
| 1001228375.....533                        | 1001237668.....825, 829                   | 1001247358.....49                         | 1001257278.....308, 314  |
| 1001228376.....521                        | 1001237862.....843, 847                   | 1001247359.....356, 362                   | 1001257283.....389   |
| 1001228377.....523                        | 1001237863.....577, 847                   | 1001247468.....481                        | 1001257412.....308, 314  |
| 1001228544.....896                        | 1001237864.....577, 843                   | 1001248012.....477, 623                   | 1001257561.....894   |
| 1001228949.....892                        | 1001237865.....577, 845                   | 1001248140.....563, 565,<br>567, 569, 571 | 1001257972.....456, 817  |
| 1001228988.....599, 883,<br>885           | 1001237882.....893                        | 1001248141.....563, 565,<br>567, 569, 571 | 1001258800.....301   |
| 1001229341.....577                        | 1001237883.....893                        | 1001249052.....895                        | 1001258953.....895   |
| 1001229530.....825                        | 1001238263.....563, 565,<br>567, 569, 571 | 1001249695.....892                        | 1001260412.....290, 296,<br>302, 308, 314  |
| 1001229542.....289, 295,<br>302           | 1001238268.....302                        | 1001249941.....892                        | 1001260413.....290, 296,<br>302, 308, 314  |
| 1001229762.....892                        | 1001238319.....577                        | 1001249942.....289, 295,<br>317           | 1001260432.....300   |
| 1001229810.....75, 78                     | 1001238418.....587, 849                   | 1001250035.....895                        | 1001260475.....485   |
| 1001230032.....397                        | 1001238421.....481                        | 1001250292.....215, 219,<br>223           | 1001260937.....546   |
| 1001230635.....289, 295,<br>302, 308, 314 | 1001238463.....571                        | 1001250293.....214, 218,<br>222           | 1001261045.....300   |
| 1001230934.....796                        | 1001238472.....587                        | 1001250465.....895                        | 1001261085.....300   |
| 1001230935.....796                        | 1001238495.....585                        | 1001250466.....895                        | 1001261335.....563   |
| 1001230936.....796                        | 1001238559.....587                        | 1001250595.....895                        | 1001261336.....567   |
| 1001231235.....895                        | 1001238672.....559                        | 1001250643.....93                         | 1001261338.....563   |
| 1001231801.....877                        | 1001238674.....179                        | 1001251009.....461, 463,<br>465, 467, 627 | 1001261339.....567   |
| 1001231886.....183                        | 1001238732.....179, 559                   | 1001251010.....461, 463,<br>465, 467, 625 | 1001262016.....895   |
| 1001231888.....89, 91, 93,<br>95, 97      | 1001238878.....302, 313,<br>795           | 1001251030.....463, 467,<br>619           | 1001262959.....895   |
| 1001231949.....569                        | 1001239202.....795                        | 1001251041.....461, 463,<br>465, 467, 621 | 1001263352.....116, 124,<br>140, 148, 164, 172   |
| 1001231950.....565, 571                   | 1001239347.....185                        | 1001251050.....463, 467,<br>631           | 1001263353.....132, 136,<br>156, 160   |
| 1001232010.....565, 567,<br>569, 571      | 1001239462.....111                        | 1001251086.....475, 639                   | 1001263355.....136   |
| 1001232011.....565, 569,<br>571           | 1001239470.....109                        | 1001251087.....471, 635                   | 1001263356.....124, 128,<br>148, 152, 172, 176   |
| 1001232164.....577                        | 1001241385.....183                        | 1001252033.....895                        | 1001263357.....160   |
| 1001232165.....577                        | 1001241403.....179, 559                   | 1001252034.....895                        | 1001263360.....147, 151  |
| 1001232642.....587                        | 1001241413.....893                        | 1001252527.....796                        | 1001263361.....123, 127  |
| 1001232667.....587, 890                   | 1001241415.....893                        | 1001252627.....881                        | 1001263362.....135   |
| 1001232842.....337                        | 1001241547.....895                        | 1001252629.....563, 565,<br>567, 569, 571 | 1001263363.....171, 175  |
| 1001232844.....302, 321                   | 1001241548.....895                        | 1001253375.....851                        | 1001263364.....159   |
| 1001233047.....892                        | 1001241774.....893                        | 1001253618.....893                        | 1001263587.....542, 546  |
| 1001233089.....307, 314                   | 1001241776.....893                        | 1001253619.....893                        | 1001263588.....539, 545  |
| 1001233472.....892                        | 1001241965.....587                        | 1001253920.....859                        | 1001263923.....787, 853  |
| 1001233763.....260, 337                   | 1001242255.....189                        | 1001253921.....859                        | 1001264239.....539   |
| 1001234800.....795                        | 1001242256.....191                        | 1001253922.....869                        | 1001265163.....611   |
| 1001235860.....263                        | 1001242409.....892                        | 1001253923.....869                        | 1001265342.....611   |
| 1001235861.....264, 279                   | 1001243183.....892                        | 1001253924.....873                        | 1001265676.....799   |
| 1001235862.....279, 300                   | 1001243184.....892                        | 1001253925.....873                        | 1001266056.....894   |
| 1001235949.....264, 302,<br>333           | 1001243414.....215, 219,<br>223           | 1001253926.....867                        | 1001266069.....537, 541  |
| 1001236089.....559                        | 1001243645.....47                         | 1001253927.....867                        | 1001266073.....537   |
| 1001236092.....179                        | 1001243682.....183, 185,<br>855           | 1001253930.....875                        | 1001266098.....894   |
| 1001236211.....894                        | 1001243895.....337                        | 1001253931.....875                        | 1001266164.....485   |
| 1001236303.....111                        | 1001244620.....859                        | 1001253932.....875                        | 1001266290.....894   |
| 1001236304.....749                        | 1001244622.....873                        | 1001253933.....871                        | 1001266489.....894   |
| 1001236334.....385                        | 1001244624.....867                        | 1001253936.....863                        | 1001266499.....308, 314  |
| 1001236335.....385                        | 1001244626.....875                        | 1001253937.....863                        | 1001266525.....290, 296,<br>307, 314   |
| 1001236386.....209                        | 1001244628.....863                        | 1001254472.....587                        | 1001266628.....116, 120,<br>124, 128, 132, 136,<br>140, 144, 148, 152,<br>156, 160, 164, 168,<br>172, 176, 825 |
| 1001236387.....210                        | 1001244630.....869                        | 1001254473.....587                        | 1001266648.....542, 546,<br>829  |
| 1001236389.....210                        | 1001244632.....865                        | 1001255133.....481                        | 1001266807.....894   |
| 1001236504.....749                        | 1001244634.....871                        | 1001255807.....892                        | 1001266829.....485   |
| 1001236505.....749                        | 1001244636.....861                        | 1001255901.....826                        | 1001266874.....132   |
| 1001236552.....587                        | 1001245049.....47                         |   | 1001266875.....139, 143  |
| 1001236746.....569                        | 1001245913.....302, 803                   |   |  |
| 1001236747.....565                        | 1001246142.....892                        |   |  |
| 1001236871.....210                        | 1001246473.....892                        |   |  |
|   | 1001246474.....892                        |   |  |
|   | 1001247013.....267, 271                   |   |  |



## SECTION 11 - SPECIAL OPTIONS/ACCESSORIES/KITS

|  |   |   |  |
|--|---|---|--|
| 1001266876..... 116, 120,<br>140, 144, 164, 168  | 1001281608.....271, 283,<br>285                                   | 1320289.....495   | 1703175..... 877   |
| 1001266878..... 156  | 1001281609.....283, 285,<br>312                                   | 1320302....589, 591, 594,<br>599  | 1703479..... 877   |
| 1001266893..... 115, 119   | 1001281610..... 314, 329  | 1320318....423, 427, 431,<br>435, 439, 443, 447, 451                        | 1703773... 859, 861, 863,<br>865, 867, 869, 871,<br>873, 875 |
| 1001266894..... 131  | 1001281965.....271  | 1321283.....342, 346  | 1703797..... 859   |
| 1001266895..... 163, 167   | 1001281985..... 314   | 1321339....233, 235, 255,<br>260, 263, 267, 271,<br>342, 346                | 1703804..... 859   |
| 1001266896..... 155  | 1001281986..... 314   | 1321384.....202, 206, 210   | 1703805..... 859   |
| 1001267256..... 289, 295,<br>308, 314  | 1001282099.....892  | 1380147.....407, 409  | 1703811... 859, 861, 863,<br>865, 867, 869, 871,<br>873, 875 |
| 1001267312..... 859, 861,<br>863, 865, 867, 869,<br>871, 873, 875  | 1001284686..... 859, 861,<br>863, 865, 867, 869,<br>871, 873, 875 | 1580012.....609   | 1703814... 859, 861, 863,<br>865, 867, 869, 871,<br>873, 875 |
| 1001267678 . 91, 95, 101,<br>107   | 1001284872..... 95  | 1580013.....894   | 1703814... 859, 861, 863,<br>865, 867, 869, 871,<br>873, 875 |
| 1001267885..... 863  | 1001284873..... 91  | 1600244.....895   | 1703923..... 875   |
| 1001268736..... 894  | 1001284874..... 101   | 1670603.....741   | 1703924..... 869   |
| 1001269187..... 894  | 1001285677..... 97, 103   | 1670842....201, 205, 209,<br>214, 218, 222                                  | 1703925..... 867   |
| 1001269389..... 894  | 1001285832..... 97  | 1670844....461, 463, 465,<br>467  | 1703926..... 871   |
| 1001269629..... 893  | 1001285833..... 103   | 1670850....461, 463, 465,<br>467  | 1703927..... 873   |
| 1001269630..... 893  | 1001289593..... 272   | 1671034.....477   | 1703935..... 875   |
| 1001269631..... 893  | 1001290021.....201, 205,<br>209                                   | 1671092....448, 452, 456,<br>715  | 1703936..... 869   |
| 1001270068..... 643  | 1001290252..... 355   | 1671093....591, 594, 715  | 1703937..... 867   |
| 1001270069..... 657, 663,<br>669, 675  | 1060341....601, 603, 605,<br>607                                  | 1671228....201, 202, 205,<br>206, 209, 210                                  | 1703938..... 871   |
| 1001270073..... 663, 670   | 1060343.... 448, 452, 456   | 1671230.....202   | 1703939..... 873   |
| 1001270084..... 646, 651   | 1060545..... 785  | 1671231.....202, 206, 210   | 1703941..... 875   |
| 1001270089..... 693  | 1060626.... 235, 259, 346   | 1671232.....202, 206, 210   | 1703942..... 869   |
| 1001270090..... 647, 652,<br>658, 664, 670, 676, 682   | 1060637....233, 235, 275,<br>277, 279, 281, 283,<br>285, 349, 351 | 1671233.....201   | 1703943..... 867   |
| 1001270091..... 646, 652,<br>658, 664, 670, 676  | 1060903....601, 603, 605,<br>607                                  | 1671314.....541, 545  | 1703944..... 871   |
| 1001270093..... 681  | 1060908..... 783  | 1700818.....877   | 1703945..... 873   |
| 1001270096..... 676  | 1060918..... 555  | 1701499....859, 861, 863,<br>865, 867, 869, 871,<br>873, 875                | 1703947..... 875   |
| 1001270099..... 210  | 1062255..... 264  | 1701501....859, 861, 863,<br>865, 867, 869, 871,<br>873, 875                | 1703948..... 869   |
| 1001270482..... 894  | 10702077..440, 444, 448,<br>452, 456                              | 1701505....233, 235, 255,<br>259, 263, 267, 271, 877                        | 1703949..... 867   |
| 1001270517..... 893  | 10702082..440, 444, 448,<br>452, 456                              | 1701509....579, 581, 583,<br>859, 861, 863, 865,<br>867, 869, 871, 873, 875 | 1703950..... 871   |
| 1001270630..... 657, 682   | 10836804..120, 128, 144,<br>152, 167, 175                         | 1701518.....861, 865  | 1703951..... 873   |
| 1001271642..... 894  | 1120510....461, 463, 465,<br>467                                  | 1701542....342, 346, 877  | 1703953..... 859   |
| 1001271794..... 116, 120,<br>124, 128, 132, 136,<br>140, 144, 148, 152,<br>156, 160, 164, 168,<br>172, 176 | 1120555.... 579, 581, 583   | 1701543....342, 346, 877  | 1703959... 859, 861, 863,<br>865, 867, 869, 871,<br>873, 875 |
| 1001272088..... 893  | 1120601....202, 206, 209,<br>214, 218, 222                        | 1702565..... 541, 545   | 1703960... 859, 861, 863,<br>865, 867, 869, 871,<br>873, 875 |
| 1001272112..... 682  | 1180346..... 497, 499   | 1702566..... 541, 545   | 1703980..... 871   |
| 1001272166..... 894  | 1260017..... 55, 57, 83   | 1702567..... 541, 545   | 1703981..... 873   |
| 1001272182..... 894  | 1320011..... 267, 271   | 1702576..... 541, 545   | 1703982..... 867   |
| 1001272200..... 893  | 1320016..... 244, 248   | 1702720..... 877  | 1703983..... 875   |
| 1001274249..... 895  | 1320022.... 233, 235, 395   | 1702773....525, 535, 865,<br>877  | 1703984..... 869   |
| 1001274829..... 893  | 1320061....255, 260, 263,<br>267, 271                             | 1702774.....877   | 1704000.....869, 877   |
| 1001274830..... 893  | 1320110..... 354, 360   | 1702788.....877   | 1704001.....875, 877   |
| 1001274831..... 893  | 1320127..... 49   | 1702861.....877   | 1704260.....541, 545   |
| 1001274833..... 893  | 1320176..... 233, 235   | 1702868....599, 859, 877,<br>881, 885                                       | 1704271..... 877   |
| 1001276143..... 116, 120,<br>124, 128, 132, 136,<br>140, 144, 148, 152,<br>156, 160, 164, 168,<br>172, 176 | 1320177..... 573, 594   | 1702938....601, 603, 605,<br>607  | 1704277... 859, 861, 863,<br>865, 867, 869, 871,<br>873, 875 |
| 1001276377..... 285, 381   | 1320218..... 49   | 1702941.....235, 259, 346   | 1704412... 859, 861, 863,<br>865, 867, 869, 871,<br>873, 875 |
| 1001276610..... 892  | 1320220..... 49   | 1702942....235, 259, 346  | 1704578..... 55  |
| 1001276923..... 892  | 1320223.... 99, 101, 103,<br>244, 248                             | 1702943....235, 259, 346  | 1704885..... 877   |
| 1001280403..... 120, 128,<br>144, 152, 168, 176  | 1320224..... 233, 236   | 1702944....235, 259, 346  | 1704972..... 877   |
| 1001280600..... 115, 119,<br>123, 127, 139, 143,<br>147, 151, 163, 167,<br>171, 175                        | 1320250..... 497, 499   | 1703162....244, 248, 288,<br>294, 300, 306, 312,<br>354, 360                | 1705006..... 877   |
|  | 1320256....751, 753, 755,<br>757, 759, 761, 763, 767              |   | 1705012..... 877   |
|  | 1320288.....495   |   | 1705014.....525, 535   |
|  |   |   | 1705090..... 55  |
|  |   |   | 1705305... 599, 881, 883,<br>885                             |
|  |   |   | 1705325.....721, 723   |
|  |   |   | 1705336..... 859   |

## SECTION 11 - SPECIAL OPTIONS/ACCESSORIES/KITS

|  |   |   |  |
|--|---|---|--|
| 1705344.....871  | 2110404 ... 643, 646, 651,<br>657, 663, 669, 675,<br>681, 687 | 2220371 ... 646, 651, 657,<br>663, 669, 675, 681,<br>688, 692           | 2220940....646, 651, 657,<br>663, 669, 675, 681, 688         |
| 1705345.....873  | 2110406 ... 646, 651, 657,<br>663, 669, 675                   | 2220373 ... 646, 651, 657,<br>663, 669, 675, 681,<br>687, 692           | 2220947.....692  |
| 1705347.....869  | 2110408 ....643, 646, 651                                     | 2220374 ... 646, 651, 657,<br>663, 669, 675, 681, 688                   | 2220950.....692  |
| 1705348.....867  | 2110606 ... 643, 646, 651,<br>657, 663, 669, 675,<br>681, 687 | 2220375 ... 646, 651, 657,<br>663, 669, 675, 681, 687                   | 2221024.....49   |
| 1705351.....859  | 2110608 ....651, 669, 675                                     | 2220377 .....692  | 2221034.....692  |
| 1705355.....883, 885   | 2110808 ... 646, 651, 657,<br>663, 669, 675, 681, 687         | 2220380 ... 646, 651, 657,<br>663, 669, 675, 681, 687                   | 2221036.....692  |
| 1705358....579, 581, 583,<br>877                             | 2110812 ... 657, 663, 669,<br>675, 681, 687                   | 2220381 .....692  | 2221037.....193, 195   |
| 1705368.....878  | 2111212 .....646, 651   | 2220415 .....692  | 2221086.....692  |
| 1705374....432, 435, 743,<br>745, 841                        | 2111616 ... 646, 651, 657,<br>663, 669, 675, 681, 687         | 2220418 .....49   | 2221176....233, 235, 342,<br>346                             |
| 1705375....449, 453, 456,<br>599, 885                        | 2120209 .....63, 65   | 2220451 ... 244, 248, 646,<br>651, 657, 663, 669,<br>675, 681, 688, 692 | 2221197.....49, 342, 346                                     |
| 1705387....432, 435, 449,<br>453, 456                        | 2120210 .....63, 65, 889                                      | 2220466 ... 646, 651, 657,<br>663, 669, 675, 681,<br>687, 692           | 2300016.....31   |
| 1705426.....871  | 2130406 ... 657, 663, 669,<br>675, 681, 687                   | 2220468 ... 646, 651, 657,<br>663, 669, 675, 681,<br>687, 692           | 2400060....337, 611, 815,<br>817, 825, 826, 829              |
| 1705427.....873  | 2130604 ... 657, 663, 669,<br>675, 681, 687                   | 2220472 .....692  | 2400064....815, 817, 889                                     |
| 1705429.....869  | 2130606 ... 646, 651, 657,<br>663, 669, 675, 681, 688         | 2220473 ... 646, 651, 657,<br>663, 669, 675, 681,<br>688, 692           | 2410014.....525, 535   |
| 1705430.....867  | 2130808 ... 646, 651, 657,<br>663, 669, 675, 681, 687         | 2220490 .....692  | 2420203....411, 413, 417                                     |
| 1705460....440, 444, 448,<br>453, 456                        | 2131616 ... 646, 651, 657,<br>663, 669, 675, 681, 687         | 2220500 .....692  | 2460048.....439, 447   |
| 1705461.....440, 444   | 2150406 ... 646, 651, 657,<br>663, 669, 675, 681, 687         | 2220501 .....692  | 2460051.....417  |
| 1705489....423, 427, 440,<br>444                             | 2170306 .....681, 687   | 2220577 .....692  | 2460055.....411  |
| 1705490.....881  | 2170350 .....681, 687   | 2220578 ... 646, 651, 657,<br>663, 669, 675, 681, 688                   | 2560136.....541, 545   |
| 1705822.....861, 865   | 2170408 ... 657, 663, 669,<br>675, 681, 687                   | 2220582 ... 646, 651, 657,<br>663, 669, 675, 681,<br>687, 692           | 2560187....215, 219, 223                                     |
| 1705828.....861, 865   | 2170504 ... 646, 651, 657,<br>663, 669, 675, 681, 687         | 2220593 .....692  | 2580024....235, 259, 346                                     |
| 1705836.....877  | 2170506 ....651, 669, 675                                     | 2220596 ... 646, 651, 657,<br>663, 669, 675, 681,<br>687, 692           | 2580062.....249  |
| 1705837.....877  | 2170706 ....651, 669, 675                                     | 2220600 .....692  | 2600209....202, 206, 210                                     |
| 1705886.....877  | 2170804 .....681, 687   | 2220602 .....692  | 2600233....202, 206, 210                                     |
| 1705895.....863  | 2180348 ... 233, 235, 356,<br>362, 395                        | 2220603 .....692  | 2600244....201, 205, 209                                     |
| 1705896.....863  | 2180387 .....49   | 2220605 .....692  | 2600281....509, 513, 515,<br>521, 527, 531                   |
| 1705897.....863  | 2180388 .....49   | 2220671 ... 646, 651, 657,<br>663, 669, 675, 681, 688                   | 2717235.....681, 688   |
| 1705898.....863  | 2180389 .....49   | 2220737 .....692  | 2720015....288, 294, 306,<br>312                             |
| 1705902.....863  | 2180418 ....49, 342, 346,<br>356, 362                         | 2220750 .....193, 195   | 2720058....233, 235, 356,<br>360, 395                        |
| 1705903.....863  | 2180467 .....354, 360   | 2220765 .....692  | 2720144.....49   |
| 1705905.....863  | 2180832 ... 255, 259, 263,<br>267, 271, 573, 594              | 2220800 ... 646, 651, 657,<br>663, 669, 675, 681, 688                   | 2720160.....573, 594   |
| 1705910.....875  | 2200222 .....89, 91, 97                                       | 2220816 .....395, 397   | 2720340....288, 294, 300,<br>306, 312                        |
| 1705917.....875  | 2200233 .....99, 101  | 2220819 .....681, 688   | 2720398.....244, 248   |
| 1705921.....861, 865   | 2220237 ... 646, 651, 657,<br>663, 669, 675, 681, 687         | 2220852 .....692  | 2720545.....193, 195   |
| 1705922.....861, 865   | 2220238 ... 646, 651, 657,<br>663, 669, 675, 681, 688         | 222088339, 41, 615, 617,<br>621, 623, 625, 627,<br>635, 637             | 2750532....233, 235, 256,<br>260, 263, 267, 271              |
| 1705961.....861, 865   | 2220252 .....193, 195   | 2220885 ... 615, 617, 623,<br>629, 631, 637, 639                        | 2751399....646, 652, 658,<br>664, 670, 676, 682, 687         |
| 1705967.....863, 877   | 2220261 .....49, 356, 362                                     | 222088639, 41, 621, 625,<br>627, 635, 637, 639                          | 2751500....646, 652, 658,<br>664, 670, 676, 682, 687         |
| 1705968.....867, 877   | 2220313 ... 233, 235, 255,<br>259, 263, 267, 271              | 2220888 .....39, 41   | 2752434....647, 652, 658,<br>664, 670, 676, 682,<br>687, 693 |
| 1705969.....873, 877   | 2220315 ... 288, 294, 300,<br>306, 312                        | 2220899 .....692  | 2752461.....693  |
| 1705977....861, 863, 865,<br>867, 869, 871, 873, 875         |   |   | 2752466.....682, 688   |
| 1705978.....861, 865   |   |   | 2752468.....693  |
| 1705980.....878  |   |   | 2752484.....693  |
| 1706059.....877  |   |   | 2752489....646, 652, 658,<br>664, 670, 676, 682, 688         |
| 1706060.....877  |   |   | 2752494.....693  |
| 1706061.....878  |   |   | 2752495....647, 652, 658,<br>664, 670, 676, 682, 687         |
| 1706062.....877  |   |   | 2752723.....693  |
| 1706063.....878  |   |   | 2752754....647, 652, 658,<br>664, 670, 676, 682, 687         |
| 1706064.....877  |   |   | 2752766.....693  |
| 1706098.....877  |   |   | 2752767.....692  |
| 1706385.....525, 535   |   |   | 2752768.....693  |
| 1706957.....57   |   |   | 2752930.....693  |
| 1706960.....57   |   |   |  |
| 2030010....573, 589, 591,<br>594, 599                        |   |   |  |
| 2060025.....244, 248   |   |   |  |
| 2080040....214, 218, 222,<br>509, 513, 515, 521,<br>527, 531 |   |   |  |
| 2080072....214, 218, 222                                     |   |   |  |

## SECTION 11 - SPECIAL OPTIONS/ACCESSORIES/KITS

|  |  |   |   |
|--|--|---|---|
| 2752938 ... 647, 652, 658,<br>664, 670, 676, 682, 688  | 2820247..... 843, 847  | 729, 731, 733, 735,<br>737, 739, 741  | 3311405 ... 115, 119, 123,<br>127, 131, 135, 139,<br>143, 147, 151, 155,<br>159, 163, 167, 171,<br>175, 183, 185, 193,<br>195, 197, 201, 205,<br>209, 214, 218, 222,<br>225, 227, 233, 236,<br>239, 241, 244, 248,<br>255, 259, 263, 267,<br>271, 275, 277, 279,<br>281, 283, 285, 288,<br>294, 300, 306, 312,<br>342, 346, 349, 351,<br>403, 405, 423, 427,<br>483, 485, 487, 489,<br>503, 537, 539, 587,<br>721, 723, 725, 727,<br>729, 731, 733, 735,<br>737, 739, 741, 749,<br>779, 781 |
| 2752978 ..... 693  | 2840016..... 407, 409  | 3290505.....342, 346, 421   | 3311501 ... 202, 206, 209,<br>214, 218, 222, 601,<br>603, 605, 607  |
| 2752995 ..... 692  | 2860012..... 411   | 3290601....215, 219, 223,<br>354, 360, 373, 417, 455  | 3311505 ... 29, 31, 33, 99,<br>101, 103, 201, 205,<br>209, 215, 219, 223,<br>244, 248, 288, 294,<br>300, 306, 312, 443,<br>451, 455, 487, 489   |
| 2752997 ... 647, 652, 658,<br>664, 670, 676, 682, 687  | 2860030... 115, 119, 123,<br>127, 131, 135, 139,<br>143, 147, 151, 155,<br>159, 163, 167, 171,<br>175, 889 | 3290605....116, 120, 124,<br>128, 132, 136, 140,<br>144, 148, 152, 156,<br>160, 164, 168, 172,<br>176, 354, 360, 573, 594 | 3311508 ... 431, 435, 439,<br>447   |
| 2753008 ..... 693  | 2900708..... 63, 65  | 3290606....511, 517, 519,<br>523, 529, 533  | 3311601 ... 89, 91, 93, 95,<br>97, 201, 205, 209, 214,<br>218, 222, 497, 499,<br>542, 546, 587  |
| 2753010 ..... 693  | 2900756..... 31, 33  | 3290607....189, 191, 354,<br>360  | 3311602 .....497, 499   |
| 2753118 ..... 693  | 2900792.... 617, 619, 621,<br>623, 625, 627  | 3290801....306, 312, 342,<br>346, 354, 360  | 3311605 ... 49, 89, 91, 93,<br>95, 97, 99, 101, 103,<br>195, 197, 201, 202,<br>205, 206, 209, 214,<br>218, 222, 225, 227,<br>229, 233, 235, 244,<br>248, 288, 294, 300,<br>306, 312, 331, 333,<br>335, 342, 346, 397,<br>399, 401, 407, 411,<br>421, 477, 495, 497,<br>499, 525, 535, 537,<br>539, 589, 591, 594, 599   |
| 2753123 ..... 693  | 2902212.... 579, 581, 583  | 3290805....354, 360, 749  | 3311705 ... 411, 413, 417,<br>421   |
| 2753126 ..... 692  | 2902217.... 589, 591, 594  | 3290806.....481   | 3311801 ..... 31, 233, 235,<br>275, 277, 279, 281,<br>283, 285, 413, 423,<br>427, 432, 435, 439,<br>443, 448, 451, 483, 485   |
| 2753189 ..... 693  | 2902396..... 893   | 3291001....354, 360, 481  | 3311805 ... 244, 248, 349,<br>351, 399, 401, 407, 409   |
| 2753190 ..... 692  | 2902443.... 787, 791, 795  | 3291005....290, 296, 300,<br>306, 312, 354, 360, 481  | 3312001 ..... 59  |
| 2753191 ..... 693  | 2910887..... 892   | 3291007.....409   | 3312002 ..... 75, 563, 565,<br>567, 569, 571  |
| 2753192 ..... 693  | 2915094..... 81, 895   | 3291201....354, 360, 418,<br>455, 481   | 3312005 .....579, 581, 583  |
| 2753195 ..... 693  | 2915228..... 894   | 3291205.....481   | 3312205 .....579, 581, 583  |
| 2753196 ..... 693  | 2920028.... 541, 545, 601,<br>603, 605, 607  | 3300007.....29, 31, 33  | 3321501 .....202, 206, 209  |
| 2753197 ..... 693  | 2920029.... 541, 545, 601,<br>603, 605, 607  | 33000151...507, 511, 517,<br>519, 521, 523, 529,<br>531, 533, 589, 591,<br>594, 599                                       | 3322201 .....85, 87   |
| 2753199 ..... 693  | 2920129..... 829   | 3300205....115, 119, 123,<br>127, 131, 135, 139,<br>143, 147, 151, 155,<br>159, 163, 167, 171, 175                        |   |
| 2753200 ..... 693  | 2920161..... 187   | 3300353....115, 119, 123,<br>127, 131, 135, 139,<br>143, 147, 151, 155,<br>159, 163, 167, 171,<br>175, 541, 545           |   |
| 2753231 ..... 693  | 2940045.... 214, 218, 222  | 3300364....214, 218, 222  |   |
| 2753274 ..... 693  | 2940074.... 509, 513, 515,<br>521, 527, 531, 889   | 3300396....431, 436, 440,<br>444, 448, 452, 456   |   |
| 2753442 ..... 692  | 2940088.... 202, 206, 210  | 3300408....115, 119, 123,<br>127, 131, 135, 139,<br>143, 147, 151, 155,<br>159, 163, 167, 171,<br>175, 179, 559           |   |
| 2753542 ... 657, 663, 670,<br>676, 682, 687  | 2940173.... 215, 219, 222  | 3300430.....585   |   |
| 2753544 ..... 681  | 2940188.... 202, 206, 209  | 3300454..... 193, 195   |   |
| 2753622 ... 646, 651, 657,<br>663, 669, 675  | 3020021..... 339   | 3310401....288, 294, 306,<br>312  |   |
| 2753626 ... 657, 664, 670,<br>675, 682, 687  | 3020029..... 81  | 3310601.....407, 409  |   |
| 2753628 ... 657, 676, 682  | 3020037..... 279   | 3310605.....503   |   |
| 2753634 ... 657, 664, 670,<br>675, 682, 687  | 3020039..... 17, 19, 21  | 3310801.....483, 485  |   |
| 2753635 ..... 646, 651   | 3160347..... 29, 39  | 3310805.....49  |   |
| 2753656 .... 651, 669, 676   | 3160348..... 31, 33, 41  | 3311001....201, 202, 205,<br>206, 209, 210, 331,<br>333, 335, 440, 444,<br>448, 452, 456                                  |   |
| 2753686 ... 657, 663, 669,<br>675  | 3200401.... 245, 249, 288,<br>294, 300, 306, 312,<br>399, 401  | 3311005....411, 413, 417,<br>421, 432, 435, 439,<br>444, 448, 452, 455,<br>541, 545, 573, 589,<br>591, 594, 599           |   |
| 2753688 ..... 646, 651   | 3200406..... 244, 248  | 331140155, 57, 601, 603,<br>605, 607  |   |
| 2753727 ..... 682, 687   | 3250030..... 215, 219  |   |   |
| 2753732 .... 651, 669, 676   | 3250872..... 55  |   |   |
| 2753753 ..... 681  | 3251102.... 411, 413, 417,<br>421, 423, 427, 431, 435  |   |   |
| 2753879 .... 651, 669, 676   | 3251242.... 725, 727, 729,<br>731, 733, 735, 737,<br>739, 741, 877   |   |   |
| 2753970 .... 658, 676, 682   | 3251243.... 411, 417, 432,<br>435, 449, 453, 456,<br>859, 863, 869, 871, 875                               |   |   |
| 2753971 ... 657, 663, 669,<br>675, 681   | 3251813..... 877   |   |   |
| 2754242 ..... 646, 652   | 3252347..... 859   |   |   |
| 2754243 ..... 646, 652   | 3252507..... 421   |   |   |
| 2754337 ... 646, 651, 657,<br>663, 669, 675  | 3252764.... 439, 443, 447,<br>451, 455   |   |   |
| 2754338 ... 657, 663, 670,<br>675  | 3271601..... 210   |   |   |
| 2754512 .... 658, 676, 682   | 3271605....563, 565, 567,<br>569, 571  |   |   |
| 2754720 .... 663, 670, 687   | 3271801....288, 294, 300,<br>306, 312  |   |   |
| 2754743 .... 663, 670, 687   | 3271805.85, 87, 525, 535   |   |   |
| 2780229 ..... 29, 35   | 3272001....563, 565, 567,<br>569, 571  |   |   |
| 2792700 ..... 57   | 3290405....342, 346, 611,<br>721, 723, 725, 727,   |   |   |
| 2820019 ..... 807  |  |   |   |
| 2820031 ... 411, 413, 417,<br>421, 423, 427, 431,<br>435, 440, 443, 448,<br>451, 455, 769, 771 |  |   |   |
| 2820035 ..... 337  |  |   |   |
| 2820118 ... 769, 771, 773,<br>775  |  |   |   |
| 2820233 ..... 202  |  |   |   |
| 2820234 ..... 202  |  |   |   |
| 2820235 ..... 202  |  |   |   |

## SECTION 11 - SPECIAL OPTIONS/ACCESSORIES/KITS

|                            |                            |                             |                            |
|----------------------------|----------------------------|-----------------------------|----------------------------|
| 3340764.....495            | 143, 147, 151, 155,        | 3740080 ... 244, 248, 411,  | 3931432.....288, 294, 300, |
| 3340828.....473, 475       | 159, 163, 167, 171, 175    | 413, 417, 421, 455,         | 306, 312, 483, 485         |
| 3340835.....461, 463, 465, | 3520034 ..... 477          | 888, 889                    | 3931436.....483, 485       |
| 467, 473, 475              | 3520035 ... 115, 119, 123, | 3740086 ..... 849, 889      | 3931464.....483            |
| 3340840.....495            | 127, 131, 135, 139,        | 3760133 ..... 469, 471      | 3931512.....288, 294, 300, |
| 3340859.....497, 499       | 143, 147, 151, 155,        | 3760170 ..... 59, 83        | 306, 312                   |
| 3340871.....469, 471       | 159, 163, 167, 171,        | 3790012 ... 342, 346, 537,  | 3931620.....617, 629       |
| 3340881.....473, 475       | 175, 483, 485, 501         | 539, 541, 545, 557, 561     | 3931628.....288, 294       |
| 3340941.....495            | 3520054 ... 244, 248, 308, | 3790044 ... 239, 241, 275,  | 3931640.....354, 360       |
| 3340943.....495            | 312, 541, 545              | 277, 279, 281, 283,         | 3952020.....75             |
| 3340956.....579, 581, 583  | 3520071 .....579, 581, 583 | 285, 349, 351               | 3960389.....201, 205, 209, |
| 3340966.....25             | 3520072 ... 507, 509, 511, | 3820001 ..... 55, 859, 861, | 214, 218, 222, 233, 235    |
| 3380434.....537, 539       | 513, 515, 517, 519,        | 863, 865, 867, 869,         | 3960407.....244, 248       |
| 3380444.....201, 205, 209  | 521, 523, 525, 527,        | 871, 873, 875               | 3960422.....432, 435, 447, |
| 3380535.....501            | 529, 531, 533, 535         | 3820020 ... 509, 513, 515,  | 451, 455, 711, 713,        |
| 3420292.....55, 57         | 3520189 .....440, 444      | 521, 527, 531               | 743, 745, 841              |
| 3420372.....59             | 3520192 .....440, 444      | 3841143 ... 233, 235, 255,  | 3960438.....202, 206, 210  |
| 3420447.....59             | 3520198 ... 507, 509, 511, | 259, 263, 267, 271,         | 3960453.....201            |
| 3421453.....573, 594       | 513, 515, 517, 519,        | 342, 346, 461, 463,         | 3960462.....202, 206, 210  |
| 3421565.....83             | 521, 523, 527, 529,        | 465, 467, 469, 471,         | 3960464.....202, 206, 210  |
| 3422417.....23, 25, 27     | 531, 533                   | 477, 481                    | 3960468.....244, 248, 275, |
| 3422446.....233, 235, 255, | 3537445 ..... 407          | 3841287 . 17, 19, 21, 461,  | 277, 279, 281, 283, 285    |
| 259, 263, 267, 271,        | 3537446 .....407, 409      | 463, 465, 467               | 3960469.....244, 248, 275, |
| 342, 346                   | 3538047 .....17, 19, 21    | 384134063, 65, 477, 497,    | 277, 279, 281, 283,        |
| 3422457.....469, 471       | 3539877 ..... 17           | 499                         | 285, 349, 351              |
| 3422532.....239, 241, 275, | 3570928 .....483, 485      | 3841356 ... 461, 463, 465,  | 3960470.....201, 205, 209  |
| 277, 279, 281, 283,        | 3571712 ..... 201          | 467                         | 3960526.....29, 31, 33     |
| 285, 349, 351              | 3572423 .....99, 101, 103  | 3841406 ..... 495           | 3980007.....235, 259, 346  |
| 3422561.....461, 463, 465, | 3572606 .....483, 485      | 3841520 ..... 23, 25, 27    | 3990010.....825, 888       |
| 467                        | 3572607 .....483, 485      | 3900054 ..... 525, 535      | 4010608.....573, 594       |
| 3422583.....461, 463, 465, | 3573400 ... 589, 591, 594, | 3900085 ... 187, 189, 191   | 4010618.....511, 517, 519, |
| 467                        | 599                        | 3900210 ... 214, 215, 218,  | 523, 529, 533              |
| 3422681.....461, 463, 465, | 3573642 ... 589, 591, 594, | 219, 222, 223               | 4031505.....577            |
| 467                        | 599                        | 3900232 ... 201, 202, 205,  | 4031516.....587            |
| 3422683.....461, 463, 465, | 3574091 .....605, 607      | 209, 210                    | 4031608.....421            |
| 467                        | 3575359 .....601, 603      | 3900239 ... 461, 463, 465,  | 4031711.....354, 360       |
| 3422684.....461, 463, 465, | 3575874 .....193, 195      | 467                         | 4031914.....288, 294, 300, |
| 467                        | 3576755 .....99, 101, 103  | 3900259 ..... 469, 471      | 306, 312                   |
| 3422685.....461, 463, 465, | 3576799 .....573, 594      | 3900262 ..... 497, 499      | 4032014.....288, 294       |
| 467                        | 3577121 ... 589, 591, 594, | 3900268 ... 115, 119, 123,  | 4032015.....423, 431, 439, |
| 3422686.....461, 463, 465, | 599                        | 127, 131, 135, 139,         | 448                        |
| 467                        | 3580134 ..... 421          | 143, 147, 151, 155,         | 4060092.....713            |
| 3422687.....461, 463, 465, | 3580158 .....411, 421      | 159, 163, 167, 171, 175     | 4060802.....411, 413, 417, |
| 467                        | 3580276 .....411, 413      | 3900283 ..... 495           | 421, 423, 427, 431,        |
| 3422688.....461, 463, 465, | 3580314 ..... 455          | 3900293 ..... 75            | 435, 439, 443, 447,        |
| 467                        | 3580317 ... 423, 427, 432, | 3900316 ... 206, 214, 218,  | 451, 455                   |
| 3422689.....461, 463, 465, | 435, 440, 443, 448,        | 222                         | 4060805.....244, 248, 288, |
| 467                        | 451, 455                   | 3900349 ..... 541, 545      | 294, 300, 306, 312,        |
| 3422690.....469, 471       | 3580318 ... 432, 435, 448, | 3900363 .... 215, 219, 223  | 356, 362, 483, 485, 495    |
| 3422729.....461, 463, 465, | 451                        | 3910408 ... 288, 294, 306,  | 4070410.....201, 205, 209  |
| 467                        | 3580319 ... 423, 427, 440, | 312                         | 4070411.....201, 205, 209  |
| 3422790.....23, 25, 27     | 443                        | 3910606 ... 432, 435, 447,  | 4070412.....201, 205, 209  |
| 3422848.....25             | 3580320 ... 288, 294, 423, | 451, 455, 743, 745, 841     | 4070450.....59             |
| 3422860.....477            | 432, 440, 448              | 3910608 ..... 407, 409      | 4070560.....59             |
| 3422861.....477            | 3580324 ..... 417          | 3910610 ..... 711, 713      | 4070561.....59             |
| 3422867.....477            | 3600386 .....193, 195, 197 | 3910804 ... 115, 119, 123,  | 4070585.....411            |
| 3430616.....542, 546       | 3641569 .....601, 603      | 127, 131, 135, 139,         | 4070863.....469, 471       |
| 3430816.....407, 409       | 3720021 .....193, 195      | 143, 147, 151, 155,         | 4070864.....469, 471       |
| 3450404.....407, 409       | 3740049 ... 115, 119, 123, | 159, 163, 167, 171, 175     | 4070878.....17, 19, 21     |
| 3460334.....579, 581, 583  | 127, 131, 135, 139,        | 3930606 ..... 503           | 4070879.....17, 19, 21     |
| 3470003.....542, 546       | 143, 147, 151, 155,        | 3930816 ..... 501           | 4070897....469, 471, 473,  |
| 3520026.....541, 545       | 159, 163, 167, 171,        | 3930820 ..... 485           | 475                        |
| 3520027.....541, 545       | 175, 889                   | 3930824 ..... 483, 485      | 4070898....469, 471, 473,  |
| 3520028.....411, 413, 417  | 3740067 ... 244, 248, 255, | 3931016 ... 431, 435, 439,  | 475                        |
| 3520030.....222            | 259, 263, 267, 271,        | 443, 447, 451, 455          | 4070929.....473, 475       |
| 3520031.....115, 119, 123, | 342, 346, 888, 889         | 3931408 ..... 585           | 4070944.....17             |
| 127, 131, 135, 139,        |                            | 3931424 ..... 195           | 4070945.....17             |

## SECTION 11 - SPECIAL OPTIONS/ACCESSORIES/KITS

|                             |                            |                            |                            |
|-----------------------------|----------------------------|----------------------------|----------------------------|
| 4070967..... 473, 475       | 4360476.... 115, 119, 123, | 4460313....787, 789, 799,  | 143, 147, 151, 155,        |
| 4070968..... 473, 475       | 127, 131, 135, 139,        | 825                        | 159, 163, 167, 171, 175    |
| 4070969..... 495            | 143, 147, 151, 155,        | 4460315.....711, 713       | 4460497 ... 115, 119, 123, |
| 4070991 ... 115, 119, 123,  | 159, 163, 167, 171,        | 4460320.....825            | 127, 131, 135, 139,        |
| 127, 131, 135, 139,         | 175, 541, 545, 888         | 4460321.....417            | 143, 147, 151, 155,        |
| 143, 147, 151, 155,         | 4360498.... 483, 485, 890  | 4460346....432, 435, 447,  | 159, 163, 167, 171, 175    |
| 159, 163, 167, 171, 175     | 4360499.... 483, 485, 890  | 451, 455, 711              | 4460508 ... 577, 769, 771, |
| 4071007..... 473, 475       | 4360517..... 85, 87, 890   | 4460374.....787, 809       | 825, 829                   |
| 4071052..... 495            | 4360542.... 411, 413, 417, | 4460375.....787            | 4460509 ... 769, 771, 773, |
| 4071059..... 25             | 888                        | 4460418.....825, 829       | 775                        |
| 4071122..... 342, 346       | 4360578.... 483, 485, 501, | 4460419.....825, 829       | 4460510 ..... 895          |
| 4100026..... 681, 687       | 890                        | 4460424....787, 789, 799,  | 4460518 ..... 747          |
| 4100062..... 692            | 4400275.....49             | 853                        | 4460526... 115, 119, 123,  |
| 4120035..... 829            | 4420014.... 579, 581, 583  | 4460425....431, 436, 440,  | 127, 131, 135, 139,        |
| 4160139 ... 201, 205, 209   | 4420037....589, 591, 594,  | 444, 448, 452, 456,        | 143, 147, 151, 155,        |
| 4160143 ... 201, 205, 209   | 599                        | 601, 603, 605, 607,        | 159, 163, 167, 171, 175    |
| 4160194 ... 214, 218, 222   | 4420038....89, 91, 93, 95, | 743, 745, 841              | 4460536 .....825, 829, 855 |
| 4240018... 413, 421, 423,   | 97, 99, 101, 103           | 4460426....115, 119, 123,  | 4460539 ... 787, 789, 795, |
| 427, 431, 435, 439,         | 442005155, 57, 859, 861,   | 127, 131, 135, 139,        | 799, 829, 853, 855         |
| 443, 447, 451, 743,         | 863, 865, 867, 869,        | 143, 147, 151, 155,        | 4460612 .....743, 745, 841 |
| 745, 841                    | 871, 873, 875              | 159, 163, 167, 171,        | 4460633 .....193, 195      |
| 4240032 ..... 189, 191      | 4420060..... 421, 501      | 175, 431, 436, 440,        | 4460634 ..... 829          |
| 4240033 ... 189, 191, 255,  | 4420066.... 579, 581, 583  | 444, 448, 452, 456         | 4460635 ..... 829          |
| 259, 267, 271, 577,         | 4420068....601, 603, 605,  | 4460428.... 193, 541, 545  | 4460670 .....787, 809      |
| 585, 587                    | 607                        | 4460434 .....825, 829      | 4460701 ..... 823          |
| 4240099 ... 263, 288, 294,  | 4460007..... 541, 545      | 4460457....787, 789, 799,  | 4460703 .....791, 796      |
| 300, 306, 313, 337,         | 4460016.....829            | 809, 817                   | 4460708 ....541, 545, 829  |
| 343, 346, 354, 360,         | 4460019.... 787, 789, 796  | 4460458....787, 789, 791,  | 4460722 ..... 337          |
| 417, 589, 591, 594,         | 4460027.... 411, 413, 417  | 795, 799, 809, 811,        | 4460738 .....789, 799      |
| 601, 603, 605, 607          | 4460042..... 791, 795      | 815, 817                   | 4460742 ... 809, 811, 815, |
| 4240113 ... 89, 91, 93, 95, | 4460043....337, 787, 791,  | 4460460....787, 789, 799   | 817                        |
| 97                          | 796, 809, 811, 815         | 4460464 ....555, 611, 747, | 4460743 .....811, 815      |
| 4240149 .... 579, 581, 583  | 4460049....601, 603, 605,  | 753, 763, 769, 771,        | 4460746 ..... 795          |
| 4280296 ..... 51, 53        | 607                        | 787, 789, 799, 801,        | 4460748 ..... 795          |
| 4300157 ... 423, 432, 439,  | 4460051..... 711, 713      | 825, 829, 849, 851, 855    | 4460761 ....541, 545, 825  |
| 448                         | 4460071.... 432, 435, 448, | 4460465....485, 611, 747,  | 4460806 ... 729, 731, 733, |
| 4340706 ..... 473, 475      | 451, 455, 555              | 753, 763, 769, 771,        | 735, 825, 829              |
| 4340747 ..... 193           | 4460125.....713            | 773, 775, 787, 789,        | 4460807 .....805, 807      |
| 4360057 ... 601, 603, 605,  | 4460134.....821            | 791, 792, 795, 796,        | 4460808 .....805, 807      |
| 607, 890                    | 4460142..... 787, 825      | 799, 805, 807, 811,        | 4460865 ... 769, 771, 773, |
| 4360070 ... 431, 436, 440,  | 4460183.....829            | 813, 815, 817, 819,        | 775                        |
| 444, 448, 452, 456, 888     | 4460190.... 411, 413, 417  | 825, 829, 851, 853, 855    | 4460866 ... 769, 771, 825, |
| 4360274 .... 155, 159, 890  | 4460205..... 711, 821      | 4460466....577, 611, 747,  | 829                        |
| 4360328 ..... 557, 890      | 4460224.... 427, 541, 545  | 769, 771, 773, 775,        | 4460868 ..... 825          |
| 4360331 ... 537, 539, 561,  | 4460225.... 805, 807, 829  | 789, 791, 795, 796,        | 4460871 ... 787, 789, 799, |
| 890                         | 4460226....541, 545, 549,  | 825, 829, 845, 849,        | 825, 829, 853, 855         |
| 4360336 ... 342, 346, 411,  | 552, 555, 777, 787,        | 851, 853                   | 4460872 ..... 825          |
| 413, 417, 421, 423,         | 789, 799, 829              | 4460467 .....895           | 4460873 .....825, 829      |
| 427, 431, 435, 439,         | 4460227....541, 545, 825,  | 4460470....115, 119, 123,  | 4460874 .....825, 829      |
| 443, 447, 451, 455, 890     | 829                        | 127, 131, 135, 139,        | 4460875 .....825, 829      |
| 4360387 ... 131, 135, 155,  | 4460233..... 713, 823      | 143, 147, 151, 155,        | 4460876 ..... 825          |
| 159, 541, 545, 601,         | 4460234....541, 545, 601,  | 159, 163, 167, 171,        | 4460877 ..... 825          |
| 603, 605, 607, 890          | 603, 605, 607              | 175, 541, 545              | 4460878 ..... 825          |
| 4360407 .... 541, 545, 888  | 4460247..... 791, 796      | 4460471 ....115, 119, 123, | 4460879 .....611, 829      |
| 4360436 ... 89, 91, 93, 95, | 4460256..... 817           | 127, 131, 135, 139,        | 4460880 .....789, 799      |
| 97, 99, 101, 103, 890       | 4460259....611, 787, 799,  | 143, 147, 151, 155,        | 4460884 ... 485, 611, 795, |
| 4360469 ... 115, 119, 123,  | 825, 829                   | 159, 163, 167, 171,        | 825, 851                   |
| 127, 131, 135, 139,         | 4460260....611, 787, 799,  | 175, 541, 545              | 4460887 ... 611, 787, 789, |
| 143, 147, 151, 155,         | 825, 829                   | 4460473....769, 771, 773,  | 799, 825, 829              |
| 159, 163, 167, 171,         | 4460265..... 549, 552      | 775                        | 4460888 ..... 829          |
| 175, 890                    | 4460267.....829            | 4460488....115, 119, 123,  | 4460891 ... 747, 753, 763, |
| 4360475 ... 115, 119, 123,  | 4460268....789, 805, 807,  | 127, 131, 135, 139,        | 777, 792, 801, 826,        |
| 127, 131, 135, 139,         | 853                        | 143, 147, 151, 155,        | 853, 855                   |
| 143, 147, 151, 155,         | 4460294.....427            | 159, 163, 167, 171,        | 4460894 ... 791, 795, 825, |
| 159, 163, 167, 171,         | 4460297.....825            | 175, 189, 191              | 829                        |
| 175, 541, 545, 890          | 4460312..... 787, 799      | 4460496....115, 119, 123,  | 4460897 ... 753, 763, 787, |
|                             |                            | 127, 131, 135, 139,        | 789, 792, 799, 801, 853    |

## SECTION 11 - SPECIAL OPTIONS/ACCESSORIES/KITS

|  |   |  |   |
|--|---|--|---|
| 4460899.....789, 845, 849,<br>851                    | 4640751 ... 288, 294, 300,<br>306, 313  | 4740256 ..... 23, 25, 27   | 281, 283, 285, 349,<br>351, 525, 535, 601,<br>603, 605, 607   |
| 4460905.....825, 829                                 | 4640780 ..... 692   | 4740274 ... 244, 248, 399,<br>401  | 4752000.....233, 235, 255,<br>259, 263, 267, 271,<br>342, 346   |
| 4460910.....485, 843                                 | 4640858 ..... 615   | 4740362 ..... 537, 539   | 4760600..... 711, 713   |
| 4460911.....826, 845                                 | 4640866 .....63, 65   | 4740397 ... 115, 119, 123,<br>127, 131, 135, 139,<br>143, 147, 151, 155,<br>159, 163, 167, 171,<br>175, 411, 421, 541, 545   | 4761000.....202, 206, 209   |
| 4460928.....747                                      | 4640932 .....617, 619   | 4740439 ..... 477  | 4761400..... 609  |
| 4460930.....791, 795                                 | 4641022.....99, 101, 103  | 4740444 ..... 155, 159   | 4762000..... 59   |
| 4460931.....789                                      | 4641032 .....637, 639   | 4740463 ..... 23, 25, 27   | 4770600..... 407, 409   |
| 4460932.....611, 791, 796,<br>801                    | 4641033 ..... 635   | 4740472 ..... 17, 19, 21   | 4791400....244, 248, 423,<br>427, 431, 435, 439,<br>443, 448, 451   |
| 4460933.....747, 825, 829                            | 4641122 .....43, 45, 47   | 4740473 ..... 23, 25, 27   | 4811400.....611, 721, 723,<br>725, 727, 729, 731,<br>733, 735, 737, 739, 741  |
| 4460941.....801, 845                                 | 4641303 .....31, 33   | 4740500 .... 202, 206, 210   | 4811600.....421   |
| 4460942.....577, 791, 795,<br>801                    | 4641317 .....63, 65   | 4740518 ... 115, 119, 123,<br>127, 131, 135, 139,<br>143, 147, 151, 155,<br>159, 163, 167, 171, 175  | 4811700....116, 120, 124,<br>128, 132, 136, 140,<br>144, 148, 152, 156,<br>160, 164, 168, 172,<br>176, 189, 191, 354,<br>360, 373, 417, 455,<br>511, 517, 519, 523,<br>529, 533, 573, 594 |
| 4460943....771, 825, 829,<br>845                     | 4641435 .....483, 485   | 4750400 ... 288, 294, 307,<br>313  | 4811702....289, 295, 301,<br>307, 313, 371  |
| 4460944....771, 787, 789,<br>791, 795, 799, 825, 829 | 4711000 ... 331, 333, 335,<br>413, 440, 444, 448,<br>452, 456   | 4750800 ..... 49   | 4811900....289, 295, 301,<br>307, 313, 342, 346,<br>354, 360, 371, 373,<br>481, 749   |
| 4460945.....796, 825                                 | 471140063, 65, 115, 119,<br>123, 127, 131, 135,<br>139, 143, 147, 151,<br>155, 159, 163, 167,<br>171, 175, 181, 183,<br>185, 193, 195, 233,<br>235, 244, 248, 255,<br>259, 263, 267, 271,<br>288, 294, 300, 306,<br>313, 342, 346, 403,<br>405, 423, 427, 431,<br>435, 439, 443, 447,<br>451, 455, 487, 489,<br>507, 511, 517, 519,<br>521, 523, 529, 531,<br>533, 585, 587, 721,<br>723, 725, 727, 729,<br>731, 733, 735, 737,<br>739, 741, 779, 781 | 4751000 ... 187, 189, 191,<br>202, 205, 206, 209,<br>210, 411, 417, 421,<br>432, 435, 440, 443,<br>448, 451, 455, 541,<br>545, 573, 589, 591,<br>594, 599  | 4811902....290, 296, 301,<br>307, 313, 354, 360, 373  |
| 4460945.....796, 825                                 |   | 4751400 .51, 55, 57, 115,<br>119, 123, 127, 131,<br>135, 139, 143, 147,<br>151, 155, 159, 163,<br>167, 171, 175, 202,<br>205, 209, 214, 215,<br>218, 219, 222, 223,<br>225, 227, 239, 241,<br>275, 277, 279, 281,<br>283, 285, 288, 294,<br>300, 307, 313, 342,<br>346, 349, 351, 483,<br>485, 501, 503, 537,<br>539, 541, 545, 589,<br>591, 594, 599, 601,<br>603, 605, 607, 609, 749 | 4812000....256, 260, 267,<br>271, 289, 295, 301,<br>307, 313, 342, 346,<br>354, 360, 373, 409,<br>417, 481  |
| 4460956.....783, 785                                 |   | 475150055, 57, 109, 111,<br>202, 205, 209, 214,<br>218, 222, 288, 294,<br>300, 307, 313, 411,<br>413, 421, 431, 435,<br>440, 447, 601, 603,<br>605, 607  | 4812002....354, 360, 365  |
| 4460957.....783, 785                                 |   | 4751600 ... 49, 51, 53, 89,<br>91, 93, 95, 97, 99, 101,<br>103, 189, 191, 197,<br>202, 206, 209, 210,<br>214, 218, 222, 225,<br>227, 229, 233, 235,<br>244, 248, 255, 259,<br>263, 267, 271, 289,<br>295, 301, 307, 313,<br>342, 346, 399, 401,<br>411, 421, 589, 591,<br>594, 599   | 4812100....255, 259, 263,<br>267, 271, 289, 295,<br>301, 307, 313, 373, 481   |
| 4460958.....745, 841                                 |   | 4751800 .85, 87, 99, 101,<br>103, 193, 195, 233,<br>235, 275, 277, 279,  | 4812200....244, 248, 289,<br>295, 301, 307, 313,<br>399, 401, 417   |
| 4460962.....591, 594, 715                            |   |  | 4843777..... 59   |
| 4460963....448, 452, 456,<br>715                     |   |  | 4844816.....477   |
| 4460967....811, 813, 815,<br>817, 819                |   |  | 4844817.....477   |
| 4460968....421, 483, 485,<br>501                     |   |  | 4844958..... 83   |
| 4460971.....573, 594                                 |   |  | 4845593....461, 463, 465,<br>467  |
| 4460979.....787, 799                                 |   |  | 4845680.....497, 499  |
| 4461005.....787                                      |   |  | 4845730.....495   |
| 4461006.....787                                      |   |  | 4846627....589, 591, 594,<br>599  |
| 4461008.....787, 792, 795                            |   |  | 4846673..... 605, 607   |
| 4461052.....787                                      |   |  | 4860225..... 43, 45   |
| 4461053.....787                                      |   |  | 4871700.....456   |
| 4461054.....787, 795, 801                            |   |  | 4891500....115, 119, 123,<br>127, 131, 135, 139,<br>143, 147, 151, 155,<br>159, 163, 167, 171,<br>175, 301, 417   |
| 4461060.....787                                      |   |  | 489160085, 87, 215, 219,<br>223, 407, 481   |
| 4461070.....747, 787                                 |   |  |   |
| 4461071.....791, 795                                 |   |  |   |
| 4461073.....787, 791, 795                            |   |  |   |
| 4461077.....845, 849                                 |   |  |   |
| 4461095.....747, 787, 791                            |   |  |   |
| 4461157.....787, 799                                 |   |  |   |
| 4461196.....831                                      |   |  |   |
| 4461198.....723, 831                                 |   |  |   |
| 4461199.....833                                      |   |  |   |
| 4461201.....727, 833                                 |   |  |   |
| 4461205.....835, 837                                 |   |  |   |
| 4461244.....731, 835                                 |   |  |   |
| 4461245.....735, 837                                 |   |  |   |
| 4461246.....739, 839                                 |   |  |   |
| 4461249.....839                                      |   |  |   |
| 4462641.....431                                      |   |  |   |
| 4520253.....43                                       |   |  |   |
| 4520256.....47                                       |   |  |   |
| 4530028....589, 591, 594,<br>597                     |   |  |   |
| 4567139.....692                                      |   |  |   |
| 4567757.....692                                      |   |  |   |
| 4568119.....99, 101, 103                             |   |  |   |
| 4640261.....55, 57                                   |   |  |   |
| 4640509....621, 623, 625,<br>627                     |   |  |   |
| 4640605....617, 619, 621,<br>627                     |   |  |   |
|  | 4711500 ... 29, 31, 33, 99,<br>101, 103, 215, 219,<br>223, 288, 294, 300,<br>307, 313, 443, 451,<br>455, 485, 487, 489  |  |   |
|  | 4711600 ... 17, 19, 21, 63,<br>65, 195, 202, 206, 210,<br>244, 248, 255, 259,<br>263, 267, 271, 331,<br>333, 335, 342, 346,<br>395, 397, 413, 423,<br>427, 432, 435, 440,<br>443, 448, 451, 469,<br>471, 473, 475, 495,<br>497, 499, 542, 546,<br>563, 565, 567, 569,<br>571, 751, 753, 755,<br>757, 759, 761, 763,<br>765, 767   |  |   |
|  | 4711700 ... 288, 294, 300,<br>307, 313, 395, 413, 417   |  |   |
|  | 4711800 ... 302, 407, 409,<br>423, 431, 439, 447,<br>525, 535   |  |   |
|  | 4712000 ... 563, 565, 567,<br>569, 571, 579, 581, 583   |  |   |
|  | 4712200 .....579, 581, 583  |  |   |
|  | 4740036 ..... 59  |  |   |
|  | 4740057 ..... 75  |  |   |
|  | 4740076 .....201, 205, 209  |  |   |
|  | 4740119 ..... 407   |  |   |
|  | 4740155 ..... 25  |  |   |

## SECTION 11 - SPECIAL OPTIONS/ACCESSORIES/KITS

|   |   |  |   |
|---|---|--|---|
| 4891800 . 29, 31, 33, 239,<br>241, 275, 277, 279,<br>281, 283, 285, 289,<br>295, 301, 307, 313,<br>349, 351, 407, 409,<br>413, 427, 435, 443, 451 | 70000919..... 251   | 70002373..... 619, 631                                       | 70004045..... 78                          |
| 4892000 .... 29, 31, 33, 81   | 70001002..... 251   | 70002386... 491, 493, 888                                    | 70004047 ..... 78                         |
| 4892200 ..... 19, 21  | 70001100.. 439, 443, 447,<br>452, 456                             | 70002390..... 37   | 70004050..... 67, 71                      |
| 4892600001 ..... 481  | 70001181..... 252   | 70002390..... 29   | 70004051..... 67, 71                      |
| 4921829 ..... 418, 821  | 70001248..... 85  | 7000240..... 37  | 70004052..... 67                          |
| 4921955 ..... 823   | 70001248..... 85  | 70002415..... 252  | 70004055..... 67, 71                      |
| 4922216 ..... 751   | 70001384.. 439, 443, 447,<br>452, 456                             | 70002416..... 252  | 70004056..... 251                         |
| 4922217 ..... 751   | 70001385..... 439, 447  | 70002417..... 252  | 70004058..... 251, 888                    |
| 4922219 ..... 753, 755  | 70001424..... 575   | 7000246..... 78  | 70004060..... 251                         |
| 4922220 ..... 753, 755  | 70001425..... 575   | 70002460.. 439, 444, 447,<br>452, 455                        | 70004092. 423, 427, 431,<br>435, 444, 452 |
| 4922576 ... 751, 753, 755,<br>759, 761, 763, 767, 773   | 70001427..... 575   | 7000247..... 78  | 70004094..... 444, 452                    |
| 4922578 ... 751, 753, 755,<br>759, 761, 763, 767  | 70001428..... 575   | 7000248..... 78  | 70004098. 431, 436, 444,<br>452           |
| 4922579 ..... 753, 763  | 70001429..... 575   | 7000253..... 78  | 70004099. 427, 435, 444,<br>452           |
| 4922580 ..... 753, 763  | 70001430..... 575   | 7000255..... 78  | 70004125 ..... 113                        |
| 4922641 ... 411, 414, 417,<br>421, 436, 440, 443,<br>449, 451, 457  | 70001431..... 575, 888  | 7000257..... 78  | 70004149..... 99, 101, 103                |
| 4922666 ..... 541, 545  | 70001432..... 575, 890  | 7000265..... 35  | 70004169... 439, 447, 456                 |
| 4922925 ... 440, 443, 448,<br>451, 455, 807   | 70001435..... 251   | 70002715.... 99, 101, 103                                    | 70004171 ... 423, 431, 456                |
| 4923379 ..... 244, 248  | 70001663..... 197   | 70002716.... 99, 101, 103                                    | 70004183 ..... 339                        |
| 4923445 ..... 418, 809  | 70001696.. 439, 447, 455  | 70002718..... 252, 325                                       | 70004184..... 89, 91, 97                  |
| 4923485 ..... 757   | 70001697..... 479   | 70002744..... 633  | 70004199..... 105, 107                    |
| 4923486 ..... 757   | 7000180..... 326  | 70002745..... 633  | 70004272 ..... 251                        |
| 4923487 ..... 757, 765  | 70001835..... 251   | 70002748..... 633  | 70004276... 318, 321, 327                 |
| 4923489 .... 757, 765, 775  | 70001836..... 251   | 70002749..... 633  | 70004277 ... 318, 322, 327                |
| 4933218 ..... 601, 605  | 70001837..... 251   | 70002751..... 633  | 70004279 ..... 317                        |
| 5240800 .... 290, 296, 301  | 70001841..... 251   | 70002814..... 105  | 70004280 ..... 252, 325                   |
| 5241000 ..... 354, 360  | 70001844..... 252   | 7000283..... 37  | 70004282 ..... 327                        |
| 5241200 ... 354, 360, 455,<br>481   | 70001850..... 251   | 70002838..... 105, 107                                       | 70004287 ..... 251                        |
| 5250605 ..... 371, 373  | 70001866..... 251   | 70002839..... 105, 107                                       | 70004289 ..... 252                        |
| 5250810 ..... 290, 296  | 70001868..... 251   | 7000284..... 37  | 70004329 ..... 375                        |
| 5251008 ..... 481   | 70001870.. 251, 317, 322,<br>325                                  | 70002842..... 615  | 70004331 ..... 375                        |
| 5251010 ..... 301   | 70001871..... 251   | 7000289 ..... 37   | 70004332 ..... 375                        |
| 5251016 ..... 481   | 70001872..... 252   | 70002902..... 555  | 70004333 ..... 375                        |
| 5251210 ..... 263   | 70001953... 439, 447, 456   | 70002903..... 555  | 70004336 ..... 375                        |
| 5260600 ..... 371, 373  | 70001954..... 377   | 70002904..... 555  | 70004337 ..... 375                        |
| 5272010 ..... 356, 360  | 70001955..... 377   | 70002905..... 555  | 70004338 ..... 375                        |
| 70000017 ..... 895  | 70001956..... 377   | 70002948..... 193, 195                                       | 70004340 ..... 375                        |
| 70000044 ..... 251  | 70001957..... 377   | 70003019..... 67   | 70004342 ..... 375                        |
| 70000123 ..... 421  | 70001966.. 423, 427, 431,<br>435, 439, 444, 447,<br>452, 455, 456 | 70003136..... 251  | 70004343 ..... 375                        |
| 70000342 ..... 479  | 70001973.. 439, 444, 447,<br>452, 456                             | 70003454..... 85, 87   | 70004344 ..... 375                        |
| 70000345 . 252, 317, 321,<br>327  | 70001974.. 439, 444, 447,<br>452, 456                             | 70003464..... 251  | 70004345 ..... 375                        |
| 70000619. 440, 443, 448,<br>451, 455  | 70002013..... 495   | 70003465..... 251  | 70004346 ..... 375                        |
| 70000781 ..... 29   | 70002014..... 495   | 70003466..... 251  | 70004347 ..... 375                        |
| 70000795 ..... 39   | 70002064..... 491, 493  | 70003472..... 251  | 70004348 ..... 375                        |
| 70000797 ..... 41   | 70002066..... 78  | 70003475..... 251  | 70004349 ..... 375                        |
| 70000800 ..... 252  | 70002085..... 78  | 70003478..... 251  | 70004350 ..... 375                        |
| 70000863 . 439, 443, 447,<br>452, 456   | 70002088... 439, 447, 456   | 70003631... 444, 452, 455                                    | 70004351 ..... 375                        |
| 70000912 ..... 251  | 70002112.... 93, 95, 105,<br>107                                  | 70003708.. 423, 427, 431,<br>435, 439, 444, 447,<br>452, 456 | 70004352 ..... 375                        |
| 70000913 ..... 251  | 7000213..... 78   | 70003709.. 423, 427, 431,<br>435, 439, 444, 447,<br>452, 456 | 70004381 ..... 633                        |
| 70000914 ..... 251  | 7000213..... 78   | 70003784..... 541, 545                                       | 70004382 ..... 633                        |
| 70000915 ..... 251  | 7000217..... 78   | 70003790..... 491  | 70004457 ..... 67, 71                     |
| 70000916 ..... 251  | 70002200..... 251   | 70003935..... 31, 33   | 70004459 ..... 67, 71                     |
| 70000917 ..... 251  | 70002212..... 87  | 70003936..... 31, 33   | 70004460 ..... 67, 71, 888                |
| 70000918 ..... 251  | 70002234..... 251   | 70003989..... 113  | 70004461 ... 67, 68, 71, 72               |
|   | 7000224..... 37   | 70003992..... 113  | 70004463 ..... 67, 71, 888                |
|   | 7000228..... 78   | 70003993..... 113  | 70004501 ..... 326                        |
|   | 7000229..... 78   | 70004020... 244, 248, 888                                    | 70004504 ..... 317, 325                   |
|   | 70002290..... 439, 447  | 70004037 ..... 78  | 70004506 ..... 317, 325                   |
|   | 70002291..... 444, 452  | 70004040 ..... 78  | 70004507 ..... 317, 325                   |
|   | 70002297.. 439, 443, 447,<br>452, 456                             | 70004041 ..... 78  | 70004508 ... 317, 321, 325                |
|   | 7000230..... 78   | 70004042 ..... 78  | 70004509 ..... 317, 325                   |
|   |   | 70004043 ..... 78  | 70004510 ..... 317, 325                   |
|   |   | 70004044 ..... 78  | 70004511 ..... 326                        |
|   |   |  | 70004513 ..... 326                        |

## SECTION 11 - SPECIAL OPTIONS/ACCESSORIES/KITS

|               |                    |               |                    |               |          |               |                         |
|---------------|--------------------|---------------|--------------------|---------------|----------|---------------|-------------------------|
| 70004584..... | 67, 71             | 70004775..... | 552                | 70006145..... | 367      | 70006266..... | 325                     |
| 70004594..... | 67, 71             | 70004795..... | 105, 107           | 70006147..... | 367      | 70006294..... | 318                     |
| 70004595..... | 67, 71, 888        | 70005008..... | 356, 361, 889      | 70006150..... | 367      | 70006304..... | 78                      |
| 70004596..... | 67, 71             | 70005143..... | 619, 631           | 70006151..... | 367      | 70006344..... | 637, 639                |
| 70004597..... | 67, 71             | 70005144..... | 619, 631           | 70006152..... | 367      | 70006403..... | 397                     |
| 70004598..... | 67, 71             | 70005171..... | 317                | 70006153..... | 367      | 70006404..... | 397                     |
| 70004653..... | 67, 71, 888        | 70005172..... | 317, 321, 325      | 70006154..... | 367      | 70006405..... | 397                     |
| 70004657..... | 67, 71             | 70005173..... | 317, 325           | 70006155..... | 367, 889 | 70006406..... | 397                     |
| 70004665..... | 67, 71             | 70005176..... | 317                | 70006157..... | 367      | 70006407..... | 397                     |
| 70004667..... | 67, 71             | 70005177..... | 317, 326           | 70006158..... | 367      | 70006408..... | 397                     |
| 70004670..... | 71                 | 70005181..... | 326                | 70006159..... | 367      | 70006409..... | 397                     |
| 70004671..... | 72                 | 70005184..... | 318, 321, 326      | 70006160..... | 367      | 70006410..... | 397                     |
| 70004673..... | 72, 888            | 70005188..... | 326                | 70006161..... | 367      | 70006460..... | 356, 361, 889           |
| 70004676..... | 423, 427, 431, 435 | 70005189..... | 326                | 70006162..... | 367      | 70006461..... | 356, 361                |
| 70004677..... | 423                | 70005191..... | 318, 327           | 70006163..... | 367      | 70006479..... | 637                     |
| 70004678..... | 423, 427, 431, 435 | 70005194..... | 67, 71             | 70006164..... | 367      | 70006480..... | 637                     |
| 70004679..... | 423, 427, 431, 435 | 70005195..... | 67, 71             | 70006165..... | 367      | 70006552..... | 423, 427, 431, 436      |
| 70004680..... | 423, 427, 431, 435 | 70005196..... | 67, 71             | 70006166..... | 367      | 70006553..... | 423, 427, 431, 436, 889 |
| 70004681..... | 423, 427           | 70005197..... | 67                 | 70006167..... | 367      | 70006596..... | 619, 631                |
| 70004682..... | 423, 427, 431, 436 | 70005198..... | 67, 71             | 70006168..... | 367      | 70006642..... | 617                     |
| 70004683..... | 423, 427           | 70005199..... | 68, 72             | 70006169..... | 367      | 70006643..... | 617, 629                |
| 70004684..... | 431                | 70005200..... | 68, 72             | 70006170..... | 367      | 70006644..... | 617, 629                |
| 70004685..... | 431, 436           | 70005201..... | 68, 72             | 70006171..... | 367, 889 | 70006645..... | 617                     |
| 70004686..... | 427                | 70005202..... | 68, 72             | 70006172..... | 367, 889 | 70006649..... | 623                     |
| 70004687..... | 435                | 70005203..... | 78                 | 70006173..... | 367      | 70006650..... | 623                     |
| 70004738..... | 549                | 70005232..... | 72                 | 70006174..... | 367      | 70006651..... | 629                     |
| 70004739..... | 549                | 70005458..... | 375                | 70006175..... | 367, 889 | 70006652..... | 318, 327                |
| 70004740..... | 549                | 70005459..... | 375                | 70006176..... | 367, 889 | 70006653..... | 318, 327                |
| 70004741..... | 549                | 70005460..... | 375                | 70006177..... | 367      | 70006668..... | 629                     |
| 70004742..... | 549                | 70005461..... | 375                | 70006178..... | 367      | 70006673..... | 37                      |
| 70004743..... | 549                | 70005462..... | 375                | 70006179..... | 367      | 70006674..... | 37                      |
| 70004744..... | 549                | 70005463..... | 375                | 70006180..... | 367      | 70006675..... | 37                      |
| 70004745..... | 549                | 70005464..... | 375                | 70006181..... | 367      | 70006676..... | 37                      |
| 70004746..... | 549                | 70005465..... | 375                | 70006182..... | 367      | 70006677..... | 37                      |
| 70004747..... | 549                | 70005527..... | 318, 327           | 70006183..... | 367      | 70006678..... | 37                      |
| 70004748..... | 549                | 70005594..... | 637, 639           | 70006184..... | 367      | 70006680..... | 37                      |
| 70004749..... | 549                | 70005647..... | 318, 327           | 70006185..... | 367      | 70006684..... | 37                      |
| 70004750..... | 549                | 70005648..... | 318, 327, 889      | 70006186..... | 367      | 70006685..... | 37                      |
| 70004751..... | 549                | 70005663..... | 895                | 70006187..... | 367      | 70006690..... | 37                      |
| 70004752..... | 551                | 70005708..... | 105, 888           | 70006188..... | 367      | 70006691..... | 37                      |
| 70004753..... | 551                | 70005839..... | 639                | 70006189..... | 367      | 70006692..... | 37                      |
| 70004754..... | 551                | 70005916..... | 252                | 70006191..... | 367      | 70006728..... | 637                     |
| 70004755..... | 551                | 70005917..... | 252                | 70006194..... | 367      | 70006731..... | 637                     |
| 70004756..... | 551                | 70005920..... | 317, 325           | 70006195..... | 367      | 70006733..... | 637                     |
| 70004757..... | 551                | 70005922..... | 325                | 70006196..... | 368      | 70006734..... | 623                     |
| 70004758..... | 551                | 70005923..... | 326                | 70006197..... | 368      | 70006735..... | 623                     |
| 70004759..... | 551                | 70005924..... | 326                | 70006198..... | 368      | 70006736..... | 623                     |
| 70004760..... | 551                | 70005926..... | 326                | 70006199..... | 368      | 70006799..... | 635                     |
| 70004761..... | 551                | 70005928..... | 326                | 70006200..... | 368      | 70006802..... | 635                     |
| 70004762..... | 551                | 70005929..... | 318, 326           | 70006202..... | 368      | 70006832..... | 37                      |
| 70004763..... | 551                | 70005931..... | 318, 321, 326      | 70006203..... | 368      | 70006833..... | 37                      |
| 70004764..... | 551                | 70005932..... | 327                | 70006205..... | 368      | 70006921..... | 637                     |
| 70004765..... | 551                | 70005933..... | 327                | 70006206..... | 368      | 70006922..... | 637                     |
| 70004766..... | 551                | 70005934..... | 327                | 70006207..... | 368      | 70006923..... | 637                     |
| 70004767..... | 551                | 70005938..... | 322, 325           | 70006208..... | 368      | 70006924..... | 637                     |
| 70004768..... | 551                | 70005941..... | 317, 321           | 70006213..... | 368, 889 | 70006925..... | 637                     |
| 70004769..... | 551                | 70005942..... | 317, 321, 325      | 70006215..... | 368      | 70006926..... | 637                     |
| 70004770..... | 551                | 70006093..... | 443, 452           | 70006217..... | 368      | 70006927..... | 637                     |
| 70004771..... | 551                | 70006094..... | 444, 452           | 70006219..... | 368      | 70006928..... | 637                     |
| 70004772..... | 551                | 70006095..... | 444, 447, 452, 888 | 70006221..... | 368      | 70006941..... | 325                     |
| 70004773..... | 551                | 70006096..... | 444, 452           | 70006225..... | 368      | 7000695.....  | 252                     |
| 70004774..... | 552                | 70006097..... | 444, 452           | 70006232..... | 368      | 70006955..... | 67, 71                  |
|               |                    | 70006134..... | 371                | 70006233..... | 367      | 70006956..... | 67, 71, 888             |
|               |                    | 70006135..... | 371                | 70006235..... | 368      | 70006957..... | 67, 71                  |
|               |                    | 70006136..... | 371                | 70006236..... | 368      | 70006959..... | 71                      |
|               |                    | 70006144..... | 317, 321, 325      | 70006264..... | 325      |               |                         |
|               |                    |               |                    | 70006265..... | 325      |               |                         |



## SECTION 11 - SPECIAL OPTIONS/ACCESSORIES/KITS

|                          |                                       |                                  |  |
|--------------------------|---------------------------------------|----------------------------------|--|
| 70006960..... 71         | 70007992..... 631                     | 70025140..... 317, 325           | 7004276..... 895                           |
| 70006961..... 67, 71     | 70008199..... 639                     | 70025142... 318, 321, 326        | 7004906..... 375                           |
| 70006962..... 71         | 70008200..... 639                     | 70025144..... 317, 325           | 7004907..... 375                           |
| 70006963..... 72         | 70008201..... 639                     | 70025145..... 317, 325           | 7004908..... 375                           |
| 70007108..... 368        | 70008202..... 639                     | 70025146..... 317, 325           | 70050795..... 639                          |
| 70007246..... 621, 625   | 70008203..... 639                     | 70025148..... 326                | 7007415..... 377, 378                      |
| 70007277..... 627        | 70008204..... 639                     | 70025151..... 318, 326           | 7007437..... 39, 41                        |
| 70007278.. 621, 625, 627 | 70008205..... 639                     | 70025152..... 317, 325           | 7007438..... 39, 41                        |
| 70007279..... 627        | 70008206..... 639                     | 70025153.. 317, 321, 888,<br>889 | 7007439..... 39, 41                        |
| 70007280..... 627        | 70008207..... 639                     | 70025154..... 317, 325           | 7007446..... 39, 41                        |
| 70007282.. 621, 625, 627 | 70008208..... 639                     | 70025155..... 326                | 7007633..... 78                            |
| 70007283..... 627        | 70008209..... 639                     | 70025158..... 326                | 7010404..... 35                            |
| 70007325..... 318        | 70008210..... 639                     | 70025160..... 321                | 7010405..... 35                            |
| 70007326..... 317        | 70009020..... 343, 347                | 70025161.. 318, 321, 888,<br>889 | 7010406..... 35                            |
| 70007331..... 318        | 7001928..... 37                       | 70025164... 317, 321, 327        | 7010492..... 78                            |
| 70007354..... 317        | 70021202..... 72                      | 70025175..... 326                | 7010543..... 63, 65                        |
| 70007355..... 318        | 70022564.. 619, 621, 625,<br>627, 631 | 70025179... 317, 326, 327        | 7011112..... 617, 619                      |
| 70007419..... 627        | 70023370..... 619                     | 70025180..... 326                | 7011333..... 483, 485                      |
| 70007420..... 627        | 70023380..... 621, 625                | 70025181... 317, 321, 325        | 7011342..... 483, 485                      |
| 70007421..... 625        | 70023592.. 289, 295, 301,<br>888, 889 | 70025182..... 318, 326           | 70124410..... 252                          |
| 70007422..... 621, 625   | 70023593.. 289, 295, 301,<br>888, 889 | 70025183..... 318, 326           | 70124440..... 252                          |
| 70007423..... 621, 625   | 70023859..... 67, 71                  | 70025184..... 318, 326           | 7012513... 411, 413, 417,<br>421           |
| 70007424..... 625        | 70023860..... 67, 71                  | 70025185..... 326                | 7012514... 411, 413, 417,<br>421           |
| 70007425..... 625        | 70023862..... 67, 71                  | 70025192..... 327                | 7012558.... 411, 413, 417                  |
| 70007426..... 625        | 7002388..... 639                      | 70025200..... 318, 326           | 7012773..... 67, 71                        |
| 70007427..... 621        | 70024441..... 107                     | 70025203..... 326                | 7012914..... 491, 493                      |
| 70007428..... 621        | 70024484..... 327                     | 70025205..... 317                | 7012918..... 491, 493                      |
| 70007429..... 621        | 70024488..... 325                     | 70025210... 318, 326, 889        | 7012941..... 63, 65                        |
| 70007430..... 621        | 70024494.. 317, 321, 325              | 70025212..... 318, 327           | 7012944..... 63, 65, 888                   |
| 70007489..... 318        | 70024502..... 326                     | 70025231..... 317, 327           | 7012953... 487, 489, 491,<br>493           |
| 70007508..... 93, 95     | 70024504..... 321                     | 70025233..... 327                | 7012959..... 63, 65                        |
| 70007514..... 635        | 70024507... 318, 321, 327             | 70025235..... 318, 326           | 7012965..... 491, 493                      |
| 70007515..... 635        | 70024509..... 318, 327                | 70025239..... 317, 326           | 7012967..... 491, 493                      |
| 70007516..... 635        | 70024513... 317, 321, 325             | 70025240..... 326                | 7012967..... 491, 493                      |
| 70007517..... 635        | 70024517..... 317, 325                | 70025242..... 318                | 7012970..... 487, 489                      |
| 70007518..... 635        | 70024904.. 317, 322, 325              | 70025247..... 327                | 7012989..... 491                           |
| 70007519..... 635        | 70024905..... 317, 325                | 70025660..... 325                | 7016314..... 89, 91, 97                    |
| 70007520..... 635        | 70024906..... 317, 325                | 70025733..... 327                | 7016319..... 187                           |
| 70007521..... 635        | 70024912..... 318                     | 70025752..... 252                | 7016328..... 251, 888                      |
| 70007522..... 635        | 70024915..... 318, 327                | 70025753..... 252                | 7016331... 251, 317, 321,<br>325, 888, 889 |
| 70007603..... 321        | 70024916..... 321                     | 70025788..... 318                | 7016372..... 187                           |
| 70007725..... 107        | 70024917..... 318, 327                | 70026210..... 318, 327           | 7016652..... 895                           |
| 70007726..... 107        | 70024918..... 327                     | 70026287... 621, 625, 627        | 7016654..... 895                           |
| 70007727..... 107        | 70024920.. 318, 326, 327              | 70026995..... 327                | 7016655..... 895                           |
| 70007785..... 381        | 70024922.. 318, 321, 327              | 70027259..... 635                | 7017023..... 78                            |
| 70007786..... 381        | 70024924..... 317, 325                | 70027750..... 627                | 7017028..... 37, 78                        |
| 70007787..... 381        | 70024925... 317, 321, 325             | 70028185..... 325                | 7017047..... 37                            |
| 70007788..... 381        | 70024961... 317, 321, 325             | 7002821..... 895                 | 7017051..... 35                            |
| 70007789..... 381        | 70025077..... 327                     | 7002822..... 895                 | 7017052..... 35                            |
| 70007790..... 381        | 70025082.. 251, 252, 325              | 7002823..... 895                 | 7017053..... 35                            |
| 70007791..... 381        | 70025084..... 326                     | 7002826..... 895                 | 7017054..... 35                            |
| 70007792..... 381        | 70025101..... 326                     | 7002840..... 895                 | 7017055..... 35                            |
| 70007793..... 381        | 70025107..... 326                     | 70028538... 318, 326, 327        | 7017056..... 35                            |
| 70007794..... 381        | 70025109..... 326                     | 70028540..... 318                | 7017056..... 35                            |
| 70007795..... 381        | 70025111..... 317, 325                | 70028802..... 326                | 7017057..... 35                            |
| 70007796..... 381        | 70025112..... 326                     | 70029433..... 318                | 7017058..... 35                            |
| 70007797..... 381        | 70025115..... 326                     | 70029451..... 318                | 7017070..... 78                            |
| 70007798..... 381        | 70025120..... 318, 327                | 70029468..... 627                | 7017072..... 78                            |
| 70007799..... 381        | 70025124..... 326                     | 70029512..... 321                | 7017080..... 78                            |
| 70007800..... 381        | 70025130..... 321, 327                | 70029517..... 318                | 7017082..... 37                            |
| 70007801..... 381        | 70025132..... 327                     | 70029520..... 318                | 7017085..... 78                            |
| 70007802..... 381        | 70025133..... 326                     | 70029557..... 317                | 7017142..... 479                           |
| 70007966..... 619        | 70025135..... 317, 325                | 70029797..... 318, 321           | 7017159..... 479                           |
| 70007967..... 619, 631   | 70025139..... 325                     | 70030359..... 322                | 7017162..... 479                           |
| 70007968..... 619, 631   |                                       | 7004275..... 895                 | 7017163..... 479                           |
| 70007969..... 619, 631   |                                       |                                  |  |
| 70007981..... 639        |                                       |                                  |  |

## SECTION 11 - SPECIAL OPTIONS/ACCESSORIES/KITS

|  |  |   |   |
|--|--|---|---|
| 7017164.....479  | 7022372 ..... 41                       | 7024762 ..... 78                            | 7027093.....233, 235  |
| 7017172.....479  | 7022397 .....29, 31, 33                | 7024763 ..... 78                            | 7027094.....233, 235  |
| 7017192.....479  | 7022399 .....29, 31, 33                | 7024782 ..... 37                            | 7027095.....233, 235  |
| 7017195.....479  | 7023907 ..... 41                       | 7024784 ..... 78                            | 7027236.....251   |
| 7017402.....491, 493   | 7023908 ..... 41                       | 7024844 ..... 29                            | 7027276.....251   |
| 7017406.....29, 491, 493   | 7023910 .....39, 41                    | 7024854 ..... 41                            | 7027404.....368   |
| 7017452.....491, 493   | 7023911 .....491, 493                  | 7024862 ..... 39                            | 7027740.....39  |
| 7017466.....63, 65   | 7023912 .....491, 493                  | 7024864 ..... 378                           | 7027741.....39  |
| 7017492.....29   | 7023917 .....31, 33                    | 7024866 ..... 378                           | 7027773.....597   |
| 7018942.....68, 72   | 7023933 .....29, 31, 33                | 7024867 ..... 39, 377                       | 7027774.....597   |
| 7018951.....68, 72   | 7023947 ..... 377                      | 7024868 ..... 41, 377                       | 7027775.....597   |
| 7018991.....67, 71, 888  | 7023948 ..... 377                      | 7024871 ..... 39                            | 7027776.....597   |
| 7018992.....67, 71   | 7023949 ..... 377                      | 7024881 ..... 29, 31, 33                    | 7027777.....597   |
| 7019680.....411, 413, 417  | 7023950 ..... 377                      | 7026188 .... 439, 447, 455                  | 7027778.....597   |
| 7020064.....497, 499   | 7023951 ..... 377                      | 7026197 ..... 85, 87                        | 7027779.....597   |
| 7020065.....497, 499   | 7023952 ..... 377                      | 7026199 ... 411, 413, 417                   | 7027780.....597   |
| 7020066.....497, 499   | 7023956 ..... 377                      | 7026503 ..... 85, 87                        | 7027781.....193, 195  |
| 7020067.....497, 499   | 7023957 ..... 377                      | 7026504 ..... 85, 87                        | 7027782.....193, 195  |
| 7020108....411, 413, 417,<br>421   | 7023958 ..... 377                      | 7026505 ..... 85, 87                        | 7027783.....193, 195  |
| 7020109....411, 413, 417,<br>421   | 7023960 ..... 377                      | 7026506 ..... 85, 87                        | 7027784.....193, 195  |
| 7020110....411, 413, 417,<br>421   | 7023961 ..... 377                      | 7026507 ..... 85, 87                        | 7027790.....251   |
| 7020111....411, 413, 417,<br>421   | 7023962 ..... 377                      | 7026509 ... 85, 87                          | 7027791.....251   |
| 7020175....115, 119, 123,<br>127, 131, 135, 139,<br>143, 147, 151, 155,<br>159, 163, 167, 171,<br>175, 541, 545      | 7023964 .....377, 378                  | 7026597 ... 439, 444, 447,<br>452, 455      | 7027792.....251   |
| 7020176....115, 119, 123,<br>127, 131, 135, 139,<br>143, 147, 151, 155,<br>159, 163, 167, 171,<br>175, 541, 545, 888 | 7023965 ..... 377                      | 7026626 ... 439, 444, 447,<br>452, 456      | 7027795.....252, 888  |
| 7020190....411, 413, 417,<br>421   | 7023966 ..... 378                      | 7026632 ..... 197                           | 7027796.....252   |
| 7020403.....251  | 7023967 ..... 378                      | 7026633 ..... 197                           | 7027799....439, 444, 447,<br>452, 455   |
| 7020408.....251  | 7024021 .....67, 71                    | 7026634 ..... 197                           | 7027887....411, 413, 417,<br>421  |
| 7020465....251, 317, 321,<br>325   | 7024100 ..... 78                       | 7026635 ..... 197                           | 77143013..115, 119, 123,<br>127, 131, 135, 139,<br>143, 147, 151, 155,<br>159, 163, 167, 171, 175 |
| 7020468.....251  | 7024149 ..... 37                       | 7026636 ..... 197                           | 77363233.....805, 807   |
| 7020471.....252  | 7024151 ..... 37                       | 7026637 ..... 197                           | 80344004.....37   |
| 7020479.....251  | 7024154 ..... 37                       | 7026638 ..... 197, 890                      | 80484084.....791, 795   |
| 7020492.....326  | 7024190 ..... 37                       | 7026639 ..... 197                           | 80934561.....85, 87   |
| 7021249.....39, 41   | 7024191 ..... 37                       | 7026640 ..... 197                           | 80983191..791, 796, 888,<br>889   |
| 7021275.....39, 41, 378  | 7024397 ..... 637                      | 7026641 ..... 198                           | 8220051.....801   |
| 7021276.....41   | 7024404 .....85, 87                    | 7026642 ..... 198                           | 8220115.....791   |
| 7021277.....39, 41   | 7024441 ..... 105                      | 7026643 ..... 198                           | 8220164.....796   |
| 7021375.....67, 68, 71   | 7024462 ..... 597                      | 7026644 ..... 198                           | 8229242....791, 796, 825,<br>888, 889   |
| 7021625.....29, 31, 33   | 7024463 ..... 597                      | 7026645 ..... 198                           | 8229249....611, 829, 889  |
| 7021639.....31, 33   | 7024467 ..... 597                      | 7026646 ..... 198                           | 8270147...233, 235, 255,<br>259, 263, 268, 342, 347   |
| 7021653.....491  | 7024469 .....597, 890                  | 7026647 ..... 198                           | 8273291.....356, 361  |
| 7022162.....367  | 7024470 ..... 597                      | 7026648 ..... 198                           | 8305401.....354, 360  |
| 7022302.....39, 41   | 7024471 .....575, 597                  | 7026649 ..... 198                           | 8307109.....354, 360  |
| 7022305.....39, 41   | 7024472 ..... 597                      | 7026650 ..... 198                           | 8310070....214, 218, 222  |
| 7022310.....41   | 7024473 ..... 597                      | 7026651 ..... 197                           | 8310129....579, 581, 583  |
| 7022311.....39, 41, 378  | 7024474 ..... 597                      | 7026652 ..... 197                           | 8310548.....354, 360  |
| 7022312.....41   | 7024475 ..... 597                      | 7026653 ..... 197                           | 83304173.....105, 107   |
| 7022313.....39   | 7024478 ..... 597                      | 7026654 ..... 197                           | 8405006....255, 259, 263,<br>267, 271, 331, 333,<br>335, 354, 360, 397                            |
| 7022314.....39, 41, 378  | 7024484 .....439, 447                  | 7026655 ..... 197                           | 8405007....289, 295, 301,<br>307, 313   |
| 7022318.....377  | 7024485 ... 439, 447, 455,<br>888      | 7026656 ..... 197                           | 8405009....289, 295, 301,<br>307, 313, 354, 361   |
| 7022326.....39, 41   | 7024488 ... 440, 443, 448,<br>451, 455 | 7026657 ..... 198                           | 8405102.....354, 361  |
| 7022328.....39, 41   | 7024489 ... 440, 443, 448,<br>451, 455 | 7026658 ..... 198                           | 8405104....289, 295, 301,<br>307, 313, 354, 361   |
| 7022368.....39, 41   | 7024508 ..... 635                      | 7026659 ..... 197                           | 8405203.....354, 361  |
| 7022371.....39, 41   | 7024530 ..... 575                      | 7026660 ..... 197                           | 8405204.....301   |
|  | 7024531 ..... 575                      | 7026661 ..... 197                           |   |
|  | 7024532 ..... 575                      | 7027053 ..... 233, 235                      |   |
|  | 7024533 ..... 575                      | 7027084 ... 255, 259, 263,<br>268, 342, 347 |   |
|  | 7024534 ..... 575                      | 7027085 ... 255, 259, 263,<br>268, 342, 347 |   |
|  | 7024535 ..... 575                      | 7027086 ... 255, 260, 263,<br>268, 342, 347 |   |
|  | 7024536 ..... 575                      | 7027087 ... 255, 260, 263,<br>268           |   |
|  | 7024537 ..... 575                      | 7027088 ... 255, 260, 263,<br>268, 342, 347 |   |
|  | 7024561 .....439, 447                  | 7027092 ..... 233, 235                      |   |
|  | 7024579 ....252, 317, 325              |   |   |
|  | 7024598 .....407, 409                  |   |   |
|  | 7024704 ..... 78                       |   |   |

## SECTION 11 - SPECIAL OPTIONS/ACCESSORIES/KITS

|   |   |  |  |
|---|---|--|--|
| 8406102 ... 256, 260, 263,<br>267, 271, 289, 295,<br>307, 313 | 8410009..... 356, 362   | 8770050....646, 651, 657,<br>663, 669, 675, 681, 688 | 8896941 ..... 895                              |
| 8406109 ... 289, 295, 301,<br>307, 313, 355, 361              | 8410011....289, 295, 301,<br>307, 313, 355, 361                   | 88261024.....487, 489                                | 91143177 ..... 692                             |
| 8406110 ... 289, 295, 301,<br>307, 313                        | 8410013....255, 259, 263,<br>267, 271, 289, 295,<br>301, 307, 313 | 88261039.....206                                     | 91203039. 481, 483, 485,<br>495                |
| 8406201 ... 195, 343, 347,<br>356, 362                        | 85031405..... 302   | 88411013.....749                                     | 91401281 ..... 109                             |
| 8410001 ..... 355, 361  | 8580420..... 51   | 88521008.....483, 485                                | 91403102. 289, 296, 301,<br>308, 313, 888, 889 |
|   | 85941018..... 342, 346  | 88521205..... 109, 111                               | 91474405 ..... 72                              |
|   |   | 88521214..563, 565, 567,<br>569, 571                 |  |
|   |   | 88662523...214, 218, 222                             |  |



**Corporate Office  
JLG Industries, Inc.  
1 JLG Drive  
McConnellsburg, PA 17233-9533 USA  
☎ (717) 485-5161 (Corporate)  
☎ (877) 554-5438 (Customer Support)  
📠 (717) 485-6417**

**Visit our website for JLG Worldwide Locations.  
[www.jlg.com](http://www.jlg.com)**



**OSHKOSH™**