



# *Illustrated Parts Manual*

*Model*  
**G5-18A**

PVC  
2311

P/N  
3122446

April 8, 2024 - Rev B







## **EFFECTIVITY PAGE**

November 1, 2023 - A - Original Issue of Manual (Edited to B/M 1001234000 Revision Z)

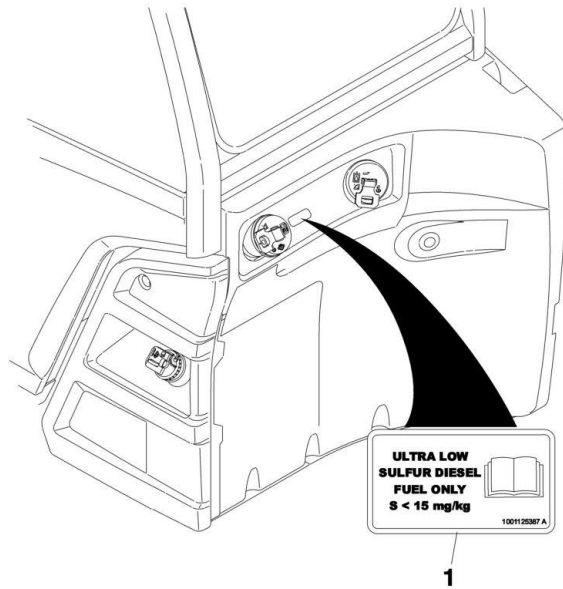
April 8, 2024 - B - Revised Manual (Edited to B/M 1001234000 Revision AA)

## Machine Configuration

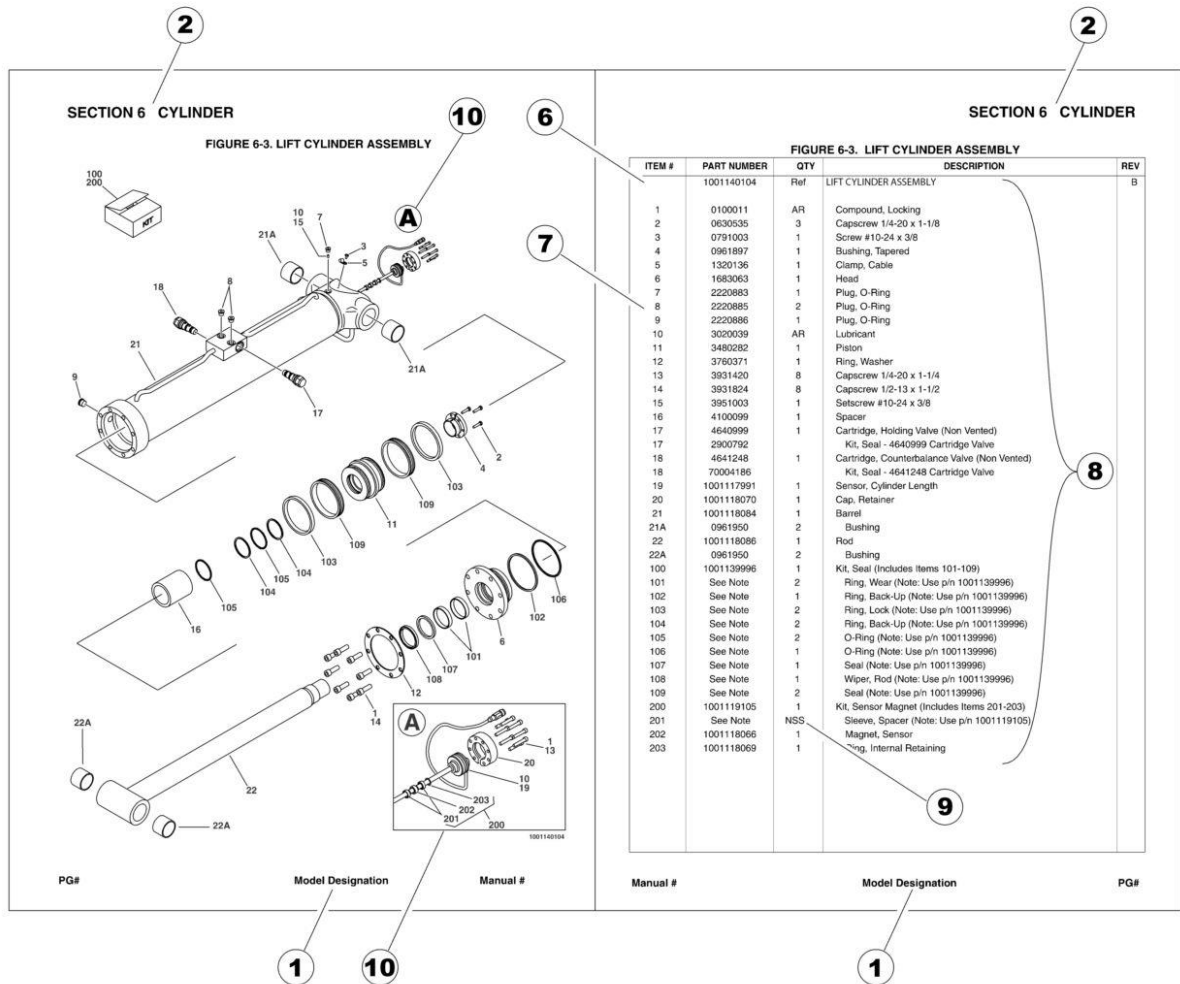
---

Two configurations of each machine are included in this manual. Determine if machine is equipped with Ultra Sulfur Fuel Decal (1) as indicated below.

- If equipped with the Ultra Low Sulfur decal, all specific references to this machine configuration will be referred to as Ultra Low Sulfur (ULS) from this point forward.
- If not equipped with the Ultra Low Sulfur decal, all specific references to this machine configuration will be referred to as Low Sulfur (LS) from this point forward.



# GENERAL INFORMATION



## 1) MACHINE IDENTIFICATION

Machines are identified by model and in some cases a combination of models, serial number (SN) or regional standard (i.e ANSI, CE, CSA). Components may also be identified by SN or manufacturer. Common components that may be identified by these characteristics are engines and hydraulic components.

## 2) PARTS MANUAL ORGANIZATION

Product information in this manual is organized under section titles. Frame, Cylinder, Hydraulic and Electrical are a few examples. Each section is organized by figure and page number. The information within the Figure is then organized by item number, part number, description and corresponding illustration (s).

## 3) TABLE OF CONTENTS (NOT SHOWN)

A table of contents is found toward the beginning of the manual. Figure number, description and page number are provided for quick reference to the page containing the related information.

## 4) RECOMMENDED SPARE PARTS (NOT SHOWN)

The Recommended Spare Parts List, located near the end of the manual, reference most frequently used maintenance parts.

## 5) PART NUMBER INDEX (NOT SHOWN)

A numerical index listing all part numbers and the corresponding page number(s) appears at the back of the manual.

# GENERAL INFORMATION

## 6) NON-SERVICED PARTS

In some instances, it is necessary to display non-serviced parts, assemblies or installations. In the case of assemblies and installations there will be a Ref in the Qty. column. In case of parts that are not available for service within assemblies or components, there will be a NSS (Not Sold Separately) or NLA (No Longer Available) listed in the Qty. column of the manual.

## 7) PARTS LIST ITEM NUMBERS

Numbers shown in the item# column correspond to numbers used in the associated illustration (s). Item numbers which are missing from the sequence in the parts list are not used on that page.

## 8) INDENTED PARTS DESCRIPTION

An indented part description is included in the item under which it is indented.

## 9) ABBREVIATION AND SYMBOLS

AC.....	Alternating Current	L.....	Liter
ADE.....	Advanced Design Electronics	LB(LBS).....	Pounds
AG.....	Agricultural	LCD.....	Liquid Crystal Display
ANSI.....	American National Standards Institute	LED.....	Light Emitting Diodes
AR.....	As Required	LH.....	Left Hand
ASSY.....	Assembly	LRC.....	Low Rated Countries
AUS.....	Australia	LSS.....	Load Sensing System
AUX.....	Auxiliary	M(m).....	Metric/Meter
AWG.....	American Wire Gauge	MM(mm).....	Milimeter
B/M.....	Bill of Material	mA.....	Miliamps
CAC.....	Charge Air Cooler	NLA.....	No Longer Available
CE.....	European Conformity	NPT.....	National Pipe Threads
CCW.....	Counter Clockwise	NSS.....	Not Sold Separately
CM.....	Centimeter	OD.....	Outside Diameter
CW.....	Clockwise	ORB.....	O-Ring Boss
CSA.....	Canadian Standards Association	ORFS.....	O-Ring Face Seal
CYL.....	Cylinder	OZ (oz).....	Ounces
DIA.....	Diameter	PG.....	Page
DC.....	Direct Current	PN.....	Part Number
DEF.....	Diesel Exhaust Fluid	QT(qt.).....	Quarts
EMS.....	Emergency Stop	QTY.....	Quantity
ENG.....	Engine	REF.....	Reference
FT(ft).....	Feet	REV.....	Revision Level
GA(Ga).....	Gauge	RH.....	Right Hand
HRC.....	High Rated Countries	SAE.....	Society of Automotive Engineers
HVAC.....	Heating, Ventilating, and Air Conditioning	SN.....	Serial Number
HYD.....	Hydraulic	SPEC(S).....	Specifications
Hz.....	Hertz	T/T.....	Turntable
ID.....	Inside Diameter	UGM.....	Universal Ground Module
IN.....	inches	V.....	Volts
ISO.....	International Organization for Standards	W.....	Watts
JIC.....	Joint Industry Council	#.....	Number
KG.....	Kilogram		

## 10) ILLUSTRATION REFERENCE LETTERS

When necessary, illustrations may contain reference letters that are intended to track information (i. e. hoses, harnesses) from one point to another or to track visual enlargement of components to show details that may be located in another area on the illustration.

*Note: Due to continuous product improvements, JLG Industries, Inc. reserves the right to make specification changes without prior notification. Contact JLG Industries, Inc. for updated information.*

# TABLE OF CONTENTS

SECTION 1 - FRAME AND ATTACHING PARTS.....	15
FIGURE 1-1. HOODS INSTALLATION .....	16
FIGURE 1-2. HOOD ASSEMBLY .....	18
FIGURE 1-3. PAD LOCK.....	20
FIGURE 1-4. TANK INSTALLATION .....	22
FIGURE 1-5. OIL TANK.....	24
FIGURE 1-6. FUEL TANK ASSEMBLY .....	26
FIGURE 1-7. FUEL CAP INSTALLATION.....	28
FIGURE 1-8. MIRROR INSTALLATION .....	30
FIGURE 1-9. REAR CONVEX MIRROR INSTALLATION .....	32
FIGURE 1-10. MIRROR ASSEMBLY (CONVEX).....	34
FIGURE 1-11. BATTERY COVER INSTALLATION .....	36
FIGURE 1-12. REAR COVER PLATE INSTALLATION, (NO HITCH).....	38
FIGURE 1-13. HITCH INSTALLATION.....	40
FIGURE 1-14. HITCH ASSEMBLY (FIXED).....	42
FIGURE 1-15. HITCH INSTALLATION - CUNA-C.....	44
FIGURE 1-16. HITCH ASSEMBLY (CUNA-C) .....	46
FIGURE 1-17. LICENSE HOLDER INSTALLATION, LARGE .....	48
FIGURE 1-18. LIFT CYLINDER PROP SUPPORT .....	50
SECTION 2 - BOOM .....	53
FIGURE 2-1. BOOM ASSEMBLY INSTALLATION, STD W/AUX.....	54
FIGURE 2-2. BOOM ASSEMBLY INSTALLATION, W/AUX FOR QS .....	56
FIGURE 2-3. BOOM INSTALLATION, W/O AUXILIARY HYDRAULICS.....	58
FIGURE 2-4. BOOM W/O AUXILIARY HYDRAULIC INSTALLATION .....	60
FIGURE 2-5. FORK LOCKING CYLINDER KIT .....	64
FIGURE 2-6. QUICK COUPLER INSTALLATION - MANUAL.....	66
FIGURE 2-7. COUPLER INSTALLATION, UNIVERSAL (MANUAL).....	68
FIGURE 2-8. UNIVERSAL QUICK COUPLER ASSEMBLY .....	70
FIGURE 2-9. BOOM SIDE COVER INSTALLATION.....	72
SECTION 3 - ATTACHMENTS .....	75
FIGURE 3-1. AUGER BIT (6INX4IN).....	76
FIGURE 3-2. AUGER BIT (9INX4IN).....	78
FIGURE 3-3. AUGER BIT (12INX4IN).....	80
FIGURE 3-4. AUGER BIT (15INX4IN).....	82
FIGURE 3-5. AUGER BIT (18INX4IN).....	84
FIGURE 3-6. AUGER DRIVE ASSEMBLY, STANDARD .....	86
FIGURE 3-7. AUGER DRIVE ASSEMBLY, UNIVERSAL.....	88
FIGURE 3-8. BALE SPEAR ASSEMBLY, STANDARD.....	90
FIGURE 3-9. BALE SPEAR ASSEMBLY, UNIVERSAL .....	92
FIGURE 3-10. CARRIAGE ASSEMBLY, (50INCH/1270MM).....	94
FIGURE 3-11. CARRIAGE ASSEMBLY, UNIVERSAL QUICK ATTACH, (48IN/1219.2MM) .....	96
FIGURE 3-12. CARRIAGE, SIDE TILT, (48IN).....	98
FIGURE 3-13. CARRIAGE, SIDE TILT, UNIVERSAL QUICK ATTACH, (48IN).....	100

# TABLE OF CONTENTS

FIGURE 3-14. CARRIAGE, SIDE SHIFT (48IN) .....	102
FIGURE 3-15. CARRIAGE, SIDE SHIFT, UNIVERSAL QUICK ATTACH, (48IN) .....	104
FIGURE 3-16. CARRIAGE ASSEMBLY - FORK POSITIONING STANDARD (48IN).....	106
FIGURE 3-17. CARRIAGE ASSEMBLY - FORK POSITIONING UNIVERSAL (48IN).....	108
FIGURE 3-18. LIGHT MATERIAL BUCKET, (72INCH) (1.0 YD <sup>3</sup> /0.76 M <sup>3</sup> ) .....	110
FIGURE 3-19. LIGHT MATERIAL BUCKET, (72INCH) (1.7 YD <sup>3</sup> /1.29 M <sup>3</sup> ) .....	112
FIGURE 3-20. MULTI-PURPOSE GRAPPLE BUCKET (1850MM) (ANSI - JLG).....	114
FIGURE 3-21. UNIVERSAL HITCH ATTACHMENT .....	116
FIGURE 3-22. PALLET FORK (2X4X48) .....	118
FIGURE 3-23. FORK MOUNTED HOOK (4 TON) .....	120
FIGURE 3-24. LIFTING HOOK ASSEMBLY, STANDARD .....	122
FIGURE 3-25. LIFTING HOOK ASSEMBLY, UNIVERSAL.....	124
FIGURE 3-26. LIFTING HOOK (6K).....	126
FIGURE 3-27. BOLT-ON EDGE ASSEMBLY, 72" .....	128
FIGURE 3-28. HYDRAULIC QUICK SWITCH INSTALLATION .....	130
FIGURE 3-29. QUICK SWITCH ASSEMBLY .....	132
FIGURE 3-30. BLOCK VALVE ASSEMBLY.....	134
FIGURE 3-31. BASKET, PERSONNEL (1.2MX2.4M) (DOMESTIC) .....	136
FIGURE 3-32. BASKET, PERSONNEL (1.2MX2.4M) (ISO) .....	138
FIGURE 3-33. BASKET, PERSONNEL (1.2MX2.4M) (FRENCH) .....	140
FIGURE 3-34. FORK MOUNTED PLATFORM .....	142
SECTION 4 - ENGINE AND ATTACHING PARTS.....	145
FIGURE 4-1. ENGINE INSTALLATION .....	146
FIGURE 4-2. ENGINE INSTALLATION .....	148
FIGURE 4-3. FLEX COUPLING ASSEMBLY.....	150
FIGURE 4-4. ENGINE MOUNT INSTALLATION .....	152
FIGURE 4-5. ENGINE MOUNT INSTALLATION, (HEATER) .....	154
FIGURE 4-6. ENGINE MOUNT INSTALLATION, (HEATER & A/C) .....	156
FIGURE 4-7. ENGINE (55.4KW - ULS).....	158
FIGURE 4-8. ENGINE (55.4KW - LS) .....	160
FIGURE 4-9. FAN INSTALLATION.....	162
FIGURE 4-10. FAN INSTALLATION, REVERSING .....	164
FIGURE 4-11. RADIATOR INSTALLATION.....	166
FIGURE 4-12. RADIATOR LOWER HOSE ASSEMBLY.....	168
FIGURE 4-13. AIR CLEANER INSTALLATION .....	170
FIGURE 4-14. AIR CLEANER ASSEMBLY .....	172
FIGURE 4-15. AIR SHUT OFF VALVE INSTALLATION.....	174
FIGURE 4-16. RAIN CAP.....	176
FIGURE 4-17. PRECLEANER .....	178
FIGURE 4-18. EXHAUST INSTALLATION (ULS).....	180
FIGURE 4-19. EXHAUST INSTALLATION (LS) .....	182
FIGURE 4-20. HYDROSTATIC DRIVE PUMP ASSEMBLY .....	184
FIGURE 4-21. HEATER LINES INSTALLATION .....	186
FIGURE 4-22. LUBRICITY DOSER INSTALLATION (MIRROR).....	188
FIGURE 4-23. LUBRICITY DOSER INSTALLATION (LIGHT & MIRROR).....	190

# TABLE OF CONTENTS

FIGURE 4-24. QUICKFIT OIL CHANGE ASSEMBLY .....	192
SECTION 5 - DRIVE TRAIN .....	195
FIGURE 5-1. DRIVETRAIN INSTALLATION .....	196
FIGURE 5-2. FRONT AXLE ASSEMBLY .....	198
FIGURE 5-3. FRONT AXLE .....	200
FIGURE 5-4. FRONT AXLE, CENTRAL HOUSING .....	202
FIGURE 5-5. FRONT AXLE, DIFFERENTIAL .....	204
FIGURE 5-6. FRONT AXLE, HUB REDUCTION .....	208
FIGURE 5-7. FRONT AXLE, BRAKES .....	212
FIGURE 5-8. FRONT AXLE, STEERING .....	214
FIGURE 5-9. REAR AXLE ASSEMBLY .....	216
FIGURE 5-10. REAR AXLE .....	218
FIGURE 5-11. REAR AXLE, CENTRAL HOUSING .....	220
FIGURE 5-12. REAR AXLE, DIFFERENTIAL .....	222
FIGURE 5-13. REAR AXLE, HUB REDUCTION .....	224
FIGURE 5-14. REAR AXLE, STEERING .....	228
FIGURE 5-15. REAR AXLE, TRUNION .....	230
FIGURE 5-16. DIFFERENTIAL KIT .....	232
FIGURE 5-17. STEERING CASE KIT (LF/RR) .....	234
FIGURE 5-18. STEERING CASE KIT (RF/LR) .....	236
FIGURE 5-19. RING GEAR SUPPORT KIT .....	238
FIGURE 5-20. PLANET GEAR CARRIER KIT .....	240
FIGURE 5-21. TIRE/WHEEL SET, CAMSO (AIR 12-16.5 - 12 PLY) .....	242
FIGURE 5-22. RIGHT TIRE/WHEEL ASSEMBLY, CAMSO (AIR 12-16.5 - 12 PLY) .....	244
FIGURE 5-23. LEFT TIRE/WHEEL ASSEMBLY, CAMSO (AIR 12-16.5 - 12 PLY) .....	246
FIGURE 5-24. TIRE/WHEEL SET (AIR 14-17.5 - 12 PLY) .....	248
FIGURE 5-25. RIGHT TIRE/WHEEL ASSEMBLY (AIR 12-16.5 - 12 PLY) .....	250
FIGURE 5-26. LEFT TIRE/WHEEL ASSEMBLY (AIR 12-16.5 - 12 PLY) .....	252
FIGURE 5-27. TIRE/WHEEL SET, CAMSO (FOAM 12-16.5 - 12 PLY) .....	254
FIGURE 5-28. TIRE/WHEEL SET (FOAM 12-16.5 - 14 PLY) .....	256
FIGURE 5-29. TIRE/WHEEL SET (SOLID 33X12-20 - NM) .....	258
FIGURE 5-30. TIRE/WHEEL SET, AG (AIR 10.5-18 - 16 PR) .....	260
FIGURE 5-31. RIGHT TIRE/WHEEL ASSEMBLY, AG (AIR 10.5-18 - 16 PR) .....	262
FIGURE 5-32. LEFT TIRE/WHEEL ASSEMBLY, AG (AIR 10.5-18 - 16 PR) .....	264
FIGURE 5-33. FENDER INSTALLATION .....	266
FIGURE 5-34. FENDER ASSEMBLY .....	268
FIGURE 5-35. TIRE/WHEEL SET 33X16LL19.5 TURF/SAND .....	270
FIGURE 5-36. ASSEMBLY, TIRE/WHEEL 33X16LL19.5 TURF/SAND .....	272
SECTION 6 - CAB .....	275
FIGURE 6-1. CAB INSTALLATION .....	276
FIGURE 6-2. OPEN CAB INSTALLATION (ANSI - FIXED STEERING) .....	278
FIGURE 6-3. OPEN CAB INSTALLATION (ANSI - TILT STEERING) .....	280
FIGURE 6-4. ENCLOSED CAB INSTALLATION (ANSI - TILT STEERING) (HEAT) .....	282
FIGURE 6-5. ENCLOSED CAB INSTALLATION (ANSI - TILT STEERING) (HEAT & A/C) .....	284

# TABLE OF CONTENTS

FIGURE 6-6. ENCLOSED CAB INSTALLATION (LSI - TILT STEERING) (HEAT).....	286
FIGURE 6-7. ENCLOSED CAB INSTALLATION (LSI - TILT STEERING) (HEAT & A/C) .....	288
FIGURE 6-8. COMMON CAB INSTALLATION .....	290
FIGURE 6-9. CAB COMMON COMPONENTS, ENCLOSED .....	294
FIGURE 6-10. CAB GLASS INSTALLATION, OPEN.....	296
FIGURE 6-11. CAB GLASS INSTALLATION, ENCLOSED .....	298
FIGURE 6-12. REAR WINDOW ASSEMBLY.....	300
FIGURE 6-13. DOOR ASSEMBLY INSTALLATION .....	302
FIGURE 6-14. JLG COMMON INSTALLATION.....	304
FIGURE 6-15. SEAT RISER COVER INSTALLATION .....	306
FIGURE 6-16. SEAT RISER COVER INSTALLATION, HVAC .....	308
FIGURE 6-17. OPEN CAB COMMON COMPONENTS INSTALLATION .....	310
FIGURE 6-18. DASH INSTALLATION, OPEN CAB.....	312
FIGURE 6-19. DASH INSTALLATION, ENCLOSED CAB .....	314
FIGURE 6-20. RIGHT SIDE CONSOLE.....	316
FIGURE 6-21. NA COMMON INSTALLATION .....	318
FIGURE 6-22. NA COMMON COMPONENTS INSTALLATION (LSI) .....	320
FIGURE 6-23. FRONT WIPER ASSEMBLY.....	322
FIGURE 6-24. WASHER TANK W/PUMP INSTALLATION .....	324
FIGURE 6-25. ROOF/REAR WIPER INSTALLATION .....	326
FIGURE 6-26. AUX WIPER ASSEMBLY .....	328
FIGURE 6-27. SEAT ASSEMBLY - CLOTH (ORANGE SEAT BELT).....	330
FIGURE 6-28. SEAT, LSI.....	332
FIGURE 6-29. SEAT BELT INSTALLATION (3 INCH).....	334
FIGURE 6-30. SEAT BELT INSTALLATION, LSI (3 INCH) .....	336
FIGURE 6-31. CONTROL COVER INSTALLATION .....	338
FIGURE 6-32. HEATER INSTALLATION (CAB PARTS).....	340
FIGURE 6-33. HEATER AND A/C INSTALLATION (CAB PARTS).....	342
FIGURE 6-34. HEATER ASSEMBLY, 3 SPEED.....	344
FIGURE 6-35. HEATER AND A/C ASSEMBLY, 3 SPEED .....	346
FIGURE 6-36. HEATER.....	348
FIGURE 6-37. HEATER AND A/C.....	350
FIGURE 6-38. A/C KIT .....	352
FIGURE 6-39. A/C CONDENSER INSTALLATION .....	354
FIGURE 6-40. CONDENSER.....	356
FIGURE 6-41. OVERHEAD CONSOLE INSTALLATION.....	358
FIGURE 6-42. OVERHEAD CONSOLE INSTALLATION (OPEN) .....	360
FIGURE 6-43. FRONT FOPS INSTALLATION .....	362
FIGURE 6-44. OVERHEAD CONSOLE INSTALLATION (LSI).....	364
FIGURE 6-45. CAB FENDER INSTALLATION .....	366
FIGURE 6-46. CAB GUARD INSTALLATION (TOP) .....	368
FIGURE 6-47. CAB GUARD INSTALLATION (FRONT) .....	370
FIGURE 6-48. REAR WINDOW ENTRY KIT INSTALLATION (ANSI) .....	372
FIGURE 6-49. REAR WINDOW ENTRY KIT INSTALLATION (ENGLISH/FRENCH).....	374
FIGURE 6-50. REAR WINDOW ENTRY KIT INSTALLATION (ISO) .....	376



# TABLE OF CONTENTS

FIGURE 6-51. FIRE EXTINGUISHER INSTALLATION.....	378
FIGURE 6-52. WASHER FLUID TANK ASSEMBLY .....	380
FIGURE 6-53. EMERGENCY ENTRY/EXIT WINDOW .....	382
SECTION 7 - CONTROLS .....	385
FIGURE 7-1. ACCELERATOR PEDAL ASSEMBLY .....	386
FIGURE 7-2. ACCELERATOR PEDAL .....	388
FIGURE 7-3. BRAKE PEDAL INSTALLATION.....	390
FIGURE 7-4. MASTER CYLINDER VALVE ASSEMBLY .....	392
FIGURE 7-5. PARK BRAKE VALVE INSTALLATION .....	394
FIGURE 7-6. PARK BRAKE VALVE INSTALLATION (EURO) .....	396
FIGURE 7-7. PARK BRAKE VALVE ASSEMBLY (EURO).....	398
FIGURE 7-8. FIXED STEERING COLUMN INSTALLATION .....	400
FIGURE 7-9. FIXED STEERING COLUMN.....	402
FIGURE 7-10. TILT STEERING COLUMN INSTALLATION .....	404
FIGURE 7-11. TILT STEERING COLUMN.....	406
FIGURE 7-12. HYDRAULIC CONTROLLER ASSEMBLY.....	408
FIGURE 7-13. HEATER CONTROL SWITCH.....	410
FIGURE 7-14. HVAC CONTROL SWITCH .....	412
FIGURE 7-15. BOOM JOYSTICK.....	414
SECTION 8 - HYDRAULIC CIRCUITS.....	417
FIGURE 8-1. HOSE INSTALLATION (ANSI).....	418
FIGURE 8-2. HOSE INSTALLATION (CE) .....	420
FIGURE 8-3. HOSE INSTALLATION - BOOM .....	422
FIGURE 8-4. HOSE INSTALLATION - BOOM WITH QS .....	424
FIGURE 8-5. HOSE INSTALLATION - BOOM AUXILIARY.....	426
FIGURE 8-6. HOSE INSTALLATION - CAB (ANSI) .....	428
FIGURE 8-7. HOSE INSTALLATION - CAB (CE).....	430
FIGURE 8-8. HOSE INSTALLATION - FRAME.....	432
FIGURE 8-9. HOSE INSTALLATION - REAR OUTLET .....	434
FIGURE 8-10. BREATHER INSTALLATION - HYDRAULIC TANK.....	436
FIGURE 8-11. BREATHER INSTALLATION - HYDRAULIC TANK (A/C) .....	438
FIGURE 8-12. FILTER ASSEMBLY - HYDRAULIC.....	440
FIGURE 8-13. FILTER ASSEMBLY - IMPLEMENT PUMP .....	442
FIGURE 8-14. REMOTE GREASE INSTALLATION .....	444
FIGURE 8-15. VALVE INSTALLATION (ANSI) .....	446
FIGURE 8-16. VALVE INSTALLATION (CE).....	448
FIGURE 8-17. VALVES INSTALLATION.....	450
FIGURE 8-18. VALVE & FITTINGS ASSEMBLY - BRAKE .....	452
FIGURE 8-19. VALVE & FITTINGS ASSEMBLY - DIVERTER (REAR) .....	454
FIGURE 8-20. VALVE ASSEMBLY - DIVERTER.....	456
FIGURE 8-21. VALVE & FITTINGS ASSEMBLY - MAIN CONTROL.....	458
FIGURE 8-22. VALVE & FITTINGS ASSEMBLY - PARK BRAKE .....	460
FIGURE 8-23. VALVE & FITTINGS ASSEMBLY - PILOT (ANSI) .....	462
FIGURE 8-24. VALVE & FITTINGS ASSEMBLY - PILOT (CE).....	464

# TABLE OF CONTENTS

FIGURE 8-25. VALVE ASSEMBLY - PILOT .....	466
FIGURE 8-26. VALVE ASSEMBLY - PILOT (CE).....	468
FIGURE 8-27. VALVE & FITTINGS ASSEMBLY - PRIORITY .....	470
FIGURE 8-28. VALVE & FITTINGS ASSEMBLY - STEERING.....	472
FIGURE 8-29. VALVE & FITTINGS ASSEMBLY - STEERING SELECT.....	474
SECTION 9 - HYDRAULIC COMPONENTS .....	477
FIGURE 9-1. CYLINDER INSTALLATION - BOOM (ANSI) .....	478
FIGURE 9-2. CYLINDER INSTALLATION - BOOM (CE).....	480
FIGURE 9-3. CYLINDER ASSEMBLY - BOOM EXTEND/RETRACT.....	482
FIGURE 9-4. CYLINDER ASSEMBLY - BOOM LIFT (ANSI) .....	484
FIGURE 9-5. CYLINDER ASSEMBLY - BOOM LIFT (CE) .....	486
FIGURE 9-6. CYLINDER ASSEMBLY - BOOM LIFT (CE) .....	488
FIGURE 9-7. CYLINDER ASSEMBLY - CARRIAGE TILT .....	490
FIGURE 9-8. CYLINDER ASSEMBLY - COMPENSATION .....	492
FIGURE 9-9. CYLINDER ASSEMBLY - FORK LOCKING .....	494
FIGURE 9-10. CYLINDER ASSEMBLY - FORK POSITIONING.....	496
FIGURE 9-11. CYLINDER ASSEMBLY - SIDE SHIFT .....	498
FIGURE 9-12. CYLINDER ASSEMBLY - SIDE SHIFT .....	500
FIGURE 9-13. CYLINDER ASSEMBLY - TILT.....	502
FIGURE 9-14. MOTOR ASSEMBLY - FAN.....	504
FIGURE 9-15. MOTOR ASSEMBLY - FAN REVERSING.....	506
FIGURE 9-16. MOTOR ASSEMBLY - HYDROSTATIC .....	508
FIGURE 9-17. PUMP ASSEMBLY .....	510
FIGURE 9-18. PUMP ASSEMBLY HTDROSTATIC.....	512
FIGURE 9-19. VALVE ASSEMBLY - AIR SHUT-OFF VALVE .....	514
FIGURE 9-20. VALVE ASSEMBLY - BRAKE MASTER CYLINDER .....	516
FIGURE 9-21. VALVE ASSEMBLY - MAIN CONTROL .....	518
FIGURE 9-22. PARK BRAKE ASSEMBLY .....	520
FIGURE 9-23. VALVE ASSEMBLY - PARK BRAKE RELEASE (HYDRAULIC) .....	522
FIGURE 9-24. VALVE ASSEMBLY - STEERING SELECT .....	524
SECTION 10 - ELECTRICAL.....	527
FIGURE 10-1. MAIN ELECTRICAL INSTALLATION .....	528
FIGURE 10-2. ASOV HARNESS (CAB).....	530
FIGURE 10-3. ASOV HARNESS (FRAME) .....	532
FIGURE 10-4. ATTACHMENT HYDRAULIC QUICK SWITCH JUMPER SWITCH HARNESS .....	536
FIGURE 10-5. BATTERY INSTALLATION.....	538
FIGURE 10-6. BATTERY DISCONNECT SHIELD INSTALLATION .....	540
FIGURE 10-7. BOOM AUXILIARY HARNESS.....	542
FIGURE 10-8. BOOM SENSOR INSTALLATION .....	544
FIGURE 10-9. BOOM SENSOR ASSEMBLY .....	546
FIGURE 10-10. BOOM SENSOR HARNESS .....	548
FIGURE 10-11. CAB HARNESS.....	550
FIGURE 10-12. CAB A/C CONDENSER HANRESS .....	556
FIGURE 10-13. CAB JUMPER HARNESS .....	558

# TABLE OF CONTENTS

FIGURE 10-14. CAB MODE SELECT HARNESS.....	560
FIGURE 10-15. CAB ROOF HARNESS.....	562
FIGURE 10-16. CAMERA INSTALLATION - BACK-UP.....	564
FIGURE 10-17. CAMERA HARNESS - BACK-UP.....	566
FIGURE 10-18. CLEARSKY INSTALLATION - WITH AC.....	568
FIGURE 10-19. CLEARSKY INSTALLATION - WITHOUT AC (Prior to SN 0160131160, Except SN 160131113 through 0160131118, Except SN 0160131126 through 0160131127, Except SN 0160131152 through 0160131157, Excluding 0160131132 and 0160131143).....	570
FIGURE 10-20. CLEARSKY INSTALLATION - WITHOUT AC (SN 0160131161 to Present, SN 160131113 through 0160131118, SN 0160131126 through 0160131127, SN 0160131152 through 0160131157, Including 0160131132 and 0160131143).....	572
FIGURE 10-21. CLEARSKY HARNESS.....	574
FIGURE 10-22. ELECTRICAL HARNESS CAPS INSTALLATION.....	576
FIGURE 10-23. ENGINE HARNESS.....	578
FIGURE 10-24. ENGINE ALTERNATOR CHARGING HARNESS.....	582
FIGURE 10-25. ENGINE BLOCK HEATER INSTALLATION (ANSI).....	584
FIGURE 10-26. ENGINE BLOCK HEATER INSTALLATION (CE).....	586
FIGURE 10-27. ENGINE BLOCK HEATER INSTALLATION (LS).....	588
FIGURE 10-28. ENGINE START SWITCH JUMPER HARNESS.....	590
FIGURE 10-29. FRAME HARNESS.....	592
FIGURE 10-30. FRAME OPTIONS HARNESS INSTALLATION.....	596
FIGURE 10-31. FRAME OPTIONS BASE JUMPER HARNESS.....	598
FIGURE 10-32. FRAME OPTIONS FUNCTION JUMPER HARNESS.....	600
FIGURE 10-33. FRAME OPTIONS HARNESS INSTALLATION (ANSI).....	602
FIGURE 10-34. FRAME OPTIONS HARNESS INSTALLATION (CE).....	604
FIGURE 10-35. FRAME OPTION HARNESS.....	606
FIGURE 10-36. LIGHTS - BEACON LIGHT INSTALLATION (CLOSED CAB).....	610
FIGURE 10-37. LIGHTS - BEACON LIGHT INSTALLATION (OPEN CAB).....	612
FIGURE 10-38. LIGHTS - DRIVE LIGHTS INSTALLATION.....	614
FIGURE 10-39. LIGHTS - ROADLIGHTS INSTALLATION (ANSI).....	616
FIGURE 10-40. LIGHTS - ROADLIGHTS INSTALLATION (LSI).....	618
FIGURE 10-41. LIGHTS - ROADLIGHTS INSTALLATION (LH DIP).....	620
FIGURE 10-42. LIGHTS - ROADLIGHTS JUMPER HARNESS.....	622
FIGURE 10-43. LIGHTS - TAILLIGHTS INSTALLATION (LH).....	624
FIGURE 10-44. LIGHTS - TAILLIGHTS INSTALLATION (RH).....	626
FIGURE 10-45. LIGHTS - WORKLIGHTS INSTALLATION (BOOM).....	628
FIGURE 10-46. LIGHTS - WORKLIGHTS INSTALLATION (BOOM) (LED).....	630
FIGURE 10-47. LIGHTS - WORKLIGHTS INSTALLATION (CAB, BOOM AND BEACON) (CLOSED CAB).....	632
FIGURE 10-48. WORKLIGHTS INSTALLATION (CAB, BOOM AND BEACON) (ENCLOSED CAB).....	634
FIGURE 10-49. WORKLIGHTS INSTALLATION (CAB, BOOM AND BEACON) (OPEN CAB).....	636
FIGURE 10-50. LIGHTS - WORKLIGHTS INSTALLATION (CAB, BOOM AND BEACON) (OPEN CAB).....	638
FIGURE 10-51. LIGHTS - WORKLIGHTS HARNESS (BOOM).....	640
FIGURE 10-52. LIGHTS - WORKLIGHTS HARNESS (ENCLOSED CAB).....	642
FIGURE 10-53. LIGHTS - WORKLIGHTS HARNESS (OPEN CAB).....	644
FIGURE 10-54. LIGHTS - WORKLIGHTS JUMPER HARNESS (BOOM).....	646
FIGURE 10-55. LIGHTS - WORKLIGHTS JUMPER HARNESS (BOOM).....	648
FIGURE 10-56. LIGHTS - WORKLIGHTS PROXIMITY SENSOR HARNESS.....	650

# TABLE OF CONTENTS

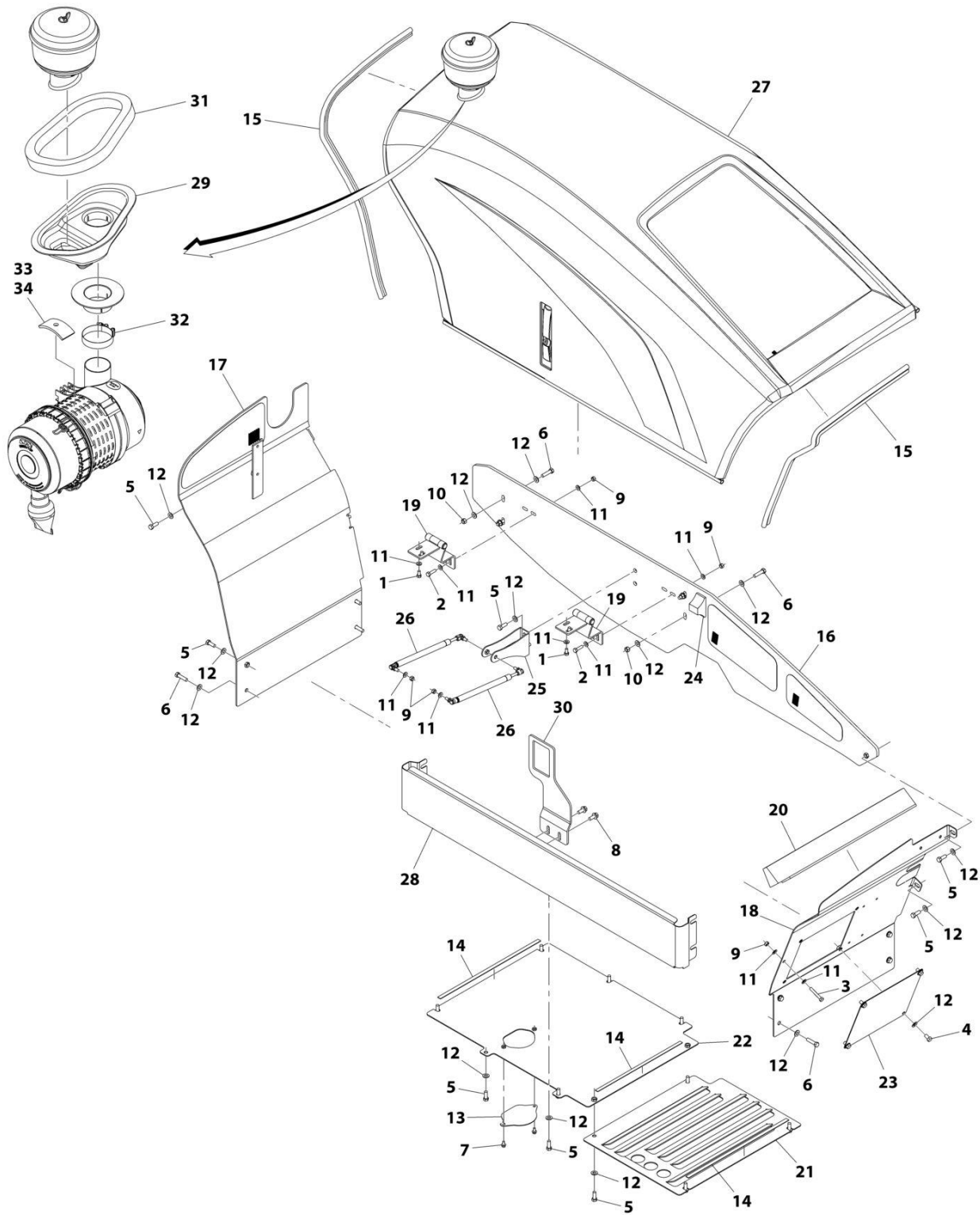
FIGURE 10-57. REVERSE SENSING SYSTEM INSTALLATION .....	652
FIGURE 10-58. REVERSE SENSOR HARNESS .....	654
FIGURE 10-59. SPEED SENSOR JUMPER HARNESS .....	656
FIGURE 10-60. TELEMATICS/CLEARSKY INSTALLATION - 3-WIRE .....	658
FIGURE 10-61. TELEMATICS/CLEARSKY HARNESS - 3-WIRE .....	660
FIGURE 10-62. TELEMATICS/CLEARSKY INSTALLATION - 4G CANBUS .....	662
FIGURE 10-63. TELEMATICS/CLEARSKY HARNESS - 4G CANBUS .....	664
FIGURE 10-64. TELEMATICS/CLEARSKY READY HARNESS .....	666
FIGURE 10-65. TELEMATICS READY HARNESS .....	668
FIGURE 10-66. TELEMATICS/CLEARSKY READY HARNESS - CUSTOMER SUPPLIED .....	670
FIGURE 10-67. TELEMATIC GATEWAY HARNESS .....	672
FIGURE 10-68. SEATBELT ALARM INSTALLATION.....	674
FIGURE 10-69. SEAT BELT ALARM HARNESS.....	676
SECTION 11 - DECALS .....	679
FIGURE 11-1. DECAL INSTALLATION .....	680
FIGURE 11-2. DECAL INSTALLATION, (ANSI) .....	682
FIGURE 11-3. DECAL INSTALLATION, (ISO).....	686
FIGURE 11-4. DECAL INSTALLATION (ENGLISH/FRENCH) .....	690
FIGURE 11-5. LOAD CHART MOUNT .....	694
FIGURE 11-6. CAPACITY CHART .....	696
FIGURE 11-7. CAPACITY CHART (UNIVERSAL QUICK SWITCH) .....	698
FIGURE 11-8. CAPACITY CHART - METRIC .....	700
FIGURE 11-9. CAPACITY CHART (UNIVERSAL QUICK SWITCH - METRIC) .....	702
FIGURE 11-10. MACHINE DECAL (ULS - ANSI) .....	704
FIGURE 11-11. MACHINE DECAL (ULS - ISO) .....	706
FIGURE 11-12. MACHINE DECAL (ULS - ENGLISH/FRENCH) .....	708
FIGURE 11-13. MACHINE DECAL (LS) .....	710
FIGURE 11-14. REVERSE SENSOR SYSTEM DECAL (ENGLISH).....	712
FIGURE 11-15. REVERSE SENSING SYSTEM DECAL, (ENGLISH/FRENCH).....	714
FIGURE 11-16. REVERSE SENSING SYSTEM DECAL (ISO) .....	716
FIGURE 11-17. CLEARSKY DECAL INSTALLATION .....	718
SECTION 12 - RECOMMENDED SERVICE PARTS STOCK.....	721
FIGURE 12-1. RECOMMENDED SERVICE PARTS STOCK.....	722
SECTION 13 - SPECIAL OPTIONS/ACCESSORIES/KITS.....	725
FIGURE 13-1. SPECIAL OPTIONS/ACCESSORIES/KITS.....	726
PART NUMBER INDEX.....	727

# SECTION 1 - FRAME AND ATTACHING PARTS

## SECTION 1 - FRAME AND ATTACHING PARTS

# SECTION 1 - FRAME AND ATTACHING PARTS

## FIGURE 1-1. HOODS INSTALLATION



ART\_1001190762-C

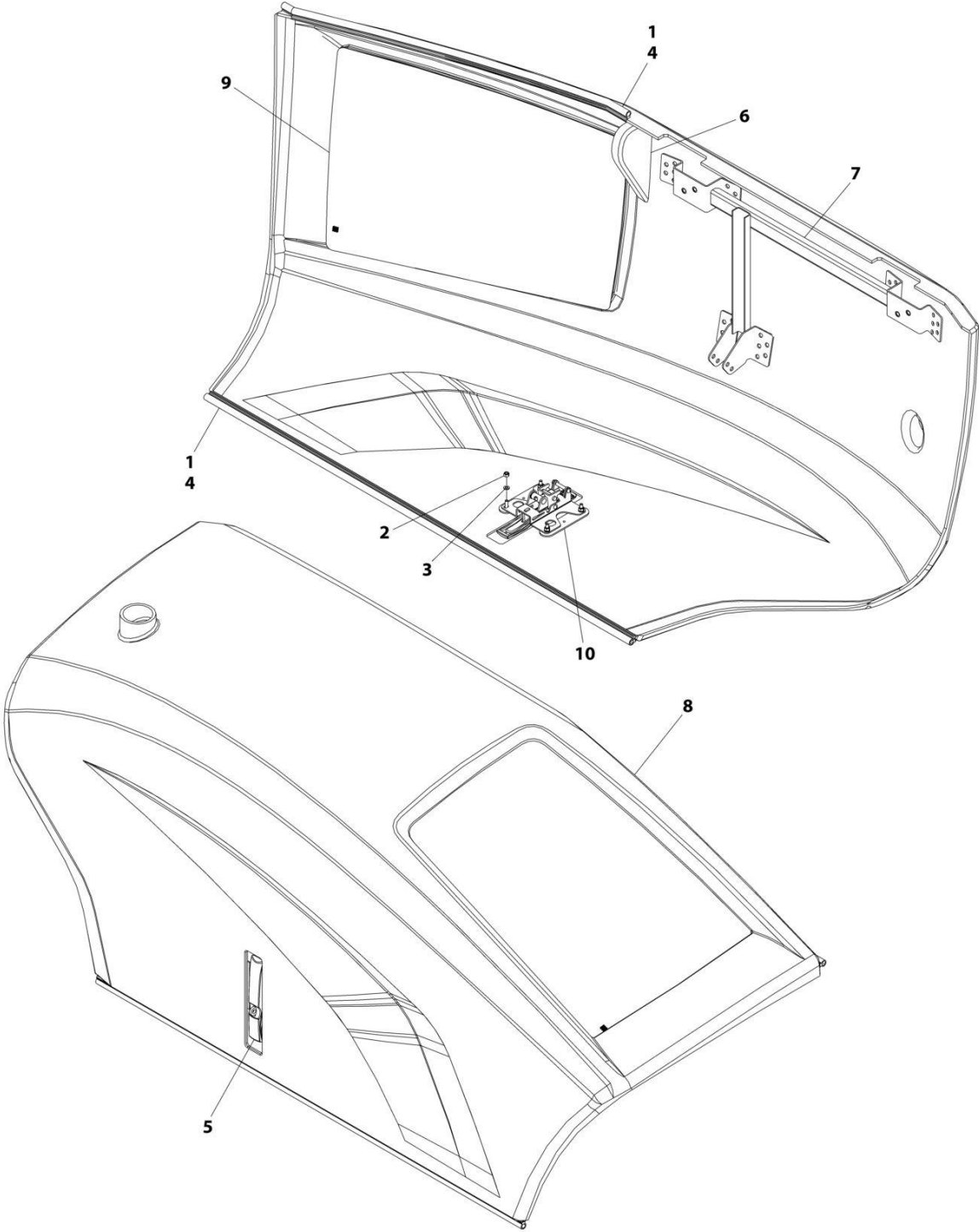
# SECTION 1 - FRAME AND ATTACHING PARTS

## FIGURE 1-1. HOODS INSTALLATION

ITEM	PART NUMBER	QTY	DESCRIPTION	REV
	1001190762	Ref	HOODS INSTALLATION	C
1	0641505	4	Bolt 5/16 x 5/8	
2	0641509	4	Bolt 5/16 x 1-1/8	
3	0641516	1	Bolt 5/16 x 2	
4	0641605	4	Bolt 3/8 x 5/8	
5	0641608	21	Bolt 3/8 x 1	
6	0641612	8	Bolt 3/8 x 1-1/2	
7	0791404	2	Screw 1/4 x 1/2	
8	0791607	2	Screw 3/8 x 7/8	
9	3271501	7	Nut 5/16	
10	3271601	4	Nut 3/8	
11	4711500	16	Washer 5/16	
12	4711600	37	Washer 3/8	
13	1001081299K	1	Fuel Filter Access Panel	
14	1001090344	1320 mm	Neoprene Tape, 1/16X1/2	
15	1001097160	1980 mm	Self-Gripping Bulb Seal	
16	1001142265	1	Hood Hinge Mount Weldment Plate	
17	1001197401	1	Rear Fender Weldment Panel	
18	1001142267	1	Front Fender Weldment Panel	
19	1001143142	2	Hood Hinge	
20	1001144369	1	Foam Gasket Seal	
21	1001149810	1	Belly Pan Plate	
22	1001149811	1	Belly Pan Weldment Plate	
23	1001156315	1	Cover Plate	
24	1001158318	1	Foam Gasket Seal	
25	1001158428	1	Gas Spring Weldment Mount	
26	1001160078	2	Gas Spring	
27	1001190743	1	Hood Assembly (See Separate Breakdown in this Section)	
28	1001190788	1	Side Skirt Panel	
29	1001191640	1	Air Intake Channel	
30	1001191820	1	Latch Catch Bracket	
31	1001192255	1	Air Intake Seal	
32	90028488	1	T-Bolt Clamp	
33	0100081	AR	Adhesive	
34	3340943	1	Pad, Rubber	

**SECTION 1 - FRAME AND ATTACHING PARTS**

**FIGURE 1-2. HOOD ASSEMBLY**



ART\_1001190743-E



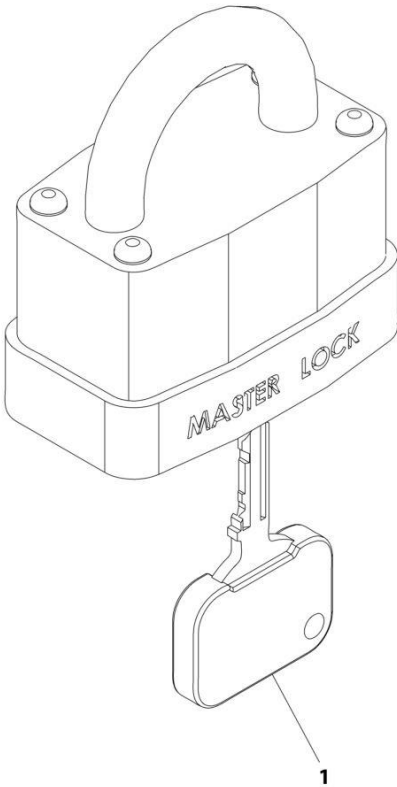
# SECTION 1 - FRAME AND ATTACHING PARTS

## FIGURE 1-2. HOOD ASSEMBLY

ITEM	PART NUMBER	QTY	DESCRIPTION	REV
	1001190743	Ref	Hood Assembly	E
1	0100090	AR	Adhesive	
2	3290605	4	Hex Locknut, M6X1	
3	4811700	4	Washer, M6	
4	1001097159	2110 mm	Self-Gripping Bulb Seal	
5	1001132168	1	Compression Latch	
6	1001193423	1	Air Dam Seal	
7	1001190728	1	Hinge And Gas Spring Mount	
8	1001190754	1	Hood	
9	1001191643	1	Cooler Vent	
10	1001192022	2	Support, Latch	

**SECTION 1 - FRAME AND ATTACHING PARTS**

**FIGURE 1-3. PAD LOCK**



ART\_1001102157-A

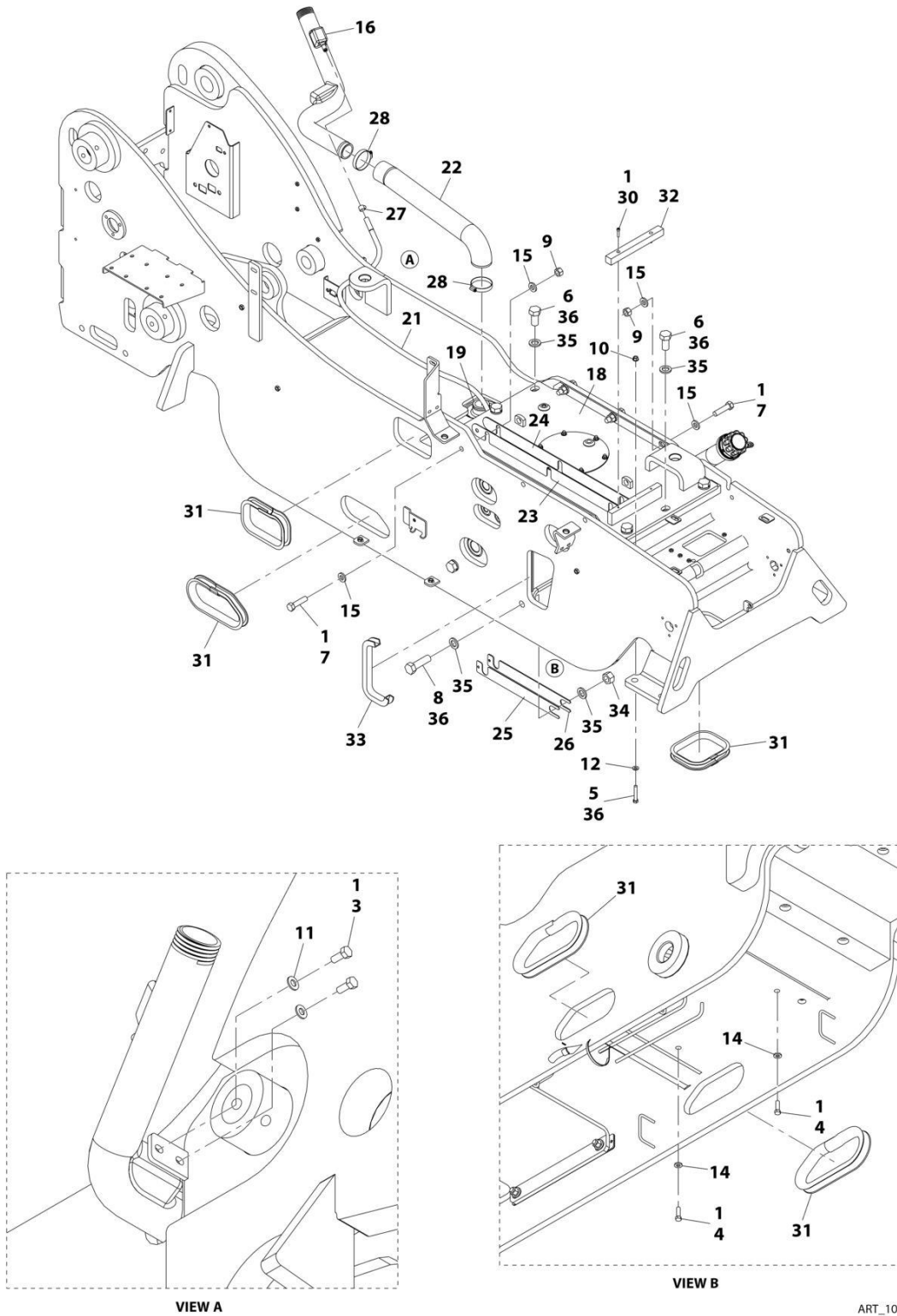
# SECTION 1 - FRAME AND ATTACHING PARTS

## FIGURE 1-3. PAD LOCK

ITEM	PART NUMBER	QTY	DESCRIPTION	REV
1	1001102157 8342813	Ref 1	Pad Lock Key	A

# SECTION 1 - FRAME AND ATTACHING PARTS

## FIGURE 1-4. TANK INSTALLATION



ART\_1001193316-H

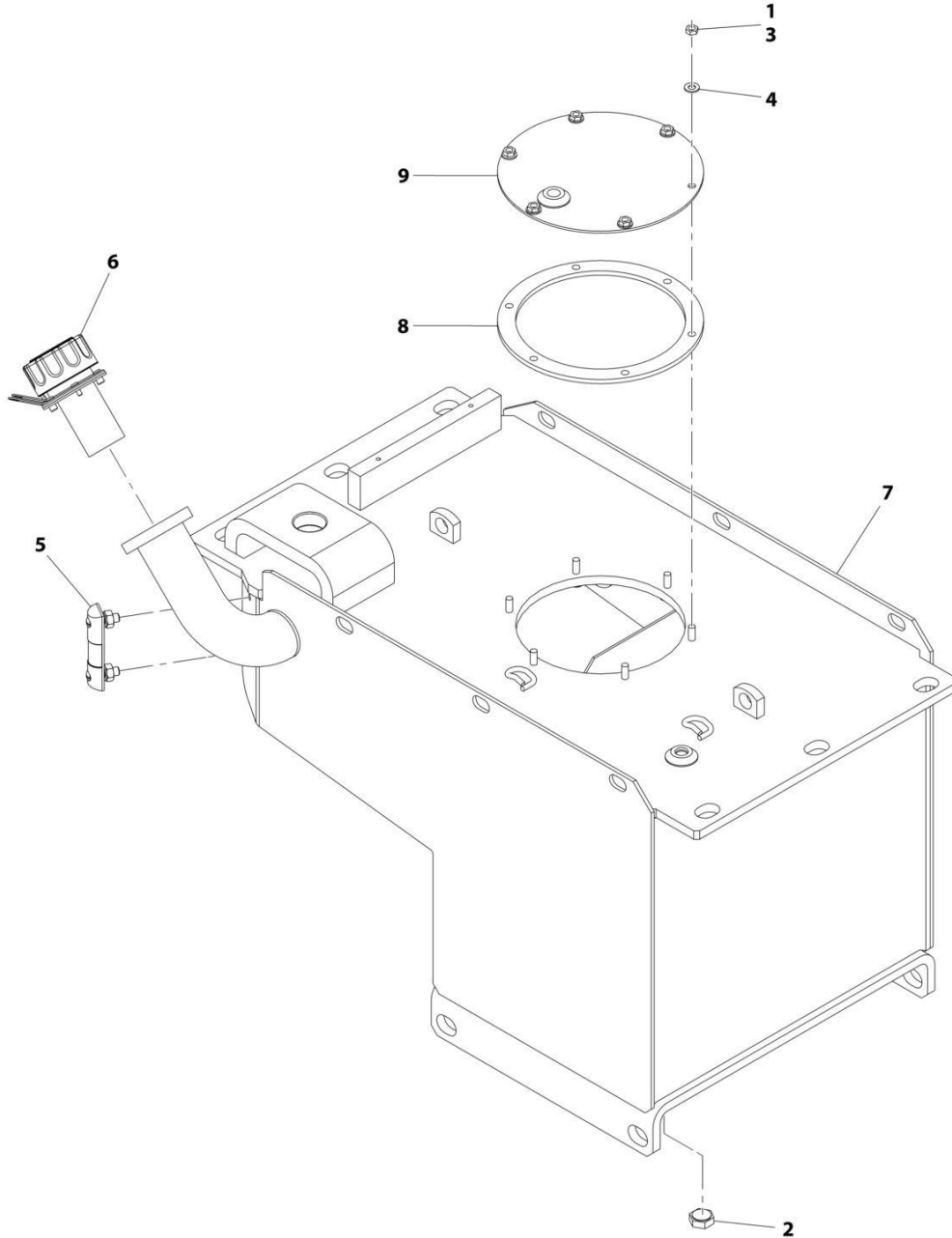
# SECTION 1 - FRAME AND ATTACHING PARTS

## FIGURE 1-4. TANK INSTALLATION

ITEM	PART NUMBER	QTY	DESCRIPTION	REV
	1001193316	Ref	TANK INSTALLATION	H
1	0100011	AR	Compound, Locking	
3	0641506	2	Bolt 5/16 x 3/4	
4	0641610	3	Bolt 3/8 x 1-1/4	
5	0630399	1	Tap Bolt	
6	0682414	6	Bolt 7/8 x 1-3/4	
7	0692020	6	Bolt 3/8 x 2-1/2	
8	0682424	4	Bolt 7/8 x 3	
9	3282001	6	Nut 5/8	
10	3311608	1	Nut 3/8	
11	4711500	2	Washer 5/16	
12	4711600	1	Washer 3/8	
14	4891600	3	Washer 3/8	
15	4892000	12	Washer 5/8	
16	1001080573	1	Fuel Nozzle Tube	
18	1001193351	1	Oil Tank (See Separate Breakdown in this Section)	
19	1001194100	1	Fuel Tank (See Separate Breakdown in this Section)	
21	1001148483	1	Fuel Tank Vent	
22	1001198730	1	Fuel Fill Pipe	
23	1001200682	AR	Shim, 1.5mm	
24	1001200683	AR	Shim, 3mm	
25	1001200684	AR	Shim, 1.5mm	
26	1001200685	AR	Shim, 3mm	
27	8405006	2	Gear Clamp	
28	86883327	2	Clamp, Hose	
30	3931416	2	Screw 1/4 x 1	
31	1001142680	2100 mm	Conduit	
32	1001200925	1	Pad	
33	1001081364	2	Grommet	
34	3272401	4	Nut 7/8	
35	4892400	14	Washer 7/8	
36	0100019	AR	Adhesive	

# SECTION 1 - FRAME AND ATTACHING PARTS

## FIGURE 1-5. OIL TANK



ART\_1001193351-E

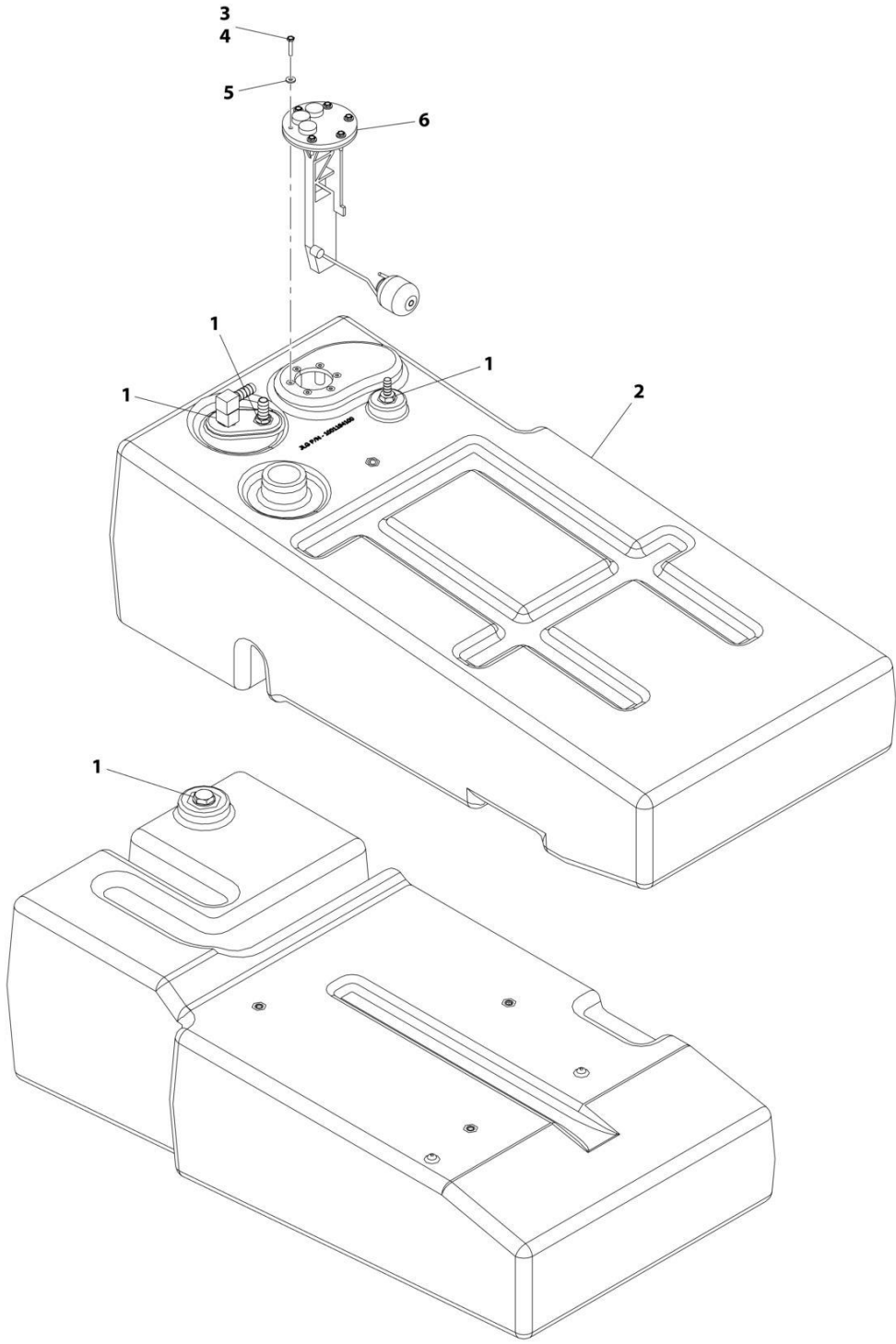
# SECTION 1 - FRAME AND ATTACHING PARTS

## FIGURE 1-5. OIL TANK

ITEM	PART NUMBER	QTY	DESCRIPTION	REV
	1001193351	Ref	Oil Tank	E
1	0100011	AR	Compound, Locking	
2	2220239	1	Adapter, Plug	
3	3311502	6	Nut 5/8	
4	4711500	6	Washer 5/16	
5	91563136	1	Oil Level Indicator	
6	1001187150	1	Lockable Hydraulic Filler Cap	
7	1001193470	1	Oil Tank Weldment	
8	1001193473	1	Gasket	
9	1001195884	1	Tank Access Cover	

# SECTION 1 - FRAME AND ATTACHING PARTS

## FIGURE 1-6. FUEL TANK ASSEMBLY



ART\_1001194100-E



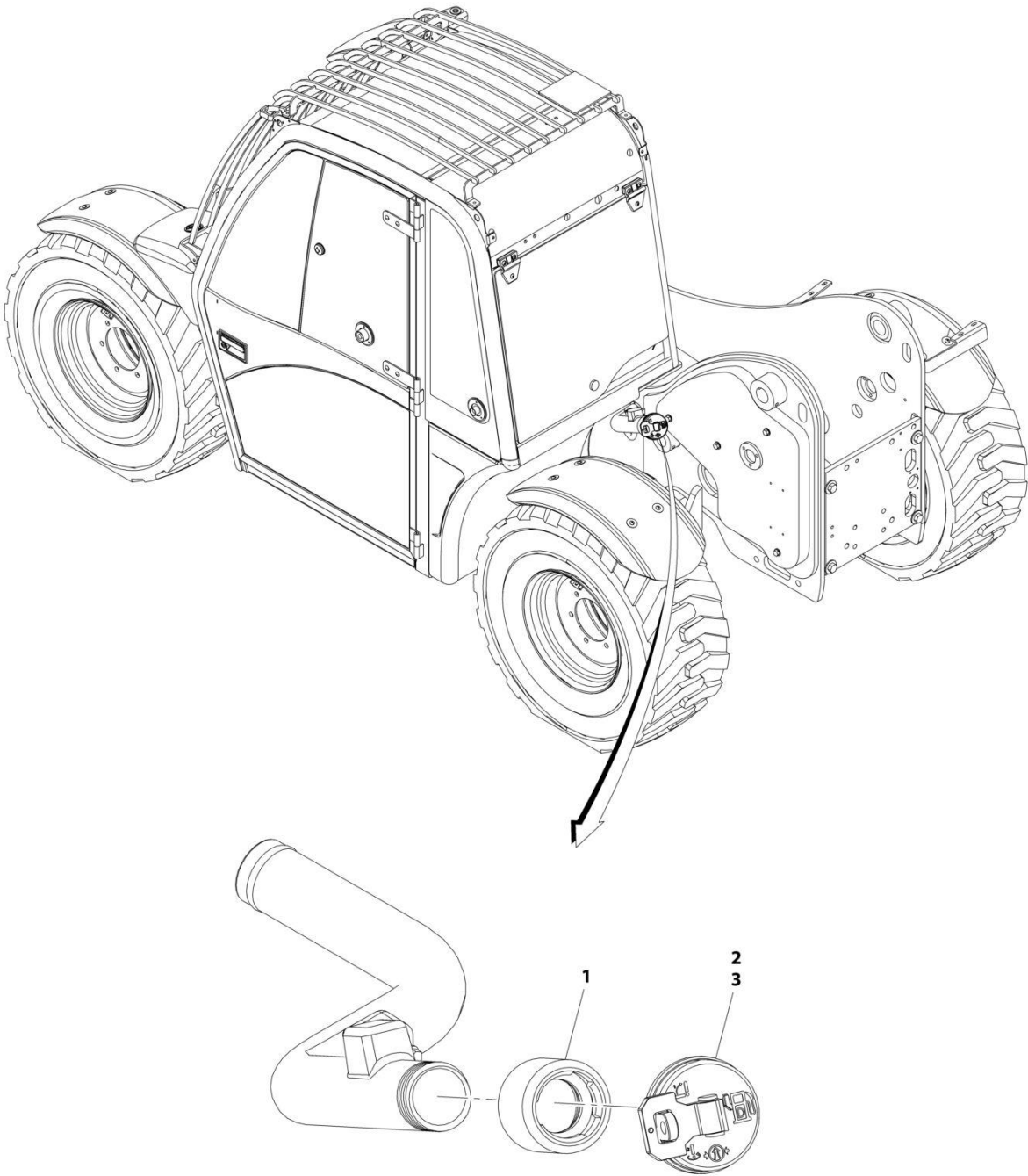
# SECTION 1 - FRAME AND ATTACHING PARTS

## FIGURE 1-6. FUEL TANK ASSEMBLY

ITEM	PART NUMBER	QTY	DESCRIPTION	REV
	1001194100	Ref	Fuel Tank Assembly	E
1	0100020	AR	Compound, Locking	
2	1001194099	1	Fuel Tank	
3	0100035	AR	Compound, Locking	
4	0720606	6	Hex HD Bolt	
5	4750600	6	Washer M6	
6	1001197965	1	Fuel Level Sensor	

**SECTION 1 - FRAME AND ATTACHING PARTS**

**FIGURE 1-7. FUEL CAP INSTALLATION**



ART\_1001080571-B

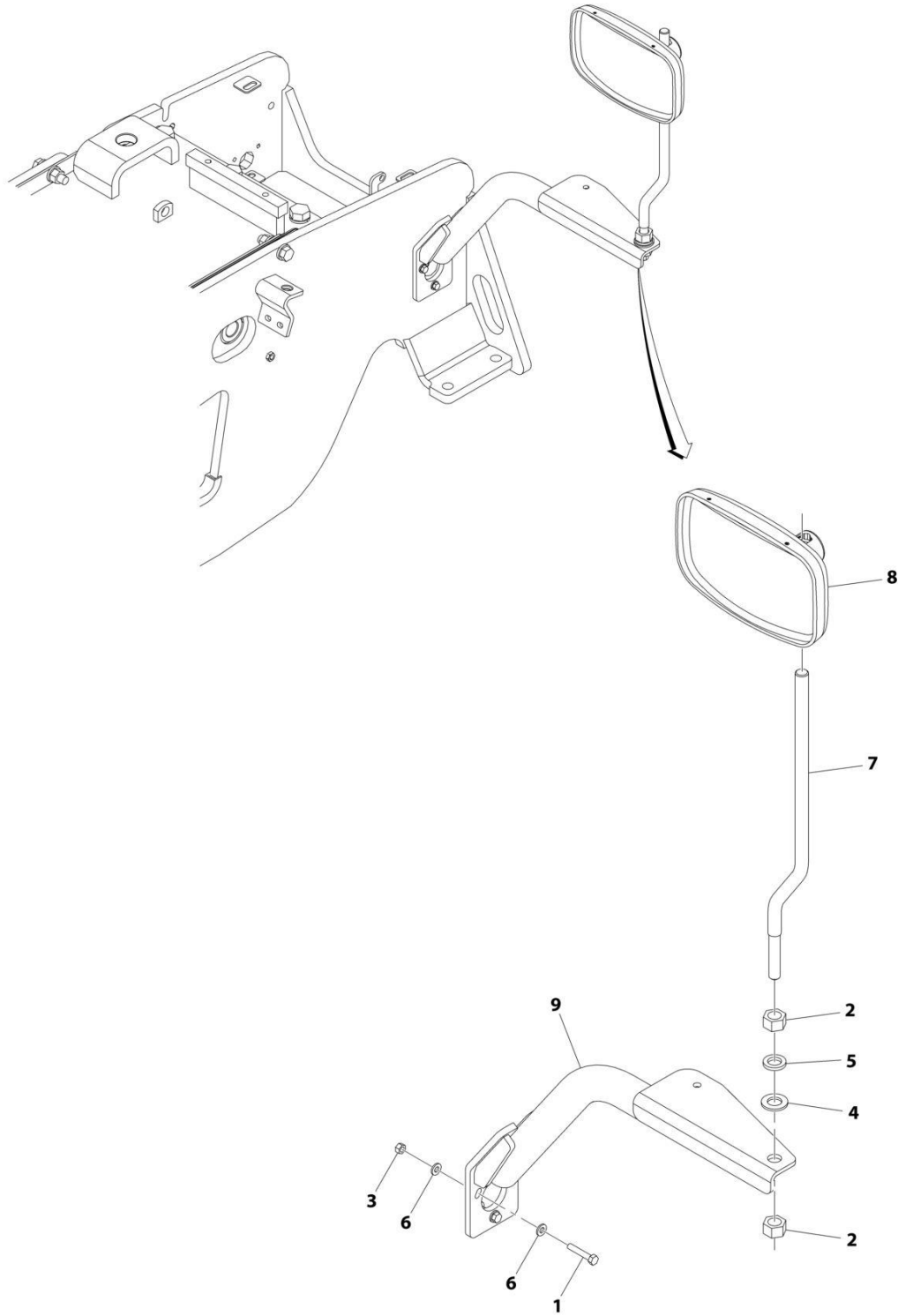
# SECTION 1 - FRAME AND ATTACHING PARTS

## FIGURE 1-7. FUEL CAP INSTALLATION

ITEM	PART NUMBER	QTY	DESCRIPTION	REV
	1001080571	Ref	FUEL CAP INSTALLATION	B
1	1001001422	1	Filler Neck Tank Adapter	
2	1001080707	1	Diesel Fuel Locking Cap	
3	0100093	AR	Compound, Locking	

# SECTION 1 - FRAME AND ATTACHING PARTS

## FIGURE 1-8. MIRROR INSTALLATION



ART\_1001200928-B

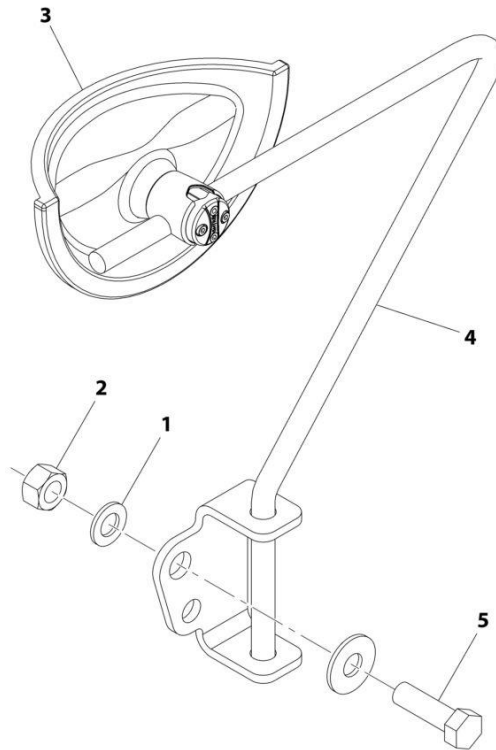
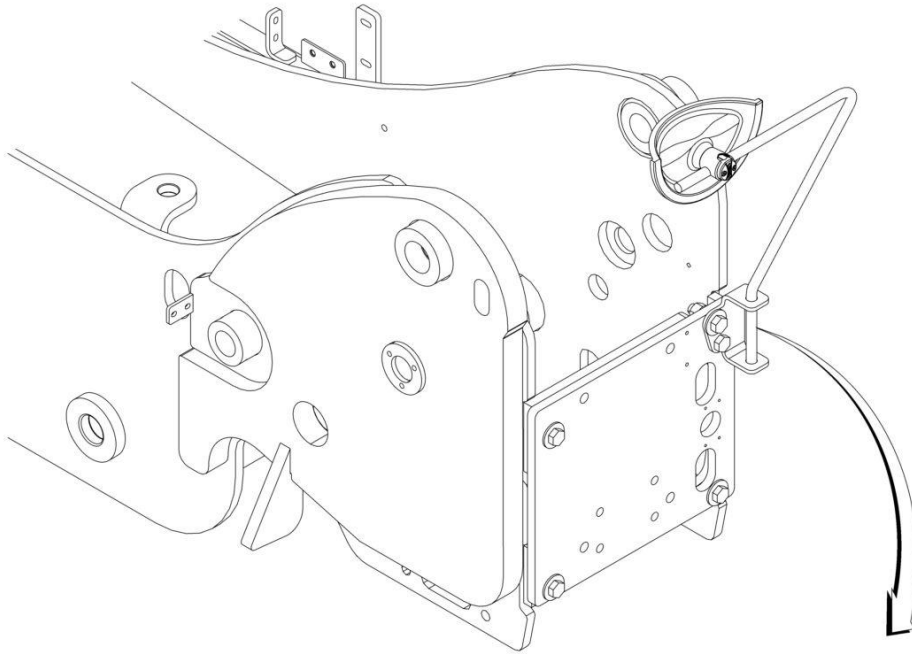
# SECTION 1 - FRAME AND ATTACHING PARTS

## FIGURE 1-8. MIRROR INSTALLATION

ITEM	PART NUMBER	QTY	DESCRIPTION	REV
	1001200928	Ref	Mirror Installaton	B
1	0641514	3	Hex HD Capscrew, 5/16-18X1-3/4, GR5	
2	3272201	2	Hex Nut, 3/4-10, GR8	
3	3311505	3	Locknut, 5/16-18	
4	4712200	1	Washer, 3/4	
5	4762200	1	Lockwasher, 3/4	
6	4891500	6	Washer, 5/16	
7	1001144474	1	Mirror Bracket	
8	1001191635	1	Mirror Assembly	
9	1001190639	1	Headlight Bracket	

# SECTION 1 - FRAME AND ATTACHING PARTS

## FIGURE 1-9. REAR CONVEX MIRROR INSTALLATION



ART\_1001200851-C

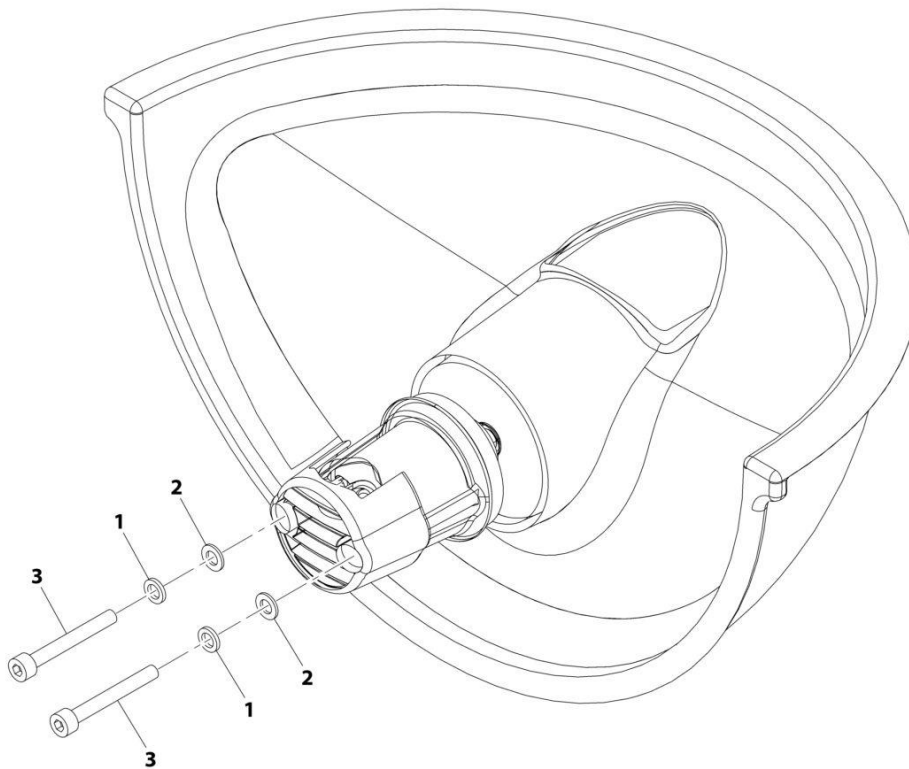
# SECTION 1 - FRAME AND ATTACHING PARTS

## FIGURE 1-9. REAR CONVEX MIRROR INSTALLATION

ITEM	PART NUMBER	QTY	DESCRIPTION	REV
	1001200851	Ref	Rear Convex Mirror Installation	C
1	4712200	1	Washer, 3/4	
2	88501012	1	Hex Nut, 3/4-10	
3	1001008436	1	Mirror Assembly (See Separate Breakdown in this Section)	
4	1001208759	1	Rear Mount Mirror Bar	
5	0682220	1	Hex HD Capscrew, 3/4-10X2-1/2, GR8	

# SECTION 1 - FRAME AND ATTACHING PARTS

## FIGURE 1-10. MIRROR ASSEMBLY (CONVEX)



ART\_1001008436-D



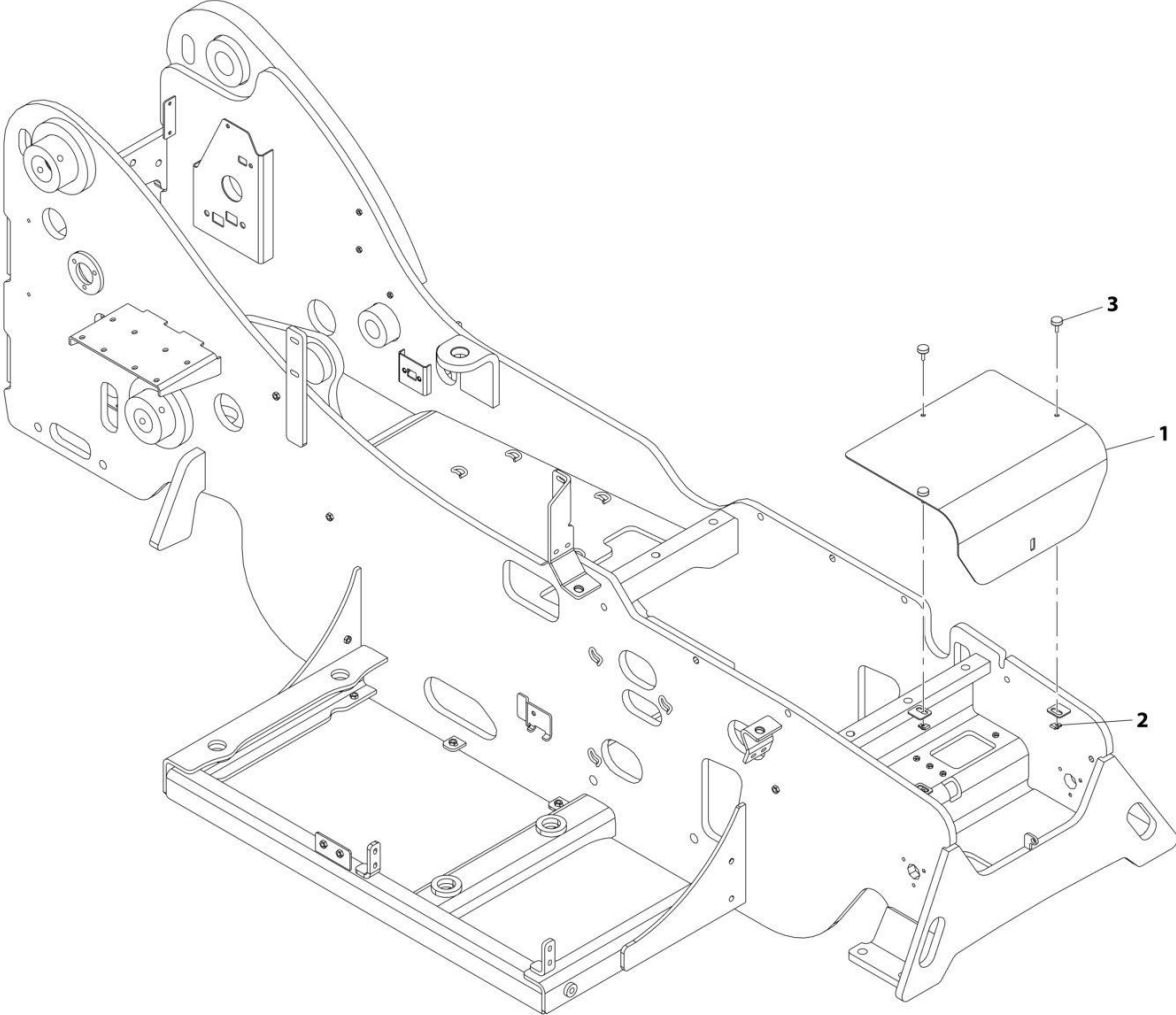
# SECTION 1 - FRAME AND ATTACHING PARTS

## FIGURE 1-10. MIRROR ASSEMBLY (CONVEX)

ITEM	PART NUMBER	QTY	DESCRIPTION	REV
	1001008436	Ref	Mirror Assembly (Convex)	D
1	1001008475	2	Washer, Lock	
2	1001009062	2	Washer	
3	1001010838	2	Bolt	

**SECTION 1 - FRAME AND ATTACHING PARTS**

**FIGURE 1-11. BATTERY COVER INSTALLATION**



ART\_1001200247-B

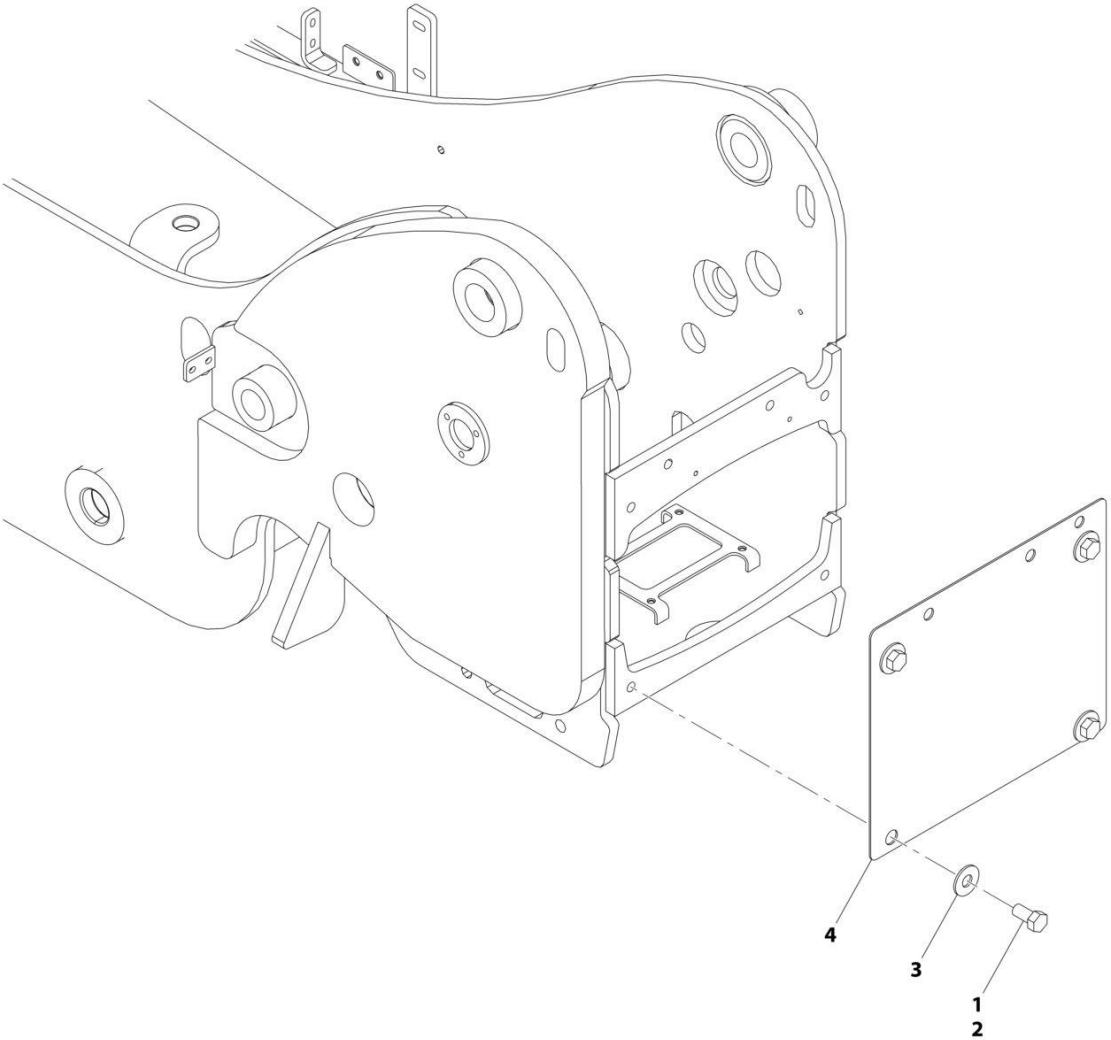
# SECTION 1 - FRAME AND ATTACHING PARTS

## FIGURE 1-11. BATTERY COVER INSTALLATION

ITEM	PART NUMBER	QTY	DESCRIPTION	REV
	1001200247	Ref	Battery Cover Installation	B
1	1001198349	1	Battery Cover	
2	1001130220	3	Tinnerman Nut, M6	
3	1001151183	3	Thumb Screw, M6-1X25.4	

**SECTION 1 - FRAME AND ATTACHING PARTS**

**FIGURE 1-12. REAR COVER PLATE INSTALLATION, (NO HITCH)**



ART\_1001200598-D

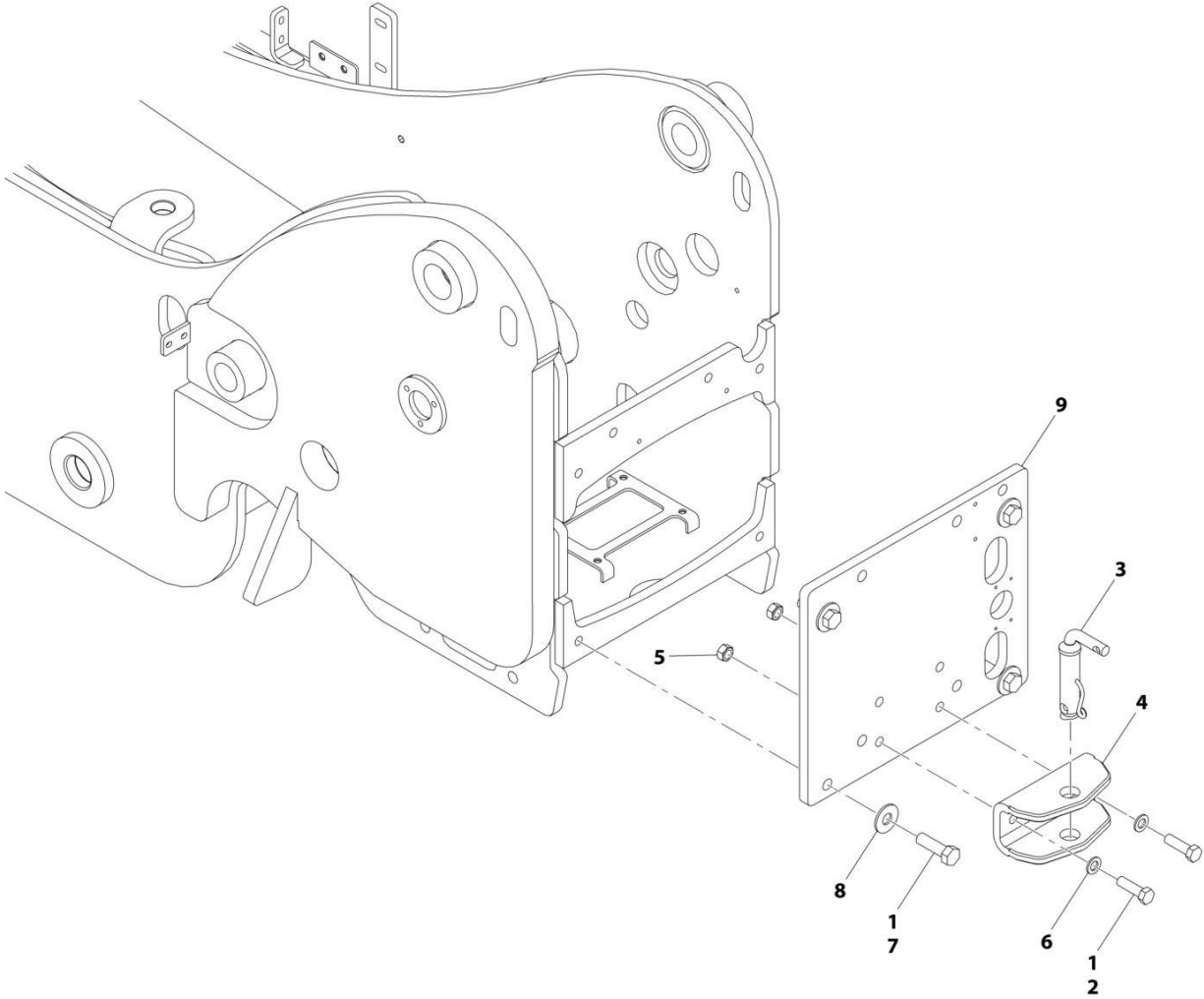
## SECTION 1 - FRAME AND ATTACHING PARTS

FIGURE 1-12. REAR COVER PLATE INSTALLATION, (NO HITCH)

ITEM	PART NUMBER	QTY	DESCRIPTION	REV
	1001200598	Ref	Rear Cover Plate Installation, (No Hitch)	D
1	0100011	AR	Compound, Locking	
2	0642212	4	Capscrew 3/4 x 1-1/2	
3	4752200	4	Washer 3/4	
4	1001197490	1	Plate, Rear	

# SECTION 1 - FRAME AND ATTACHING PARTS

## FIGURE 1-13. HITCH INSTALLATION



ART\_1001200601-B

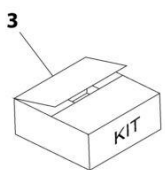
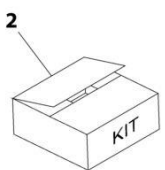
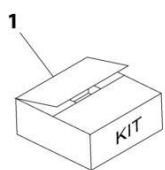
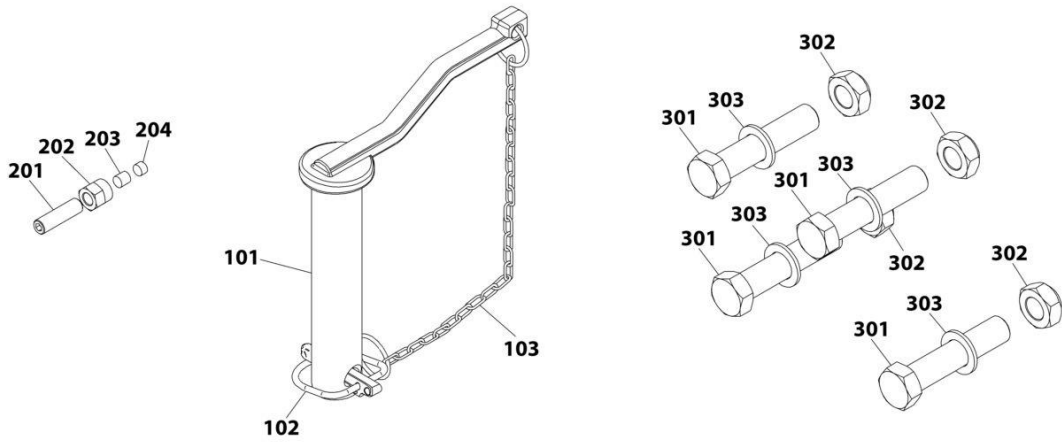
# SECTION 1 - FRAME AND ATTACHING PARTS

## FIGURE 1-13. HITCH INSTALLATION

ITEM	PART NUMBER	QTY	DESCRIPTION	REV
	1001200601	Ref	HITCH INSTALLATION	B
1	0100011	AR	Compound, Locking	
2	0771619	2	Capscrew M16 x 55	
3	3944574	1	Hitch Pin	
4	4804533	1	Hitch	
5	4805921	2	Nut M16	
6	4812300	2	Washer M16	
7	0682220	4	Capscrew 3/4 x 2-1/2	
8	4752200	4	Washer 3/4	
9	1001200378	1	Plate, Rear Hitch Mount	

# SECTION 1 - FRAME AND ATTACHING PARTS

## FIGURE 1-14. HITCH ASSEMBLY (FIXED)



ART\_1001110849-B



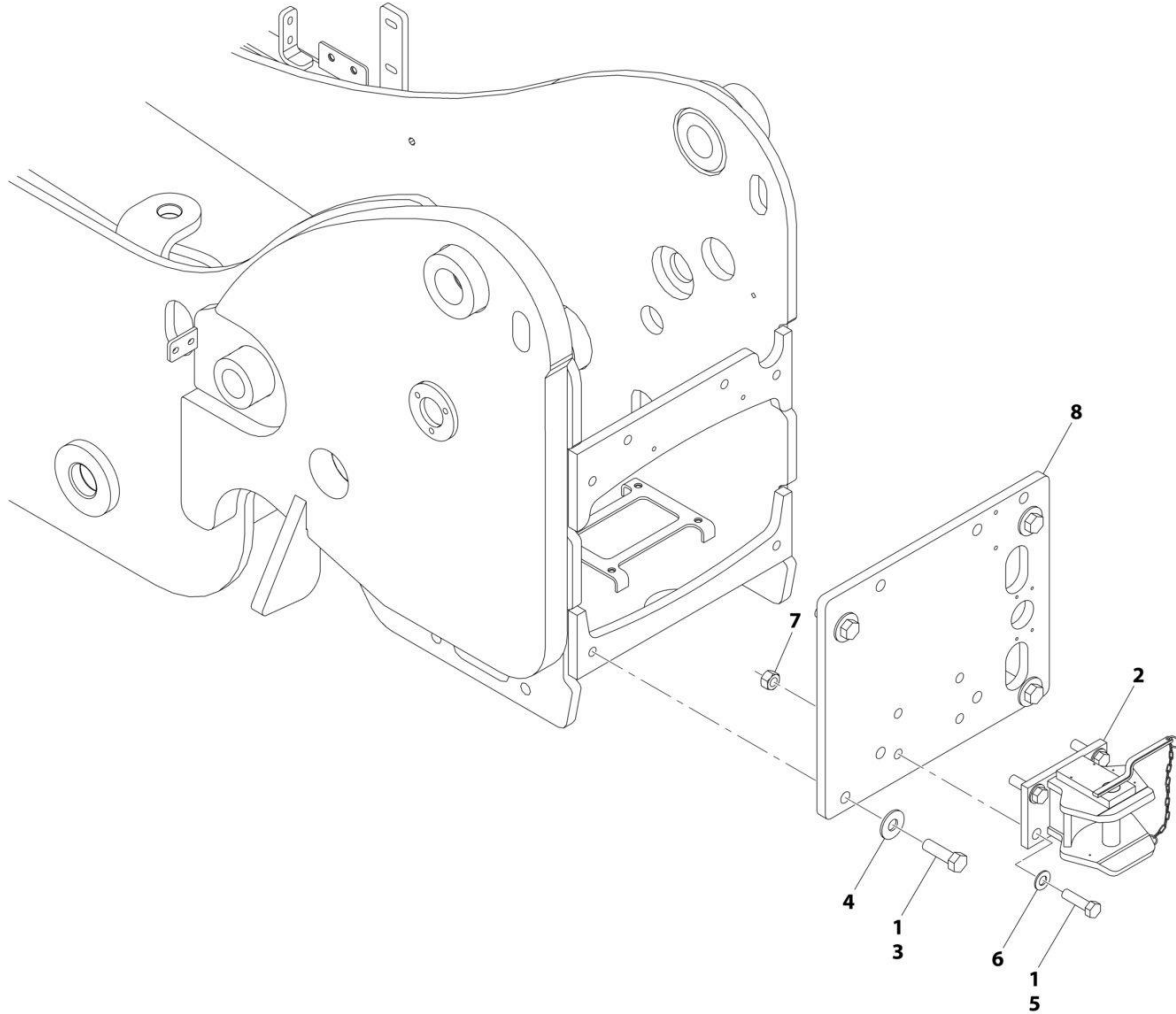
# SECTION 1 - FRAME AND ATTACHING PARTS

## FIGURE 1-14. HITCH ASSEMBLY (FIXED)

ITEM	PART NUMBER	QTY	DESCRIPTION	REV
	1001110849	Ref	Hitch Assembly (Fixed)	B
1	70027178	1	Kit, Towing Pin (includes items 101 thru 103)	
2	70027176	1	Kit, Friction (includes items 201 thru 204)	
3	70027177	1	Kit, Screws (includes items 301 thru 303)	
101	Kit	1	Pin	
102	Kit	1	Chain, Safety	
103	Kit	1	Pin, Safety	
201	Kit	1	Screw, M16X80	
202	Kit	1	Nut, M10	
203	Kit	1	Insert	
204	Kit	1	Insert	
301	Kit	4	Screw, M16X80	
302	Kit	4	Nut, M16	
303	Kit	4	Washer	

# SECTION 1 - FRAME AND ATTACHING PARTS

FIGURE 1-15. HITCH INSTALLATION - CUNA-C



ART\_1001200603-B

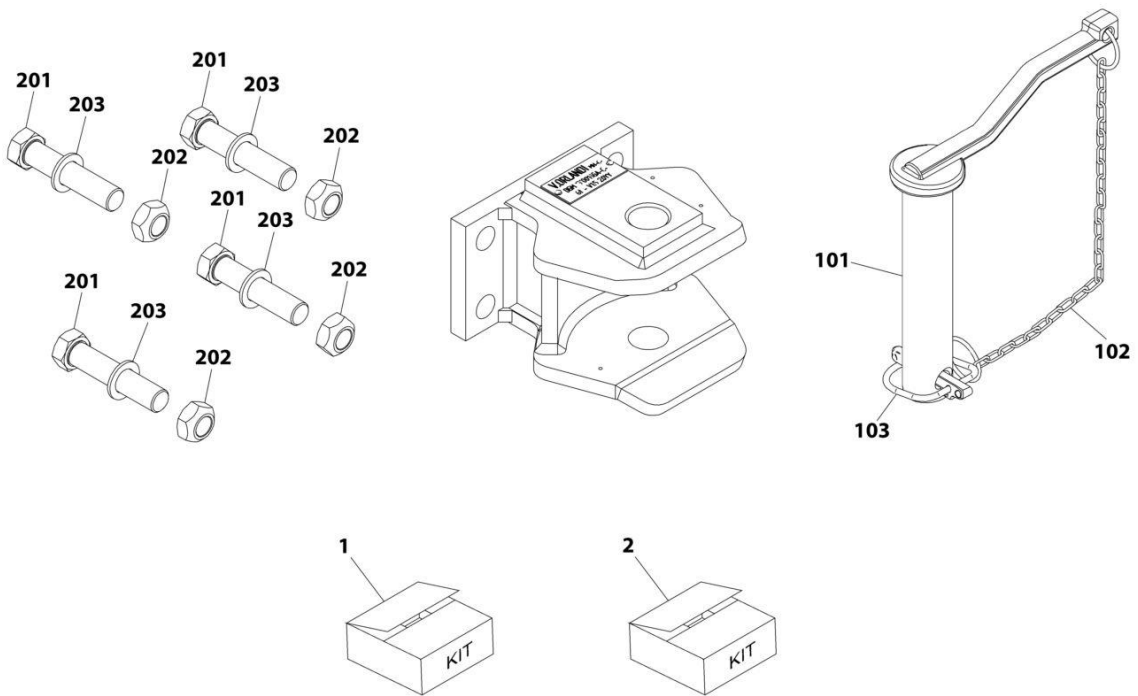
# SECTION 1 - FRAME AND ATTACHING PARTS

## FIGURE 1-15. HITCH INSTALLATION - CUNA-C

ITEM	PART NUMBER	QTY	DESCRIPTION	REV
	1001200603	Ref	Hitch Installation - Cuna-C	B
1	0100011	1	Compound, Locking	
2	2620052	1	Hitch, 6M TON, (CUNA-C), (See Separate Breakdown in this Section)	
3	0682220	1	Capscrew 3/4 x 2-1/2	
4	4752200	1	Washer 3/4	
5	0682018	1	Capscrew 5/8 x 2-1/4	
6	4712000	1	Washer 5/8	
7	88501010	1	Nut 5/8	
8	1001200378	1	Plate, Rear Hitch Mount	

# SECTION 1 - FRAME AND ATTACHING PARTS

FIGURE 1-16. HITCH ASSEMBLY (CUNA-C)



ART\_2620052-A

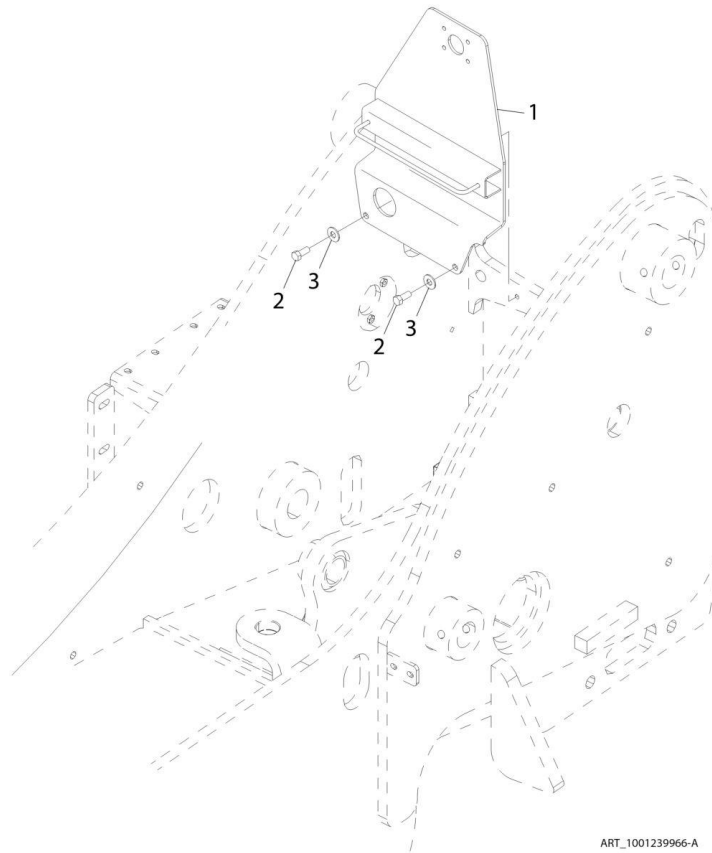
# SECTION 1 - FRAME AND ATTACHING PARTS

## FIGURE 1-16. HITCH ASSEMBLY (CUNA-C)

ITEM	PART NUMBER	QTY	DESCRIPTION	REV
	2620052	1	Hitch Assembly, (CUNA-C)	A
1	70022818	1	Towing Pin Kit, (Includes Items 101 thru 103)	
101	Kit	1	Pin	
102	Kit	1	Safety Chain	
103	Kit	1	Safety Pin	
2	70027176	1	Screw Kit, (Includes Items 201 thru 203)	
201	Kit	4	Screw, M16X80	
202	Kit	4	Nut, M16	
203	Kit	4	Washer	

# SECTION 1 - FRAME AND ATTACHING PARTS

FIGURE 1-17. LICENSE HOLDER INSTALLATION, LARGE



ART\_1001239966-A

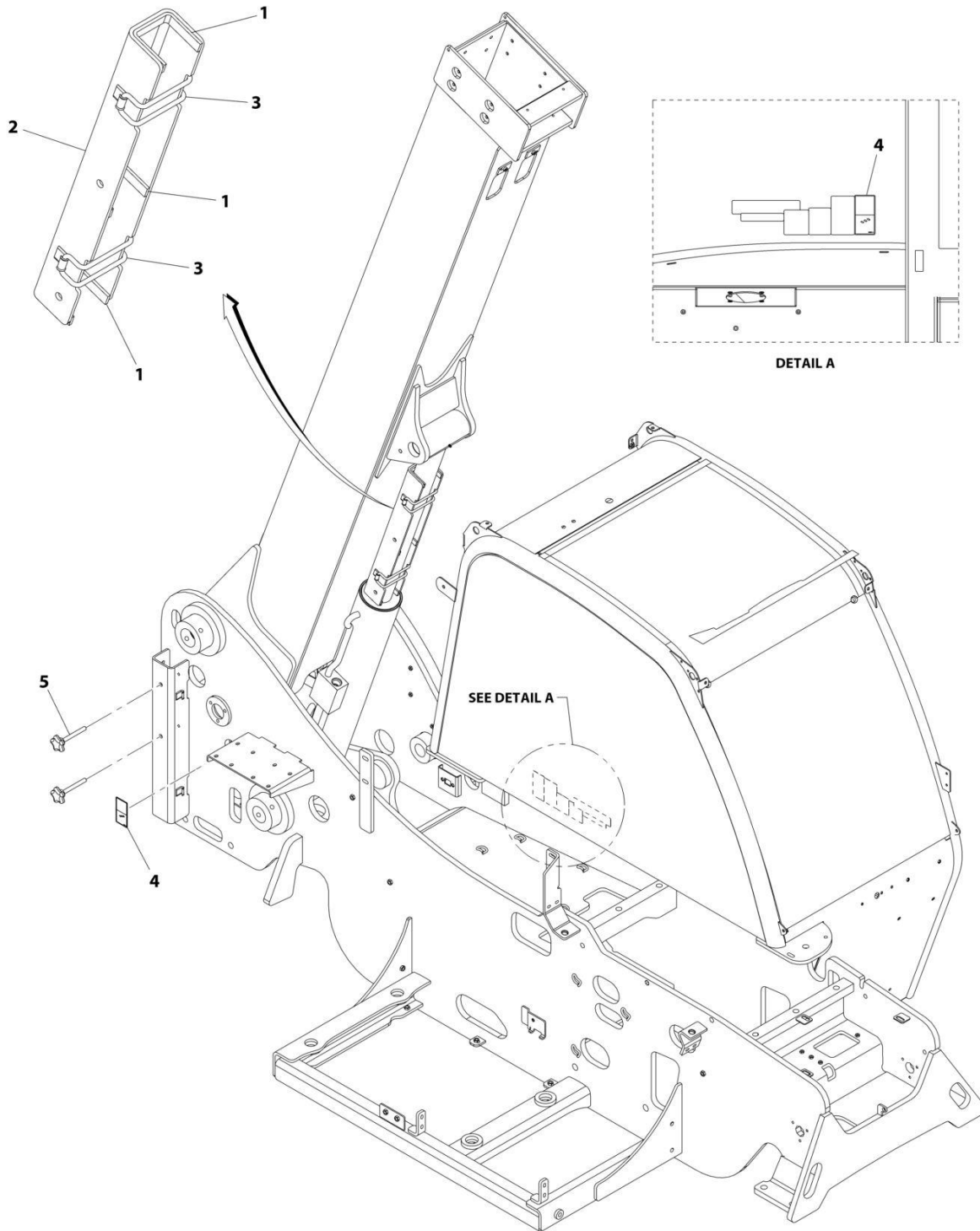
# SECTION 1 - FRAME AND ATTACHING PARTS

## FIGURE 1-17. LICENSE HOLDER INSTALLATION, LARGE

ITEM	PART NUMBER	QTY	DESCRIPTION	REV
	1001239966	Ref	License Holder Installation	A
1	1001239965	1	Hose Clamp Support	
2	0641607	2	Bolt, 3/8-16X7/8	
3	4751600	2	Washer, 3/8	

# SECTION 1 - FRAME AND ATTACHING PARTS

## FIGURE 1-18. LIFT CYLINDER PROP SUPPORT



ART\_1001201659-A



# SECTION 1 - FRAME AND ATTACHING PARTS

## FIGURE 1-18. LIFT CYLINDER PROP SUPPORT

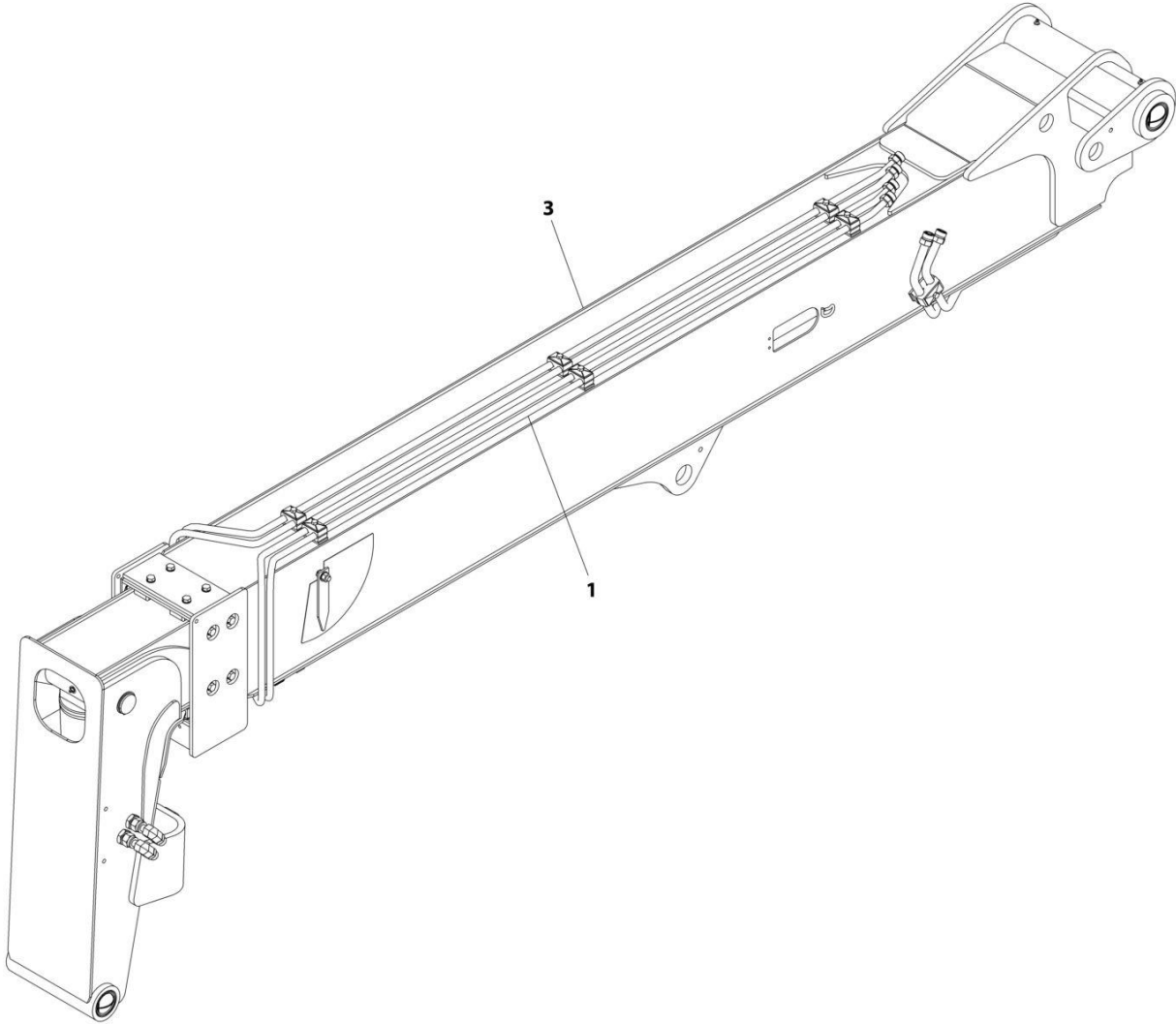
ITEM	PART NUMBER	QTY	DESCRIPTION	REV
	1001201659	Ref	Lift Cylinder Lock Installation	A
1	909304	640 mm	Rubber Profile, 18X5mm	
2	1271599	1	Lift Cylinder Lock Weldment	
3	1784861	2	O-Ring	
4	8005671	2	Cylinder Lock Warning Decal	
5	1001099887	2	Handle Screw, 12X103mm	



**SECTION 2 - BOOM**

**SECTION 2 - BOOM**

**FIGURE 2-1. BOOM ASSEMBLY INSTALLATION, STD W/AUX**



ART\_1001233661-B

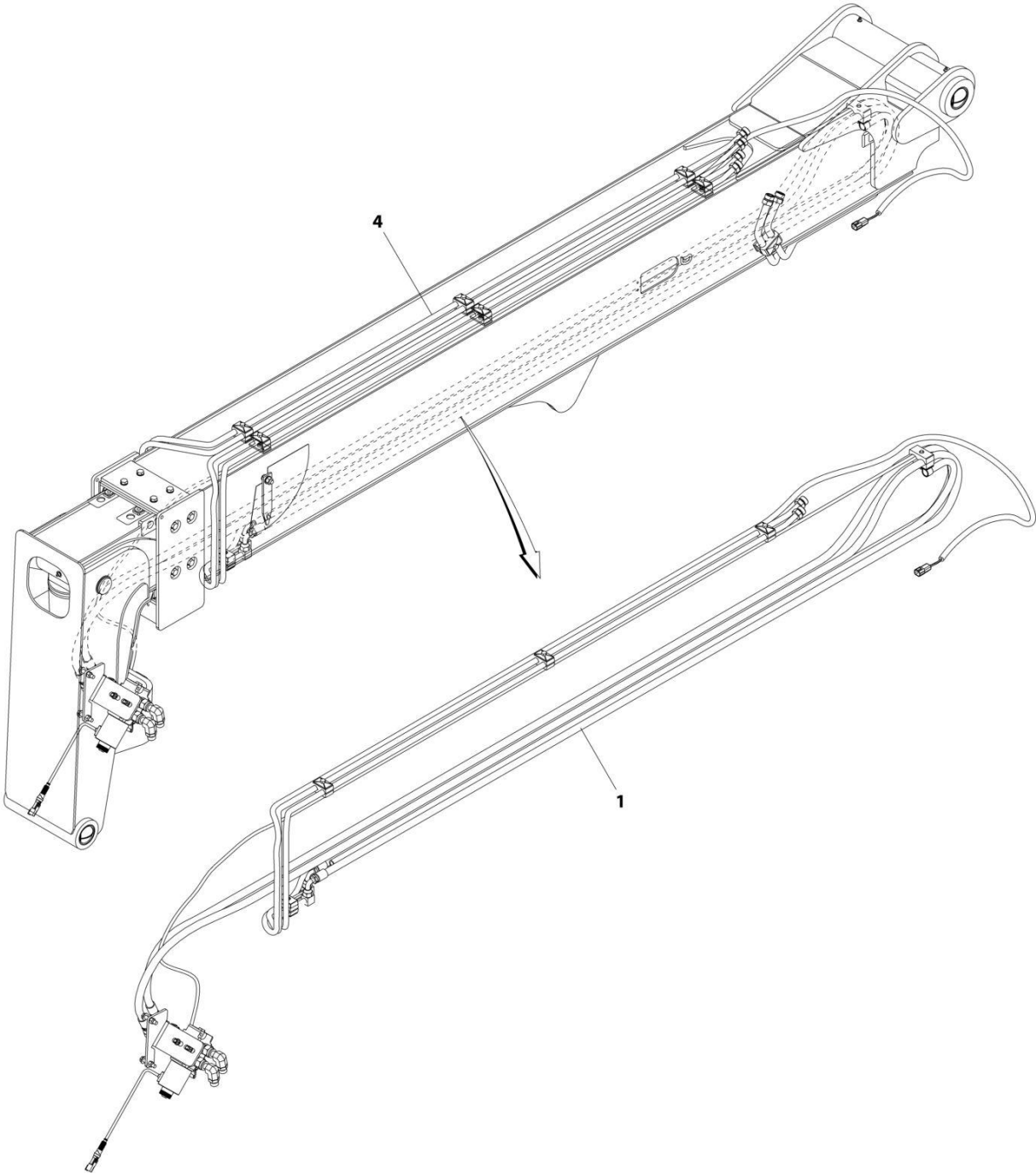
## SECTION 2 - BOOM

**FIGURE 2-1. BOOM ASSEMBLY INSTALLATION, STD W/AUX**

ITEM	PART NUMBER	QTY	DESCRIPTION	REV
1	1001233661	Ref	Boom Assembly Installation, STD W/AUX	B
	1001237192	Ref	Installation, Standard Auxiliary Hydraulics (See Separate Breakdown in HYDRAULIC CIRCUITS Section)	
3	1001233660	Ref	Installation, Boom W/O Auxiliary (See Separate Breakdown in this Section)	

**SECTION 2 - BOOM**

**FIGURE 2-2. BOOM ASSEMBLY INSTALLATION, W/AUX FOR QS**



ART\_1001233662-B

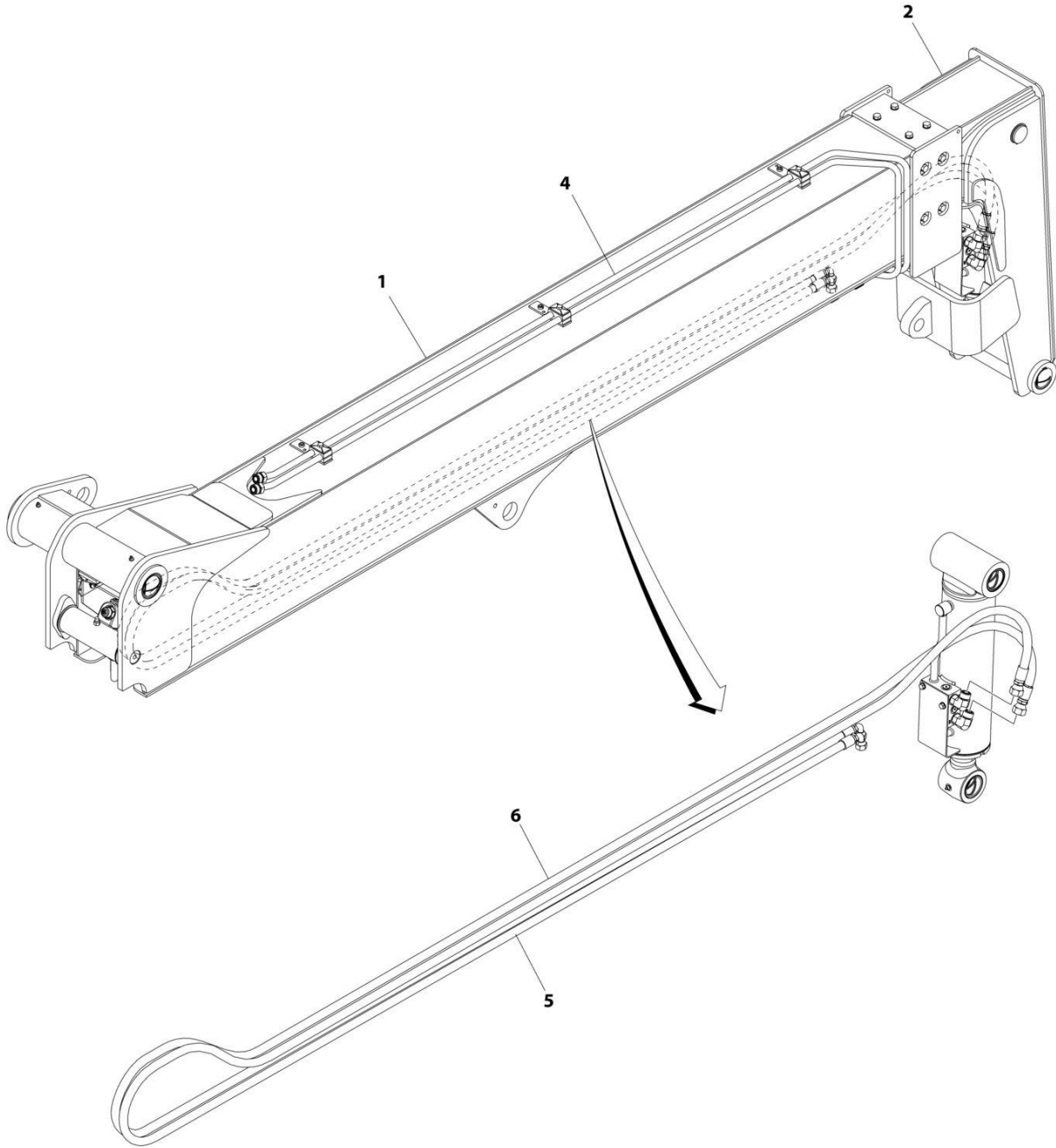
## SECTION 2 - BOOM

**FIGURE 2-2. BOOM ASSEMBLY INSTALLATION, W/AUX FOR QS**

ITEM	PART NUMBER	QTY	DESCRIPTION	REV
1	1001233662	Ref	Boom Assembly Installation, W/AUX for QS	B
	1001237214	Ref	Installation, Auxiliary Hydraulics W/Quick Switch (See Separate Breakdown in HYDRAULIC CIRCUITS Section)	
4	1001233660	Ref	Installation, Boom W/O Auxiliary Assembly (See Separate Breakdown in this Section)	

# SECTION 2 - BOOM

## FIGURE 2-3. BOOM INSTALLATION, W/O AUXILIARY HYDRAULICS



ART\_1001233660-C



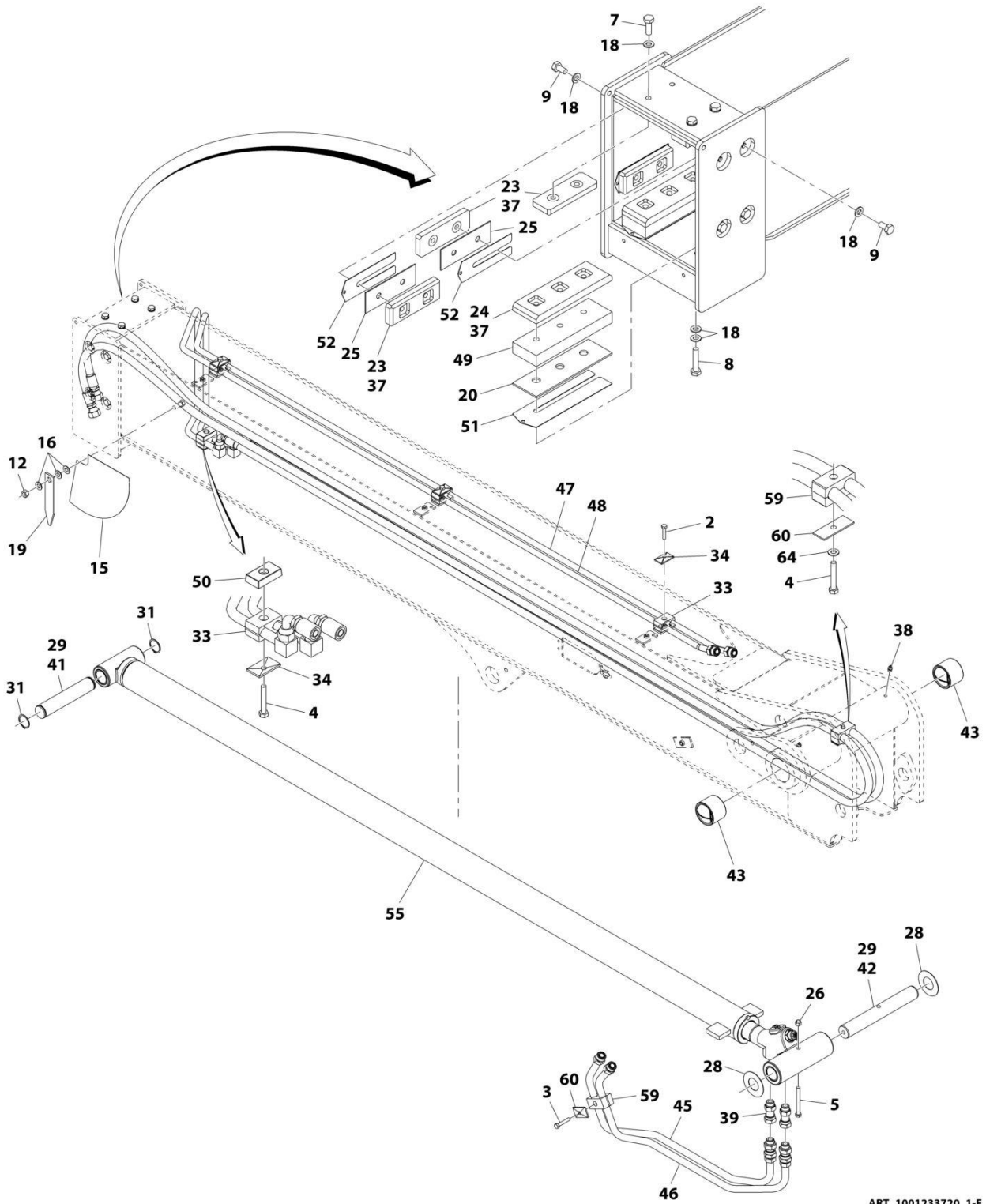
## SECTION 2 - BOOM

**FIGURE 2-3. BOOM INSTALLATION, W/O AUXILIARY HYDRAULICS**

ITEM	PART NUMBER	QTY	DESCRIPTION	REV
	1001233660	Ref	Boom Assembly Installation, W/O Auxiliary	C
1	1001247326	1	First Boom Section	
2	1001228447	1	Second Boom Section	
4	1001233720	Ref	Installation, Boom Assembly (See Separate Breakdown in this Section)	
5	1001247194	1	Hose	
6	1001247195	1	Hose	

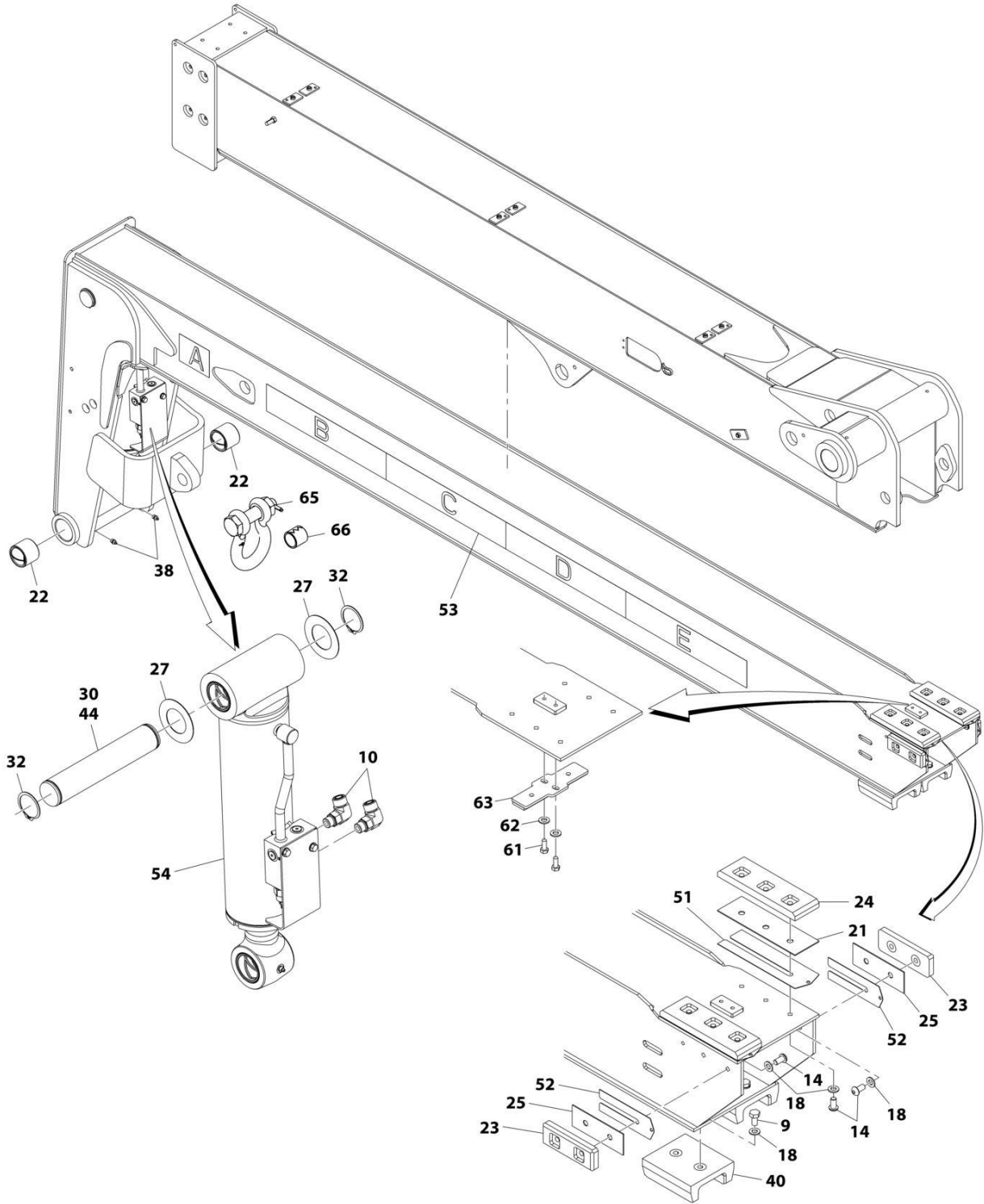
# SECTION 2 - BOOM

## FIGURE 2-4. BOOM W/O AUXILIARY HYDRAULIC INSTALLATION



ART\_1001233720\_1-F

# SECTION 2 - BOOM



ART\_1001233720\_2-F

## SECTION 2 - BOOM

**FIGURE 2-4. BOOM W/O AUXILIARY HYDRAULIC INSTALLATION**

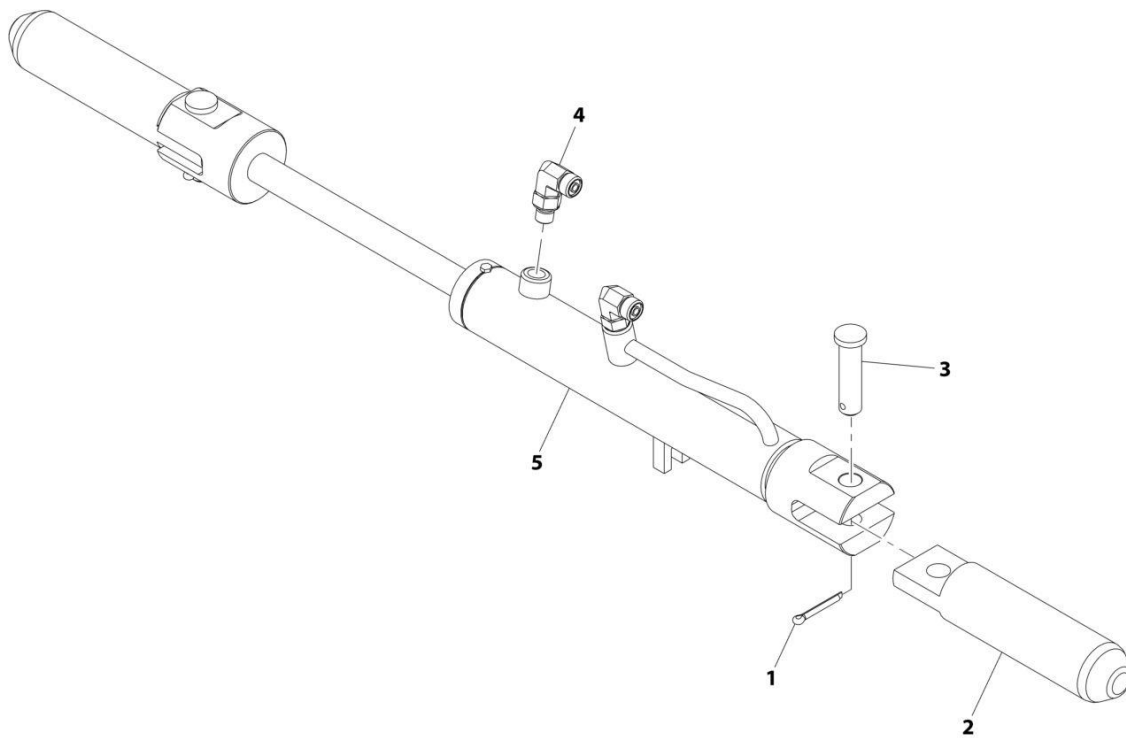
ITEM	PART NUMBER	QTY	DESCRIPTION	REV
	1001233720	Ref	Boom W/O Auxiliary Hydraulic Installation	F
2	0641512	3	Hex HD Capscrew, 5/16 x 1-1/2, GR5	
3	0641514	1	Hex HD Capscrew, 5/16 x 1-3/4, GR5	
4	0641516	2	Hex HD Capscrew, 5/16 x 2, GR5	
5	0641628	1	Hex HD Capscrew, 3/8 x 3-1/2, GR5	
7	0701014	4	Bolt, M10X30	
8	0701018	6	Hex HD Capscrew, M10 x 50, GR8.8	
9	0761010	12	Hex HD Capscrew, M10 x 20, GR8.8	
10	2131008	2	Fitting, 90 ORFS	
12	3311705	1	Locknut, 7/16-14	
14	3900393	10	Button HD Capscrew, M10 X 20	
15	4105262	1	Boom Angle Decal	
16	4711700	3	Flat Washer, 7/16	
18	4812000	38	Washer, M10	
19	7075611	1	Boom Angle Indicator	
20	7082362	AR	Spacer	
21	7126182	AR	Spacer	
22	7126662	2	Chain Sheave Bushing	
23	7300032	8	Wear Pad	
24	7300034	4	Wear Pad	
25	7300518	AR	Spacer, 1.90mm	
26	8305645	1	Hex Locknut, 3/8-16	
27	8307904	AR	Shim Washer, 2X0.048X3	
28	8310160	AR	Shim Washer, 1.50X0.048X3.00	
29	8522012	AR	Anti-Seize Lube	
30	8522031	AR	Multi-Purpose Grease	
31	8642207	2	Retaining Ring, 1.50	
32	8642224	2	Retaining Ring, 2.00	
33	8769122	4	Clamp Set, 5/8 Dia	
34	8769123	4	Twin Cover Plate	
37	14404793	AR	Mystik Tetrimoly Grease	
38	88671001	4	Straight Lube Fitting, 1/8	
39	1001001556	2	Fitting, Straight ORFS	
40	1001080050	2	Wear Pad Channel Assy	
41	1001080116	1	Base Pin	
42	1001080117	1	Rod Pin	
43	1001080124	2	Bushing	
44	1001080152	1	Base Pin	
45	1001080203	1	Tube Assy	
46	1001080204	1	Tube Assy	
47	1001247191	1	Tube Assy	
48	1001247190	1	Tube Assy	
49	1001080391	2	Wear Pad Spacer	
50	1001080394	1	Twin Line Clamp Spacer	
51	1001096584	AR	Shim	
52	1001096585	AR	Shim	
53	1001099783	1	Boom Extend Decal	
54	1001200581	1	Cylinder, Tilt (See Separate Breakdown in Hydraulic Components Section)	

## SECTION 2 - BOOM

ITEM	PART NUMBER	QTY	DESCRIPTION	REV
55	1001201668	1	Cylinder, Extend/Retract (See Separate Breakdown in HYDRAULIC COMPONENT Section)	
59	77133136	2	Set Clamp	
60	77133137	2	Cover Plate	
61	0760810	2	Hex HD Capscrew, M8X20, GR8.8	
62	4811900	2	Washer, M8	
63	1001238317	1	Bracket	
64	4711500	1	Washer, 5/16	
65	1001204045	1	Clevis	
66	1001204047	1	Sleeve	

## SECTION 2 - BOOM

FIGURE 2-5. FORK LOCKING CYLINDER KIT



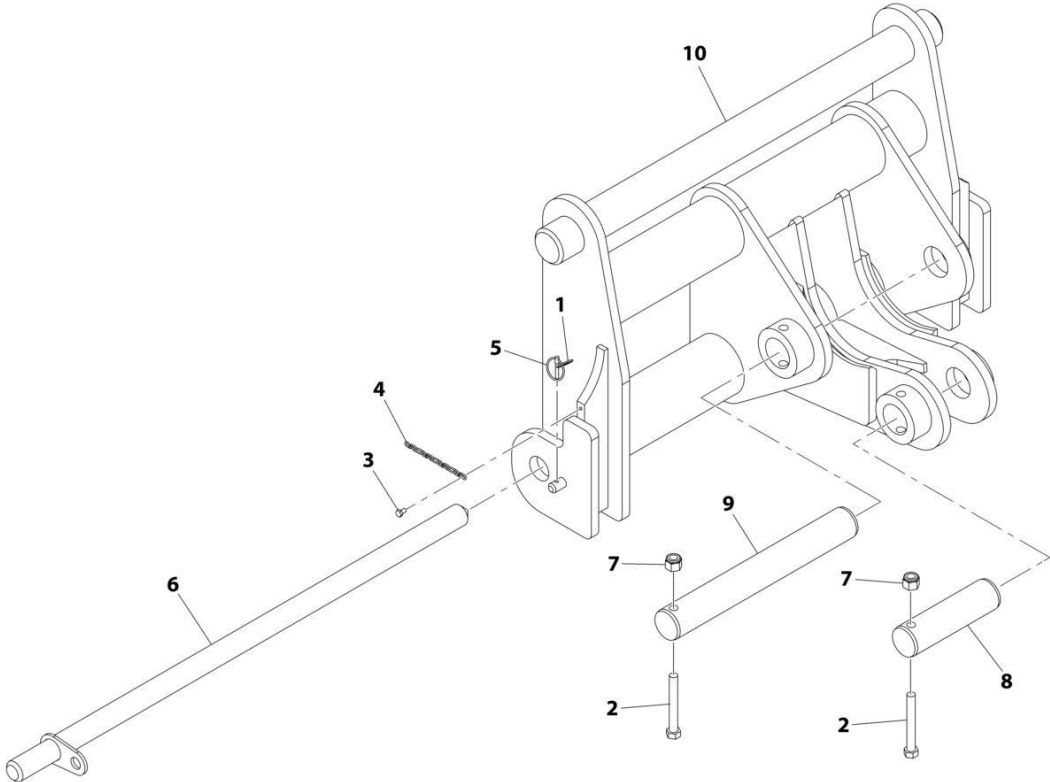
ART\_1001080333-C

FIGURE 2-5. FORK LOCKING CYLINDER KIT

ITEM	PART NUMBER	QTY	DESCRIPTION	REV
	1001080333	Ref	Fork Locking Cylinder Kit	C
1	3391410	2	Split Pin	
2	8001888	2	Pin	
3	8002110	2	Clevis Pin	
4	2130404	2	Elbow, 90	
5	1001080334	Ref	Hydraulic Quick Coupler Cylinder, (See Separate Breakdown in HYDRAULIC COMPONENTS Section)	

**SECTION 2 - BOOM**

**FIGURE 2-6. QUICK COUPLER INSTALLATION - MANUAL**



ART\_1001098472-C



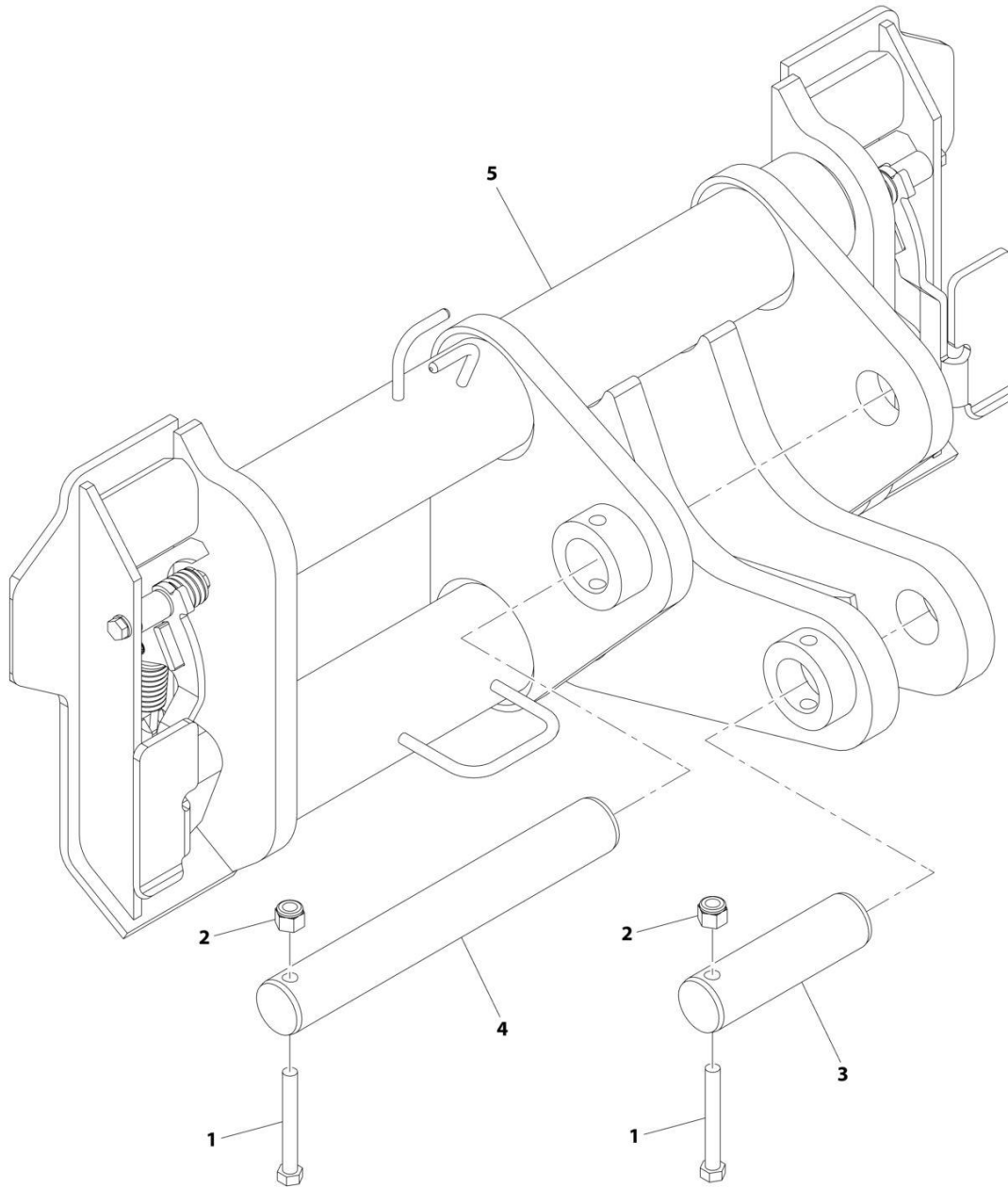
## SECTION 2 - BOOM

### FIGURE 2-6. QUICK COUPLER INSTALLATION - MANUAL

ITEM	PART NUMBER	QTY	DESCRIPTION	REV
	1001098472	Ref	COUPLER INSTALLATION - MANUAL	C
1	463929	1	Ring	
2	0681832	2	Bolt 1/2 x 4	
3	0760605	1	Bolt M6 x 10	
4	933940	1	Chain	
5	3964987	1	Split Pin	
6	8002027	1	Rod	
7	88521208	2	Nut 1/2	
8	1001097728	1	Fork Cylinder Rod Pin	
9	1001097729	1	Quick Coupler Pivot Pin	
10	1001098171	1	Quick Coupler Weldment	

# SECTION 2 - BOOM

## FIGURE 2-7. COUPLER INSTALLATION, UNIVERSAL (MANUAL)



ART\_1001101185-C

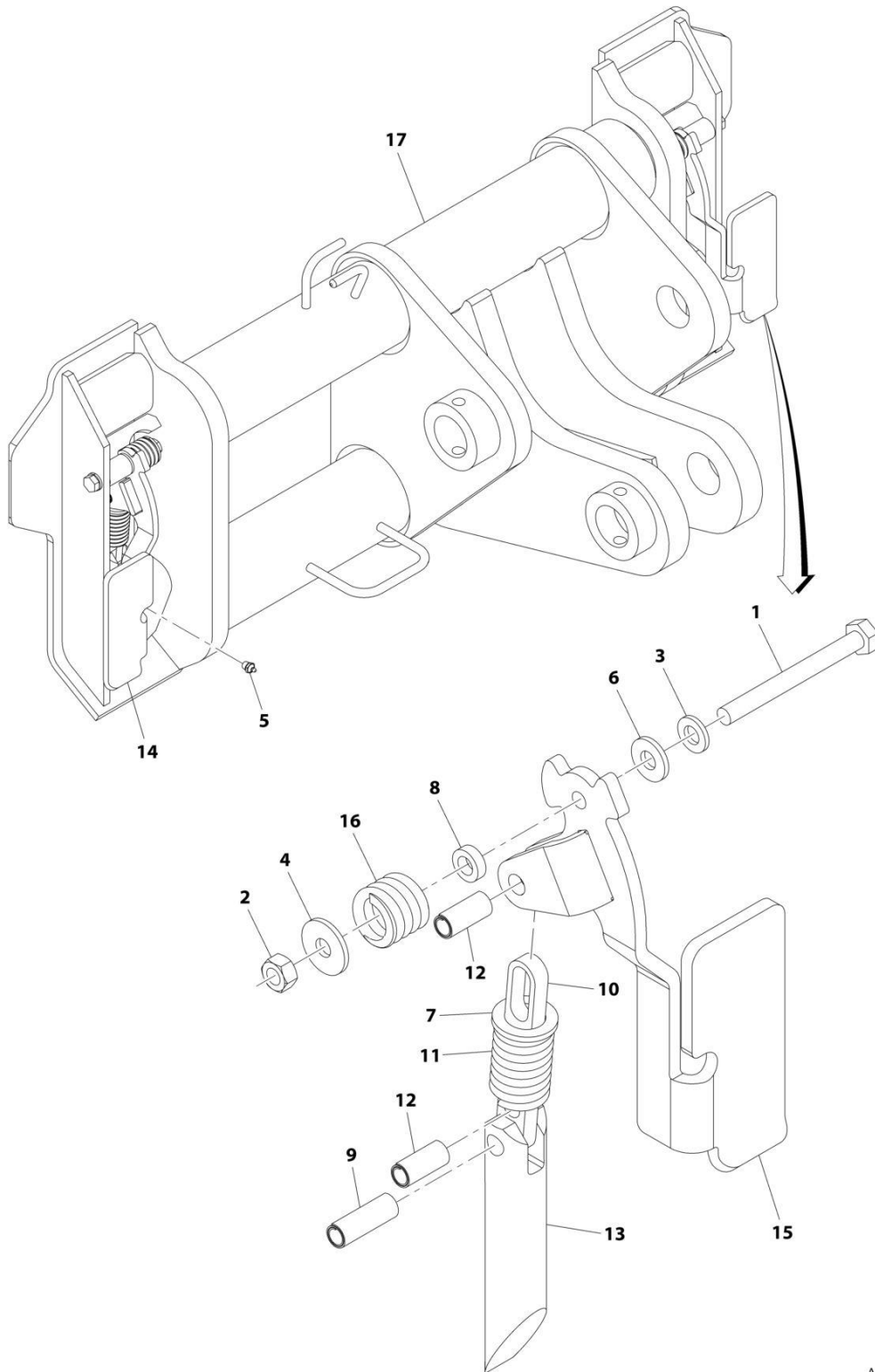
## SECTION 2 - BOOM

**FIGURE 2-7. COUPLER INSTALLATION, UNIVERSAL (MANUAL)**

ITEM	PART NUMBER	QTY	DESCRIPTION	REV
	1001101185	Ref	Coupler Installation, Universal (Manual)	C
1	0681832	2	Hex HD Capscrew, 1/2-13X4, GR8	
2	88521208	2	Locknut, 1/2-13	
3	1001097728	1	Fork Cylinder Rod Pin	
4	1001097729	1	Universal Quick Coupler Pivot Pin	
5	1001117498	Ref	Universal Quick Coupler Assembly (See Separate Breakdown in this Section)	

# SECTION 2 - BOOM

## FIGURE 2-8. UNIVERSAL QUICK COUPLER ASSEMBLY



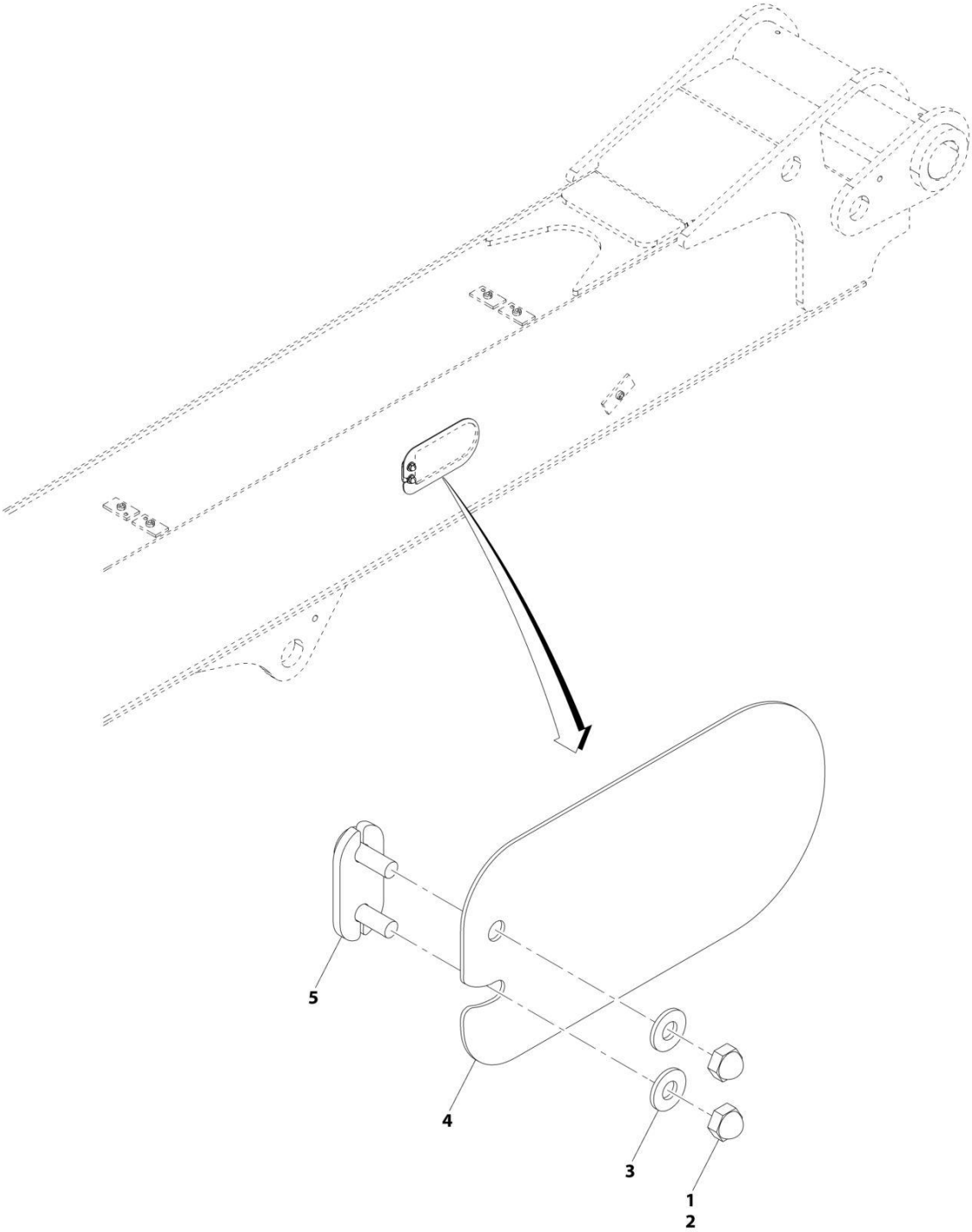
ART\_1001117498-C

FIGURE 2-8. UNIVERSAL QUICK COUPLER ASSEMBLY

ITEM	PART NUMBER	QTY	DESCRIPTION	REV
	1001117498	Ref	Universal Quick Coupler Assembly, (if ordering for the first time, refer to Decals Section for the appropriate capacity chart)	C
1	0701027	2	Hex HD Capscrew	
2	3291007	2	Hex Locknut, M10X1.5, Gr8	
3	5241000	2	Washer, 10mm	
4	1001003299	2	Washer	
5	1001008479	2	Grease Fitting	
6	1001008979	2	Washer	
7	1001009094	2	Washer	
8	1001055652	2	Washer	
9	1001061633	2	Spring Pin	
10	1001061659	2	Plate	
11	1001061660	2	Spring	
12	1001061662	4	Spring Pin	
13	1001061891	2	Pin	
14	1001061892	1	LH Handle	
15	1001061893	1	RH Handle	
16	1001062117	2	Spring	
17	N.S.S.	1	Universal Quick Coupler Weldment	

**SECTION 2 - BOOM**

**FIGURE 2-9. BOOM SIDE COVER INSTALLATION**



ART\_1001139177-C

**FIGURE 2-9. BOOM SIDE COVER INSTALLATION**

ITEM	PART NUMBER	QTY	DESCRIPTION	REV
	1001139177	Ref	Boom Side Cover Installation	C
1	0100011	AR	Compound, Locking	
2	3300430	2	Acorn Nut, 1/4-20	
3	4711400	2	Washer, 1/4	
4	1001139042	1	Boom Side Cover Panel	
5	1001139043	1	Cover Retainer Screw	

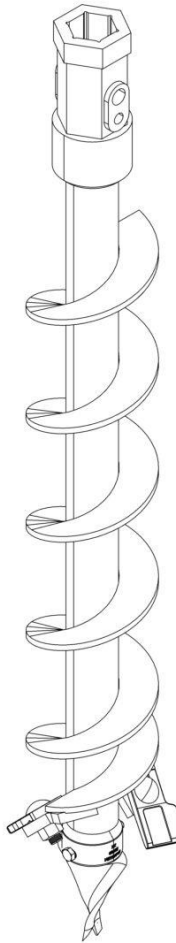




**SECTION 3 - ATTACHMENTS**

# SECTION 3 - ATTACHMENTS

FIGURE 3-1. AUGER BIT (6INX4IN)



ART\_1001204128-B

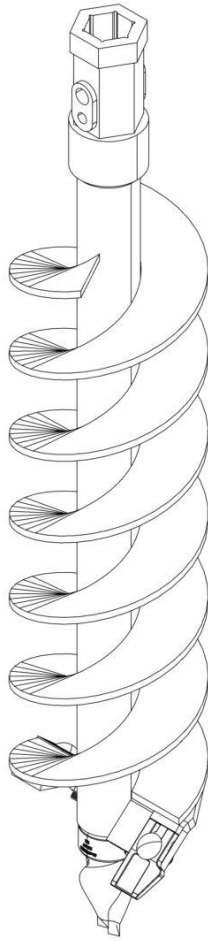
## SECTION 3 - ATTACHMENTS

**FIGURE 3-1. AUGER BIT (6INX4IN)**

ITEM	PART NUMBER	QTY	DESCRIPTION	REV
	1001204128	Ref	Auger Bit (6INX4IN)	B

## SECTION 3 - ATTACHMENTS

FIGURE 3-2. AUGER BIT (9INX4IN)



ART\_1001204129-B

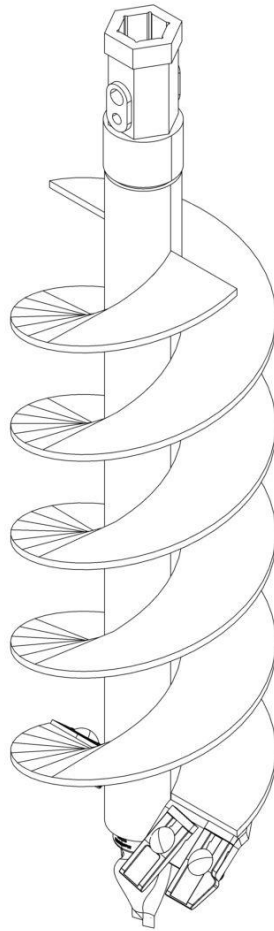
## SECTION 3 - ATTACHMENTS

**FIGURE 3-2. AUGER BIT (9INX4IN)**

ITEM	PART NUMBER	QTY	DESCRIPTION	REV
	1001204129	Ref	Auger Bit (9INX4IN)	B

## SECTION 3 - ATTACHMENTS

FIGURE 3-3. AUGER BIT (12INX4IN)



ART\_1001204130-B

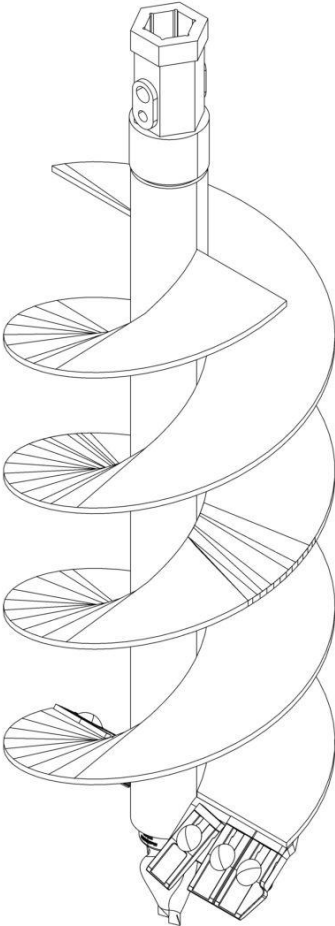
## SECTION 3 - ATTACHMENTS

**FIGURE 3-3. AUGER BIT (12INX4IN)**

ITEM	PART NUMBER	QTY	DESCRIPTION	REV
	1001204130	Ref	Auger Bit (12INX4IN)	B

**SECTION 3 - ATTACHMENTS**

**FIGURE 3-4. AUGER BIT (15INX4IN)**



ART\_1001204131-B



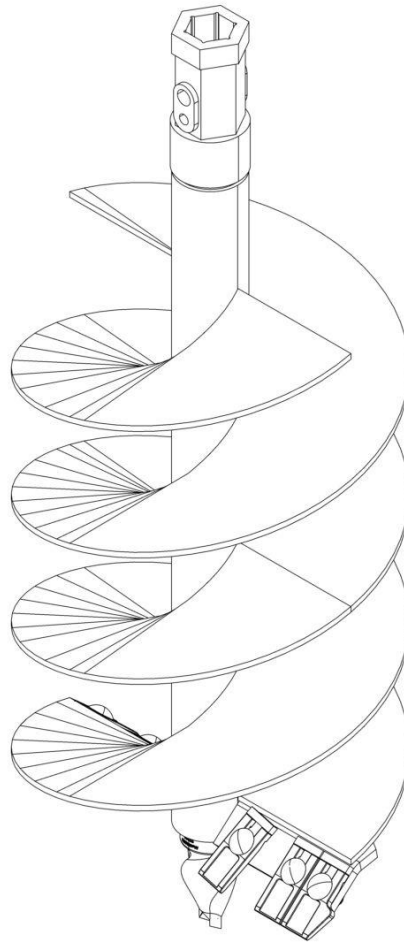
## SECTION 3 - ATTACHMENTS

**FIGURE 3-4. AUGER BIT (15INX4IN)**

ITEM	PART NUMBER	QTY	DESCRIPTION	REV
	1001204131	Ref	Auger Bit (15INX4IN)	B

## SECTION 3 - ATTACHMENTS

FIGURE 3-5. AUGER BIT (18INX4IN)



ART\_1001204132-B

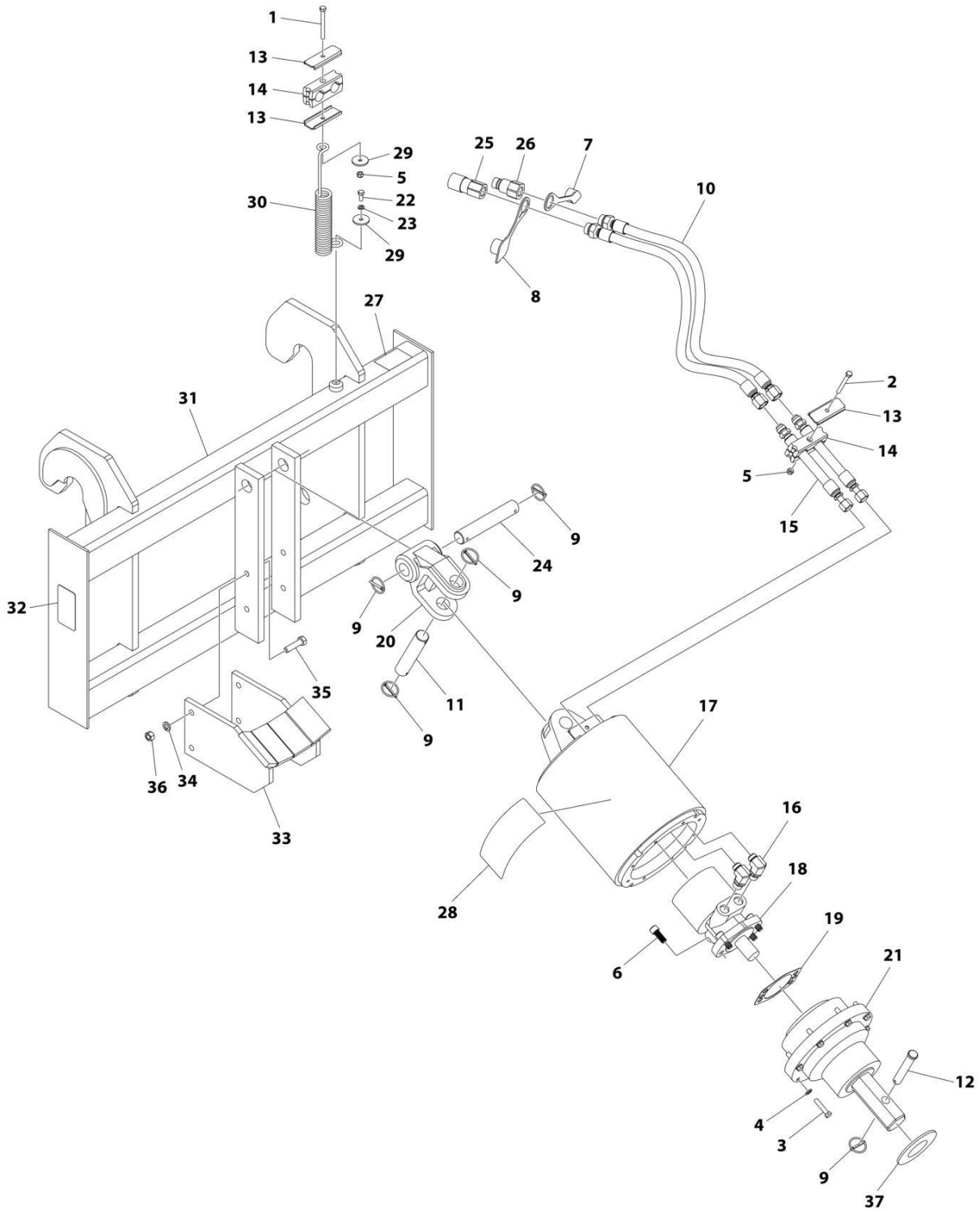
## SECTION 3 - ATTACHMENTS

**FIGURE 3-5. AUGER BIT (18INX4IN)**

ITEM	PART NUMBER	QTY	DESCRIPTION	REV
	1001204132	Ref	Auger Bit (18INX4IN)	B

# SECTION 3 - ATTACHMENTS

## FIGURE 3-6. AUGER DRIVE ASSEMBLY, STANDARD



ART\_1001242617

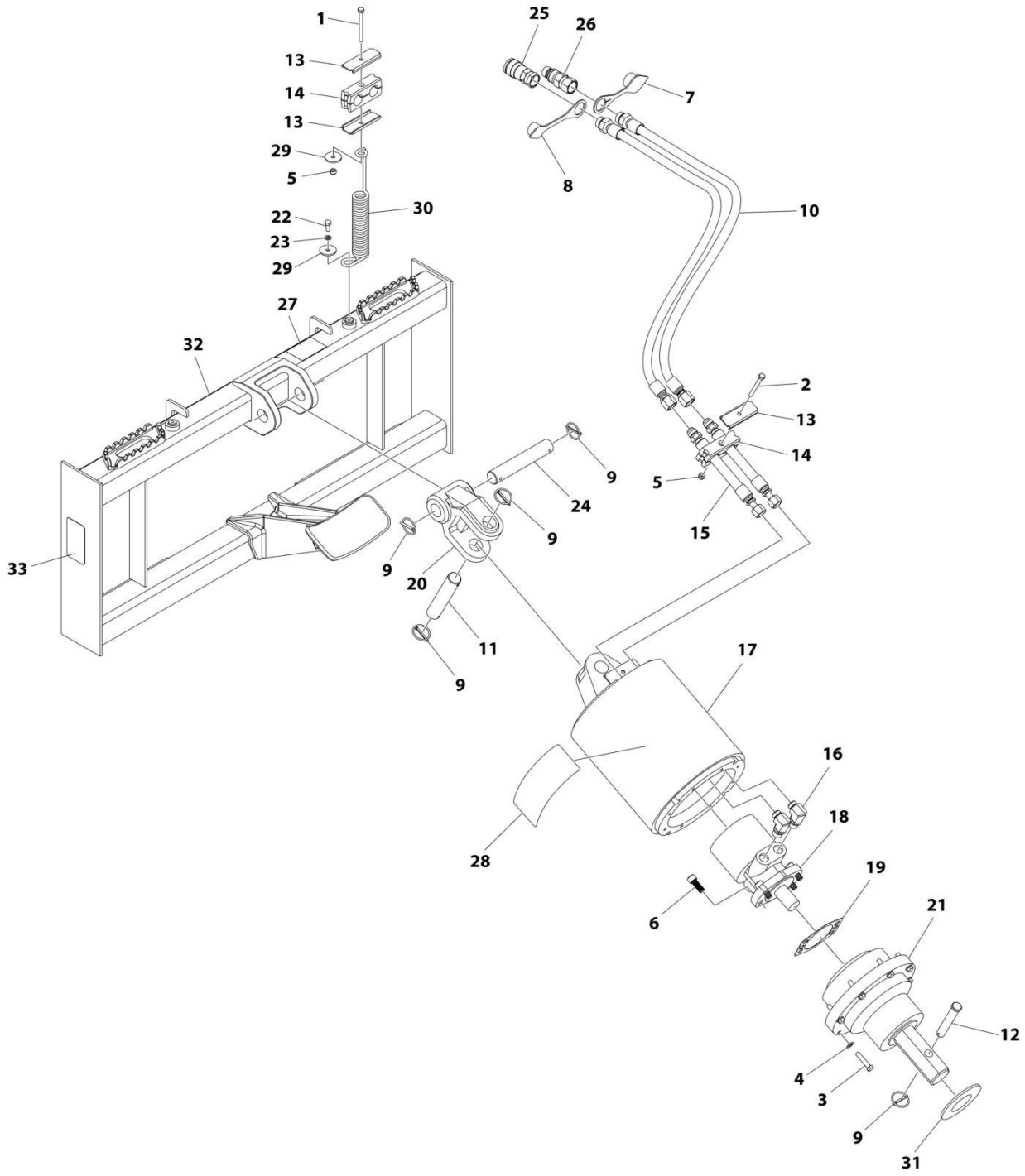
## SECTION 3 - ATTACHMENTS

**FIGURE 3-6. AUGER DRIVE ASSEMBLY, STANDARD**

ITEM	PART NUMBER	QTY	DESCRIPTION	REV
	1001242617	Ref	AUGER DRIVE ASSEMBLY, STANDARD	C
1	90554074	1	Bolt	
2	90554070	1	Bolt	
3	70027774	8	Bolt	
4	90554042	8	Washer	
5	70027775	2	Nut	
6	70027776	4	Bolt	
7	1001093826	1	Dust Cap, Male	
8	1001093827	1	Dust Cap, Female	
9	70027777	5	Pin	
10	70027794	2	Hose	
11	70027781	1	Pin	
12	70027782	1	Pin	
13	70027783	3	Plate	
14	70027784	2	Block	
15	70027789	2	Hose	
16	70027788	2	Fitting	
17	70029696	1	Planetary Housing	
18	70029697	1	Motor	
19	70029314	1	Gasket	
20	70027779	1	Cast Swivel	
21	70027793	1	Planetary, Gearbox Assembly	
22	70027773	1	Bolt	
23	90554067	1	Washer	
24	70027780	1	Pin	
25	1001101042	1	Hydraulic Coupler, Female	
26	1001101041	1	Hydraulic Coupler, Male	
27	70027786	1	Decal, Warning	
28	70037787	2	Decal - Danger	
29	70029698	2	Washer	
30	70029699	1	Spring	
31	See Note	NSS	Weldment (Note: Not Available for Purchase)	
32	See Note	NSS	Serial Tag (Note: Not Available for Purchase)	
33	70027778	1	Bracket	
34	90554020	4	Washer	
35	90554019	4	Bolt	
36	90554054	4	Nut	
37	70029700	1	Seal	

# SECTION 3 - ATTACHMENTS

## FIGURE 3-7. AUGER DRIVE ASSEMBLY, UNIVERSAL



ART\_1001242616

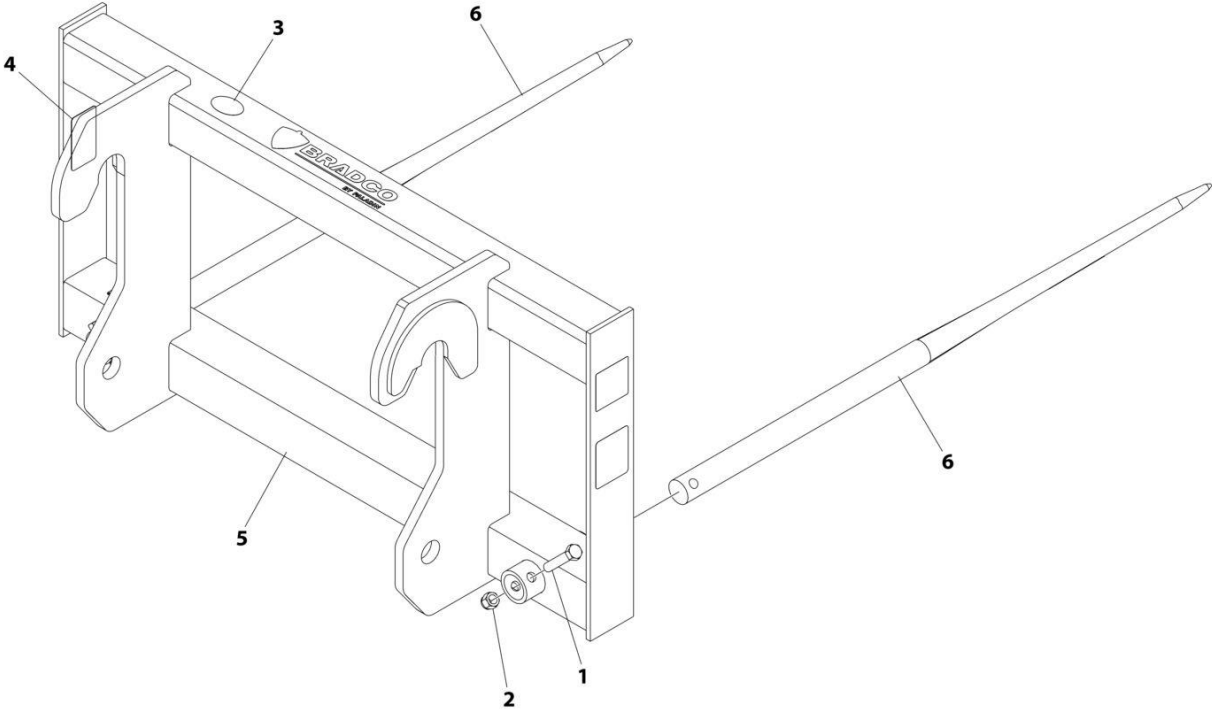
## SECTION 3 - ATTACHMENTS

### FIGURE 3-7. AUGER DRIVE ASSEMBLY, UNIVERSAL

ITEM	PART NUMBER	QTY	DESCRIPTION	REV
	1001242616	Ref	AUGER DRIVE ASSEMBLY, UNIVERSAL	C
1	90554074	1	Bolt	
2	90554070	1	Bolt	
3	70027774	8	Bolt	
4	90554042	8	Washer	
5	70027775	2	Nut	
6	70027776	4	Bolt	
7	1001093826	1	Dust Cap, Male	
8	1001093827	1	Dust Cap, Female	
9	70027777	5	Pin	
10	70029315	2	Hose	
11	70027781	1	Pin	
12	70027782	1	Pin	
13	70027783	3	Plate	
14	70027784	2	Block	
15	70027789	2	Hose	
16	70027788	2	Fitting	
17	70029696	1	Planetary Housing	
18	70029697	1	Motor	
19	70029314	1	Gasket	
20	70027779	1	Cast Swivel	
21	70027793	1	Planetary, Gearbox Assembly	
22	70027773	1	Bolt	
23	90554067	1	Washer	
24	70027780	1	Pin	
25	1001101042	1	Hydraulic Coupler, Female	
26	1001101041	1	Hydraulic Coupler, Male	
27	70027786	1	Decal, Warning	
28	70037787	2	Decal - Danger	
29	70029698	2	Washer	
30	70029699	1	Spring	
31	70029700	1	Seal	
32	See Note	NSS	Weldment (Note: Not Available for Purchase)	
33	See Note	NSS	Serial Tag (Note: Not Available for Purchase)	

**SECTION 3 - ATTACHMENTS**

**FIGURE 3-8. BALE SPEAR ASSEMBLY, STANDARD**



ART\_1001242517



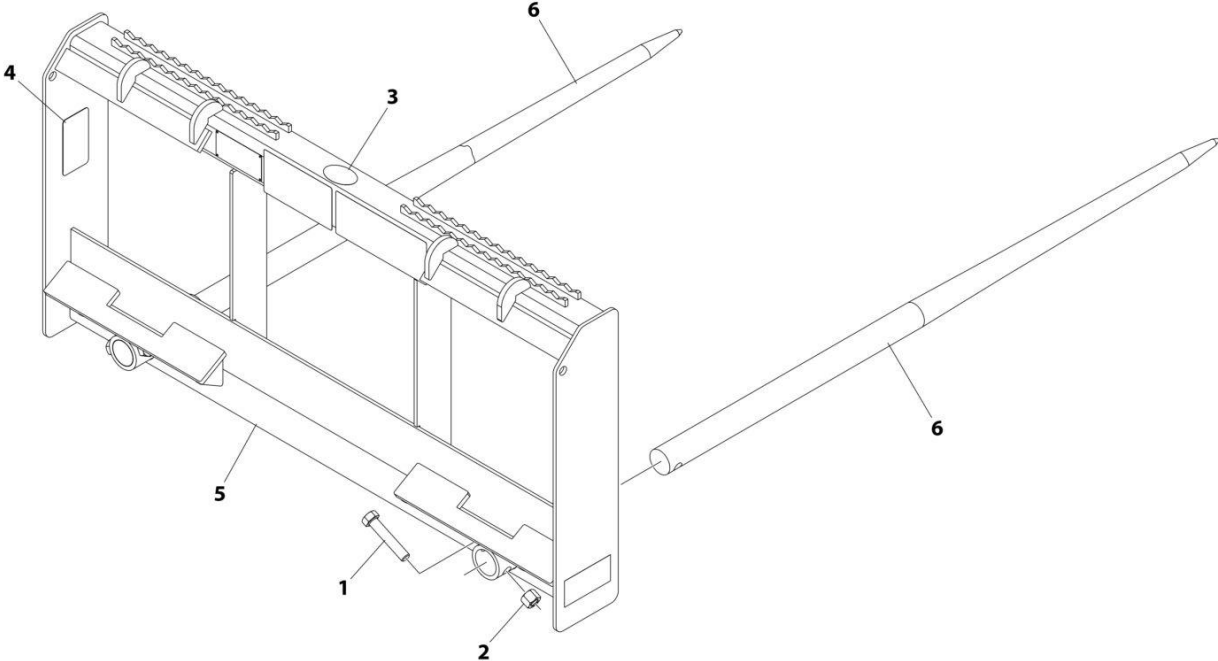
## SECTION 3 - ATTACHMENTS

### FIGURE 3-8. BALE SPEAR ASSEMBLY, STANDARD

ITEM	PART NUMBER	QTY	DESCRIPTION	REV
	1001242517	Ref	BALE SPEAR ASSEMBLY, STANDARD	C
1	70029309	2	Bolt	
2	70029310	2	Nut	
3	90554016	1	Decal - USA	
4	See Note	NSS	Serial Tag (Note: Not Available for Purchase)	
5	See Note	NSS	Weldment (Note: Not Available for Purchase)	
6	70029313	2	Spear, Bale	

**SECTION 3 - ATTACHMENTS**

**FIGURE 3-9. BALE SPEAR ASSEMBLY, UNIVERSAL**



ART\_1001242511

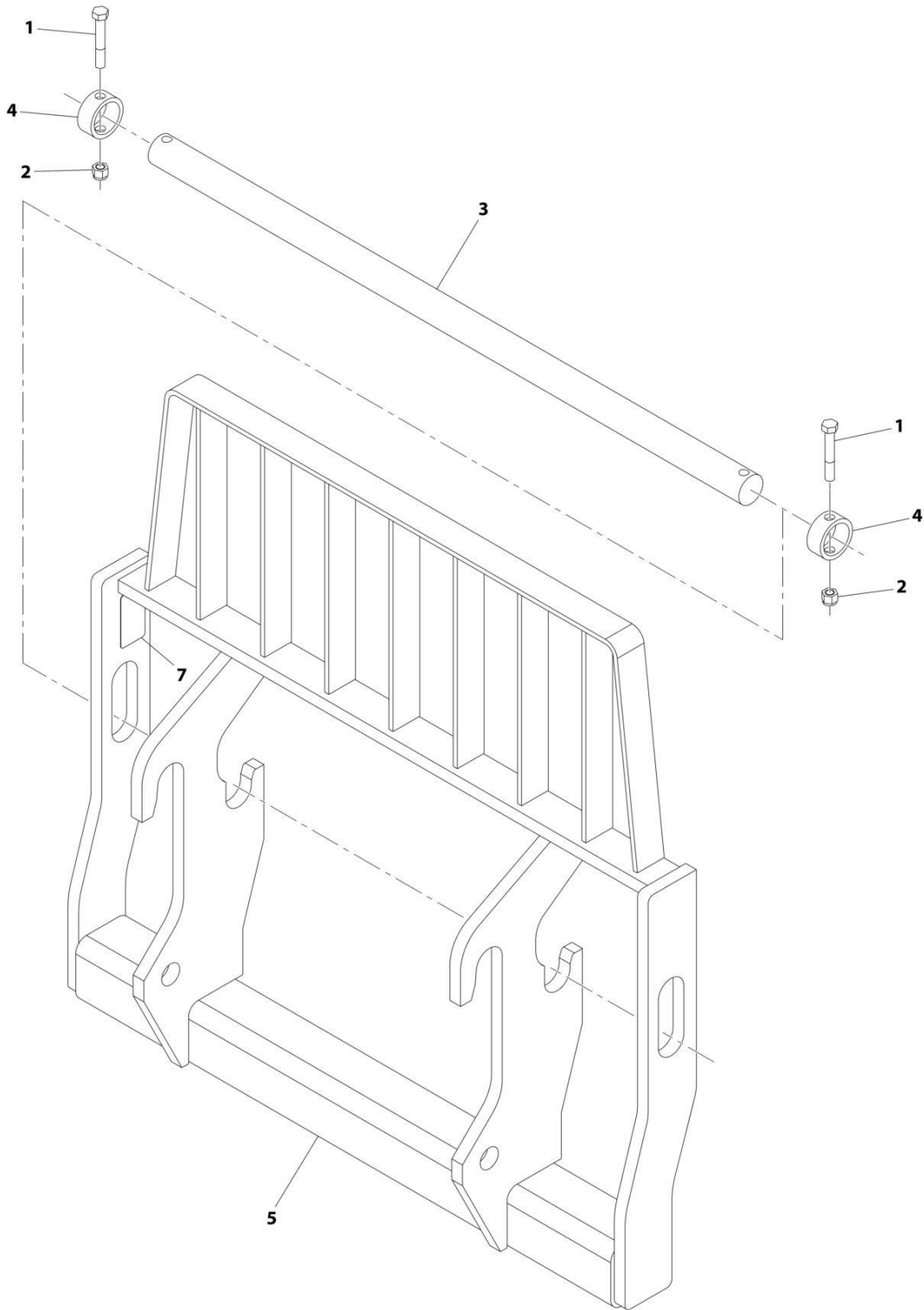
## SECTION 3 - ATTACHMENTS

### FIGURE 3-9. BALE SPEAR ASSEMBLY, UNIVERSAL

ITEM	PART NUMBER	QTY	DESCRIPTION	REV
	1001242511	Ref	BALE SPEAR ASSEMBLY, UNIVERSAL	C
1	70029309	2	Bolt	
2	70029310	2	Nut	
3	90554016	1	Decal - USA	
4	See Note	NSS	Serial Tag (Note: Not Available for Purchase)	
5	See Note	NSS	Weldment (Note: Not Available for Purchase)	
6	70029313	2	Spear, Bale	

# SECTION 3 - ATTACHMENTS

FIGURE 3-10. CARRIAGE ASSEMBLY, (50INCH/1270MM)



ART\_1001104435-E

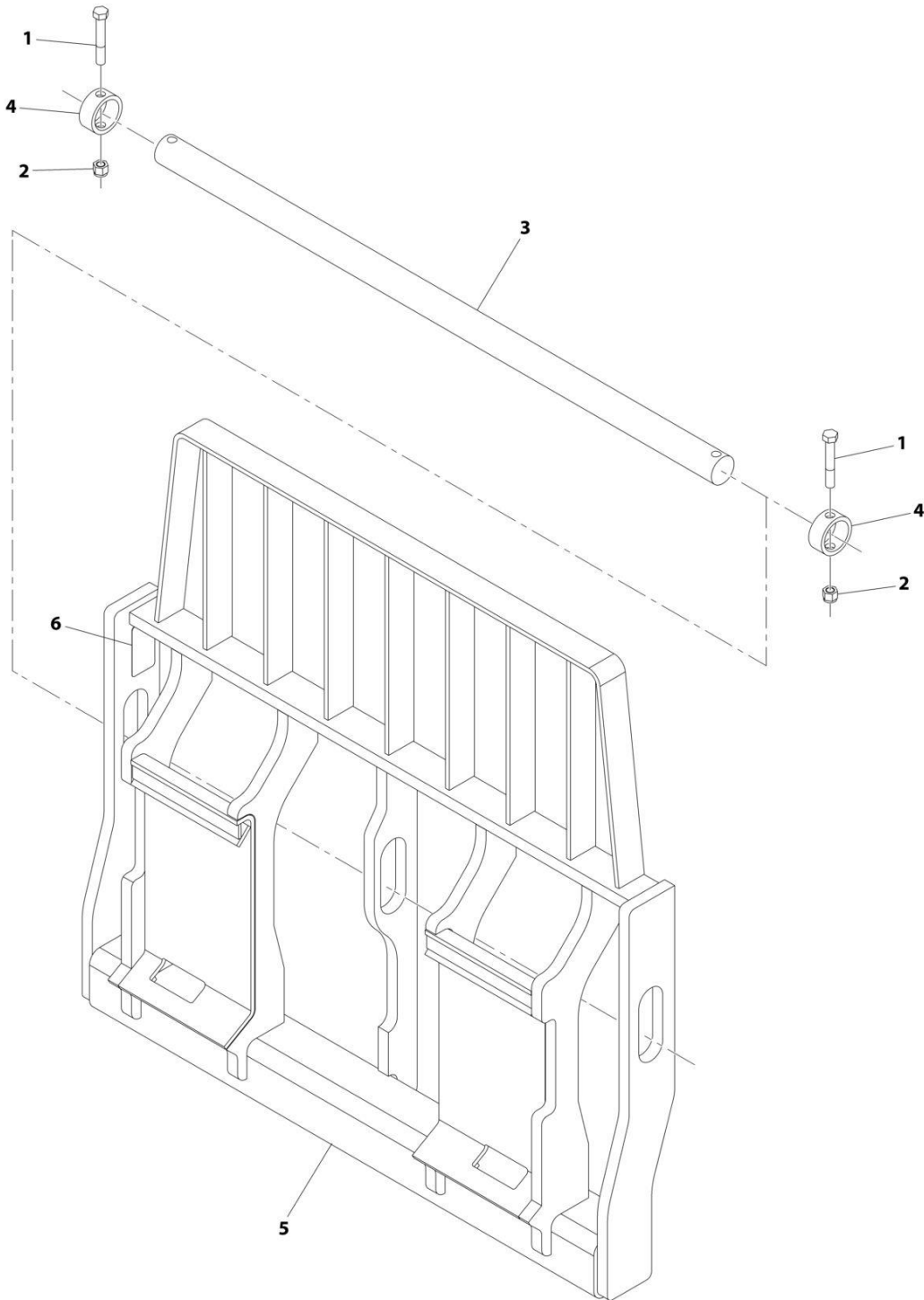
## SECTION 3 - ATTACHMENTS

**FIGURE 3-10. CARRIAGE ASSEMBLY, (50INCH/1270MM)**

ITEM	PART NUMBER	QTY	DESCRIPTION	REV
	1001104435	Ref	Carriage Assembly, (50Inch/1270mm)	H
1	0642032	2	Hex HD Capscrew, 5/8-11X4	
2	3300240	2	Locknut, 5/8-11	
3	3423275	1	Fork Pin	
4	90200003	2	Collar	
5	N.S.S.	1	Carriage Weldment	
7	N.S.S.	1	S/N Plate	

# SECTION 3 - ATTACHMENTS

FIGURE 3-11. CARRIAGE ASSEMBLY, UNIVERSAL QUICK ATTACH, (48IN/1219.2MM)



ART\_1001113038-D

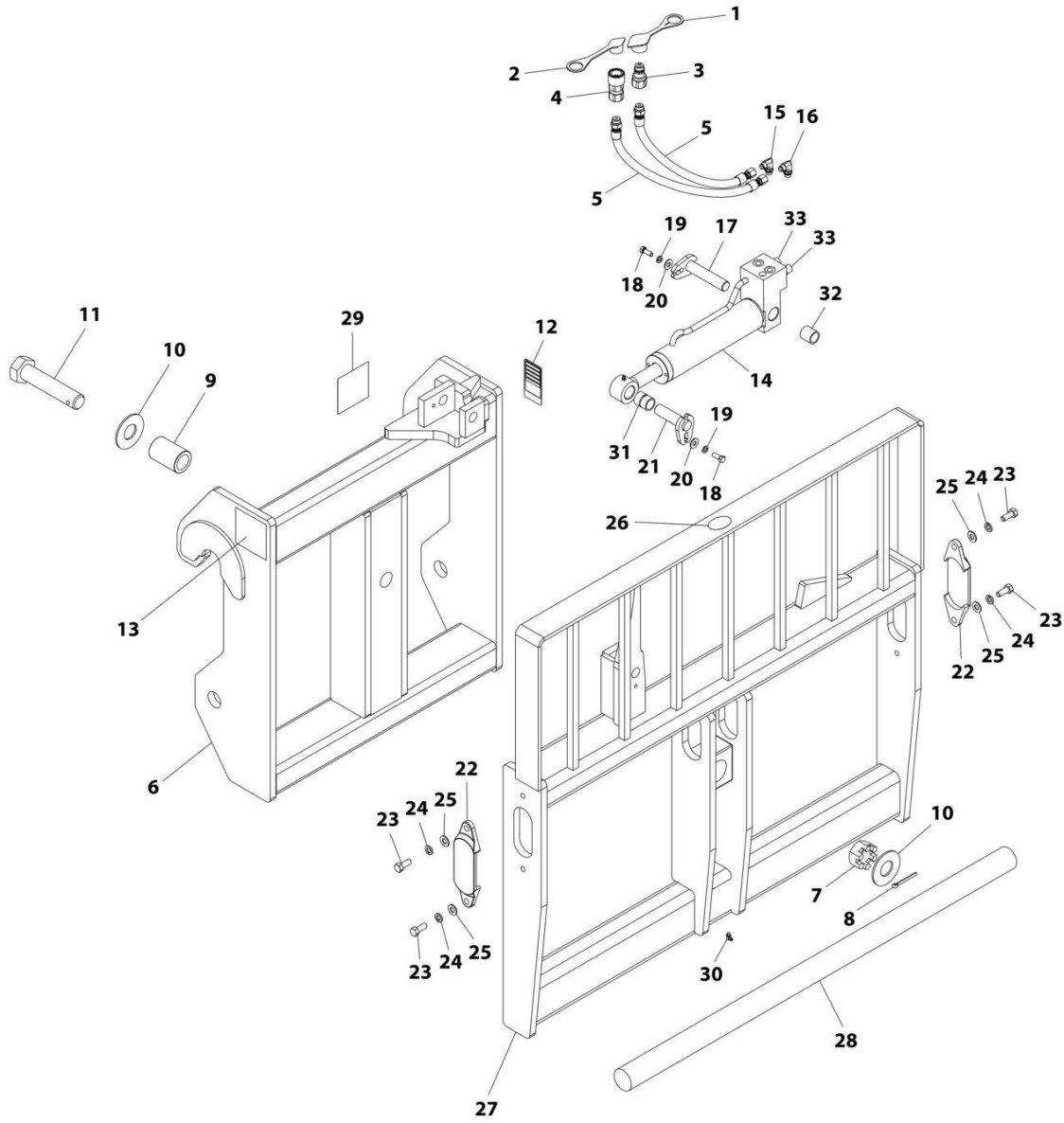
## SECTION 3 - ATTACHMENTS

**FIGURE 3-11. CARRIAGE ASSEMBLY, UNIVERSAL QUICK ATTACH, (48IN/1219.2MM)**

ITEM	PART NUMBER	QTY	DESCRIPTION	REV
	1001113038	Ref	Carriage Assembly, Universal Quick Attach, (48Inch/1219.2mm)	D
1	0642032	2	Hex HD Capscrew, 5/8-11X4, GR5	
2	3300240	2	Locknut, 5/8-11	
3	3423275	1	Fork Pin	
4	90200003	2	Collar	
5	N.S.S.	1	Carriage Weldment	
6	N.S.S.	1	S/N Plate	

# SECTION 3 - ATTACHMENTS

## FIGURE 3-12. CARRIAGE, SIDE TILT, (48IN)



ART\_1001102331-G



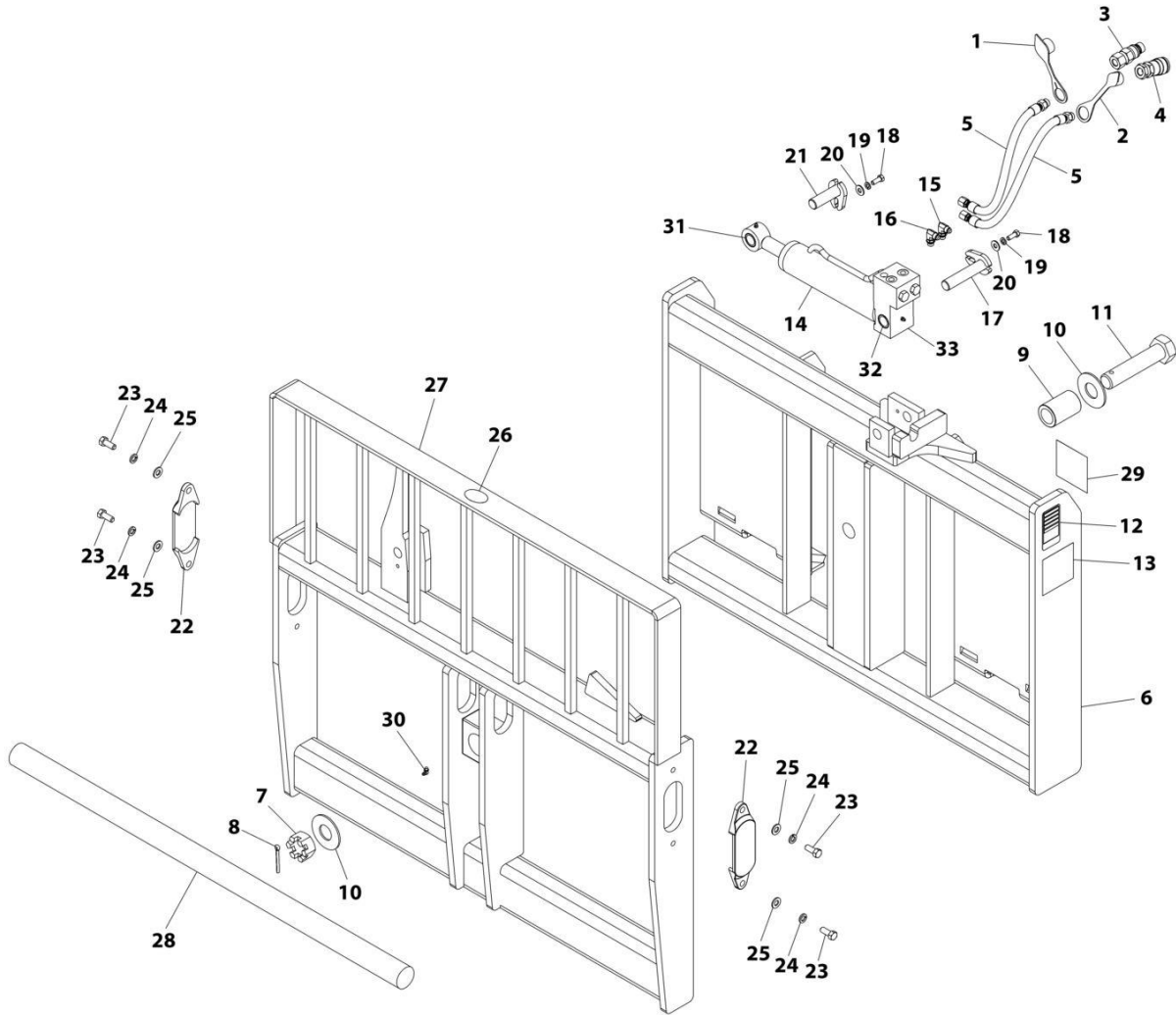
## SECTION 3 - ATTACHMENTS

**FIGURE 3-12. CARRIAGE, SIDE TILT, (48IN)**

ITEM	PART NUMBER	QTY	DESCRIPTION	REV
	1001102331	Ref	Carriage, Side Tilt (48in)	1
1	1001003475	1	Dust Cap, Male	
2	1001003474	1	Plug, Dust, Female	
3	7029692	1	Hydraulic Couplier, Male	
4	70021342	1	Hydraulic Couplier, Female	
5	70021343	2	Hose	
6	N.S.S.	1	Rear Frame Weldment	
7	7029713	1	Nut	
8	7029700	1	Pin, Cotter	
9	70021345	1	Spacer	
10	70021346	2	Washer	
11	70021347	1	Bolt	
12	N.S.S.	1	Serial Tag	
13	90554017	1	Decal	
14	70021363	1	Cylinder Assembly (See Separate Breakdown in HYDRAULIC COMPONENTS Section)	
15	90554065	1	Hydraulic Fitting	
16	7029705	1	Hydraulic Fitting	
17	70021348	1	Pin	
18	70021349	2	Bolt	
19	90554042	2	Washer, Lock	
20	70021350	2	Washer	
21	70021351	1	Pin	
22	7029690	2	Fork Pin Retainer	
23	7029691	4	Bolt	
24	90554020	4	Washer, Lock	
25	70021338	4	Washer	
26	90554016	1	Decal	
27	N.S.S.	1	Front Frame	
28	70022105	1	Fork Pin	
29	7029711	1	Decal	
30	70022106	1	Zerk, Grease	
31	70021447	1	Bushing	
32	70021448	2	Bushing	
33	70021464	2	Valve	

# SECTION 3 - ATTACHMENTS

## FIGURE 3-13. CARRIAGE, SIDE TILT, UNIVERSAL QUICK ATTACH, (48IN)



ART\_1001104009-G

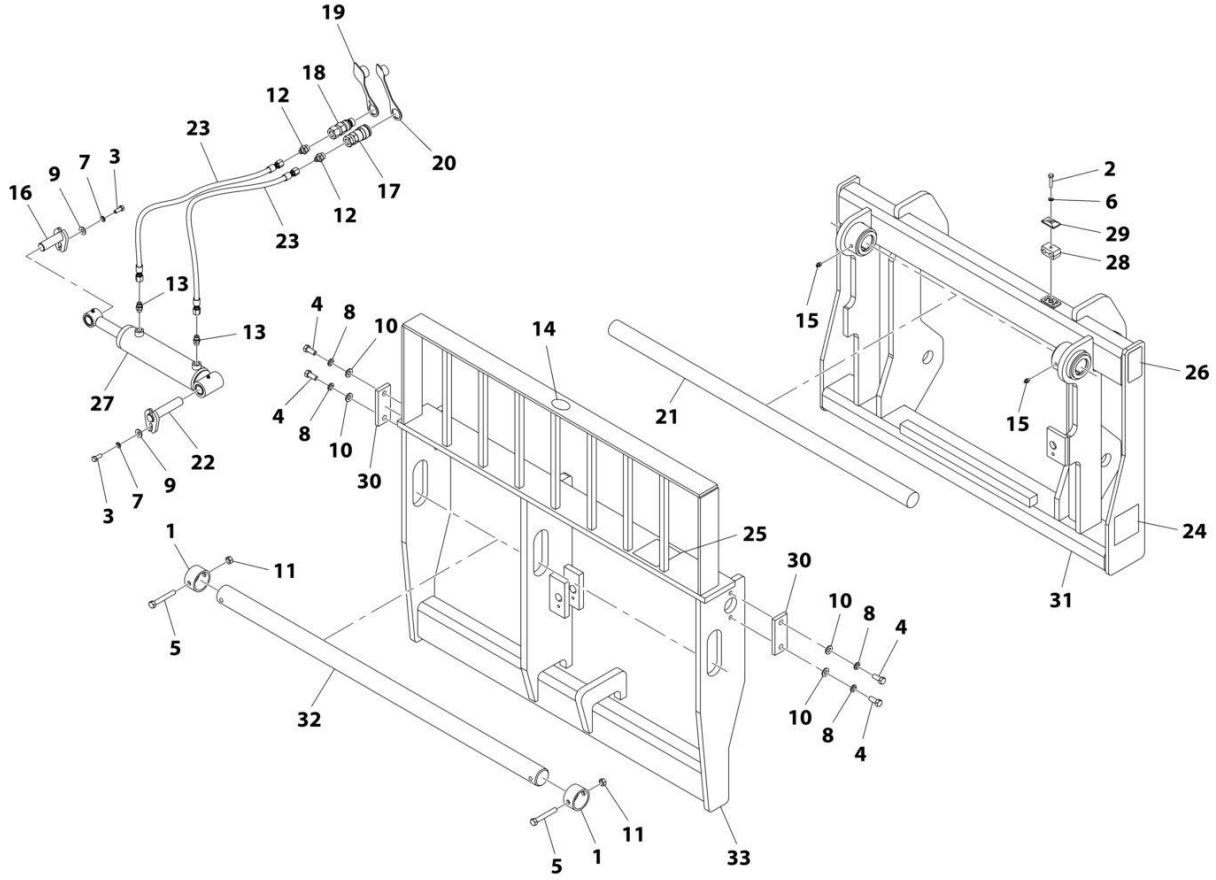
## SECTION 3 - ATTACHMENTS

**FIGURE 3-13. CARRIAGE, SIDE TILT, UNIVERSAL QUICK ATTACH, (48IN)**

ITEM	PART NUMBER	QTY	DESCRIPTION	REV
	1001104009	Ref	Carriage, Side Tilt, Universal Quick Attach (48in)	I
1	70022097	1	Dust Cap, Male	
2	70022102	1	Plug, Dust, Female	
3	70022103	1	Hydraulic Couplier, Male	
4	70022104	1	Hydraulic Couplier, Female	
5	70021343	2	Hose	
6	N.S.S.	1	Rear Frame Weldment	
7	7029713	1	Nut	
8	7029700	1	Pin, Cotter	
9	70021345	1	Spacer	
10	70021346	2	Washer	
11	70021347	1	Bolt	
12	N.S.S.	1	Serial Tag	
13	90554017	1	Decal	
14	70021363	1	Cylinder Assembly (See Separate Breakdown in HYDRAULIC COMPONENTS Section)	
15	90554065	1	Hydraulic Fitting	
16	7029705	1	Hydraulic Fitting	
17	70021348	1	Pin	
18	70021349	2	Bolt	
19	90554042	2	Washer, Lock	
20	70021350	2	Washer	
21	70021351	1	Pin	
22	7029690	2	Fork Pin Retainer	
23	7029691	4	Bolt	
24	90554020	4	Washer, Lock	
25	70021338	4	Washer	
26	90554016	1	Decal	
27	N.S.S.	1	Front Frame	
28	70022105	1	Fork Pin	
29	7029711	1	Decal	
30	70022106	1	Zerk, Grease	
31	70021447	1	Bushing	
32	70021448	2	Bushing	
33	70021464	2	Valve	

# SECTION 3 - ATTACHMENTS

## FIGURE 3-14. CARRIAGE, SIDE SHIFT (48IN)



ART\_1001242501-B

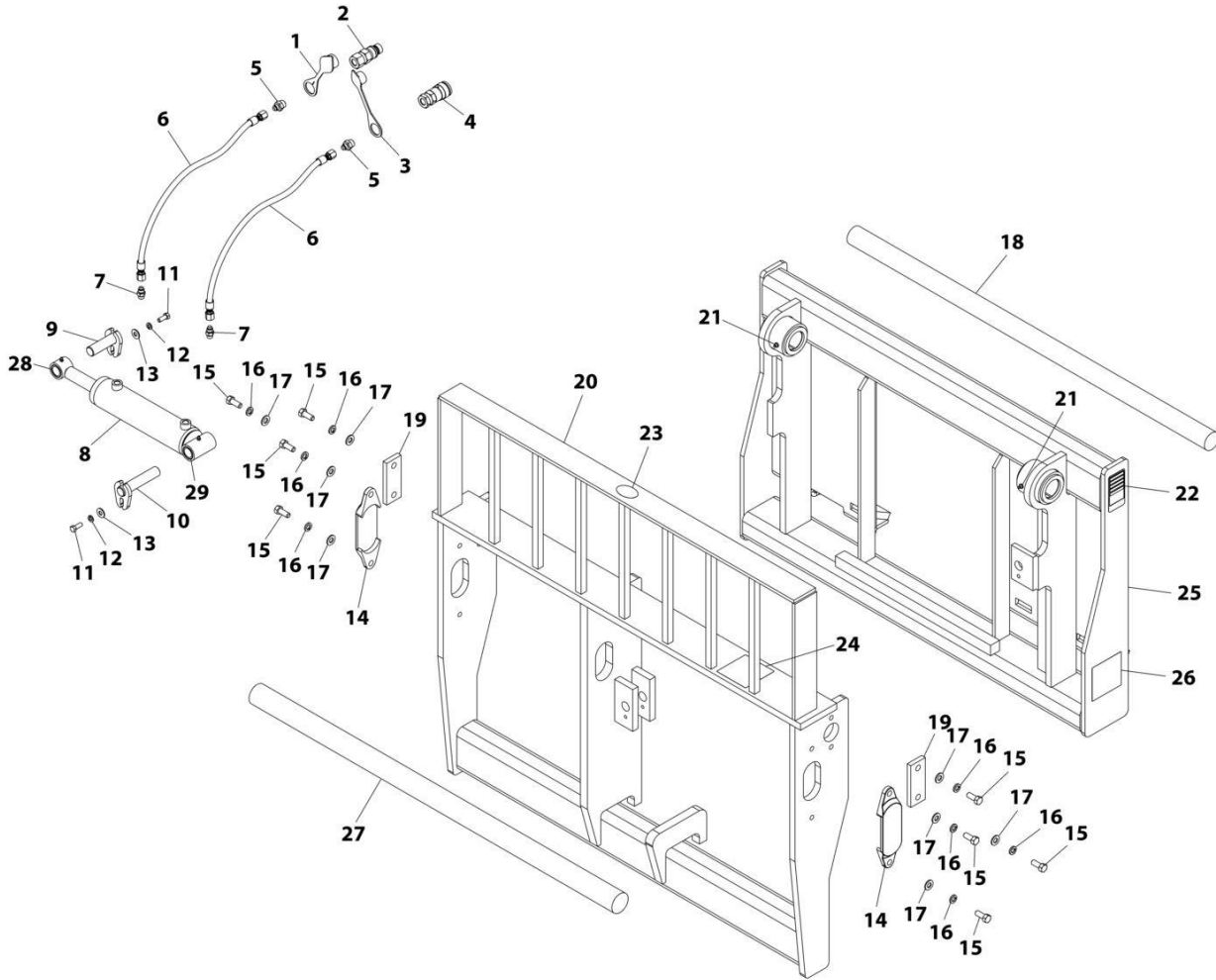
## SECTION 3 - ATTACHMENTS

**FIGURE 3-14. CARRIAGE, SIDE SHIFT (48IN)**

ITEM	PART NUMBER	QTY	DESCRIPTION	REV
	1001242501	Ref	CARRIAGE, SIDE SHIFT (48IN)	C
1	70020028	2	Fork Pin Retainer	
2	70029502	1	Bolt	
3	70021349	2	Bolt	
4	70027989	4	Bolt	
5	70020002	2	Bolt	
6	90554067	1	Washer	
7	90554042	2	Washer	
8	90554020	4	Washer	
9	70021350	2	Washer	
10	70021338	4	Washer	
11	70027642	2	Nut	
12	70021397	2	Fitting	
13	70021415	2	Fitting	
14	90554016	1	Decal	
15	7029714	2	Fitting, Grease	
16	70021351	1	Pin	
17	1001001240	1	Hydraulic Coupler, Female	
18	1001001241	1	Hydraulic Coupler, Male	
19	1001003475	1	Dust Cap, Male	
20	1001003474	1	Plug, Dust, Female	
21	70022111	1	Fork Pin	
22	70022110	1	Pin	
23	70022107	1	Hose	
24	90554017	2	Decal	
25	7029711	1	Decal	
26	See Note	NSS	Serial Tag (Note: Not Available for Purchase)	
27	70022108	1	Cylinder Assembly (See Separate Breakdown in HYDRAULIC COMPONENTS Section)	
28	70029503	1	Clamp	
29	70029505	1	Clamp	
30	70022112	2	Plate, Retainer	
31	See Note	NSS	Rear Frame (Note: Not Available for Purchase)	
32	70029504	1	Fork Pin	
33	See Note	NSS	Main Frame (Note: Not Available for Purchase)	

# SECTION 3 - ATTACHMENTS

FIGURE 3-15. CARRIAGE, SIDE SHIFT, UNIVERSAL QUICK ATTACH, (48IN)



ART\_1001104025-G

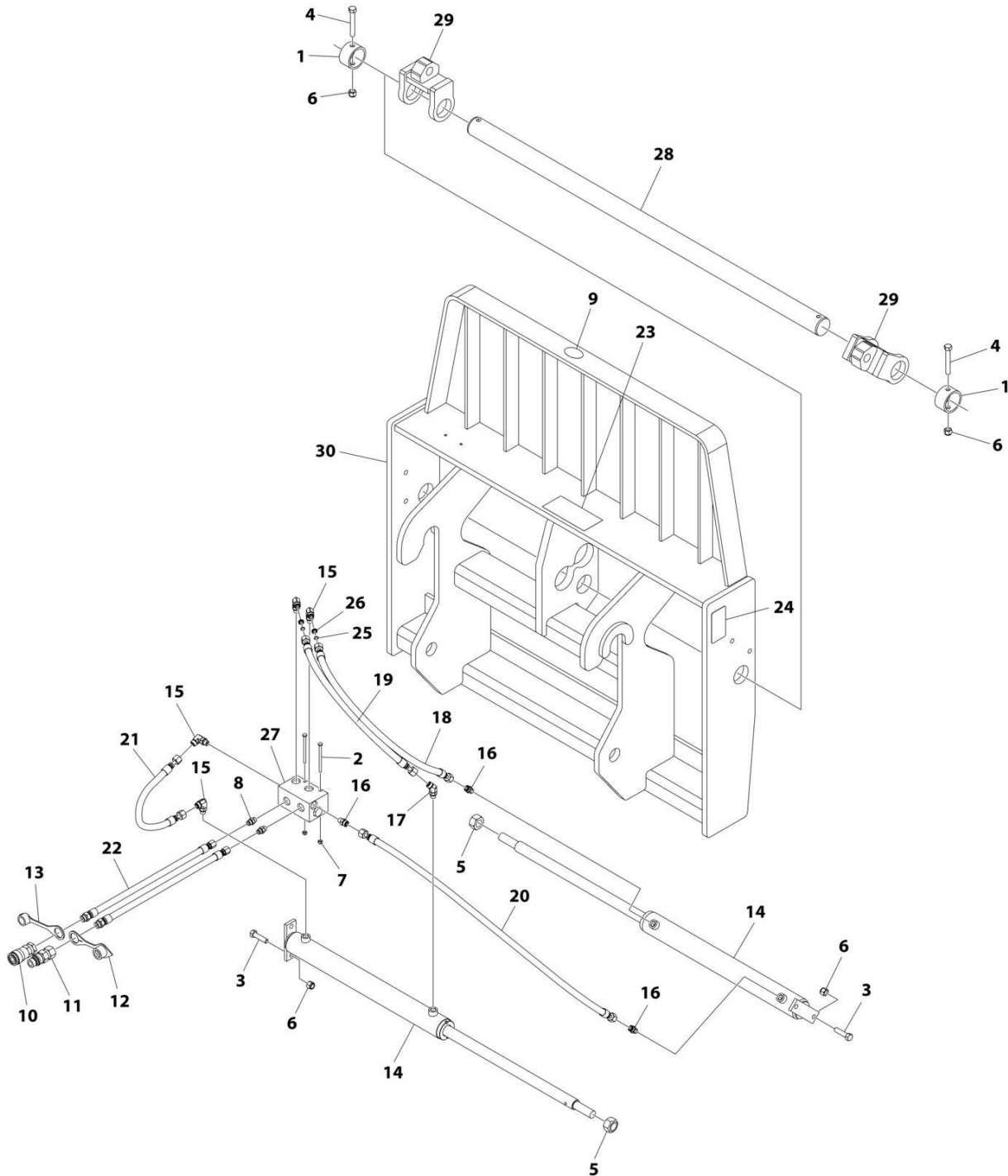
## SECTION 3 - ATTACHMENTS

**FIGURE 3-15. CARRIAGE, SIDE SHIFT, UNIVERSAL QUICK ATTACH, (48IN)**

ITEM	PART NUMBER	QTY	DESCRIPTION	REV
	1001104025	Ref	Carriage, Side Shift, Universal Quick Attach (48in)	I
1	70022097	1	Dust Cap, Male	
2	70022103	1	Hydraulic Couplier, Male	
3	70022102	1	Plug, Dust, Female	
4	70022104	1	Hydraulic Couplier, Female	
5	70021397	2	Hydraulic Fitting	
6	70022107	2	Hose	
7	70021415	2	Hydraulic Fitting	
8	70022108	1	Cylinder Assembly (See Separate Breakdown in HYDRAULIC COMPONENTS Section)	
9	70021351	1	Pin	
10	70022110	1	Pin	
11	70021349	2	Bolt	
12	90554042	2	Washer, Lock	
13	70021350	2	Washer	
14	7029690	2	Fork Pin Retainer	
15	70027989	8	Bolt	
16	90554020	8	Washer, Lock	
17	70021338	4	Washer	
18	70022111	1	Fork Pin	
19	70022112	2	Pin Retainer Bar	
20	N.S.S.	1	Front Frame	
21	7029714	2	Zerk, Grease	
22	N.S.S.	1	Serial Tag	
23	70050641	1	Decal	
24	7029711	1	Decal	
25	N.S.S.	1	Rear Frame	
26	90554017	2	Decal	
27	70022105	1	Fork Pin	
28	70021447	1	Bushing	
29	70021448	2	Bushing	

# SECTION 3 - ATTACHMENTS

## FIGURE 3-16. CARRIAGE ASSEMBLY - FORK POSITIONING STANDARD (48IN)



ART\_1001242506



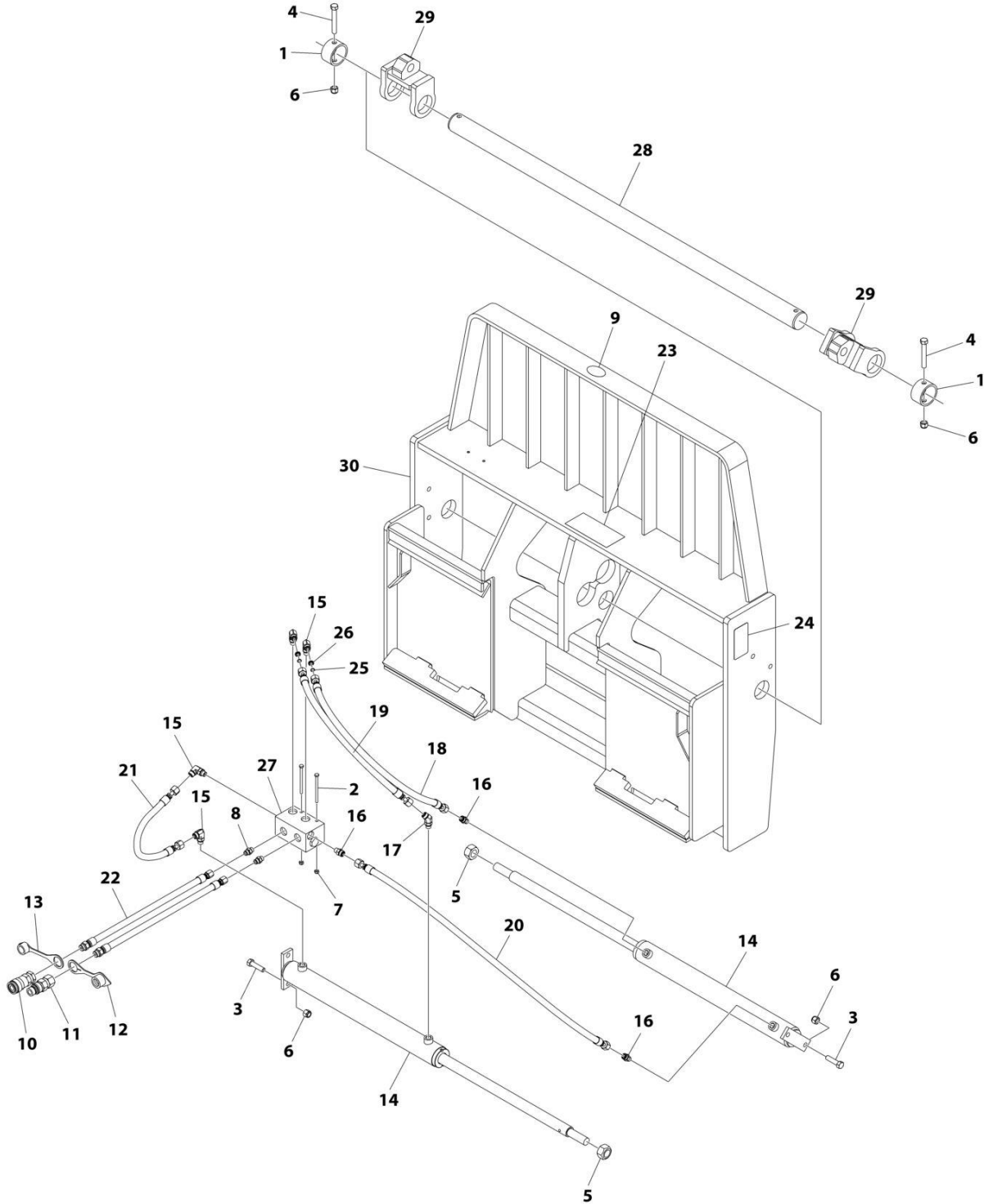
## SECTION 3 - ATTACHMENTS

**FIGURE 3-16. CARRIAGE ASSEMBLY - FORK POSITIONING STANDARD (48IN)**

ITEM	PART NUMBER	QTY	DESCRIPTION	REV
	1001242506	Ref	CARRIAGE ASSEMBLY - FORK POSITIONING STANDARD (48IN)	C
1	70020028	2	Retainer, Pin	
2	70028519	2	Bolt	
3	90554019	4	Bolt	
4	70020002	2	Bolt	
5	70021440	2	Nut	
6	70028523	6	Nut	
7	70028524	2	Nut	
8	70021415	2	Hydraulic Fitting	
9	90554016	1	Decal	
10	1001001240	1	Hydraulic Coupler, Female	
11	1001001241	1	Hydraulic Coupler, Male	
12	1001003475	1	Dust Cap, Male	
13	1001003474	1	Plug, Dust, Female	
14	2717283	2	Cylinder Assembly (See Separate Breakdown in HYDRAULIC COMPONENTS Section)	
15	70028525	4	Hydraulic Fitting	
16	70028486	3	Hydraulic Fitting	
17	70029495	1	Hydraulic Fitting	
18	70029052	1	Hose	
19	70029046	2	Hose	
20	70029496	1	Hose	
21	70029492	1	Hose	
22	70026702	2	Hose	
23	70028530	1	Decal	
24	See Note	NSS	Serial Tag (Note: Not Available for Purchase)	
25	70028531	2	O-Ring	
26	70028520	2	Orifice	
27	70028521	1	Valve	
28	70027283	1	Pin Fork	
29	70029497	2	Clevis	
30	See Note	NSS	Weldment (Note: Not Available for Purchase)	

# SECTION 3 - ATTACHMENTS

## FIGURE 3-17. CARRIAGE ASSEMBLY - FORK POSITIONING UNIVERSAL (48IN)



ART\_1001242508

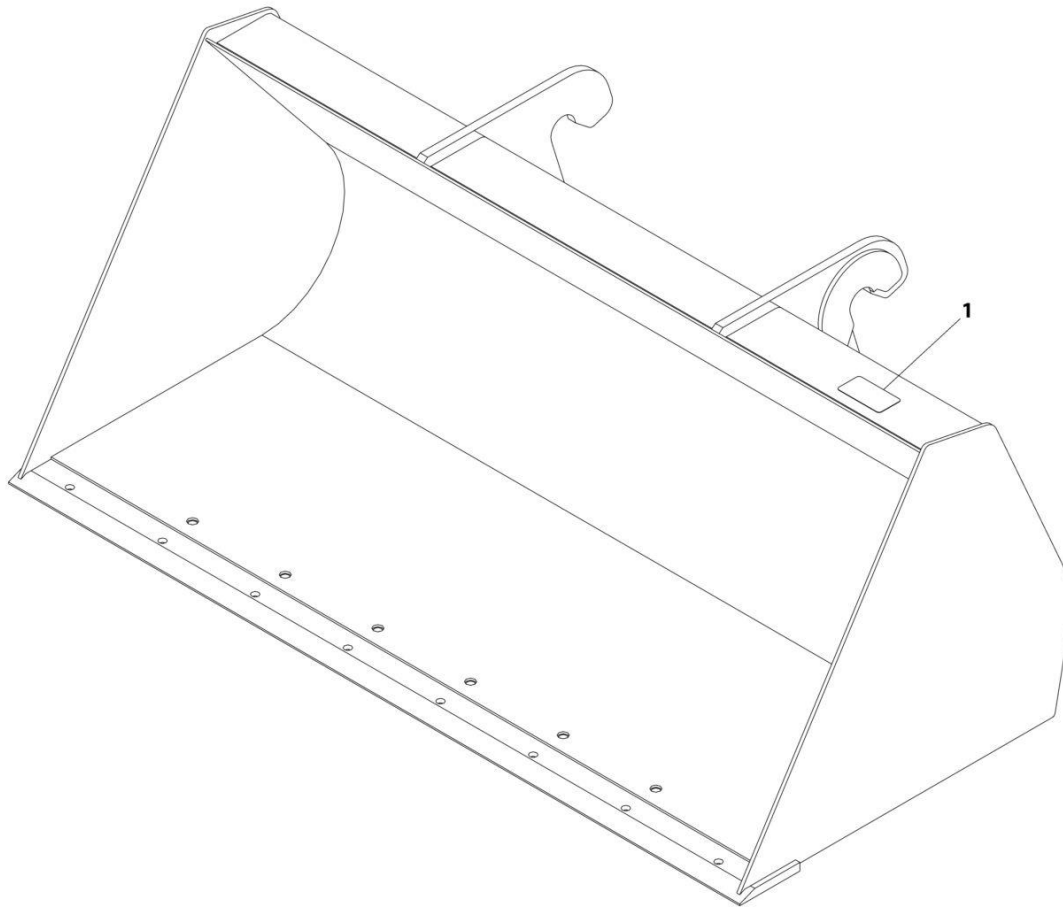
## SECTION 3 - ATTACHMENTS

**FIGURE 3-17. CARRIAGE ASSEMBLY - FORK POSITIONING UNIVERSAL (48IN)**

ITEM	PART NUMBER	QTY	DESCRIPTION	REV
	1001242508	Ref	CARRIAGE ASSEMBLY - FORK POSITIONING UNIVERSAL, (48IN)	C
1	70020028	2	Retainer, Pin	
2	70028519	2	Bolt	
3	90554019	4	Bolt	
4	70020002	2	Bolt	
5	70021440	2	Nut	
6	70028523	6	Nut	
7	70028524	2	Nut	
8	70021415	2	Hydraulic Fitting	
9	90554016	1	Decal	
10	1001001240	1	Hydraulic Coupler, Female	
11	1001001241	1	Hydraulic Coupler, Male	
12	1001003475	1	Dust Cap, Male	
13	1001003474	1	Plug, Dust, Female	
14	2717283	2	Cylinder Assembly (See Separate Breakdown in HYDRAULIC COMPONENTS Section)	
15	70028525	4	Hydraulic Fitting	
16	70028486	3	Hydraulic Fitting	
17	70029495	1	Hydraulic Fitting	
18	70029052	1	Hose	
19	70029046	2	Hose	
20	70029496	1	Hose	
21	70029492	1	Hose	
22	70026702	2	Hose	
23	70028530	1	Decal	
24	See Note	NSS	Serial Tag (Note: Not Available for Purchase)	
25	70028531	2	O-Ring	
26	70028520	2	Orifice	
27	70028521	1	Valve	
28	70027283	1	Pin Fork	
29	70029497	2	Clevis	
30	See Note	NSS	Weldment (Note: Not Available for Purchase)	

## SECTION 3 - ATTACHMENTS

FIGURE 3-18. LIGHT MATERIAL BUCKET, (72INCH) (1.0 YD<sup>3</sup>/0.76 M<sup>3</sup>)



ART\_1001102324-F

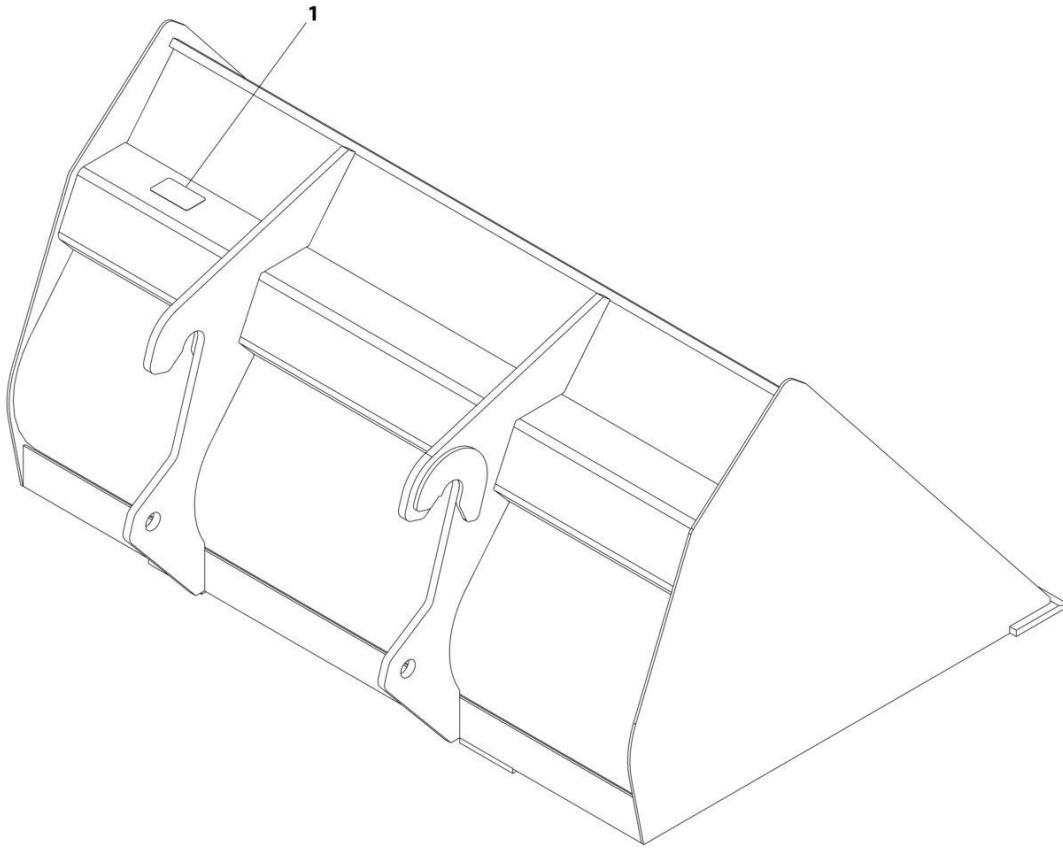
## SECTION 3 - ATTACHMENTS

**FIGURE 3-18. LIGHT MATERIAL BUCKET, (72INCH) (1.0 YD<sup>3</sup>/0.76 M<sup>3</sup>)**

ITEM	PART NUMBER	QTY	DESCRIPTION	REV
	1001102324	Ref	Light Material Bucket (72Inch) (1.0 yd <sup>3</sup> /0.76 m <sup>3</sup> )	I
	N.S.S.	1	S/N Plate	

## SECTION 3 - ATTACHMENTS

FIGURE 3-19. LIGHT MATERIAL BUCKET, (72INCH) (1.7 YD<sup>3</sup>/1.29 M<sup>3</sup>)



ART\_1001102323-F

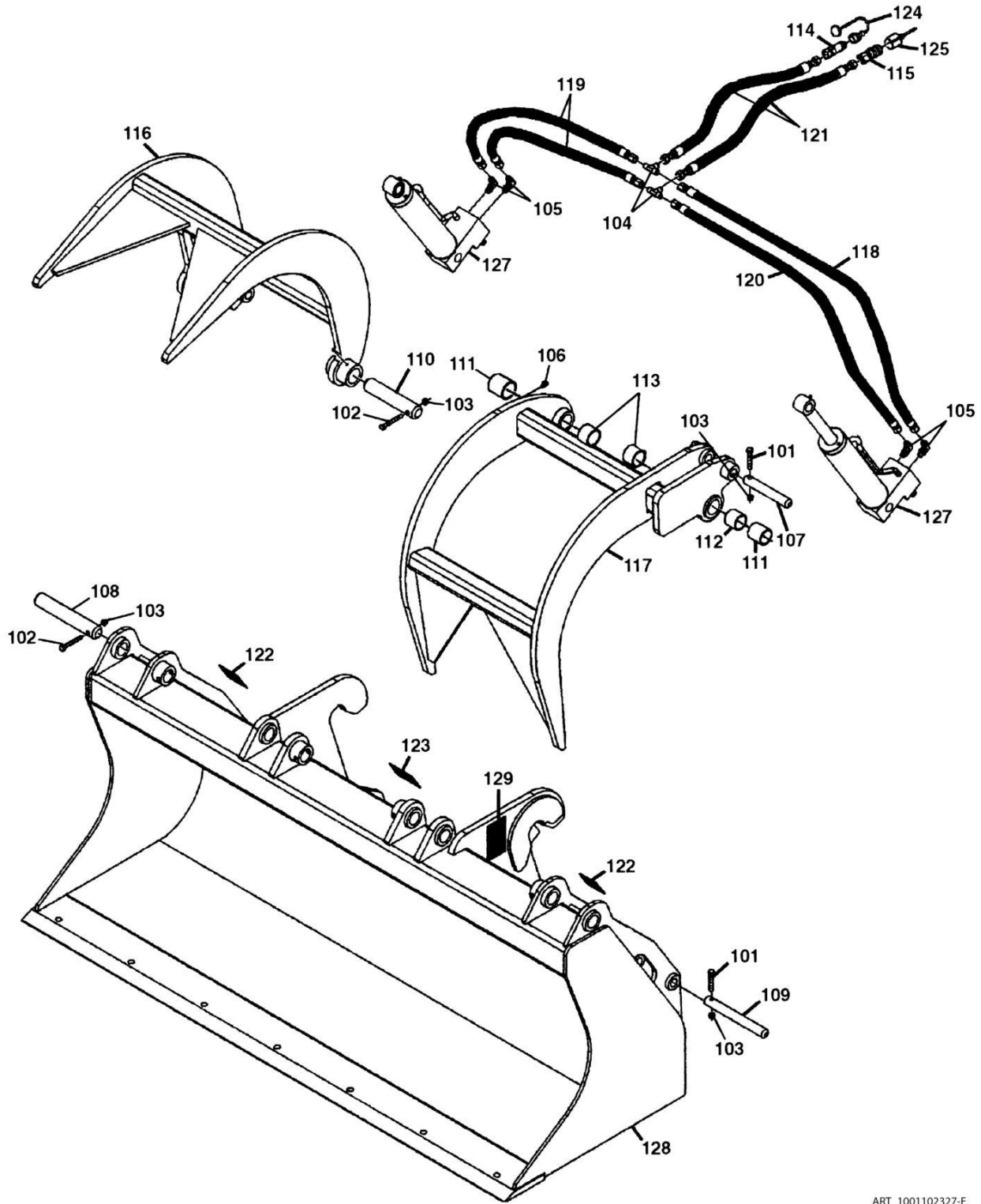
## SECTION 3 - ATTACHMENTS

**FIGURE 3-19. LIGHT MATERIAL BUCKET, (72INCH) (1.7 YD<sup>3</sup>/1.29 M<sup>3</sup>)**

ITEM	PART NUMBER	QTY	DESCRIPTION	REV
1	1001102323 N.S.S.	Ref 1	Light Material Bucket (72Inch) (1.7 yd <sup>3</sup> /1.29 m <sup>3</sup> ) S/N Plate	I

# SECTION 3 - ATTACHMENTS

## FIGURE 3-20. MULTI-PURPOSE GRAPPLE BUCKET (1850MM) (ANSI - JLG)



ART\_1001102327-E



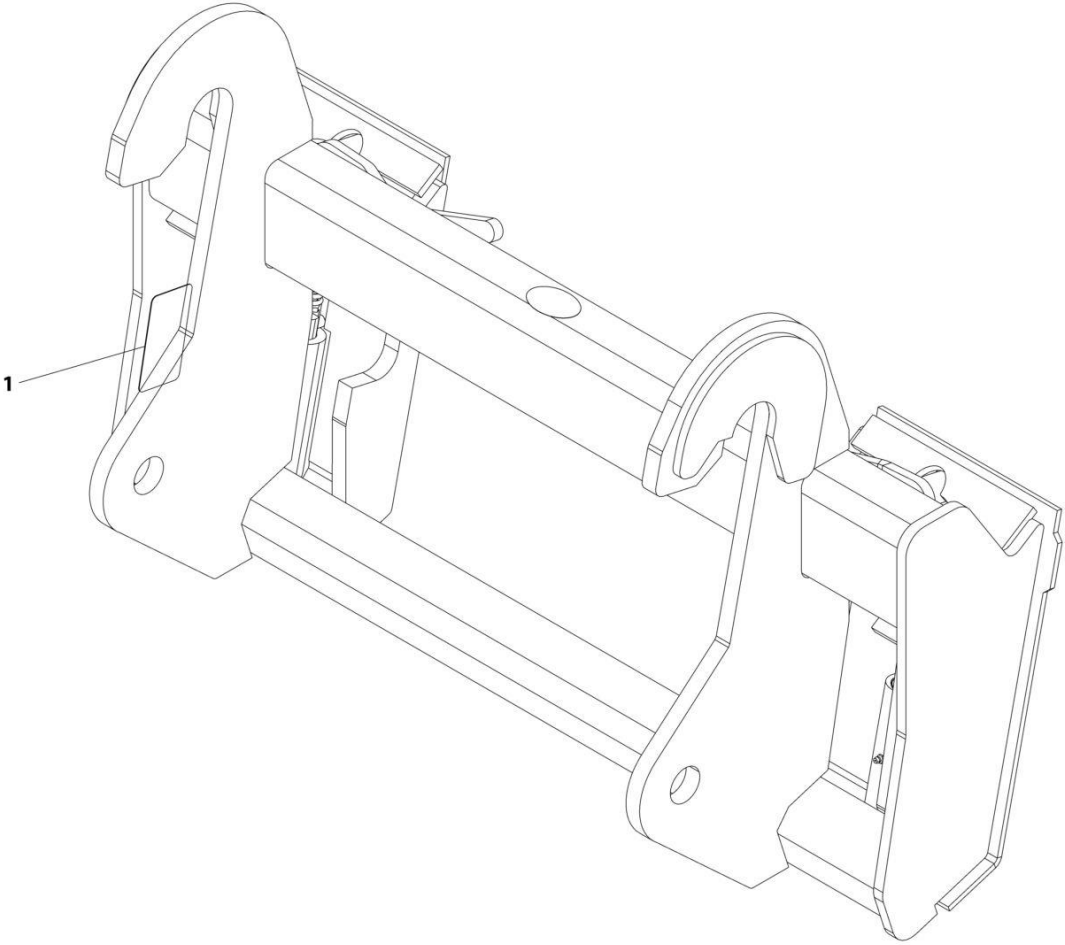
## SECTION 3 - ATTACHMENTS

**FIGURE 3-20. MULTI-PURPOSE GRAPPLE BUCKET (1850MM) (ANSI - JLG)**

ITEM	PART NUMBER	QTY	DESCRIPTION	REV
	1001102327	1	Multi-Purpose Grapple Bucket (1850mm) (ANSI - JLG)	G
101	70021399	4	Screw	
102	70021366	4	Screw	
103	70021367	8	Nut	
104	70020562	2	Fitting, Tee	
105	90554065	4	Fitting, 90	
106	7029714	4	Fitting, Grease	
107	70021364	2	Pin	
108	70021361	2	Pin	
109	70021365	2	Pin	
110	70021362	2	Pin	
111	70021360	4	Bushing	
112	70021359	2	Spacer	
113	70021358	4	Bushing	
114	7029692	1	Fitting, Straight	
115	70021342	1	Fitting, Straight	
116	70021356	1	Grapple Hook, RH	
117	70021357	1	Grapple Hook, LH	
118	70020560	1	Hose	
119	70021368	2	Hose	
120	70021370	1	Hose	
121	70021369	2	Hose	
122	90554017	2	Decal, Pinch Point	
123	7029711	1	Decal, High Pressure	
124	90554062	1	Cap, Dust	
125	90554076	1	Plug, Dust	
126	70021387	4	Clamp (not shown)	
127	70021363	2	Cylinder, Multi-Purpose Grapple Bucket (1850mm) (See Separate Breakdown in Hydraulic Components Section)	
128	N.S.S.	1	Bucket, Grapple	
129	N.S.S.	1	Plate, Serial Number	

**SECTION 3 - ATTACHMENTS**

**FIGURE 3-21. UNIVERSAL HITCH ATTACHMENT**



ART\_1001272548

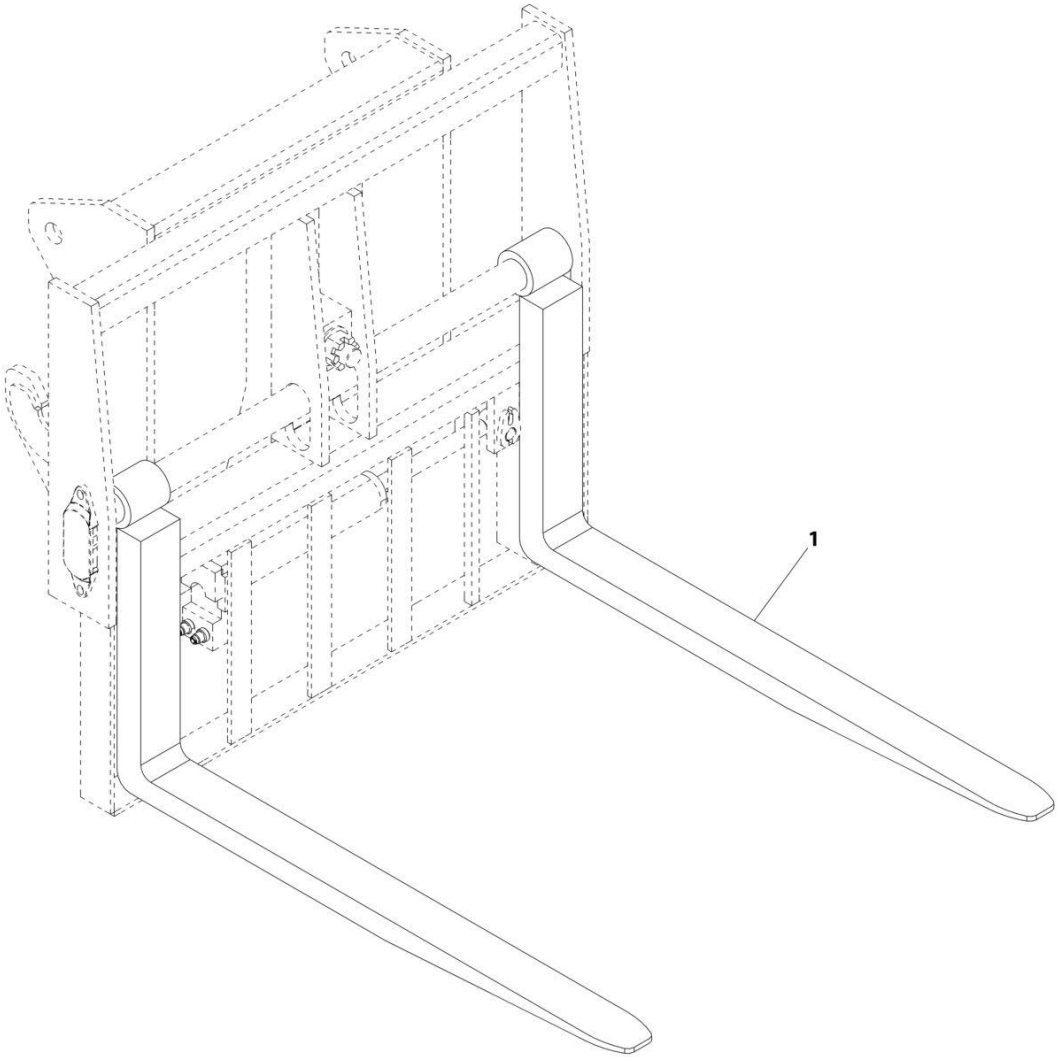
## SECTION 3 - ATTACHMENTS

### FIGURE 3-21. UNIVERSAL HITCH ATTACHMENT

ITEM	PART NUMBER	QTY	DESCRIPTION	REV
1	1001272548 N.S.S.	Ref 1	UNIVERSAL HITCH ATTACHMENT S/N Plate	C

**SECTION 3 - ATTACHMENTS**

**FIGURE 3-22. PALLET FORK (2X4X48)**



ART\_1001099458-C

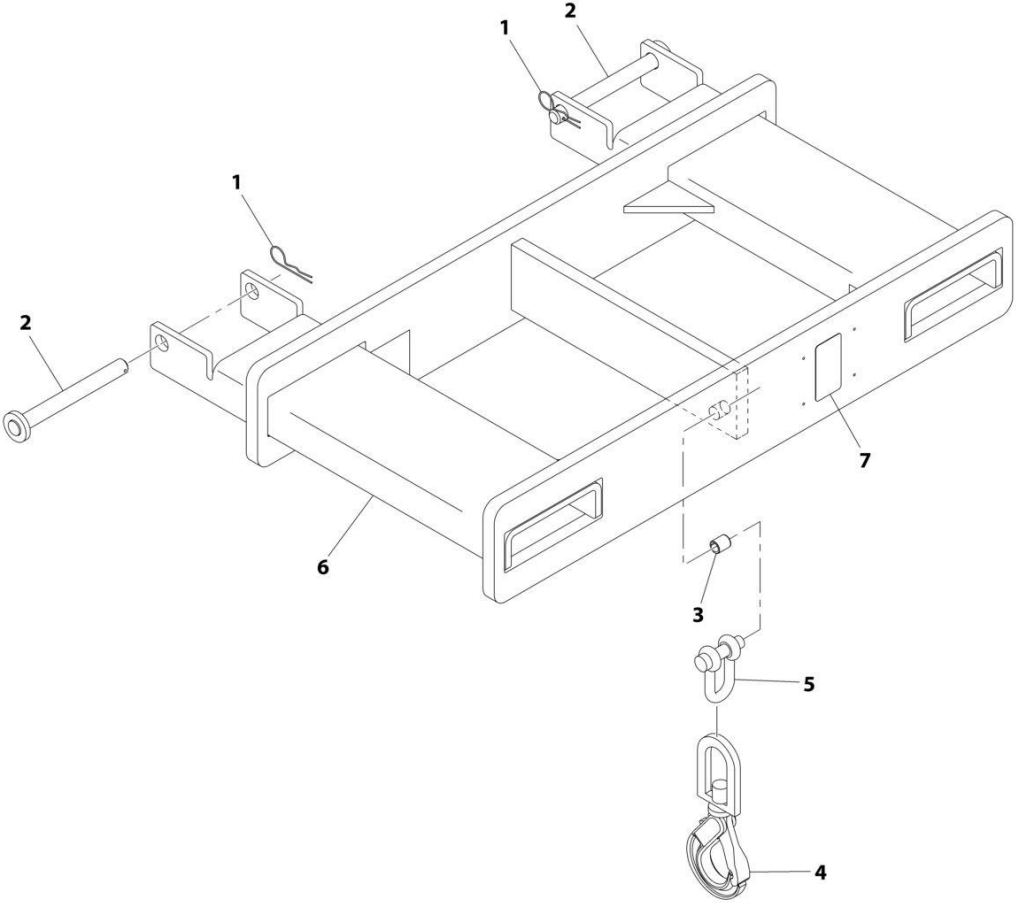
## SECTION 3 - ATTACHMENTS

**FIGURE 3-22. PALLET FORK (2X4X48)**

ITEM	PART NUMBER	QTY	DESCRIPTION	REV
1	1001099458	Ref	Pallet Fork (2X4X48)	C
	Note	Ref	<b>FORKS RATED LESS THAN THE ATTACHMENT OR MACHINE'S CAPACITY DECREASES CAPACITY OF THE ATTACHMENT OR MACHINE TO THAT OF THE FORKS. FORKS RATED MORE THAN THE ATTACHMENT OR MACHINE'S CAPACITY DO NOT INCREASE ATTACHMENT OR MACHINE'S CAPACITY.</b>	
	Note	Ref	<b>PLEASE CONSULT JLG PARTS DEPARTMENT TO DETERMINE THE CORRECT FORKS APPLICABLE TO YOUR SPECIFIC CARRIAGE ASSEMBLY AND APPLICATION.</b>	

**SECTION 3 - ATTACHMENTS**

**FIGURE 3-23. FORK MOUNTED HOOK (4 TON)**



ART\_1001097205-I

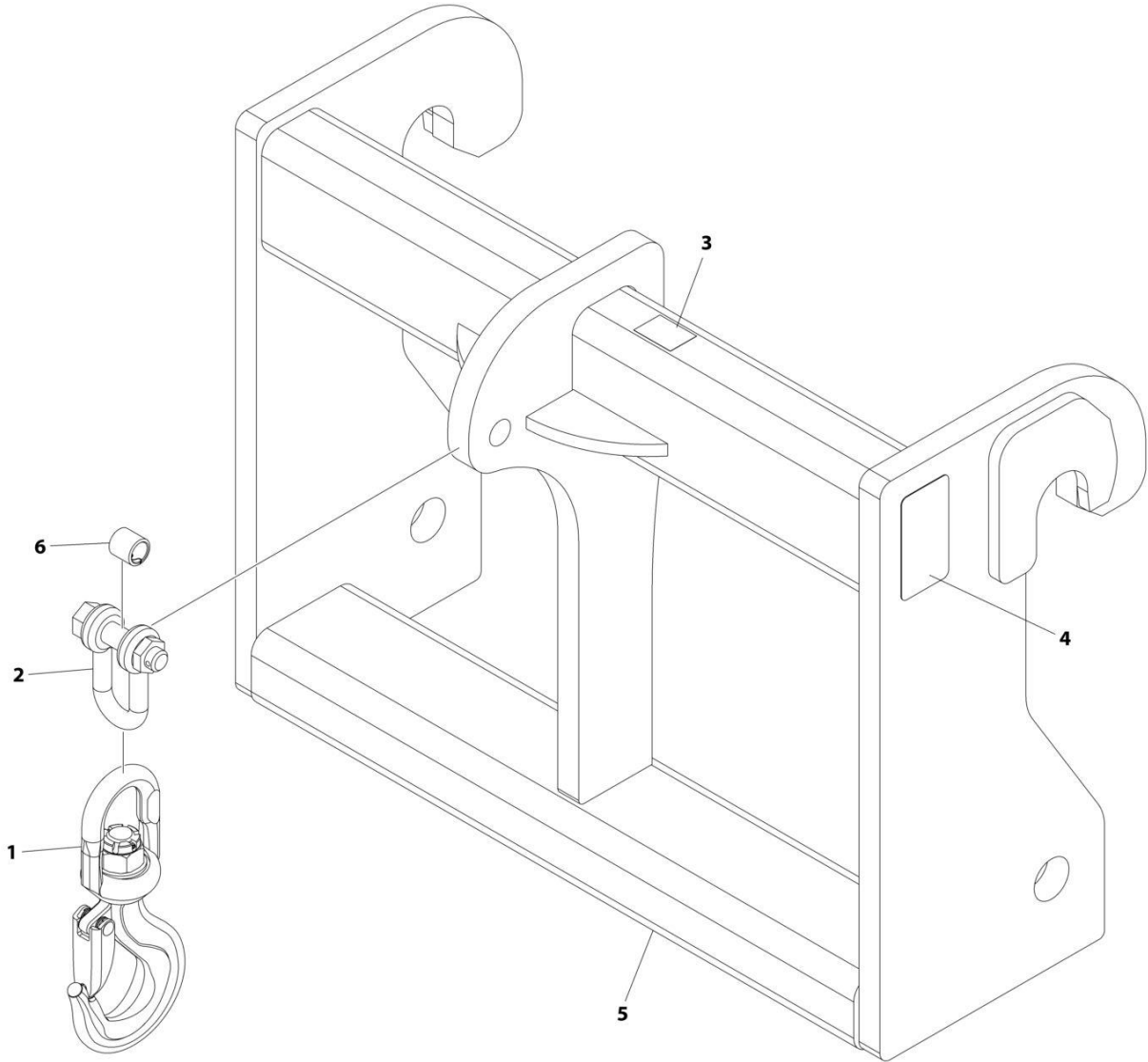
## SECTION 3 - ATTACHMENTS

### FIGURE 3-23. FORK MOUNTED HOOK (4 TON)

ITEM	PART NUMBER	QTY	DESCRIPTION	REV
	1001097205	Ref	Fork Mounted Hook (4 Ton)	J
1	7029520	2	Pin, Cotter	
2	1001093171	2	Pin	
3	70020555	1	Bushing	
4	90554080	1	Hook	
5	7029521	1	Shackle	
6	See Note	NSS	Frame, Hook (Note: Purchase Complete Assembly)	
7	See Note	NSS	S/N Plate (Note: Stamped Part - Not Available for Purchase)	

**SECTION 3 - ATTACHMENTS**

**FIGURE 3-24. LIFTING HOOK ASSEMBLY, STANDARD**



ART\_1001242509



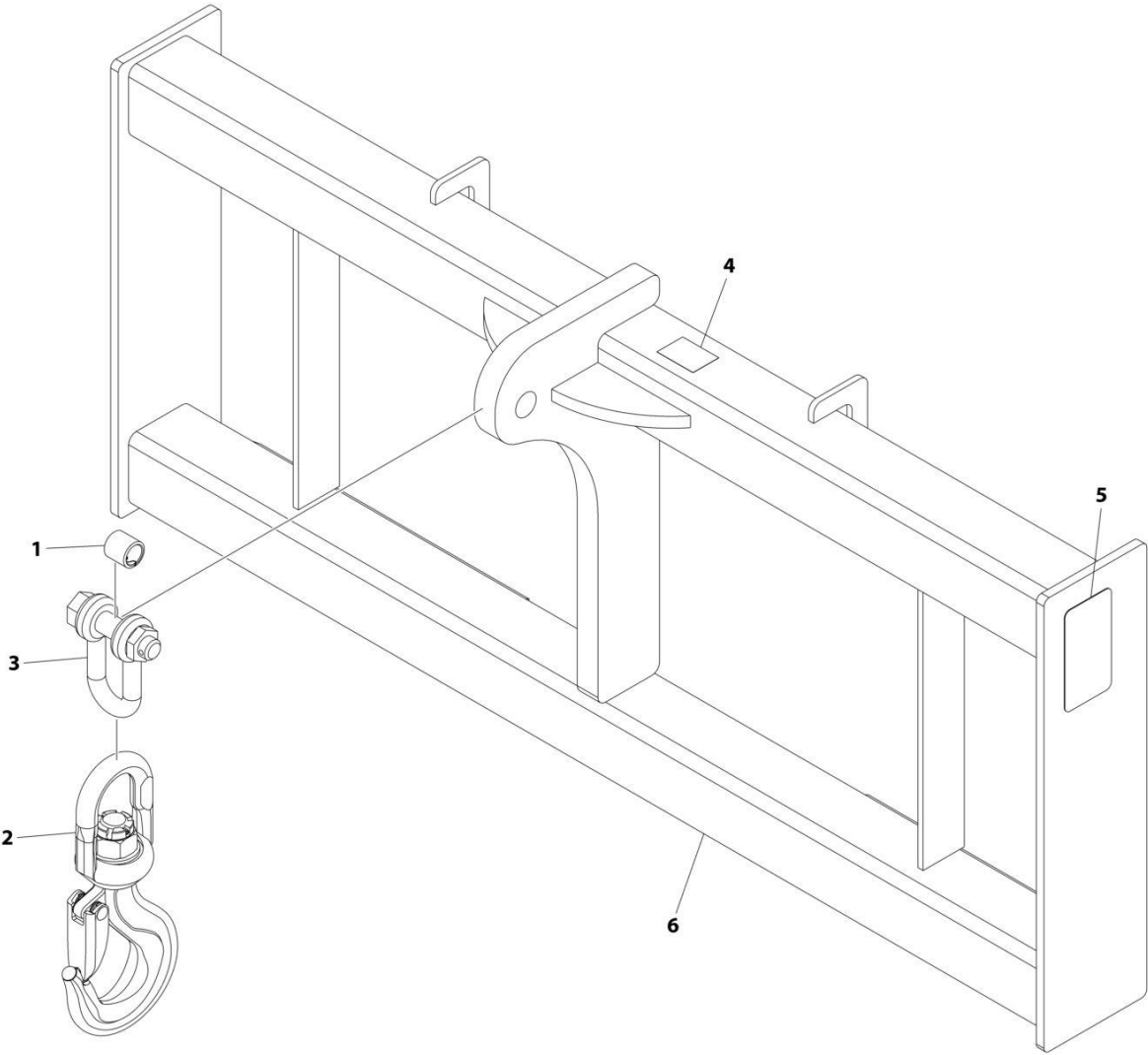
## SECTION 3 - ATTACHMENTS

**FIGURE 3-24. LIFTING HOOK ASSEMBLY, STANDARD**

ITEM	PART NUMBER	QTY	DESCRIPTION	REV
	1001242509	Ref	LIFTING HOOK ASSEMBLY, STANDARD	C
1	90554080	1	Hook, Swivel	
2	7029521	1	Chain, Shackle	
3	90554016	1	Decal - USA	
4	See Note	NSS	Serial Tag (Note: Not Available for Purchase)	
5	See Note	NSS	Weldment (Note: Not Available for Purchase)	
6	70029498	1	Bushing	

**SECTION 3 - ATTACHMENTS**

**FIGURE 3-25. LIFTING HOOK ASSEMBLY, UNIVERSAL**



ART\_1001242510

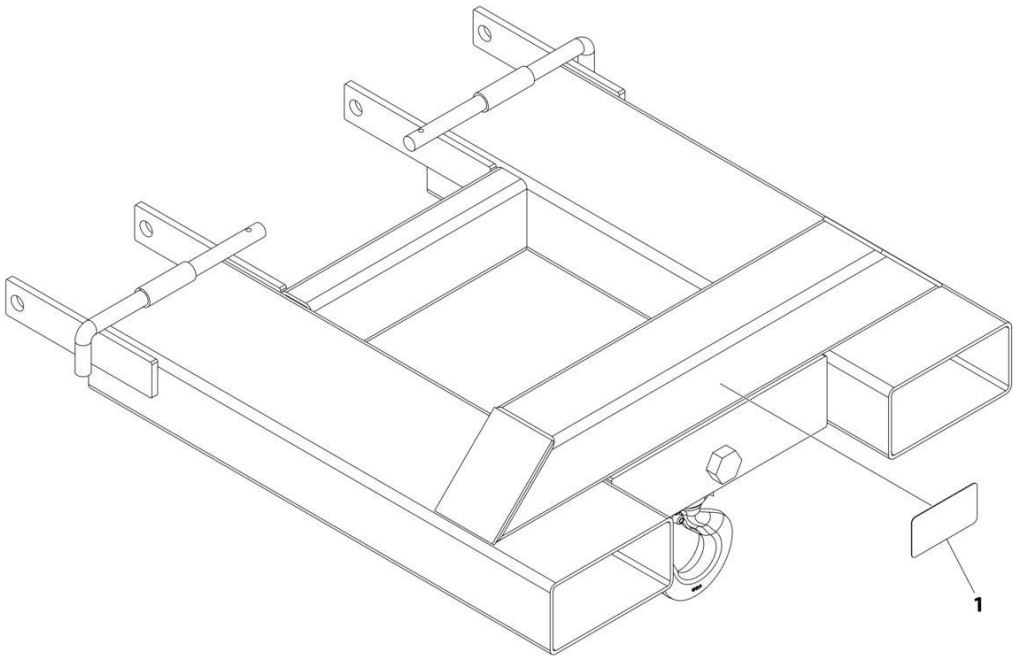
## SECTION 3 - ATTACHMENTS

### FIGURE 3-25. LIFTING HOOK ASSEMBLY, UNIVERSAL

ITEM	PART NUMBER	QTY	DESCRIPTION	REV
	1001242510	Ref	LIFTING HOOK ASSEMBLY, UNIVERSAL	C
1	70029498	1	Bushing	
2	90554080	1	Hook, Swivel	
3	7029521	1	Chain, Shackle	
4	90554016	1	Decal - USA	
5	See Note	NSS	Serial Tag (Note: Not Available for Purchase)	
6	See Note	NSS	Weldment (Note: Not Available for Purchase)	

**SECTION 3 - ATTACHMENTS**

**FIGURE 3-26. LIFTING HOOK (6K)**



ART\_1001305476

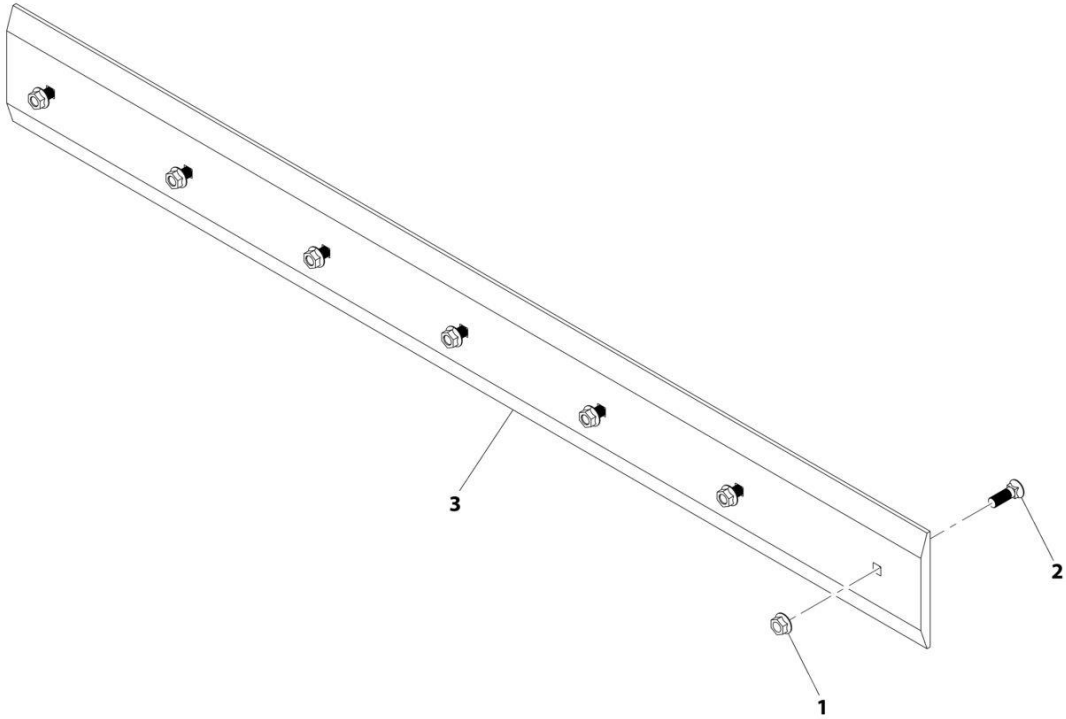
## SECTION 3 - ATTACHMENTS

**FIGURE 3-26. LIFTING HOOK (6K)**

ITEM	PART NUMBER	QTY	DESCRIPTION	REV
1	1001305476 See Note	Ref NSS	LIFTING HOOK (6K) SN Plate (Note: Not Available for Purchase)	A

**SECTION 3 - ATTACHMENTS**

**FIGURE 3-27. BOLT-ON EDGE ASSEMBLY, 72"**



ART\_1001162898 -A

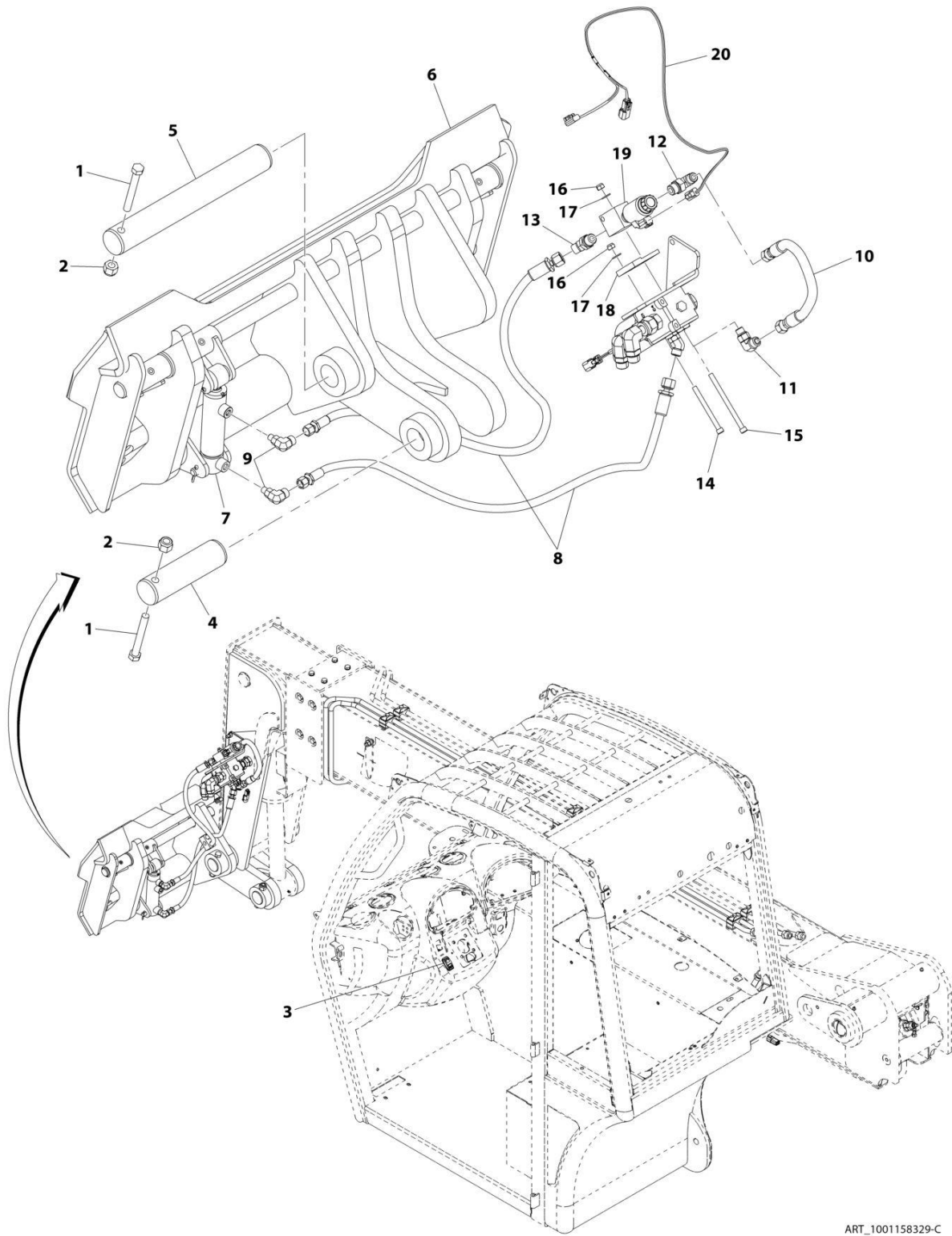
## SECTION 3 - ATTACHMENTS

**FIGURE 3-27. BOLT-ON EDGE ASSEMBLY, 72"**

ITEM	PART NUMBER	QTY	DESCRIPTION	REV
1	1001162898	1	Bolt-On Edge Assembly, 72"	A

# SECTION 3 - ATTACHMENTS

## FIGURE 3-28. HYDRAULIC QUICK SWITCH INSTALLATION



ART\_1001158329-C



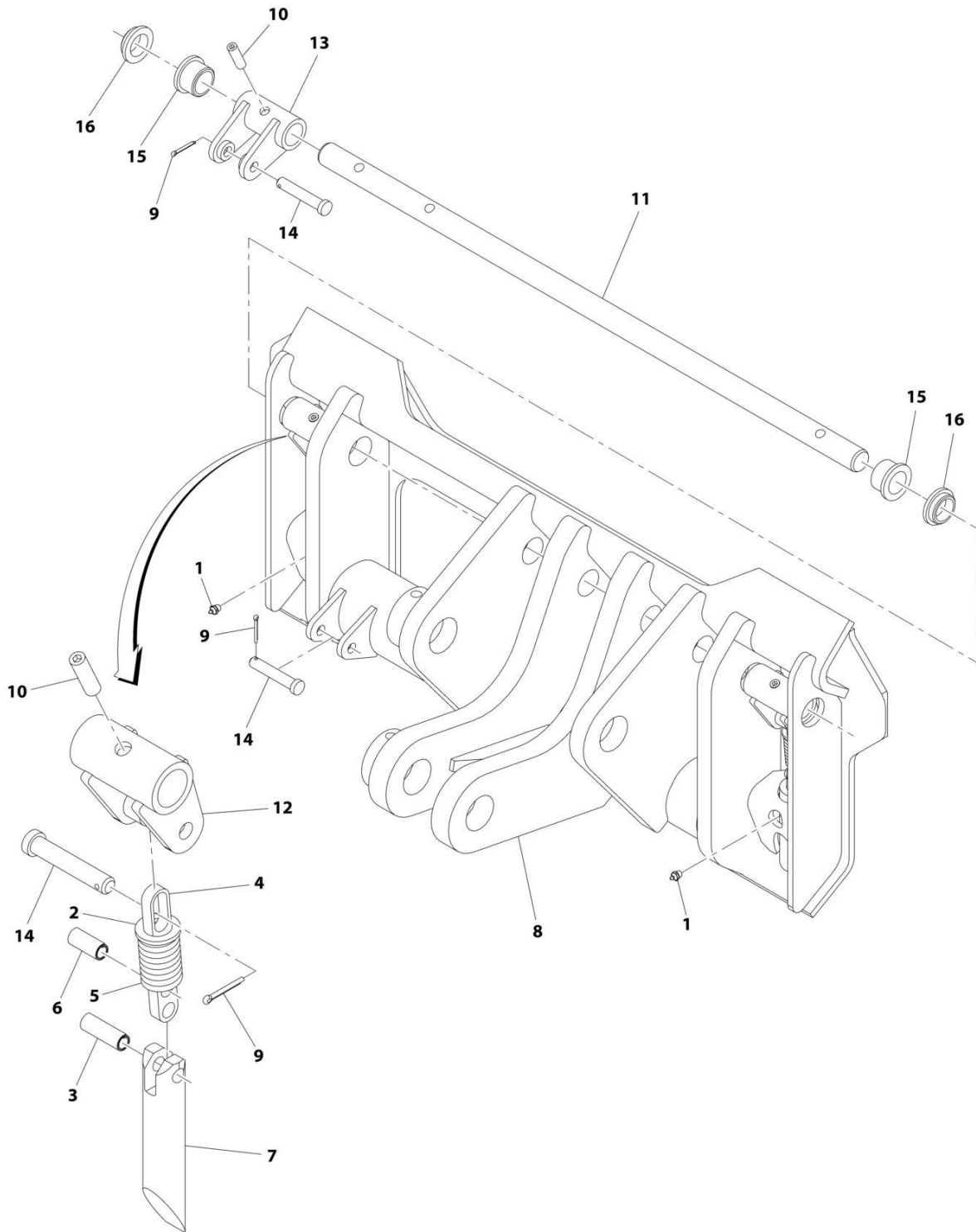
## SECTION 3 - ATTACHMENTS

**FIGURE 3-28. HYDRAULIC QUICK SWITCH INSTALLATION**

ITEM	PART NUMBER	QTY	DESCRIPTION	REV
	1001158329	Ref	Installtion, Hydraulic Quick Switch	C
1	0641832	2	Bolt, 1/2-13X4	
2	88521208	2	Nut, Lock 1/2-13	
3	1001080375	1	Switch	
4	1001097728	1	Pin, Fork	
5	1001097729	1	Pin, Pivot	
6	1001158352	1	Assembly, Quick Switch (See Separate Breakdown in this Section)	
7	1001160926	1	Cylinder, Fork Locking	
8	1001161759	2 in	Hose	
9	2130604	2	Fitting, 90	
10	1001137106	1	Hose	
11	2130606	1	Fitting, 90	
12	2130608	1	Fitting, 90	
13	2150608	1	Fitting	
14	3931556	1	Socket Screw, 5-16-18X3-1/2	
15	3931572	1	Socket Screw, 5-16X4.50	
16	8305626	2	Nut, Lock .312-18	
17	8307106	2	Washer, .312	
18	1001207768	1	Bracket, Valve	
19	1001207926	1	Assembly, Valve Block (See Separate Breakdown in Hydraulic Components Section)	
20	1001209009	1	Harness, Valve Jumper (See Separate Breakdown in Electrical Components Section)	

# SECTION 3 - ATTACHMENTS

## FIGURE 3-29. QUICK SWITCH ASSEMBLY



ART\_1001158352-D

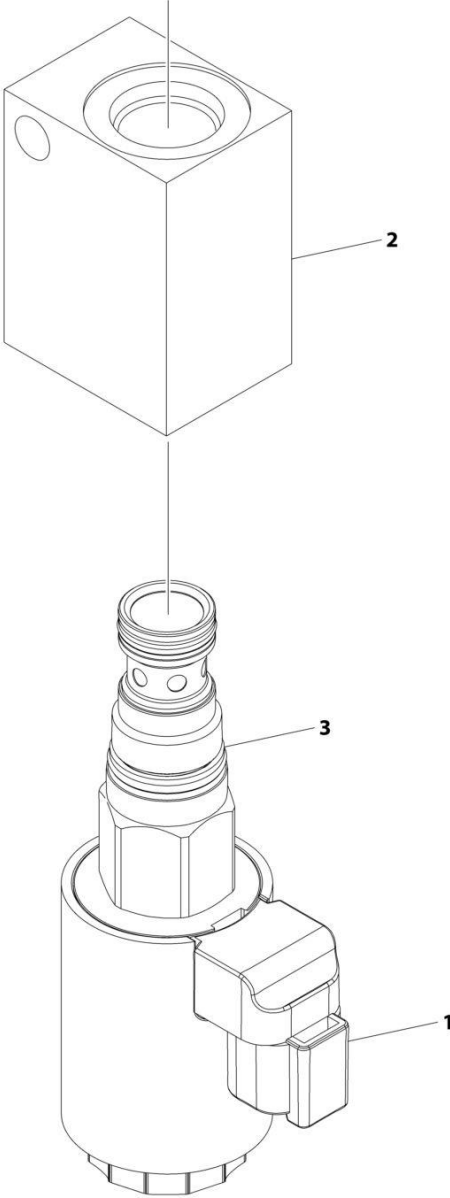
## SECTION 3 - ATTACHMENTS

**FIGURE 3-29. QUICK SWITCH ASSEMBLY**

ITEM	PART NUMBER	QTY	DESCRIPTION	REV
	1001158352	Ref	Quick Switch Assembly	D
1	1001008479	2	Grease Fitting	
2	1001009094	2	Washer	
3	1001061633	2	Spring Pin	
4	1001178059	2	Plate, Quick Switch	
5	1001061660	2	Spring	
6	1001061662	2	Spring Pin	
7	1001061891	2	Pin	
8	N.S.S.	1	Weldment, Quick Switch	
9	3391410	4	Split Pin	
10	3951814	3	Setscrew .50-13X1.75	
11	1001158330	1	Rod, Quick Switch	
12	1001158331	2	Support, Quick Switch Link	
13	1001158336	1	Support, Quick Switch Cylinder	
14	1001161604	4	Lock Pin	
15	1001161606	2	Bushing	
16	1001161607	2	Bushing	

**SECTION 3 - ATTACHMENTS**

**FIGURE 3-30. BLOCK VALVE ASSEMBLY**



ART\_1001207926\_B

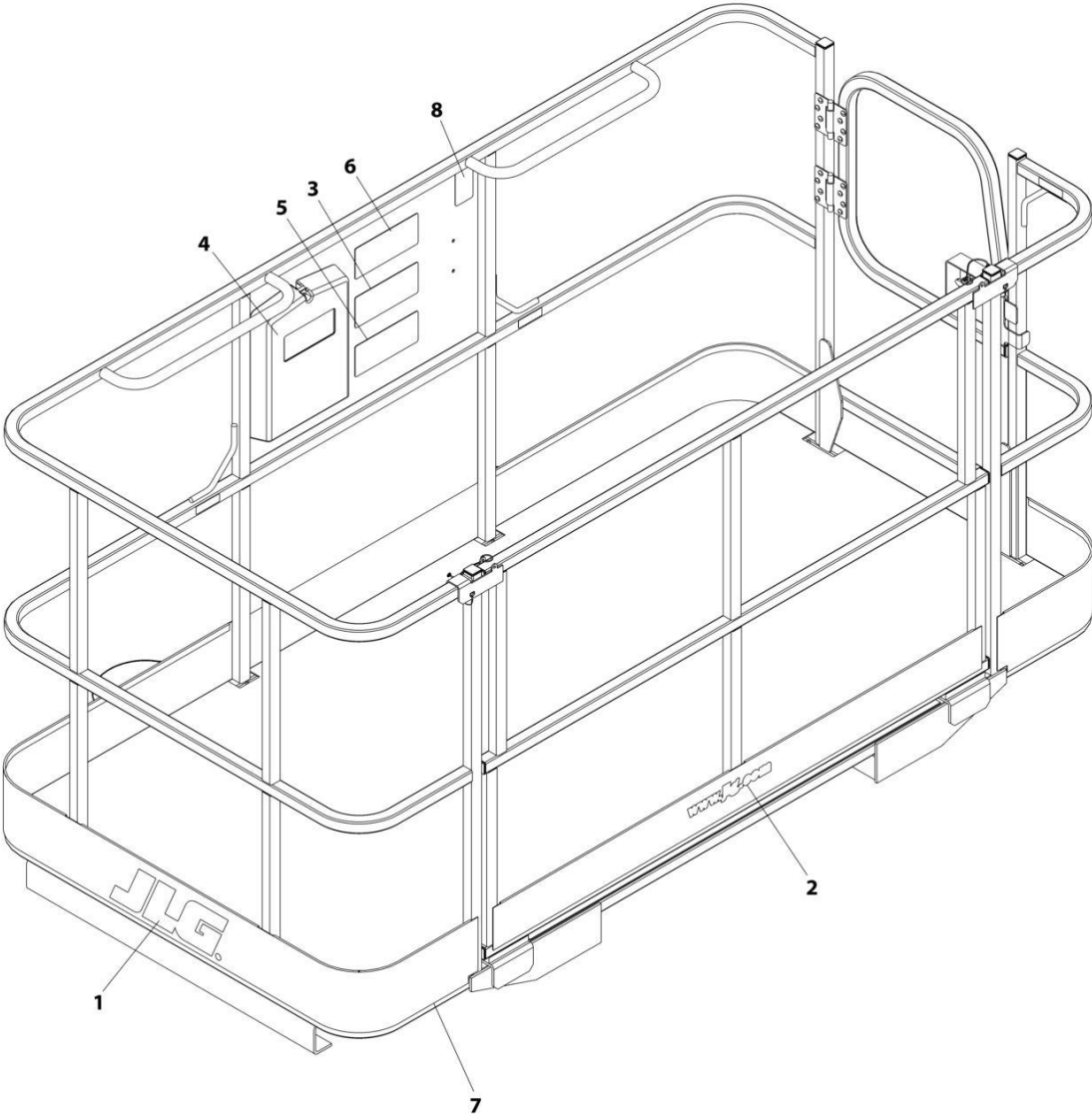
## SECTION 3 - ATTACHMENTS

### FIGURE 3-30. BLOCK VALVE ASSEMBLY

ITEM	PART NUMBER	QTY	DESCRIPTION	REV
	1001207926	Ref	VALVE BLOCK ASSEMBLY	B
1	1001264879	1	Coil	
2	1001207924	1	Manifold	
3	1001264878	1	Vale, Poppet	

**SECTION 3 - ATTACHMENTS**

**FIGURE 3-31. BASKET, PERSONNEL (1.2MX2.4M) (DOMESTIC)**



ART\_1001238653-A

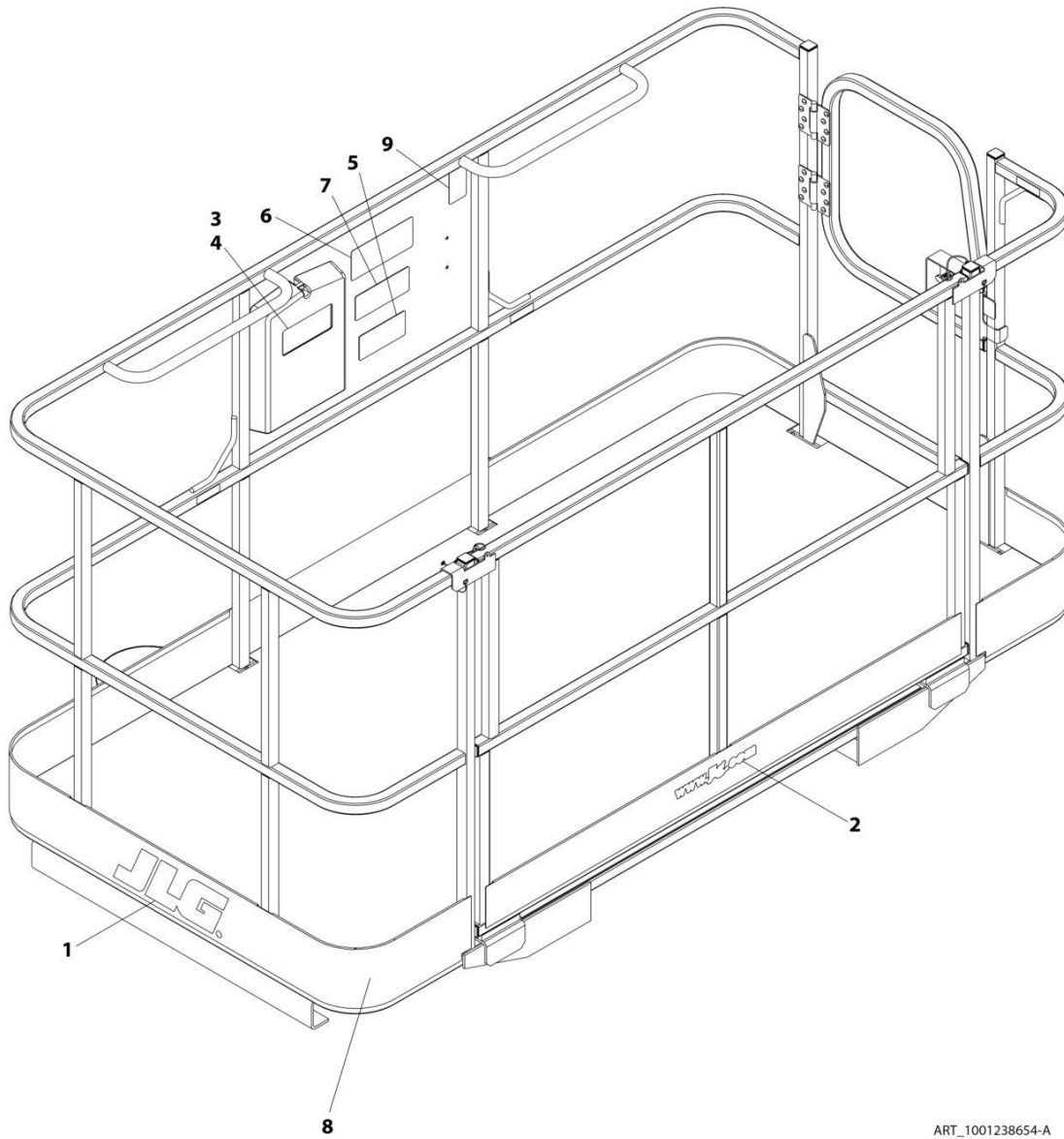
## SECTION 3 - ATTACHMENTS

**FIGURE 3-31. BASKET, PERSONNEL (1.2MX2.4M) (DOMESTIC)**

ITEM	PART NUMBER	QTY	DESCRIPTION	REV
	1001238653	Ref	FORK MOUNTED PLATFORM	B
1	1702773	2	Decal, JLG	
2	1704885	1	Decal, Website	
3	1706892	1	Decal, Platform Warning	
4	31200160	1	Manual, Personnel Work Platform Operation and Safety	
5	1001092481	1	Decal, Warning Attachment	
6	1001092482	1	Decal, Platform Capacity	
7	1001238565	1	Platform, Fork Mounted (See Separate Breakdown in this Section)	
8	See Note	NSS	SN Plate (Note: Stamped Part - Not Available for Purchase)	

# SECTION 3 - ATTACHMENTS

FIGURE 3-32. BASKET, PERSONNEL (1.2MX2.4M) (ISO)



ART\_1001238654-A



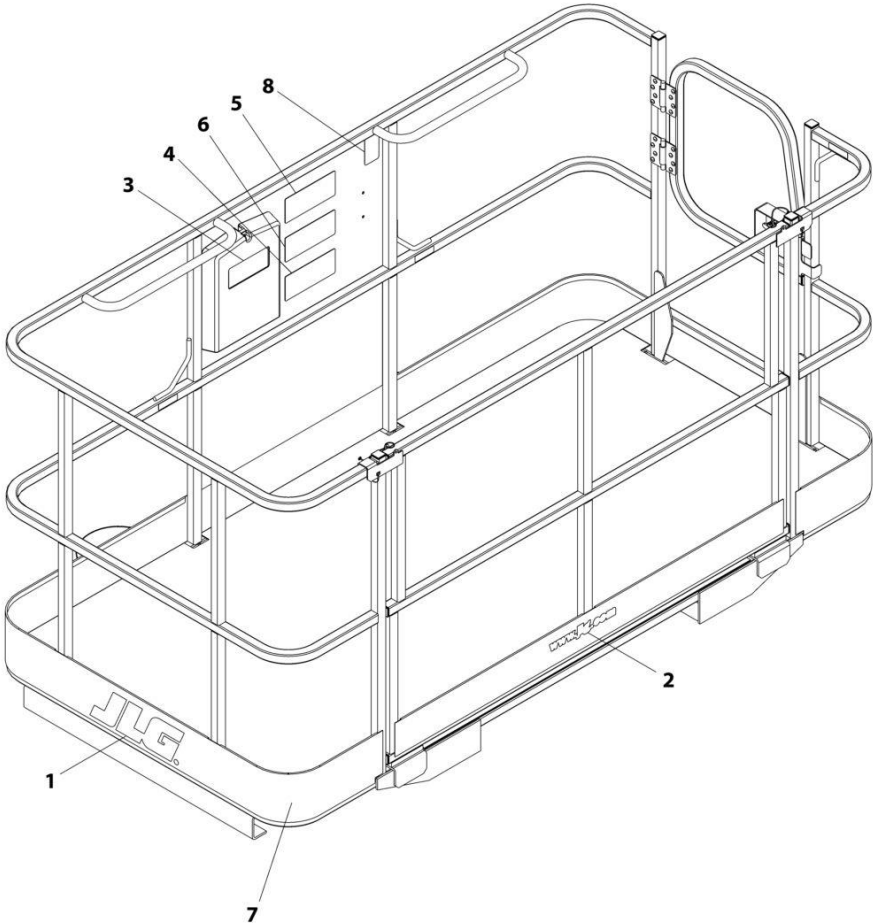
## SECTION 3 - ATTACHMENTS

**FIGURE 3-32. BASKET, PERSONNEL (1.2MX2.4M) (ISO)**

ITEM	PART NUMBER	QTY	DESCRIPTION	REV
	1001238654	Ref	BASKET, PERSONNEL	B
1	1702773	2	Decal, JLG	
2	1704885	1	Decal, Website	
3	31200387	1	Manual, Operation and Safety, Spanish	
4	31200388	1	Manual, Operation and Safety, Portuguese	
5	1001096021	1	Decal, Warning Attachment	
6	1001096023	1	Decal, Platform Capacity	
7	1001096025	1	Decal, Platform Warning	
8	1001238565	1	Platform, Fork Mounted (ANSI) (See Separate Breakdown in this Section)	
9	See Note	NSS	SN Plate (Note: Stamped Part - Not Available for Purchase)	

**SECTION 3 - ATTACHMENTS**

**FIGURE 3-33. BASKET, PERSONNEL (1.2MX2.4M) (FRENCH)**



ART\_1001238655-A

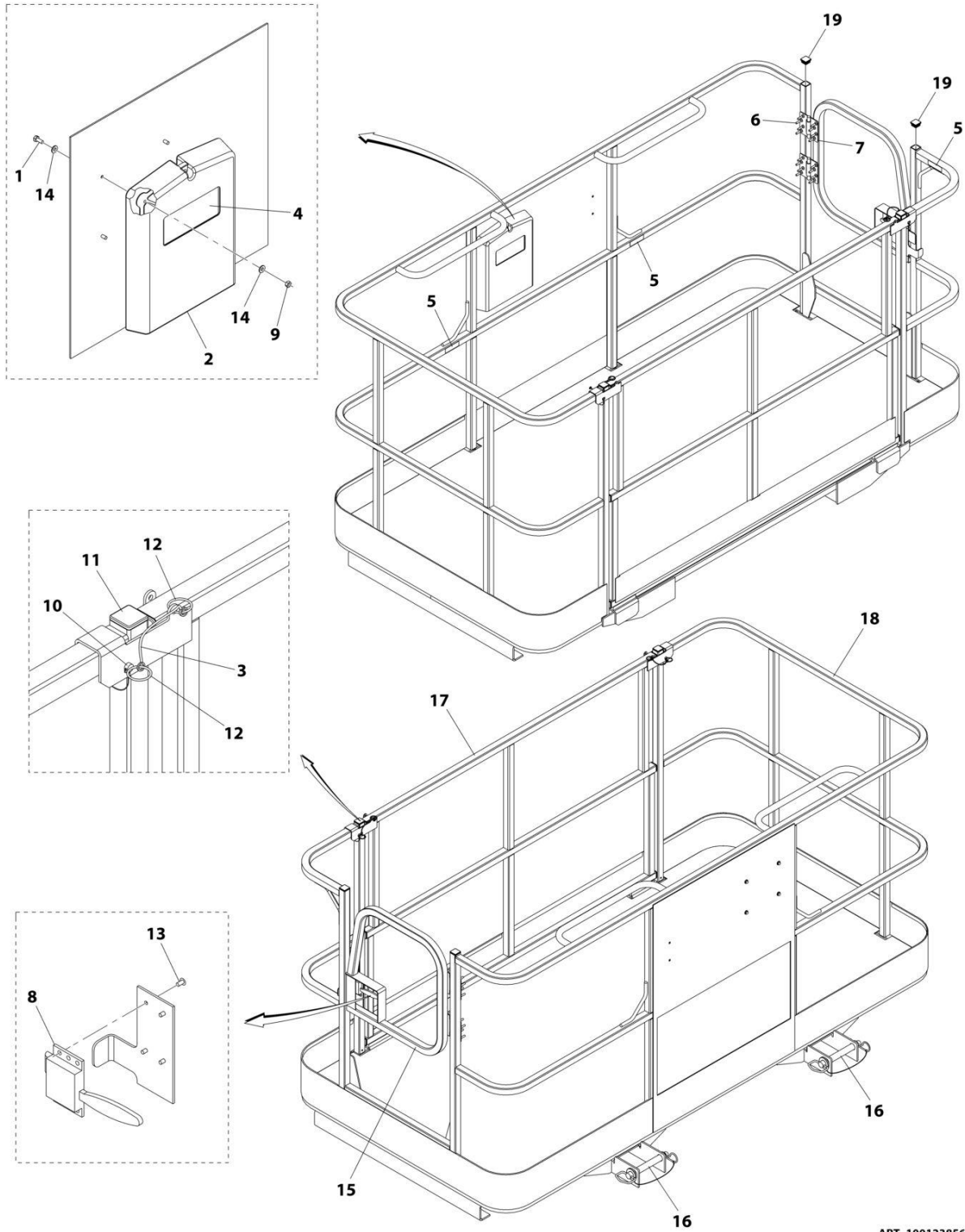
## SECTION 3 - ATTACHMENTS

**FIGURE 3-33. BASKET, PERSONNEL (1.2MX2.4M) (FRENCH)**

ITEM	PART NUMBER	QTY	DESCRIPTION	REV
	1001238655	Ref	BASKET, PERSONNEL	B
1	1702773	2	Decal, JLG	
2	1704885	1	Decal, Website	
3	31200386	1	Manual, Operation and Safety (French)	
4	1001096019	1	Decal, Warning Attachment (French)	
5	1001096020	1	Decal, Platform Capacity (French)	
6	1001096024	1	Decal, Platform Warning (French)	
7	1001238565	1	Platform, Fork Mounted (ANSI) (See Separate Breakdown in this Section)	
8	See Note	NSS	SN Plate (Note: Stamped Part - Not Available for Purchase)	

# SECTION 3 - ATTACHMENTS

## FIGURE 3-34. FORK MOUNTED PLATFORM



ART\_1001238565

## SECTION 3 - ATTACHMENTS

**FIGURE 3-34. FORK MOUNTED PLATFORM**

ITEM	PART NUMBER	QTY	DESCRIPTION	REV
	1001238565	Ref	FORK MOUNTED PLATFORM ASSEMBLY	F
1	0641405	4	Bolt 1/4 x 5/8	
2	0860520	1	Box, Manual Storage	
3	1060379	2	Cable, Lanyard	
4	1701509	1	Decal, Manual	
5	1704277	3	Decal, Lanyard Attach	
6	2080040	16	Fastener	
7	2600281	2	Hinge	
8	2940074	1	Latch	
9	3311405	4	Nut 1/4	
10	3421453	2	Pin	
11	3520072	7	Plug	
12	3760170	4	Ring	
13	3820020	4	Rivet	
14	4711400	8	Washer 1/4	
15	1001144629J	1	Gate	
16	1001238560	2	Pin, Hitch	
17	1001095810	1	Gate	
18	See Note	NSS	Platform, Fork Mounted	
19	3520198	4	Plug	

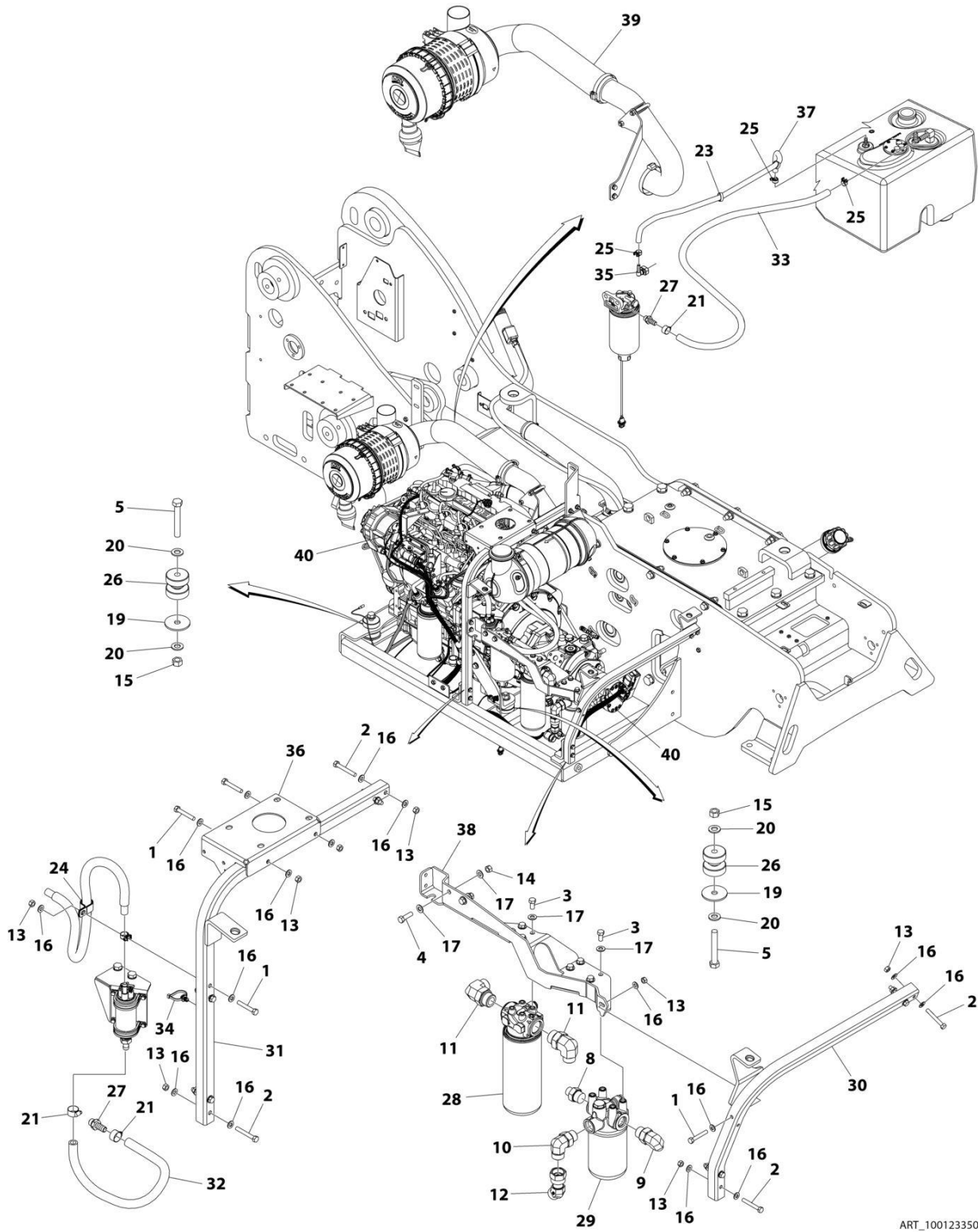


## **SECTION 4 - ENGINE AND ATTACHING PARTS**

## **SECTION 4 - ENGINE AND ATTACHING PARTS**

# SECTION 4 - ENGINE AND ATTACHING PARTS

## FIGURE 4-1. ENGINE INSTALLATION





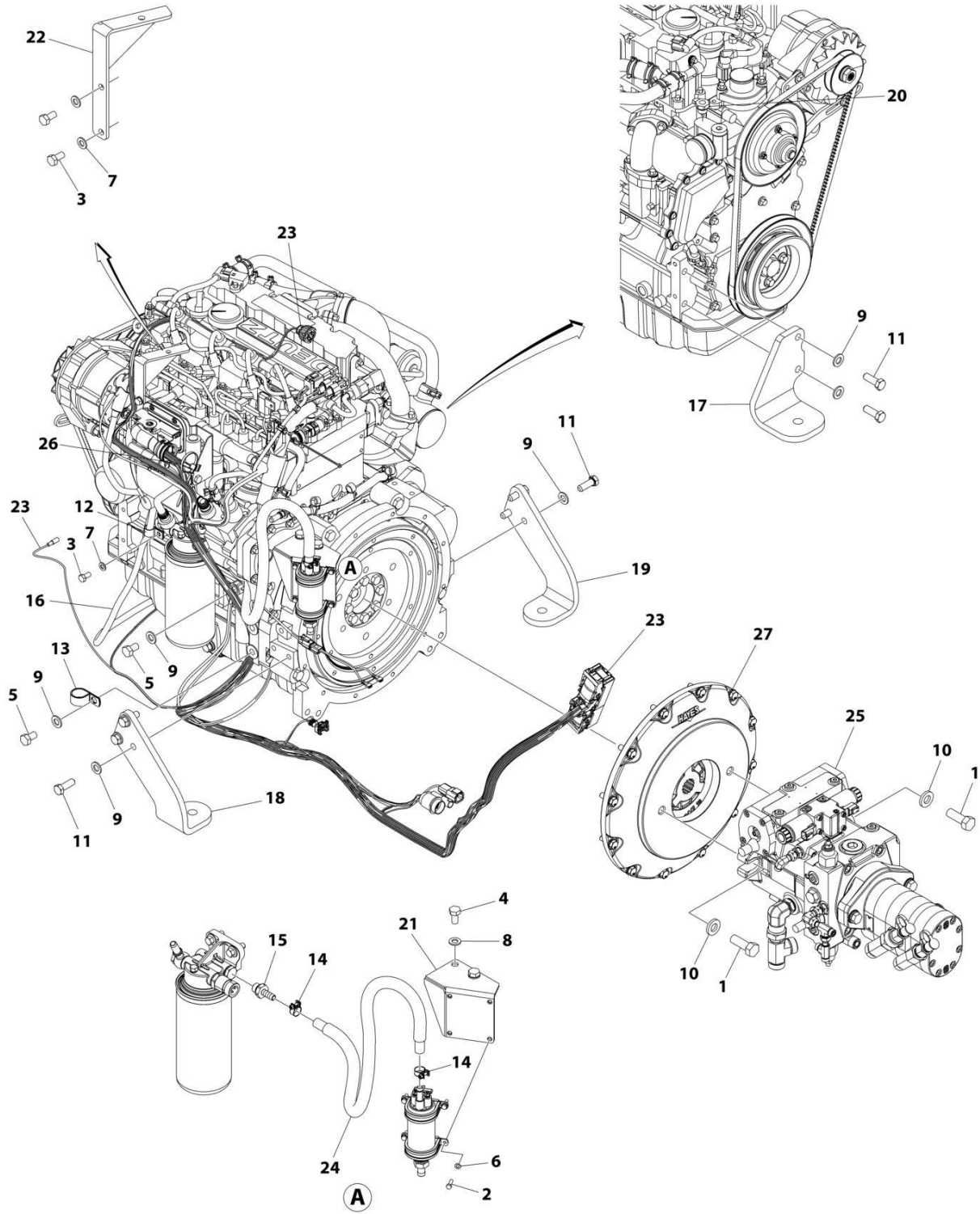
## SECTION 4 - ENGINE AND ATTACHING PARTS

### FIGURE 4-1. ENGINE INSTALLATION

ITEM	PART NUMBER	QTY	DESCRIPTION	REV
	1001233502	Ref	Engine Installation	D
1	0681516	5	Bolt 5/16 x 2	
2	0681518	8	Bolt 5/16 x 2-1/4	
3	0681606	8	Bolt 3/8 x 3/4	
4	0681610	2	Bolt 3/8 x 1-1/4	
5	0682034	4	Bolt 5/8 x 4-1/4	
8	2110812	1	Fitting, Straight ORFS/ORB	
9	2130812	1	Fitting, 90 ORFS/ORB	
10	2131212	1	Fitting, 90 ORFS/ORB	
11	2131216	2	Fitting, 90 ORFS/ORB	
12	2172112	1	Fitting, 90 ORFS/FSORFS	
13	3271501	13	Nut 5/16	
14	3271601	2	Nut 3/8	
15	3272001	4	Nut 5/8	
16	4711500	26	Washer 5/16	
17	4711600	12	Washer 3/8	
19	7300435	4	Washer, Rebound	
20	8310058	8	Washer	
21	8405006	3	Clamp	
23	8881800	2	Tie Strap	
24	85941017	1	Clamp	
25	1001136975	3	Clamp	
26	1001141027	4	Mount, Isolator	
27	1001141718	2	Tube	
28	1001141975	Ref	Hydraulic Filter Assembly (See Separate Breakdown in HYDRAULIC CIRCUITS Section)	
29	1001141976	Ref	Charge Pump Filter Assembly (See Separate Breakdown in HYDRAULIC CIRCUITS Section)	
30	1001143879	1	Support	
31	1001143880	1	Support	
32	1001144106	1	Hose	
33	1001144133	1	Hose	
34	1001146588	1	Tie Strap	
35	1001155823	1	Coupling, 90 Quick Connect	
36	1001156243	1	Plate	
37	1001158561	1	Hose	
38	1001189305	1	Bracket	
39	1001193752	Ref	Air Cleaner Installation (See Separate Breakdown in this Section)	
40	1001233503	Ref	Engine Installation (See Separate Breakdown in this Section)	

# SECTION 4 - ENGINE AND ATTACHING PARTS

## FIGURE 4-2. ENGINE INSTALLATION



ART\_1001233503\_H

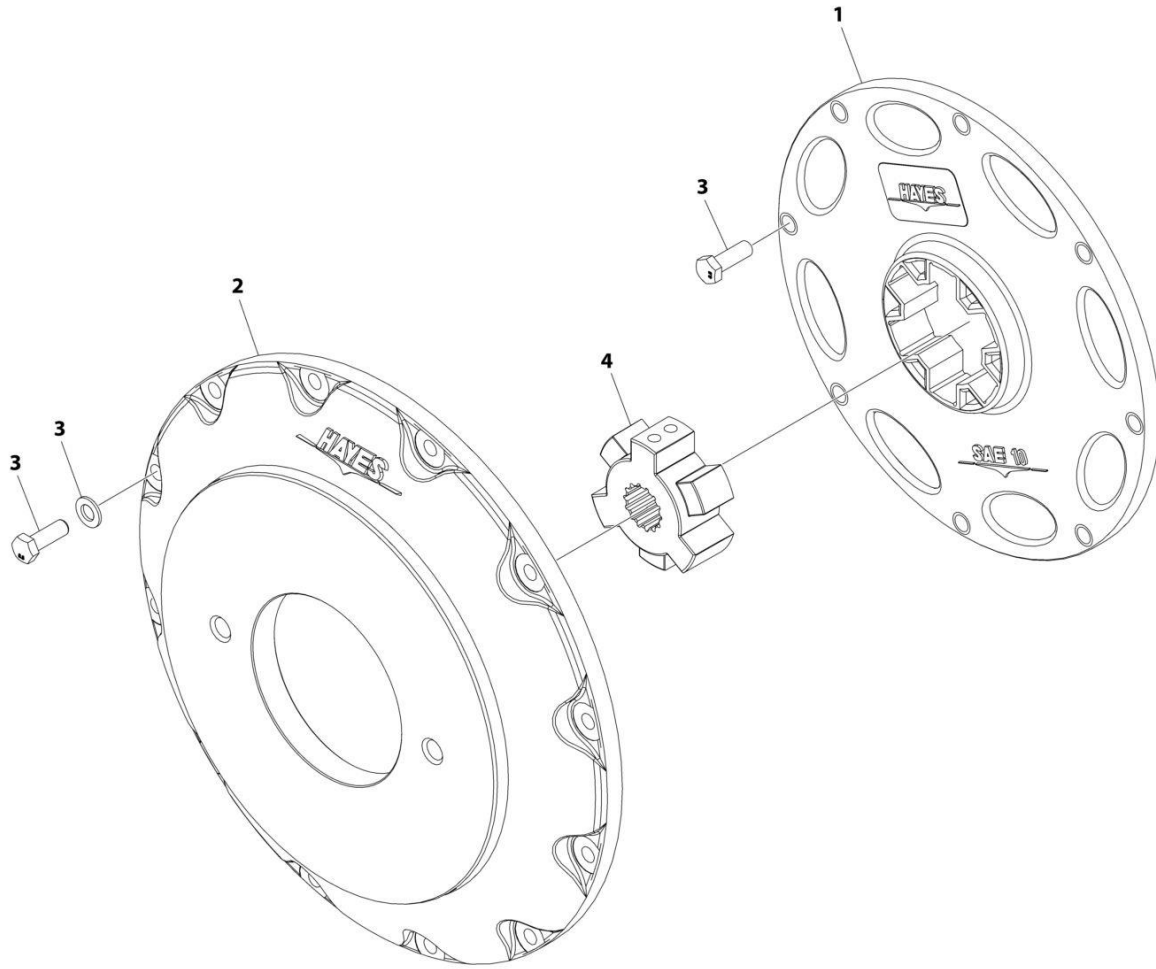
## SECTION 4 - ENGINE AND ATTACHING PARTS

### FIGURE 4-2. ENGINE INSTALLATION

ITEM	PART NUMBER	QTY	DESCRIPTION	REV
	1001233503	Ref	ENGINE INSTALLATION	H
1	0642014	2	Screw 5/8 x1-3/4	
2	0760508	4	Bolt M5 x 16	
3	0760808	3	Bolt M8 x 16	
4	0761010	2	Bolt M10 x 20	
5	0761210	2	Bolt M12 x 20	
6	4811600	4	Washer M5	
7	4811900	3	Washer M8	
8	4812000	2	Washer M10	
9	4812100	10	Washer M12	
10	5241400	2	Washer	
11	8310297	8	Bolt M12 x 35	
12	8406112	1	Clip	
13	80673023	1	Clip	
14	1001136975	2	Fuel Hose Clamp	
15	1001141717	1	Hose Barb Fitting	
16	1001142242	1	150 AMP Link Harness	
17	1001143641	1	Engine Support	
18	1001143642	1	Engine Support	
19	1001143643	1	Engine Support	
20	1001143801	1	Plug, M16 x 1.5	
21	1001143839	1	Pump Bracket	
22	1001149828	1	Hose Support Plate	
23	1001258097	1	Engine Harness (See Separate Breakdown in ELECTRICAL Section)	
24	1001165200	1	Fuel Supply Engine Hose	
25	1001282169	1	Pump (See Separate Breakdown in this Section)	
26	1001228975	1	Clip, Tie Strap	
27	1001233451	1	Coupling Assembly - Pump (See Separate Breakdown in this Section)	
28	1001266291	1	Harness, Alternator Charging (See Separate Breakdown in ELECTRICAL Section)	

# SECTION 4 - ENGINE AND ATTACHING PARTS

## FIGURE 4-3. FLEX COUPLING ASSEMBLY



ART\_1001233451

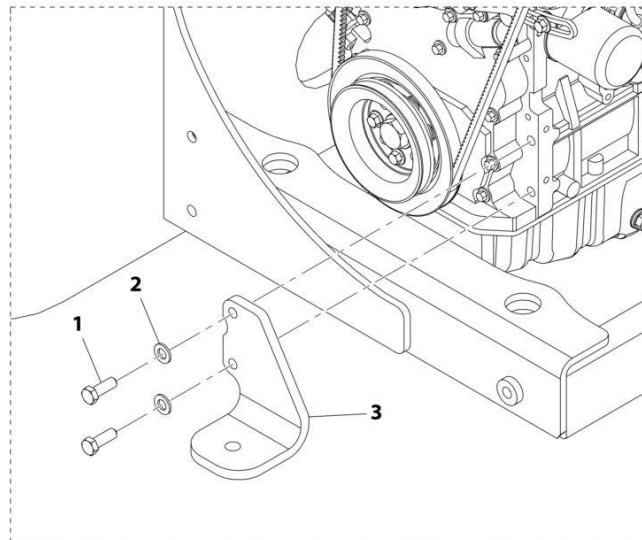
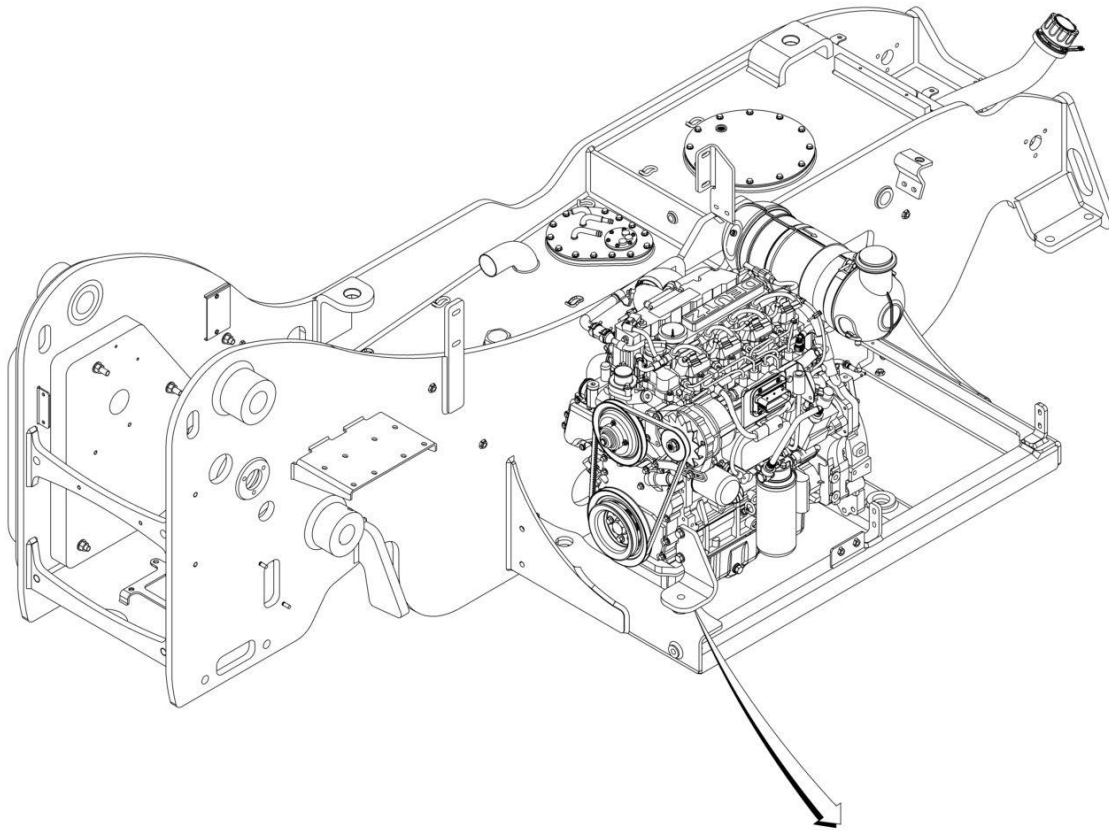
## SECTION 4 - ENGINE AND ATTACHING PARTS

FIGURE 4-3. FLEX COUPLING ASSEMBLY

ITEM	PART NUMBER	QTY	DESCRIPTION	REV
	1001233451	Ref	FLEX COUPLING ASSEMBLY	C
1	70029023	1	Coupling	
2	70024845	1	Plate, Pump Mount	
3	70029022	1	Bolt Kit (Includes Qty 20 Bolts & Qty 12 Washers)	
4	70029024	1	Hub	

# SECTION 4 - ENGINE AND ATTACHING PARTS

## FIGURE 4-4. ENGINE MOUNT INSTALLATION



ART\_1001143678-C

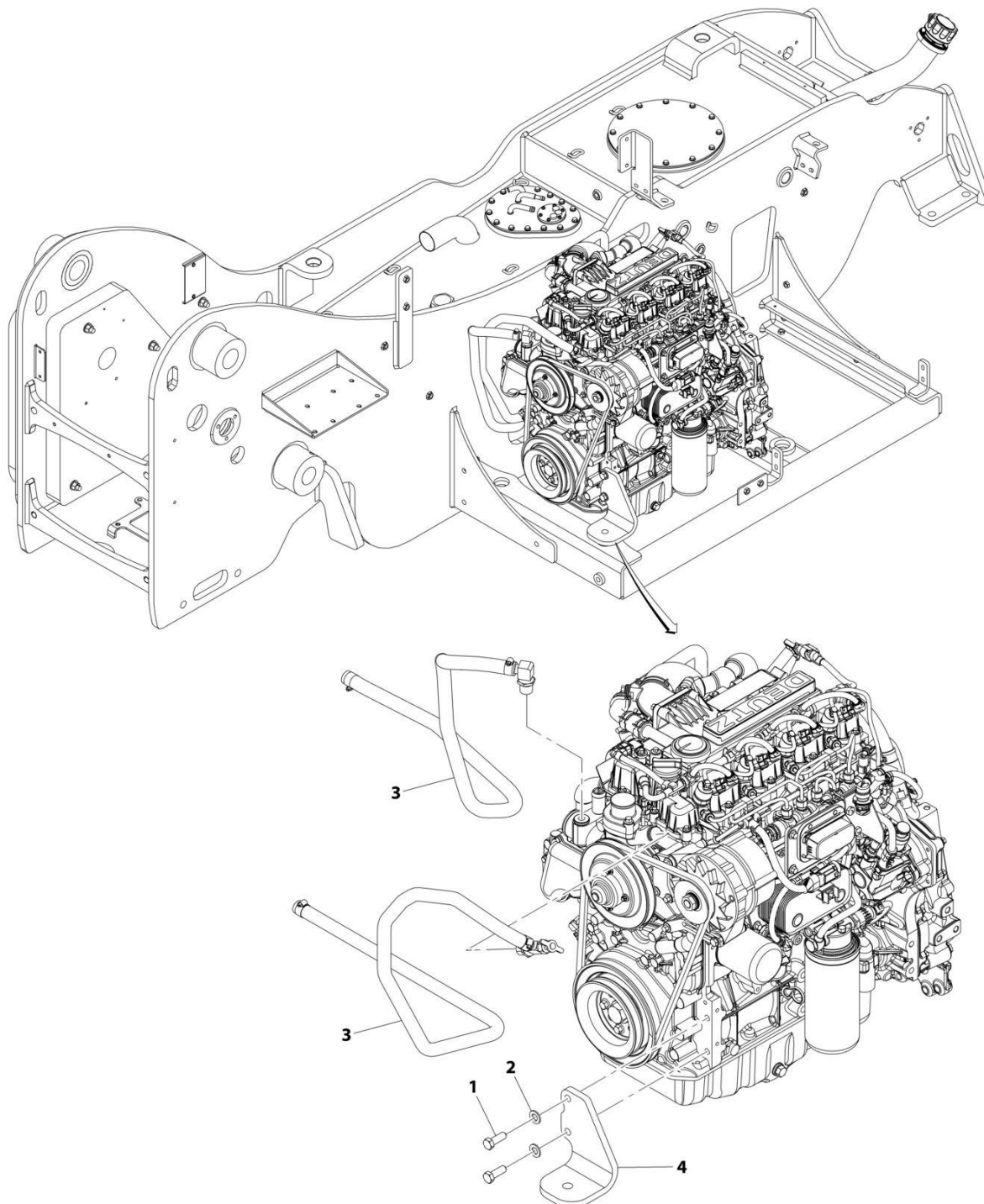
## SECTION 4 - ENGINE AND ATTACHING PARTS

### FIGURE 4-4. ENGINE MOUNT INSTALLATION

ITEM	PART NUMBER	QTY	DESCRIPTION	REV
	1001143678	Ref	Engine Mount Installation	C
1	8310297	2	Hex HD Capscrew, M12X35, GR10.9	
2	4812100	2	Washer, M12	
3	1001143640	1	Engine Support	

# SECTION 4 - ENGINE AND ATTACHING PARTS

## FIGURE 4-5. ENGINE MOUNT INSTALLATION, (HEATER)



ART\_1001143677-C



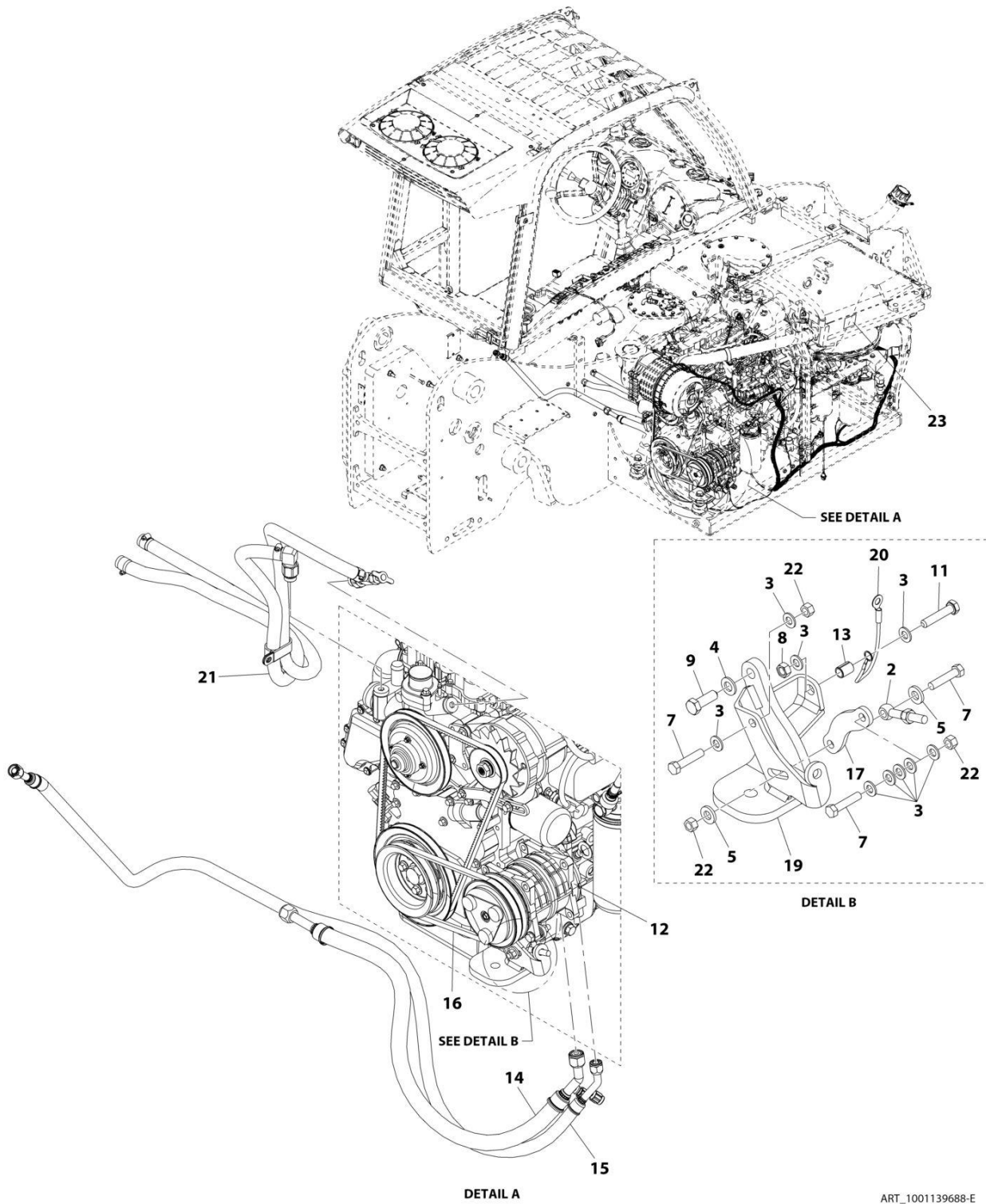
## SECTION 4 - ENGINE AND ATTACHING PARTS

FIGURE 4-5. ENGINE MOUNT INSTALLATION, (HEATER)

ITEM	PART NUMBER	QTY	DESCRIPTION	REV
	1001143677	Ref	Engine Mount Installation, (Heater)	C
1	8310297	2	Hex HD Capscrew, M12X35, GR10.9	
2	4812100	2	Washer, M12	
3	1001139684	1	Heater Lines Installation (See Separate Breakdown in this Section)	
4	1001143640	1	Engine Support	

# SECTION 4 - ENGINE AND ATTACHING PARTS

## FIGURE 4-6. ENGINE MOUNT INSTALLATION, (HEATER & A/C)



ART\_1001139688-E

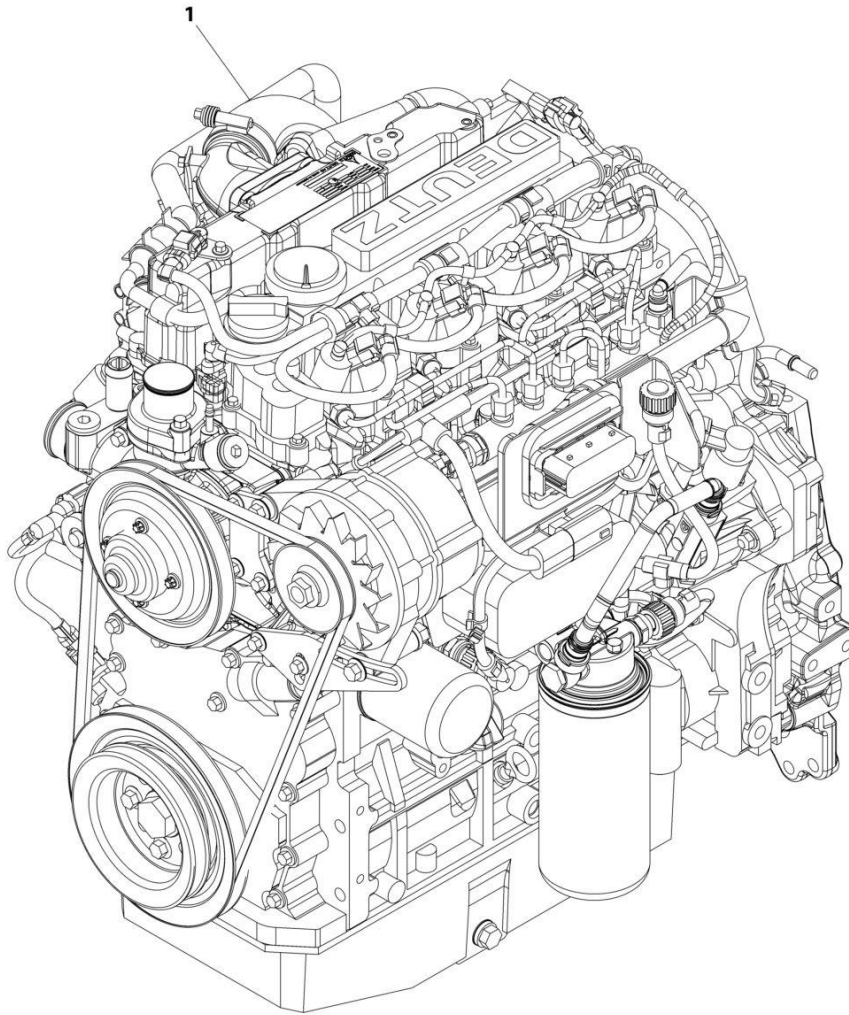
## SECTION 4 - ENGINE AND ATTACHING PARTS

**FIGURE 4-6. ENGINE MOUNT INSTALLATION, (HEATER & A/C)**

ITEM	PART NUMBER	QTY	DESCRIPTION	REV
	1001139688	Ref	Engine Mount Installation, (Heater & A/C)	E
2	1001156849	1	Rod Assembly W/Locknut	
3	4812000	9	Washer, M10	
4	4812100	2	Washer, M12	
5	4891700	2	Washer, 7/16	
7	0681614	3	Hex HD Capscrew, 3/8-16X1-3/4	
8	8305038	1	Hex Nut, M10X1.5	
9	8310297	2	Hex HD Capscrew, M12X35, GR10.9	
11	8310748	1	Hex HD Capscrew, M10X50, GR8.8	
12	1001080789	1	A/C Compressor Pump	
13	1001131818	1	Sleeve, Split Bushing	
14	1001143815	1	Hose Assembly, Compressor To Evaporator	
15	1001143816	1	Hose Assembly, Compressor To Condenser	
16	1001144359	1	Belt	
17	1001144373	1	Tension Arm Plate	
19	1001144378	1	Engine/AC Mount Support	
20	1001147071	1	A/C Ground Harness	
21	1001139684	1	Heater Lines Installation (See Separate Breakdown in this Section)	
22	3271601	3	Hex Nut, 3/8-16, GR8	
23	1001227091	1	Decal, A/C Installation	

## SECTION 4 - ENGINE AND ATTACHING PARTS

FIGURE 4-7. ENGINE (55.4KW - ULS)



ART\_1001136095\_H

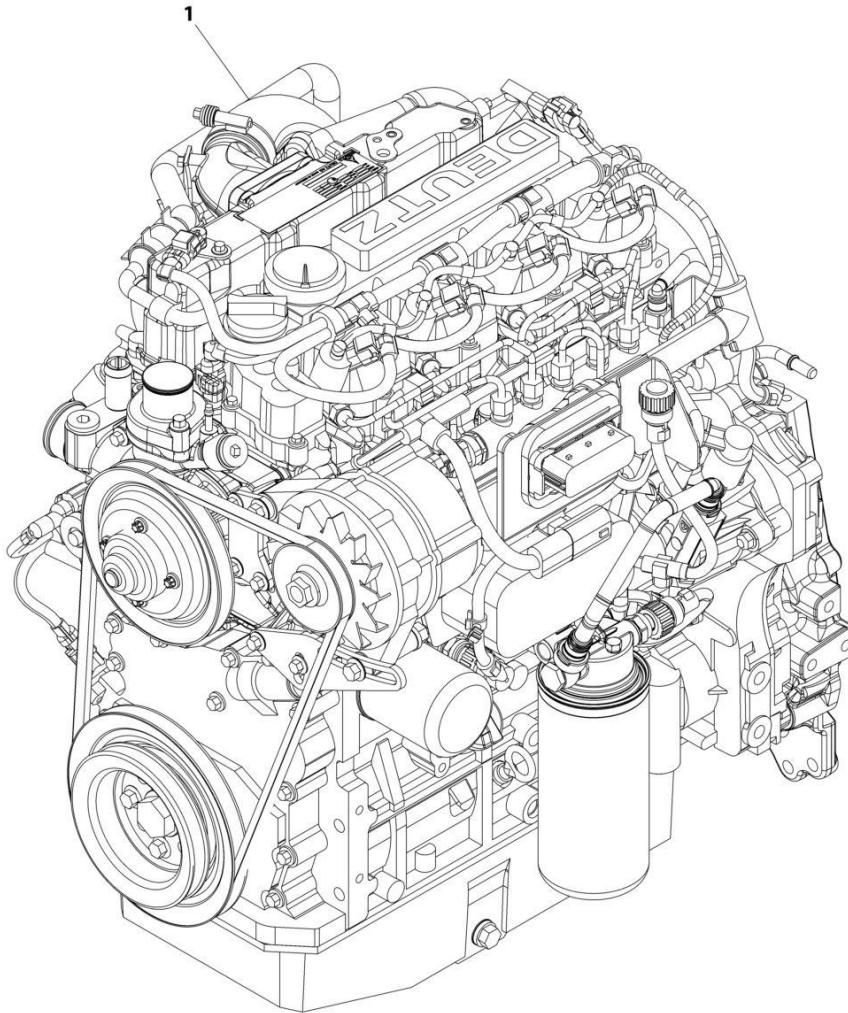
## SECTION 4 - ENGINE AND ATTACHING PARTS

**FIGURE 4-7. ENGINE (55.4KW - ULS)**

ITEM	PART NUMBER	QTY	DESCRIPTION	REV
1	1001136095	Ref	ENGINE (55.4KW - ULS)	H
	70029015	1	Fan	
	3580158	1	Pulley	
	70025150	1	V-Grooved Pulley	
	1001225430	1	Filter, Fuel Primary	
	70029451	1	Fuel Filter	
	70025162	1	Oil Pan (Includes Items #2 & 3)	
	70028929	1	V-Grooved Pulley	
	70028540	1	Sender, Temperature	
	7016331	2	Filter, Oil	
	7020465	3	Cap, Filler	
	70025187	1	Fuel Injector	
	70024913	2	Narrow V-Belt	
	70006652	2	Alternator	
	70024915	2	Starter (Not Shown - Located on Left Side)	
	70024904	2	Dipstick (Includes Item #2)	
	70024911	2	Turbocharger	
	70005941	2	Plug, Oil	

## SECTION 4 - ENGINE AND ATTACHING PARTS

FIGURE 4-8. ENGINE (55.4KW - LS)



ART\_1001139668\_H

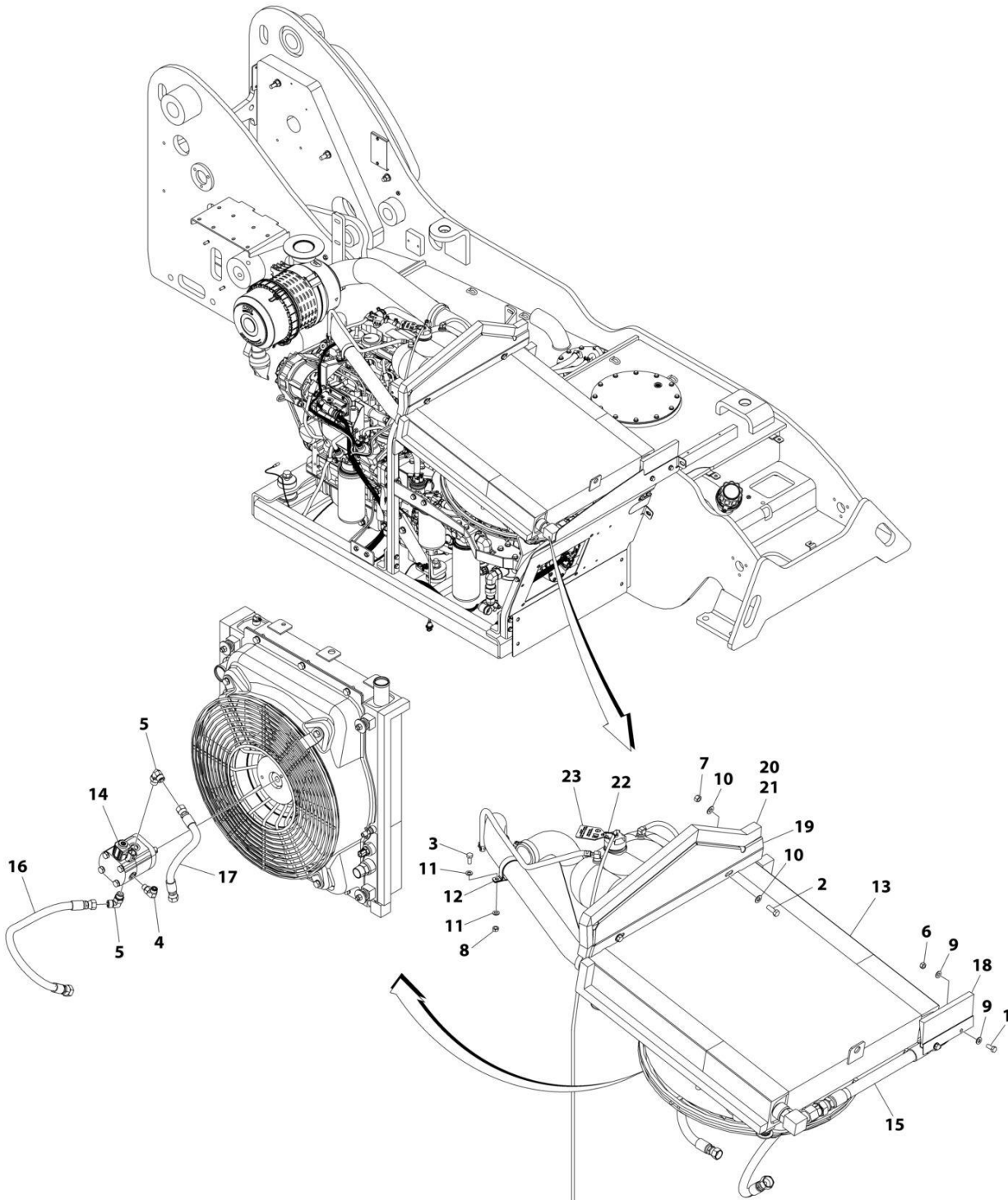
## SECTION 4 - ENGINE AND ATTACHING PARTS

**FIGURE 4-8. ENGINE (55.4KW - LS)**

ITEM	PART NUMBER	QTY	DESCRIPTION	REV
1	1001139668	Ref	ENGINE (55.4KW - LS)	H
	70029015	1	Fan	
	3580158	1	Pulley	
	70025150	1	V-Grooved Pulley	
	1001225430	1	Filter, Fuel Primary	
	1001225432	1	Fuel Filter, Element	
	70025162	1	Oil Pan, (Includes Item 2 & 3)	
	70028929	1	V-Grooved Pulley	
	70028540	1	Sender, Temperature	
	7016331	1	Filter, Oil	
	7020465	2	Cap, Filler	
	70025181	1	Injector, Fuel	
	70024913	1	Narrow V-Belt	
	70006652	1	Alternator	
	70024915	1	Starter (Not Shown - Located on Left Side)	
	70024904	1	Dipstick, (Includes Item 2)	
	70024911	1	Turbocharger	
	70005941	1	Plug, Oil	

# SECTION 4 - ENGINE AND ATTACHING PARTS

## FIGURE 4-9. FAN INSTALLATION



ART\_1001192128\_E



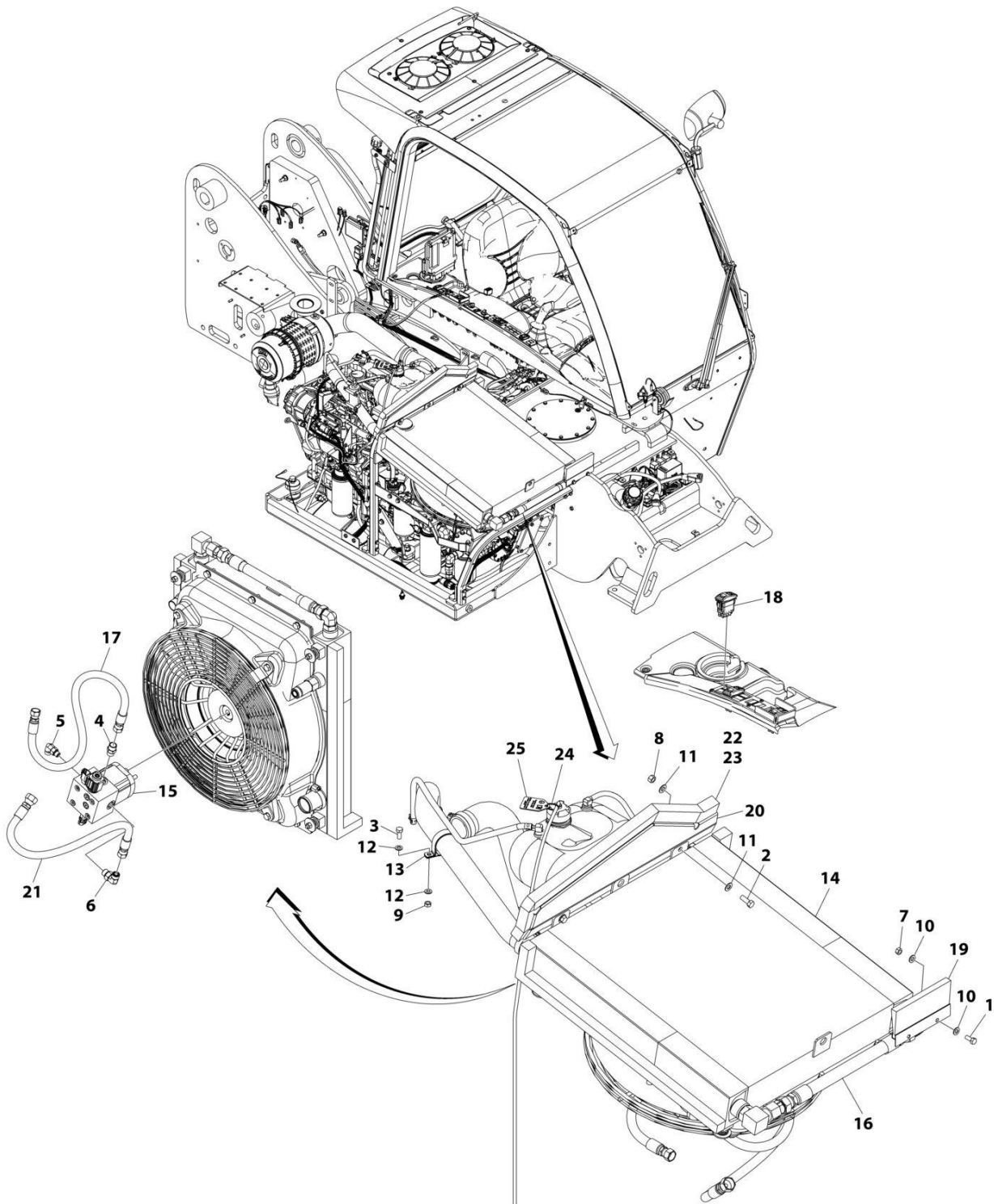
## SECTION 4 - ENGINE AND ATTACHING PARTS

### FIGURE 4-9. FAN INSTALLATION

ITEM	PART NUMBER	QTY	DESCRIPTION	REV
	1001192128	Ref	FAN INSTALLATION	E
1	0681506	2	Bolt 5/16 x 3/4	
2	0681608	2	Bolt 3/8 x 1 Grade 8	
3	0760810	1	Bolt M8 x 20	
4	2130606	1	Adapter, 90	
5	2130808	2	Adapter, 90	
6	3271501	2	Nut 5/16	
7	3271601	2	Nut 3/8	
8	3290801	1	Nut M8 x 1.25	
9	4711500	4	Washer 5/16	
10	4711600	4	Washer 3/8	
11	4811900	2	Washer M8	
12	8410001	1	Hose Clamp	
13	1001138877	1	Radiator Installation (See Separate Breakdown in this Section)	
14	1001141779	1	Fan Motor, Variable (See Separate Breakdown in HYDRAULIC COMPONENTS Section)	
15	1001143041	1	Hose Assembly	
16	1001144692	1	Hose Assembly	
17	1001144693	1	Hose Assembly	
18	1001145710	1	Brush Seal	
19	1001191830	1	Air Dam Plate	
20	1001192256	1	Seal	
21	0100081	AR	Adhesive	
22	4240032	1	Tie-Strap	
23	1001260945	1	Tag, Coolant ELC NF	

# SECTION 4 - ENGINE AND ATTACHING PARTS

## FIGURE 4-10. FAN INSTALLATION, REVERSING



ART\_1001192129\_E

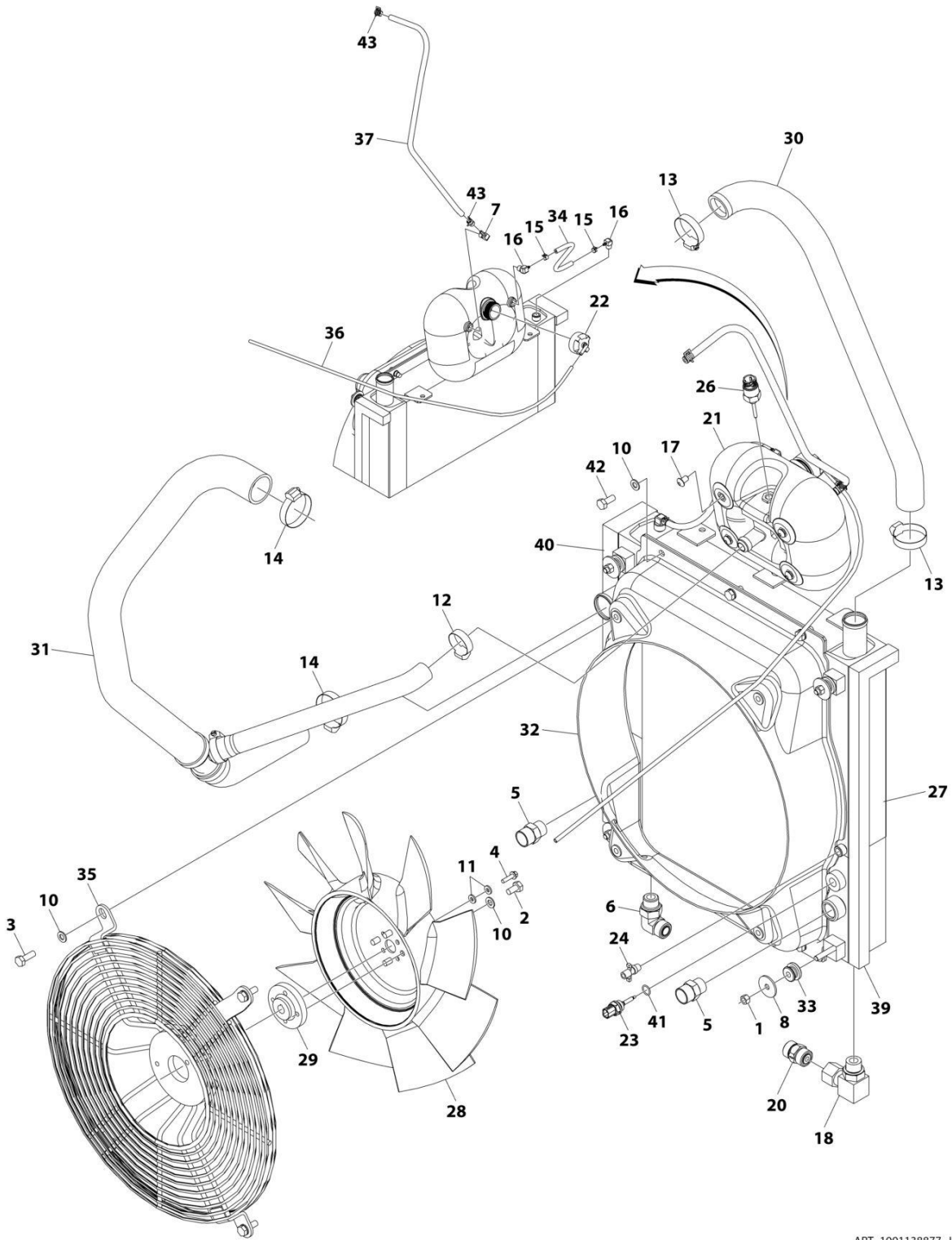
## SECTION 4 - ENGINE AND ATTACHING PARTS

**FIGURE 4-10. FAN INSTALLATION, REVERSING**

ITEM	PART NUMBER	QTY	DESCRIPTION	REV
	1001192129	Ref	FAN INSTALLATION, REVERSING	E
1	0681506	2	Bolt 5/16 x 3/4	
2	0681608	2	Bolt 3/8 x 1 Grade 8	
3	0760810	1	Bolt M8 x 20	
4	2110808	1	Adapter, Straight	
5	2130606	1	Adapter 90	
6	2130808	1	Adapter 90	
7	3271501	2	Nut 5/16-18	
8	3271601	2	Nut 3/8	
9	3290801	1	Nut M8	
10	4711500	4	Washer 5/6	
11	4711600	4	Washer 3/8	
12	4811900	2	Washer M8	
13	8410001	1	Hose Clamp	
14	1001138877	1	Radiator Installation (See Separate Breakdown in this Section)	
15	1001141780	1	Fan Motor, Variable, Reversing (See Separate Breakdown in HYDRAULIC COMPONENTS Section)	
16	1001143041	1	Hose Assembly	
17	1001144695	1	Hose Assembly	
18	1001145204	1	Reverse Fan Switch	
19	1001145710	1	Brush Seal	
20	1001191830	1	Air Dam Plate	
21	1001144694	1	Hose Assembly	
22	1001192256	1	Seal	
23	0100081	AR	Adhesive	
24	4240032	1	Tie-Strap	
25	1001260945	1	Tag, Coolant ELC NF	

# SECTION 4 - ENGINE AND ATTACHING PARTS

## FIGURE 4-11. RADIATOR INSTALLATION



ART\_1001138877\_J

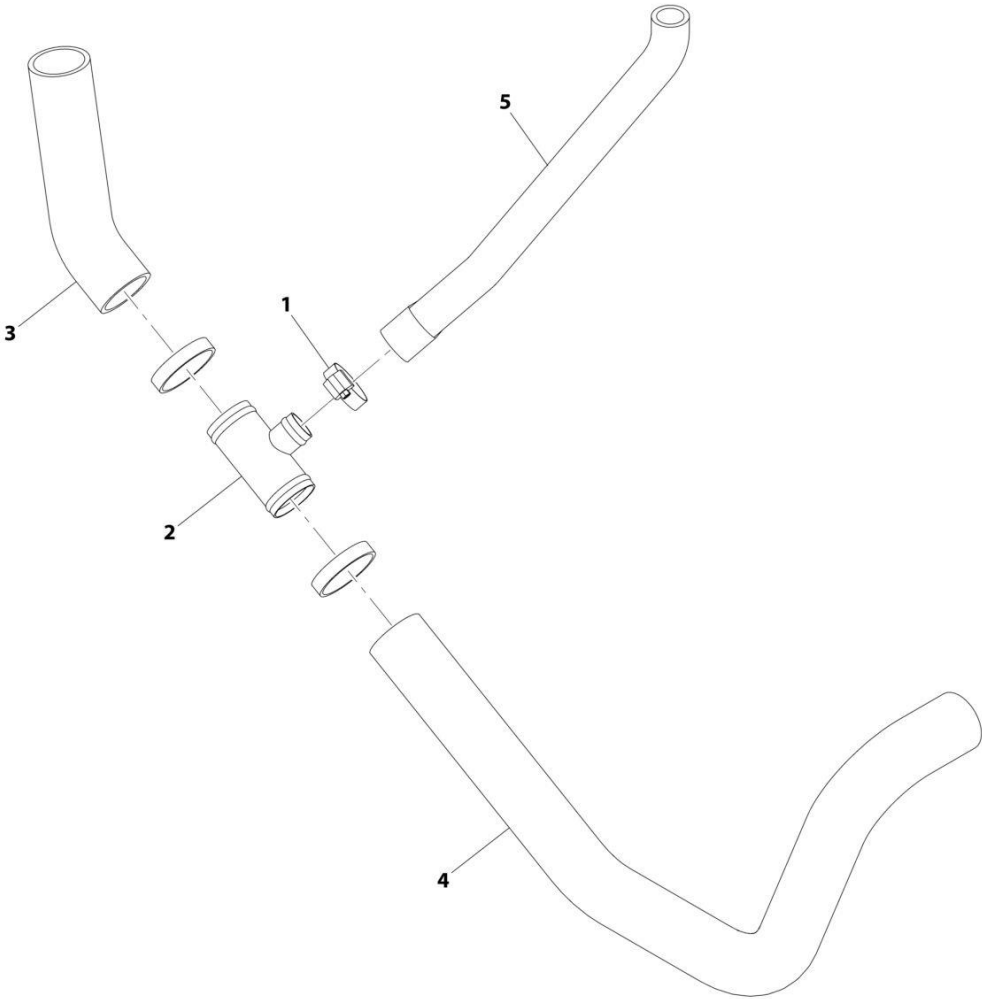
## SECTION 4 - ENGINE AND ATTACHING PARTS

### FIGURE 4-11. RADIATOR INSTALLATION

ITEM	PART NUMBER	QTY	DESCRIPTION	REV
	1001138877	Ref	RADIATOR INSTALLATION	J
1	3271601	4	Nut 3/8	
2	0761010	4	Bolt M10 x 20, GR8.8	
3	0761014	4	Bolt M10 x 30, GR8.8	
4	0811408	1	Screw 1/4 x 1	
5	2111212	2	Adapter, Straight	
6	2131212	1	Adapter, 90	
7	8420227	1	Hose Barb Elbow, 90	
8	4740281	4	Special Washer	
10	4812000	14	Washer M10	
11	4891400	2	Washer 1/4	
12	8405102	1	Gear Clamp, 1.75	
13	8405104	2	Gear Clamp, 2.25	
14	8405201	2	Gear Clamp, 2.50	
15	1001157075	2	Hose Clamp	
16	8420236	2	Hose Barb Elbow, 90	
17	88261026	4	Capscrew 3/8 x 5/8	
18	1001003680	1	Adapter, 90	
20	1001127967	1	Check Valve	
21	1001128144	1	Coolant Tank	
22	1001136834	1	Deaeration Tank Cap	
23	1001128478	1	Temperature Sensor	
24	8904001	1	External Seal, Drain Cock	
26	1001138827	1	Coolant Level Sensor	
27	1001252481	1	Water/Oil Radiator	
28	1001148423	1	Fan, 20in, 9 Blade	
29	1001145871	1	Adapter, Fan	
30	1001141786	1	Radiator Inlet Hose	
31	1001141787	1	Lower Radiator Hose Assembly (See Separate Breakdown in this Section)	
32	1001141796	1	Fan Shroud	
33	1001141801	4	Mounting Pad	
34	1001141834	1	Radiator Vent Hose, 3/16	
35	1001141881	1	Fan Guard Grill	
36	1001141896	1	Coolant Overflow Hose	
37	1001141944	1	Engine Vent Hose	
39	1001252482	1	Foam Gasket Seal	
40	1001252483	1	Foam Gasket Seal	
41	1001009163	1	Seal	
42	0761012	6	Bolt M10 x 25, GR8.8	
43	1001156087	2	Hose Clamp	

**SECTION 4 - ENGINE AND ATTACHING PARTS**

**FIGURE 4-12. RADIATOR LOWER HOSE ASSEMBLY**



ART\_1001141787-D

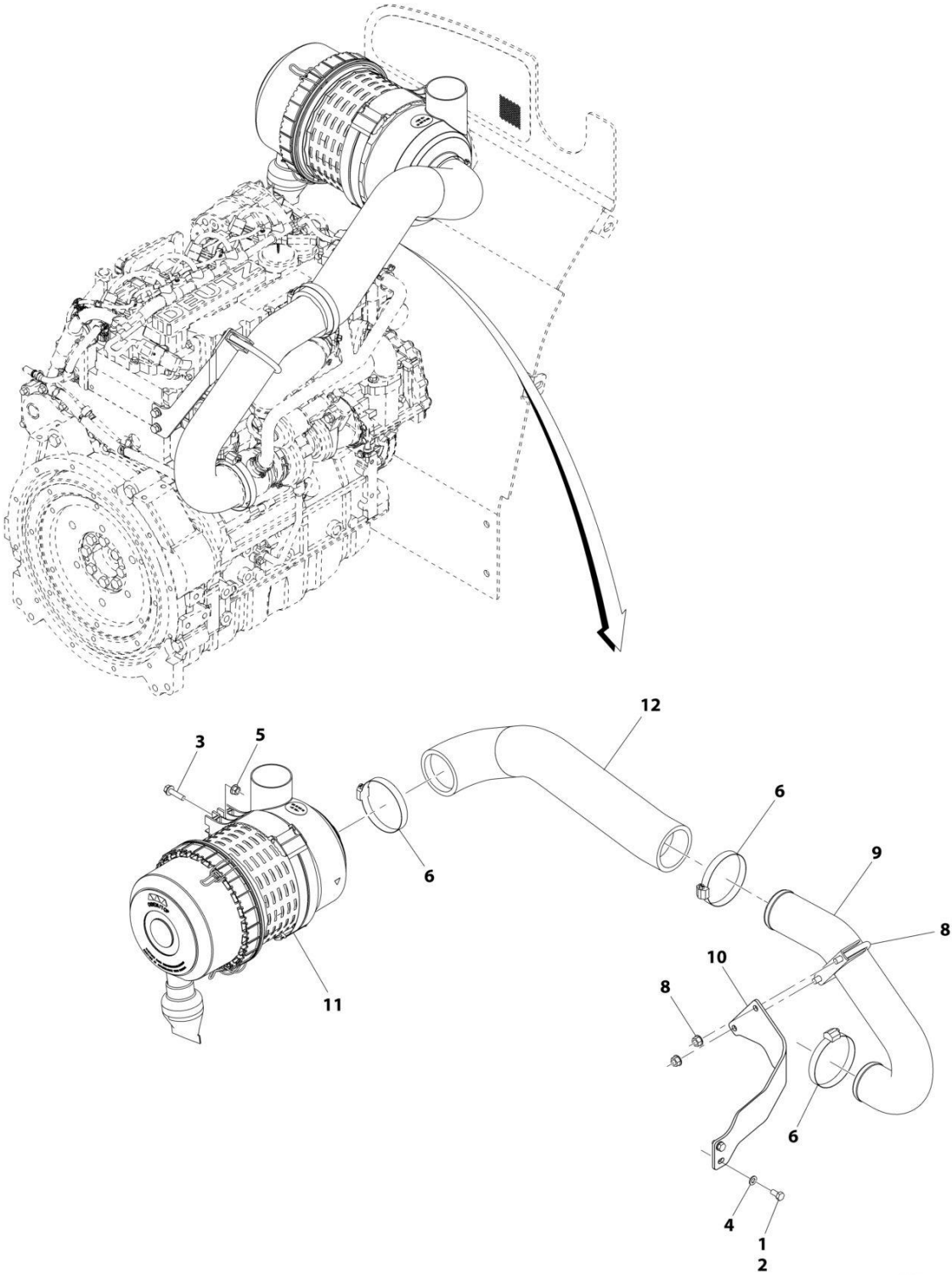
## SECTION 4 - ENGINE AND ATTACHING PARTS

FIGURE 4-12. RADIATOR LOWER HOSE ASSEMBLY

ITEM	PART NUMBER	QTY	DESCRIPTION	REV
	1001141787	Ref	Radiator Lower Hose Assembly	D
1	8405102	1	Gear Clamp, 1.75	
2	1001121514	1	Tee Pipe	
3	1001141788	1	Water Inlet Hose	
4	1001141789	1	Radiator Outlet Hose	
5	1001141791	1	Surge Tank Return Hose	

# SECTION 4 - ENGINE AND ATTACHING PARTS

## FIGURE 4-13. AIR CLEANER INSTALLATION



ART\_1001193752-C



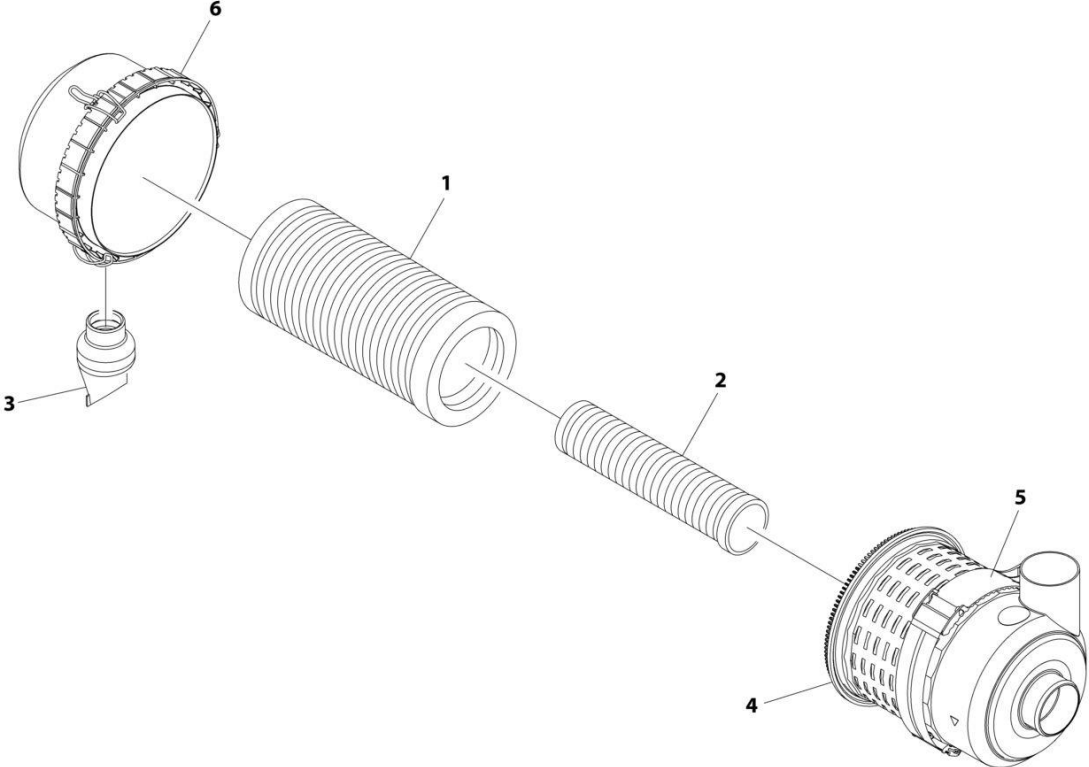
## SECTION 4 - ENGINE AND ATTACHING PARTS

### FIGURE 4-13. AIR CLEANER INSTALLATION

ITEM	PART NUMBER	QTY	DESCRIPTION	REV
	1001193752	Ref	Air Cleaner Installation	C
1	0100011	AR	Compound, Locking	
2	0760808	2	Bolt M8 x 16	
3	0811510	2	Screw 5/16 x 1-1/4	
4	4811900	2	Washer M8	
5	8310420	2	Nut 5/16	
6	8410011	3	Gear Clamp, 3.25	
8	1001101451	1	Muffler Clamp	
9	1001139155	1	Air Intake Tube	
10	1001241661	1	Tube Bracket	
11	1001142259	1	Air Cleaner Assembly (See Separate Breakdown in this Section)	
12	1001143201	1	Air Intake Hose	

**SECTION 4 - ENGINE AND ATTACHING PARTS**

**FIGURE 4-14. AIR CLEANER ASSEMBLY**



ART\_1001142259\_D

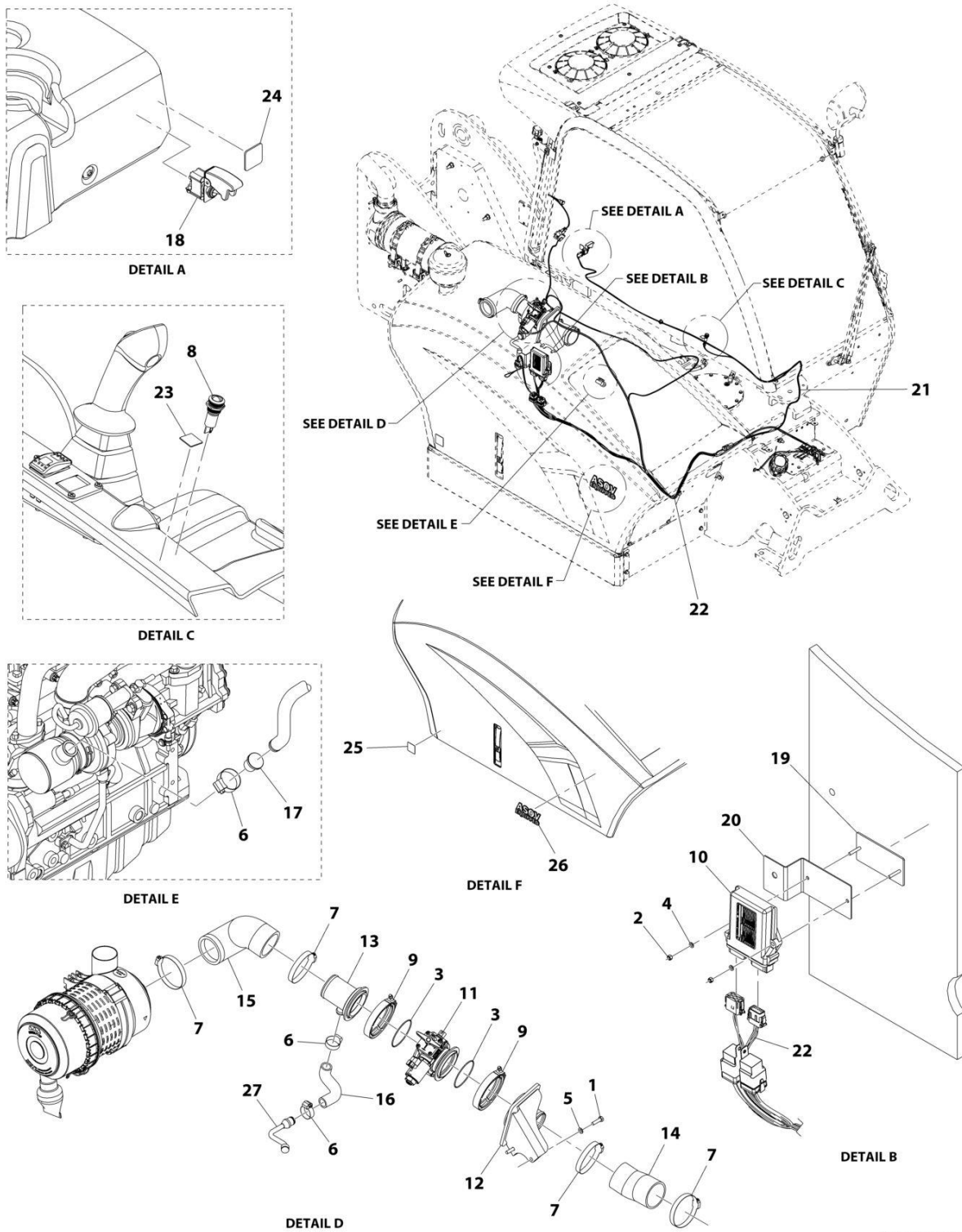
## SECTION 4 - ENGINE AND ATTACHING PARTS

### FIGURE 4-14. AIR CLEANER ASSEMBLY

ITEM	PART NUMBER	QTY	DESCRIPTION	REV
	1001142259	Ref	AIR CLEANER ASSEMBLY	D
1	70024190	1	Main Air Element	
2	70024191	1	Secondary Air Element	
3	70025249	1	Dust Valve	
4	70030962	1	Filter Housing (Includes Item 6)	
5	70030963	1	Bracket	
6	See Note	NSS	Cover with Clips (Note: Purchase Item 4)	

# SECTION 4 - ENGINE AND ATTACHING PARTS

## FIGURE 4-15. AIR SHUT OFF VALVE INSTALLATION



ART\_1001204679-C

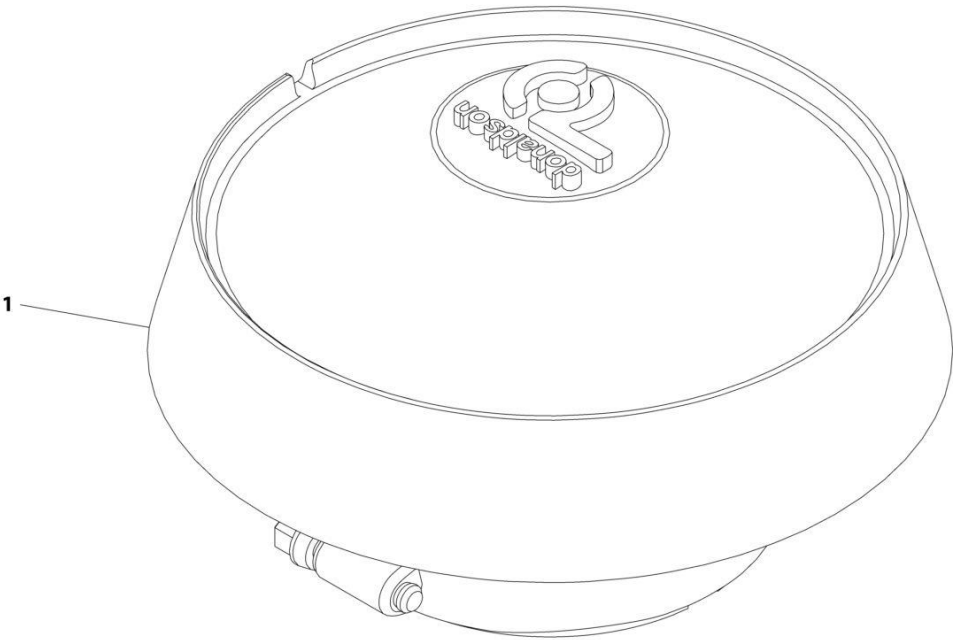
## SECTION 4 - ENGINE AND ATTACHING PARTS

**FIGURE 4-15. AIR SHUT OFF VALVE INSTALLATION**

ITEM	PART NUMBER	QTY	DESCRIPTION	REV
	1001204679	Ref	AIR SHUT OFF VALVE INSTALLATION	C
1	0760814	2	Bolt M8 x 30	
2	3290505	2	Nut M5	
3	3790152	2	O-Ring	
4	4811600	2	Washer M5	
5	4811900	2	Washer M8	
6	8405101	3	Clamp	
7	8410011	4	Clamp	
8	1001239539	1	Lamp, LED Indicator	
9	1001202247	2	Clamp	
10	1001203181	1	Control Accessory	
11	1001204032	1	Valve, Air Shut Off (See Separate Breakdown in Hydraulic Components Section)	
12	1001204674	1	Bracket	
13	1001204676	1	Adapter	
14	1001204677	1	Hose	
15	1001204678	1	Hose	
16	1001205397	1	Hose	
17	1001206603	1	Plug	
18	1001215941	1	Switch	
19	1001219082	1	Bracket	
20	1001230503	1	Plate	
21	1001233213	1	Harness, Posi Air Shut Off Valve (See Separate Breakdown in Electrical Section)	
22	1001233235	1	Harness, Posi Air Shut Off Valve Frame (See Separate Breakdown in Electrical Section)	
23	1001227077	1	Decal	
24	1001227964	1	Decal	
25	1001228273	1	Decal	
26	1001228643	1	Decal	
27	1001233784	1	Pipe	

**SECTION 4 - ENGINE AND ATTACHING PARTS**

**FIGURE 4-16. RAIN CAP**



ART\_1001144015-A

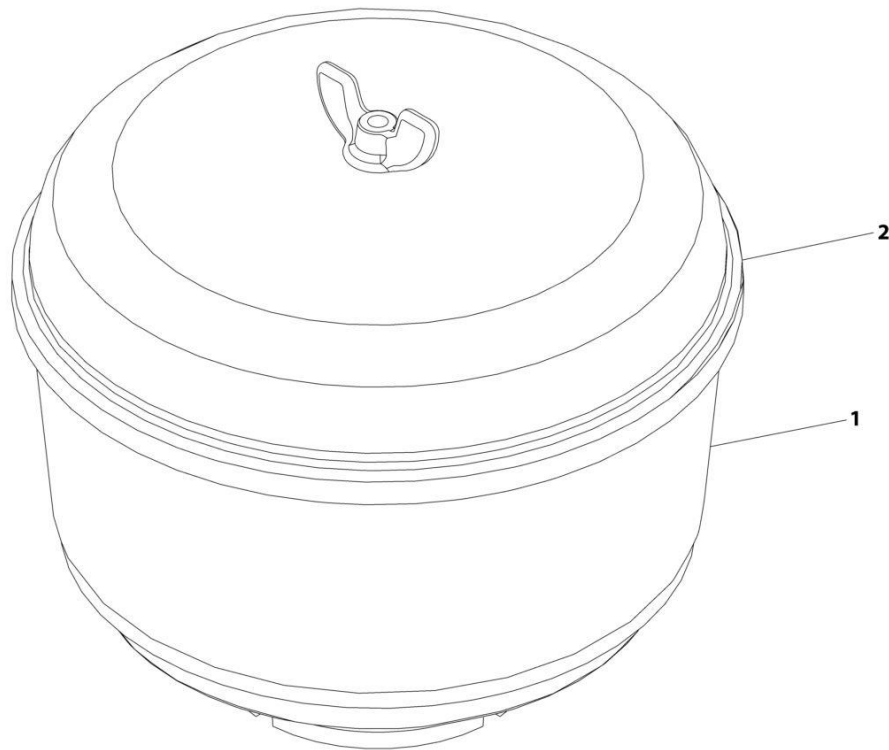
## SECTION 4 - ENGINE AND ATTACHING PARTS

FIGURE 4-16. RAIN CAP

ITEM	PART NUMBER	QTY	DESCRIPTION	REV
1	1001144015	Ref	Rain Cap	A

# SECTION 4 - ENGINE AND ATTACHING PARTS

## FIGURE 4-17. PRECLEANER



ART\_1001062773-B



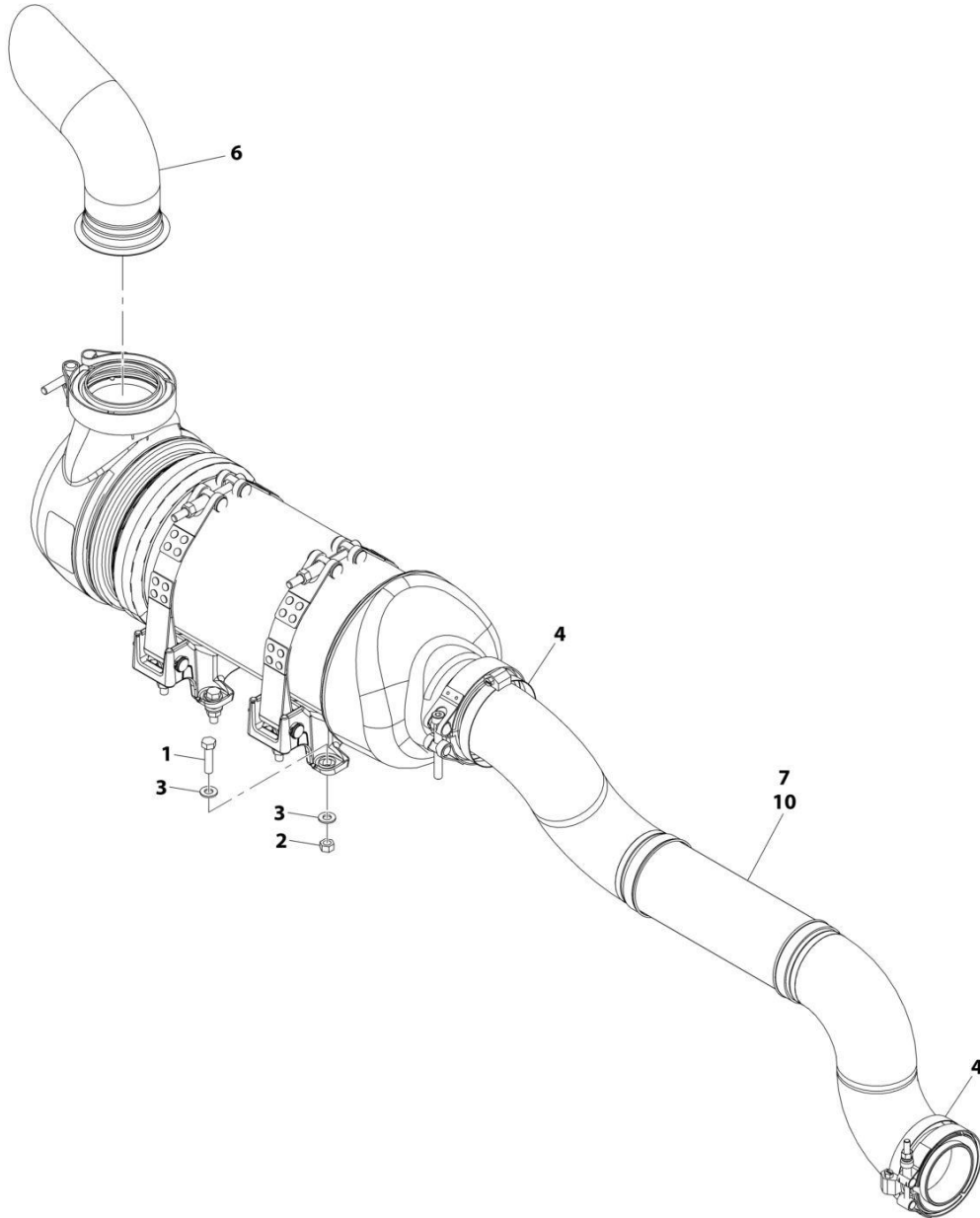
## SECTION 4 - ENGINE AND ATTACHING PARTS

FIGURE 4-17. PRECLEANER

ITEM	PART NUMBER	QTY	DESCRIPTION	REV
	1001062773	Ref	Precleaner	B
1	70027591	1	Bowl	
2	70027592	1	Cover	

# SECTION 4 - ENGINE AND ATTACHING PARTS

## FIGURE 4-18. EXHAUST INSTALLATION (ULS)



ART\_1001139681-D

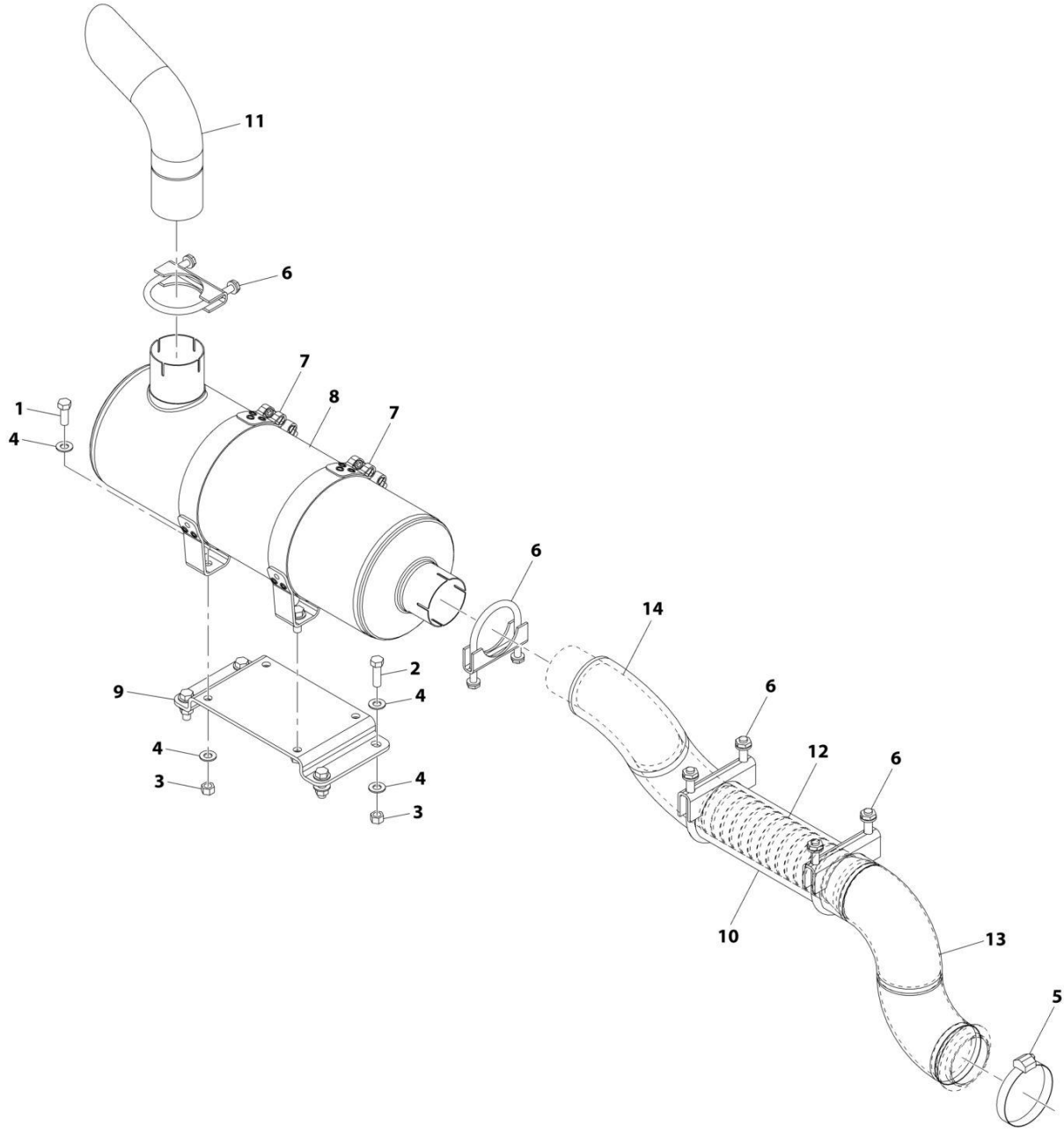
## SECTION 4 - ENGINE AND ATTACHING PARTS

FIGURE 4-18. EXHAUST INSTALLATION (ULS)

ITEM	PART NUMBER	QTY	DESCRIPTION	REV
	1001139681	Ref	Exhaust Installation (ULS)	D
1	0681510	8	Hex HD Capscrew, 5/16-18X1 1/4 LG	
2	3271501	8	Hex Nut, 5/16-18	
3	4711500	16	Washer, 5/16	
4	8410011	2	Gear Clamp, 3.25	
6	1001141551	1	Exhaust Elbow Pipe	
7	1001143216	1	Exhaust Pipe	
10	1001143304	1	Thermal Sock Insulate	

# SECTION 4 - ENGINE AND ATTACHING PARTS

## FIGURE 4-19. EXHAUST INSTALLATION (LS)



ART\_1001139682-C

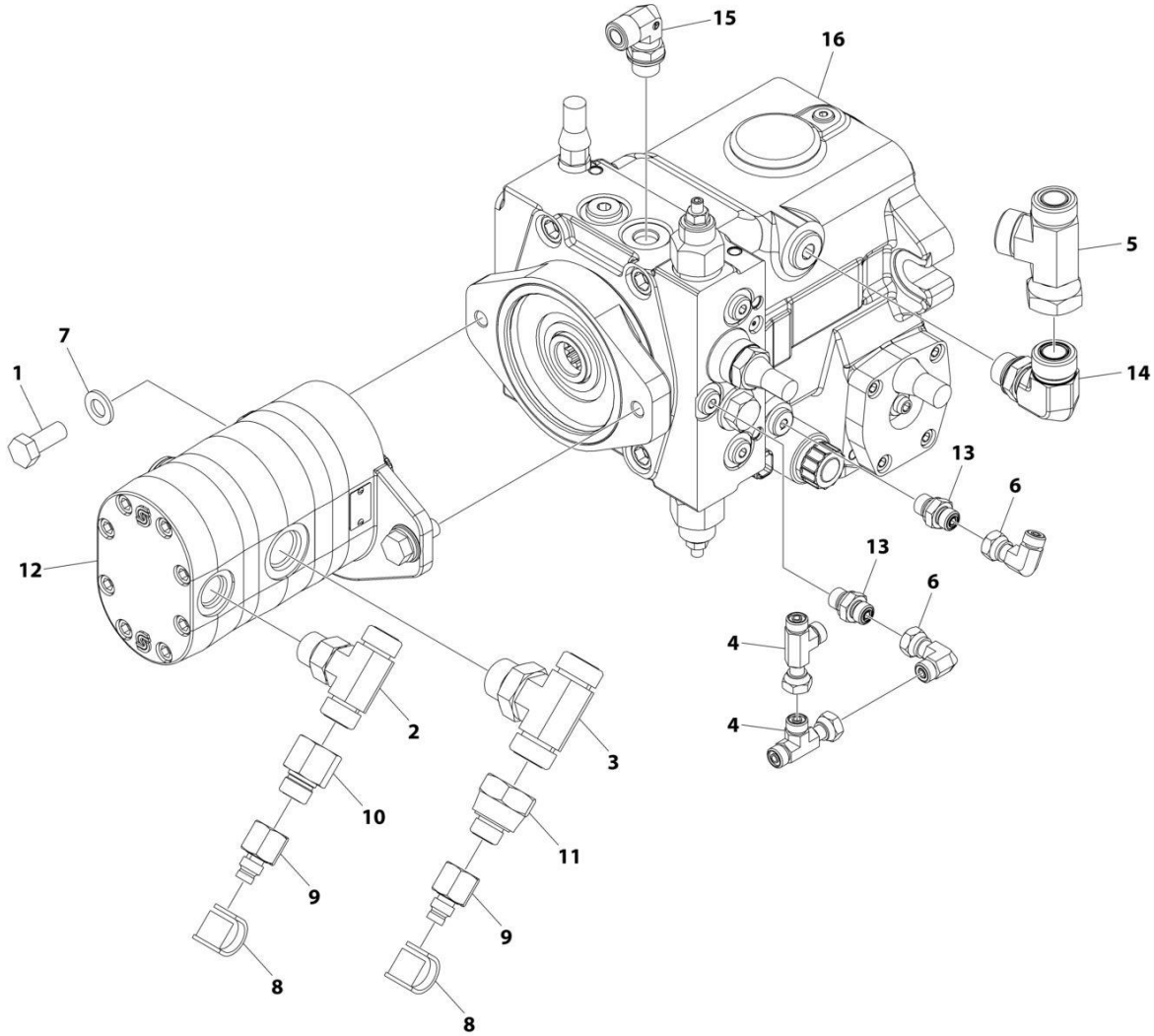
## SECTION 4 - ENGINE AND ATTACHING PARTS

**FIGURE 4-19. EXHAUST INSTALLATION (LS)**

ITEM	PART NUMBER	QTY	DESCRIPTION	REV
	1001139682	Ref	Exhaust Installation (LS)	C
1	0681608	4	Hex HD Capscrew, 3/8-16X1	
2	0681610	4	Hex HD Capscrew, 3/8-16X1-1/4	
3	3271601	8	Hex Nut, 3/8-16, GR8	
4	4711600	16	Washer, 3/8	
5	8405204	1	Gear Clamp, 3.25	
6	8275212	4	Muffler Clamp	
7	1001119727	2	Muffler Clamp	
8	1001140671	1	Muffler	
9	1001141019	1	Support Plate	
10	1001143304	1	Thermal Sock Insulate	
11	1001153410	1	Exhaust Elbow Pipe	
12	1001153411	1	Flex Tube	
13	1001153412	1	Exhaust Pipe	
14	1001153413	1	Exhaust Pipe	

# SECTION 4 - ENGINE AND ATTACHING PARTS

## FIGURE 4-20. HYDROSTATIC DRIVE PUMP ASSEMBLY



ART\_1001282169

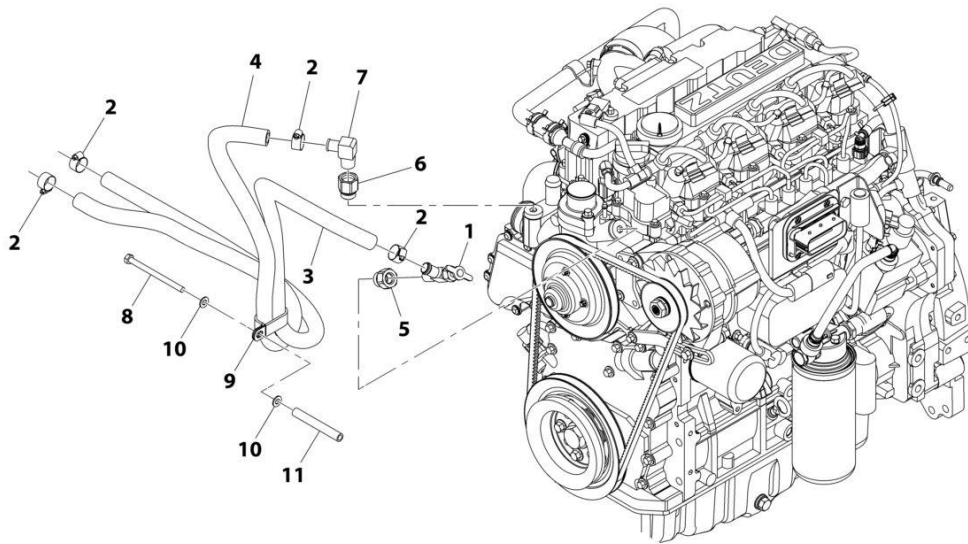
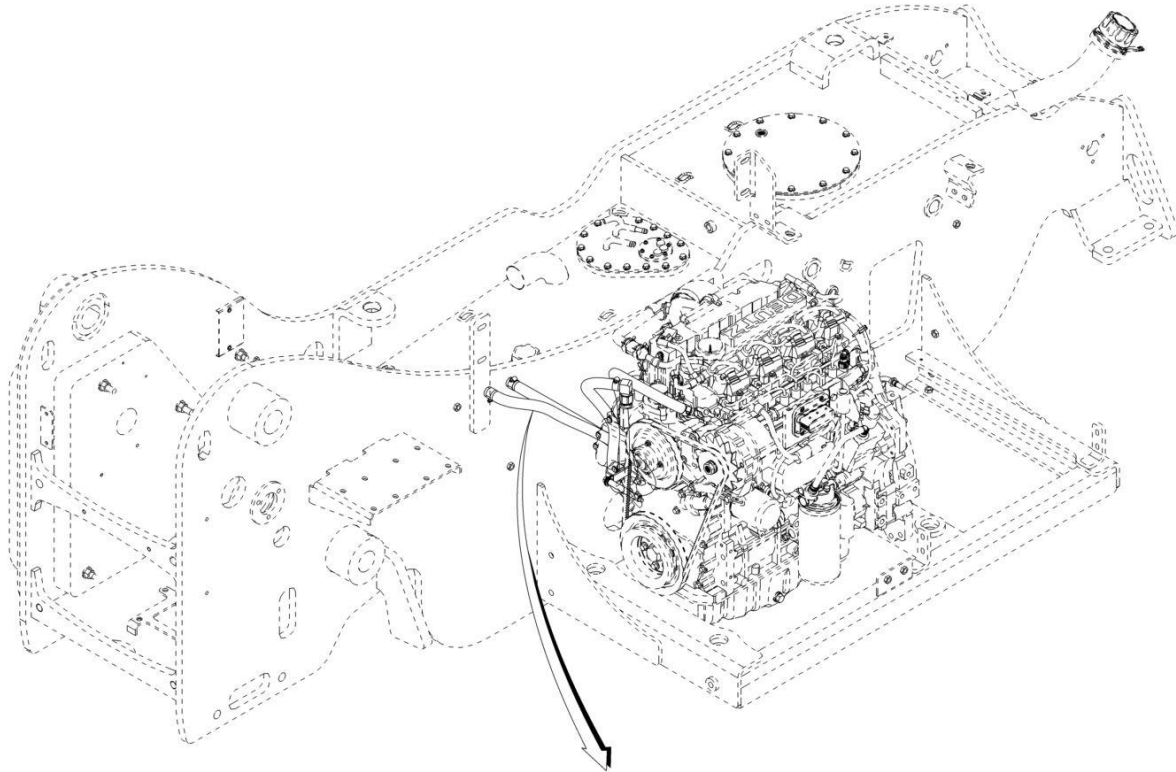
## SECTION 4 - ENGINE AND ATTACHING PARTS

**FIGURE 4-20. HYDROSTATIC DRIVE PUMP ASSEMBLY**

ITEM	PART NUMBER	QTY	DESCRIPTION	REV
	1001282169	Ref	HYDROSTATIC DRIVE PUMP ASSEMBLY	B
1	0761214	2	Bolt M12 x 30	
2	2170410	1	Fitting, Tee	
3	2170412	1	Fitting, Tee ORFS/ORF/ORB	
4	2170704	2	Fitting, Tee	
5	2170712	1	Fitting, Tee ORFS/ORFS/ORFS	
6	2172104	2	Fitting, 90 ORFS/FSORFS	
7	4812100	2	Washer M12	
8	8430032	2	Dust Cap	
9	8430082	2	Fitting, Diagnostic	
10	8770296	1	Fitting, Straight FSORFS/ORFS	
11	88662480	1	Fitting	
12	1001139997	1	Pump Assembly - Gear (See Separate Breakdown in HYDRAULIC COMPONENTS Section)	
13	1001274267	1	Fitting, Straight ORFS/MST	
14	1001274269	1	Fitting, 90 ORFS/MST	
15	1001168054	1	Fitting, 90 ORFS/MST	
16	1001282168	1	Pump Assembly - Hydrostatic Drive (See Separate Breakdown in HYDRAULIC COMPONENTS Section)	
17	1001299210	1	Fitting	

# SECTION 4 - ENGINE AND ATTACHING PARTS

## FIGURE 4-21. HEATER LINES INSTALLATION



ART\_1001139684-C



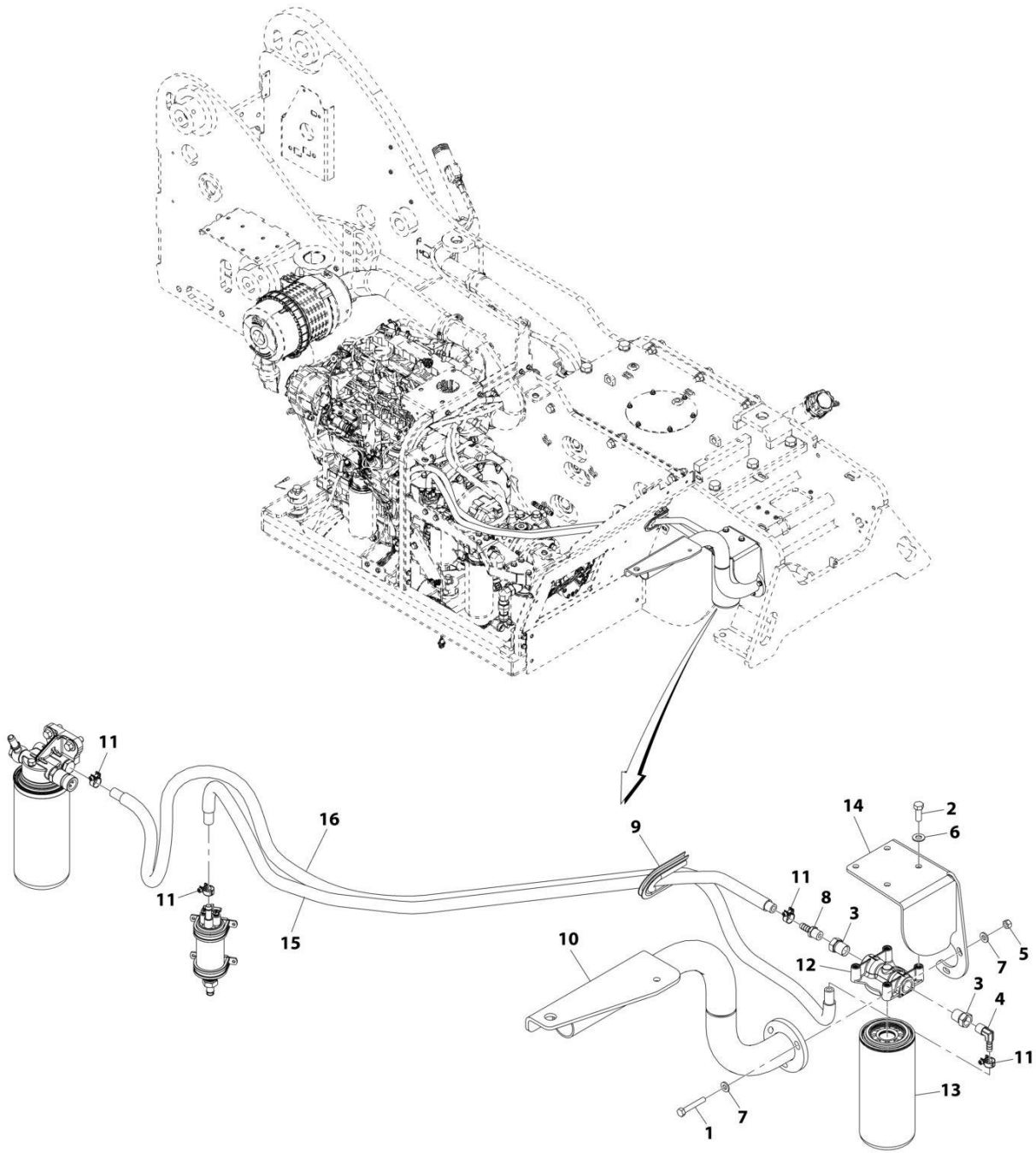
## SECTION 4 - ENGINE AND ATTACHING PARTS

### FIGURE 4-21. HEATER LINES INSTALLATION

ITEM	PART NUMBER	QTY	DESCRIPTION	REV
	1001139684	Ref	Heater Lines Installation	C
1	8360005	1	Shut-Off Valve	
2	8410009	4	Gear Clamp	
3	1001143254	1	Cab Heater Hose	
4	1001143255	1	Cab Heater Hose	
5	1001143467	1	Straight Adapter	
6	1001143468	1	Straight Adapter	
7	84712749	1	Brass Elbow	
8	0760828	1	Hex HD Capscrew, M8X110, GR8.8	
9	1321716	1	Clamp	
10	8307222	2	Plain Washer, M8	
11	1001157088	1	Sleeve	

# SECTION 4 - ENGINE AND ATTACHING PARTS

## FIGURE 4-22. LUBRICITY DOSER INSTALLATION (MIRROR)



ART\_1001201538-A

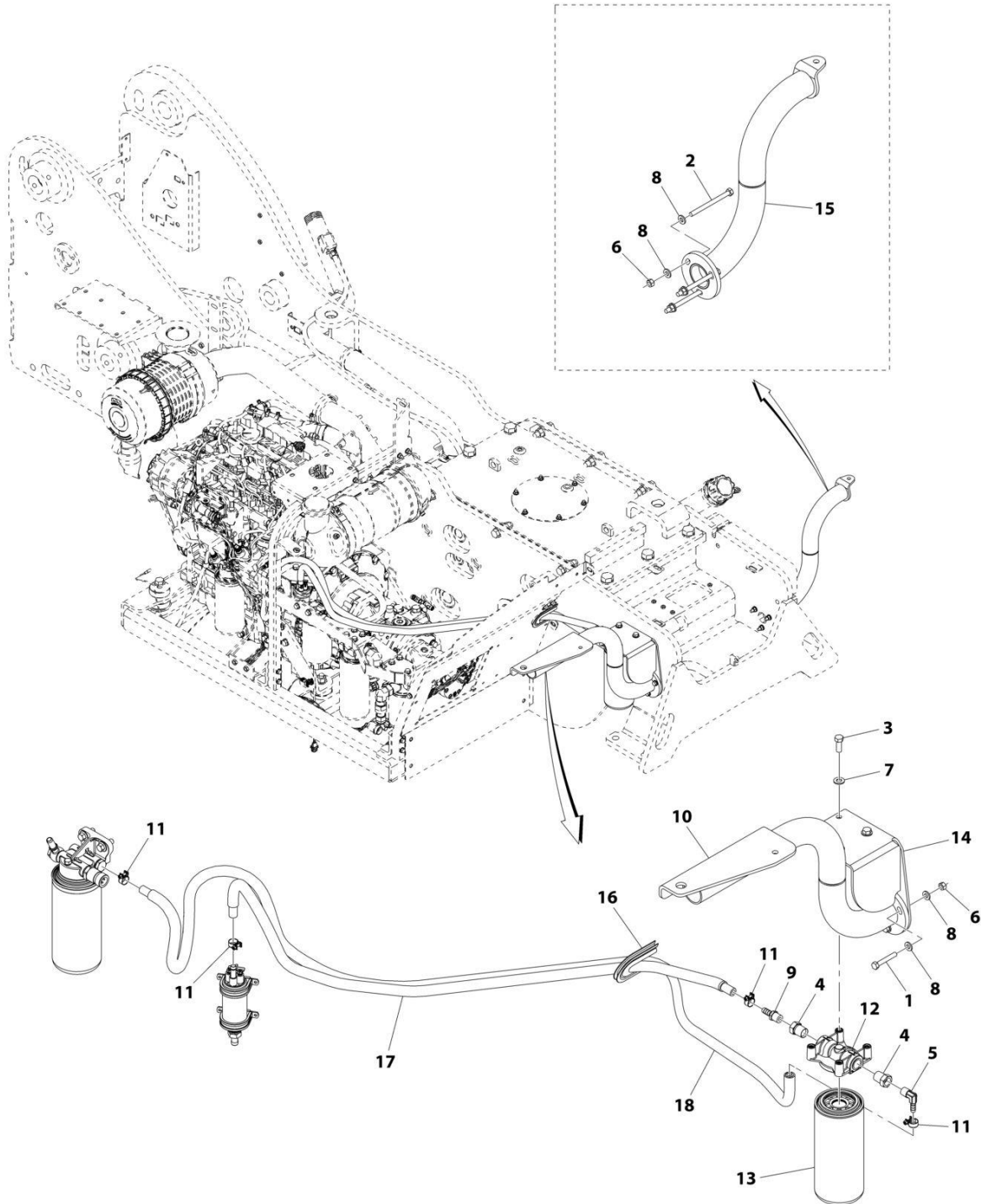
## SECTION 4 - ENGINE AND ATTACHING PARTS

**FIGURE 4-22. LUBRICITY DOSER INSTALLATION (MIRROR)**

ITEM	PART NUMBER	QTY	DESCRIPTION	REV
	1001201538	Ref	LUBRICITY DOSER INSTALLATION (MIRROR)	A
1	0641516	3	Bolt 5/16 x 2	
2	0681608	4	Bolt 3/8 x 1	
3	2220251	2	Adapter, Straight	
4	2220313	1	Barb Fitting, 90	
5	3311505	3	Nut 5/16	
6	4711600	4	Washer 3/8	
7	4891500	6	Washer 5/16	
8	8430068	1	Hose Barb Coupling	
9	1001097160	6 in	Self-Gripping Bulb Seal	
10	1001133822	1	Bracket Headlight	
11	1001136975	4	Fuel Hose Clamp	
12	1001141287	1	Lubricity Doser Mount	
13	1001141591	1	Lubricity Doser Element Filter	
14	1001146575	1	Doser Bracket	
15	1001165202	1	Engine Fuel Supply Hose	
16	1001165203	1	Engine Fuel Supply Hose	

# SECTION 4 - ENGINE AND ATTACHING PARTS

## FIGURE 4-23. LUBRICITY DOSER INSTALLATION (LIGHT & MIRROR)



ART\_1001213994-A

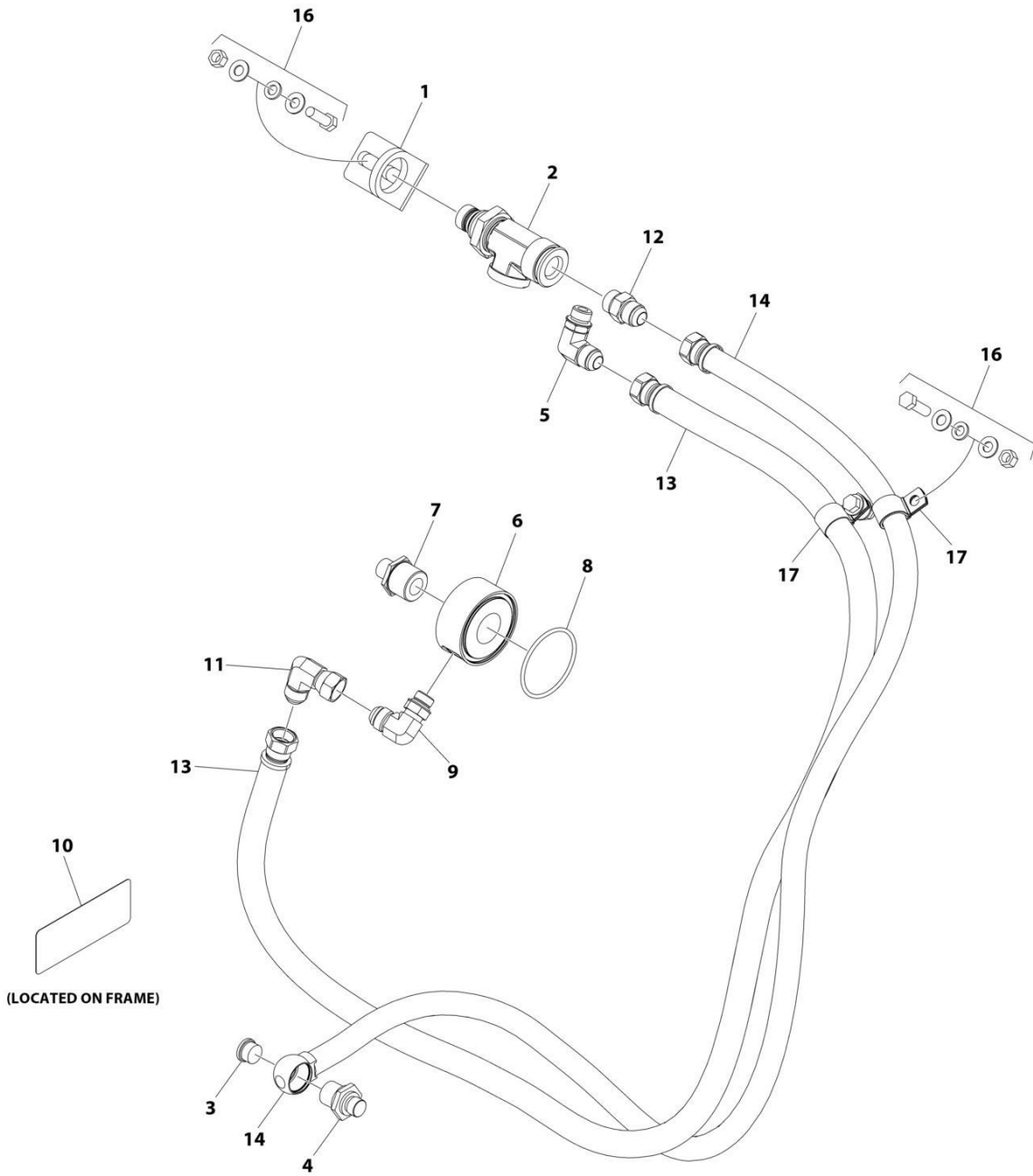
## SECTION 4 - ENGINE AND ATTACHING PARTS

**FIGURE 4-23. LUBRICITY DOSER INSTALLATION (LIGHT & MIRROR)**

ITEM	PART NUMBER	QTY	DESCRIPTION	REV
	1001213994	Ref	Lubricity Doser Installation (Light & Mirror)	A
1	0641516	3	Hex HD Capscrew, 5/16-18X2	
2	0641532	3	Hex HD Capscrew, 5/16-18X4	
3	0681608	4	Hex HD Capscrew, 3/8-16X1	
4	2220251	2	Adapter, Straight	
5	2220313	1	Barb Fitting, 90	
6	3311505	6	Hex Locknut, 5/16-18, GR2	
7	4711600	4	Plain Washer, 3/8	
8	4891500	12	Hardened Washer, 5/16	
9	8430068	1	Hose Barb Coupling	
10	1001133822	1	Bracket Headlight	
11	1001136975	4	Fuel Hose Clamp	
12	1001141287	1	Lubricity Doser Mount	
13	1001141591	1	Lubricity Doser Element Filter	
14	1001146575	1	Doser Bracket	
15	1001213955	1	Bracket Headlight Mount	
16	1001097160	6 in	Self-Gripping Bulb Seal	
17	1001165202	1	Engine Fuel Supply Hose	
18	1001165203	1	Engine Fuel Supply Hose	

# SECTION 4 - ENGINE AND ATTACHING PARTS

## FIGURE 4-24. QUICKFIT OIL CHANGE ASSEMBLY



ART\_1001281474

## SECTION 4 - ENGINE AND ATTACHING PARTS

**FIGURE 4-24. QUICKFIT OIL CHANGE ASSEMBLY**

ITEM	PART NUMBER	QTY	DESCRIPTION	REV
	1001281474	Ref	QUICKFIT OIL CHANGE ASSEMBLY	A
1	1001281297	1	Bracket	
2	1001281298	1	Valve, Small Quickfit	
3	1001281304	1	Plug, Quickfit	
4	1001281305	1	Fitting, Straight Quickfit	
5	1001281307	1	Fitting, 90	
6	1001281309	1	Filter, Ring	
7	1001281310	1	Fitting, Straight	
8	1001281311	1	O-Ring	
9	1001281359	1	Fitting, 90	
10	1001281360	1	Decal - RPM Quickfit	
11	1001281403	1	Fitting, 90	
12	1001281404	1	Fitting, Quickfit	
13	1001281406	1	Hose	
14	1001281407	1	Hose	
15	1001281656	2	Tie-Strap (Not Shown)	
16	1001281888	4	Bolt 3/8-16 x 1-1/4	
17	1001282011	2	Clip	

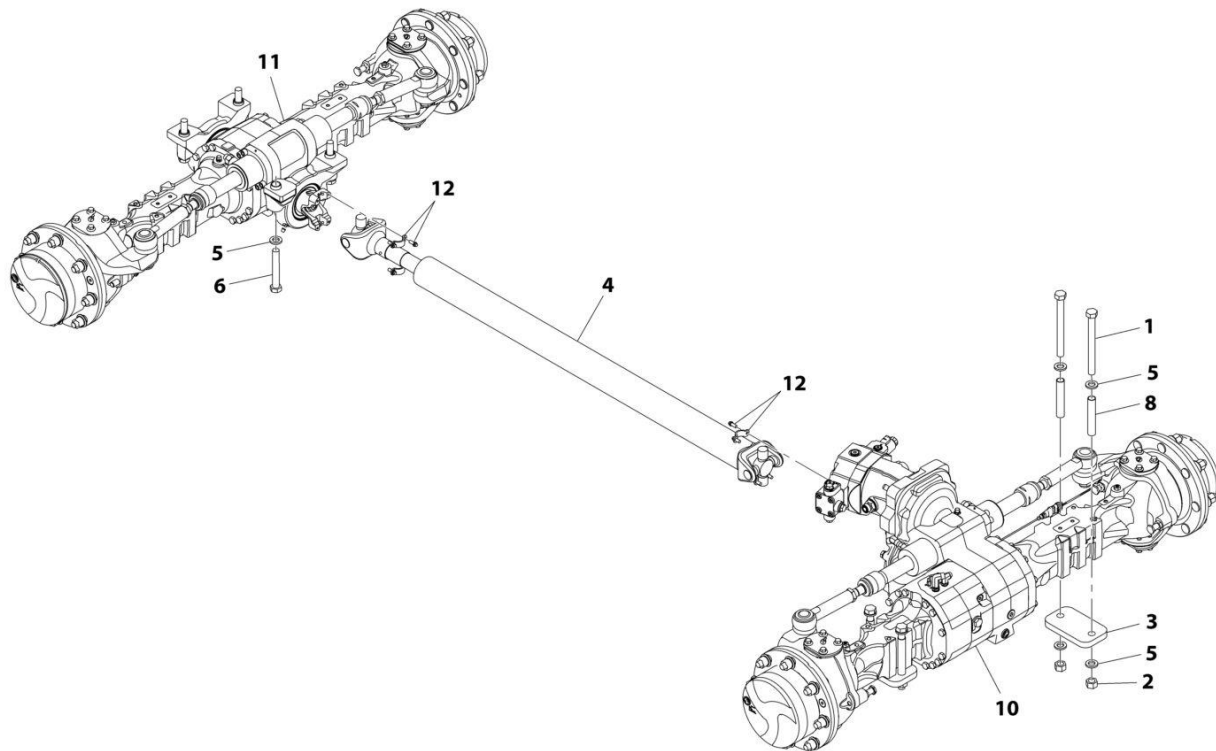




**SECTION 5 - DRIVE TRAIN**

# SECTION 5 - DRIVE TRAIN

## FIGURE 5-1. DRIVETRAIN INSTALLATION



ART\_1001233725-C

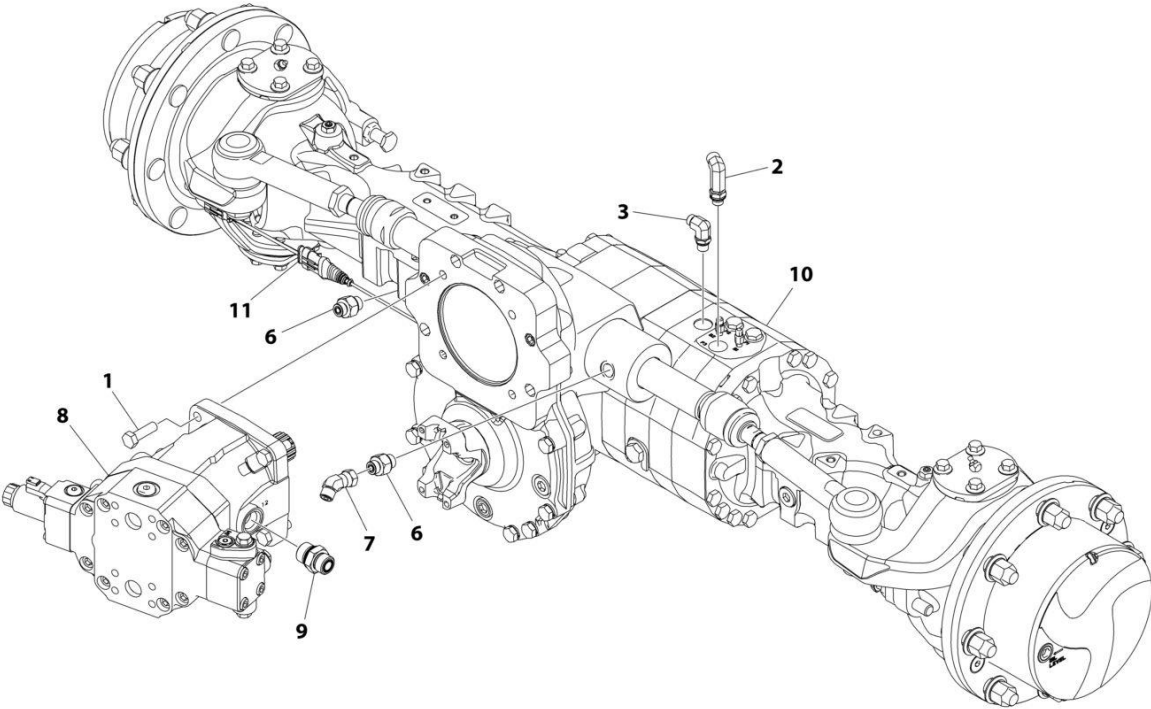
## SECTION 5 - DRIVE TRAIN

**FIGURE 5-1. DRIVETRAIN INSTALLATION**

ITEM	PART NUMBER	QTY	DESCRIPTION	REV
	1001233725	Ref	Drive Train Installation	C
1	0682264	4	Hex HD Capscrew, 3/4-10X8, GR8	
2	3272201	4	Hex Nut, 3/4-10, GR8	
3	3576766	2	Mounting Plate	
4	4040291	1	Drive Shaft	
5	4892200	12	Washer, 3/4	
6	91403412	4	Hex HD Capscrew, 3/4-10X5, GR8	
8	1001081071	4	Front Axle Mount Sleeve	
10	1001233723	1	Front Axle Assembly (See Separate Breakdown in this Section)	
11	1001233724	1	Rear Axle Assembly (See Separate Breakdown in this Section)	
12	8880219-OM	2	Strap Kit	
12	8880221	4	Screw	
12	8880220	2	Strap	

**SECTION 5 - DRIVE TRAIN**

**FIGURE 5-2. FRONT AXLE ASSEMBLY**



ART\_1001233723

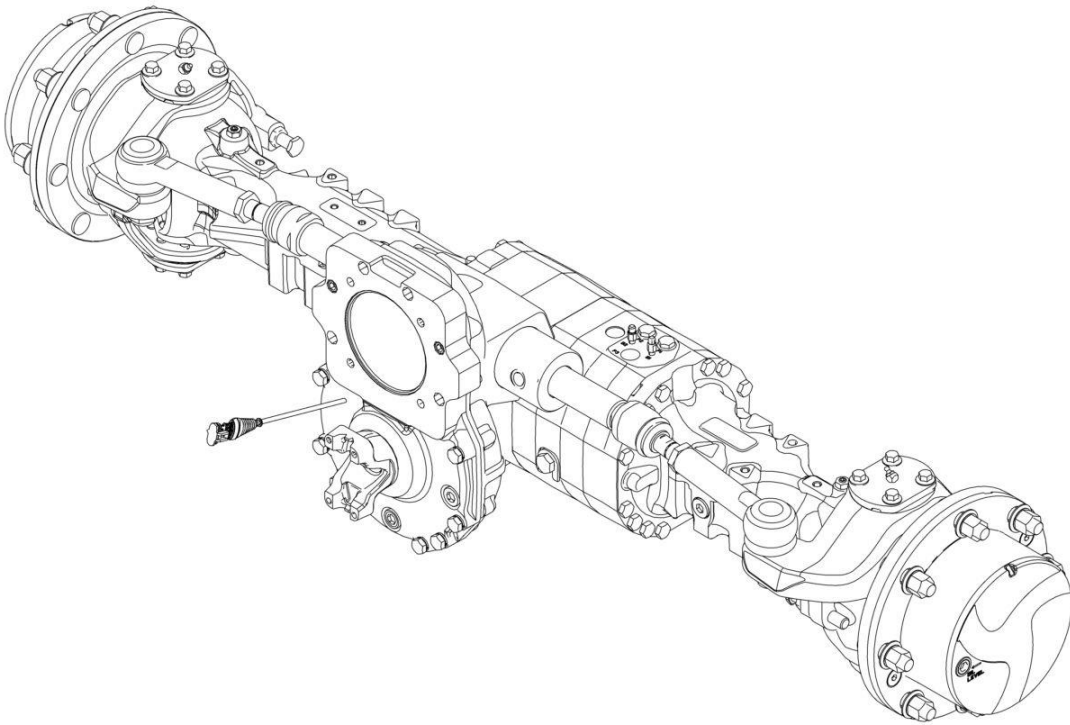
## SECTION 5 - DRIVE TRAIN

### FIGURE 5-2. FRONT AXLE ASSEMBLY

ITEM	PART NUMBER	QTY	DESCRIPTION	REV
	1001233723	Ref	FRONT AXLE ASSEMBLY	F
1	0761216	4	Bolt M12 x 40	
2	2221285	1	Elbow, 90	
3	8770241	1	Elbow, 90	
6	1001081333	2	Fitting, Straight	
7	1001105990	1	Fitting, 45	
8	1001138823	1	Hydrostatic Motor (See Separate Breakdown in HYDRAULIC COMPONENTS Section)	
9	1001144255	1	Fitting, Straight	
10	1007367100	1	Front Axle (See Separate Breakdown in this Section)	
11	1001234992	1	Speed Sensor Jumper Harness (See Separate Breakdown in ELECTRICAL Section)	

# SECTION 5 - DRIVE TRAIN

## FIGURE 5-3. FRONT AXLE



ART\_1007367100

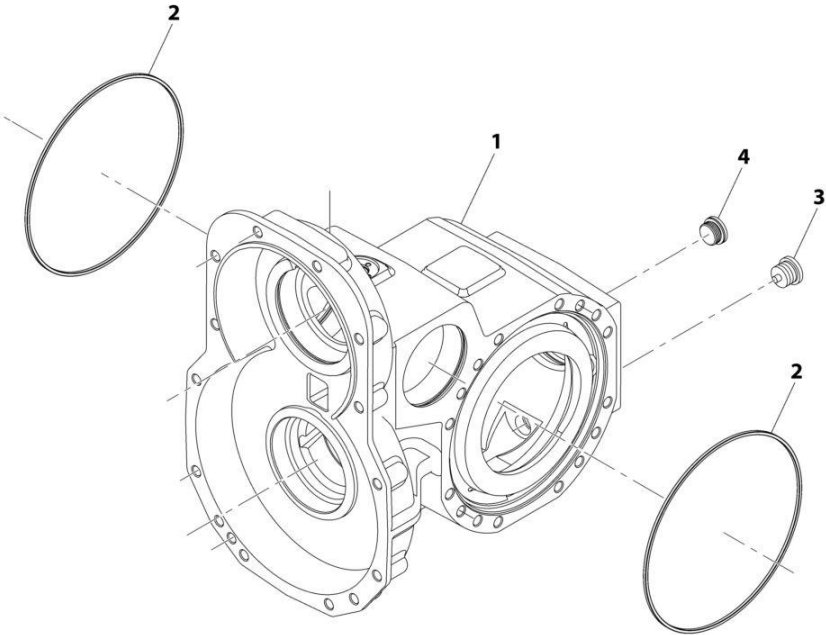
## SECTION 5 - DRIVE TRAIN

### FIGURE 5-3. FRONT AXLE

ITEM	PART NUMBER	QTY	DESCRIPTION	REV
	1007367100	Ref	Front Axle	G
		Ref	Front Axle, Central Housing (See Separate Breakdown in this Section)	
		Ref	Front Axle, Differential (See Separate Breakdown in this Section)	
		Ref	Front Axle, Hub Reduction (See Separate Breakdown in this Section)	
		Ref	Front Axle, Brakes (See Separate Breakdown in this Section)	
		Ref	Front Axle, Steering (See Separate Breakdown in this Section)	

**SECTION 5 - DRIVE TRAIN**

**FIGURE 5-4. FRONT AXLE, CENTRAL HOUSING**



ART\_1007367100\_1-F



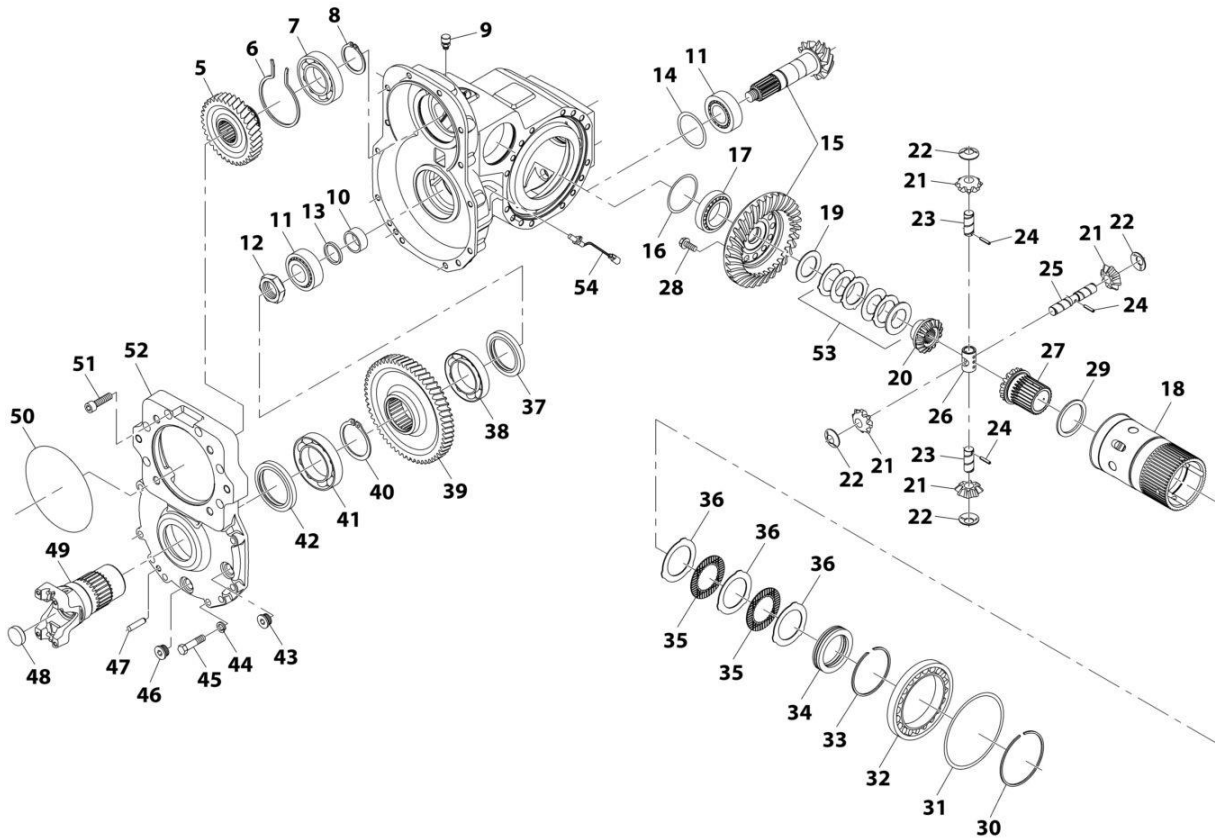
## SECTION 5 - DRIVE TRAIN

### FIGURE 5-4. FRONT AXLE, CENTRAL HOUSING

ITEM	PART NUMBER	QTY	DESCRIPTION	REV
	1007367100	Ref	FRONT AXLE, CENTRAL HOUSING	G
1	70029265	1	Housing	
2	70021147	2	O-Ring	
3	7028706	1	Magnetic Plug	
4	91514188	1	Plug With Seal Washer	

# SECTION 5 - DRIVE TRAIN

## FIGURE 5-5. FRONT AXLE, DIFFERENTIAL



ART\_1007367100\_2-F

## SECTION 5 - DRIVE TRAIN

### FIGURE 5-5. FRONT AXLE, DIFFERENTIAL

ITEM	PART NUMBER	QTY	DESCRIPTION	REV
	1007367100	Ref	FRONT AXLE, DIFFERENTIAL	G
5	70024863	1	Gear	
6	70020230	1	Circlip	
7	70020231	1	Ball Bearing	
8	70020232	1	Circlip	
9	91474512	1	Plug	
10	70024864	1	Spacer	
11	70020234	2	Bearing	
12	70020235	1	Ring Nut	
13	70024927	1	Shim Kit	
14	70024866	1	Shim Kit	
15	70029266	1	Bevel Gear Set	
16	70024929	1	Shim Kit	
17	70020240	1	Tapered Roller Bearing	
18	70021939	1	Differential Carrier	
19	70029267	1	Friction Washer	
20	70020243	1	Differential Side Gear	
21	70020244	4	Differential Pinion	
22	70020245	4	Friction Washer	
23	70021929	2	Pin	
24	70020247	3	Dowel	
25	70021928	1	Pin	
26	70020249	1	Shaft Retainer	
27	70020250	1	Differential Side Gear	
28	70020251	12	Bolt	
29	70020252	1	Friction Washer	
30	70020253	1	Circlip	
31	70027859	1	Shim Kit	
32	3984301	1	Bearing	
33	70020255	1	Circlip	
34	70020256	1	Bearing	
35	70020257	7	Clutch Disc	
36	70020258	8	Intermediate Clutch	
37	70020259	1	Seal	
38	70020260	1	Ball Bearing	
39	70020261	1	Gear	
40	70020262	1	Circlip	
41	80204178	1	Ball Bearing	
42	70020263	1	Seal	
43	70028389	1	Plug	
44	80204147	8	Spring Washer	
45	70024873	8	Bolt	
46	70028388	1	Plug	
47	70020265	1	Dowel	
48	70020266	1	Plug	
49	70020267	1	Flange	
50	70024874	1	O-Ring	
51	70020269	6	Cylinder Bolt	
52	70024875	1	Cover	
53	70020271	1	Clutch Disc	

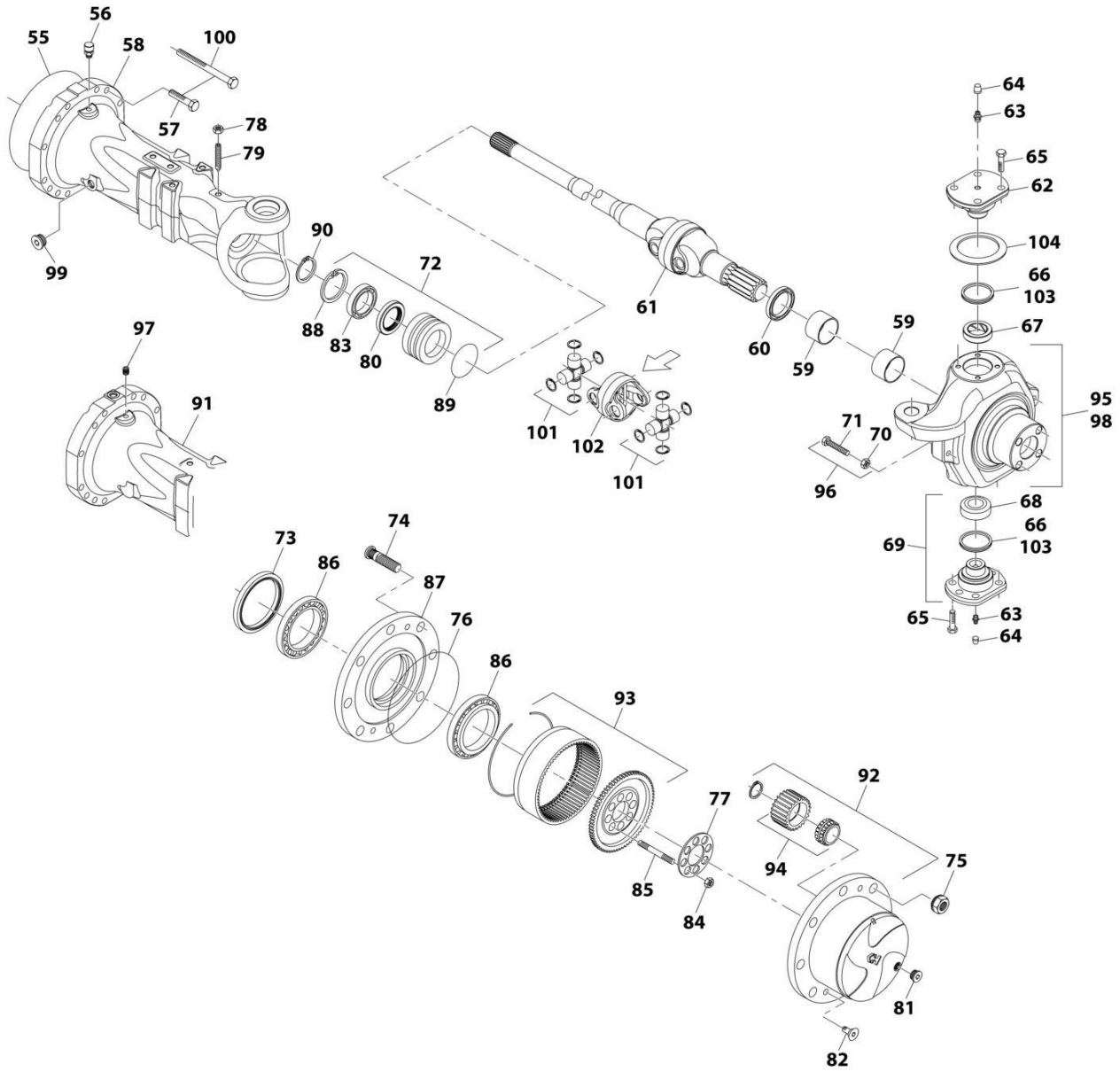
## SECTION 5 - DRIVE TRAIN

ITEM	PART NUMBER	QTY	DESCRIPTION	REV
54	70029268	1	Speed Sensor	



# SECTION 5 - DRIVE TRAIN

## FIGURE 5-6. FRONT AXLE, HUB REDUCTION



ART\_1007367100\_3-F

## SECTION 5 - DRIVE TRAIN

### FIGURE 5-6. FRONT AXLE, HUB REDUCTION

ITEM	PART NUMBER	QTY	DESCRIPTION	REV
	1007367100	Ref	FRONT AXLE, HUB REDUCTION	G
55	70021147	2	O-Ring	
56	91474512	1	Vent	
57	70024878	14	Bolt	
58	70029269	1	Axle Case	
59	70021150	2	Thrust Bushing	
60	70021151	2	Seal	
61	70029270	2	Universal Joint & Shaft	
62	70029271	2	Pivot Pin	
63	70024881	4	Grease Fitting	
64	80204117	4	Plug	
65	70025562	20	Bolt	
66	70021155	2	Seal	
67	70029272	2	Reduction Bushing	
68	70029273	2	Articulation	
69	70029274	2	Pivot Pin	
70	80204065	4	Nut	
71	91514117	4	Bolt	
72	70029275	2	Reduction Bushing	
73	70029276	2	Seal	
74	70024883	16	Wheel Stud	
75	70026875	NLA	Nut (No Longer Available, Use Item 70030769)	
75	70030769	16	Nut	
76	91474507	2	O-Ring	
77	3983731	2	Locking Plate	
78	80204172	2	Nut	
79	70029277	2	Bolt	
80	70029278	2	Seal	
81	7028706	2	Magnetic Plug	
82	91514189	4	Countersunk Bolt	
83	70029279	2	Bearing	
84	91474584	8	Nut	
85	70027315	8	Stud	
86	3984301	4	Bearing	
87	70029280	2	Wheel Hub	
88	70029281	2	Circlip	
89	70029282	2	O-Ring	
90	70029283	2	Circlip	
91	70029284	1	Axle Case	
92	70029285	2	Planet Gear Carrier Kit (See Separate Breakdown in this Section)	
93	7029432	2	Ring Gear Support Kit (See Separate Breakdown in this Section)	
94	70027114	6	Planet Gear Kit	
95	70029286	1	Steering Case Kit (LF, RR) (See Separate Breakdown in this Section)	
96	7028733	4	Steering Adjust Bolt Kit	
97	80204012	1	Plug	
98	70029287	1	Steering Case Kit (RF, LR) (See Separate Breakdown in this Section)	
99	91514188	1	Plug W/ Sealing Washer	
100	70029288	14	Hex Bolt	

## SECTION 5 - DRIVE TRAIN

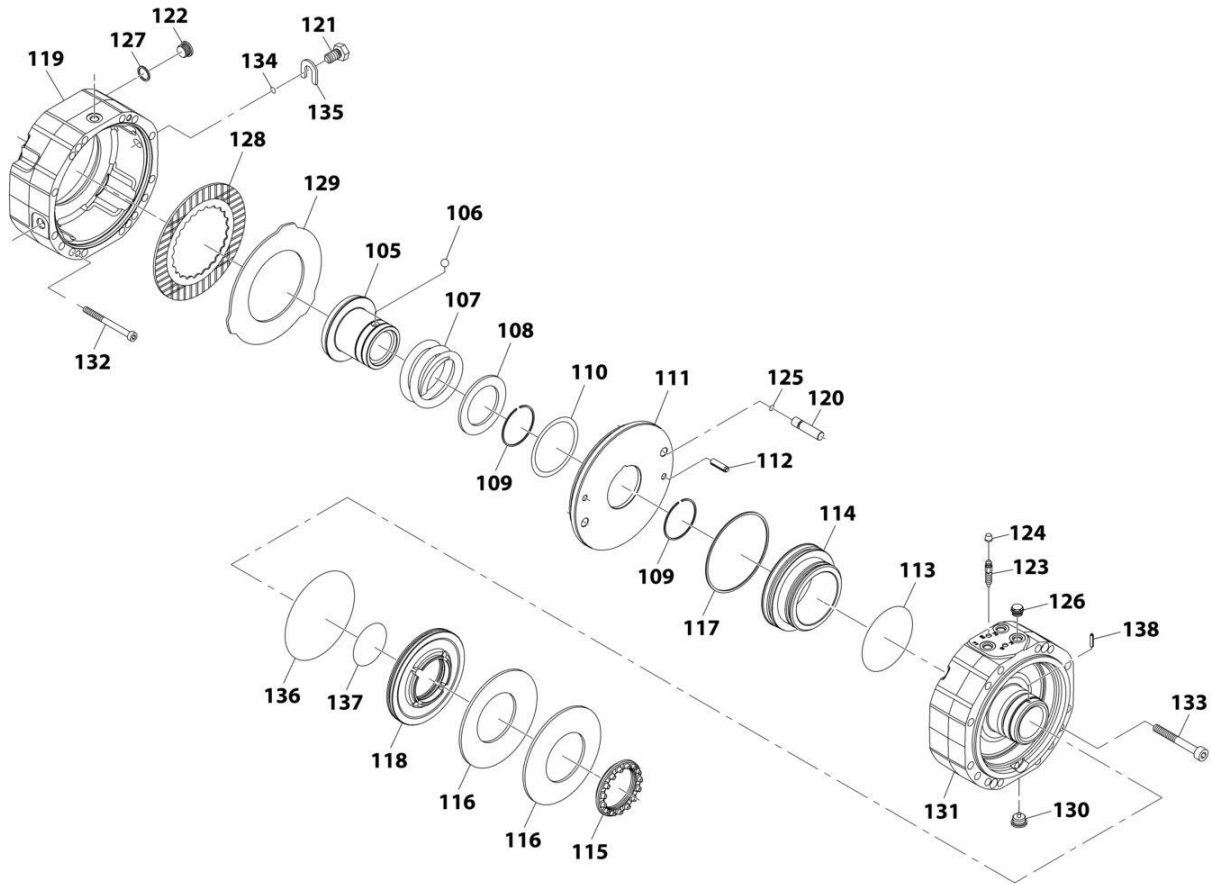
ITEM	PART NUMBER	QTY	DESCRIPTION	REV
101	70029289	2	Joint Cross	
102	70029290	1	Joint Center Section	
103	70029291	2	Dust Excluder	
104	70029292	4	Spring	





# SECTION 5 - DRIVE TRAIN

## FIGURE 5-7. FRONT AXLE, BRAKES



ART\_1007367100\_4-F

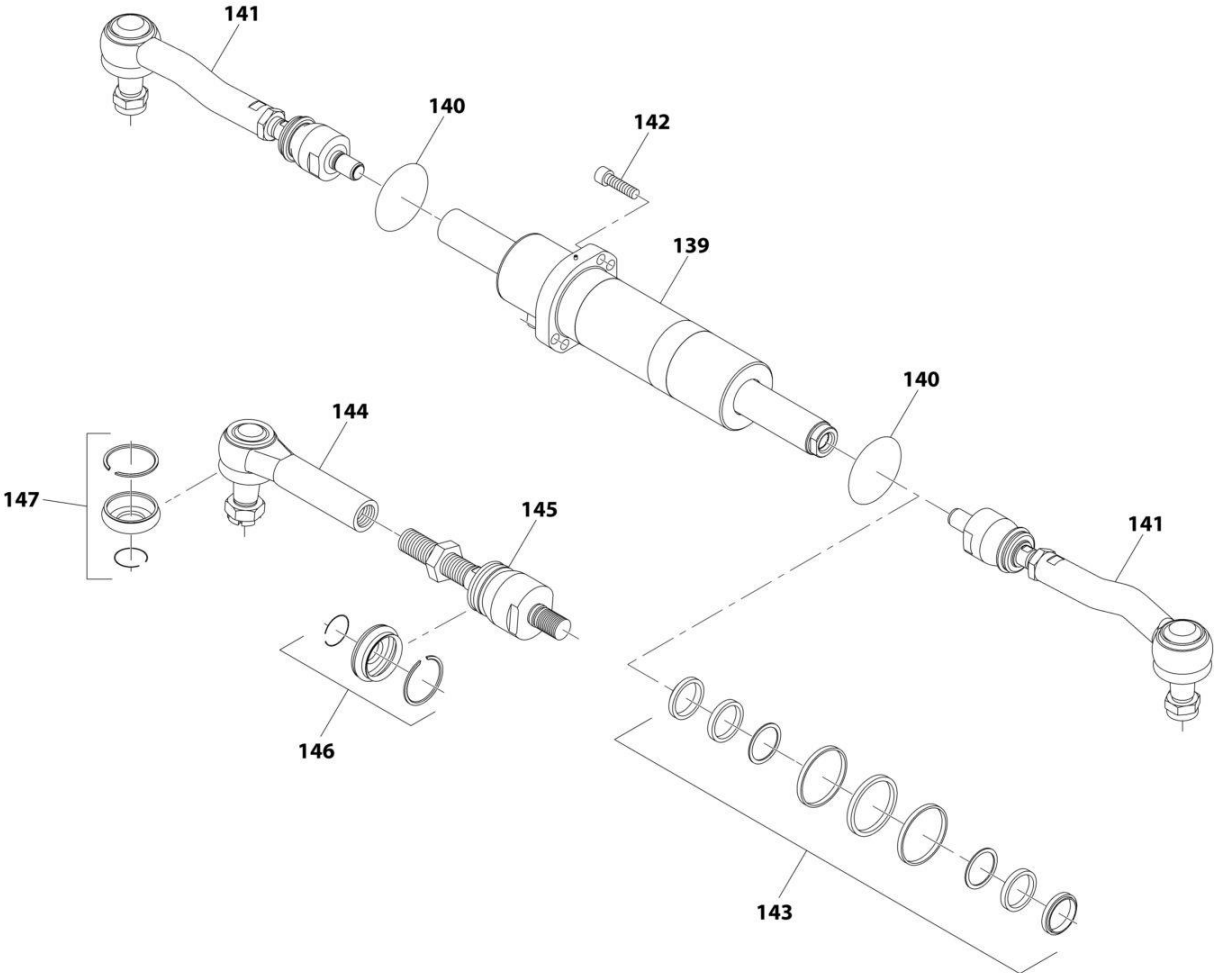
## SECTION 5 - DRIVE TRAIN

### FIGURE 5-7. FRONT AXLE, BRAKES

ITEM	PART NUMBER	QTY	DESCRIPTION	REV
	1007367100	Ref	FRONT AXLE, BRAKES	G
105	70021942	1	Reduction Bushing	
106	70020276	2	Detend Ball	
107	70020285	1	Spring	
108	70021941	1	Spacer	
109	70020284	2	Circlip	
110	70027862	1	Shim Kit	
111	70021940	1	Intermediate Brake Disc	
112	70029293	2	Roll Pin	
113	70028884	1	O-Ring, Anti-Twist	
114	70020280	1	Piston	
115	70020296	1	Ring Nut	
116	70020295	2	Spring	
117	70026263	1	Seal	
118	70024897	1	Piston	
119	70029294	1	Steering Axle Housing	
120	70020291	3	Pin	
121	70020297	2	Bolt	
122	70029295	1	Plug	
123	80204281	2	Bleeding Bolt	
124	80204117	2	Plug	
125	70020290	3	O-Ring	
126	70020282	1	Plug	
127	70029296	1	Washer	
128	70020273	6	Brake Disc	
129	70024528	6	Disc, Intermediate Brake	
130	7028706	1	Magnetic Plug	
131	70029297	1	Steering Axle Housing	
132	70029298	2	Cylinder Bolt	
133	70029299	3	Cylinder Bolt	
134	80204111	2	O-Ring	
135	70020298	2	Spacer	
136	70020292	1	O-Ring	
137	70020293	1	O-Ring	
138	70020247	1	Dowel	

**SECTION 5 - DRIVE TRAIN**

**FIGURE 5-8. FRONT AXLE, STEERING**



ART\_1007367100\_5-F

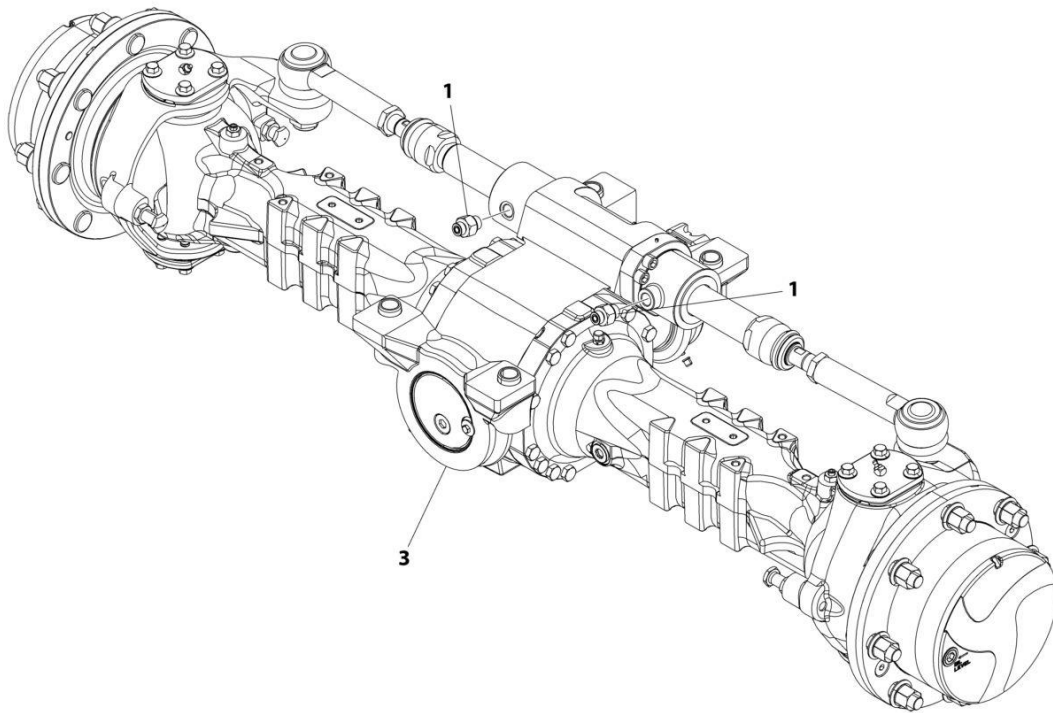
## SECTION 5 - DRIVE TRAIN

### FIGURE 5-8. FRONT AXLE, STEERING

ITEM	PART NUMBER	QTY	DESCRIPTION	REV
	1007367100	Ref	FRONT AXLE, STEERING	G
139	70023035	1	Steer Cylinder	
140	70020301	2	O-Ring	
141	70020302	2	Tie Rod	
142	70020269	4	Cylinder Bolt	
143	70023036	1	Seal Kit, Steer Cylinder	
144	70029300	1	Joint, 90 Degree	
145	70029301	1	Axle Joint	
146	70027866	1	Rubber Boot and Locking Ring Kit	
147	70027865	1	Rubber Boot and Locking Ring Kit	

# SECTION 5 - DRIVE TRAIN

## FIGURE 5-9. REAR AXLE ASSEMBLY



ART\_1001233724

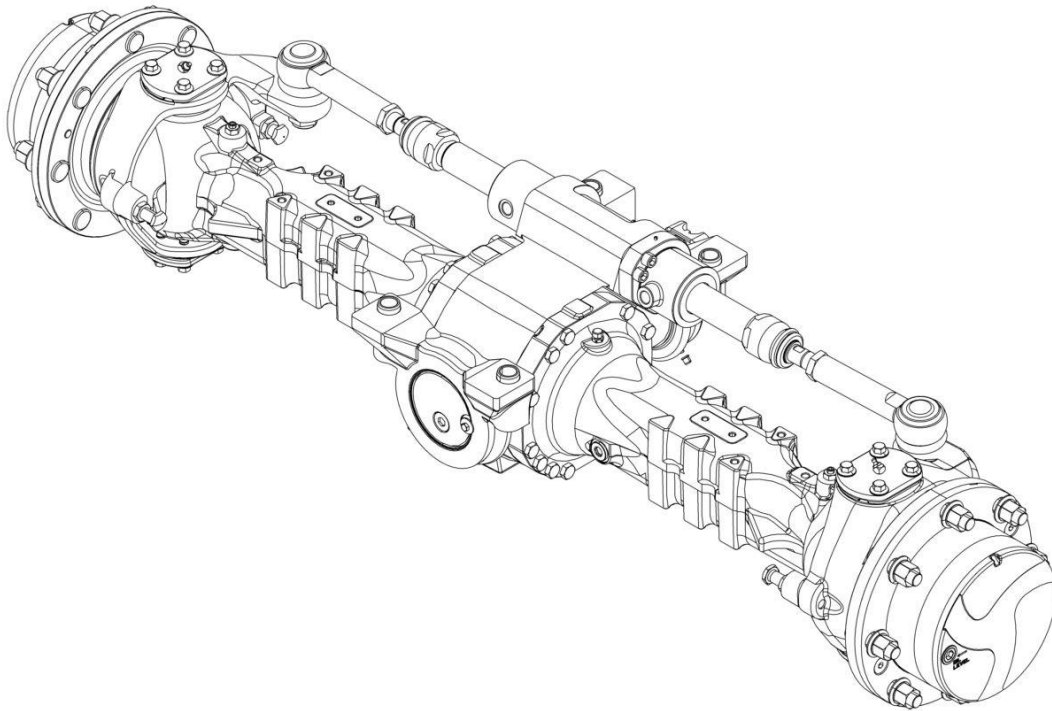
## SECTION 5 - DRIVE TRAIN

### FIGURE 5-9. REAR AXLE ASSEMBLY

ITEM	PART NUMBER	QTY	DESCRIPTION	REV
1	1001233724	Ref	Rear Axle Assembly	C
	1001081333	2	Fitting	
3	1007367300	1	Rear Axle (See Separate Breakdown in this Section)	

## SECTION 5 - DRIVE TRAIN

FIGURE 5-10. REAR AXLE



ART\_1007367300



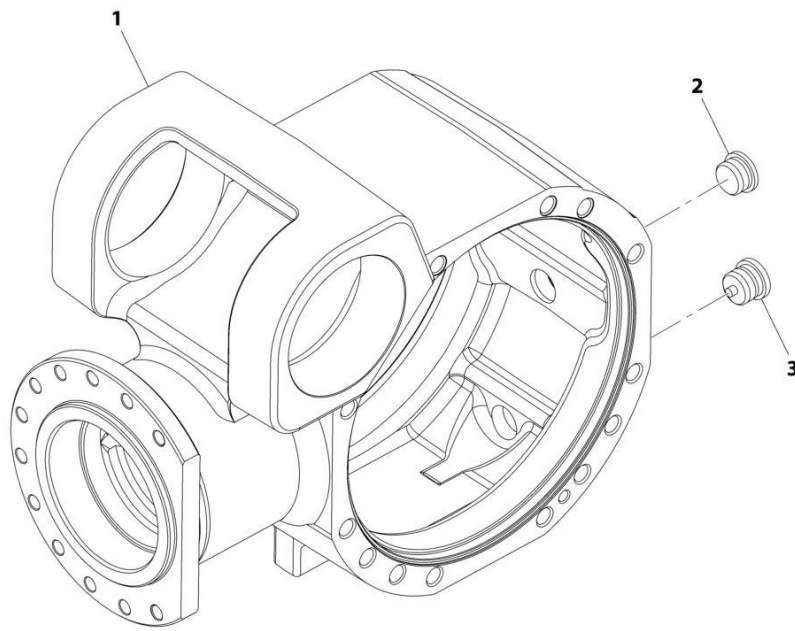
## SECTION 5 - DRIVE TRAIN

### FIGURE 5-10. REAR AXLE

ITEM	PART NUMBER	QTY	DESCRIPTION	REV
	1007367300	Ref	Rear Axle	F
		Ref	Rear Axle, Central Housing (See Separate Breakdown in this Section)	
		Ref	Rear Axle, Differential (See Separate Breakdown in this Section)	
		Ref	Rear Axle, Hub Reduction (See Separate Breakdown in this Section)	
		Ref	Rear Axle, Steering (See Separate Breakdown in this Section)	
		Ref	Rear Axle, Trunion (See Separate Breakdown in this Section)	

# SECTION 5 - DRIVE TRAIN

## FIGURE 5-11. REAR AXLE, CENTRAL HOUSING



ART\_1007367300\_1-E

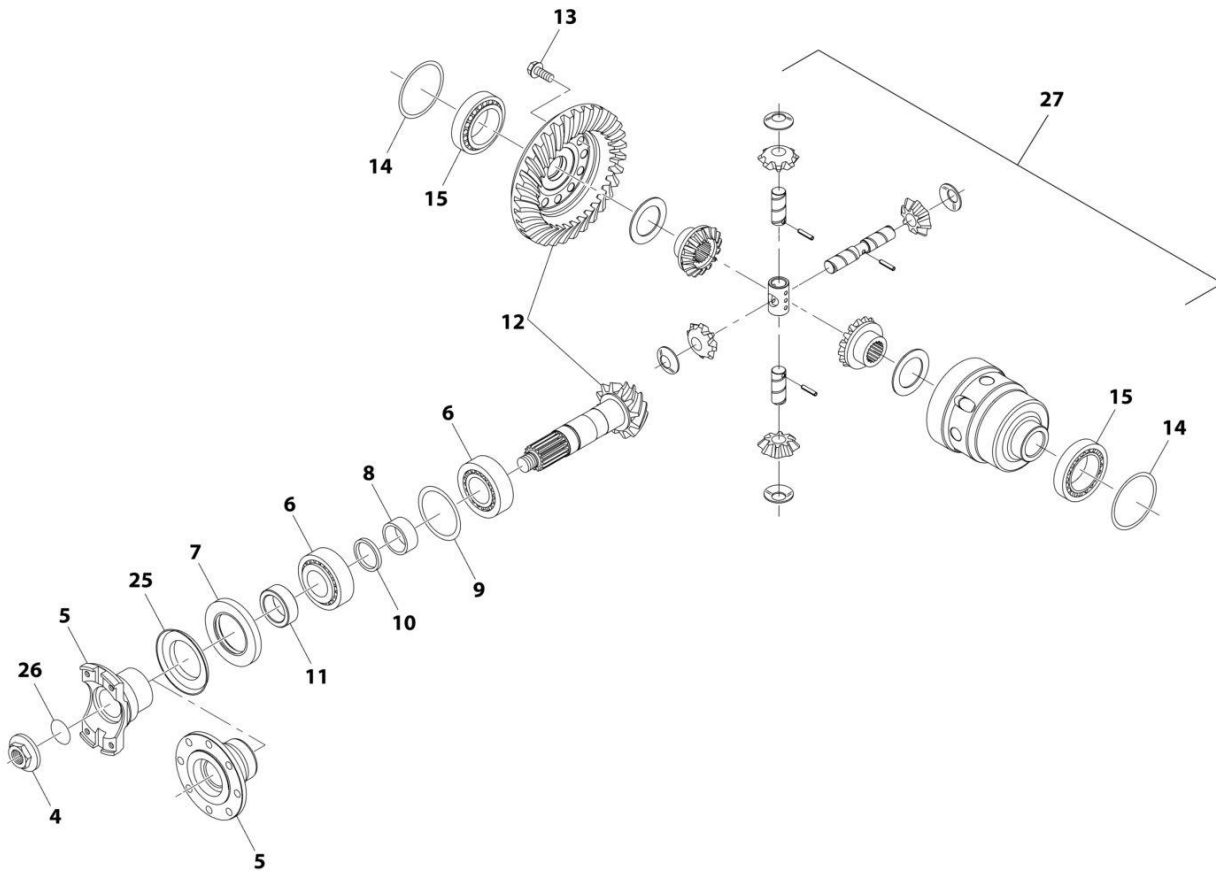
## SECTION 5 - DRIVE TRAIN

### FIGURE 5-11. REAR AXLE, CENTRAL HOUSING

ITEM	PART NUMBER	QTY	DESCRIPTION	REV
	1007367300	Ref	REAR AXLE, CENTRAL HOUSING	F
1	70029265	1	Housing	
2	91514188	1	Plug	
3	7028706	1	Magnetic Plug	

# SECTION 5 - DRIVE TRAIN

## FIGURE 5-12. REAR AXLE, DIFFERENTIAL



ART\_1007367300\_2-E

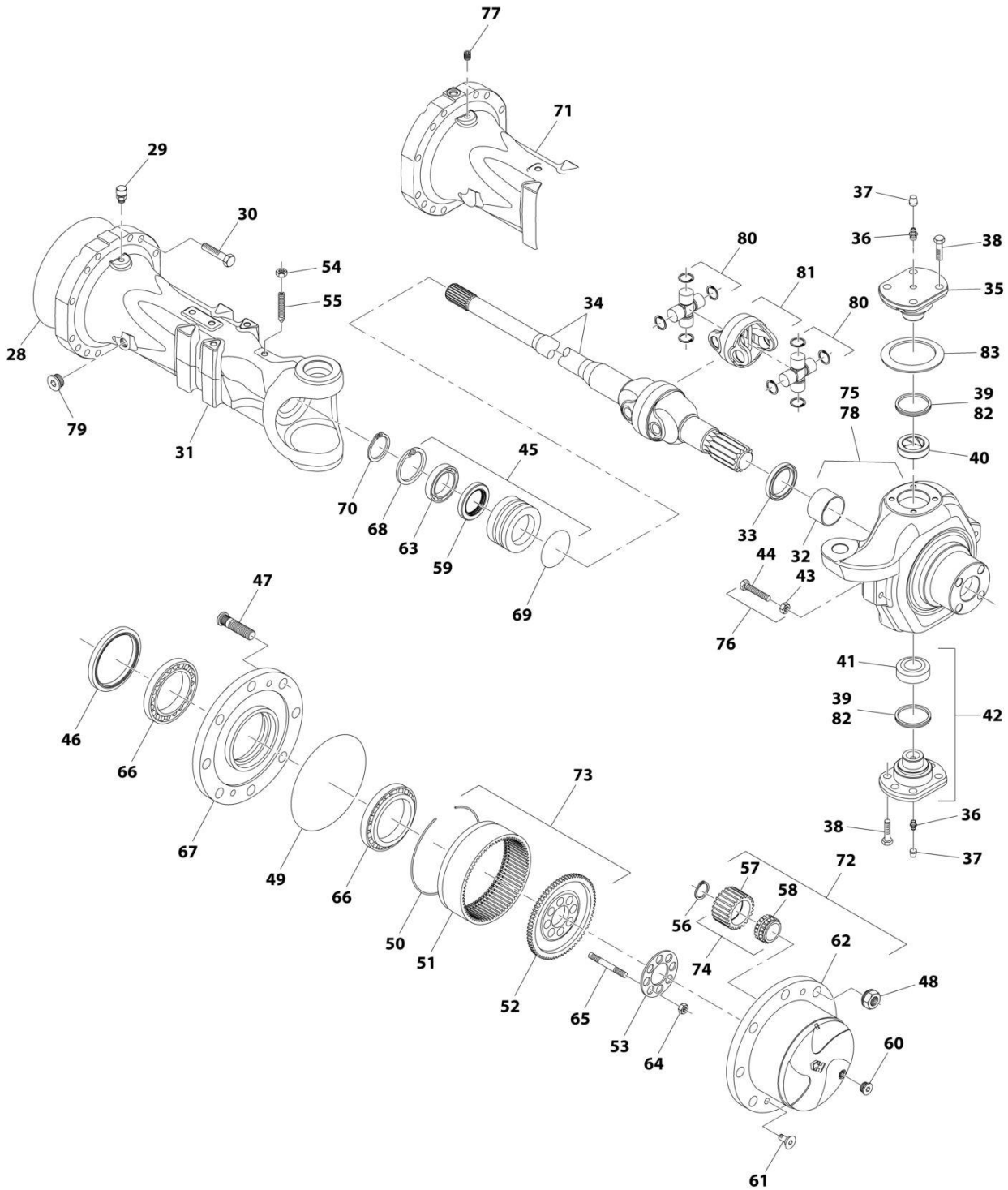
## SECTION 5 - DRIVE TRAIN

**FIGURE 5-12. REAR AXLE, DIFFERENTIAL**

ITEM	PART NUMBER	QTY	DESCRIPTION	REV
	1007367300	Ref	REAR AXLE, DIFFERENTIAL	F
4	80204213	1	Nut	
5	70020288	1	Flange	
6	70020234	2	Bearing	
7	91474532	1	Seal	
8	70020233	1	Spacer	
9	70024866	1	Shim Kit	
10	70024927	1	Shim Kit	
11	70020303	1	Spacer	
12	70029302	1	Bevel Gear Set	
13	70020251	12	Bolt	
14	70024929	1	Shim Kit	
15	70020240	2	Tapered Roller Bearing	
25	70021076	1	Cover Plate	
26	70021196	1	O-Ring	
27	70029303	1	Differential Kit (See Separate Breakdown in this Section)	

# SECTION 5 - DRIVE TRAIN

## FIGURE 5-13. REAR AXLE, HUB REDUCTION



ART\_1007367300\_3-E

## SECTION 5 - DRIVE TRAIN

### FIGURE 5-13. REAR AXLE, HUB REDUCTION

ITEM	PART NUMBER	QTY	DESCRIPTION	REV
	1007367300	Ref	REAR AXLE, HUB REDUCTION	F
28	70021147	2	O-Ring	
29	91474512	1	Breather	
30	70024878	28	Bolt	
31	70029304	1	Axle Case	
32	70021150	2	Bushing	
33	70021151	2	Seal	
34	70029270	2	Universal Joint and Shaft	
35	70029271	2	Pivot Pin	
36	70024881	4	Grease Fitting	
37	80204117	4	Plug	
38	70025562	20	Bolt	
39	70021155	2	Seal	
40	70029272	2	Reduction Bushing	
41	70029273	2	Articulation	
42	70029274	2	Pivot Pin	
43	80204065	4	Nut	
44	91514117	4	Bolt	
45	70029275	2	Reduction Bushing	
46	70029276	2	Seal	
47	70024883	16	Wheel Stud	
48	70026875	NLA	Nut (No Longer Available, Use Item 70030769)	
48	70030769	16	Nut	
49	91474507	2	O-Ring	
50	91474579	2	Circlip	
51	91474580	2	Ring Gear	
52	3983720	2	Ring Gear Support	
53	3983731	2	Locking Plate	
54	80204172	2	Nut	
55	70029277	2	Bolt	
56	91474585	3	Circlip	
57	70028473	6	Planet Gear	
58	70028474	6	Bearing	
59	70029278	2	Seal	
60	7028706	2	Magnetic Plug	
61	91514189	4	Bolt, Countersunk	
62	70024888	1	Plant Gear Carrier	
63	70029279	2	Bearing	
64	91474584	8	Nut	
65	70027315	8	Stud	
66	70030251	4	Bearing	
67	70029280	2	Wheel Hub	
68	70029281	2	Circlip	
69	70029282	2	O-Ring	
70	70029283	2	Circlip	
71	70029284	1	Axle Case	
72	70029285	2	Planet Gear Carrier Kit (See Separate Breakdown in this Section)	
73	7029432	2	Ring Gear Support Assembly (See Separate Breakdown in this Section)	
74	70027114	6	Kit, Planet Gear	

## SECTION 5 - DRIVE TRAIN

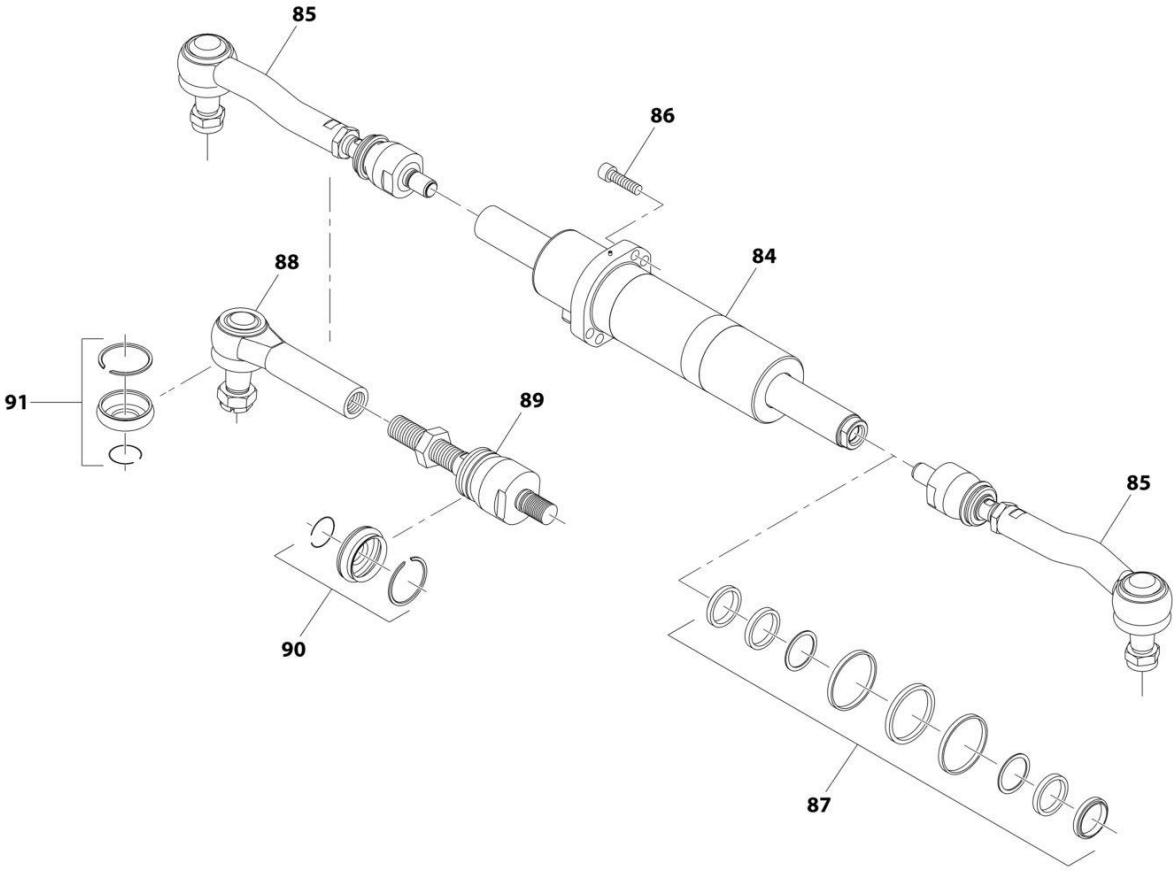
ITEM	PART NUMBER	QTY	DESCRIPTION	REV
75	70029286	1	Steering Case Kit (LF, RR) (See Separate Breakdown in this Section)	
76	7028733	4	Steering Adjust Bolt Kit	
77	80204012	1	Plug	
78	70029287	1	Steering Case Kit (RF, LR) (See Separate Breakdown in this Section)	
79	70028389	1	Plug	
80	70029289	2	Joint Cross	
81	70029290	1	Joint Center Section	
82	70029291	2	Dust Excluder	
83	70029292	4	Spring	





**SECTION 5 - DRIVE TRAIN**

**FIGURE 5-14. REAR AXLE, STEERING**



ART\_1007367300\_4-E

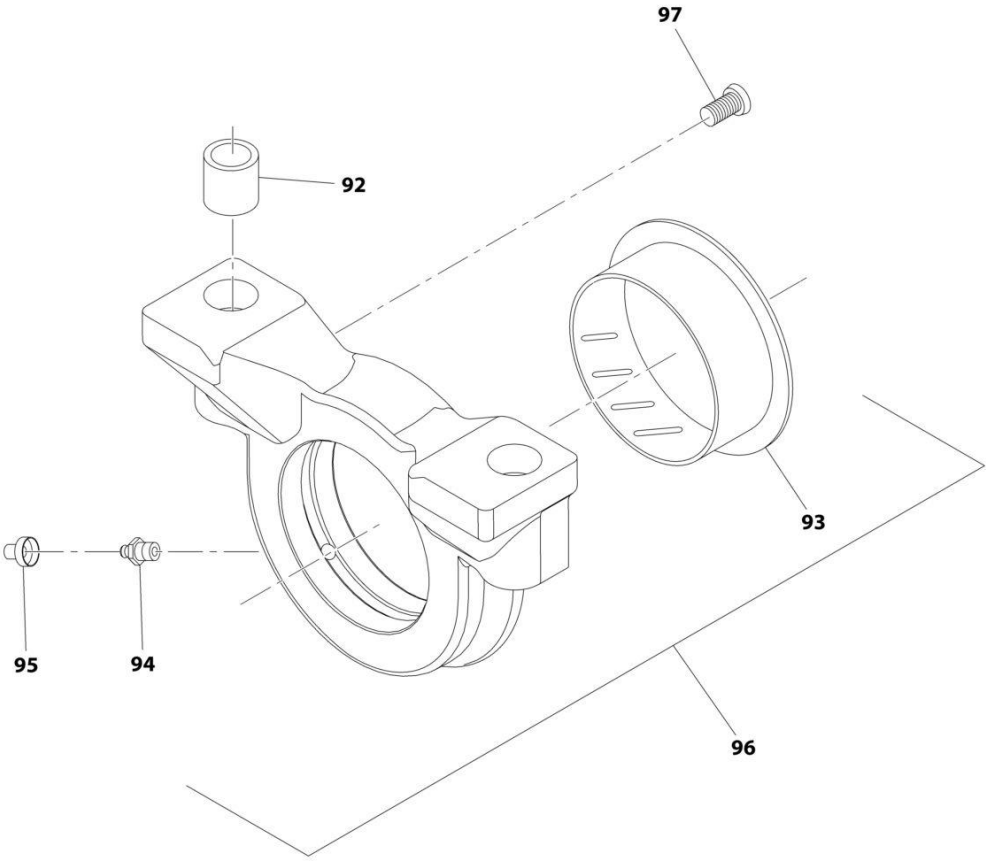
## SECTION 5 - DRIVE TRAIN

### FIGURE 5-14. REAR AXLE, STEERING

ITEM	PART NUMBER	QTY	DESCRIPTION	REV
	1007367300	Ref	REAR AXLE, STEERING	F
84	70023035	1	Steer Cylinder	
85	70020302	2	Tie Rod	
86	70020269	4	Cylinder Bolt	
87	70023036	1	Seal Kit, Steer Cylinder	
88	70029300	1	Joint, 90 Degree	
89	70029301	1	Axle Joint	
90	70027866	1	Rubber Boot and Locking Ring Kit	
91	70027865	1	Rubber Boot and Locking Ring Kit	

**SECTION 5 - DRIVE TRAIN**

**FIGURE 5-15. REAR AXLE, TRUNION**



ART\_1007367300\_5-E

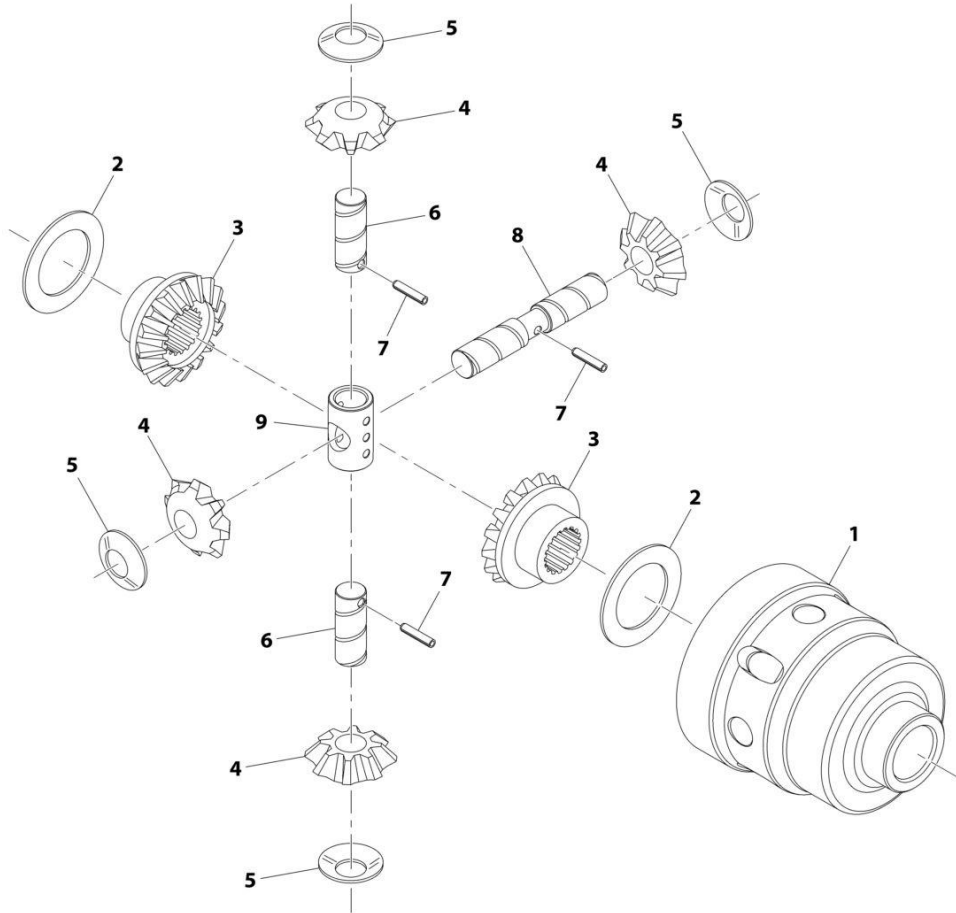
## SECTION 5 - DRIVE TRAIN

### FIGURE 5-15. REAR AXLE, TRUNION

ITEM	PART NUMBER	QTY	DESCRIPTION	REV
	1007367300	Ref	REAR AXLE, TRUNION	F
92	91474516	4	Reduction Bushing	
93	70021198	2	Thrust Bushing	
94	70024881	2	Fitting, Grease	
95	80204117	2	Plug	
96	70021200	2	Support Assembly	
97	70028535	2	Bolt	

# SECTION 5 - DRIVE TRAIN

## FIGURE 5-16. DIFFERENTIAL KIT



ART\_70029303

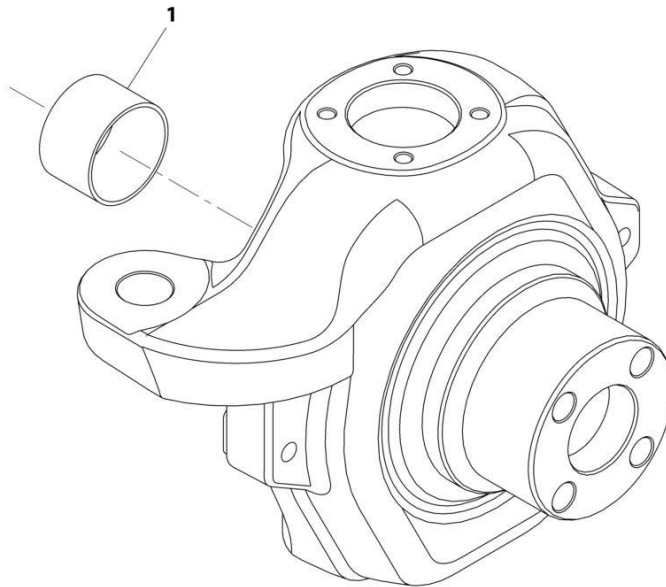
## SECTION 5 - DRIVE TRAIN

### FIGURE 5-16. DIFFERENTIAL KIT

ITEM	PART NUMBER	QTY	DESCRIPTION	REV
	70029303	Ref	Differential Kit	
1	70020346	1	Differential Carrier	
2	70029267	2	Friction Washer	
3	70021221	2	Differential Side Gear	
4	70020244	4	Differential Pinion	
5	70020245	4	Friction Washer	
6	70021929	2	Pin	
7	70020247	3	Dowel	
8	70021928	1	Pin	
9	70020249	1	Shaft Retainer	

## SECTION 5 - DRIVE TRAIN

FIGURE 5-17. STEERING CASE KIT (LF/RR)



ART\_70029286



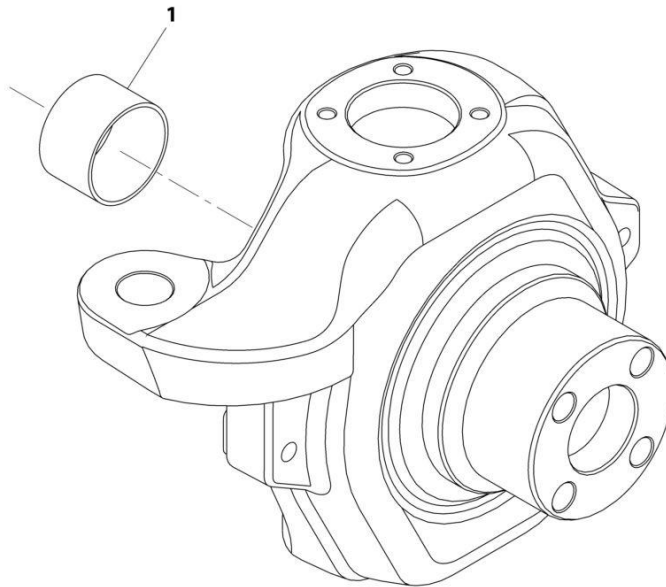
## SECTION 5 - DRIVE TRAIN

**FIGURE 5-17. STEERING CASE KIT (LF/RR)**

ITEM	PART NUMBER	QTY	DESCRIPTION	REV
1	70029286	Ref	Steering Case Kit (LF, RR)	
	70021150	2	Thrust Bushing	

## SECTION 5 - DRIVE TRAIN

FIGURE 5-18. STEERING CASE KIT (RF/LR)



ART\_70029287

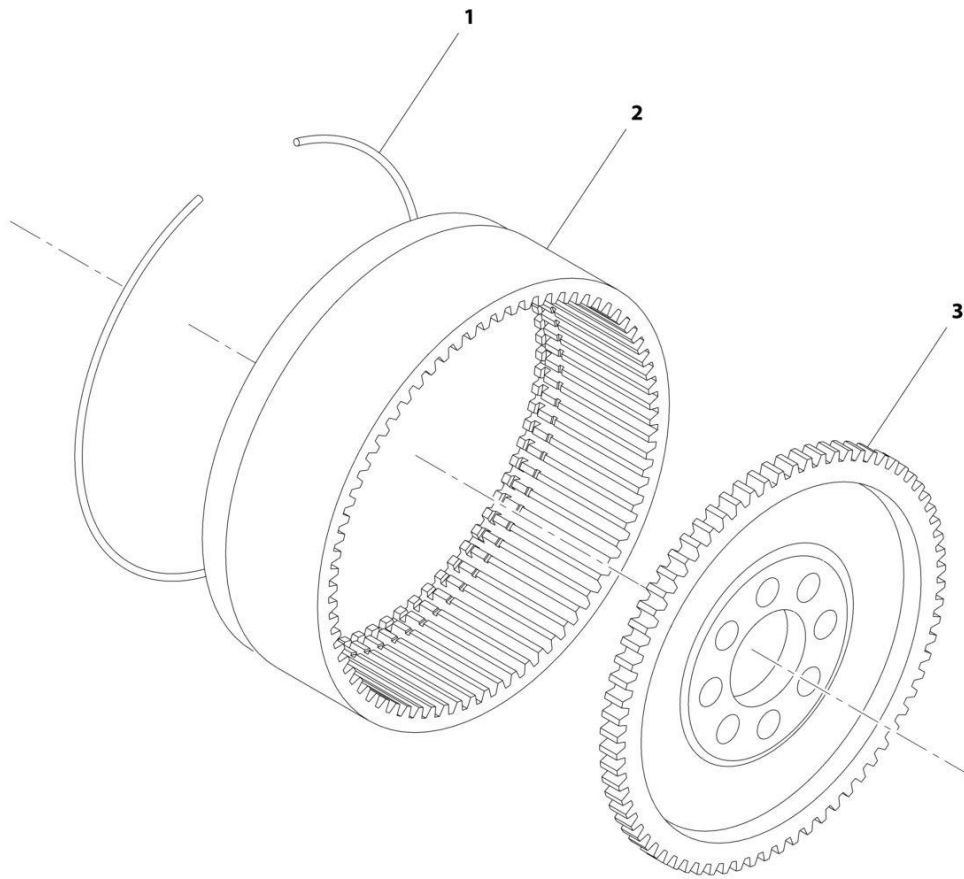
## SECTION 5 - DRIVE TRAIN

**FIGURE 5-18. STEERING CASE KIT (RF/LR)**

ITEM	PART NUMBER	QTY	DESCRIPTION	REV
1	70029287	Ref	Steering Case Kit (RF, LR)	
	70021150	2	Thrust Bushing	

# SECTION 5 - DRIVE TRAIN

## FIGURE 5-19. RING GEAR SUPPORT KIT



ART\_7029432

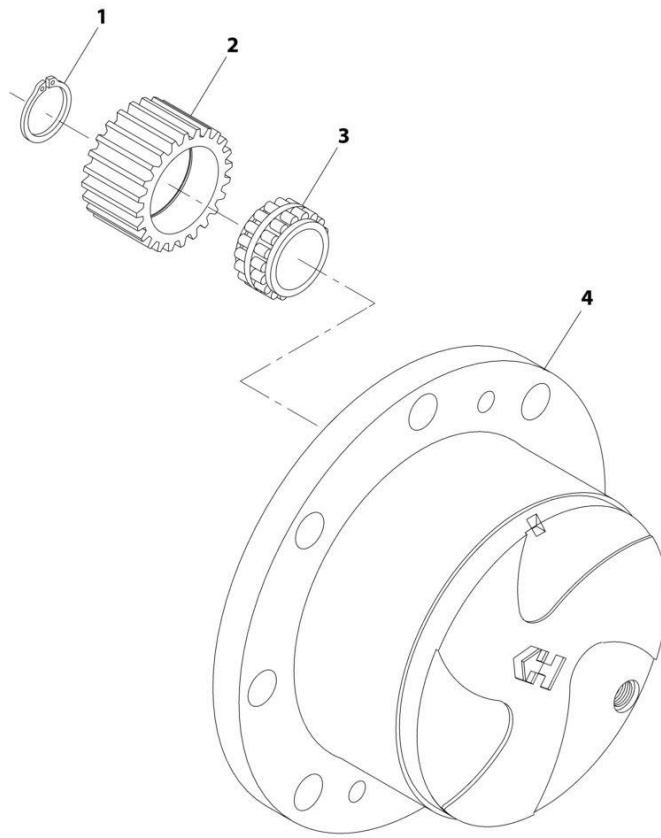
## SECTION 5 - DRIVE TRAIN

### FIGURE 5-19. RING GEAR SUPPORT KIT

ITEM	PART NUMBER	QTY	DESCRIPTION	REV
	7029432	Ref	Ring Gear Support Kit	
1	91474579	1	Circlip	
2	91474580	1	Ring Gear	
3	3983720	1	Ring Gear Support	

# SECTION 5 - DRIVE TRAIN

## FIGURE 5-20. PLANET GEAR CARRIER KIT



ART\_70029285

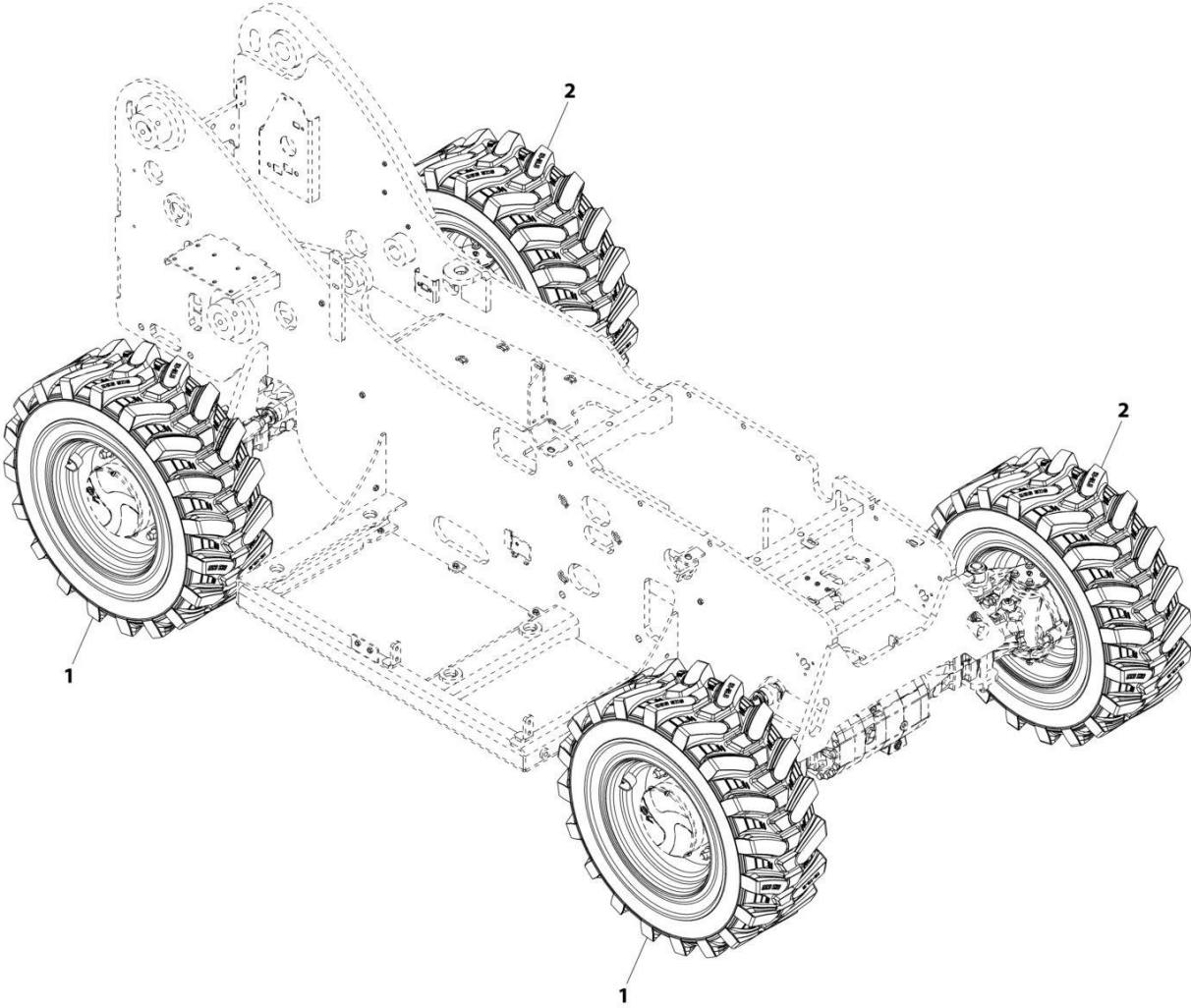
## SECTION 5 - DRIVE TRAIN

### FIGURE 5-20. PLANET GEAR CARRIER KIT

ITEM	PART NUMBER	QTY	DESCRIPTION	REV
	70029285	Ref	Planet Gear Carrier Kit	
1	91474585	3	Circlip	
2	70028473	6	Planet Gear	
3	70028474	6	Bearing	
4	70024888	1	Planet Gear Carrier	

**SECTION 5 - DRIVE TRAIN**

**FIGURE 5-21. TIRE/WHEEL SET, CAMSO (AIR 12-16.5 - 12 PLY)**



ART\_1001236316-A



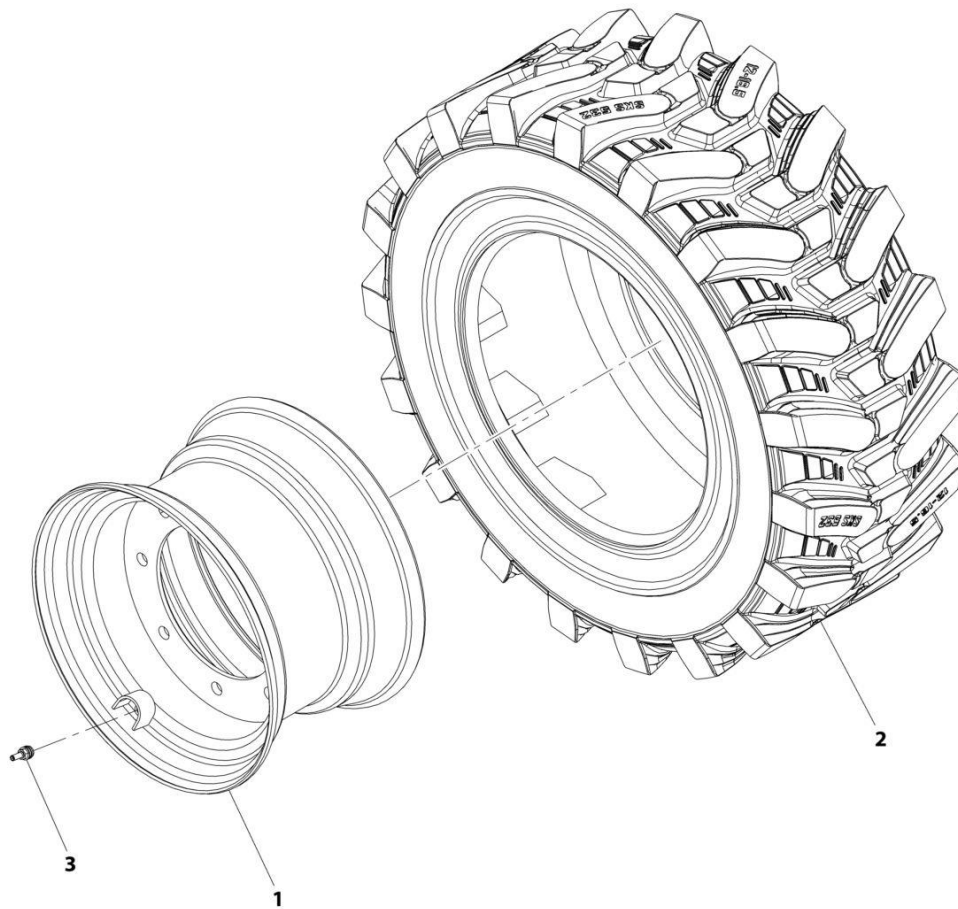
## SECTION 5 - DRIVE TRAIN

**FIGURE 5-21. TIRE/WHEEL SET, CAMSO (AIR 12-16.5 - 12 PLY)**

ITEM	PART NUMBER	QTY	DESCRIPTION	REV
1	1001236316	Ref	Tire/Wheel Set, Camso (Air 12-16.5 - 12 PLY)	A
	1001236666	2	Right Tire/Wheel Assembly, Camso (Air 12-16.5 - 12 Ply) (See Separate Breakdown in this Section)	
2	1001236667	2	Left Tire/Wheel Assembly, Camso (Air 12-16.5 - 12 Ply) (See Separate Breakdown in this Section)	

## SECTION 5 - DRIVE TRAIN

FIGURE 5-22. RIGHT TIRE/WHEEL ASSEMBLY, CAMSO (AIR 12-16.5 - 12 PLY)



ART\_1001236666-A

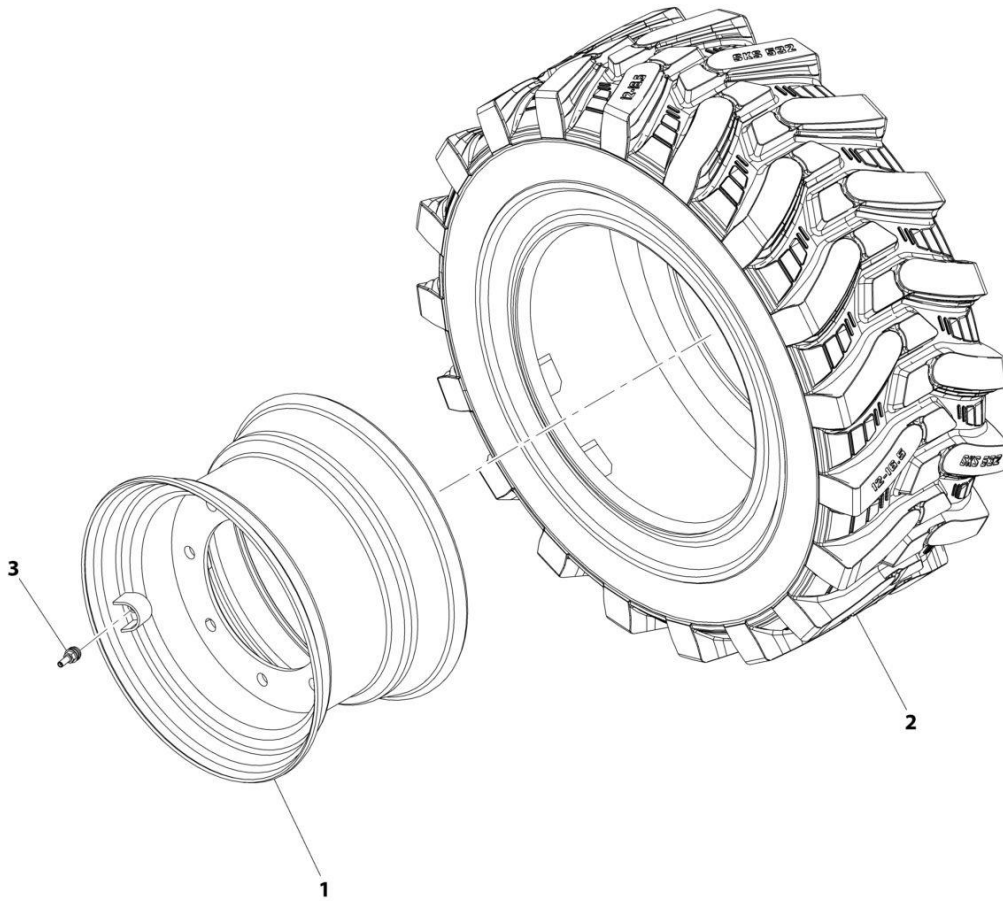
## SECTION 5 - DRIVE TRAIN

**FIGURE 5-22. RIGHT TIRE/WHEEL ASSEMBLY, CAMSO (AIR 12-16.5 - 12 PLY)**

ITEM	PART NUMBER	QTY	DESCRIPTION	REV
	1001236666	Ref	Right Tire/Wheel Assembly, Camso (Air 12-16.5 - 12 PLY)	A
1	1001139975	1	Wheel, 16.5X9.75	
2	1001232351	1	Tire, 12-16.5 - 12 Ply	
3	4640163	1	Tire Valve	

# SECTION 5 - DRIVE TRAIN

FIGURE 5-23. LEFT TIRE/WHEEL ASSEMBLY, CAMSO (AIR 12-16.5 - 12 PLY)



ART\_1001236667-A

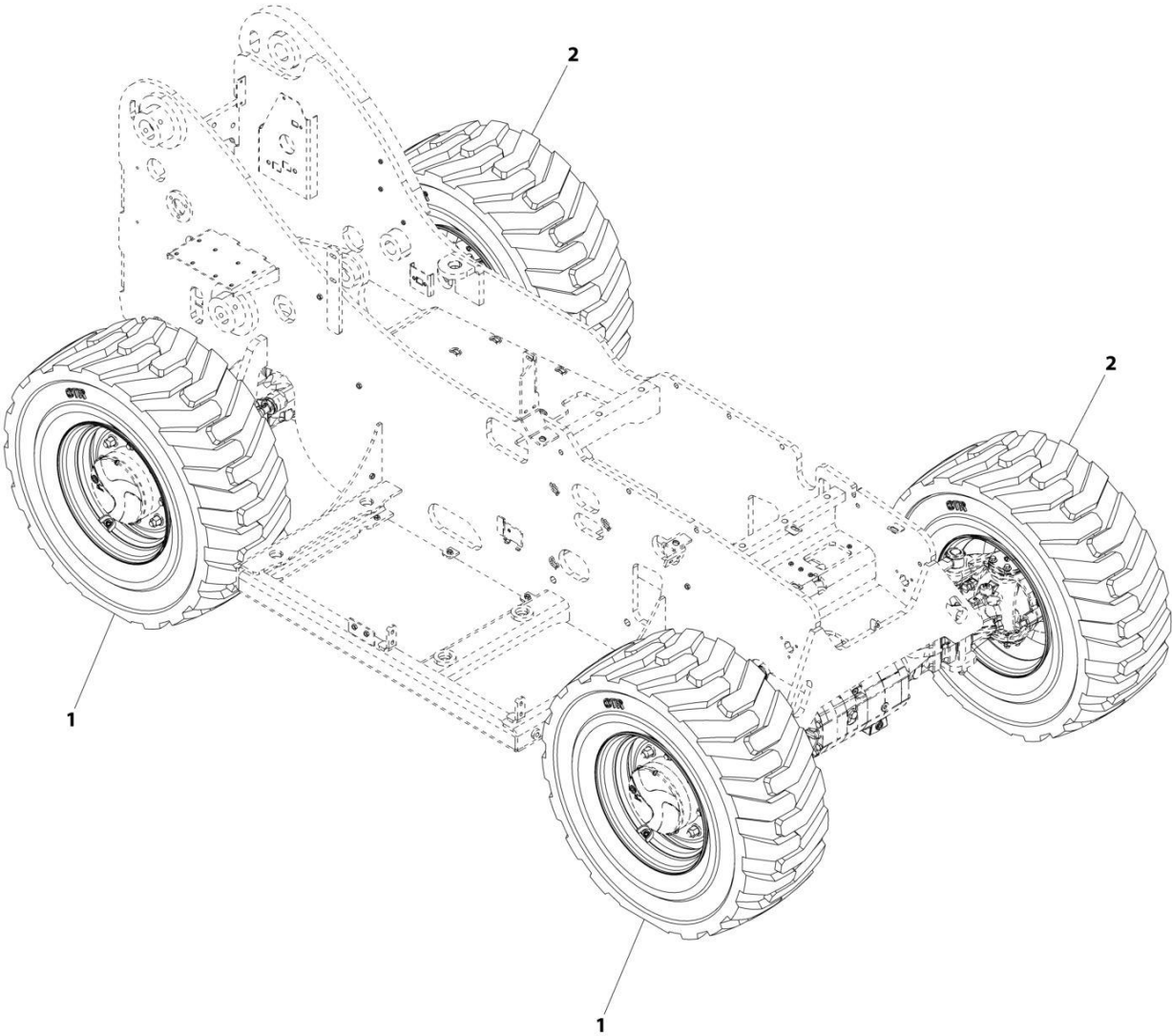
## SECTION 5 - DRIVE TRAIN

**FIGURE 5-23. LEFT TIRE/WHEEL ASSEMBLY, CAMSO (AIR 12-16.5 - 12 PLY)**

ITEM	PART NUMBER	QTY	DESCRIPTION	REV
	1001236667	Ref	Left Tire/Wheel Assembly, Camso (Air 12-16.5 - 12 PLY)	A
1	1001139975	1	Wheel, 16.5X9.75	
2	1001232351	1	Tire, 12-16.5 - 12 Ply	
3	4640163	1	Tire Valve	

**SECTION 5 - DRIVE TRAIN**

**FIGURE 5-24. TIRE/WHEEL SET (AIR 14-17.5 - 12 PLY)**



ART\_1001236317-A

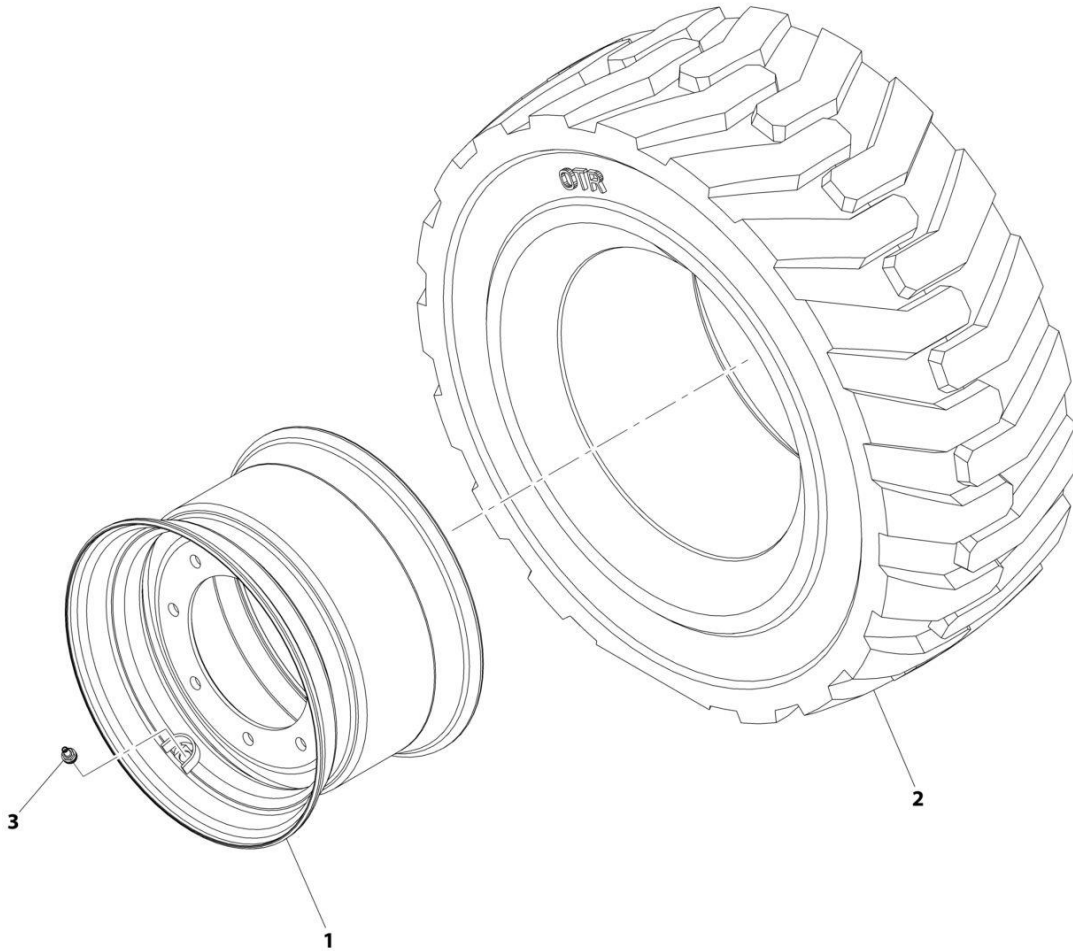
## SECTION 5 - DRIVE TRAIN

**FIGURE 5-24. TIRE/WHEEL SET (AIR 14-17.5 - 12 PLY)**

ITEM	PART NUMBER	QTY	DESCRIPTION	REV
1	1001236317	Ref	Tire/Wheel Set (Air 14-17.5 - 12 PLY)	A
	1001140686	2	Right Tire/Wheel Assembly (Air 12-16.5 - 12 Ply) (See Separate Breakdown in this Section)	
2	1001140700	2	Left Tire/Wheel Assembly (Air 12-16.5 - 12 Ply) (See Separate Breakdown in this Section)	

## SECTION 5 - DRIVE TRAIN

FIGURE 5-25. RIGHT TIRE/WHEEL ASSEMBLY (AIR 12-16.5 - 12 PLY)



ART\_1001140686-F



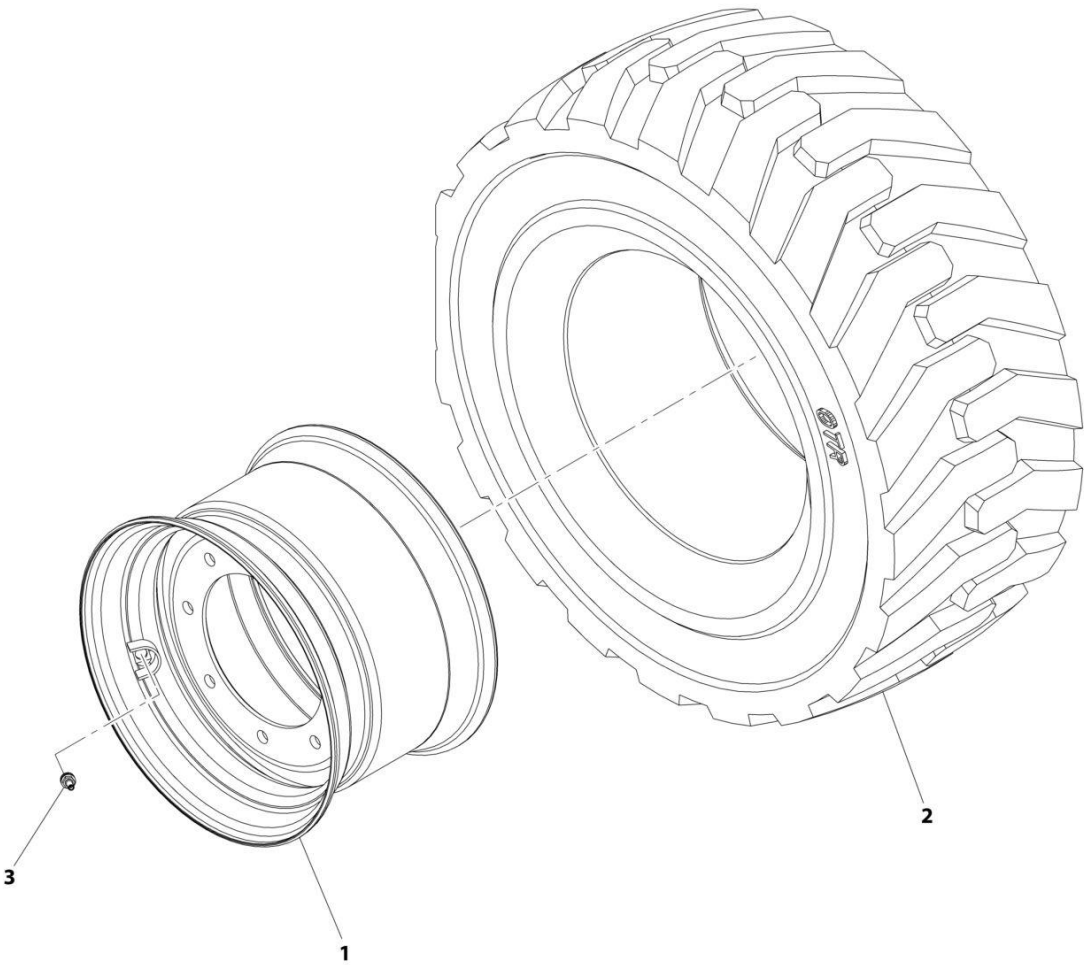
## SECTION 5 - DRIVE TRAIN

**FIGURE 5-25. RIGHT TIRE/WHEEL ASSEMBLY (AIR 12-16.5 - 12 PLY)**

ITEM	PART NUMBER	QTY	DESCRIPTION	REV
	1001140686	Ref	Right Tire/Wheel Assembly (Air 12-16.5 - 12 PLY)	F
1	1001139974	1	Wheel, 17.5X10.5	
2	4520259	1	Tire, 14X17.5	
3	4640163	1	Tire Valve	

**SECTION 5 - DRIVE TRAIN**

**FIGURE 5-26. LEFT TIRE/WHEEL ASSEMBLY (AIR 12-16.5 - 12 PLY)**



ART\_1001140700-F

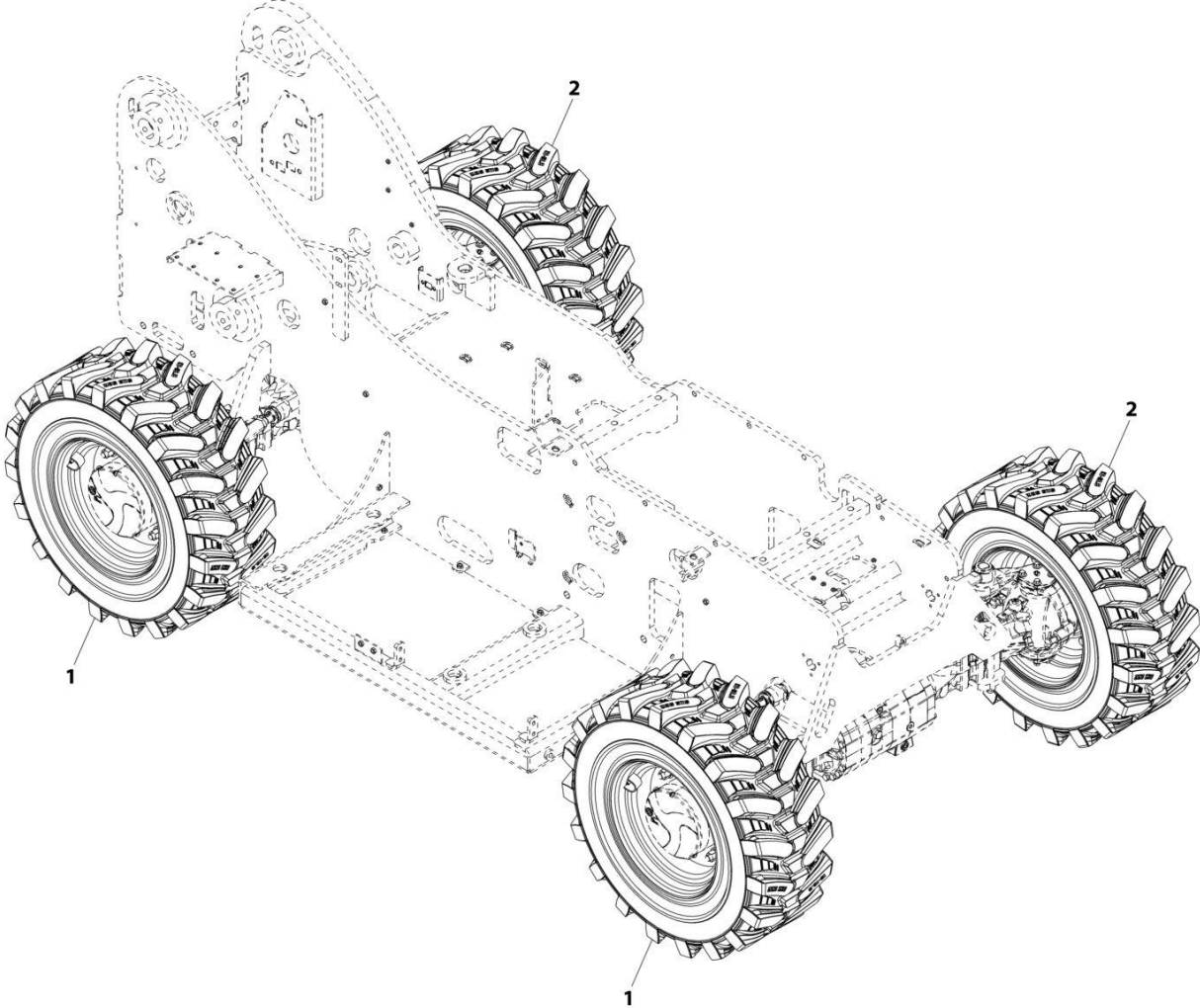
## SECTION 5 - DRIVE TRAIN

**FIGURE 5-26. LEFT TIRE/WHEEL ASSEMBLY (AIR 12-16.5 - 12 PLY)**

ITEM	PART NUMBER	QTY	DESCRIPTION	REV
	1001140700	Ref	Left Tire/Wheel Assembly (Air 12-16.5 - 12 PLY)	F
1	1001139974	1	Wheel, 16.5X9.75	
2	4520259	1	Tire, 14X17.5	
3	4640163	1	Tire Valve	

**SECTION 5 - DRIVE TRAIN**

**FIGURE 5-27. TIRE/WHEEL SET, CAMSO (FOAM 12-16.5 - 12 PLY)**



ART\_1001236319-A

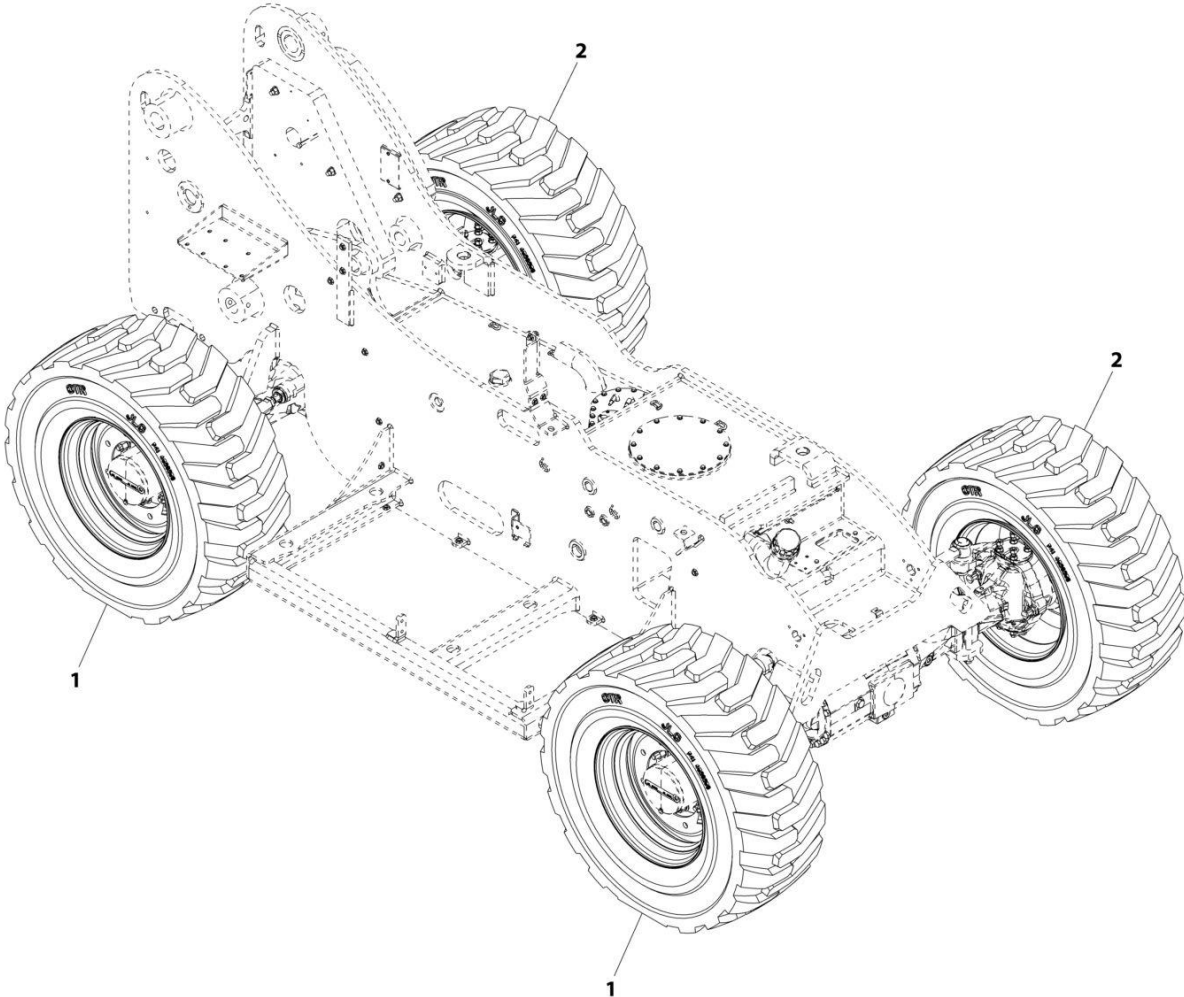
## SECTION 5 - DRIVE TRAIN

**FIGURE 5-27. TIRE/WHEEL SET, CAMSO (FOAM 12-16.5 - 12 PLY)**

ITEM	PART NUMBER	QTY	DESCRIPTION	REV
	1001236319	Ref	Tire/Wheel Set, Camso (Foam 12-16.5 - 12 PLY)	A
1	1001236668	2	Wheel and Tire Assembly, Right, 12-16.5, Foam	
2	1001236669	2	Wheel and Tire Assembly, Left, 12-16.5, Foam	

**SECTION 5 - DRIVE TRAIN**

**FIGURE 5-28. TIRE/WHEEL SET (FOAM 12-16.5 - 14 PLY)**



ART\_1001141324-A

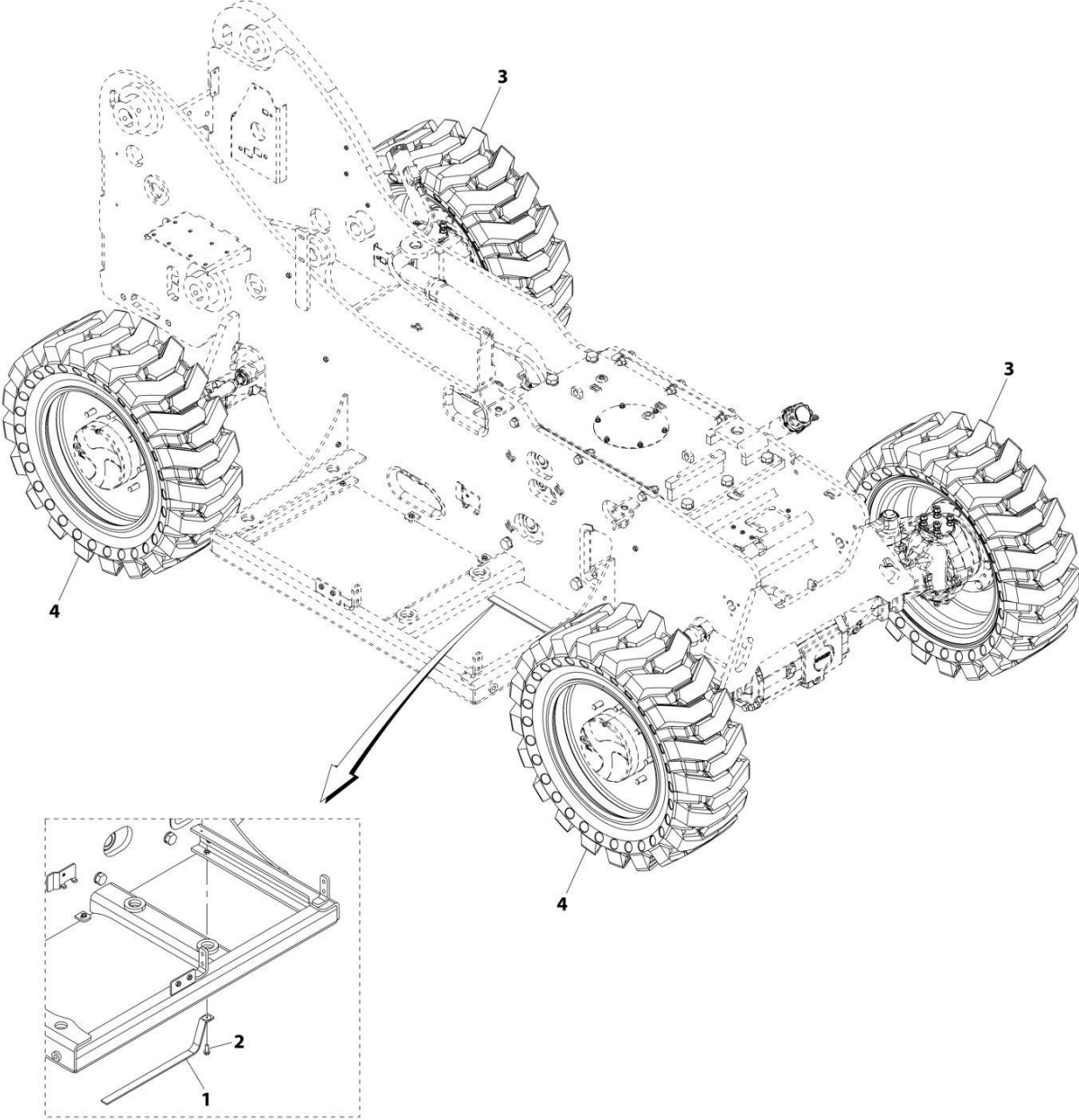
## SECTION 5 - DRIVE TRAIN

**FIGURE 5-28. TIRE/WHEEL SET (FOAM 12-16.5 - 14 PLY)**

ITEM	PART NUMBER	QTY	DESCRIPTION	REV
	1001141324	Ref	Tire/Wheel Set (Foam 12-16.5 - 14 PLY)	A
1	1001140703	2	Wheel and Tire Assembly, Right, 14-17.5, Foam	
2	1001140704	2	Wheel and Tire Assembly, Left, 14-17.5, Foam	

**SECTION 5 - DRIVE TRAIN**

**FIGURE 5-29. TIRE/WHEEL SET (SOLID 33X12-20 - NM)**



ART\_1001200945-A



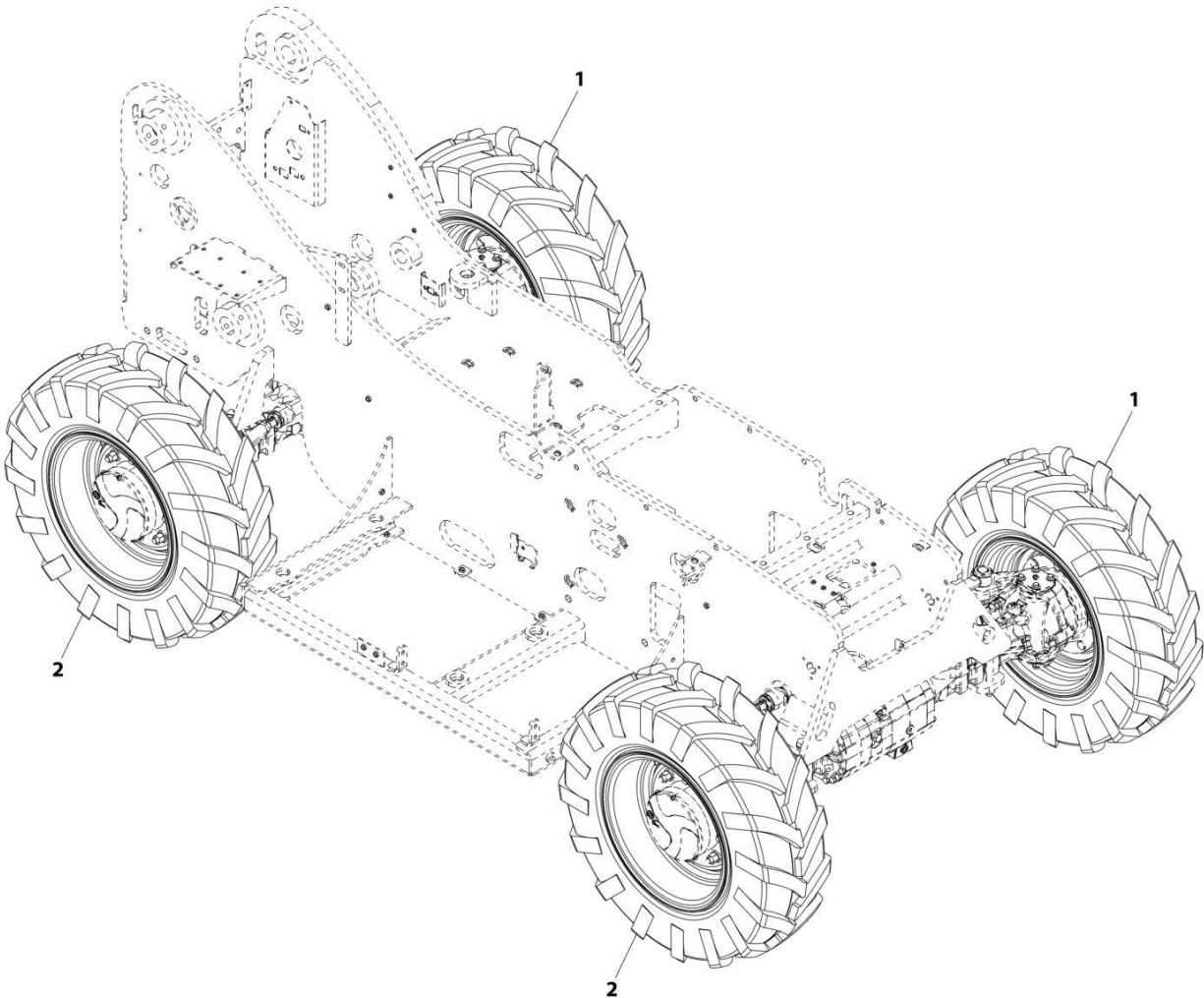
## SECTION 5 - DRIVE TRAIN

**FIGURE 5-29. TIRE/WHEEL SET (SOLID 33X12-20 - NM)**

ITEM	PART NUMBER	QTY	DESCRIPTION	REV
	1001200945	Ref	Tire/Wheel Set (Solid 33X12-20 - NM)	A
1	4240084	1	Anti-Static Strap	
2	1001115871	1	Bolt, 1X0.375-16	
3	1001200796	2	Wheel and Tire Assembly, Left, Non-Marking	
4	1001200797	2	Wheel and Tire Assembly, Right, Non-Marking	

**SECTION 5 - DRIVE TRAIN**

**FIGURE 5-30. TIRE/WHEEL SET, AG (AIR 10.5-18 - 16 PR)**



ART\_1001236321-A

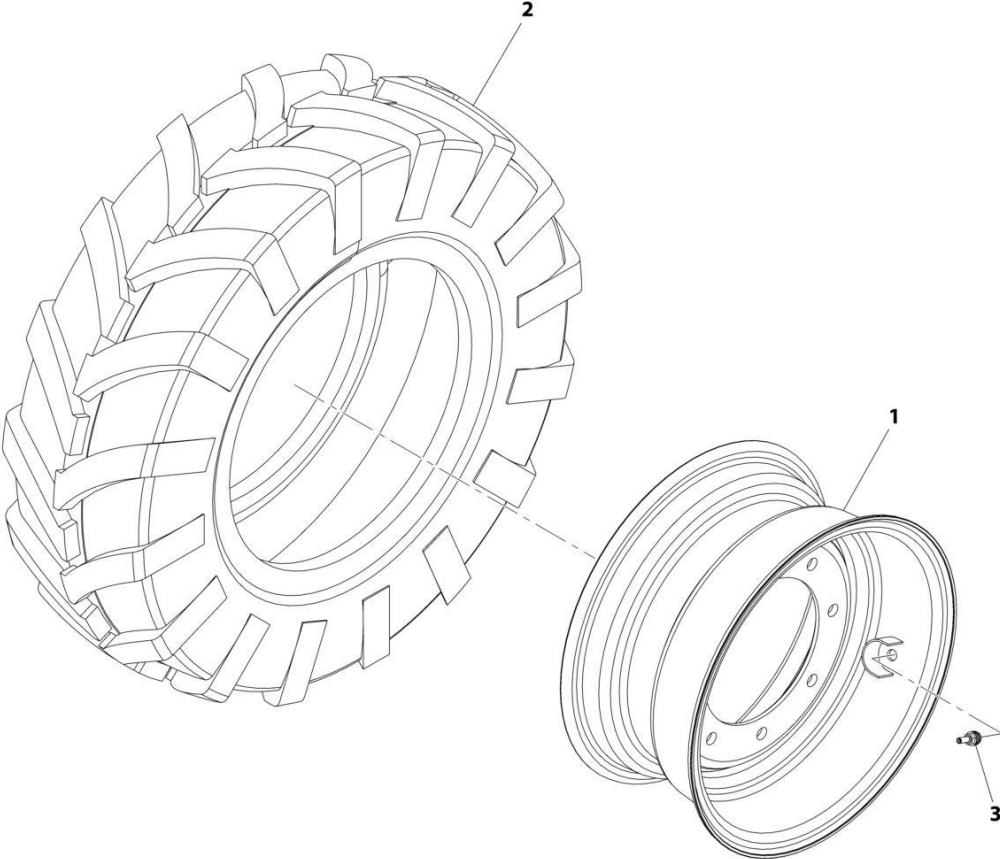
## SECTION 5 - DRIVE TRAIN

**FIGURE 5-30. TIRE/WHEEL SET, AG (AIR 10.5-18 - 16 PR)**

ITEM	PART NUMBER	QTY	DESCRIPTION	REV
1	1001236321	Ref	Tire/Wheel Set, AG (Air 10.5-18 - 16 PR)	A
	1001143671	2	Right Tire/Wheel Assembly, AG (Air 10.5-18 - 16 PR) (See Separate Breakdown in this Section)	
2	1001143689	2	Left Tire/Wheel Assembly, AG (Air 10.5-18 - 16 PR) (See Separate Breakdown in this Section)	

**SECTION 5 - DRIVE TRAIN**

**FIGURE 5-31. RIGHT TIRE/WHEEL ASSEMBLY, AG (AIR 10.5-18 - 16 PR)**



ART\_1001143671-E

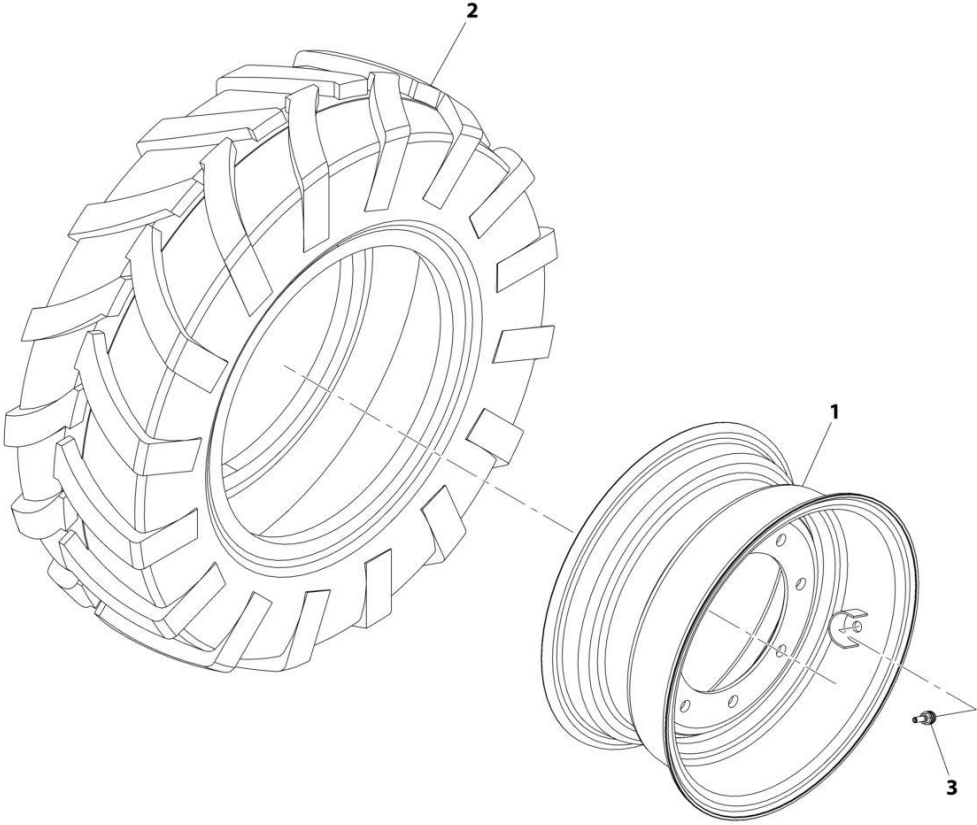
## SECTION 5 - DRIVE TRAIN

**FIGURE 5-31. RIGHT TIRE/WHEEL ASSEMBLY, AG (AIR 10.5-18 - 16 PR)**

ITEM	PART NUMBER	QTY	DESCRIPTION	REV
	1001143671	Ref	Right Tire/Wheel Assembly, AG (Air 10.5-18 - 16 PR)	E
1	1001142101	1	Wheel, 18X9	
2	1001154229	1	Tire, 10.5X18	
3	4640163	1	Tire Valve	

**SECTION 5 - DRIVE TRAIN**

**FIGURE 5-32. LEFT TIRE/WHEEL ASSEMBLY, AG (AIR 10.5-18 - 16 PR)**



ART\_1001143689-E

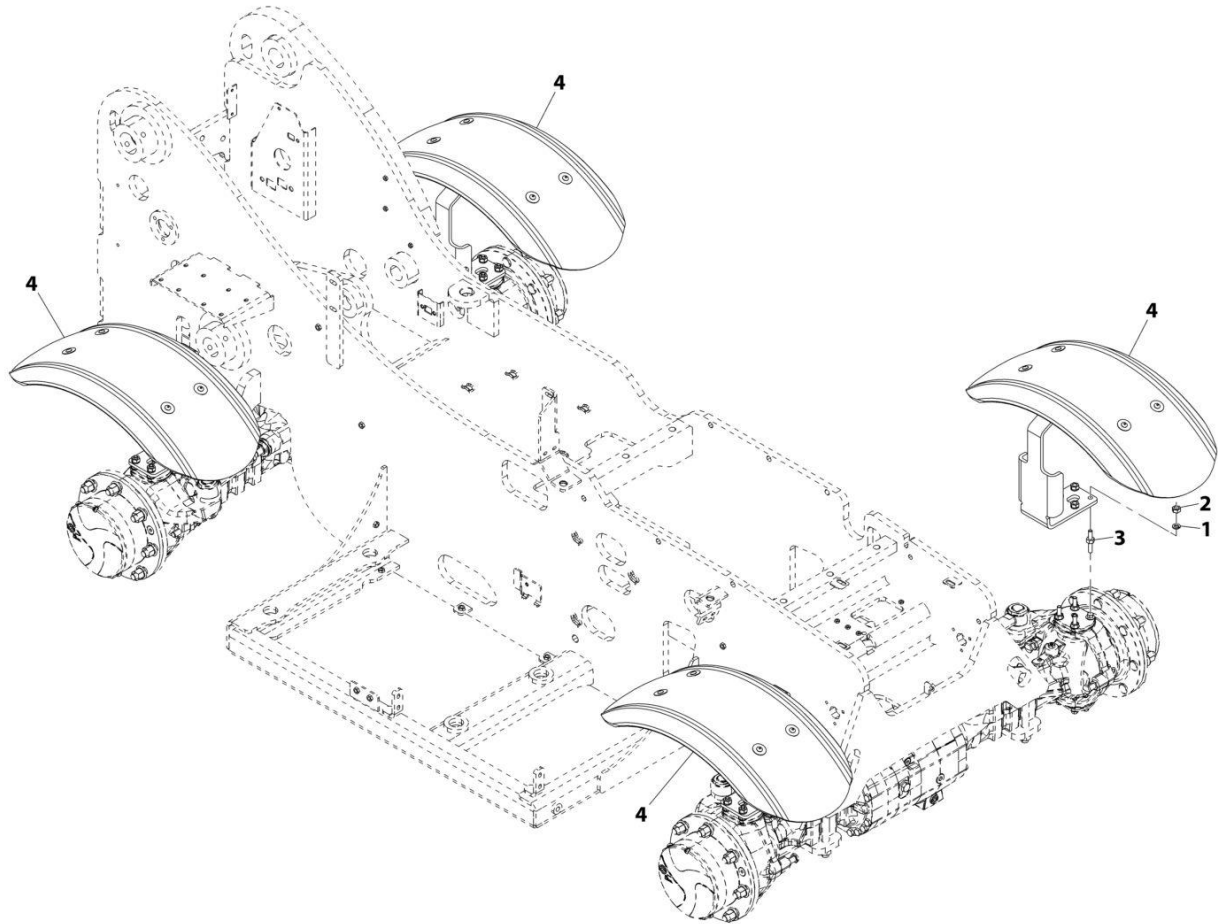
## SECTION 5 - DRIVE TRAIN

**FIGURE 5-32. LEFT TIRE/WHEEL ASSEMBLY, AG (AIR 10.5-18 - 16 PR)**

ITEM	PART NUMBER	QTY	DESCRIPTION	REV
	1001143689	Ref	Left Tire/Wheel Assembly, AG (Air 10.5-18 - 16 PR)	E
1	1001142101	1	Wheel, 18X9	
2	1001154229	1	Tire, 10.5X18	
3	4640163	1	Tire Valve	

# SECTION 5 - DRIVE TRAIN

## FIGURE 5-33. FENDER INSTALLATION



ART\_1001235015-A



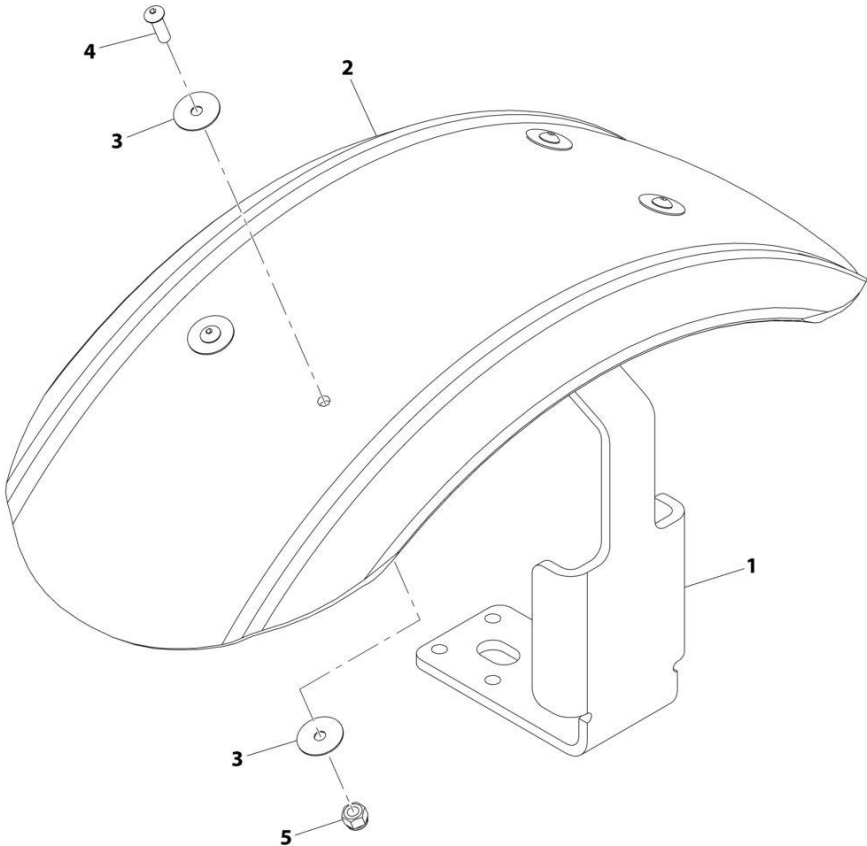
## SECTION 5 - DRIVE TRAIN

### FIGURE 5-33. FENDER INSTALLATION

ITEM	PART NUMBER	QTY	DESCRIPTION	REV
	1001235015	Ref	Fender Installation	A
1	83191010	16	Lockwasher, M12	
2	91513266	16	Nut, M12X1-1/4	
3	91514118	16	Stud	
4	1001235014	4	Fender Assembly (See Separate Breakdown in this Section)	

**SECTION 5 - DRIVE TRAIN**

**FIGURE 5-34. FENDER ASSEMBLY**



ART\_1001235014-A

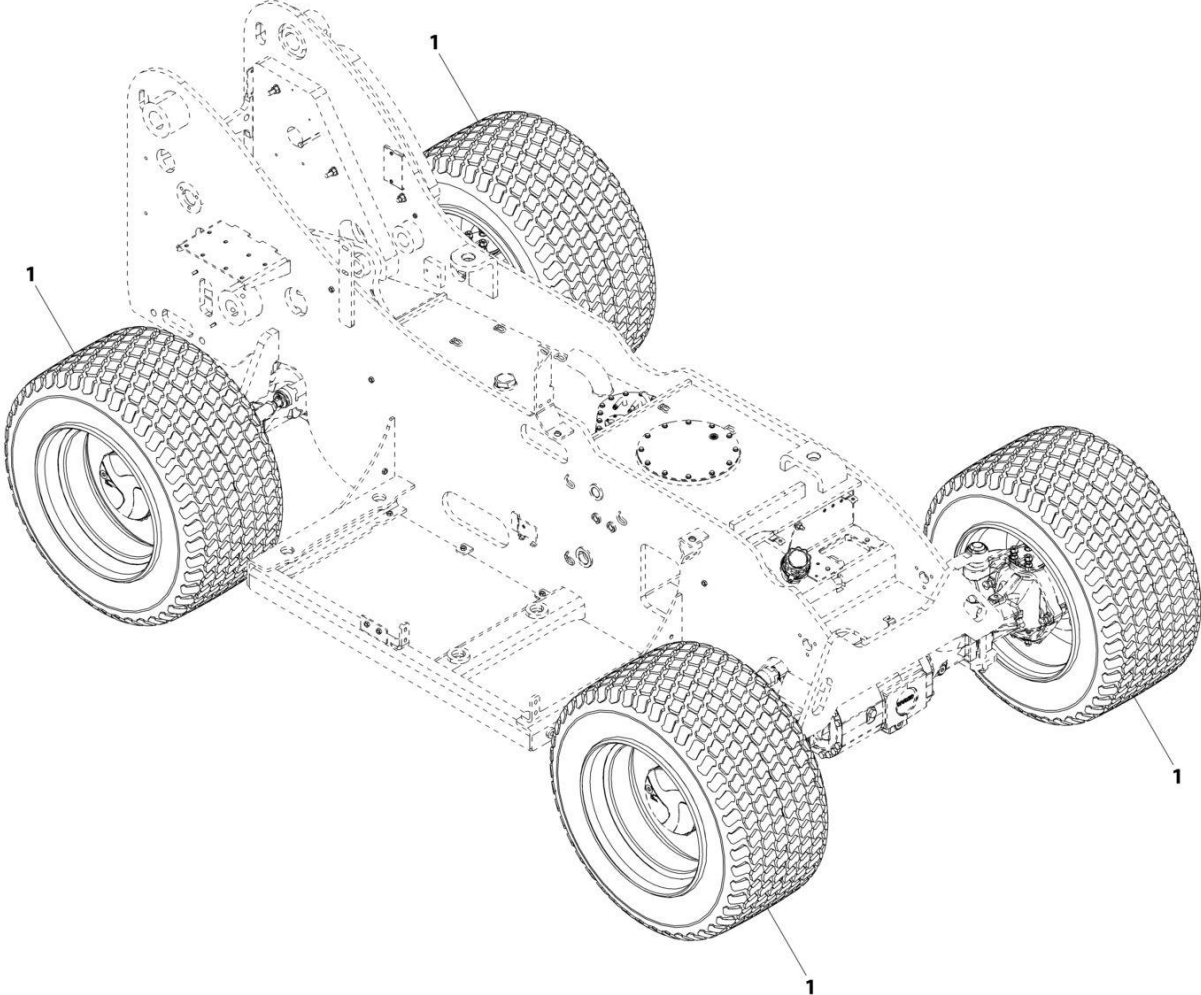
## SECTION 5 - DRIVE TRAIN

### FIGURE 5-34. FENDER ASSEMBLY

ITEM	PART NUMBER	QTY	DESCRIPTION	REV
	1001235014	Ref	Fender Assembly	A
1	1001234973	1	Fender Mount	
2	1001080212	1	Wheel Fender	
3	8310246	8	Fender Washer, 3/8X0.048X1-1/2	
4	88261030	4	Socket HD Capscrew, 3/8-16X1-1/4	
5	88521206	4	Locknut, 3/8-16	

**SECTION 5 - DRIVE TRAIN**

**FIGURE 5-35. TIRE/WHEEL SET 33X16LL19.5 TURF/SAND**



ART\_1001234507-A

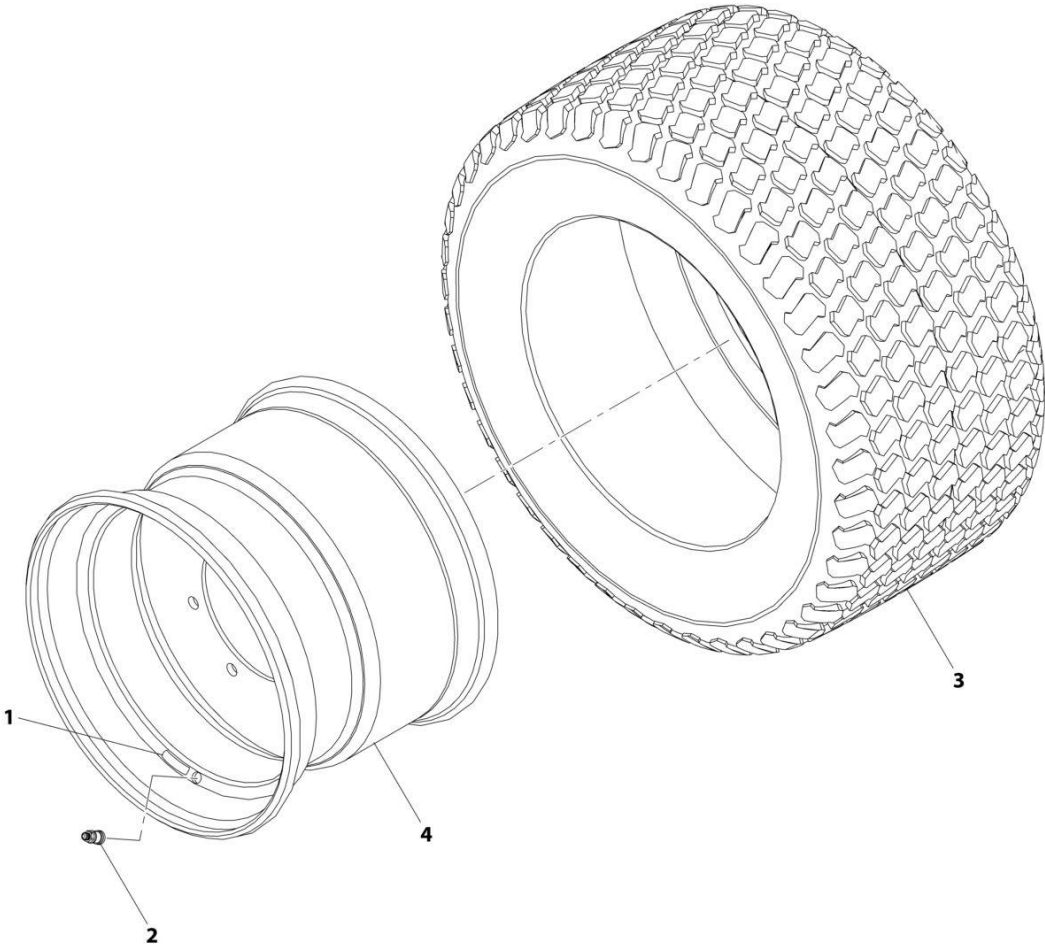
## SECTION 5 - DRIVE TRAIN

**FIGURE 5-35. TIRE/WHEEL SET 33X16LL19.5 TURF/SAND**

ITEM	PART NUMBER	QTY	DESCRIPTION	REV
1	1001234507 1001233304	1 4	Tire/Wheel Set 33X16LL 19.5 - Turf/Sand Assembly, Tire/Wheel 33X16LL 19.5 - Turf/Sand (See TIRE/WHEEL ASSEMBLY 33X16LL 19.5 TURF/SAND for Breakdown)	A

**SECTION 5 - DRIVE TRAIN**

**FIGURE 5-36. ASSEMBLY, TIRE/WHEEL 33X16LL19.5 TURF/SAND**



ART\_1001233304 -C

## SECTION 5 - DRIVE TRAIN

**FIGURE 5-36. ASSEMBLY, TIRE/WHEEL 33X16LL19.5 TURF/SAND**

ITEM	PART NUMBER	QTY	DESCRIPTION	REV
	1001233304	Ref	Tire/Wheel Asembly 33X16LL 19.5 - Turf/Sand	C
1	1706846	1	Decal, Tire Pressure	
2	4640113	1	Valve, Stem	
3	1001233303	1	Tire, 33X16LL 19.5 - Turf/Sand	
4	1001233305	1	Wheel, 33X16	

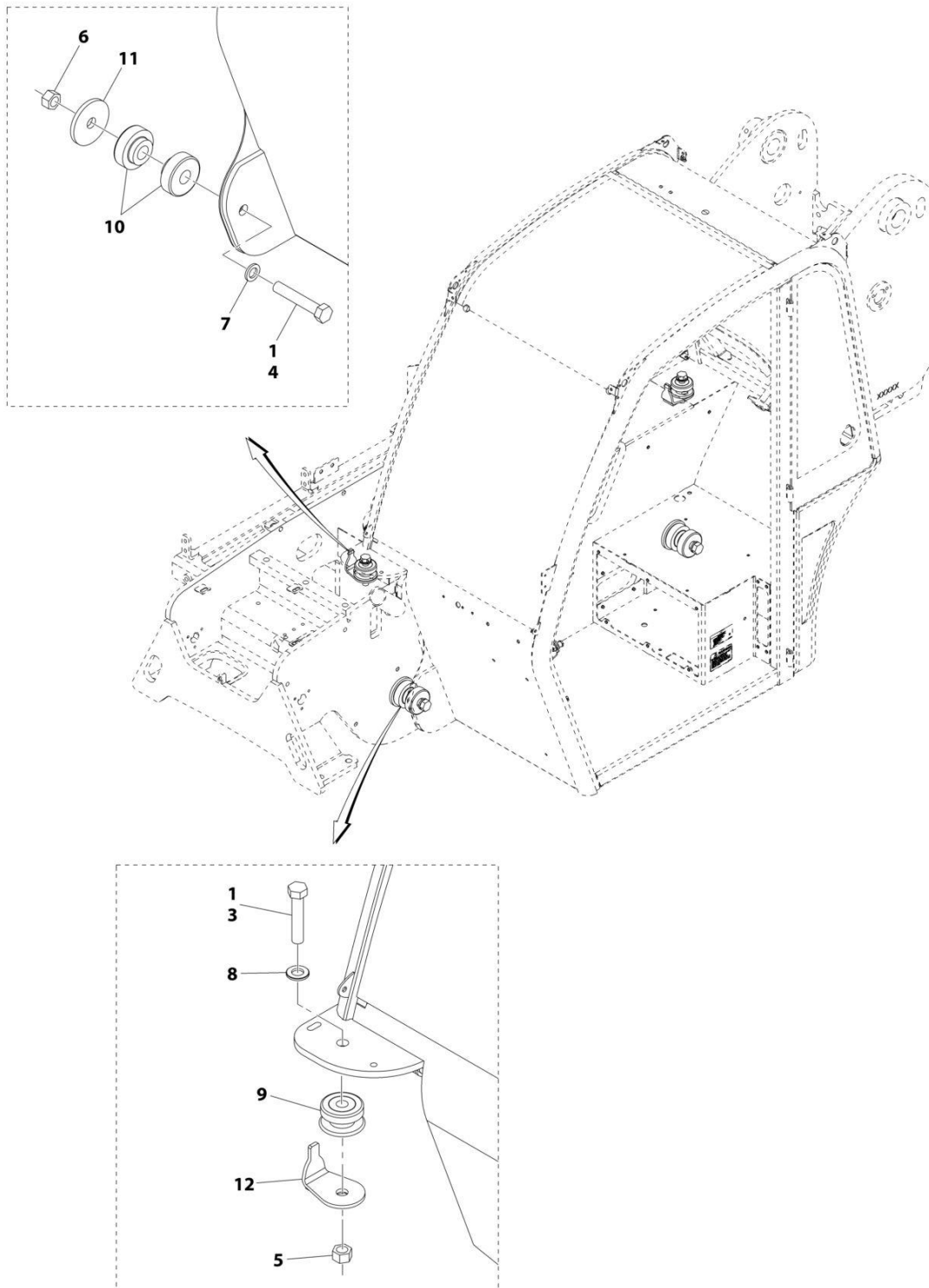




**SECTION 6 - CAB**

# SECTION 6 - CAB

## FIGURE 6-1. CAB INSTALLATION



ART\_1001210402-B

FIGURE 6-1. CAB INSTALLATION

ITEM	PART NUMBER	QTY	DESCRIPTION	REV
	1001210402	Ref	Cab Installation	B
1	0100019	AR	Compound, Locking	
3	0682230	2	Hex HD Capscrew, 3/4-10X3-3/4, GR8	
4	0682440	2	Hex HD Capscrew, 7/8-9X5, GR8	
5	3272201	2	Hex Nut, 3/4-10, GR8	
6	3272401	2	Hex Nut, 7/8-9, GR8	
7	4892400	2	Washer, 7/8	
8	90027473	2	Washer, 3/4	
9	91403097	2	Center Bonded Mount	
10	91403153	4	Shock Mount	
11	91403217	2	Rebound Washer	
12	1001080992	2	Washer	

# SECTION 6 - CAB

## FIGURE 6-2. OPEN CAB INSTALLATION (ANSI - FIXED STEERING)

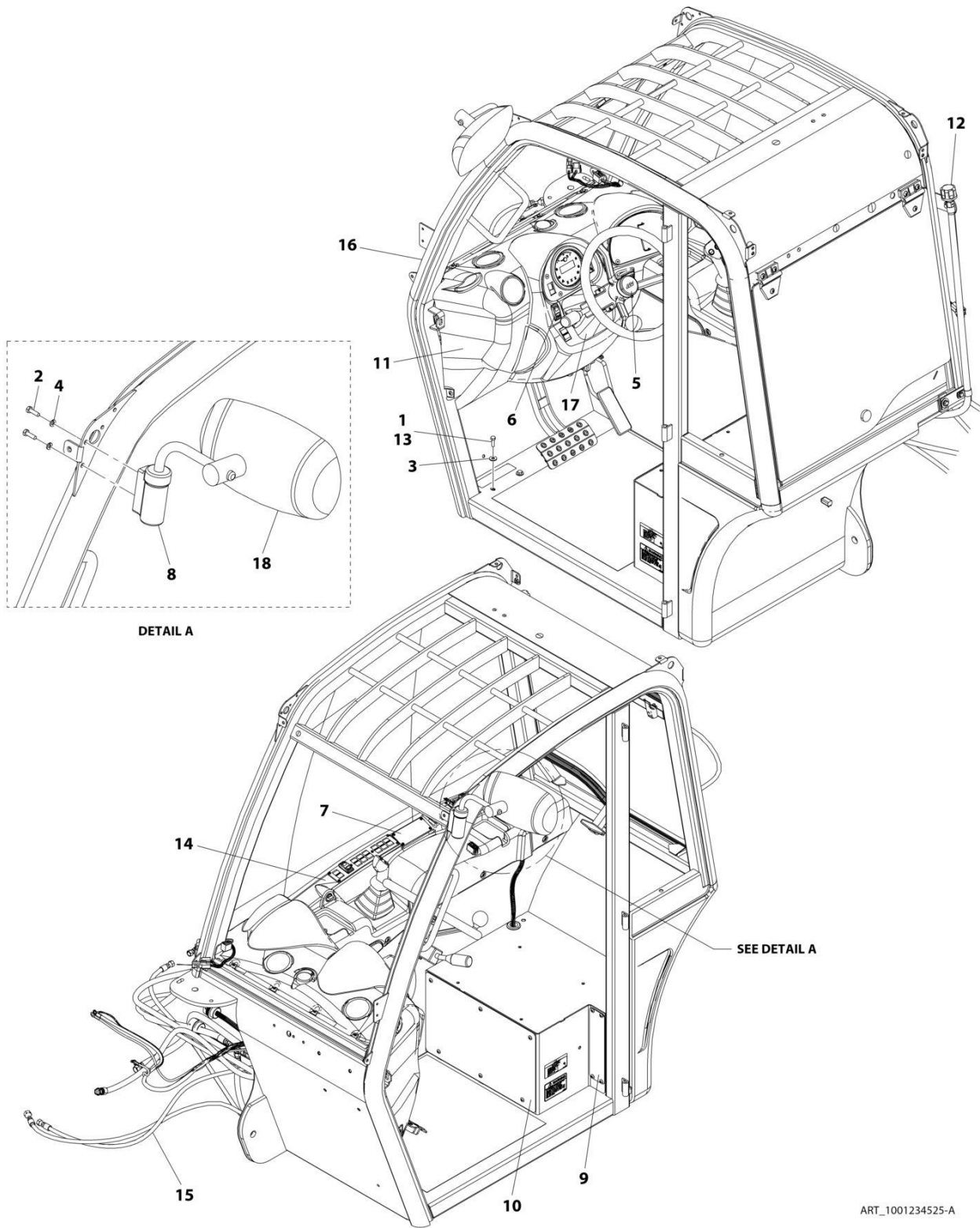
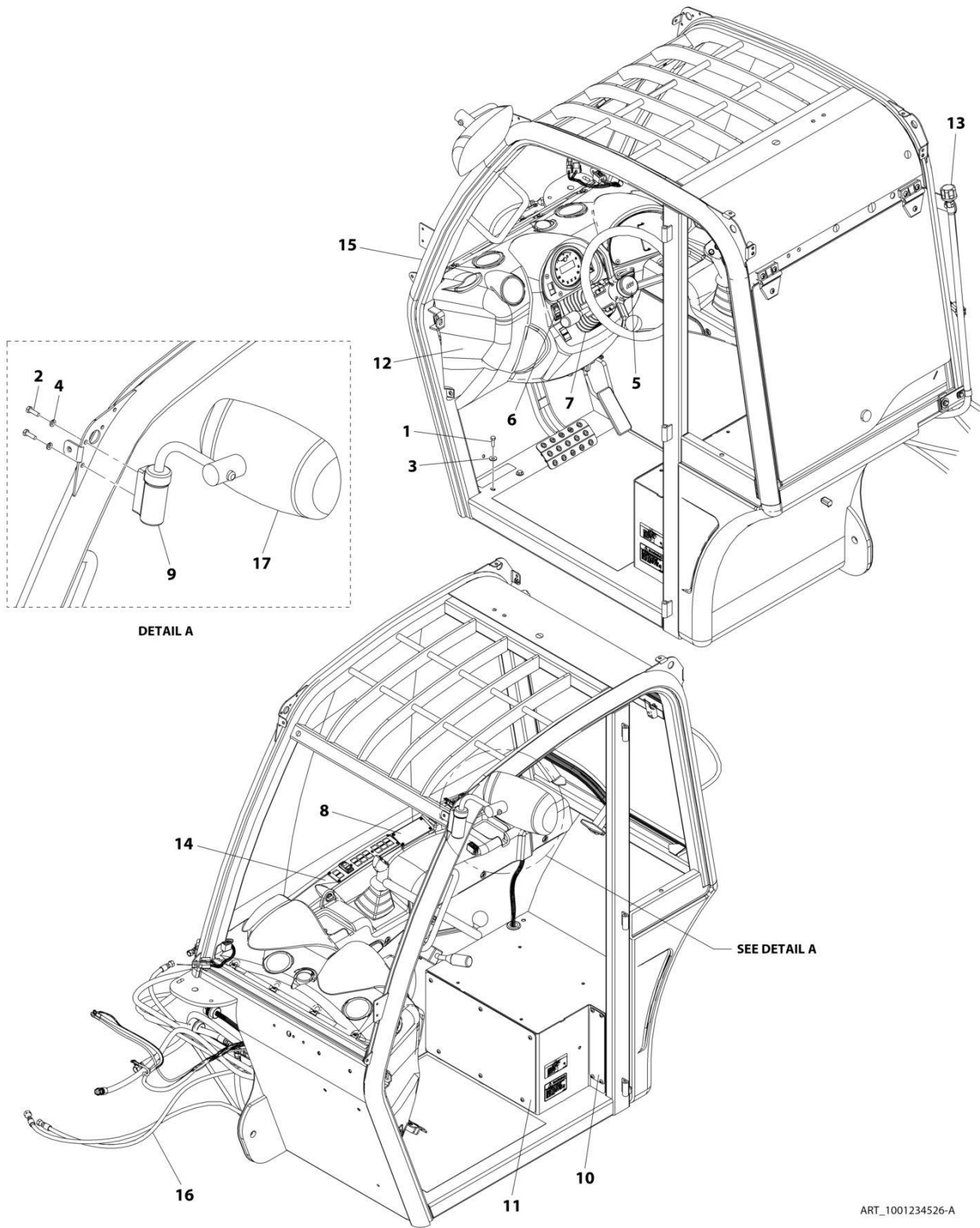


FIGURE 6-2. OPEN CAB INSTALLATION (ANSI - FIXED STEERING)

ITEM	PART NUMBER	QTY	DESCRIPTION	REV
	1001234525	Ref	Open Cab Installation (ANSI - Fixed Steering)	A
1	0641508	4	Hex HD Capscrew, 5/16-18X1, GR5	
2	0700610	2	Hex HD Capscrew, M6X20, GR8.8	
3	4751500	4	Washer, 5/16	
4	8307024	2	Washer, M6	
5	1001080742	Ref	Installation, JLG Common (See Separate Breakdown in this Section)	
6	1001080744	Ref	Installation, NA Common (See Separate Breakdown in this Section)	
7	1001080876	Ref	Installation, Control Cover (See Separate Breakdown in this Section)	
8	1001114675	1	Mirror Arm	
9	1001137600	Ref	Installation, Park Brake Valve (See Separate Breakdown in Control Section)	
10	1001137623	Ref	Installation, Seat Riser Cover (See Separate Breakdown in this Section)	
11	1001138582	Ref	Installation, Open Cab Common Components (See Separate Breakdown in this Section)	
12	1001182755	Ref	Installation, Hydraulic Tank Breather (See Separate Breakdown in Hydraulic Circuits Section)	
13	0100011	AR	Compound, Locking	
14	1001202007	Ref	Installation, Cab Common (See Separate Breakdown in this Section)	
15	1001235716	Ref	Installation, Cab Hydraulics (ANSI) (See Separate Breakdown in Hydraulic Circuits Section)	
16	1001208616	Ref	Installation, Open Cab Glass (See Separate Breakdown in this Section)	
17	1001221303	Ref	Installation, Fixed Steering Column (See Separate Breakdown in Control Section)	
18	8866514	1	Convex Mirror	

# SECTION 6 - CAB

## FIGURE 6-3. OPEN CAB INSTALLATION (ANSI - TILT STEERING)



ART\_1001234526-A

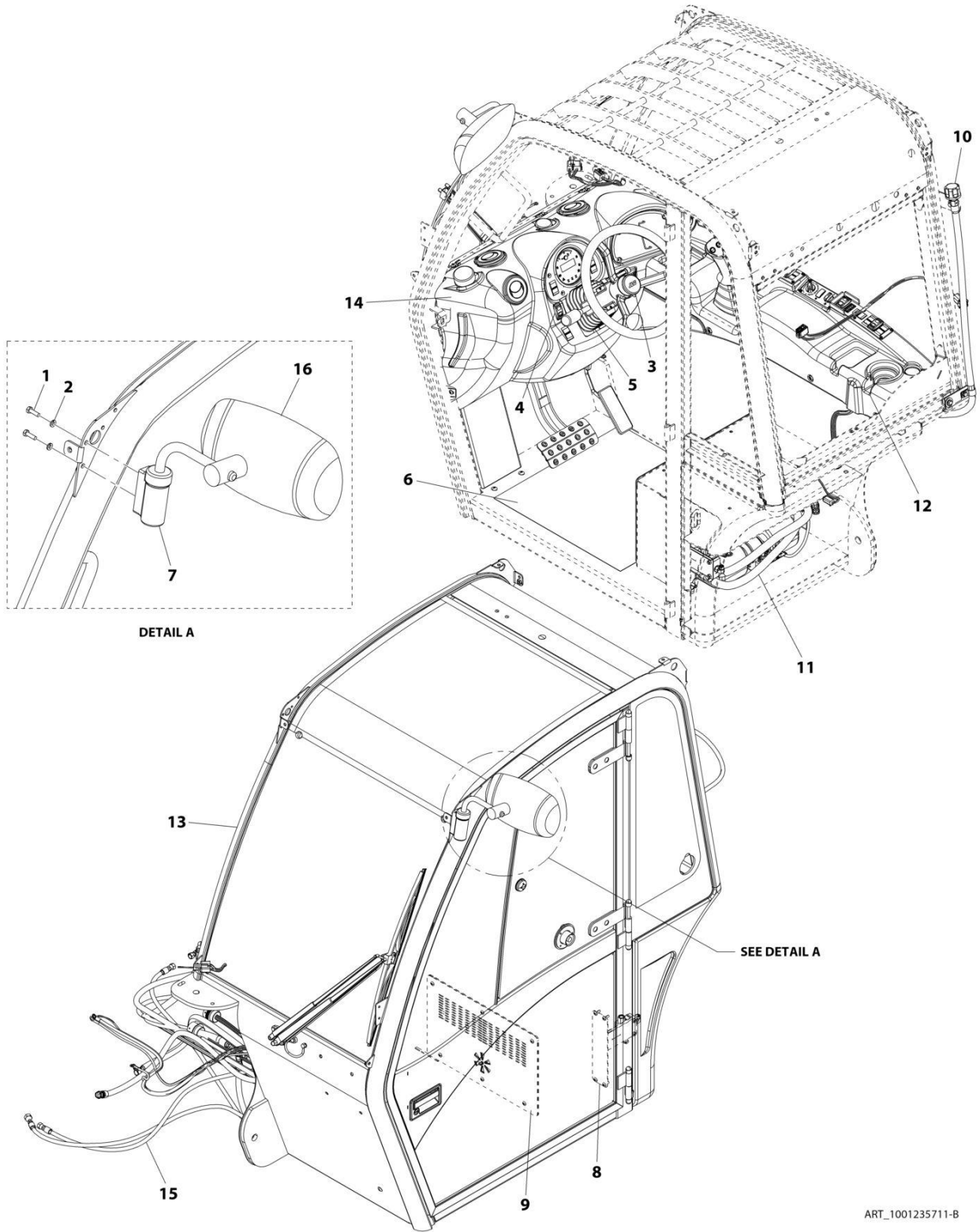
## SECTION 6 - CAB

**FIGURE 6-3. OPEN CAB INSTALLATION (ANSI - TILT STEERING)**

ITEM	PART NUMBER	QTY	DESCRIPTION	REV
	1001234526	Ref	Open Cab Installation (ANSI - Tilt Steering)	A
1	0641508	4	Hex HD Capscrew, 5/16-18X1, GR5	
2	0700610	2	Hex HD Capscrew, M6X20, GR8.8	
3	4751500	4	Washer, 5/16	
4	8307024	2	Washer, M6	
5	1001080742	Ref	Installation, JLG Common (See Separate Breakdown in this Section)	
6	1001080744	Ref	Installation, NA Common (See Separate Breakdown in this Section)	
7	1001080809	Ref	Installation, Tilt Steering Column (See Separate Breakdown in Control Section)	
8	1001080876	Ref	Installation, Control Cover (See Separate Breakdown in this Section)	
9	1001114675	1	Mirror Arm	
10	1001137600	Ref	Installation, Park Brake Valve (See Separate Breakdown in Control Section)	
11	1001137623	Ref	Installation, Seat Riser Cover (See Separate Breakdown in this Section)	
12	1001138582	Ref	Installation, Open Cab Common Components (See Separate Breakdown in this Section)	
13	1001182755	Ref	Installation, Hydraulic Tank Breather (See Separate Breakdown in Hydraulic Circuits Section)	
14	1001202007	Ref	Installation, Cab Common (See Separate Breakdown in this Section)	
15	1001208616	Ref	Installation, Open Cab Glass (See Separate Breakdown in this Section)	
16	1001235716	Ref	Installation, Cab Hydraulics (ANSI) (See Separate Breakdown in Hydraulic Circuits Section)	
17	8866514	1	Convex Mirror	

# SECTION 6 - CAB

## FIGURE 6-4. ENCLOSED CAB INSTALLATION (ANSI - TILT STEERING) (HEAT)



ART\_1001235711-B



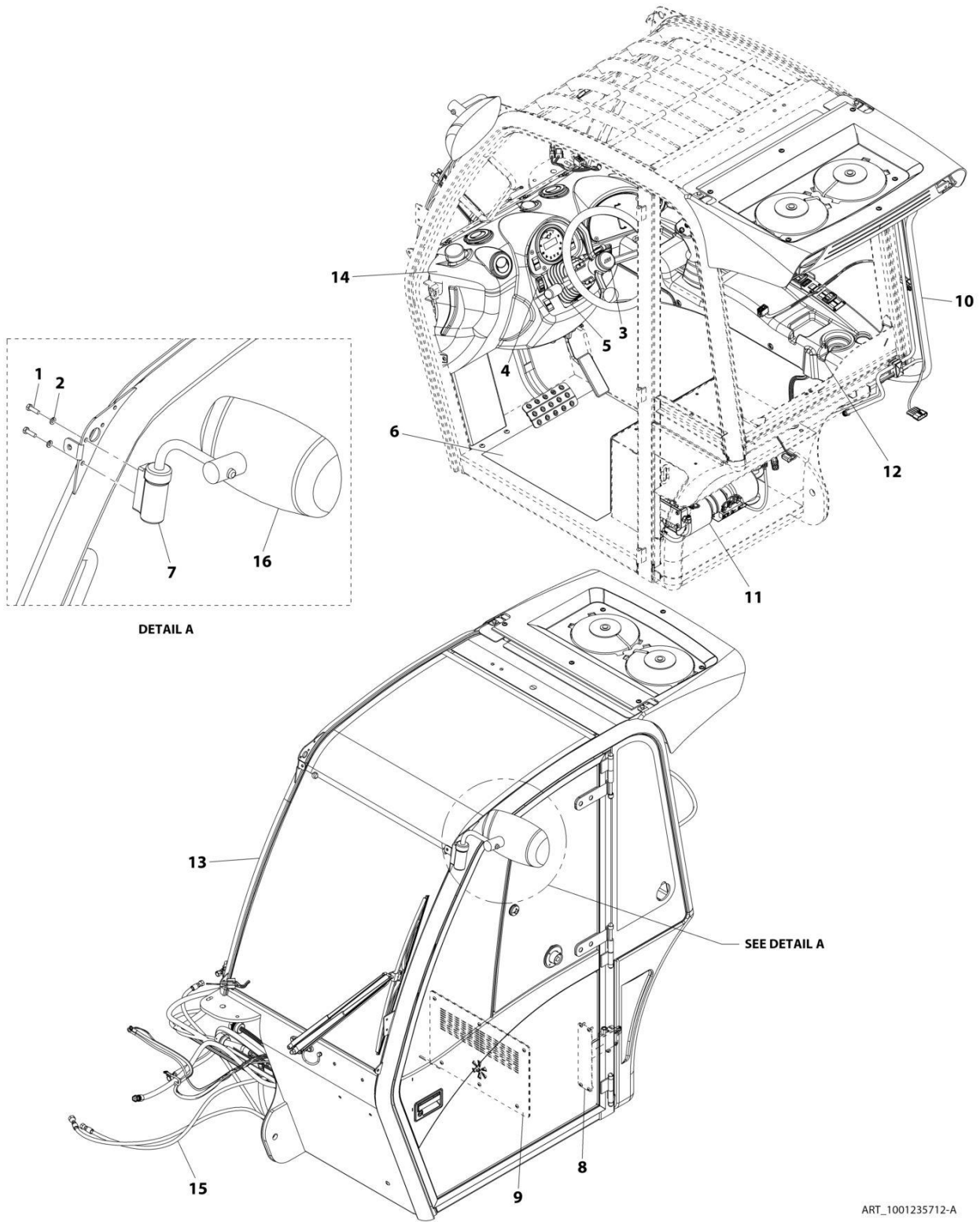
## SECTION 6 - CAB

**FIGURE 6-4. ENCLOSED CAB INSTALLATION (ANSI - TILT STEERING) (HEAT)**

ITEM	PART NUMBER	QTY	DESCRIPTION	REV
	1001235711	Ref	Enclosed Cab Installation (ANSI - Tilt Steering) (Heat)	B
1	0700610	2	Hex HD Capscrew, M6X20, GR8.8	
2	8307024	2	Washer, M6	
3	1001080742	Ref	Installation, JLG Common (See Separate Breakdown in this Section)	
4	1001080744	Ref	Installation, NA Common (See Separate Breakdown in this Section)	
5	1001080809	Ref	Installation, Tilt Steering Column (See Separate Breakdown in Control Section)	
6	1001080847	1	Floor Skid Strip	
7	1001114675	1	Mirror Arm	
8	1001137600	Ref	Installation, Park Brake Valve (See Separate Breakdown in Control Section)	
9	1001137621	Ref	Installation, Seat Riser Cover HVAC (See Separate Breakdown in this Section)	
10	1001182755	Ref	Installation, Hydraulic Tank Breather (See Separate Breakdown in Hydraulic Circuits Section)	
11	1001193943	Ref	Installation, Heater (cab parts) (See Separate Breakdown in this Section)	
12	1001202007	Ref	Installation, Cab Common (See Separate Breakdown in this Section)	
13	1001208617	Ref	Installation, Enclosed Cab Glass (See Separate Breakdown in this Section)	
14	1001213757	Ref	Installation, Enclosed Cab Common Components (See Separate Breakdown in this Section)	
15	1001235716	Ref	Installation, Cab Hydraulics (ANSI) (See Separate Breakdown in Hydraulic Circuits Section)	
16	8866514	1	Mirror Head, Convex	

# SECTION 6 - CAB

## FIGURE 6-5. ENCLOSED CAB INSTALLATION (ANSI - TILT STEERING) (HEAT & A/C)



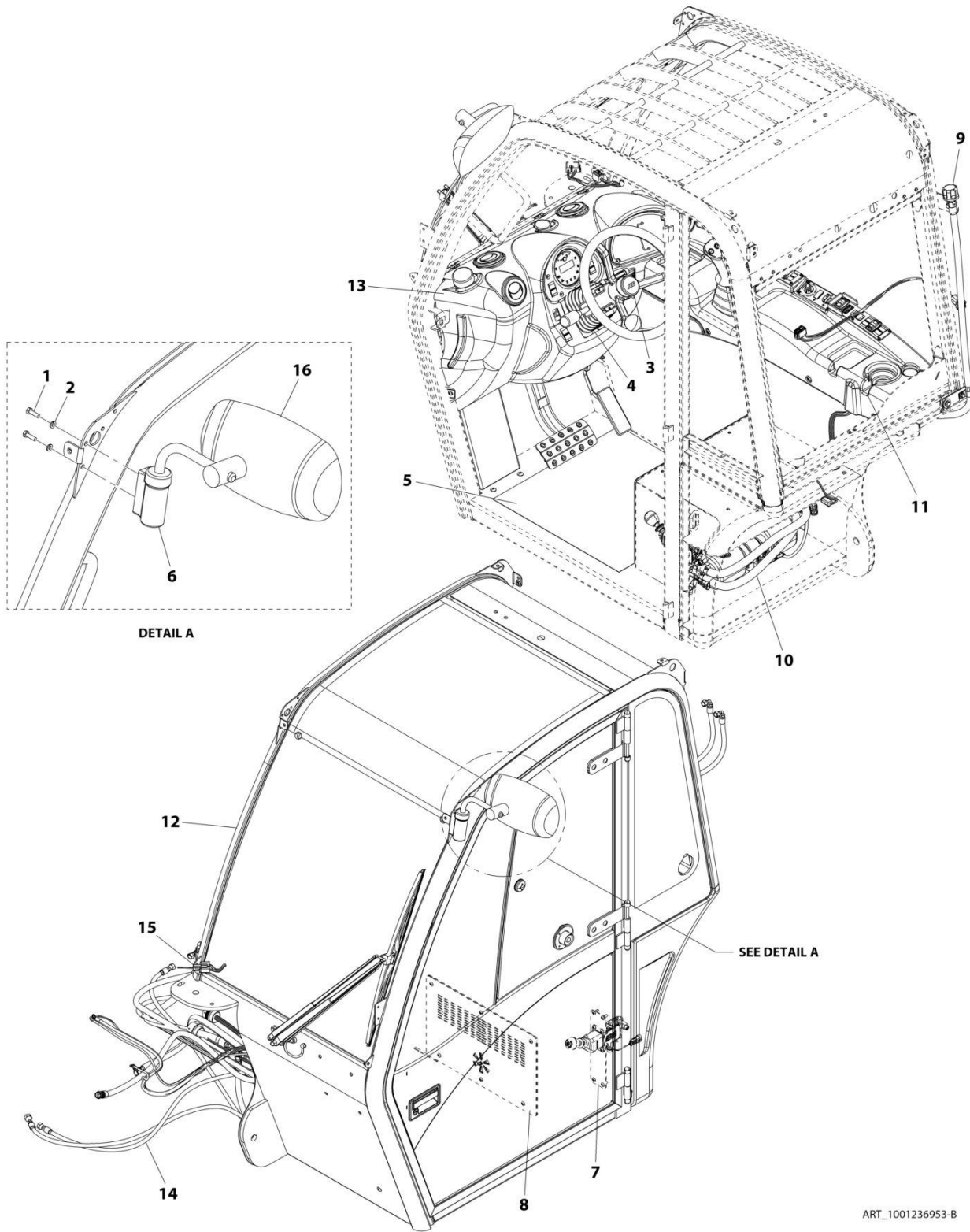
## SECTION 6 - CAB

**FIGURE 6-5. ENCLOSED CAB INSTALLATION (ANSI - TILT STEERING) (HEAT & A/C)**

ITEM	PART NUMBER	QTY	DESCRIPTION	REV
	1001235712	Ref	Enclosed Cab Installation (ANSI - Tilt Steering) (Heat & A/C)	A
1	0700610	2	Hex HD Capscrew, M6X20, GR8.8	
2	8307024	2	Washer, M6	
3	1001080742	Ref	Installation, JLG Common (See Separate Breakdown in this Section)	
4	1001080744	Ref	Installation, NA Common (See Separate Breakdown in this Section)	
5	1001080809	Ref	Installation, Tilt Steering Column (See Separate Breakdown in Control Section)	
6	1001080847	1	Floor Skid Strip	
7	1001114675	1	Mirror Arm	
8	1001137600	Ref	Installation, Park Brake Valve (See Separate Breakdown in Control Section)	
9	1001137621	Ref	Installation, Seat Riser Cover HVAC (See Separate Breakdown in this Section)	
10	1001186376	Ref	Installation, Hydraulic Tank Breather (See Separate Breakdown in Hydraulic Circuits Section)	
11	1001193443	Ref	Installation, Heater and A/C (Cab Parts) (See Separate Breakdown in this Section)	
12	1001202007	Ref	Installation, Cab Common (See Separate Breakdown in this Section)	
13	1001208617	Ref	Installation, Enclosed Cab Glass (See Separate Breakdown in this Section)	
14	1001213757	Ref	Installation, Enclosed Cab Common Components (See Separate Breakdown in this Section)	
15	1001235716	Ref	Installation, Cab Hydraulics (ANSI) (See Separate Breakdown in Hydraulic Circuits Section)	
16	8866514	1	Convex Mirror	

# SECTION 6 - CAB

## FIGURE 6-6. ENCLOSED CAB INSTALLATION (LSI - TILT STEERING) (HEAT)



ART\_1001236953-B

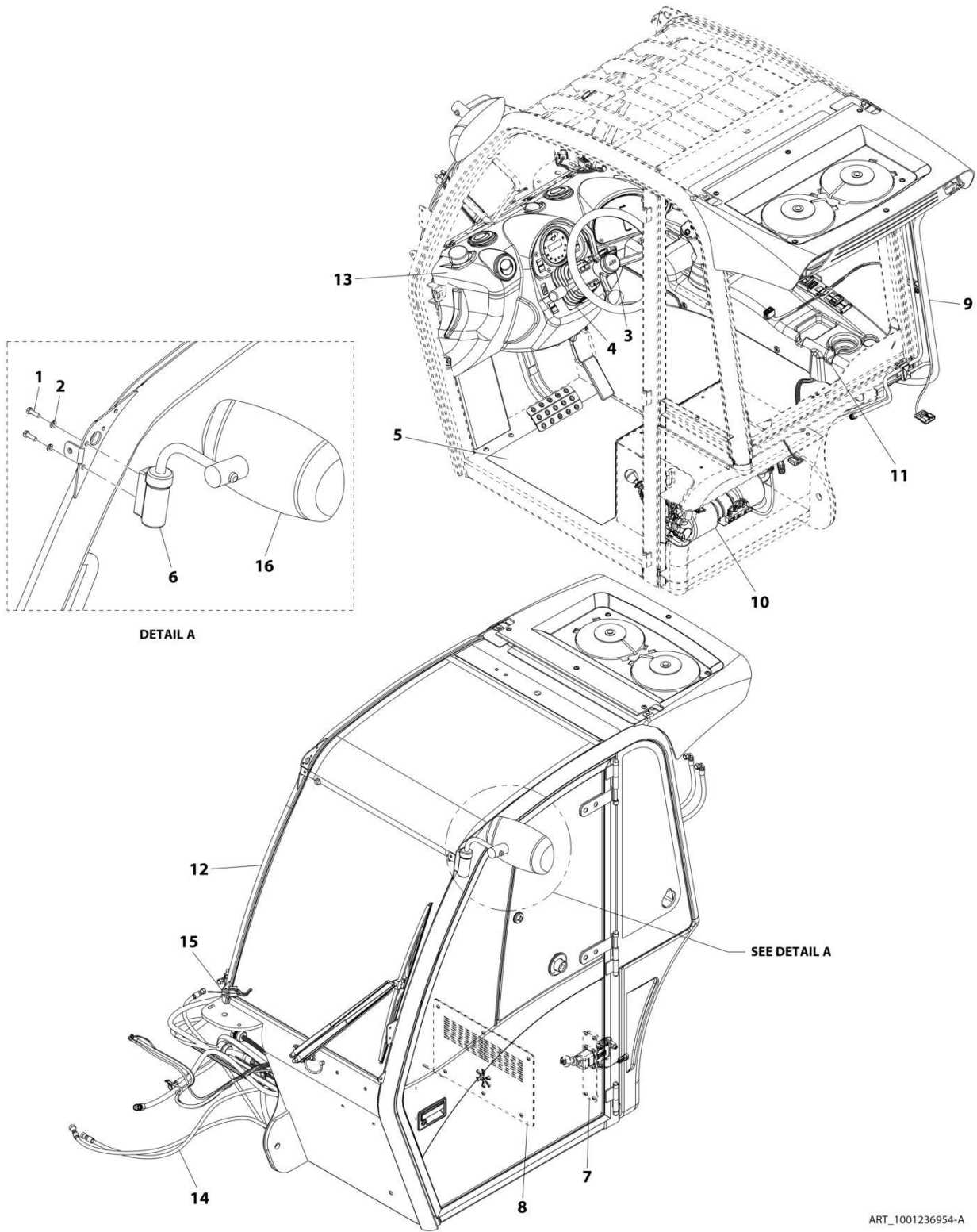
## SECTION 6 - CAB

**FIGURE 6-6. ENCLOSED CAB INSTALLATION (LSI - TILT STEERING) (HEAT)**

ITEM	PART NUMBER	QTY	DESCRIPTION	REV
	1001236953	Ref	Enclosed Cab Installation (LSI - Tilt Steering) (Heat)	B
1	0700610	2	Hex HD Capscrew, M6X20, GR8.8	
2	8307024	2	Washer, M6	
3	1001080742	Ref	Installation, JLG Common (See Separate Breakdown in this Section)	
4	1001080809	Ref	Installation, Tilt Steering Column (See Separate Breakdown in Control Section)	
5	1001080847	1	Floor Skid Strip	
6	1001114675	1	Mirror Arm	
7	1001137602	Ref	Installation, Park Brake Valve (Euro) (See Separate Breakdown in Control Section)	
8	1001137621	Ref	Installation, Seat Riser Cover HVAC (See Separate Breakdown in this Section)	
9	1001182755	Ref	Installation, Hydraulic Tank Breather (See Separate Breakdown in Hydraulic Circuits Section)	
10	1001193943	Ref	Installation, Heater (cab parts) (See Separate Breakdown in this Section)	
11	1001202007	Ref	Installation, Cab Common (See Separate Breakdown in this Section)	
12	1001208617	Ref	Installation, Enclosed Cab Glass (See Separate Breakdown in this Section)	
13	1001213757	Ref	Installation, Enclosed Cab Common Components (See Separate Breakdown in this Section)	
14	1001236957	Ref	Installation, Cab Hydraulics (LSI) (See Separate Breakdown in Hydraulic Circuits Section)	
15	1001236959	Ref	Installation, NA Common Components (LSI) (See Separate Breakdown in this Section)	
16	8866514	1	Mirror Head, Convex	

# SECTION 6 - CAB

## FIGURE 6-7. ENCLOSED CAB INSTALLATION (LSI - TILT STEERING) (HEAT & A/C)



ART\_1001236954-A

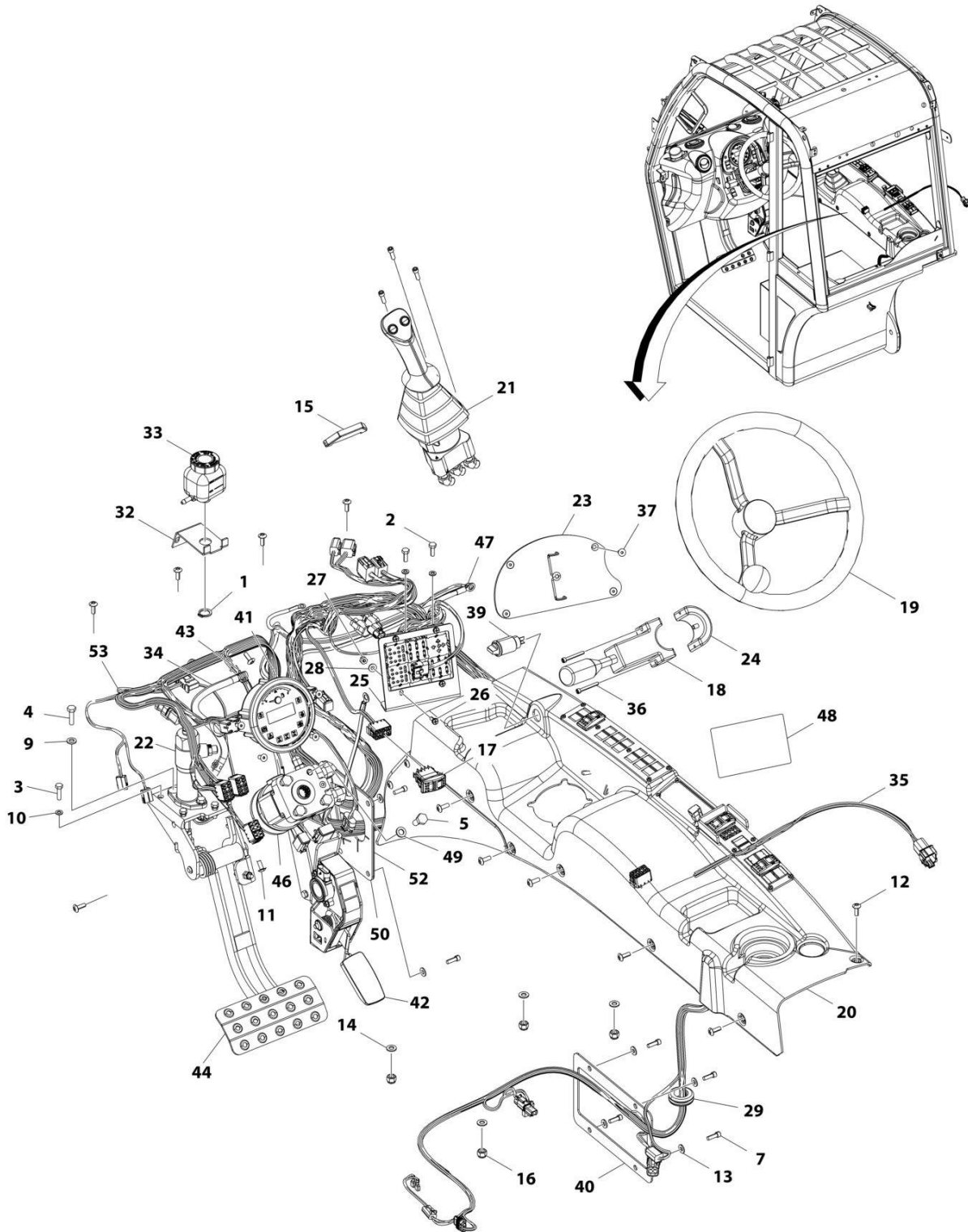
## SECTION 6 - CAB

**FIGURE 6-7. ENCLOSED CAB INSTALLATION (LSI - TILT STEERING) (HEAT & A/C)**

ITEM	PART NUMBER	QTY	DESCRIPTION	REV
	1001236954	Ref	Enclosed Cab Installation (LSI - Tilt Steering) (Heat & A/C)	A
1	0700610	2	Hex HD Capscrew, M6X20, GR8.8	
2	8307024	2	Washer, M6	
3	1001080742	Ref	Installation, JLG Common (See Separate Breakdown in this Section)	
4	1001080809	Ref	Installation, Tilt Steering Column (See Separate Breakdown in Control Section)	
5	1001080847	1	Floor Skid Strip	
6	1001114675	1	Mirror Arm	
7	1001137602	Ref	Installation, Park Brake Valve (Euro) (See Separate Breakdown in Control Section)	
8	1001137621	Ref	Installation, Seat Riser Cover HVAC (See Separate Breakdown in this Section)	
9	1001186376	Ref	Installation, Hydraulic Tank Breather (See Separate Breakdown in Hydraulic Circuits Section)	
10	1001193443	Ref	Installation, Heater and A/C (Cab Parts) (See Separate Breakdown in this Section)	
11	1001202007	Ref	Installation, Cab Common (See Separate Breakdown in this Section)	
12	1001208617	Ref	Installation, Enclosed Cab Glass (See Separate Breakdown in this Section)	
13	1001213757	Ref	Installation, Enclosed Cab Common Components (See Separate Breakdown in this Section)	
14	1001236957	Ref	Installation, Cab Hydraulics (LSI) (See Separate Breakdown in Hydraulic Circuits Section)	
15	1001236959	Ref	Installation, NA Common Components (LSI) (See Separate Breakdown in this Section)	
16	8866514	1	Convex Mirror	

# SECTION 6 - CAB

## FIGURE 6-8. COMMON CAB INSTALLATION



ART\_1001202007\_K



FIGURE 6-8. COMMON CAB INSTALLATION

ITEM	PART NUMBER	QTY	DESCRIPTION	REV
	1001202007	Ref	COMMON CAB INSTALLATION	K
1	3760348	1	Ring, Retaining	
2	0641406	2	Bolt 1/4 x 3/4	
3	0641408	7	Bolt 1/4 x 1	
4	0641508	2	Bolt 5/16 x 1	
5	0761012	4	Bolt M10 x 25	
7	3931412	12	Screw	
9	4711500	2	Washer 5/16	
10	4761400	9	Washer 1/4	
11	8035487	1	Screw	
12	8303034	15	Screw	
13	8307109	8	Washer	
14	8310053	4	Washer	
15	8466306	1	Gage, Tilt Angle	
16	88521205	4	Nut 5/16	
17	1001080371	1	Switch	
18	1001080380	1	Switch	
19	1001080462	1	Wheel, Steering	
20	1001080493	1	Console (See Separate Breakdown in this Section)	
21	1001080500	1	Assembly, Hydraulic Controller (See Separate Breakdown in CONTROLS Section)	
22	1001080559	1	Assembly, Master Cylinder Valve (See Separate Breakdown in CONTROLS Section)	
23	1001239184	1	Chart, Load (See Separate Breakdown in DECALS Section)	
24	1001080900	1	Clamp	
25	1001080983	1	Bracket	
26	1001080986	4	Screw	
27	1001080987	4	Nut	
28	1001080988	4	Washer	
29	1001081049	1	Grommet	
32	1001081151	1	Bracket	
33	1001214220	1	Reservoir, Brake	
34	1001081153	1	Hose	
35	1001098235	1	Harness, Mode Select (See Separate Breakdown in ELECTRICAL Section)	
36	1001108079	2	Screw	
37	1001108194	8	Screw	
39	1001114867	1	Screw	
40	1001117158	1	Plate	
41	1001137657	1	Guage	
42	1001258791	1	Assembly, Accelerator Pedal (See Separate Breakdown in CONTROLS Section)	
43	1001156087	2	Clamp	
44	1001189734	1	Installation, Brake Pedal (See Separate Breakdown in CONTROLS Section)	
46	1001202006	1	Assembly, Steering Valve (See Separate Breakdown in HYDRAULIC COMPONENTS Section)	
47	1001080418	1	Harness	
48	1001156577	1	Decal, Fuse	
49	4832000	1	Washer M10	
50	1001207837	1	Panel	

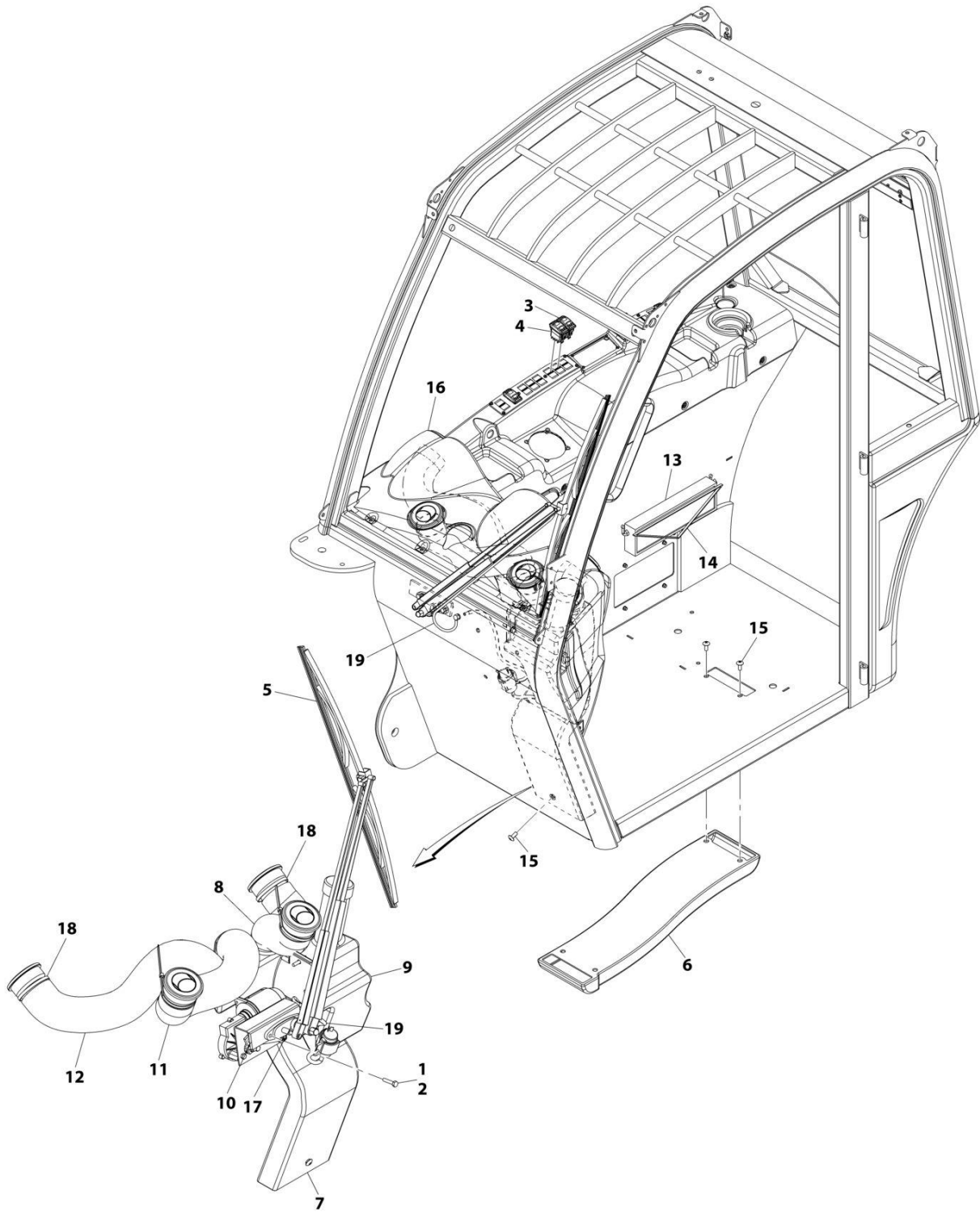
## SECTION 6 - CAB

ITEM	PART NUMBER	QTY	DESCRIPTION	REV
52	1001208119	1	Plate	
53	1001283506	1	Harness, Cab (See Separate Breakdown in ELECTRICAL Section)	



# SECTION 6 - CAB

## FIGURE 6-9. CAB COMMON COMPONENTS, ENCLOSED



ART\_1001213757-B

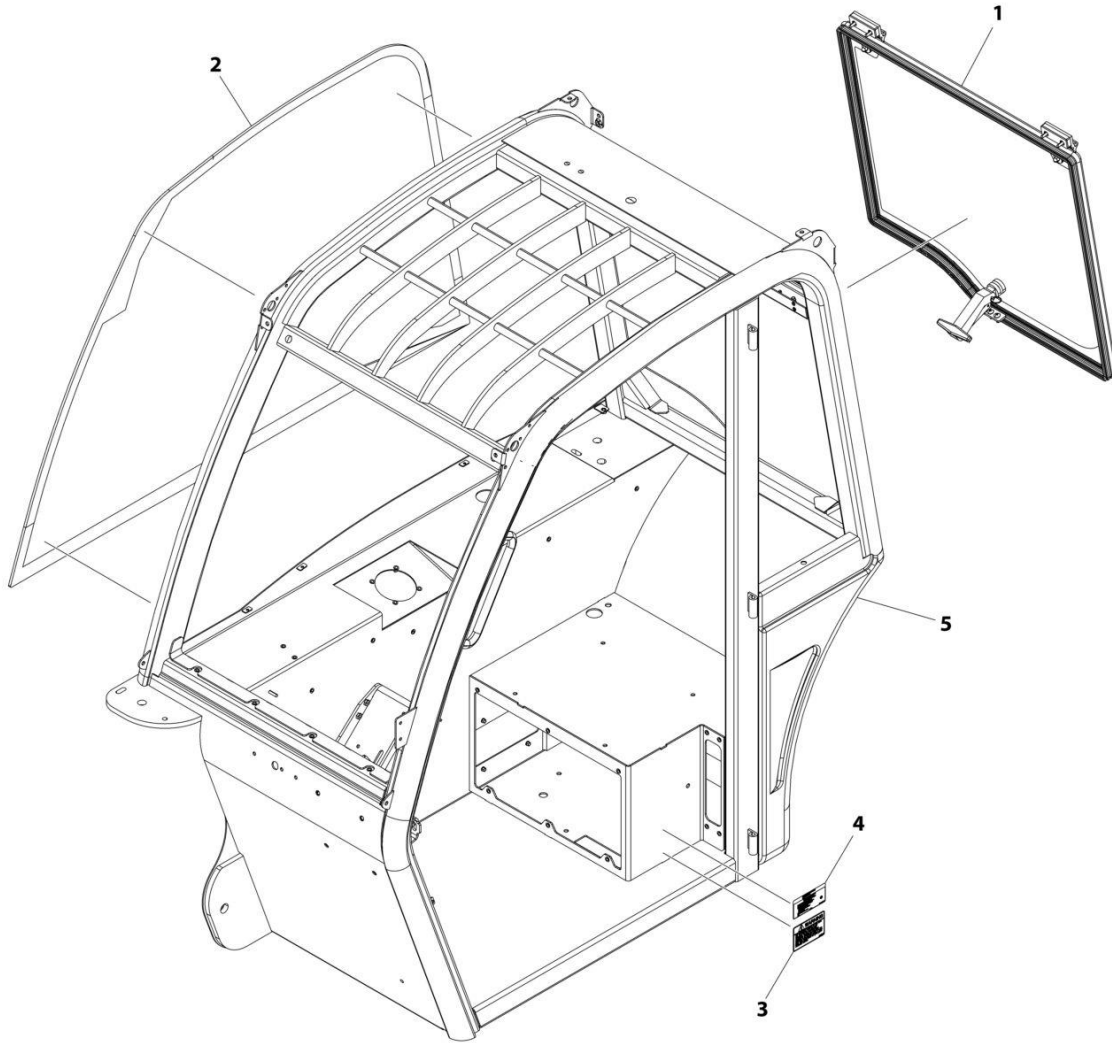
## SECTION 6 - CAB

**FIGURE 6-9. CAB COMMON COMPONENTS, ENCLOSED**

ITEM	PART NUMBER	QTY	DESCRIPTION	REV
	1001213757	Ref	Cab Common Components, Enclosed	B
1	0100011	AR	Compound, Locking	
2	0651410	2	Hex HD Capscrew, 1/4-28X1-1/4	
3	1001080367	1	Front Windshield Washer Switch	
4	1001080368	1	Front Wiper Switch	
5	1001080499	1	Assembly, Front Wiper (See Separate Breakdown in this Section)	
6	1001080862	1	Lower Duct	
7	1001080863	1	Front Duct	
8	1001080931	2	Duct Hose	
9	1001080933	1	Installation, Washer Tank W/Pump (See Separate Breakdown in this Section)	
10	1001081306	1	Front Wiper Spacer	
11	1001081331	1	Duct Hose	
12	1001081332	1	Duct Hose	
13	1001081375	1	Cab Air Filter	
14	1001081376	1	Cab Air Filter Seal Ring	
15	1001108196	6	Screw	
16	1001137943	1	Installation, Dash Enclosed Cab (See Separate Breakdown in this Section)	
17	1001189653	1	Spacer	
18	01043892	8	Tie wrap	
19	82033997	408 mm	Window Washer Hose	

# SECTION 6 - CAB

## FIGURE 6-10. CAB GLASS INSTALLATION, OPEN



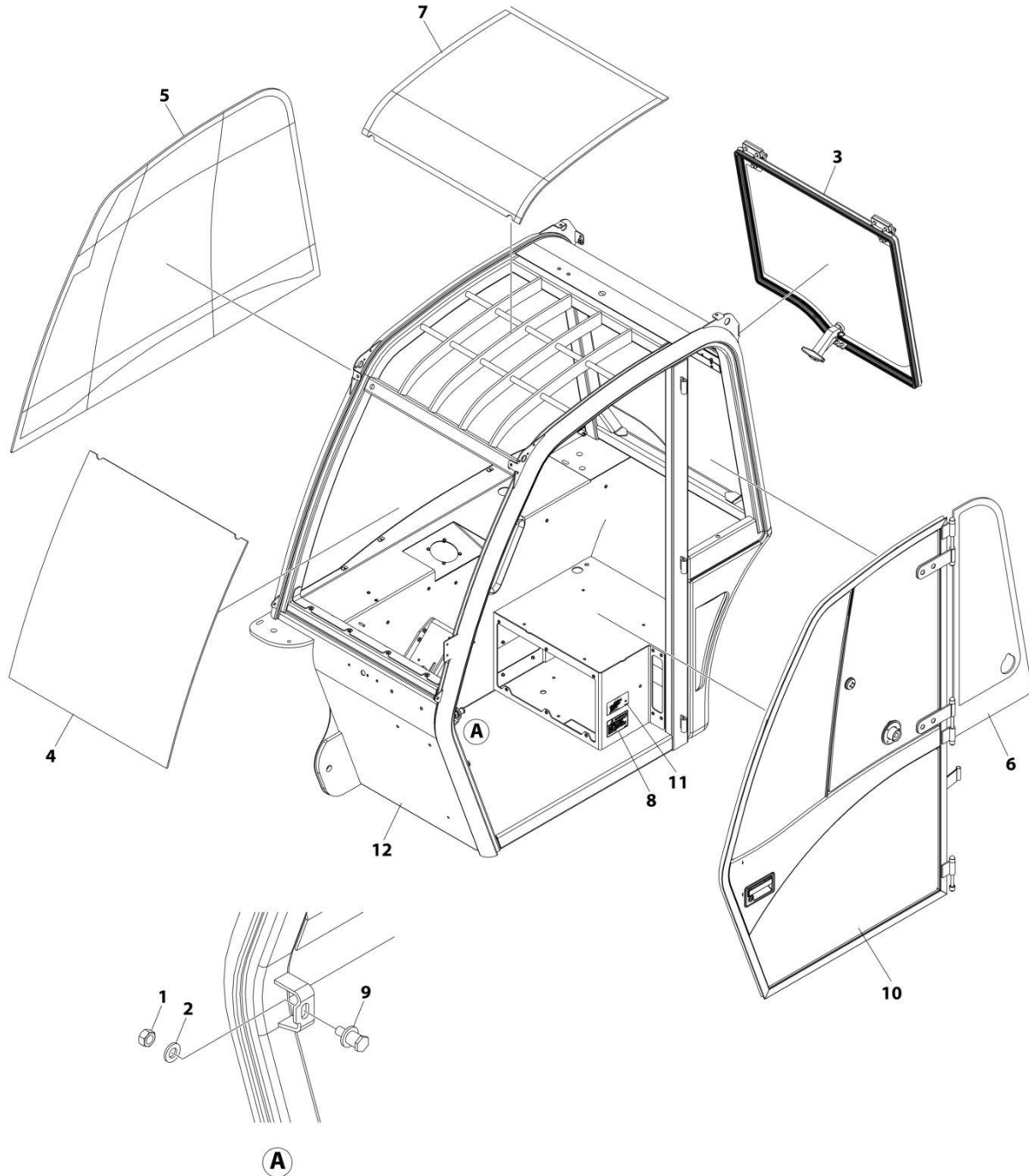
ART\_1001208616\_G

FIGURE 6-10. CAB GLASS INSTALLATION, OPEN

ITEM	PART NUMBER	QTY	DESCRIPTION	REV
	1001208616	Ref	Cab Glass Installation, Open	G
1	1001080796	1	Assembly, Rear Window (See Separate Breakdown in this Section)	
2	1001080798	1	Window, Right Side	
3	1001109365	1	Decal, ROPS Warning	
4	N.S.S.	1	SN Plate	
5	N.S.S.	1	Cab Weldment	

# SECTION 6 - CAB

## FIGURE 6-11. CAB GLASS INSTALLATION, ENCLOSED



ART\_1001208617\_G

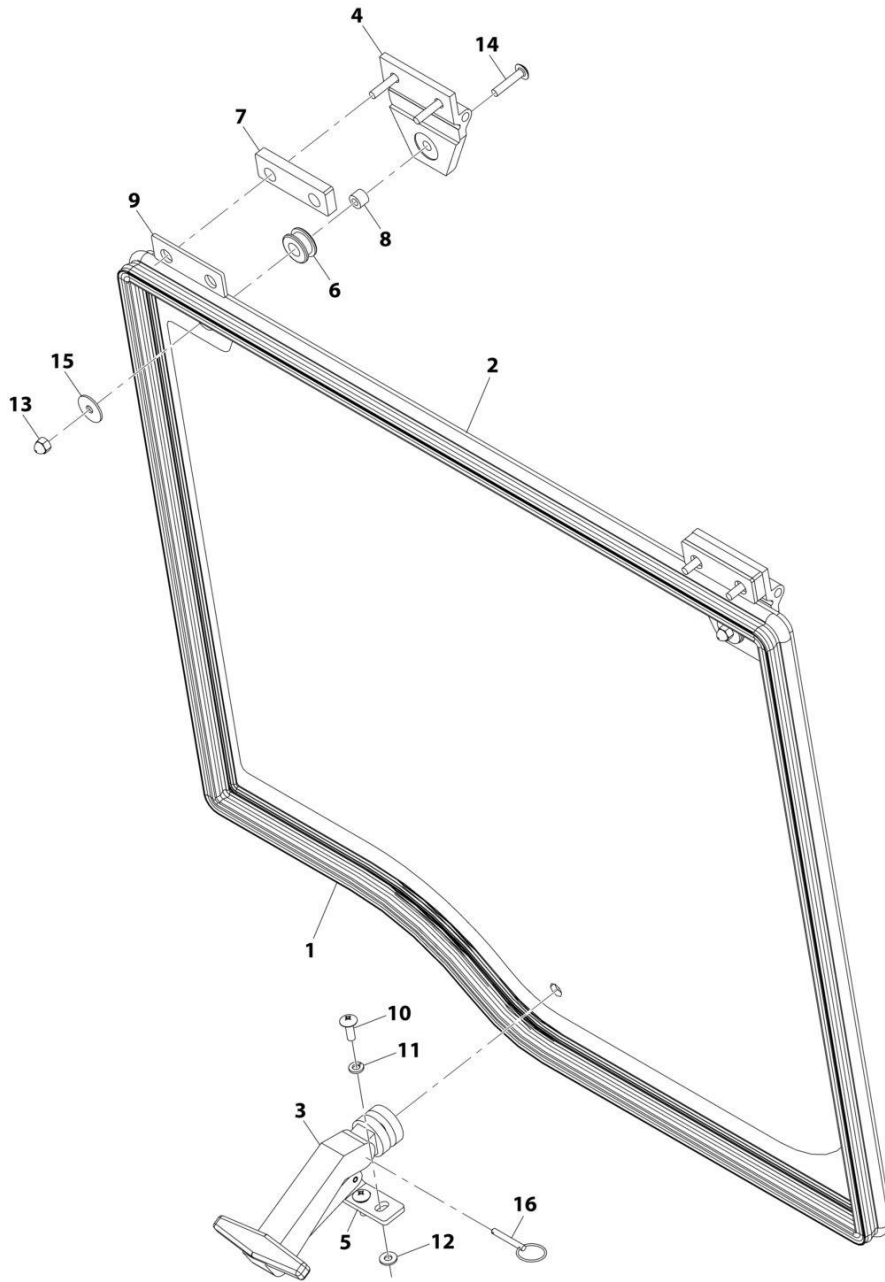


FIGURE 6-11. CAB GLASS INSTALLATION, ENCLOSED

ITEM	PART NUMBER	QTY	DESCRIPTION	REV
	1001208617	Ref	CAB GLASS INSTALLATION, ENCLOSED	G
1	3291201	1	Nut M12	
2	1001009126	1	Washer	
3	1001080796	1	Rear Window Assembly (See Separate Breakdown in this Section)	
4	1001080797	1	Front Glass	
5	1001080798	1	Right Side Glass	
6	1001080801	1	Left Rear Glass	
7	1001080821	1	Skylight Glass	
8	1001109365	1	ROPS Warning Decal	
9	1001109478	1	Striker Latch	
10	1001150596	1	Installation, Door Assembly (See Separate Breakdown in this Section)	
11	N.S.S.	1	SN Plate	
12	N.S.S.	1	Cab Weldment	

# SECTION 6 - CAB

## FIGURE 6-12. REAR WINDOW ASSEMBLY



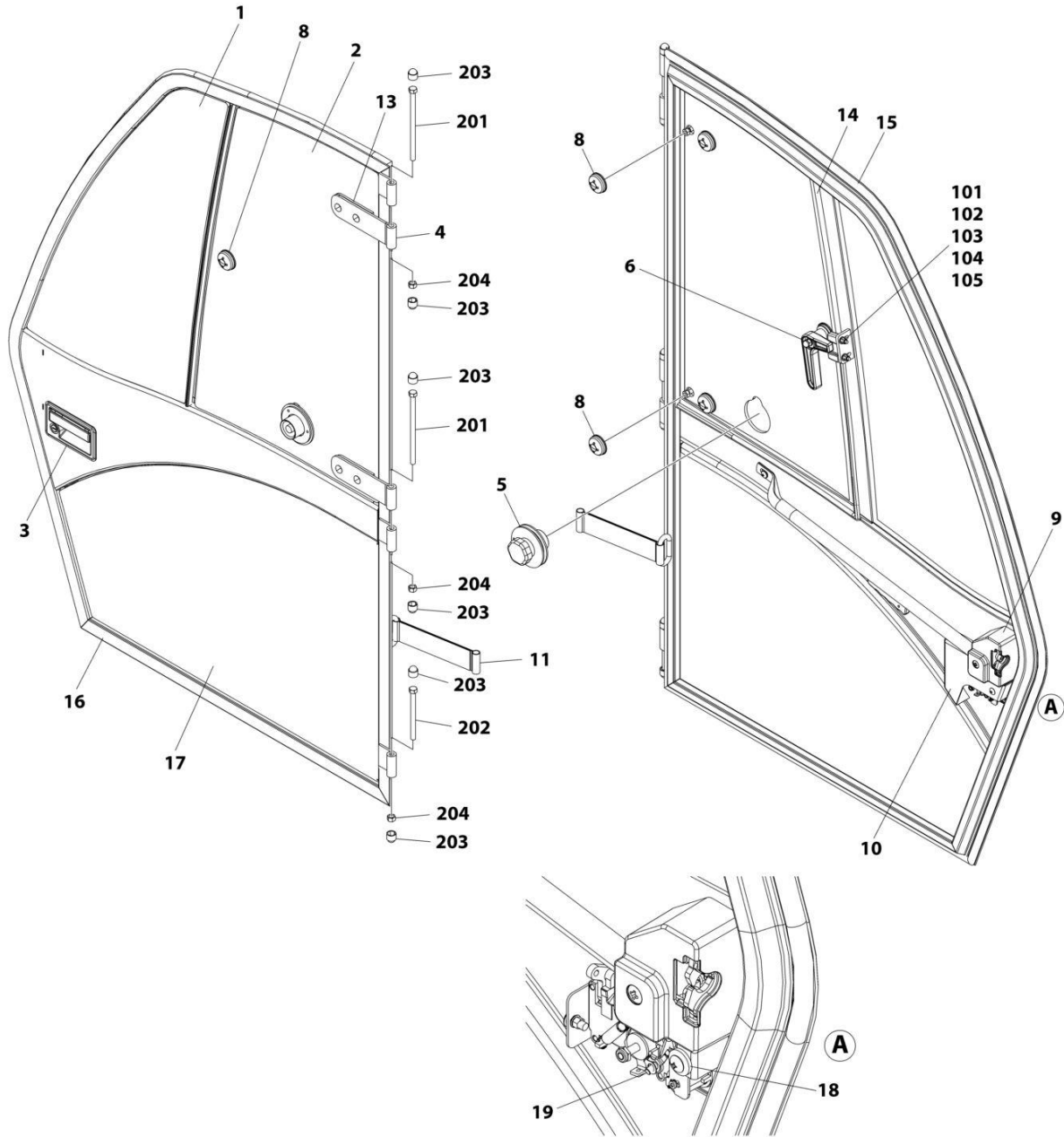
ART\_1001080796-G

FIGURE 6-12. REAR WINDOW ASSEMBLY

ITEM	PART NUMBER	QTY	DESCRIPTION	REV
	1001080796	Ref	Rear Window Assembly	G
1	1001107997	1	Window Rear Seal	
2	1001080926	1	Rear Hinged Glass	
3	1001081280	1	T-Style Hold Open	
4	1001081281	2	Plastic Hinge	
5	1001081282	1	Rear Window Latch Bracket	
6	1001081283	2	Grommet	
7	1001081284	2	Hinge Seal	
8	1001081285	2	Bushing	
9	1001081289	2	Hinge Mounting Pad	
10	1001108161	2	Truss HD Screw, 1/4-20X3/4	
11	1001108547	2	Lockwasher, 1/4	
12	1001108548	2	Washer, 1/4	
13	1001108549	2	Nut, 1/4-20	
14	1001110067	6	Torx Screw, 1/4-20X1-1/4	
15	1001108552	2	Flat Washer, 1/4	
16	1001109417	1	Detent Ring Pin	

# SECTION 6 - CAB

## FIGURE 6-13. DOOR ASSEMBLY INSTALLATION



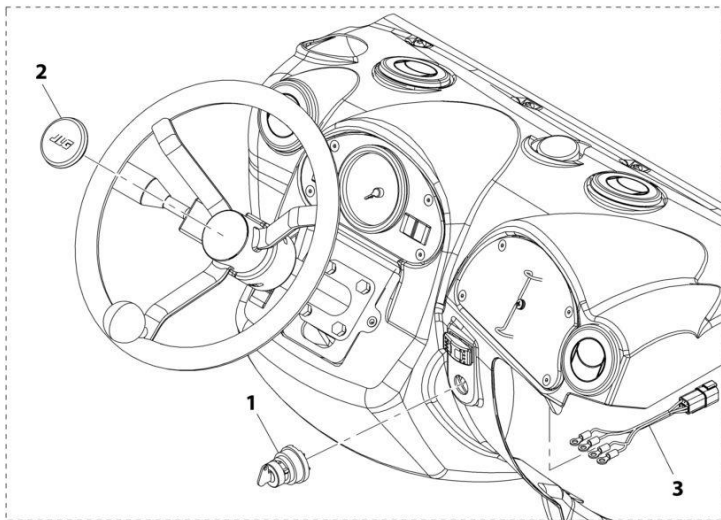
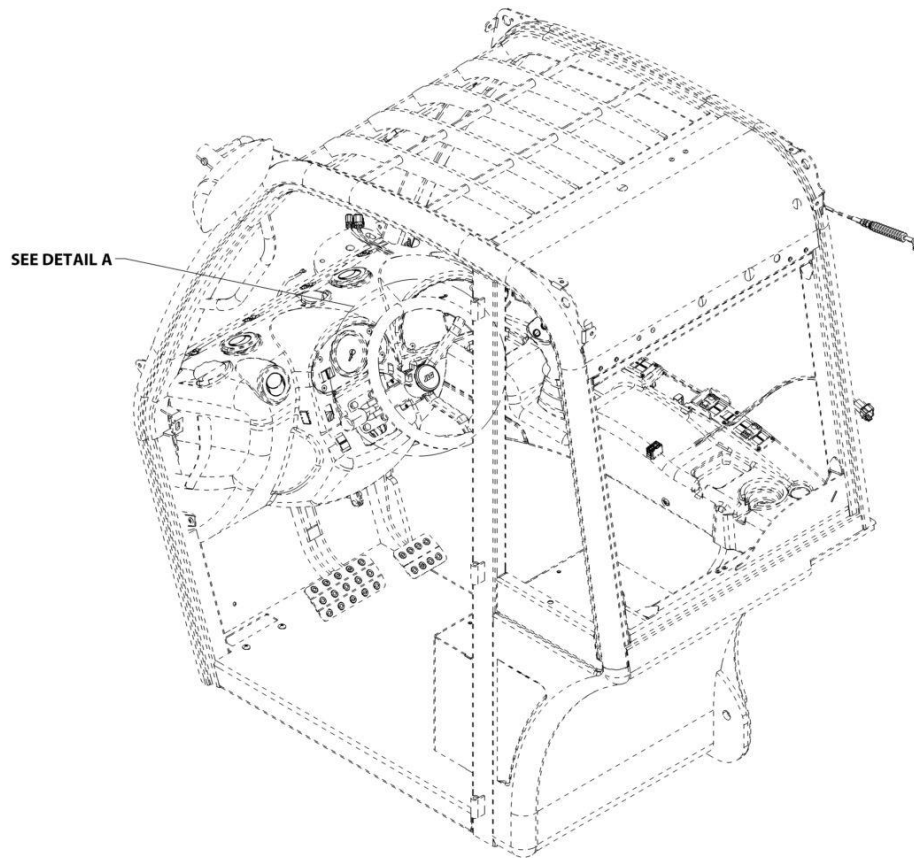
ART\_1001150596

FIGURE 6-13. DOOR ASSEMBLY INSTALLATION

ITEM	PART NUMBER	QTY	DESCRIPTION	REV
	1001150596	Ref	DOOR ASSEMBLY INSTALLATION	E
1	1001081235	1	Fixed Door Glass	
2	1001081236	1	Hinged Door Glass	
3	1001081241	1	Latch, Paddle W/Key	
3	8342813	1	Key, (Set of Two)	
4	1001081242	2	Hinge	
5	1001081243	1	Window Lock Latch	
6	1001081244	1	Window Latch (Use with Hardware 101-105)	
8	1001081246	5	Window Cap	
9	1001081247	1	Door Handle	
10	1001081248	1	Door Latch Cover	
11	1001081249	1	Door Restraint Strap	
13	1001081266	2	Spacer	
14	1001081268	1	Hinged Glass Seal	
15	1001081314	1	Door Seal	
16	1001080867JO	1	Door Frame	
17	1001081239	1	Cab Door Panel	
18	1001165585	1	Flat Washer	
19	91404309	1	Connecting Rod	
101	70021079	2	Bolt M6	
102	70021082	2	Nut M6	
103	80364037	1	Washer	
104	70021090	1	Seal	
105	70021095	1	Bolt M8 x 65	
201	8036064	2	Bolt 3/8 x 6-1/2	
202	80364005	1	Bolt 3/8 x 5	
203	1001182663	6	Cap	
204	8035632	3	Nut 3/8	

# SECTION 6 - CAB

## FIGURE 6-14. JLG COMMON INSTALLATION



DETAIL A

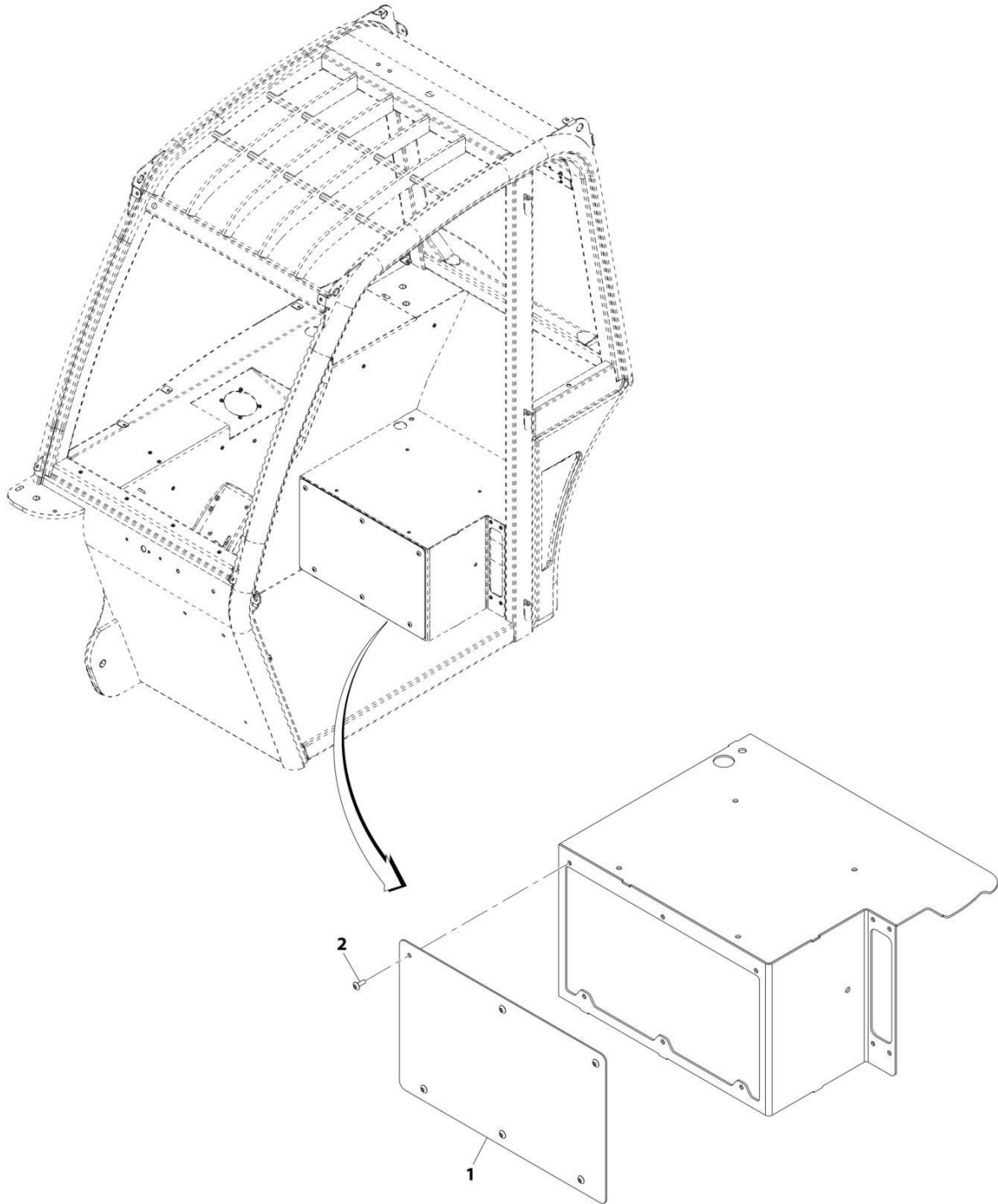
ART\_1001080742-B

FIGURE 6-14. JLG COMMON INSTALLATION

ITEM	PART NUMBER	QTY	DESCRIPTION	REV
	1001080742	Ref	JLG COMMON INSTALLATION	C
1	1001080379	1	Ignition Switch	
1	70020621	1	Key, Ignition	
2	1001080463	1	Center Cap	
3	1001100053	1	Start Switch Jumper Harness (See Separate Breakdown in ELECTRICAL Section)	
4	1001285715	1	Beacon Switch	

# SECTION 6 - CAB

## FIGURE 6-15. SEAT RISER COVER INSTALLATION



ART\_1001137623-B

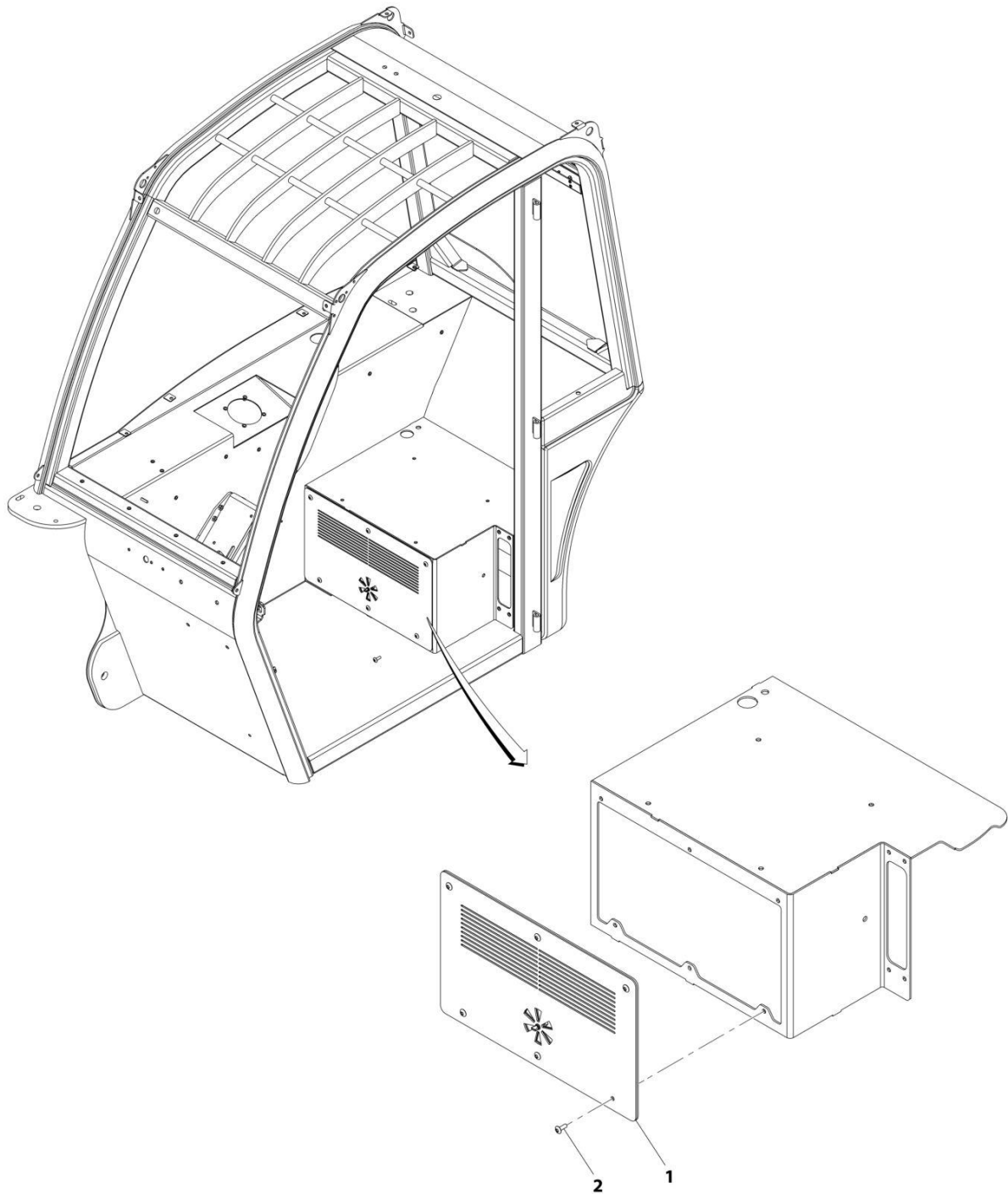


**FIGURE 6-15. SEAT RISER COVER INSTALLATION**

<b>ITEM</b>	<b>PART NUMBER</b>	<b>QTY</b>	<b>DESCRIPTION</b>	<b>REV</b>
	1001137623	Ref	Seat Riser Cover Installation	B
1	1001137574	1	Panel	
2	8303034	6	Screw	

# SECTION 6 - CAB

## FIGURE 6-16. SEAT RISER COVER INSTALLATION, HVAC



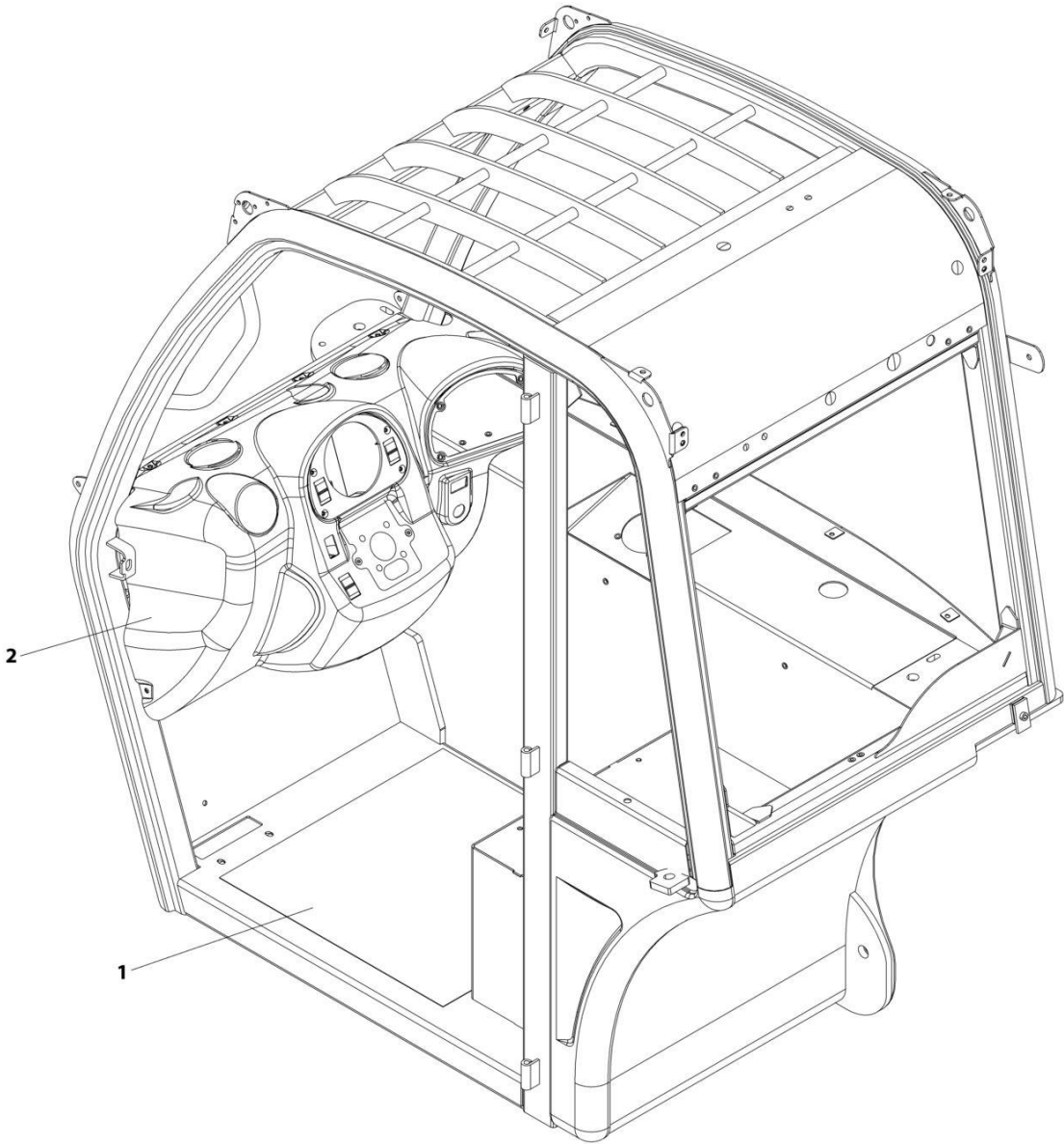
ART\_1001137621-C

**FIGURE 6-16. SEAT RISER COVER INSTALLATION, HVAC**

<b>ITEM</b>	<b>PART NUMBER</b>	<b>QTY</b>	<b>DESCRIPTION</b>	<b>REV</b>
	1001137621	Ref	Seat Riser Cover Installation, HVAC	C
1	1001189948	1	HAVC Cover Panel	
2	8303034	6	Screw, 1/4-20X3/4	

**SECTION 6 - CAB**

**FIGURE 6-17. OPEN CAB COMMON COMPONENTS INSTALLATION**



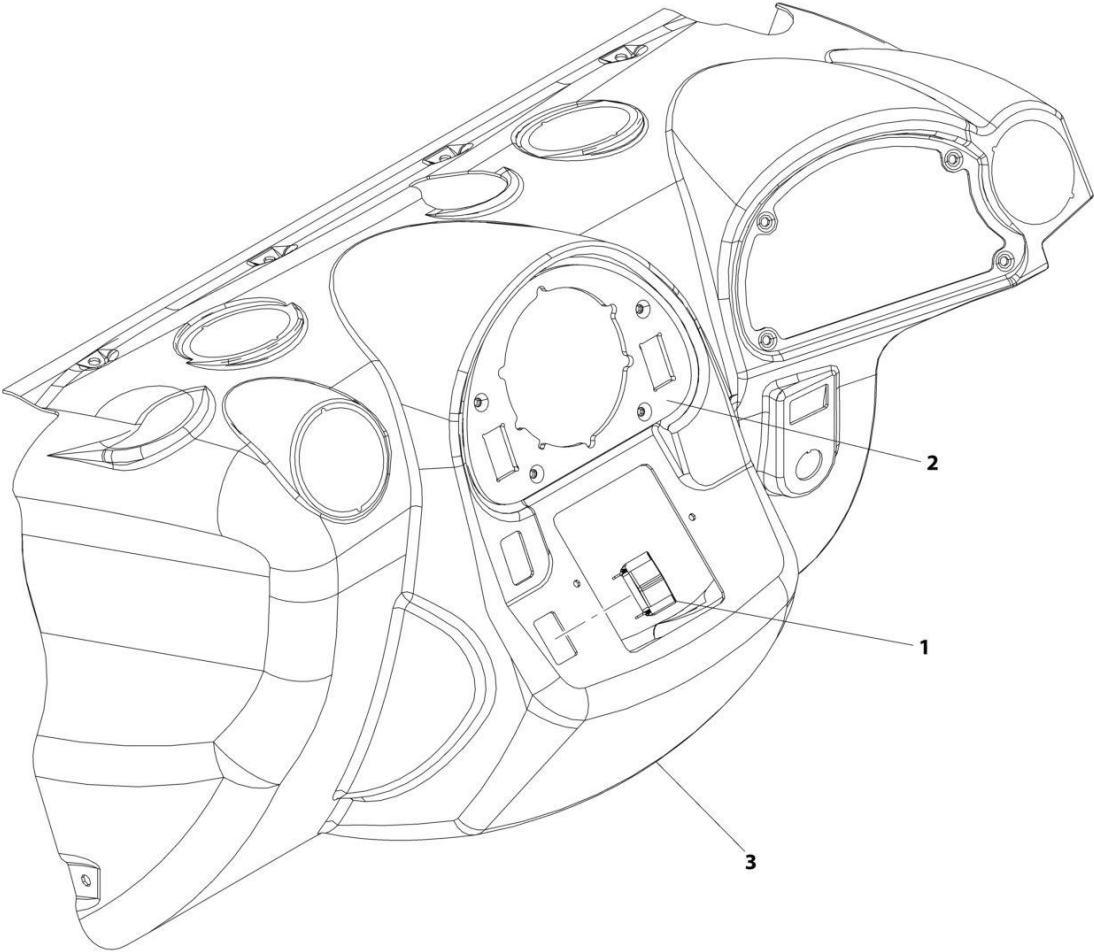
ART\_1001138582-A

**FIGURE 6-17. OPEN CAB COMMON COMPONENTS INSTALLATION**

<b>ITEM</b>	<b>PART NUMBER</b>	<b>QTY</b>	<b>DESCRIPTION</b>	<b>REV</b>
	1001138582	Ref	Open Cab Common Components Installation	A
1	1001080847	1	Skid, Floor	
2	1001139481	1	Installation, Open Cab Dash (See Separate Breakdown in this Section)	

**SECTION 6 - CAB**

**FIGURE 6-18. DASH INSTALLATION, OPEN CAB**



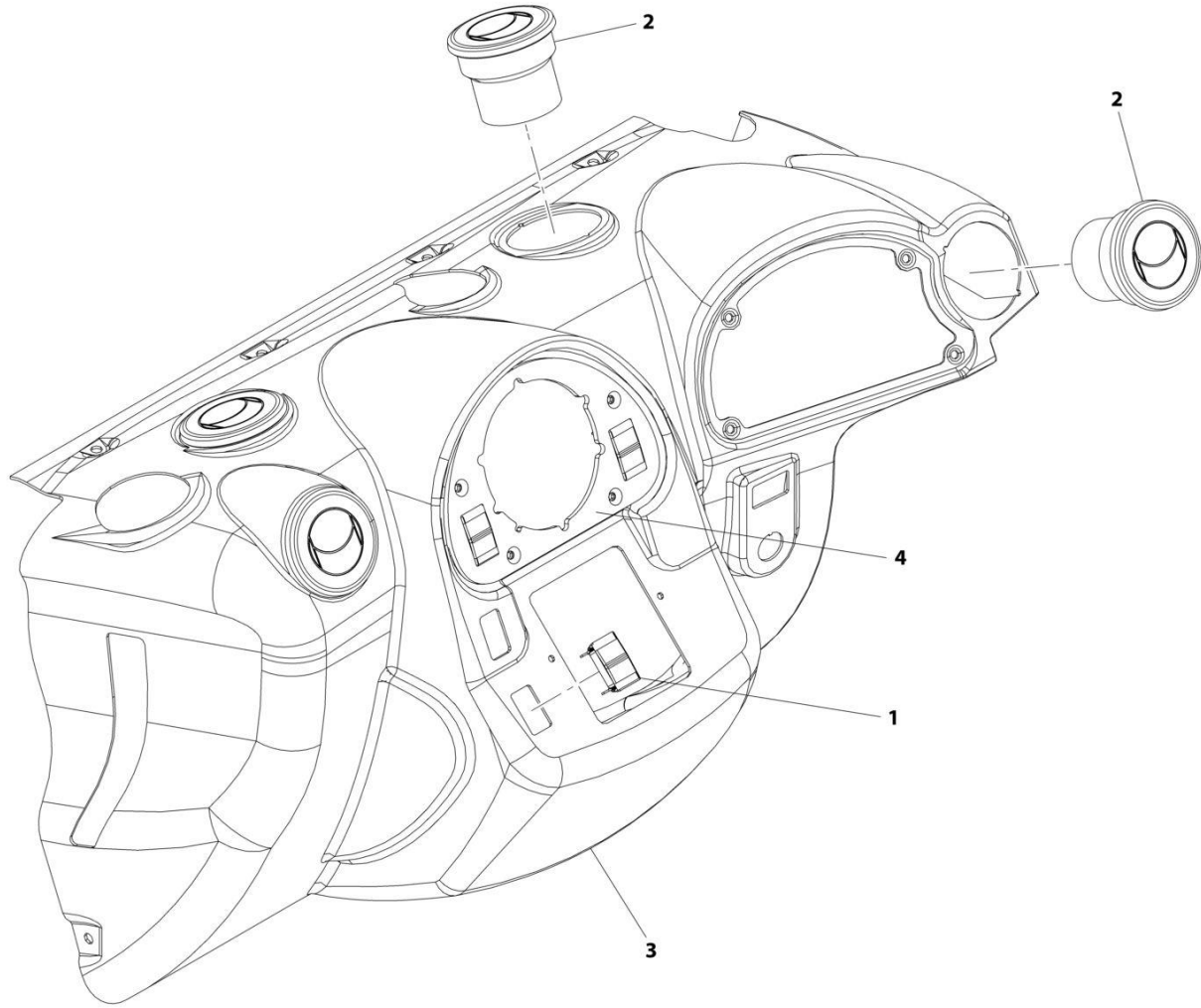
ART\_1001139481-C

**FIGURE 6-18. DASH INSTALLATION, OPEN CAB**

<b>ITEM</b>	<b>PART NUMBER</b>	<b>QTY</b>	<b>DESCRIPTION</b>	<b>REV</b>
	1001139481	Ref	Dash Installation, Open Cab	C
1	1001080494	1	Switch Cover	
2	1001137985	1	Dash Mount	
3	1001153624	1	Cab Dash Cover	

# SECTION 6 - CAB

## FIGURE 6-19. DASH INSTALLATION, ENCLOSED CAB



ART\_1001137943-C

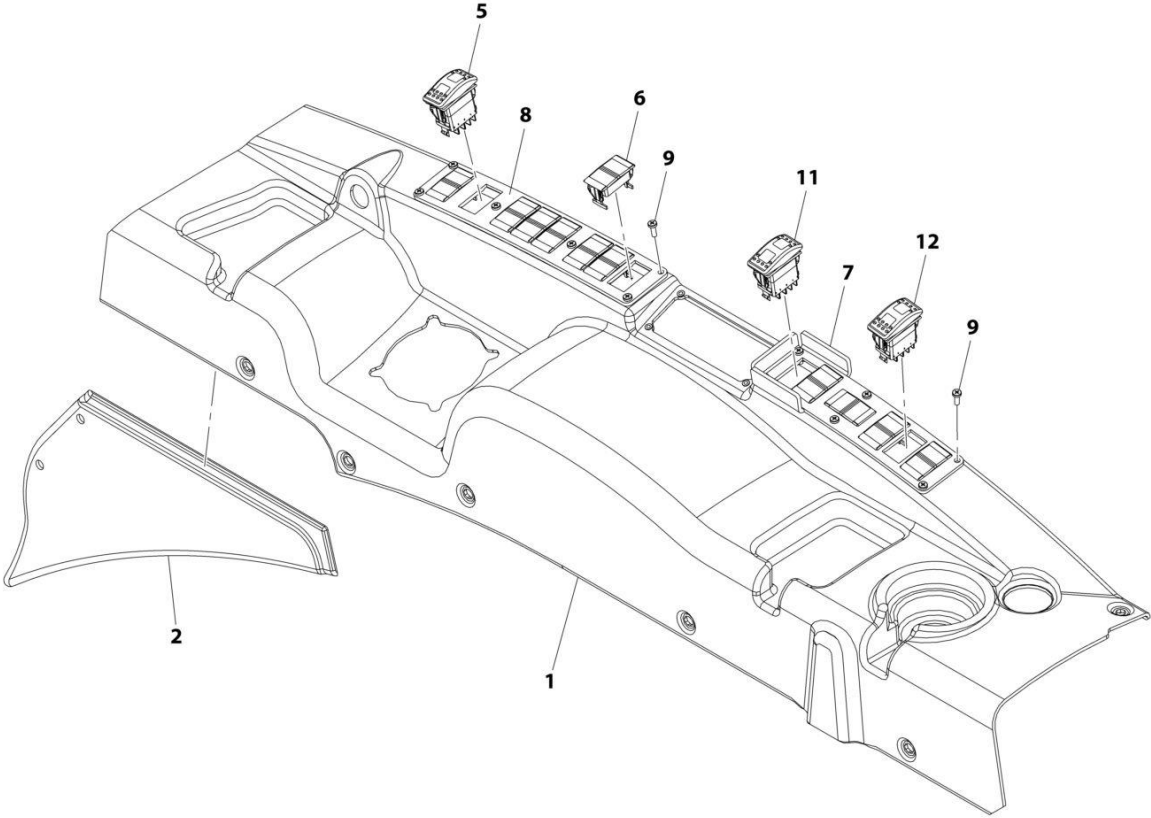


**FIGURE 6-19. DASH INSTALLATION, ENCLOSED CAB**

<b>ITEM</b>	<b>PART NUMBER</b>	<b>QTY</b>	<b>DESCRIPTION</b>	<b>REV</b>
	1001137943	Ref	Dash Installation, Enclosed Cab	C
1	1001080494	3	Cover Switch	
2	1001080848	4	Directional Vent	
3	1001153625	1	Cab Dash	
4	1001137985	1	Dash Mount	

**SECTION 6 - CAB**

**FIGURE 6-20. RIGHT SIDE CONSOLE**



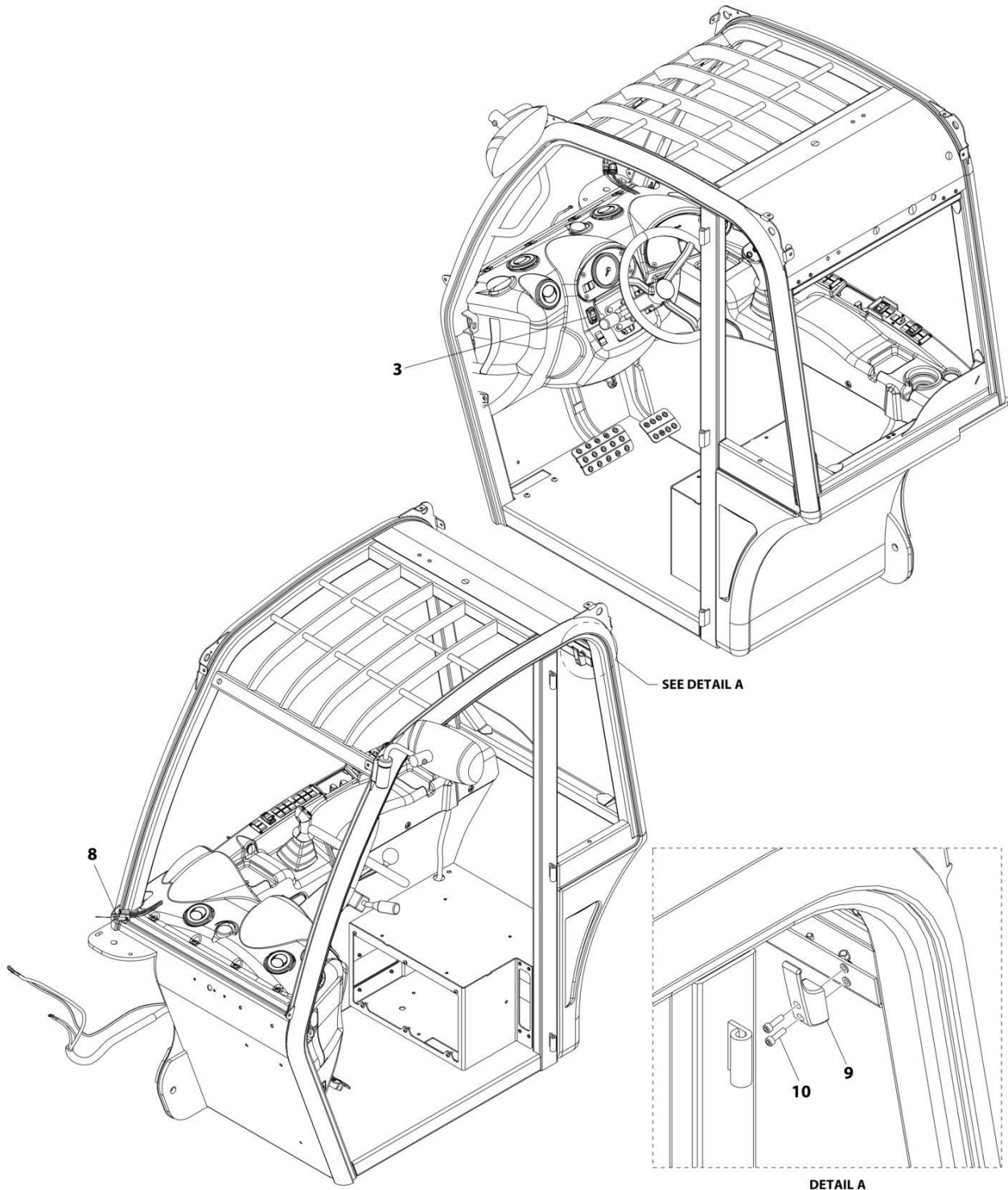
ART\_1001080493-J

FIGURE 6-20. RIGHT SIDE CONSOLE

ITEM	PART NUMBER	QTY	DESCRIPTION	REV
	1001080493	Ref	Right Side Console	J
1	1001153627	1	Console	
2	1001153626	1	Lower Plastic Console	
5	1001080378	1	Steer Select Switch	
6	1001080494	11	Switch Cover	
7	1001080969	1	Switch Mount Panel, Six Gang	
8	1001080970	1	Switch Mount Panel, Eight Gang	
9	1001139011	12	Pan HD Screw, #8-32	
11	1001080978	1	Lift/Loader Joystick Pattern Switch	
12	1001104654	1	Auxiliary Hydraulics Pressure Relief Switch	

# SECTION 6 - CAB

## FIGURE 6-21. NA COMMON INSTALLATION



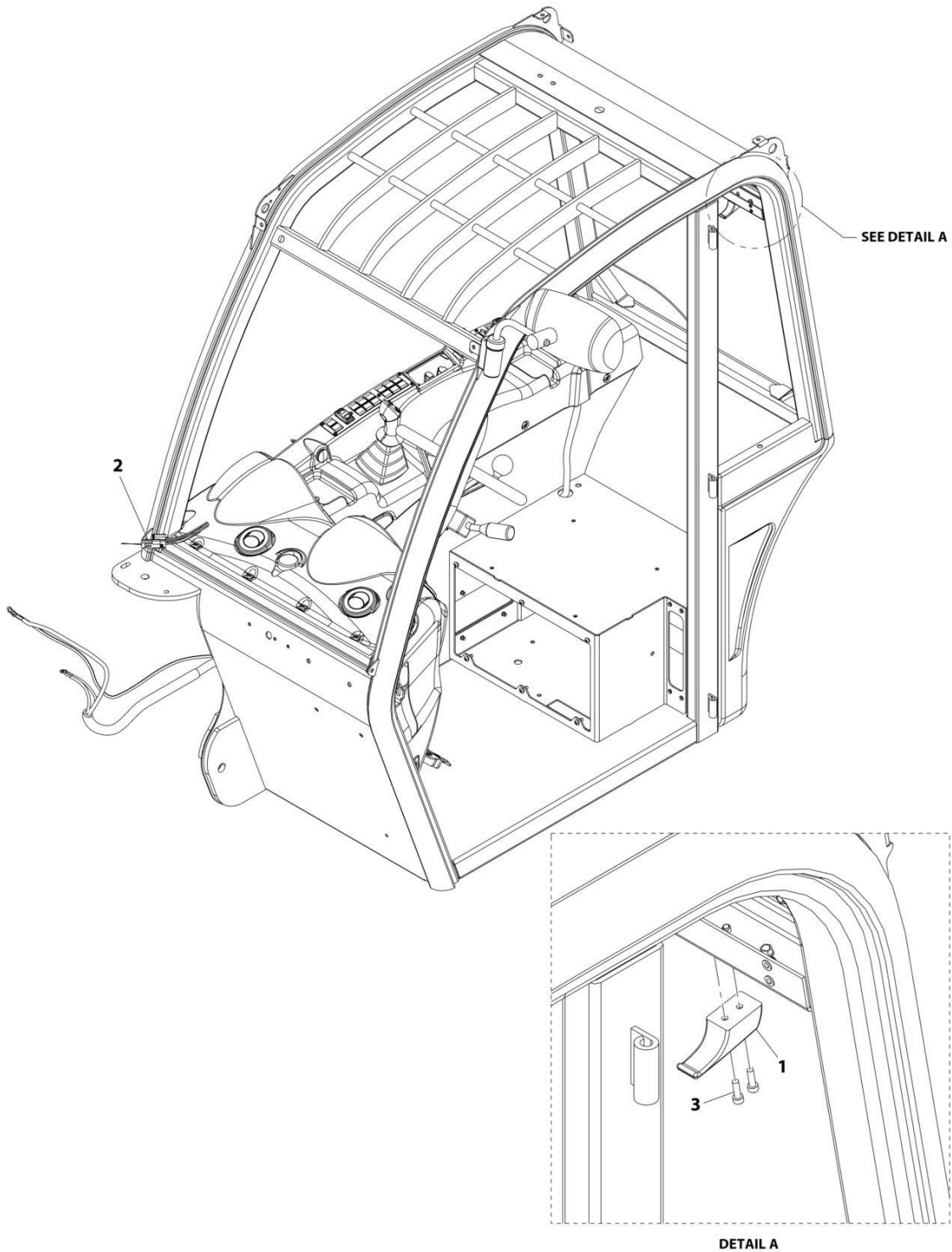
ART\_1001080744-G

FIGURE 6-21. NA COMMON INSTALLATION

ITEM	PART NUMBER	QTY	DESCRIPTION	REV
	1001080744	Ref	NA COMMON INSTALLATION	G
3	1001080374	1	Switch	
8	1001100966	1	Jumper Harness (See Separate Breakdown in ELECTRICAL Section)	
9	1001080953	1	Hook	
10	3931010	2	Screw	

# SECTION 6 - CAB

## FIGURE 6-22. NA COMMON COMPONENTS INSTALLATION (LSI)



ART\_1001236959-A

FIGURE 6-22. NA COMMON COMPONENTS INSTALLATION (LSI)

ITEM	PART NUMBER	QTY	DESCRIPTION	REV
	1001236959	Ref	NA COMMON COMPONENTS INSTALLATION (LSI)	A
1	1001080953	1	Hook	
2	1001100966	1	Jumper Harness (See Separate Breakdown in ELECTRICAL Section)	
3	1001108155	2	Bolt 10 x 5/8	

**SECTION 6 - CAB**

**FIGURE 6-23. FRONT WIPER ASSEMBLY**

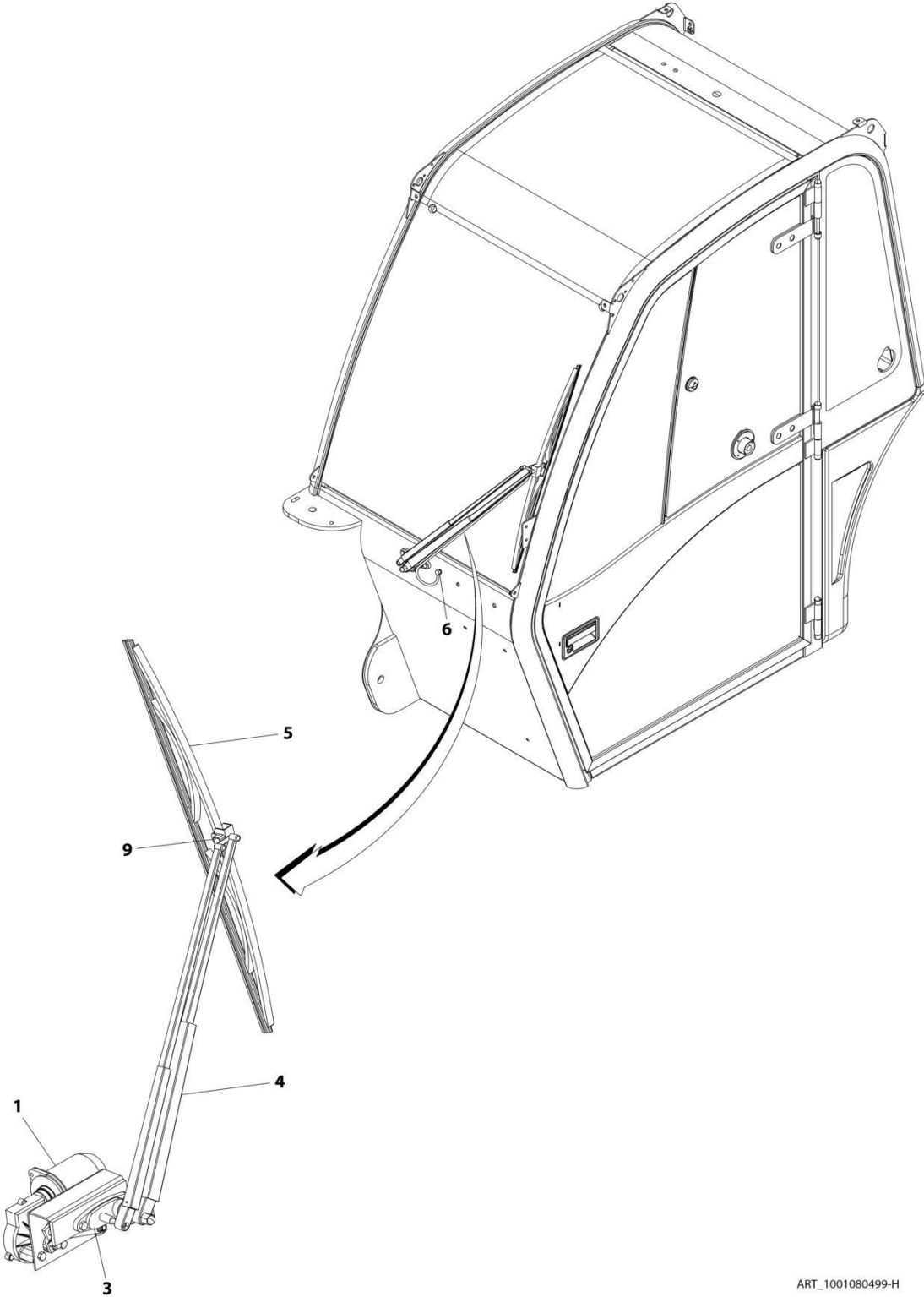


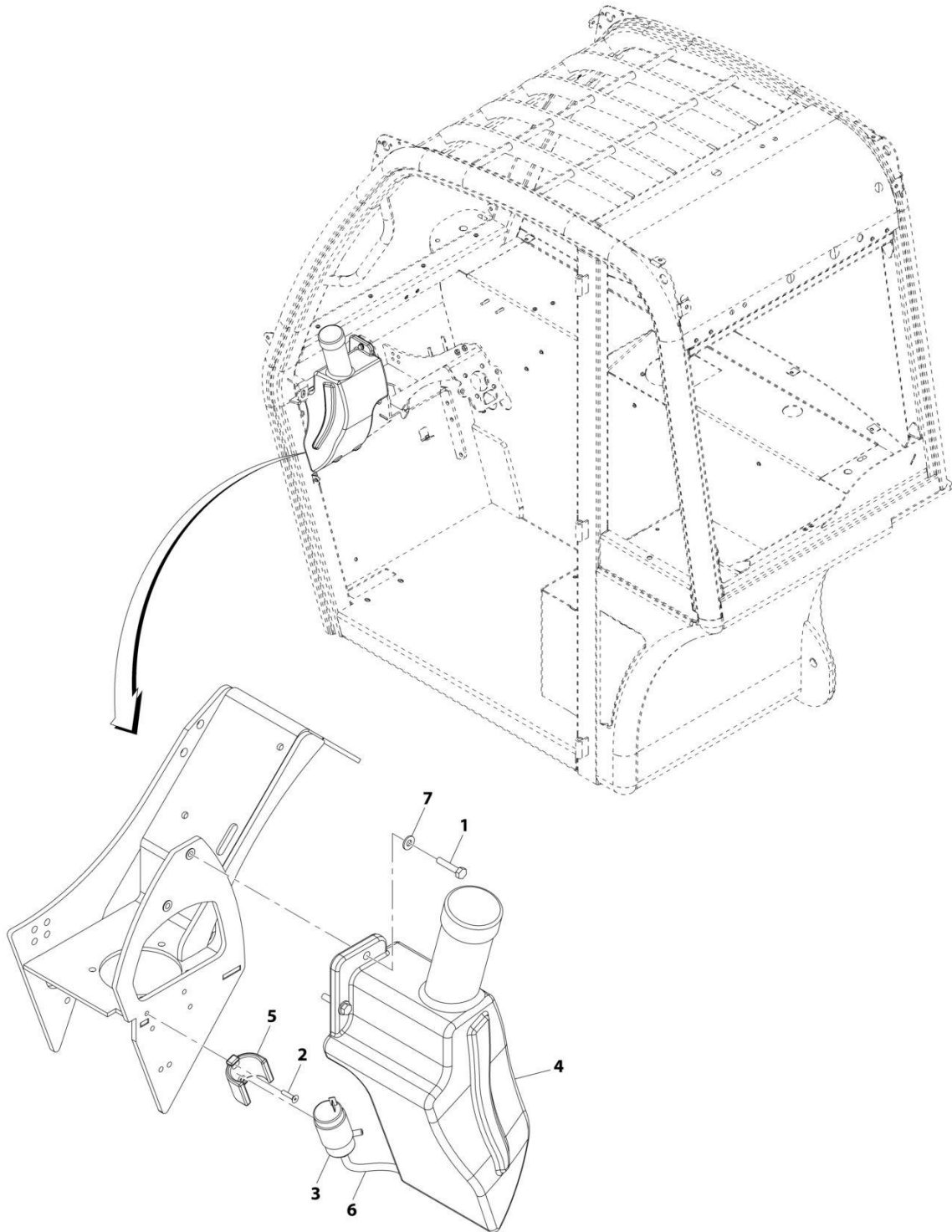


FIGURE 6-23. FRONT WIPER ASSEMBLY

ITEM	PART NUMBER	QTY	DESCRIPTION	REV
	1001080499	Ref	Front Wiper Asssembly	H
1	1001080383	1	Front Wiper Motor	
3	1001081307	1	Adapter Kit	
4	1001081308	1	Wiper Arm	
5	1001081309	1	Wiper Blade	
6	1001081310	1	Wet Arm Adaptor	
9	1001081311	1	Wet Arm Kit	

# SECTION 6 - CAB

## FIGURE 6-24. WASHER TANK W/PUMP INSTALLATION



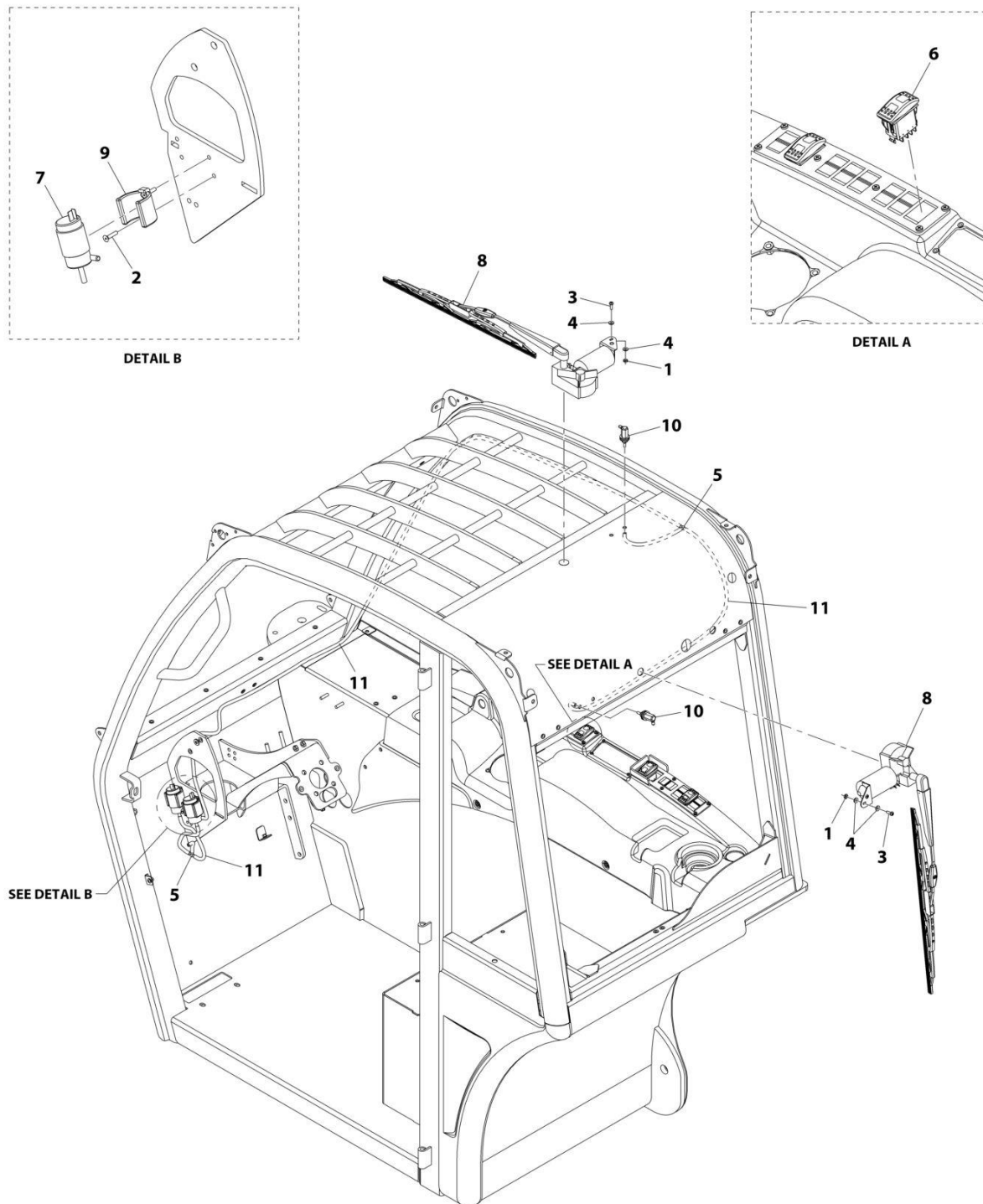
ART\_1001080933-E

FIGURE 6-24. WASHER TANK W/PUMP INSTALLATION

ITEM	PART NUMBER	QTY	DESCRIPTION	REV
	1001080933	Ref	Washer Tank W/Pump Installation	E
1	0641410	2	Hex HD Capscrew, 1/4-20X1-1/4	
2	3900302	2	Stainless Steel Screw, #8	
3	1001080382	1	Washer Pump	
4	1001080824	1	Washer Fluid Tank Assembly (See Separate Breakdown in this Section)	
5	1001080932	1	Washer Pump Clamp	
6	82033997	5 in	Window Washer Hose	
7	4711400	2	Washer, 1/4	

# SECTION 6 - CAB

## FIGURE 6-25. ROOF/REAR WIPER INSTALLATION



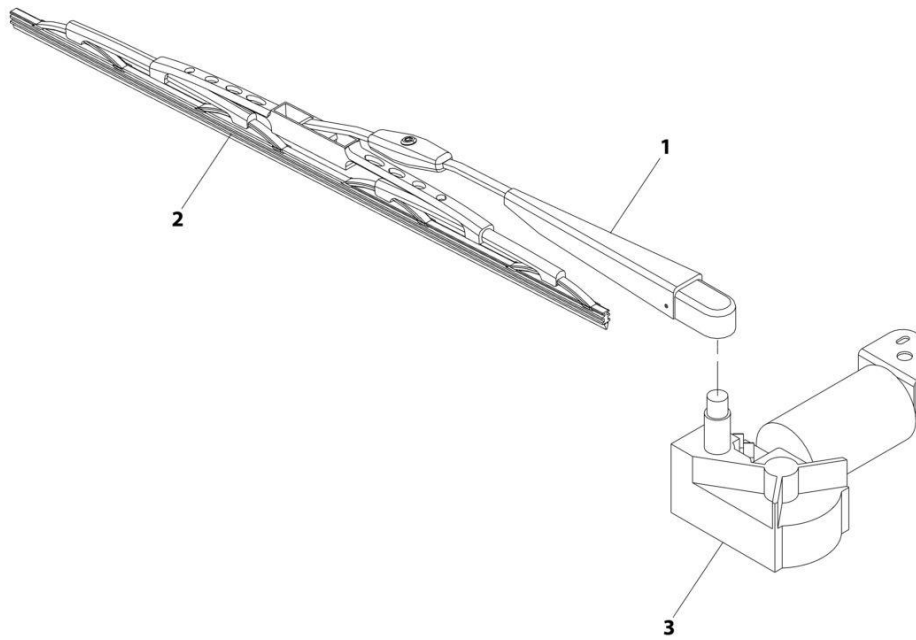
ART\_1001080877-H

FIGURE 6-25. ROOF/REAR WIPER INSTALLATION

ITEM	PART NUMBER	QTY	DESCRIPTION	REV
	1001080877	Ref	Roof/Rear Wiper Installation	H
1	8305002	2	Nut, M10	
2	3900302	2	Socket HD Capscrew, GR8	
3	1001197099	2	Screw	
4	4740120	4	Nylon Washer	
5	1001008742	2	Tee Coupling	
6	1001080377	1	Rear/Roof Wiper Switch	
7	1001080382	1	Windshield Washer Pump	
8	1001179547	2	AUX Wiper Assembly (See Separate Breakdown in this Section)	
9	1001080932	1	Washer Pump Clamp	
10	1001080985	2	Spray Nozzle	
11	82033997	157 in	Hose	

# SECTION 6 - CAB

## FIGURE 6-26. AUX WIPER ASSEMBLY



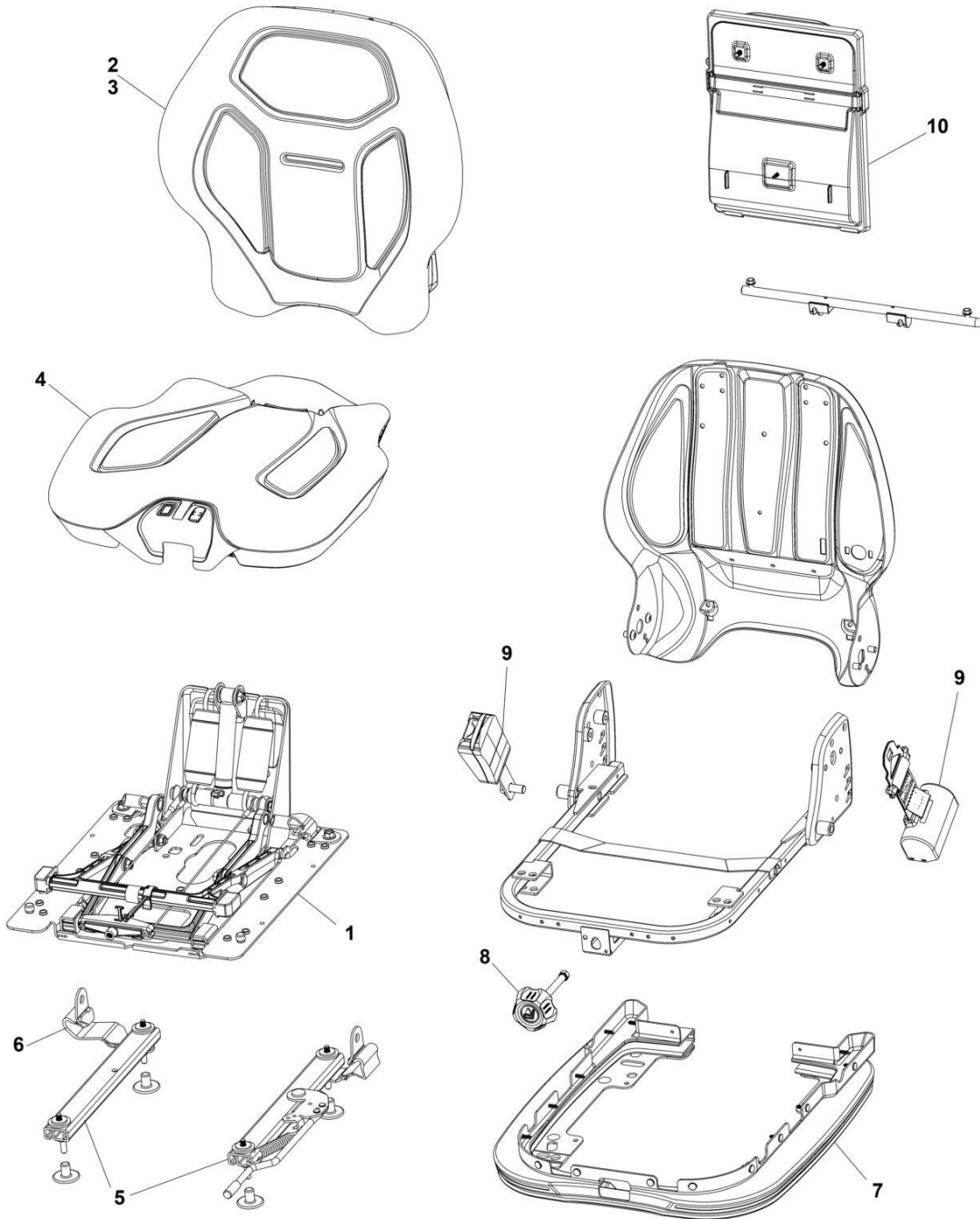
ART\_1001179547-A

FIGURE 6-26. AUX WIPER ASSEMBLY

ITEM	PART NUMBER	QTY	DESCRIPTION	REV
	1001179547	Ref	AUX Wiper Assembly	A
1	1001179495	1	Wiper Link Assembly	
2	1001179496	1	Wiper	
3	1001179832	1	Motor	

# SECTION 6 - CAB

## FIGURE 6-27. SEAT ASSEMBLY - CLOTH (ORANGE SEAT BELT)



ART\_1001275929

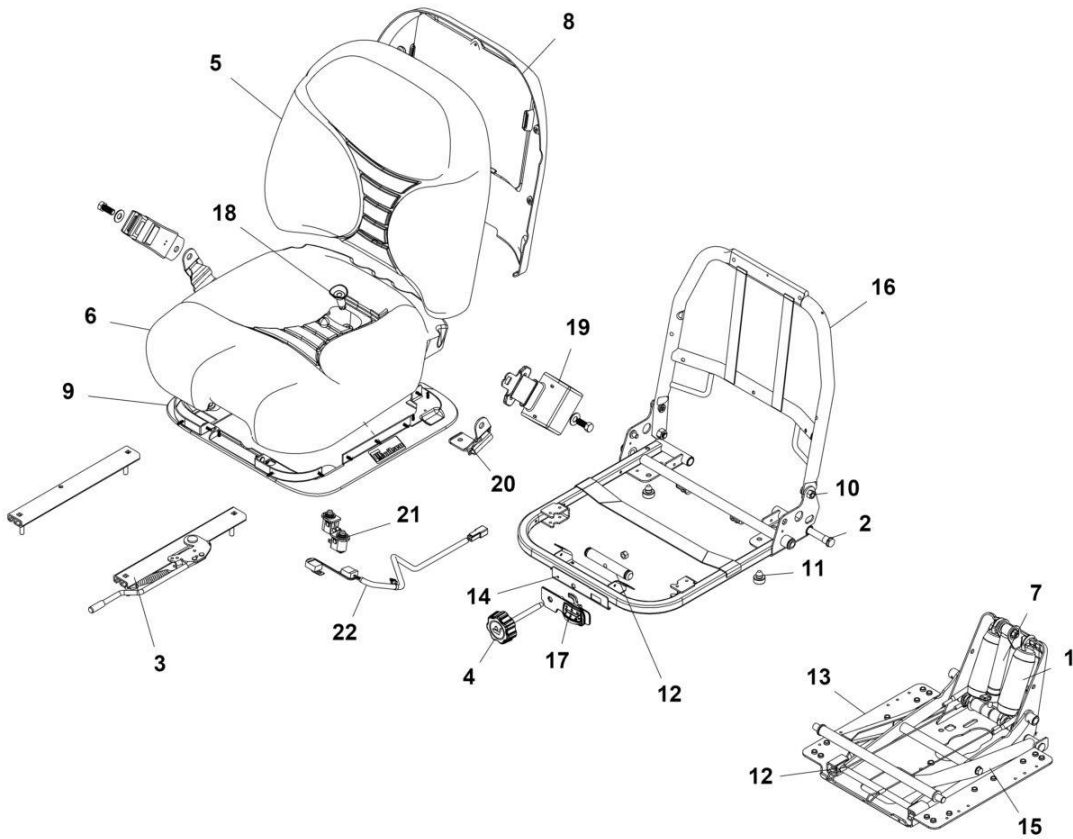


**FIGURE 6-27. SEAT ASSEMBLY - CLOTH (ORANGE SEAT BELT)**

ITEM	PART NUMBER	QTY	DESCRIPTION	REV
	1001275929	Ref	Seat Assembly	A
1	70027024	1	Suspension Kit	
2	70027026	1	Back Cushion Kit (JLG)	
3	70027027	1	Back Cushion Kit (CAT)	
4	70027028	1	Seat Cushion Kit	
5	7026798	1	Adjuster Kit	
6	70027032	1	Tether strap	
7	70027030	1	Boot Kit	
8	70027033	1	Weight Adjust Knob Kit	
9	1001275933	1	Seat Belt	
10	70027035	1	Document box Kit	

**SECTION 6 - CAB**

**FIGURE 6-28. SEAT, LSI**



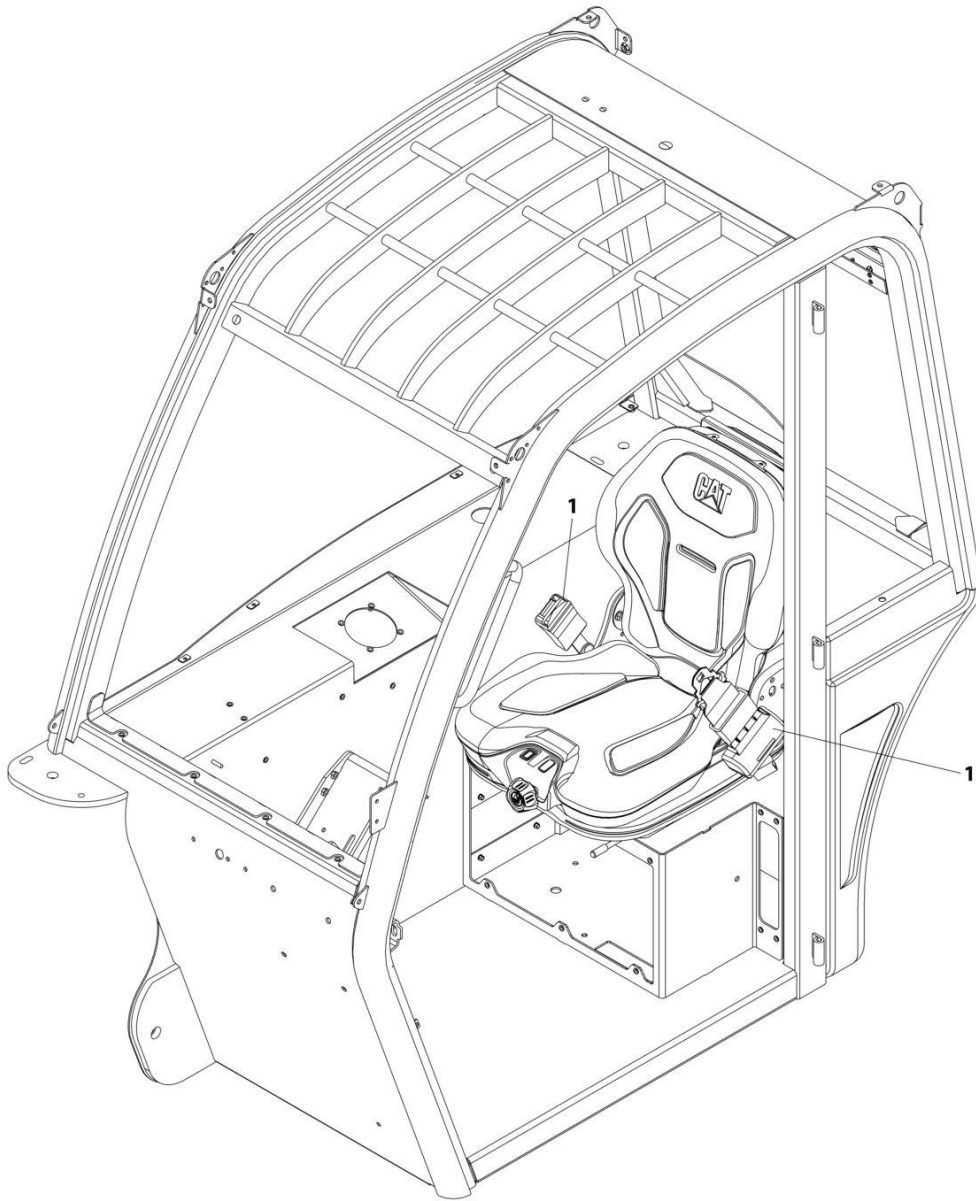
ART\_1001142055

FIGURE 6-28. SEAT, LSI

ITEM	PART NUMBER	QTY	DESCRIPTION	REV
	1001142055	Ref	Seat, LSI	D
1	7026798	1	Slide Kit	
2	7026799	1	Knob Kit	
3	7026900	1	Back Cushion Kit	
4	7026901	1	Seat Cushion Kit	
5	7026905	1	Seat Belt Kit	
6	7026906	1	Tether Kit	
7	7026902	1	Back Panel Kit	
8	70023040	1	Shock Absorber Kit, (Not Shown), (Includes One Shock Absorber, Two Shock Pins And Two Hex Nuts)	
9	70023041	1	Spring and Saddle Kit, (Not Shown)	

# SECTION 6 - CAB

## FIGURE 6-29. SEAT BELT INSTALLATION (3 INCH)



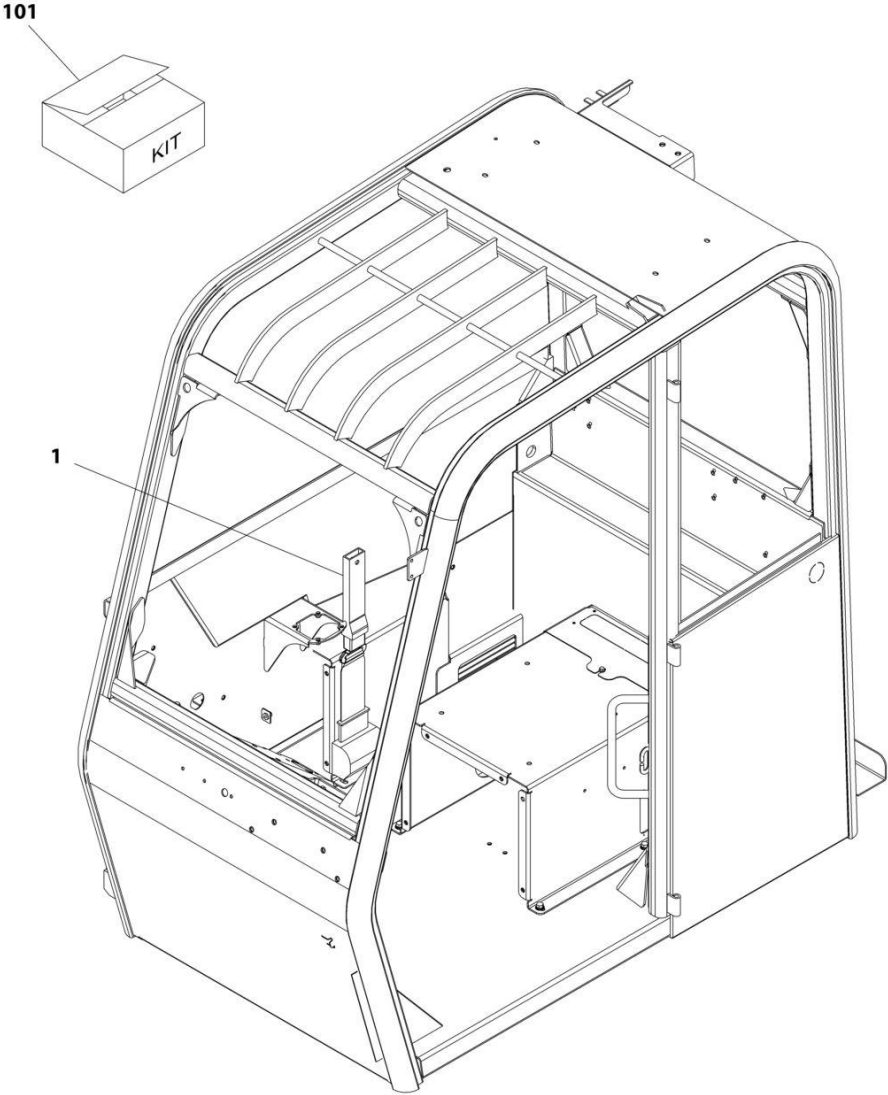
ART\_1001233666\_C

**FIGURE 6-29. SEAT BELT INSTALLATION (3 INCH)**

<b>ITEM</b>	<b>PART NUMBER</b>	<b>QTY</b>	<b>DESCRIPTION</b>	<b>REV</b>
	1001233666	Ref	Seat Belt Installation (3 Inch)	C
1	1001258244	1	Seat Belt (3in) (Black Strap)	
1	1001275933	1	Seat Belt (3in) (Orange Strap)	

**SECTION 6 - CAB**

**FIGURE 6-30. SEAT BELT INSTALLATION, LSI (3 INCH)**



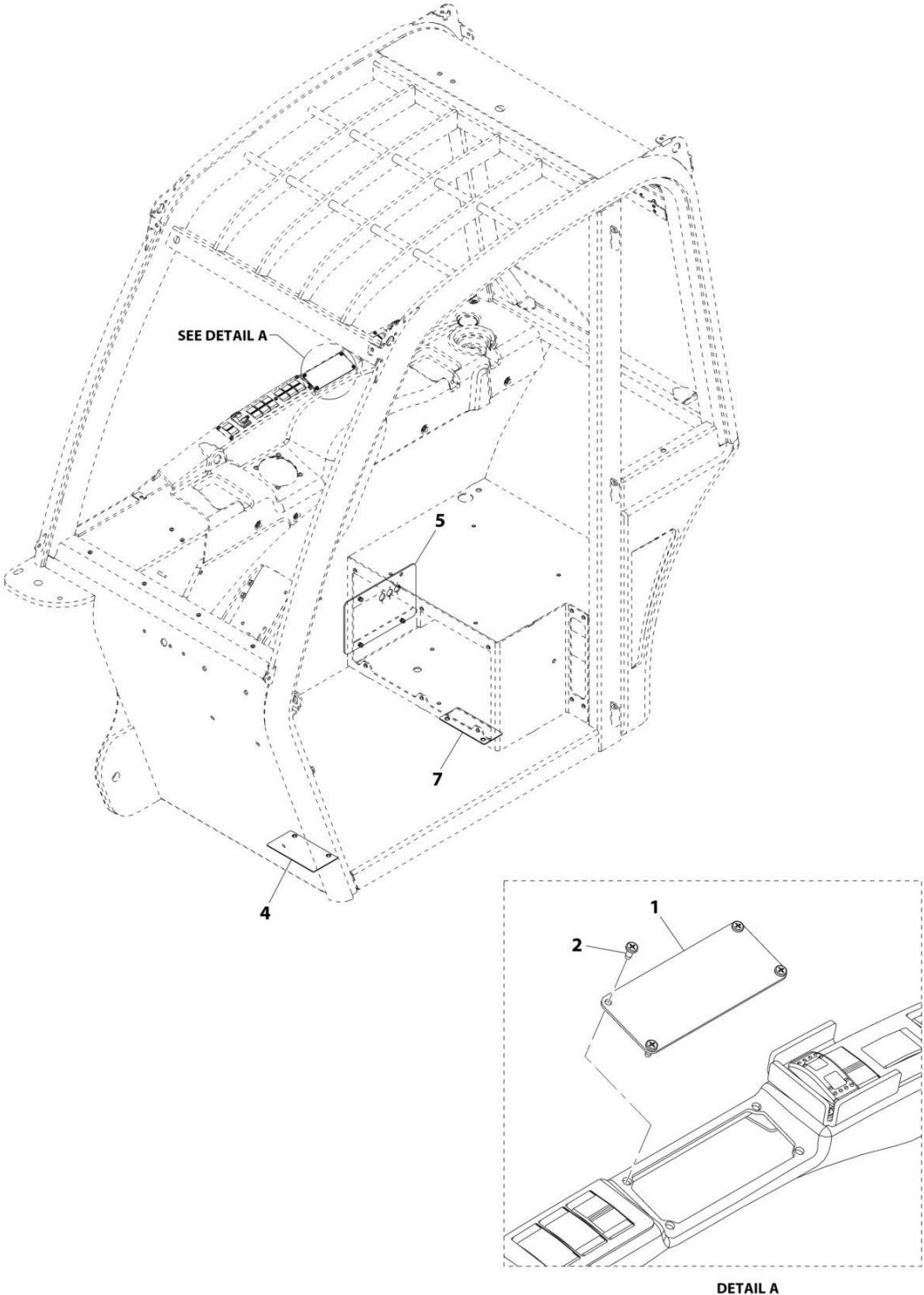
ART\_91565064-A

FIGURE 6-30. SEAT BELT INSTALLATION, LSI (3 INCH)

ITEM	PART NUMBER	QTY	DESCRIPTION	REV
	91565064	Ref	Seat Belt Installation, LSI (3 Inch)	A
1	91563164	NLA	Seat Belt (no longer available, use 70023139 for replacement)	
101	70023139	1	Kit, 3 Inch Seat Belt (includes female and retractor ends)	

**SECTION 6 - CAB**

**FIGURE 6-31. CONTROL COVER INSTALLATION**



ART\_1001080876-H

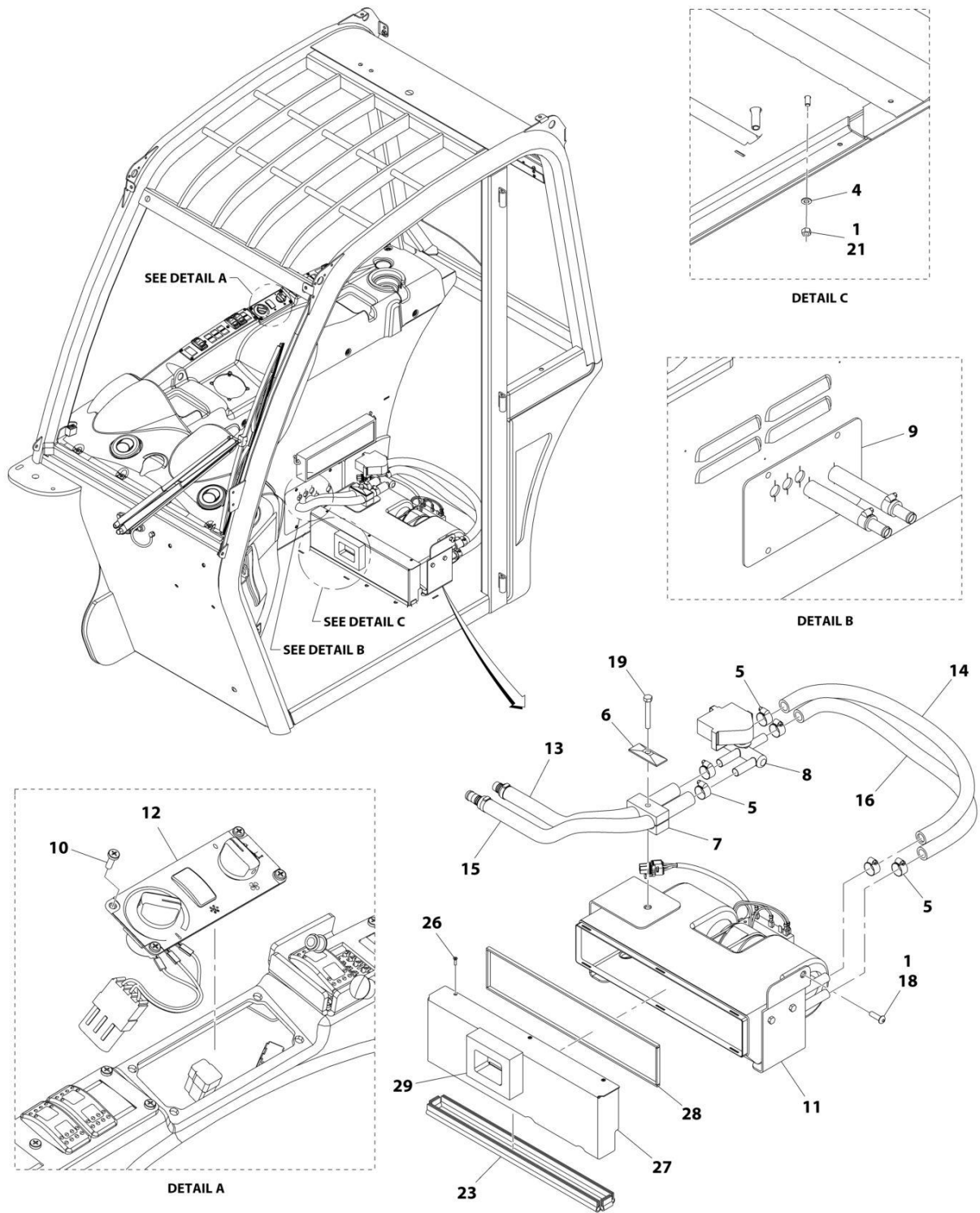


FIGURE 6-31. CONTROL COVER INSTALLATION

ITEM	PART NUMBER	QTY	DESCRIPTION	REV
	1001080876	Ref	Control Cover Installation	H
1	1001080852	1	Heater Control Cover	
2	1001137454	4	Pan HD Screw	
4	1001080974	1	Ductwork Panel	
5	1001080975	1	Parking Brake Release Valve Only Panel	
7	1001081023	1	Ductwork Panel	

# SECTION 6 - CAB

## FIGURE 6-32. HEATER INSTALLATION (CAB PARTS)



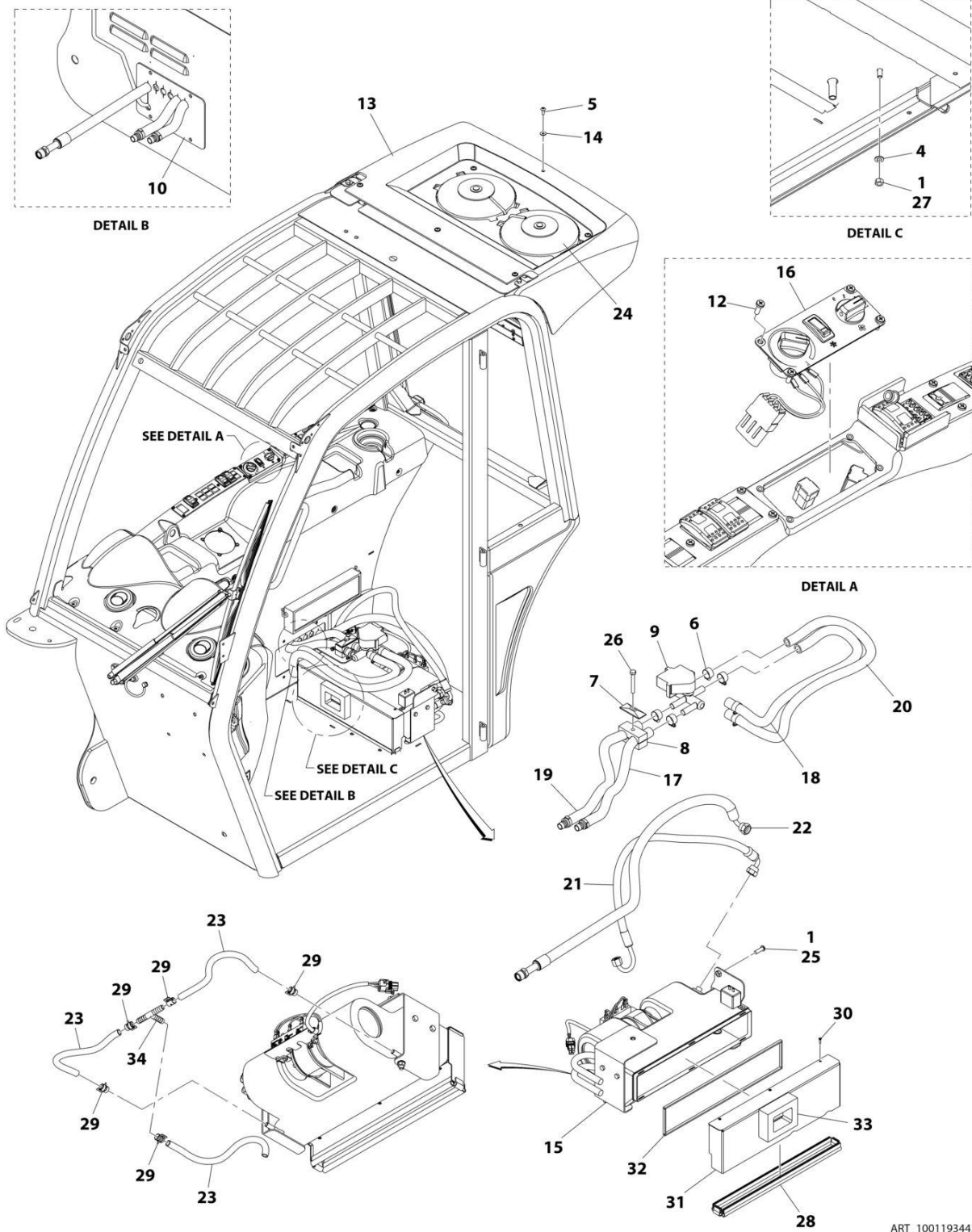
ART\_1001193943-E

FIGURE 6-32. HEATER INSTALLATION (CAB PARTS)

ITEM	PART NUMBER	QTY	DESCRIPTION	REV
	1001193943	Ref	Heater Installation (cab parts)	E
1	0100011	AR	Compound, Locking	
4	4811900	1	Washer, M8	
5	8410009	6	Gear Clamp	
6	77133137	1	Cover Plate	
7	77133279	1	Clamp	
8	80383231	1	Water Heater Valve	
9	1001080976	1	Parking Brake Release Valve And Heater Panel	
10	1001137454	4	Pan HD Screw	
11	1001193805	1	Assembly, Heater 3 Speed (See Separate Breakdown in this Section)	
12	1001193945	1	Heater Control Switch (See Separate Breakdown in Control Section)	
13	1001193973	1	Hose	
14	1001193974	1	Hose	
15	1001193975	1	Hose	
16	1001193976	1	Hose	
18	0630468	1	Hex HD Capscrew, 5/16-18X2, GR5	
19	0641518	1	Hex HD Capscrew, 5/16-18X2-1/4, GR5	
21	3311501	1	Hex Nut, 5/16-18, GR2	
23	1001110433	856 mm	Seal	
26	91413036	1	Screw, M6X12	
27	1001202939	1	Duct	
28	1001113047	970 mm	Adhesive Seal	
29	1001209966	1	Seal, Duct	

# SECTION 6 - CAB

## FIGURE 6-33. HEATER AND A/C INSTALLATION (CAB PARTS)



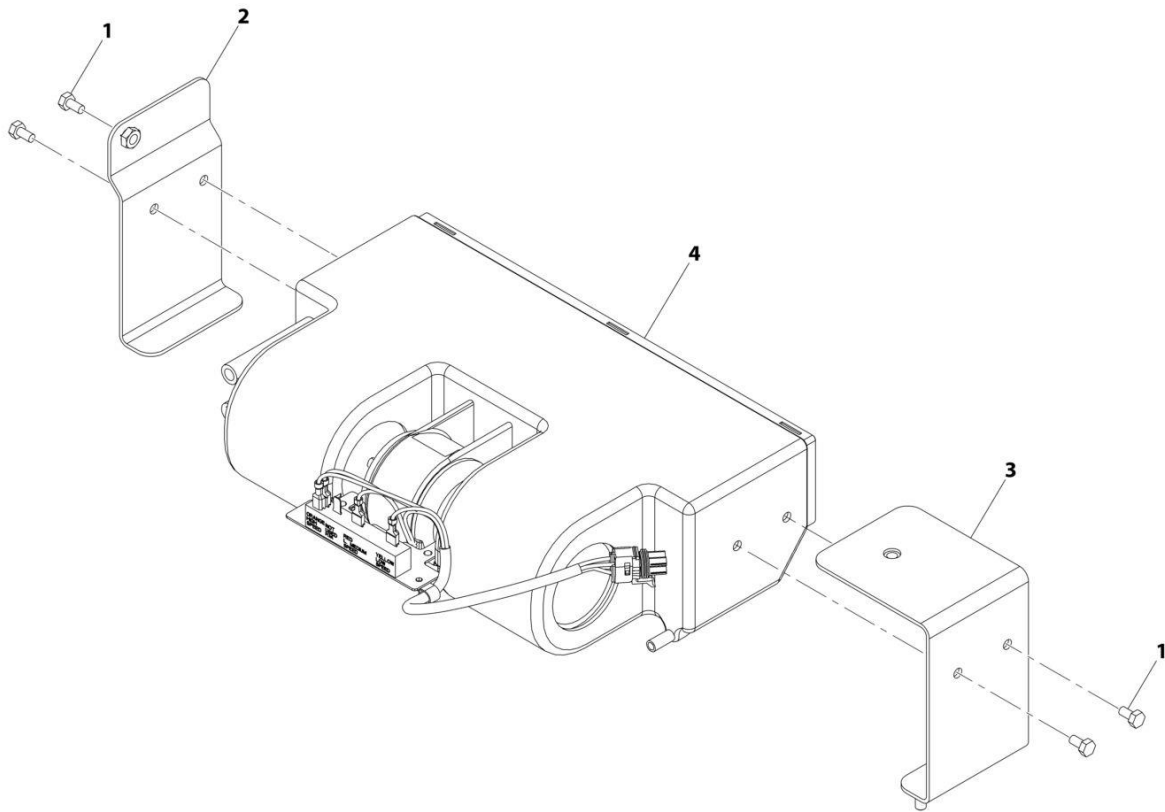
ART\_1001193443-E

FIGURE 6-33. HEATER AND A/C INSTALLATION (CAB PARTS)

ITEM	PART NUMBER	QTY	DESCRIPTION	REV
	1001193443	Ref	Heater and A/C Installation (cab parts)	E
1	0100011	AR	Compound, Locking	
4	4811900	1	Washer M8	
5	8303034	6	Screw 1/4 x 3/4	
6	8410009	6	Gear Clamp	
7	77133137	1	Cover Plate	
8	77133279	1	Clamp	
9	80383231	1	Water Heater Valve	
10	1001220705	1	Parking Brake Release Valve, Heater and AC Panel	
12	1001139011	4	Pan HD Screw	
13	1001139801	1	Cover	
14	1001150509	6	Washer	
15	1001193432	1	Assembly, Heater and A/C, 3 Speed (See Separate Breakdown in This Section)	
16	1001193501	1	HVAC Control Switch (See Separate Breakdown in Control Section)	
17	1001193720	1	Hose	
18	1001193721	1	Hose	
19	1001193723	1	Hose	
20	1001193725	1	Hose	
21	1001193761	1	Hose	
22	1001193762	1	Hose	
23	1001195447	809 mm	Hose	
24	1001202352	1	AC Condenser Installation (See Separate Breakdown in this Section)	
25	0630468	1	Capscrew 5/16 x 1	
26	0641518	1	Capscrew 5/16 x 2-1/4	
27	3311501	1	Nut 5/16	
28	1001110433	856 mm	Seal	
29	1001156087	5	Gear Clamp	
30	91413036	6	Screw M6 x 12	
31	1001202939	1	Duct	
32	1001113047	970 mm	Adhesive Seal	
33	1001209966	1	Seal, Duct	
34	1001172953	1	Union Tee	

# SECTION 6 - CAB

## FIGURE 6-34. HEATER ASSEMBLY, 3 SPEED



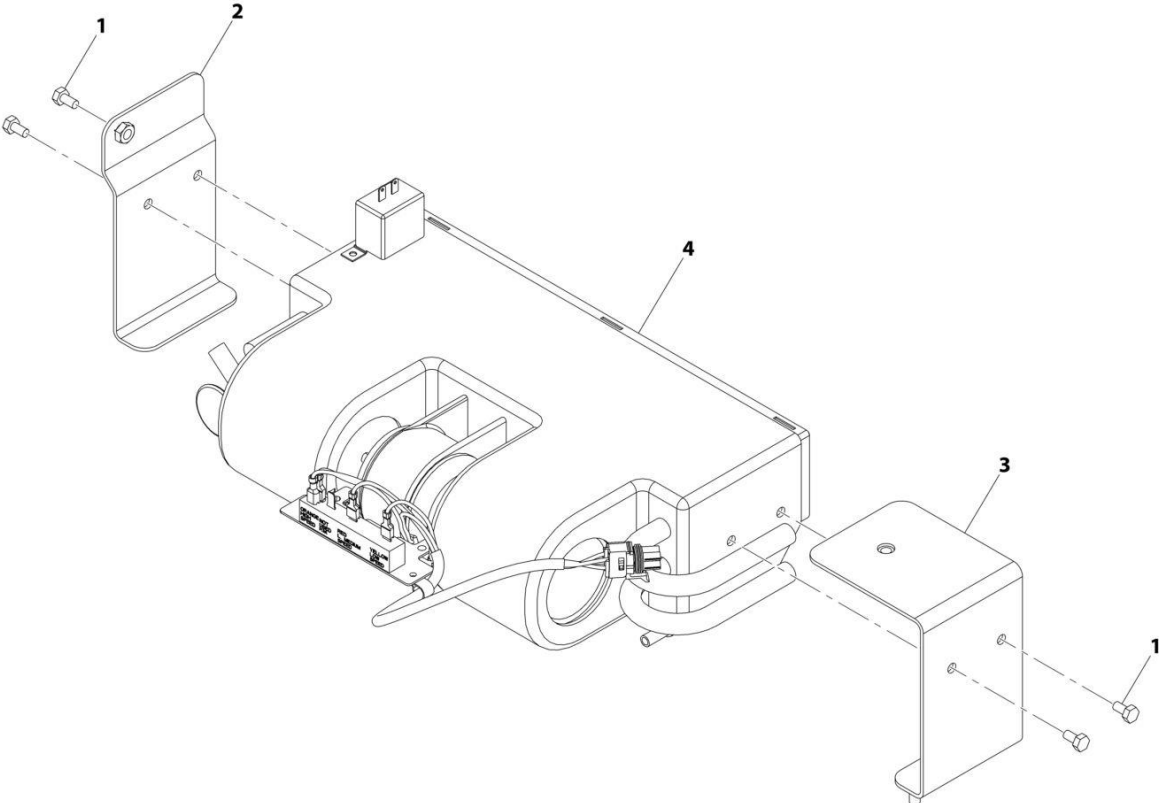
ART\_1001193805-C

FIGURE 6-34. HEATER ASSEMBLY, 3 SPEED

ITEM	PART NUMBER	QTY	DESCRIPTION	REV
	1001193805	Ref	Heater Assembly, 3 Speed	C
1	0641404	4	Hex HD Capscrew, 1/4-20X1/2, GR5	
2	1001193528	1	Bracket	
3	1001193529	1	Bracket	
4	1001195348	1	Heater Assembly (See Separate breakdown in this Section)	

**SECTION 6 - CAB**

**FIGURE 6-35. HEATER AND A/C ASSEMBLY, 3 SPEED**



ART\_1001193432-C

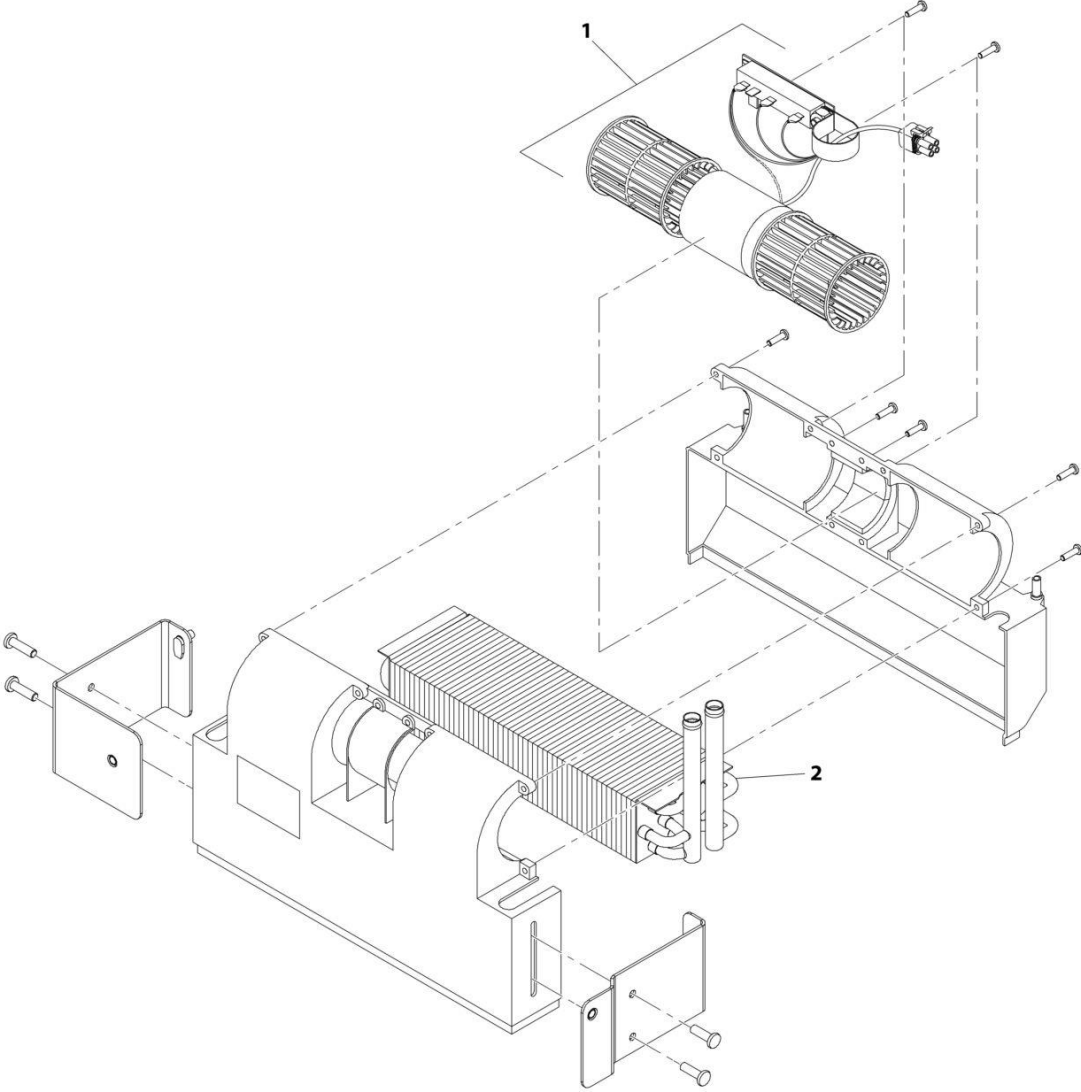


FIGURE 6-35. HEATER AND A/C ASSEMBLY, 3 SPEED

ITEM	PART NUMBER	QTY	DESCRIPTION	REV
	1001193432	Ref	Heater and A/C Assembly, 3 Speed	C
1	0641404	4	Hex HD Capscrew, 1/4-20X1/2, GR5	
2	1001193528	1	Bracket	
3	1001193529	1	Bracket	
4	1001195347	1	Assembly, Heater and A/C (See Separate breakdown in this Section)	

**SECTION 6 - CAB**

**FIGURE 6-36. HEATER**



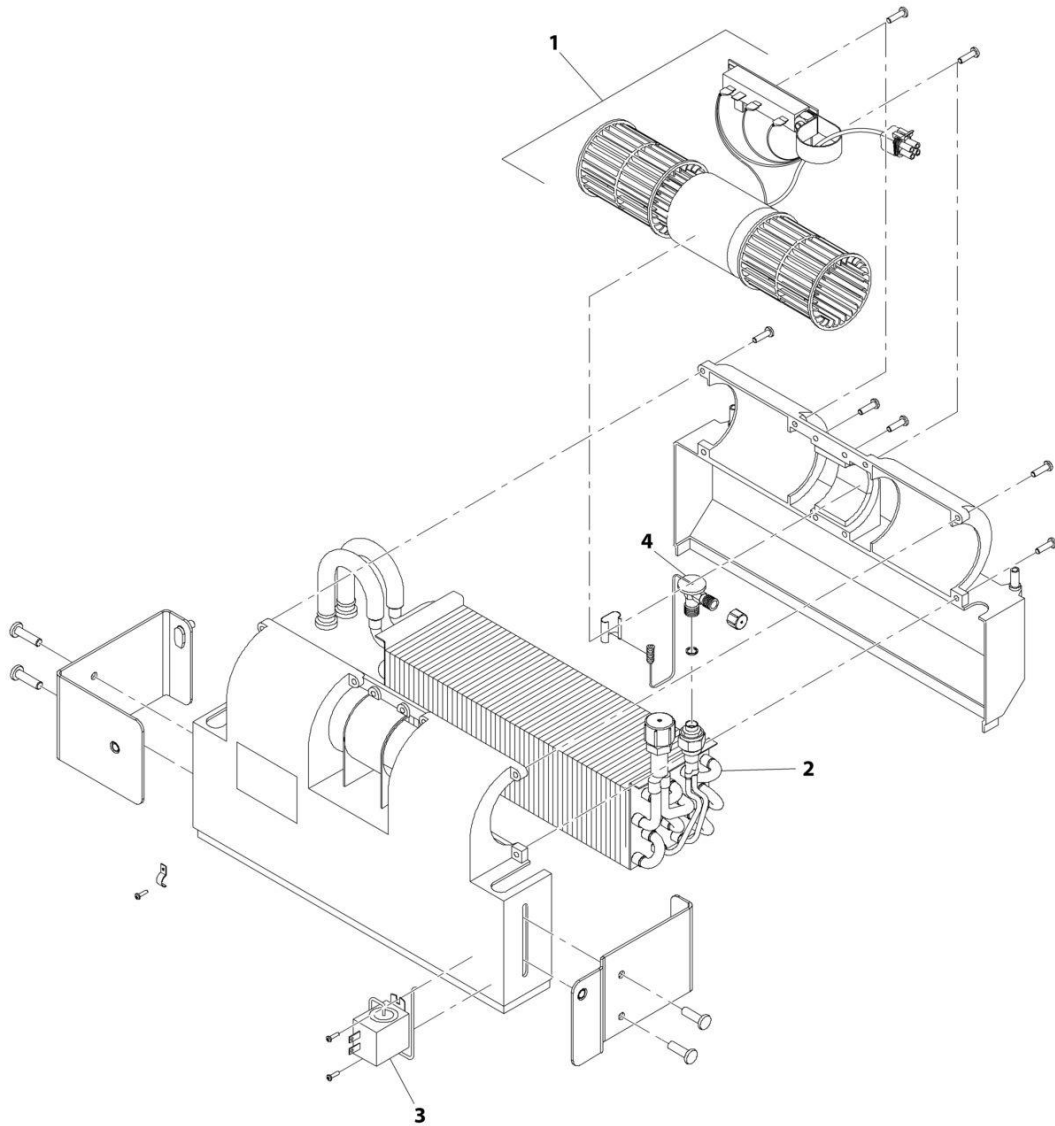
ART\_1001195348-C

FIGURE 6-36. HEATER

ITEM	PART NUMBER	QTY	DESCRIPTION	REV
	1001195348	Ref	Heater	C
1	70022805	1	Blower Motor	
2	70025925	1	Heater Coil	

# SECTION 6 - CAB

## FIGURE 6-37. HEATER AND A/C



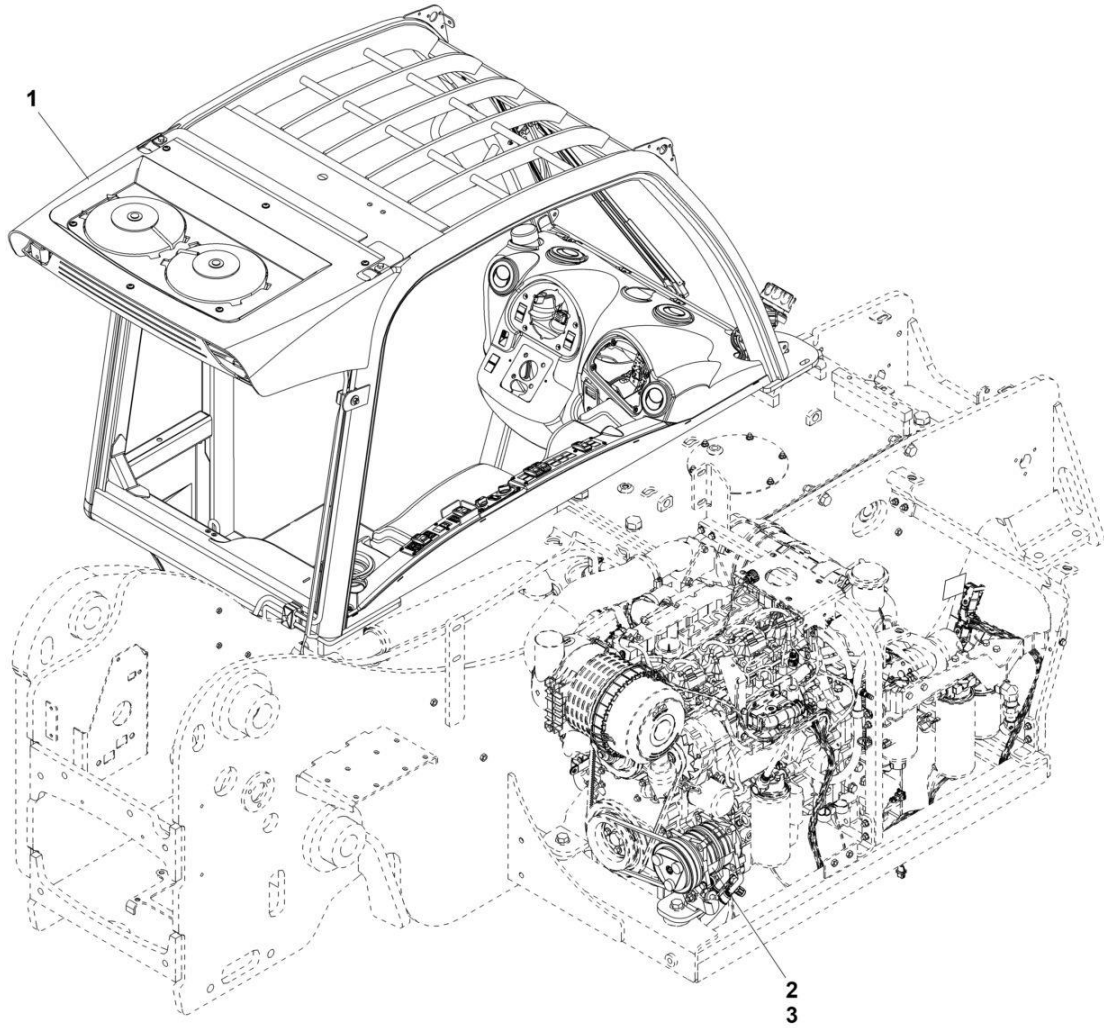
ART\_1001195347-C

**FIGURE 6-37. HEATER AND A/C**

<b>ITEM</b>	<b>PART NUMBER</b>	<b>QTY</b>	<b>DESCRIPTION</b>	<b>REV</b>
	1001195347	Ref	Heater and A/C	C
1	70022805	1	Blower Motor	
2	70027632	1	Coil	
3	70024386	1	Thermostat	
4	91514272	1	Expansion Valve	

# SECTION 6 - CAB

## FIGURE 6-38. A/C KIT



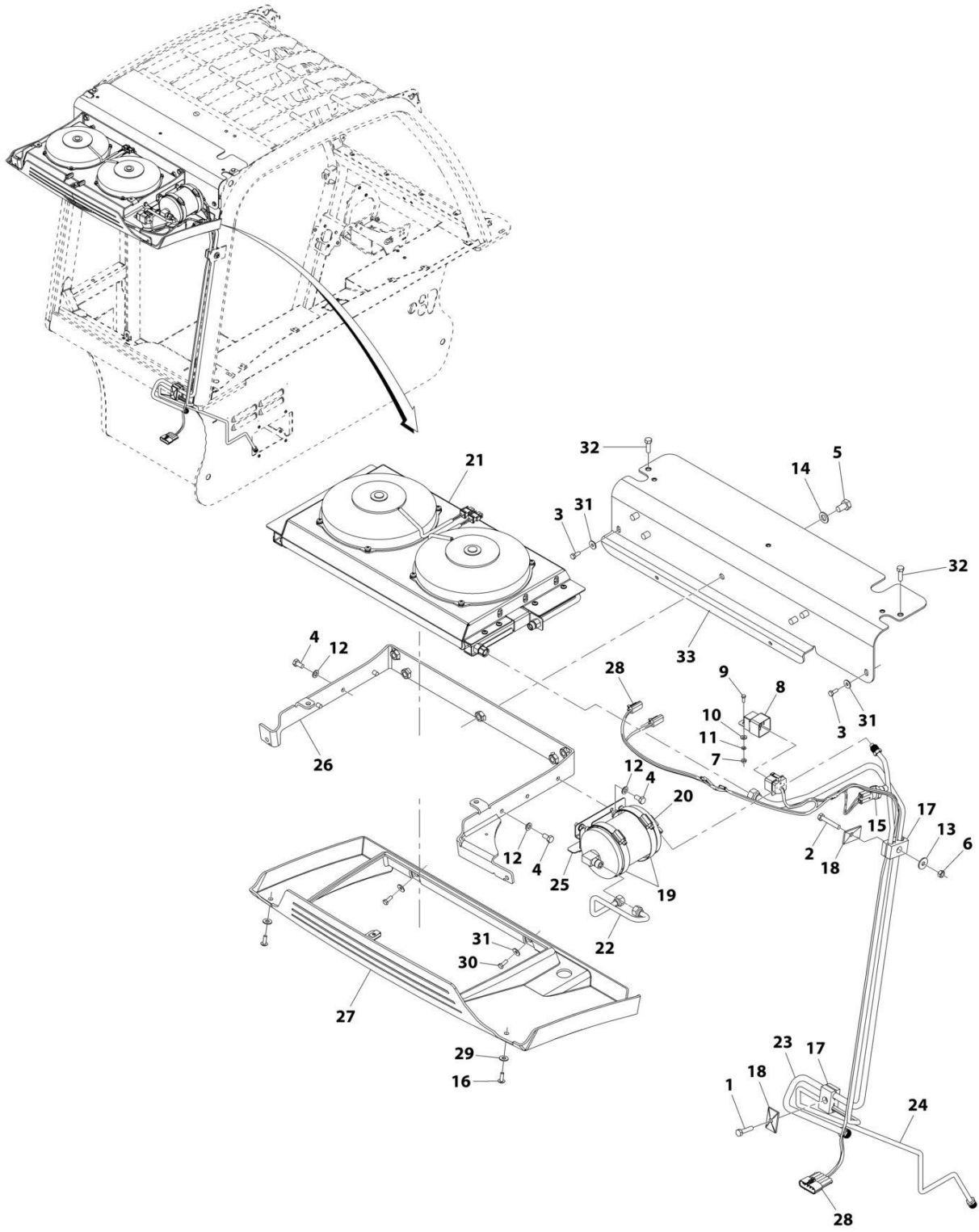
ART\_1001202502

FIGURE 6-38. A/C KIT

ITEM	PART NUMBER	QTY	DESCRIPTION	REV
1	1001202502 1001193443	Ref 1	A/C KIT Installation, Heater and A/C (cab parts) (See Separate Breakdown in this Section)	B
2	1001139688	1	Installation, A/C System (See Separate Breakdown in ENGINE AND ATTACHING PARTS Section)	
3	2300037	AR	Fluid, Refrigerant R-134a	

# SECTION 6 - CAB

## FIGURE 6-39. A/C CONDENSER INSTALLATION



ART\_1001202352-A

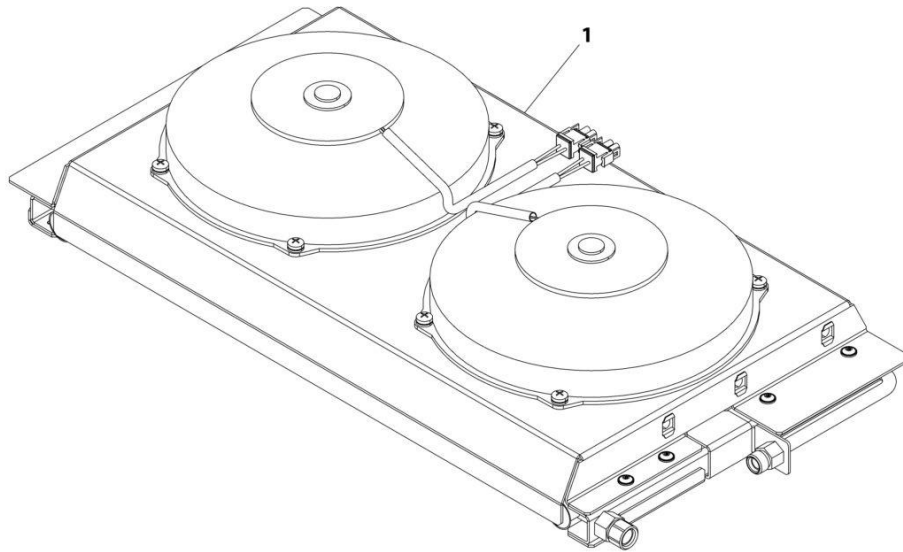


FIGURE 6-39. A/C CONDENSER INSTALLATION

ITEM	PART NUMBER	QTY	DESCRIPTION	REV
	1001202352	Ref	A/C Condenser Installation	A
1	0700815	1	Hex HD Capscrew, M8X35, GR8.8	
2	0700818	1	Hex HD Capscrew, M8X50, GR8.8	
3	0760608	2	Hex HD Capscrew, M6X16, GR8.8	
4	0760808	6	Hex HD Capscrew, M8X16, GR8.8	
5	0761210	5	Hex HD Capscrew, M12x20, GR8.8	
6	3290801	1	Hex Nut, M8X1.25	
7	3311001	1	Hex Nut	
8	3740080	1	Weather Proof Relay	
9	3900306	1	Hex HD Screw	
10	4711000	1	Washer	
11	4771000	1	Star Washer	
12	4811900	6	Washer, M8	
13	4811902	1	Washer, M8	
14	4812100	5	Washer, M12	
15	8223531	1	A/C Pressure Switch	
16	8303034	2	Truss HD Screw, 1/4-20X0.75	
17	8750042	2	Clamp Set	
18	8769123	2	Cover Plate	
19	10719267	2	Clamp	
20	1001126841	1	A/C Receiver Drier	
21	1001138262	1	A/C Condenser (See Separate Breakdown in this Section)	
22	1001138264	1	Condenser Outlet Tube	
23	1001138265	1	Condenser Supply Tube	
24	1001138266	1	Drier Outlet Tube	
25	1001138269	1	Drier Mount Bracket	
26	1001138345	1	Condenser Mount Bracket	
27	1001139803	1	Condenser Bottom Cover	
28	1001142236	1	Harness, Condenser Fan (See Separate Breakdown in Electrical Section)	
29	1001150479	2	Washer	
30	1001150508	2	Bolt, M6x18, GR8.8	
31	1001150509	4	Washer	
32	1001151088	2	Bolt, 5/16-18X1, GR5	
33	1001138263K	1	A/C Mount Bracket	

**SECTION 6 - CAB**

**FIGURE 6-40. CONDENSER**



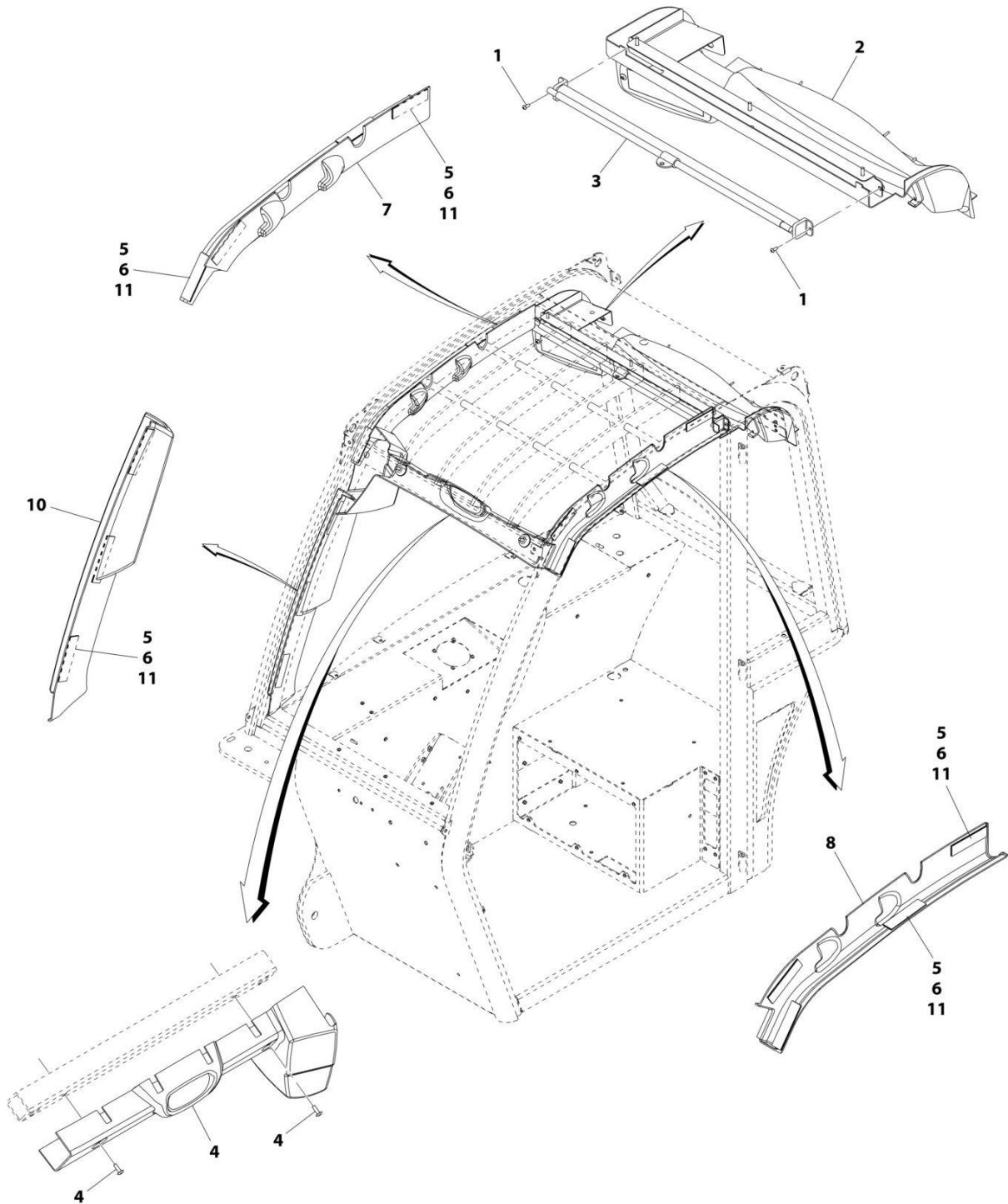
ART\_1001138262-B

**FIGURE 6-40. CONDENSER**

ITEM	PART NUMBER	QTY	DESCRIPTION	REV
	1001138262	Ref	Condenser	B

# SECTION 6 - CAB

## FIGURE 6-41. OVERHEAD CONSOLE INSTALLATION



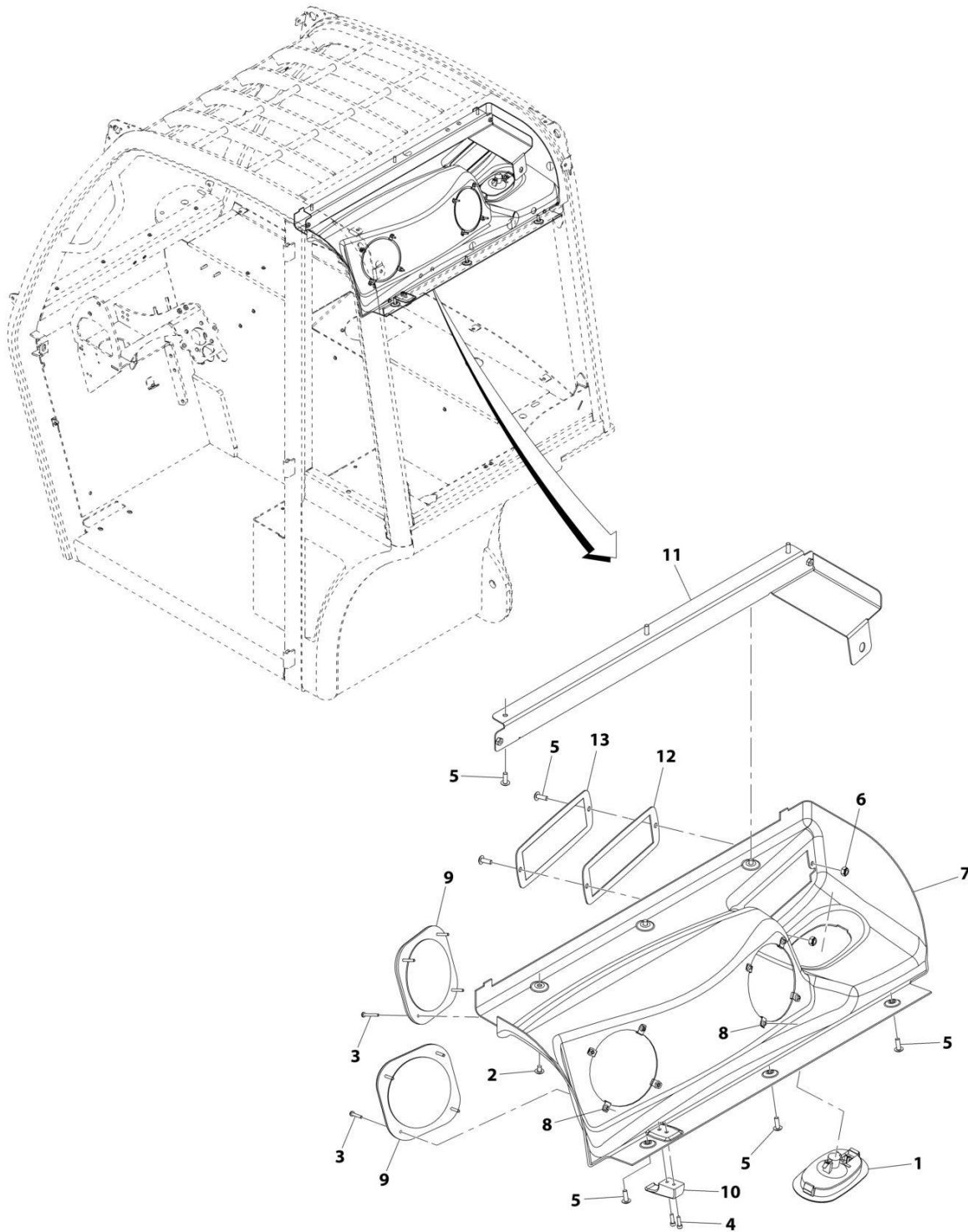
ART\_1001081187-G

FIGURE 6-41. OVERHEAD CONSOLE INSTALLATION

ITEM	PART NUMBER	QTY	DESCRIPTION	REV
	1001081187	Ref	Overhead Console Installation	G
1	0630464	2	Button HD Screw, #10 x 1/2	
2	1001080945	1	Installation, Overhead Console (Open) (See Separate Breakdown in this Section)	
3	1001080952	1	Visor	
4	1001080957	1	Installation, Front FOPS (See Separate Breakdown in this Section)	
5	1001081161	11	Hook 1in Wide Tape	
6	1001081163	11	Loop 1in Wide Tape	
7	1001153634	1	In-Board ROPS Bar Cover	
8	1001153635	1	Out-Board ROPS Bar Cover	
10	1001153631	1	A-Pillar Cover	
11	1001112058	AR	Adhesive Strip	

# SECTION 6 - CAB

## FIGURE 6-42. OVERHEAD CONSOLE INSTALLATION (OPEN)



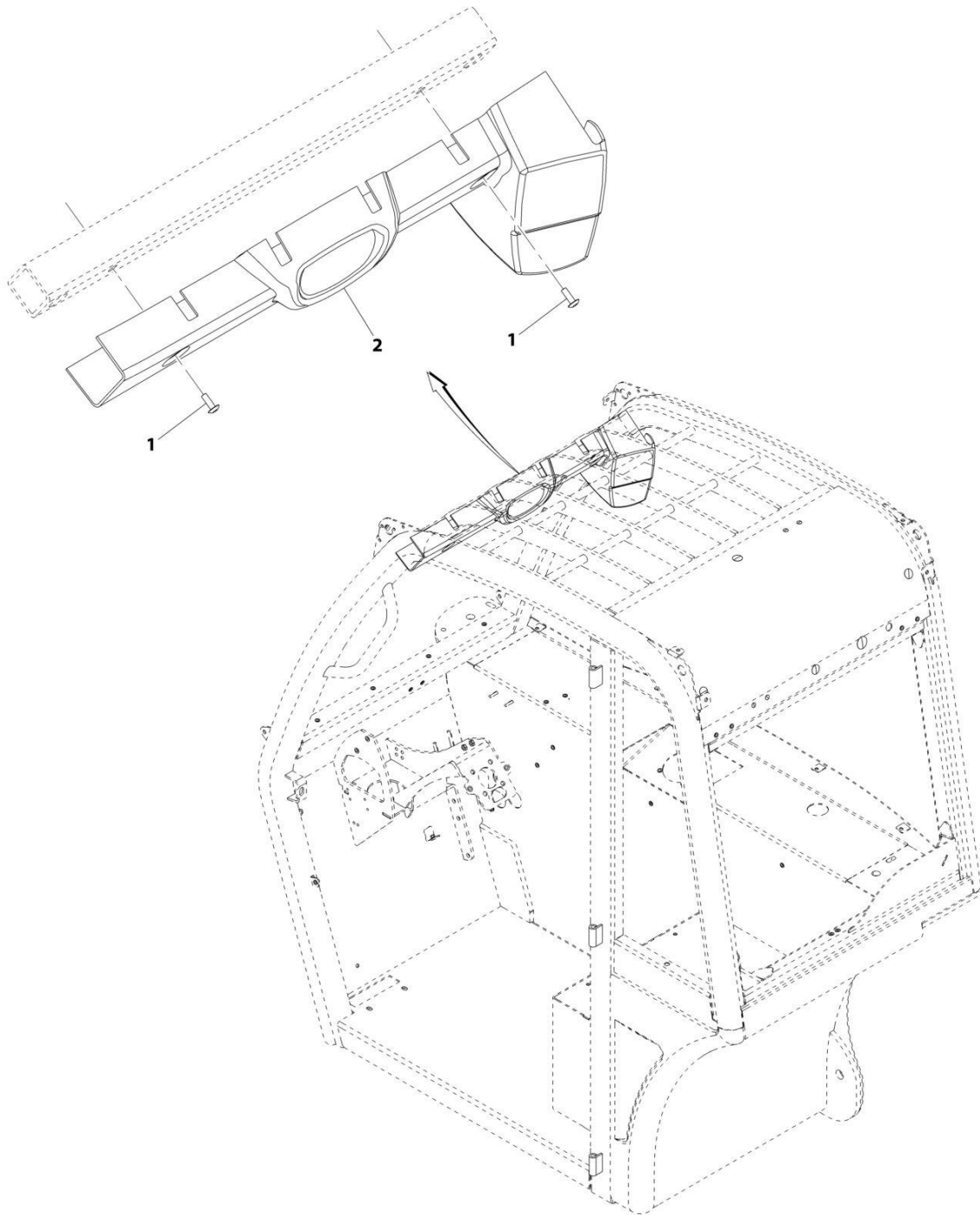
ART\_1001080945-H

FIGURE 6-42. OVERHEAD CONSOLE INSTALLATION (OPEN)

ITEM	PART NUMBER	QTY	DESCRIPTION	REV
	1001080945	Ref	Overhead Console Installation (Open)	H
1	2920209	1	Dome Light Lamp	
1	70020795	1	Light Bulb	
2	1001108078	3	Truss HD Screw, 1/4-20X3/8	
3	1001108152	8	Screw, M4X30	
4	1001108155	2	Socket HD Capscrew, 10-24X5/8	
5	8303034	8	Truss HD Screw, 1/4-20X3/4	
6	88521304	2	Hex Locknut, 1/4-20	
7	1001080866	1	Overhead Console Cover	
8	1001080947	8	Nut, M4	
9	1001080951	2	Speaker Cover	
10	1001080953	1	Hook	
11	1001080954	1	Visor Mount Bracket	
12	1001080955	1	Radio Mount Plate	
13	1001080960	1	Radio Mount Outer Plate	

# SECTION 6 - CAB

## FIGURE 6-43. FRONT FOPS INSTALLATION



ART\_1001080957-F

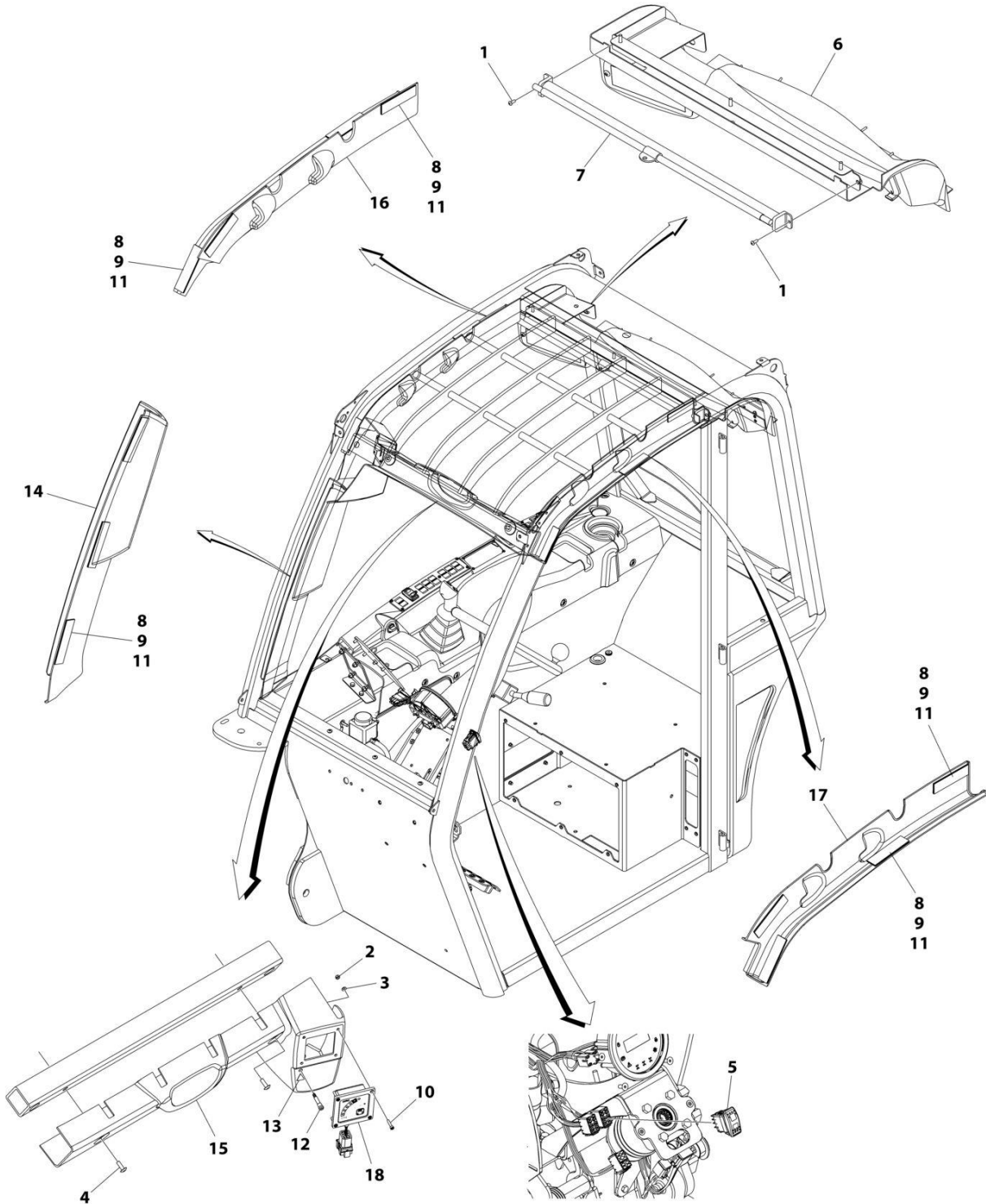


**FIGURE 6-43. FRONT FOPS INSTALLATION**

<b>ITEM</b>	<b>PART NUMBER</b>	<b>QTY</b>	<b>DESCRIPTION</b>	<b>REV</b>
	1001080957	Ref	Front FOPS Installation	F
1	8303034	2	Truss HD Screw, 1/4-20X3/4	
2	1001153630	1	Front FOPS Bar Cover	

# SECTION 6 - CAB

## FIGURE 6-44. OVERHEAD CONSOLE INSTALLATION (LSI)



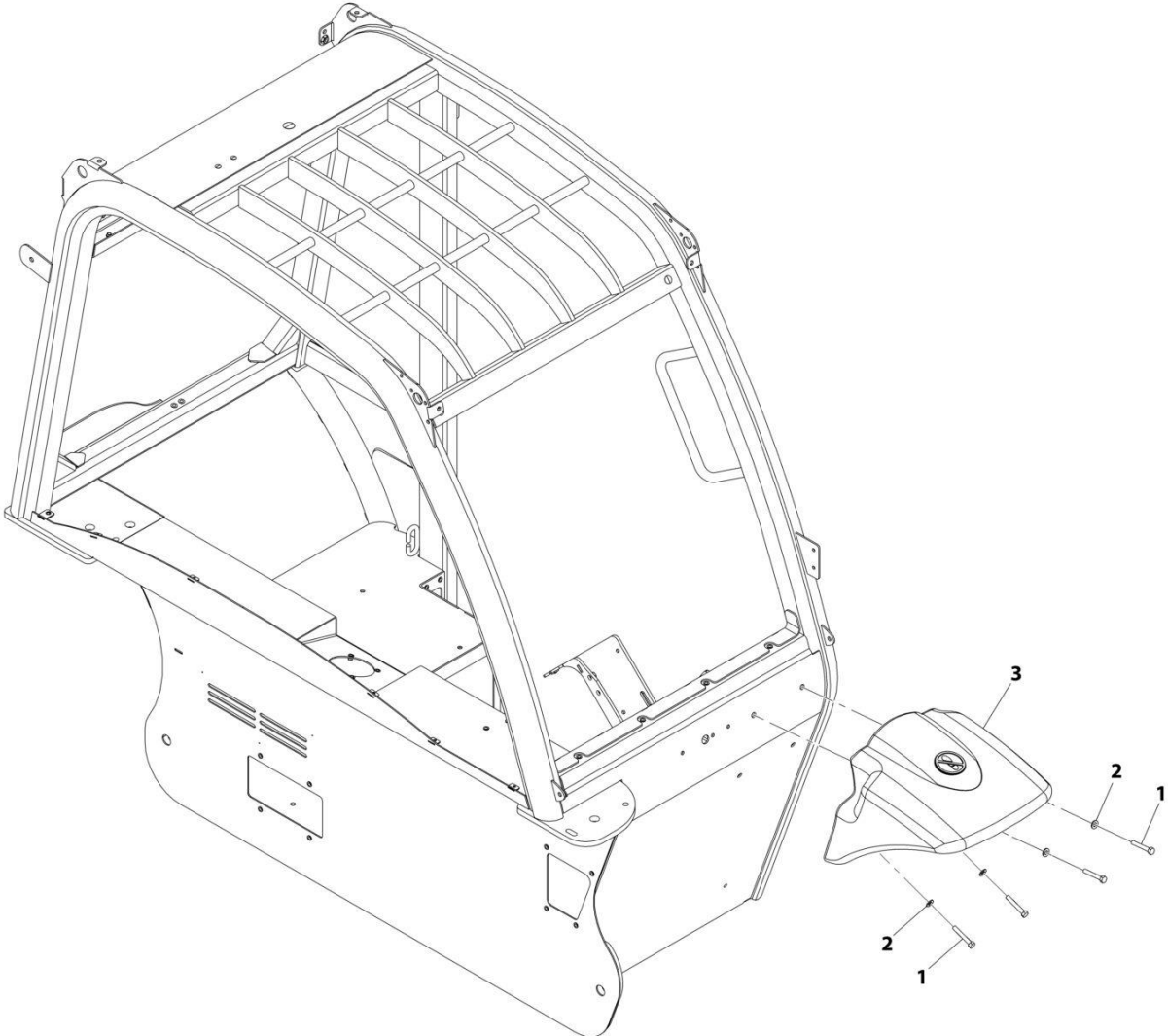
ART\_1001235715\_B

FIGURE 6-44. OVERHEAD CONSOLE INSTALLATION (LSI)

ITEM	PART NUMBER	QTY	DESCRIPTION	REV
	1001235715	Ref	Overhead Console Installation (LSI)	B
1	0630464	2	Button HD Screw, #10 x 1/2	
2	3290405	4	Hex Locknut, M4	
3	4811400	4	Washer, M4	
4	8303034	2	Screw, 1/4 x 3/4	
5	1001080373	1	LMI Override Switch	
6	1001080945	1	Installation, Overhead Console (See Separate Breakdown in this Section)	
7	1001080952	1	Visor	
8	1001081161	11	Hook 1in Wide Tape	
9	1001081163	11	Loop 1in Wide Tape	
10	1001110269	4	Screw, M4X20	
11	1001112058	AR	Adhesive Strip	
12	1001127397	1	LSI Light	
13	1001127546	1	LSI Decal	
14	1001153631	1	A-Pillar Cover	
15	1001153633	1	Front ROPS Bar Cover	
16	1001153634	1	In-Board ROPS Bar Cover	
17	1001153635	1	Out-Board ROPS Bar Cover	
18	1001272193	1	LSI Display	

**SECTION 6 - CAB**

**FIGURE 6-45. CAB FENDER INSTALLATION**



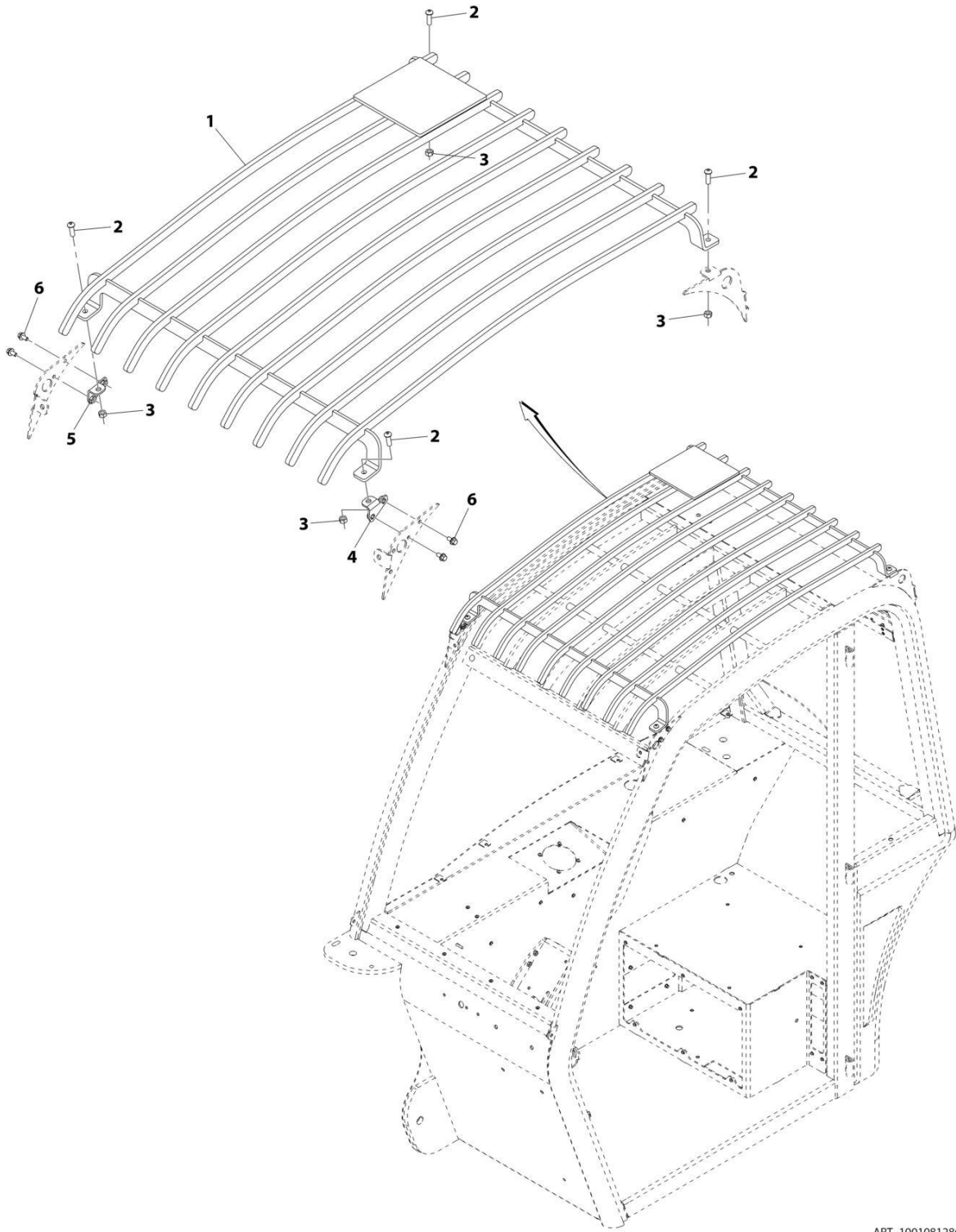
ART\_1001097640-C

**FIGURE 6-45. CAB FENDER INSTALLATION**

<b>ITEM</b>	<b>PART NUMBER</b>	<b>QTY</b>	<b>DESCRIPTION</b>	<b>REV</b>
	1001097640	Ref	Cab Fender Installation	C
1	0641516	4	Hex HD Capscrew, 5/16-18X2	
2	4711500	4	Washer, 5/16	
3	1001080891	1	Front Fender	

# SECTION 6 - CAB

## FIGURE 6-46. CAB GUARD INSTALLATION (TOP)



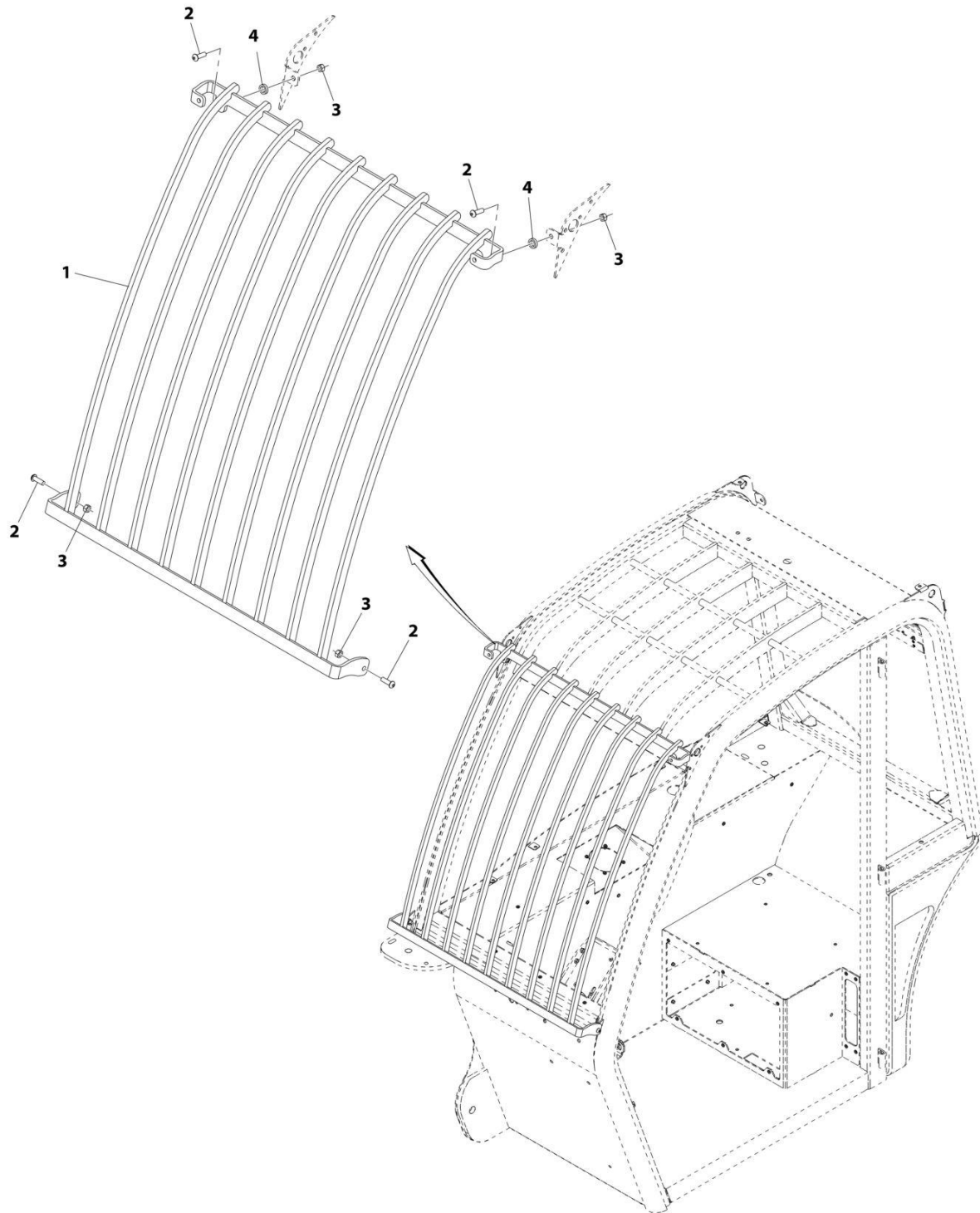
ART\_1001081286-F

FIGURE 6-46. CAB GUARD INSTALLATION (TOP)

ITEM	PART NUMBER	QTY	DESCRIPTION	REV
	1001081286	Ref	Cab Guard Installation (Top)	F
1	1001189739	1	Upper Brick Guard	
2	0630468	4	Button HD Capscrew, 5/16-18X1	
3	1001108115	4	Hex Locknut, 5/16, GR8	
4	1001081296	1	Left Brick Guard Weldment	
5	1001081298	1	Right Brick Guard Weldment	
6	1001108242	4	Screw, 1/4-20X1/2, GR5	

# SECTION 6 - CAB

## FIGURE 6-47. CAB GUARD INSTALLATION (FRONT)



ART\_1001081287-E

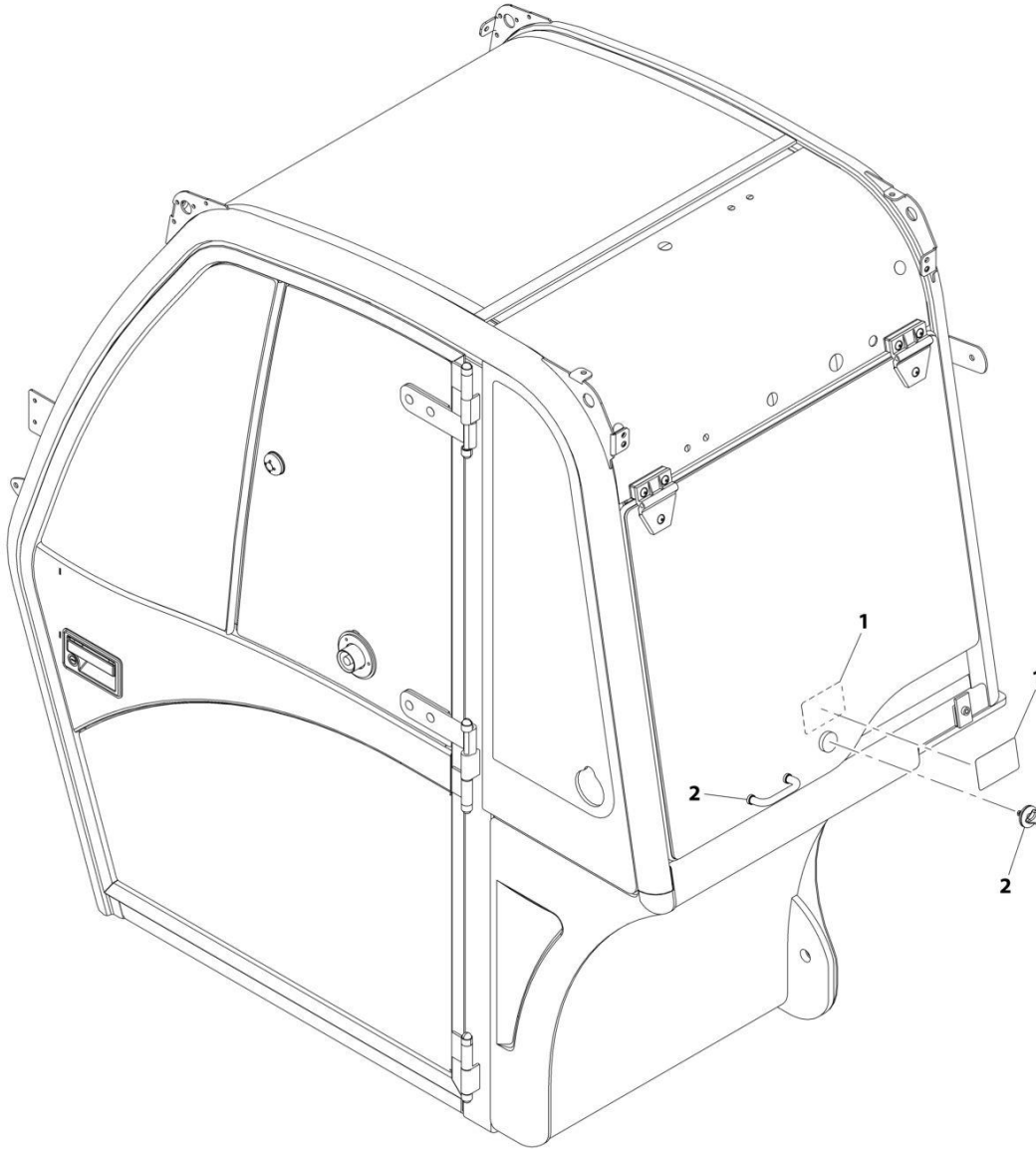


FIGURE 6-47. CAB GUARD INSTALLATION (FRONT)

ITEM	PART NUMBER	QTY	DESCRIPTION	REV
	1001081287	Ref	Cab Guard Installation (Front)	E
1	1001189753	1	Lower Brick Guard Shield	
2	0630468	4	Button HD Capscrew, 5/16-18X1	
3	1001108115	4	Hex Locknut, 5/16, GR8	
4	1001138703	2	Brick Guard Spacer	

# SECTION 6 - CAB

## FIGURE 6-48. REAR WINDOW ENTRY KIT INSTALLATION (ANSI)



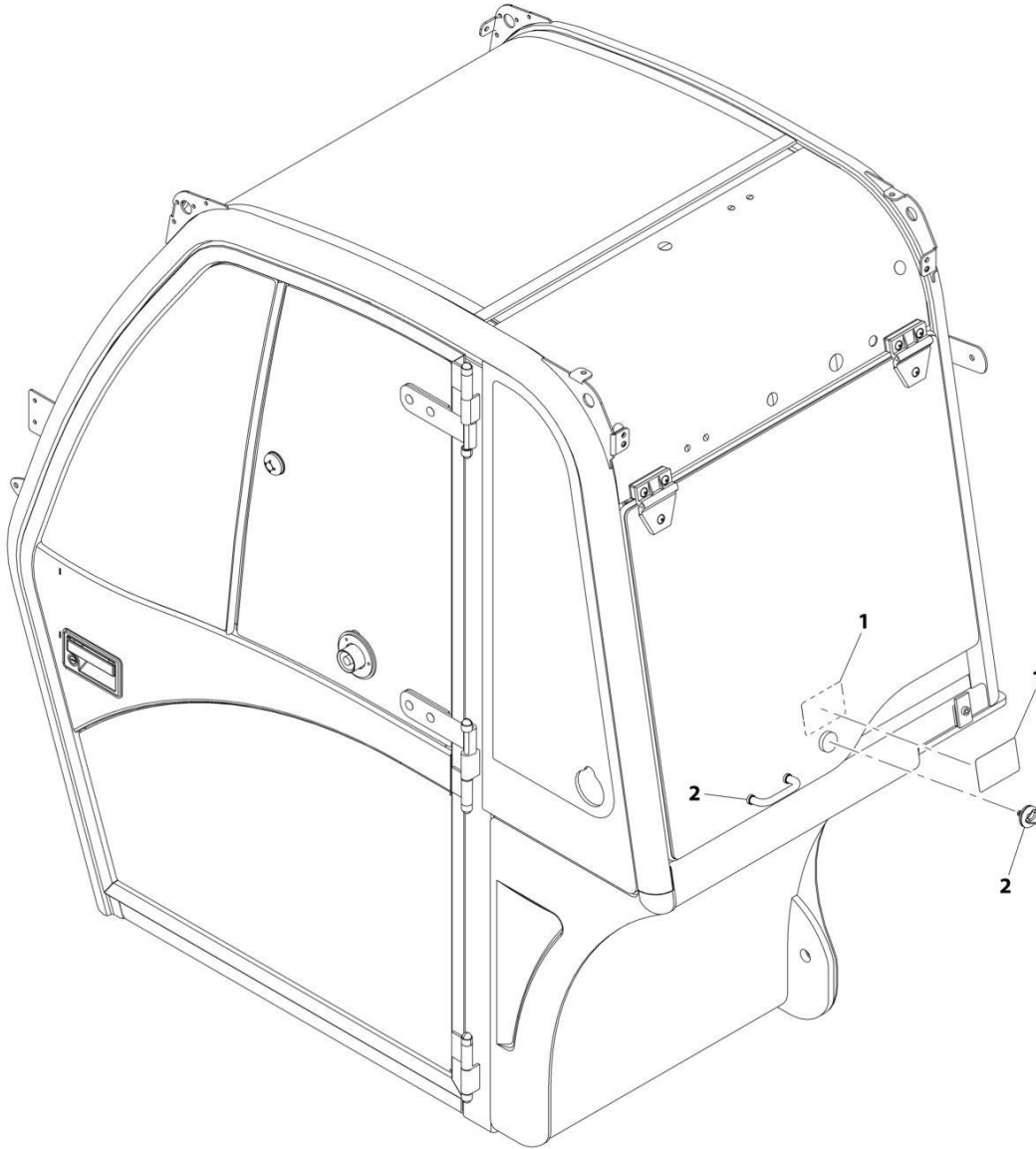
ART\_1001162813-A

**FIGURE 6-48. REAR WINDOW ENTRY KIT INSTALLATION (ANSI)**

<b>ITEM</b>	<b>PART NUMBER</b>	<b>QTY</b>	<b>DESCRIPTION</b>	<b>REV</b>
	1001162813	Ref	Rear Window Entry Kit Installation (ANSI)	A
1	1001162814	2	Rear Window Exit Decal	
2	1001177469	1	Emergency Entry/Exit Window (See Separate Breakdown in this Section)	

# SECTION 6 - CAB

## FIGURE 6-49. REAR WINDOW ENTRY KIT INSTALLATION (ENGLISH/FRENCH)



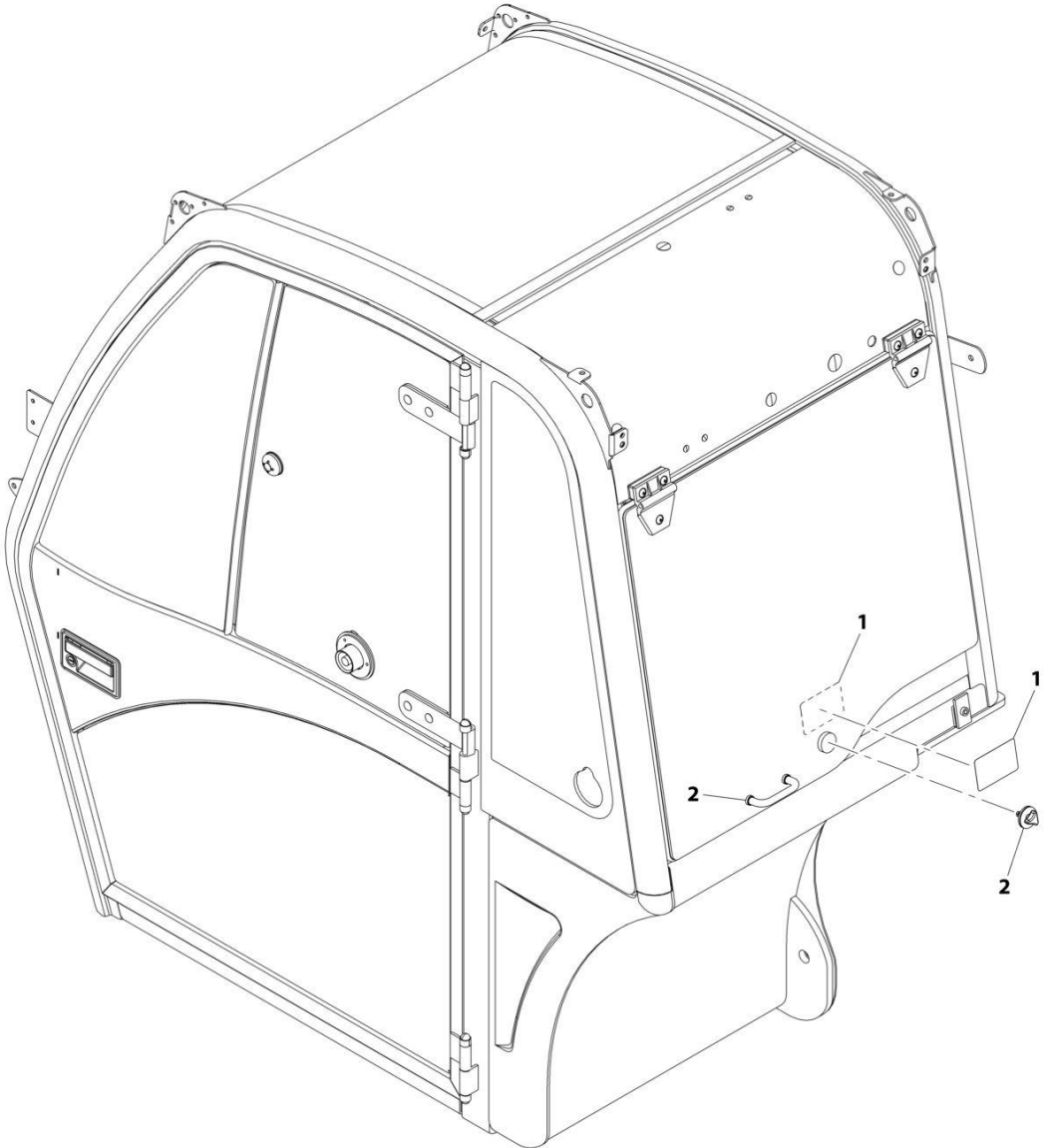
ART\_1001177470-A

**FIGURE 6-49. REAR WINDOW ENTRY KIT INSTALLATION (ENGLISH/FRENCH)**

<b>ITEM</b>	<b>PART NUMBER</b>	<b>QTY</b>	<b>DESCRIPTION</b>	<b>REV</b>
	1001177470	Ref	Rear Window Entry Kit Installation (English/French)	A
1	1001162815	2	Rear Window Exit Decal	
2	1001177469	1	Emergency Entry/Exit Window (See Separate Breakdown in This Section)	

**SECTION 6 - CAB**

**FIGURE 6-50. REAR WINDOW ENTRY KIT INSTALLATION (ISO)**



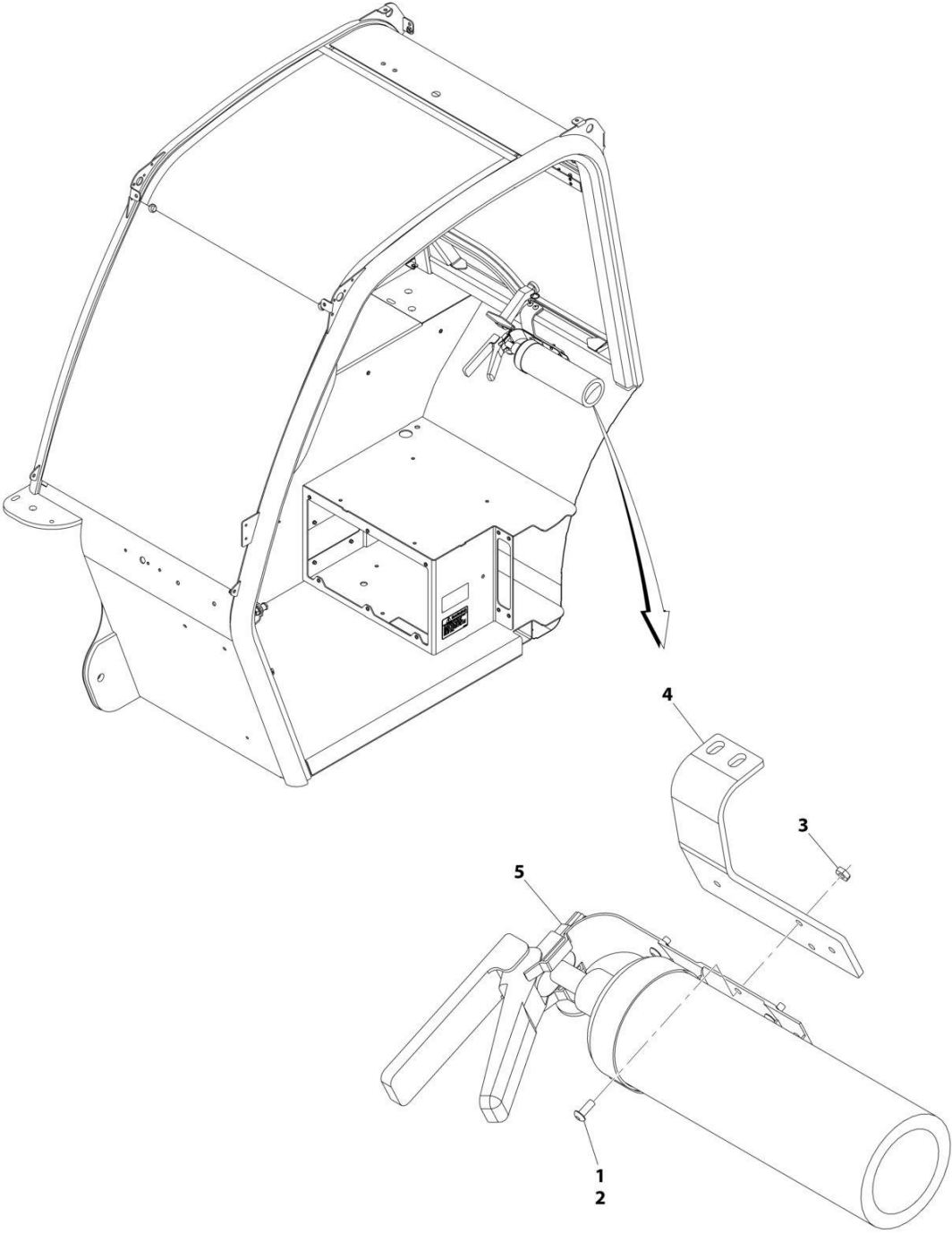
ART\_1001177471-A

**FIGURE 6-50. REAR WINDOW ENTRY KIT INSTALLATION (ISO)**

ITEM	PART NUMBER	QTY	DESCRIPTION	REV
	1001177471	Ref	Rear Window Entry Kit Installation (ISO)	A
1	1001162816	2	Rear Window Exit Decal	
2	1001177469	1	Emergency Entry/Exit Window (See Separate Breakdown in This Section)	

**SECTION 6 - CAB**

**FIGURE 6-51. FIRE EXTINGUISHER INSTALLATION**



ART\_1001162487-A

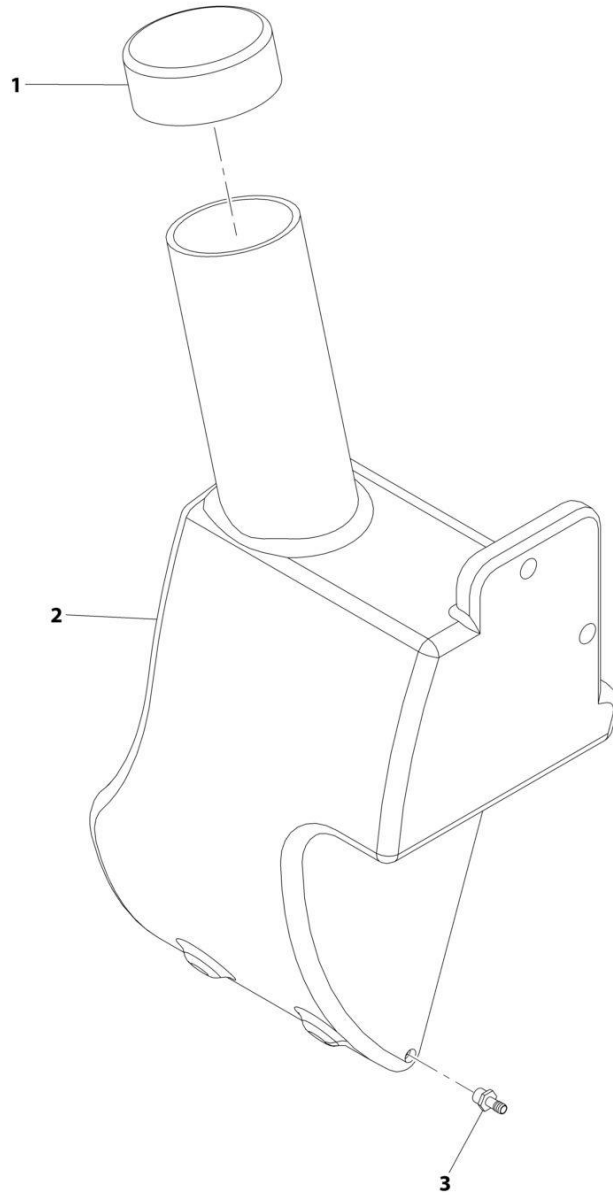


FIGURE 6-51. FIRE EXTINGUISHER INSTALLATION

ITEM	PART NUMBER	QTY	DESCRIPTION	REV
	1001162487	Ref	Fire Extinguisher Installation	A
1	0100011	AR	Compound, Locking	
2	0630464	4	Screw 10 x 1/2	
3	3311005	4	Nut 10	
4	1001162486	1	Bracket	
5	1001099699	1	Fire Extinguisher	

# SECTION 6 - CAB

## FIGURE 6-52. WASHER FLUID TANK ASSEMBLY



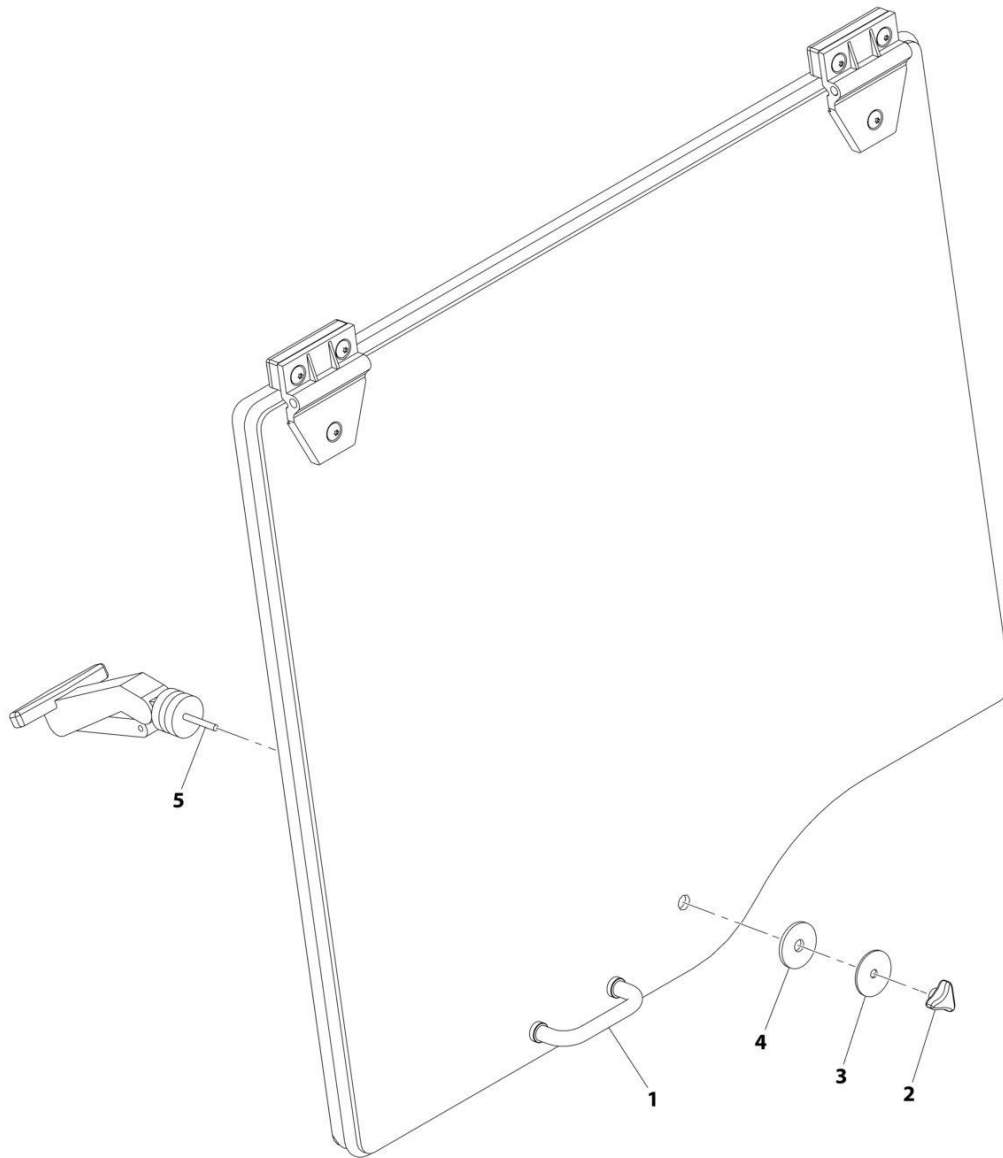
ART\_1001080824-C

FIGURE 6-52. WASHER FLUID TANK ASSEMBLY

ITEM	PART NUMBER	QTY	DESCRIPTION	REV
	1001080824	Ref	Washer Fluid Tank Assembly	C
1	1001080872	1	Cap	
2	1001097319	1	Washer Fluid Tank	
3	1001081234	1	Fitting	

# SECTION 6 - CAB

## FIGURE 6-53. EMERGENCY ENTRY/EXIT WINDOW



ART\_1001177469-A

FIGURE 6-53. EMERGENCY ENTRY/EXIT WINDOW

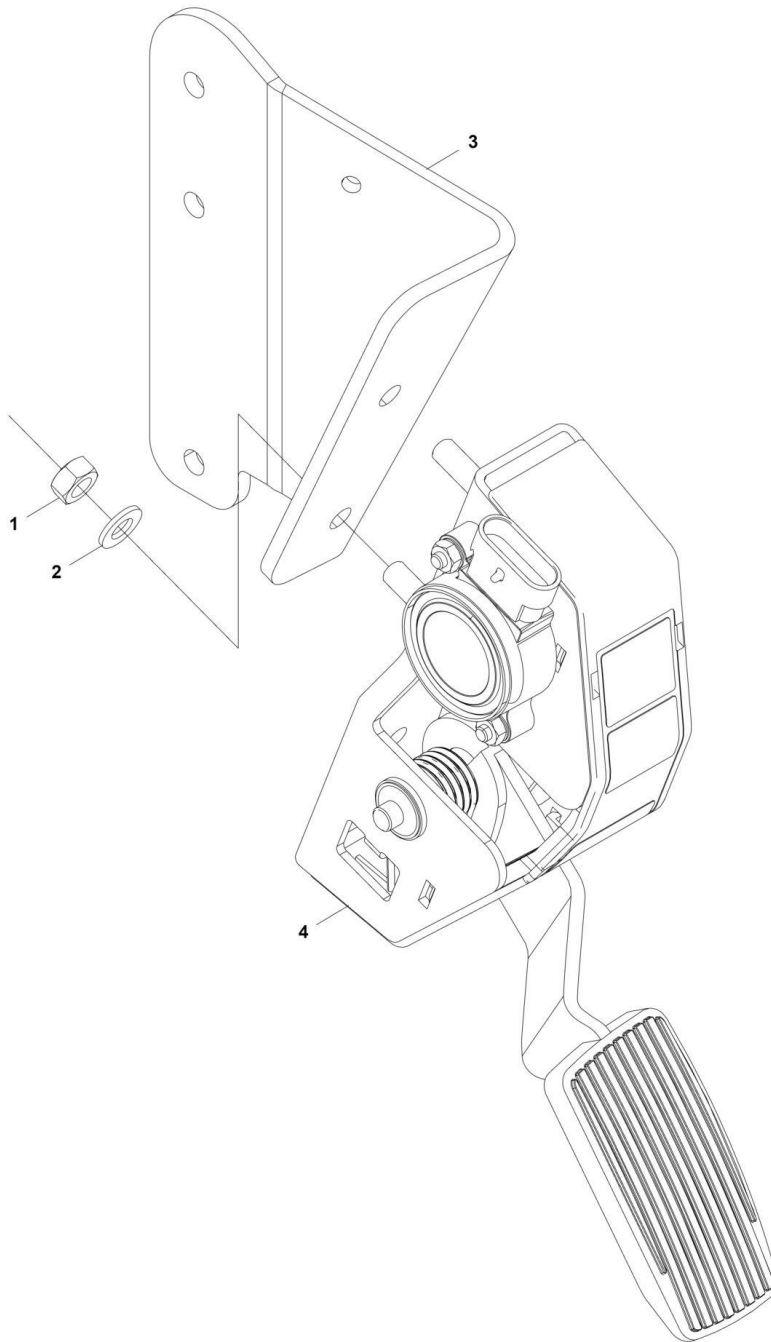
ITEM	PART NUMBER	QTY	DESCRIPTION	REV
	1001177469	Ref	Emergency Entry/Exit Window	A
1	1001162829	1	Rear Window Entry Handle	
2	1001162830	1	Rear Window Entry Knob	
3	1001177636	1	Flat Washer	
4	1001177640	1	Washer, M10	
5	1001178811	1	Bolt	



**SECTION 7 - CONTROLS**

# SECTION 7 - CONTROLS

## FIGURE 7-1. ACCELERATOR PEDAL ASSEMBLY



ART\_1001258791



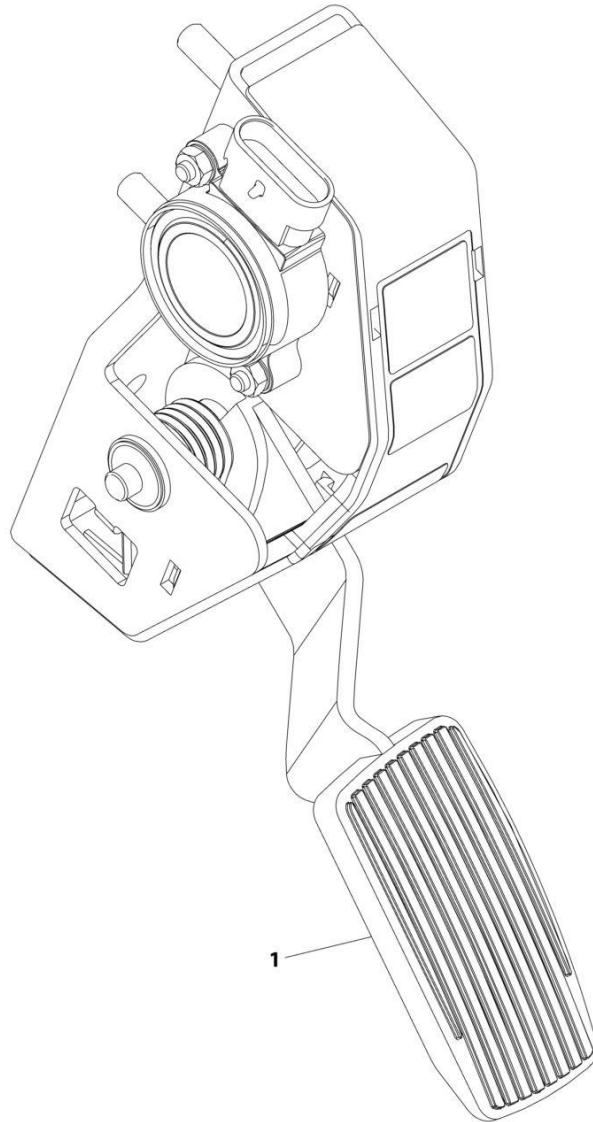
## SECTION 7 - CONTROLS

### FIGURE 7-1. ACCELERATOR PEDAL ASSEMBLY

ITEM	PART NUMBER	QTY	DESCRIPTION	REV
	1001258791	Reff	Accelerator Pedal Assembly	A
1	3290801	2	Nut, M8X1.25	
2	4811900	2	Washer, 8mm	
3	1001257106	1	Bracket	
4	1001258560	1	Accelerator Pedal (See Separate Breakdown this Section)	

# SECTION 7 - CONTROLS

## FIGURE 7-2. ACCELERATOR PEDAL



ART\_1001258560

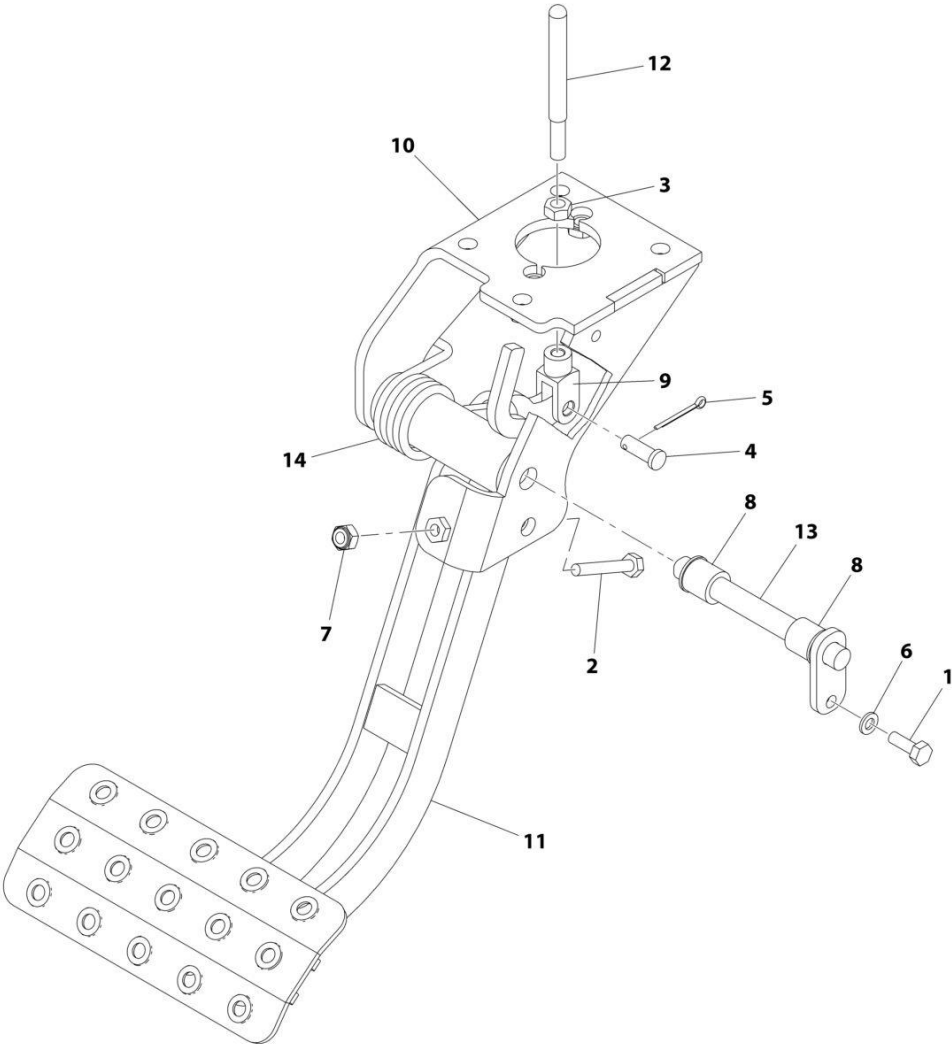
## SECTION 7 - CONTROLS

### FIGURE 7-2. ACCELERATOR PEDAL

ITEM	PART NUMBER	QTY	DESCRIPTION	REV
1	1001258560 70025816	Ref 1	ACCELERATOR PEDAL Pad, Rubber	A

**SECTION 7 - CONTROLS**

**FIGURE 7-3. BRAKE PEDAL INSTALLATION**



ART\_1001189734-C

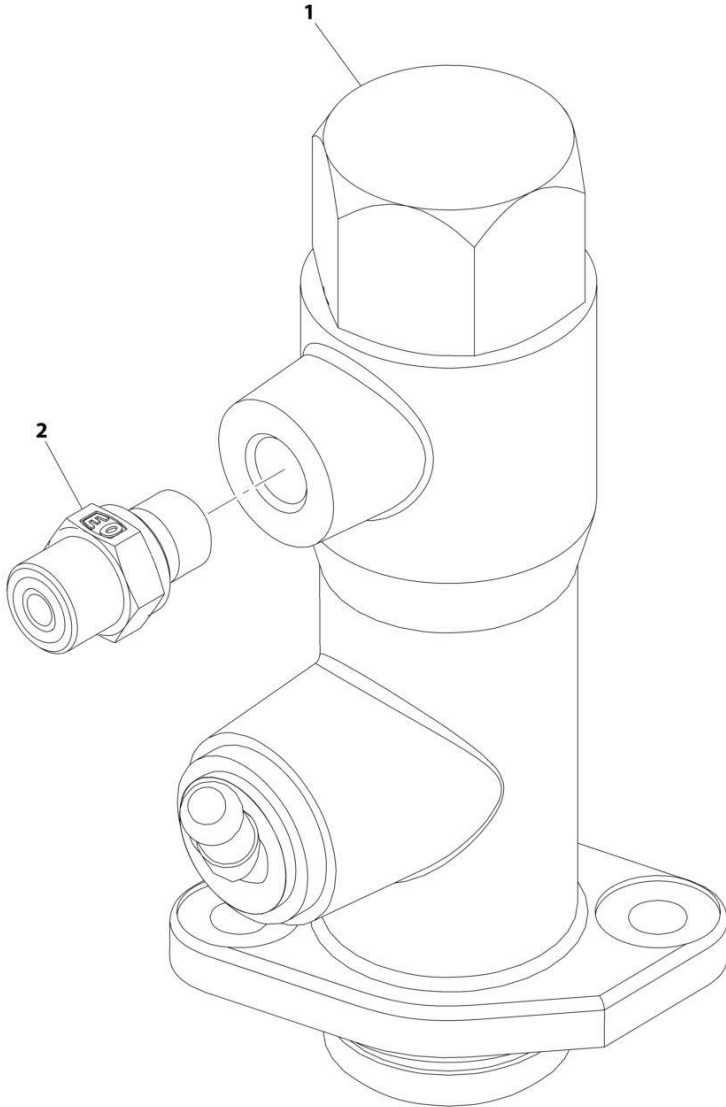
## SECTION 7 - CONTROLS

### FIGURE 7-3. BRAKE PEDAL INSTALLATION

ITEM	PART NUMBER	QTY	DESCRIPTION	REV
	1001189734	Ref	Brake Pedal Installation	C
1	0641406	1	Hex HD Capscrew, 1/4-20X3/4, GR5	
2	0681414	1	Hex HD Cap Screw, 1/4-20X1 3/4, GR8	
3	3290801	1	Nut, M8X1.25	
4	3430507	1	Clevis Pin	
5	3450304	1	Cotter Pin	
6	4761400	1	Lockwasher, 1/4	
7	88521304	1	Hex Locknut, 1/4-20	
8	1001189738	2	Bearing	
9	1001189743	1	Universal Clevis Yoke	
10	1001189745	1	Brake Support Mount	
11	1001189803	1	Brake Weldment Lever	
12	1001189839	1	Brake Push Rod	
13	1001189850	1	Brake Shaft Pin	
14	1001189733	1	Brake Spring	

**SECTION 7 - CONTROLS**

**FIGURE 7-4. MASTER CYLINDER VALVE ASSEMBLY**



ART\_1001080559-C

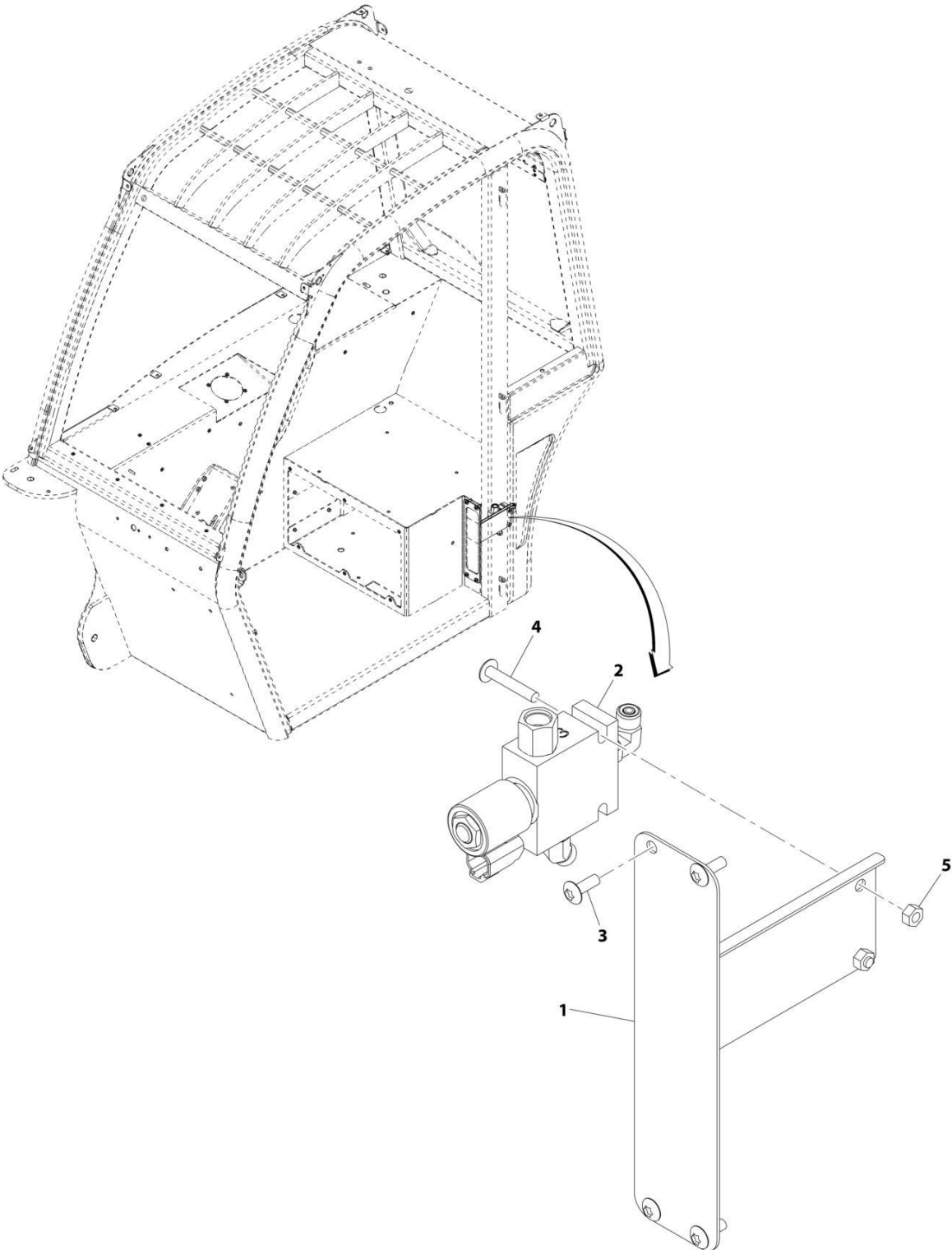
## SECTION 7 - CONTROLS

**FIGURE 7-4. MASTER CYLINDER VALVE ASSEMBLY**

ITEM	PART NUMBER	QTY	DESCRIPTION	REV
1	1001080559	Ref	Master Cylinder Valve Assembly	C
	1001080262	1	Brake Master Cylinder Valve, (See Separate Breakdown in Hydraulic Components Section)	
2	2145004	1	Straight Fitting	

**SECTION 7 - CONTROLS**

**FIGURE 7-5. PARK BRAKE VALVE INSTALLATION**



ART\_1001137600-C



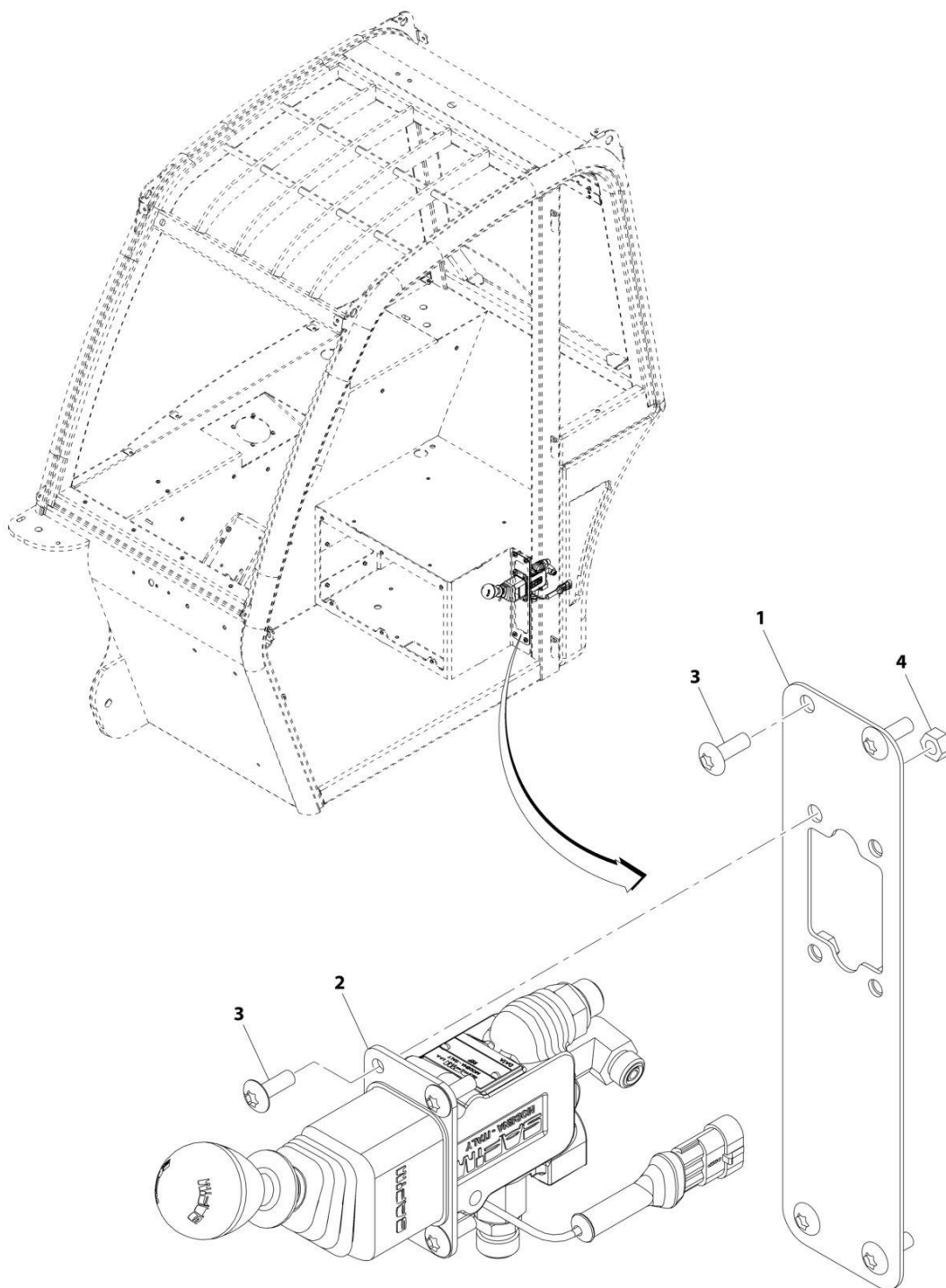
## SECTION 7 - CONTROLS

### FIGURE 7-5. PARK BRAKE VALVE INSTALLATION

ITEM	PART NUMBER	QTY	DESCRIPTION	REV
	1001137600	Ref	Park Brake Valve Installation	D
1	1001188496	1	Bracket	
2	1001080567	1	Assembly, Park Brake Valve (See Separate Breakdown in Hydraulic Circuits Section)	
3	8303034	4	Screw	
4	101977201	2	Screw	
5	3311405	2	Nut, Lock 1/4-20	

# SECTION 7 - CONTROLS

## FIGURE 7-6. PARK BRAKE VALVE INSTALLATION (EURO)



ART\_1001137602-B

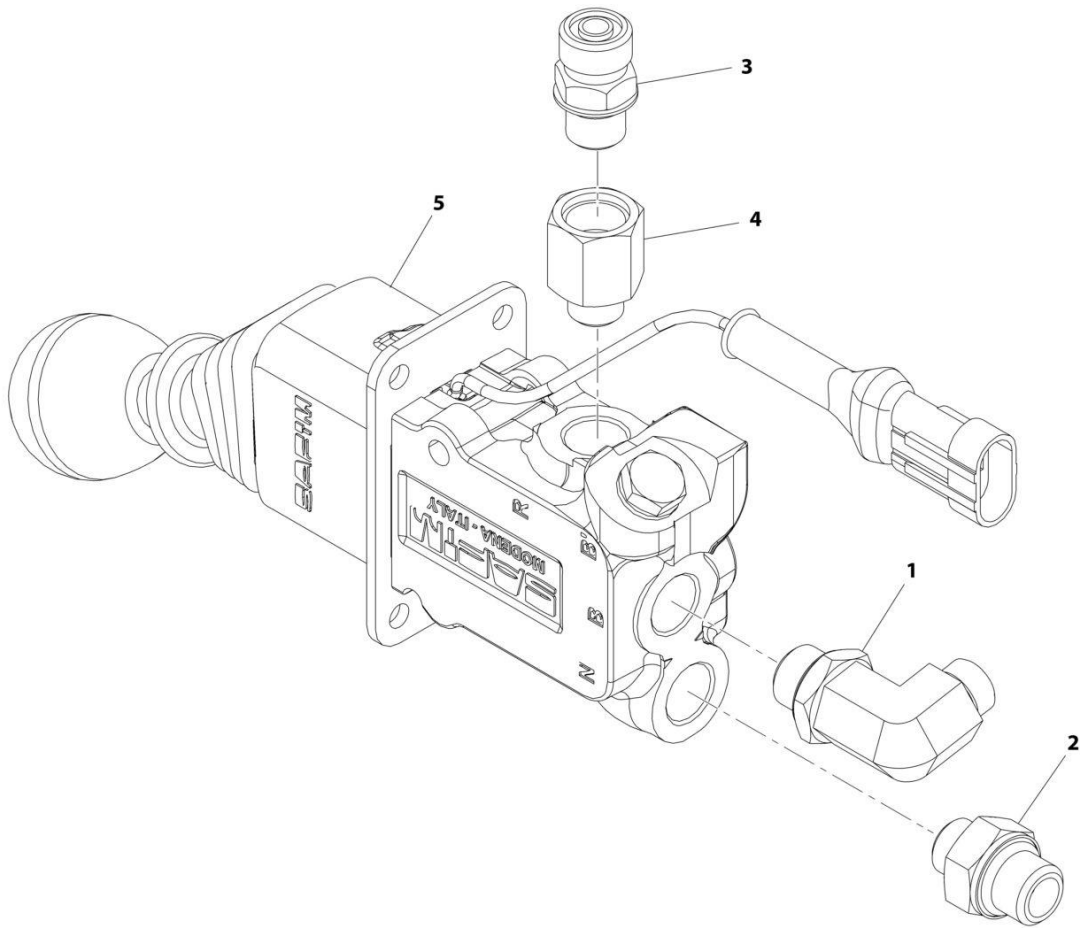
## SECTION 7 - CONTROLS

### FIGURE 7-6. PARK BRAKE VALVE INSTALLATION (EURO)

ITEM	PART NUMBER	QTY	DESCRIPTION	REV
	1001137602	Ref	Park Brake Valve Installation (Euro)	B
1	1001137998	1	Park Brake Valve Bracket	
2	1001080968	1	Park Brake Valve Assembly (Euro) (See Separate Breakdown this Section)	
3	8303034	8	Screw, 1/4-20X0.75	
4	3271405	4	Hex Locknut, 1/4-20, GR8	

# SECTION 7 - CONTROLS

## FIGURE 7-7. PARK BRAKE VALVE ASSEMBLY (EURO)



ART\_1001080968-B

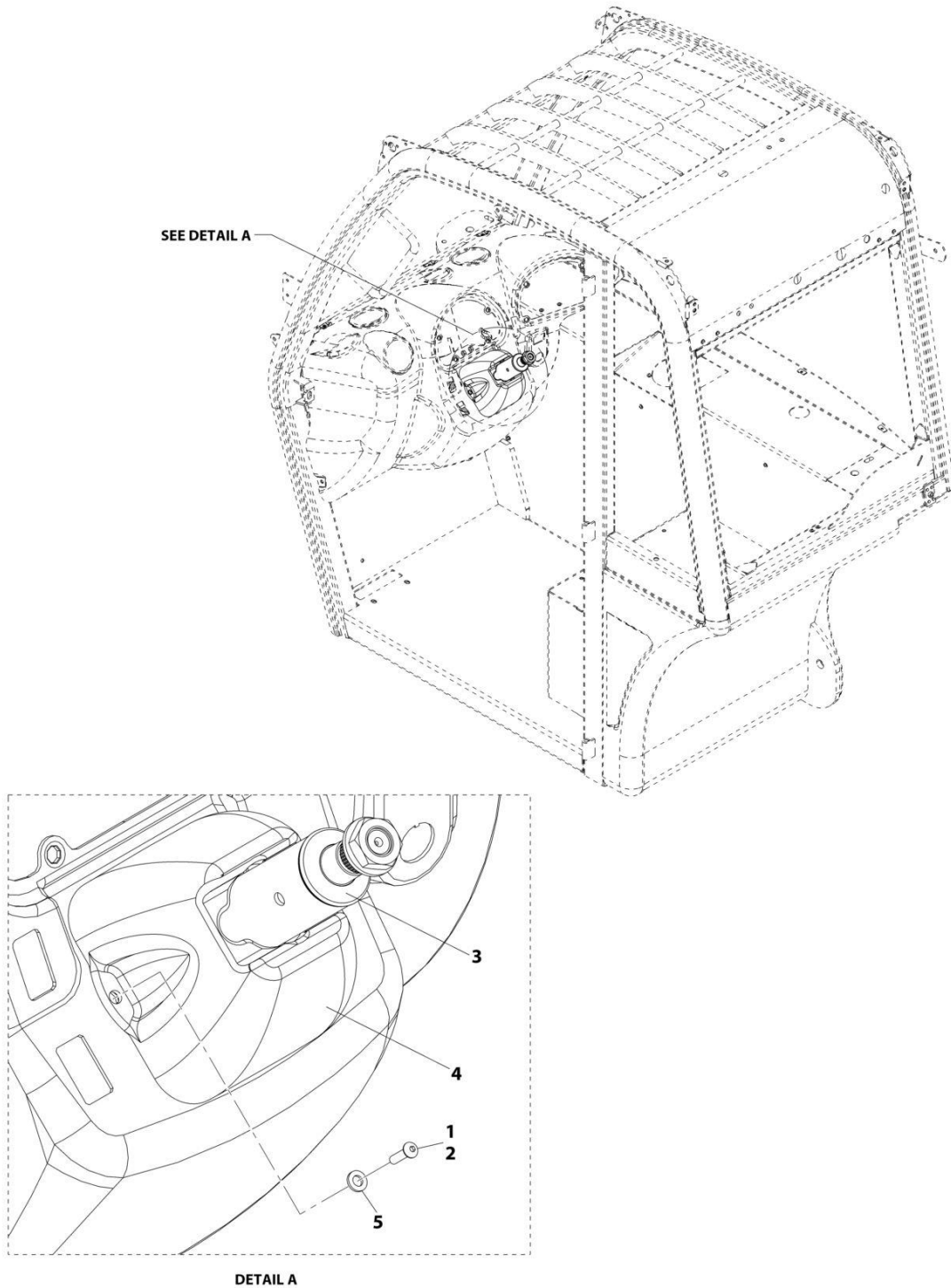
## SECTION 7 - CONTROLS

### FIGURE 7-7. PARK BRAKE VALVE ASSEMBLY (EURO)

ITEM	PART NUMBER	QTY	DESCRIPTION	REV
	1001080968	Ref	Park Brake Valve Assembly (Euro)	B
1	80233256	1	Elbow, 90	
2	80233257	1	Adapter, Connector	
3	80333184	1	Check Fitting	
4	1001098069	1	Fitting	
5	1001098153	1	Valve, Park Brake Release (Euro) (See Separate Breakdown in Hydraulic Components Section)	

# SECTION 7 - CONTROLS

## FIGURE 7-8. FIXED STEERING COLUMN INSTALLATION



ART\_1001221303-A

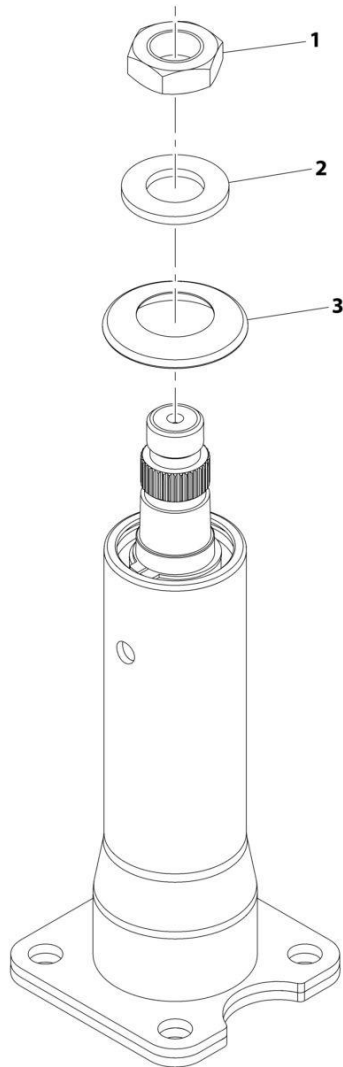
## SECTION 7 - CONTROLS

### FIGURE 7-8. FIXED STEERING COLUMN INSTALLATION

ITEM	PART NUMBER	QTY	DESCRIPTION	REV
	1001221303	Ref	Fixed Steering Column Installation	A
1	0100035	AR	Compound, Locking	
2	0630518	2	Screw	
3	1001081223	1	Fixed Steering Column (See Separate Breakdown in this Section)	
4	1001153629	1	Steering Column Boot	
5	4811700001	2	Washer M6	

# SECTION 7 - CONTROLS

## FIGURE 7-9. FIXED STEERING COLUMN



ART\_1001081223-D



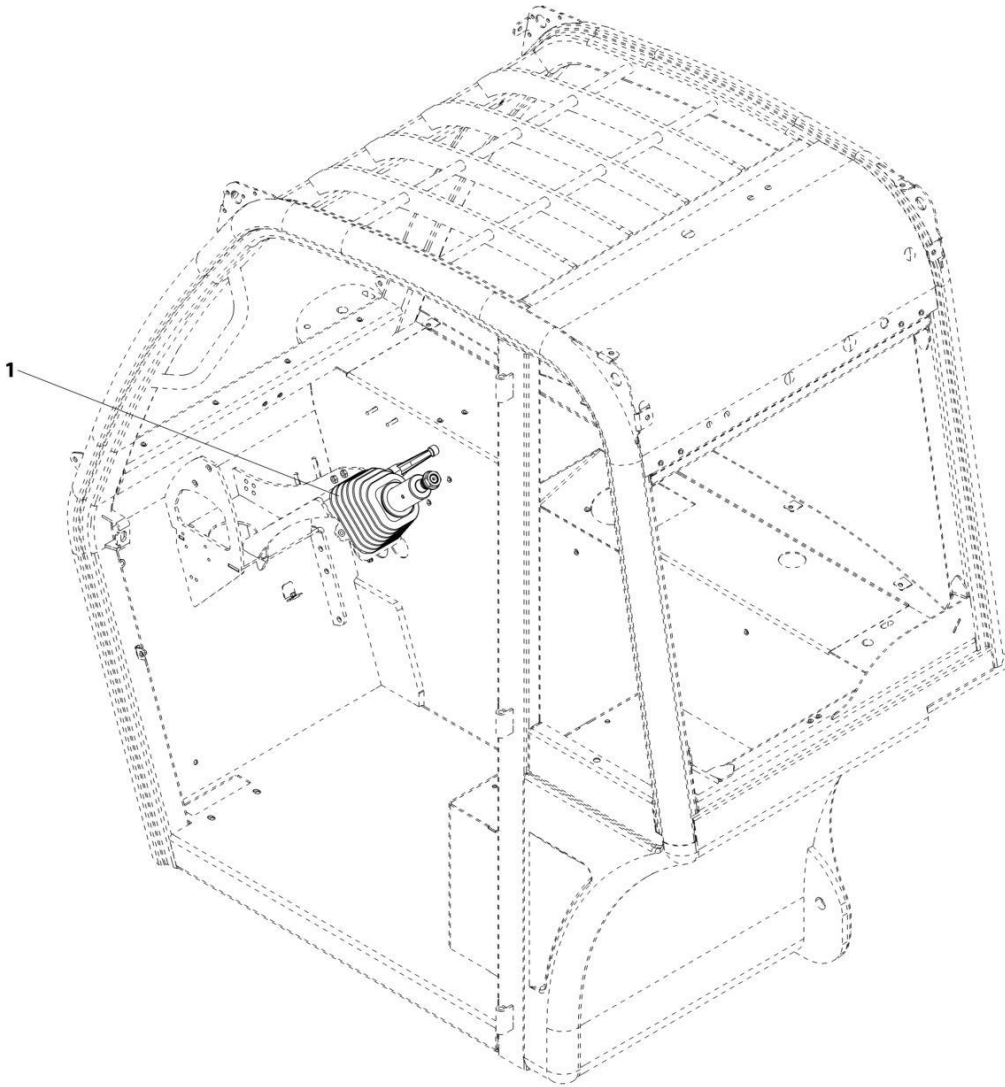
## SECTION 7 - CONTROLS

### FIGURE 7-9. FIXED STEERING COLUMN

ITEM	PART NUMBER	QTY	DESCRIPTION	REV
	1001081223	Ref	Fixed Steering Column	E
1	70020923	1	Nut, M18X.5	
2	70020924	1	Washer	
3	70020925	1	Rubber Cap	

# SECTION 7 - CONTROLS

## FIGURE 7-10. TILT STEERING COLUMN INSTALLATION



ART\_1001080809-A

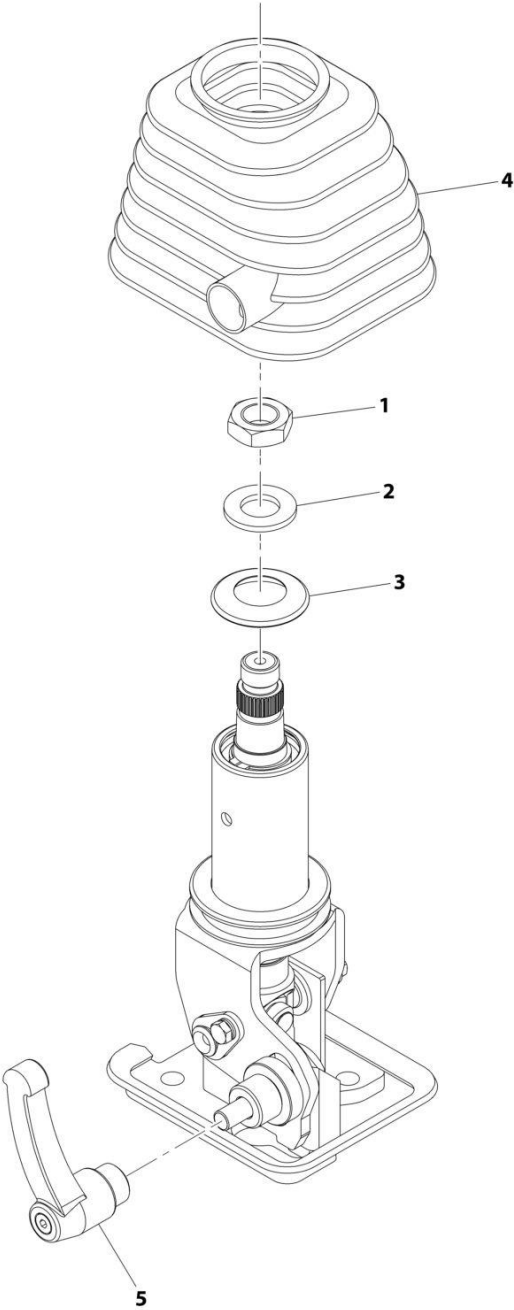
## SECTION 7 - CONTROLS

**FIGURE 7-10. TILT STEERING COLUMN INSTALLATION**

ITEM	PART NUMBER	QTY	DESCRIPTION	REV
1	1001080809	Ref	Tilt Steering Column Installation	A
	1001080826	1	Tilt Steering Column (See Separate Breakdown in this Section)	

**SECTION 7 - CONTROLS**

**FIGURE 7-11. TILT STEERING COLUMN**



ART\_1001080826-F

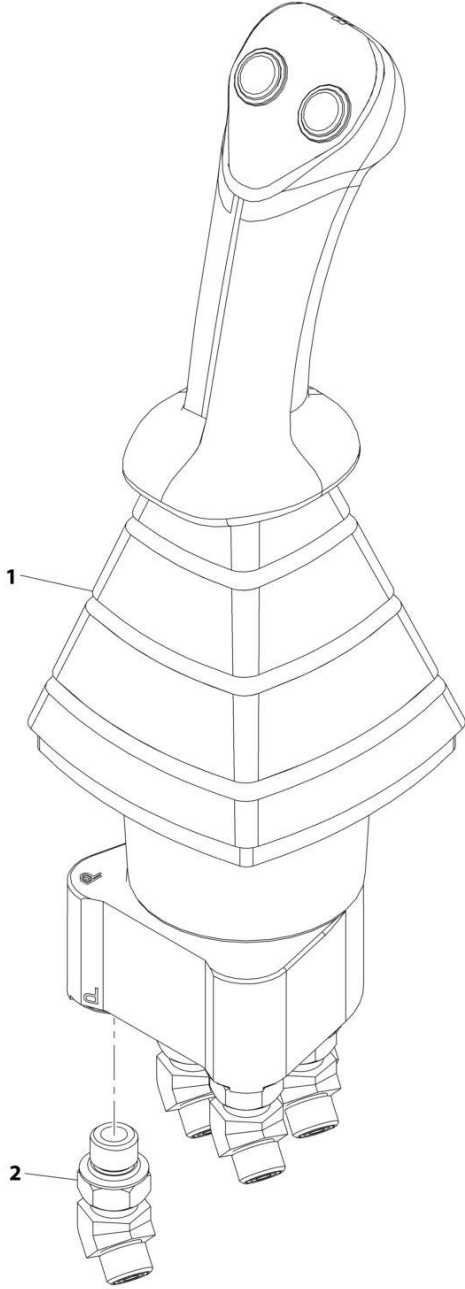
## SECTION 7 - CONTROLS

### FIGURE 7-11. TILT STEERING COLUMN

ITEM	PART NUMBER	QTY	DESCRIPTION	REV
	1001080826	Ref	Tilt Steering Column	F
1	70020923	1	Nut, M18-1-1/2	
2	70020924	1	Washer	
3	70020925	1	Rubber Cap	
4	70020926	1	Bellows	
5	70020927	1	Locking Handle	

**SECTION 7 - CONTROLS**

**FIGURE 7-12. HYDRAULIC CONTROLLER ASSEMBLY**



ART\_1001080500-D

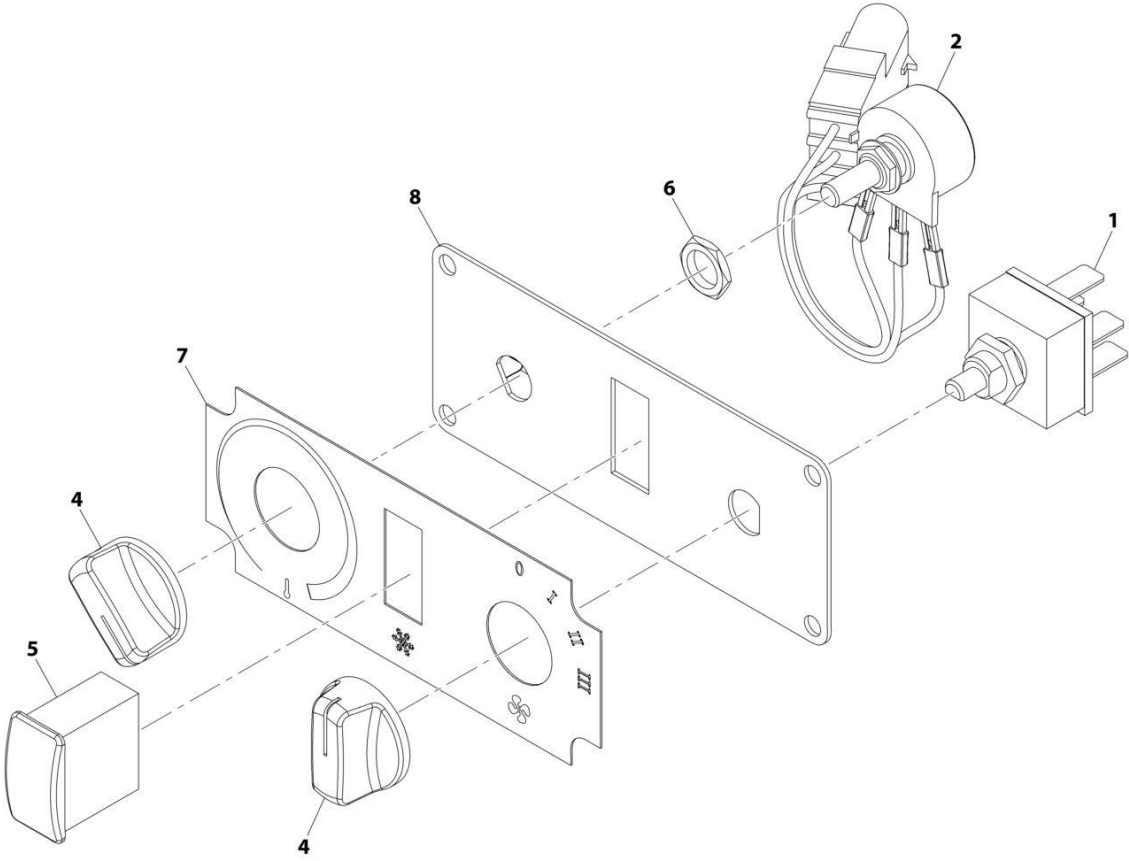
## SECTION 7 - CONTROLS

**FIGURE 7-12. HYDRAULIC CONTROLLER ASSEMBLY**

ITEM	PART NUMBER	QTY	DESCRIPTION	REV
	1001080500	1	Hydraulic Controller Assembly	D
1	1001080256	1	Joystick (See Separate Breakdown in this Section)	
2	2150406	1	Fitting, 45 ORFS	

**SECTION 7 - CONTROLS**

**FIGURE 7-13. HEATER CONTROL SWITCH**



ART\_1001193945-D



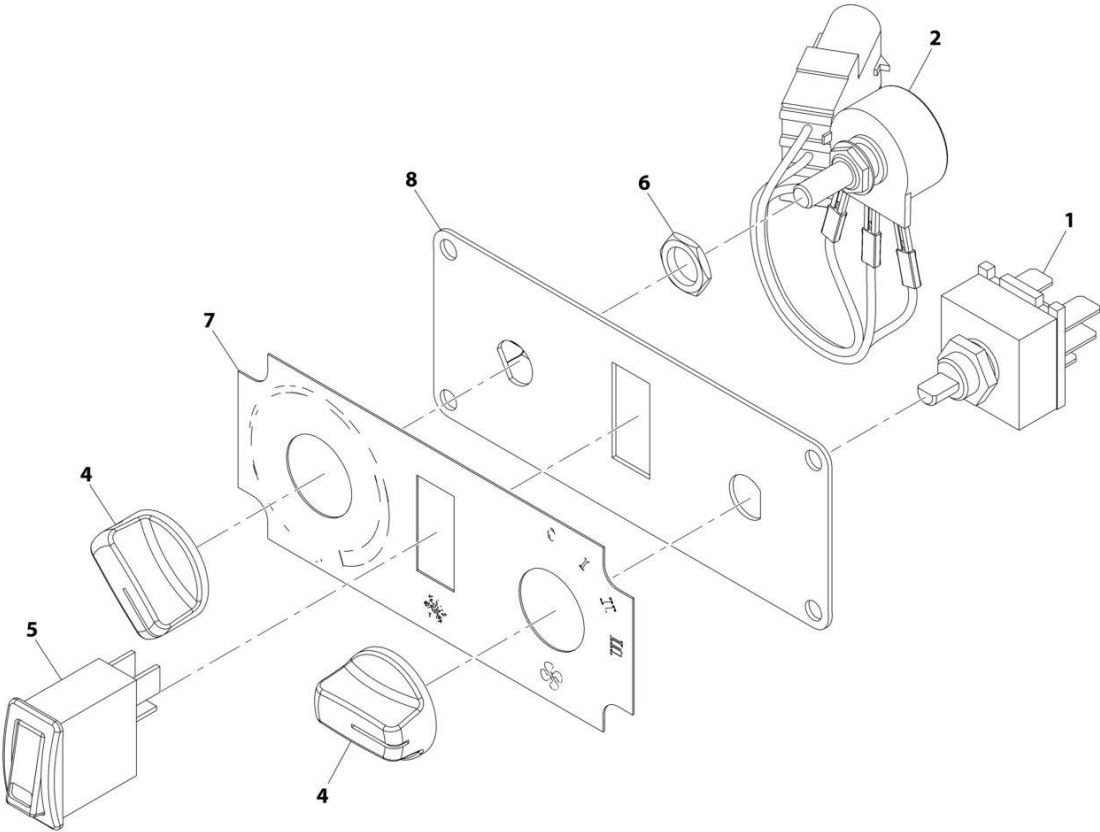
## SECTION 7 - CONTROLS

### FIGURE 7-13. HEATER CONTROL SWITCH

ITEM	PART NUMBER	QTY	DESCRIPTION	REV
	1001193945	Ref	Heater Control Switch	D
1	1001204362	1	Switch, Blower	
2	1001151643	1	Potentiometer	
4	1001204360	2	Positioning Knob	
5	1001204363	1	Rocker Switch	
6	1001204464	1	Jam Nut	
7	1001204469	1	Decal, Switch Panel	
8	1001204470	1	Plate, Switch Panel	

**SECTION 7 - CONTROLS**

**FIGURE 7-14. HVAC CONTROL SWITCH**



ART\_1001193501-D

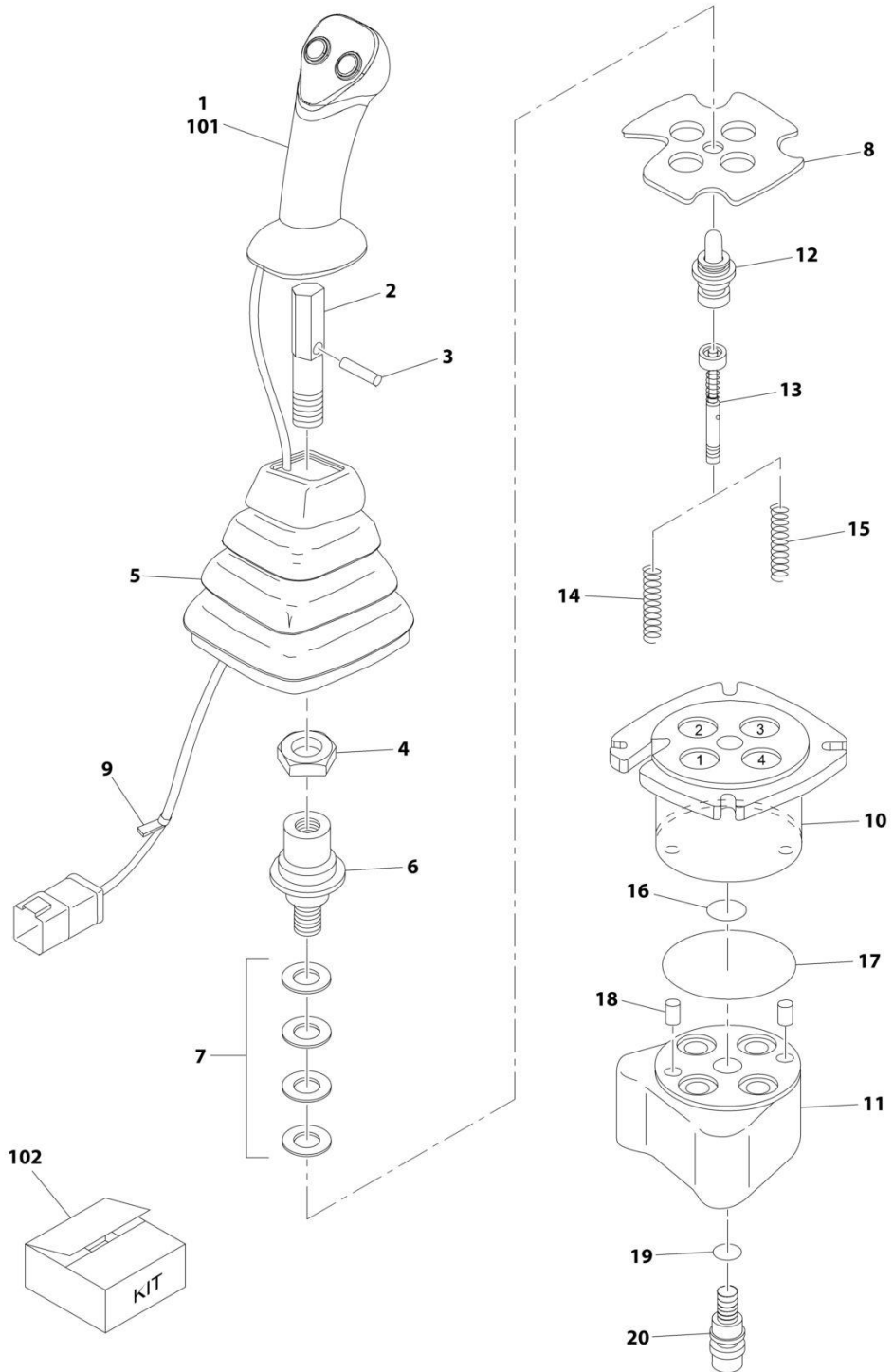
## SECTION 7 - CONTROLS

### FIGURE 7-14. HVAC CONTROL SWITCH

ITEM	PART NUMBER	QTY	DESCRIPTION	REV
	1001193501	Ref	HVAC Control Switch	D
1	1001204362	1	Switch, Blower	
2	1001151643	1	Potentiometer	
4	1001204360	2	Positioning Knob	
5	1001204385	1	Rocker Switch	
6	1001204464	1	Jam Nut	
7	1001204469	1	Decal, Switch Panel	
8	1001204470	1	Plate, Switch Panel	

# SECTION 7 - CONTROLS

## FIGURE 7-15. BOOM JOYSTICK



ART\_1001080256-D

## SECTION 7 - CONTROLS

### FIGURE 7-15. BOOM JOYSTICK

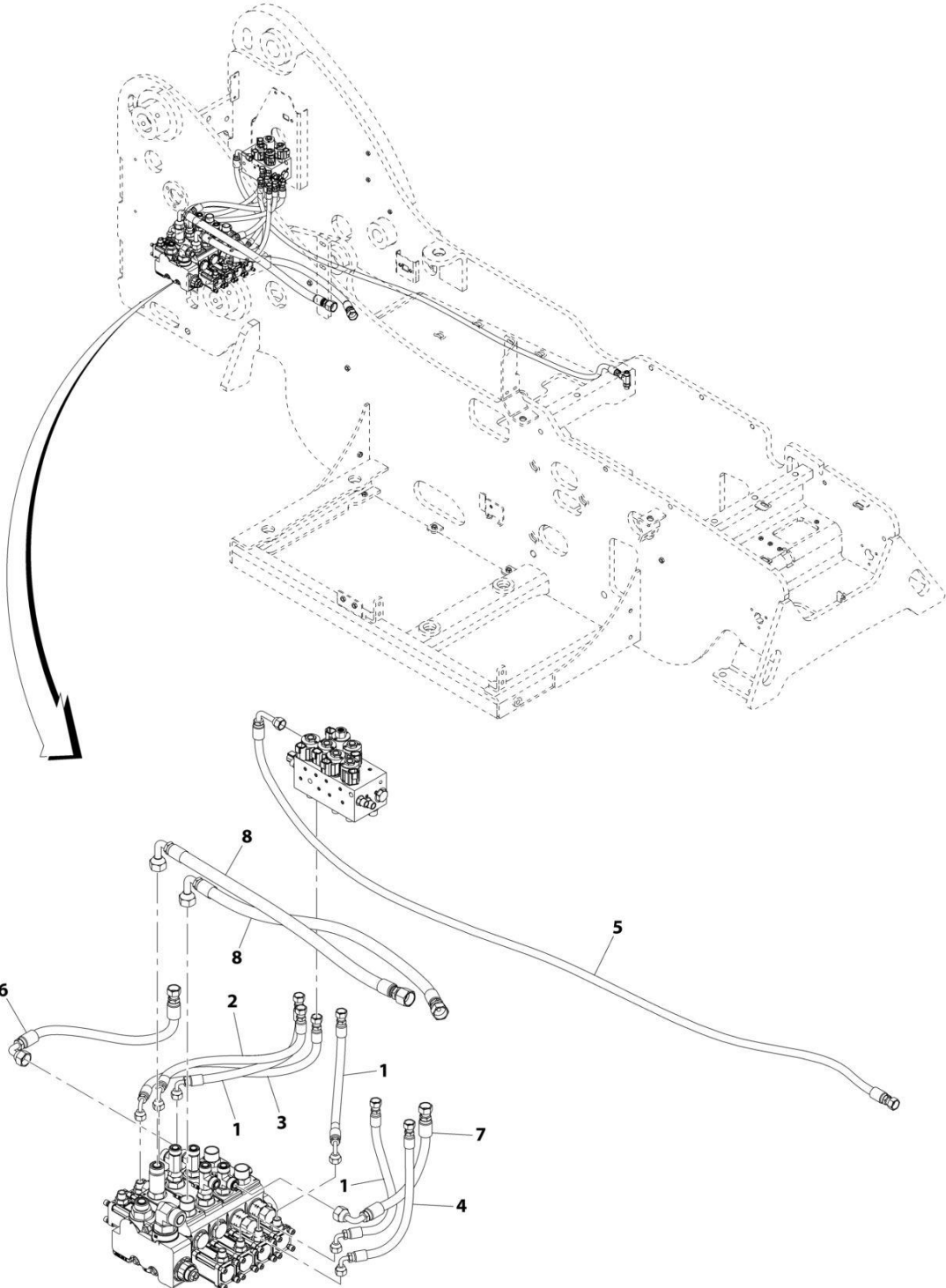
ITEM	PART NUMBER	QTY	DESCRIPTION	REV
	1001080256	Ref	Boom Joystick	D
1	70020769	1	Handle Assembly	
2	70020770	1	Straight Lever Kit	
3	N.S.S.	1	Straight Lever	
4	N.S.S.	1	Hex Nut	
5	70020771	1	Rubber Boot	
6	80264138	1	Cardan Kit	
7	N.S.S.	AR	Shim	
8	91404013	1	Retaining Plate	
9	80264139	1	Grommet Kit	
10	91404016	1	Upper Body	
11	N.S.S.	1	Lower Body	
12	91304025	2	Plunger And Guide Kit	
13	91514224	4	Regulating Unit	
14	91504028	1	Return Spring	
15	91504029	1	Return Spring	
16	Kit	1	O-Ring	
17	Kit	1	O-Ring	
18	Kit	2	Dowel Pin	
19	Kit	1	O-Ring	
20	Kit	1	Screw Assembly	
101	3931412	4	Socket HD Screw, 1/4-20X3/4	
102	91404326	1	Seal Kit, (Includes Items 16 Thru 20)	



**SECTION 8 - HYDRAULIC CIRCUITS**

# SECTION 8 - HYDRAULIC CIRCUITS

## FIGURE 8-1. HOSE INSTALLATION (ANSI)



ART\_1001200567-B



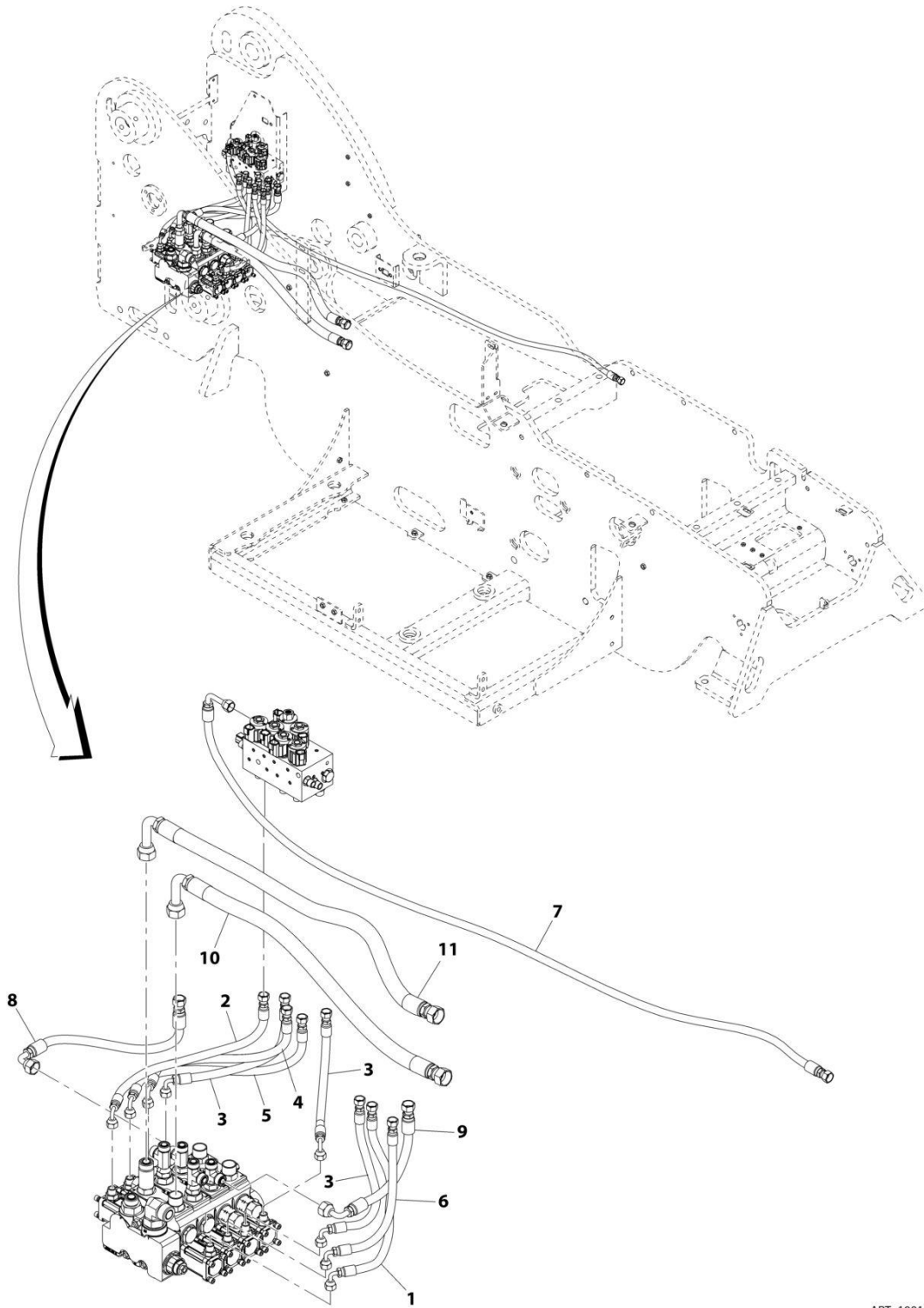
## SECTION 8 - HYDRAULIC CIRCUITS

FIGURE 8-1. HOSE INSTALLATION (ANSI)

ITEM	PART NUMBER	QTY	DESCRIPTION	REV
	1001200567	Ref	Hydraulic Hose Installation (ANSI)	B
1	1001129889	3	Hose Assembly	
2	1001129891	1	Hose Assembly	
3	1001129893	1	Hose Assembly	
4	1001129894	1	Hose Assembly	
5	1001209089	1	Hose Assembly	
6	1001129925	1	Hose Assembly	
7	1001129926	1	Hose Assembly	
8	1001080279	2	Hose Assembly	

# SECTION 8 - HYDRAULIC CIRCUITS

## FIGURE 8-2. HOSE INSTALLATION (CE)



ART\_1001201117-B

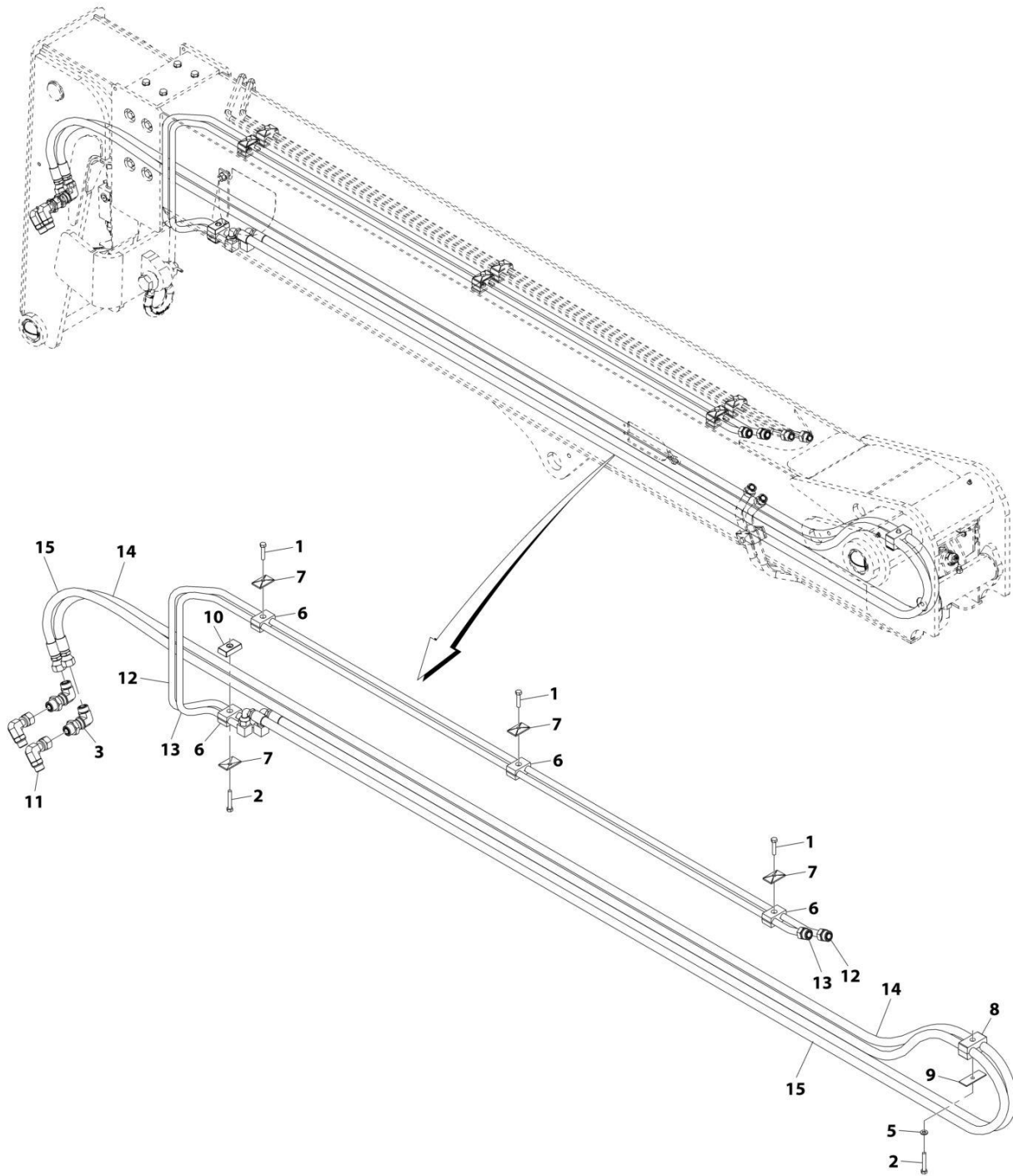
## SECTION 8 - HYDRAULIC CIRCUITS

### FIGURE 8-2. HOSE INSTALLATION (CE)

ITEM	PART NUMBER	QTY	DESCRIPTION	REV
	1001201117	Ref	Hydraulic Hose Installation (CE)	B
1	1001129887	1	Hose Assembly	
2	1001129888	1	Hose Assembly	
3	1001129889	3	Hose Assembly	
4	1001129891	1	Hose Assembly	
5	1001129893	1	Hose Assembly	
6	1001129894	1	Hose Assembly	
7	1001209089	1	Hose Assembly	
8	1001129925	1	Hose Assembly	
9	1001129926	1	Hose Assembly	
10	1001132411	1	Hose Assembly	
11	1001132412	1	Hose Assembly	

# SECTION 8 - HYDRAULIC CIRCUITS

## FIGURE 8-3. HOSE INSTALLATION - BOOM



ART\_1001237192-C

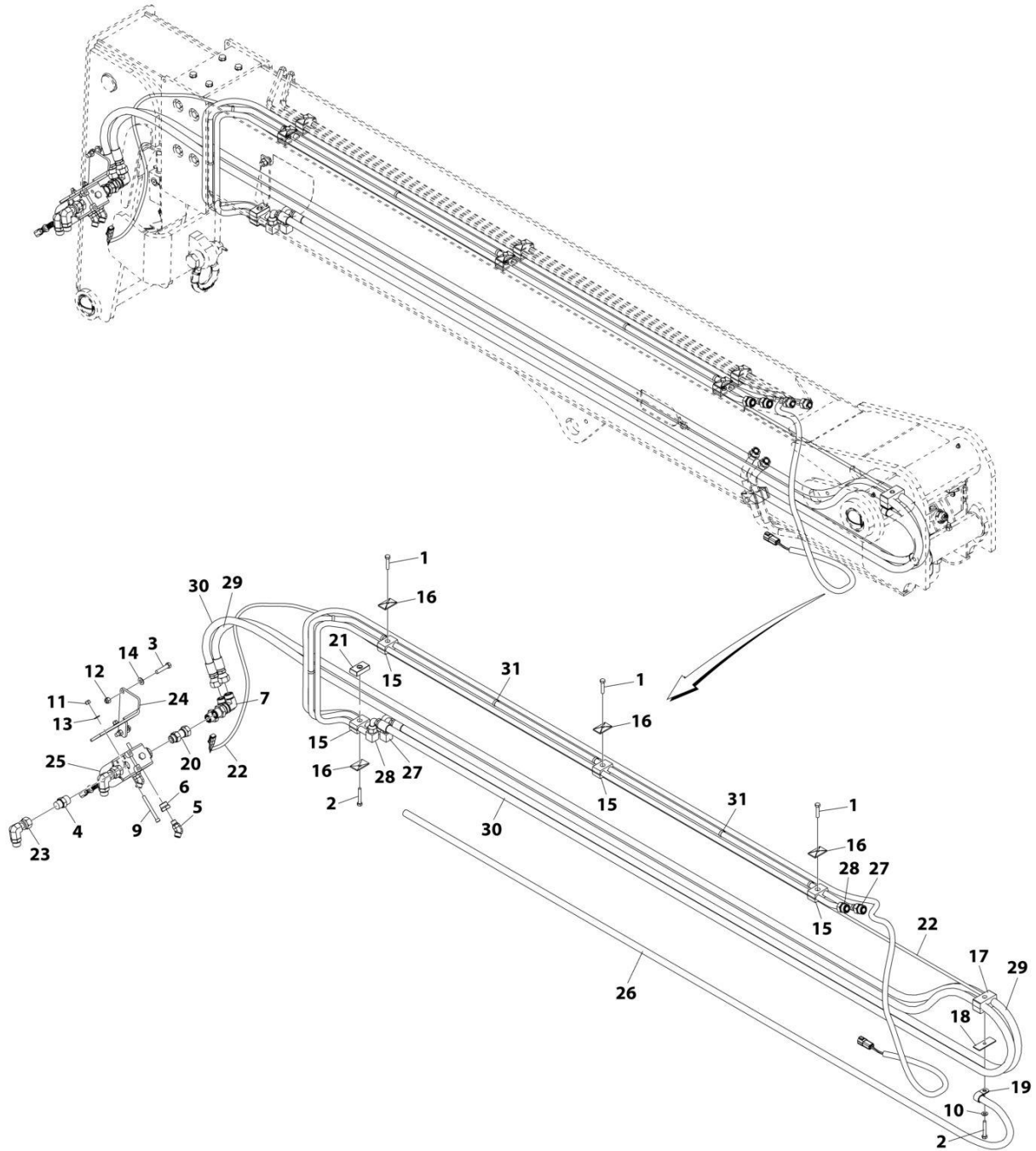
## SECTION 8 - HYDRAULIC CIRCUITS

**FIGURE 8-3. HOSE INSTALLATION - BOOM**

ITEM	PART NUMBER	QTY	DESCRIPTION	REV
	1001237192	Ref	Boom Hydraulic Installation	C
1	0641512	3	Hex HD Capscrew, 5/16-18X1-1/2, GR5	
2	0641516	2	Hex HD Capscrew, 5/16-18X2, GR5	
3	2221290	2	Elbow, 90	
5	4711500	1	Washer, 5/16	
6	8769122	4	Twin Clamp Set	
7	8769123	4	Twin Cover Plate	
8	77133136	1	Clamp	
9	77133137	1	Cover Plate	
10	1001080394	1	Twin Spacer	
11	1001090103	2	Fitting	
12	1001247193	1	Tube Assembly	
13	1001247192	1	Tube Assembly	
14	1001247194	1	Hose	
15	1001247195	1	Hose	

# SECTION 8 - HYDRAULIC CIRCUITS

## FIGURE 8-4. HOSE INSTALLATION - BOOM WITH QS



ART\_1001237214-B

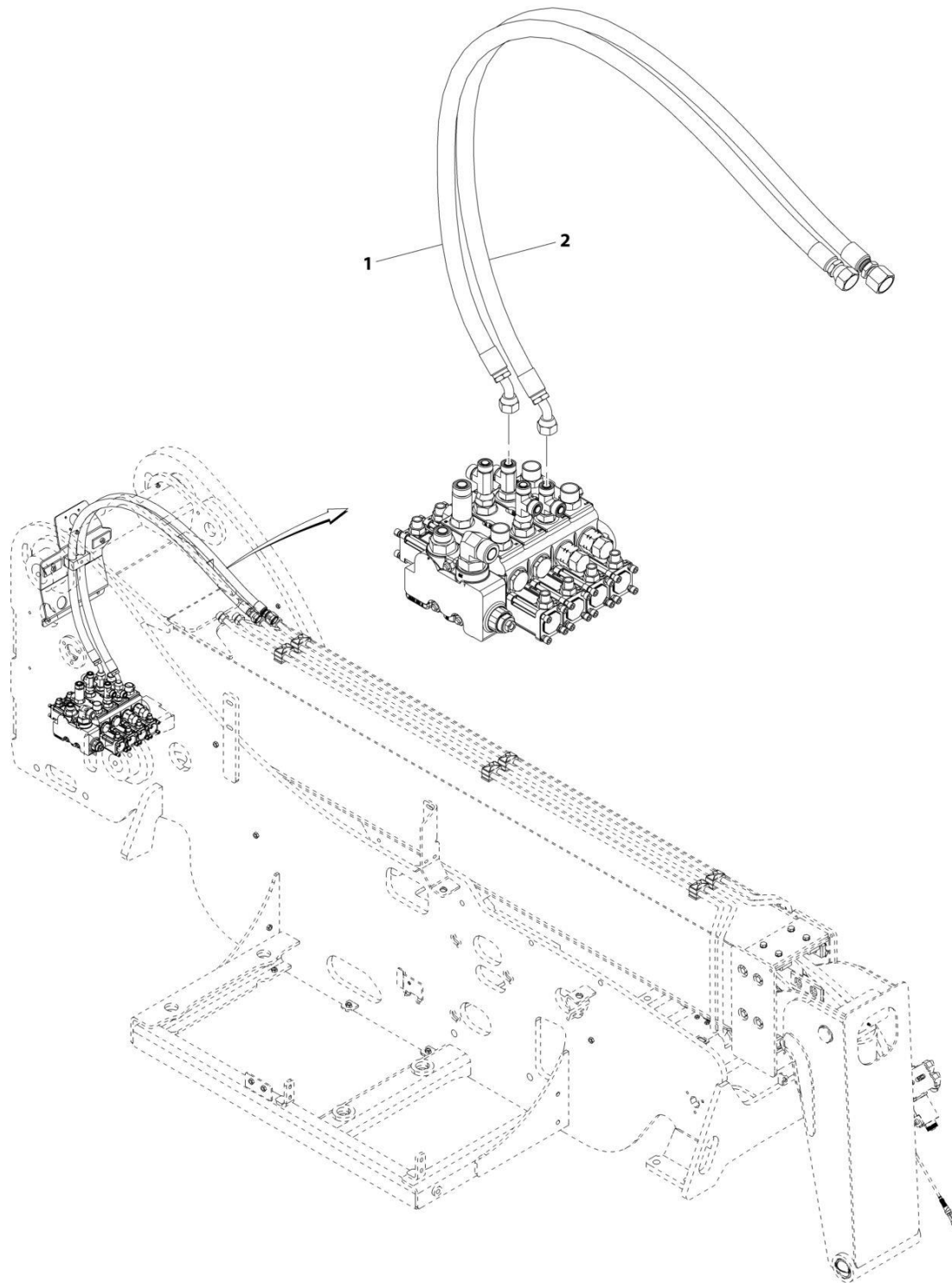
## SECTION 8 - HYDRAULIC CIRCUITS

**FIGURE 8-4. HOSE INSTALLATION - BOOM WITH QS**

ITEM	PART NUMBER	QTY	DESCRIPTION	REV
	1001237214	Ref	Boom Hydraulic Installation, W/QS	B
1	0641512	3	Hex HD Capscrew, 5/16-18X1-1/2, GR5	
2	0641516	2	Hex HD Capscrew, 5/16-18X2, GR5	
3	0641614	2	Hex HD Capscrew, 3/8-16X1-3/4, GR5	
4	2111010	2	Adapter	
5	2150606	2	Elbow, 45	
6	2220218	2	Adapter	
7	2221290	2	Elbow, 90	
9	3931548	2	Socket HD Capscrew, 5/16-18X3	
10	4711500	1	Washer, 5/16	
11	8305626	2	Hex Locknut, 5/16	
12	8305645	2	Hex Locknut, 3/8-16	
13	8307106	2	Plain Washer, 5/16	
14	8307110	2	Washer, 3/8	
15	8769122	4	Clamp Set	
16	8769123	4	Cover Plate	
17	77133136	1	Clamp Set	
18	77133137	1	Cover Plate	
19	91043147	1	Clamp	
20	1001001556	2	Adapter	
21	1001080394	1	Twin Line Clamp Spacer	
22	1001080397	1	Boom Aux Harness (See Separate Breakdown in Electrical Section)	
23	1001090103	2	Fitting	
24	1001100916	1	Bracket	
25	1001104477	1	Valve Divertor (See Separate Breakdown in this Section)	
26	1001232722	1	Hose	
27	1001080207	1	Tube Assembly	
28	1001080208	1	Tube Assembly	
29	1001236782	1	Hose	
30	1001236783	1	Hose	
31	90027187	AR	Cable Tie Strap	

# SECTION 8 - HYDRAULIC CIRCUITS

## FIGURE 8-5. HOSE INSTALLATION - BOOM AUXILIARY



ART\_1001201115-A



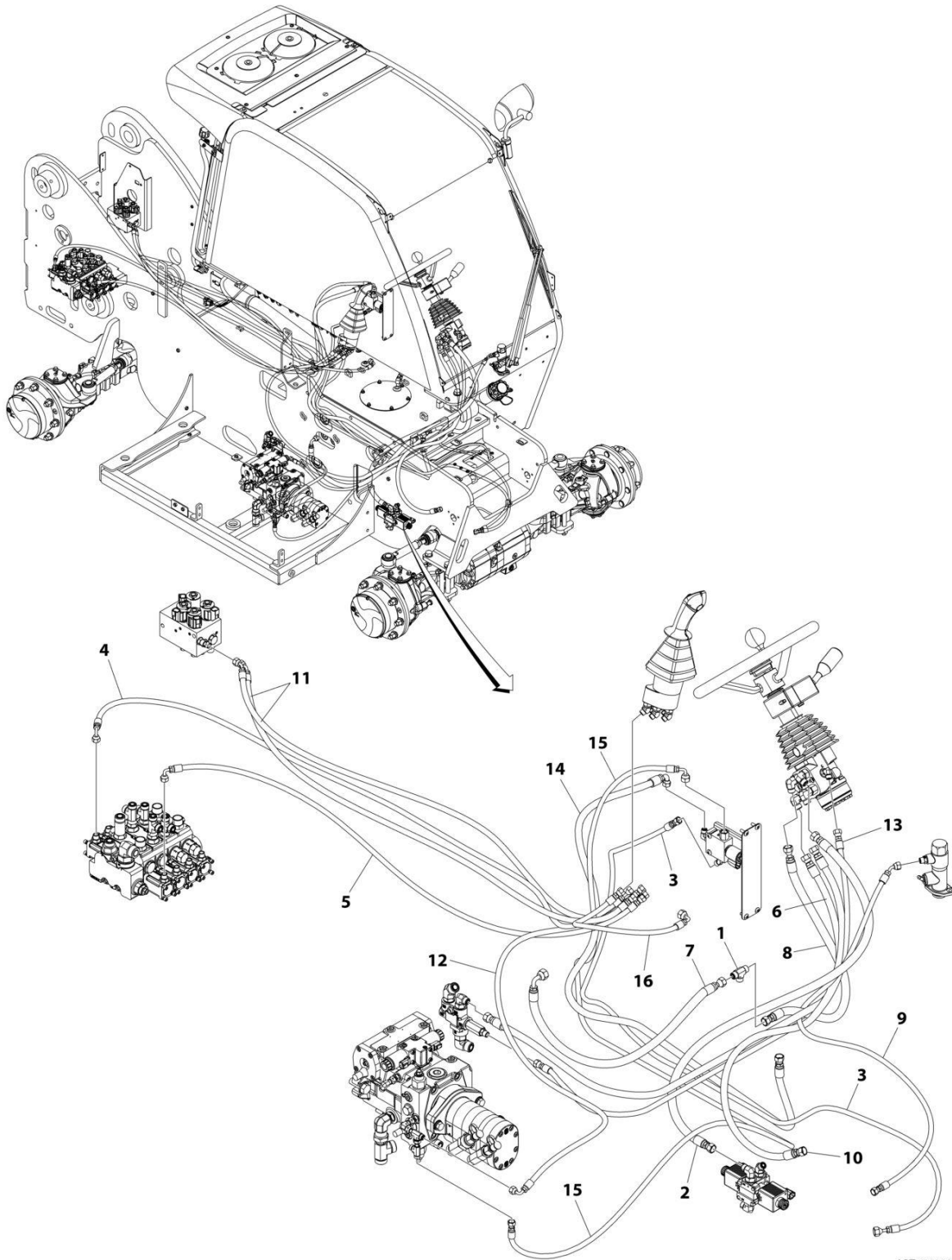
## SECTION 8 - HYDRAULIC CIRCUITS

FIGURE 8-5. HOSE INSTALLATION - BOOM AUXILIARY

ITEM	PART NUMBER	QTY	DESCRIPTION	REV
	1001201115	Ref	Boom Aux Hose Installation	A
1	1001080294	1	Hose Assembly	
2	1001080308	1	Hose Assembly	

# SECTION 8 - HYDRAULIC CIRCUITS

## FIGURE 8-6. HOSE INSTALLATION - CAB (ANSI)



ART\_1001235716\_B

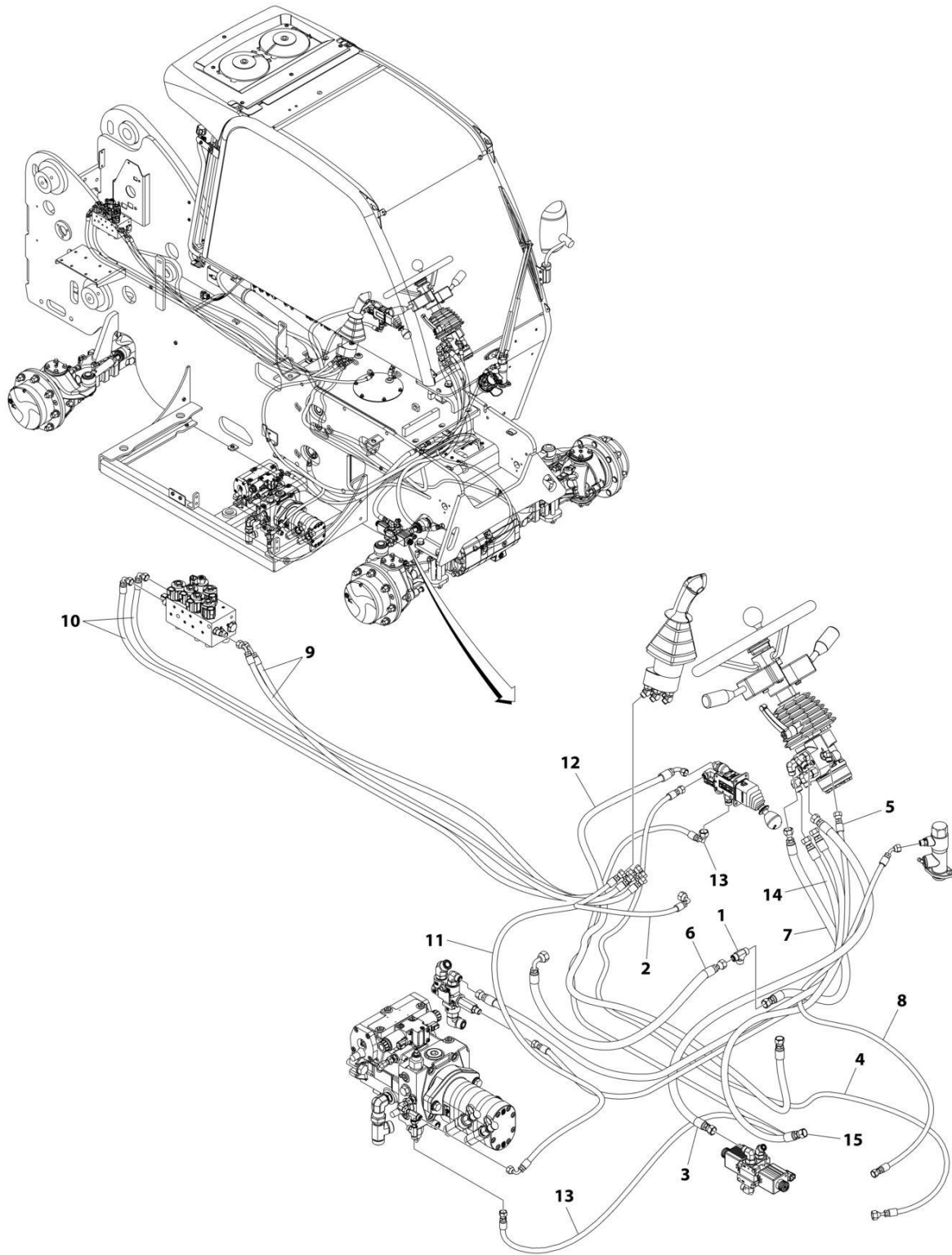
## SECTION 8 - HYDRAULIC CIRCUITS

**FIGURE 8-6. HOSE INSTALLATION - CAB (ANSI)**

ITEM	PART NUMBER	QTY	DESCRIPTION	REV
	1001235716	Ref	HOSE INSTALLATION - CAB (ANSI)	B
1	2170506	1	Adapter, Run Tee	
2	1001080250	1	Hose Assembly	
3	1001080251	1	Hose Assembly	
4	1001080265	1	Hose Assembly	
5	1001080266	1	Hose Assembly	
6	1001209063	1	Hose Assembly	
7	1001080585	1	Hose Assembly	
8	1001080586	1	Hose Assembly	
9	1001106622	1	Hose Assembly	
10	1001236417	1	Hose Assembly	
11	1001129895	2	Hose Assembly	
12	1001281600	1	Hose Assembly	
13	1001080356	1	Hose Assembly	
14	1001145224	1	Hose Assembly	
15	1001281599	1	Hose Assembly	
16	1001202297	1	Hose Assembly	

# SECTION 8 - HYDRAULIC CIRCUITS

## FIGURE 8-7. HOSE INSTALLATION - CAB (CE)



ART\_1001236957\_C

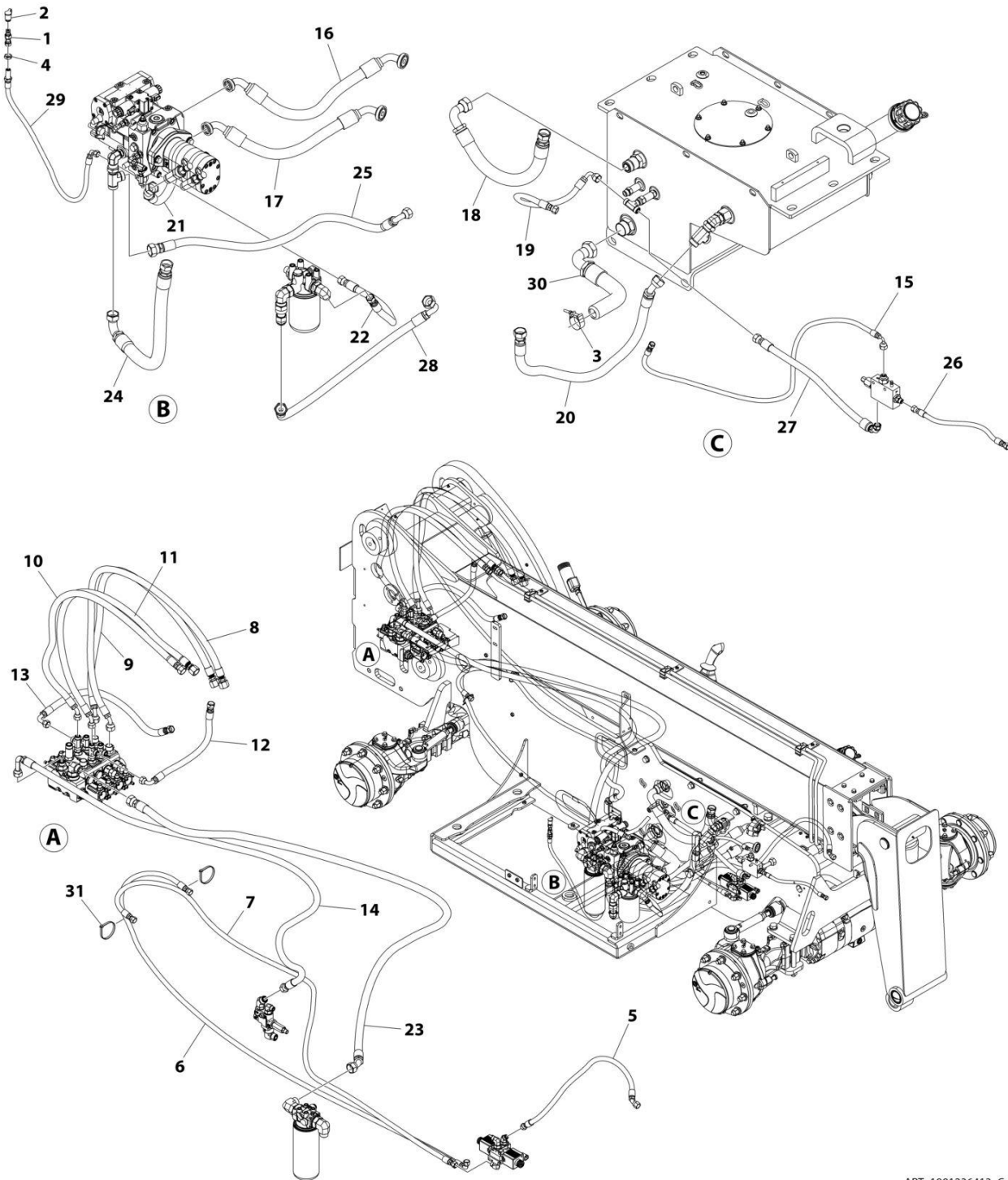
## SECTION 8 - HYDRAULIC CIRCUITS

### FIGURE 8-7. HOSE INSTALLATION - CAB (CE)

ITEM	PART NUMBER	QTY	DESCRIPTION	REV
	1001236957	Ref	HOSE INSTALLATION - CAB (CE)	C
1	2170506	1	Adapter, Run Tee	
2	1001202297	1	Hose Assembly	
3	1001080250	1	Hose Assembly	
4	1001080251	1	Hose Assembly	
5	1001080356	1	Hose Assembly	
6	1001080585	1	Hose Assembly	
7	1001080586	1	Hose Assembly	
8	1001106622	1	Hose Assembly	
9	1001129895	2	Hose Assembly	
10	1001129898	2	Hose Assembly	
11	1001281600	1	Hose Assembly	
12	1001145224	1	Hose Assembly	
13	1001281599	1	Hose Assembly	
14	1001209063	1	Hose Assembly	
15	1001236417	1	Hose Assembly	

# SECTION 8 - HYDRAULIC CIRCUITS

## FIGURE 8-8. HOSE INSTALLATION - FRAME



ART\_1001236413\_C

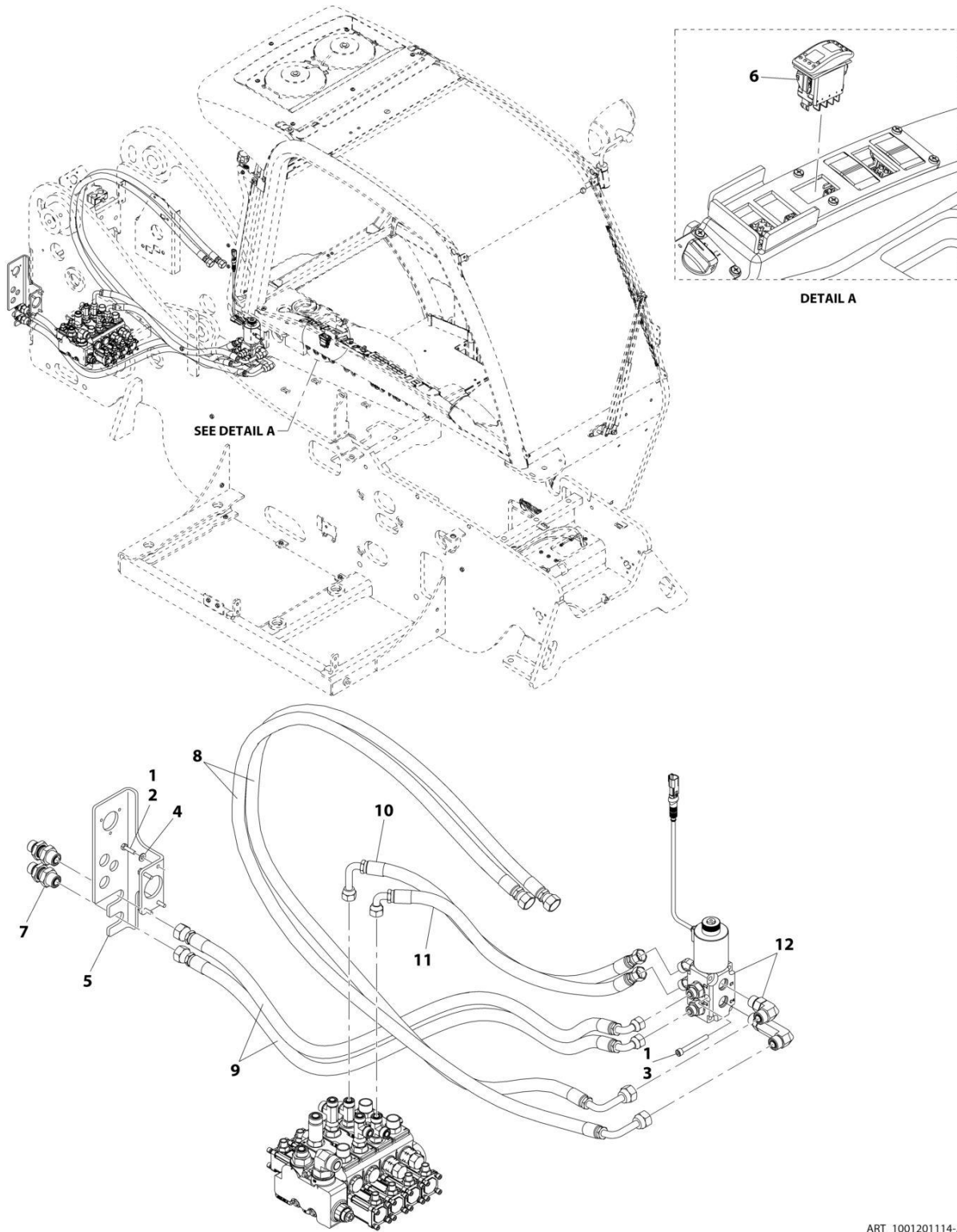
## SECTION 8 - HYDRAULIC CIRCUITS

### FIGURE 8-8. HOSE INSTALLATION - FRAME

ITEM	PART NUMBER	QTY	DESCRIPTION	REV
	1001236413	Ref	HOSE INSTALLATION - FRAME	C
1	2221229	1	Adapter, Diagnostic Nipple	
2	8430032	1	Dust Cap	
3	80633030	1	Clamp	
4	88662482	1	Locknut	
5	1001236418	1	Hose Assembly	
6	1001236419	1	Hose Assembly	
7	1001236420	1	Hose Assembly	
8	1001080293	1	Hose Assembly	
9	1001080309	1	Hose Assembly	
10	1001080437	1	Hose Assembly	
11	1001080438	1	Hose Assembly	
12	1001081347	1	Hose Assembly	
13	1001081348	1	Hose Assembly	
14	1001144697	1	Hose Assembly	
15	1001281601	1	Hose Assembly	
16	1001272317	1	Hose Assembly	
17	1001272318	1	Hose Assembly	
18	1001281603	1	Hose Assembly	
19	1001144753	1	Hose Assembly	
20	1001144754	1	Hose Assembly	
21	1001144755	1	Hose Assembly	
22	1001281602	1	Hose Assembly	
23	1001144759	1	Hose Assembly	
24	1001281597	1	Hose Assembly	
25	1001281596	1	Hose Assembly	
26	1001144764	1	Hose Assembly	
27	1001144737	1	Hose Assembly	
28	1001151288	1	Hose Assembly	
29	1001281598	1	Hose Assembly	
30	1001202141	1	Hose Assembly	
31	4240099	2	Strap, Tie	

# SECTION 8 - HYDRAULIC CIRCUITS

## FIGURE 8-9. HOSE INSTALLATION - REAR OUTLET



ART\_1001201114-A



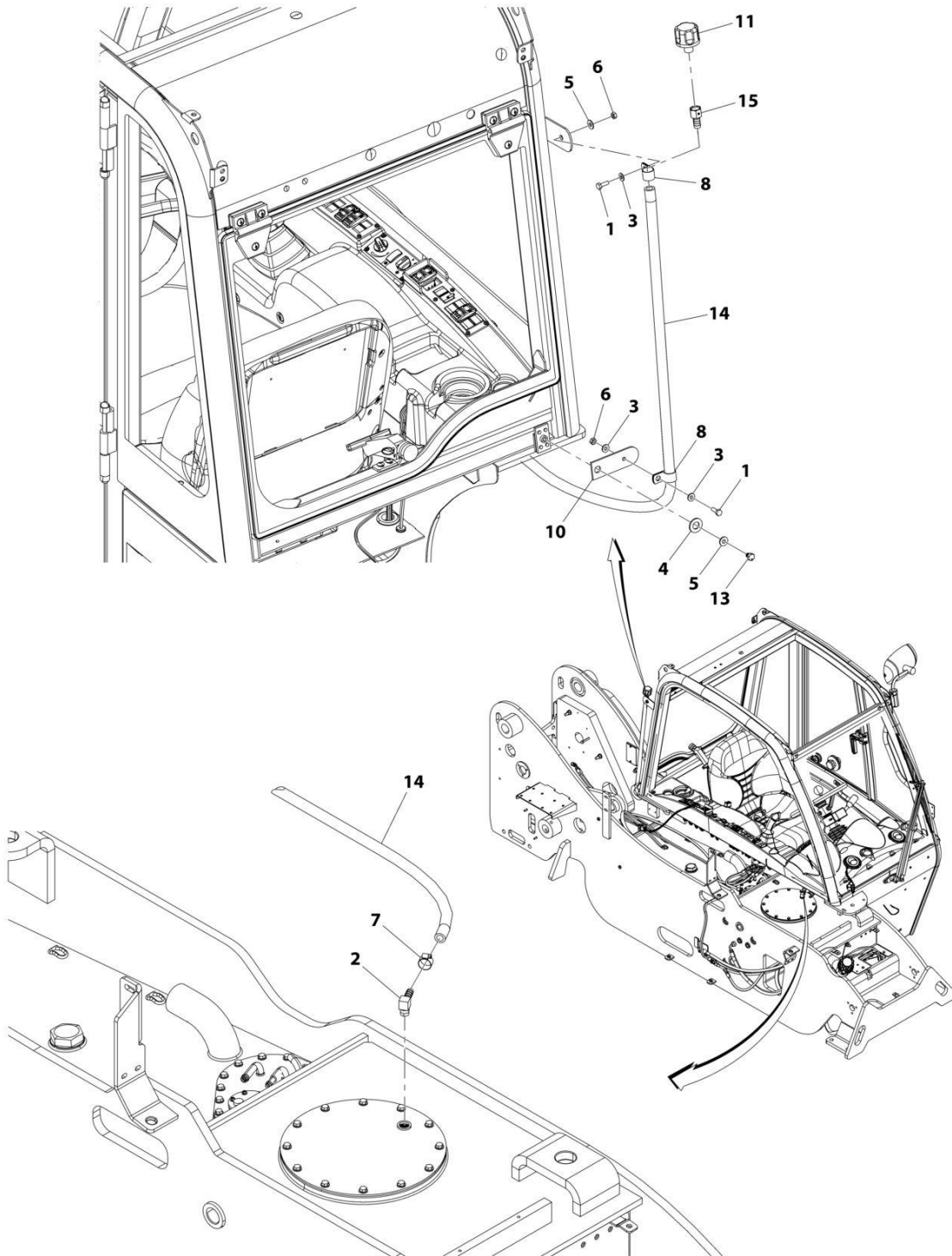
## SECTION 8 - HYDRAULIC CIRCUITS

**FIGURE 8-9. HOSE INSTALLATION - REAR OUTLET**

ITEM	PART NUMBER	QTY	DESCRIPTION	REV
	1001201114	Ref	REAR HYDRAULIC OUTLET INSTALLATION	A
1	0100011	AR	Compound, Locking	
2	0641408	4	Capscrew 1/4 x 1	
3	4031918	2	Bolt M8 x 70	
4	4711400	4	Washer 1/4	
5	1001080240	1	Trailer Hitch Bracket	
6	1001080364	1	Front/Rear Auxiliary Hydraulic Switch	
7	1001101235	2	Adapter	
8	1001135799	2	Hose Assembly	
9	1001135801	2	Hose Assembly	
10	1001135803	1	Hose Assembly	
11	1001135805	1	Hose Assembly	
12	1001135807	1	Assembly, Rear Diverter Valve (See Separate Breakdown in this Section)	

# SECTION 8 - HYDRAULIC CIRCUITS

## FIGURE 8-10. BREATHER INSTALLATION - HYDRAULIC TANK



ART\_1001182755-C

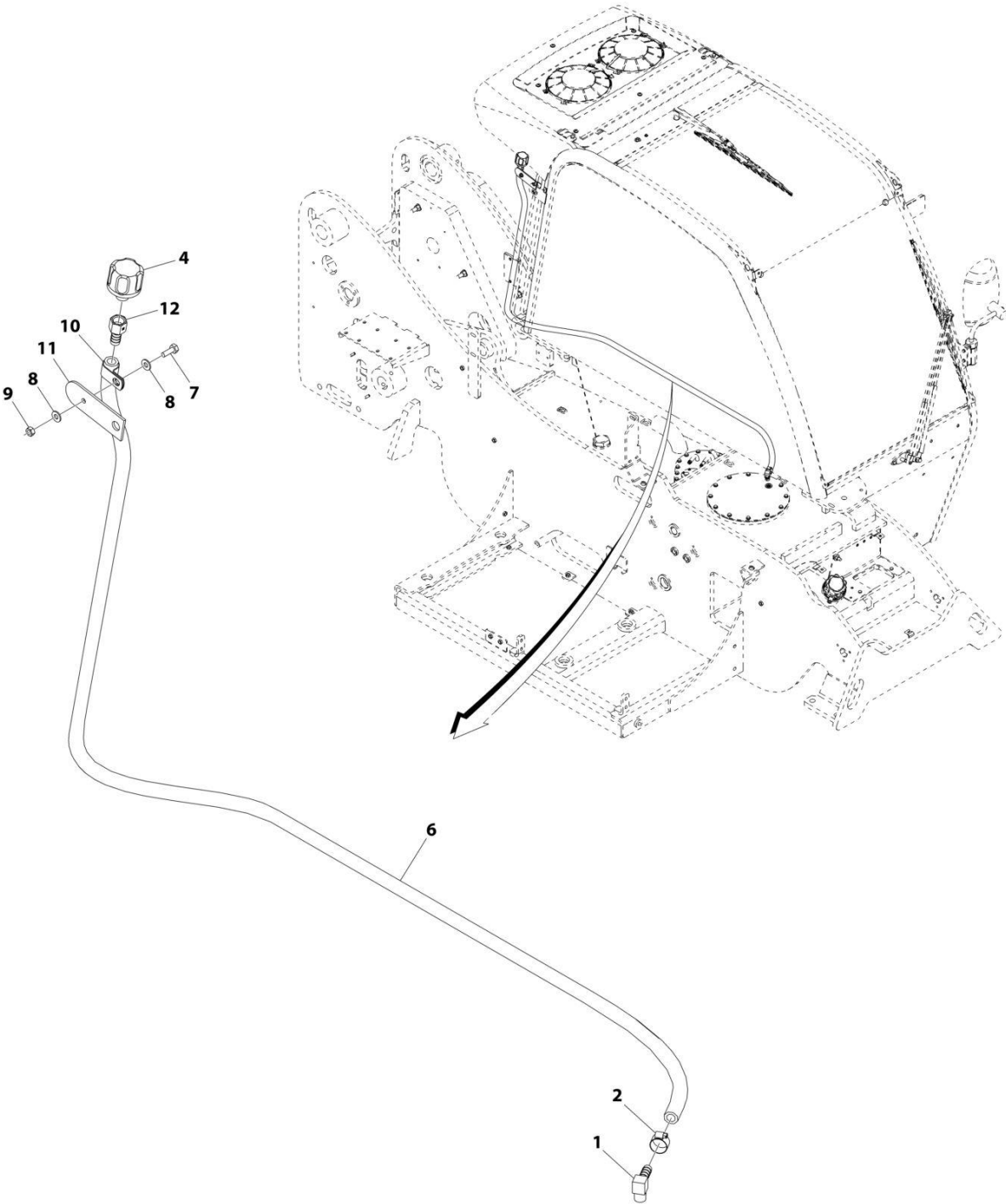
## SECTION 8 - HYDRAULIC CIRCUITS

### FIGURE 8-10. BREATHER INSTALLATION - HYDRAULIC TANK

ITEM	PART NUMBER	QTY	DESCRIPTION	REV
	1001182755	Ref	Hydraulic Tank Breather Installation	C
1	0641406	2	Bolt, 1/4-20X3/4	
2	2221198	1	Fitting, 90	
3	4711400	3	Washer, 1/4	
4	4711900	1	Washer, 9/16	
5	4751400	2	Washer, 1/4	
6	8305004	2	Nut	
7	8405006	1	Clamp, Gear	
8	8406102	2	Clip	
10	1001182224	1	Bracket	
11	1001185024	1	Filter, Hydraulic Breather	
13	1001196601	1	Bolt	
14	1001154405	7	Hose	
15	1001232888	1	Fitting, Straight	

# SECTION 8 - HYDRAULIC CIRCUITS

## FIGURE 8-11. BREATHER INSTALLATION - HYDRAULIC TANK (A/C)



ART\_1001186376-B

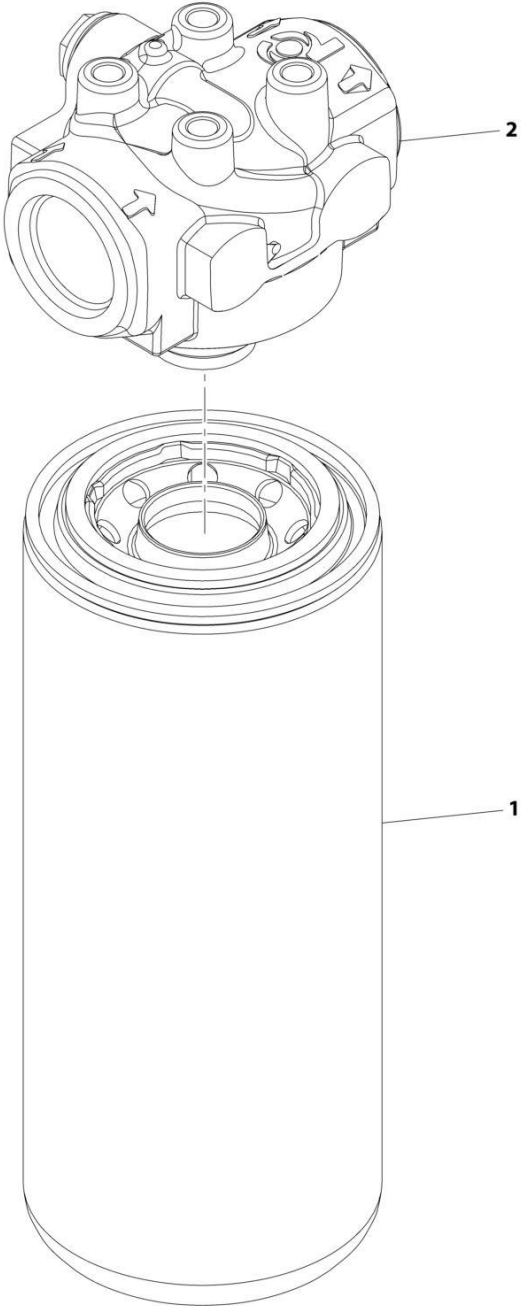
## SECTION 8 - HYDRAULIC CIRCUITS

**FIGURE 8-11. BREATHER INSTALLATION - HYDRAULIC TANK (A/C)**

ITEM	PART NUMBER	QTY	DESCRIPTION	REV
	1001186376	Ref	Hydraulic Tank Breather installtion (A/C)	B
1	2221198	1	Barbed Fitting, 90	
2	8405006	1	Gear Clamp	
4	1001185024	1	Air Breather	
6	1001154405	7	Fuel Line Hose, 1/2 In	
7	0641406	1	Hex HD Cap Screw, 1/4-20X3/4	
8	4711400	2	Narrow Washer, 1/4	
9	8305004	1	Hex Nut	
10	8406102	1	Wire Clip	
11	1001182224	1	Tank Breather Hose Bracket	
12	1001232888	1	Fitting	

**SECTION 8 - HYDRAULIC CIRCUITS**

**FIGURE 8-12. FILTER ASSEMBLY - HYDRAULIC**



ART\_1001141975-A

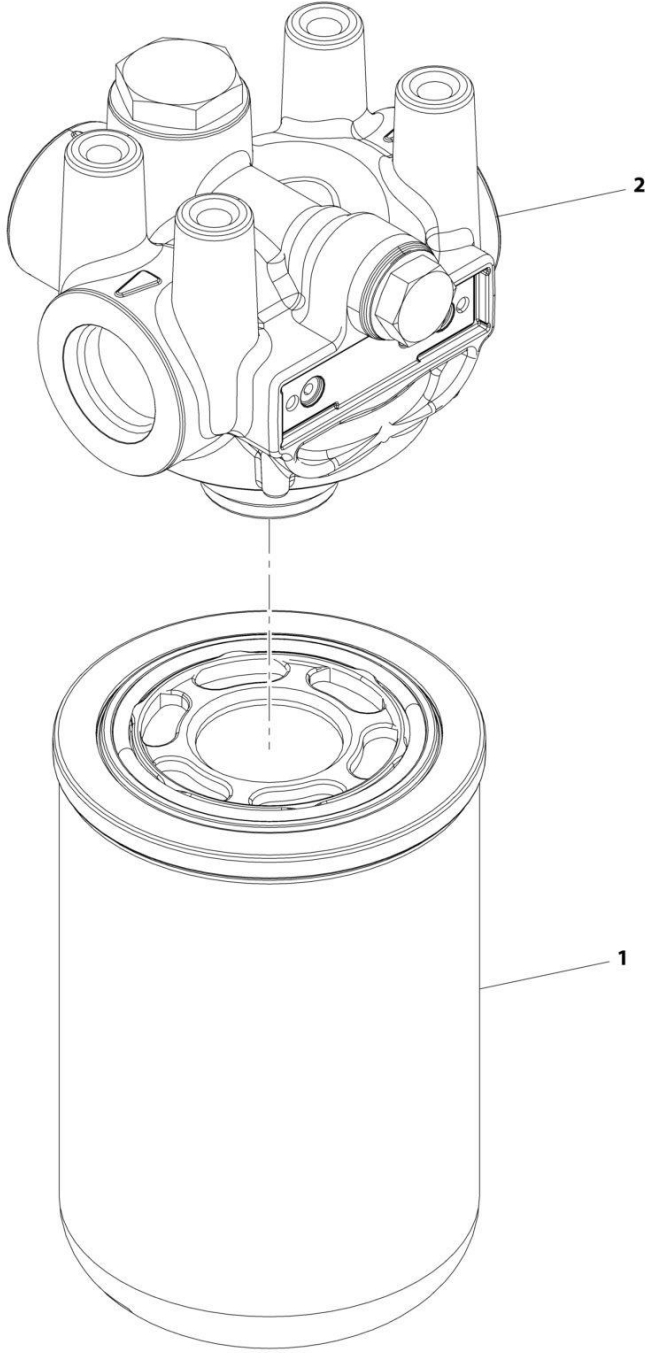
## SECTION 8 - HYDRAULIC CIRCUITS

FIGURE 8-12. FILTER ASSEMBLY - HYDRAULIC

ITEM	PART NUMBER	QTY	DESCRIPTION	REV
	1001141975	Ref	Hydraulic Filter Assembly	A
1	1001141459	1	Hydraulic Oil Filter Element	
2	1001141460	1	Head Filter	

**SECTION 8 - HYDRAULIC CIRCUITS**

**FIGURE 8-13. FILTER ASSEMBLY - IMPLEMENT PUMP**



ART\_1001141976-A



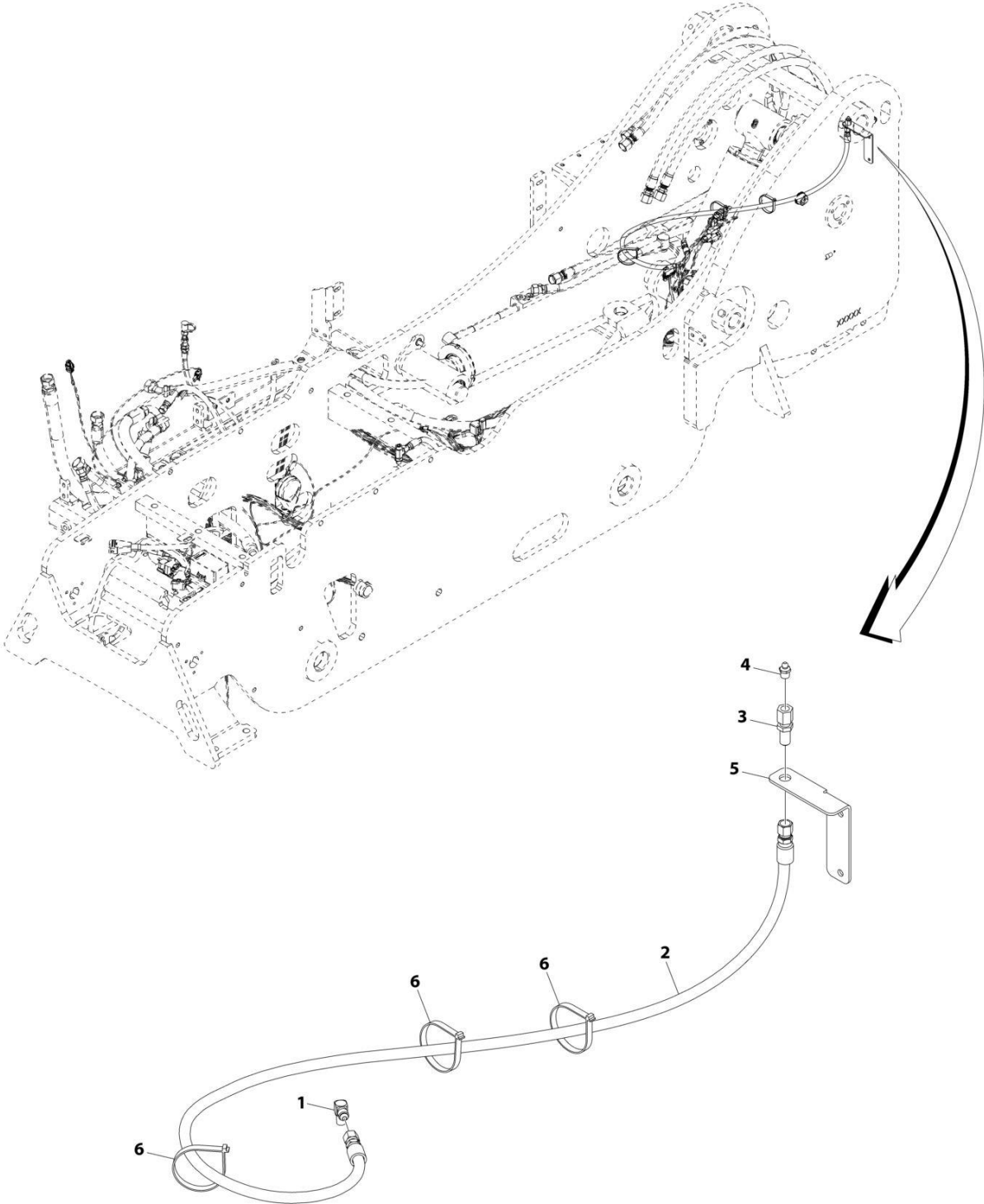
## SECTION 8 - HYDRAULIC CIRCUITS

**FIGURE 8-13. FILTER ASSEMBLY - IMPLEMENT PUMP**

ITEM	PART NUMBER	QTY	DESCRIPTION	REV
	1001141976	Ref	Implement Pump Filter Assembly	A
1	1001141461	1	Filter	
2	1001141462	1	Pump, Filter	

**SECTION 8 - HYDRAULIC CIRCUITS**

**FIGURE 8-14. REMOTE GREASE INSTALLATION**



ART\_1001236788-B

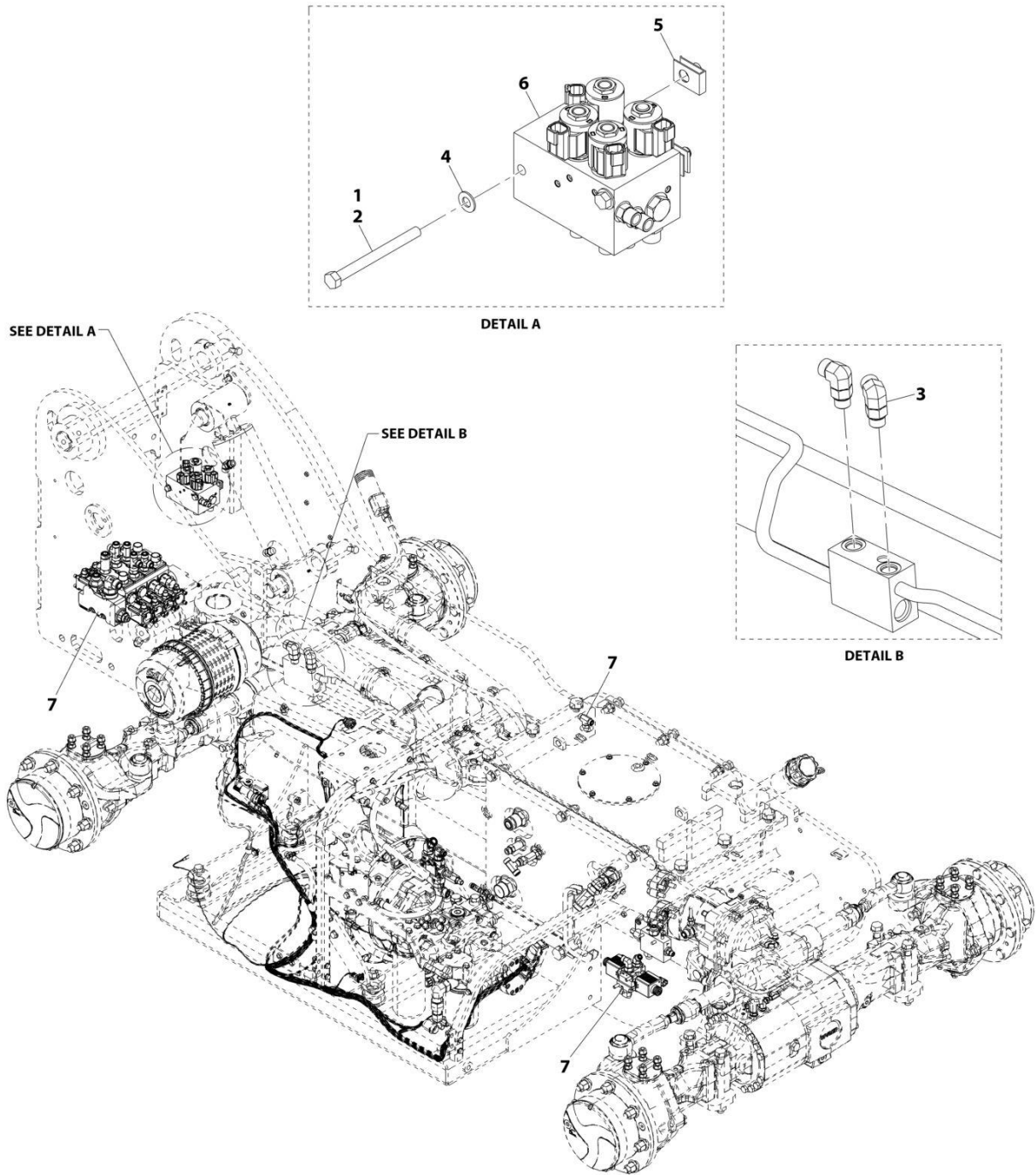
## SECTION 8 - HYDRAULIC CIRCUITS

### FIGURE 8-14. REMOTE GREASE INSTALLATION

ITEM	PART NUMBER	QTY	DESCRIPTION	REV
	1001236788	Ref	Remote Grease Installation	B
1	2220612	1	Elbow, 90	
2	1001081413	1	Hose Assembly	
3	80623016	1	Adapter	
4	8520001	1	Fitting	
5	1001236787	1	Bracket	
6	8584003	3	Cable Tie	

# SECTION 8 - HYDRAULIC CIRCUITS

## FIGURE 8-15. VALVE INSTALLATION (ANSI)



ART\_1001190784-D

## SECTION 8 - HYDRAULIC CIRCUITS

### FIGURE 8-15. VALVE INSTALLATION (ANSI)

ITEM	PART NUMBER	QTY	DESCRIPTION	REV
	1001190784	Ref	Valve Installation (ANSI)	D
1	0100011	AR	Compound, Locking	
2	0641634	2	Capscrew 3/8 x 4-1/4	
3	2131010	2	Elbow, 90	
4	4711600	2	Washer 3/8	
5	88662523	2	Tinnerman Nut	
6	1001131099	1	Assembly, Pilot Select Valve (ANSI) (See Separate Breakdown in this Section)	
7	1001190692	1	Installation, Hydraulic Valve (See Separate Breakdown in this Section)	

# SECTION 8 - HYDRAULIC CIRCUITS

## FIGURE 8-16. VALVE INSTALLATION (CE)



ART\_1001190694-D

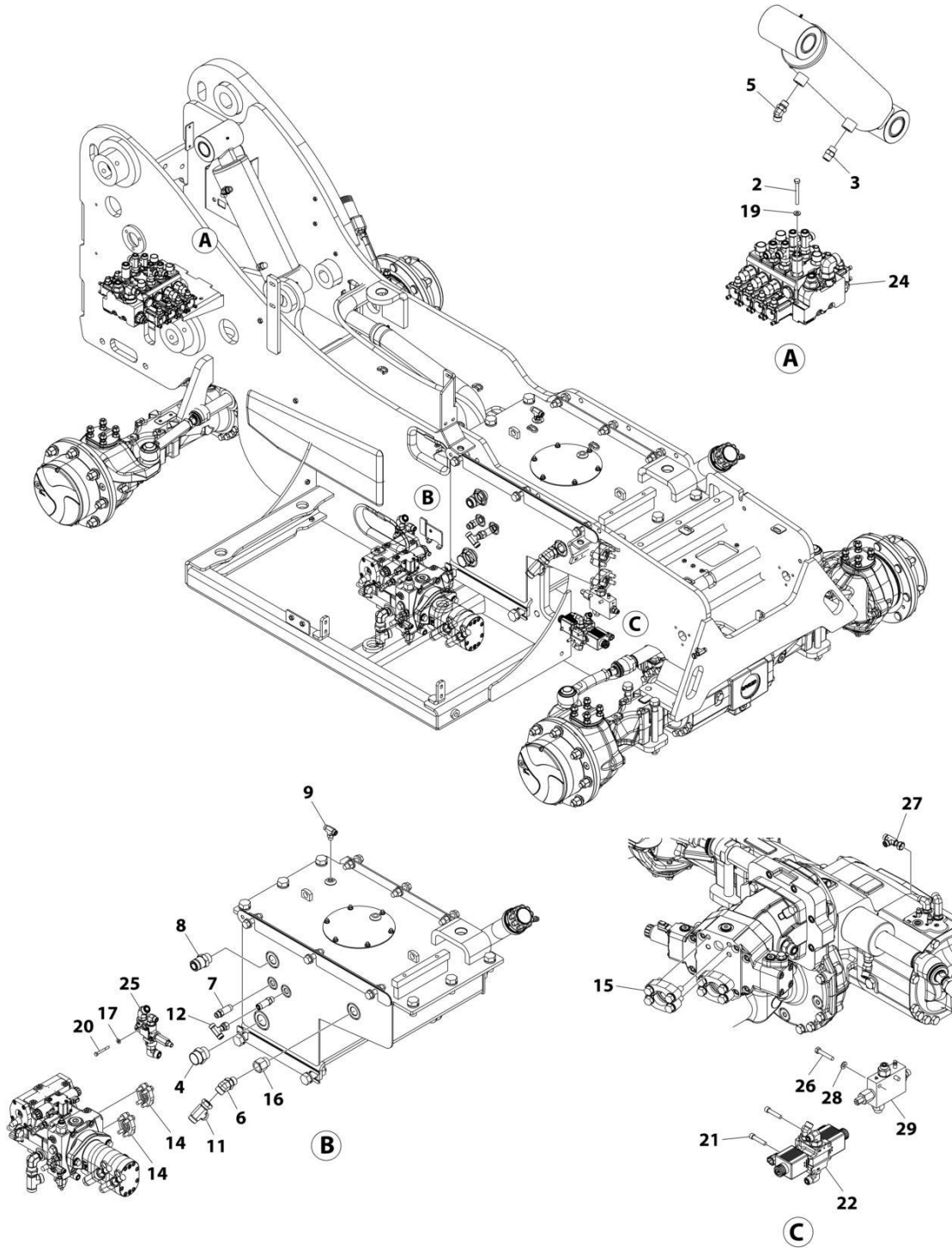
## SECTION 8 - HYDRAULIC CIRCUITS

### FIGURE 8-16. VALVE INSTALLATION (CE)

ITEM	PART NUMBER	QTY	DESCRIPTION	REV
	1001190694	Ref	Valve Installation (CE)	D
1	0100011	AR	Compound, Locking	
2	0641634	2	Capscrew 3/8 x 4-1/4	
3	2111010	2	Adapter	
4	4711600	2	Washer 3/8	
5	88662523	2	Tinnerman Nut	
6	1001131098	1	Assembly, Pilot Select Valve (CE) (See Separate Breakdown in this Section)	
7	1001190692	1	Installation, Hydraulic Valve (See Separate Breakdown in this Section)	

# SECTION 8 - HYDRAULIC CIRCUITS

## FIGURE 8-17. VALVES INSTALLATION



ART\_1001190692\_E



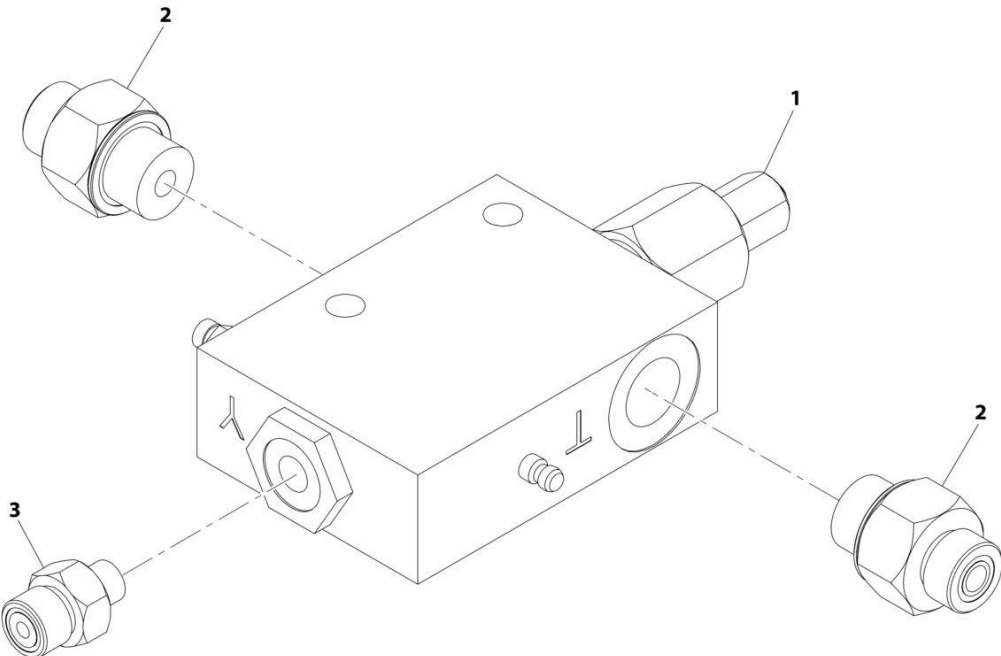
## SECTION 8 - HYDRAULIC CIRCUITS

**FIGURE 8-17. VALVES INSTALLATION**

ITEM	PART NUMBER	QTY	DESCRIPTION	REV
	1001190692	Ref	VALVES INSTALLATION	E
2	0641522	3	Bolt 5/16 x 2-3/4, GR5	
3	2110808	1	Fitting, Straight	
4	2112020	1	Fitting, Straight	
5	2150808	1	Fitting, 90 ORFS	
6	2151212	1	Fitting, 90 ORFS	
7	2170108	2	Adapter, Connector	
8	1001208854	1	Adapter, Connector	
9	2170406	1	Adapter, Run Tee	
11	2170712	1	Adapter, Run Tee	
12	2170808	1	Adapter, Branch Tee	
14	2171712	2	Flange Kit	
15	2171716	2	Flange Kit	
16	2220550	1	Fitting, Straight	
17	4711400	1	Washer 1/4	
19	4891500	3	Washer 5/16	
20	8303114	1	Bolt 1/4 x 2-1/4, GR5	
21	3931524	2	Capscrew 5/16 x 1-1/2, GR5	
22	1001080243	1	Assembly, Steering Select Valve (See Separate Breakdown in this Section)	
24	1001132338	1	Assembly, Main Control Valve (See Separate Breakdown in this Section)	
25	1001142155	1	Assembly, Priority Valve (See Separate Breakdown in this Section)	
26	0641514	2	Bolt 5/16 x 1-3/4, GR5	
27	2170704	1	Swivel Tee	
28	4711500	2	Washer 5/16	
29	1001080399	1	Assembly, Brake Valve (See Separate Breakdown in this Section)	

**SECTION 8 - HYDRAULIC CIRCUITS**

**FIGURE 8-18. VALVE & FITTINGS ASSEMBLY - BRAKE**



ART\_1001080399-D

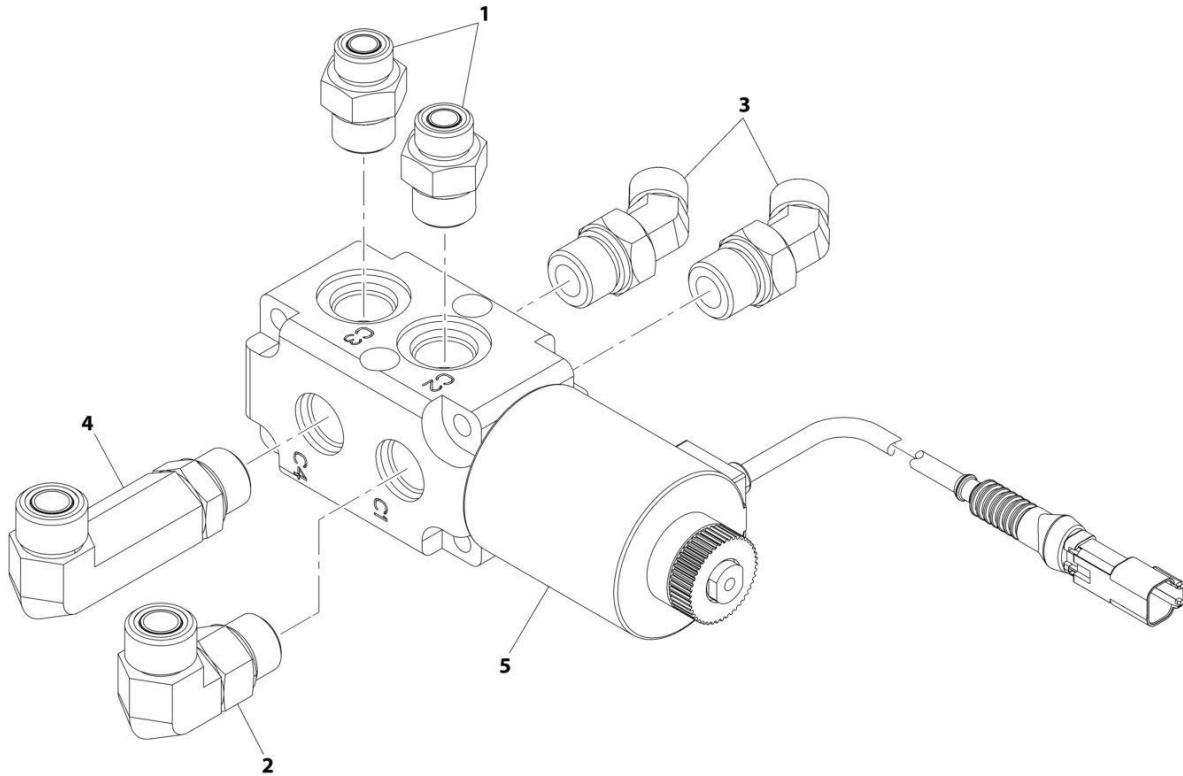
## SECTION 8 - HYDRAULIC CIRCUITS

FIGURE 8-18. VALVE & FITTINGS ASSEMBLY - BRAKE

ITEM	PART NUMBER	QTY	DESCRIPTION	REV
	1001080399	Ref	Brake Valve Assembly	D
1	4641474	1	Brake Valve	
2	1001081333	2	Fitting	
3	1001081334	1	Fitting	

# SECTION 8 - HYDRAULIC CIRCUITS

FIGURE 8-19. VALVE & FITTINGS ASSEMBLY - DIVERTER (REAR)



ART\_1001135807-A

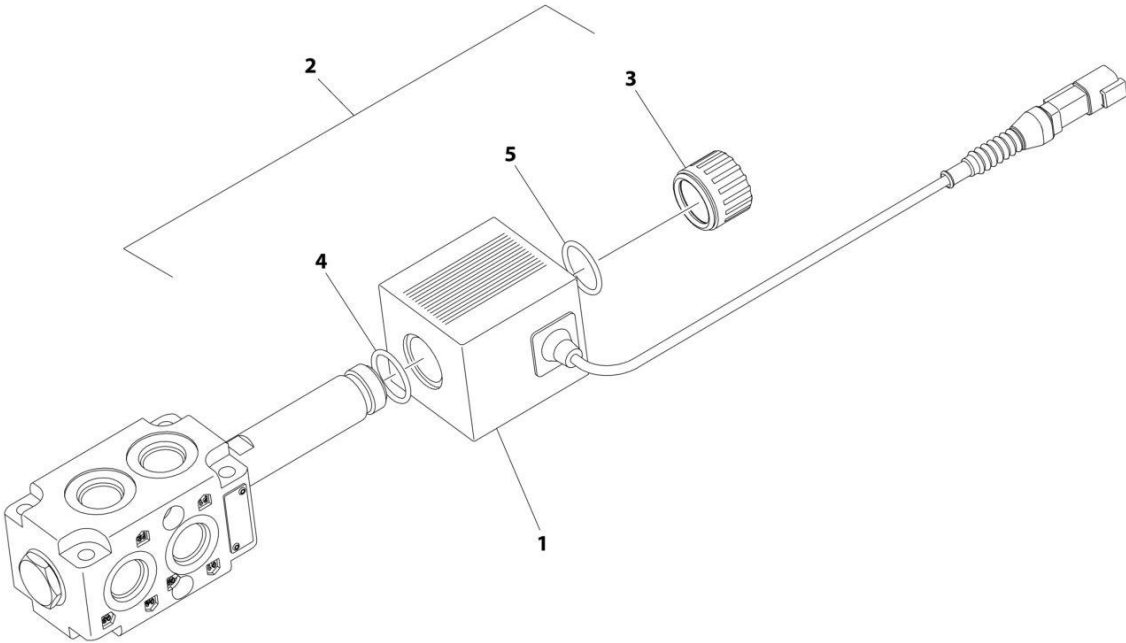
## SECTION 8 - HYDRAULIC CIRCUITS

**FIGURE 8-19. VALVE & FITTINGS ASSEMBLY - DIVERTER (REAR)**

ITEM	PART NUMBER	QTY	DESCRIPTION	REV
	1001135807	Ref	Rear Diverter Valve Assembly	A
1	2110810	2	Adapter	
2	2131010	1	Adapter, 90	
3	2150810	2	Adapter, 45	
4	2170210	1	Adapter, 90	
5	1001104477	1	Divertor Valve (See Separate Breakdown in this Section)	

**SECTION 8 - HYDRAULIC CIRCUITS**

**FIGURE 8-20. VALVE ASSEMBLY - DIVERTER**



ART\_1001104477

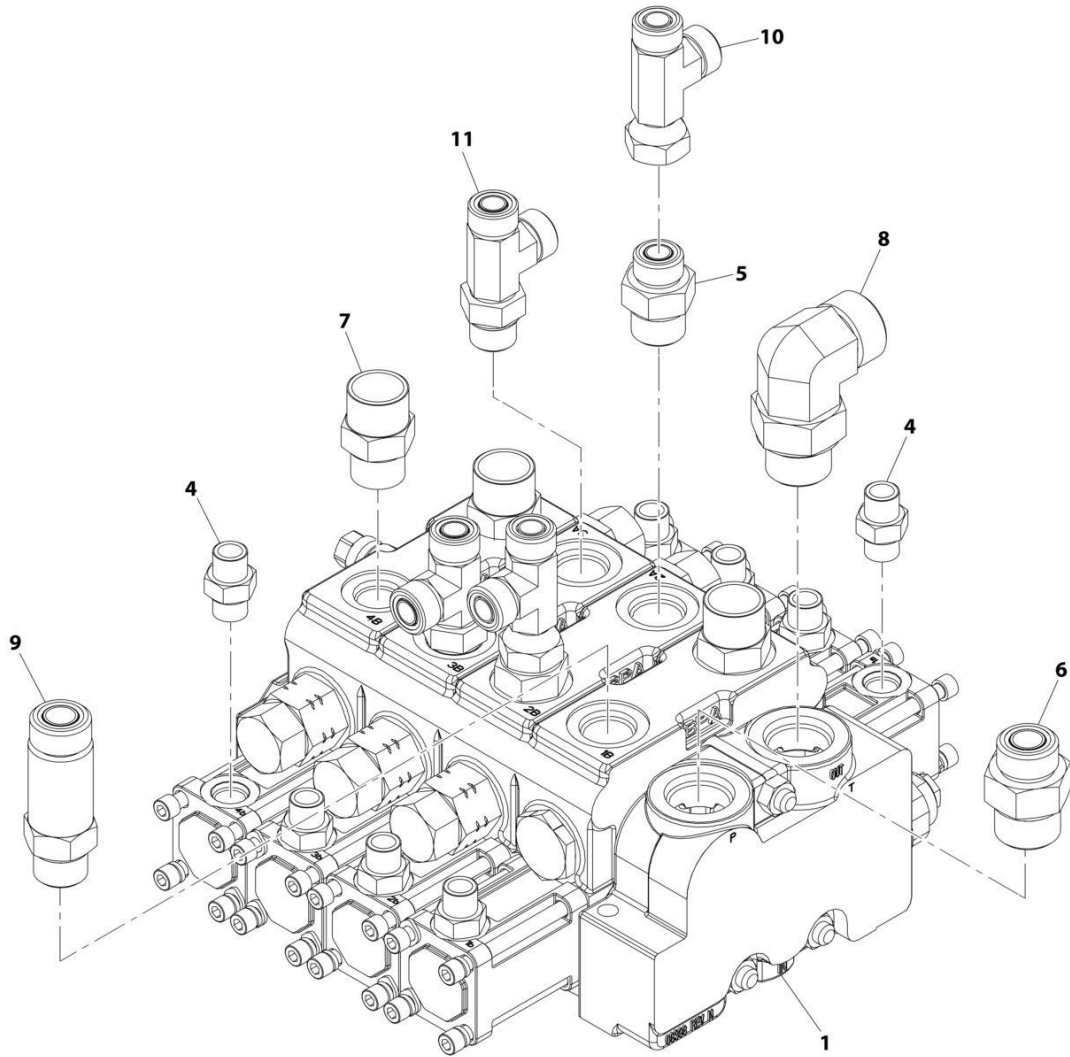
## SECTION 8 - HYDRAULIC CIRCUITS

FIGURE 8-20. VALVE ASSEMBLY - DIVERTER

ITEM	PART NUMBER	QTY	DESCRIPTION	REV
	1001104477	Ref	DIVERTOR VALVE	D
1	70020764	1	Coil	
2	70021531	1	Retainer Kit (Includes Items 3-5)	
3	Kit	1	Nut	
4	Kit	1	O-Ring	
5	Kit	1	O-Ring	

# SECTION 8 - HYDRAULIC CIRCUITS

## FIGURE 8-21. VALVE & FITTINGS ASSEMBLY - MAIN CONTROL



ART\_1001132338-D



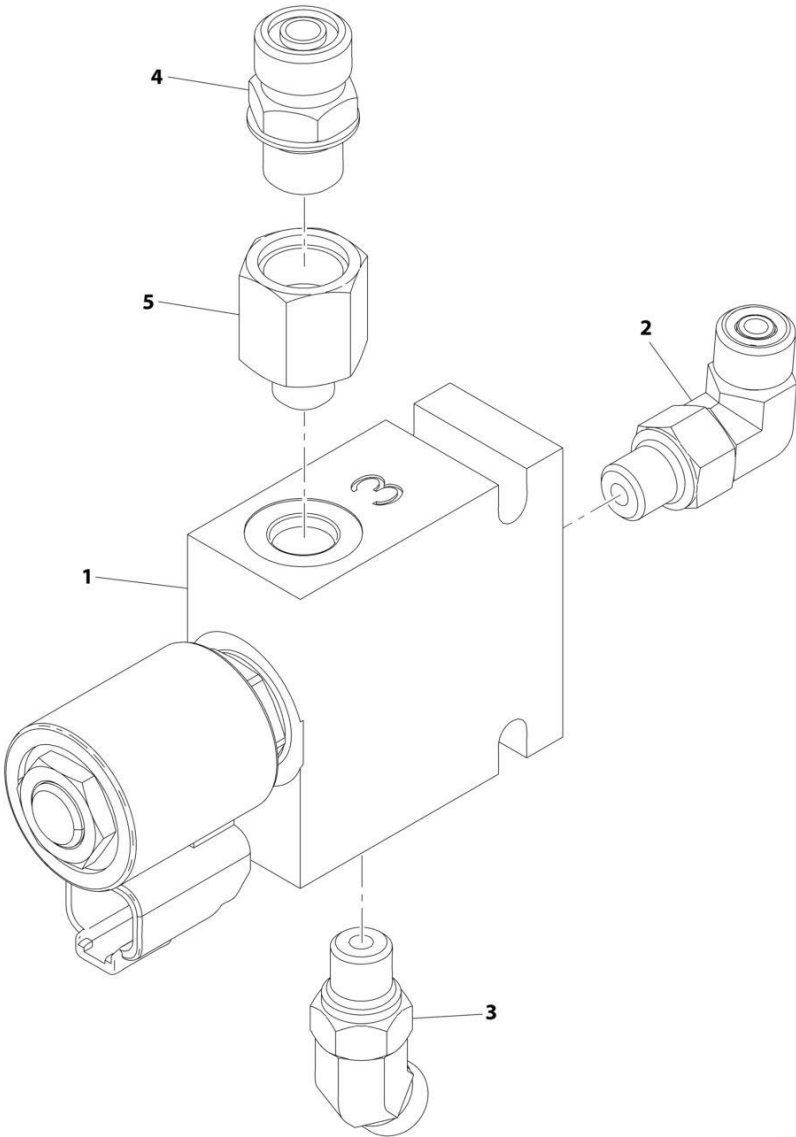
## SECTION 8 - HYDRAULIC CIRCUITS

### FIGURE 8-21. VALVE & FITTINGS ASSEMBLY - MAIN CONTROL

ITEM	PART NUMBER	QTY	DESCRIPTION	REV
	1001132338	Ref	Main Control Valve Assembly	D
1	1001080176	1	Valve, Main Control (W/Aux) (See Separate Breakdown in Hydraulic Component Section)	
4	2110406	8	Straight Fitting	
5	2110810	2	Adapter	
6	2111012	1	Adapter, Connector	
7	2111010	3	Adapter	
8	2131212	1	Adapter, 90	
9	2170110	1	Straight Fitting	
10	2170708	2	Swivel Tee	
11	2170308	2	Tee Fitting	

**SECTION 8 - HYDRAULIC CIRCUITS**

**FIGURE 8-22. VALVE & FITTINGS ASSEMBLY - PARK BRAKE**



ART\_1001080567-A

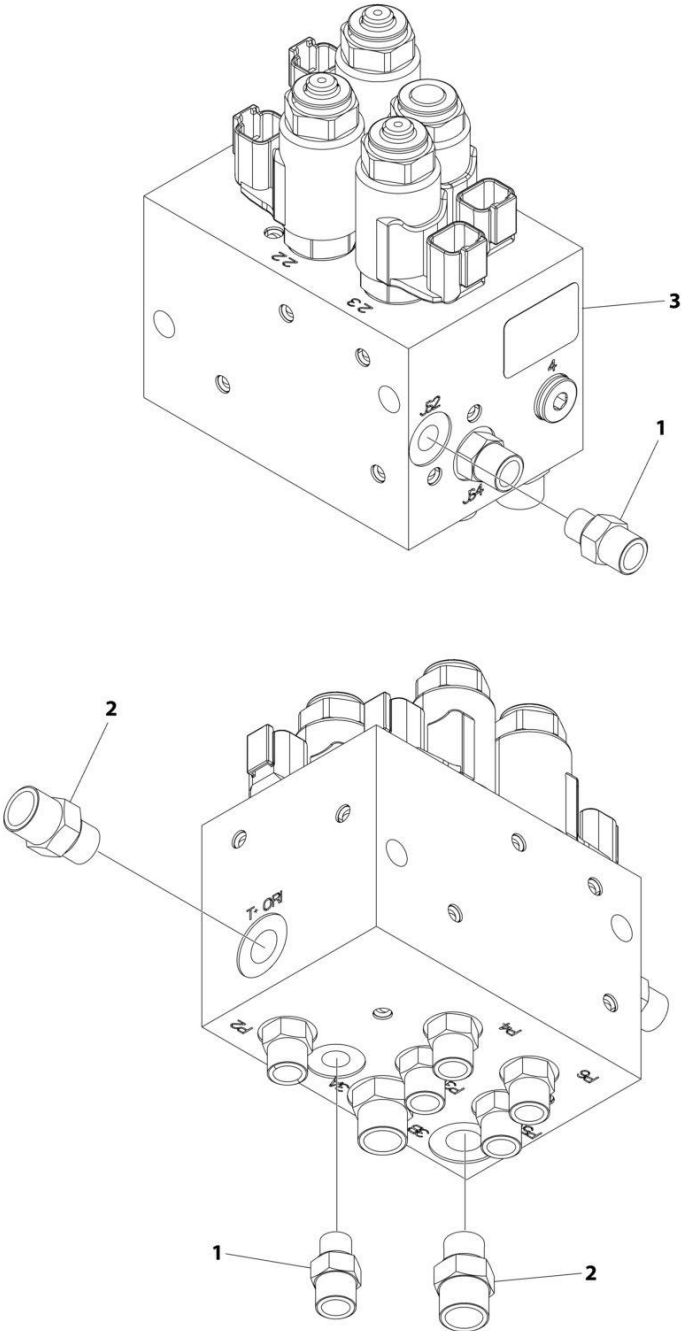
## SECTION 8 - HYDRAULIC CIRCUITS

FIGURE 8-22. VALVE & FITTINGS ASSEMBLY - PARK BRAKE

ITEM	PART NUMBER	QTY	DESCRIPTION	REV
1	1001080567	Ref	Park Brake Valve Assembly	B
	1001292174	1	Valve, Park Brake Release (See Separate Breakdown in Hydraulic Components Section)	
2	2130406	1	Fitting, 90 ORFS	
3	2150406	1	Fitting, 90 ORFS	
4	80333184	1	Fitting, Straight	

**SECTION 8 - HYDRAULIC CIRCUITS**

**FIGURE 8-23. VALVE & FITTINGS ASSEMBLY - PILOT (ANSI)**



ART\_1001131099\_B

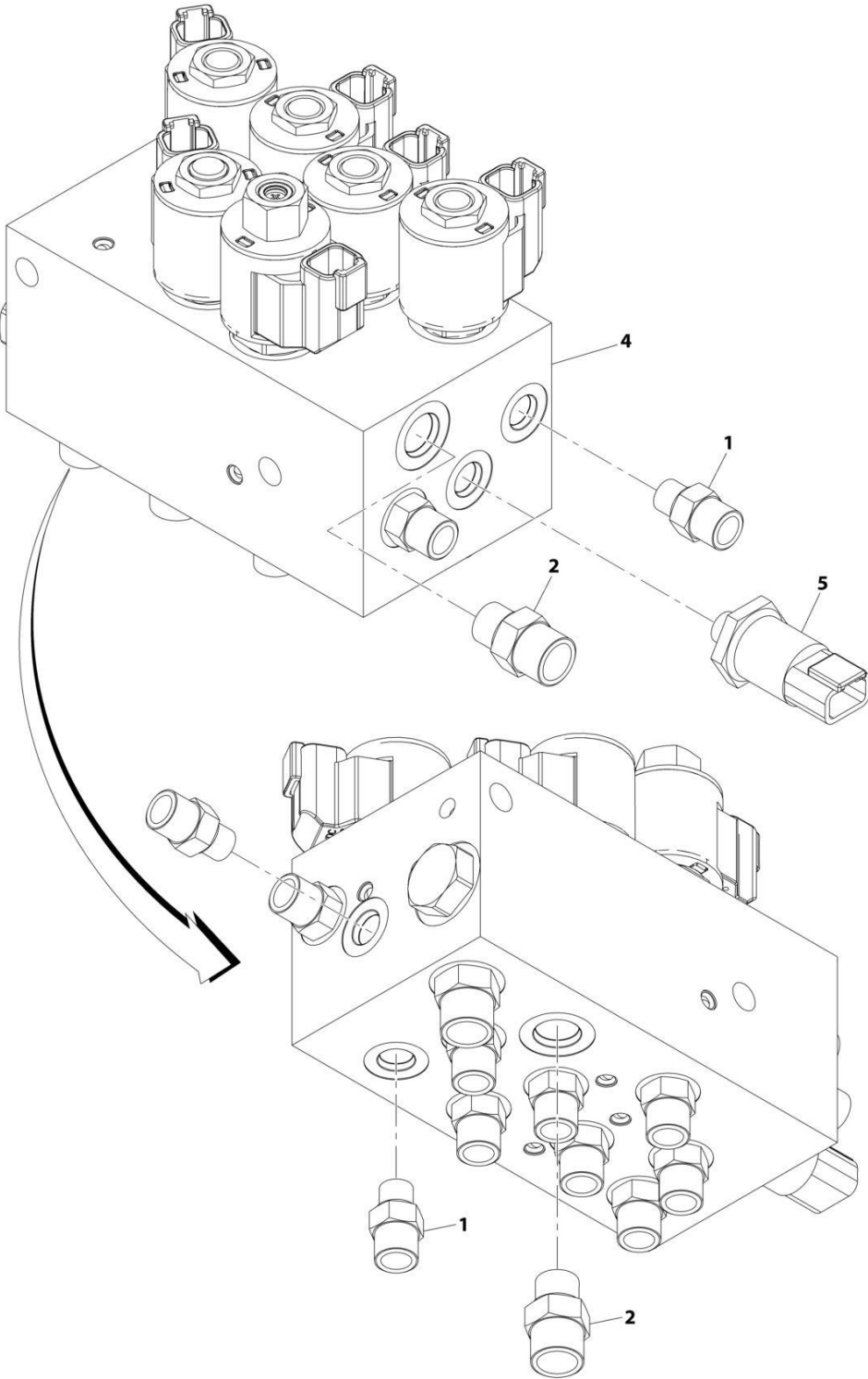
## SECTION 8 - HYDRAULIC CIRCUITS

**FIGURE 8-23. VALVE & FITTINGS ASSEMBLY - PILOT (ANSI)**

ITEM	PART NUMBER	QTY	DESCRIPTION	REV
	1001131099	Ref	PILOT SELECT VALVE ASSEMBLY (ANSI)	B
1	2110404	8	Adapter, Connector	
2	2110606	3	Adapter, Connector	
3	1001293252	1	Pilot Select Valve (ANSI) (See Separate Breakdown in this Section)	

**SECTION 8 - HYDRAULIC CIRCUITS**

**FIGURE 8-24. VALVE & FITTINGS ASSEMBLY - PILOT (CE)**



ART\_1001131098-B

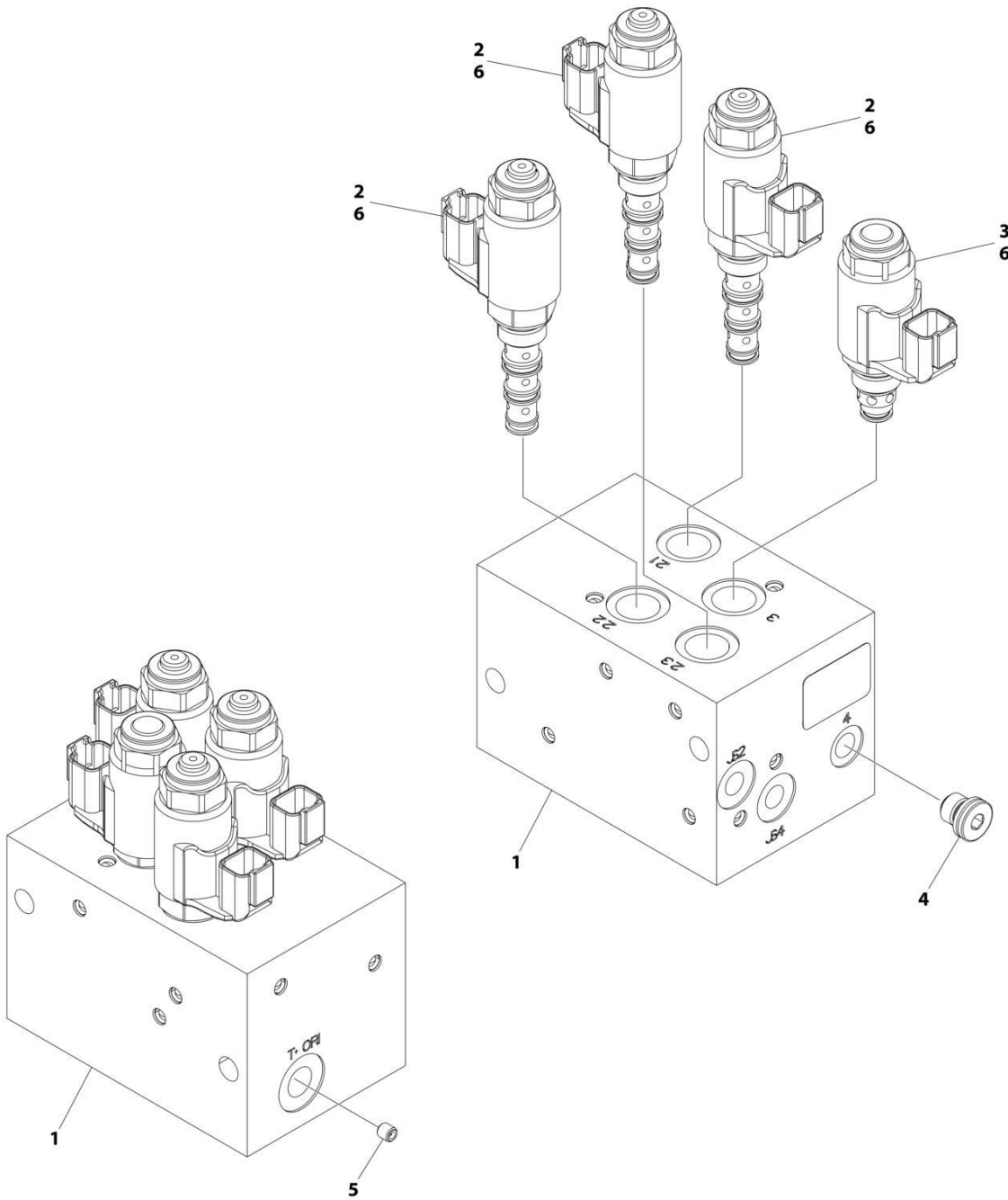
## SECTION 8 - HYDRAULIC CIRCUITS

**FIGURE 8-24. VALVE & FITTINGS ASSEMBLY - PILOT (CE)**

ITEM	PART NUMBER	QTY	DESCRIPTION	REV
	1001131098	Ref	Pilot Select Valve Assembly (CE)	B
1	2110404	12	Straight Fitting	
2	2110606	3	Straight Fitting	
4	1001132342	1	Valve, Pilot Select (CE) (See Separate Breakdown in this Section)	
5	1001132795	1	Pressure Sensor	

# SECTION 8 - HYDRAULIC CIRCUITS

## FIGURE 8-25. VALVE ASSEMBLY - PILOT



ART\_1001293252



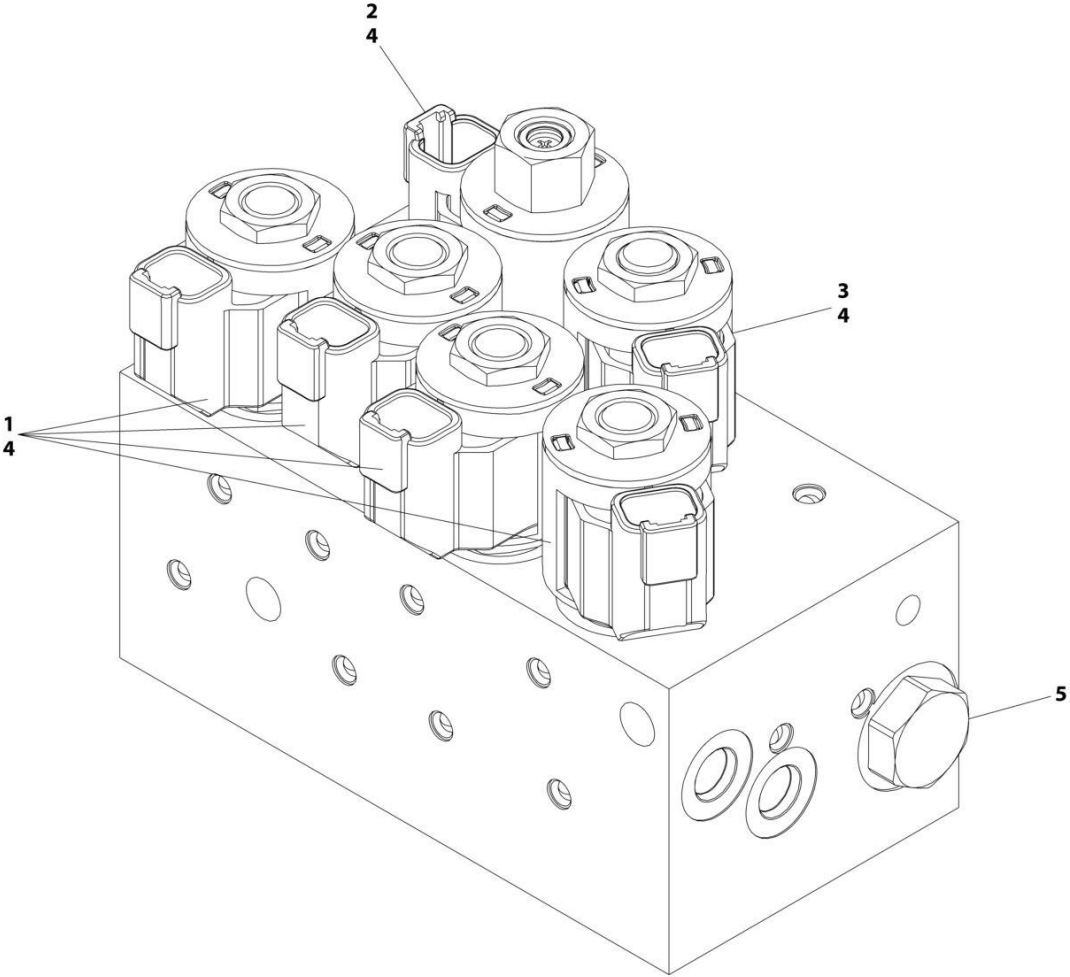
## SECTION 8 - HYDRAULIC CIRCUITS

### FIGURE 8-25. VALVE ASSEMBLY - PILOT

ITEM	PART NUMBER	QTY	DESCRIPTION	REV
	1001293252	Ref	VALVE ASSEMBLY - PILOT	A
1	See Note	NSS	Block, Valve (Note: Purchase PN 1001293252)	
2	70031579	3	Valve, Solenoid Cartridge	
3	70031580	1	Valve, Solenoid Cartridge	
4	70031581	1	Valve, Shuttle	
5	See Note	NSS	Orifice (Note: Purchase PN 1001293252)	
6	70031582	4	Coil	

**SECTION 8 - HYDRAULIC CIRCUITS**

**FIGURE 8-26. VALVE ASSEMBLY - PILOT (CE)**



ART\_1001132342-A

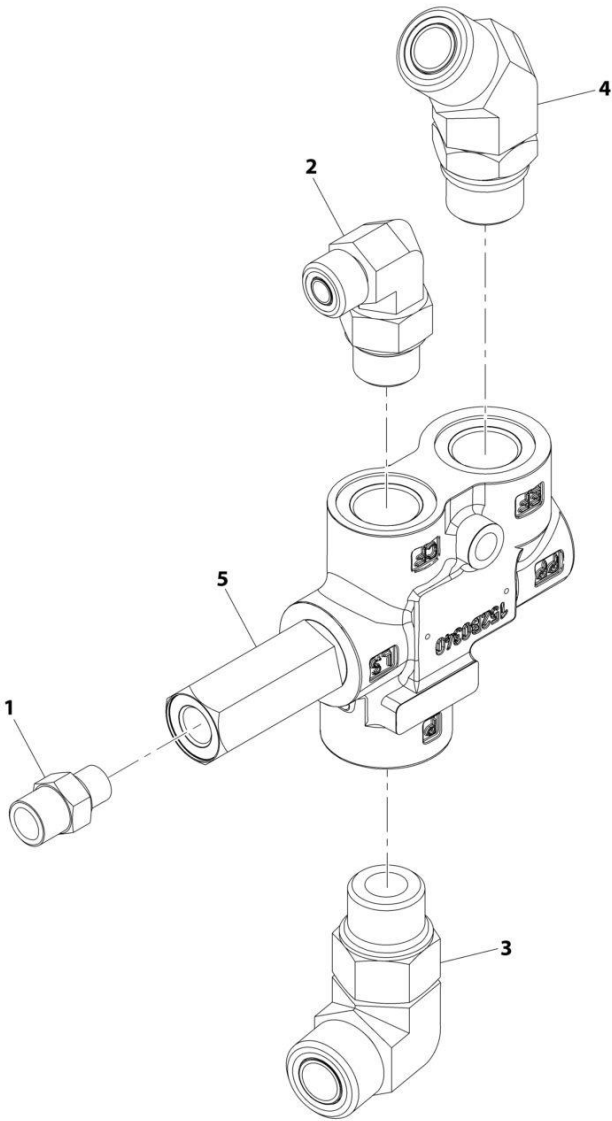
## SECTION 8 - HYDRAULIC CIRCUITS

### FIGURE 8-26. VALVE ASSEMBLY - PILOT (CE)

ITEM	PART NUMBER	QTY	DESCRIPTION	REV
	1001132342	Ref	Pilot Select Valve (CE)	A
1	1101244	4	Directional Valve	
1	8033761	4	Seal Kit	
2	70023945	1	Proportional Valve	
3	70023946	1	Directional Valve	
4	70002386	6	Coil	
5	10837580	1	Load Sense Check Valve	
5	7010543	1	Seal Kit	
6	70002064	1	Orifice, 0.047 In	

**SECTION 8 - HYDRAULIC CIRCUITS**

**FIGURE 8-27. VALVE & FITTINGS ASSEMBLY - PRIORITY**



ART\_1001142155-A

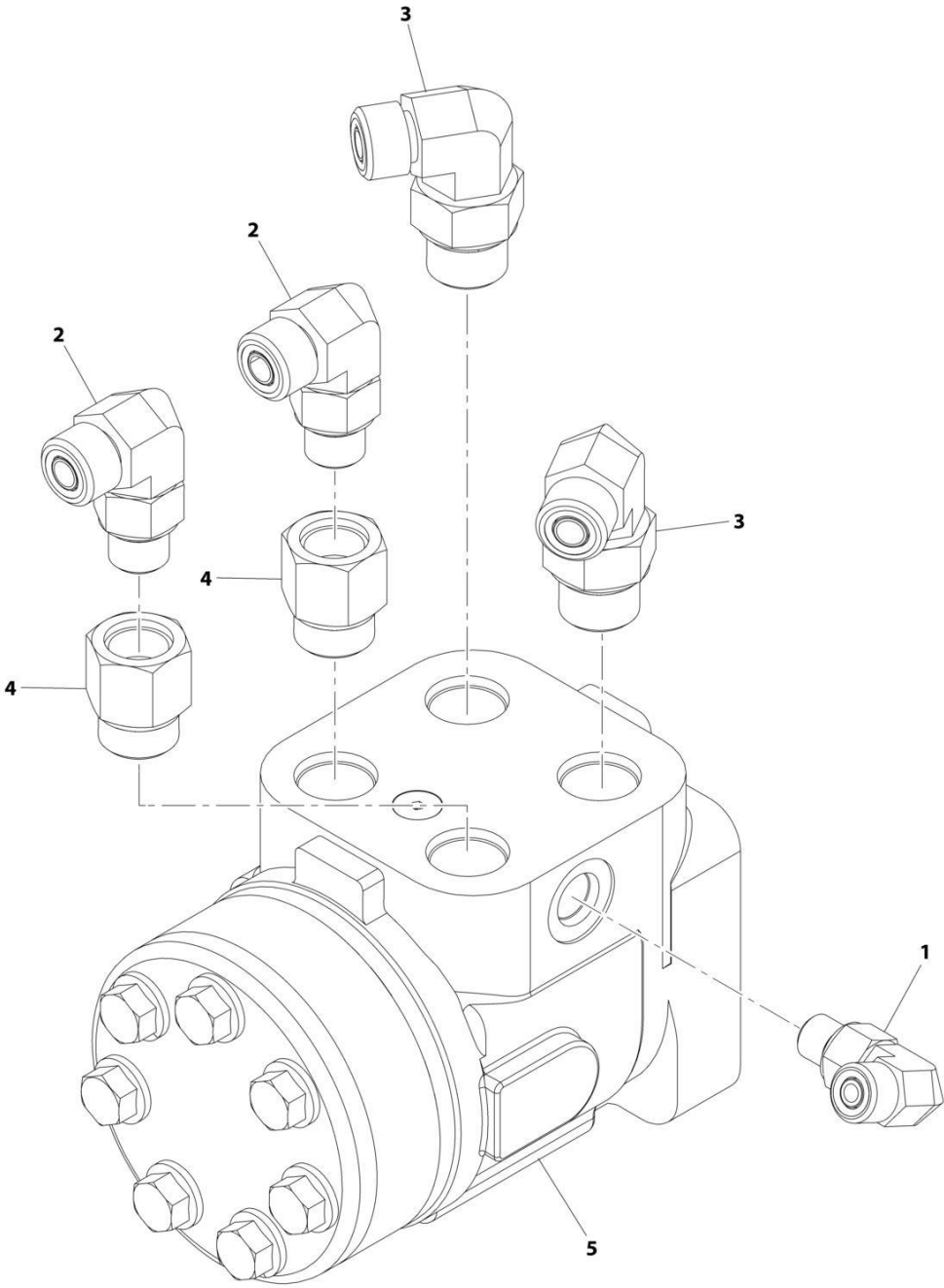
## SECTION 8 - HYDRAULIC CIRCUITS

FIGURE 8-27. VALVE & FITTINGS ASSEMBLY - PRIORITY

ITEM	PART NUMBER	QTY	DESCRIPTION	REV
	1001142155	Ref	Priority Valve Assembly	A
1	2110404	1	Adapter, Connector	
2	2130608	1	Adapter, 90	
3	2131010	1	Adapter, 90	
4	2151010	1	Adapter, 45	
5	1001080143	1	Priority Valve	

# SECTION 8 - HYDRAULIC CIRCUITS

FIGURE 8-28. VALVE & FITTINGS ASSEMBLY - STEERING



ART\_1001202006-A

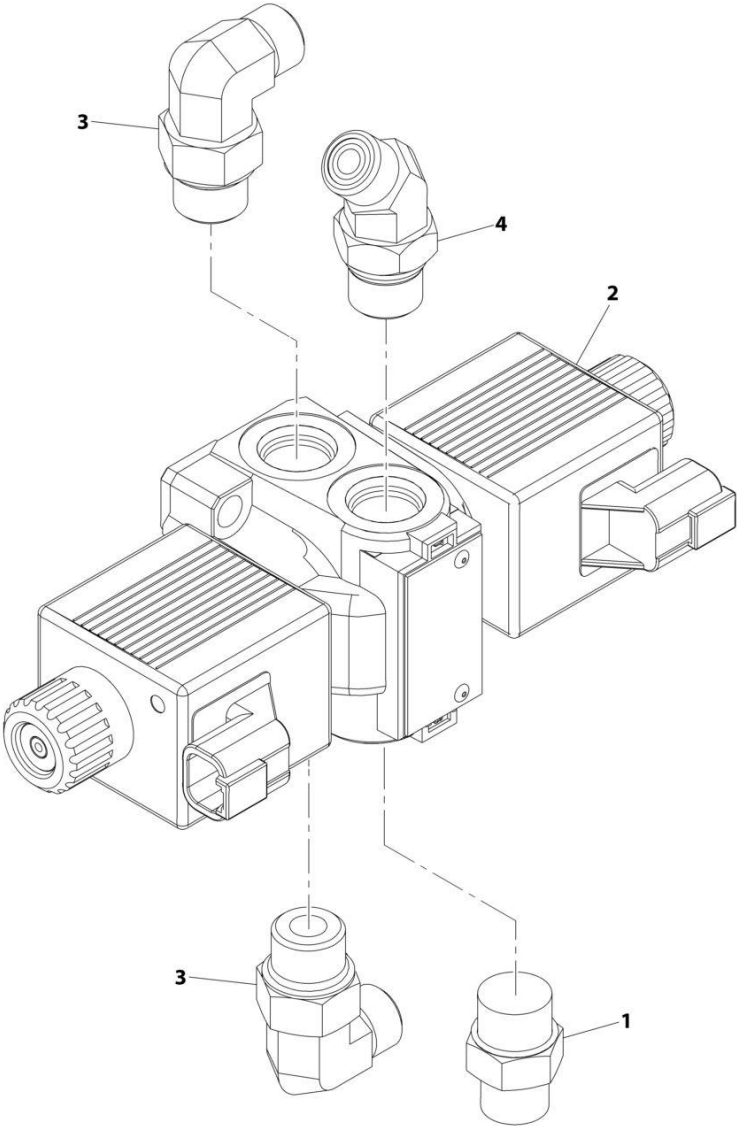
## SECTION 8 - HYDRAULIC CIRCUITS

### FIGURE 8-28. VALVE & FITTINGS ASSEMBLY - STEERING

ITEM	PART NUMBER	QTY	DESCRIPTION	REV
	1001202006	Ref	Steering Valve Assembly	A
1	2130404	1	Adapter, 90	
2	2130606	2	Adapter, 90	
3	2130608	2	Adapter, 90	
4	2220591	2	Adapter, Connector	
5	1001194017	1	Orbital Steering Valve	

**SECTION 8 - HYDRAULIC CIRCUITS**

**FIGURE 8-29. VALVE & FITTINGS ASSEMBLY - STEERING SELECT**



ART\_1001080243-F



## SECTION 8 - HYDRAULIC CIRCUITS

**FIGURE 8-29. VALVE & FITTINGS ASSEMBLY - STEERING SELECT**

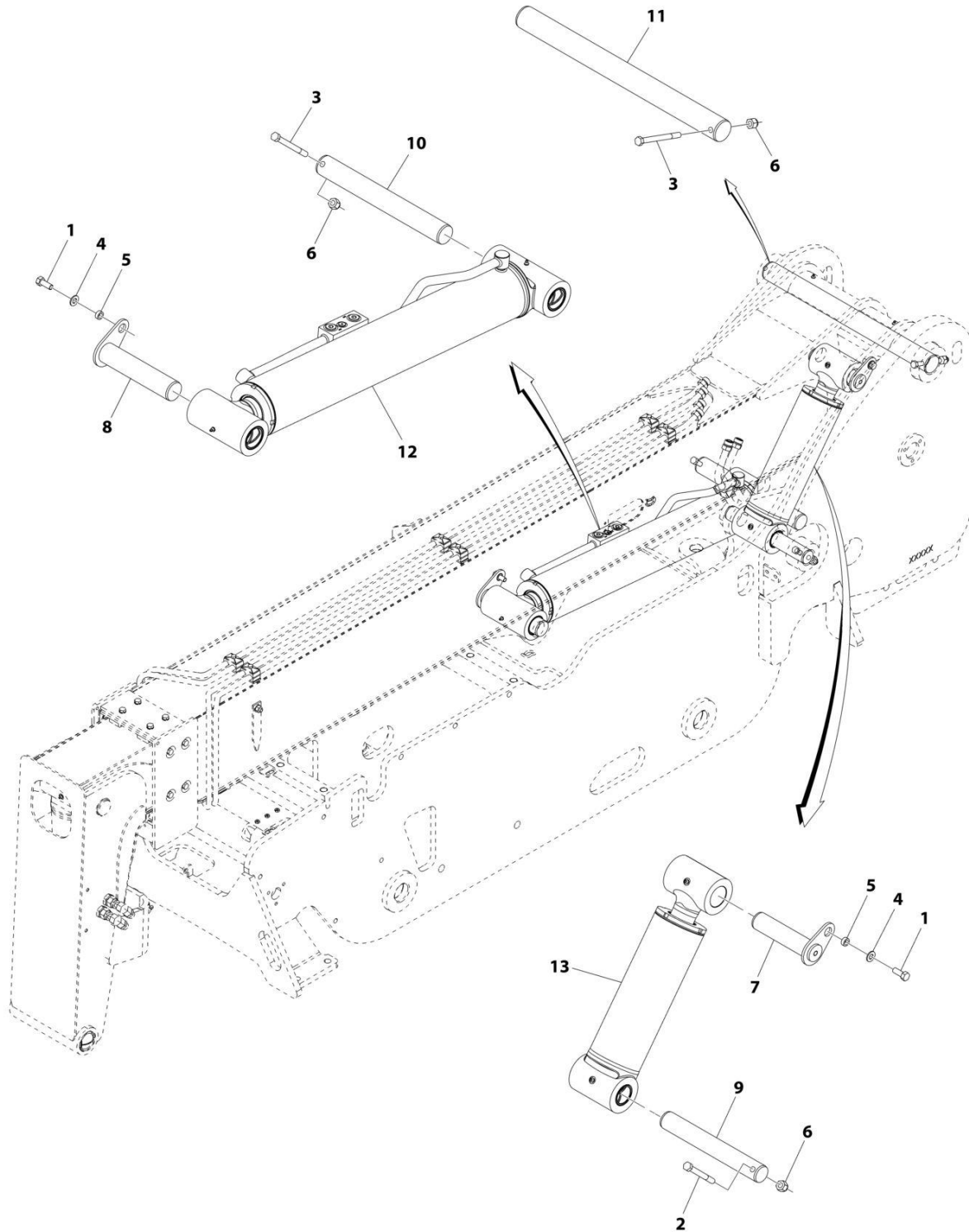
ITEM	PART NUMBER	QTY	DESCRIPTION	REV
	1001080243	Ref	Steering Select Valve Assembly	F
1	2110608	1	Adapter	
2	1001153748	1	Steering Select Valve (See Separate Breakdown in Hydraulic Component Section)	
3	2130608	2	Adapter, 90	
4	2150608	1	Adapter, 45	



**SECTION 9 - HYDRAULIC COMPONENTS**

# SECTION 9 - HYDRAULIC COMPONENTS

## FIGURE 9-1. CYLINDER INSTALLATION - BOOM (ANSI)



ART\_1001204854-B

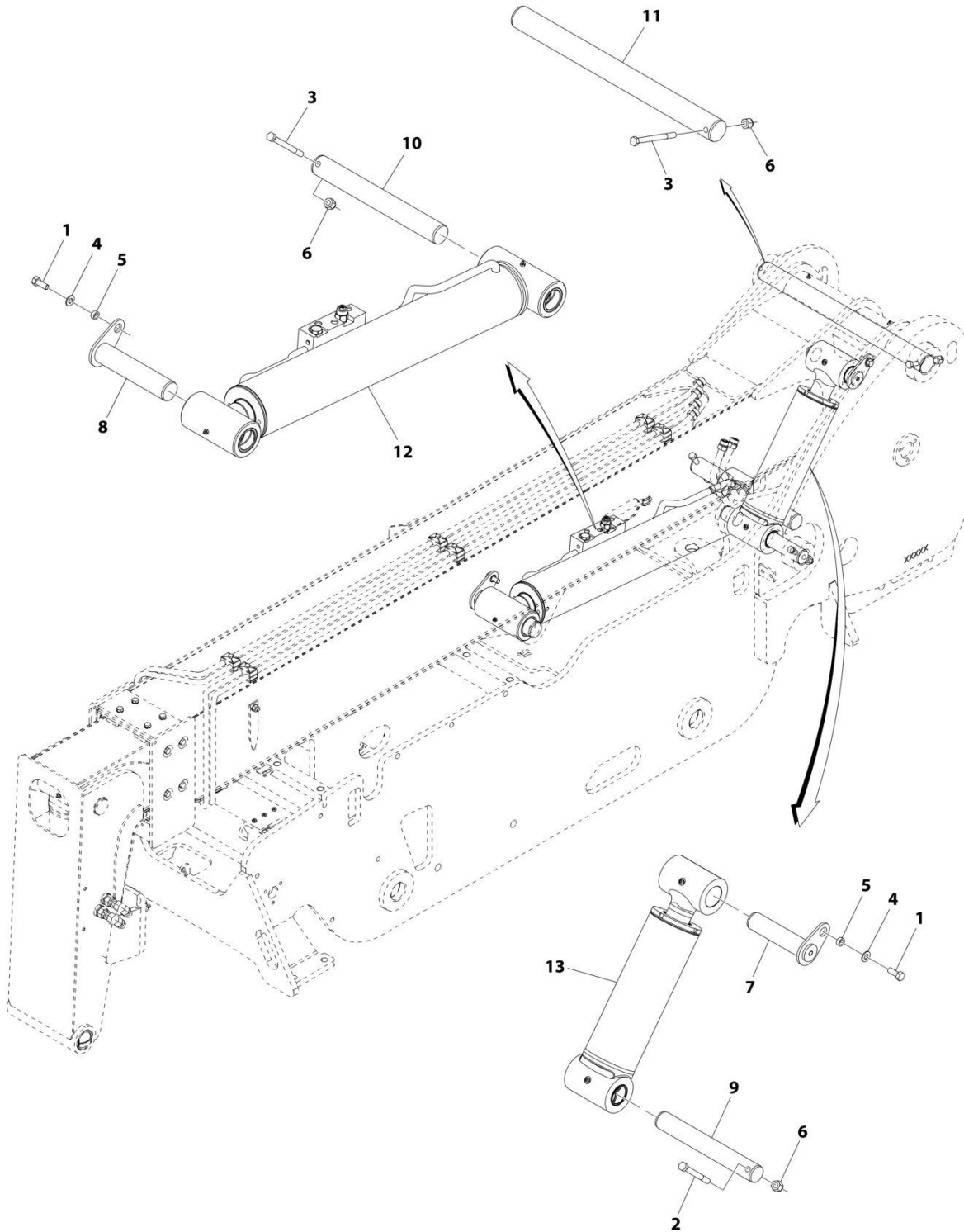
## SECTION 9 - HYDRAULIC COMPONENTS

**FIGURE 9-1. CYLINDER INSTALLATION - BOOM (ANSI)**

ITEM	PART NUMBER	QTY	DESCRIPTION	REV
	1001204854	Ref	Boom Cylinder Installation (ANSI)	B
1	0641810	2	Hex HD Capscrew, 1/2-13X5/4	
2	0681836	1	Hex HD Capscrew, 1/2-13X9/2	
3	0681844	2	Hex HD Capscrew, 1/2-13X11/2	
4	4711800	2	Plain Washer, 1/2	
5	7139886	2	Pin Retention Spacer	
6	88521208	3	Locknut, 1/2-13	
7	1001080154	1	Cylinder Rod Pin	
8	1001080155	1	Cylinder Rod Pin	
9	1001080312	1	Cylinder Base Pin	
10	1001080313	1	Cylinder Base Pin	
11	1001080314	1	Boom Pivot Pin	
12	1001225578	1	Lift Cylinder (See Separate Breakdown in this Section)	
13	1001200580	1	Compensation Cylinder (See Separate Breakdown in this Section)	

# SECTION 9 - HYDRAULIC COMPONENTS

## FIGURE 9-2. CYLINDER INSTALLATION - BOOM (CE)



ART\_1001204856-A

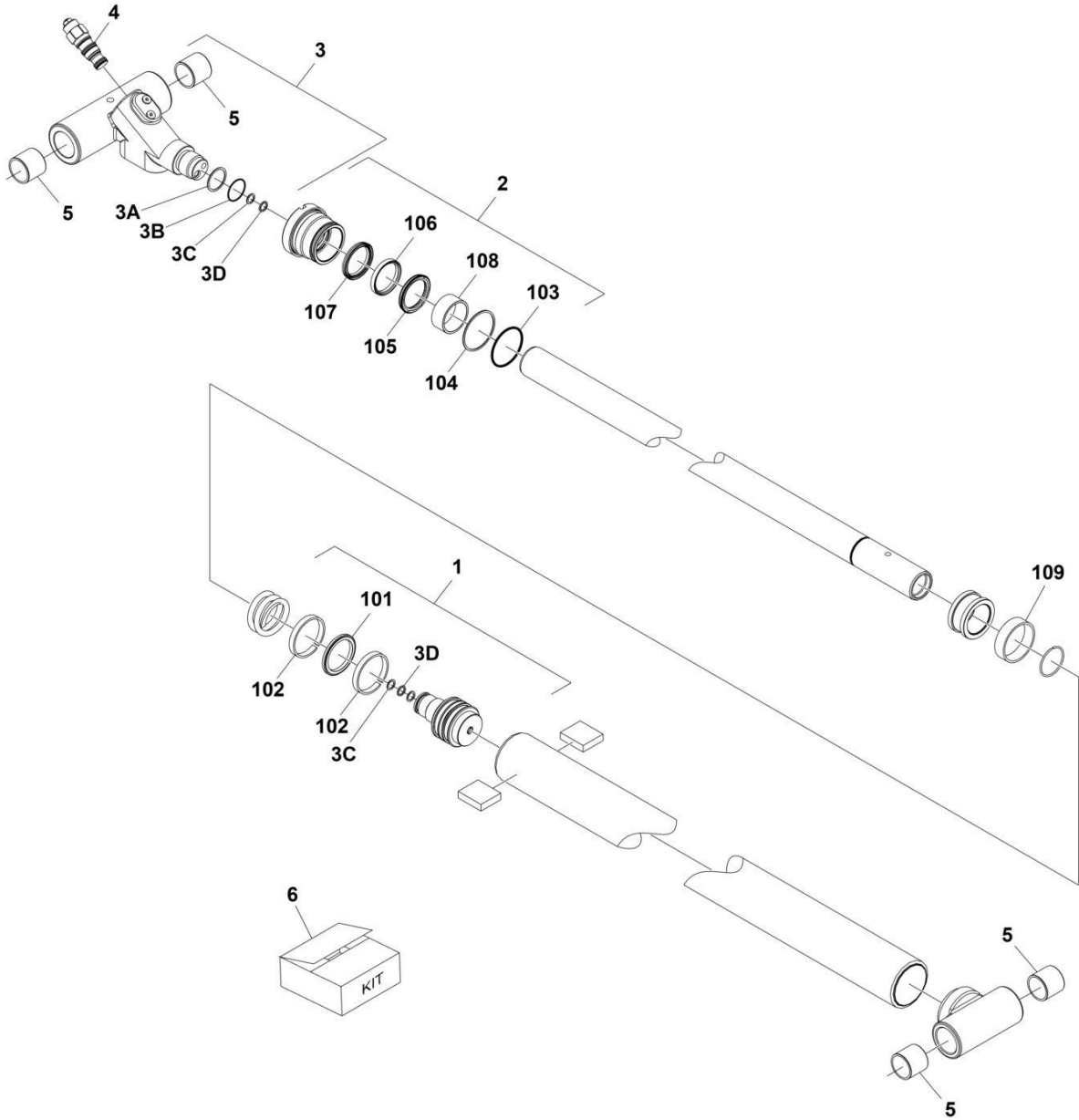
## SECTION 9 - HYDRAULIC COMPONENTS

**FIGURE 9-2. CYLINDER INSTALLATION - BOOM (CE)**

ITEM	PART NUMBER	QTY	DESCRIPTION	REV
	1001204856	Ref	Boom Cylinder Installation (CE)	A
1	0641810	2	Hex HD Capscrew, 1/2-13X5/4	
2	0681836	1	Hex HD Capscrew, 1/2-13X9/2	
3	0681844	2	Hex HD Capscrew, 1/2-13X11/2	
4	4711800	2	Plain Washer, 1/2	
5	7139886	2	Pin Retention Spacer	
6	88521208	3	Locknut, 1/2-13	
7	1001080154	1	Cylinder Rod Pin	
8	1001080155	1	Cylinder Rod Pin	
9	1001080312	1	Cylinder Base Pin	
10	1001080313	1	Cylinder Base Pin	
11	1001080314	1	Boom Pivot Pin	
12	1001132210	1	Lift Cylinder Assembly (See Separate Breakdown in this Section)	
13	1001200580	1	Compensation Cylinder (See Separate Breakdown in this Section)	

# SECTION 9 - HYDRAULIC COMPONENTS

## FIGURE 9-3. CYLINDER ASSEMBLY - BOOM EXTEND/RETRACT



ART\_1001201668



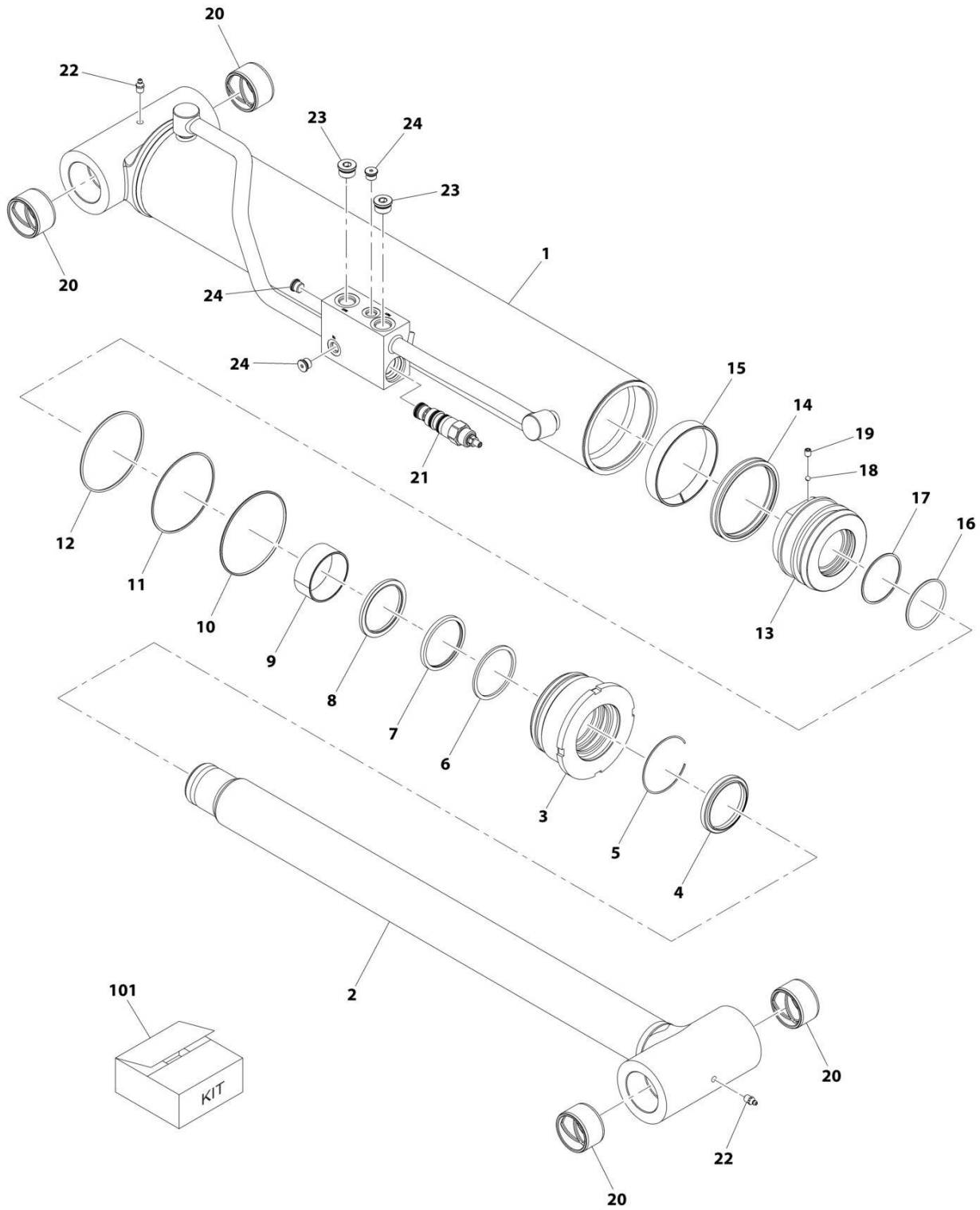
## SECTION 9 - HYDRAULIC COMPONENTS

**FIGURE 9-3. CYLINDER ASSEMBLY - BOOM EXTEND/RETRACT**

ITEM	PART NUMBER	QTY	DESCRIPTION	REV
	1001201668	Ref	EXTEND/RETRACT CYLINDER	C
		Ref	Note: Original Cylinder May Have Been Replaced with Service Replacement. Identify PN Stamped on Cylinder Before Ordering Parts.	
1	70027610	1	Piston Assembly (Includes Items 101 & 102)	
2	70027611	1	Retainer Assembly (Includes Items 103-108)	
3	70027612	1	Rod Assembly	
3A	70030368	1	Ring, Back up	
3B	70030369	1	O-Ring	
3C	70030370	1	O-Ring	
3D	70030371	1	Ring, Back up	
4	70020376	1	Valve, Counter Balance	
5	70029975	4	Bearing	
6	70027638	1	Seal Kit (Includes Items 101-109)	
101	Kit	1	Seal, Piston	
102	Kit	2	Ring, Wear	
103	Kit	1	O-Ring	
104	Kit	1	Ring, Back Up	
105	Kit	1	Ring, Buffer	
106	Kit	1	Seal, Rod	
107	Kit	1	Wiper	
108	Kit	1	Bushing	
109	Kit	1	Ring, Wear	

# SECTION 9 - HYDRAULIC COMPONENTS

## FIGURE 9-4. CYLINDER ASSEMBLY - BOOM LIFT (ANSI)



ART\_1001225578-B

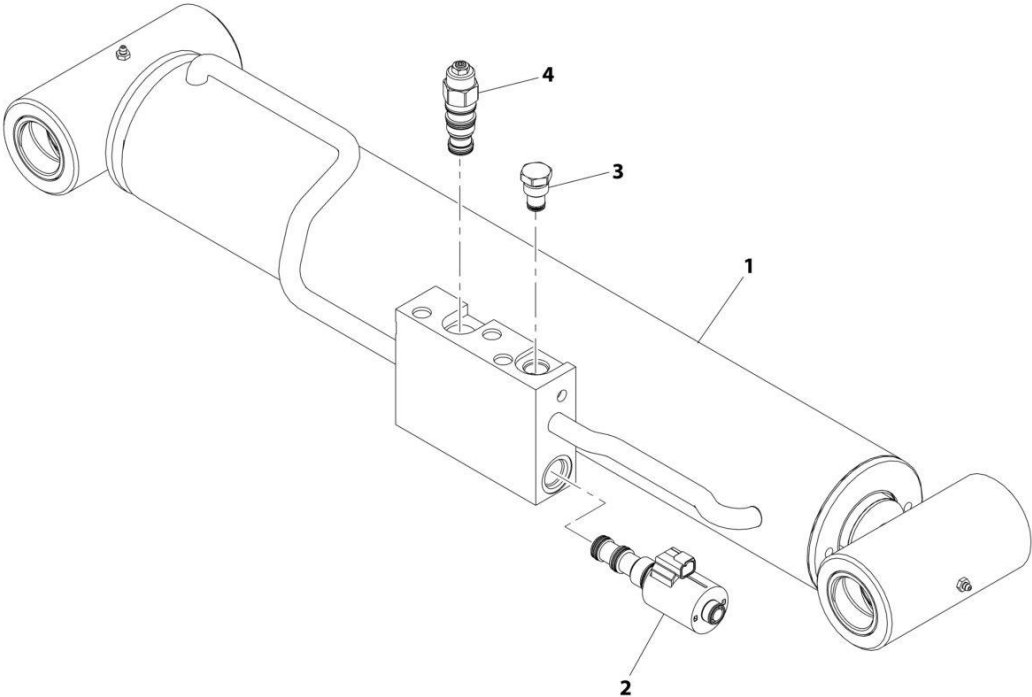
## SECTION 9 - HYDRAULIC COMPONENTS

**FIGURE 9-4. CYLINDER ASSEMBLY - BOOM LIFT (ANSI)**

ITEM	PART NUMBER	QTY	DESCRIPTION	REV
	1001225578	Ref	Lift Cylinder, ANSI	B
		Ref	Note: Original Cylinder May Have Been Replaced with Service Replacement. Identify PN Stamped on Cylinder Before Ordering Parts.	
1	70027260	1	Tube Assembly	
2	70027261	1	Rod Assembly	
3	70027256	1	Gland	
4	Kit	1	Dust Wiper	
5	70027259	1	Retain Ring	
6	Kit	1	Rod Seal	
7	Kit	1	Back-Up Ring	
8	Kit	1	Buffer Ring	
9	Kit	1	Dry Bearing	
10	Kit	1	O-Ring	
11	Kit	1	Back-Up Ring	
12	Kit	1	O-Ring	
13	70027257	1	Piston	
14	Kit	1	Piston Seal	
15	Kit	1	Wear Ring	
16	Kit	1	O-Ring	
17	Kit	1	Back-Up Ring	
18	70022564	1	Steel Ball	
19	70023369	1	Set Screw	
20	70027251	4	Bushing	
21	70028856	1	Counterbalance Valve	
22	70026308	2	Grease Nipple	
23	70005433	2	Hex Plug	
24	2220885	3	Hex Plug	
101	70027262	1	Seal Kit (includes items 4, 6 thru 12, 14 thru 17)	

**SECTION 9 - HYDRAULIC COMPONENTS**

**FIGURE 9-5. CYLINDER ASSEMBLY - BOOM LIFT (CE)**



ART\_1001132210-A

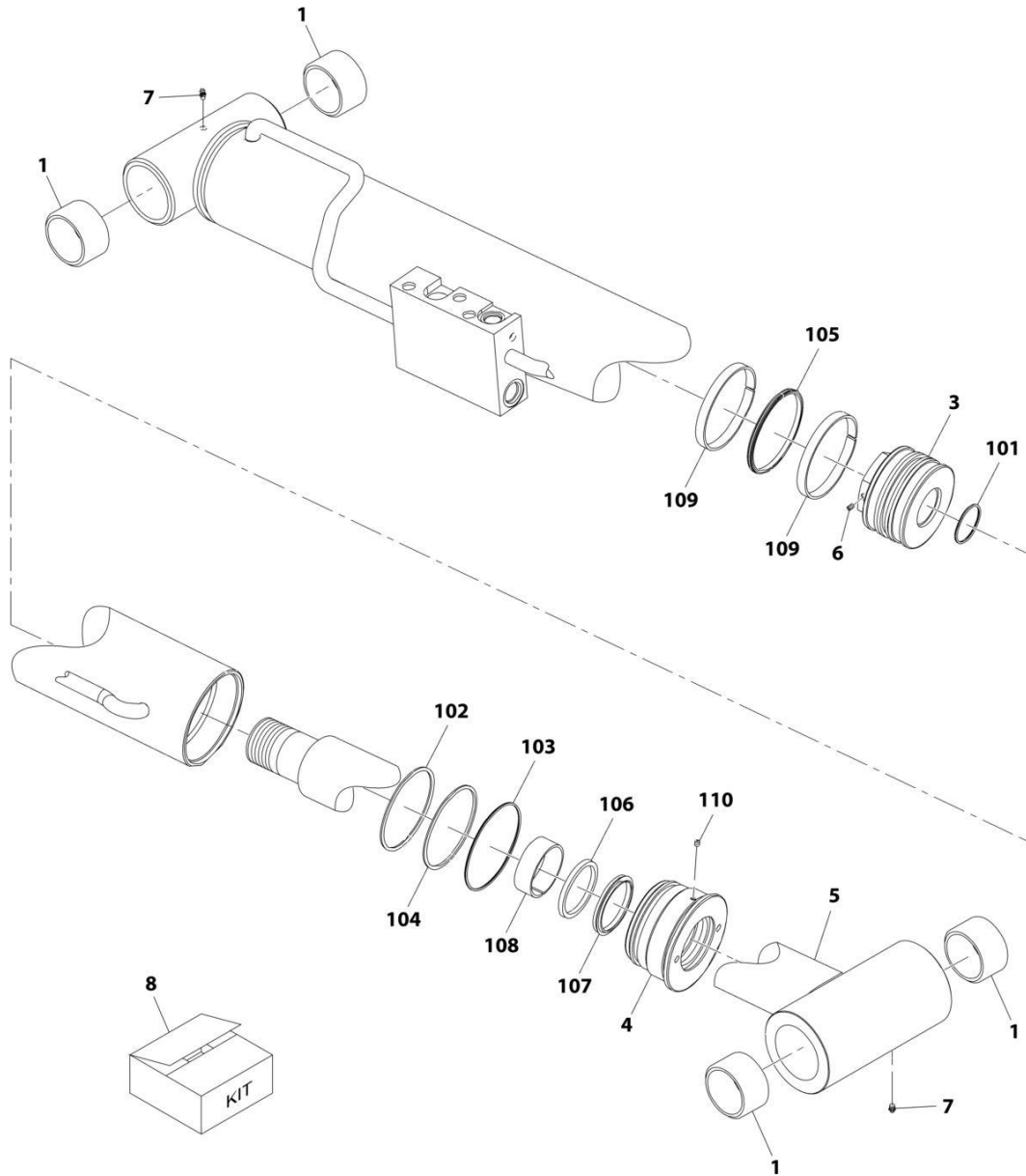
## SECTION 9 - HYDRAULIC COMPONENTS

FIGURE 9-5. CYLINDER ASSEMBLY - BOOM LIFT (CE)

ITEM	PART NUMBER	QTY	DESCRIPTION	REV
	1001132210	Ref	Lift Cylinder Assembly, CE	A
1	1001132161	1	Lift Cylinder, CE (See Separate Breakdown in this Section)	
2	1001132207	1	Flow Control Valve	
3	1001132208	1	Check Valve	
4	1001132209	1	Counterbalance Valve	

# SECTION 9 - HYDRAULIC COMPONENTS

## FIGURE 9-6. CYLINDER ASSEMBLY - BOOM LIFT (CE)



ART\_1001132161-A

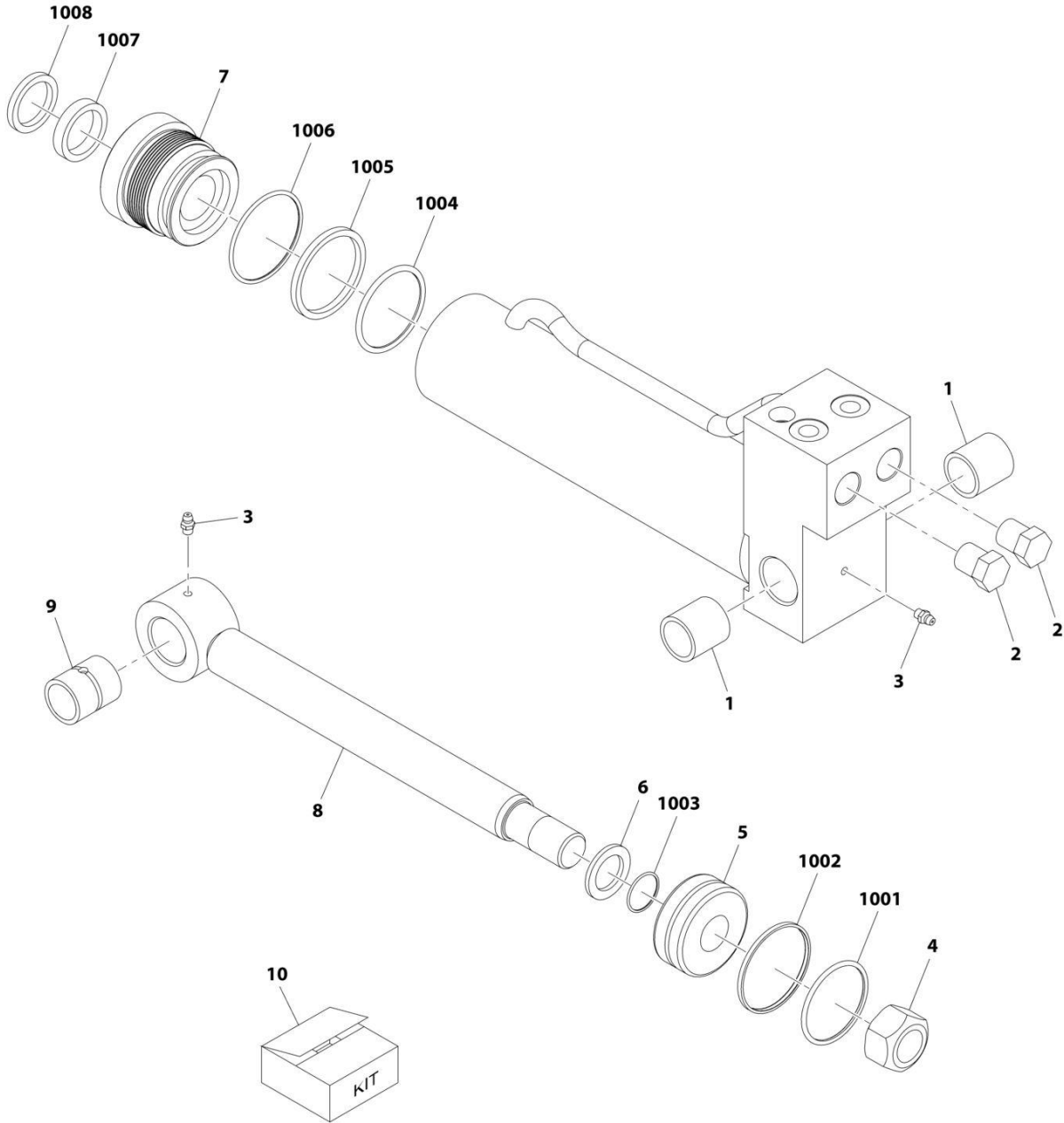
## SECTION 9 - HYDRAULIC COMPONENTS

**FIGURE 9-6. CYLINDER ASSEMBLY - BOOM LIFT (CE)**

ITEM	PART NUMBER	QTY	DESCRIPTION	REV
	1001132161	Ref	Lift Cylinder, CE	A
		Ref	Note: Original Cylinder May Have Been Replaced with Service Replacement. Identify PN Stamped on Cylinder Before Ordering Parts.	
1	70020370	4	Bushing	
3	70020372	1	Piston	
4	70020373	1	Head Gland	
5	70023974	1	Cylinder Rod	
6	8036629	3	Set Screw	
7	70020375	2	Grease Fitting	
8	70020377	1	Seal Kit	
101	Kit	1	O-Ring	
102	Kit	1	O-Ring	
103	Kit	1	O-Ring	
104	Kit	1	Backup Ring	
105	Kit	1	Piston Seal	
106	Kit	1	Rod Seal	
107	Kit	1	Rod Wiper	
108	Kit	1	Wearband	
109	Kit	2	Wearband	
110	Kit	2	Locking Insert	

# SECTION 9 - HYDRAULIC COMPONENTS

## FIGURE 9-7. CYLINDER ASSEMBLY - CARRIAGE TILT



ART\_70021363-A



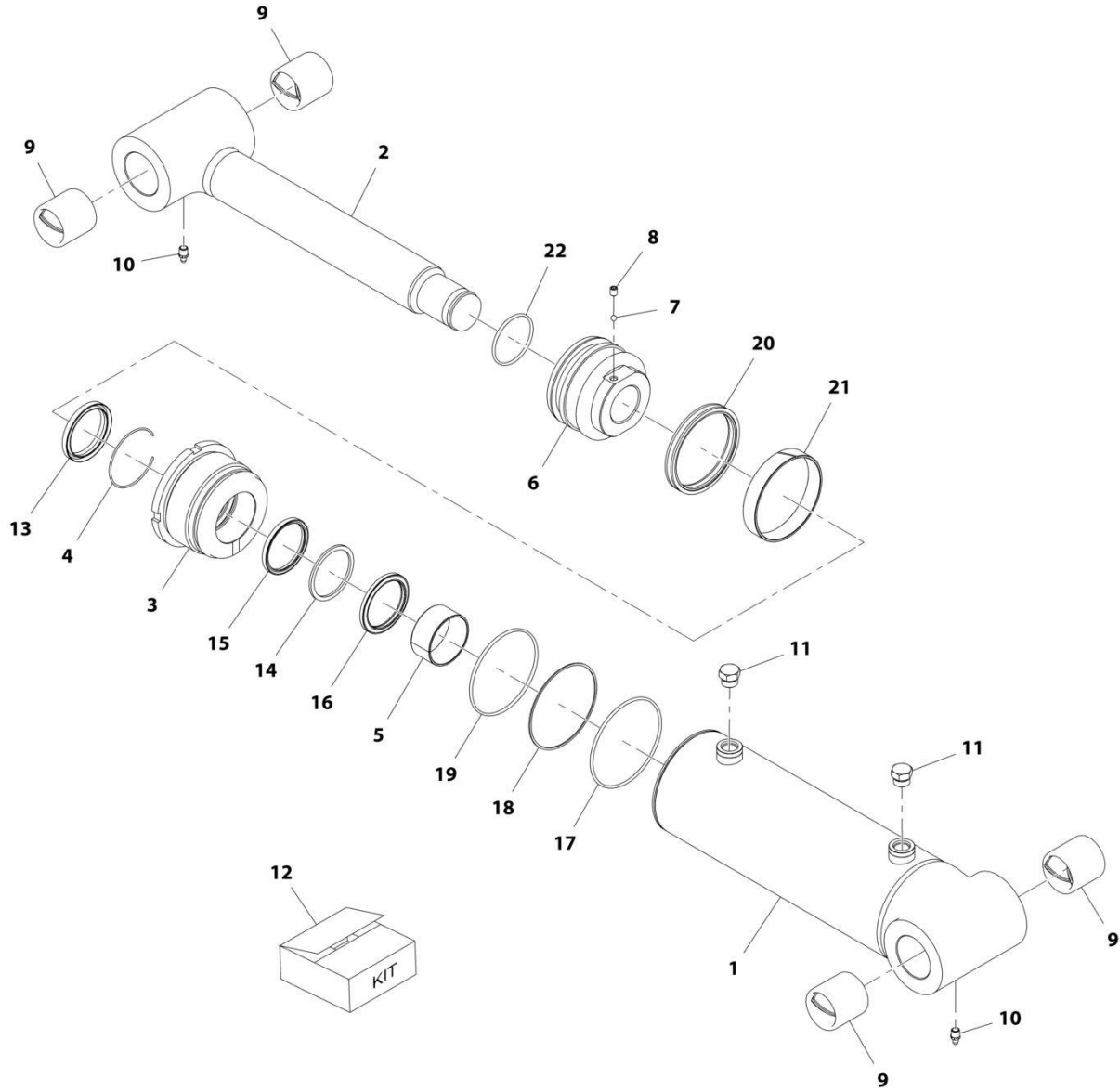
## SECTION 9 - HYDRAULIC COMPONENTS

### FIGURE 9-7. CYLINDER ASSEMBLY - CARRIAGE TILT

ITEM	PART NUMBER	QTY	DESCRIPTION	REV
	70021363	Ref	Side Tilt Carriage Cylinder	A
		Ref	Note: Original Cylinder May Have Been Replaced with Service Replacement. Identify PN Stamped on Cylinder Before Ordering Parts.	
1	70021448	2	Bushing	
2	70021464	2	Valve Cartridge	
3	90554045	2	Grease Fitting	
4	70021440	1	Nut	
5	70021451	1	Piston	
6	70021444	1	Washer	
7	70021446	1	Gland	
8	70029441	1	Rod	
9	70021447	1	Bushing	
10	70021452	1	Seal Kit, (includes items 1001 thru 1008)	
1001	Kit	1	Piston Ring	
1002	Kit	1	O-Ring	
1003	Kit	1	O-Ring	
1004	Kit	1	O-Ring	
1005	Kit	1	Back-Up Ring	
1006	Kit	1	O-Ring	
1007	Kit	1	Polypak, Type B	
1008	Kit	1	Rod Wiper	

# SECTION 9 - HYDRAULIC COMPONENTS

## FIGURE 9-8. CYLINDER ASSEMBLY - COMPENSATION



ART\_1001200580-B

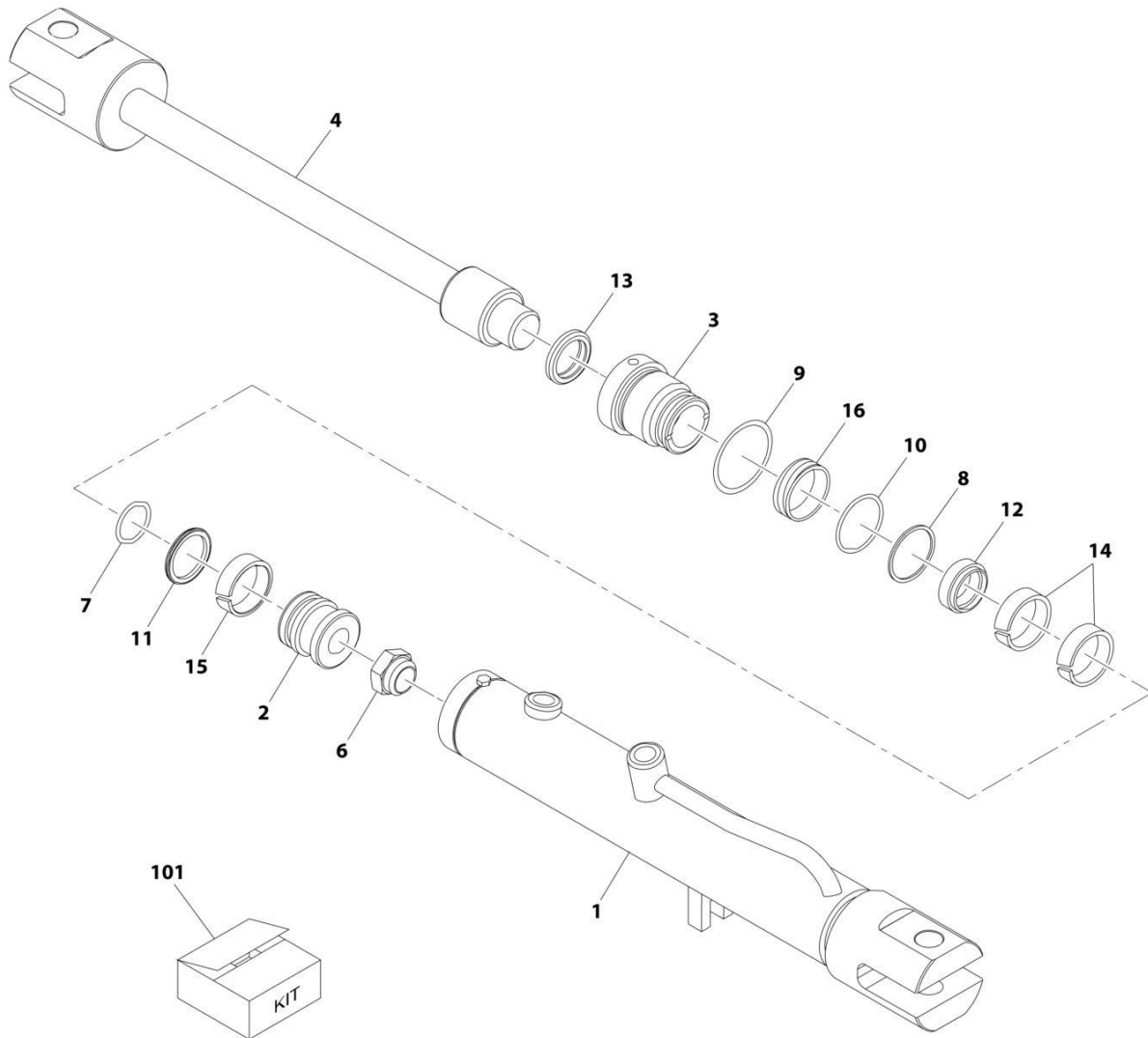
## SECTION 9 - HYDRAULIC COMPONENTS

### FIGURE 9-8. CYLINDER ASSEMBLY - COMPENSATION

ITEM	PART NUMBER	QTY	DESCRIPTION	REV
	1001200580	Ref	Compensation Cylinder	B
		Ref	Note: Original Cylinder May Have Been Replaced with Service Replacement. Identify PN Stamped on Cylinder Before Ordering Parts.	
1	70027246	1	Barrel Assembly	
2	70027247	1	Rod Assembly	
3	70027242	1	Gland	
4	70027244	1	Retain Ring	
5	70004637	1	Dry Bearing	
6	70027243	1	Piston	
7	70022564	1	Steel Ball	
8	70023369	1	Set Screw	
9	70027245	4	Bush	
10	70026308	2	Grease Nipple	
11	70023372	2	Hex Plug	
12	70027248	1	Seal Kit, (includes items 13 thru 22)	
13	Kit	1	Dust Wiper	
14	Kit	1	Rod Seal	
15	Kit	1	Back Up Ring	
16	Kit	1	Buffer Ring	
17	Kit	1	O-Ring	
18	Kit	1	Back Up Ring	
19	Kit	1	O-Ring	
20	Kit	1	Piston Seal	
21	Kit	1	Wear Ring	
22	Kit	1	O-Ring	

# SECTION 9 - HYDRAULIC COMPONENTS

## FIGURE 9-9. CYLINDER ASSEMBLY - FORK LOCKING



ART\_1001080334-D

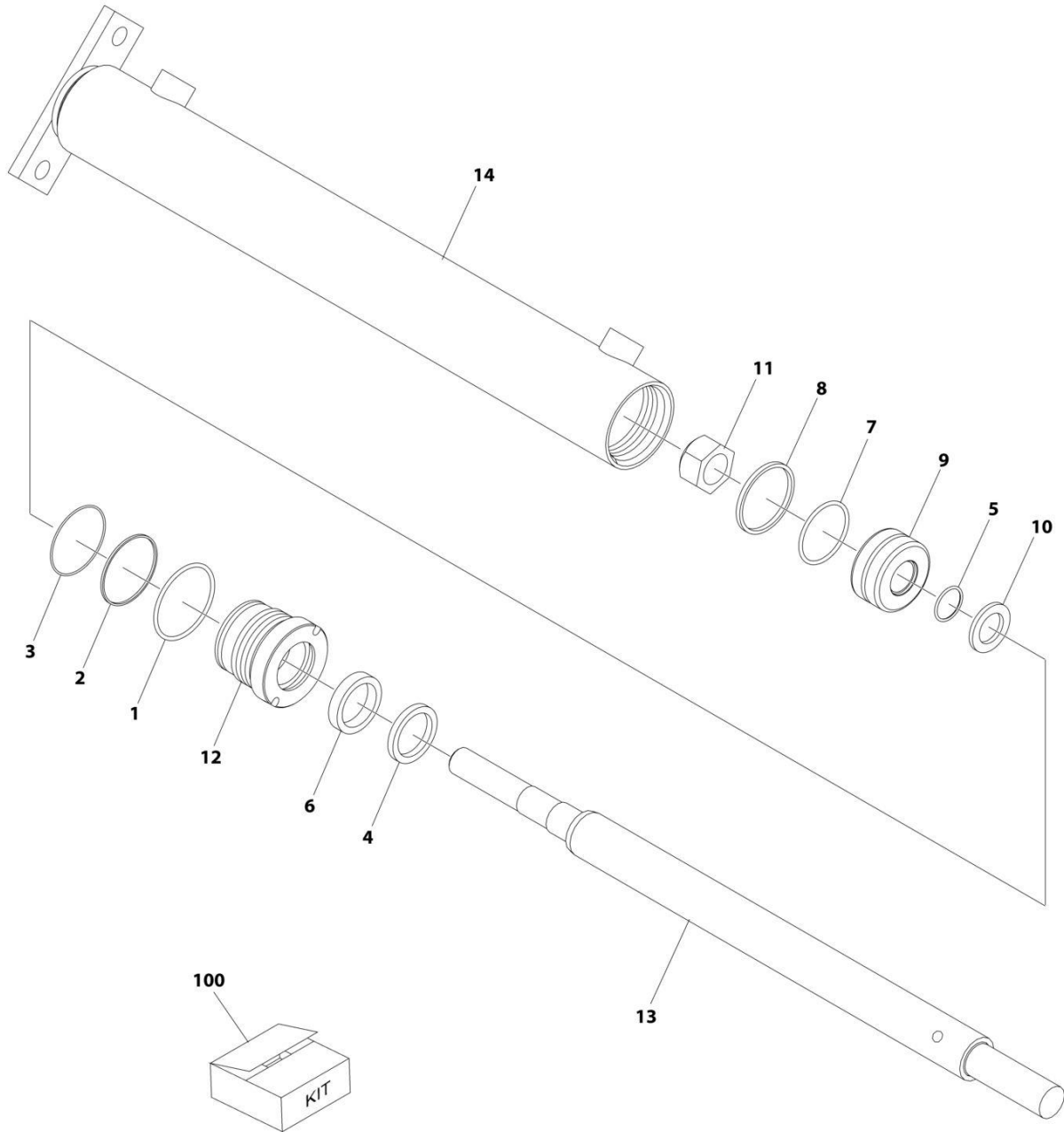
## SECTION 9 - HYDRAULIC COMPONENTS

### FIGURE 9-9. CYLINDER ASSEMBLY - FORK LOCKING

ITEM	PART NUMBER	QTY	DESCRIPTION	REV
	1001080334	Ref	Fork Locking Cylinder	D
		Ref	Note: Original Cylinder May Have Been Replaced with Service Replacement. Identify PN Stamped on Cylinder Before Ordering Parts.	
1	70021270	1	Case Assembly	
2	70021271	1	Piston	
3	70021272	1	Head Gland	
4	70021273	1	Rod	
6	70021275	1	Locknut	
7	Kit	1	O-Ring	
8	Kit	1	O-Ring	
9	Kit	1	O-Ring	
10	Kit	1	Back-Up Ring	
11	Kit	1	Diso-Pac	
12	Kit	1	Deep Z-Seal	
13	Kit	1	Rod Wiper	
14	Kit	2	Precision Wearband	
15	Kit	1	Precision Wearband	
16	Kit	1	Locking Insert	
101	70021276	1	Seal Kit, (includes items 7 thru 16)	

# SECTION 9 - HYDRAULIC COMPONENTS

## FIGURE 9-10. CYLINDER ASSEMBLY - FORK POSITIONING



ART\_2717283

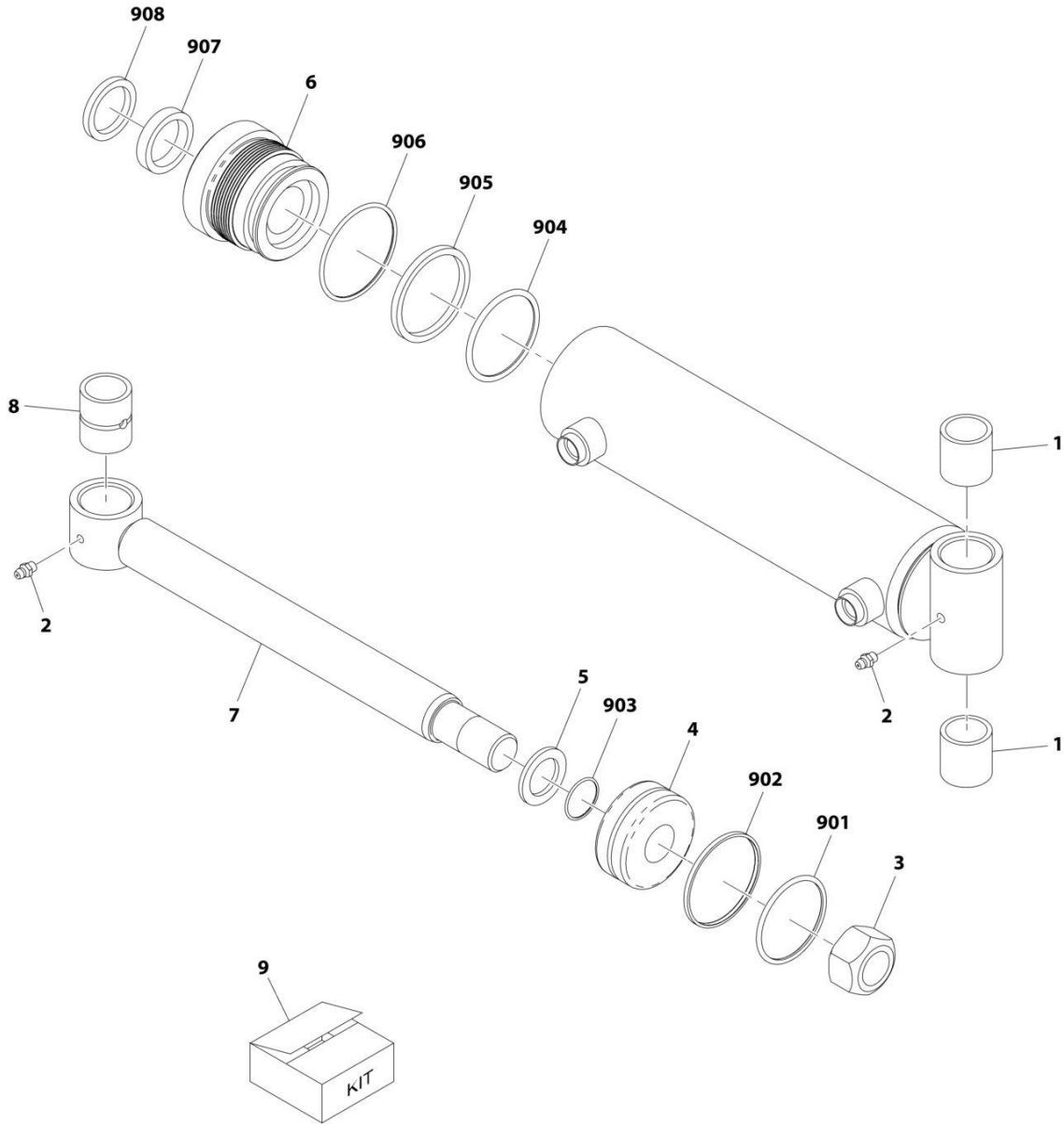
## SECTION 9 - HYDRAULIC COMPONENTS

**FIGURE 9-10. CYLINDER ASSEMBLY - FORK POSITIONING**

ITEM	PART NUMBER	QTY	DESCRIPTION	REV
	2717283	Ref	FORK POSITIONING CYLINDER	B
		Ref	<b>Note: Original Cylinder May Have Been Replaced with Service Replacement. Identify PN Stamped on Cylinder Before Ordering Parts.</b>	
1	See Note	NSS	O-Ring (Use Item 100)	
2	See Note	NSS	Ring, Back-up (Use Item 100)	
3	See Note	NSS	O-Ring (Use Item 100)	
4	See Note	NSS	Seal (Use Item 100)	
5	See Note	NSS	O-Ring (Use Item 100)	
6	See Note	NSS	Seal (Use Item 100)	
7	See Note	NSS	O-Ring (Use Item 100)	
8	See Note	NSS	Seal (Use Item 100)	
9	70026771	1	Piston	
10	70026775	1	Washer	
11	70026770	1	Nut	
12	70026774	1	Head	
13	70026773	1	Rod	
14	See Note	NSS	Barrel (Note: Use PN 2717283)	
100	8036733	1	Seal Kit (includes items 1 thru 8)	

# SECTION 9 - HYDRAULIC COMPONENTS

## FIGURE 9-11. CYLINDER ASSEMBLY - SIDE SHIFT



ART\_70022108-A



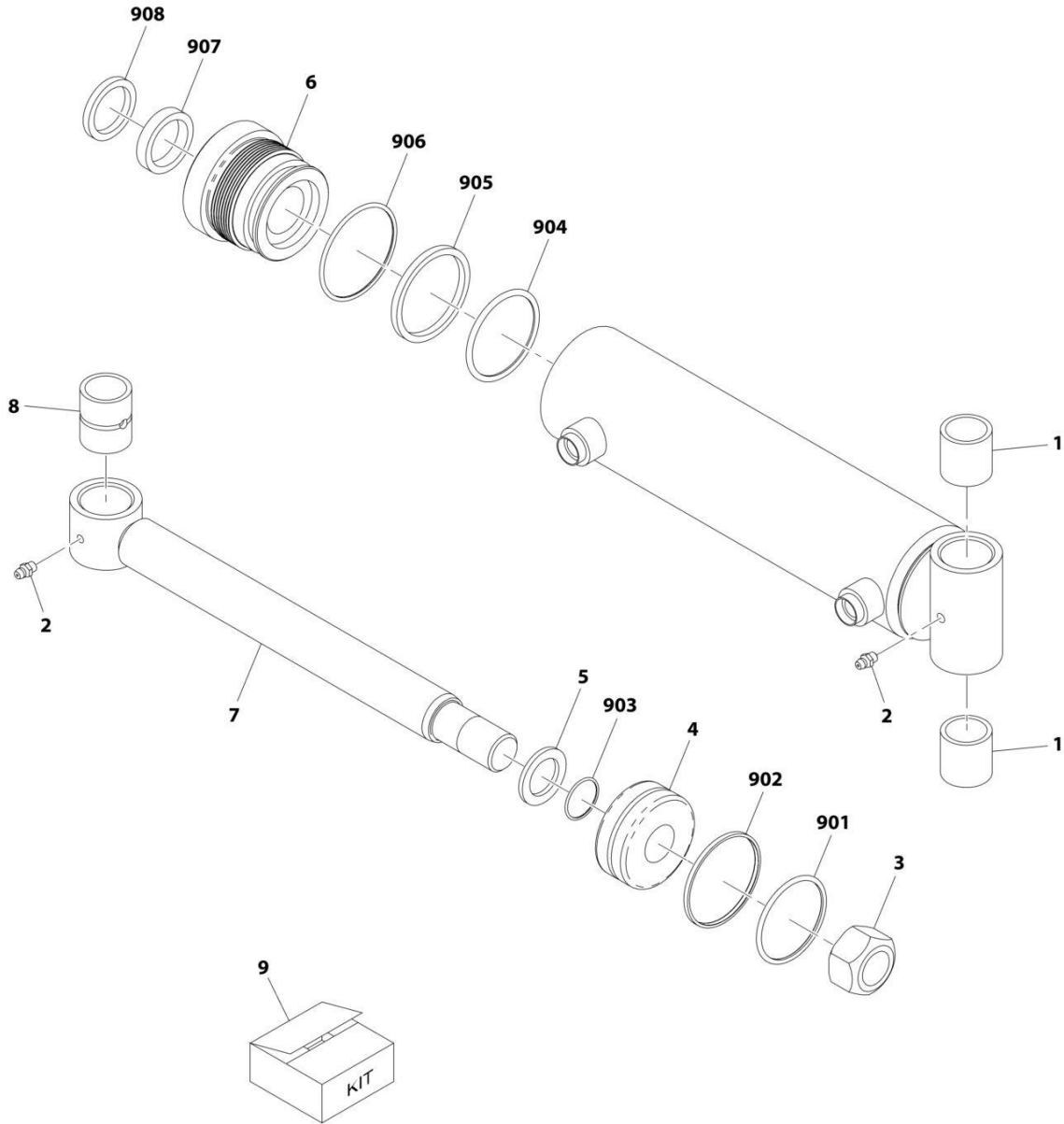
## SECTION 9 - HYDRAULIC COMPONENTS

**FIGURE 9-11. CYLINDER ASSEMBLY - SIDE SHIFT**

ITEM	PART NUMBER	QTY	DESCRIPTION	REV
	70022108	Ref	Universal Side Shift Cylinder	A
		Ref	Note: Original Cylinder May Have Been Replaced with Service Replacement. Identify PN Stamped on Cylinder Before Ordering Parts.	
1	70021448	2	Bushing	
2	90554045	2	Grease Fitting	
3	70021440	1	Nut	
4	70021451	1	Piston	
5	70021444	1	Washer	
6	70021446	1	Gland	
7	70021462	1	Rod	
8	70021447	1	Bushing	
9	70021452	1	Seal Kit, (includes items 901 thru 908)	
901	Kit	1	O-Ring	
902	Kit	1	Back-up O-Ring	
903	Kit	1	O-Ring	
904	Kit	1	O-Ring	
905	Kit	1	O-Ring	
906	Kit	1	Seal	
907	Kit	1	O-Ring	
908	Kit	1	Seal	

# SECTION 9 - HYDRAULIC COMPONENTS

## FIGURE 9-12. CYLINDER ASSEMBLY - SIDE SHIFT



ART\_70022108-A

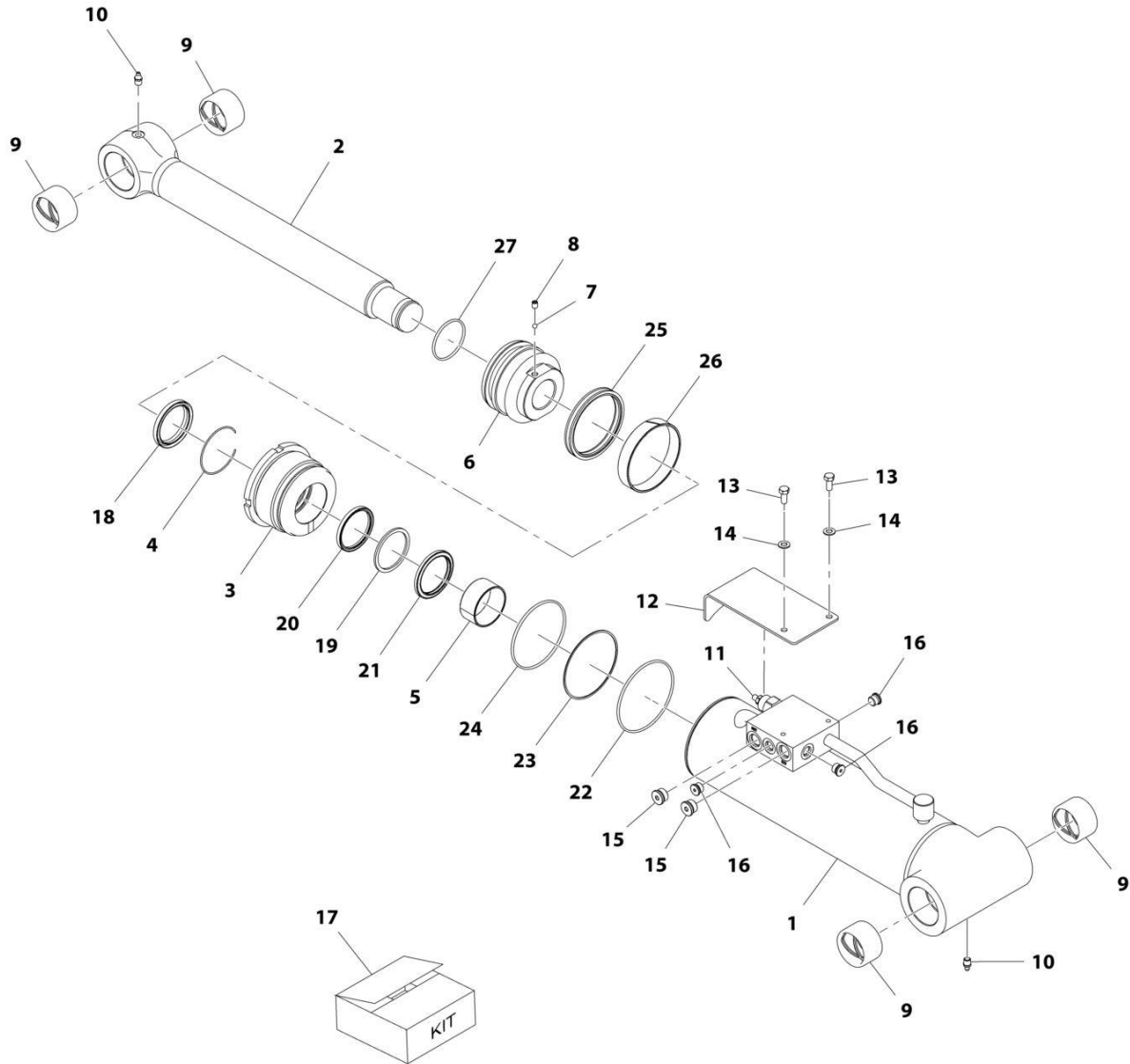
## SECTION 9 - HYDRAULIC COMPONENTS

**FIGURE 9-12. CYLINDER ASSEMBLY - SIDE SHIFT**

ITEM	PART NUMBER	QTY	DESCRIPTION	REV
	70022108	Ref	Universal Side Shift Cylinder	A
		Ref	Note: Original Cylinder May Have Been Replaced with Service Replacement. Identify PN Stamped on Cylinder Before Ordering Parts.	
1	70021448	2	Bushing	
2	90554045	2	Grease Fitting	
3	70021440	1	Nut	
4	70021451	1	Piston	
5	70021444	1	Washer	
6	70021446	1	Gland	
7	70021462	1	Rod	
8	70021447	1	Bushing	
9	70021452	1	Seal Kit, (includes items 901 thru 908)	
901	Kit	1	O-Ring	
902	Kit	1	Back-up O-Ring	
903	Kit	1	O-Ring	
904	Kit	1	O-Ring	
905	Kit	1	O-Ring	
906	Kit	1	Seal	
907	Kit	1	O-Ring	
908	Kit	1	Seal	

# SECTION 9 - HYDRAULIC COMPONENTS

## FIGURE 9-13. CYLINDER ASSEMBLY - TILT



ART\_1001200581-B

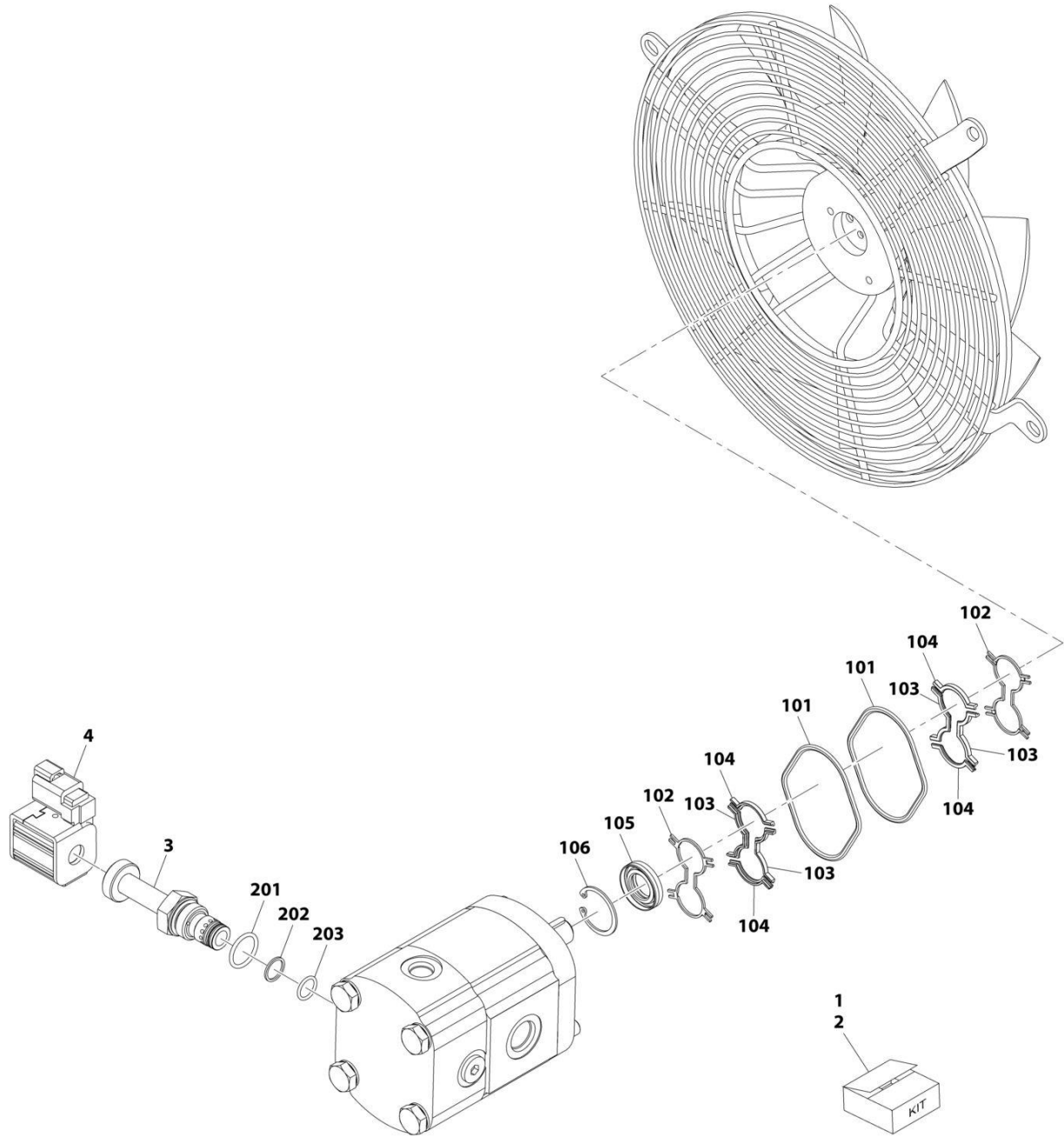
## SECTION 9 - HYDRAULIC COMPONENTS

**FIGURE 9-13. CYLINDER ASSEMBLY - TILT**

ITEM	PART NUMBER	QTY	DESCRIPTION	REV
	1001200581	Ref	Tilt Cylinder	B
		Ref	Note: Original Cylinder May Have Been Replaced with Service Replacement. Identify PN Stamped on Cylinder Before Ordering Parts.	
1	70027252	1	Barrel Assembly	
2	70027253	1	Rod Assembly	
3	70027242	1	Gland	
4	70027244	1	Retain Ring	
5	70004637	1	Dry Bearing	
6	70027243	1	Piston	
7	70022564	1	Steel Ball	
8	70023369	1	Set Screw	
9	70027251	4	Bush	
10	70026308	2	Grease Nipple	
11	1001189888	1	Counter Balance Valve	
12	70027254	1	Cover	
13	70027249	2	Hex Bolt	
14	70027250	2	Washer	
15	70023373	2	Hex Socket Plug	
16	70023371	3	Hex Socket Plug	
17	70027255	1	Seal Kit	
18	Kit	1	Dust Wiper	
19	Kit	1	Rod Seal	
20	Kit	1	Back Up Ring	
21	Kit	1	Buffer Ring	
22	Kit	1	O-Ring	
23	Kit	1	Back Up Ring	
24	Kit	1	O-Ring	
25	Kit	1	Piston Seal	
26	Kit	1	Wear Ring	
27	Kit	1	O-Ring	

# SECTION 9 - HYDRAULIC COMPONENTS

## FIGURE 9-14. MOTOR ASSEMBLY - FAN



ART\_1001141779-C

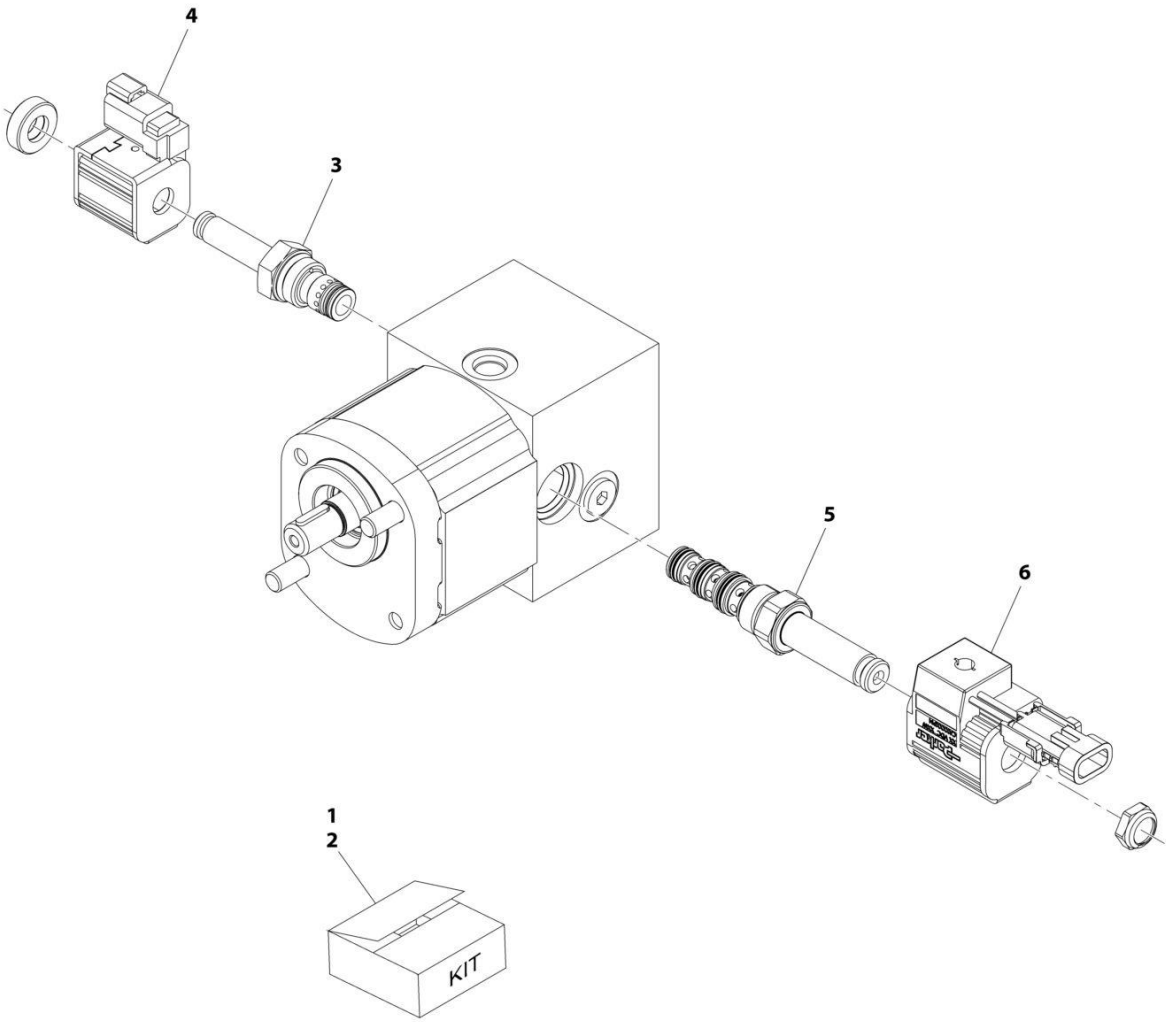
## SECTION 9 - HYDRAULIC COMPONENTS

**FIGURE 9-14. MOTOR ASSEMBLY - FAN**

ITEM	PART NUMBER	QTY	DESCRIPTION	REV
	1001141779	Ref	Fan Motor	C
1	70027400	1	Motor Seal Kit	
101	Kit	2	Seal	
102	Kit	2	Seal	
103	Kit	4	Seal	
104	Kit	4	Seal	
105	Kit	1	Seal	
106	Kit	1	Snap Ring	
2	70027401	1	Valve Seal Kit	
201	Kit	1	Seal	
202	Kit	1	Back-Up Ring	
203	Kit	1	Seal	
3	70027556	1	Proportional Valve	
4	70027557	1	Valve Coil	

# SECTION 9 - HYDRAULIC COMPONENTS

## FIGURE 9-15. MOTOR ASSEMBLY - FAN REVERSING



ART\_1001141780-C



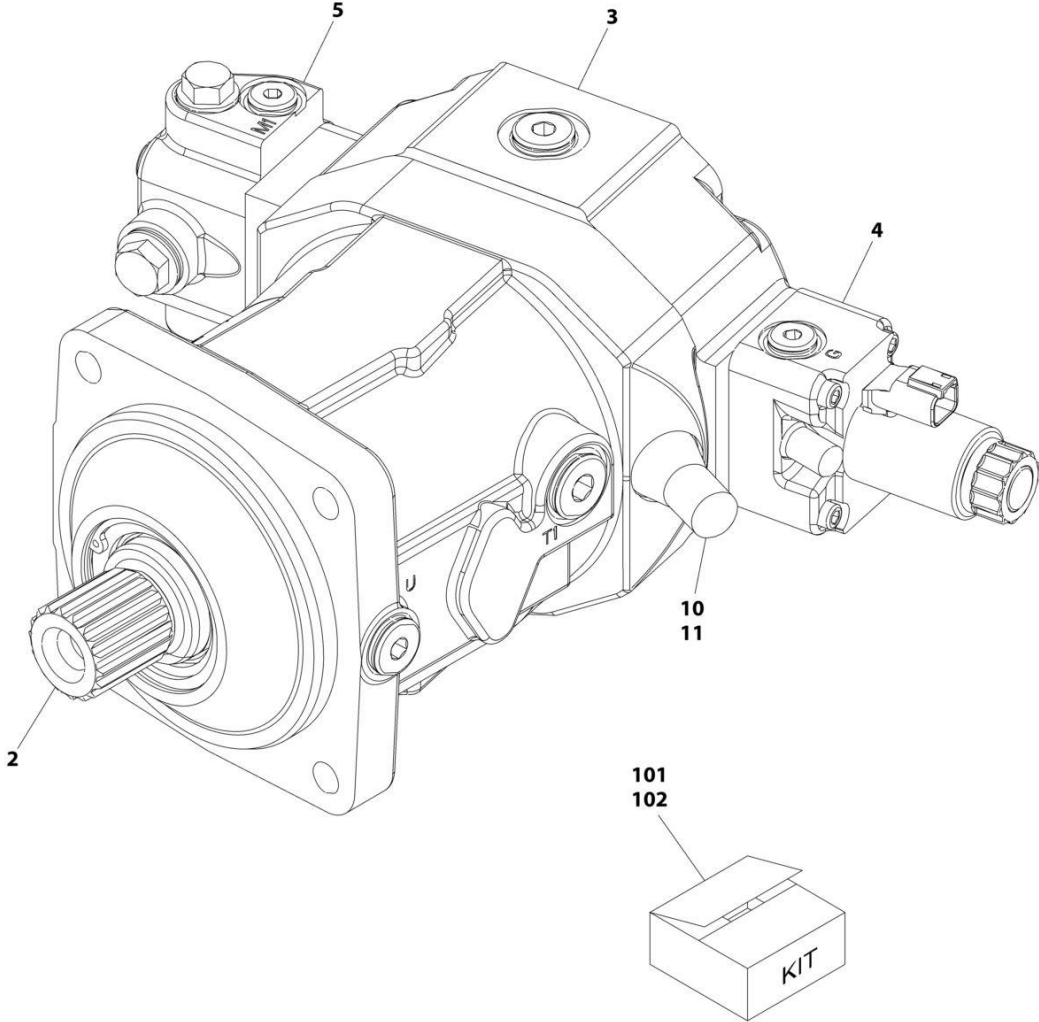
## SECTION 9 - HYDRAULIC COMPONENTS

### FIGURE 9-15. MOTOR ASSEMBLY - FAN REVERSING

ITEM	PART NUMBER	QTY	DESCRIPTION	REV
1	1001141780	Ref	Fan Motor	C
	70027400	1	Seal Kit, Motor	
	Kit	2	Seal	
	Kit	2	Seal	
	Kit	4	Seal	
	Kit	4	Seal	
	Kit	1	Seal	
	Kit	1	Snap Ring	
	2	70028239	1	
Kit		1	Seal, O-R	
Kit		1	Seal, O-R	
Kit		1	Seal, O-R	
Kit		1	Seal, O-R	
Kit		2	Seal, Bk-Up	
Kit		2	Seal, Bk-Up	
Kit		2	Seal, Bk-Up	
3	70027556	1	Proportional Valve	
4	70027557	1	Valve Coil	
5	70028240	1	Reversing Valve	
6	70028241	1	Valve Coil	

# SECTION 9 - HYDRAULIC COMPONENTS

FIGURE 9-16. MOTOR ASSEMBLY - HYDROSTATIC



ART\_1001138823

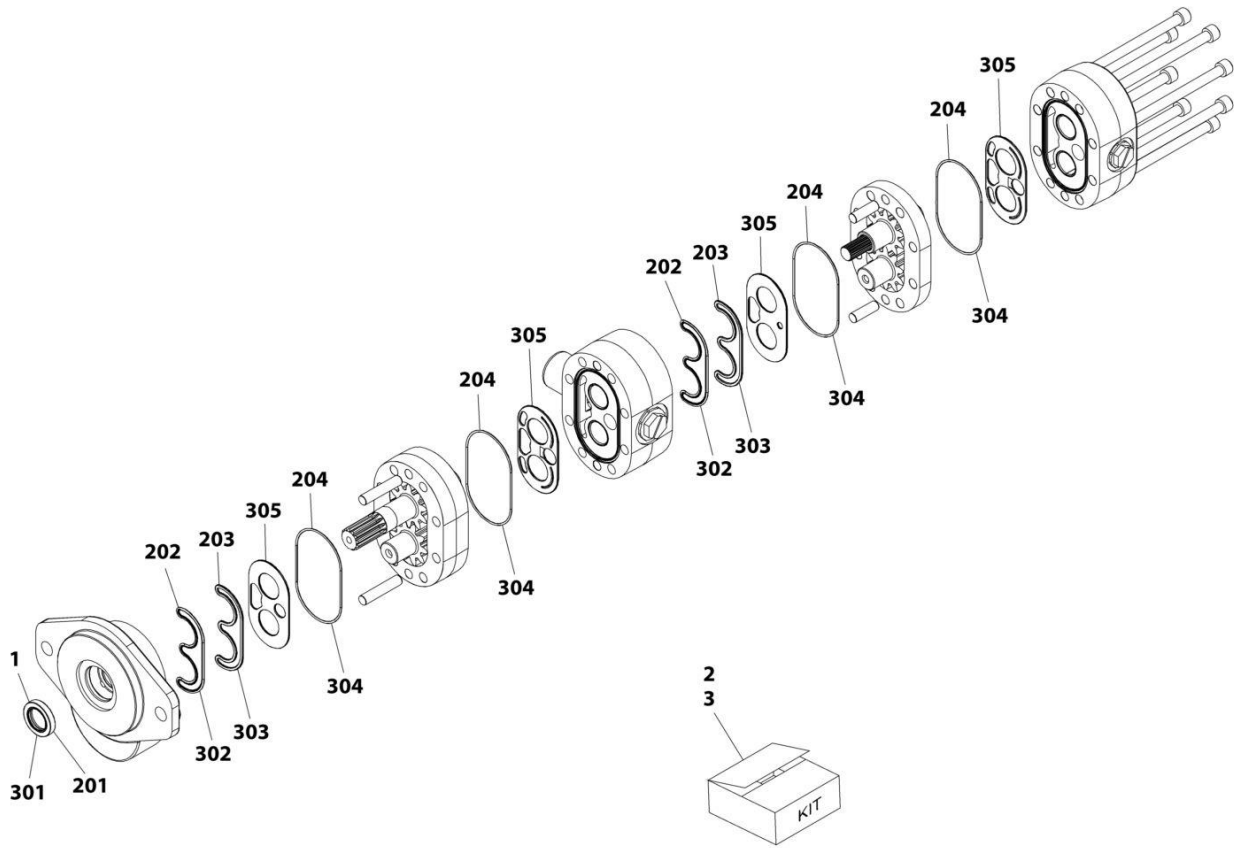
## SECTION 9 - HYDRAULIC COMPONENTS

### FIGURE 9-16. MOTOR ASSEMBLY - HYDROSTATIC

ITEM	PART NUMBER	QTY	DESCRIPTION	REV
	1001138823	Ref	HYDROSTATIC MOTOR	C
2	70024933	1	Rotary Group	
3	70024934	1	Port Plate W/Accessories	
4	70024935	1	Control Part	
5	70024936	1	Flushing Valve W/Orifice	
10	70024938	1	Threaded Pin	
11	80334492	1	Sealing Nut	
101	70024939	1	Seal Kit	
102	70024937	1	Seal Kit, Rotary Group	

# SECTION 9 - HYDRAULIC COMPONENTS

## FIGURE 9-17. PUMP ASSEMBLY



ART\_1001139997-B

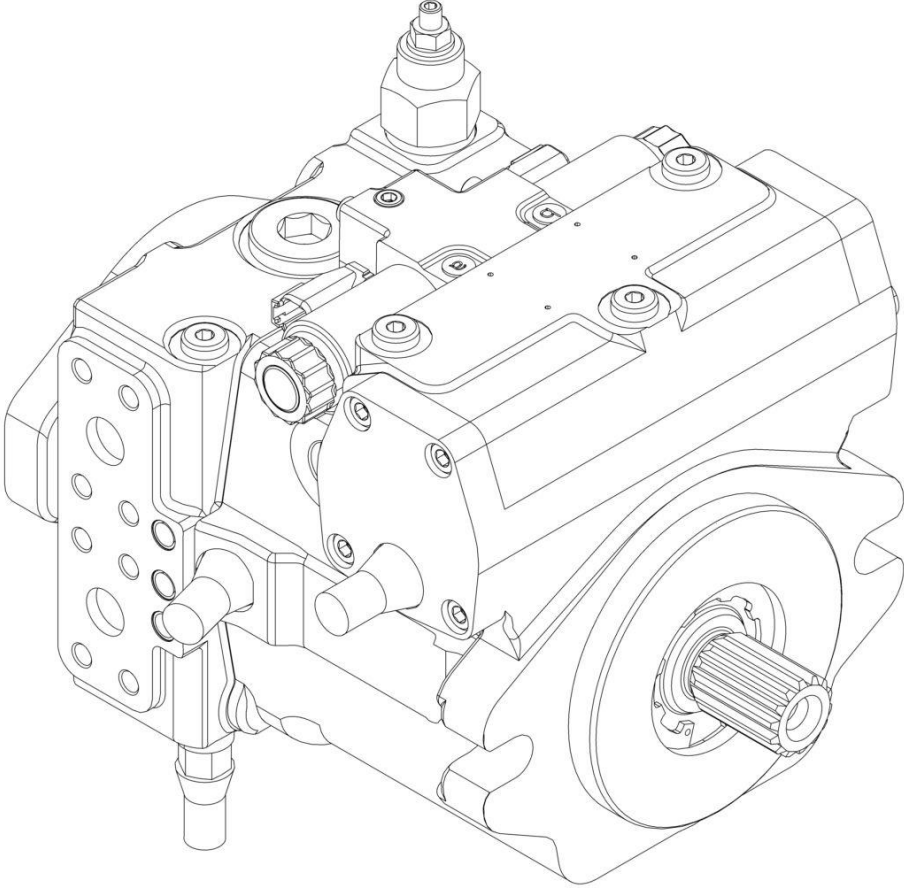
## SECTION 9 - HYDRAULIC COMPONENTS

### FIGURE 9-17. PUMP ASSEMBLY

ITEM	PART NUMBER	QTY	DESCRIPTION	REV
	1001139997	Ref	Gear Pump	B
1	70024951	1	Shaft Seal Kit	
2	70024952	1	Unit Seal Kit, (includes items 201 thru 204)	
201	Kit	1	Shaft Seal	
202	Kit	2	Pre-Load Seal	
203	Kit	2	Load Seal	
204	Kit	4	Sealing Ring	
3	70024953	1	Minor Repair Kit, (includes items 301 thru 305)	
301	Kit	1	Shaft Seal	
302	Kit	2	Pre-Load Seal	
303	Kit	2	Load Seal	
304	Kit	4	Sealing Ring	
305	Kit	4	Wear Plates	

**SECTION 9 - HYDRAULIC COMPONENTS**

**FIGURE 9-18. PUMP ASSEMBLY HTDROSTATIC**



ART\_1001282168

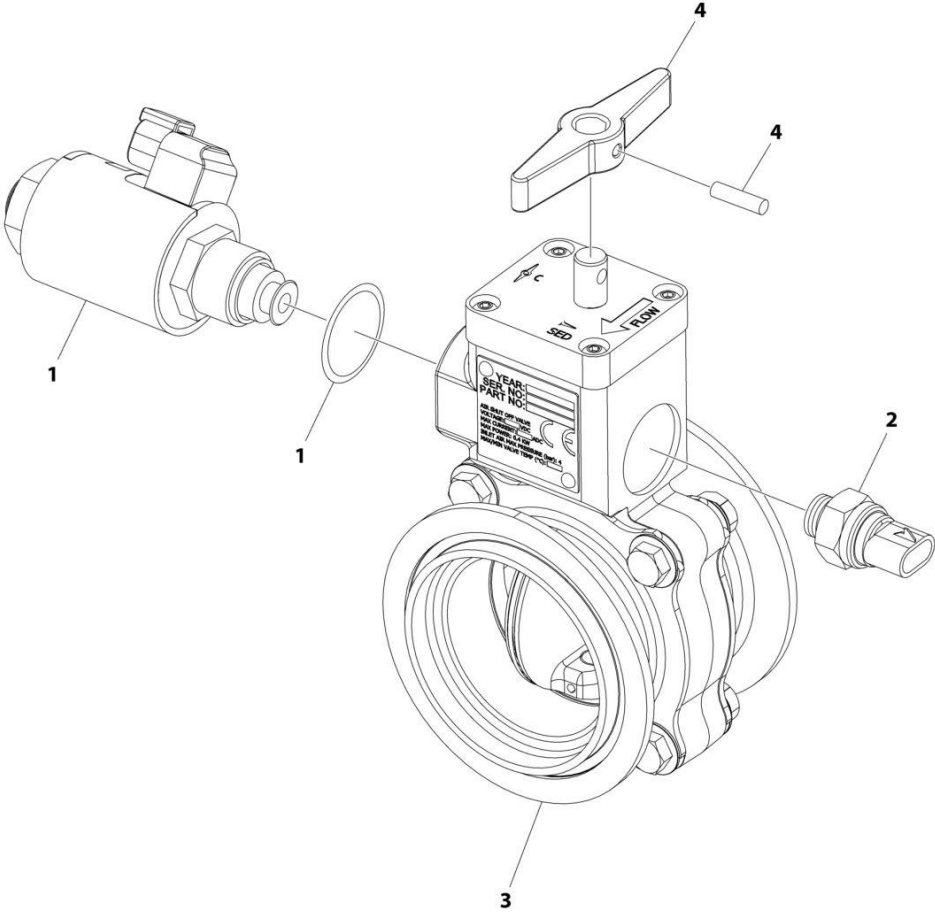
## SECTION 9 - HYDRAULIC COMPONENTS

FIGURE 9-18. PUMP ASSEMBLY HTDROSTATIC

ITEM	PART NUMBER	QTY	DESCRIPTION	REV
	1001282168	Ref Ref	PUMP ASSEMBLY HTDROSTATIC Note: No Service Parts Available at Time of Printing.	B

**SECTION 9 - HYDRAULIC COMPONENTS**

**FIGURE 9-19. VALVE ASSEMBLY - AIR SHUT-OFF VALVE**



ART\_1001204032\_C



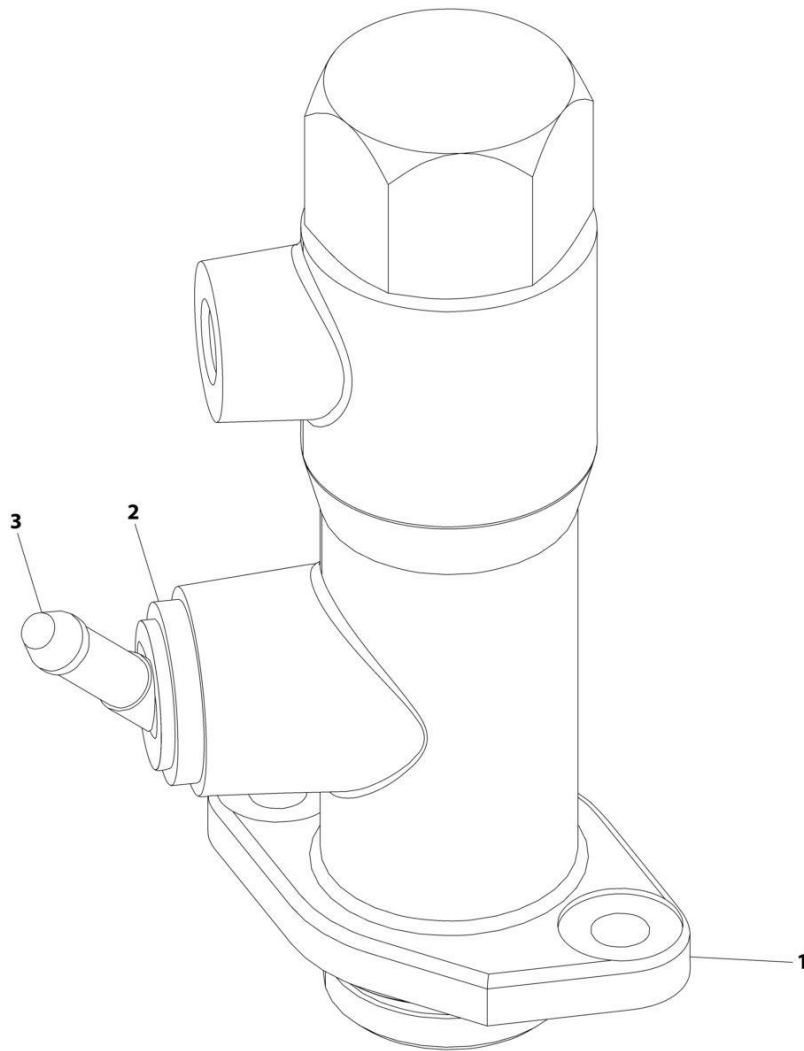
## SECTION 9 - HYDRAULIC COMPONENTS

### FIGURE 9-19. VALVE ASSEMBLY - AIR SHUT-OFF VALVE

ITEM	PART NUMBER	QTY	DESCRIPTION	REV
	1001204032	Ref	Air Shut Off Valve	C
1	70028514	1	Kit, Solenoid 12V (Includes Solenoid, Coil, O-Ring)	
2	70028515	1	Kit, Switch (Includes Ball Switch & O-Ring)	
3	70028516	1	Kit, Flange and Hardware (Includes Flanges (Male & Female) & Mounting Hardware)	
4	70028517	1	Kit, Handle (Includes Handle & Pin)	

## SECTION 9 - HYDRAULIC COMPONENTS

FIGURE 9-20. VALVE ASSEMBLY - BRAKE MASTER CYLINDER



ART\_1001080262-C

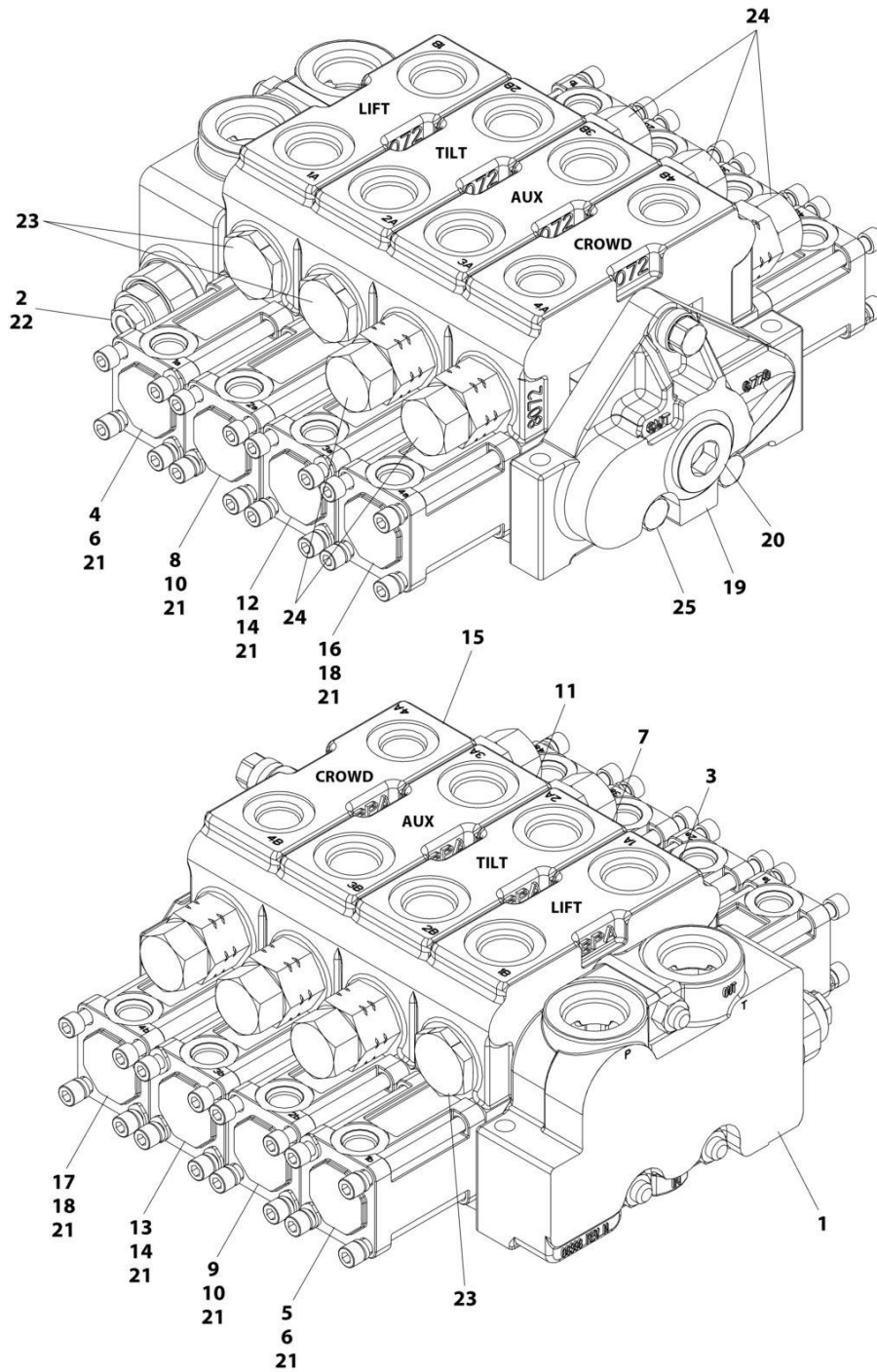
## SECTION 9 - HYDRAULIC COMPONENTS

FIGURE 9-20. VALVE ASSEMBLY - BRAKE MASTER CYLINDER

ITEM	PART NUMBER	QTY	DESCRIPTION	REV
	1001080262	Ref	Brake Master Cylinder Valve	C
1	70020919	1	Seal Kit	
2	70020920	1	Rubber Boot	
3	70021475	1	Fitting	

# SECTION 9 - HYDRAULIC COMPONENTS

## FIGURE 9-21. VALVE ASSEMBLY - MAIN CONTROL



ART\_1001080176

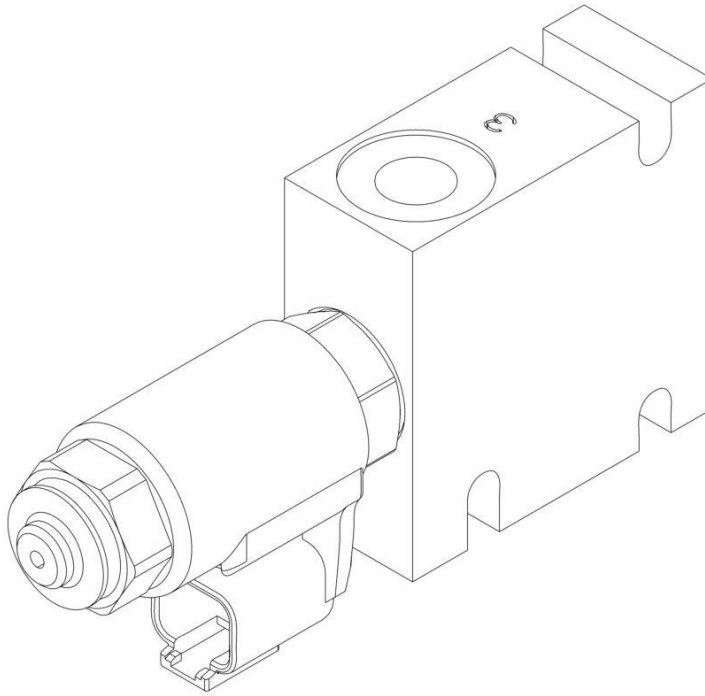
## SECTION 9 - HYDRAULIC COMPONENTS

**FIGURE 9-21. VALVE ASSEMBLY - MAIN CONTROL**

ITEM	PART NUMBER	QTY	DESCRIPTION	REV
	1001080176	Ref	MAIN CONTROL VALVE (W/AUX)	D
1	91084008	1	Inlet Assembly	
2	91084009	1	Main Relief Valve, 3000PSI	
3	91404182	1	Lift Valve Section	
4	91094023	1	Hydraulic Remote Positioner, A End	
5	91094024	1	Hydraulic Remote Positioner, B End	
6	91084010	2	Load Check Plug	
7	70020718	1	Tilt Valve Section Assembly	
8	91094023	1	Hydraulic Remote Positioner, A End	
9	91094024	1	Hydraulic Remote Positioner, B End	
10	70021352	2	Relief Cartridge, 3800PSI 10GPM	
11	70020719	1	Auxiliary Valve Section Assembly	
12	91094023	1	Hydraulic Remote Positioner, A End	
13	91094024	1	Hydraulic Remote Positioner, B End	
14	70021352	2	Relief Cartridge, 3800PSI 10GPM	
15	91404186	1	Crowd Valve Section Assembly	
16	91094023	1	Hydraulic Remote Positioner, A End	
17	91094024	1	Hydraulic Remote Positioner, B End	
18	91404189	1	Relief Valve	
19	91084278	1	Outlet Assembly	
20	91084279	1	Plug	
21	91084233	8	Seal, Positioner	
22	70020716	1	Seal Kit - Main Relief	
23	7029865	3	Seal Kit - Transition Check	
24	70020717	5	Seal Kit - RC Relief	
25	91084019	1	Bolt Assembly	

## SECTION 9 - HYDRAULIC COMPONENTS

FIGURE 9-22. PARK BRAKE ASSEMBLY



ART\_1001292174

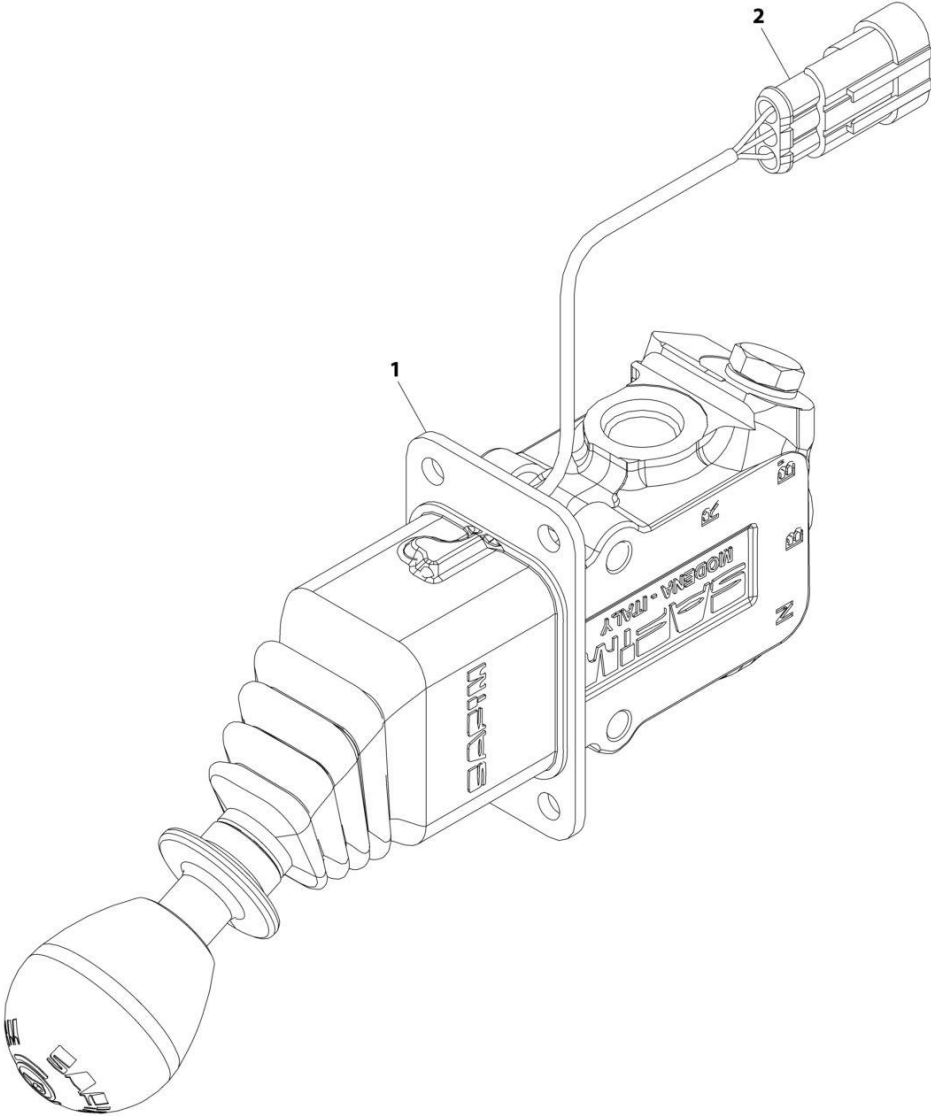
## SECTION 9 - HYDRAULIC COMPONENTS

FIGURE 9-22. PARK BRAKE ASSEMBLY

ITEM	PART NUMBER	QTY	DESCRIPTION	REV
	1001292174	Ref Ref	PARK BRAKE ASSEMBLY Note: No Service Parts Available at Time of Printing	B

**SECTION 9 - HYDRAULIC COMPONENTS**

**FIGURE 9-23. VALVE ASSEMBLY - PARK BRAKE RELEASE (HYDRAULIC)**



ART\_1001098153-D



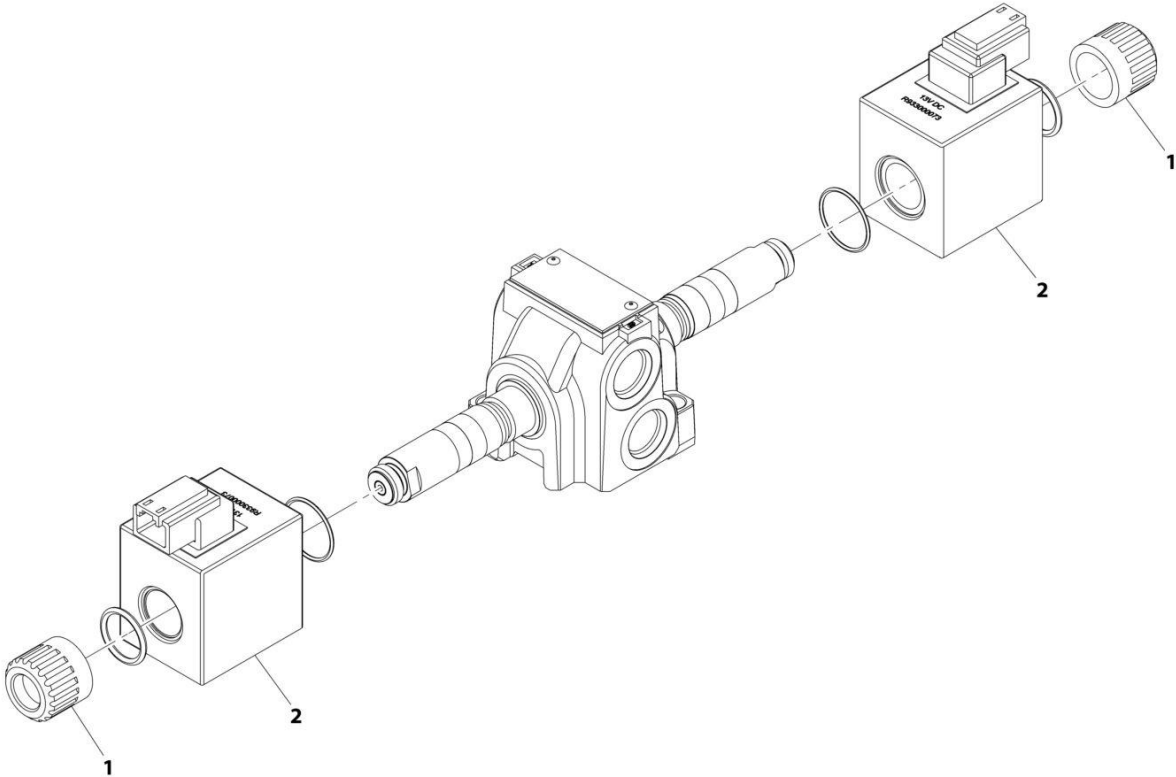
## SECTION 9 - HYDRAULIC COMPONENTS

**FIGURE 9-23. VALVE ASSEMBLY - PARK BRAKE RELEASE (HYDRAULIC)**

ITEM	PART NUMBER	QTY	DESCRIPTION	REV
	1001098153	Ref	Hydraulic Park Brake Release Valve	D
1	70020922	1	Kit, Seal	
2	70022847	1	Kit, Microswitch	

**SECTION 9 - HYDRAULIC COMPONENTS**

**FIGURE 9-24. VALVE ASSEMBLY - STEERING SELECT**



ART\_1001153748-C

## SECTION 9 - HYDRAULIC COMPONENTS

FIGURE 9-24. VALVE ASSEMBLY - STEERING SELECT

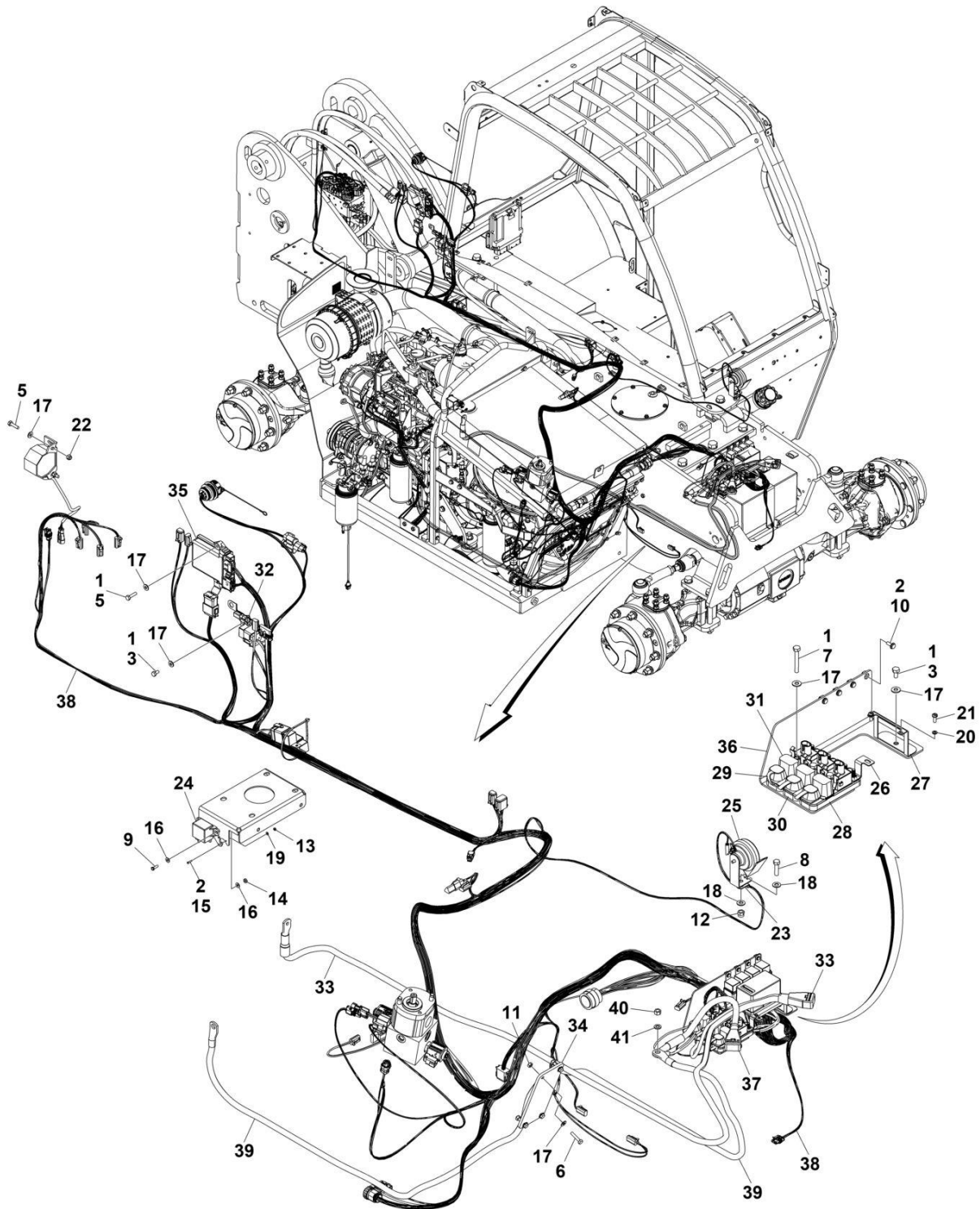
ITEM	PART NUMBER	QTY	DESCRIPTION	REV
	1001153748	Ref	Steering Select Valve	C
1	70020867	2	Nut, Coil	
2	70026582	2	Coil	



**SECTION 10 - ELECTRICAL**

# SECTION 10 - ELECTRICAL

## FIGURE 10-1. MAIN ELECTRICAL INSTALLATION



ART\_1001200612\_J

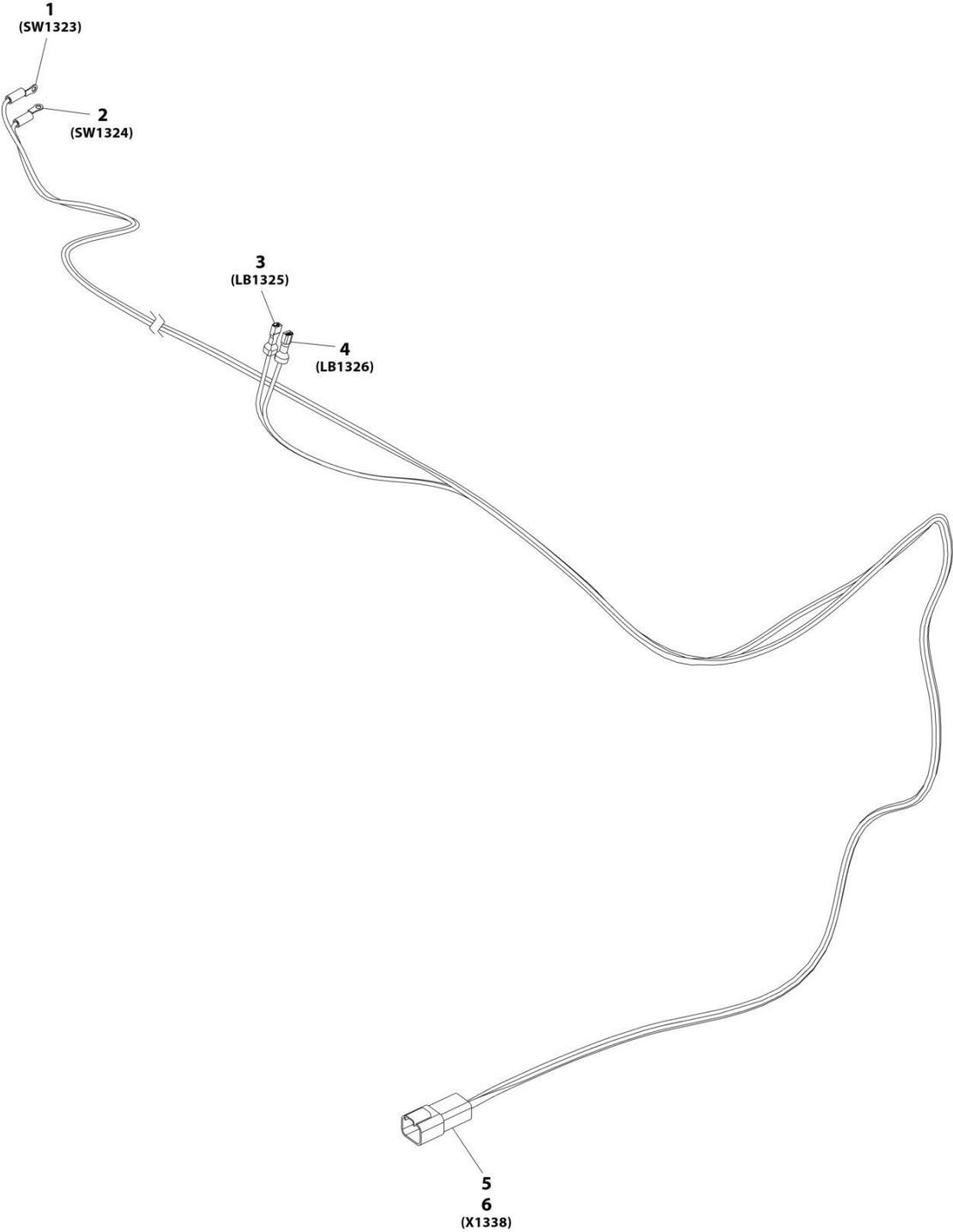
## SECTION 10 - ELECTRICAL

**FIGURE 10-1. MAIN ELECTRICAL INSTALLATION**

ITEM	PART NUMBER	QTY	DESCRIPTION	REV
	1001200612	Ref	MAIN ELECTRICAL INSTALLATION	J
1	0100011	AR	Compound, Locking	
2	0100035	AR	Compound, Locking	
3	0641404	2	Bolt 1/4 x 1/2	
5	0641408	4	Bolt 1/4 x 1	
6	0641410	4	Bolt 1/4 x 1-1/4	
7	0641415	3	Bolt 1/4 x 1-7/8	
8	0641611	1	Bolt 3/8 x 1-3/8	
9	0721005	2	Screw	
10	0791004	4	Screw	
11	3271405	4	Nut 1/4	
12	3300143	1	Nut 3/8	
13	3310401	3	Nut 4	
14	3311001	2	Nut 10	
15	3910408	3	Screw 4 x 1/2	
16	4711000	4	Washer	
17	4711400	13	Washer 1/4	
18	4711600	2	Washer 3/8	
19	4750400	3	Washer #4	
20	4761000	2	Washer	
21	8303839	2	Screw #10 x 1/2	
22	8305624	2	Nut	
23	8406003	1	Clip	
24	77383377	1	Starter Relay	
25	91143357	1	Horn	
26	1001080409	1	Bus Bar	
27	1001080410	1	Bracket	
28	1001080424	1	Yellow Power Module Relay	
29	1001092585	1	Bus Bar Insulator	
30	1001127589	1	Red Power Module Relay	
31	1001141066	1	Green Power Module Relay	
32	1001141581	1	Connector Mount	
33	1001149466	1	Positive Battery Cable	
34	1001156314	1	Plate	
35	1001294720	1	Control Module	
36	1001201252	1	Mount, Electrical Components	
37	1001080619	1	Negative Battery Cable	
38	1001283507	1	Frame Harness, (See Separate Breakdown in this Section)	
39	1001209102	1	Ground Cable	
40	3271601	1	Nut 3/8	
41	4761600	1	Washer 3/8	

**SECTION 10 - ELECTRICAL**

**FIGURE 10-2. ASOV HARNESS (CAB)**



ART\_1001233213-B



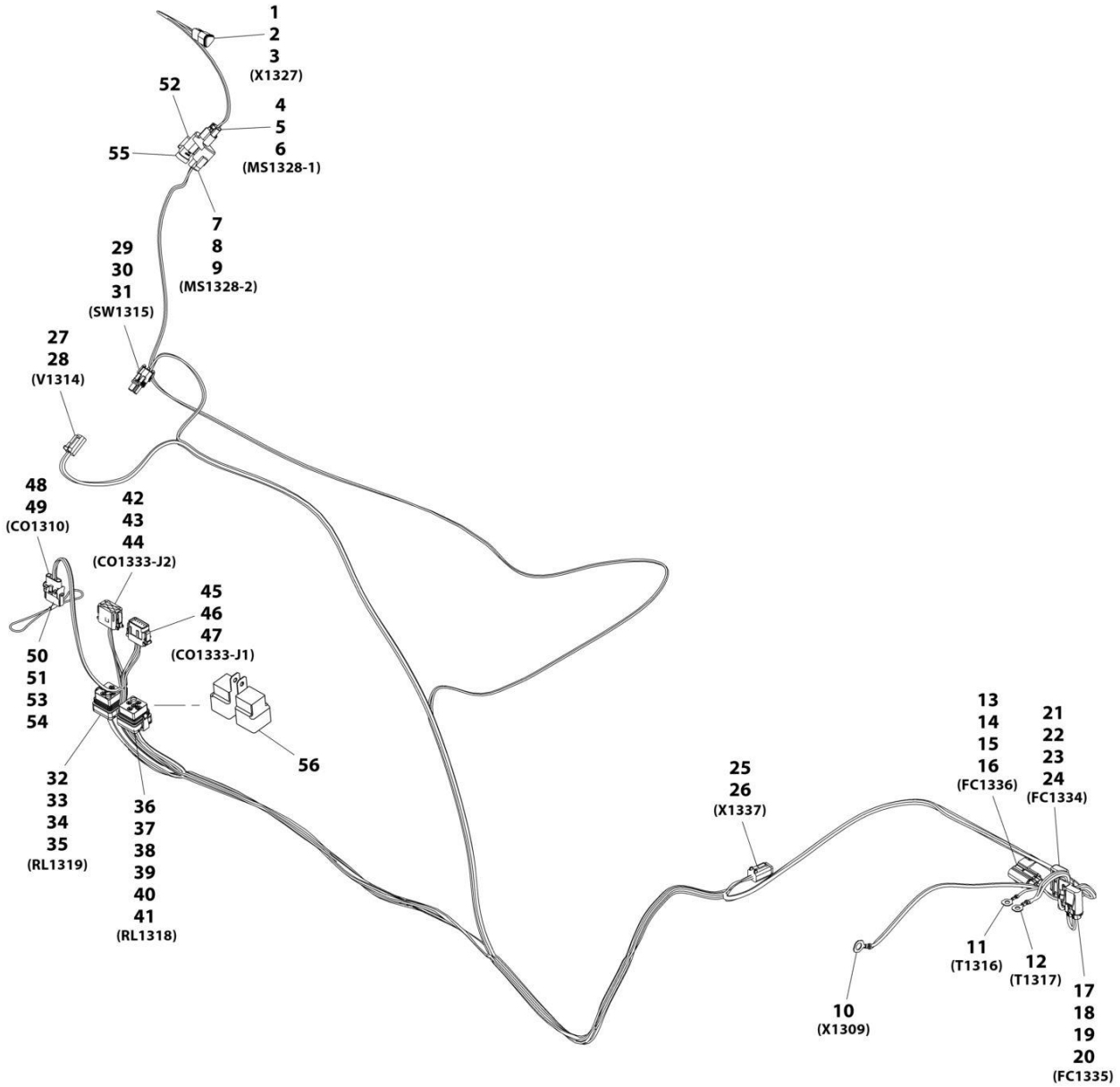
## SECTION 10 - ELECTRICAL

### FIGURE 10-2. ASOV HARNESS (CAB)

ITEM	PART NUMBER	QTY	DESCRIPTION	REV
	1001233213	Ref	Harness, POSI Air Shut Off Valve	B
1	8220035	1	Terminal, Ring	
2	8220035	1	Terminal, Ring	
3	8220108	1	Connector, Female	
4	8220108	1	Connector, Female	
5	4460932	1	Connector	
6	4460464	1	Pin	

# SECTION 10 - ELECTRICAL

## FIGURE 10-3. ASOV HARNESS (FRAME)



ART\_1001233235-C

## SECTION 10 - ELECTRICAL

### FIGURE 10-3. ASOV HARNESS (FRAME)

ITEM	PART NUMBER	QTY	DESCRIPTION	REV
	1001233235	Ref	AIR SHUT OFF VALVE FRAME HARNESS	C
1	1001116812	1	CONNECTOR	
2	4460465	2	TERMINAL	
3	4460466	1	PLUG	
4	1001116812	1	CONNECTOR	
5	4460465	2	TERMINAL	
6	4460466	1	PLUG	
7	4460539	1	CONNECTOR	
8	4460465	1	TERMINAL	
9	4460466	1	PLUG	
10	1001187079	1	TERMINAL RING	
11	1001207171	1	TERMINAL RING	
12	1001189077	1	TERMINAL RING	
13	1001231397	1	CONNECTOR	
14	8229261	1	FUSE	
15	1001231400	2	TERMINAL	
16	1001231403	2	SEAL	
17	1001231397	1	CONNECTOR	
18	8229234	1	FUSE	
19	1001231400	2	TERMINAL	
20	1001231403	2	SEAL	
21	1001231397	1	CONNECTOR	
22	8229235	1	FUSE	
23	1001231401	2	TERMINAL	
24	1001231402	2	SEAL	
25	4460884	1	CONNECTOR	
26	4460465	4	TERMINAL	
27	4460891	1	CONNECTOR	
28	1001157890	2	TERMINAL	
29	4460742	1	CONNECTOR	
30	4460475	2	TERMINAL	
31	4460458	2	SEAL	
32	1001231398	1	CONNECTOR	
33	1001231400	4	TERMINAL	
34	1001231406	1	PLUG	
35	1001231404	4	SEAL	
36	1001231398	1	CONNECTOR	
37	1001231401	2	TERMINAL	
38	1001231400	2	TERMINAL	
39	1001231401	1	PLUG	
40	1001231402	2	SEAL	
41	1001231404	2	SEAL	
42	1001116774	1	CONNECTOR	
43	1001126008	4	TERMINAL	
44	4460518	8	PLUG	
45	1001116808	1	CONNECTOR	
46	1001126008	9	TERMINAL	
47	4460518	3	PLUG	
48	4460761	1	CONNECTOR	
49	1001118378	4	TERMINAL	

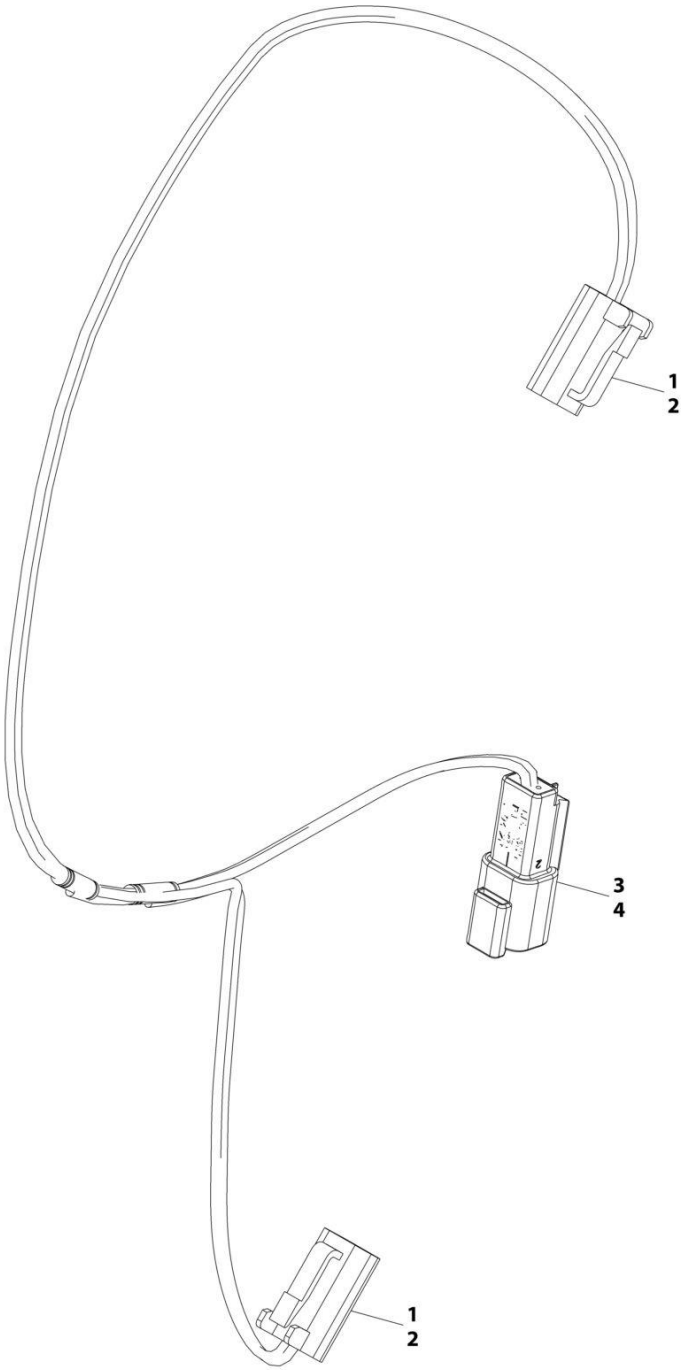
## SECTION 10 - ELECTRICAL

ITEM	PART NUMBER	QTY	DESCRIPTION	REV
50	4460321	1	PLUG	
51	4460809	4	TERMINAL	
52	4460945	1	TERMINAL	
53	1001143551	1	SEAL	
54	1001218358	1	LANYARD, ROPE	
55	1001116815	1	PLUG	
56	3740080	2	RELAY	



**SECTION 10 - ELECTRICAL**

**FIGURE 10-4. ATTACHMENT HYDRAULIC QUICK SWITCH JUMPER SWITCH HARNESS**



ART\_1001209009-B

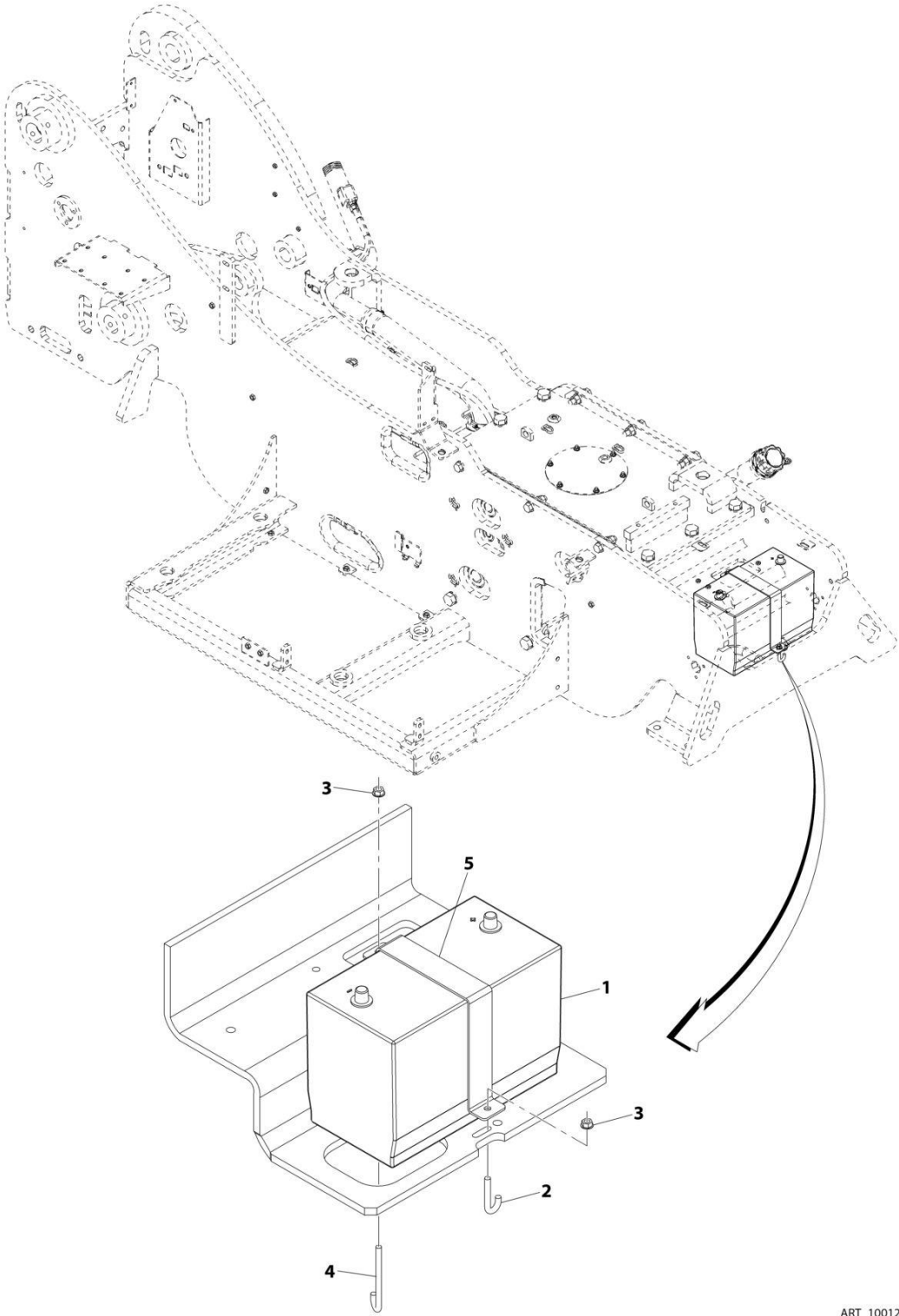
## SECTION 10 - ELECTRICAL

**FIGURE 10-4. ATTACHMENT HYDRAULIC QUICK SWITCH JUMPER SWITCH HARNESS**

ITEM	PART NUMBER	QTY	DESCRIPTION	REV
	1001209009	Ref	Valve Jumper Harness	B
1	4460891	1	Connector, (includes rear seal)	
2	4460465	2	Terminal	
3	4460891	1	Connector, (includes rear seal)	
4	4460465	2	Terminal	
5	4460897	1	Connector, (includes rear seal)	
6	4460464	2	Terminal	

**SECTION 10 - ELECTRICAL**

**FIGURE 10-5. BATTERY INSTALLATION**



ART\_1001200613-A



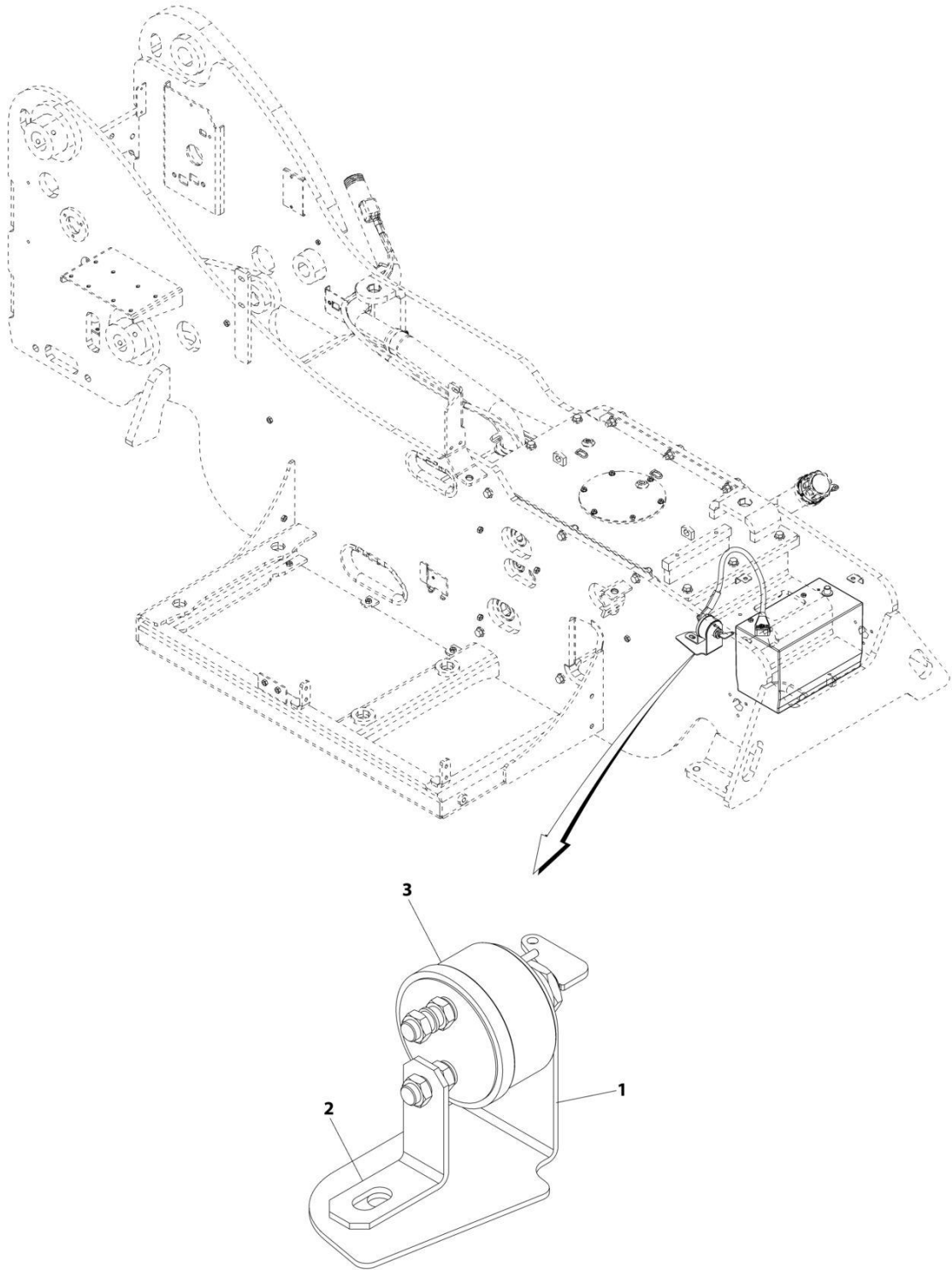
## SECTION 10 - ELECTRICAL

### FIGURE 10-5. BATTERY INSTALLATION

ITEM	PART NUMBER	QTY	DESCRIPTION	REV
	1001200613	Ref	Battery Installation	A
1	0400075	1	12V Battery	
2	0630455	1	J-Bolt	
3	3311508	2	Hex Nut, 5/16-18	
4	1001081123	1	J-Bolt	
5	1001112697	1	Plate	

**SECTION 10 - ELECTRICAL**

**FIGURE 10-6. BATTERY DISCONNECT SWITCH INSTALLATION**



ART\_1001201826-A

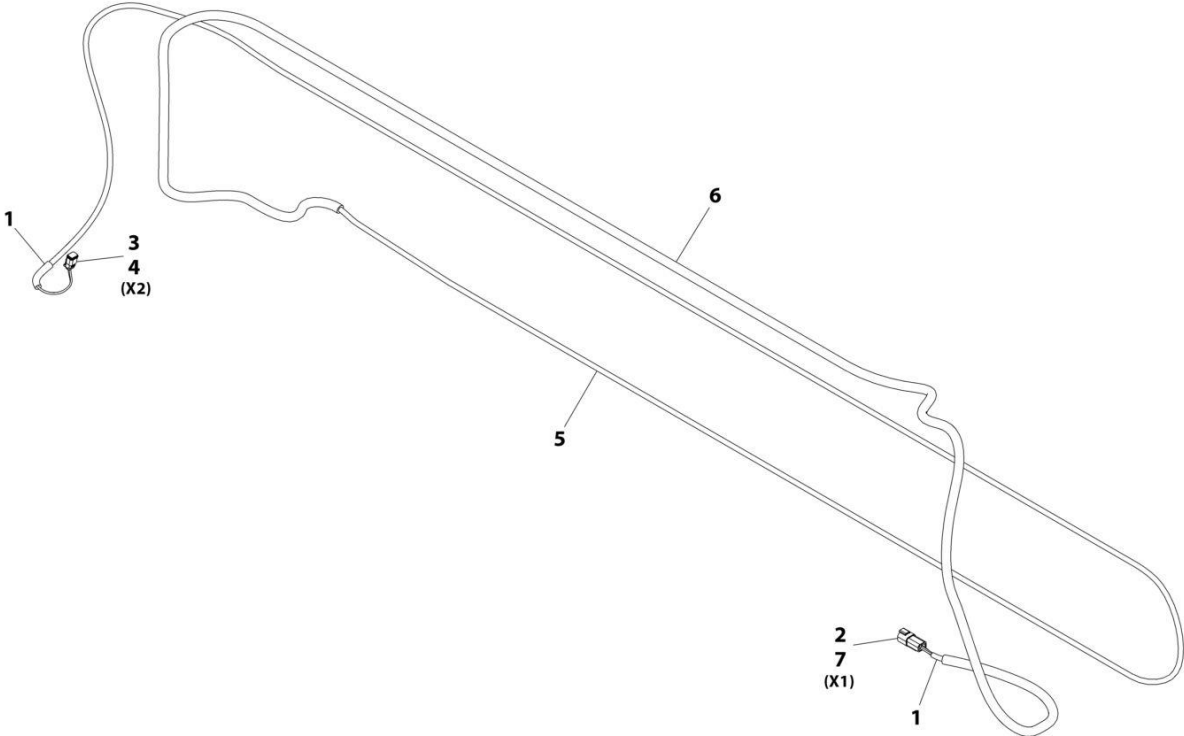
## SECTION 10 - ELECTRICAL

### FIGURE 10-6. BATTERY DISCONNECT SHIELD INSTALLATION

ITEM	PART NUMBER	QTY	DESCRIPTION	REV
	1001201826	Ref	Battery Disconnect Switch Installation	A
1	1001135845	1	Bracket	
2	1001135846	1	Bar	
3	1001192142	1	Switch	

**SECTION 10 - ELECTRICAL**

**FIGURE 10-7. BOOM AUXILIARY HARNESS**



ART\_1001080397-B

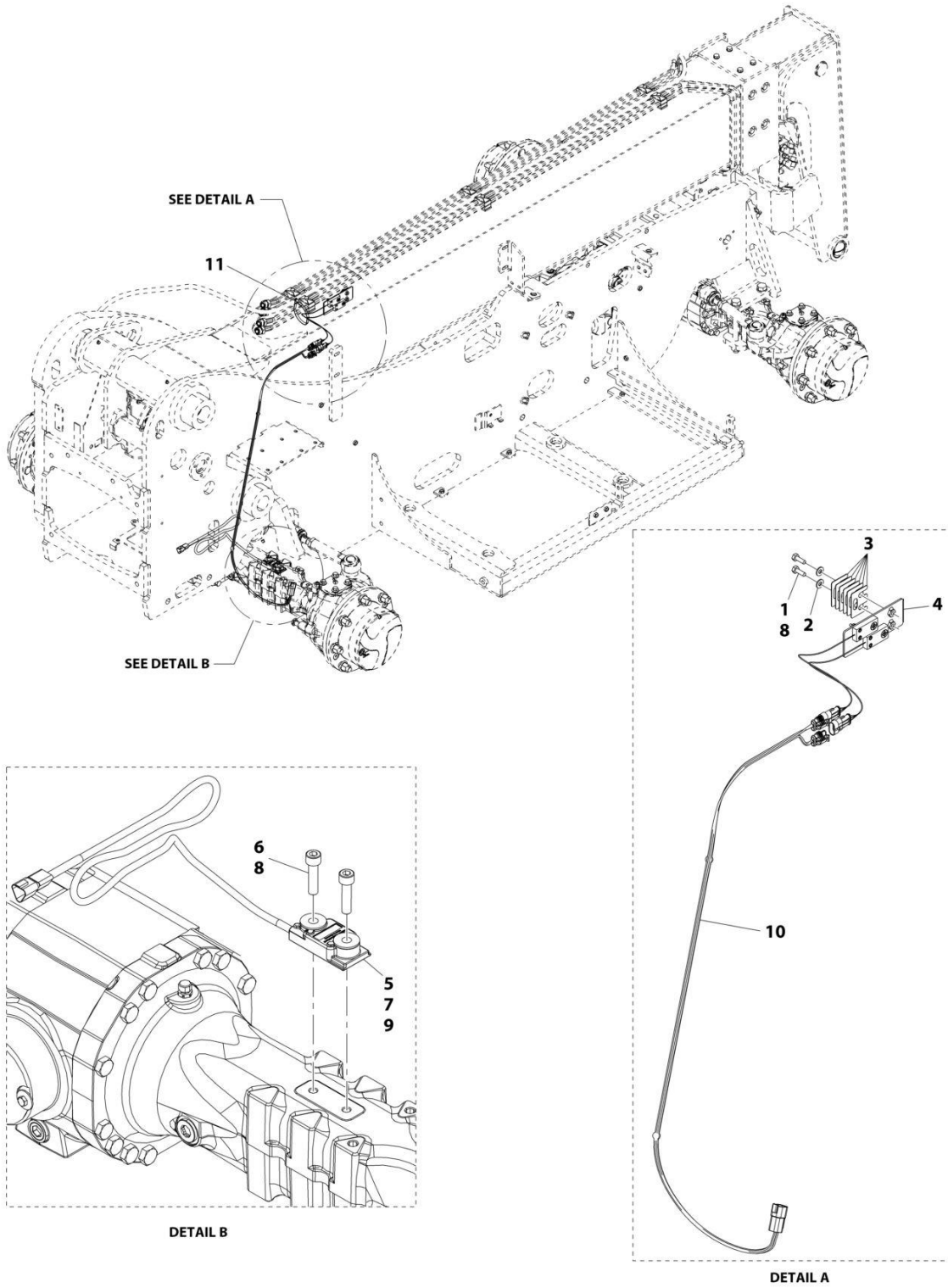
## SECTION 10 - ELECTRICAL

### FIGURE 10-7. BOOM AUXILIARY HARNESS

ITEM	PART NUMBER	QTY	DESCRIPTION	REV
	1001080397	Ref	Boom Aux Harness	B
1	2820171	0.25 ft	Heat Shrink, Insulate	
2	4460464	4	Terminal	
3	4460465	2	Terminal	
4	4460891	1	Connector	
5	4923141	34.83 ft	Wire, 4 Conductor 16 Ga Cable	
6	1001220853	14 ft	Loom, 3/8	
7	4460932	1	Connector	

# SECTION 10 - ELECTRICAL

## FIGURE 10-8. BOOM SENSOR INSTALLATION



ART\_1001236302-A

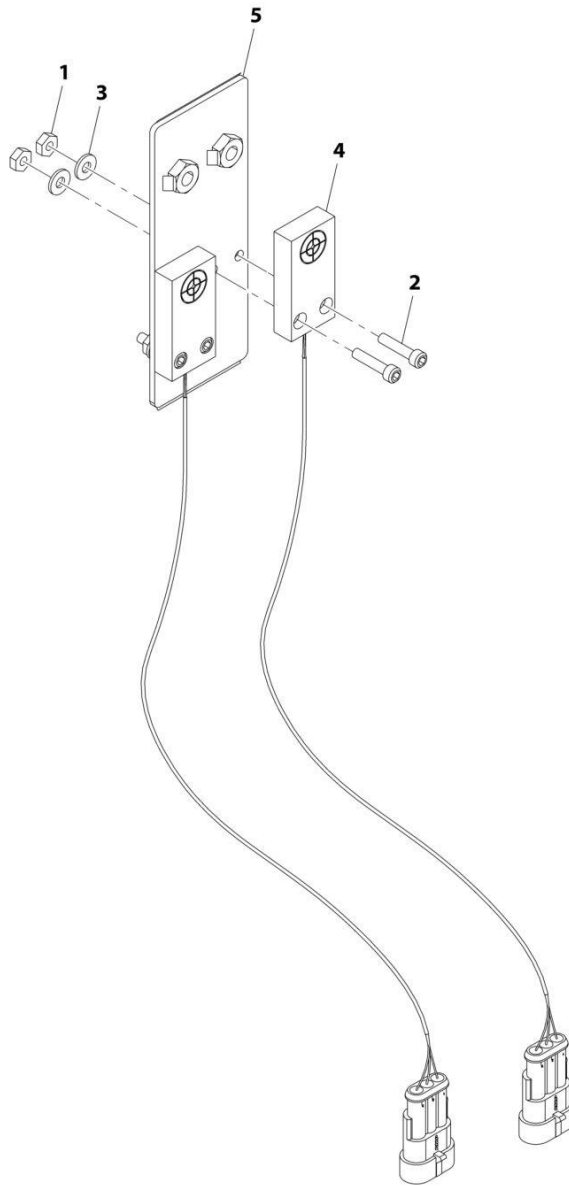
## SECTION 10 - ELECTRICAL

### FIGURE 10-8. BOOM SENSOR INSTALLATION

ITEM	PART NUMBER	QTY	DESCRIPTION	REV
	1001236302	Ref	Boom Sensor Installation	B
1	0641406	2	Bolt 1/4 x 3/4	
2	4711400	2	Washer 1/4	
3	1001121953	6	Shim	
4	1001236272	1	Installation, Boom Sensor Assembly (See Separate Breakdown in this Section)	
5	1001289105	1	Rear Axle LSI Sensor	
6	5272012	2	Bolt M10 x 40	
7	1001125465	AR	Adhesive	
8	1001289296	AR	Adhesive	
9	1001116128	AR	Seal	
10	1001129801	1	Boom Sensor Harness (See Separate Breakdown in this Section)	
11	8584003	AR	Tie Wrap	

# SECTION 10 - ELECTRICAL

## FIGURE 10-9. BOOM SENSOR ASSEMBLY



ART\_1001236272-A



## SECTION 10 - ELECTRICAL

### FIGURE 10-9. BOOM SENSOR ASSEMBLY

ITEM	PART NUMBER	QTY	DESCRIPTION	REV
	1001236272	Ref	Boom Sensor Assembly Installation	A
1	3310805	4	Hex Locknut, 8-32, GR2	
2	3930812	4	Socket HD Capscrew, 8-32X3/4	
3	4750800	4	Washer, M8	
4	1001121021	2	Proximity Sensor	
5	1001236337	1	Bracket	

# SECTION 10 - ELECTRICAL

## FIGURE 10-10. BOOM SENSOR HARNESS



ART\_1001129801-A

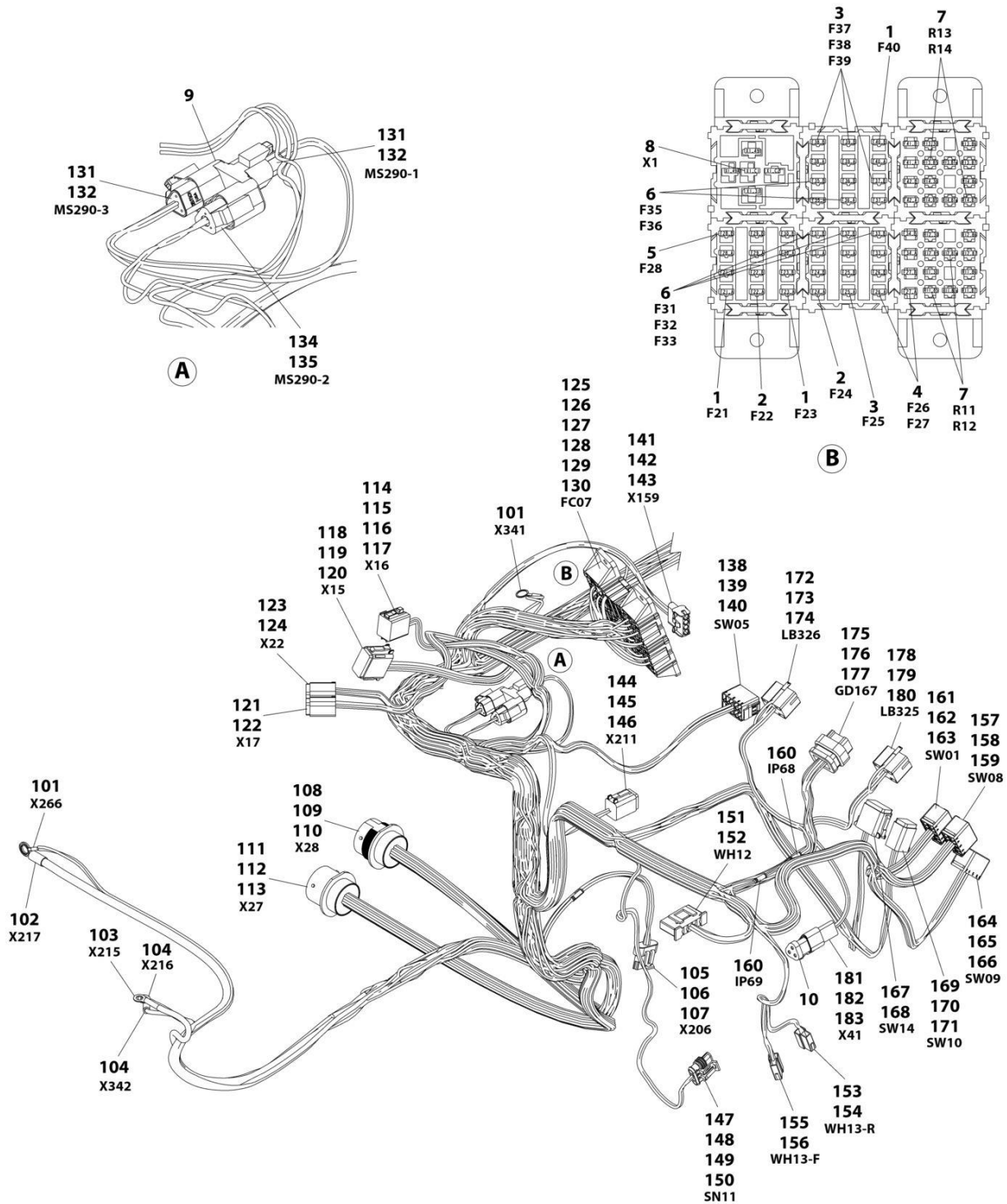
## SECTION 10 - ELECTRICAL

### FIGURE 10-10. BOOM SENSOR HARNESS

ITEM	PART NUMBER	QTY	DESCRIPTION	REV
	1001129801	Ref	Boom Sensor Harness	A
1	4460899	1	Connector	
2	4460464	6	Terminal	
3	4461262	1	Connector	
4	1001107854	3	Terminal	
5	4461262	1	Connector	
6	1001107854	3	Terminal	

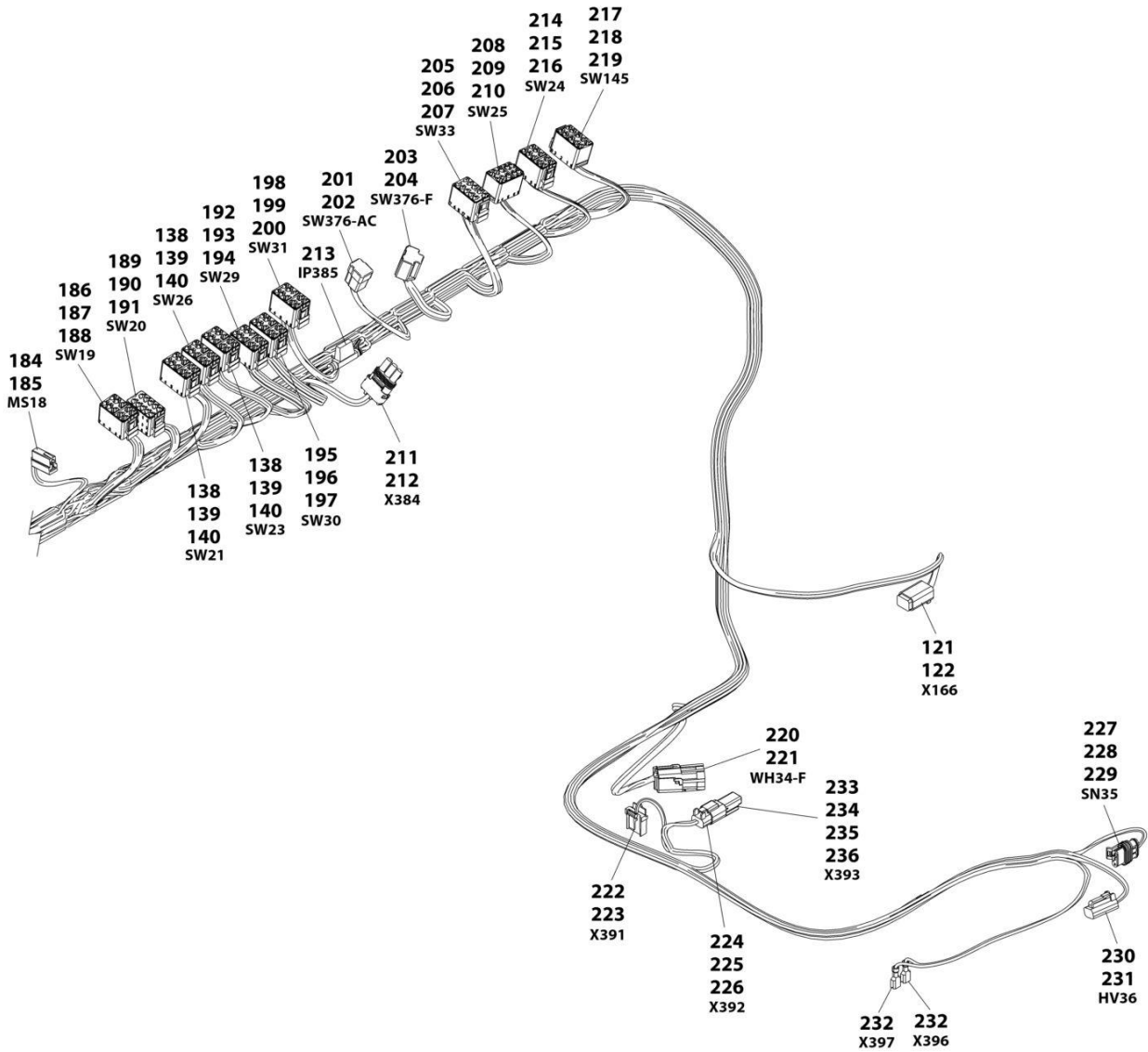
# SECTION 10 - ELECTRICAL

## FIGURE 10-11. CAB HARNESS



ART\_1001283506\_A\_10F2

# SECTION 10 - ELECTRICAL



ART\_1001283506\_A\_20F2

# SECTION 10 - ELECTRICAL

## FIGURE 10-11. CAB HARNESS

ITEM	PART NUMBER	QTY	DESCRIPTION	REV
	1001283506	Ref	CAB HARNESS	A
1	80983191	3	Fuse 10Amp	
2	8229242	2	Fuse 5Amp	
3	8229244	4	Fuse 15Amp	
4	8229246	2	Fuse 20Amp	
5	8229245	1	Fuse 30Amp	
6	8229243	6	Fuse 7.5Amp	
7	1001095704	4	Relay 35Amp	
8	1001100781	1	Relay 10Amp	
9	4460945	1	Connector - 3 Way	
10	1001116815	1	Terminator	
101	4460019	2	Ring Terminal	
102	8220115	1	Ring Terminal	
103	1001117106	1	Ring Terminal	
104	4460043	2	Ring Terminal	
105	1001230931	1	Connector	
106	1001116748	5	Terminal	
107	1001116751	1	Plug	
108	1001121961	1	Connector	
109	4460465	28	Terminal	
110	4460466	3	Plug	
111	1001116920	1	Connector	
112	4460464	30	Terminal	
113	4460466	1	Plug	
114	4460851	1	Connector	
115	4460465	4	Terminal	
116	4460942	2	Terminal	
117	4460466	2	Plug	
118	4460933	1	Connector	
119	4460465	11	Terminal	
120	4460466	1	Plug	
121	4460884	2	Connector	
122	4460465	8	Terminal	
123	4460894	1	Connector	
124	4460465	6	Terminal	
125	1001080763	1	Fuse Holder	
126	1001116710	37	Terminal	
127	1001116711	4	Terminal	
128	1001116712	17	Terminal	
129	1001116735	5	Terminal	
130	4460419	1	Terminal	
131	1001116812	2	Connector	
132	4460465	6	Terminal	
134	4460539	1	Connector	
135	4460465	3	Terminal	
138	1001117081	4	Connector	
139	1001116723	16	Terminal	
140	1001118385	8	Terminal	
141	4460761	1	Connector	
142	4460267	3	Terminal	

## SECTION 10 - ELECTRICAL

ITEM	PART NUMBER	QTY	DESCRIPTION	REV
143	4460705	2	Terminal	
144	4460894	1	Connector	
145	4460465	3	Terminal	
146	4460466	3	Plug	
147	1001103012	1	Connector	
148	1001116698	2	Plug	
149	1001107854	2	Terminal	
150	1001104498	2	Seal	
151	1001127066	1	Connector	
152	1001118385	4	Terminal	
153	4460994	1	Connector	
154	1001118385	2	Terminal	
155	4460994	1	Connector	
156	1001118385	3	Terminal	
157	1001117081	1	Connector	
158	1001116723	8	Terminal	
159	1001118385	3	Terminal	
160	3990013	2	Diode	
161	1001117081	1	Connector	
162	1001116723	6	Terminal	
163	1001118385	1	Terminal	
164	1001117081	1	Connector	
165	1001116723	4	Terminal	
166	1001118385	4	Terminal	
167	4460930	1	Connector	
168	4460465	8	Terminal	
169	4460894	1	Connector	
170	4460465	5	Terminal	
171	4460466	1	Plug	
172	1001117119	1	Connector	
173	1001116723	4	Terminal	
174	1001118385	2	Terminal	
175	4460872	1	Connector	
176	4460871	13	Terminal	
177	4460905	2	Plug	
178	1001117119	1	Connector	
179	1001116723	6	Terminal	
180	1001118385	1	Terminal	
181	4460536	1	Connector	
182	4460464	2	Terminal	
183	4460466	1	Plug	
184	4460994	1	Connector	
185	1001118385	2	Terminal	
186	1001117081	1	Connector	
187	1001118385	4	Terminal	
188	1001116723	6	Terminal	
189	1001117082	1	Connector	
190	1001118385	3	Terminal	
191	1001116723	8	Terminal	
192	1001117081	1	Connector	
193	1001118385	5	Terminal	

## SECTION 10 - ELECTRICAL

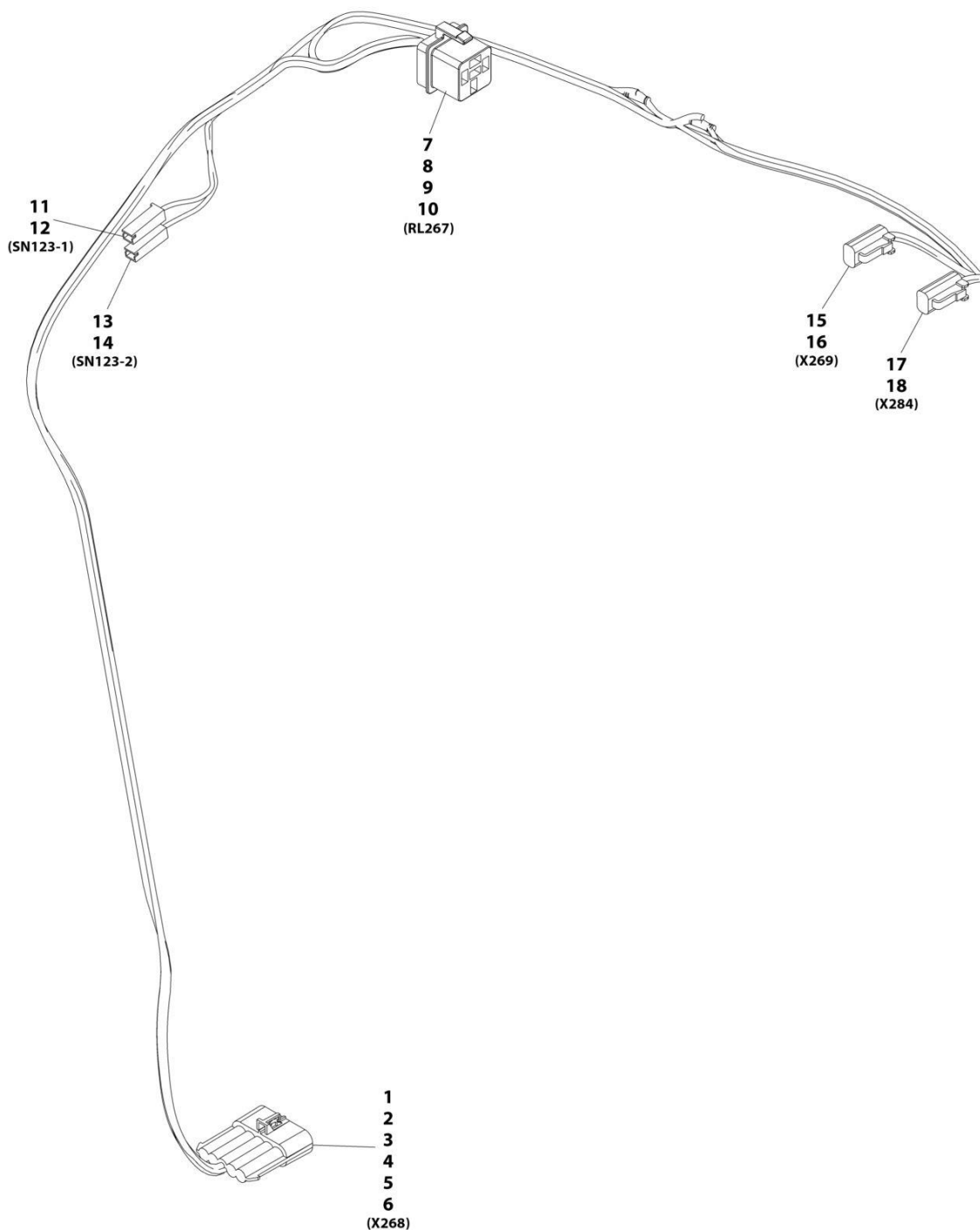
ITEM	PART NUMBER	QTY	DESCRIPTION	REV
194	1001116723	6	Terminal	
195	1001117081	1	Connector	
196	1001118385	4	Terminal	
197	1001116723	6	Terminal	
198	1001117081	1	Connector	
199	1001118385	6	Terminal	
200	1001116723	2	Terminal	
201	1001117059	1	Connector	
202	1001116736	3	Terminal	
203	1001117080	1	Connector	
204	1001116723	5	Terminal	
205	1001117079	1	Connector	
206	1001118385	4	Terminal	
207	1001116723	8	Terminal	
208	1001117081	1	Connector	
209	1001116723	4	Terminal	
210	1001118385	1	Terminal	
211	4460459	1	Connector	
212	4460457	3	Terminal	
213	2400060	1	Fuse Holder	
214	1001117081	1	Connector	
215	1001118385	5	Terminal	
216	1001116723	2	Terminal	
217	1001117081	1	Connector	
218	1001118385	3	Terminal	
219	1001116723	6	Terminal	
220	80963062	1	Connector	
221	4460475	4	Terminal	
222	1001197624	1	Connector	
223	1001197714	3	Terminal	
224	4460891	1	Connector	
225	4460465	2	Terminal	
226	4460897	1	Connector, Termination	
227	4461262	1	Connector	
228	1001107854	3	Terminal	
229	1001104498	3	Seal	
230	4460891	1	Connector	
231	4460465	2	Terminal	
232	8220051	2	Blade Terminal	
233	4460897	1	Connector	
234	4460464	2	Pin	
235	1001218381	1	Resistor	
236	1001135350	1	Cap	





# SECTION 10 - ELECTRICAL

## FIGURE 10-12. CAB A/C CONDENSER HANRESS



ART\_1001142236-B

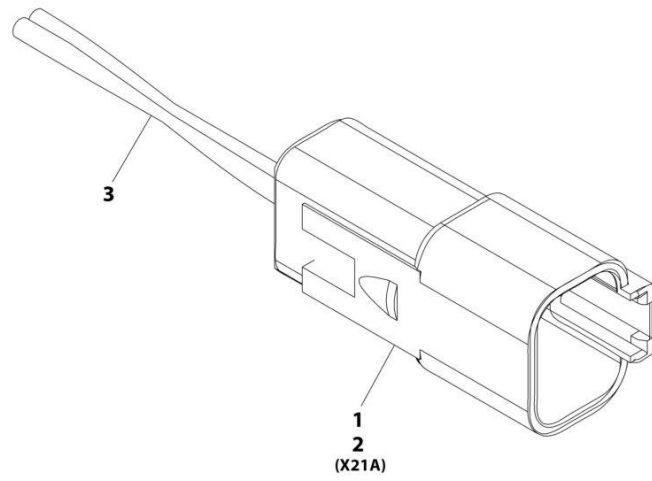
## SECTION 10 - ELECTRICAL

**FIGURE 10-12. CAB A/C CONDENSER HANRESS**

ITEM	PART NUMBER	QTY	DESCRIPTION	REV
	1001142236	Ref	Condensor Fan Harness	B
1	1001121727	1	Connector	
2	8220162	2	Terminal	
3	1001116729	2	Terminal	
4	1001116727	1	Plug	
5	8220089	2	Seal	
6	4460458	2	Seal	
7	4460374	1	Connector	
8	1001116734	2	Terminal	
9	1001116733	2	Terminal	
10	1001128128	1	Plug	
11	4460260	1	Connector	
12	4460259	1	Terminal	
13	4460260	1	Connector	
14	4460259	1	Terminal	
15	4460891	1	Connector	
16	4460942	2	Terminal	
17	4460891	1	Connector	
18	4460942	2	Terminal	

# SECTION 10 - ELECTRICAL

## FIGURE 10-13. CAB JUMPER HARNESS



ART\_1001100966-B

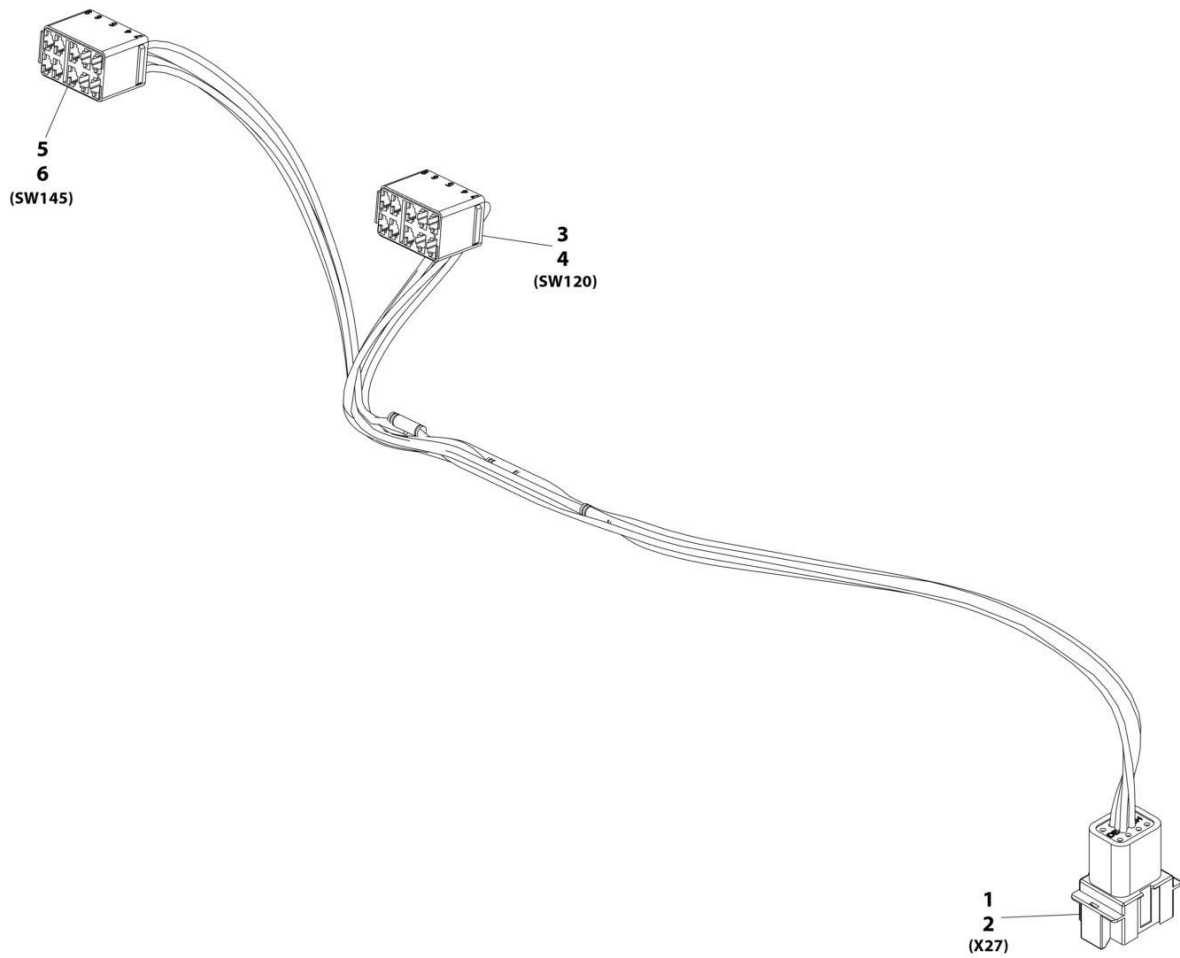
## SECTION 10 - ELECTRICAL

### FIGURE 10-13. CAB JUMPER HARNESS

ITEM	PART NUMBER	QTY	DESCRIPTION	REV
	1001100966	Ref	Jumper Harness	B
1	4460464	4	Terminal	
2	4460932	1	Connector	
3	4920017	0.5 ft	Wire	

# SECTION 10 - ELECTRICAL

## FIGURE 10-14. CAB MODE SELECT HARNESS



ART\_1001098235-D

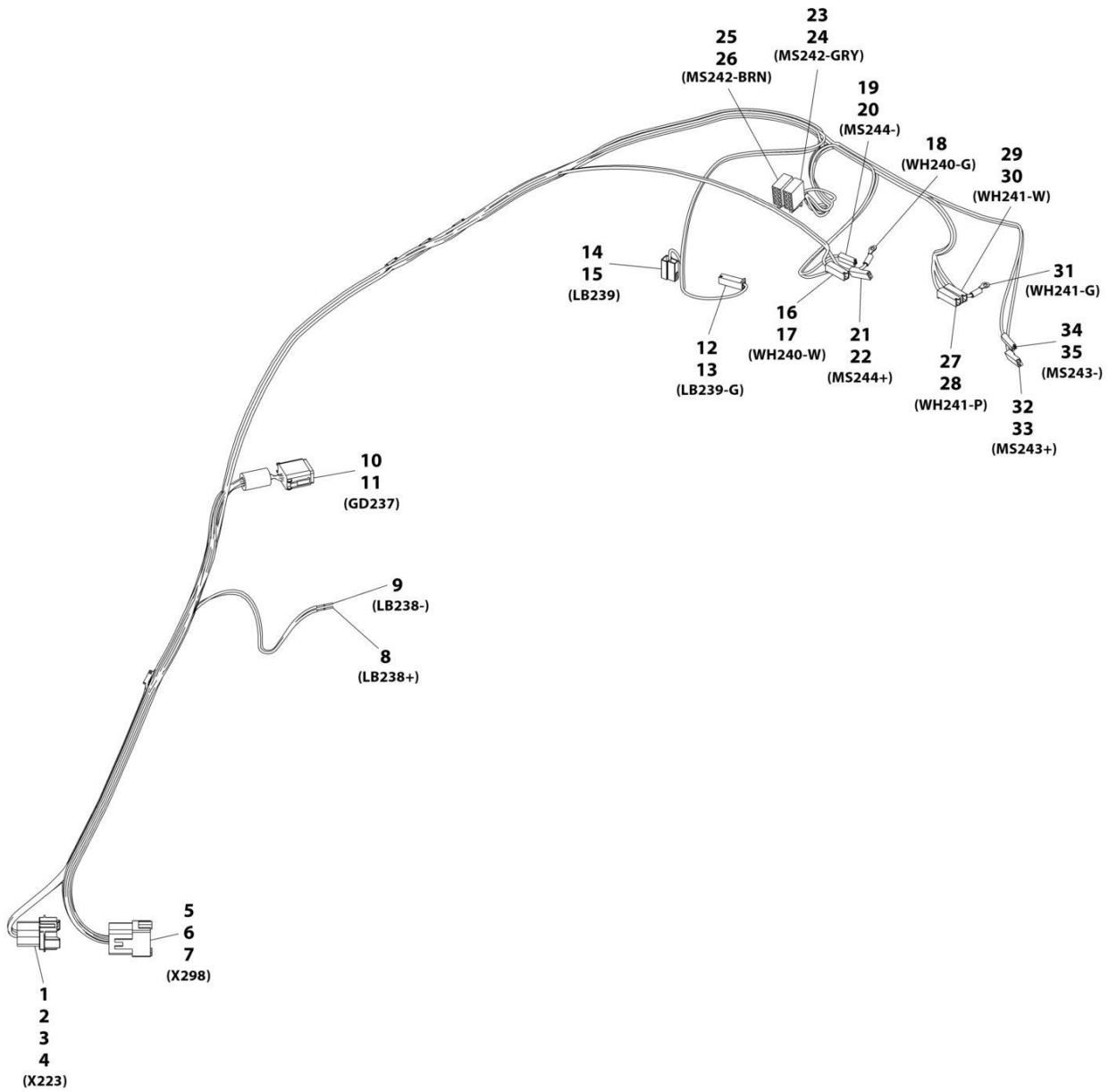
## SECTION 10 - ELECTRICAL

### FIGURE 10-14. CAB MODE SELECT HARNESS

ITEM	PART NUMBER	QTY	DESCRIPTION	REV
	1001098235	Ref	Mode Select Harness	D
1	4460931	1	Connector	
2	4460464	8	Terminal	
3	1001117081	1	Connector	
4	1001104519	7	Terminal	
5	1001117081	1	Connector	
6	1001104519	4	Terminal	

# SECTION 10 - ELECTRICAL

## FIGURE 10-15. CAB ROOF HARNESS



ART\_1001142010-C



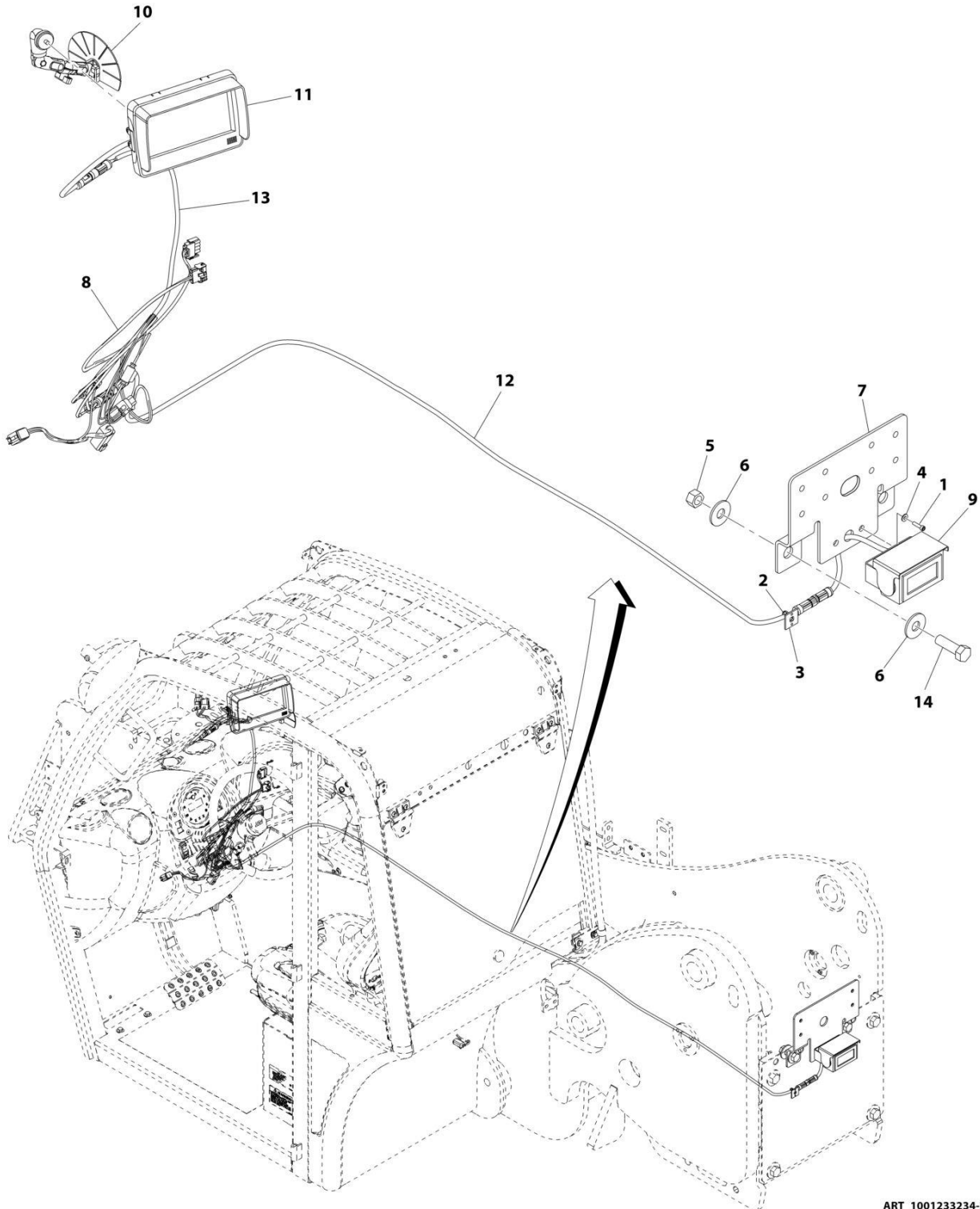
## SECTION 10 - ELECTRICAL

### FIGURE 10-15. CAB ROOF HARNESS

ITEM	PART NUMBER	QTY	DESCRIPTION	REV
	1001142010	Ref	Cab Roof Harness	C
1	1001116813	1	Connector	
2	4460464	3	Terminal	
3	4460941	3	Terminal	
4	4460466	2	Plug	
5	4460970	1	Connector	
6	4460464	11	Terminal	
7	4460466	1	Plug	
8	1001118387	1	Terminal, Ring	
9	1001118387	1	Terminal, Ring	
10	4460930	1	Connector	
11	4460465	9	Terminal	
12	4460260	1	Connector	
13	4460259	1	Terminal	
14	4460994	1	Connector	
15	1001118385	1	Terminal	
16	4460260	1	Connector	
17	4460259	1	Terminal	
18	8220007	1	Terminal, Ring	
19	1001117002	1	Connector	
20	1001116705	1	Terminal	
21	1001116982	1	Connector	
22	1001118379	1	Terminal	
23	1001116985	1	Connector	
24	1001116710	3	Terminal	
25	1001116984	1	Connector	
26	1001116710	4	Terminal	
27	4460260	1	Connector	
28	4460259	1	Terminal	
29	4460260	1	Connector	
30	4460259	1	Terminal	
31	8220007	1	Terminal, Ring	
32	1001116982	1	Connector	
33	1001118379	1	Terminal	
34	1001117002	1	Connector	
35	1001116705	1	Terminal	

# SECTION 10 - ELECTRICAL

## FIGURE 10-16. CAMERA INSTALLATION - BACK-UP



ART\_1001233234-B

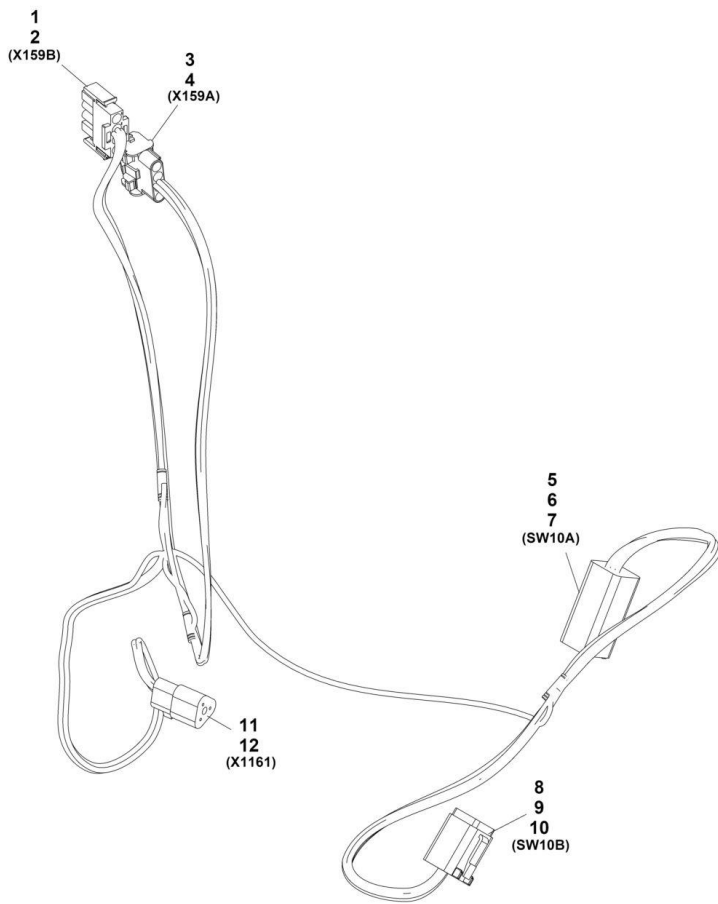
## SECTION 10 - ELECTRICAL

**FIGURE 10-16. CAMERA INSTALLATION - BACK-UP**

ITEM	PART NUMBER	QTY	DESCRIPTION	REV
	1001233234	Ref	Back-Up Camera Installation	B
1	3931012	2	Bolt, #10-24X3/4	
2	4240032	15	Strap, Tie	
3	4460234	1	Terminal	
4	4711000	2	Washer, #10	
5	3312005	2	Nut, Lock 5/8-11	
6	4752000	4	Washer, 5/8	
7	1001233831	1	Bracket, Camera Mount	
8	1001243201	1	Harness, Rear Camera (See Separate Breakdown in Electrical Section)	
9	1001233174	1	Camera, Rear View	
10	1001233199	1	Bracket, Monitor Mount	
11	1001233202	1	Montior	
12	1001233434	1	Camera Harness, Extension Cable	
13	1001233435	1	Harness, Back-Up Camera	
14	0642016	2	Bolt, 5/8-11X2	

# SECTION 10 - ELECTRICAL

## FIGURE 10-17. CAMERA HARNESS - BACK-UP



ART\_1001243201

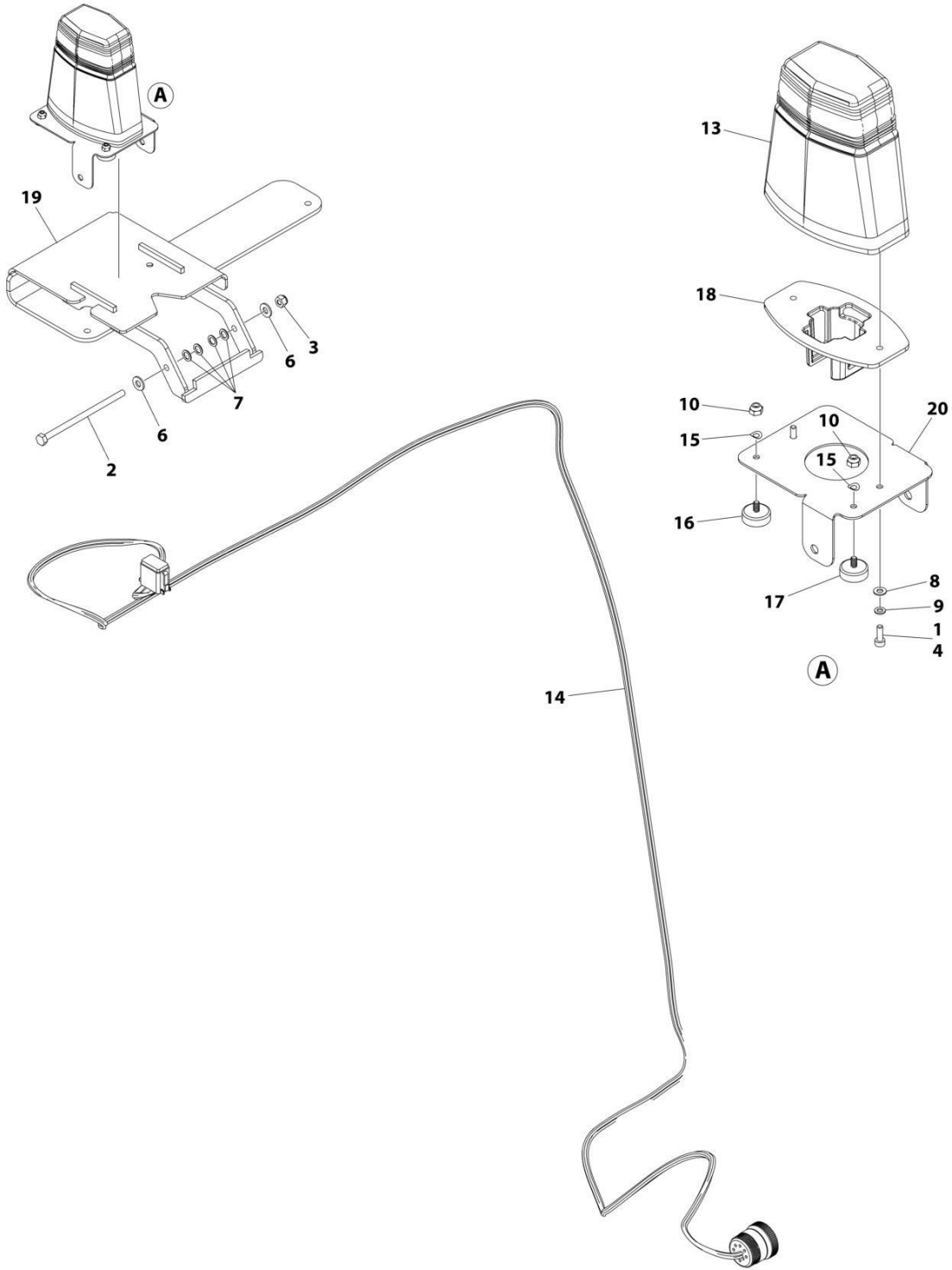
## SECTION 10 - ELECTRICAL

### FIGURE 10-17. CAMERA HARNESS - BACK-UP

ITEM	PART NUMBER	QTY	DESCRIPTION	REV
	1001243201	1	Rear Camera Option Harness	A
1	1001119031	1	Connector	
2	4460268	4	Terminal	
3	4460761	1	Connector	
4	4460267	4	Terminal	
5	4460899	1	Connector	
6	4460464	5	Terminal	
7	4460466	1	Plug	
8	4460894	1	Connector	
9	4460465	5	Terminal	
10	4460466	1	Plug	
11	4460539	1	Connector	
12	4460465	3	Terminal	

# SECTION 10 - ELECTRICAL

## FIGURE 10-18. CLEARSKY INSTALLATION - WITH AC



ART\_1001290521

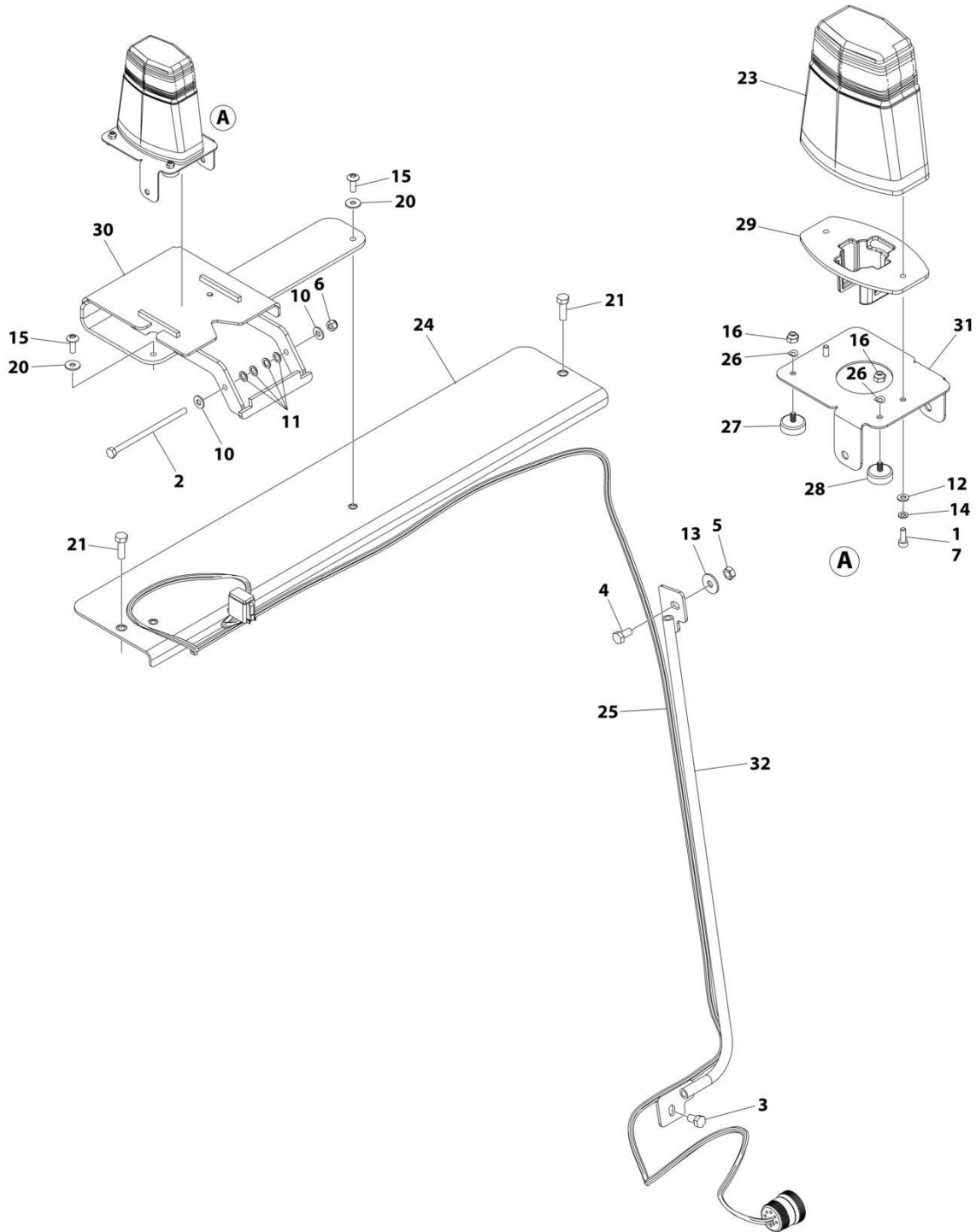
## SECTION 10 - ELECTRICAL

**FIGURE 10-18. CLEARSKY INSTALLATION - WITH AC**

ITEM	PART NUMBER	QTY	DESCRIPTION	REV
	1001290521	Ref	CLEARSKY INSTALLATION	B
1	0100011	AR	Compound, Locking	
2	0641438	1	Bolt 1/4 x 4-3/4	
3	3300449	1	Nut 1/4	
5	4460488	AR	Mount, Tie-Strap (Not Shown)	
6	4711400	2	Washer 1/4	
7	4740428	4	Washer 5/16	
8	4811400	2	Washer M4	
9	4831400	2	Washer M4	
10	8310410	2	Nut #8	
11	8881802	AR	Tie-Strap (7in - 8in) (Not Shown)	
12	1001146588	AR	Tie-Strap (8mm Post) (Not Shown)	
13	1001280661	1	Module, ClearSky	
14	1001288628	1	Harness, ClearSky (See Separate Breakdown in this Section)	
15	1001289299	2	Washer #8	
16	1001289300	1	Magnet, Studded (16mm Diameter)	
17	1001289301	1	Magnet, Studded (20mm Diameter)	
18	1001289648	1	Plate, Anti-Tamper	
19	1001289957	1	Bracket, ClearSky Mounting	
20	1001289958	1	Mount, ClearSky Pivot	
21	3290401	2	Nut M4	
22	1001291056	2	Gasket	

# SECTION 10 - ELECTRICAL

**FIGURE 10-19. CLEARSKY INSTALLATION - WITHOUT AC (Prior to SN 0160131160, Except SN 160131113 through 0160131118, Except SN 0160131126 through 0160131127, Except SN 0160131152 through 0160131157, Excluding 0160131132 and 0160131143)**



ART\_1001290615



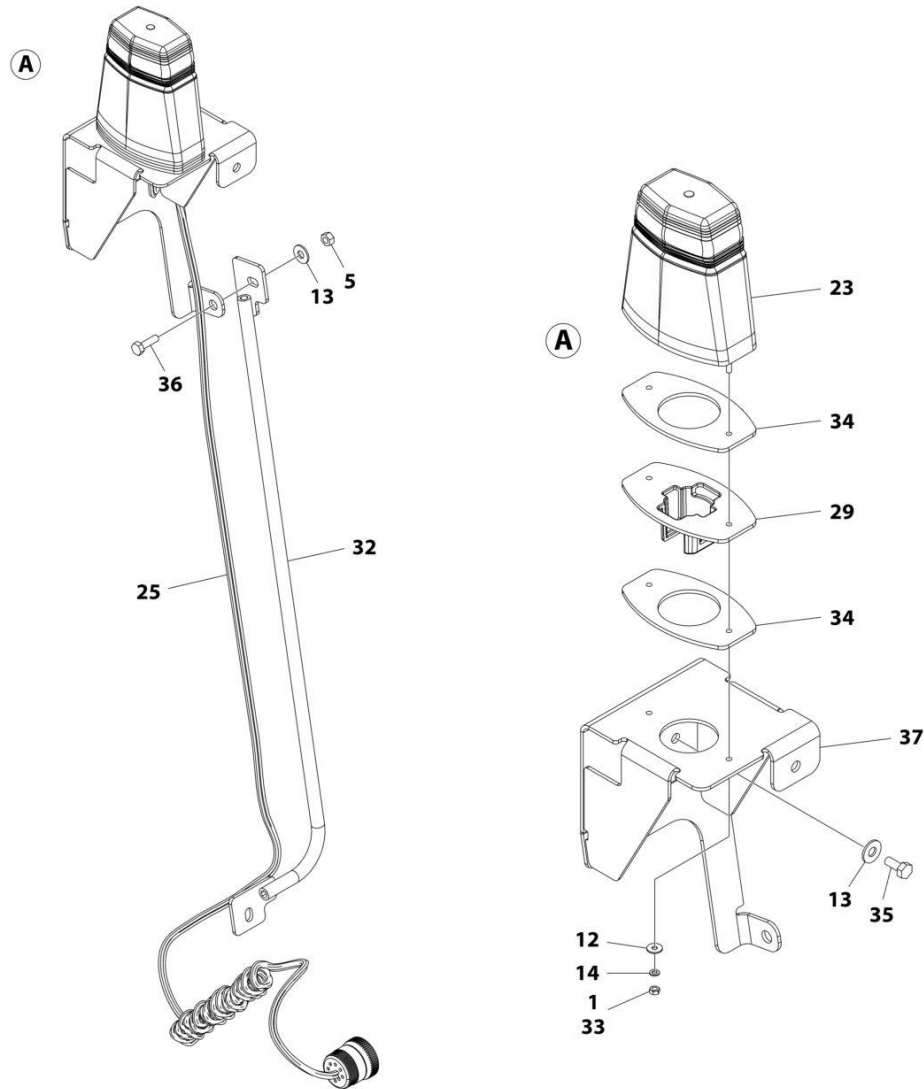
## SECTION 10 - ELECTRICAL

**FIGURE 10-19. CLEARSKY INSTALLATION - WITHOUT AC (Prior to SN 0160131160, Except SN 160131113 through 0160131118, Except SN 0160131126 through 0160131127, Except SN 0160131152 through 0160131157, Excluding 0160131132 and 0160131143)**

ITEM	PART NUMBER	QTY	DESCRIPTION	REV
	1001290615	Ref	CLEARSKY INSTALLATION	B
1	0100011	AR	Compound, Locking	
2	0641438	1	Bolt 1/4 x 4-3/4	
3	0760807	1	Bolt M8 x 14	
4	0760808	1	Bolt M8 x 16	
5	3290801	1	Nut M8	
6	3300449	1	Nut 1/4	
8	4240032	AR	Tie-Strap (3-5/8in - 4in)(Not Shown)	
9	4460488	AR	Mount, Tie-Strap (Not Shown)	
10	4711400	2	Washer 1/4	
11	4740428	4	Washer 5/16	
12	4811400	2	Washer M4	
13	4811902	1	Washer M8	
14	4831400	2	Washer, Lock M4	
15	8303034	2	Screw 1/4 x 3/4	
16	8310410	2	Nut, Lock #8	
17	8881802	AR	Tie-Strap (7in - 8in) (Not Shown)	
18	1001008559	AR	Tie-Strap (7in - 8in) (Not Shown)	
19	1001146588	AR	Tie-Strap (8mm Post) (Not Shown)	
20	1001150509	2	Washer M6	
21	1001151088	2	Bolt 5/16 x 1	
22	1001273793	AR	Fir Tree (10-1/2mm post) (Not Shown)	
23	1001280661	1	Module, ClearSky	
24	1001287728	1	Mount	
25	1001288628	1	Harness, ClearSky (See Separate Breakdown in this Section)	
26	1001289299	2	Washer #8	
27	1001289300	1	Magnet, Studded (16mm Diameter)	
28	1001289301	1	Magnet, Studded (20mm Diameter)	
29	1001289648	1	Plate, Anti-Tamper	
30	1001289957	1	Bracket, ClearSky Mounting	
31	1001289958	1	Mount, ClearSky Pivot	
32	1001292277	1	Support, Harness	
33	3290401	2	Nut M4	
34	1001291056	2	Gasket	

# SECTION 10 - ELECTRICAL

**FIGURE 10-20. CLEARSKY INSTALLATION - WITHOUT AC (SN 0160131161 to Present, SN 160131113 through 0160131118, SN 0160131126 through 0160131127, SN 0160131152 through 0160131157, Including 0160131132 and 0160131143)**



ART\_1001290615\_D

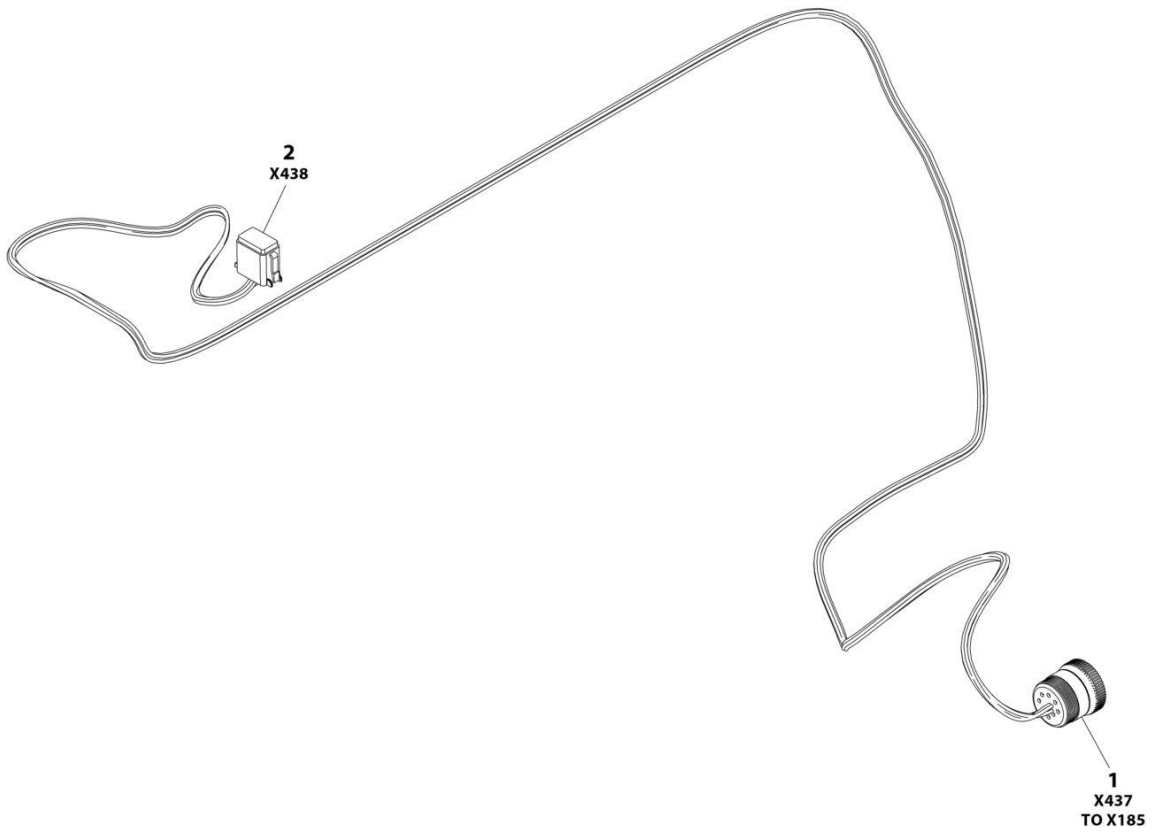
## SECTION 10 - ELECTRICAL

**FIGURE 10-20. CLEARSKY INSTALLATION - WITHOUT AC (SN 0160131161 to Present, SN 160131113 through 0160131118, SN 0160131126 through 0160131127, SN 0160131152 through 0160131157, Including 0160131132 and 0160131143)**

ITEM	PART NUMBER	QTY	DESCRIPTION	REV
	1001290615	Ref	CLEARSKY INSTALLATION	D
1	0100011	AR	Compound, Locking	
5	3311401	1	Nut M8	
12	1001091102	2	Washer M4	
13	4751400	2	Washer M8	
14	4831400	2	Washer M4	
17	8881802	AR	Tie-Strap (7in - 8in) (Not Shown)	
23	1001280661	1	Module, ClearSky	
25	1001288628	1	Harness, ClearSky (See Separate Breakdown in this Section)	
29	1001289648	1	Plate, Anti-Tamper	
32	1001292277	1	Support, Harness	
33	3290401	2	Nut M4	
34	1001291056	2	Gasket	
35	0641405	1	Bolt 1/4 x 5/8	
36	0641407	1	Bolt 1/4 x 7/8	
37	1001305947	1	Bracket	

# SECTION 10 - ELECTRICAL

## FIGURE 10-21. CLEARSKY HARNESS



ART\_1001288628

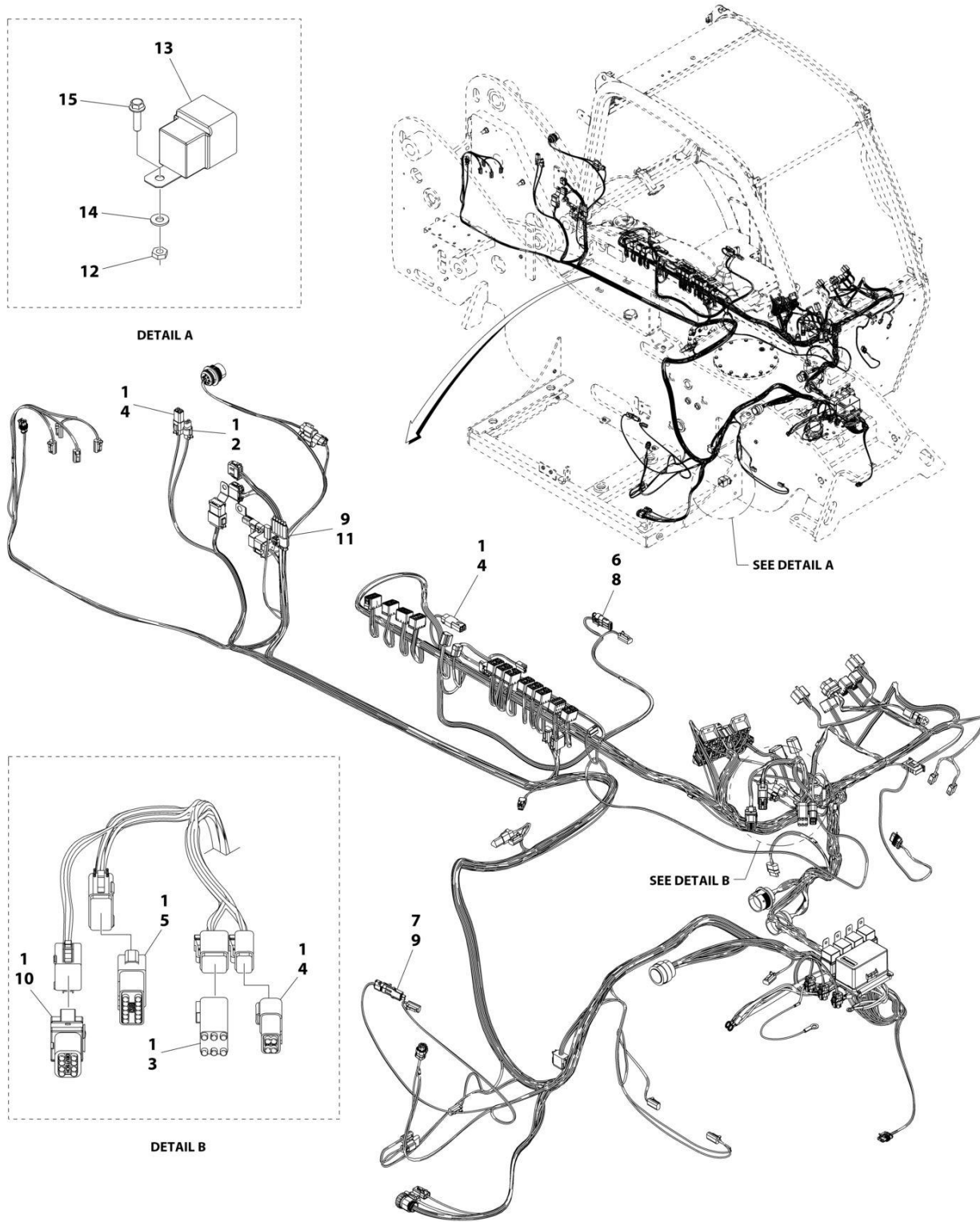
## SECTION 10 - ELECTRICAL

### FIGURE 10-21. CLEARSKY HARNESS

ITEM	PART NUMBER	QTY	DESCRIPTION	REV
	1001288628	Ref	CLEARSKY HARNESS	A
1	1001112796	1	Connector	
1	4460465	6	Socket	
1	4460466	3	Plug	
2	4460930	1	Connector	
2	4460465	6	Socket	
2	4460466	2	Plug	

# SECTION 10 - ELECTRICAL

## FIGURE 10-22. ELECTRICAL HARNESS CAPS INSTALLATION



ART\_1001150705-C

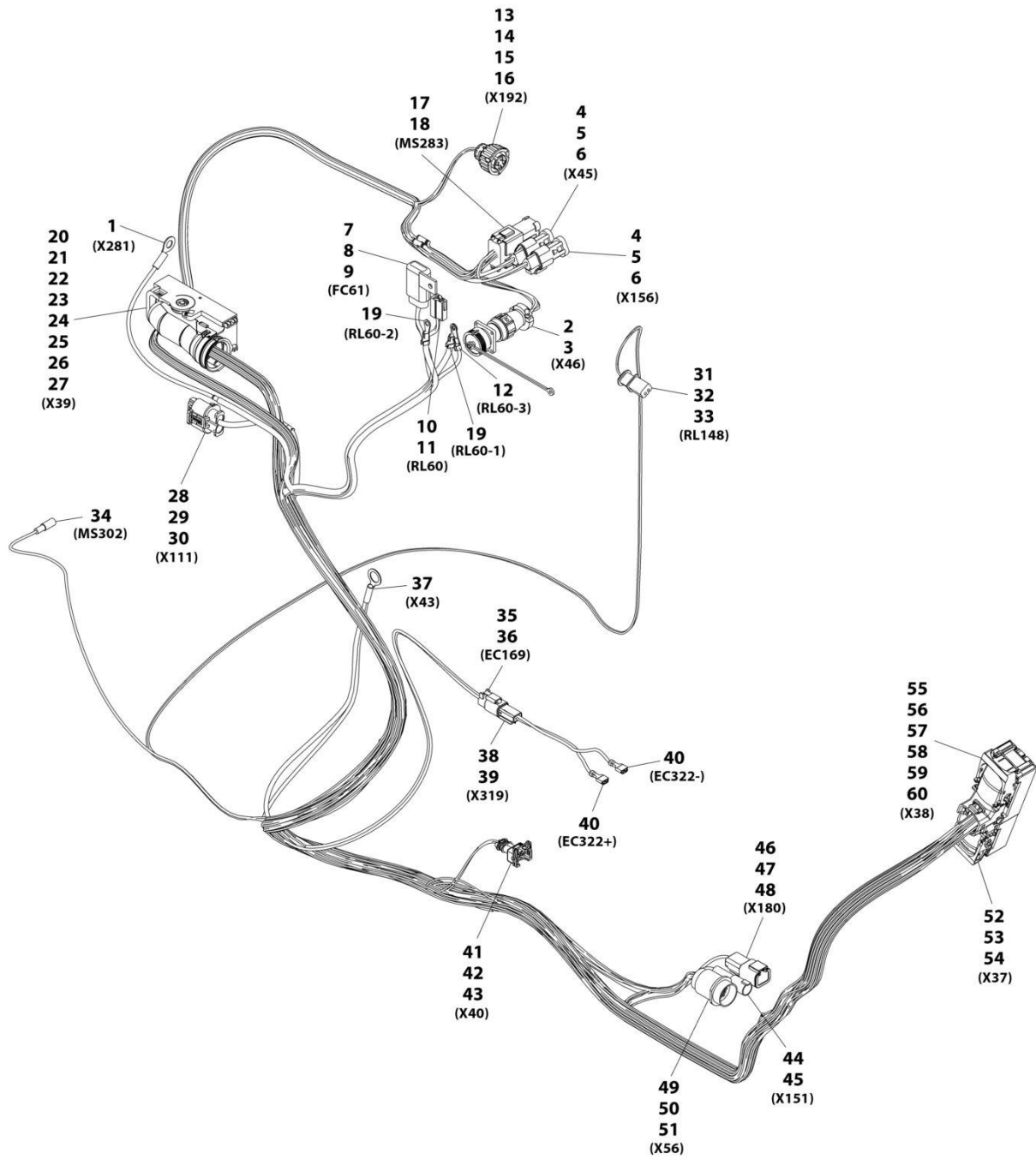
## SECTION 10 - ELECTRICAL

### FIGURE 10-22. ELECTRICAL HARNESS CAPS INSTALLATION

ITEM	PART NUMBER	QTY	DESCRIPTION	REV
	1001150705	Ref	Electrical Harness Caps Installation	C
1	4460466	40	Terminal Plug	
2	4460897	1	Terminal, 2 Position Receptacle	
3	4460899	1	Connector	
4	4460932	3	Connector	
5	4460970	1	Connector	
6	4461119	1	Connector	
7	80963058	1	Connector	
8	1001116698	3	Plug	
9	1001116727	7	Plug	
10	1001116813	1	Connector	
11	1001121727	1	Connector	
12	3311001	1	Hex Nut, 10-24, Gr2	
13	3740080	1	Relay	
14	4711000	1	Washer, M10	
15	77143016	1	Screw, 10-24X3/4	

# SECTION 10 - ELECTRICAL

## FIGURE 10-23. ENGINE HARNESS



ART\_1001258097



# SECTION 10 - ELECTRICAL

## FIGURE 10-23. ENGINE HARNESS

ITEM	PART NUMBER	QTY	DESCRIPTION	REV
	1001258097	1	ENGINE HARNESS	C
1	8220045	1	Terminal Ring	
2	2902443	1	Connector	
3	4461071	6	Terminal	
4	4461095	2	Connector	
5	4460465	4	Terminal	
6	4460466	2	Plug	
7	1001117022	1	Connector	
8	1001116734	1	Terminal	
9	1001116733	1	Terminal	
10	4460994	1	Connector	
11	1001116720	2	Terminal	
12	1001254186	1	Connector	
13	1001133714	1	Connector	
14	1001133715	3	Terminal	
15	1001135650	3	Seal	
16	1001135651	1	Plug	
17	4460933	1	Connector	
18	4460465	12	Terminal	
19	1001254187	2	Connector	
20	1001126362	1	Connector	
21	1001126363	18	Terminal	
22	1001126364	18	Seal	
23	1001126392	10	Terminal	
24	1001223459	10	Seal	
25	4461008	4	Plug	
26	1001126365	2	Terminal	
27	4461054	2	Seal	
28	1001142938	1	Connector	
29	1001142940	2	Terminal	
30	1001142941	2	Seal	
31	1001138110	1	Connector	
32	1001138111	2	Terminal	
33	1001138113	2	Seal	
34	1001117125	1	Connector	
35	4460891	1	Connector	
36	4460942	2	Terminal	
37	1001130900	1	Terminal Ring	
38	4460897	1	Connector	
39	4460941	2	Terminal	
40	8220051	2	Connector	
41	1001116983	1	Connector	
42	1001116706	2	Terminal	
43	1001137578	2	Seal	
44	1001116967	1	Connector	
45	91143339	1	Terminal	
46	4461017	1	Connector	
47	4460508	1	Terminal	
48	4460466	1	Plug	
49	1001116990	1	Connector	

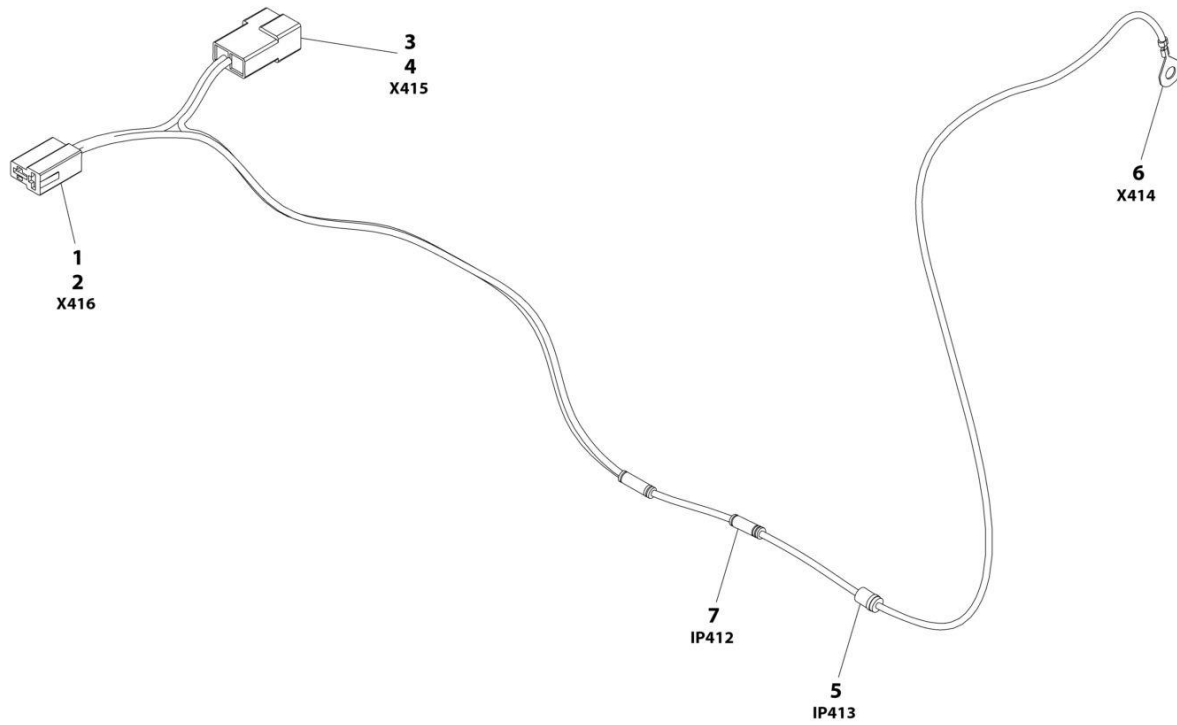
## SECTION 10 - ELECTRICAL

ITEM	PART NUMBER	QTY	DESCRIPTION	REV
50	1001118380	14	Terminal	
51	1001118391	2	Plug	
52	1001133957	1	Connector	
53	1001126351	14	Terminal	
54	1001230934	15	Terminal	
55	1001133956	1	Connector	
56	1001182361	6	Terminal	
57	1001182365	6	Seal	
58	1001230934	22	Terminal	
59	1001126351	2	Terminal	
60	1001230935	6	Plug	



# SECTION 10 - ELECTRICAL

## FIGURE 10-24. ENGINE ALTERNATOR CHARGING HARNESS



ART\_1001266291\_A

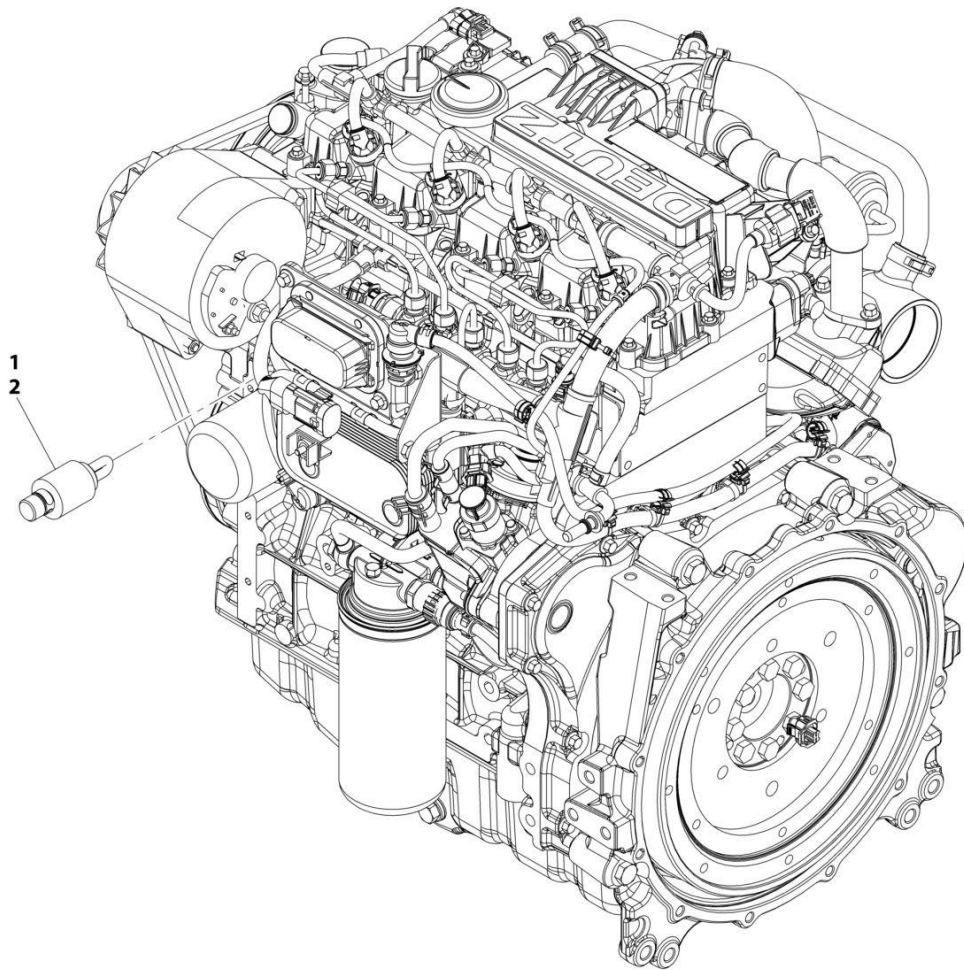
## SECTION 10 - ELECTRICAL

### FIGURE 10-24. ENGINE ALTERNATOR CHARGING HARNESS

ITEM	PART NUMBER	QTY	DESCRIPTION	REV
	1001266291	Ref	ENGINE ALTERNATOR CHARGING HARNESS	A
1	4460994	1	Connector	
2	1001116720	2	Terminal	
3	1001160152	1	Connector	
4	1001116700	2	Terminal	
5	1001266611	1	Diode	
6	1001187070	1	Terminal, Ring	
7	1001197720	1	Resistor	

## SECTION 10 - ELECTRICAL

FIGURE 10-25. ENGINE BLOCK HEATER INSTALLATION (ANSI)



ART\_1001139683-B

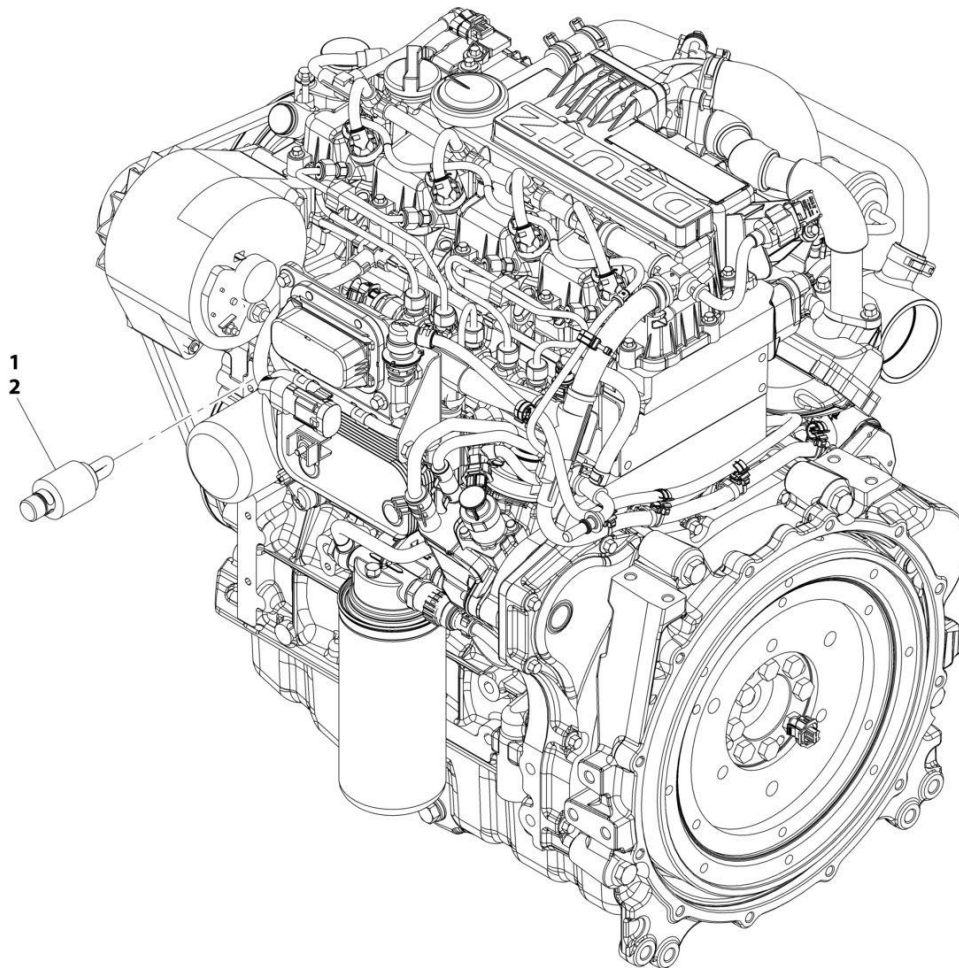
## SECTION 10 - ELECTRICAL

**FIGURE 10-25. ENGINE BLOCK HEATER INSTALLATION (ANSI)**

ITEM	PART NUMBER	QTY	DESCRIPTION	REV
	1001139683	Ref	BLOCK HEATER INSTALLATION	B
1	1001095650	AR	Compound, Locking	
2	1001140312	1	Block Heater	

## SECTION 10 - ELECTRICAL

FIGURE 10-26. ENGINE BLOCK HEATER INSTALLATION (CE)



ART\_1001159207-A



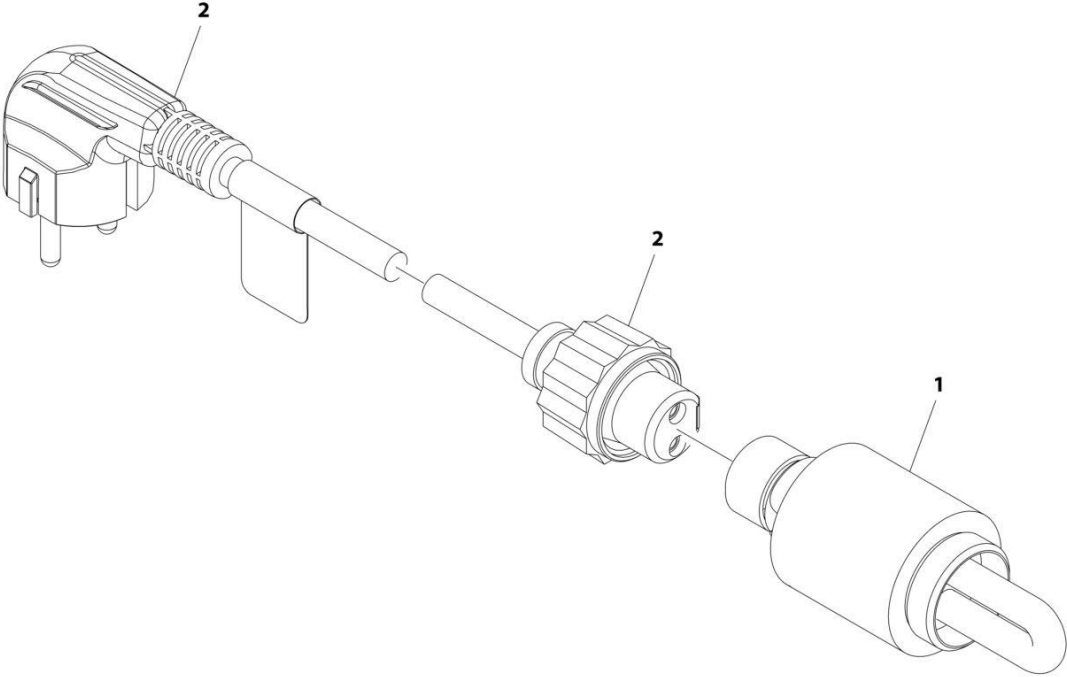
## SECTION 10 - ELECTRICAL

**FIGURE 10-26. ENGINE BLOCK HEATER INSTALLATION (CE)**

ITEM	PART NUMBER	QTY	DESCRIPTION	REV
1	1001159207	Ref	Block Heater Installation (CE)	A
	1001095650	AR	Locking Compound	
2	1001159206	1	Block Heater (See Separate Breakdown in this Section)	

**SECTION 10 - ELECTRICAL**

**FIGURE 10-27. ENGINE BLOCK HEATER INSTALLATION (LS)**



ART\_1001159206

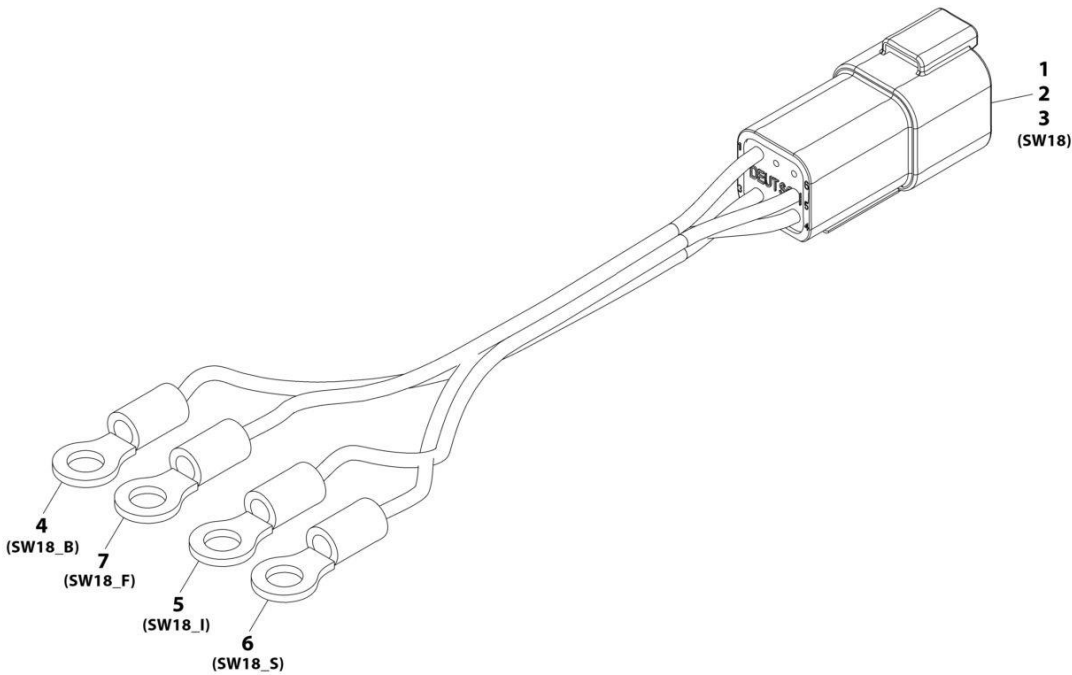
## SECTION 10 - ELECTRICAL

**FIGURE 10-27. ENGINE BLOCK HEATER INSTALLATION (LS)**

ITEM	PART NUMBER	QTY	DESCRIPTION	REV
	1001159206	Ref	Block Heater Installation (115V) (LS)	B
1	1001159204	1	Block Heater	
2	1001159205	1	Cable	

**SECTION 10 - ELECTRICAL**

**FIGURE 10-28. ENGINE START SWITCH JUMPER HARNESS**



ART\_1001100053-B

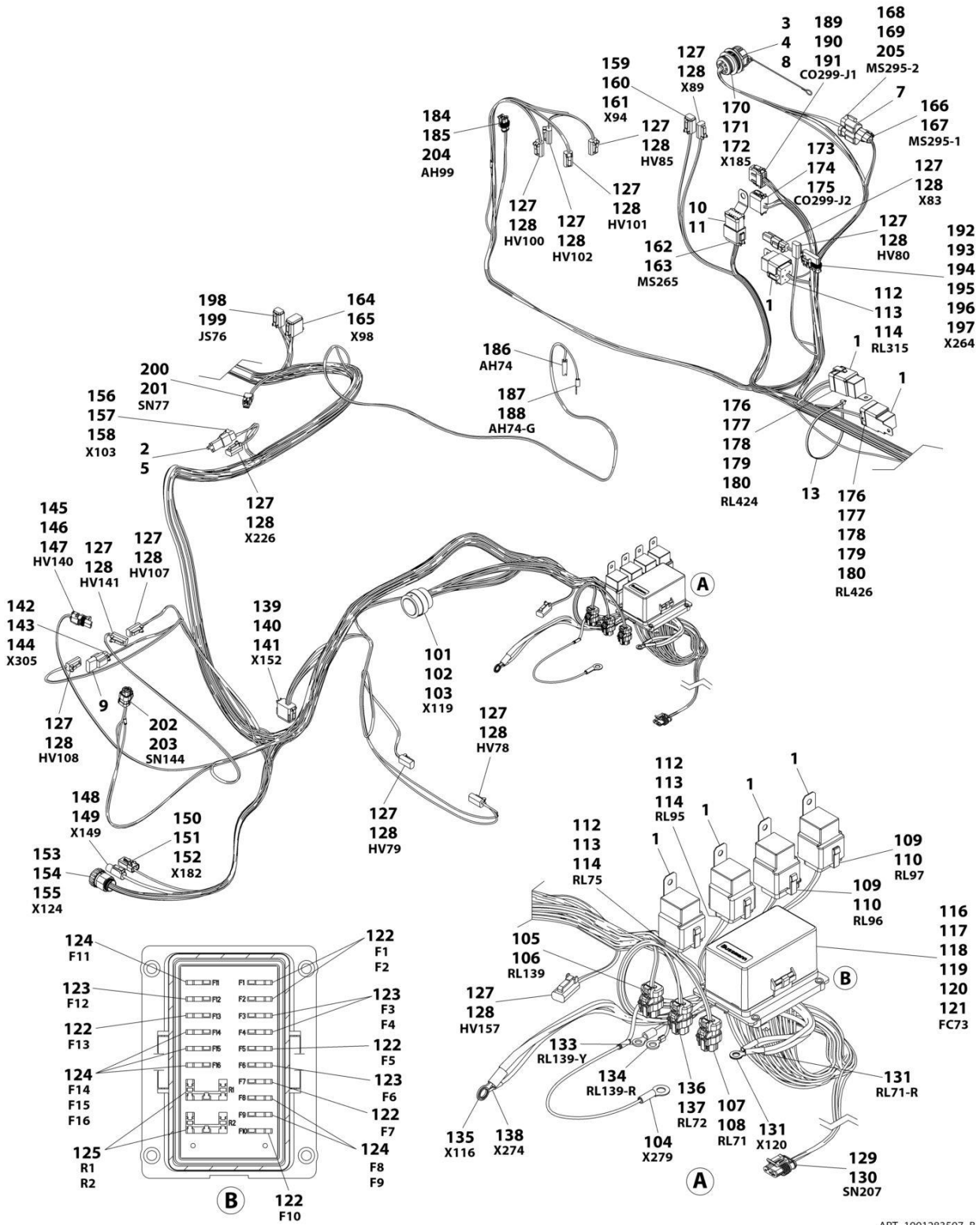
## SECTION 10 - ELECTRICAL

### FIGURE 10-28. ENGINE START SWITCH JUMPER HARNESS

ITEM	PART NUMBER	QTY	DESCRIPTION	REV
	1001100053	Ref	Start Switch Jumper Harness	B
1	4460899	1	Connector	
2	4460464	4	Terminal	
3	4460466	2	Terminal	
4	4460042	1	Terminal Ring	
5	4460042	1	Terminal Ring	
6	4460042	1	Terminal Ring	
7	4460042	1	Terminal Ring	

# SECTION 10 - ELECTRICAL

## FIGURE 10-29. FRAME HARNESS



ART\_1001283507\_B

# SECTION 10 - ELECTRICAL

## FIGURE 10-29. FRAME HARNESS

ITEM	PART NUMBER	QTY	DESCRIPTION	REV
	1001283507	Ref	FRAME HARNESS	B
1	3740080	7	Relay	
2	4460466	3	Plug	
3	4460496	1	Lock Washer	
4	1001125785	1	Nut	
5	4460536	1	Connector	
6	4460897	1	Connector	
7	4460945	1	Connector - 3 Way	
8	1001106736	1	Cap, Dust	
9	1001116816	1	Diode, Connector	
10	1001119020	1	Buss Bar	
11	1001120328	1	Mount	
13	1001008559	1	Tie - Strap	
101	1001116921	1	Connector	
102	4460465	30	Terminal	
103	4460466	1	Plug	
104	4460670	1	Terminal, Ring	
105	1001116953	1	Connector	
106	1001118390	2	Terminal	
107	1001116952	1	Connector	
108	1001118390	2	Terminal	
109	4460374	2	Connector	
110	1001116733	10	Terminal	
112	4460374	3	Connector	
113	1001116733	12	Terminal	
114	1001128128	3	Plug	
116	1001080361	1	Box, Fuse	
117	1001116726	22	Terminal	
118	1001116725	8	Terminal	
119	1001116727	2	Plug	
120	4460789	22	Seal	
121	8220089	8	Seal	
122	8229244	6	Fuse, 15 AMP	
123	8229242	4	Fuse, 5 AMP	
124	80983191	6	Fuse, 10 AMP	
125	1001095704	2	Relay, 35 AMP	
127	4460891	14	Connector	
128	4460465	28	Terminal	
129	4461262	1	Connector	
130	1001107854	3	Terminal	
131	1001117106	2	Terminal, Ring	
133	4460043	1	Terminal, Ring	
134	1001117106	1	Terminal, Ring	
135	8220115	1	Terminal, Ring	
136	1001116950	1	Connector	
137	1001118390	2	Terminal	
138	4460019	1	Terminal, Ring	
139	4460933	1	Connector	
140	4460465	9	Terminal	
141	4460466	3	Plug	

## SECTION 10 - ELECTRICAL

ITEM	PART NUMBER	QTY	DESCRIPTION	REV
142	4460891	1	Connector	
143	1001116816	1	Connector, DT 2 Pin Receptacle With Diode	
144	4460465	2	Terminal	
145	4460742	1	Connector	
146	4460457	2	Terminal	
147	8220081	2	Seal	
148	1001116966	1	Connector	
149	91143340	1	Terminal	
150	4461018	1	Connector	
151	4460509	1	Terminal	
152	4460466	1	Plug	
153	1001116977	1	Connector	
154	1001118381	14	Terminal	
155	1001118391	2	Plug	
156	4460539	1	Connector	
157	4460465	2	Terminal	
158	4460466	1	Plug	
159	4460884	1	Connector	
160	4460465	2	Terminal	
161	4460466	2	Plug	
162	4460933	1	Connector	
163	4460465	12	Terminal	
164	4460930	1	Connector	
165	4460465	8	Terminal	
166	1001116812	1	Connector	
167	4460944	3	Terminal	
168	4460539	1	Connector	
169	4460944	2	Terminal	
170	1001112612	1	Connector	
171	4460464	7	Terminal	
172	4460466	2	Plug	
173	1001116774	1	Connector	
174	1001126008	9	Terminal	
175	4460518	3	Plug	
176	1001231398	2	Connector	
177	1001231400	4	Terminal	
178	1001231406	2	Plug	
179	1001231404	2	Seal	
180	1001231399	4	Terminal	
184	4461118	1	Connector	
185	1001107854	2	Terminal	
186	4460043	1	Terminal, Ring	
187	4460260	1	Connector	
188	4460259	1	Terminal	
189	1001116808	1	Connector	
190	1001126008	11	Terminal	
191	4460518	1	Plug	
192	1001121726	1	Connector	
193	8220125	2	Terminal	
194	1001116747	2	Terminal	
195	4460748	1	Plug	

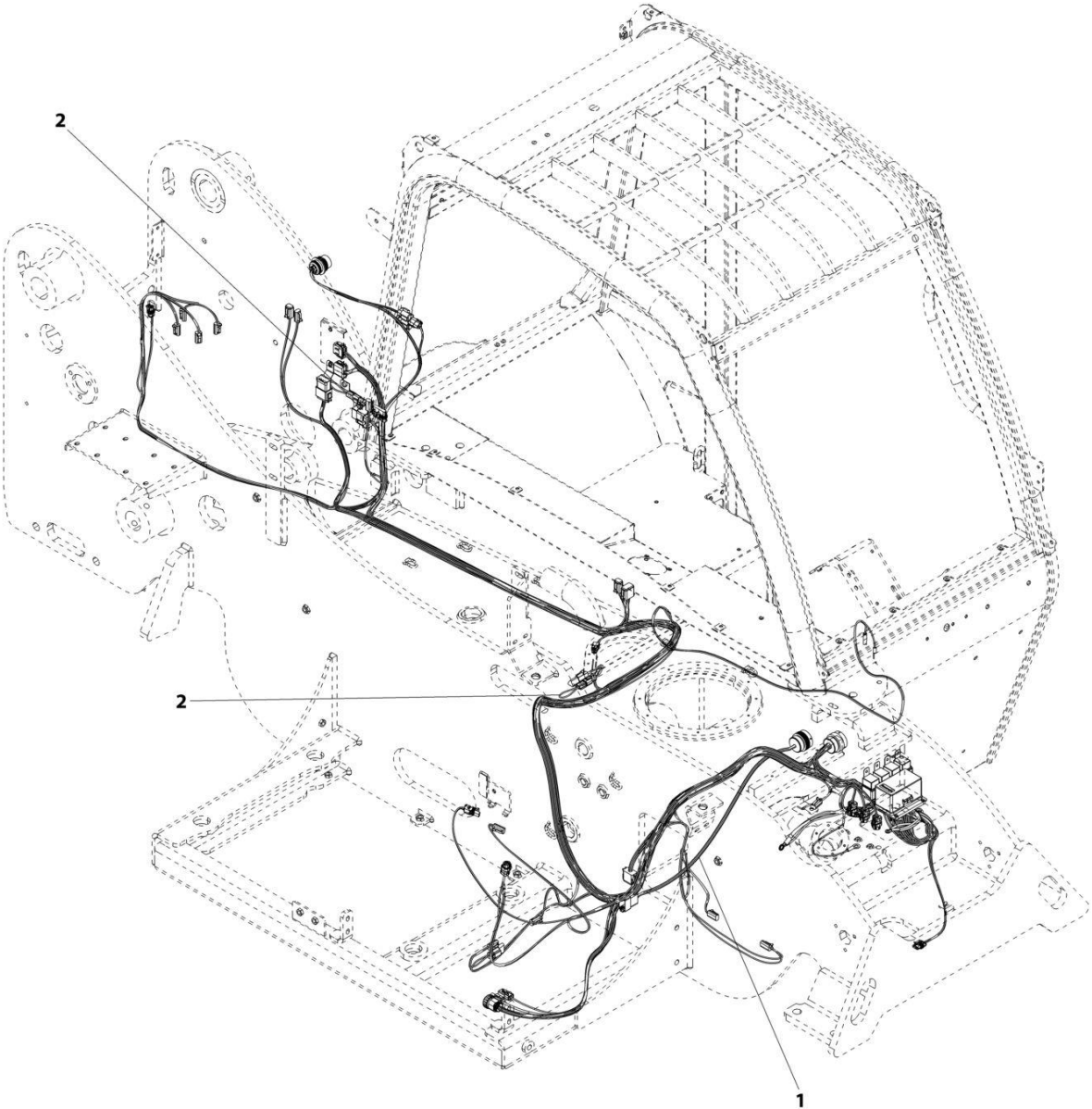


## SECTION 10 - ELECTRICAL

ITEM	PART NUMBER	QTY	DESCRIPTION	REV
196	8220089	2	Seal	
197	4460458	2	Seal	
198	4460884	1	Connector	
199	4460465	4	Terminal	
200	1001116948	1	Connector	
201	1001118385	2	Terminal	
202	1001116950	1	Connector	
203	4460465	2	Terminal	
204	1001116763	2	Seal	
205	4460466	1	Plug	

**SECTION 10 - ELECTRICAL**

**FIGURE 10-30. FRAME OPTIONS HARNESS INSTALLATION**



ART\_1001143556-C

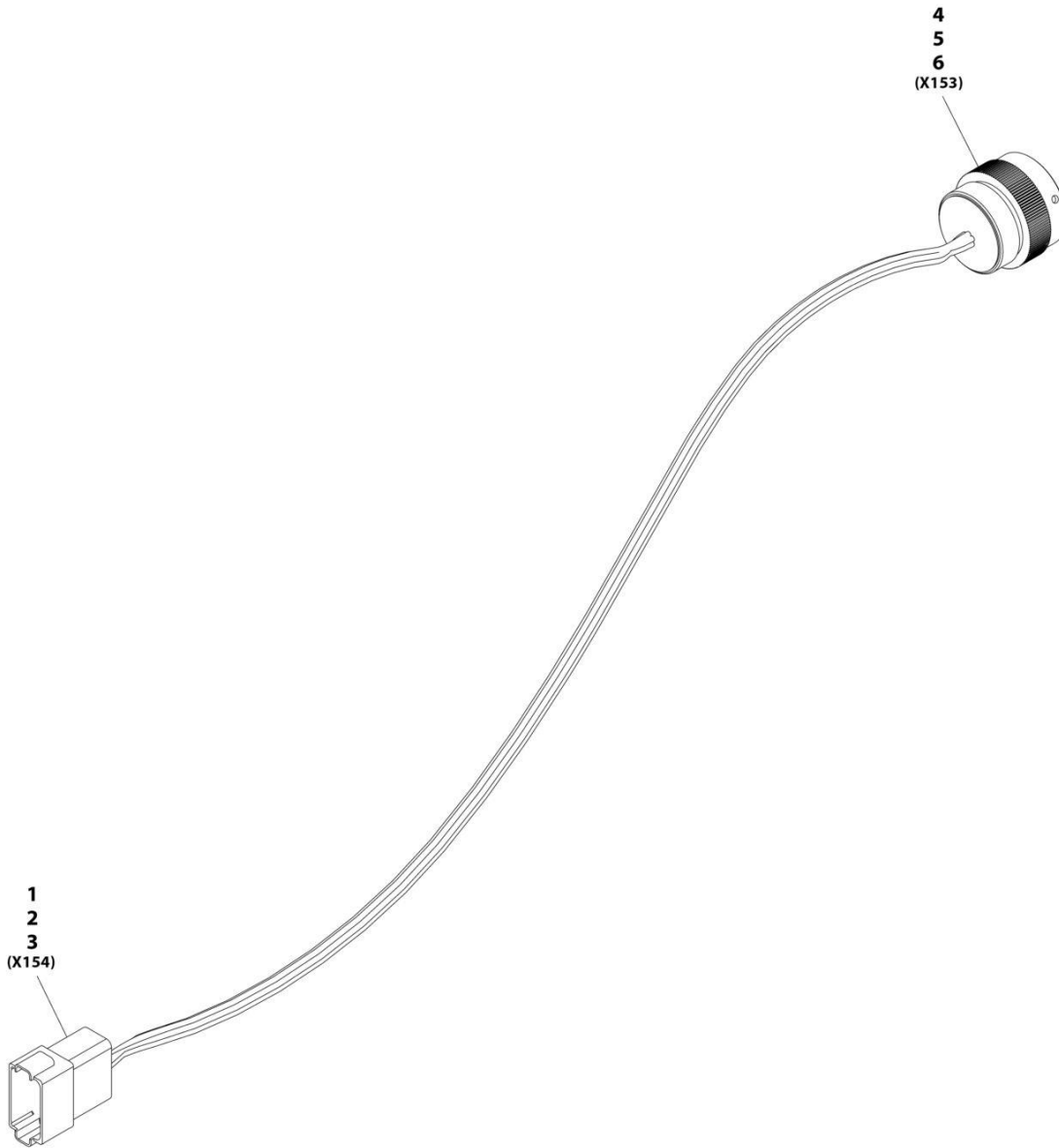
## SECTION 10 - ELECTRICAL

### FIGURE 10-30. FRAME OPTIONS HARNESS INSTALLATION

ITEM	PART NUMBER	QTY	DESCRIPTION	REV
1	1001143556	Ref	Frame Options Harness Installation	C
	1001142011	1	Frame Base Jumper Harness (See Separate Breakdown in this Section)	
2	1001122280	2	Function Jumper Harness (See Separate Breakdown in this Section)	

# SECTION 10 - ELECTRICAL

## FIGURE 10-31. FRAME OPTIONS BASE JUMPER HARNESS



ART\_1001142011-A

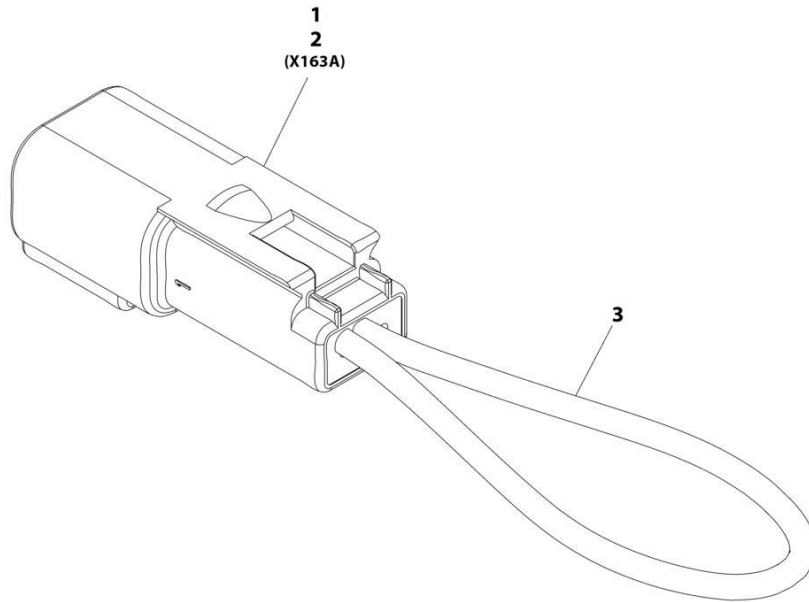
## SECTION 10 - ELECTRICAL

### FIGURE 10-31. FRAME OPTIONS BASE JUMPER HARNESS

ITEM	PART NUMBER	QTY	DESCRIPTION	REV
	1001142011	Ref	Frame Base Jumper Harness	A
1	4460970	1	Connector	
2	4460464	6	Terminal	
3	4460466	6	Plug	
4	1001121960	1	Connector	
5	4460464	6	Terminal	
6	4460466	25	Plug	

# SECTION 10 - ELECTRICAL

## FIGURE 10-32. FRAME OPTIONS FUNCTION JUMPER HARNESS



ART\_1001122280-B

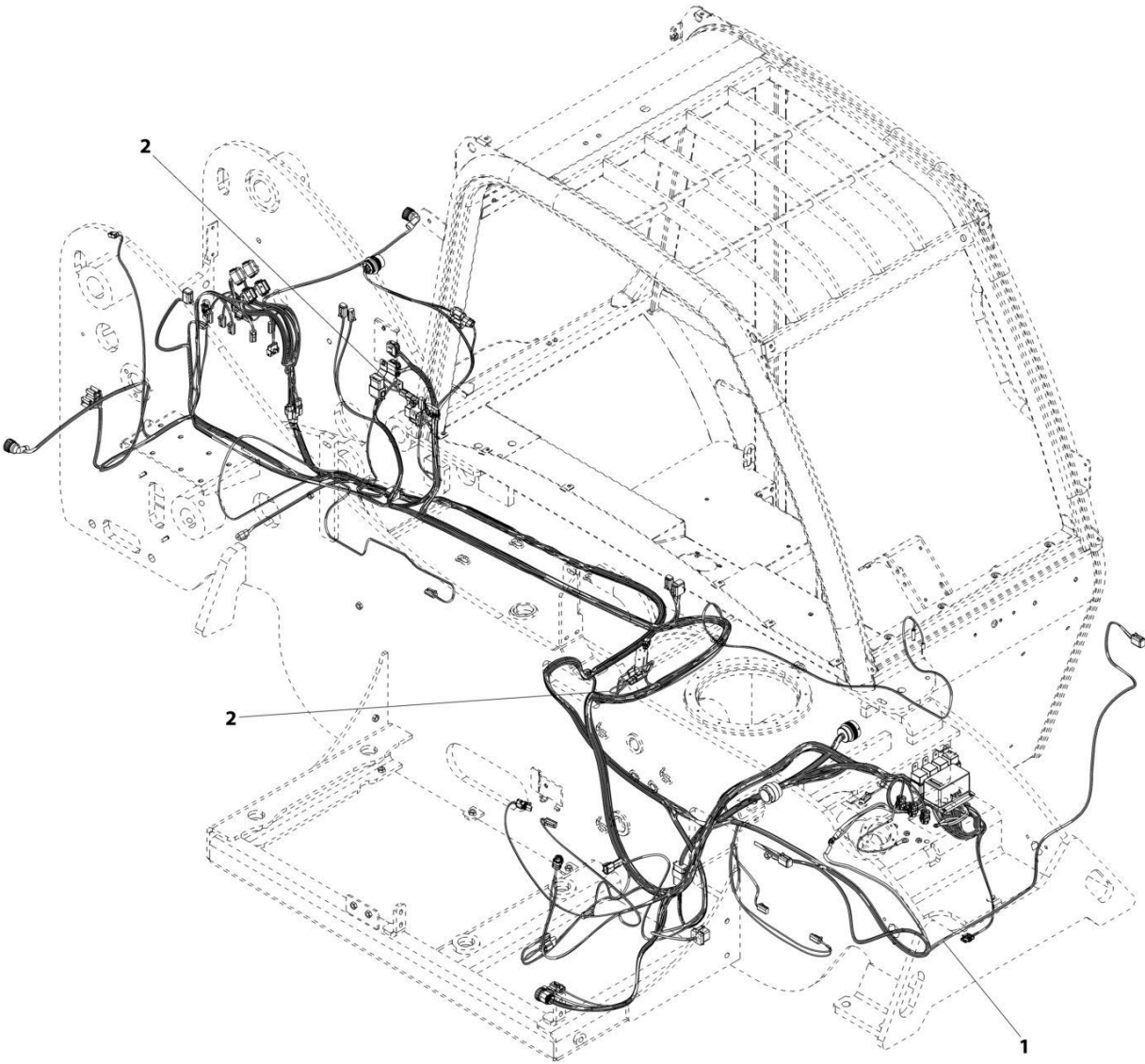
## SECTION 10 - ELECTRICAL

**FIGURE 10-32. FRAME OPTIONS FUNCTION JUMPER HARNESS**

ITEM	PART NUMBER	QTY	DESCRIPTION	REV
	1001122280	Ref	Function Jumper Harness	B
1	4460464	2	Terminal	
2	4460897	1	Connector	
3	4920017	118 mm	Wire, 16 GA	

**SECTION 10 - ELECTRICAL**

**FIGURE 10-33. FRAME OPTIONS HARNESS INSTALLATION (ANSI)**



ART\_1001143552-C



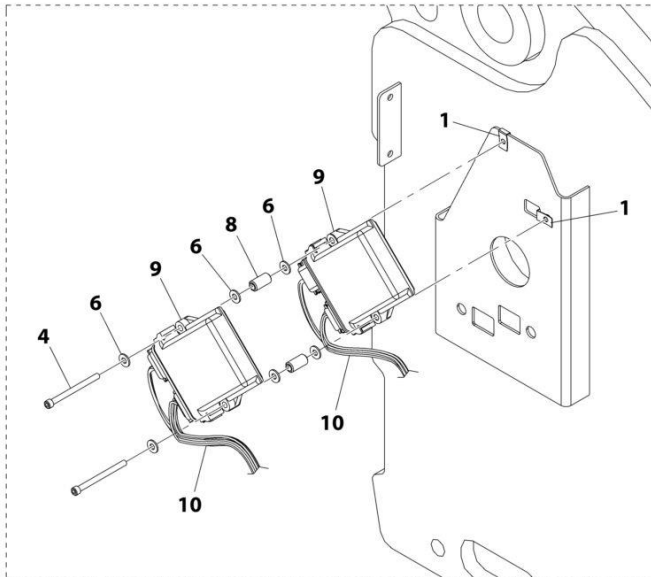
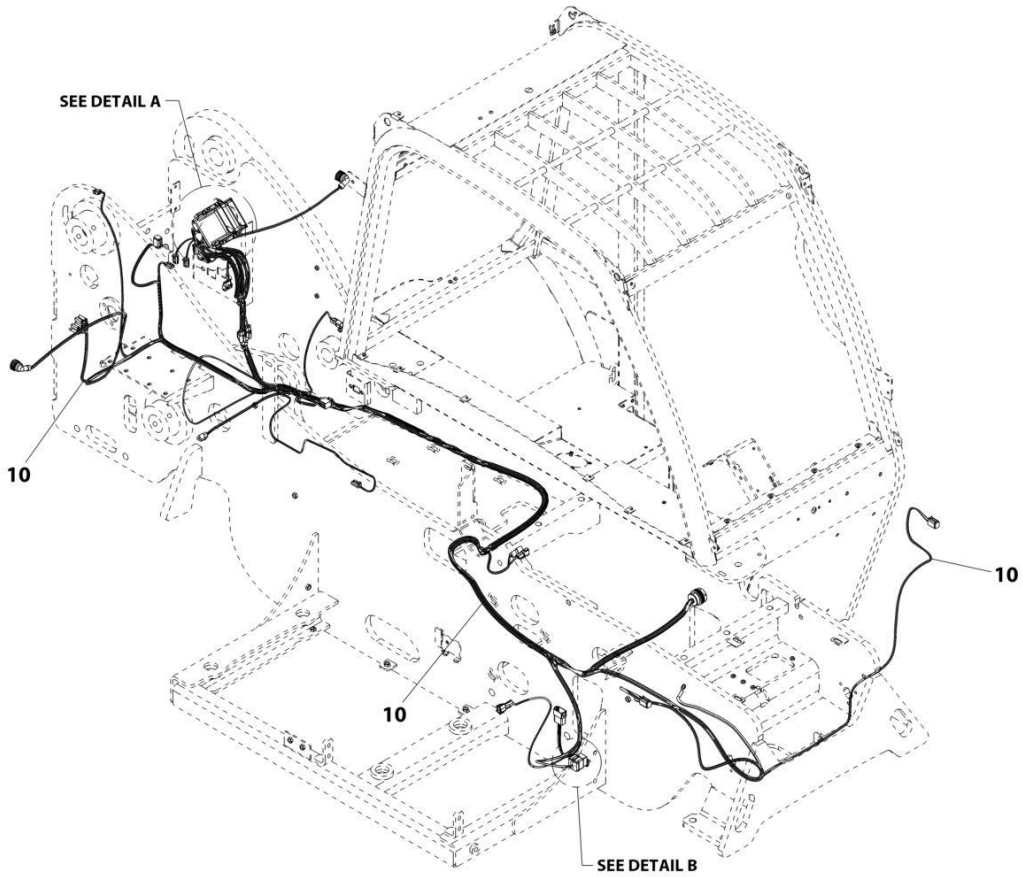
## SECTION 10 - ELECTRICAL

**FIGURE 10-33. FRAME OPTIONS HARNESS INSTALLATION (ANSI)**

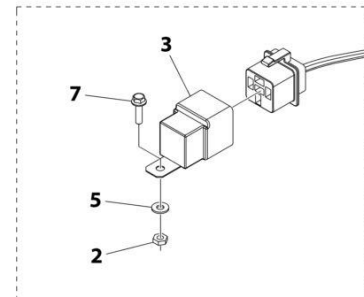
ITEM	PART NUMBER	QTY	DESCRIPTION	REV
	1001143552	Ref	FRAME OPTIONS HARNESS INSTALLATION	C
1	1001140635	1	Frame Option Harness (See Separate Breakdown in this Section)	
2	1001122280	2	Function Jumper Harness (See Separate Breakdown in this Section)	

# SECTION 10 - ELECTRICAL

## FIGURE 10-34. FRAME OPTIONS HARNESS INSTALLATION (CE)



DETAIL A



DETAIL B

ART\_1001209103-B

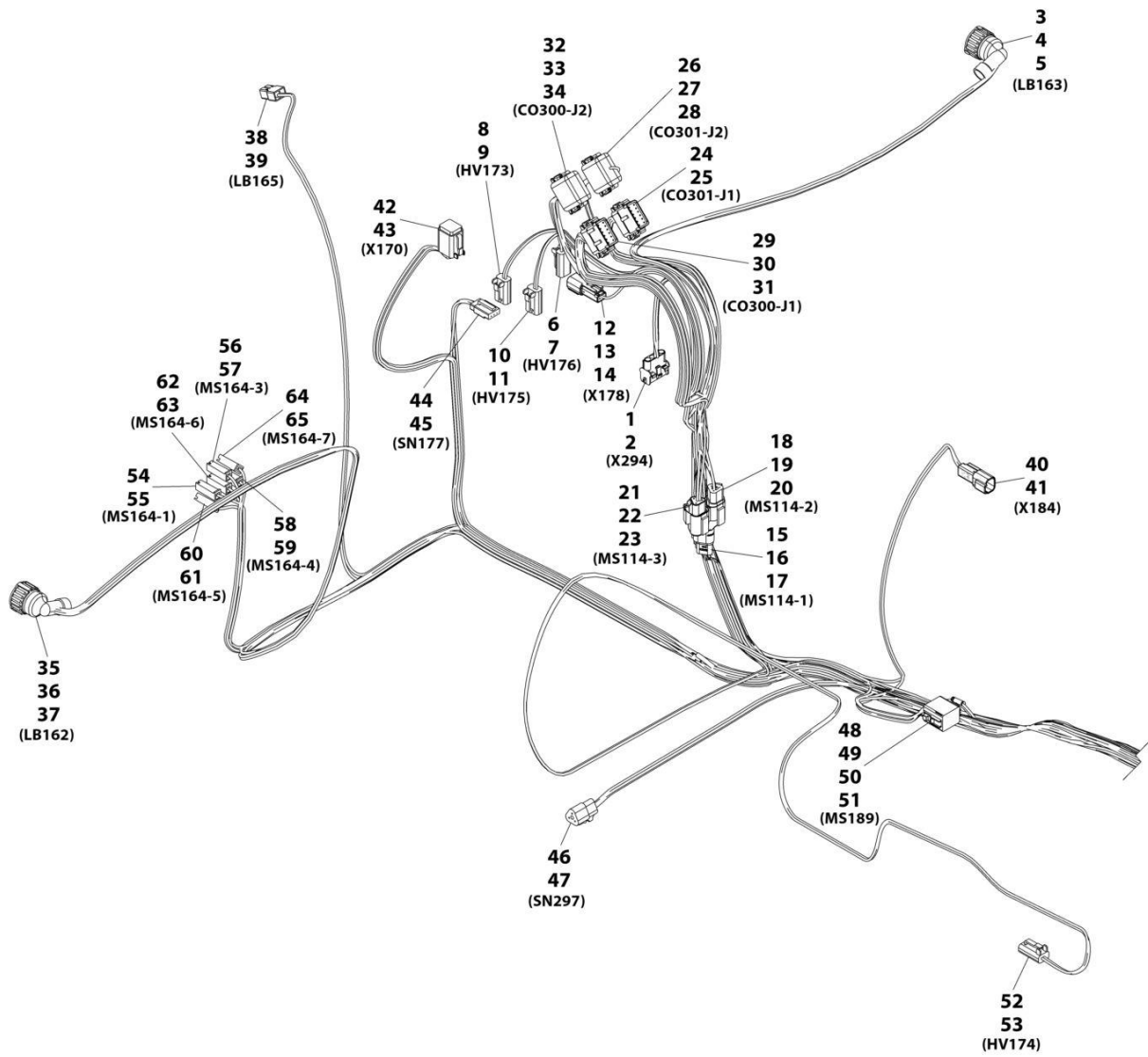
## SECTION 10 - ELECTRICAL

### FIGURE 10-34. FRAME OPTIONS HARNESS INSTALLATION (CE)

ITEM	PART NUMBER	QTY	DESCRIPTION	REV
	1001209103	Ref	Frame Options Harness Installation (CE)	B
1	3300454	2	Special Nut	
2	3311001	1	Hex Nut, 10-24, GR2	
3	3740080	1	Weather Proof Relay	
4	3931448	2	Socket HD Capscrew, 1/4-20X3	
5	4711000	1	Washer, #10	
6	4711400	6	Washer, 1/4	
7	77143016	1	Screw, #10-24X3/4	
8	88631566	2	Roll Pin	
9	1001226247	2	LSI Module	
10	1001140635	1	Frame Option Harness (See Separate Breakdown in this Section)	

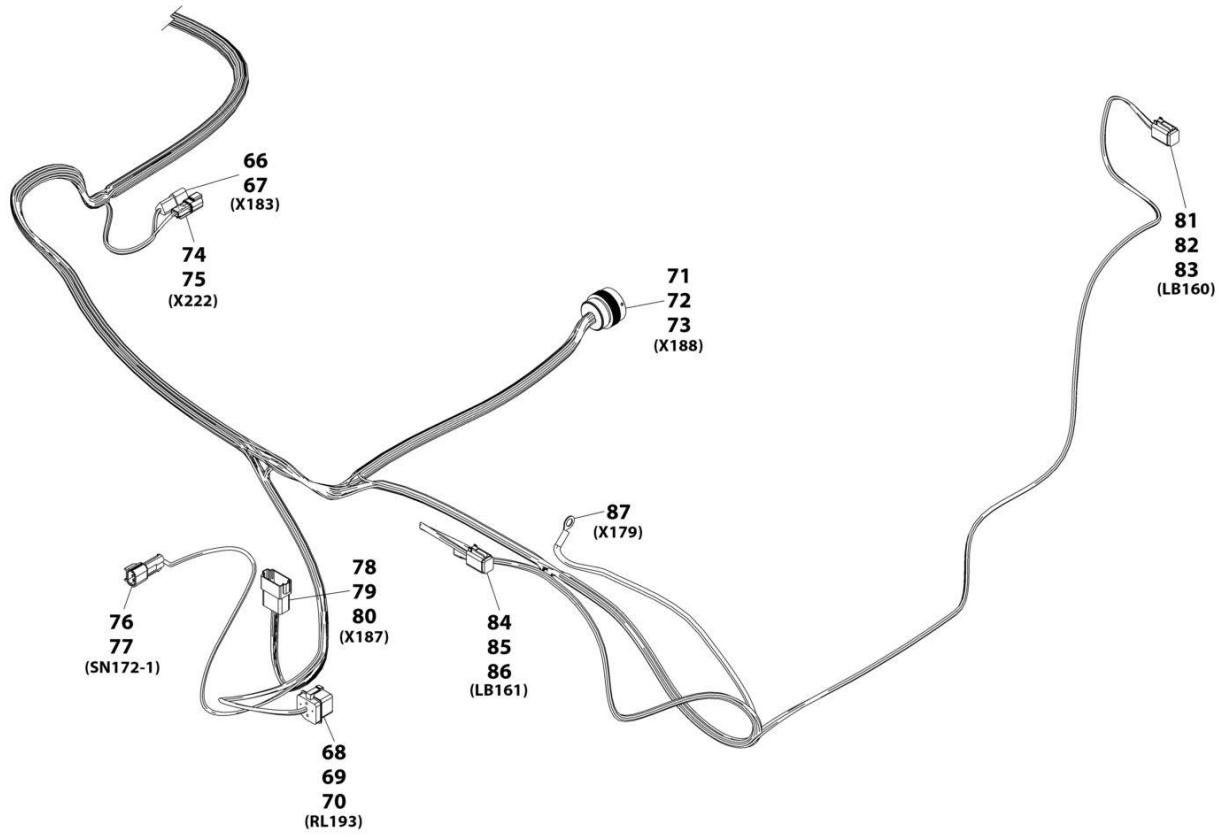
# SECTION 10 - ELECTRICAL

## FIGURE 10-35. FRAME OPTION HARNESS



ART\_1001140635\_1-D

# SECTION 10 - ELECTRICAL



ART\_1001140635\_2-D

# SECTION 10 - ELECTRICAL

## FIGURE 10-35. FRAME OPTION HARNESS

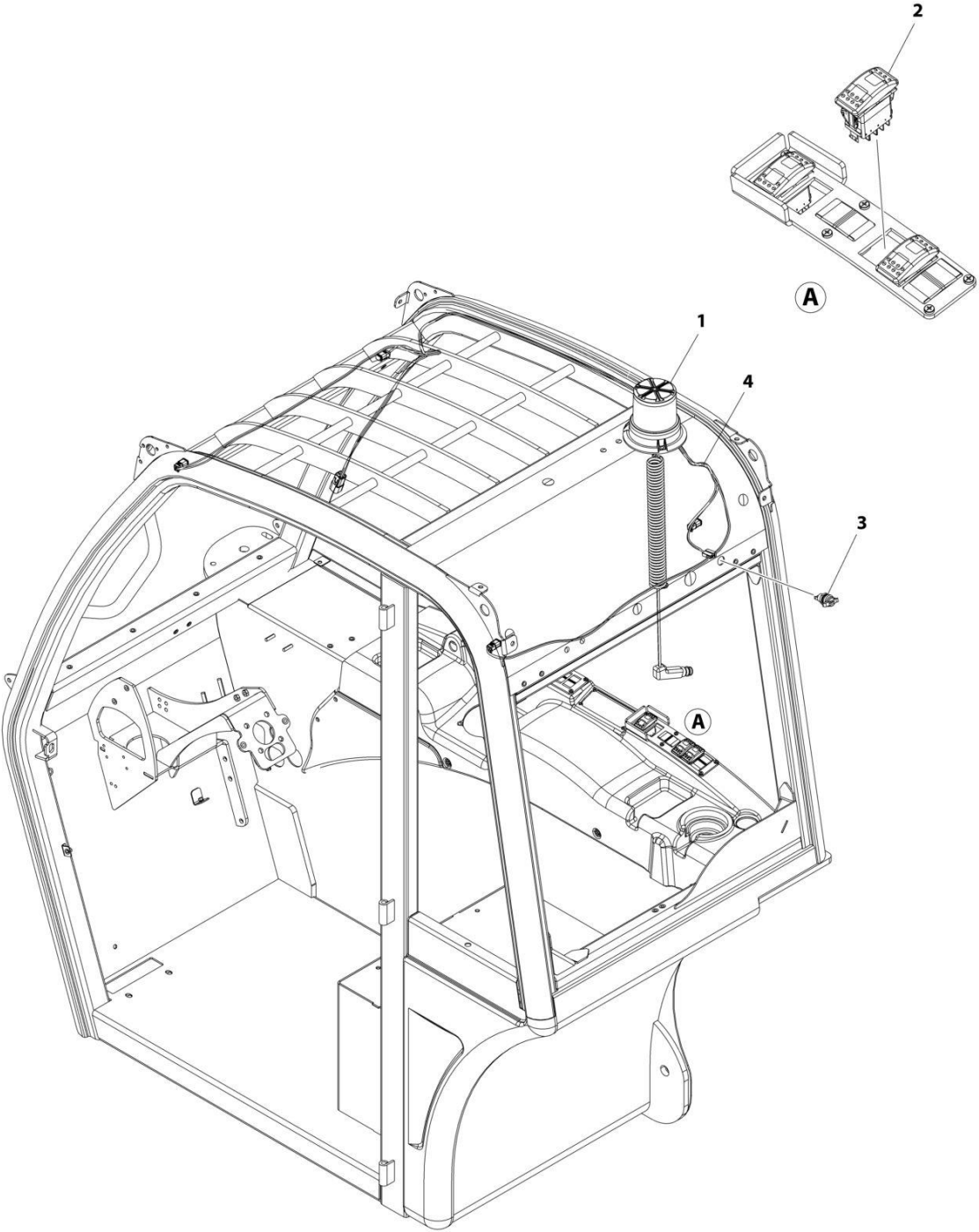
ITEM	PART NUMBER	QTY	DESCRIPTION	REV
	1001140635	Ref	Frame Option Harness	D
1	4460761	1	Connector	
2	4460227	4	Terminal	
3	1001116996	1	Connector	
4	1001118392	5	Terminal	
5	4461008	2	Plug	
6	4460891	1	Connector	
7	4460465	2	Terminal	
8	4460891	1	Connector	
9	4460465	2	Terminal	
10	4460891	1	Connector	
11	4460465	2	Terminal	
12	4460897	1	Connector	
13	4460464	1	Terminal	
14	4460466	1	Plug	
15	1001116812	1	Connector	
16	4460945	1	Terminal, 3 Way "T" Receptacle	
17	4460465	3	Terminal	
18	4460539	1	Connector	
19	4460465	2	Terminal	
20	4460466	1	Plug	
21	1001116812	1	Connector	
22	4460465	2	Terminal	
23	4460466	1	Plug	
24	1001116808	1	Connector	
25	1001126008	12	Terminal	
26	1001116774	1	Connector	
27	1001126008	8	Terminal	
28	4460518	4	Plug	
29	1001116808	1	Connector	
30	1001126008	7	Terminal	
31	4460518	5	Plug	
32	1001116774	1	Connector	
33	1001126008	5	Terminal	
34	4460518	7	Plug	
35	1001116996	1	Connector	
36	1001118392	5	Terminal	
37	4461008	2	Plug	
38	1001117133	1	Connector	
39	1001118385	2	Terminal	
40	4460897	1	Connector	
41	4460464	2	Terminal	
42	4460894	1	Connector	
43	4460465	6	Terminal	
44	4460911	1	Connector	
45	1001126008	3	Terminal	
46	4460539	1	Connector	
47	4460465	4	Terminal	
48	4460851	1	Connector	
49	4460852	1	Connector, 8 Pin	

## SECTION 10 - ELECTRICAL

ITEM	PART NUMBER	QTY	DESCRIPTION	REV
50	4460465	7	Terminal	
51	4460466	1	Plug	
52	4460891	1	Connector	
53	4460465	2	Terminal	
54	4460260	1	Connector	
55	4460259	1	Terminal	
56	4460260	1	Connector	
57	4460259	1	Terminal	
58	4460260	1	Connector	
59	4460259	1	Terminal	
60	4460260	1	Connector	
61	4460259	1	Terminal	
62	4460260	1	Connector	
63	4460259	1	Terminal	
64	4460260	1	Connector	
65	4460259	1	Terminal	
66	4460536	1	Connector	
67	4460464	3	Terminal	
68	4460374	1	Connector	
69	1001116733	4	Terminal	
70	1001128128	1	Plug	
71	1001121960	1	Connector	
72	4460464	28	Terminal	
73	4460466	3	Plug	
74	4460897	1	Connector	
75	4460464	2	Terminal	
76	1001117026	1	Connector	
77	1001116729	2	Terminal	
78	4460970	1	Connector	
79	4460464	9	Terminal	
80	4460466	3	Plug	
81	4460894	1	Connector	
82	4460465	5	Terminal	
83	4460466	1	Plug	
84	4460894	1	Connector	
85	4460465	5	Terminal	
86	4460466	1	Plug	
87	8220164	1	Terminal, Ring	

**SECTION 10 - ELECTRICAL**

**FIGURE 10-36. LIGHTS - BEACON LIGHT INSTALLATION (CLOSED CAB)**



ART\_1001103139\_E



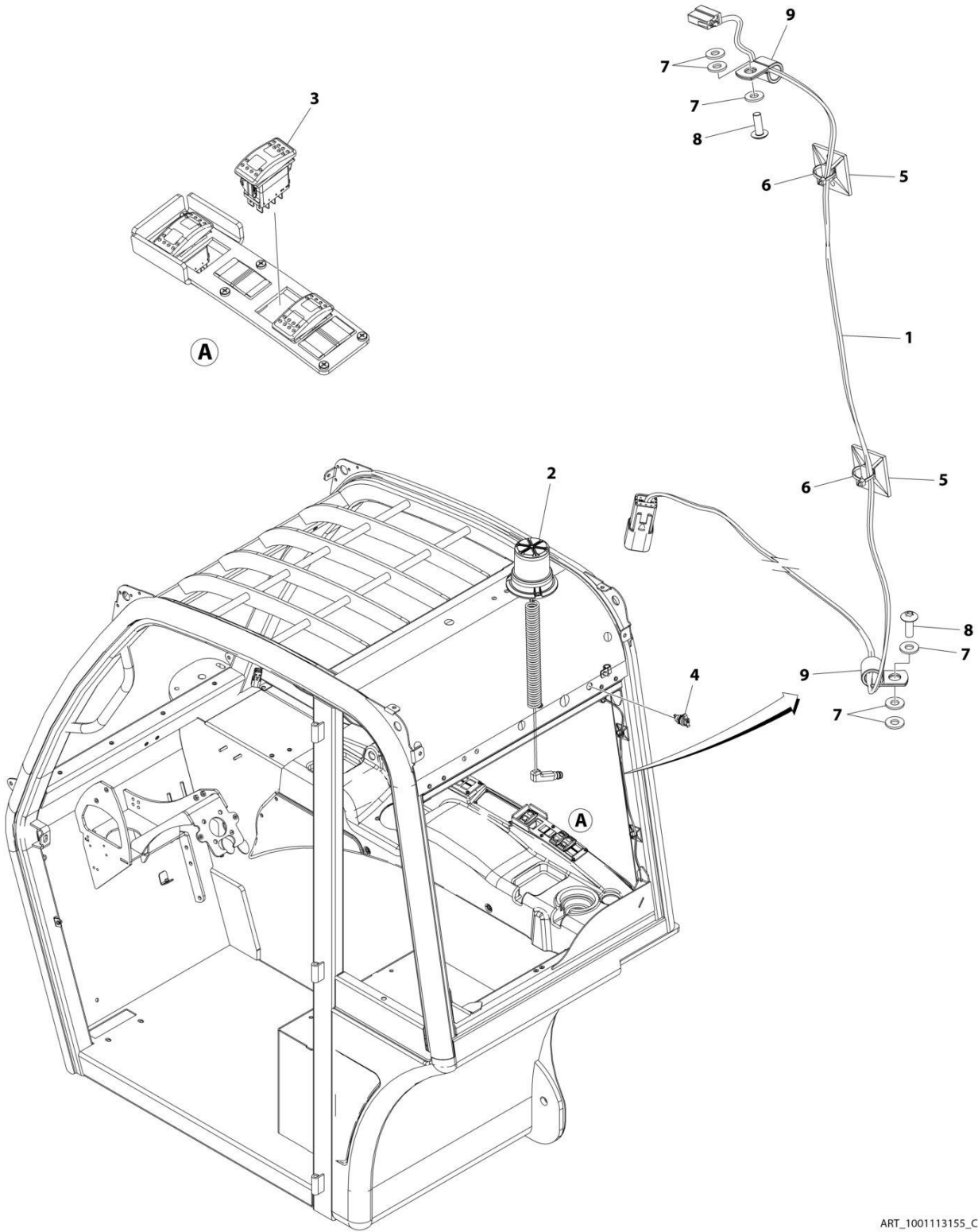
## SECTION 10 - ELECTRICAL

**FIGURE 10-36. LIGHTS - BEACON LIGHT INSTALLATION (CLOSED CAB)**

ITEM	PART NUMBER	QTY	DESCRIPTION	REV
	1001103139	Ref	BEACON INSTALLATION	E
1	1001273075	1	Beacon Light	
2	1001080365	1	Beacon Light Switch	
3	4461174	1	12V Terminal	
4	1001109566	1	Proximity Sensor Harness (See Separate Breakdown in ELECTRICAL Section)	

# SECTION 10 - ELECTRICAL

## FIGURE 10-37. LIGHTS - BEACON LIGHT INSTALLATION (OPEN CAB)



ART\_1001113155\_C

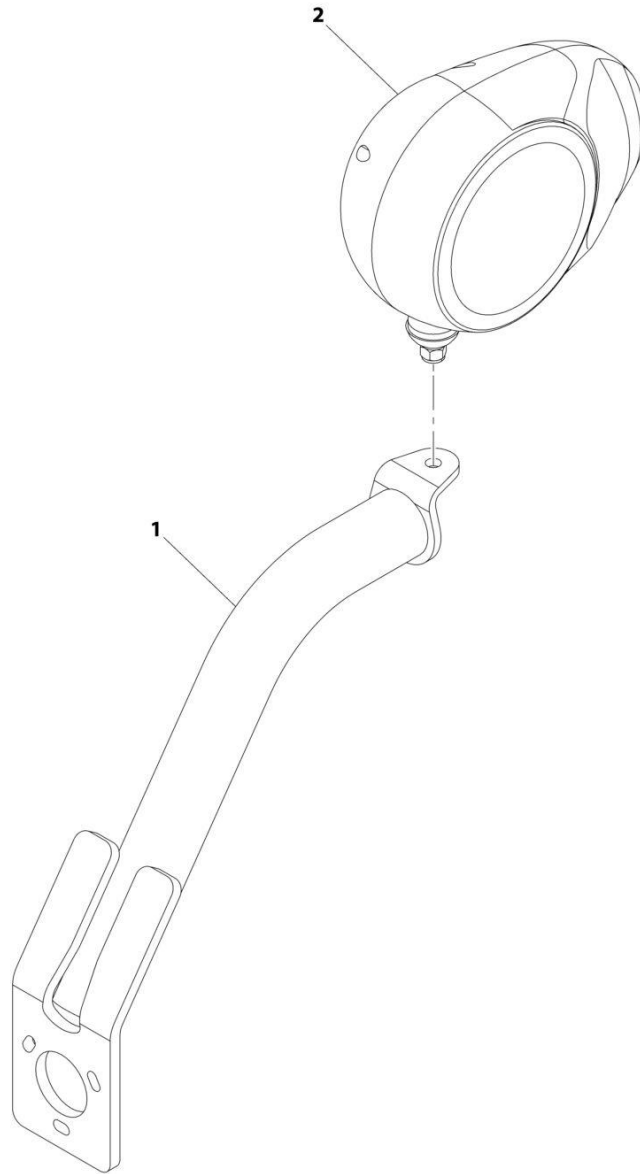
## SECTION 10 - ELECTRICAL

**FIGURE 10-37. LIGHTS - BEACON LIGHT INSTALLATION (OPEN CAB)**

ITEM	PART NUMBER	QTY	DESCRIPTION	REV
	1001113155	Ref	BEACON INSTALLATION (OPEN CAB)	C
1	1001110723	1	Open Cab Worklight Harness (See Separate Breakdown in this Section)	
2	1001273075	1	Beacon Light	
3	1001080365	1	Beacon Light Switch	
4	4461174	1	12V Terminal	
5	4460488	2	Mounting Base	
6	8881802	AR	Tie Strap	
7	4711400	7	Washer 1/4	
8	8303034	3	Screw 1/4 x 3/4	
9	85941016	3	Clamp	

# SECTION 10 - ELECTRICAL

## FIGURE 10-38. LIGHTS - DRIVE LIGHTS INSTALLATION



ART\_1001190709-A

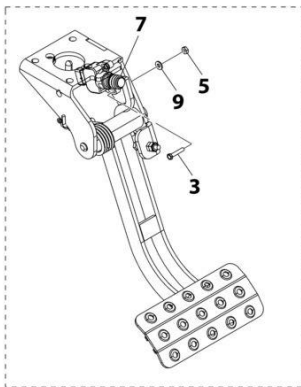
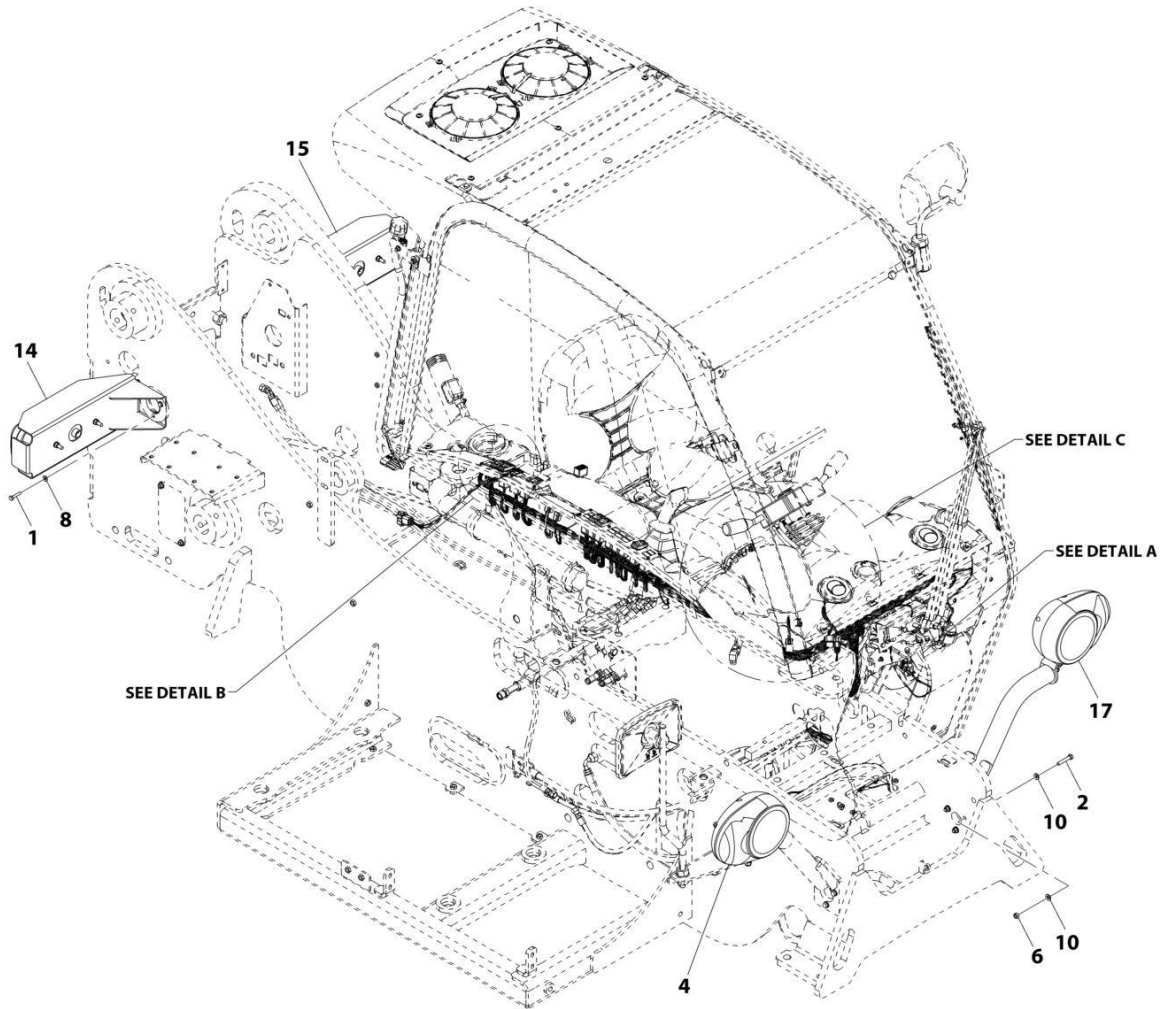
## SECTION 10 - ELECTRICAL

### FIGURE 10-38. LIGHTS - DRIVE LIGHTS INSTALLATION

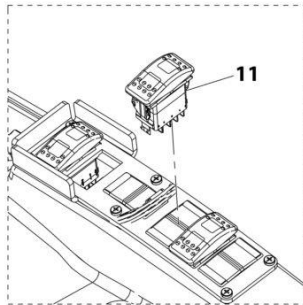
ITEM	PART NUMBER	QTY	DESCRIPTION	REV
	1001190709	Ref	LH Drive Light Installation	A
1	1001190640	1	Bracket	
2	2920207	1	LH Drive Light	

# SECTION 10 - ELECTRICAL

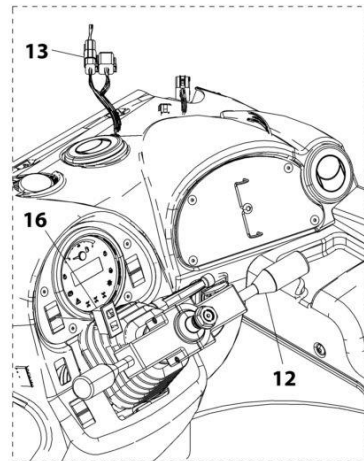
## FIGURE 10-39. LIGHTS - ROADLIGHTS INSTALLATION (ANSI)



DETAIL A



DETAIL B



DETAIL C

ART\_1001233633-B

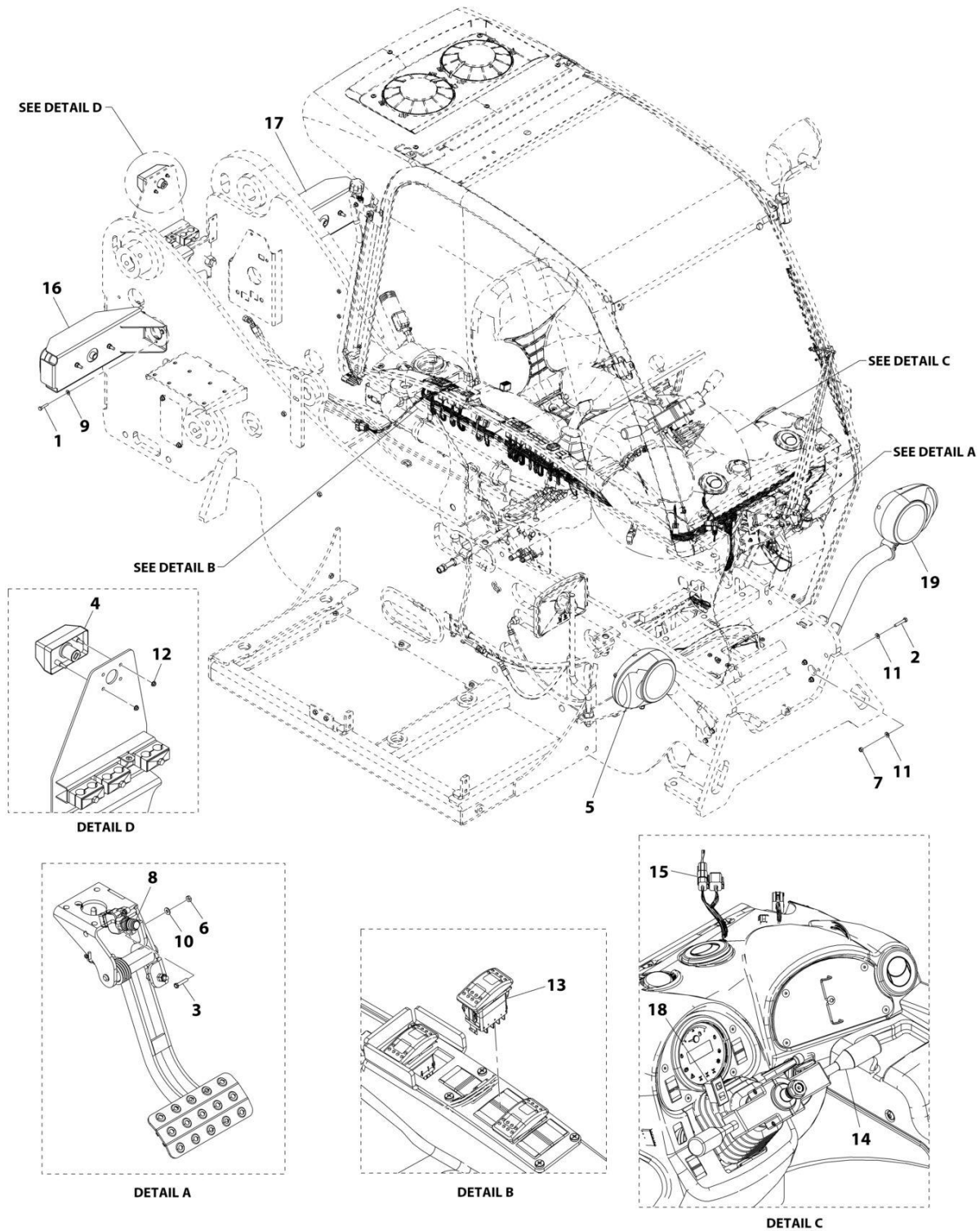
## SECTION 10 - ELECTRICAL

**FIGURE 10-39. LIGHTS - ROADLIGHTS INSTALLATION (ANSI)**

ITEM	PART NUMBER	QTY	DESCRIPTION	REV
	1001233633	Ref	Road Light Installation (ANSI)	B
1	0641410	6	Hex HD Capscrew, 1/4-20X1-1/4, GR5	
2	0641514	3	Hex HD Capscrew, 5/16-18X1-3/4, GR5	
3	0721008	2	Screw, 10-24X1	
4	2920208	1	RH Drive Light	
5	3311005	2	Hex Locknut	
6	3311505	3	Hex Locknut, 5/16-18, GR2	
7	4360658	1	Brake Light Switch	
8	4711400	6	Washer, 1/4	
9	4751000	2	Washer, M10	
10	4891500	6	Washer, 5/16	
11	1001080370	1	Hazard Light Switch	
12	1001080381	1	Turn Signal-Headlight Switch	
13	1001100965	1	Jumper Harness (See Separate Breakdown in this Section)	
14	1001101533	1	RH Tail Light Installation (See Separate Breakdown in this Section)	
15	1001101534	1	LH Tail Light Installation (See Separate Breakdown in this Section)	
16	1001139937	1	Turn/High Beam Indicator	
17	1001190709	1	LH Drive Light Installation (See Separate Breakdown in this Section)	

# SECTION 10 - ELECTRICAL

## FIGURE 10-40. LIGHTS - ROADLIGHTS INSTALLATION (LSI)



ART\_1001236676-A



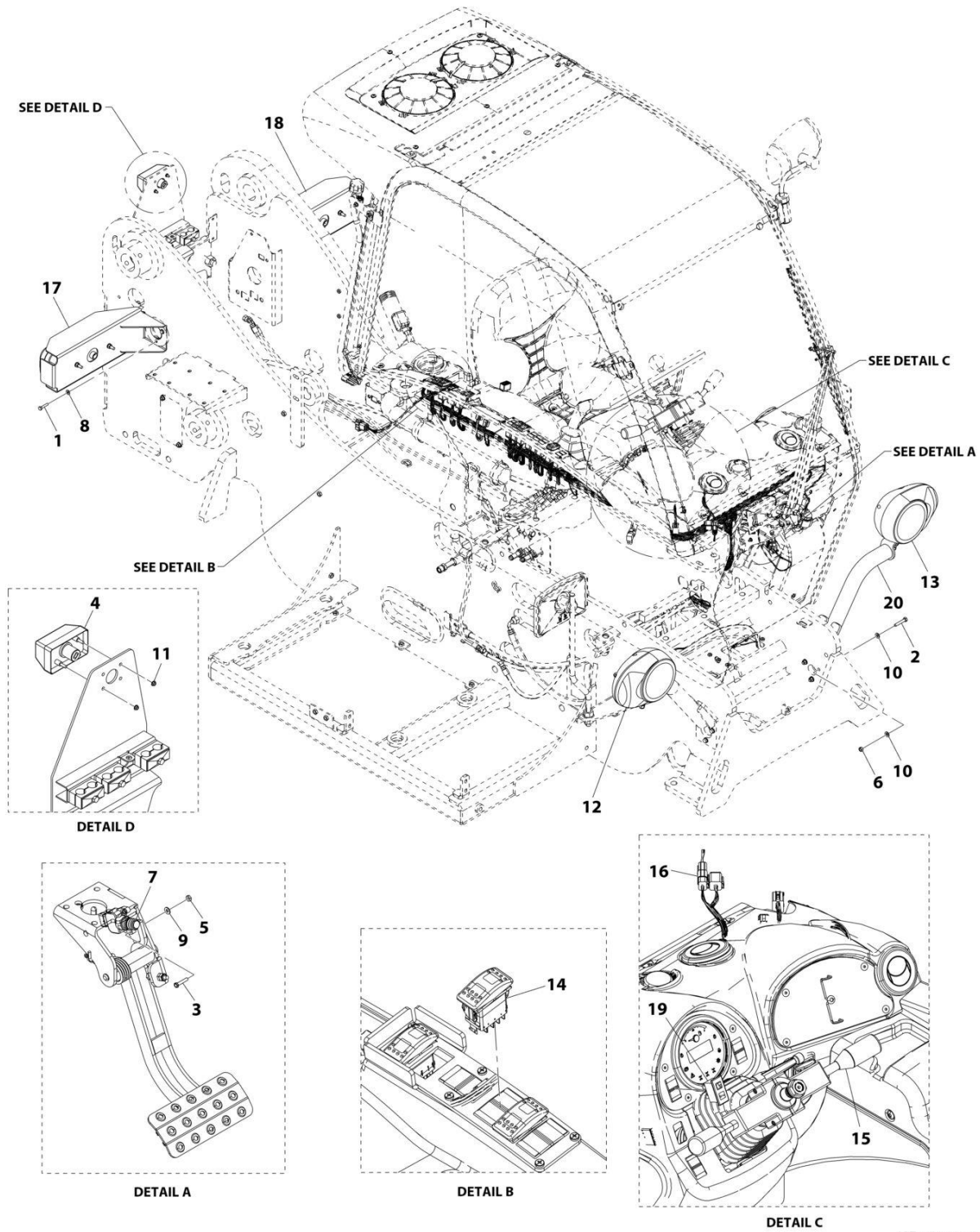
## SECTION 10 - ELECTRICAL

**FIGURE 10-40. LIGHTS - ROADLIGHTS INSTALLATION (LSI)**

ITEM	PART NUMBER	QTY	DESCRIPTION	REV
	1001236676	Ref	Road Light Installation (LSI)	A
1	0641410	6	Hex HD Capscrew, 1/4-20X1-1/4, GR5	
2	0641514	3	Hex HD Capscrew, 5/16-18X1-3/4, GR5	
3	0721008	2	Screw, #10-24X1	
4	2920204	1	License Plate Light	
5	2920208	1	RH Drive Light	
6	3311005	2	Hex Locknut	
7	3311505	3	Hex Locknut, 5/16-18, GR2	
8	4360658	1	Brake Light Switch	
9	4711400	6	Washer, 1/4	
10	4751000	2	Washer, M10	
11	4891500	6	Washer, 5/16	
12	5220500	2	Ripp Nut, M5	
13	1001080370	1	Hazard Light Switch	
14	1001080381	1	Turn Signal-Headlight Switch	
15	1001100965	1	Jumper Harness (See Separate Breakdown in this Section)	
16	1001101533	1	RH Tail Light Installation (See Separate Breakdown in this Section)	
17	1001101534	1	LH Tail Light Installation (See Separate Breakdown in this Section)	
18	1001139937	1	Turn/High Beam Indicator	
19	1001190709	1	LH Drive Light Installation (See Separate Breakdown in this Section)	

# SECTION 10 - ELECTRICAL

## FIGURE 10-41. LIGHTS - ROADLIGHTS INSTALLATION (LH DIP)



ART\_1001236678-A

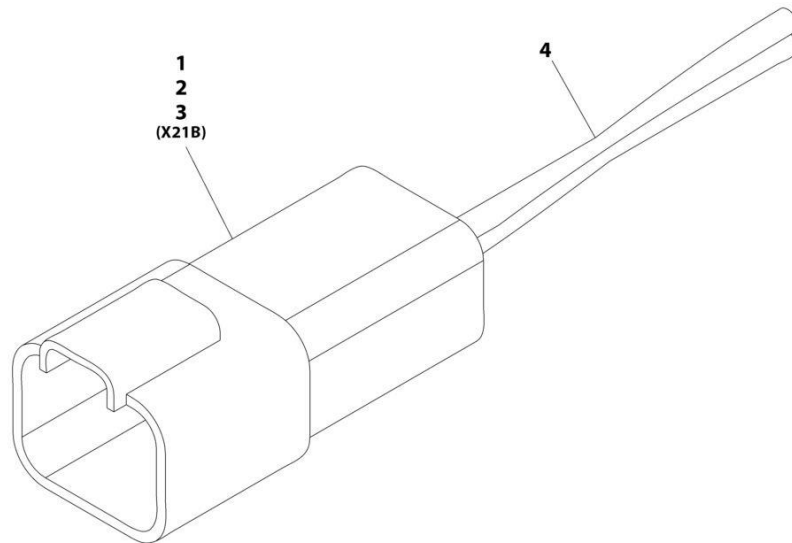
## SECTION 10 - ELECTRICAL

**FIGURE 10-41. LIGHTS - ROADLIGHTS INSTALLATION (LH DIP)**

ITEM	PART NUMBER	QTY	DESCRIPTION	REV
	1001236678	Ref	Road Light Installation (LH Dip)	A
1	0641410	6	Hex HD Capscrew, 1/4-20X1-1/4, GR5	
2	0641514	3	Hex HD Capscrew, 5/16-18X1-3/4, GR5,	
3	0721008	2	Screw, #10-24X1	
4	2920204	1	License Plate Light	
5	3311005	2	Hex Locknut	
6	3311505	3	Hex Locknut, 5/16-18, GR2	
7	4360658	1	Brake Light Switch	
8	4711400	6	Washer, 1/4	
9	4751000	2	Washer, M10	
10	4891500	6	Washer, 5/16	
11	5220500	2	Ripp Nut, M5	
12	1001002778	1	RH Drive Light	
13	1001002779	1	LH Drive Light	
14	1001080370	1	Hazard Light Switch	
15	1001080381	1	Turn Signal-Headlight Switch	
16	1001100965	1	Jumper Harness (See Separate Breakdown in this Section)	
17	1001101533	1	RH Tail Light Installation (See Separate Breakdown in this Section)	
18	1001101534	1	LH Tail Light Installation (See Separate Breakdown in this Section)	
19	1001139937	1	Turn/High Beam Indicator	
20	1001190640	1	Bracket	

# SECTION 10 - ELECTRICAL

## FIGURE 10-42. LIGHTS - ROADLIGHTS JUMPER HARNESS



ART\_1001100965-B

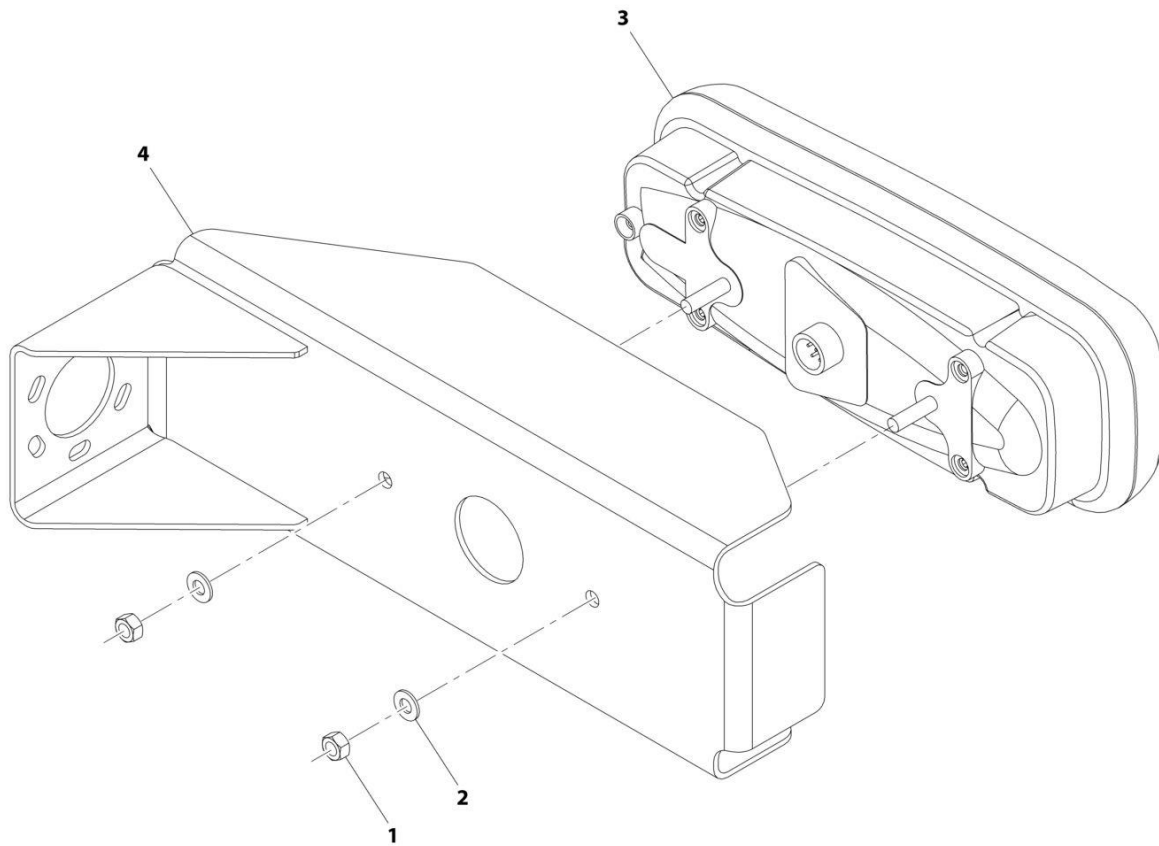
## SECTION 10 - ELECTRICAL

### FIGURE 10-42. LIGHTS - ROADLIGHTS JUMPER HARNESS

ITEM	PART NUMBER	QTY	DESCRIPTION	REV
	1001100965	Ref	Jumper Harness	B
1	4460464	2	Terminal	
2	4460466	2	Terminal	
3	4460932	1	Connector	
4	4920017	0.25 ft	Wire, 16 GA	

# SECTION 10 - ELECTRICAL

## FIGURE 10-43. LIGHTS - TAILLIGHTS INSTALLATION (LH)



ART\_1001101534-C

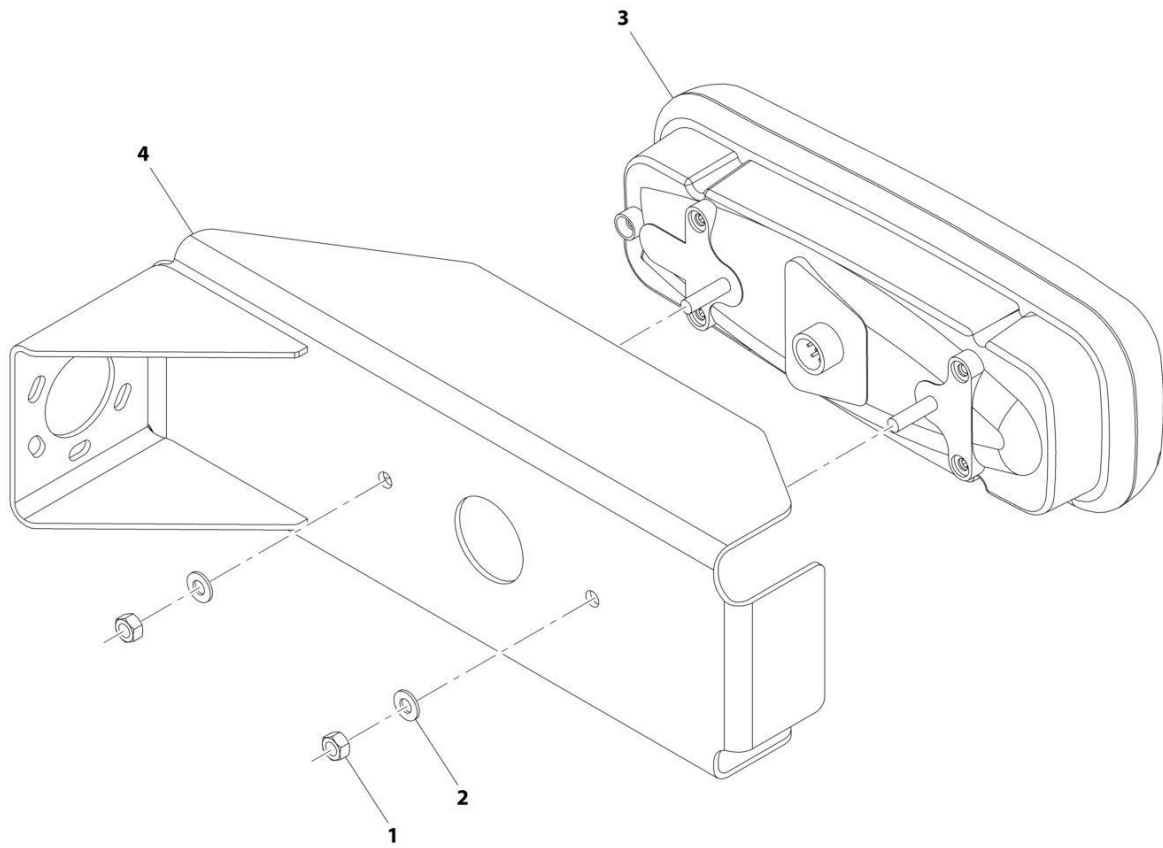
## SECTION 10 - ELECTRICAL

### FIGURE 10-43. LIGHTS - TAILLIGHTS INSTALLATION (LH)

ITEM	PART NUMBER	QTY	DESCRIPTION	REV
	1001101534	Ref	LH Tail Light Installation	C
1	3290807	2	Hex Locknut, M8X1.25	
2	4811900	2	Washer, M8	
3	8001991	1	LH Tail Light	
4	1001081322	1	Bracket	

# SECTION 10 - ELECTRICAL

## FIGURE 10-44. LIGHTS - TAILLIGHTS INSTALLATION (RH)



ART\_1001101533-D



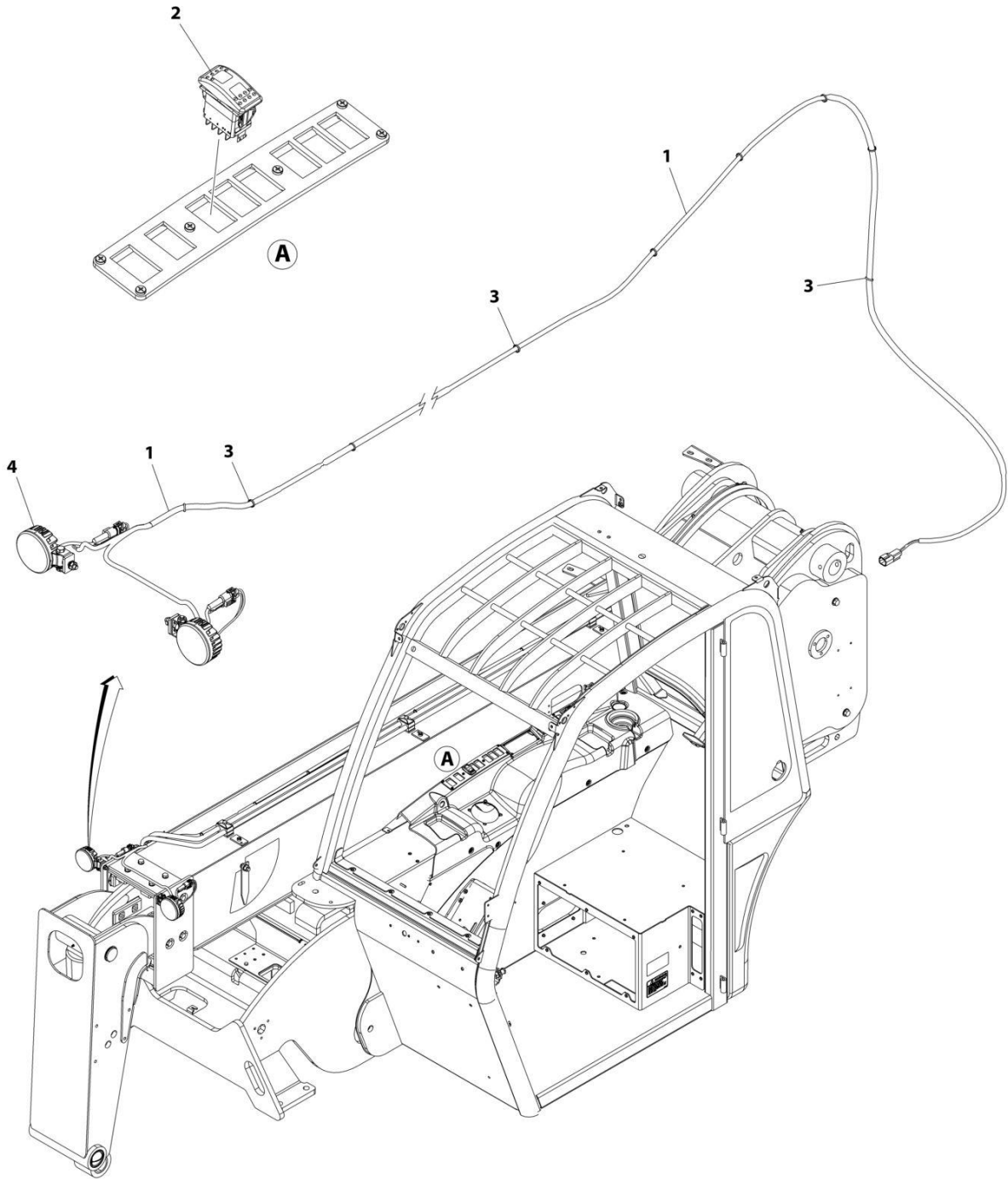
## SECTION 10 - ELECTRICAL

### FIGURE 10-44. LIGHTS - TAILLIGHTS INSTALLATION (RH)

ITEM	PART NUMBER	QTY	DESCRIPTION	REV
	1001101533	Ref	RH Tail Light Installation	D
1	3290807	2	Hex Locknut, M8X1.25	
2	4811900	2	Washer, M8	
3	8001989	1	RH Tail Light	
4	1001081322	1	Bracket	

# SECTION 10 - ELECTRICAL

## FIGURE 10-45. LIGHTS - WORKLIGHTS INSTALLATION (BOOM)



ART\_1001080669\_E

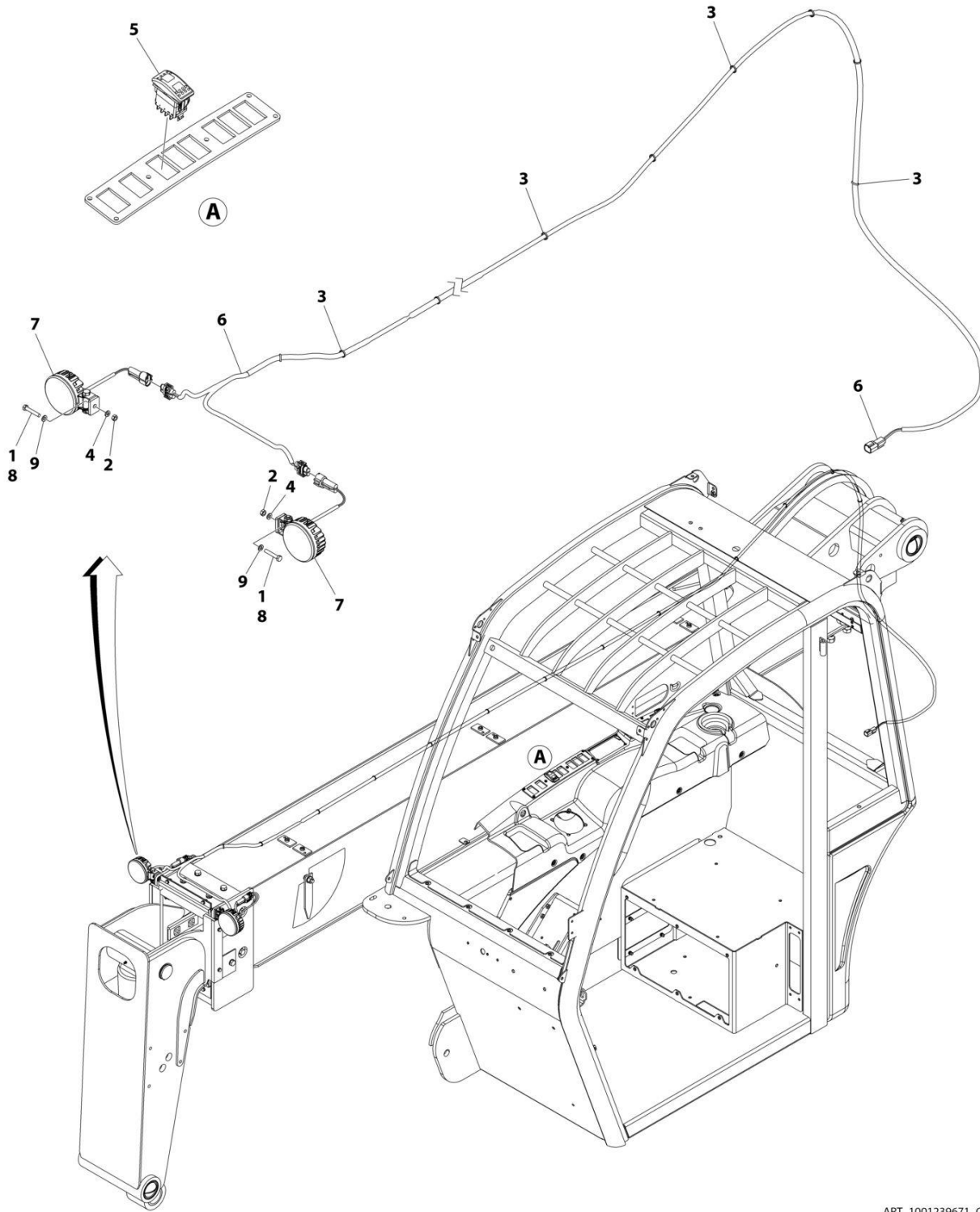
## SECTION 10 - ELECTRICAL

### FIGURE 10-45. LIGHTS - WORKLIGHTS INSTALLATION (BOOM)

ITEM	PART NUMBER	QTY	DESCRIPTION	REV
	1001080669	Ref	BOOM WORK LIGHT	E
1	1001080656	1	Boom Worklights Harness (See Separate Breakdown in this Section)	
2	1001080366	1	Boom Work Light Switch	
3	4240032	14	Tie Strap	
4	1001273635	2	Light, LED	

# SECTION 10 - ELECTRICAL

## FIGURE 10-46. LIGHTS - WORKLIGHTS INSTALLATION (BOOM) (LED)



ART\_1001239671\_C

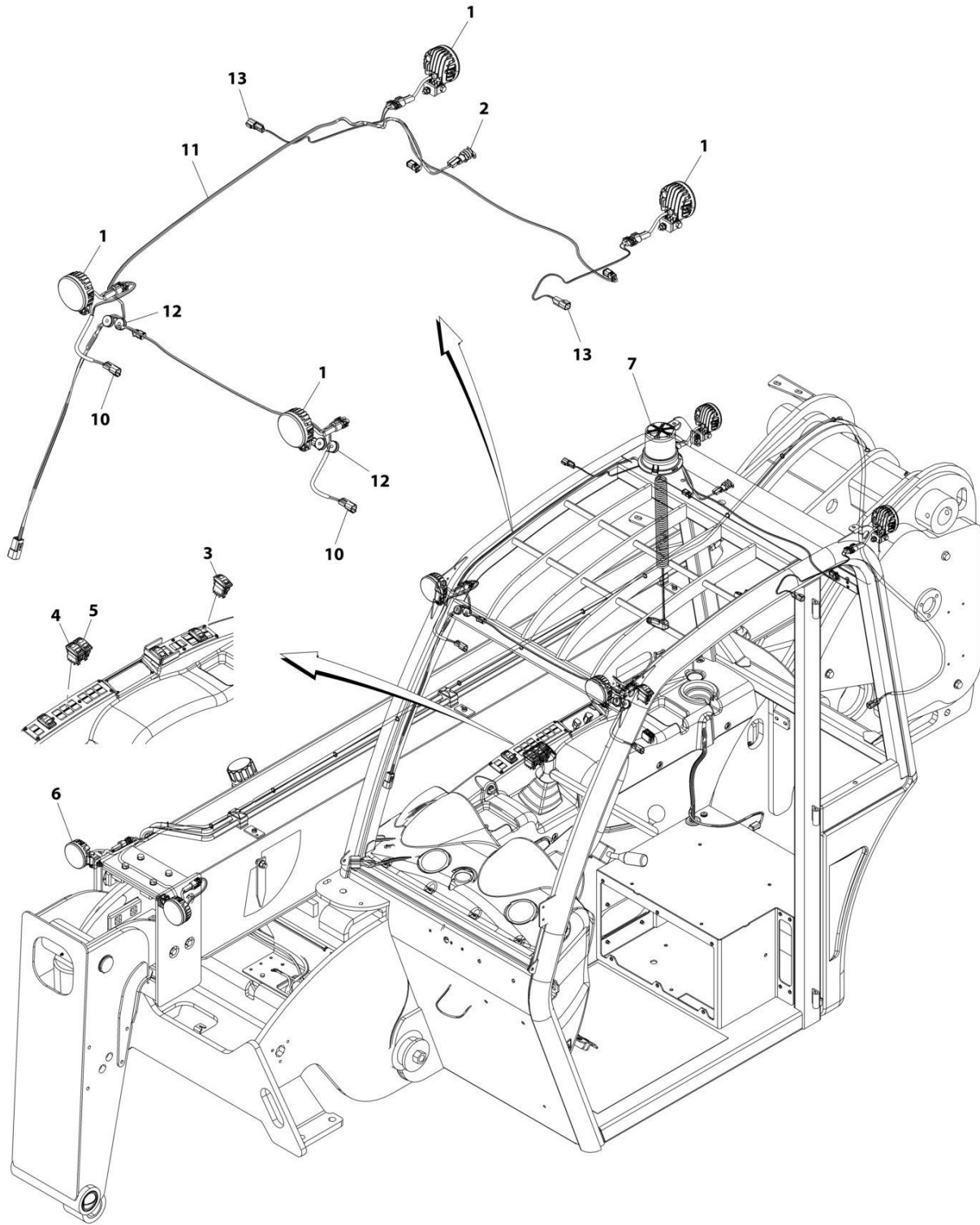
## SECTION 10 - ELECTRICAL

**FIGURE 10-46. LIGHTS - WORKLIGHTS INSTALLATION (BOOM) (LED)**

ITEM	PART NUMBER	QTY	DESCRIPTION	REV
	1001239671	Ref	BOOM WORK LIGHT LED INSTALLATION	C
1	0760612	AR	Bolt M6 x 25	
2	3290601	2	Nut M6	
3	4240032	14	Tie-Strap	
4	4831700	2	Washer M6	
5	1001080366	1	Boom Work Light Switch	
6	1001080656	1	Boom Worklights Harness (See Separate Breakdown in this Section)	
7	1001273635	2	Light, LED	
8	0760615	AR	Bolt M6 x 35	
9	4811700	AR	Washer M6	

# SECTION 10 - ELECTRICAL

## FIGURE 10-47. LIGHTS - WORKLIGHTS INSTALLATION (CAB, BOOM AND BEACON) (CLOSED CAB)



ART\_1001143558\_C

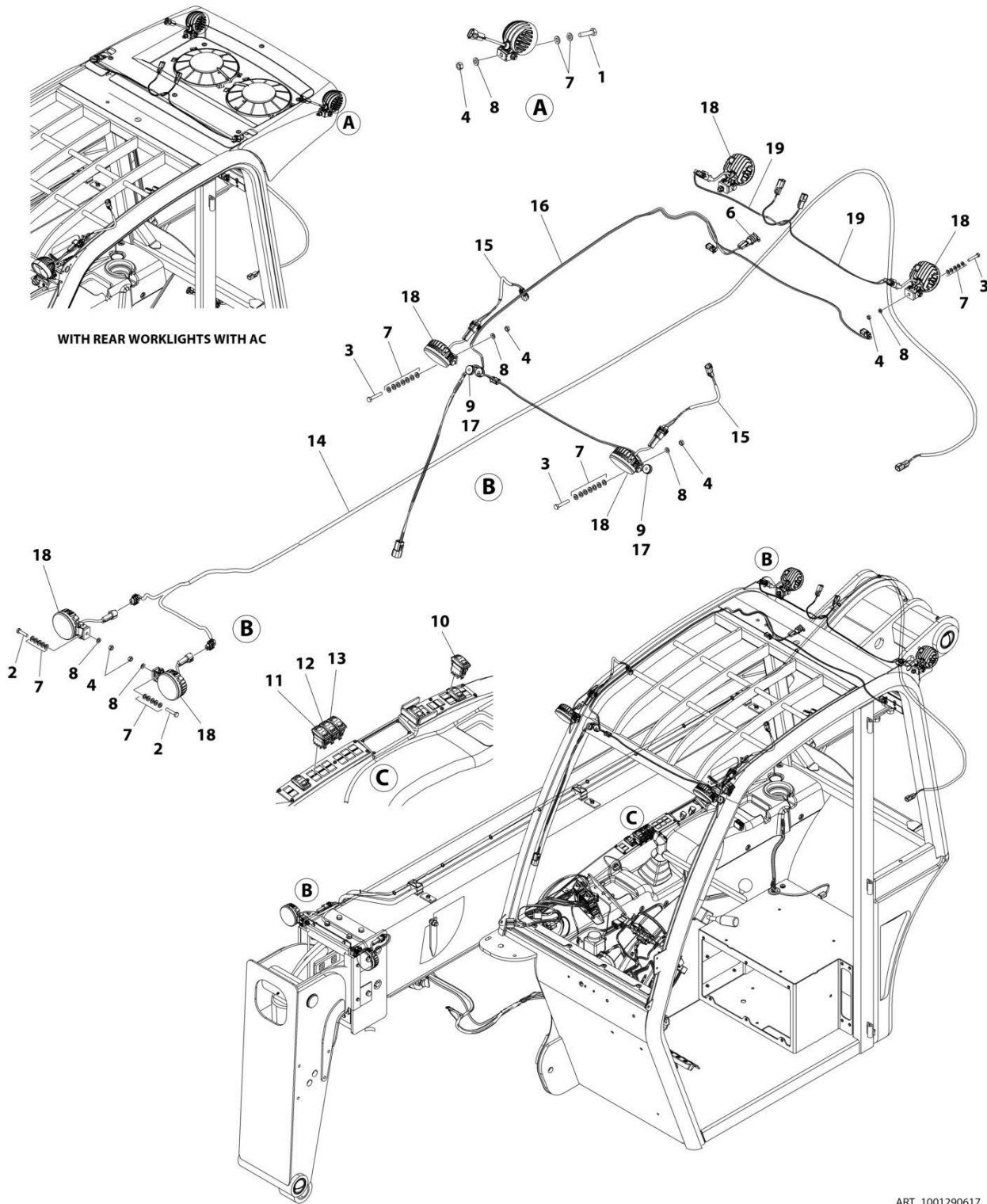
## SECTION 10 - ELECTRICAL

**FIGURE 10-47. LIGHTS - WORKLIGHTS INSTALLATION (CAB, BOOM AND BEACON) (CLOSED CAB)**

ITEM	PART NUMBER	QTY	DESCRIPTION	REV
	1001143558	Ref	WORK LIGHT INSTALLATION	C
1	1001273635	4	Light	
2	4461174	1	12V Terminal	
3	1001080365	1	Beacon Light Switch	
4	1001080369	1	Front Work Light Switch	
5	1001080376	1	Rear Work Light Switch	
6	1001080669	1	Boom Work Light, (See Separate Breakdown in this Section)	
7	1001273075	1	Beacon Light	
10	1001109565	2	Boom Worklight Jumper Harness (Short) (See Separate Breakdown in ELECTRICAL Section)	
11	1001109566	1	Proximity Sensor Harness (See Separate Breakdown in ELECTRICAL Section)	
12	1001111341	4	Grommet	
13	1001142981	2	Boom Worklight Jumper Harness (Long) (See Separate Breakdown in ELECTRICAL Section)	

# SECTION 10 - ELECTRICAL

## FIGURE 10-48. WORKLIGHTS INSTALLATION (CAB, BOOM AND BEACON) (ENCLOSED CAB)



ART\_1001290617



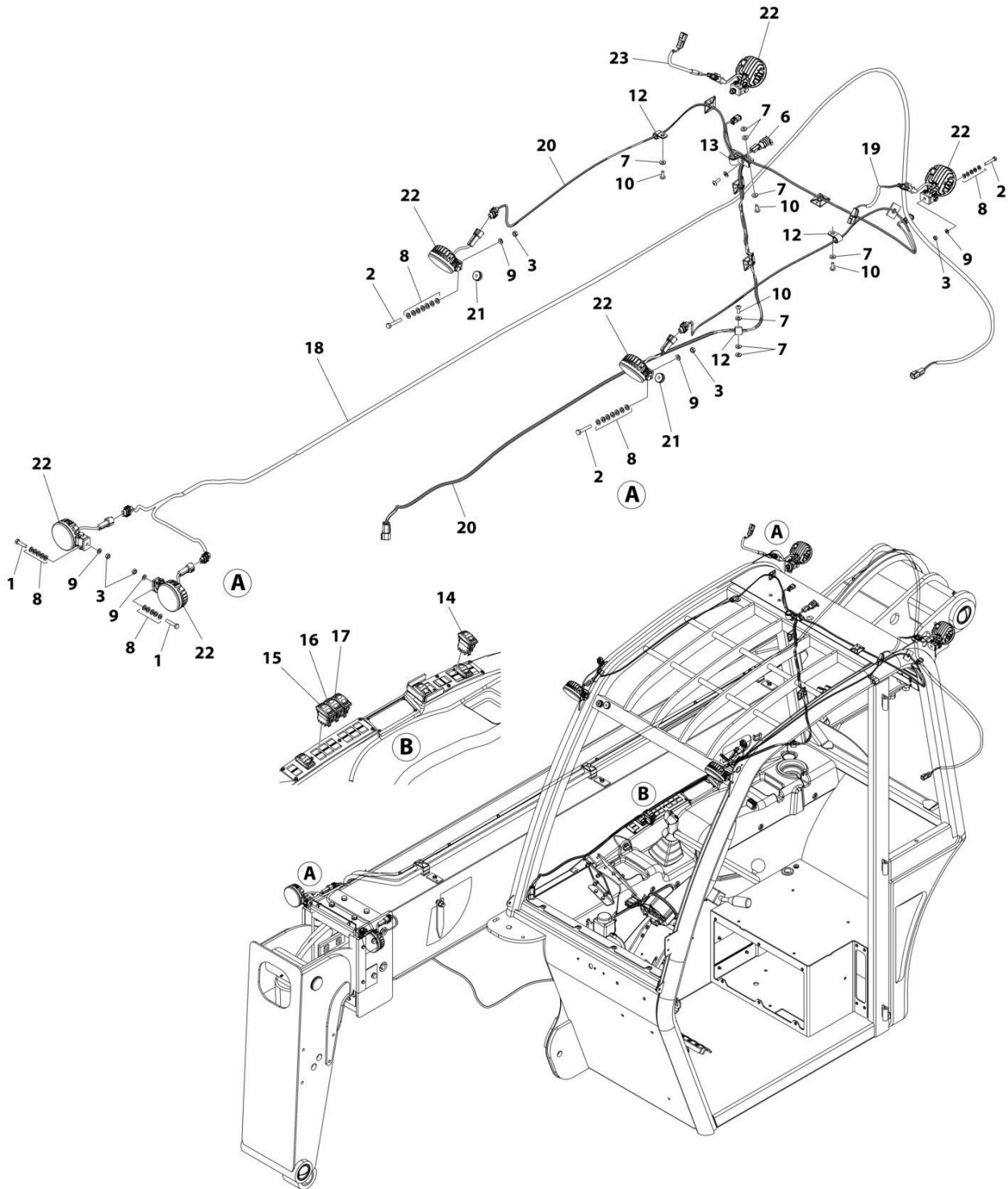
## SECTION 10 - ELECTRICAL

**FIGURE 10-48. WORKLIGHTS INSTALLATION (CAB, BOOM AND BEACON) (ENCLOSED CAB)**

ITEM	PART NUMBER	QTY	DESCRIPTION	REV
	1001290617	Ref	WORKLIGHTS INSTALLATION	B
1	0760610	AR	Bolt M6 x 20	
2	0760612	AR	Bolt M6 x 25	
3	0760615	AR	Bolt M6 x 35	
4	3290601	AR	Nut M6	
5	4240032	AR	Tie-Strap (Not Shown)	
6	4461174	1	12V Terminal	
7	4811700	AR	Washer M6	
8	4831700	AR	Washer M6	
9	8882320	AR	Sealer, Seam	
10	1001080365	1	Switch, Beacon	
11	1001080366	1	Switch, Boom Worklights	
12	1001080369	1	Switch, Front Worklights	
13	1001080376	1	Switch, Rear Worklights	
14	1001080656	1	Boom Worklight Harness (See Separate Breakdown in this Section)	
15	1001109565	2	Boom Worklight Jumper Harness (Short) (See Separate Breakdown in this Section)	
16	1001109566	1	Open Cab Roof Worklights Harness (See Separate Breakdown in this Section)	
17	1001111341	4	Grommet	
18	1001273635	6	Lamp, LED Worklight	
19	1001142981	2	Worklight Jumper Harness (Long) (See Separate Breakdown in this Section)	

# SECTION 10 - ELECTRICAL

## FIGURE 10-49. WORKLIGHTS INSTALLATION (CAB, BOOM AND BEACON) (OPEN CAB)



ART\_1001290618

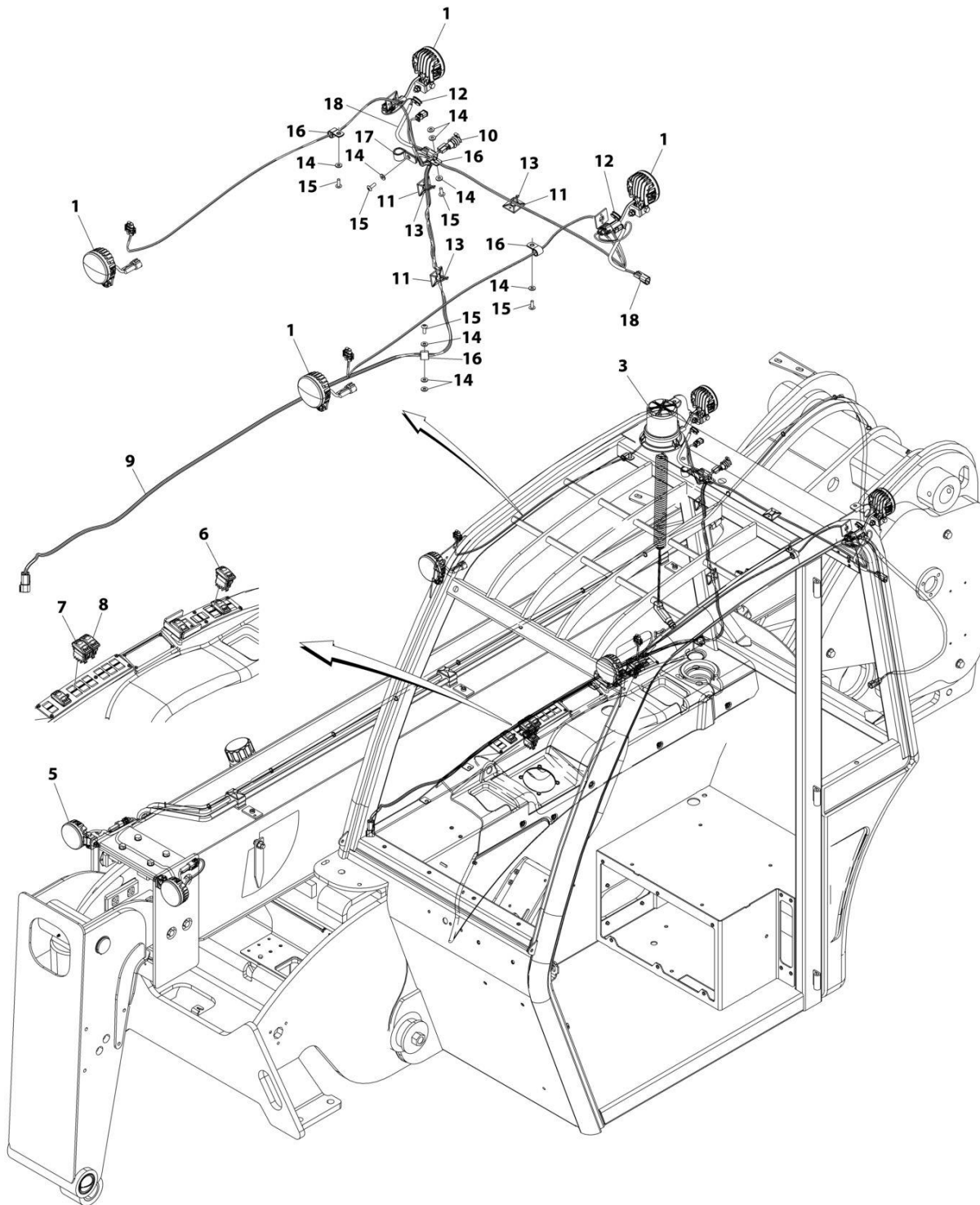
## SECTION 10 - ELECTRICAL

**FIGURE 10-49. WORKLIGHTS INSTALLATION (CAB, BOOM AND BEACON) (OPEN CAB)**

ITEM	PART NUMBER	QTY	DESCRIPTION	REV
	1001290618	Ref	WORKLIGHTS INSTALLATION	B
1	0760612	AR	Bolt M6 x 25	
2	0760615	AR	Bolt M6 x 35	
3	3290601	AR	Nut M6	
4	4240032	AR	Tie-Strap (Not Shown)	
5	4460488	5	Mounting Base (Not Shown)	
6	4461174	1	12V Terminal	
7	4711400	9	Washer 1/4	
8	4811700	AR	Washer M6	
9	4831700	AR	Washer M6	
10	8303034	5	Screw 1/4 x 3/4	
11	8881802	AR	Tie-Strap (Not Shown)	
12	85941016	4	Clamp	
13	85941017	1	P-Clamp	
14	1001080365	1	Switch, Beacon	
15	1001080366	1	Switch, Boom Worklights	
16	1001080369	1	Switch, Front Worklight	
17	1001080376	1	Switch, Rear Worklights	
18	1001080656	1	Boom Worklight Harness (See Separate Breakdown in this Section)	
19	1001109565	1	Worklight Jumper Harness (See Separate Breakdown in this Section)	
20	1001111156	1	Open Cab Worklight Harness (See Separate Breakdown in this Section)	
21	1001111341	2	Grommet	
22	1001273635	6	Lamp, LED Worklight	
23	1001142981	1	Worklight Jumper Harness (See Separate Breakdown in this Section)	

# SECTION 10 - ELECTRICAL

## FIGURE 10-50. LIGHTS - WORKLIGHTS INSTALLATION (CAB, BOOM AND BEACON) (OPEN CAB)



ART\_1001113154\_D

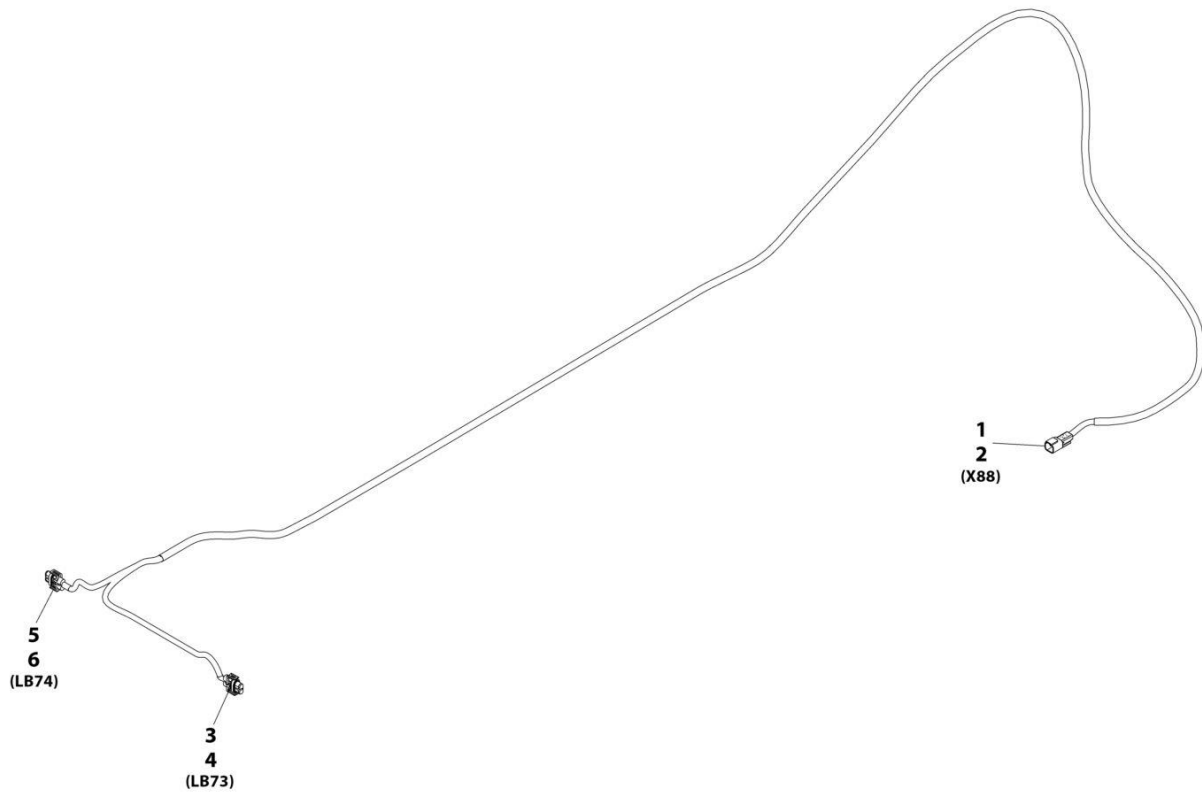
## SECTION 10 - ELECTRICAL

**FIGURE 10-50. LIGHTS - WORKLIGHTS INSTALLATION (CAB, BOOM AND BEACON) (OPEN CAB)**

ITEM	PART NUMBER	QTY	DESCRIPTION	REV
	1001113154	Ref	WORK LIGHT INSTALLATION (OPEN CAB)	D
1	1001273635	4	Light	
3	1001273075	1	Beacon Light	
5	1001080669	1	Boom Work Light (See Separate Breakdown in this Section)	
6	1001080365	1	Beacon Light Switch	
7	1001080369	1	Front Work Light Switch	
8	1001080376	1	Rear Work Light Switch	
9	1001111156	1	Cab Worklight Harness (See Separate Breakdown in this Section)	
10	4461174	1	12V Terminal	
11	4460488	5	Mounting Base	
12	1001111341	2	Grommet	
13	8881802	9	Tie Strap	
14	4711400	9	Washer 1/4	
15	8303034	5	Screw 1/4 x 3/4	
16	85941016	4	1/2In Clamp	
17	85941017	1	P-Clamp	
18	1001109565	2	Boom Worklight Jumper Harness (Short) (See Separate Breakdown in ELECTRICAL Section)	

# SECTION 10 - ELECTRICAL

## FIGURE 10-51. LIGHTS - WORKLIGHTS HARNESS (BOOM)



ART\_1001080656-C

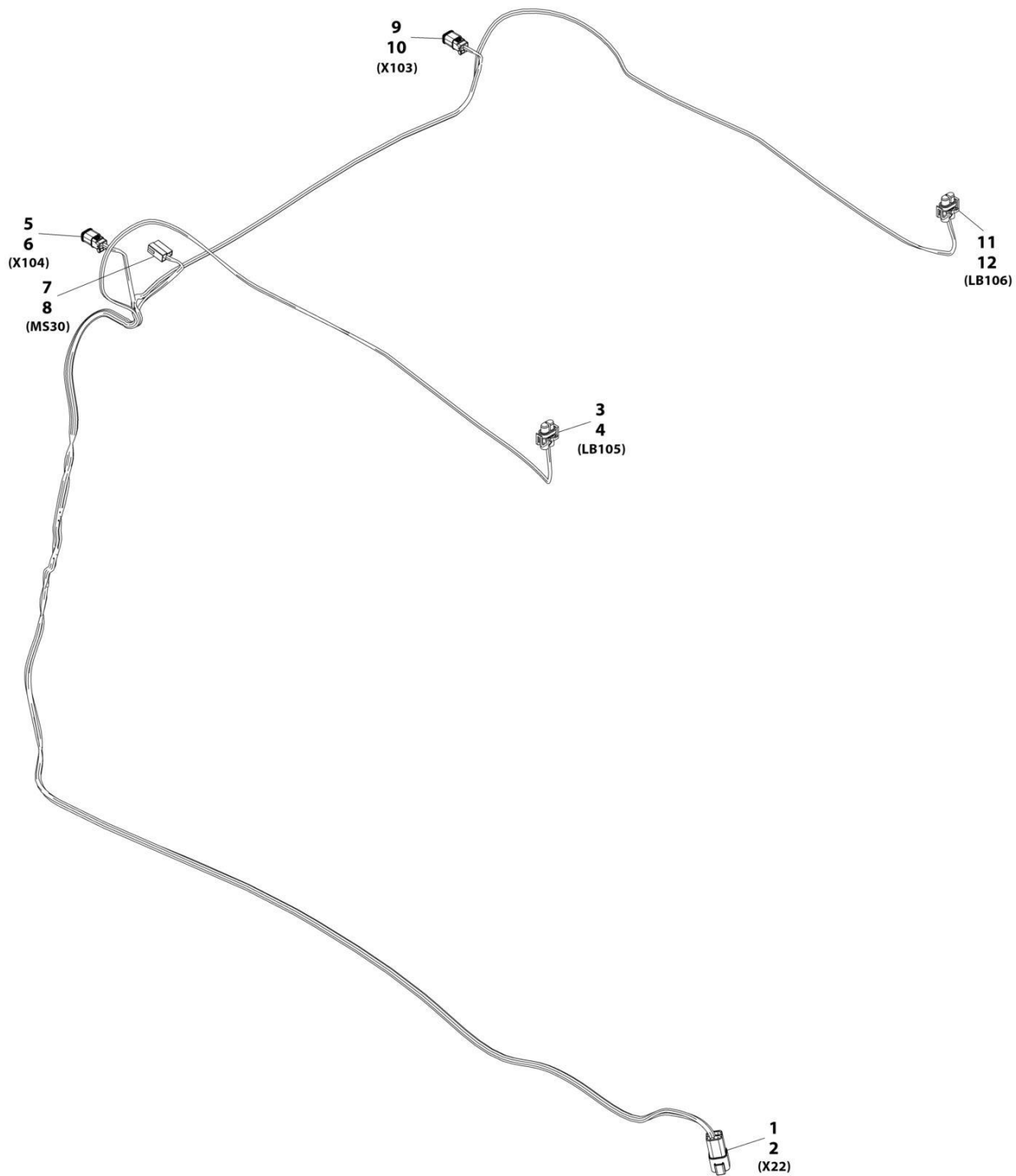
## SECTION 10 - ELECTRICAL

### FIGURE 10-51. LIGHTS - WORKLIGHTS HARNESS (BOOM)

ITEM	PART NUMBER	QTY	DESCRIPTION	REV
	1001080656	Ref	Boom Worklights Harness	C
1	4460897	1	Connector	
2	4460464	2	Terminal	
3	4461115	1	Connector	
4	4460746	2	Terminal	
5	4461115	1	Connector	
6	4460746	2	Terminal	

# SECTION 10 - ELECTRICAL

## FIGURE 10-52. LIGHTS - WORKLIGHTS HARNESS (ENCLOSED CAB)



ART\_1001111156-C



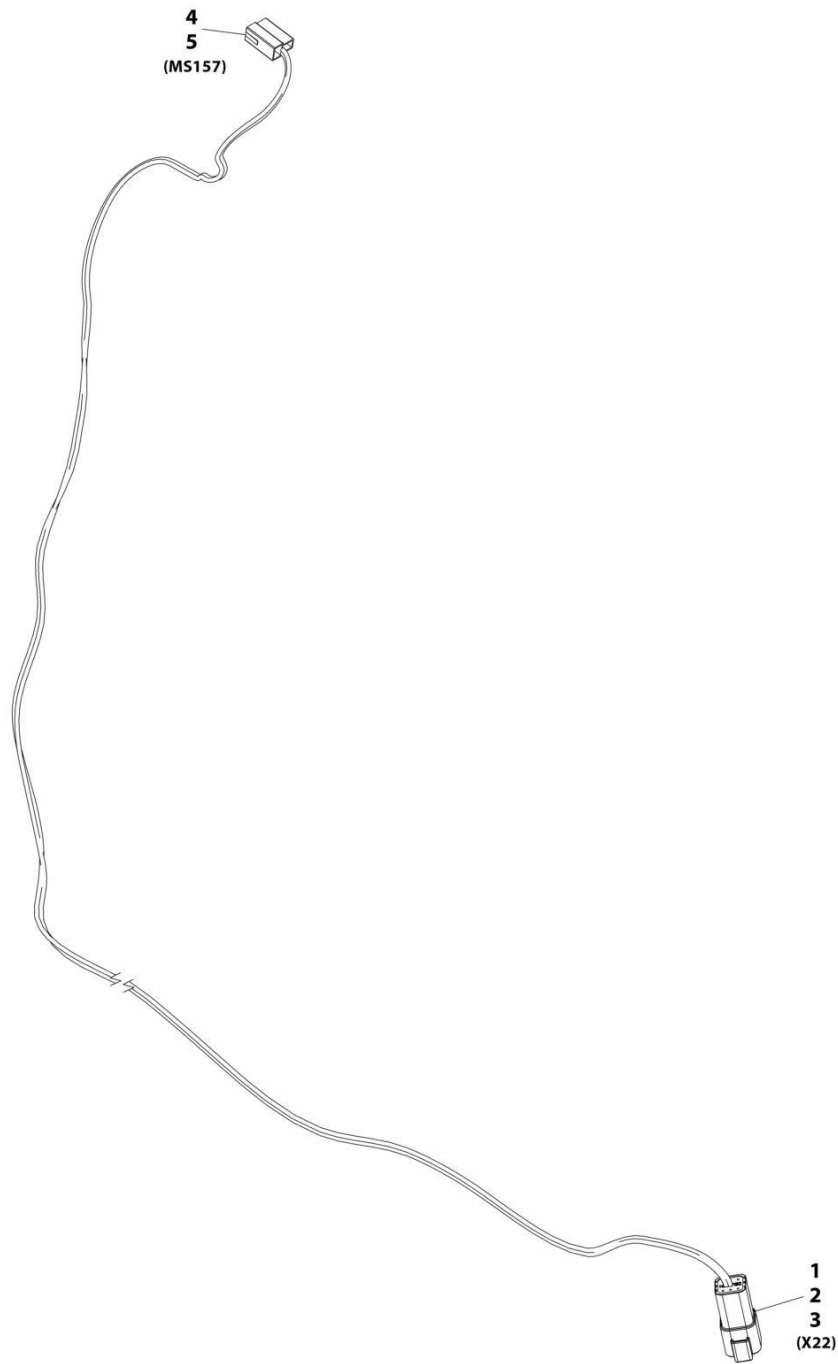
## SECTION 10 - ELECTRICAL

### FIGURE 10-52. LIGHTS - WORKLIGHTS HARNESS (ENCLOSED CAB)

ITEM	PART NUMBER	QTY	DESCRIPTION	REV
	1001111156	Ref	Cab Worklight Harness	C
1	4460899	1	Connector	
2	4460464	6	Terminal	
3	4461115	1	Connector	
4	4460746	2	Terminal	
5	4460891	1	Connector	
6	4460465	2	Terminal	
7	4460994	1	Connector	
8	1001104519	2	Terminal	
9	4460891	1	Connector	
10	4460465	2	Terminal	
11	4461115	1	Connector	
12	4460746	2	Terminal	

# SECTION 10 - ELECTRICAL

## FIGURE 10-53. LIGHTS - WORKLIGHTS HARNESS (OPEN CAB)



ART\_1001110723-B

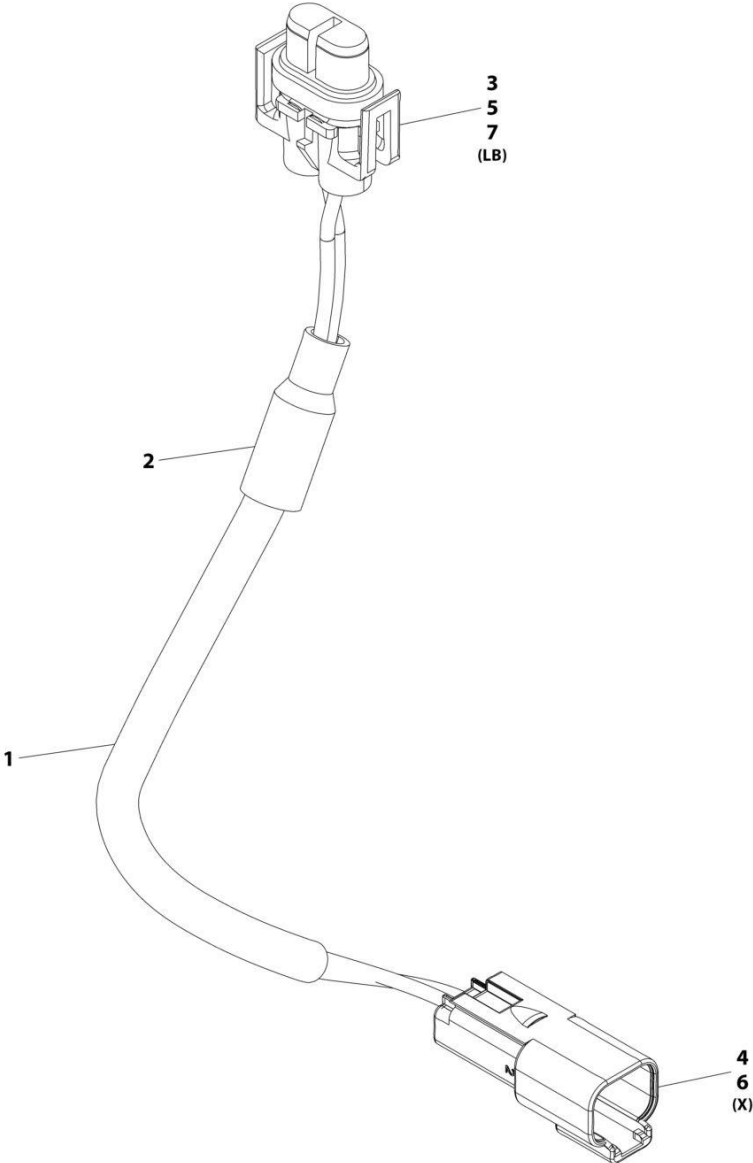
## SECTION 10 - ELECTRICAL

**FIGURE 10-53. LIGHTS - WORKLIGHTS HARNESS (OPEN CAB)**

ITEM	PART NUMBER	QTY	DESCRIPTION	REV
	1001110723	Ref	Open Cab Worklight Harness	B
1	4460899	1	Connector	
2	4460466	4	Plug	
3	4460464	2	Terminal	
4	4460994	1	Connector	
5	1001104519	2	Terminal	

**SECTION 10 - ELECTRICAL**

**FIGURE 10-54. LIGHTS - WORKLIGHTS JUMPER HARNESS (BOOM)**



ART\_1001142981-B

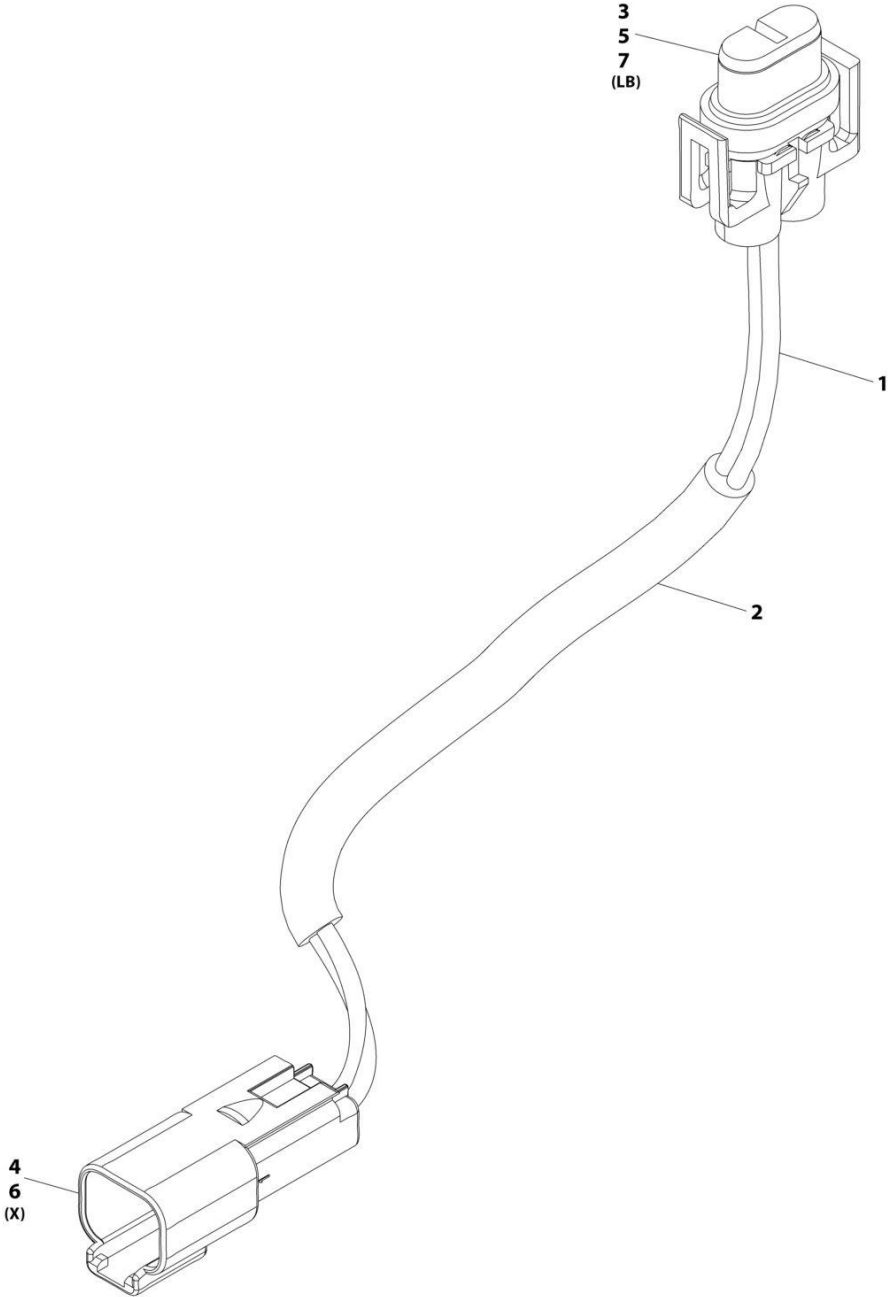
## SECTION 10 - ELECTRICAL

### FIGURE 10-54. LIGHTS - WORKLIGHTS JUMPER HARNESS (BOOM)

ITEM	PART NUMBER	QTY	DESCRIPTION	REV
	1001142981	Ref	Boom Worklight Jumper Harness (Long)	B
1	1060680	2 ft	Cable	
2	2820019	0.12 ft	Insulate, Tubing Shrink	
3	4460458	2	Seal	
4	4460464	2	Terminal	
5	4460746	2	Terminal	
6	4460897	1	Connector	
7	4461115	1	Connector	

**SECTION 10 - ELECTRICAL**

**FIGURE 10-55. LIGHTS - WORKLIGHTS JUMPER HARNESS (BOOM)**



ART\_1001109565

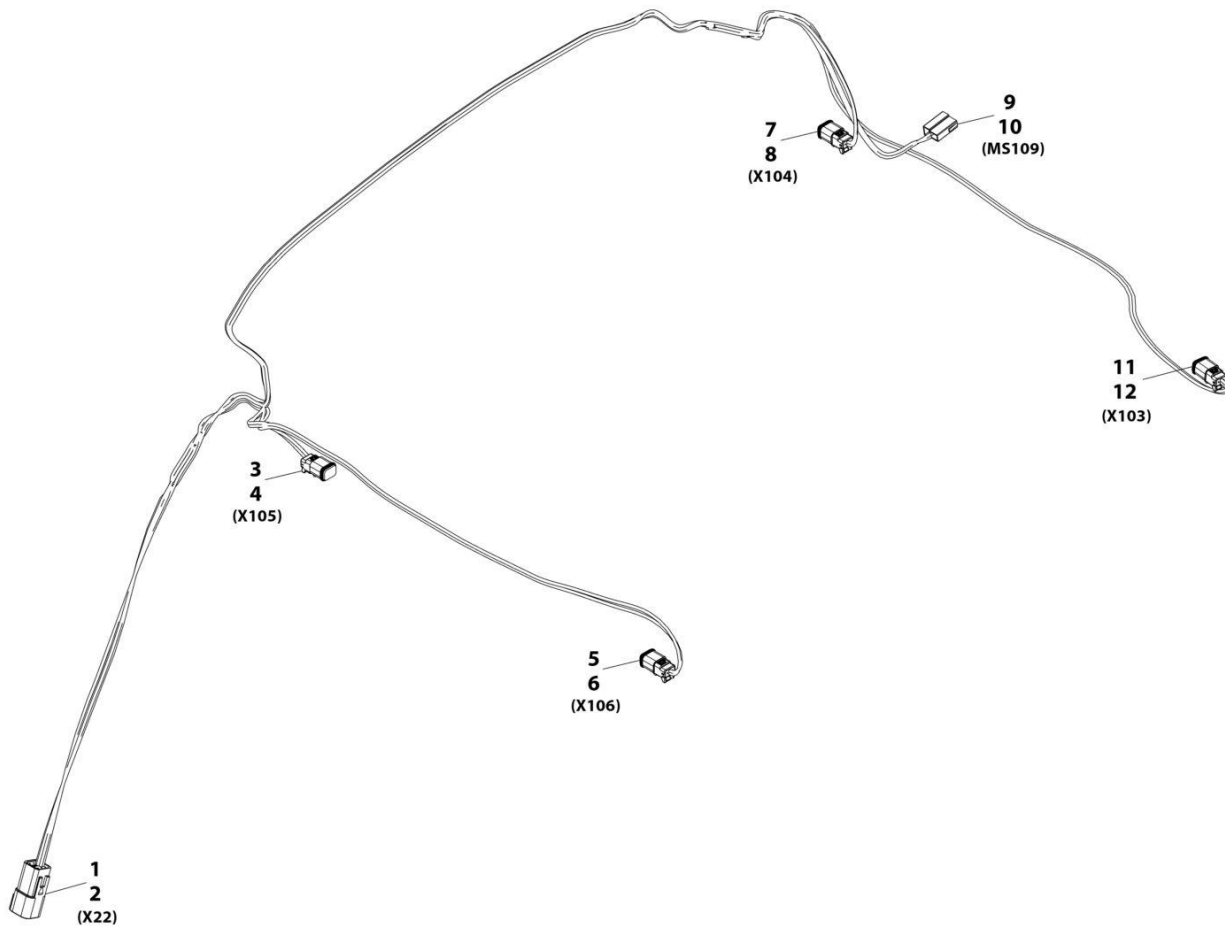
## SECTION 10 - ELECTRICAL

### FIGURE 10-55. LIGHTS - WORKLIGHTS JUMPER HARNESS (BOOM)

ITEM	PART NUMBER	QTY	DESCRIPTION	REV
	1001109565	Ref	BOOM WORKLIGHT JUMPER HARNESS (SHORT)	F
1	1060680	1	Cable, 18-2	
2	2820019	AR	Insulate, Tubing shrink 3/8	
3	4460458	2	Terminal, Seal	
4	4460464	2	Terminal	
5	4460746	2	Terminal	
6	4460897	1	Connector	
7	4461115	1	Connector	

# SECTION 10 - ELECTRICAL

## FIGURE 10-56. LIGHTS - WORKLIGHTS PROXIMITY SENSOR HARNESS



ART\_1001109566-B



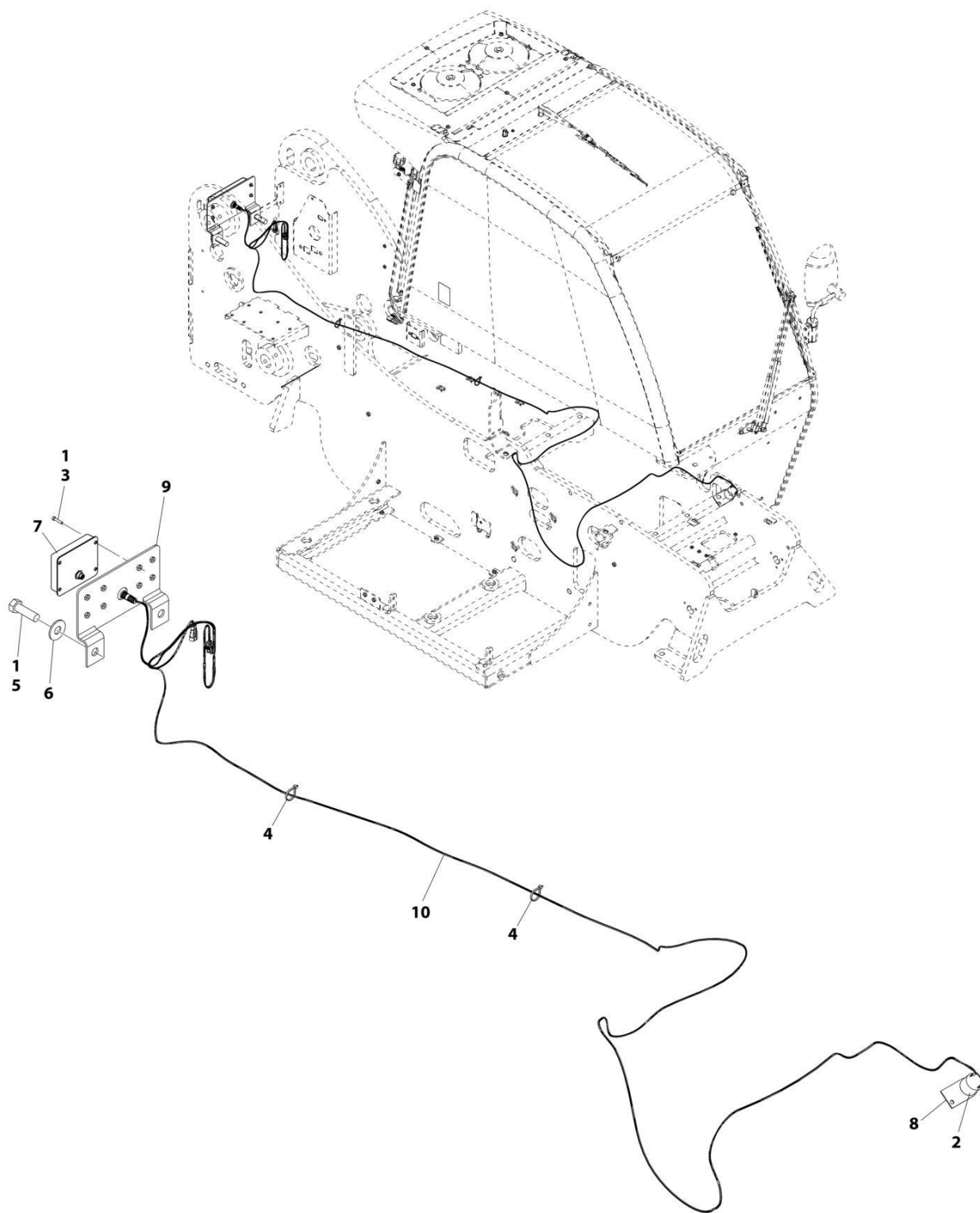
## SECTION 10 - ELECTRICAL

### FIGURE 10-56. LIGHTS - WORKLIGHTS PROXIMITY SENSOR HARNESS

ITEM	PART NUMBER	QTY	DESCRIPTION	REV
	1001109566	Ref	Proximity Sensor Harness	B
1	4460899	1	Connector	
2	4460464	6	Terminal	
3	4460891	1	Connector	
4	4460465	2	Terminal	
5	4460891	1	Connector	
6	4460465	2	Terminal	
7	4460891	1	Connector	
8	4460465	2	Terminal	
9	4460994	1	Connector	
10	1001104519	2	Terminal	
11	4460891	1	Connector	
12	4460465	2	Terminal	

# SECTION 10 - ELECTRICAL

## FIGURE 10-57. REVERSE SENSING SYSTEM INSTALLATION



ART\_1001201151-E

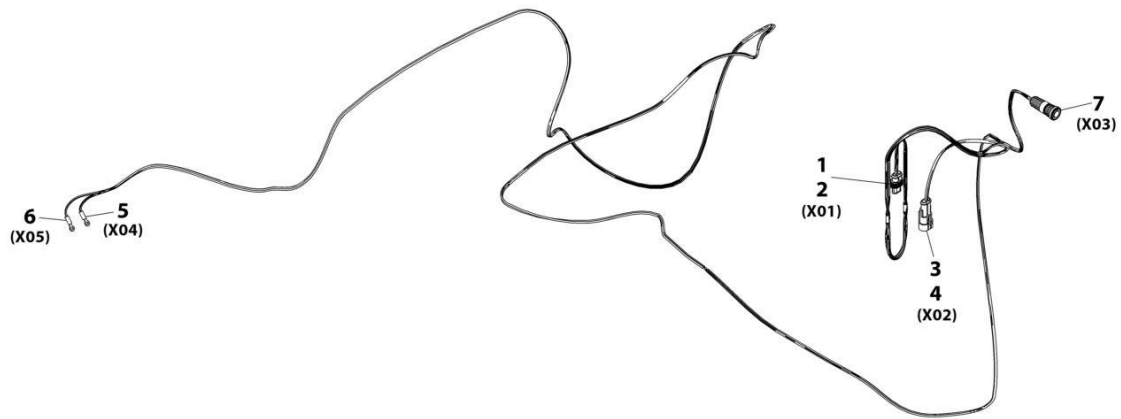
## SECTION 10 - ELECTRICAL

**FIGURE 10-57. REVERSE SENSING SYSTEM INSTALLATION**

ITEM	PART NUMBER	QTY	DESCRIPTION	REV
	1001201151	Ref	REVERSE SENSING SYSTEM INSTALLATION	E
1	0100011	AR	Compound, Locking	
2	0140011	1	Audible Signal Device	
3	3931012	4	Capscrew #10 x 3/4	
4	4240033	AR	Cable Tie Strap	
5	0682220	2	Capscrew 3/4 x 2-1/2	
6	4752200	2	Washer 3/4	
7	1001189997	Ref	Reverse Sensor Object, (no longer available, use 1001247421 for replacement)	
7	1001247421	1	Reverse Sensor Object	
8	1001182662	1	Audible Alarm Bracket	
9	1001184685	1	Backup Sensor Mounting Bracket	
10	1001190914	1	Reverse Sensor Harness (See Separate Breakdown in this Section)	

# SECTION 10 - ELECTRICAL

## FIGURE 10-58. REVERSE SENSOR HARNESS



ART\_1001190914-B

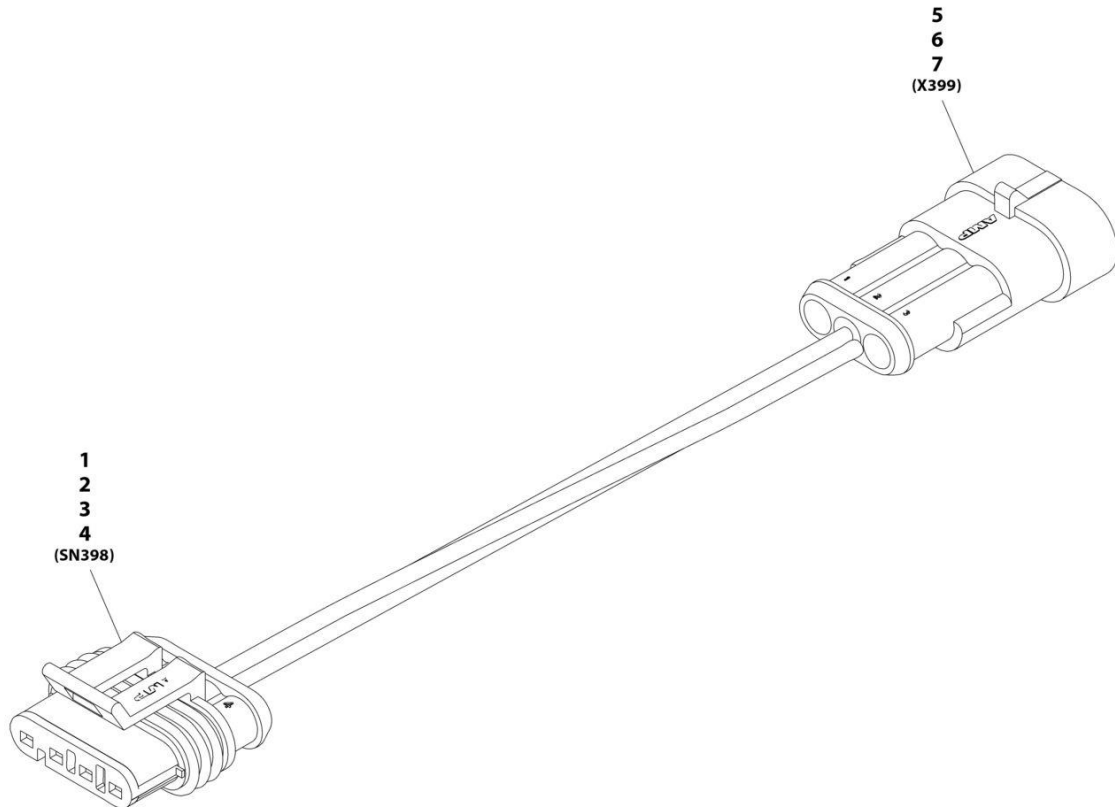
## SECTION 10 - ELECTRICAL

### FIGURE 10-58. REVERSE SENSOR HARNESS

ITEM	PART NUMBER	QTY	DESCRIPTION	REV
	1001190914	Ref	Reverse Sensor Harness	B
1	4461118	1	Connector	
2	1001107854	2	Terminal	
3	4461227	1	Connector	
4	1001104497	2	Terminal	
5	1001098122	1	Terminal, Ring	
6	1001098122	1	Terminal, Ring	
7	1001175733	1	Connector	

# SECTION 10 - ELECTRICAL

## FIGURE 10-59. SPEED SENSOR JUMPER HARNESS



ART\_1001234992-B

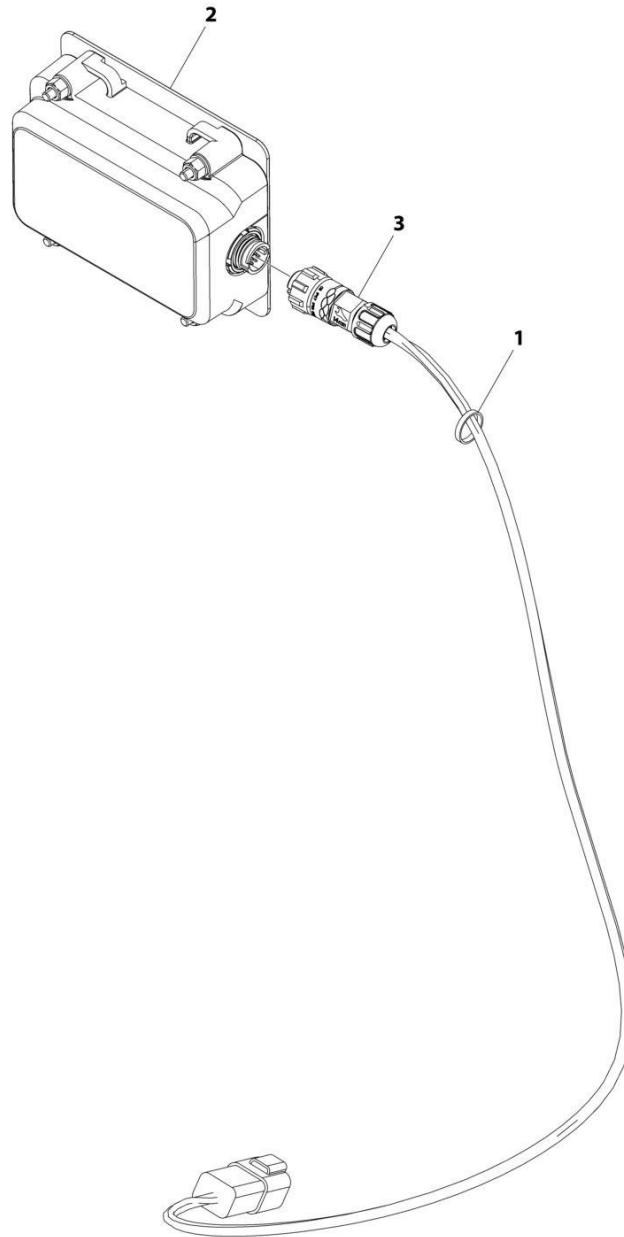
## SECTION 10 - ELECTRICAL

### FIGURE 10-59. SPEED SENSOR JUMPER HARNESS

ITEM	PART NUMBER	QTY	DESCRIPTION	REV
	1001234992	Ref	Speed Sensor Jumper Harness	B
1	1001103012	1	Connector	
2	1001107854	3	Terminal	
3	1001116698	1	Plug	
4	1001104498	3	Seal	
5	4461119	1	Connector	
6	1001104497	3	Terminal	
7	1001104498	3	Seal	

# SECTION 10 - ELECTRICAL

## FIGURE 10-60. TELEMATICS/CLEARSKY INSTALLATION - 3-WIRE



ART\_1001276920



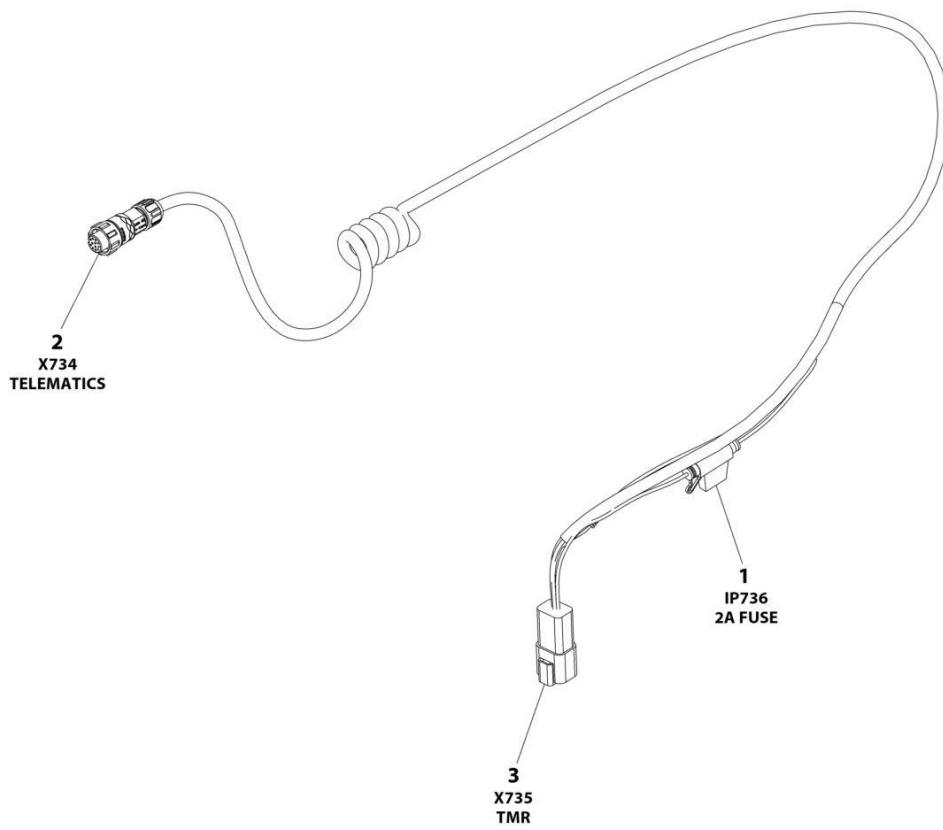
## SECTION 10 - ELECTRICAL

### FIGURE 10-60. TELEMATICS/CLEARSKY INSTALLATION - 3-WIRE

ITEM	PART NUMBER	QTY	DESCRIPTION	REV
	1001276920	Ref	CLEARSKY TELEMATICS 3-WIRE INSTALLATION	A
1	4240032	AR	Tie, Strap	
2	1001272659	1	Module - GT1030	
3	1001273012	1	ClearSky Telematics 3-Wire Harness (See Separate Breakdown in this Section)	

# SECTION 10 - ELECTRICAL

## FIGURE 10-61. TELEMATICS/CLEARSKY HARNESS - 3-WIRE



ART\_1001273012

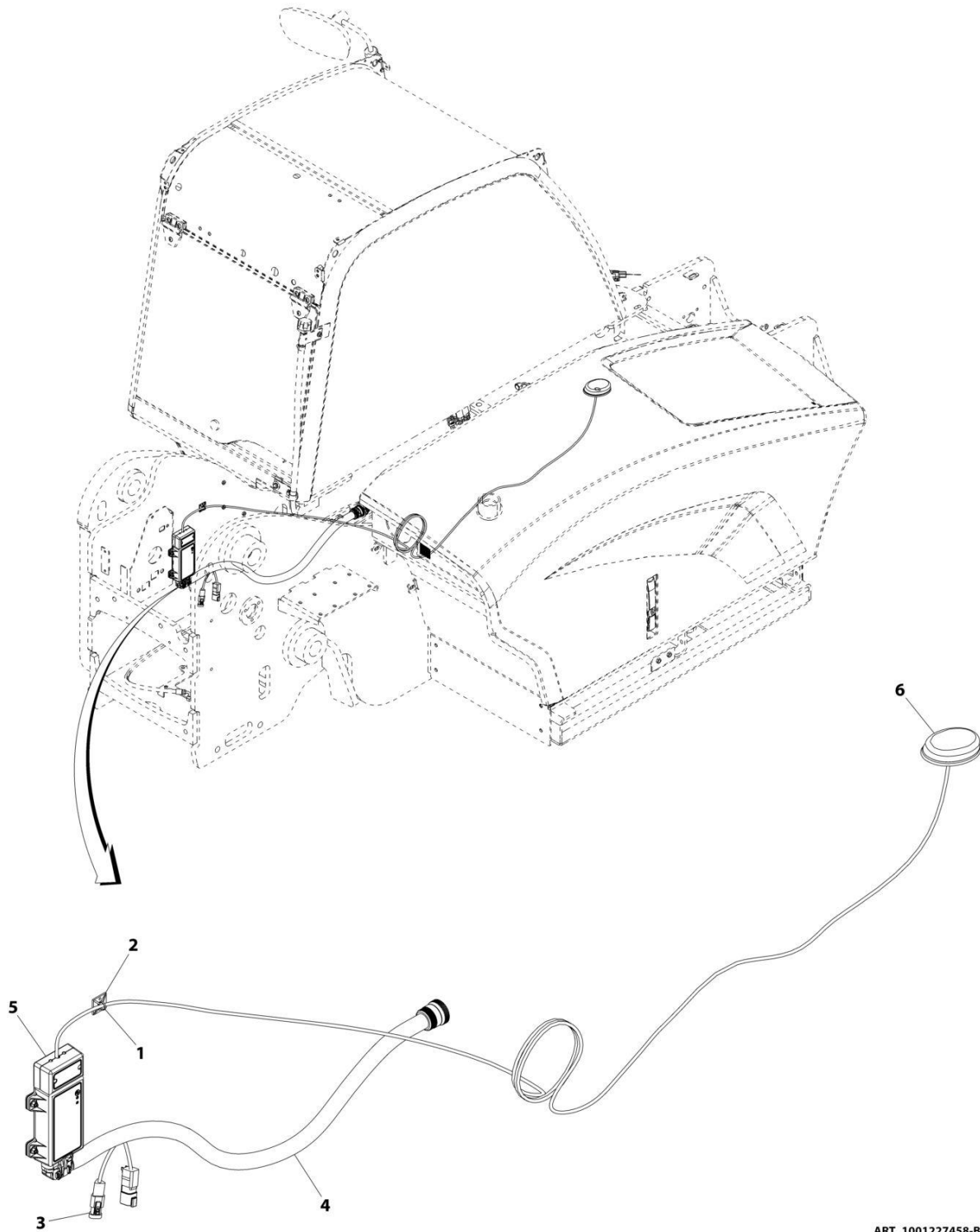
## SECTION 10 - ELECTRICAL

### FIGURE 10-61. TELEMATICS/CLEARSKY HARNESS - 3-WIRE

ITEM	PART NUMBER	QTY	DESCRIPTION	REV
	1001273012	Ref	CLEARSKY TELEMATICS HARNESS - GT1030	D
1	1001255901	1	Fuseholder	
1	1001196634	1	Fuse - 2Amp	
2	1001272997	1	Connector - 12 Position	
2		Ref	Terminal	
3	4460932	1	Receptacle, Female - 4 Position	
3	4460464	4	Pin, Male	

# SECTION 10 - ELECTRICAL

## FIGURE 10-62. TELEMATICS/CLEARSKY INSTALLATION - 4G CANBUS



ART\_1001227458-B

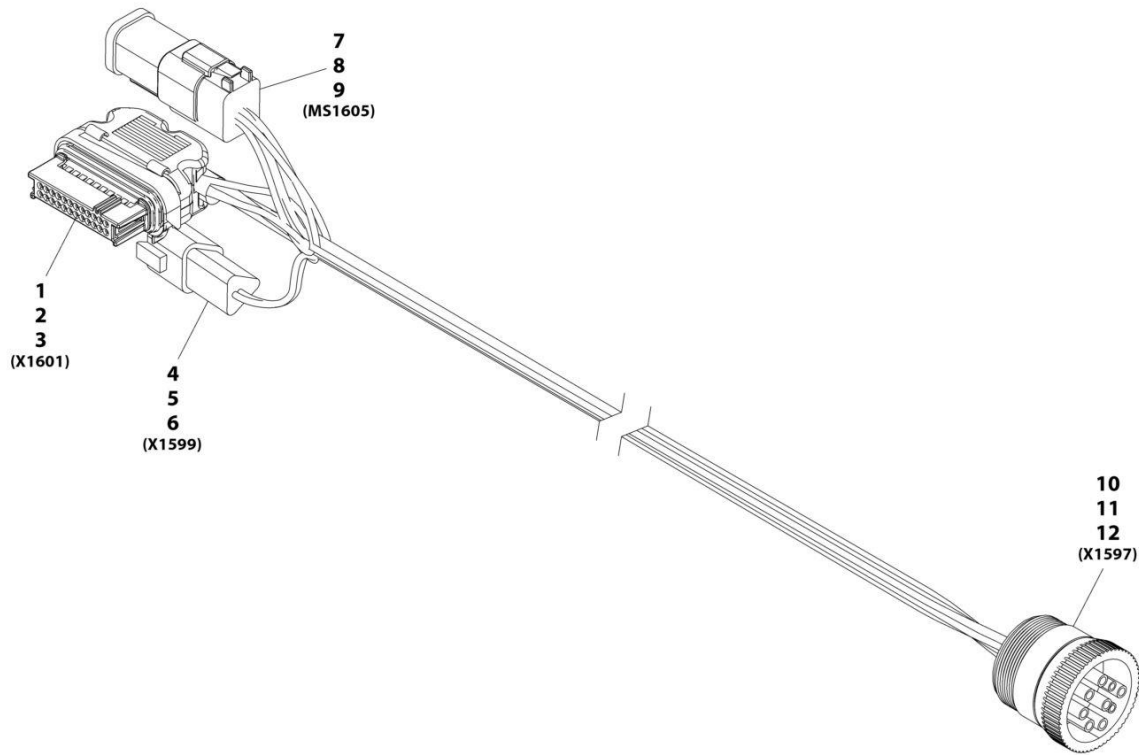
## SECTION 10 - ELECTRICAL

**FIGURE 10-62. TELEMATICS/CLEARSKY INSTALLATION - 4G CANBUS**

ITEM	PART NUMBER	QTY	DESCRIPTION	REV
	1001227458	Ref	Clearsky Installation	B
1	4240032	AR	Tie Strap	
2	4460234	AR	Terminal, Mount Cable Tie	
3	1001116815	1	Connector, Plug 3-Pin (3G)	
3	1001129408	1	Connector, Plug 3-Pin (4G)	
4	1001226739	1	Clearsky Harness (See Separate Breakdown in this Section)	
5	1001226796	1	Module (3G)	
5	1001262322	1	Module (4G)	
6	1001226799	1	Antenna (3G)	
6	1001262326	1	Antenna (4G)	

# SECTION 10 - ELECTRICAL

## FIGURE 10-63. TELEMATICS/CLEARSKY HARNESS - 4G CANBUS



ART\_1001226739-A

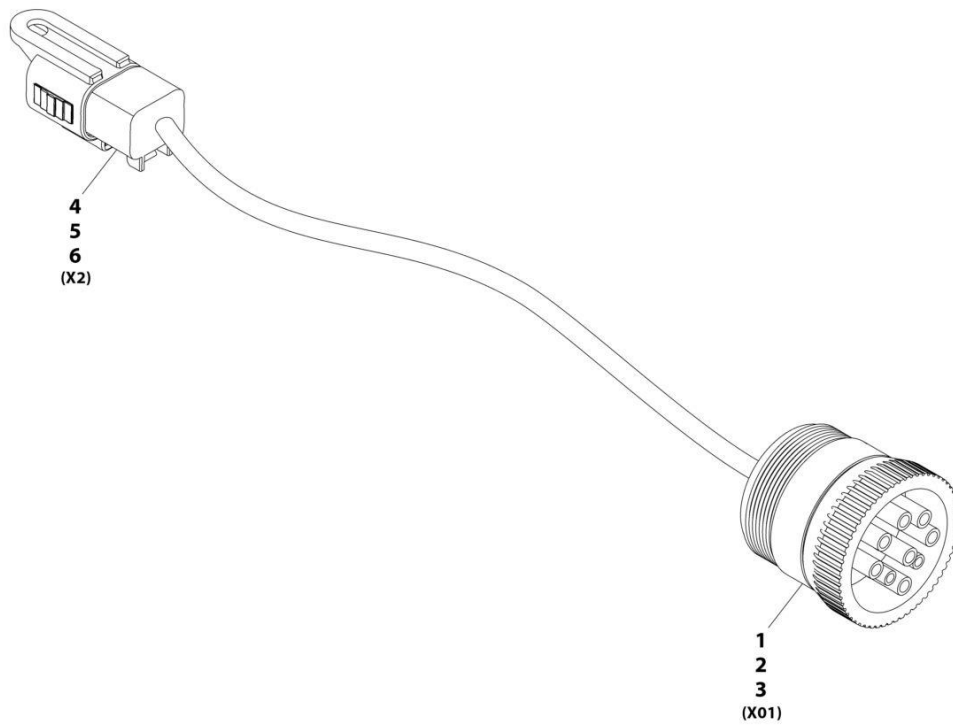
## SECTION 10 - ELECTRICAL

**FIGURE 10-63. TELEMATICS/CLEARSKY HARNESS - 4G CANBUS**

ITEM	PART NUMBER	QTY	DESCRIPTION	REV
	1001226739	Ref	Clearsky Harness	A
1	1001226636	1	Connector	
2	1001116731	16	Plug, Terminal	
3	1001226637	8	Terminal	
4	1001144147	1	Connector	
5	4460464	2	Terminal	
6	4460466	1	Plug, Terminal	
7	4460894	1	Connector	
8	4460465	6	Terminal	
9	1001226541	1	Connector- 6 Pin Bussbar	
10	1001112796	1	Connector	
11	4460465	8	Terminal	
12	4460466	1	Plug, Terminal	

# SECTION 10 - ELECTRICAL

## FIGURE 10-64. TELEMATICS/CLEARSKY READY HARNESS



ART\_1001196461-A



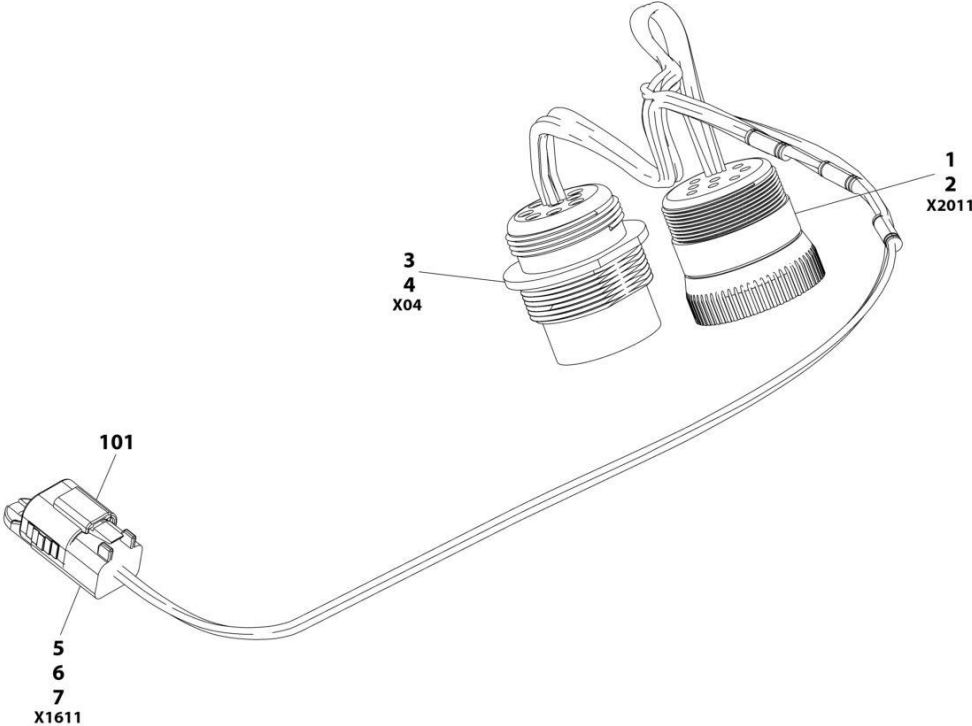
## SECTION 10 - ELECTRICAL

### FIGURE 10-64. TELEMATICS/CLEARSKY READY HARNESS

ITEM	PART NUMBER	QTY	DESCRIPTION	REV
	1001196461	Ref	Telematics Ready Harness	A
1	1001112796	1	Connector	
2	4460465	3	Terminal	
3	4460466	6	Plug	
4	4460884	1	Connector	
5	4460465	3	Terminal	
6	4460466	1	Plug	

**SECTION 10 - ELECTRICAL**

**FIGURE 10-65. TELEMATICS READY HARNESS**



ART\_1001291182

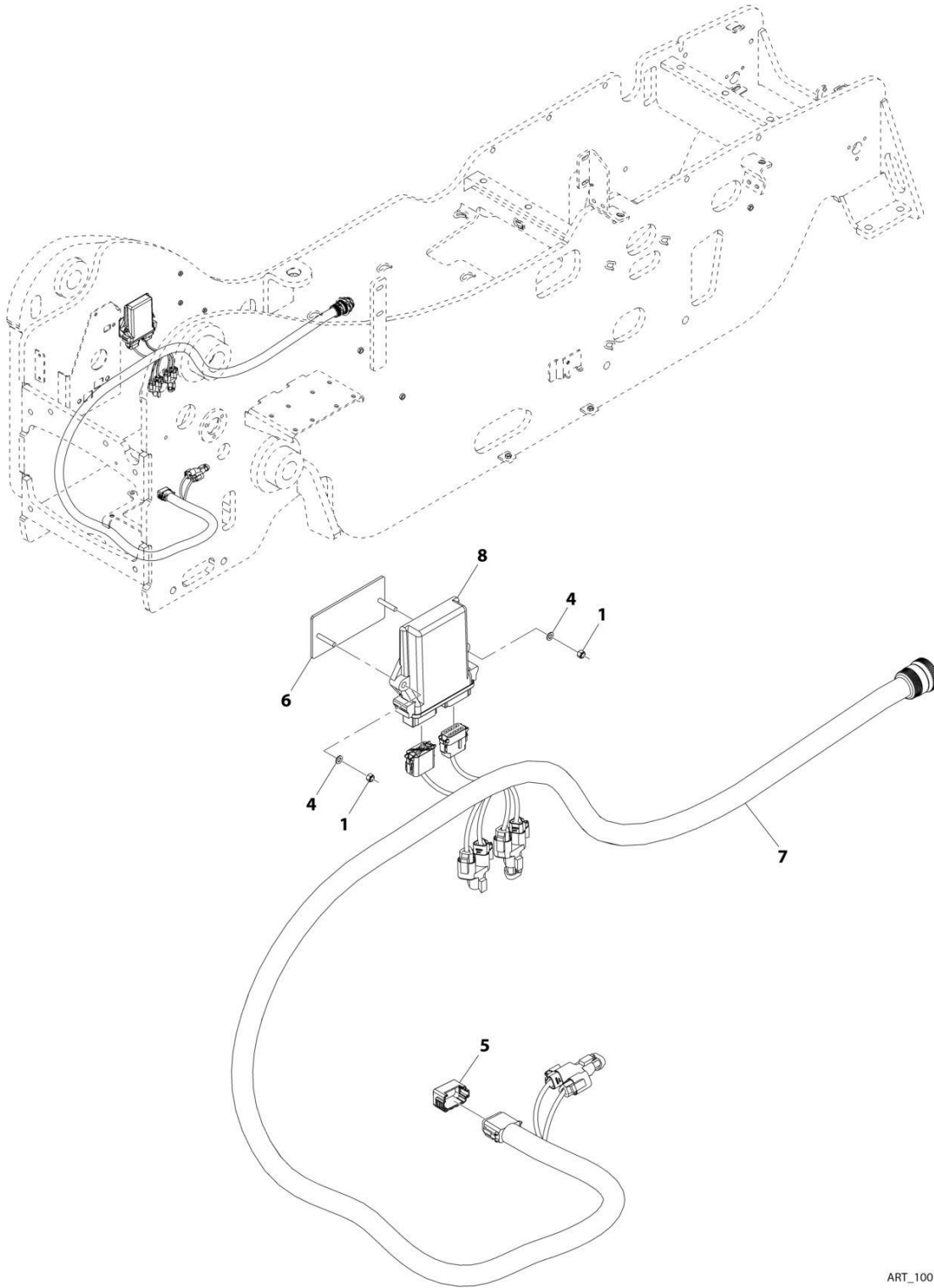
## SECTION 10 - ELECTRICAL

### FIGURE 10-65. TELEMATICS READY HARNESS

ITEM	PART NUMBER	QTY	DESCRIPTION	REV
	1001291182	Ref	TELEMATICS READY HARNESS	A
1	1001112796	1	Connector	
2	4460465	9	Terminal	
3	1001112612	1	Connector	
4	4460464	9	Terminal	
5	4460884	1	Connector	
6	4460465	3	Terminal	
7	4460466	1	Plug	
101	1001192401	1	Dust Cap	

# SECTION 10 - ELECTRICAL

## FIGURE 10-66. TELEMATICS/CLEARSKY READY HARNESS - CUSTOMER SUPPLIED



ART\_1001228593-A

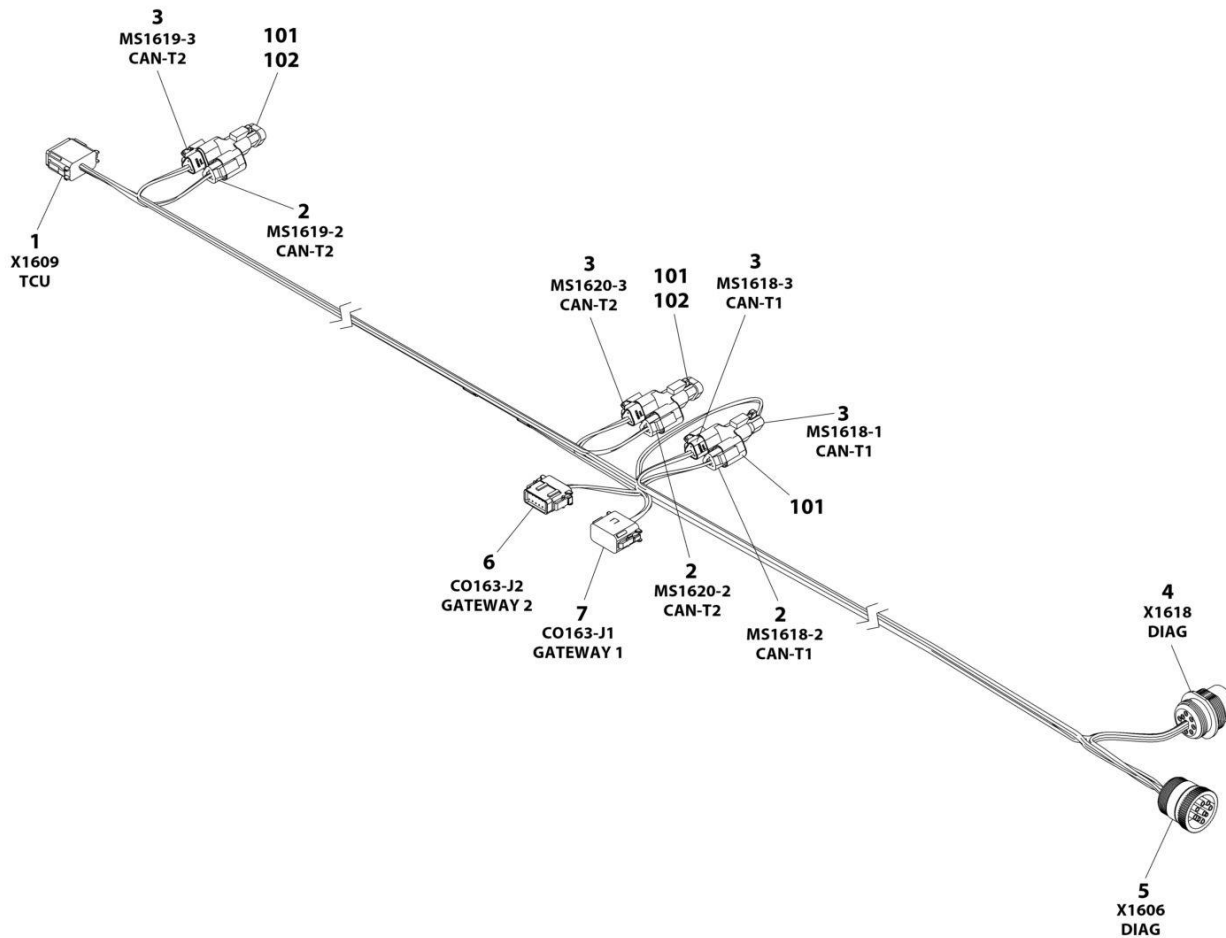
## SECTION 10 - ELECTRICAL

**FIGURE 10-66. TELEMATICS/CLEARSKY READY HARNESS - CUSTOMER SUPPLIED**

ITEM	PART NUMBER	QTY	DESCRIPTION	REV
	1001228593	1	Telematics Installation	B
1	3290505	2	Hex Locknut, M5X8	
2	4240032	AR	Tie Strap	
3	4460234	AR	Terminal, Mount Cable Tie	
4	4811600	2	Washer, 5mm	
5	1001215898	1	Dust Cap Connector	
6	1001219082	1	Control Mount Bracket	
7	1001291183	1	Telematics Gateway Harness (See Separate Breakdown in this Section)	
8	1001229458	1	Gateway Controller	

# SECTION 10 - ELECTRICAL

## FIGURE 10-67. TELEMATIC GATEWAY HARNESS



ART\_1001291183

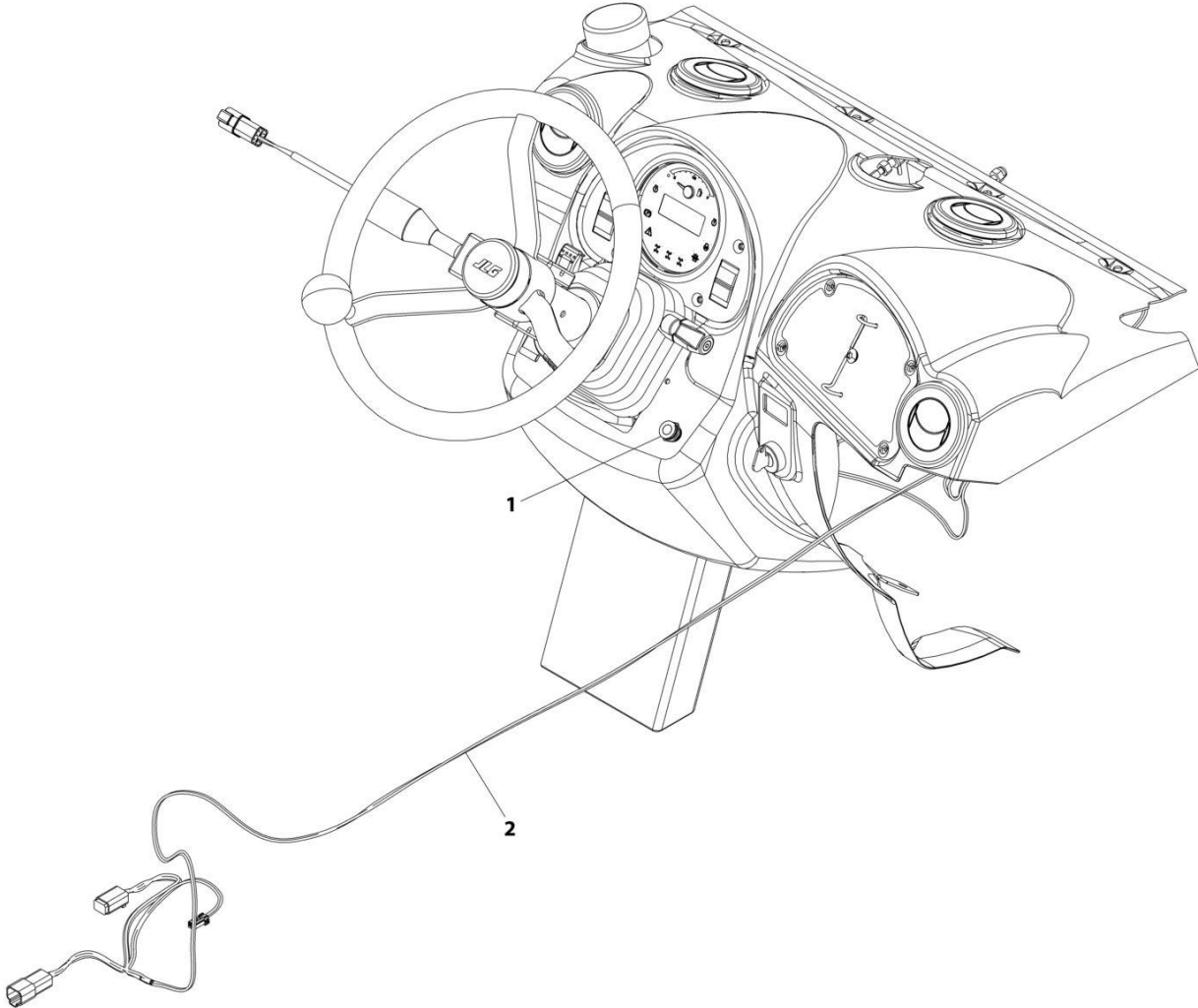
## SECTION 10 - ELECTRICAL

### FIGURE 10-67. TELEMATIC GATEWAY HARNESS

ITEM	PART NUMBER	QTY	DESCRIPTION	REV
	1001291183	Ref	TELEMATIC GATEWAY HARNESS	A
1	4460933	1	Connector	
1	1001116692	5	Socket	
1	4460466	7	Plug	
2	4460539	3	Connector	
2	4460465	6	Socket	
2	4460466	3	Plug	
3	1001116812	4	Connector	
3	4460465	8	Socket	
3	4460466	4	Plug	
4	1001112612	1	Connector	
4	4460464	9	Pin	
5	1001112796	1	Connector	
5	1001116692	9	Socket	
6	1001116808	1	Connector	
6	1001116694	2	Socket	
6	4460518	10	Plug	
7	1001116774	1	Connector	
7	1001116694	4	Socket	
7	4460518	8	Plug	
101	4460945	3	3-Way Receptacle	
102	1001116815	2	Connector, Plug	

**SECTION 10 - ELECTRICAL**

**FIGURE 10-68. SEATBELT ALARM INSTALLATION**



ART\_1001290911



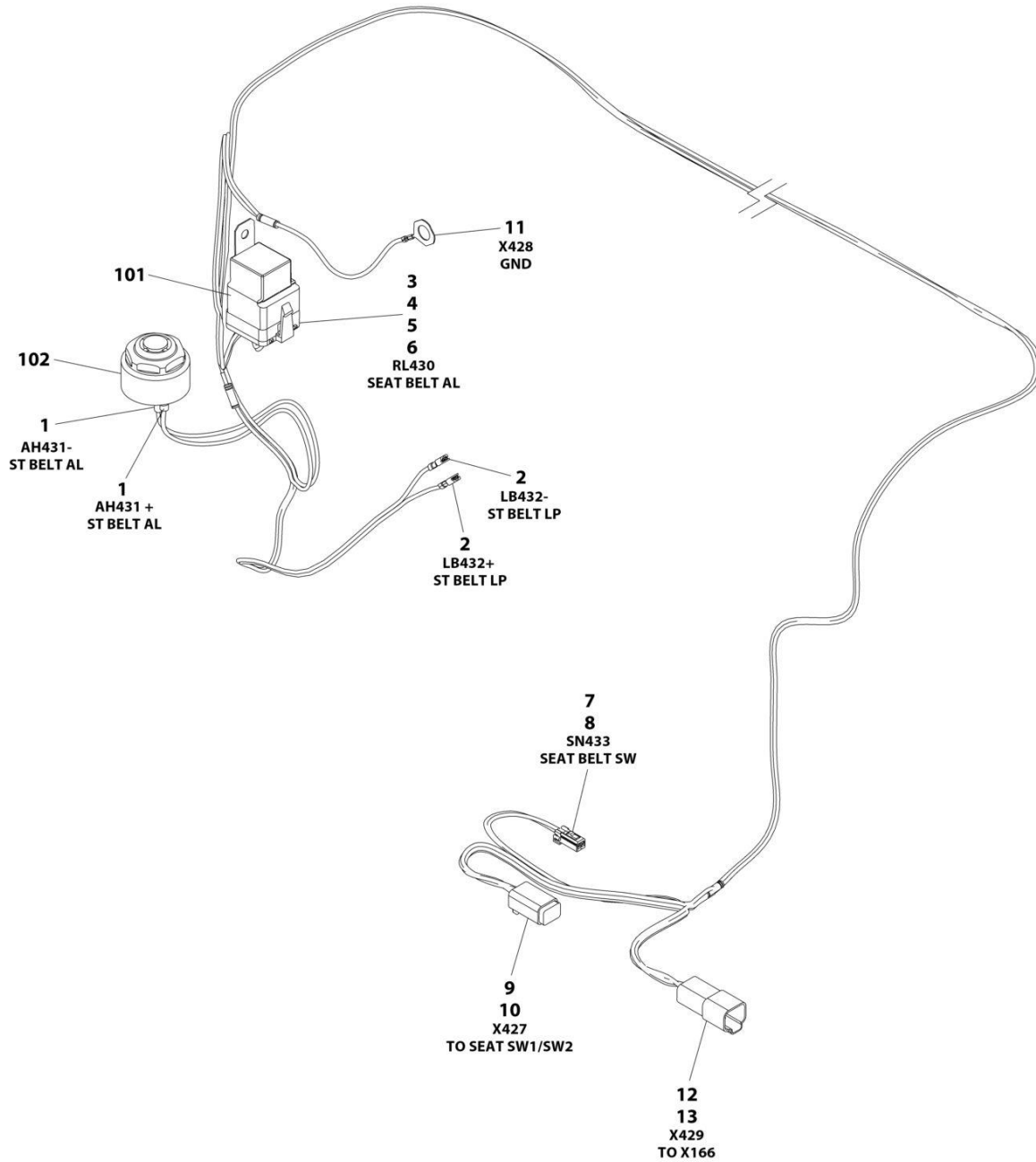
## SECTION 10 - ELECTRICAL

### FIGURE 10-68. SEATBELT ALARM INSTALLATION

ITEM	PART NUMBER	QTY	DESCRIPTION	REV
	1001290911	Ref	SEATBELT ALARM INSTALLATION	A
1	1001266488	1	Lamp, LED (Red)	
2	1001288822	1	Harness, Seatbelt Alarm (See Separate Breakdown in this Section)	

# SECTION 10 - ELECTRICAL

## FIGURE 10-69. SEAT BELT ALARM HARNESS



ART\_1001288822

## SECTION 10 - ELECTRICAL

### FIGURE 10-69. SEAT BELT ALARM HARNESS

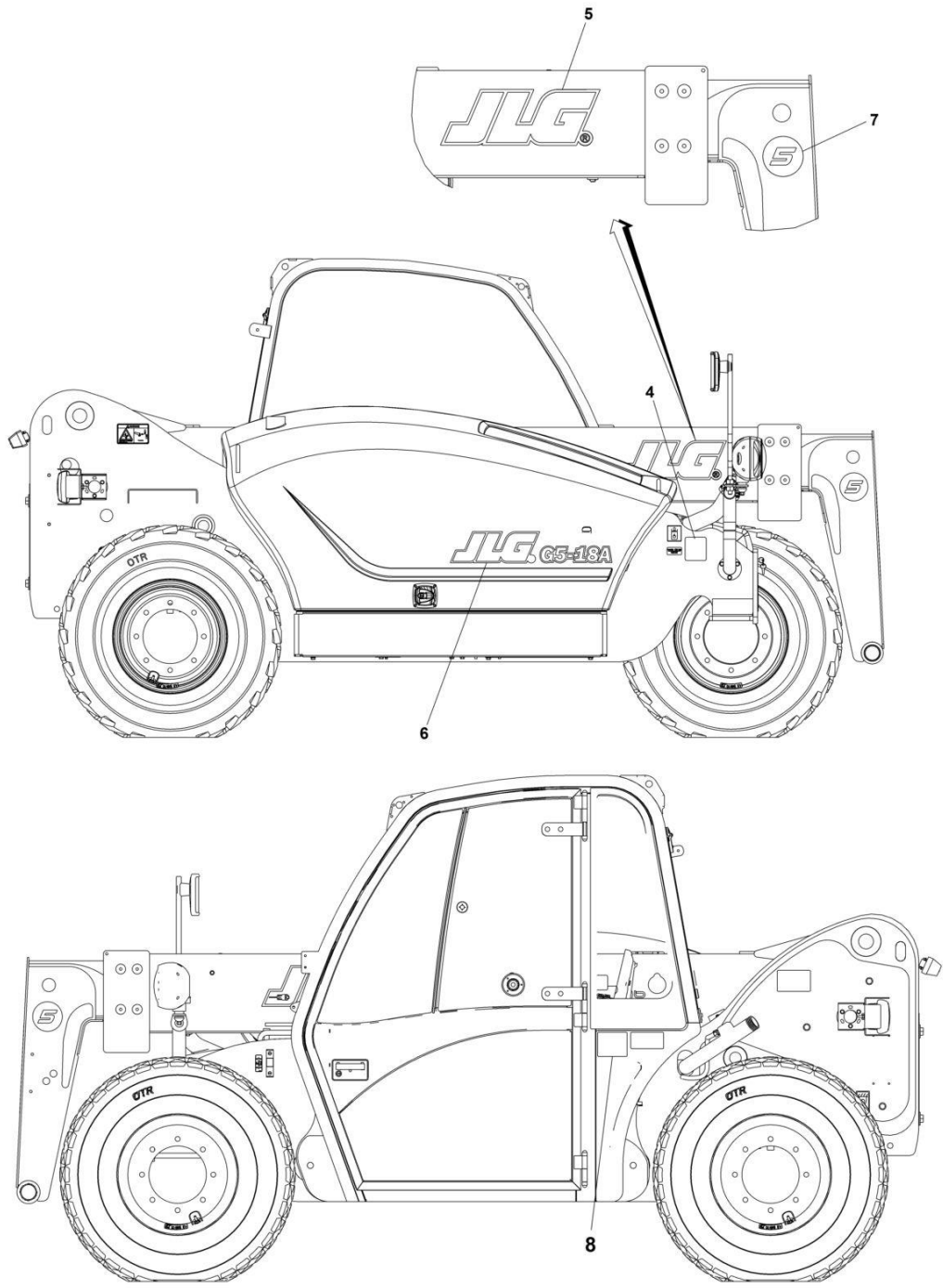
ITEM	PART NUMBER	QTY	DESCRIPTION	REV
	1001288822	Ref	SEAT BELT ALARM HARNESS	A
1	1001194421	2	Terminal	
2	1001201885	2	Terminal	
3	1001231398	1	Connector	
4	1001231400	4	Terminal	
5	1001231404	4	Seal	
6	1001231406	1	Plug, Terminal	
7	1001264844	1	Connector	
8	1001264861	2	Terminal	
9	4460884	1	Connector	
10	4460465	4	Terminal	
11	1001187077	1	Terminal, Ring	
12	4460932	1	Connector	
13	4460464	4	Terminal	
101	3740080	1	Relay	
102	1001091751	1	Alarm	



**SECTION 11 - DECALS**

# SECTION 11 - DECALS

## FIGURE 11-1. DECAL INSTALLATION



ART\_1001148091\_I

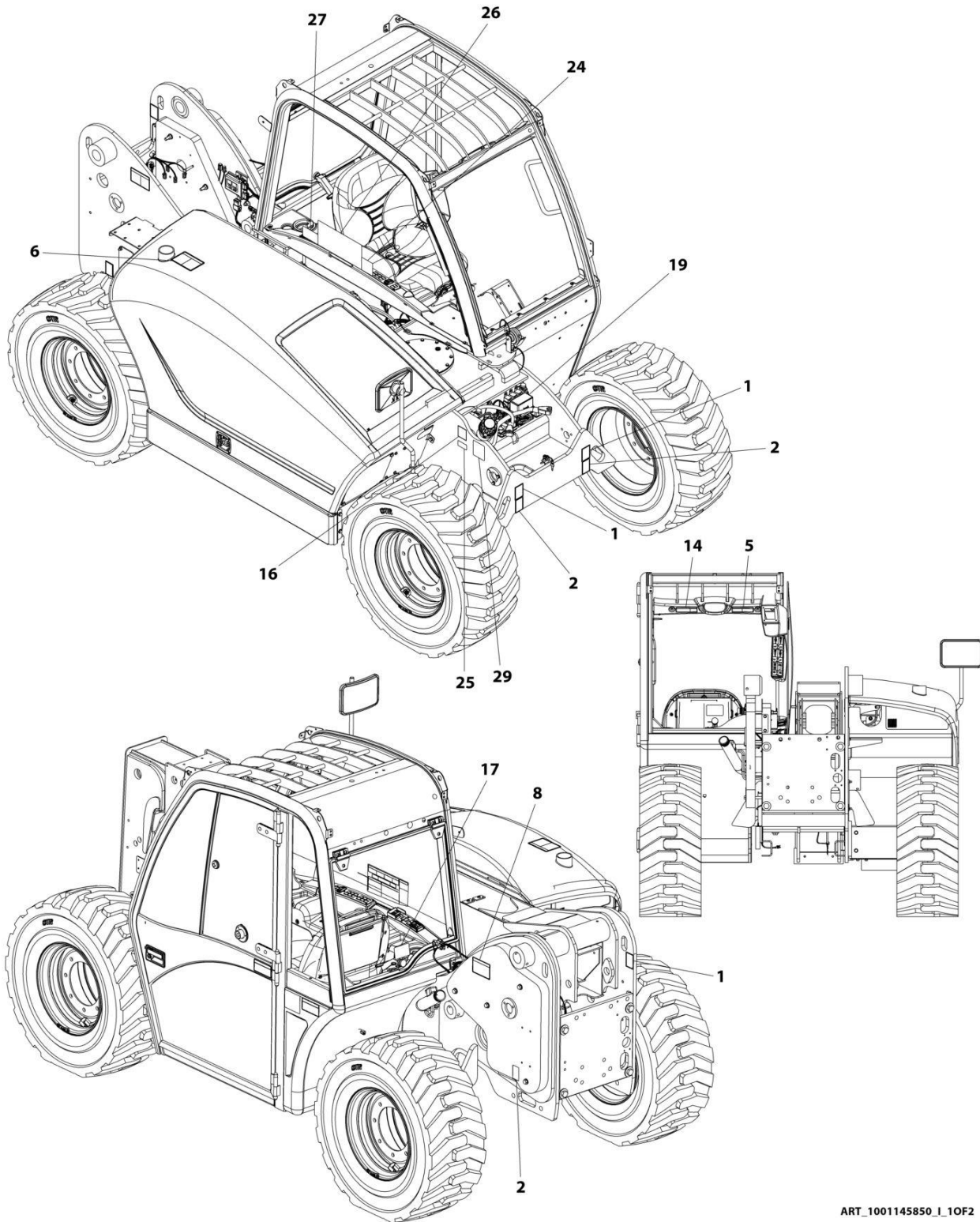
## SECTION 11 - DECALS

### FIGURE 11-1. DECAL INSTALLATION

ITEM	PART NUMBER	QTY	DESCRIPTION	REV
	1001148091	Ref	DECAL INSTALLATION	I
4	1001131271	1	Decal, Patent Telehandlers	
5	1001151781	2	Decal, JLG	
6	1001151782	1	Decal, JLG	
7	1001279175	2	Decal, Boom Head 5K	
8	3251813	1	Decal, USA	

# SECTION 11 - DECALS

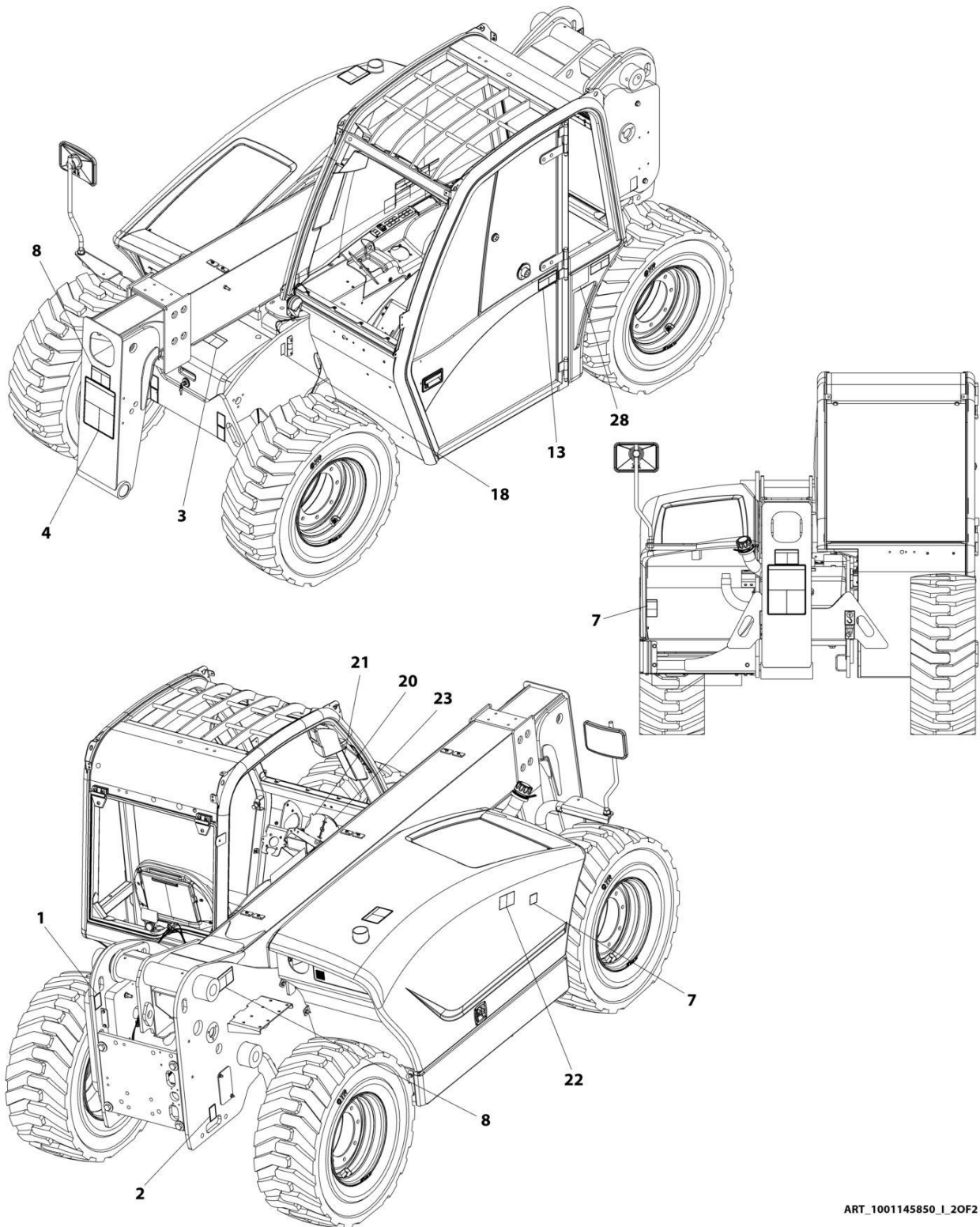
## FIGURE 11-2. DECAL INSTALLATION, (ANSI)



ART\_1001145850\_1\_10F2



# SECTION 11 - DECALS



ART\_1001145850\_I\_20F2

## SECTION 11 - DECALS

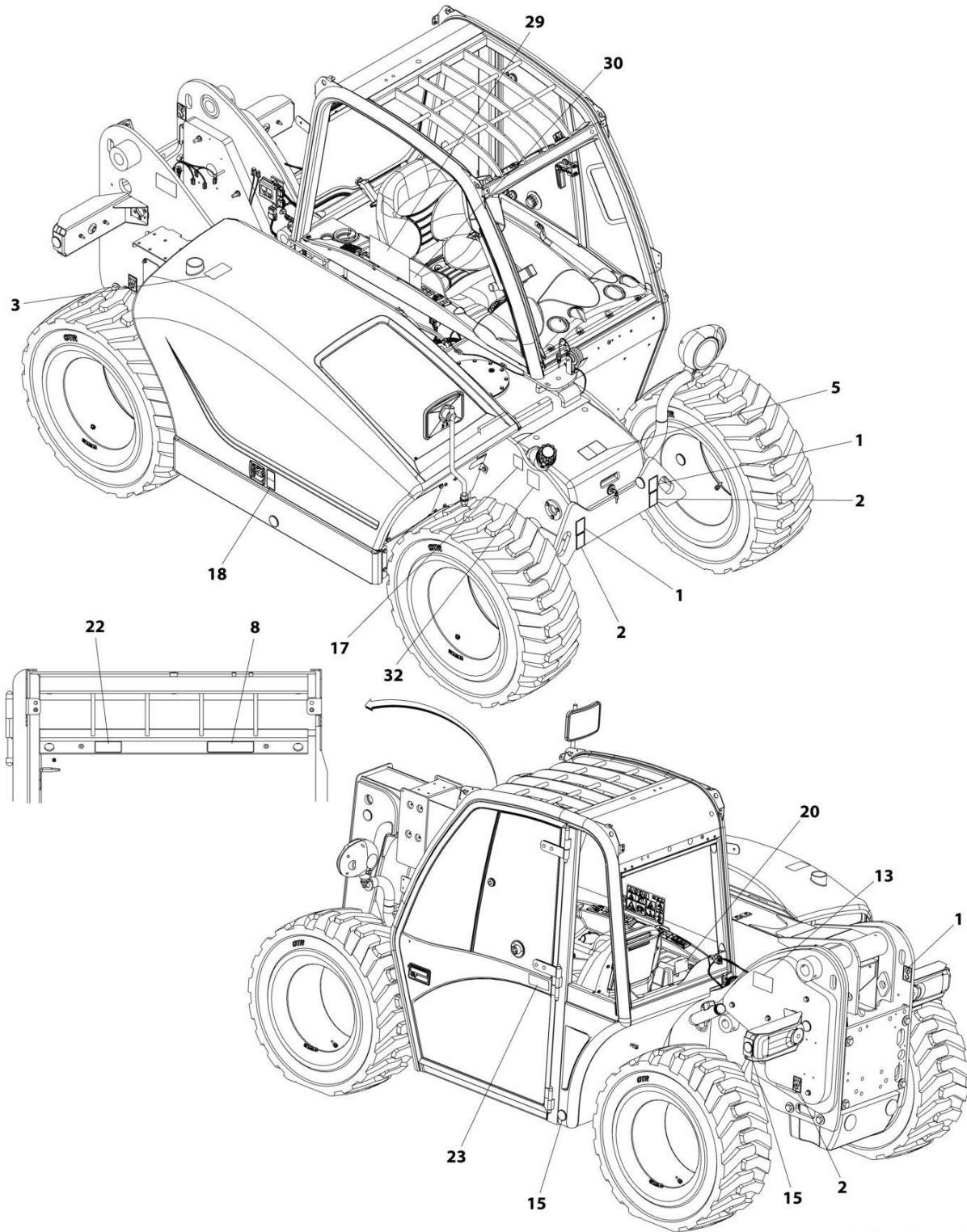
FIGURE 11-2. DECAL INSTALLATION, (ANSI)

ITEM	PART NUMBER	QTY	DESCRIPTION	REV
	1001145850	Ref	DECAL INSTALLATION	I
1	1701500	4	Decal, Lift	
2	1702300	4	Decal, Tie Down	
3	1706296	1	Decal, Battery Warning	
4	1706298	1	Decal, Attachment Falling Off Warning	
5	1706299	1	Decal, Contacting Power Lines Warning	
6	1706300	1	Decal, Ether Warning	
7	1706301	2	Decal, Keep Clear of Rotating Parts Warning	
8	1706302	3	Decal, Pinch Point Boom Holes	
13	1706768	1	Decal, Vehicle Roll Away	
14	1706850	1	Decal, Crush Hazard Warning	
16	4100181	1	Decal, Hydraulic Oil Fill	
17	8005870	1	Decal, Emergency Exit	
18	91563220	1	Decal, Oil Level	
19	1001156576	1	Decal, Fuse Cover	
20	1001100107	1	Decal, Lube Chart	
21	1001101071	1	Decal, Instructional Joystick	
22	1001139578	1	Decal, Hot Fluid Warning	
23	1001146038	1	Decal, Maintenance Chart	
24	1001200101	1	Decal, Manual	
25	1001223453	1	Decal, ICES	
26	1707078	1	Decal, Warning	
27	1001231801	1	Decal, Warning Prop 65 Diesel	
28	3251813	AR	Decal - USA	
29	1702631	1	Decal, Bar Code	



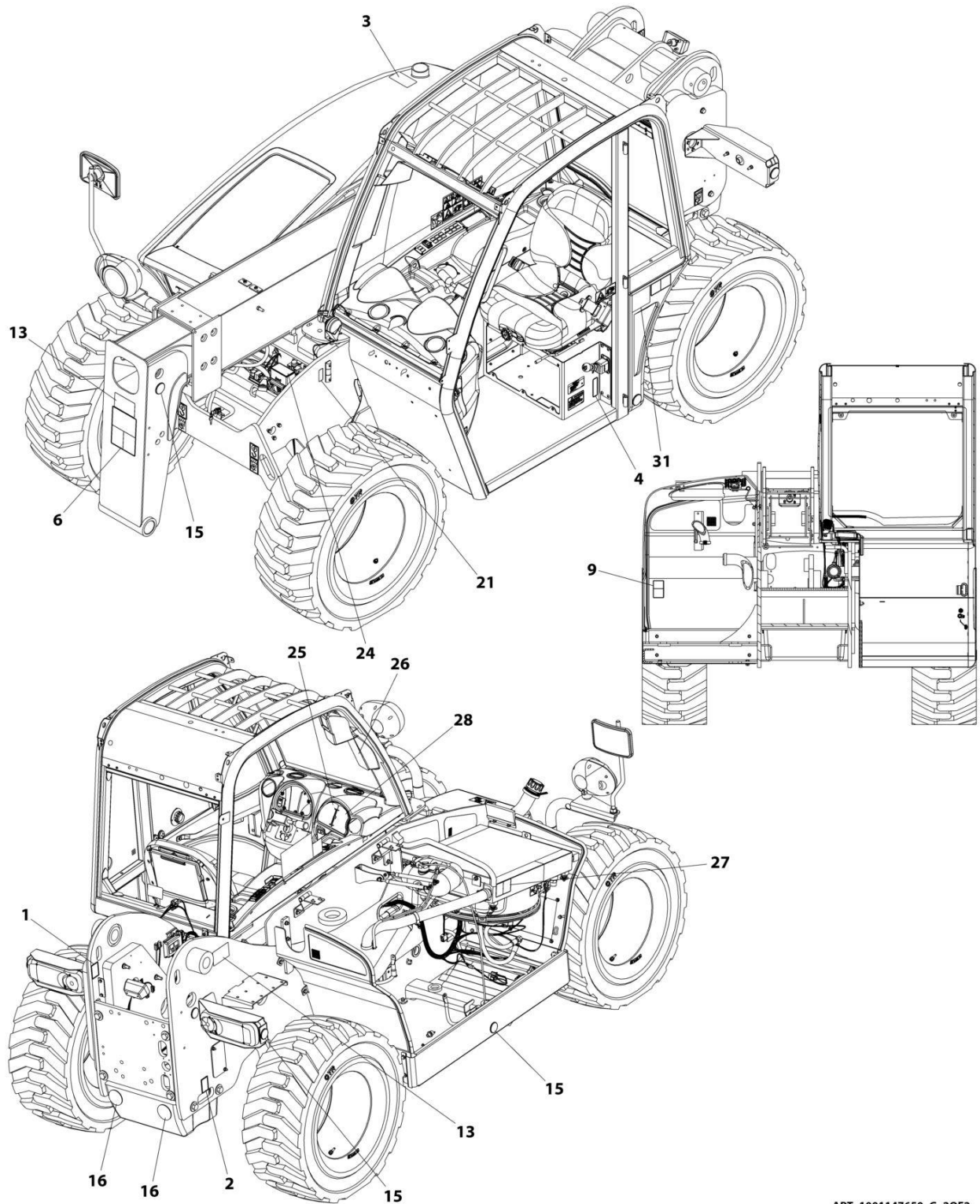
# SECTION 11 - DECALS

## FIGURE 11-3. DECAL INSTALLATION, (ISO)



ART\_1001147650\_G\_10F2

# SECTION 11 - DECALS



ART\_1001147650\_G\_20F2

## SECTION 11 - DECALS

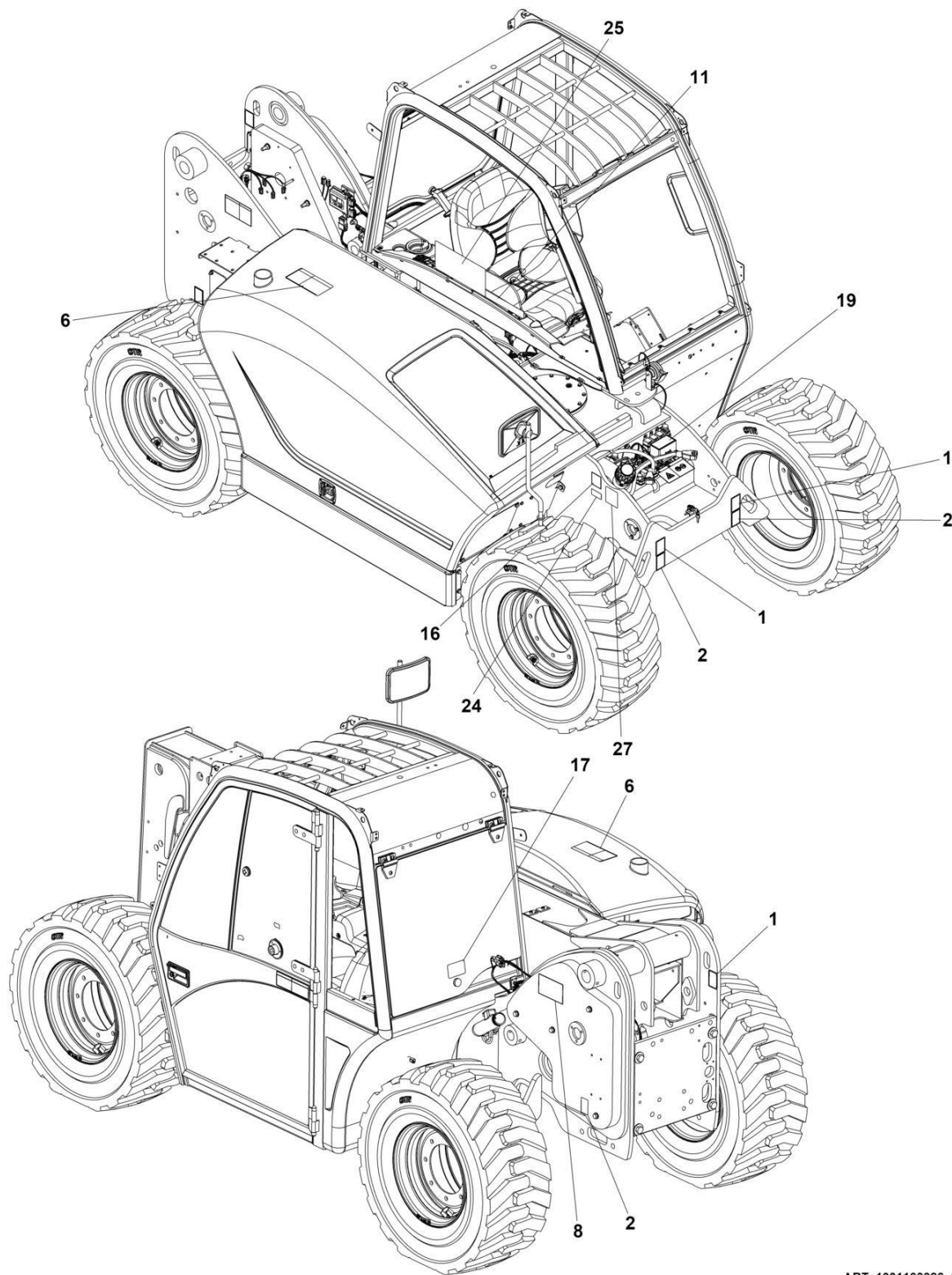
FIGURE 11-3. DECAL INSTALLATION, (ISO)

ITEM	PART NUMBER	QTY	DESCRIPTION	REV
	1001147650	Ref	DECAL INSTALLATION, (ISO)	G
1	1701500	4	Decal, Lift	
2	1702300	4	Decal, Tie Down	
3	1706098	1	Decal, Ether Start Warning	
4	1706209	1	Decal, Park Brake	
5	1706281	1	Decal, Battery Warning	
6	1706282	1	Decal, Carry Personnel	
8	1706284	1	Decal, Electrocution Hazard	
9	1706285	2	Decal, Moving Parts	
13	1706292	3	Decal, Pinch Point	
15	3700016	6	Reflector	
16	3931579	2	Reflector	
17	4100181	1	Decal, Hydraulic Oil Fill	
18	8005670	1	Decal, Read Operators Manual	
20	8005870	1	Decal, Emergency Exit	
21	91563220	1	Decal, Oil Level	
22	1001092877	1	Decal, Crush Hazard Warning	
23	1001092878	1	Decal, No Riders	
24	1001156576	1	Decal, Fuse Cover	
25	1001100107	1	Lube Chart	
26	1001101071	1	Decal, Joystick	
27	1001139942	1	Decal, Hot Fluid Warning	
28	1001150347	1	Decal, Maintenance Chart	
29	1001101895	1	Decal, Warning	
30	1001200101	1	Decal, Manual Location	
31	3251813	AR	Decal - USA	
32	1702631	1	Decal, Bar Code	



# SECTION 11 - DECALS

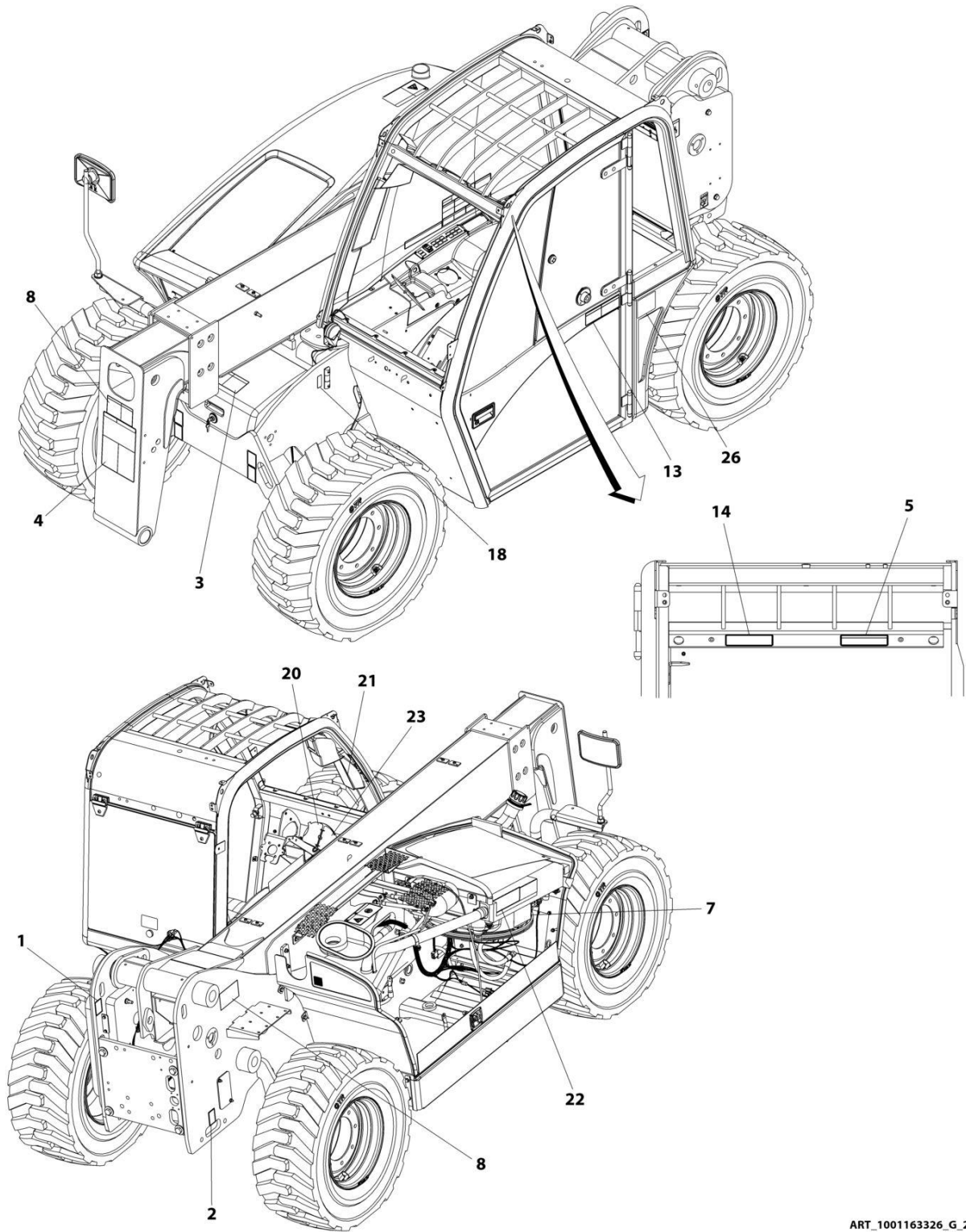
## FIGURE 11-4. DECAL INSTALLATION (ENGLISH/FRENCH)



ART\_1001163326\_G\_10F2



# SECTION 11 - DECALS



ART\_1001163326\_G\_20F2

## SECTION 11 - DECALS

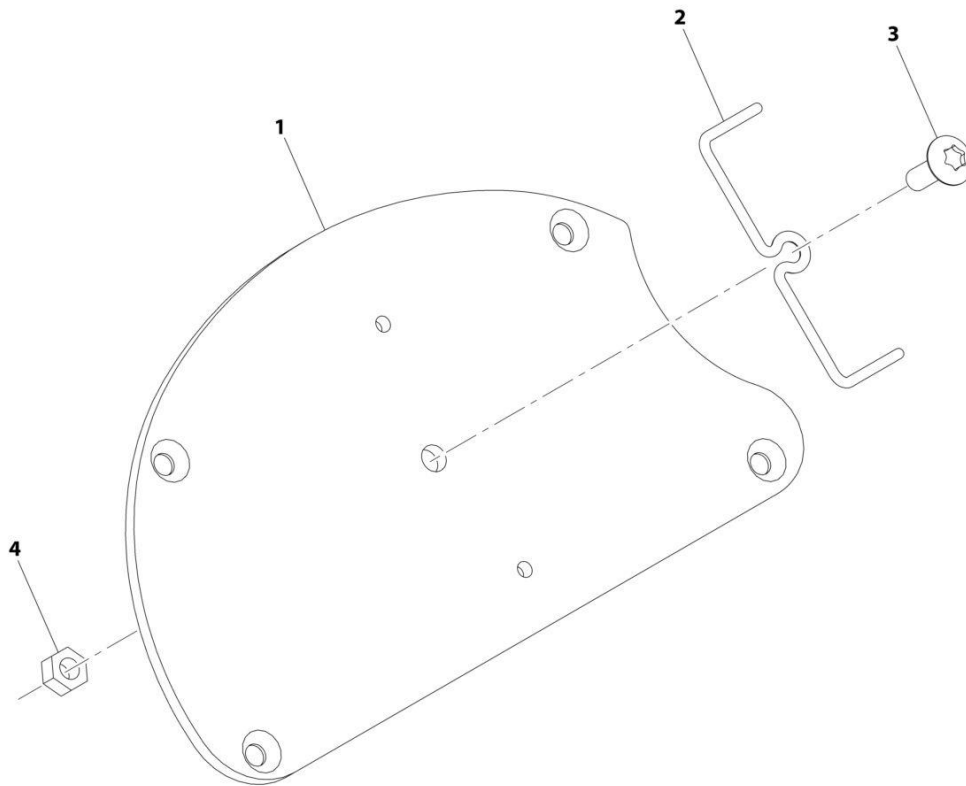
FIGURE 11-4. DECAL INSTALLATION (ENGLISH/FRENCH)

ITEM	PART NUMBER	QTY	DESCRIPTION	REV
	1001163326	Ref	DECAL INSTALLATION (ENGLISH/FRENCH)	G
1	1701500	4	Decal, Lift	
2	1702300	4	Decal, Tie Down	
3	1001163174	1	Decal, Battery Warning	
4	1001163206	1	Decal, Carry Personnel	
5	1001163210	1	Decal, Electrocutation Hazard	
6	1001163212	1	Decal, Warning No Either	
7	1001163222	2	Decal, Moving Parts	
8	1001163223	3	Decal, Pinch Point	
11	1001163285	1	Decal, Warning Tip Over	
13	1001163300	1	Decal, No Riders	
14	1001163304	1	Decal, Warning Crushing Hazard	
16	4100181	1	Decal, Hydraulic Oil Fill	
17	8005870	1	Decal, Emergency Exit	
18	91563220	1	Decal, Oil Level	
19	1001156576	1	Decal, Fuse Cover	
20	1001100107	1	Decal, Lube Chart	
21	1001101071	1	Decal, Instructional Joystick	
22	1001163323	1	Decal, Warning Hot Fluid	
23	1001146038	1	Decal, Maintenance Chart	
24	1001223453	1	Decal, ICES	
25	1001233558	1	Decal, Warning/Danger	
26	3251813	AR	Decal - USA	
27	1702631	1	Decal, Bar Code	



# SECTION 11 - DECALS

## FIGURE 11-5. LOAD CHART MOUNT



ART\_1001239184-A

FIGURE 11-5. LOAD CHART MOUNT

ITEM	PART NUMBER	QTY	DESCRIPTION	REV
	1001239184	Ref	Load Chart Mount	A
1	1001081301	1	Panel, Load Chart	
2	1001081302	1	Holder, Wire	
3	8303034	1	Truss HD Screw, 1/4-20X0.75	
4	3311405	1	Nut, 1/4-20	

SECTION 11 - DECALS

FIGURE 11-6. CAPACITY CHART



ART\_1001102000-1

**FIGURE 11-6. CAPACITY CHART**

ITEM	PART NUMBER	QTY	DESCRIPTION	REV
1	1001102000	Ref	Capacity Chart	I

# SECTION 11 - DECALS

FIGURE 11-7. CAPACITY CHART (UNIVERSAL QUICK SWITCH)



ART\_1001126677-G



## SECTION 11 - DECALS

**FIGURE 11-7. CAPACITY CHART (UNIVERSAL QUICK SWITCH)**

ITEM	PART NUMBER	QTY	DESCRIPTION	REV
1	1001126677	Ref	Capacity Chart (Universal Quick Switch)	G

# SECTION 11 - DECALS

## FIGURE 11-8. CAPACITY CHART - METRIC



ART\_100117326-H

## SECTION 11 - DECALS

FIGURE 11-8. CAPACITY CHART - METRIC

ITEM	PART NUMBER	QTY	DESCRIPTION	REV
1	1001117326	Ref	Capacity Chart - Metric	H

# SECTION 11 - DECALS

FIGURE 11-9. CAPACITY CHART (UNIVERSAL QUICK SWITCH - METRIC)



ART\_1001126685-F

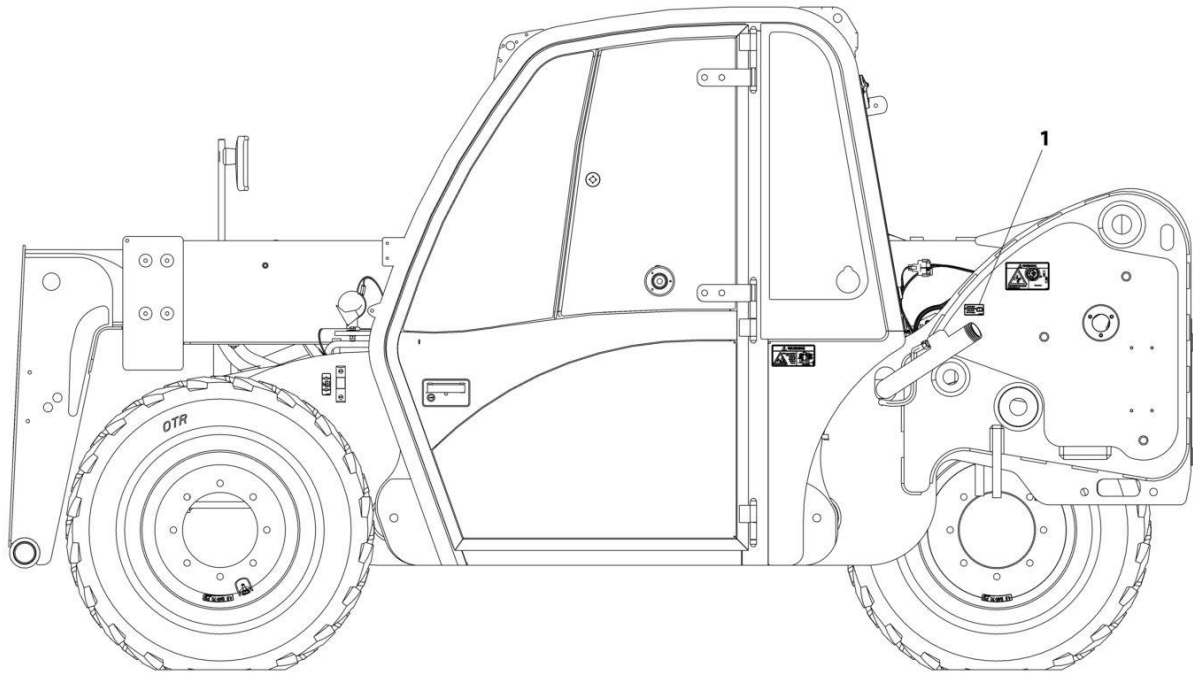
## SECTION 11 - DECALS

**FIGURE 11-9. CAPACITY CHART (UNIVERSAL QUICK SWITCH - METRIC)**

ITEM	PART NUMBER	QTY	DESCRIPTION	REV
1	1001126685	Ref	Capacity Chart (Universal Quick Switch - Metric)	F

# SECTION 11 - DECALS

## FIGURE 11-10. MACHINE DECAL (ULS - ANSI)



ART\_1001150461-A

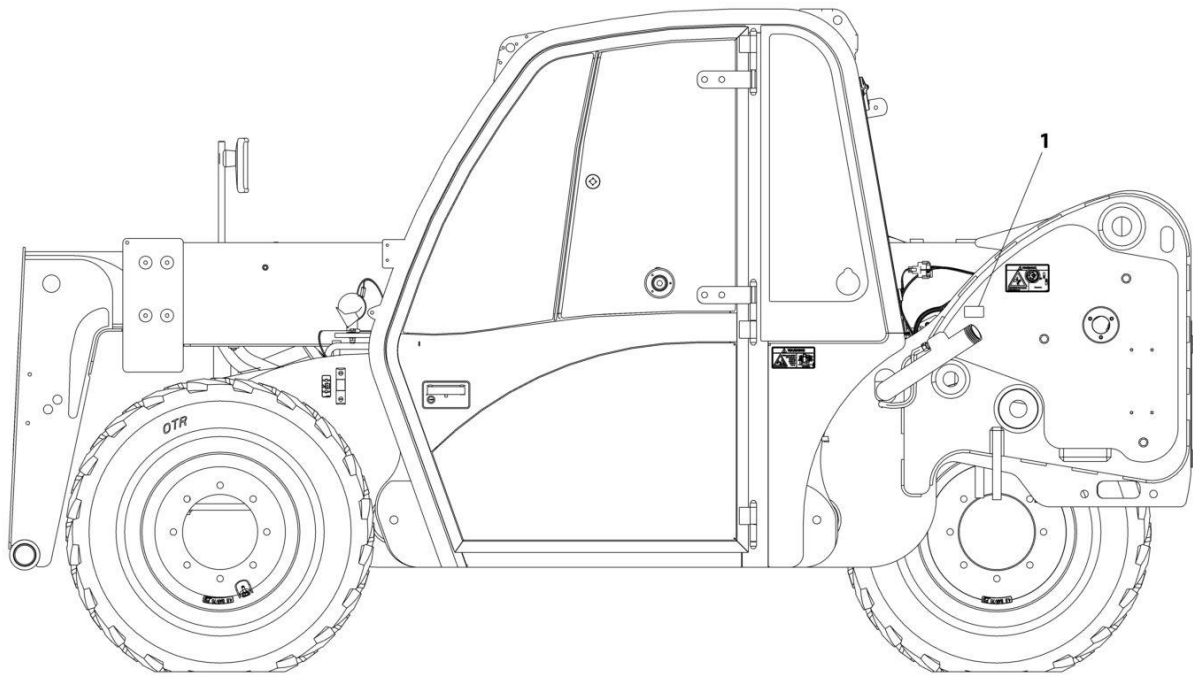
## SECTION 11 - DECALS

**FIGURE 11-10. MACHINE DECAL (ULS - ANSI)**

ITEM	PART NUMBER	QTY	DESCRIPTION	REV
1	1001150461 1001125387	Ref 1	Machine Decal (ULS - ANSI) Decal, Ultra Low Sulfur Fuel	A

# SECTION 11 - DECALS

## FIGURE 11-11. MACHINE DECAL (ULS - ISO)



ART\_1001150462-A



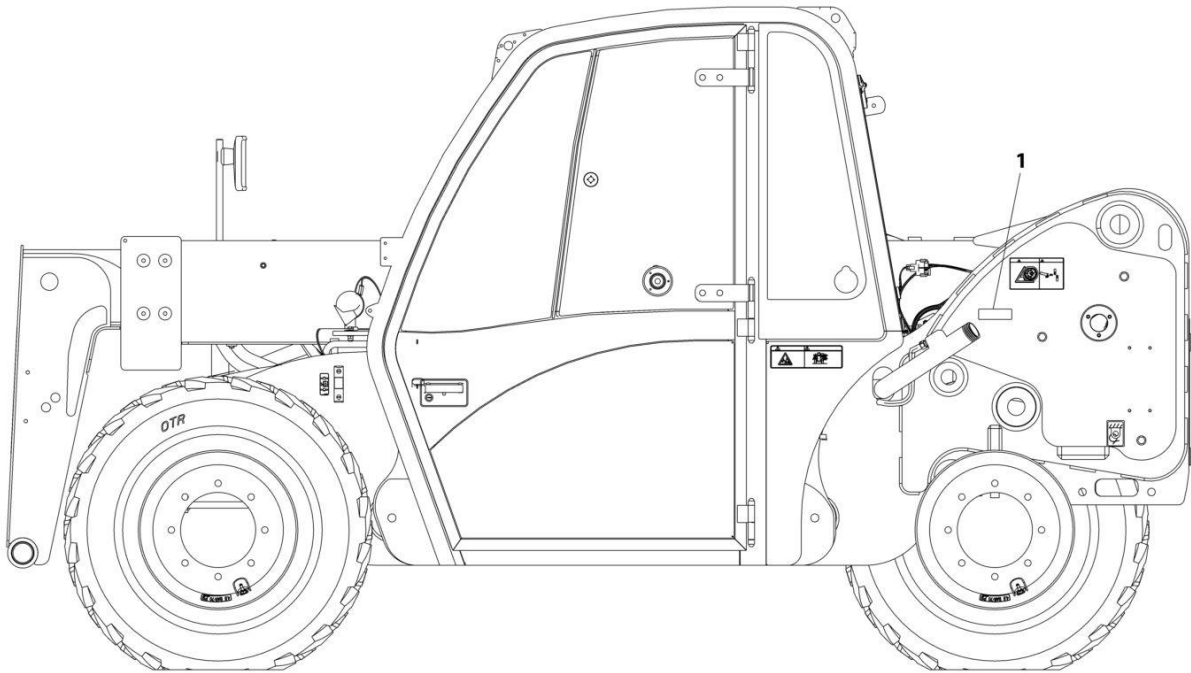
## SECTION 11 - DECALS

**FIGURE 11-11. MACHINE DECAL (ULS - ISO)**

ITEM	PART NUMBER	QTY	DESCRIPTION	REV
1	1001150462 1001139654	Ref 1	Machine Decal (ULS - ISO) Decal, Ultra Low Sulfur Fuel	A

# SECTION 11 - DECALS

FIGURE 11-12. MACHINE DECAL (ULS - ENGLISH/FRENCH)



ART\_1001163751-A

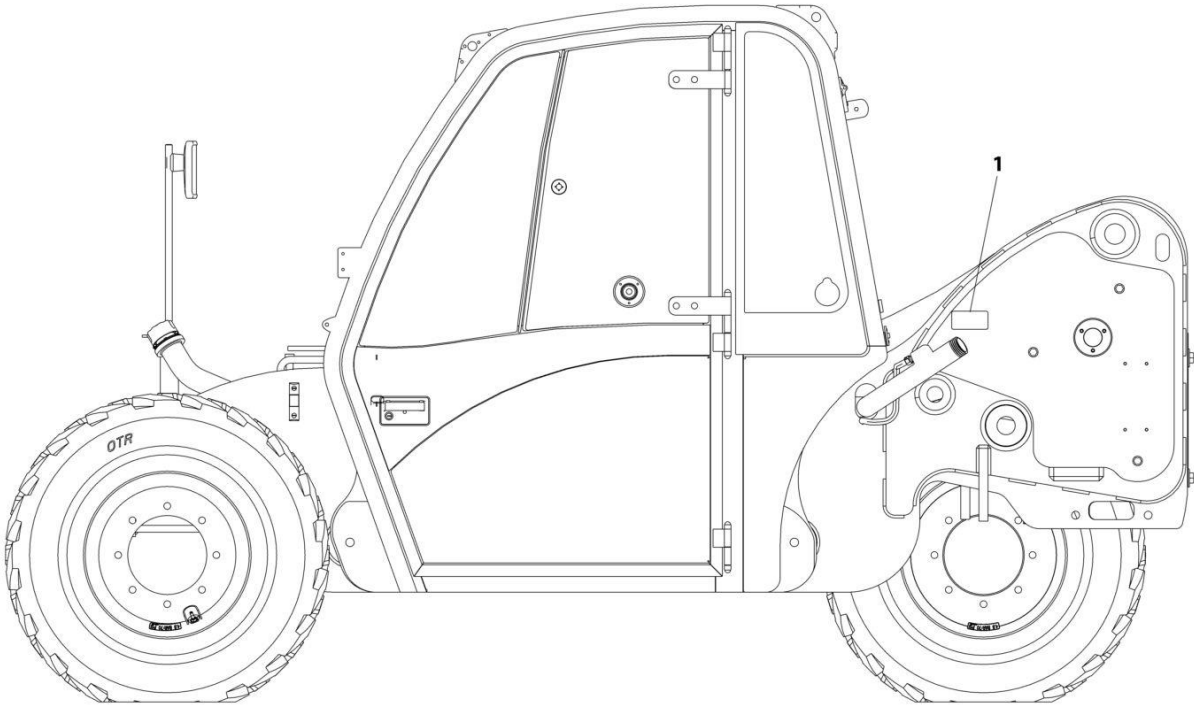
## SECTION 11 - DECALS

**FIGURE 11-12. MACHINE DECAL (ULS - ENGLISH/FRENCH)**

ITEM	PART NUMBER	QTY	DESCRIPTION	REV
1	1001163751 1001163355	Ref 1	Machine Decal (ULS - English/French) Decal, Ultra Low Sulfur Fuel	A

**SECTION 11 - DECALS**

**FIGURE 11-13. MACHINE DECAL (LS)**



ART\_1001150642-A

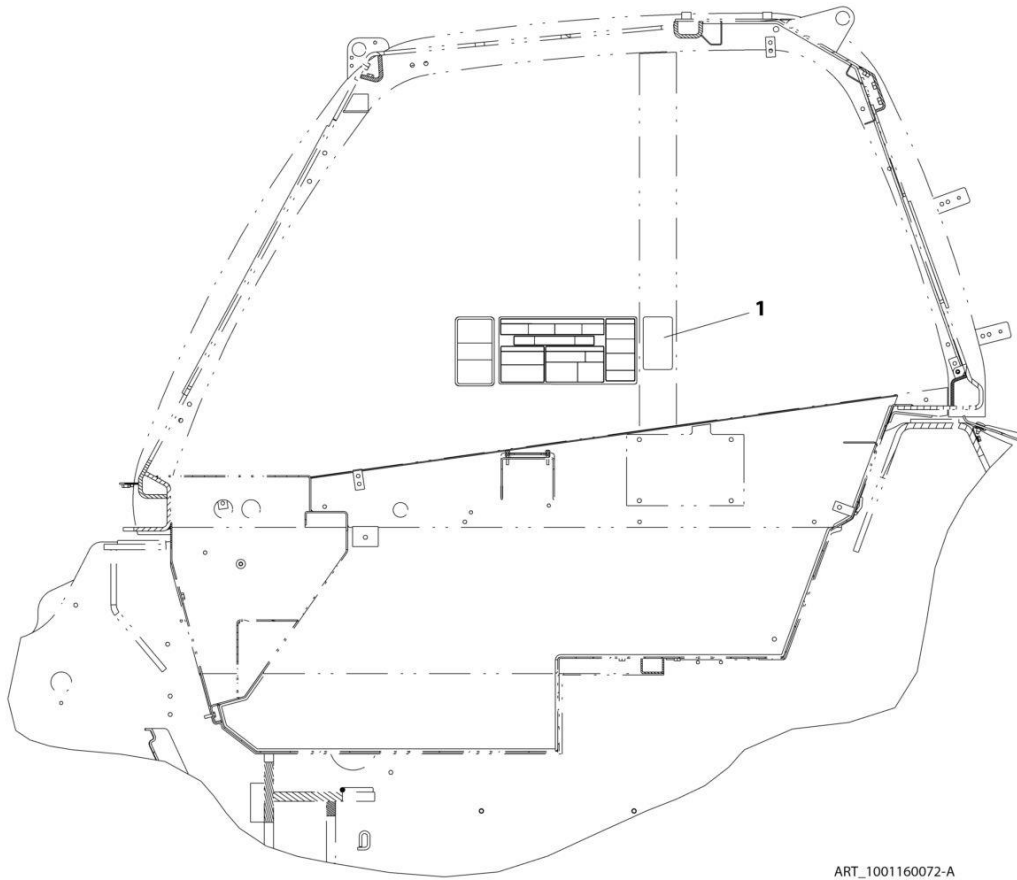
## SECTION 11 - DECALS

**FIGURE 11-13. MACHINE DECAL (LS)**

ITEM	PART NUMBER	QTY	DESCRIPTION	REV
1	1001150642 1001143852	Ref 1	Machine Decal (LS) Decal, Export	A

# SECTION 11 - DECALS

## FIGURE 11-14. REVERSE SENSOR SYSTEM DECAL (ENGLISH)



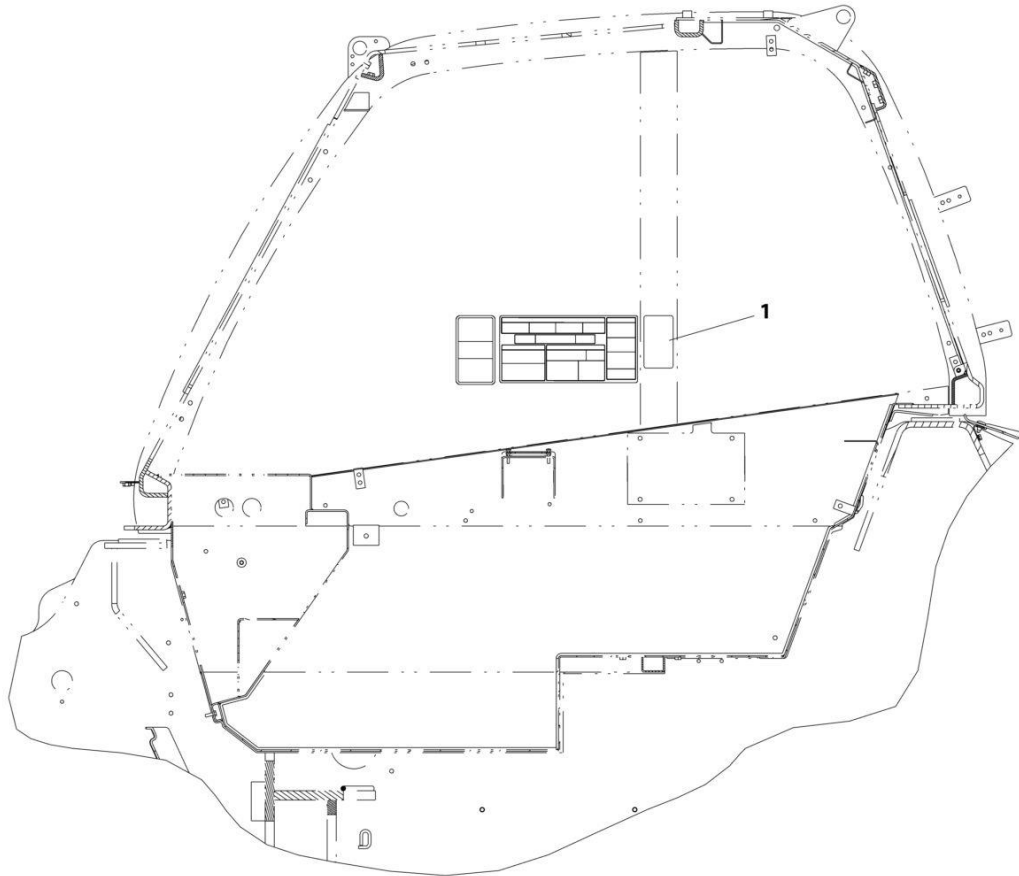
## SECTION 11 - DECALS

**FIGURE 11-14. REVERSE SENSOR SYSTEM DECAL (ENGLISH)**

ITEM	PART NUMBER	QTY	DESCRIPTION	REV
1	1001160072	1	Reverse Sensor System Decal (English)	A

# SECTION 11 - DECALS

FIGURE 11-15. REVERSE SENSING SYSTEM DECAL, (ENGLISH/FRENCH)



ART\_1001160945-A



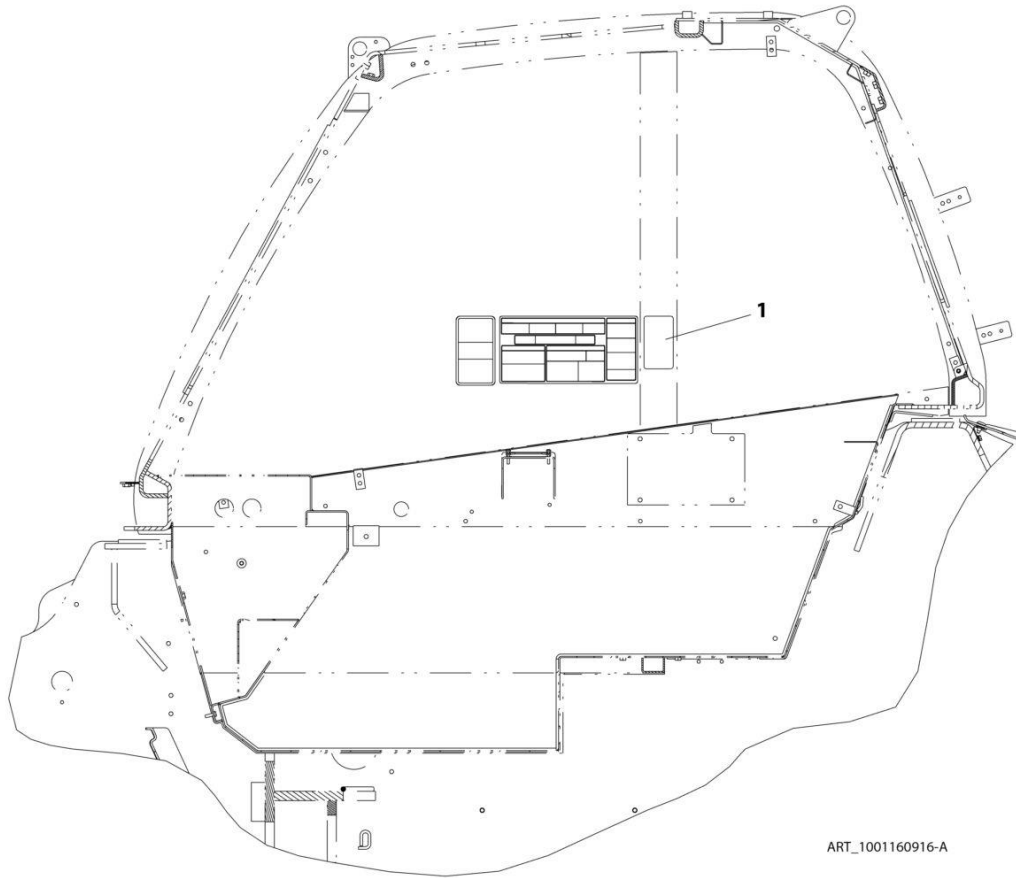
## SECTION 11 - DECALS

**FIGURE 11-15. REVERSE SENSING SYSTEM DECAL, (ENGLISH/FRENCH)**

ITEM	PART NUMBER	QTY	DESCRIPTION	REV
1	1001160945	1	Reverse Sensor System Decal (ENGLISH/FRENCH)	A

# SECTION 11 - DECALS

## FIGURE 11-16. REVERSE SENSING SYSTEM DECAL (ISO)



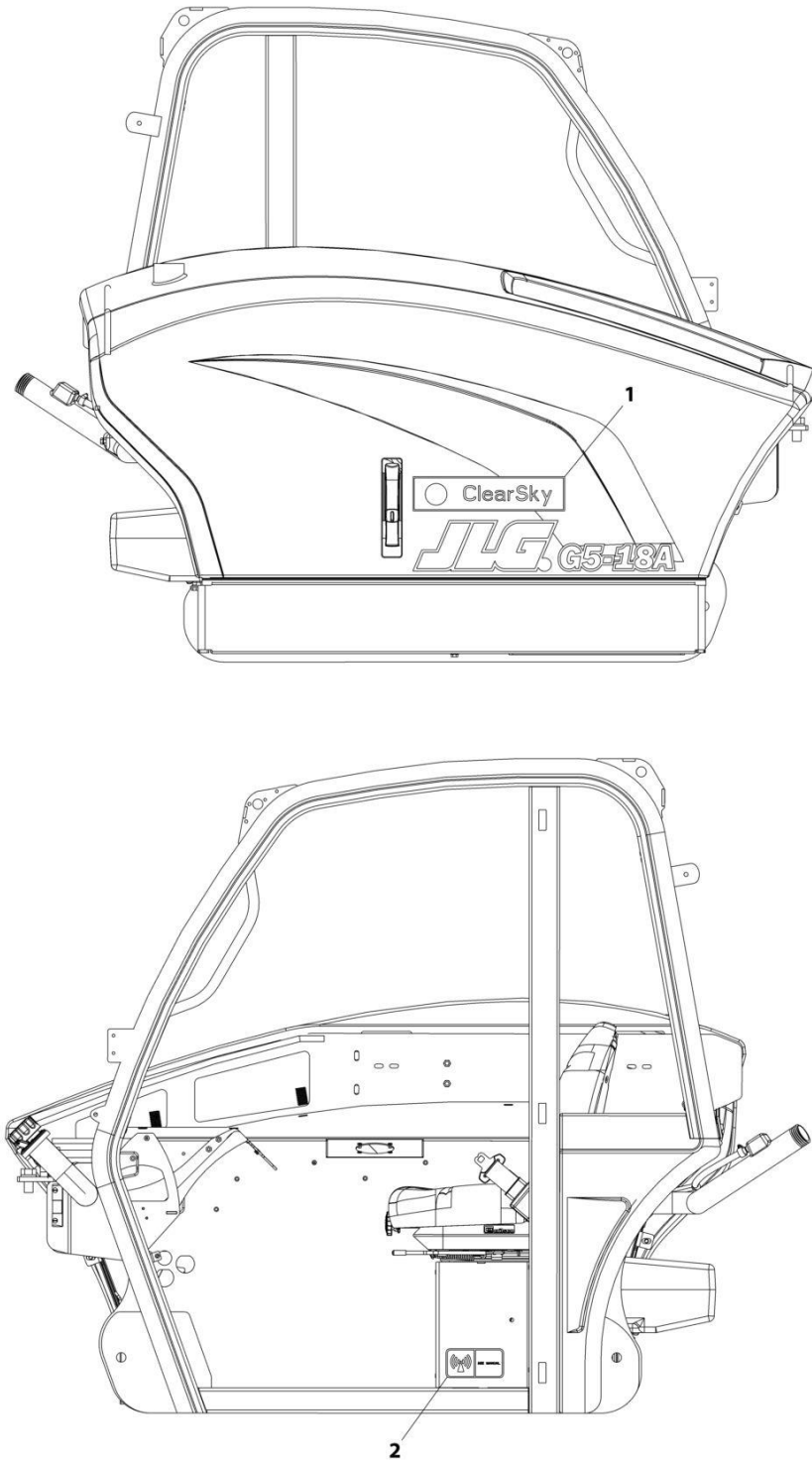
## SECTION 11 - DECALS

FIGURE 11-16. REVERSE SENSING SYSTEM DECAL (ISO)

ITEM	PART NUMBER	QTY	DESCRIPTION	REV
1	1001160916	1	Reverse Sensor System Decal (ISO)	A

# SECTION 11 - DECALS

## FIGURE 11-17. CLEARSKY DECAL INSTALLATION



ART\_1001229461-A

## SECTION 11 - DECALS

### FIGURE 11-17. CLEARSKY DECAL INSTALLATION

ITEM	PART NUMBER	QTY	DESCRIPTION	REV
	1001229461	Ref	Clearsky Decal Installation	B
1	1001294815	1	Decal, Clearsky	
2	1001120989	1	Decal, Radio Frequency	



## **SECTION 12 - RECOMMENDED SERVICE PARTS STOCK**

## **SECTION 12 - RECOMMENDED SERVICE PARTS STOCK**

## SECTION 12 - RECOMMENDED SERVICE PARTS STOCK

FIGURE 12-1. RECOMMENDED SERVICE PARTS STOCK

ITEM	PART NUMBER	QTY	DESCRIPTION	REV
		Ref	Note: The following list will service one machine (built to current production per date on the front cover) with emergency repair parts which can be installed in the field. Parts from the list should be replaced when inventory is depleted to keep service parts stock supplied. For further information, contact your JLG dealer or the JLG Industries Parts Department.	
	1001264879	1	Coil (Valve Block Assembly)	
	70002386	1	Coil (Pilot Select Valve)	
	70020764	1	Coil (Divertor Valve)	
	70027557	1	Coil (Fan Motor)	
	70028241	1	Coil (Fan Motor, Reversing)	
	7024872	1	Coil (Park Brake Release)	
	70026582	1	Coil (Steering Select)	
	1001258560	1	Controller, Accelerator	
	1001189734	1	Controller, Brake	
	1001080256	1	Controller, Boom Joystick	
	3990013	2	Diode (Cab Harness)	
	1001225432	12	Filter, Fuel Element (LS Engines)	
	1001141459	12	Filter, Element (Hydraulic)	
	1001141591	12	Element, Lubricity Doser	
	1001142259	12	Filter, Air	
	1001225430	12	Filter, Fuel Primary (ULS Engine)	
	70029451	12	Filter, Fuel Secondary (ULS Engine)	
	1001185024	12	Filter, Breather (Hydraulic Tank)	
	7016331	12	Filter, Oil (Engine)	
	8229242	2	Fuse, 5A (Frame Harness)	
	8229261	2	Fuse, 5A (Posi Air Shutoff Harness & SC Frame)	
	80983191	2	Fuse, 10A (Frame Harness)	
	8229234	2	Fuse, 10A (Posi Air Shutoff Harness & SC Frame)	
	8229244	2	Fuse, 15A (Frame Harness)	
	8229235	2	Fuse, 20A (Posi Air Shutoff Harness & SC Frame)	
	8342813	1	Key, Door (Door Assembly Installation)	
	70020621	1	Key, Ignition (JLG Common Installation)	
	2940074	1	Latch (Fork Mounted Platform)	
	1001226796	1	Module - 3G (ClearSky)	
	1001262322	1	Module - 4G (ClearSky)	
	1001226328	1	Module, 3W TCU (ClearSky)	
	1001203181	1	Control Accessory (ASOV)	
	1001196254	1	Module, Control (Main Electrical) <b>(Prior to SN 0160118026)</b>	
	1001293201	1	Module, Control (Main Electrical) <b>(SN 0160118026 to Present)</b>	
	1001226247	1	Module, LSI (Frame Options Harness Installation) (CE)	
	3740080	1	Relay (A/C Condenser Installation, Frame Harness, Posi Air Shutoff & SC Frame)	
	1001095704	1	Relay, 35A (Frame Harness)	
	1001141066	1	Relay, Power Module Green (Main Electrical Installation)	
	1001127589	1	Relay, Power Module Red (Main Electrical Installation)	
	1001080424	1	Relay, Power Module Yellow (Main Electrical Installation)	
	77383377	1	Relay, Starter (Main Electrical Installation)	
	1001138827	1	Sensor, Coolant Level (Radiator)	
	1001197965	1	Switch, Fuel Level Sensor	



## SECTION 12 - RECOMMENDED SERVICE PARTS STOCK

ITEM	PART NUMBER	QTY	DESCRIPTION	REV
	1001132795	1	Sensor, Pressure (Pilot Select Valve (CE)	
	1001121021	1	Sensor, Proximity (Boom)	
	1001160730	1	Sensor, Rear Axle LSI (Boom Sensor Installation)	
	1001247421	1	Sensor, Reverse Object (Reverse Sensing System Installation)	
	1001128478	1	Sensor, Temperature (Radiator)	
	1001104654	1	Switch, Auxiliary Decomp	
	1001080365	1	Switch, Beacon Light (Worklights)	
	1001204362	1	Switch, Blower (Heater & AC)	
	1001080366	1	Switch, Boom Work Light	
	4360658	1	Switch, Brake Light (Roadlights)	
	1001192142	1	Switch, Disconnect (Battery Disconnect)	
	1001080380	1	Switch, FNR Shifter (Cab Common Installation)	
	1001080368	1	Switch, Front Wiper (Enclosed Cab)	
	1001080367	1	Switch, Front Windshield Washer (Enclosed Cab)	
	1001080364	1	Switch, Front/Rear Auxiliary Hydraulic (Rear Hydraulic Outlet Installation)	
	1001080369	1	Switch, Front Work Light (Worklights)	
	1001080370	1	Switch, Hazard Light (Roadlights)	
	1001080371	1	Switch, Horn (Cab Common Installation)	
	1001080379	1	Switch, Ignition (JLG Common Installation)	
	1001080978	1	Switch, Lift/Loader Joystick Pattern (Right Side Console)	
	1001080373	1	Switch, LMI (Overhead Console Installation-LSI)	
	1001080374	1	Switch, Park Brake (NA Common Installation)	
	1001080375	1	Switch, Quick Coupler (Hydraulic Quick Switch Installation)	
	1001080377	1	Switch, Rear/Roof Wiper (Enclosed Cab)	
	1001080376	1	Switch, Rear Work Light (Worklights)	
	1001145204	1	Switch, Reverse Fan (Reversing Fan)	
	1001204363	1	Switch, Rocker (Heater only)	
	1001204385	1	Switch, Rocker (Heater & AC)	
	1001080378	1	Switch, Steer Select (Right Side Console)	
	1001215941	1	Switch, Toggle (ASOV)	
	1001080381	1	Switch, Turn Signal-Headlight (Roadlights)	



**SECTION 13 - SPECIAL OPTIONS/ACCESSORIES/KITS**

**SECTION 13 - SPECIAL OPTIONS/ACCESSORIES/KITS**

## SECTION 13 - SPECIAL OPTIONS/ACCESSORIES/KITS

FIGURE 13-1. SPECIAL OPTIONS/ACCESSORIES/KITS

ITEM	PART NUMBER	QTY	DESCRIPTION	REV
	See Note	Ref	Note: This list is to accommodate machines ordered with special equipment. Options may not be applicable to all models. For more specific parts information contact JLG Parts Department.	
		Ref	SPECIAL OPTIONS/ACCESSORIES/KITS	
	1001270669	Ref	Alternator Charging Harness Kit	
	1001099810	Ref	Back Up Alarm	
	1001112683	Ref	Battery Cover Kit	
	1001112684	Ref	Battery Cover Kit	
	1001112685	Ref	Battery Cover Kit	
	1001112687	Ref	Battery Cover Kit	
	1001136150	Ref	Battery Disconnect Kit	
	1001119788	Ref	Boom Wear Pad Kit	
	1001081287	Ref	Cab Guard Kit, Front	
	1001081286	Ref	Cab Guard Kit, Top	
	1001258137	Ref	Cab Guard Kit - Top & Front	
	1001113294	Ref	Cab Mounting Kit	
	1001245709	Ref	Camera (Back up) Add-on Kit (Dealer Installed)	
	1001268341	Ref	Camera (Rear View) Add-on Kit(Dealer Installed)	
	1001243576	Ref	ClearSky Telematics Access Control Kit	
	1001243184	Ref	ClearSky Telematics Kit - Access Control (CE)	
	1001243183	Ref	ClearSky Telematics Kit - Access Control (North America)	
	1001276923	Ref	ClearSky Telematics Add-on Kit (Contact JLG for Approved Countries)	
	1001133543	Ref	Decals Kit (ANSI)	
	1001161229	Ref	Filter Kit, 500 Hour, LS and ULS Engines only	
	1001161228	Ref	Filter Kit, 500 Hour, ULS Engine only	
	1001110116	Ref	Filter Kit, 500 Hour	
	1001161230	Ref	Filter Kit, 1000 Hour	
	1001110120	Ref	Filter Kit, 1000 Hour	
	1001222921	Ref	Fuel Pump Terminal Kit - Deutz	
	1001186492	Ref	Hydraulic Breather Kit	
	1001144509	Ref	Mirror Arm Kit	
	1001202500	Ref	Open to Enclosed Cab W/Heat	
	1001202501	Ref	Open to Enclosed Cab W/Heat and AC	
	1001290617	1	Closed Cab Work Lights	
	1001290618	1	Open Cab Work Lights	
	1001101039	Ref	Quick Disconnect Kit (Flat Faced)	
	1001101040	Ref	Quick Disconnect Kit (AG Style)	
	1001212156	Ref	Rear Mirror Mount Kit	
	1001253828	Ref	Reverse Sensing System	
	1001130717	Ref	Service Kits	Z
	1001265371	Ref	Telematics Harness Kit	
	1001262959	Ref	Voltage Regulator Re-Locate Kit	
	1001239672	Ref	Worklights Kit (Enclosed Cab)	
	1001239673	Ref	Worklights Kit (Open Cab)	
	1001265373	Ref	Telematics Harness	
	1001292141	1	INSTALL,W/O CLEARSKY	

## SECTION 13 - SPECIAL OPTIONS/ACCESSORIES/KITS

### PART NUMBER INDEX

## SECTION 13 - SPECIAL OPTIONS/ACCESSORIES/KITS

0100011.....23, 25, 39, 41, 45, 73, 171, 279, 295, 341, 343, 379, 435, 447, 449, 529, 569, 571, 573, 653	0681614 ..... 157	1001008979 ..... 71	1001080376..... 633, 635, 637, 639, 723
0100019.....23, 277	0681832 ..... 67, 69	1001009062 ..... 35	1001080377..... 327, 723
0100020.....27	0681836 ..... 479, 481	1001009094 ..... 71, 133	1001080378..... 317, 723
0100035.....27, 401, 529	0681844 ..... 479, 481	1001009126 ..... 299	1001080379..... 305, 723
0100081.....17, 163, 165	0682018 ..... 45	1001009163 ..... 167	1001080380..... 291, 723
0100090.....19	0682034 ..... 147	1001010838 ..... 35	1001080381..... 617, 619, 621, 723
0100093.....29	0682220 ...33, 41, 45, 653	1001055652 ..... 71	1001080382..... 325, 327
01043892.....295	0682230 ..... 277	1001061633 ..... 71, 133	1001080383..... 323
0140011 ..... 653	0682264 ..... 197	1001061659 ..... 71	1001080391..... 62
0400075.....539	0682414 ..... 23	1001061660 ..... 71, 133	1001080394. 62, 423, 425
0630399.....23	0682424 ..... 23	1001061662 ..... 71, 133	1001080397..... 425, 543
0630455.....539	0682440 ..... 277	1001061891 ..... 71, 133	1001080399..... 451, 453
0630464.....359, 365, 379	0692020 ..... 23	1001061892 ..... 71	1001080409..... 529
0630468.....341, 343, 369, 371	0700610 ... 279, 281, 283, 285, 287, 289	1001061893 ..... 71	1001080410..... 529
0630518.....401	0700815 ..... 355	1001062117 ..... 71	1001080418..... 291
0641404.....345, 347, 529	0700818 ..... 355	1001062773 ..... 179	1001080424..... 529, 722
0641405.....143, 573	0701014 ..... 62	1001080050 ..... 62	1001080437..... 433
0641406.....291, 391, 437, 439, 545	0701018 ..... 62	1001080116 ..... 62	1001080438..... 433
0641407.....573	0701027 ..... 71	1001080124 ..... 62	1001080462..... 291
0641408.....291, 435, 529	0720606 ..... 27	1001080143 ..... 471	1001080463..... 305
0641410.....325, 529, 617, 619, 621	0721005 ..... 529	1001080152 ..... 62	1001080493..... 291, 317
0641415.....529	0721008 ... 617, 619, 621	1001080154 ..... 479, 481	1001080494..... 313, 315, 317
0641438.....569, 571	0760508 ..... 149	1001080155 ..... 479, 481	1001080499..... 295, 323
0641505.....17	0760605 ..... 67	1001080176 ..... 459, 519	1001080500..... 291, 409
0641506.....23	0760608 ..... 355	1001080203 ..... 62	1001080559..... 291, 393
0641508.....279, 281, 291	0760610 ..... 635	1001080204 ..... 62	1001080567..... 395, 461
0641509.....17	0760612 ... 631, 635, 637	1001080207 ..... 425	1001080571..... 29
0641512.....62, 423, 425	0760615 ... 631, 635, 637	1001080208 ..... 425	1001080573..... 23
064151431, 62, 451, 617, 619, 621	0760807 ..... 571	1001080212 ..... 269	1001080585..... 429, 431
064151617, 62, 189, 191, 367, 423, 425	0760808 ... 149, 171, 355, 571	1001080240 ..... 435	1001080586..... 429, 431
0641518.....341, 343	0760810 ..... 63, 163, 165	1001080243 ..... 451, 475	1001080619..... 529
0641522.....451	0760814 ..... 175	1001080250 ..... 429, 431	1001080656..... 629, 631, 635, 637, 641
0641532.....191	0760814 ..... 175	1001080251 ..... 429, 431	1001080669..... 629, 633, 639
0641605.....17	0760828 ..... 187	1001080256 ..... 409, 415, 722	1001080707..... 29
0641607.....49	0761010 ..... 62, 149, 167	1001080262 ..... 393, 517	1001080742..... 279, 281, 283, 285, 287, 289, 305
0641608.....17	0761012 ..... 167, 291	1001080265 ..... 429	1001080744..... 279, 281, 283, 285, 319
0641610.....23	0761014 ..... 167	1001080266 ..... 429	1001080763..... 552
0641611.....529	0761210 ..... 149, 355	1001080279 ..... 419	1001080789..... 157
0641612.....17	0761214 ..... 185	1001080293 ..... 433	1001080796..... 297, 299, 301
0641614.....425	0761216 ..... 199	1001080294 ..... 427	1001080797..... 299
0641628.....62	0771619 ..... 41	1001080308 ..... 427	1001080798..... 297, 299
0641634.....447, 449	0791004 ..... 529	1001080309 ..... 433	1001080801..... 299
0641810.....479, 481	0791404 ..... 17	1001080312 ..... 479, 481	1001080809..... 281, 283, 285, 287, 289, 405
0641832.....131	0791607 ..... 17	1001080313 ..... 479, 481	1001080821..... 299
0642014.....149	0811408 ..... 167	1001080314 ..... 479, 481	1001080824..... 325, 381
0642016.....565	0811510 ..... 171	1001080333 ..... 65	1001080826..... 405, 407
0642032.....95, 97	0860520 ..... 143	1001080334 ..... 65, 495	1001080847..... 283, 285, 287, 289, 311
0642212.....39	1001001240 .... 103, 107, 109	1001080356 ..... 429, 431	1001080848..... 315
0651410.....295	1001001241 .... 103, 107, 109	1001080361 ..... 593	1001080852..... 339
0681414.....391	1001001422 ..... 29	1001080364 ..... 435, 723	1001080862..... 295
0681506.....163, 165	1001001556 ..... 62, 425	1001080365 ..... 611, 613, 633, 635, 637, 639, 723	1001080863..... 295
0681510.....181	1001002778 ..... 621	1001080366 ..... 629, 631, 635, 637, 723	1001080866..... 361
0681516.....147	1001002779 ..... 621	1001080367 ..... 295, 723	1001080867JO ..... 303
0681518.....147	1001003299 ..... 71	1001080368 ..... 295, 723	1001080872..... 381
0681606.....147	100100347499, 103, 107, 109	1001080369 ..... 633, 635, 637, 639, 723	1001080876..... 279, 281, 339
0681608.....163, 165, 183, 189, 191	100100347599, 103, 107, 109	1001080370 ..... 617, 619, 621, 723	1001080877..... 327
0681610.....147, 183	1001003680 ..... 167	1001080371 ..... 291, 723	
	1001008436 ..... 33, 35	1001080373 ..... 365, 723	
	1001008475 ..... 35	1001080374 ..... 319, 723	
	1001008479 ..... 71, 133	1001080375 ..... 131, 723	
	1001008559 ..... 571, 593		
	1001008742 ..... 327		

## SECTION 13 - SPECIAL OPTIONS/ACCESSORIES/KITS

1001080891 ..... 367	1001081302.....695	1001100965.....617, 619, 621, 623	1001110433 ..... 341, 343
1001080900 ..... 291	1001081306.....295	1001100966.....319, 321, 559	1001110723 ..... 613, 645
1001080926 ..... 301	1001081307.....323	1001101039.....726	1001110849 ..... 43
1001080931 ..... 295	1001081308.....323	1001101040.....726	1001111156 ..... 637, 639, 643
1001080932 ..... 325, 327	1001081309.....323	1001101041.....87, 89	1001111341 ..... 633, 635, 637, 639
1001080933 ..... 295, 325	1001081310.....323	1001101042.....87, 89	1001112058 ..... 359, 365
1001080945 ..... 359, 361, 365	1001081311.....323	1001101071.....684, 688, 692	1001112612 ..... 594, 669, 673
1001080947 ..... 361	1001081314.....303	1001101185.....69	1001112683 ..... 726
1001080951 ..... 361	1001081322..... 625, 627	1001101235.....435	1001112684 ..... 726
1001080952 ..... 359, 365	1001081331.....295	1001101451.....171	1001112685 ..... 726
1001080953 ..... 319, 321, 361	1001081332.....295	1001101533.....617, 619, 621, 627	1001112687 ..... 726
1001080954 ..... 361	1001081333..... 199, 217, 453	1001101534.....617, 619, 621, 625	1001112697 ..... 539
1001080955 ..... 361	1001081334..... 453	1001101895.....688	1001112796 ..... 575, 665, 667, 669, 673
1001080957 ..... 359, 363	1001081347.....433	1001102000.....697	1001113038 ..... 97
1001080960 ..... 361	1001081348.....433	1001102157 .....21	1001113047 ..... 341, 343
1001080968 ..... 397, 399	1001081364.....23	1001102323.....113	1001113154 ..... 639
1001080969 ..... 317	1001081375.....295	1001102324.....111	1001113155 ..... 613
1001080970 ..... 317	1001081376.....295	1001102327.....115	1001113294 ..... 726
1001080974 ..... 339	1001081413.....445	1001102331.....99	1001114675 ..... 279, 281, 283, 285, 287, 289
1001080975 ..... 339	1001090103..... 423, 425	1001103012.....553, 657	1001114867 ..... 291
1001080976 ..... 341	1001090344..... 17	1001103139.....611	1001115871 ..... 259
1001080978 ..... 317, 723	1001091102.....573	1001104009.....101	1001116128 ..... 545
1001080983 ..... 291	1001091751.....677	1001104025.....105	1001116692 ..... 673
1001080985 ..... 327	1001092481..... 137	1001104435.....95	1001116694 ..... 673
1001080986 ..... 291	1001092482..... 137	1001104477 ..... 425, 455, 457	1001116698 ..... 553, 577, 657
1001080987 ..... 291	1001092585.....529	1001104497 ..... 655, 657	1001116700 ..... 583
1001080988 ..... 291	1001092877.....688	1001104498 ..... 553, 554, 657	1001116705 ..... 563
1001080992 ..... 277	1001092878.....688	1001104519 ..... 561, 643, 645, 651	1001116706 ..... 579
1001081023 ..... 339	1001093171.....121	1001104654 ..... 317, 723	1001116710 ..... 552, 563
1001081049 ..... 291	1001093826..... 87, 89	1001105990 ..... 199	1001116711 ..... 552
1001081071 ..... 197	1001093827..... 87, 89	1001106622.....429, 431	1001116712 ..... 579, 583
1001081123 ..... 539	1001095650..... 585, 587	1001106736.....593	1001116723 ..... 552, 553, 554
1001081151 ..... 291	1001095704..... 552, 593, 722	1001107854 ..... 549, 553, 554, 593, 594, 655, 657	1001116725 ..... 593
1001081153 ..... 291	1001095810..... 143	1001107997 .....301	1001116726 ..... 593
1001081161 ..... 359, 365	1001096019..... 141	1001108078 .....361	1001116727 ..... 557, 577, 593
1001081163 ..... 359, 365	1001096020..... 141	1001108079 .....291	1001116729 ..... 557, 609
1001081187 ..... 359	1001096021.....139	1001108115 .....369, 371	1001116731 ..... 665
1001081223 ..... 401, 403	1001096022.....139	1001108152 .....361	1001116733 ..... 557, 579, 593, 609
1001081234 ..... 381	1001096023.....139	1001108155 .....321, 361	1001116734 ..... 557, 579
1001081235 ..... 303	1001096024..... 141	1001108161 .....301	1001116735 ..... 552
1001081236 ..... 303	1001096025.....139	1001108194 .....291	1001116736 ..... 554
1001081239 ..... 303	1001096584..... 62	1001108196 .....295	1001116747 ..... 594
1001081241 ..... 303	1001096585..... 62	1001108242 .....369	1001116748 ..... 552
1001081242 ..... 303	1001097159..... 19	1001108547 .....301	1001116751 ..... 552
1001081243 ..... 303	1001097160. 17, 189, 191	1001108548 .....301	1001116751 ..... 552
1001081244 ..... 303	1001097205..... 121	1001108549 .....301	1001116763 ..... 595
1001081246 ..... 303	1001097319.....381	1001108552 .....301	1001116774 ..... 533, 594, 608, 673
1001081247 ..... 303	1001097640.....367	1001109365 .....297, 299	1001116808 ..... 533, 594, 608, 673
1001081248 ..... 303	1001097728... 67, 69, 131	1001109417 .....301	1001116812 ..... 533, 552, 594, 608, 673
1001081249 ..... 303	1001097729... 67, 69, 131	1001109478 .....299	1001116813 ..... 563, 577
1001081266 ..... 303	1001098069.....399	1001109565 .....633, 635, 637, 639, 649	1001116815 ..... 534, 552, 663, 673
1001081268 ..... 303	1001098122.....655	1001109566 .....611, 633, 635, 651	1001116816 ..... 593, 594
1001081280 ..... 301	1001098153..... 399, 523	1001110067 .....301	1001116920 ..... 552
1001081281 ..... 301	1001098171..... 67	1001110116.....726	1001116921 ..... 593
1001081282 ..... 301	1001098235..... 291, 561	1001110120 .....726	
1001081283 ..... 301	1001098472..... 67	1001110269 .....365	
1001081284 ..... 301	1001099458..... 119		
1001081285 ..... 301	1001099699..... 379		
1001081286 ..... 369, 726	1001099783..... 62		
1001081287 ..... 371, 726	1001099810.....726		
1001081289 ..... 301	1001099887..... 51		
1001081296 ..... 369	1001100053..... 305, 591		
1001081298 ..... 369	1001100107..... 684, 688, 692		
1001081299K ..... 17	1001100781.....552		
1001081301 ..... 695	1001100916.....425		

## SECTION 13 - SPECIAL OPTIONS/ACCESSORIES/KITS

1001116948.....595	1001126841.....355	1001137602.....287, 289, 397	1001141551.....181
1001116950.....593, 595	1001127066.....553	1001137621.....283, 285, 287, 289, 309	1001141581.....529
1001116952.....593	1001127397.....365	1001137623.....279, 281, 307	1001141591.....189, 191, 722
1001116953.....593	1001127546.....365	1001137657.....291	1001141717.....149
1001116966.....594	1001127589.....529, 722	1001137943.....295, 315	1001141718.....147
1001116967.....579	1001127967.....167	1001137985.....313, 315	1001141779.....163, 505
1001116977.....594	1001128128.....557, 593, 609	1001137998.....397	1001141780.....165, 507
1001116982.....563	1001128144.....167	1001138110.....579	1001141786.....167
1001116983.....579	1001128478.....167, 723	1001138111.....579	1001141787.....167, 169
1001116984.....563	1001129408.....663	1001138113.....579	1001141788.....169
1001116985.....563	1001129801.....545, 549	1001138262.....355, 357	1001141789.....169
1001116990.....579	1001129887.....421	1001138263K.....355	1001141791.....169
1001116996.....608	1001129888.....421	1001138264.....355	1001141796.....167
1001117002.....563	1001129889.....419, 421	1001138265.....355	1001141801.....167
1001117022.....579	1001129891.....419, 421	1001138266.....355	1001141804.....167
1001117026.....609	1001129893.....419, 421	1001138269.....355	1001141831.....167
1001117059.....554	1001129894.....419, 421	1001138345.....355	1001141881.....167
1001117079.....554	1001129895.....429, 431	1001138582.....279, 281, 311	1001141896.....167
1001117080.....554	1001129898.....431	1001138703.....371	1001141944.....167
1001117081.....552, 553, 554, 561	1001129925.....419, 421	1001138823.....199, 509	1001141975.....147, 441
1001117082.....553	1001129926.....419, 421	1001138827.....167, 722	1001141976.....147, 443
1001117106.....552, 593	1001130220.....37	1001138877.....163, 165, 167	1001142010.....563
1001117119.....553	1001130717.....726	1001139011.....317, 343	1001142011.....597, 599
1001117125.....579	1001130900.....579	1001139042.....73	1001142055.....333
1001117133.....608	1001131098.....449, 465	1001139043.....73	1001142101.....263, 265
1001117158.....291	1001131099.....447, 463	1001139155.....171	1001142155.....451, 471
1001117326.....701	1001131271.....681	1001139177.....73	1001142236.....355, 557
1001117498.....69, 71	1001131818.....157	1001139481.....311, 313	1001142242.....149
1001118378.....533	1001132161.....487, 489	1001139578.....684	1001142259.....171, 173, 722
1001118379.....563	1001132168.....19	1001139654.....707	1001142265.....17
1001118380.....580	1001132207.....487	1001139668.....161	1001142267.....17
1001118381.....594	1001132208.....487	1001139681.....181	1001142680.....23
1001118385.....552, 553, 554, 563, 595, 608	1001132209.....487	1001139682.....183	1001142938.....579
1001118387.....563	1001132210.....481, 487	1001139683.....585	1001142940.....579
1001118390.....593	1001132338.....451, 459	1001139684.....155, 157, 187	1001142941.....579
1001118391.....580, 594	1001132342.....465, 469	1001139688.....157, 353	1001142981.....633, 635, 637, 647
1001118392.....608	1001132411.....421	1001139801.....343	1001143041.....163, 165
1001119020.....593	1001132412.....421	1001139803.....355	1001143142.....17
1001119031.....567	1001132795.....465, 723	1001139937.....617, 619, 621	1001143201.....171
1001119727.....183	1001133543.....726	1001139942.....688	1001143216.....181
1001119788.....726	1001133714.....579	1001139974.....251, 253	1001143254.....187
1001120328.....593	1001133715.....579	1001139975.....245, 247	1001143255.....187
1001120328.....593	1001133822.....189, 191	1001139997.....185, 511	1001143304.....181, 183
1001120989.....719	1001133956.....580	1001140312.....585	1001143467.....187
1001121021.....547, 723	1001133957.....580	1001140635.....603, 605, 608	1001143468.....187
1001121514.....169	1001135350.....554	1001140671.....183	1001143551.....534
1001121726.....594	1001135650.....579	1001140686.....249, 251	1001143552.....603
1001121727.....557, 577	1001135651.....579	1001140700.....249, 253	1001143556.....597
1001121953.....545	1001135799.....435	1001140703.....257	1001143558.....633
1001121960.....599, 609	1001135801.....435	1001140704.....257	1001143640.....153, 155
1001121961.....552	1001135803.....435	1001141019.....183	1001143641.....149
1001122280.....597, 601, 603	1001135805.....435	1001141027.....147	1001143642.....149
1001125387.....705	1001135807.....435, 455	1001141066.....529, 722	1001143643.....149
1001125465.....545	1001135845.....541	1001141287.....189, 191	1001143671.....261, 263
1001125785.....593	1001135846.....541	1001141324.....257	1001143677.....155
1001126008.....533, 594, 608	1001136095.....159	1001141459.....441, 722	1001143678.....153
1001126351.....580	1001136150.....726	1001141460.....441	1001143689.....261, 265
1001126362.....579	1001136834.....167	1001141461.....443	1001143801.....149
1001126363.....579	1001136975.....147, 149, 189, 191	1001141462.....443	1001143815.....157
1001126364.....579	1001137106.....131		1001143816.....157
1001126365.....579	1001137454.....339, 341		1001143839.....149
1001126392.....579	1001137574.....307		1001143852.....711
1001126677.....699	1001137578.....579		1001143879.....147
1001126685.....703	1001137600.....279, 281, 283, 285, 395		1001143880.....147



## SECTION 13 - SPECIAL OPTIONS/ACCESSORIES/KITS

1001144106..... 147	1001153633..... 365	1001165200..... 149	1001190914 ..... 653, 655
1001144133..... 147	1001153634..... 359, 365	1001165202..... 189, 191	1001191635..... 31
1001144147..... 665	1001153635..... 359, 365	1001165203..... 189, 191	1001191640..... 17
1001144255..... 199	1001153748..... 475, 525	1001165585..... 303	1001191643..... 19
1001144359..... 157	1001154229..... 263, 265	1001168054..... 185	1001191820..... 17
1001144369..... 17	1001154405..... 437, 439	1001172953..... 343	1001191830..... 163, 165
1001144373..... 157	1001155823..... 147	1001175733..... 655	1001192022..... 19
1001144378..... 157	1001156087..... 167, 291, 343	1001177469..... 373, 375, 377, 383	1001192128..... 163
1001144474..... 31	1001156243..... 147	1001177470..... 375	1001192129..... 165
1001144509..... 726	1001156314..... 529	1001177471..... 377	1001192142..... 541, 723
1001144629J..... 143	1001156315..... 17	1001177636..... 383	1001192255..... 17
1001144692..... 163	1001156576..... 684, 688, 692	1001177640..... 383	1001192256..... 163, 165
1001144693..... 163	1001156577..... 291	1001178059..... 133	1001192401..... 669
1001144694..... 165	1001156849..... 157	1001178811..... 383	1001193316..... 23
1001144695..... 165	1001157075..... 167	1001179495..... 329	1001193351..... 23, 25
1001144697..... 433	1001157088..... 187	1001179496..... 329	1001193423..... 19
1001144737..... 433	1001157890..... 533	1001179547..... 327, 329	1001193432..... 343, 347
1001144753..... 433	1001158318..... 17	1001179832..... 329	1001193443..... 285, 289, 343, 353
1001144754..... 433	1001158329..... 131	1001182224..... 437, 439	1001193470..... 25
1001144755..... 433	1001158330..... 133	1001182361..... 580	1001193473..... 25
1001144759..... 433	1001158331..... 133	1001182365..... 580	1001193501..... 343, 413
1001144764..... 433	1001158336..... 133	1001182662..... 653	1001193528..... 345, 347
1001145204..... 165, 723	1001158352..... 131, 133	1001182663..... 303	1001193529..... 345, 347
1001145224..... 429, 431	1001158428..... 17	1001182755..... 279, 281, 283, 287, 437	1001193720..... 343
1001145710..... 163, 165	1001158561..... 147	1001184685..... 653	1001193721..... 343
1001145850..... 684	1001159204..... 589	1001185024..... 437, 439, 722	1001193723..... 343
1001145871..... 167	1001159205..... 589	1001186376..... 285, 289, 439	1001193725..... 343
1001146038..... 684, 692	1001159206..... 587, 589	1001186492..... 726	1001193752..... 147, 171
1001146575..... 189, 191	1001159207..... 587	1001187070..... 583	1001193761..... 343
1001146588..... 147, 569, 571	1001160072..... 713	1001187077..... 677	1001193762..... 343
1001147071..... 157	1001160078..... 17	1001187079..... 533	1001193805..... 341, 345
1001147650..... 688	1001160152..... 583	1001187150..... 25	1001193943..... 283, 287, 341
1001148091..... 681	1001160730..... 723	1001188496..... 395	1001193945..... 341, 411
1001148423..... 167	1001160916..... 717	1001189077..... 533	1001193973..... 341
1001148483..... 23	1001160926..... 131	1001189305..... 147	1001193974..... 341
1001149466..... 529	1001160945..... 715	1001189653..... 295	1001193975..... 341
1001149810..... 17	1001161228..... 726	1001189733..... 391	1001193976..... 341
1001149811..... 17	1001161229..... 726	1001189734..... 291, 391, 722	1001194017..... 473
1001149828..... 149	1001161230..... 726	1001189738..... 391	1001194099..... 27
1001150347..... 688	1001161604..... 133	1001189739..... 369	1001194100..... 23, 27
1001150347..... 688	1001161606..... 133	1001189743..... 391	1001194421..... 677
1001150461..... 705	1001161607..... 133	1001189745..... 391	1001195347..... 347, 351
1001150462..... 707	1001161759..... 131	1001189753..... 371	1001195348..... 345, 349
1001150479..... 355	1001162486..... 379	1001189803..... 391	1001195447..... 343
1001150508..... 355	1001162487..... 379	1001189839..... 391	1001195884..... 25
1001150509..... 343, 355, 571	1001162813..... 373	1001189850..... 391	1001196254..... 722
1001150596..... 299, 303	1001162814..... 373	1001189888..... 503	1001196461..... 667
1001150642..... 711	1001162815..... 375	1001189948..... 309	1001196601..... 437
1001150705..... 577	1001162816..... 377	1001189997..... 653	1001196634..... 661
1001151088..... 355, 571	1001162829..... 383	1001190639..... 31	1001196709..... 327
1001151183..... 37	1001162830..... 383	1001190640..... 615, 621	1001197401..... 17
1001151288..... 433	1001162898..... 129	1001190692..... 447, 449, 451	1001197490..... 39
1001151643..... 411, 413	1001163174..... 692	1001190694..... 449	1001197624..... 554
1001151781..... 681	1001163206..... 692	1001190709..... 615, 617, 619	1001197714..... 554
1001151782..... 681	1001163210..... 692	1001190728..... 19	1001197720..... 583
1001153410..... 183	1001163212..... 692	1001190743..... 17, 19	1001197965..... 27, 722
1001153411..... 183	1001163222..... 692	1001190754..... 19	1001198349..... 37
1001153412..... 183	1001163223..... 692	1001190762..... 17	1001198730..... 23
1001153413..... 183	1001163285..... 692	1001190784..... 447	1001200101..... 684, 688
1001153624..... 313	1001163300..... 692	1001190788..... 17	1001200247..... 37
1001153625..... 315	1001163304..... 692		1001200378..... 41, 45
1001153626..... 317	1001163323..... 692		1001200567..... 419
1001153627..... 317	1001163326..... 692		1001200580..... 479, 481, 493
1001153629..... 401	1001163355..... 709		1001200581..... 62, 503
1001153630..... 363	1001163751..... 709		
1001153631..... 359, 365			

## SECTION 13 - SPECIAL OPTIONS/ACCESSORIES/KITS

1001200598.....39	1001208119 ..... 292	1001231404 ..... 533, 594, 677	1001236788.....445
1001200601.....41	1001208616 ..... 279, 281, 297	1001231406 ..... 533, 594, 677	1001236953.....287
1001200603.....45	1001208617 ..... 283, 285, 287, 289, 299	1001231801 ..... 684	1001236954.....289
1001200612.....529	1001208759 ..... 33	1001232351 ..... 245, 247	1001236957.....287, 289, 431
1001200613.....539	1001208854 ..... 451	1001232722 ..... 425	1001236959.....287, 289, 321
1001200682.....23	1001209009 ..... 131, 537	1001232888 ..... 437, 439	1001237192.....55, 423
1001200683.....23	1001209063 ..... 429, 431	1001233174 ..... 565	1001237214.....57, 425
1001200684.....23	1001209089 ..... 419, 421	1001233199 ..... 565	1001238317.....63
1001200685.....23	1001209102 ..... 529	1001233202 ..... 565	1001238560.....143
1001200796.....259	1001209103 ..... 605	1001233213 ..... 175, 531	1001238565.....137, 139, 141, 143
1001200797.....259	1001209966 ..... 341, 343	1001233234 ..... 565	1001238653.....137
1001200851 .....33	1001210402 ..... 277	1001233235 ..... 175, 533	1001238654.....139
1001200925.....23	1001212156 ..... 726	1001233303 ..... 273	1001238655.....141
1001200928.....31	1001213757 ..... 283, 285, 287, 289, 295	1001233304 ..... 271, 273	1001239184.....291, 695
1001200945.....259	1001213955 ..... 191	1001233305 ..... 273	1001239539.....175
1001201114.....435	1001213994 ..... 191	1001233434 ..... 565	1001239671.....631
1001201115.....427	1001214220 ..... 291	1001233435 ..... 565	1001239672.....726
1001201117.....421	1001215898 ..... 671	1001233451 ..... 149, 151	1001239673.....726
1001201151 .....653	1001215941 ..... 175, 723	1001233502 ..... 147	1001239675.....49
1001201252 .....529	1001218358 ..... 534	1001233503 ..... 147, 149	1001239965.....49
1001201538 .....189	1001218381 ..... 554	1001233558 ..... 692	1001239966.....49
1001201659 .....51	1001219082 ..... 175, 671	1001233633 ..... 617	1001241661.....171
1001201668 .....63, 483	1001220705 ..... 343	1001233660 ..... 55, 57, 59	1001242501.....103
1001201826 .....541	1001220705 ..... 343	1001233661 ..... 55	1001242506.....107
1001201885 .....677	1001220853 ..... 543	1001233662 ..... 57	1001242508.....109
1001202006 .....291, 473	1001221303 ..... 279, 401	1001233666 ..... 335	1001242509.....123
1001202007 .....279, 281, 283, 285, 287, 289, 291	1001222921 ..... 726	1001233720 ..... 59, 62	1001242510.....125
1001202141 .....433	1001223453 ..... 684, 692	1001233723 ..... 197, 199	1001242511.....93
1001202247 .....175	1001223459 ..... 579	1001233724 ..... 197, 217	1001242517.....91
1001202297 .....429, 431	1001225430 ..... 159, 161, 722	1001233725 ..... 197	1001242616.....89
1001202352 .....343, 355	1001225432 ..... 161, 722	1001233784 ..... 175	1001242617.....87
1001202352 .....343, 355	1001225578 ..... 479, 485	1001233831 ..... 565	1001243183.....726
1001202500 .....726	1001226247 ..... 605, 722	1001234507 ..... 271	1001243184.....726
1001202501 .....726	1001226328 ..... 722	1001234525 ..... 279	1001243201.....565, 567
1001202502 .....353	1001226328 ..... 722	1001234526 ..... 281	1001243576.....726
1001202939 .....341, 343	1001226541 ..... 665	1001234973 ..... 269	1001245709.....726
1001203181 .....175, 722	1001226636 ..... 665	1001234992 ..... 199, 657	1001247190.....62
1001204032 .....175, 515	1001226637 ..... 665	1001235014 ..... 267, 269	1001247191.....62
1001204045 .....63	1001226739 ..... 663, 665	1001235015 ..... 267	1001247192.....423
1001204047 .....63	1001226796 ..... 663, 722	1001235711 ..... 283	1001247193.....423
1001204128 .....77	1001226799 ..... 663	1001235712 ..... 285	1001247194.....59, 423
1001204129 .....79	1001227077 ..... 175	1001235715 ..... 365	1001247195.....59, 423
1001204130 .....81	1001227091 ..... 157	1001235716 ..... 279, 281, 283, 285, 429	1001247326.....59
1001204131 .....83	1001227458 ..... 663	1001236272 ..... 545, 547	1001247421.....653, 723
1001204132 .....85	1001227964 ..... 175	1001236302 ..... 545	1001252481.....167
1001204360 .....411, 413	1001228273 ..... 175	1001236316 ..... 243	1001252482.....167
1001204362 .....411, 413, 723	1001228447 ..... 59	1001236317 ..... 249	1001252483.....167
1001204363 .....411, 723	1001228593 ..... 671	1001236319 ..... 255	1001253828.....726
1001204385 .....413, 723	1001228643 ..... 175	1001236321 ..... 261	1001254186.....579
1001204464 .....411, 413	1001228975 ..... 149	1001236337 ..... 547	1001254187.....579
1001204469 .....411, 413	1001229458 ..... 671	1001236413 ..... 433	1001255901.....661
1001204470 .....411, 413	1001229461 ..... 719	1001236417 ..... 429, 431	1001257106.....387
1001204674 .....175	1001230503 ..... 175	1001236418 ..... 433	1001258097.....149, 579
1001204676 .....175	1001230931 ..... 552	1001236419 ..... 433	1001258137.....726
1001204677 .....175	1001230934 ..... 580	1001236420 ..... 433	1001258244.....335
1001204678 .....175	1001230935 ..... 580	1001236666 ..... 243, 245	1001258560.....387, 389, 722
1001204679 .....175	1001231397 ..... 533	1001236667 ..... 243, 247	1001258791.....291, 387
1001204854 .....479	1001231398 ..... 533, 594, 677	1001236668 ..... 255	1001260945.....163, 165
1001204856 .....481	1001231399 ..... 594	1001236669 ..... 255	1001262322.....663, 722
1001205397 .....175	1001231400 ..... 533, 594, 677	1001236676 ..... 619	1001262326.....663
1001206603 .....175	1001231401 ..... 533	1001236678 ..... 621	1001262959.....726
1001207171 .....533	1001231402 ..... 533	1001236782 ..... 425	1001264844.....677
1001207768 .....131	1001231403 ..... 533	1001236783 ..... 425	1001264861.....677
1001207837 .....291		1001236787 ..... 445	1001264878.....135
1001207924 .....135			
1001207926 .....131, 135			

## SECTION 13 - SPECIAL OPTIONS/ACCESSORIES/KITS

1001264879 ..... 135, 722	1001289300..... 569, 571	2110606..... 463, 465	2920207 ..... 615
1001265371 ..... 726	1001289301..... 569, 571	2110608..... 475	2920208 ..... 617, 619
1001265373 ..... 726	1001289648..... 569, 571,	2110808..... 165, 451	2920209 ..... 361
1001266291 ..... 149, 583	573	2110810..... 455, 459	2940074 ..... 143, 722
1001266488 ..... 675	1001289957..... 569, 571	2110812..... 147	31200160 ..... 137
1001266611 ..... 583	1001289958..... 569, 571	2111010..... 425, 449, 459	31200386 ..... 141
1001268341 ..... 726	1001290521..... 569	2111012..... 459	31200387 ..... 139
1001270669 ..... 726	1001290615..... 571, 573	2111212..... 167	31200388 ..... 139
1001272193 ..... 365	1001290617..... 635, 726	2112020..... 451	3251813 ... 681, 684, 688,
1001272317 ..... 433	1001290618..... 637, 726	2130404..... 65, 473	692
1001272318 ..... 433	1001290911..... 675	2130406..... 461	3271405 ..... 397, 529
1001272548 ..... 117	1001291056..... 569, 571,	2130604..... 131	3271501 .... 17, 147, 163,
1001272659 ..... 659	573	2130606.... 131, 163, 165,	165, 181
1001272997 ..... 661	1001291182..... 669	473	3271601 .... 17, 147, 157,
1001273012 ..... 659, 661	1001291183..... 671, 673	2130608.... 131, 471, 473,	163, 165, 167, 183, 529
1001273075 ..... 611, 613,	1001292141..... 726	475	3272001 ..... 147
633, 639	1001292174..... 461, 521	2130808..... 163, 165	3272201 ..... 31, 197, 277
1001273635 .... 629, 631,	1001292277..... 571, 573	2130812..... 147	3272401 ..... 23, 277
633, 635, 637, 639	1001293201..... 722	2131008..... 62	3282001 ..... 23
1001273793 ..... 571	1001293252..... 463, 467	2131010..... 447, 455, 471	3290401 ... 569, 571, 573
1001274267 ..... 185	1001294720..... 529	2131212 .... 147, 167, 459	3290405 ..... 365
1001274269 ..... 185	1001294815..... 719	2131216..... 147	3290505 ..... 175, 671
1001275929 ..... 331	1001299210..... 185	2145004..... 393	3290601 ... 631, 635, 637
1001275933 ..... 331, 335	1001305476..... 127	2150406..... 409, 461	3290605 ..... 19
1001276920 ..... 659	1001305947..... 573	2150606..... 425	3290801 ... 163, 165, 355,
1001276923 ..... 726	1007367100..... 199, 201,	2150608..... 131, 475	387, 391, 571
1001279175 ..... 681	203, 205, 209, 213, 215	2150808..... 451	3290807 ..... 625, 627
1001280661 .... 569, 571,	1007367300..... 217, 219,	2150810..... 455	3291007 ..... 71
573	221, 223, 225, 229, 231	2151010..... 471	3291201 ..... 299
1001281297 ..... 193	101977201..... 395	2151212..... 451	3300143 ..... 529
1001281298 ..... 193	1060379 ..... 143	2170108..... 451	3300240 ..... 95, 97
1001281304 ..... 193	1060680 ..... 647, 649	2170110..... 459	3300430 ..... 73
1001281305 ..... 193	10719267 ..... 355	2170210..... 455	3300449 ..... 569, 571
1001281307 ..... 193	10837580 ..... 469	2170308..... 459	3300454 ..... 605
1001281309 ..... 193	1101244 ..... 469	2170406..... 451	3310401 ..... 529
1001281310 ..... 193	1271599 ..... 51	2170410..... 185	3310805 ..... 547
1001281311 ..... 193	1321716 ..... 187	2170412..... 185	3311001 ... 355, 529, 577,
1001281359 ..... 193	14404793 ..... 62	2170506..... 429, 431	605
1001281360 ..... 193	1701500 ... 684, 688, 692	2170704..... 185, 451	3311005 ... 379, 617, 619,
1001281403 ..... 193	1701509 ..... 143	2170708..... 459	621
1001281404 ..... 193	1702300 ... 684, 688, 692	2170712..... 185, 451	3311401 ..... 573
1001281406 ..... 193	1702631 ... 684, 688, 692	2170808..... 451	3311405 ... 143, 395, 695
1001281407 ..... 193	1702773 .... 137, 139, 141	2171712..... 451	3311501 ..... 341, 343
1001281474 ..... 193	1704277 ..... 143	2171716..... 451	3311502 ..... 25
1001281596 ..... 433	1704885 ... 137, 139, 141	2172104..... 185	3311505 .... 31, 189, 191,
1001281597 ..... 433	1706098 ..... 688	2172112..... 147	617, 619, 621
1001281598 ..... 433	1706209 ..... 688	2220218..... 425	3311508 ..... 539
1001281599 ..... 429, 431	1706281 ..... 688	2220239..... 25	3311608 ..... 23
1001281600 .... 429, 431	1706282 ..... 688	2220251..... 189, 191	3311705 ..... 62
1001281601 ..... 433	1706284 ..... 688	2220313..... 189, 191	3312005 ..... 565
1001281602 ..... 433	1706285 ..... 688	2220550..... 451	3340943 ..... 17
1001281603 ..... 433	1706292 ..... 688	2220591..... 473	3391410 ..... 65, 133
1001281656 ..... 193	1706296 ..... 684	2220612..... 445	3421453 ..... 143
1001281888 ..... 193	1706298 ..... 684	2220885..... 485	3423275 ..... 95, 97
1001282011 ..... 193	1706299 ..... 684	2221198..... 437, 439	3430507 ..... 391
1001282168 .... 185, 513	1706300 ..... 684	2221229..... 433	3450304 ..... 391
1001282169 .... 149, 185	1706301 ..... 684	2221285..... 199	3520072 ..... 143
1001283506 ..... 292, 552	1706302 ..... 684	2221290..... 423, 425	3520198 ..... 143
1001283507 ..... 529, 593	1706768 ..... 684	2300037..... 353	3576766 ..... 197
1001285715 ..... 305	1706846 ..... 273	2400060..... 554	3580158 ..... 159, 161
1001287728 ..... 571	1706850 ..... 684	2600281..... 143	3700016 ..... 688
1001288628 .... 569, 571,	1706892 ..... 137	2620052..... 45, 47	3740080 ... 355, 534, 577,
573, 575	1707078 ..... 684	2717283.... 107, 109, 497	593, 605, 677, 722
1001288822 .... 675, 677	1784861 ..... 51	2820019..... 647, 649	3760170 ..... 143
1001289105 ..... 545	2080040 ..... 143	2820171 ..... 543	3760348 ..... 291
1001289296 ..... 545	2110404 ... 463, 465, 471	2902443..... 579	3790152 ..... 175
1001289299 ..... 569, 571	2110406 ..... 459	2920204..... 619, 621	3820020 ..... 143

## SECTION 13 - SPECIAL OPTIONS/ACCESSORIES/KITS

3900302.....325, 327	4460466 ... 533, 552, 553,	4461115 ... 641, 643, 647,	4832000.....291
3900306.....355	563, 567, 575, 577,	649	4891400.....167
3900393.....62	579, 591, 593, 594,	4461118 ..... 594, 655	4891500.....31, 189, 191,
3910408.....529	595, 599, 608, 609,	4461119 ..... 577, 657	451, 617, 619, 621
3930812.....547	623, 645, 665, 667,	4461174 ... 611, 613, 633,	4891600.....23
3931010.....319	669, 673	635, 637, 639	4891700.....157
3931012.....565, 653	4460475 ..... 533, 554	4461227 ..... 655	4892000.....23
3931412.....291, 415	4460488 ... 569, 571, 613,	4461262 ... 549, 554, 593	4892200.....197
3931416.....23	637, 639	4520259 ..... 251, 253	4892400.....23, 277
3931448.....605	4460496 ..... 593	463929 ..... 67	4920017.... 559, 601, 623
3931524.....451	4460508 ..... 579	4640113 ..... 273	4923141.....543
3931548.....425	4460509 ..... 594	4640163 ... 245, 247, 251,	5220500.....619, 621
3931556.....131	4460518 ... 533, 594, 608,	253, 263, 265	5241000.....71
3931572.....131	673	4641474 ..... 453	5241400.....149
3931579.....688	4460536 ... 553, 593, 609	4711000 ... 355, 529, 565,	5272012.....545
3944574.....41	4460539 ... 533, 552, 567,	577, 605	70002064.....469
3951814.....133	594, 608, 673	4711400 .... 73, 143, 325,	70002386.....469, 722
3964987.....67	4460670 ..... 593	435, 437, 439, 451,	70004637.....493, 503
3983720.....225, 239	4460705 ..... 553	529, 545, 569, 571,	70005433.....485
3983731.....209, 225	4460742 ..... 533, 594	605, 613, 617, 619,	70005941.....159, 161
3984301.....205, 209	4460746 ... 641, 643, 647,	621, 637, 639	70006652.....159, 161
3990013.....553, 722	649	4711500 ... 17, 23, 25, 63,	70020002... 103, 107, 109
4031918.....435	4460748 ..... 594	147, 163, 165, 181,	70020028... 103, 107, 109
4040291.....197	4460761 ... 533, 552, 567,	291, 367, 423, 425, 451	70020230.....205
4100181.... 684, 688, 692	608	4711600 17, 23, 147, 163,	70020231.....205
4105262.....62	4460789 ..... 593	165, 183, 189, 191,	70020232.....205
4240032.... 163, 165, 565,	4460809 ..... 534	447, 449, 529	70020233.....223
571, 629, 631, 635,	4460851 ..... 552, 608	4711700 ..... 62	70020234.....205, 223
637, 659, 663, 671	4460852 ..... 608	4711800 ..... 479, 481	70020235.....205
4240033.....653	4460871 ..... 553	4711900 ..... 437	70020240.....205, 223
4240084.....259	4460872 ..... 553	4712000 ..... 45	70020243.....205
4240099.....433	4460884 ... 533, 552, 594,	4712200 ..... 31, 33	70020244.....205, 233
4360658.... 617, 619, 621,	595, 667, 669, 677	4740120 ..... 327	70020245.....205, 233
723	4460891 ... 533, 537, 543,	4740281 ..... 167	70020247... 205, 213, 233
4460019.....552, 593	554, 557, 579, 593,	4740428 ..... 569, 571	70020249.....205, 233
4460042.....591	594, 608, 609, 643, 651	4750400 ..... 529	70020250.....205
4460043.... 552, 593, 594	4460894 ... 552, 553, 567,	4750600 ..... 27	70020251.....205, 223
4460227.....608	608, 609, 665	4750800 ..... 547	70020252.....205
4460234.... 565, 663, 671	4460897 ... 537, 554, 577,	4751000 .... 617, 619, 621	70020253.....205
4460259.... 557, 563, 594,	579, 593, 601, 608,	4751400 ..... 437, 573	70020255.....205
609	609, 641, 647, 649	4751500 ..... 279, 281	70020256.....205
4460260.... 557, 563, 594,	4460899 ... 549, 567, 577,	4751600 ..... 49	70020257.....205
609	591, 643, 645, 651	4752000 ..... 565	70020258.....205
4460267.....552, 567	4460905 ..... 553	4752200 .. 39, 41, 45, 653	70020259.....205
4460268.....567	4460911 ..... 608	4761000 ..... 529	70020260.....205
4460321.....534	4460930 ... 553, 563, 575,	4761400 ..... 291, 391	70020261.....205
4460374.... 557, 593, 609	594	4761600 ..... 529	70020262.....205
4460419.....552	4460931 ..... 561	4762200 ..... 31	70020263.....205
4460457.....554, 594	4460932 ... 531, 543, 559,	4771000 ..... 355	70020265.....205
4460458.... 533, 557, 595,	577, 623, 661, 677	4804533 ..... 41	70020266.....205
647, 649	4460933 ... 552, 579, 593,	4805921 ..... 41	70020267.....205
4460459.....554	594, 673	4811400 .... 365, 569, 571	70020269... 205, 215, 229
4460464.... 531, 537, 543,	4460941 ..... 563, 579	4811600 .... 149, 175, 671	70020271.....205
549, 552, 553, 554,	4460942 .... 552, 557, 579	4811700 .... 19, 631, 635,	70020273.....213
559, 561, 563, 567,	4460944 ..... 594	637	70020276.....213
591, 594, 599, 601,	4460945 ... 534, 552, 593,	4811700001 ..... 401	70020280.....213
608, 609, 623, 641,	608, 673	4811900 .... 63, 149, 163,	70020282.....213
643, 645, 647, 649,	4460970 ... 563, 577, 599,	165, 171, 175, 341,	70020284.....213
651, 661, 665, 669,	609	343, 355, 387, 625, 627	70020285.....213
673, 677	4460994 ... 553, 563, 579,	4811902 ..... 355, 571	70020288.....223
4460465.... 533, 537, 543,	583, 643, 645, 651	4812000 .... 62, 149, 157,	70020290.....213
552, 553, 554, 563,	4461008 ..... 579, 608	167	70020291.....213
567, 575, 579, 593,	4461017 ..... 579	4812100 ... 149, 153, 155,	70020292.....213
594, 595, 608, 609,	4461018 ..... 594	157, 185, 355	70020293.....213
643, 651, 665, 667,	4461054 ..... 579	4812300 ..... 41	70020295.....213
669, 673, 677	4461071 ..... 579	4831400 .... 569, 571, 573	70020296.....213
	4461095 ..... 579	4831700 .... 631, 635, 637	70020297.....213

## SECTION 13 - SPECIAL OPTIONS/ACCESSORIES/KITS

70020298 .....	213	70021352 .....	519	70023945 .....	469	70027244 .....	493, 503
70020301 .....	215	70021356 .....	115	70023946 .....	469	70027245 .....	493
70020302 .....	215, 229	70021357 .....	115	70023974 .....	489	70027246 .....	493
70020303 .....	223	70021358 .....	115	70024190 .....	173	70027247 .....	493
70020346 .....	233	70021359 .....	115	70024191 .....	173	70027248 .....	493
70020370 .....	489	70021360 .....	115	70024386 .....	351	70027249 .....	503
70020372 .....	489	70021361 .....	115	70024528 .....	213	70027250 .....	503
70020373 .....	489	70021362 .....	115	70024845 .....	151	70027251 .....	485, 503
70020375 .....	489	70021363 .....	99, 101, 115,	70024863 .....	205	70027252 .....	503
70020376 .....	483	491	70024864 .....	205	70027253 .....	503	
70020377 .....	489	70021364 .....	115	70024866 .....	205, 223	70027254 .....	503
70020555 .....	121	70021365 .....	115	70024873 .....	205	70027255 .....	503
70020560 .....	115	70021366 .....	115	70024874 .....	205	70027256 .....	485
70020562 .....	115	70021367 .....	115	70024875 .....	205	70027257 .....	485
70020621 .....	305, 722	70021368 .....	115	70024878 .....	209, 225	70027259 .....	485
70020716 .....	519	70021369 .....	115	70024881 .....	209, 225, 231	70027260 .....	485
70020717 .....	519	70021370 .....	115	70024883 .....	209, 225	70027261 .....	485
70020718 .....	519	70021387 .....	115	70024888 .....	225, 241	70027262 .....	485
70020719 .....	519	70021397 .....	103, 105	70024897 .....	213	70027283 .....	107, 109
70020764 .....	457, 722	70021399 .....	115	70024904 .....	159, 161	70027315 .....	209, 225
70020769 .....	415	70021415 .....	103, 105, 107,	70024911 .....	159, 161	70027400 .....	505, 507
70020770 .....	415	109	70024913 .....	159, 161	70027401 .....	505	
70020771 .....	415	70021440 .....	107, 109, 491,	70024915 .....	159, 161	70027556 .....	505, 507
70020795 .....	361	499, 501	70024927 .....	205, 223	70027557 .....	505, 507, 722	
70020867 .....	525	70021444 .....	491, 499, 501	70024929 .....	205, 223	70027591 .....	179
70020919 .....	517	70021446 .....	491, 499, 501	70024933 .....	509	70027592 .....	179
70020920 .....	517	70021447 .....	99, 101, 105,	70024934 .....	509	70027610 .....	483
70020922 .....	523	491, 499, 501	70021448 .....	509	70027611 .....	483	
70020923 .....	403, 407	70021451 .....	99, 101, 105,	70024936 .....	509	70027612 .....	483
70020924 .....	403, 407	491, 499, 501	70021452 .....	509	70027632 .....	351	
70020925 .....	403, 407	70021451 .....	491, 499, 501	70024938 .....	509	70027638 .....	483
70020926 .....	407	70021452 .....	491, 499, 501	70024939 .....	509	70027642 .....	103
70020927 .....	407	70021462 .....	499, 501	70024951 .....	511	70027773 .....	87, 89
70021076 .....	223	70021464 .....	99, 101, 491	70024952 .....	511	70027774 .....	87, 89
70021079 .....	303	70021475 .....	517	70024953 .....	511	70027775 .....	87, 89
70021082 .....	303	70021531 .....	457	70025150 .....	159, 161	70027776 .....	87, 89
70021090 .....	303	70021928 .....	205, 233	70025162 .....	159, 161	70027777 .....	87, 89
70021095 .....	303	70021929 .....	205, 233	70025181 .....	161	70027778 .....	87
70021147 .....	203, 209, 225	70021939 .....	205	70025187 .....	159	70027779 .....	87, 89
70021150 .....	209, 225, 235,	70021940 .....	213	70025249 .....	173	70027780 .....	87, 89
237	70021941 .....	213	70025562 .....	209, 225	70027781 .....	87, 89	
70021151 .....	209, 225	70021942 .....	213	70025816 .....	389	70027782 .....	87, 89
70021155 .....	209, 225	70022097 .....	101, 105	70025925 .....	349	70027783 .....	87, 89
70021196 .....	223	70022102 .....	101, 105	70026263 .....	213	70027784 .....	87, 89
70021198 .....	231	70022103 .....	101, 105	70026308 .....	485, 493, 503	70027786 .....	87, 89
70021200 .....	231	70022104 .....	101, 105	70026582 .....	525, 722	70027788 .....	87, 89
70021221 .....	233	70022105 .....	99, 101, 105	70026702 .....	107, 109	70027789 .....	87, 89
70021270 .....	495	70022106 .....	99, 101	70026770 .....	497	70027793 .....	87, 89
70021271 .....	495	70022107 .....	103, 105	70026771 .....	497	70027794 .....	87
70021272 .....	495	70022108 .....	103, 105, 499,	70026773 .....	497	70027859 .....	205
70021273 .....	495	501	70022110 .....	497	70027862 .....	213	
70021275 .....	495	70022110 .....	103, 105	70026775 .....	497	70027865 .....	215, 229
70021276 .....	495	70022111 .....	103, 105	70026875 .....	209, 225	70027866 .....	215, 229
70021338 .....	99, 101, 103,	70022112 .....	103, 105	70027024 .....	331	70027989 .....	103, 105
105	70022564 .....	485, 493, 503	70027026 .....	331	70028239 .....	507	
70021342 .....	99, 115	70022805 .....	349, 351	70027027 .....	331	70028240 .....	507
70021343 .....	99, 101	70022818 .....	47	70027028 .....	331	70028241 .....	507, 722
70021345 .....	99, 101	70022847 .....	523	70027030 .....	331	70028388 .....	205
70021346 .....	99, 101	70023035 .....	215, 229	70027032 .....	331	70028389 .....	205, 226
70021347 .....	99, 101	70023036 .....	215, 229	70027033 .....	331	70028473 .....	225, 241
70021348 .....	99, 101	70023040 .....	333	70027035 .....	331	70028474 .....	225, 241
70021349 .....	99, 101, 103,	70023041 .....	333	70027114 .....	209, 225	70028486 .....	107, 109
105	70023139 .....	337	70027176 .....	43, 47	70028514 .....	515	
70021350 .....	99, 101, 103,	70023369 .....	485, 493, 503	70027177 .....	43	70028515 .....	515
105	70023371 .....	503	70023372 .....	493	70028516 .....	515	
70021351 .....	99, 101, 103,	70023373 .....	503	70027242 .....	493, 503	70028517 .....	515
105	70023373 .....	503	70027243 .....	493, 503	70028519 .....	107, 109	

## SECTION 13 - SPECIAL OPTIONS/ACCESSORIES/KITS

70028520.....	107, 109	70029496.....	107, 109	77143016.....	577, 605	8303114.....	451
70028521.....	107, 109	70029497.....	107, 109	77383377.....	529, 722	8303839.....	529
70028523.....	107, 109	70029498.....	123, 125	8001888.....	65	8305002.....	327
70028524.....	107, 109	70029502.....	103	8001989.....	627	8305004.....	437, 439
70028525.....	107, 109	70029503.....	103	8001991.....	625	8305038.....	157
70028530.....	107, 109	70029504.....	103	8002027.....	67	8305624.....	529
70028531.....	107, 109	70029505.....	103	8002110.....	65	8305626.....	131, 425
70028535.....	231	70029696.....	87, 89	8005670.....	688	8305645.....	62, 425
70028540.....	159, 161	70029697.....	87, 89	8005671.....	51	8307024.....	279, 281, 283, 285, 287, 289
70028856.....	485	70029698.....	87, 89	8005870.....	684, 688, 692	8307106.....	131, 425
70028884.....	213	70029699.....	87, 89	80204012.....	209, 226	8307109.....	291
70028929.....	159, 161	70029700.....	87, 89	80204065.....	209, 225	8307110.....	425
70029015.....	159, 161	70029975.....	483	80204111.....	213	8307222.....	187
70029022.....	151	70030251.....	225	80204117.....	209, 213, 225, 231	8307904.....	62
70029023.....	151	70030368.....	483	80204147.....	205	8310053.....	291
70029024.....	151	70030369.....	483	80204172.....	209, 225	8310058.....	147
70029046.....	107, 109	70030370.....	483	80204178.....	205	8310160.....	62
70029052.....	107, 109	70030371.....	483	80204213.....	223	8310246.....	269
70029265.....	203, 221	70030769.....	209, 225	80204281.....	213	8310297.....	149, 153, 155, 157
70029266.....	205	70030962.....	173	80233256.....	399	8310410.....	569, 571
70029267.....	205, 233	70030963.....	173	80233257.....	399	8310420.....	171
70029268.....	206	70031579.....	467	80264138.....	415	8310748.....	157
70029269.....	209	70031580.....	467	80264139.....	415	83191010.....	267
70029270.....	209, 225	70031581.....	467	80333184.....	399, 461	8342813.....	21, 303, 722
70029271.....	209, 225	70031582.....	467	80334492.....	509	8360005.....	187
70029272.....	209, 225	70037787.....	87, 89	8033761.....	469	8405006.....	23, 147, 437, 439
70029273.....	209, 225	70050641.....	105	8035487.....	291	8405101.....	175
70029274.....	209, 225	7010543.....	469	8035632.....	303	8405102.....	167, 169
70029275.....	209, 225	7016331.....	159, 161, 722	8036064.....	303	8405104.....	167
70029276.....	209, 225	7020465.....	159, 161	80364005.....	303	8405201.....	167
70029277.....	209, 225	7024872.....	722	80364037.....	303	8405204.....	183
70029278.....	209, 225	7026798.....	331, 333	8036629.....	489	8406003.....	529
70029279.....	209, 225	7026799.....	333	8036733.....	497	8406102.....	437, 439
70029280.....	209, 225	7026900.....	333	80383231.....	341, 343	8406112.....	149
70029281.....	209, 225	7026901.....	333	80623016.....	445	8410001.....	163, 165
70029282.....	209, 225	7026902.....	333	80633030.....	433	8410009.....	187, 341, 343
70029283.....	209, 225	7026905.....	333	80673023.....	149	8410011.....	171, 175, 181
70029284.....	209, 225	7026906.....	333	80963058.....	577	8420227.....	167
70029285.....	209, 225, 241	7028706.....	203, 209, 213, 221, 225	80963062.....	554	8420236.....	167
70029286.....	209, 226, 235	7028733.....	209, 226	80983191.....	552, 593, 722	8430032.....	185, 433
70029287.....	209, 226, 237	7029432.....	209, 225, 239	82033997.....	295, 325, 327	8430068.....	189, 191
70029288.....	209	7029520.....	121	8220007.....	563	8430082.....	185
70029289.....	210, 226	7029521.....	121, 123, 125	8220035.....	531	8466306.....	291
70029290.....	210, 226	7029690.....	99, 101, 105	8220045.....	579	84712749.....	187
70029291.....	210, 226	7029691.....	99, 101	8220051.....	554, 579	8520001.....	445
70029292.....	210, 226	7029692.....	99, 115	8220081.....	594	8522012.....	62
70029293.....	213	7029700.....	99, 101	8220089.....	557, 593, 595	8522031.....	62
70029294.....	213	7029705.....	99, 101	8220108.....	531	8584003.....	445, 545
70029295.....	213	7029711.....	99, 101, 103, 105, 115	8220115.....	552, 593	85941016.....	613, 637, 639
70029296.....	213	7029713.....	99, 101	8220125.....	594	85941017.....	147, 637, 639
70029297.....	213	7029714.....	103, 105, 115	8220162.....	557	8642207.....	62
70029298.....	213	7029865.....	519	8220164.....	609	8642224.....	62
70029299.....	213	7075611.....	62	8223531.....	355	86883327.....	23
70029300.....	215, 229	7082362.....	62	8229234.....	533, 722	8750042.....	355
70029301.....	215, 229	7126182.....	62	8229235.....	533, 722	8769122.....	62, 423, 425
70029302.....	223	7126662.....	62	8229242.....	552, 593, 722	8769123.....	62, 355, 423, 425
70029303.....	223, 233	7139886.....	479, 481	8229243.....	552	8770241.....	199
70029304.....	225	7300032.....	62	8229244.....	552, 593, 722	8770296.....	185
70029309.....	91, 93	7300034.....	62	8229245.....	552	88261026.....	167
70029310.....	91, 93	7300034.....	62	8229246.....	552	88261030.....	269
70029313.....	91, 93	7300435.....	147	8229261.....	533, 722	88501010.....	45
70029314.....	87, 89	7300518.....	62	8275212.....	183	88501012.....	33
70029315.....	89	77133136.....	63, 423, 425	8303034.....	291, 307, 309, 343, 355, 361, 363, 365, 395, 397, 571, 613, 637, 639, 695	88521205.....	291
70029441.....	491	77133137.....	63, 341, 343, 423, 425				
70029451.....	159, 722	77133279.....	341, 343				
70029492.....	107, 109						
70029495.....	107, 109						

## SECTION 13 - SPECIAL OPTIONS/ACCESSORIES/KITS

88521206 .....	269	9055401691, 93, 99, 101,	91084019.....	519	91474512..	205, 209, 225
88521208 .....	67, 69, 131,	103, 107, 109, 123, 125	91084233.....	519	91474516 .....	231
479, 481		90554017 ... 99, 101, 103,	91084278.....	519	91474532 .....	223
88521304 .....	361, 391	105, 115	91084279.....	519	91474579 .....	225, 239
88631566 .....	605	90554019 .... 87, 107, 109	91094023.....	519	91474580 .....	225, 239
88662480 .....	185	90554020 .... 87, 99, 101,	91094024.....	519	91474584 .....	209, 225
88662482 .....	433	103, 105	91143339.....	579	91474585 .....	225, 241
88662523 .....	447, 449	9055404287, 89, 99, 101,	91143340.....	594	91504028 .....	415
8866514 ... 279, 281, 283,		103, 105	91143357.....	529	91504029 .....	415
285, 287, 289		90554045 .. 491, 499, 501	91304025.....	415	91513266 .....	267
88671001 .....	62	90554054 .....	91403097.....	277	91514117 .....	209, 225
8880219-OM .....	197	90554062 .....	91403153.....	277	91514118 .....	267
8880220 .....	197	90554065 .... 99, 101, 115	91403217.....	277	91514188 ..	203, 209, 221
8880221 .....	197	90554067 ..... 87, 89, 103	91403412.....	197	91514189 .....	209, 225
8881800 .....	147	90554070 .....	91404013.....	415	91514224 .....	415
8881802 ... 569, 571, 573,		90554074 .....	91404016.....	415	91514272 .....	351
613, 637, 639		90554076 .....	91404182.....	519	91563136 .....	25
8882320 .....	635	90554080 .. 121, 123, 125	91404186.....	519	91563164 .....	337
8904001 .....	167	909304 .....	91404189.....	519	91563220 ..	684, 688, 692
90027187 .....	425	91043147 .....	91404309.....	303	91565064 .....	337
90027473 .....	277	91084008 .....	91404326.....	415	933940 .....	67
90028488 .....	17	91084009 .....	91413036.....	341, 343		
90200003 .....	95, 97	91084010 .....	91474507.....	209, 225		



**Corporate Office  
JLG Industries, Inc.  
1 JLG Drive  
McConnellsburg, PA 17233-9533 USA  
☎ (717) 485-5161 (Corporate)  
☎ (877) 554-5438 (Customer Support)  
📠 (717) 485-6417**

**Visit our website for JLG Worldwide Locations.  
[www.jlg.com](http://www.jlg.com)**



**OSHKOSH™**