



Illustrated Parts Manual

Models
1732
8010H

PVC
2311

P/N
31222448

April 8, 2024 - Rev B



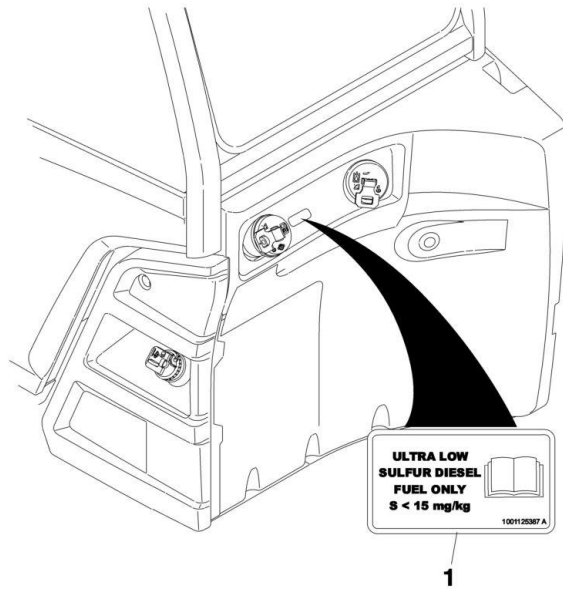
EFFECTIVITY PAGE

November 1, 2023 - A - Original Issue of Manual (Edited to B/M 1001195000 Revision AO)
April 8, 2024 - B - Revised Manual (Edited to B/M 1001195000 Revision AP)

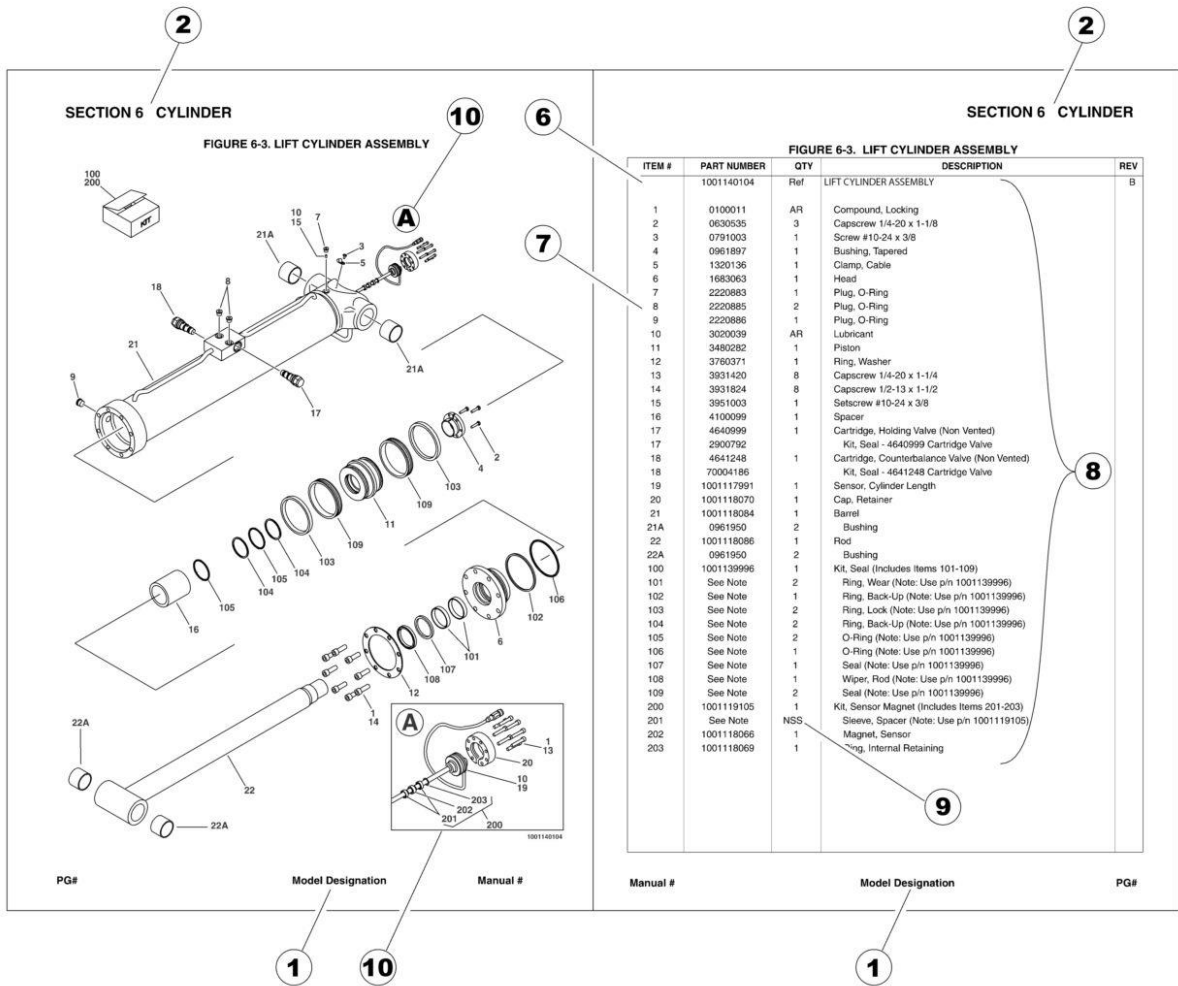
Machine Configuration

Two configurations of each machine are included in this manual. Determine if machine is equipped with Ultra Sulfur Fuel Decal (1) as indicated below.

- If equipped with the Ultra Low Sulfur decal, all specific references to this machine configuration will be referred to as Ultra Low Sulfur (ULS) from this point forward.
- If not equipped with the Ultra Low Sulfur decal, all specific references to this machine configuration will be referred to as Low Sulfur (LS) from this point forward.



GENERAL INFORMATION



1) MACHINE IDENTIFICATION

Machines are identified by model and in some cases a combination of models, serial number (SN) or regional standard (i.e ANSI, CE, CSA). Components may also be identified by SN or manufacturer. Common components that may be identified by these characteristics are engines and hydraulic components.

2) PARTS MANUAL ORGANIZATION

Product information in this manual is organized under section titles. Frame, Cylinder, Hydraulic and Electrical are a few examples. Each section is organized by figure and page number. The information within the Figure is then organized by item number, part number, description and corresponding illustration (s).

3) TABLE OF CONTENTS (NOT SHOWN)

A table of contents is found toward the beginning of the manual. Figure number, description and page number are provided for quick reference to the page containing the related information.

4) RECOMMENDED SPARE PARTS (NOT SHOWN)

The Recommended Spare Parts List, located near the end of the manual, reference most frequently used maintenance parts.

5) PART NUMBER INDEX (NOT SHOWN)

A numerical index listing all part numbers and the corresponding page number(s) appears at the back of the manual.

GENERAL INFORMATION

6) NON-SERVICED PARTS

In some instances, it is necessary to display non-serviced parts, assemblies or installations. In the case of assemblies and installations there will be a Ref in the Qty. column. In case of parts that are not available for service within assemblies or components, there will be a NSS (Not Sold Separately) or NLA (No Longer Available) listed in the Qty. column of the manual.

7) PARTS LIST ITEM NUMBERS

Numbers shown in the item# column correspond to numbers used in the associated illustration (s). Item numbers which are missing from the sequence in the parts list are not used on that page.

8) INDENTED PARTS DESCRIPTION

An indented part description is included in the item under which it is indented.

9) ABBREVIATION AND SYMBOLS

AC.....	Alternating Current	L.....	Liter
ADE.....	Advanced Design Electronics	LB(LBS).....	Pounds
AG.....	Agricultural	LCD.....	Liquid Crystal Display
ANSI.....	American National Standards Institute	LED.....	Light Emitting Diodes
AR.....	As Required	LH.....	Left Hand
ASSY.....	Assembly	LRC.....	Low Rated Countries
AUS.....	Australia	LSS.....	Load Sensing System
AUX.....	Auxiliary	M(m).....	Metric/Meter
AWG.....	American Wire Gauge	MM(mm).....	Milimeter
B/M.....	Bill of Material	mA.....	Miliamps
CAC.....	Charge Air Cooler	NLA.....	No Longer Available
CE.....	European Conformity	NPT.....	National Pipe Threads
CCW.....	Counter Clockwise	NSS.....	Not Sold Separately
CM.....	Centimeter	OD.....	Outside Diameter
CW.....	Clockwise	ORB.....	O-Ring Boss
CSA.....	Canadian Standards Association	ORFS.....	O-Ring Face Seal
CYL.....	Cylinder	OZ (oz).....	Ounces
DIA.....	Diameter	PG.....	Page
DC.....	Direct Current	PN.....	Part Number
DEF.....	Diesel Exhaust Fluid	QT(qt.).....	Quarts
EMS.....	Emergency Stop	QTY.....	Quantity
ENG.....	Engine	REF.....	Reference
FT(ft).....	Feet	REV.....	Revision Level
GA(Ga).....	Gauge	RH.....	Right Hand
HRC.....	High Rated Countries	SAE.....	Society of Automotive Engineers
HVAC.....	Heating, Ventilating, and Air Conditioning	SN.....	Serial Number
HYD.....	Hydraulic	SPEC(S).....	Specifications
Hz.....	Hertz	T/T.....	Turntable
ID.....	Inside Diameter	UGM.....	Universal Ground Module
IN.....	inches	V.....	Volts
ISO.....	International Organization for Standards	W.....	Watts
JIC.....	Joint Industry Council	#.....	Number
KG.....	Kilogram		

10) ILLUSTRATION REFERENCE LETTERS

When necessary, illustrations may contain reference letters that are intended to track information (i. e. hoses, harnesses) from one point to another or to track visual enlargement of components to show details that may be located in another area on the illustration.

Note: Due to continuous product improvements, JLG Industries, Inc. reserves the right to make specification changes without prior notification. Contact JLG Industries, Inc. for updated information.

TABLE OF CONTENTS

SECTION 1 - FRAME AND ATTACHING PARTS.....	19
FIGURE 1-1. GROMMETS INSTALLATION	20
FIGURE 1-2. TANKS INSTALLATION (STANDARD).....	22
FIGURE 1-3. TANKS INSTALLATION (TUV)	24
FIGURE 1-4. HYDRAULIC TANK INSTALLATION	26
FIGURE 1-5. HYDRAULIC TANK ASSEMBLY.....	28
FIGURE 1-6. FUEL TANK INSTALLATION (STANDARD).....	30
FIGURE 1-7. FUEL TANK INSTALLATION (TUV)	32
FIGURE 1-8. FUEL TANK ASSEMBLY	34
FIGURE 1-9. TANK SUPPORT INSTALLATION.....	36
FIGURE 1-10. LOCKING FUEL CAP	38
FIGURE 1-11. PAD LOCK.....	40
FIGURE 1-12. ENGINE ENCLOSURE & HOOD INSTALLATION (1732)	42
FIGURE 1-13. ENGINE ENCLOSURE & HOOD INSTALLATION (8010)	44
FIGURE 1-14. HOOD ASSEMBLY (1732).....	46
FIGURE 1-15. HOOD ASSEMBLY (8010).....	48
FIGURE 1-16. ENGINE HOOD INSULATION INSTALLATION.....	50
FIGURE 1-17. ENGINE ENCLOSURE ASSEMBLY	52
FIGURE 1-18. COVER INSTALLATION (ULS).....	54
FIGURE 1-19. COVER INSTALLATION (LS)	56
FIGURE 1-20. FRAME COVER INSTALLATION	58
FIGURE 1-21. FRONT LOWER COVER INSTALLATION	60
FIGURE 1-22. MIRROR INSTALLATION (1732).....	62
FIGURE 1-23. MIRROR INSTALLATION (8010).....	64
FIGURE 1-24. WHEEL CHOCK INSTALLATION	66
FIGURE 1-25. REFLECTORS INSTALLATION (8010 ONLY)	68
SECTION 2 - BOOM	71
FIGURE 2-1. BOOM INSTALLATION.....	72
FIGURE 2-2. BOOM ASSEMBLY	74
FIGURE 2-3. FIRST BOOM SECTION ASSEMBLY	76
FIGURE 2-4. SECOND BOOM SECTION ASSEMBLY	78
FIGURE 2-5. COUPLER INSTALLATION (MANUAL)	80
FIGURE 2-6. COUPLER INSTALLATION (HYDRAULIC)	82
FIGURE 2-7. FRAME LEVEL CYLINDER INSTALLATION.....	84
FIGURE 2-8. MANUAL COUPLER PIN HOLDER INSTALLATION.....	86
FIGURE 2-9. BOOM BRUSHES INSTALLATION	88
FIGURE 2-10. BOOM PROP INSTALLATION	90
FIGURE 2-11. BOOM PROP BRACKET ASSEMBLY	92
FIGURE 2-12. BOOM ANGLE INDICATOR INSTALLATION.....	94
SECTION 3 - ATTACHMENTS	97
FIGURE 3-1. ATTACHMENT RECOGNITION INSTALLATION - COMPLETE	98
FIGURE 3-2. ATTACHMENT RECOGNITION INSTALLATION	100
FIGURE 3-3. ATTACHMENT RECOGNITION RECEIVER (FCC)	102

TABLE OF CONTENTS

FIGURE 3-4. ATTACHMENT RECOGNITION RECEIVER (EU)	104
FIGURE 3-5. ATTACHMENT RECOGNITION ANTENNA (FCC)	106
FIGURE 3-6. ATTACHMENT RECOGNITION ANTENNA (EU)	108
FIGURE 3-7. BALE HANDLER (ROUND BALES)	110
FIGURE 3-8. BALE HANDLER (SQUARE BALES)	114
FIGURE 3-9. BASKET, PERSONNEL (1.2MX2.4M) (DOMESTIC)	116
FIGURE 3-10. BASKET, PERSONNEL (1.2MX2.4M) (FRENCH LANGUAGE).....	118
FIGURE 3-11. BASKET, PERSONNEL (1.2MX2.4M) (ISO)	120
FIGURE 3-12. FORK MOUNTED PLATFORM.....	122
FIGURE 3-13. BASKET DOCKING STATION	124
FIGURE 3-14. BOOM - TRUSS (3.6TON FORK MOUNTED)	126
FIGURE 3-15. BOOM - TRUSS (7.6 TON)	128
FIGURE 3-16. BUCKET (2.6 YD ³ /2.0M ³)	130
FIGURE 3-17. BUCKET (5.23 YD ³).....	132
FIGURE 3-18. BUCKET - 4 IN 1 (2.6 YD ³ /2.0M ³).....	134
FIGURE 3-19. BUCKET - 4 IN 1 (1.3 YD ³ /1.0M ³).....	136
FIGURE 3-20. BUCKET - GRAPPLE (1.7 YD ³ /1.3M ³)	138
FIGURE 3-21. BUCKET - GRAPPLE (2.6 YD ³ /2.0M ³)	140
FIGURE 3-22. BUCKET - FORK MOUNTED (1.0M ³)	142
FIGURE 3-23. CARRIAGE ASSEMBLY (60IN/1524MM).....	144
FIGURE 3-24. CARRIAGE ASSEMBLY (72IN/1829MM).....	146
FIGURE 3-25. CARRIAGE ASSEMBLY (87IN/2290MM).....	148
FIGURE 3-26. CARRIAGE ASSEMBLY - DUAL FORK POSITIONING CARRIAGE (72IN/1829MM)	150
FIGURE 3-27. CARRIAGE ASSEMBLY - DUAL FORK POSITIONING SIDE SHIFT CARRIAGE (75IN/1899MM)	152
FIGURE 3-28. CARRIAGE ASSEMBLY - LOG HANDLER CARRIAGE	154
FIGURE 3-29. CARRIAGE ASSEMBLY - PIPE HANDLER CARRIAGE.....	158
FIGURE 3-30. CARRIAGE ASSEMBLY - STEEL COIL HANDLER CARRIAGE	162
FIGURE 3-31. CARRIAGE ASSEMBLY - TIRE HANDLER	164
FIGURE 3-32. FORK - PALLET (2.25X6X48)	168
FIGURE 3-33. FORK - PALLET (2.25X6X60)	170
FIGURE 3-34. FORK - PALLET (2.25X6X72)	172
FIGURE 3-35. FORK - PALLET (2.25X6X96)	174
FIGURE 3-36. FORK RETENTION INSTALLATION.....	176
FIGURE 3-37. HOOK - CRANK (7.6 TON)	178
FIGURE 3-38. HOOK ATTACH - FORK MOUNTED.....	180
FIGURE 3-39. LIFTING HOOK (22K).....	182
FIGURE 3-40. HOPPER - TRASH	184
FIGURE 3-41. TELESCOPE PIVOT ADJUSTABLE JIB (10K)	186
FIGURE 3-42. PLATFORM (FORK MOUNTED (4X9.8)	188
FIGURE 3-43. PLATFORM (FORK MOUNTED (4X8 WITH DOORS)	190
FIGURE 3-44. WINCH - COUPLER MOUNTED.....	192
SECTION 4 - ENGINE AND ATTACHING PARTS.....	195
FIGURE 4-1. ENGINE POD COMPONENT INSTALLATION (ULS)	196
FIGURE 4-2. ENGINE POD COMPONENT INSTALLATION (MINING) (ULS).....	198
FIGURE 4-3. ENGINE INSTALLATION (ULS)	200

TABLE OF CONTENTS

FIGURE 4-4. ENGINE (100KW - ULS).....	202
FIGURE 4-5. ENGINE (100KW - LS).....	204
FIGURE 4-6. ENGINE MOUNT INSTALLATION.....	206
FIGURE 4-7. AIR INTAKE INSTALLATION (ULS)	208
FIGURE 4-8. AIR CLEANER INSTALLATION.....	210
FIGURE 4-9. AIR CLEANER ASSEMBLY	212
FIGURE 4-10. AIR INTAKE DUCT INSTALLATION.....	214
FIGURE 4-11. PRIMARY FUEL FILTER INSTALLATION (ULS)	216
FIGURE 4-12. REMOTE FUEL PUMP INSTALLATION.....	218
FIGURE 4-13. FUEL LINES INSTALLATION (ULS).....	220
FIGURE 4-14. HYDROSTATIC ADAPTOR INSTALLATION.....	222
FIGURE 4-15. DUAL DRIVE SUPPORT ASSEMBLY	224
FIGURE 4-16. HYDROSTATIC DRIVE PUMP INSTALLATION.....	226
FIGURE 4-17. HYDROSTATIC DRIVE PUMP ASSEMBLY	228
FIGURE 4-18. IMPLEMENT PUMP INSTALLATION	230
FIGURE 4-19. IMPLEMENT PUMP ASSEMBLY.....	232
FIGURE 4-20. DEF COOLANT LINES INSTALLATION (ULS)	234
FIGURE 4-21. COOLING PACKAGE INSTALLATION (ULS & NO HIGH AMBIENT)	236
FIGURE 4-22. COOLING PACKAGE INSTALLATION (ULS ASOV).....	238
FIGURE 4-23. RADIATOR - COOLING PACKAGE.....	242
FIGURE 4-24. RADIATOR LINES INSTALLATION (ALL EXCEPT ULS & LS ASOV)	244
FIGURE 4-25. RADIATOR LINES INSTALLATION (ULS & LS ASOV).....	246
FIGURE 4-26. COOLANT LINES INSTALLATION.....	248
FIGURE 4-27. SURGE TANK INSTALLATION	250
FIGURE 4-28. TRANSMISION OIL COOLER LINES INSTALLATION.....	252
FIGURE 4-29. FAN GUARD INSTALLATION	254
FIGURE 4-30. FAN GUARD (REVERSING) INSTALLATION	256
FIGURE 4-31. COOLING FAN INSTALLATION.....	258
FIGURE 4-32. COOLING FAN (REVERSING) INSTALLATION	260
FIGURE 4-33. COOLING FAN COVER (REVERSING) INSTALLATION.....	262
FIGURE 4-34. EXHAUST INSTALLATION (ULS)	264
FIGURE 4-35. DEF TANK INSTALLATION.....	266
FIGURE 4-36. DEF TANK ASSEMBLY	268
FIGURE 4-37. DEF LINES INSTALLATION	270
FIGURE 4-38. DEF CONTROL MODULE INSTALLATION.....	272
FIGURE 4-39. HEATER LINES INSTALLATION (ULS)	274
FIGURE 4-40. A/C PUMP INSTALLATION	276
FIGURE 4-41. A/C LINES INSTALLATION	278
FIGURE 4-42. BLOCK HEATER INSTALLATION (115V) (ULS).....	280
FIGURE 4-43. HEATED BREATHER TUBE INSTALLATION	282
FIGURE 4-44. QUICK DRAIN OIL VALVE INSTALLATION.....	284
SECTION 5 - DRIVE TRAIN	287
FIGURE 5-1. DRIVETRAIN INSTALLATION.....	288
FIGURE 5-2. HYDROSTATIC MOTOR INSTALLATION.....	290
FIGURE 5-3. HYDROSTATIC MOTOR ASSEMBLY.....	292

TABLE OF CONTENTS

FIGURE 5-4. GEARBOX INSTALLATION	294
FIGURE 5-5. GEAR BOX.....	296
FIGURE 5-6. DRIVE SHAFT INSTALLATION	300
FIGURE 5-7. FRONT AXLE INSTALLATION.....	302
FIGURE 5-8. FRONT AXLE MOUNTING INSTALLATION	304
FIGURE 5-9. FRONT AXLE	306
FIGURE 5-10. FRONT AXLE, CENTRAL HOUSING.....	308
FIGURE 5-11. FRONT AXLE, DIFFERENTIAL.....	310
FIGURE 5-12. DIFFERENTIAL KIT.....	312
FIGURE 5-13. FRONT AXLE, HUB REDUCTION	314
FIGURE 5-14. FRONT AXLE, BRAKES.....	316
FIGURE 5-15. FRONT AXLE, STEERING.....	318
FIGURE 5-16. FRONT AXLE, TRUNION.....	320
FIGURE 5-17. FRONT AXLE LINES INSTALLATION	322
FIGURE 5-18. REAR AXLE INSTALLATION	324
FIGURE 5-19. REAR AXLE MOUNTING INSTALLATION.....	326
FIGURE 5-20. REAR AXLE, BRAKES	328
FIGURE 5-21. REAR AXLE, STEERING	330
FIGURE 5-22. REAR AXLE	332
FIGURE 5-23. REAR AXLE, CENTRAL HOUSING	334
FIGURE 5-24. REAR AXLE, DIFFERENTIAL	336
FIGURE 5-25. DIFFERENTIAL KIT.....	338
FIGURE 5-26. REAR AXLE, HUB REDUCTION.....	340
FIGURE 5-27. TEERING CASE KIT (LF, RR).....	342
FIGURE 5-28. STEERING CASE KIT (RF, LR)	344
FIGURE 5-29. REAR AXLE, TRUNION	346
FIGURE 5-30. TRUNION KIT.....	348
FIGURE 5-31. RING GEAR SUPPORT KIT.....	350
FIGURE 5-32. REDUCTION BUSHING KIT	352
FIGURE 5-33. PLANET GEAR CARRIER KIT	354
FIGURE 5-34. REAR AXLE LINES INSTALLATION.....	356
FIGURE 5-35. TIRE/WHEEL SET (AIR 17.5-25 - 20 PLY)	358
FIGURE 5-36. TIRE/WHEEL SET (FOAM 17.5-25 - 20 PLY)	360
FIGURE 5-37. TIRE/WHEEL SET (AIR 17.5-25 - 22 PLY)	362
FIGURE 5-38. TIRE/WHEEL SET (AIR 17.5 R25 - RADIAL).....	364
FIGURE 5-39. FENDER INSTALLATION	366
FIGURE 5-40. RH FENDER ASSEMBLY	368
FIGURE 5-41. LH FENDER ASSEMBLY	370
SECTION 6 - CAB	373
FIGURE 6-1. CAB MOUNTING INSTALLATION	374
FIGURE 6-2. FRONT CAB MOUNT BRACKET INSTALLATION	376
FIGURE 6-3. CAB MOUNTS INSTALLATION	378
FIGURE 6-4. CAB COMPONENTS INSTALLATION	380
FIGURE 6-5. CAB INSTALLATION.....	382
FIGURE 6-6. CAB ASSEMBLY.....	384

TABLE OF CONTENTS

FIGURE 6-7. DOOR INSTALLATION.....	386
FIGURE 6-8. DOOR ASSEMBLY.....	388
FIGURE 6-9. CAB DOOR.....	390
FIGURE 6-10. DOOR UPPER GLASS ASSEMBLY.....	392
FIGURE 6-11. CAB LATCH ASSEMBLY.....	394
FIGURE 6-12. CAB DOOR TRIGGER ASSEMBLY.....	396
FIGURE 6-13. DOOR STRAP INSTALLATION.....	398
FIGURE 6-14. CAB PLUG GROUP.....	400
FIGURE 6-15. REAR WINDOW INSTALLATION.....	402
FIGURE 6-16. REAR WINDOW GROUP.....	404
FIGURE 6-17. BASIC MIRROR INSTALLATION.....	406
FIGURE 6-18. FRONT COVER INSTALLATION.....	408
FIGURE 6-19. FRONT DUCT COVER.....	410
FIGURE 6-20. FILTER TRAY PANEL.....	412
FIGURE 6-21. FRONT WIPER INSTALLATION.....	414
FIGURE 6-22. LEVEL INDICATOR INSTALLATION.....	416
FIGURE 6-23. REAR WINDOW EXIT DECAL INSTALLATION.....	418
FIGURE 6-24. REAR WIPER INSTALLATION (Prior to SN 0160130025, Excluding 0160130024).....	420
FIGURE 6-25. REAR WIPER INSTALLATION (SN 0160130470 to Present, Including 0160130024).....	422
FIGURE 6-26. WASHER TANK INSTALLATION.....	424
FIGURE 6-27. WASHER BOTTLE.....	426
FIGURE 6-28. A/C RECEIVER DRIER.....	428
FIGURE 6-29. CONDENSER.....	430
FIGURE 6-30. CAB GUARD INSTALLATION (FRONT).....	432
FIGURE 6-31. CAB GUARD INSTALLATION (TOP AND FRONT).....	434
FIGURE 6-32. CAB GUARD INSTALLATION (TOP).....	436
FIGURE 6-33. CAB TRIM INSTALLATION.....	438
FIGURE 6-34. ADJUSTABLE ARMREST INSTALLTION.....	442
FIGURE 6-35. ARMREST.....	444
FIGURE 6-36. FIXED ARMREST BRACKET.....	446
FIGURE 6-37. MOVING ARMREST BRACKET.....	448
FIGURE 6-38. DASH COVER ASSEMBLY.....	450
FIGURE 6-39. REAR PANEL COVER ASSEMBLY.....	452
FIGURE 6-40. ENCLOSED CAB FRONT COVER INSTALLATION.....	454
FIGURE 6-41. FIRE EXTINGUISHER INSTALLATION.....	456
FIGURE 6-42. FLOOR MAT INSTALLATION.....	458
FIGURE 6-43. HEADLINER INSTALLATION.....	460
FIGURE 6-44. HEADLINER/RADIO READY PACKAGE INSTALLATION.....	462
FIGURE 6-45. HEATER AND A/C INSTALLATION (CAB PARTS).....	464
FIGURE 6-46. CAB CONDENSER ASSEMBLY.....	468
FIGURE 6-47. HEATER AND A/C ASSEMBLY.....	470
FIGURE 6-48. HEATER AND A/C ASSEMBLY.....	472
FIGURE 6-49. HEATER INSTALLATION.....	474
FIGURE 6-50. HEATER ASSEMBLY.....	476
FIGURE 6-51. CAB HEATER ASSEMBLY.....	478

TABLE OF CONTENTS

FIGURE 6-52. INTERNAL MIRROR INSTALLATION.....	480
FIGURE 6-53. INTERIOR MIRROR ASSEMBLY.....	482
FIGURE 6-54. MULTIFUNCTION DISPLAY INSTALLATION.....	484
FIGURE 6-55. REAR WINDOW RELEASE INSTALLATION (ANSI - ENGLISH)	486
FIGURE 6-56. REAR WINDOW RELEASE INSTALLATION (ENGLISH/FREMCH).....	488
FIGURE 6-57. REAR WINDOW RELEASE INSTALLATION (ISO)	490
FIGURE 6-58. RETRACTABLE SUNSCREEN INSTALLATION.....	492
FIGURE 6-59. ROOF CAP INSTALLATION (A/C).....	494
FIGURE 6-60. ROOF CAP INSTALLATION (NO A/C).....	496
FIGURE 6-61. ROOF WIPER INSTALLATION	498
FIGURE 6-62. SEAT INSTALLATION (CLOTH)	500
FIGURE 6-63. SEAT ASSEMBLY	502
FIGURE 6-64. SEAT ASSEMBLY (SN 0160119846 to Present, Including 0160119843)	504
FIGURE 6-65. SEAT INSTALLATION (AIR SUSPENSION - STANDARD)	506
FIGURE 6-66. SEAT ASSEMBLY (AIR SUSPENSION - STANDARD)	508
FIGURE 6-67. UPPER SEAT ASSEMBLY.....	510
FIGURE 6-68. SUSPENSION KIT	512
FIGURE 6-69. SEAT INSTALLATION (AIR SUSPENSION - PREMIUM).....	514
FIGURE 6-70. SEAT INSTALLATION (CLOTH) (SEAOP).....	516
FIGURE 6-71. SEAT ASSEMBLY (AIR SUSPENSION - PREMIUM)	518
FIGURE 6-72. SEAT BELT INSTALLATION (2IN).....	520
FIGURE 6-73. SEAT BELT INSTALLATION (3IN).....	522
SECTION 7 - CONTROLS.....	525
FIGURE 7-1. ACCELERATOR PEDAL INSTALLATION.....	526
FIGURE 7-2. ACCELERATOR PEDAL	528
FIGURE 7-3. BRAKE PEDAL INSTALLATION	530
FIGURE 7-4. BRAKE PEDAL ASSEMBLY	532
FIGURE 7-5. BRAKE SENSOR INSTALLATION.....	534
FIGURE 7-6. SWITCH PLATE ASSEMBLY.....	536
FIGURE 7-7. PARK BRAKE INSTALLATION	538
FIGURE 7-8. TILT STEERING COLUMN INSTALLATION	540
FIGURE 7-9. TILT STEERING COLUMN	542
FIGURE 7-10. COLUMN SHIFT INSTALLATION (2 SPEED).....	544
FIGURE 7-11. COLUMN SHIFT INSTALLATION (0 SPEED).....	546
FIGURE 7-12. STEERING WHEEL INSTALLATION	548
FIGURE 7-13. STEERING WHEEL.....	550
FIGURE 7-14. HORN BUTTON INSTALLATION.....	552
FIGURE 7-15. JOYSTICK INSTALLATION (2 SPEED)	554
FIGURE 7-16. JOYSTICK INSTALLATION.....	556
FIGURE 7-17. WIPER-TURN SWITCH INSTALLATION	558
SECTION 8 - HYDRAULIC CIRCUITS	561
FIGURE 8-1. MAIN HYDRAULIC INSTALLATION.....	562
FIGURE 8-2. BOOM HYDRAULIC LINES INSTALLATION	564
FIGURE 8-3. BOOM HYDRAULIC INSTALLATION (1732)	566

TABLE OF CONTENTS

FIGURE 8-4. BOOM HYDRAULIC INSTALLATION (8010).....	568
FIGURE 8-5. BOOM AUX HYDRAULIC INSTALLATION (MANUAL - SINGLE)	570
FIGURE 8-6. BOOM AUX HYDRAULIC INSTALLATION (MANUAL - TWIN)	572
FIGURE 8-7. BOOM AUX DIVERTER VALVE/FITINGS ASSEMBLY (MANUAL - TWIN)	574
FIGURE 8-8. BOOM AUX HYDRAULIC INSTALLATION (HYDRAULIC - SINGLE)	576
FIGURE 8-9. BOOM AUX DIVERTER VALVE/FITINGS ASSEMBLY (HYDRAULIC - SINGLE)	578
FIGURE 8-10. BOOM AUX HYDRAULIC INSTALLATION (HYDRAULIC - TWIN)	580
FIGURE 8-11. BOOM AUX DIVERTER VALVE/FITINGS ASSEMBLY (HYDRAULIC - TWIN)	582
FIGURE 8-12. BOOM EXTEND/RETRACT COUNTERBALANCE VALVE INSTALLATION.....	584
FIGURE 8-13. BOOM RAISE HOSE INSTALLATION (NO RIDE CONTROL)	586
FIGURE 8-14. BOOM RAISE COUNTERBALANCE VALVE/FITTINGS ASSEMBLY (NO RIDE CONTROL)	588
FIGURE 8-15. BOOM RAISE HOSE INSTALLATION (RIDE CONTROL)	590
FIGURE 8-16. BOOM RAISE RIDE & FLOAT VALVE/FITTING ASSEMBLY (RIDE CONTROL)	592
FIGURE 8-17. CAB HYDRUALIC INSTALLATION.....	594
FIGURE 8-18. CAB HYDRUALICS CHECK VALVE INSTALLATION	596
FIGURE 8-19. CAB HYDRAULICS SOLENOID INSTALLATION.....	598
FIGURE 8-20. CAB HYDRAULICS SOLENOID FITTINGS INSTALLATION	600
FIGURE 8-21. CHARGE FILTER LINES INSTALLATION.....	602
FIGURE 8-22. CHARGE FILTER INSTALLATION	604
FIGURE 8-23. CHARGE FILTER ASSEMBLY	606
FIGURE 8-24. ENGINE BAY HYDRAULIC INSTALLATION	608
FIGURE 8-25. ENGINE BAY INCHING VALVE INSTALLATION	610
FIGURE 8-26. ENGINE BAY INCHING VALVE/FITINGS ASSEMBLY	612
FIGURE 8-27. FRAME HYDRAULIC INSTALLATION	614
FIGURE 8-28. FRAME MANIFOLD INSTALLATION.....	616
FIGURE 8-29. FRAME MANIFOLD/FITTINGS ASSEMBLY	618
FIGURE 8-30. FRAME LEVEL INSTALLATION.....	620
FIGURE 8-31. FRAME LEVEL CYLINDER INSTALLATION.....	622
FIGURE 8-32. FRAME LEVEL COUNTERBALANCE VALVE/FITTINGS ASSEMBLY	624
FIGURE 8-33. FRAME LEVEL CONTROL VALVE INSTALLATION.....	626
FIGURE 8-34. FRAME LEVEL CONTROL VALVE/FITTINGS ASSEMBLY	628
FIGURE 8-35. MAIN CONTROL VALVE INSTALLATION.....	630
FIGURE 8-36. MAIN CONTROL VALVE/FITTINGS ASSEMBLY	632
FIGURE 8-37. MANUAL PUMP (LIFT/TELE) INSTALLATION - REMOTE CONTROL EMERGENCY LOWERING	634
FIGURE 8-38. VALVE & FITTING ASSEMBLY - MANUAL LIFT/TELE.....	636
FIGURE 8-39. VALVE ASSEMBLY - MANUAL LIFT/TELE.....	638
FIGURE 8-40. PRIORITY VALVE INSTALLATION	640
FIGURE 8-41. PRIORITY VALVE/FITTINGS ASSEMBLY	642
FIGURE 8-42. REMOTE GREASE FITTINGS INSTALLAATION (1732)	644
FIGURE 8-43. SPEED CONTROL VALVE INSTALLATION	646
FIGURE 8-44. SPEED CONTROL VALVE/FITTINGS ASSEMBLY	648
FIGURE 8-45. STEERING SELECT VALVE INSTALLATION.....	650
FIGURE 8-46. STEERING SELECT VALVE/FITTINGS ASSEMBLY	652
SECTION 9 - HYDRAULIC COMPONENTS.....	655
FIGURE 9-1. EXTEND/RETRACT CYLINDER INSTALLATION	656

TABLE OF CONTENTS

FIGURE 9-2. CYLINDER INSTALLATION - BOOM LIFT & COMPENSATION CYLINDER	658
FIGURE 9-3. CYLINDER INSTALLATION - BOOM LIFT.....	660
FIGURE 9-4. CYLINDER ASSEMBLY - BOOM LIFT.....	662
FIGURE 9-5. CYLINDER INSTALLATION - COMPENSATION CYLINDER.....	664
FIGURE 9-6. CYLINDER ASSEMBLY - BOOM COMPENSATION	666
FIGURE 9-7. CYLINDER INSTALLATION - BOOM EXTEND/RETRACT CYLINDER.....	668
FIGURE 9-8. CYLINDER ASSEMBLY - BOOM EXTEND/RETRACT CYLINDER.....	670
FIGURE 9-9. CYLINDER ASSEMBLY - BOOM TILT.....	672
FIGURE 9-10. CYLINDER ASSEMBLY - BUCKET (4 IN 1 BUCKET).....	674
FIGURE 9-11. CYLINDER ASSEMBLY - BUCKET (GRAPPLE BUCKET).....	676
FIGURE 9-12. CYLINDER ASSEMBLY - CARRIAGE (LOG HANDLER CYLINDER)	678
FIGURE 9-13. CYLINDER ASSEMBLY - COUPLER LOCKING.....	680
FIGURE 9-14. CYLINDER ASSEMBLY - EXTEND/RETRACT.....	682
FIGURE 9-15. CYLINDER ASSEMBLY - FORK POSITIONING.....	684
FIGURE 9-16. CYLINDER INSTALLATION - FORK POSITIONING SIDE SHIFT	686
FIGURE 9-17. CYLINDER ASSEMBLY - FRAME LEVEL	688
FIGURE 9-18. CYLINDER ASSEMBLY - PIPE HANDLER CARRIAGE (UPPER)	690
FIGURE 9-19. CYLINDER ASSEMBLY - PIPE HANDLER CARRIAGE (LOWER).....	692
FIGURE 9-20. MOTOR ASSEMBLY - HYDROSTATIC	694
FIGURE 9-21. PUMP ASSEMBLY - HYDROSTATIC	696
FIGURE 9-22. PUMP ASSEMBLY - IMPLEMENT.....	698
FIGURE 9-23. VALVE ASSEMBLY - BOOM AUX DIVERTER VALVE (HYDRAULIC - SINGLE & TWIN).....	700
FIGURE 9-24. VALVE ASSEMBLY - BOOM AUX DIVERTER VALVE (MANUAL & HYDRAULIC -TWIN).....	702
FIGURE 9-25. VALVE ASSEMBLY - BOOM EXTEND/RETRACT COUNTERBALANCE VALVE	704
FIGURE 9-26. VALVE ASSEMBLY - BOOM RAISE COUNTERBALANCE VALVE (NO RIDE CONTROL)	706
FIGURE 9-27. VALVE ASSEMBLY - BOOM RAISE RIDE & FLOAT VALVE (RIDE CONTROL).....	708
FIGURE 9-28. VALVE ASSEMBLY - BUCKET (5.23 YD ³ /4.0M ³)	710
FIGURE 9-29. VALVE ASSEMBLY - CAB HYDRAULICS CHECK VALVE	712
FIGURE 9-30. VALVE ASSEMBLY - CAB HYDRAULICS SOLENOID VALVE	714
FIGURE 9-31. VALVE ASSEMBLY - ENGINE BAY INCHING VALVE	716
FIGURE 9-32. VALVE ASSEMBLY - FRAME LEVEL CONTROL	718
FIGURE 9-33. VALVE ASSEMBLY - FRAME LEVEL COUNTERBALANCE.....	720
FIGURE 9-34. VALVE ASSEMBLY - MAIN CONTROL	722
FIGURE 9-35. VALVE ASSEMBLY - PRIORITY VALVE	724
FIGURE 9-36. VALVE ASSEMBLY - RADIATOR HOSE SHUT-OFF VALVE	726
FIGURE 9-37. VALVE ASSEMBLY - RADIATOR HOSE ASO VALVE	728
FIGURE 9-38. VALVE ASSEMBLY - SPEED CONTROL.....	730
FIGURE 9-39. VALVE ASSEMBLY - STEER.....	732
FIGURE 9-40. VALVE ASSEMBLY - STEERING SELECT VALVE	734
SECTION 10 - ELECTRICAL.....	737
FIGURE 10-1. MAIN ELECTRICAL INSTALLATION (ULS).....	738
FIGURE 10-2. MAIN ELECTRICAL INSTALLATION (LS)	740
FIGURE 10-3. MAIN ELECTRICAL INSTALLATION, MINING (ULS).....	742
FIGURE 10-4. MAIN ELECTRICAL INSTALLATION, MINING (LS)	744
FIGURE 10-5. ALARM INSTALLATION - BACK UP.....	746

TABLE OF CONTENTS

FIGURE 10-6. ALARM INSTALLATION (BACK UP - WHITE NOISE)	748
FIGURE 10-7. BATTERY INSTALLATION	750
FIGURE 10-8. BATTERY (DUAL) INSTALLATION	752
FIGURE 10-9. BATTERY (ARCTIC) PACKAGE INSTALLATION (115V)	754
FIGURE 10-10. BATTERIES (ARCTIC) INSTALLATION (115V)	756
FIGURE 10-11. BATTERY (ARCTIC) PACKAGE INSTALLATION (240V)	758
FIGURE 10-12. BATTERIES (ARCTIC) INSTALLATION (240V)	760
FIGURE 10-13. BOOM HARNESS INSTALLATION	762
FIGURE 10-14. BOOM HARNESS.....	764
FIGURE 10-15. BOOM HARNESS INSTALLATION	766
FIGURE 10-16. BOOM HARNESS.....	768
FIGURE 10-17. BOOM ANGLE SENSOR INSTALLATION (NO LMIS)	770
FIGURE 10-18. BOOM AUX HARNESS INSTALLATION	772
FIGURE 10-19. BOOM AUX HARNESS	774
FIGURE 10-20. BOOM RETRACT SENSOR INSTALLATION.....	776
FIGURE 10-21. BOOM RETRACT PROXIMITY SENSOR HARNESS	778
FIGURE 10-22. CAB ELECTRICAL INSTALLATION.....	780
FIGURE 10-23. CAB HARNESS	782
FIGURE 10-24. CAB - STANDARD ELECTRICAL BOARD ASSEMBLY.....	790
FIGURE 10-25. CAB - OPTION 1 ELECTRICAL BOARD ASSEMBLY.....	792
FIGURE 10-26. CAB - OPTION 2 ELECTRICAL BOARD ASSEMBLY.....	794
FIGURE 10-27. CAB OPTION HARNESS.....	796
FIGURE 10-28. CAB - A/C OPTION HARNESS	798
FIGURE 10-29. CAB - DASH ELECTRICAL INSTALLATION (1732).....	800
FIGURE 10-30. CAB - DASH ELECTRICAL INSTALLATION (8010).....	802
FIGURE 10-31. CAB - DASH ELECTRICAL INSTALLATION (LRC).....	804
FIGURE 10-32. CAB - IGNITION SWITCH HARNESS	806
FIGURE 10-33. CAB - LIGHT SWITCH INSTALLATION	808
FIGURE 10-34. CAB - SEAT ADAPTOR HARNESS.....	810
FIGURE 10-35. CAB - EXTERNAL EMERGENCY STOP INSTALLATION	812
FIGURE 10-36. CAB SEAT BELT ALARM HARNESS.....	814
FIGURE 10-37. CLEARSKY INSTALLATION	816
FIGURE 10-38. CLEARSKY HARNESS.....	818
FIGURE 10-39. ENGINE - ENGINE BAY ELECTRICAL INSTALLATION (ULS)	820
FIGURE 10-40. ENGINE - ENGINE BAY ELECTRICAL INSTALLATION (LS)	822
FIGURE 10-41. ENGINE - ENGINE POD ELECTRICAL INSTALLATION (ULS).....	824
FIGURE 10-42. ENGINE - ENGINE POD ELECTRICAL INSTALLATION (LS)	826
FIGURE 10-43. ENGINE - DEF PURGE LIGHT HARNESS	828
FIGURE 10-44. ENGINE - FAN (REVERSE COOLING) INSTALLATION.....	830
FIGURE 10-45. ENGINE - FAN (REVERSE COOLING) HARNESS.....	832
FIGURE 10-46. ENGINE WIRING INSTALLATION (ULS)	834
FIGURE 10-47. ENGINE WIRING INSTALLATION (LS).....	836
FIGURE 10-48. ENGINE WIRING INSTALLATION (MINING) (ULS).....	838
FIGURE 10-49. ENGINE WIRING INSTALLATION (MINING)(LS).....	840
FIGURE 10-50. ENGINE HARNESS MINING	842

TABLE OF CONTENTS

FIGURE 10-51. ENGINE HARNESS (ULS)	846
FIGURE 10-52. ENGINE HARNESS (MINING) (ULS)	852
FIGURE 10-53. ENGINE - FUEL PUMP HARNESS	858
FIGURE 10-54. ENGINE - FUEL PUMP HARNESS (MINING) (ULS)	860
FIGURE 10-55. ENGINE HARNESS.....	862
FIGURE 10-56. ENGINE - GLOW PLUG RELAY HARNESS	866
FIGURE 10-57. ENGINE - GLOW PLUG RELAY HARNESS (MINING) (ULS)	868
FIGURE 10-58. ENGINE ECU INSTALLATION.....	870
FIGURE 10-59. ENGINE - AIR SHUTOFF VALVE HARNESS	872
FIGURE 10-60. ENGINE - AIR SHUT OFF VALVE HARNESS (ENGINE)	874
FIGURE 10-61. ECM POWER CABLE	878
FIGURE 10-62. FRAME ELECTRICAL INSTALLATION.....	880
FIGURE 10-63. FRAME - POWER DISTRIBUTION ELECTRICAL BOX.....	882
FIGURE 10-64. FRAME - REAR FRAME MODULE INSTALLATION.....	884
FIGURE 10-65. FRAME WIRING INSTALLATION	886
FIGURE 10-66. FRAME WIRING INSTALLATION, MINING (ULS)	888
FIGURE 10-67. FRAME - FRONT FRAME HARNESS.....	890
FIGURE 10-68. FRAME - FRONT FRAME HARNESS, MINING.....	896
FIGURE 10-69. FRAME - REAR FRAME HARNESS	902
FIGURE 10-70. FRAME - REAR FRAME HARNESS, MINING	906
FIGURE 10-71. HVAC ACTUATOR HARNESS.....	910
FIGURE 10-72. LICENSE LIGHT HARNESS	912
FIGURE 10-73. LIGHTS - BOOM WORK LIGHTS (LED)	914
FIGURE 10-74. LIGHTS - BOOM WORK LIGHT INSTALLATION (LED)	916
FIGURE 10-75. LIGHTS - BOOM WORKLIGHTS HARNESS	918
FIGURE 10-76. LIGHTS - CAB WORK LIGHTS INSTALLATION (NO A/C) (LED).....	920
FIGURE 10-77. LIGHTS - CAB WORK LIGHTS INSTALLATION (A/C) (LED)	922
FIGURE 10-78. LIGHTS - DRIVING LIGHT INSTALLATION (RH DIP)	924
FIGURE 10-79. LIGHTS - DRIVING LIGHT BRACKET ASSEMBLY	926
FIGURE 10-80. LIGHTS - DRIVING HEADLIGHT HARNESS.....	928
FIGURE 10-81. LIGHTS - DRIVING LIGHT INSTALLATION (LED) (RH DIP).....	930
FIGURE 10-82. LIGHTS - DRIVING LIGHT INSTALLATION (LED) LH DIP).....	932
FIGURE 10-83. LIGHTS - LICENSE PLATE LIGHT INSTALLATION (8010 ONLY).....	934
FIGURE 10-84. LMIS CONTROL PACKAGE INSTALLATION	936
FIGURE 10-85. LMIS TILT SENSOR INSTALLATION	938
FIGURE 10-86. LMIS - PLATFORM READY HARNESS	940
FIGURE 10-87. LMIS WIRING INSTALLATION	942
FIGURE 10-88. LMIS CHASSIS OPTION HARNESS.....	944
FIGURE 10-89. LMIS BOOM HARNESS.....	948
FIGURE 10-90. LMIS CONTROLLER INSTALLATION	950
FIGURE 10-91. LMIS CABLE REEL INSTALLATION.....	952
FIGURE 10-92. LMIS INSTALLATION (HIGH END DISPLAY).....	954
FIGURE 10-93. LMIS BOOM ANGLE SENSOR INSTALLATION.....	956
FIGURE 10-94. LMIS BEACON LIGHT INSTALLATION	958
FIGURE 10-95. LMIS BEACON OPTION HARNESS	960

TABLE OF CONTENTS

FIGURE 10-96. LSI INSTALLATION	962
FIGURE 10-97. LSI DISPLAY INSTALLATION	964
FIGURE 10-98. LSI SENSOR INSTALLATION	966
FIGURE 10-99. RALP PLATFORM HARNESS	968
FIGURE 10-100. REMOTE CONTROL (BOOM)	970
FIGURE 10-101. REMOTE CONTROL EMERGENCY STOP SWITCH INSTALLATION	972
FIGURE 10-102. REMOTE CONTROL KEY HARNESS	974
FIGURE 10-103. REMOTE CONTROL POWER HARNESS	976
FIGURE 10-104. REMOTE CONTROL EMERGENCY LOWERING HARNESS	978
FIGURE 10-105. REVERSE CAMERA INSTALLATION	980
FIGURE 10-106. MULTI VIEW CAMERA INSTALLATION	982
FIGURE 10-107. REVERSE SENSOR INSTALLATION	984
FIGURE 10-108. REVERSE SENSOR HARNESS	986
FIGURE 10-109. RIDE CONTROL WIRING INSTALLATION	988
FIGURE 10-110. RIDE CONTROL HARNESS (BOOM)	990
FIGURE 10-111. SPEED HARNESS (VEHICLE SPEED)	992
FIGURE 10-112. TANK HEATER INSTALLATION - HYDRAULIC TANK (115V)	994
FIGURE 10-113. TANK HEATER INSTALLATION - HYDRAULIC TANK (240V)	996
FIGURE 10-114. TELEMATICS GATEWAY INSTALLATION	998
FIGURE 10-115. TELEMATICS GATWAY PLUS	1000
FIGURE 10-116. TELEMATICS GATEWAY HARNESS	1002
FIGURE 10-117. TELEMATICS READY INSTALLATION	1004
FIGURE 10-118. TELEMATICS READY HARNESS	1006
SECTION 11 - DECALS	1009
FIGURE 11-1. DECAL INSTALLATION 1732	1010
FIGURE 11-2. DECAL INSTALLATION 8010	1012
FIGURE 11-3. DECAL INSTALLATION (ENGLISH)	1014
FIGURE 11-4. DECAL INSTALLATION (ENGLISH/FRENCH)	1018
FIGURE 11-5. DECAL INSTALLATION (ISO) (ULS)	1022
FIGURE 11-6. DECAL INSTALLATION (ISO) (LS)	1026
FIGURE 11-7. DECAL INSTALLATION (AUSTRALIAN)	1030
FIGURE 11-8. DECAL INSTALLATION (RUSSIAN CIS)	1034
FIGURE 11-9. CAPACITY CHART (1732)	1038
FIGURE 11-10. CAPACITY CHART (8010)	1040
FIGURE 11-11. CAPACITY CHART - REMOTE BOOM CONTROL (1732)	1042
FIGURE 11-12. CAPACITY CHART - REMOTE BOOM CONTROL (8010)	1044
FIGURE 11-13. CAPACITY CHART HOLDER INSTALLATION	1046
FIGURE 11-14. CLEARSKY DECAL INSTALLATION	1048
FIGURE 11-15. REVERSE SENSOR SYSTEM DECAL (ENGLISH)	1050
FIGURE 11-16. REVERSE SENSING SYSTEM DECAL (ENGLISH/FRENCH)	1052
FIGURE 11-17. REVERSE SENSOR SYSTEM DECAL (ISO)	1054
SECTION 12 - RECOMMENDED SERVICE PARTS STOCK	1057
FIGURE 12-1. RECOMMENDED SERVICE PARTS STOCK	1058
SECTION 13 - SPECIAL OPTIONS/ACCESSORIES/KITS	1061

TABLE OF CONTENTS

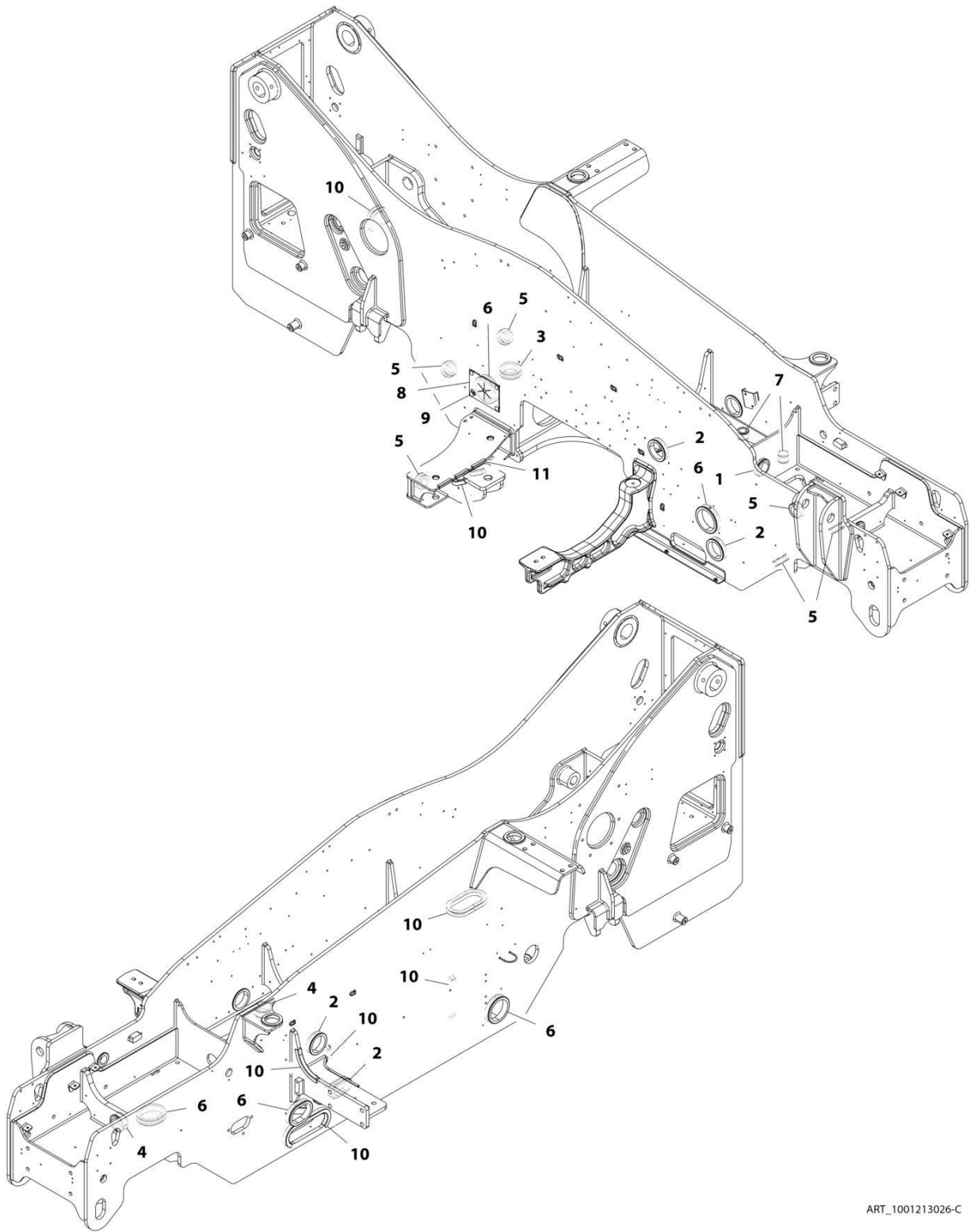
FIGURE 13-1. SPECIAL OPTIONS/ACCESSORIES/KITS.....	1062
PART NUMBER INDEX.....	1065

SECTION 1 - FRAME AND ATTACHING PARTS

SECTION 1 - FRAME AND ATTACHING PARTS

SECTION 1 - FRAME AND ATTACHING PARTS

FIGURE 1-1. GROMMETS INSTALLATION



ART_1001213026-C

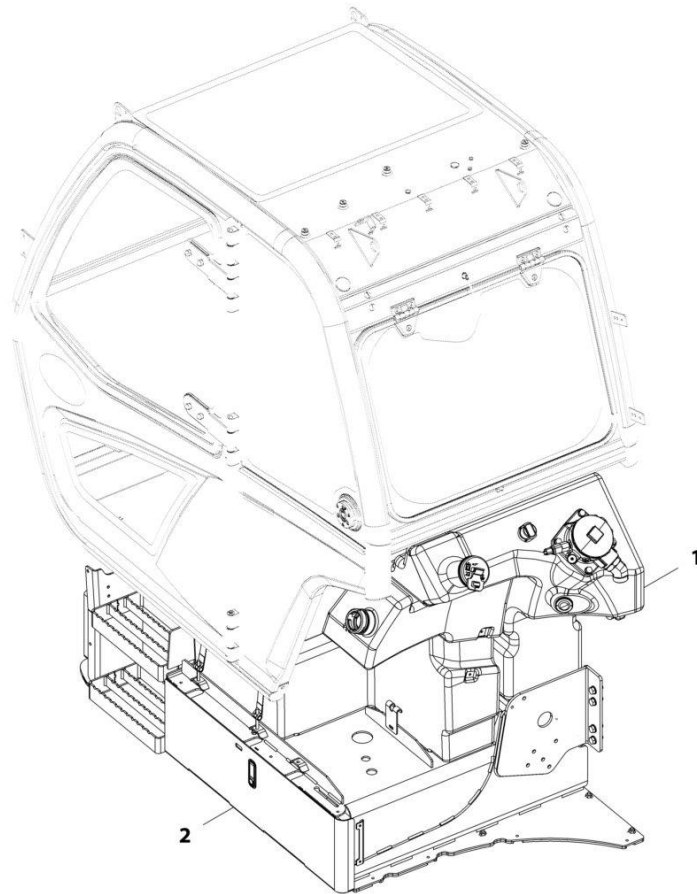
SECTION 1 - FRAME AND ATTACHING PARTS

FIGURE 1-1. GROMMETS INSTALLATION

ITEM	PART NUMBER	QTY	DESCRIPTION	REV
	1001213026	Ref	Grommets Installation	C
1	1001009018	1	Grommet	
2	1001028264	4	Grommet	
3	1001028291	1	Grommet	
4	1001028306	2	Grommet	
5	1001028308	6	Grommet	
6	1001028377	5	Grommet	
7	1001028400	2	Grommet	
8	1001175347	1	Grommet	
9	1001180306	4	Screw	
10	4060919	2030 mm	Trim,Hose Protection	
11	90206202	270 mm	Trim Lock	

SECTION 1 - FRAME AND ATTACHING PARTS

FIGURE 1-2. TANKS INSTALLATION (STANDARD)



ART_1001185927-C

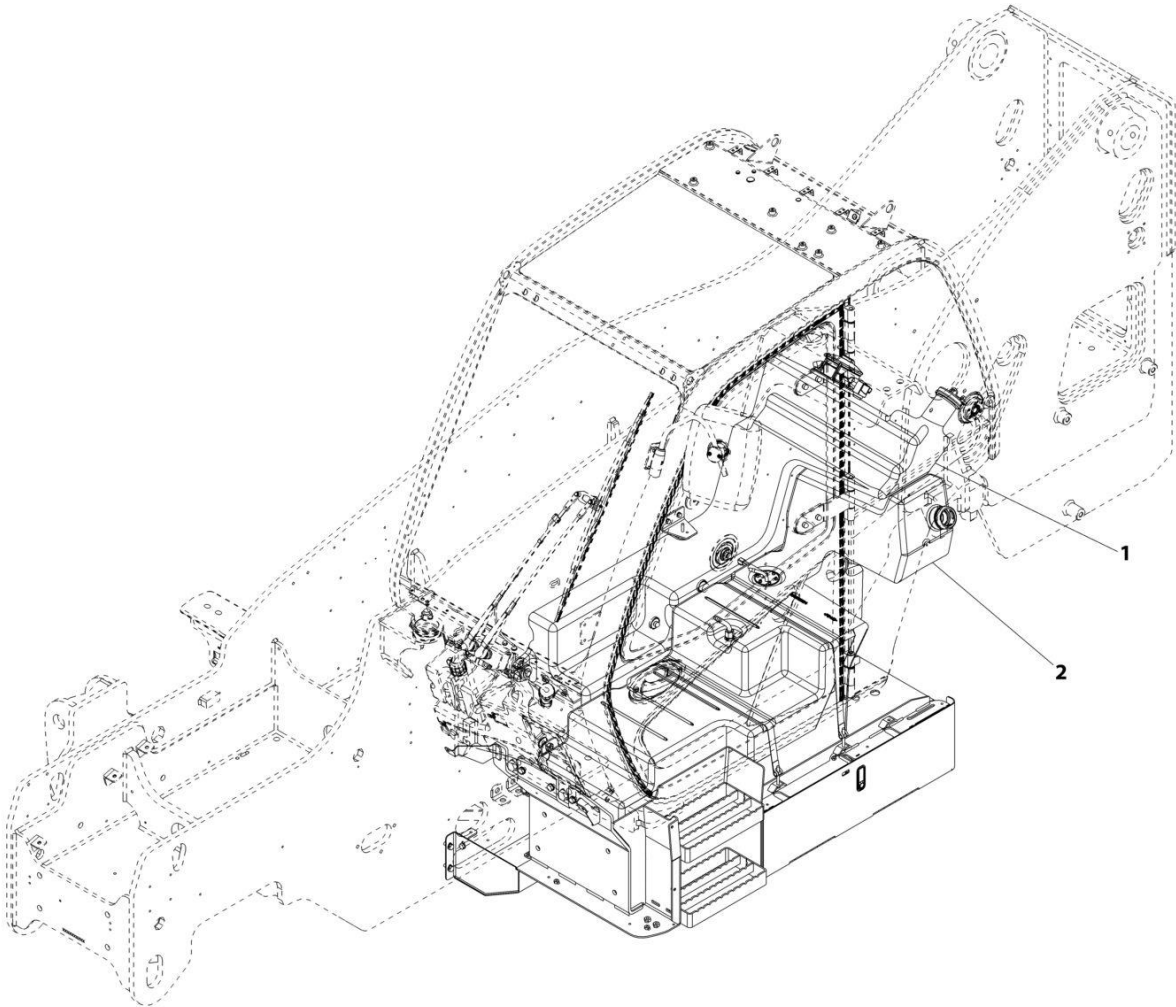
SECTION 1 - FRAME AND ATTACHING PARTS

FIGURE 1-2. TANKS INSTALLATION (STANDARD)

ITEM	PART NUMBER	QTY	DESCRIPTION	REV
1	1001185927	Ref	Tank Installation	C
	1001179850	Ref	Installation, Hydraulic Tank (See Separate Breakdown in this Section)	
2	1001185929	Ref	Installation, Fuel Tank (See Separate Breakdown in this Section)	

SECTION 1 - FRAME AND ATTACHING PARTS

FIGURE 1-3. TANKS INSTALLATION (TUV)



ART_1001223705-A

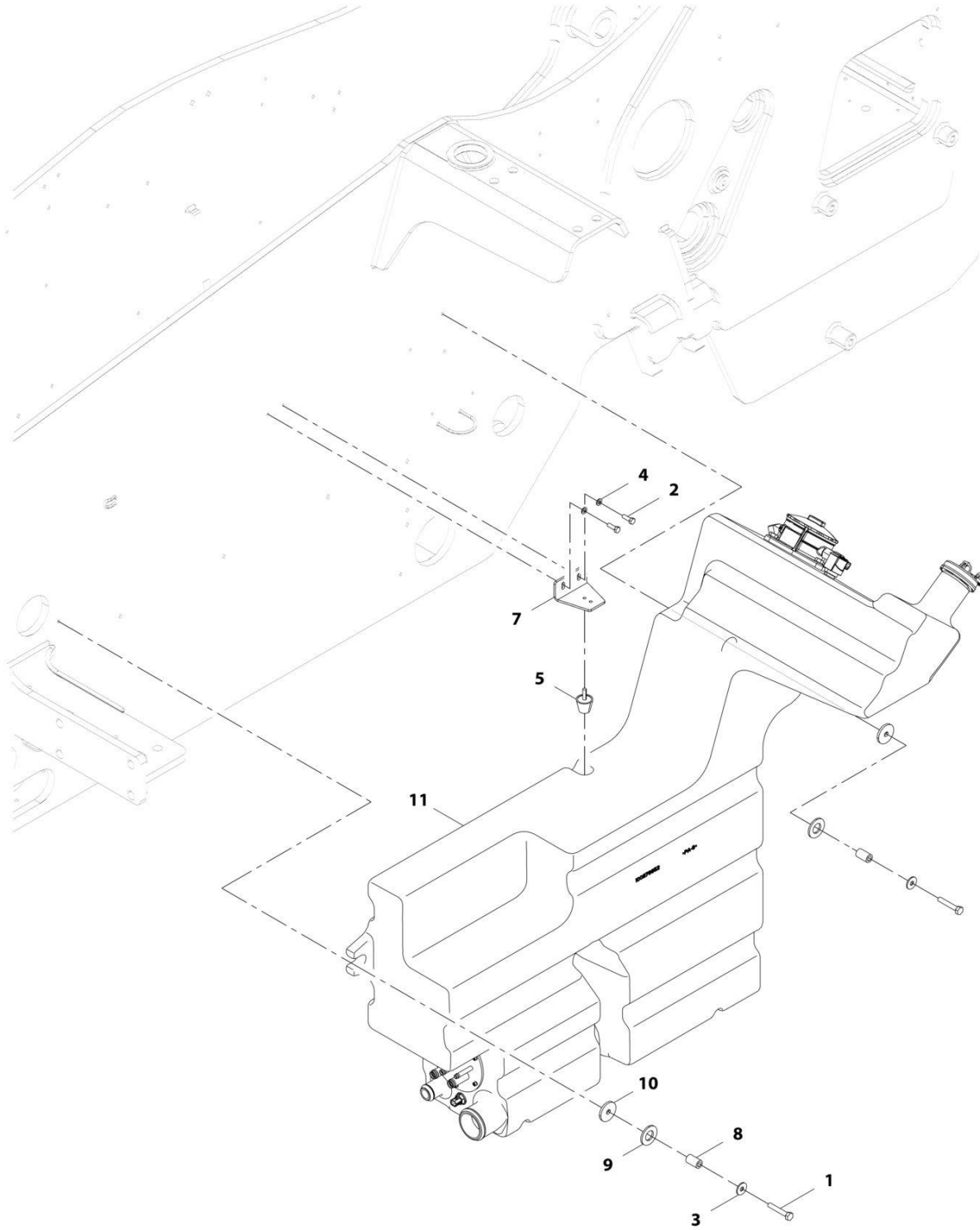
SECTION 1 - FRAME AND ATTACHING PARTS

FIGURE 1-3. TANKS INSTALLATION (TUV)

ITEM	PART NUMBER	QTY	DESCRIPTION	REV
1	1001223705	Ref	Tank Installation (TUV)	A
	1001179850	Ref	Installation, Hydraulic Tank (See Separate Breakdown in this Section)	
2	1001223706	Ref	Installation, Fuel Tank (TUV) (See Separate Breakdown in this Section)	

SECTION 1 - FRAME AND ATTACHING PARTS

FIGURE 1-4. HYDRAULIC TANK INSTALLATION



ART_1001179850-C

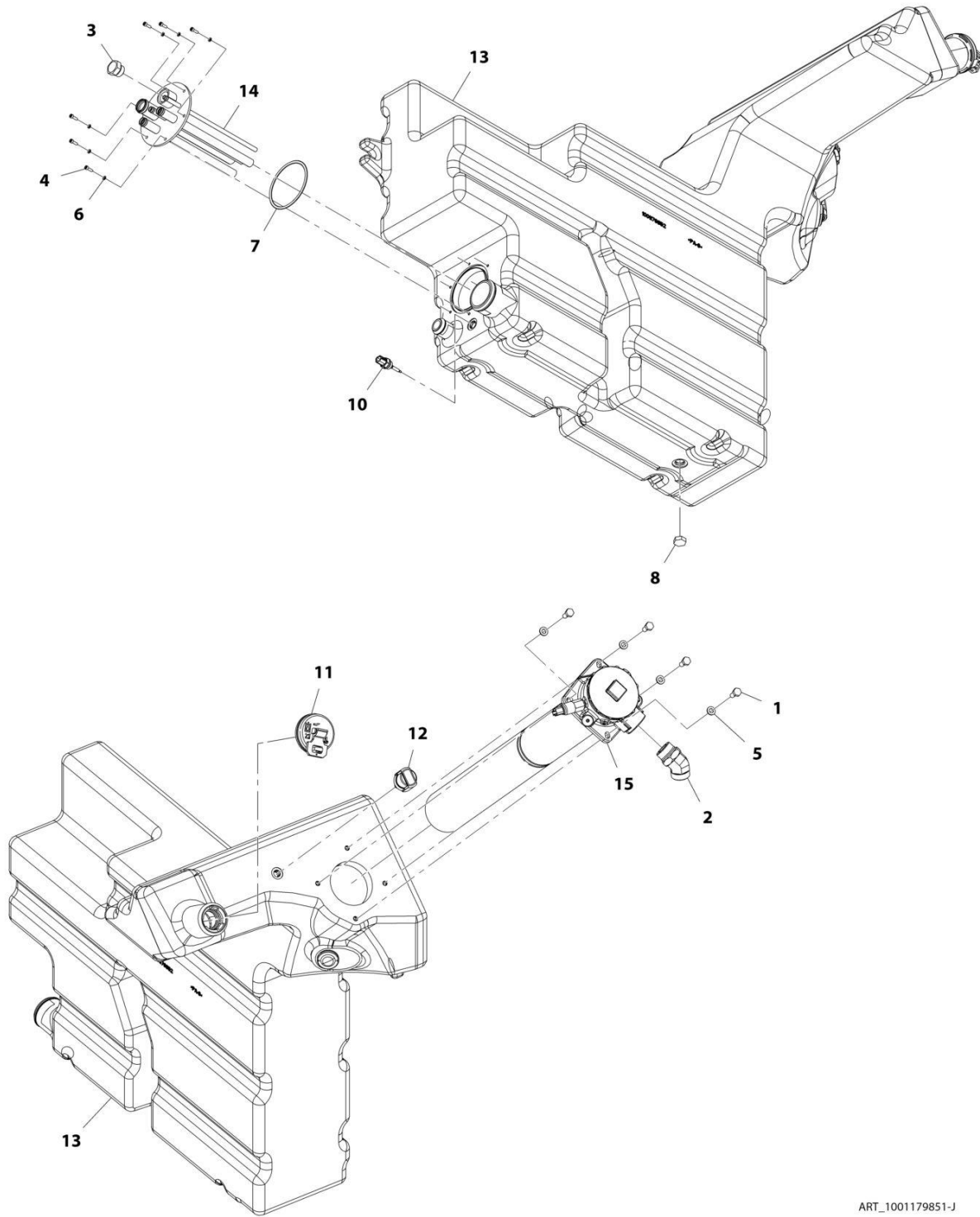
SECTION 1 - FRAME AND ATTACHING PARTS

FIGURE 1-4. HYDRAULIC TANK INSTALLATION

ITEM	PART NUMBER	QTY	DESCRIPTION	REV
	1001179850	Ref	Hydraulic Tank Installation	C
1	0701020	2	Bolt, M10X60	
2	0760812	2	Bolt, M8X25	
3	4812002	2	Washer, M10	
4	4811900	2	Washer, M8	
5	1001008575	1	Bumper, Conical	
7	1001177082	1	Bracket	
8	1001171179	2	Spacer	
9	1001172146	2	Washer, Rubber	
10	1001172147	2	Washer, M10	
11	1001179851	1	Assembly, Hydraulic Tank (See Separate Breakdown in this Section)	

SECTION 1 - FRAME AND ATTACHING PARTS

FIGURE 1-5. HYDRAULIC TANK ASSEMBLY



ART_1001179851-J

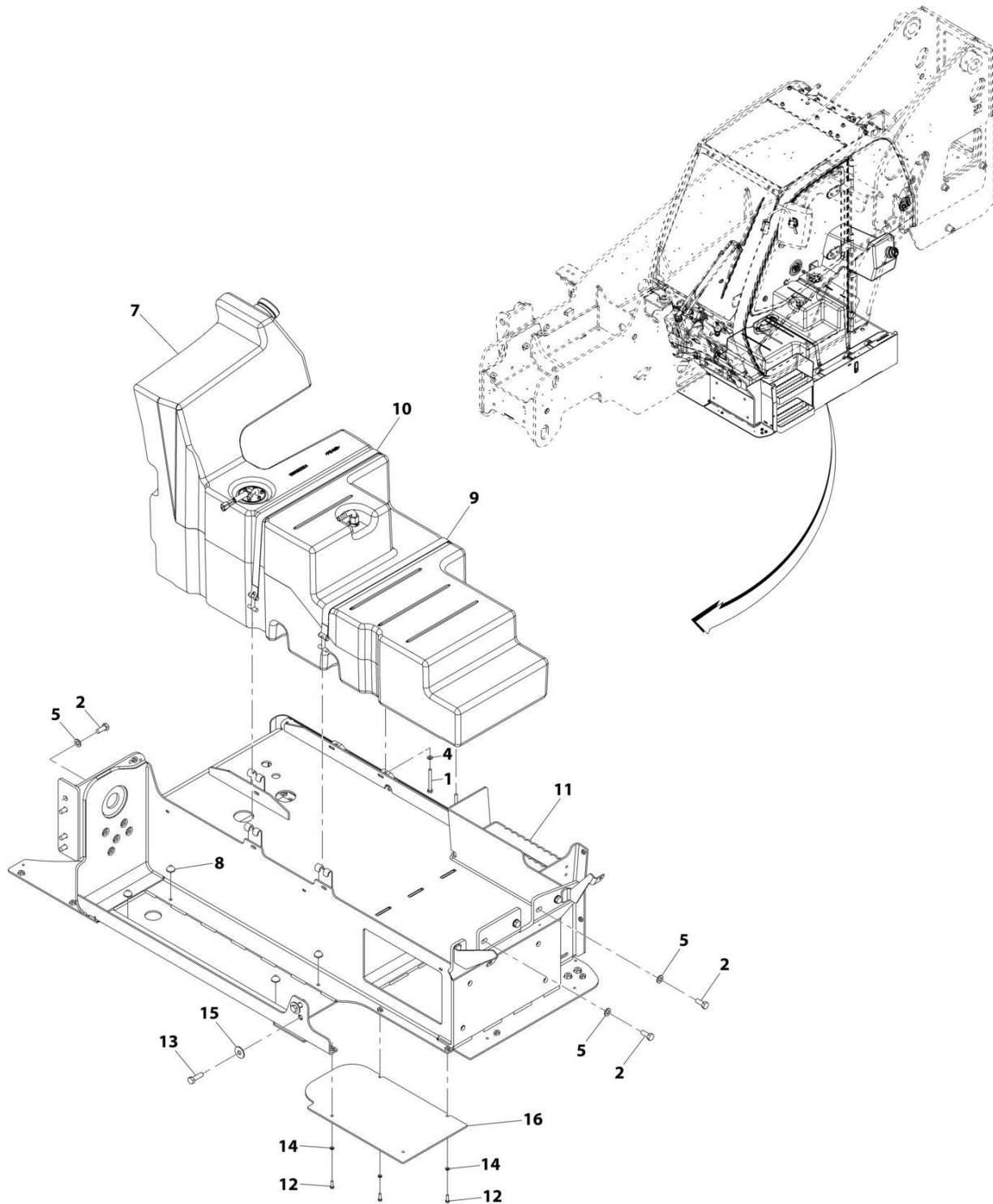
SECTION 1 - FRAME AND ATTACHING PARTS

FIGURE 1-5. HYDRAULIC TANK ASSEMBLY

ITEM	PART NUMBER	QTY	DESCRIPTION	REV
	1001179851	Ref	Hydraulic Tank Assembly	J
1	0761012	4	Bolt, M10X25	
2	2152020	1	Fitting, 45 ORFS	
3	2220240	1	Fitting, Straight	
4	4031607	6	Bolt, M5-.8X16	
5	4812000	4	Washer, M10	
6	4831600	6	Washer, Lock M5	
7	1001003301	1	Seal O-Ring	
8	2220239	1	Plug	
10	1001128478	1	Sensor	
11	1001194981	1	Cap, Hydraulic	
12	1001162662	1	Filter, Breather	
13	1001179852	1	Tank, Hydraulic	
14	1001191157	1	Manifold, Hydraulic Return	
15	1001191163	1	Filter	
15	1001191685	1	Element, Filter	

SECTION 1 - FRAME AND ATTACHING PARTS

FIGURE 1-6. FUEL TANK INSTALLATION (STANDARD)



ART_1001185929-G

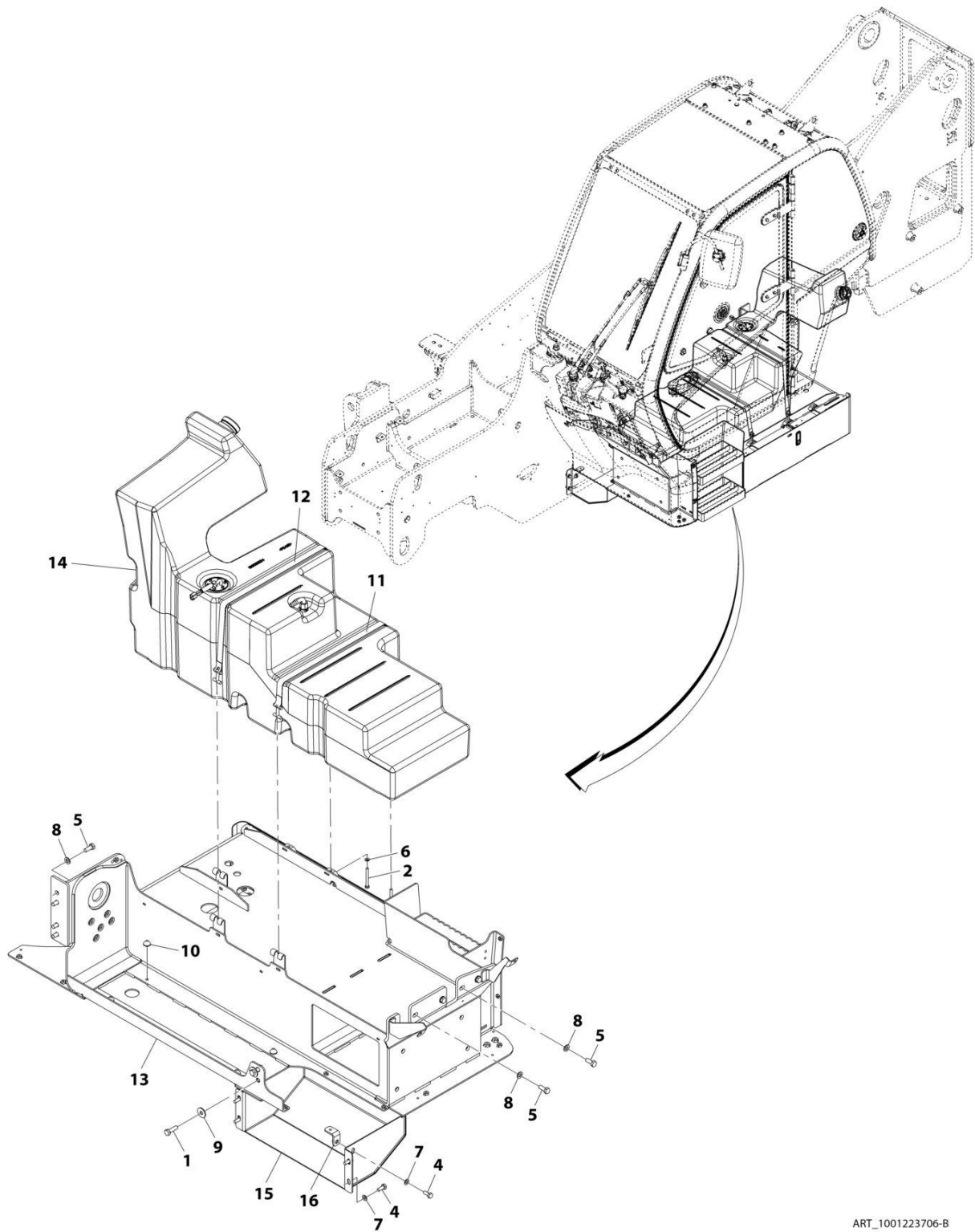
SECTION 1 - FRAME AND ATTACHING PARTS

FIGURE 1-6. FUEL TANK INSTALLATION (STANDARD)

ITEM	PART NUMBER	QTY	DESCRIPTION	REV
	1001185929	Ref	Fuel Tank Installation	G
1	0760823	2	Bolt, M8X75	
2	0761214	8	Bolt, M12X30	
4	4811900	2	Washer, M8	
5	4812100	8	Washer, M12	
7	1001192125	1	Assembly, Fuel Tank (See Separate Breakdown in this Section)	
8	1001169454	4	Buffer	
9	1001178474	1	Strap	
10	1001178693	1	Strap	
11	1001185930	1	Installation, Tank Support (See Separate Breakdown in this Section)	
12	0700610	3	Bolt, M6X20	
13	0701216	2	Bolt, M12X40	
14	4811700	3	Washer, M6	
15	4812102	2	Washer, M12	
16	1001197480	1	Plate	

SECTION 1 - FRAME AND ATTACHING PARTS

FIGURE 1-7. FUEL TANK INSTALLATION (TUV)



ART_1001223706-B

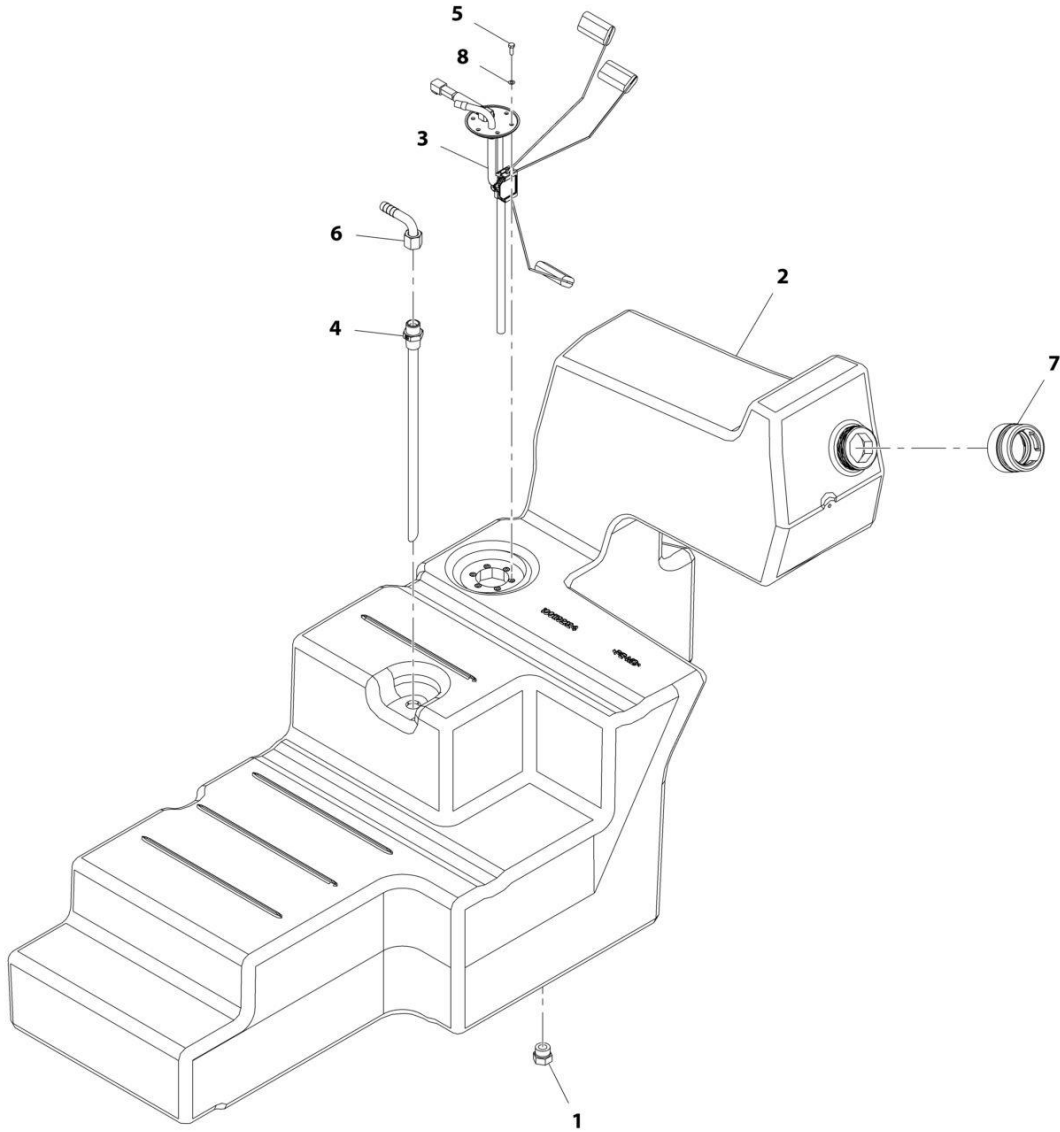
SECTION 1 - FRAME AND ATTACHING PARTS

FIGURE 1-7. FUEL TANK INSTALLATION (TUV)

ITEM	PART NUMBER	QTY	DESCRIPTION	REV
	1001223706	Ref	Fuel Tank Installation (TUV)	B
1	0701216	2	Bolt, M12X40	
2	0760823	2	Bolt, M8X75	
4	0761012	5	Bolt, M10X25	
5	0761214	8	Bolt, M12X30	
6	4811900	2	Washer, M8	
7	4812000	5	Washer, M10	
8	4812100	8	Washer, M12	
9	4812102	2	Washer, M12	
10	1001169454	4	Buffer	
11	1001178474	1	Strap	
12	1001178693	1	Strap	
13	1001185930	Ref	Installation, Tank Support (See Separate Breakdown in this Section)	
14	1001192125	1	Assembly, Fuel Tank (See Separate Breakdown in this Section)	
15	1001223870	1	Panel	
16	1001223911	1	Plate	

SECTION 1 - FRAME AND ATTACHING PARTS

FIGURE 1-8. FUEL TANK ASSEMBLY



ART_1001192125-C

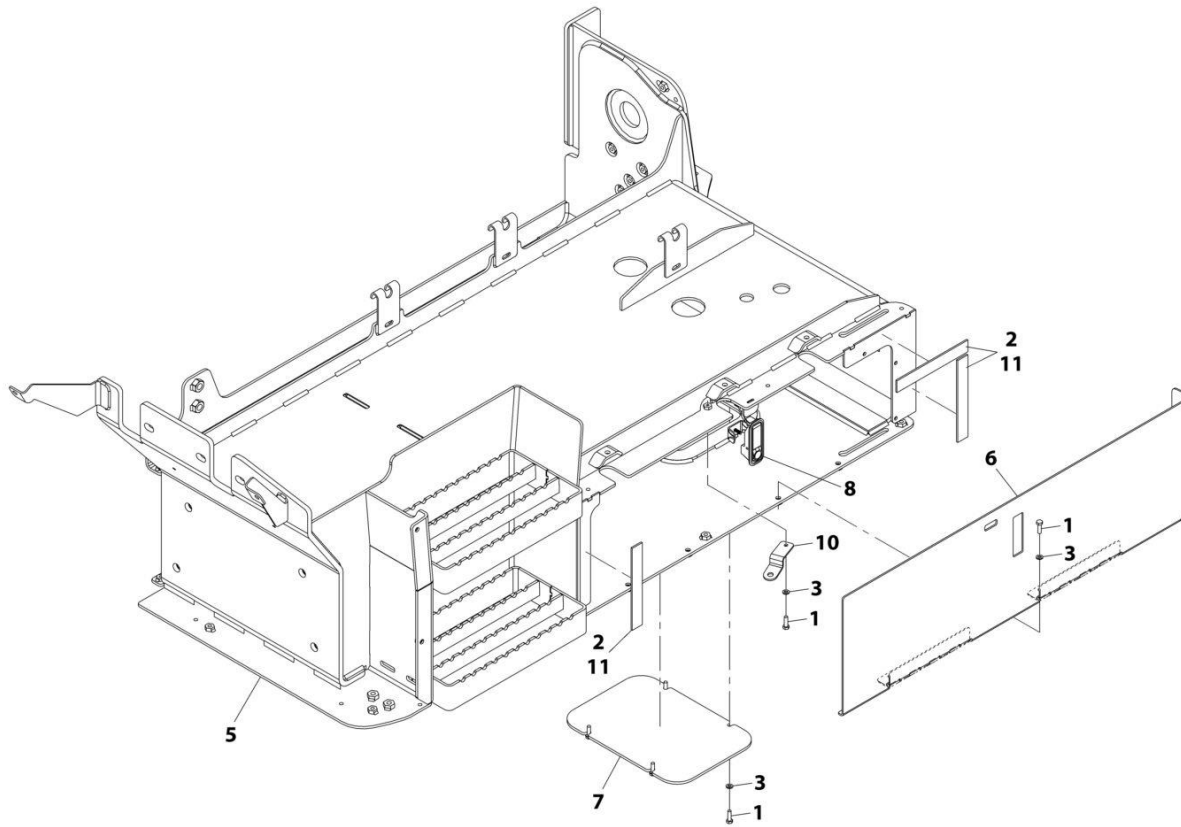
SECTION 1 - FRAME AND ATTACHING PARTS

FIGURE 1-8. FUEL TANK ASSEMBLY

ITEM	PART NUMBER	QTY	DESCRIPTION	REV
	1001192125	Ref	FUEL TANK ASSEMBLY	C
1	1001003427	1	Plug	
2	1001192124	1	Tank, Fuel	
3	1001222188	1	Pump, Fuel	
4	1001170106	1	Pipe, Fuel Supply	
5	4031607	6	Bolt, M5X16	
6	1001172693	1	Fitting, 90	
7	1001192392	1	Adapter	
8	1001222190	6	Washer	

SECTION 1 - FRAME AND ATTACHING PARTS

FIGURE 1-9. TANK SUPPORT INSTALLATION



ART_1001185930-K

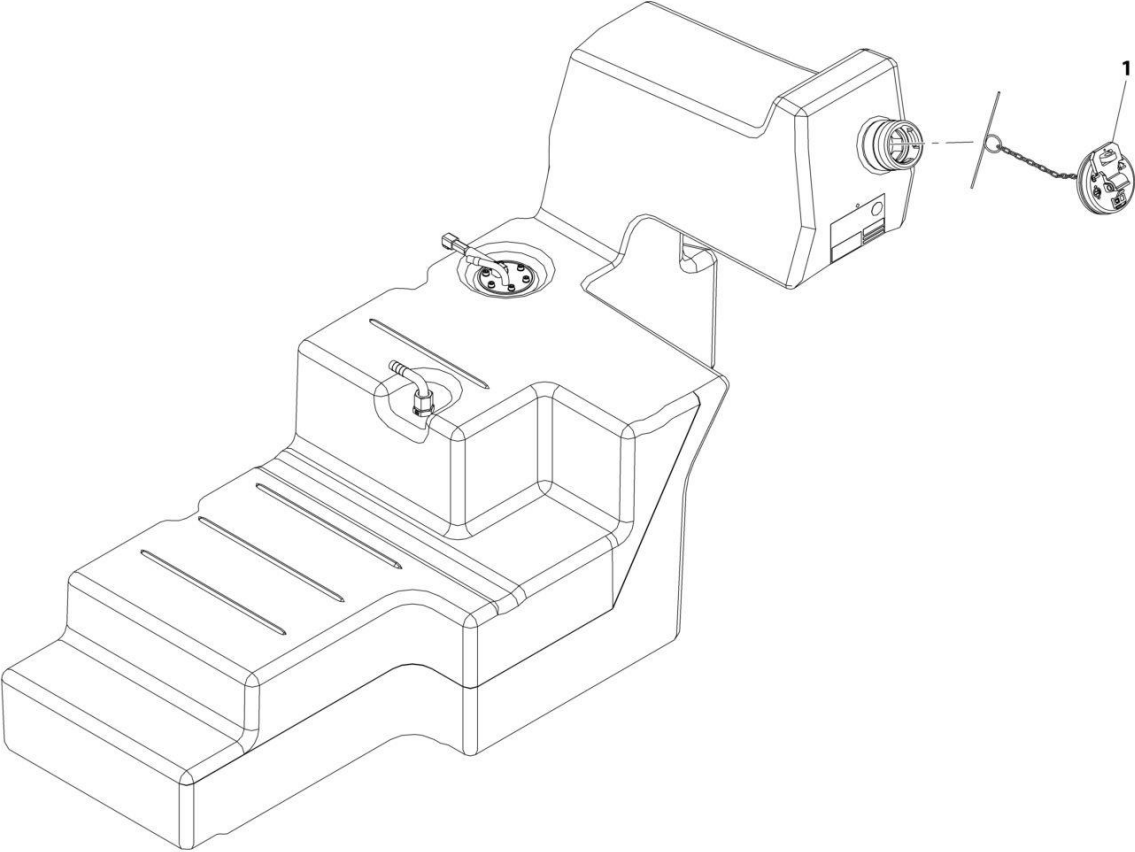
SECTION 1 - FRAME AND ATTACHING PARTS

FIGURE 1-9. TANK SUPPORT INSTALLATION

ITEM	PART NUMBER	QTY	DESCRIPTION	REV
	1001185930	Ref	Tank Support Installation	K
1	0700610	9	Bolt, M6X20	
2	4280307	3	Strip	
3	4811700	9	Washer, M6	
5	1001185931	1	Plate, Support	
6	1001185933	1	Cover	
7	1001185935	1	Cover	
8	1001189246	1	Latch, Locking	
10	1001197481	1	Plate	
11	0100081	AR	Compound, Locking	

SECTION 1 - FRAME AND ATTACHING PARTS

FIGURE 1-10. LOCKING FUEL CAP



ART_1001194980

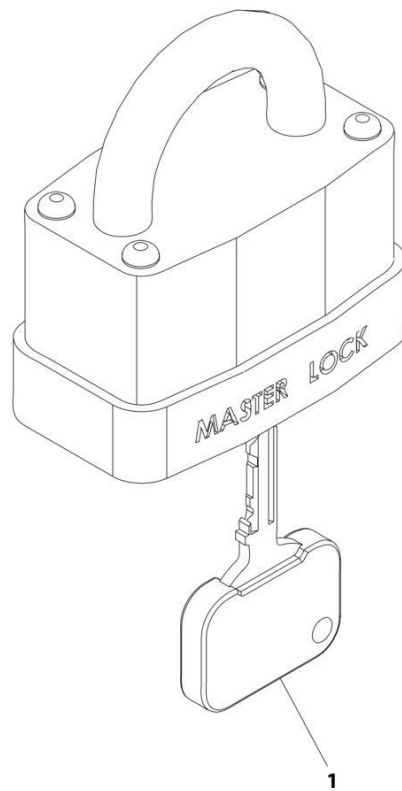
SECTION 1 - FRAME AND ATTACHING PARTS

FIGURE 1-10. LOCKING FUEL CAP

ITEM	PART NUMBER	QTY	DESCRIPTION	REV
1	1001194980	Ref	Locking Fuel Cap	A

SECTION 1 - FRAME AND ATTACHING PARTS

FIGURE 1-11. PAD LOCK



ART_1001102157-A

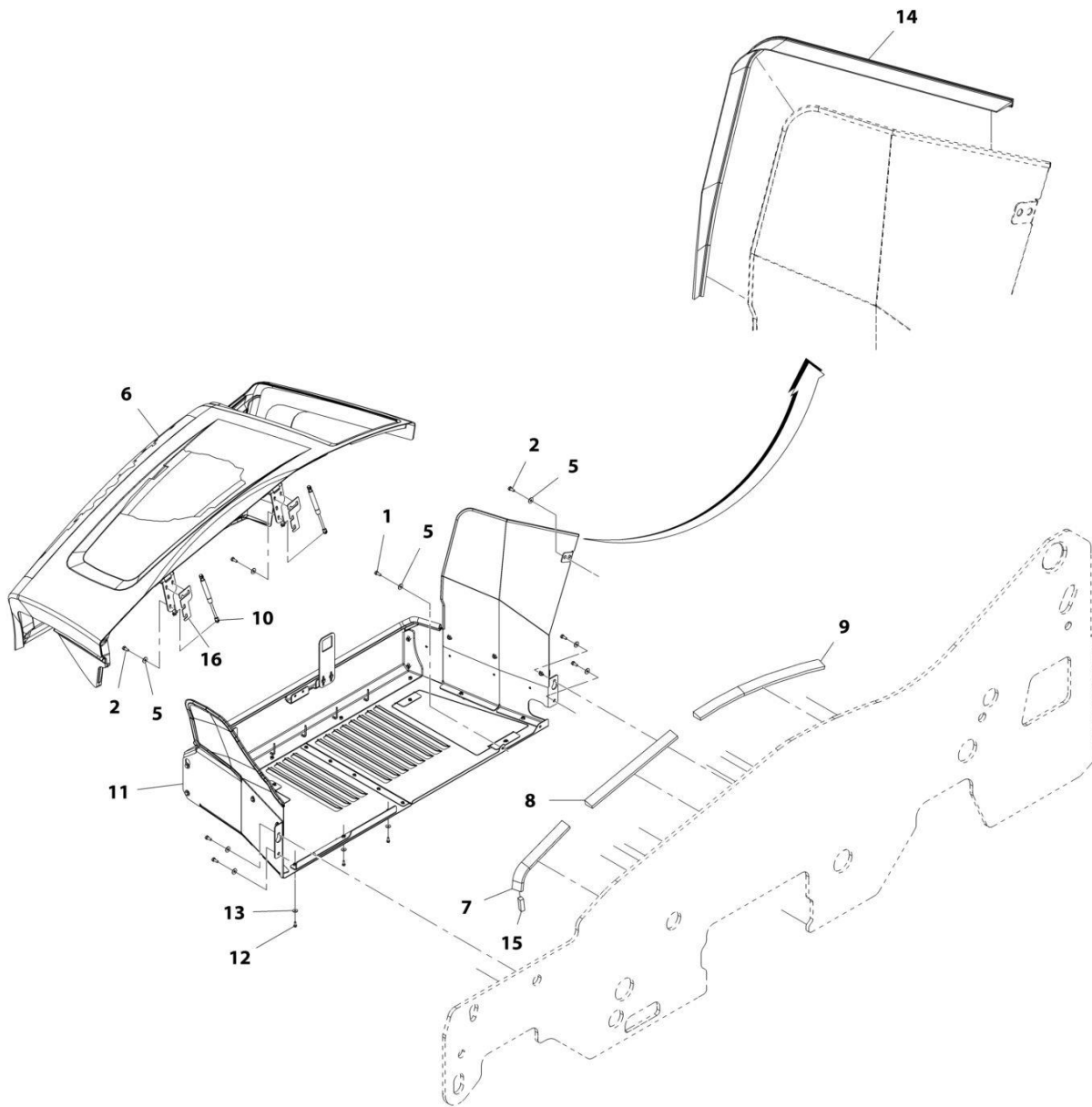
SECTION 1 - FRAME AND ATTACHING PARTS

FIGURE 1-11. PAD LOCK

ITEM	PART NUMBER	QTY	DESCRIPTION	REV
1	1001102157 8342813	Ref 1	Pad Lock Key	A

SECTION 1 - FRAME AND ATTACHING PARTS

FIGURE 1-12. ENGINE ENCLOSURE & HOOD INSTALLATION (1732)



ART_1001192320-J

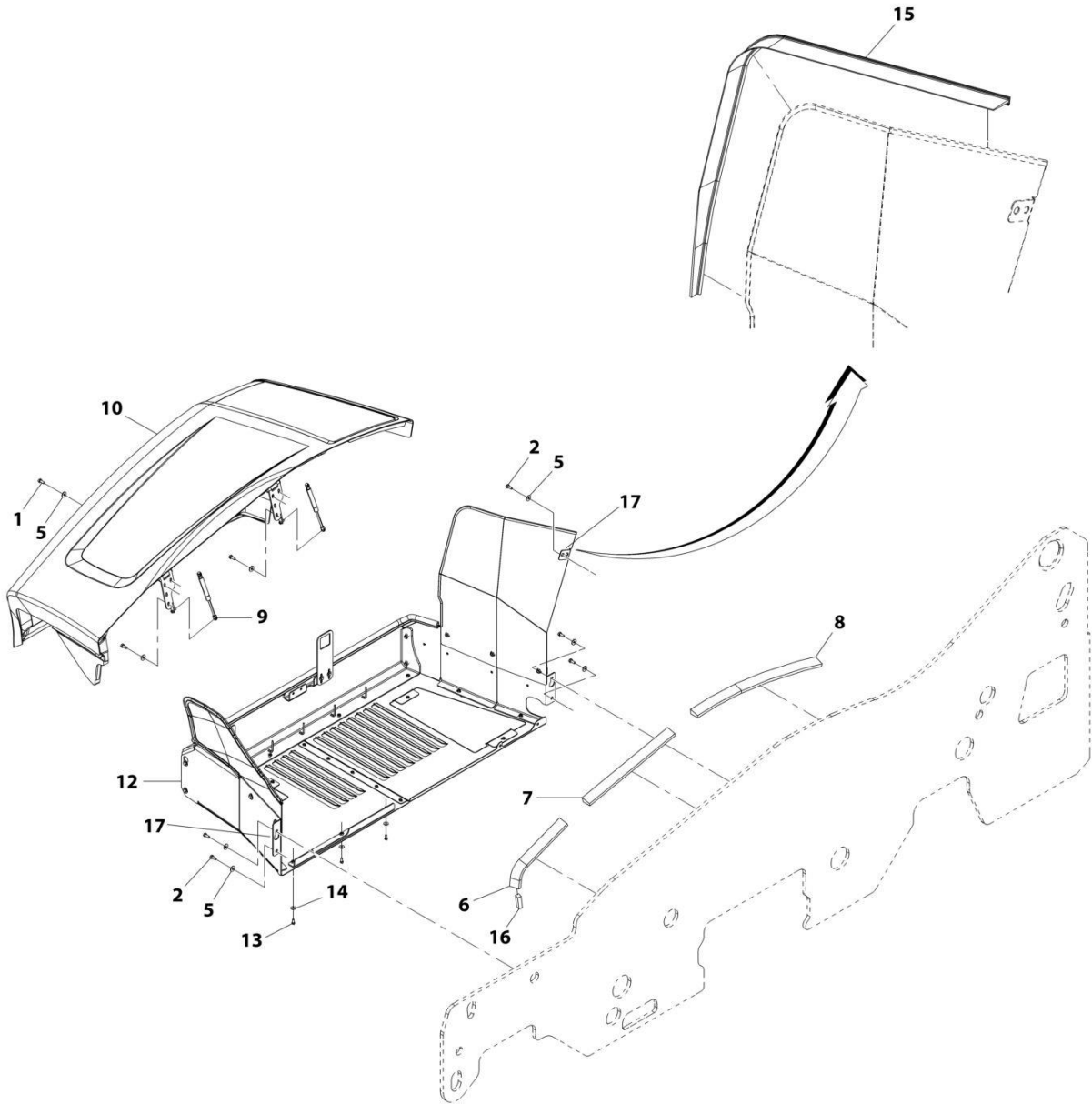
SECTION 1 - FRAME AND ATTACHING PARTS

FIGURE 1-12. ENGINE ENCLOSURE & HOOD INSTALLATION (1732)

ITEM	PART NUMBER	QTY	DESCRIPTION	REV
	1001192320	Ref	Engine Enclosure Installation	J
1	0761010	1	Bolt, M10X20	
2	0761012	11	Bolt, M10X25	
5	4812002	12	Washer, M10	
6	1001235963	1	Assembly, Hood (See Separate Breakdown in this Section)	
7	1001203932	1	Seal	
8	1001203933	1	Seal	
9	1001203934	1	Seal	
10	1001171885	2	Spring, Gas	
11	1001192622	1	Assembly, Engine Enclosure (See Separate Breakdown in this Section)	
12	0760810	3	Bolt, M8X20	
13	4811902	3	Washer, M8	
14	1001197339	1	Seal	
15	1001229609	1	Seal, Foam Gasket	
16	1001241836	AR	Shim	

SECTION 1 - FRAME AND ATTACHING PARTS

FIGURE 1-13. ENGINE ENCLOSURE & HOOD INSTALLATION (8010)



ART_1001192318-K

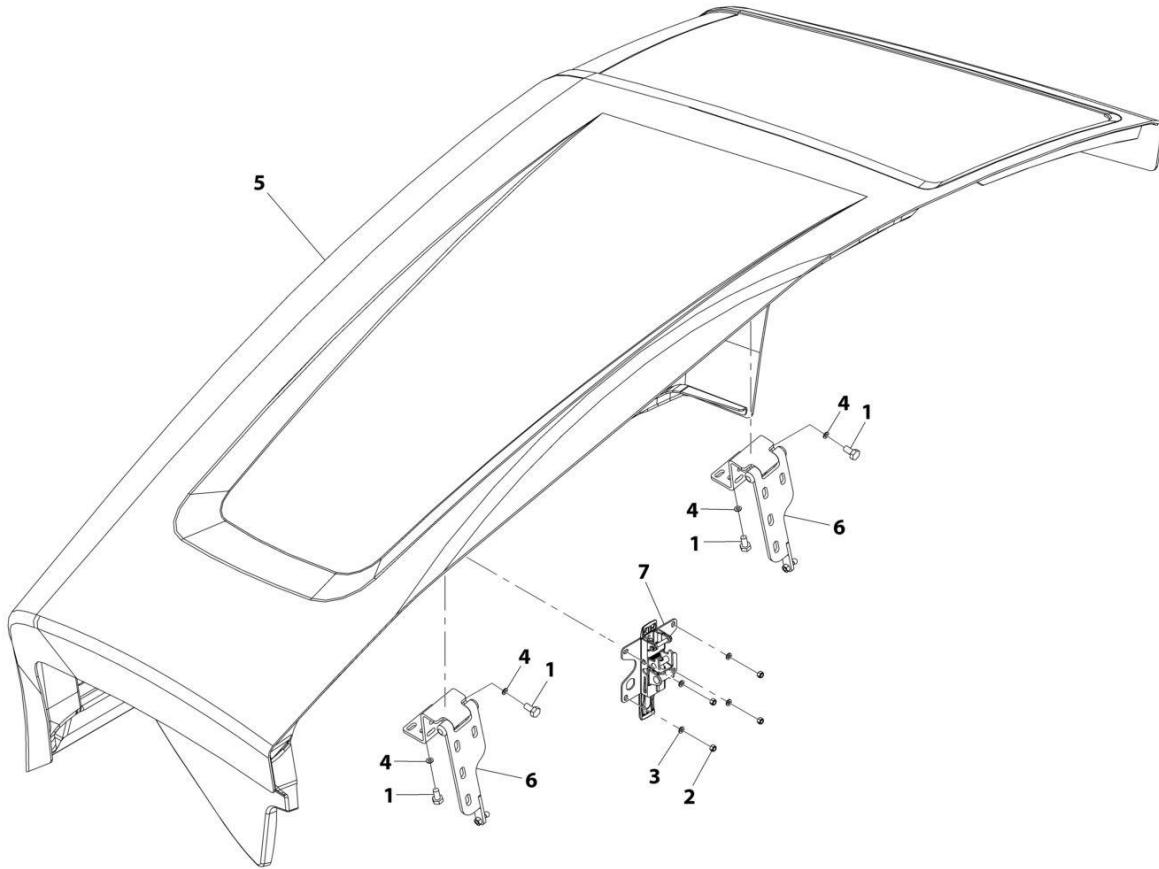
SECTION 1 - FRAME AND ATTACHING PARTS

FIGURE 1-13. ENGINE ENCLOSURE & HOOD INSTALLATION (8010)

ITEM	PART NUMBER	QTY	DESCRIPTION	REV
	1001192318	Ref	Engine Enclosure Installation	K
1	0761010	1	Bolt, M10X20	
2	0761012	11	Bolt, M10X25	
5	4812002	12	Washer, M10	
6	1001203932	1	Seal	
7	1001203933	1	Seal	
8	1001203934	1	Seal	
9	1001171885	2	Spring, Gas	
10	1001235965	1	Assembly, Engine Hood (See Separate Breakdown in this Section)	
12	1001192622	1	Assembly, Engine Enclosure (See Separate Breakdown in this Section)	
13	0760810	3	Bolt, M8X20	
14	4811902	3	Washer, M8	
15	1001197339	1	Seal	
16	1001229609	1	Seal, Foam Gasket	
17	1001241836	AR	Shim	

SECTION 1 - FRAME AND ATTACHING PARTS

FIGURE 1-14. HOOD ASSEMBLY (1732)



ART_1001235963-B

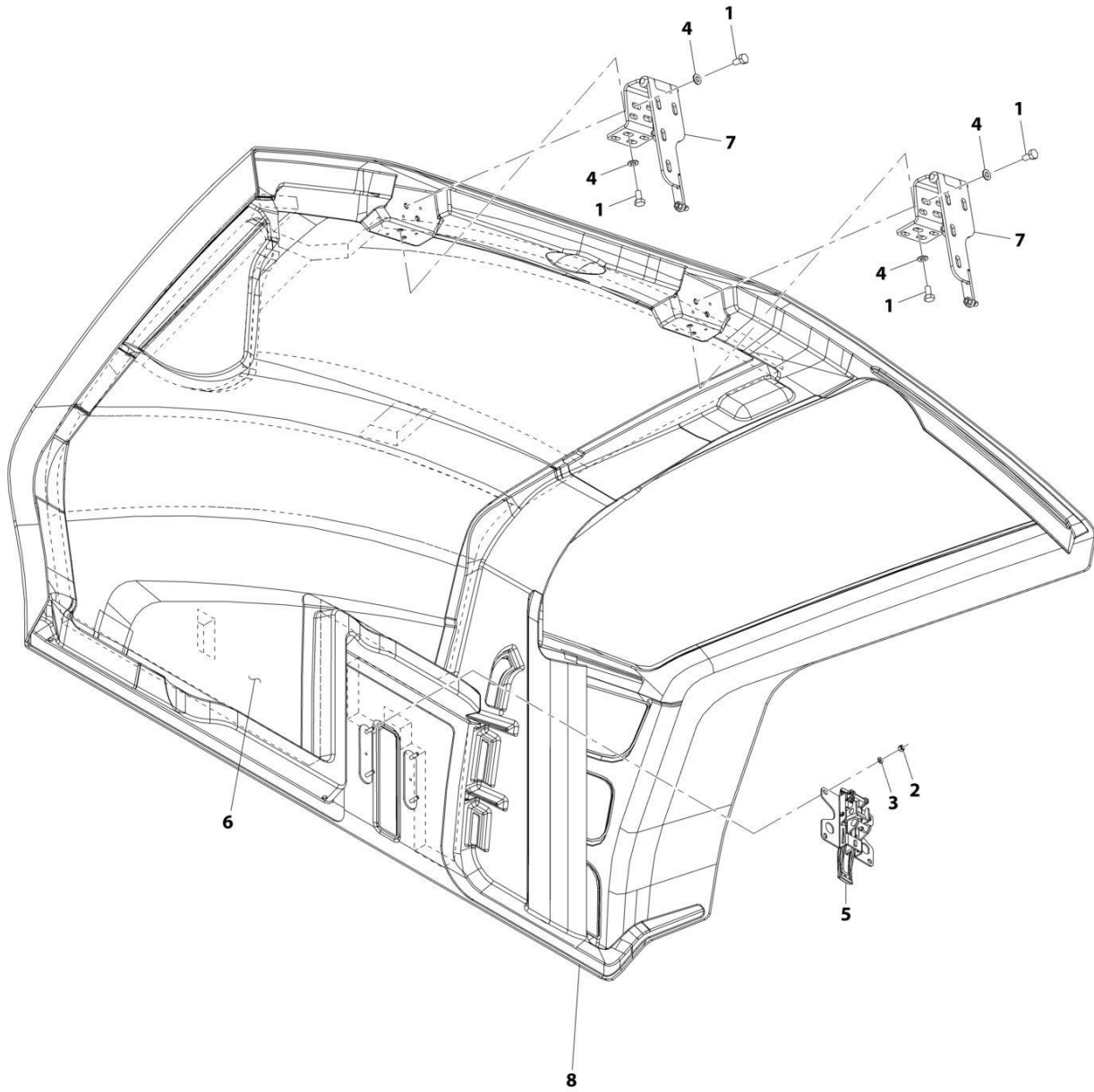
SECTION 1 - FRAME AND ATTACHING PARTS

FIGURE 1-14. HOOD ASSEMBLY (1732)

ITEM	PART NUMBER	QTY	DESCRIPTION	REV
	1001235963	Ref	Hood Assembly	B
1	0761010	8	Bolt, M10X20	
2	3290605	4	Nut, Lock M6X1	
3	4811700	4	Washer, M6	
4	4812000	8	Washer, M10	
5	1001234455	1	Hood	
6	1001209387	2	Hinge, Hood	
7	1001132168	1	Latch, Hood	

SECTION 1 - FRAME AND ATTACHING PARTS

FIGURE 1-15. HOOD ASSEMBLY (8010)



ART_1001235965-A

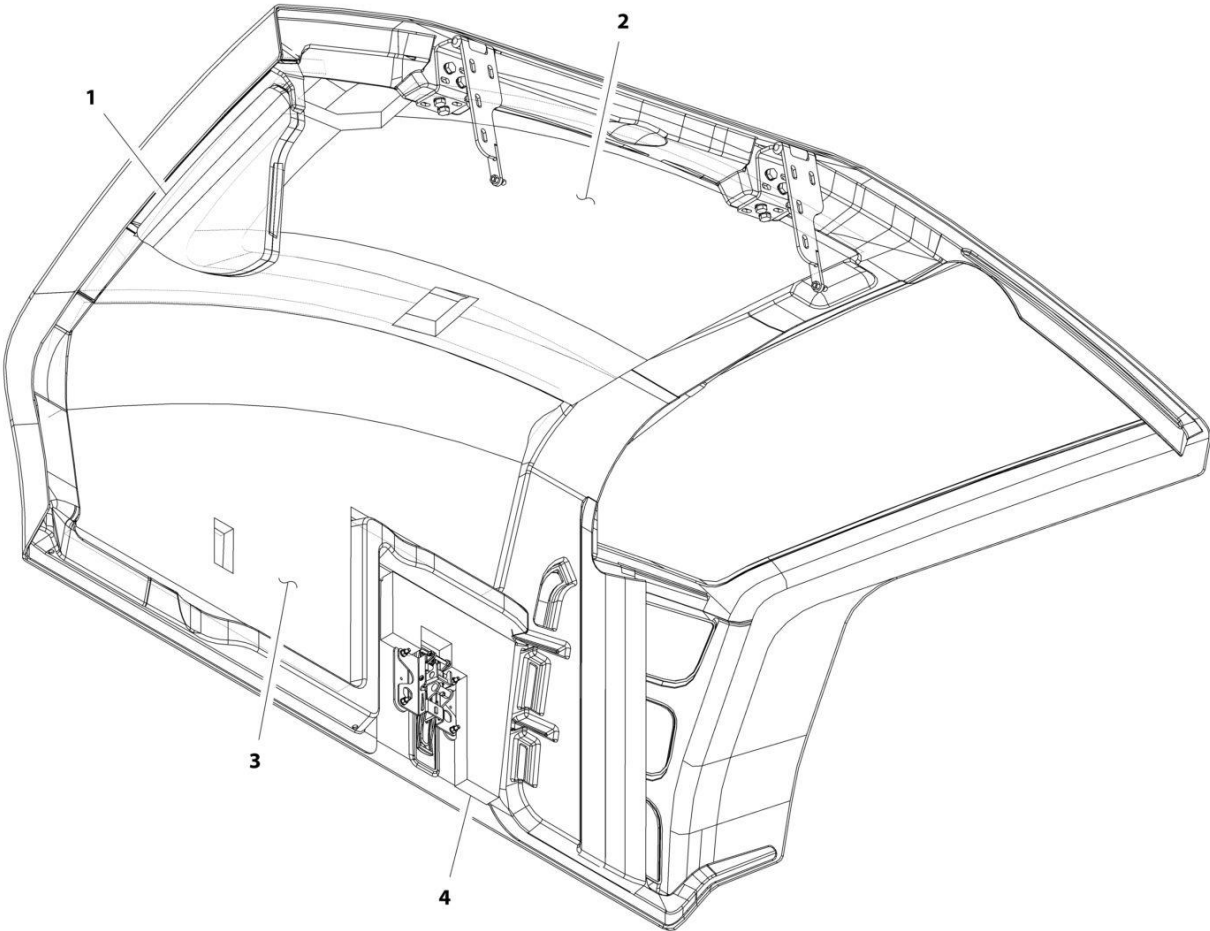
SECTION 1 - FRAME AND ATTACHING PARTS

FIGURE 1-15. HOOD ASSEMBLY (8010)

ITEM	PART NUMBER	QTY	DESCRIPTION	REV
	1001235965	Ref	Engine Hood Assembly	A
1	0761010	8	Bolt, M10X20	
2	3290605	4	Nut, Lock M6X1	
3	4811700	4	Washer, M6	
4	4812000	8	Washer, M10	
5	1001132168	1	Latch, Hood	
6	1001172110	1	Installation, Engine Hood Insulation (See Separate Breakdown in this Section)	
7	1001209387	2	Hinge	
8	1001234455	1	Hood	

SECTION 1 - FRAME AND ATTACHING PARTS

FIGURE 1-16. ENGINE HOOD INSULATION INSTALLATION



ART_1001172110-G

SECTION 1 - FRAME AND ATTACHING PARTS

FIGURE 1-16. ENGINE HOOD INSULATION INSTALLATION

ITEM	PART NUMBER	QTY	DESCRIPTION	REV
	1001172110	Ref	Engine Hood Insulation Installation	G
1	1001172112	1	Insulation, Front	
2	1001172113	1	Insulation, Top	
3	1001172114	1	Insulation, Side	
4	1001172115	1	Insulation, Hood Latch	

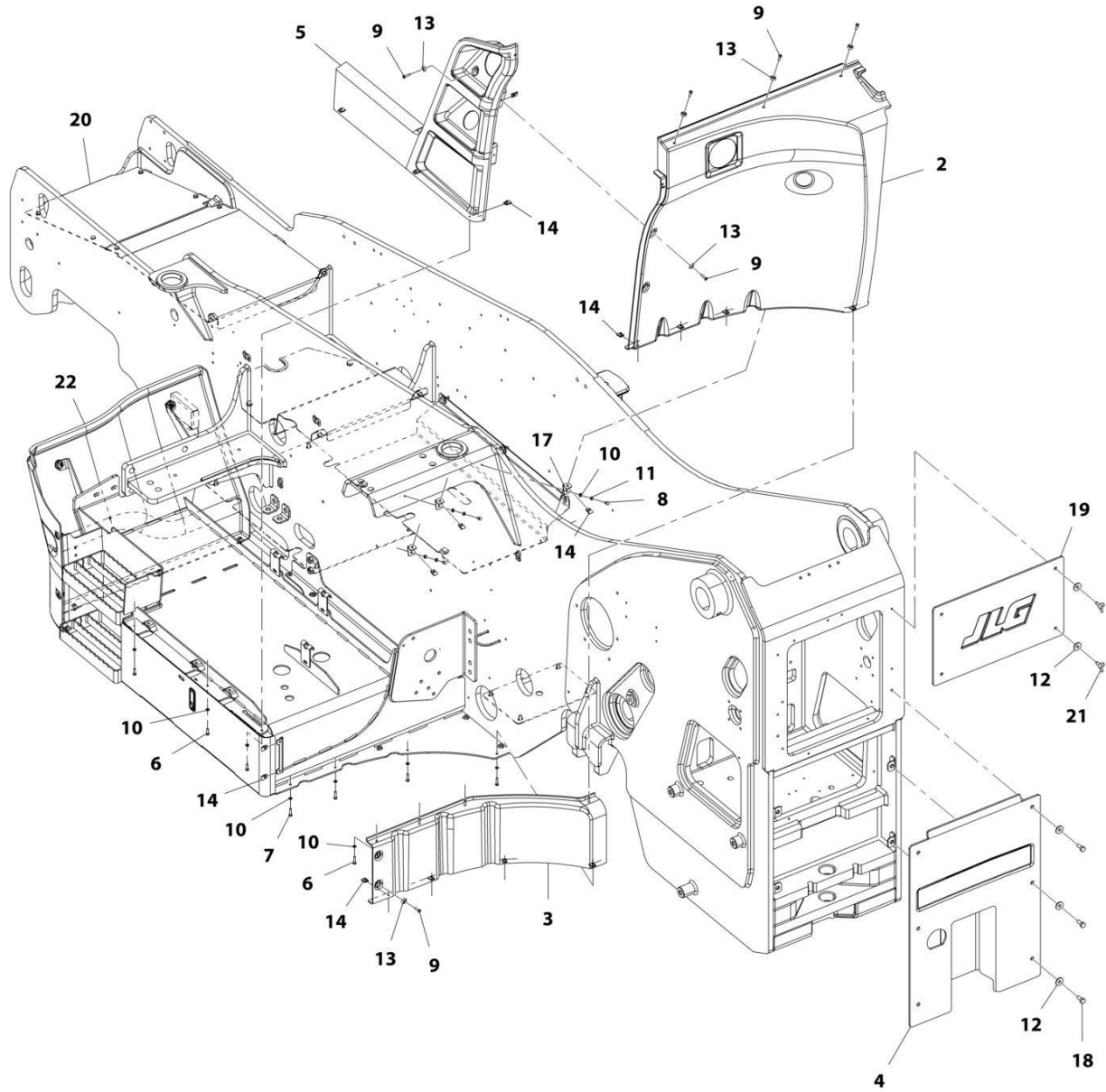
SECTION 1 - FRAME AND ATTACHING PARTS

FIGURE 1-17. ENGINE ENCLOSURE ASSEMBLY

ITEM	PART NUMBER	QTY	DESCRIPTION	REV
	1001192622	Ref	Engine Enclosure Assembly	I
1	0700814	2	Bolt, M8X30	
2	0701014	4	Bolt, M10X30	
3	0760807	5	Bolt, M8X14	
4	0761010	6	Bolt, M10X20	
5	4811902	19	Washer, M8	
7	1001003227	1573 mm	Seal	
8	1001204486	1785 mm	Seal	
9	1001209388	1	Latch, Hood	
10	1001169265	1	Plate, Access Panel	
11	1001219115	1	Panel, Front Wheel	
12	1001192627	1	Panel, Rear Cover	
19	0760808	12	Bolt, M8X16	
20	4812002	10	Washer, M10	
21	1001008999	1381 mm	Trim, Edge	
101	1001192631	1	Panel, Bottom Cover	
102	1001194969	1	Panel, Access	
103	1001219250	1	Panel, Bottom Front Cover	
201	1001192623J	1	Panel, Side Skirt	
202	1001224450J	1	Panel, Rear Skirt	
203	1001219113J	1	Panel, Front Skirt	

SECTION 1 - FRAME AND ATTACHING PARTS

FIGURE 1-18. COVER INSTALLATION (ULS)



ART_1001184869-J

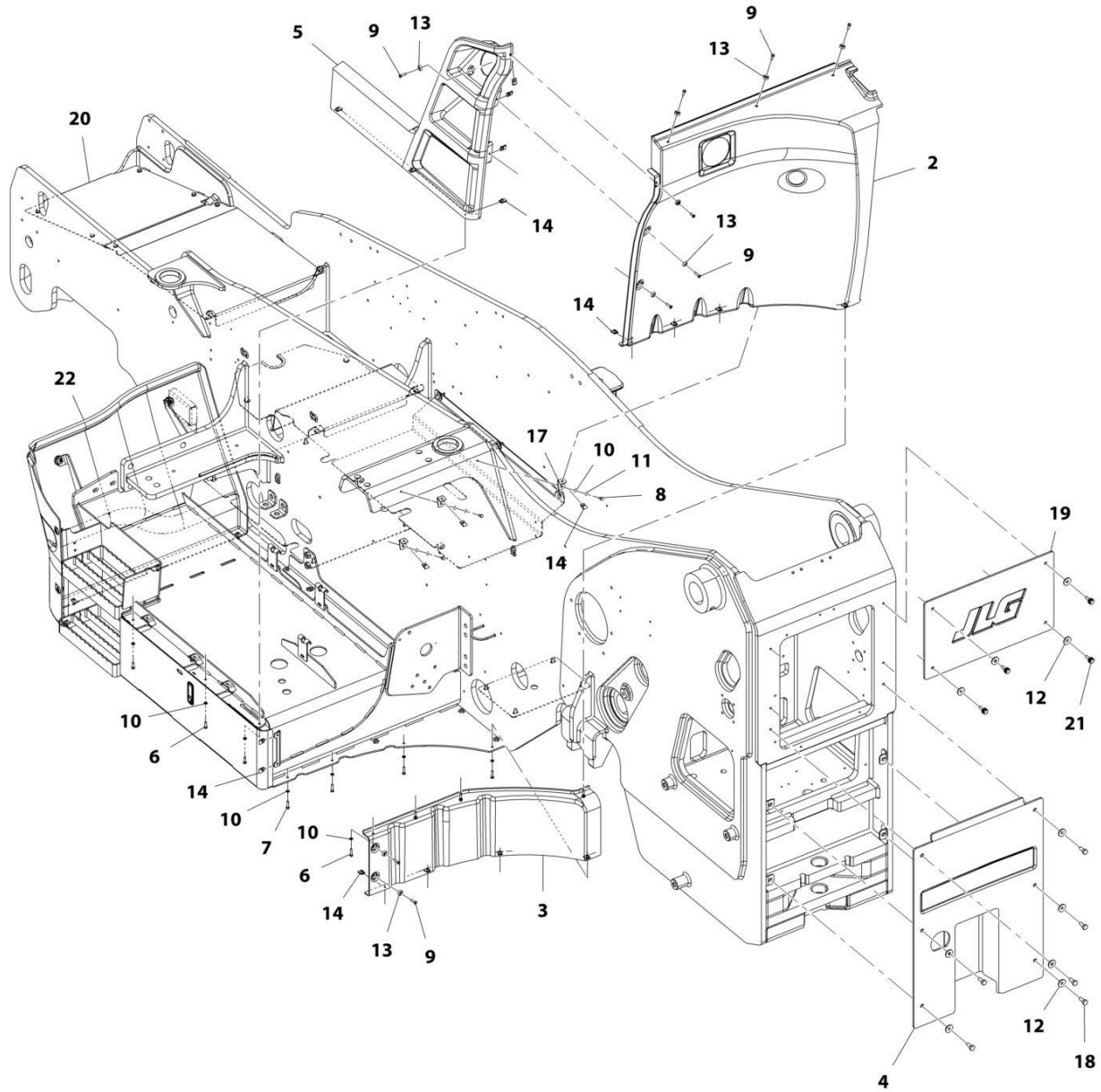
SECTION 1 - FRAME AND ATTACHING PARTS

FIGURE 1-18. COVER INSTALLATION (ULS)

ITEM	PART NUMBER	QTY	DESCRIPTION	REV
	1001184869	Ref	Cover Installation (ULS)	J
2	1001184872	1	Cover, Rear Tank	
3	1001184874	1	Cover, Lower Rear Tank	
4	1001213834	1	Cover, Rear Frame	
5	1001168758	1	Cover, Side Tank	
6	0700610	7	Bolt, M6X20	
7	0700612	4	Bolt, M6X25	
8	0760607	3	Bolt, M6X14	
9	0630576	9	Screw, M6X20	
10	4811700	14	Washer, M6	
11	4831700	3	Washer, Lock M6	
12	4812002	10	Washer, M10	
13	1001097540	9	Washer, M6	
14	1001130220	19	Nut, M6	
17	1001231385	3	Plate, Angle Mount	
18	0761012	6	Bolt, M10X25	
19	1001213833	1	Cover, Rear Frame	
20	1001198307	1	Installation, Frame Cover (See Separate Breakdown in this Section)	
21	1001250708	4	Bolt, M8X20	
22	1001201848	1	Installation, Front Lower Cover (See Separate Breakdown in this Section)	

SECTION 1 - FRAME AND ATTACHING PARTS

FIGURE 1-19. COVER INSTALLATION (LS)



ART_1001184870-I

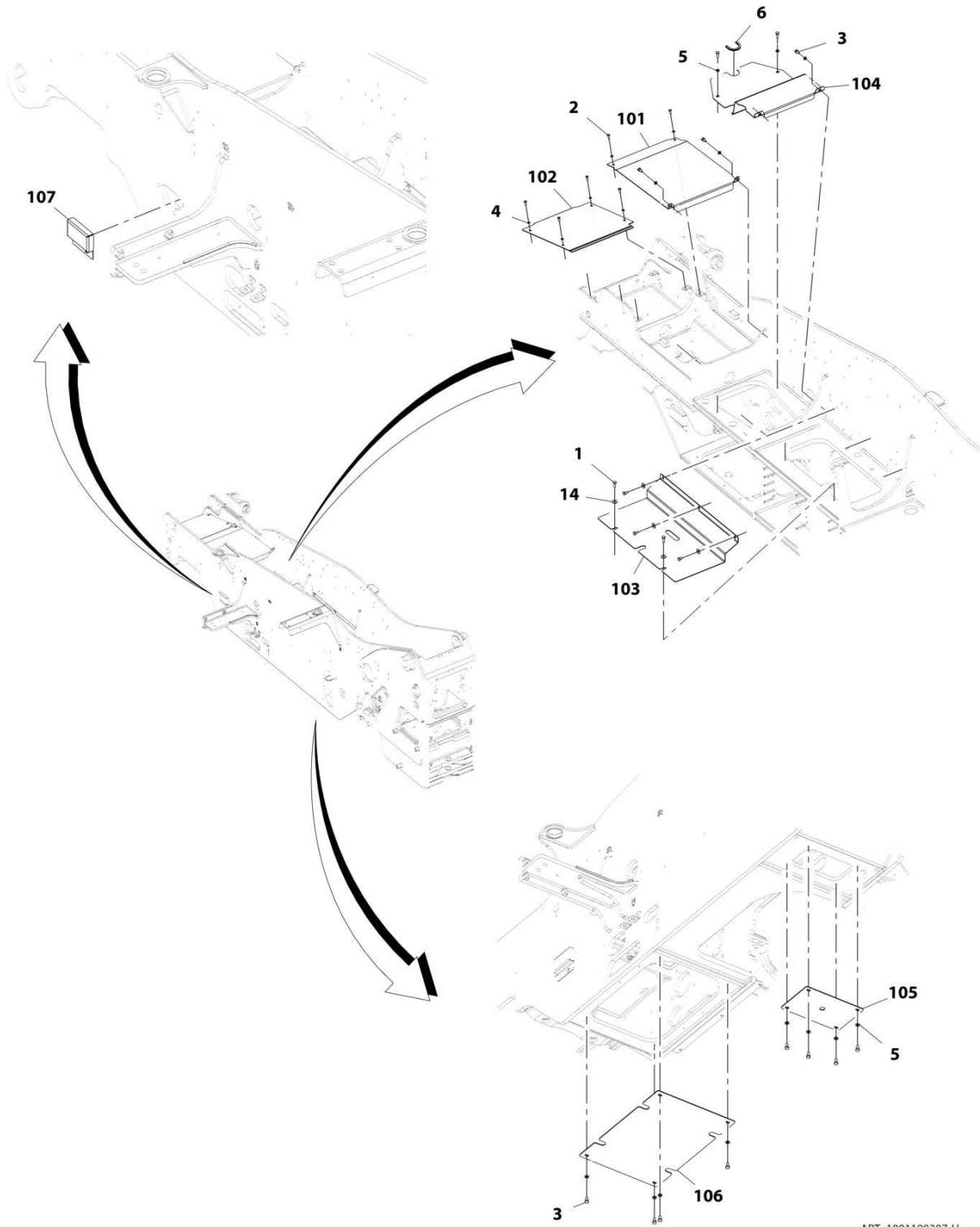
SECTION 1 - FRAME AND ATTACHING PARTS

FIGURE 1-19. COVER INSTALLATION (LS)

ITEM	PART NUMBER	QTY	DESCRIPTION	REV
	1001184870	Ref	Cover Installation (LS)	J
2	1001184872	1	Cover, Rear Tank	
3	1001184874	1	Cover, Lower Rear Tank	
4	1001213834	1	Cover, Rear Frame	
5	1001172829	1	Cover, Side Tank	
6	0700610	7	Bolt, M6X20	
7	0700612	4	Bolt, M6X25	
8	0760607	3	Bolt, M6X14	
9	0630576	9	Screw, M6X20	
10	4811700	14	Washer, M6	
11	4831700	3	Washer, Lock M6	
12	4812002	10	Washer, M10	
13	1001097540	9	Washer, M6	
14	1001130220	19	Nut, M6	
17	1001231385	3	Plate, Angle Mount	
18	0761012	6	Bolt, M10X25	
19	1001213833	1	Cover, Rear Frame	
20	1001198307	Ref	Installation, Frame Cover (See Separate Breakdown in this Section)	
21	1001250708	4	Bolt M8 x 20	
22	1001201848	Ref	Installation, Front Lower Cover (See Separate Breakdown in this Section)	

SECTION 1 - FRAME AND ATTACHING PARTS

FIGURE 1-20. FRAME COVER INSTALLATION



ART_1001198307-H

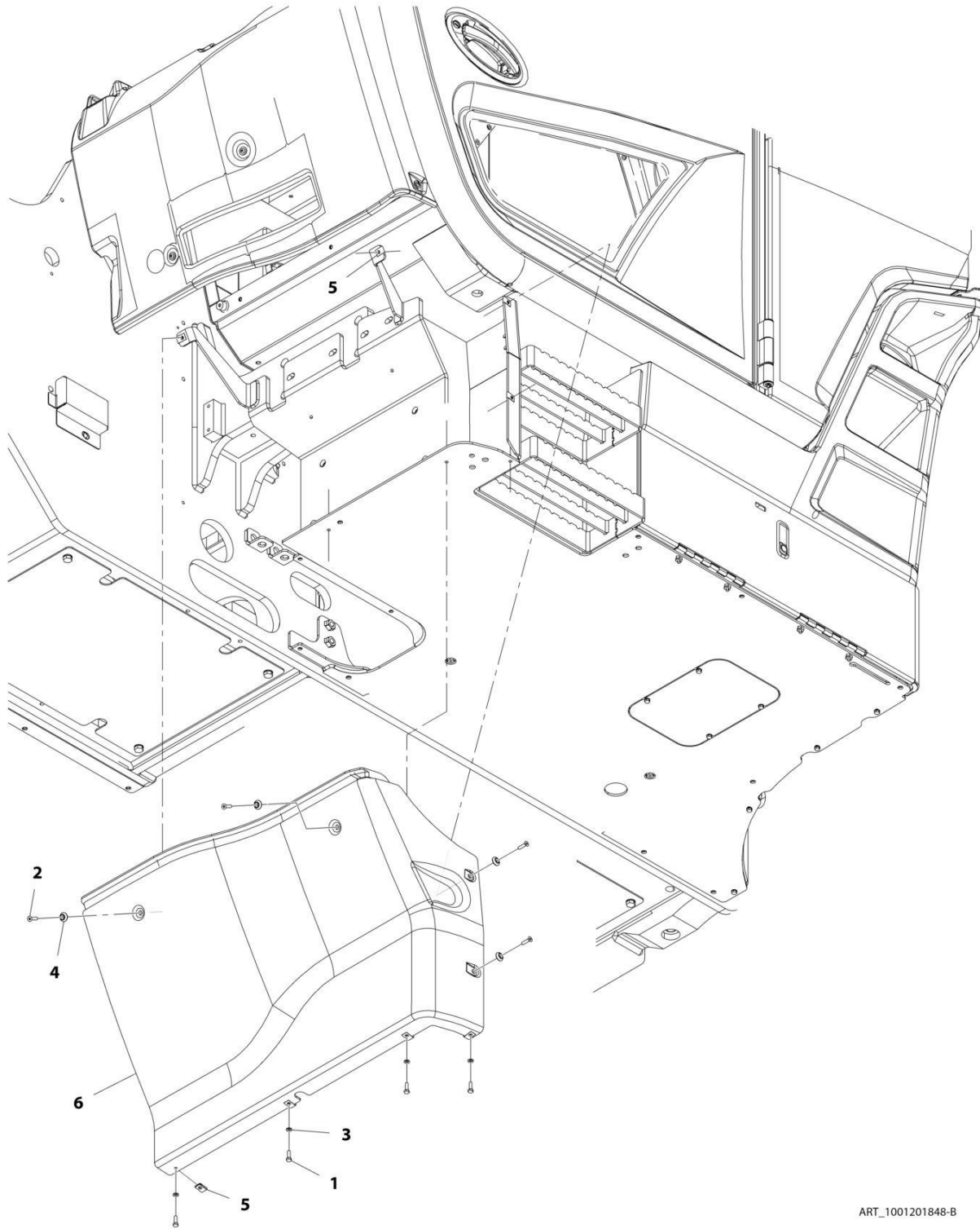
SECTION 1 - FRAME AND ATTACHING PARTS

FIGURE 1-20. FRAME COVER INSTALLATION

ITEM	PART NUMBER	QTY	DESCRIPTION	REV
	1001198307	Ref	Frame Cover Installation	H
1	0701014	4	Bolt, M10X30	
2	0760810	6	Bolt, M8X20	
3	0761010	15	Bolt, M10X20	
4	4811900	6	Washer, M8	
5	4812000	14	Washer, M10	
6	90206196	0.15 m	Gasket	
14	4812002	5	Washer, M10	
101	1001197056	1	Cover, Battery	
102	1001197057	1	Plate, Valve Cover	
103	1001197733	1	Plate, Frame Cover	
104	1001197734	1	Plate, Frame Cover	
105	1001211899	1	Plate, Frame Cover	
106	1001211900	1	Plate, Frame Cover	
107	1001218694	1	Cover	

SECTION 1 - FRAME AND ATTACHING PARTS

FIGURE 1-21. FRONT LOWER COVER INSTALLATION



ART_1001201848-B

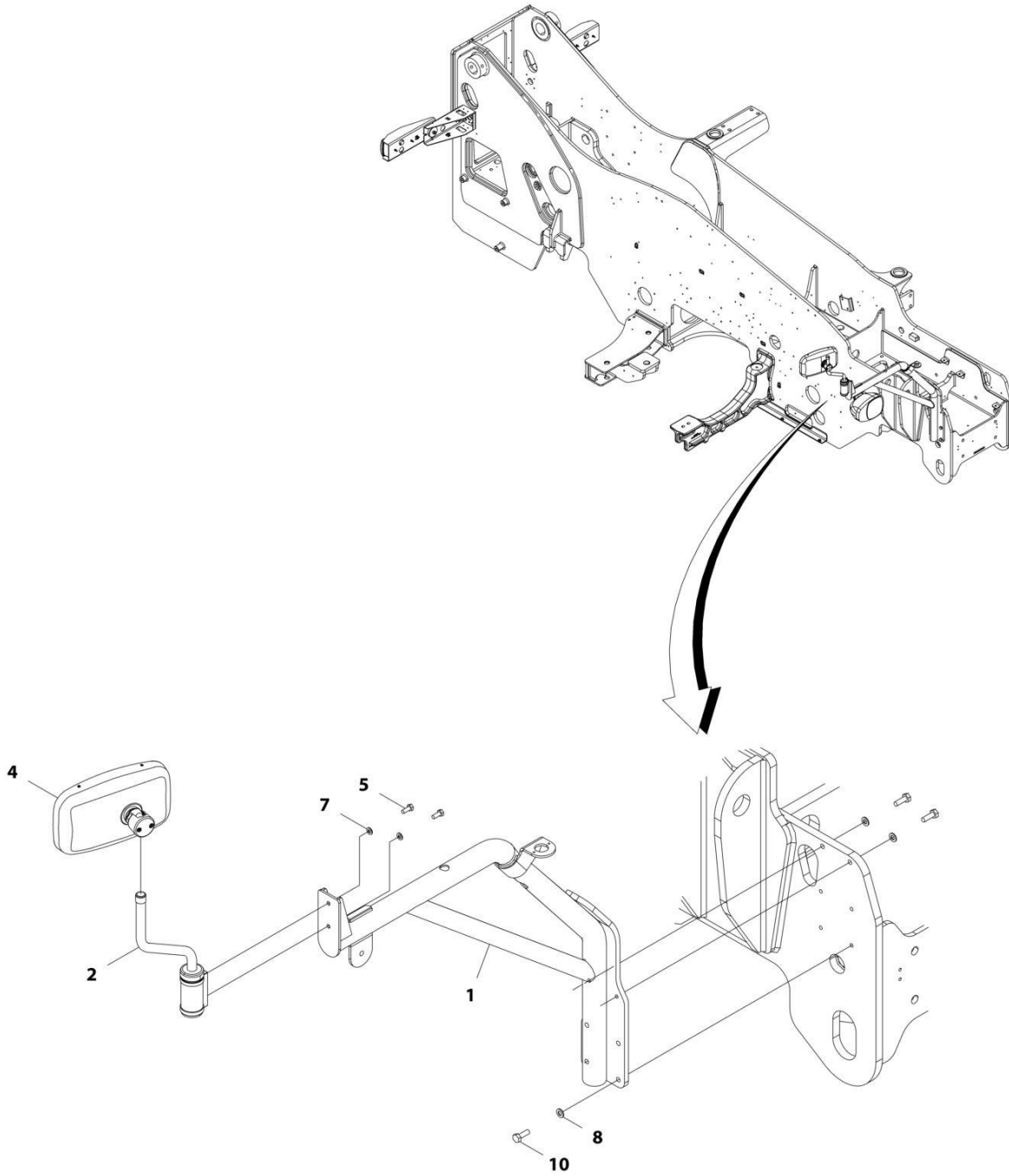
SECTION 1 - FRAME AND ATTACHING PARTS

FIGURE 1-21. FRONT LOWER COVER INSTALLATION

ITEM	PART NUMBER	QTY	DESCRIPTION	REV
	1001201848	Ref	Front Lower Cover Installation	B
1	0700610	4	Bolt, M6X20	
2	3900379	4	Screw, M6-1.00X25	
3	4811700	4	Washer, M6	
4	1001097540	4	Washer, M6	
5	1001130220	6	Nut, M6	
6	1001184871	1	Cover, Front Lower	

SECTION 1 - FRAME AND ATTACHING PARTS

FIGURE 1-22. MIRROR INSTALLATION (1732)



ART_1001192324_F

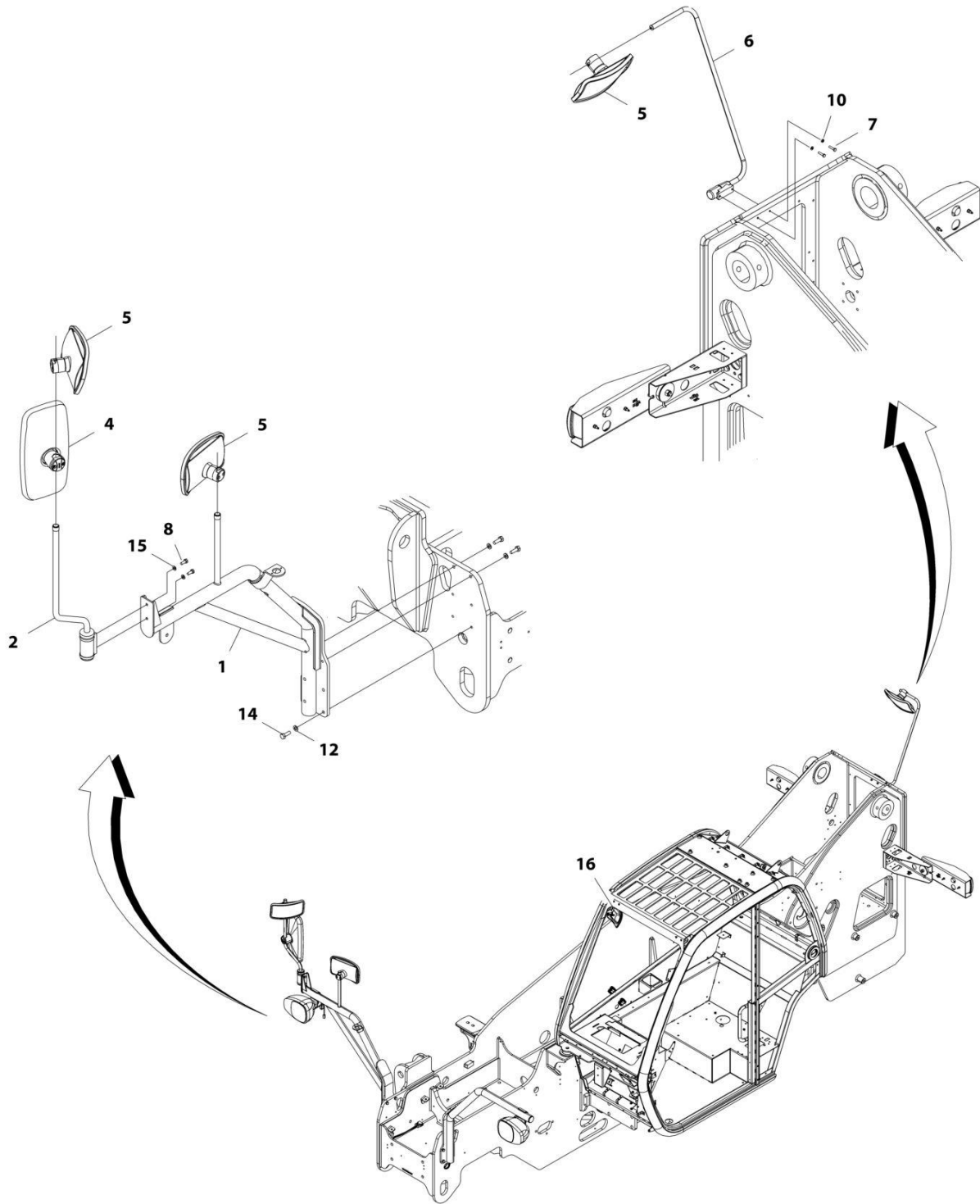
SECTION 1 - FRAME AND ATTACHING PARTS

FIGURE 1-22. MIRROR INSTALLATION (1732)

ITEM	PART NUMBER	QTY	DESCRIPTION	REV
	1001192324	Ref	Mirror Installation	F
1	1001265344	1	Bracket	
2	1001209346	1	Bracket	
4	1001191635	1	Mirror, Convex	
5	0760810	2	Bolt, M8X20	
7	4811900	2	Bolt, M8X20	
8	4812000	6	Washer, M10	
10	0701014	6	Bolt, M10X30	

SECTION 1 - FRAME AND ATTACHING PARTS

FIGURE 1-23. MIRROR INSTALLATION (8010)



ART_1001186881_G

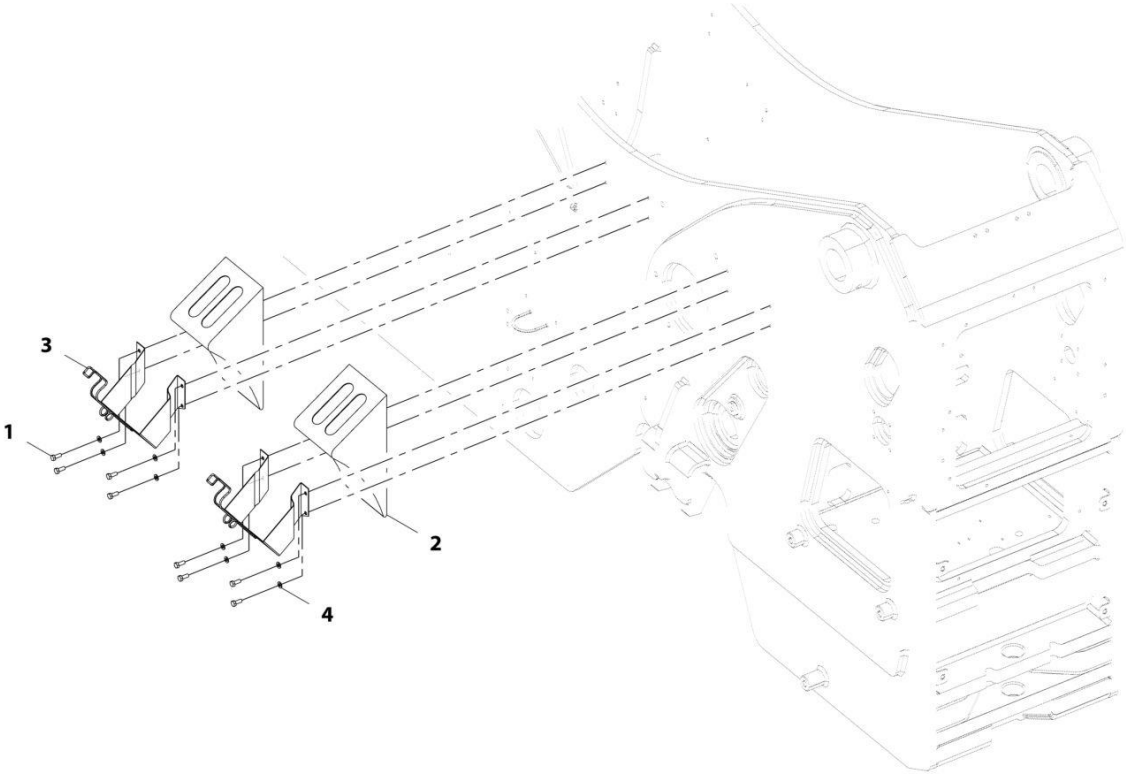
SECTION 1 - FRAME AND ATTACHING PARTS

FIGURE 1-23. MIRROR INSTALLATION (8010)

ITEM	PART NUMBER	QTY	DESCRIPTION	REV
	1001186881	Ref	Mirror Installation	G
1	1001265346	1	Bracket	
2	1001209345	1	Bracket	
4	1001175812	1	Mirror, Dual Lens	
5	1001142724	3	Mirror, Convex	
6	1001168429	1	Support, Arm	
7	0700612	2	Bolt, M6X25	
8	0760810	2	Bolt, M8X20	
10	4811700	2	Washer, M6	
12	4812000	6	Washer, M10	
14	0701014	6	Bolt, M10X30	
15	4811900	2	Washer, M8	
16	1001166192	1	Installation, Internal Mirror (See Separate Breakdown in CAB Section)	

SECTION 1 - FRAME AND ATTACHING PARTS

FIGURE 1-24. WHEEL CHOCK INSTALLATION



ART_1001192336-B

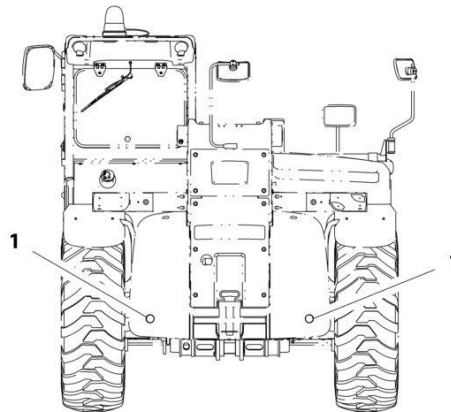
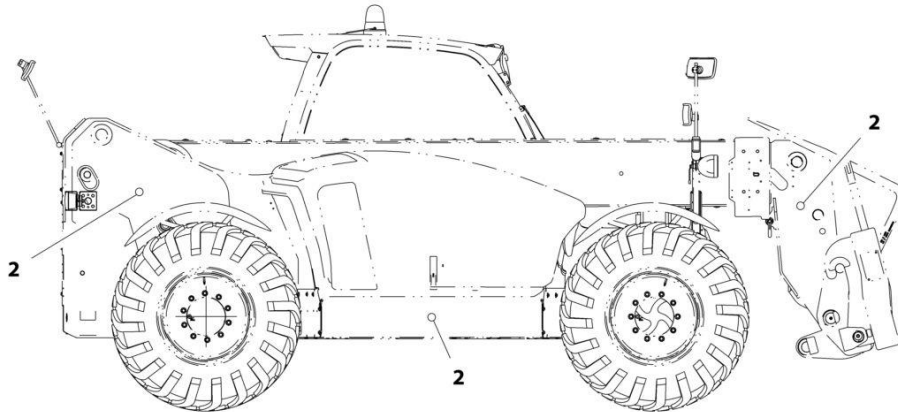
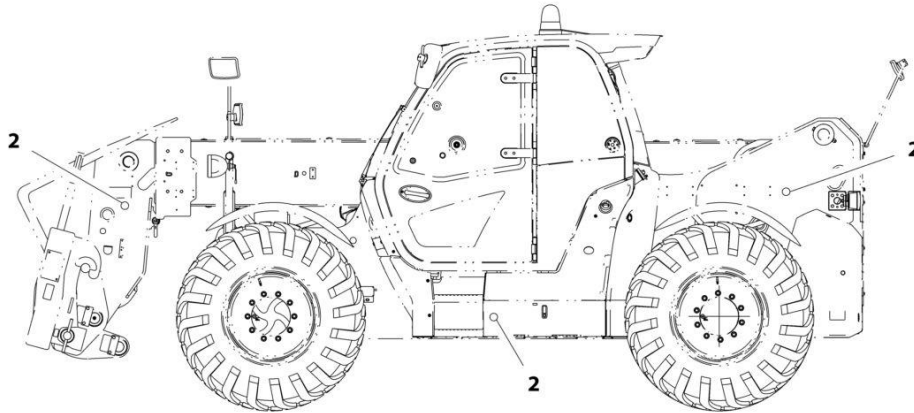
SECTION 1 - FRAME AND ATTACHING PARTS

FIGURE 1-24. WHEEL CHOCK INSTALLATION

ITEM	PART NUMBER	QTY	DESCRIPTION	REV
	1001192336	Ref	Wheel Chock Installation	B
1	0760810	8	Bolt, M8X20	
2	806253	2	Wedge	
3	806264	2	Holder, Wedge	
4	4811900	8	Washer, M8	

SECTION 1 - FRAME AND ATTACHING PARTS

FIGURE 1-25. REFLECTORS INSTALLATION (8010 ONLY)



ART_1001200344-D

SECTION 1 - FRAME AND ATTACHING PARTS

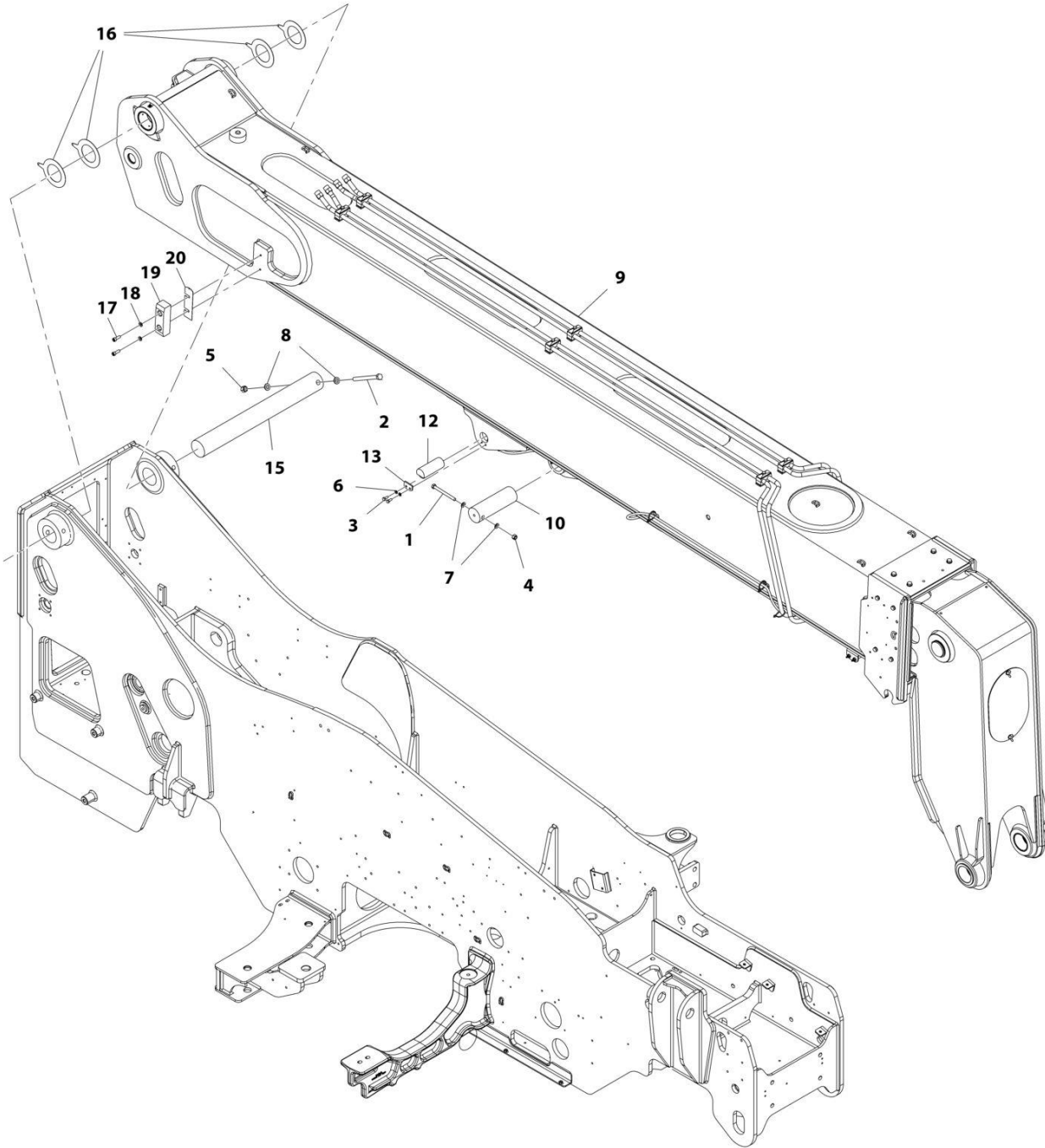
FIGURE 1-25. REFLECTORS INSTALLATION (8010 ONLY)

ITEM	PART NUMBER	QTY	DESCRIPTION	REV
	1001200344	Ref	Reflectors Installation	D
1	3700015	2	Reflector, Rear	
2	3700016	6	Reflector, Side	

SECTION 2 - BOOM

SECTION 2 - BOOM

FIGURE 2-1. BOOM INSTALLATION



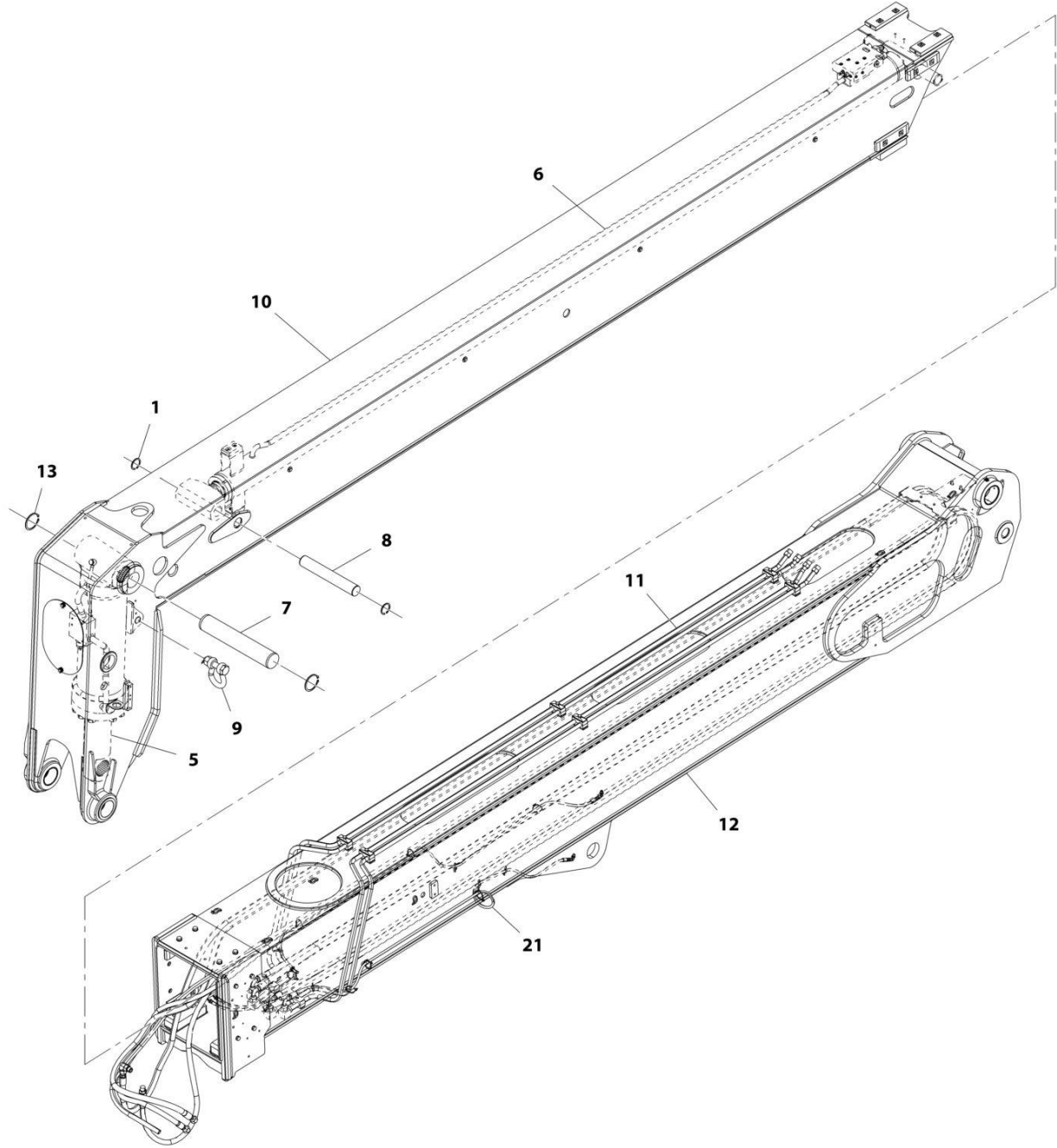
ART_1001192352-D

FIGURE 2-1. BOOM INSTALLATION

ITEM	PART NUMBER	QTY	DESCRIPTION	REV
	1001192352	Ref	Boom Installation	D
1	0701230	1	Bolt, M12X130	
2	0711635	1	Bolt, M16X180 Grade 10.9	
3	0760810	2	Bolt, M8X20	
4	3291205	1	Nut, Lock M12X1.75 Grade 8	
5	3291605	1	Nut, Lock M16X2 Grade 8	
6	4811900	2	Washer, M8	
7	4812100	2	Washer, M12	
8	4812300	2	Washer, M16	
9	1001174103	1	Assembly, Boom Section (See Separate Breakdown in this Section)	
10	1001190254	1	Pin	
12	1001190256	1	Pin	
13	1001190257	1	Plate	
15	1001190260	1	Pin	
16	1001219953	4	Shim	
17	4032010	4	Bolt, M10X30	
18	4812000	4	Washer, M10	
19	1001195655	2	Pad, M44X50X160	
20	1001219905	AR	Shim	

SECTION 2 - BOOM

FIGURE 2-2. BOOM ASSEMBLY



ART_1001174103-F

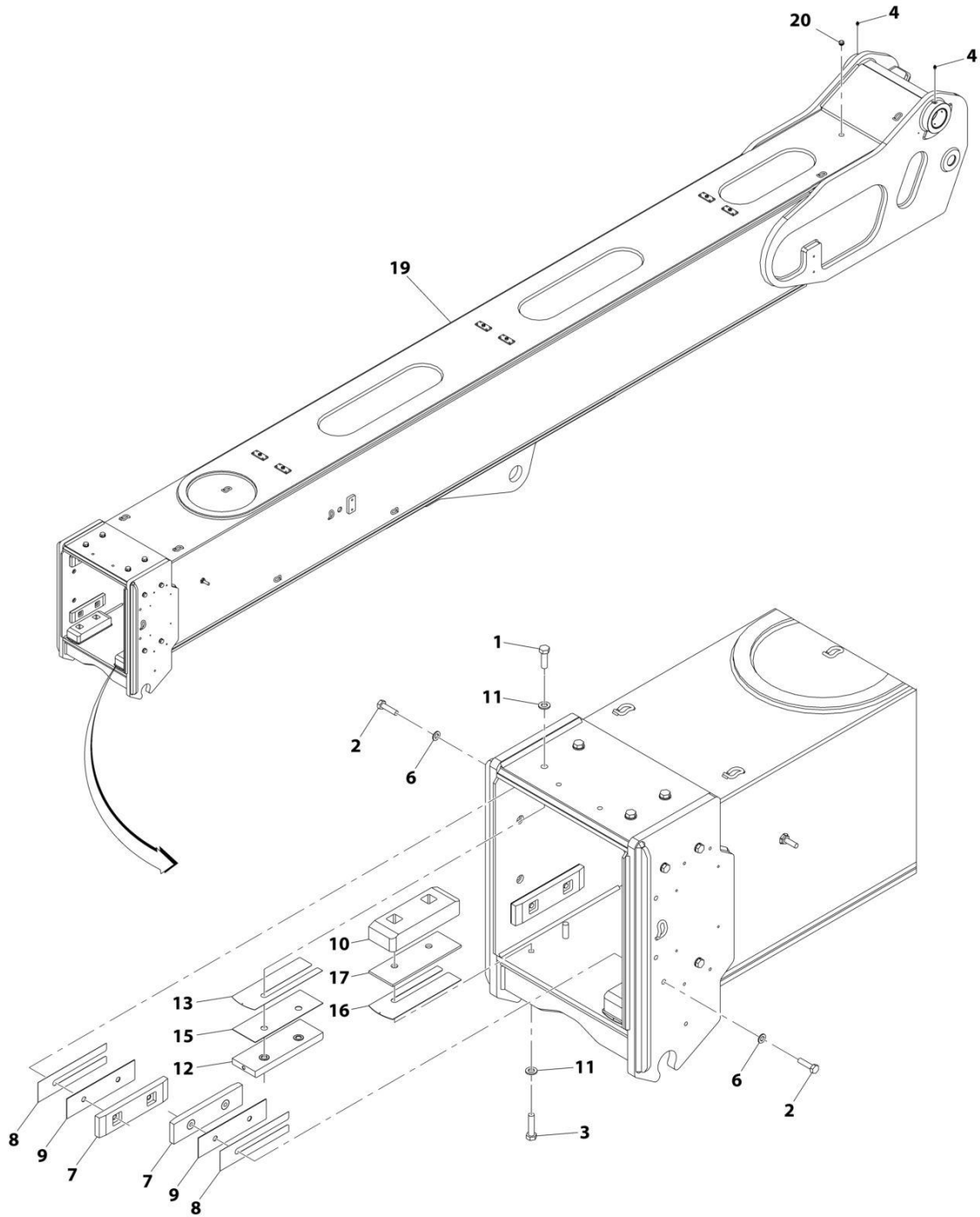
SECTION 2 - BOOM

FIGURE 2-2. BOOM ASSEMBLY

ITEM	PART NUMBER	QTY	DESCRIPTION	REV
	1001174103	Ref	Boom Assembly	F
1	314689	2	Ring, Retaining M50	
5	1001174812	1	Cylinder, Tilt (See Separate Breakdown in HYDRAULIC COMPONENTS Section)	
6	1001178157	1	Cylinder Installation - Extend/Retract (See Separate Breakdown in HYDRAULIC COMPONENTS Section)	
7	1001203989	1	Pin	
8	1001190253	1	Pin	
9	1001191110	1	Shackle, M25	
10	1001191752	1	Assembly, Boom Section (See Separate Breakdown in this Section)	
11	1001193100	1	Installation, Boom Hydraulic Tubes (See Separate Breakdown in HYDRAULIC CIRCUITS Section)	
12	1001195636	1	Assembly, First Boom Section (See Separate Breakdown in this Section)	
13	1001197262	2	Ring, Retaining	
21	1001217352	1	Installation, Boom Remote Grease (See Separate Breakdown in HYDRAULIC CIRCUITS Section)	

SECTION 2 - BOOM

FIGURE 2-3. FIRST BOOM SECTION ASSEMBLY



ART_1001195636-H

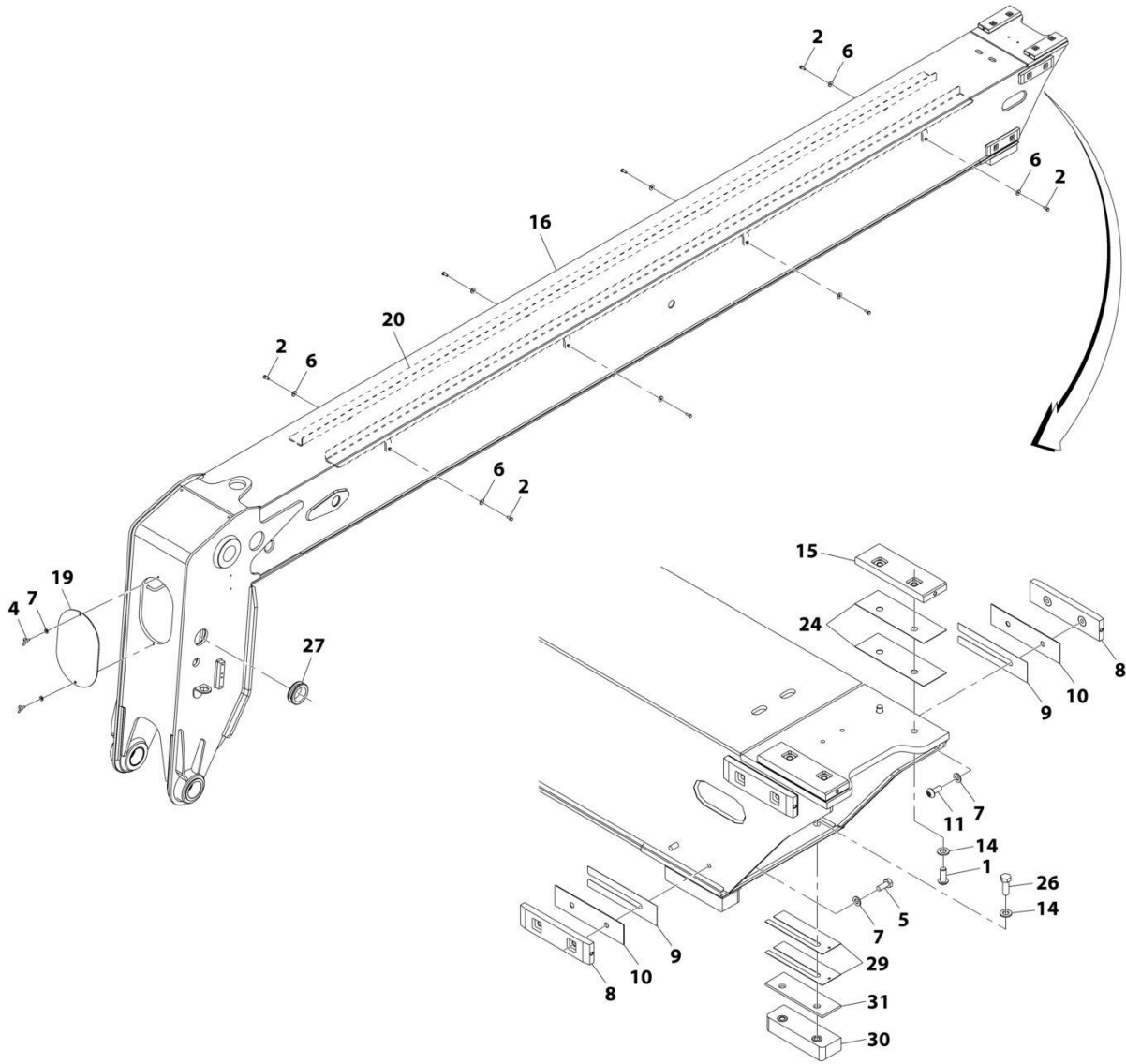
SECTION 2 - BOOM

FIGURE 2-3. FIRST BOOM SECTION ASSEMBLY

ITEM	PART NUMBER	QTY	DESCRIPTION	REV
	1001195636	Ref	First Boom Section Assembly	H
1	0711216	4	Bolt, M12X40 Grade 10.9	
2	0711016	8	Bolt, M10X40 Grade 10.9	
3	0711218	4	Bolt, M12X50 Grade 10.9	
4	2160016	2	Fitting, Grease	
6	4812000	AR	Washer, M10	
7	8002200	4	Pad	
8	8008640	AR	Shim	
9	1001003031	4	Shim	
10	1001227337	2	Pad	
11	1001125117	AR	Washer, M12	
12	1001227334	2	Pad	
13	1001195194	AR	Shim	
15	1001195737	2	Shim	
16	1001195738	AR	Shim	
17	1001195739	2	Shim	
19	1001195637J	1	Boom	
20	3520193	1	Plug	

SECTION 2 - BOOM

FIGURE 2-4. SECOND BOOM SECTION ASSEMBLY



ART_1001191752-M

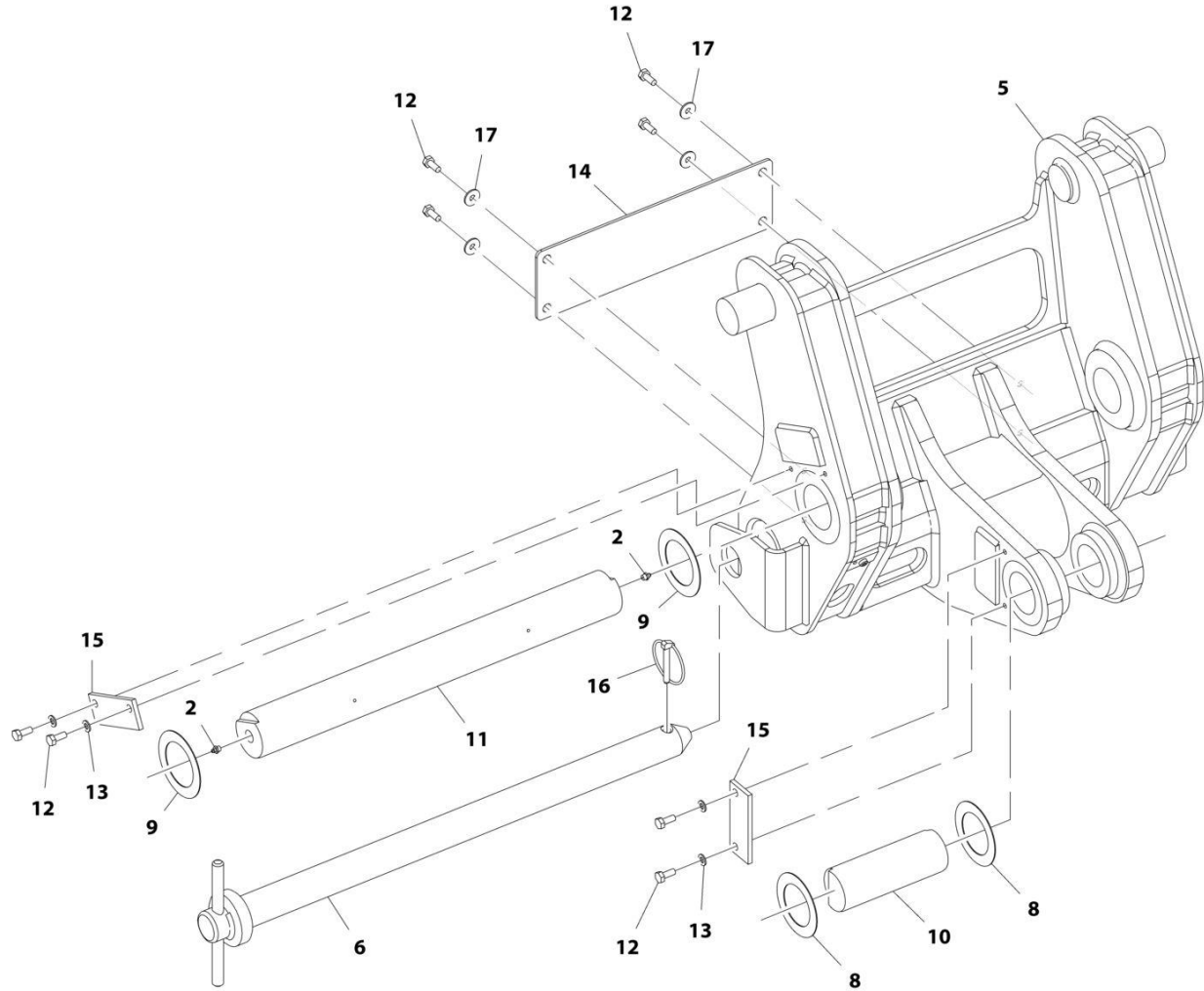
SECTION 2 - BOOM

FIGURE 2-4. SECOND BOOM SECTION ASSEMBLY

ITEM	PART NUMBER	QTY	DESCRIPTION	REV
	1001191752	Ref	Second Boom Section Assembly	M
1	1001229056	1	Screw, M12X30	
2	0760810	8	Bolt, M8X20	
4	1001250708	2	Bolt, M8X20	
5	0771012	4	Bolt, M10X25 Grade 10.9	
6	4811902	8	Washer, M8	
7	4812000	AR	Washer, M10	
8	8002200	4	Pad	
9	8008640	AR	Shim	
10	1001003031	4	Shim	
11	1001009325	4	Screw	
14	1001125117	AR	Washer, M12	
15	1001227334	2	Pad	
16	1001191753	1	Boom	
19	1001191789	1	Plate	
20	1001203987	2	Bracket	
24	1001195737	4	Shim	
26	0711215	4	Bolt, M12X35 Grade 10.9	
27	1001028415	1	Grommet	
29	1001163104	AR	Plate	
30	1001165175	2	Pad	
31	1001215464	2	Shim	

SECTION 2 - BOOM

FIGURE 2-5. COUPLER INSTALLATION (MANUAL)



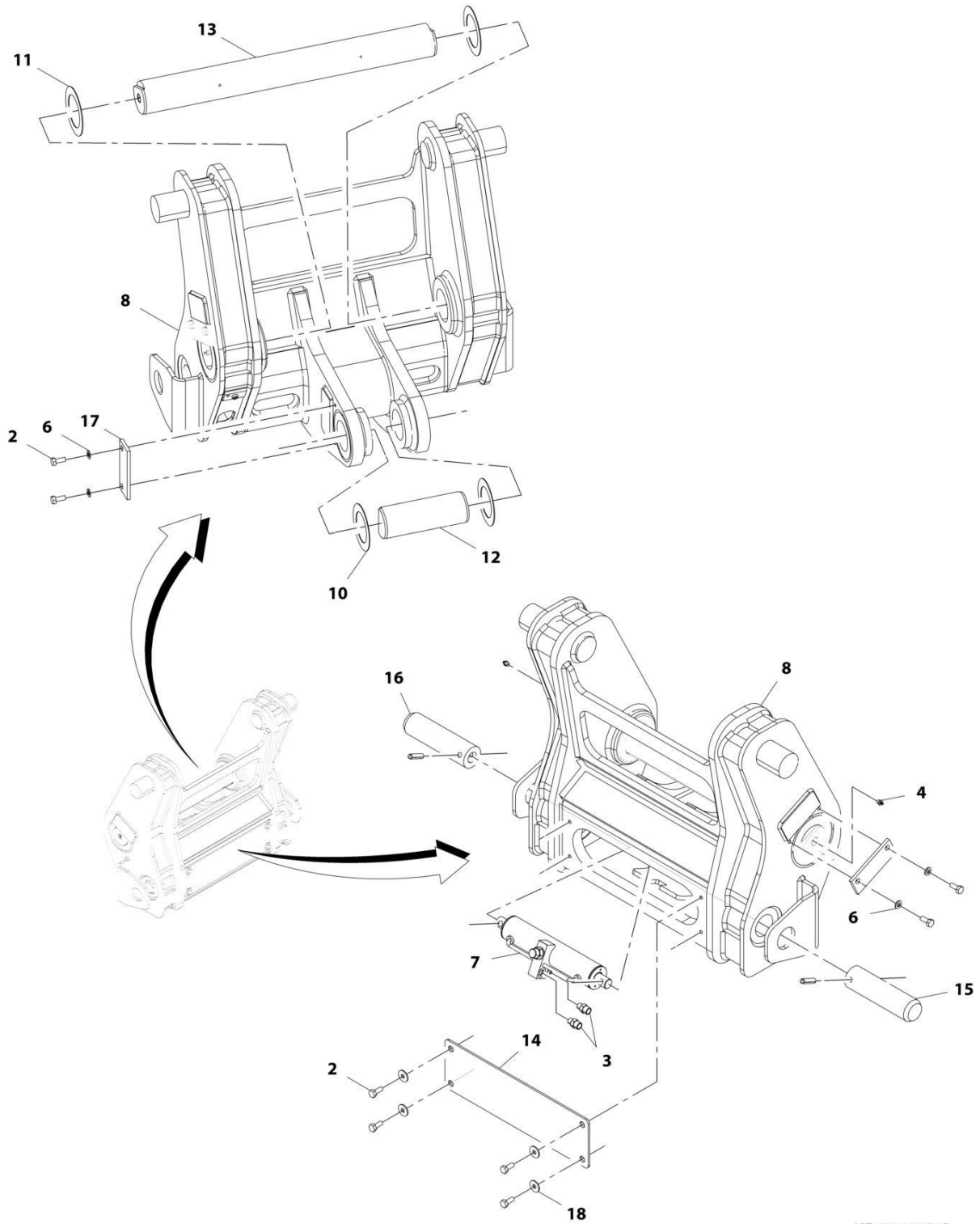
ART_1001174104-G

FIGURE 2-5. COUPLER INSTALLATION (MANUAL)

ITEM	PART NUMBER	QTY	DESCRIPTION	REV
	1001174104	Ref	Coupler Installation (Manual)	G
2	2160016	2	Fitting, Grease	
5	1001187820	1	Coupling, Manual	
6	1001187821	1	Pin	
8	1001187847	AR	Shim	
9	1001187848	AR	Shim	
10	1001190250	1	Pin, Tilt	
11	1001190264	1	Pin	
12	0761012	8	Bolt, M10X25	
13	4812000	4	Washer, M10	
14	1001200393	1	Plate, Front Cover	
15	1001210326	2	Plate	
16	1001003803	1	Pin	
17	4812002	4	Washer, M10	

SECTION 2 - BOOM

FIGURE 2-6. COUPLER INSTALLATION (HYDRAULIC)



ART_1001192358-D

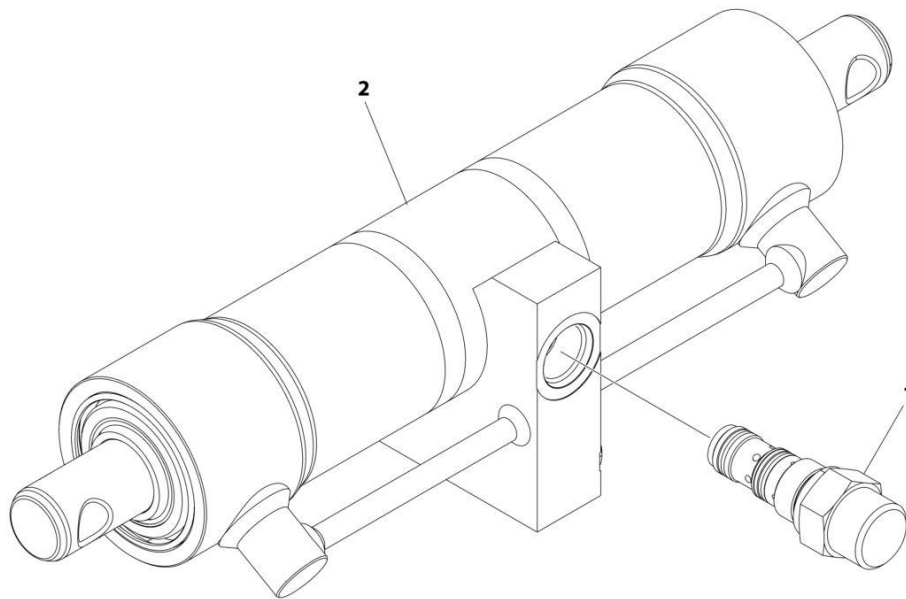
SECTION 2 - BOOM

FIGURE 2-6. COUPLER INSTALLATION (HYDRAULIC)

ITEM	PART NUMBER	QTY	DESCRIPTION	REV
	1001192358	Ref	Coupler Installation (Hydraulic)	D
2	0761012	8	Bolt, M10X25	
3	2110606	2	Fitting, Straight ORFS	
4	2160016	2	Fitting, Grease	
6	4812000	4	Washer, M10	
7	1001145391	1	Assembly, Coupler Locking Cylinder (See Separate Breakdown in this Section)	
8	1001187820	1	Carriage	
10	1001187847	AR	Shim, M76X115X1.5	
11	1001187848	AR	Shim, M81X120X1.5	
12	1001190250	1	Pin, Tilt	
13	1001190264	1	Pin, Coupler	
14	1001200393	1	Plate, Front Cover	
15	1001200395	2	Pin	
16	1001184610	2	Pin	
17	1001210326	2	Plate, Pin Retention	
18	4812002	4	Washer, M10	

SECTION 2 - BOOM

FIGURE 2-7. FRAME LEVEL CYLINDER INSTALLATION



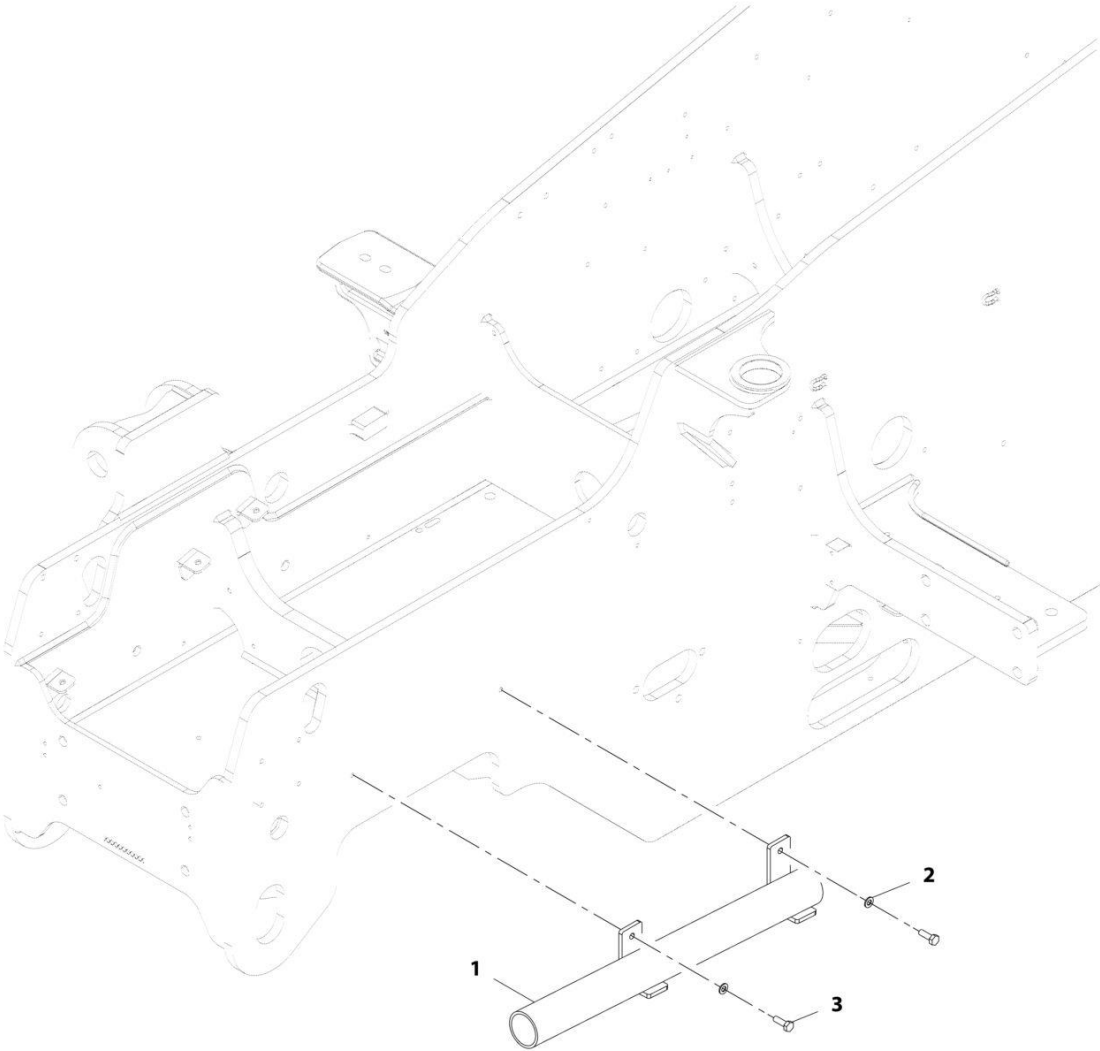
ART_1001145391_B

FIGURE 2-7. FRAME LEVEL CYLINDER INSTALLATION

ITEM	PART NUMBER	QTY	DESCRIPTION	REV
	1001145391	Ref	FRAME LEVEL CYLINDER INSTALLATION	B
1	1001007056	1	Valve, Check	
2	1001267977	1	Cylinder, Coupler Locking (See Separate Breakdown in HYDRAULIC COMPONENTS Section)	

SECTION 2 - BOOM

FIGURE 2-8. MANUAL COUPLER PIN HOLDER INSTALLATION



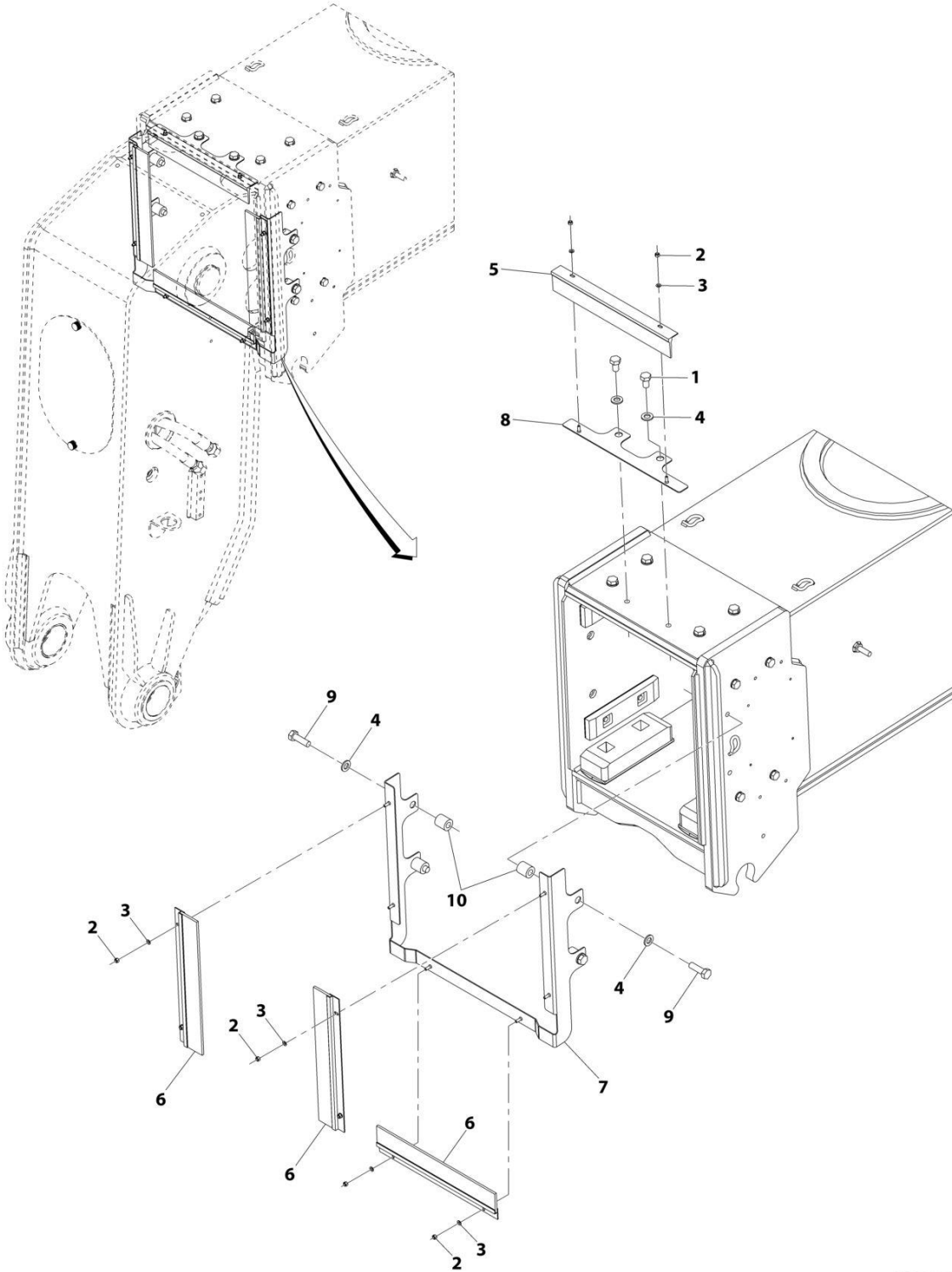
ART_1001220641-A

FIGURE 2-8. MANUAL COUPLER PIN HOLDER INSTALLATION

ITEM	PART NUMBER	QTY	DESCRIPTION	REV
	1001220641	Ref	Manual Coupler Pin Holder Installation	A
1	1001220248	1	Bracket, Pin Holder	
2	4812000	2	Washer, M10	
3	0701014	2	Bolt, M10X30	

SECTION 2 - BOOM

FIGURE 2-9. BOOM BRUSHES INSTALLATION



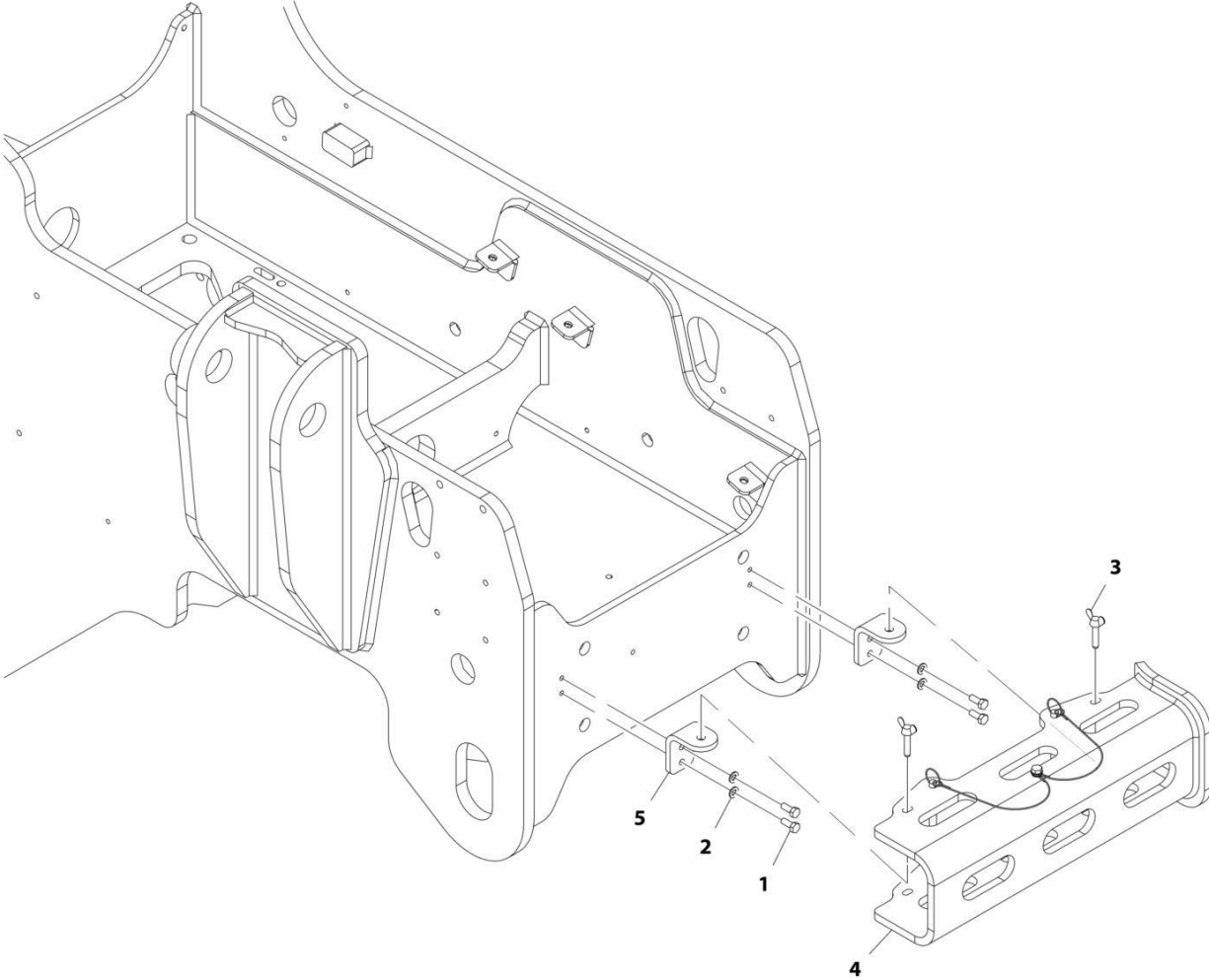
ART_1001174431-C

FIGURE 2-9. BOOM BRUSHES INSTALLATION

ITEM	PART NUMBER	QTY	DESCRIPTION	REV
	1001174431	Ref	Boom Brushes Installation	C
1	0761210	2	Bolt, M12X20	
2	3290505	8	Nut, Lock M5X0.8 Grade 8	
3	4811600	8	Washer, M5	
4	1001125117	6	Washer, M12	
5	1001172999	1	Brush	
6	1001173679	3	Brush	
7	1001196878	1	Bracket	
8	1001196879	1	Bracket	
9	0701216	4	Bolt, M12X40	
10	1001220286	4	Tube	

SECTION 2 - BOOM

FIGURE 2-10. BOOM PROP INSTALLATION



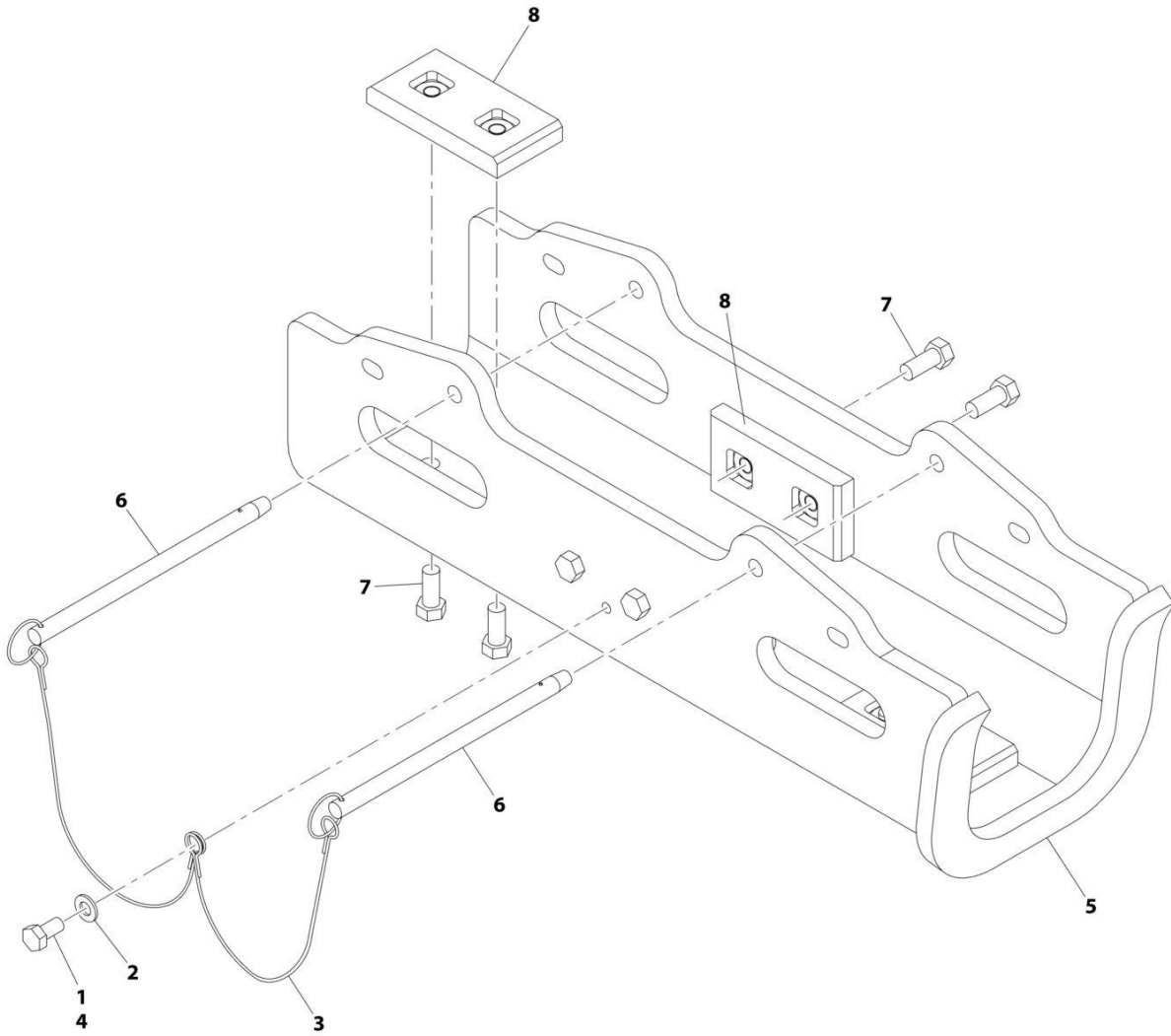
ART_1001174419-C

FIGURE 2-10. BOOM PROP INSTALLATION

ITEM	PART NUMBER	QTY	DESCRIPTION	REV
	1001174419	Ref	Boom Prop Installation	C
1	0760810	4	Bolt, M8X20	
2	4811900	4	Washer, M8	
3	1001228860	2	Bolt, Wing M8X30	
4	1001191035	1	Bracket, Boom Prop (See Separate Breakdown in this Section)	
5	1001193887	2	Bracket	

SECTION 2 - BOOM

FIGURE 2-11. BOOM PROP BRACKET ASSEMBLY



ART_1001191035-B

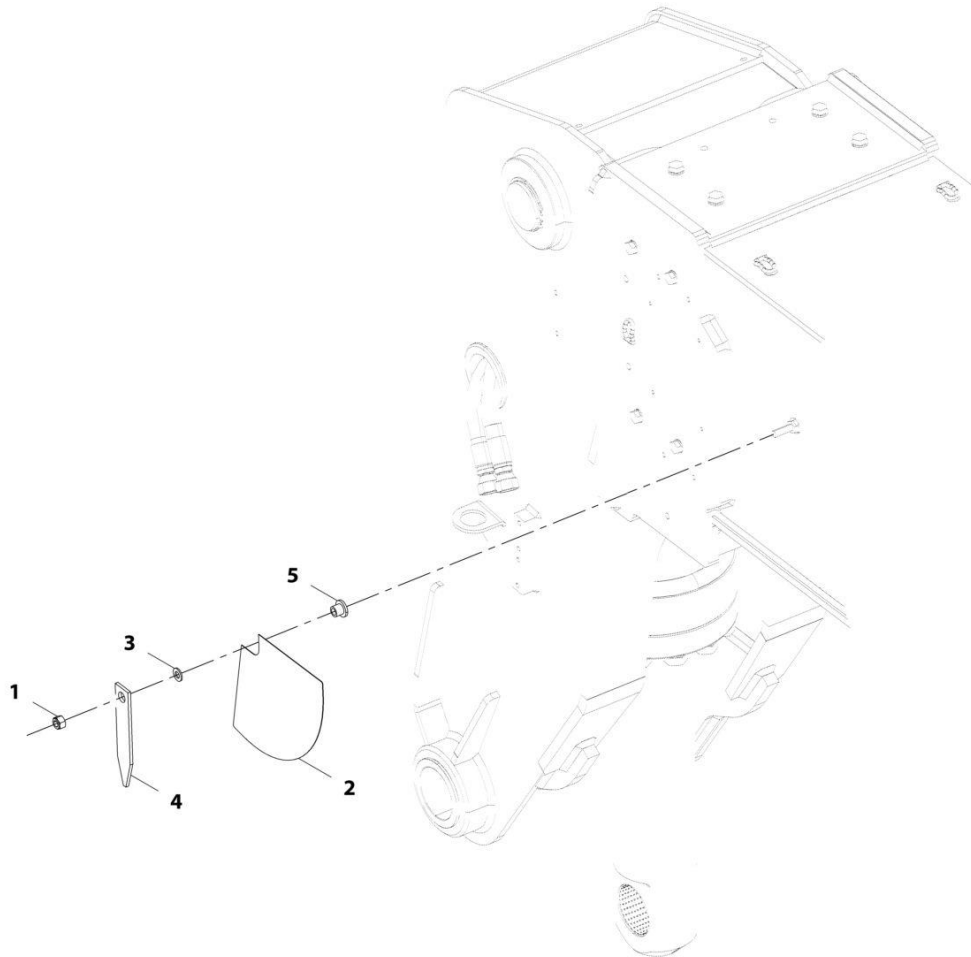
SECTION 2 - BOOM

FIGURE 2-11. BOOM PROP BRACKET ASSEMBLY

ITEM	PART NUMBER	QTY	DESCRIPTION	REV
	1001191035	Ref	Boom Prop Bracket Assembly	B
1	0760808	1	Bolt, M8X16	
2	4811900	1	Washer, M8	
3	1001164183	2	Lanyard, Boom Prop	
4	1001095650	AR	Adhesive, Loctite	
5	1001191036	1	Support, Boom Prop	
6	1001191039	2	Pin	
7	0651607	8	Bolt, 3/8-24 X 7/8	
8	91403530	4	Bearing	

SECTION 2 - BOOM

FIGURE 2-12. BOOM ANGLE INDICATOR INSTALLATION



ART_1001192364-A

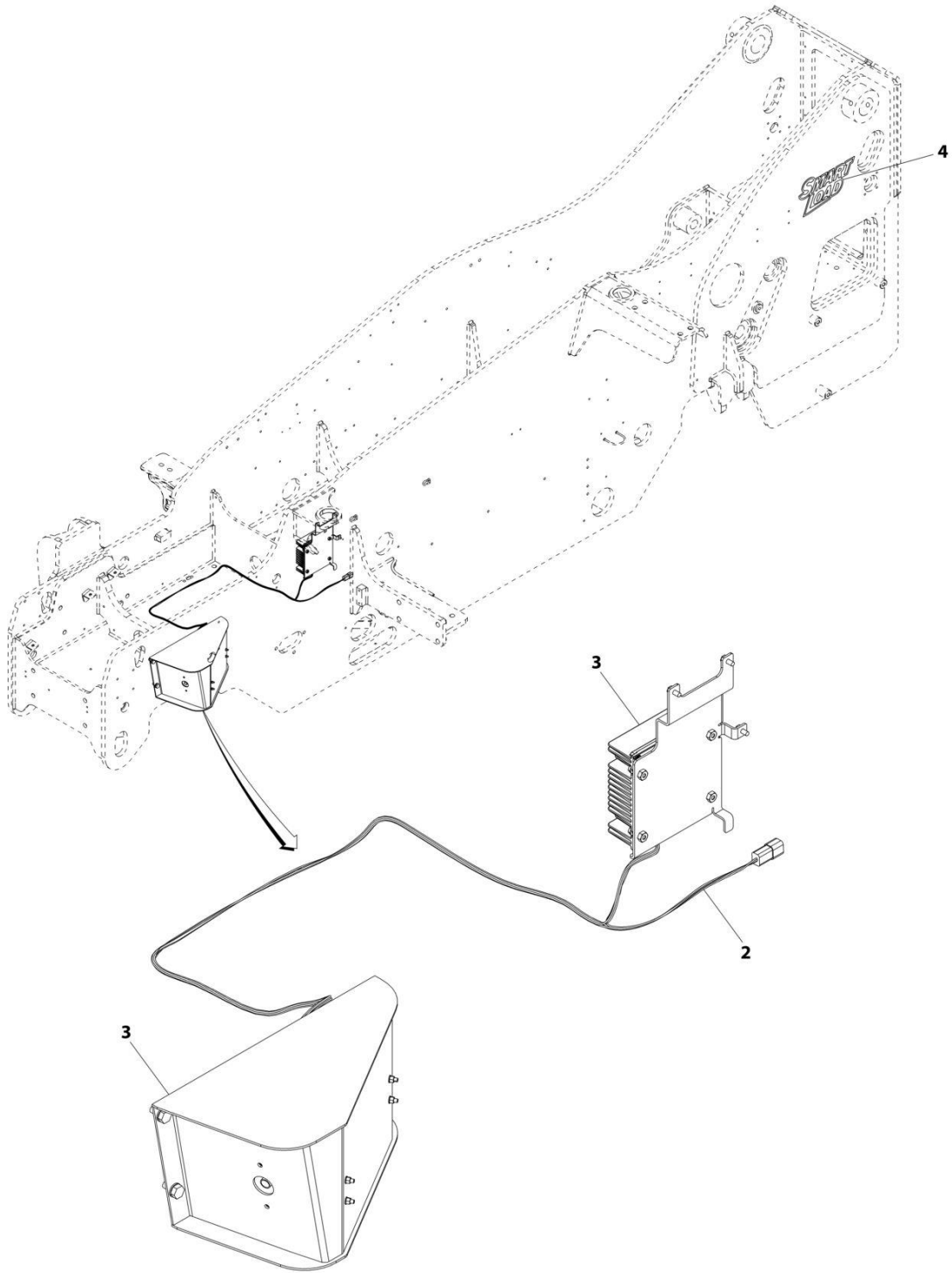
FIGURE 2-12. BOOM ANGLE INDICATOR INSTALLATION

ITEM	PART NUMBER	QTY	DESCRIPTION	REV
	1001192364	Ref	Boom Angle Indicator Installation	A
1	3291005	1	Nut, Lock M10X1.5	
2	4105262	1	Decal, Boom Angle Indicator	
3	4812000	1	Washer, M10	
4	1001098769	1	Plate, Boom Angle Indicator	
5	1001171808	1	Spacer	

SECTION 3 - ATTACHMENTS

SECTION 3 - ATTACHMENTS

FIGURE 3-1. ATTACHMENT RECOGNITION INSTALLATION - COMPLETE



ART_1001195881

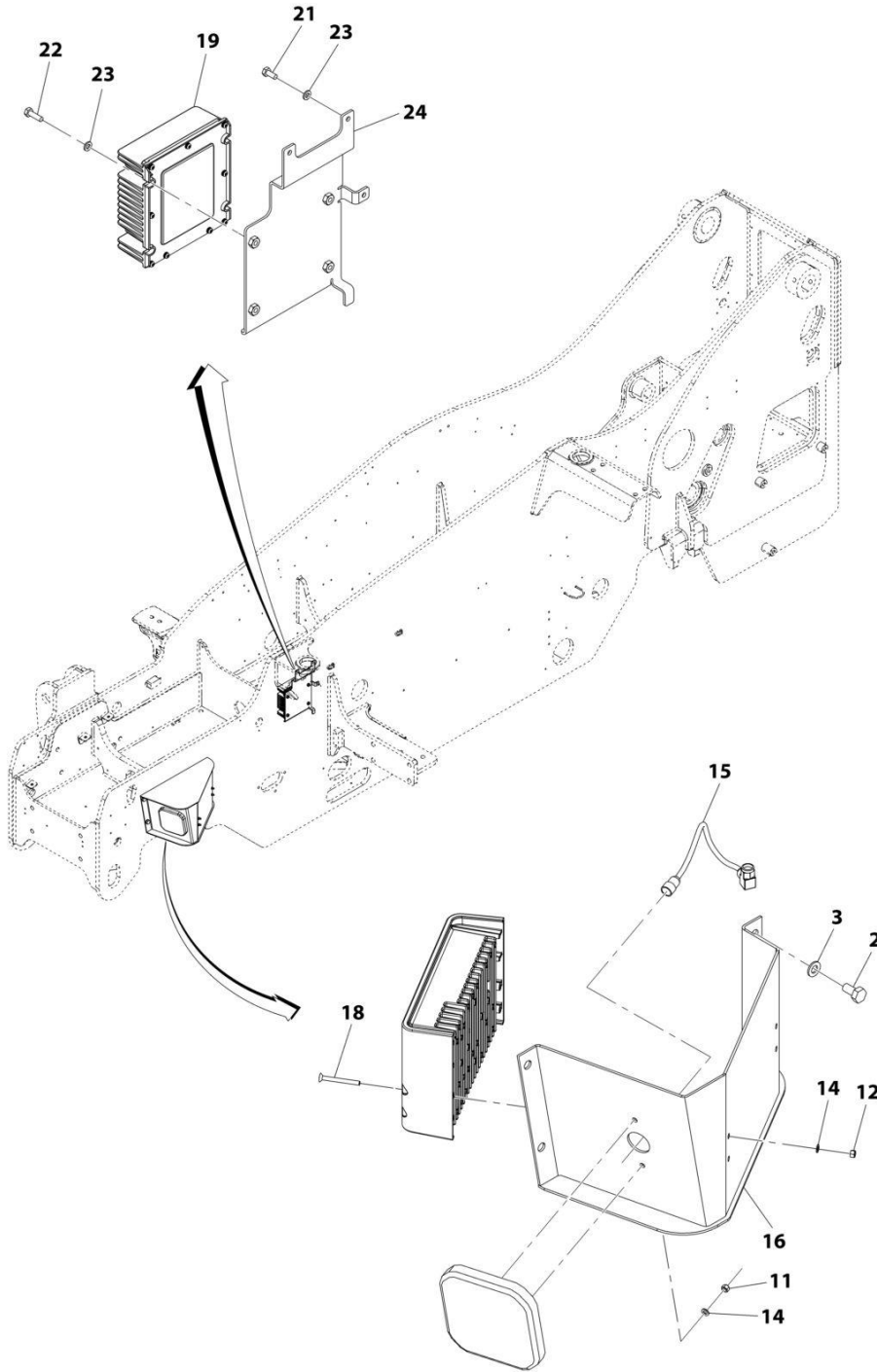
SECTION 3 - ATTACHMENTS

FIGURE 3-1. ATTACHMENT RECOGNITION INSTALLATION - COMPLETE

ITEM	PART NUMBER	QTY	DESCRIPTION	REV
	1001195881	Ref	Attachment Recognition Installation	F
2	1001249251	1	Cable	
3	1001207866	1	Installation, Components Attachment Recognition (See Separate Breakdown in this Section)	
4	1001250276	2	Decal, Smart Load	

SECTION 3 - ATTACHMENTS

FIGURE 3-2. ATTACHMENT RECOGNITION INSTALLATION



ART_1001207866_G

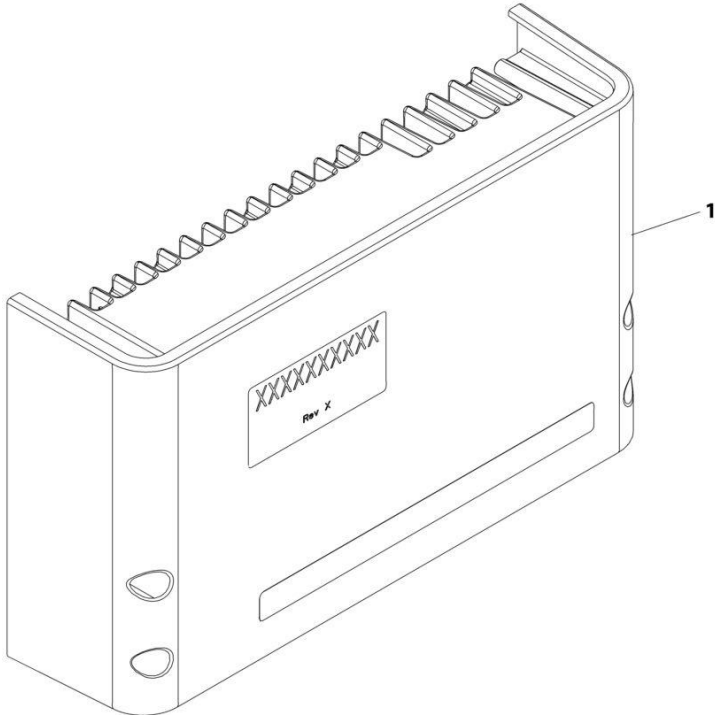
SECTION 3 - ATTACHMENTS

FIGURE 3-2. ATTACHMENT RECOGNITION INSTALLATION

ITEM	PART NUMBER	QTY	DESCRIPTION	REV
	1001207866	Ref	Components Attachment Recognition Installation	G
2	0761010	4	Bolt, M10X20	
3	4812000	4	Washer, M10	
11	3290505	2	Nut, Lock M5X0.8 Grade 8	
12	3290507	4	Nut, Lock M5X0.8	
14	4811600	6	Washer, M5	
15	1001206725	1	Cable	
16	1001232988	1	Bracket, Attachment Recognition	
18	1001234395	4	Screw, M5X50	
19	1001249078	1	Control, Voltage	
21	0760607	3	Bolt, M6X14	
22	0700610	4	Bolt, M6X20	
23	4811700	7	Washer M6	
24	1001249249	1	Bracket, Converter Support	

SECTION 3 - ATTACHMENTS

FIGURE 3-3. ATTACHMENT RECOGNITION RECEIVER (FCC)



ART_1001250475-B

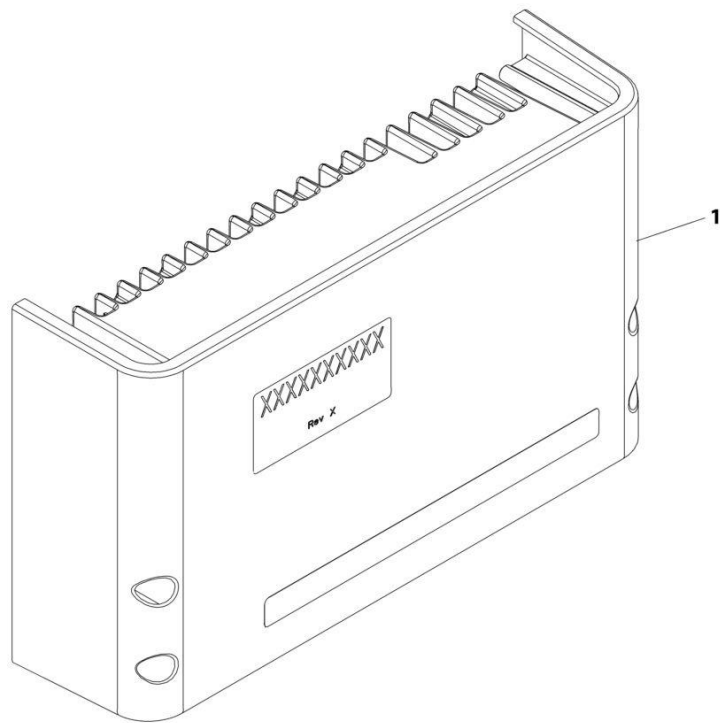
SECTION 3 - ATTACHMENTS

FIGURE 3-3. ATTACHMENT RECOGNITION RECEIVER (FCC)

ITEM	PART NUMBER	QTY	DESCRIPTION	REV
	1001250475	1 Ref	ATTACHMENT RECOGNITION RECEIVER (FCC) No Serviceable Parts. Purchase complete assembly	B

SECTION 3 - ATTACHMENTS

FIGURE 3-4. ATTACHMENT RECOGNITION RECEIVER (EU)



ART_1001250476-B

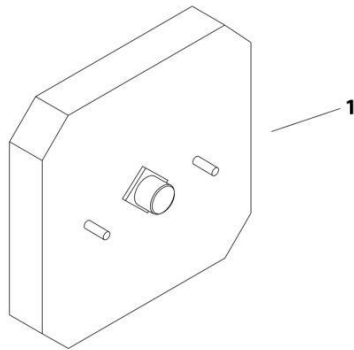
SECTION 3 - ATTACHMENTS

FIGURE 3-4. ATTACHMENT RECOGNITION RECEIVER (EU)

ITEM	PART NUMBER	QTY	DESCRIPTION	REV
	1001250476	1 Ref	ATTACHMENT RECOGNITION RECEIVER (EU) No Serviceable Parts. Purchase complete assembly	B

SECTION 3 - ATTACHMENTS

FIGURE 3-5. ATTACHMENT RECOGNITION ANTENNA (FCC)



ART_1001202730

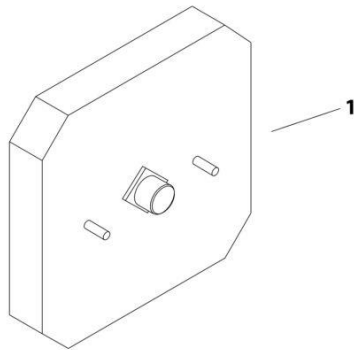
SECTION 3 - ATTACHMENTS

FIGURE 3-5. ATTACHMENT RECOGNITION ANTENNA (FCC)

ITEM	PART NUMBER	QTY	DESCRIPTION	REV
	1001202730	1	ATTACHMENT RECOGNITION ANTENNA (FCC)	

SECTION 3 - ATTACHMENTS

FIGURE 3-6. ATTACHMENT RECOGNITION ANTENNA (EU)



ART_1001237738

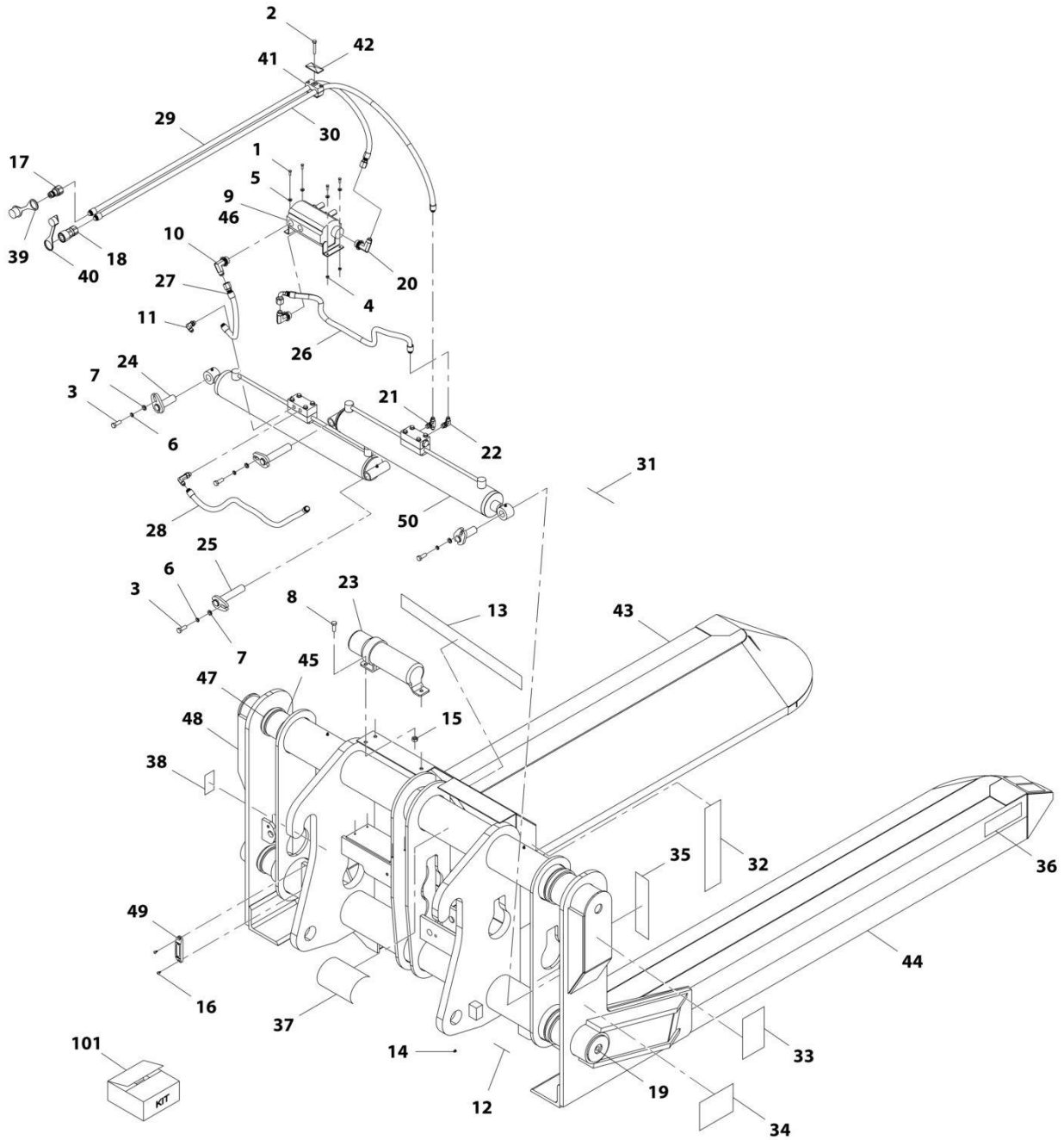
SECTION 3 - ATTACHMENTS

FIGURE 3-6. ATTACHMENT RECOGNITION ANTENNA (EU)

ITEM	PART NUMBER	QTY	DESCRIPTION	REV
	1001202730	1	ATTACHMENT RECOGNITION ANTENNA (FCC)	

SECTION 3 - ATTACHMENTS

FIGURE 3-7. BALE HANDLER (ROUND BALES)



ART_1001192649-D

SECTION 3 - ATTACHMENTS

FIGURE 3-7. BALE HANDLER (ROUND BALES)

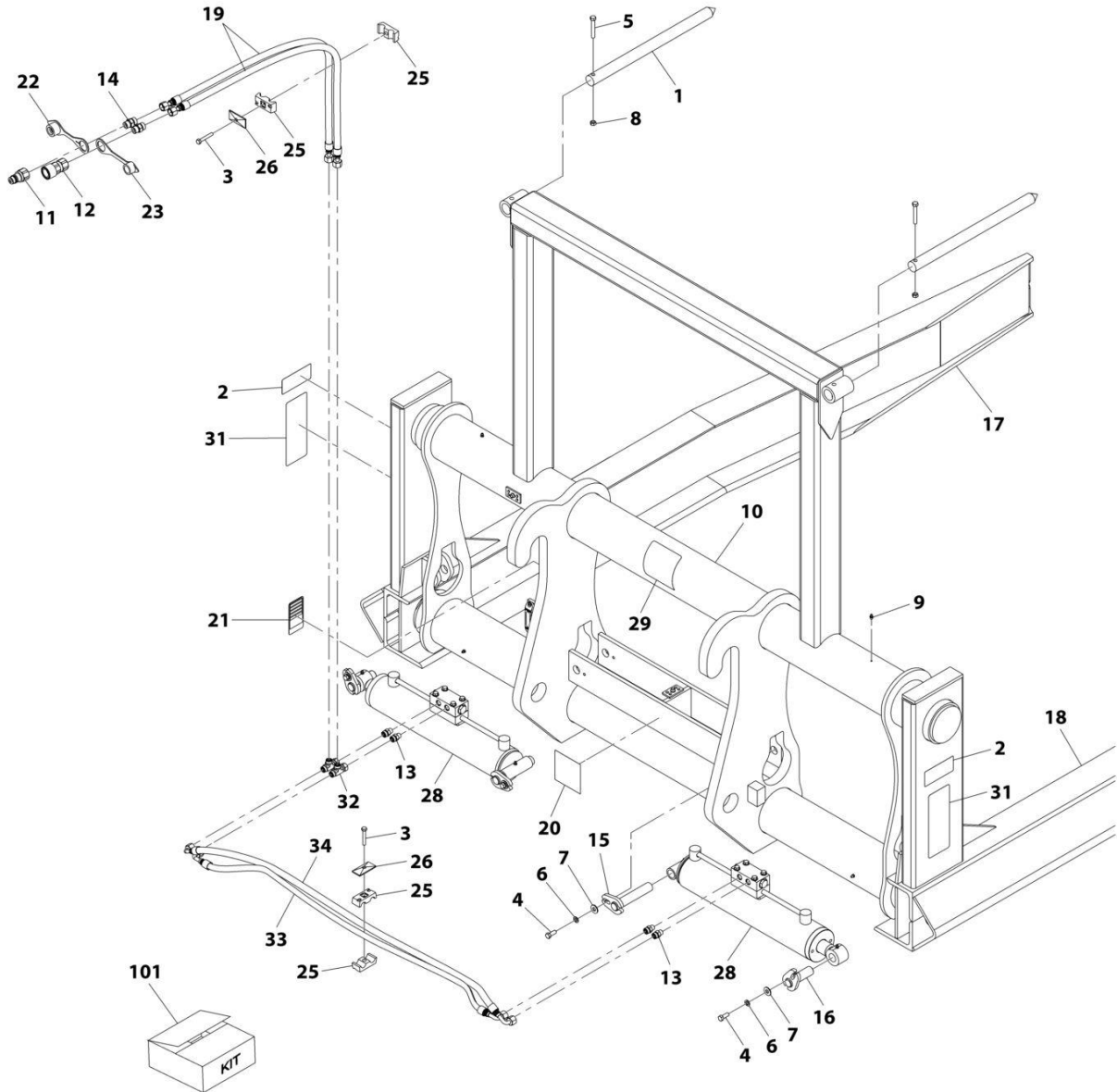
ITEM	PART NUMBER	QTY	DESCRIPTION	REV
	1001192649	Ref	Bale Handler (round)	E
1	70027773	4	Bolt	
2	70028485	1	Screw	
3	70021349	4	Bolt, 3/8X1	
4	90554066	4	Nut	
5	90554067	4	Washer, Lock	
6	90554042	4	Washer, Lock	
7	70021350	4	Washer	
8	70028635	3	Bolt	
9	70028636	1	Plug w/O-Ring	
10	70028637	2	Fitting, 90	
11	90554065	1	Fitting, 90	
12	7029712	4	Decal, Grease	
13	70028638	1	Decal, Stand Clear Warning	
14	90554045	4	Fitting, Grease	
15	70028615	3	Nut	
16	70028554	2	Screw	
17	1001101041	1	Adapter, Male Quick Disconnect	
18	70028616	1	Fitting, Straight	
19	70028617	4	Plug	
20	70028618	1	Fitting, 90	
21	70028619	1	Fitting, Tee	
22	70028620	1	Fitting, 90	
23	1001101042	1	Adapter, Female Quick Disconnect	
24	70028489	2	Pin	
25	70028490	2	Pin	
26	70028621	1	Hose	
27	70028622	1	Hose	
28	70028623	1	Hose	
29	70028624	1	Hose	
30	7029709	1	Hose	
31	7029711	1	Decal, High Pressure Warning	
32	70028625	2	Decal, Pinch Point	
33	70028626	1	Decal, Transport Warning	
34	70028627	1	Decal, Safety Warning	
35	70028628	6	Decal, Red Reflexite	
36	70028629	6	Decal, Amber Reflexite	
37	70028630	1	Decal, Module Staging	
38	N.S.S.	1	Plate, Serial Number	
39	8420053	1	Cap, Dust	
40	8420055	1	Cap, Dust	
41	70028495	1	Clamp	
42	70028496	1	Plate, Clamp	
43	N.S.S.	1	Arm, RH	
44	N.S.S.	1	Arm, LH	
45	70028631	4	Wrap	
46	70028632	1	Valve, Flow Divider	
47	70028633	8	Clamp	
48	N.S.S.	1	Weldment	
49	1001227670	1	Tag, RFID	

SECTION 3 - ATTACHMENTS

ITEM	PART NUMBER	QTY	DESCRIPTION	REV
50	70028634	2	Assembly, Cylinder	
101	Kit	1	Kit, Seal	

SECTION 3 - ATTACHMENTS

FIGURE 3-8. BALE HANDLER (SQUARE BALES)



ART_1001192650-E

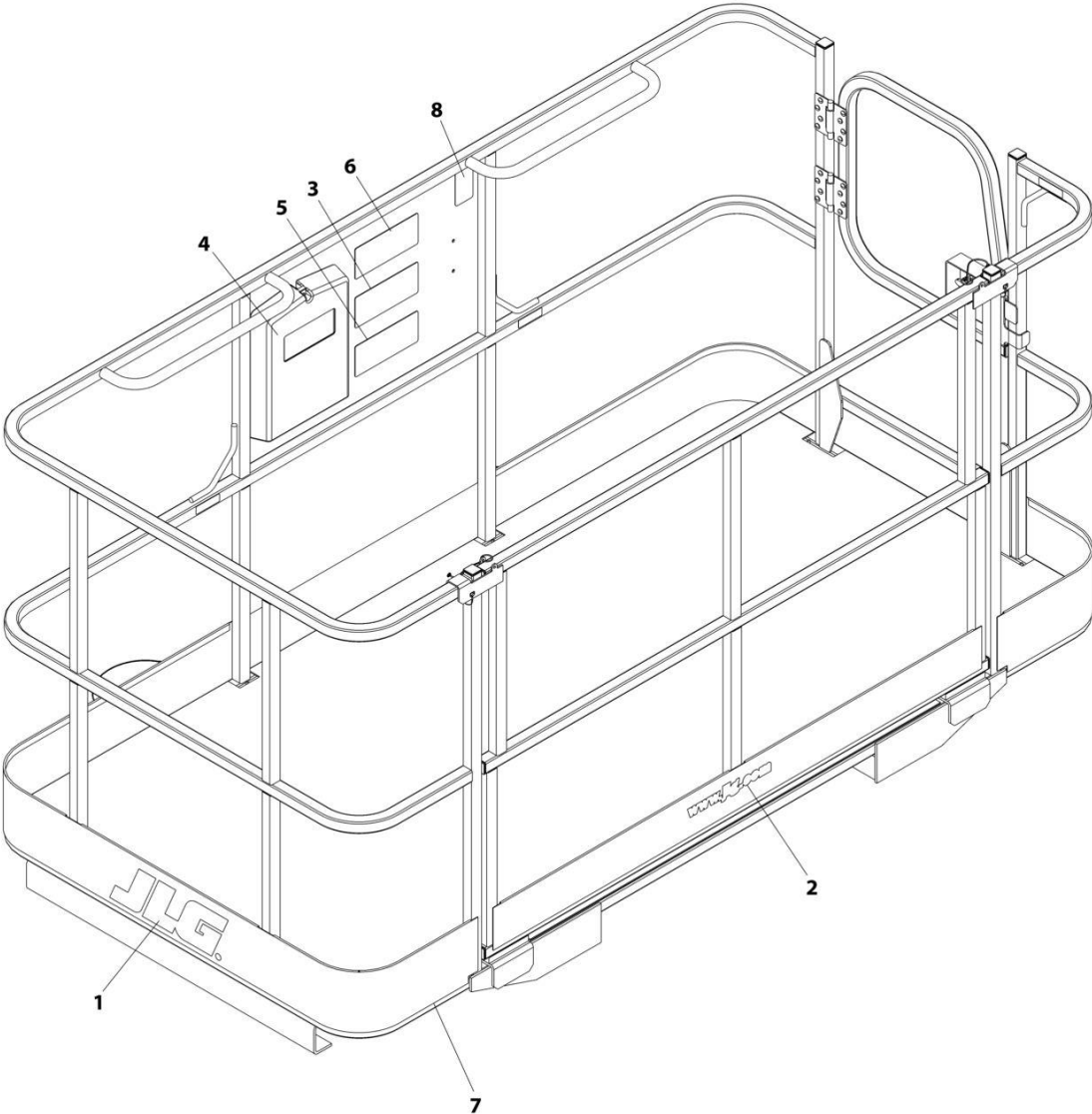
SECTION 3 - ATTACHMENTS

FIGURE 3-8. BALE HANDLER (SQUARE BALES)

ITEM	PART NUMBER	QTY	DESCRIPTION	REV
	1001192650	Ref	Bale Handler (square)	F
1	70028499	2	Spear	
2	70028500	2	Decal, Pinch Point	
3	70028485	2	Screw	
4	70021349	4	Bolt, 3/8X1	
5	70021422	2	Screw	
6	90554042	4	Washer, Lock 3/8	
7	70021350	4	Washer, Flat	
8	70021367	2	Nut, Lock 3/8	
9	90554045	4	Fitting, Grease	
10	N.S.S.	1	Weldment, Main Frame	
11	1001101041	1	Coupler, Male Hydraulic	
12	1001101042	1	Coupler, Female Hydraulic	
13	70028486	4	Fitting	
14	70028488	2	Fitting	
15	70028489	2	Pin	
16	70028490	2	Pin	
17	N.S.S.	1	Weldment, Left Bale Arm	
18	N.S.S.	1	Weldment, Right Bale Arm	
19	70028491	2	Hose	
20	7029711	1	Decal, High Pressure Warning	
21	N.S.S.	1	Plate, Serial Number	
22	8420053	1	Cap, Dust	
23	8420055	1	Cap, Dust	
25	70028495	2	Clamp	
26	70028496	2	Plate, Clamp	
28	70028497	2	Assembly, Cylinder	
29	70028498	1	Decal, Read Manual	
31	70028501	2	Decal, Falling Load	
32	70028487	2	Fitting, Tee	
33	70028492	1	Hose	
34	70028493	1	Hose	
101	70028494	1	Kit, Seal	

SECTION 3 - ATTACHMENTS

FIGURE 3-9. BASKET, PERSONNEL (1.2MX2.4M) (DOMESTIC)



ART_1001238653-A

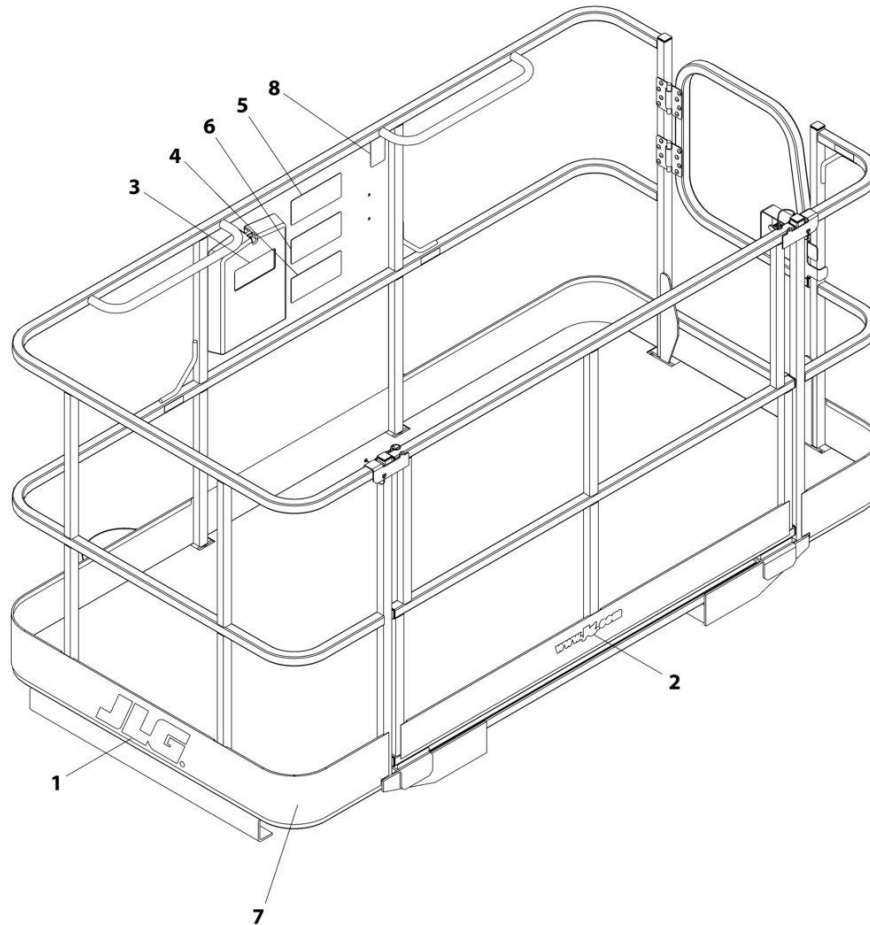
SECTION 3 - ATTACHMENTS

FIGURE 3-9. BASKET, PERSONNEL (1.2MX2.4M) (DOMESTIC)

ITEM	PART NUMBER	QTY	DESCRIPTION	REV
	1001238653	Ref	FORK MOUNTED PLATFORM	B
1	1702773	2	Decal, JLG	
2	1704885	1	Decal, Website	
3	1706892	1	Decal, Platform Warning	
4	31200160	1	Manual, Personnel Work Platform Operation and Safety	
5	1001092481	1	Decal, Warning Attachment	
6	1001092482	1	Decal, Platform Capacity	
7	1001238565	1	Platform, Fork Mounted (See Separate Breakdown in this Section)	
8	See Note	NSS	SN Plate (Note: Stamped Part - Not Available for Purchase)	

SECTION 3 - ATTACHMENTS

FIGURE 3-10. BASKET, PERSONNEL (1.2MX2.4M) (FRENCH LANGUAGE)



ART_1001238655-A

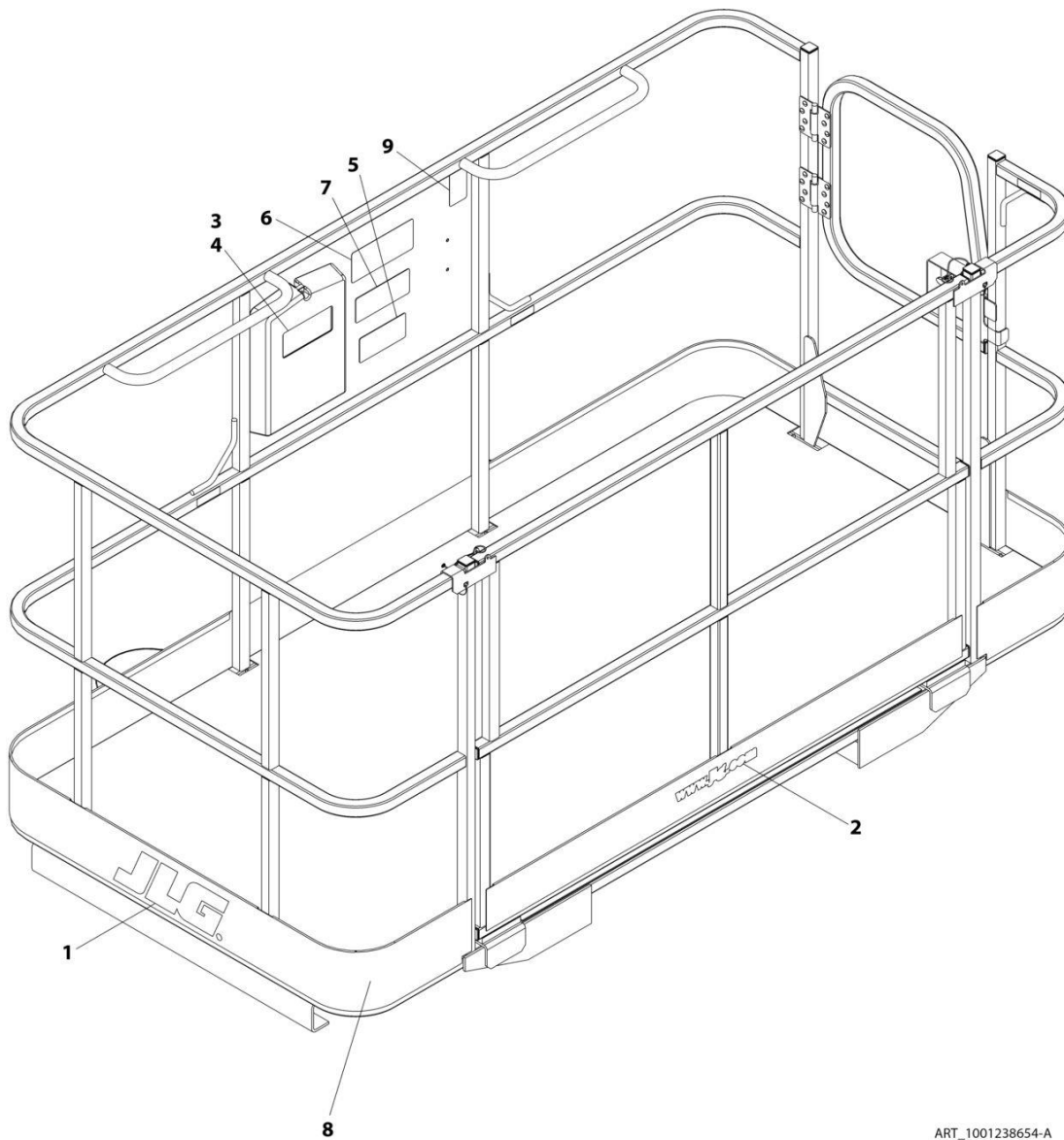
SECTION 3 - ATTACHMENTS

FIGURE 3-10. BASKET, PERSONNEL (1.2MX2.4M) (FRENCH LANGUAGE)

ITEM	PART NUMBER	QTY	DESCRIPTION	REV
	1001238655	Ref	BASKET, PERSONNEL	B
1	1702773	2	Decal, JLG	
2	1704885	1	Decal, Website	
3	31200386	1	Manual, Operation and Safety (French)	
4	1001096019	1	Decal, Warning Attachment (French)	
5	1001096020	1	Decal, Platform Capacity (French)	
6	1001096024	1	Decal, Platform Warning (French)	
7	1001238565	1	Platform, Fork Mounted (ANSI) (See Separate Breakdown in this Section)	
8	See Note	NSS	SN Plate (Note: Stamped Part - Not Available for Purchase)	

SECTION 3 - ATTACHMENTS

FIGURE 3-11. BASKET, PERSONNEL (1.2MX2.4M) (ISO)



ART_1001238654-A

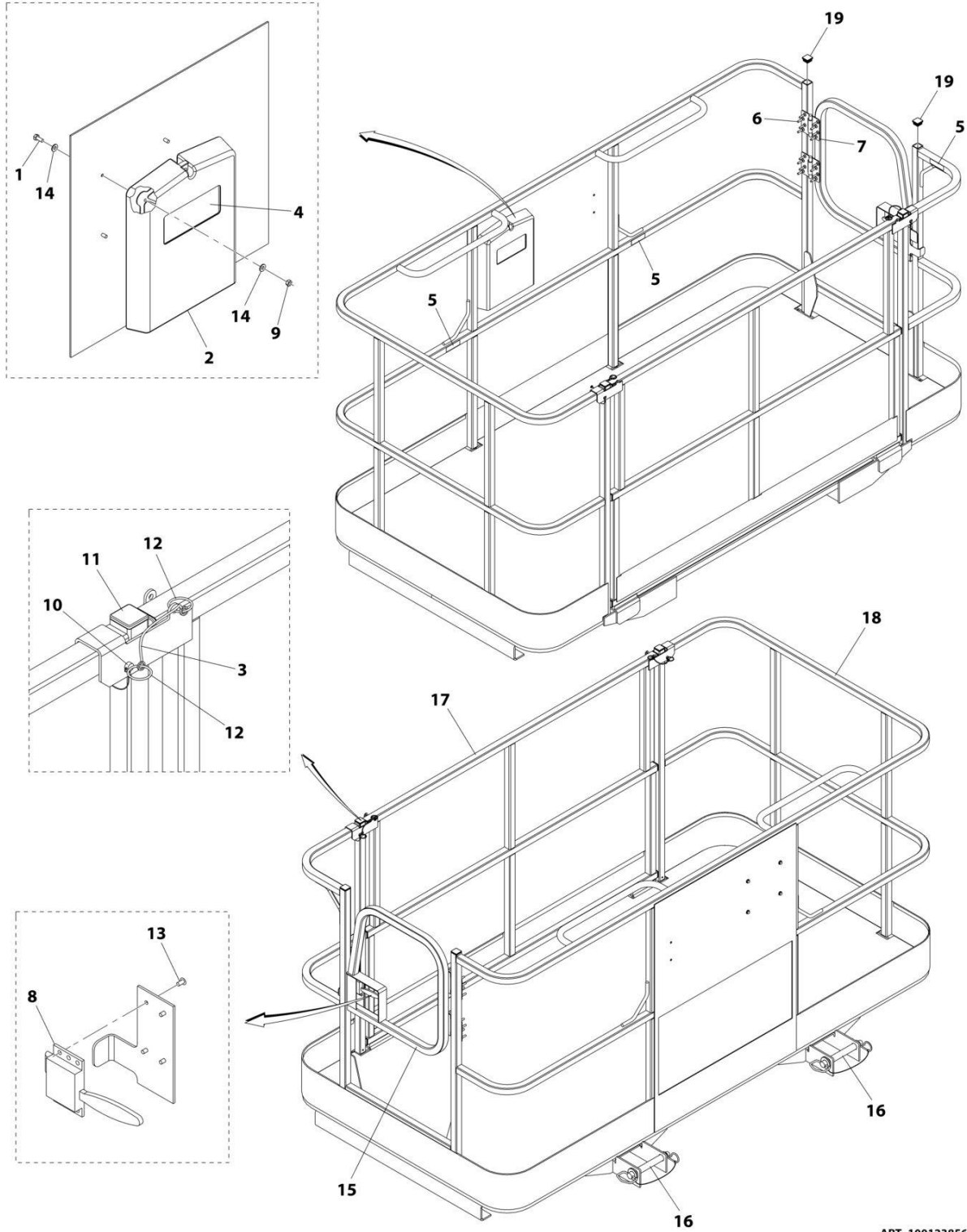
SECTION 3 - ATTACHMENTS

FIGURE 3-11. BASKET, PERSONNEL (1.2MX2.4M) (ISO)

ITEM	PART NUMBER	QTY	DESCRIPTION	REV
	1001238654	Ref	BASKET, PERSONNEL	B
1	1702773	2	Decal, JLG	
2	1704885	1	Decal, Website	
3	31200387	1	Manual, Operation and Safety, Spanish	
4	31200388	1	Manual, Operation and Safety, Portuguese	
5	1001096021	1	Decal, Warning Attachment	
6	1001096023	1	Decal, Platform Capacity	
7	1001096025	1	Decal, Platform Warning	
8	1001238565	1	Platform, Fork Mounted (ANSI) (See Separate Breakdown in this Section)	
9	See Note	NSS	SN Plate (Note: Stamped Part - Not Available for Purchase)	

SECTION 3 - ATTACHMENTS

FIGURE 3-12. FORK MOUNTED PLATFORM



ART_1001238565

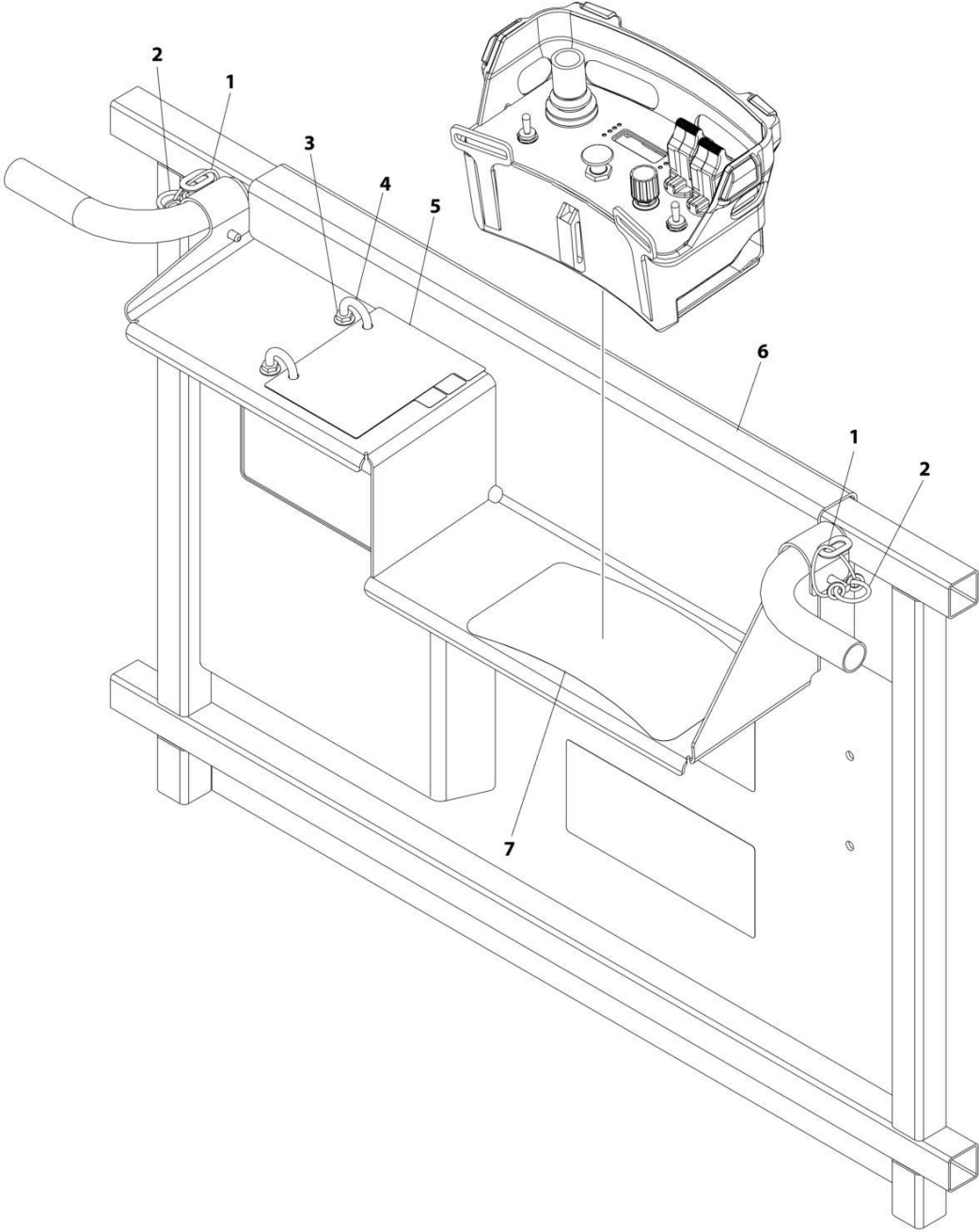
SECTION 3 - ATTACHMENTS

FIGURE 3-12. FORK MOUNTED PLATFORM

ITEM	PART NUMBER	QTY	DESCRIPTION	REV
	1001238565	Ref	FORK MOUNTED PLATFORM ASSEMBLY	F
1	0641405	4	Bolt 1/4 x 5/8	
2	0860520	1	Box, Manual Storage	
3	1060379	2	Cable, Lanyard	
4	1701509	1	Decal, Manual	
5	1704277	3	Decal, Lanyard Attach	
6	2080040	16	Fastener	
7	2600281	2	Hinge	
8	2940074	1	Latch	
9	3311405	4	Nut 1/4	
10	3421453	2	Pin	
11	3520072	7	Plug	
12	3760170	4	Ring	
13	3820020	4	Rivet	
14	4711400	8	Washer 1/4	
15	1001144629J	1	Gate	
16	1001238560	2	Pin, Hitch	
17	1001095810	1	Gate	
18	See Note	NSS	Platform, Fork Mounted	
19	3520198	4	Plug	

SECTION 3 - ATTACHMENTS

FIGURE 3-13. BASKET DOCKING STATION



ART_1001258664

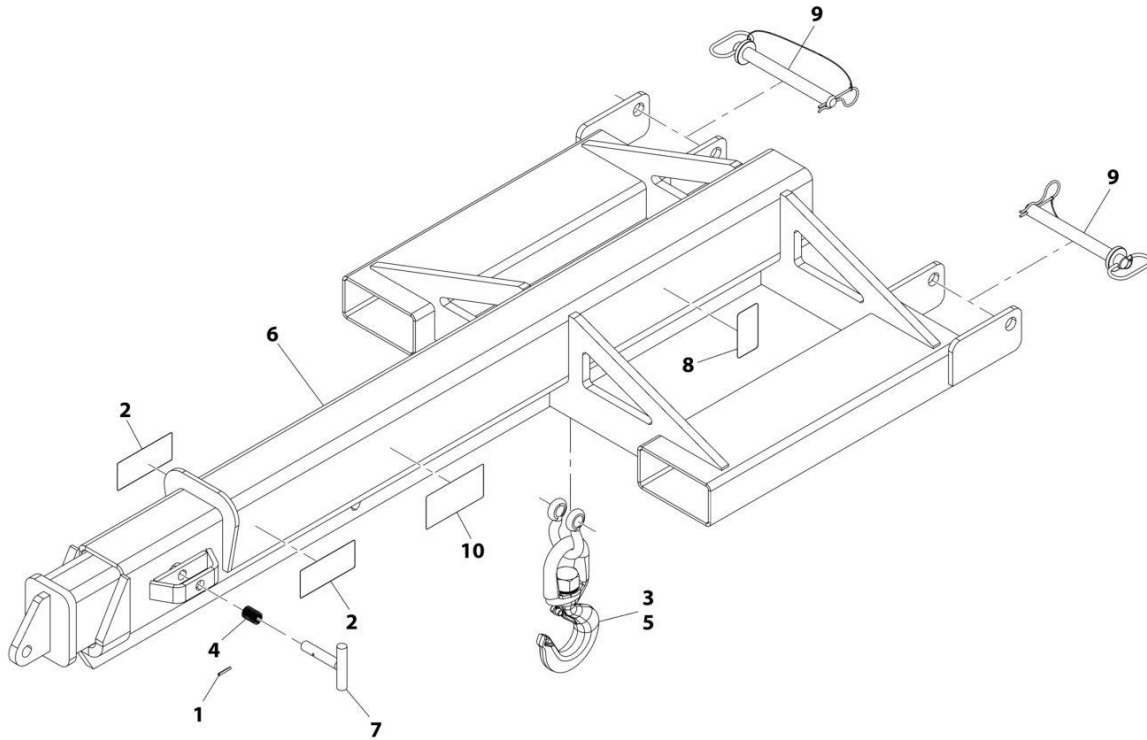
SECTION 3 - ATTACHMENTS

FIGURE 3-13. BASKET DOCKING STATION

ITEM	PART NUMBER	QTY	DESCRIPTION	REV
	1001258664	Ref	Basket Docking Station	A
1	1060379	2	Cable, Lanyard	
2	3422661	2	Pin, Quick Release	
3	8310382	8	Nut 1/4	
4	1001102844	2	U-Bolt 1/4X1-1/4	
5	1001258512	1	Load, Booklet Fork Platform	
6	1001259214	1	Bracket, Control Mount Weld	
7	1001259225	1	Decal, Remote Control	

SECTION 3 - ATTACHMENTS

FIGURE 3-14. BOOM - TRUSS (3.6TON FORK MOUNTED)



ART_1001230241-H

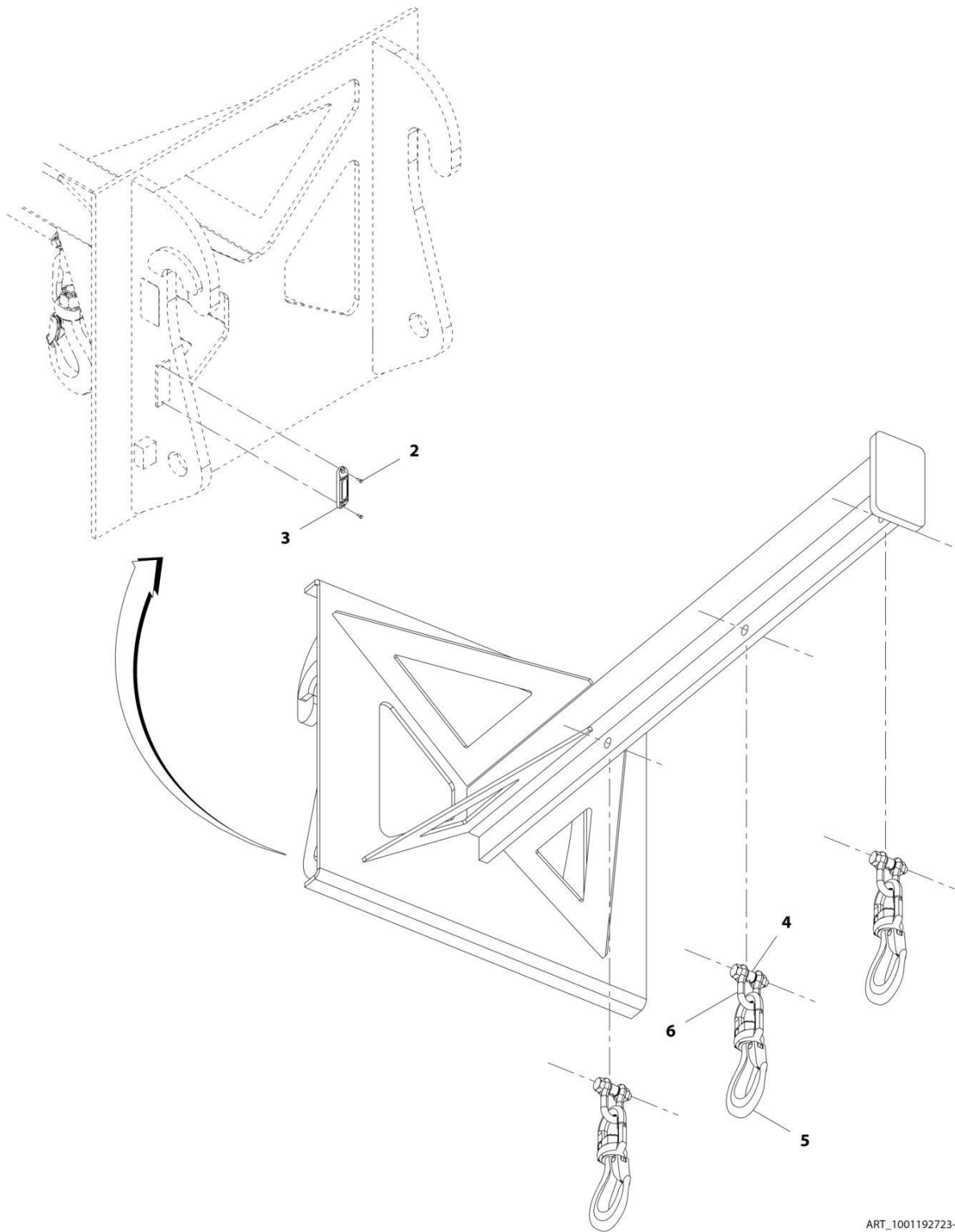
SECTION 3 - ATTACHMENTS

FIGURE 3-14. BOOM - TRUSS (3.6TON FORK MOUNTED)

ITEM	PART NUMBER	QTY	DESCRIPTION	REV
	1001230241	Ref	Adjustable Truss Boom Installation (Fork Mounted)	J
1	3440620	1	Pin	
2	4110422	2	Decal, Danger Swinging Loads	
3	91403448	1	Hook, Swivel	
4	1001128890	1	Spring	
5	1001146160	1	Shackle	
6	See Note	NSS	Boom, Truss - Adjustable (Note: Purchase Complete Assembly)	
7	1001230239	1	Pin	
8	See Note	NSS	SN Plate (Note:Stamped Part - Not Available for Purchase)	
9	1001231692	2	Pin	
10	1001232500	1	Decal, Load Capacities	

SECTION 3 - ATTACHMENTS

FIGURE 3-15. BOOM - TRUSS (7.6 TON)



ART_1001192723-F

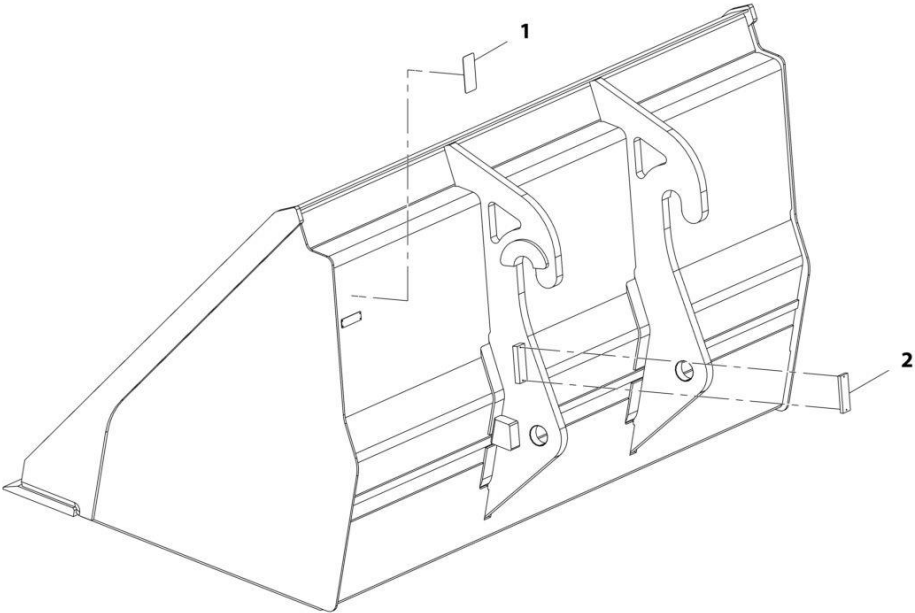
SECTION 3 - ATTACHMENTS

FIGURE 3-15. BOOM - TRUSS (7.6 TON)

ITEM	PART NUMBER	QTY	DESCRIPTION	REV
	1001192723	1	Truss Boom (7.6 ton)	G
2	70028554	2	Screw	
3	1001227670	1	Tag, RFID	
4	70020555	3	Bushing	
5	70026745	3	Hook	
6	70026746	3	Shackle, Chain	

SECTION 3 - ATTACHMENTS

FIGURE 3-16. BUCKET (2.6 YD³/2.0M³)



ART_1001192615-F

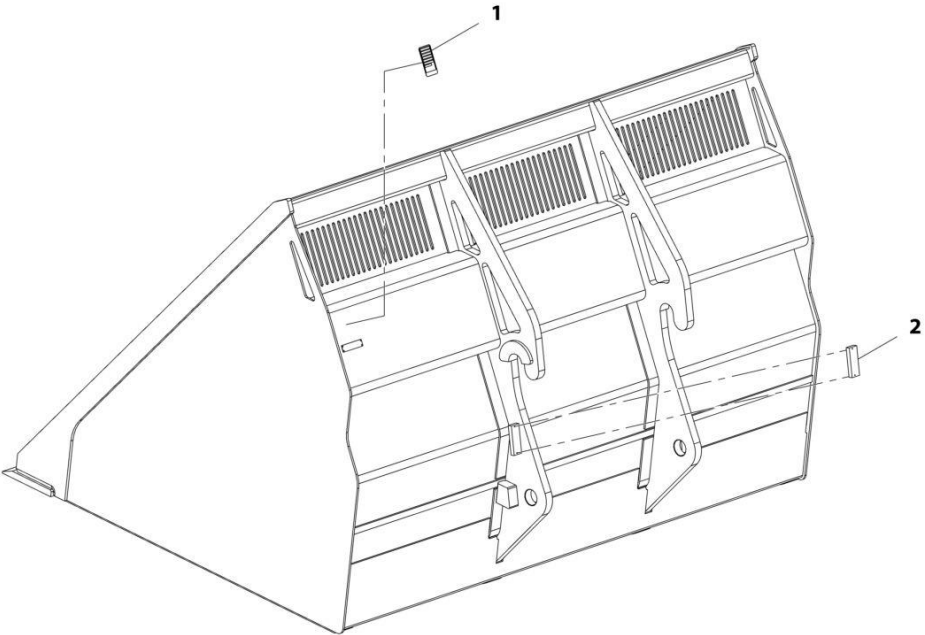
SECTION 3 - ATTACHMENTS

FIGURE 3-16. BUCKET (2.6 YD³/2.0M³)

ITEM	PART NUMBER	QTY	DESCRIPTION	REV
	1001192615	Ref	Bucket (2.6 yd ³ /2.0m ³)	G
1	N.S.S.	1	S/N Plate	
2	1001227670	1	Tag, RFID	

SECTION 3 - ATTACHMENTS

FIGURE 3-17. BUCKET (5.23 YD³)



ART_1001192616-E

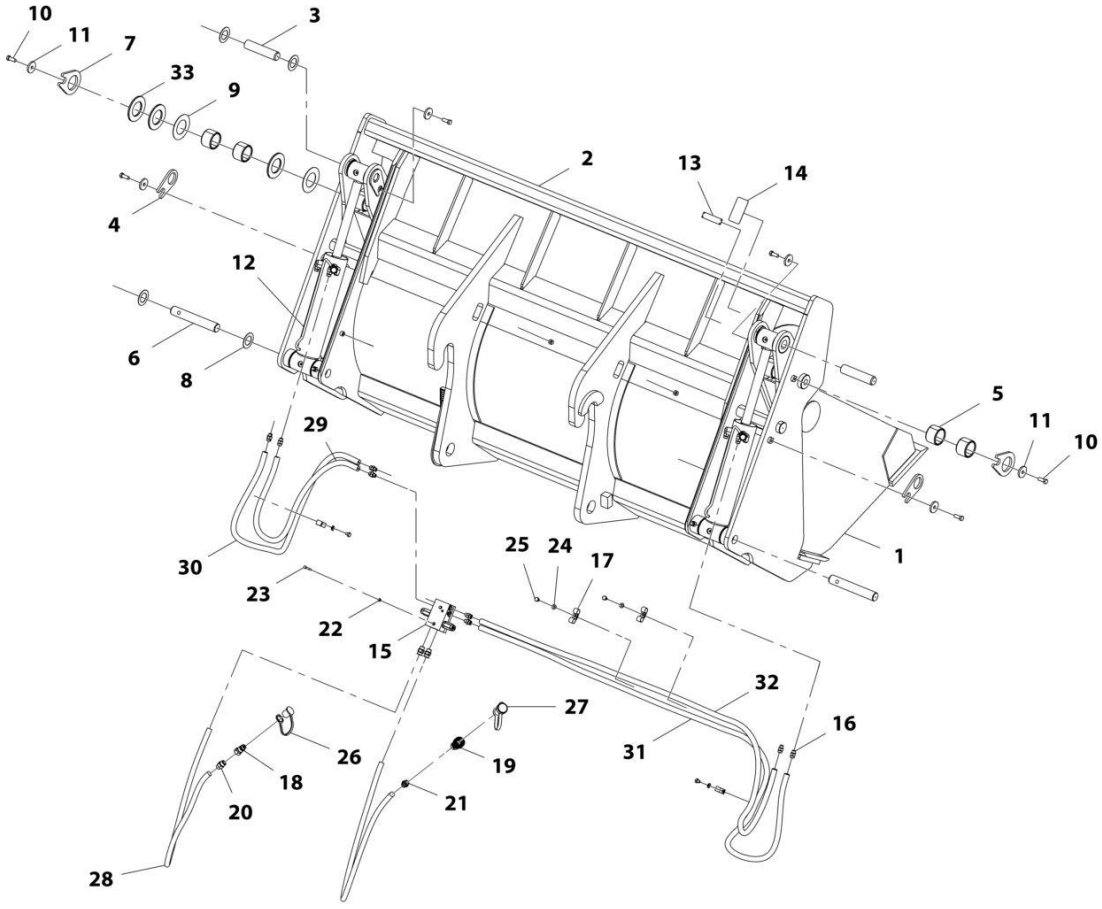
SECTION 3 - ATTACHMENTS

FIGURE 3-17. BUCKET (5.23 YD³)

ITEM	PART NUMBER	QTY	DESCRIPTION	REV
	1001192616	Ref	Bucket (5.23 yd ³ /4.0m ³)	F
1	N.S.S.	1	S/N Plate	
2	1001227670	1	Tag, RFID	

SECTION 3 - ATTACHMENTS

FIGURE 3-18. BUCKET - 4 IN 1 (2.6 YD³/2.0M³)



ART_1001192614-E

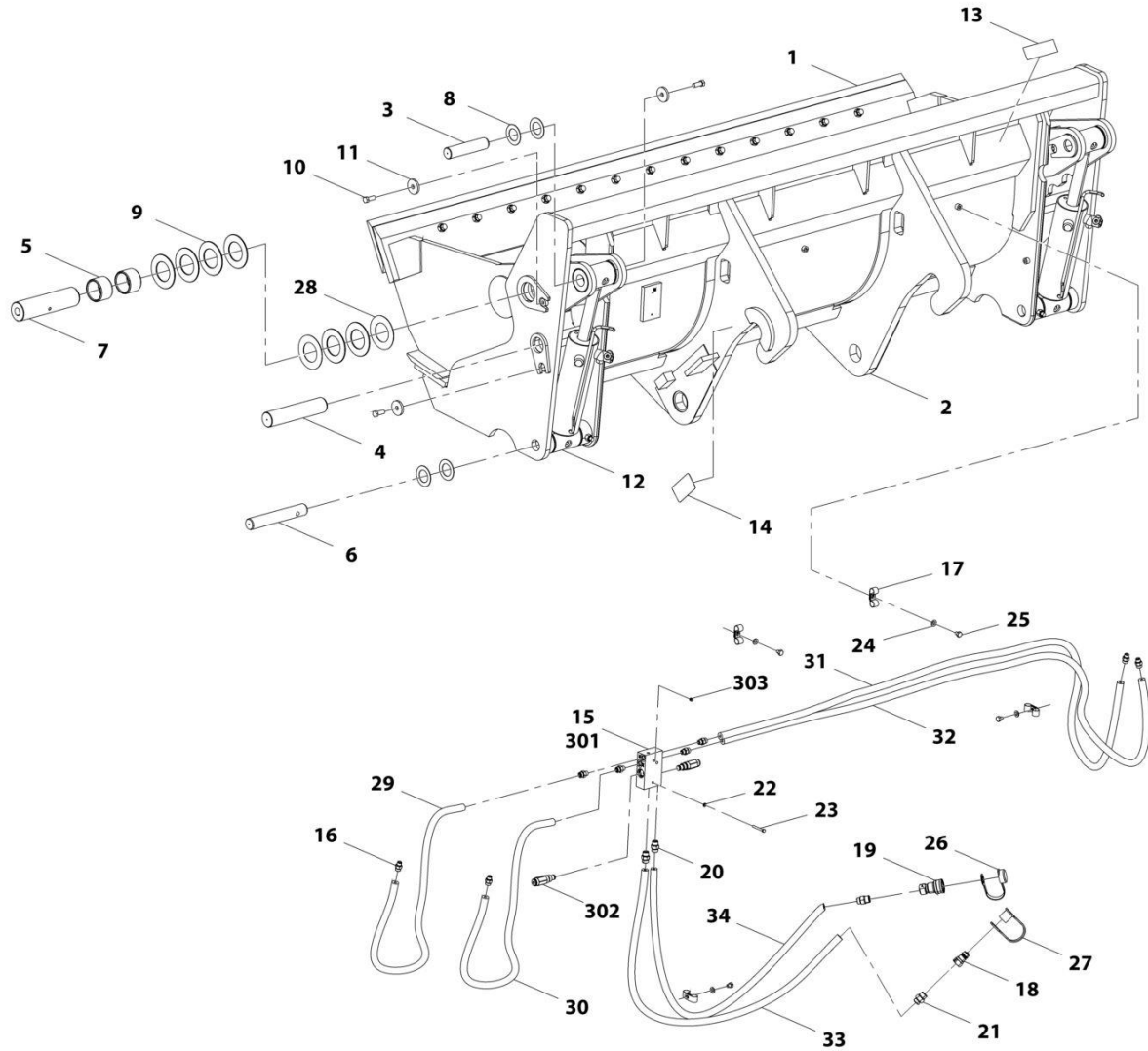
SECTION 3 - ATTACHMENTS

FIGURE 3-18. BUCKET - 4 IN 1 (2.6 YD³/2.0M³)

ITEM	PART NUMBER	QTY	DESCRIPTION	REV
	1001192614	Ref	4 in 1 Bucket (2.6 yd ³ /2.0m ³)	F
1	N.S.S.	1	Assembly, Scarifier	
2	N.S.S.	1	Assembly, Bucket	
3	70028563	2	Pin	
4	70028564	2	Pin	
5	70028565	4	Bushing	
6	70028566	2	Pin	
7	70028567	2	Pin	
8	70028568	8	Shim	
9	70028569	6	Shim	
10	70028570	6	Capscrew	
11	70028571	6	Washer	
12	70028572	2	Cylinder, 4 in 1 Bucket (See Separate Breakdown in HYDRAULIC COMPONENTS Section)	
13	N.S.S.	1	Plate, Serial Number	
14	N.S.S.	1	Plate, Serial Number JLG	
15	70028573	1	Valve Assembly, 4 in 1 Bucket (See Separate Breakdown in HYDRAULIC CIRCUITS Section)	
16	70024130	8	Fitting	
17	70026481	8	Clamp	
18	1001101041	1	Adapter, Male Quick Disconnect	
19	1001101042	1	Adapter, Female Quick Disconnect	
20	70022938	2	Fitting, Straight	
21	70028263	2	Fitting, Straight	
22	70026480	2	Fitting, Straight	
23	70026479	2	Bolt, M6X50	
24	70026482	4	Washer, M10	
25	70026483	4	Bolt, M10X16	
26	8420055	1	Cap, Dust	
27	8420053	1	Cap, Dust	
28	70028744	1	Hose	
29	70028745	1	Hose	
30	70028746	1	Hose	
31	70028747	1	Hose	
32	70028748	1	Hose	
33	70028574	12	Shim	

SECTION 3 - ATTACHMENTS

FIGURE 3-19. BUCKET - 4 IN 1 (1.3 YD³/1.0M³)



ART_1001228427-B

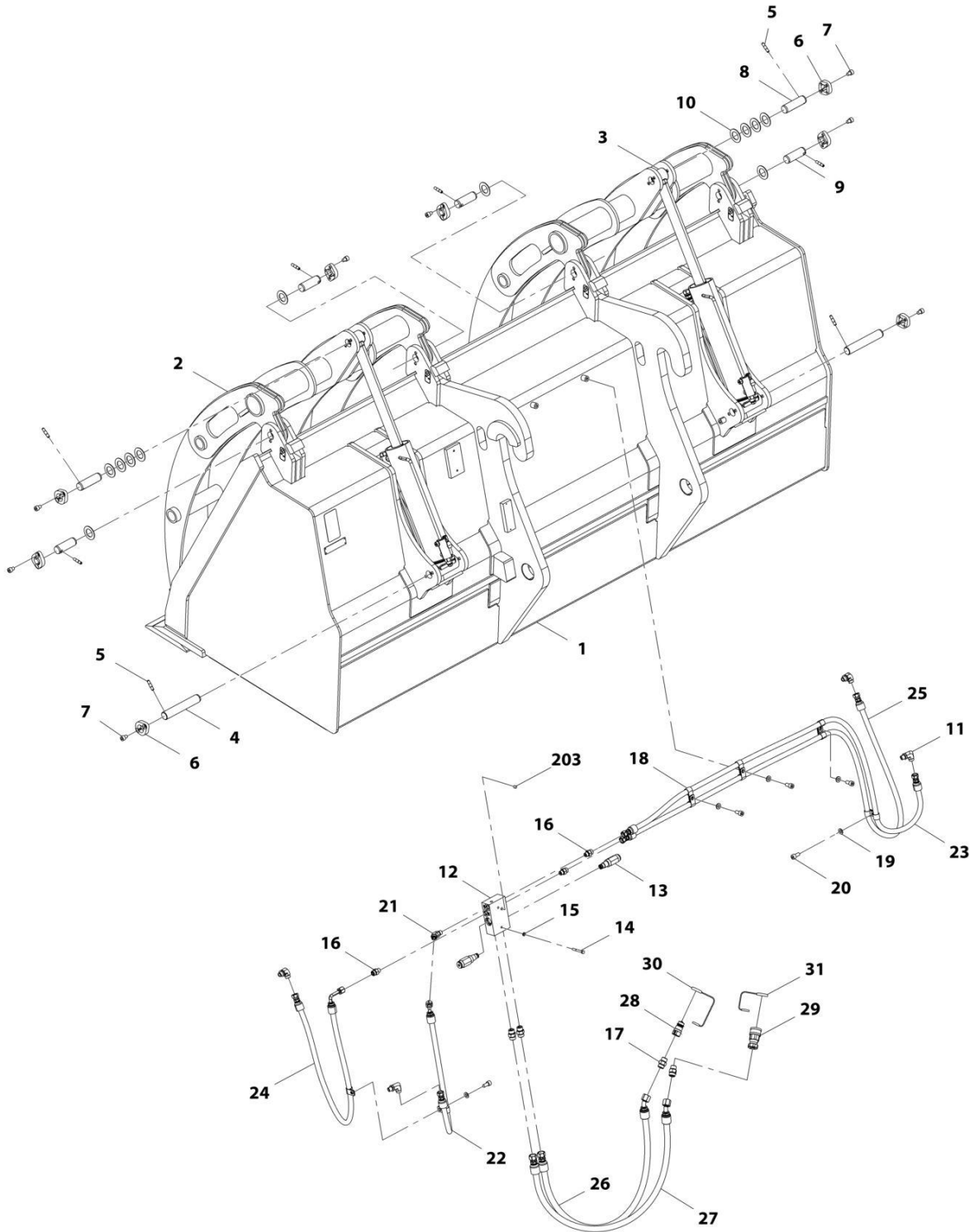
SECTION 3 - ATTACHMENTS

FIGURE 3-19. BUCKET - 4 IN 1 (1.3 YD³/1.0M³)

ITEM	PART NUMBER	QTY	DESCRIPTION	REV
	1001228427	Ref	4 in 1 Bucket (1.3 yd ³ /1.0m ³)	C
1	N.S.S.	1	Assembly, Front Bucket	
2	N.S.S.	1	Assembly, Back Bucket	
3	70028563	2	Pin	
4	70028564	2	Pin	
5	70028565	4	Bushing	
6	70028566	2	Pin	
7	70028567	2	Pin	
8	70028568	8	Shim	
9	70028569	6	Shim	
10	70028570	6	Capscrew	
11	70028571	6	Washer	
12	70028572	2	Assembly, 4 In 1 Bucket Cylinder (5.23 yd ³ /4.0m ³) (See Separate Breakdown in HYDRAULIC COMPONENTS Section)	
13	N.S.S.	1	Plate, Name	
14	N.S.S.	1	Plate, Serial Number	
15	70028573	1	Assembly, 4 In 1 Bucket Valve (5.23 yd ³ /4.0m ³)	
16	70024130	8	Fitting, Straight	
17	70026481	8	Clamp, Hose	
18	1001101041	1	Adapter, Male Quick Disconnect	
19	1001101042	1	Adapter, Female Quick Disconnect	
20	70022938	2	Fitting, Straight	
21	70028263	2	Fitting, Straight	
22	70026480	2	Washer, M6	
23	70026479	2	Bolt, M6X50	
24	70026482	4	Washer, M10	
25	70026483	4	Bolt, M10X16	
26	8420055	1	Plug, Dust	
27	8420053	1	Plug, Cap	
28	70028574	12	Shim	
29	70028575	1	Hose	
30	70028576	1	Hose	
31	70028577	1	Hose	
32	70028578	1	Hose	
33	70028579	1	Hose	
34	70028580	1	Hose	
301	70026477	1	Manifold	
302	70028589	2	Cartridge, Relief	
303	70026614	2	Plug	

SECTION 3 - ATTACHMENTS

FIGURE 3-20. BUCKET - GRAPPLE (1.7 YD³/1.3M³)



ART_1001223435-C

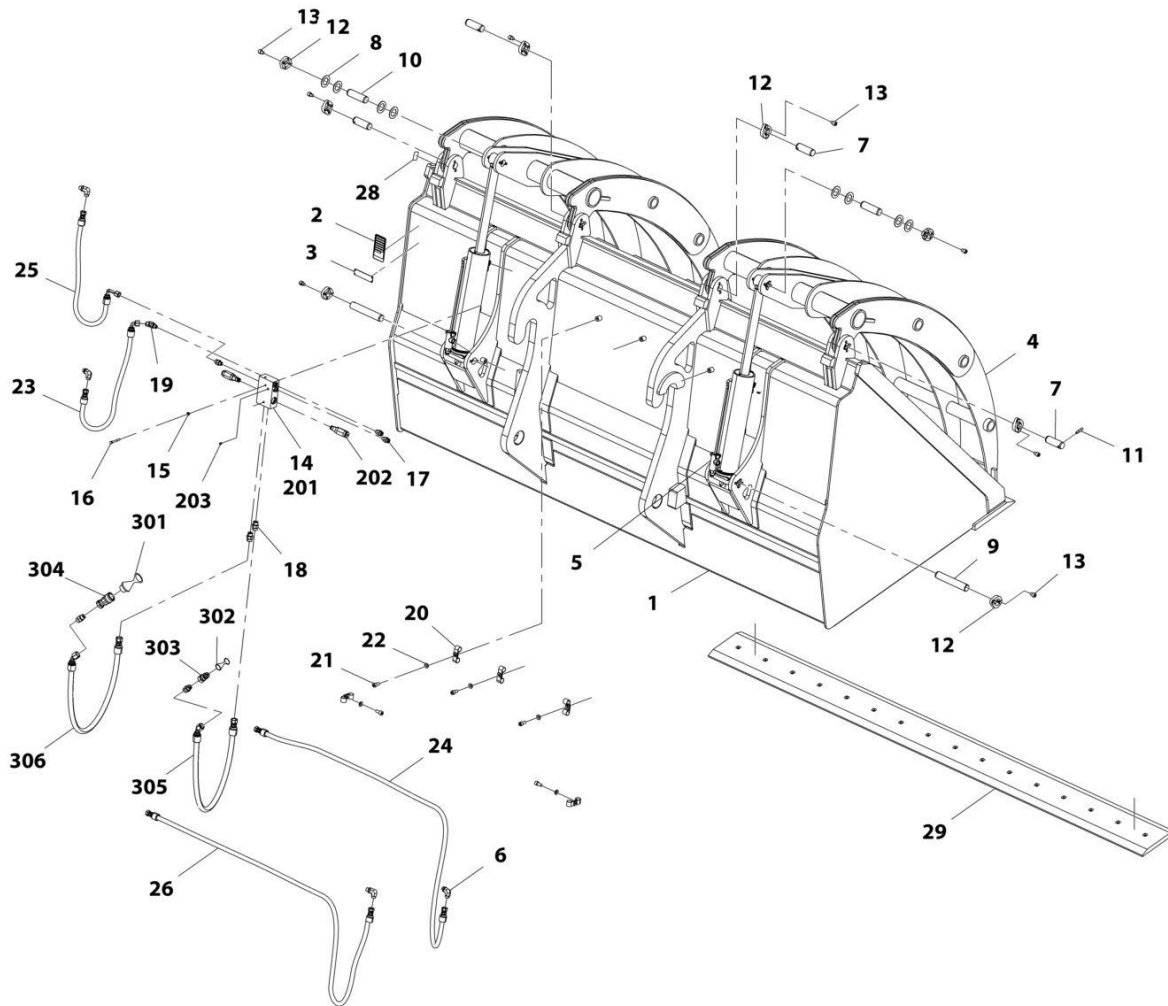
SECTION 3 - ATTACHMENTS

FIGURE 3-20. BUCKET - GRAPPLE (1.7 YD³/1.3M³)

ITEM	PART NUMBER	QTY	DESCRIPTION	REV
	1001223435	Ref	Grapple Bucket (1.7 yd ³ /1.3m ³)	D
1	N.S.S.	1	Bucket	
2	N.S.S.	1	Grapple	
3	70026469	2	Assembly, Cylinder, (See Separate Breakdown in HYDRAULIC COMPONENTS Section)	
4	70026470	2	Pin	
5	70026471	8	Pin Drive - Lock	
6	70026472	8	Retainer	
7	70026473	16	Capscrew, M10X12	
8	70026474	2	Pin	
9	70026475	4	Pin	
10	70026476	32	Shim	
11	70024123	4	Fitting, 90	
12	70026477	1	Manifold	
13	70026478	2	Cartridge, Relief Valve	
14	70026479	2	Bolt, M6X50	
15	70026480	2	Washer, M6	
16	70024130	3	Fitting, Straight	
17	70022938	4	Fitting, Straight	
18	70026481	10	Clamp, Hose	
19	70026482	5	Washer, M10	
20	70028672	5	Bolt, M10X20	
21	70026616	1	Fitting, 45	
22	70028749	1	Hose	
23	70028750	1	Hose	
24	70028751	1	Hose	
25	70028752	1	Hose	
26	70028753	1	Hose	
27	70028697	1	Hose	
28	1001101041	1	Adapter, Male Quick Disconnect	
29	1001101042	1	Adapter, Female Quick Disconnect	
30	8420053	1	Cap, Dust	
31	8420055	1	Plug, Dust	
203	70026614	2	Plug	

SECTION 3 - ATTACHMENTS

FIGURE 3-21. BUCKET - GRAPPLE (2.6 YD³/2.0M³)



ART_1001192617-D

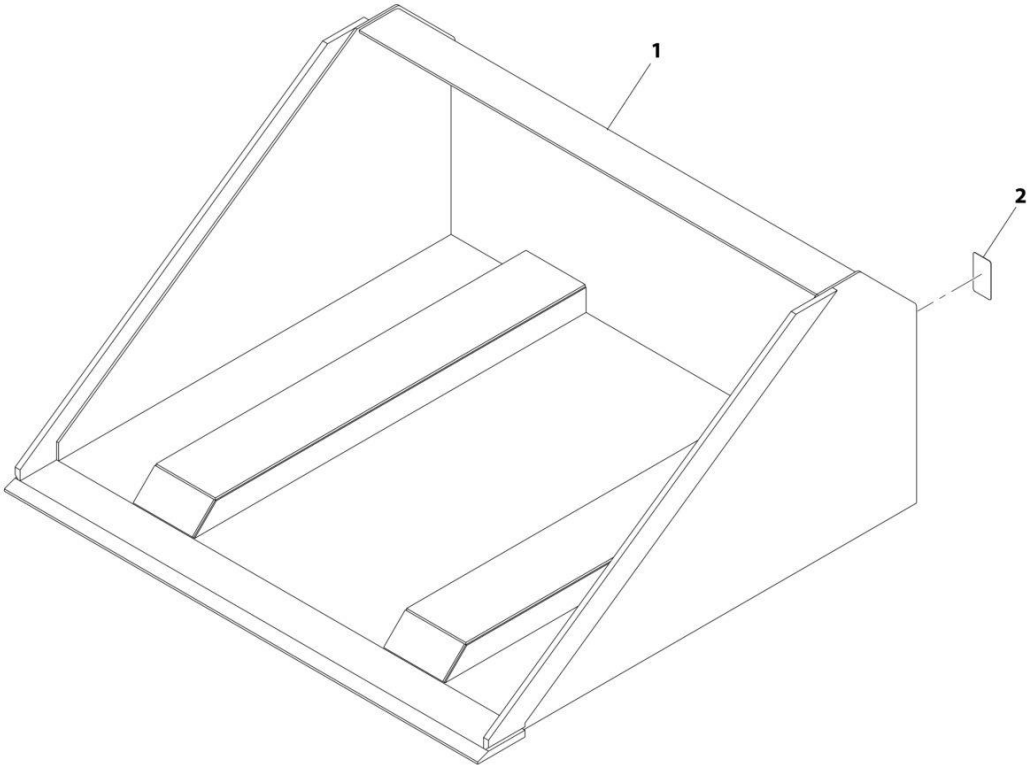
SECTION 3 - ATTACHMENTS

FIGURE 3-21. BUCKET - GRAPPLE (2.6 YD³/2.0M³)

ITEM	PART NUMBER	QTY	DESCRIPTION	REV
	1001192617	Ref	Grapple Bucket (2.6 yd ³ /2.0m ³)	E
1	N.S.S.	1	Bucket	
2	N.S.S.	1	Plate, Serial Number	
3	N.S.S.	1	Nameplate	
4	N.S.S.	1	Grapple	
5	70026469	2	Assembly, Cylinder (See Separate Breakdown in HYDRAULIC COMPONENTS Section)	
6	70024123	4	Fitting, 90	
7	70026475	4	Pin	
8	70026476	12	Shim	
9	70026470	2	Pin	
10	70026474	2	Pin	
11	70026471	8	Pin, Lock	
12	70026472	8	Retainer	
13	70026473	16	Capscrew, M10X12	
14	N.S.S.	1	Valve, Relief	
15	70026480	2	Washer, M6	
16	70026479	2	Bolt, M6X50	
17	70024130	3	Fitting, Straight	
18	70022938	4	Fitting, Straight	
19	70026616	1	Fitting, 45	
20	70026481	10	Clamp, Hose	
21	70028672	5	Bolt, M10X20	
22	70026482	5	Washer, M10	
23	70028738	1	Hose	
24	70028739	1	Hose	
25	70028740	1	Hose	
26	70028741	1	Hose	
28	70024538	8	Decal, Pinch Point	
29	70028742	1	Guard, Edge	
201	70026477	1	Manifold	
202	70026478	2	Cartridge, Relief Valve	
203	70026614	2	Plug	
301	8420055	1	Plug, Dust	
302	8420053	1	Cap, Dust	
303	1001101041	1	Coupler, Male Hydraulic	
304	1001101042	1	Coupler, Female Hydraulic	
305	70028743	1	Hose	
306	70028734	1	Hose	

SECTION 3 - ATTACHMENTS

FIGURE 3-22. BUCKET - FORK MOUNTED (1.0M³)



ART_1001195970-D

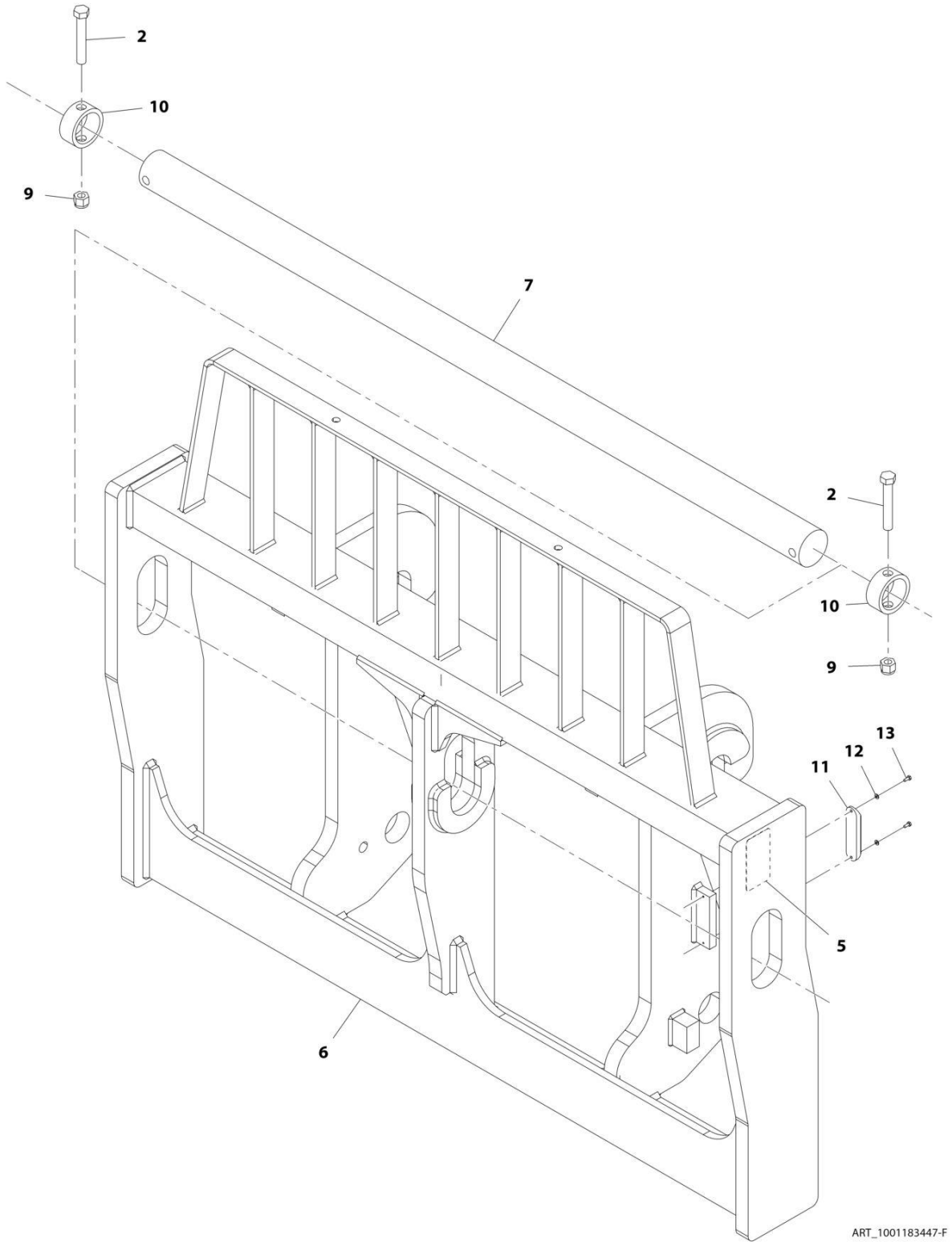
SECTION 3 - ATTACHMENTS

FIGURE 3-22. BUCKET - FORK MOUNTED (1.0M³)

ITEM	PART NUMBER	QTY	DESCRIPTION	REV
1	1001195970	Ref	Bucket 1.0 m ³ (Fork Mounted)	E
2	See Note	NSS	S/N Plate (Note: Stamped Part - Not Available for Purchase)	

SECTION 3 - ATTACHMENTS

FIGURE 3-23. CARRIAGE ASSEMBLY (60IN/1524MM)



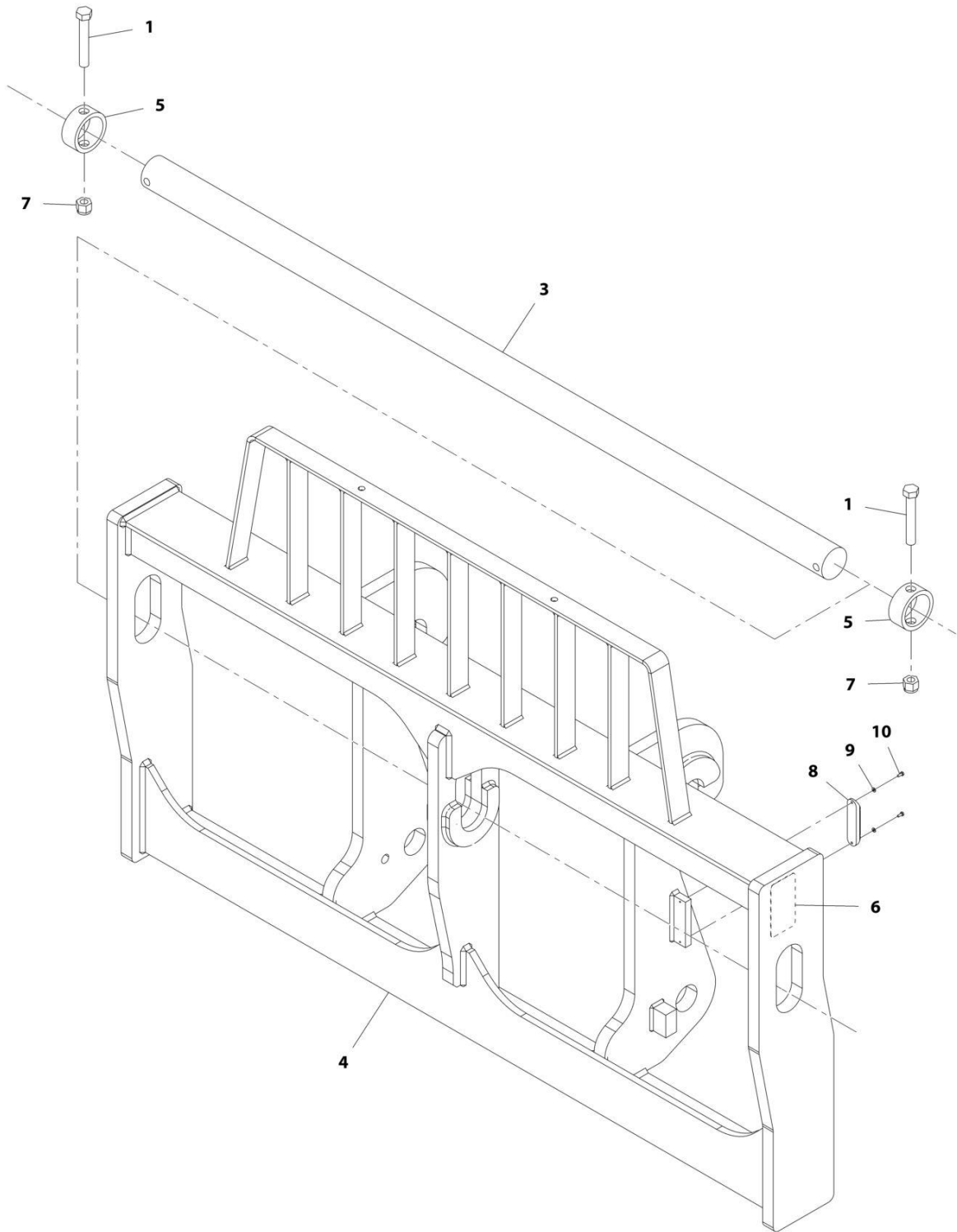
SECTION 3 - ATTACHMENTS

FIGURE 3-23. CARRIAGE ASSEMBLY (60IN/1524MM)

ITEM	PART NUMBER	QTY	DESCRIPTION	REV
	1001183447	1	Carriage Assembly (60in/1524mm)	F
2	0701628	2	Bolt, M16X110	
5	N.S.S.	1	S/N Plate	
6	N.S.S.	1	Weldment, Carriage	
7	1001191108	1	Pin	
9	3291605	2	Nut, Lock M16X2 Grade 8	
10	1001218755	2	Collar, Shaft	
11	1001227670	1	Tag, RFID	
12	4811400	2	Washer, M4	
13	0760405	2	Bolt, M4X10	

SECTION 3 - ATTACHMENTS

FIGURE 3-24. CARRIAGE ASSEMBLY (72IN/1829MM)



ART_1001214415-E

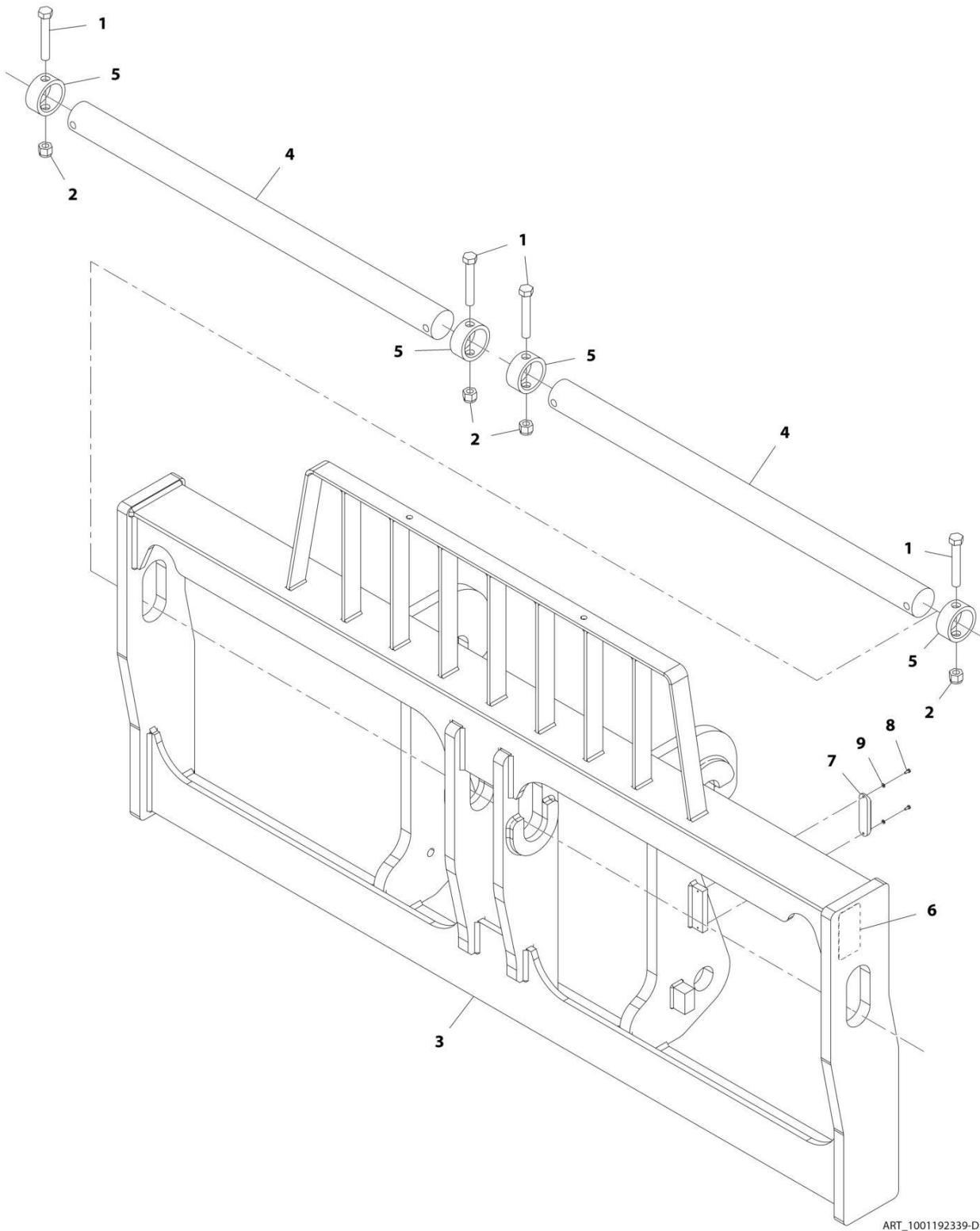
SECTION 3 - ATTACHMENTS

FIGURE 3-24. CARRIAGE ASSEMBLY (72IN/1829MM)

ITEM	PART NUMBER	QTY	DESCRIPTION	REV
	1001214415	Ref	Carriage Assembly (72in/1829mm)	E
1	0701628	2	Bolt, M16X110	
3	1001214254	1	Pin	
4	N.S.S.	1	Weldment, Carriage	
5	1001218755	2	Collar, Shaft	
6	N.S.S.	1	Plate, Serial Number	
7	3291605	2	Nut, Lock M16X2 Grade 8	
8	1001227670	1	Tag, RFID	
9	4811400	2	Washer, M4	
10	0760405	2	Bolt, M4X10	

SECTION 3 - ATTACHMENTS

FIGURE 3-25. CARRIAGE ASSEMBLY (87IN/2290MM)



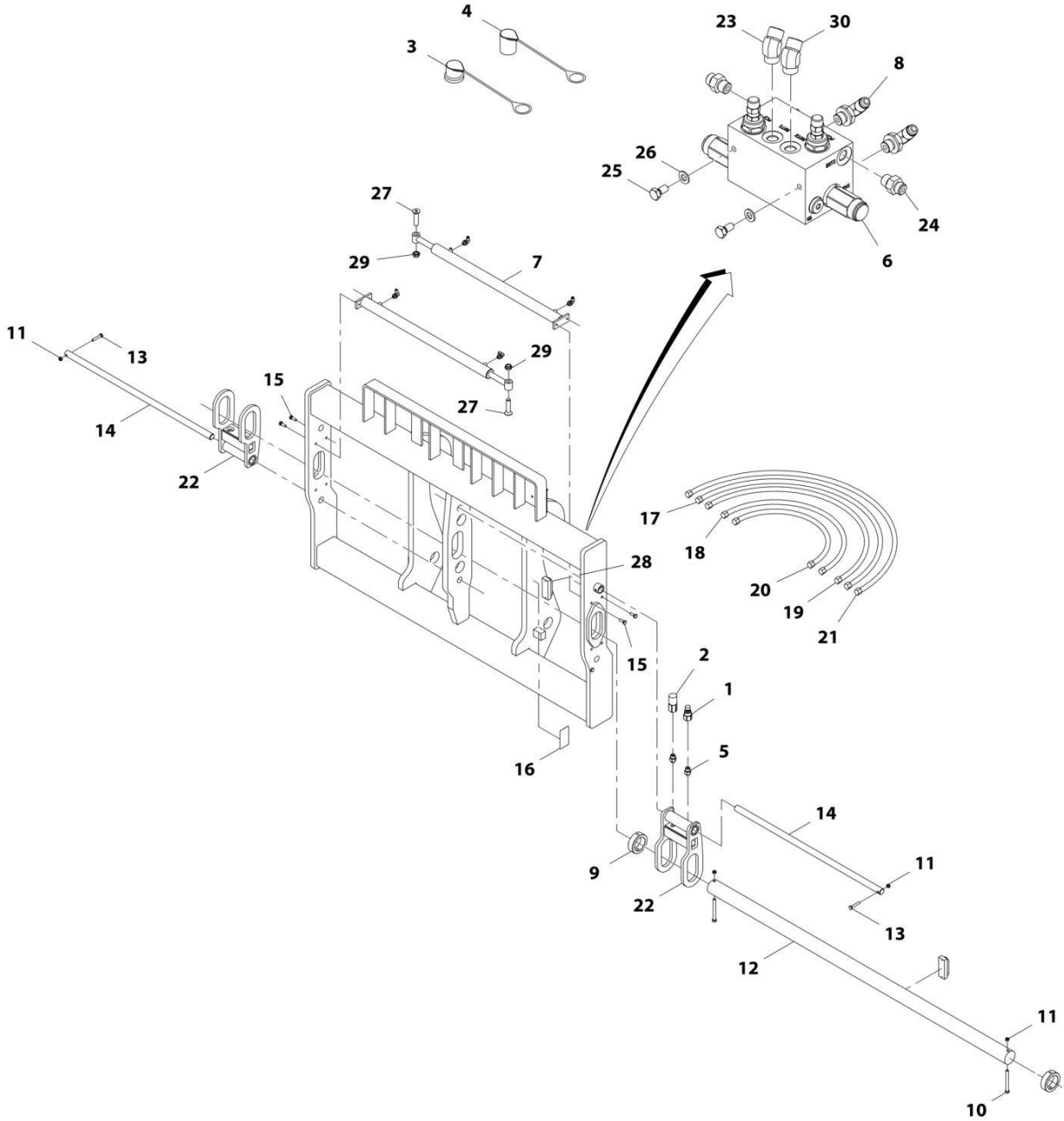
SECTION 3 - ATTACHMENTS

FIGURE 3-25. CARRIAGE ASSEMBLY (87IN/2290MM)

ITEM	PART NUMBER	QTY	DESCRIPTION	REV
	1001192339	1	Carriage Assembly (87in/2290mm)	D
1	0701628	4	Bolt, M16X110	
2	3291605	4	Nut, Lock M16X2 Grade 8	
3	N.S.S.	1	Weldment, Carriage	
4	1001218754	2	Pin	
5	1001218755	4	Collar, Shaft	
6	N.S.S.	1	Plate, Serial Number	
7	1001227670	1	Tag, RFID	
8	0760405	2	Bolt, M4X10	
9	4811400	2	Washer, M4	

SECTION 3 - ATTACHMENTS

FIGURE 3-26. CARRIAGE ASSEMBLY - DUAL FORK POSITIONING CARRIAGE (72IN/1829MM)



ART_1001192342-E

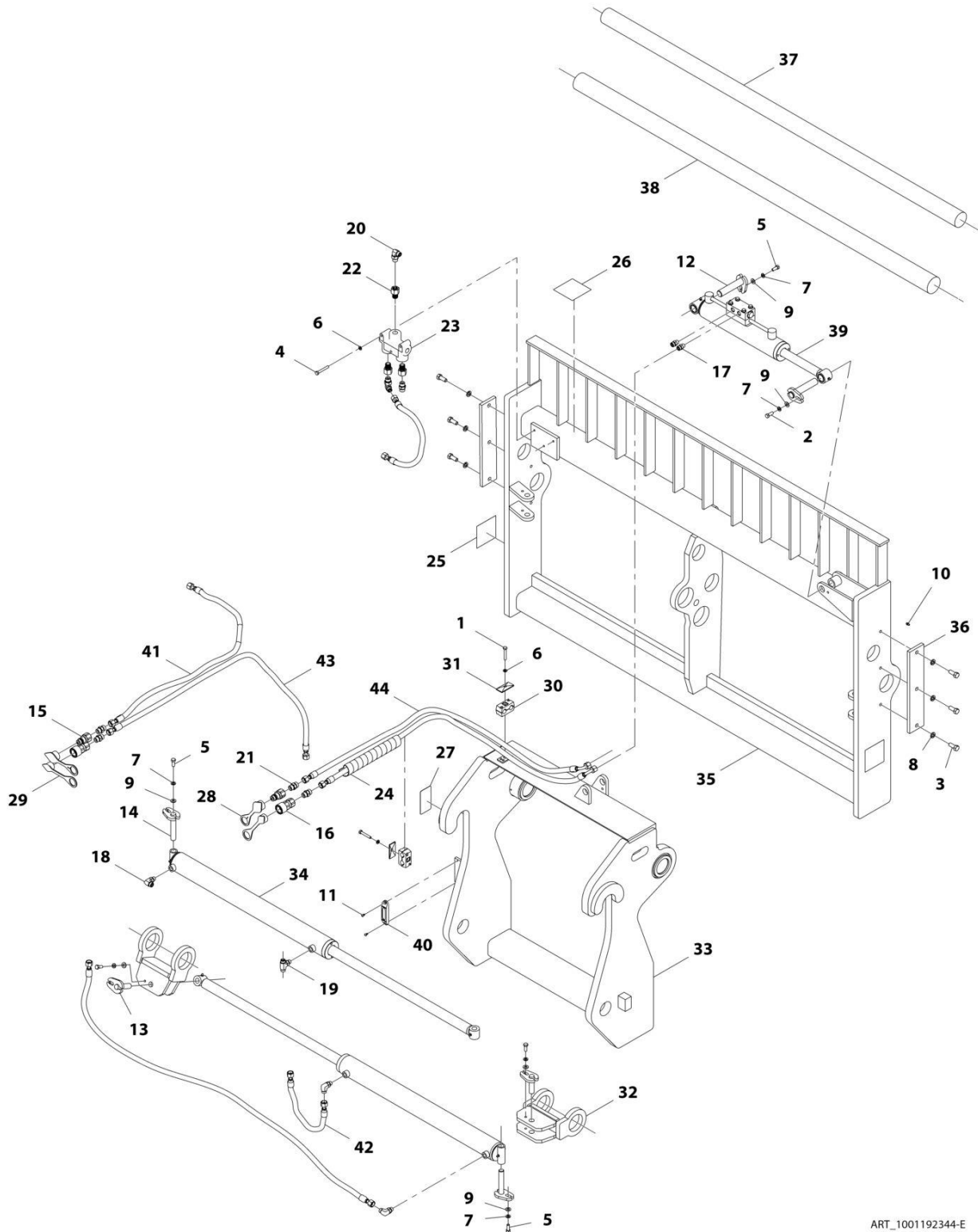
SECTION 3 - ATTACHMENTS

FIGURE 3-26. CARRIAGE ASSEMBLY - DUAL FORK POSITIONING CARRIAGE (72IN/1829MM)

ITEM	PART NUMBER	QTY	DESCRIPTION	REV
	1001192342	1	Dual Fork Positioning Carriage (72in/1829mm)	E
1	1001101041	1	Coupler, Male Hydraulic	
2	1001101042	1	Coupler, Female Hydraulic	
3	8420053	1	Cap	
4	8420055	1	Cap	
5	1001008834	2	Fitting, Straight	
6	70027896	1	Valve	
7	70028505	2	Cylinder, Forkpositioner	
8	2150606	4	Fitting, 45 ORFS	
9	70028506	2	Collar	
10	70027889	2	Bolt, M10x120	
11	70027890	4	Nut M10	
12	70028507	1	Shaft, Floating	
13	70027881	2	Bolt, M10x55	
14	70028508	2	Shaft, Forkpositioner	
15	70027880	4	Bolt, M10x30	
16	N.S.S.	1	S/N Plate	
17	70028509	1	Hose	
18	70028510	1	Hose	
19	70028511	1	Hose	
20	70028512	1	Hose	
21	70027899	2	Hose	
22	70028513	2	Cage, Fork	
23	2150606	1	Fitting, 45 ORFS	
24	2110606	2	Fitting, Straight ORFS	
25	70027882	2	Bolt, M8X16	
26	70027879	2	Washer	
27	70027888	3	Screw, Countersunk M20x80	
28	1001227670	1	Tag, RFID	
29	70027887	2	Nut, M20	
30	2170206	1	Fitting, 90 ORFS	

SECTION 3 - ATTACHMENTS

FIGURE 3-27. CARRIAGE ASSEMBLY - DUAL FORK POSITIONING SIDE SHIFT CARRIAGE (75IN/1899MM)



ART_1001192344-E

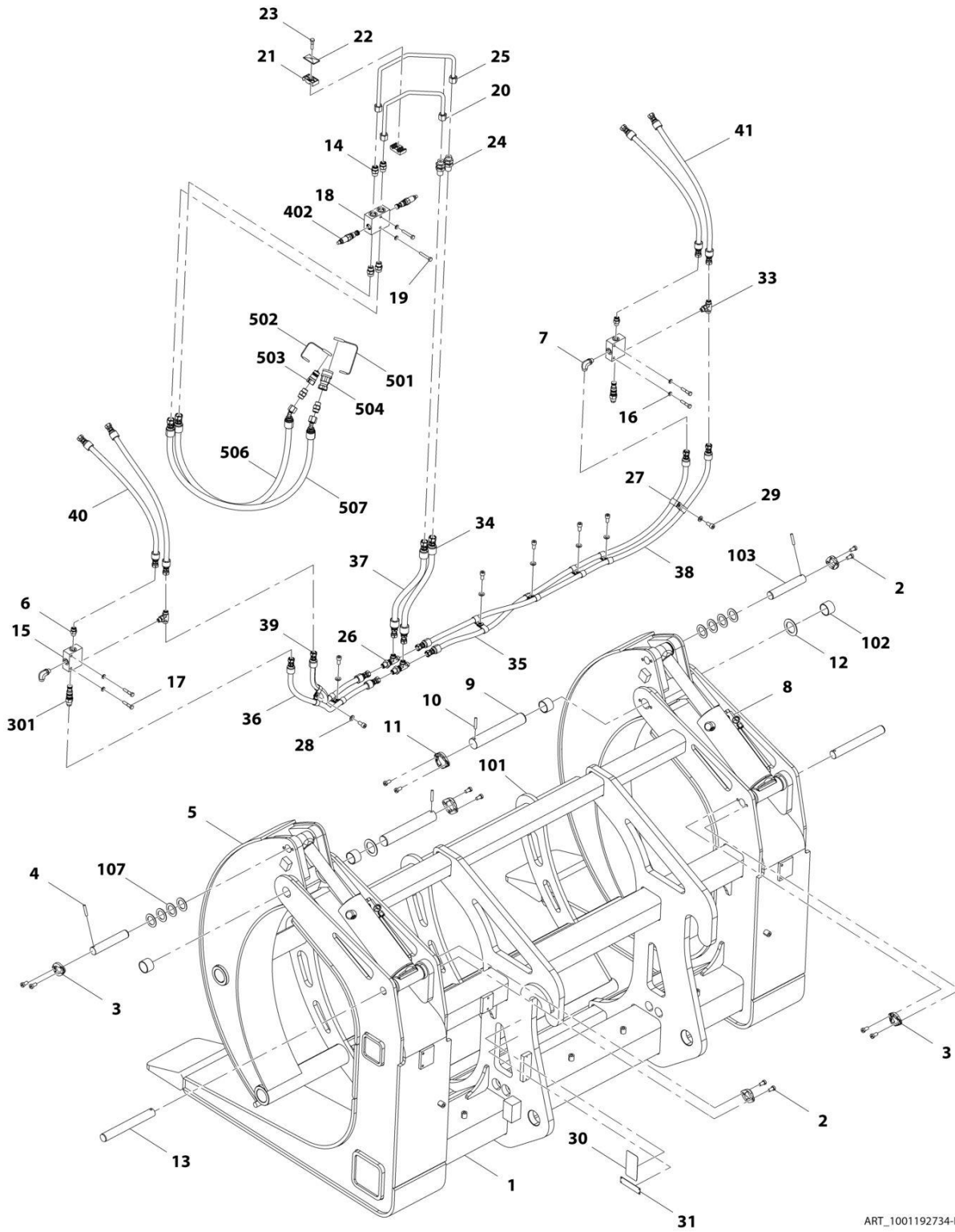
SECTION 3 - ATTACHMENTS

**FIGURE 3-27. CARRIAGE ASSEMBLY - DUAL FORK POSITIONING SIDE SHIFT CARRIAGE
(75IN/1899MM)**

ITEM	PART NUMBER	QTY	DESCRIPTION	REV
	1001192344	1	Dual Fork Positioning Side Shift Carriage (75in/1899mm)	F
1	70028485	2	Bolt	
2	70021349	1	Bolt, 3/8X1	
3	70027989	6	Bolt	
4	70028591	3	Bolt	
5	7029704	5	Bolt, 3/8-24X1	
6	90554067	5	Washer, Lock 5/16	
7	90554042	6	Washer, Lock 3/8	
8	90554020	6	Washer, Lock 1/2	
9	7029703	6	Washer, Flat	
10	90554045	1	Zerk, Grease	
11	70028554	2	Screw	
12	7029702	2	Pin	
13	70028592	2	Pin	
14	70028593	2	Pin	
15	1001101041	2	Adapter, Male Quick Disconnect	
16	1001101042	2	Adapter, Female Quick Disconnect	
17	70028486	2	Fitting	
18	70028525	3	Elbow, 90	
19	70028594	1	Fitting	
20	70028526	2	Elbow, 90	
21	70028488	5	Fitting	
22	70028595	3	Fitting	
23	70028596	1	Valve	
24	70028597	1	Protector, Hose	
25	90554017	2	Decal, Danger Pinch Point	
26	7029711	1	Decal, High Pressure	
27	N.S.S.	1	S/N Plate	
28	8420053	2	Plug, Dust	
29	8420055	2	Plug, Dust	
30	70028495	2	Clamp	
31	70028496	2	Plate, Clamp	
32	70028598	2	Clevis	
33	N.S.S.	1	Weldment	
34	70028599	2	Assembly, Fork Positioning Cylinder (See Separate Breakdown in HYDRAULIC COMPONENTS Section)	
35	N.S.S.	1	Weldment	
36	70028600	2	Pin	
37	70028601	1	Pin	
38	70028602	1	Pin	
39	70028603	1	Assembly, Side Shift Cylinder (See Separate Breakdown in HYDRAULIC COMPONENTS Section)	
40	1001227670	1	Tag, RFID	
41	70028604	2	Hose	
42	70028605	2	Hose	
43	70028606	1	Hose	
44	70028607	2	Hose	

SECTION 3 - ATTACHMENTS

FIGURE 3-28. CARRIAGE ASSEMBLY - LOG HANDLER CARRIAGE



ART_1001192734-D

SECTION 3 - ATTACHMENTS

FIGURE 3-28. CARRIAGE ASSEMBLY - LOG HANDLER CARRIAGE

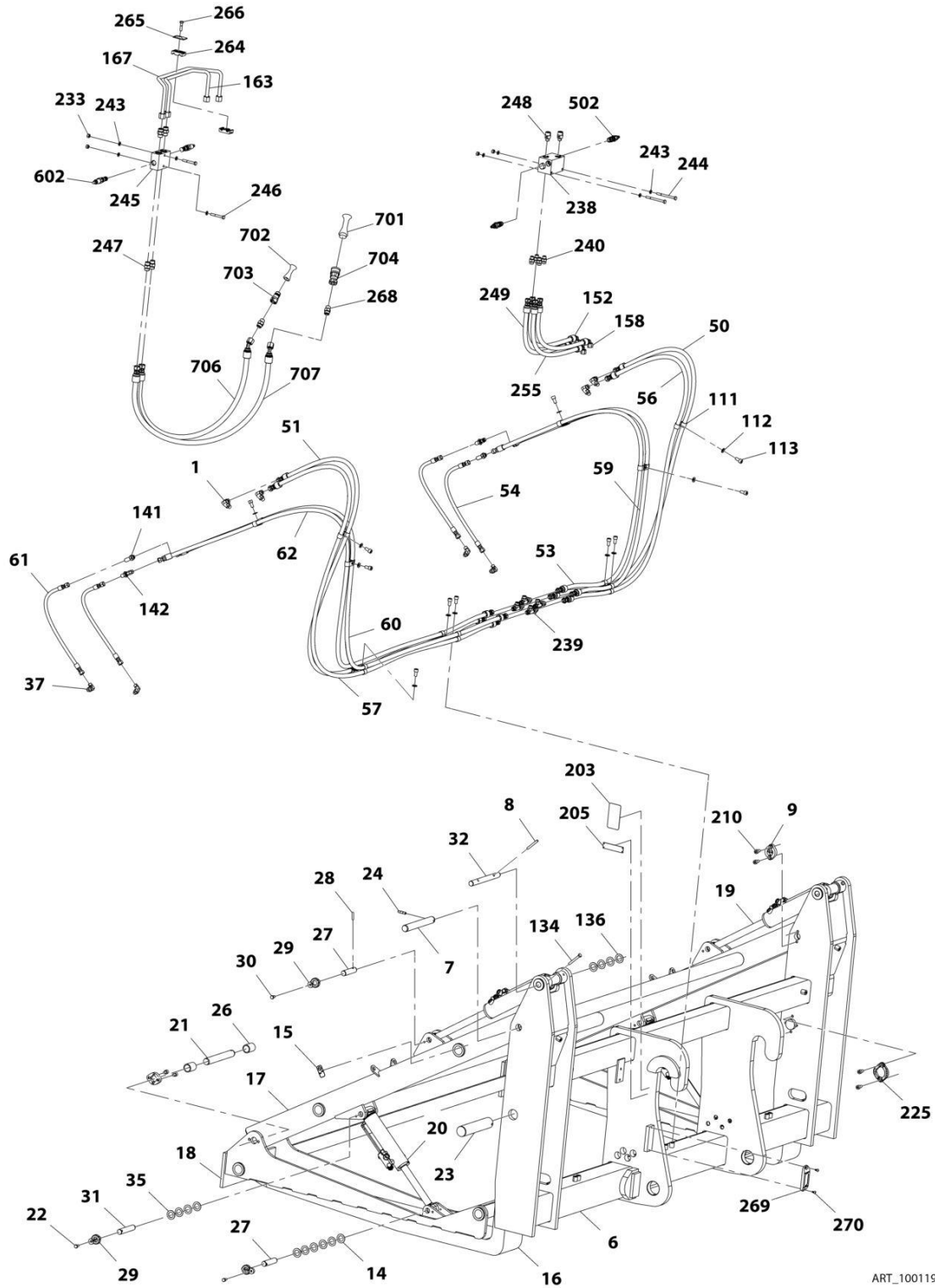
ITEM	PART NUMBER	QTY	DESCRIPTION	REV
	1001192734	Ref	Log Handler Carriage	E
1	N.S.S.	1	Frame	
2	70028701	8	Capscrew, M10X20	
3	70028702	2	Retainer	
4	70028703	4	Pin	
5	N.S.S.	1	Grapple	
6	70024130	2	Fitting, Straight	
7	70024123	2	Fitting, 90	
8	70028704	2	Assembly, Log Handler Carriage Cylinder (See Separate Breakdown in HYDRAULIC COMPONENTS Section)	
9	70028705	2	Pin	
10	70028706	2	Pin	
11	70028707	2	Retainer	
12	70028708	2	Shim	
13	70028709	2	Pin	
14	70022938	4	Fitting, Straight	
15	N.S.S.	2	Valve	
16	70024721	6	Washer, M8	
17	70028710	4	Capscrew	
18	N.S.S.	1	Valve, Relief	
19	70028711	2	Capscrew	
20	70028712	1	Pipe	
21	70028687	1	Clamp	
22	70028688	1	Plate, Cover	
23	70028689	1	Bolt, M8X35	
24	70028713	2	Fitting, Straight	
25	70028714	1	Pipe	
26	70028267	2	Fitting, Tee	
27	70026481	14	Clamp, Hose	
28	70026482	7	Washer, M10	
29	70028672	7	Bolt, M10X20	
30	N.S.S.	1	Plate, Serial Number	
31	N.S.S.	1	Plate, Name	
33	70028715	2	Fitting, Tee	
34	70028716	1	Hose	
35	70028717	1	Hose	
36	70028718	1	Hose	
37	70028719	1	Hose	
38	70028720	1	Hose	
39	70028721	1	Hose	
40	70028722	2	Hose	
41	70028723	2	Hose	
101	70028724	1	Arm	
102	70028725	4	Bearing	
103	70028726	2	Pin	
107	70028727	8	Shim	
301	70026504	2	Valve, Counterbalance	
402	70024772	2	Valve, Relief	
501	8420055	1	Plug, Dust	
502	8420053	1	Plug, Cap	

SECTION 3 - ATTACHMENTS

ITEM	PART NUMBER	QTY	DESCRIPTION	REV
503	1001101041	1	Adapter, Male Quick Disconnect	
504	1001101042	1	Adapter, Female Quick Disconnect	
506	70028734	1	Hose	
507	70028697	1	Hose	

SECTION 3 - ATTACHMENTS

FIGURE 3-29. CARRIAGE ASSEMBLY - PIPE HANDLER CARRIAGE



ART_1001192722-E

SECTION 3 - ATTACHMENTS

FIGURE 3-29. CARRIAGE ASSEMBLY - PIPE HANDLER CARRIAGE

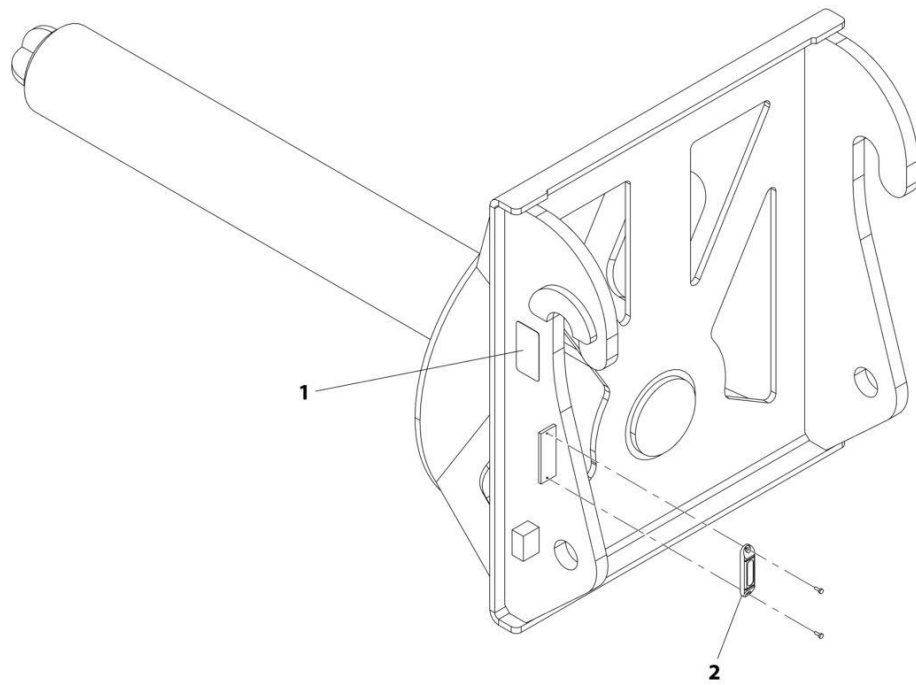
ITEM	PART NUMBER	QTY	DESCRIPTION	REV
	1001192722	Ref	Pipe Handler Carriage	F
1	70024123	4	Adapter, 90 (includes o-ring)	
6	N.S.S.	1	Carriage	
7	70028648	2	Pin	
8	70026471	4	Pin	
9	70026472	4	Retainer	
14	70026476	12	Shim	
15	70024538	2	Decal, Pinch Point	
16	70028649	2	Fork	
17	70028650	1	Arm	
18	70028651	1	Pad, Contact	
19	70028652	1	Assembly, Upper Cylinder (See Separate Breakdown in HYDRAULIC COMPONENTS Section)	
20	70028653	1	Assembly, Lower Cylinder (See Separate Breakdown in HYDRAULIC COMPONENTS Section)	
21	70028654	2	Pin	
22	70026473	4	Capscrew, M10X12	
23	70028655	2	Pin	
24	70028405	2	Pin	
26	70026501	8	Bushing	
27	70028656	4	Pin	
28	70028253	6	Pin	
29	70028262	6	Retainer	
30	70028657	6	Bolt, M8X16	
31	70028658	2	Pin	
32	70028659	2	Pin	
35	70028660	8	Shim	
37	70028661	4	Fittin, 90	
50	70028662	1	Hose	
51	70028663	1	Hose	
53	70028664	1	Hose	
54	70028665	2	Hose	
56	70028666	1	Hose	
57	70028667	1	Hose	
59	70028668	1	Hose	
60	70028669	1	Hose	
61	70028670	2	Hose	
62	70028671	1	Hose	
111	70026481	24	Clamp, Hose	
112	70026482	12	Washer	
113	70028672	12	Bolt, M10X20	
134	70028406	2	Capscrew	
136	70028767	4	Shim	
141	70028768	2	Fitting, Straight	
142	70028673	2	Fitting, 45	
152	70028674	1	Hose	
158	70028675	1	Hose	
163	70028676	1	Pipe	
167	70028677	1	Pipe	
203	N.S.S.	1	Plate, Serial Number	

SECTION 3 - ATTACHMENTS

ITEM	PART NUMBER	QTY	DESCRIPTION	REV
205	N.S.S.	1	Plate, Name	
210	70028678	8	Bolt	
225	70028679	2	Retainer	
233	70028680	6	Nut, M8	
238	N.S.S.	1	Valve	
239	70028267	4	Fitting, Straight	
240	70024130	4	Fitting, Straight	
243	70024721	8	Washer, M8	
244	70028681	2	Bolt, M8X90	
245	N.S.S.	1	Valve, Relief	
246	70028682	2	Bolt, M8X60	
247	70028683	2	Fitting, Straight	
248	70028684	2	Fitting, Straight	
249	70028685	1	Hose	
255	70028686	1	Hose	
264	70028687	1	Clamp	
265	70028688	1	Cover	
266	70028689	1	Bolt, M8X35	
268	70022938	4	Fitting, Straight	
269	1001227670	1	Tag, RFID	
270	70028690	2	Bolt, M4X16	
501	N.S.S.	1	Valve, Relief	
502	70024772	2	Valve, Cartridge	
601	N.S.S.	1	Valve, Sequence	
602	70028695	2	Valve, Cartridge	
701	8420055	1	Plug, Dust	
702	8420053	1	Plug, Cap	
703	1001101041	1	Adapter, Male Quick Disconnect	
704	1001101042	1	Adapter, Female Quick Disconnect	
706	70028696	1	Hose	
707	70028697	1	Hose	

SECTION 3 - ATTACHMENTS

FIGURE 3-30. CARRIAGE ASSEMBLY - STEEL COIL HANDLER CARRIAGE



ART_1001192735-F

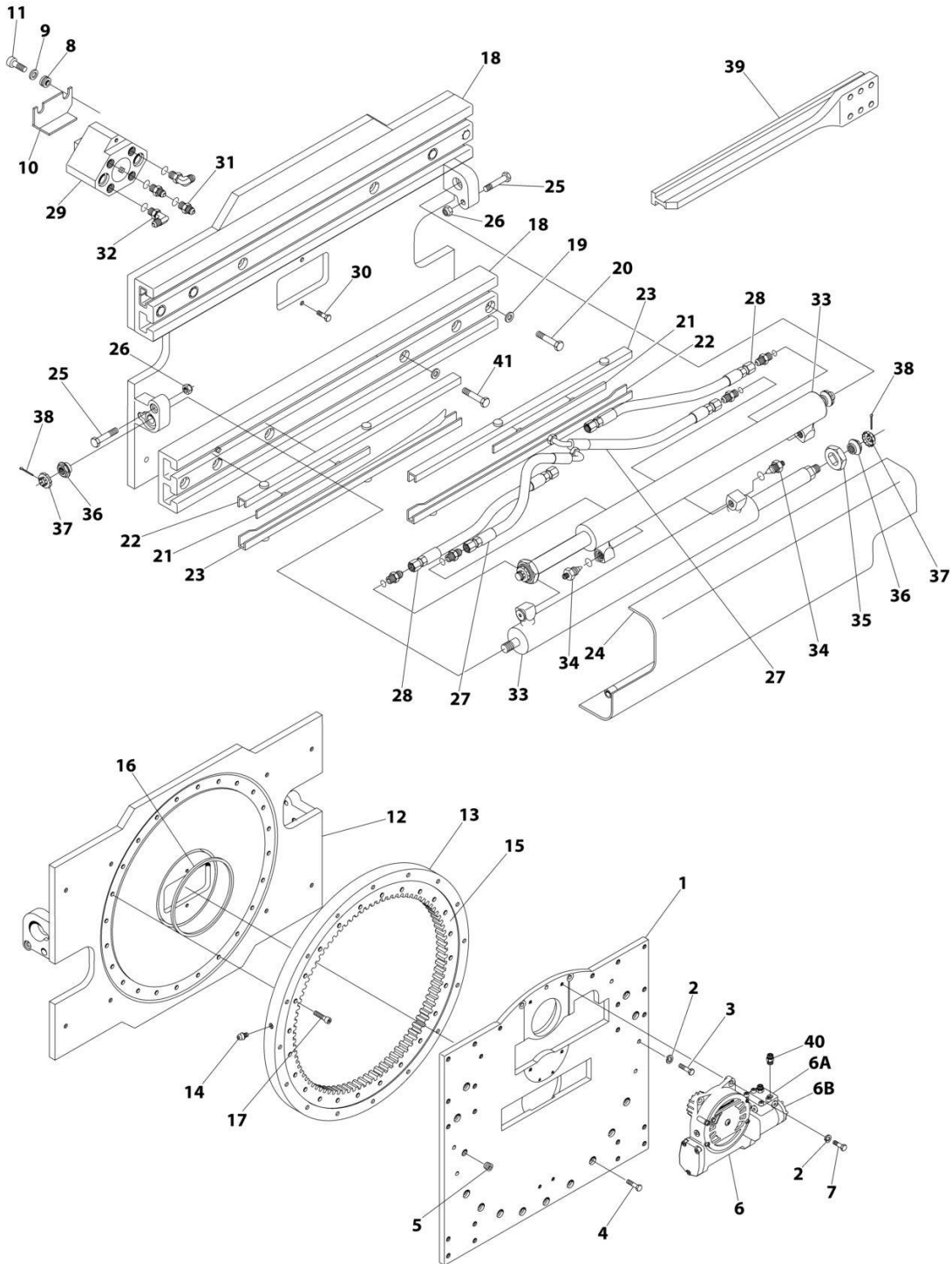
SECTION 3 - ATTACHMENTS

FIGURE 3-30. CARRIAGE ASSEMBLY - STEEL COIL HANDLER CARRIAGE

ITEM	PART NUMBER	QTY	DESCRIPTION	REV
	1001192735	1	Steel Coil Handler Carriage	G
1	N.S.S.	1	Plate, Serial Number	
2	1001227670	1	Tag, RFID	

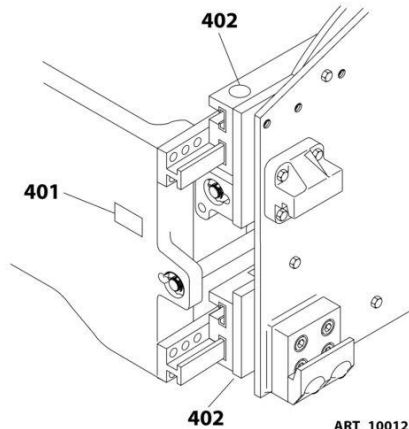
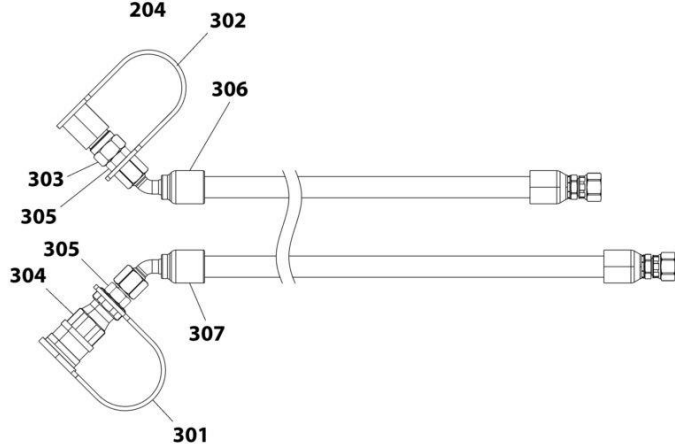
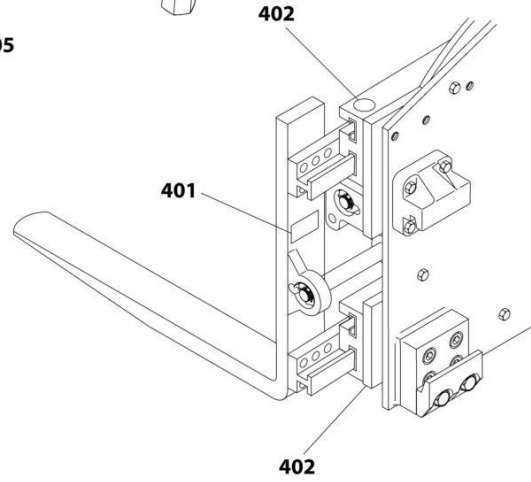
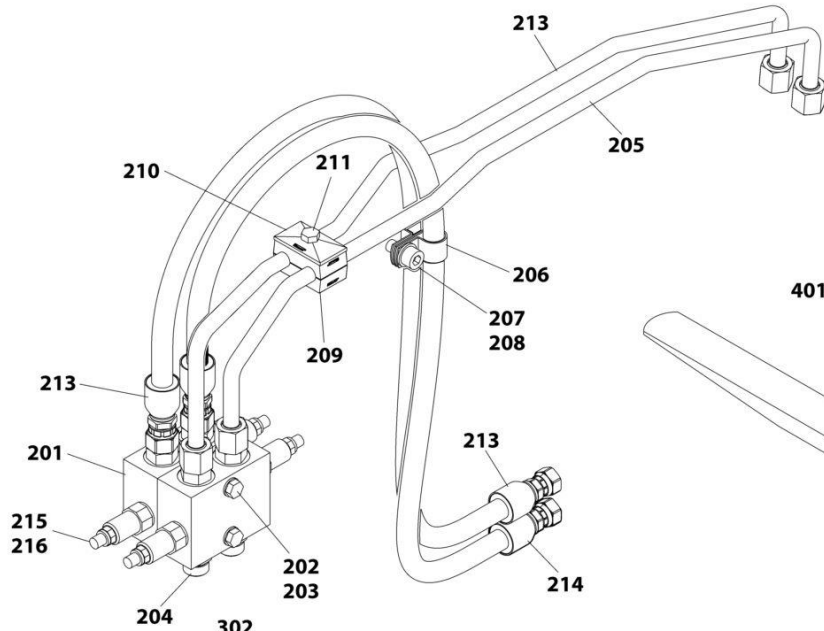
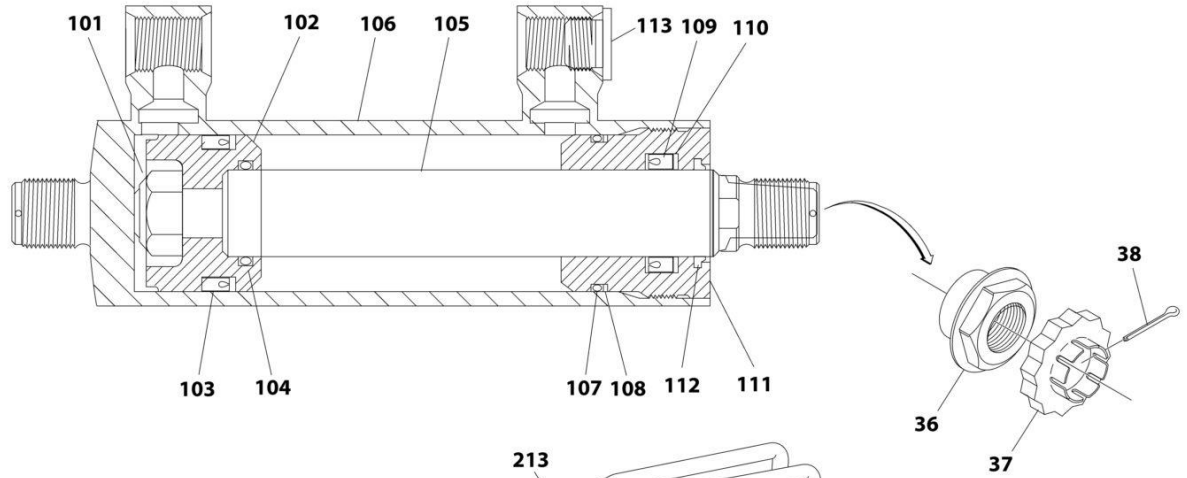
SECTION 3 - ATTACHMENTS

FIGURE 3-31. CARRIAGE ASSEMBLY - TIRE HANDLER



ART_1001258523_10F2

SECTION 3 - ATTACHMENTS



ART_1001258523_20F2

SECTION 3 - ATTACHMENTS

FIGURE 3-31. CARRIAGE ASSEMBLY - TIRE HANDLER

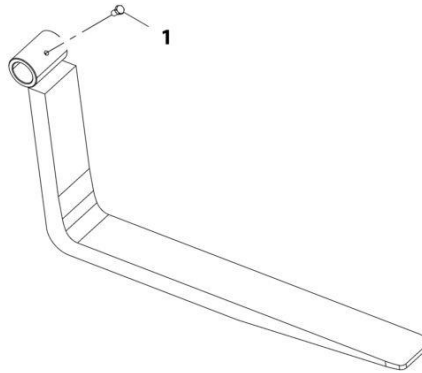
ITEM	PART NUMBER	QTY	DESCRIPTION	REV
	1001258523	Ref	TIRE HANDLER ASSEMBLY	C
		Ref	Base Unit Assembly	
1		Ref	Baseplate	
2		Ref	Lockwasher 1/2	
3		Ref	Capscrew 1/2 NC x 1-3/4 G8	
4		Ref	Capscrew 1/2 NC x 1-1/2 G8	
5		Ref	Pipe Plug	
6		Ref	Drive Assembly	
6A	70024731	1	Check Valve Assembly	
6A	70030105	2	Cartridge, Check Valve	
6A	70024734	2	Seal Kit - Check Valve	
6B	70028786	1	Drive Motor Assembly	
6B	70028114	1	Service Kit - Drive Motor	
7		Ref	Capscrew 1/2 NC x 1-1/4 G5	
8		Ref	Grommet	
9		Ref	Washer M10	
10		Ref	Bracket	
11		Ref	Shoulder Bolt	
12		Ref	Faceplate	
13		Ref	Bearing Assembly	
14		Ref	Grease Fitting	
15		Ref	Bearing Seal	
16		Ref	Felt Seal	
17		Ref	Capscrew 1/2 NC x 1-1/2 G8	
18		Ref	Frame	
19		Ref	Washer	
20		Ref	Capscrew M20 x 100	
21		Ref	Bearing	
22		Ref	Bearing	
23		Ref	Bearing	
24		Ref	Bumper	
25		Ref	Capscrew M12 x 80	
26		Ref	Nut M12	
27		Ref	Hose, 305 mm	
28		Ref	Hose, 525 mm	
29		Ref	Revolving Connection	
30		Ref	Capscrew M8 x 30	
31		Ref	Fitting, 8-6	
32		Ref	Fitting, 8-6	
33	70030106	2	Cylinder Assembly (See Items 101-117 for Breakdown)	
34	70028787	2	Restrictor Cartridge	
35		Ref	Washer	
36	See Note	4	Cylinder Nut (Note: Use P/N 70028793)	
37	See Note	4	Retainer (Note: Use P/N 70028793)	
38	See Note	4	Cotter Pin (Note: Use P/N 70028793)	
39		Ref	Arm Bar	
40	70022938	2	Fitting	
41		Ref	Capscrew M20 x 95	
	70030106	Ref	Cylinder Assembly	
101	70026503	1	Nut	

SECTION 3 - ATTACHMENTS

ITEM	PART NUMBER	QTY	DESCRIPTION	REV
102	70028789	1	Piston	
103	See Note	NSS	Seal (Note: Use Item 117)	
104	See Note	NSS	O-Ring (Note: Use Item 117)	
105	70030107	1	Rod	
106	See Note	NSS	Barrel (Note: Use P/N 70030106)	
107	See Note	NSS	O-Ring (Note: Use Item 117)	
108	See Note	NSS	Back-Up Ring (Note: Use Item 117)	
109	See Note	NSS	Seal (Note: Use Item 117)	
110	See Note	NSS	Nylon Ring (Note: Use Item 117)	
111	70028791	1	Retainer	
112	See Note	NSS	Wiper (Note: Use Item 117)	
113	70028119	1	Plug	
117	70028792	1	Seal Kit (Includes 103,104,107-110 & 112)	
		Ref	Hydraulics Group	
201	70028794	2	Valve, Pressure Control	
202	70024721	2	Washer	
203	70028681	2	Bolt	
204	70022938	8	Fitting	
205	70028795	1	Tube	
206	70026481	2	Hose Clamp	
207	70026482	1	Washer	
208	70028672	1	Bolt	
209	70028687	1	Clamp Body	
210	70028688	1	Cover	
211	70028689	1	Bolt	
212	70028796	1	Tube	
213		Ref	Hose	
214		Ref	Hose	
215	70024772	4	Cartridge, Pressure Control	
216	70028115	4	Seal Kit, Cartridge	
		Ref	Hydraulic Supply Group	
301	8420055	2	Plug, Dust	
302	8420053	2	Cap, Dust	
303	1001101041	2	Quick Disconnect (Male)	
304	1001101042	2	Quick Disconnect (Female)	
305		Ref	Fitting	
306		Ref	Hose	
307		Ref	Hose	
		Ref	Decal Group	
401	70024538	2	Decal - Pinch Point	
402	70024787	2	Decal - No Step	
403	70028785	1	Decal - Quick Change Hook (Not Shown)	

SECTION 3 - ATTACHMENTS

FIGURE 3-32. FORK - PALLET (2.25X6X48)



ART_1001196952-B

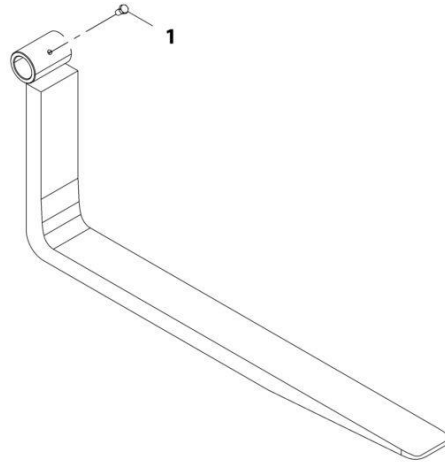
SECTION 3 - ATTACHMENTS

FIGURE 3-32. FORK - PALLET (2.25X6X48)

ITEM	PART NUMBER	QTY	DESCRIPTION	REV
1	1001196952	1	Pallet Fork (2.25X6X48)	B
	70027180	1	Screw, M16X30	
	Note	Ref	<p>FORKS RATED LESS THAN THE ATTACHMENT OR MACHINE'S CAPACITY DECREASES CAPACITY OF THE ATTACHMENT OR MACHINE TO THAT OF THE FORKS. FORKS RATED MORE THAN THE ATTACHMENT OR MACHINE'S CAPACITY DO NOT INCREASE ATTACHMENT OR MACHINE'S CAPACITY.</p>	
	Note	Ref	<p>PLEASE CONSULT JLG PARTS DEPARTMENT TO DETERMINE THE CORRECT FORKS APPLICABLE TO YOUR SPECIFIC CARRIAGE ASSEMBLY AND APPLICATION.</p>	

SECTION 3 - ATTACHMENTS

FIGURE 3-33. FORK - PALLET (2.25X6X60)



ART_1001196951-B

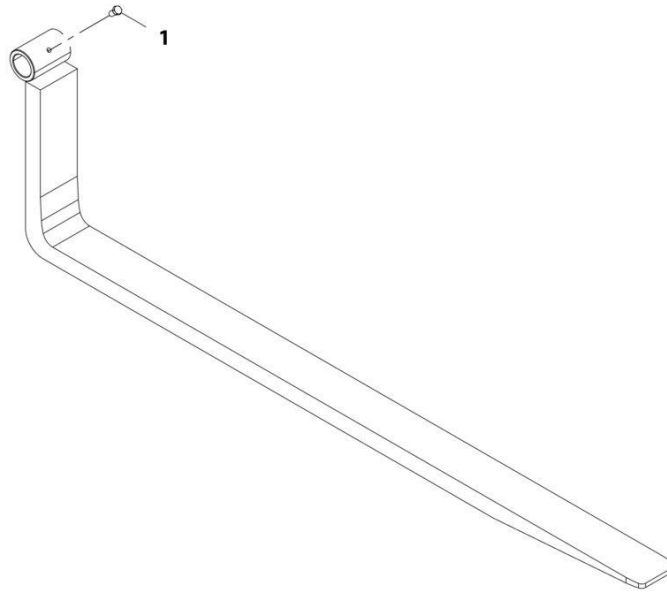
SECTION 3 - ATTACHMENTS

FIGURE 3-33. FORK - PALLET (2.25X6X60)

ITEM	PART NUMBER	QTY	DESCRIPTION	REV
1	1001196951	1	Pallet Fork (2.25X6X60)	B
	70027180	1	Screw, M16X30	
	Note	Ref	<p>FORKS RATED LESS THAN THE ATTACHMENT OR MACHINE'S CAPACITY DECREASES CAPACITY OF THE ATTACHMENT OR MACHINE TO THAT OF THE FORKS. FORKS RATED MORE THAN THE ATTACHMENT OR MACHINE'S CAPACITY DO NOT INCREASE ATTACHMENT OR MACHINE'S CAPACITY.</p>	
	Note	Ref	<p>PLEASE CONSULT JLG PARTS DEPARTMENT TO DETERMINE THE CORRECT FORKS APPLICABLE TO YOUR SPECIFIC CARRIAGE ASSEMBLY AND APPLICATION.</p>	

SECTION 3 - ATTACHMENTS

FIGURE 3-34. FORK - PALLET (2.25X6X72)



ART_1001196950-B

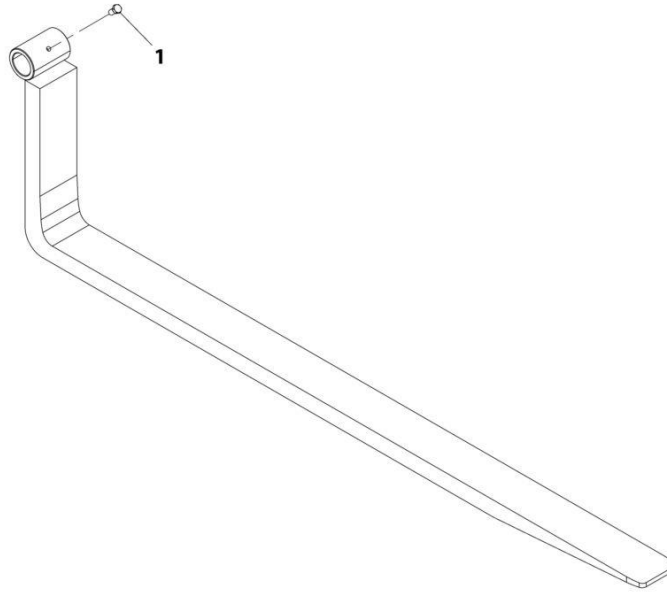
SECTION 3 - ATTACHMENTS

FIGURE 3-34. FORK - PALLET (2.25X6X72)

ITEM	PART NUMBER	QTY	DESCRIPTION	REV
1	1001196950	1	Pallet Fork (2.25X6X72)	B
	70027180	1 2	Screw, M16X30	
	Note	Ref	<p>FORKS RATED LESS THAN THE ATTACHMENT OR MACHINE'S CAPACITY DECREASES CAPACITY OF THE ATTACHMENT OR MACHINE TO THAT OF THE FORKS. FORKS RATED MORE THAN THE ATTACHMENT OR MACHINE'S CAPACITY DO NOT INCREASE ATTACHMENT OR MACHINE'S CAPACITY.</p>	
	Note	Ref	<p>PLEASE CONSULT JLG PARTS DEPARTMENT TO DETERMINE THE CORRECT FORKS APPLICABLE TO YOUR SPECIFIC CARRIAGE ASSEMBLY AND APPLICATION.</p>	

SECTION 3 - ATTACHMENTS

FIGURE 3-35. FORK - PALLET (2.25X6X96)



ART_1001196949-B

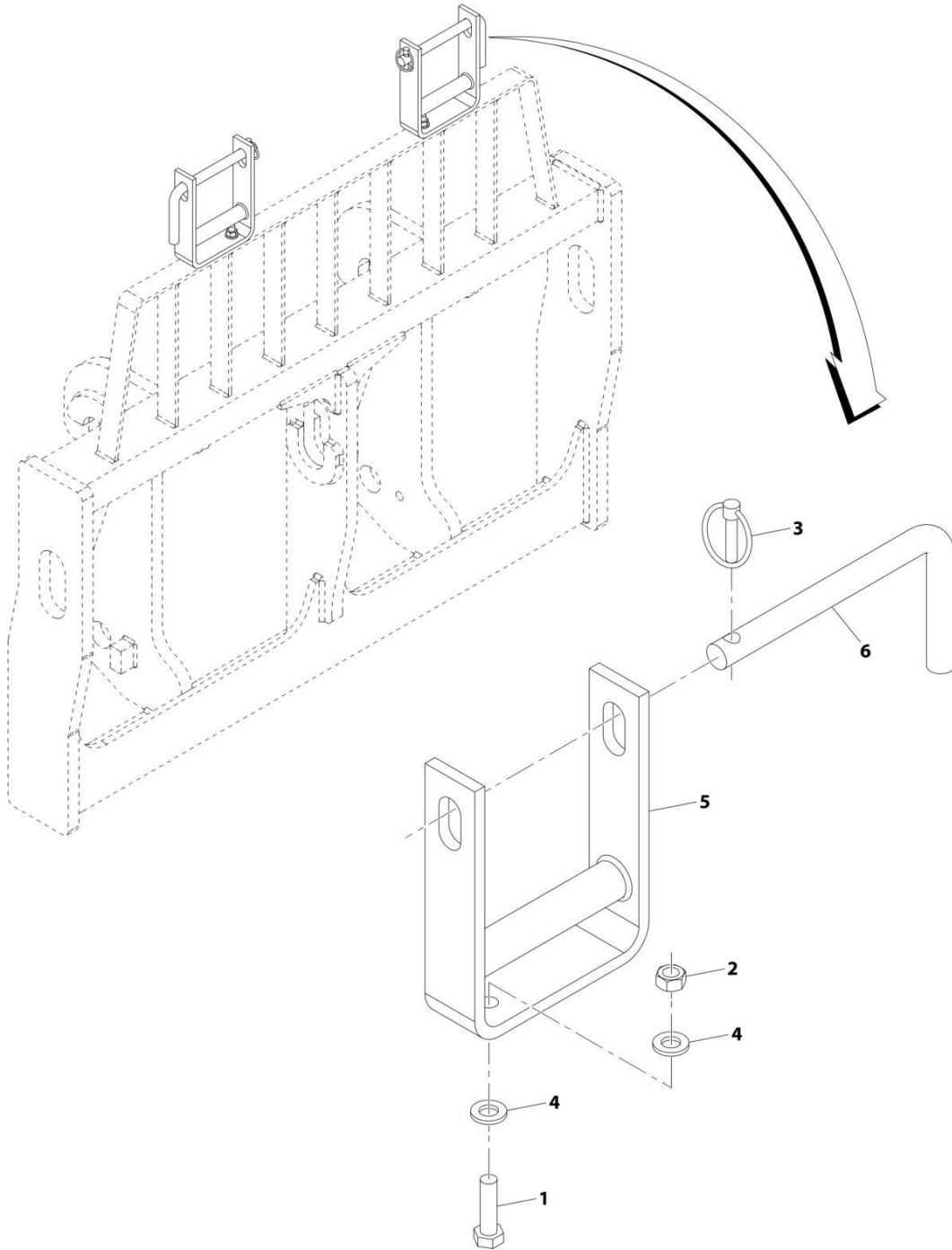
SECTION 3 - ATTACHMENTS

FIGURE 3-35. FORK - PALLET (2.25X6X96)

ITEM	PART NUMBER	QTY	DESCRIPTION	REV
1	1001196949	1	Pallet Fork (2.25X6X96)	B
	70027180	1 2	Screw, M16X30	
	Note	Ref	<p>FORKS RATED LESS THAN THE ATTACHMENT OR MACHINE'S CAPACITY DECREASES CAPACITY OF THE ATTACHMENT OR MACHINE TO THAT OF THE FORKS. FORKS RATED MORE THAN THE ATTACHMENT OR MACHINE'S CAPACITY DO NOT INCREASE ATTACHMENT OR MACHINE'S CAPACITY.</p>	
	Note	Ref	<p>PLEASE CONSULT JLG PARTS DEPARTMENT TO DETERMINE THE CORRECT FORKS APPLICABLE TO YOUR SPECIFIC CARRIAGE ASSEMBLY AND APPLICATION.</p>	

SECTION 3 - ATTACHMENTS

FIGURE 3-36. FORK RETENTION INSTALLATION



ART_1001196778-C

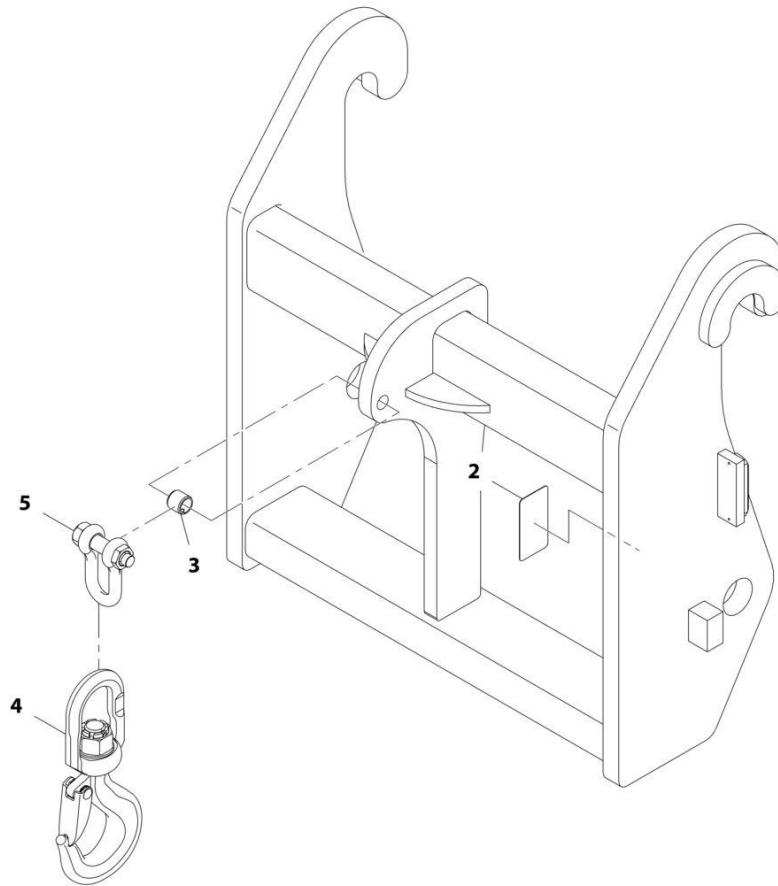
SECTION 3 - ATTACHMENTS

FIGURE 3-36. FORK RETENTION INSTALLATION

ITEM	PART NUMBER	QTY	DESCRIPTION	REV
	1001196778	Ref	Fork Retention Installation	C
1	0761217	1	Bolt, M12X45	
2	3291201	1	Nut, M12X1.75	
3	1001109387	1	Pin, Linch	
4	5241200	2	Washer, M12	
5	1001196779	1	Bracket, Fork Retention	
6	1001196782	1	Pin, Fork Retention	

SECTION 3 - ATTACHMENTS

FIGURE 3-37. HOOK - CRANK (7.6 TON)



ART_1001192700-E

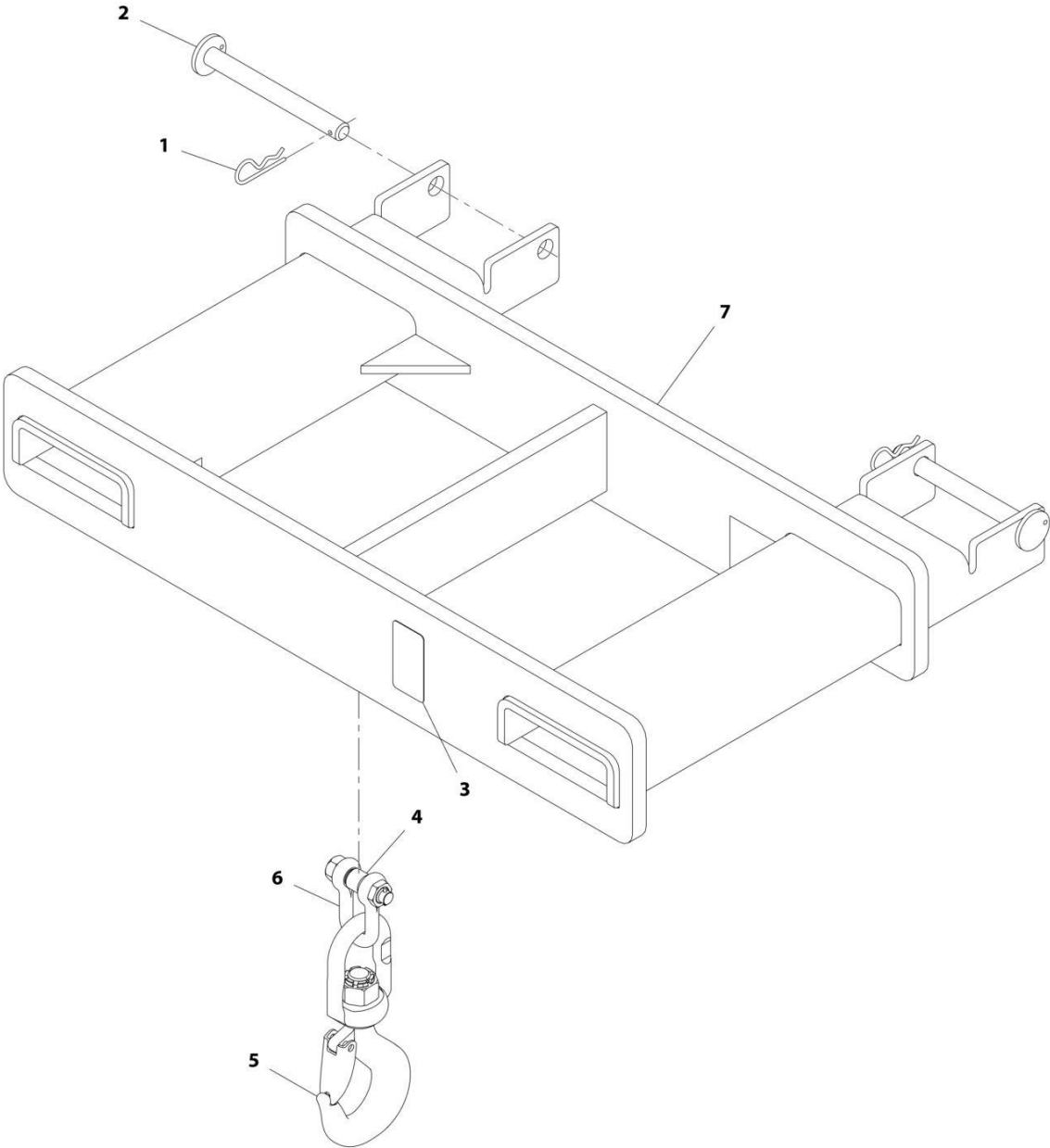
SECTION 3 - ATTACHMENTS

FIGURE 3-37. HOOK - CRANK (7.6 TON)

ITEM	PART NUMBER	QTY	DESCRIPTION	REV
	1001192700	1	Crane Hook (7.6 ton)	F
2	90554016	1	Decal, Made in USA	
3	70020555	1	Bushing	
4	70026745	1	Hook, Swivel	
5	70026746	1	Shackle, Chain	

SECTION 3 - ATTACHMENTS

FIGURE 3-38. HOOK ATTACH - FORK MOUNTED



ART_1001193803-C

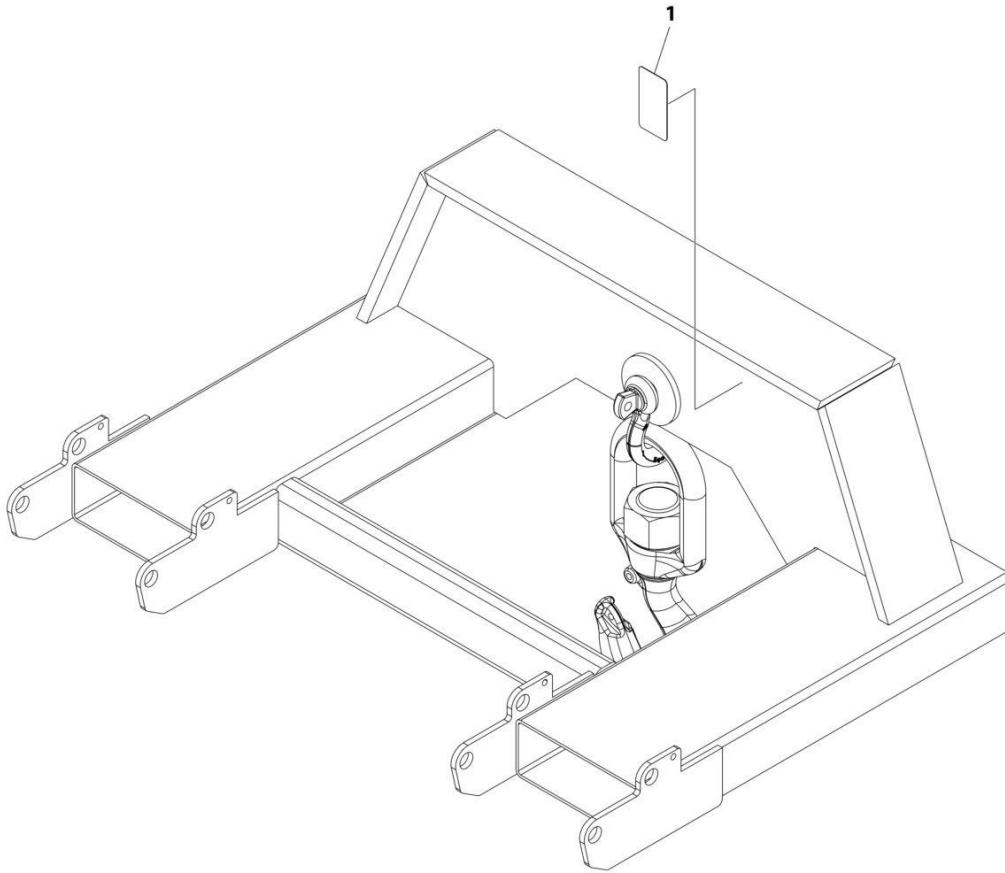
SECTION 3 - ATTACHMENTS

FIGURE 3-38. HOOK ATTACH - FORK MOUNTED

ITEM	PART NUMBER	QTY	DESCRIPTION	REV
	1001193803	Ref	Hook Attach, Fork Mounted	D
1	7029520	2	Pin, Cotter	
2	1001093171	2	Pin	
3	N.S.S.	1	S/N Plate	
4	70020555	1	Bushing	
5	70026745	1	Hook	
6	70026746	1	Shackle, Chain	
7	N.S.S.	1	Weldment, Crane Hook	

SECTION 3 - ATTACHMENTS

FIGURE 3-39. LIFTING HOOK (22K)



ART_1001305478

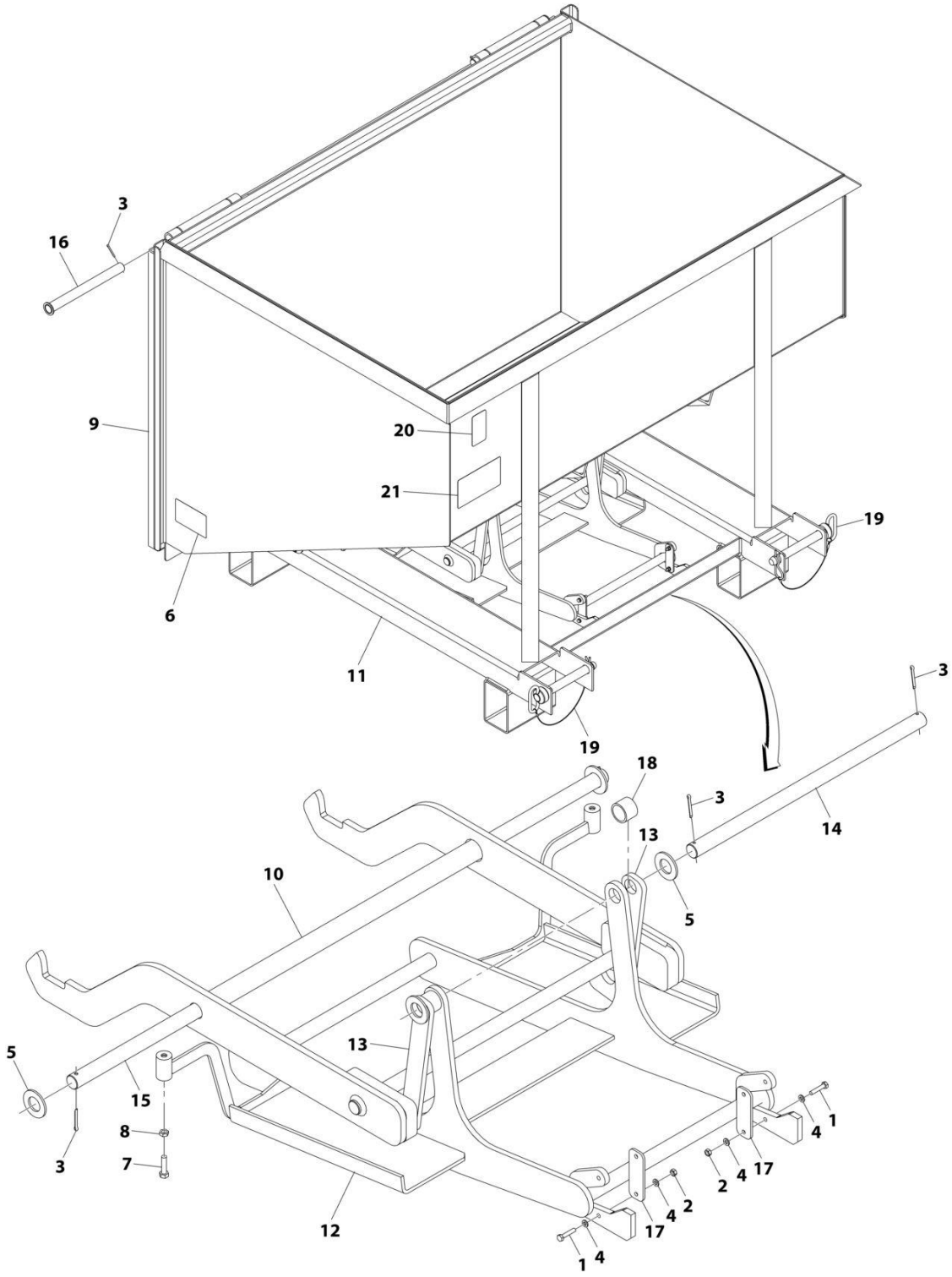
SECTION 3 - ATTACHMENTS

FIGURE 3-39. LIFTING HOOK (22K)

ITEM	PART NUMBER	QTY	DESCRIPTION	REV
1	1001305478 See Note	Ref NSS	LIFTING HOOK (22K) SN Plate (Note: Not Available for Purchase)	A

SECTION 3 - ATTACHMENTS

FIGURE 3-40. HOPPER - TRASH



ART_1001238566-B

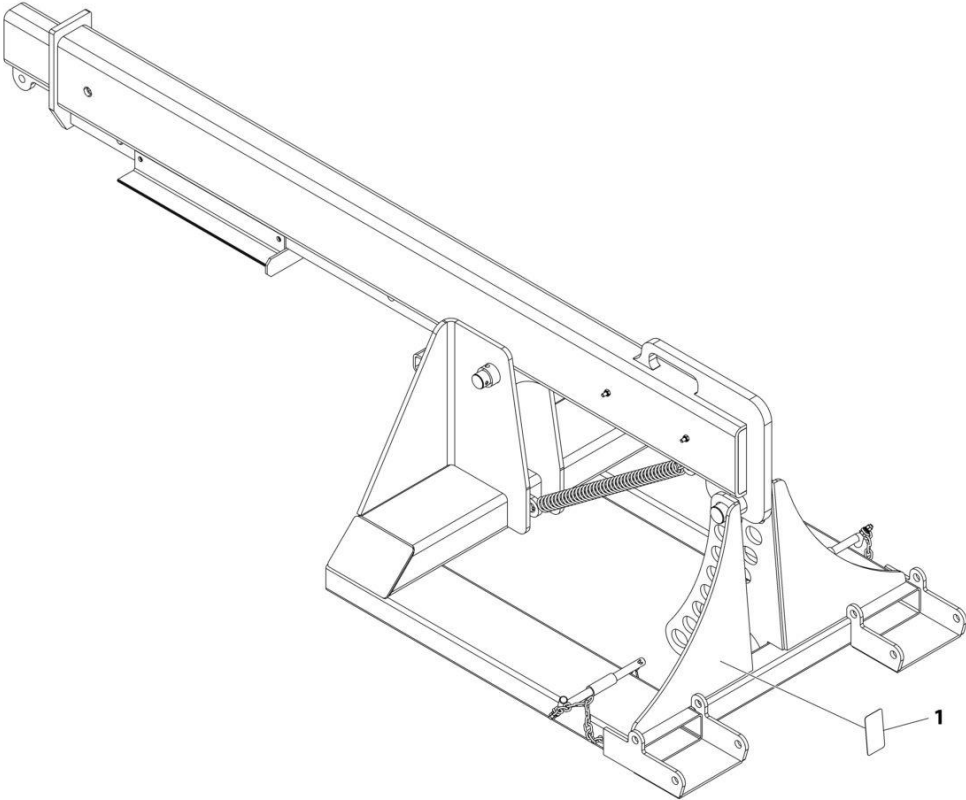
SECTION 3 - ATTACHMENTS

FIGURE 3-40. HOPPER - TRASH

ITEM	PART NUMBER	QTY	DESCRIPTION	REV
	1001238566	Ref	FORK MOUNTED TRASH HOPPER	C
1	0700614	4	Bolt M6 x 30	
2	3290601	4	Nut M6 x 1	
3	3391410	6	Pin	
4	4811700	8	Washer M6	
5	5242400	4	Washer M24	
6	1706302	2	Decal, Pinch Point	
7	0641510	2	Bolt 5/16 x 1-1/4	
8	3311502	2	Nut 5/16	
9	1001192711	1	Door Assembly	
10	1001192720	1	Hook Assembly	
11	See Note	NSS	Hopper, Trash (Note: Purchase Complete Assembly)	
12	1001192875	1	Tray Assembly	
13	1001192876	2	Arm, Swing	
14	1001192877	1	Rod, Swing	
15	1001238570	1	Bar	
16	1001193540	2	Pin	
17	1001193729	2	Plate	
18	1001198355	2	Spacer	
19	1001238560	2	Pin	
20	See Note	NSS	SN Plate (Note: Stamped Part - Not Available for Purchase)	
21	1001203503	1	Decal, Trash Hopper Operation	

SECTION 3 - ATTACHMENTS

FIGURE 3-41. TELESCOPE PIVOT ADJUSTABLE JIB (10K)



ART_1001301527

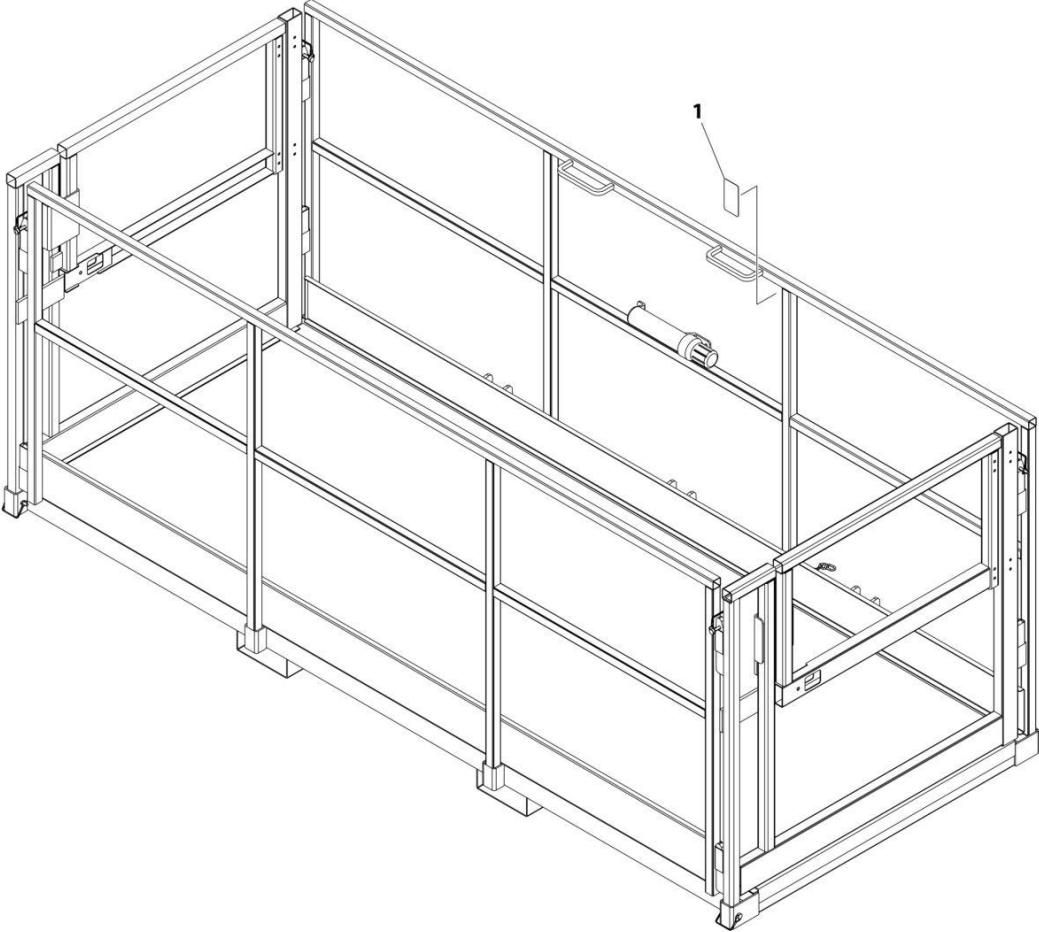
SECTION 3 - ATTACHMENTS

FIGURE 3-41. TELESCOPE PIVOT ADJUSTABLE JIB (10K)

ITEM	PART NUMBER	QTY	DESCRIPTION	REV
1	1001301527 See Note	Ref NSS	TELESCOPE PIVOT ADJUSTABLE JIB SN Plate (Note: Not Available for Purchase)	A

SECTION 3 - ATTACHMENTS

FIGURE 3-42. PLATFORM (FORK MOUNTED (4X9.8))



ART_1001301393

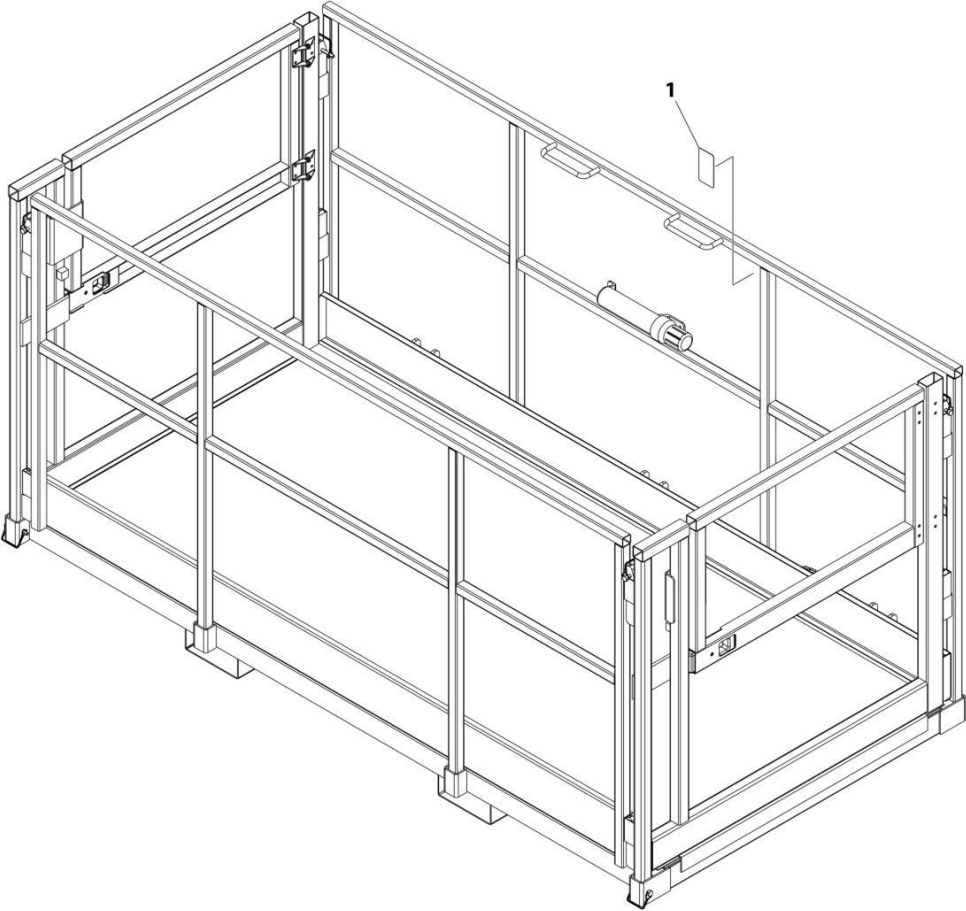
SECTION 3 - ATTACHMENTS

FIGURE 3-42. PLATFORM (FORK MOUNTED (4X9.8))

ITEM	PART NUMBER	QTY	DESCRIPTION	REV
1	1001301393 See Note	Ref NSS	PLATFORM (FORK MOUNTED) (4X9.8) SN Plate (Note: Not Available for Purchase)	A

SECTION 3 - ATTACHMENTS

FIGURE 3-43. PLATFORM (FORK MOUNTED (4X8 WITH DOORS))



ART_1001303246

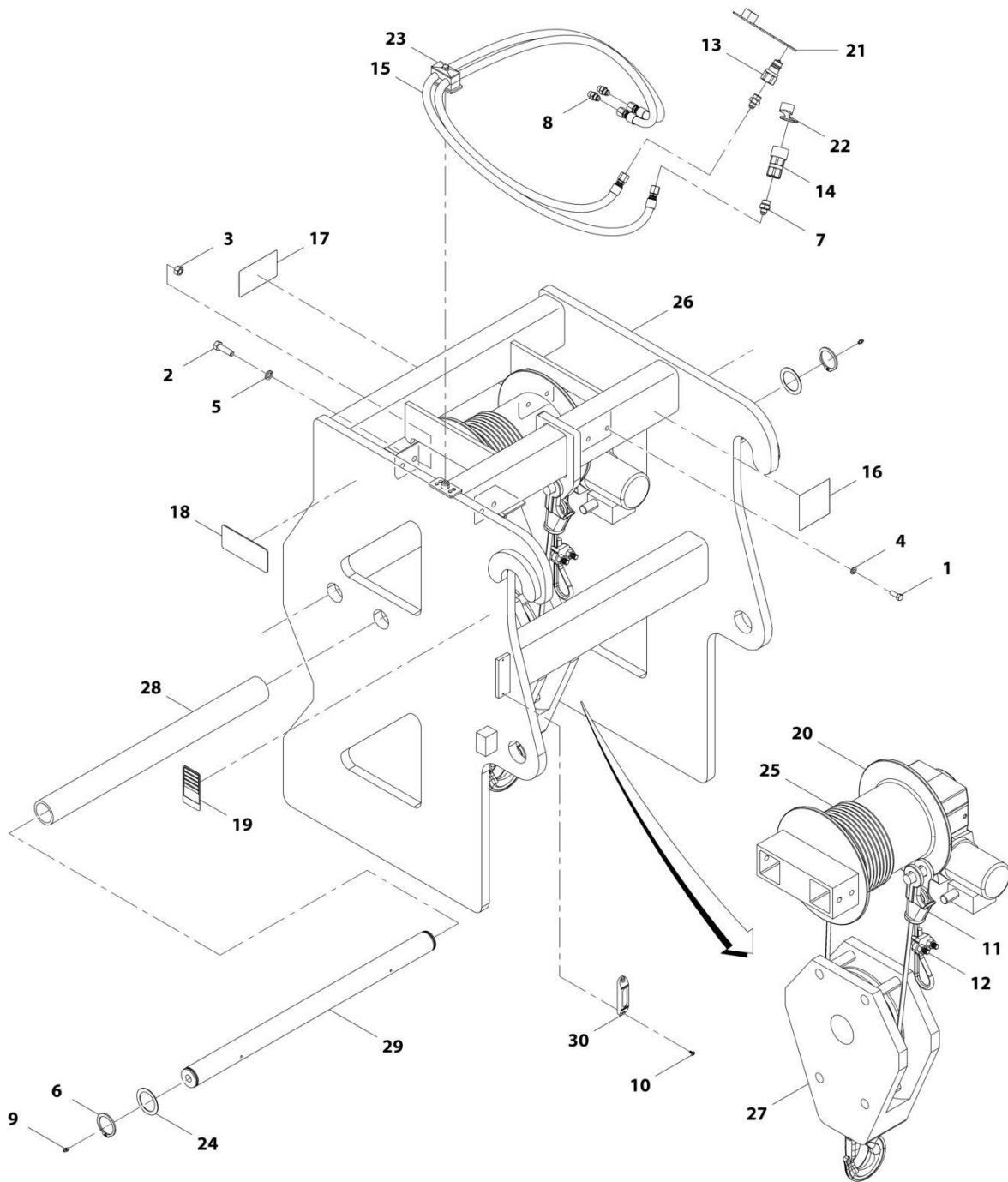
SECTION 3 - ATTACHMENTS

FIGURE 3-43. PLATFORM (FORK MOUNTED (4X8 WITH DOORS))

ITEM	PART NUMBER	QTY	DESCRIPTION	REV
1	1001303246 See Note	Ref NSS	PLATFORM (FORK MOUNTED) (4X8 WITH DOORS) SN Plate (Note: Not Available for Purchase)	A

SECTION 3 - ATTACHMENTS

FIGURE 3-44. WINCH - COUPLER MOUNTED



ART_1001192702-C

SECTION 3 - ATTACHMENTS

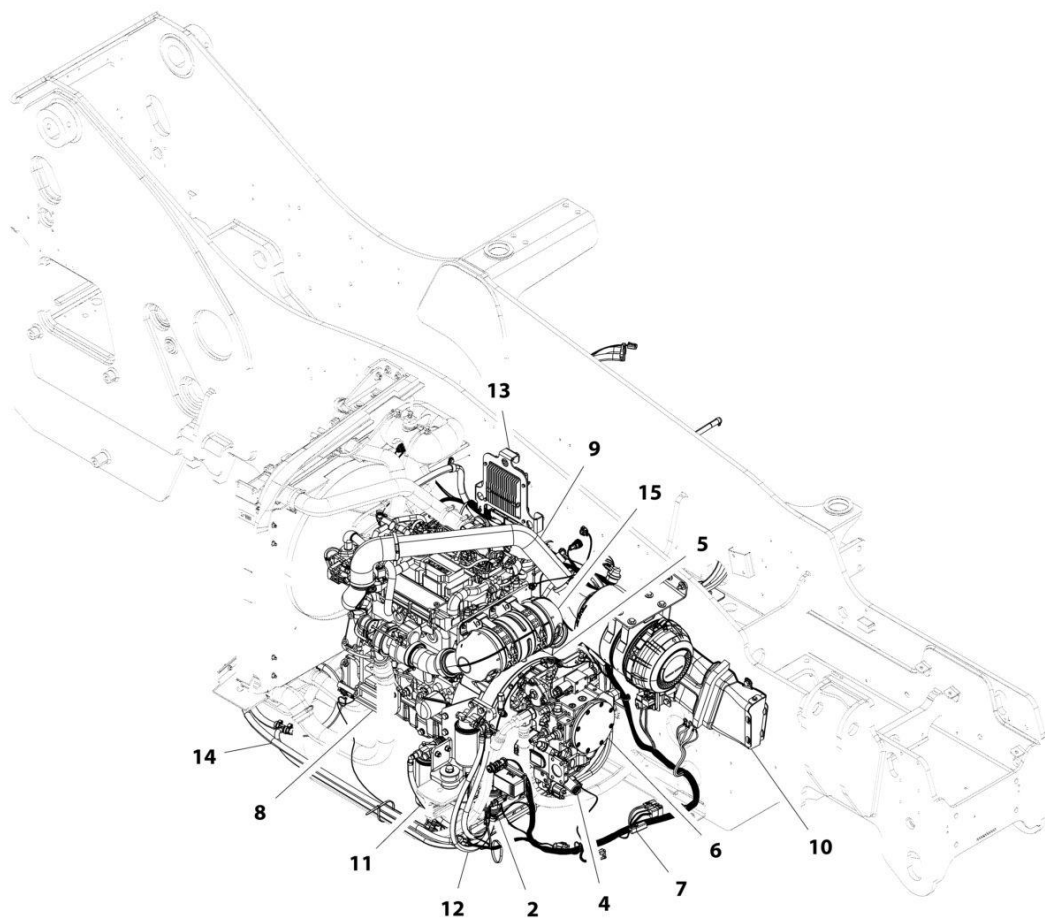
FIGURE 3-44. WINCH - COUPLER MOUNTED

ITEM	PART NUMBER	QTY	DESCRIPTION	REV
	1001192702	Ref	Coupler Mounted Winch	D
1	70021349	4	Bolt, 3/8X1	
2	70024059	4	Bolt, 1/2X1-3/4	
3	90554054	4	Nut, 1/2	
4	90554042	4	Washer, Lock 3/8	
5	90554020	4	Washer, Lock 1/2	
6	70028860	4	Ring, Snap	
7	70021397	2	Fitting, Straight	
8	70021415	2	Fitting, Straight	
9	90554045	4	Grease, Fitting	
10	70028554	2	Screw	
11	70021979	1	Assembly, Socket (includes pin and cotter pin)	
12	70022528	1	Clamp	
13	91403414	1	Adapter, Male Quick Disconnect	
14	91403413	1	Adapter, Female Quick Disconnect	
15	70028861	2	Hose	
16	7029711	1	Decal, High Pressure	
17	70024064	1	Decal, Do Not Tow	
18	4110422	2	Decal, Warning Swinging Loads	
19	N.S.S.	1	Plate, Serial Number	
20	70028862	1	Winch	
21	8420053	1	Cap, Dust	
22	8420055	1	Cap, Dust	
23	70021387	1	Clamp, Hose	
24	70028863	4	Washer	
25	70028864	1	Cable	
26	N.S.S.	1	Weldment, Frame	
27	70028865	1	Hook	
28	70028866	2	Roller Tube, Winch	
29	70028867	2	Roller Bar, Winch	
30	1001227670	1	Tag, RFID	

SECTION 4 - ENGINE AND ATTACHING PARTS

SECTION 4 - ENGINE AND ATTACHING PARTS

FIGURE 4-1. ENGINE POD COMPONENT INSTALLATION (ULS)



ART_1001200443-D

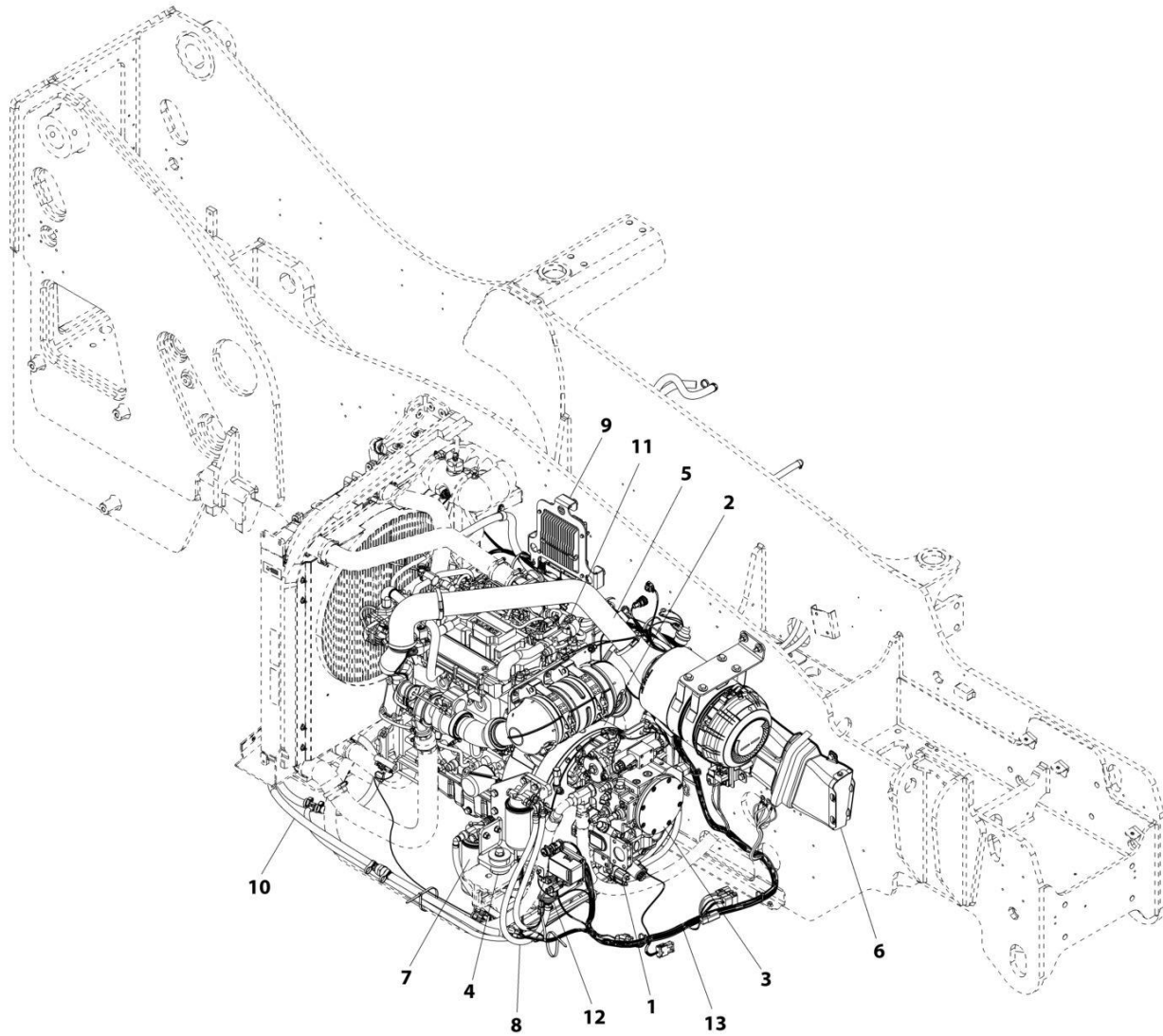
SECTION 4 - ENGINE AND ATTACHING PARTS

FIGURE 4-1. ENGINE POD COMPONENT INSTALLATION (ULS)

ITEM	PART NUMBER	QTY	DESCRIPTION	REV
	1001200443	Ref	Engine Pod Component Installation (ULS)	E
2	1001221041	1	Installation, Remote Fuel Pump (See Separate Breakdown in this Section)	
4	1001193393	1	Installation, Implement Pump (See Separate Breakdown in this Section)	
5	1001193703	1	Installation, Hydrostatic Adaptor (See Separate Breakdown in this Section)	
6	1001193704	1	Installation, Hydrostatic Drive Pump (See Separate Breakdown in this Section)	
7	1001200106	1	Installation, Engine Wiring (See Separate Breakdown in ELECTRICAL Section)	
8	1001200862	1	Installation, Engine Mount (See Separate Breakdown in this Section)	
9	1001200863	1	Installation, Air Intake (See Separate Breakdown in this Section)	
10	1001200864	1	Installation, Air Cleaner (See Separate Breakdown in this Section)	
11	1001200865	1	Installation, Primary Fuel Filter (See Separate Breakdown in this Section)	
12	1001200866	1	Installation, Fuel Lines (See Separate Breakdown in this Section)	
13	1001284538	1	Installation, Engine ECU (See Separate Breakdown in ELECTRICAL Section)	
14	1001293070	1	Installation, DEF Coolant Lines (See Separate Breakdown in this Section)	
15	1001201425	1	Installation, Engine (See Separate Breakdown in this Section)	

SECTION 4 - ENGINE AND ATTACHING PARTS

FIGURE 4-2. ENGINE POD COMPONENT INSTALLATION (MINING) (ULS)



ART_1001228727-A

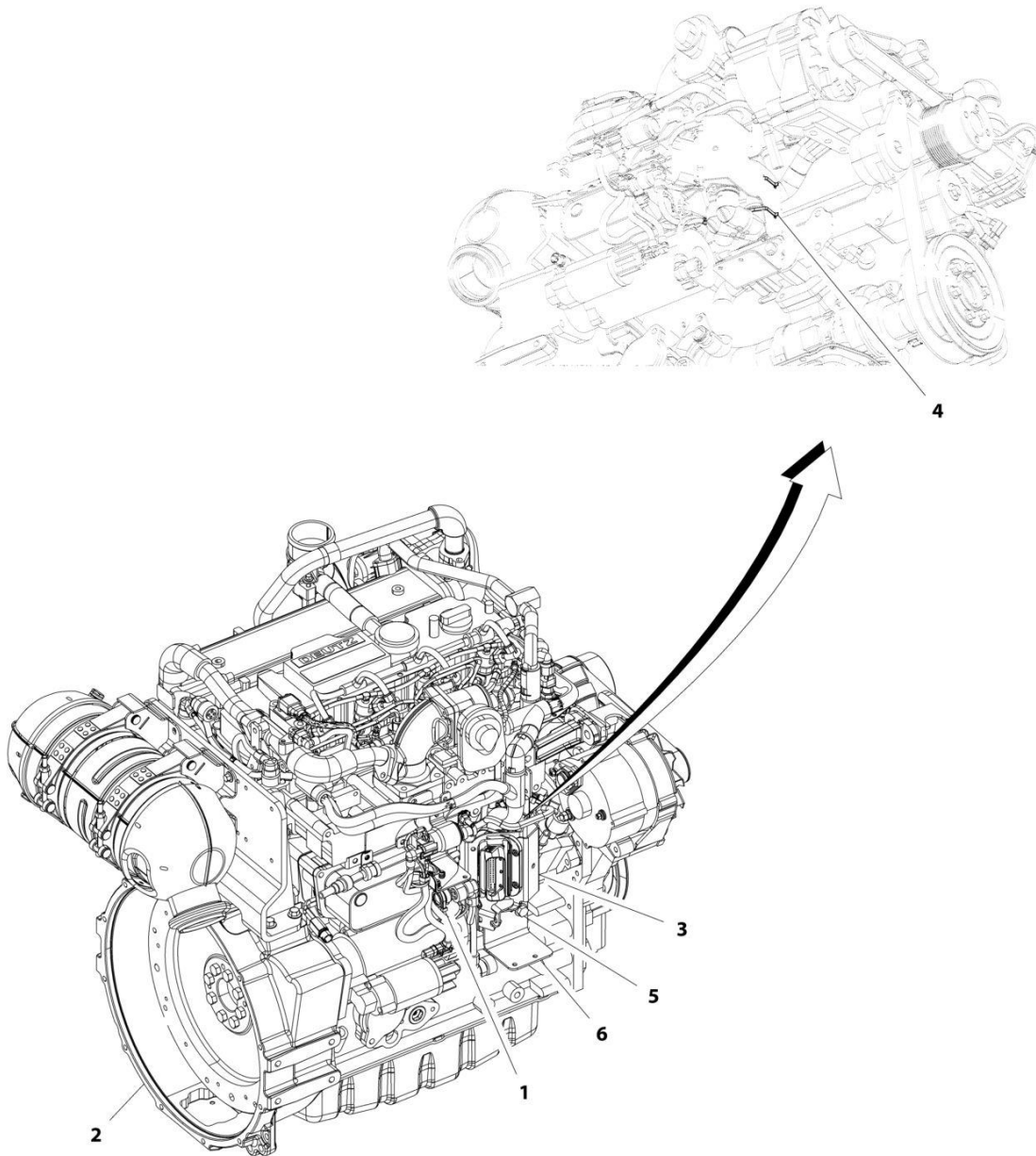
SECTION 4 - ENGINE AND ATTACHING PARTS

FIGURE 4-2. ENGINE POD COMPONENT INSTALLATION (MINING) (ULS)

ITEM	PART NUMBER	QTY	DESCRIPTION	REV
	1001228727	Ref	Engine Pod Component Installation (Mining) (ULS)	B
1	1001193393	1	Installation, Implement Pump (See Separate Breakdown in this Section)	
2	1001193703	1	Installation, Hydrostatic Adaptor (See Separate Breakdown in this Section)	
3	1001193704	1	Installation, Hydrostatic Drive Pump (See Separate Breakdown in this Section)	
4	1001200862	1	Installation, Engine Mount (See Separate Breakdown in this Section)	
5	1001200863	1	Installation, Air Intake (See Separate Breakdown in this Section)	
6	1001200864	1	Installation, Air Cleaner (See Separate Breakdown in this Section)	
7	1001200865	1	Installation, Primary Fuel Filter (See Separate Breakdown in this Section)	
8	1001200866	1	Installation, Fuel Lines (See Separate Breakdown in this Section)	
9	1001284538	1	Installation, Engine ECU (See Separate Breakdown in ELECTRICAL Section)	
10	1001293070	1	Installation, DEF Coolant Lines (See Separate Breakdown in this Section)	
11	1001201425	1	Installation, Engine (See Separate Breakdown in this Section)	
12	1001221041	1	Installation, Remote Fuel Pump (See Separate Breakdown in this Section)	
13	1001228728	1	Installation, Engine Wiring (See Separate Breakdown in ELECTRICAL Section)	

SECTION 4 - ENGINE AND ATTACHING PARTS

FIGURE 4-3. ENGINE INSTALLATION (ULS)



ART_1001201425-D

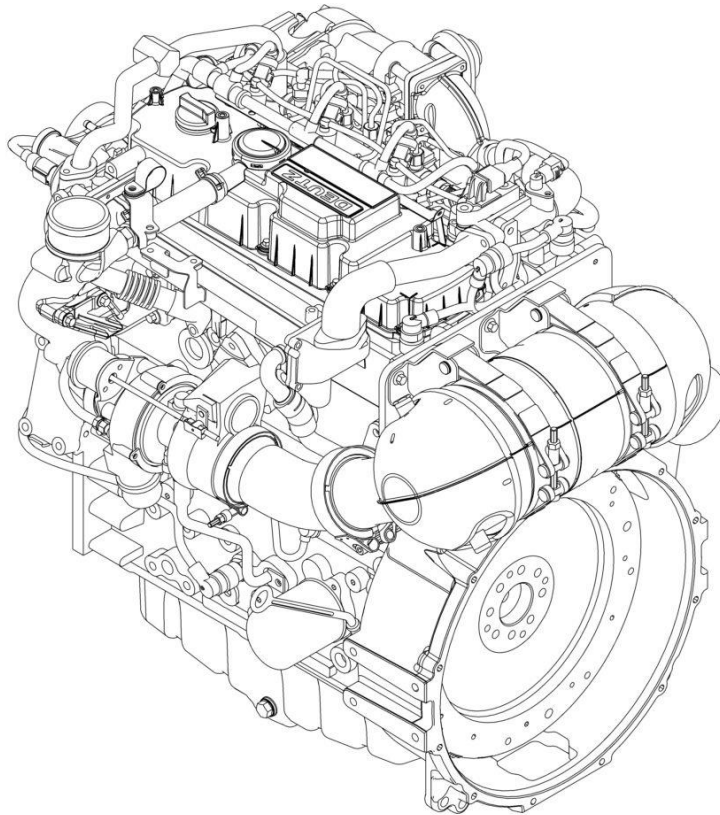
SECTION 4 - ENGINE AND ATTACHING PARTS

FIGURE 4-3. ENGINE INSTALLATION (ULS)

ITEM	PART NUMBER	QTY	DESCRIPTION	REV
	1001201425	Ref	Engine Installation (ULS)	F
1	1001004720	4	Strap, Cable	
2	1001284531	1	Engine (See Separate breakdown in this Section)	
3	1001202901	1	Bracket, ECU Connector	
4	1001008559	2	Strap, Cable	
5	5251012	2	Bolt, M10X25	
6	1001222460	1	Bracket, Fuel Supply	

SECTION 4 - ENGINE AND ATTACHING PARTS

FIGURE 4-4. ENGINE (100KW - ULS)



ART_1001284531

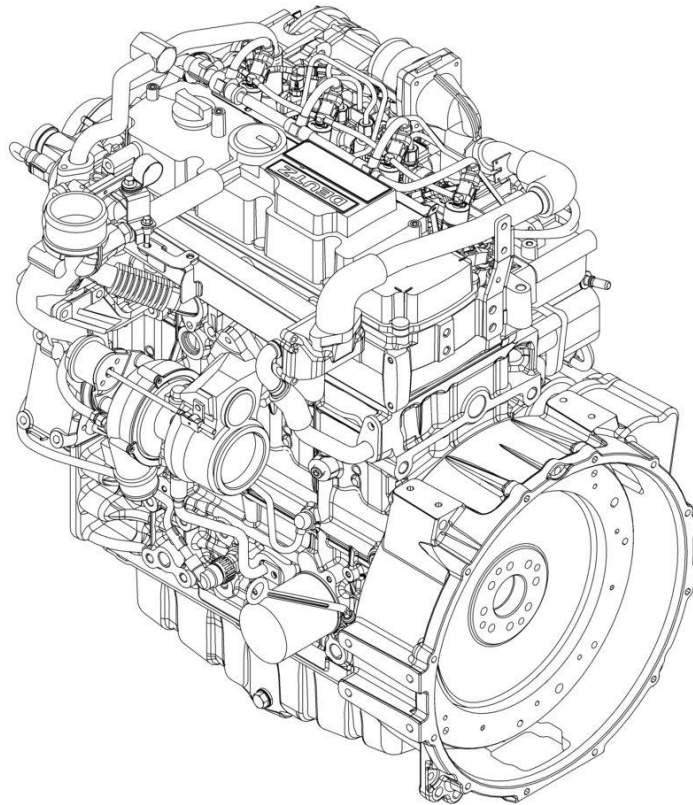
SECTION 4 - ENGINE AND ATTACHING PARTS

FIGURE 4-4. ENGINE (100KW - ULS)

ITEM	PART NUMBER	QTY	DESCRIPTION	REV
	1001284531	Ref Ref	ENGINE (100KW - ULS) Note: No Service Parts Available at Time of Printing	A

SECTION 4 - ENGINE AND ATTACHING PARTS

FIGURE 4-5. ENGINE (100KW - LS)



ART_1001284532

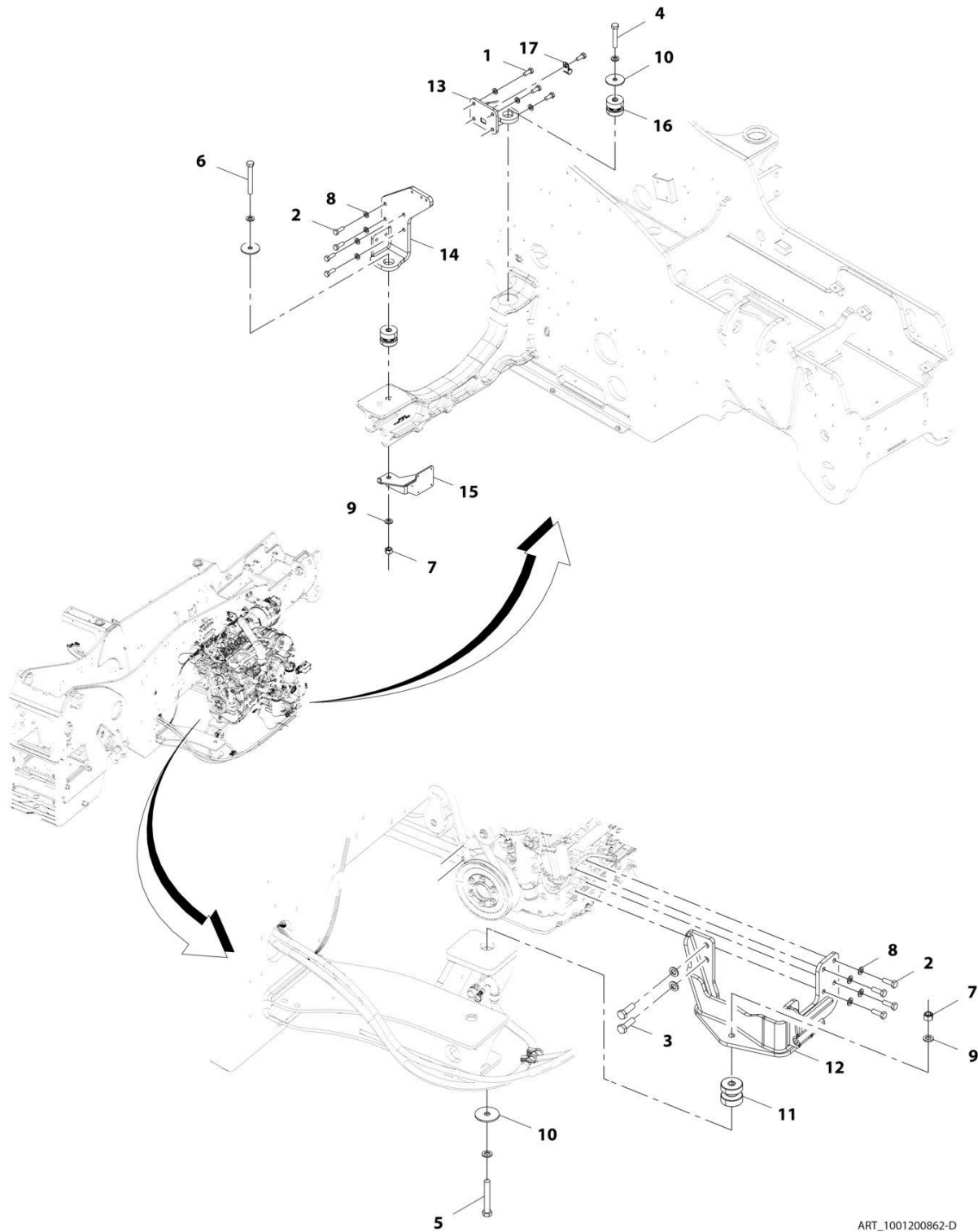
SECTION 4 - ENGINE AND ATTACHING PARTS

FIGURE 4-5. ENGINE (100KW - LS)

ITEM	PART NUMBER	QTY	DESCRIPTION	REV
	1001284532	Ref Ref	ENGINE (100KW - LS) Note: No Service Parts Available at Time of Printing	A

SECTION 4 - ENGINE AND ATTACHING PARTS

FIGURE 4-6. ENGINE MOUNT INSTALLATION



ART_1001200862-D

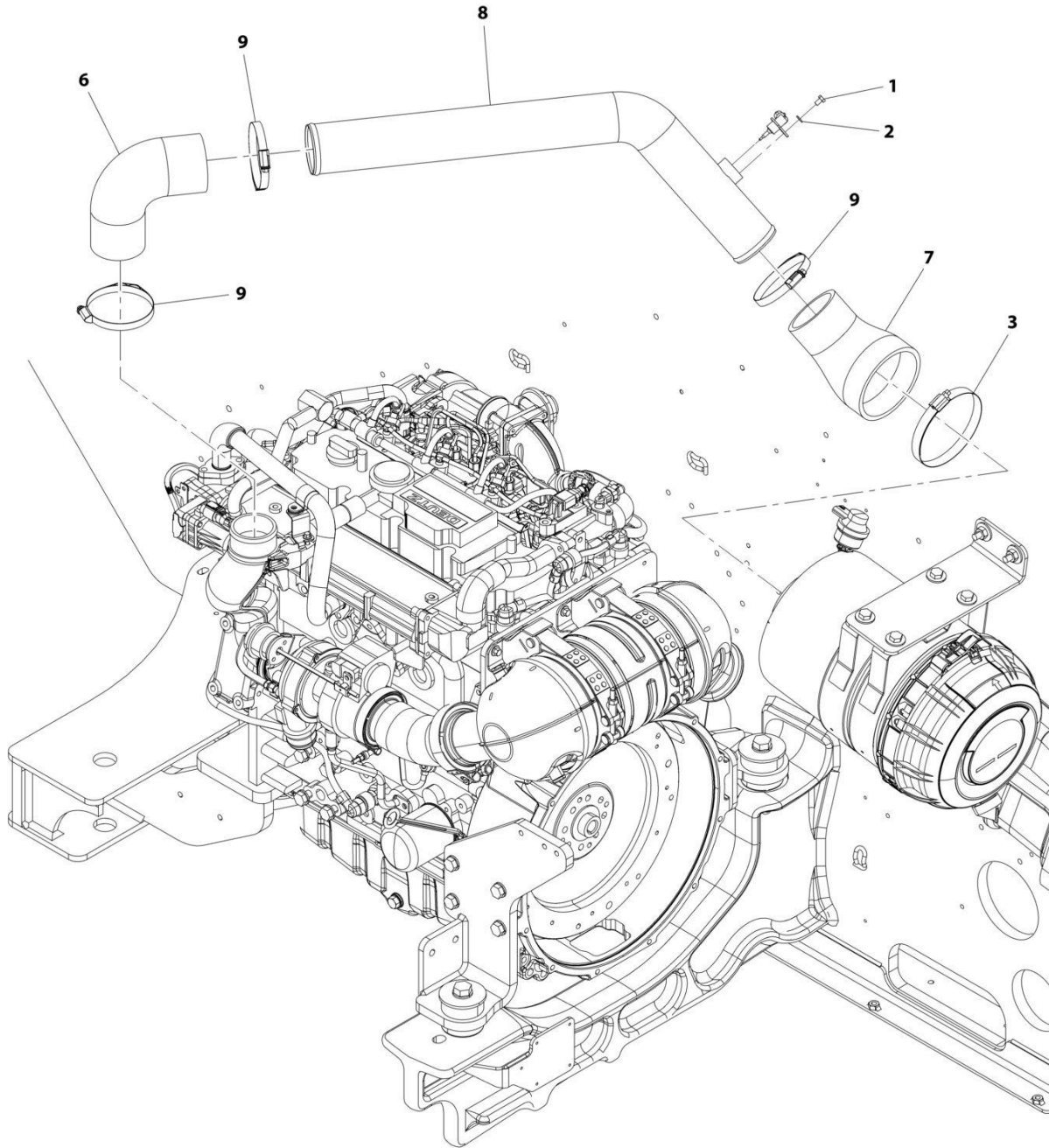
SECTION 4 - ENGINE AND ATTACHING PARTS

FIGURE 4-6. ENGINE MOUNT INSTALLATION

ITEM	PART NUMBER	QTY	DESCRIPTION	REV
	1001200862	Ref	Engine Mount Installation	D
1	0761214	4	Bolt, M12X30	
2	0761215	8	Bolt, M12X35	
3	0701618	2	Bolt M16 X 50	
4	0701626	1	Bolt, M16X90	
5	0701628	1	Bolt, M16X110	
6	0701630	1	Bolt, M16X130	
7	3291605	2	Nut, Lock M16X2	
8	4812100	11	Washer, M12	
9	4812300	7	Washer, M16	
10	7300435	3	Washer	
11	1001188757	1	Mount, Engine	
12	1001200871	1	Bracket, Engine Mount	
13	1001200872	1	Bracket, Engine Mount	
14	1001200873	1	Bracket, Engine Mount	
15	1001200874	1	Bracket, Fuel Pump	
16	1001197072	2	Mount, Engine	
17	8406105	1	Clip, Tube	

SECTION 4 - ENGINE AND ATTACHING PARTS

FIGURE 4-7. AIR INTAKE INSTALLATION (ULS)



ART_1001200863-B

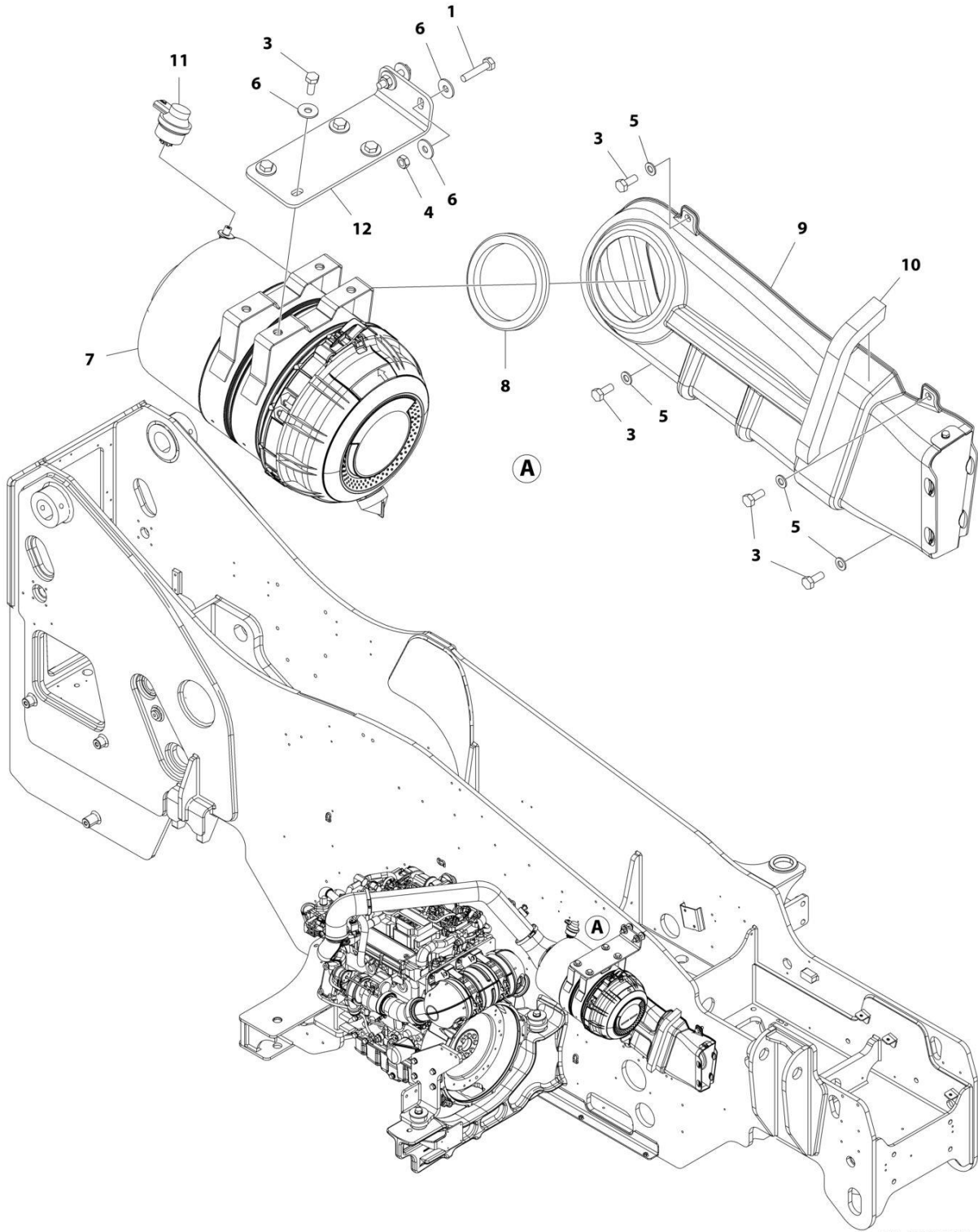
SECTION 4 - ENGINE AND ATTACHING PARTS

FIGURE 4-7. AIR INTAKE INSTALLATION (ULS)

ITEM	PART NUMBER	QTY	DESCRIPTION	REV
	1001200863	Ref	Air Intake Installation (ULS)	B
1	0760605	1	Bolt, M6X10	
2	4811700	1	Washer, M6	
3	8405402	1	Clamp	
6	1001182881	1	Hose	
7	1001200885	1	Hose	
8	1001200886	1	Tube	
9	1001226523	3	Clamp	

SECTION 4 - ENGINE AND ATTACHING PARTS

FIGURE 4-8. AIR CLEANER INSTALLATION



ART_1001200864

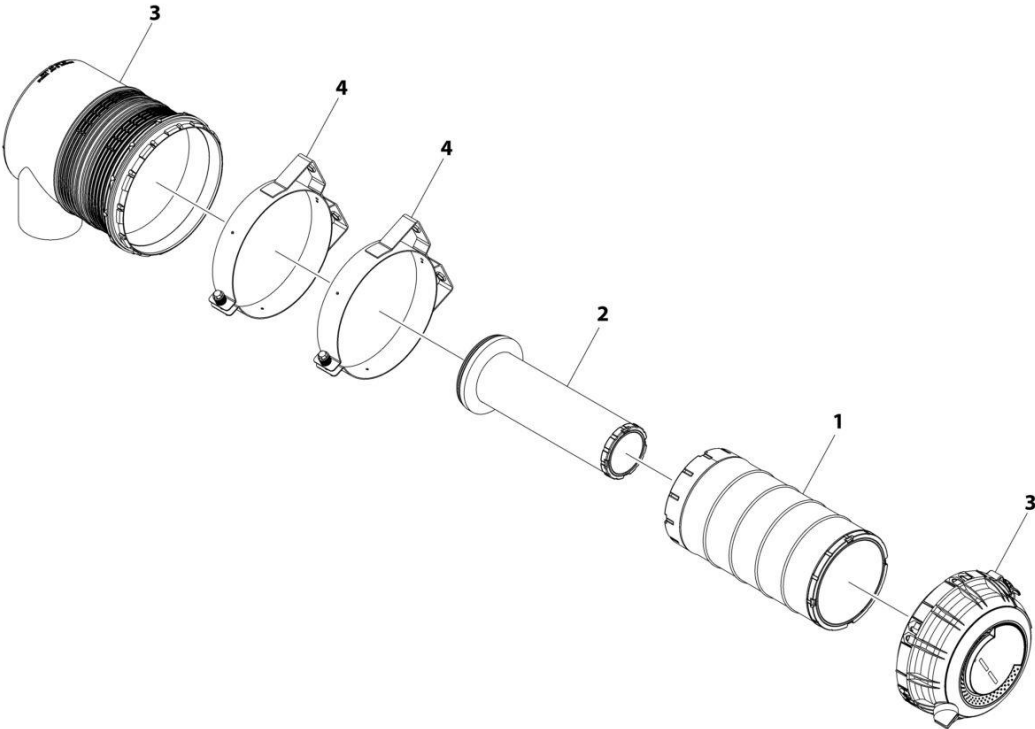
SECTION 4 - ENGINE AND ATTACHING PARTS

FIGURE 4-8. AIR CLEANER INSTALLATION

ITEM	PART NUMBER	QTY	DESCRIPTION	REV
	1001200864	Ref	AIR CLEANER INSTALLATION	D
1	0701018	2	Bolt M10 x 50	
3	0761012	8	Bolt M10 x 25	
4	3291001	2	Nut M10 x 1.5	
5	4812000	4	Washer M10	
6	4812002	8	Washer M10	
7	1001166565	1	Filter, Air Cleaner (See Separate Breakdown in this Section)	
8	1001183831	1	Grommet	
9	1001183835	1	Air Intake Duct Installation (See Separate Breakdown in this Section)	
10	1001186898	1	Seal	
11	1001166715	1	Indicator	
12	1001194534	1	Bracket, Air Cleaner Mount	

SECTION 4 - ENGINE AND ATTACHING PARTS

FIGURE 4-9. AIR CLEANER ASSEMBLY



ART_1001166565

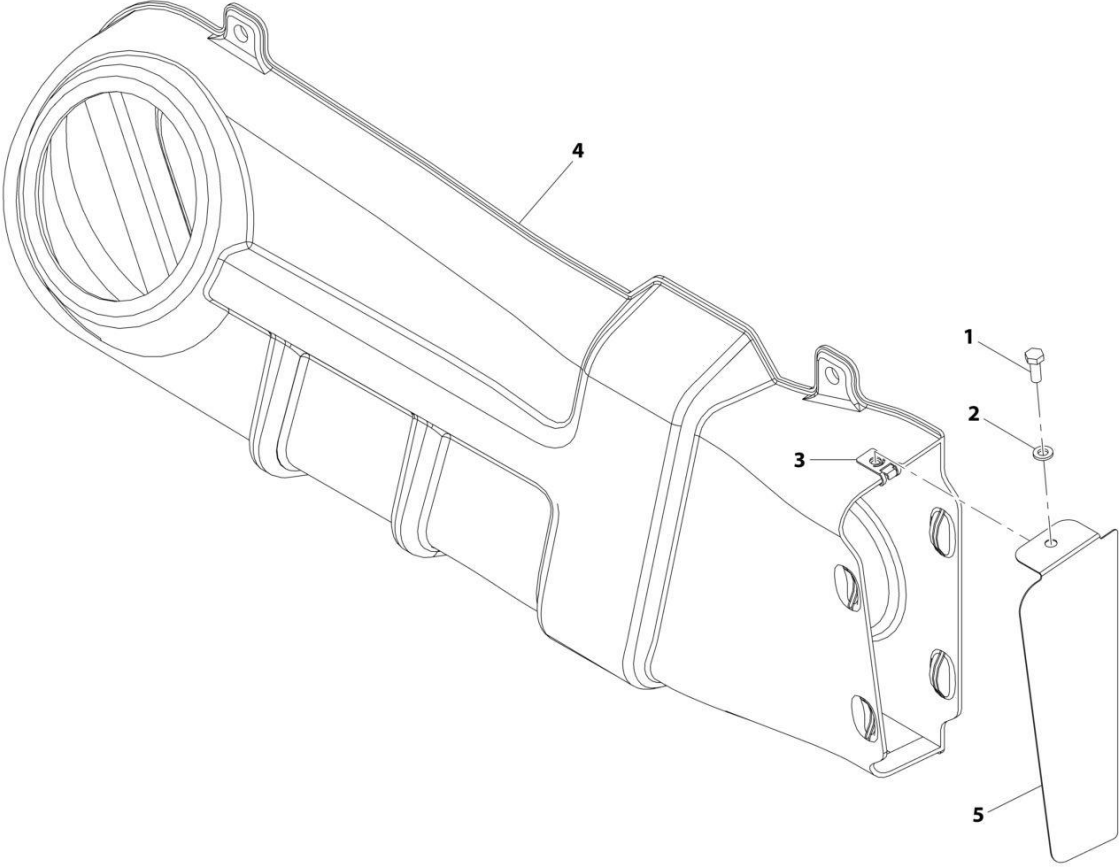
SECTION 4 - ENGINE AND ATTACHING PARTS

FIGURE 4-9. AIR CLEANER ASSEMBLY

ITEM	PART NUMBER	QTY	DESCRIPTION	REV
	1001166565	Ref	AIR FILTER ASSEMBLY (90/100KW)	F
1	70025850	1	Filter, Cylindrical Air Primary	
2	70025851	1	Filter, Cylindrical Air Secondary	
3	70026395	1	Cover	
4	70026396	2	Bracket	

SECTION 4 - ENGINE AND ATTACHING PARTS

FIGURE 4-10. AIR INTAKE DUCT INSTALLATION



ART_1001183835-C

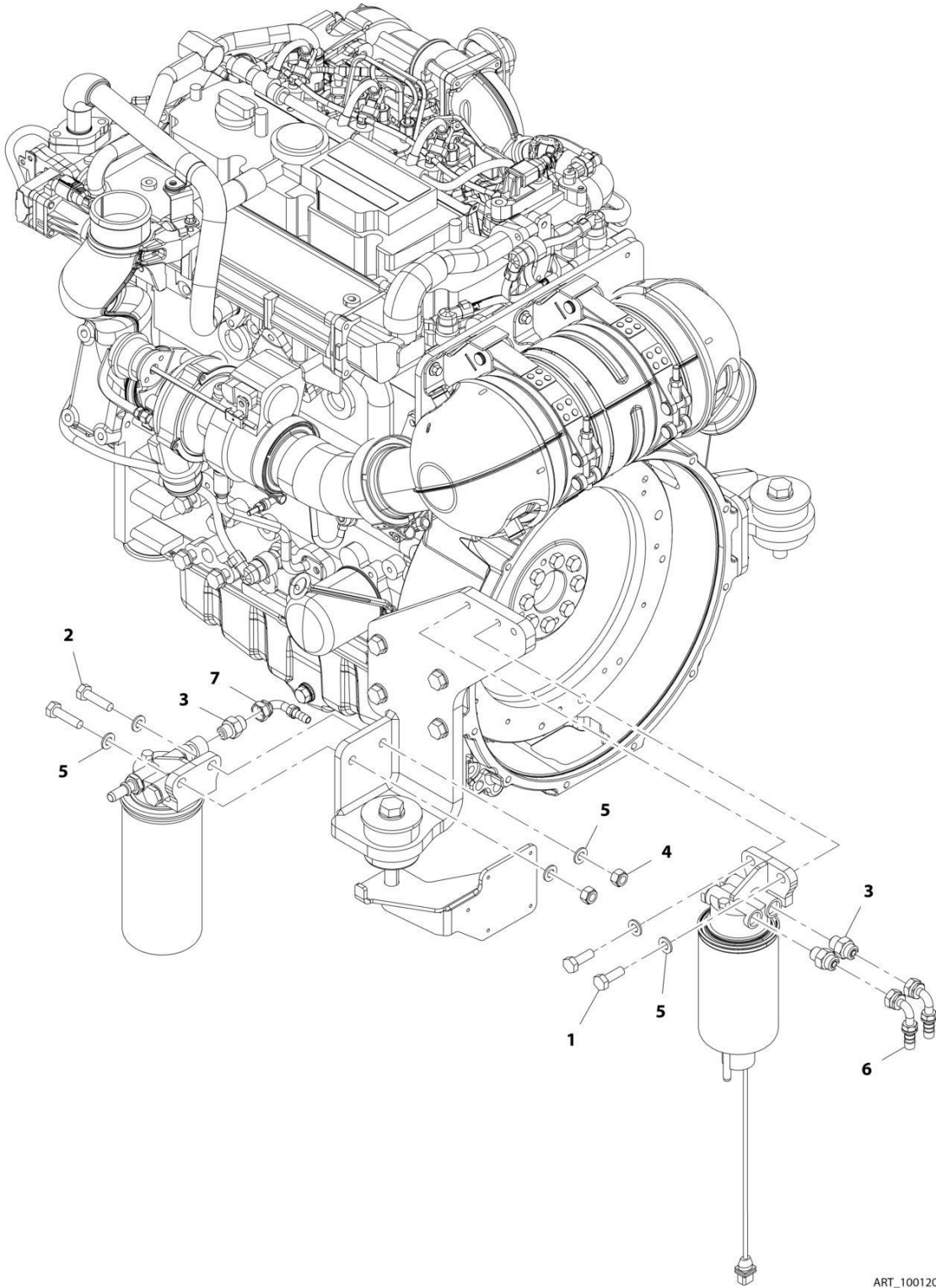
SECTION 4 - ENGINE AND ATTACHING PARTS

FIGURE 4-10. AIR INTAKE DUCT INSTALLATION

ITEM	PART NUMBER	QTY	DESCRIPTION	REV
	1001183835	Ref	Air Intake Duct Installation	C
1	0760608	1	Bolt, M6X16	
2	4811702	1	Washer, M6	
3	8305919	1	Nut	
4	1001183827	1	Duct	
5	1001183829	1	Plate	

SECTION 4 - ENGINE AND ATTACHING PARTS

FIGURE 4-11. PRIMARY FUEL FILTER INSTALLATION (ULS)



ART_1001200865-C

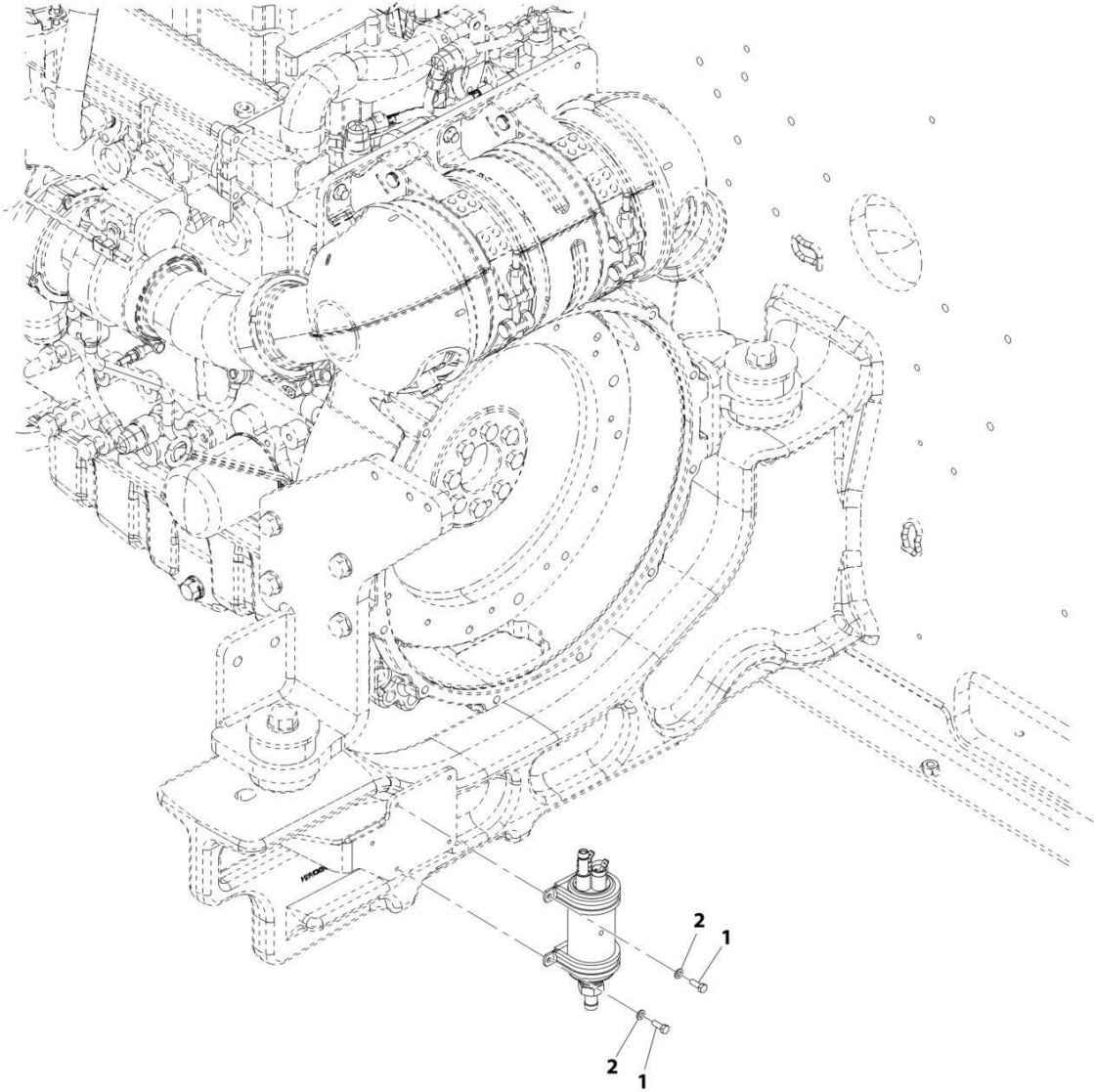
SECTION 4 - ENGINE AND ATTACHING PARTS

FIGURE 4-11. PRIMARY FUEL FILTER INSTALLATION (ULS)

ITEM	PART NUMBER	QTY	DESCRIPTION	REV
	1001200865	Ref	Primary Fuel Filter Installation	C
1	0701014	2	Bolt, M10X30	
2	0701016	2	Bolt, M10X40	
3	2144606	3	Fitting, Straight ORFS	
4	3291005	2	Nut, Lock M10X1.5	
5	4812000	6	Washer, M10	
6	1001095301	2	Fitting, 90 ORFS	
7	1001133793	1	Fitting, 90 ORFS	

SECTION 4 - ENGINE AND ATTACHING PARTS

FIGURE 4-12. REMOTE FUEL PUMP INSTALLATION



ART_1001221041-B

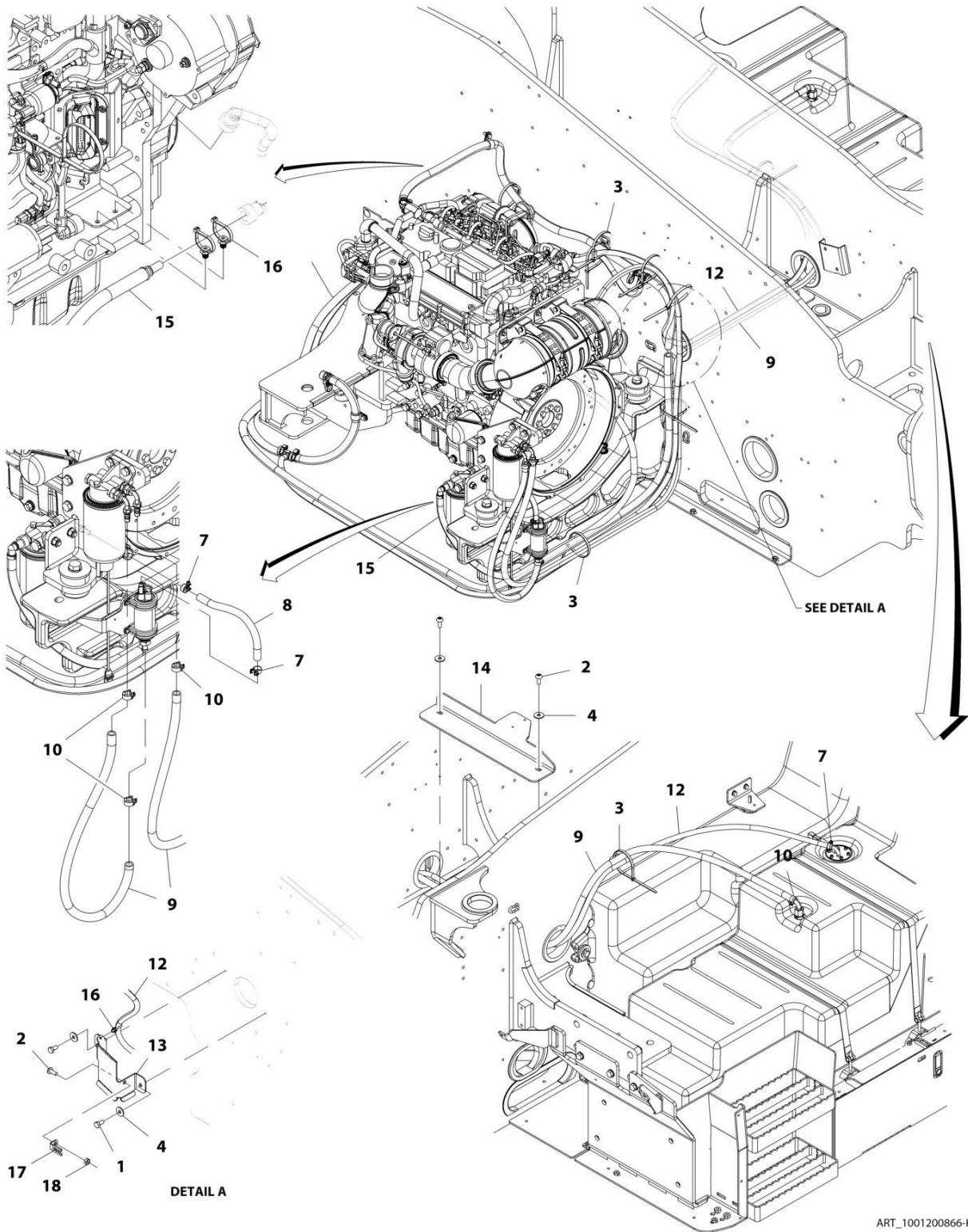
SECTION 4 - ENGINE AND ATTACHING PARTS

FIGURE 4-12. REMOTE FUEL PUMP INSTALLATION

ITEM	PART NUMBER	QTY	DESCRIPTION	REV
	1001221041	Ref	Remote Fuel Pump Installation	B
1	0760507	4	Bolt, M5X14	
2	4811600	4	Washer, M5	

SECTION 4 - ENGINE AND ATTACHING PARTS

FIGURE 4-13. FUEL LINES INSTALLATION (ULS)



ART_1001200866-K

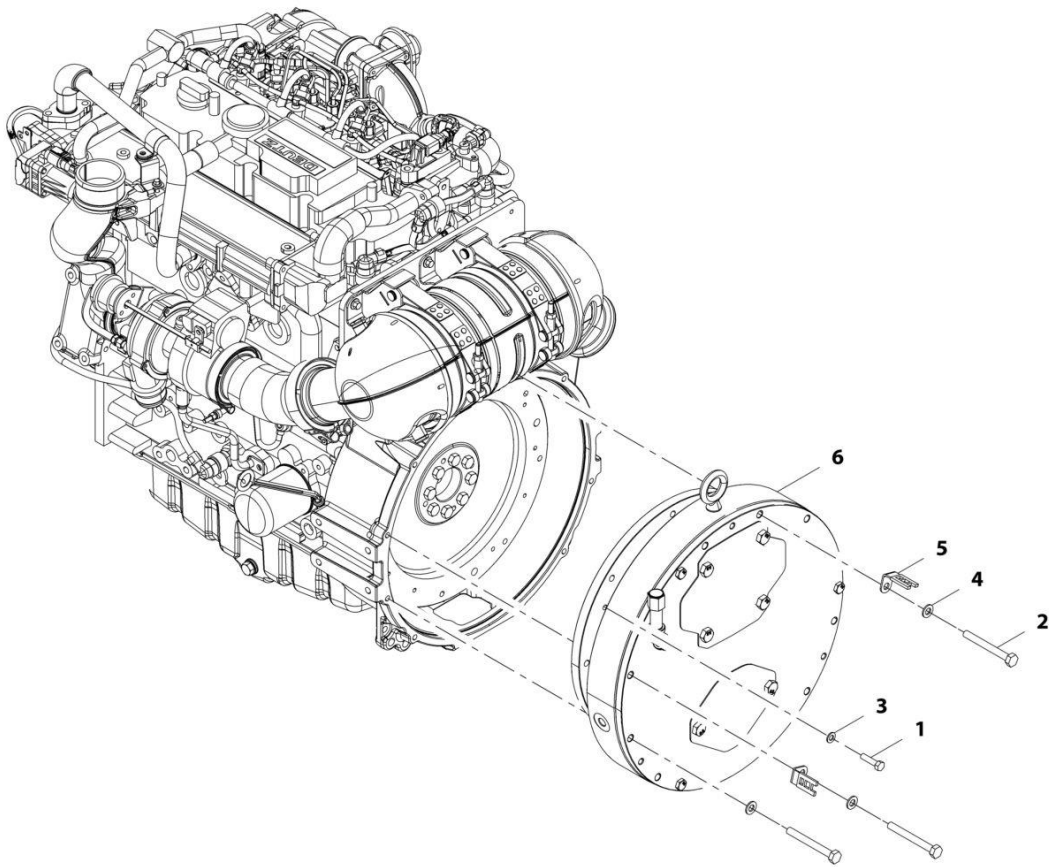
SECTION 4 - ENGINE AND ATTACHING PARTS

FIGURE 4-13. FUEL LINES INSTALLATION (ULS)

ITEM	PART NUMBER	QTY	DESCRIPTION	REV
	1001200866	Ref	Fuel Lines Installation	K
1	0761010	2	Bolt, M10X20	
2	1001009325	3	Screw	
3	1062255	6	Strap, Tie	
4	4812002	4	Washer, M10	
7	1001136975	3	Clamp	
8	1001165035	260 mm	Hose	
9	1001172755	4060 mm	Hose	
10	1001175568	4	Clip	
12	1001228248	1	Hose	
13	1001210870	1	Plate	
14	1001221868	1	Channel, Frame	
15	1001232850	1	Hose	
16	1001146588	3	Strap, Tie	
17	1001003305	1	Clip	
18	3291001	1	Nut, M10X1.5 Grade 8	

SECTION 4 - ENGINE AND ATTACHING PARTS

FIGURE 4-14. HYDROSTATIC ADAPTOR INSTALLATION



ART_1001193703-D

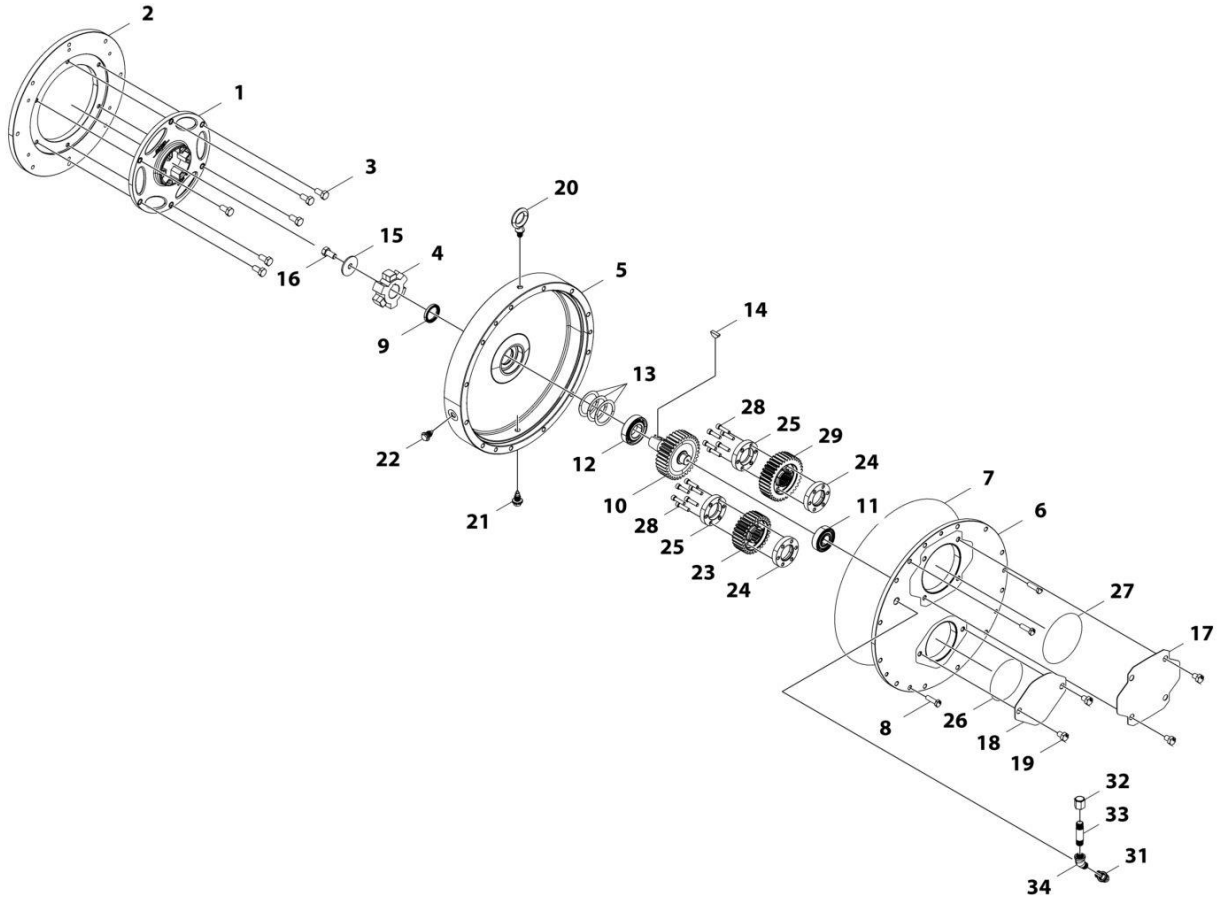
SECTION 4 - ENGINE AND ATTACHING PARTS

FIGURE 4-14. HYDROSTATIC ADAPTOR INSTALLATION

ITEM	PART NUMBER	QTY	DESCRIPTION	REV
	1001193703	Ref	Hydrostatic Adaptor Installation	D
1	0641510	6	Bolt, 5/16-18X1.25	
2	0701026	12	Bolt, M10X90	
3	4811900	6	Washer, M8	
4	4812000	10	Washer, M10	
5	1001003305	2	Clip	
6	1001193705	1	Assembly, Dual Drive Support (See Separate Breakdown in this Section)	

SECTION 4 - ENGINE AND ATTACHING PARTS

FIGURE 4-15. DUAL DRIVE SUPPORT ASSEMBLY



ART_1001193705

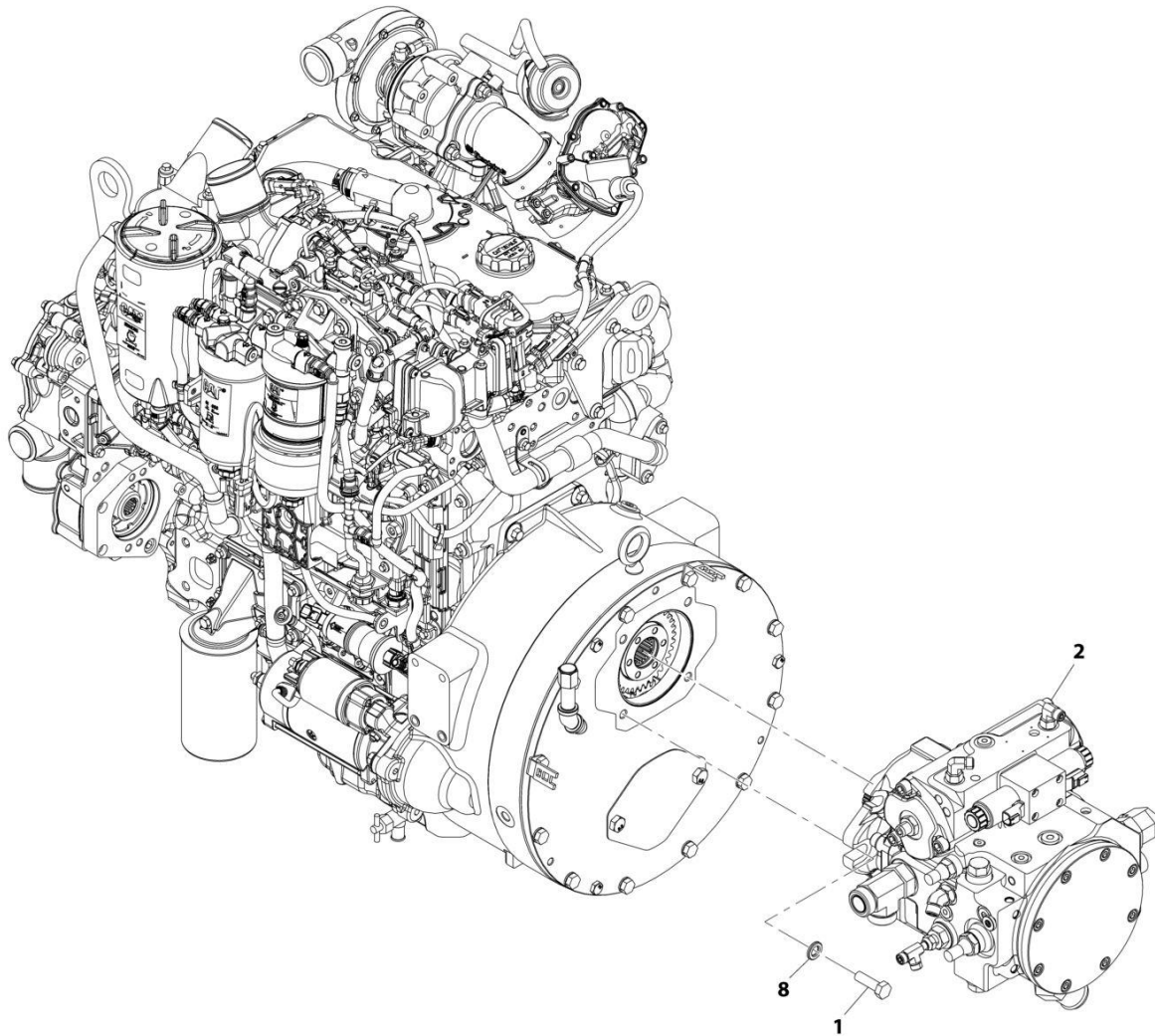
SECTION 4 - ENGINE AND ATTACHING PARTS

FIGURE 4-15. DUAL DRIVE SUPPORT ASSEMBLY

ITEM	PART NUMBER	QTY	DESCRIPTION	REV
	1001193705	Ref	Dual Drive Support Assembly	E
1	70028327	1	Plate, Flex	
2	70028328	1	Plate, Flywheel Adapter	
3	70028329	6	Bolt	
4	70028330	1	Hub, Flex	
5	70028331	1	Gear Box Half, Input Side	
6	70028332	1	Gear Box Half, Output Side	
7	70028333	1	O-Ring	
8	70028334	3	Bolt	
9	70028335	1	Seal, Shaft	
10	70028336	1	Gear, Input Shaft	
11	70028337	1	Bearing, Angular Contact	
12	70028338	1	Bearing, Angular Contact	
13	70028339	3	Washer	
14	70028340	1	Key	
15	70028341	1	Washer	
16	70028342	1	Bolt	
17	70028343	1	Cover, Pump Mount Implement	
18	70028344	1	Cover, Pump Mount Hydrastat	
19	70028345	6	Bolt	
20	70028346	1	Eyebolt, Modified	
21	70028347	1	Plug	
22	70028348	1	Plug	
23	70028349	1	Pump, Gear,30 Tooth	
24	70028350	2	Locking Ring, Tapered	
25	70028351	2	Locking Ring, Tapered	
26	70028352	1	O-Ring	
27	70028353	1	O-Ring	
28	70028354	12	Bolt	
29	70028355	1	Pump, Gear, 35 Tooth	
31	70028357	1	Adapter, 90	
32	70028358	1	Breather	
33	70028359	1	Nipple	
34	70028360	1	Adapter, 45	

SECTION 4 - ENGINE AND ATTACHING PARTS

FIGURE 4-16. HYDROSTATIC DRIVE PUMP INSTALLATION



ART-1001193704-D

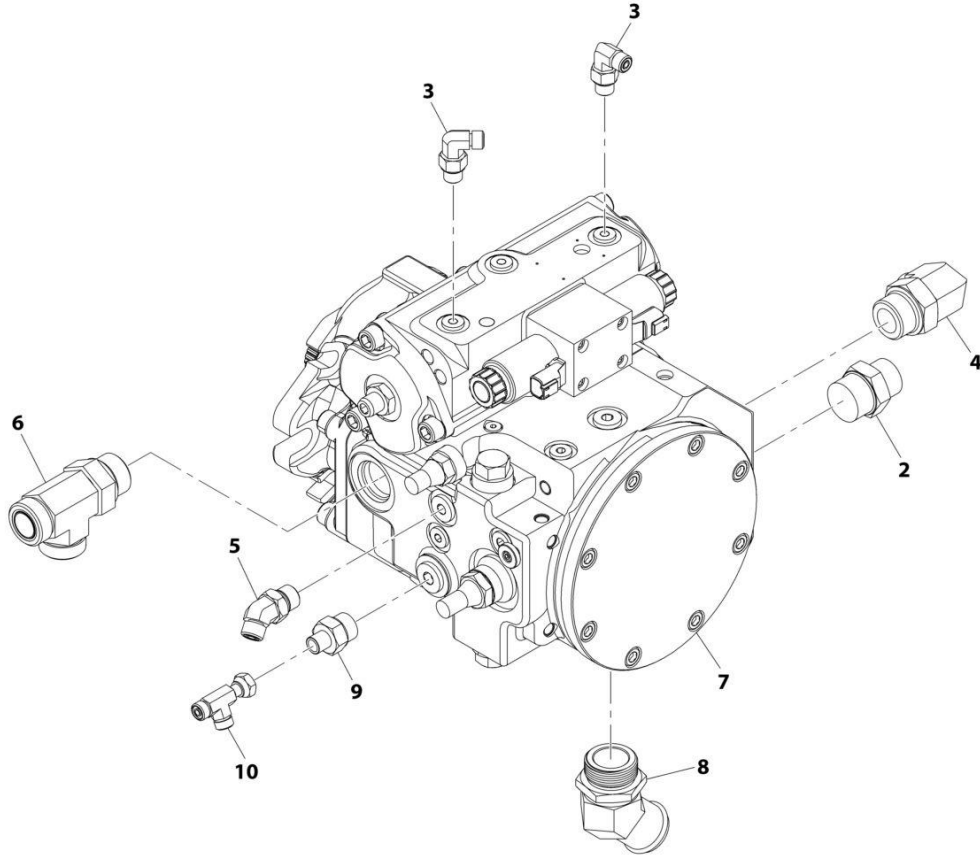
SECTION 4 - ENGINE AND ATTACHING PARTS

FIGURE 4-16. HYDROSTATIC DRIVE PUMP INSTALLATION

ITEM	PART NUMBER	QTY	DESCRIPTION	REV
	1001193704	Ref	Hydrostatic Drive Pump Installation	D
1	0711216	4	Bolt, M12X40	
2	1001210771	1	Assembly, Hydrostatic Drive Pump (See Separate Breakdown in this Section)	
8	4740532	4	Washer, M12	

SECTION 4 - ENGINE AND ATTACHING PARTS

FIGURE 4-17. HYDROSTATIC DRIVE PUMP ASSEMBLY



ART_1001210771-C

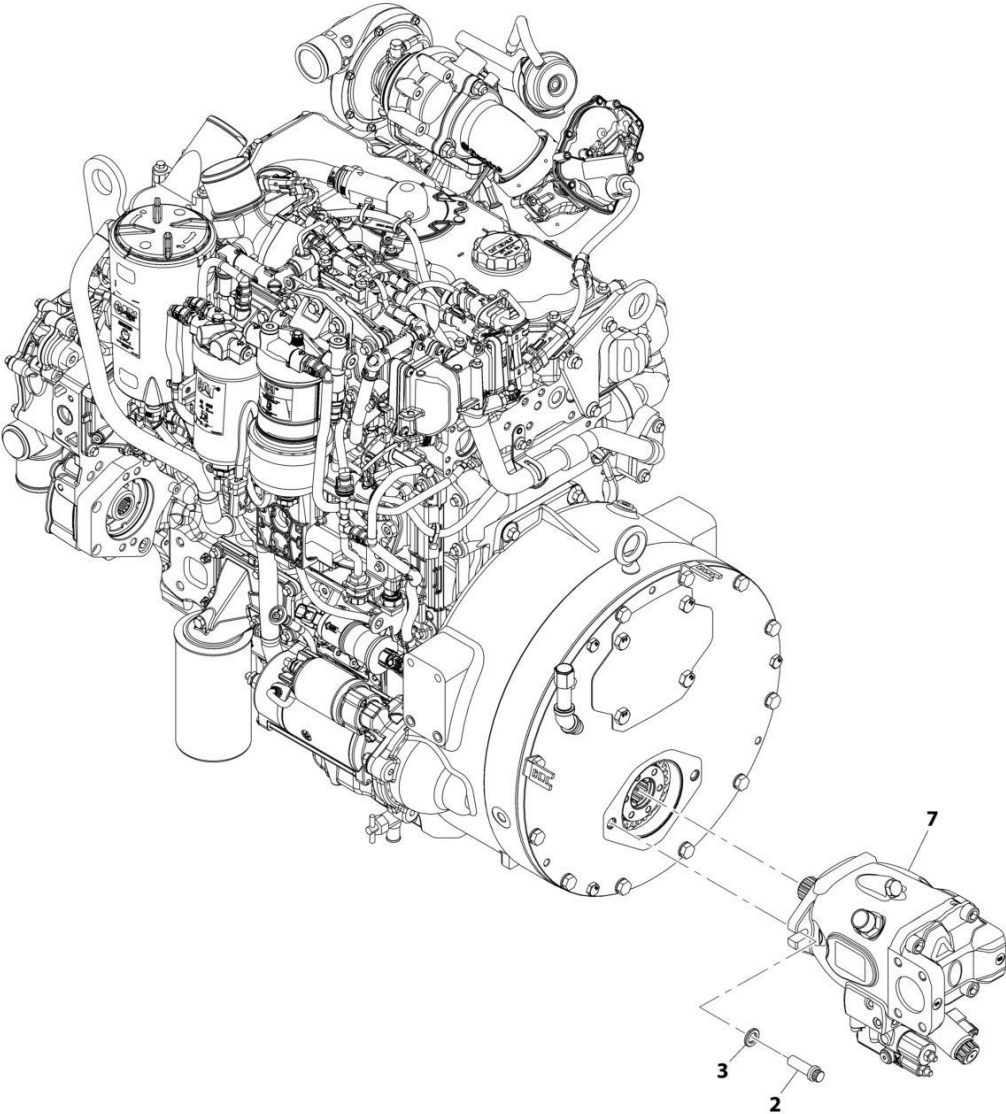
SECTION 4 - ENGINE AND ATTACHING PARTS

FIGURE 4-17. HYDROSTATIC DRIVE PUMP ASSEMBLY

ITEM	PART NUMBER	QTY	DESCRIPTION	REV
	1001210771	Ref	Hydrostatic Drive Pump Assembly	C
2	2111216	1	Fitting, Straight ORFS	
3	2130406	2	Fitting, 90 ORFS	
4	2131216	1	Fitting, 90 ORFS	
5	2150608	1	Fitting, 45 ORFS	
6	2170316	1	Fitting, TEE ORFS	
7	1001193307	1	Pump, Hydrostatic Drive (See Separate Breakdown in HYDRAULIC COMPONENTS Section)	
8	1001196664	1	Fitting, 45	
9	2110410	1	Fitting, Straight ORFS	
10	2170704	1	Fitting, Tee ORFS	

SECTION 4 - ENGINE AND ATTACHING PARTS

FIGURE 4-18. IMPLEMENT PUMP INSTALLATION



ART_1001193393-E

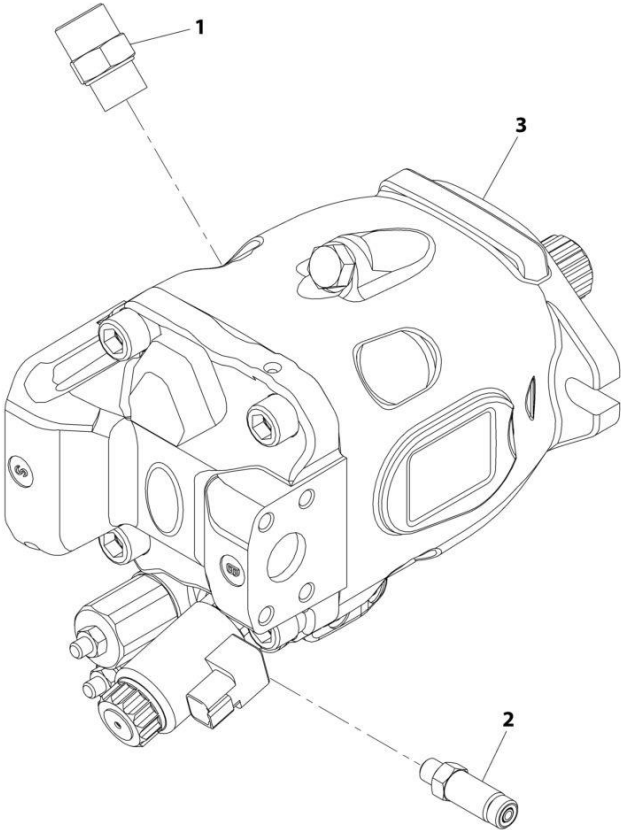
SECTION 4 - ENGINE AND ATTACHING PARTS

FIGURE 4-18. IMPLEMENT PUMP INSTALLATION

ITEM	PART NUMBER	QTY	DESCRIPTION	REV
	1001193393	Ref	Implement Pump Installation	E
2	1001238781	2	Screw Flange	
3	4740532	2	Washer	
7	1001212739	1	Assembly, Implement Pump (See Separate Breakdown in this Section)	

SECTION 4 - ENGINE AND ATTACHING PARTS

FIGURE 4-19. IMPLEMENT PUMP ASSEMBLY



ART_1001212739-A

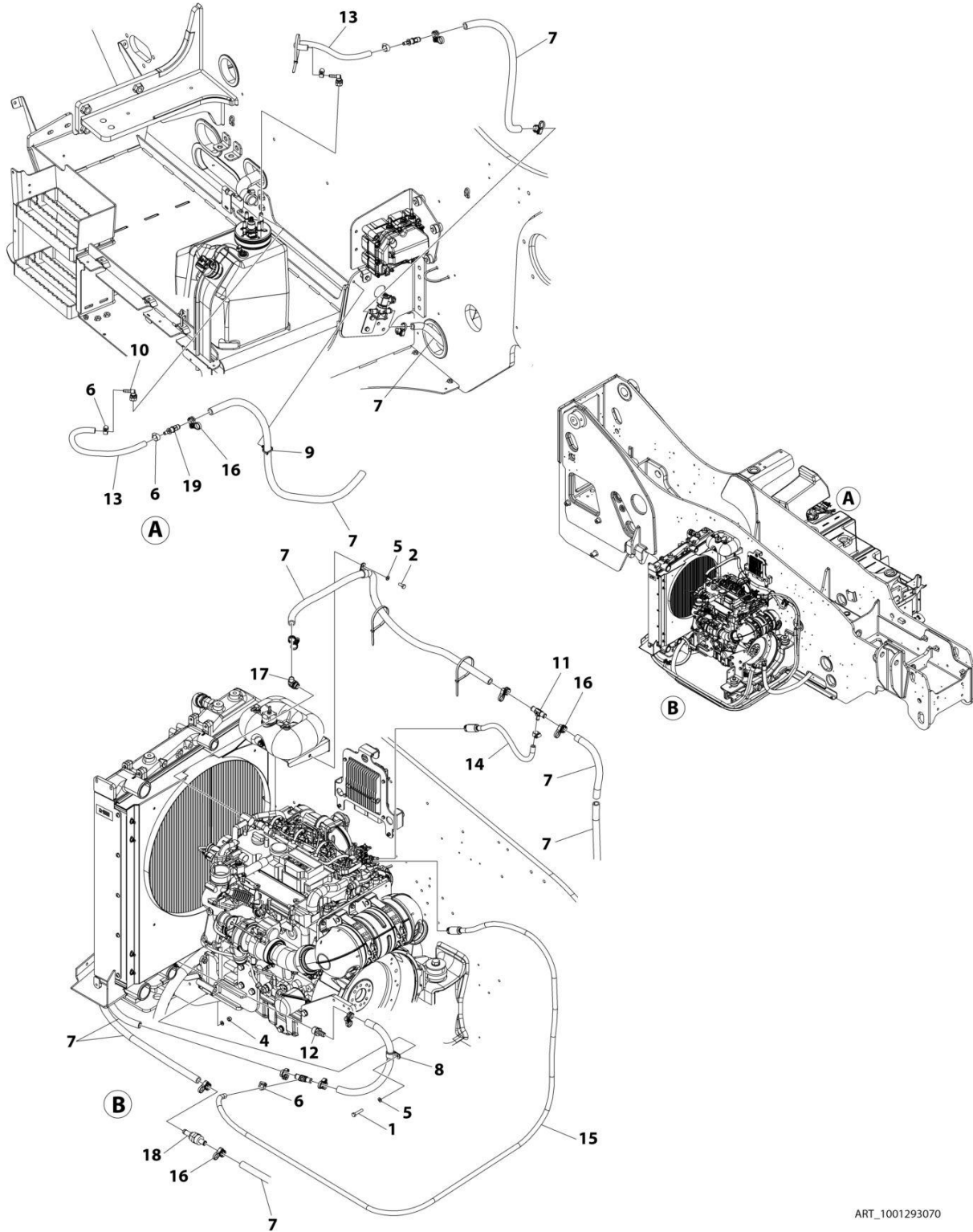
SECTION 4 - ENGINE AND ATTACHING PARTS

FIGURE 4-19. IMPLEMENT PUMP ASSEMBLY

ITEM	PART NUMBER	QTY	DESCRIPTION	REV
	1001212739	Ref	Implement Pump Assembly	A
1	2111010	1	Fitting, Straight ORFS	
2	2170104	1	Fitting, Straight ORFS	
3	1001180070	1	Pump, Implement (See Separate Breakdown in HYDRAULIC COMPONENTS Section)	

SECTION 4 - ENGINE AND ATTACHING PARTS

FIGURE 4-20. DEF COOLANT LINES INSTALLATION (ULS)



ART_1001293070

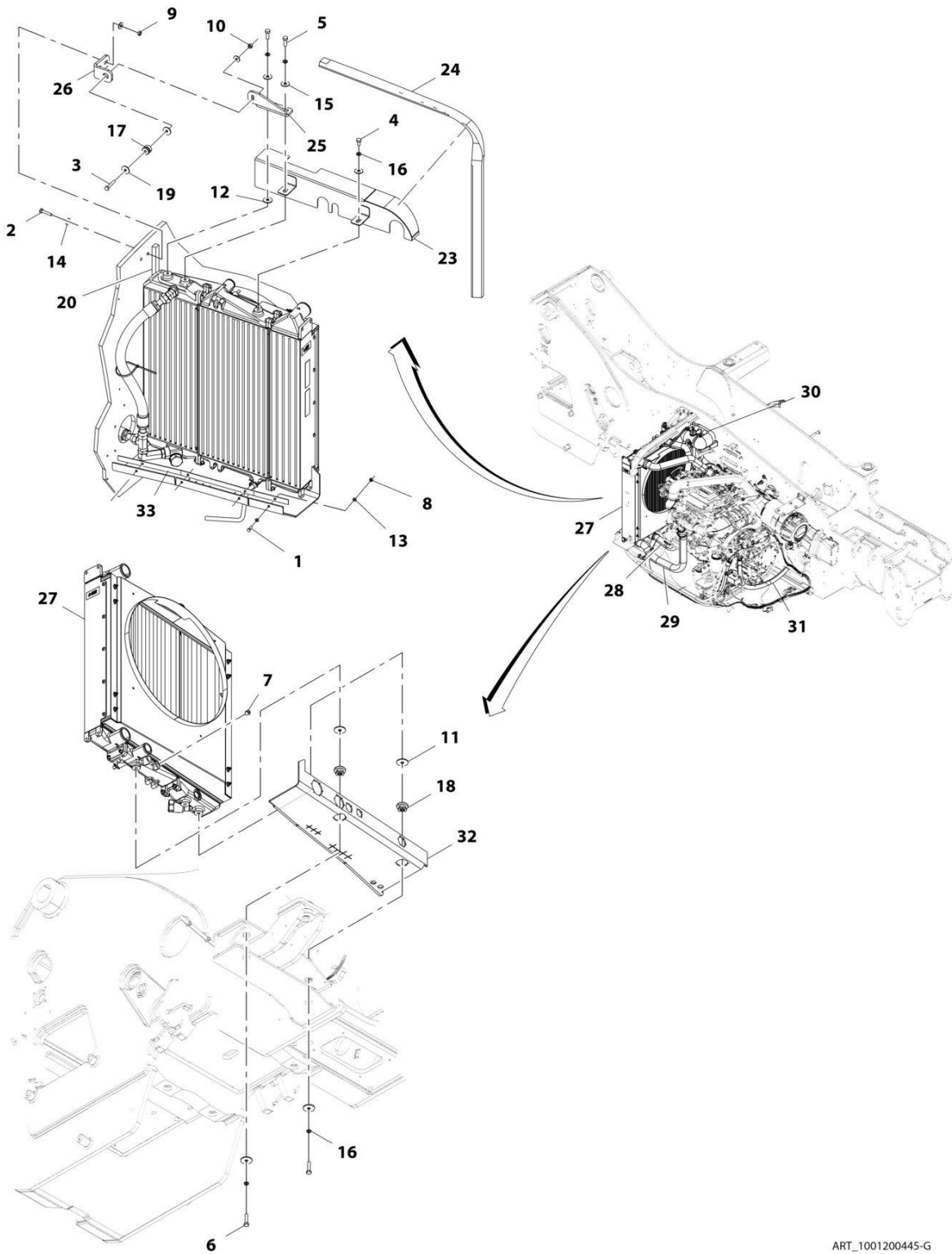
SECTION 4 - ENGINE AND ATTACHING PARTS

FIGURE 4-20. DEF COOLANT LINES INSTALLATION (ULS)

ITEM	PART NUMBER	QTY	DESCRIPTION	REV
	1001293070	Ref	DEF COOLANT LINES INSTALLATION (ULS)	A
1	0700816	1	Bolt M8 x 40	
2	0760810	1	Bolt M8 x 20	
3	1062255	AR	Tie-Strap (Not Shown)	
4	3290805	1	Nut M8	
5	4811900	3	Washer M8	
6	8410013	6	Clamp	
7	82033995	31 ft /10 m	Hose	
8	1001100319	2	Clip	
9	1001146588	1	Tie-Strap, Fir Tree	
10	1001155823	2	Coupling	
11	1001162212	2	Pipe	
12	1001167409	1	Pipe	
13	1001181625	35 in /87 cm	Hose	
14	1001201299	1	Hose	
15	1001201300	1	Hose	
16	1001202526	12	Clamp	
17	1001203005	1	Fitting, 45	
18	1001228872	1	Filter	
19	1001238470	2	Adapter	

SECTION 4 - ENGINE AND ATTACHING PARTS

FIGURE 4-21. COOLING PACKAGE INSTALLATION (ULS & NO HIGH AMBIENT)



ART_1001200445-G

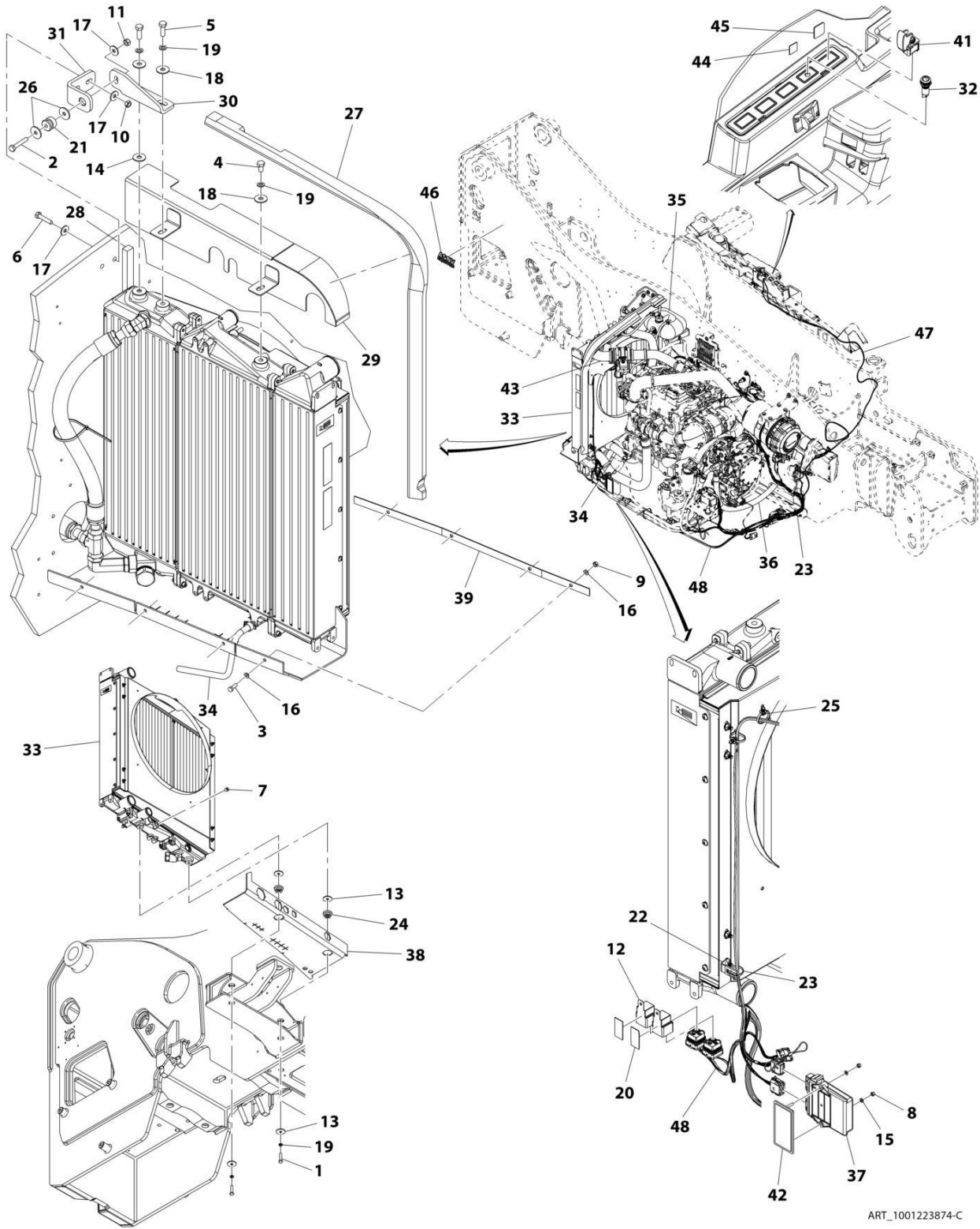
SECTION 4 - ENGINE AND ATTACHING PARTS

FIGURE 4-21. COOLING PACKAGE INSTALLATION (ULS & NO HIGH AMBIENT)

ITEM	PART NUMBER	QTY	DESCRIPTION	REV
	1001200445	Ref	Cooling Package Installation	G
1	0760812	4	Bolt,M8X25	
2	0701018	2	Bolt, M10X50	
3	0701020	1	Bolt, M10X60	
4	0761210	1	Bolt, M12X20	
5	0761215	2	Bolt, M12X35	
6	0761218	2	Bolt, M12X50	
7	2200223	1	Plug	
8	3290801	4	Nut, M8X1.25	
9	3291001	2	Nut, M10X1.5	
10	3291005	1	Nut, Lock M10X1.5	
11	4740274	4	Washer	
12	4740550	1	Washer, M12	
13	4811900	8	Washer, M8	
14	4812002	5	Washer, M10	
15	4812102	3	Washer, M12	
16	4832100	5	Washer, Lock M12	
17	8278020	1	Mount	
18	1001114803	2	Mount	
19	1001155540	2	Washer	
20	1001173457	1	Seal	
23	1001196191	1	Bracket, Air Baffle	
24	1001173452	1	Seal	
25	1001200498	1	Bracket, Radiator	
26	1001200499	1	Bracket, Frame	
27	1001201301	1	Radiator, (See Separate Breakdown in this Section)	
28	1001201302	Ref	Installation, Coolant Lines (See Separate Breakdown in this Section)	
29	1001201303	Ref	Installation, Radiator Lines (See Separate Breakdown in this Section)	
30	1001201304	Ref	Installation, Surge Tank (See Separate Breakdown in this Section)	
31	1001201305	Ref	Installation, Transmission Oil Cooler Lines (See Separate Breakdown in this Section)	
32	1001203947	1	Panel, Air Dam	
33	1001203948	1	Plate, Air Dam	

SECTION 4 - ENGINE AND ATTACHING PARTS

FIGURE 4-22. COOLING PACKAGE INSTALLATION (ULS ASOV)



ART_1001223874-C

SECTION 4 - ENGINE AND ATTACHING PARTS

FIGURE 4-22. COOLING PACKAGE INSTALLATION (ULS ASOV)

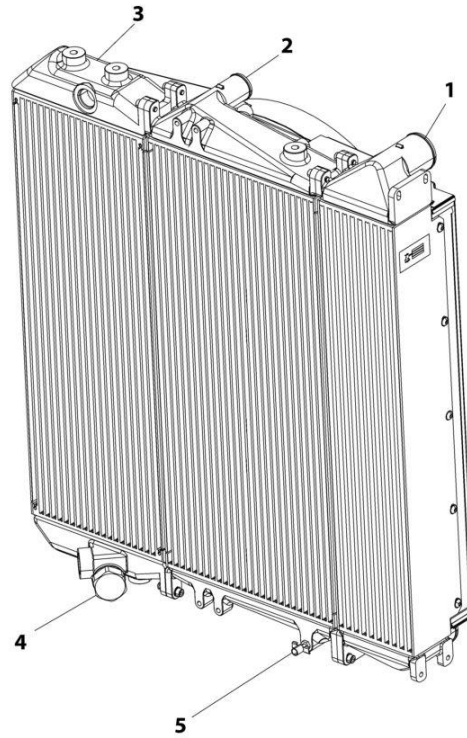
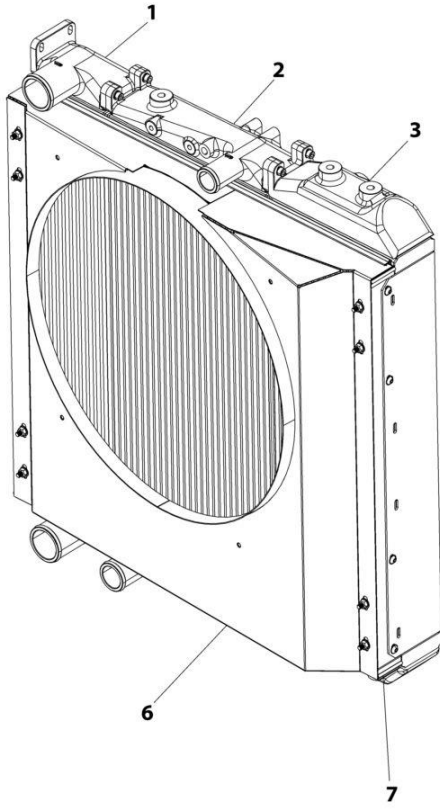
ITEM	PART NUMBER	QTY	DESCRIPTION	REV
	1001223874	Ref	Cooling Package Installation	C
1	0701018	2	Bolt, M10X50	
2	0701020	1	Bolt, M10X60	
3	0760812	4	Bolt, M8X25	
4	0761210	1	Bolt, M12X20	
5	0761215	2	Bolt, M12X35	
6	0761218	2	Bolt, M12X50	
7	2200223	1	Plug	
8	3290505	2	Nut, M5X0.8	
9	3290801	4	Nut, M8X1.25	
10	3291001	2	Nut, M10X1.5	
11	3291005	1	Nut, Lock M10X1.5	
12	3740080	2	Relay	
13	4740274	4	Washer	
14	4740550	1	Washer, M12	
15	4811600	2	Washer, M5	
16	4811900	8	Washer, M8	
17	4812002	5	Washer, M10	
18	4812102	3	Washer, M12	
19	4832100	5	Washer, Lock M12	
20	7169541	AR	Tape	
21	8278020	1	Mount	
22	1001003305	1	Clip	
23	1001008559	4	Strap, Cable	
24	1001114803	2	Mount	
25	1001146588	2	Strap, Cable	
26	1001155540	2	Washer	
27	1001173452	1	Seal, Foam Gasket	
28	1001173457	1	Seal	
29	1001196191	1	Bracket, Air Baffle	
30	1001200498	1	Bracket, Radiator	
31	1001200499	1	Bracket, Frame	
32	1001200631	1	Lamp, LED Indicator	
33	1001201301	1	Radiator, (See Separate Breakdown in this Section)	
34	1001201302	Ref	Installation, Coolant Lines (See Separate Breakdown in this Section)	
35	1001201304	Ref	Installation, Surge Tank (See Separate Breakdown in this Section)	
36	1001201305	Ref	Installation, Transmission Oil Cooler Lines (See Separate Breakdown in this Section)	
37	1001203181	1	Accessory, Control	
38	1001203947	1	Panel, Air Dam	
39	1001203948	1	Plate, Air Dam	
41	1001215941	1	Switch	
42	1001219082	1	Bracket	
43	1001223869	1	Installation, Radiator Lines (See Separate Breakdown in this Section)	
44	1001227077	1	Decal, Air Shut Off	
45	1001227964	1	Decal, ASOV Test	
46	1001228643	1	Decal, ASOV Equipped	

SECTION 4 - ENGINE AND ATTACHING PARTS

ITEM	PART NUMBER	QTY	DESCRIPTION	REV
47	1001231407	1	Harness, POSI Air Shutoff (See Separate Breakdown in Electrical Section)	
48	1001231483	1	Harness, POSI Air Shutoff (See Separate Breakdown in Electrical Section)	

SECTION 4 - ENGINE AND ATTACHING PARTS

FIGURE 4-23. RADIATOR - COOLING PACKAGE



ART_1001201301

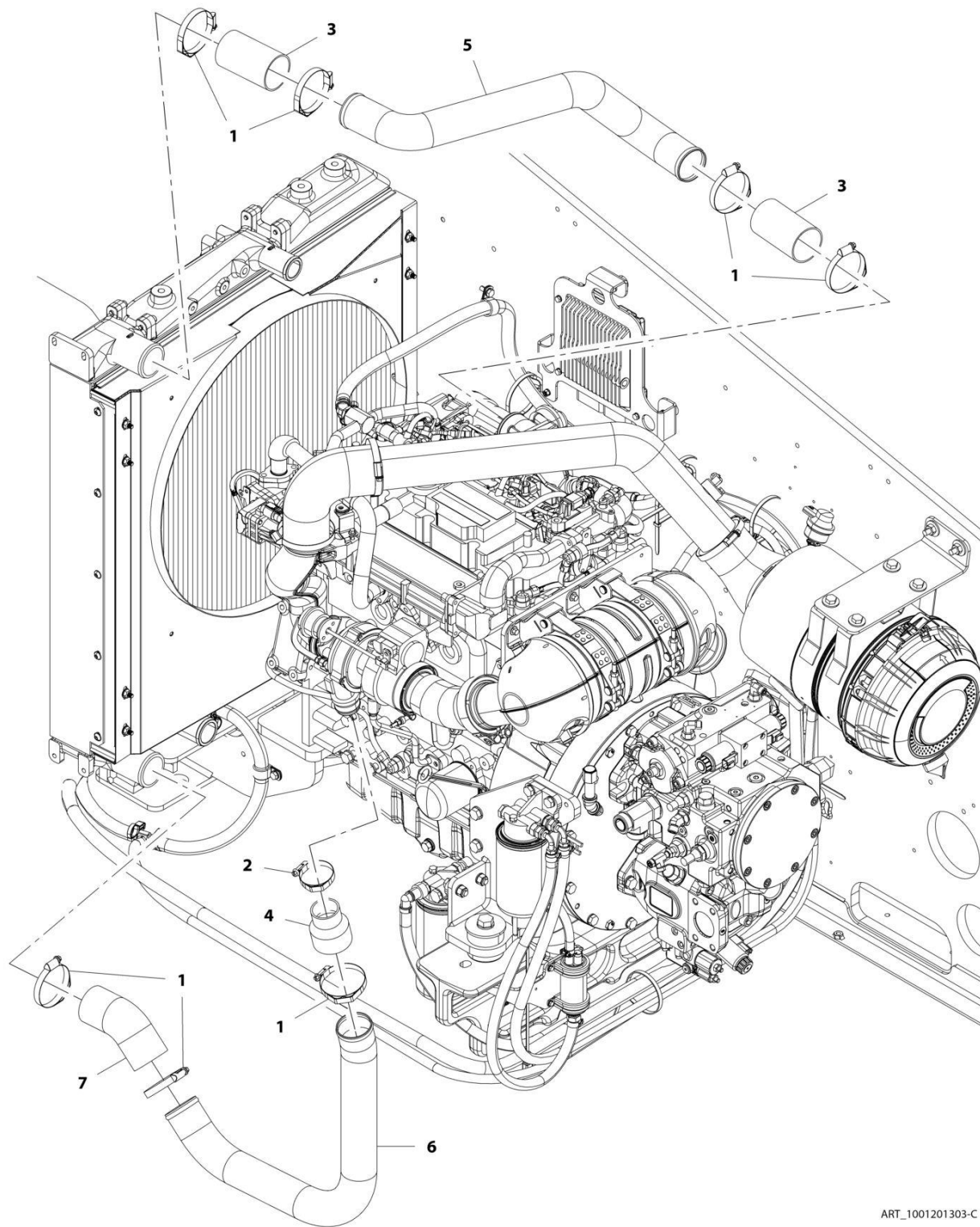
SECTION 4 - ENGINE AND ATTACHING PARTS

FIGURE 4-23. RADIATOR - COOLING PACKAGE

ITEM	PART NUMBER	QTY	DESCRIPTION	REV
	1001201301	Ref	RADIATOR COOLLING PACKAGE	D
1	70026353	1	Cooler, Air Charge	
2	70026354	1	Radiator	
3	70028550	1	Cooler, Hydraulic Oil	
4	70028548	1	Valve, Bypass	
5	70026081	1	Petcock	
6	70028549	1	Shroud	
7	70026359	2	Bracket, Shroud Mounting	

SECTION 4 - ENGINE AND ATTACHING PARTS

FIGURE 4-24. RADIATOR LINES INSTALLATION (ALL EXCEPT ULS & LS ASOV)



ART_1001201303-C

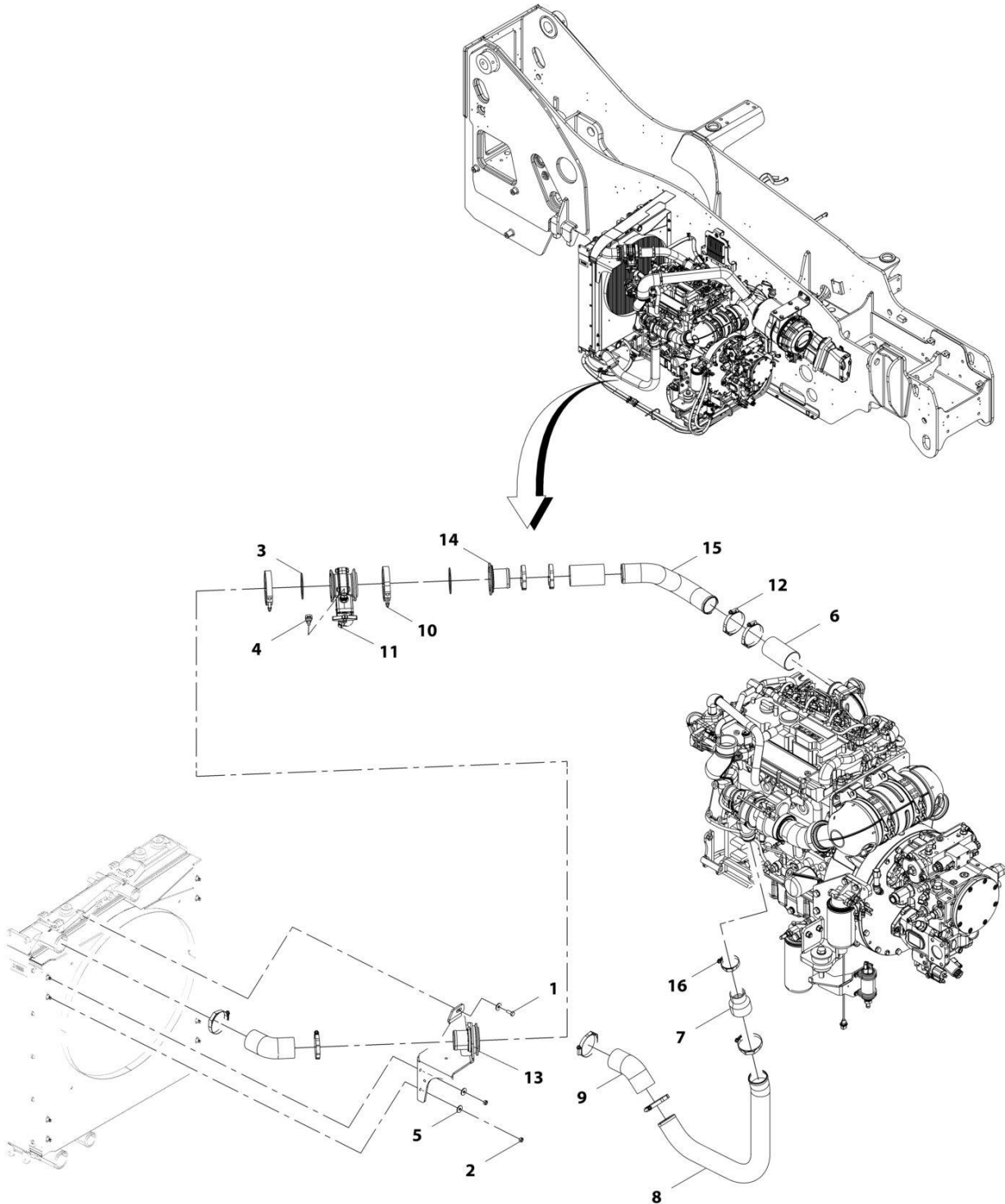
SECTION 4 - ENGINE AND ATTACHING PARTS

FIGURE 4-24. RADIATOR LINES INSTALLATION (ALL EXCEPT ULS & LS ASOV)

ITEM	PART NUMBER	QTY	DESCRIPTION	REV
	1001201303	Ref	Radiator Lines Installation	C
1	1001215022	7	Clamp	
2	1001215024	1	Clamp	
3	1001114495	2	Hose	
4	1001173528	1	Coupling, Reducer	
5	1001201314	1	Pipe	
6	1001201315	1	Pipe	
7	1001201316	1	Elbow, 45	

SECTION 4 - ENGINE AND ATTACHING PARTS

FIGURE 4-25. RADIATOR LINES INSTALLATION (ULS & LS ASOV)



ART_1001223869-B

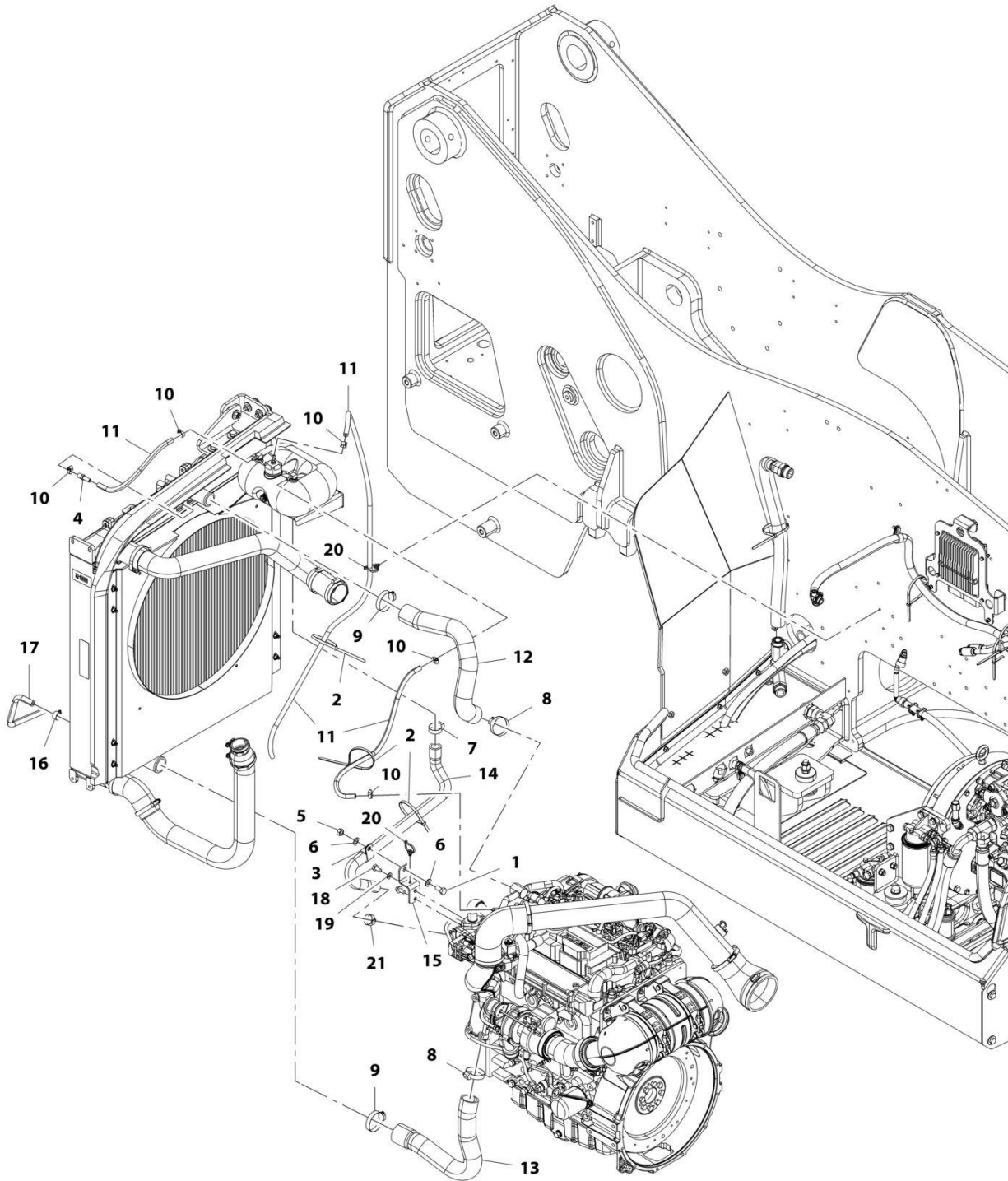
SECTION 4 - ENGINE AND ATTACHING PARTS

FIGURE 4-25. RADIATOR LINES INSTALLATION (ULS & LS ASOV)

ITEM	PART NUMBER	QTY	DESCRIPTION	REV
	1001223869	Ref	CAC Lines Installation	B
1	0760810	1	Bolt, M8X20	
2	3290801	2	Nut, M8X1.25	
3	3790152	2	Ring	
4	4460742	1	Connector	
5	4811902	3	Washer, M8	
6	1001114495	2	Hose	
7	1001173528	1	Fitting, Straight	
8	1001201315	1	Pipe	
9	1001201316	2	Hose	
10	1001202247	2	Clamp	
11	1001204032	1	Valve, Shut Off (See Separate Breakdown in HYDRAULIC COMPONENTS Section)	
12	1001215022	9	Clamp	
13	1001223618	1	Valve, ASO (See Separate Breakdown in HYDRAULIC COMPONENTS Section)	
14	1001223628	1	Valve, ASO	
15	1001223645	1	Pipe	
16	1001215024	1	Clamp	

SECTION 4 - ENGINE AND ATTACHING PARTS

FIGURE 4-26. COOLANT LINES INSTALLATION



ART_1001201302-E

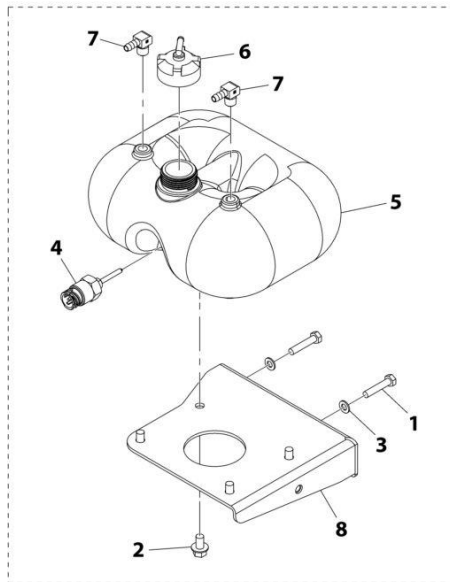
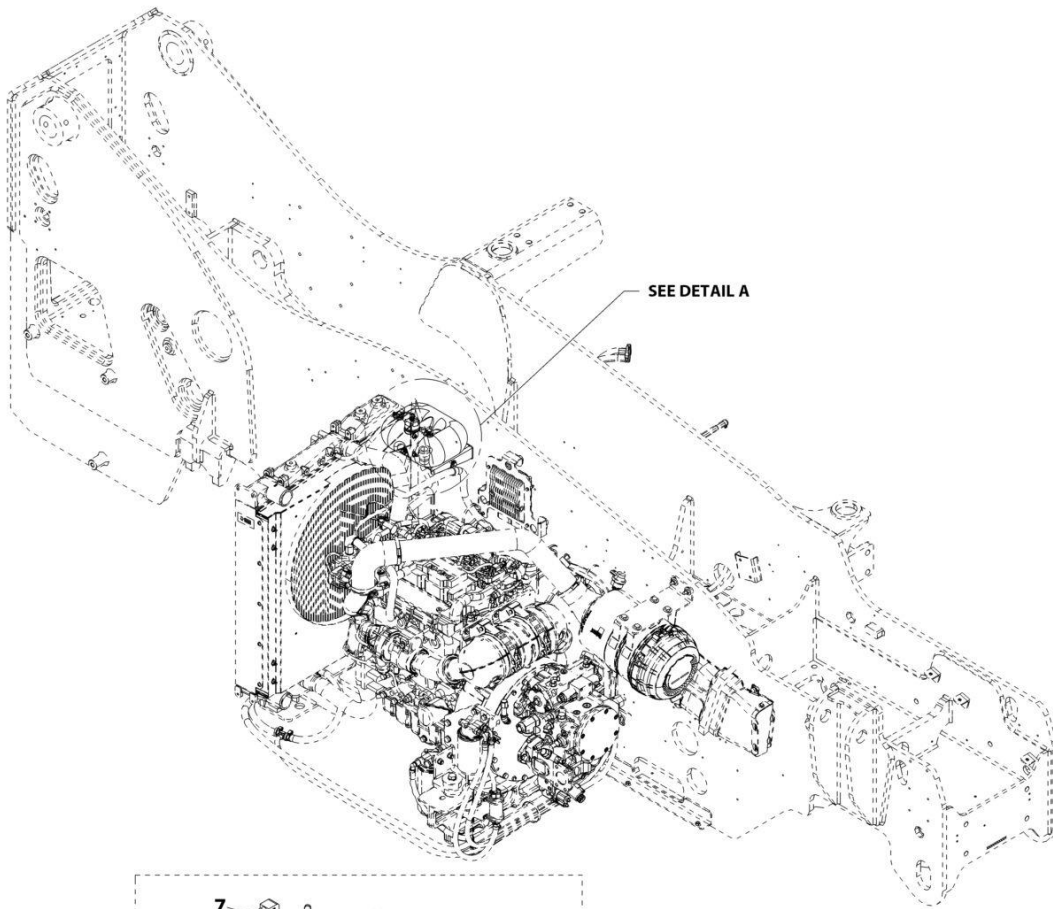
SECTION 4 - ENGINE AND ATTACHING PARTS

FIGURE 4-26. COOLANT LINES INSTALLATION

ITEM	PART NUMBER	QTY	DESCRIPTION	REV
	1001201302	Ref	Coolant Lines Installation	E
1	0761212	1	Bolt, M12X25	
2	1062255	3	Strap, Tie	
3	1320060	1	Clamp, Hose	
4	2220767	1	Fitting	
5	3291201	1	Nut, M12	
6	4812100	2	Washer, M12	
7	8405101	1	Clamp, Gear	
8	8405104	2	Clamp, Gear	
9	8405201	2	Clamp, Gear	
10	8405009	5	Clamp, Gear	
11	1001180542	2465 mm	Hose	
12	1001217762	1	Hose	
13	1001201309	1	Hose	
14	1001217763	1	Hose	
15	1001217761	1	Bracket	
16	8405006	1	Clamp, Gear	
17	1001180553	370 mm	Hose	
18	0761010	1	Bolt, M12X20	
19	4812000	1	Washer, M10	
20	1001146588	2	Strap, Tie	
21	8405007	1	Clamp, Gear	

SECTION 4 - ENGINE AND ATTACHING PARTS

FIGURE 4-27. SURGE TANK INSTALLATION



DETAIL A

ART_1001201304-B

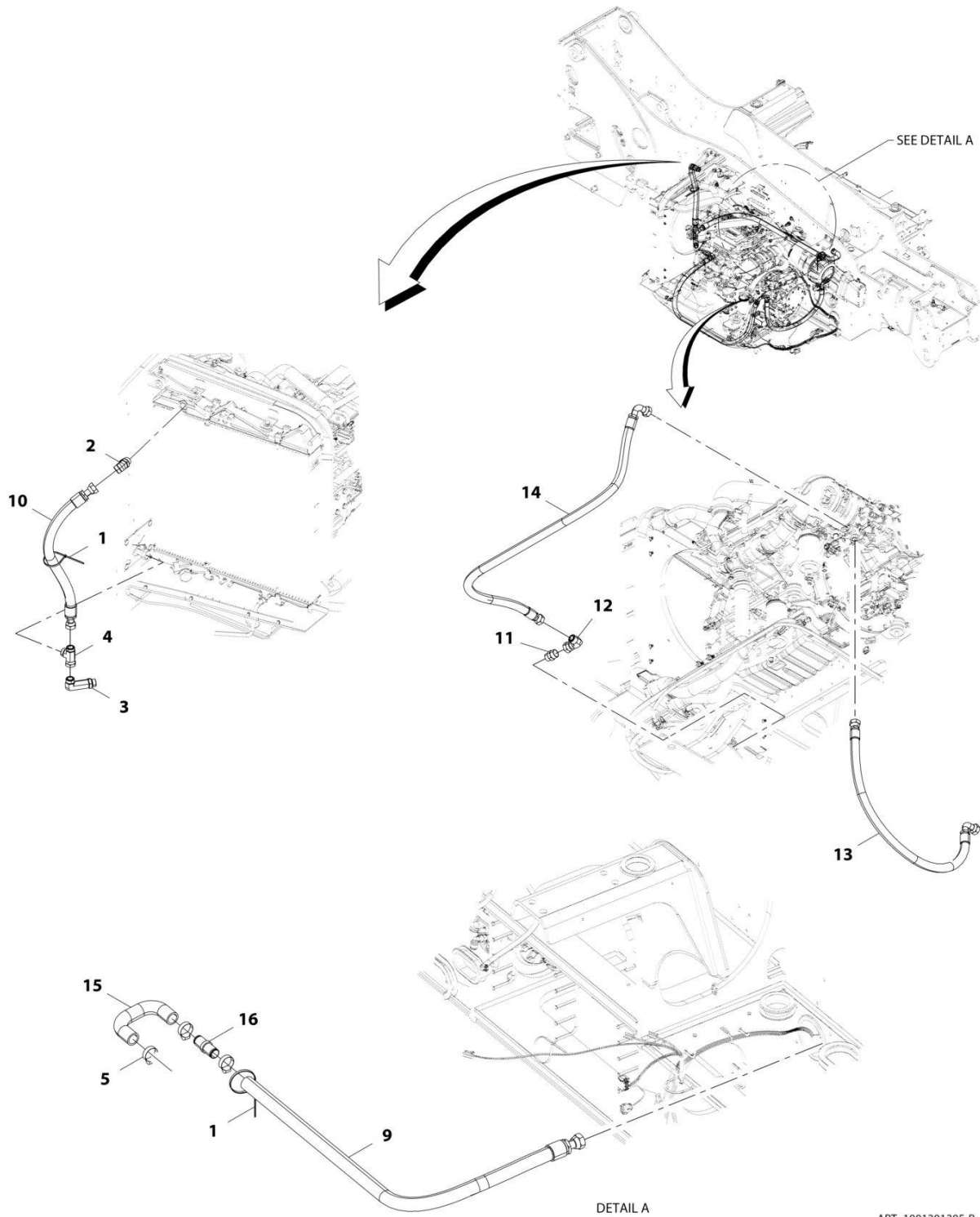
SECTION 4 - ENGINE AND ATTACHING PARTS

FIGURE 4-27. SURGE TANK INSTALLATION

ITEM	PART NUMBER	QTY	DESCRIPTION	REV
	1001201304	Ref	Surge Tank Installation	B
1	0700816	2	Bolt, M8X40	
2	0791605	4	Screw	
3	4811900	2	Washer, M8	
4	1001138827	1	Sensor, Coolant Level	
5	1001128144	1	Tank, Coolant	
6	1001128341	1	Cap	
7	1001169368	2	Fitting, Hose Barb	
8	1001201317	1	Bracket, Coolant Tank	

SECTION 4 - ENGINE AND ATTACHING PARTS

FIGURE 4-28. TRANSMISION OIL COOLER LINES INSTALLATION



DETAIL A

ART_1001201305-B

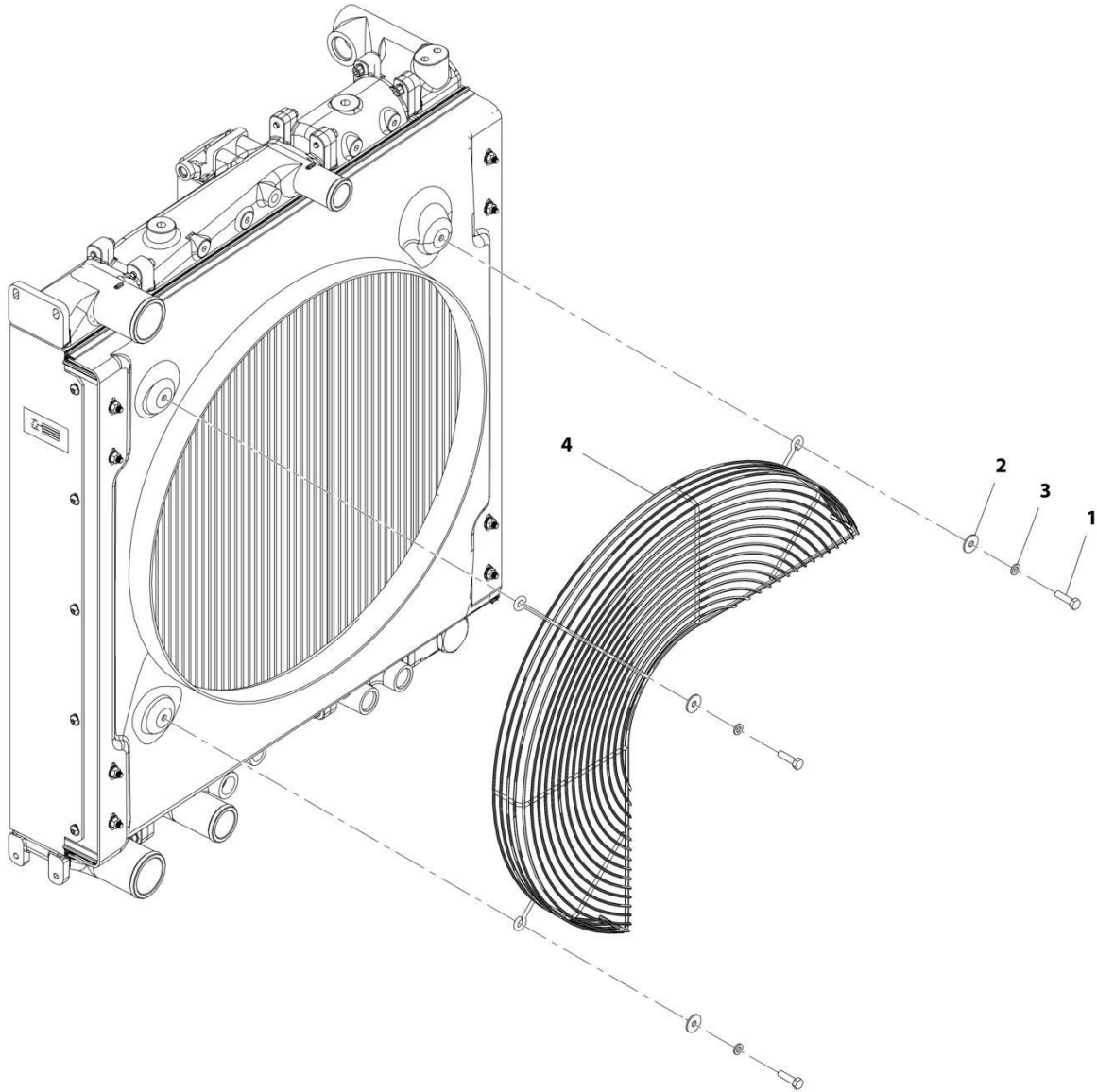
SECTION 4 - ENGINE AND ATTACHING PARTS

FIGURE 4-28. TRANSMISION OIL COOLER LINES INSTALLATION

ITEM	PART NUMBER	QTY	DESCRIPTION	REV
	1001201305	Ref	Transmission Oil Cooler Lines Installation	B
1	1062255	AR	Strap, Tie	
2	2151616	1	Fitting, 45 ORFS	
3	2170216	1	Fitting, 90 ORFS	
4	2170716	1	Fitting, Tee ORFS	
5	8405102	3	Clamp, Gear	
9	1001205564	1	Hose	
10	1001205565	1	Hose	
11	2111616	1	Fitting, Straight ORFS	
12	2172116	1	Fitting, 90 ORFS	
13	1001211616	1	Hose	
14	1001211617	1	Hose	
15	1001212920	1	Hose	
16	1001212921	1	Fitting, Straight	

SECTION 4 - ENGINE AND ATTACHING PARTS

FIGURE 4-29. FAN GUARD INSTALLATION



ART_1001160420-D

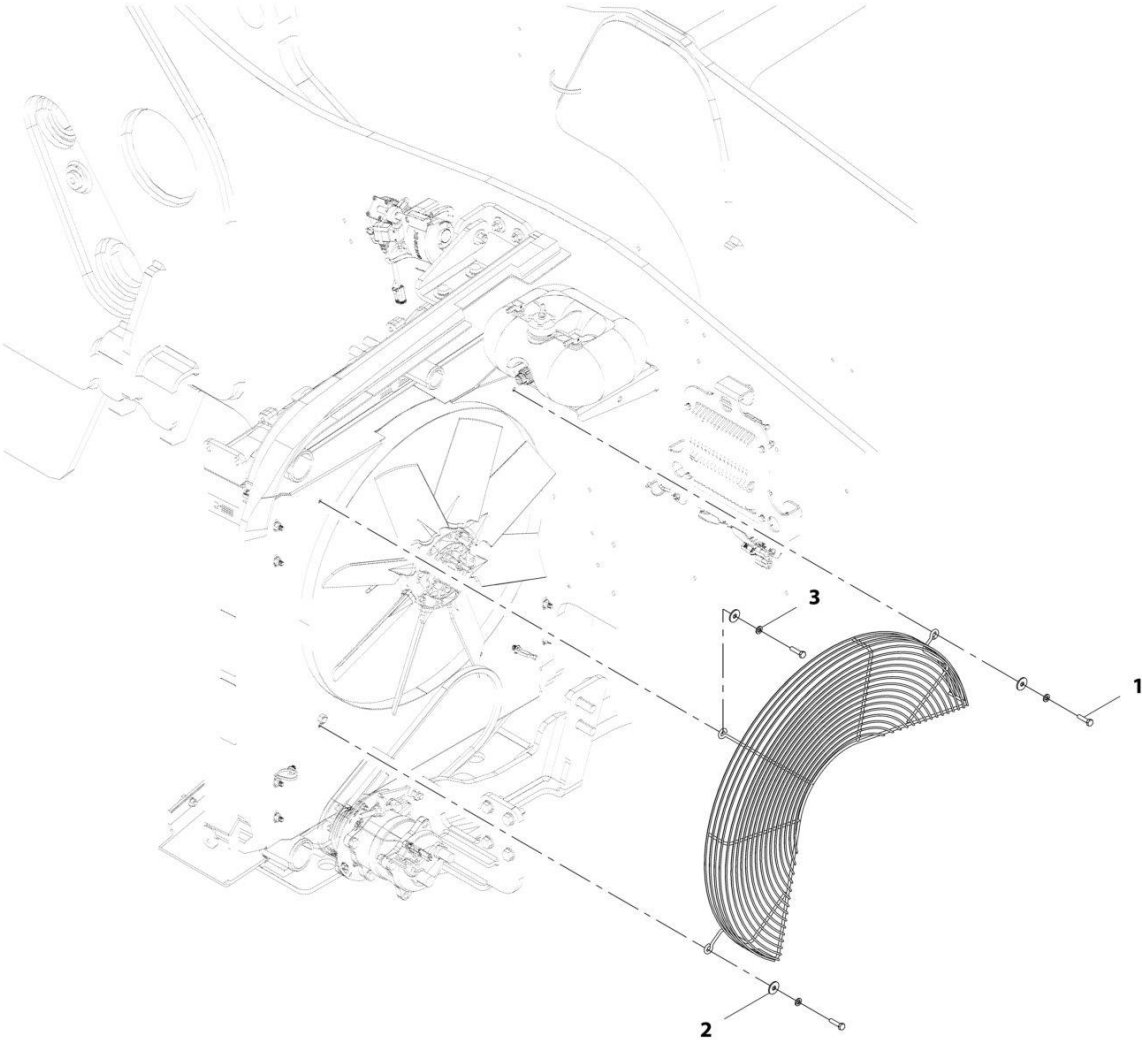
SECTION 4 - ENGINE AND ATTACHING PARTS

FIGURE 4-29. FAN GUARD INSTALLATION

ITEM	PART NUMBER	QTY	DESCRIPTION	REV
	1001160420	Ref	Fan Guard Installation	D
1	0700814	3	Bolt, M8X30	
2	4811902	3	Washer, M8	
3	4831900	3	Washer, Lock M8	
4	1001167186	1	Grill	

SECTION 4 - ENGINE AND ATTACHING PARTS

FIGURE 4-30. FAN GUARD (REVERSING) INSTALLATION



ART_1001217754-B

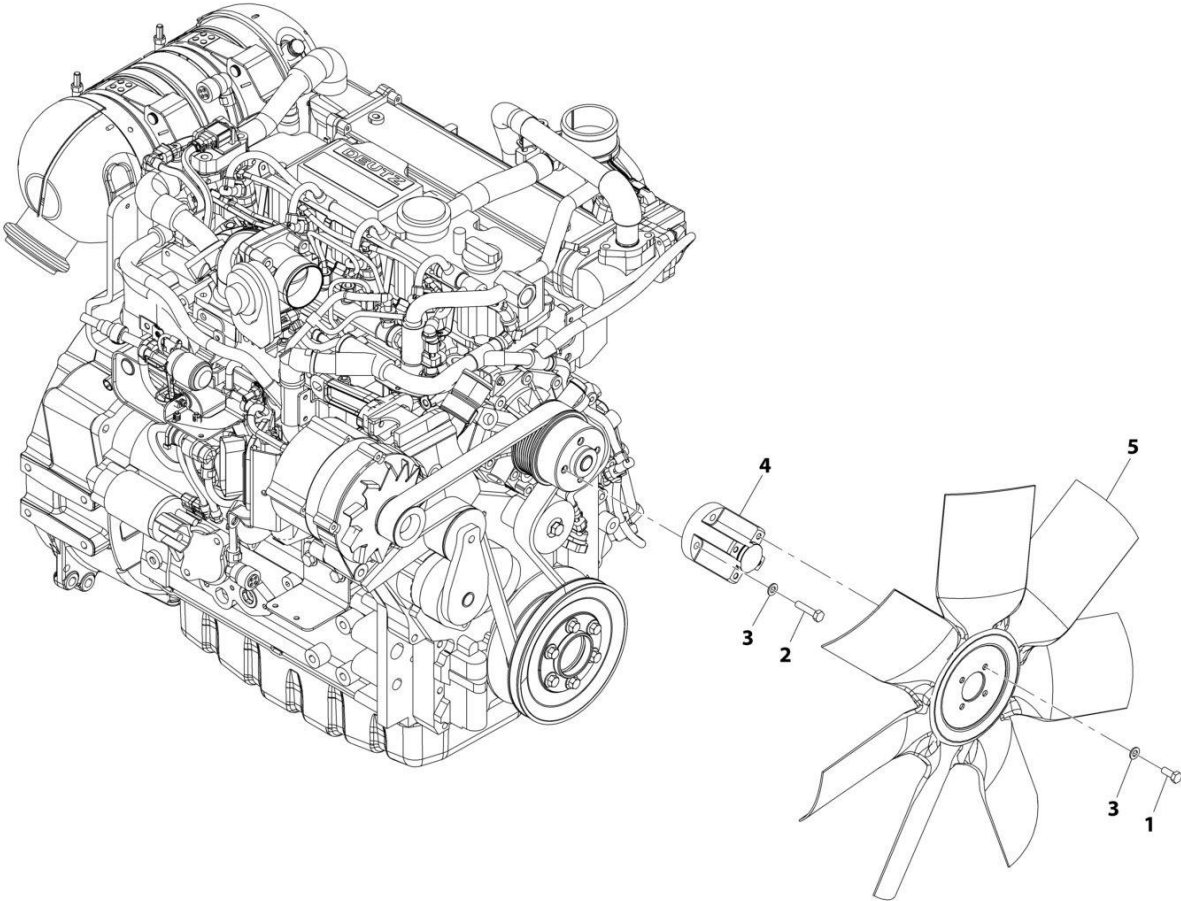
SECTION 4 - ENGINE AND ATTACHING PARTS

FIGURE 4-30. FAN GUARD (REVERSING) INSTALLATION

ITEM	PART NUMBER	QTY	DESCRIPTION	REV
	1001217754	1	Fan Guard (Reversing) Installation	B
1	0700814	3	Bolt, M8X30	
2	4811902	3	Washer, M8	
3	4831900	3	Washer, Lock M8	
4	1001217755	1	Grill	

SECTION 4 - ENGINE AND ATTACHING PARTS

FIGURE 4-31. COOLING FAN INSTALLATION



ART_1001214123-A

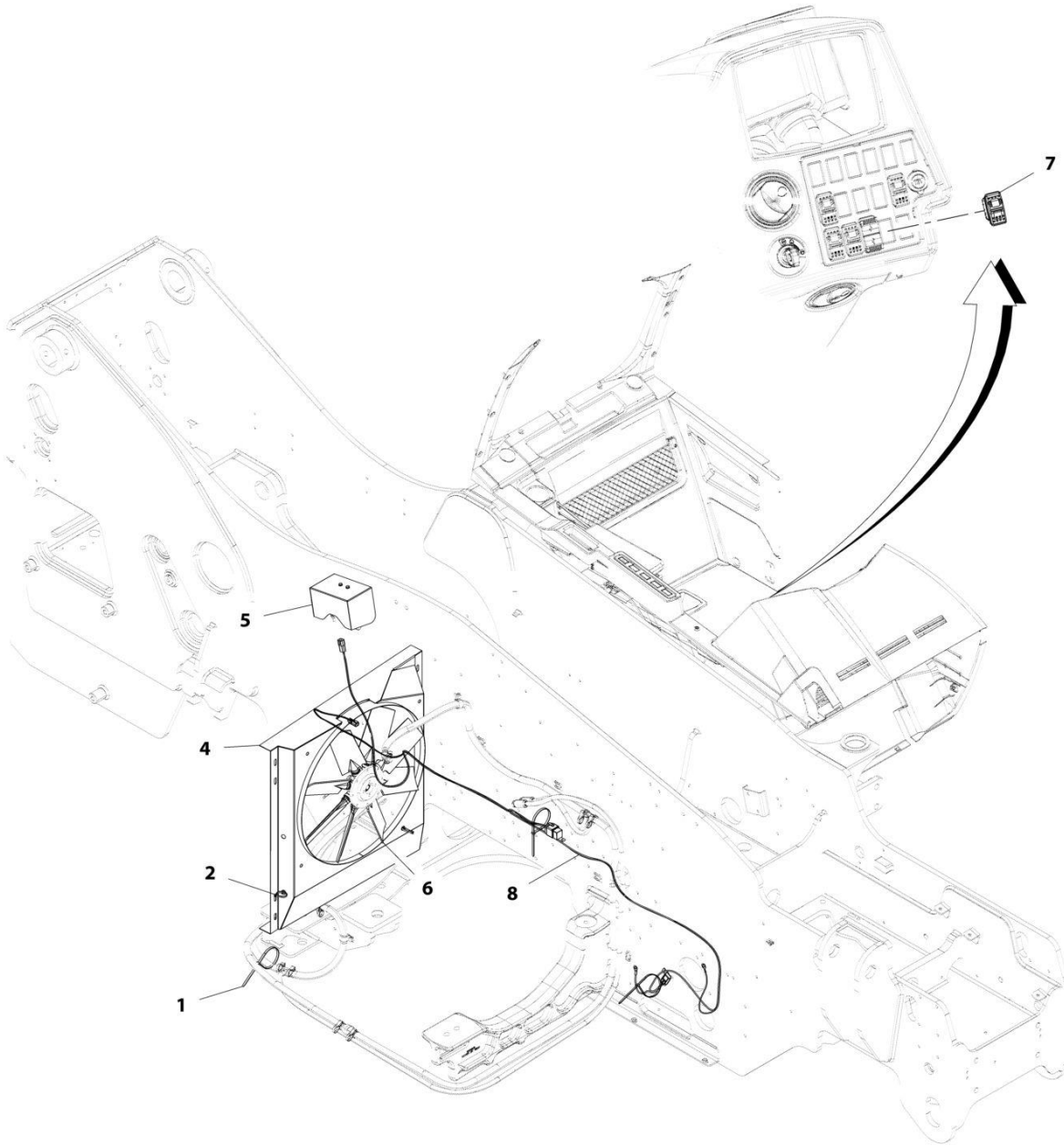
SECTION 4 - ENGINE AND ATTACHING PARTS

FIGURE 4-31. COOLING FAN INSTALLATION

ITEM	PART NUMBER	QTY	DESCRIPTION	REV
	1001214123	Ref	Cooling Fan Installation	A
1	0760810	4	Bolt, M8X20	
2	0770815	4	Bolt, M8X35 Grade 10.9	
3	4811900	8	Washer, M8	
4	1001170311	1	Adapter, Fan	
5	1001185026	1	Fan	

SECTION 4 - ENGINE AND ATTACHING PARTS

FIGURE 4-32. COOLING FAN (REVERSING) INSTALLATION



ART_1001217753-C

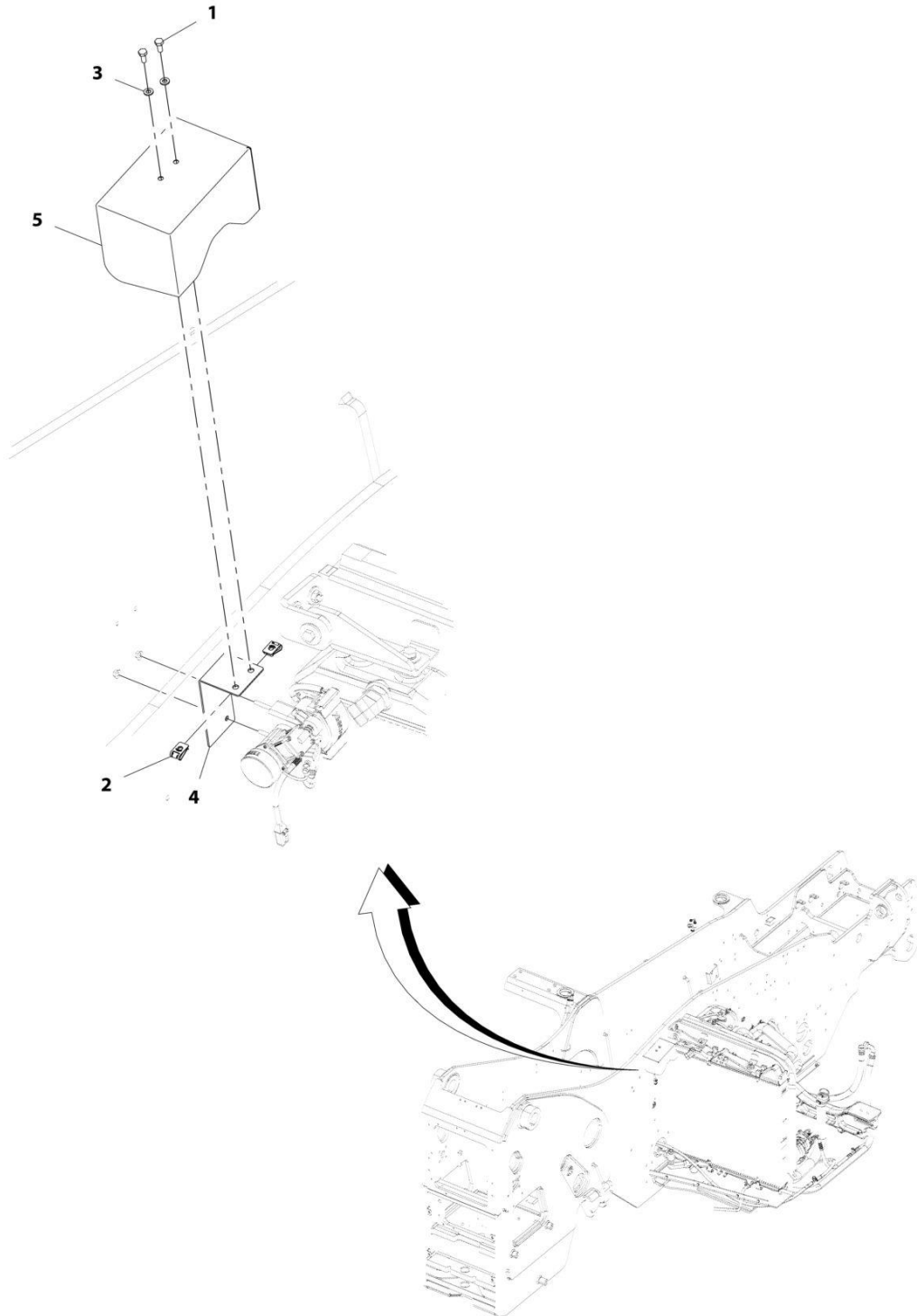
SECTION 4 - ENGINE AND ATTACHING PARTS

FIGURE 4-32. COOLING FAN (REVERSING) INSTALLATION

ITEM	PART NUMBER	QTY	DESCRIPTION	REV
	1001217753	Ref	Reverse Cooling Fan Installation	C
1	1062255	3	Strap, Tie	
2	1001146588	2	Strap, Fir Tree Cable Tie	
4	1001217756	1	Shroud	
5	1001217757	1	Installation, Cover (See Separate Breakdown in this Section)	
6	1001217760	1	Kit, Reversing Fan	
6	70030353	1	Pneumatic Line	
6	70030355	1	Fan, Reverse	
6	70030356	1	Compressor	
7	1001145204	1	Switch	
8	1001221493	1	Harness, Reversing Fan (See Separate Breakdown in ELECTRICAL Section)	

SECTION 4 - ENGINE AND ATTACHING PARTS

FIGURE 4-33. COOLING FAN COVER (REVERSING) INSTALLATION



ART_1001217757-A

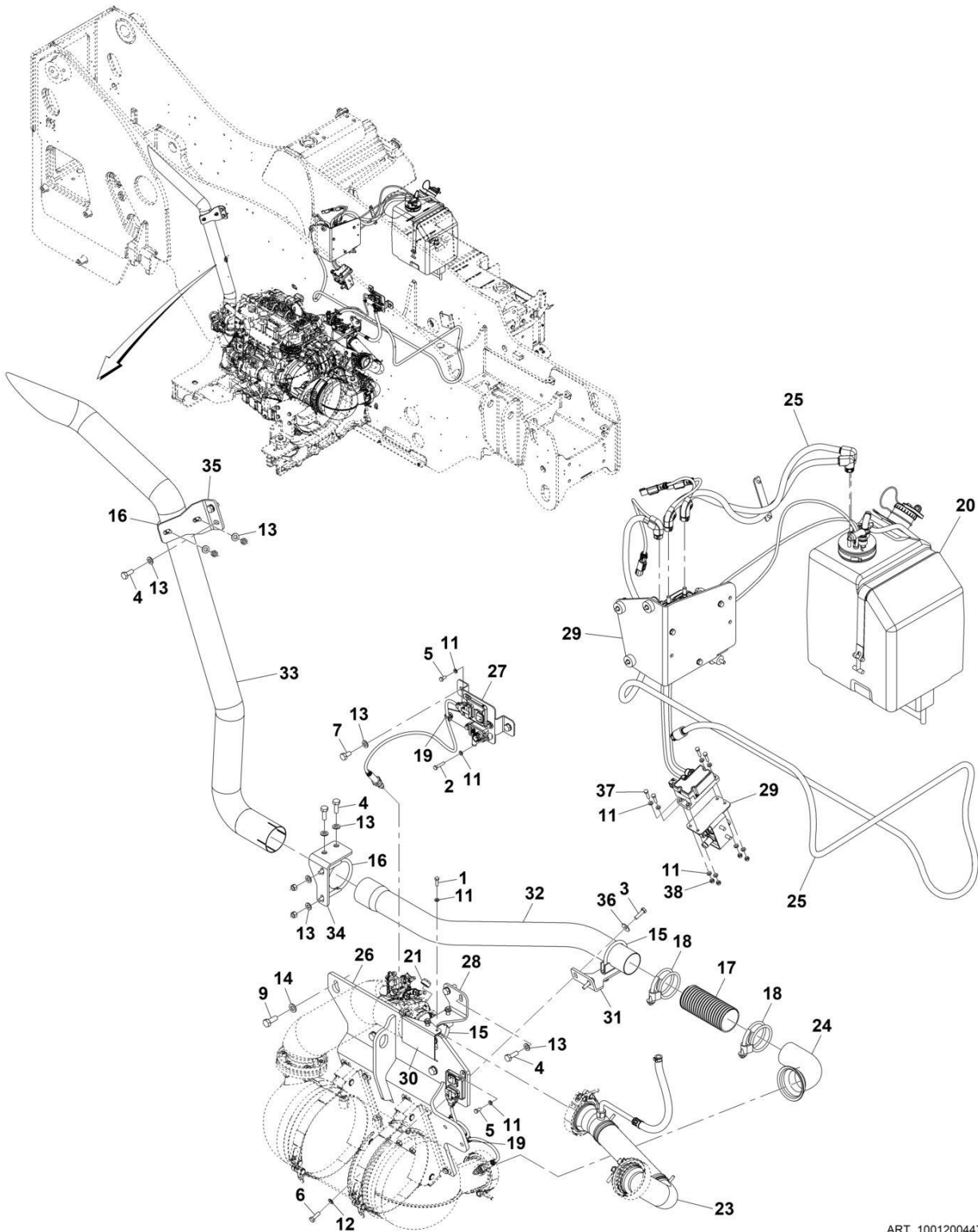
SECTION 4 - ENGINE AND ATTACHING PARTS

FIGURE 4-33. COOLING FAN COVER (REVERSING) INSTALLATION

ITEM	PART NUMBER	QTY	DESCRIPTION	REV
	1001217757	Ref	Compressor Cover Installation	A
1	0760607	2	Bolt, M6X14	
2	8305919	2	Nut, M6	
3	8307219	2	Washer, M6	
4	1001217758	1	Bracket	
5	1001217759	1	Cover	

SECTION 4 - ENGINE AND ATTACHING PARTS

FIGURE 4-34. EXHAUST INSTALLATION (ULS)



ART_1001200447-I

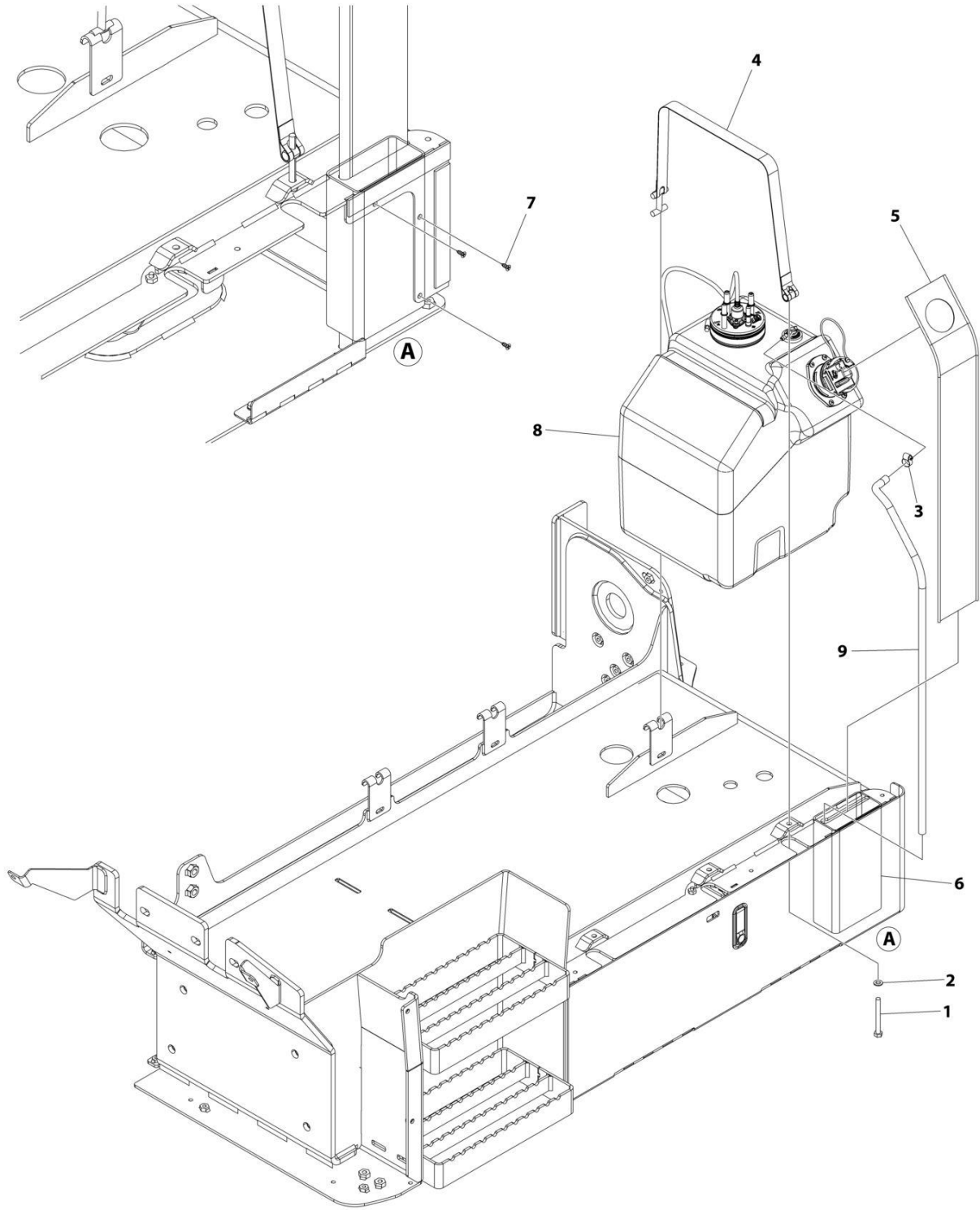
SECTION 4 - ENGINE AND ATTACHING PARTS

FIGURE 4-34. EXHAUST INSTALLATION (ULS)

ITEM	PART NUMBER	QTY	DESCRIPTION	REV
	1001200447	Ref	EXHAUST INSTALLATION (ULS)	K
1	0700610	1	Bolt M6 x 20	
2	0700614	1	Bolt M6 x 30	
3	0700814	2	Bolt M8 x 30	
4	0701014	6	Bolt M10 x 30	
5	0760607	4	Bolt M6 x 14	
6	0760812	8	Bolt M8 x 25	
7	0761010	2	Bolt M10 x 20	
9	0761214	4	Bolt M12 x 30	
11	4811700	6	Washer M6	
12	4811900	8	Washer M8	
13	4812000	12	Washer M10	
14	4812100	4	Washer M12	
15	8275212	2	Clamp	
16	24921332	2	Clamp	
17	77213042	1	Tube, Flexible	
18	91163268	2	Clamp	
19	1001146588	3	Tie-Strap	
20	1001293067	Ref	Installation, DEF Tank (See Separate Breakdown in this Section)	
23	1001199902	1	Pipe	
24	1001200249	1	Pipe	
25	1001293068	Ref	Installation, DEF Lines (See Separate Breakdown in this Section)	
26	1001201856	1	Bracket	
27	1001284536	1	Bracket	
28	1001201858	1	Support	
29	1001202018	Ref	Installation, DEF Control Module (See Separate Breakdown in this Section)	
30	1001202021	1	Plate	
31	1001202899	1	Bracket	
32	1001204411	1	Pipe	
33	1001226797	1	Pipe, Tail	
34	1001204413	1	Bracket	
35	1001204414	1	Bracket	
36	4811902	2	Washer M8	
39	1001004720	AR	Tie-Strap	

SECTION 4 - ENGINE AND ATTACHING PARTS

FIGURE 4-35. DEF TANK INSTALLATION



ART_1001293067

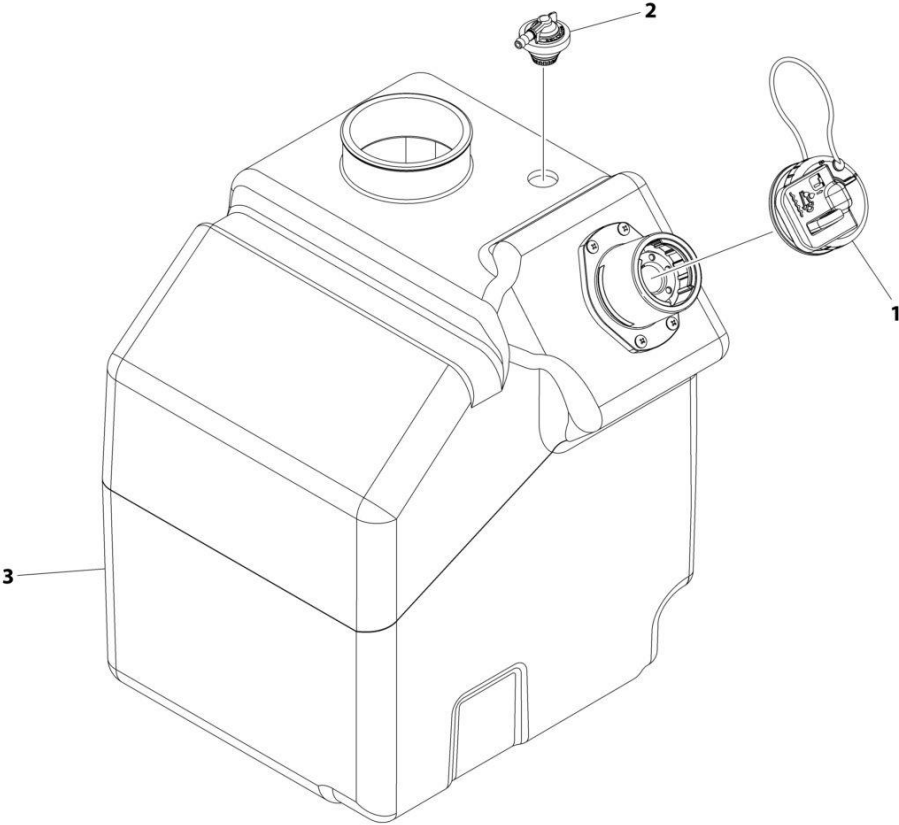
SECTION 4 - ENGINE AND ATTACHING PARTS

FIGURE 4-35. DEF TANK INSTALLATION

ITEM	PART NUMBER	QTY	DESCRIPTION	REV
	1001293067	Ref	DEF TANK INSTALLATION	A
1	0760823	1	Bolt M8 x 75	
2	4811900	1	Washer M8	
3	8405009	1	Clamp	
4	1001178791	1	Strap, Tank	
5	1001212924	1	Guard, Spill	
6	1001212925	1	Tube, Drain	
7	1001226681	3	Screw	
8	1001289563	1	Assembly, DEF Tank (See Separate Breakdown in this Section)	
9	1001175201	32 in /82 cm	Hose	

SECTION 4 - ENGINE AND ATTACHING PARTS

FIGURE 4-36. DEF TANK ASSEMBLY



ART_1001289563

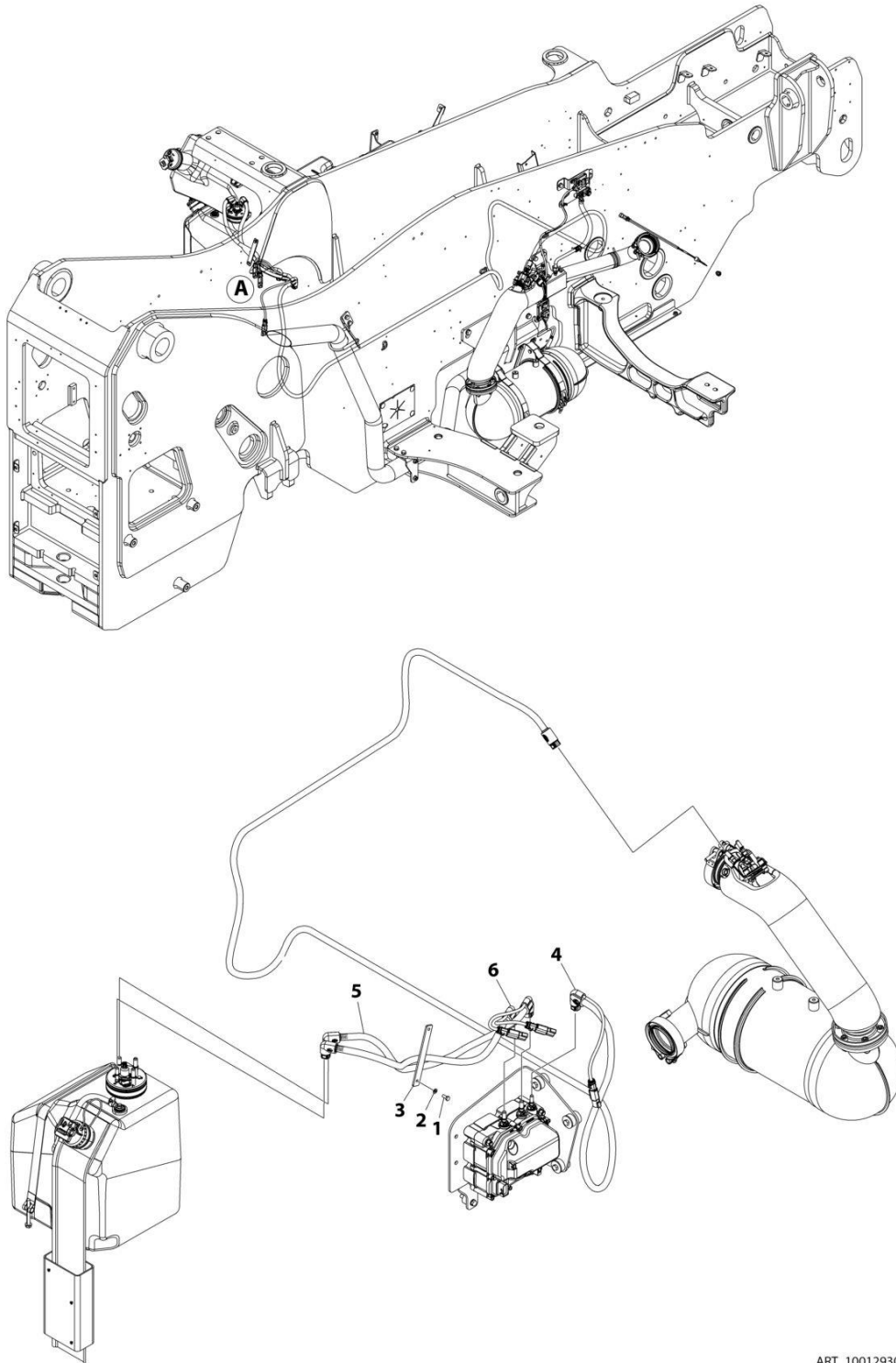
SECTION 4 - ENGINE AND ATTACHING PARTS

FIGURE 4-36. DEF TANK ASSEMBLY

ITEM	PART NUMBER	QTY	DESCRIPTION	REV
	1001289563	Ref	DEF TANK ASSEMBLY	A
1	1001174795	1	Reutter Cap Assembly	
2	1001215319	1	DEF Breather Valve	
3	1001289562	1	DEF Tank	

SECTION 4 - ENGINE AND ATTACHING PARTS

FIGURE 4-37. DEF LINES INSTALLATION



ART_1001293068

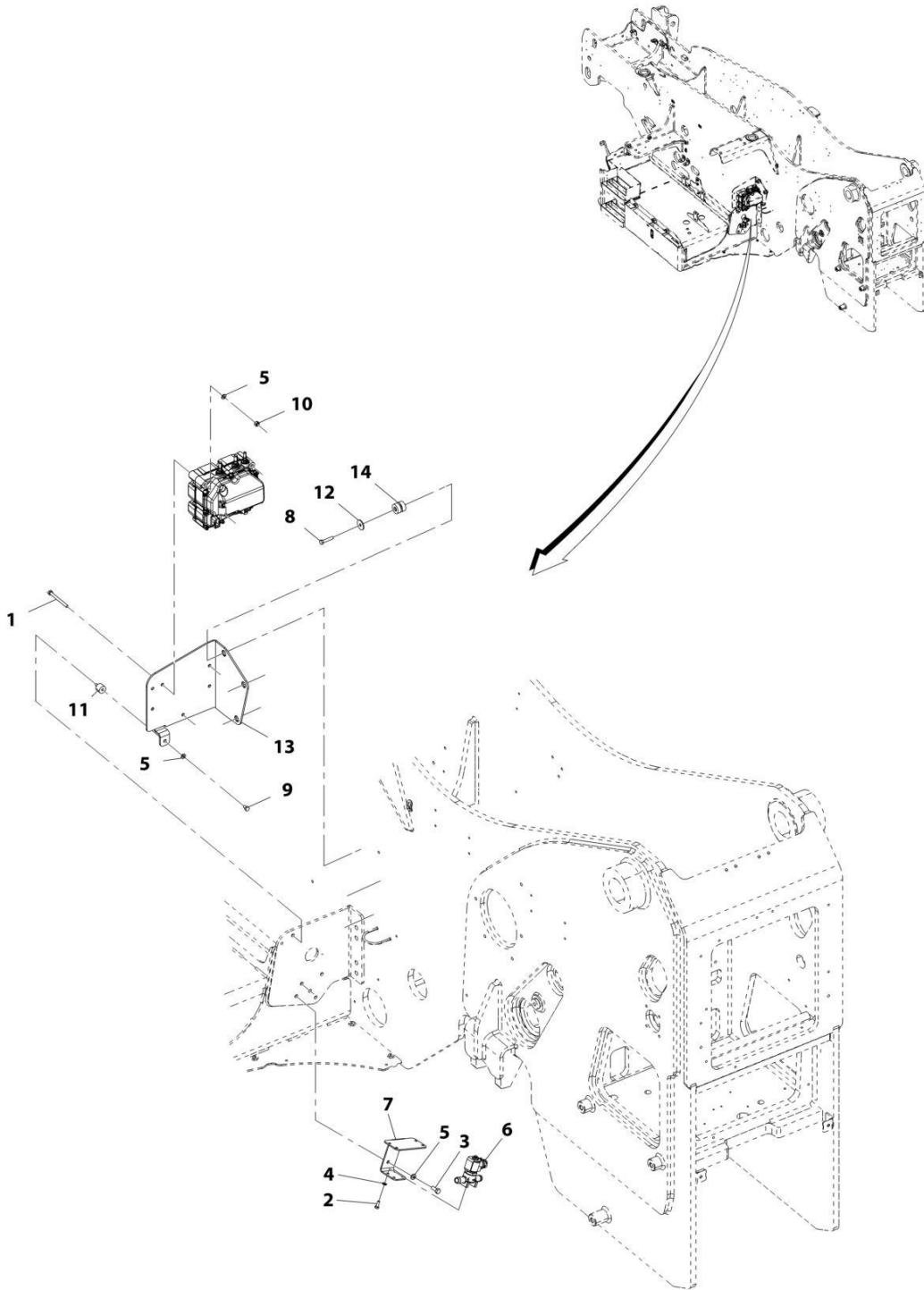
SECTION 4 - ENGINE AND ATTACHING PARTS

FIGURE 4-37. DEF LINES INSTALLATION

ITEM	PART NUMBER	QTY	DESCRIPTION	REV
	1001293068	Ref	DEF LINES INSTALLATION	A
1	0760607	2	Bolt M6 x 14	
2	4831700	2	Washer M6	
3	1001173873	1	Plate	
4	1001180437	1	Hose	
5	1001239878	1	Hose	
6	1001239879	1	Hose	

SECTION 4 - ENGINE AND ATTACHING PARTS

FIGURE 4-38. DEF CONTROL MODULE INSTALLATION



ART_1001202018-F

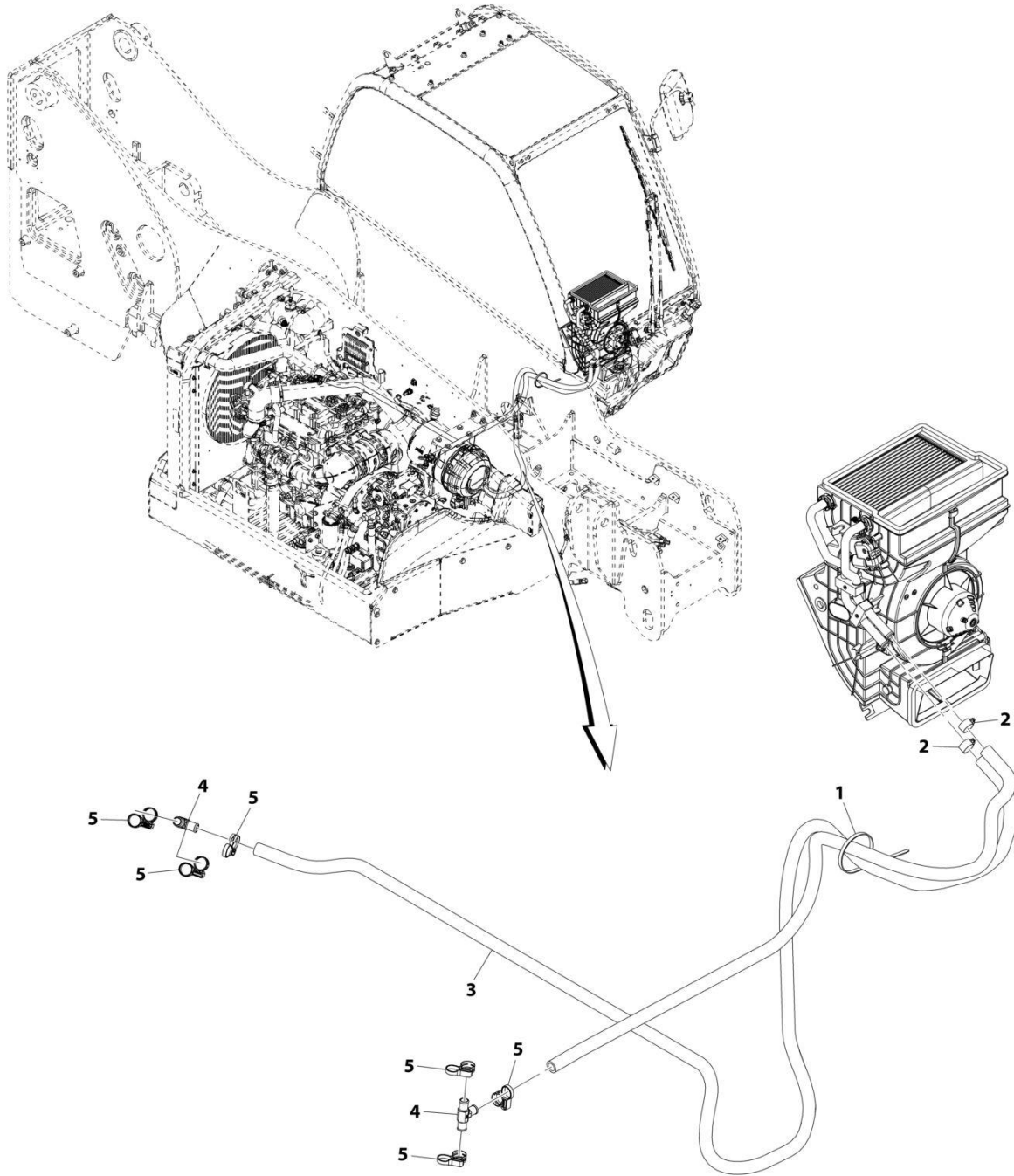
SECTION 4 - ENGINE AND ATTACHING PARTS

FIGURE 4-38. DEF CONTROL MODULE INSTALLATION

ITEM	PART NUMBER	QTY	DESCRIPTION	REV
	1001202018	Ref	DEF Control Module Installation	F
1	0700826	3	Bolt, M8X90	
2	0760608	4	Bolt, M6X16	
3	0760810	2	Bolt, M8X20	
4	4811700	4	Washer, M6	
5	4811900	9	Washer, M8	
6	1001199670	1	Valve, DEF Tank Coolant Flow	
7	1001247184	1	Bracket	
8	0700816	3	Bolt, M8X40	
9	0760806	1	Bolt, M8X12	
10	3290805	3	Nut, Lock M8X1.25 Grade 8	
11	1001179907	1	Mount, Isolator	
12	1001195089	3	Washer	
13	1001221349	1	Bracket	
14	1001221383	3	Mount, Isolator	

SECTION 4 - ENGINE AND ATTACHING PARTS

FIGURE 4-39. HEATER LINES INSTALLATION (ULS)



ART_1001200451-D

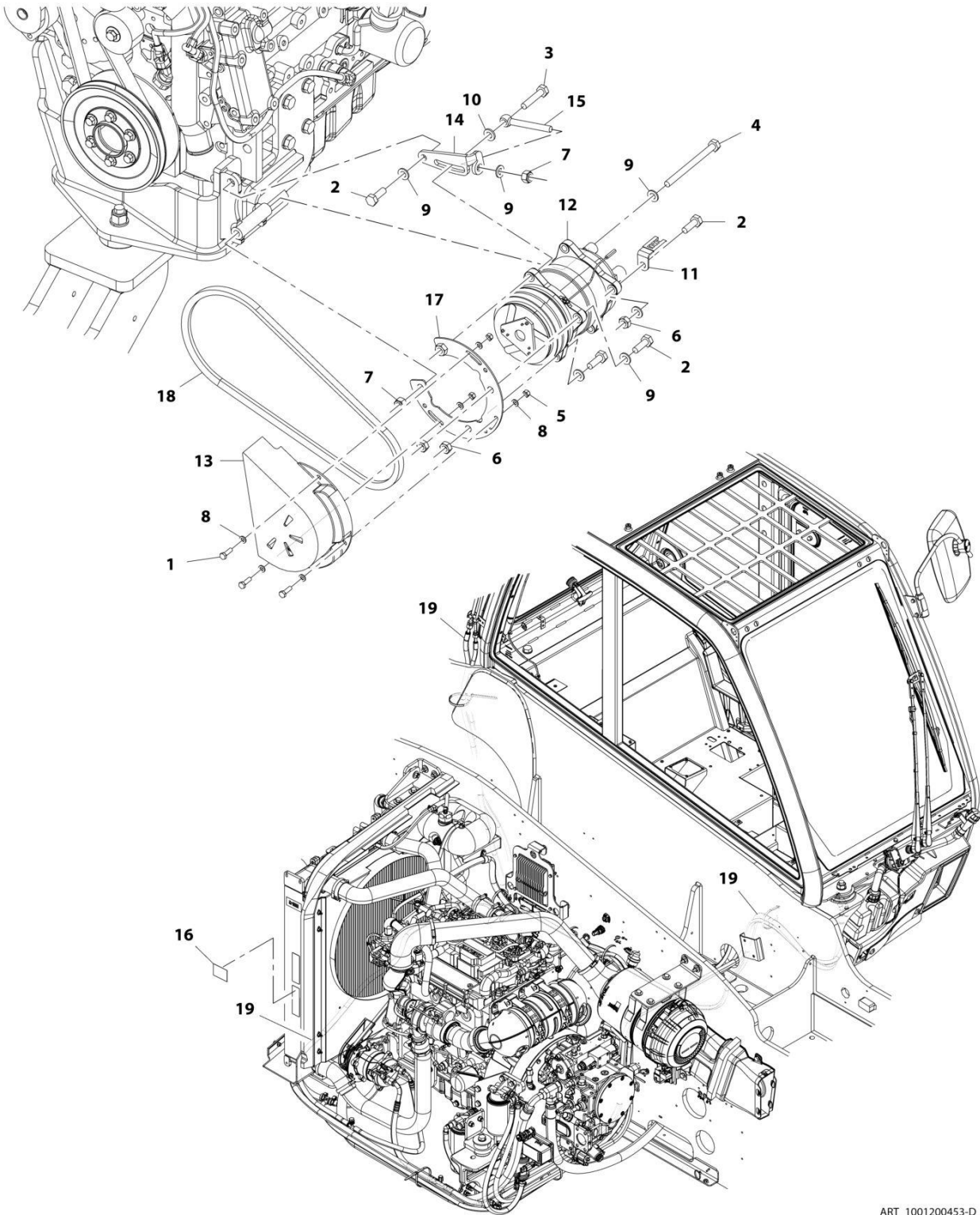
SECTION 4 - ENGINE AND ATTACHING PARTS

FIGURE 4-39. HEATER LINES INSTALLATION (ULS)

ITEM	PART NUMBER	QTY	DESCRIPTION	REV
	1001200451	Ref	Heater Lines Installation (ULS)	D
1	1062255	AR	Strap, Tie	
2	8410009	2	Clamp	
3	82033995	4620 mm	Hose	
4	1001170432	2	Fitting, Tee	
5	1001202526	6	Clamp	

SECTION 4 - ENGINE AND ATTACHING PARTS

FIGURE 4-40. A/C PUMP INSTALLATION



ART_1001200453-D

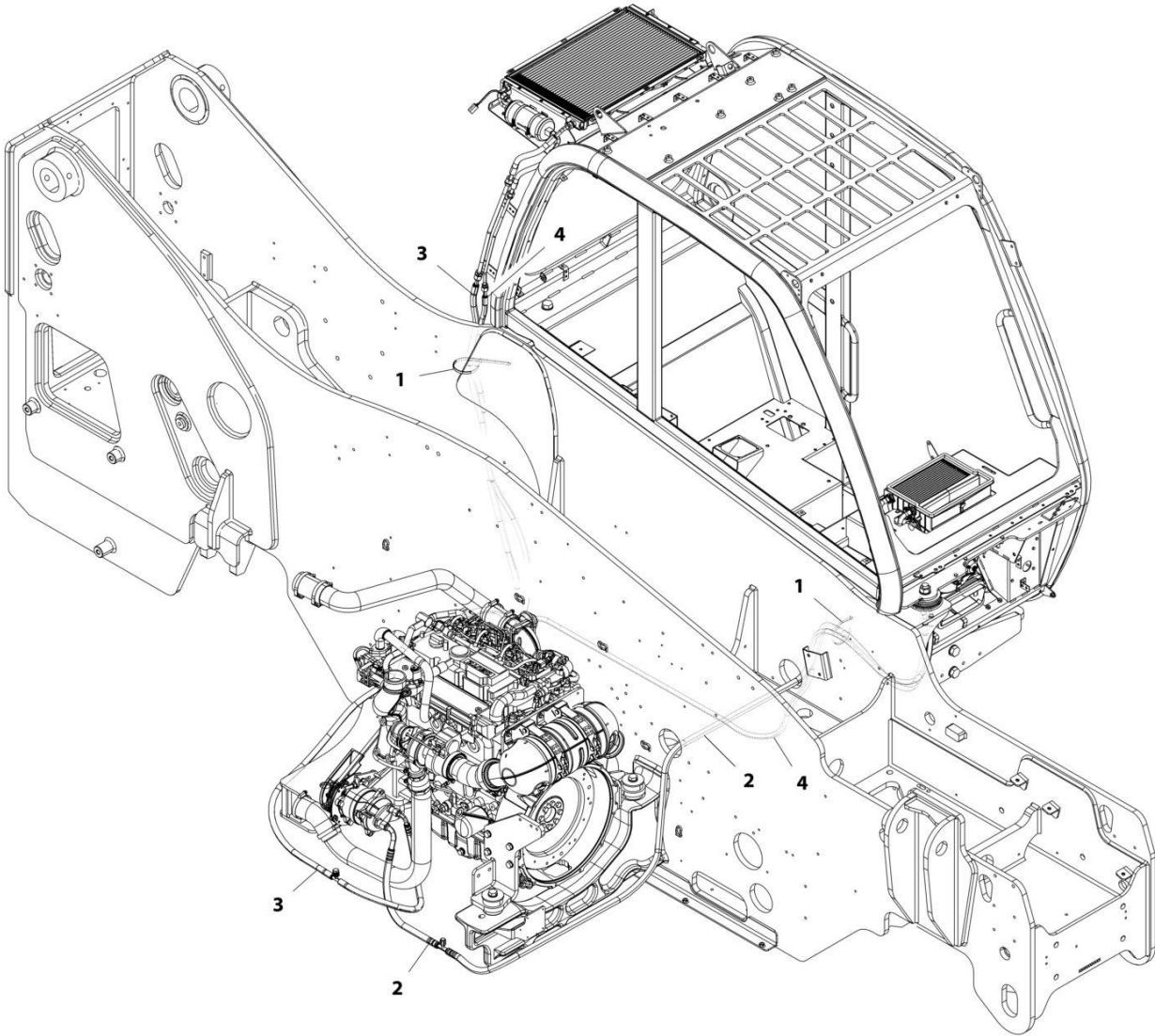
SECTION 4 - ENGINE AND ATTACHING PARTS

FIGURE 4-40. A/C PUMP INSTALLATION

ITEM	PART NUMBER	QTY	DESCRIPTION	REV
	1001200453	Ref	A/C Pump Installation	D
1	0700610	3	Bolt, M6X20	
2	0701014	4	Bolt, M10X30	
3	0701018	1	Bolt, M10X50	
4	0711030	1	Bolt, M10X130 Grade 10.9	
5	3290605	3	Nut, Lock M6X1	
6	3291001	3	Nut, M10X1.5	
7	3291005	2	Nut, lock M10X1.5	
8	4811700	6	Washer, M6	
9	4812000	6	Washer, M10	
10	5241000	1	Washer, M10	
11	1001003305	1	Clip	
12	1001107339	1	Compressor, A/C Clutch	
13	1001138945	1	Cover, Compressor	
14	1001188855	1	Plate, A/C Belt Tensioner	
15	1001188856	1	Rod, Tensioner	
16	1001227090	1	Decal, A/C Installation	
17	1001193797	1	Support, Cover	
18	1001200701	1	Belt, Drive	
19	1001202321	1	A/C Lines Installation (See Separate Breakdown in this Section)	

SECTION 4 - ENGINE AND ATTACHING PARTS

FIGURE 4-41. A/C LINES INSTALLATION



ART_1001202321-D

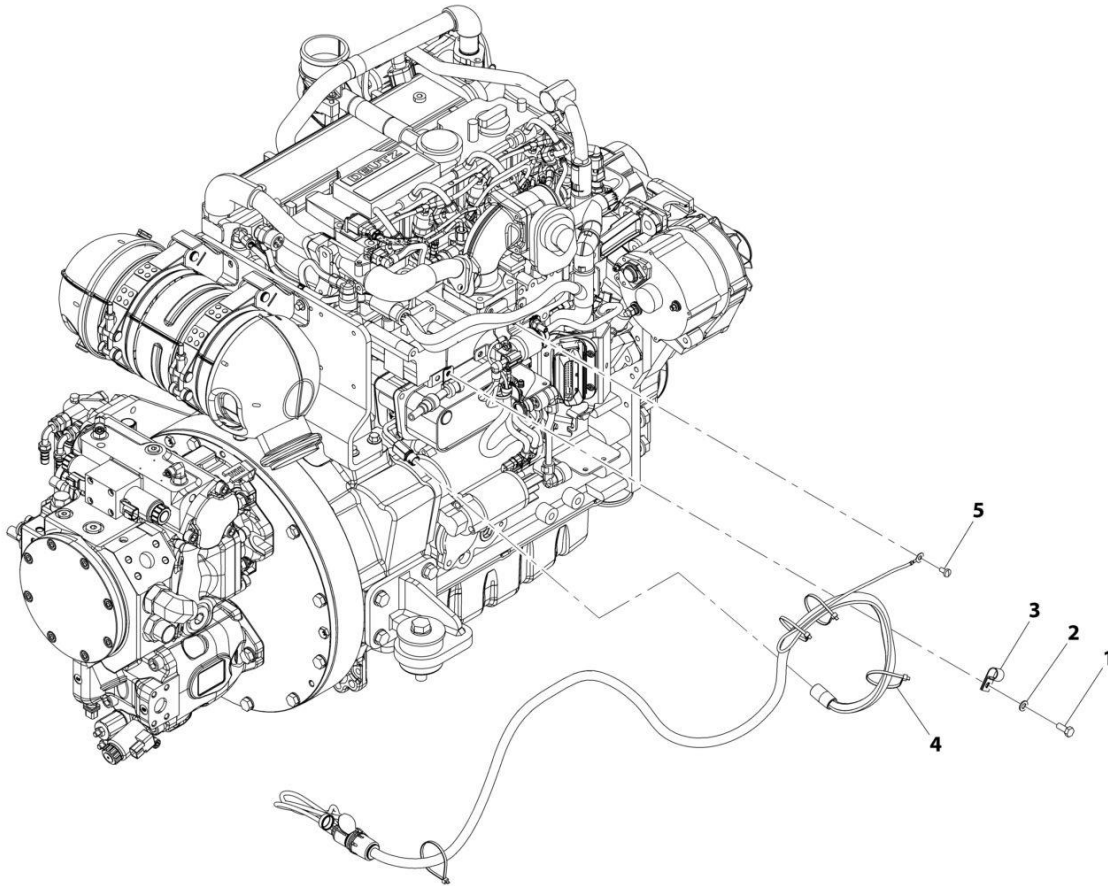
SECTION 4 - ENGINE AND ATTACHING PARTS

FIGURE 4-41. A/C LINES INSTALLATION

ITEM	PART NUMBER	QTY	DESCRIPTION	REV
	1001202321	Ref	A/C Lines Installation	D
1	1062255	2	Strap, Tie	
2	1001216798	1	Hose	
3	1001216799	1	Hose	
4	1001202325	1	Hose	

SECTION 4 - ENGINE AND ATTACHING PARTS

FIGURE 4-42. BLOCK HEATER INSTALLATION (115V) (ULS)



ART_1001214349-C

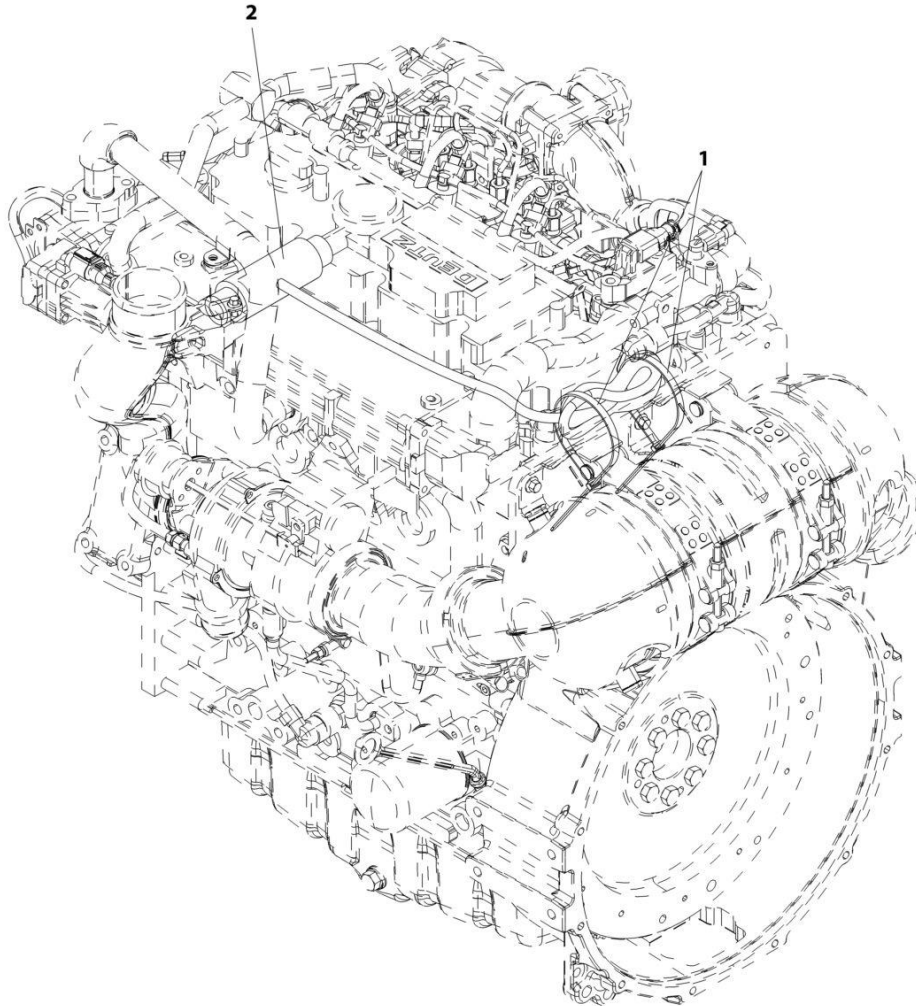
SECTION 4 - ENGINE AND ATTACHING PARTS

FIGURE 4-42. BLOCK HEATER INSTALLATION (115V) (ULS)

ITEM	PART NUMBER	QTY	DESCRIPTION	REV
	1001214349	Ref	Block Heater Installation (115V) (ULS)	C
1	0760810	1	Bolt, M8X20	
2	4811900	1	Washer, M8	
3	8406112	1	Clip	
4	1001008559	4	Strap, Cable	
5	1001099566	1	Screw, M6-1X12	

SECTION 4 - ENGINE AND ATTACHING PARTS

FIGURE 4-43. HEATED BREATHER TUBE INSTALLATION



ART_1001233024-A

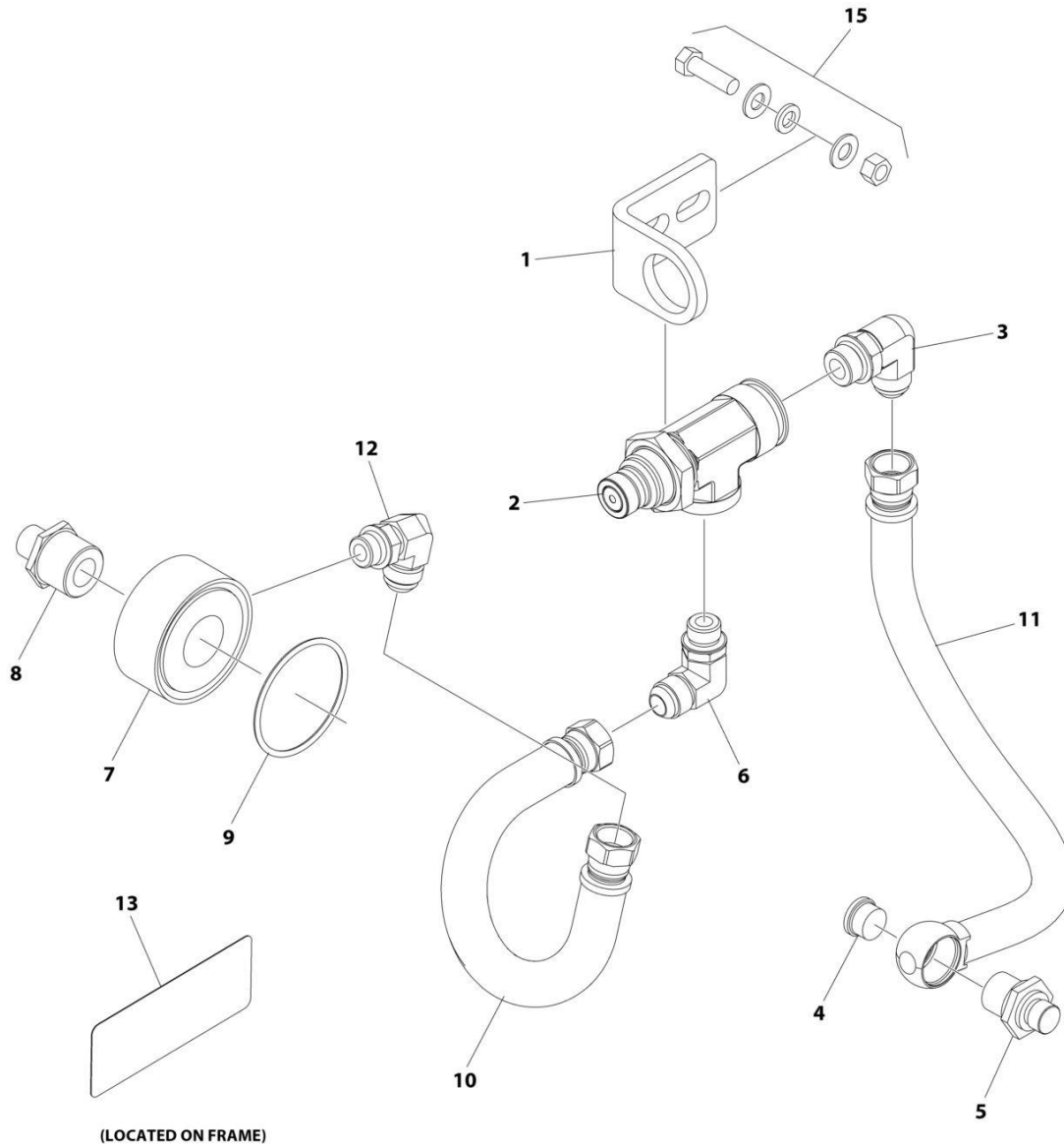
SECTION 4 - ENGINE AND ATTACHING PARTS

FIGURE 4-43. HEATED BREATHER TUBE INSTALLATION

ITEM	PART NUMBER	QTY	DESCRIPTION	REV
	1001233024	Ref	Heated Breather Tube Installation	A
1	1062255	2	Strap, Tie	
2	1001232509	1	Hose	

SECTION 4 - ENGINE AND ATTACHING PARTS

FIGURE 4-44. QUICK DRAIN OIL VALVE INSTALLATION



ART_1001281473

SECTION 4 - ENGINE AND ATTACHING PARTS

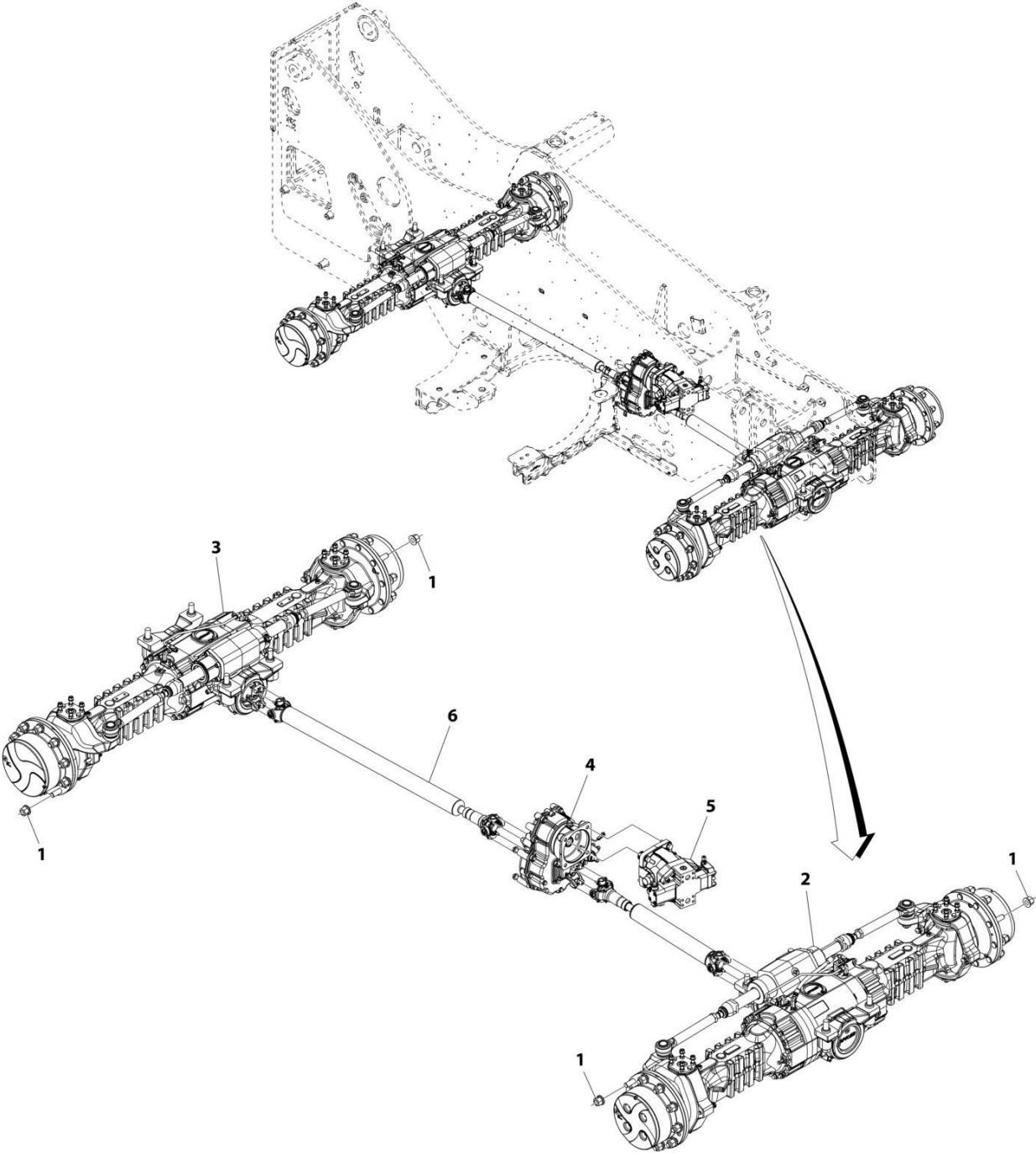
FIGURE 4-44. QUICK DRAIN OIL VALVE INSTALLATION

ITEM	PART NUMBER	QTY	DESCRIPTION	REV
	1001281473	Ref	QUICK DRAIN OIL VALVE INSTALLATION	A
1	1001281297	1	Bracket	
2	1001281298	1	Valve, Small Quickfit	
3	1001281301	1	Fitting, 90	
4	1001281304	1	Plug, Quickfit	
5	1001281305	1	Fitting, Straight Quickfit	
6	1001281307	1	Fitting, 90	
7	1001281309	1	Filter, Ring	
8	1001281310	1	Fitting, Straight	
9	1001281311	1	O-Ring	
10	1001283991	1	Hose	
11	1001283992	1	Hose	
12	1001281359	1	Fitting, 90	
13	1001281360	1	Decal - RPM Quickfit	
14	1001281656	1	Tie-Strap (Not Shown)	
15	1001281888	2	Bolt 3/8-16 x 1-1/4	

SECTION 5 - DRIVE TRAIN

SECTION 5 - DRIVE TRAIN

FIGURE 5-1. DRIVETRAIN INSTALLATION



ART_1001184976-B

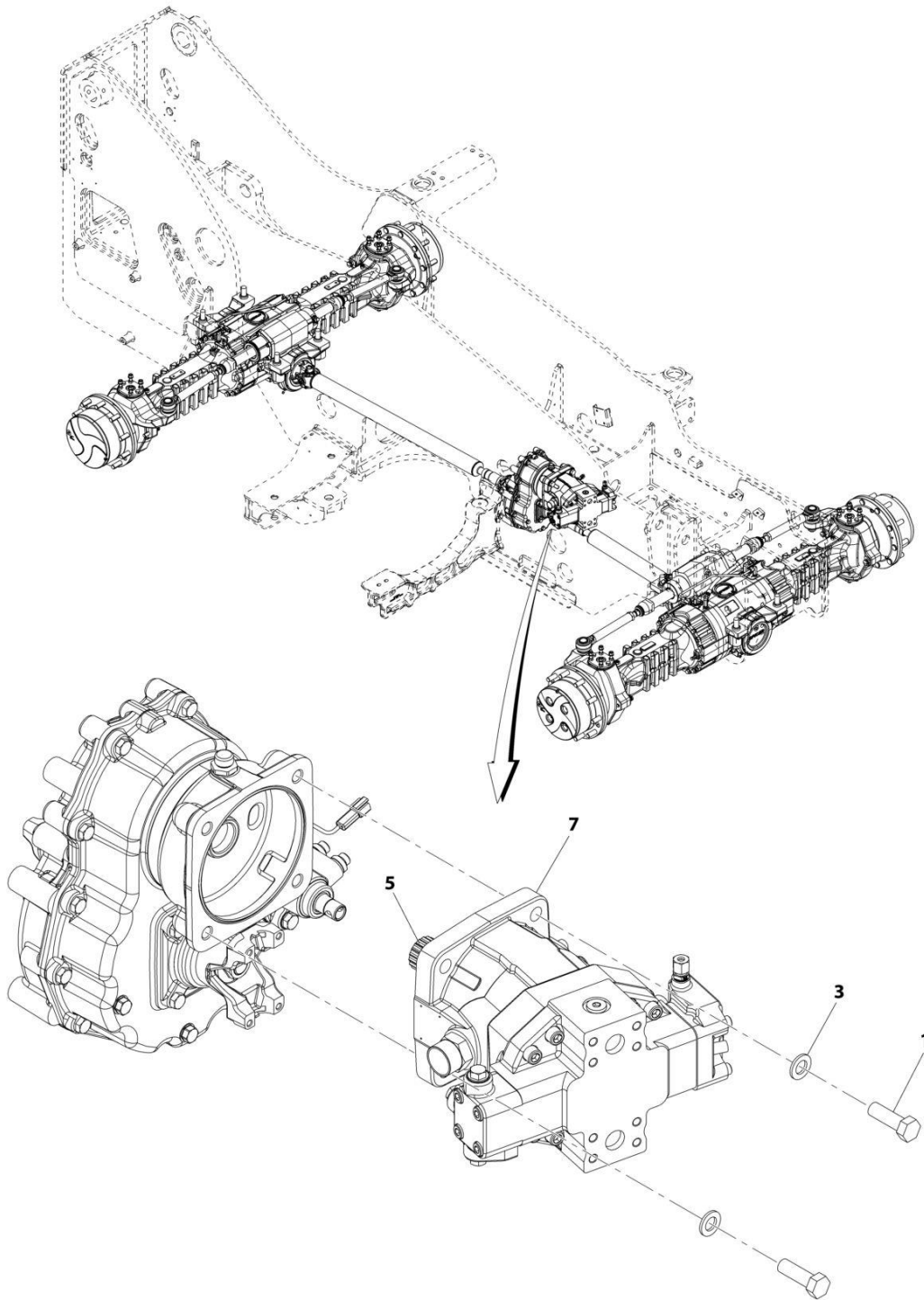
SECTION 5 - DRIVE TRAIN

FIGURE 5-1. DRIVETRAIN INSTALLATION

ITEM	PART NUMBER	QTY	DESCRIPTION	REV
	1001184976	Ref	Drivetrain Installation	B
1	91403193	40	Nut, Lug M22X1.5	
2	1001184977	Ref	Installation, Front Axle (See Separate Breakdown in this Section)	
3	1001184978	Ref	Installation, Rear Axle (See Separate Breakdown in this Section)	
4	1001184979	Ref	Installation, Gearbox (See Separate Breakdown in this Section)	
5	1001184980	Ref	Installation, Hydrostatic Motor (See Separate Breakdown in this Section)	
6	1001184981	Ref	Installation, Drive Shaft (See Separate Breakdown in this Section)	

SECTION 5 - DRIVE TRAIN

FIGURE 5-2. HYDROSTATIC MOTOR INSTALLATION



ART_1001184980-D

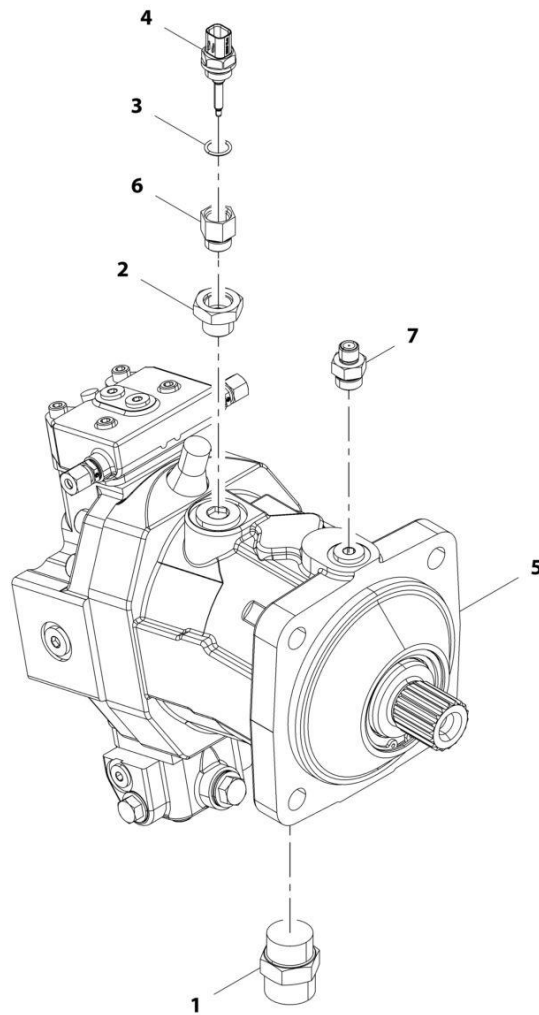
SECTION 5 - DRIVE TRAIN

FIGURE 5-2. HYDROSTATIC MOTOR INSTALLATION

ITEM	PART NUMBER	QTY	DESCRIPTION	REV
	1001184980	Ref	Hydrostatic Motor Installation	D
1	0771618	4	Bolt, M16X50	
3	4812300	4	Washer, M16	
5	3020037	AR	Lube, Grease	
7	1001217620	1	Assembly, Hydrostatic Drive Motor (See Separate Breakdown in this Section)	

SECTION 5 - DRIVE TRAIN

FIGURE 5-3. HYDROSTATIC MOTOR ASSEMBLY



ART_1001217620-B

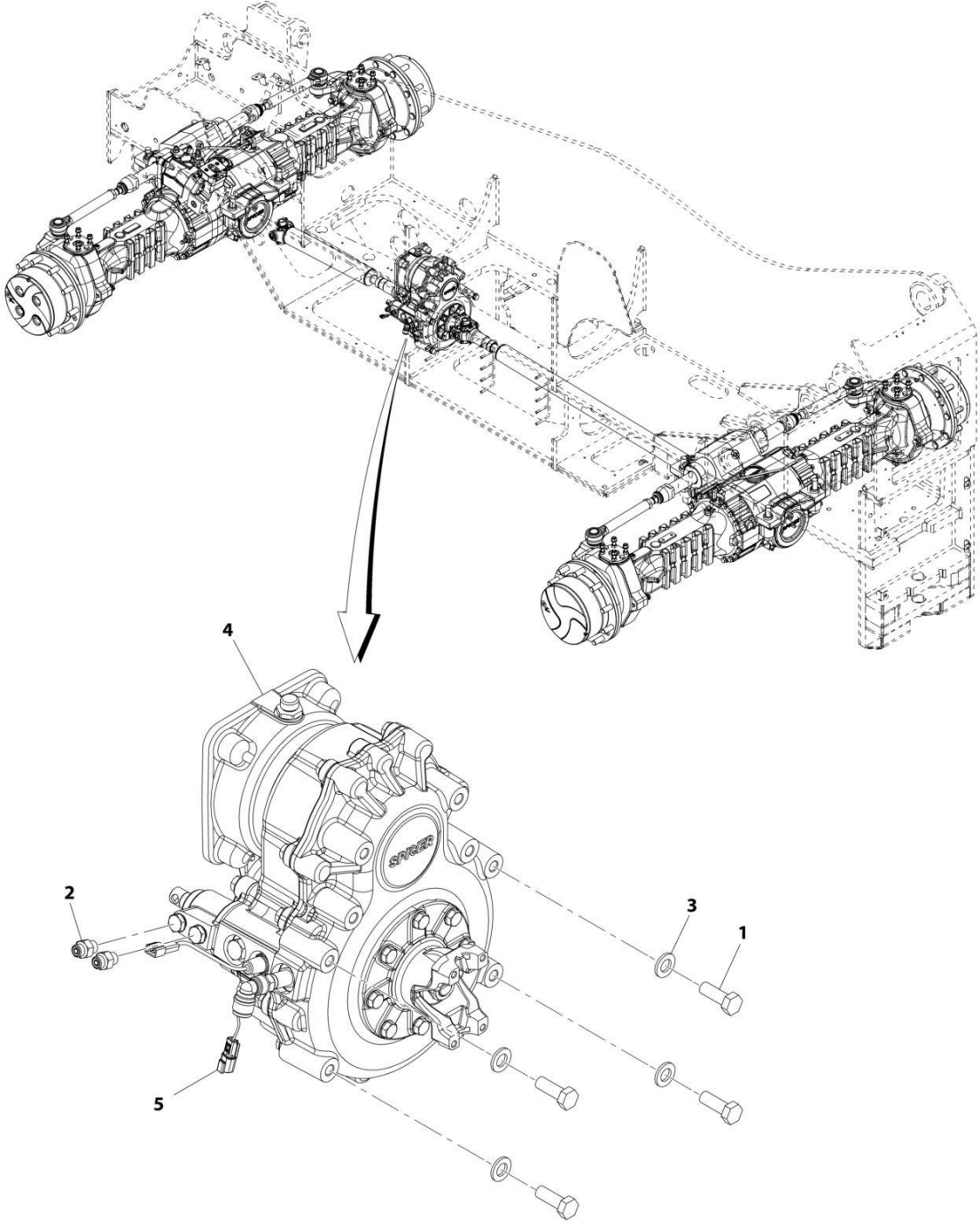
SECTION 5 - DRIVE TRAIN

FIGURE 5-3. HYDROSTATIC MOTOR ASSEMBLY

ITEM	PART NUMBER	QTY	DESCRIPTION	REV
	1001217620	Ref	Hydrostatic Motor Assembly	B
1	2111616	1	Fitting, Straight ORFS	
2	2220811	1	Fitting, Straight	
3	1001009163	1	O-Ring	
4	1001128478	1	Sensor	
5	1001193308	1	Motor, Hydrostatic (See Separate Breakdown in HYDRAULIC COMPONENTS Section)	
6	1001220760	1	Fitting, Straight	
7	1001217669	1	Fitting, Straight	

SECTION 5 - DRIVE TRAIN

FIGURE 5-4. GEARBOX INSTALLATION



ART_1001184979-E

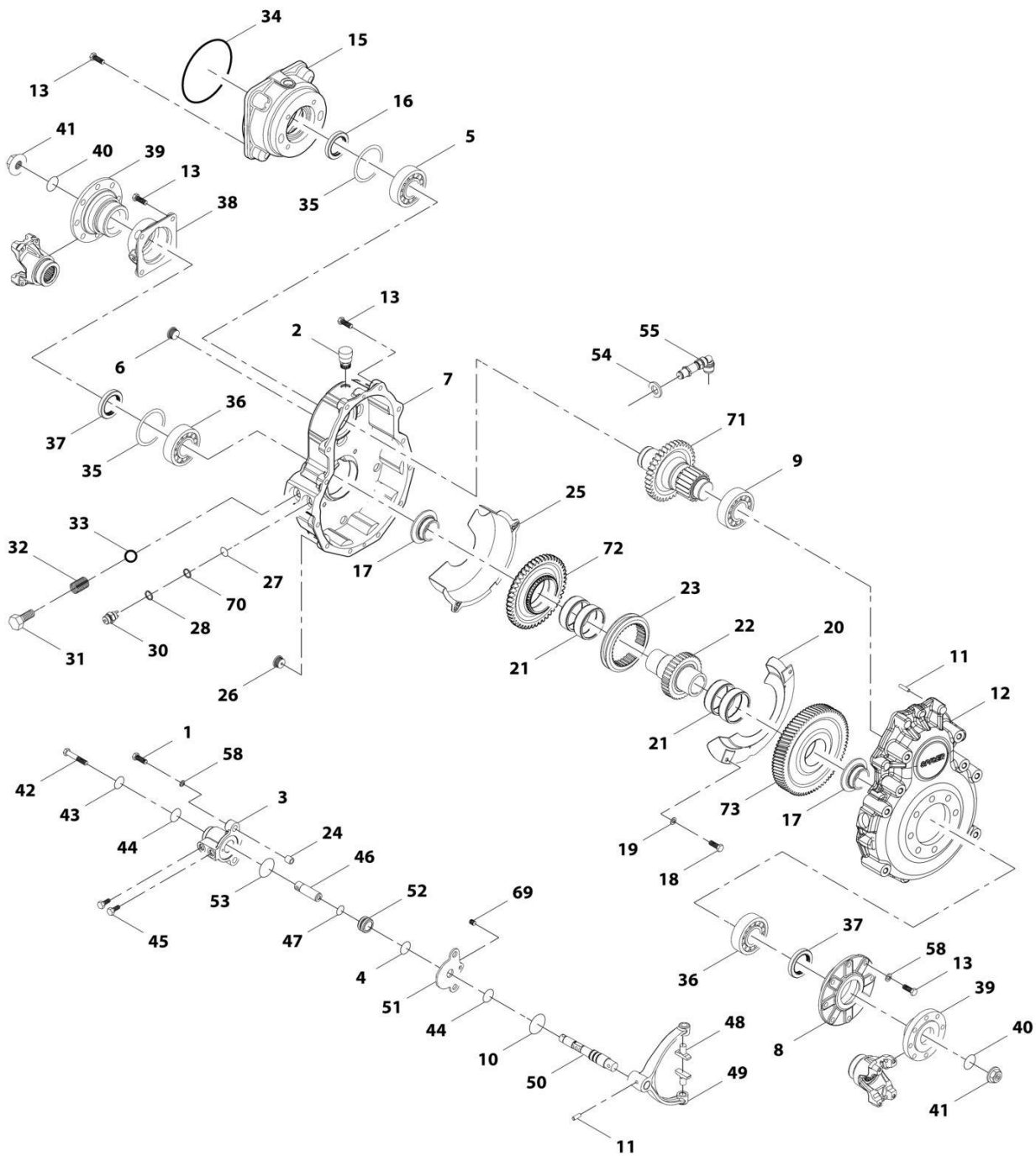
SECTION 5 - DRIVE TRAIN

FIGURE 5-4. GEARBOX INSTALLATION

ITEM	PART NUMBER	QTY	DESCRIPTION	REV
	1001184979	Ref	Gearbox Installation	E
1	0771416	4	Bolt, M14-2X40 Grade 10.9	
2	2144603	1	Fitting, Straight ORFS	
3	5241400	4	Washer, M14	
4	1001184986	1	Gearbox (See Separate Breakdown in this Section)	
5	1001229981	1	Harness, Vehicle Speed Pigtail (See Separate Breakdown in ELECTRICAL Section)	

SECTION 5 - DRIVE TRAIN

FIGURE 5-5. GEAR BOX



ART_1001184986-D

SECTION 5 - DRIVE TRAIN

FIGURE 5-5. GEAR BOX

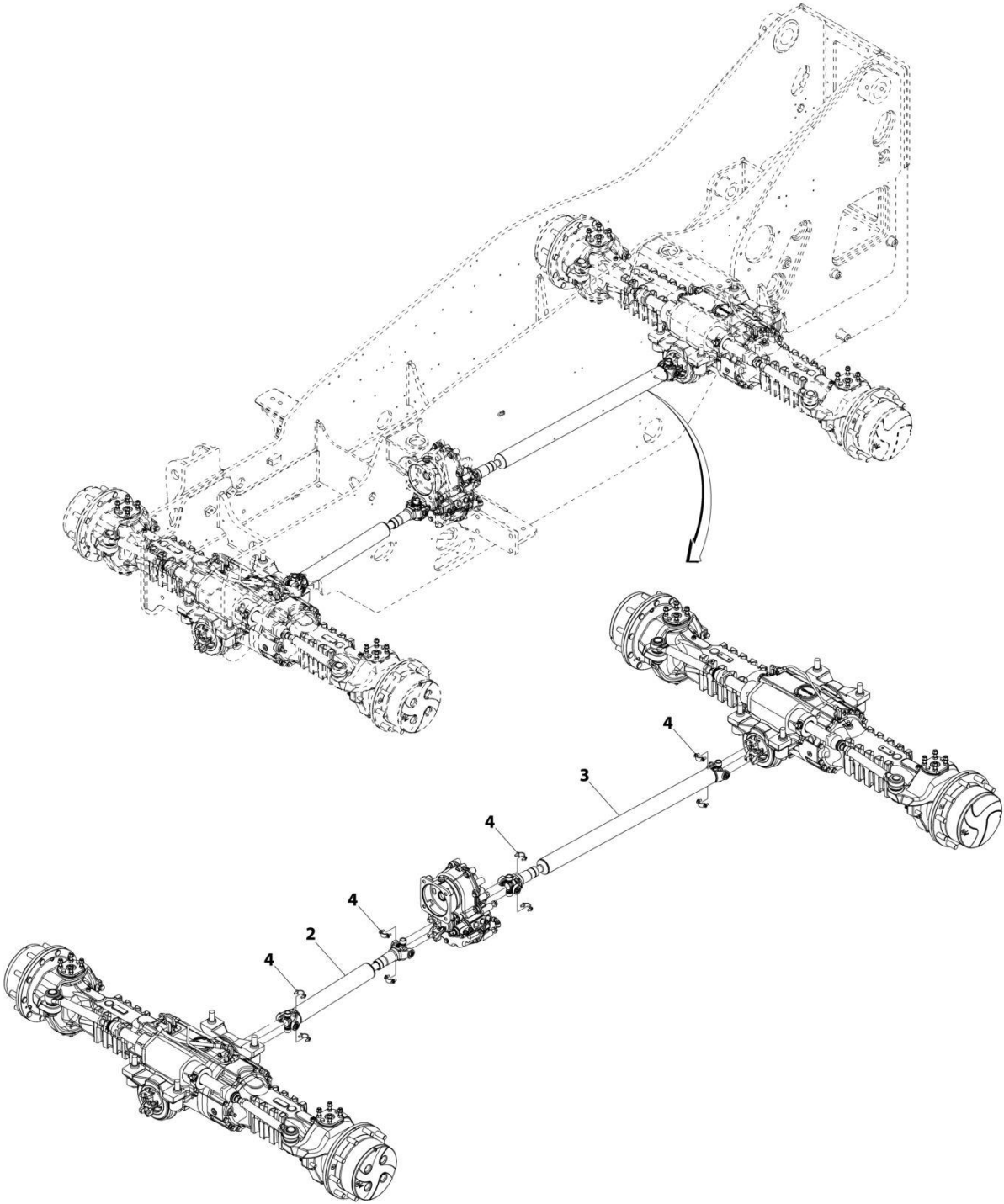
ITEM	PART NUMBER	QTY	DESCRIPTION	REV
	1001184986	Ref	Gear box	D
1	70028817	2	Bolt	
2	70028818	1	Plug	
3	70028819	1	Cylinder	
4	70028820	1	O-Ring	
5	91514146	1	Bearing, Ball	
6	80204016	1	Plug	
7	70028821	1	Housing	
8	70028822	1	Cover	
9	70026904	1	Bearing, Ball	
10	3986405	1	O-Ring	
11	70026892	3	Dowel	
12	70028823	1	Housing	
13	70026911	28	Bolt	
15	70026897	1	Cover	
16	70026896	1	Seal	
17	70028824	2	Spacer	
18	70026909	2	Bolt	
19	70027110	2	Washer, Lock	
20	70028825	1	Plate, Cover	
21	70028826	4	Bearing	
22	70028827	1	Shaft	
23	70028828	1	Sleeve	
24	70028829	2	Pin	
25	70026908	1	Sheet	
26	80204007	1	Plug	
27	1001081085	1	O-Ring	
28	80203020	1	Washer	
30	70028830	1	Switch	
31	70028831	1	Bolt	
32	80203021	1	Spring	
33	70020276	1	Ball, Detend	
34	80204176	1	O-Ring	
35	70027862	2	Kit, Shim	
36	91474364	2	Bearing, Ball	
37	70026901	2	Seal	
38	70028832	1	Cover	
39	70026898	2	Flange	
40	80204215	2	O-Ring	
41	70026631	2	Nut	
42	70028833	1	Bolt	
43	70028834	1	O-Ring	
44	70028835	2	Sleeve	
45	91514154	2	Bolt	
46	70028836	1	Bar	
47	70027109	1	O-Ring	
48	70028837	2	Pin	
49	70028838	1	Fork, Selector	
50	70028839	1	Shaft	
51	70028840	1	Plate, Cover	

SECTION 5 - DRIVE TRAIN

ITEM	PART NUMBER	QTY	DESCRIPTION	REV
52	70028841	1	Piston	
53	70028842	1	O-Ring	
54	70028844	1	Washer	
55	70028801	1	Sensor, Speed	
58	70028843	10	Washer	
69	70028845	1	Bolt	
70	70026927	1	Washer, Seal	
71	70028846	1	Shaft, Input	
72	70028847	1	Gear	
73	70028848	1	Gear	

SECTION 5 - DRIVE TRAIN

FIGURE 5-6. DRIVE SHAFT INSTALLATION



ART_1001184981-B

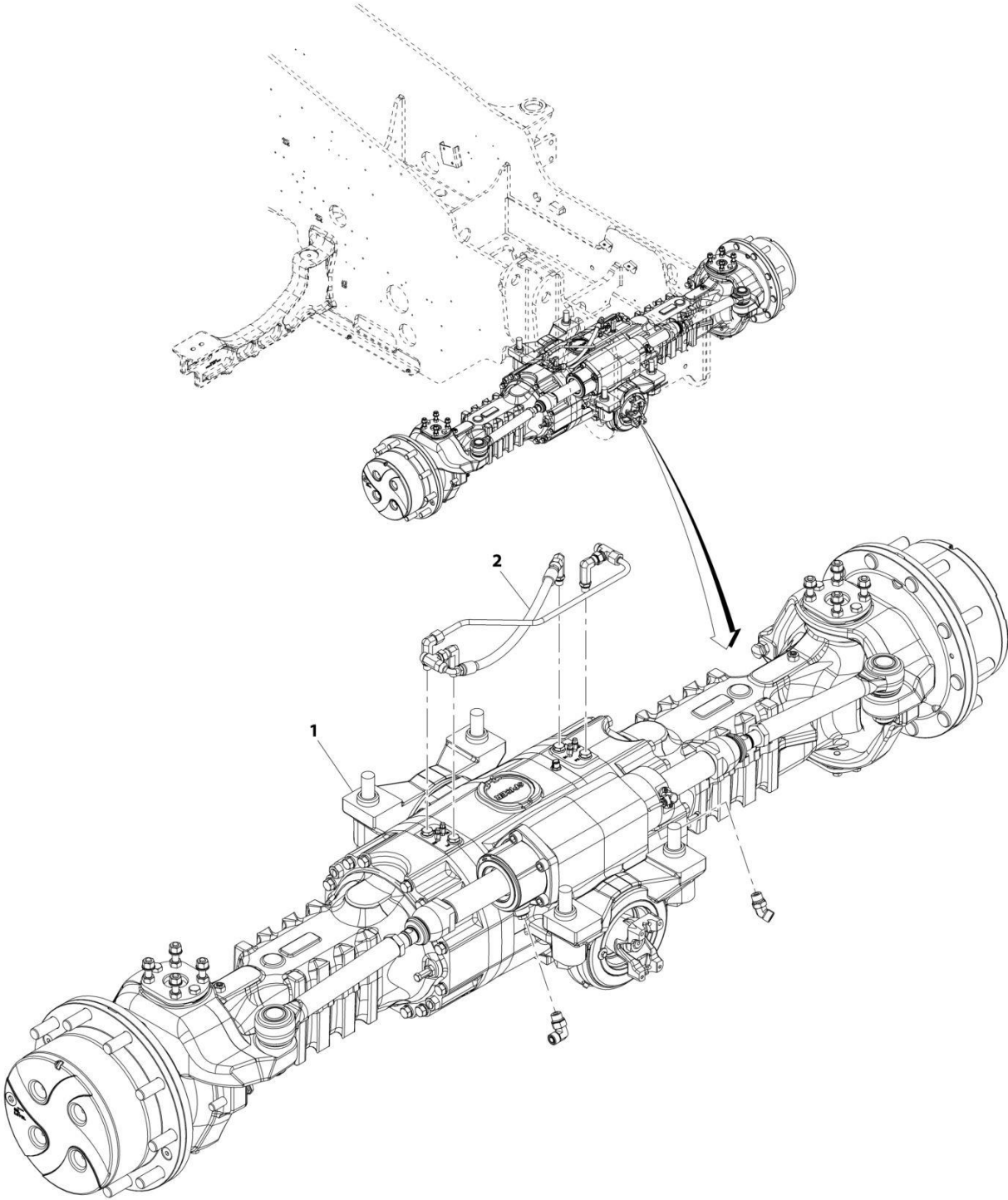
SECTION 5 - DRIVE TRAIN

FIGURE 5-6. DRIVE SHAFT INSTALLATION

ITEM	PART NUMBER	QTY	DESCRIPTION	REV
	1001184981	Ref	Drive Shaft Installation	B
2	1001184987	1	Assembly, Drive Shaft	
3	1001184988	1	Assembly, Drive Shaft	
4	8880219-OM	4	Kit, Strap	

SECTION 5 - DRIVE TRAIN

FIGURE 5-7. FRONT AXLE INSTALLATION



ART_1001184977-B

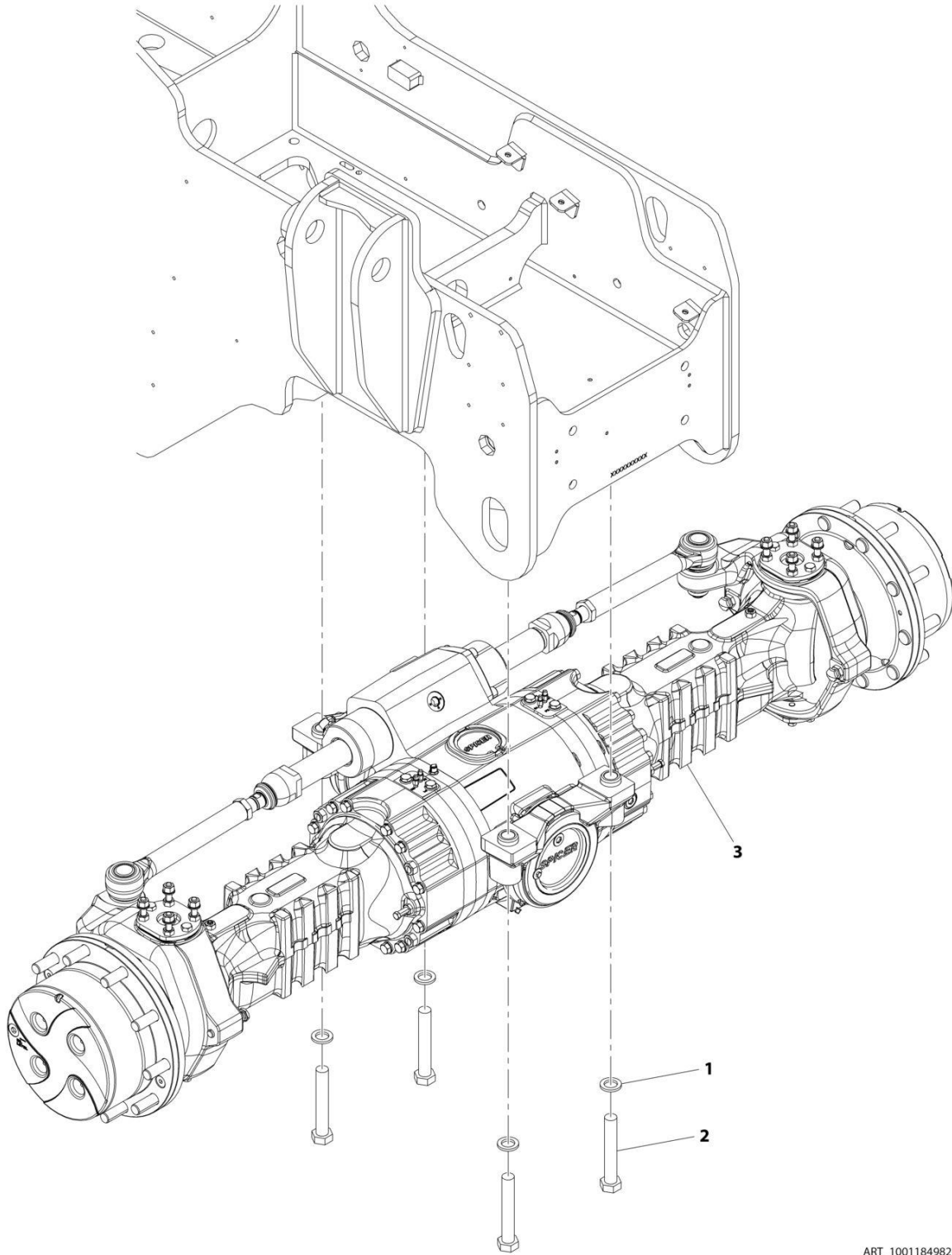
SECTION 5 - DRIVE TRAIN

FIGURE 5-7. FRONT AXLE INSTALLATION

ITEM	PART NUMBER	QTY	DESCRIPTION	REV
1	1001184977	Ref	Front Axle Installation	B
	1001184982	Ref	Installation, Front Axle Mounting (See Separate Breakdown in this Section)	
2	1001207898	Ref	Installation, Front Axle Lines (See Separate Breakdown in this Section)	

SECTION 5 - DRIVE TRAIN

FIGURE 5-8. FRONT AXLE MOUNTING INSTALLATION



ART_1001184982-B

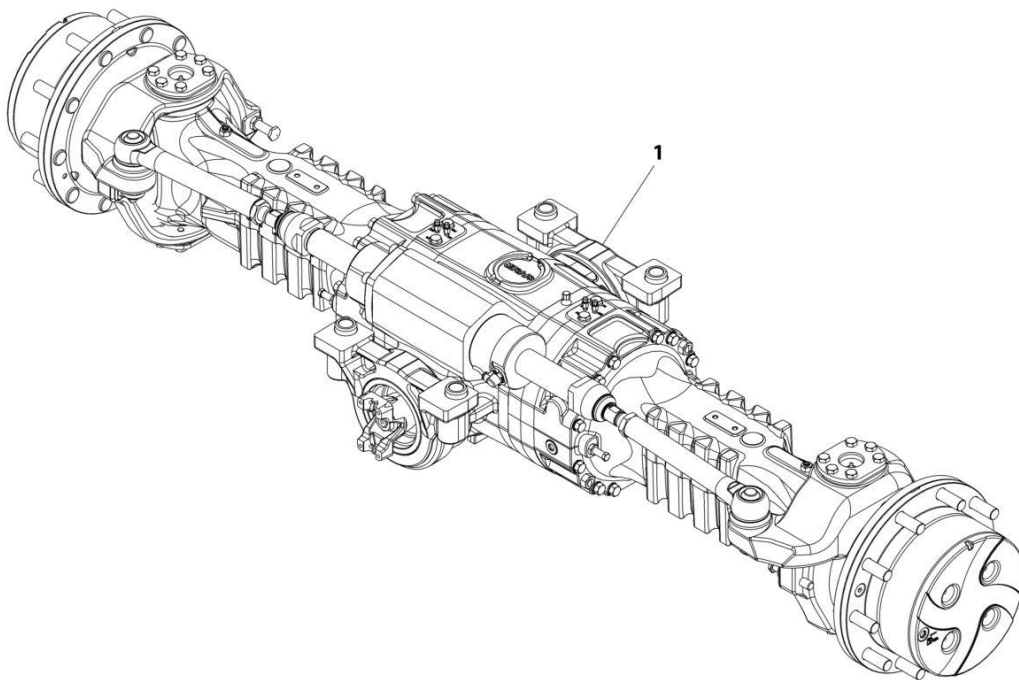
SECTION 5 - DRIVE TRAIN

FIGURE 5-8. FRONT AXLE MOUNTING INSTALLATION

ITEM	PART NUMBER	QTY	DESCRIPTION	REV
	1001184982	Ref	Front Axle Mounting Installation	B
1	4892600	4	Washer	
2	1001097587	4	Bolt, M24-3X150 Grade 10.9	
3	1001184984	1	Axle, Front (See Separate Breakdown in this Section)	

SECTION 5 - DRIVE TRAIN

FIGURE 5-9. FRONT AXLE



ART_1001184984-F

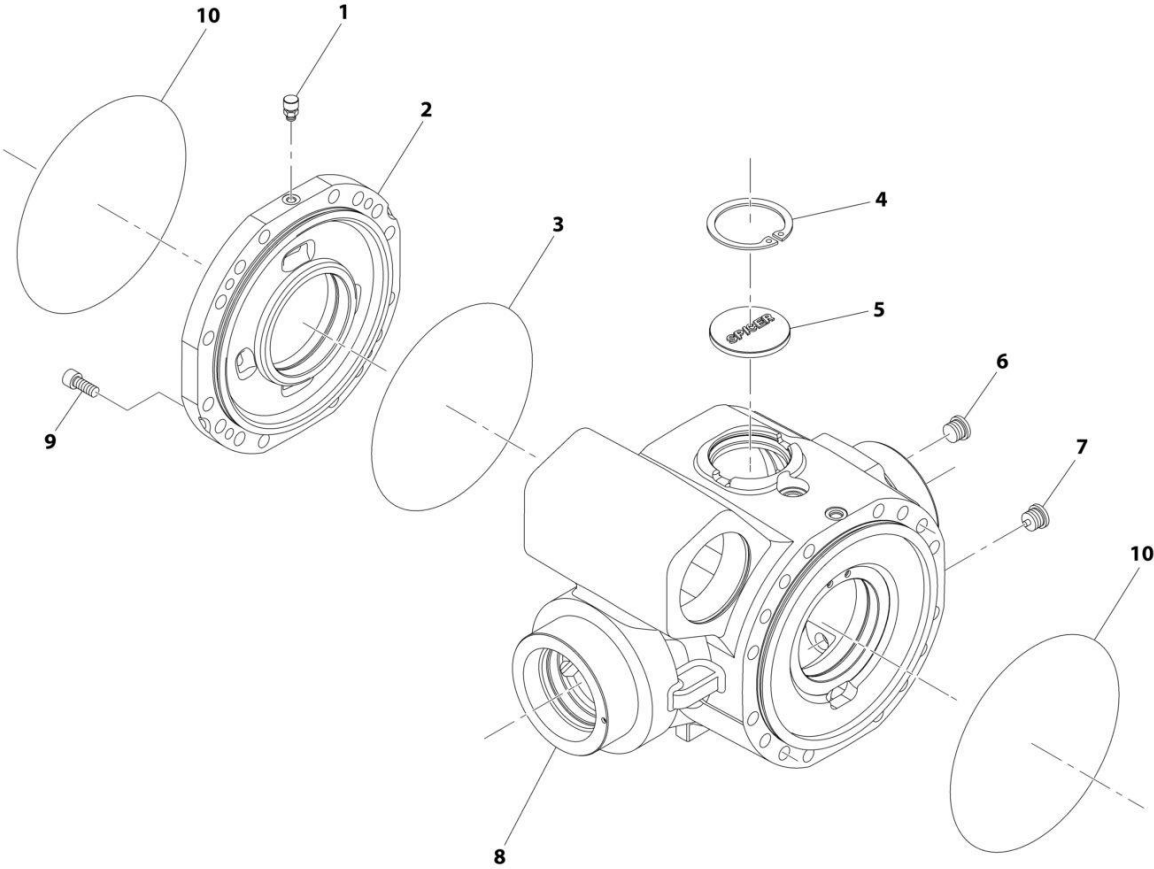
SECTION 5 - DRIVE TRAIN

FIGURE 5-9. FRONT AXLE

ITEM	PART NUMBER	QTY	DESCRIPTION	REV
	1001184984	Ref	Front Axle	F
		Ref	Front Axle, Central Housing (See Separate Breakdown in this Section)	
		Ref	Front Axle, Differential (See Separate Breakdown in this Section)	
		Ref	Front Axle, Hub Reduction (See Separate Breakdown in this Section)	
		Ref	Front Axle, Brakes (See Separate Breakdown in this Section)	
		Ref	Front Axle, Steering (See Separate Breakdown in this Section)	
		Ref	Front Axle, Trunnion (See Separate Breakdown in this Section)	

SECTION 5 - DRIVE TRAIN

FIGURE 5-10. FRONT AXLE, CENTRAL HOUSING



ART_1001184984_1-F

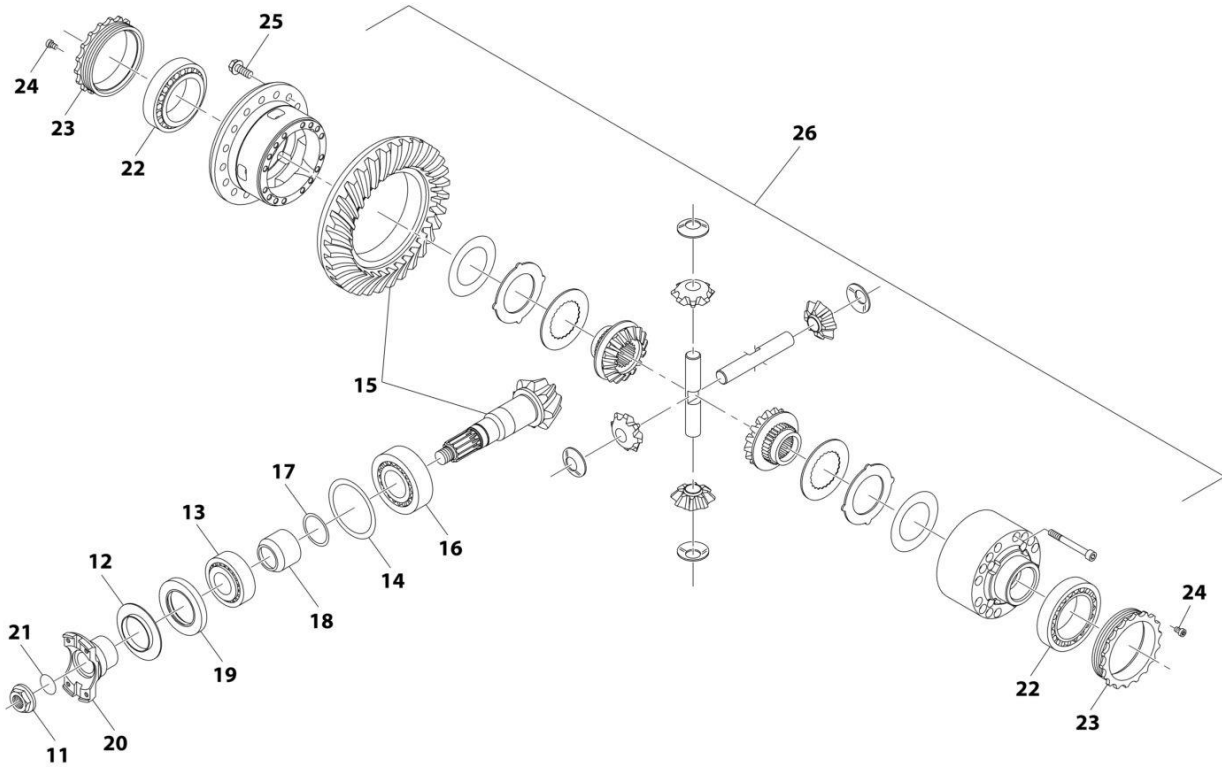
SECTION 5 - DRIVE TRAIN

FIGURE 5-10. FRONT AXLE, CENTRAL HOUSING

ITEM	PART NUMBER	QTY	DESCRIPTION	REV
	1001184984	Ref	Front Axle, Central Housing	F
1	91474512	1	Vent	
2	7029288	1	Cover, Intermediate	
3	80204002	1	O-Ring	
4	80204005	1	Circlip	
5	91514098	1	Plug	
6	70028389	1	Plug	
7	70028388	1	Plug	
8	70025335	1	Housing	
9	91514101	4	Bolt	
10	91514089	2	O-Ring	

SECTION 5 - DRIVE TRAIN

FIGURE 5-11. FRONT AXLE, DIFFERENTIAL



ART_1001184984_2-F

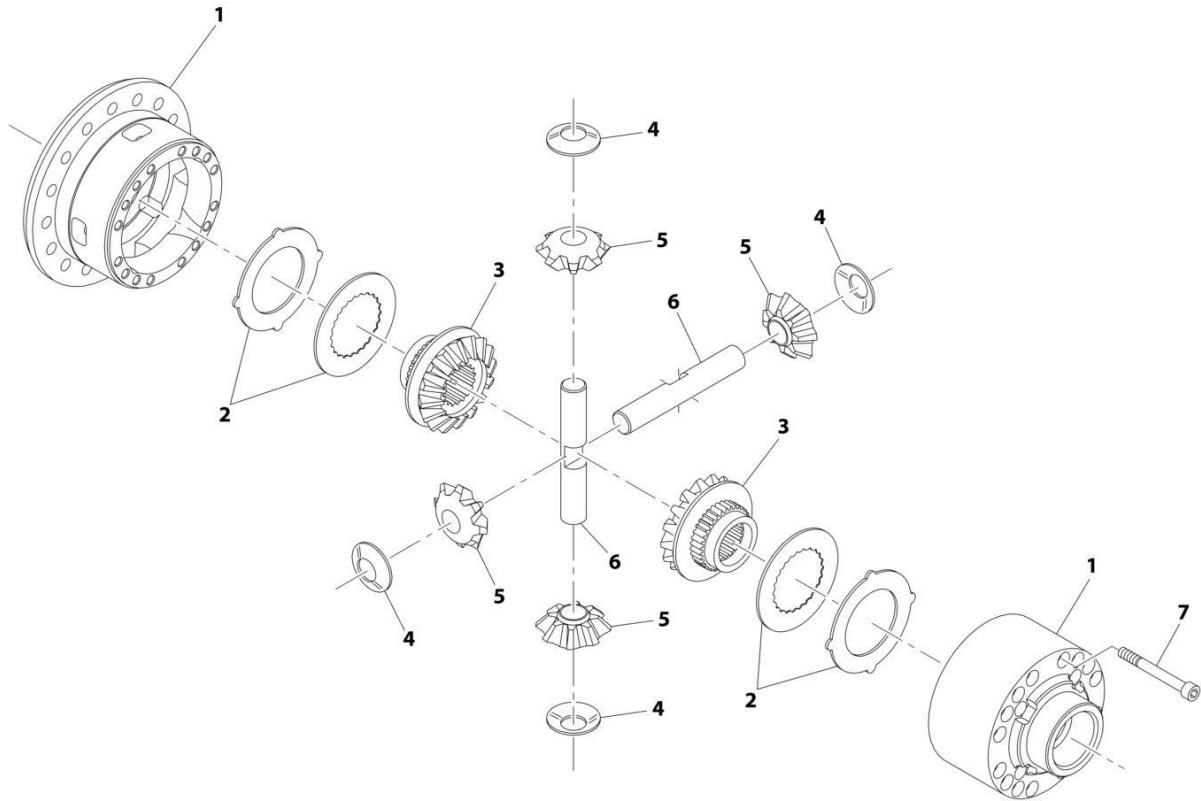
SECTION 5 - DRIVE TRAIN

FIGURE 5-11. FRONT AXLE, DIFFERENTIAL

ITEM	PART NUMBER	QTY	DESCRIPTION	REV
	1001184984	Ref	Front Axle, Differential	F
11	80204043	1	Nut	
12	91514130	1	Plate, Cover	
13	80204048	1	Bearing, Tape Roller	
14	70023469	1	Shim	
15	70028391	1	Gear, Bevel Set	
16	80204035	1	Bearing, Tape Roller	
17	70023494	1	Ring	
18	70022140	1	Spacer	
19	70025887	1	Seal	
20	70028401	1	Flange	
21	10725554	1	O-Ring	
22	80204033	2	Bearing, Tape Roller	
23	91514133	2	Nut, Ring	
24	91514134	2	Bolt	
25	91514123	16	Bolt	
26	70028390	1	Kit, Differential (See Separate Breakdown in this Section)	

SECTION 5 - DRIVE TRAIN

FIGURE 5-12. DIFFERENTIAL KIT



ART_70028390

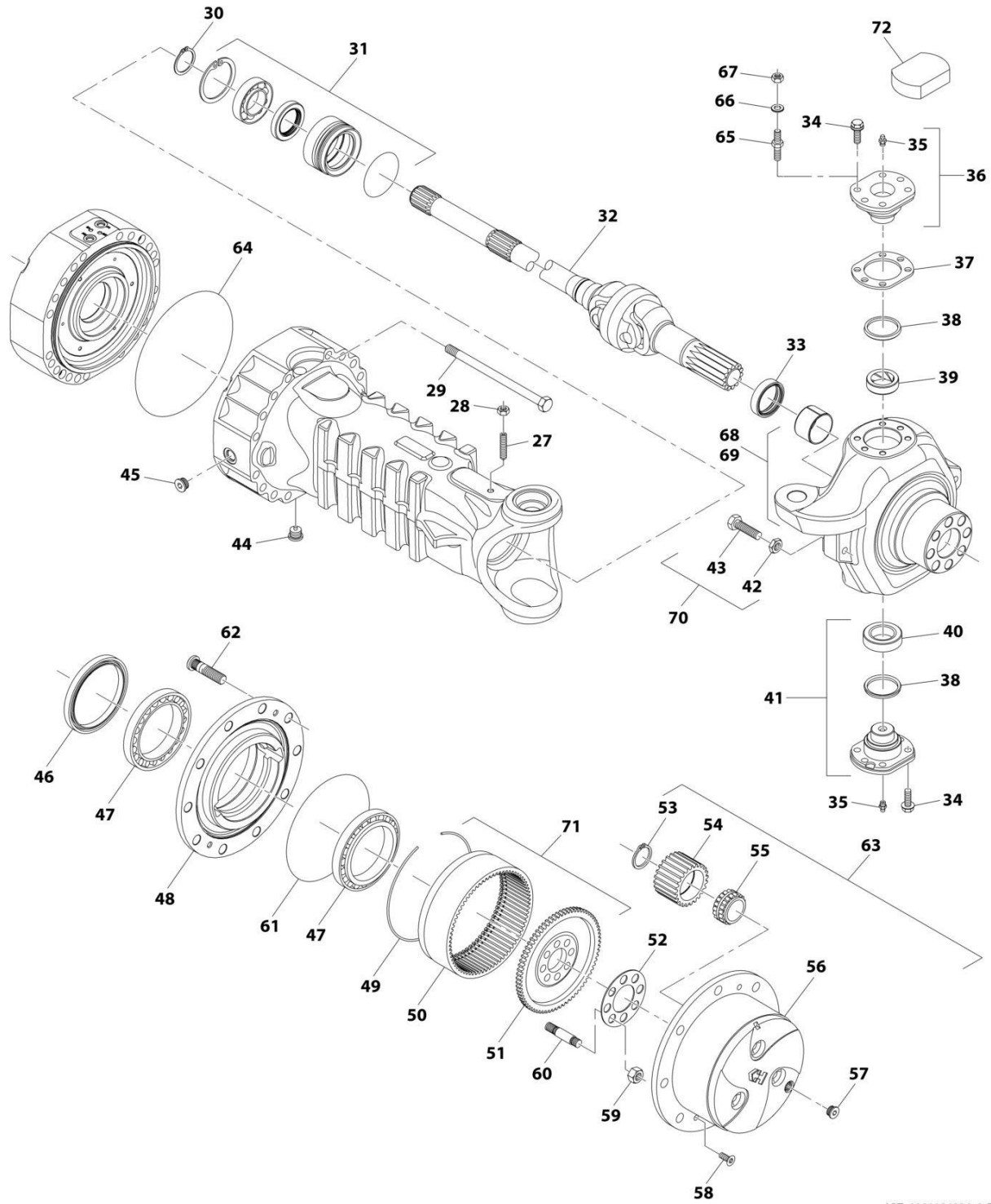
SECTION 5 - DRIVE TRAIN

FIGURE 5-12. DIFFERENTIAL KIT

ITEM	PART NUMBER	QTY	DESCRIPTION	REV
	70028390	Ref	Differential Kit	
1	70024004	2	Carrier, Differential	
2	70026750	2	Disc, Clutch	
3	70025856	2	Gear, Differential Side	
4	70027105	4	Washer, Friction	
5	70025339	4	Pinion, Differential	
6	70023490	2	Shaft, Differential	
7	91514143	15	Bolt	

SECTION 5 - DRIVE TRAIN

FIGURE 5-13. FRONT AXLE, HUB REDUCTION



ART_1001184984_3-F

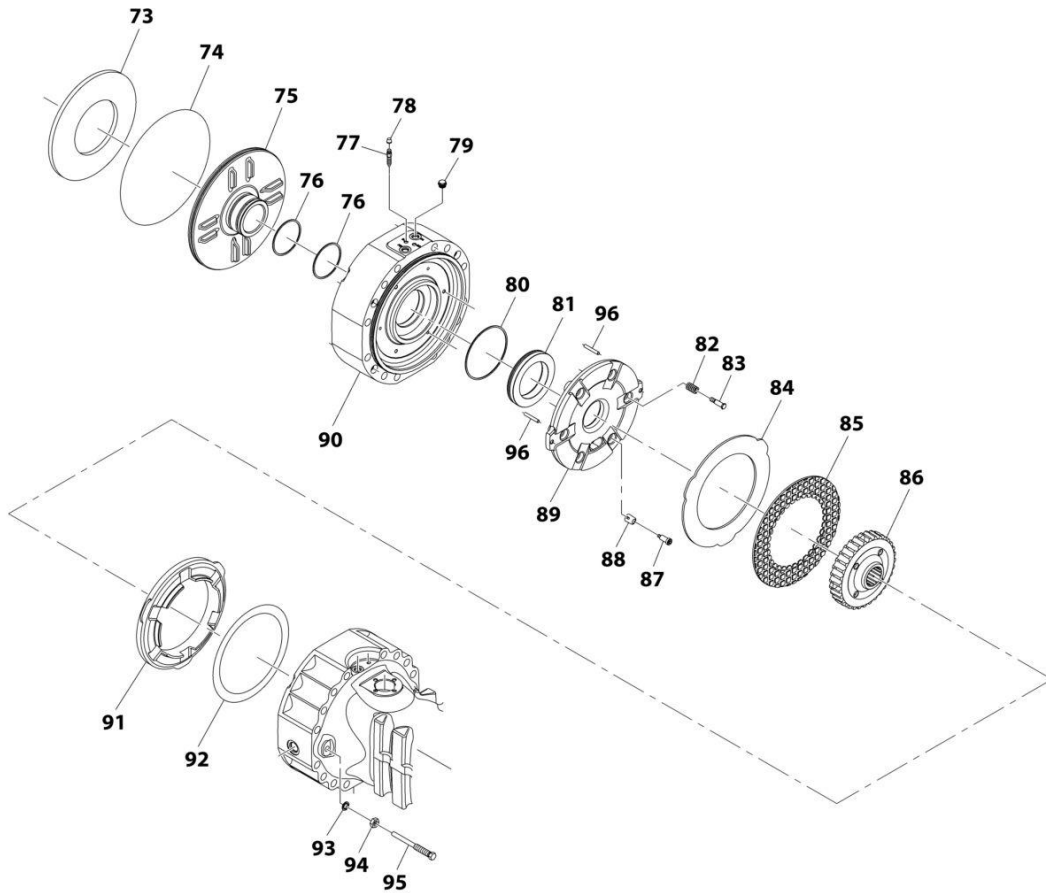
SECTION 5 - DRIVE TRAIN

FIGURE 5-13. FRONT AXLE, HUB REDUCTION

ITEM	PART NUMBER	QTY	DESCRIPTION	REV
	1001184984	Ref	Front Axle, Hub Reduction	F
27	91514081	2	Bolt	
28	91514082	2	Nut	
29	70025012	24	Bolt	
30	80204071	2	Circlip	
31	91514149	2	Kit, Reduction Bushing (See Separate Breakdown in this Section)	
32	70028396	2	Joint, Double Universal	
33	70026238	2	Seal	
34	70025562	20	Bolt	
35	70024881	2	Fitting, Grease	
36	91514112	2	Pin	
37	70025561	1	Shim	
38	7028716	2	Seal, Dust	
39	7028714	2	Bushing	
40	91514095	2	Bearing	
41	7028715	2	Pin	
42	80204065	4	Nut	
43	91514117	4	Bolt	
44	70028388	2	Plug	
45	70028389	2	Plug	
46	70026002	2	Seal	
47	80204076	4	Bearing, Taper Roller	
48	91514174	2	Hub, Wheel	
49	91514175	2	Circlip	
50	70024147	2	Gear, Ring	
51	91514177	2	Support, Ring Gear	
52	91514178	2	Plate	
53	91514184	8	Circlip	
54	91514185	8	Gear, Planet	
55	91514186	8	Bearing	
56	7029317	2	Carrier, Planet Gear	
57	70028387	2	Plug	
58	91514189	4	Bolt, Countersunk	
59	91514179	16	Nut	
60	91514180	16	Stud	
61	91514181	2	O-Ring	
62	80214120	20	Stud	
63	7029743	2	Kit, Planet Gear Carrier	
64	91514089	2	O-Ring	
65	70025014	8	Stud	
66	91514084	8	Washer	
67	91514083	8	Nut	
68	70026260	1	Kit, Steering Case (left) (See Separate Breakdown in this Section)	
69	70026261	1	Kit, Steering Case (right) (See Separate Breakdown in this Section)	
70	7028733	4	Bolt, Steering Adjust	
71	70024146	2	Kit, Ring Gear Support (See Separate Breakdown in this Section)	
72	70028392	2	Cover	

SECTION 5 - DRIVE TRAIN

FIGURE 5-14. FRONT AXLE, BRAKES



ART_1001184984_4-F

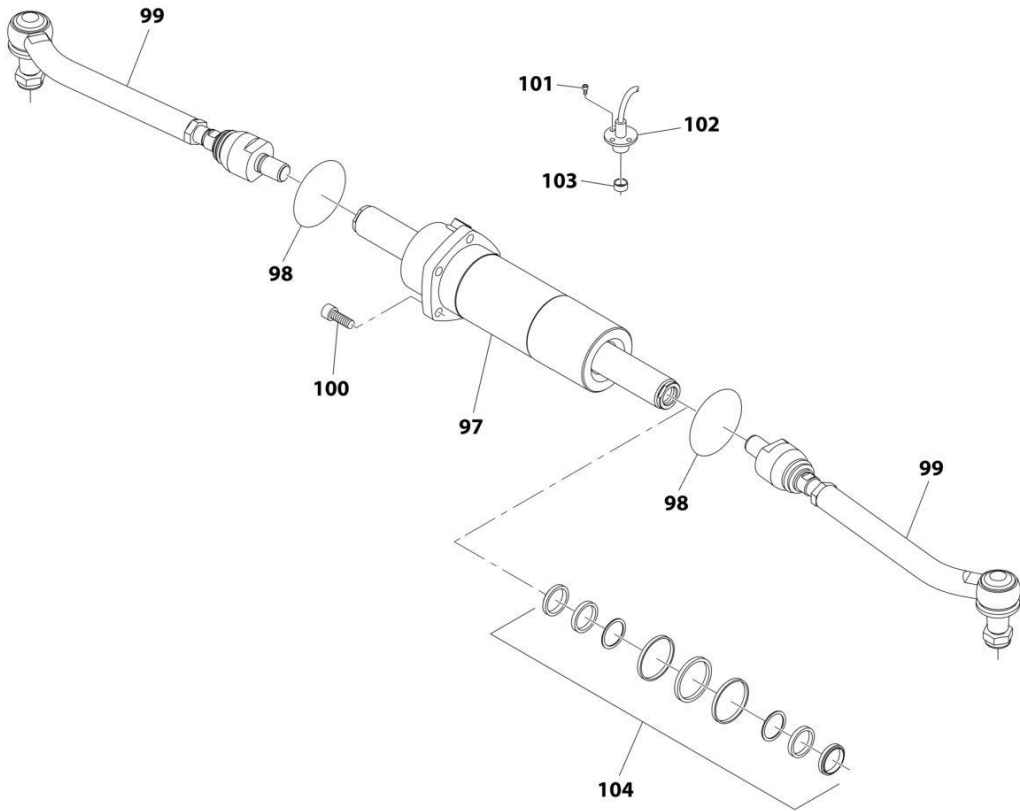
SECTION 5 - DRIVE TRAIN

FIGURE 5-14. FRONT AXLE, BRAKES

ITEM	PART NUMBER	QTY	DESCRIPTION	REV
	1001184984	Ref	Front Axle, Brakes	F
73	91514151	2	Washer	
74	91514089	2	O-Ring	
75	70027092	2	Piston	
76	70026262	4	Seal	
77	80204281	4	Bolt, Bleeding	
78	80204117	4	Plug	
79	91514154	4	Plug	
80	70026263	2	Seal	
81	70027796	2	Piston	
82	91514159	6	Spring	
83	70024210	6	Bolt, Adjusting	
84	70027022	6	Disc, Intermediate Brake	
85	7029735	6	Disc, Brake	
86	7029734	2	Bushing, Reduction	
87	7029787	6	Bolt, Adjusting	
88	70027317	6	Spring	
89	70024849	2	Disc, Intermediate Brake	
90	70024848	2	Cover	
91	70026264	2	Spacer	
92	70025970	1	Shim	
93	80204108	4	Washer, Lock	
94	80204060	4	Nut	
95	70024213	4	Bolt	
96	70024215	4	Dowel	

SECTION 5 - DRIVE TRAIN

FIGURE 5-15. FRONT AXLE, STEERING



ART_1001184984_5-F

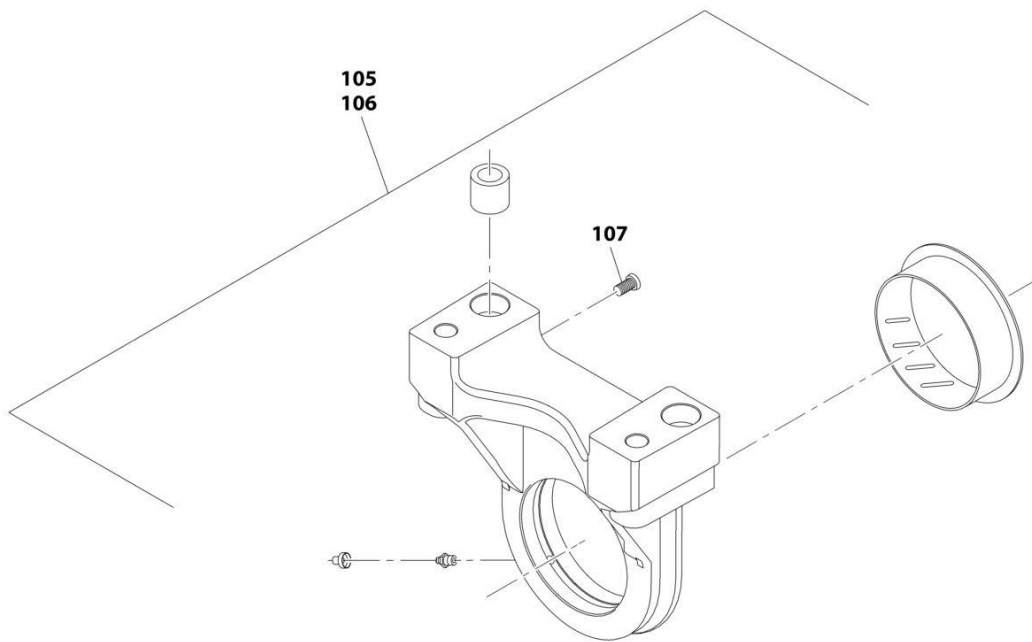
SECTION 5 - DRIVE TRAIN

FIGURE 5-15. FRONT AXLE, STEERING

ITEM	PART NUMBER	QTY	DESCRIPTION	REV
	1001184984	Ref	Front Axle, Steering	F
97	70028393	1	Cylinder	
98	80204143	2	O-Ring	
99	70028394	2	Rod, Articulated Tie	
99	70022773	2	Nut	
100	80204144	5	Bolt	
101	8008175	2	Bolt	
102	70027986	1	Optical Sensor	
103	7029307	1	Plug	
104	7029127	1	Kit, Seal	

SECTION 5 - DRIVE TRAIN

FIGURE 5-16. FRONT AXLE, TRUNION



ART_1001184984_6-F

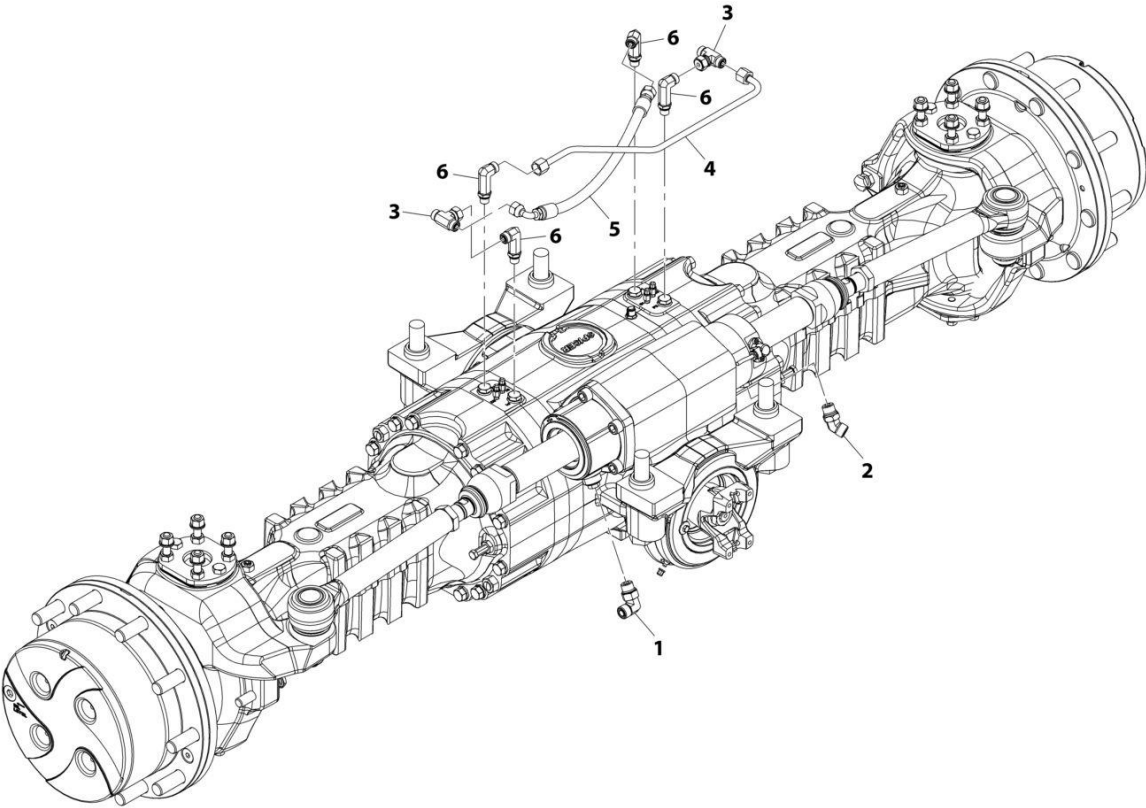
SECTION 5 - DRIVE TRAIN

FIGURE 5-16. FRONT AXLE, TRUNION

ITEM	PART NUMBER	QTY	DESCRIPTION	REV
	1001184984	Ref	Front Axle, Trunion	F
105	70026266	1	Kit, Trunion (See Separate Breakdown in this Section)	
106	70026265	1	Support	
107	70025884	1	Bolt	

SECTION 5 - DRIVE TRAIN

FIGURE 5-17. FRONT AXLE LINES INSTALLATION



ART_1001207898-C

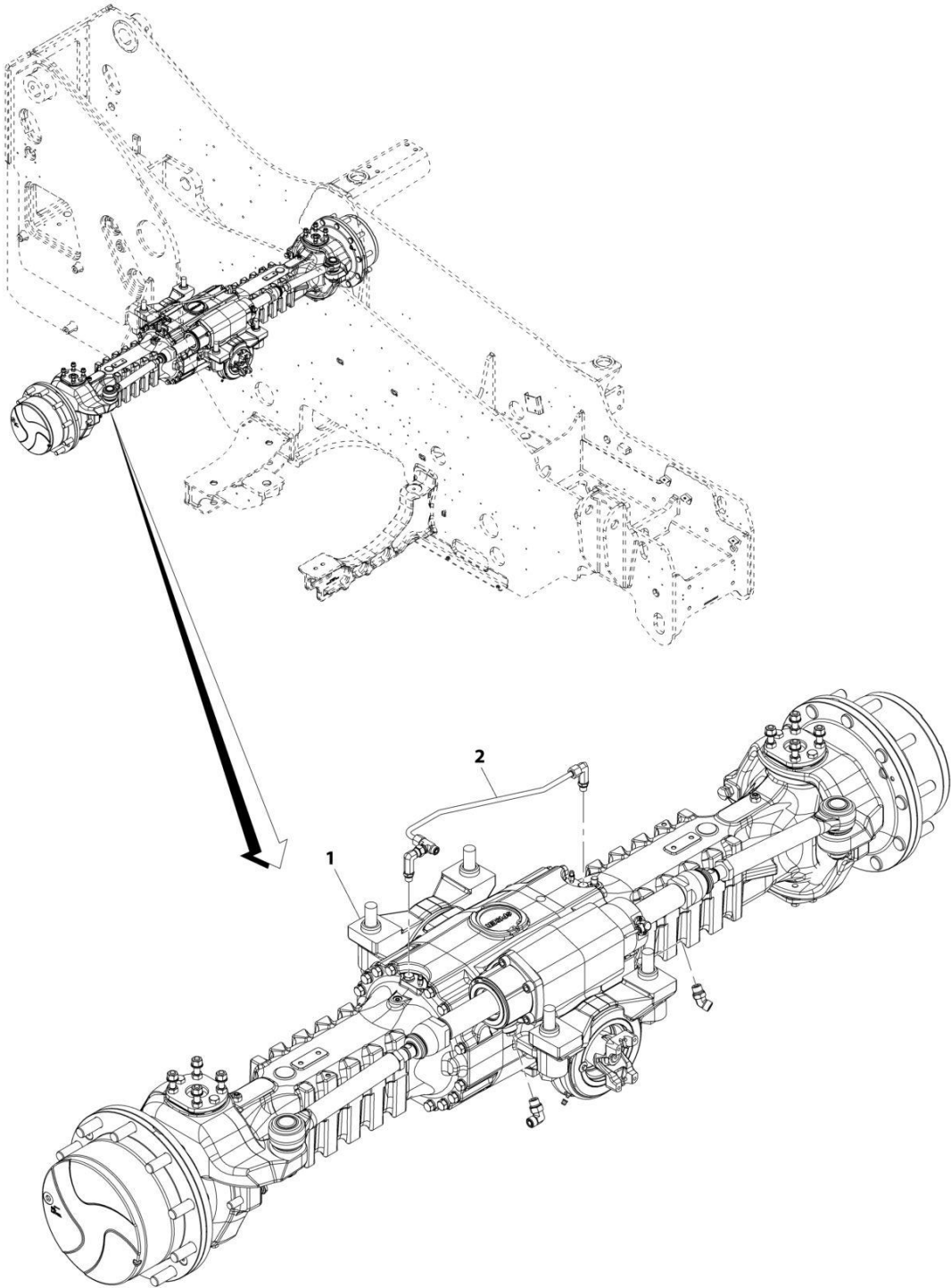
SECTION 5 - DRIVE TRAIN

FIGURE 5-17. FRONT AXLE LINES INSTALLATION

ITEM	PART NUMBER	QTY	DESCRIPTION	REV
	1001207898	Ref	Front Axle Lines Installation	C
1	2130808	1	Fitting, 90 ORFS	
2	2150808	1	Fitting, 45 ORFS	
3	2170806	2	Fitting, Tee ORFS	
4	1001224598	1	Tube	
5	1001210281	1	Hose	
6	1001210769	4	Fitting, 90 ORFS	

SECTION 5 - DRIVE TRAIN

FIGURE 5-18. REAR AXLE INSTALLATION



ART_1001184978-B

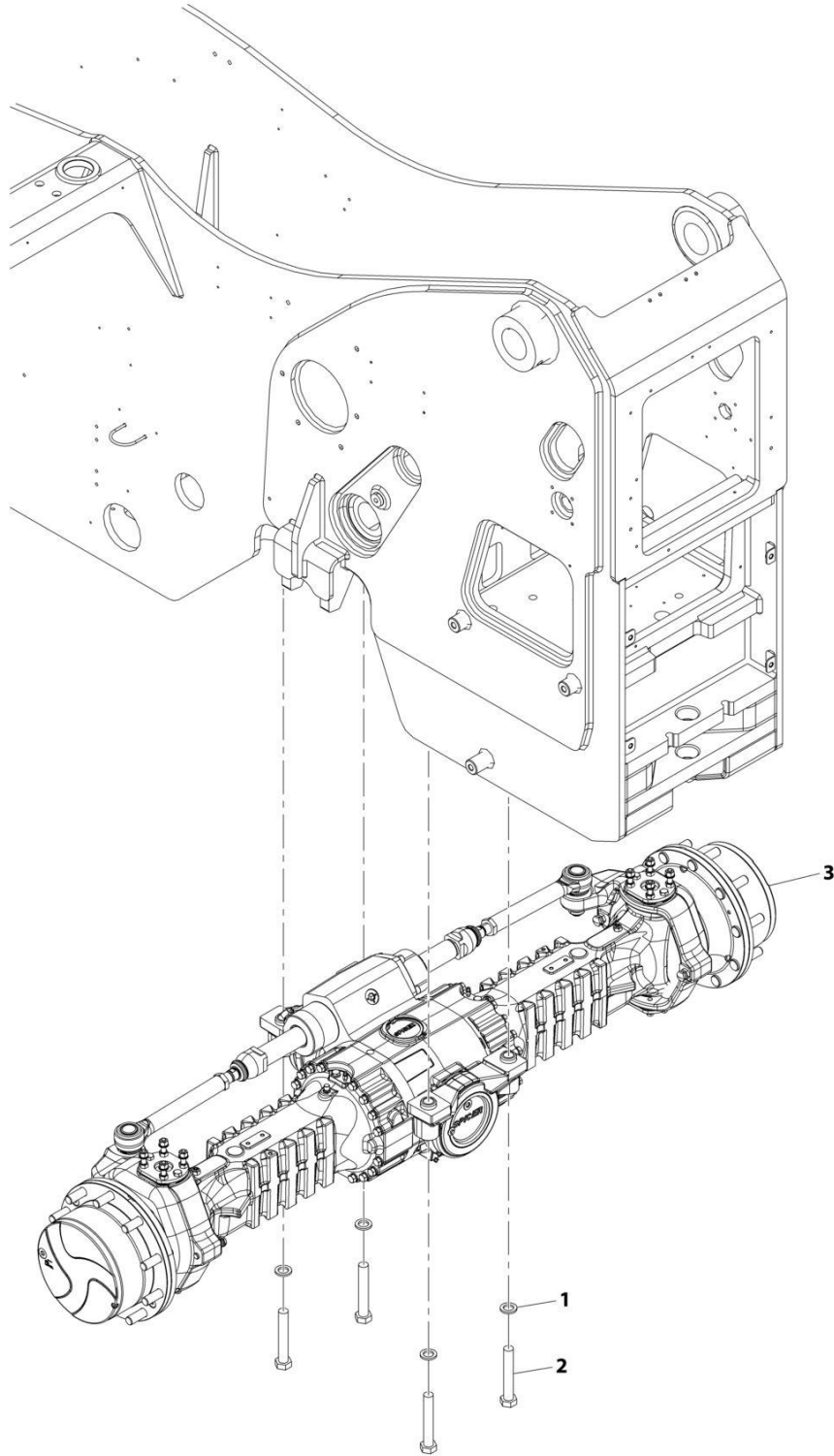
SECTION 5 - DRIVE TRAIN

FIGURE 5-18. REAR AXLE INSTALLATION

ITEM	PART NUMBER	QTY	DESCRIPTION	REV
1	1001184978	Ref	Rear Axle Installation	B
	1001184983	Ref	Installation, Rear Axle Mounting (See Separate Breakdown in this Section)	
2	1001207899	Ref	Installation, Rear Axle Lines (See Separate Breakdown in this Section)	

SECTION 5 - DRIVE TRAIN

FIGURE 5-19. REAR AXLE MOUNTING INSTALLATION



ART_1001184983-B

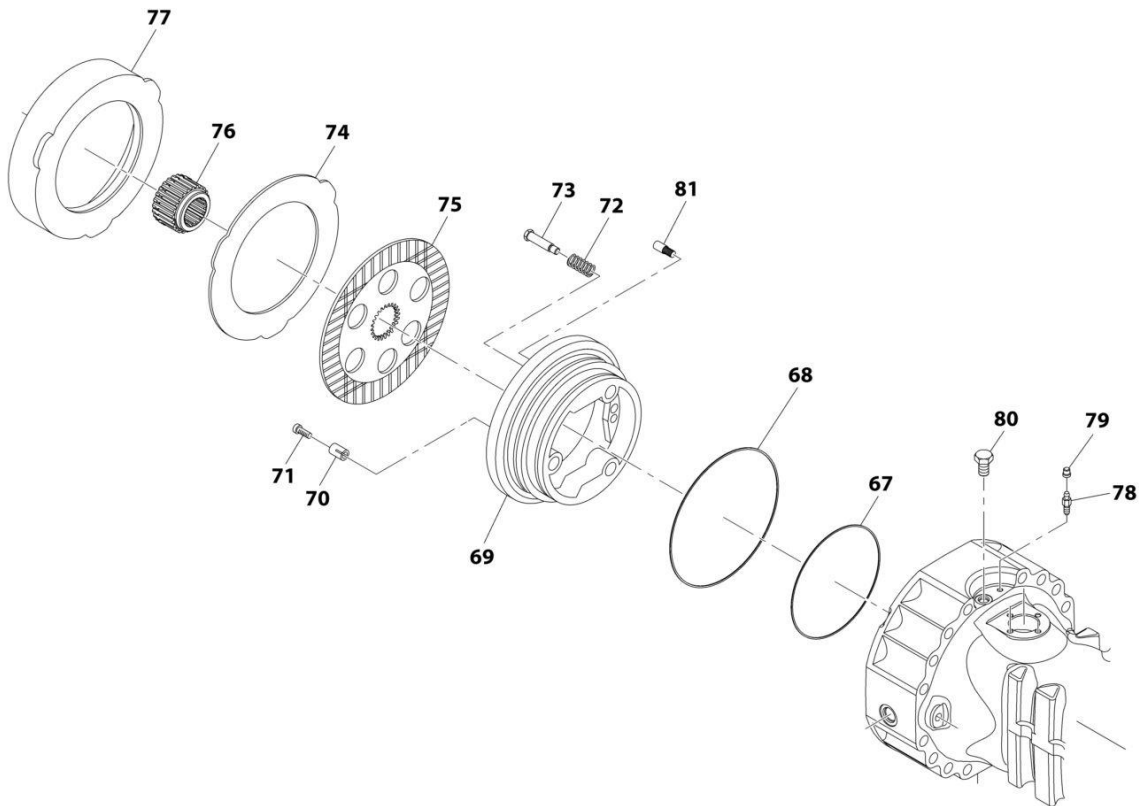
SECTION 5 - DRIVE TRAIN

FIGURE 5-19. REAR AXLE MOUNTING INSTALLATION

ITEM	PART NUMBER	QTY	DESCRIPTION	REV
	1001184983	Ref	Rear Axle Mounting Installation	B
1	4892600	4	Washer	
2	1001097587	4	Bolt, M24-3X150 Grade 10.9	
3	1001184985	Ref	Axle, Rear (See Separate Breakdown in this Section)	

SECTION 5 - DRIVE TRAIN

FIGURE 5-20. REAR AXLE, BRAKES



ART_1001184985_4-F

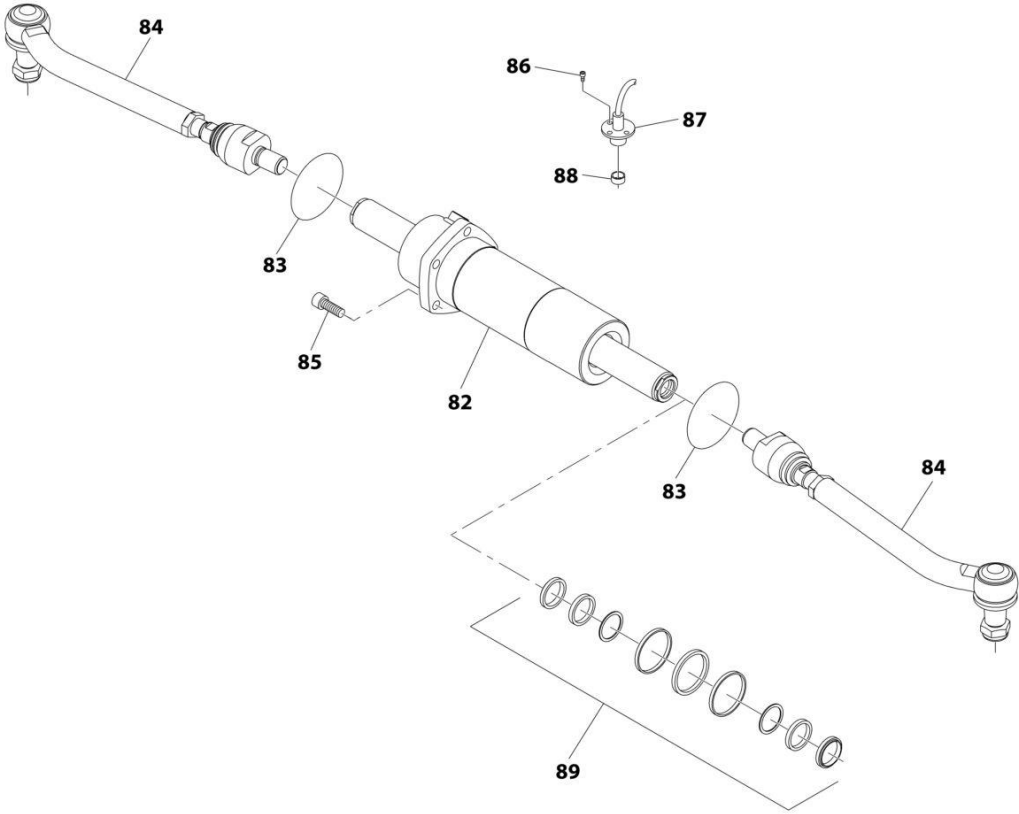
SECTION 5 - DRIVE TRAIN

FIGURE 5-20. REAR AXLE, BRAKES

ITEM	PART NUMBER	QTY	DESCRIPTION	REV
	1001184985	Ref	Rear Axle, Brakes	F
67	70026747	2	Seal	
68	70026748	2	Seal	
69	70024216	2	Piston	
70	70027317	6	Spring	
71	7029785	6	Bolt, Adjusting	
72	91514159	6	Spring	
73	70024210	6	Bolt, Adjusting	
74	70027022	6	Disc, Intermediate Brake	
75	7029735	6	Disc, Brake	
76	7029734	2	Bushing, Reduction	
77	70021606	2	Spacer	
78	80204281	2	Bolt, Bleeding	
79	80204117	2	Plug	
80	91514154	2	Bolt	
81	70021613	2	Bolt, Pilot	

SECTION 5 - DRIVE TRAIN

FIGURE 5-21. REAR AXLE, STEERING



ART_1001184985_5-F

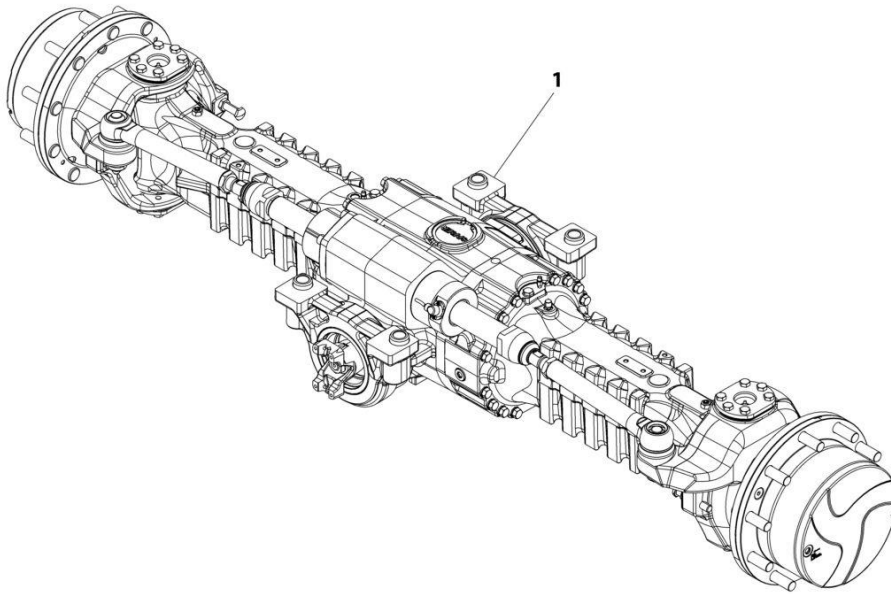
SECTION 5 - DRIVE TRAIN

FIGURE 5-21. REAR AXLE, STEERING

ITEM	PART NUMBER	QTY	DESCRIPTION	REV
	1001184985	Ref	Rear Axle, Steering	F
82	70028393	1	Cylinder	
83	80204143	2	O-Ring	
84	70028394	2	Rod, Articulated Tie	
84	70022773	2	Nut	
85	80204144	5	Bolt	
86	8008175	2	Bolt	
87	70027986	1	Sensor, Optical	
88	7029307	1	Plug	
89	7029127	1	Kit, Seal	

SECTION 5 - DRIVE TRAIN

FIGURE 5-22. REAR AXLE



ART_1001184985-F

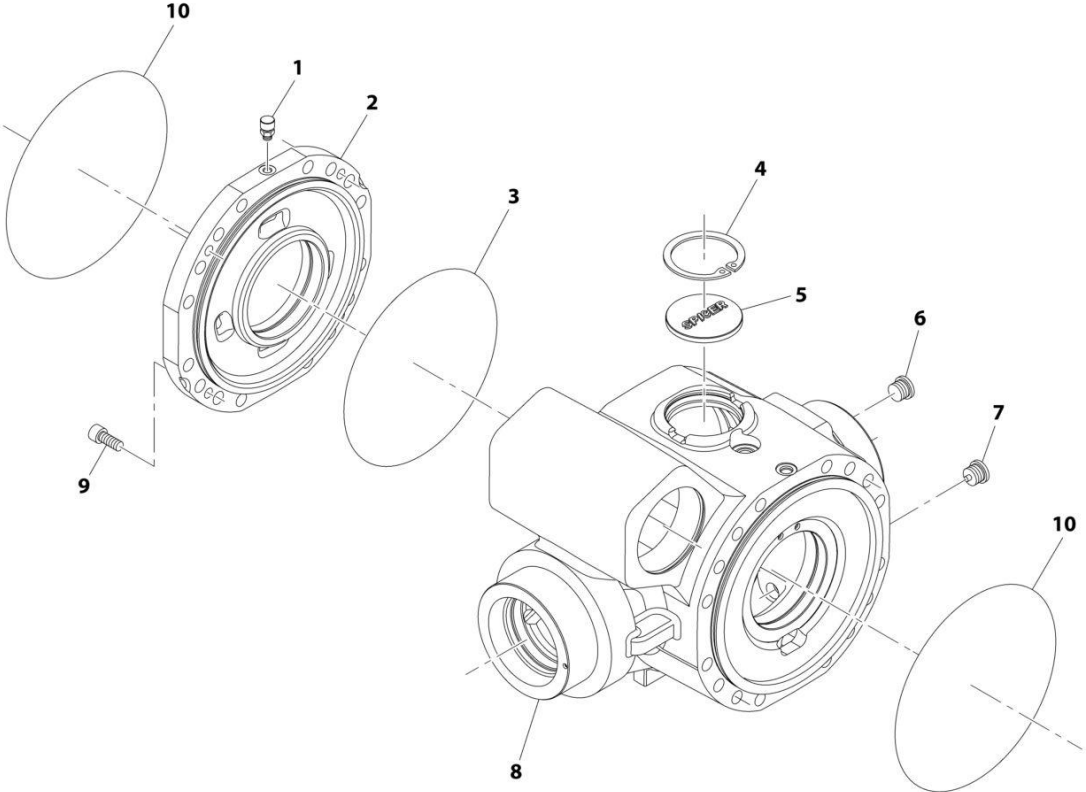
SECTION 5 - DRIVE TRAIN

FIGURE 5-22. REAR AXLE

ITEM	PART NUMBER	QTY	DESCRIPTION	REV
1	1001184985	Ref	Rear Axle	F
		Ref	Rear Axle, Central Housing (See Separate Breakdown in this Section)	
		Ref	Rear Axle, Differential (See Separate Breakdown in this Section)	
		Ref	Rear Axle, Hub Reduction (See Separate Breakdown in this Section)	
		Ref	Rear Axle, Brakes (See Separate Breakdown in this Section)	
		Ref	Rear Axle, Steering (See Separate Breakdown in this Section)	
		Ref	Rear Axle, Trunnion (See Separate Breakdown in this Section)	

SECTION 5 - DRIVE TRAIN

FIGURE 5-23. REAR AXLE, CENTRAL HOUSING



ART_1001184985_1-F

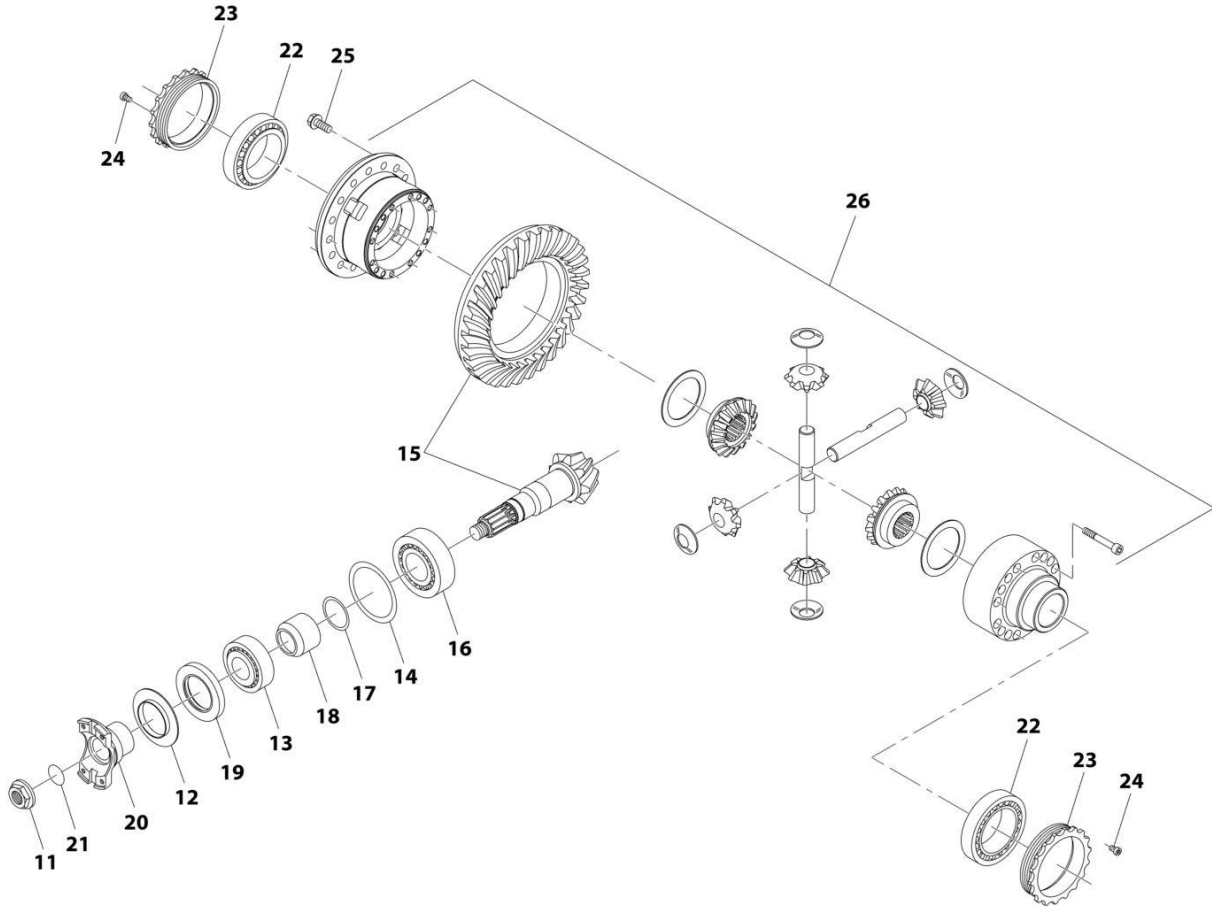
SECTION 5 - DRIVE TRAIN

FIGURE 5-23. REAR AXLE, CENTRAL HOUSING

ITEM	PART NUMBER	QTY	DESCRIPTION	REV
	1001184985	Ref	Rear Axle, Central Housing	F
1	91474512	1	Vent	
2	7029288	1	Cover, Intermediate	
3	80204002	1	O-Ring	
4	80204005	1	Circlip	
5	91514098	1	Plug	
6	70028389	1	Plug	
7	70028388	1	Plug	
8	70025335	1	Housing	
9	91514101	4	Bolt	
10	91514089	2	O-Ring	

SECTION 5 - DRIVE TRAIN

FIGURE 5-24. REAR AXLE, DIFFERENTIAL



ART_1001184985_2-F

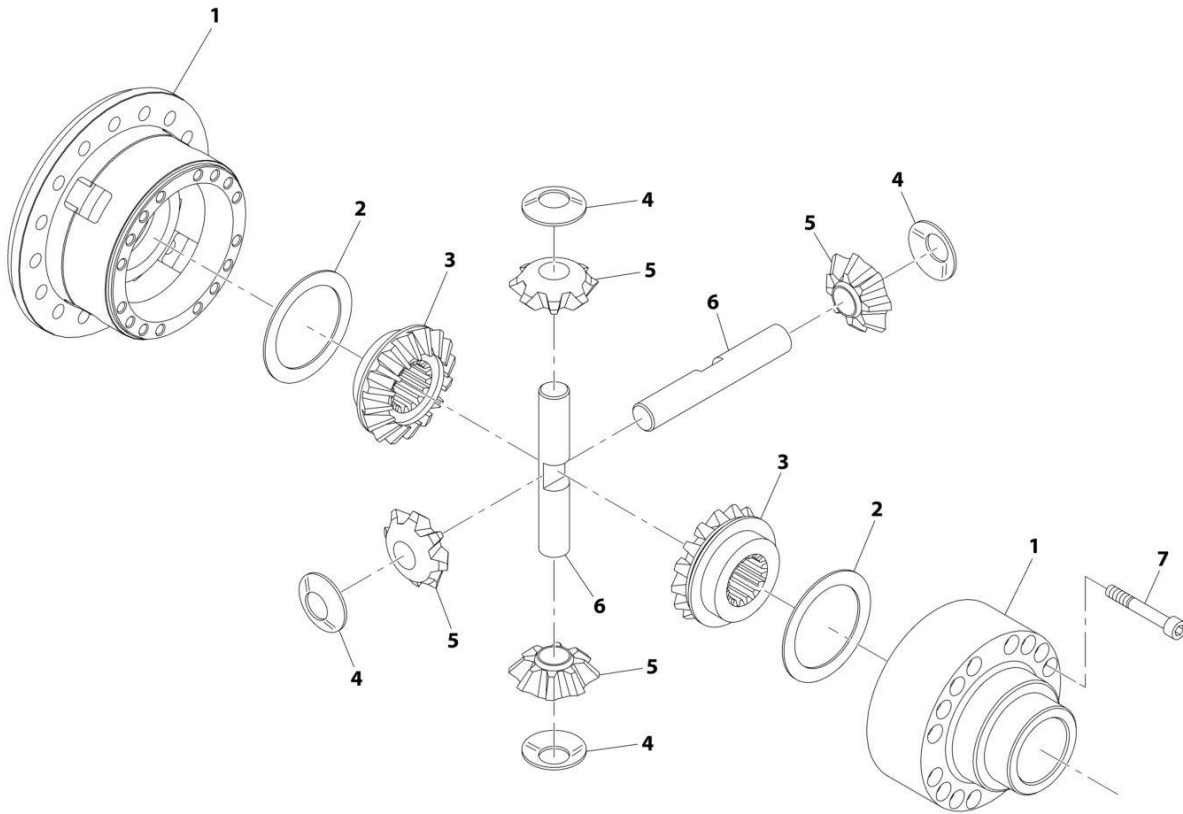
SECTION 5 - DRIVE TRAIN

FIGURE 5-24. REAR AXLE, DIFFERENTIAL

ITEM	PART NUMBER	QTY	DESCRIPTION	REV
	1001184985	Ref	Rear Axle, Differential	F
11	80204043	1	Nut	
12	91514130	1	Plate, Cover	
13	80204048	1	Bearing, Taper Roller	
14	70023469	1	Shim	
15	70028399	1	Gear, Bevel Set	
16	80204035	1	Bearing, Taper Roller	
17	70023494	1	Ring	
18	70022140	1	Spacer	
19	70025887	1	Seal	
20	70028401	1	Flange	
21	10725554	1	O-Ring	
22	80204033	2	Bearing, Taper Roller	
23	91514133	2	Nut, Ring	
24	91514134	2	Bolt	
25	39844923	16	Bolt	
26	70028398	1	Kit, Differential (See Separate Breakdown in this Section)	

SECTION 5 - DRIVE TRAIN

FIGURE 5-25. DIFFERENTIAL KIT



ART_70028398

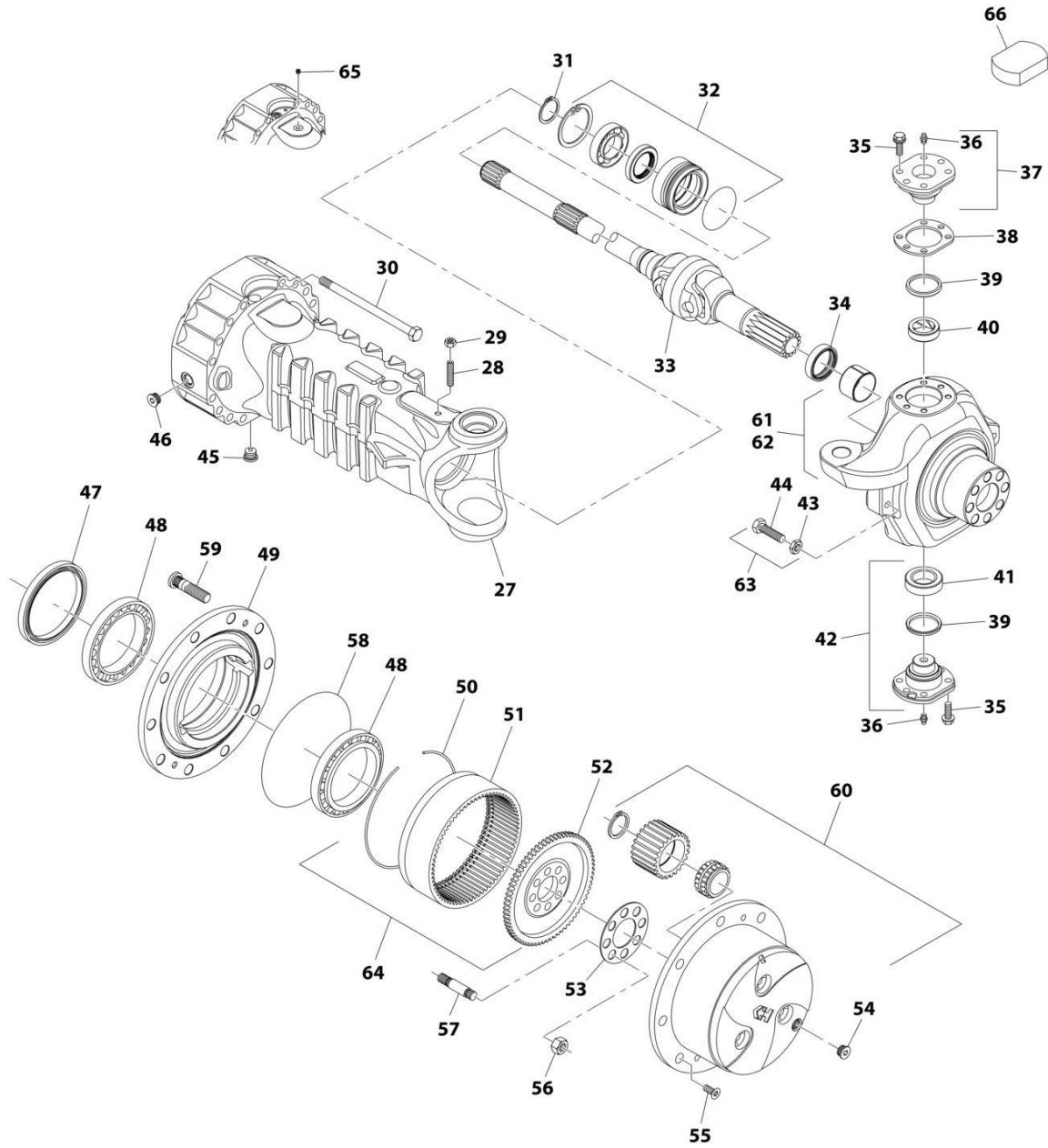
SECTION 5 - DRIVE TRAIN

FIGURE 5-25. DIFFERENTIAL KIT

ITEM	PART NUMBER	QTY	DESCRIPTION	REV
	70028398	Ref	Differential Kit	
1	70025337	1	Carrier, Differential	
2	70023493	2	Washer, Friction	
3	70025338	2	Gear, Differential Side	
4	70027105	4	Washer, Friction	
5	70025339	4	Pinion, Differential	
6	70023490	2	Shaft, Differential	
7	70023489	15	Bolt	

SECTION 5 - DRIVE TRAIN

FIGURE 5-26. REAR AXLE, HUB REDUCTION



ART_1001184985_3-F

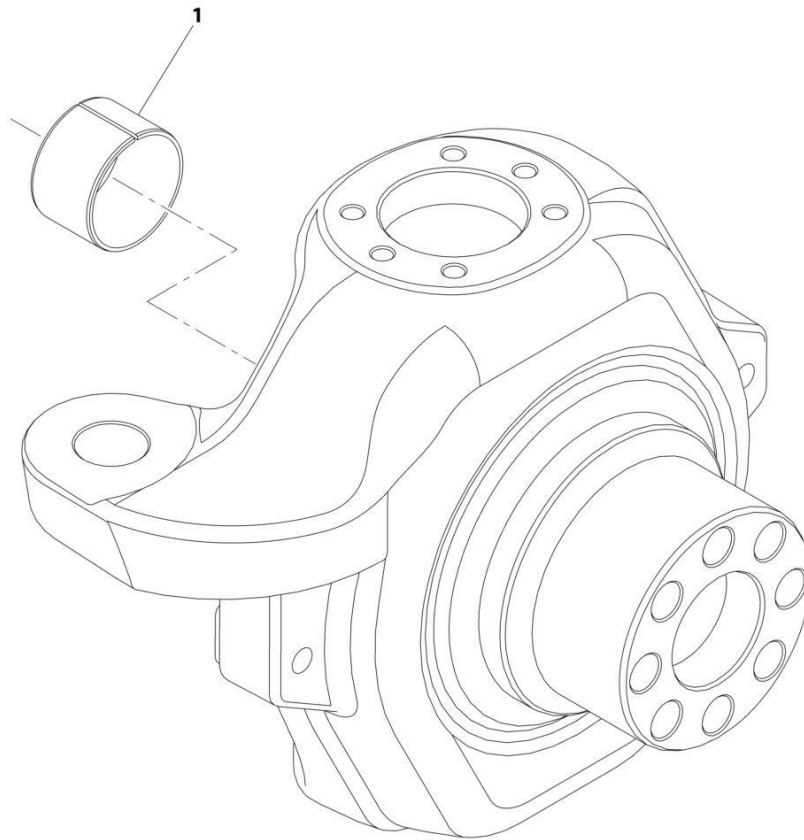
SECTION 5 - DRIVE TRAIN

FIGURE 5-26. REAR AXLE, HUB REDUCTION

ITEM	PART NUMBER	QTY	DESCRIPTION	REV
	1001184985	Ref	Rear Axle, Hub Reduction	F
27	70028400	2	Case, Axle	
28	91514081	2	Bolt	
29	91514082	2	Nut	
30	70028397	32	Bolt	
31	80204071	2	Circlip	
32	91514149	2	Kit, Reduction Bushing (See Separate Breakdown in this Section)	
33	70028396	2	Joint, Double Universal	
34	70026238	2	Seal	
35	70025562	20	Bolt	
36	70024881	2	Fitting, Grease	
37	91514112	2	Pin	
38	70025561	1	Shim	
39	7028716	2	Seal, Dust	
40	7028714	2	Bushing	
41	91514095	2	Bearing	
42	7028715	2	Pin	
43	80204065	4	Nut	
44	91514117	4	Bolt	
45	70028388	2	Plug	
46	70028387	2	Plug	
47	70026002	2	Seal	
48	80204076	4	Bearing, Taper Roller	
49	91514174	2	Hub, Wheel	
50	91514175	2	Circlip	
51	70024147	2	Gear, Ring	
52	91514177	2	Gear, Ring Support	
53	91514178	2	Plate, Locking	
54	70028389	2	Plug	
55	91514189	4	Bolt, Countersunk	
56	91514179	16	Nut	
57	91514180	16	Stud	
58	91514181	2	O-Ring	
59	80214120	20	Stud	
60	7029733	2	Kit, Planet Gear Carrier (See Separate Breakdown in this Section)	
61	70026260	1	Kit, Steering Case (Left) (See Separate Breakdown in this Section)	
62	70026261	1	Kit, Steering Case (Right) (See Separate Breakdown in this Section)	
63	7028733	4	Bolt, Steering Adjust	
64	70024146	2	Kit, Ring Gear Support (See Separate Breakdown in this Section)	
65	80204012	2	Plug	
66	70028392	2	Cover	

SECTION 5 - DRIVE TRAIN

FIGURE 5-27. TEERING CASE KIT (LF, RR)



ART_70026260

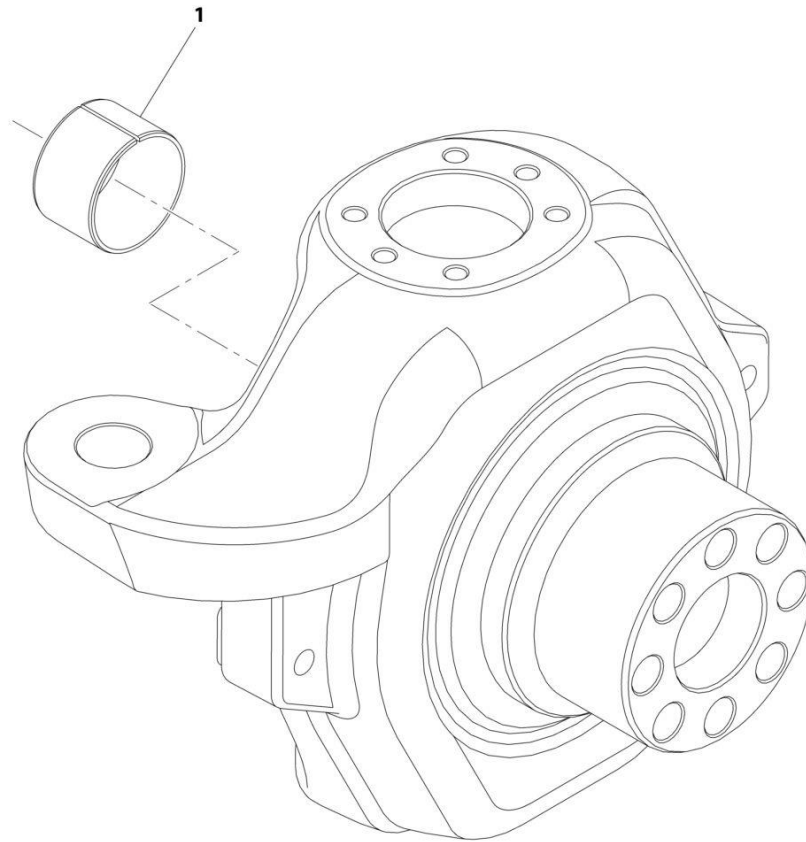
SECTION 5 - DRIVE TRAIN

FIGURE 5-27. TEERING CASE KIT (LF, RR)

ITEM	PART NUMBER	QTY	DESCRIPTION	REV
1	70026260 91514111	Ref 1	Steering Case Kit (LF, RR) Bushing, Thrust	

SECTION 5 - DRIVE TRAIN

FIGURE 5-28. STEERING CASE KIT (RF, LR)



ART_70026261

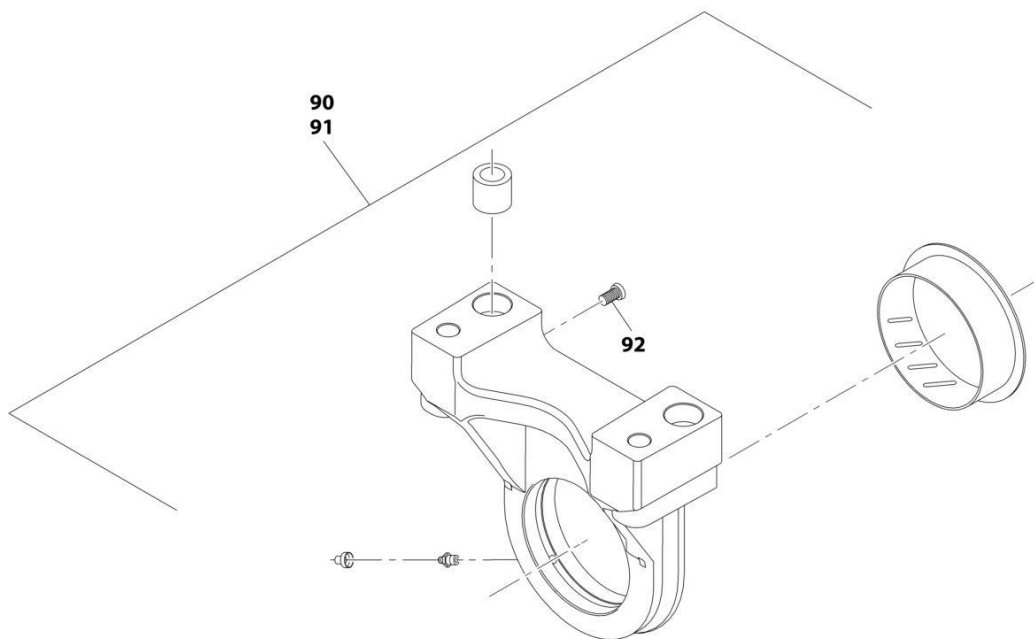
SECTION 5 - DRIVE TRAIN

FIGURE 5-28. STEERING CASE KIT (RF, LR)

ITEM	PART NUMBER	QTY	DESCRIPTION	REV
1	70026261 91514111	Ref 1	Steering Case Kit (RF, LR) Bushing, Thrust	

SECTION 5 - DRIVE TRAIN

FIGURE 5-29. REAR AXLE, TRUNION



ART_1001184985_6-F

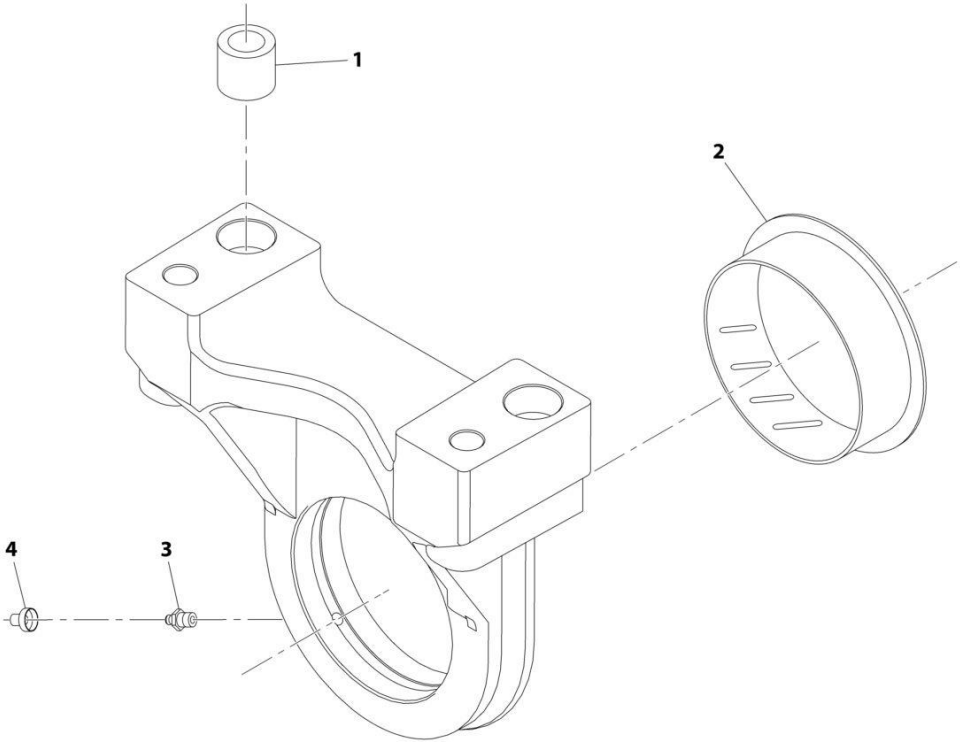
SECTION 5 - DRIVE TRAIN

FIGURE 5-29. REAR AXLE, TRUNION

ITEM	PART NUMBER	QTY	DESCRIPTION	REV
	1001184985	Ref	Rear Axle, Trunion	F
90	70026266	1	Kit, Trunion (See Separate Breakdown in this Section)	
91	70026265	1	Support	
92	70025884	1	Bolt	

SECTION 5 - DRIVE TRAIN

FIGURE 5-30. TRUNION KIT



ART_70026266

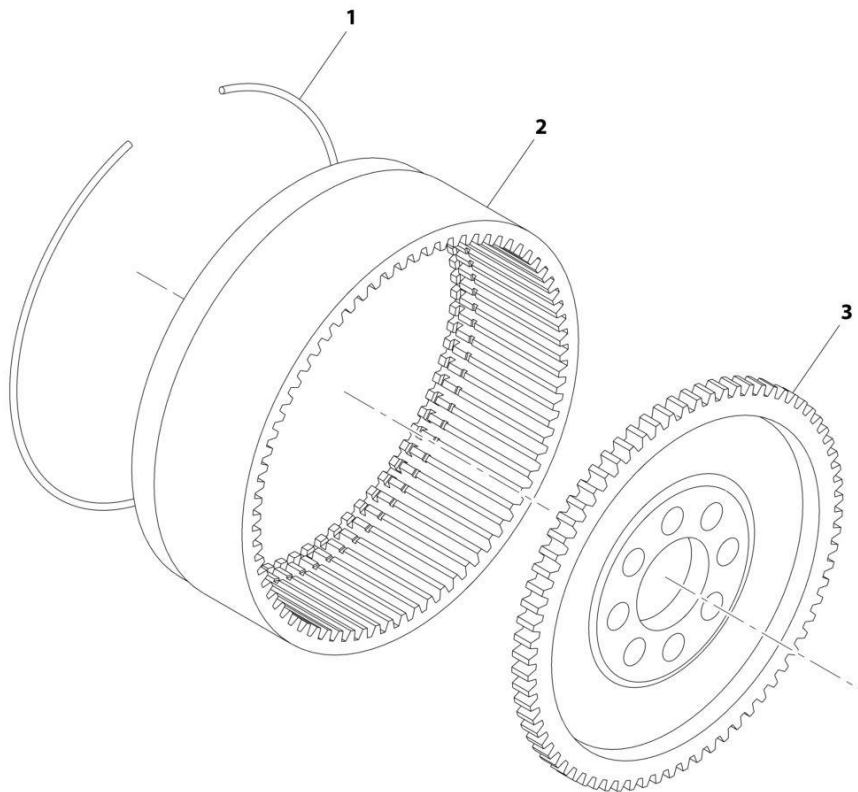
SECTION 5 - DRIVE TRAIN

FIGURE 5-30. TRUNION KIT

ITEM	PART NUMBER	QTY	DESCRIPTION	REV
	70026266	Ref	Trunion Kit	
1	7029290	2	Bushing, Reduction	
2	91514090	1	Bushing, Thrust	
3	70024881	1	Fitting, Grease	
4	80204117	1	Plug	

SECTION 5 - DRIVE TRAIN

FIGURE 5-31. RING GEAR SUPPORT KIT



ART_70024146

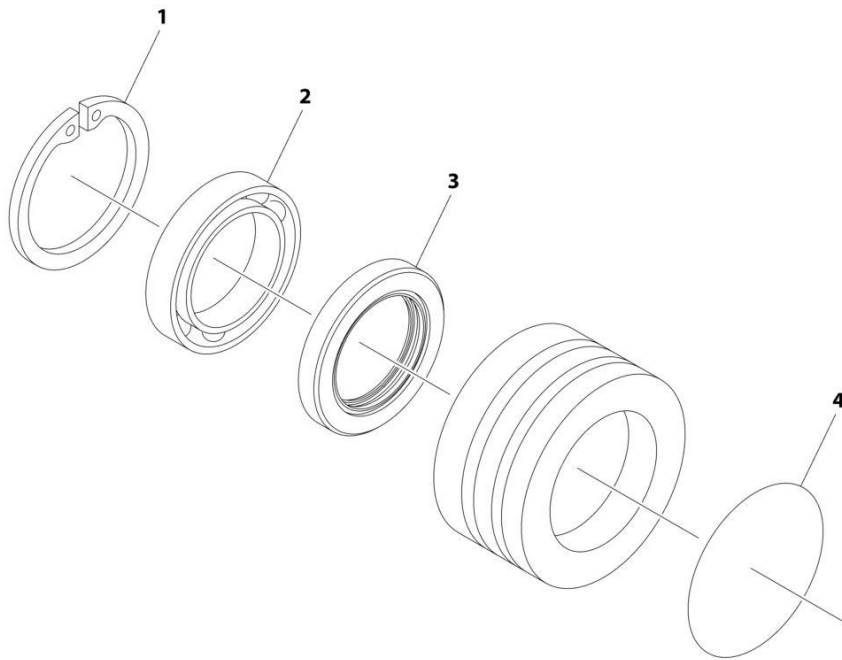
SECTION 5 - DRIVE TRAIN

FIGURE 5-31. RING GEAR SUPPORT KIT

ITEM	PART NUMBER	QTY	DESCRIPTION	REV
	70024146	Ref	Ring Gear Support Kit	
1	91514175	1	Circlip	
2	70024147	1	Gear, Ring	
3	91514177	1	Gear, Ring Support	

SECTION 5 - DRIVE TRAIN

FIGURE 5-32. REDUCTION BUSHING KIT



ART_91514149

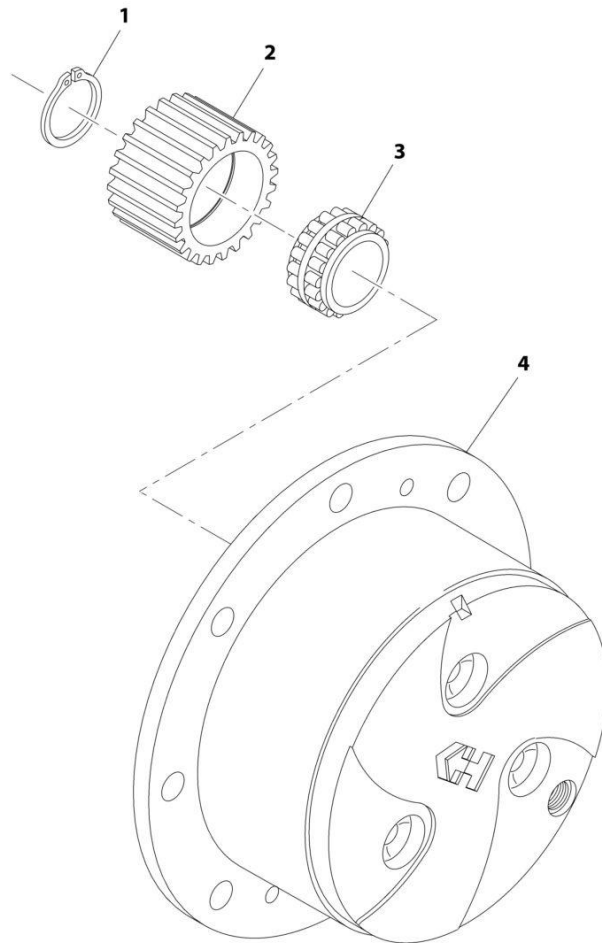
SECTION 5 - DRIVE TRAIN

FIGURE 5-32. REDUCTION BUSHING KIT

ITEM	PART NUMBER	QTY	DESCRIPTION	REV
	91514149	Ref	Reduction Bushing Kit	
1	80204005	2	Circlip	
2	91514146	2	Bearing, Ball	
3	91514147	2	Seal	
4	91514148	2	O-Ring	

SECTION 5 - DRIVE TRAIN

FIGURE 5-33. PLANET GEAR CARRIER KIT



ART_7029733

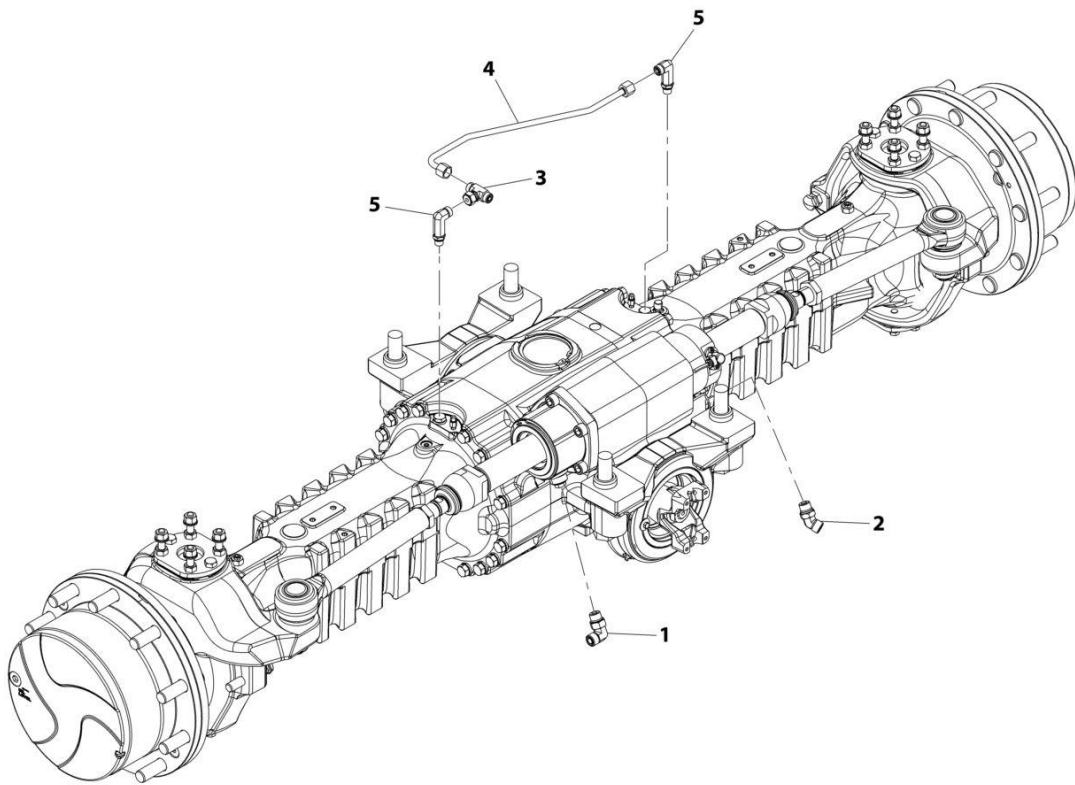
SECTION 5 - DRIVE TRAIN

FIGURE 5-33. PLANET GEAR CARRIER KIT

ITEM	PART NUMBER	QTY	DESCRIPTION	REV
	7029733	Ref	Planet Gear Carrier Kit	
1	91514184	3	Circlip	
2	91514185	6	Gear, Planet	
3	91514186	6	Bearing	
4	7026731	1	Carrier, Planet Gear	

SECTION 5 - DRIVE TRAIN

FIGURE 5-34. REAR AXLE LINES INSTALLATION



ART_1001207899-C

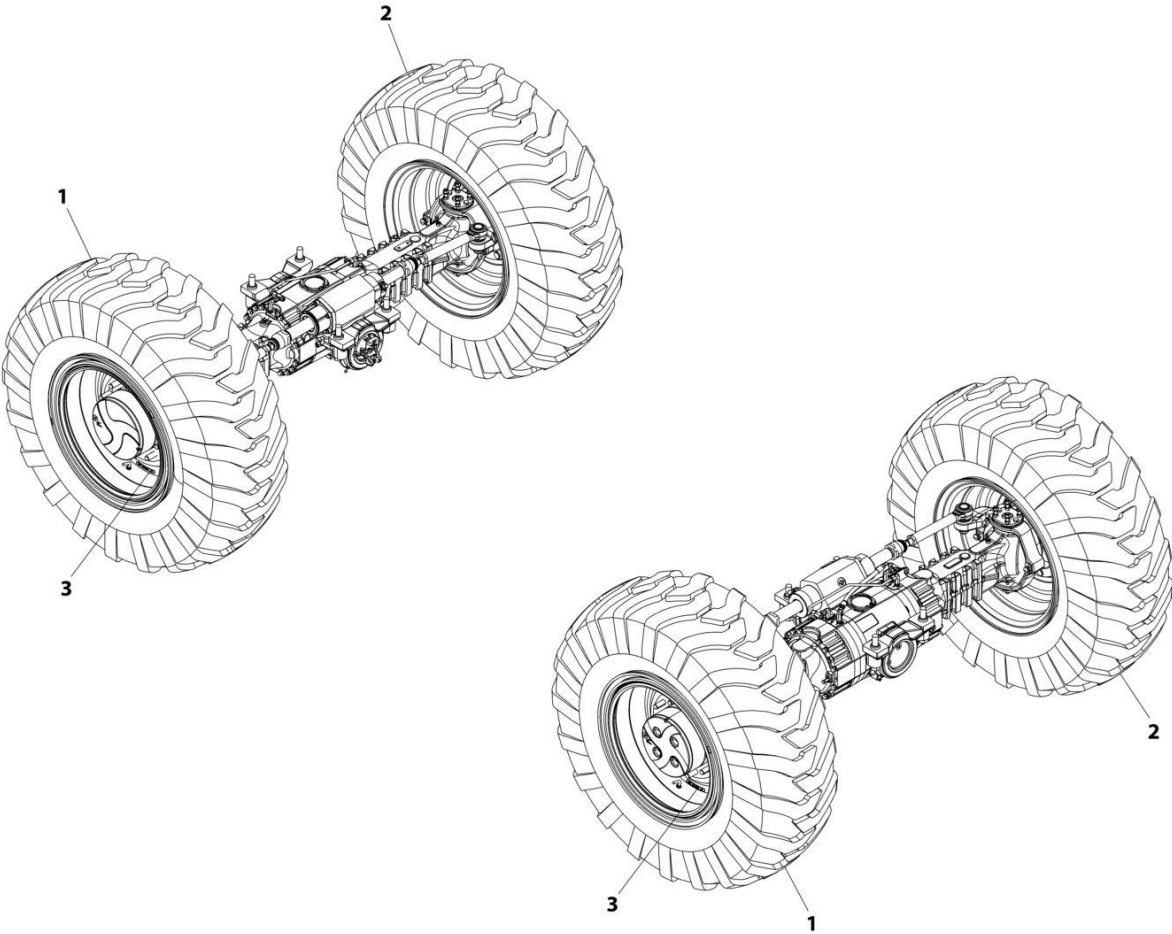
SECTION 5 - DRIVE TRAIN

FIGURE 5-34. REAR AXLE LINES INSTALLATION

ITEM	PART NUMBER	QTY	DESCRIPTION	REV
	1001207899	Ref	Rear Axle Lines Installation	C
1	2130808	1	Fitting, 90 ORFS	
2	2150808	1	Fitting, 45 ORFS	
3	2170806	1	Fitting, Tee ORFS	
4	1001224938	1	Tube	
5	1001210769	2	Fitting, 90 ORFS	

SECTION 5 - DRIVE TRAIN

FIGURE 5-35. TIRE/WHEEL SET (AIR 17.5-25 - 20 PLY)



ART_1001192168-C

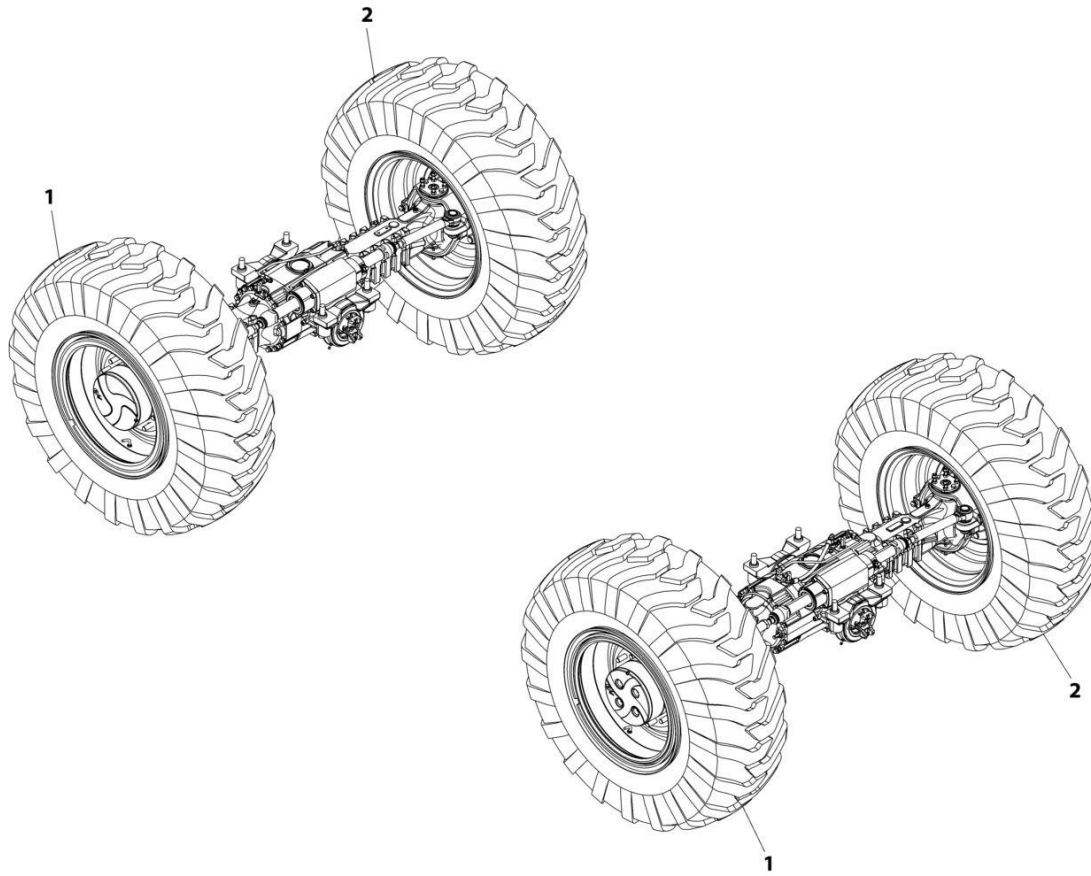
SECTION 5 - DRIVE TRAIN

FIGURE 5-35. TIRE/WHEEL SET (AIR 17.5-25 - 20 PLY)

ITEM	PART NUMBER	QTY	DESCRIPTION	REV
	1001192168	1	Tire/Wheel Set (Air 17.5-25 - 20 PLY)	C
1	1001192177	2	Assembly, Right Tire/Wheel (Air 17.5-25 - 20 PLY)	
1	8786549	1	Valve, Stem	
1	1001187423	1	Tire, 17.5-25 20 PLY	
1	1001189288J	1	Wheel, 25X14.0 DTU 10 Hole	
2	1001192178	2	Assembly, Left Tire/Wheel (Air 17.5-25 - 20 PLY)	
2	8786549	1	Valve, Stem	
2	1001187423	1	Tire, 17.5-25 20 PLY	
2	1001189288J	1	Wheel, 25X14.0 DTU 10 Hole	
3	1001229201	4	Decal	

SECTION 5 - DRIVE TRAIN

FIGURE 5-36. TIRE/WHEEL SET (FOAM 17.5-25 - 20 PLY)



ART_1001192170-A

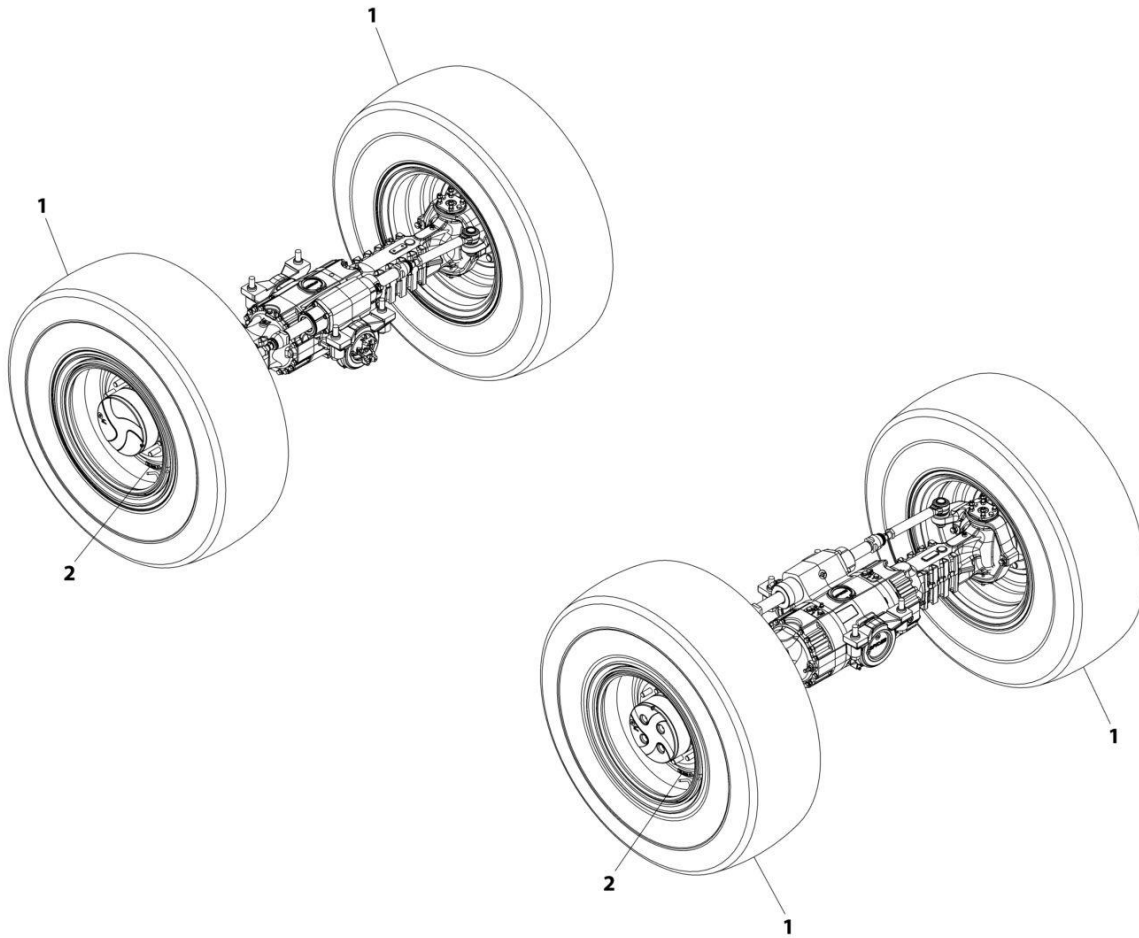
SECTION 5 - DRIVE TRAIN

FIGURE 5-36. TIRE/WHEEL SET (FOAM 17.5-25 - 20 PLY)

ITEM	PART NUMBER	QTY	DESCRIPTION	REV
	1001192170	1	Tire/Wheel Set (Foam 17.5-25 - 20 PLY)	A
		Ref	Note: Requires ballast/foam filling to manufacturer's specifications prior to installing on a machine. Refer to Service and Maintenance Manuals. Purchase individual tire and/or rim only if able to foam fill tire and wheel assembly, otherwise, purchase complete.	
1	1001192180	2	Assembly, Right Tire/Wheel (Foam 17.5-25 - 20 PLY)	
1	8786549	1	Valve, Stem	
1	1001187423	1	Tire, 17.5-25 20 PLY	
1	1001189288J	1	Wheel, 25X14.0 DTU 10 Hole	
2	1001192181	2	Assembly, Left Tire/Wheel (Foam 17.5-25 - 20 PLY)	
2	8786549	1	Valve, Stem	
2	1001187423	1	Tire, 17.5-25 20 PLY	
2	1001189288J	1	Wheel, 25X14.0 DTU 10 Hole	

SECTION 5 - DRIVE TRAIN

FIGURE 5-37. TIRE/WHEEL SET (AIR 17.5-25 - 22 PLY)



ART_1001221695-B

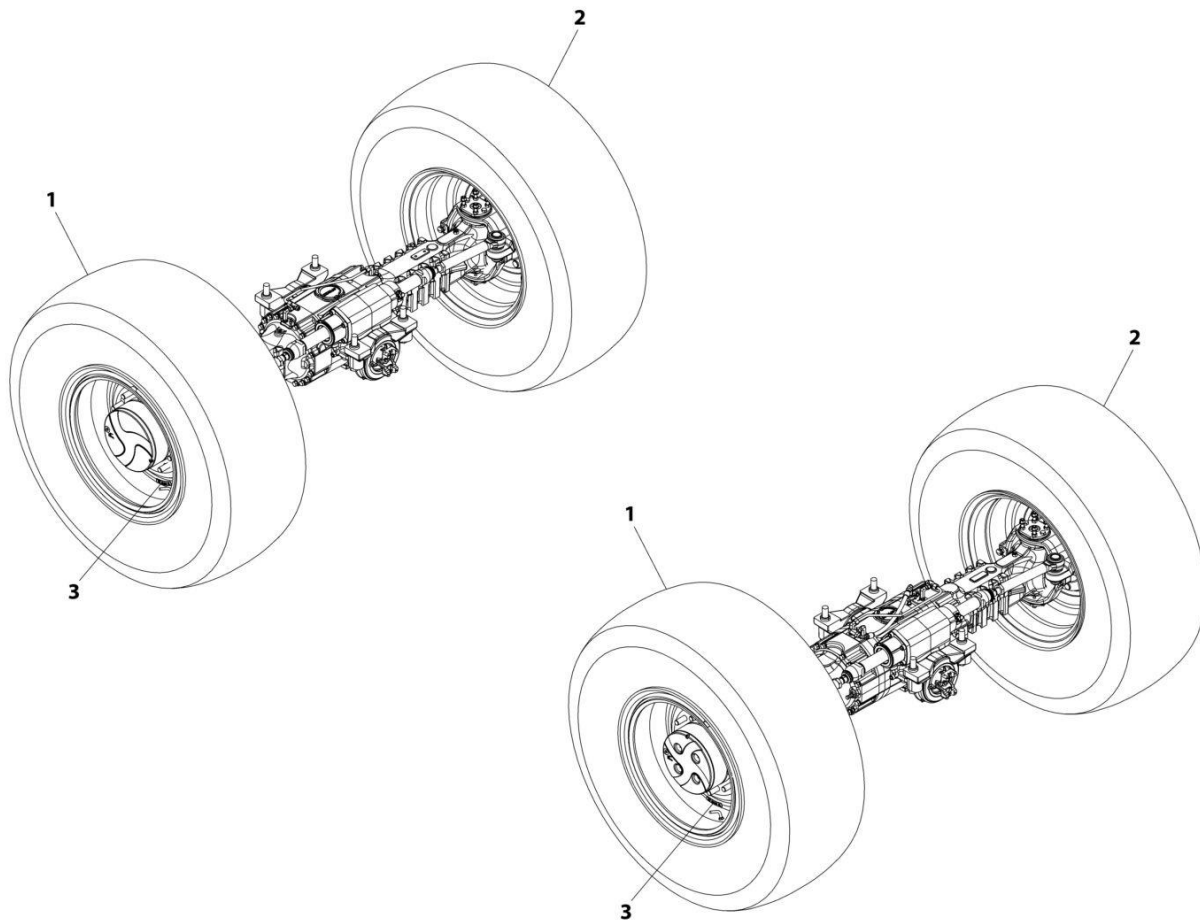
SECTION 5 - DRIVE TRAIN

FIGURE 5-37. TIRE/WHEEL SET (AIR 17.5-25 - 22 PLY)

ITEM	PART NUMBER	QTY	DESCRIPTION	REV
	1001221695	Ref	Tire/Wheel Set (Air 17.5-25 - 22 PLY)	B
1	1001221554	4	Assembly, Tire/Wheel (Air 17.5-25 - 22 PLY)	
1	8786549	1	Valve, Stem	
1	1001221553	1	Tire, 17.5-25 EM60 22 PLY	
1	1001189288J	1	Wheel, 25X14.0 DTU 10 Hole	
2	1001229201	4	Decal	

SECTION 5 - DRIVE TRAIN

FIGURE 5-38. TIRE/WHEEL SET (AIR 17.5 R25 - RADIAL)



ART_1001221270-A

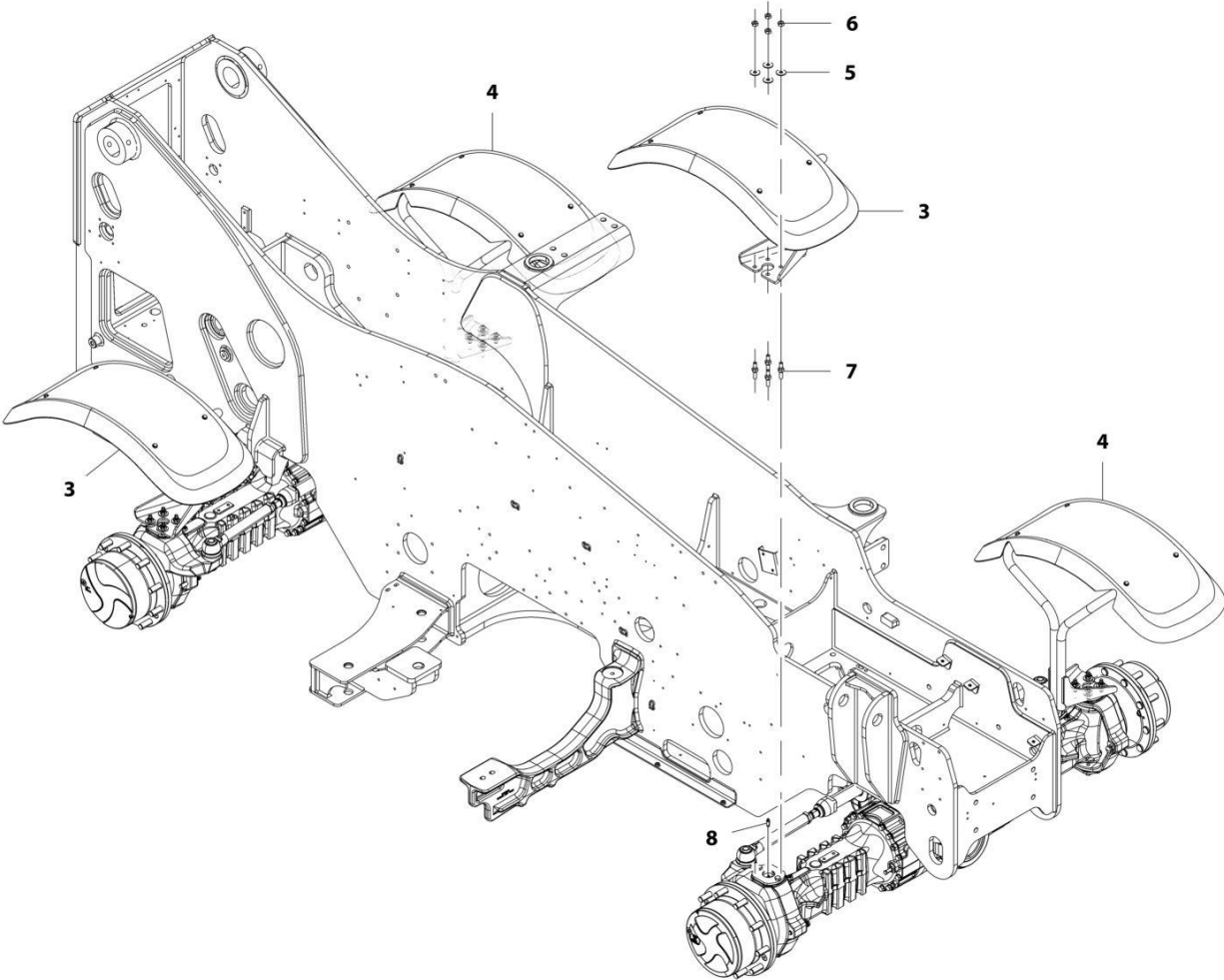
SECTION 5 - DRIVE TRAIN

FIGURE 5-38. TIRE/WHEEL SET (AIR 17.5 R25 - RADIAL)

ITEM	PART NUMBER	QTY	DESCRIPTION	REV
	1001221270	1	Tire/Wheel Set (Air 17.5 R25 - Radial)	A
1	1001221157	2	Assembly, Right Tire/Wheel (Air 17.5 R25 - Radial)	
1	8786549	1	Valve, Stem	
1	1001221087	1	Tire, 17.5 R25 Radial	
1	1001189288J	1	Wheel, 25X14.0 DTU 10 Hole	
2	1001221321	2	Assembly, Left Tire/Wheel (Air 17.5 R25 - Radial)	
2	8786549	1	Valve, Stem	
2	1001221087	1	Tire, 17.5 R25 Radial	
2	1001189288J	1	Wheel, 25X14.0 DTU 10 Hole	
3	1001221734	4	Decal	

SECTION 5 - DRIVE TRAIN

FIGURE 5-39. FENDER INSTALLATION



ART_1001174129-E

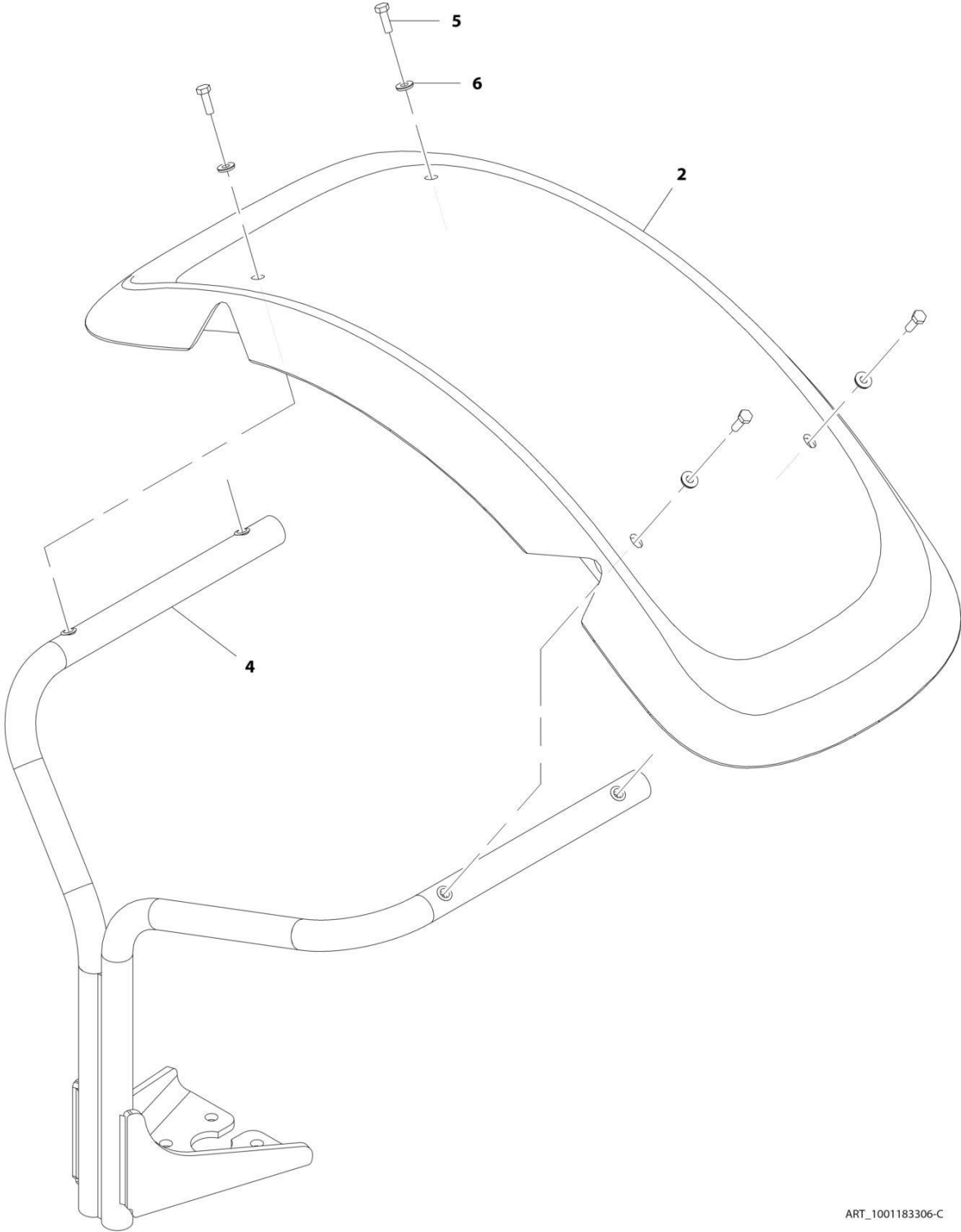
SECTION 5 - DRIVE TRAIN

FIGURE 5-39. FENDER INSTALLATION

ITEM	PART NUMBER	QTY	DESCRIPTION	REV
	1001174129	Ref	Fender Installation	E
3	1001183306	2	Assembly, RH Fender (See Separate Breakdown in this Section)	
4	1001183307	2	Assembly, LH Fender (See Separate Breakdown in this Section)	
5	4812102	16	Washer, M12	
6	91513266	16	Nut, M12X1.25	
7	91514118	16	Stud, Fender	
8	1001225317	4	Fitting, Grease	

SECTION 5 - DRIVE TRAIN

FIGURE 5-40. RH FENDER ASSEMBLY



ART_1001183306-C

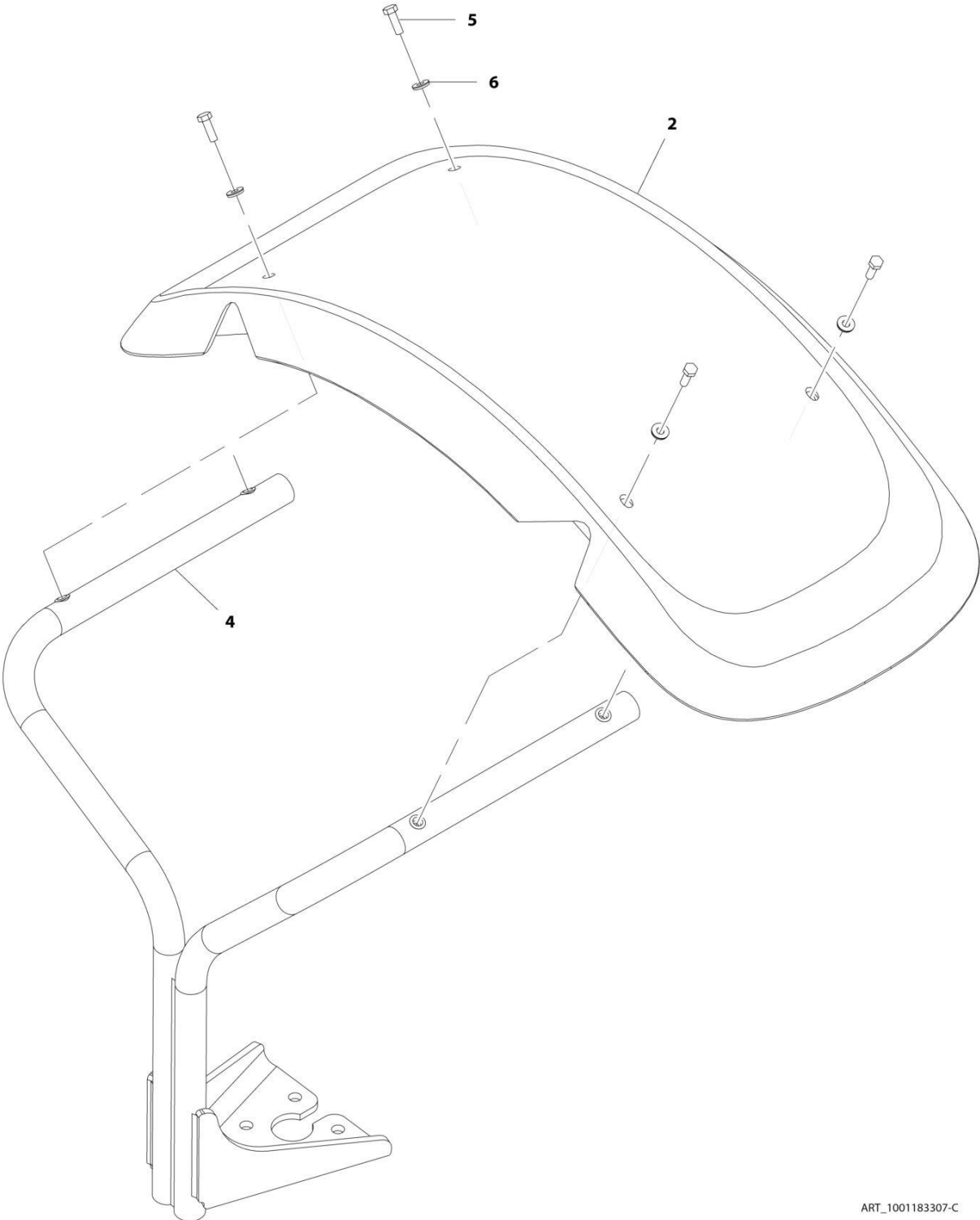
SECTION 5 - DRIVE TRAIN

FIGURE 5-40. RH FENDER ASSEMBLY

ITEM	PART NUMBER	QTY	DESCRIPTION	REV
	1001183306	Ref	RH Fender Assembly	C
2	1001168264	1	Fender	
4	1001183308	1	Bracket	
5	0760812	4	Bolt, M8X25	
6	1001202786	4	Washer	

SECTION 5 - DRIVE TRAIN

FIGURE 5-41. LH FENDER ASSEMBLY



ART_1001183307-C

SECTION 5 - DRIVE TRAIN

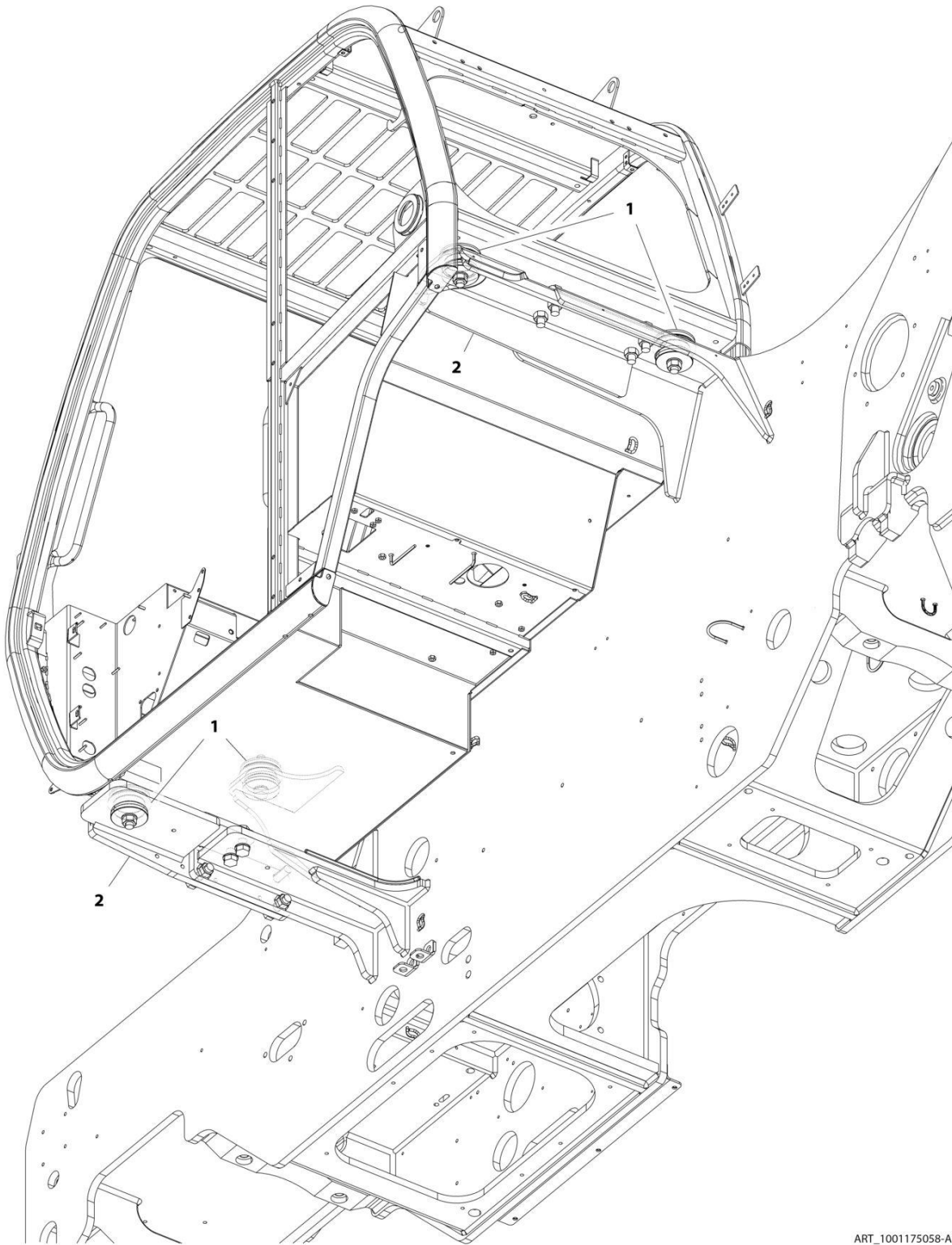
FIGURE 5-41. LH FENDER ASSEMBLY

ITEM	PART NUMBER	QTY	DESCRIPTION	REV
	1001183307	Ref	LH Fender Assembly	C
2	1001168264	1	Fender	
4	1001183309	1	Bracket	
5	0760812	4	Bolt, M8X25	
6	1001202786	4	Washer	

SECTION 6 - CAB

SECTION 6 - CAB

FIGURE 6-1. CAB MOUNTING INSTALLATION



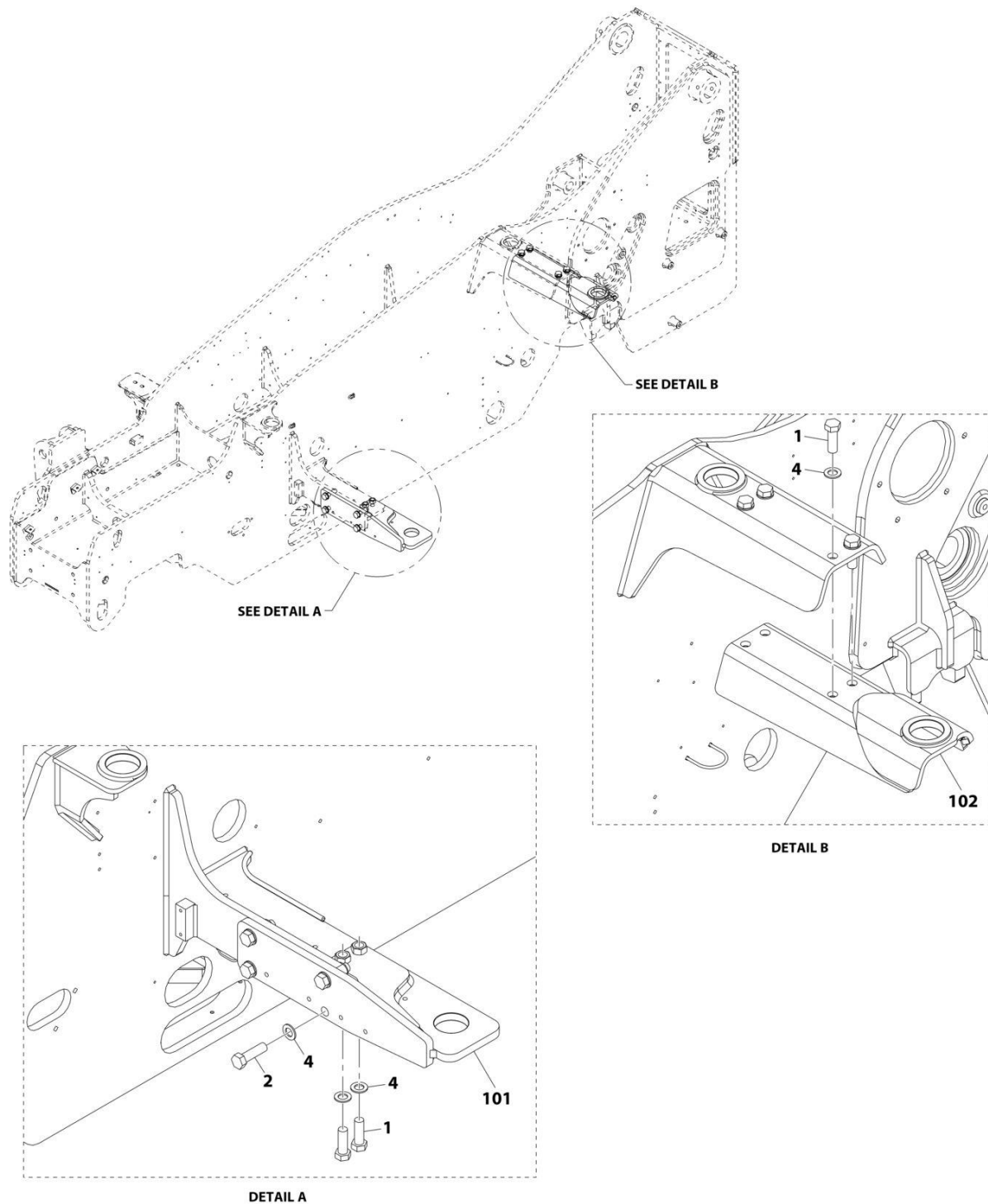
ART_1001175058-A

FIGURE 6-1. CAB MOUNTING INSTALLATION

ITEM	PART NUMBER	QTY	DESCRIPTION	REV
1	1001175058	Ref	Cab Mounting Installation	A
	1001155446	Ref	Installation, Cab Mount (See Separate Breakdown in this Section)	
	1001191255	Ref	Installation, Front Cab Mount Bracket (See Separate Breakdown in this Section)	

SECTION 6 - CAB

FIGURE 6-2. FRONT CAB MOUNT BRACKET INSTALLATION



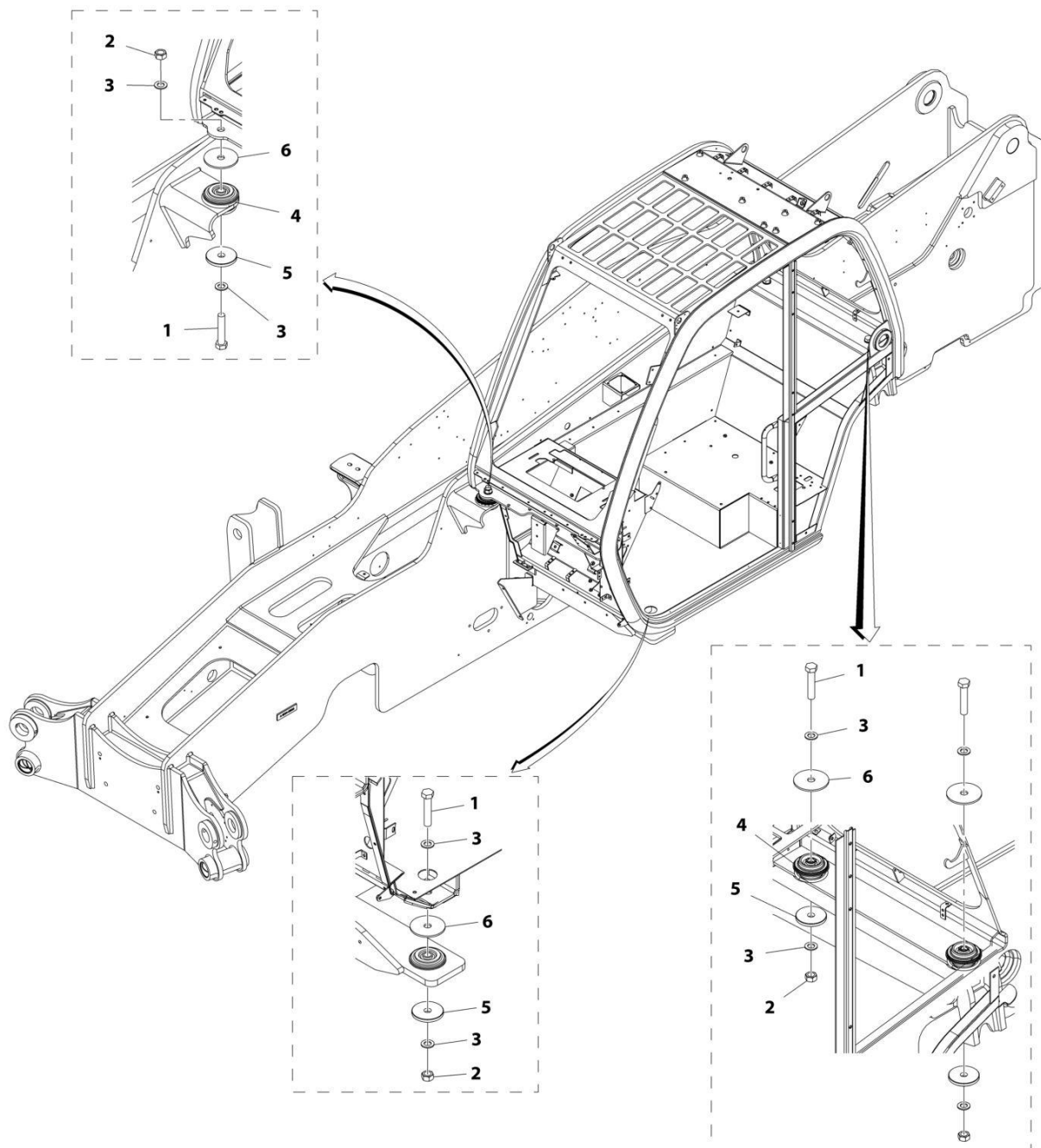
ART_1001191255-E

FIGURE 6-2. FRONT CAB MOUNT BRACKET INSTALLATION

ITEM	PART NUMBER	QTY	DESCRIPTION	REV
	1001191255	Ref	Front Cab Mount Bracket Installation	E
1	0712020	6	Bolt, M20X60	
2	0712022	4	Bolt, M20X70	
4	4812500	10	Washer, M20	
101	1001191256	1	Bracket	
102	1001191257	1	Bracket	

SECTION 6 - CAB

FIGURE 6-3. CAB MOUNTS INSTALLATION



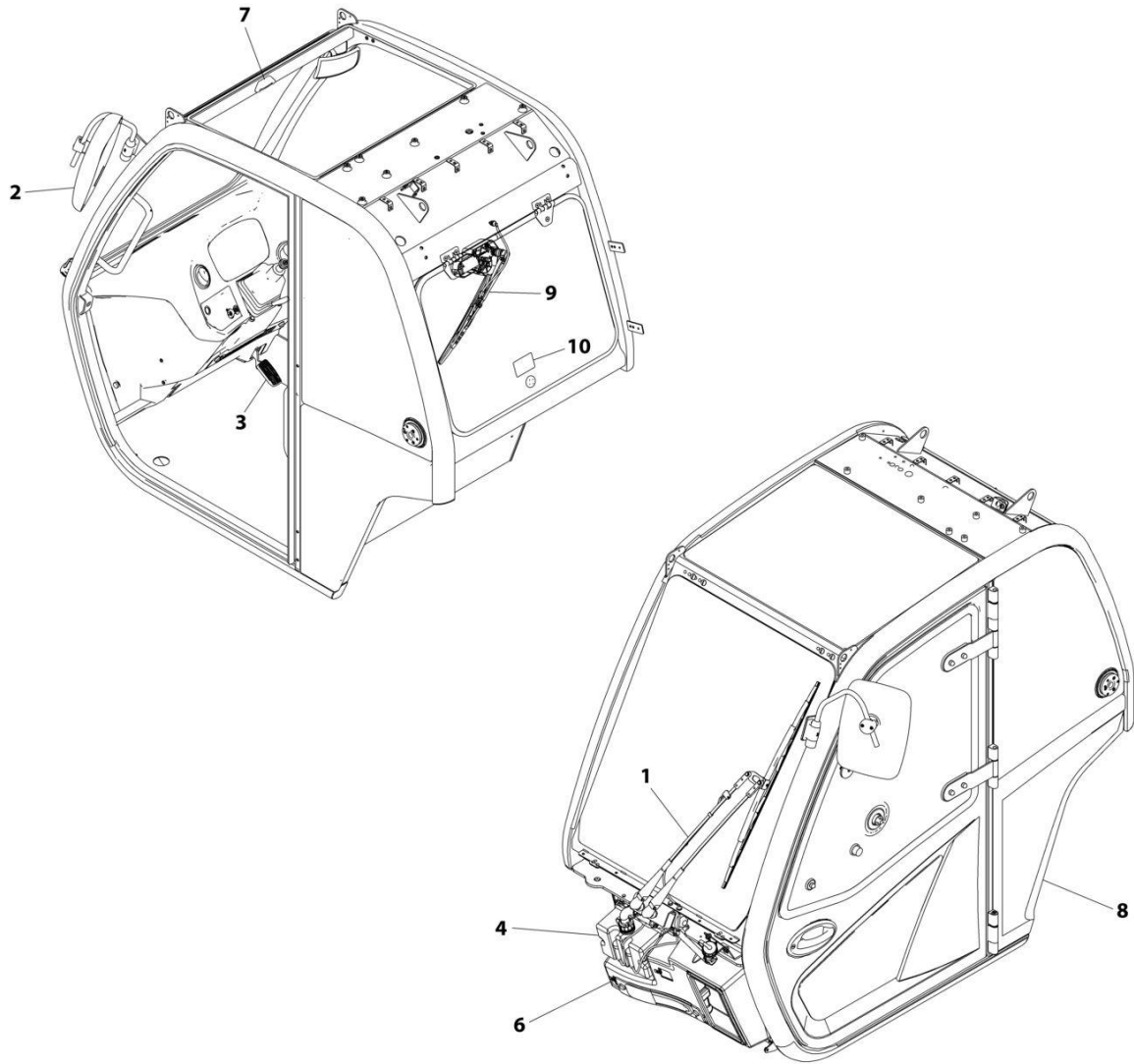
ART_1001155446-E

FIGURE 6-3. CAB MOUNTS INSTALLATION

ITEM	PART NUMBER	QTY	DESCRIPTION	REV
	1001155446	Ref	Cab Mounts Installation	E
1	0712027	4	Bolt, M20X100	
2	3332011	4	Nut, M20X2.5	
3	4812500	8	Washer, M20	
4	1001166754	4	Mount, Cab Isolation	
5	1001166755	4	Washer, Cab Rebound	
6	1001220540	4	Washer, Cab Mount	

SECTION 6 - CAB

FIGURE 6-4. CAB COMPONENTS INSTALLATION



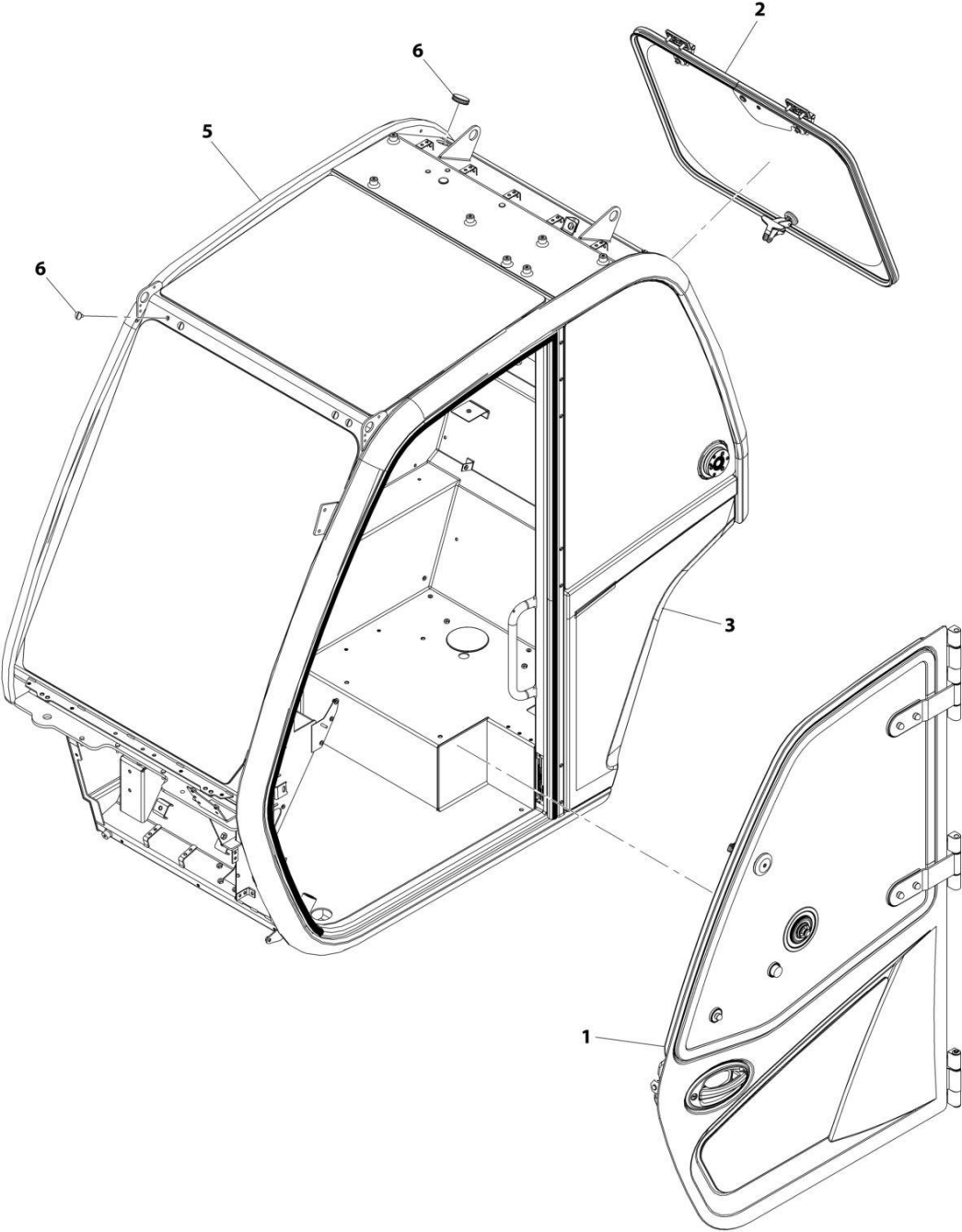
ART_1001194698_H

FIGURE 6-4. CAB COMPONENTS INSTALLATION

ITEM	PART NUMBER	QTY	DESCRIPTION	REV
	1001194698	Ref	CAB COMPONENTS INSTALLATION	H
1	1001155447	Ref	Installation, Front Wiper (See Separate Breakdown in this Section)	
2	1001160508	Ref	Installation, Basic Mirror (See Separate Breakdown in this Section)	
3	1001161499	Ref	Installation, Accelerator Pedal (See Separate Breakdown in CONTROLS Section)	
4	1001162789	Ref	Installation, Washer Tank (See Separate Breakdown in this Section)	
6	1001170366	Ref	Installation, Front Cover (See Separate Breakdown in this Section)	
7	1001172401	Ref	Installation, Level Indicator (See Separate Breakdown in this Section)	
8	1001194699	Ref	Installation, Cab (See Separate Breakdown in this Section)	
9	1001220329	Ref	Installation, Rear Wiper (See Separate Breakdown in this Section)	
10	1001204598	Ref	Installation, Rear Window Exit Decal (See Separate Breakdown in this Section)	

SECTION 6 - CAB

FIGURE 6-5. CAB INSTALLATION



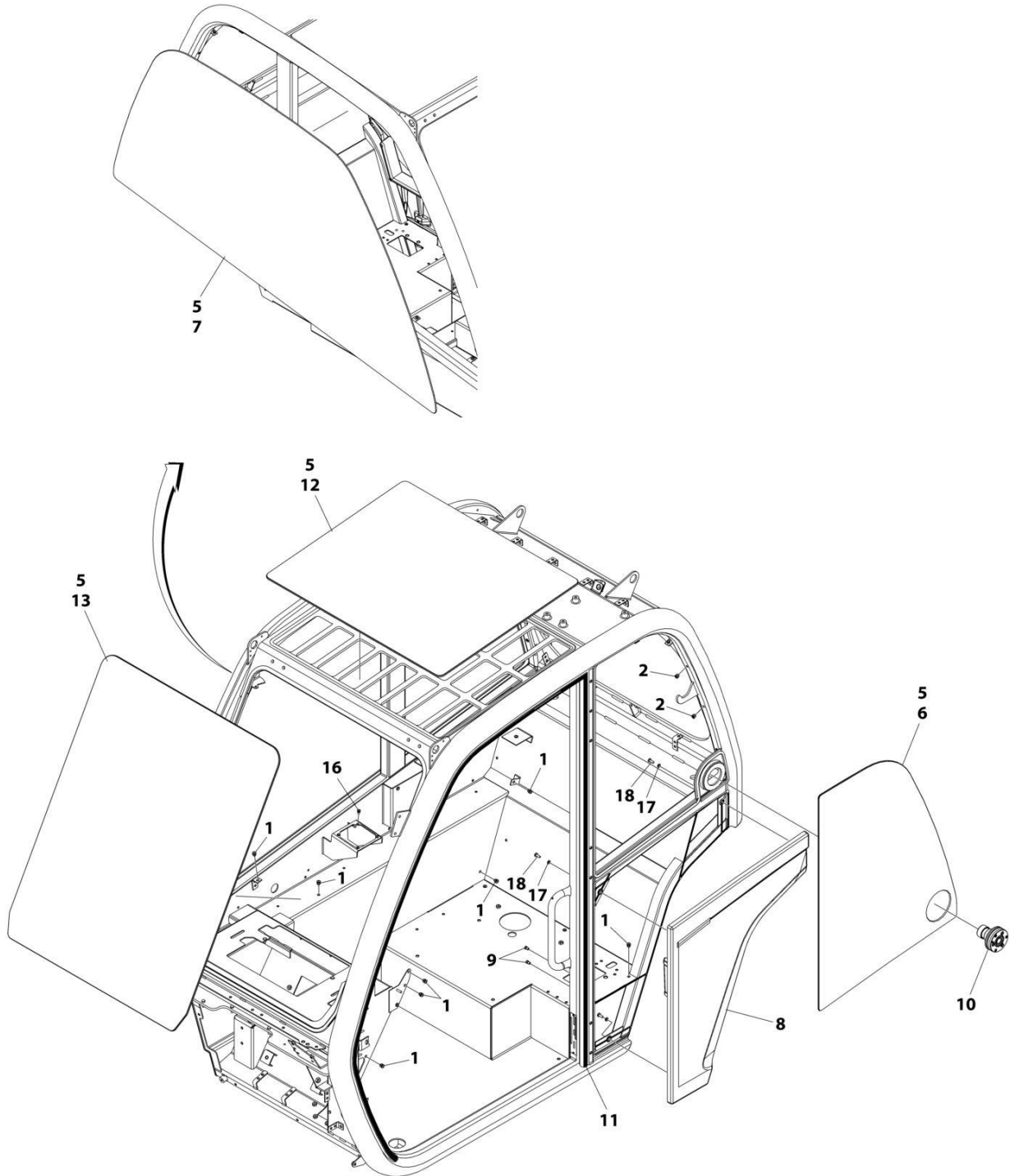
ART_1001194699

FIGURE 6-5. CAB INSTALLATION

ITEM	PART NUMBER	QTY	DESCRIPTION	REV
	1001194699	Ref	Cab Installation	L
1	1001155228	1	Installation, Cab Door (See Separate Breakdown in this Section)	
2	1001220339	1	Installation, Rear Window (See Separate Breakdown in this Section)	
3	1001194700	1	Assembly, Cab Group (See Separate Breakdown in this Section)	
5	N.S.S.	1	Weldment, Cab	
6	1001195814	1	Group, Cab Plug (See Separate Breakdown in this Section)	

SECTION 6 - CAB

FIGURE 6-6. CAB ASSEMBLY



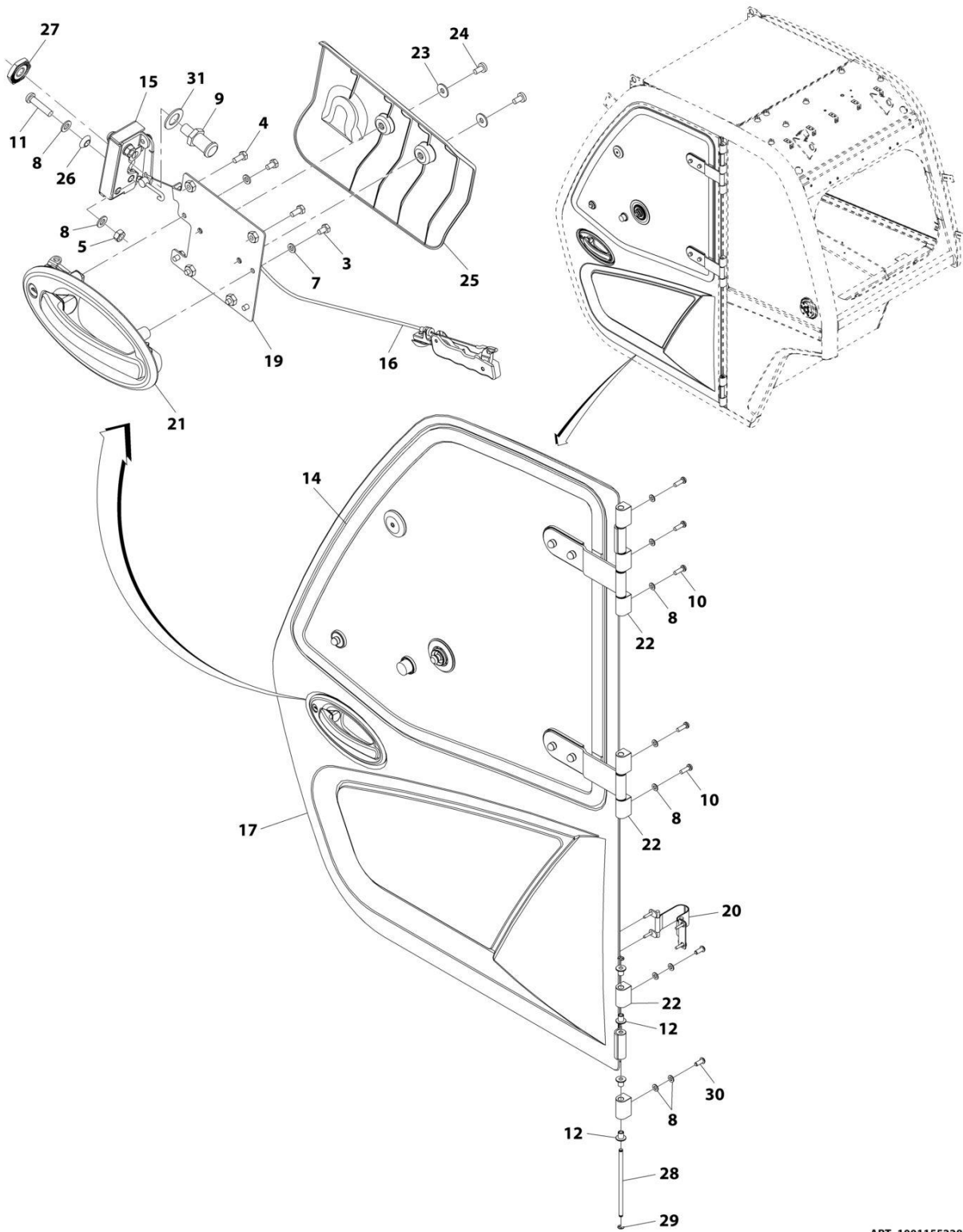
ART_1001194700_G

FIGURE 6-6. CAB ASSEMBLY

ITEM	PART NUMBER	QTY	DESCRIPTION	REV
	1001194700	Ref	Cab Assembly	G
1	2080086	25	Rivnut M6 x 1	
2	2080087	16	Rivnut M8 x 1.25	
5	1001111317	AR	Compound, Locking	
6	1001152915	1	Glass, LH Screen	
7	1001152947	1	Glass, RH Screen	
8	1001256073	1	Panel, Cab Quarter	
9	1001172193	2	Rivnut M5 x 0.8	
10	1001174320	1	Latch, Top Window	
11	1001227186	1	Seal, Cab Door	
12	1001178159	1	Glass, Roof Laminated	
13	1001178160	1	Glass, Front Laminated	
16	1001195878	4	Rivnut M5 x 0.8	
17	4811700	3	Washer M6	
18	4010608002	3	Screw M6 x 16	

SECTION 6 - CAB

FIGURE 6-7. DOOR INSTALLATION



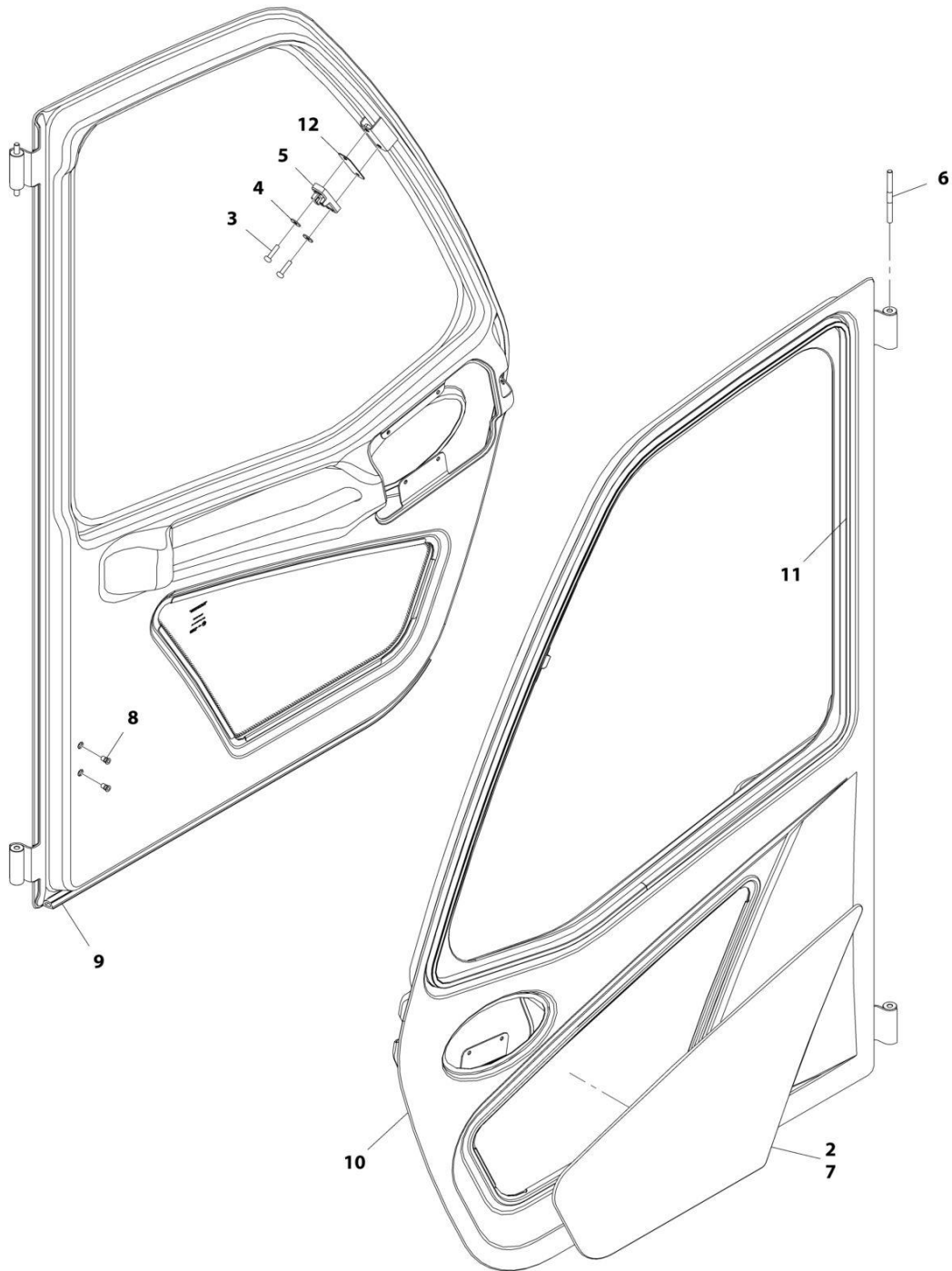
ART_1001155228

FIGURE 6-7. DOOR INSTALLATION

ITEM	PART NUMBER	QTY	DESCRIPTION	REV
	1001155228	Ref	Door Installation	Q
3	0760605	4	Bolt, M6X10	
4	0760607	4	Bolt, M6X14	
5	3290801	2	Nut, M8X1.25 Grade 8	
7	4811700	4	Washer, M6	
8	4811900	13	Washer, M8	
9	8000803	1	Pin, Door Striker	
10	1001008988	5	Screw M8X25	
11	1001047062	2	Screw, M8X35	
12	1001107192	10	Sleeve, Hinge	
14	1001205532	1	Assembly, Door Upper Glass (See Separate Breakdown in this Section)	
15	1001192766	1	Assembly, Cab Latch (See Separate Breakdown in this Section)	
16	1001167958	1	Assembly, Cab Door Trigger (See Separate Breakdown in this Section)	
17	1001170114	1	Assembly, Door (See Separate Breakdown in this Section)	
19	1001173298	1	Bracket	
20	1001174295	1	Installation, Door Strap (See Separate Breakdown in this Section)	
21	1001192646	1	Handle, Exterior Door	
22	1001229543	7	Block, Hinge (Rounded Top/Bottom Edge)	
22	1001170601J	7	Block, Hinge (Square Top/Bottom Edge)	
23	4811702001	2	Washer, M6	
24	4010608002	2	Screw, Posi-Drive, M6X16	
25	1001175477	1	Cover, Cab Door Interior	
26	1001184439	2	Bushing	
27	1001192309	1	Nut, M12X1	
28	1001213791	1	Pin	
29	0498748	2	Washer, Lock M7	
30	1001164726	2	Bolt, M8X20	
31	1001227802	1	Washer	

SECTION 6 - CAB

FIGURE 6-8. DOOR ASSEMBLY



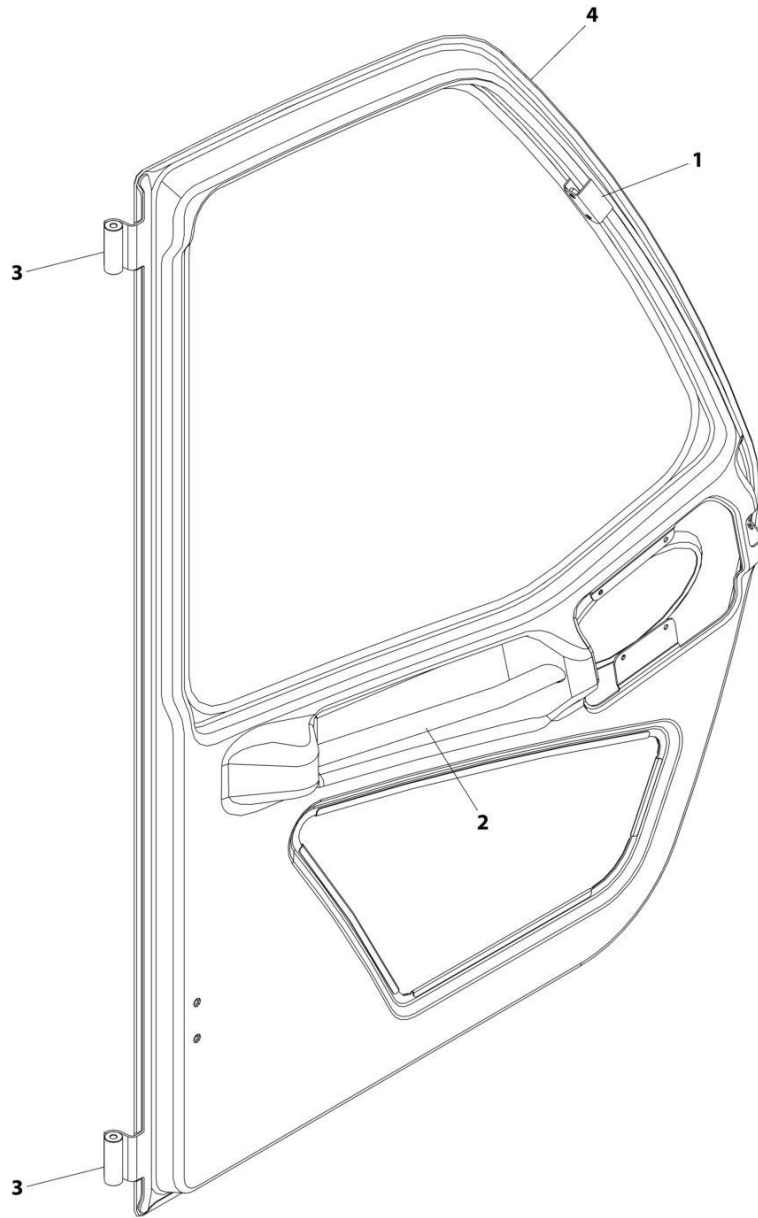
ART_1001170114

FIGURE 6-8. DOOR ASSEMBLY

ITEM	PART NUMBER	QTY	DESCRIPTION	REV
	1001170114	Ref	Door Assembly	K
2	1001111317	AR	Compound, Locking	
3	4010612002	2	Screw, M6X25	
4	4811702001	2	Washer, M6	
5	1001165276	1	Plate, Window Latch Striker	
6	1001166634	1	Pin, Hinge	
7	1001169880	1	Window, Lower Glass	
8	1001172193	2	Rivnut, M5X0.8	
9	1001227188	1	Seal, Cab Door	
10	1001170113J	1	Door, Cab (See Separate Breakdown in this Section)	
11	1001227187	1	Seal, Cab Door Window	
12	1001193210	AR	Shim, Window Latch	

SECTION 6 - CAB

FIGURE 6-9. CAB DOOR



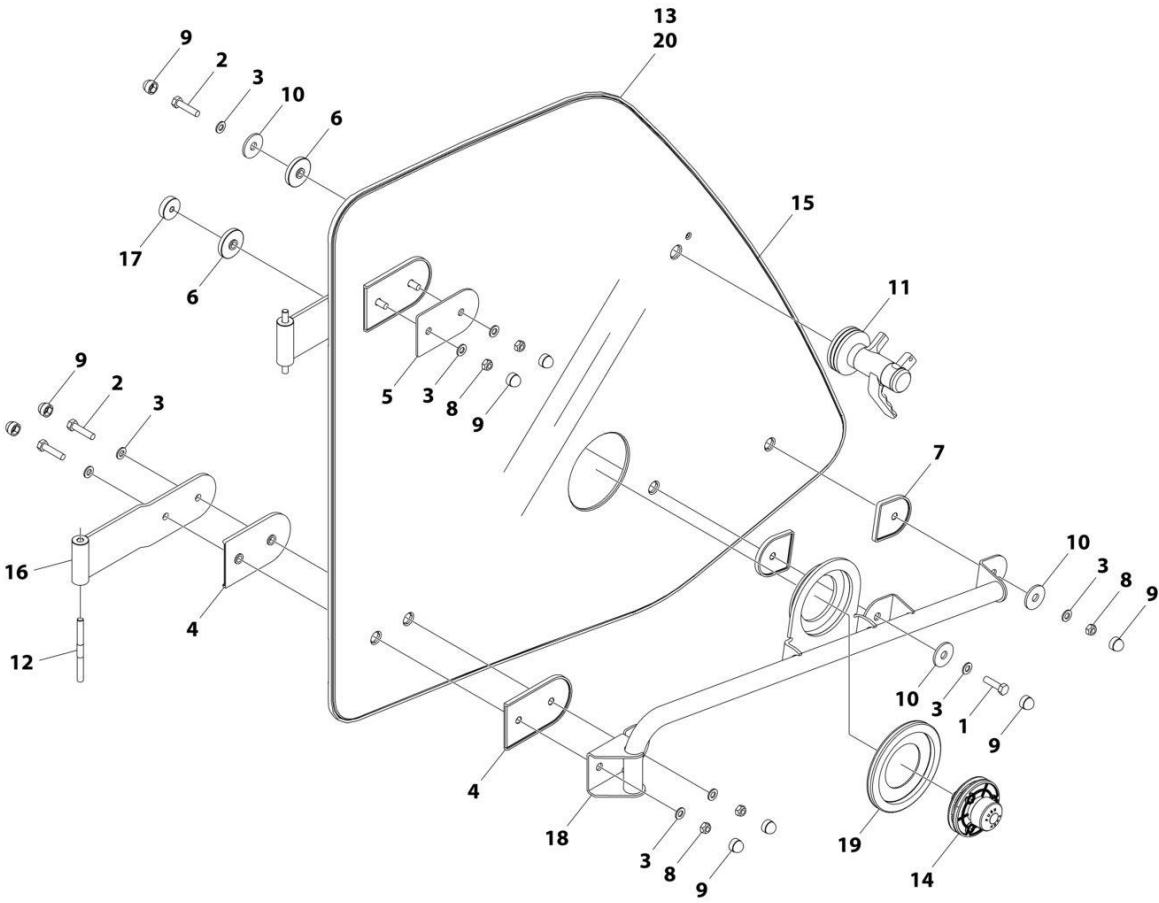
ART_1001170113J-E

FIGURE 6-9. CAB DOOR

ITEM	PART NUMBER	QTY	DESCRIPTION	REV
	1001170113J	Ref	Cab Door	E
1	1001169883	1	Bracket, Window Latch	
2	1001169885	1	Handle, Interior Door	
3	1001171037	1	Plate, Hinge	
4	1001171635	1	Frame, Door	

SECTION 6 - CAB

FIGURE 6-10. DOOR UPPER GLASS ASSEMBLY



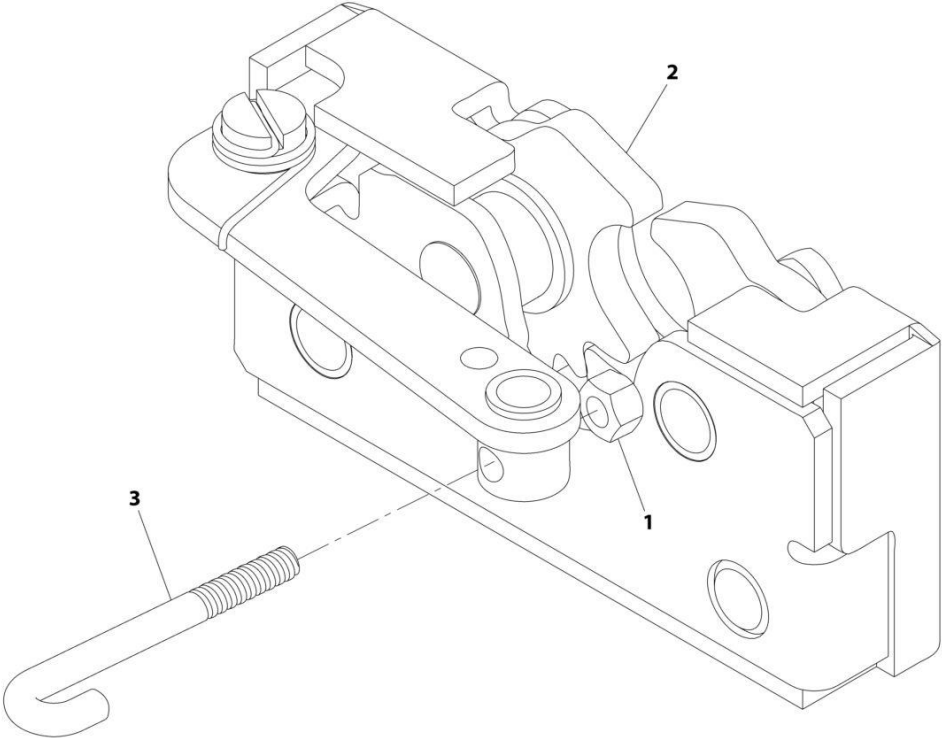
ART_1001205532

FIGURE 6-10. DOOR UPPER GLASS ASSEMBLY

ITEM	PART NUMBER	QTY	DESCRIPTION	REV
	1001205532	Ref	Door Upper Glass Assembly	G
1	0760812	1	Bolt, M8X25	
2	0760815	5	Bolt, M8X35	
3	4811900	11	Washer, 8MM	
4	1001002946	4	Mount, Hinge	
5	1001002947	1	Mount, Hinge	
6	1001002953	2	Mount, Rubber	
7	1001002957	2	Mount, Latch	
8	1001008857	5	Nut, Lock	
9	1001096365	11	Cap, M8	
10	1001141246	3	Mount, Rubber	
11	1001165275	1	Latch, Window	
12	1001166634	2	Pin, Hinge	
13	1001170944	1	Panel, Window Surround	
14	1001174321	1	Striker, Top Window	
15	1001204066	1	Glass, Window	
16	1001204115	2	Hinge	
17	1001222741	1	Buffer, Cab	
18	1001204120	1	Handle	
19	1001213331	1	Gasket	
20	1001215531	AR	Adhesive	

SECTION 6 - CAB

FIGURE 6-11. CAB LATCH ASSEMBLY



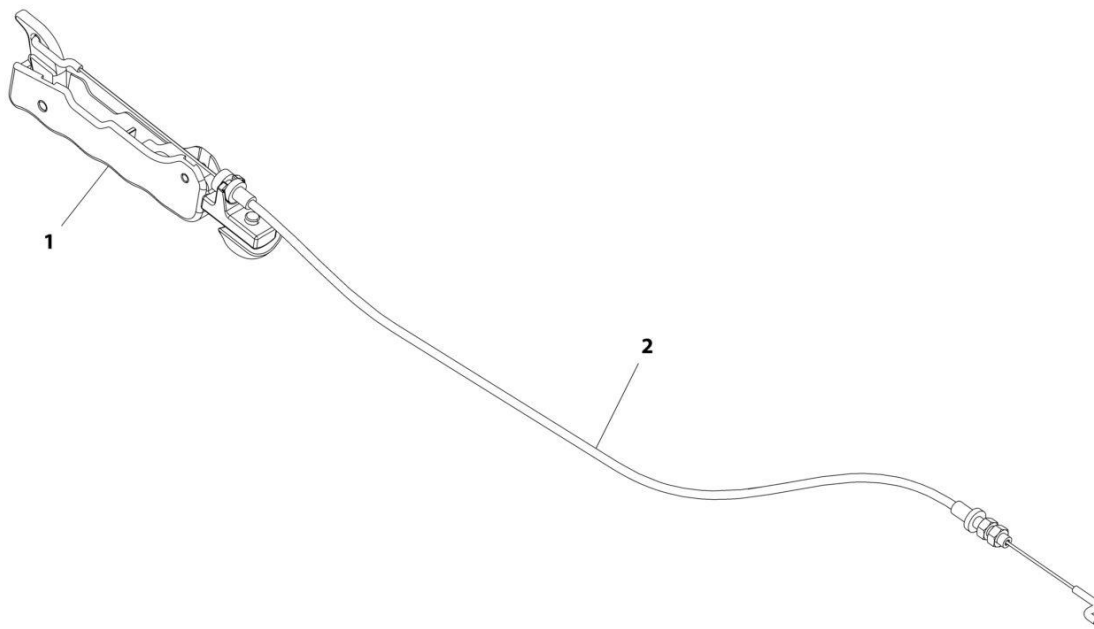
ART_1001192766_C

FIGURE 6-11. CAB LATCH ASSEMBLY

ITEM	PART NUMBER	QTY	DESCRIPTION	REV
	1001192766	Ref	Cab Latch Assembly	C
1	3290405	1	Nut, M4X0.7 Grade 8	
2	1001192643	1	Latch	
3	1001241308	1	Link, Door Handle	

SECTION 6 - CAB

FIGURE 6-12. CAB DOOR TRIGGER ASSEMBLY



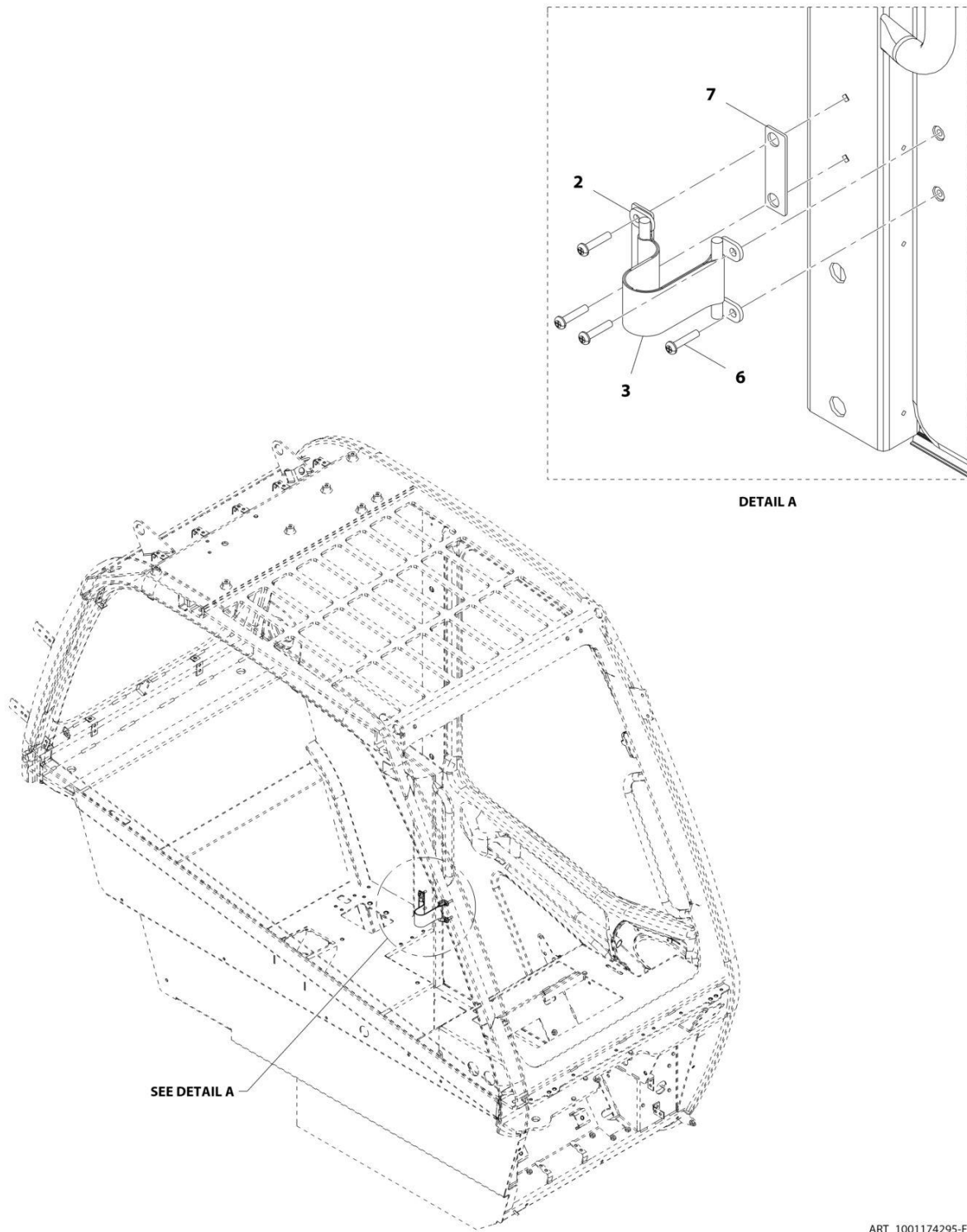
ART_1001167958-E

FIGURE 6-12. CAB DOOR TRIGGER ASSEMBLY

ITEM	PART NUMBER	QTY	DESCRIPTION	REV
	1001167958	Ref	Cab Door Trigger Assembly	E
1	1001167937	1	Trigger, Cab Interior Release	
2	1001192644	1	Cable, Cab Latch Release	

SECTION 6 - CAB

FIGURE 6-13. DOOR STRAP INSTALLATION



SEE DETAIL A

DETAIL A

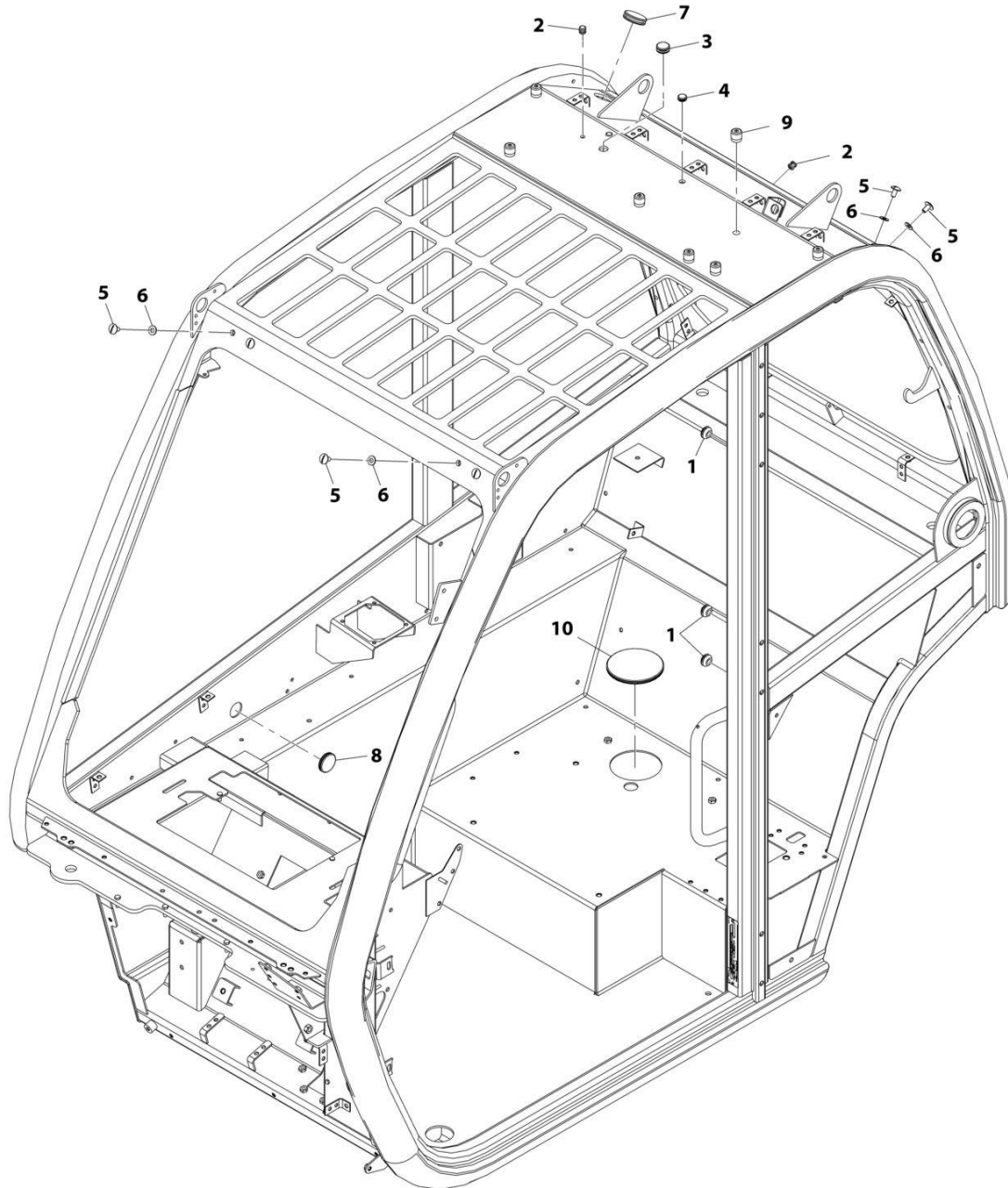
ART_1001174295-F

FIGURE 6-13. DOOR STRAP INSTALLATION

ITEM	PART NUMBER	QTY	DESCRIPTION	REV
	1001174295	Ref	Door Strap Installation	F
2	1001230163	2	Bracket, Strap Holder	
3	1001212011	1	Strap, Door Hold Open	
6	8310559	4	Screw	
7	1001191091	1	Plate, Cab Door Strap	

SECTION 6 - CAB

FIGURE 6-14. CAB PLUG GROUP



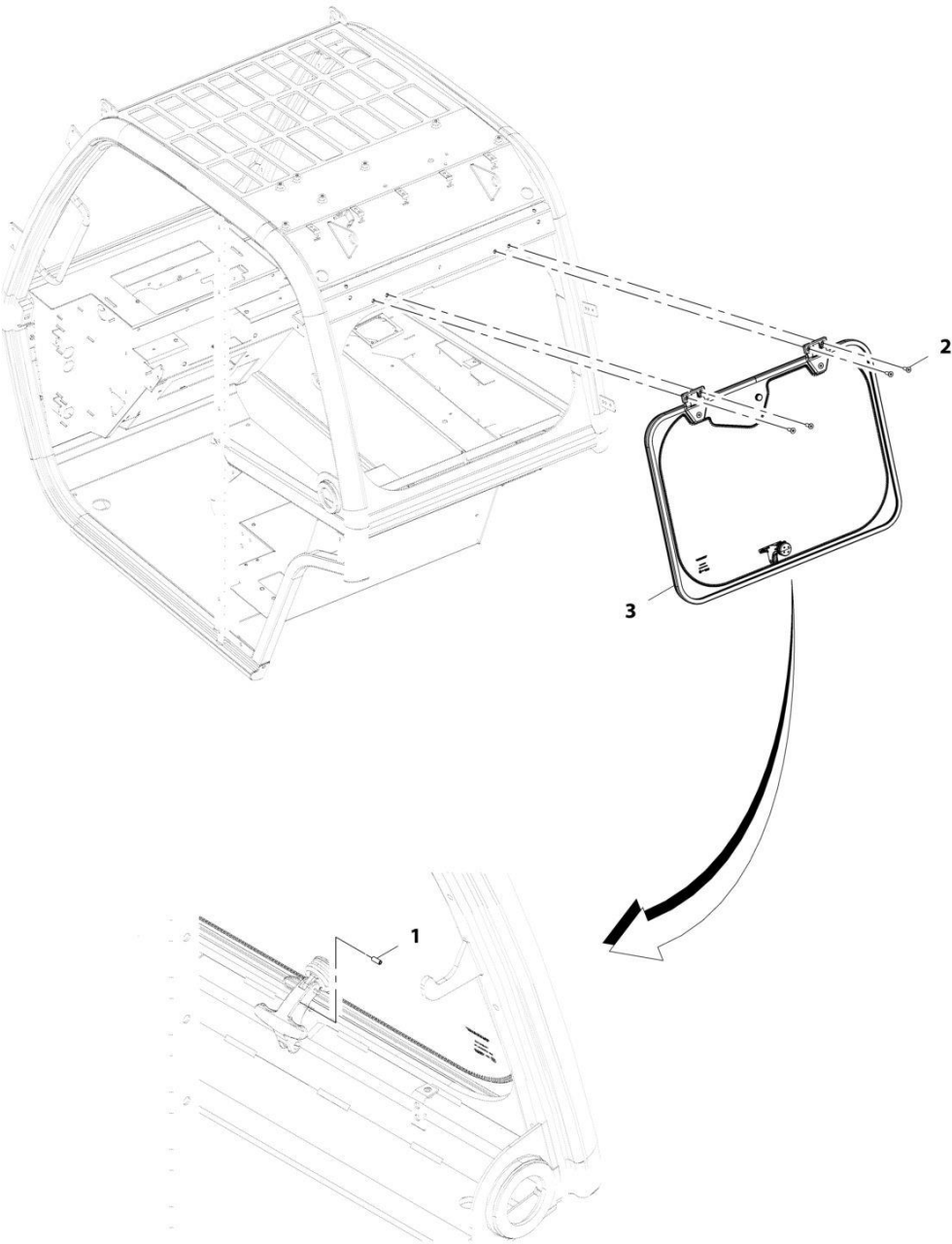
ART_1001195814-C

FIGURE 6-14. CAB PLUG GROUP

ITEM	PART NUMBER	QTY	DESCRIPTION	REV
	1001195814	Ref	Cab Plug Group	C
1	1001143200	7	Plug	
2	1001176272	3	Plug	
3	1001176273	1	Plug	
4	1001176626	1	Plug	
5	1001181920	8	Screw, Nylon M8X16	
6	1001181921	8	Washer, Rubber M8	
7	1001182123	2	Plug	
8	1001182139	1	Plug	
9	1001219220	7	Plug	
10	1001209899	1	Plug	

SECTION 6 - CAB

FIGURE 6-15. REAR WINDOW INSTALLATION



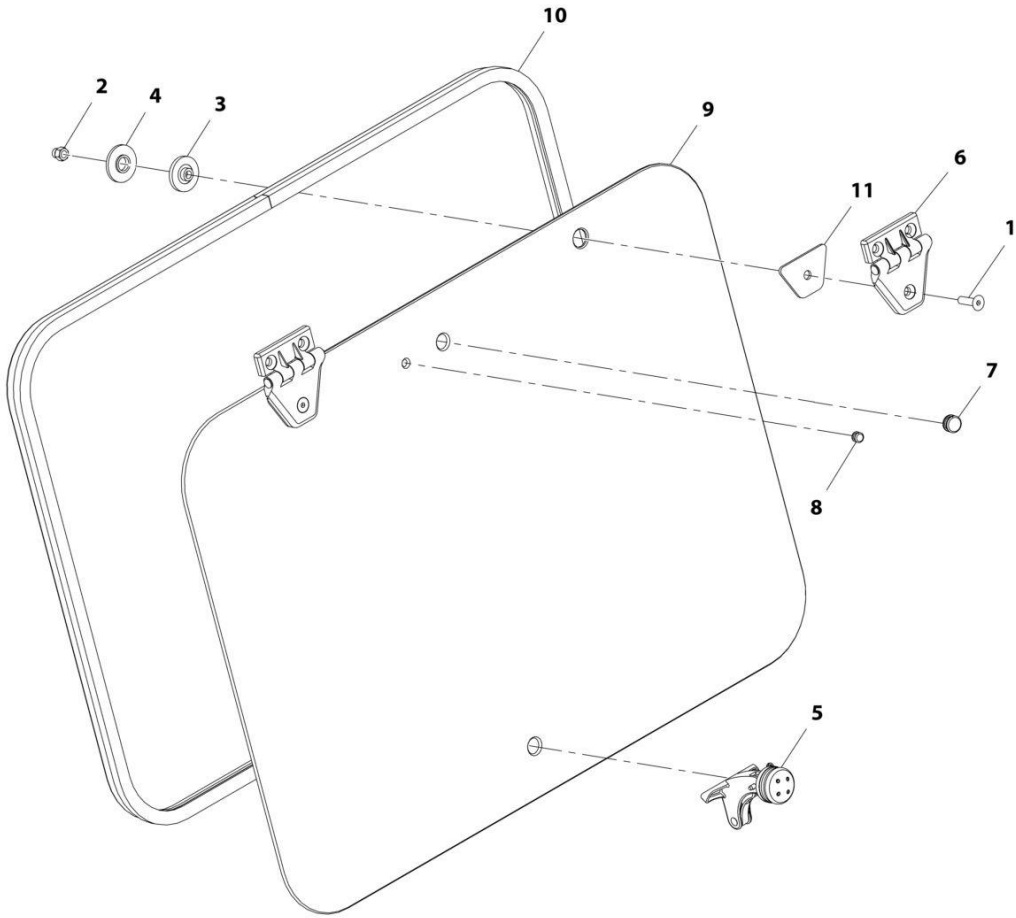
ART_1001220339-A

FIGURE 6-15. REAR WINDOW INSTALLATION

ITEM	PART NUMBER	QTY	DESCRIPTION	REV
	1001220339	Ref	Rear Window Installation	A
1	1001003043	1	Pin, Spring	
2	1001097586	4	Screw, M8X1.25	
3	1001220338	1	Assembly, Rear Window (See Separate Breakdown in this Section)	

SECTION 6 - CAB

FIGURE 6-16. REAR WINDOW GROUP



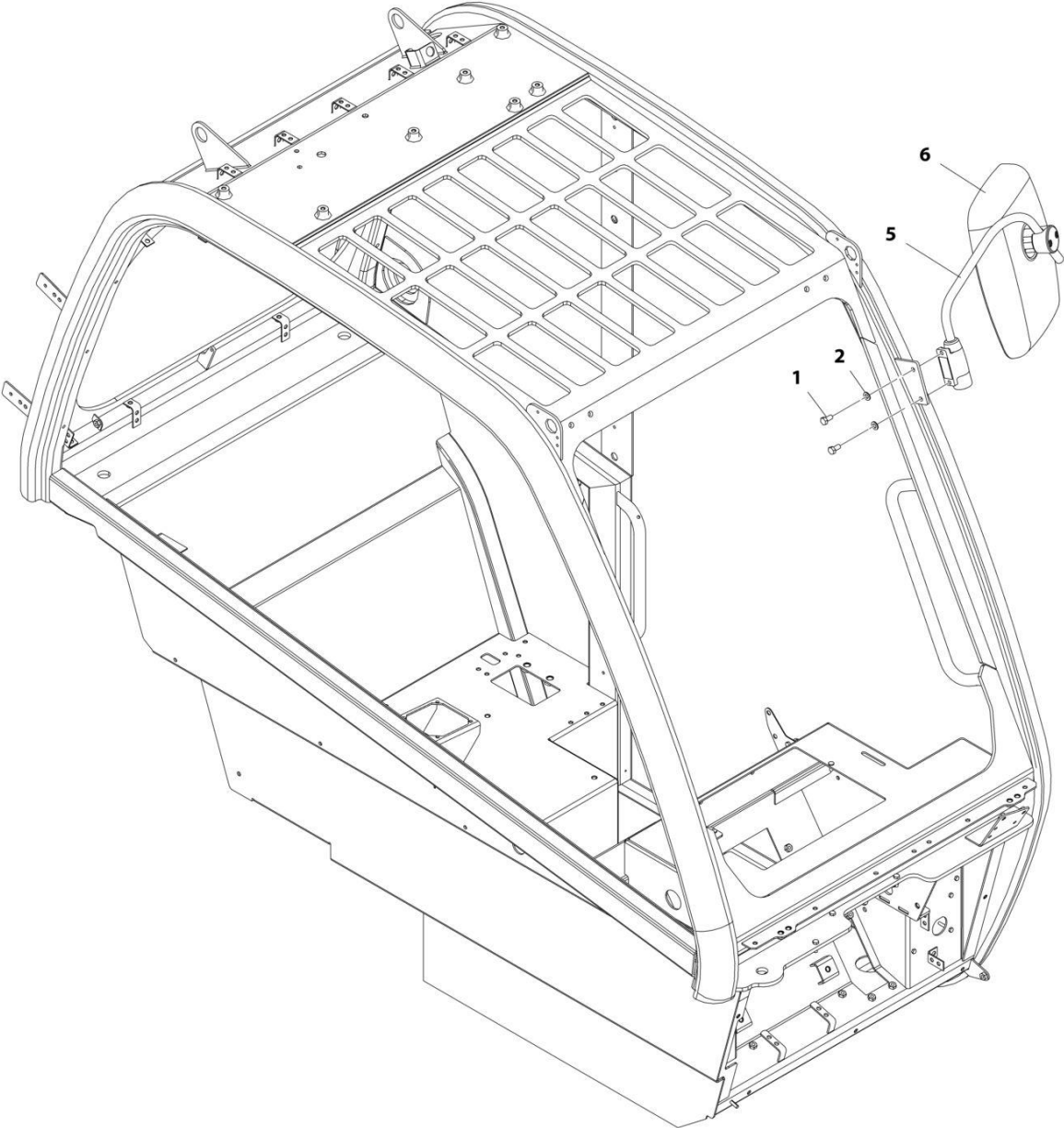
ART_1001220338-A

FIGURE 6-16. REAR WINDOW GROUP

ITEM	PART NUMBER	QTY	DESCRIPTION	REV
	1001220338	Ref	Rear Window Group	A
1	2080078	2	Fastener, M8X30	
2	3290806	2	Nut, M8X1.25 Grade 8	
3	8000759	2	Spacer	
4	8004398	2	Spacer	
5	1001005368	1	Latch, Window	
6	1001139568	2	Hinge	
7	1001171182	1	Grommet	
8	1001171183	1	Grommet	
9	1001178680	1	Glass, Rear Window	
10	1001178681	1	Seal	
11	1001181411	2	Gasket, Rear Window Hinge	

SECTION 6 - CAB

FIGURE 6-17. BASIC MIRROR INSTALLATION



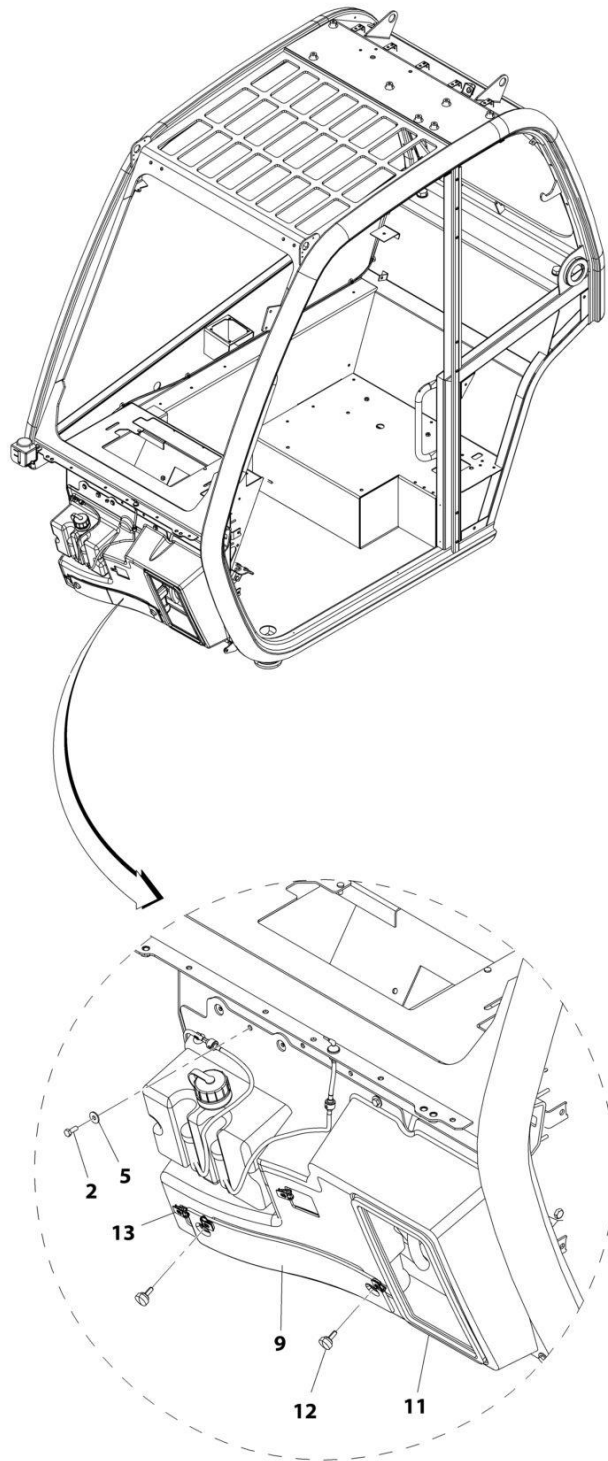
ART_1001160508-E

FIGURE 6-17. BASIC MIRROR INSTALLATION

ITEM	PART NUMBER	QTY	DESCRIPTION	REV
	1001160508	Ref	Basic Mirror Installation	E
1	0760808	2	Bolt, M8X16	
2	4811900	2	Washer, M8	
5	1001164655	1	Bracket	
6	80363195	1	Mirror	

SECTION 6 - CAB

FIGURE 6-18. FRONT COVER INSTALLATION



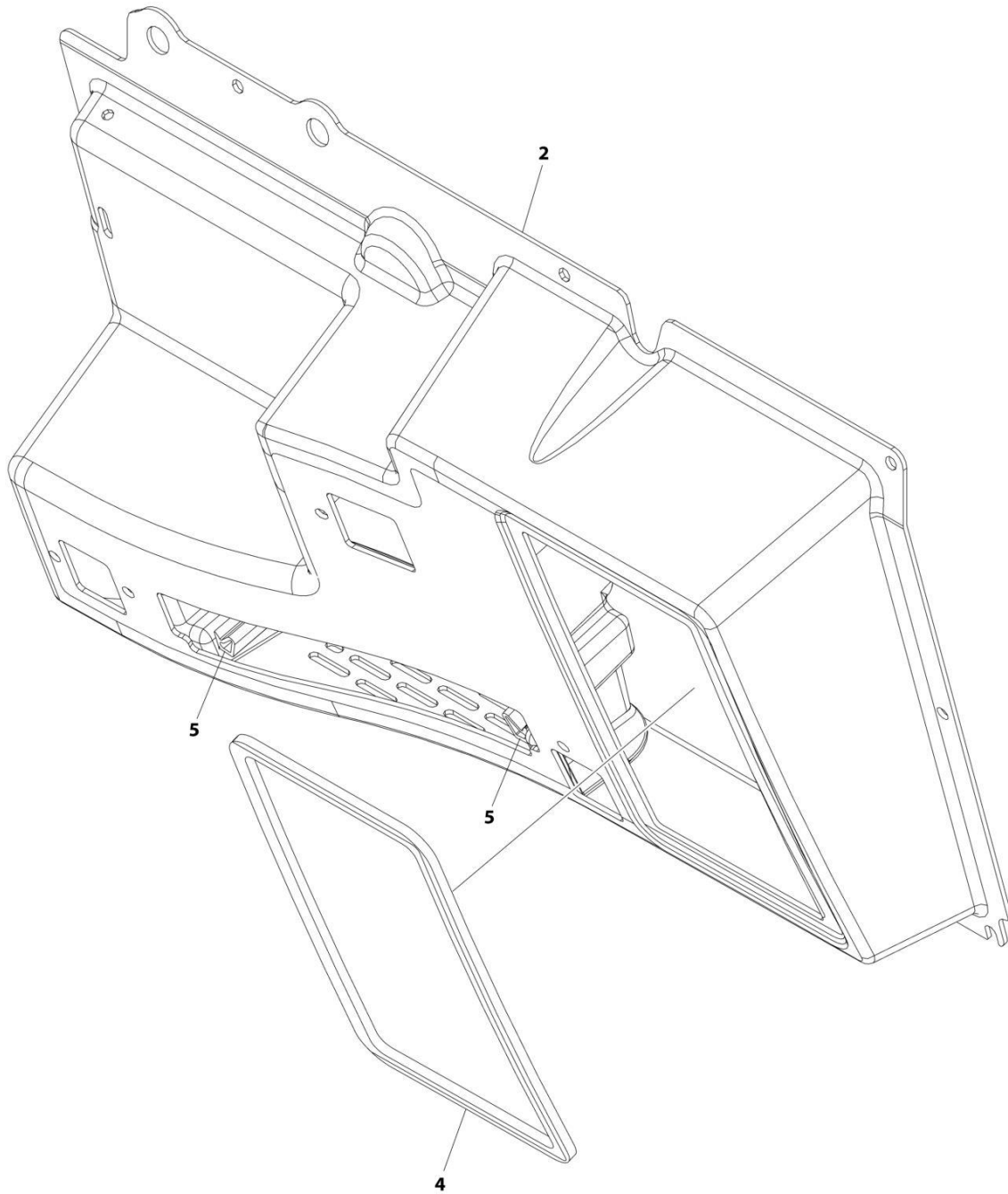
ART_1001170366-G

FIGURE 6-18. FRONT COVER INSTALLATION

ITEM	PART NUMBER	QTY	DESCRIPTION	REV
	1001170366	Ref	Front Cover Installation	G
2	0760608	7	Bolt, M6X16	
5	4811702	7	Washer, M6	
9	1001175471	1	Panel, Filter Tray (See Separate Breakdown in this Section)	
11	1001176121	1	Cover, Front Duct (See Separate Breakdown in this Section)	
12	2080092	2	Thumb Screw, M6X16	
13	8305919	4	Nut, M6	

SECTION 6 - CAB

FIGURE 6-19. FRONT DUCT COVER



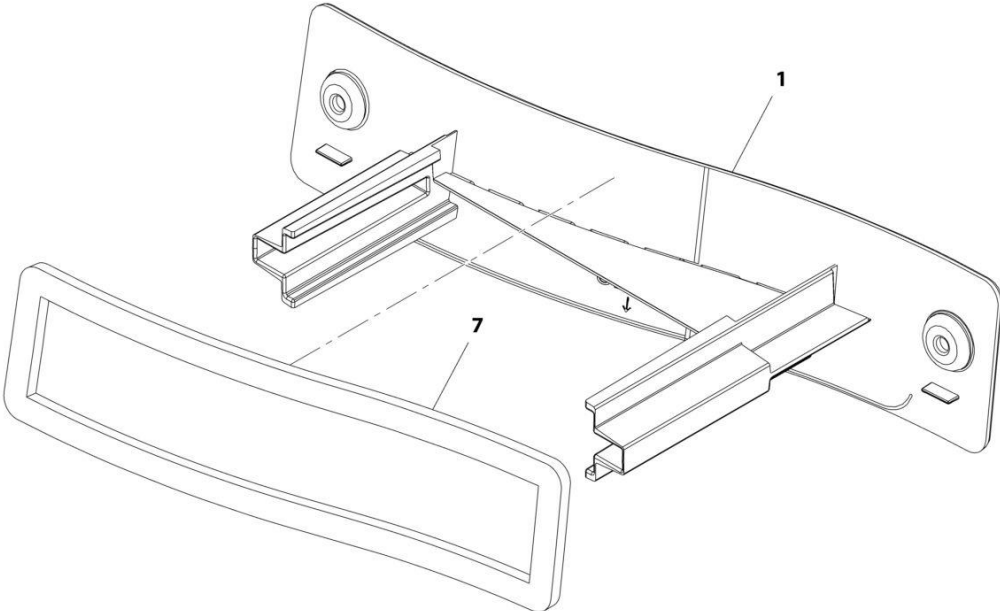
ART_1001176121

FIGURE 6-19. FRONT DUCT COVER

ITEM	PART NUMBER	QTY	DESCRIPTION	REV
	1001176121	Ref	FRONT DUCT COVER	H
2	1001170326	1	Cover, Front	
4	1001175470	1	Seal, Front Cab Panel	
5	1001270117	AR	Seal, Bulb	

SECTION 6 - CAB

FIGURE 6-20. FILTER TRAY PANEL



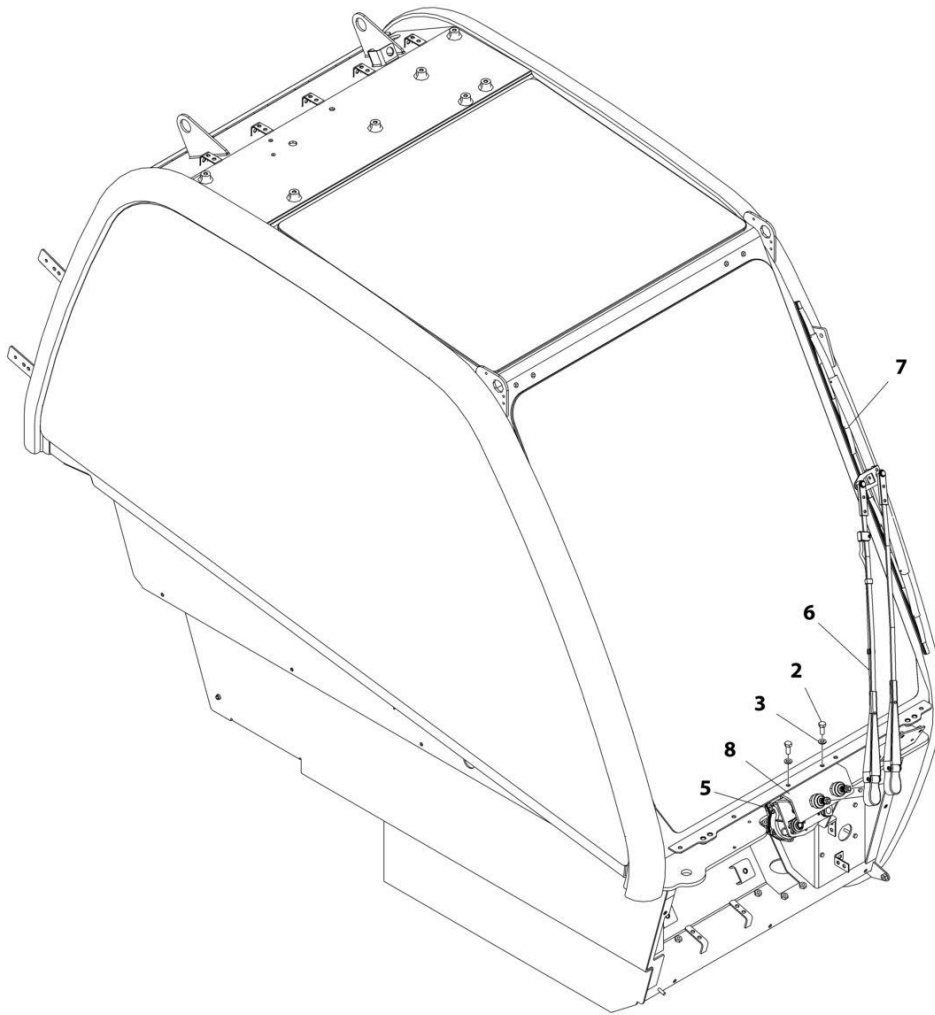
ART_1001175471-D

FIGURE 6-20. FILTER TRAY PANEL

ITEM	PART NUMBER	QTY	DESCRIPTION	REV
	1001175471	Ref	Filter Tray Panel	D
1	1001170993	1	Panel, Front Inlet	
7	1001171767	1	Cab, Front Panel Seal	

SECTION 6 - CAB

FIGURE 6-21. FRONT WIPER INSTALLATION



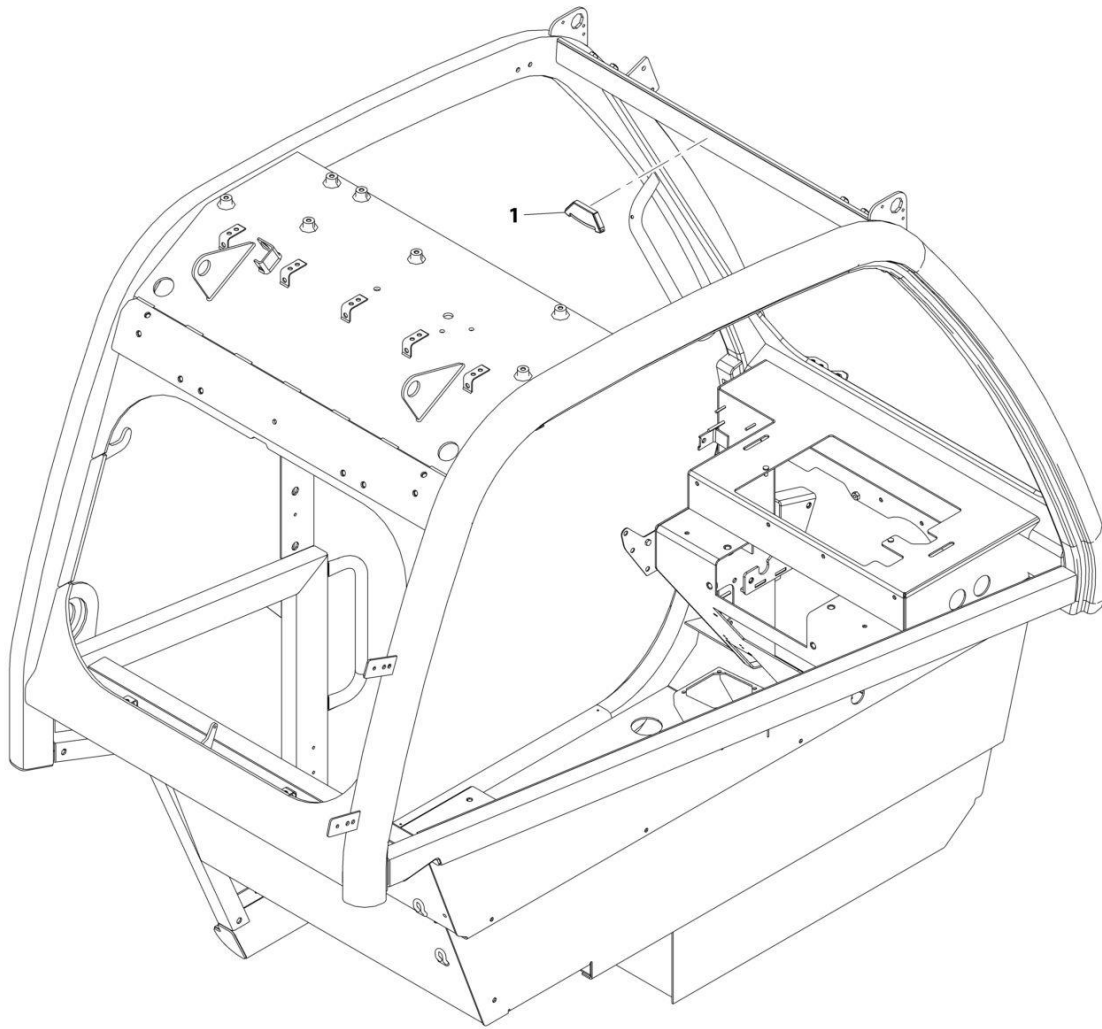
ART_1001155447-G

FIGURE 6-21. FRONT WIPER INSTALLATION

ITEM	PART NUMBER	QTY	DESCRIPTION	REV
	1001155447	Ref	Front Wiper Installation	G
2	0760810	2	Bolt, M8X20	
3	4811900	2	Washer, M8	
5	1001214092	1	Motor, Front Wiper	
6	1001212369	1	Arm, Front Wiper	
7	1001141281	1	Blade, Wiper	
8	1001165637	1	Bracket	

SECTION 6 - CAB

FIGURE 6-22. LEVEL INDICATOR INSTALLATION



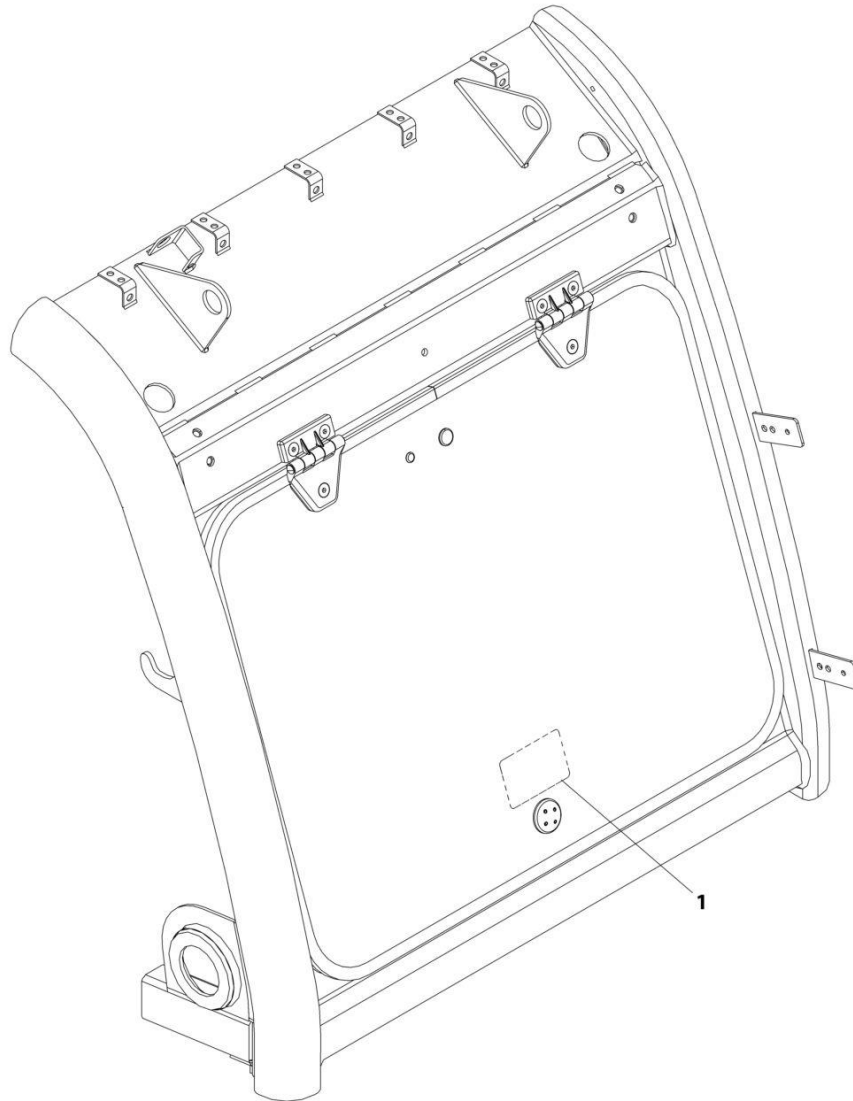
ART_1001172401-C

FIGURE 6-22. LEVEL INDICATOR INSTALLATION

ITEM	PART NUMBER	QTY	DESCRIPTION	REV
1	1001172401 8466306	Ref 1	Level Indicator Installation Gauge, Tilt Angle	C

SECTION 6 - CAB

FIGURE 6-23. REAR WINDOW EXIT DECAL INSTALLATION



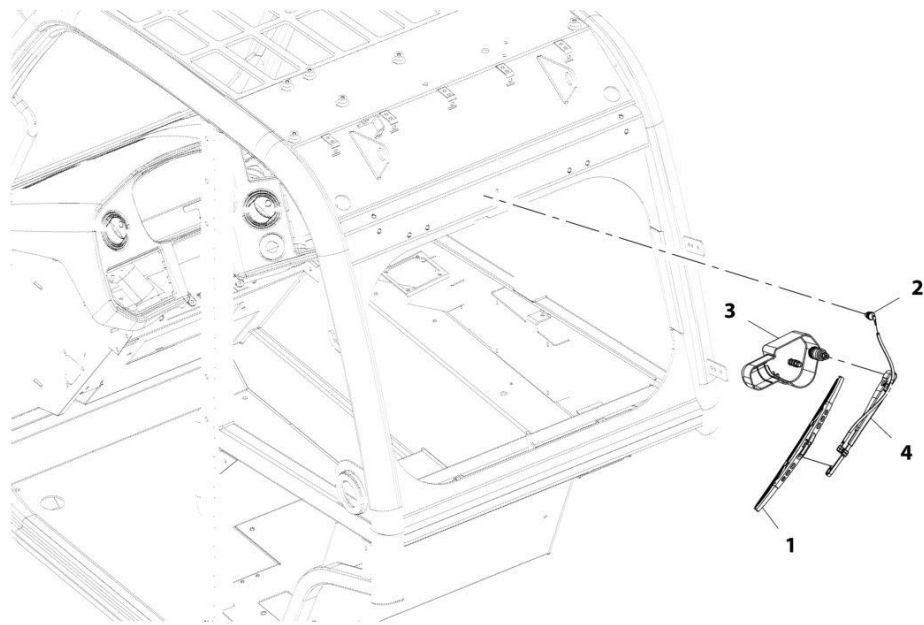
ART_1001204598

FIGURE 6-23. REAR WINDOW EXIT DECAL INSTALLATION

ITEM	PART NUMBER	QTY	DESCRIPTION	REV
1	1001204598 8005870	Ref 1	Rear Window Exit Decal Installation Decal, Emergency Exit	B

SECTION 6 - CAB

FIGURE 6-24. REAR WIPER INSTALLATION (Prior to SN 0160130025, Excluding 0160130024)



ART_1001220329-A

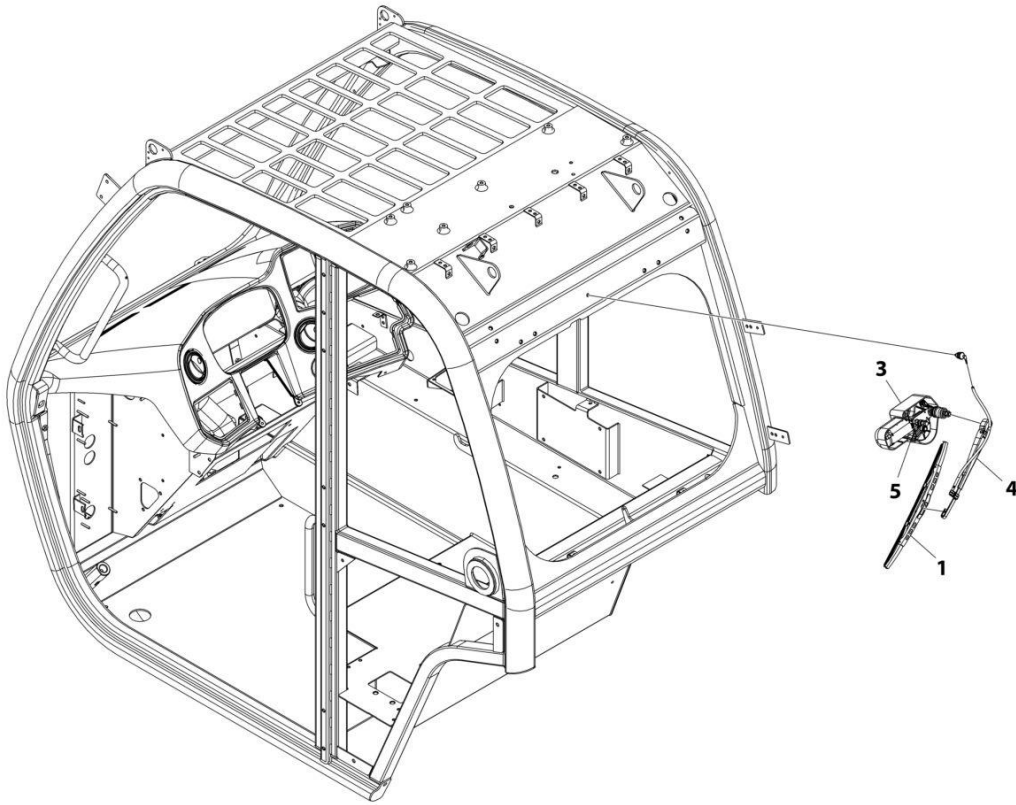
SECTION 6 - CAB

FIGURE 6-24. REAR WIPER INSTALLATION (Prior to SN 0160130025, Excluding 0160130024)

ITEM	PART NUMBER	QTY	DESCRIPTION	REV
	1001220329	Ref	Rear Wiper Installation	A
1	4807718	1	Wiper Blade, Oslv Italia	
2	1001090343	1	Connector	
3	1001139552	1	Motor, Wiper, Rear Window	
4	1001141312	1	Blade, Arm, Rear Window	

SECTION 6 - CAB

FIGURE 6-25. REAR WIPER INSTALLATION (SN 0160130470 to Present, Including 0160130024)



ART_1001220329_B

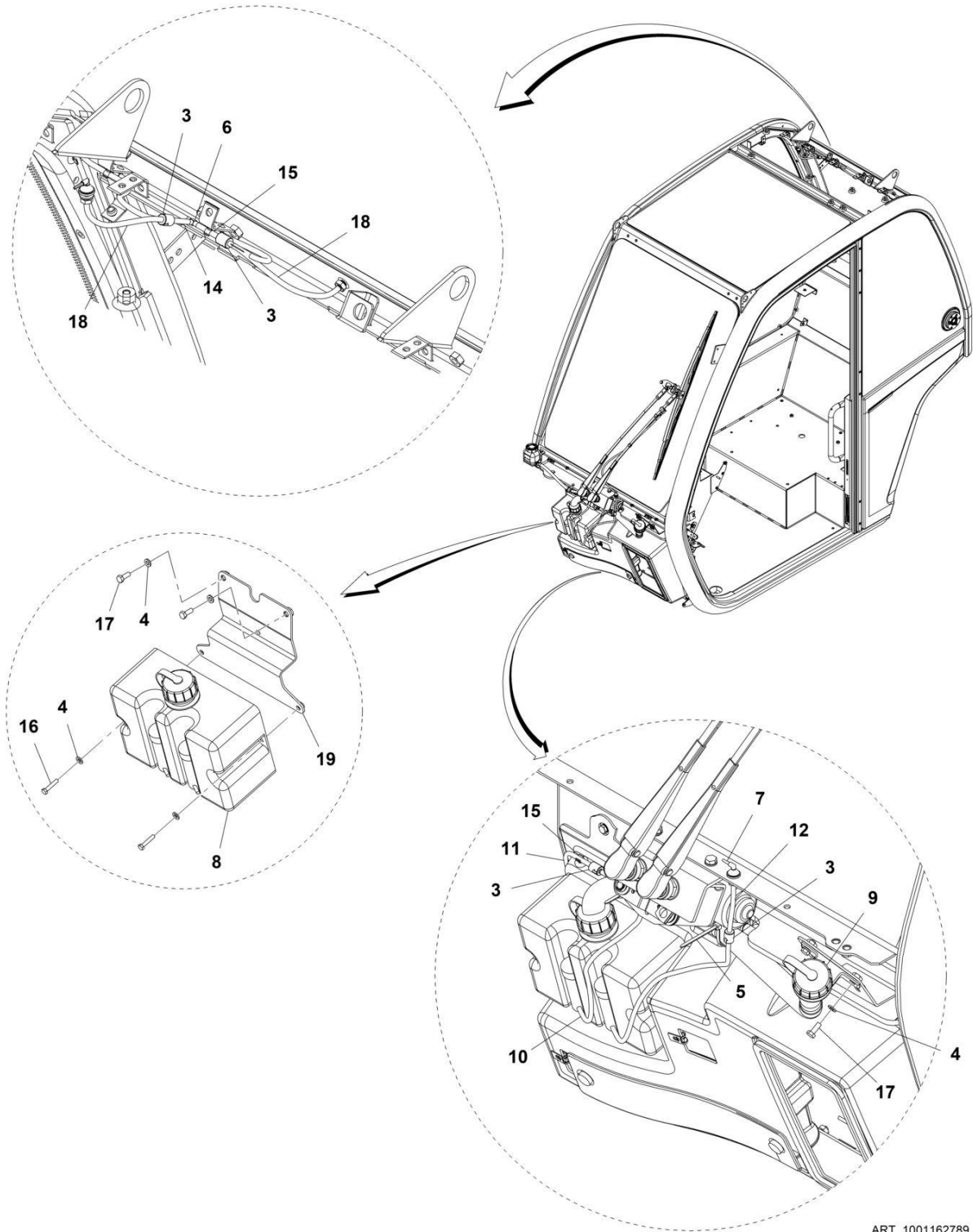
SECTION 6 - CAB

FIGURE 6-25. REAR WIPER INSTALLATION (SN 0160130470 to Present, Including 0160130024)

ITEM	PART NUMBER	QTY	DESCRIPTION	REV
	1001220329	Ref	REAR WIPER INSTALLATION	B
1	4807718	1	Wiper Blade, Oslv Italia	
3	1001139552	1	Motor, Wiper, Rear Window	
4	1001141312	1	Blade, Arm, Rear Window	
5	3290801	1	Nut M8	

SECTION 6 - CAB

FIGURE 6-26. WASHER TANK INSTALLATION



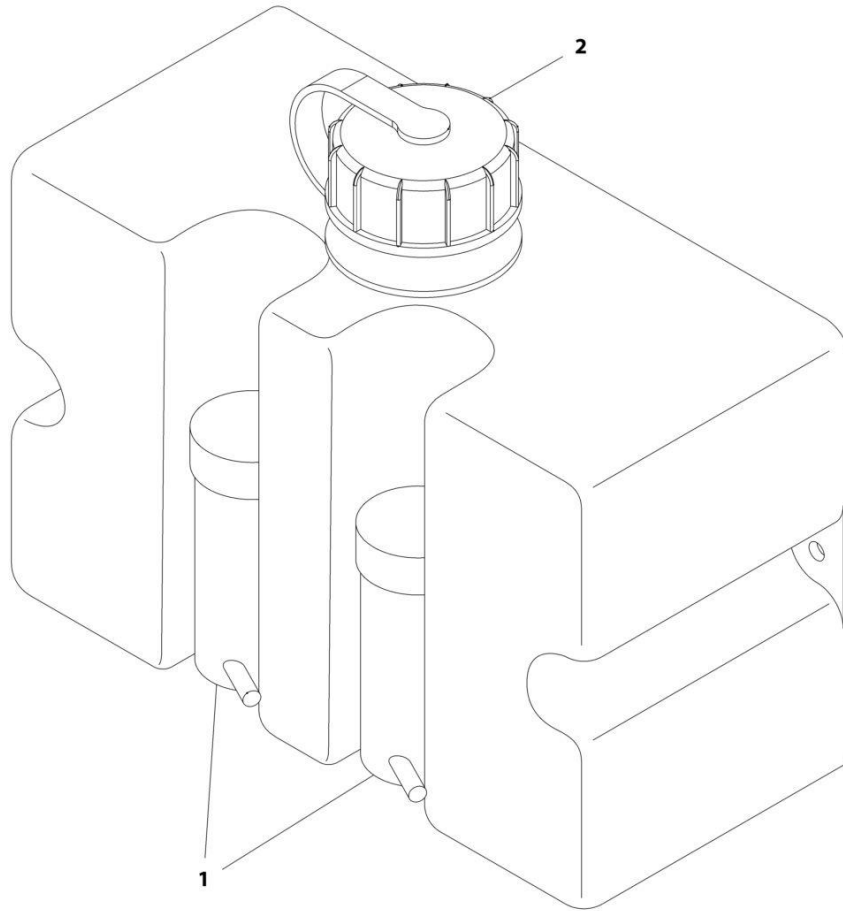
ART_1001162789

FIGURE 6-26. WASHER TANK INSTALLATION

ITEM	PART NUMBER	QTY	DESCRIPTION	REV
	1001162789	Ref	Washer Tank Installation	M
3	1001201331	4	Valve, Check	
4	4811700	6	Washer, M6	
5	471678	2	Strap, Tie	
6	1001008742	1	Coupling, Tee	
8	1001165269	1	Bottle, Washer (See Separate Breakdown in this Section)	
9	1001165270	1	Hose, Washer Filler	
10	1001165351	2	Hose	
11	1001165407	1	Hose	
12	1001165416	1	Hose	
14	1001165455	2	Hose	
15	1001165458	16	Hose	
16	0760512	2	Bolt M5X25	
17	0760608	4	Bolt, M6X16	
18	1001178123	2	Hose	
19	1001171756	1	Bracket	

SECTION 6 - CAB

FIGURE 6-27. WASHER BOTTLE



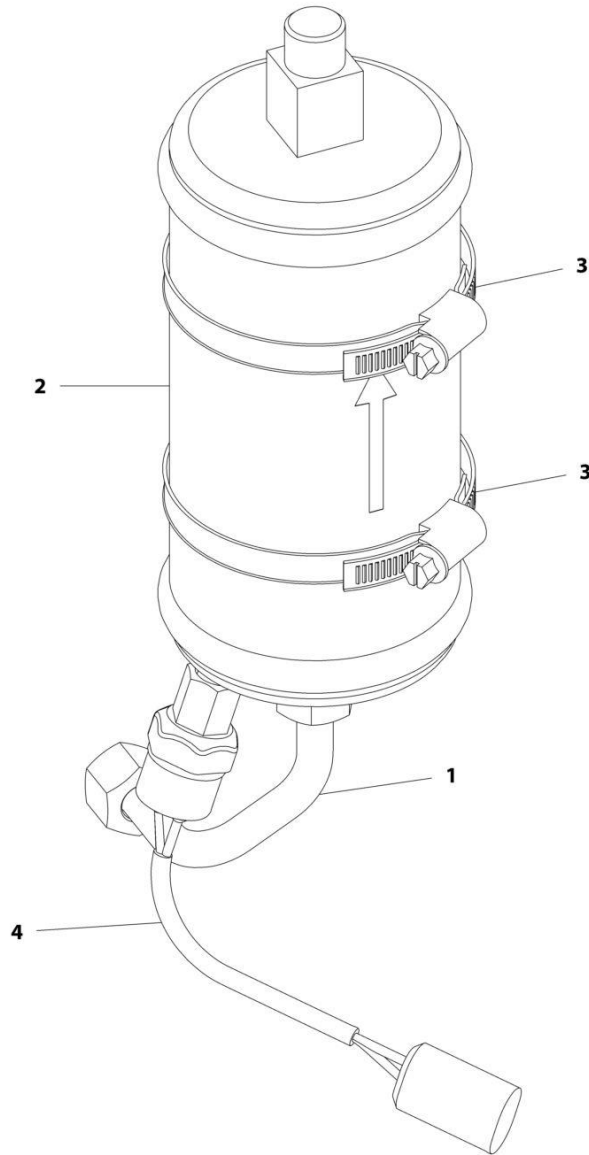
ART_1001165269-B

FIGURE 6-27. WASHER BOTTLE

ITEM	PART NUMBER	QTY	DESCRIPTION	REV
	1001165269	Ref	Washer Bottle	B
1	1001165327	2	Pump, Washer	
2	1001165273	1	Cap, Washer	

SECTION 6 - CAB

FIGURE 6-28. A/C RECEIVER DRIER



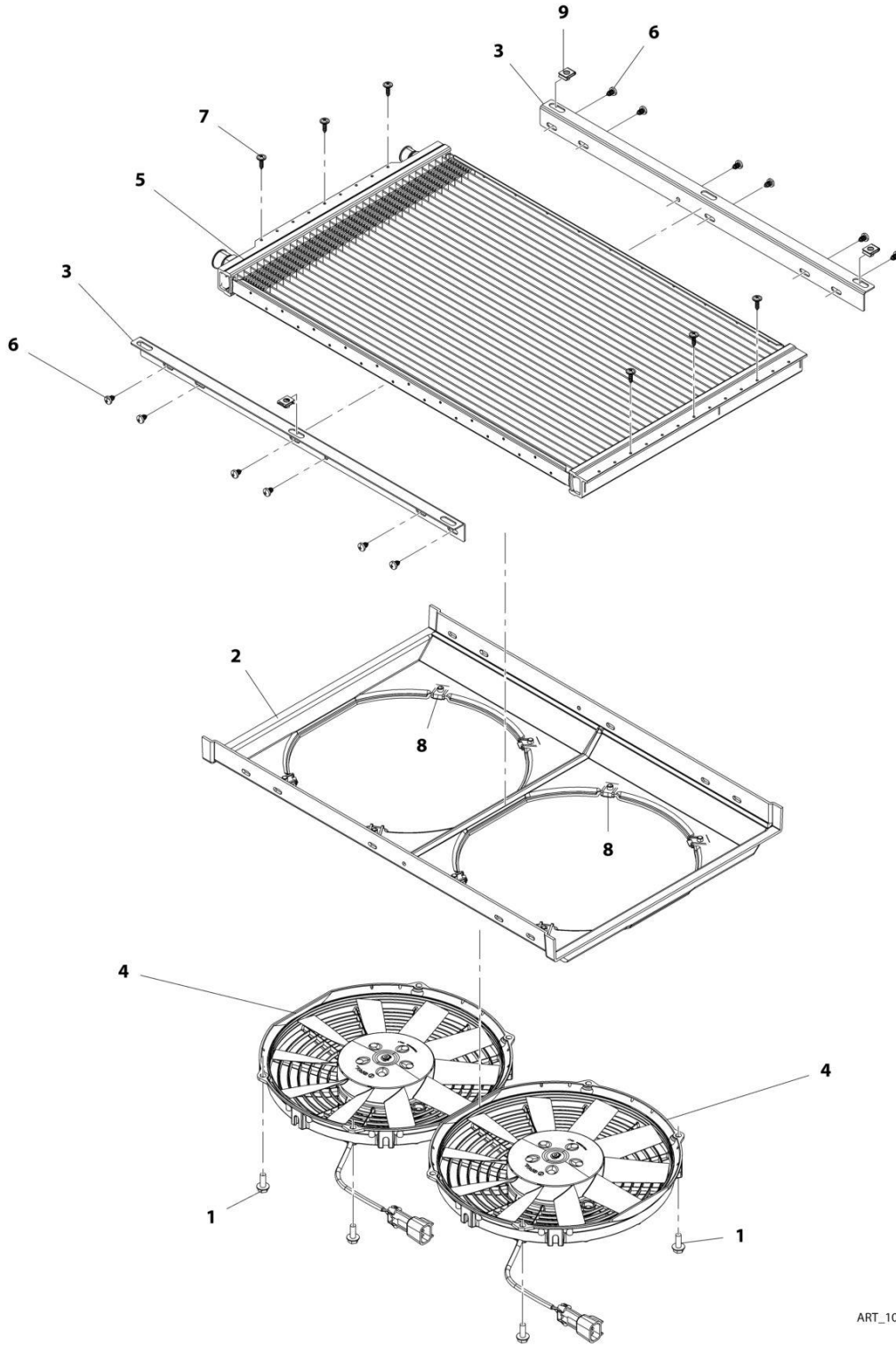
ART_1001179130-B

FIGURE 6-28. A/C RECEIVER DRIER

ITEM	PART NUMBER	QTY	DESCRIPTION	REV
	1001179130	Ref	A/C Receiver Drier	B
1	1001184403	1	Tube, Heater	
2	1001184404	1	Receiver, Heater Drier	
3	1001184405	2	Clamp	
4	1001184406	1	Connector, Heater	

SECTION 6 - CAB

FIGURE 6-29. CONDENSER



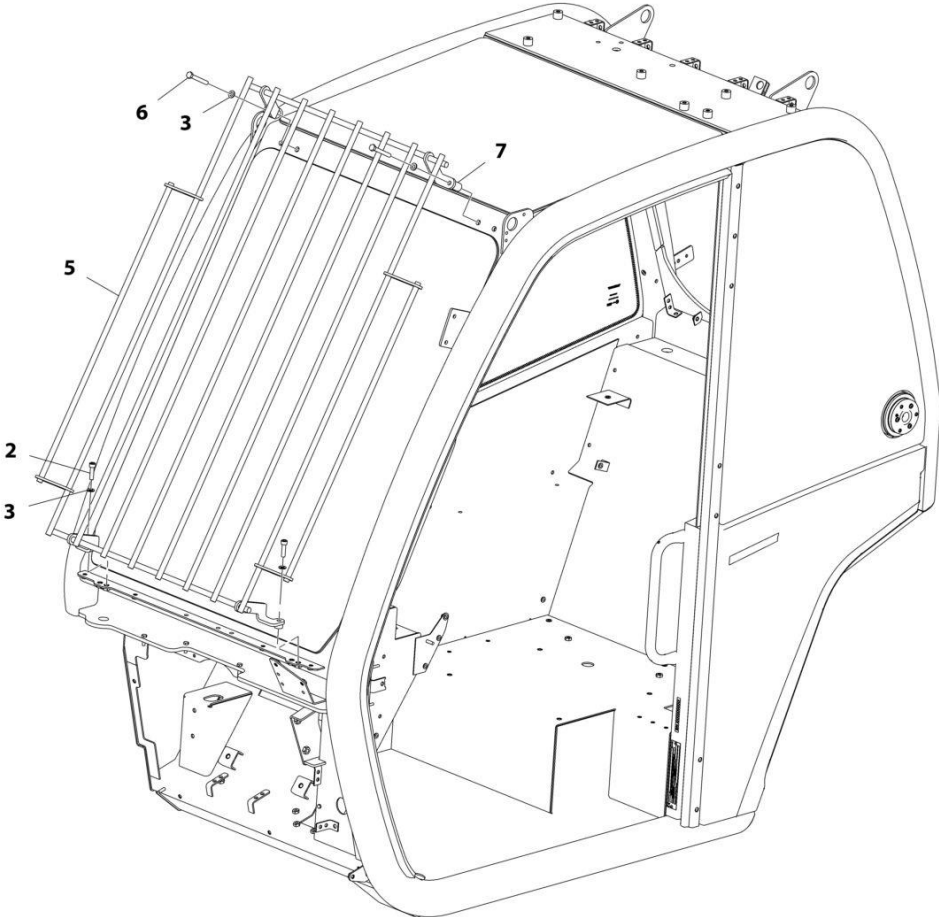
ART_1001167266-C

FIGURE 6-29. CONDENSER

ITEM	PART NUMBER	QTY	DESCRIPTION	REV
	1001167266	Ref	Condenser	C
1	5250608	8	Bolt, M6X16	
2	1001195342	1	Bracket, Condenser Fan Mount	
3	1001195343	2	Support, Condenser	
4	1001195345	2	Fan, Condenser	
5	1001195346	1	Condenser	
6	1001195385	12	Screw, M3.9X9.5	
7	1001195386	6	Screw, M4.2X16	
8	1001195437	8	Clip, M6X1	
9	1001195438	3	Clip, M6X1	

SECTION 6 - CAB

FIGURE 6-30. CAB GUARD INSTALLATION (FRONT)



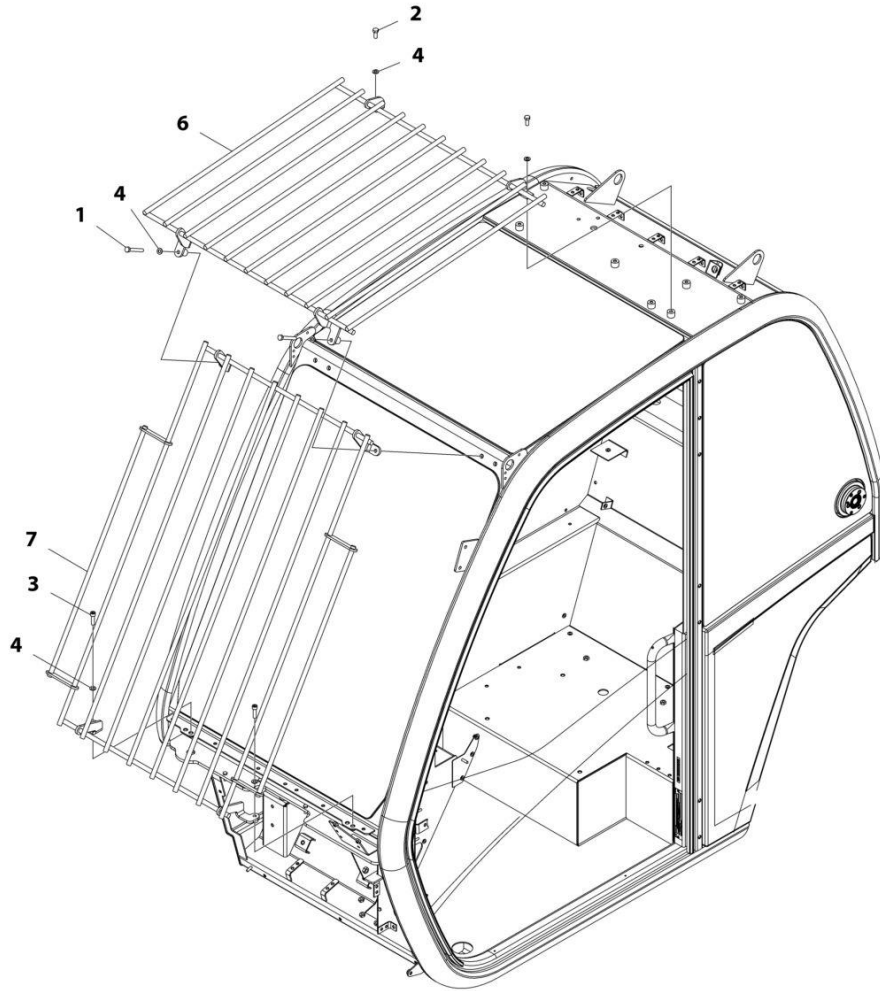
ART_1001160506-G

FIGURE 6-30. CAB GUARD INSTALLATION (FRONT)

ITEM	PART NUMBER	QTY	DESCRIPTION	REV
	1001160506	Ref	Cab Guard Installation (Front)	G
2	4031910	2	Bolt, M8X30	
3	4811900	4	Washer, M8	
5	1001180263	1	Guard, Front Screen	
6	0700820	2	Bolt, M8X60	
7	1001173257	2	Spacer	

SECTION 6 - CAB

FIGURE 6-31. CAB GUARD INSTALLATION (TOP AND FRONT)



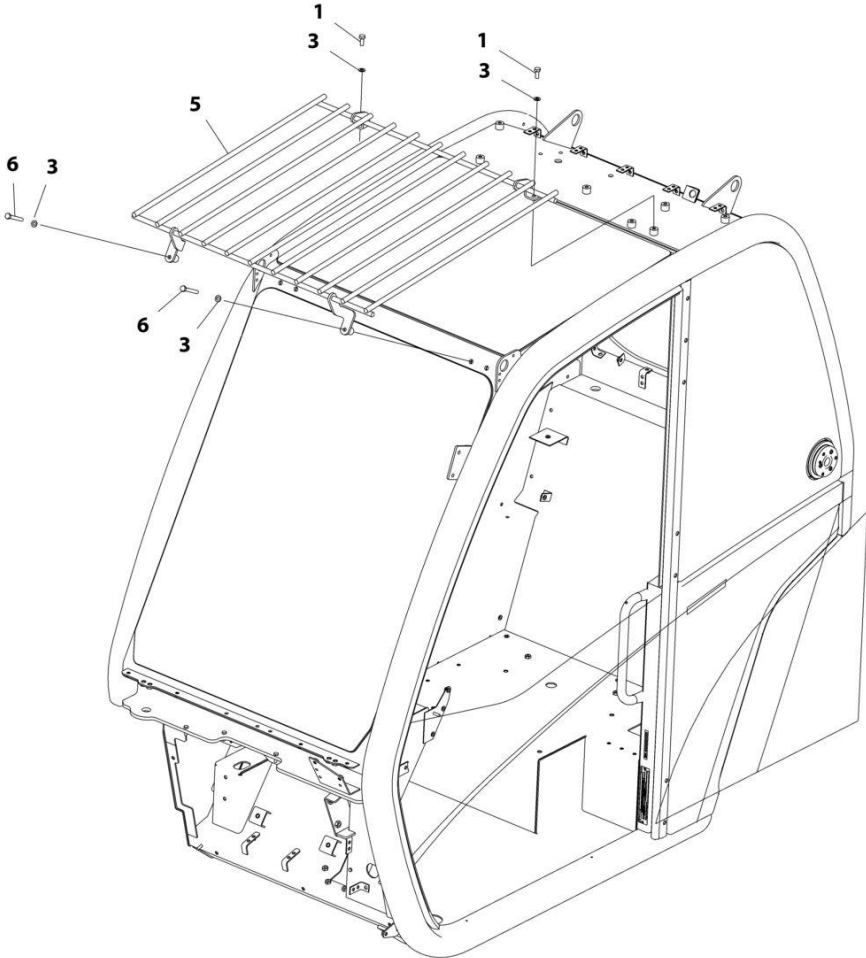
ART_1001172774

FIGURE 6-31. CAB GUARD INSTALLATION (TOP AND FRONT)

ITEM	PART NUMBER	QTY	DESCRIPTION	REV
	1001172774	Ref	CAB GUARD INSTALLATION (TOP AND FRONT)	G
1	0700820	2	Bolt M8 x 60	
2	0760810	2	Bolt M8 x 20	
3	4031910	2	Bolt M8 x 30	
4	4811900	6	Washer M8	
6	1001160503	1	Guard, Top Screen	
7	1001180263	1	Guard, Front Screen	

SECTION 6 - CAB

FIGURE 6-32. CAB GUARD INSTALLATION (TOP)



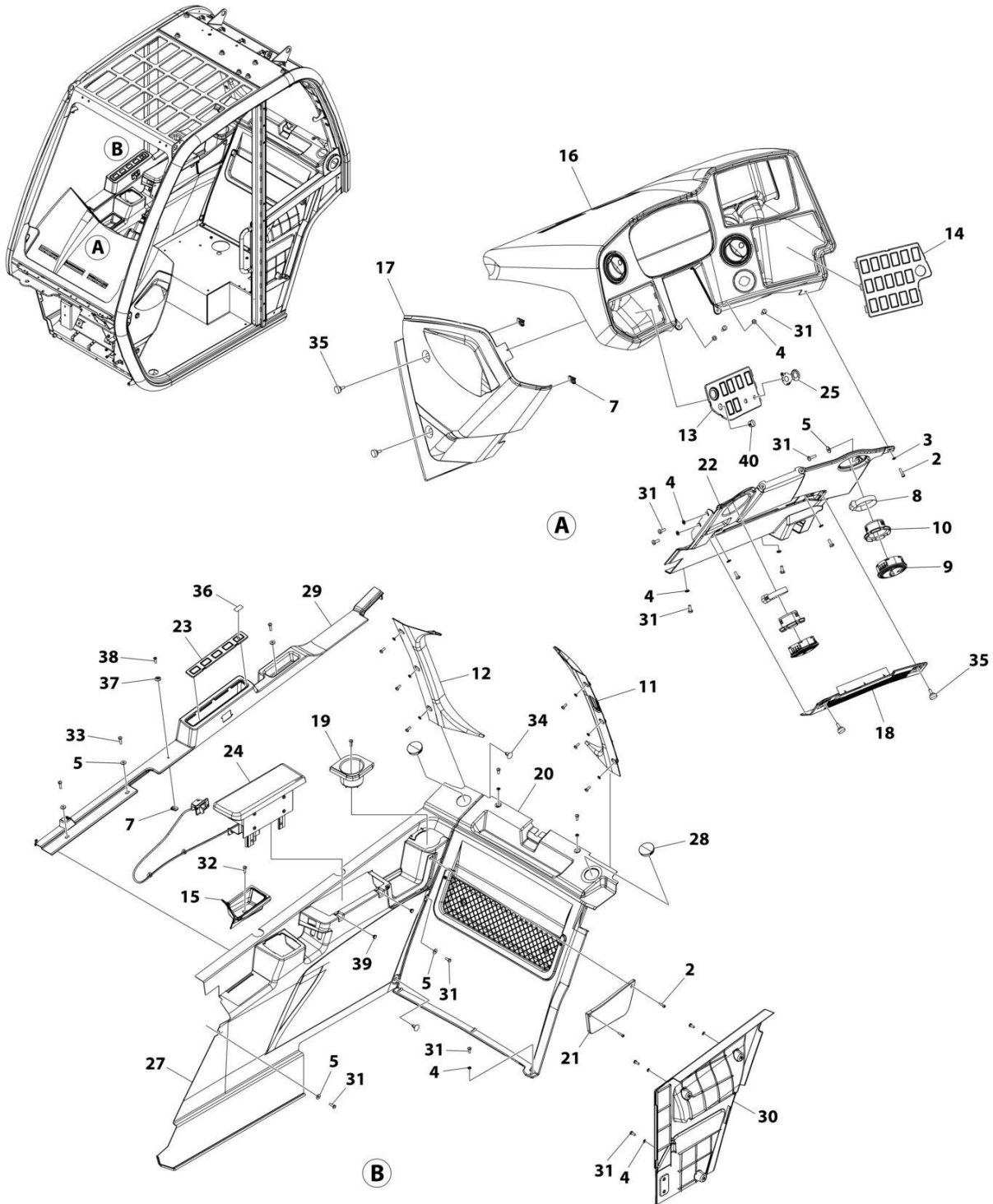
ART_1001160496

FIGURE 6-32. CAB GUARD INSTALLATION (TOP)

ITEM	PART NUMBER	QTY	DESCRIPTION	REV
	1001160496	Ref	Cab Guard Installation (Top)	G
1	0760810	2	Bolt, M8X20	
3	4811900	4	Washer, M8	
5	1001160503	1	Guard, Top Screen	
6	0700820	2	Bolt, M8X60	

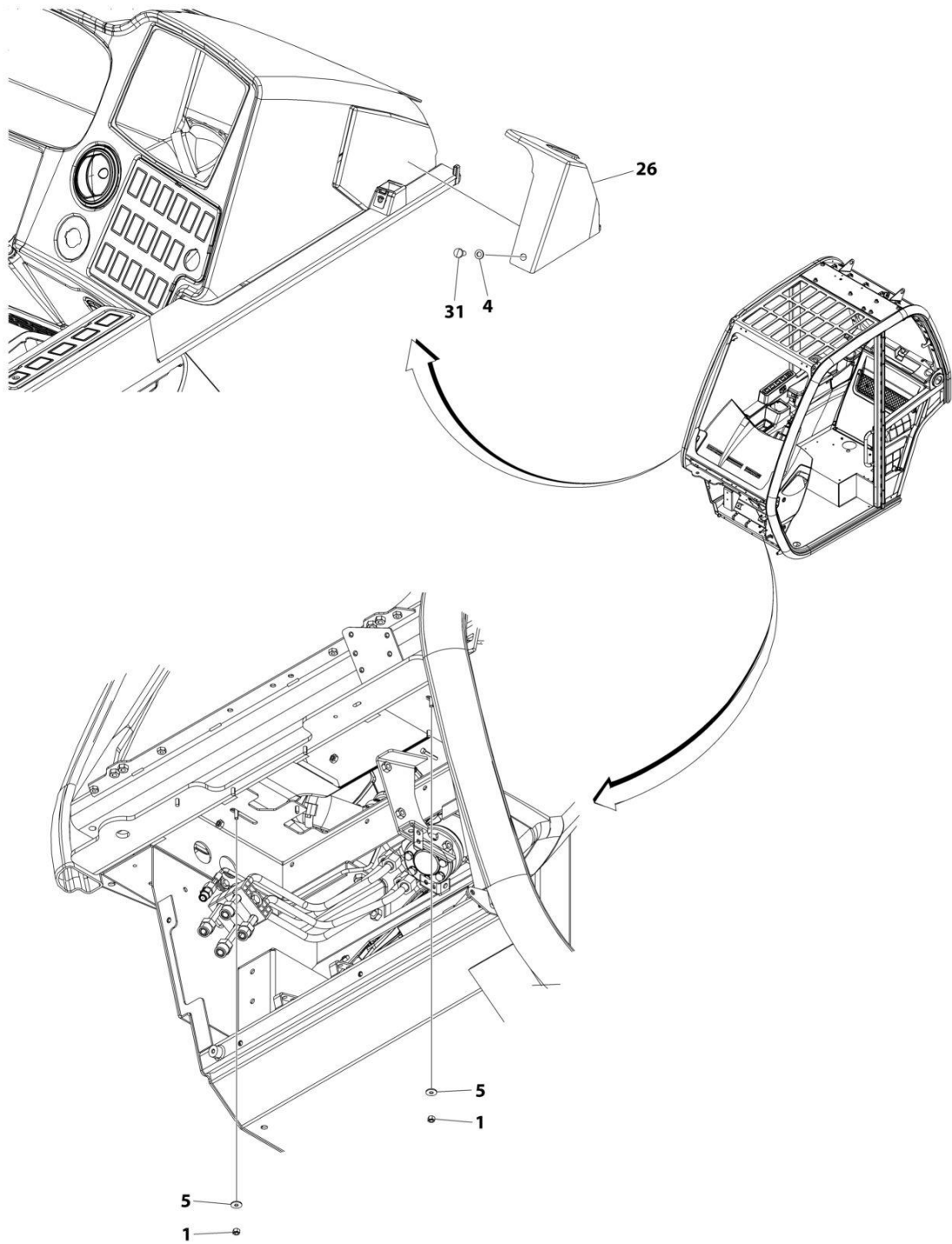
SECTION 6 - CAB

FIGURE 6-33. CAB TRIM INSTALLATION



ART_1001195816_J_10F2

SECTION 6 - CAB



ART_1001195816_J_20F2

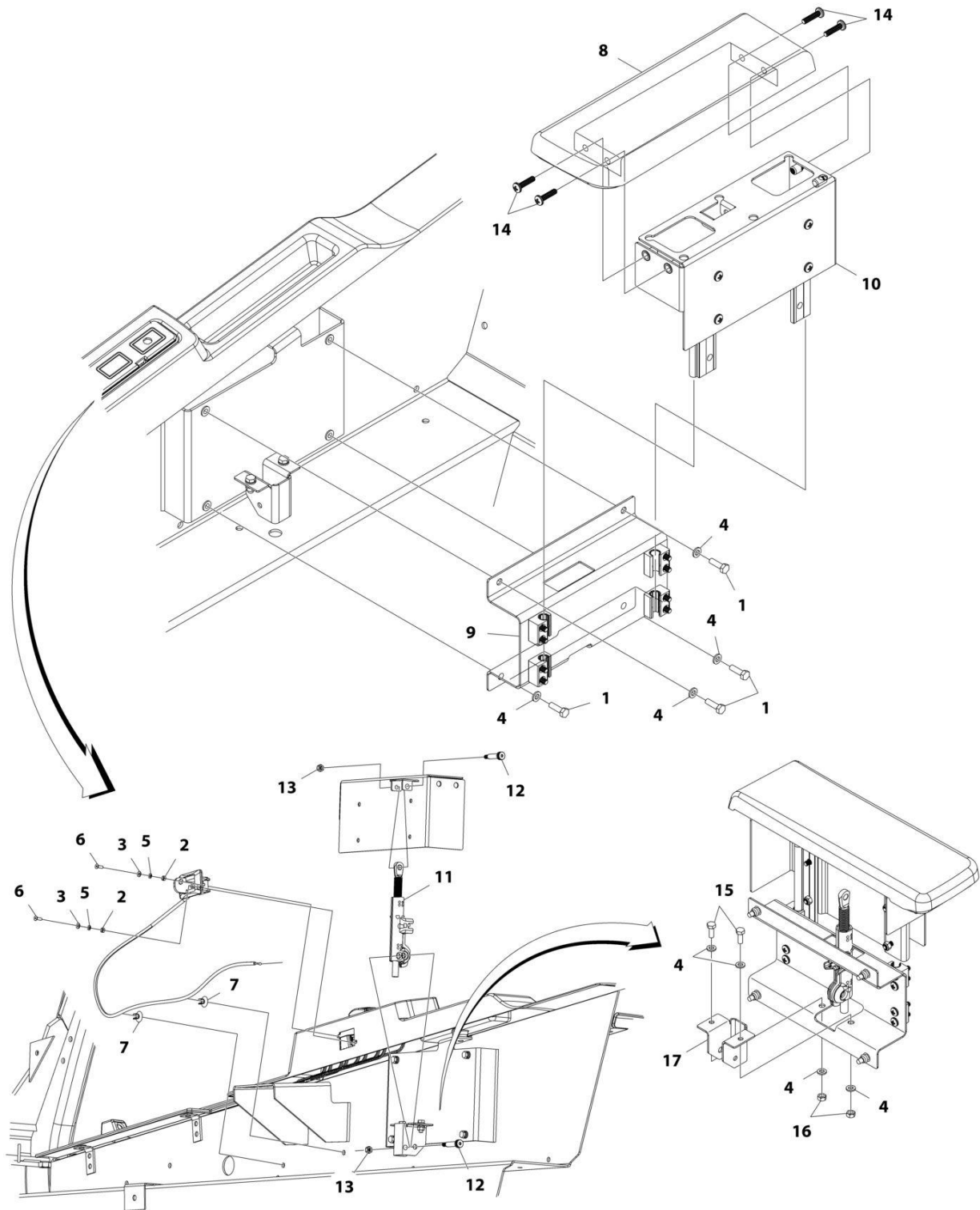
SECTION 6 - CAB

FIGURE 6-33. CAB TRIM INSTALLATION

ITEM	PART NUMBER	QTY	DESCRIPTION	REV
	1001195816	Ref	CAB TRIM INSTALLATION	J
1	3290605	2	Nut, Lock M6 x 1	
2	4031608001	3	Screw M5 x 20	
3	4811600	1	Washer M5	
4	4811700001	23	Washer M6	
5	4811702001	7	Washer M6	
7	8305919	2	Nut M6	
8	8405201	2	Clamp	
9	1001147449	2	Vent	
10	1001149278	2	Connector, Vent	
11	1001161252	1	Cover, LH C-Post	
12	1001161253	1	Cover, RH C-Post	
13	1001268846	1	Plate, Switch	
14	1001219865	1	Plate, Switch	
15	1001169603	1	Tray	
16	1001169604	1	Assembly, Dash Cover (See Separate Breakdown in this Section)	
17	1001161855	1	Cover, Side Dash	
18	1001170504	1	Cover, Recirculation Grille	
19	1001170518	1	Holder, Cup	
20	1001170519	1	Assembly, Rear Panel Cover (See Separate Breakdown in this Section)	
21	1001173965	1	Bezel, Net	
22	1001175903	1	Cover, Lower Dash	
23	1001219863	1	Plate, Switch	
24	1001181726	1	Installation, Armrest (See Separate Breakdown in this Section)	
25	1001184975	1	Decal, HVAC	
26	1001185870	1	Cover, Lower A-Post	
27	1001189182	1	Cover, RH Side	
28	1001223265	2	Grommet	
29	1001195817	1	Cover, RH Extension	
30	1001195818	1	Panel, LH Side	
31	4010608002	26	Screw M6 x 16	
32	4010610002	1	Screw M6 x 20	
33	4010612002	3	Screw M6 x 25	
34	1001211907	2	Screw	
35	1001208308	4	Thumb Screw M6 x 15	
36	1001226481	1	Decal, Blank	
37	1001098150	1	Washer M6	
38	1001132564	1	Screw M6 x 20	
39	1001227133	2	Grommet	
40	1001207963	1	Plug	

SECTION 6 - CAB

FIGURE 6-34. ADJUSTABLE ARMREST INSTALLTION



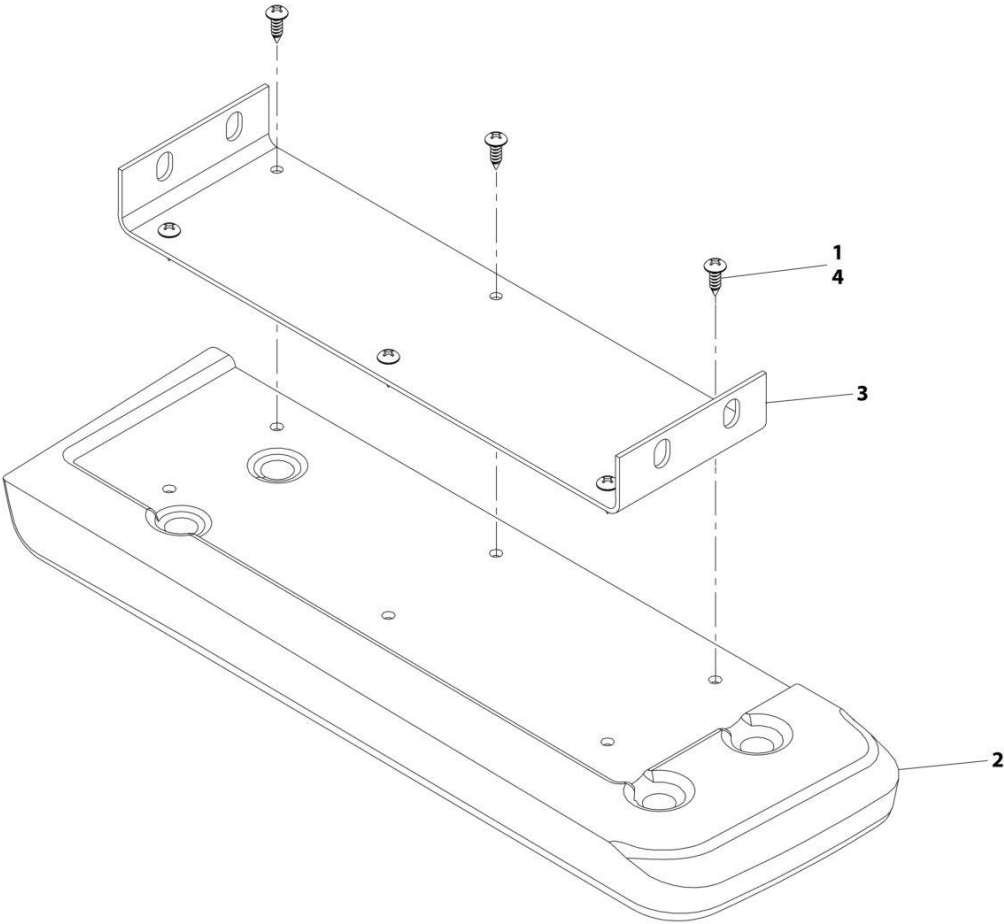
ART_1001181726_G

FIGURE 6-34. ADJUSTABLE ARMREST INSTALLTION

ITEM	PART NUMBER	QTY	DESCRIPTION	REV
	1001181726	Ref	ADJUSTABLE ARMREST INSTALLTION	G
1	0700610	4	Bolt, M6X20	
2	3290401	2	Nut, M4X0.7	
3	4811400	2	Washer, M4	
4	4811700	8	Washer, M6	
5	4831400	2	Washer, Lock M4	
6	1001097244	2	Screw, M4X12	
7	1001165458	2	Hose	
8	1001191281	1	Armrest (See Separate Breakdown in this Section)	
9	1001191283	1	Bracket, Fixed Armrest (See Separate Breakdown in this Section)	
10	1001191284	1	Bracket, Moving Armrest (See Separate Breakdown in this Section)	
11	1001283175	1	Spring	
12	1001191370	2	Screw, M6	
13	3290605	2	Nut, M6X1 Grade 8	
14	4010612002	4	Screw, M6X25	
15	0760608	2	Bolt, M6X16	
16	3290601	2	Nut, M6X1	
17	1001212468	1	Bracket, Locking Spring Mount	

SECTION 6 - CAB

FIGURE 6-35. ARMREST



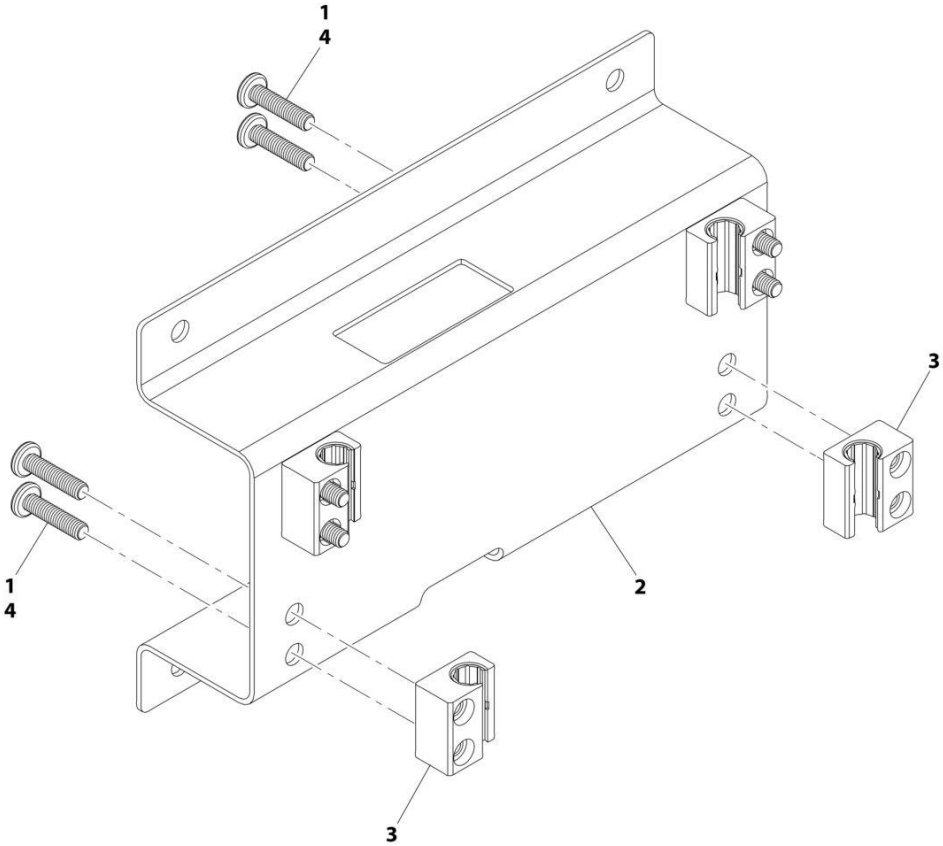
ART_1001191281

FIGURE 6-35. ARMREST

ITEM	PART NUMBER	QTY	DESCRIPTION	REV
	1001191281	Ref	Armrest	E
1	1001095650	AR	Adhesive	
2	1001179484	1	Armrest, Cab	
3	1001191282	1	Bracket, Armrest Pad	
4	1001192240	6	Screw	

SECTION 6 - CAB

FIGURE 6-36. FIXED ARMREST BRACKET



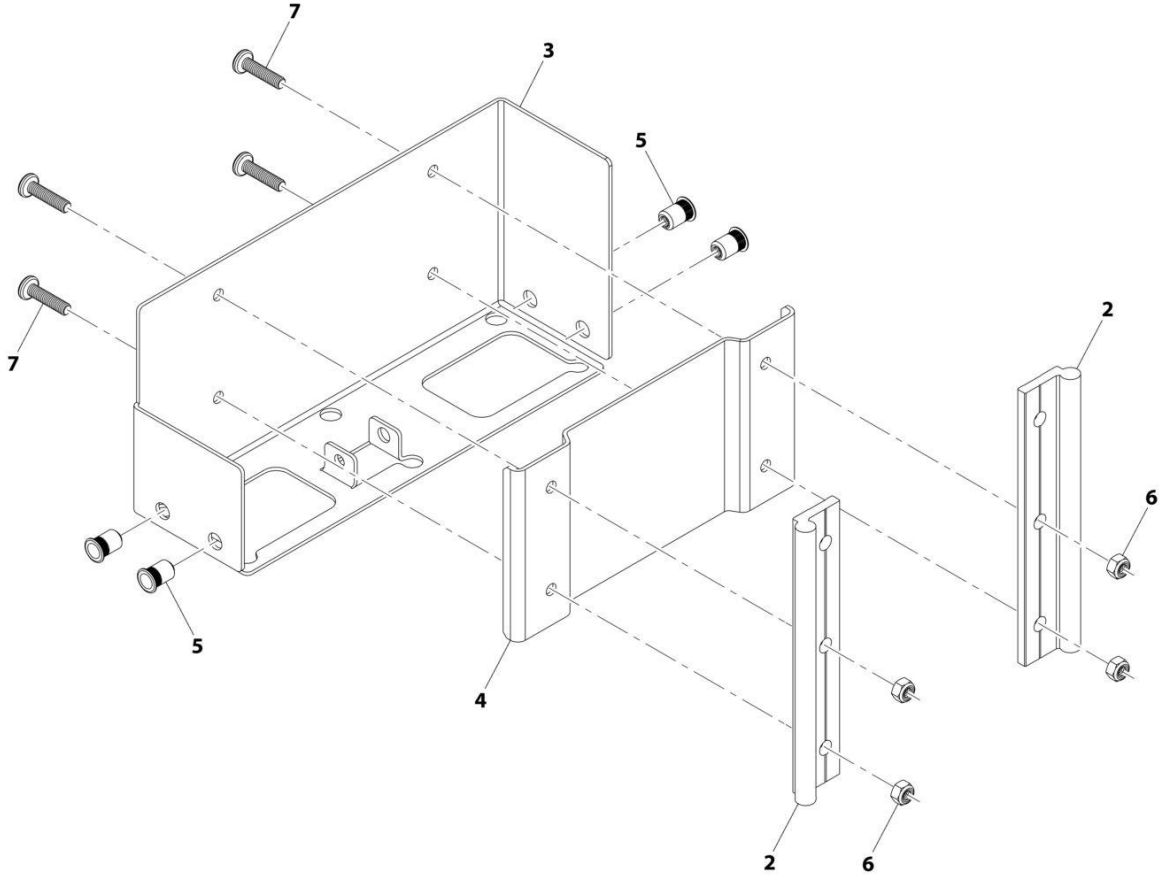
ART_1001191283-B

FIGURE 6-36. FIXED ARMREST BRACKET

ITEM	PART NUMBER	QTY	DESCRIPTION	REV
	1001191283	Ref	Fixed Armrest Bracket	B
1	1001095650	AR	Adhesive	
2	1001183597	1	Armrest Bracket	
3	1001191310	4	Slide Block	
4	4010612002	8	Screw	

SECTION 6 - CAB

FIGURE 6-37. MOVING ARMREST BRACKET



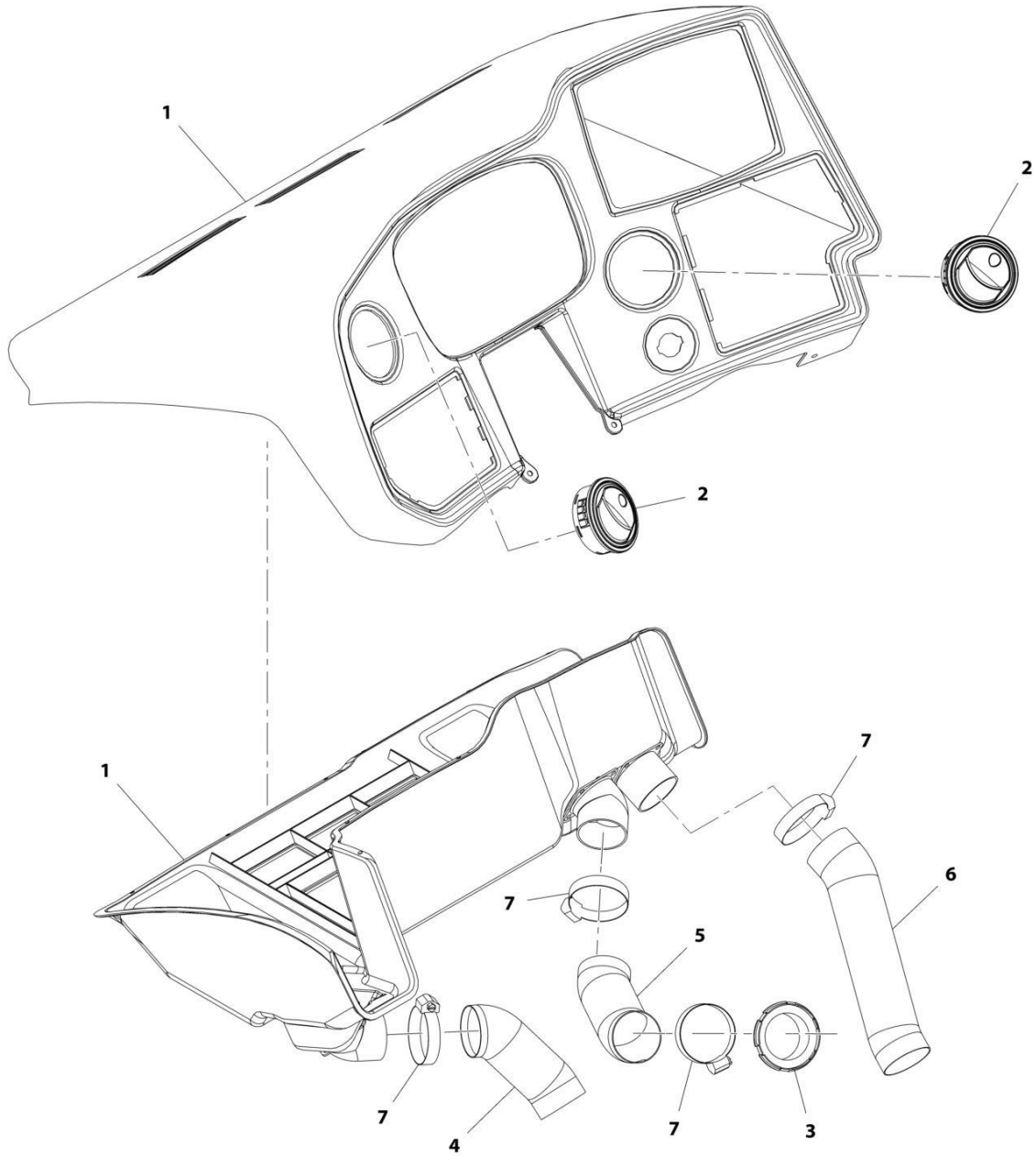
ART_1001191284-B

FIGURE 6-37. MOVING ARMREST BRACKET

ITEM	PART NUMBER	QTY	DESCRIPTION	REV
	1001191284	Ref	Moving Armrest Bracket	B
2	1001191311	2	Side Rail	
3	1001191312	1	Armrest Mount Bracket	
4	1001191313	1	Spacer Block Plate	
5	1001191959	4	Rivenut M6 X 1	
6	3290605	4	Nut, Lock M6X1	
7	4010612002	4	Screw, M6X25	

SECTION 6 - CAB

FIGURE 6-38. DASH COVER ASSEMBLY



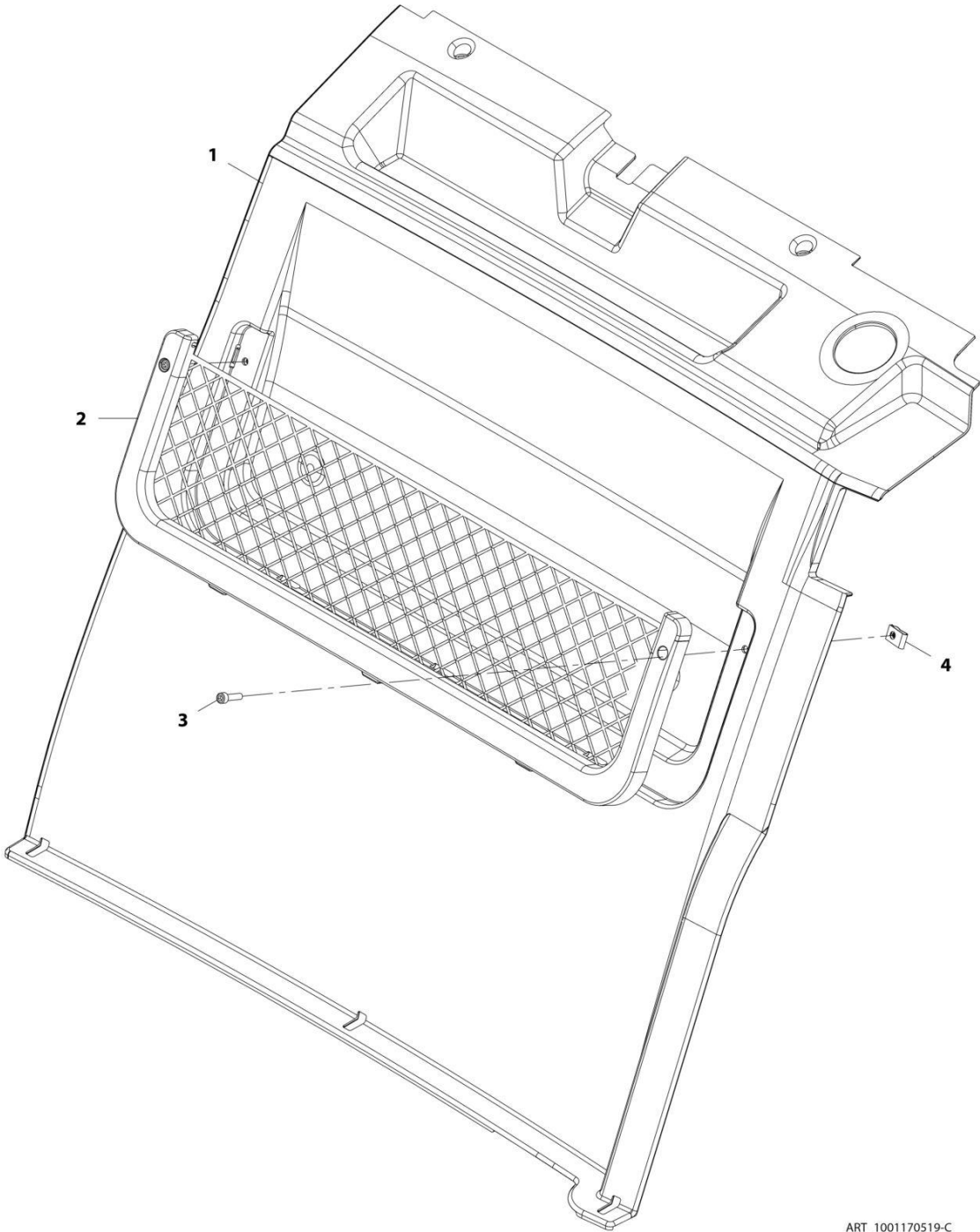
ART_1001169604-B

FIGURE 6-38. DASH COVER ASSEMBLY

ITEM	PART NUMBER	QTY	DESCRIPTION	REV
	1001169604	Ref	Dash Cover Assembly (Construction)	B
1	1001161851	1	Panel, Top Dash	
2	1001147449	2	Vent, Air	
3	1001149278	1	Vent, Connector	
4	1001174652	1	Hose	
5	1001174653	1	Hose	
6	1001174655	1	Hose	
7	8405201	4	Clamp, Gear	

SECTION 6 - CAB

FIGURE 6-39. REAR PANEL COVER ASSEMBLY



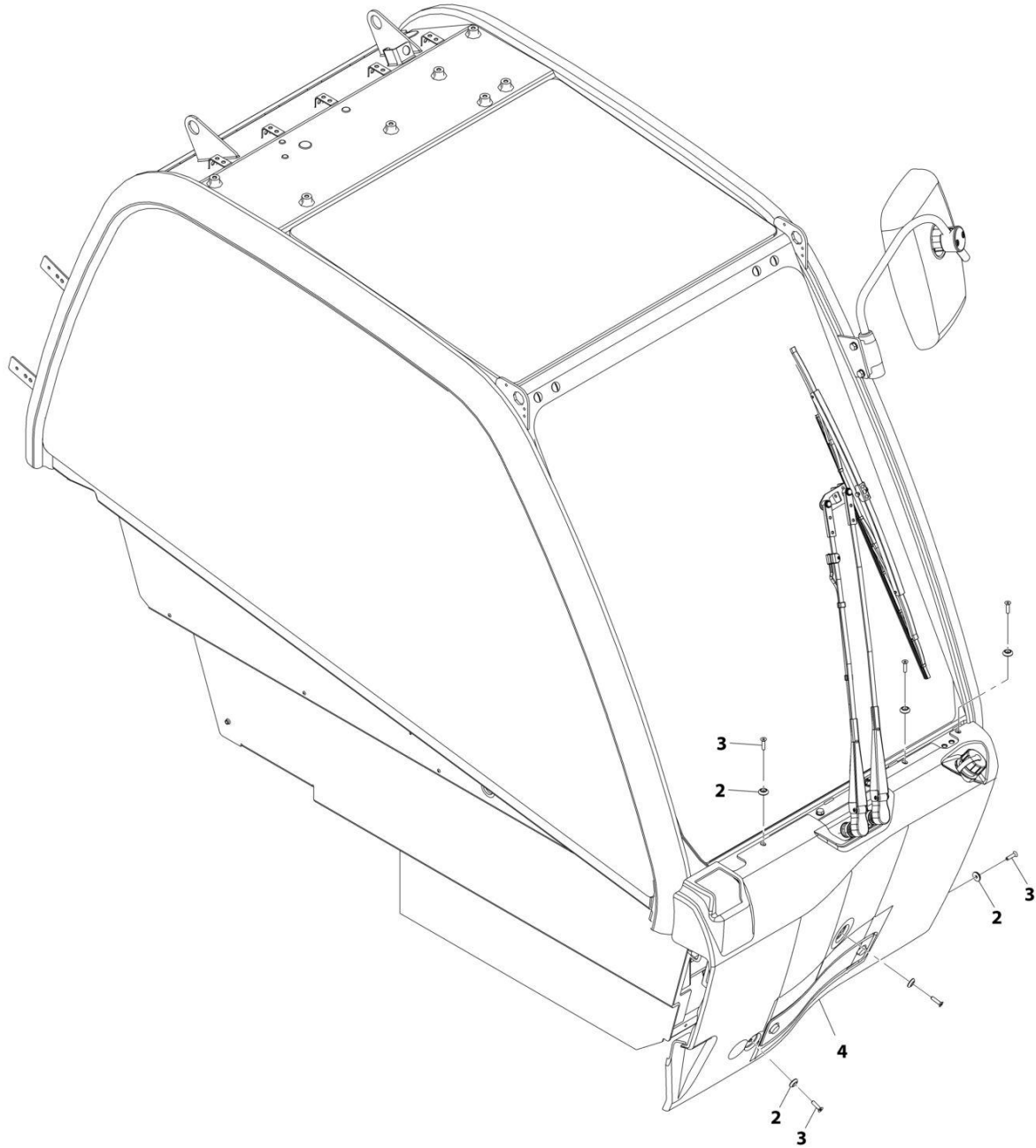
ART_1001170519-C

FIGURE 6-39. REAR PANEL COVER ASSEMBLY

ITEM	PART NUMBER	QTY	DESCRIPTION	REV
	1001170519	Ref	Rear Panel Cover Assembly	C
1	1001161067	1	Panel, Rear	
2	1001170514	1	Storage Net, Rear Panel	
3	4031608	2	Bolt, M5X20	
4	1001183550	2	Nut, Cage M5	

SECTION 6 - CAB

FIGURE 6-40. ENCLOSED CAB FRONT COVER INSTALLATION



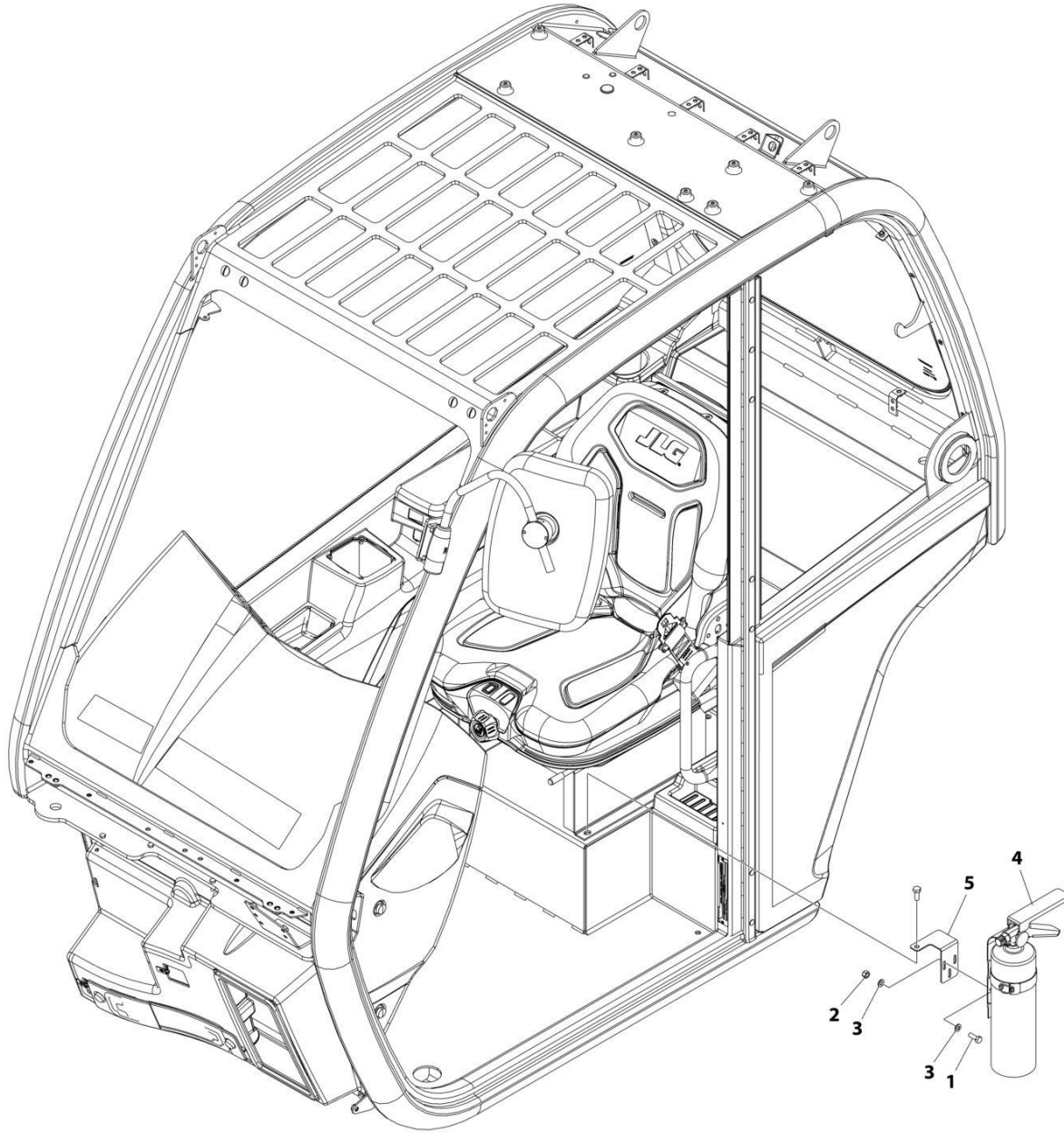
ART_1001179592-G

FIGURE 6-40. ENCLOSED CAB FRONT COVER INSTALLATION

ITEM	PART NUMBER	QTY	DESCRIPTION	REV
	1001179592	Ref	Enclosed Cab Front Cover Installation	G
2	1001097540	6	Washer, M6	
3	3900379	6	Screw, M6-1X25 Grade 10.9	
4	1001170325	1	Cover, Front	

SECTION 6 - CAB

FIGURE 6-41. FIRE EXTINGUISHER INSTALLATION



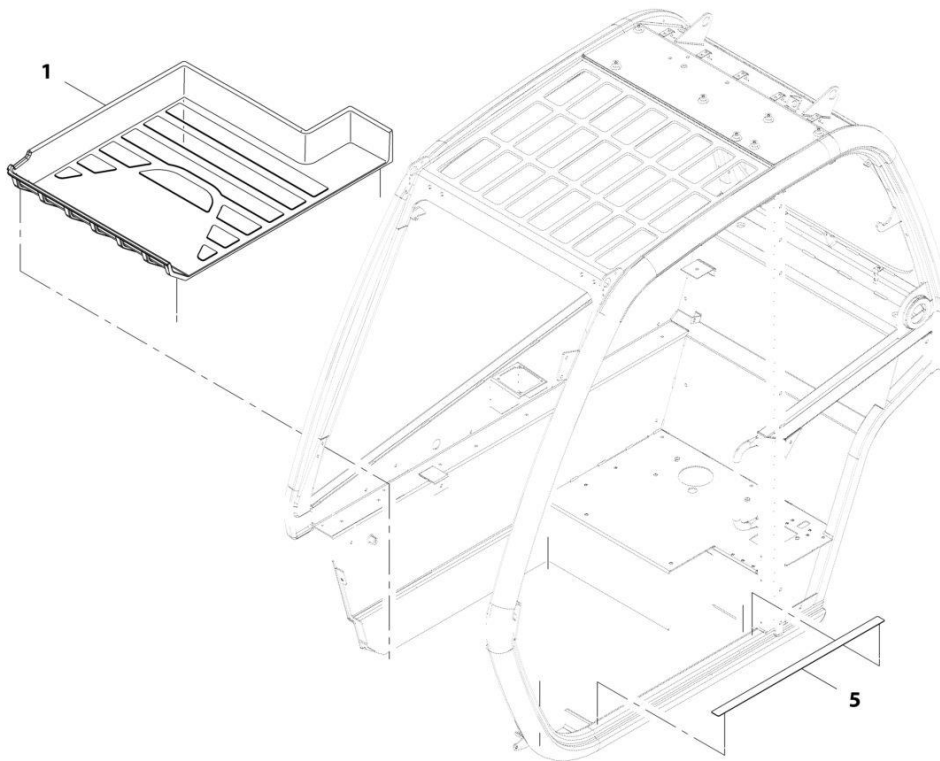
ART_1001258099

FIGURE 6-41. FIRE EXTINGUISHER INSTALLATION

ITEM	PART NUMBER	QTY	DESCRIPTION	REV
	1001258099	Ref	FIRE EXTINGUISHER INSTALLATION	A
1	0760507	3	Bolt M5X14	
2	3290505	3	Nut M5	
3	4811600	6	Washer M5	
4	1001099699	1	Fire Extinguisher Assy	
5	1001241337	1	Bracket	

SECTION 6 - CAB

FIGURE 6-42. FLOOR MAT INSTALLATION



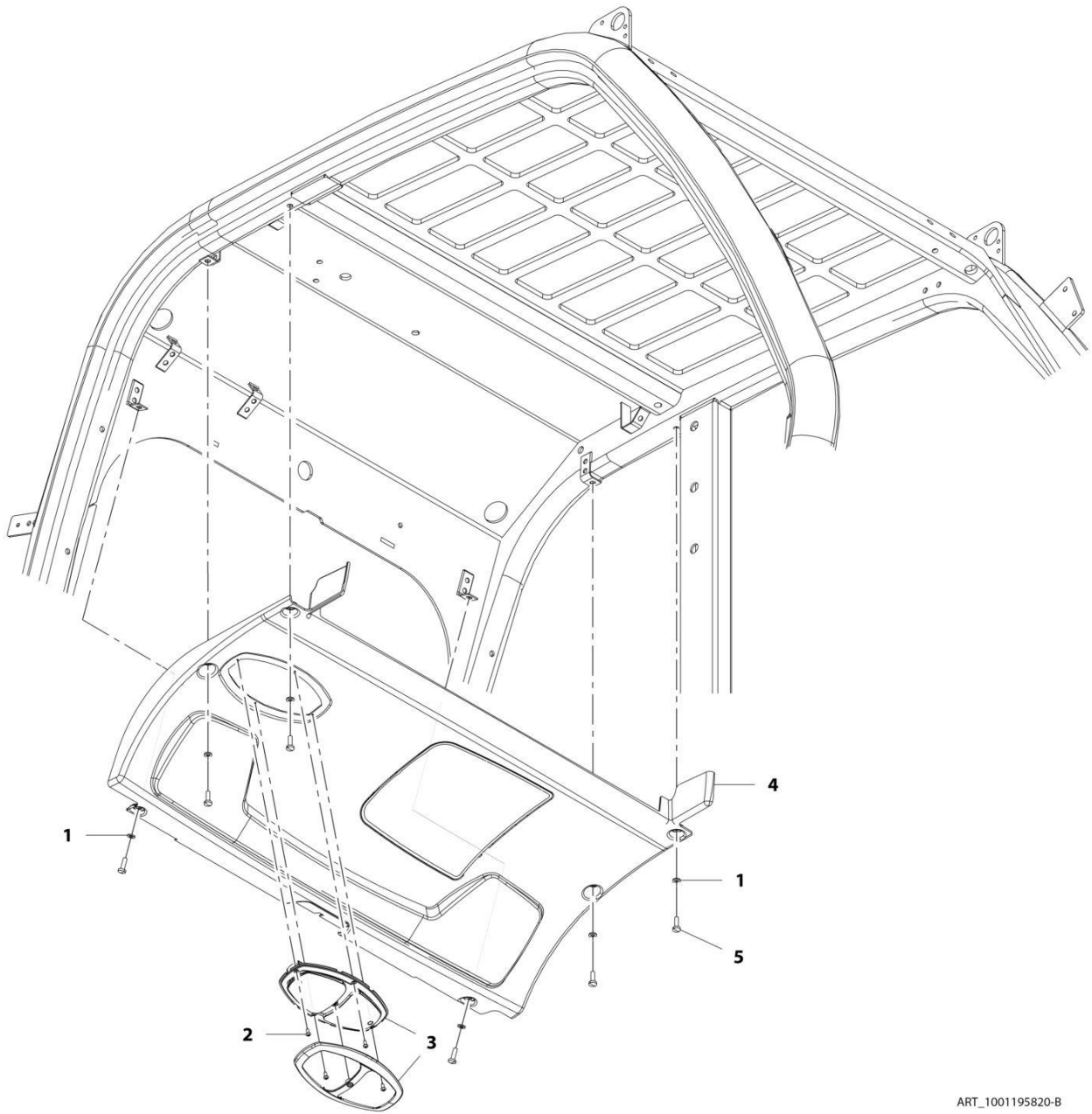
ART_1001161080-E

FIGURE 6-42. FLOOR MAT INSTALLATION

ITEM	PART NUMBER	QTY	DESCRIPTION	REV
	1001161080	Ref	Floor Mat Installation	E
1	1001161078	1	Cab, Floor Mat	
5	1001197259	1	Tape, Frame Non Skid	

SECTION 6 - CAB

FIGURE 6-43. HEADLINER INSTALLATION



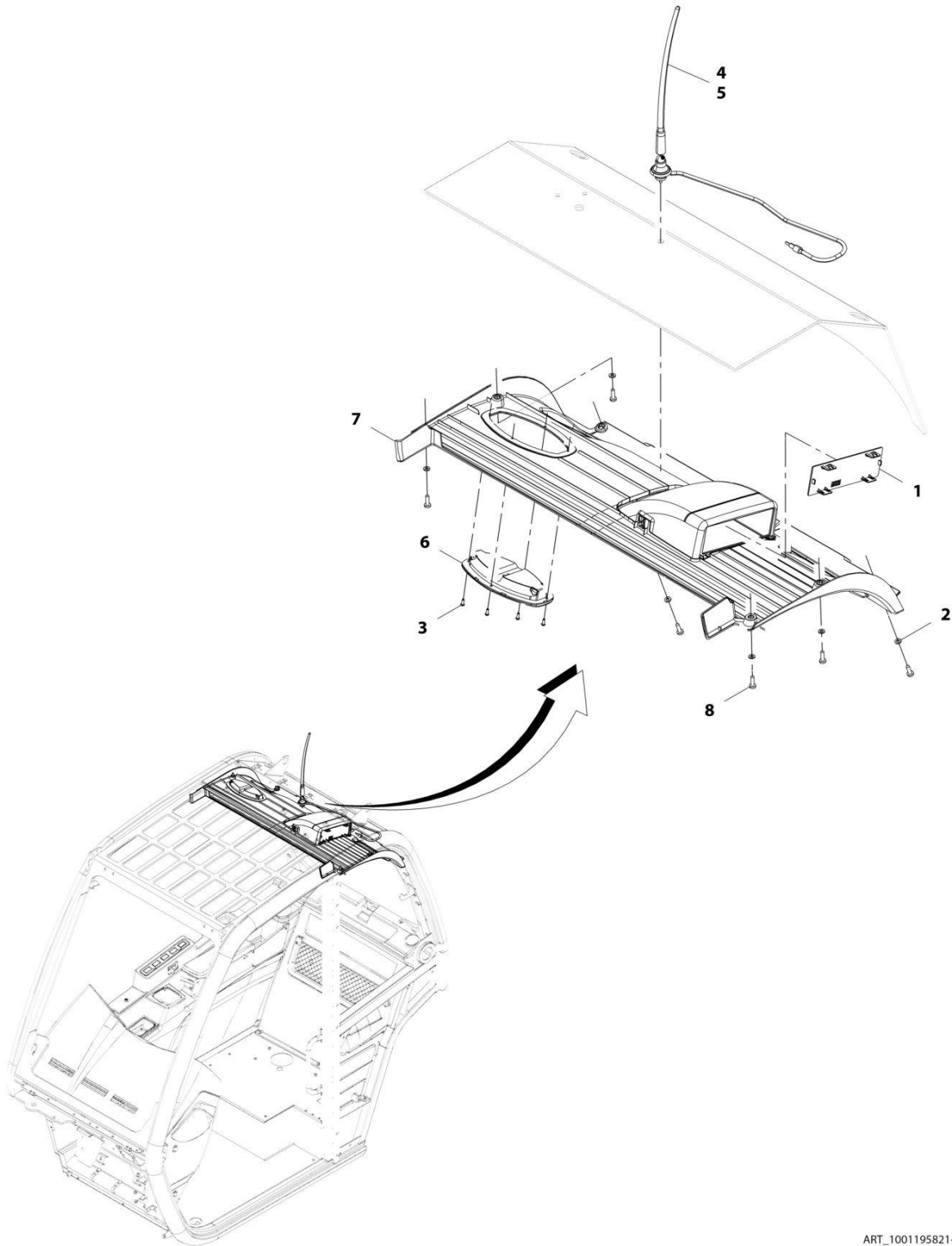
ART_1001195820-B

FIGURE 6-43. HEADLINER INSTALLATION

ITEM	PART NUMBER	QTY	DESCRIPTION	REV
	1001195820	Ref	Headliner Installation	C
1	4811700	6	Washer, M6	
2	7029486	4	Screw	
3	1001167015	1	Lamp, Dome	
4	1001195822	1	Panel, Headliner	
5	4031708001	1	Cap Screw M6 x 20	

SECTION 6 - CAB

FIGURE 6-44. HEADLINER/RADIO READY PACKAGE INSTALLATION



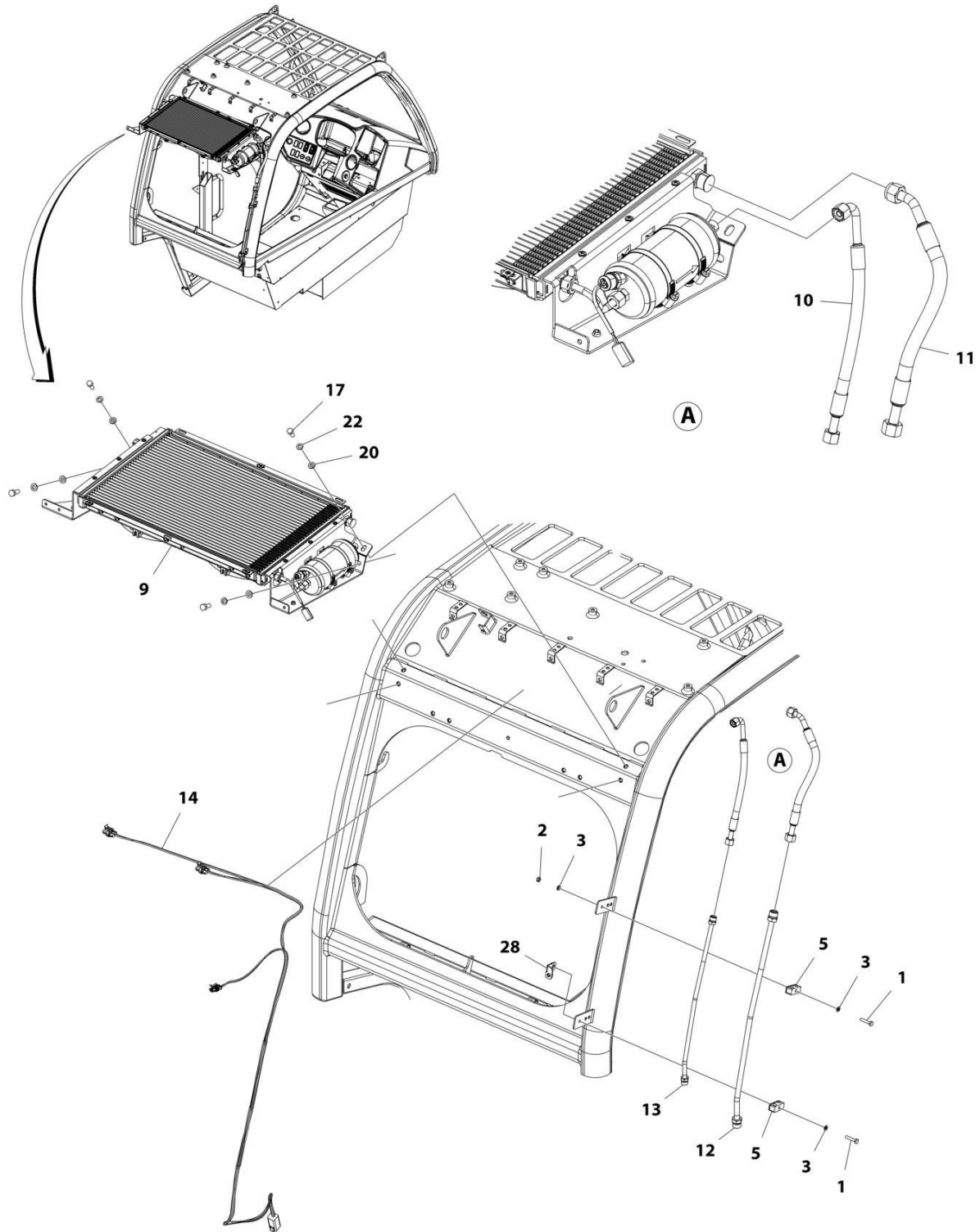
ART_1001195821-B

FIGURE 6-44. HEADLINER/RADIO READY PACKAGE INSTALLATION

ITEM	PART NUMBER	QTY	DESCRIPTION	REV
	1001195821	Ref	Headliner/Radio Ready Package Installation	B
1	1001200968	1	Plate	
2	4811700	6	Washer, 6M	
3	7029486	4	Screw	
4	8005901	1	Antenna	
5	1001116128	AR	Sealant, Polysiloxane	
6	1001167015	1	Lamp	
7	1001195823	1	Cover, Headliner	
8	4010610002	6	Screw, M6X20	

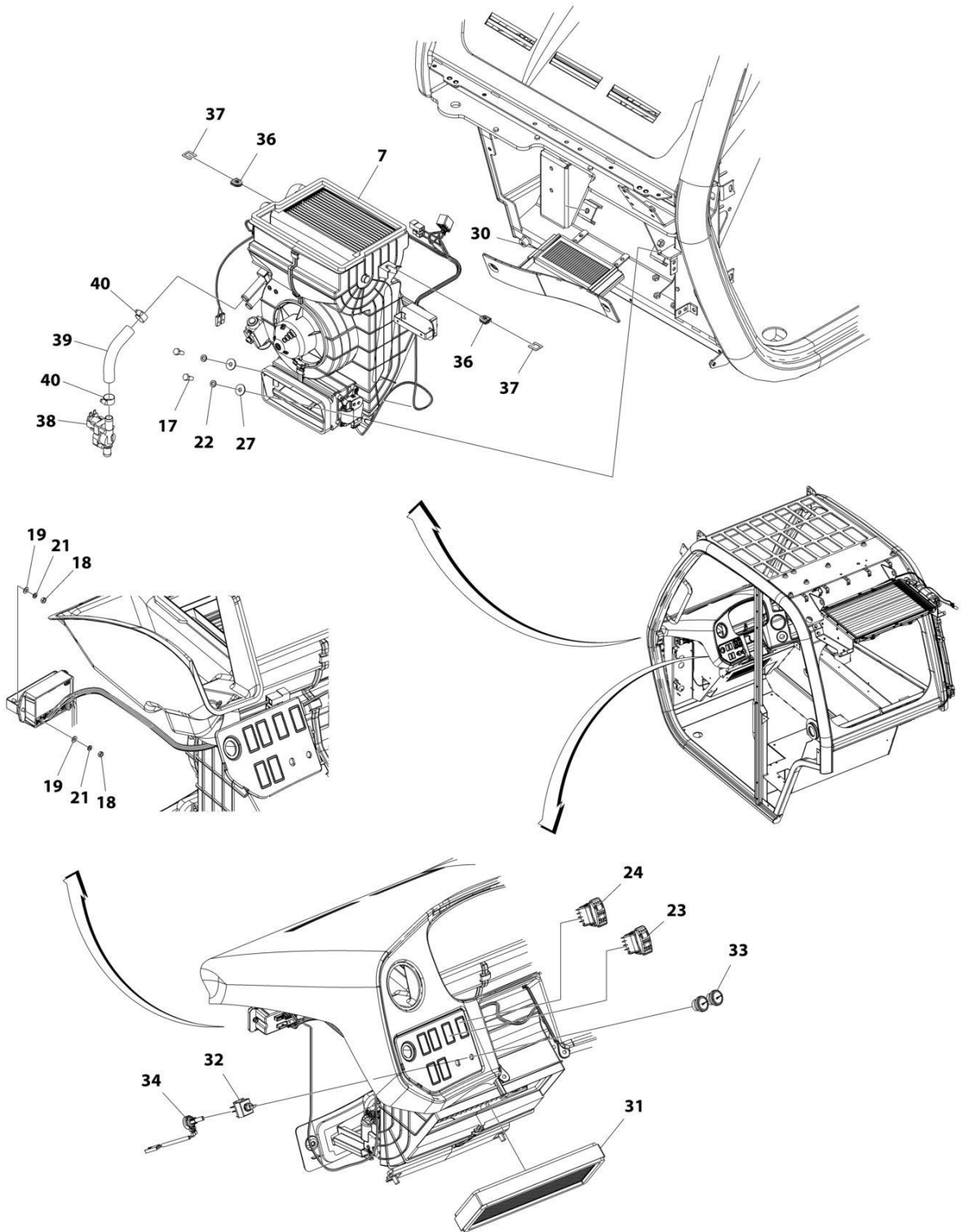
SECTION 6 - CAB

FIGURE 6-45. HEATER AND A/C INSTALLATION (CAB PARTS)



ART_1001160042_O_10F2

SECTION 6 - CAB



ART_1001160042_O_20F2

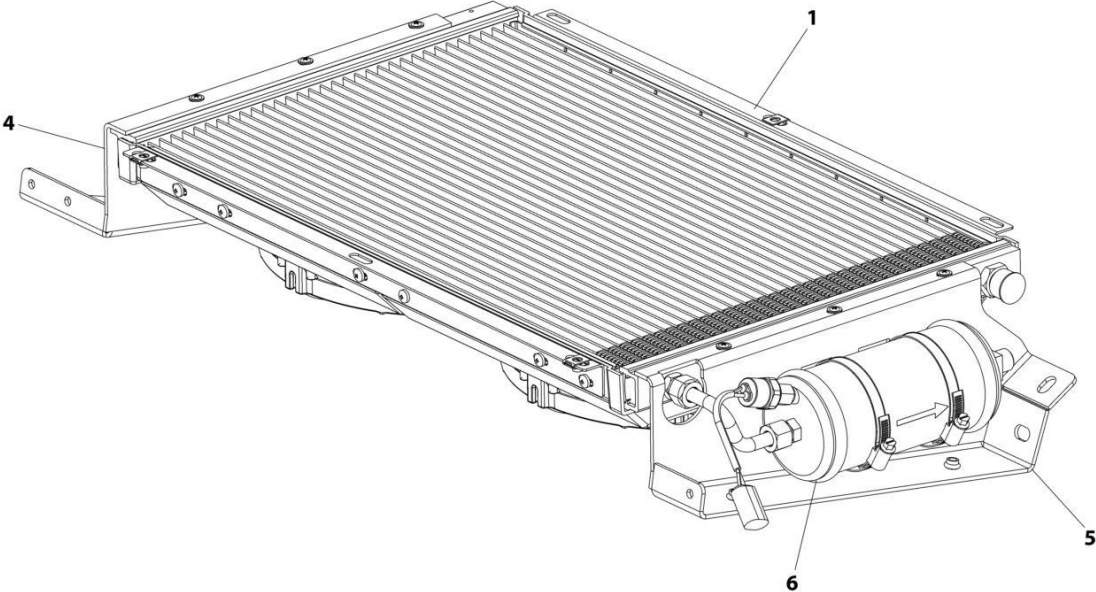
SECTION 6 - CAB

FIGURE 6-45. HEATER AND A/C INSTALLATION (CAB PARTS)

ITEM	PART NUMBER	QTY	DESCRIPTION	REV
	1001160042	Ref	HEATER AND A/C INSTALLATION (CAB PARTS)	O
1	0700614	2	Bolt M6 x 30	
2	3290601	1	Nut M6	
3	4811700	3	Washer M6	
5	1001145539	2	Support, Pipe	
7	1001268831	1	Assembly, Heater and A/C (See Separate Breakdown in this Section)	
9	1001162953	1	Assembly, Cab Condenser (See Separate Breakdown in this Section)	
10	1001168327	1	Hose	
11	1001168330	1	Hose	
12	1001168331	1	Tube	
13	1001168456	1	Tube	
14	1001169151	1	Harness, A/C Option (See Separate Breakdown in ELECTRICAL Section)	
17	0760810	6	Bolt M8 x 20 GR8.8	
18	3290401	4	Nut M4	
19	4811400	4	Washer M4	
20	4811900	4	Washer M8	
21	4831400	4	Washer M4	
22	4831900	6	Washer M8	
23	1001159925	1	Switch, HVAC Recycle	
24	1001160326	1	Switch, HVAC On/Off	
27	4811902	2	Washer M8	
28	1001178170	1	Bracket	
30	1001218996	1	Filter, HVAC Fresh Air	
31	1001172553	1	Filter, HVAC Air Recirculation	
32	1001172547	1	Switch, HVAC Rotary 3 Speed	
33	1001172550	2	Knob, HVAC Control	
34	1001270976	1	Cable, HVAC	
35	1320022	1	Clamp	
36	1001188590	2	Grommet	
37	1001218542	2	Shim	
38	1001221059	1	Valve, Water	
39	1001221295	1	Hose	
40	8410009	2	Clamp	

SECTION 6 - CAB

FIGURE 6-46. CAB CONDENSER ASSEMBLY



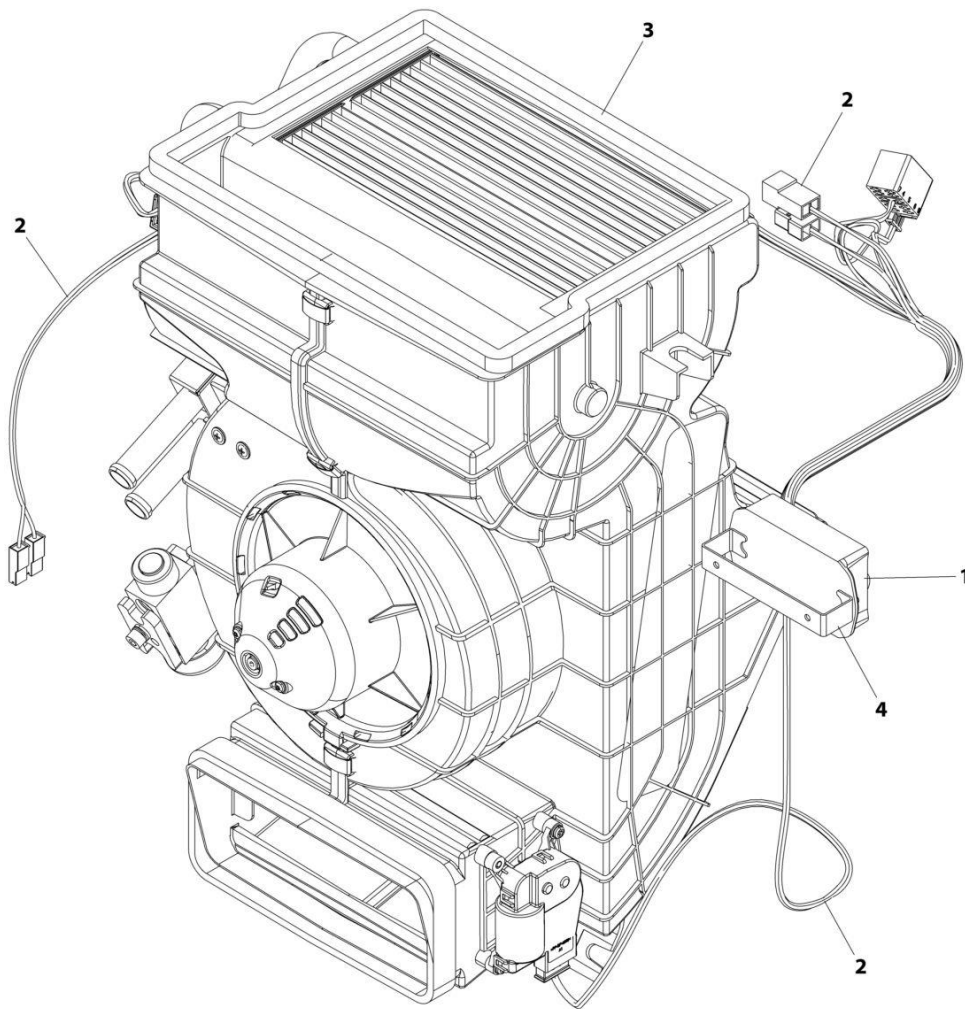
ART_1001162953

FIGURE 6-46. CAB CONDENSER ASSEMBLY

ITEM	PART NUMBER	QTY	DESCRIPTION	REV
	1001162953	Ref	Cab Condenser Assembly	G
1	1001167266	1	Condenser (See Separate Breakdown in this Section)	
4	1001179080	1	Bracket	
5	1001179081	1	Bracket	
6	1001179130	1	Drier, A/C Receiver (See Separate Breakdown in this Section)	

SECTION 6 - CAB

FIGURE 6-47. HEATER AND A/C ASSEMBLY



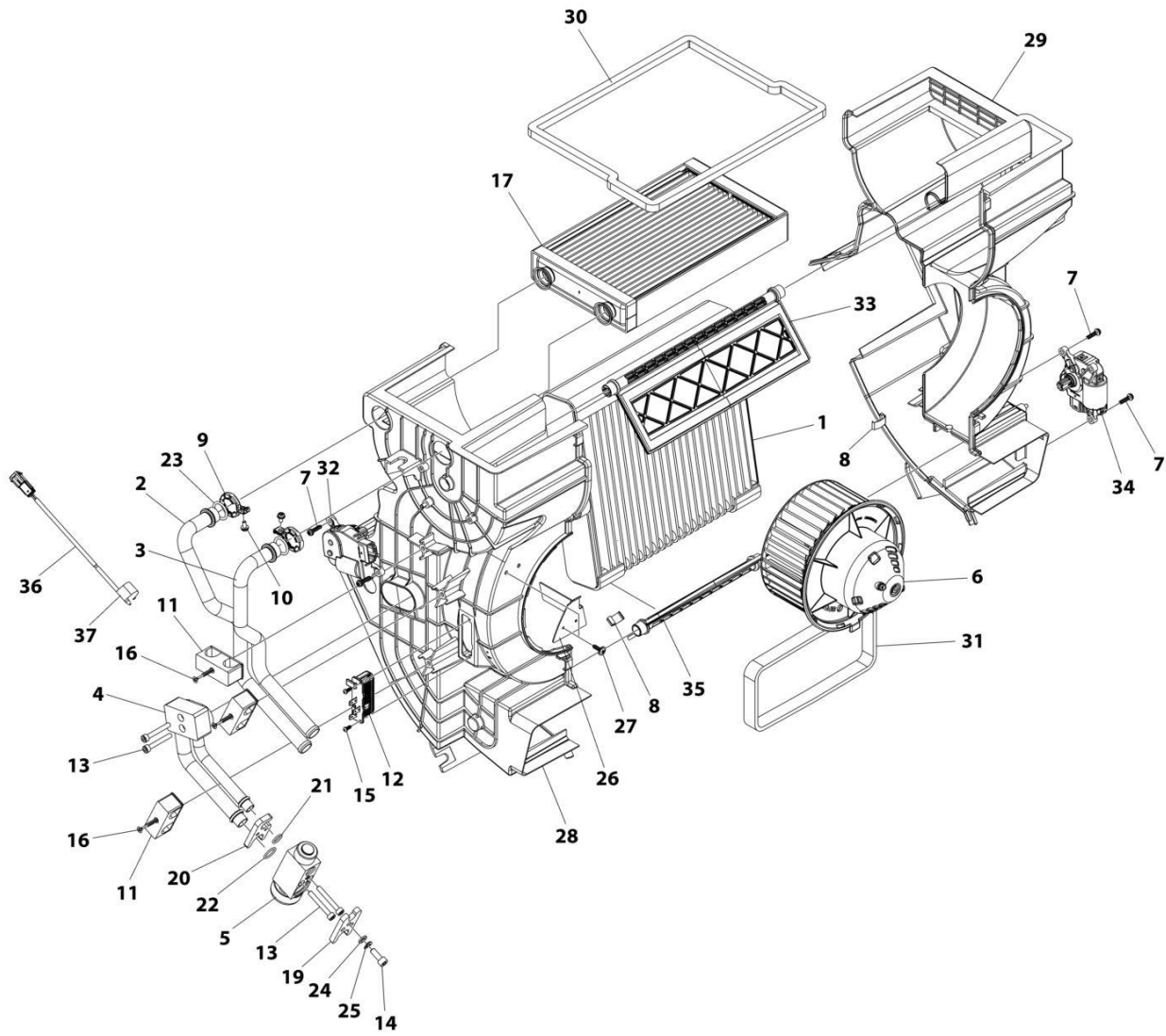
ART_1001268831

FIGURE 6-47. HEATER AND A/C ASSEMBLY

ITEM	PART NUMBER	QTY	DESCRIPTION	REV
	1001268831	Ref	HEATER AND A/C ASSEMBLY	B
1	1001268829	1	Actuator, HVAC Cab	
2	1001268830	1	Harness, HVAC Actuator (See Separate Breakdown in this Section)	
3	1001268832	1	Heater and A/C (See Separate Breakdown in this Section)	
4	1001264976	1	Bracket	

SECTION 6 - CAB

FIGURE 6-48. HEATER AND A/C ASSEMBLY



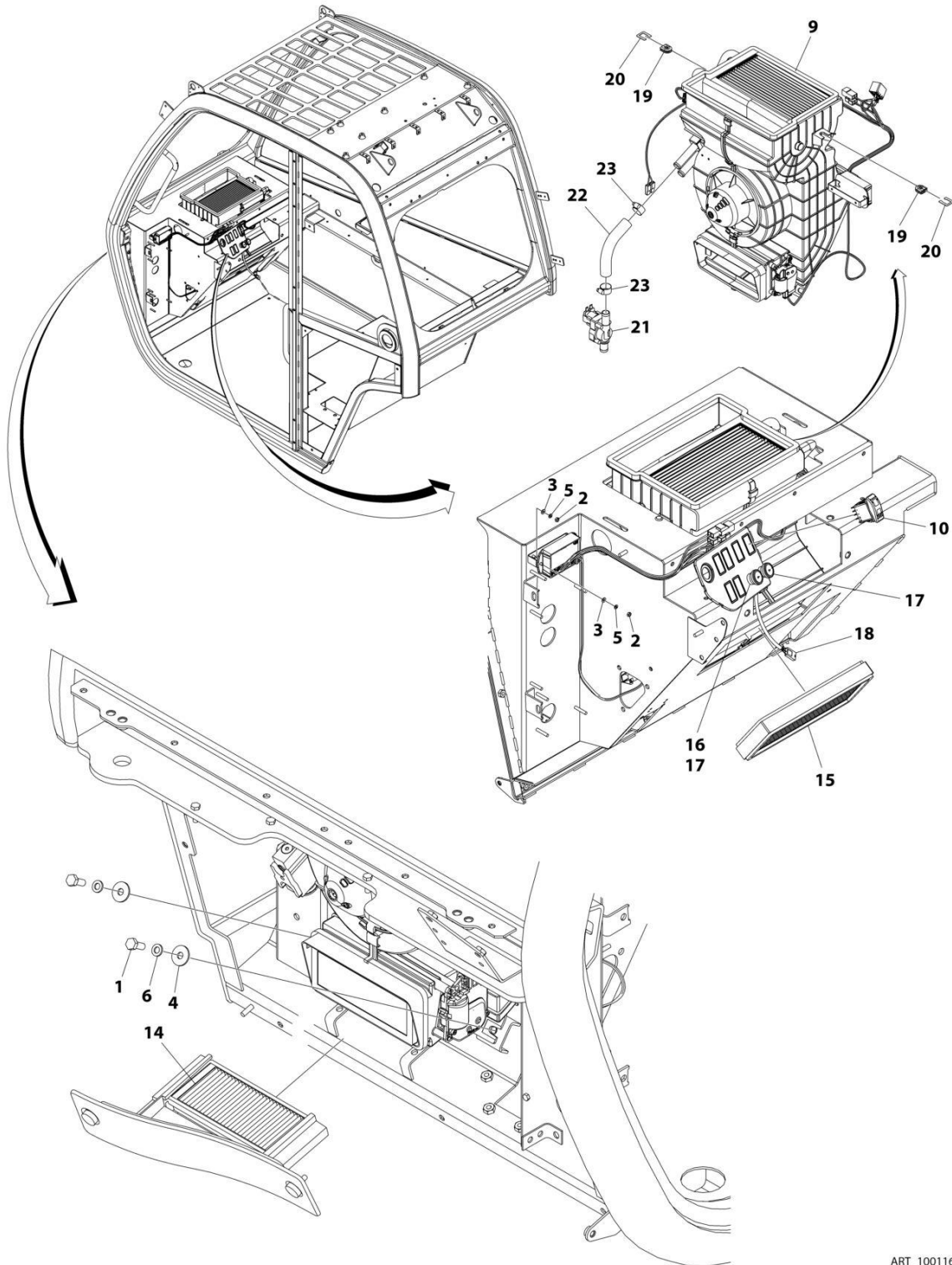
ART_1001268832

FIGURE 6-48. HEATER AND A/C ASSEMBLY

ITEM	PART NUMBER	QTY	DESCRIPTION	REV
	1001268832	Ref	HEATER AND A/C	B
1	1001184280	1	Evaporator, Heater	
2	1001184296	1	Pipe, Heater Water	
3	1001184297	1	Pipe, Heater Water	
4	1001184427	1	Pipe, Heater	
5	1001188592	1	Valve, HVAC Expansion	
6	1001188594	1	Fan, HVAC Centrifugal 12V	
7	1001188602	4	Screw M4	
8	1001188603	9	Clamp, HVAC Case	
9	1001188604	2	Clamp, HVAC Pipe	
10	1001188610	2	Screw M4	
11	1001188612	3	Clamp, Pipe	
12	1001188614	1	Resistor	
13	1001188618	4	Screw M5	
14	1001188619	1	Screw M6	
15	1001188720	2	Screw M2.9 x 9.5	
16	1001188725	3	Screw M4 x 35	
17	1001188729	1	Radiator, Heater Core	
19	1001188817	1	Clamp, Hose	
20	1001188818	1	Clamp, HVAC EVAP/Valve	
21	1001189023	1	O-Ring	
22	1001189024	1	O-Ring	
23	1001189025	2	O-Ring	
24	1001189048	1	Washer	
25	1001189054	1	Washer, Spring	
26	1001221057	1	Plate	
27	1001221058	2	Screw	
28	1001269555	1	Housing, HVAC RH	
29	1001269556	1	Housing, HVAC LH	
30	1001269558	1	Seal, Heater Outlet Foam	
31	1001269559	1	Seal, Air Inlet Foam	
32	1001269560	1	Actuator, Hot/Cold Mixing	
33	1001269561	1	Foam, Heater Mixing Flap	
34	1001269563	1	Actuator, Fresh/Recirculation Air	
35	1001269564	1	Foam, Heater Mixing Flap	
36	1001269578	1	Temperature Sensor	
37	1001269579	1	Clamp, Temperature Sensor	

SECTION 6 - CAB

FIGURE 6-49. HEATER INSTALLATION



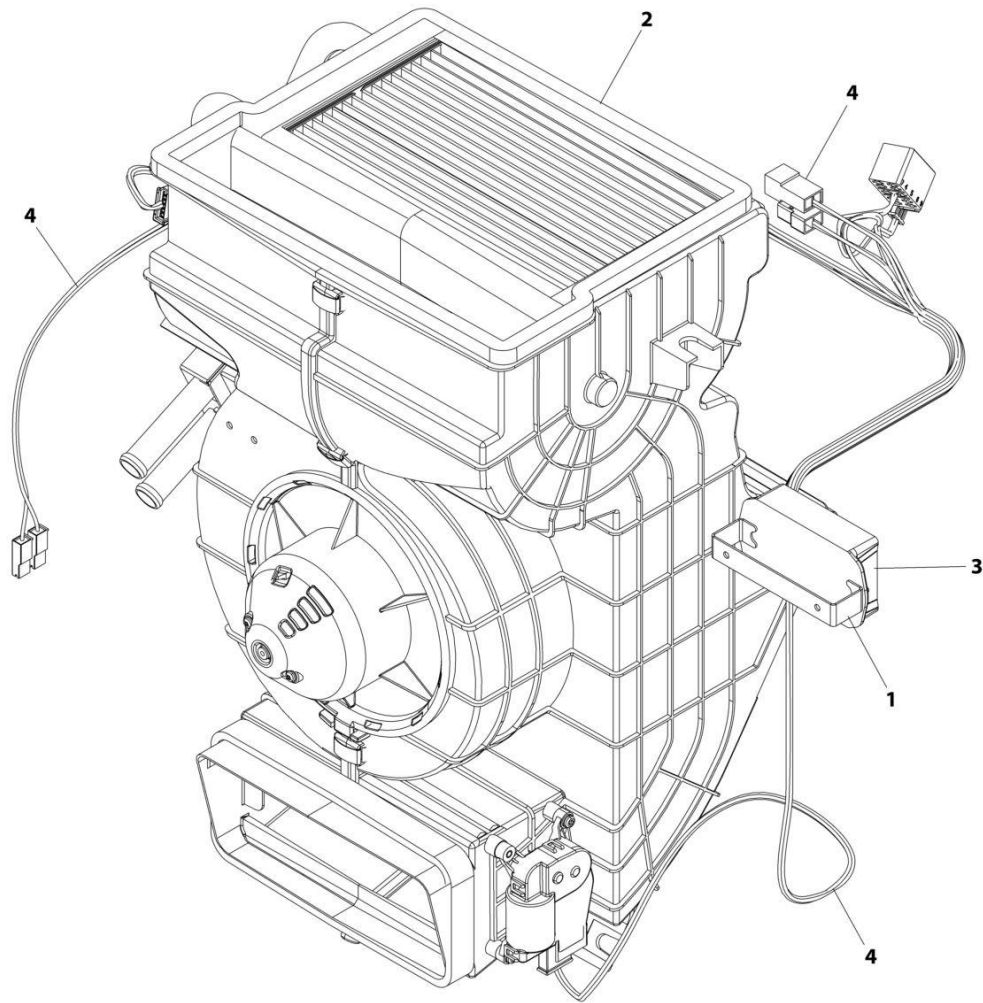
ART_1001160043-L

FIGURE 6-49. HEATER INSTALLATION

ITEM	PART NUMBER	QTY	DESCRIPTION	REV
	1001160043	Ref	HEATER INSTALLATION	L
1	0760810	2	Bolt M8 x 20	
2	3290401	4	Nut M4	
3	4811400	4	Washer M4	
4	4811902	2	Washer M8	
5	4831400	4	Washer M4	
6	4831900	2	Washer M8	
9	1001268827	1	Assembly, Heater (See Separate Breakdown in this Section)	
10	1001159925	1	Switch, HVAC Recycle	
14	1001218996	1	Filter, HVAC Air	
15	1001172553	1	Filter, HVAC Recirculation Air	
16	1001172547	1	Switch, HVAC Rotary 3 Speed	
17	1001172550	2	Knob, HVAC Control	
18	1001270976	1	Cable, HVAC	
19	1001188590	2	Grommet	
20	1001218542	2	Shim	
21	1001221059	1	Valve, Water	
22	1001221295	1	House	
23	8410009	2	Clamp	

SECTION 6 - CAB

FIGURE 6-50. HEATER ASSEMBLY



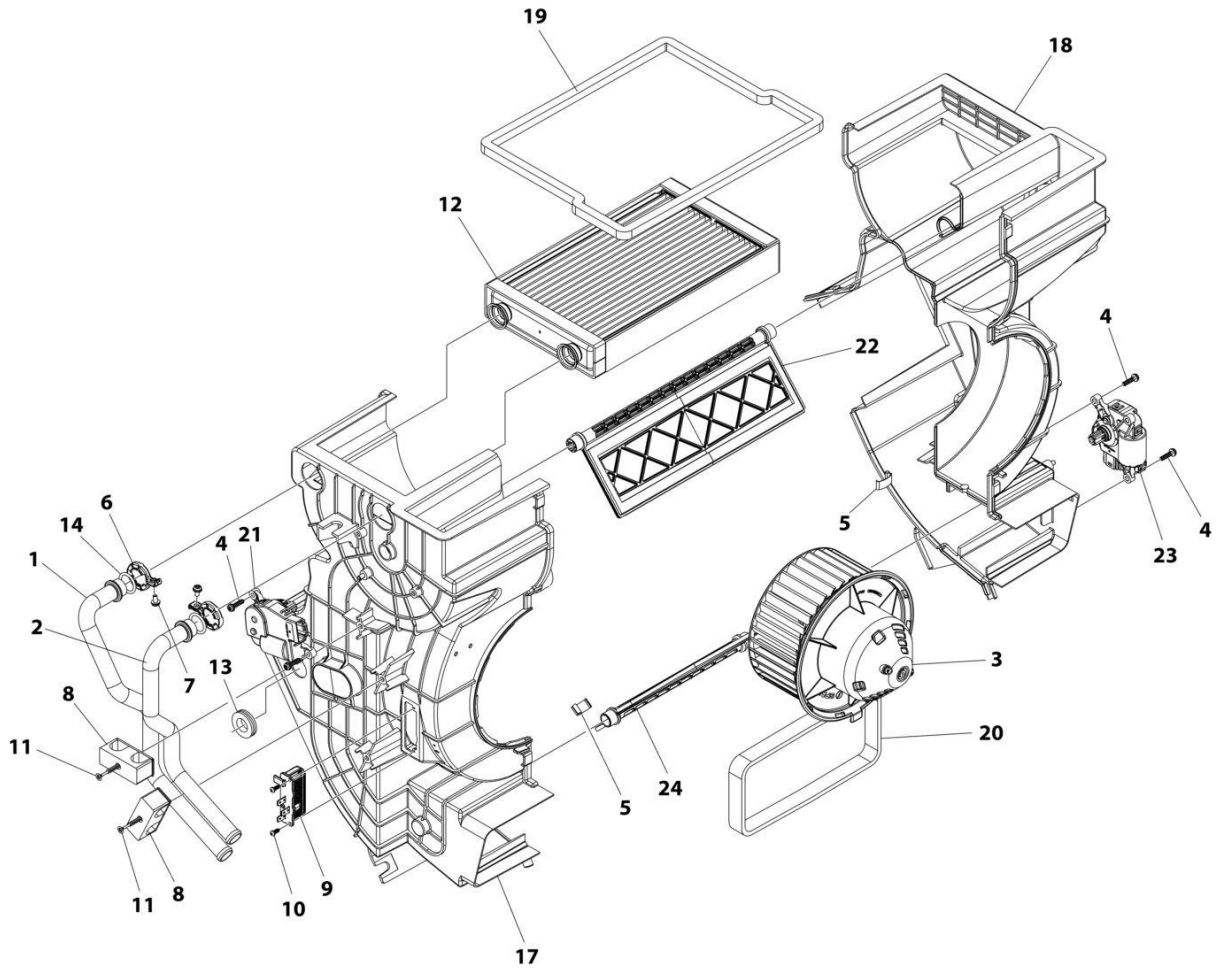
ART_1001268827

FIGURE 6-50. HEATER ASSEMBLY

ITEM	PART NUMBER	QTY	DESCRIPTION	REV
	1001268827	Ref	HEATER ASSEMBLY	B
1	1001264976	1	Bracket	
2	1001268828	1	Heater, Cab (See Separate Breakdown in this Section)	
3	1001268829	1	Actuator, HVAC Cab	
4	1001268830	1	Harness, HVAC Actuator (See Separate Breakdown in ELECTRICAL Section)	

SECTION 6 - CAB

FIGURE 6-51. CAB HEATER ASSEMBLY



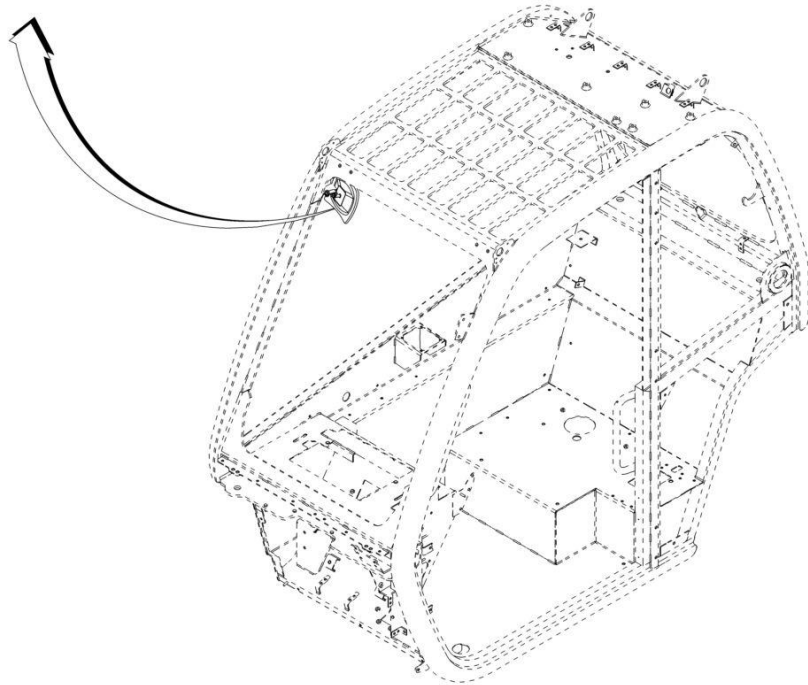
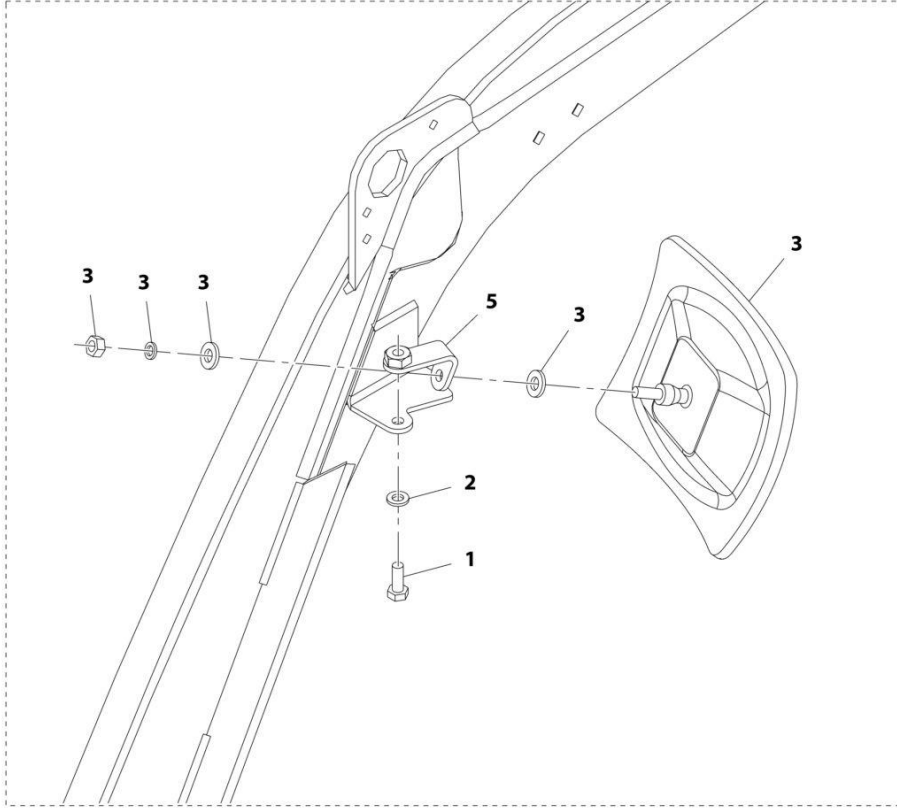
ART_1001268828

FIGURE 6-51. CAB HEATER ASSEMBLY

ITEM	PART NUMBER	QTY	DESCRIPTION	REV
	1001268828	Ref	HEATER	B
1	1001184296	1	Pipe, Water	
2	1001184297	1	Pipe, Water	
3	1001188594	1	Fan, 12V	
4	1001188602	4	Screw	
5	1001188603	9	Clamp	
6	1001188604	2	Clamp	
7	1001188610	2	Screw	
8	1001188612	2	Clamp	
9	1001188614	1	Resistor	
10	1001188720	2	Screw	
11	1001188725	2	Screw	
12	1001188729	1	Radiator, Heater Core	
13	1001188733	1	Grommet	
14	1001189025	2	O-Ring	
17	1001269555	1	Housing, RH	
18	1001269556	1	Housing, LH	
19	1001269558	1	Foam, Air Outlet	
20	1001269559	1	Foam, Air Inlet	
21	1001269560	1	Actuator, Fresh/Recirculation Air	
22	1001269561	1	Flap, Mixing	
23	1001269563	1	Actuator, Fresh/Recirculation Air	
24	1001269564	1	Flap, HVAC Fresh	

SECTION 6 - CAB

FIGURE 6-52. INTERNAL MIRROR INSTALLATION



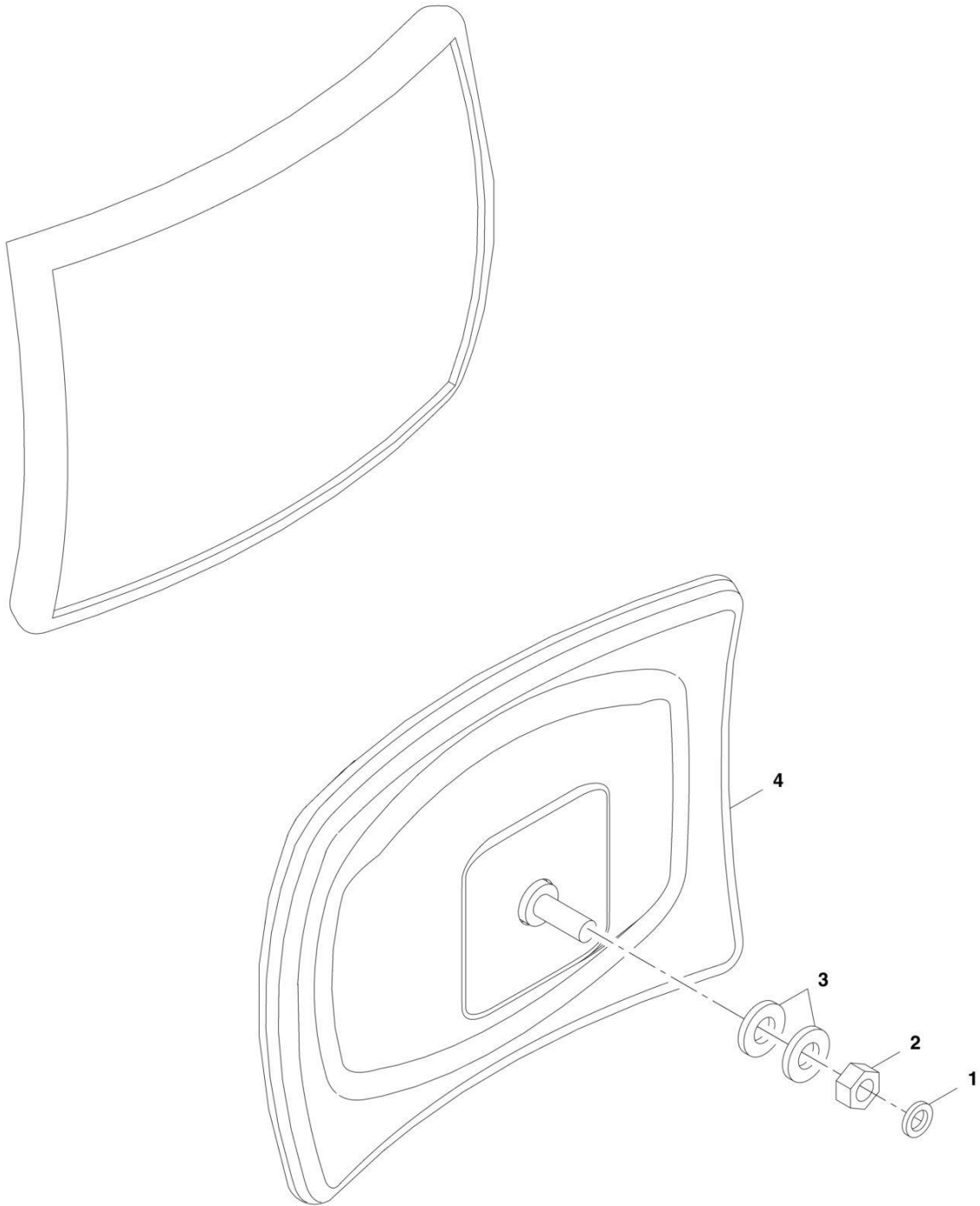
ART_1001166192-C

FIGURE 6-52. INTERNAL MIRROR INSTALLATION

ITEM	PART NUMBER	QTY	DESCRIPTION	REV
	1001166192	Ref	Interior Mirror Installation	C
1	0760608	1	Bolt, M6X16	
2	4811700	1	Washer, M6	
3	1001007641	1	Mirror, Interior (See Separate Breakdown in this Section)	
5	1001166191	1	Bracket	

SECTION 6 - CAB

FIGURE 6-53. INTERIOR MIRROR ASSEMBLY



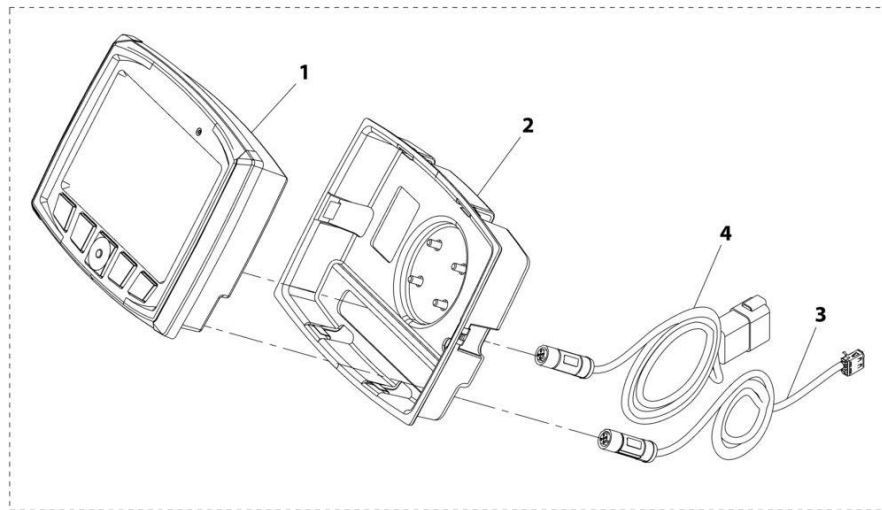
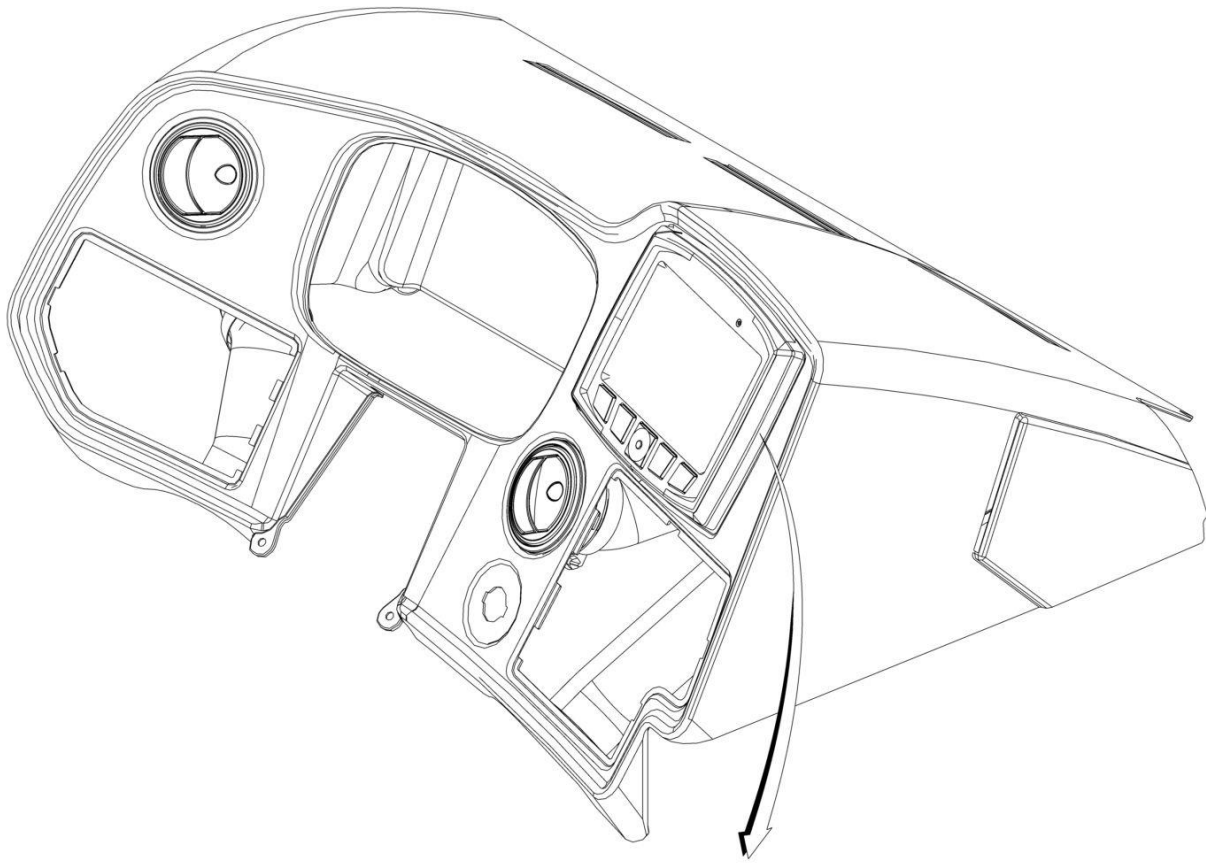
ART_1001007641-B

FIGURE 6-53. INTERIOR MIRROR ASSEMBLY

ITEM	PART NUMBER	QTY	DESCRIPTION	REV
	1001007641	Ref	Mirror, Interior	B
1	1001008475	1	Washer, Lock 12	
2	1001008604	1	Nut	
3	1001009124	2	Washer	
4	1001010839	1	MIRROR	

SECTION 6 - CAB

FIGURE 6-54. MULTIFUNCTION DISPLAY INSTALLATION



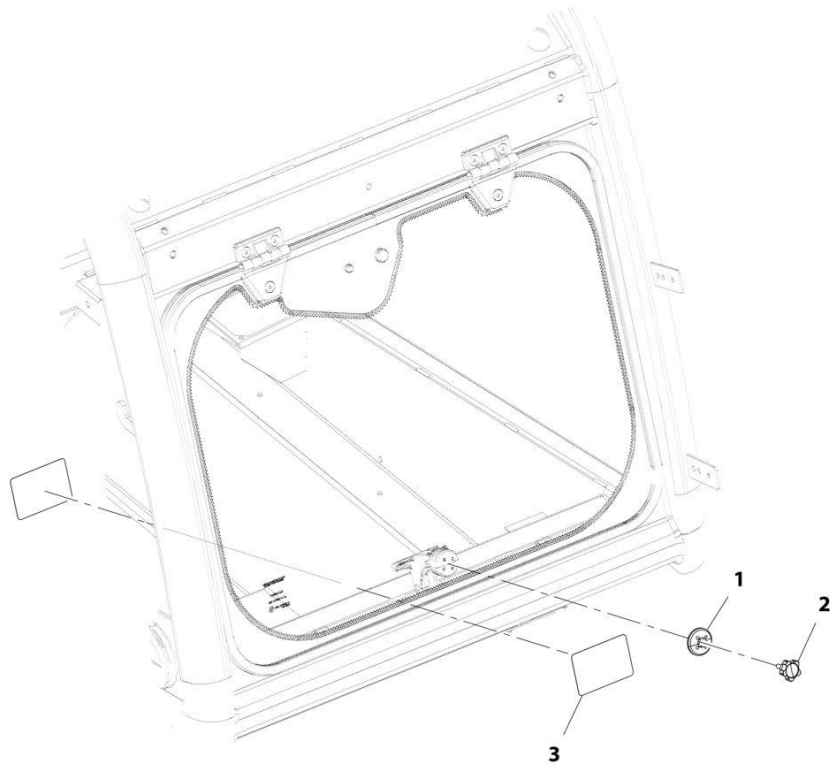
ART_1001176338-C

FIGURE 6-54. MULTIFUNCTION DISPLAY INSTALLATION

ITEM	PART NUMBER	QTY	DESCRIPTION	REV
	1001176338	Ref	Multifunction Display Installation	C
1	1001250161	1	Display	
2	1001178783	1	Bezel	
3	1001180682	1	Cable	
4	1001180683	1	Cable, Video	

SECTION 6 - CAB

FIGURE 6-55. REAR WINDOW RELEASE INSTALLATION (ANSI - ENGLISH)



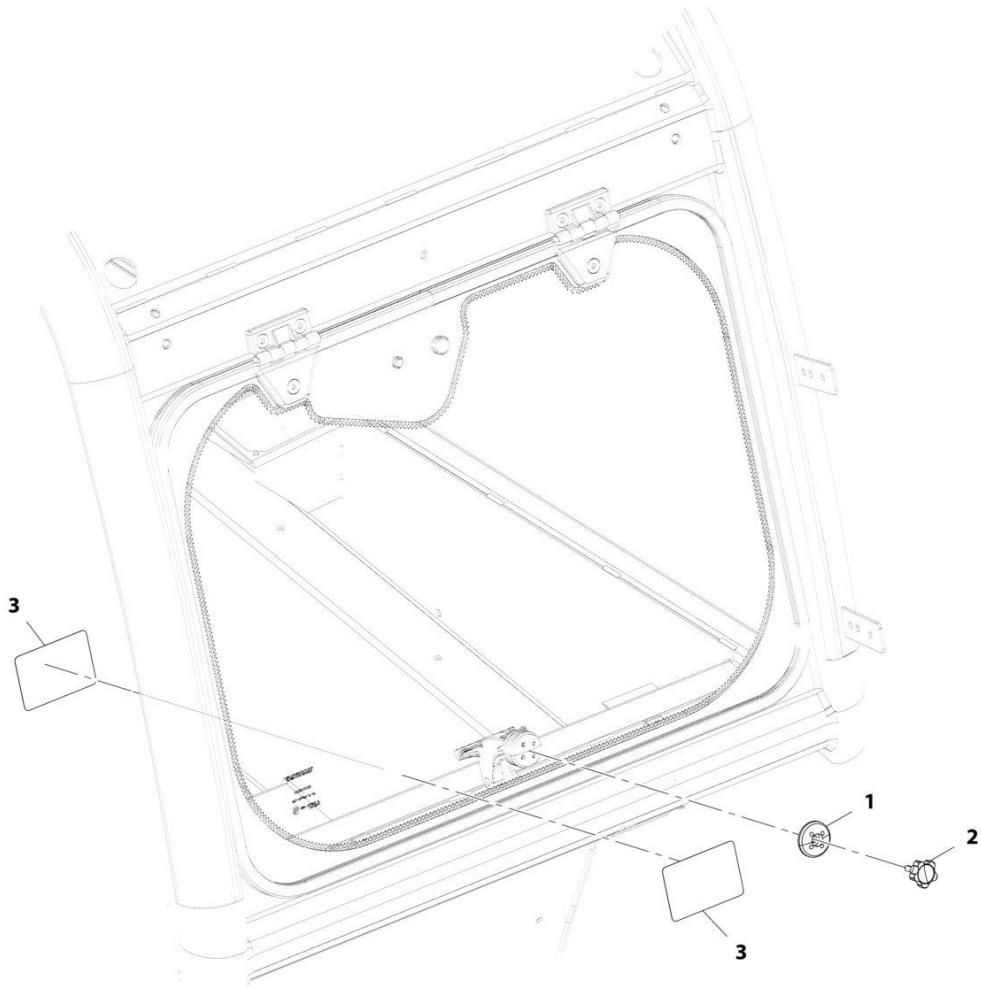
ART_1001212047-A

FIGURE 6-55. REAR WINDOW RELEASE INSTALLATION (ANSI - ENGLISH)

ITEM	PART NUMBER	QTY	DESCRIPTION	REV
	1001212047	Ref	External Window Release Installation (ANSI)	A
1	1001179008	1	Cap, Latch Window	
2	1001179009	1	Cap, Knob M6	
3	1001212049	2	Decal, Emergency Exit	

SECTION 6 - CAB

FIGURE 6-56. REAR WINDOW RELEASE INSTALLATION (ENGLISH/FRENCH)



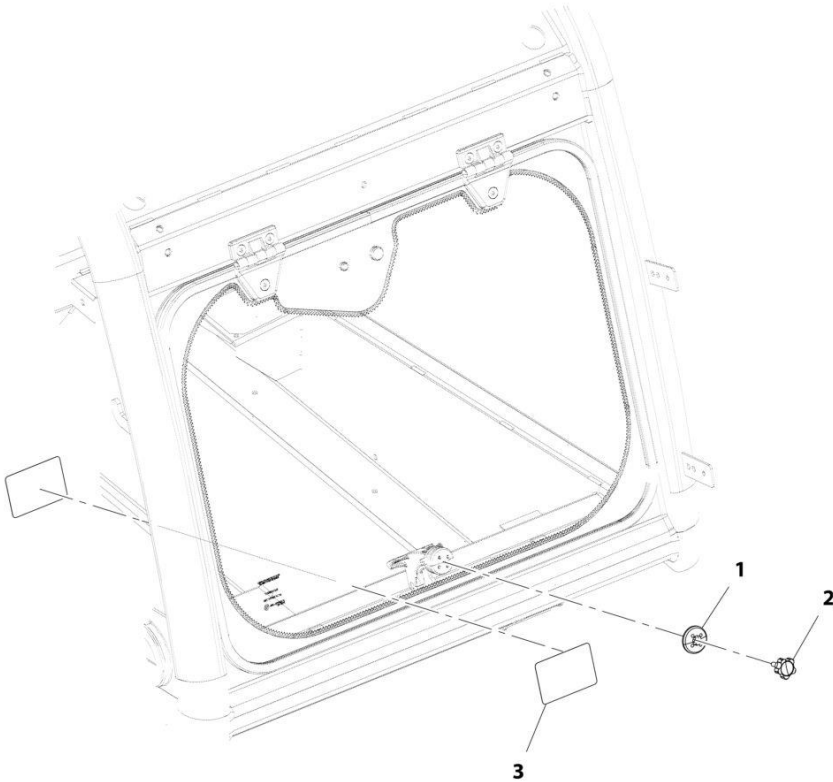
ART_1001178826-C

FIGURE 6-56. REAR WINDOW RELEASE INSTALLATION (ENGLISH/FRENCH)

ITEM	PART NUMBER	QTY	DESCRIPTION	REV
	1001178826	Ref	External Window Release Installation (English/French)	C
1	1001179008	1	Cap, Latch Window	
2	1001179009	1	Knob	
3	1001204709	2	Decal, Emergency Exit (English/French)	

SECTION 6 - CAB

FIGURE 6-57. REAR WINDOW RELEASE INSTALLATION (ISO)



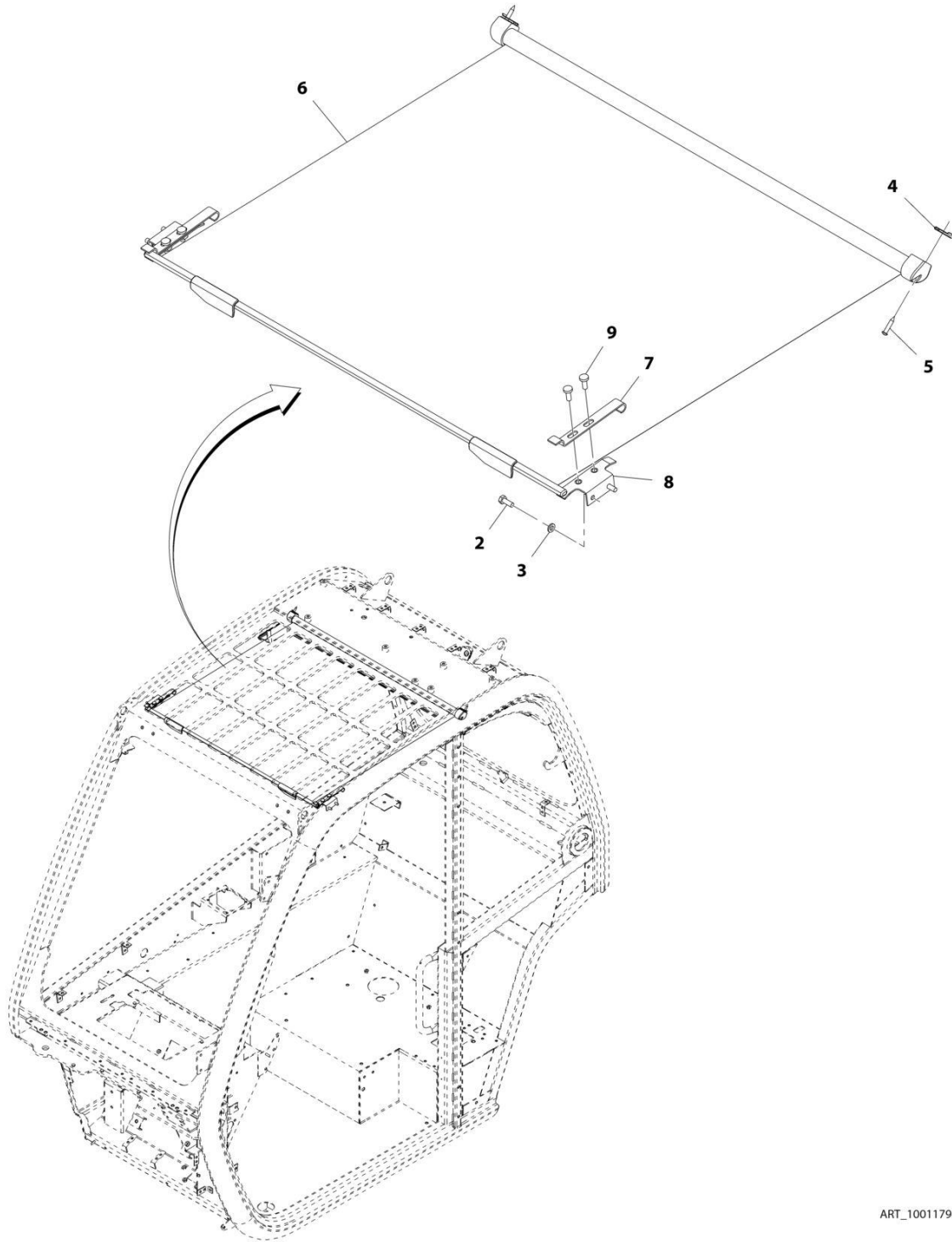
ART_1001212048-A

FIGURE 6-57. REAR WINDOW RELEASE INSTALLATION (ISO)

ITEM	PART NUMBER	QTY	DESCRIPTION	REV
	1001212048	Ref	Rear Window Installation (WO/Wiper) (ISO)	A
1	1001179008	1	Cap, Latch Window	
2	1001179009	1	Cap, Knob M6	
3	1001212050	2	Decal, Emergency Exit	

SECTION 6 - CAB

FIGURE 6-58. RETRACTABLE SUNSCREEN INSTALLATION



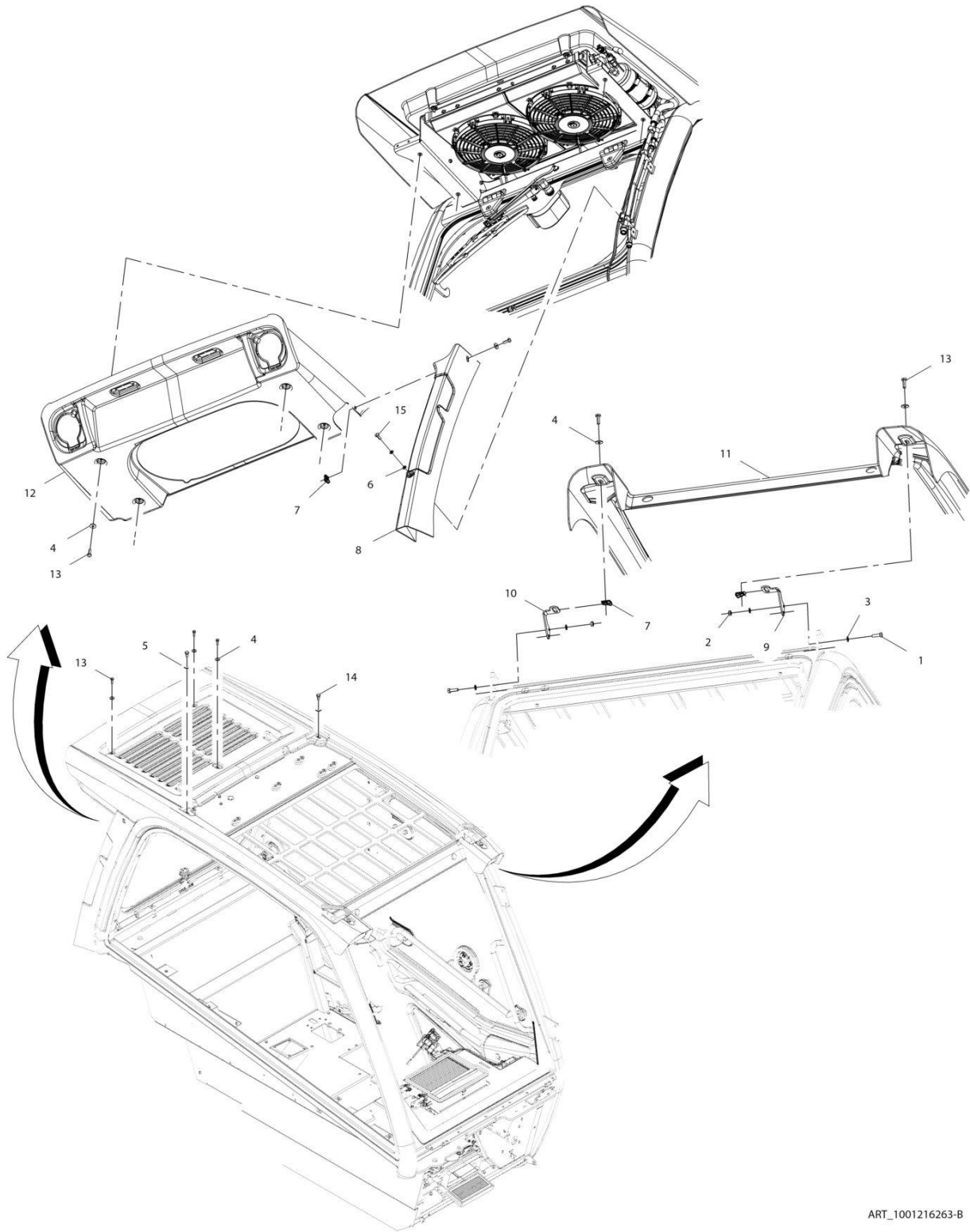
ART_1001179482-D

FIGURE 6-58. RETRACTABLE SUNSCREEN INSTALLATION

ITEM	PART NUMBER	QTY	DESCRIPTION	REV
	1001179482	Ref	Retractable Sunscreen Installation	D
2	0760608	4	Bolt, M6X16	
3	4811700	4	Washer, M6	
4	1001111076	2	Nut, Spire	
5	1001111147	2	Screw, Self Tapping	
6	1001179483	1	Cab, Sun Blind	
7	1001209463	2	Bracket	
8	1001166385	2	Bracket	
9	4010608002	4	Screw, Posi-Drive M6X16	

SECTION 6 - CAB

FIGURE 6-59. ROOF CAP INSTALLATION (A/C)



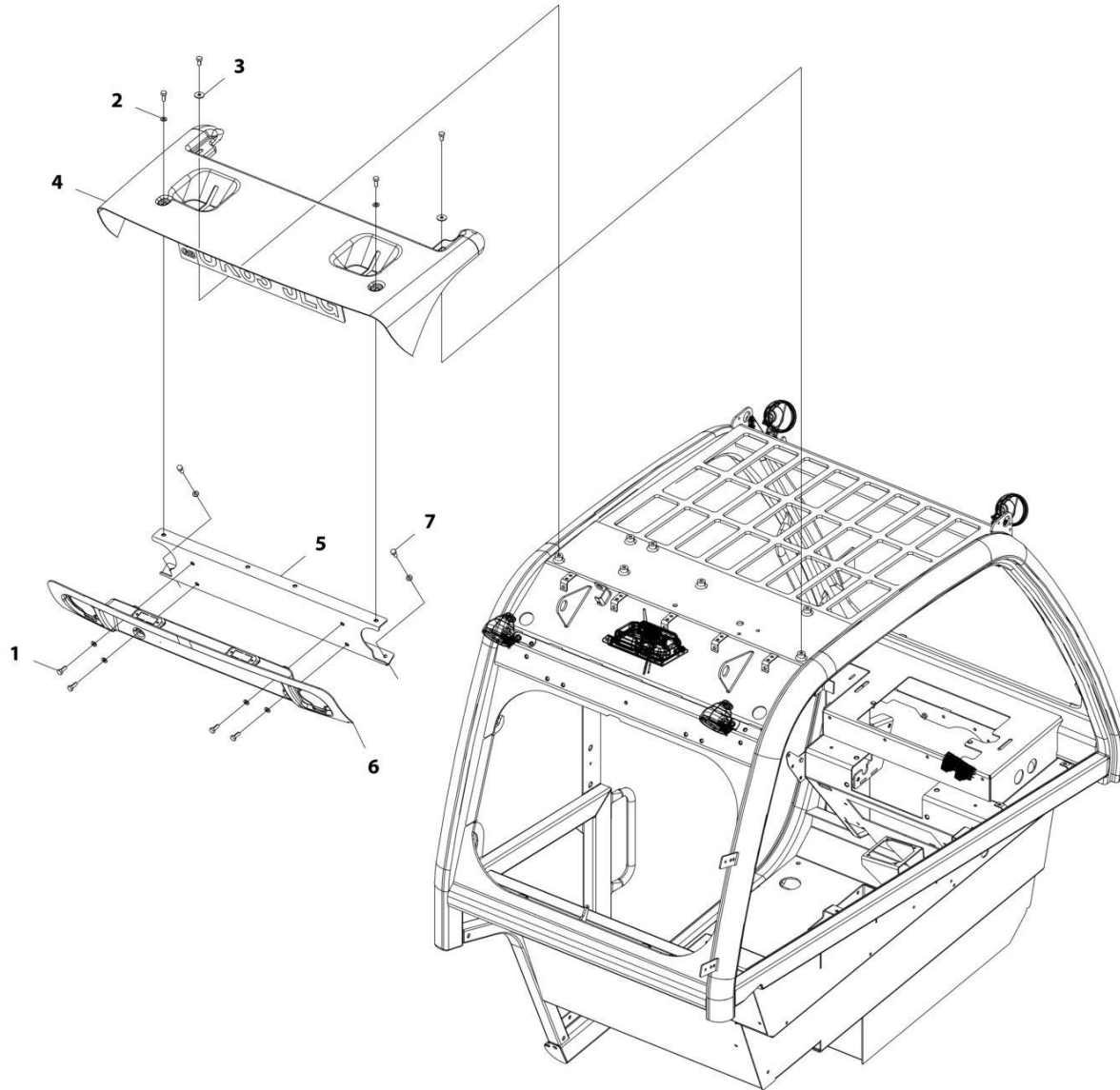
ART_1001216263-B

FIGURE 6-59. ROOF CAP INSTALLATION (A/C)

ITEM	PART NUMBER	QTY	DESCRIPTION	REV
	1001216263	Ref	Roof Cap (A/C) Installation	B
1	0700610	4	Bolt, M6X20	
2	3290601	4	Nut, M6X1	
3	4811700	9	Washer, M6	
4	4811702	10	Washer, M6	
5	4811902	2	Washer, M8	
6	4831700	1	Washer, Lock M6	
7	8305919	3	Nut, M6	
8	1001174741	1	Cover	
9	1001174800	1	Bracket	
10	1001174801	1	Bracket	
11	1001216267	1	Cover, Upper Roof Cap	
12	1001216269	1	Cover, Lower Roof Cap	
13	4010610002	10	Screw, Posi-Drive M6X20	
14	0760808	2	Bolt, M8X16	
15	4010608002	1	Screw, M6X16	

SECTION 6 - CAB

FIGURE 6-60. ROOF CAP INSTALLATION (NO A/C)



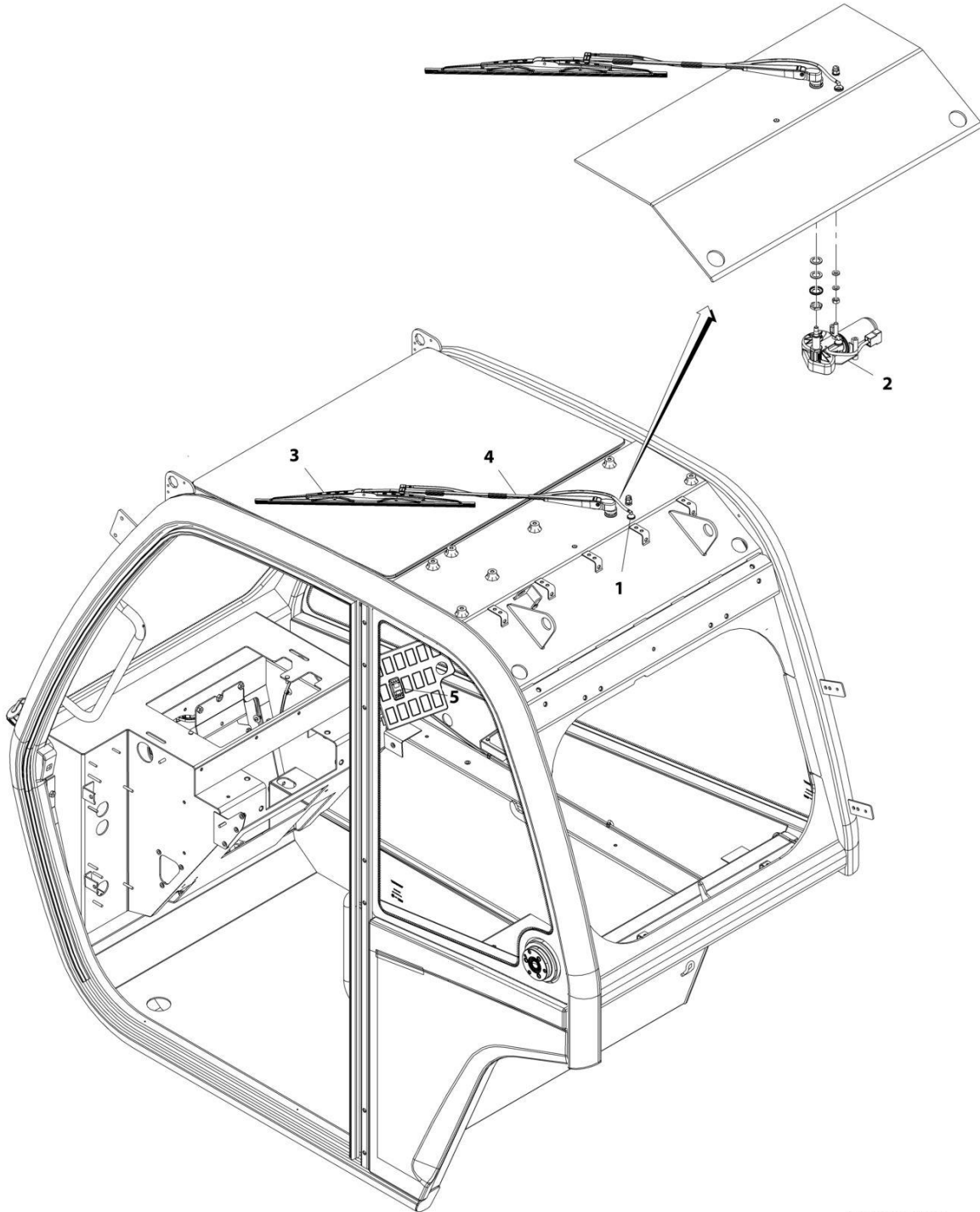
ART_1001216265

FIGURE 6-60. ROOF CAP INSTALLATION (NO A/C)

ITEM	PART NUMBER	QTY	DESCRIPTION	REV
	1001216265	Ref	Roof Cap Installation (No A/C)	B
1	0760810	8	Bolt, M8X20	
2	4811900	8	Washer, M8	
3	4811902	2	Washer, M8	
4	1001182330	1	Cover, Short Upper Roof Cap	
5	1001185633	1	Bracket, Roof Cap Mount	
6	1001216270	1	Cover, Short Lower Roof Cap	
7	0760808	2	Bolt, M8X16	

SECTION 6 - CAB

FIGURE 6-61. ROOF WIPER INSTALLATION



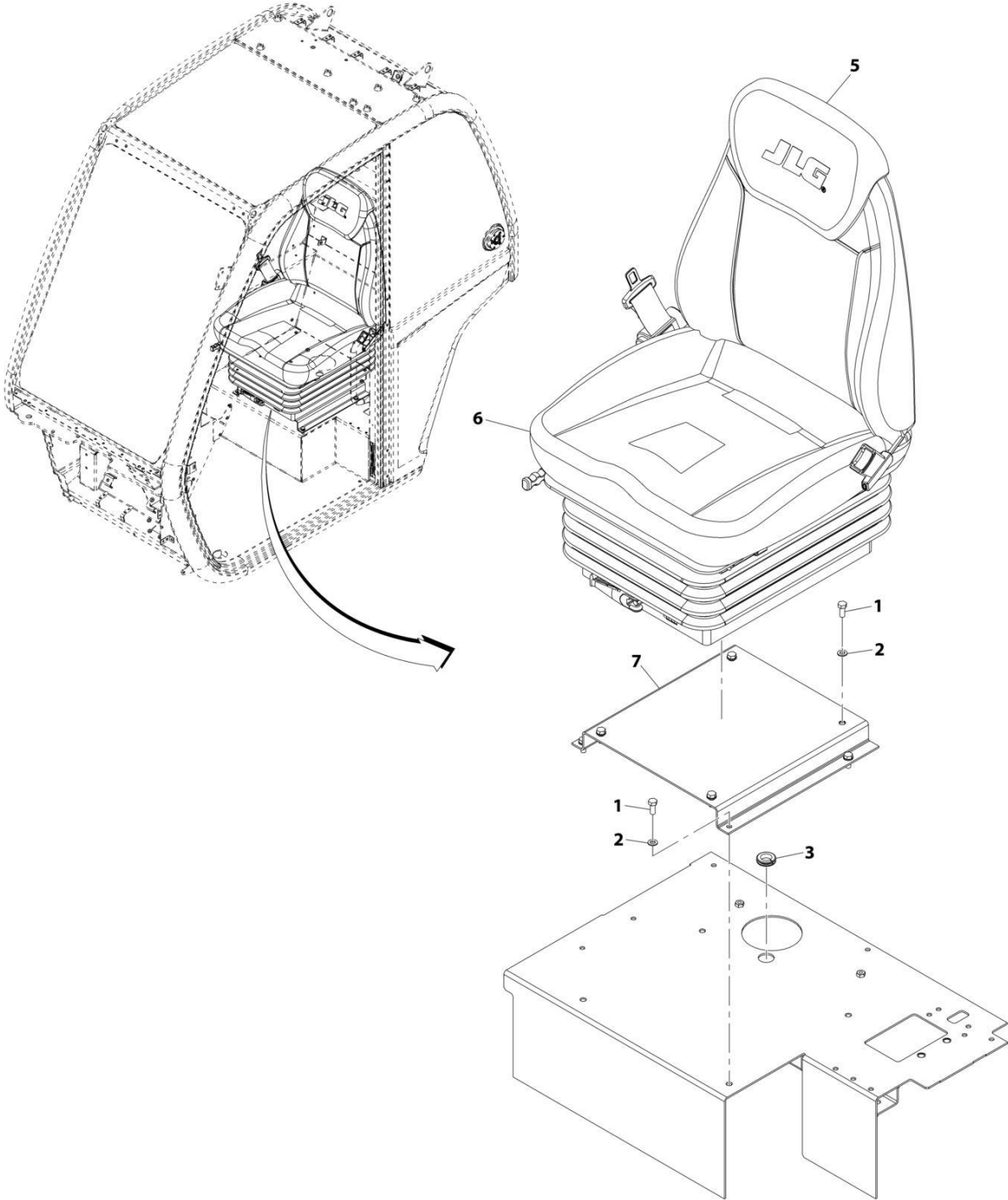
ART_1001155486-B

FIGURE 6-61. ROOF WIPER INSTALLATION

ITEM	PART NUMBER	QTY	DESCRIPTION	REV
	1001155486	Ref	Roof Wiper Installation	B
1	1001090343	1	Connector	
2	1001139551	1	Motor, Roof Wiper	
3	1001141313	1	Blade, Roof Wiper	
4	1001141311	1	Arm, Roof Wiper Blade	
5	1001159736	1	Switch, Roof Wiper	

SECTION 6 - CAB

FIGURE 6-62. SEAT INSTALLATION (CLOTH)



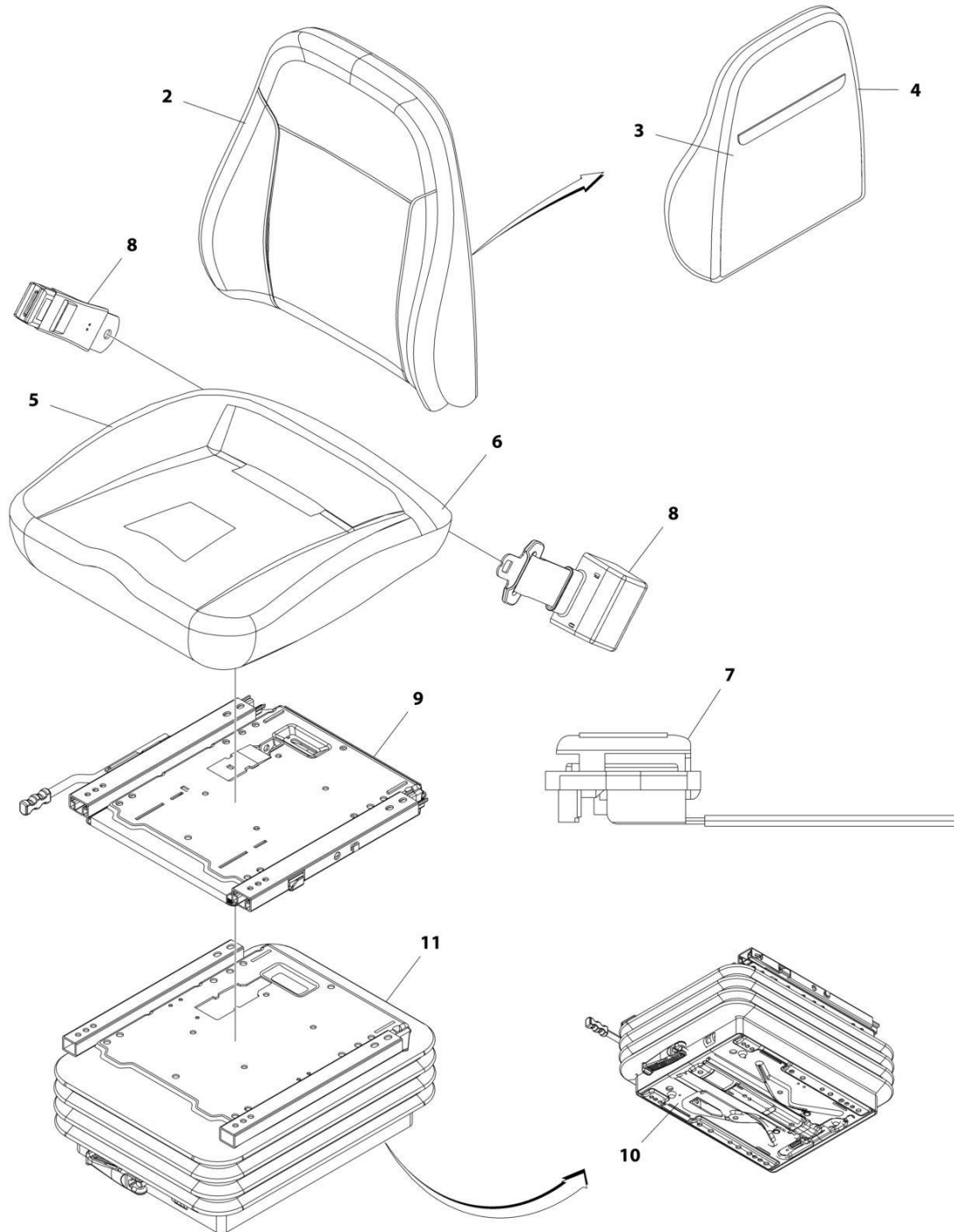
ART_1001158601-D

FIGURE 6-62. SEAT INSTALLATION (CLOTH)

ITEM	PART NUMBER	QTY	DESCRIPTION	REV
	1001158601	Ref	Seat Installation (Cloth)	D
1	0760810	8	Bolt, M8X20	
2	4811900	8	Washer, M8	
3	1001216974	1	Grommet	
5	1001119467	1	Headrest, Cloth	
6	1001150294	1	Assembly, Seat (See Separate Breakdown in this Section)	
7	1001158738C	1	Plinth, Seat	

SECTION 6 - CAB

FIGURE 6-63. SEAT ASSEMBLY



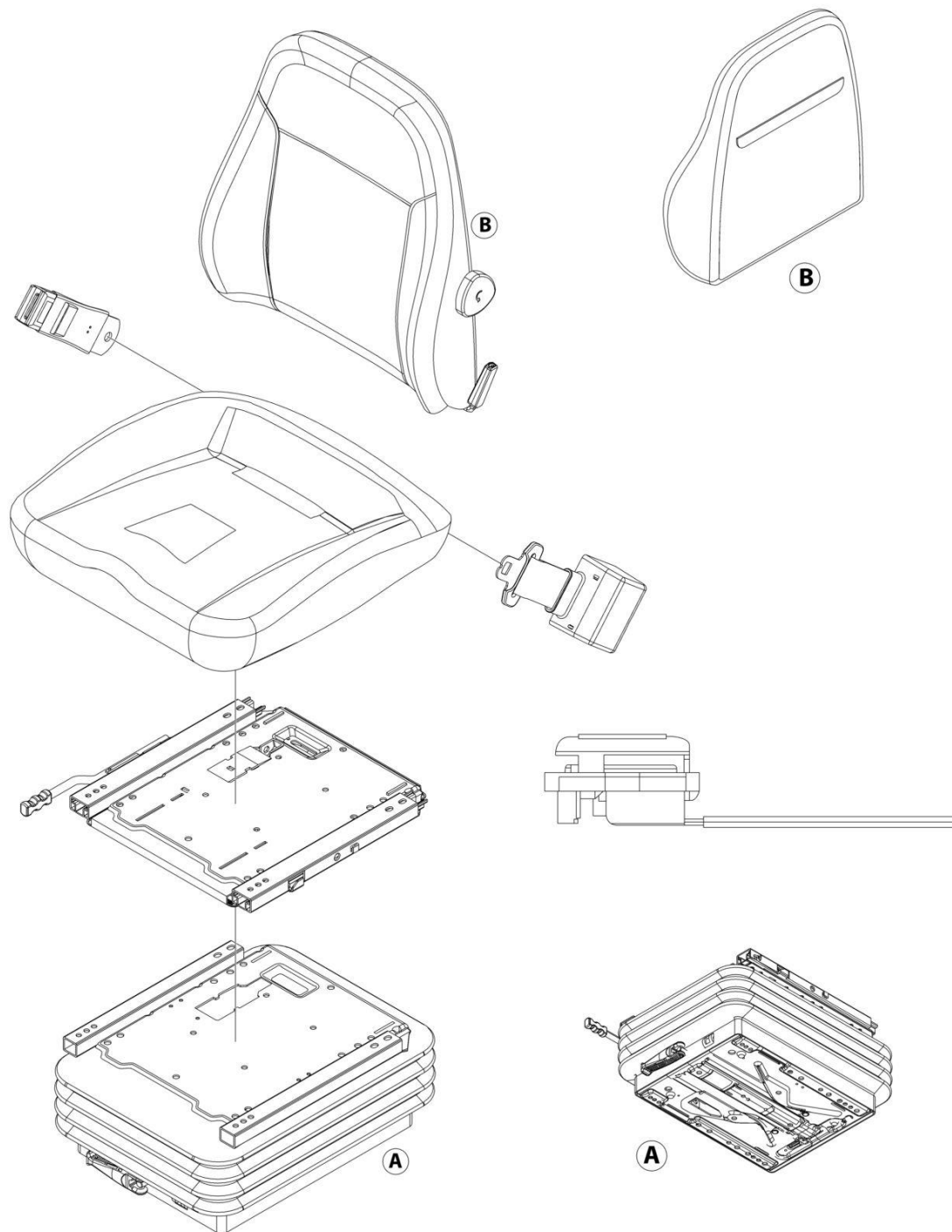
ART_1001150294

FIGURE 6-63. SEAT ASSEMBLY

ITEM	PART NUMBER	QTY	DESCRIPTION	REV
	1001150294	Ref	CLOTH SEAT	F
2	70025489	1	Fabric, Upper Seat	
3	70025490	1	Cover, Back	
4	70025483	1	Foam, Back	
5	70025491	1	Cover, Seat	
6	70025485	1	Foam, Seat	
7	70025486	1	Switch, Contact	
8	7029767	1	Belt, Seat	
9	70021252	1	Rail, Slide	
10	70021251	1	Unit, Suspension	
11	70022034	1	Cover, Rubber	

SECTION 6 - CAB

FIGURE 6-64. SEAT ASSEMBLY (SN 0160119846 to Present, Including 0160119843)



ART_1001288070

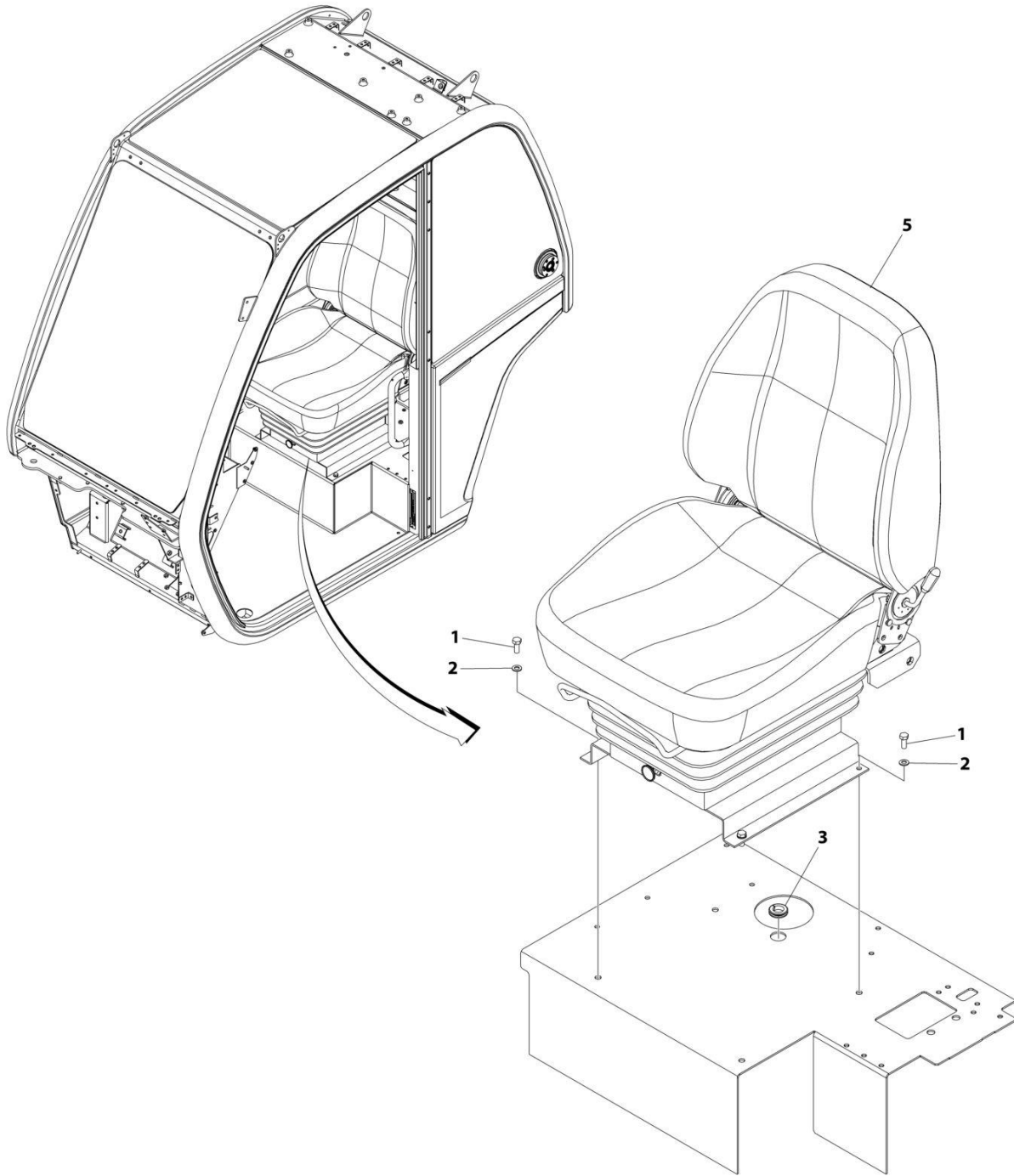
SECTION 6 - CAB

FIGURE 6-64. SEAT ASSEMBLY (SN 0160119846 to Present, Including 0160119843)

ITEM	PART NUMBER	QTY	DESCRIPTION	REV
	1001288070 See Note	Ref NSS	SEAT ASSEMBLY Note: No Available Parts at time of Printing	A

SECTION 6 - CAB

FIGURE 6-65. SEAT INSTALLATION (AIR SUSPENSION - STANDARD)



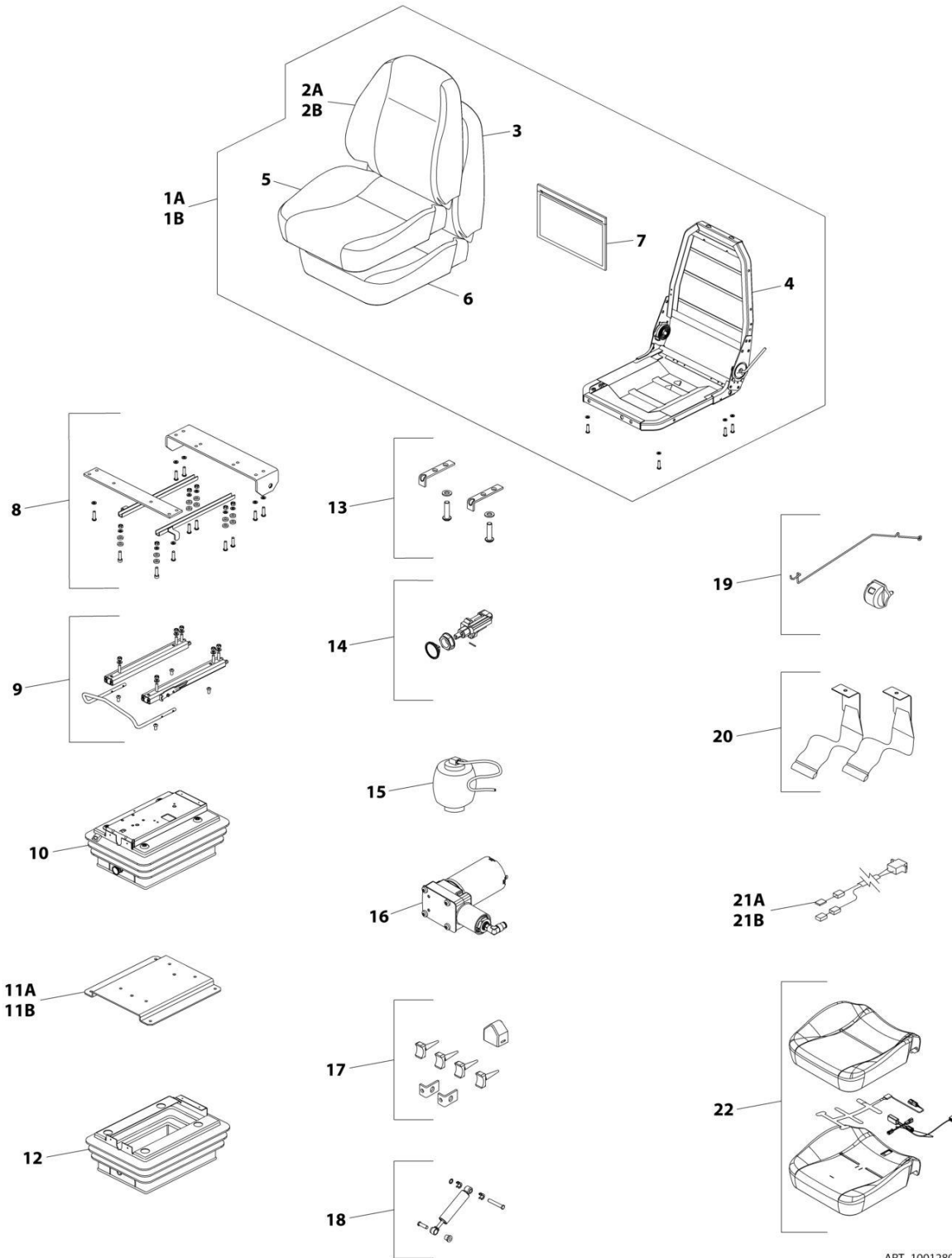
ART_1001158596_E

FIGURE 6-65. SEAT INSTALLATION (AIR SUSPENSION - STANDARD)

ITEM	PART NUMBER	QTY	DESCRIPTION	REV
	1001158596	Ref	SEAT INSTALLATION (AIR SUSPENSION - STANDARD)	E
1	0760810	4	Bolt, M8X20	
2	4811900	4	Washer, M8	
3	1001216974	1	Grommet	
5	1001280471	1	Seat Assembly (See Separate Breakdown in this Section)	

SECTION 6 - CAB

FIGURE 6-66. SEAT ASSEMBLY (AIR SUSPENSION - STANDARD)



ART_1001280471

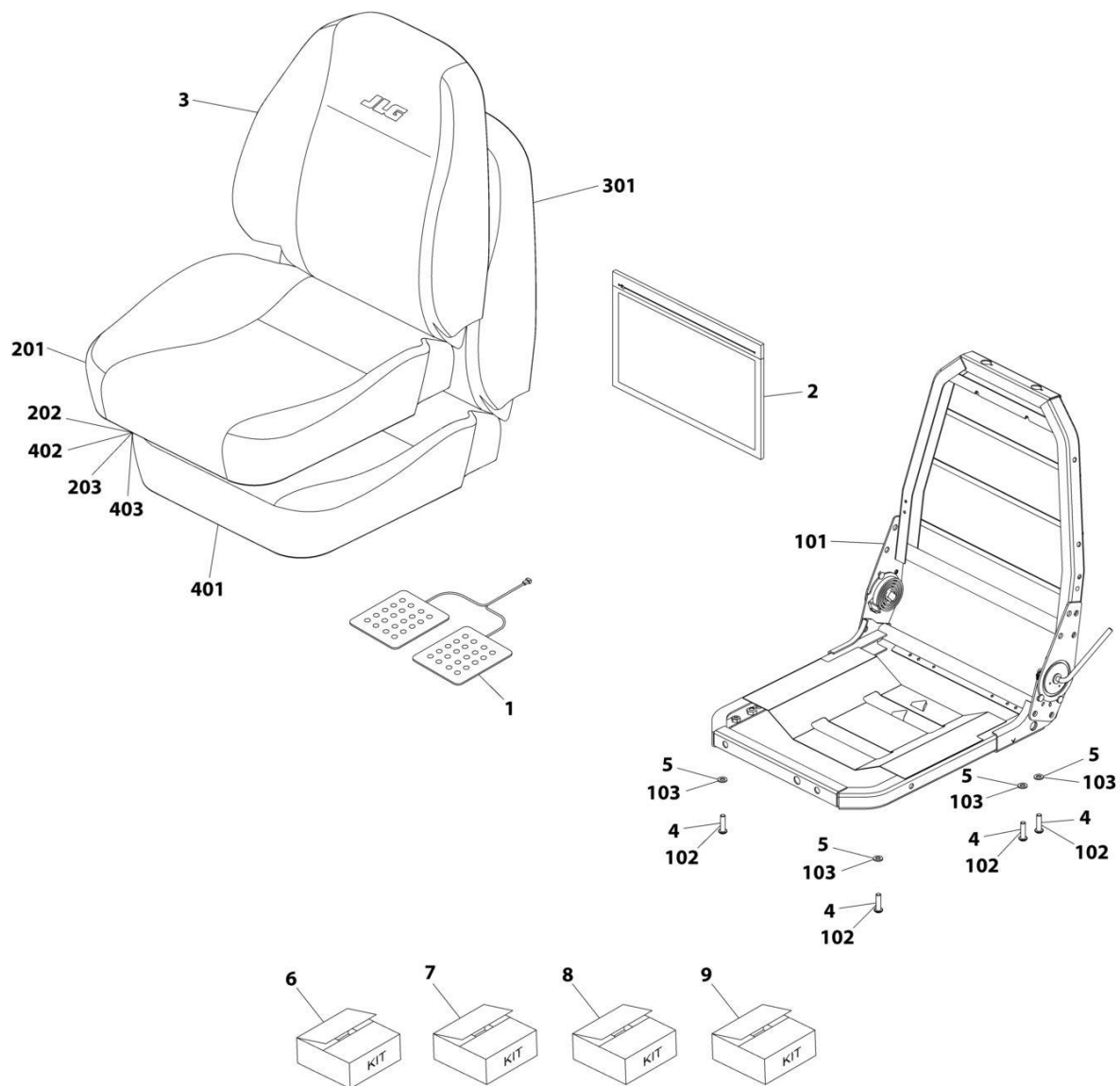
SECTION 6 - CAB

FIGURE 6-66. SEAT ASSEMBLY (AIR SUSPENSION - STANDARD)

ITEM	PART NUMBER	QTY	DESCRIPTION	REV
	1001280471	Ref	SEAT ASSEMBLY (AIR SUSPENSION - STANDARD)	A
1A	70031050	1	Cushion and Frame Assembly (Without Sensor) (Includes Items 2-7)	
1B	70031051	1	Cushion and Frame Assembly (With Sensor) (Includes Items 2-7)	
2A	70027399	1	Fabric, Seat Back (Without Sensor)	
2B	70031052	1	Fabric, Seat Back (With Sensor)	
3	80264002	1	Foam, Seat Back	
4	70021314	1	Frame, Seat Bottom and Back	
5	70027394	1	Fabric, Seat Bottom	
6	80264004	1	Foam, Seat Bottom	
7	70021316	1	Document Bag Kit	
8	70021317	1	Frame Mount Kit	
9	70021318	1	Fore/Aft Side Adjustment Kit	
10	70021319	1	Suspension Kit	
11A	70021320	1	Mounting Plate Kit (16.5mm Height)	
11B	70027395	1	Mounting Plate Kit (44.5mm Height)	
12	70021321	1	Cover, Suspension	
13	70021322	1	Side Rail Stop Kit	
14	70021323	1	Air Valve Kit	
15	70021324	1	Air Spring Kit	
16	70021325	1	Compressor Kit	
17	70021326	1	Limit Switches Kit	
18	70021327	1	Damper Kit	
19	70021328	1	Ride Indicator Kit	
20	70021329	1	Seatbelts Kit	
21A	70021330	1	Seat Adapter Harness (Without Sensor)	
21B	70031053	1	Seat Adapter Harness (With Sensor)	
22	70031054	1	Cover/Foam/Sensor Kit (Includes Items 5 & 6)	

SECTION 6 - CAB

FIGURE 6-67. UPPER SEAT ASSEMBLY



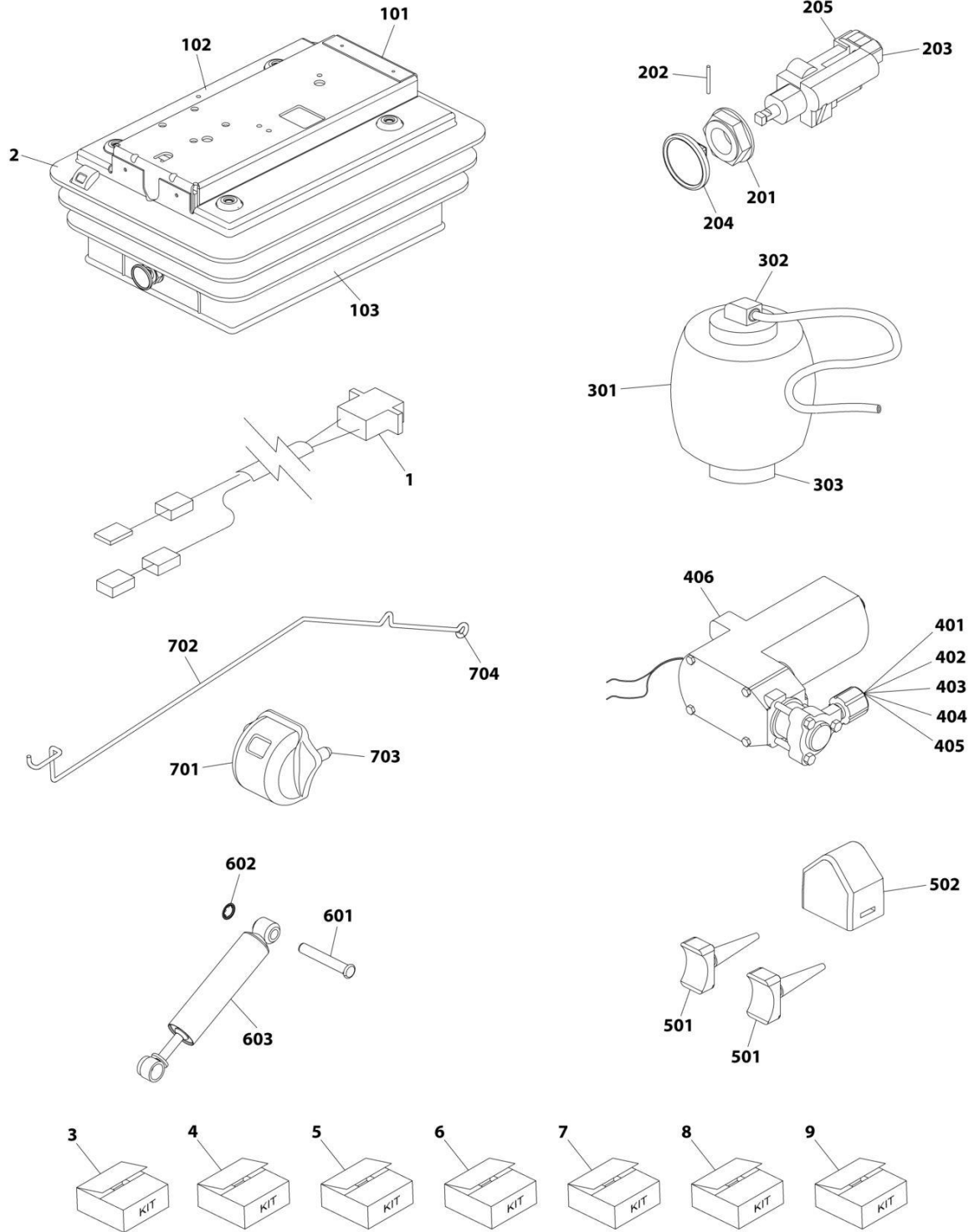
ART_70027392

FIGURE 6-67. UPPER SEAT ASSEMBLY

ITEM	PART NUMBER	QTY	DESCRIPTION	REV
	70027392	Ref	Upper Seat Assembly	
1	70025539	1	Pad, Sensor	
2	70021316	1	Bag	
3	70027393	1	Cover, Back	
4	N.S.S.	4	Bolt, M8X25	
5	N.S.S.	4	Washer	
6	70021314	1	Kit, Frame (includes items 101 thru 103)	
7	70027394	1	Kit, Bottom Seat Cover (includes items 201 thru 203)	
8	80264002	1	Kit, Back Foam (includes items 301 thru 303)	
9	80264004	1	Kit, Seat Foam (includes items 401 thru 403)	
101	N.S.S.	1	Frame, Seat	
102	N.S.S.	4	Bolt, M8X25	
103	N.S.S.	4	Washer	
201	N.S.S.	1	Cover, Seat	
202	N.S.S.	2	Clip	
203	N.S.S.	17	Clip	
301	N.S.S.	1	Foam, Back	
302	N.S.S.	3	Bar, Trim	
303	N.S.S.	4	Ring	
401	N.S.S.	1	Foam, Seat	
402	N.S.S.	2	Clip	
403	N.S.S.	17	Clip	

SECTION 6 - CAB

FIGURE 6-68. SUSPENSION KIT



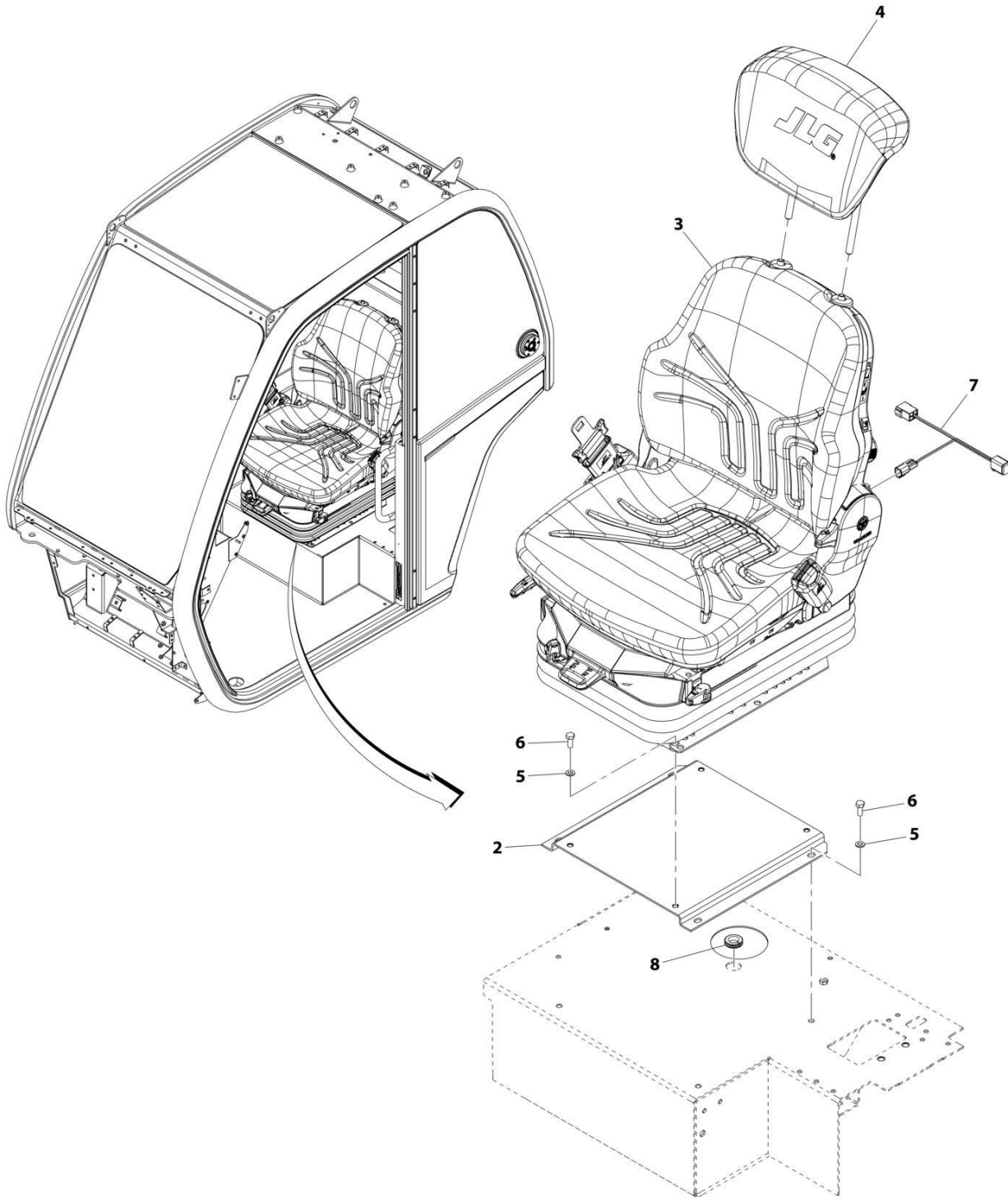
ART_70021319

FIGURE 6-68. SUSPENSION KIT

ITEM	PART NUMBER	QTY	DESCRIPTION	REV
	70021319	Ref	Suspension Kit	
1	70021330	1	Lead, Fly	
2	N.S.S.	1	Suspension	
3	70021321	1	Kit, Suspension Cover (includes items 101 thru 103)	
4	70021323	1	Kit, Air Valve (includes items 201 thru 205)	
5	70021324	1	Kit, Air Spring (includes items 301 thru 303)	
6	70021325	1	Kit, Compressor (includes items 401 thru 406)	
7	70021326	1	Kit, Upstop/Bumpstop (includes items 501 & 502)	
8	70021327	1	Kit, Damper (includes items 601 thru 603)	
9	70021328	1	Kit, Ride Indicator (includes items 701 thru 704)	
101	N.S.S.	6	Clip, Cover	
102	N.S.S.	1	Cover, Suspension	
103	N.S.S.	5	Clip, Cover	
201	N.S.S.	1	Nut, Air Valve	
202	N.S.S.	1	Pin, Retaining	
203	N.S.S.	1	Valve, Combination	
204	N.S.S.	1	Knob	
205	N.S.S.	2	Tie, Plastic	
301	N.S.S.	1	Spring, Air	
302	N.S.S.	1	Clip	
303	N.S.S.	1	Screw, Countersunk Self Tapping	
401	N.S.S.	1	Clip	
402	N.S.S.	1	Pad	
403	N.S.S.	1	Loom	
404	N.S.S.	2	Tie, Cable	
405	N.S.S.	3	Tie, Plastic	
406	N.S.S.	1	Compressor (with Elbow)	
501	N.S.S.	2	Upstop	
502	N.S.S.	1	Bumpstop	
601	N.S.S.	2	Pin	
602	N.S.S.	2	Washer, Starlock	
603	N.S.S.	1	Damper	
701	N.S.S.	1	Indicator, Ride	
702	N.S.S.	1	Wire, Ride Indicator	
703	N.S.S.	2	Washer, Starlock	
704	N.S.S.	1	Washer, Grip M4	

SECTION 6 - CAB

FIGURE 6-69. SEAT INSTALLATION (AIR SUSPENSION - PREMIUM)



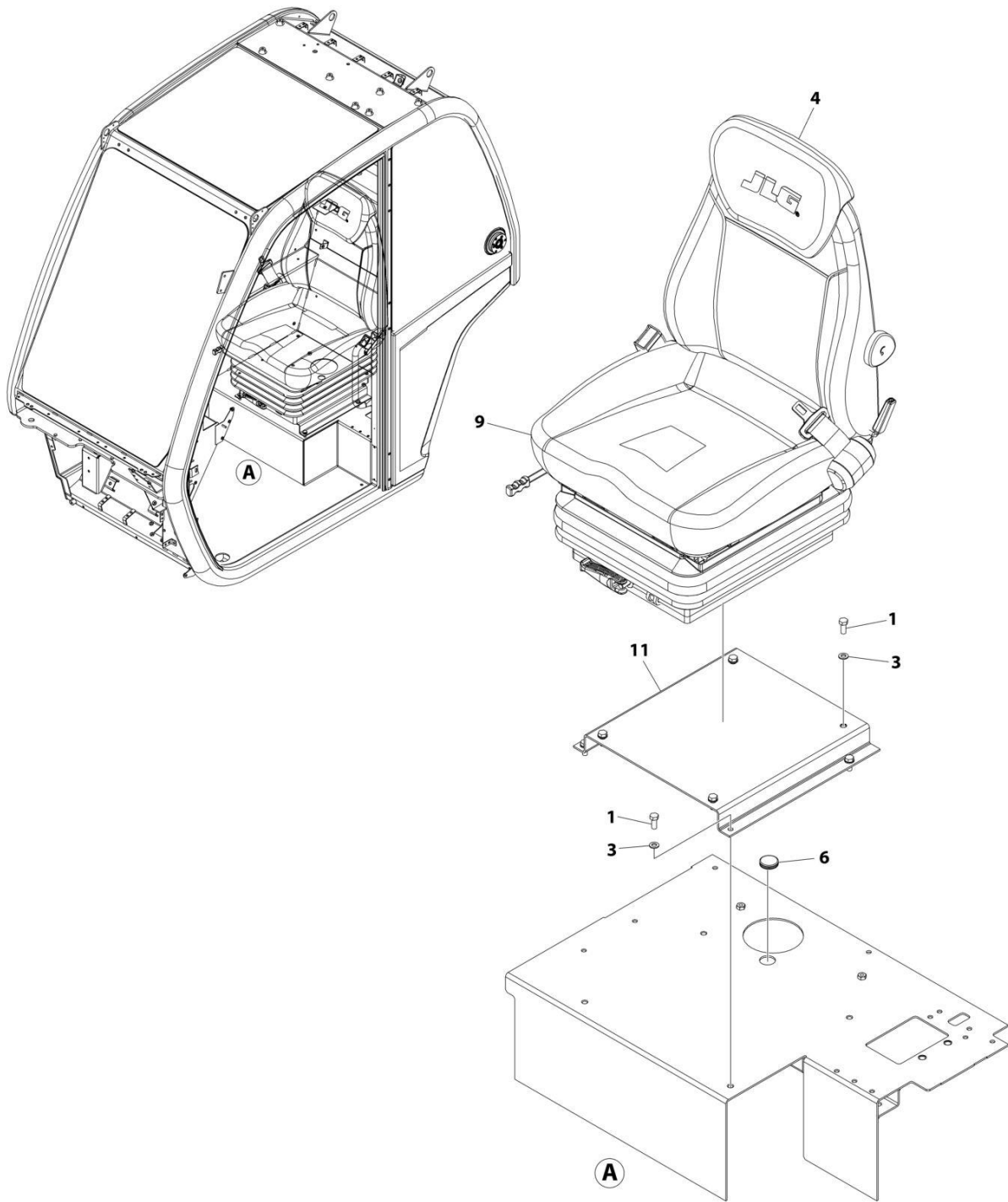
ART_1001182530-F

FIGURE 6-69. SEAT INSTALLATION (AIR SUSPENSION - PREMIUM)

ITEM	PART NUMBER	QTY	DESCRIPTION	REV
	1001182530	Ref	Seat Installation (Air Suspension - Premium)	F
2	1001158736C	1	Plinth, Seat	
3	1001169135	1	Assembly, Seat (See Separate Breakdown in this Section)	
4	1001182529	1	Headrest	
5	4811900	8	Washer, M8	
6	0760810	8	Bolt, M8X20	
7	1001168531	1	Harness, Seat Adaptor (See Separate Breakdown in ELECTRICAL Section)	
8	1001216974	1	Grommet	

SECTION 6 - CAB

FIGURE 6-70. SEAT INSTALLATION (CLOTH) (SEAOP)



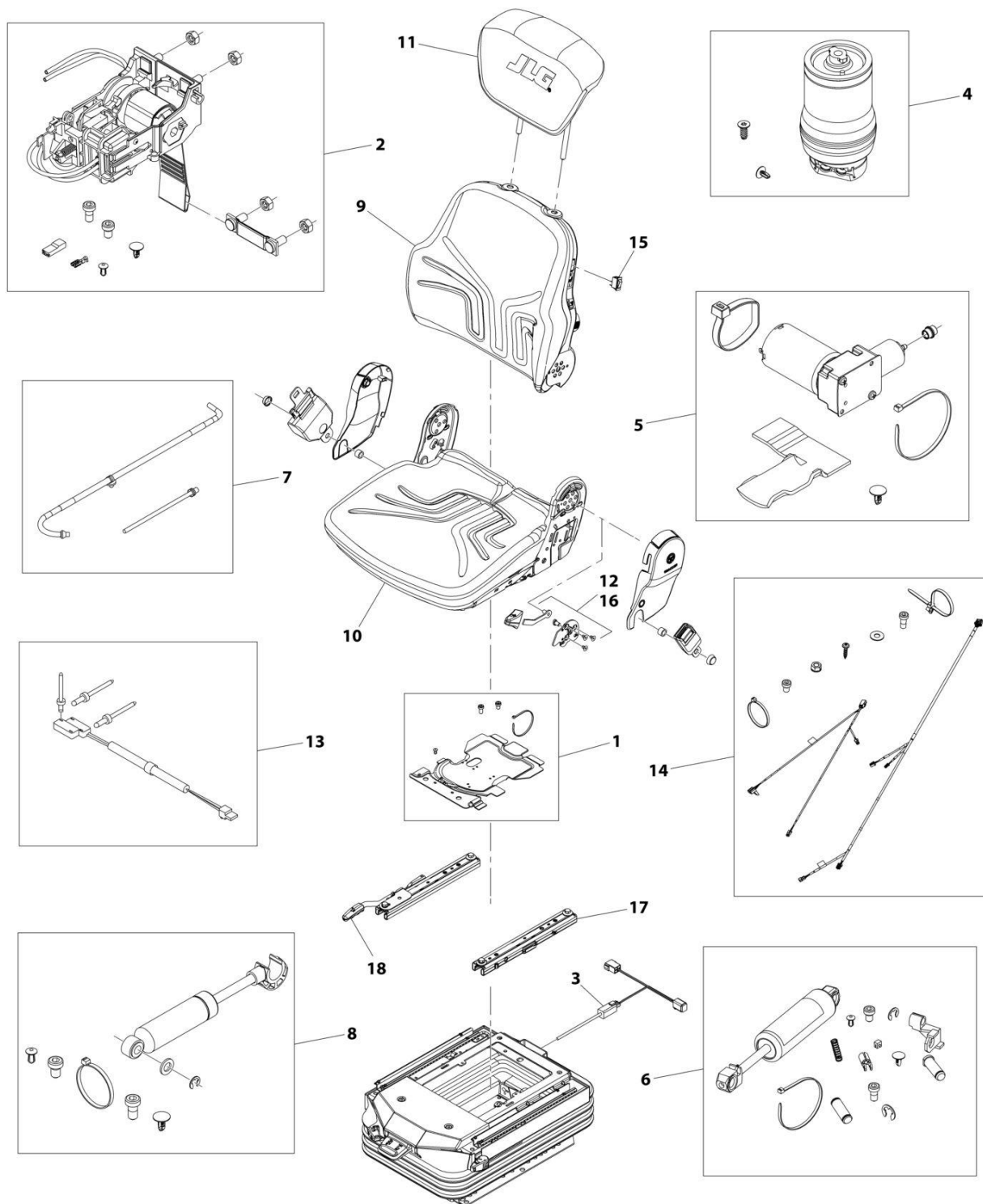
ART_1001288098

FIGURE 6-70. SEAT INSTALLATION (CLOTH) (SEAOP)

ITEM	PART NUMBER	QTY	DESCRIPTION	REV
	1001288098	Ref	SEAT INSTALLATION (CLOTH) (SEAOP)	A
1	0760810	8	Bolt M8 x 20	
3	4811900	8	Washer M8	
4	1001119467	1	Headrest, Cloth	
6	1001196076	1	Cap	
7	1001266488	1	Lamp, LED (Red) (Not Shown)	
8	1001268744	1	Seat Belt Alarm Harness (See Separate Breakdown in ELECTRICAL Section) (Not Shown)	
9	1001288070	1	Seat Assembly (See Separate Breakdown in this Section)	
11	1001158738C	1	Plinth, Seat	

SECTION 6 - CAB

FIGURE 6-71. SEAT ASSEMBLY (AIR SUSPENSION - PREMIUM)



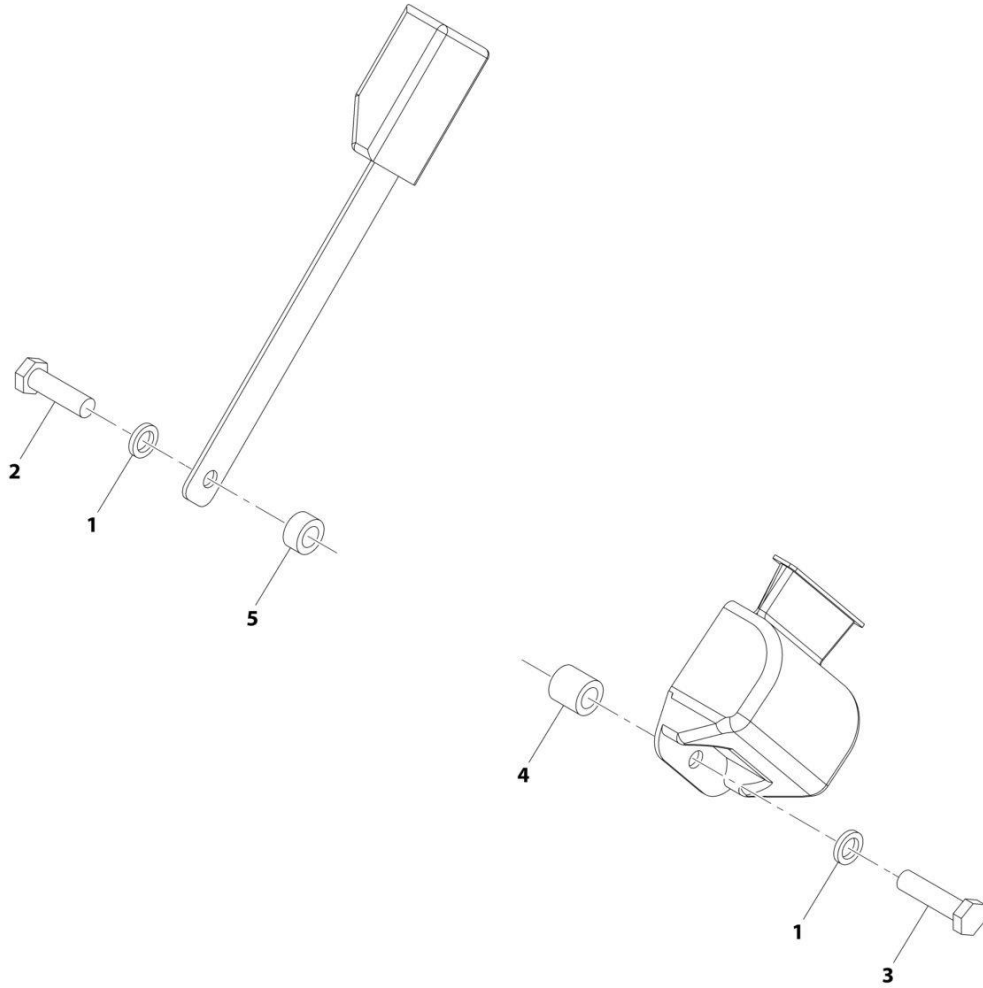
ART_1001169135-B

FIGURE 6-71. SEAT ASSEMBLY (AIR SUSPENSION - PREMIUM)

ITEM	PART NUMBER	QTY	DESCRIPTION	REV
	1001169135	Ref	Seat Assembly (Air Suspension - Premium)	B
1	70024856	1	Cover	
2	70023182	1	Control Level Kit	
3	70023186	1	Wiring Harness, Air/Safeswitch	
4	70023184	1	Air Spring Kit	
5	70024857	1	Compressor, 12V	
6	70023181	1	Shock Absorber Kit	
7	70024459	1	Air Tubes Kit	
8	70023189	2	Shock Absorber Kit	
9	70023179	1	Back Cushion Kit	
10	70024858	1	Seat Cushion Kit	
11	1001182529	1	Headrest, Cloth	
12	70024859	1	Backrest Actuator	
13	70028326	1	Switch	
14	70024861	1	Wiring Harness	
15	70024107	1	Switch, Heater	
16	7028621	1	Handle, Backrest Angle Adjust	
17	3986643	1	Adjust Slide Kit	
18	3986610	1	Handle	

SECTION 6 - CAB

FIGURE 6-72. SEAT BELT INSTALLATION (2IN)



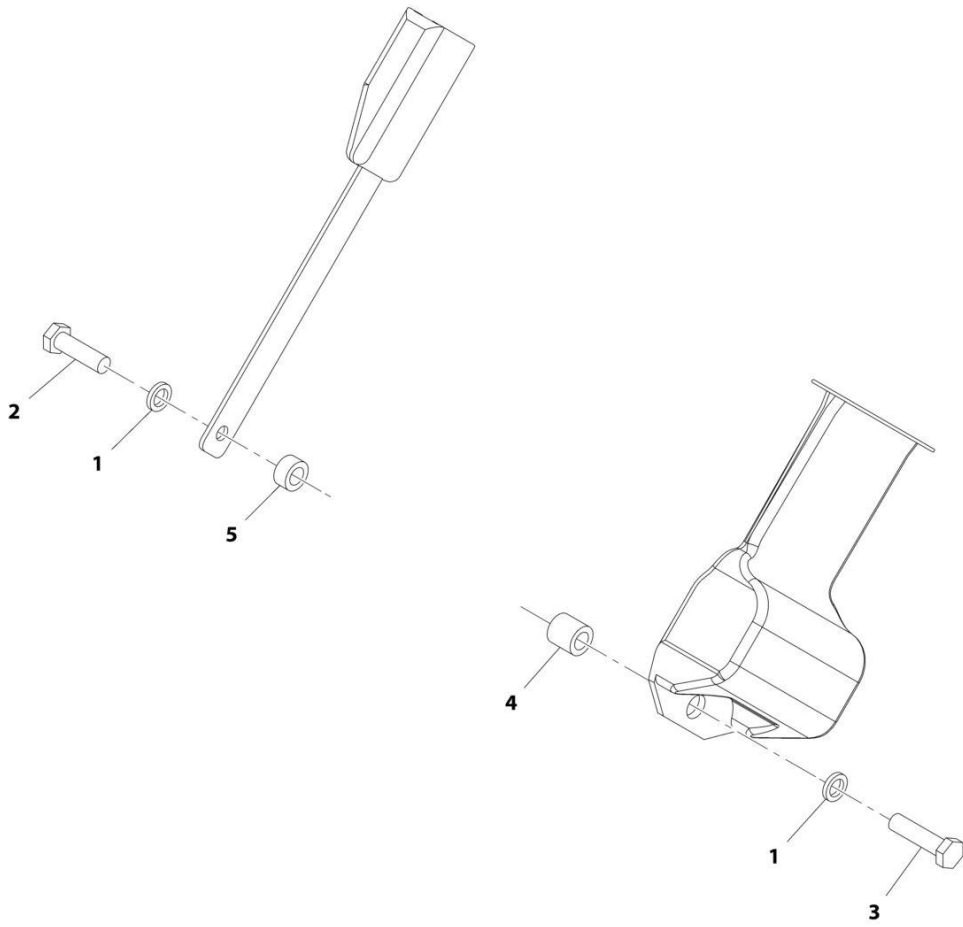
ART_1001006730

FIGURE 6-72. SEAT BELT INSTALLATION (2IN)

ITEM	PART NUMBER	QTY	DESCRIPTION	REV
	1001006730	Ref	Seat Belt Installation (2IN)	H
1	1001010646	2	Washer	
2	1001010647	1	Bolt	
3	1001010648	1	Bolt	
4	1001010649	1	Spacer, Shim	
5	1001010650	1	Spacer, Shim	

SECTION 6 - CAB

FIGURE 6-73. SEAT BELT INSTALLATION (3IN)



ART_1001006731-B

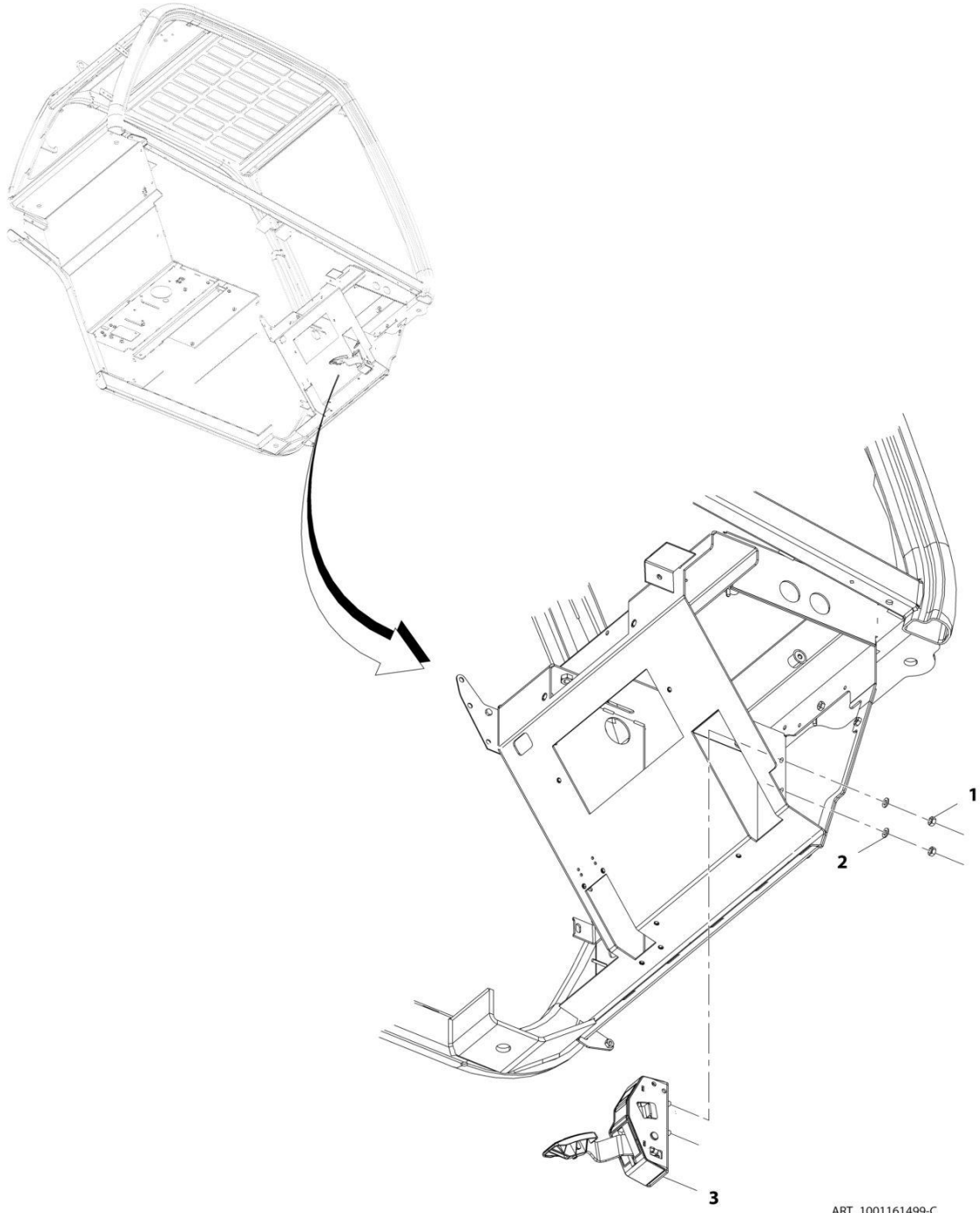
FIGURE 6-73. SEAT BELT INSTALLATION (3IN)

ITEM	PART NUMBER	QTY	DESCRIPTION	REV
	1001006731	Ref	Seat Belt Installation (3IN)	B
1	1001010646	2	Washer	
2	1001010647	1	Bolt	
3	1001010648	1	Bolt	
4	1001010649	1	Spacer	
5	1001010650	1	Spacer	

SECTION 7 - CONTROLS

SECTION 7 - CONTROLS

FIGURE 7-1. ACCELERATOR PEDAL INSTALLATION



ART_1001161499-C

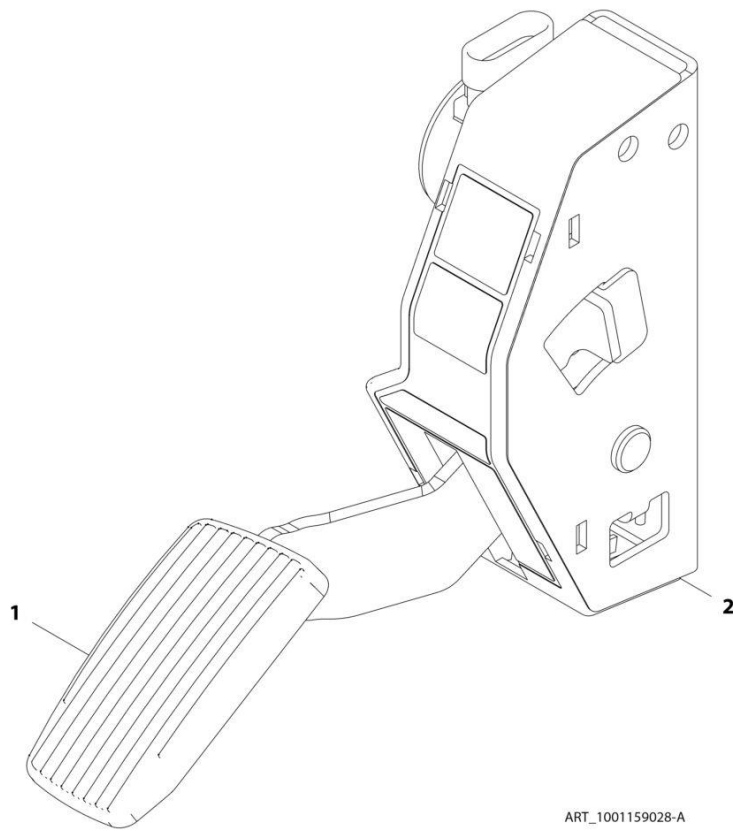
SECTION 7 - CONTROLS

FIGURE 7-1. ACCELERATOR PEDAL INSTALLATION

ITEM	PART NUMBER	QTY	DESCRIPTION	REV
	1001161499	Ref	Accelerator Pedal Installation	C
1	3290801	2	Nut, M8X1.25	
2	4811900	2	Washer, M8	
3	1001159028	1	Pedal, Accelerator (See Separate Breakdown in this Section)	

SECTION 7 - CONTROLS

FIGURE 7-2. ACCELERATOR PEDAL



ART_1001159028-A

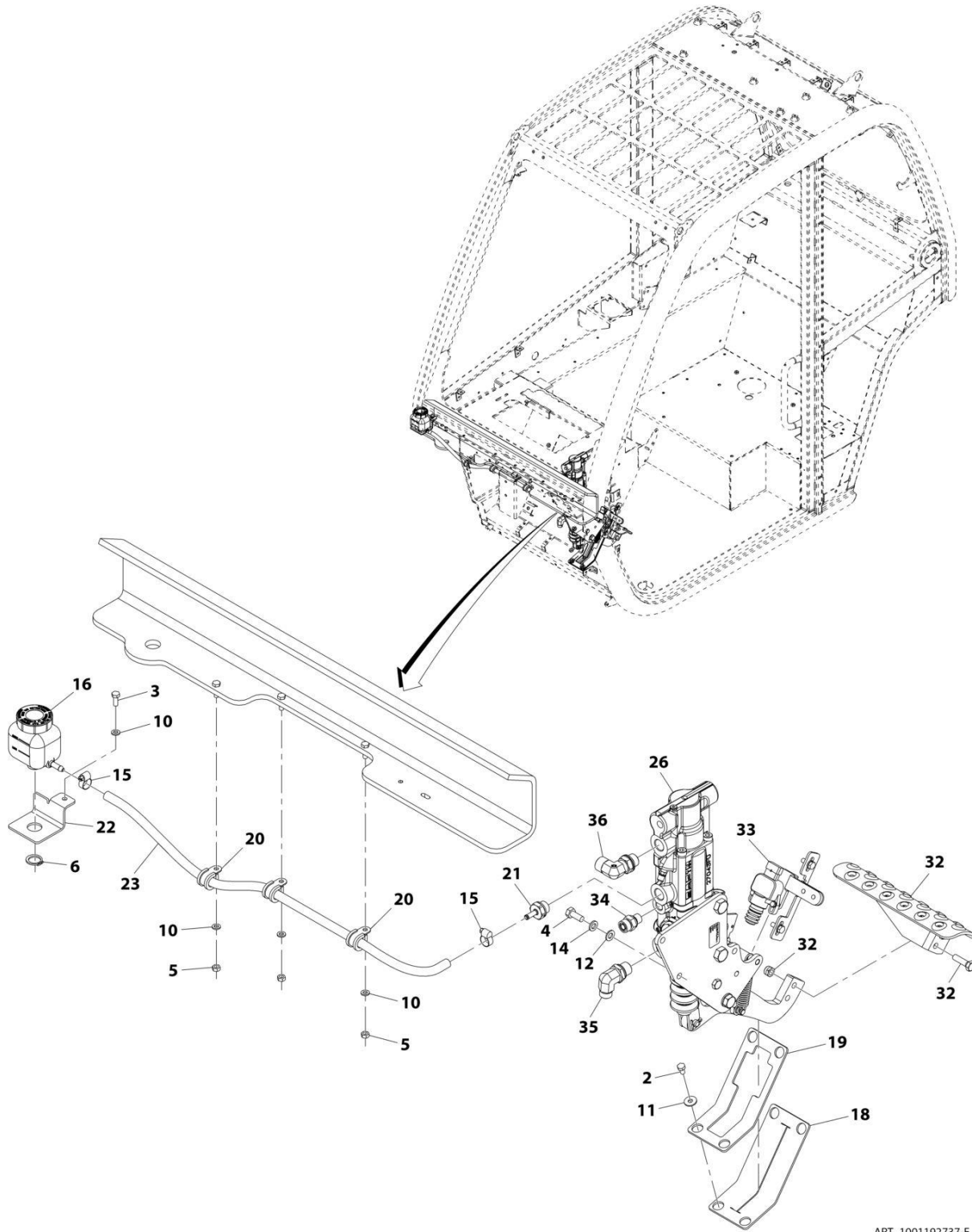
SECTION 7 - CONTROLS

FIGURE 7-2. ACCELERATOR PEDAL

ITEM	PART NUMBER	QTY	DESCRIPTION	REV
	1001159028	Ref	Accelerator Pedal	A
1	70025816	1	Pad, Rubber	
2	70025817	1	Cover, Rubber	

SECTION 7 - CONTROLS

FIGURE 7-3. BRAKE PEDAL INSTALLATION



ART_1001192737-E

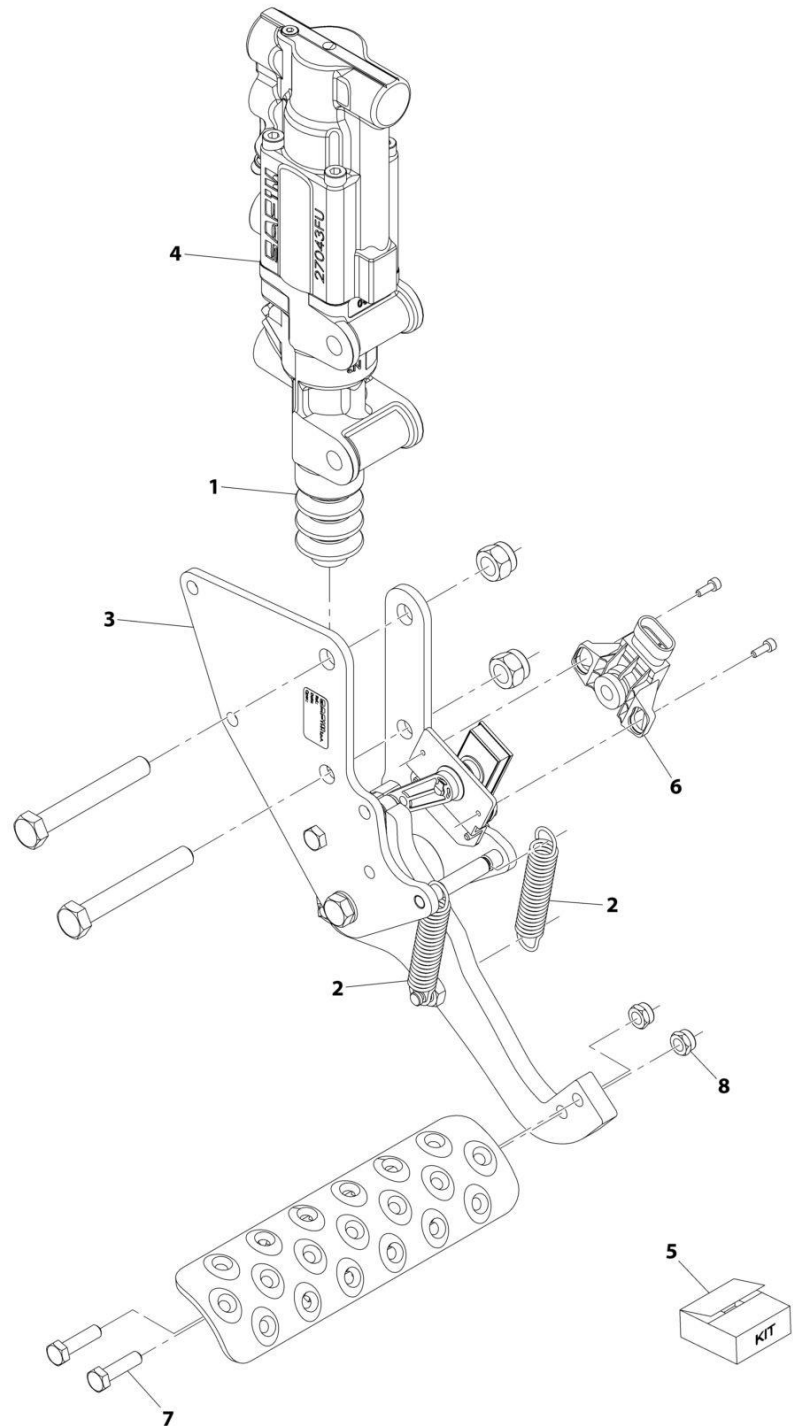
SECTION 7 - CONTROLS

FIGURE 7-3. BRAKE PEDAL INSTALLATION

ITEM	PART NUMBER	QTY	DESCRIPTION	REV
	1001192737	Ref	Brake Pedal Installation	E
2	0760605	4	Bolt, M6X10	
3	0760608	1	Bolt, M6X16	
4	0760810	3	Bolt, M8X20	
5	3290601	3	Nut, M6X1	
6	3760348	1	Ring, Retaining	
10	4811700	4	Washer, M6	
11	4811702	4	Washer, M6	
12	4811900	3	Washer, M8	
14	4831900	3	Washer, Lock M8	
15	8405009	2	Clamp	
16	1001214220	1	Reservoir, Brake	
18	1001162920	1	Seal	
19	1001162922	1	Plate	
20	1001170231	3	Clip	
21	1001171874	1	Fitting, Straight	
22	1001172088	1	Bracket	
23	1001172094	1	Hose	
26	1001213265	1	Assembly, Brake Pedal (See Separate Breakdown in this Section)	
32	1001197139	1	Plate, Brake Pedal	
33	1001205061	Ref	Installation, Brake Sensor (See Separate Breakdown in this Section)	
34	80233218	1	Fitting, Straight ORFS	
35	80333151	1	Fitting, 90 ORFS	
36	1001168054	1	Fitting, 90 ORFS	

SECTION 7 - CONTROLS

FIGURE 7-4. BRAKE PEDAL ASSEMBLY



ART_1001213265-A

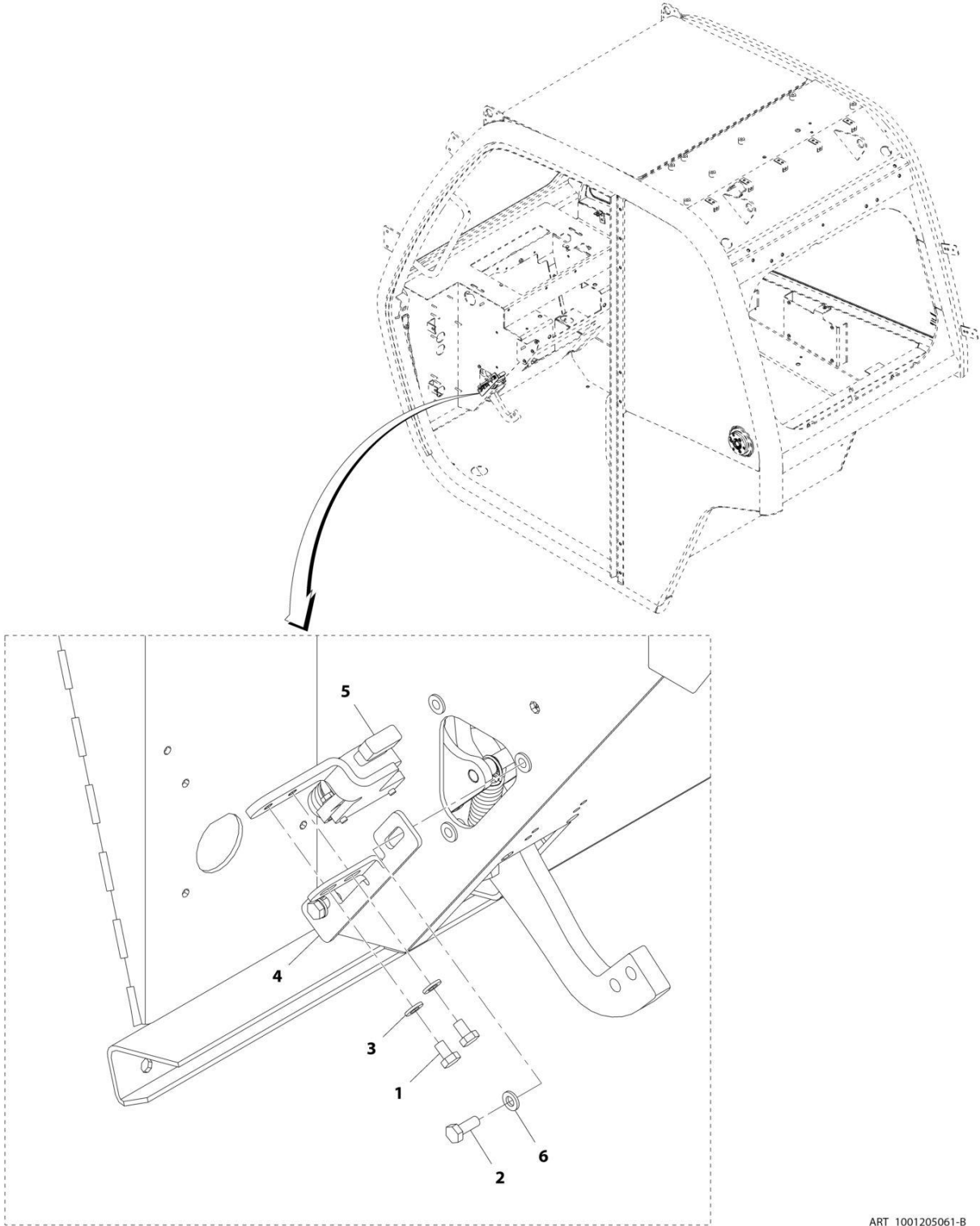
SECTION 7 - CONTROLS

FIGURE 7-4. BRAKE PEDAL ASSEMBLY

ITEM	PART NUMBER	QTY	DESCRIPTION	REV
	1001213265	Ref	Brake Pedal Assembly	A
1	70025859	1	Cover, Dust	
2	70025860	2	Spring, Return	
3	70028381	1	Support, Pedal	
4	70028382	1	Cylinder, Master	
5	70026434	1	Kit, Seal	
6	70028383	1	Sensor, Angle	
7	0770814	2	Bolt, M8X30 Grade 10.9	
8	3290805	2	Nut, Lock M8X1.25 Grade 8	

SECTION 7 - CONTROLS

FIGURE 7-5. BRAKE SENSOR INSTALLATION



ART_1001205061-B

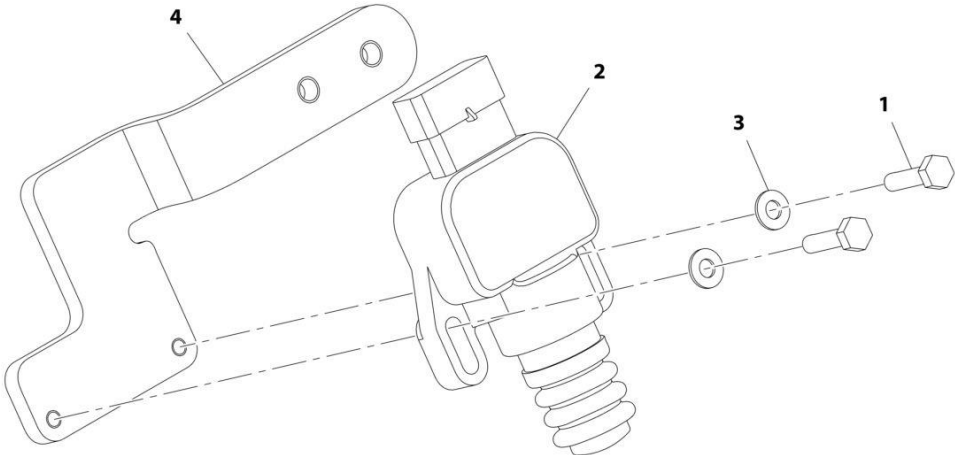
SECTION 7 - CONTROLS

FIGURE 7-5. BRAKE SENSOR INSTALLATION

ITEM	PART NUMBER	QTY	DESCRIPTION	REV
	1001205061	Ref	Brake Sensor Installation	B
1	0760605	2	Bolt, M6X10	
2	0760608	2	Bolt, M6X16	
3	4811700	2	Washer, M6	
4	1001201499	1	Plate, Switch Adjustment	
5	1001201501	1	Assembly, Switch Plate (See Separate Breakdown in this Section)	
6	4811702	2	Washer, M6	

SECTION 7 - CONTROLS

FIGURE 7-6. SWITCH PLATE ASSEMBLY



ART_1001201501-A

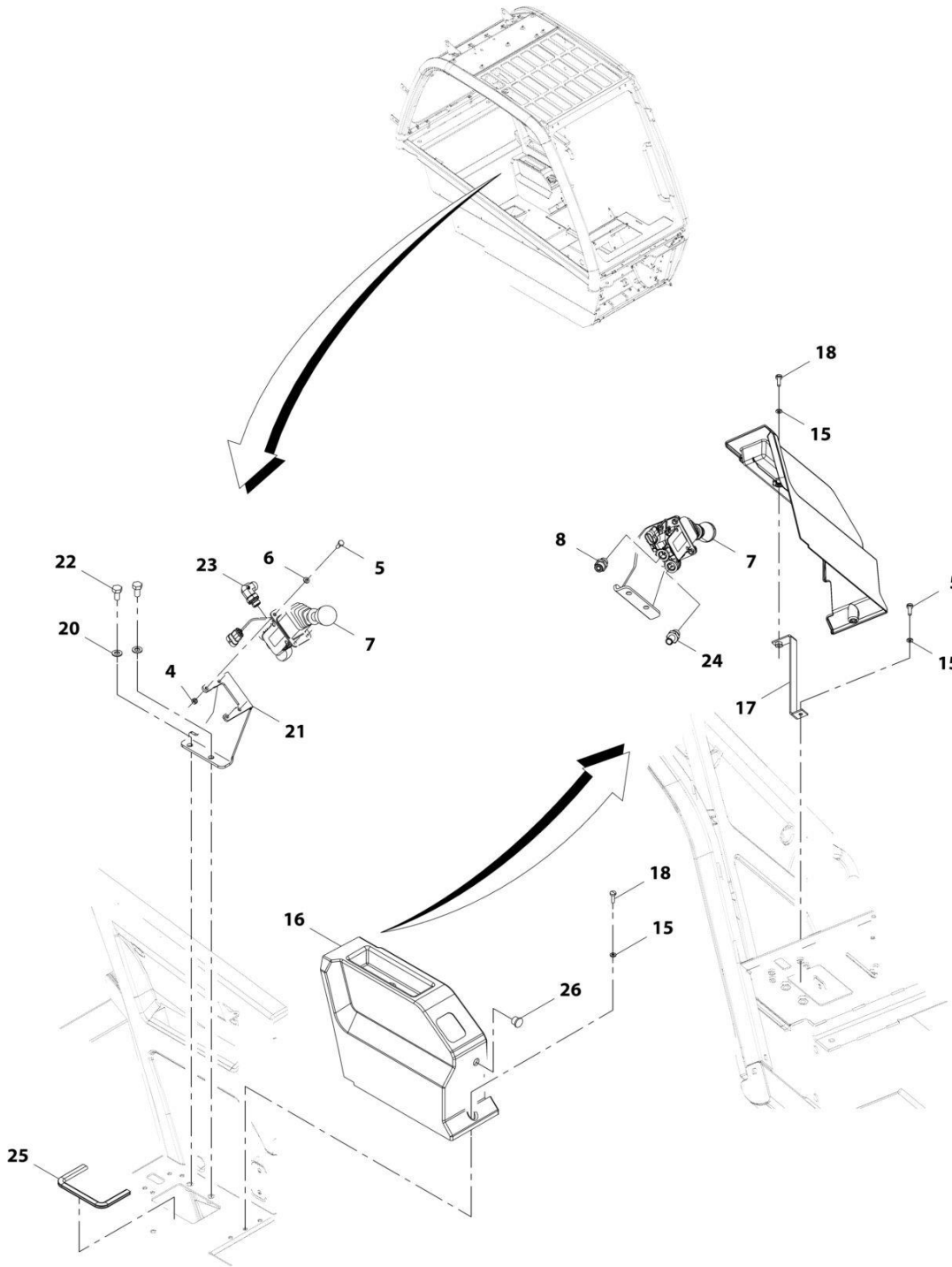
SECTION 7 - CONTROLS

FIGURE 7-6. SWITCH PLATE ASSEMBLY

ITEM	PART NUMBER	QTY	DESCRIPTION	REV
	1001201501	Ref	Switch Plate Assembly	A
1	0700408	2	Bolt, M4X16	
2	4360658	1	Sensor, Brake	
3	4811400	2	Washer, M4	
4	1001201500	1	Plate	

SECTION 7 - CONTROLS

FIGURE 7-7. PARK BRAKE INSTALLATION



ART_1001162062-M

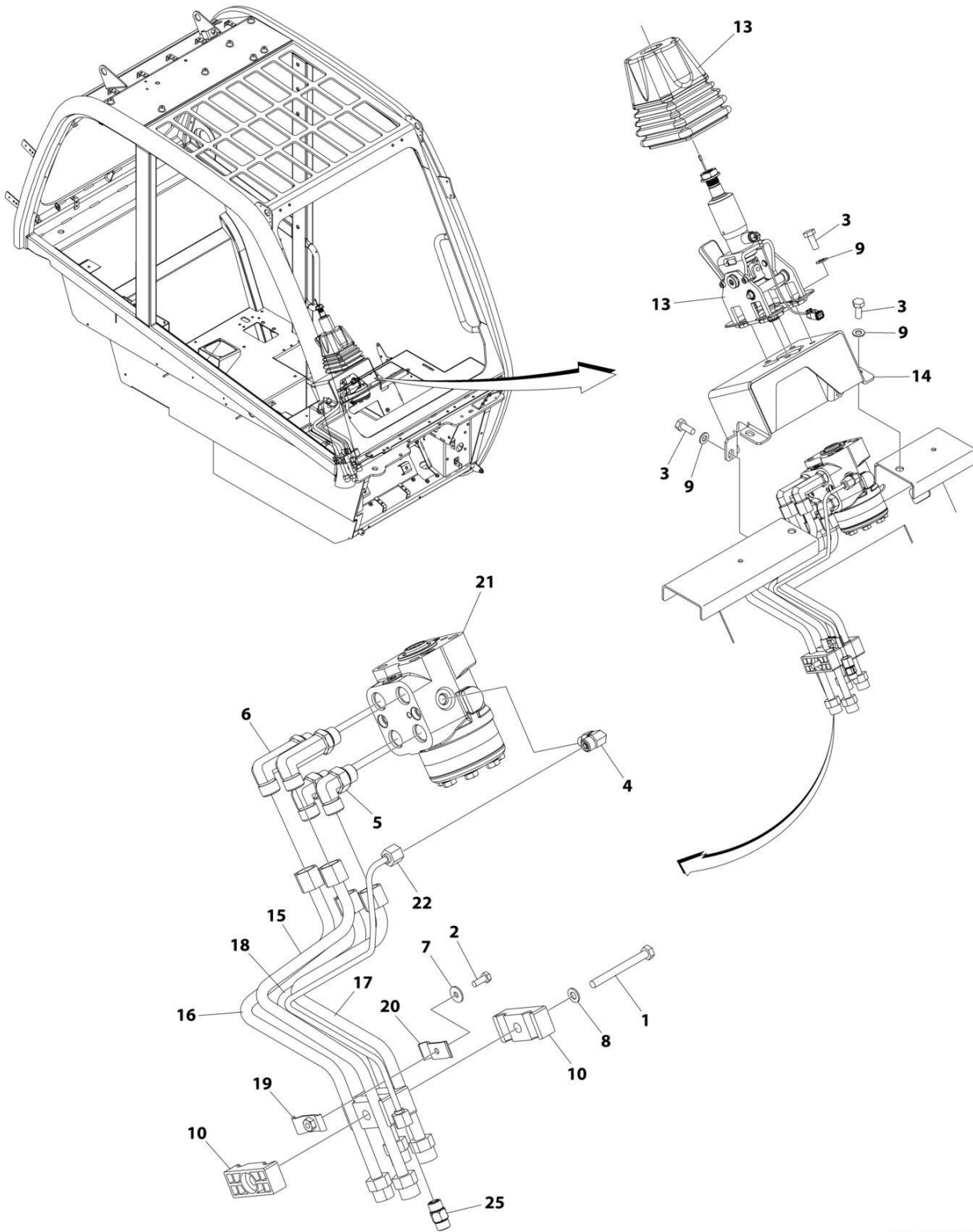
SECTION 7 - CONTROLS

FIGURE 7-7. PARK BRAKE INSTALLATION

ITEM	PART NUMBER	QTY	DESCRIPTION	REV
	1001162062	Ref	Park Brake Installation	M
4	3290601	4	Nut, M6X1	
5	0760608	5	Bolt, M6X16	
6	4831700	4	Washer, Lock M6	
7	1001207956	1	Hydraulic Hand Brake	
7	70020922	1	Kit, Seal	
8	1001101702	1	Fitting, Straight ORFS	
15	4811700	3	Washer, M6	
16	1001193474	1	Panel	
17	1001195254	1	Bracket	
18	4010610002	2	Screw, M6X20	
20	4812000	2	Washer, M10	
21	1001191915	1	Bracket	
22	0761010	2	Bolt, M10X20	
23	1001125222	1	Fitting, 90 ORFS	
24	1001206744	1	Fitting, Grease	
25	1001208037	1	Seal	
26	3520028	1	Plug	

SECTION 7 - CONTROLS

FIGURE 7-8. TILT STEERING COLUMN INSTALLATION



ART_1001192410_I

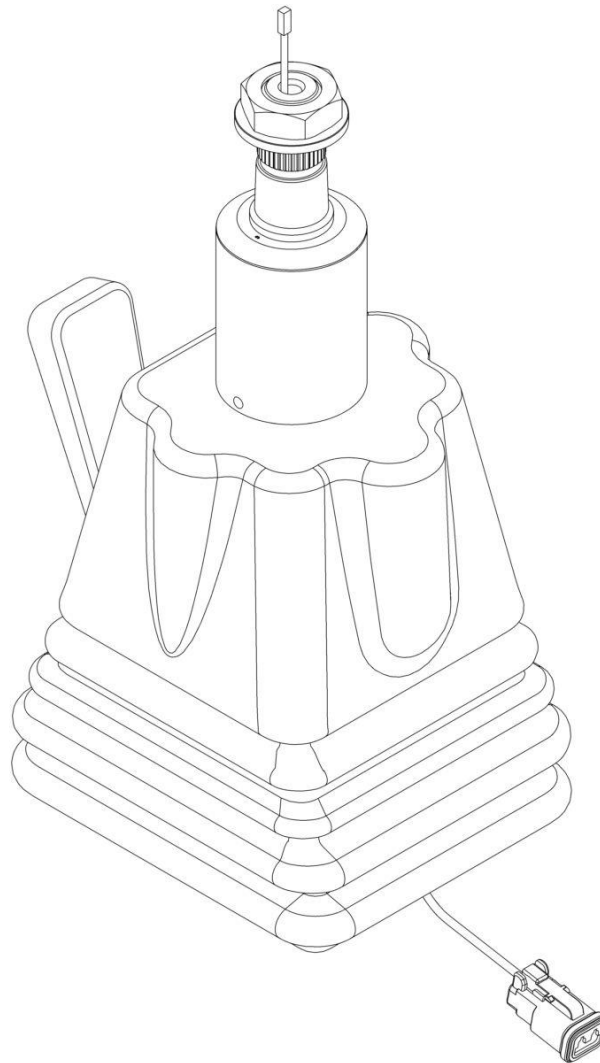
SECTION 7 - CONTROLS

FIGURE 7-8. TILT STEERING COLUMN INSTALLATION

ITEM	PART NUMBER	QTY	DESCRIPTION	REV
	1001192410	Ref	Tilt Steering Column Installation	I
1	0700824	1	Bolt M8 x 80	
2	0760608	1	Bolt M6 x 16	
3	0761012	8	Bolt M10 x 25	
4	2130404	1	Fitting, 90 ORFS	
5	2130808	2	Fitting, 90 ORFS	
6	2170208	2	Fitting, 90 ORFS	
7	4811702	1	Washer M6	
8	4811900	1	Washer M8	
9	4812000	8	Washer M10	
10	1001004640	4	Clamp	
11	1001095650	AR	Adhesive (Not Shown)	
13	1001257330	1	Column, Tilt Steering (See Separate Breakdown in this Section)	
14	1001156265	1	Bracket, Support	
15	1001161672	1	Pipe	
16	1001161896	1	Pipe	
17	1001161897	1	Pipe	
18	1001161898	1	Pipe	
19	1001168142	1	Bracket	
20	1001168151	1	Bracket	
21	1001178670	1	Valve, Steer (See Separate Breakdown in HYDRAULICS COMPONENTS Section)	
22	1001194282	1	Pipe	
25	1001227945	1	Valve, Check	

SECTION 7 - CONTROLS

FIGURE 7-9. TILT STEERING COLUMN



ART_1001257330

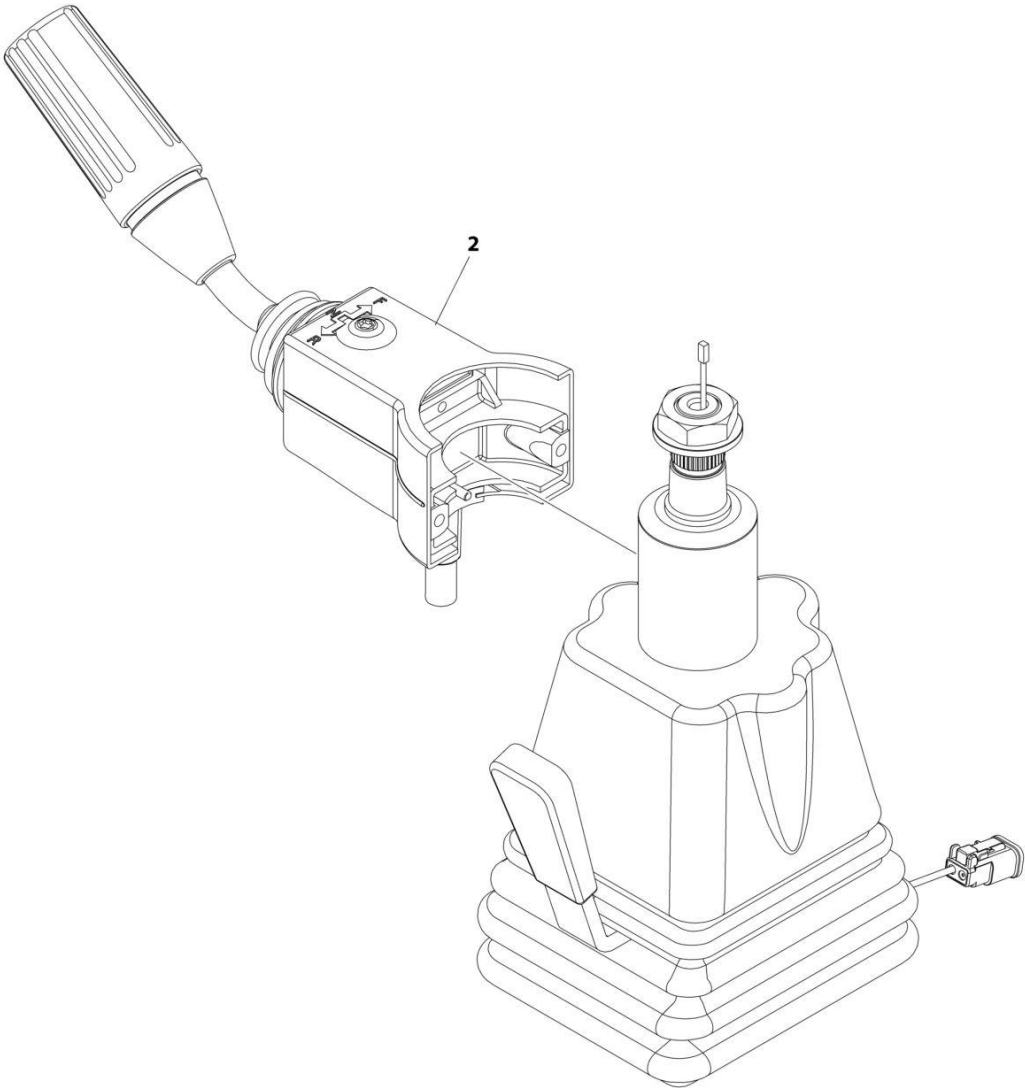
SECTION 7 - CONTROLS

FIGURE 7-9. TILT STEERING COLUMN

ITEM	PART NUMBER	QTY	DESCRIPTION	REV
	1001257330	Ref Ref	TILT STEERING COLUMN Note: No Service Parts Available - Purchase Complete Assembly	A

SECTION 7 - CONTROLS

FIGURE 7-10. COLUMN SHIFT INSTALLATION (2 SPEED)



ART_1001220507_B

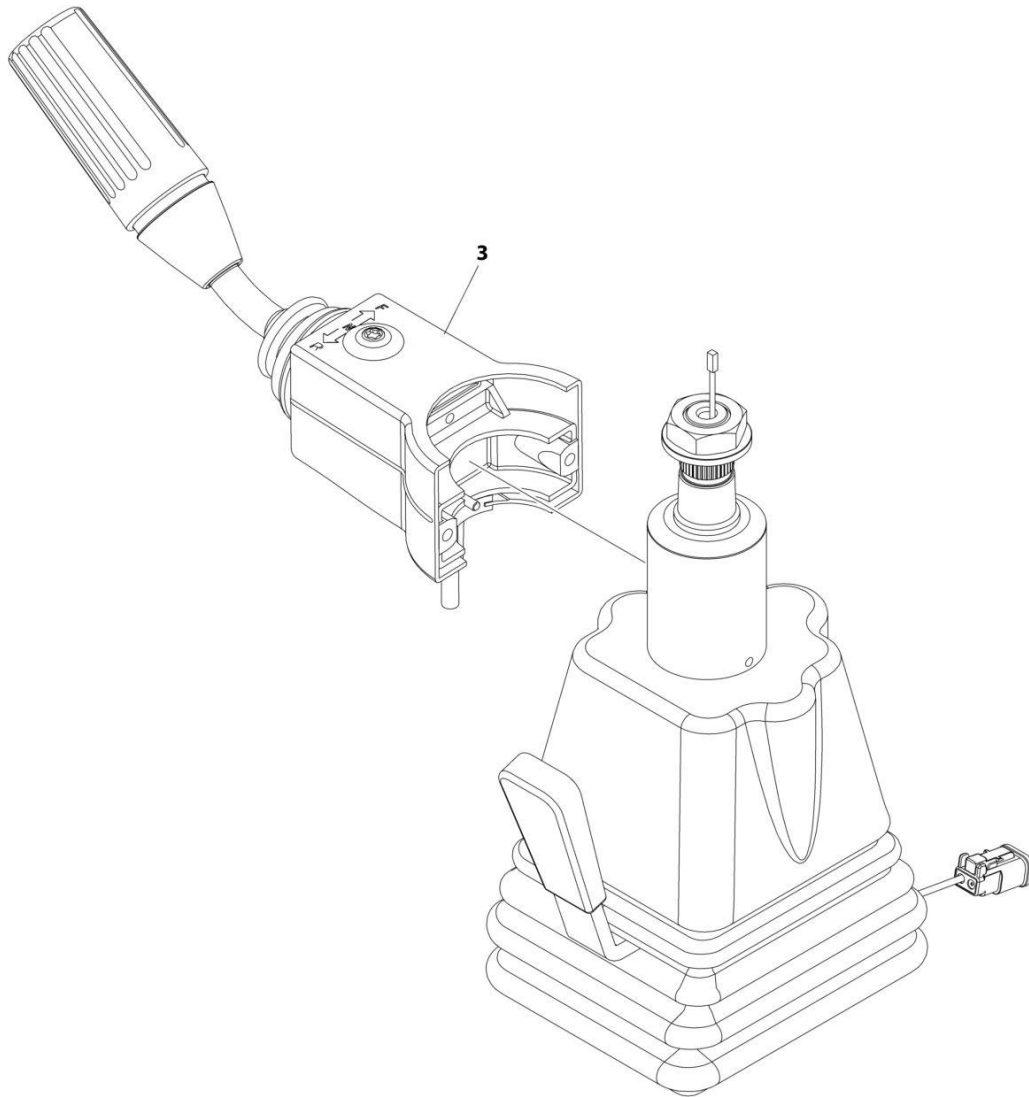
SECTION 7 - CONTROLS

FIGURE 7-10. COLUMN SHIFT INSTALLATION (2 SPEED)

ITEM	PART NUMBER	QTY	DESCRIPTION	REV
2	1001220507 1001257088	Ref 1	Column Shift Installation (2 Speed) Lever, FNR (2 Speed)	B

SECTION 7 - CONTROLS

FIGURE 7-11. COLUMN SHIFT INSTALLATION (0 SPEED)



ART_1001179931_D

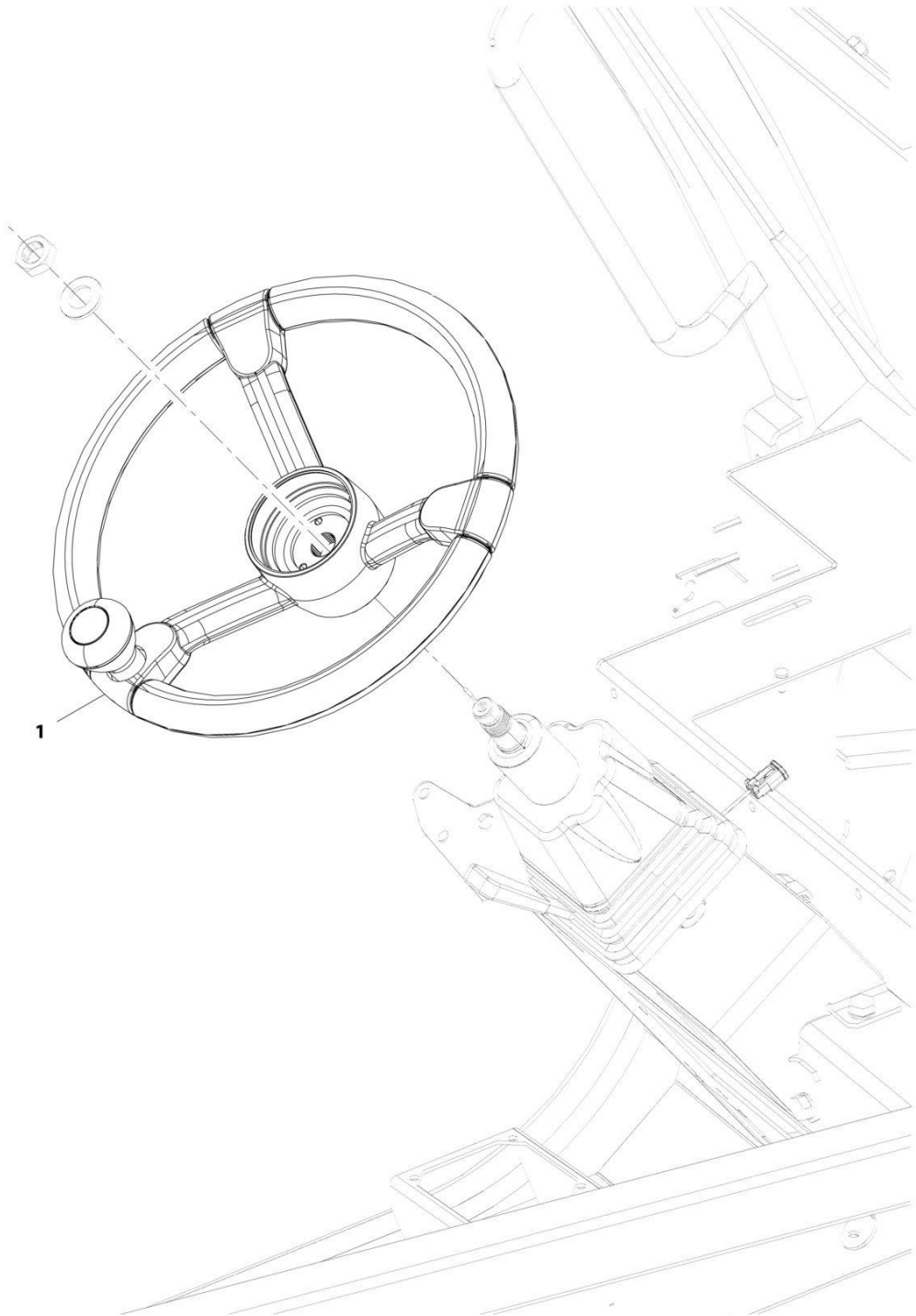
SECTION 7 - CONTROLS

FIGURE 7-11. COLUMN SHIFT INSTALLATION (0 SPEED)

ITEM	PART NUMBER	QTY	DESCRIPTION	REV
3	1001179931 1001257348	Ref 1	Column Shift Installation (0 Speed) Lever, FNR (0 Speed)	D

SECTION 7 - CONTROLS

FIGURE 7-12. STEERING WHEEL INSTALLATION



ART_1001169751-C

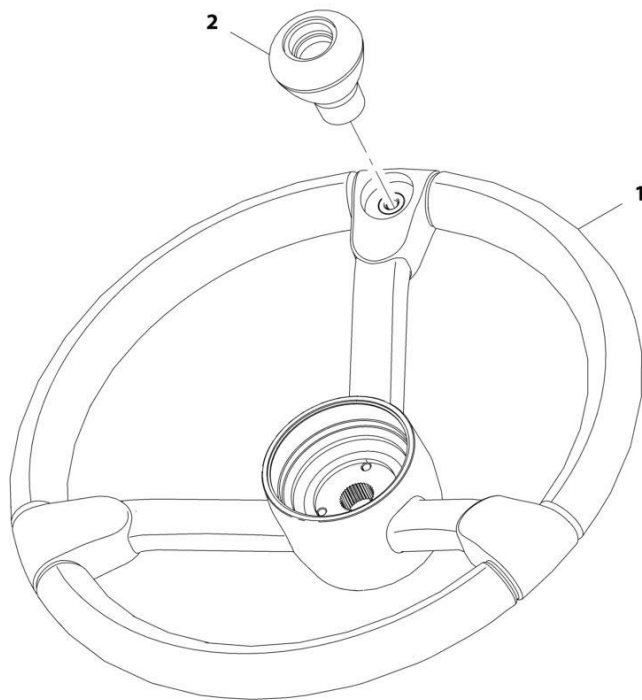
SECTION 7 - CONTROLS

FIGURE 7-12. STEERING WHEEL INSTALLATION

ITEM	PART NUMBER	QTY	DESCRIPTION	REV
1	1001169751 1001169354	Ref 1	Steering Wheel Installation Wheel, Steering (See Separate Breakdown in this Section)	C

SECTION 7 - CONTROLS

FIGURE 7-13. STEERING WHEEL



ART_1001169354-D

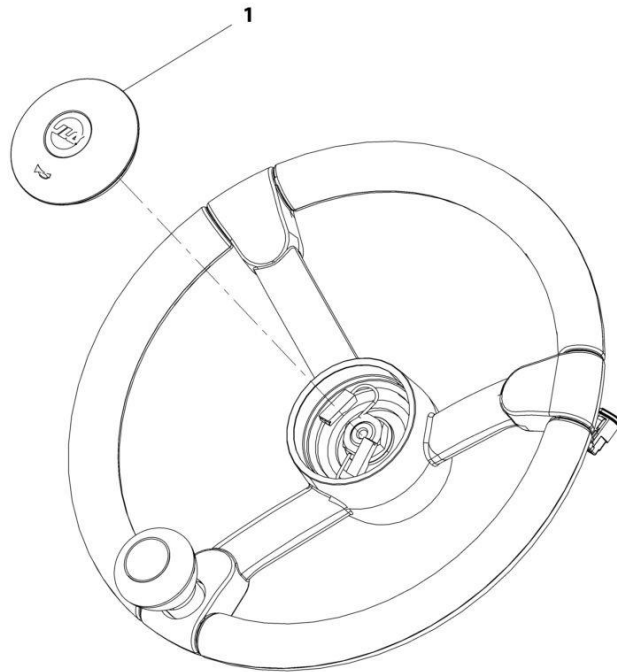
SECTION 7 - CONTROLS

FIGURE 7-13. STEERING WHEEL

ITEM	PART NUMBER	QTY	DESCRIPTION	REV
	1001169354	Ref	Steering Wheel	D
1	1001169367	1	Wheel, Steering	
2	1001169355	1	Handle, Steer Spinner	

SECTION 7 - CONTROLS

FIGURE 7-14. HORN BUTTON INSTALLATION



ART_1001169763-A

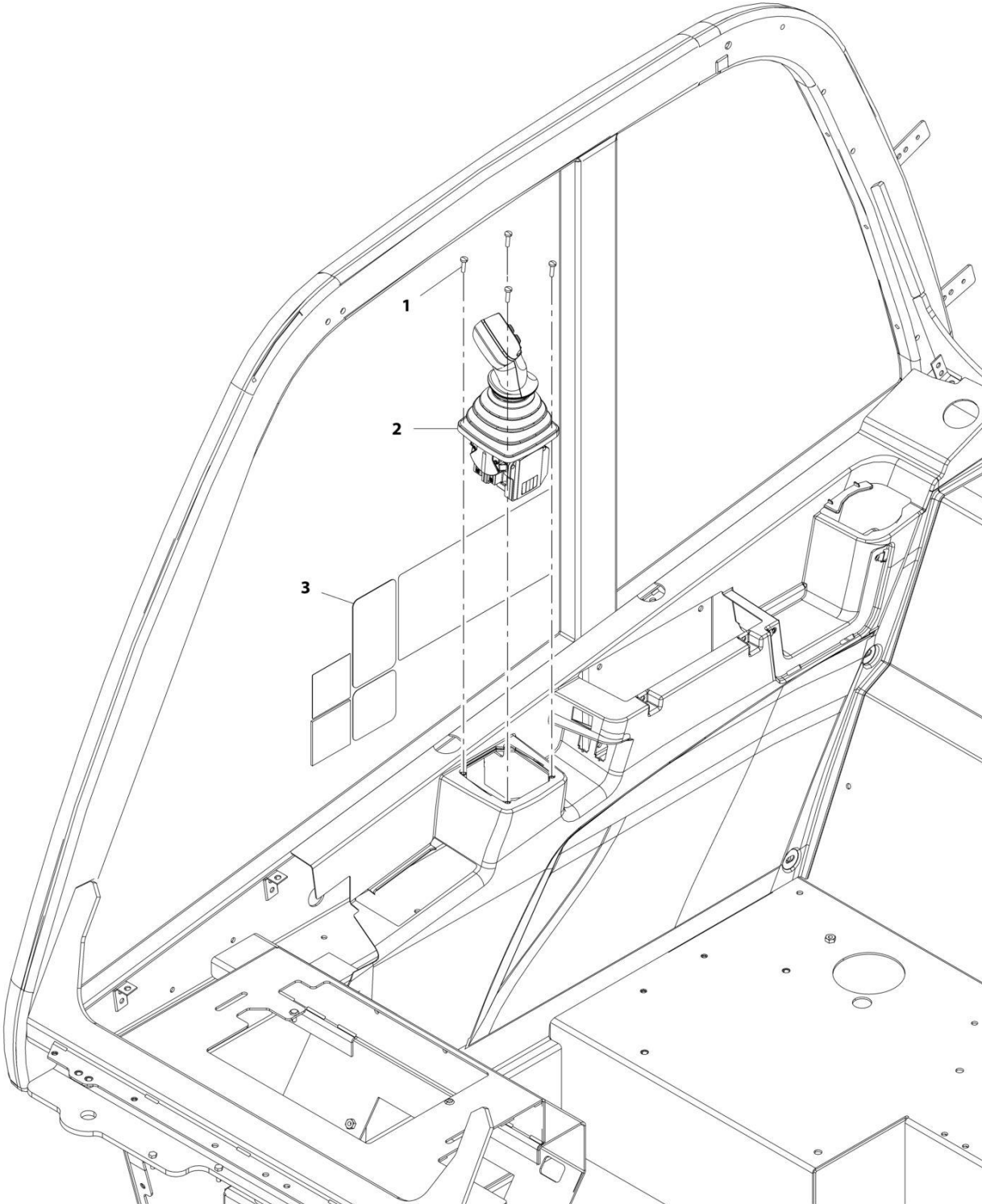
SECTION 7 - CONTROLS

FIGURE 7-14. HORN BUTTON INSTALLATION

ITEM	PART NUMBER	QTY	DESCRIPTION	REV
1	1001169763 1001169268	Ref 1	Horn Button Installation Button, Horn	A

SECTION 7 - CONTROLS

FIGURE 7-15. JOYSTICK INSTALLATION (2 SPEED)



ART_1001216757-B

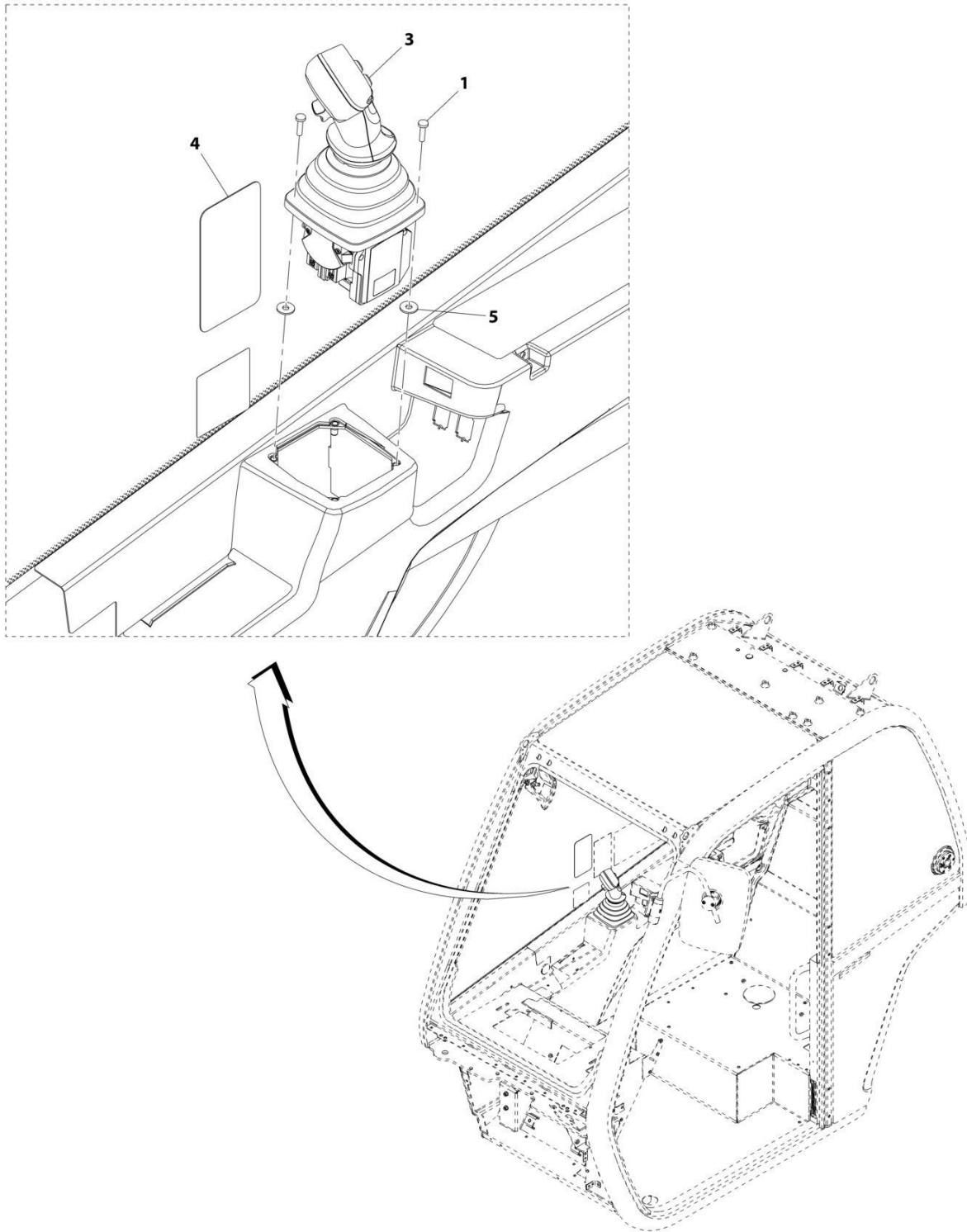
SECTION 7 - CONTROLS

FIGURE 7-15. JOYSTICK INSTALLATION (2 SPEED)

ITEM	PART NUMBER	QTY	DESCRIPTION	REV
	1001216757	Ref	Joystick Installation (2 Speed)	C
1	4010510	4	Screw, M5X20	
2	1001222606	1	Joystick, 2R2B	
3	1001216803	1	Decal	

SECTION 7 - CONTROLS

FIGURE 7-16. JOYSTICK INSTALLATION



ART_1001167004-G

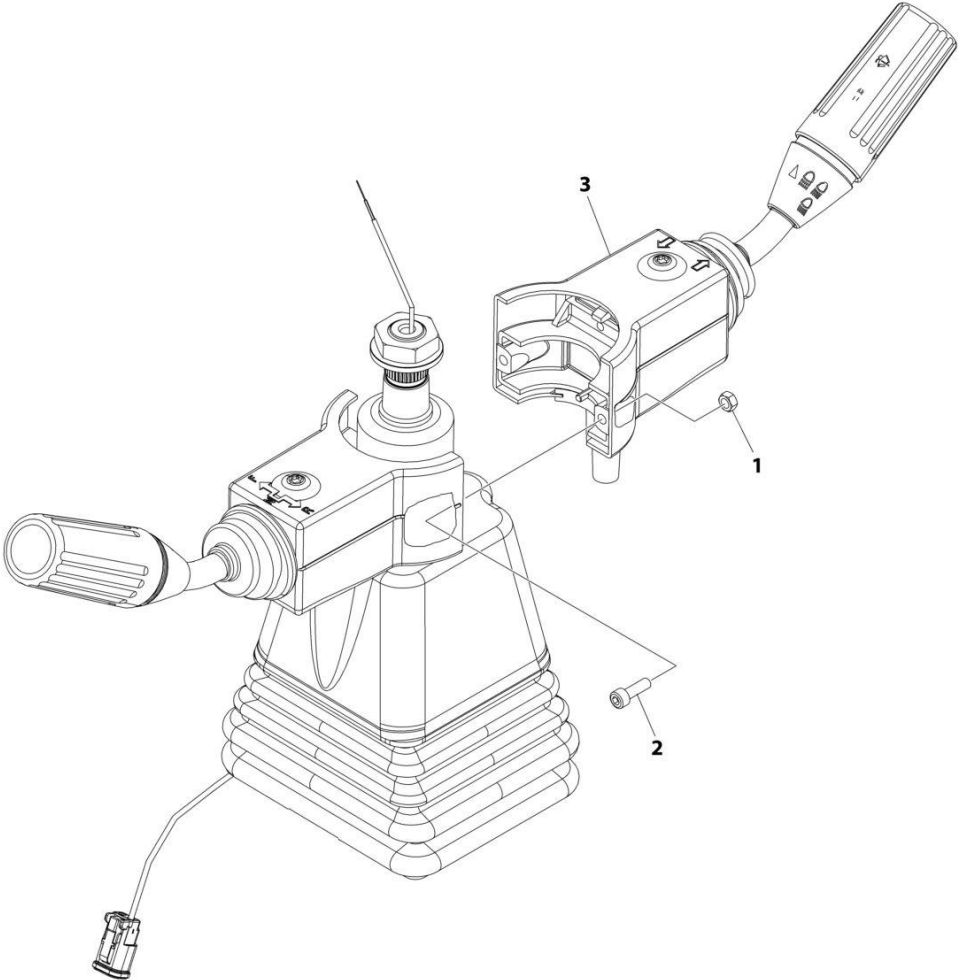
SECTION 7 - CONTROLS

FIGURE 7-16. JOYSTICK INSTALLATION

ITEM	PART NUMBER	QTY	DESCRIPTION	REV
	1001167004	Ref	Joystick Installation	G
1	4010510	4	Screw, M5X20	
3	1001222603	1	Joystick	
4	1001241950	1	Decal, Joystick	
5	4811702001	AR	Washer, M6	

SECTION 7 - CONTROLS

FIGURE 7-17. WIPER-TURN SWITCH INSTALLATION



ART_1001257071

SECTION 7 - CONTROLS

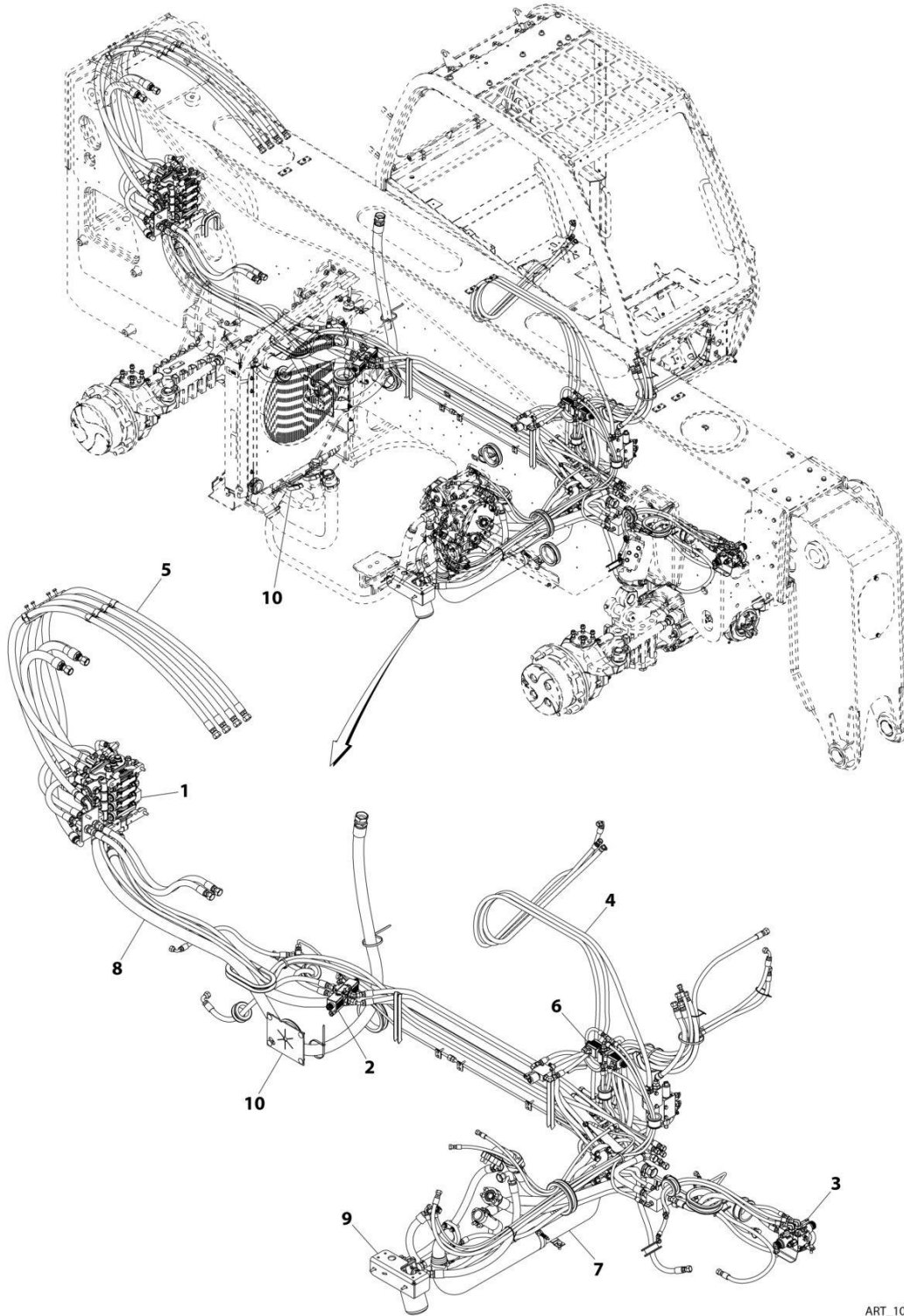
FIGURE 7-17. WIPER-TURN SWITCH INSTALLATION

ITEM	PART NUMBER	QTY	DESCRIPTION	REV
	1001257071	Ref	Wiper-Turn Switch Installation	B
1	3290505	2	Nut, Lock M5	
2	4031607	2	Capscrew M5 x 16	
3	1001256974	1	Switch, Turn-Wiper	

SECTION 8 - HYDRAULIC CIRCUITS

SECTION 8 - HYDRAULIC CIRCUITS

FIGURE 8-1. MAIN HYDRAULIC INSTALLATION



ART_1001201812-D

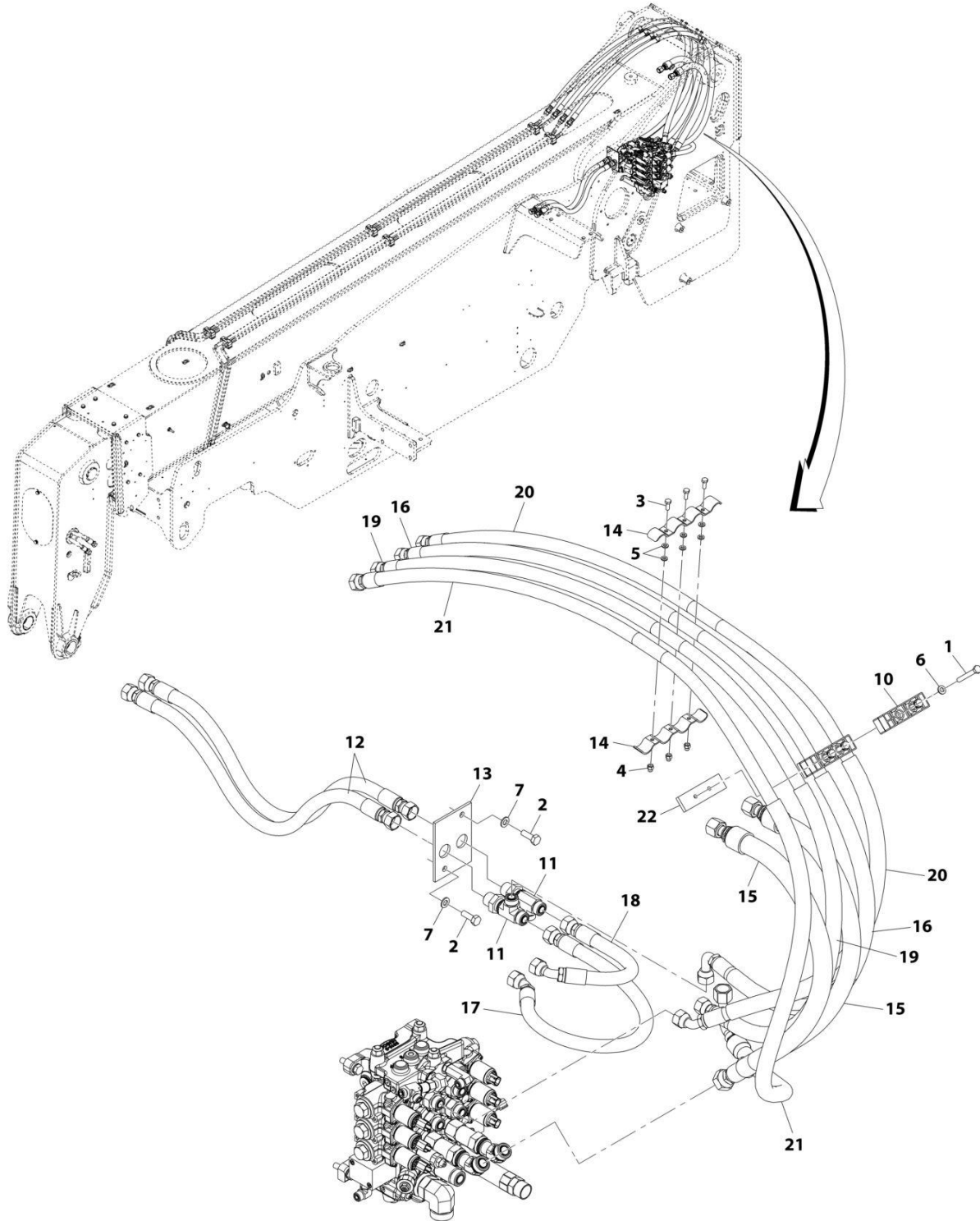
SECTION 8 - HYDRAULIC CIRCUITS

FIGURE 8-1. MAIN HYDRAULIC INSTALLATION

ITEM	PART NUMBER	QTY	DESCRIPTION	REV
1	1001201812	Ref	Main Hydraulic Installation	D
	1001192889	Ref	Installation, Main Control Valve (See Separate Breakdown in this Section)	
2	1001193516	Ref	Installation, Steering Select Valve (See Separate Breakdown in this Section)	
3	1001193517	Ref	Installation, Frame Level Valve (See Separate Breakdown in this Section)	
4	1001193709	Ref	Installation, Cab Hydraulics (See Separate Breakdown in this Section)	
5	1001211606	Ref	Installation, Boom Lines (See Separate Breakdown in this Section)	
6	1001197196	Ref	Installation, Speed Control Valve (See Separate Breakdown in this Section)	
7	1001202024	Ref	Installation, Engine Bay Hydraulic (See Separate Breakdown in this Section)	
8	1001202025	Ref	Installation, Frame Hydraulics (See Separate Breakdown in this Section)	
9	1001202026	Ref	Installation, Charge Filter Lines	
10	1001213026	Ref	Installation, Grommets (See Separate Breakdown in FRAME AND ATTACHING PARTS Section)	

SECTION 8 - HYDRAULIC CIRCUITS

FIGURE 8-2. BOOM HYDRAULIC LINES INSTALLATION



ART_1001211606-F

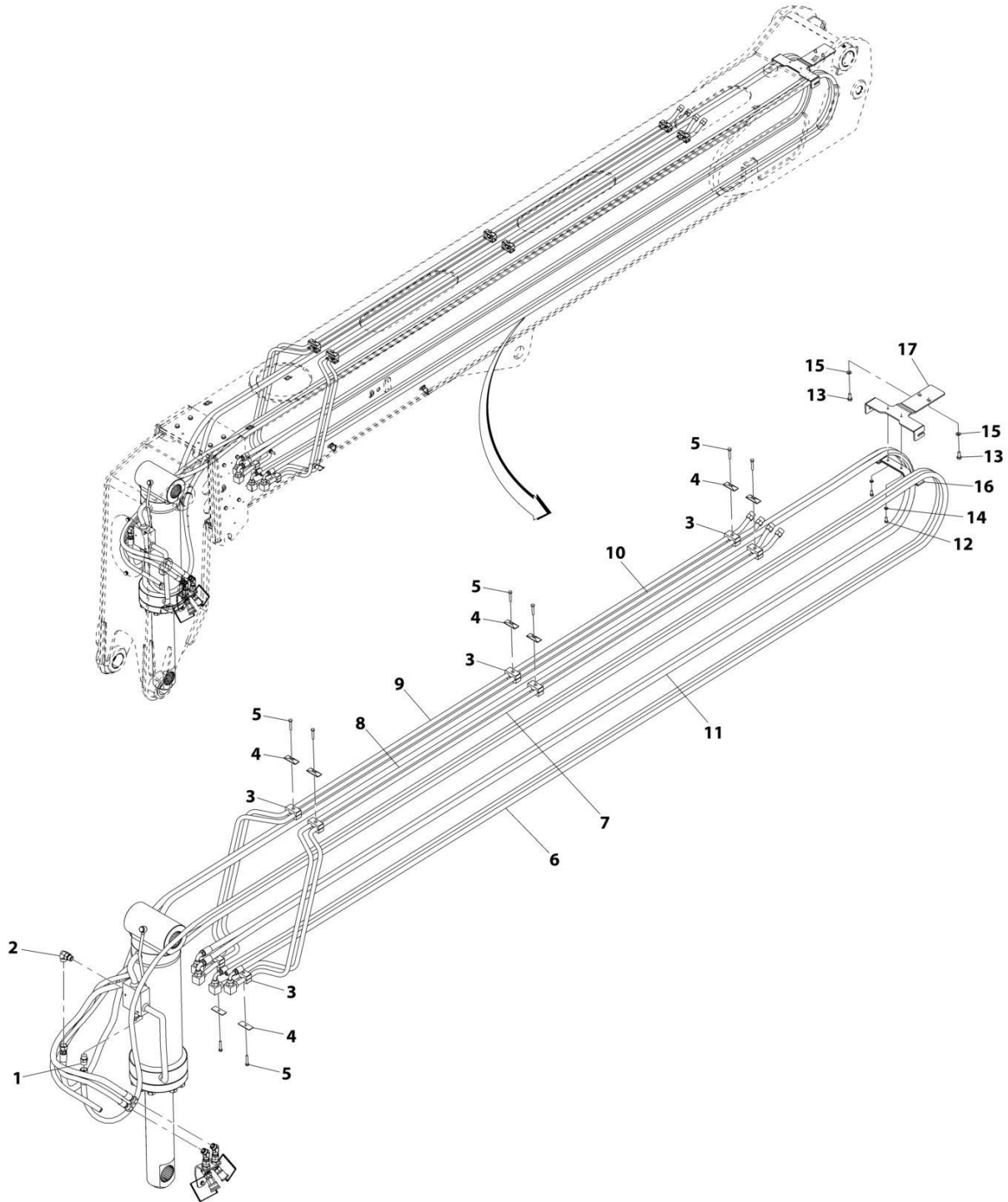
SECTION 8 - HYDRAULIC CIRCUITS

FIGURE 8-2. BOOM HYDRAULIC LINES INSTALLATION

ITEM	PART NUMBER	QTY	DESCRIPTION	REV
	1001211606	Ref	Boom Hydraulic Line Installation	F
1	0700821	4	Bolt, M8X65	
2	0701014	2	Bolt, M10X30	
3	0760608	3	Bolt, M6X16	
4	3290606	3	Nut, M6X1 Grade 8	
5	4811700	6	Washer, M6	
6	4811900	4	Washer, M8	
7	4812000	2	Washer, M10	
10	1001098128	2	Clamp, Triple	
11	1001192096	2	Fitting, Tee ORFS	
12	1001210525	2	Hose, M16 ORFS	
13	1001197011	1	Plate	
14	1001205618	2	Clamp, Hoses	
15	1001220473	2	Hose, M19 ORFS	
16	1001210524	1	Hose, M16 ORFS	
17	1001209418	1	Hose, M16 ORFS	
18	1001209419	1	Hose, M16 ORFS	
19	1001210526	1	Hose, M16 ORFS	
20	1001215859	1	Hose, M16 ORFS	
21	1001215860	1	Hose, M16 ORFS	
22	1001226557	2	Plate	

SECTION 8 - HYDRAULIC CIRCUITS

FIGURE 8-3. BOOM HYDRAULIC INSTALLATION (1732)



ART_1001193100-F

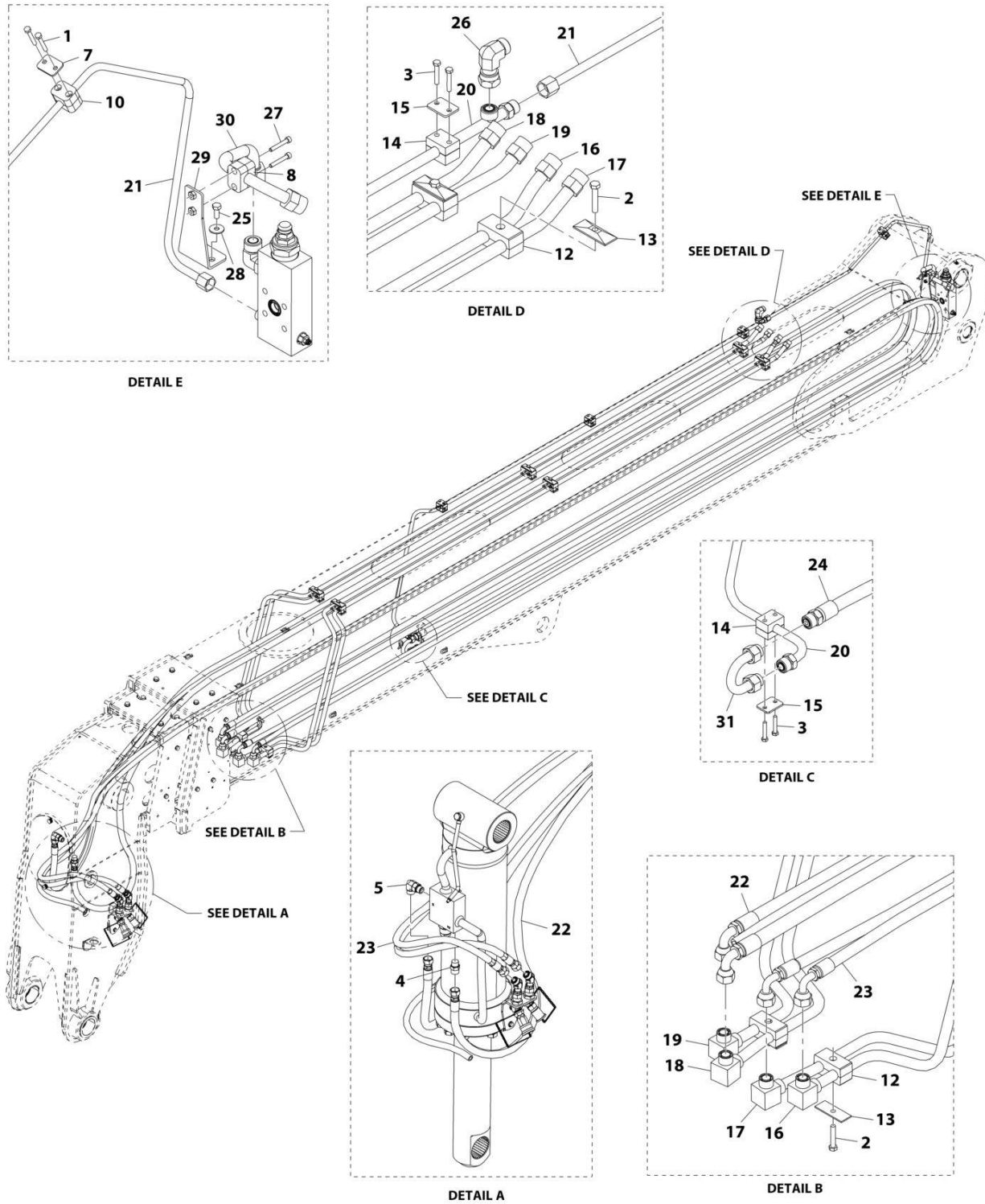
SECTION 8 - HYDRAULIC CIRCUITS

FIGURE 8-3. BOOM HYDRAULIC INSTALLATION (1732)

ITEM	PART NUMBER	QTY	DESCRIPTION	REV
	1001193100	Ref	Boom Hydraulic Installation	F
1	2111010	1	Fitting, Straight ORFS	
2	2131010	1	Fitting, ORFS	
3	77133136	8	Clamp	
4	77133137	8	Plate, Twin Hose Cover	
5	0700817	8	Bolt, M8X45	
6	1001206242	1	Hose	
7	1001209200	1	Pipe	
8	1001209201	1	Pipe	
9	1001209202	1	Pipe	
10	1001209203	1	Pipe	
11	1001193465	1	Hose	
12	0760810	2	Bolt, M8X20	
13	0761012	2	Bolt, M10X25	
14	4811900	2	Washer, M8	
15	4812000	2	Washer, M10	
16	1001214661	1	Plate	
17	1001215470	1	Support, Hose	

SECTION 8 - HYDRAULIC CIRCUITS

FIGURE 8-4. BOOM HYDRAULIC INSTALLATION (8010)



ART_1001205375-F

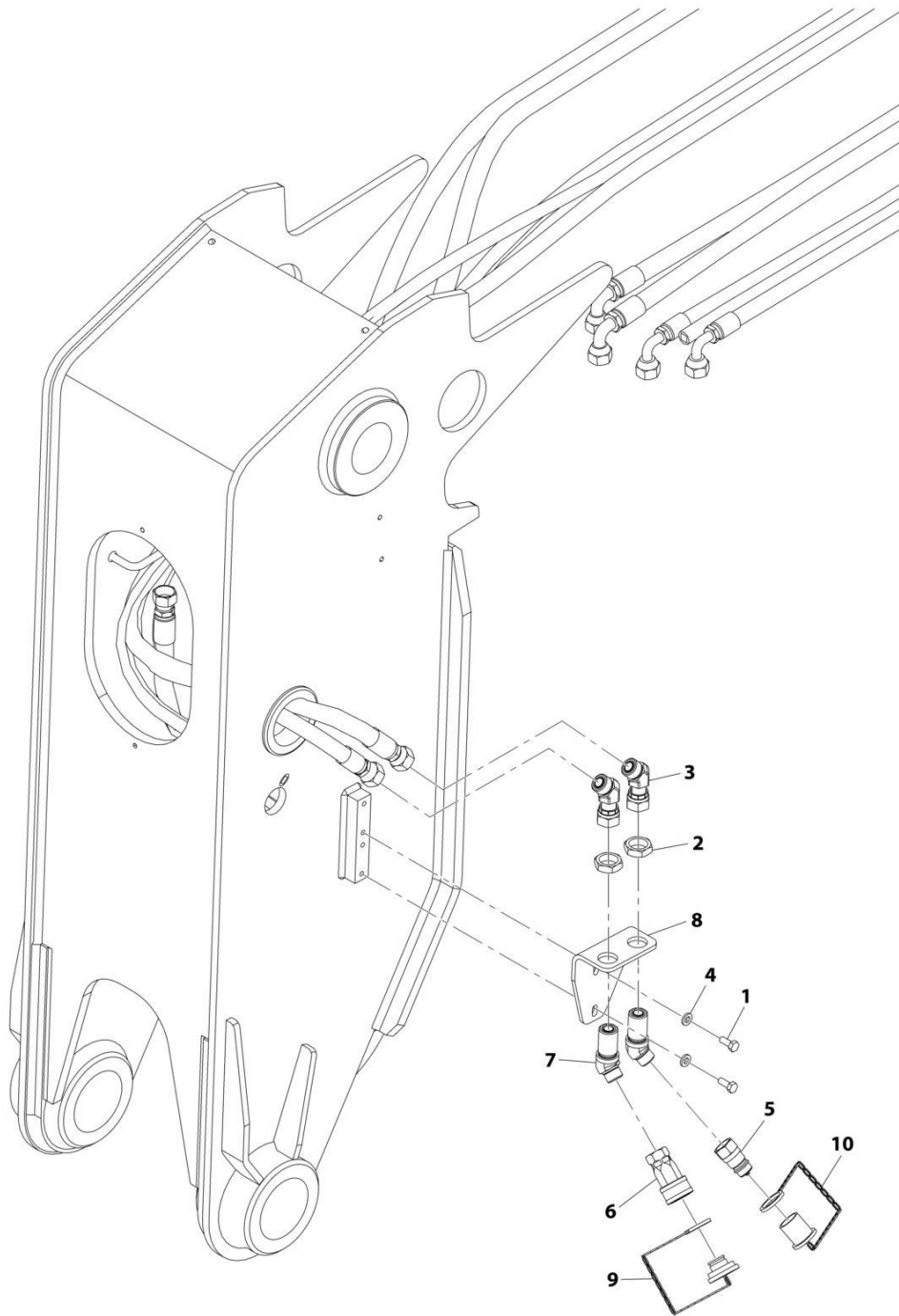
SECTION 8 - HYDRAULIC CIRCUITS

FIGURE 8-4. BOOM HYDRAULIC INSTALLATION (8010)

ITEM	PART NUMBER	QTY	DESCRIPTION	REV
	1001205375	Ref	Boom Hydraulic Installation	F
1	0700616	2	Bolt, M6X40	
2	0700817	8	Bolt, M8X45	
3	0760615	8	Bolt, M6X35	
4	2111010	1	Fitting, Straight ORFS	
5	2131010	1	Fitting, 90 ORFS	
7	8769146	1	Plate, Cover	
8	8769152	1	Clamp	
10	8769199	1	Clamp	
12	77133136	8	Clamp	
13	77133137	8	Plate, Cover	
14	77133497	4	Clamp	
15	1001105093	4	Plate, Cover	
16	1001209201	1	Pipe	
17	1001209200	1	Pipe	
18	1001209202	1	Pipe	
19	1001209203	1	Pipe	
20	1001205380	1	Pipe	
21	1001205381	1	Tube	
22	1001210568	1	Hose	
23	1001210569	1	Hose	
24	1001229422	1	Hose	
25	0760810	2	Bolt, M8X20	
26	2172110	1	Fitting, 90 ORFS	
27	4031712	2	Bolt, M6X40	
28	4811902	2	Washer, M8	
29	1001209972	1	Bracket	
30	1001210270	1	Tube	
31	1001220942	1	Pipe	

SECTION 8 - HYDRAULIC CIRCUITS

FIGURE 8-5. BOOM AUX HYDRAULIC INSTALLATION (MANUAL - SINGLE)



ART_1001192363-D

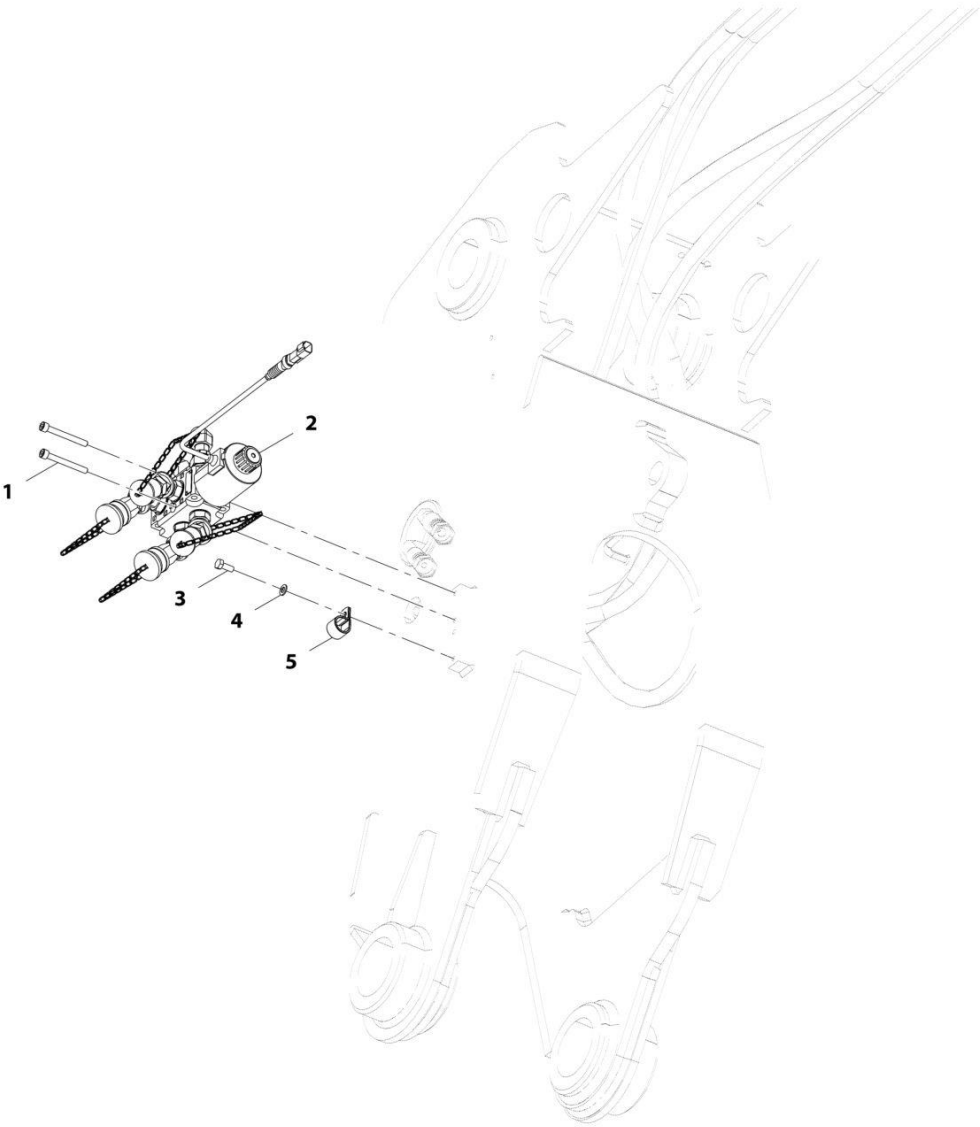
SECTION 8 - HYDRAULIC CIRCUITS

FIGURE 8-5. BOOM AUX HYDRAULIC INSTALLATION (MANUAL - SINGLE)

ITEM	PART NUMBER	QTY	DESCRIPTION	REV
	1001192363	Ref	Boom Aux Hydraulic Installation (Manual - Single)	D
1	0760810	2	Bolt, M8X20	
2	8770075	2	Fitting, ORFS	
3	1001147416	2	Fitting, 45 ORFS	
4	5240800	2	Washer, M8	
5	1001101041	1	Coupling, Male Quick Disconnect	
6	1001101042	1	Coupling, Female Quick Disconnect	
7	1001217553	2	Fitting, 45 ORFS	
8	1001217552	1	Bracket	
9	91043125	1	Plug	
10	91043126	1	Cap, Dust	

SECTION 8 - HYDRAULIC CIRCUITS

FIGURE 8-6. BOOM AUX HYDRAULIC INSTALLATION (MANUAL - TWIN)



ART_1001192366-C

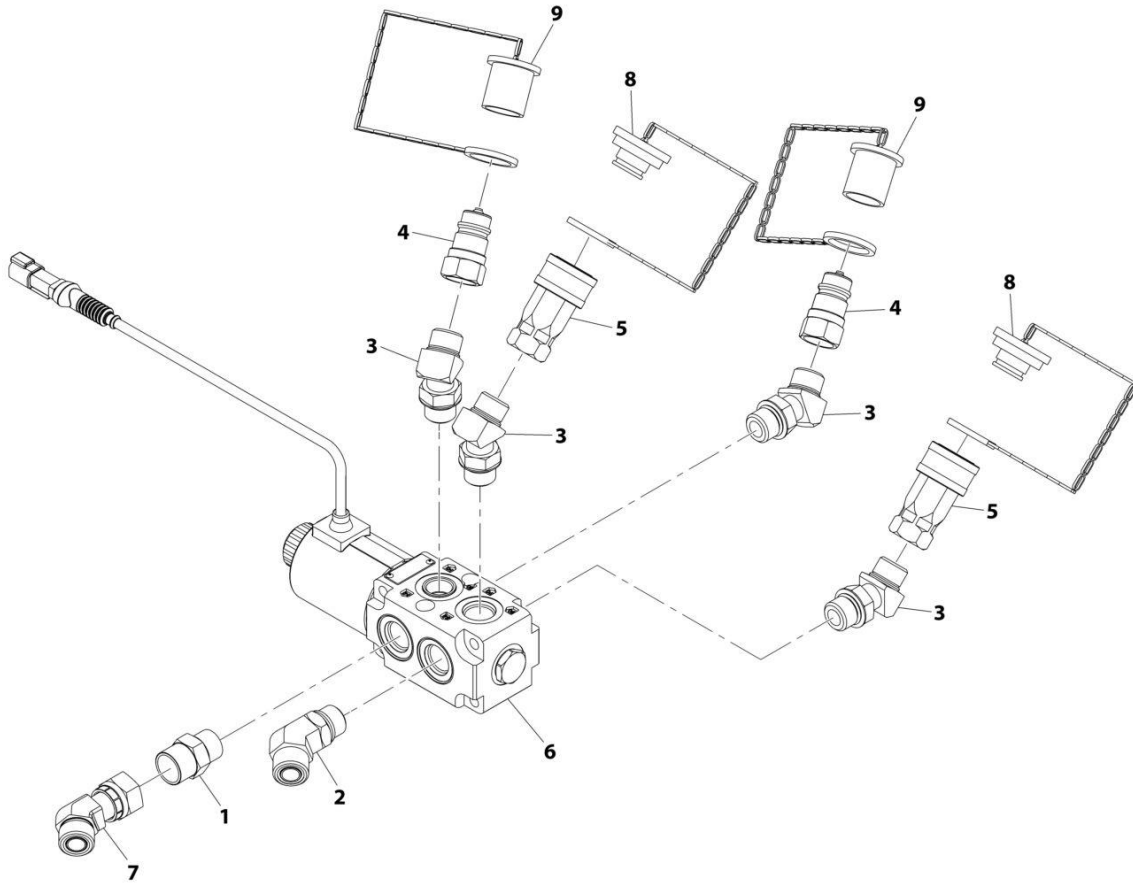
SECTION 8 - HYDRAULIC CIRCUITS

FIGURE 8-6. BOOM AUX HYDRAULIC INSTALLATION (MANUAL - TWIN)

ITEM	PART NUMBER	QTY	DESCRIPTION	REV
	1001192366	Ref	Boom Aux Hydraulic Installation (Manual - Twin)	C
1	4031918	2	Bolt, M8X70	
2	1001213318	1	Assembly, Diverter Valve (manual - twin) (See Separate Breakdown in this Section)	
3	0760810	1	Bolt, M8X20	
4	4811900	1	Washer, M8	
5	8406202	1	CLIP,TUBE 7/8"	

SECTION 8 - HYDRAULIC CIRCUITS

FIGURE 8-7. BOOM AUX DIVERTER VALVE/FITINGS ASSEMBLY (MANUAL - TWIN)



ART_1001213318-B

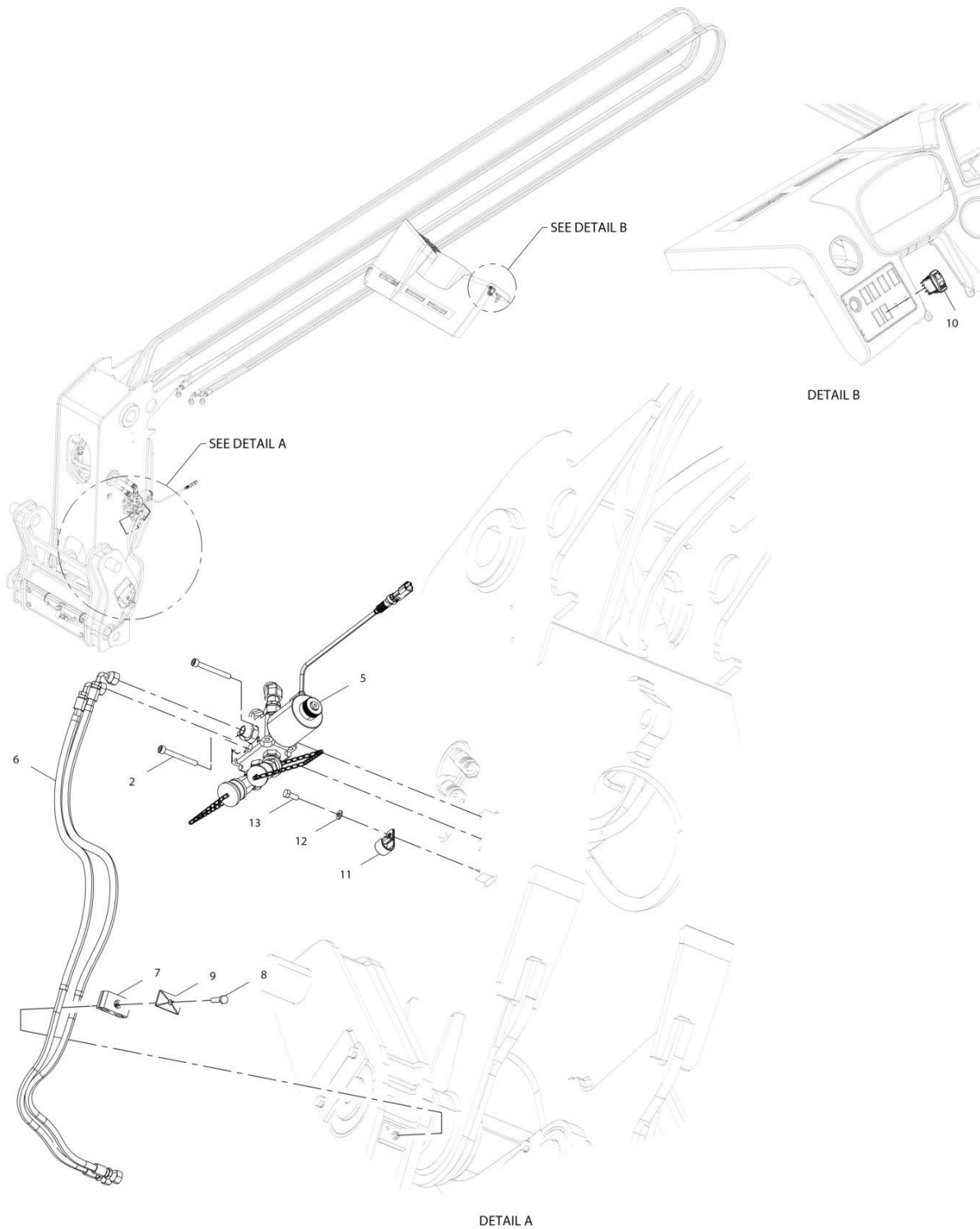
SECTION 8 - HYDRAULIC CIRCUITS

FIGURE 8-7. BOOM AUX DIVERTER VALVE/FITINGS ASSEMBLY (MANUAL - TWIN)

ITEM	PART NUMBER	QTY	DESCRIPTION	REV
	1001213318	Ref	Diverter Valve Assembly	B
1	2111010	1	Fitting, Straight ORFS	
2	2151010	1	Fitting, 45 ORFS	
3	1001005904	4	Fitting, 45	
4	1001101041	2	Adapter, Male Quick Disconnect	
5	1001101042	2	Adapter, Female Quick Disconnect	
6	1001110023	1	Valve, Diverter (See Separate Breakdown in HYDRAULIC COMPONENTS Section)	
7	1001147416	1	Fitting, 45 ORFS	
8	91043125	2	Plug	
9	91043126	2	Cap	

SECTION 8 - HYDRAULIC CIRCUITS

FIGURE 8-8. BOOM AUX HYDRAULIC INSTALLATION (HYDRAULIC - SINGLE)



ART_1001192365-E

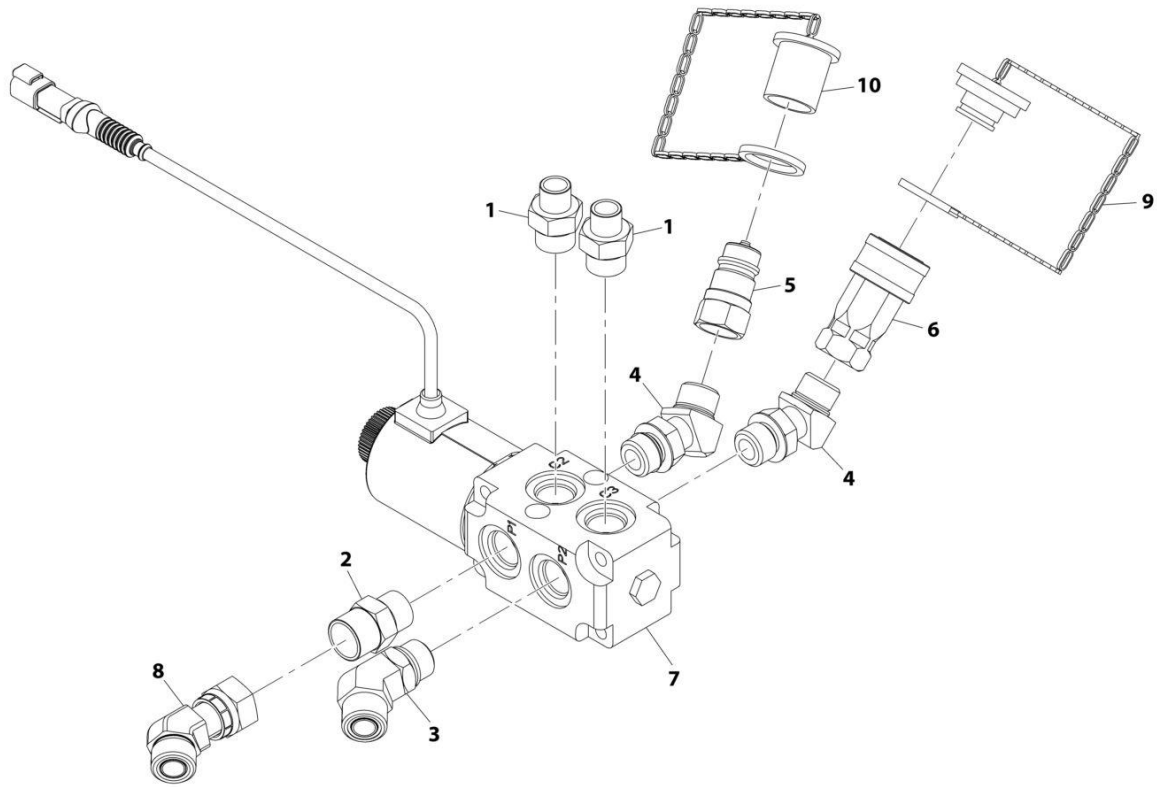
SECTION 8 - HYDRAULIC CIRCUITS

FIGURE 8-8. BOOM AUX HYDRAULIC INSTALLATION (HYDRAULIC - SINGLE)

ITEM	PART NUMBER	QTY	DESCRIPTION	REV
	1001192365	Ref	Boom Aux Hydraulic Installation (Hydraulic - Single)	E
2	4031918	2	Bolt, M8X70	
5	1001213317	1	Assembly, Diverter Valve (Hydraulic - Single) (See Separate Breakdown in this Section)	
6	1001193111	2	Hose	
7	8769126	1	Clamp	
8	0760815	1	Bolt, M8X35	
9	8769123	1	Plate, Cover	
10	1001080375	1	Switch	
11	8406202	1	CLIP,TUBE 7/8"	
12	4811900	1	Washer, M8	
13	0760810	1	Bolt, M8X20	

SECTION 8 - HYDRAULIC CIRCUITS

FIGURE 8-9. BOOM AUX DIVERTER VALVE/FITINGS ASSEMBLY (HYDRAULIC - SINGLE)



ART_1001213317-B

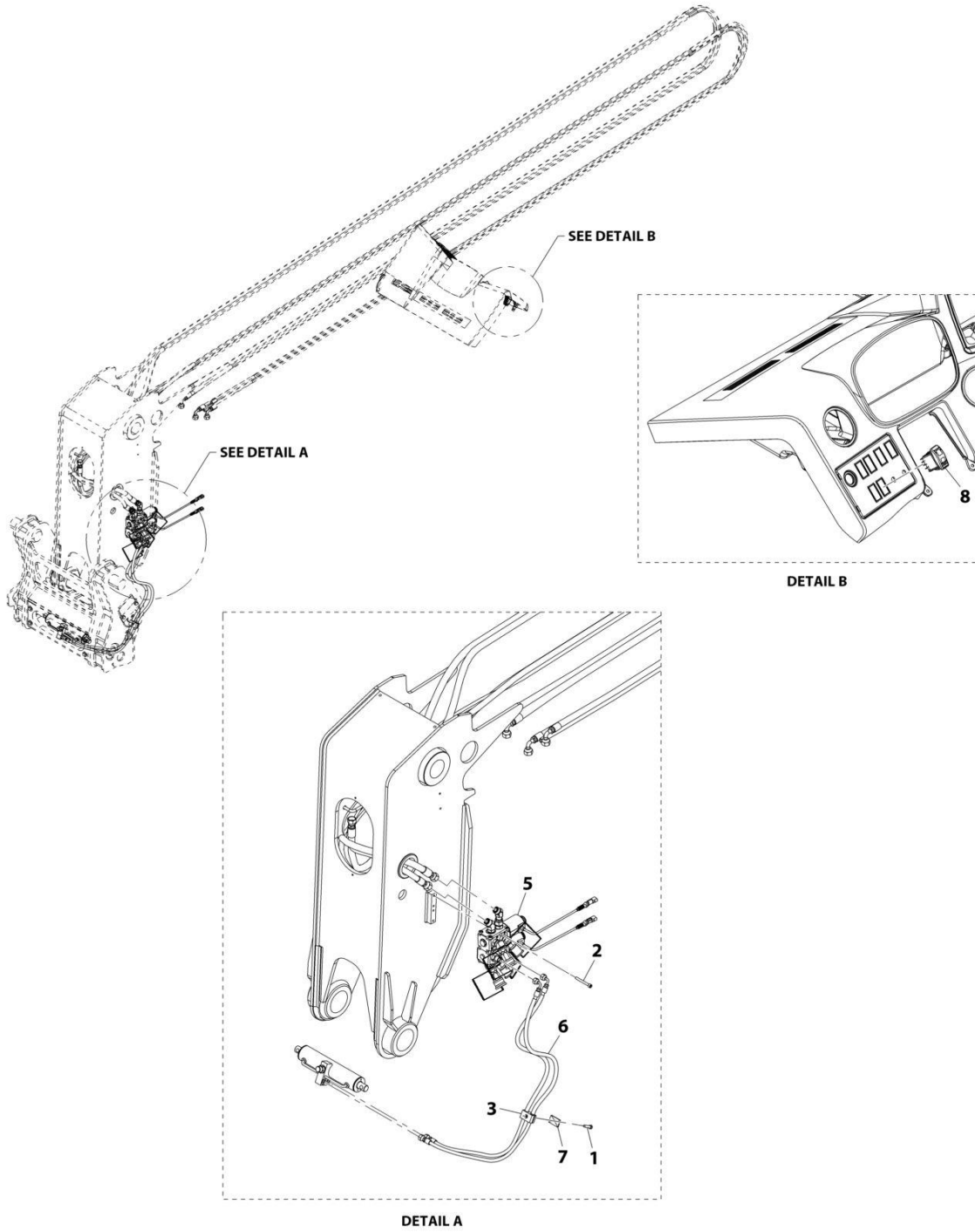
SECTION 8 - HYDRAULIC CIRCUITS

FIGURE 8-9. BOOM AUX DIVERTER VALVE/FITINGS ASSEMBLY (HYDRAULIC - SINGLE)

ITEM	PART NUMBER	QTY	DESCRIPTION	REV
	1001213317	Ref	Diverter Valve Assembly	B
1	2110610	2	Fitting, Straight ORFS	
2	2111010	1	Fitting, Straight ORFS	
3	2151010	1	Fitting, 45 ORFS	
4	1001005904	2	Fitting, 45	
5	1001101041	1	Fitting, Male Quick Disconnect	
6	1001101042	1	Fitting, Female Quick Disconnect	
7	1001104477	1	Valve, Divertor (See Separate Breakdown in HYDRAULIC COMPONENTS Section)	
8	1001147416	1	Fitting, 45 ORFS	
9	91043125	1	Plug	
10	91043126	1	Cap, Dust	

SECTION 8 - HYDRAULIC CIRCUITS

FIGURE 8-10. BOOM AUX HYDRAULIC INSTALLATION (HYDRAULIC - TWIN)



ART_1001192367-C

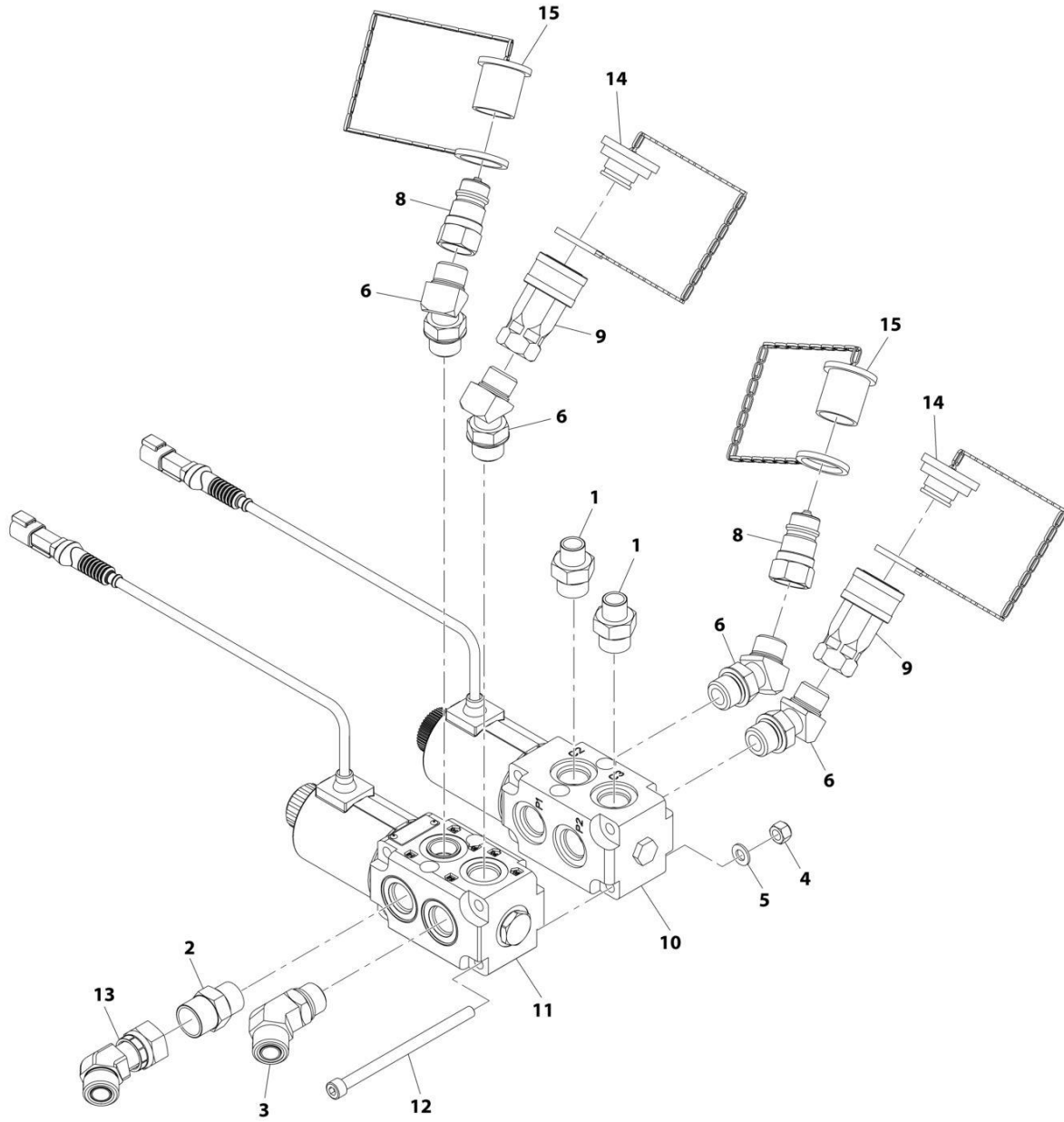
SECTION 8 - HYDRAULIC CIRCUITS

FIGURE 8-10. BOOM AUX HYDRAULIC INSTALLATION (HYDRAULIC - TWIN)

ITEM	PART NUMBER	QTY	DESCRIPTION	REV
	1001192367	Ref	Boom Aux Hydraulic Installation (Hydraulic - Twin)	C
1	0760815	1	Bolt, M8X35	
2	4031918	3	Bolt, M8X70	
3	8769126	1	Clamp	
5	1001213319	1	Assembly, Diverter Valve (Hydraulic - Twin) (See Separate Breakdown in this Section)	
6	1001193111	2	Hose	
7	8769123	1	Plate, Cover	
8	1001080375	1	Switch	

SECTION 8 - HYDRAULIC CIRCUITS

FIGURE 8-11. BOOM AUX DIVERTER VALVE/FITINGS ASSEMBLY (HYDRAULIC - TWIN)



ART_1001213319-C

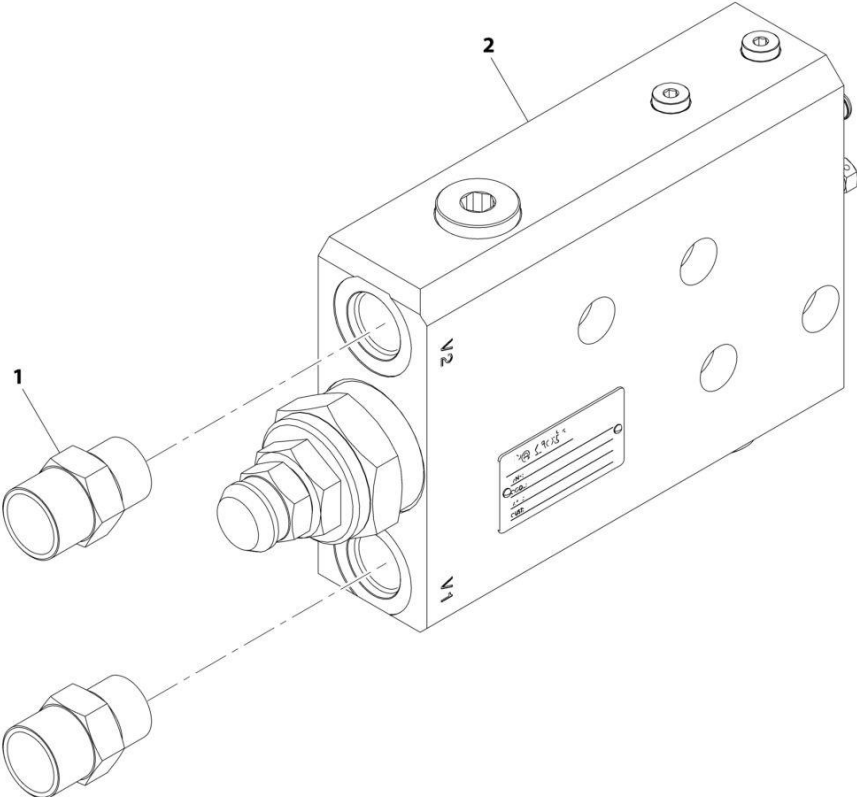
SECTION 8 - HYDRAULIC CIRCUITS

FIGURE 8-11. BOOM AUX DIVERTER VALVE/FITINGS ASSEMBLY (HYDRAULIC - TWIN)

ITEM	PART NUMBER	QTY	DESCRIPTION	REV
	1001213319	Ref	Diverter Valve Assembly	C
1	2110610	2	Fitting, Straight ORFS	
2	2111010	1	Fitting, Straight ORFS	
3	2151010	1	Fitting, 45 ORFS	
4	3290805	4	Nut, Lock M8X1.25	
5	4811900	4	Washer, M8	
6	1001005904	4	Fitting, 45	
8	1001101041	2	Fitting, Male Quick Disconnect	
9	1001101042	2	Fitting, Female Quick Disconnect	
10	1001104477	1	Valve, Divertor (See Separate Breakdown in HYDRAULIC COMPONENTS Section)	
11	1001110023	1	Valve, Divertor (See Separate Breakdown in HYDRAULIC COMPONENTS Section)	
12	1001110115	4	Bolt, M8X100	
13	1001147416	1	Fitting, 45 ORFS	
14	91043125	2	Plug	
15	91043126	2	Cap	

SECTION 8 - HYDRAULIC CIRCUITS

FIGURE 8-12. BOOM EXTENT/RETRACT COUNTERBALANCE VALVE INSTALLATION



ART_1001212312-A

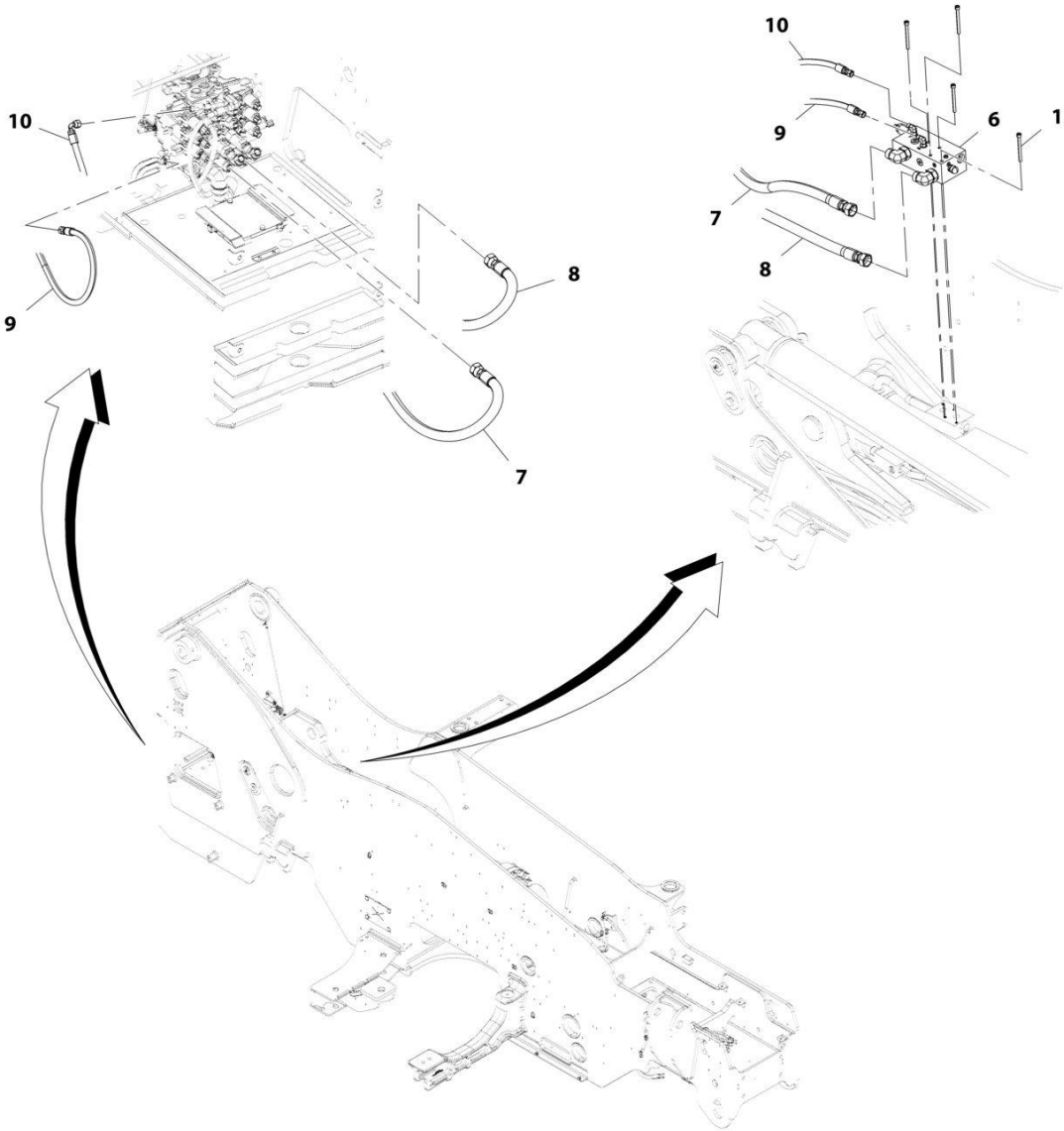
SECTION 8 - HYDRAULIC CIRCUITS

FIGURE 8-12. BOOM EXTENT/RETRACT COUNTERBALANCE VALVE INSTALLATION

ITEM	PART NUMBER	QTY	DESCRIPTION	REV
	1001212312	Ref	Counterbalance Valve & Fittings Sub-Assembly	A
1	2111010	2	Fitting, Straight ORFS	
2	1001209862	1	Valve, Counterbalance (See Separate Breakdown in this Section)	

SECTION 8 - HYDRAULIC CIRCUITS

FIGURE 8-13. BOOM RAISE HOSE INSTALLATION (NO RIDE CONTROL)



ART_1001194702-F

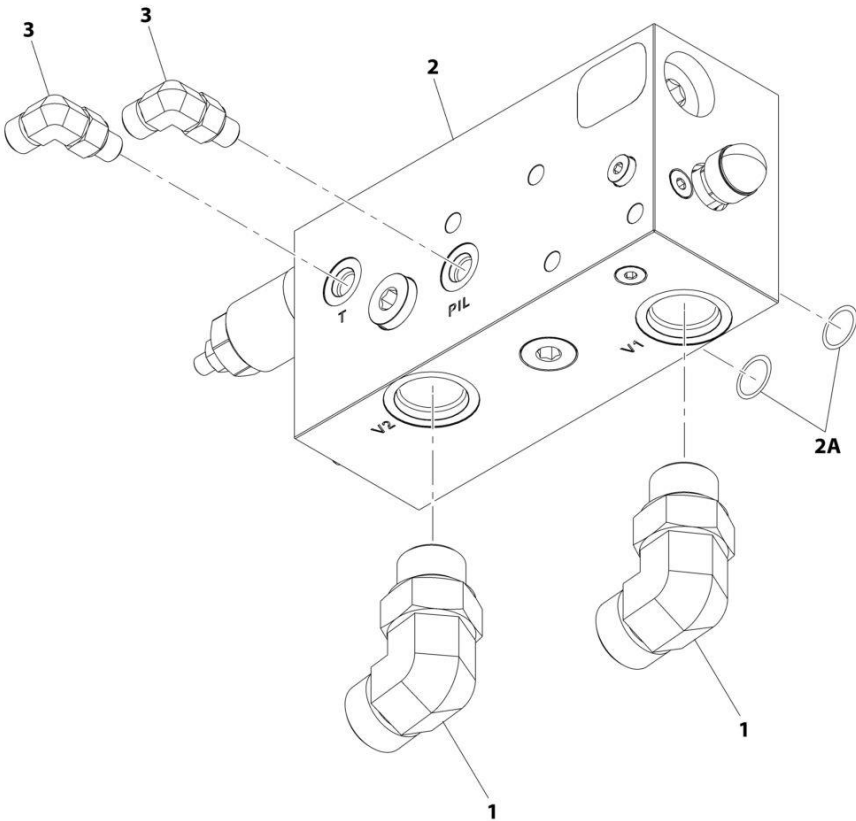
SECTION 8 - HYDRAULIC CIRCUITS

FIGURE 8-13. BOOM RAISE HOSE INSTALLATION (NO RIDE CONTROL)

ITEM	PART NUMBER	QTY	DESCRIPTION	REV
	1001194702	Ref	Boom Raise Hose Installation (no Ride Control)	F
1	4031921	4	Bolt, M8X85	
6	1001219764	1	Valve, Boom Raise Counterbalance (no Ride Control) (See Separate Breakdown in this Section)	
7	1001225392	1	Hose, ORFS	
8	1001225393	1	Hose, ORFS	
9	1001226828	1	Hose, ORFS	
10	1001226829	1	Hose, ORFS	

SECTION 8 - HYDRAULIC CIRCUITS

FIGURE 8-14. BOOM RAISE COUNTERBALANCE VALVE/FITTINGS ASSEMBLY (NO RIDE CONTROL)



ART_1001219764-C

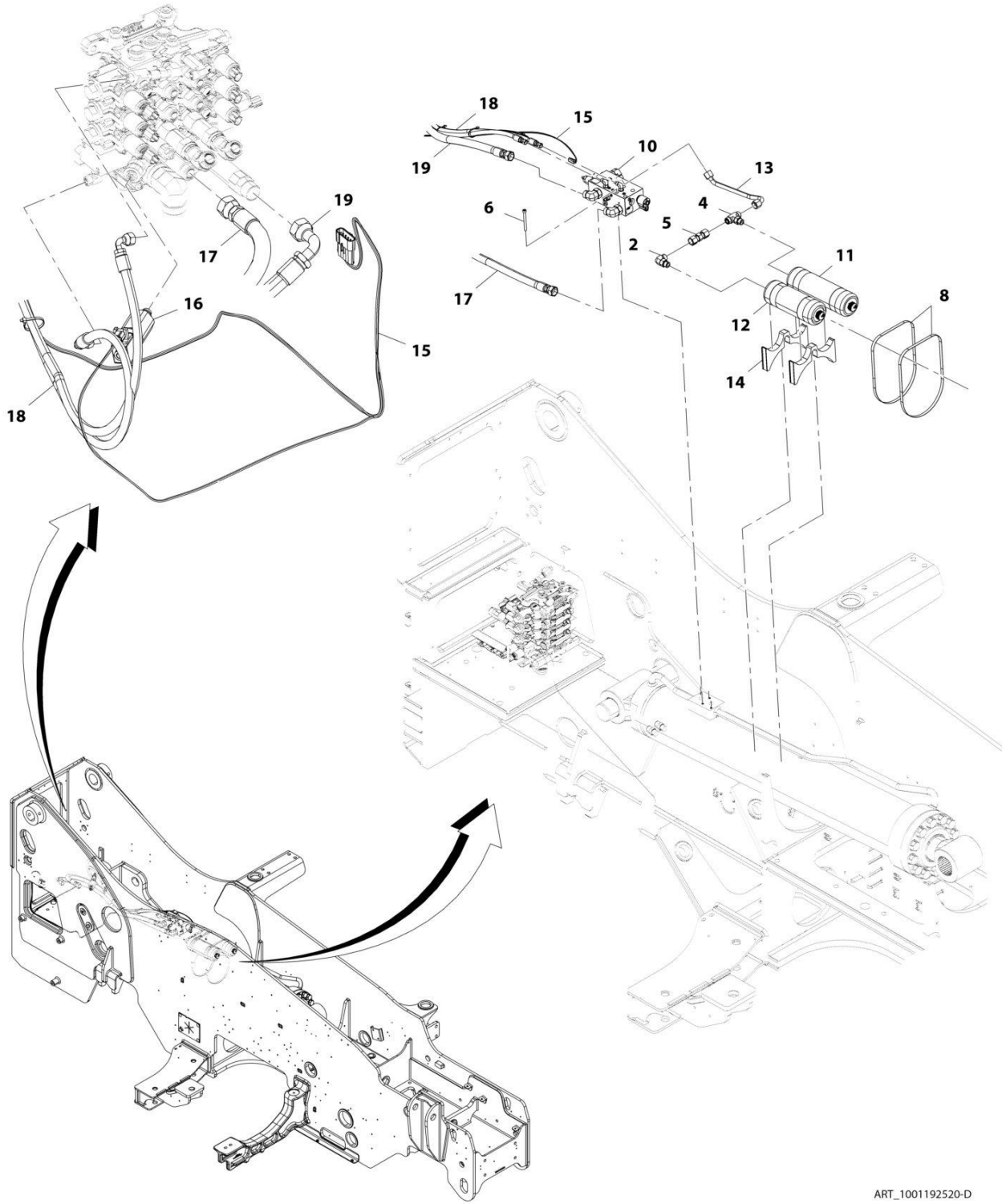
SECTION 8 - HYDRAULIC CIRCUITS

FIGURE 8-14. BOOM RAISE COUNTERBALANCE VALVE/FITTINGS ASSEMBLY (NO RIDE CONTROL)

ITEM	PART NUMBER	QTY	DESCRIPTION	REV
	1001219764	Ref	Boom Raise Counterbalance Valve (no Ride Control)	C
1	2131212	2	Fitting, 90 ORFS	
2	1001224944	1	Valve, GLS	
2A	70028282	2	O-ring	
3	2130404	2	Fitting, 90 ORFS	

SECTION 8 - HYDRAULIC CIRCUITS

FIGURE 8-15. BOOM RAISE HOSE INSTALLATION (RIDE CONTROL)



ART_1001192520-D

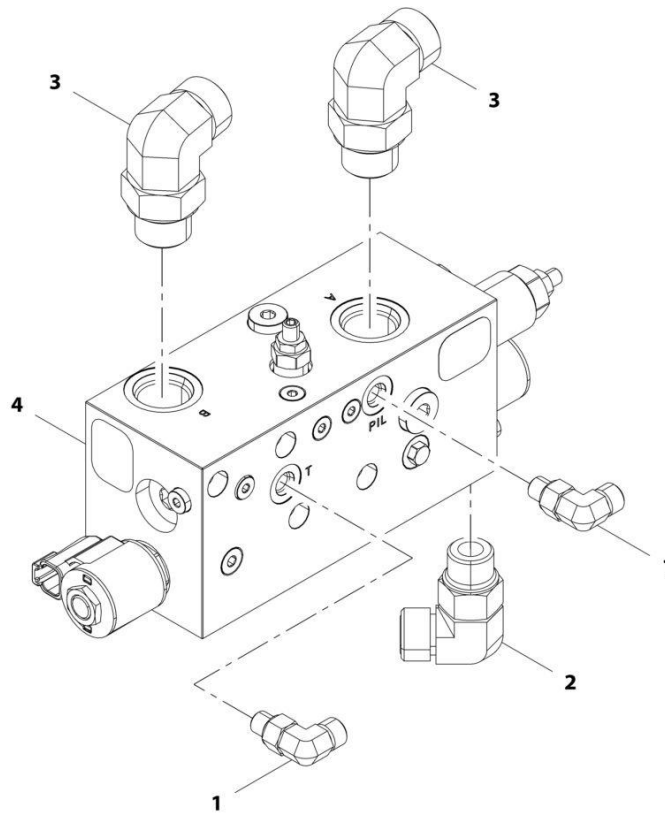
SECTION 8 - HYDRAULIC CIRCUITS

FIGURE 8-15. BOOM RAISE HOSE INSTALLATION (RIDE CONTROL)

ITEM	PART NUMBER	QTY	DESCRIPTION	REV
	1001192520	Ref	Boom Raise Hose Installation (Ride Control)	D
2	2131010	1	Fitting, 90 ORFS	
4	2170410	1	Fitting, Tee ORFS	
5	2172410	1	Fitting, Straight ORFS	
6	4031921	4	Bolt, M8X85	
8	1001214829	2	Clamp	
10	1001219765	1	Assembly, Ride and Float Valve (See Separate Breakdown in this Section)	
11	1001192771	1	Cylinder, Piston	
12	1001192772	1	Cylinder, Piston	
13	1001225390	1	Pipe	
14	1001196402	2	Bumper	
15	1001200105	1	Installation, Ride Control Wiring (See Separate Breakdown in ELECTRICAL Section)	
16	1001202020	1	Valve, MCV Tank Cartridge	
17	1001225393	1	Hose	
18	1001226829	2	Hose	
19	1001227440	1	Hose	

SECTION 8 - HYDRAULIC CIRCUITS

FIGURE 8-16. BOOM RAISE RIDE & FLOAT VALVE/FITTING ASSEMBLY (RIDE CONTROL)



ART_1001219765-B

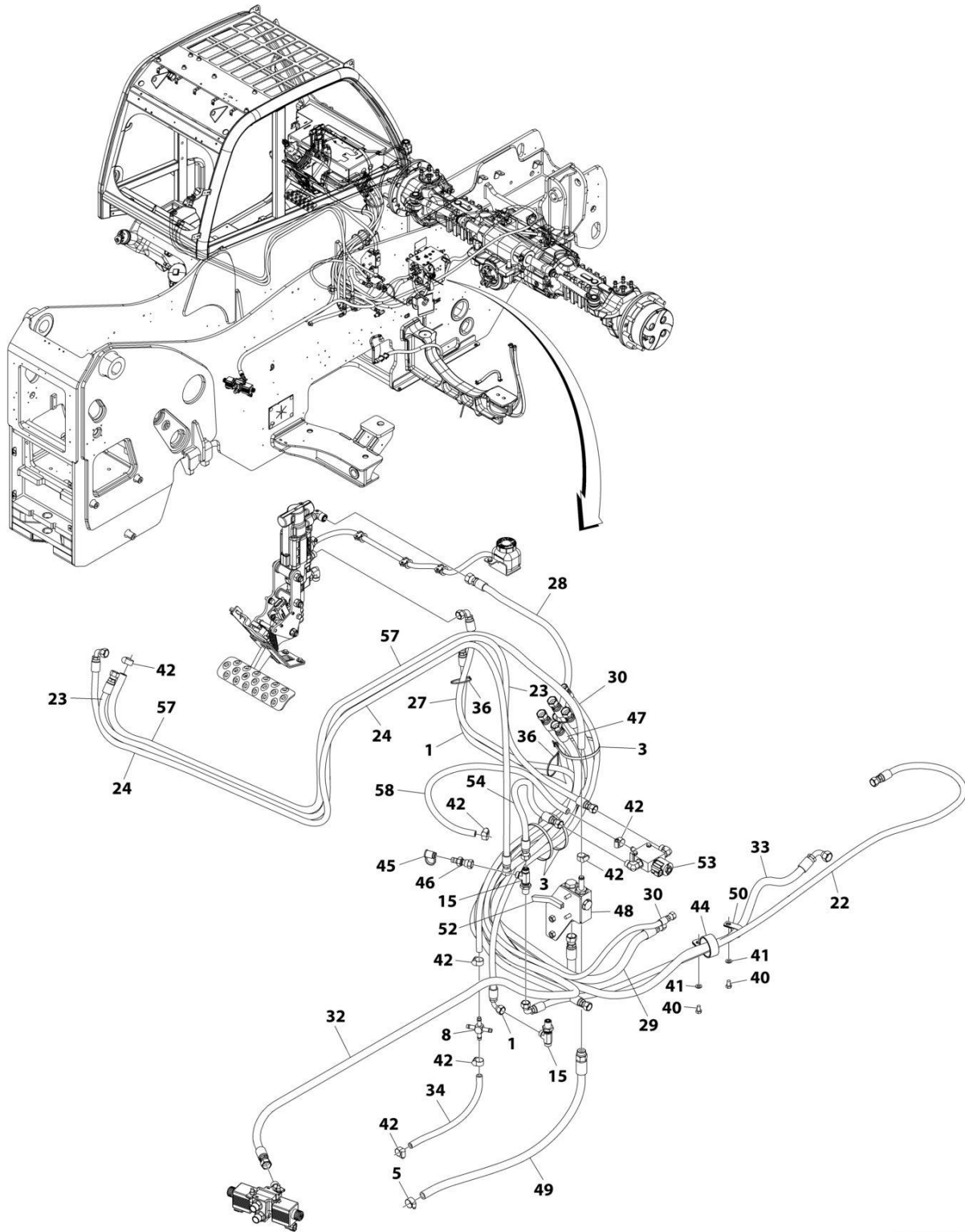
SECTION 8 - HYDRAULIC CIRCUITS

FIGURE 8-16. BOOM RAISE RIDE & FLOAT VALVE/FITTING ASSEMBLY (RIDE CONTROL)

ITEM	PART NUMBER	QTY	DESCRIPTION	REV
	1001219765	Ref	Ride and Float Valve Assembly	B
1	2130404	2	Fitting, 90 ORFS	
2	2131010	1	Fitting, 90 ORFS	
3	2131212	2	Fitting, 90 ORFS	
4	1001224945	1	Valve, Boom Raise (See Separate Breakdown in HYDRAULIC COMPONENTS Section)	

SECTION 8 - HYDRAULIC CIRCUITS

FIGURE 8-17. CAB HYDRUALIC INSTALLATION



ART_1001193709

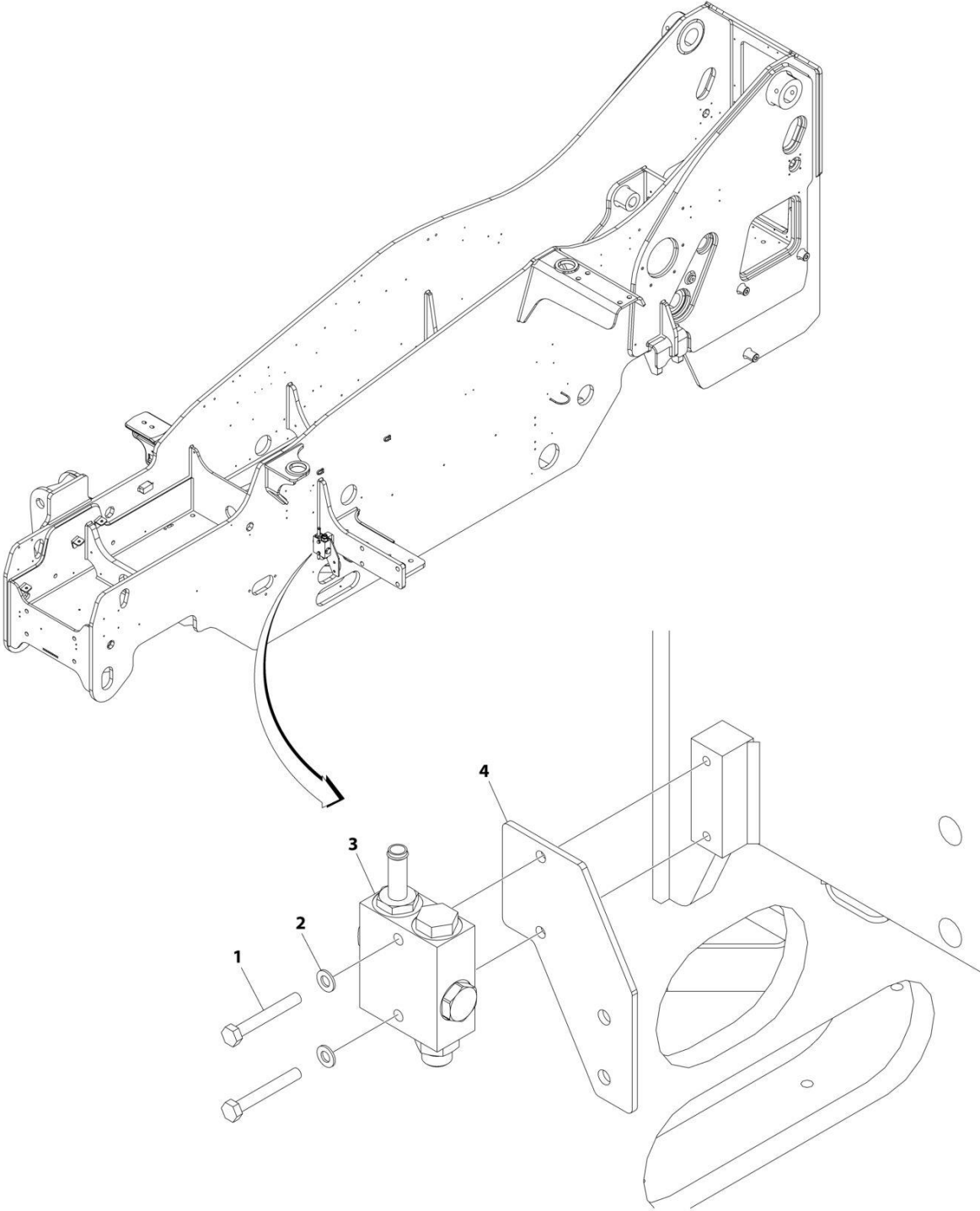
SECTION 8 - HYDRAULIC CIRCUITS

FIGURE 8-17. CAB HYDRUALIC INSTALLATION

ITEM	PART NUMBER	QTY	DESCRIPTION	REV
	1001193709	Ref	CAB HYDRUALIC INSTALLATION	J
1	1001196989	1	Hose	
3	4240018	3	Strap, Cable	
5	8405006	1	Clamp	
8	1001215256	1	Fitting, Cross Barb	
15	88662434	2	Fitting, Tee ORFS	
22	1001210800	1	Hose	
23	1001221989	1	Hose	
24	1001210327	1	Hose	
27	1001206709	1	Hose	
28	1001210282	1	Hose	
29	1001196992	1	Hose	
30	1001196993	1	Hose	
32	1001196995	1	Hose	
33	1001196996	1	Hose	
34	1001196997	1	Hose	
36	4240099	3	Tie, Wire	
40	0760807	2	Bolt M8 x 14	
41	4811900	2	Washer M8	
42	8410013	7	Clamp	
44	85941018	1	Clamp	
45	8430032	1	Plug	
46	8430081	1	Fitting, Straight ORFS	
47	1001204152	1	Hose	
48	1001212788	Ref	Installation, Check Valve (See Separate Breakdown in this Section)	
49	1001212880	1	Hose	
50	8406201	1	Clip	
52	90206198	186 mm	Compound, Locking	
53	1001221987	Ref	Installation, Solenoid Valve (See Separate Breakdown in this Section)	
54	1001221988	1	Hose	
57	2720160	2290 mm	Hose	
58	1001008654	750 mm	Hose	

SECTION 8 - HYDRAULIC CIRCUITS

FIGURE 8-18. CAB HYDRUALICS CHECK VALVE INSTALLATION



ART_1001212788

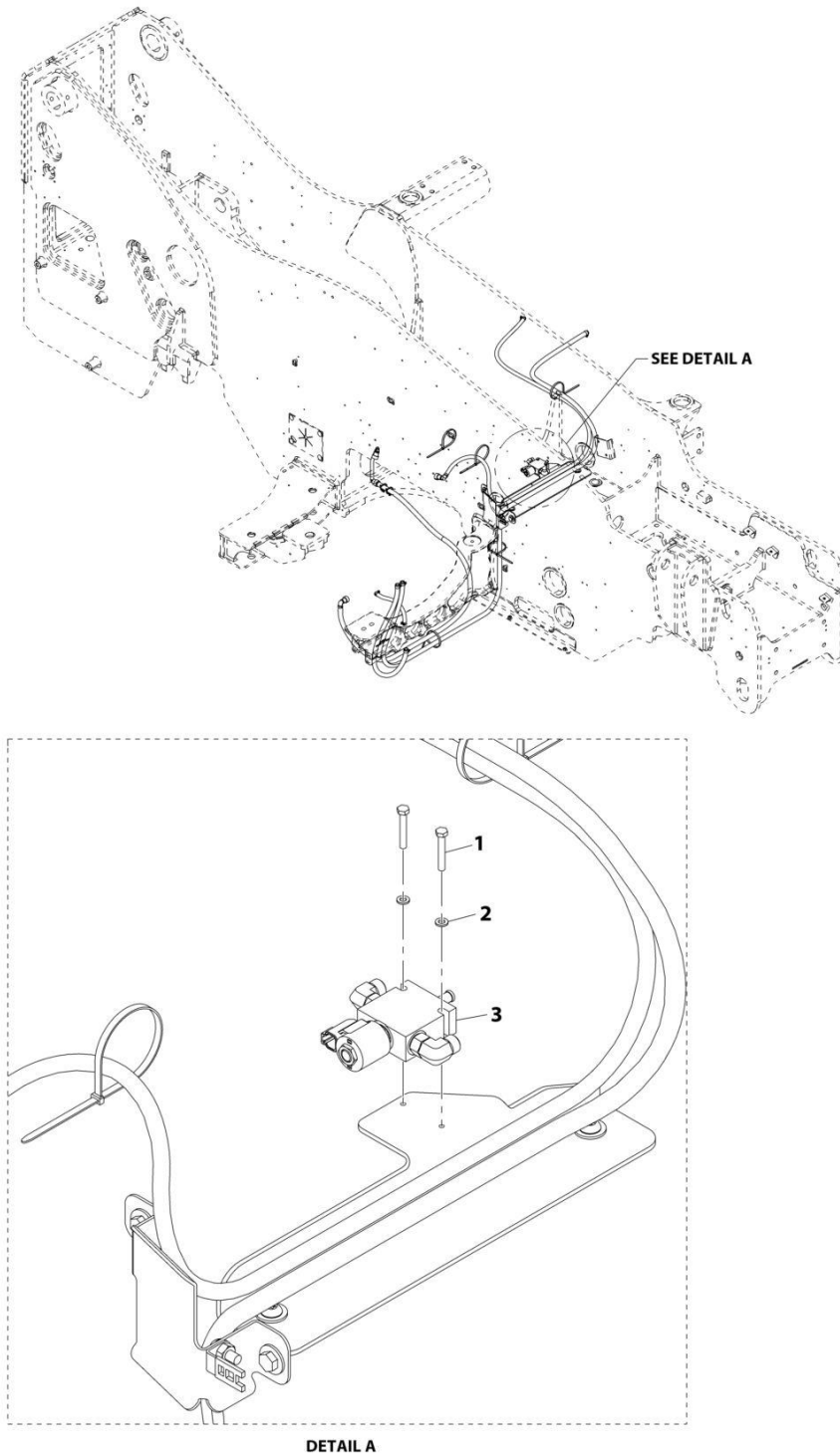
SECTION 8 - HYDRAULIC CIRCUITS

FIGURE 8-18. CAB HYDRUALICS CHECK VALVE INSTALLATION

ITEM	PART NUMBER	QTY	DESCRIPTION	REV
	1001212788	Ref	CAB HYDRUALICS CHECK VALVE INSTALLATION	B
1	0700820	2	Bolt M8 x 60	
2	4811900	2	Washer M8	
3	1001212789	1	Assembly, Check Valve (See Separate Breakdown in HYDRAULIC COMPONENTS Section)	
4	1001219659	1	Plate	

SECTION 8 - HYDRAULIC CIRCUITS

FIGURE 8-19. CAB HYDRAULICS SOLENOID INSTALLATION



ART_1001221987-A

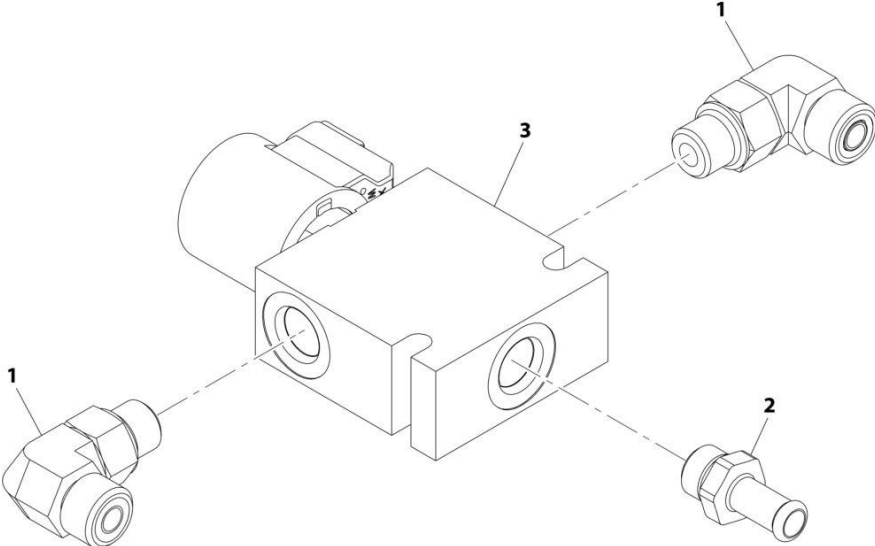
SECTION 8 - HYDRAULIC CIRCUITS

FIGURE 8-19. CAB HYDRAULICS SOLENOID INSTALLATION

ITEM	PART NUMBER	QTY	DESCRIPTION	REV
	1001221987	Ref	Solenoid Valve Installation	A
1	0700616	2	Bolt, M6X40	
2	4811700	2	Washer, M6	
3	1001221986	1	Assembly, Solenoid Valve (See Separate Breakdown in this Section)	

SECTION 8 - HYDRAULIC CIRCUITS

FIGURE 8-20. CAB HYDRAULICS SOLENOID FITTINGS INSTALLATION



ART_1001221986-A

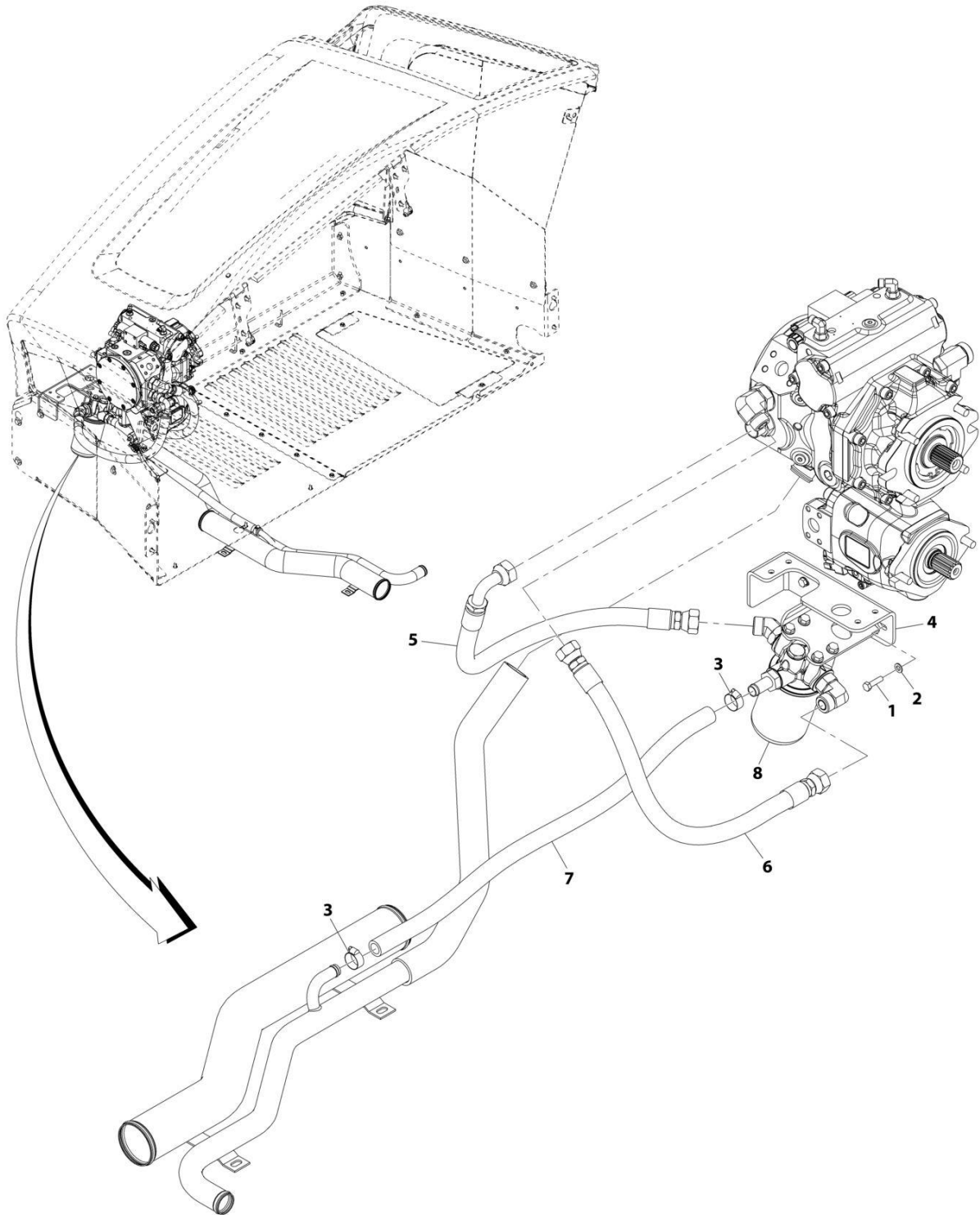
SECTION 8 - HYDRAULIC CIRCUITS

FIGURE 8-20. CAB HYDRAULICS SOLENOID FITTINGS INSTALLATION

ITEM	PART NUMBER	QTY	DESCRIPTION	REV
1	1001221986 2130606	Ref 2	Solenoid Valve/Fittings Assembly Fitting, 90 ORFS	A
2	1001168030	1	Fitting, Hose Barb	
3	1001221928	1	Valve, Solenoid (See Separate Breakdown in HYDRAULIC COMPONENTS Section)	

SECTION 8 - HYDRAULIC CIRCUITS

FIGURE 8-21. CHARGE FILTER LINES INSTALLATION



ART_1001202026-B

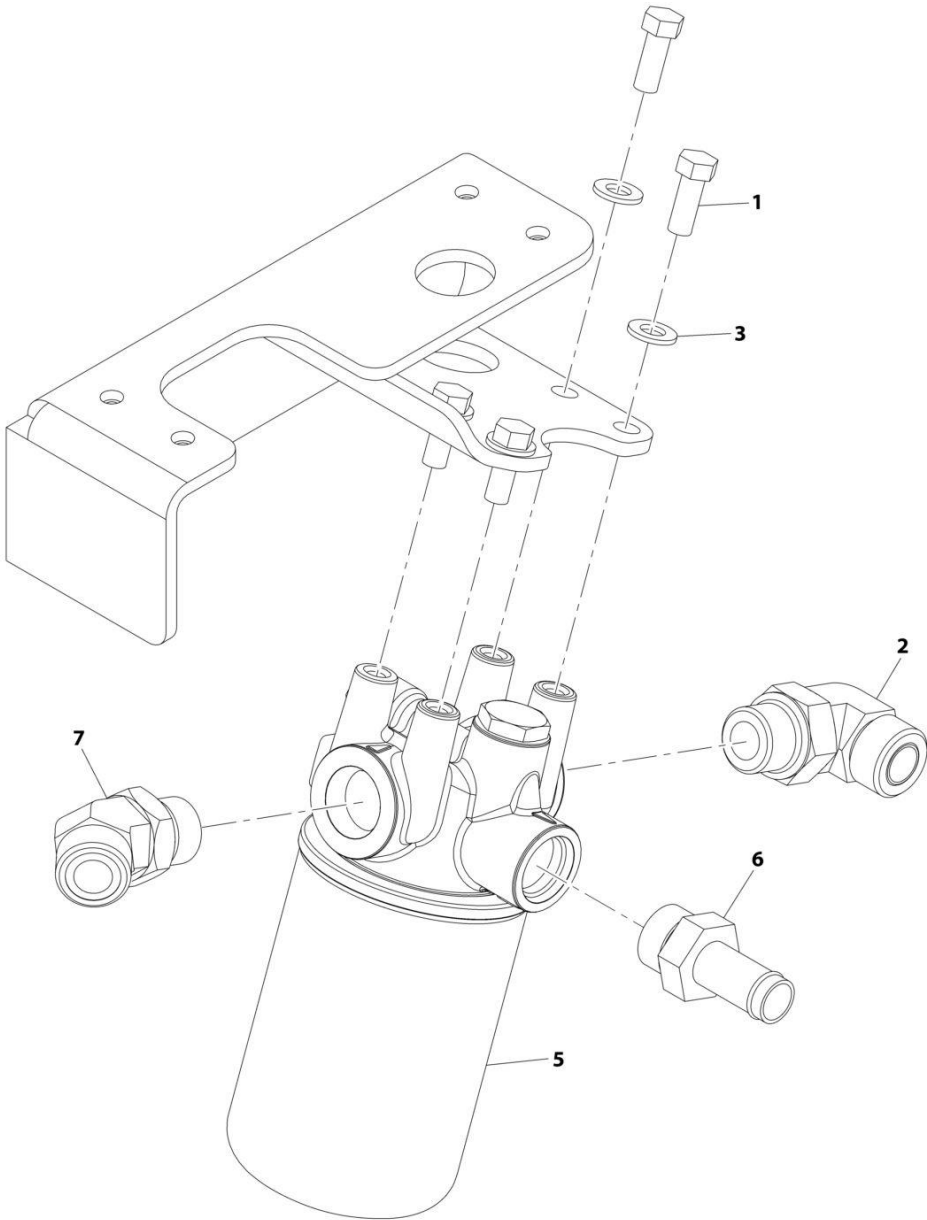
SECTION 8 - HYDRAULIC CIRCUITS

FIGURE 8-21. CHARGE FILTER LINES INSTALLATION

ITEM	PART NUMBER	QTY	DESCRIPTION	REV
	1001202026	Ref	Charge Filter Lines Installation	B
1	0700814	2	Bolt, M8X30	
2	4811900	2	Washer, M8	
3	8405007	2	Clamp	
4	1001212184	1	Bracket	
5	1001195433	1	Hose	
6	1001195434	1	Hose	
7	1001195435	1	Hose	
8	1001195430	Ref	Installation, Charge Filter (See Separate Breakdown in this Section)	

SECTION 8 - HYDRAULIC CIRCUITS

FIGURE 8-22. CHARGE FILTER INSTALLATION



ART_1001195430-C

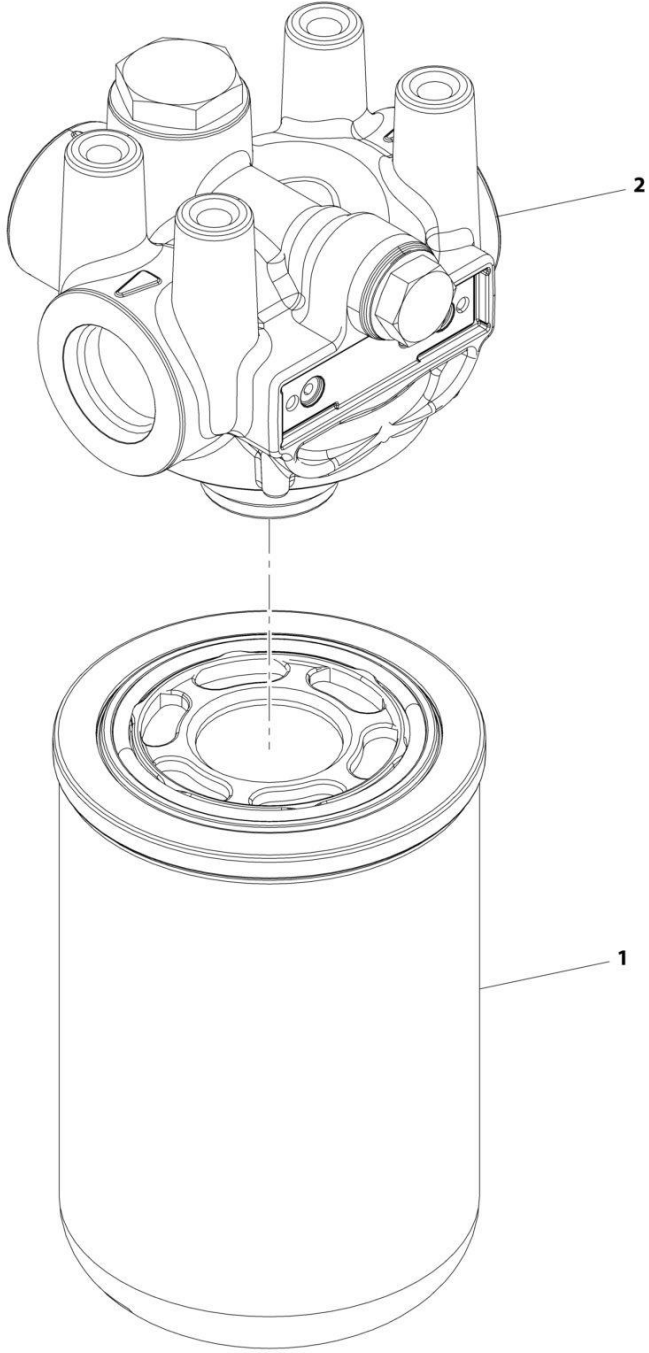
SECTION 8 - HYDRAULIC CIRCUITS

FIGURE 8-22. CHARGE FILTER INSTALLATION

ITEM	PART NUMBER	QTY	DESCRIPTION	REV
	1001195430	Ref	Charge Filter Installation	C
1	0641608	4	Bolt, 3/8-16X1	
2	2131212	1	Fitting, 90 ORFS	
3	4812000	4	Washer, M10	
5	1001141976	1	Assembly, Charge Filter (See Separate Breakdown in this Section)	
6	1001183700	1	Fitting, Barb	
7	2151212	1	Fitting, 45 ORFS	

SECTION 8 - HYDRAULIC CIRCUITS

FIGURE 8-23. CHARGE FILTER ASSEMBLY



ART_1001141976-A

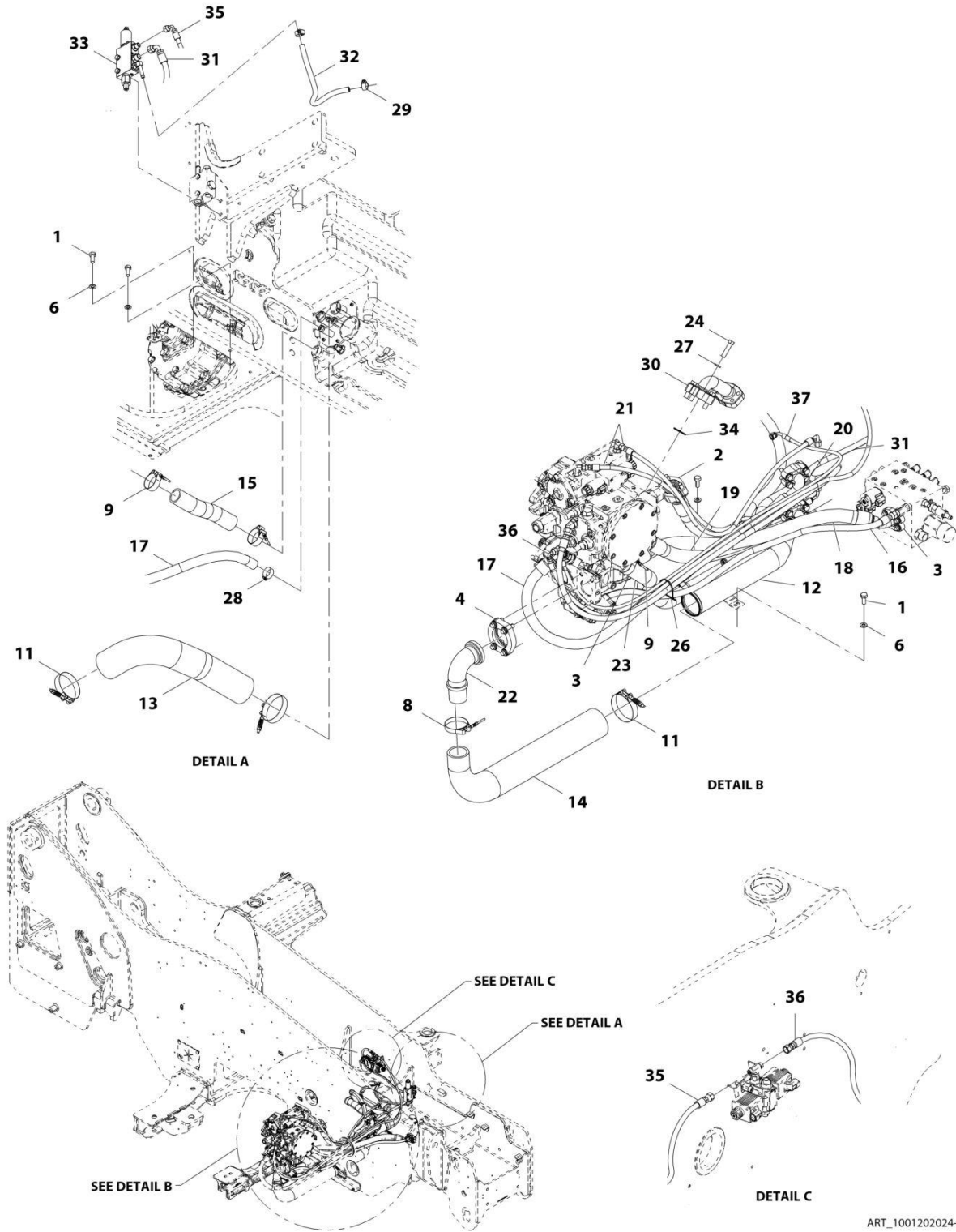
SECTION 8 - HYDRAULIC CIRCUITS

FIGURE 8-23. CHARGE FILTER ASSEMBLY

ITEM	PART NUMBER	QTY	DESCRIPTION	REV
	1001141976	Ref	Implement Pump Filter Assembly	A
1	1001141461	1	Filter	
2	1001141462	1	Pump, Filter	

SECTION 8 - HYDRAULIC CIRCUITS

FIGURE 8-24. ENGINE BAY HYDRAULIC INSTALLATION



ART_1001202024-G

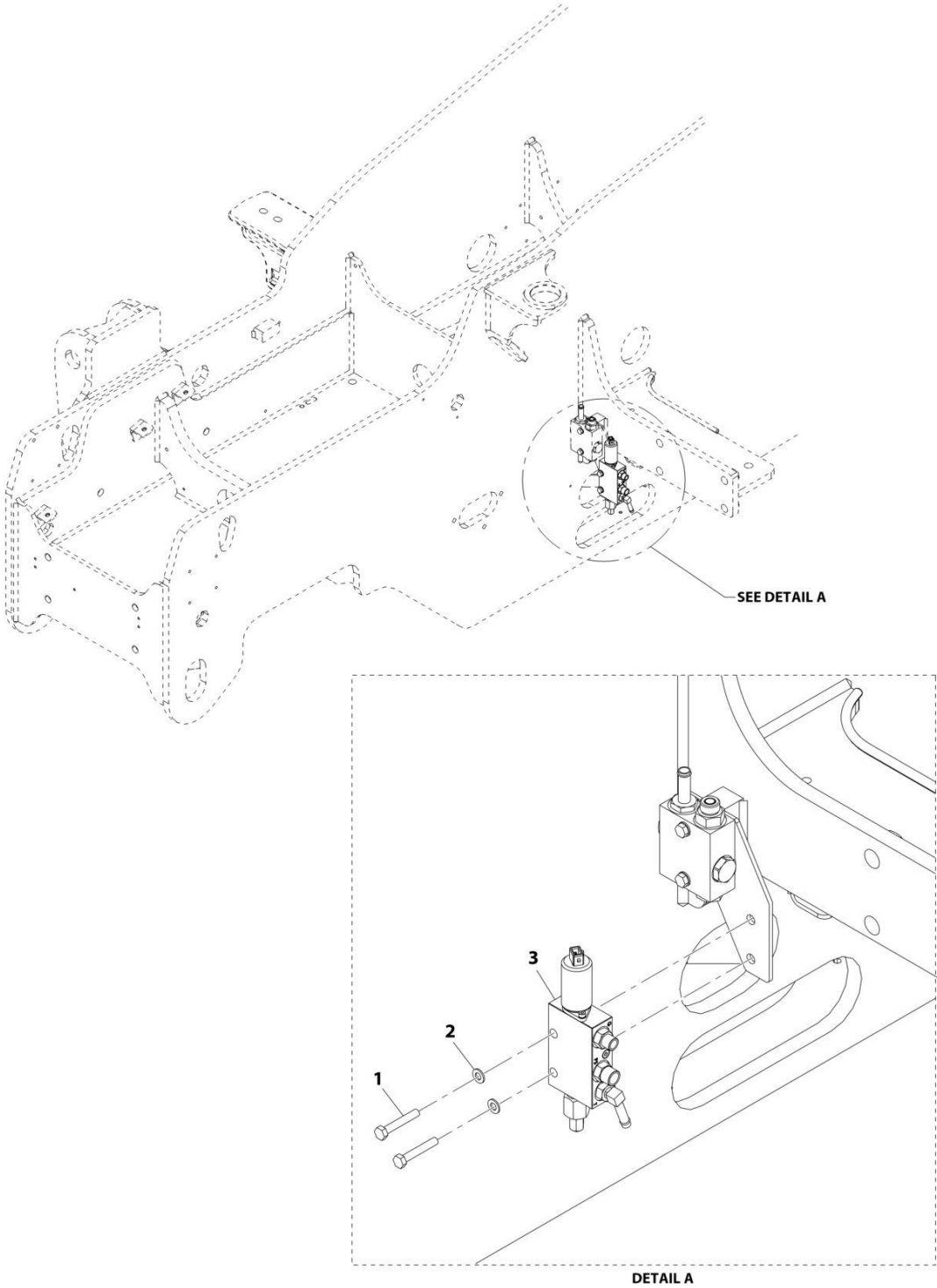
SECTION 8 - HYDRAULIC CIRCUITS

FIGURE 8-24. ENGINE BAY HYDRAULIC INSTALLATION

ITEM	PART NUMBER	QTY	DESCRIPTION	REV
	1001202024	Ref	Engine Bay Installation	G
1	0761012	4	Bolt, M10X25	
2	1001217948	4	Kit, Flange (includes mounting hardware and o-ring)	
3	2171816	2	Kit, Flange (includes mounting hardware and o-ring)	
4	2171832	1	Kit, Flange (includes mounting hardware and o-ring)	
6	4812000	4	Washer, M10	
8	1001005438	1	Clamp	
9	1001014231	4	Clamp	
11	1001186843	3	Clamp	
12	1001187272	1	Pipe	
13	1001187273	1	Hose	
14	1001187275	1	Hose	
15	1001193461	1	Hose	
16	1001196959	1	Hose	
17	1001215802	1	Hose	
18	1001214431	1	Hose	
19	1001214430	1	Hose	
20	1001214429	1	Hose	
21	1001215539	2	Hose	
22	8424233	1	Fitting, 90	
23	1001202027	1	Hose	
24	0681714	4	Bolt, 7/16-14X1 3/4 Grade 8	
26	4240099	AR	Tie, Wire	
27	4761700	4	Washer, Lock 7/16	
28	8405007	1	Clamp	
29	8410013	2	Clamp	
30	1001200870	1	Fitting, 90	
31	1001213306	1	Hose	
32	1001213307	1	Hose	
33	1001213308	1	Installation, Inching Valve (See Separate Breakdown in this Section)	
34	91083106	1	O-Ring	
35	1001215093	1	Hose	
36	1001215212	1	Hose	
37	1001223109	1	Hose	

SECTION 8 - HYDRAULIC CIRCUITS

FIGURE 8-25. ENGINE BAY INCHING VALVE INSTALLATION



ART_1001213308-A

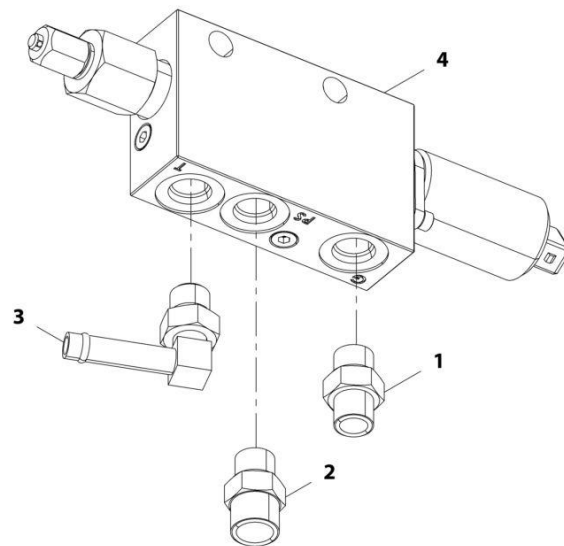
SECTION 8 - HYDRAULIC CIRCUITS

FIGURE 8-25. ENGINE BAY INCHING VALVE INSTALLATION

ITEM	PART NUMBER	QTY	DESCRIPTION	REV
	1001213308	Ref	Inching Valve Installation	A
1	0700818	2	Bolt, M8X50	
2	4811900	2	Washer, M8	
3	1001213309	1	Assembly, Inching Valve (See Separate Breakdown in this Section)	

SECTION 8 - HYDRAULIC CIRCUITS

FIGURE 8-26. ENGINE BAY INCHING VALVE/FITINGS ASSEMBLY



ART_1001213309-B

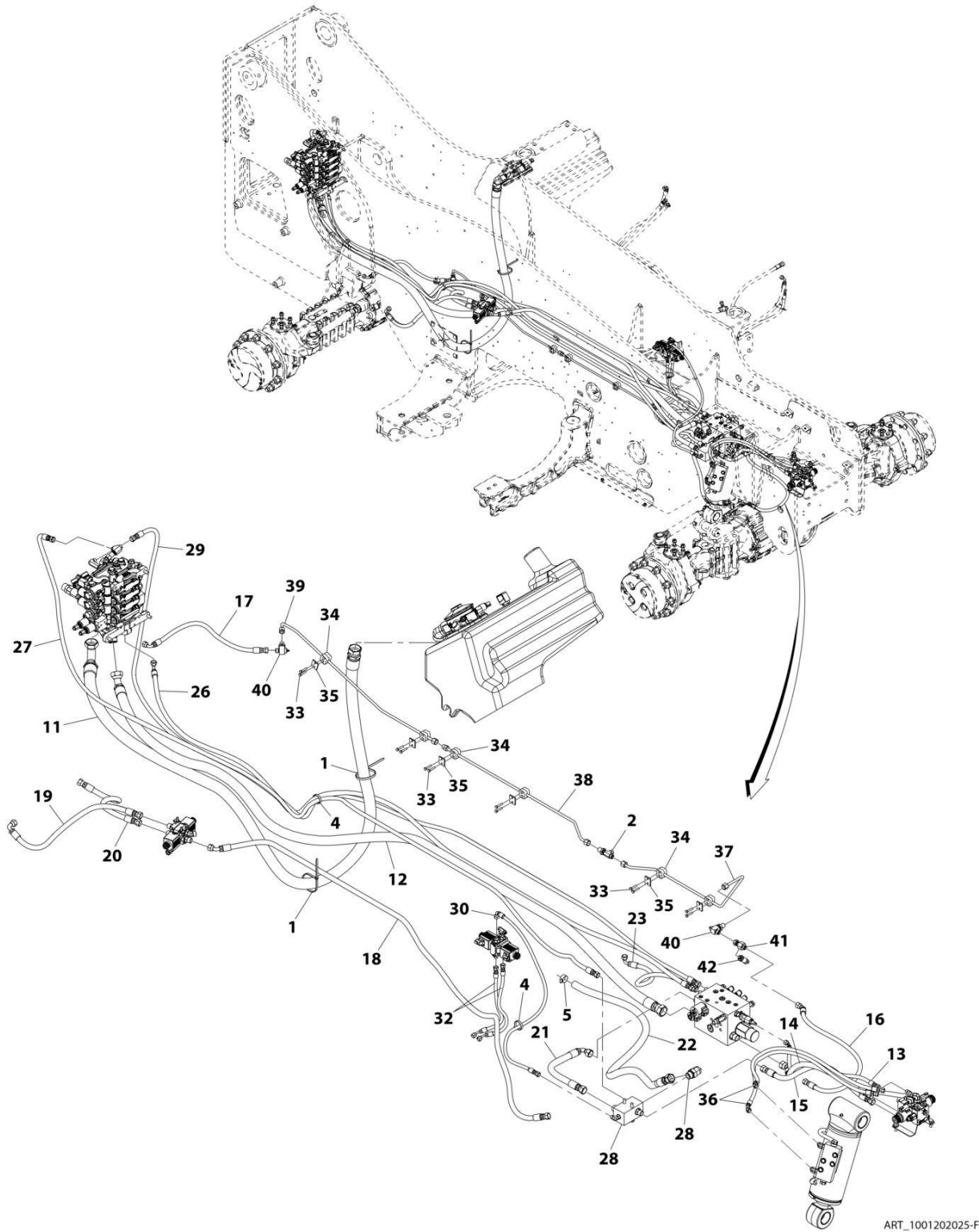
SECTION 8 - HYDRAULIC CIRCUITS

FIGURE 8-26. ENGINE BAY INCHING VALVE/FITINGS ASSEMBLY

ITEM	PART NUMBER	QTY	DESCRIPTION	REV
	1001213309	Ref	Inching Valve Assembly	B
1	2110406	1	Fitting, Straight ORFS	
2	2110606	1	Fitting, Straight ORFS	
3	8430034	1	Elbow, 90	
4	1001213311	1	Valve, Inching (See Separate Breakdown in HYDRAULIC COMPONENTS Section)	

SECTION 8 - HYDRAULIC CIRCUITS

FIGURE 8-27. FRAME HYDRAULIC INSTALLATION



ART_1001202025-F

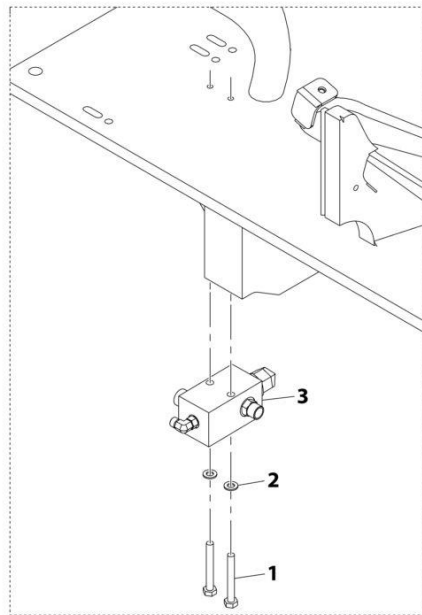
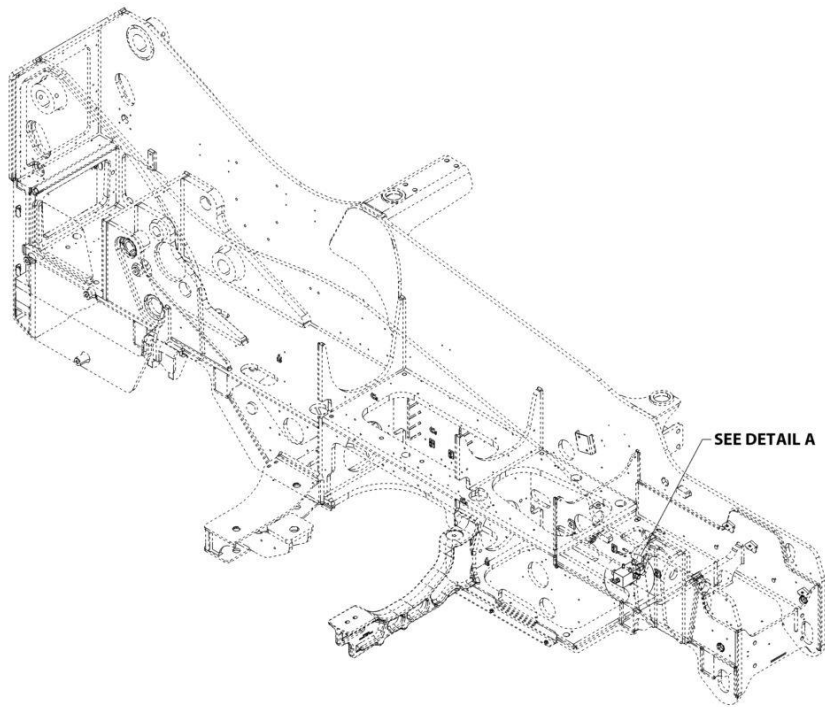
SECTION 8 - HYDRAULIC CIRCUITS

FIGURE 8-27. FRAME HYDRAULIC INSTALLATION

ITEM	PART NUMBER	QTY	DESCRIPTION	REV
	1001202025	Ref	Frame Hydraulic Installation	F
1	1062255	2	Strap, Tie	
2	88662434	1	Fitting, Tee ORFS	
4	4240018	2	Strap, Tie	
5	8405007	1	Clamp	
11	1001196964	1	Hose	
12	1001196967	1	Hose	
13	1001210635	1	Hose	
14	1001196969	1	Hose	
15	1001196970	1	Hose	
16	1001208532	1	Hose	
17	1001208534	1	Hose	
18	1001196973	1	Hose	
19	1001196974	1	Hose	
20	1001196975	1	Hose	
21	1001196976	1	Hose	
22	1001196977	1	Hose	
23	1001196978	1	Hose	
26	1001196981	1	Hose	
27	1001196982	1	Hose	
28	1001197197	Ref	Installation, Manifold (See Separate Breakdown in this Section)	
29	1001197199	1	Hose	
30	1001197200	1	Hose	
32	1001211020	2	Hose	
33	0700614	12	Bolt, M6X30	
34	9106-3040	6	Clamp	
35	9106-3039	6	Plate, Cover	
36	1001205573	2	Hose	
37	1001207788	1	Pipe	
38	1001207789	1	Pipe	
39	1001207790	1	Pipe	
40	1001210797	2	Bleeder, Brake	
41	1001111140	1	Fitting, ORFS	
42	1001147340	1	Sensor, Pressure	

SECTION 8 - HYDRAULIC CIRCUITS

FIGURE 8-28. FRAME MANIFOLD INSTALLATION



DETAIL A

ART_1001197197-B

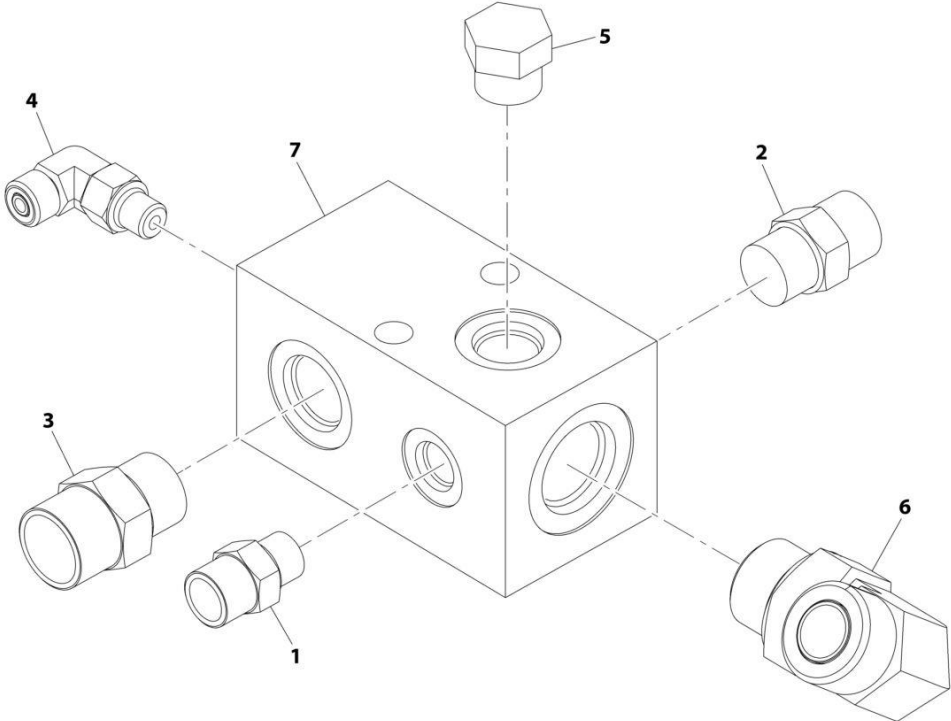
SECTION 8 - HYDRAULIC CIRCUITS

FIGURE 8-28. FRAME MANIFOLD INSTALLATION

ITEM	PART NUMBER	QTY	DESCRIPTION	REV
	1001197197	Ref	Manifold Installation	B
1	0701024	2	Bolt, M10X80	
2	4812000	2	Washer, M10	
3	1001197198	1	Assembly, Manifold (See Separate Breakdown in this Section)	

SECTION 8 - HYDRAULIC CIRCUITS

FIGURE 8-29. FRAME MANIFOLD/FITTINGS ASSEMBLY



ART_1001197198-D

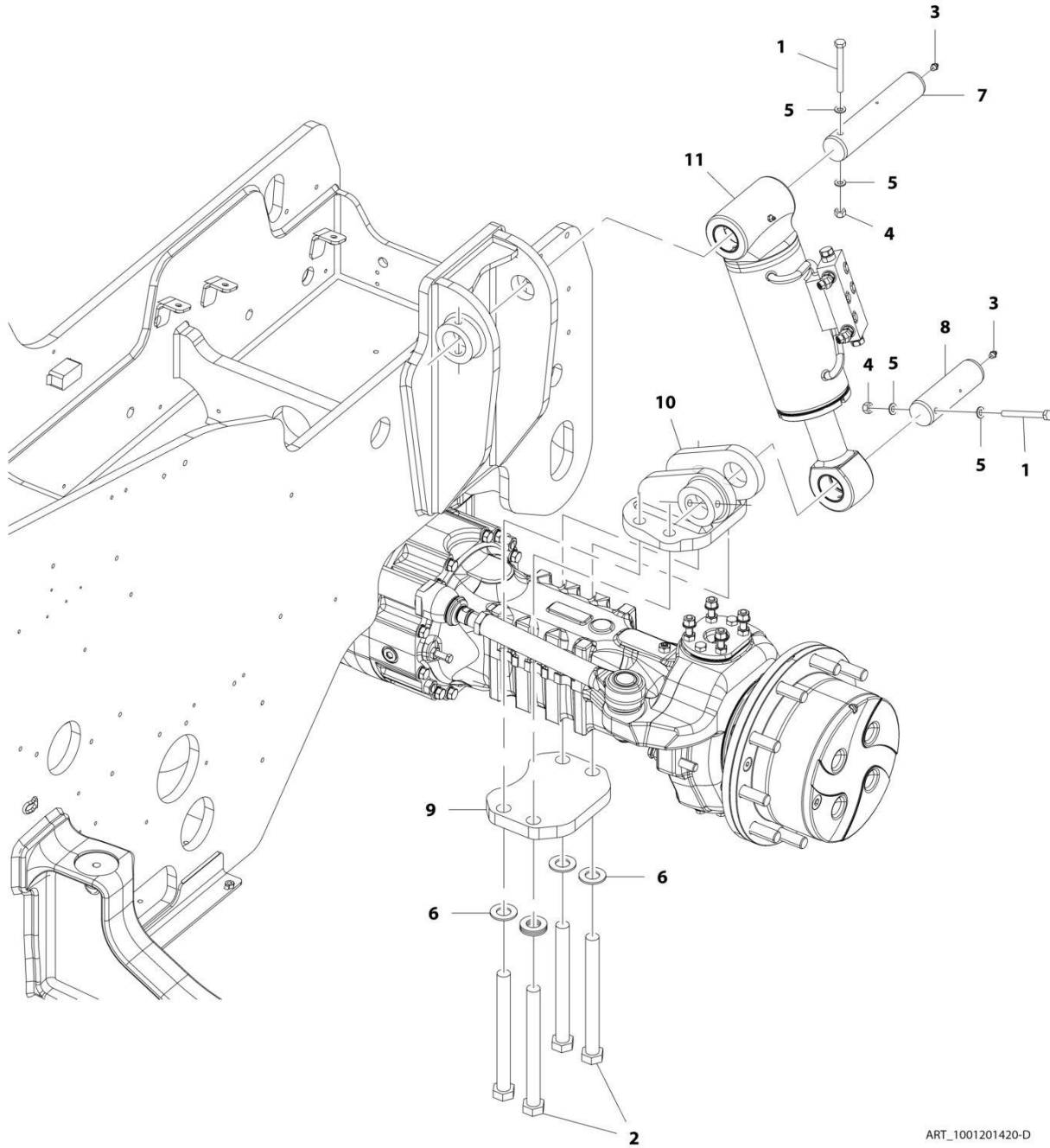
SECTION 8 - HYDRAULIC CIRCUITS

FIGURE 8-29. FRAME MANIFOLD/FITTINGS ASSEMBLY

ITEM	PART NUMBER	QTY	DESCRIPTION	REV
	1001197198	Ref	Manifold Assembly	D
1	2110606	1	Fitting, Straight ORFS	
2	2110808	1	Fitting, Straight ORFS	
3	2111010	1	Fitting, Straight ORFS	
4	2130404	1	Fitting, 90 ORFS	
5	2220238	1	Plug	
6	2131212	1	Fitting, 90 ORFS	
7	1001228504	1	Manifold	

SECTION 8 - HYDRAULIC CIRCUITS

FIGURE 8-30. FRAME LEVEL INSTALLATION



ART_1001201420-D

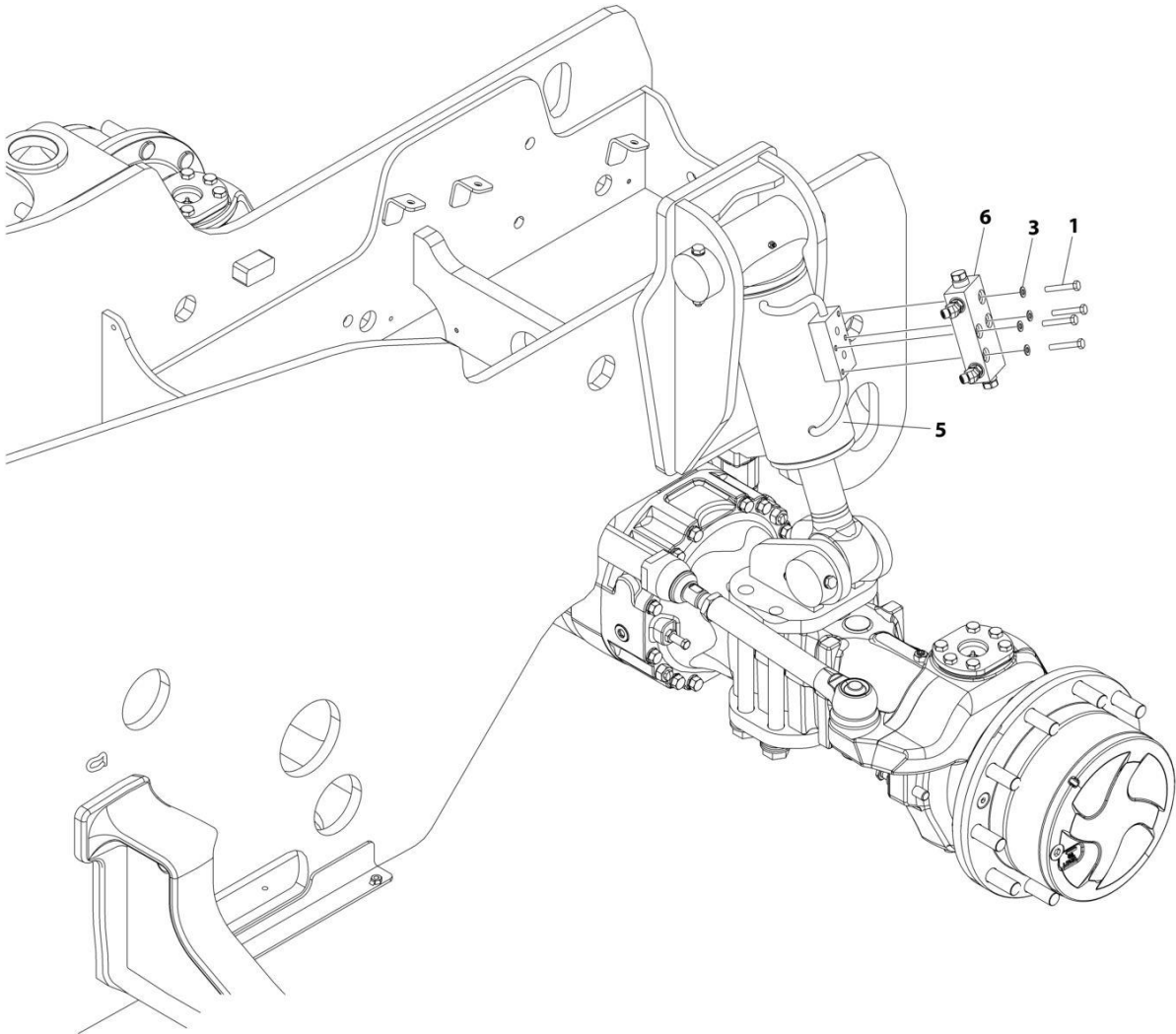
SECTION 8 - HYDRAULIC CIRCUITS

FIGURE 8-30. FRAME LEVEL INSTALLATION

ITEM	PART NUMBER	QTY	DESCRIPTION	REV
	1001201420	Ref	Frame Level Installation	D
1	0701027	2	Bolt, M10X100	
2	0712442	4	Bolt, M24X250 Grade 10.9	
3	2160016	2	Fitting, Grease	
4	3291005	2	Nut, Lock M0X1.5 Grade 8	
5	4812000	4	Washer, M10	
6	5242400	6	Washer, M24	
7	1001164971	1	Pin	
8	1001164972	1	Pin	
9	1001207325	1	Plate, Sway Bottom	
10	1001200226	1	Bracket, Axle Sway	
11	1001201074	Ref	Installation, Frame Level Cylinder (See Separate Breakdown in this Section)	

SECTION 8 - HYDRAULIC CIRCUITS

FIGURE 8-31. FRAME LEVEL CYLINDER INSTALLATION



ART_1001201074_C

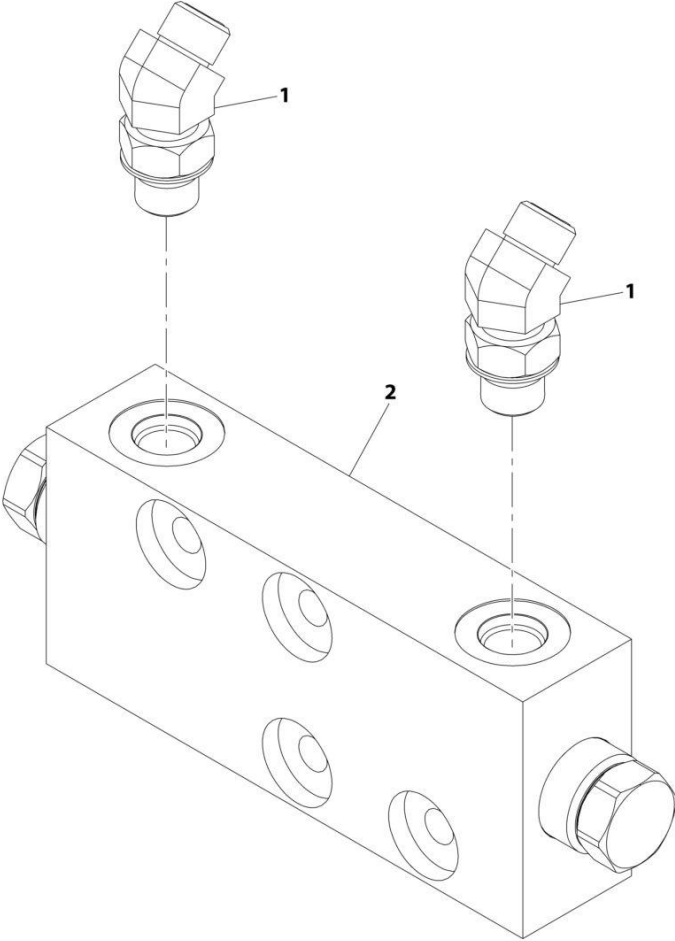
SECTION 8 - HYDRAULIC CIRCUITS

FIGURE 8-31. FRAME LEVEL CYLINDER INSTALLATION

ITEM	PART NUMBER	QTY	DESCRIPTION	REV
	1001201074	Ref	FRAME LEVEL CYLINDER INSTALLATION	C
1	0700818	4	Bolt M8 x 50	
3	4811900	4	Washer M8	
5	1001267973	1	Cylinder, Frame Level (See Separate Breakdown in HYDRAULIC COMPONENTS Section)	
6	1001217482	1	Assembly, Frame Level Valve (See Separate Breakdown in this Section)	

SECTION 8 - HYDRAULIC CIRCUITS

FIGURE 8-32. FRAME LEVEL COUNTERBALANCE VALVE/FITTINGS ASSEMBLY



ART_1001217482-A

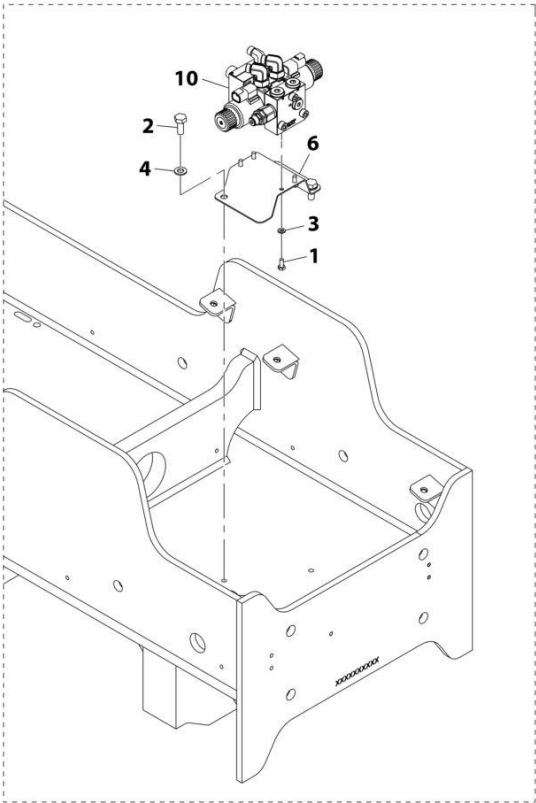
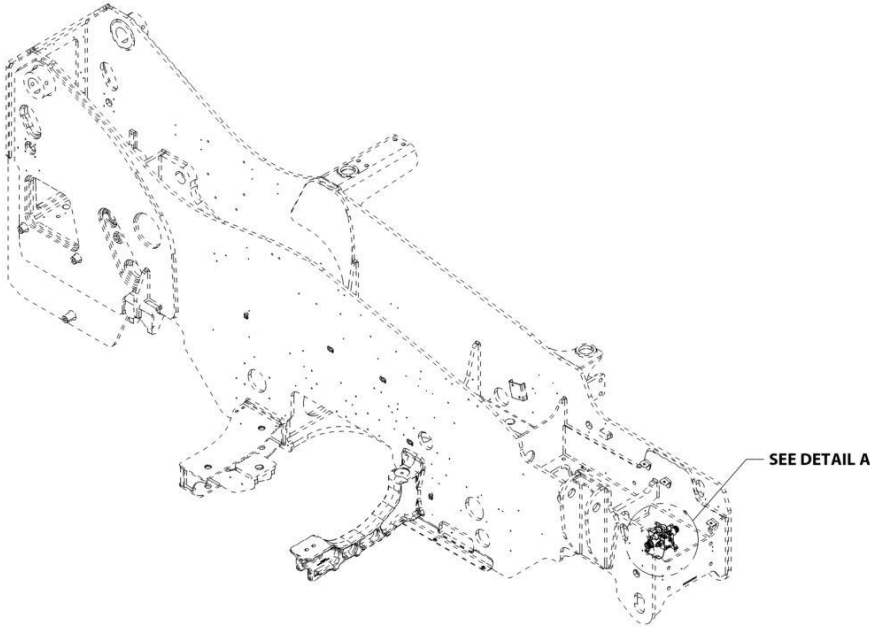
SECTION 8 - HYDRAULIC CIRCUITS

FIGURE 8-32. FRAME LEVEL COUNTERBALANCE VALVE/FITTINGS ASSEMBLY

ITEM	PART NUMBER	QTY	DESCRIPTION	REV
1	1001217482	Ref	Frame Level Valve Assembly	A
2	2150406	2	Fitting, 45 ORFS	
2	1001168599	1	Valve, Counterbalance (See Separate Breakdown in the HYDRAULIC COMPONENTS Section)	

SECTION 8 - HYDRAULIC CIRCUITS

FIGURE 8-33. FRAME LEVEL CONTROL VALVE INSTALLATION



DETAIL A

ART_1001193517-D

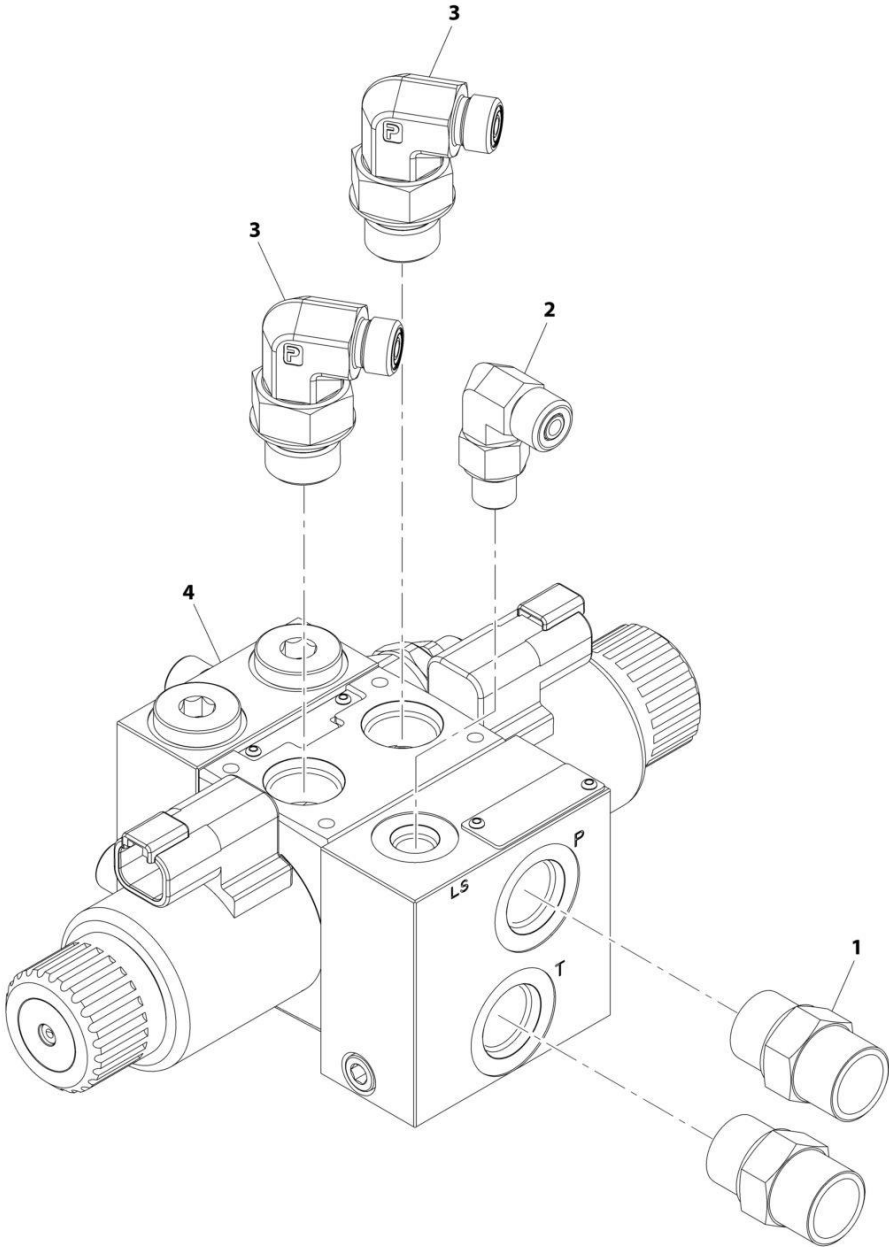
SECTION 8 - HYDRAULIC CIRCUITS

FIGURE 8-33. FRAME LEVEL CONTROL VALVE INSTALLATION

ITEM	PART NUMBER	QTY	DESCRIPTION	REV
	1001193517	Ref	Frame Level Valve Installation	D
1	0760607	4	Bolt, M6X14	
2	0761012	2	Bolt, M10X25	
3	4811700	4	Washer, M6	
4	4812000	2	Washer, M10	
6	1001195733	1	Bracket	
10	1001215341	1	Assembly, Frame Level Valve (See Separate Breakdown in this Section)	

SECTION 8 - HYDRAULIC CIRCUITS

FIGURE 8-34. FRAME LEVEL CONTROL VALVE/FITTINGS ASSEMBLY



ART_1001215341-B

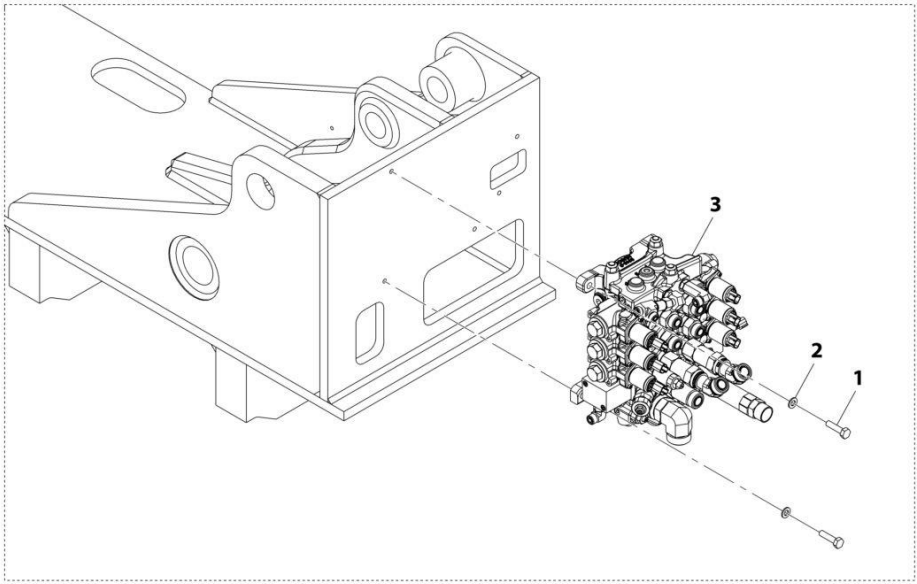
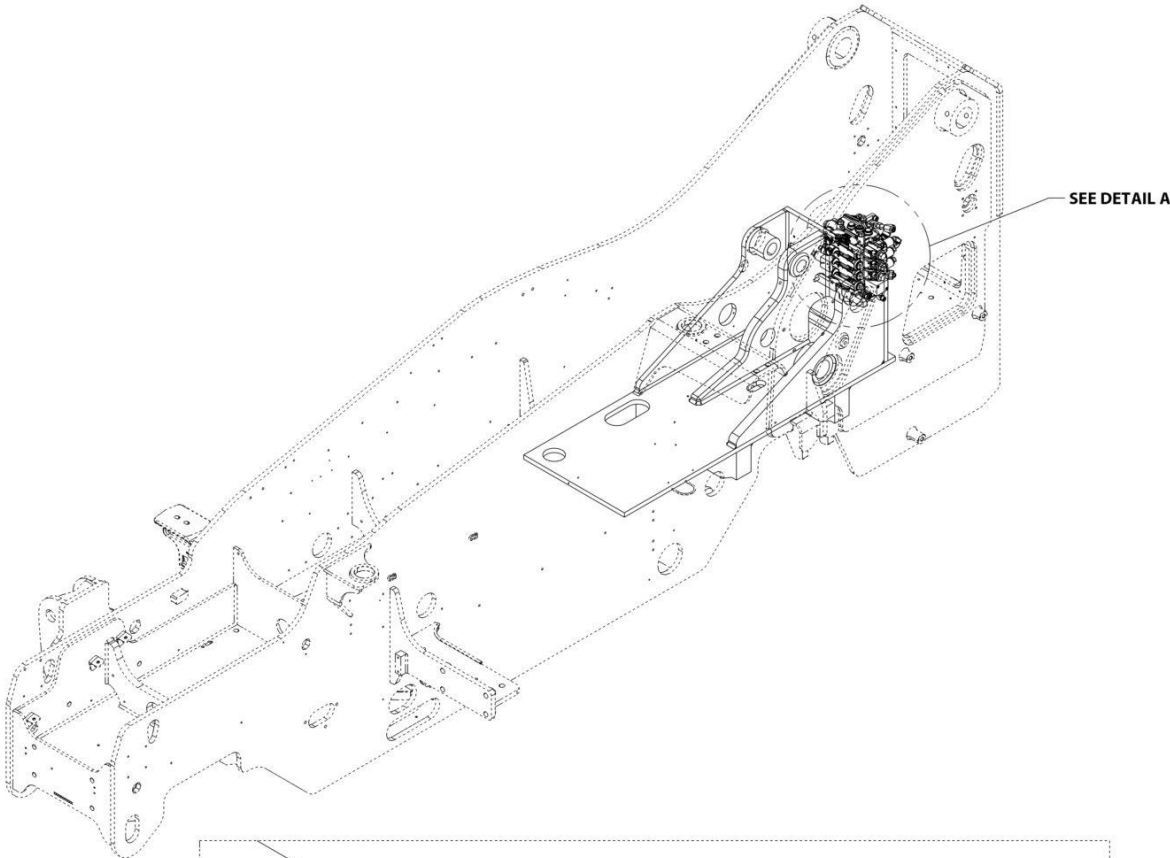
SECTION 8 - HYDRAULIC CIRCUITS

FIGURE 8-34. FRAME LEVEL CONTROL VALVE/FITTINGS ASSEMBLY

ITEM	PART NUMBER	QTY	DESCRIPTION	REV
	1001215341	Ref	Frame Level Valve Assembly	B
1	2110808	2	Fitting, Straight ORFS	
2	2130404	1	Fitting, 90 ORFS	
3	2130408	2	Fitting, 90 ORFS	
4	1001219615	1	Valve, Frame Level (See Separate Breakdown in HYDRAULIC COMPONENTS Section)	

SECTION 8 - HYDRAULIC CIRCUITS

FIGURE 8-35. MAIN CONTROL VALVE INSTALLATION



DETAIL A

ART_1001192889-C

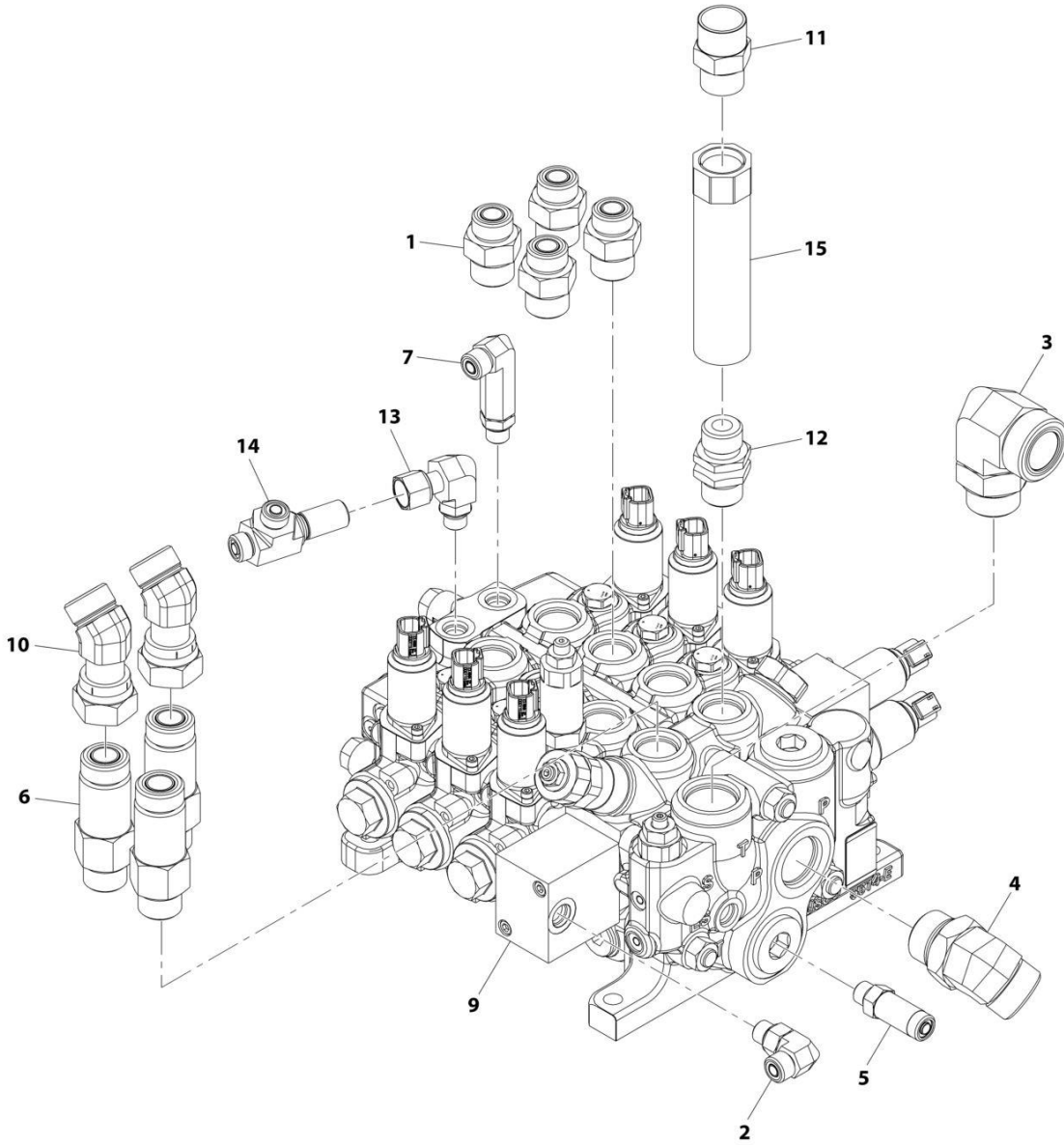
SECTION 8 - HYDRAULIC CIRCUITS

FIGURE 8-35. MAIN CONTROL VALVE INSTALLATION

ITEM	PART NUMBER	QTY	DESCRIPTION	REV
	1001192889	Ref	Main Control Valve Installation	C
1	0701016	3	Bolt, M10X40	
2	4812000	3	Washer, M10	
3	1001192890	1	Assembly, Main Control Valve (See Separate Breakdown in this Section)	

SECTION 8 - HYDRAULIC CIRCUITS

FIGURE 8-36. MAIN CONTROL VALVE/FITTINGS ASSEMBLY



ART_1001192890-E

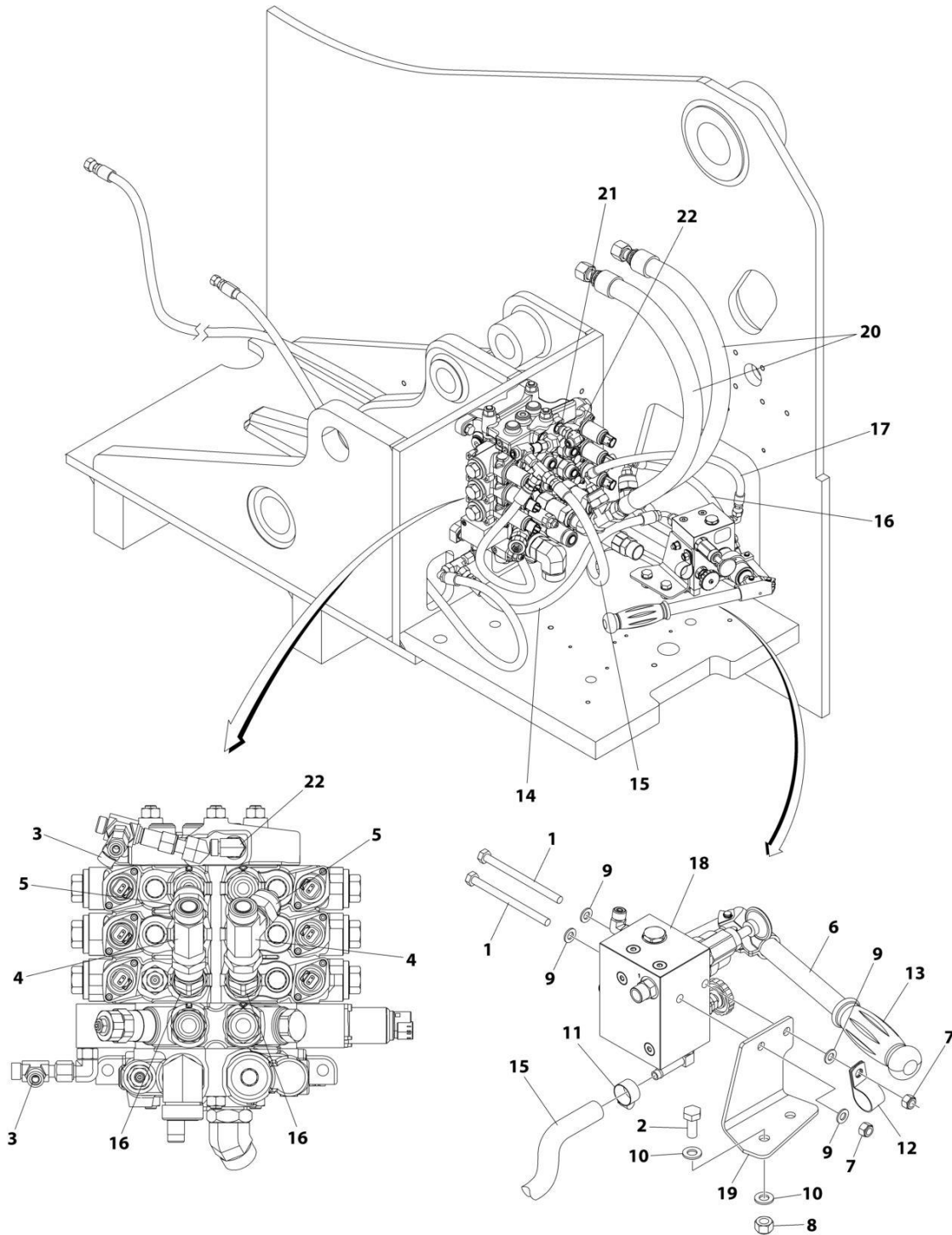
SECTION 8 - HYDRAULIC CIRCUITS

FIGURE 8-36. MAIN CONTROL VALVE/FITTINGS ASSEMBLY

ITEM	PART NUMBER	QTY	DESCRIPTION	REV
	1001192890	Ref	Main Control Valve Assembly	E
1	2111012	4	Fitting, Straight ORFS	
2	2130606	1	Fitting, 90 ORFS	
3	2132016	1	Fitting, 90 ORFS	
4	2151616	1	Fitting, 45 ORFS	
5	2170106	1	Fitting, Straight ORFS	
6	2170112	3	Fitting, Straight ORFS	
7	2170206	1	Fitting, 90 ORFS	
9	1001241880	1	Valve, Main Control (See Separate Breakdown in HYDRAULIC COMPONENTS Section)	
10	1001151238	2	Fitting, 45 ORFS	
11	2111212	1	Fitting, Straight ORFS	
12	8770030	1	Fitting, Straight ORFS	
13	8770104	1	Fitting, 90 ORFS	
14	8770286	1	Fitting, Tee ORFS	
15	1001224946	1	Valve, Check	

SECTION 8 - HYDRAULIC CIRCUITS

FIGURE 8-37. MANUAL PUMP (LIFT/TELE) INSTALLATION - REMOTE CONTROL EMERGENCY LOWERING



ART_1001253671

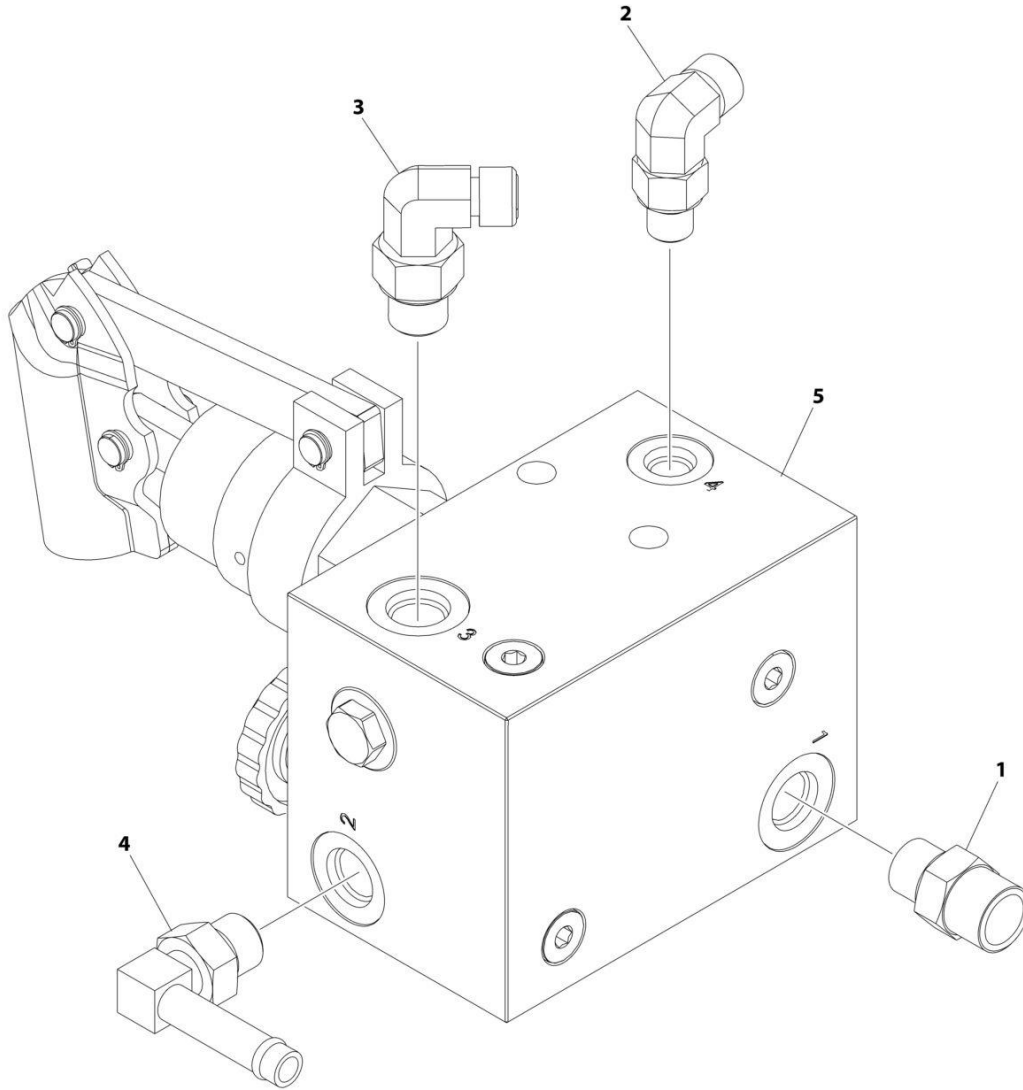
SECTION 8 - HYDRAULIC CIRCUITS

FIGURE 8-37. MANUAL PUMP (LIFT/TELE) INSTALLATION - REMOTE CONTROL EMERGENCY LOWERING

ITEM	PART NUMBER	QTY	DESCRIPTION	REV
	1001253671	Ref	Manual Pump (Lift/Tele) Installation	A
1	0700828	2	Bolt M8 x 110	
2	0761012	2	Bolt M10 x 25	
3	2170706	2	Fitting, Tee ORFS/FSORFS/ORFS	
4	2170712	2	Fitting, Tee ORFS/FSORFS/ORFS	
5	2221221	2	Fitting, Straight ORFS/FSORFS	
6	2560122	1	Handle	
7	3290805	2	Nut M8	
8	3291005	2	Nut M10	
9	4811900	4	Washer M8	
10	4812000	4	Washer M10	
11	8405006	1	Clamp	
12	8406201	1	Clip	
13	1001114761	1	Grip, Handle	
14	1001255519	1	Hose	
15	1001255520	1	Hose	
16	1001255521	1	Hose	
17	1001255522	1	Hose	
18	1001255536	1	Valve and Fittings Assembly (Manual Lift/Tele) (See Separate Breakdown in this Section)	
19	1001255568	1	Plate	
20	1001255567	2	Hose	
21	80333184	1	Fitting, Check	
22	2172106	1	Fitting, 90 ORFS/FSORFS	

SECTION 8 - HYDRAULIC CIRCUITS

FIGURE 8-38. VALVE & FITTING ASSEMBLY - MANUAL LIFT/TELE



ART_1001255536

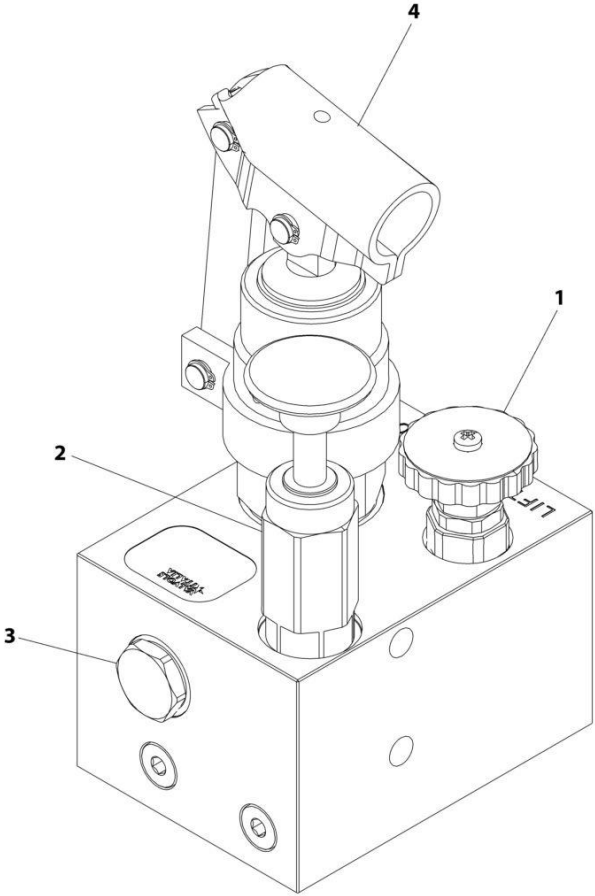
SECTION 8 - HYDRAULIC CIRCUITS

FIGURE 8-38. VALVE & FITTING ASSEMBLY - MANUAL LIFT/TELE

ITEM	PART NUMBER	QTY	DESCRIPTION	REV
	1001255536	Ref	Valve & Fitting Assembly - Manual Lift/Tele	A
1	2110606	1	Fitting, Straight ORFS/ORB	
2	2130404	1	Fitting, 90 ORFS/ORB	
3	2130406	1	Fitting, 90 ORFS/ORB	
4	8430034	1	Fitting, 90	
5	1001253661	1	Valve Assembly - Lift/Tele (See Separate Breakdown in this Section)	

SECTION 8 - HYDRAULIC CIRCUITS

FIGURE 8-39. VALVE ASSEMBLY - MANUAL LIFT/TELE



ART_1001253661

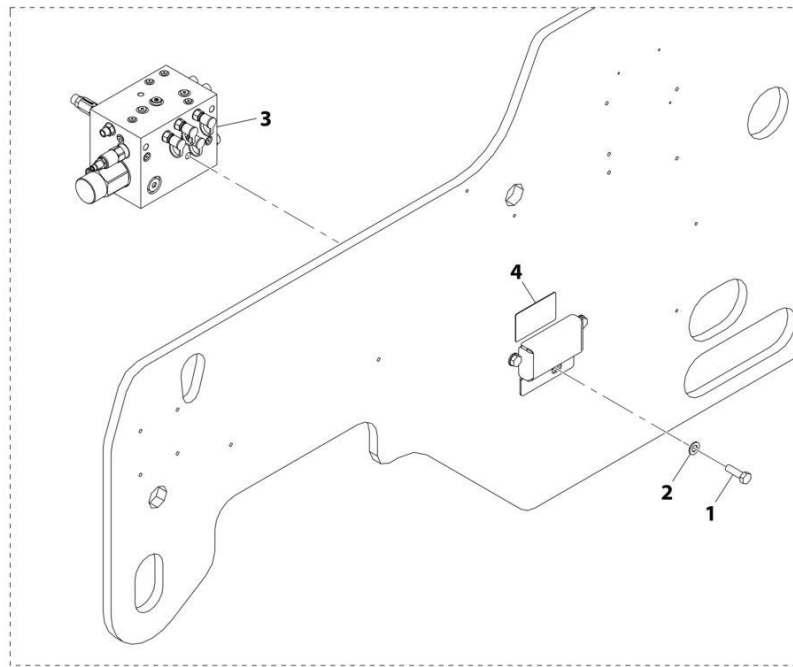
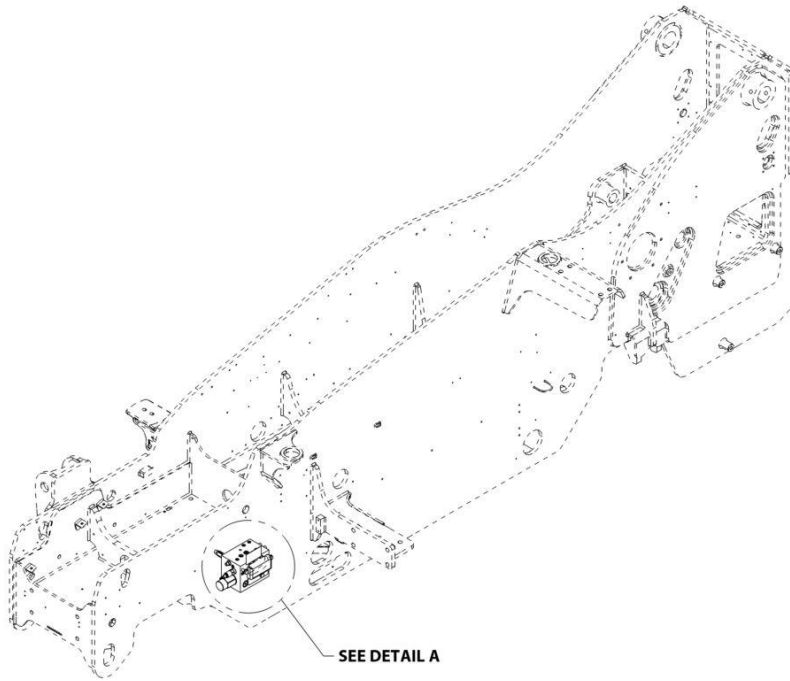
SECTION 8 - HYDRAULIC CIRCUITS

FIGURE 8-39. VALVE ASSEMBLY - MANUAL LIFT/TELE

ITEM	PART NUMBER	QTY	DESCRIPTION	REV
	1001253661	Ref	VALVE ASSEMBLY - MANUAL LIFT/TELE	A
1	70030102	1	Valve, Poppet	
2	70030104	1	Cartridge, Hand Pump	
3	70030103	1	Valve, Check	
4	70005440	1	Cartridge, Hand Pump	

SECTION 8 - HYDRAULIC CIRCUITS

FIGURE 8-40. PRIORITY VALVE INSTALLATION



ART_1001192885-B

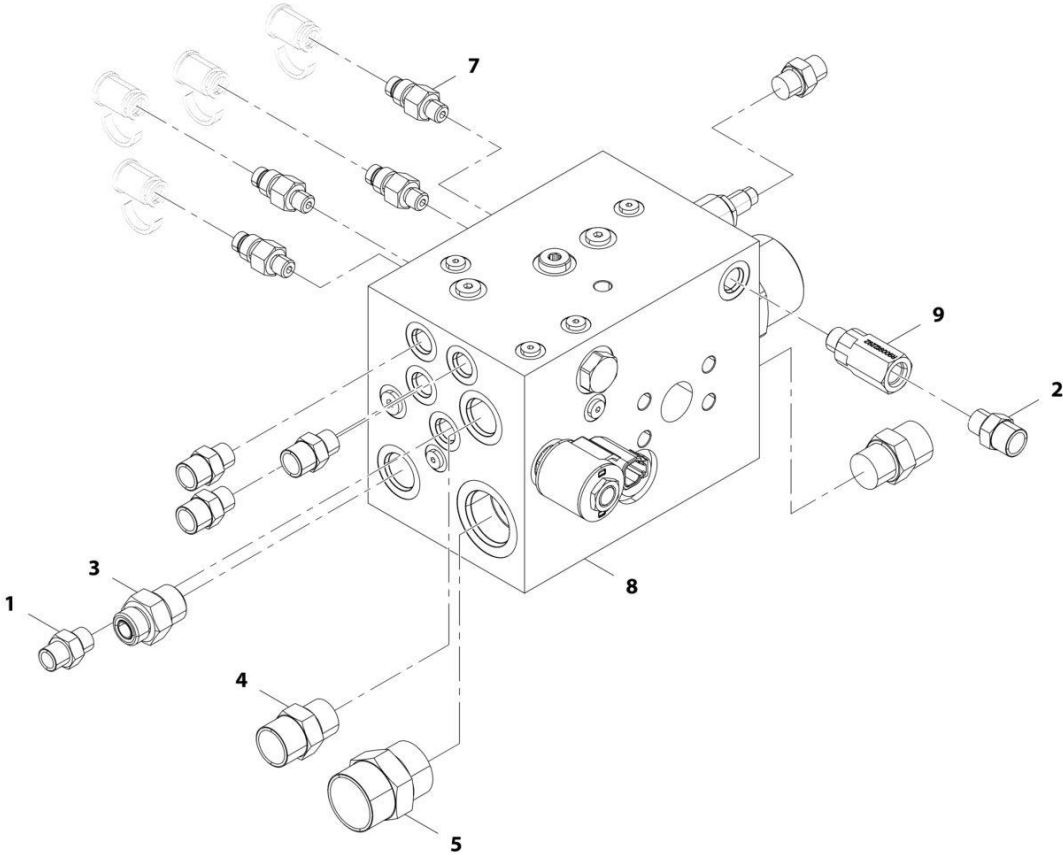
SECTION 8 - HYDRAULIC CIRCUITS

FIGURE 8-40. PRIORITY VALVE INSTALLATION

ITEM	PART NUMBER	QTY	DESCRIPTION	REV
	1001192885	Ref	Priority Manifold Installation	B
1	0701216	3	Bolt, M12X40	
2	4812100	3	Washer, M12	
3	1001192886	1	Assembly, Priority Valve (See Separate Breakdown in this Section)	
4	1001192887	1	Decal	

SECTION 8 - HYDRAULIC CIRCUITS

FIGURE 8-41. PRIORITY VALVE/FITTINGS ASSEMBLY



ART_1001192886-D

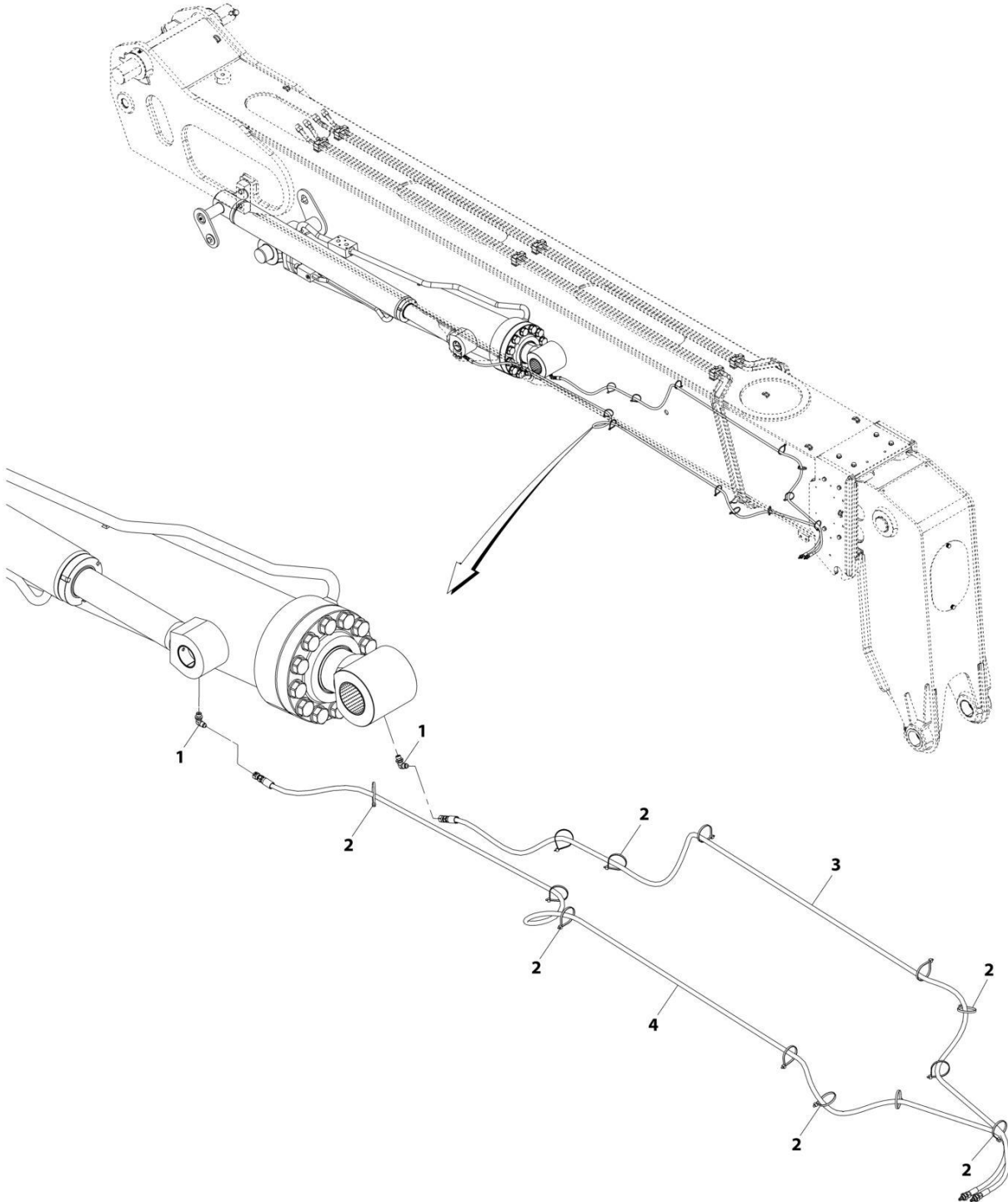
SECTION 8 - HYDRAULIC CIRCUITS

FIGURE 8-41. PRIORITY VALVE/FITTINGS ASSEMBLY

ITEM	PART NUMBER	QTY	DESCRIPTION	REV
	1001192886	Ref	Priority Valve Assembly	D
1	2110406	2	Fitting, Straight ORFS	
2	2110606	4	Fitting, Straight ORFS	
3	2110810	1	Fitting, Straight ORFS	
4	2111010	2	Fitting, Straight ORFS	
5	2111616	1	Fitting, Straight ORFS	
7	8430033	4	Fitting, Straight	
8	1001192888	1	Assembly, Priority Valve (See Separate Breakdown in HYDRAULIC COMPONENTS Section)	
9	1001187355	1	Valve, Check	

SECTION 8 - HYDRAULIC CIRCUITS

FIGURE 8-42. REMOTE GREASE FITTINGS INSTALLAATION (1732)



ART_1001217352-B

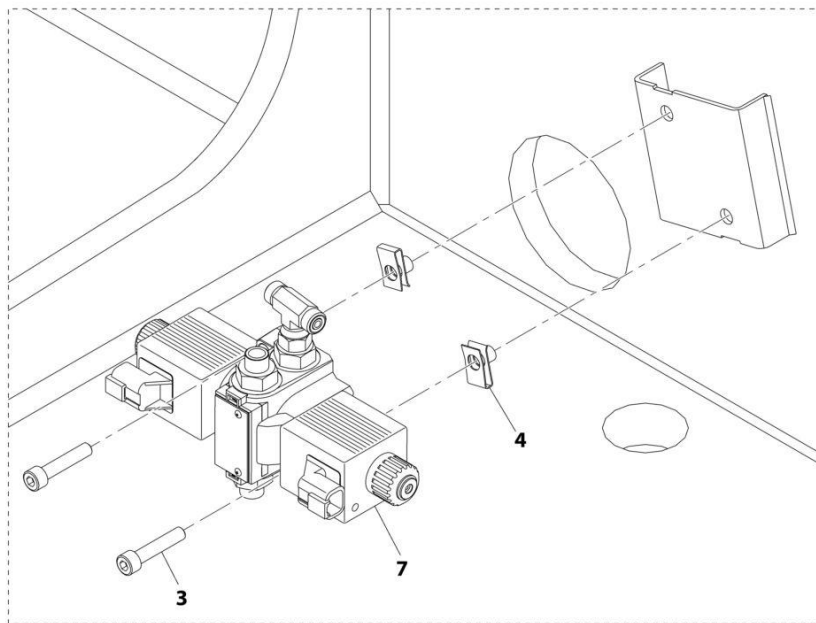
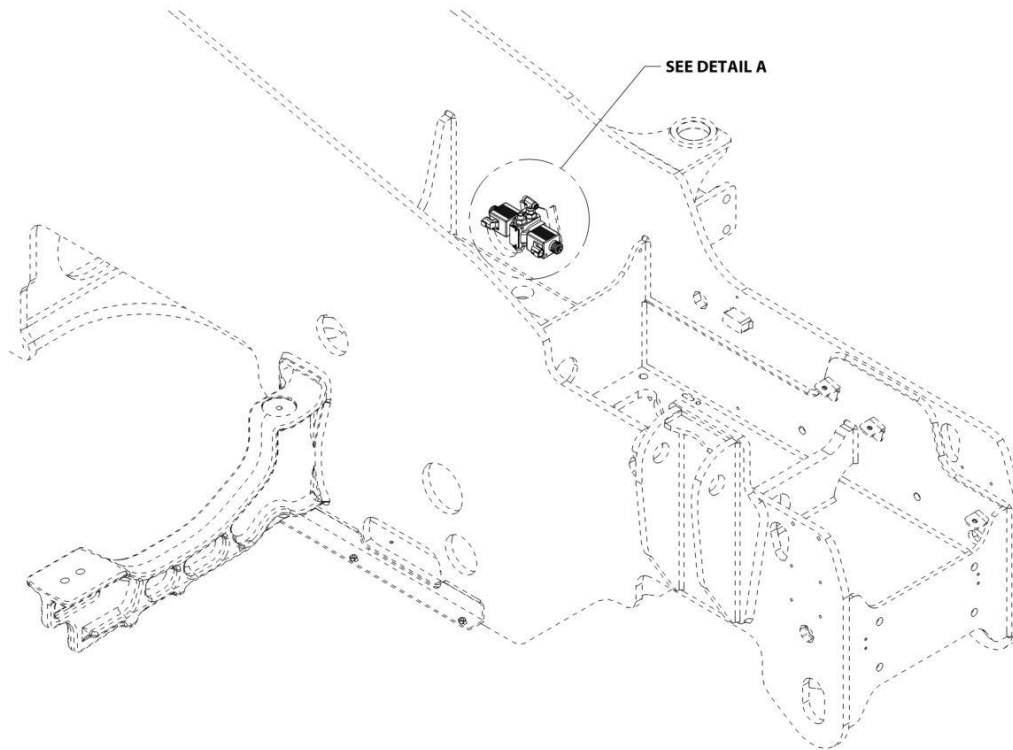
SECTION 8 - HYDRAULIC CIRCUITS

FIGURE 8-42. REMOTE GREASE FITTINGS INSTALLATION (1732)

ITEM	PART NUMBER	QTY	DESCRIPTION	REV
	1001217352	Ref	Remote Grease Installation	B
1	8770215	2	Fitting, 90 ORFS	
2	1001008559	13	Strap, Cable	
3	1001217354	1	Hose	
4	1001217355	1	Hose	

SECTION 8 - HYDRAULIC CIRCUITS

FIGURE 8-43. SPEED CONTROL VALVE INSTALLATION



DETAIL A

ART_1001197196-B

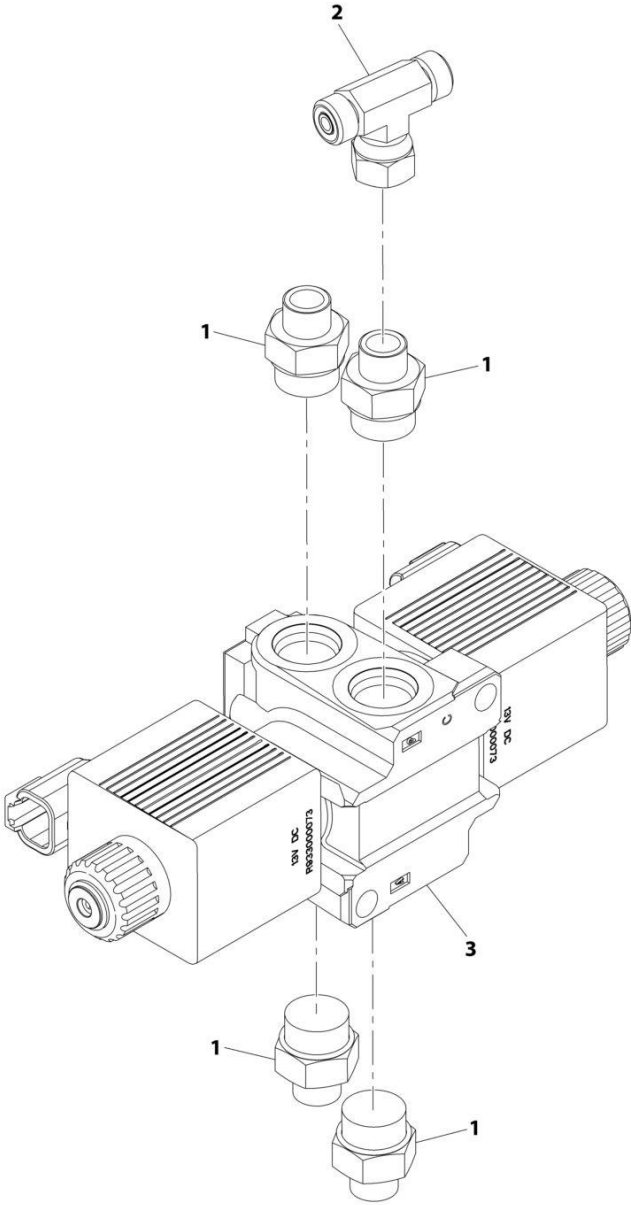
SECTION 8 - HYDRAULIC CIRCUITS

FIGURE 8-43. SPEED CONTROL VALVE INSTALLATION

ITEM	PART NUMBER	QTY	DESCRIPTION	REV
	1001197196	Ref	Speed Control Valve Installation	B
3	4031912	2	Bolt, M8X40	
4	8310686	2	Nut, M8X12.5	
7	1001220643	1	Assembly, Speed Control Valve (See Separate Breakdown in this Section)	

SECTION 8 - HYDRAULIC CIRCUITS

FIGURE 8-44. SPEED CONTROL VALVE/FITTINGS ASSEMBLY



ART_1001220643-A

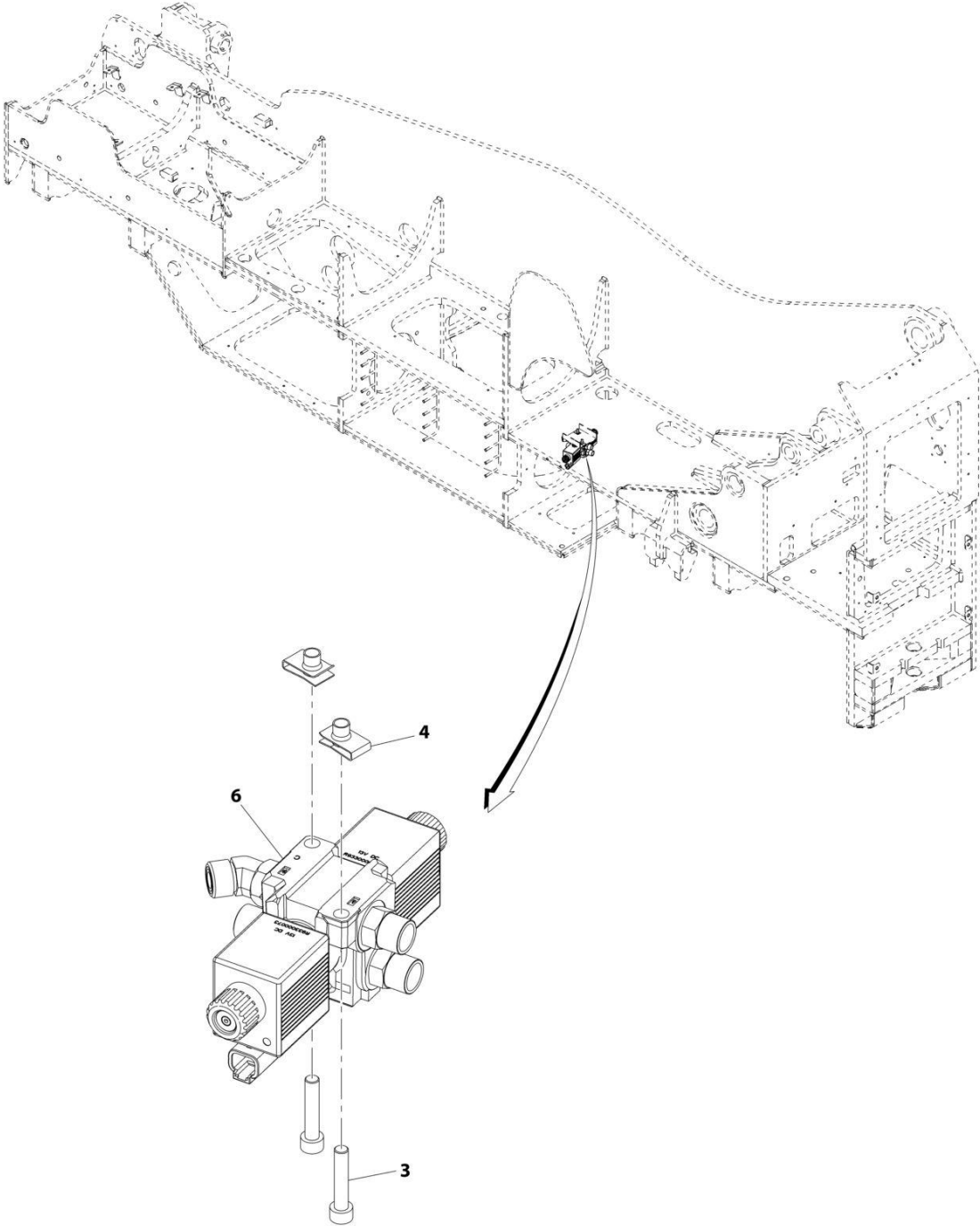
SECTION 8 - HYDRAULIC CIRCUITS

FIGURE 8-44. SPEED CONTROL VALVE/FITTINGS ASSEMBLY

ITEM	PART NUMBER	QTY	DESCRIPTION	REV
	1001220643	Ref	Speed Control Valve Assembly	A
1	2110408	4	Fitting, Straight ORFS	
2	2170804	1	Fitting, Tee	
3	4641520	1	Valve, Speed Control (See Separate Breakdown in HYDRAULIC COMPONENTS Section)	

SECTION 8 - HYDRAULIC CIRCUITS

FIGURE 8-45. STEERING SELECT VALVE INSTALLATION



ART_1001193516-B

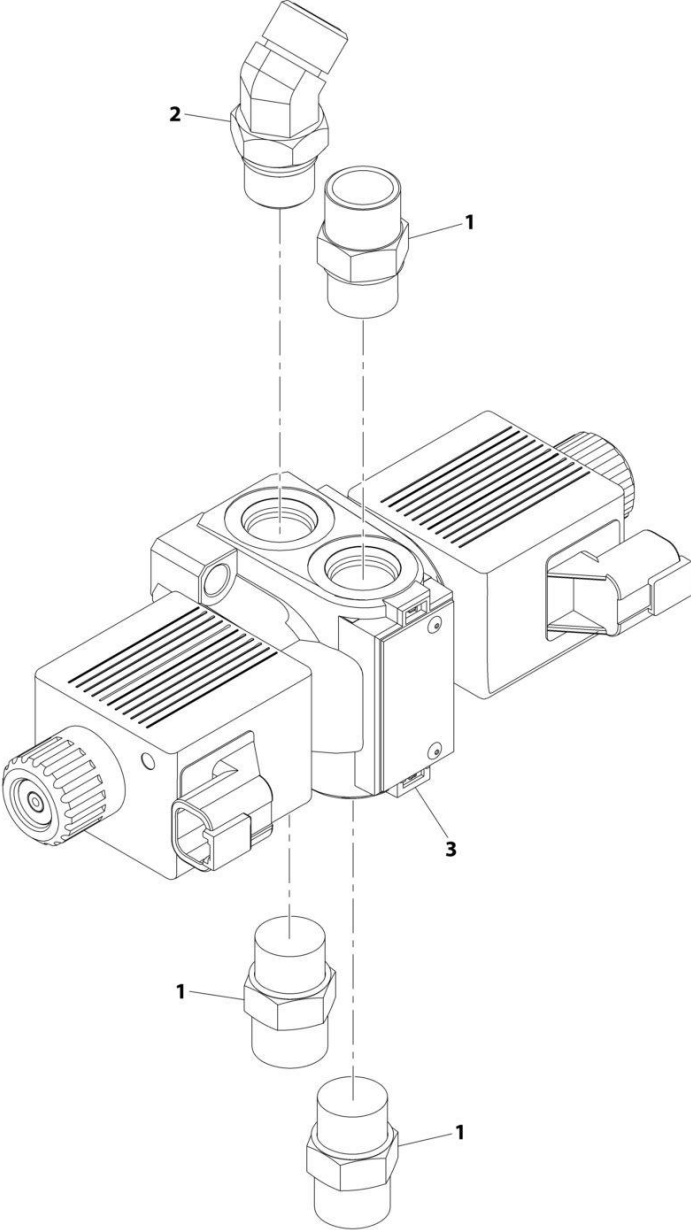
SECTION 8 - HYDRAULIC CIRCUITS

FIGURE 8-45. STEERING SELECT VALVE INSTALLATION

ITEM	PART NUMBER	QTY	DESCRIPTION	REV
	1001193516	Ref	Steering Select Valve Installation	B
3	4031912	2	Bolt, M8X40	
4	8310686	2	Nut, M8X12.5	
6	1001212418	1	Assembly, Steering Select Valve (See Separate Breakdown in this Section)	

SECTION 8 - HYDRAULIC CIRCUITS

FIGURE 8-46. STEERING SELECT VALVE/FITTINGS ASSEMBLY



ART_1001212418-A

SECTION 8 - HYDRAULIC CIRCUITS

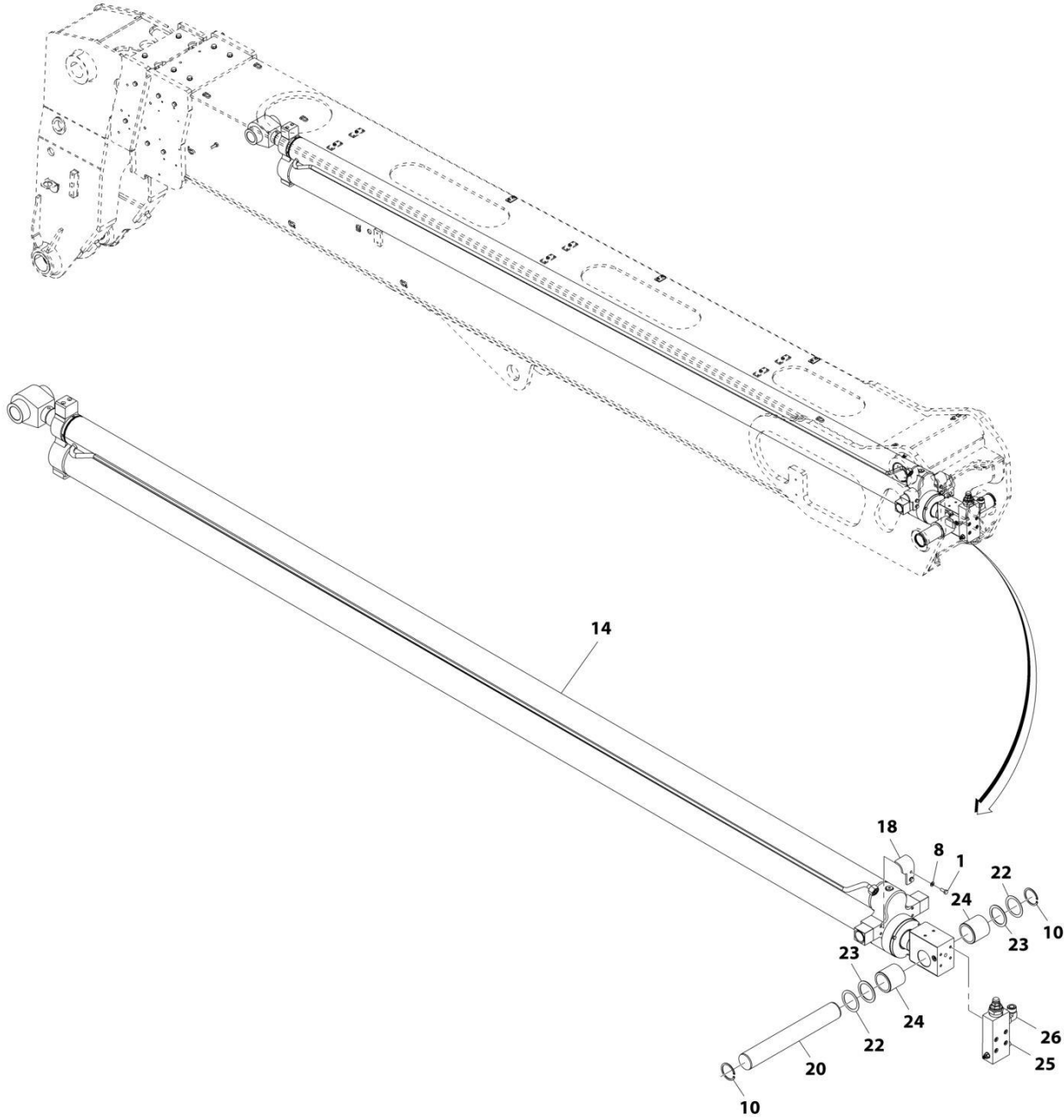
FIGURE 8-46. STEERING SELECT VALVE/FITTINGS ASSEMBLY

ITEM	PART NUMBER	QTY	DESCRIPTION	REV
	1001212418	Ref	Steering Select Valve Assembly	A
1	2110808	3	Fitting, Straight ORFS	
2	2150808	1	Fitting, 45 ORFS	
3	1001153748	1	Valve, Steering Select (See Separate Breakdown in HYDRAULIC COMPONENTS Section)	

SECTION 9 - HYDRAULIC COMPONENTS

SECTION 9 - HYDRAULIC COMPONENTS

FIGURE 9-1. EXTEND/RETRACT CYLINDER INSTALLATION



ART_1001199325-H

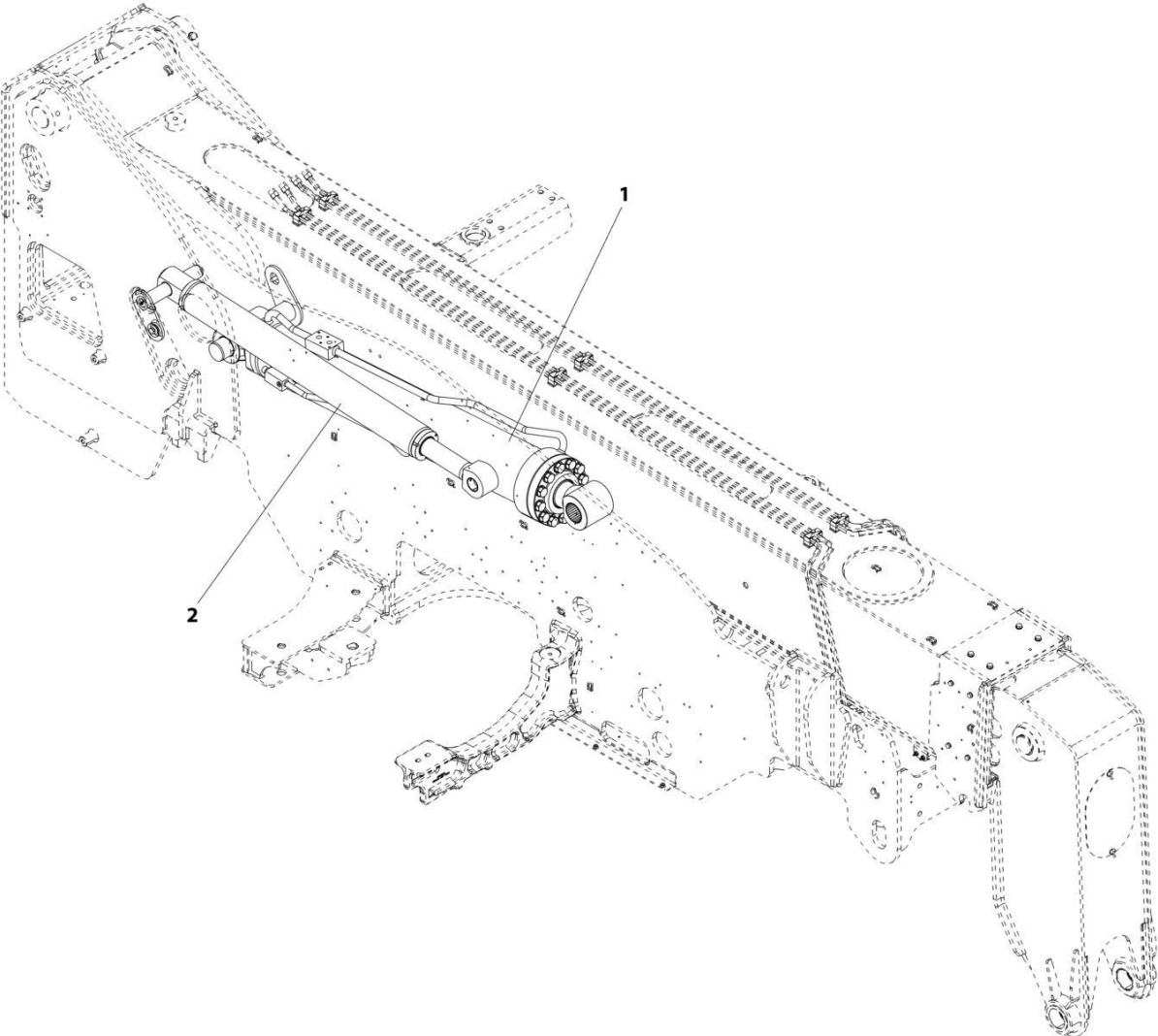
SECTION 9 - HYDRAULIC COMPONENTS

FIGURE 9-1. EXTEND/RETRACT CYLINDER INSTALLATION

ITEM	PART NUMBER	QTY	DESCRIPTION	REV
	1001199325	Ref	Extend/Retract Cylinder Installation	H
1	0760810	2	Bolt, M8X20	
8	4811900	2	Washer, M8	
10	8006258	2	Ring, Retaining	
14	1001226947	1	Cylinder, Extend/Retract (See Separate Breakdown in this Section)	
18	1001213562	1	Plate	
20	1001205528	1	Pin	
22	1001100166	2	Shim	
23	1001100169	2	Shim	
24	1001208451	2	Spacer, M70X5X72	
25	2110806	1	Fitting, Straight ORFS	
26	2131212	1	Fitting, 90 ORFS	

SECTION 9 - HYDRAULIC COMPONENTS

FIGURE 9-2. CYLINDER INSTALLATION - BOOM LIFT & COMPENSATION CYLINDER



ART_1001174107-C

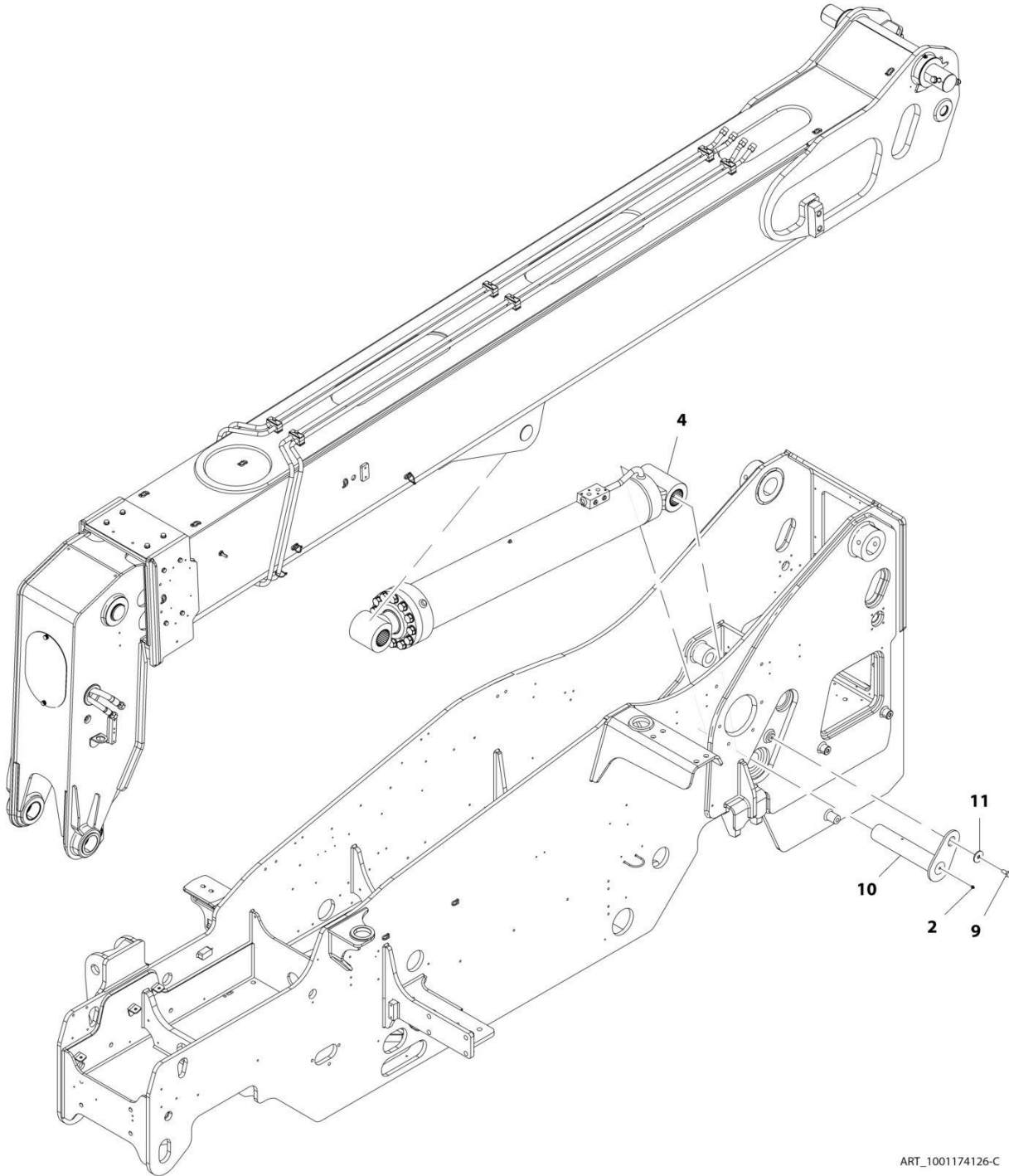
SECTION 9 - HYDRAULIC COMPONENTS

FIGURE 9-2. CYLINDER INSTALLATION - BOOM LIFT & COMPENSATION CYLINDER

ITEM	PART NUMBER	QTY	DESCRIPTION	REV
1	1001174107	Ref	Cylinder Group Installation	C
	1001174126	Ref	Installation, Lift Cylinder (See Separate Breakdown in this Section)	
2	1001198578	Ref	Installation, Compensation Cylinder (See Separate Breakdown in this Section)	

SECTION 9 - HYDRAULIC COMPONENTS

FIGURE 9-3. CYLINDER INSTALLATION - BOOM LIFT



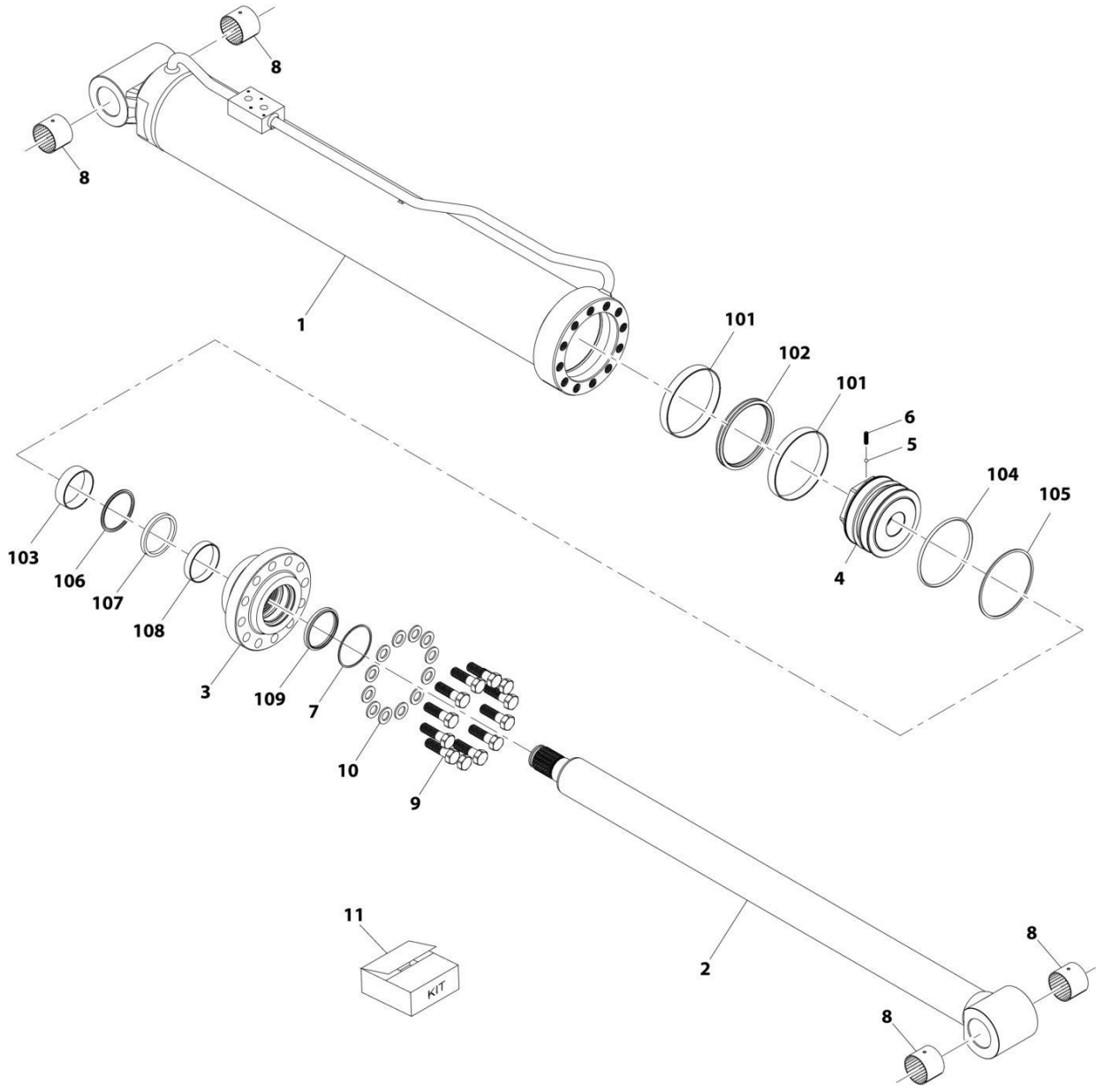
SECTION 9 - HYDRAULIC COMPONENTS

FIGURE 9-3. CYLINDER INSTALLATION - BOOM LIFT

ITEM	PART NUMBER	QTY	DESCRIPTION	REV
	1001174126	Ref	Lift Cylinder Installation	C
2	2160016	1	Fitting, Grease	
4	1001174811	1	Cylinder, Lift (See Separate Breakdown in this Section)	
9	0771414	1	Bolt, M14X30 Grade 10.9	
10	1001216331	1	Pin	
11	1001217226	1	Washer	

SECTION 9 - HYDRAULIC COMPONENTS

FIGURE 9-4. CYLINDER ASSEMBLY - BOOM LIFT



ART_1001174811-E

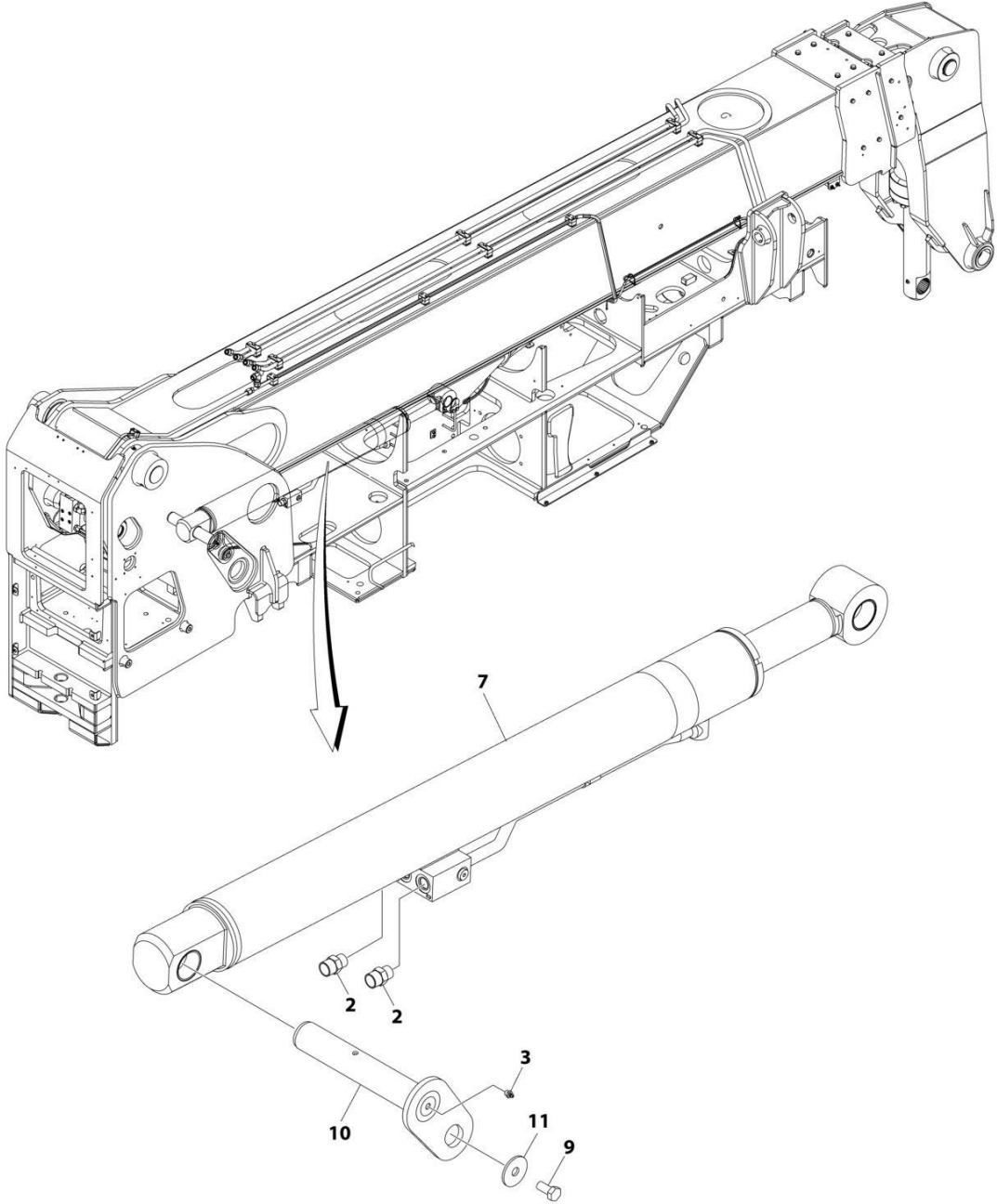
SECTION 9 - HYDRAULIC COMPONENTS

FIGURE 9-4. CYLINDER ASSEMBLY - BOOM LIFT

ITEM	PART NUMBER	QTY	DESCRIPTION	REV
	1001174811	Ref	Lift Cylinder	E
		Ref	Note: Original Cylinder May Have Been Replaced with Service Replacement. Identify PN Stamped on Cylinder Before Ordering Parts.	
1	N.S.S.	1	Barrel	
2	70028306	1	Rod	
3	70028307	1	Head	
4	70028308	1	Piston	
5	70025614	1	Bearing	
6	70028309	1	Screw, Locking	
7	70025590	1	Ring, Snap	
8	70028310	4	Bushing	
9	70028311	12	Bearing	
10	70028312	12	Washer	
11	70028313	1	Kit, Seal (includes items 101 thru 109)	
101	Kit	2	Ring, Wear	
102	Kit	1	Seal, Piston	
103	Kit	1	Ring, Wear	
104	Kit	1	O-Ring	
105	Kit	1	Ring, Back-up	
106	Kit	1	Seal, Rod	
107	Kit	1	Seal, Rod	
108	Kit	1	Ring, Wear	
109	Kit	1	Wiper	

SECTION 9 - HYDRAULIC COMPONENTS

FIGURE 9-5. CYLINDER INSTALLATION - COMPENSATION CYLINDER



ART_1001198578_D

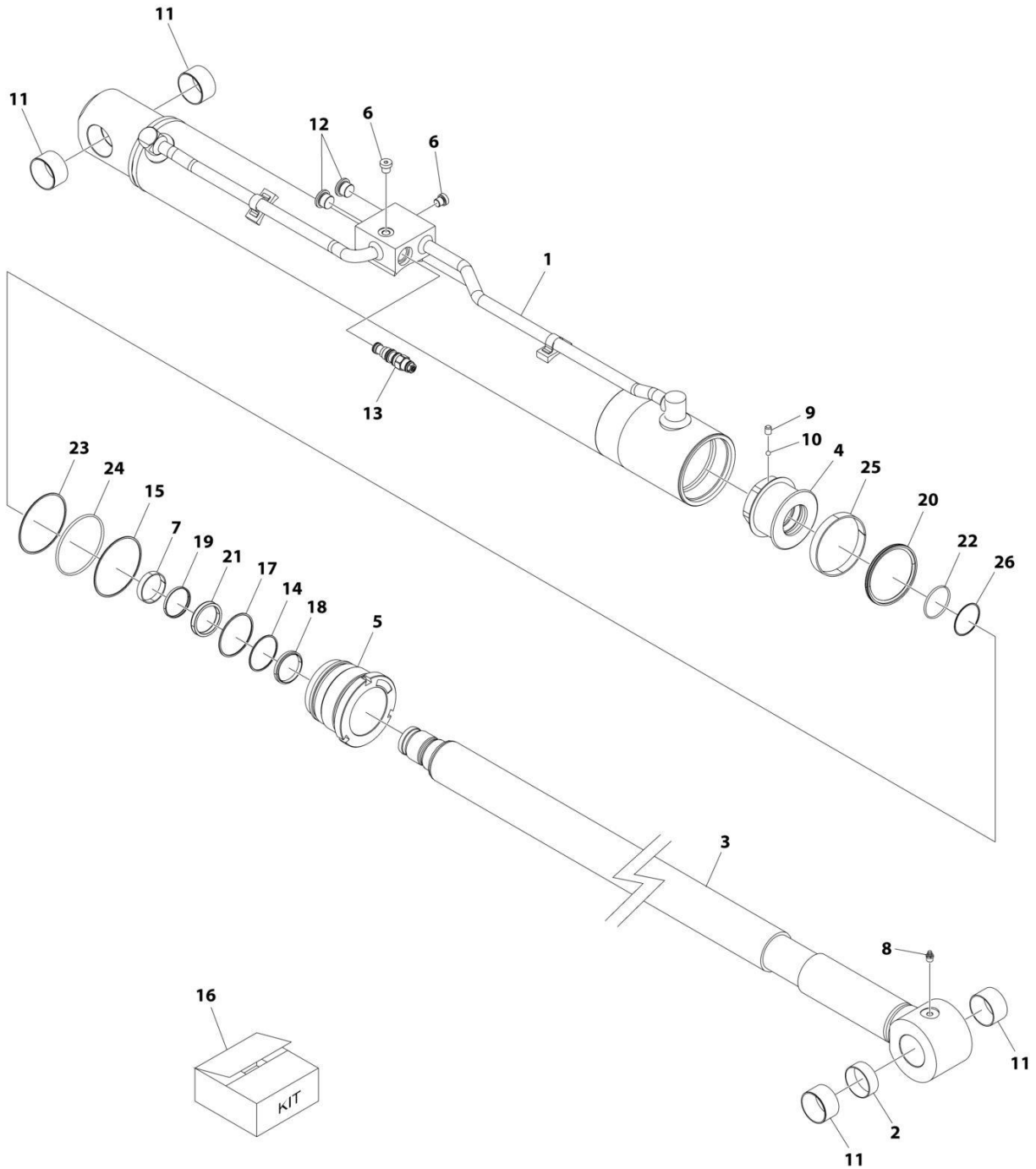
SECTION 9 - HYDRAULIC COMPONENTS

FIGURE 9-5. CYLINDER INSTALLATION - COMPENSATION CYLINDER

ITEM	PART NUMBER	QTY	DESCRIPTION	REV
	1001198578	Ref	CYLINDER INSTALLATION - COMPENSATION CYLINDER	D
2	2111010	2	Fitting, Straight ORFS	
3	2160016	1	Fitting, Grease	
7	1001267979	1	Cylinder, Compensation (See Separate Breakdown in this Section)	
9	0771414	1	Bolt M14 x 30	
10	1001216333	1	Pin	
11	1001217226	1	Washer	

SECTION 9 - HYDRAULIC COMPONENTS

FIGURE 9-6. CYLINDER ASSEMBLY - BOOM COMPENSATION



ART_1001267979

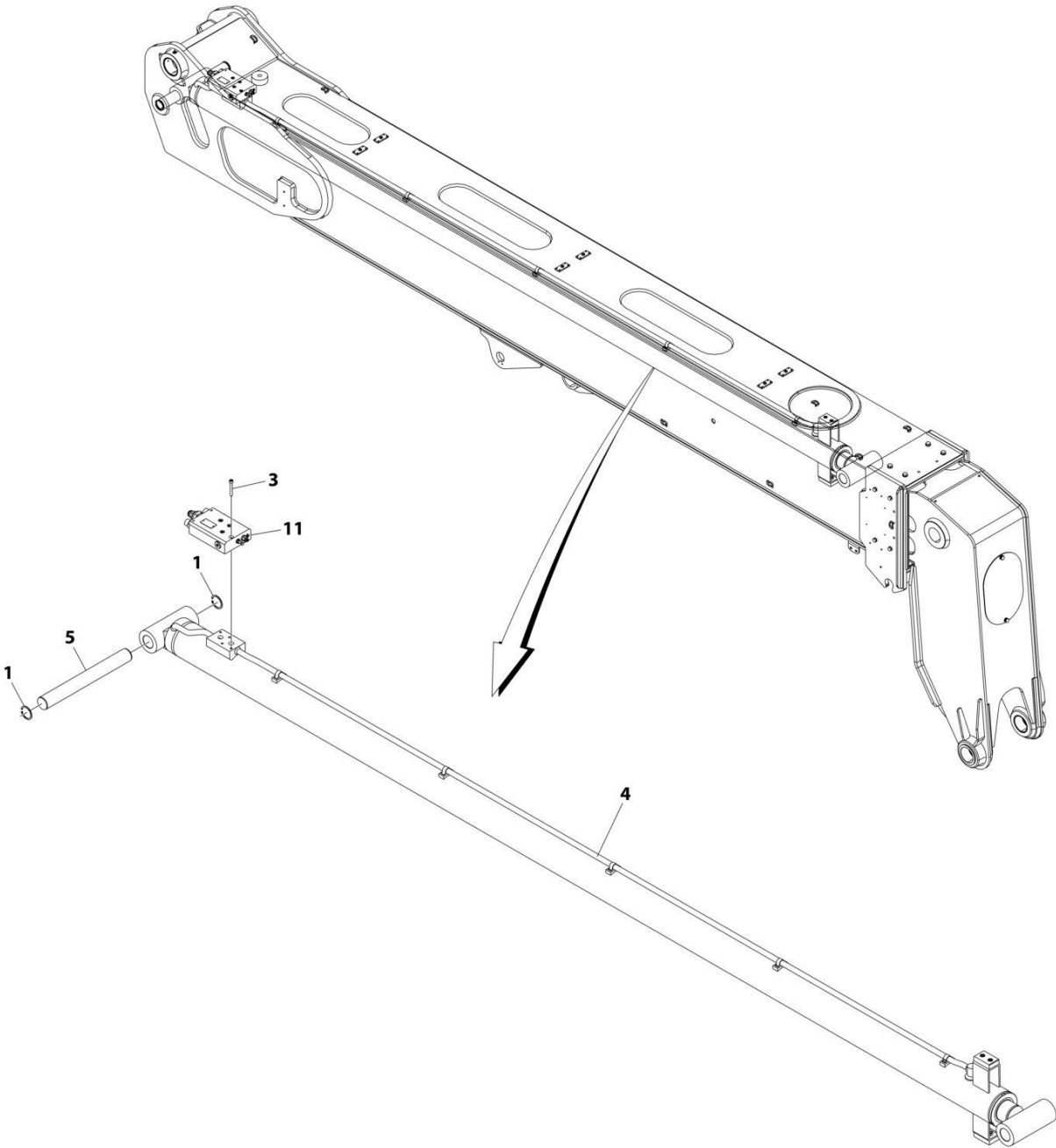
SECTION 9 - HYDRAULIC COMPONENTS

FIGURE 9-6. CYLINDER ASSEMBLY - BOOM COMPENSATION

ITEM	PART NUMBER	QTY	DESCRIPTION	REV
	1001267979	Ref	COMPENSATION CYLINDER	A
		Ref	Note: Original Cylinder May Have Been Replaced with Service Replacement. Identify PN Stamped on Cylinder Before Ordering Parts.	
1	See Note	NSS	Barrel (Note: No Service Parts Available)	
2	70031298	1	Bushing	
3	70031299	1	Rod	
4	70031300	1	Piston	
5	70031301	1	Guide Bushing	
6	70031302	2	Plug	
7	70031303	1	Sliding Bushing	
8	70031304	1	Grease Fitting	
9	70031305	1	Set Screw	
10	70031306	1	Steel Ball	
11	70031307	4	Bushing	
12	2220887	2	Plug	
13	70028384	1	Balance Valve	
14	70031308	1	Ring	
15	70031309	1	Ring, Snap	
16	70031310	1	Seal Kit (Includes Items #17-26)	
17	See Note	NSS	Ring, Back-Up (Note: Use Item 16)	
18	See Note	NSS	Ring, Wiper (Note: Use Item 16)	
19	See Note	NSS	Ring, Buffer (Note: Use Item 16)	
20	See Note	NSS	Seal, Piston (Note: Use Item 16)	
21	See Note	NSS	Seal, Rod (Note: Use Item 16)	
22	See Note	NSS	O-Ring (Note: Use Item 16)	
23	See Note	NSS	O-Ring (Note: Use Item 16)	
24	See Note	NSS	Ring, Wear (Note: Use Item 16)	
25	See Note	NSS	Ring, Back-Up (Note: Use Item 16)	

SECTION 9 - HYDRAULIC COMPONENTS

FIGURE 9-7. CYLINDER INSTALLATION - BOOM EXTEND/RETRACT CYLINDER



ART_1001178157_E

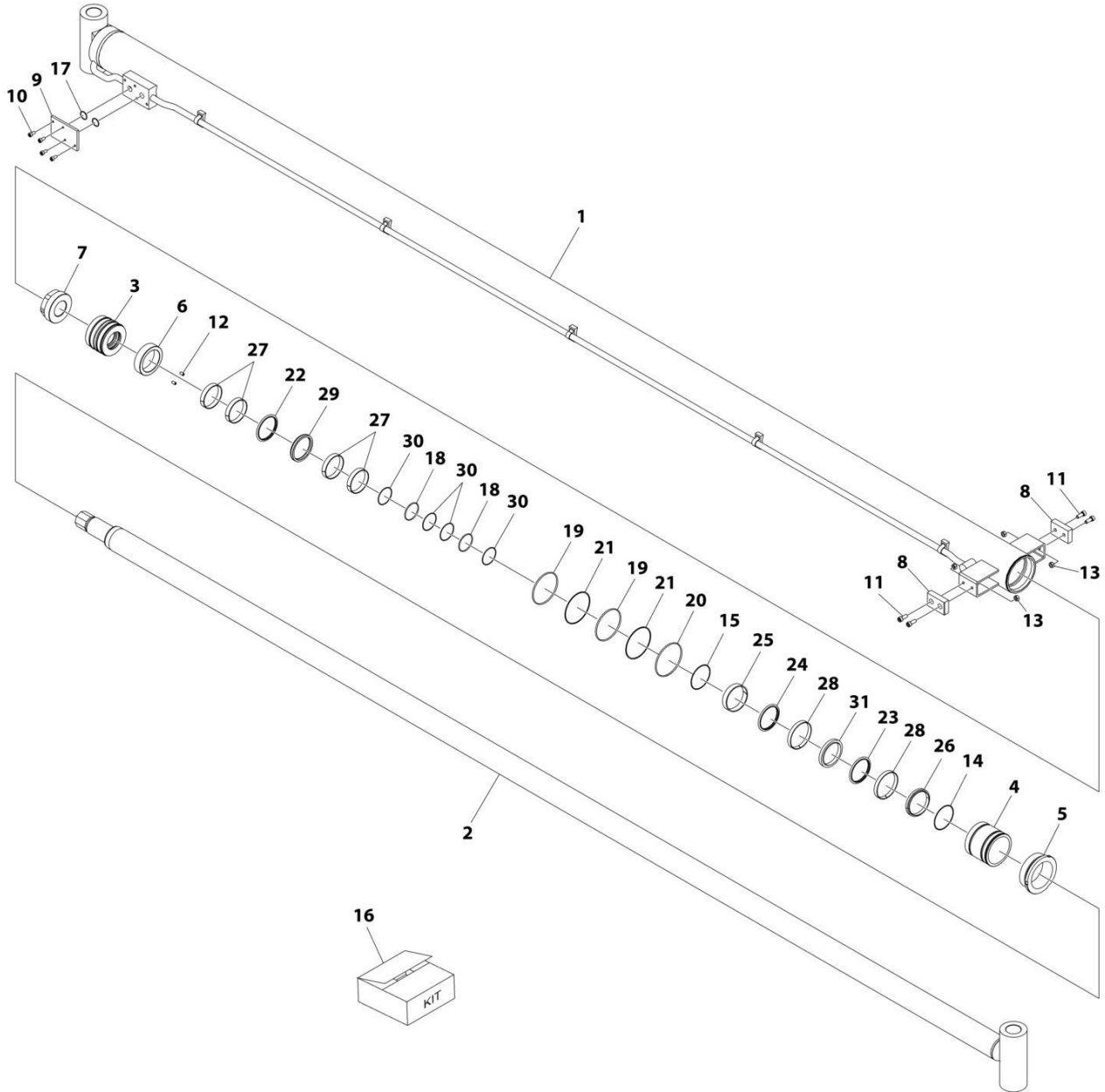
SECTION 9 - HYDRAULIC COMPONENTS

FIGURE 9-7. CYLINDER INSTALLATION - BOOM EXTEND/RETRACT CYLINDER

ITEM	PART NUMBER	QTY	DESCRIPTION	REV
	1001178157	Ref	CYLINDER INSTALLATION - BOOM EXTEND/RETRACT CYLINDER	E
1	314689	2	Ring, Retaining	
3	4031916	4	Bolt M8 x 60	
4	1001267974	1	Cylinder, Extend/Retract (See Separate Breakdown in this Section)	
5	1001190259	1	Pin	
11	1001212312	1	Counterbalance Valve & Fittings Sub-Assembly (see Separate Breakdown in this Section)	

SECTION 9 - HYDRAULIC COMPONENTS

FIGURE 9-8. CYLINDER ASSEMBLY - BOOM EXTEND/RETRACT CYLINDER



ART_1001267974

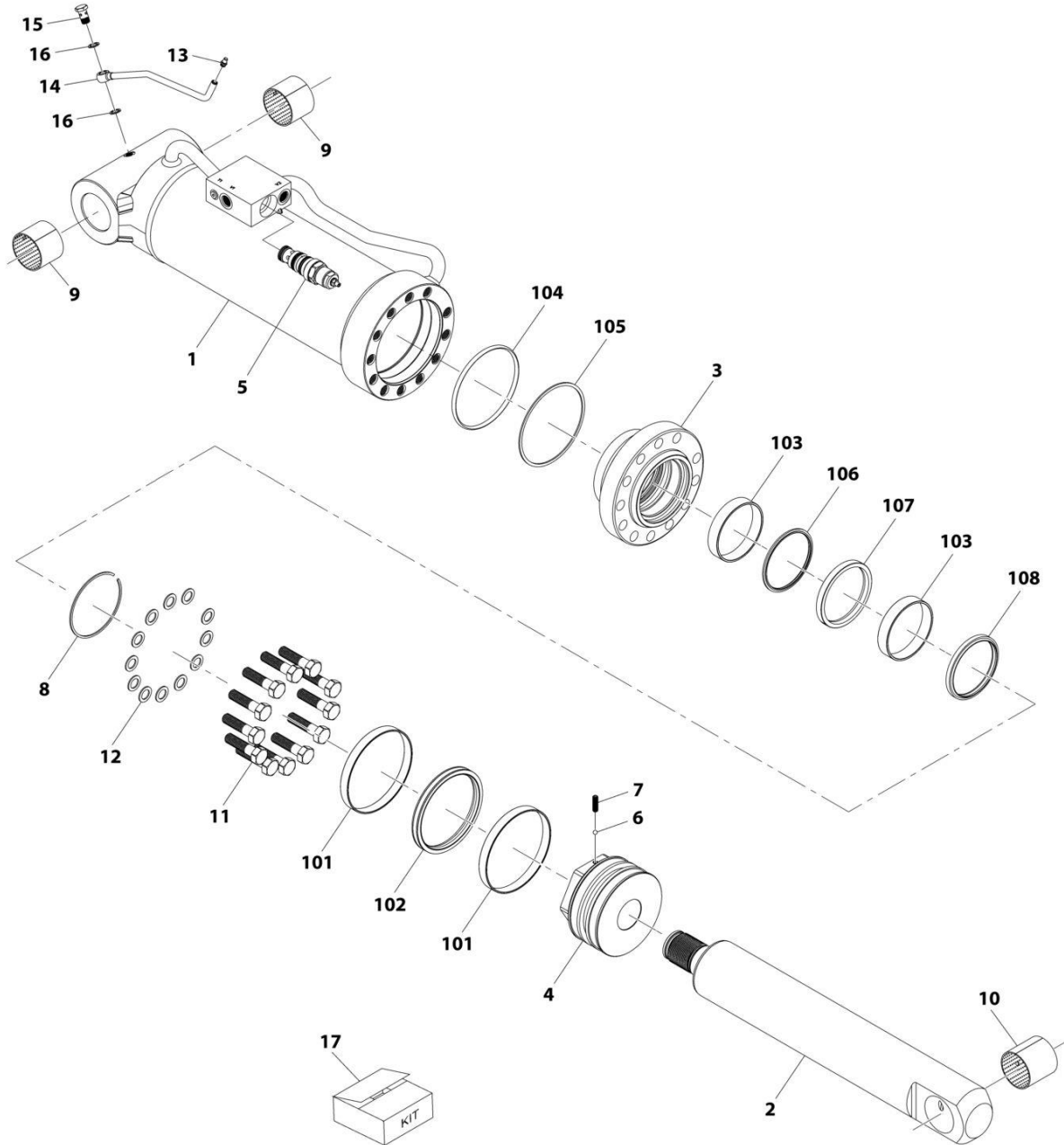
SECTION 9 - HYDRAULIC COMPONENTS

FIGURE 9-8. CYLINDER ASSEMBLY - BOOM EXTEND/RETRACT CYLINDER

ITEM	PART NUMBER	QTY	DESCRIPTION	REV
	1001267974	Ref	EXTEND/RETRACT CYLINDER	A
		Ref	Note: Original Cylinder May Have Been Replaced with Service Replacement. Identify PN Stamped on Cylinder Before Ordering Parts.	
1	See Note	NSS	Barrel (Note: No Service Parts Available)	
2	70031311	1	Rod	
3	70031312	1	Piston	
4	70031313	1	Guide Bushing	
5	70031314	1	Gland	
6	70031315	1	Stop Tube	
7	70031316	1	Piston	
8	70031317	2	Block	
9	70031318	1	Dust Cover	
10	70031319	4	Screw M8 x 16	
11	70031320	4	Screw M10 x 25	
12	70008128	2	Screw M8 x 10	
13	70031321	4	Nut M10	
14	70031322	1	Ring	
15	70031323	1	Snap Ring	
16	70031324	1	Seal Kit (Includes Items #17-31)	
17	See Note	NSS	O-Ring (Note: Use Item 16)	
18	See Note	NSS	O-Ring (Note: Use Item 16)	
19	See Note	NSS	O-Ring (Note: Use Item 16)	
20	See Note	NSS	O-Ring (Note: Use Item 16)	
21	See Note	NSS	Ring, Back-Up (Note: Use Item 16)	
22	See Note	NSS	Ring, Buffer (Note: Use Item 16)	
23	See Note	NSS	Ring, Buffer (Note: Use Item 16)	
24	See Note	NSS	Ring, Buffer (Note: Use Item 16)	
25	See Note	NSS	Bushing (Note: Use Item 16)	
26	See Note	NSS	Ring, Wiper (Note: Use Item 16)	
27	See Note	NSS	Ring, Wear (Note: Use Item 16)	
28	See Note	NSS	Ring, Wear (Note: Use Item 16)	
29	See Note	NSS	Piston Seal (Note: Use Item 16)	
30	See Note	NSS	Ring, Back-Up (Note: Use Item 16)	
31	See Note	NSS	Rod Seal (Note: Use Item 16)	

SECTION 9 - HYDRAULIC COMPONENTS

FIGURE 9-9. CYLINDER ASSEMBLY - BOOM TILT



ART_1001174812-F

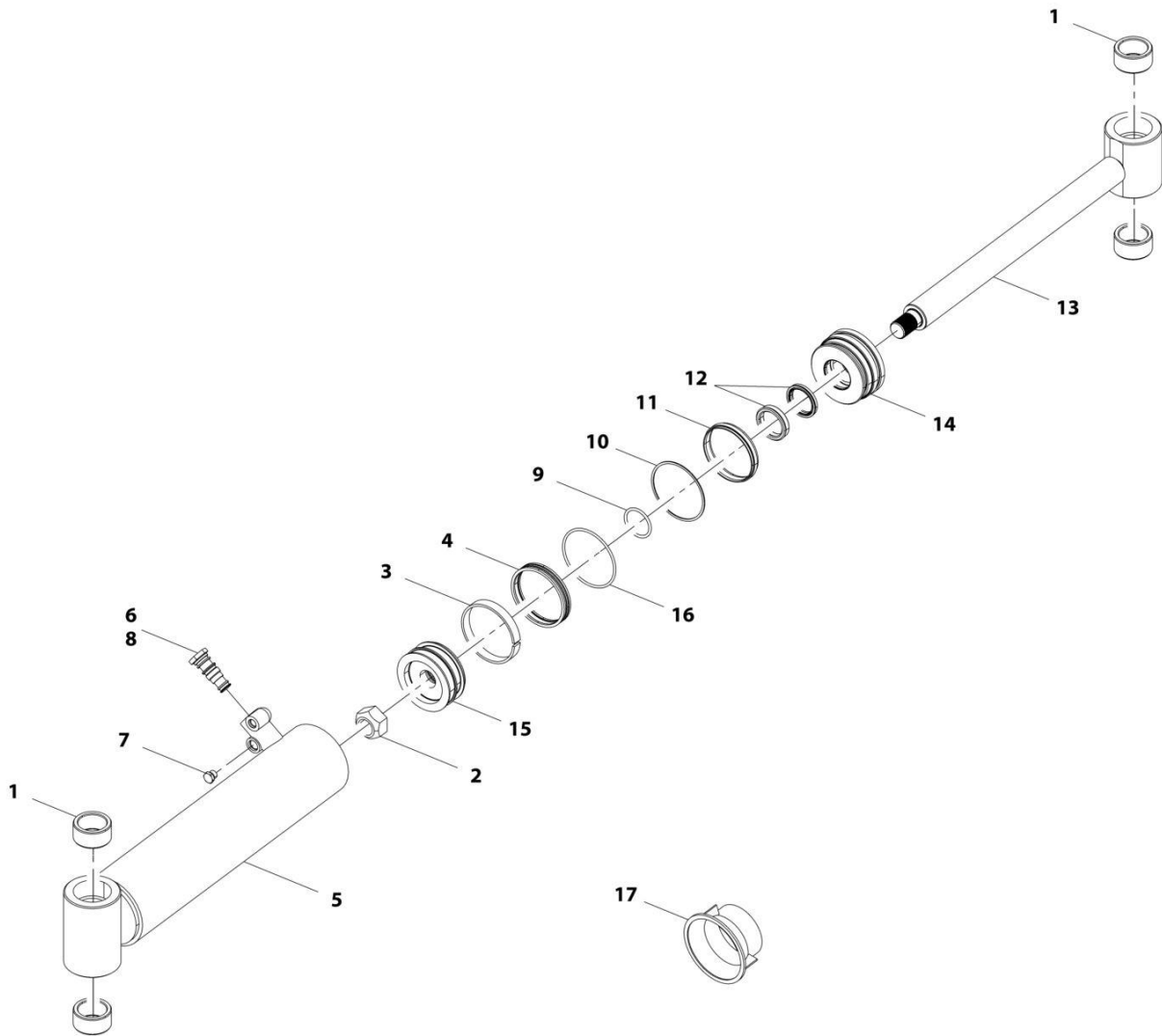
SECTION 9 - HYDRAULIC COMPONENTS

FIGURE 9-9. CYLINDER ASSEMBLY - BOOM TILT

ITEM	PART NUMBER	QTY	DESCRIPTION	REV
	1001174812	Ref	Tilt Cylinder	F
		Ref	Note: Original Cylinder May Have Been Replaced with Service Replacement. Identify PN Stamped on Cylinder Before Ordering Parts.	
1	N.S.S.	1	Barrel	
2	70028314	1	Rod	
3	70028315	1	Piston	
4	70028316	1	Head	
5	70028317	1	Valve, Counterbalance	
6	70025614	1	Bearing	
7	70028309	1	Screw, Locking	
8	70028318	1	Ring, Snap	
9	70028310	2	Bushing	
10	70028319	1	Bushing	
11	70028320	12	Bolt	
12	70028321	12	Washer	
13	70029941	2	Fitting, Grease	
14	70028322	1	Pipe	
15	70024035	1	Screw	
16	70028323	2	Washer	
17	70028324	1	Kit, Seal (includes items 101 thru 108)	
101	Kit	2	Ring, Piston	
102	Kit	1	Seal, Piston	
103	Kit	2	Ring, Rod	
104	Kit	1	"O" Ring	
105	Kit	1	Ring, Back-Up	
106	Kit	1	Seal, Rod	
107	Kit	1	Seal, Rod	
108	Kit	1	Wiper	

SECTION 9 - HYDRAULIC COMPONENTS

FIGURE 9-10. CYLINDER ASSEMBLY - BUCKET (4 IN 1 BUCKET)



ART_70028572-D

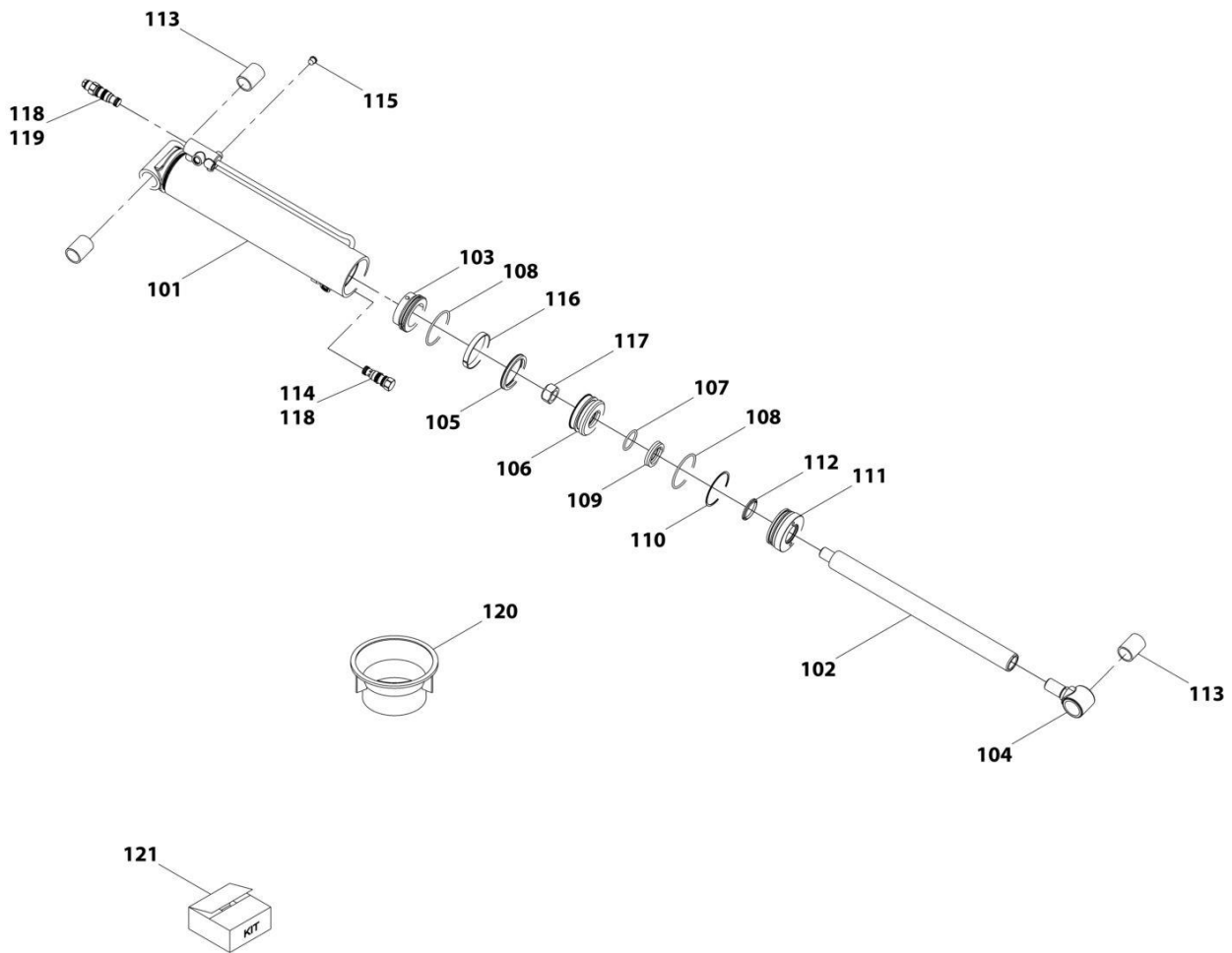
SECTION 9 - HYDRAULIC COMPONENTS

FIGURE 9-10. CYLINDER ASSEMBLY - BUCKET (4 IN 1 BUCKET)

ITEM	PART NUMBER	QTY	DESCRIPTION	REV
	70028572	Ref	Cylinder Assembly	D
		Ref	Note: Original Cylinder May Have Been Replaced with Service Replacement. Identify PN Stamped on Cylinder Before Ordering Parts.	
1	70028581	4	Bearing	
2	70028582	1	Nut	
3	N.S.S.	1	Ring, Wear	
4	N.S.S.	1	Seal	
5	N.S.S.	1	Assembly, Barrel	
6	Kit	1	Kit, Check Valve	
7	70028583	1	Fitting, Straight	
8	70028584	1	Valve, Check	
9	N.S.S.	1	O-Ring	
10	N.S.S.	1	Ring, Back-up	
11	N.S.S.	1	Seal	
12	N.S.S.	2	Wiper	
13	70028585	1	Rod	
14	70028586	1	Retainer	
15	70028587	1	Piston	
16	N.S.S.	1	O-Ring	
17	70028588	1	Tool, Seal Loader	

SECTION 9 - HYDRAULIC COMPONENTS

FIGURE 9-11. CYLINDER ASSEMBLY - BUCKET (GRAPPLE BUCKET)



ART_70026469-C

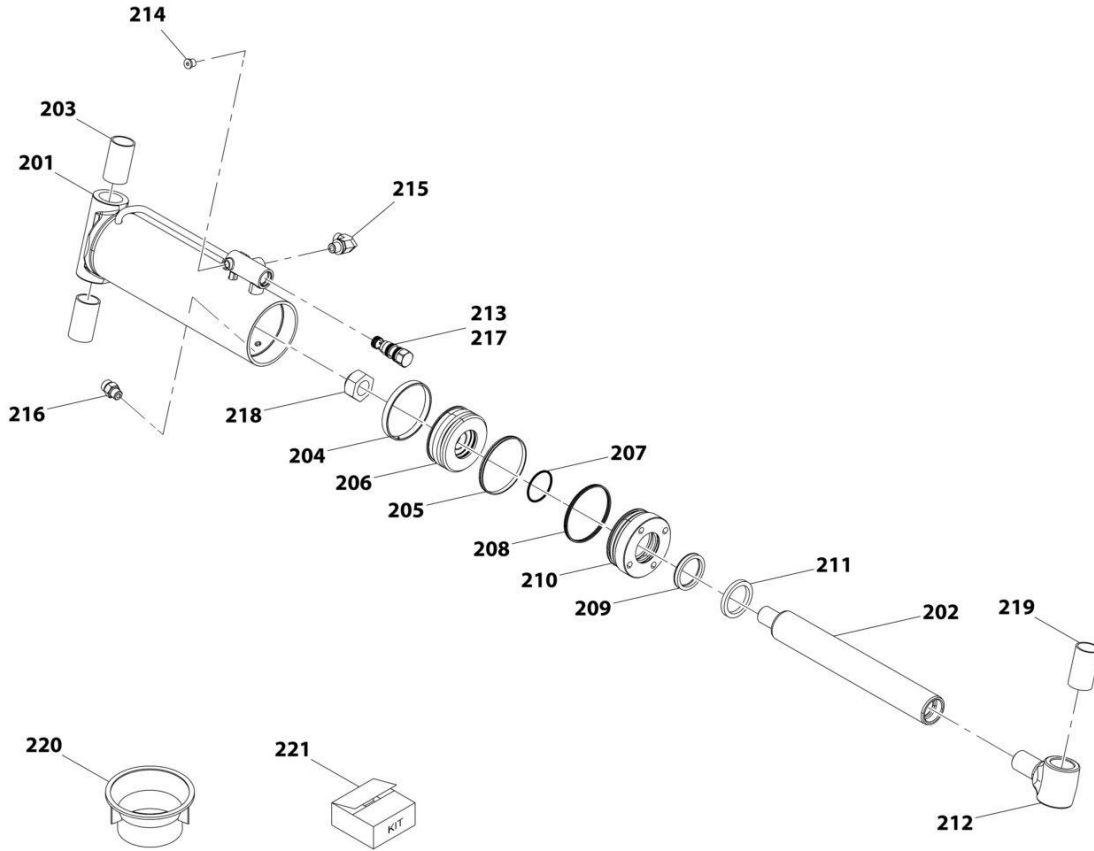
SECTION 9 - HYDRAULIC COMPONENTS

FIGURE 9-11. CYLINDER ASSEMBLY - BUCKET (GRAPPLE BUCKET)

ITEM	PART NUMBER	QTY	DESCRIPTION	REV
	70026469	Ref	Cylinder Assembly	C
		Ref	Note: Original Cylinder May Have Been Replaced with Service Replacement. Identify PN Stamped on Cylinder Before Ordering Parts.	
101	N.S.S.	1	Barrel	
102	70026496	1	Rod	
103	70026497	1	Spacer	
104	70026498	1	End, Rod	
105	Kit	1	Seal	
106	70026499	1	Piston	
107	Kit	1	O-Ring	
108	Kit	2	O-Ring	
109	Kit	1	Ring, Backup	
110	Kit	1	Seal	
111	70026500	1	Retainer	
112	Kit	1	Wiper	
113	70026501	3	Bushing	
114	70026502	1	Valve, Check	
115	70024129	4	Plug	
116	Kit	1	Ring, Wear	
117	70026503	1	Nut	
118	70024734	2	Kit, Check Valve Service	
119	70026504	1	Valve, Counterbalance	
120	70026505	1	Tool, Seal Loader	
121	70026506	1	Kit, Service	

SECTION 9 - HYDRAULIC COMPONENTS

FIGURE 9-12. CYLINDER ASSEMBLY - CARRIAGE (LOG HANDLER CYLINDER)



ART_70028704-C

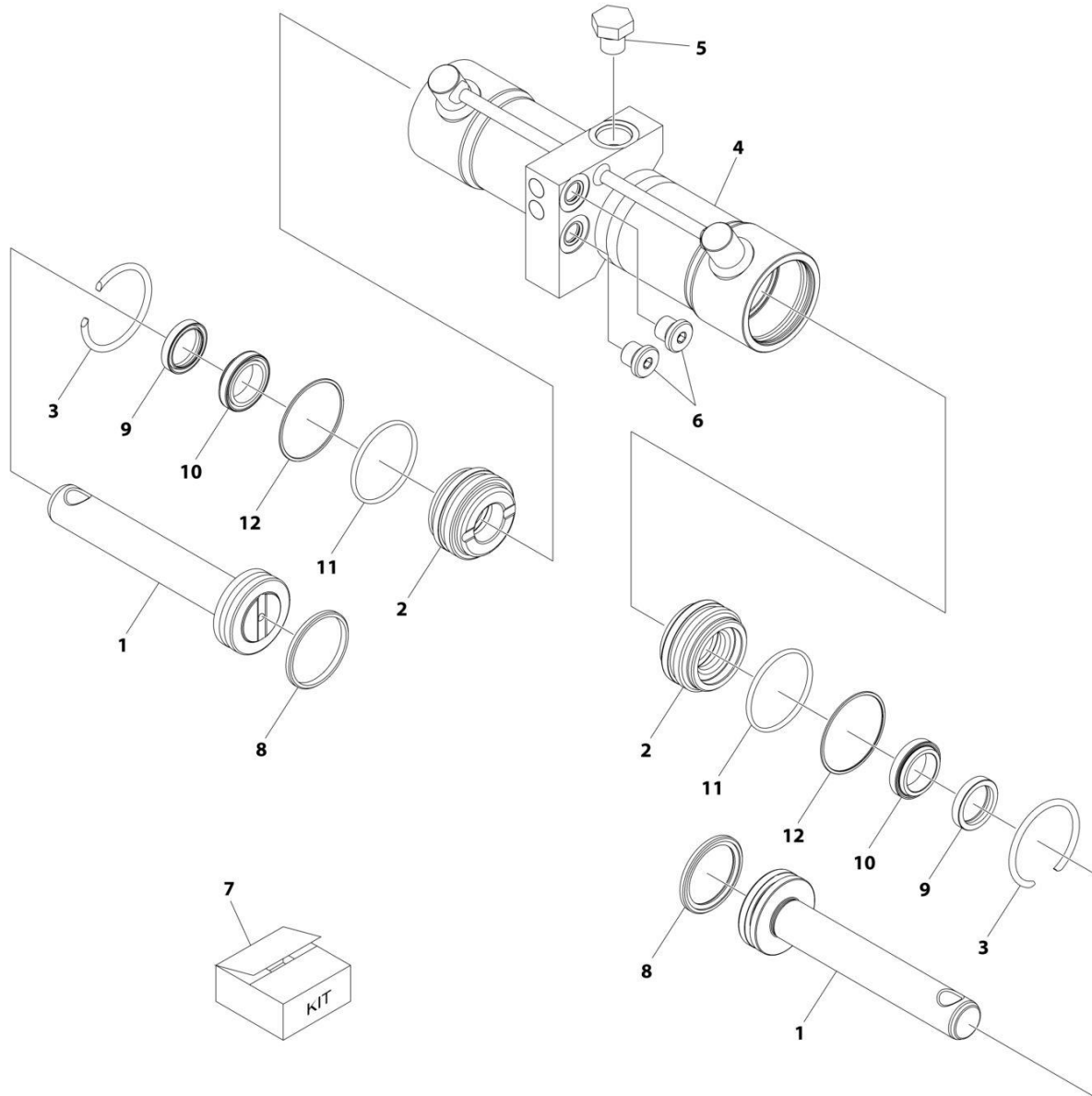
SECTION 9 - HYDRAULIC COMPONENTS

FIGURE 9-12. CYLINDER ASSEMBLY - CARRIAGE (LOG HANDLER CYLINDER)

ITEM	PART NUMBER	QTY	DESCRIPTION	REV
	70028704	Ref	Log Handler Carriage Cylinder Assembly	C
		Ref	Note: Original Cylinder May Have Been Replaced with Service Replacement. Identify PN Stamped on Cylinder Before Ordering Parts.	
201	N.S.S.	1	Barrel	
202	70028728	1	Rod	
203	70028729	2	Bushing	
204	N.S.S.	1	Ring, Wear	
205	N.S.S.	1	Seal	
206	70028730	1	Piston	
207	N.S.S.	1	O-Ring	
208	N.S.S.	1	Seal	
209	N.S.S.	1	Seal	
210	70028731	1	Retainer	
211	N.S.S.	1	Wiper	
212	N.S.S.	1	End, Rod (included with item 202)	
213	70024733	1	Valve, Check	
214	70024129	2	Plug	
215	70024123	1	Fitting, 90	
216	70024130	1	Fitting, Straight	
217	70024734	1	Kit, Check Valve	
218	70028732	1	Nut	
219	70028729	1	Bushing (included with item 202)	
220	70028588	1	Tool, Seal Loader	
221	70028733	1	Kit, Seal (includes items 204, 205, 207, 208, 208, 211, 220)	

SECTION 9 - HYDRAULIC COMPONENTS

FIGURE 9-13. CYLINDER ASSEMBLY - COUPLER LOCKING



ART_1001267977

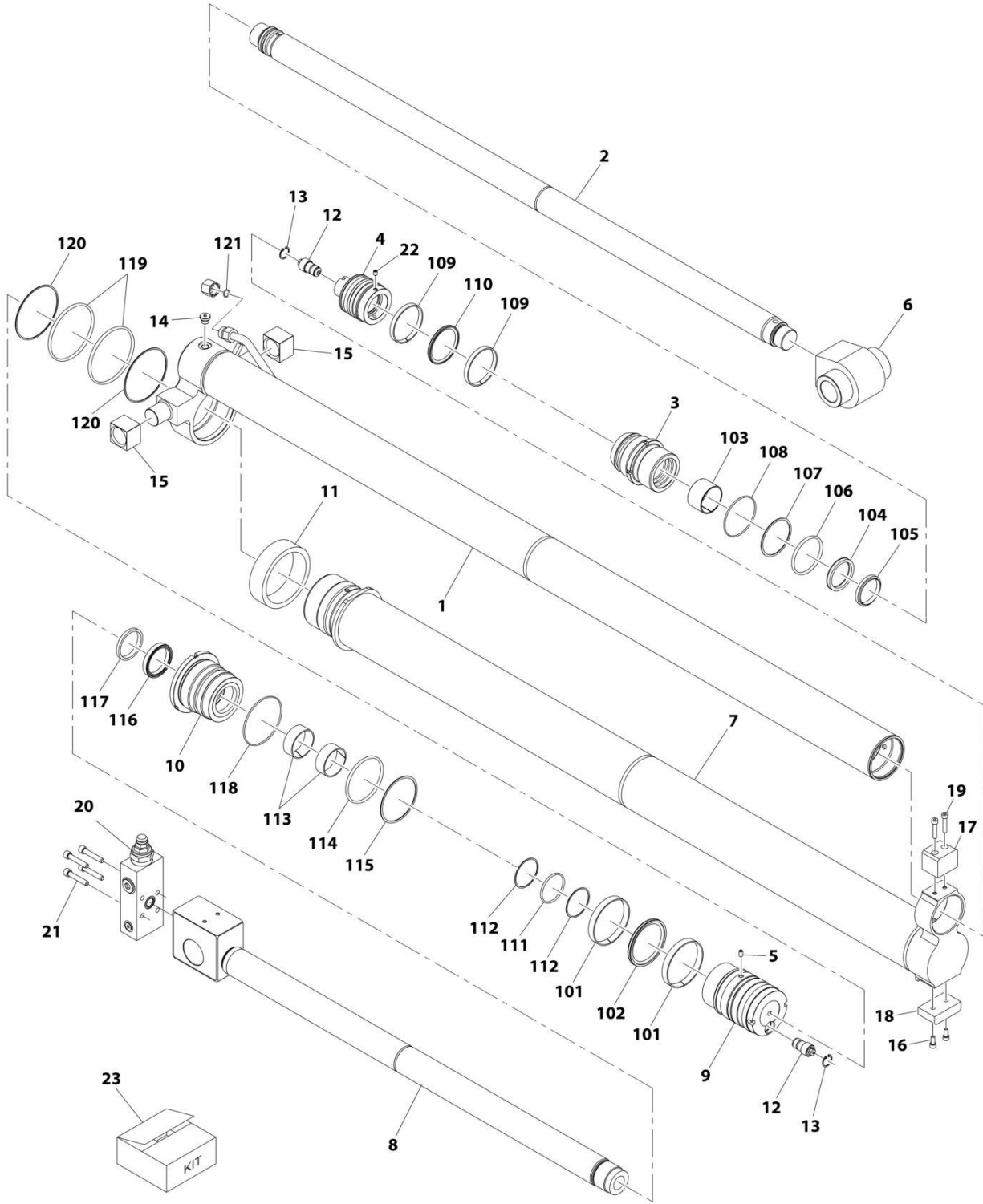
SECTION 9 - HYDRAULIC COMPONENTS

FIGURE 9-13. CYLINDER ASSEMBLY - COUPLER LOCKING

ITEM	PART NUMBER	QTY	DESCRIPTION	REV
	1001267977	Ref	COUPLER LOCKING CYLINDER	B
		Ref	Note: Original Cylinder May Have Been Replaced with Service Replacement. Identify PN Stamped on Cylinder Before Ordering Parts.	
1	70031293	2	Rod	
2	70031294	2	Bushing	
3	70031295	2	Ring, Snap	
4	See Note	NSS	Barrel (Note: Not Sold Separately, Purchase 1001267977)	
5	70031296	1	Plug	
6	2220885	2	Plug	
7	70031297	1	Seal Kit (Includes Items 8-12)	
8	See Note	2	Seal, Piston (Note: Use Item 7)	
9	See Note	2	Seal, Rod (Note: Use Item 7)	
10	See Note	2	Ring, Wiper (Note: Use Item 7)	
11	See Note	2	O-Ring (Note: Use Item 7)	
12	See Note	2	Ring, Backup (Note: Use Item 7)	

SECTION 9 - HYDRAULIC COMPONENTS

FIGURE 9-14. CYLINDER ASSEMBLY - EXTEND/RETRACT



ART_1001226947-A

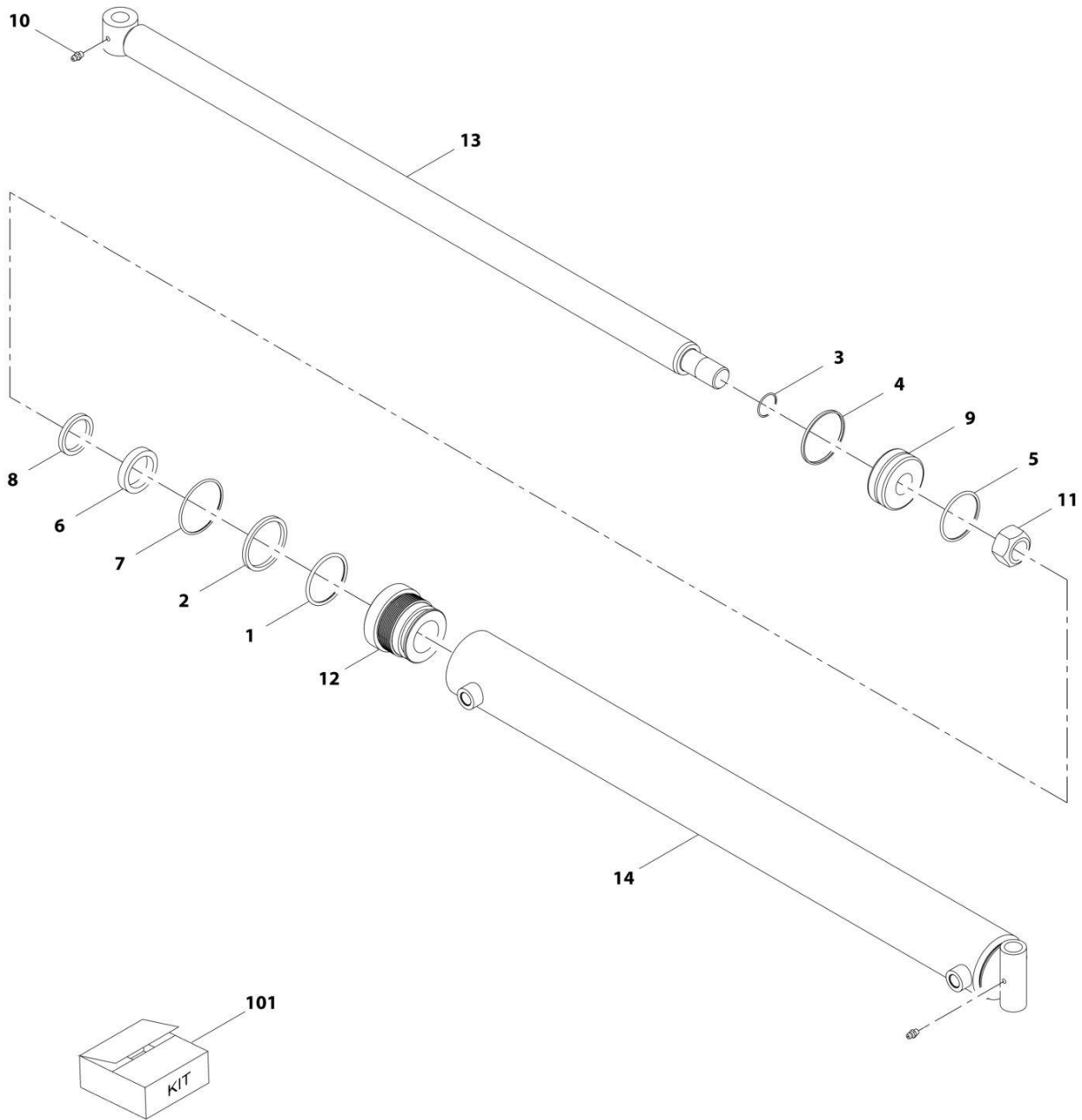
SECTION 9 - HYDRAULIC COMPONENTS

FIGURE 9-14. CYLINDER ASSEMBLY - EXTEND/RETRACT

ITEM	PART NUMBER	QTY	DESCRIPTION	REV
	1001226947	Ref	Extend/Retract Cylinder	A
		Ref	Note: Original Cylinder May Have Been Replaced with Service Replacement. Identify PN Stamped on Cylinder Before Ordering Parts.	
1	N.S.S.	1	Barrel Assembly	
2	70029016	1	Rod Assembly	
3	70024228	1	Rod Guide	
4	70024229	1	Piston	
5	70020438	1	Screw	
6	70028364	1	Rod Eye	
7	N.S.S.	1	Barrel Assembly	
8	70029017	1	Rod Assembly	
9	70024236	1	Piston	
10	70024235	1	Rod Guide	
11	70024234	1	Spacer	
12	70024230	2	Valve	
13	70024231	2	Circlip	
14	70024237	1	Plug	
15	70027801	2	Trunnion Bearing	
16	70029018	2	Screw	
17	70028368	1	Wear Pad	
18	70028367	1	Wear Pad	
19	70029019	2	Screw	
20	1001200111	1	Valve, Counterbalance (Sold as Assembly Only)	
20	70028422	1	O-Ring (Between Valve & Rod)	
21	70023916	4	Screw	
22	70026838	1	Screw	
23	70024224	1	Seal Kit, Cylinder	
101	Kit	2	Bearing	
102	Kit	1	Piston Seal	
103	Kit	1	Bearing	
104	Kit	1	Rod Seal	
105	Kit	1	Wiper	
106	Kit	1	O-Ring	
107	Kit	1	Back up ring	
108	Kit	1	O-Ring	
109	Kit	2	Bearing	
110	Kit	1	Piston Seal	
111	Kit	1	O-Ring	
112	Kit	2	Back up ring	
113	Kit	2	Bearing	
114	Kit	1	O-Ring	
115	Kit	1	Back up ring	
116	Kit	1	Rod Seal	
117	Kit	1	Wiper	
118	Kit	1	O-Ring	
119	Kit	2	O-Ring	
120	Kit	2	Back up ring	
121	Kit	1	O-Ring	

SECTION 9 - HYDRAULIC COMPONENTS

FIGURE 9-15. CYLINDER ASSEMBLY - FORK POSITIONING



ART_70028599-C

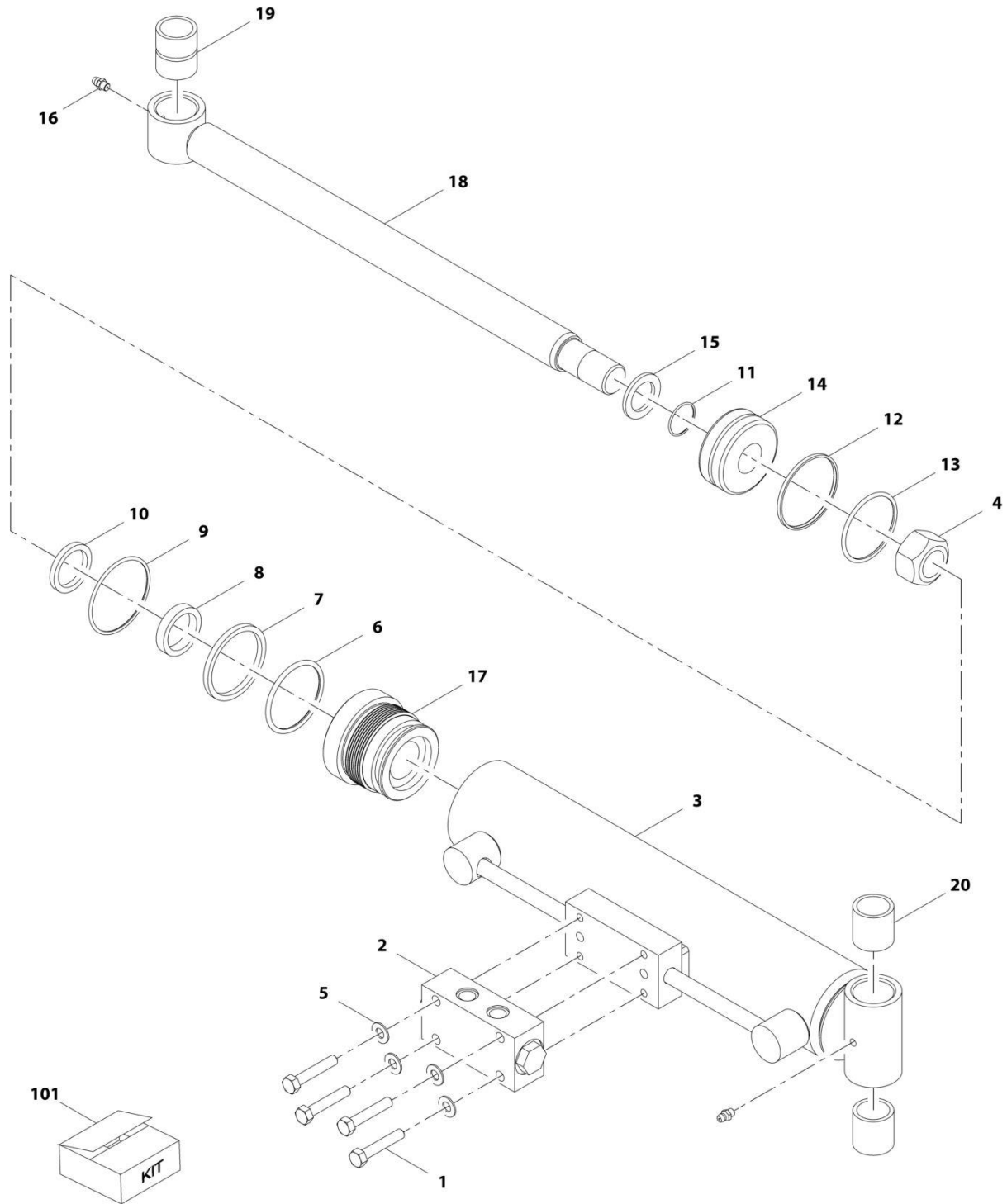
SECTION 9 - HYDRAULIC COMPONENTS

FIGURE 9-15. CYLINDER ASSEMBLY - FORK POSITIONING

ITEM	PART NUMBER	QTY	DESCRIPTION	REV
	70028599	Ref	Fork Positioning Cylinder Assembly	C
		Ref	Note: Original Cylinder May Have Been Replaced with Service Replacement. Identify PN Stamped on Cylinder Before Ordering Parts.	
1	Kit	1	O-Ring	
2	Kit	1	O-Ring	
3	Kit	1	O-Ring	
4	Kit	1	Seal	
5	Kit	1	O-Ring	
6	Kit	1	Seal	
7	Kit	1	O-Ring	
8	Kit	1	Seal	
9	70028609	1	Piston, Cylinder	
10	90554045	2	Fitting, Grease	
11	70021440	1	Nut	
12	70028610	1	Gland, Cylinder	
13	70028611	1	Rod	
14	N.S.S.	1	Tube	
101	Kit	1	Kit, Seal	

SECTION 9 - HYDRAULIC COMPONENTS

FIGURE 9-16. CYLINDER INSTALLATION - FORK POSITIONING SIDE SHIFT



ART_70028603-C

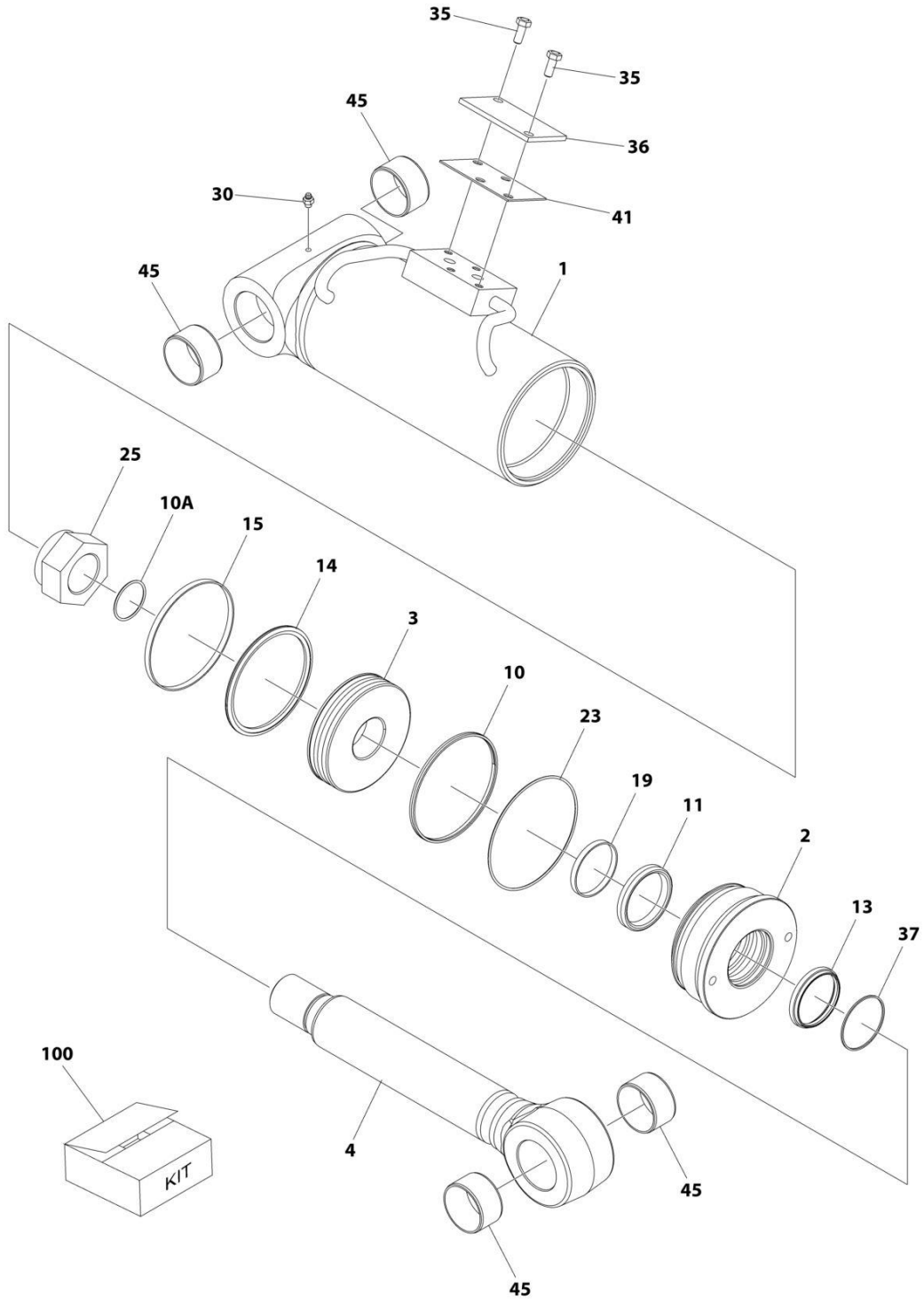
SECTION 9 - HYDRAULIC COMPONENTS

FIGURE 9-16. CYLINDER INSTALLATION - FORK POSITIONING SIDE SHIFT

ITEM	PART NUMBER	QTY	DESCRIPTION	REV
	70028603	Ref	Side Shift Cylinder Assembly	C
		Ref	Note: Original Cylinder May Have Been Replaced with Service Replacement. Identify PN Stamped on Cylinder Before Ordering Parts.	
1	70028612	4	Bolt	
2	70028613	1	Valve	
3	N.S.S.	1	Tube	
4	70021440	1	Nut	
5	70028614	4	Washer, Flat	
6	Kit	1	O-Ring	
7	Kit	1	O-Ring	
8	Kit	1	Seal	
9	Kit	1	O-Ring	
10	Kit	1	Seal	
11	Kit	1	O-Ring	
12	Kit	1	Seal	
13	Kit	1	O-Ring	
14	70021451	1	Piston	
15	70021444	1	Spacer	
16	90554045	2	Fitting, Grease	
17	70021446	1	Gland, Cylinder	
18	70021445	1	Rod	
19	70021447	1	Bushing	
20	70021448	2	Bushing	
101	70021452	1	Kit, Seal (includes items 6 thru 13)	

SECTION 9 - HYDRAULIC COMPONENTS

FIGURE 9-17. CYLINDER ASSEMBLY - FRAME LEVEL



ART_1001267973

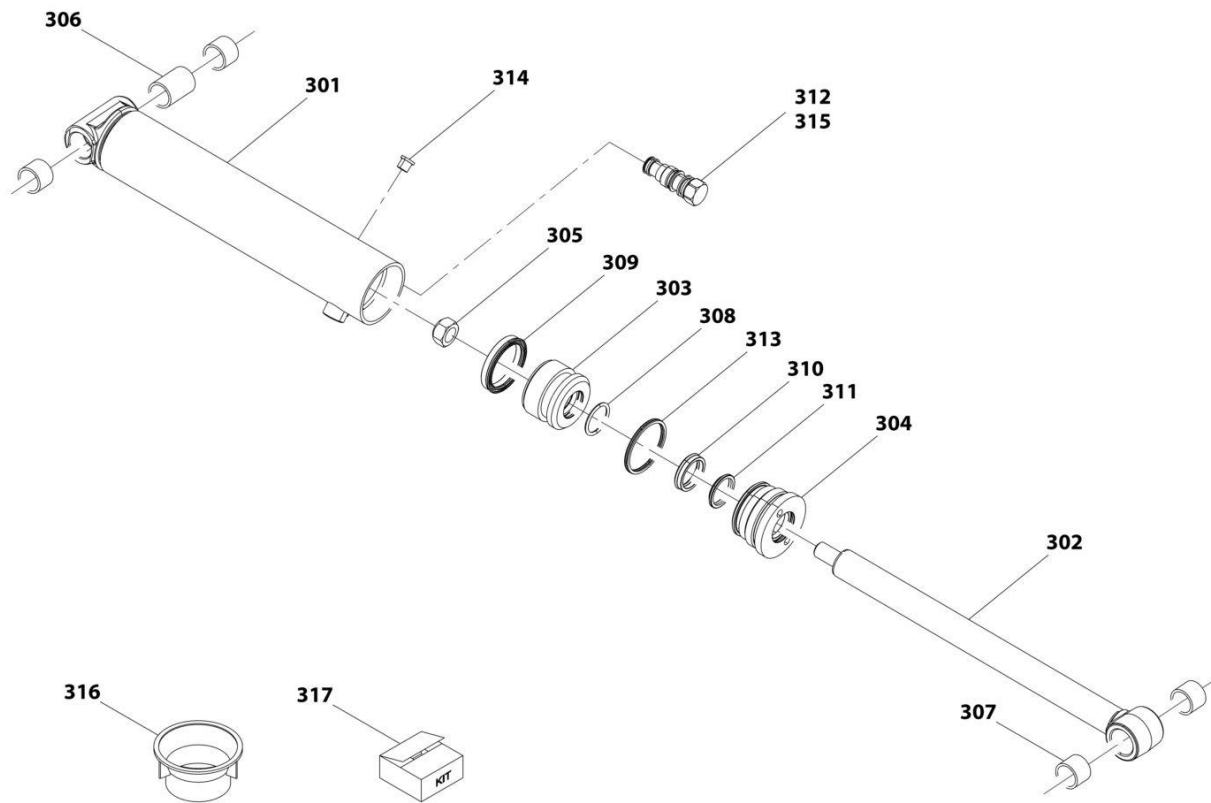
SECTION 9 - HYDRAULIC COMPONENTS

FIGURE 9-17. CYLINDER ASSEMBLY - FRAME LEVEL

ITEM	PART NUMBER	QTY	DESCRIPTION	REV
	1001267973	Ref	CYLINDER ASSEMBLY	B
		Ref	Note: Original Cylinder May Have Been Replaced with Service Replacement. Identify PN Stamped on Cylinder Before Ordering Parts.	
1	See Note	NSS	Barrel (Note: Use PN 1001267973)	
2	70030388	1	Head	
3	70030389	1	Piston	
4	70030403	1	Rod	
10	See Note	NSS	Seal, Dual (Note: Use Item 100)	
10A	See Note	NSS	O-Ring (Note: Use Item 100)	
11	See Note	NSS	Seal, Rod (Note: Use Item 100)	
13	See Note	NSS	Wiper (Note: Use Item 100)	
14	See Note	NSS	Seal, Piston (Note: Use Item 100)	
15	See Note	NSS	Ring, Wear (Note: Use Item 100)	
19	See Note	NSS	Ring, Wear (Note: Use Item 100)	
23	See Note	NSS	Seal, Environmental (Note: Use Item 100)	
25	70030391	1	Nut 1-3/4	
30	70030404	1	Fitting, Grease	
35		Ref	Bolt M8 x 1-1/4	
36		Ref	Plate, Shipping	
37	70030392	1	Mask, Wiper	
41		Ref	Gasket, Shipping	
45	70030393	4	Bushing	
100	70030394	1	Seal Kit (Includes Items 10, 10A, 11, 13, 14, 15, 19 & 23)	

SECTION 9 - HYDRAULIC COMPONENTS

FIGURE 9-18. CYLINDER ASSEMBLY - PIPE HANDLER CARRIAGE (UPPER)



ART_70028652-D

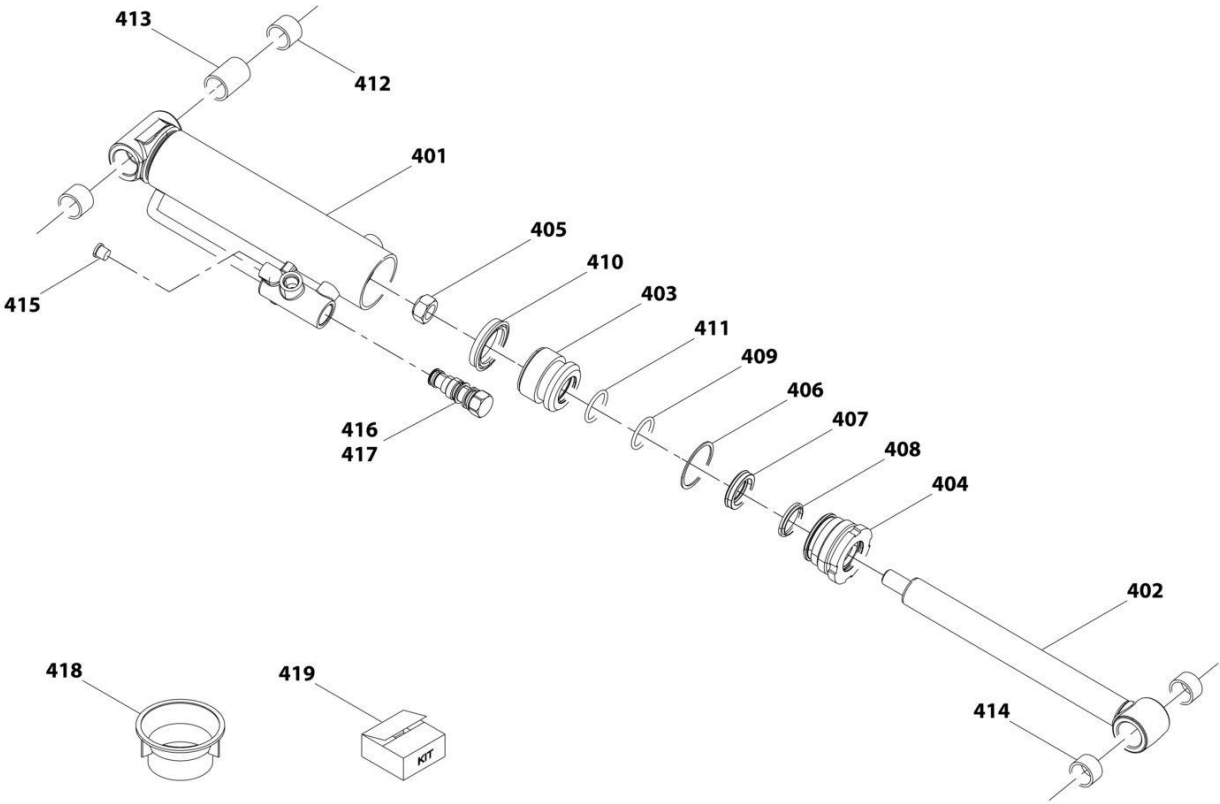
SECTION 9 - HYDRAULIC COMPONENTS

FIGURE 9-18. CYLINDER ASSEMBLY - PIPE HANDLER CARRIAGE (UPPER)

ITEM	PART NUMBER	QTY	DESCRIPTION	REV
	70028652	Ref	Upper Cylinder Assembly	D
		Ref	Note: Original Cylinder May Have Been Replaced with Service Replacement. Identify PN Stamped on Cylinder Before Ordering Parts.	
301	N.S.S.	1	Barrel	
302	70028270	1	Rod	
303	70028254	1	Piston	
304	70028255	1	Retainer	
305	70028258	1	Nut	
306	70028257	1	Spacer	
307	70028256	4	Bushing	
308	N.S.S.	1	O-Ring	
309	N.S.S.	1	Seal	
310	N.S.S.	1	Seal	
311	N.S.S.	1	Wiper	
312	70026502	1	Valve, Check	
313	N.S.S.	1	Seal	
314	70024129	2	Plug	
315	70024734	1	Kit, Check Valve	
316	70028691	1	Tool, Seal Loader	
317	70028770	1	Kit, Seal	

SECTION 9 - HYDRAULIC COMPONENTS

FIGURE 9-19. CYLINDER ASSEMBLY - PIPE HANDLER CARRIAGE (LOWER)



ART_70028653-D

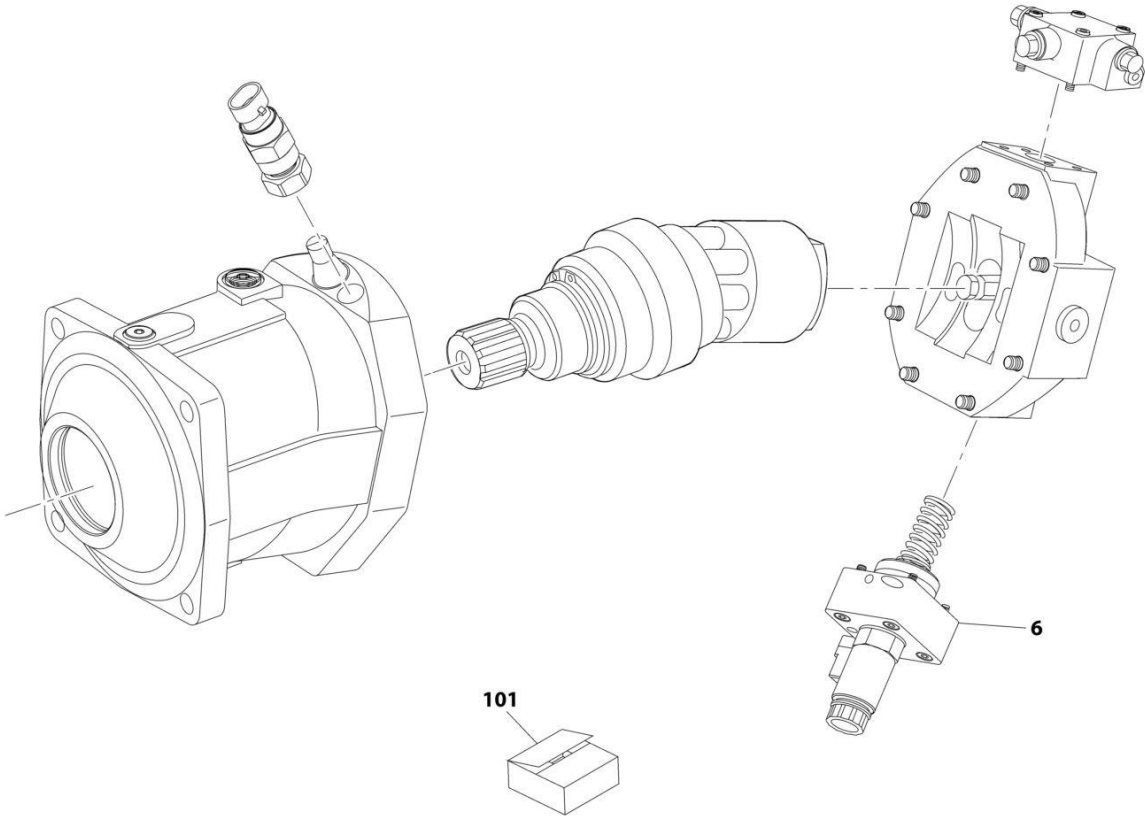
SECTION 9 - HYDRAULIC COMPONENTS

FIGURE 9-19. CYLINDER ASSEMBLY - PIPE HANDLER CARRIAGE (LOWER)

ITEM	PART NUMBER	QTY	DESCRIPTION	REV
	70028653	Ref	Lower Cylinder Assembly	D
		Ref	Note: Original Cylinder May Have Been Replaced with Service Replacement. Identify PN Stamped on Cylinder Before Ordering Parts.	
401	N.S.S.	1	Barrel	
402	70028692	1	Rod	
403	70024142	1	Piston	
404	70028693	1	Retainer	
405	70028258	1	Nut	
406	N.S.S.	1	Ring, Backup	
407	N.S.S.	1	Seal	
408	N.S.S.	1	Wiper	
409	N.S.S.	1	O-Ring	
410	N.S.S.	1	Seal	
411	N.S.S.	1	O-Ring	
412	70028256	2	Bushing	
413	70028257	1	Spacer	
414	70028694	2	Bushing	
415	70024129	2	Plug	
416	70026502	1	Valve, Check	
417	70024734	1	Kit, Check Valve	
418	70028691	1	Tool, Seal Loader	
419	70028771	1	Kit, Seal	

SECTION 9 - HYDRAULIC COMPONENTS

FIGURE 9-20. MOTOR ASSEMBLY - HYDROSTATIC



ART_1001193308-C

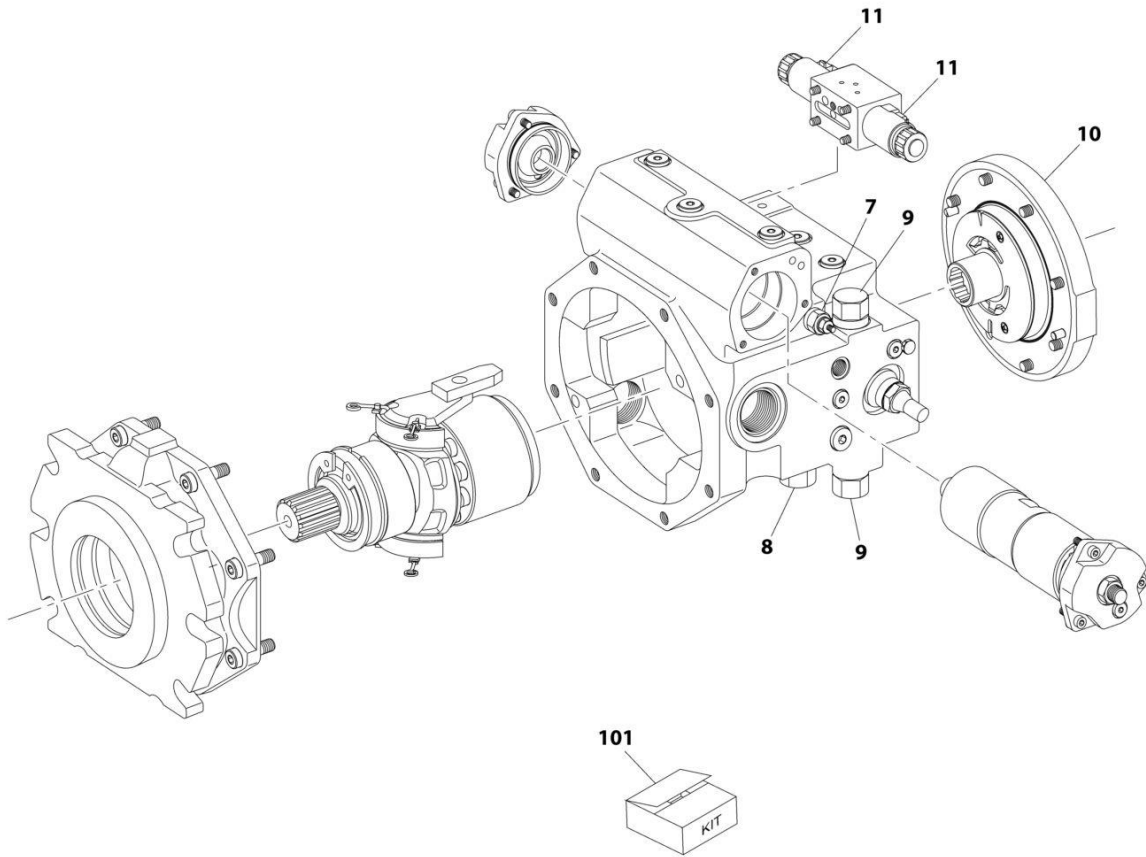
SECTION 9 - HYDRAULIC COMPONENTS

FIGURE 9-20. MOTOR ASSEMBLY - HYDROSTATIC

ITEM	PART NUMBER	QTY	DESCRIPTION	REV
	1001193308	Ref	Hydrostatic Motor	C
6	70028420	1	Valve, Flushing	
101	70027601	1	Kit, Seal	
	Kit	1	Seal	
	Kit	1	O-Ring	
	Kit	2	Seal	
	Kit	7	O-Ring	
	Kit	1	O-Ring	
	Kit	2	O-Ring	
	Kit	2	O-Ring	
	Kit	3	O-Ring	
	Kit	2	O-Ring	
	Kit	2	Ring, Backup	
	Kit	1	Seal	
	Kit	1	O-Ring	
	Kit	2	O-Ring	
	Kit	1	O-Ring	
	Kit	1	O-Ring	
	Kit	1	O-Ring	
	Kit	1	O-Ring	
	Kit	1	O-Ring	
	Kit	1	O-Ring	
	Kit	1	O-Ring	
	Kit	1	O-Ring	
	Kit	1	O-Ring	
	Kit	1	Seal	

SECTION 9 - HYDRAULIC COMPONENTS

FIGURE 9-21. PUMP ASSEMBLY - HYDROSTATIC



ART_1001193307-D

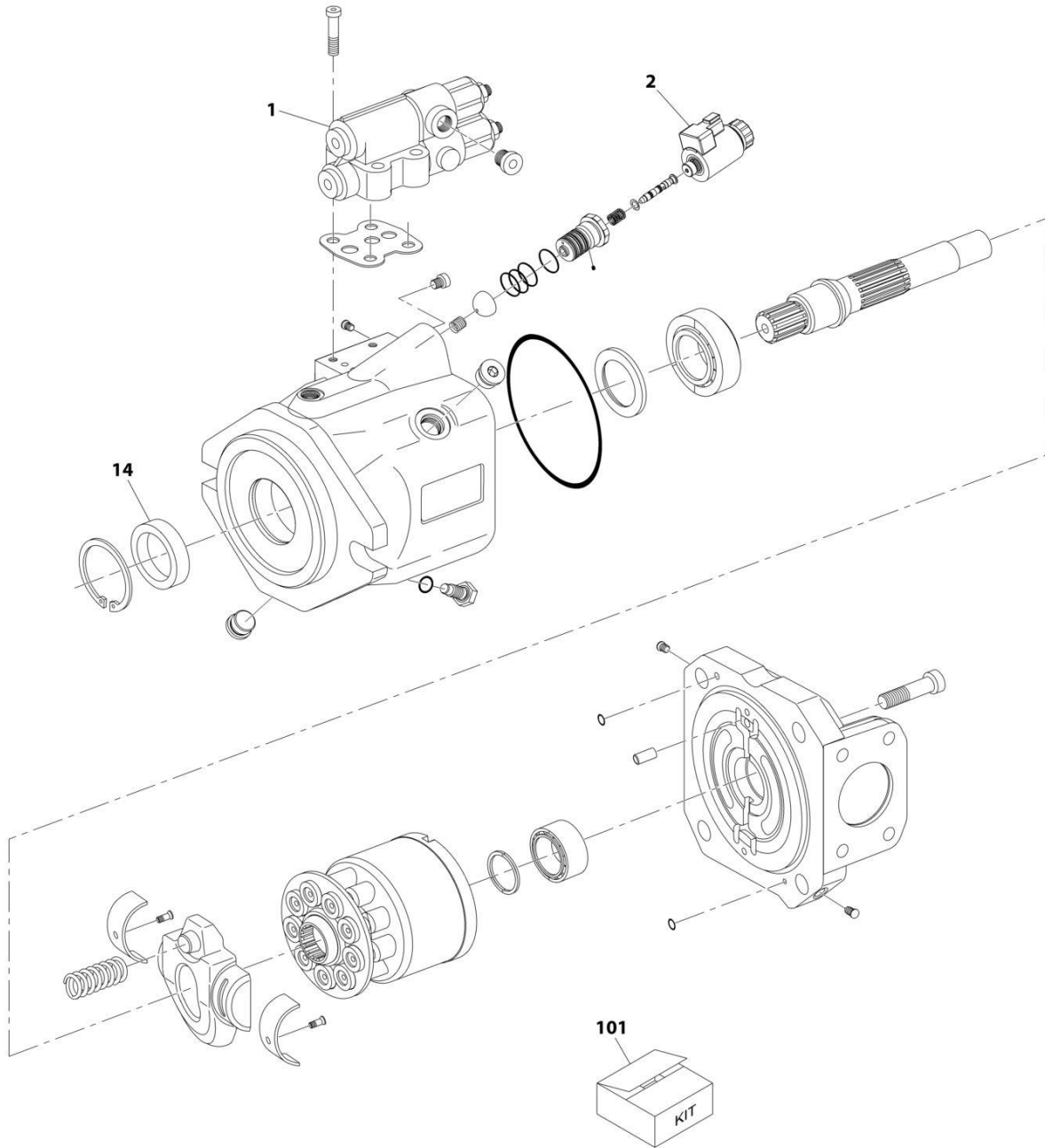
SECTION 9 - HYDRAULIC COMPONENTS

FIGURE 9-21. PUMP ASSEMBLY - HYDROSTATIC

ITEM	PART NUMBER	QTY	DESCRIPTION	REV
	1001193307	Ref	Hydrostatic Pump	D
7	70024946	1	Valve, Relief	
8	70027598	1	Valve, Pressure Override	
9	70024945	2	Valve, Relief	
10	70028411	1	Pump, Charge	
11	70022726	2	Solenoid	
101	70028410	1	Kit, Seal	
	Kit	1	Seal, Shaft	
	Kit	2	Retaining Ring	
	Kit	2	O-Ring	
	Kit	1	O-Ring	
	Kit	2	Seal, Rod	
	Kit	1	Nut, Sealing	
	Kit	3	O-Ring	
	Kit	2	O-Ring	
	Kit	1	O-Ring	
	Kit	2	Nut, Sealing	
	Kit	1	O-Ring	
	Kit	1	O-Ring	
	Kit	1	O-Ring	
	Kit	1	O-Ring	
	Kit	1	O-Ring	
	Kit	1	O-Ring	
	Kit	1	O-Ring	
	Kit	1	O-Ring	
	Kit	1	O-Ring	
	Kit	1	O-Ring	
	Kit	1	Kit, Seal	
	Kit	1	O-Ring	
	Kit	1	O-Ring	
	Kit	1	O-Ring	
	Kit	1	O-Ring	
	Kit	1	O-Ring	
	Kit	1	O-Ring	
	Kit	1	O-Ring	
	Kit	1	O-Ring	
	Kit	1	Seal	
	Kit	1	Seal	
	Kit	1	O-Ring	
	Kit	2	O-Ring	
	Kit	2	O-Ring	
	Kit	2	O-Ring	
	Kit	2	O-Ring	

SECTION 9 - HYDRAULIC COMPONENTS

FIGURE 9-22. PUMP ASSEMBLY - IMPLEMENT



ART_1001180070-F

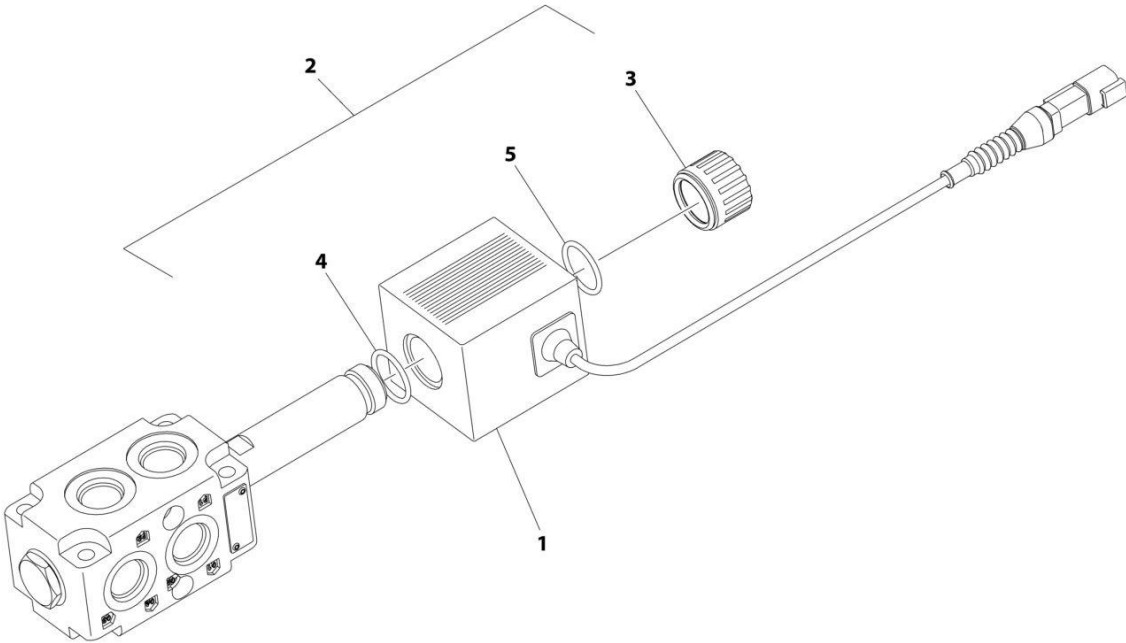
SECTION 9 - HYDRAULIC COMPONENTS

FIGURE 9-22. PUMP ASSEMBLY - IMPLEMENT

ITEM	PART NUMBER	QTY	DESCRIPTION	REV
	1001180070	1	Implement Pump	F
1	70027595	1	Controller, DSR	
2	70028412	1	Controller, EK	
14	7024947	1	Seal, Shaft	
101	70028413	1	Kit, Seal	
	Kit	1	Seal	
	Kit	1	Plug	
	Kit	2	Plug	
	Kit	2	O-Ring	
	Kit	1	O-Ring	

SECTION 9 - HYDRAULIC COMPONENTS

FIGURE 9-23. VALVE ASSEMBLY - BOOM AUX DIVERTER VALVE (HYDRAULIC - SINGLE & TWIN)



ART_1001104477

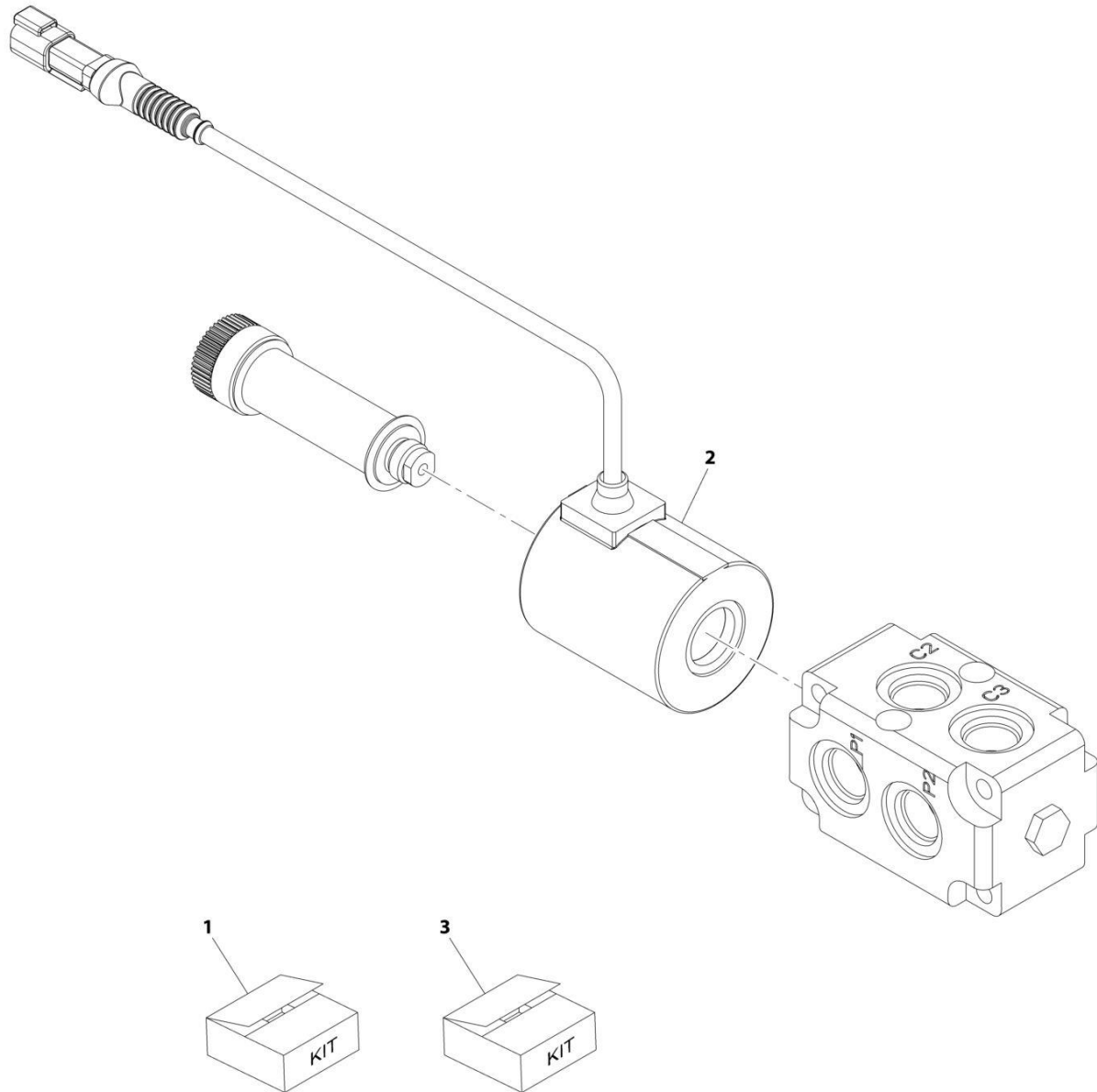
SECTION 9 - HYDRAULIC COMPONENTS

FIGURE 9-23. VALVE ASSEMBLY - BOOM AUX DIVERTER VALVE (HYDRAULIC - SINGLE & TWIN)

ITEM	PART NUMBER	QTY	DESCRIPTION	REV
	1001104477	Ref	DIVERTOR VALVE	D
1	70020764	1	Coil	
2	70021531	1	Retainer Kit (Includes Items 3-5)	
3	Kit	1	Nut	
4	Kit	1	O-Ring	
5	Kit	1	O-Ring	

SECTION 9 - HYDRAULIC COMPONENTS

FIGURE 9-24. VALVE ASSEMBLY - BOOM AUX DIVERTER VALVE (MANUAL & HYDRAULIC -TWIN)



ART_100110023-B

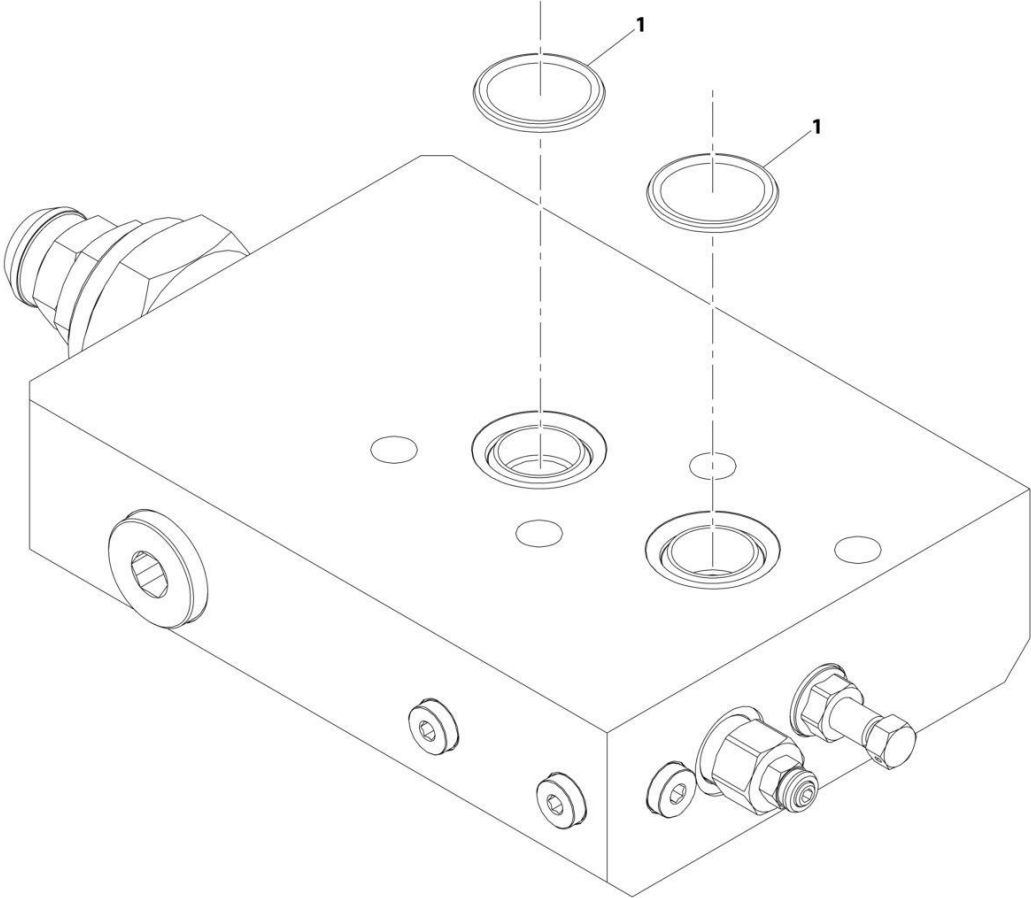
SECTION 9 - HYDRAULIC COMPONENTS

FIGURE 9-24. VALVE ASSEMBLY - BOOM AUX DIVERTER VALVE (MANUAL & HYDRAULIC -TWIN)

ITEM	PART NUMBER	QTY	DESCRIPTION	REV
	1001110023	Ref	Divertor Valve	B
1	70027596	1	Kit, Seal	
	Kit	2	O-Ring	
2	70020764	1	Coil	
3	70021531	1	Kit, Coil Nut	
	N.S.S.	1	O-Ring	
	N.S.S.	1	O-Ring	
	N.S.S.	1	Nut	

SECTION 9 - HYDRAULIC COMPONENTS

FIGURE 9-25. VALVE ASSEMBLY - BOOM EXTEND/RETRACT COUNTERBALANCE VALVE



ART_1001209862-E

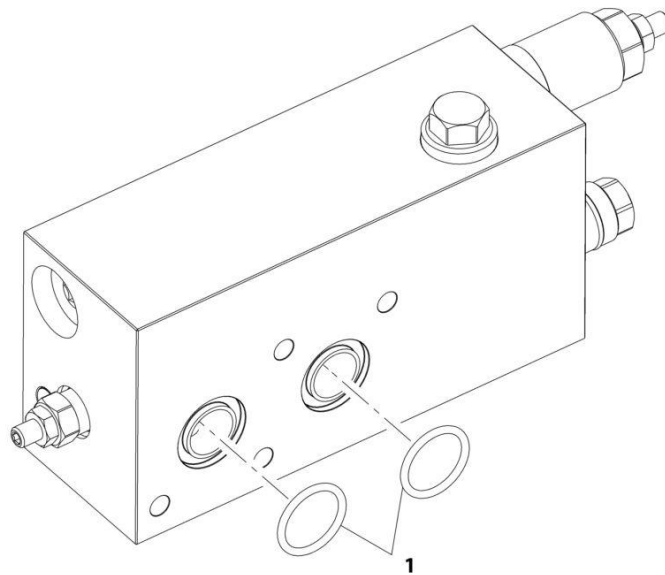
SECTION 9 - HYDRAULIC COMPONENTS

FIGURE 9-25. VALVE ASSEMBLY - BOOM EXTEND/RETRACT COUNTERBALANCE VALVE

ITEM	PART NUMBER	QTY	DESCRIPTION	REV
1	1001209862 70028422	Ref 2	Counterbalance Valve O-Ring	E

SECTION 9 - HYDRAULIC COMPONENTS

FIGURE 9-26. VALVE ASSEMBLY - BOOM RAISE COUNTERBALANCE VALVE (NO RIDE CONTROL)



ART_1001224944-C

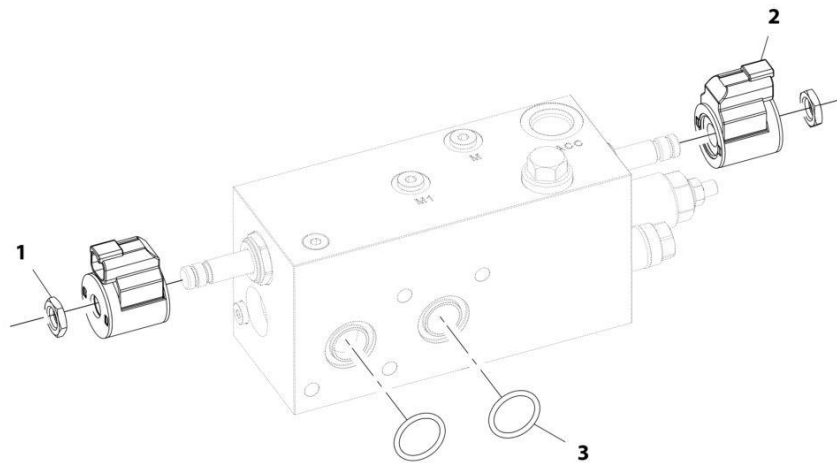
SECTION 9 - HYDRAULIC COMPONENTS

FIGURE 9-26. VALVE ASSEMBLY - BOOM RAISE COUNTERBALANCE VALVE (NO RIDE CONTROL)

ITEM	PART NUMBER	QTY	DESCRIPTION	REV
1	1001224944 70028282	Ref 1	Counterbalance Valve O-Ring	C

SECTION 9 - HYDRAULIC COMPONENTS

FIGURE 9-27. VALVE ASSEMBLY - BOOM RAISE RIDE & FLOAT VALVE (RIDE CONTROL)



ART_1001224945-C

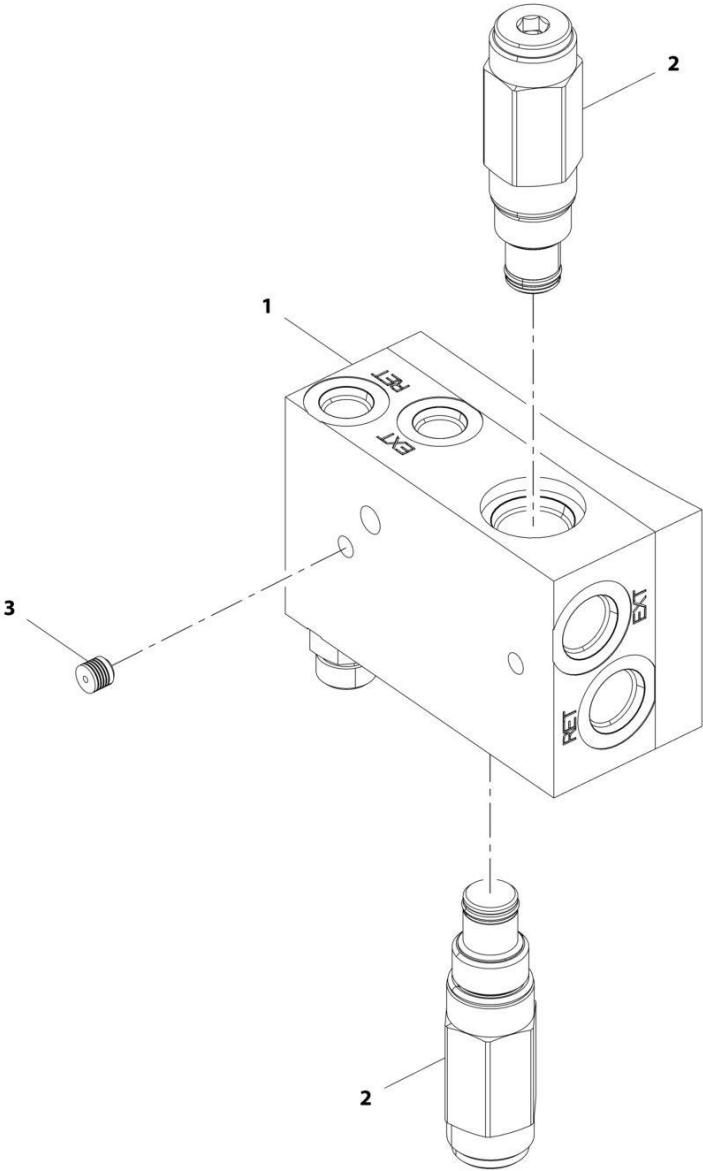
SECTION 9 - HYDRAULIC COMPONENTS

FIGURE 9-27. VALVE ASSEMBLY - BOOM RAISE RIDE & FLOAT VALVE (RIDE CONTROL)

ITEM	PART NUMBER	QTY	DESCRIPTION	REV
	1001224945	Ref	Boom Raise Valve (Ride Control)	C
1	7022390	2	Nut	
2	70028281	2	Coil	
3	70028282	2	O-Ring	

SECTION 9 - HYDRAULIC COMPONENTS

FIGURE 9-28. VALVE ASSEMBLY - BUCKET (5.23 YD³/4.0M³)



ART_70028573-D

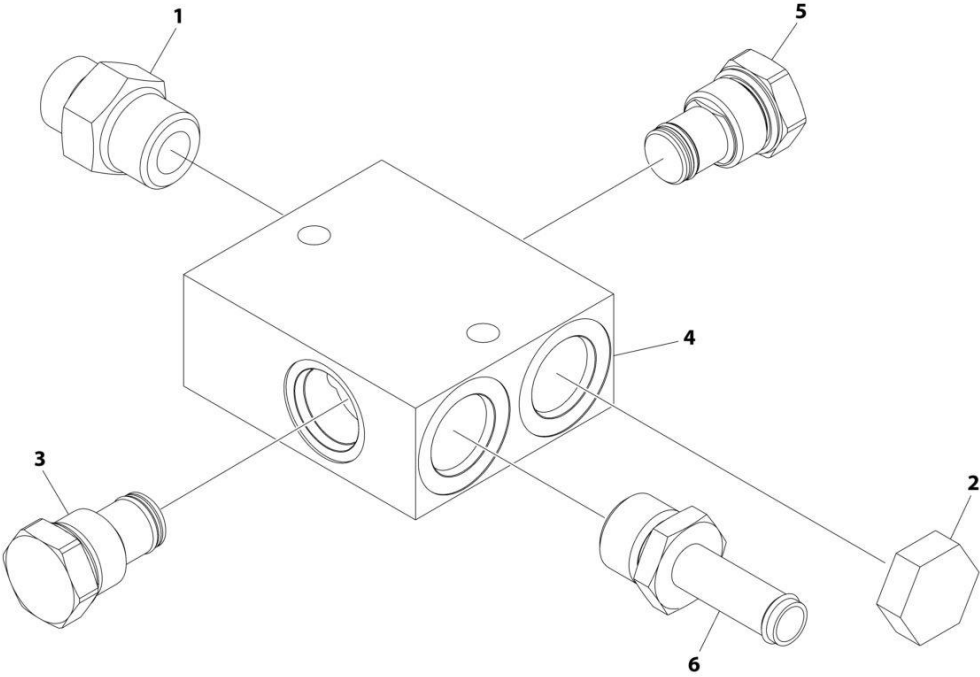
SECTION 9 - HYDRAULIC COMPONENTS

FIGURE 9-28. VALVE ASSEMBLY - BUCKET (5.23 YD³/4.0M³)

ITEM	PART NUMBER	QTY	DESCRIPTION	REV
	70028573	Ref	Valve Assembly, Bucket (5.23 YD ³ /4.0M ³)	D
1	70026477	1	Manifold	
2	70028589	2	Cartridge, Relief	
3	70026614	2	Plug	

SECTION 9 - HYDRAULIC COMPONENTS

FIGURE 9-29. VALVE ASSEMBLY - CAB HYDRAULICS CHECK VALVE



ART_1001212789

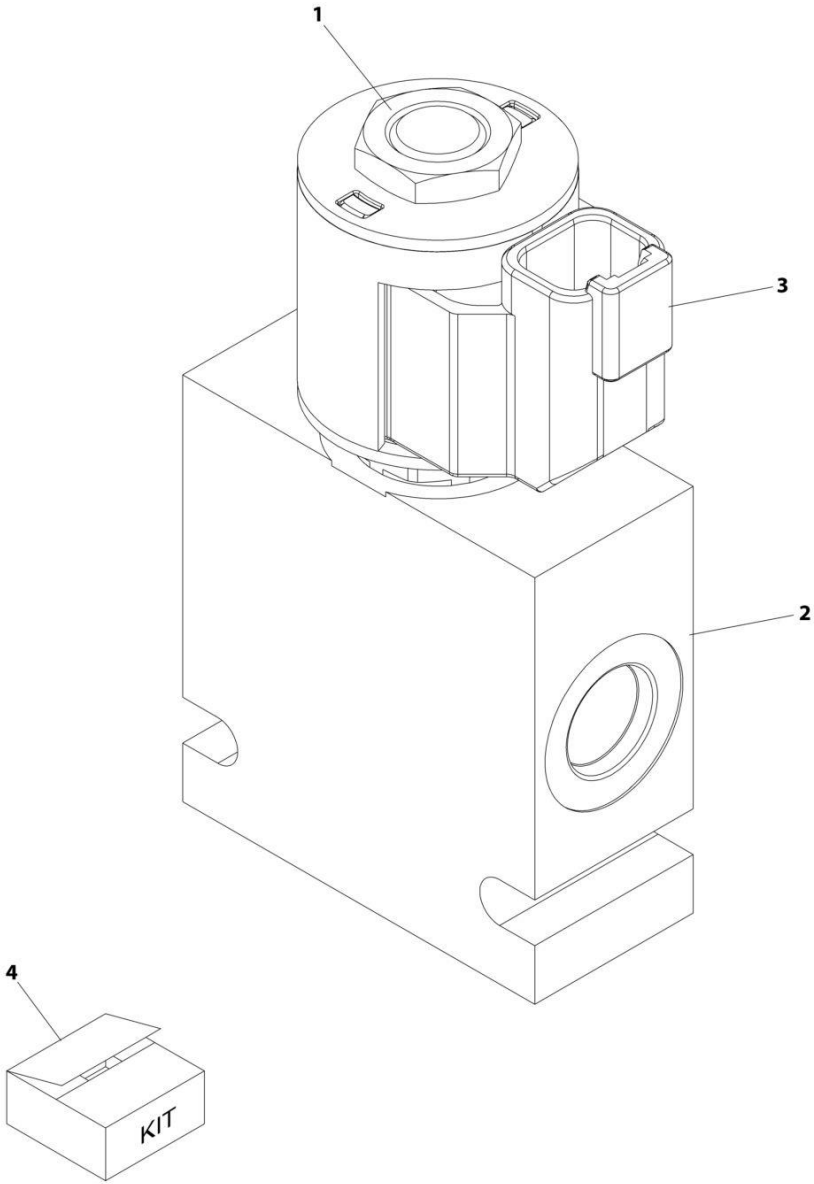
SECTION 9 - HYDRAULIC COMPONENTS

FIGURE 9-29. VALVE ASSEMBLY - CAB HYDRAULICS CHECK VALVE

ITEM	PART NUMBER	QTY	DESCRIPTION	REV
	1001212789	Ref	VALVE ASSEMBLY - CAB HYDRAULICS CHECK VALVE	E
1	2110810	1	Fitting, Straight ORFS	
2	2220239	1	Plug	
3	1001231393	1	Valve, Check	
4	1001210780	1	Manifold, Dual Check Valve	
5	1001210801	1	Valve, Check	
6	1001225656	1	Fitting, Barb	

SECTION 9 - HYDRAULIC COMPONENTS

FIGURE 9-30. VALVE ASSEMBLY - CAB HYDRAULICS SOLENOID VALVE



ART_1001221928-A

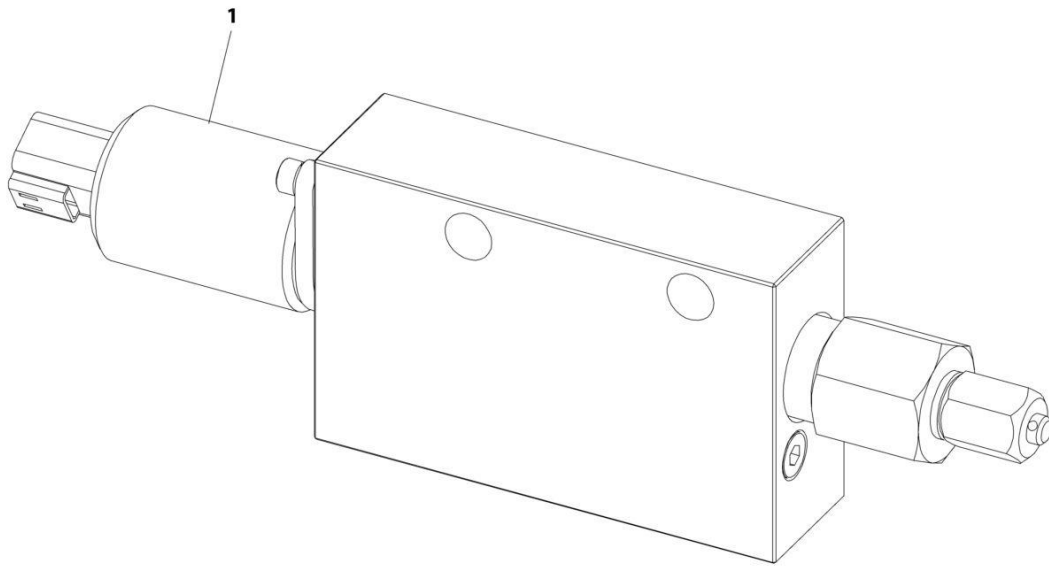
SECTION 9 - HYDRAULIC COMPONENTS

FIGURE 9-30. VALVE ASSEMBLY - CAB HYDRAULICS SOLENOID VALVE

ITEM	PART NUMBER	QTY	DESCRIPTION	REV
	1001221928	Ref	Solenoid Valve	A
1	70004387	1	Cartridge	
2	N.S.S.	Ref	Body	
3	70002963	1	Coil	
4	7010543	1	Kit, Seal	

SECTION 9 - HYDRAULIC COMPONENTS

FIGURE 9-31. VALVE ASSEMBLY - ENGINE BAY INCHING VALVE



ART_1001213311-B

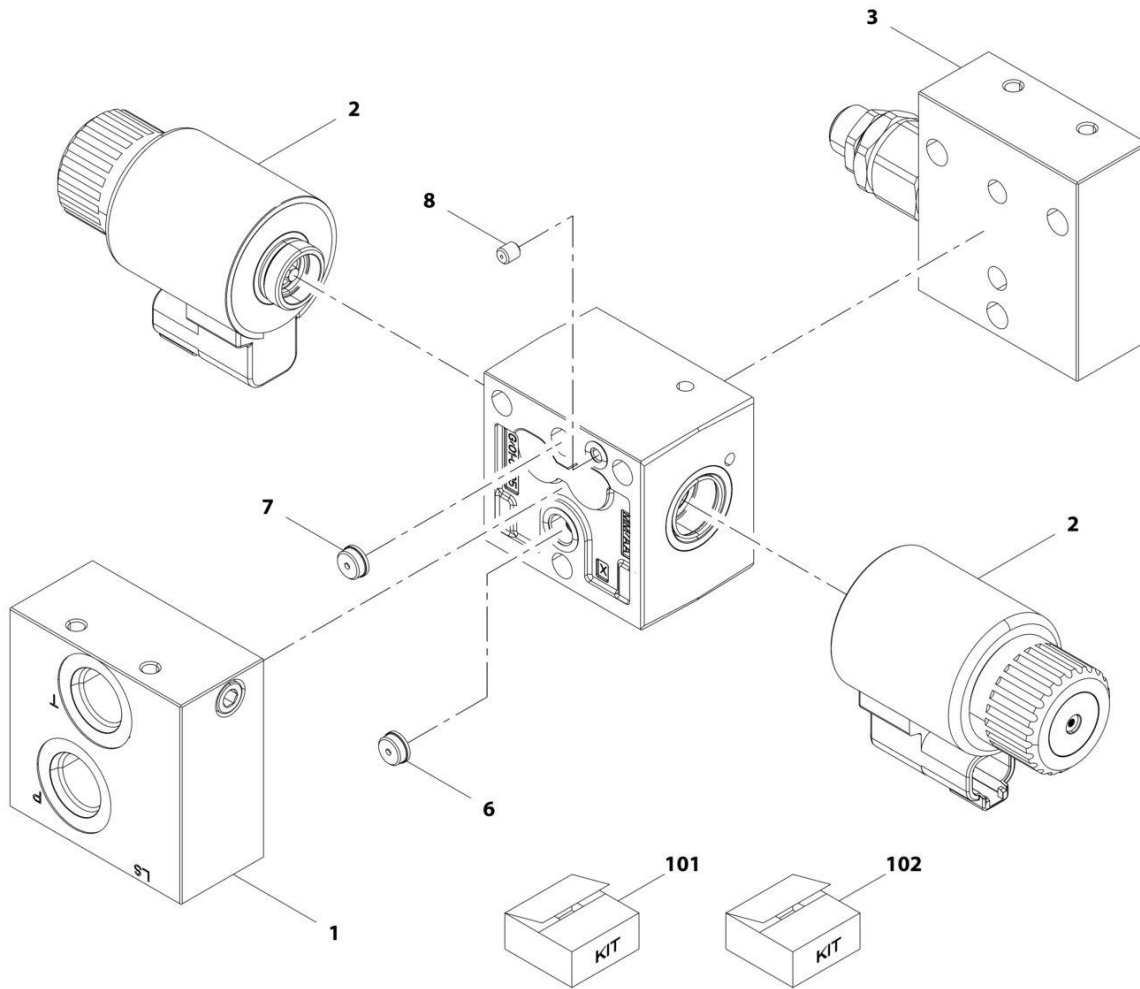
SECTION 9 - HYDRAULIC COMPONENTS

FIGURE 9-31. VALVE ASSEMBLY - ENGINE BAY INCHING VALVE

ITEM	PART NUMBER	QTY	DESCRIPTION	REV
1	1001213311 70028361	Ref 1	Inching Valve Valve, Proportional	B

SECTION 9 - HYDRAULIC COMPONENTS

FIGURE 9-32. VALVE ASSEMBLY - FRAME LEVEL CONTROL



ART_1001219615-D

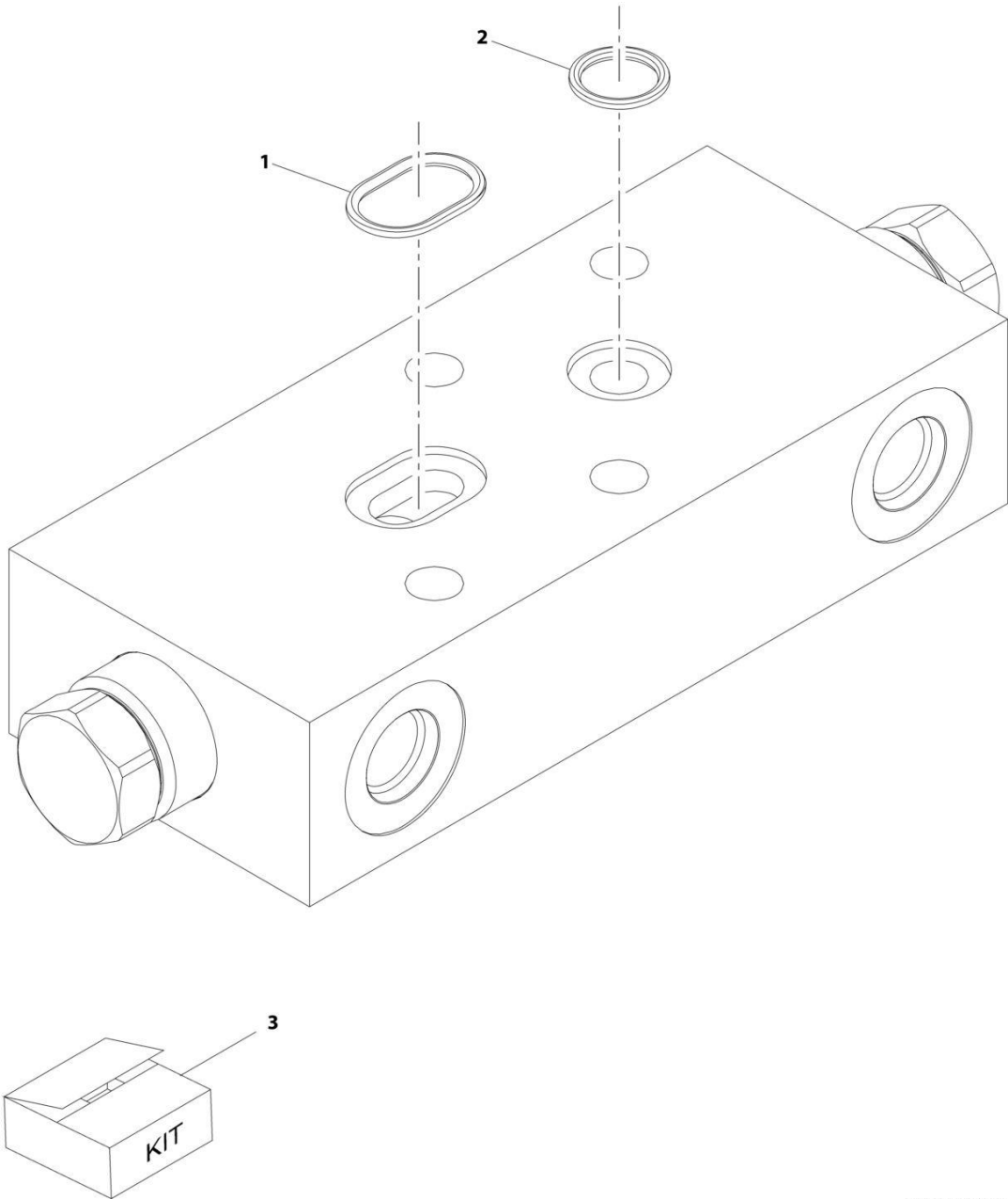
SECTION 9 - HYDRAULIC COMPONENTS

FIGURE 9-32. VALVE ASSEMBLY - FRAME LEVEL CONTROL

ITEM	PART NUMBER	QTY	DESCRIPTION	REV
	1001219615	Ref	Frame Level Valve	D
1	70028414	1	Valve, Section	
2	70004595	2	Coil	
3	70028504	1	Plate	
6	70028415	1	Screw	
7	70028243	1	Screw	
8	70028416	1	Screw	
101	70028502	2	Kit, Coil Nut	
	Kit	1	Nut	
	Kit	1	O-Ring	
102	70028503	1	Kit, Bolt and Seal	
	Kit	3	Bolt	
	Kit	3	Washer	
	Kit	2	O-Ring	
	Kit	4	O-Ring	
	Kit	2	O-Ring	

SECTION 9 - HYDRAULIC COMPONENTS

FIGURE 9-33. VALVE ASSEMBLY - FRAME LEVEL COUNTERBALANCE



ART_1001168599-C

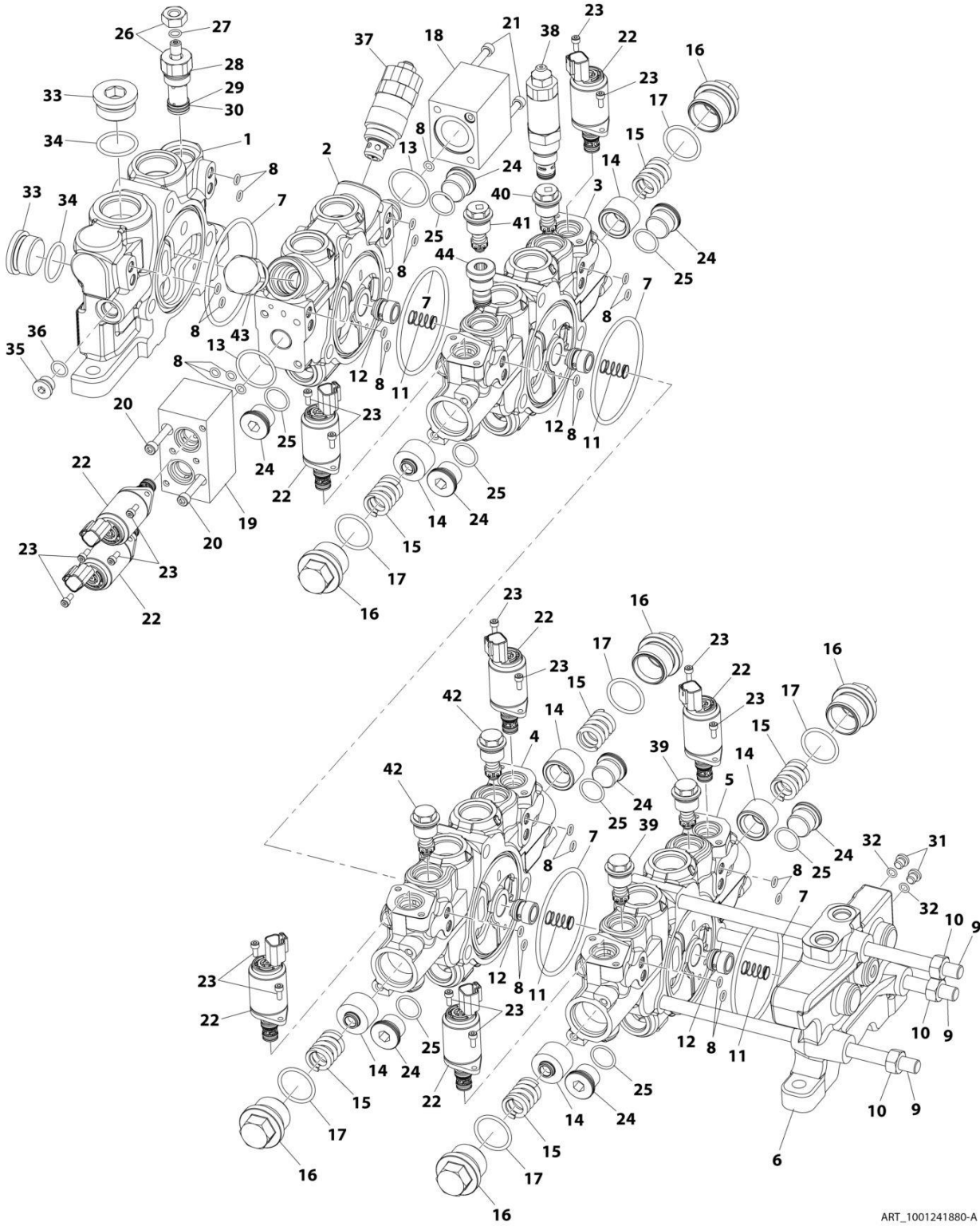
SECTION 9 - HYDRAULIC COMPONENTS

FIGURE 9-33. VALVE ASSEMBLY - FRAME LEVEL COUNTERBALANCE

ITEM	PART NUMBER	QTY	DESCRIPTION	REV
	1001168599	Ref	Counterbalance Valve	C
1	Kit	1	O-Ring	
2	Kit	1	O-Ring	
3	70028421	1	Kit, Seal (includes items 1 thru 2)	

SECTION 9 - HYDRAULIC COMPONENTS

FIGURE 9-34. VALVE ASSEMBLY - MAIN CONTROL



ART_1001241880-A

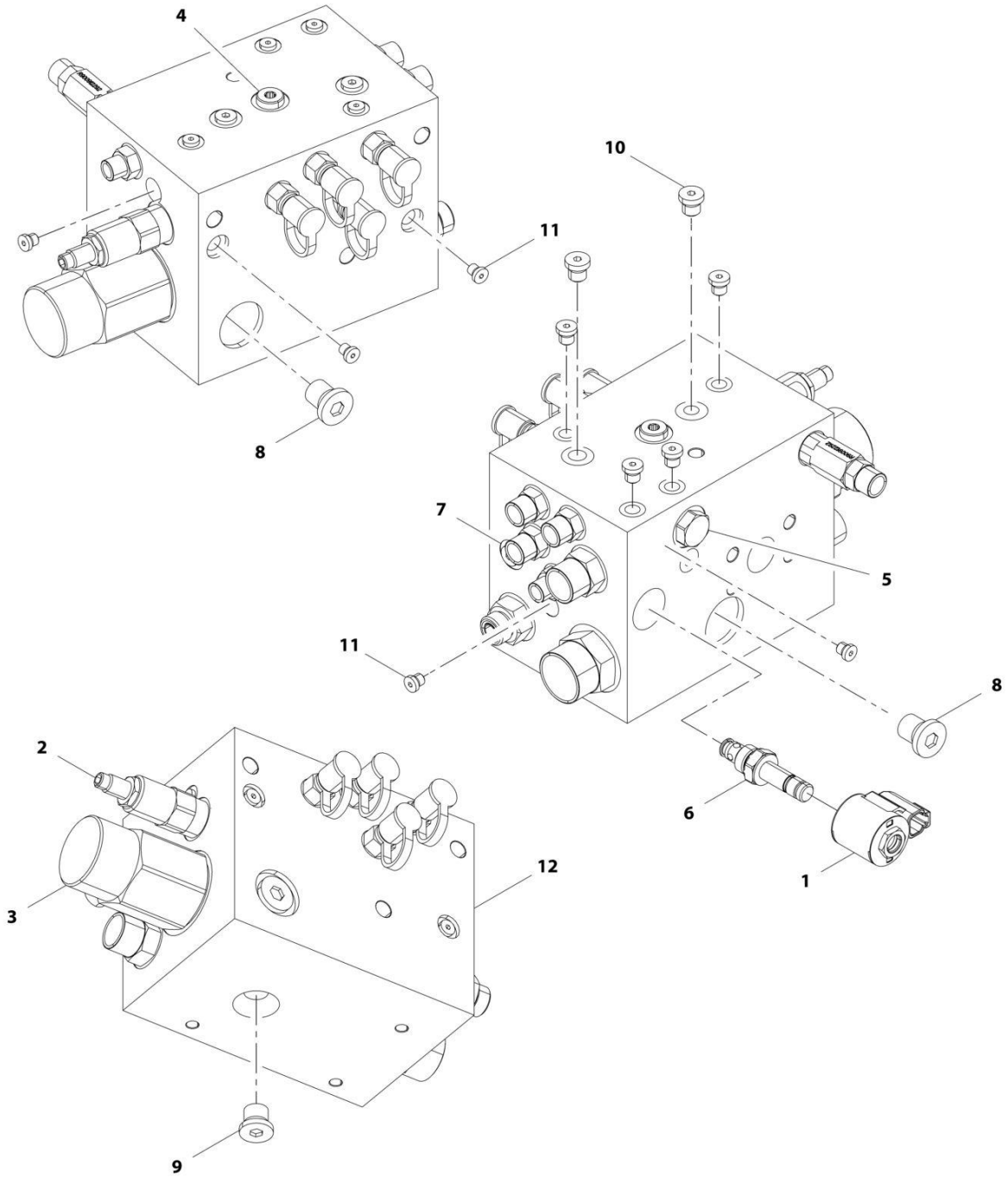
SECTION 9 - HYDRAULIC COMPONENTS

FIGURE 9-34. VALVE ASSEMBLY - MAIN CONTROL

ITEM	PART NUMBER	QTY	DESCRIPTION	REV
	1001241880	Ref	Main Control Valve	A
1	70028300	1	Inlet Section Assembly	
2	70029868	1	Lift Section Assembly	
3	70029870	1	Extend/Retract Section Assembly	
4	70029871	1	Tilt Section Assembly	
5	70029872	1	Aux Section Assembly	
6	70022007	1	Outlet Section Assembly	
7	8034697	5	O-Ring	
8	70026369	24	O-Ring	
9	70028299	3	Tie Rod	
10	70022019	6	Nut-Metric	
11	70025854	4	Spring	
12	70028287	4	Poppet, CV	
13	70026784	2	O-Ring	
14	70026781	6	Spring Seat	
15	70026783	6	Spring	
16	70026778	6	Plug Assembly, Special	
17	70026779	6	O-Ring	
18	70029873	1	End Cap	
19	70028295	1	End Cap Assembly, Solenoid	
20	70028298	2	Screw	
21	70026383	8	Screw	
22	70029874	8	Solenoid-Cartridge Valve	
23	70022014	16	Screw	
24	70024847	8	Plug Assembly	
25	70026777	8	O-Ring	
26	70028286	1	Drain Regulator Assembly	
27	70026373	1	O-Ring	
28	70026370	1	O-Ring	
29	70026376	1	Back-Up Ring	
30	70026370	1	O-Ring	
31	70026379	2	Plug	
32	70026372	2	O-Ring	
33	70050473	2	Plug Assembly	
34	10732931	2	O-Ring	
35	70050475	1	Plug	
36	70024201	1	O-Ring	
37	70028288	1	Relief Valve Assembly	
38	70028289	1	Relief Valve Assembly	
39	70028296	2	Relief Valve Assembly	
40	70027134	1	Relief Valve Assembly (Note: General Drawing - This part does ot to this valve)	
41	70028297	1	Relief Valve Assembly	
42	70022010	2	Relief Valve Assembly	
43	10837953	1	Shut-Off Plug Assembly	
44	70022008	1	Shut-Off Plug Assembly (Note: General Drawing - This part does ot to this valve)	

SECTION 9 - HYDRAULIC COMPONENTS

FIGURE 9-35. VALVE ASSEMBLY - PRIORITY VALVE



ART_1001192888-E

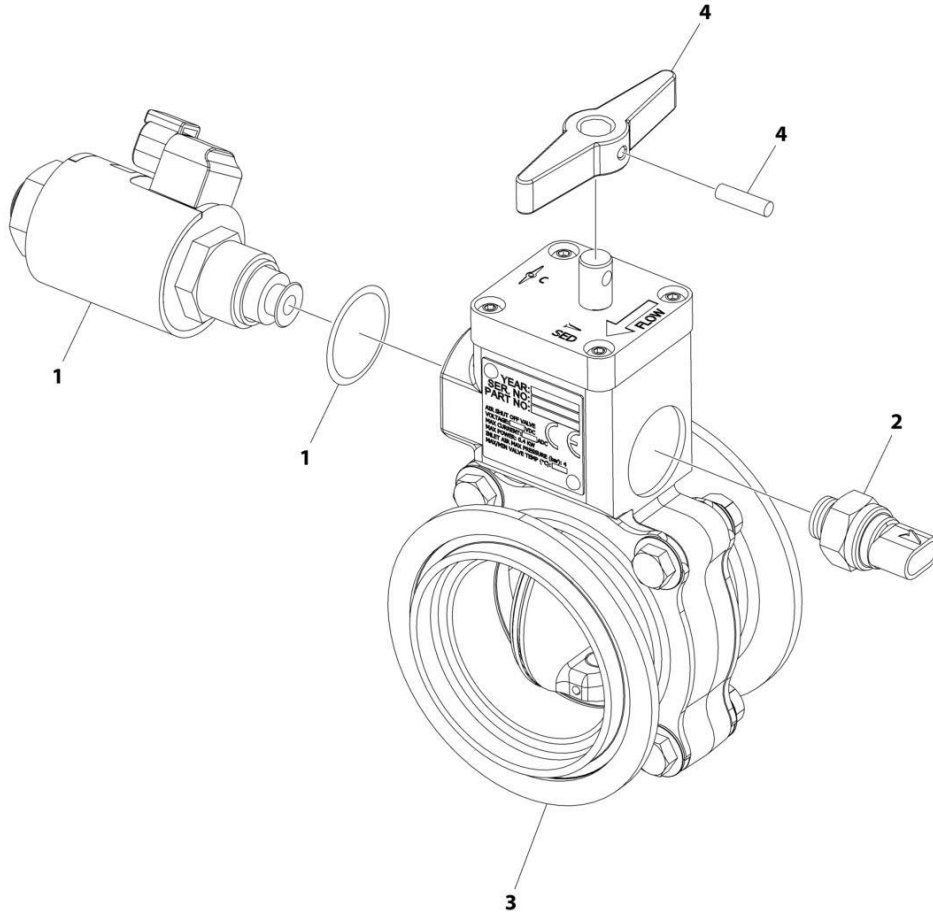
SECTION 9 - HYDRAULIC COMPONENTS

FIGURE 9-35. VALVE ASSEMBLY - PRIORITY VALVE

ITEM	PART NUMBER	QTY	DESCRIPTION	REV
	1001192888	Ref	Priority Valve Assembly	E
1	70028905	1	Cartridge	
2	70028904	1	Cartridge	
3	70028903	1	Cartridge	
4	70026312	1	Cartridge	
5	70028902	1	Cartridge	
6	70002963	1	Coil	
7	70006427	1	Orifice	
8	70026314	2	Plug	
9	2220886	1	Plug	
10	2220883	3	Plug	
11	70026315	9	Plug	
12	N.S.S.	1	Block	

SECTION 9 - HYDRAULIC COMPONENTS

FIGURE 9-36. VALVE ASSEMBLY - RADIATOR HOSE SHUT-OFF VALVE



ART_1001204032_C

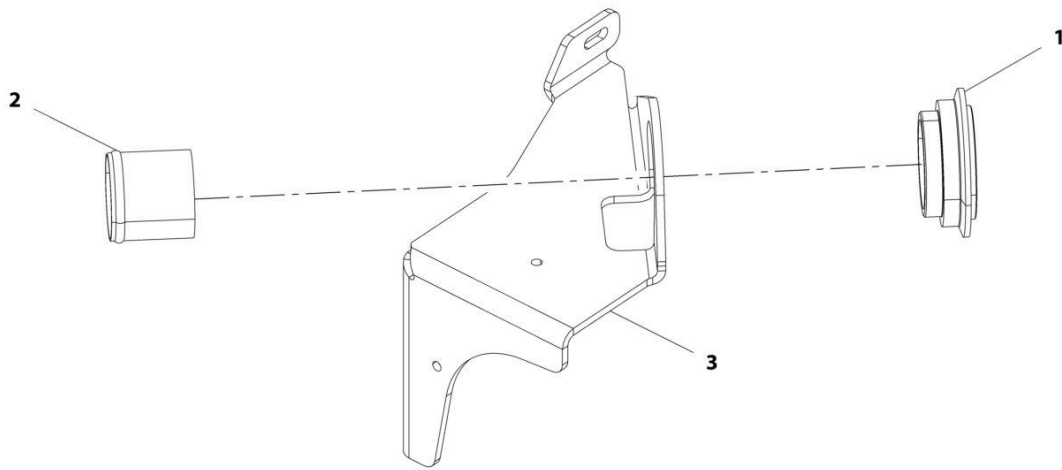
SECTION 9 - HYDRAULIC COMPONENTS

FIGURE 9-36. VALVE ASSEMBLY - RADIATOR HOSE SHUT-OFF VALVE

ITEM	PART NUMBER	QTY	DESCRIPTION	REV
	1001204032	Ref	Air Shut Off Valve	C
1	70028514	1	Kit, Solenoid 12V (Includes Solenoid, Coil, O-Ring)	
2	70028515	1	Kit, Switch (Includes Ball Switch & O-Ring)	
3	70028516	1	Kit, Flange and Hardware (Includes Flanges (Male & Female) & Mounting Hardware)	
4	70028517	1	Kit, Handle (Includes Handle & Pin)	

SECTION 9 - HYDRAULIC COMPONENTS

FIGURE 9-37. VALVE ASSEMBLY - RADIATOR HOSE ASO VALVE



ART_1001223618-A

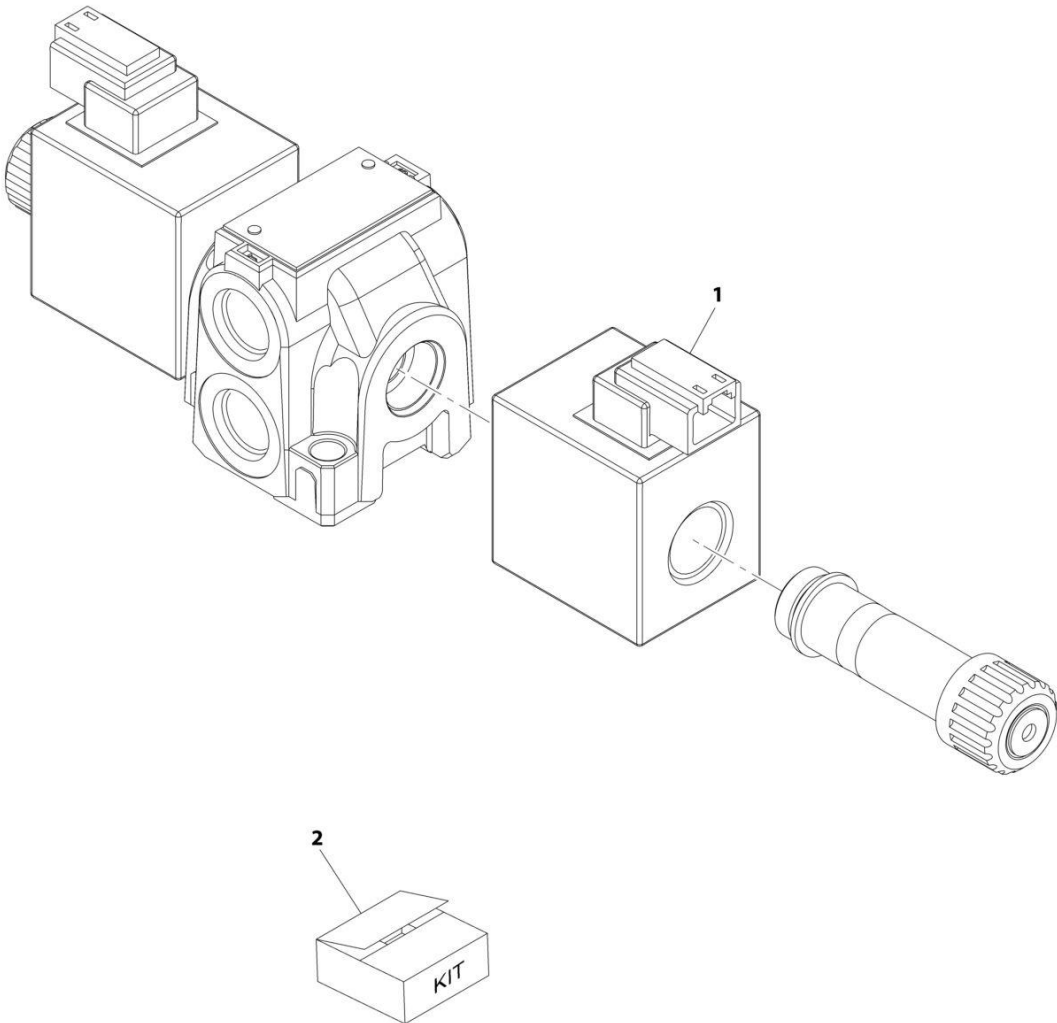
SECTION 9 - HYDRAULIC COMPONENTS

FIGURE 9-37. VALVE ASSEMBLY - RADIATOR HOSE ASO VALVE

ITEM	PART NUMBER	QTY	DESCRIPTION	REV
	1001223618	Ref	ASO Valve	A
1	1001204057	1	Plate	
2	1001206954	1	Tube	
3	1001223622	1	Bracket	

SECTION 9 - HYDRAULIC COMPONENTS

FIGURE 9-38. VALVE ASSEMBLY - SPEED CONTROL



ART_4641520-B

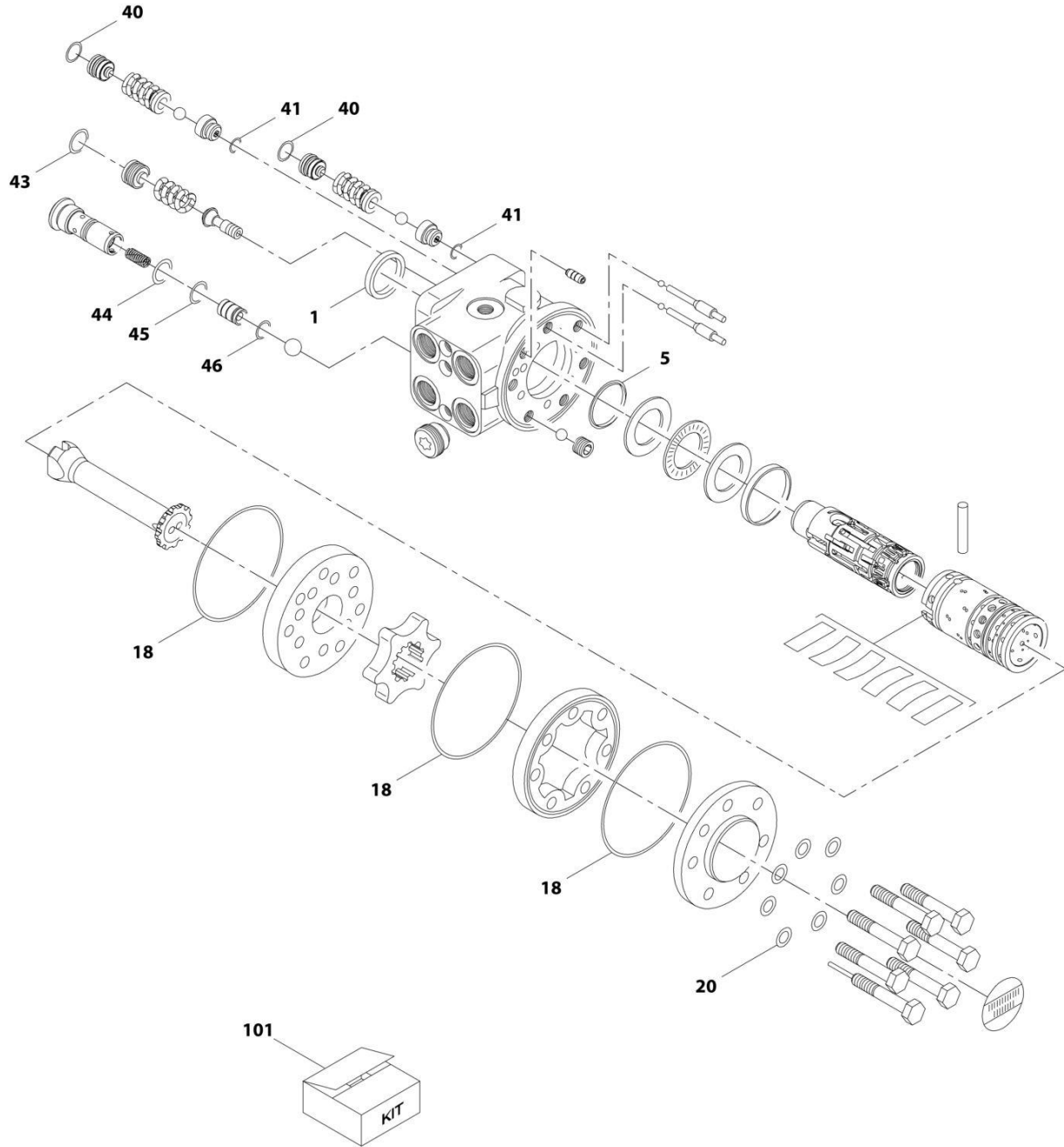
SECTION 9 - HYDRAULIC COMPONENTS

FIGURE 9-38. VALVE ASSEMBLY - SPEED CONTROL

ITEM	PART NUMBER	QTY	DESCRIPTION	REV
	4641520	Ref	Speed Control Valve	B
1	70026582	1	SOLENOID	
2	70020867	1	Kit, Coil Nut	
	N.S.S.	1	Seal	
	N.S.S.	1	Seal	
	N.S.S.	1	Nut, Coil	

SECTION 9 - HYDRAULIC COMPONENTS

FIGURE 9-39. VALVE ASSEMBLY - STEER



ART_1001178670-B

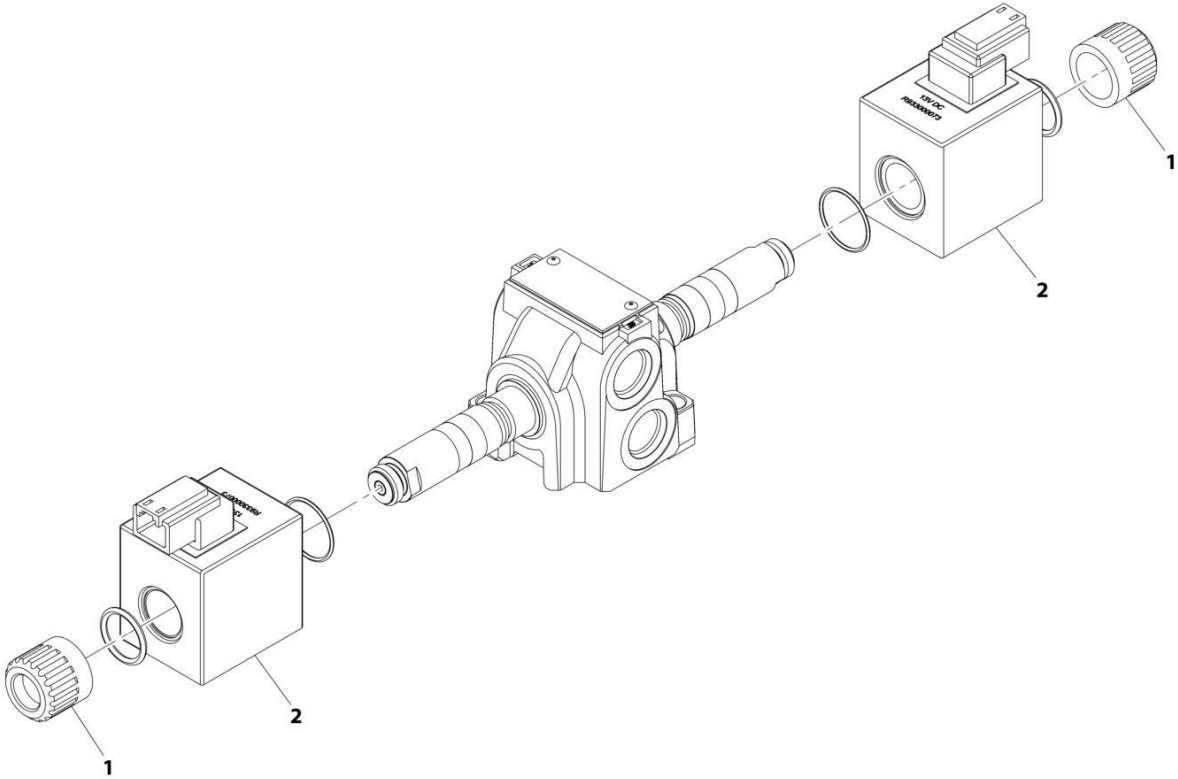
SECTION 9 - HYDRAULIC COMPONENTS

FIGURE 9-39. VALVE ASSEMBLY - STEER

ITEM	PART NUMBER	QTY	DESCRIPTION	REV
	1001178670	Ref	Steer Unit Valve	B
1	Kit	2	Ring, Dust Seal	
5	Kit	2	Seal, Shaft	
18	Kit	2	O-Ring	
20	Kit	2	Washer	
40	Kit	2	O-Ring	
41	Kit	2	O-Ring	
43	Kit	2	O-Ring	
44	Kit	2	O-Ring	
45	Kit	2	O-Ring	
46	Kit	2	O-Ring	
101	70028285	1	Kit, Seal (includes items 1, 5, 18, 20, 40, 41 and 43 thru 46)	

SECTION 9 - HYDRAULIC COMPONENTS

FIGURE 9-40. VALVE ASSEMBLY - STEERING SELECT VALVE



ART_1001153748-C

SECTION 9 - HYDRAULIC COMPONENTS

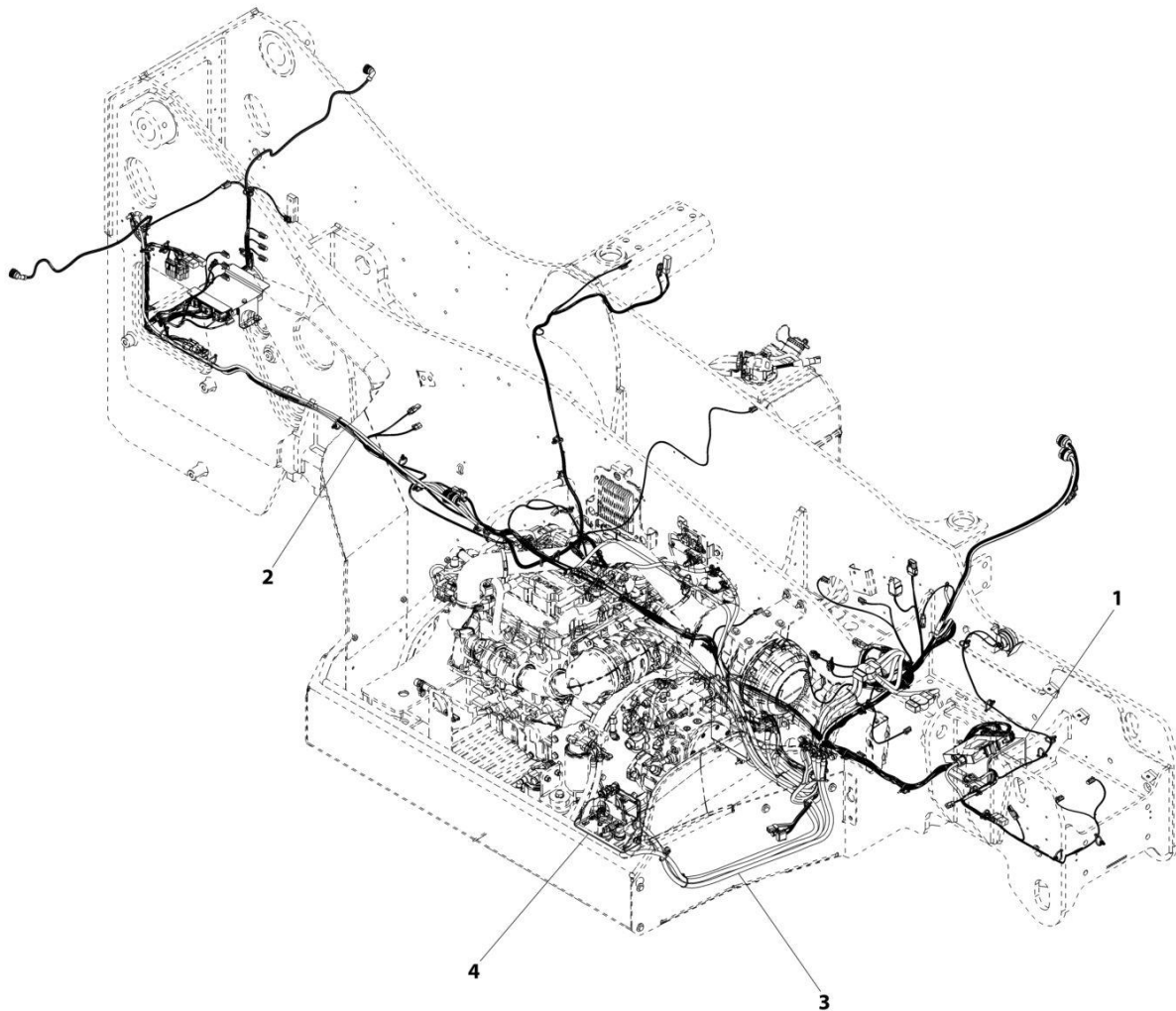
FIGURE 9-40. VALVE ASSEMBLY - STEERING SELECT VALVE

ITEM	PART NUMBER	QTY	DESCRIPTION	REV
	1001153748	Ref	Steering Select Valve	C
1	70020867	2	Nut, Coil	
2	70026582	2	Coil	

SECTION 10 - ELECTRICAL

SECTION 10 - ELECTRICAL

FIGURE 10-1. MAIN ELECTRICAL INSTALLATION (ULS)



ART_1001192537-B

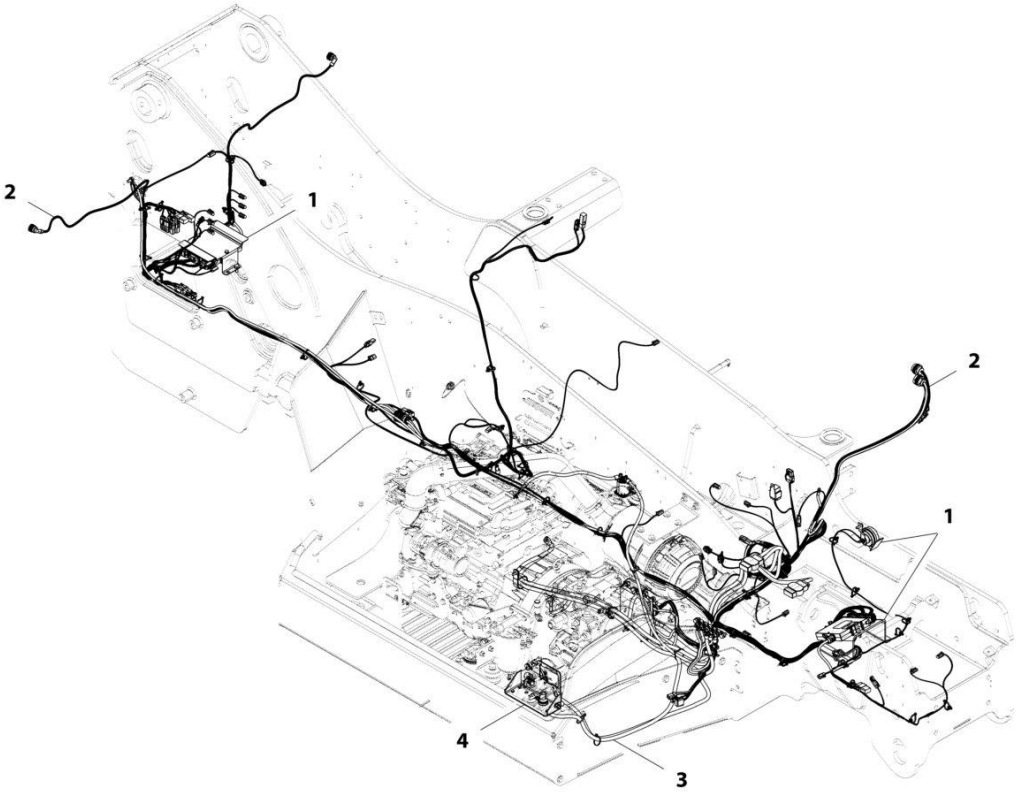
SECTION 10 - ELECTRICAL

FIGURE 10-1. MAIN ELECTRICAL INSTALLATION (ULS)

ITEM	PART NUMBER	QTY	DESCRIPTION	REV
1	1001192537	Ref	Main Electrical Installation (ULS)	B
	1001183272	Ref	Installation, Frame Electrical (See Separate Breakdown in this Section)	
2	1001200159	Ref	Installation, Frame Wiring (See Separate Breakdown in this Section)	
3	1001200160	Ref	Installation, Engine Bay Electrical	
4	1001202172	Ref	Installation, Engine Pod Electrical (ULS) (See Separate Breakdown in this Section)	

SECTION 10 - ELECTRICAL

FIGURE 10-2. MAIN ELECTRICAL INSTALLATION (LS)



ART_1001192538-C

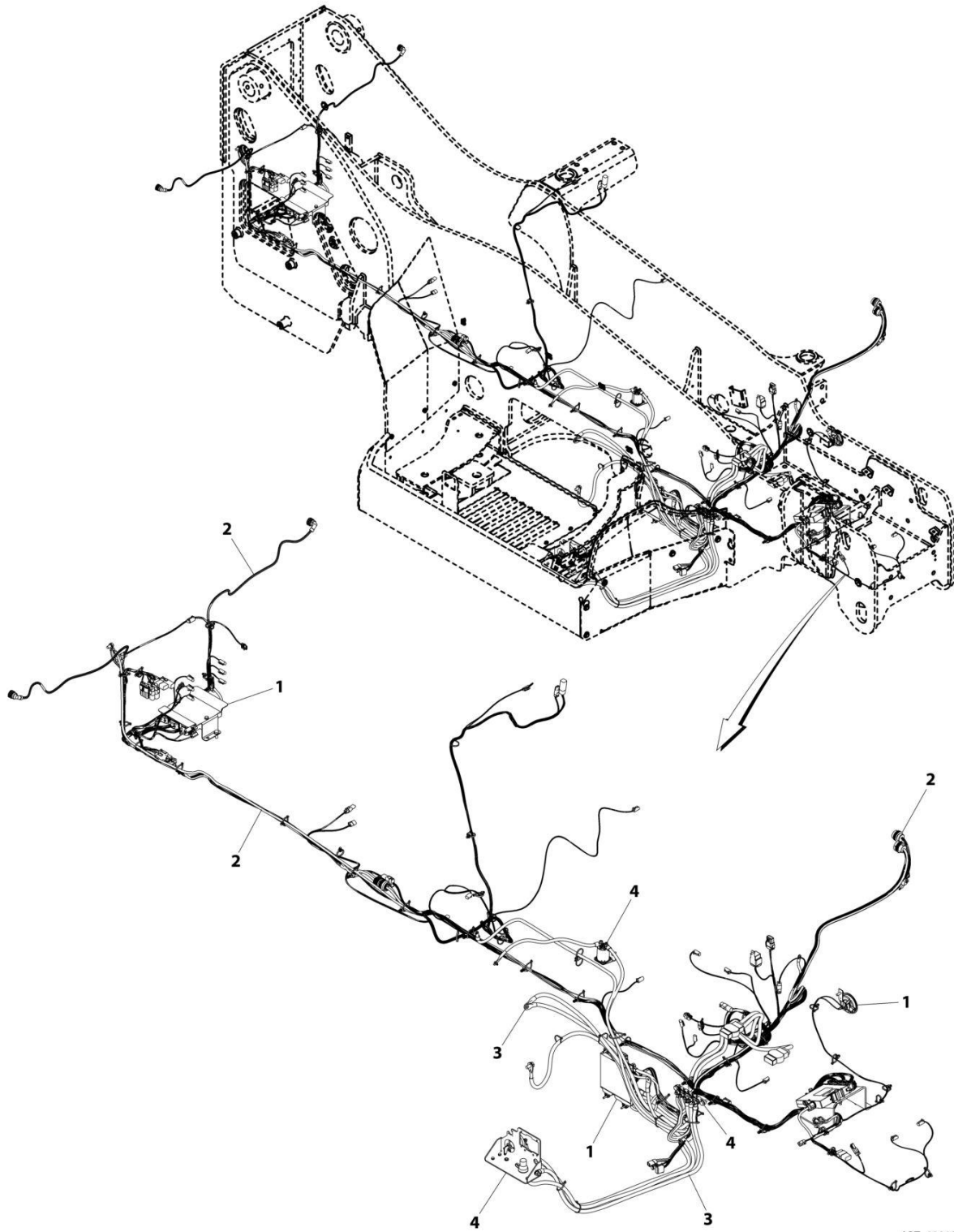
SECTION 10 - ELECTRICAL

FIGURE 10-2. MAIN ELECTRICAL INSTALLATION (LS)

ITEM	PART NUMBER	QTY	DESCRIPTION	REV
1	1001192538	Ref	Main Electrical Installation (LS)	C
	1001183272	Ref	Installation, Frame Electrical (See Separate Breakdown in this Section)	
2	1001200159	Ref	Installation, Frame Electrical (See Separate Breakdown in this Section)	
3	1001227469	Ref	Installation, Engine Bay Electrical (See Separate Breakdown in this Section)	
4	1001223066	Ref	Installation, Engine Pod Electrical (LS) (See Separate Breakdown in this Section)	

SECTION 10 - ELECTRICAL

FIGURE 10-3. MAIN ELECTRICAL INSTALLATION, MINING (ULS)



ART_1001228738-A

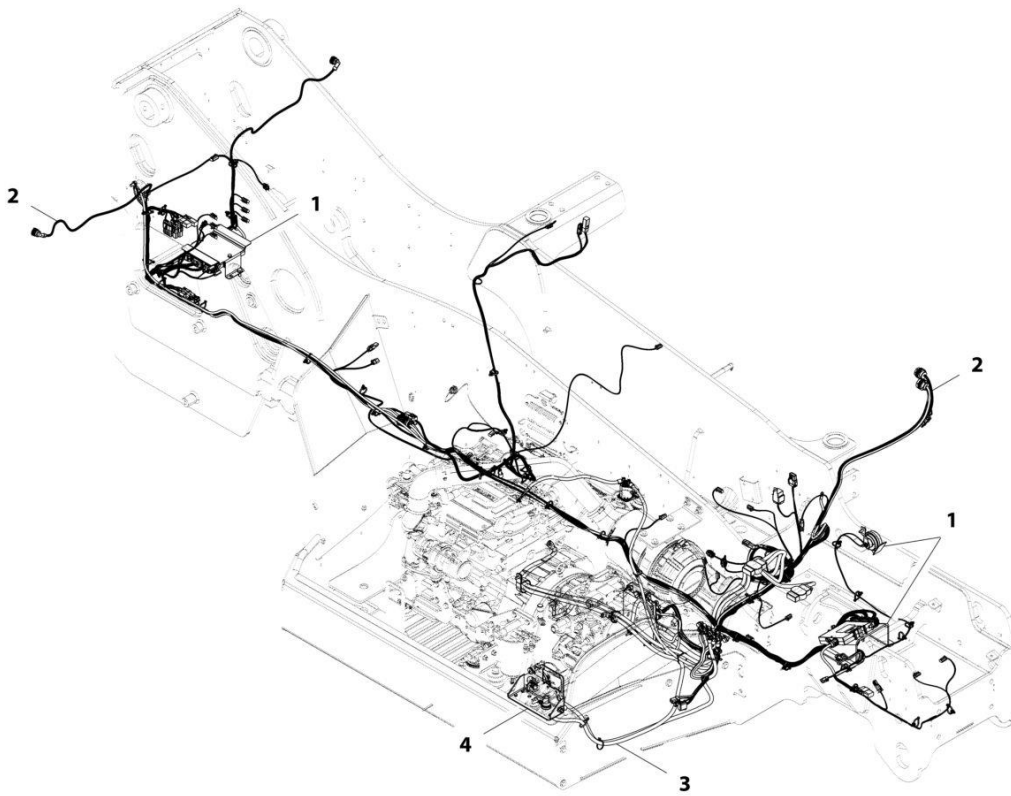
SECTION 10 - ELECTRICAL

FIGURE 10-3. MAIN ELECTRICAL INSTALLATION, MINING (ULS)

ITEM	PART NUMBER	QTY	DESCRIPTION	REV
1	1001228738	Ref	Main Electrical Installation, Mining (ULS)	A
	1001183272	Ref	Installation, Frame Electrical (See Separate Breakdown in this Section)	
2	1001228739	Ref	Installation, Frame Wiring (See Separate Breakdown in this Section)	
3	1001200160	Ref	Installation, Engine Bay Electrical	
4	1001202172	Ref	Installation, Engine Pod Electrical (ULS) (See Separate Breakdown in this Section)	

SECTION 10 - ELECTRICAL

FIGURE 10-4. MAIN ELECTRICAL INSTALLATION, MINING (LS)



ART_1001228742-A

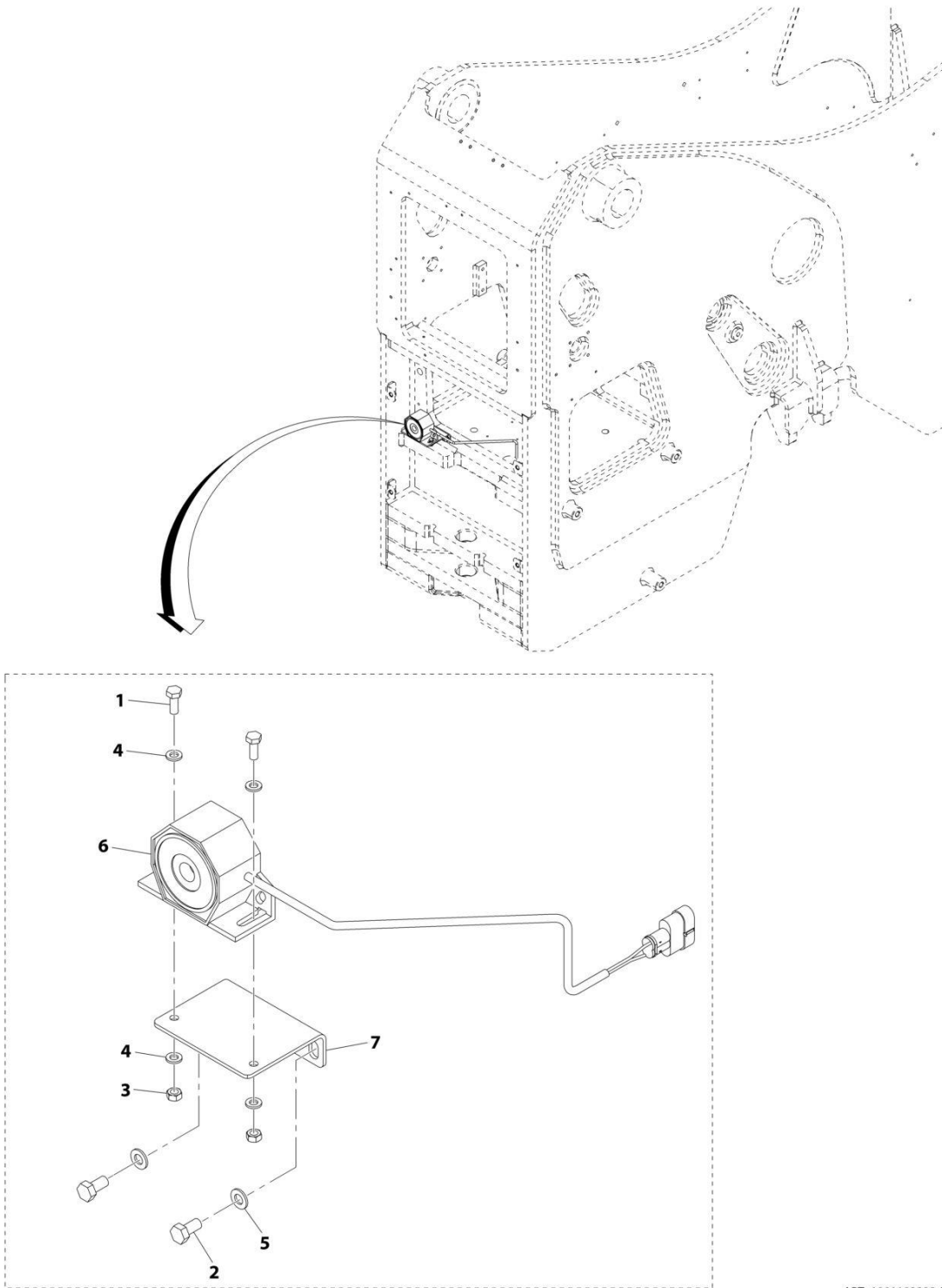
SECTION 10 - ELECTRICAL

FIGURE 10-4. MAIN ELECTRICAL INSTALLATION, MINING (LS)

ITEM	PART NUMBER	QTY	DESCRIPTION	REV
1	1001228742	Ref	Main Electrical Installation (LS) (Mining)	A
	1001183272	Ref	Installation, Frame Electrical (See Separate Breakdown in this Section)	
2	1001228739	Ref	Installation, Frame Electrical (See Separate Breakdown in this Section)	
3	1001227469	Ref	Installation, Engine Bay Electrical (See Separate Breakdown in this Section)	
4	1001223066	Ref	Installation, Engine Pod Electrical (LS) (See Separate Breakdown in this Section)	

SECTION 10 - ELECTRICAL

FIGURE 10-5. ALARM INSTALLATION - BACK UP



ART_1001192323-D

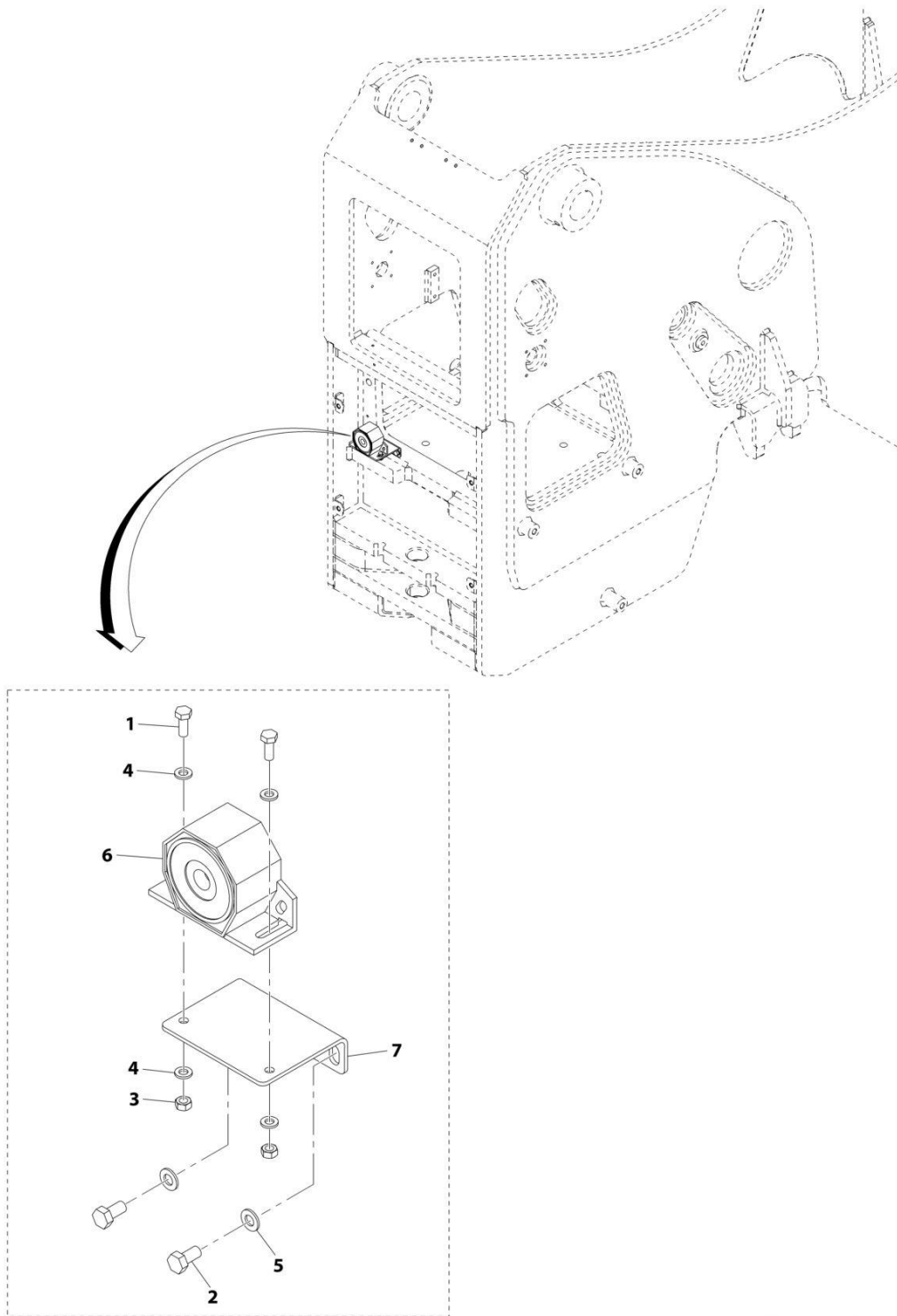
SECTION 10 - ELECTRICAL

FIGURE 10-5. ALARM INSTALLATION - BACK UP

ITEM	PART NUMBER	QTY	DESCRIPTION	REV
	1001192323	Ref	Backup Alarm Installation	D
1	0760608	2	Bolt, M6X16	
2	0760808	2	Bolt, M8X16	
3	3290601	2	Nut, M6X1	
4	4811700	4	Washer, M6	
5	4811900	2	Washer, M8	
6	1001101808	1	Alarm, Backup	
7	1001193698	1	Bracket	

SECTION 10 - ELECTRICAL

FIGURE 10-6. ALARM INSTALLATION (BACK UP - WHITE NOISE)



ART_1001195263-B

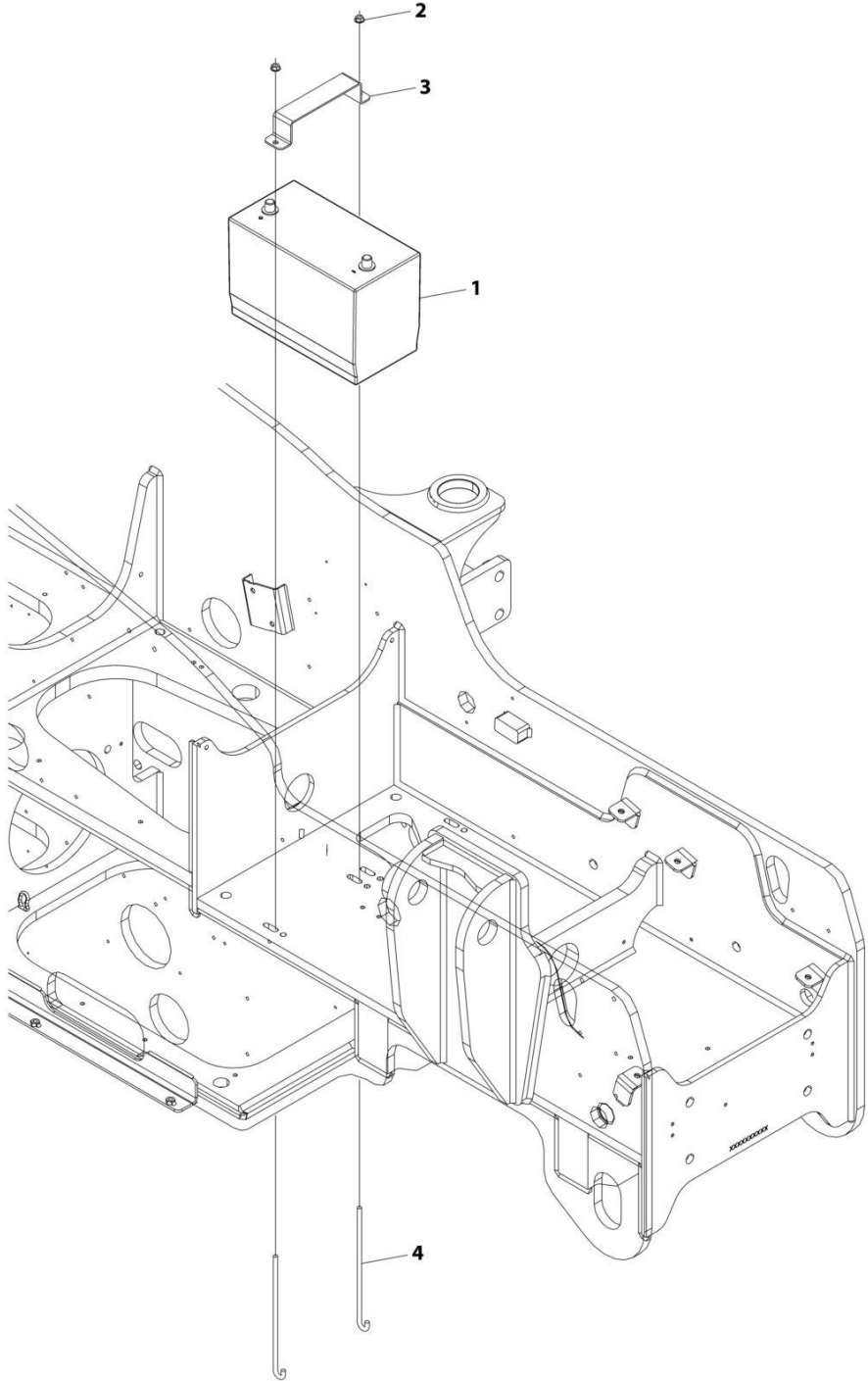
SECTION 10 - ELECTRICAL

FIGURE 10-6. ALARM INSTALLATION (BACK UP - WHITE NOISE)

ITEM	PART NUMBER	QTY	DESCRIPTION	REV
	1001195263	Ref	Backup Alarm Installation (White Noise)	B
1	0760608	2	Bolt, M6X16	
2	0760808	2	Bolt, M8X16	
3	3290601	2	Nut, M6X1	
4	4811700	4	Washer, M6	
5	4811900	2	Washer, M8	
6	1001165827	1	Alarm, Backup (White Noise)	
7	1001193698	1	Bracket	

SECTION 10 - ELECTRICAL

FIGURE 10-7. BATTERY INSTALLATION



ART_1001186855

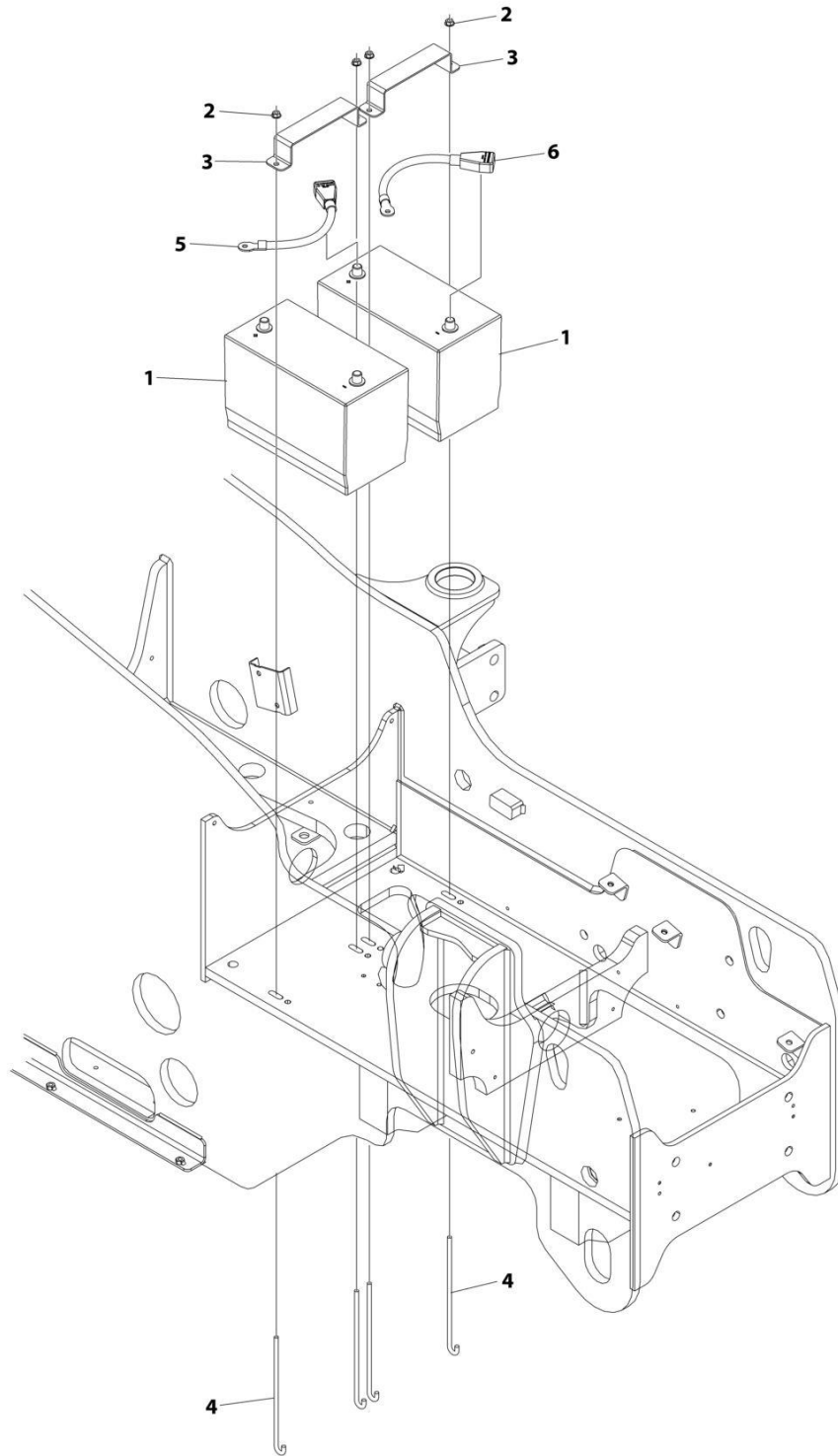
SECTION 10 - ELECTRICAL

FIGURE 10-7. BATTERY INSTALLATION

ITEM	PART NUMBER	QTY	DESCRIPTION	REV
	1001186855	Ref	Battery Installation	B
1	0400075	1	Battery, 12V	
2	5220800	2	Nut, Ripp M8	
3	1001160927	1	Plate	
4	1001160928	2	J-Bolt (270mm Length)	
4	1001181961	2	J-Bolt (220mm Length)	

SECTION 10 - ELECTRICAL

FIGURE 10-8. BATTERY (DUAL) INSTALLATION



ART_1001211445_D

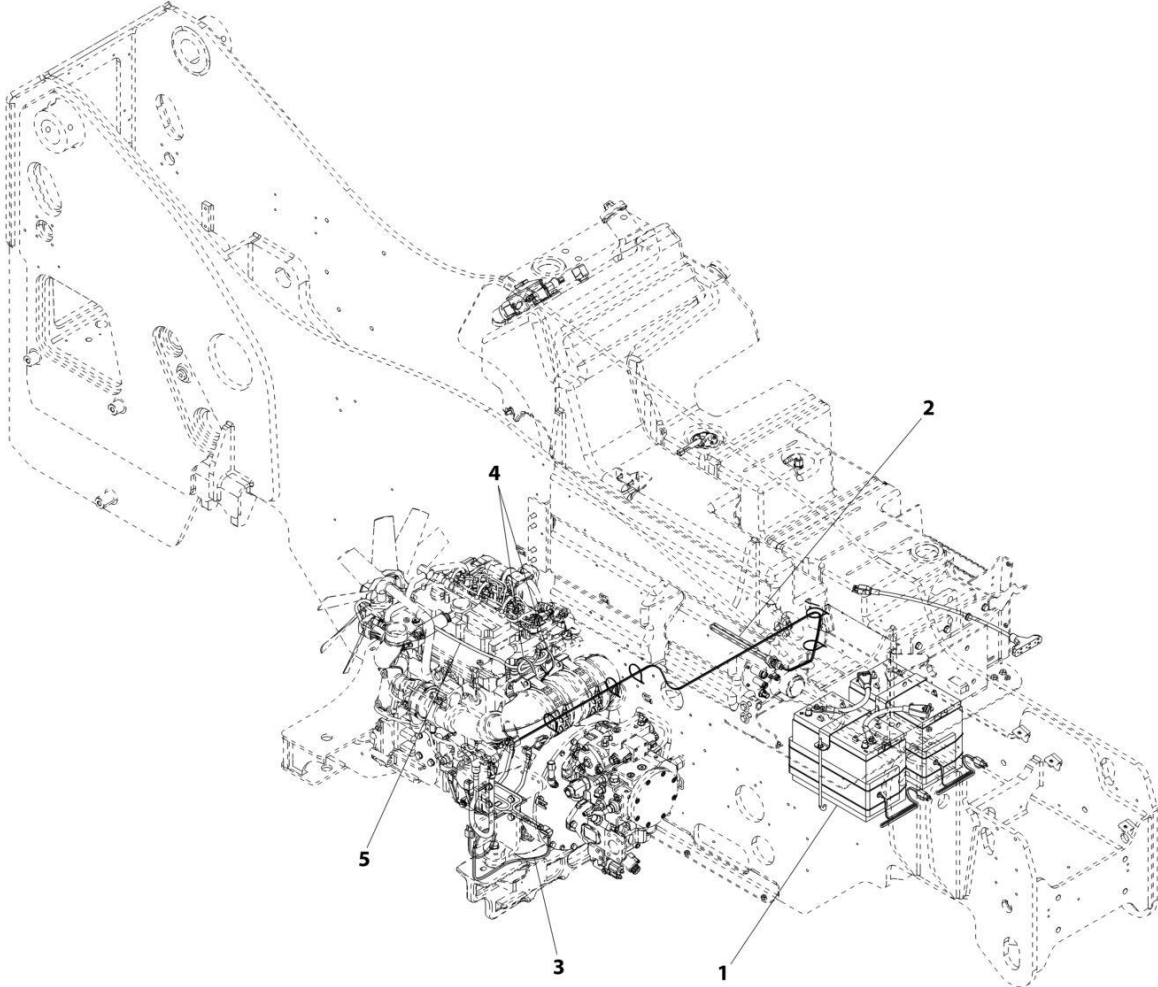
SECTION 10 - ELECTRICAL

FIGURE 10-8. BATTERY (DUAL) INSTALLATION

ITEM	PART NUMBER	QTY	DESCRIPTION	REV
	1001211445	Ref	Dual Battery Installation	D
1	0400075	2	Battery, 12V	
2	5220800	4	Nut Ripp M8	
3	1001160927	2	Plate	
4	1001160928	4	J-Bolt (270mm Length)	
4	1001181961	4	J-Bolt (220mm Length)	
5	1001203557	1	Cable, Positive Battery	
6	1001203558	1	Cable, Negative Battery	

SECTION 10 - ELECTRICAL

FIGURE 10-9. BATTERY (ARCTIC) PACKAGE INSTALLATION (115V)



ART_1001186856-D

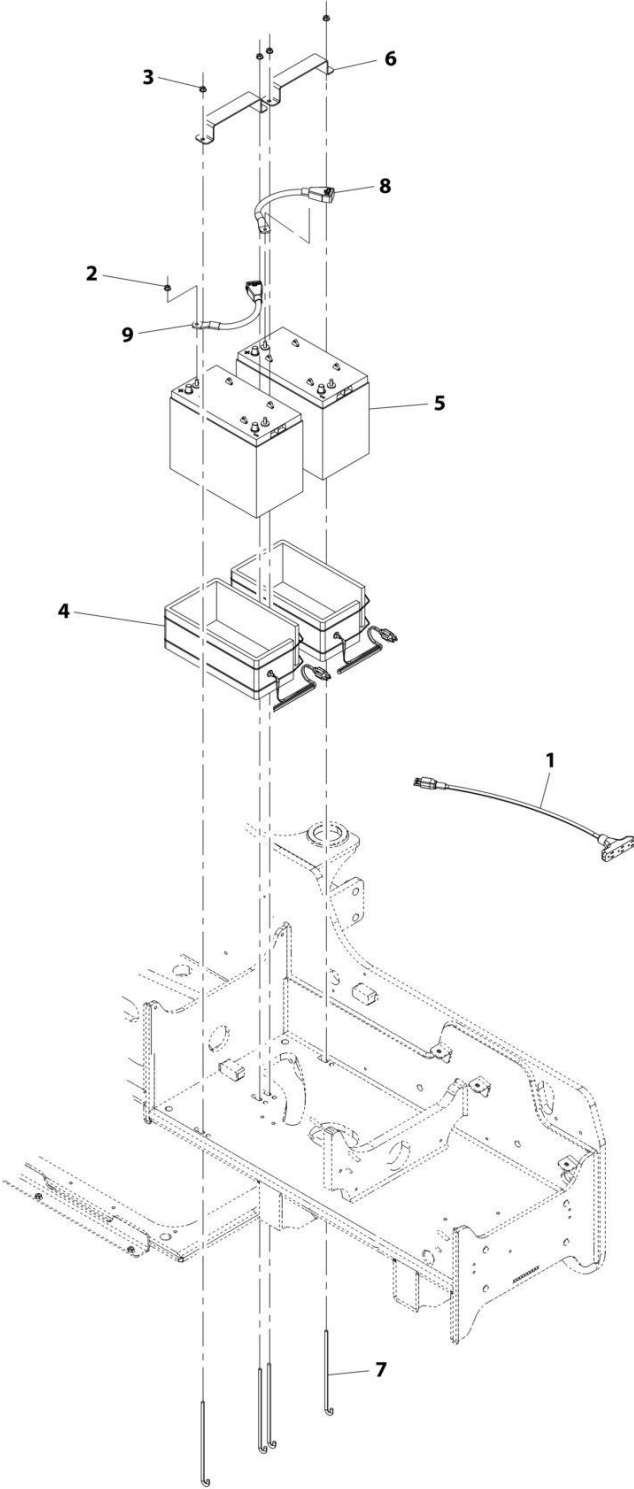
SECTION 10 - ELECTRICAL

FIGURE 10-9. BATTERY (ARCTIC) PACKAGE INSTALLATION (115V)

ITEM	PART NUMBER	QTY	DESCRIPTION	REV
	1001186856	Ref	Arctic Battery Package Installation (115V)	D
1	1001195582	1	Installation, Arctic Battery Package (115V) (See Separate Breakdown in this Section)	
2	1001195593	1	Installation, Hydraulic Tank Heater (115V) (See Separate Breakdown in this Section)	
3	2580040	1	Heater, Engine Oil Pan	
4	1062255	2	Tie, Strap	
5	1001232509	1	Tube, Heated Breather	

SECTION 10 - ELECTRICAL

FIGURE 10-10. BATTERIES (ARCTIC) INSTALLATION (115V)



ART_1001195582-B

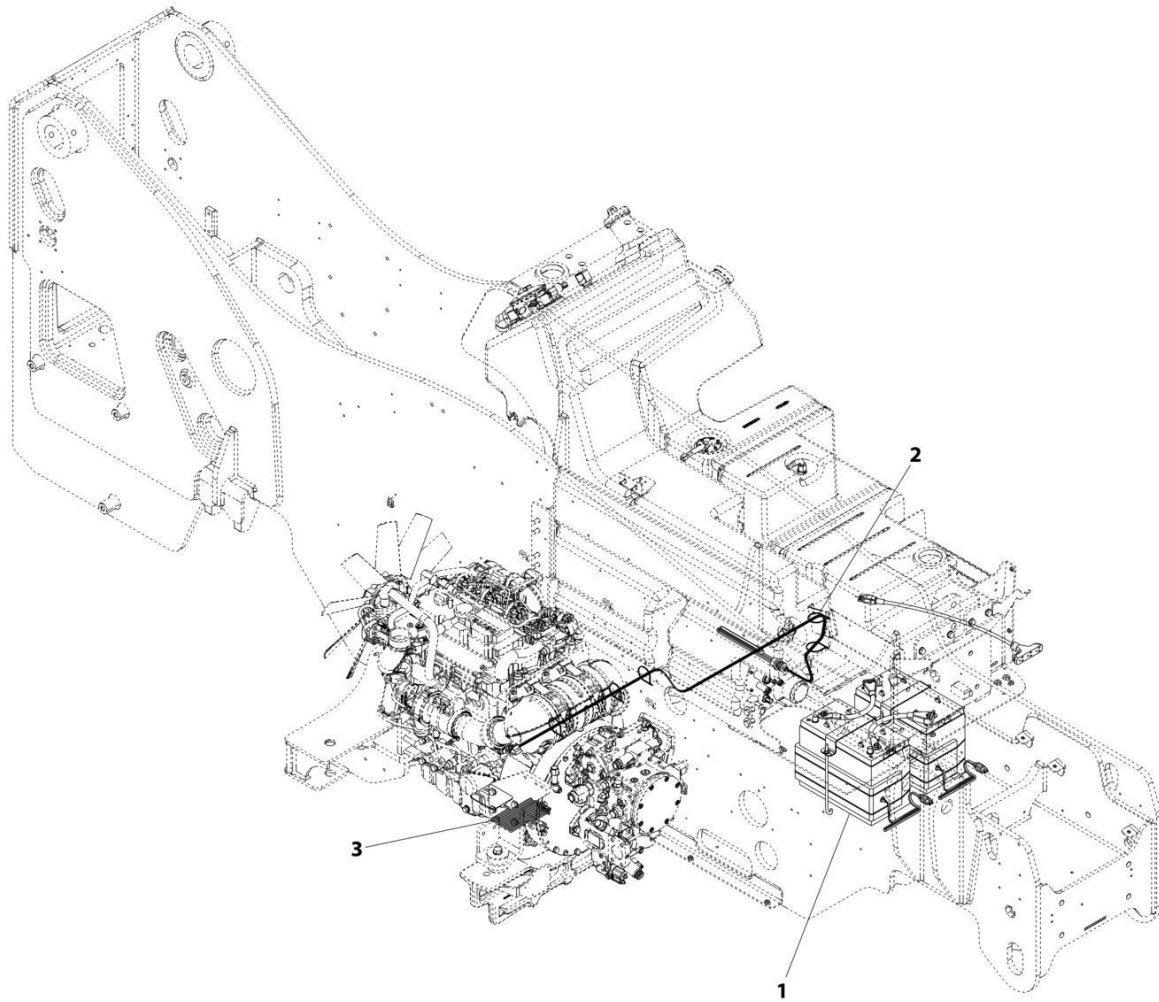
SECTION 10 - ELECTRICAL

FIGURE 10-10. BATTERIES (ARCTIC) INSTALLATION (115V)

ITEM	PART NUMBER	QTY	DESCRIPTION	REV
	1001195582	Ref	Arctic Batteries Installation (115V)	B
1	1060626	1	Cord, 3-Way Extension	
2	3311508	2	Nut 5/16	
3	5220800	4	Nut M8	
4	1001093564	2	Heater, Battery	
5	1001098762	2	Battery 12V	
6	1001160927	2	Plate, Battery Hold Down	
7	1001160928	4	J-Bolt	
8	1001172495	1	Cable, Positive Battery	
9	1001172496	1	Cable, Negative Battery	

SECTION 10 - ELECTRICAL

FIGURE 10-11. BATTERY (ARCTIC) PACKAGE INSTALLATION (240V)



ART_1001204544-C

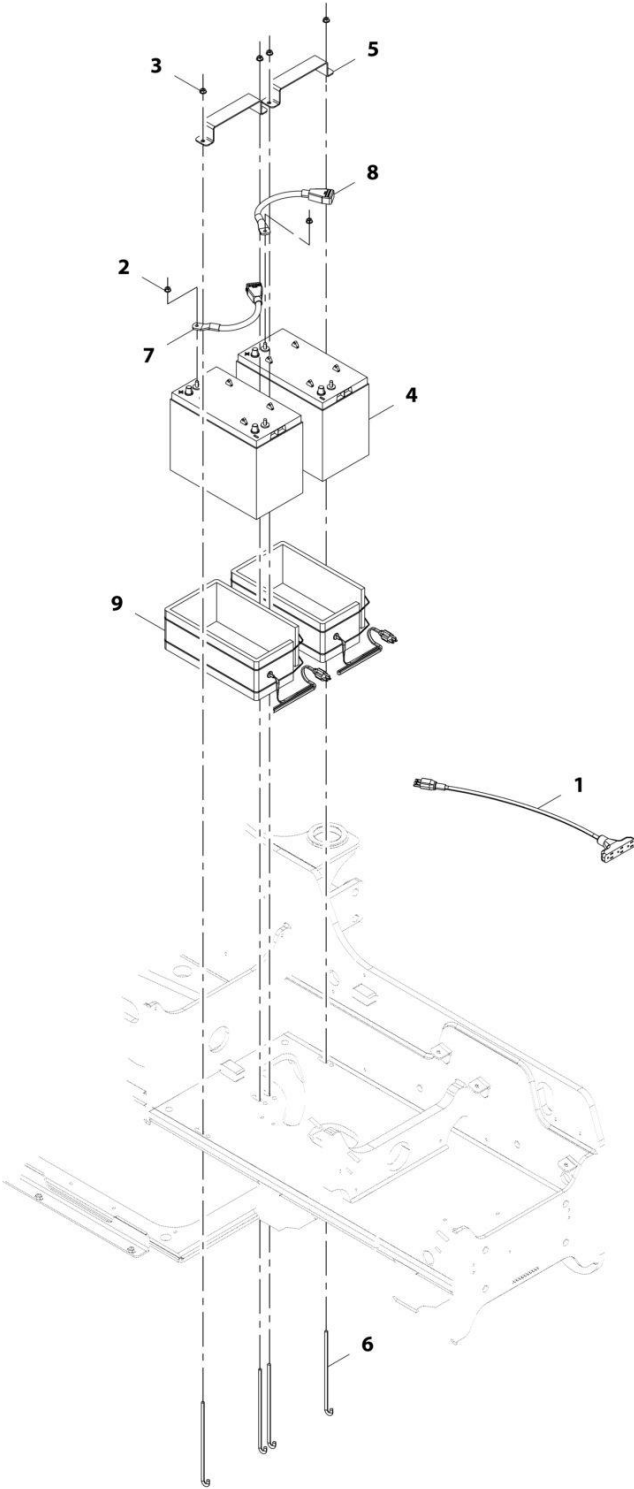
SECTION 10 - ELECTRICAL

FIGURE 10-11. BATTERY (ARCTIC) PACKAGE INSTALLATION (240V)

ITEM	PART NUMBER	QTY	DESCRIPTION	REV
1	1001204544	Ref	Arctic Package Installation (240V)	C
	1001204548	Ref	Installation, Arctic Battery, (240V) (See Separate Breakdown in this Section)	
2	1001204549	Ref	Installation, Hydraulic Tank Heater (240V) (See Separate Breakdown in this Section)	
3	1001196332	1	Heater, Oil Pan	

SECTION 10 - ELECTRICAL

FIGURE 10-12. BATTERIES (ARCTIC) INSTALLATION (240V)



ART_1001204548-A

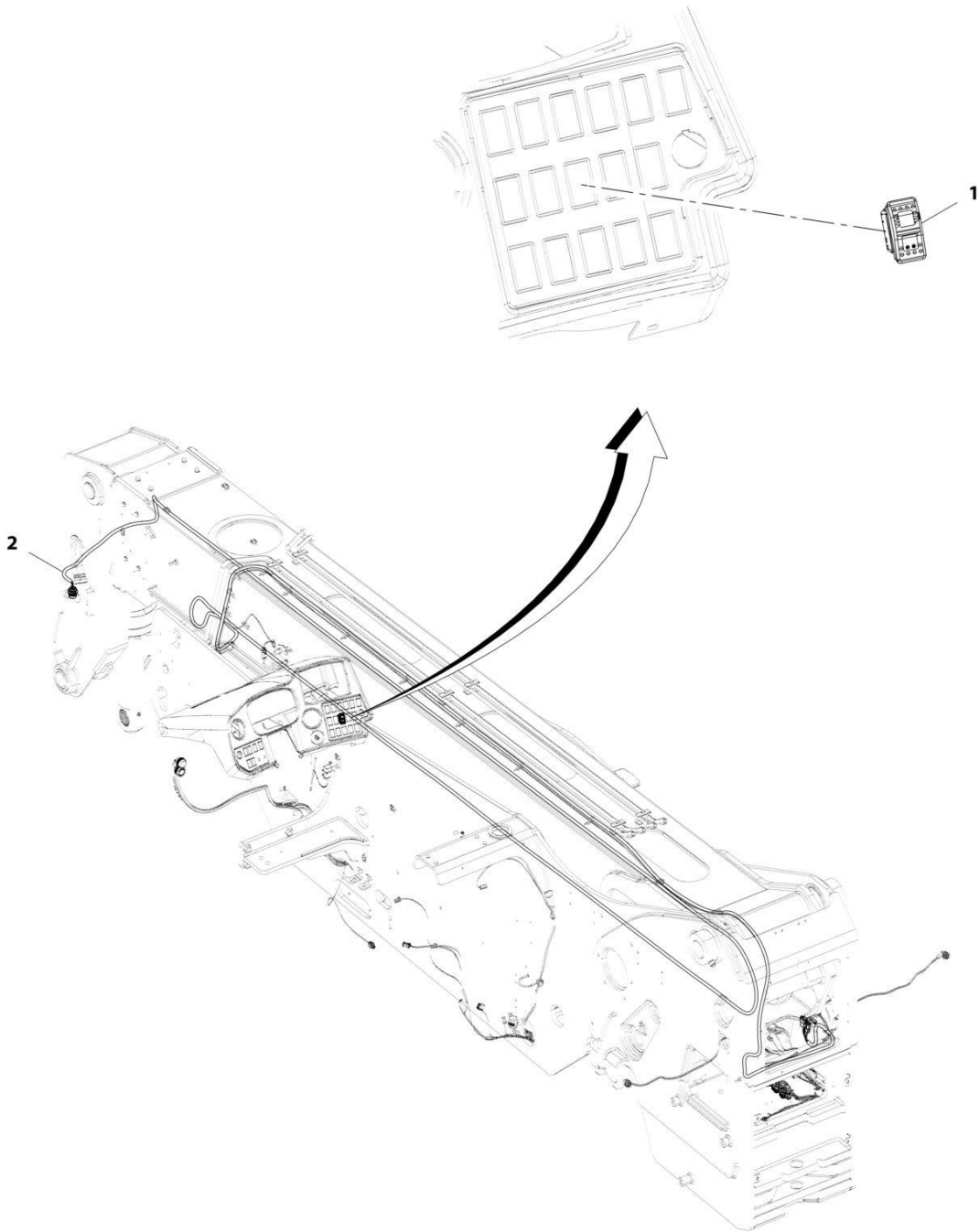
SECTION 10 - ELECTRICAL

FIGURE 10-12. BATTERIES (ARCTIC) INSTALLATION (240V)

ITEM	PART NUMBER	QTY	DESCRIPTION	REV
	1001204548	Ref	Artic Battery Package Installation (240V)	A
1	1060626	1	Cord, 3-Way Extension	
2	3311508	2	Nut, 5/16-18	
3	5220800	4	Nut, M8	
4	1001098762	2	Battery, 12V	
5	1001160927	2	Plate, Battery Hold Down	
6	1001160928	4	J-Bolt	
7	1001172495	1	Cable, Positive Battery	
8	1001172496	1	Cable, Negative Battery	
9	1001195469	2	Heater, Battery	

SECTION 10 - ELECTRICAL

FIGURE 10-13. BOOM HARNESS INSTALLATION



ART_1001192575-B

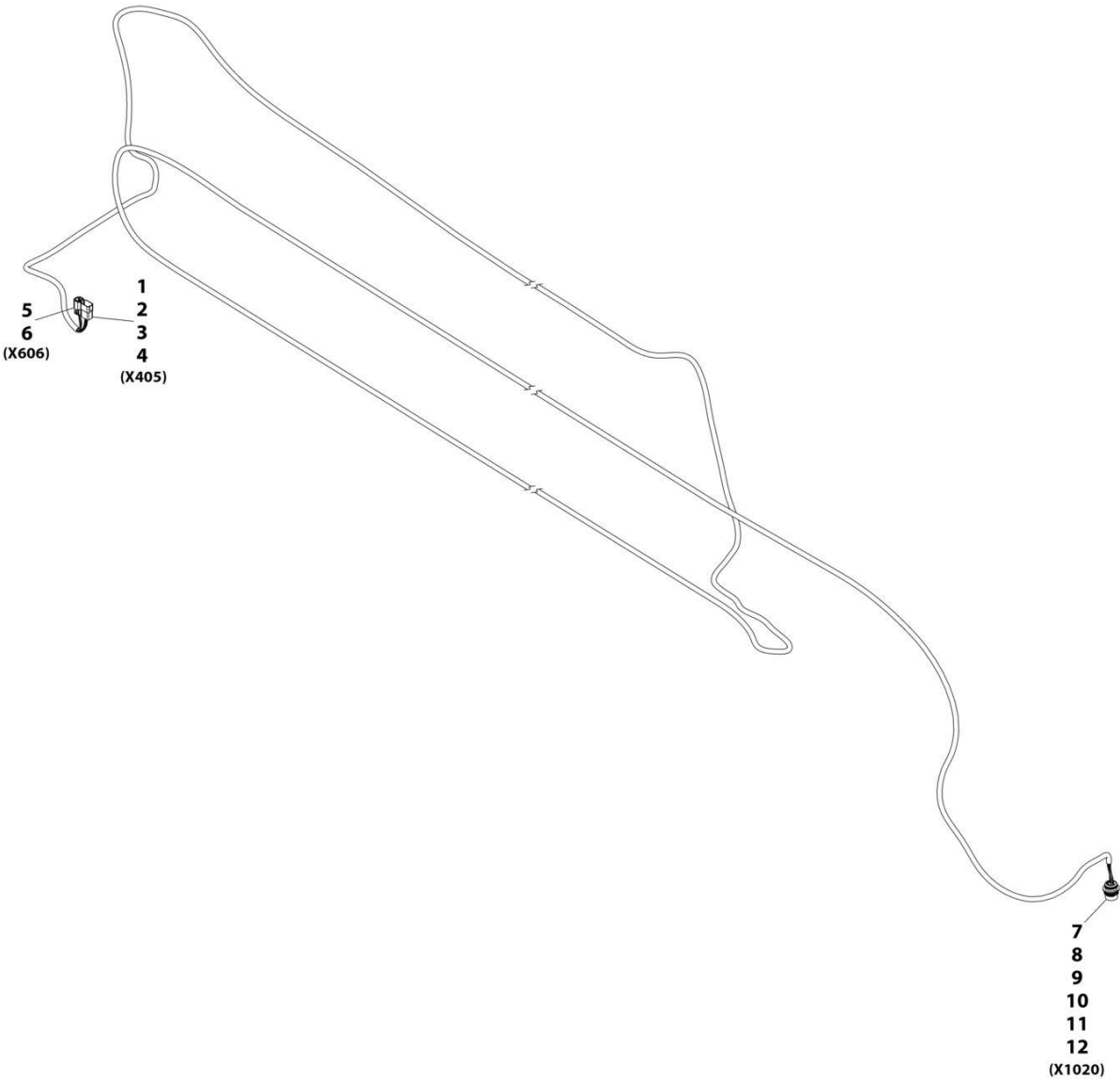
SECTION 10 - ELECTRICAL

FIGURE 10-13. BOOM HARNESS INSTALLATION

ITEM	PART NUMBER	QTY	DESCRIPTION	REV
	1001192575	Ref	Boom Harness Installation	B
1	1001159746	1	Switch, Aux Electric	
2	1001201124	1	Harness, Boom (See Separate Breakdown in this Section)	

SECTION 10 - ELECTRICAL

FIGURE 10-14. BOOM HARNESS



ART_1001201124-B

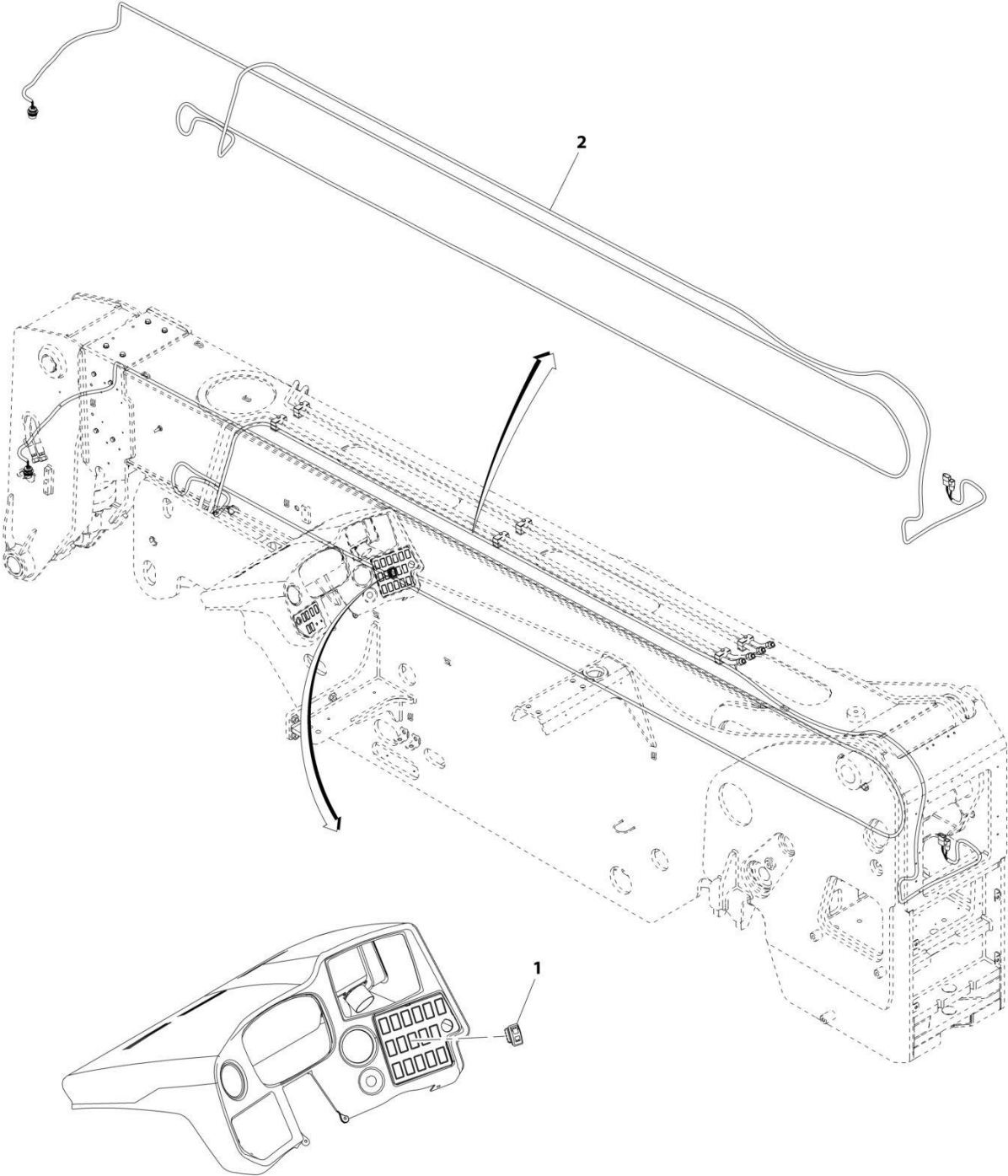
SECTION 10 - ELECTRICAL

FIGURE 10-14. BOOM HARNESS

ITEM	PART NUMBER	QTY	DESCRIPTION	REV
	1001201124	Ref	Boom Harness	B
1	4460931	1	Connector	
2	4460943	2	Terminal	
3	4460464	4	Terminal	
4	4460466	2	Plug	
5	4461017	1	Connector	
6	4460508	2	Terminal	
7	1001112612	1	Connector	
8	1001183221	1	Boot	
9	1001157891	2	Terminal	
10	4460464	4	Terminal	
11	4460943	2	Terminal	
12	4460466	1	Plug	

SECTION 10 - ELECTRICAL

FIGURE 10-15. BOOM HARNESS INSTALLATION



ART_1001228743-A

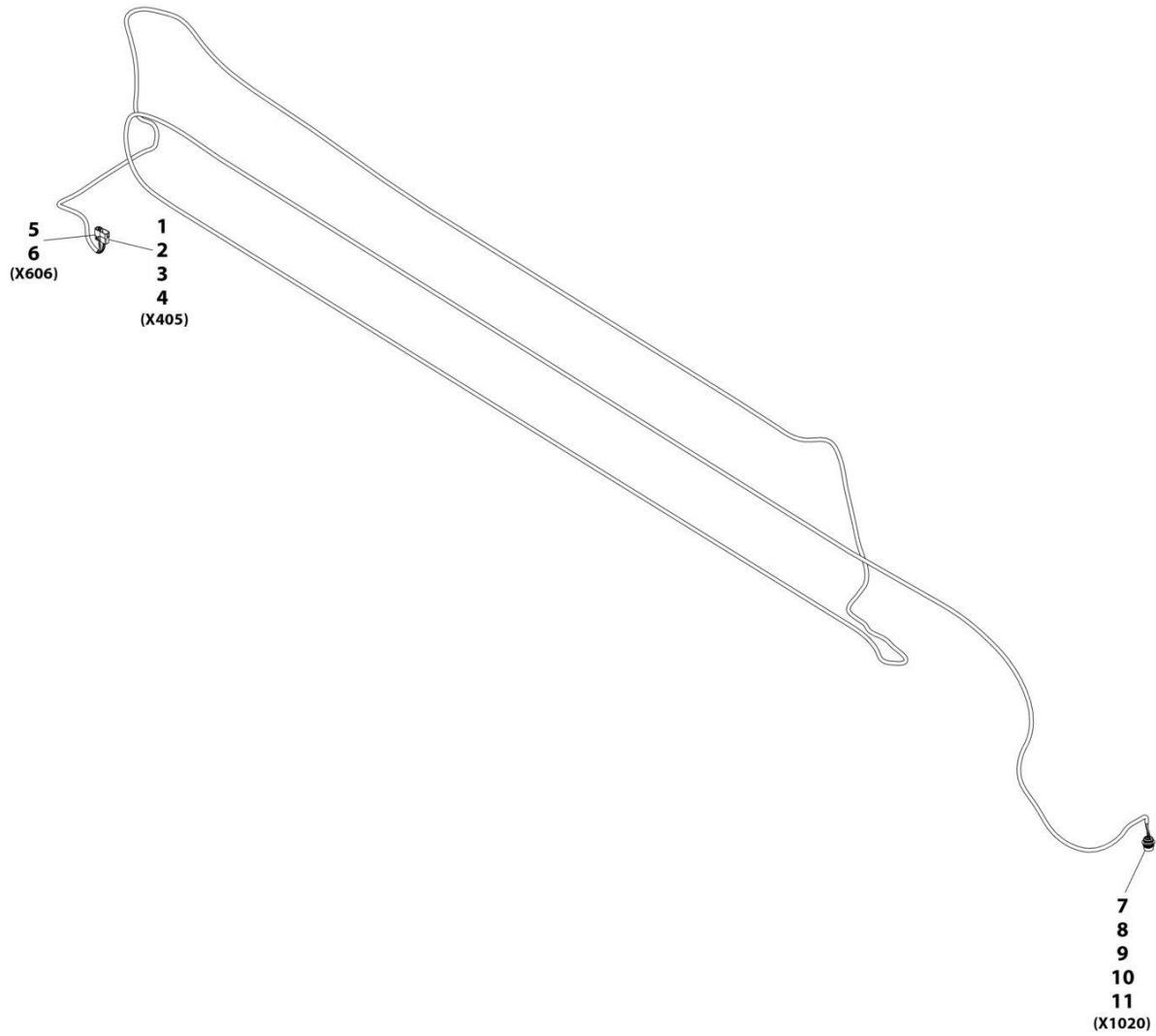
SECTION 10 - ELECTRICAL

FIGURE 10-15. BOOM HARNESS INSTALLATION

ITEM	PART NUMBER	QTY	DESCRIPTION	REV
	1001228743	Ref	Boom Harness Installation	A
1	1001159746	1	Switch, Aux Electric	
2	1001228744	1	Harness, Boom (See Separate Breakdown in this Section)	

SECTION 10 - ELECTRICAL

FIGURE 10-16. BOOM HARNESS



ART_1001228744-A

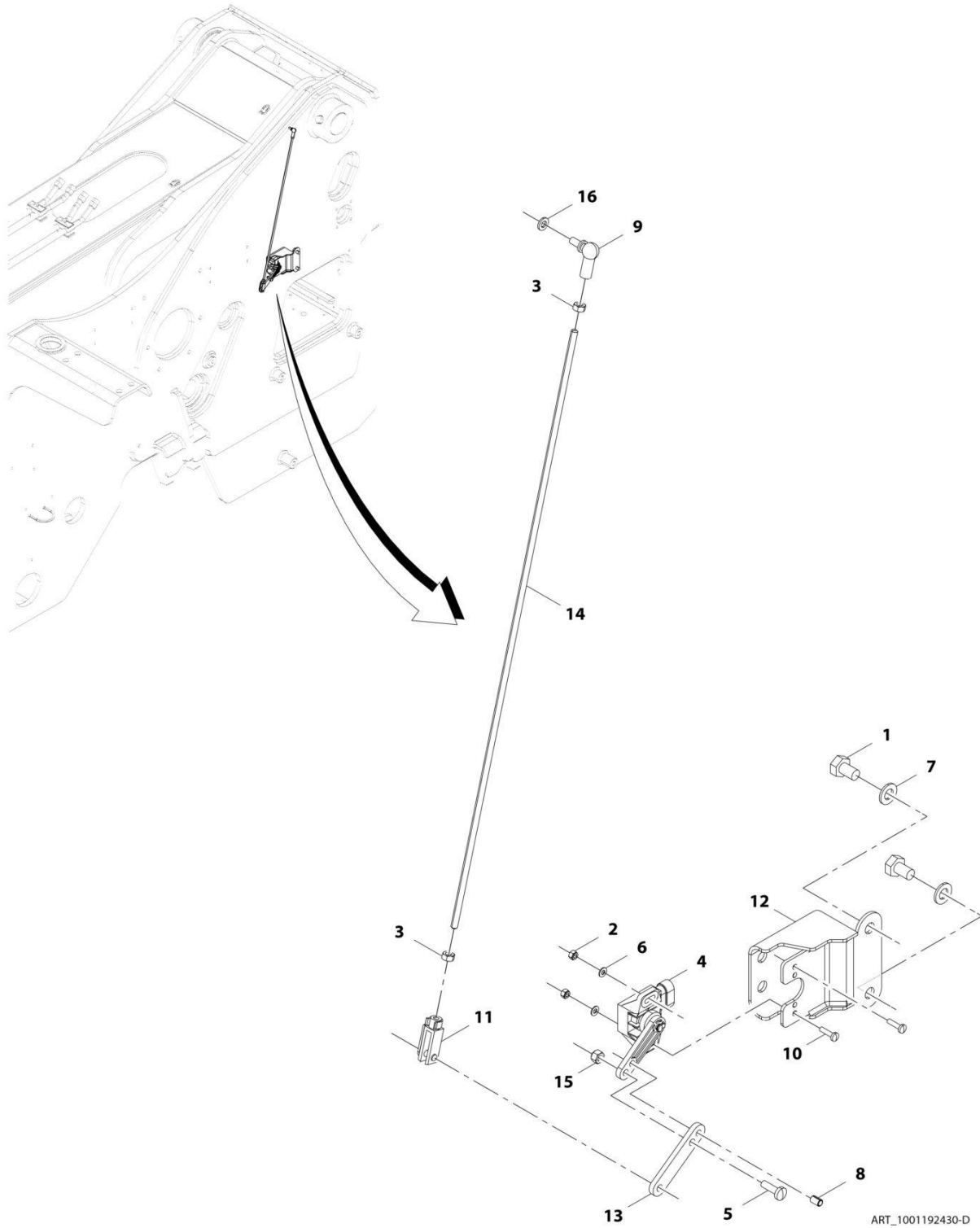
SECTION 10 - ELECTRICAL

FIGURE 10-16. BOOM HARNESS

ITEM	PART NUMBER	QTY	DESCRIPTION	REV
	1001228744	Ref	Boom Harness	A
1	4460931	1	Connector	
2	4460943	2	Terminal	
3	4460464	4	Terminal	
4	4460466	2	Plug	
5	4461017	1	Connector	
6	4460508	2	Terminal	
7	1001112612	1	Connector	
8	1001157891	2	Terminal	
9	4460464	4	Terminal	
10	4460943	2	Terminal	
11	4460466	1	Plug	

SECTION 10 - ELECTRICAL

FIGURE 10-17. BOOM ANGLE SENSOR INSTALLATION (NO LMIS)



ART_1001192430-D

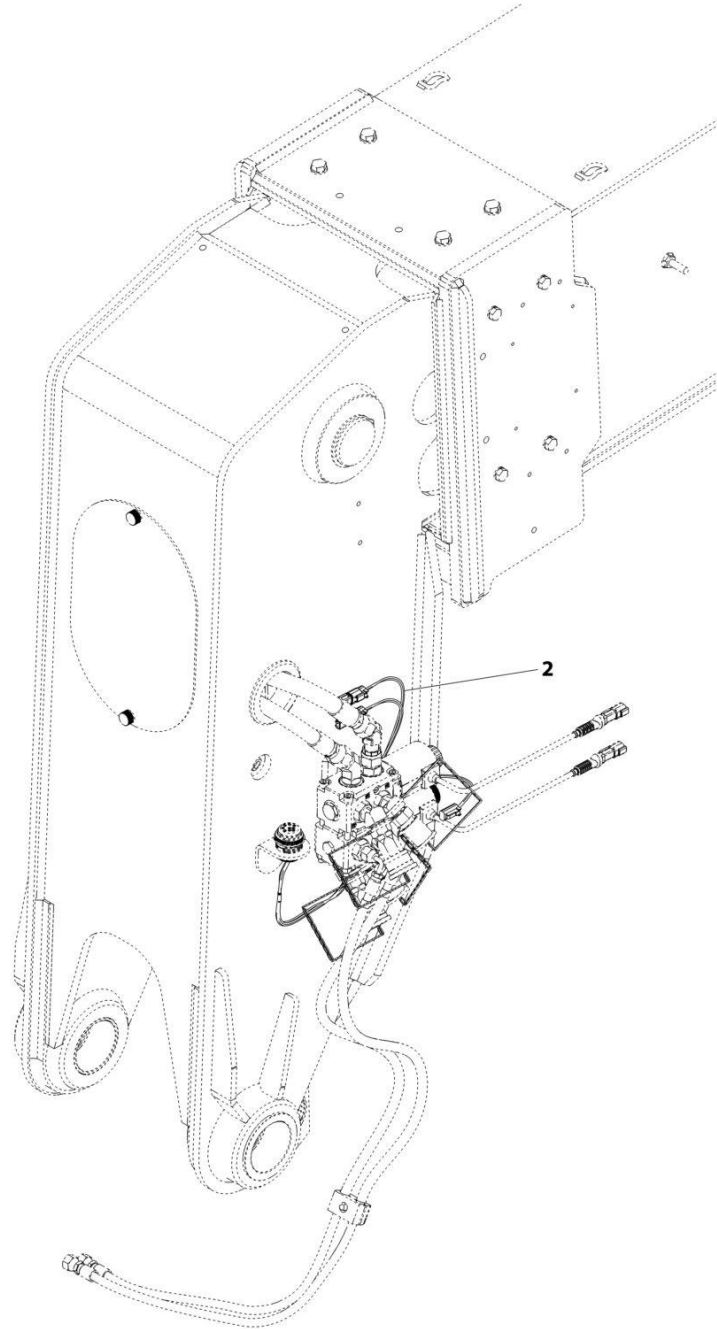
SECTION 10 - ELECTRICAL

FIGURE 10-17. BOOM ANGLE SENSOR INSTALLATION (NO LMIS)

ITEM	PART NUMBER	QTY	DESCRIPTION	REV
	1001192430	Ref	BOOM ANGLE SENSOR INSTALLATION (NO LMIS)	E
1	0761008	2	Bolt M10X16	
2	3290405	2	Nut, Lock M4	
3	3290601	2	Nut M6	
4	1001278028	1	Sensor, Angle	
5	4010610	1	Screw M6X20	
6	4811400	2	Washer M4	
7	4812000	2	Washer M10	
8	1001103156	1	Pin	
9	1001103300	1	Fitting, Ball Joint	
10	1001126837	2	Screw M4X16	
11	1001134274	1	Clevis	
12	1001213775	1	Bracket	
13	1001195731	1	Link	
14	1001195732	1	Rod	
15	3290605	1	Nut, Lock M6	
16	4811700	1	Washer M6	

SECTION 10 - ELECTRICAL

FIGURE 10-18. BOOM AUX HARNESS INSTALLATION



ART_1001192370-C

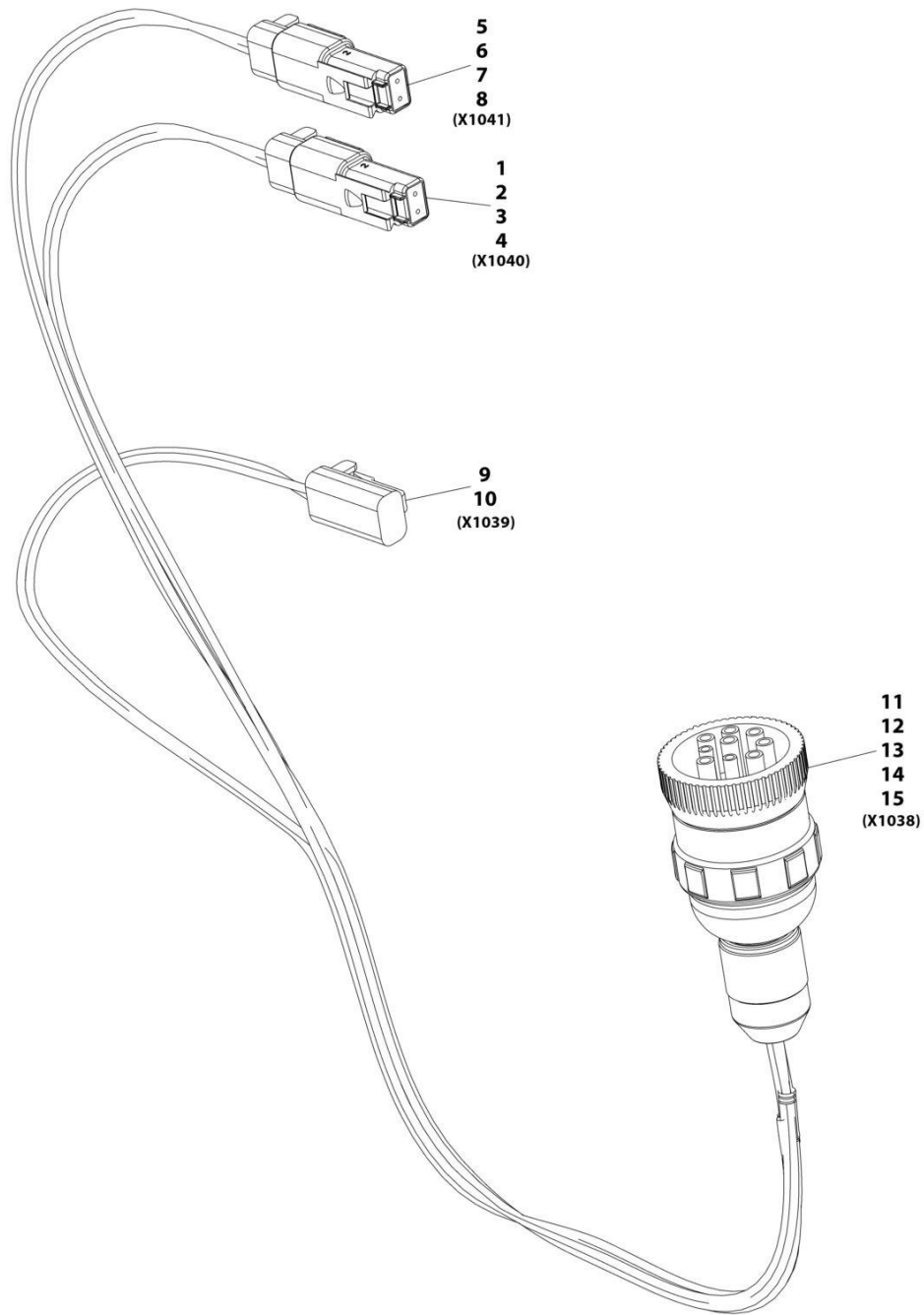
SECTION 10 - ELECTRICAL

FIGURE 10-18. BOOM AUX HARNESS INSTALLATION

ITEM	PART NUMBER	QTY	DESCRIPTION	REV
2	1001192370 1001206633	Ref 1	Boom Aux Harness Installation Harness, Boom AUX (See Separate Breakdown in this Section)	C

SECTION 10 - ELECTRICAL

FIGURE 10-19. BOOM AUX HARNESS



ART_1001206633-C

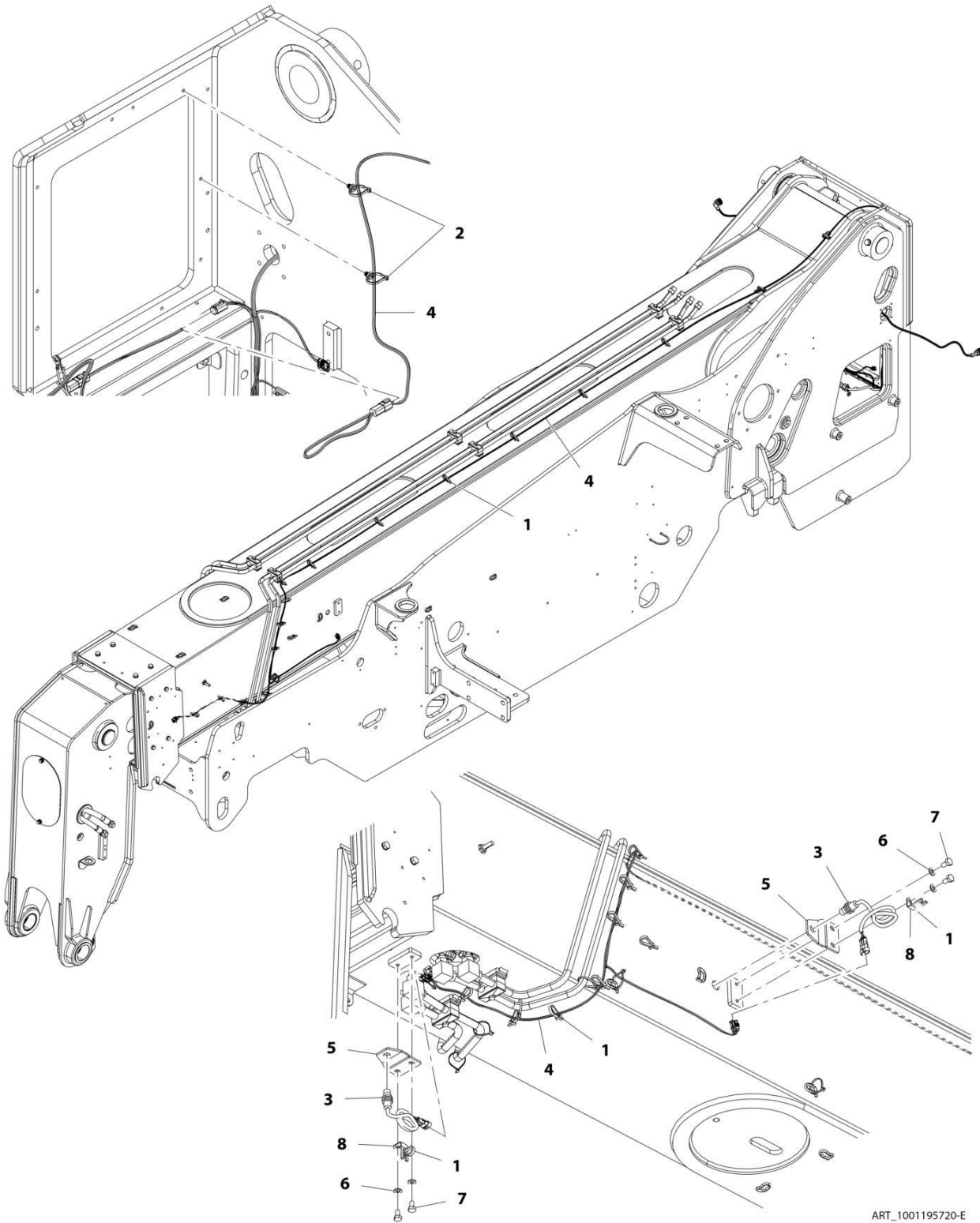
SECTION 10 - ELECTRICAL

FIGURE 10-19. BOOM AUX HARNESS

ITEM	PART NUMBER	QTY	DESCRIPTION	REV
	1001206633	Ref	Boom Aux Harness	C
1	4460891	1	Connector	
2	4460897	1	Mating Connector	
3	4460466	1	Plug	
4	4460465	2	Terminal	
5	4460891	1	Connector	
6	4460897	1	Mating Connector	
7	4460466	1	Terminal	
8	4460465	2	Terminal	
9	4460891	1	Connector	
10	4460465	2	Terminal	
11	1001112796	1	Connector	
12	4460465	4	Terminal	
13	4460466	5	Plug	
14	1001241590	1	Backshell	
15	1001241591	1	Nut	

SECTION 10 - ELECTRICAL

FIGURE 10-20. BOOM RETRACT SENSOR INSTALLATION



ART_1001195720-E

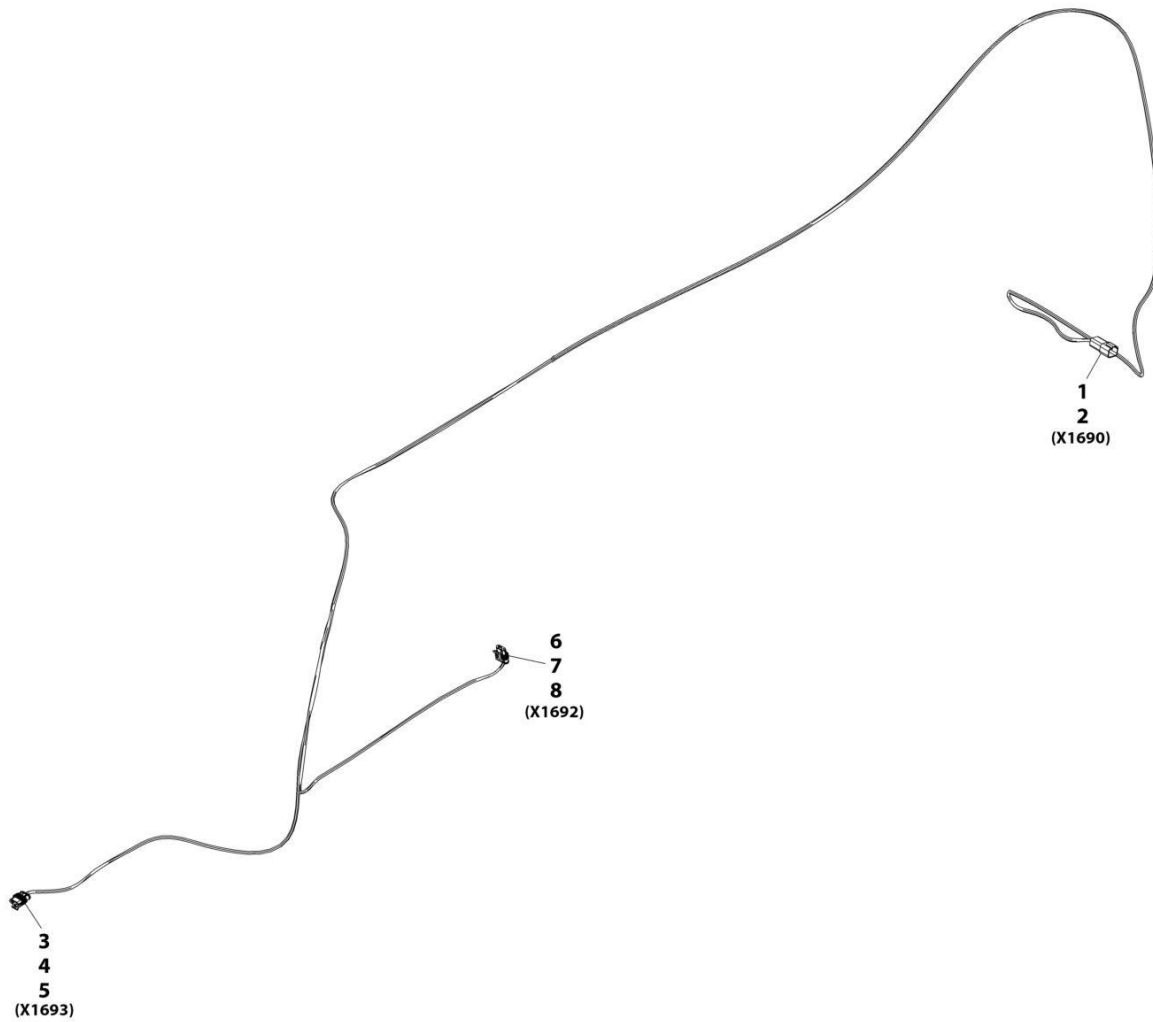
SECTION 10 - ELECTRICAL

FIGURE 10-20. BOOM RETRACT SENSOR INSTALLATION

ITEM	PART NUMBER	QTY	DESCRIPTION	REV
	1001195720	Ref	Boom Retract Sensor Installation	E
1	1001008923	19	Strap, Cable	
2	1001146588	2	Strap, Fir Tree Cable Tie	
3	1001183024	2	Sensor	
4	1001195953	1	Harness, Proximity Sensor	
5	1001210567	2	Bracket	
6	4812000	4	Washer, M10	
7	0761009	4	Bolt	
8	1001003305	2	Clip	

SECTION 10 - ELECTRICAL

FIGURE 10-21. BOOM RETRACT PROXIMITY SENSOR HARNESS



ART_1001195953-G

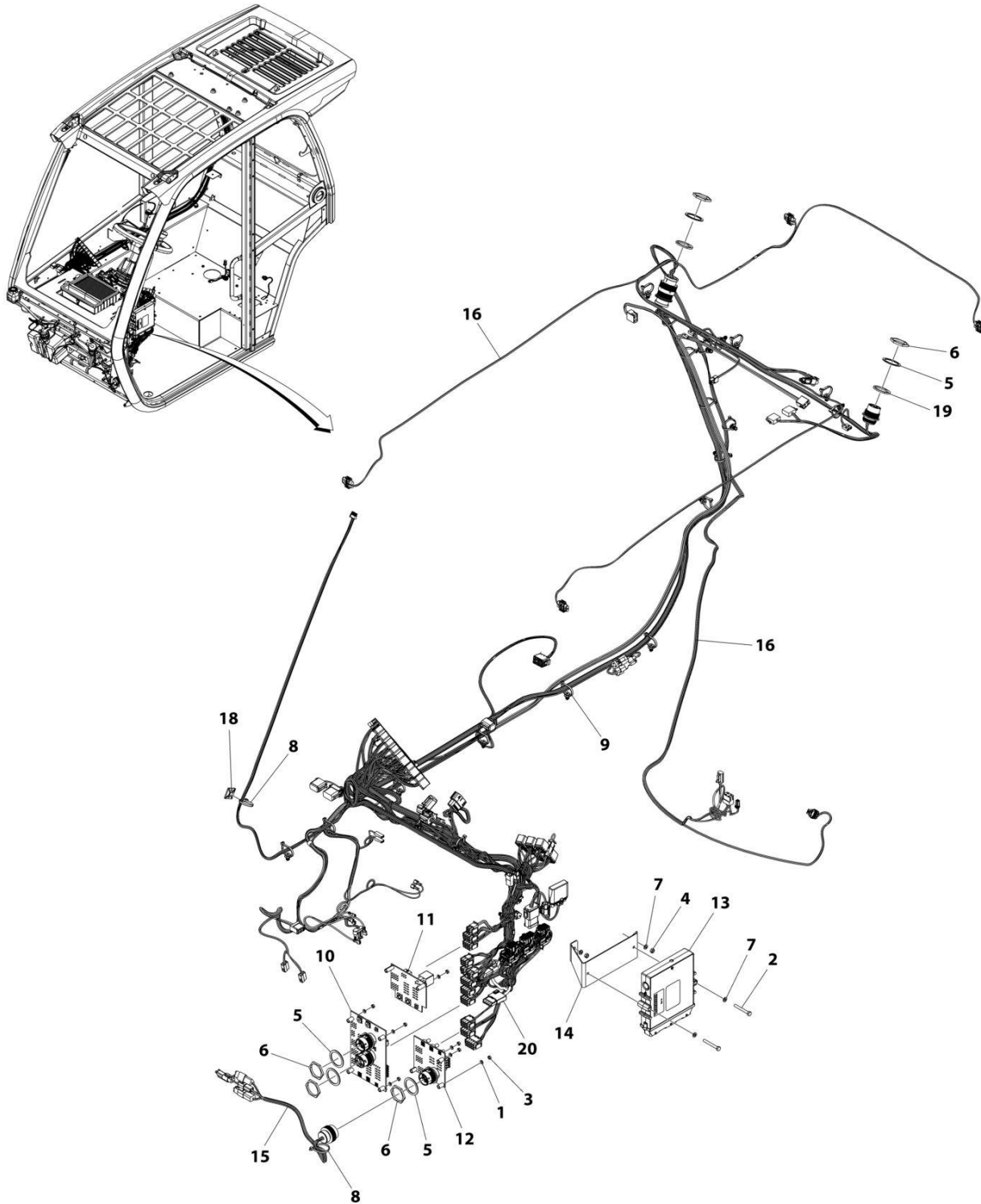
SECTION 10 - ELECTRICAL

FIGURE 10-21. BOOM RETRACT PROXIMITY SENSOR HARNESS

ITEM	PART NUMBER	QTY	DESCRIPTION	REV
	1001195953	Ref	Proximity Sensor Harness	G
1	4460932	1	Connector	
2	4460464	4	Terminal	
3	4461262	1	Connector	
4	1001107854	3	Terminal	
5	1001104498	3	Terminal Seal	
6	4461262	1	Connector	
7	1001107854	3	Terminal	
8	1001104498	3	Terminal Seal	

SECTION 10 - ELECTRICAL

FIGURE 10-22. CAB ELECTRICAL INSTALLATION



ART_1001192558_M

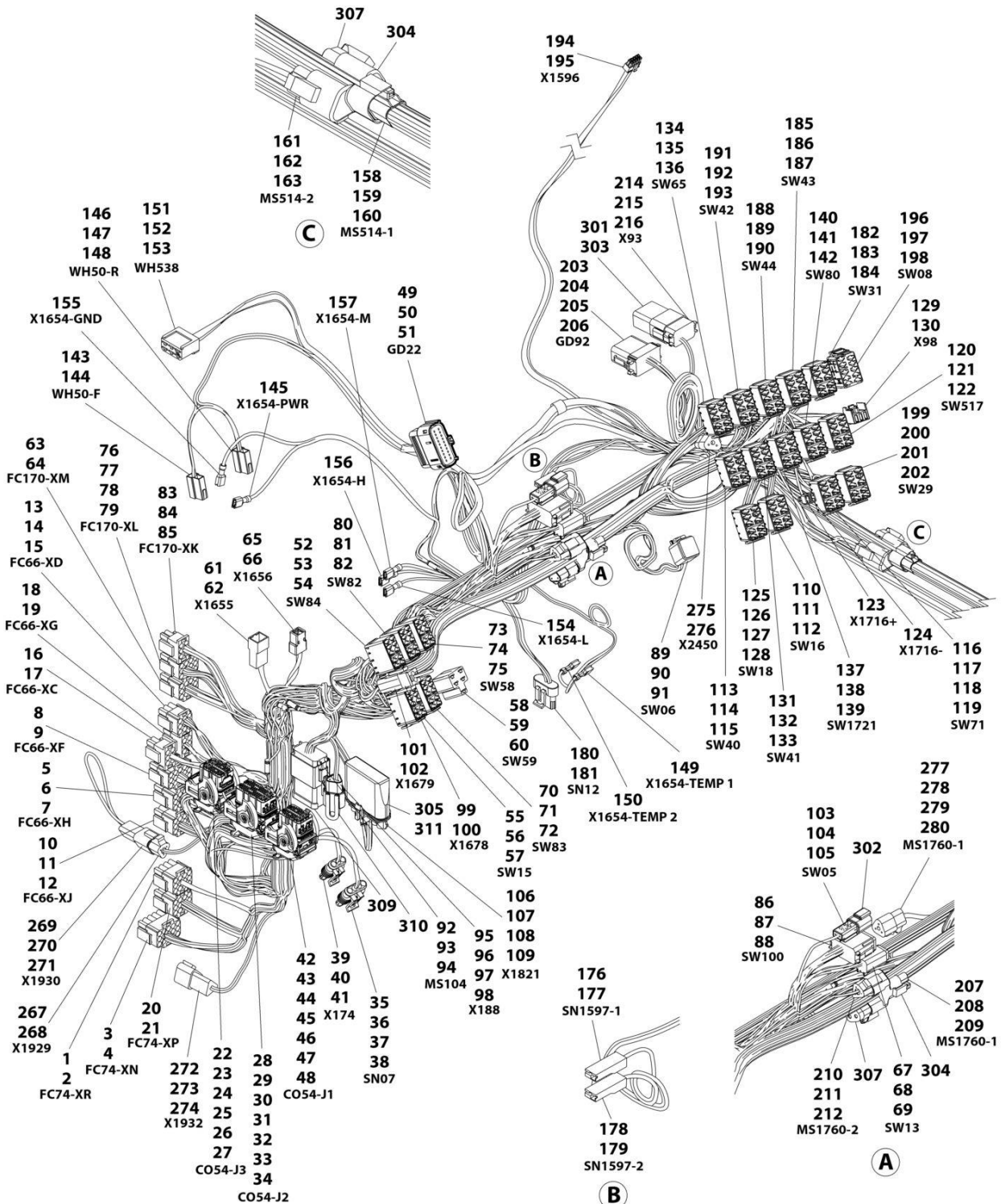
SECTION 10 - ELECTRICAL

FIGURE 10-22. CAB ELECTRICAL INSTALLATION

ITEM	PART NUMBER	QTY	DESCRIPTION	REV
	1001192558	Ref	CAB ELECTRICAL INSTALLATION	M
1	120034	7	Washer, Plastic	
2	0700618	2	Bolt M6 x 50	
3	3290501	7	Nut M5	
4	3290601	2	Nut M6	
5	4460496	5	Washer, Terminal Lock	
6	4460497	5	Nut, Terminal	
7	4811700	4	Washer M6	
8	1001008559	2	Strap, Cable Tie	
9	1001146588	24	Strap, Cable Tie	
10	1001161769	1	Assembly, Standard Electrical Board (See Separate Breakdown in this Section)	
11	1001161770	1	Assembly, Option 1 Electrical Board (See Separate Breakdown in this Section)	
12	1001161771	1	Assembly, Option 2 Electrical Board (See Separate Breakdown in this Section)	
13	1001270466	1	Module, Cab Control	
14	1001178933	1	Bracket	
15	1001258712	1	Harness, Cab Option LBP (See Separate Breakdown in this Section)	
16	1001283097	1	Harness, Cab (See Separate Breakdown in this Section)	
18	4460234	1	Terminal, Mount Cable Tie	
19	1001211693	2	Seal	
20	1001213988	1	Cable, Communication Analyzer	

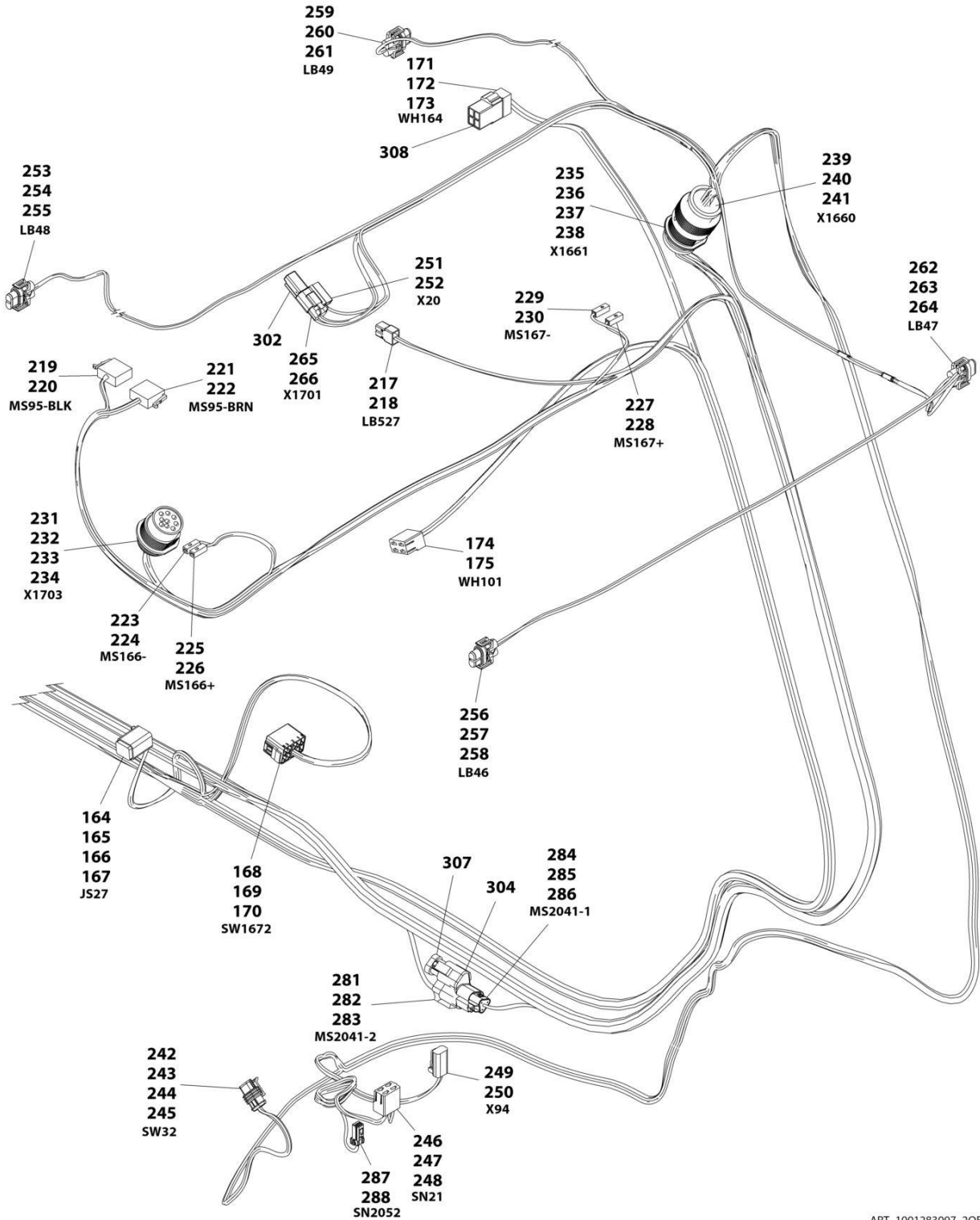
SECTION 10 - ELECTRICAL

FIGURE 10-23. CAB HARNESS



ART_1001283097_1OF2

SECTION 10 - ELECTRICAL



ART_1001283097_20F2

SECTION 10 - ELECTRICAL

FIGURE 10-23. CAB HARNESS

ITEM	PART NUMBER	QTY	DESCRIPTION	REV
	1001283097	Ref	CAB HARNESS	A
1	4460343	1	Connector	
2	4460267	5	Terminal	
3	4460434	1	Connector	
4	4460268	10	Terminal	
5	4460343	1	Connector	
6	4460268	8	Terminal	
7	10011223457	1	Terminal	
8	4460434	1	Connector	
9	4460268	15	Terminal	
10	4460343	1	Connector	
11	4460267	9	Terminal	
12	1001223456	1	Terminal	
13	4460265	1	Connector	
14	1001223457	3	Terminal	
15	4460268	6	Terminal	
16	4460225	1	Connector	
17	4460267	7	Terminal	
18	4460225	1	Connector	
19	4460268	5	Terminal	
20	4460343	1	Connector	
21	4460268	8	Terminal	
22	1001161959	1	Connector	
23	943191201	1	Cover	
24	1001161100	9	Plug	
25	1001161097	15	Terminal	
26	1001161098	1	Terminal	
27	1001161101	7	Plug	
28	1001160502	1	Connector	
29	643201301	1	Cover	
30	1001161097	21	Terminal	
31	1001161100	19	Plug	
32	1001161098	6	Terminal	
33	1001161099	2	Terminal	
34	1001161101	2	Plug	
35	1001103012	1	Connector	
36	1001116698	2	Plug	
37	1001116697	2	Terminal	
38	1001104498	2	Terminal Seal	
39	4461262	1	Connector	
40	1001107854	3	Terminal	
41	1001104498	3	Terminal Seal	
42	1001160498	1	Connector	
43	643191201	1	Cover	
44	1001161097	19	Terminal	
45	1001161100	5	Plug	
46	1001161098	5	Terminal	
47	1001161101	2	Plug	
48	1001161099	1	Terminal	
49	1001162886	1	Connector	

SECTION 10 - ELECTRICAL

ITEM	PART NUMBER	QTY	DESCRIPTION	REV
50	1001163340	13	Plug	
51	1001162887	7	Terminal	
52	1001117081	1	Connector	
53	1001116723	6	Terminal	
54	1001222455	1	Terminal	
55	1001117081	1	Connector	
56	1001116723	6	Terminal	
57	1001223455	1	Terminal	
58	1001173411	1	Connector	
59	1001116716	3	Terminal	
60	1001104519	3	Terminal	
61	1001116999	1	Connector	
62	1001116700	4	Terminal	
63	4460343	1	Connector	
64	4460267	7	Terminal	
65	1001116991	1	Connector	
66	1001116723	2	Terminal	
67	4460933	1	Connector	
68	4460466	5	Plug	
69	4460465	7	Terminal	
70	1001117081	1	Connector	
71	1001116723	6	Terminal	
72	1001223455	1	Terminal	
73	1001117081	1	Connector	
74	1001116723	4	Terminal	
75	1001118384	2	Terminal	
76	4460343	1	Connector	
77	4460268	8	Terminal	
78	4460906	1	Terminal	
79	1001223457	1	Terminal	
80	1001117081	1	Connector	
81	1001116723	6	Terminal	
82	1001223455	1	Terminal	
83	4460225	1	Connector	
84	4460267	5	Terminal	
85	4460705	1	Terminal	
86	4460836	1	Connector	
87	4460942	4	Terminal	
88	4460465	8	Terminal	
89	4460894	1	Connector	
90	4460465	4	Terminal	
91	4460466	2	Plug	
92	4460933	1	Connector	
93	1001125677	1	Mating Connector	
94	4460465	12	Terminal	
95	1001116812	1	Connector	
96	1001144296	1	Cap	
97	4460944	2	Terminal	
98	4460466	1	Plug	
99	4460320	1	Connector	
100	4460267	2	Terminal	

SECTION 10 - ELECTRICAL

ITEM	PART NUMBER	QTY	DESCRIPTION	REV
101	4460424	1	Connector	
102	4460268	2	Terminal	
103	4460897	1	Connector	
104	4460464	1	Terminal	
105	4460466	1	Plug	
106	4460744	1	Connector	
107	8220375	1	Cap	
108	4460746	6	Terminal	
109	4460458	6	Seal	
110	1001117081	1	Connector	
111	1001116723	6	Terminal	
112	1001223455	1	Terminal	
113	1001117081	1	Connector	
114	1001116723	6	Terminal	
115	1001118384	4	Terminal	
116	1001117081	1	Connector	
117	1001116723	6	Terminal	
118	1001118384	2	Terminal	
119	1001223455	2	Terminal	
120	1001117081	1	Connector	
121	1001116723	6	Terminal	
122	1001223455	1	Terminal	
123	1001194421	1	Terminal	
124	1001194421	1	Terminal	
125	1001117081	1	Connector	
126	1001116723	6	Terminal	
127	1001223455	3	Terminal	
128	1001118384	2	Terminal	
129	1001118684	1	Connector	
130	1001116754	2	Terminal	
131	1001117081	1	Connector	
132	1001116723	4	Terminal	
133	1001118384	3	Terminal	
134	1001117081	1	Connector	
135	1001116723	6	Terminal	
136	1001223455	1	Terminal	
137	1001117081	1	Connector	
138	1001116723	6	Terminal	
139	1001118384	1	Terminal	
140	1001117081	1	Connector	
141	1001116723	6	Terminal	
142	1001223455	1	Terminal	
143	4460994	1	Connector	
144	1001118384	2	Terminal	
145	8220051	1	Terminal	
146	4460994	1	Connector	
147	1001118384	1	Terminal	
148	1001116723	2	Terminal	
149	1001194421	1	Terminal	
150	1001194421	1	Terminal	
151	1001116997	1	Connector	

SECTION 10 - ELECTRICAL

ITEM	PART NUMBER	QTY	DESCRIPTION	REV
152	1001118384	4	Terminal	
153	1001116723	1	Terminal	
154	8220051	1	Terminal	
155	8220051	1	Terminal	
156	8220051	1	Terminal	
157	8220051	1	Terminal	
158	1001116812	1	Connector	
159	4460944	2	Terminal	
160	4460466	1	Plug	
161	4460539	1	Connector	
162	4460944	2	Terminal	
163	4460466	1	Plug	
164	4460894	1	Connector	
165	4460465	3	Terminal	
166	4460466	1	Plug	
167	4460944	2	Terminal	
168	1001117081	1	Connector	
169	1001116723	2	Terminal	
170	1001223455	4	Terminal	
171	1001116986	1	Connector	
172	1001117011	1	Mating Connector	
173	1001118384	4	Terminal	
174	1001116986	1	Connector	
175	1001118384	4	Terminal	
176	1001116995	1	Connector	
177	1001118379	1	Terminal	
178	1001116995	1	Connector	
179	1001118379	1	Terminal	
180	1001230931	1	Connector	
181	1001116748	6	Terminal	
182	1001117081	1	Connector	
183	1001116723	7	Terminal	
184	1001118384	1	Terminal	
185	1001117081	1	Connector	
186	1001116723	4	Terminal	
187	1001118384	2	Terminal	
188	1001117081	1	Connector	
189	1001116723	4	Terminal	
190	1001118384	2	Terminal	
191	1001117081	1	Connector	
192	1001116723	4	Terminal	
193	1001118384	2	Terminal	
194	1001150735	1	Connector	
195	1001150737	7	Terminal	
196	1001117079	1	Connector	
197	1001223455	2	Terminal	
198	1001116723	5	Terminal	
199	1001117081	1	Connector	
200	1001116723	6	Terminal	
201	1001118384	1	Terminal	
202	1001223455	1	Terminal	

SECTION 10 - ELECTRICAL

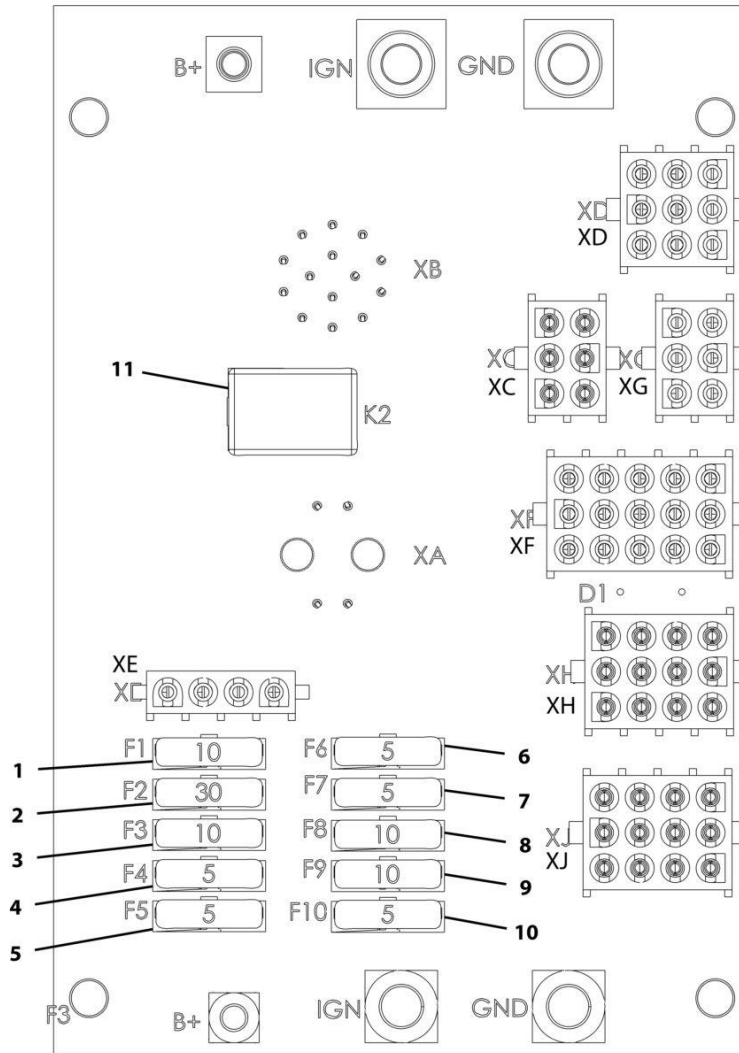
ITEM	PART NUMBER	QTY	DESCRIPTION	REV
203	1001176333	1	Connector	
204	4460466	11	Plug	
205	4460465	3	Terminal	
206	4460944	4	Terminal	
207	1001116812	1	Connector	
208	4460944	2	Terminal	
209	4460466	1	Plug	
210	4460539	1	Connector	
211	4460944	2	Terminal	
212	4460466	1	Plug	
213	4460930	1	Connector	
214	4460931	1	Mating Connector	
215	4460466	6	Plug	
216	4460465	2	Terminal	
217	1001116991	1	Connector	
218	1001118384	2	Terminal	
219	1001116985	1	Connector	
220	1001118386	3	Terminal	
221	1001116984	1	Connector	
222	1001118386	4	Terminal	
223	1001116998	1	Connector	
224	1001118387	1	Terminal	
225	1001116998	1	Connector	
226	1001118387	1	Terminal	
227	1001116998	1	Connector	
228	1001118387	1	Terminal	
229	1001116998	1	Connector	
230	1001118387	1	Terminal	
231	1001112612	1	Connector	
232	4460464	4	Terminal	
233	4460943	4	Terminal	
234	4460466	1	Plug	
235	1001137000	1	Connector	
236	4460928	3	Terminal	
237	1001126008	13	Terminal	
238	4460518	5	Plug	
239	1001136999	1	Connector	
240	1001126011	16	Terminal	
241	4460518	5	Plug	
242	4461262	1	Connector	
243	1001107854	2	Terminal	
244	1001104499	1	Terminal	
245	1001104498	2	Terminal Seal	
246	1001116986	1	Connector	
247	1001118384	3	Terminal	
248	1001116723	1	Terminal	
249	4460891	1	Connector	
250	4460465	2	Terminal	
251	4460944	1	Connector	
252	1001118384	2	Terminal	
253	4461115	1	Connector	

SECTION 10 - ELECTRICAL

ITEM	PART NUMBER	QTY	DESCRIPTION	REV
254	4460746	2	Terminal	
255	4460458	2	Terminal Seal	
256	4461115	1	Connector	
257	4460746	2	Terminal	
258	4460458	2	Terminal Seal	
259	4461115	1	Connector	
260	4460746	2	Terminal	
261	4460458	2	Terminal Seal	
262	4461115	1	Connector	
263	4460746	2	Terminal	
264	4460458	2	Terminal Seal	
265	4460891	1	Connector	
266	4460465	2	Terminal	
267	4460539	1	Connector	
268	4460465	3	Terminal	
269	4460536	1	Connector	
270	4460464	2	Terminal	
271	4460466	1	Plug	
272	4460536	1	Connector	
273	4460464	2	Terminal	
274	4460466	1	Plug	
275	4460539	1	Connector	
276	4460465	3	Terminal	
277	4460539	1	Connector	
278	4460931	1	Matting Connector	
279	4460466	1	Plug	
280	4460465	3	Terminal	
281	4460539	1	Connector	
282	4460944	2	Terminal	
283	4460466	1	Plug	
284	1001116812	1	Connector	
285	4460944	2	Terminal	
286	4460466	1	Plug	
287	1001264844	1	Connector	
288	1001264861	2	Terminal	
301	4460466	8	Plug	
302	4460897	2	Connector	
303	4460931	1	Connector	
304	4460945	3	Terminal	
305	8220375	1	Cap	
306	1001008559	3	Tie-Strap (Not Shown)	
307	1001116815	3	Connector	
308	1001117011	1	Connector	
309	1001119020	1	Connector	
310	1001144296	1	Cap	
311	1001177597	3	Diode Module	

SECTION 10 - ELECTRICAL

FIGURE 10-24. CAB - STANDARD ELECTRICAL BOARD ASSEMBLY



ART_1001161769-C

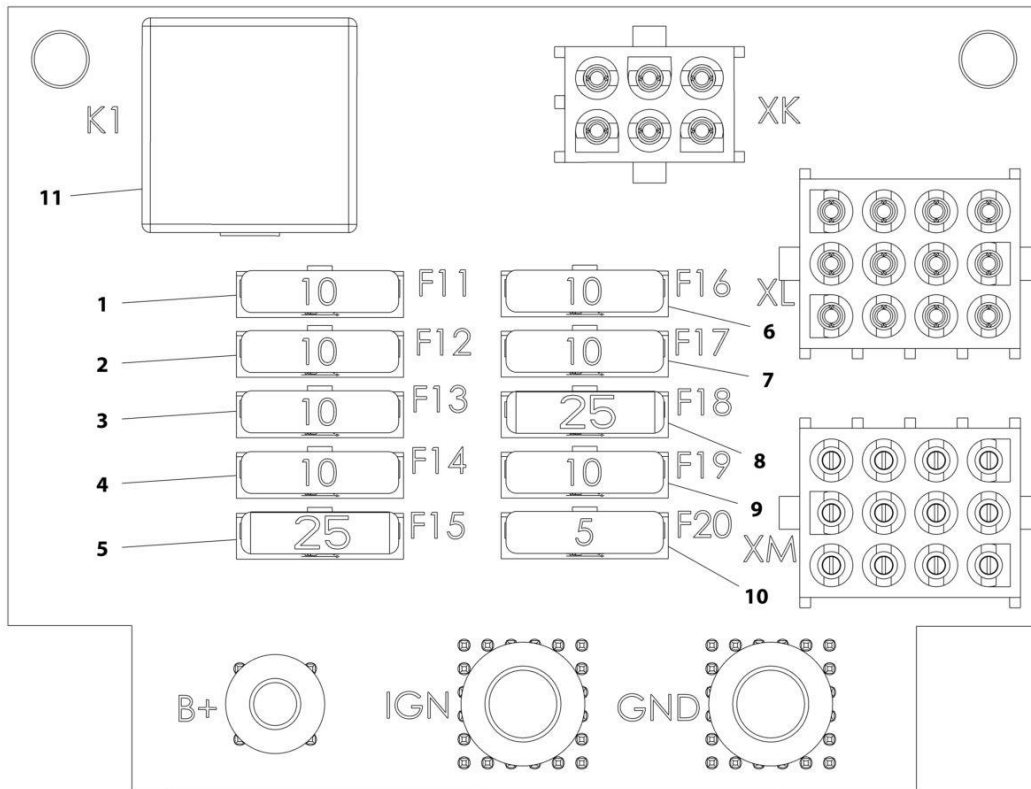
SECTION 10 - ELECTRICAL

FIGURE 10-24. CAB - STANDARD ELECTRICAL BOARD ASSEMBLY

ITEM	PART NUMBER	QTY	DESCRIPTION	REV
	1001161769	Ref	Standard Electrical Board Assembly	C
1	80983191	1	Fuse, 10AMP	
2	8229245	1	Fuse, 30AMP	
3	80983191	1	Fuse, 10AMP	
4	8229242	1	Fuse, 5AMP	
5	8229242	1	Fuse, 5AMP	
6	8229242	1	Fuse, 5AMP	
7	8229242	1	Fuse, 5AMP	
8	80983191	1	Fuse, 10AMP	
9	80983191	1	Fuse, 10AMP	
10	8229242	1	Fuse, 5AMP	
11	70026292	1	Fuse, 35AMP	

SECTION 10 - ELECTRICAL

FIGURE 10-25. CAB - OPTION 1 ELECTRICAL BOARD ASSEMBLY



ART_1001161770-C

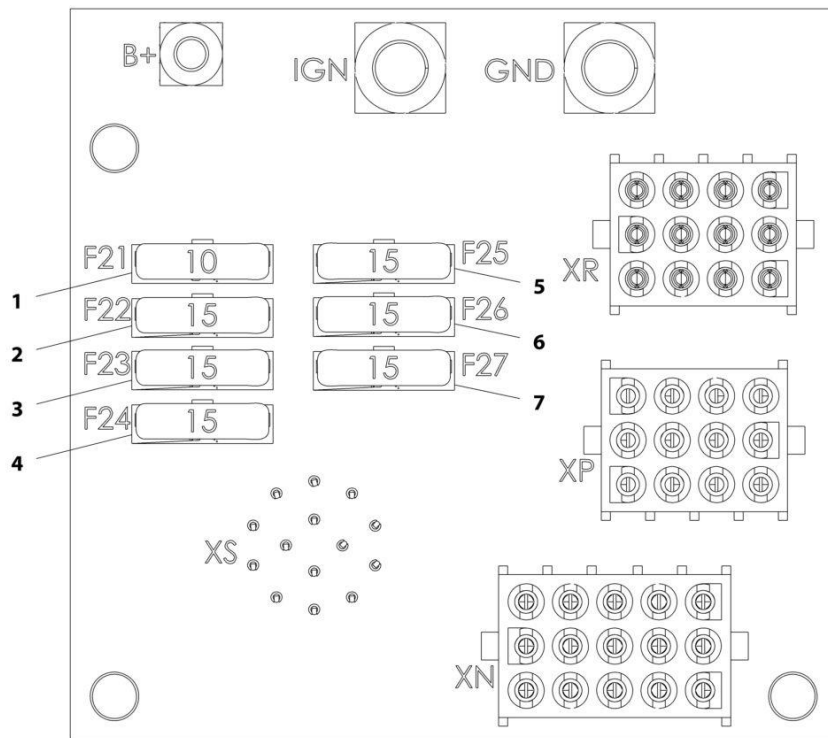
SECTION 10 - ELECTRICAL

FIGURE 10-25. CAB - OPTION 1 ELECTRICAL BOARD ASSEMBLY

ITEM	PART NUMBER	QTY	DESCRIPTION	REV
	1001161770	Ref	Option 1 Electrical Board Assembly	C
1	80983191	1	Fuse, 10AMP	
2	80983191	1	Fuse, 10AMP	
3	80983191	1	Fuse, 10AMP	
4	80983191	1	Fuse, 10AMP	
5	8229247	1	Fuse, 25AMP	
6	80983191	1	Fuse, 10AMP	
7	80983191	1	Fuse, 10AMP	
8	8229247	1	Fuse, 25AMP	
9	80983191	1	Fuse, 10AMP	
10	8229242	1	Fuse, 5AMP	
11	70026293	1	Fuse, 50AMP	

SECTION 10 - ELECTRICAL

FIGURE 10-26. CAB - OPTION 2 ELECTRICAL BOARD ASSEMBLY



ART_1001161771-B

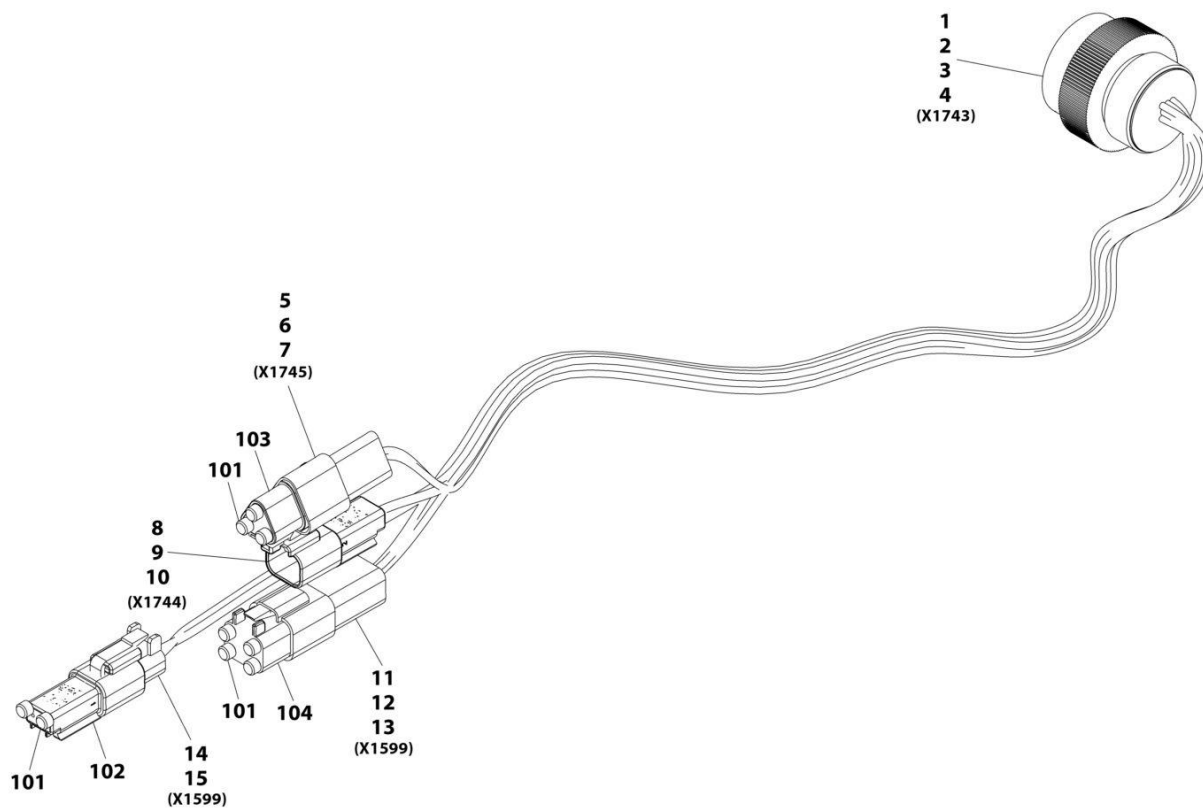
SECTION 10 - ELECTRICAL

FIGURE 10-26. CAB - OPTION 2 ELECTRICAL BOARD ASSEMBLY

ITEM	PART NUMBER	QTY	DESCRIPTION	REV
	1001161771	Ref	Option 2 Electrical Board Assembly	B
1	80983191	1	Fuse, 10AMP	
2	8229244	1	Fuse, 15AMP	
3	8229244	1	Fuse, 15AMP	
4	8229244	1	Fuse, 15AMP	
5	8229244	1	Fuse, 15AMP	
6	8229244	1	Fuse, 15AMP	
7	8229244	1	Fuse, 15AMP	

SECTION 10 - ELECTRICAL

FIGURE 10-27. CAB OPTION HARNESS



ART_1001258712

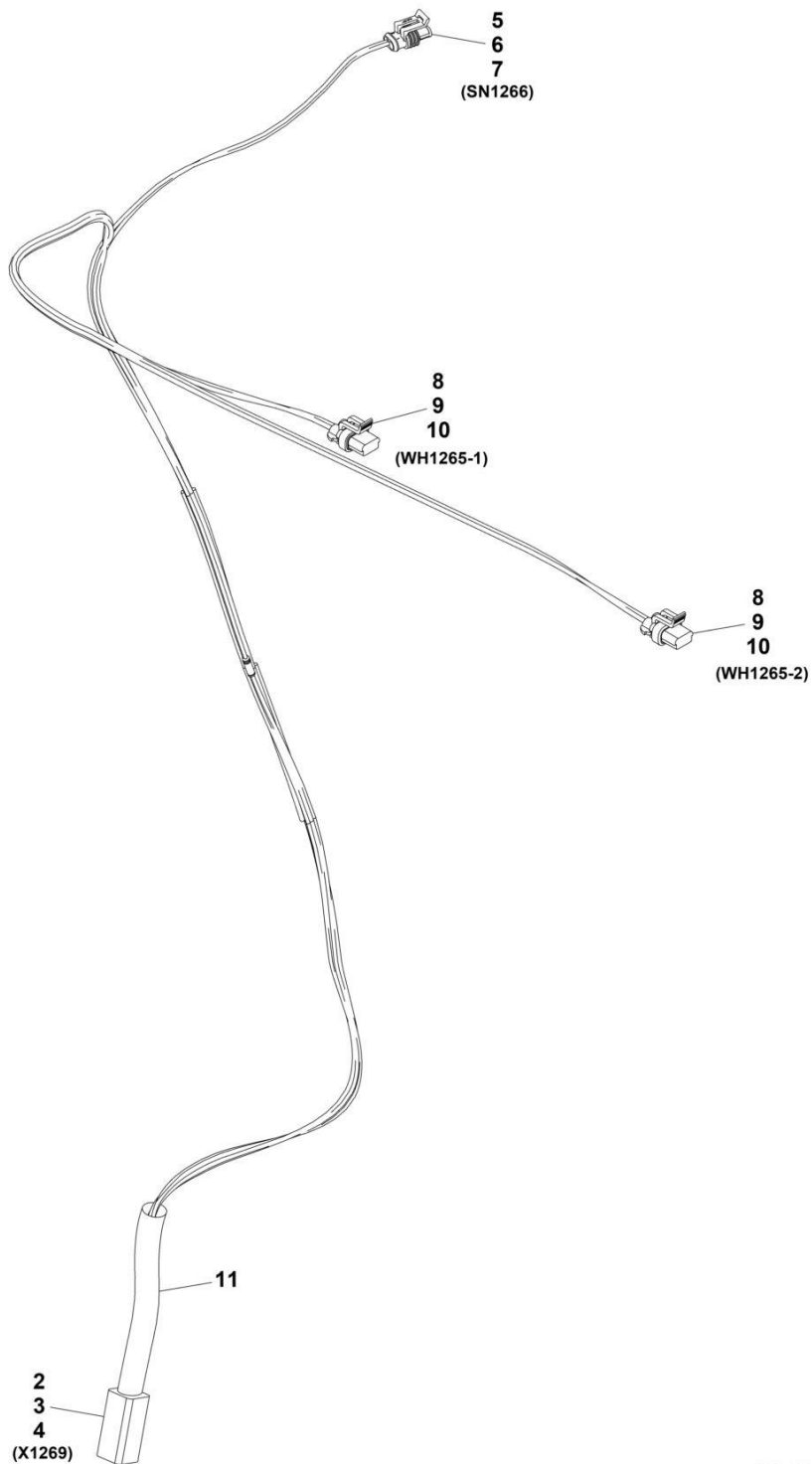
SECTION 10 - ELECTRICAL

FIGURE 10-27. CAB OPTION HARNESS

ITEM	PART NUMBER	QTY	DESCRIPTION	REV
	1001258712	Ref	Cab Option Harness	A
1	4461015	1	Connector	
2	4460465	5	Terminal	
3	4460466	6	Plug	
4	4460942	1	Terminal	
5	1001144147	1	Connector	
6	4460943	2	Terminal	
7	4460466	1	Plug	
8	4460897	1	Connector	
9	4460941	1	Terminal	
10	4460466	1	Plug	
11	4460932	1	Connector	
12	4460464	3	Terminal	
13	4460466	1	Plug	
14	4460891	1	Plug, Male	
15	4460465	2	Socket, Female	
101	4460466	9	Plug, Terminal	
102	4460884	1	Plug, Male - 4 Position	
103	1001116812	1	Plug, Male - 3 Position	
104	4460897	2	Plug, Male - 2 Position	

SECTION 10 - ELECTRICAL

FIGURE 10-28. CAB - A/C OPTION HARNESS



ART_1001169151

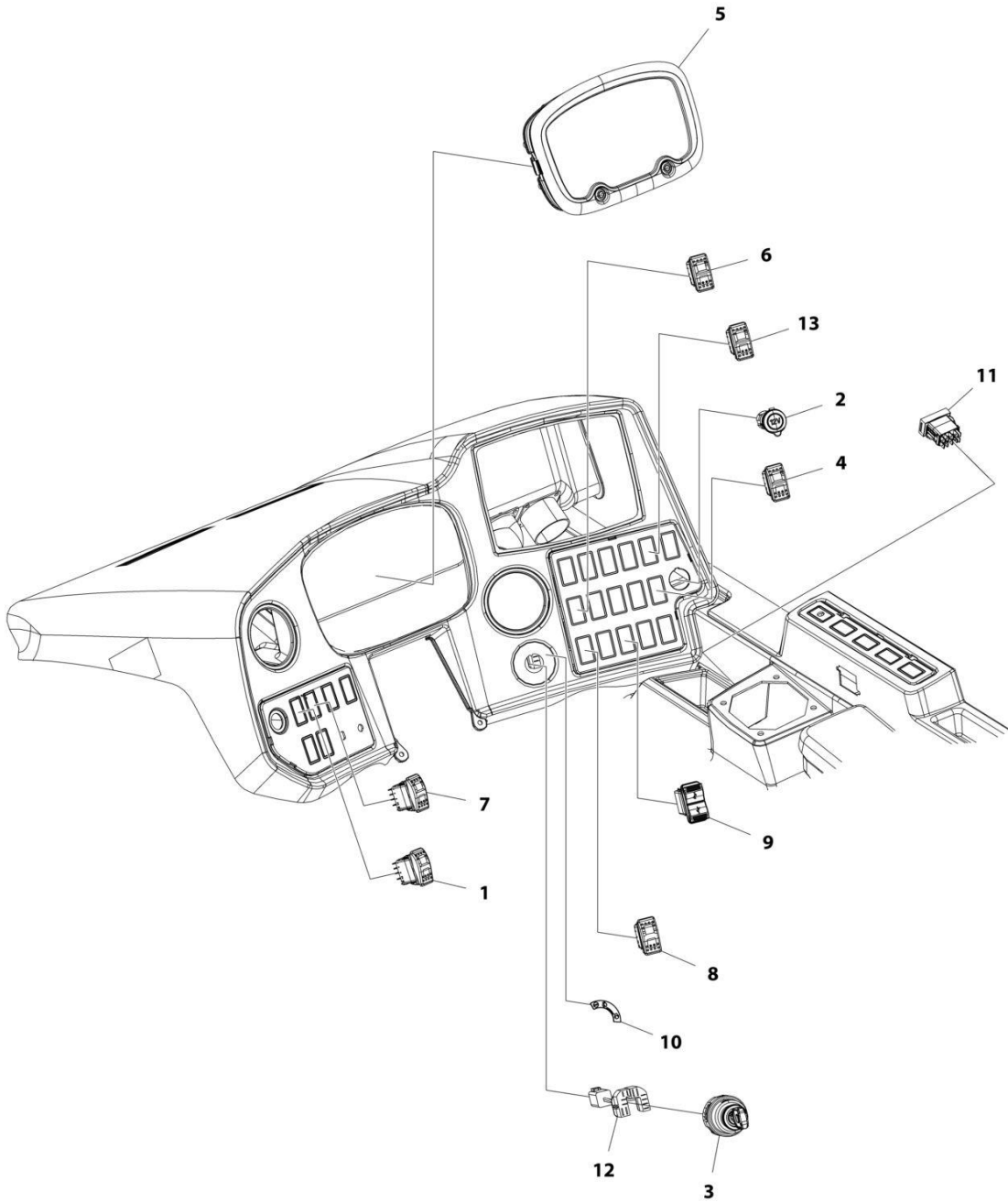
SECTION 10 - ELECTRICAL

FIGURE 10-28. CAB - A/C OPTION HARNESS

ITEM	PART NUMBER	QTY	DESCRIPTION	REV
	1001169151	Ref	A/C Option Harness	G
2	4460899	1	Connector	
3	4460941	4	Terminal	
4	4460464	2	Terminal	
5	4461118	1	Connector	
6	1001107854	2	Terminal	
7	1001116763	2	Seal	
8	1001117021	2	Connector	
9	1001116747	4	Terminal	
10	4460789	4	Seal	
11	70028546	1	Backshell	

SECTION 10 - ELECTRICAL

FIGURE 10-29. CAB - DASH ELECTRICAL INSTALLATION (1732)



ART_1001220717_D

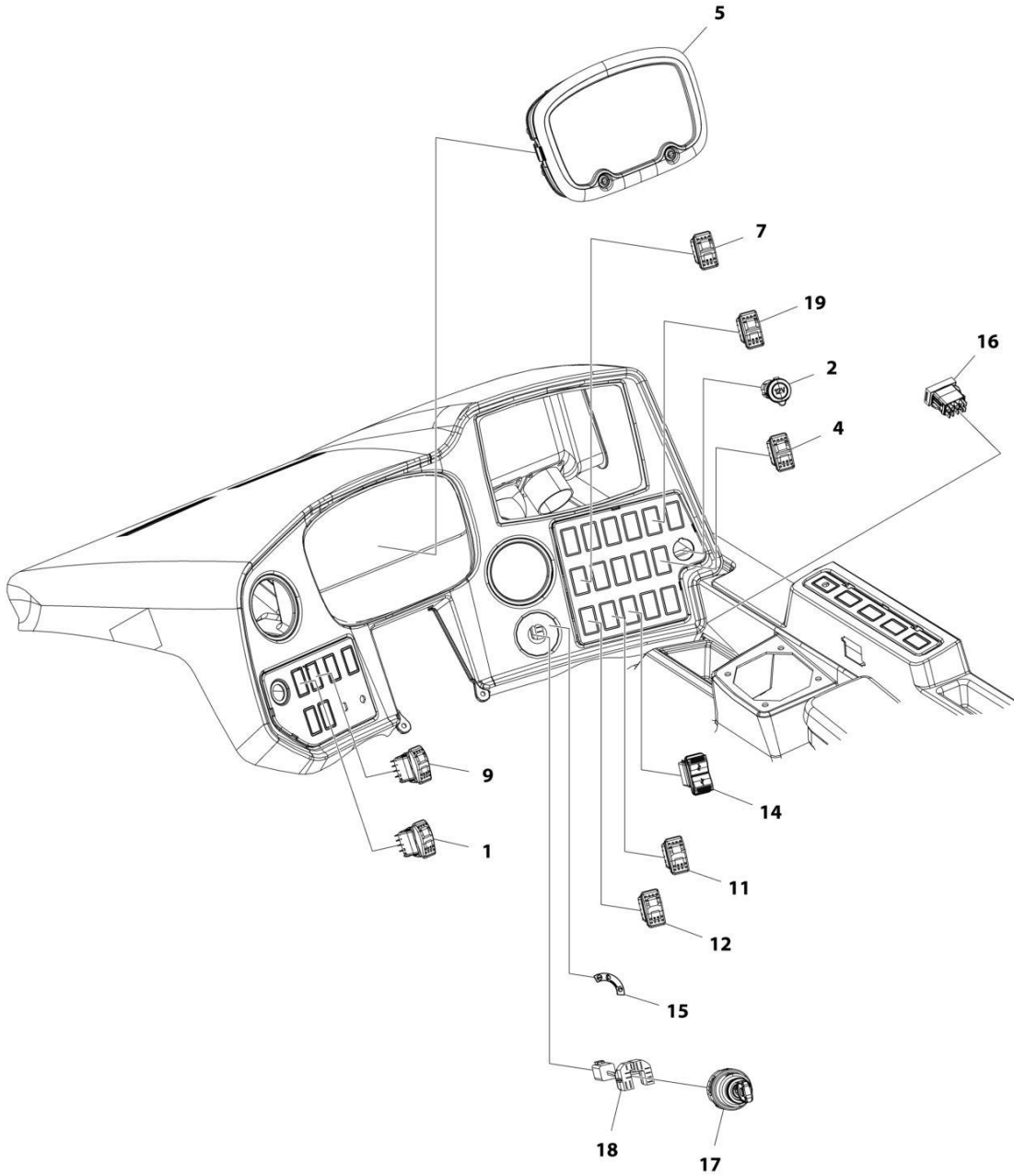
SECTION 10 - ELECTRICAL

FIGURE 10-29. CAB - DASH ELECTRICAL INSTALLATION (1732)

ITEM	PART NUMBER	QTY	DESCRIPTION	REV
	1001220717	Ref	DASH ELECTRICAL INSTALLATION	D
1	1001080978	1	Switch, Lift/Loader	
2	1001095804	1	Connector, 12V Power Socket	
3	1001102502	1	Switch, 4 Position Key	
3	70022765	1	Key, Ignition (set of 2)	
4	1001104654	1	Switch, AUX Decomp	
5	1001158146	1	Cluster, Electrical Gauge	
6	1001159735	1	Switch, Rear Wiper	
7	1001159741	1	Switch, Constant AUX	
8	1001159849	1	Switch, Steer Mode	
9	1001174712	1	Charger, USB	
10	1001181531	1	Decal, Ignition Switch	
11	1001212470	1	Switch, Frame Level	
12	1001223968	1	Harness, Ignition Switch (See Separate Breakdown in this Section)	
13	1001285715	1	Switch, Beacon	

SECTION 10 - ELECTRICAL

FIGURE 10-30. CAB - DASH ELECTRICAL INSTALLATION (8010)



ART_1001192560_G

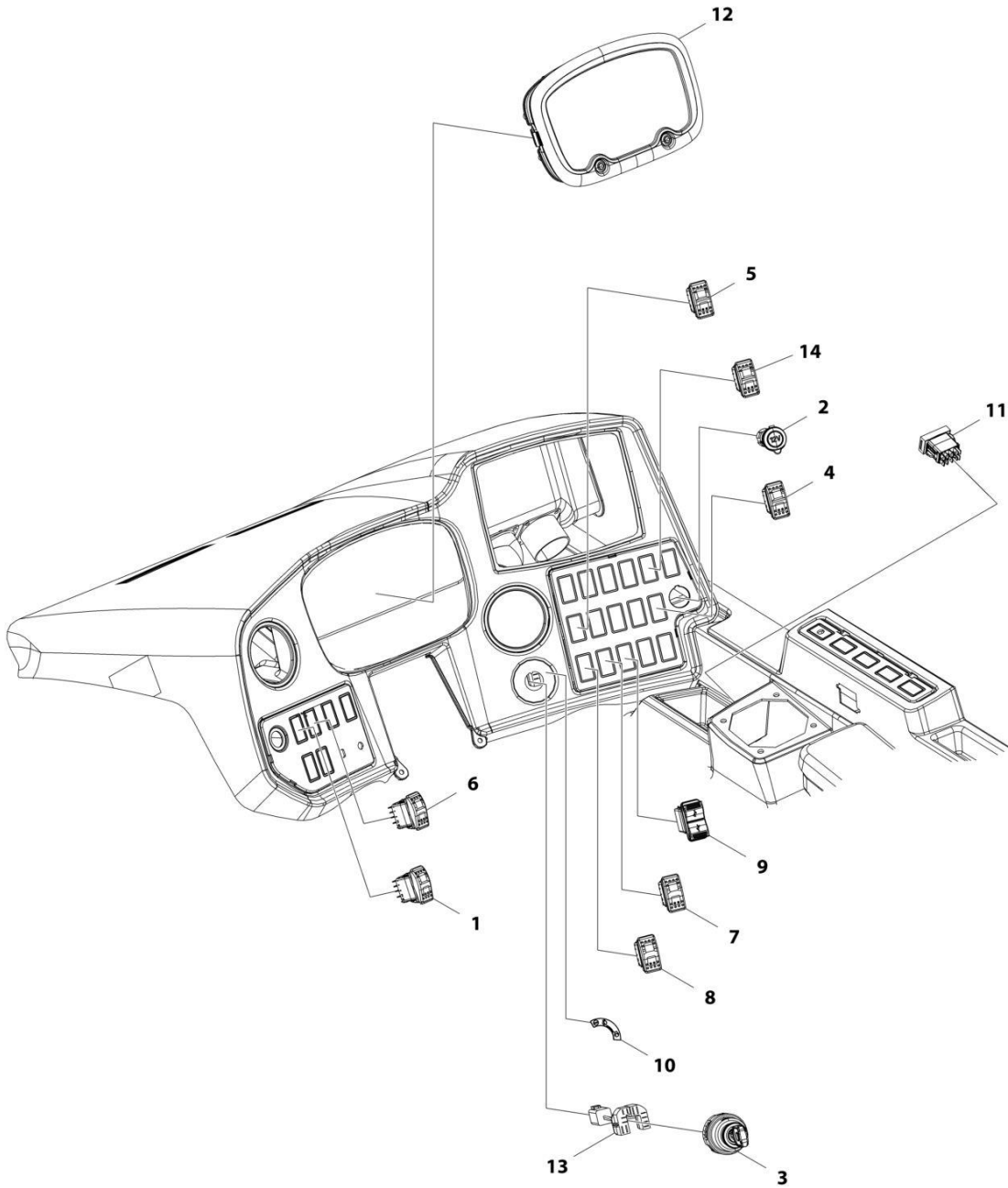
SECTION 10 - ELECTRICAL

FIGURE 10-30. CAB - DASH ELECTRICAL INSTALLATION (8010)

ITEM	PART NUMBER	QTY	DESCRIPTION	REV
	1001192560	Ref	DASH ELECTRICAL INSTALLATION	G
1	1001080978	1	Switch, Lift/Loader	
2	1001095804	1	Connector, 12V Power Socket	
4	1001104654	1	Switch, Aux Decomp	
5	1001158146	1	Cluster, Electrical Gauge	
7	1001159735	1	Switch, Rear Wiper	
9	1001159741	1	Switch, Constant AUX	
11	1001159743	1	Switch, Road Use	
12	1001159849	1	Switch, Steer Mode	
14	1001174712	1	Charger, USB	
15	1001181531	1	Decal, Ignition Switch	
16	1001212470	1	Switch, Frame Level	
17	1001102502	1	Switch, 4 Position Key	
17	70022765	1	Key, Ignition (set of 2)	
18	1001223968	1	Harness, Ignition Switch (See Separate Breakdown in this Section)	
19	1001285715	1	Switch, Beacon	

SECTION 10 - ELECTRICAL

FIGURE 10-31. CAB - DASH ELECTRICAL INSTALLATION (LRC)



ART_1001229153_B

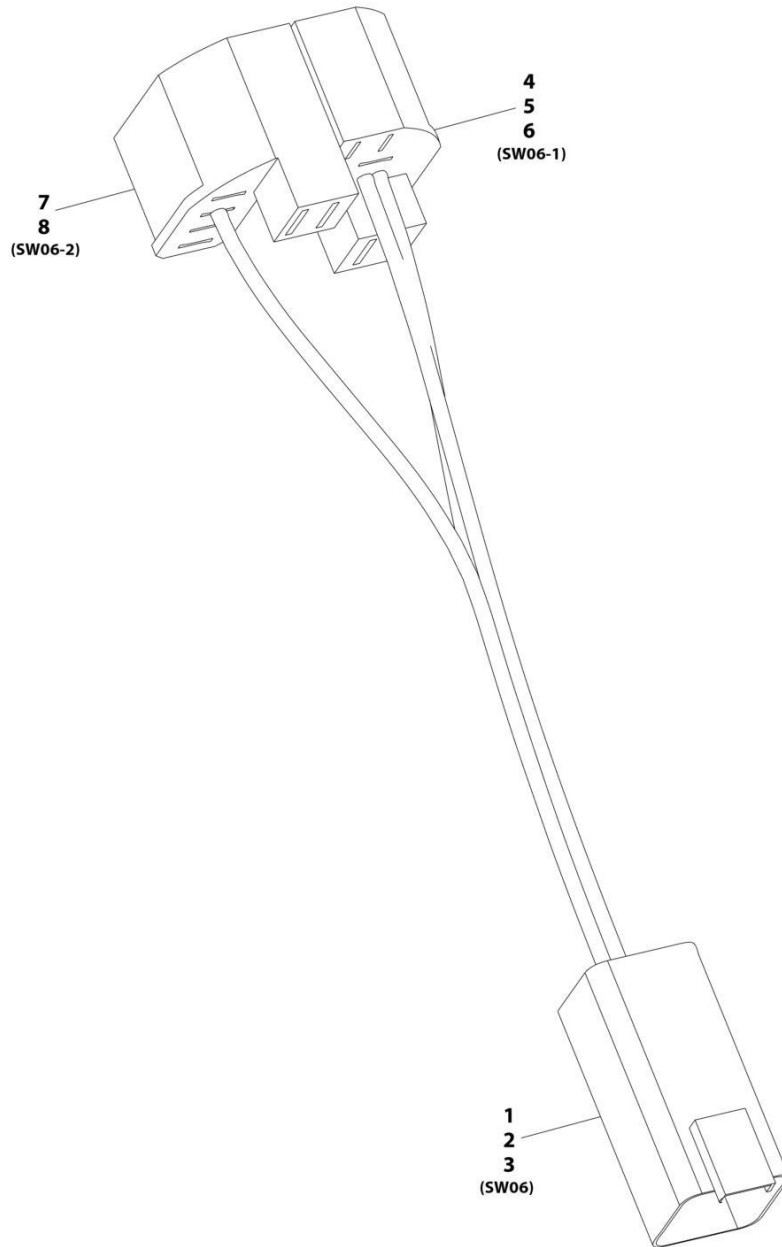
SECTION 10 - ELECTRICAL

FIGURE 10-31. CAB - DASH ELECTRICAL INSTALLATION (LRC)

ITEM	PART NUMBER	QTY	DESCRIPTION	REV
	1001229153	Ref	DASH ELECTRICAL INSTALLATION (LRC)	B
1	1001080978	1	Switch, Lift/Loader	
2	1001095804	1	Connector, 12V Power Socket	
3	1001102502	1	Switch, 4 Position Key	
4	1001104654	1	Switch, AUX Decomp	
5	1001159735	1	Switch, Rear Wiper	
6	1001159741	1	Switch, Constant AUX	
7	1001159743	1	Switch, Road Use	
8	1001159849	1	Switch, Steer Mode	
9	1001174712	1	Charger, USB	
10	1001181531	1	Decal, Ignition Switch	
11	1001189876	1	Switch, Frame Level	
12	1001202454	1	Cluster, Electrical Gauge	
13	1001223968	1	Harness, Ignition Switch (See Separate Breakdown in this Section)	
14	1001285715	1	Switch, Beacon	

SECTION 10 - ELECTRICAL

FIGURE 10-32. CAB - IGNITION SWITCH HARNESS



ART_1001223968-A

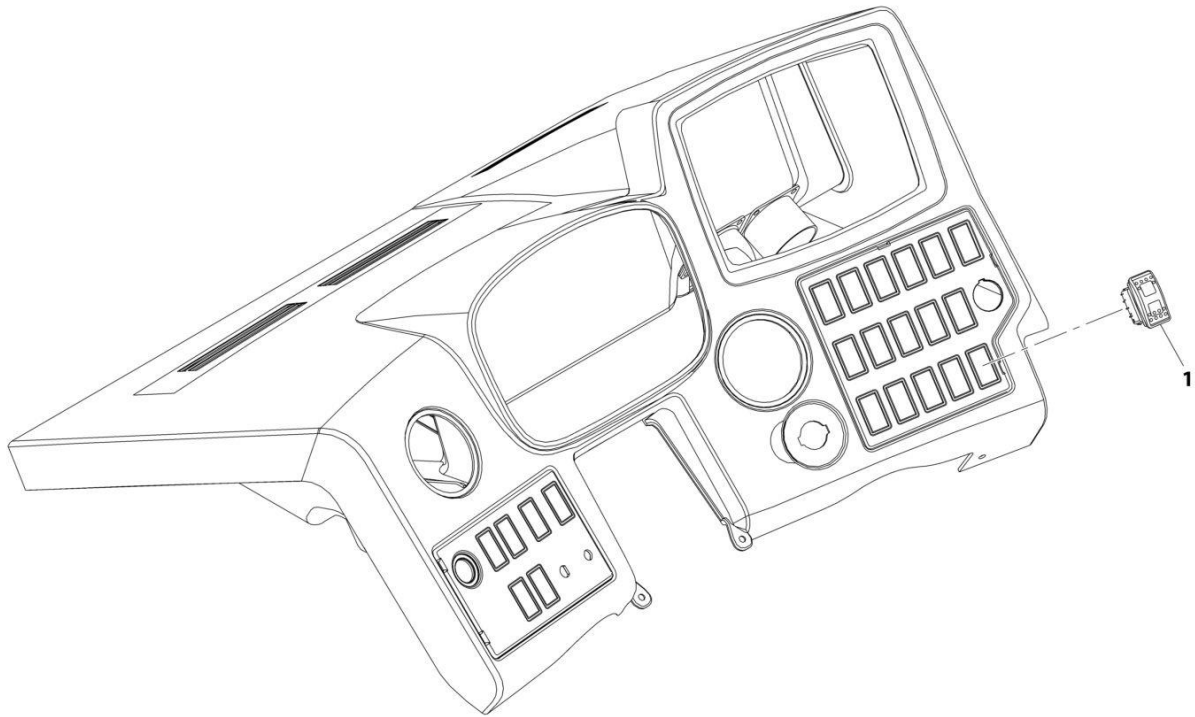
SECTION 10 - ELECTRICAL

FIGURE 10-32. CAB - IGNITION SWITCH HARNESS

ITEM	PART NUMBER	QTY	DESCRIPTION	REV
	1001223968	Ref	Ignition Switch Harness	A
1	4460899	1	Connector	
2	4460464	3	Terminal	
3	4460466	3	Plug	
4	1001118685	1	Connector	
5	1001104519	1	Terminal	
6	1001118383	1	Terminal	
7	1001117121	1	Connector	
8	1001104519	1	Terminal	

SECTION 10 - ELECTRICAL

FIGURE 10-33. CAB - LIGHT SWITCH INSTALLATION



ART_1001215121-A

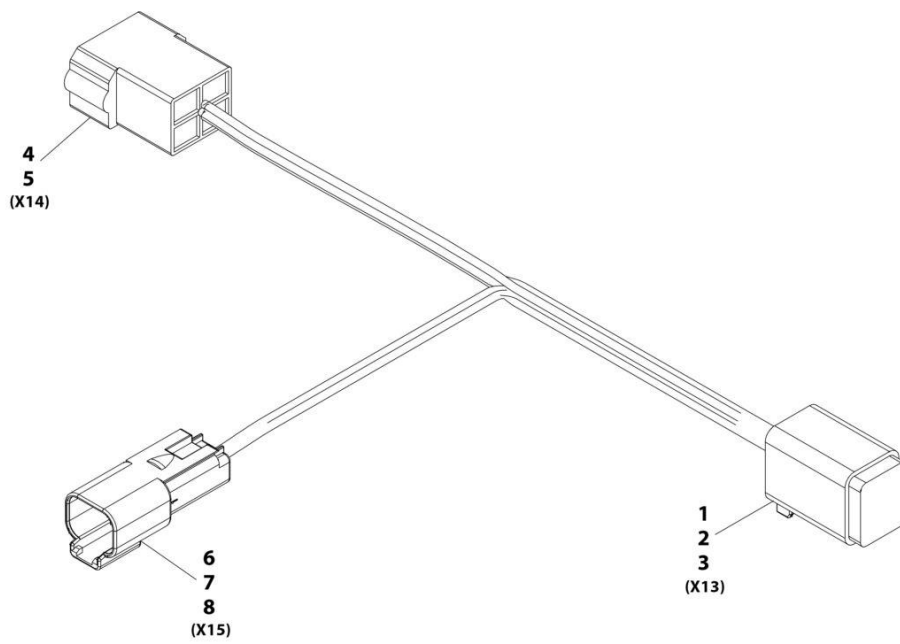
SECTION 10 - ELECTRICAL

FIGURE 10-33. CAB - LIGHT SWITCH INSTALLATION

ITEM	PART NUMBER	QTY	DESCRIPTION	REV
1	1001215121 1001163639	Ref 1	Light Switch Installation Switch, Light	A

SECTION 10 - ELECTRICAL

FIGURE 10-34. CAB - SEAT ADAPTOR HARNESS



ART_1001168531-A

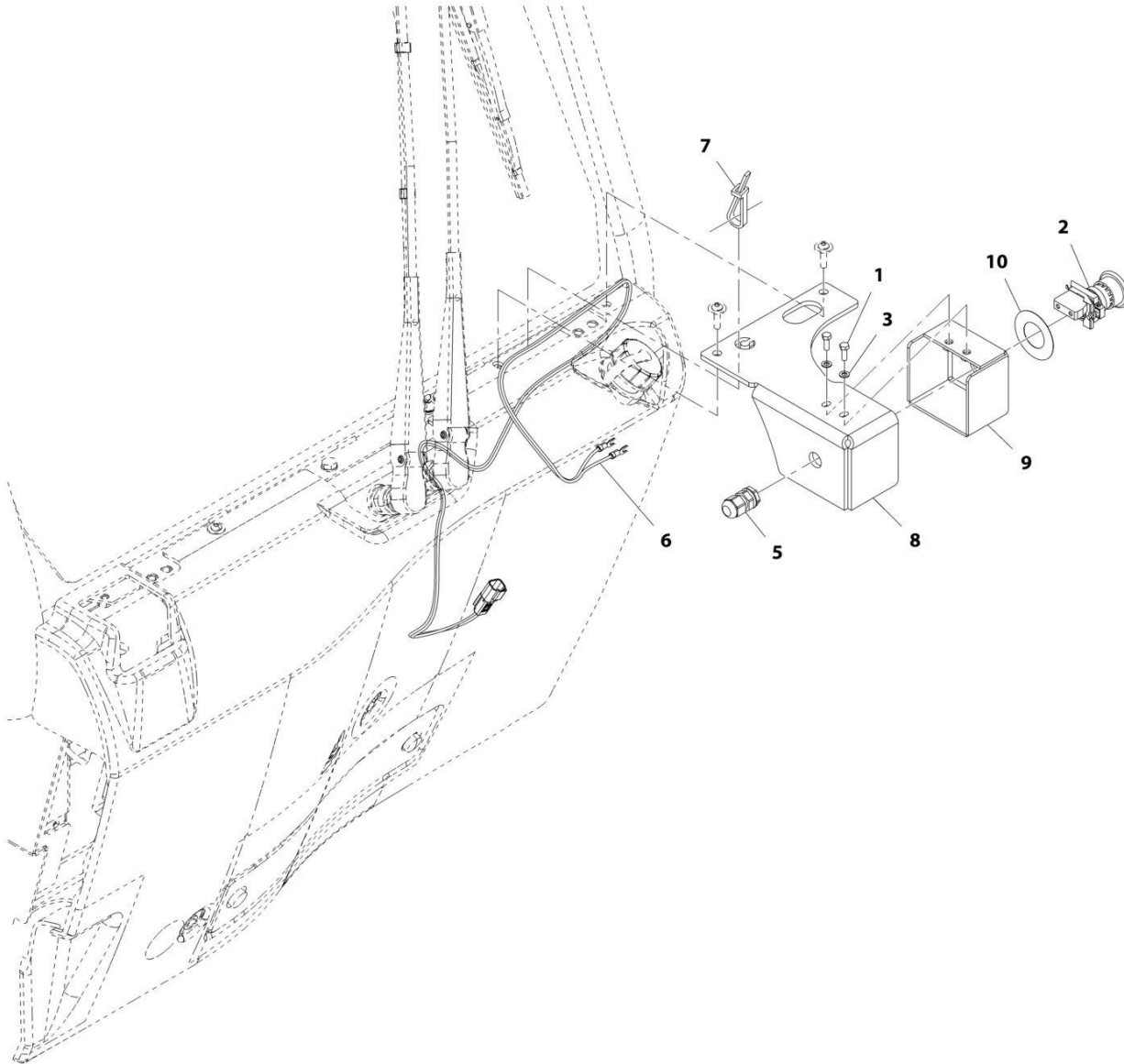
SECTION 10 - ELECTRICAL

FIGURE 10-34. CAB - SEAT ADAPTOR HARNESS

ITEM	PART NUMBER	QTY	DESCRIPTION	REV
	1001168531	Ref	Seat Adaptor Harness	A
1	4460894	1	Connector	
2	91504107	1	Lock, Connector	
3	4460465	6	Terminal	
4	1001117011	1	Connector	
5	1001116700	3	Terminal	
6	4460897	1	Connector	
7	80604017	1	Lock, Connector	
8	4460943	2	Terminal	

SECTION 10 - ELECTRICAL

FIGURE 10-35. CAB - EXTERNAL EMERGENCY STOP INSTALLATION



ART_1001195721-C

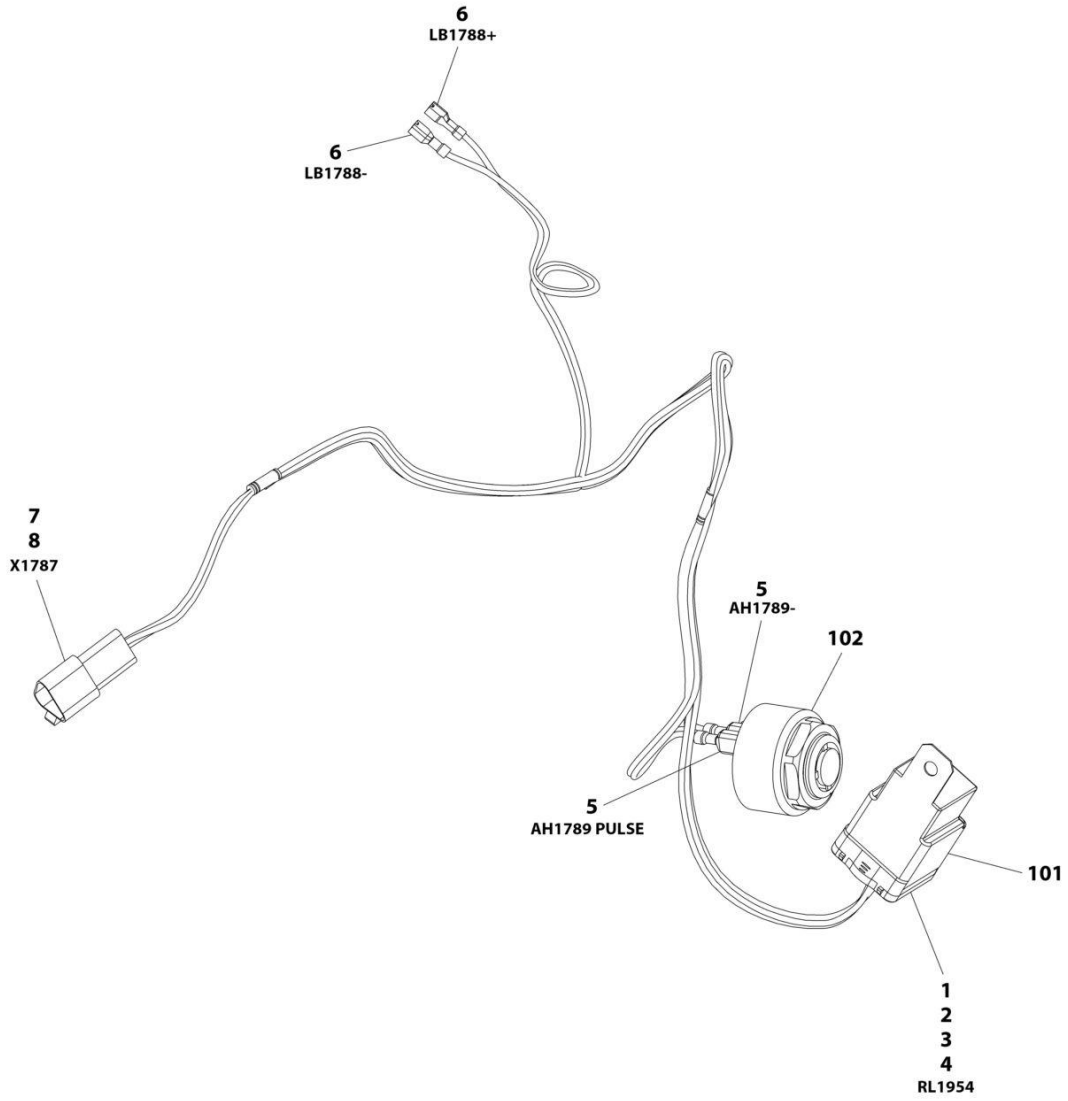
SECTION 10 - ELECTRICAL

FIGURE 10-35. CAB - EXTERNAL EMERGENCY STOP INSTALLATION

ITEM	PART NUMBER	QTY	DESCRIPTION	REV
	1001195721	Ref	Emergency Stop External Installation	C
1	0760507	2	Bolt, M5X14	
2	4360475	1	Switch, E-Stop	
3	4811600	2	Washer, M5	
5	4461000	1	Connector	
6	1001217320	1	Harness, External EMS	
7	1001008559	1	Strap, Tie	
8	1001220859	1	Bracket	
9	1001220861	1	Shield	
10	1704260	1	Decal, EMS	

SECTION 10 - ELECTRICAL

FIGURE 10-36. CAB SEAT BELT ALARM HARNESS



ART_1001268744

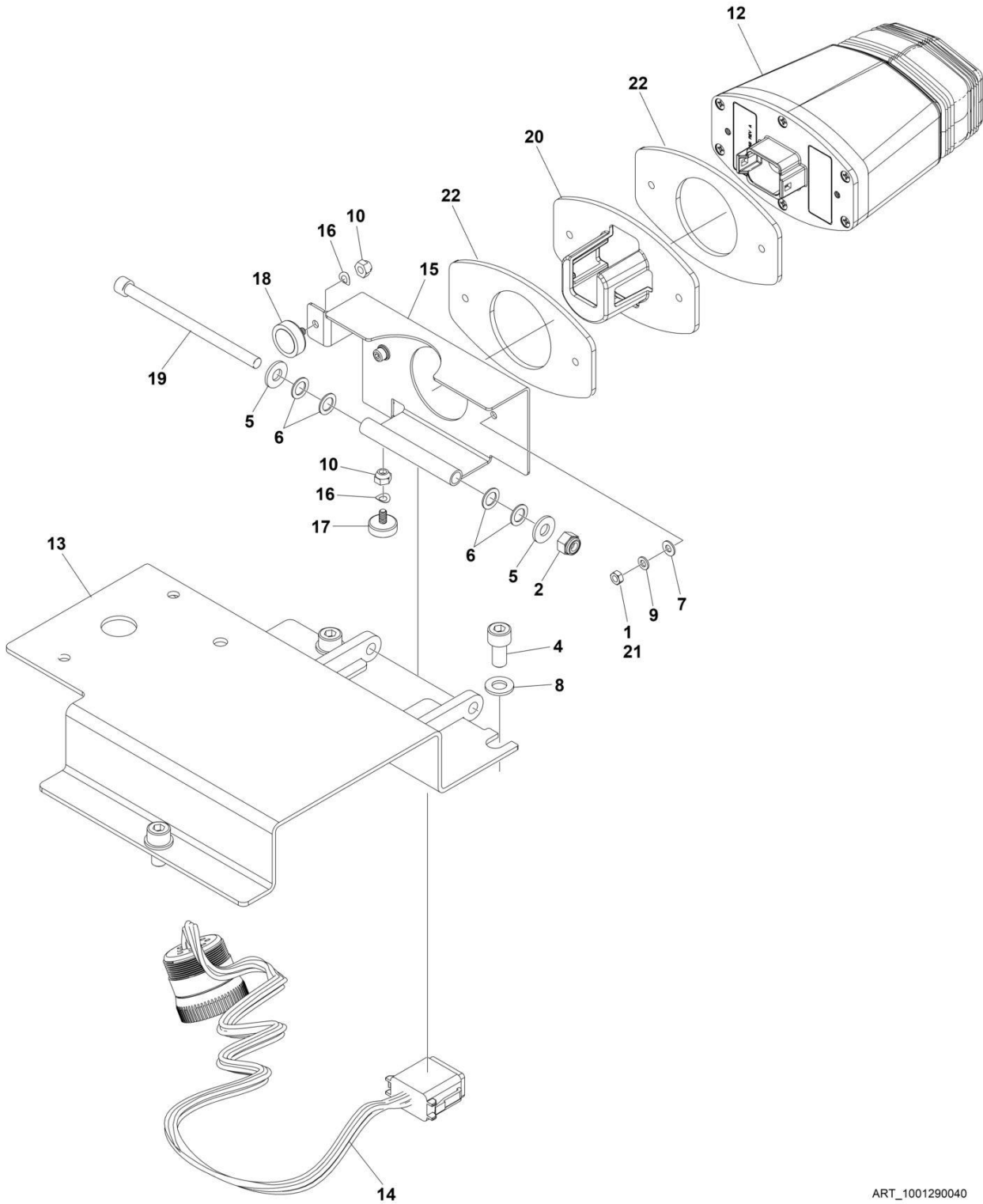
SECTION 10 - ELECTRICAL

FIGURE 10-36. CAB SEAT BELT ALARM HARNESS

ITEM	PART NUMBER	QTY	DESCRIPTION	REV
	1001268744	Ref	SEAT BELT ALARAM HARNESS	A
1	1001231398	1	Connector	
2	1001231400	4	Terminal	
3	1001231406	1	Terminal	
4	1001231404	4	Plug	
5	1001194421	2	Terminal	
6	1001201885	2	Terminal	
7	4460536	1	Connector	
8	4460464	3	Terminal	
101	3740080	1	Relay, Weather Proof	
102	1001091751	1	Buzzer Alarm	

SECTION 10 - ELECTRICAL

FIGURE 10-37. CLEARSKY INSTALLATION



ART_1001290040

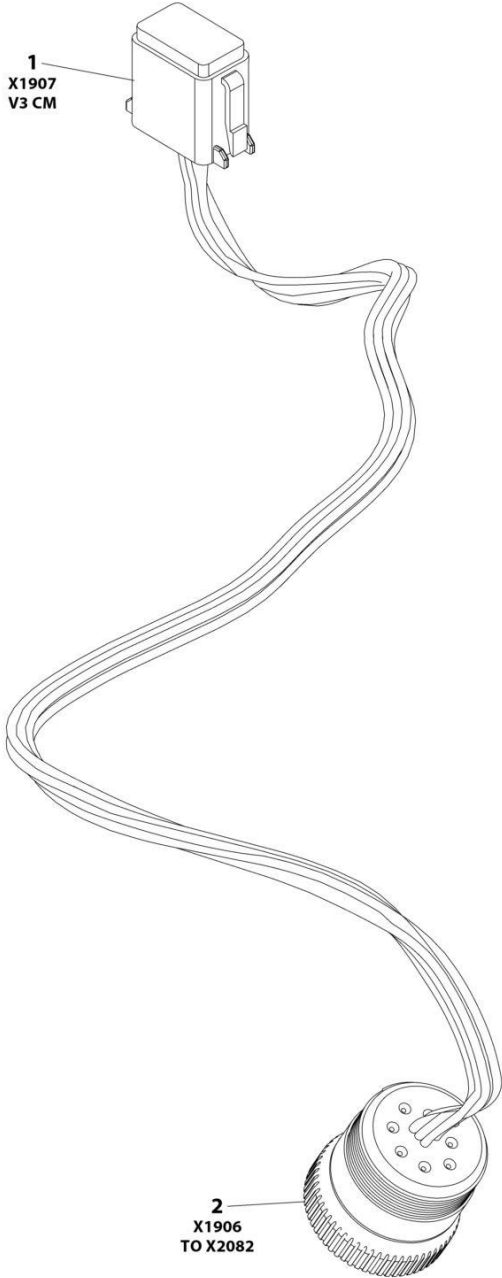
SECTION 10 - ELECTRICAL

FIGURE 10-37. CLEARSKY INSTALLATION

ITEM	PART NUMBER	QTY	DESCRIPTION	REV
	1001290040	Ref	CLEARSKY INSTALLATION	B
1	0100011	AR	Compound, Locking	
2	3300449	1	Nut 1/4	
4	4031907	3	Capscrew M8 x 16	
5	4711400	2	Washer 1/4	
6	4740428	4	Washer 5/16	
7	4811400	2	Washer M4	
8	4811900	3	Washer M8	
9	4831400	2	Washer, M4	
10	8310410	2	Nut #8	
11	1001146588	AR	Tie-Strap (Not Shown)	
12	1001280661	1	Module, ClearSky	
13	1001286599	1	Bracket, ClearSky Mounting	
14	1001286941	1	Harness, ClearSky (See Separate Breakdown in this Section)	
15	1001289060	1	Mount, ClearSky Pivot	
16	1001289299	2	Washer #8	
17	1001289300	1	Magnet, Studded (16mm Diameter)	
18	1001289301	1	Magnet, Studded (20mm Diameter)	
19	1001289647	1	Capscrew 1/4 x 4	
20	1001289648	1	Plate, Anti-Tamper	
21	3290401	2	Nut, M4	
22	1001291056	2	Gasket, ClearSky CS550	

SECTION 10 - ELECTRICAL

FIGURE 10-38. CLEARSKY HARNESS



ART_1001286941

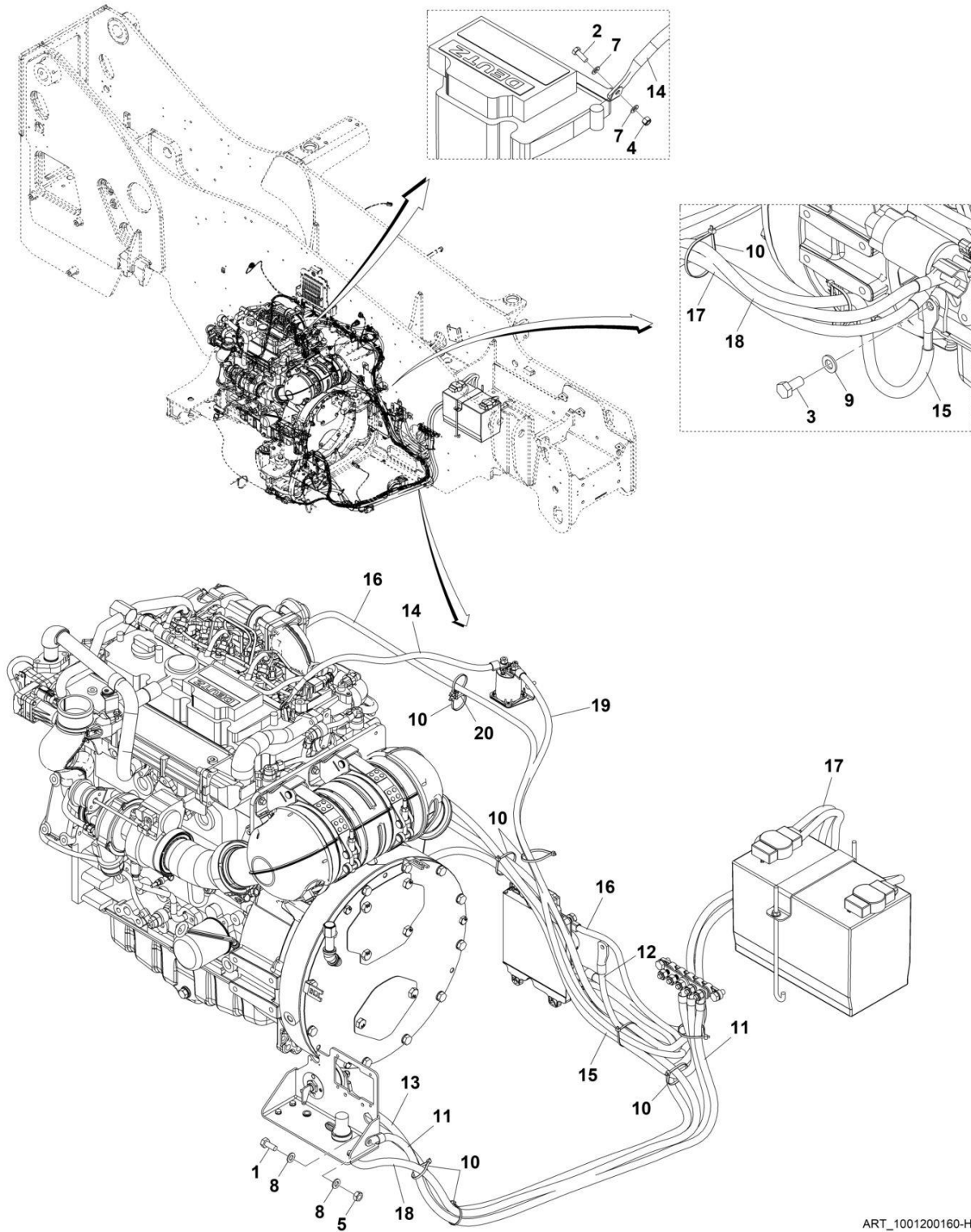
SECTION 10 - ELECTRICAL

FIGURE 10-38. CLEARSKY HARNESS

ITEM	PART NUMBER	QTY	DESCRIPTION	REV
	1001286941	Ref	CLEARSKY HARNESS	A
1	4460930	1	Connector	
1	4460465	8	Socket	
2	1001112796	1	Connector	
2	4460465	8	Socket	
2	4460466	1	Plug	

SECTION 10 - ELECTRICAL

FIGURE 10-39. ENGINE - ENGINE BAY ELECTRICAL INSTALLATION (ULS)



ART_1001200160-H

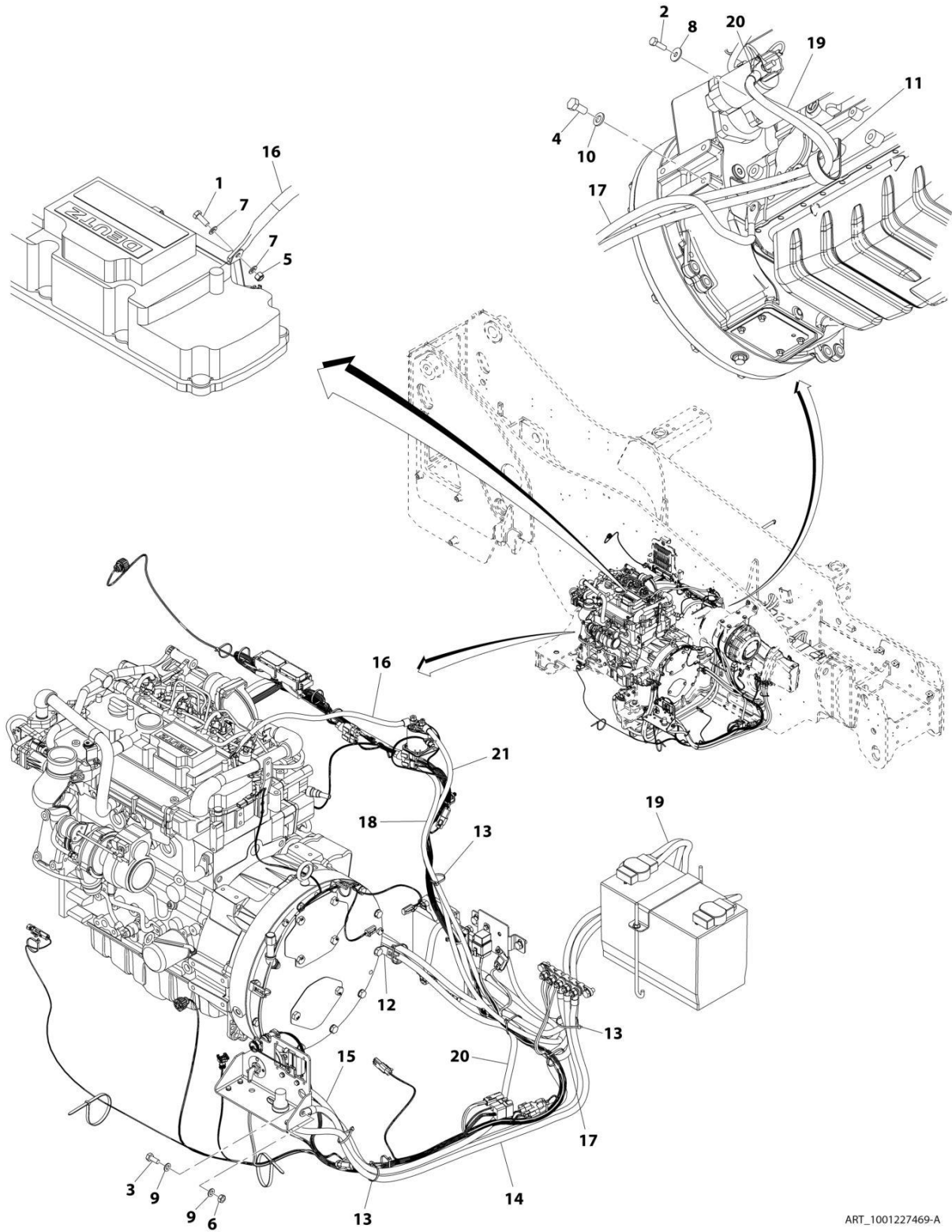
SECTION 10 - ELECTRICAL

FIGURE 10-39. ENGINE - ENGINE BAY ELECTRICAL INSTALLATION (ULS)

ITEM	PART NUMBER	QTY	DESCRIPTION	REV
	1001200160	Ref	Engine Bay Electrical Installation	I
1	0761012	1	Bolt, M10X25	
2	0760507	1	Bolt, M5X14	
3	0761212	1	Bolt, M12X25	
4	3290505	1	Nut, Lock M5X0.8	
5	3291001	1	Nut, M10X1.5	
7	4811600	2	Washer, M5	
8	4812000	2	Washer, M10	
9	4812100	1	Washer, M12	
10	1001008559	10	Tie, Strap	
11	1001194103	1	Cable	
12	1001194244	1	Cable	
13	1001196502	1	Cable	
14	1001200161	1	Cable	
15	1001200162	1	Cable	
16	1001200164	1	Cable	
17	1001200165	1	Cable	
18	1001200166	1	Cable	
19	1001200167	1	Cable	
20	1001004723	1	Saddle	
21	1001293972	1	Cable, ECM Power (Not Shown)	

SECTION 10 - ELECTRICAL

FIGURE 10-40. ENGINE - ENGINE BAY ELECTRICAL INSTALLATION (LS)



ART_1001227469-A

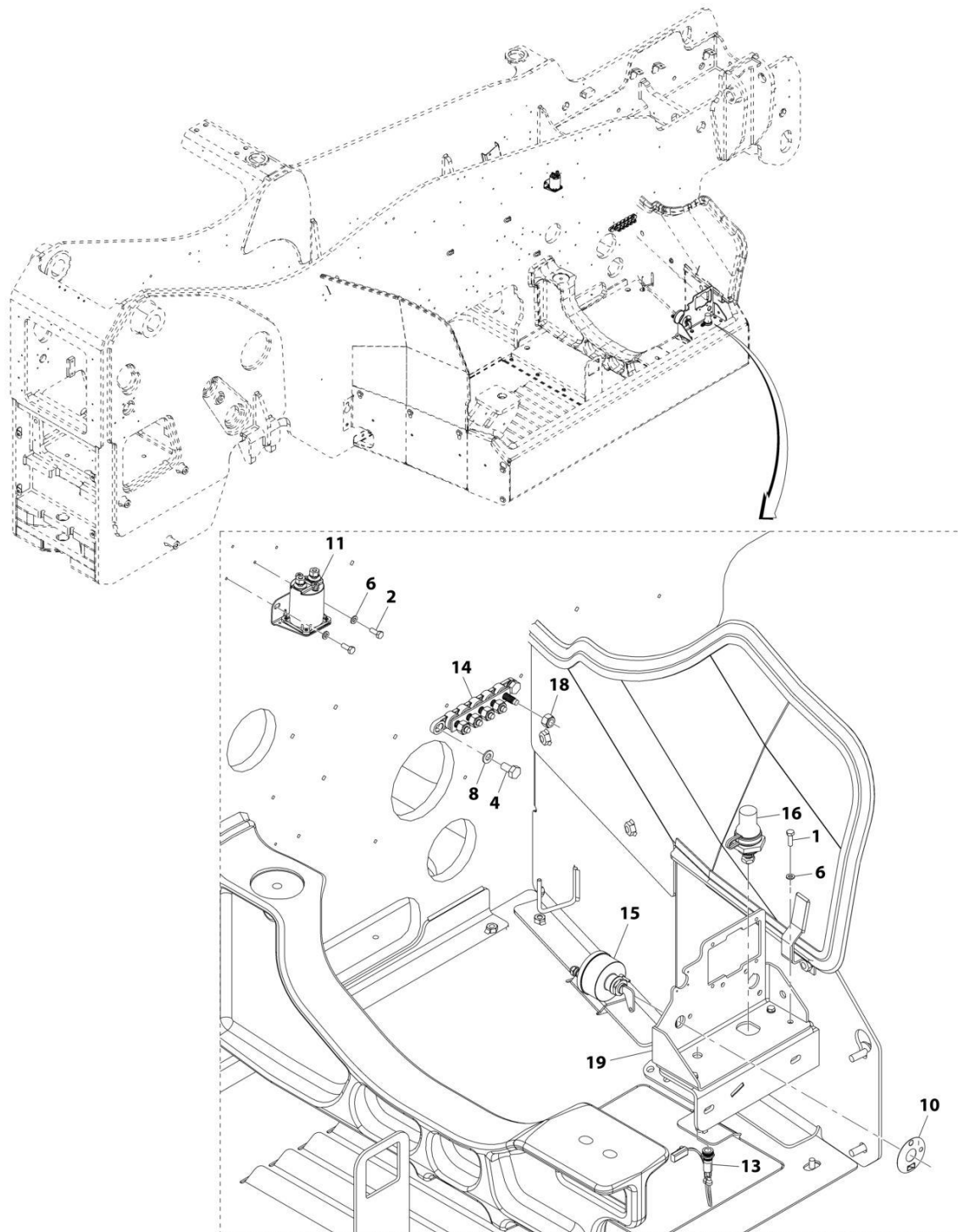
SECTION 10 - ELECTRICAL

FIGURE 10-40. ENGINE - ENGINE BAY ELECTRICAL INSTALLATION (LS)

ITEM	PART NUMBER	QTY	DESCRIPTION	REV
	1001227469	Ref	Engine Bay Electrical Installation	B
1	0760507	1	Bolt, M5X14	
2	0760812	1	Bolt, M8X25	
3	0761012	1	Bolt, M10X25	
4	0761212	1	Bolt, M12X25	
5	3290505	1	Nut, Lock M5X0.8 Grade 8	
6	3291001	1	Nut, M10X1.5 Grade 8	
7	4811600	2	Washer, M5	
8	4811902	1	Washer, M8	
9	4812000	2	Washer, M10	
10	4812100	1	Washer, M12	
11	85941018	1	Clamp	
12	1001003305	1	Clip	
13	1001008559	7	Tie, Strap	
14	1001194103	1	Cable	
15	1001196502	1	Cable	
16	1001200161	1	Cable	
17	1001200162	1	Cable	
18	1001200164	1	Cable	
19	1001200165	1	Cable	
20	1001200166	1	Cable	
21	1001200167	1	Cable	
22	1001293972	1	Cable, ECM Power (Not Shown)	

SECTION 10 - ELECTRICAL

FIGURE 10-41. ENGINE - ENGINE POD ELECTRICAL INSTALLATION (ULS)



ART_1001202172-C

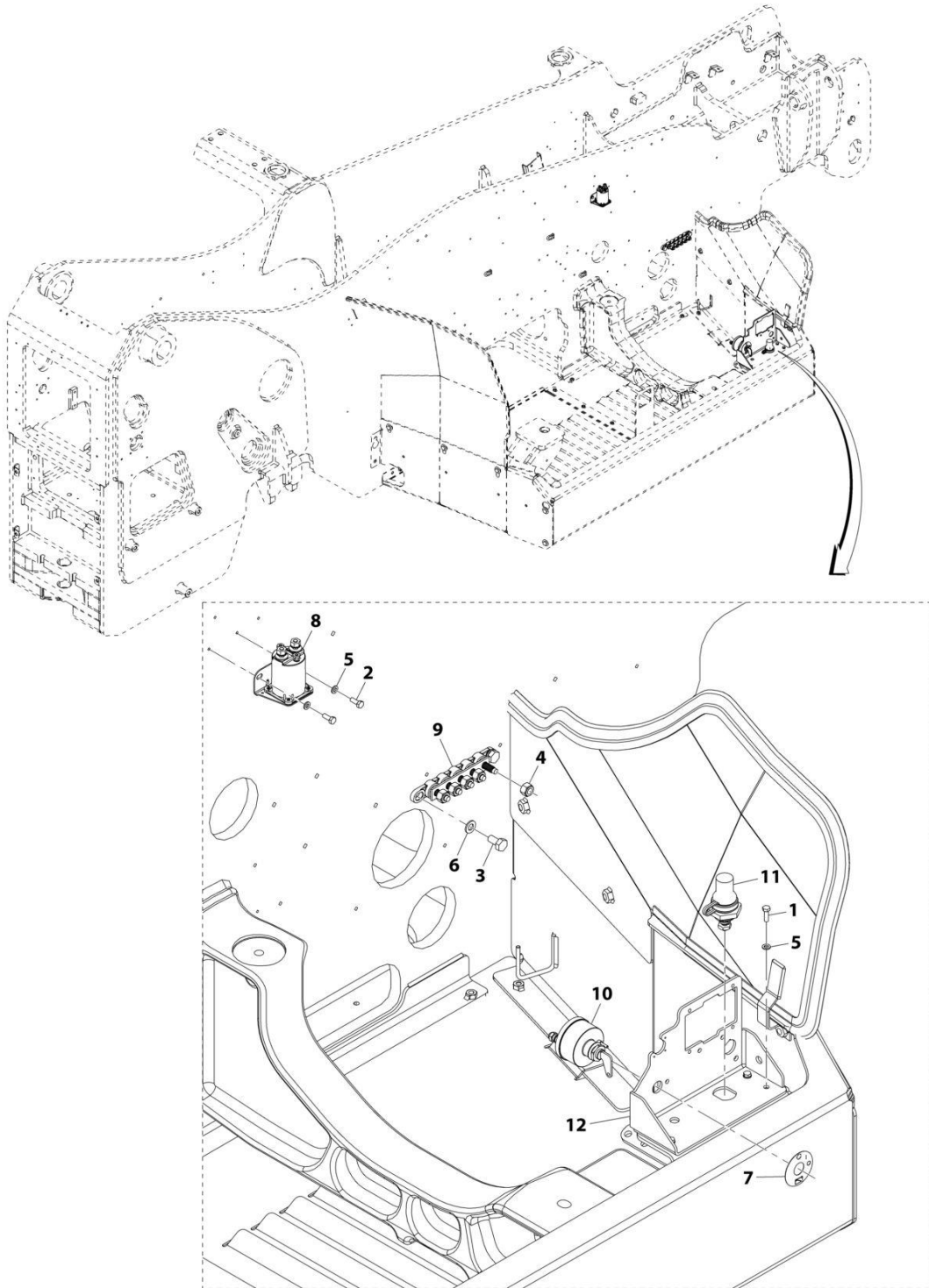
SECTION 10 - ELECTRICAL

FIGURE 10-41. ENGINE - ENGINE POD ELECTRICAL INSTALLATION (ULS)

ITEM	PART NUMBER	QTY	DESCRIPTION	REV
	1001202172	Ref	Engine Pod Electrical Installation (ULS)	C
1	0700610	4	Bolt, M6X20	
2	0760608	2	Bolt, M6X16	
4	0761010	2	Bolt, M10X20	
6	4811700	6	Washer, M6	
8	4812000	2	Washer, M10	
10	1001008540	1	Plate	
11	1001117308	1	Relay	
13	1001232288	1	Harness, DEF Purge Light (See Separate Breakdown in this Section)	
14	1001181128	1	Bussbar	
15	1001192142	1	Switch, Disconnect	
16	1001193993	1	Terminal, Battery	
18	3291005	5	Nut, Lock M10X1.5	
19	1001212886	1	Bracket	

SECTION 10 - ELECTRICAL

FIGURE 10-42. ENGINE - ENGINE POD ELECTRICAL INSTALLATION (LS)



ART_1001223066-A

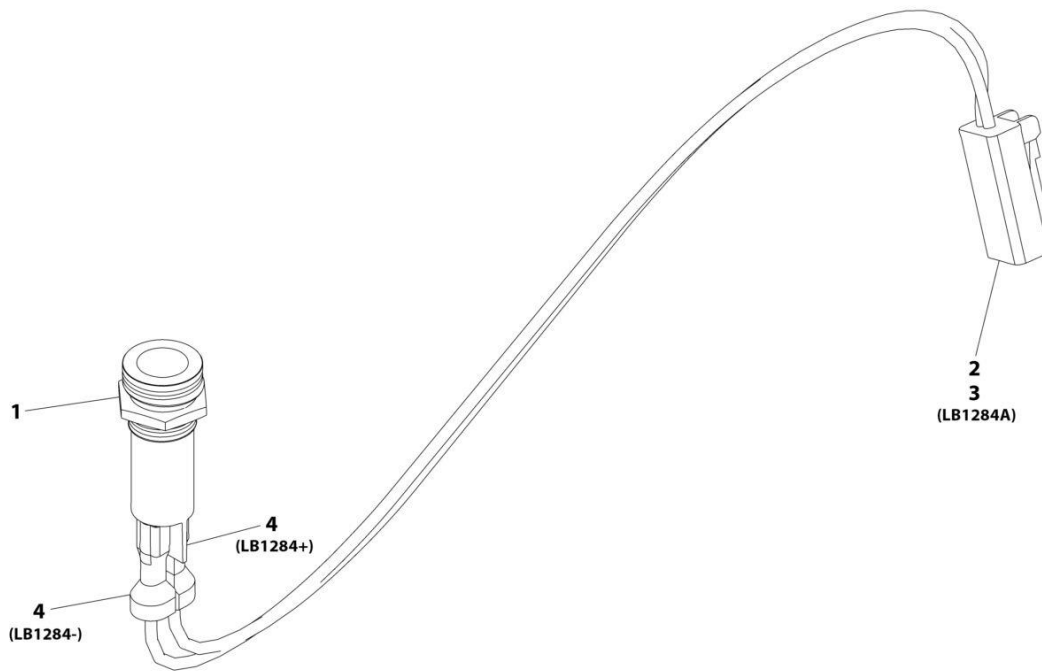
SECTION 10 - ELECTRICAL

FIGURE 10-42. ENGINE - ENGINE POD ELECTRICAL INSTALLATION (LS)

ITEM	PART NUMBER	QTY	DESCRIPTION	REV
	1001223066	Ref	Engine Pod Electrical Installation (LS)	A
1	0700610	4	Bolt, M6X20	
2	0760608	2	Bolt, M6X16	
3	0761010	2	Bolt, M10X20	
4	3291005	5	Nut, Lock M10X1.5	
5	4811700	6	Washer, M6	
6	4812000	2	Washer, M10	
7	1001008540	1	Plate	
8	1001117308	1	Relay	
9	1001181128	1	Bussbar	
10	1001192142	1	Switch, Disconnect	
11	1001193993	1	Stud, Terminal	
12	1001212886	1	Bracket	

SECTION 10 - ELECTRICAL

FIGURE 10-43. ENGINE - DEF PURGE LIGHT HARNESS



ART_1001232288-A

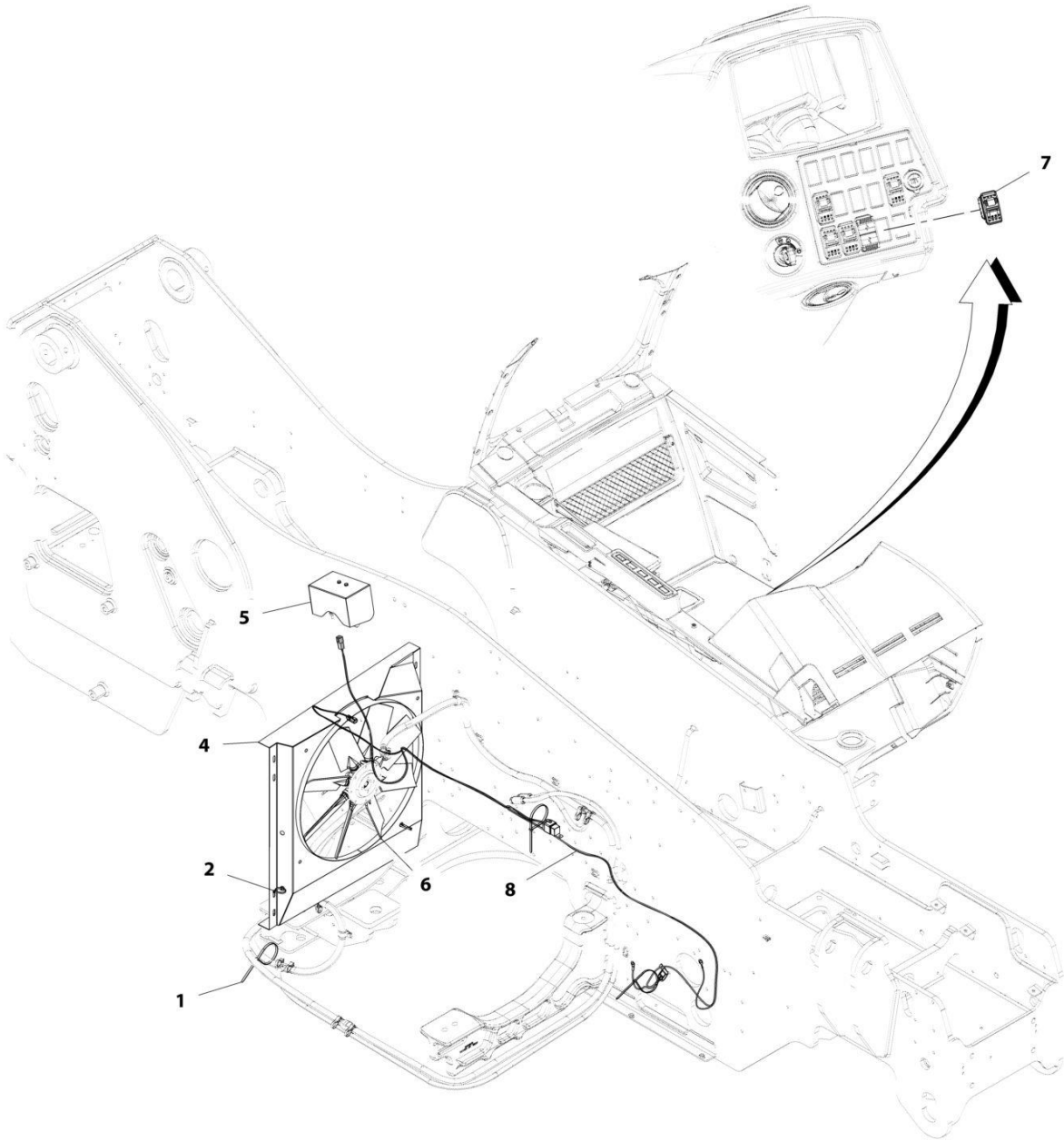
SECTION 10 - ELECTRICAL

FIGURE 10-43. ENGINE - DEF PURGE LIGHT HARNESS

ITEM	PART NUMBER	QTY	DESCRIPTION	REV
	1001232288	Ref	DEF Purge Light Harness	A
1	1001169825	1	LED Lamp 12V	
2	4461290	1	Connector	
3	1001126008	2	Terminal	
4	8220108	2	Connector	

SECTION 10 - ELECTRICAL

FIGURE 10-44. ENGINE - FAN (REVERSE COOLING) INSTALLATION



ART_1001217753-C

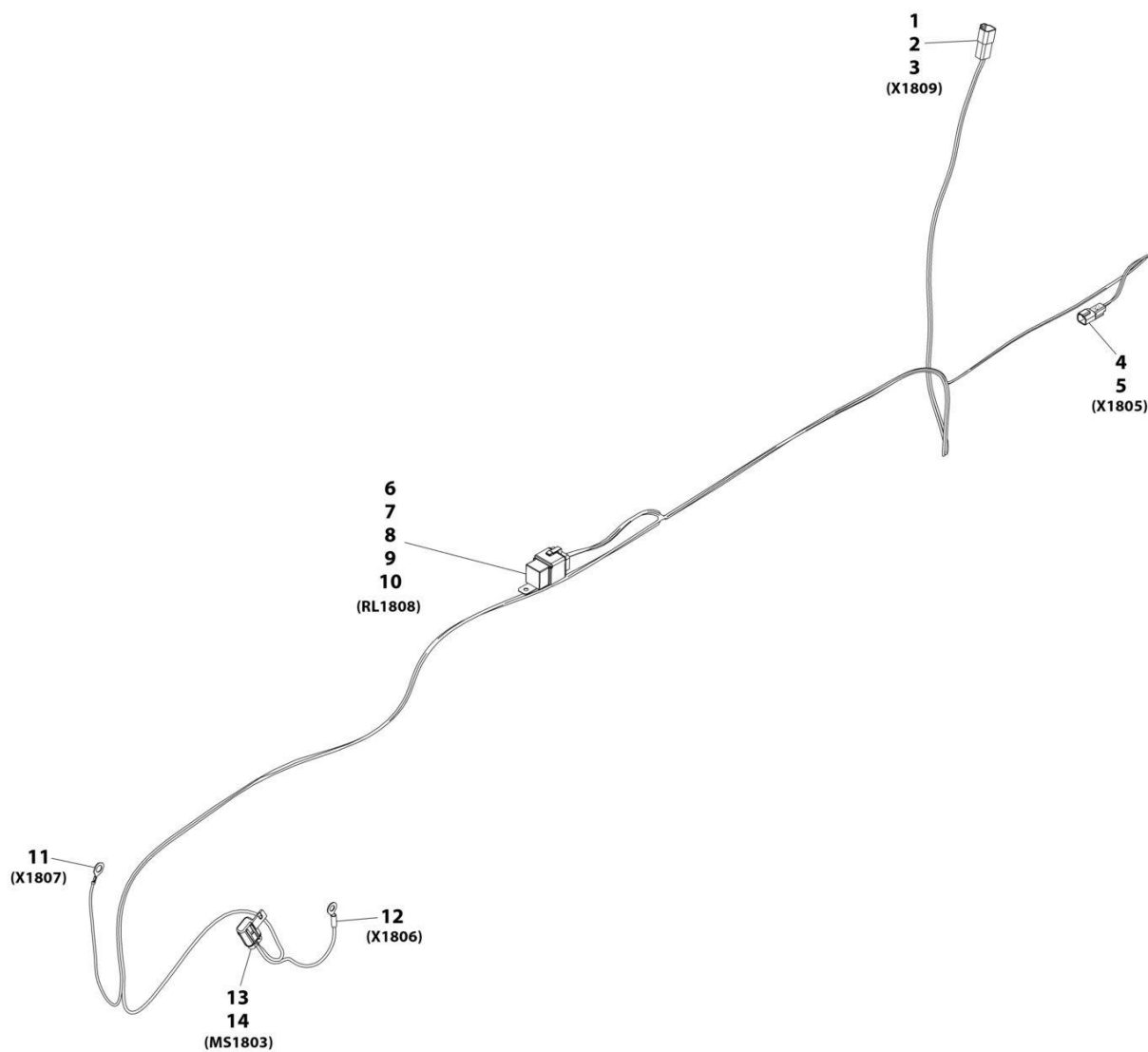
SECTION 10 - ELECTRICAL

FIGURE 10-44. ENGINE - FAN (REVERSE COOLING) INSTALLATION

ITEM	PART NUMBER	QTY	DESCRIPTION	REV
	1001217753	Ref	Reverse Cooling Fan Installation	C
1	1062255	3	Strap, Tie	
2	1001146588	2	Strap, Fir Tree Cable Tie	
4	1001217756	1	Shroud	
5	1001217757	1	Installation, Cover (See Separate Breakdown in this Section)	
6	1001217760	1	Kit, Reversing Fan	
6	70030353	1	Pneumatic Line	
6	70030355	1	Fan, Reverse	
6	70030356	1	Compressor	
7	1001145204	1	Switch	
8	1001221493	1	Harness, Reversing Fan (See Separate Breakdown in ELECTRICAL Section)	

SECTION 10 - ELECTRICAL

FIGURE 10-45. ENGINE - FAN (REVERSE COOLING) HARNESS



ART_1001221493-B

SECTION 10 - ELECTRICAL

FIGURE 10-45. ENGINE - FAN (REVERSE COOLING) HARNESS

ITEM	PART NUMBER	QTY	DESCRIPTION	REV
	1001221493	Ref	Reversing Fan Harness	B
1	4460932	1	Connector	
2	4460941	2	Terminal	
3	4460466	2	Plug	
4	4460897	1	Connector	
5	4460464	2	Terminal	
6	1001118282	1	Connector	
7	1001116734	1	Terminal	
8	1001116732	2	Terminal	
9	1001128128	1	Plug	
10	1001116733	1	Terminal	
11	1001187078	1	Ring Terminal	
12	8220045	1	Ring Terminal	
13	1001117024	1	Connector	
14	1001116734	2	Terminal	

SECTION 10 - ELECTRICAL

FIGURE 10-46. ENGINE WIRING INSTALLATION (ULS)



ART_1001200106-H

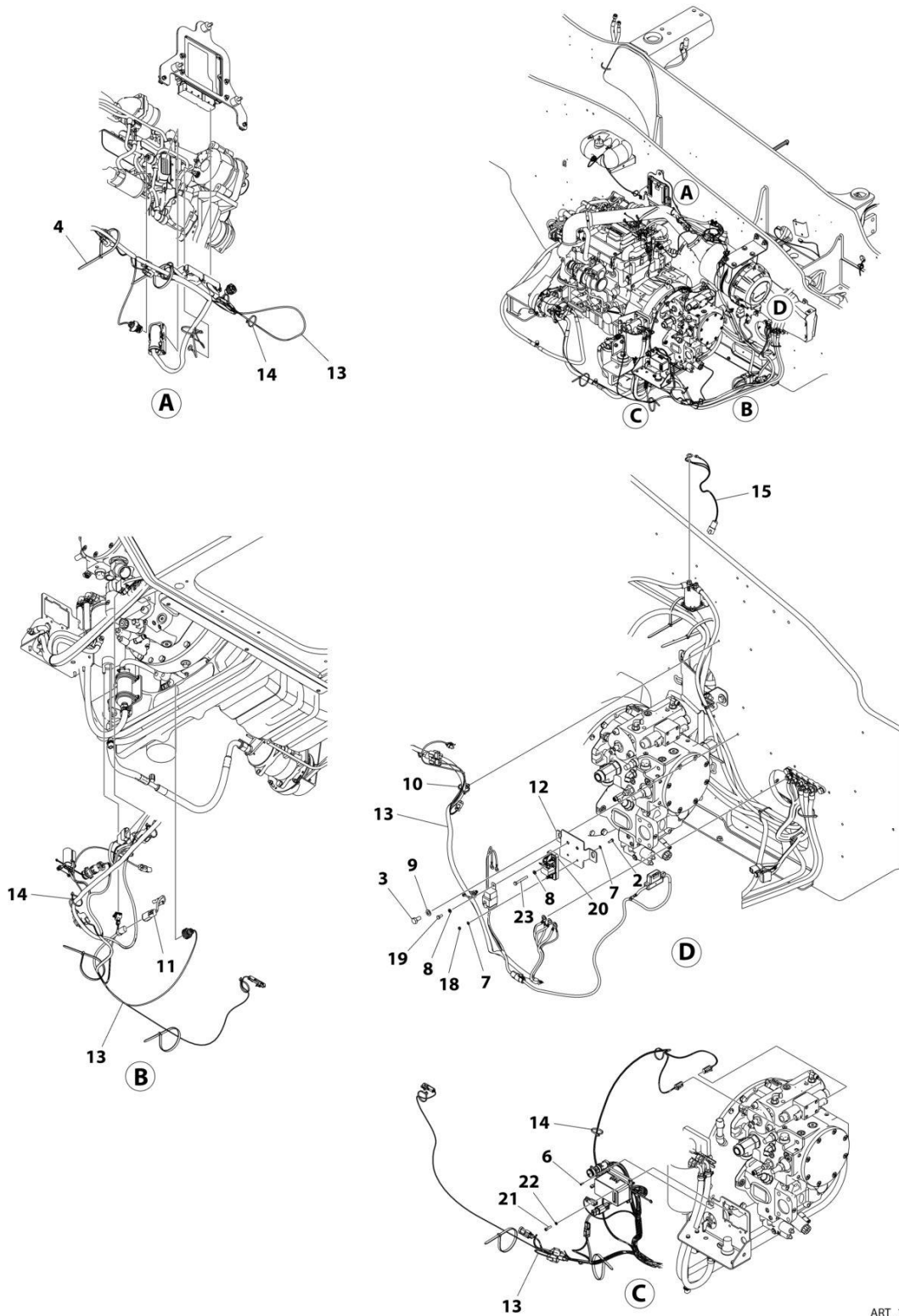
SECTION 10 - ELECTRICAL

FIGURE 10-46. ENGINE WIRING INSTALLATION (ULS)

ITEM	PART NUMBER	QTY	DESCRIPTION	REV
	1001200106	Ref	Engine Wiring Installation (ULS)	1
1	0700618	1	Bolt, M6X50	
2	0760607	1	Bolt, M6X14	
3	0761010	2	Bolt M10X20	
4	4031205	3	Bolt, M3X10	
5	4031607	4	Bolt, M5-0.8X16	
7	4811700	2	Washer, M6	
8	4812000	2	Washer, M10	
9	4831600	4	Washer, Lock M5	
10	1001131177	1	Fuse	
11	1001146588	3	Strap, Cable Tie	
12	1001182929	1	Harness, Fuel Pump (See Separate Breakdown in this Section)	
13	1001189046	1	Bracket	
14	1001191546	1	Decal, Fuse	
15	1001285934	1	Harness, Engine (See Separate Breakdown in this Section)	
16	1001008559	11	Strap, Cable	
17	1001182930	1	Harness, Glow Plug Relay (See Separate Breakdown in this Section)	
18	1062255	2	Strap, Tie	
19	0700808	1	Bolt, M8X16	
20	3290801	1	Nut, M8X1.25	
21	4811900	2	Washer, M8	
22	1001153749	1	Clip	
23	1001293972	1	Cable, ECM Power (Not Shown)	

SECTION 10 - ELECTRICAL

FIGURE 10-47. ENGINE WIRING INSTALLATION (LS)



ART_1001217752

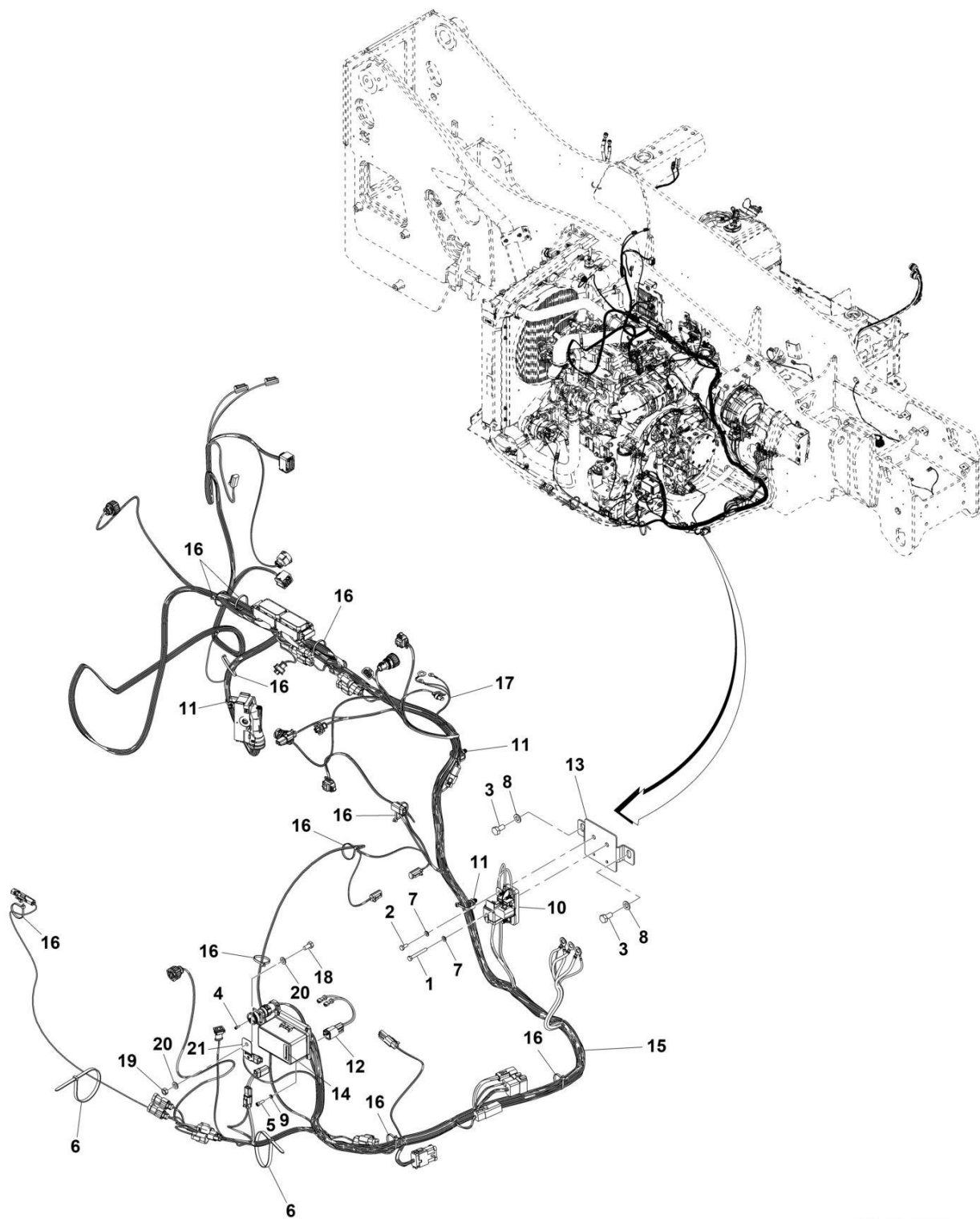
SECTION 10 - ELECTRICAL

FIGURE 10-47. ENGINE WIRING INSTALLATION (LS)

ITEM	PART NUMBER	QTY	DESCRIPTION	REV
	1001217752	Ref	ENGINE WIRING INSTALLATION	D
2	0760507	1	Bolt M5 x 14	
3	0761010	2	Bolt M10 x 20	
4	1062255	2	Strap, Tie	
6	4031205	3	Bolt M3 x 10	
7	4811600	2	Washer M5	
8	4811700	2	Washer M6	
9	4812000	2	Washer M10	
10	1001146588	2	Strap, Cable Tie	
11	1001182929	1	Harness, Fuel Pump (See Separate Breakdown in this Section)	
12	1001189046	1	Bracket	
13	1001285934	1	Harness, Engine (LS) (See Separate Breakdown in this Section)	
14	1001008559	10	Strap, Cable	
15	1001182930	1	Harness, Glow Plug Relay (See Separate Breakdown in this Section)	
18	3290501	1	Nut M5	
19	0760607	1	Bolt M6 x 14	
20	1001131177	1	Fuse	
21	4031608	4	Bolt M5 x 20	
22	4831600	4	Washer M5	
23	0700618	1	Bolt M6 x 50	
24	1001293972	1	Cable, ECM Power (Not Shown)	

SECTION 10 - ELECTRICAL

FIGURE 10-48. ENGINE WIRING INSTALLATION (MINING) (ULS)



ART_1001228728_C

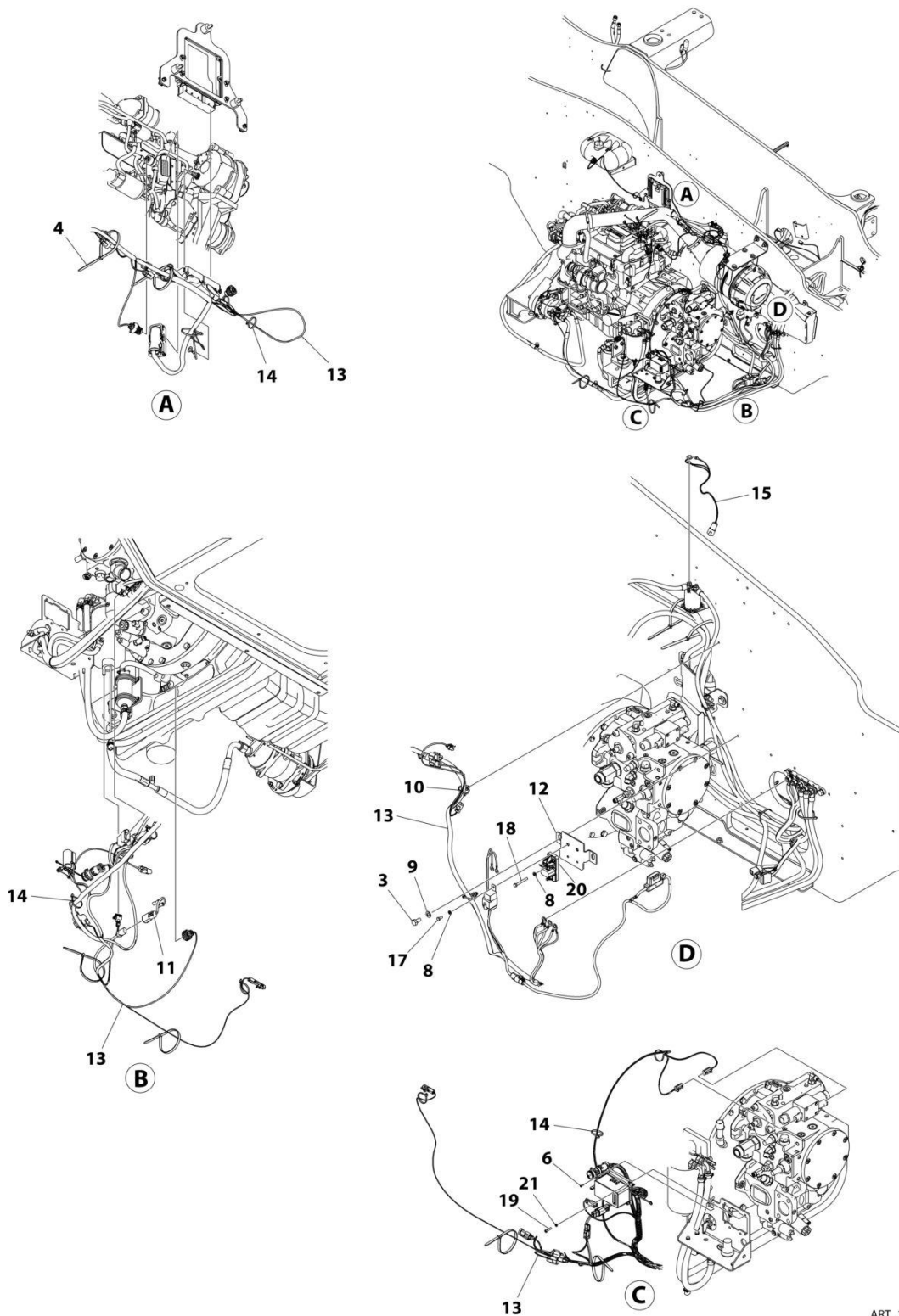
SECTION 10 - ELECTRICAL

FIGURE 10-48. ENGINE WIRING INSTALLATION (MINING) (ULS)

ITEM	PART NUMBER	QTY	DESCRIPTION	REV
	1001228728	Ref	Engine Wiring Installation (Mining) (ULS)	C
1	0700618	1	Bolt, M6X50	
2	0760607	1	Bolt, M6X14	
3	0761010	2	Bolt, M10X20	
4	4031205	3	Bolt, M3X10	
5	4031607	4	Bolt, M5X16	
6	1062255	2	Strap, Tie	
7	4811700	2	Washer, M6	
8	4812000	2	Washer, M10	
9	4831600	4	Washer, Lock M5	
10	1001131177	1	Fuse	
11	1001146588	3	Strap, Cable Tie	
12	1001228733	1	Harness, Fuel Pump (See Separate Breakdown in this Section)	
13	1001189046	1	Bracket	
14	1001191546	1	Decal, Fuse	
15	1001286174	1	Harness, Engine (Mining) (ULS) (See Separate Breakdown in this Section)	
16	1001008559	11	Strap, Cable	
17	1001228732	1	Harness, Glow Plug Relay (See Separate Breakdown in this Section)	
18	0700808	1	Bolt, M8X16	
19	3290801	1	Nut, M8X1.25	
20	4811900	2	Washer, M8	
21	1001153749	1	Clip	
22	1001293972	1	Cable, ECM Power (Not Shown)	

SECTION 10 - ELECTRICAL

FIGURE 10-49. ENGINE WIRING INSTALLATION (MINING)(LS)



ART_1001228735

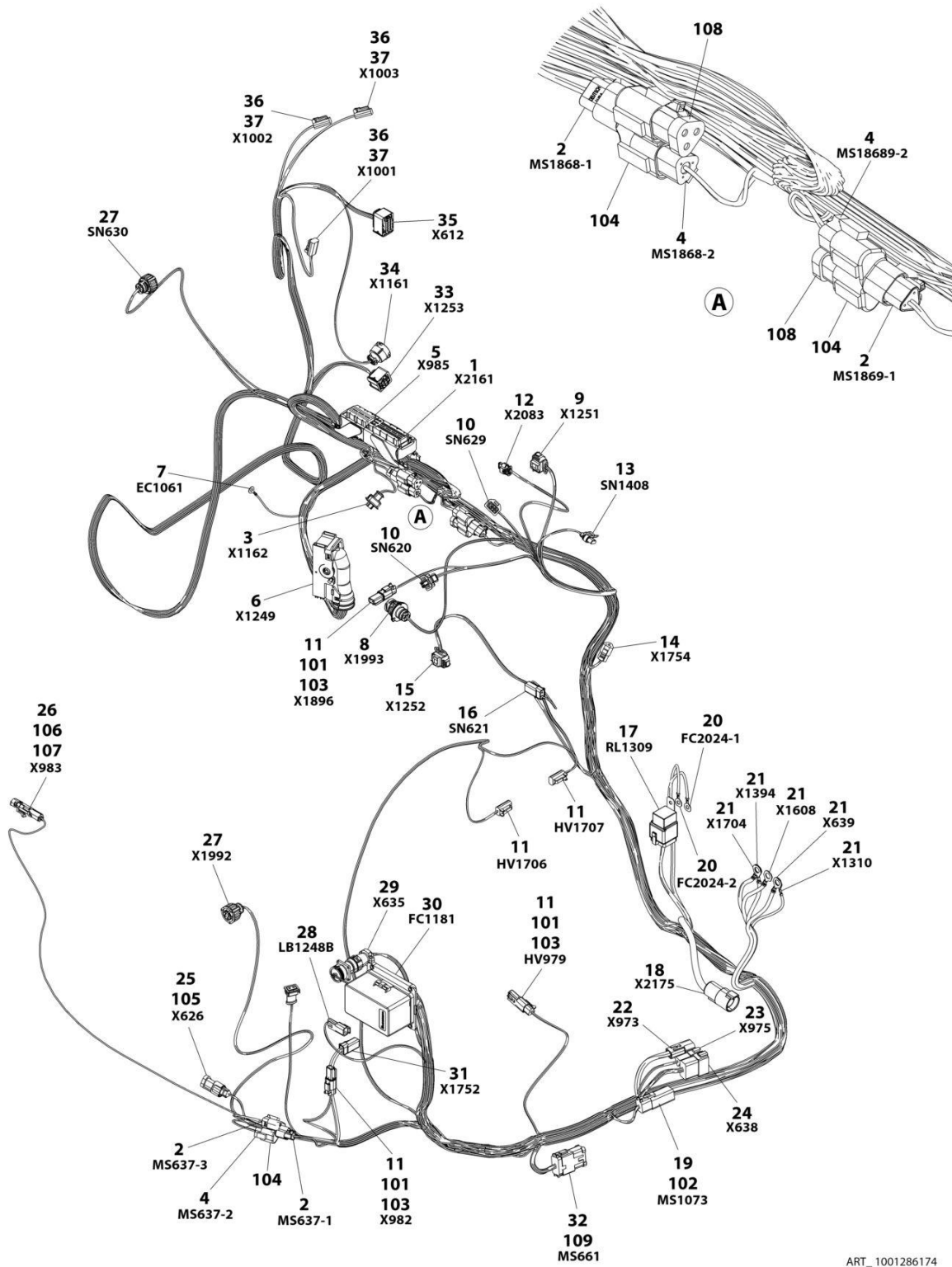
SECTION 10 - ELECTRICAL

FIGURE 10-49. ENGINE WIRING INSTALLATION (MINING)(LS)

ITEM	PART NUMBER	QTY	DESCRIPTION	REV
	1001228735	Ref	Engine Wiring Installation Mining (LS)	B
3	0761010	2	Bolt M10 x 20	
4	1062255	2	Strap, Tie	
6	4031205	3	Bolt M3 x 10	
8	4811700	2	Washer M6	
9	4812000	2	Washer M10	
10	1001146588	2	Strap, Cable Tie	
11	1001228733	1	Harness, Fuel Pump (See Separate Breakdown in this Section)	
12	1001189046	1	Bracket	
13	1001286174	1	Harness, Engine (Mining) (ULS) (See Separate Breakdown in this Section)	
14	1001008559	10	Strap, Cable	
15	1001228732	1	Harness, Glow Plug Relay (See Separate Breakdown in this Section)	
17	0760607	1	Bolt M6 x 14	
18	0700618	1	Bolt M6 x 50	
19	4031608	4	Bolt M5 x 20	
20	1001131177	1	Fuse	
21	4831600	4	Washer M5	
22	1001293972	1	Cable, ECM Power (Not Shown)	

SECTION 10 - ELECTRICAL

FIGURE 10-50. ENGINE HARNESS MINING



ART_1001286174

SECTION 10 - ELECTRICAL

FIGURE 10-50. ENGINE HARNESS MINING

ITEM	PART NUMBER	QTY	DESCRIPTION	REV
	1001286174	Ref	ENGINE HARNESS MINING	A
1	1001126349	1	Connector	
1	1001126352	6	Socket (Tin) (13-17AWG)	
1	1001126351	3	Socket (Tin) (15-18AWG)	
1	1001126384	45	Socket (Tin) (18-20AWG)	
1	1001126357	1	Plug	
1	1001126356	39	Plug	
1	1001126353	6	Seal	
2	1001116812	4	Connector	
2	4460944	8	Socket	
2	4460466	4	Plug	
3	1001126487	1	Connector	
3	1001167635	2	Socket	
3	1001126485	2	Seal	
4	4460539	3	Connector	
4	4460944	6	Socket	
4	4460466	3	Plug	
5	1001126360	1	Connector	
5	1001126351	13	Socket (15-18AWG)	
5	1001126384	27	Socket (18-20AWG)	
5	1001126357	11	Plug	
5	1001126356	9	Plug	
6	1001126362	1	Connector	
6	1001166556	36	Socket (18-22AWG)	
6	1001166774	14	Socket (14-18AWG)	
6	1001166543	2	Socket (10-14AWG)	
6	1001126391	8	Seal	
6	1001126393	48	Seal	
6	4461054	2	Seal	
6	4461008	4	Plug	
7	1001187070	1	Terminal, Ring	
8	1001148842	1	Connector	
8	1001148841	3	Pin	
8	1001135650	3	Seal	
8	1001135651	1	Plug	
9	1001167631	1	Connector	
9	1001167630	4	Socket	
9	1001126485	4	Seal	
10	1001126487	2	Connector	
10	1001167634	4	Socket	
10	1001126485	4	Seal	
11	4460891	5	Connector	
11	4460465	10	Socket	
12	1001247948	1	Connector	
12	1001247955	3	Socket	
12	1001247969	3	Seal	
13	1001209097	1	Connector	
13	12052634	1	Lock Packard	
13	8220124	2	Socket	
13	4460608	2	Seal	

SECTION 10 - ELECTRICAL

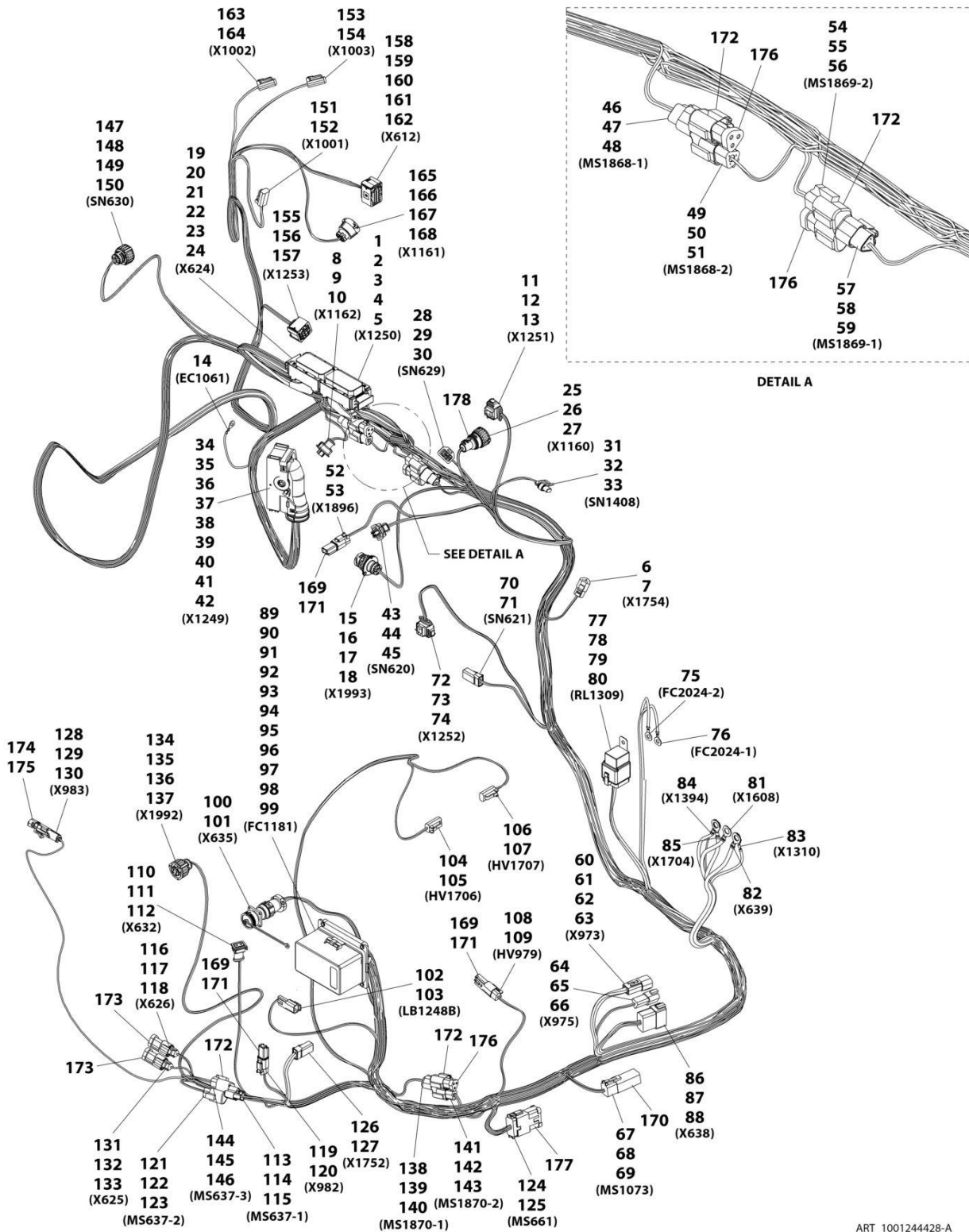
ITEM	PART NUMBER	QTY	DESCRIPTION	REV
14	4460539	1	Connector	
14	4460465	3	Socket	
15	1001167629	1	Connector	
15	1001167630	4	Socket	
15	1001126485	4	Seal	
16	1001126245	1	Connector	
16	1001126008	2	Pin	
17	1001118282	1	Connector	
17	1001116734	4	Socket	
17	1001128128	1	Plug	
18	1001293903	1	Connector	
18	91013191	1	Pin	
19	4460894	1	Connector	
19	4460465	6	Socket	
20	1001207171	2	Terminal, Ring	
21	1001187080	5	Terminal, Ring	
22	1001116811	1	Connector	
22	4460508	1	Pin	
22	4460466	3	Plug	
23	1001144147	1	Connector	
23	4460464	2	Pin	
23	4460466	1	Plug	
24	4460970	1	Connector	
24	4460464	9	Pin	
24	4460466	3	Plug	
25	4461095	1	Connector	
25	4460944	2	Socket	
25	4460466	1	Plug	
26	80963056	1	Connector	
26	4460979	1	Pin	
26	1001175265	1	Seal	
27	1001133714	2	Connector	
27	1001133715	6	Socket	
27	1001135650	6	Seal	
27	1001135851	2	Plug	
28	1001153612	1	Connector	
28	1001126011	2	Pin	
29	2902443	1	Connector	
29	4461071	6	Socket	
30	1001167616	1	Connector	
30	1001190921	1	Seal	
30	8220097	26	Socket (18AWG)	
30	8220098	11	Socket (14AWG)	
30	1001116725	7	Socket (10-12AWG)	
30	1001175265	22	Seal	
30	1001190037	6	Seal	
30	4460458	15	Seal	
31	4461018	1	Connector	
31	4460509	2	Socket	
32	4460933	1	Connector	
32	4460465	12	Socket	

SECTION 10 - ELECTRICAL

ITEM	PART NUMBER	QTY	DESCRIPTION	REV
33	1001167528	1	Connector	
33	1001166704	4	Socket	
33	1001137578	4	Seal	
34	1001167620	1	Connector	
34	1001176004	2	Socket	
34	1001176002	2	Seal	
34	1001167624	2	Plug	
35	1001165194	1	Connector	
35	1001166556	8	Socket (18-22AWG)	
35	1001166774	2	Socket (14-18AWG)	
35	1001126393	10	Seal	
35	1001126391	2	Plug	
36	4460891	3	Connector	
37	4460942	6	Pin	
101	4460466	6	Plug	
102	4460892	1	Cap	
103	4460897	3	Cap	
104	4460945	3	3-Way Plug	
105	4461070	1	Connector	
106	80963056	1	Connector	
107	1001116727	1	Plug	
108	1001116815	2	Connector	
109	1001125677	1	Cap	

SECTION 10 - ELECTRICAL

FIGURE 10-51. ENGINE HARNESS (ULS)



ART_1001244428-A

SECTION 10 - ELECTRICAL

FIGURE 10-51. ENGINE HARNESS (ULS)

ITEM	PART NUMBER	QTY	DESCRIPTION	REV
	1001244428	Ref	Engine Harness (ULS)	A
1	1001202723	1	Connector	
2	1001167623	5	Plug	
3	1001166555	13	Terminal	
4	1001167621	50	Terminal	
5	1001167622	37	Plug	
6	4460539	1	Connector	
7	4460465	3	Terminal	
8	1001126487	1	Connector	
9	1001167635	2	Terminal	
10	1001126485	2	Terminal Seal	
11	1001167631	1	Connector	
12	1001167630	4	Terminal	
13	1001126485	4	Terminal Seal	
14	1001187070	1	Ring Terminal	
15	1001148842	1	Connector	
16	1001148841	3	Terminal	
17	1001135651	1	Plug	
18	1001135650	3	Terminal Seal	
19	1001202722	1	Connector	
20	1001166551	6	Terminal	
21	1001126353	6	Terminal Seal	
22	1001167622	58	Plug	
23	1001167621	21	Terminal	
24	1001167623	6	Plug	
25	1001138116	1	Connector	
26	1001133715	3	Terminal	
27	1001135650	4	Terminal Seal	
28	1001126487	1	Connector	
29	1001167634	2	Terminal	
30	1001126485	2	Terminal Seal	
31	1001209097	1	Connector	
32	8220124	2	Terminal	
33	4460608	2	Terminal Seal	
34	1001126362	1	Connector	
35	1001166556	26	Terminal	
36	1001126393	36	Terminal Seal	
37	1001126391	19	Plug	
38	4461008	2	Plug	
39	4461006	2	Terminal Seal	
40	4461054	2	Terminal Wire Seal	
41	1001166543	4	Terminal	
42	1001166774	10	Terminal	
43	1001126487	1	Connector	
44	1001167634	2	Terminal	
45	1001126485	2	Terminal Seal	
46	1001116812	1	Connector	
47	4460944	2	Terminal	
48	4460466	1	Plug	
49	4460539	1	Connector	

SECTION 10 - ELECTRICAL

ITEM	PART NUMBER	QTY	DESCRIPTION	REV
50	4460944	2	Terminal	
51	4460466	1	Plug	
52	4460891	1	Connector	
53	4460465	2	Terminal	
54	4460539	1	Connector	
55	4460944	2	Terminal	
56	4460466	1	Plug	
57	1001116812	1	Connector	
58	4460944	2	Terminal	
59	4460466	1	Plug	
60	1001116811	1	Connector	
61	1001150610	2	Terminal	
62	4460508	1	Terminal	
63	4460466	1	Plug	
64	1001144147	1	Connector	
65	4460464	2	Terminal	
66	4460466	1	Plug	
67	4460894	1	Connector	
68	4460466	1	Plug	
69	4460465	5	Terminal	
70	1001126245	1	Connector	
71	1001126008	2	Terminal	
72	1001167629	1	Connector	
73	1001167630	4	Terminal	
74	1001126485	4	Terminal Seal	
75	1001207171	1	Ring Terminal, (with boot)	
76	1001207171	1	Ring Terminal, (with boot)	
77	1001118282	1	Connector	
78	1001116734	2	Terminal	
79	1001116732	2	Terminal	
80	1001128128	1	Plug	
81	1001187080	1	Ring Terminal	
82	1001187080	1	Ring Terminal	
83	1001187078	1	Ring Terminal	
84	1001187080	1	Ring Terminal	
85	1001187080	1	Ring Terminal	
86	4460970	1	Connector	
87	4460464	9	Terminal	
88	4460466	3	Plug	
89	1001167616	1	Connector	
90	1001190921	1	Fuse Box Foam Seal	
91	4460748	7	Plug	
92	8220097	23	Terminal	
93	1001175265	19	Terminal Seal	
94	8220098	9	Terminal	
95	4460458	11	Terminal Seal	
96	1001116725	6	Terminal	
97	80963067	1	Terminal Seal	
98	1001190037	5	Terminal Seal	
99	1001190921	1	Fuse Box Foam Seal	
100	2902443	1	Connector	

SECTION 10 - ELECTRICAL

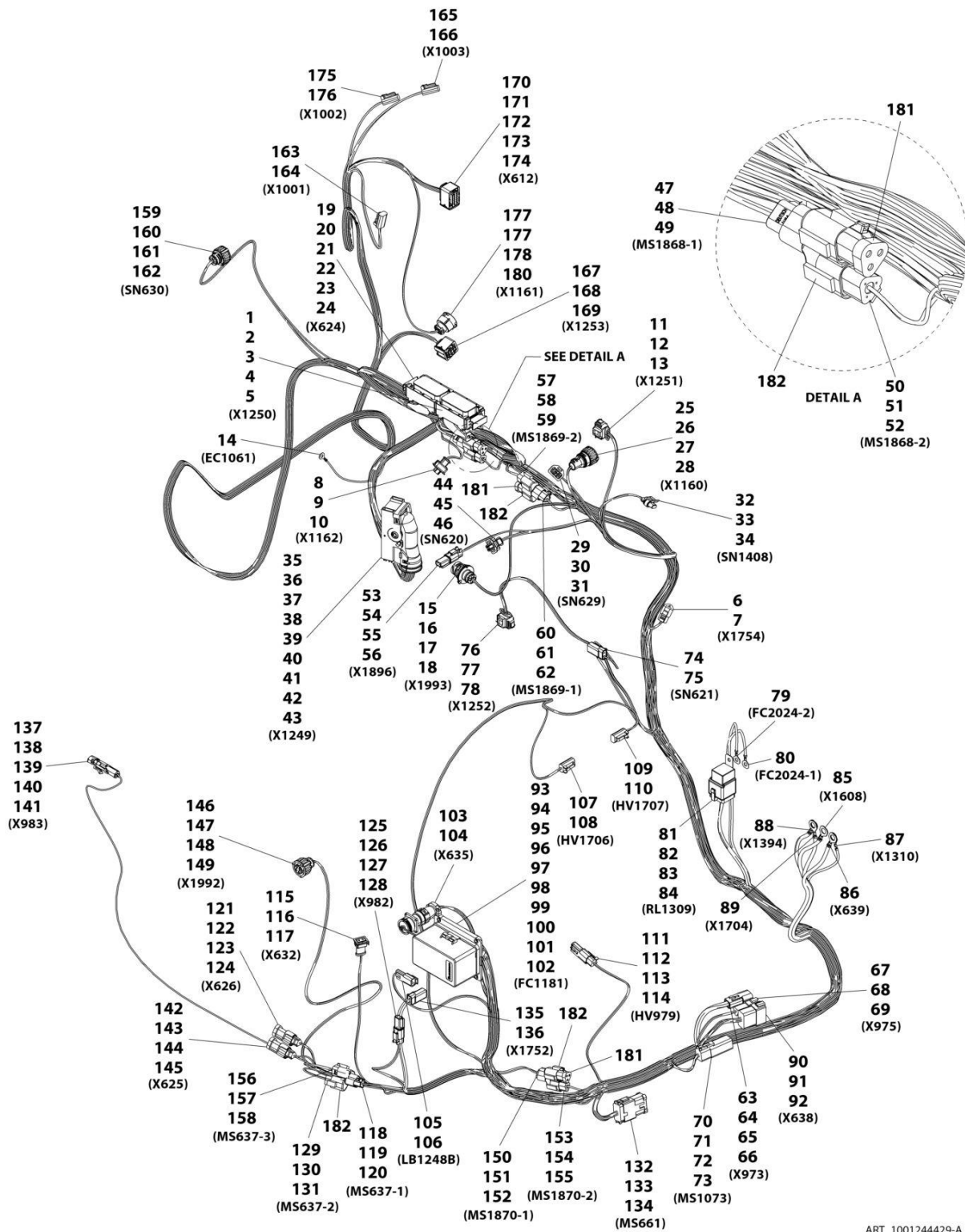
ITEM	PART NUMBER	QTY	DESCRIPTION	REV
101	4461071	6	Terminal	
102	1001153612	1	Connector	
103	1001126011	2	Terminal	
104	4460891	1	Connector	
105	4460465	2	Terminal	
106	4460891	1	Connector	
107	4460465	2	Terminal	
108	4460891	1	Connector	
109	4460465	2	Terminal	
110	1001167636	1	Connector	
111	1001166707	2	Terminal	
112	4461006	2	Terminal Seal	
113	4461095	1	Connector	
114	4460944	2	Terminal	
115	4460466	1	Plug	
116	4461095	1	Connector	
117	4460944	2	Terminal	
118	4460466	1	Plug	
119	4460891	1	Connector	
120	4460465	2	Terminal	
121	4460539	1	Connector	
122	4460944	2	Terminal	
123	4460466	1	Plug	
124	4460933	1	Connector	
125	4460465	12	Terminal	
126	4461018	1	Connector	
127	4460509	2	Terminal	
128	80963056	1	Connector	
129	4460979	1	Terminal	
130	1001175265	1	Terminal Seal	
131	4461095	1	Connector	
132	4460944	2	Terminal	
133	4460466	1	Plug	
134	1001133714	1	Connector	
135	1001133715	3	Terminal	
136	1001135650	3	Terminal Seal	
137	1001135651	1	Plug	
138	1001116812	1	Connector	
139	4460944	2	Terminal	
140	4460466	1	Plug	
141	4460539	1	Connector	
142	4460944	2	Terminal	
143	4460466	1	Plug	
144	1001116812	1	Connector	
145	4460944	2	Terminal	
146	4460466	1	Plug	
147	1001133714	1	Connector	
148	1001133715	3	Terminal	
149	1001135650	3	Terminal Seal	
150	1001135651	1	Plug	
151	4460891	1	Connector	

SECTION 10 - ELECTRICAL

ITEM	PART NUMBER	QTY	DESCRIPTION	REV
152	4460942	2	Terminal	
153	4460891	1	Connector	
154	4460942	2	Terminal	
155	1001167528	1	Connector	
156	1001167528	3	Terminal	
157	1001137578	3	Seal	
158	1001165194	1	Connector	
159	1001126391	2	Plug	
160	1001166556	8	Terminal	
161	1001166774	2	Terminal	
162	1001126393	10	Terminal Seal	
163	4460891	1	Connector	
164	4460942	2	Terminal	
165	1001167620	1	Connector	
166	1001176004	2	Terminal	
167	1001176002	2	Terminal Seal	
168	1001167624	2	Plug	
169	4460466	6	Plug	
170	4460892	1	Mating Connector	
171	4460897	3	Mating Connector	
172	4460945	4	Connector, 3 Way	
173	4461070	2	Terminator Resistor	
174	80963055	1	Mating Connector	
175	1001116727	1	Plug	
176	1001116815	3	Connector	
177	1001125677	1	Mating Connector	
178	1001187882	1	Cover	

SECTION 10 - ELECTRICAL

FIGURE 10-52. ENGINE HARNESS (MINING) (ULS)



ART_1001244429-A

SECTION 10 - ELECTRICAL

FIGURE 10-52. ENGINE HARNESS (MINING) (ULS)

ITEM	PART NUMBER	QTY	DESCRIPTION	REV
	1001244429	Ref	Engine Harness (Mining) (ULS)	A
1	1001202723	1	Connector	
2	1001167623	5	Plug	
3	1001166555	13	Terminal	
4	1001167621	50	Terminal	
5	1001167622	37	Plug	
6	4460539	1	Connector	
7	4460465	3	Terminal	
8	1001126487	1	Connector	
9	1001167635	2	Terminal	
10	1001126485	2	Terminal Seal	
11	1001167631	1	Connector	
12	1001167630	4	Terminal	
13	1001126485	4	Terminal Seal	
14	1001187070	1	Ring Terminal	
15	1001148842	1	Connector	
16	1001148841	3	Terminal	
17	1001135651	1	Plug	
18	1001135650	3	Terminal Seal	
19	1001202722	1	Connector	
20	1001166551	6	Terminal	
21	1001126353	6	Terminal Seal	
22	1001167622	58	Plug	
23	1001167621	21	Terminal	
24	1001167623	6	Plug	
25	1001138116	1	Connector	
26	1001187882	1	Cover	
27	1001133715	3	Terminal	
28	1001135650	4	Terminal Seal	
29	1001126487	1	Connector	
30	1001167634	2	Terminal	
31	1001126485	2	Terminal Seal	
32	1001209097	1	Connector	
33	8220124	2	Terminal	
34	4460608	2	Terminal Seal	
35	1001126362	1	Connector	
36	1001166556	26	Terminal	
37	1001126393	36	Terminal Seal	
38	1001126391	20	Plug	
39	4461008	2	Plug	
40	4461006	2	Seal	
41	4461054	2	Terminal Wire Seal	
42	1001166543	4	Terminal	
43	1001166774	10	Terminal	
44	1001126487	1	Connector	
45	1001167634	2	Terminal	
46	1001126485	2	Terminal Seal	
47	1001116812	1	Connector	
48	4460944	2	Terminal	
49	4460466	1	Plug	

SECTION 10 - ELECTRICAL

ITEM	PART NUMBER	QTY	DESCRIPTION	REV
50	4460539	1	Connector	
51	4460944	2	Terminal	
52	4460466	1	Plug	
53	4460891	1	Connector	
54	4460897	1	Mating Connector	
55	4460465	2	Terminal	
56	4460466	2	Plug	
57	4460539	1	Connector	
58	4460944	2	Terminal	
59	4460466	1	Plug	
60	1001116812	1	Connector	
61	4460944	2	Terminal	
62	4460466	1	Plug	
63	1001116811	1	Connector	
64	1001150610	2	Terminal	
65	4460508	1	Terminal	
66	4460466	1	Plug	
67	1001144147	1	Connector	
68	4460464	2	Terminal	
69	4460466	1	Plug	
70	4460894	1	Connector	
71	4460892	1	Mating Connector	
72	4460466	1	Plug	
73	4460465	5	Terminal	
74	1001126245	1	Connector	
75	1001126008	2	Terminal	
76	1001167629	1	Connector	
77	1001167630	4	Terminal	
78	1001126485	4	Terminal Seal	
79	1001207171	1	Ring Terminal, (with boot)	
80	1001207171	1	Ring Terminal, (with boot)	
81	1001118282	1	Connector	
82	1001116734	2	Terminal	
83	1001116732	2	Terminal	
84	1001128128	1	Plug	
85	1001187080	1	Ring Terminal	
86	1001187080	1	Ring Terminal	
87	1001187078	1	Ring Terminal	
88	1001187080	1	Ring Terminal	
89	1001187080	1	Ring Terminal	
90	4460970	1	Connector	
91	4460464	9	Terminal	
92	4460466	3	Plug	
93	1001167616	1	Connector	
94	1001190921	1	Fuse Box Foam Seal	
95	4460748	12	Plug	
96	8220097	23	Terminal	
97	1001175265	21	Terminal Seal	
98	8220098	9	Terminal	
99	4460458	11	Terminal Seal	
100	1001116725	6	Terminal	

SECTION 10 - ELECTRICAL

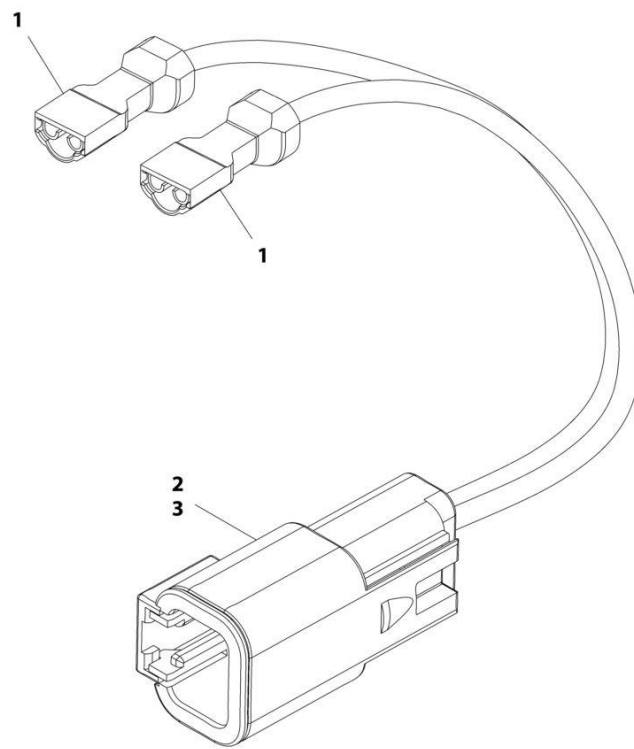
ITEM	PART NUMBER	QTY	DESCRIPTION	REV
101	80963067	1	Terminal Seal	
102	1001190037	5	Terminal Seal	
103	2902443	1	Connector	
104	4461071	6	Terminal	
105	1001153612	1	Connector	
106	1001126011	2	Terminal	
107	4460891	1	Connector	
108	4460465	2	Terminal	
109	4460891	1	Connector	
110	4460465	2	Terminal	
111	4460891	1	Connector	
112	4460465	2	Terminal	
113	4460897	1	Mating Connector	
114	4460466	2	Plug	
115	1001167636	1	Connector	
116	1001166707	2	Terminal	
117	4461006	2	Terminal Seal	
118	1001116812	1	Connector	
119	4460944	2	Terminal	
120	4460466	1	Plug	
121	4461095	1	Connector	
122	4461070	1	Terminator Resistor	
123	4460944	2	Terminal	
124	4460466	1	Plug	
125	4460891	1	Connector	
126	4460897	1	Mating Connector	
127	4460465	2	Terminal	
128	4460466	2	Plug	
129	4460539	1	Connector	
130	4460944	2	Terminal	
131	4460466	1	Plug	
132	4460933	1	Connector	
133	1001125677	1	Mating Connector	
134	4460465	12	Terminal	
135	4461018	1	Connector	
136	4460509	2	Terminal	
137	80963056	1	Connector	
138	80963055	1	Mating Connector	
139	4460979	1	Terminal	
140	1001175265	1	Terminal Seal	
141	1001116727	1	Plug	
142	4461095	1	Connector	
143	4461070	1	Terminator Resistor	
144	4460944	2	Terminal	
145	4460466	1	Plug	
146	1001133714	1	Connector	
147	1001133715	3	Terminal	
148	1001135650	3	Terminal Seal	
149	1001135651	1	Plug	
150	1001116812	1	Connector	
151	4460944	2	Terminal	

SECTION 10 - ELECTRICAL

ITEM	PART NUMBER	QTY	DESCRIPTION	REV
152	4460466	1	Plug	
153	4460539	1	Connector	
154	4460944	2	Terminal	
155	4460466	1	Plug	
156	1001116812	1	Connector	
157	4460944	2	Terminal	
158	4460466	1	Plug	
159	1001133714	1	Connector	
160	1001133715	3	Terminal	
161	1001135650	3	Terminal Seal	
162	1001135651	1	Plug	
163	4460891	1	Connector	
164	4460942	2	Terminal	
165	4460891	1	Connector	
166	4460942	2	Terminal	
167	1001167528	1	Connector	
168	1001166704	4	Terminal	
169	1001137578	4	Terminal Seal	
170	1001165194	1	Connector	
171	1001126391	2	Plug	
172	1001166556	8	Terminal	
173	1001166774	2	Terminal	
174	1001126393	10	Terminal Seal	
175	4460891	1	Connector	
176	4460942	2	Terminal	
177	1001167620	1	Connector	
178	1001176004	2	Terminal	
179	1001176002	2	Terminal Seal	
180	1001167624	2	Plug	
181	1001116815	3	Connector	
182	4460945	4	Connector, 3 Way	

SECTION 10 - ELECTRICAL

FIGURE 10-53. ENGINE - FUEL PUMP HARNESS



ART_1001182929-E

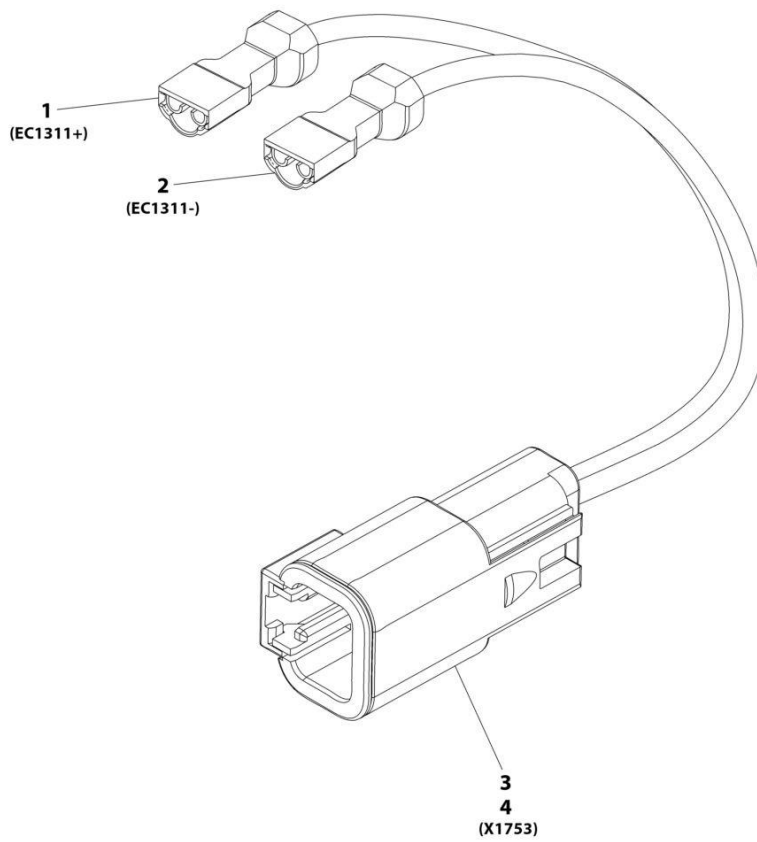
SECTION 10 - ELECTRICAL

FIGURE 10-53. ENGINE - FUEL PUMP HARNESS

ITEM	PART NUMBER	QTY	DESCRIPTION	REV
	1001182929	Ref	Fuel Pump Harness	E
1	8220043	2	Connector	
2	4461017	1	Connector	
3	4460508	2	Terminal	

SECTION 10 - ELECTRICAL

FIGURE 10-54. ENGINE - FUEL PUMP HARNESS (MINING) (ULS)



ART_1001228733-A

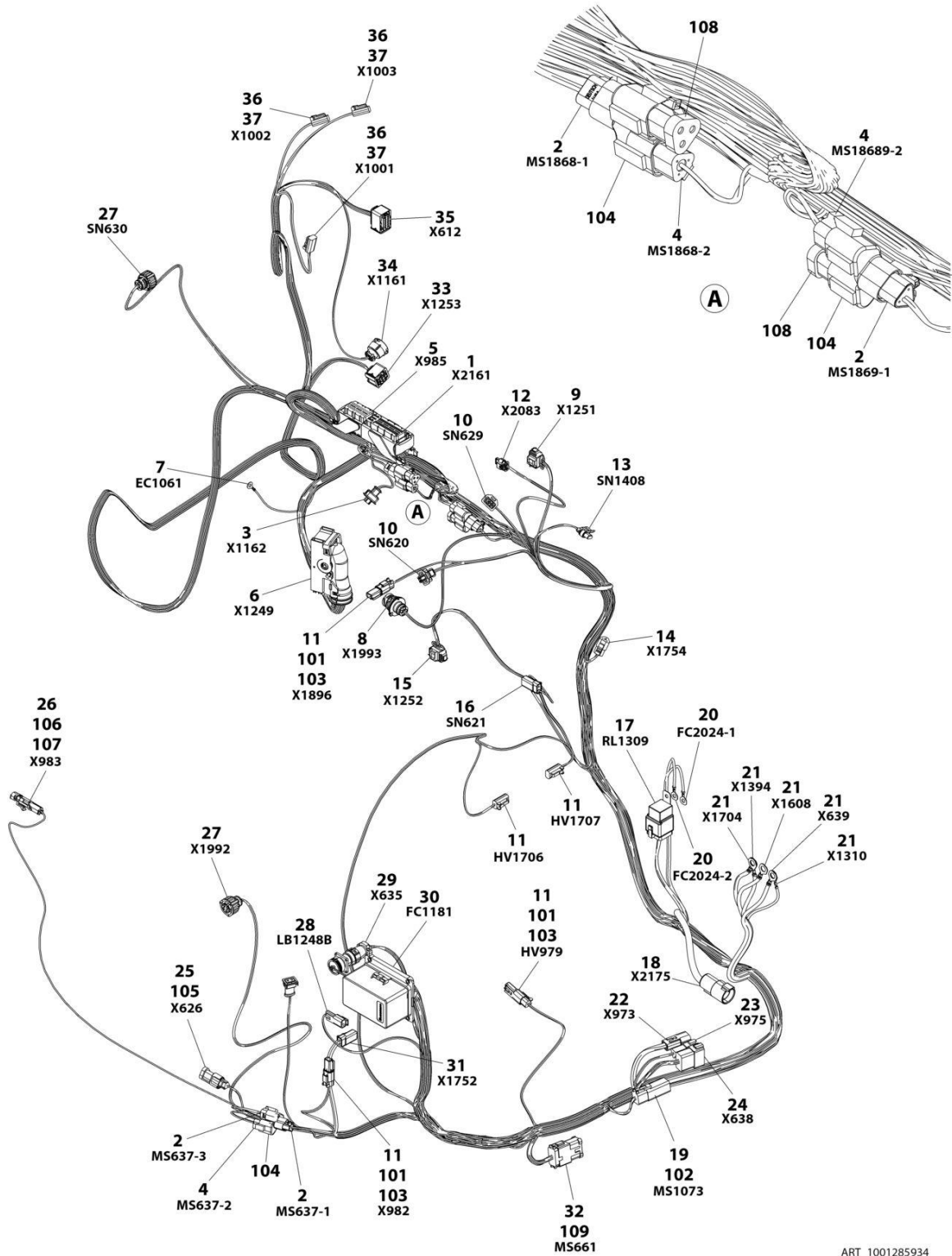
SECTION 10 - ELECTRICAL

FIGURE 10-54. ENGINE - FUEL PUMP HARNESS (MINING) (ULS)

ITEM	PART NUMBER	QTY	DESCRIPTION	REV
	1001228733	Ref	Fuel Pump Harness (Mining) (ULS)	A
1	8220043	1	Connector	
2	8220043	1	Connector	
3	4461017	1	Connector	
4	4460508	2	Terminal	

SECTION 10 - ELECTRICAL

FIGURE 10-55. ENGINE HARNESS



ART_1001285934

SECTION 10 - ELECTRICAL

FIGURE 10-55. ENGINE HARNESS

ITEM	PART NUMBER	QTY	DESCRIPTION	REV
	1001285934	Ref	ENGINE HARNESS	B
1	1001126349	1	Connector	
1	1001126352	6	Socket (14-16AWG)	
1	1001126351	3	Socket (16-18AWG)	
1	1001126384	45	Socket (18-20AWG)	
1	1001126357	1	Plug	
1	1001126356	39	Plug	
1	1001126353	6	Seal	
2	1001116812	4	Connector	
2	4460944	8	Socket	
2	4460466	4	Plug	
3	1001126487	1	Connector	
3	1001167635	2	Socket	
3	1001126485	2	Seal	
4	4460539	3	Connector	
4	4460944	6	Socket	
4	4460466	3	Plug	
5	1001126360	1	Connector	
5	1001126351	13	Socket (15-18AWG)	
5	1001126384	27	Socket (18-20AWG)	
5	1001126357	11	Plug	
5	1001126356	9	Plug	
6	1001126362	1	Connector	
6	1001166556	36	Socket (18-22AWG)	
6	1001166774	14	Socket (14-18AWG)	
6	1001166543	2	Socket (10-14AWG)	
6	1001126391	8	Seal	
6	1001126393	48	Seal	
6	4461054	2	Seal	
6	4461008	4	Plug	
7	1001187070	1	Terminal, Ring	
8	1001148842	1	Connector	
8	1001148841	3	Pin	
8	1001135650	3	Seal	
8	1001135651	1	Plug	
9	1001167631	1	Connector	
9	1001167630	4	Socket	
9	1001126485	4	Seal	
10	1001126487	2	Connector	
10	1001167634	4	Socket	
10	1001126485	4	Seal	
11	4460891	5	Connector	
11	4460465	10	Socket	
12	1001247948	1	Connector	
12	1001247955	3	Socket	
12	1001247969	3	Seal	
13	1001209097	1	Connector	
13	12052634	1	Lock Packard	
13	8220124	2	Socket	
13	4460608	2	Seal	

SECTION 10 - ELECTRICAL

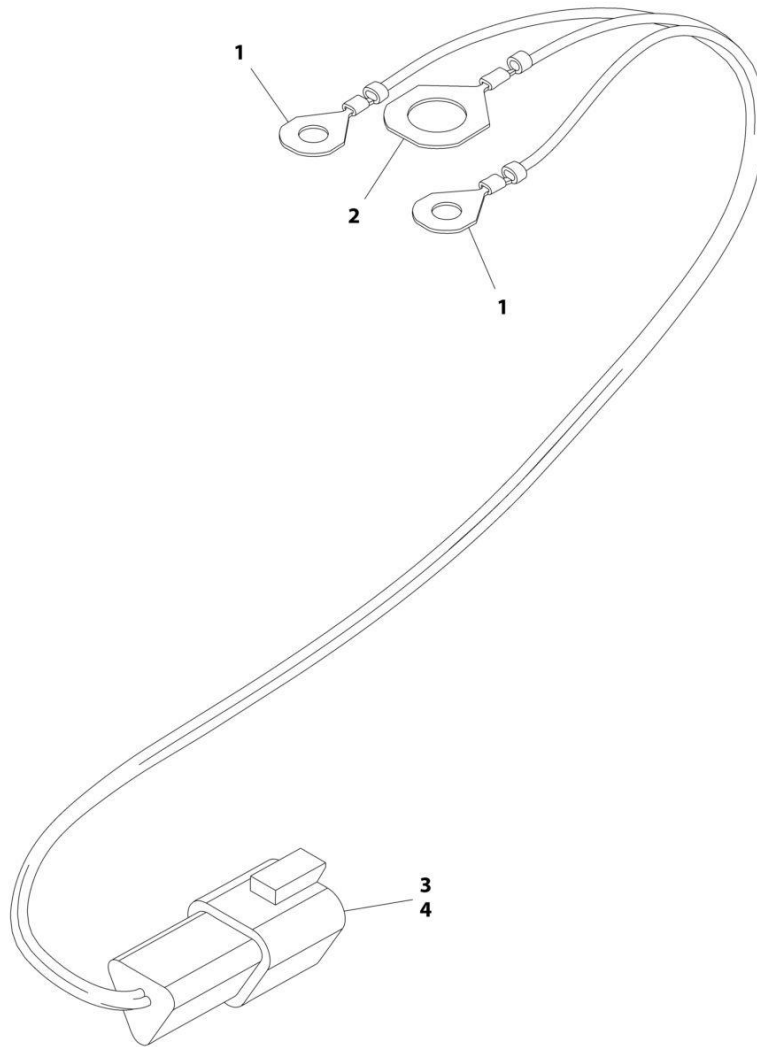
ITEM	PART NUMBER	QTY	DESCRIPTION	REV
14	4460539	1	Connector	
14	4460465	3	Socket	
15	1001167629	1	Connector	
15	1001167630	4	Socket	
15	1001126485	4	Seal	
16	1001126245	1	Connector	
16	1001126008	2	Pin	
17	1001118282	1	Connector	
17	1001116734	4	Socket	
17	1001128128	1	Plug	
18	1001293903	1	Connector	
18	91013191	1	Pin	
19	4460894	1	Connector	
19	4460465	6	Socket	
20	1001207171	2	Terminal, Ring	
21	1001187080	5	Terminal, Ring	
22	1001116811	1	Connector	
22	4460508	1	Pin	
22	4460466	3	Plug	
23	1001144147	1	Connector	
23	4460464	2	Pin	
23	4460466	1	Plug	
24	4460970	1	Connector	
24	4460464	9	Pin	
24	4460466	3	Plug	
25	4461095	1	Connector	
25	4460944	2	Socket	
25	4460466	1	Plug	
26	80963056	1	Connector	
26	4460979	1	Pin	
26	1001175265	1	Seal	
27	1001133714	2	Connector	
27	1001133715	6	Socket	
27	1001135650	6	Seal	
27	1001135851	2	Plug	
28	1001153612	1	Connector	
28	1001126011	2	Pin	
29	2902443	1	Connector	
29	4461071	6	Socket	
30	1001167616	1	Connector	
30	1001190921	1	Seal	
30	8220097	25	Socket (18AWG)	
30	8220098	11	Socket (14AWG)	
30	1001116725	6	Socket (10-12AWG)	
30	1001175265	21	Seal	
30	1001190037	5	Seal	
30	4460458	15	Seal	
31	4461018	1	Connector	
31	4460509	2	Socket	
32	4460933	1	Connector	
32	4460465	12	Socket	

SECTION 10 - ELECTRICAL

ITEM	PART NUMBER	QTY	DESCRIPTION	REV
33	1001167528	1	Connector	
33	1001166704	4	Socket	
33	1001137578	4	Seal	
34	1001167620	1	Connector	
34	1001176004	2	Socket	
34	1001176002	2	Seal	
34	1001167624	2	Plug	
35	1001165194	1	Connector	
35	1001166556	8	Socket (18-22AWG)	
35	1001166774	2	Socket (14-18AWG)	
35	1001126393	10	Seal	
35	1001126391	2	Plug	
36	4460891	3	Connector	
37	4460942	6	Pin	
101	4460466	6	Plug	
102	4460892	1	Cap	
103	4460897	3	Cap	
104	4460945	3	3-Way Plug	
105	4461070	1	Connector	
106	80963056	1	Connector	
107	1001116727	1	Plug	
108	1001116815	2	Connector	
109	1001125677	1	Cap	

SECTION 10 - ELECTRICAL

FIGURE 10-56. ENGINE - GLOW PLUG RELAY HARNESS



ART_1001182930-C

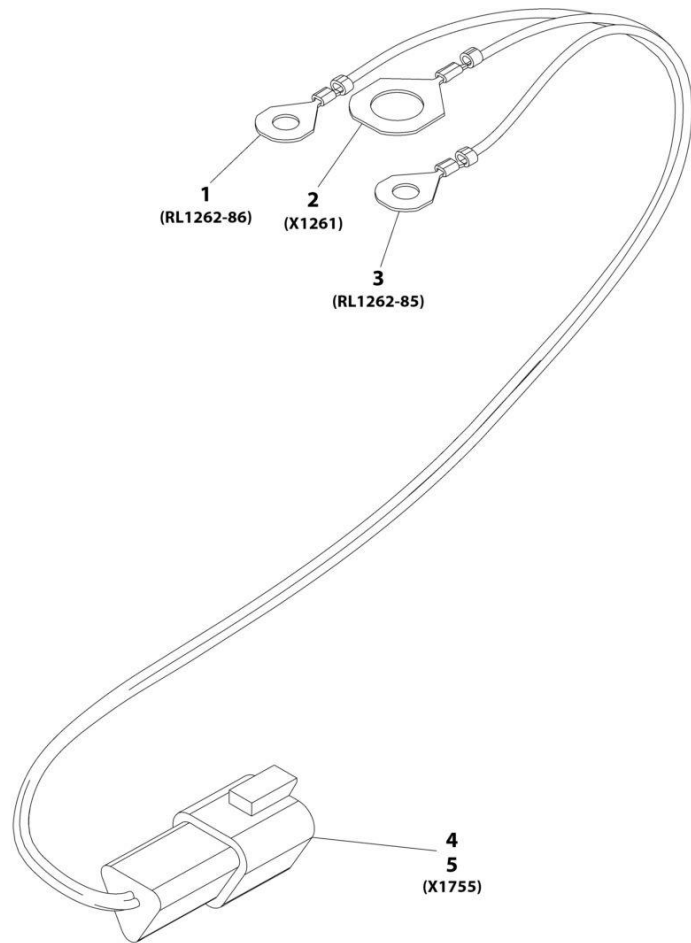
SECTION 10 - ELECTRICAL

FIGURE 10-56. ENGINE - GLOW PLUG RELAY HARNESS

ITEM	PART NUMBER	QTY	DESCRIPTION	REV
	1001182930	Ref	Glow Plug Relay Harness	C
1	1001187070	2	Ring, Terminal	
2	1001187077	1	Ring, Terminal	
3	4460536	1	Connector	
4	4460464	3	Terminal	

SECTION 10 - ELECTRICAL

FIGURE 10-57. ENGINE - GLOW PLUG RELAY HARNESS (MINING) (ULS)



ART_1001228732-A

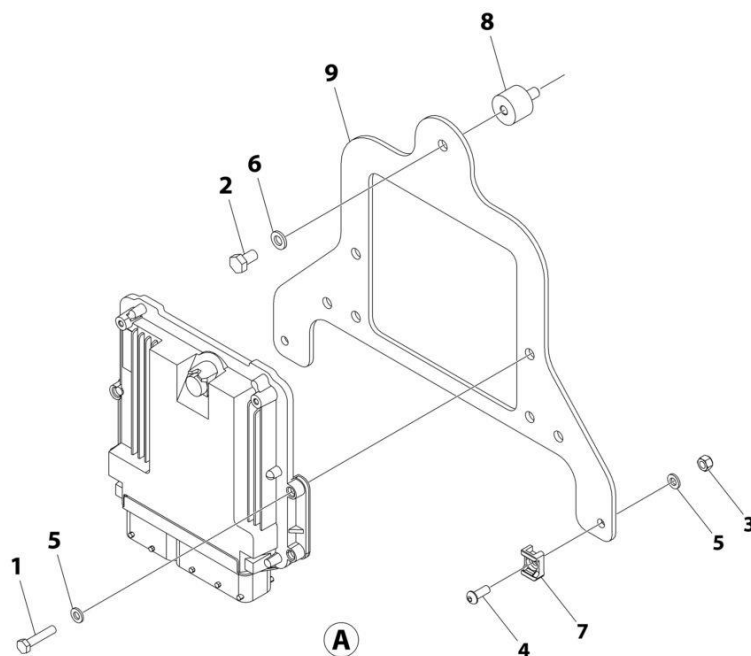
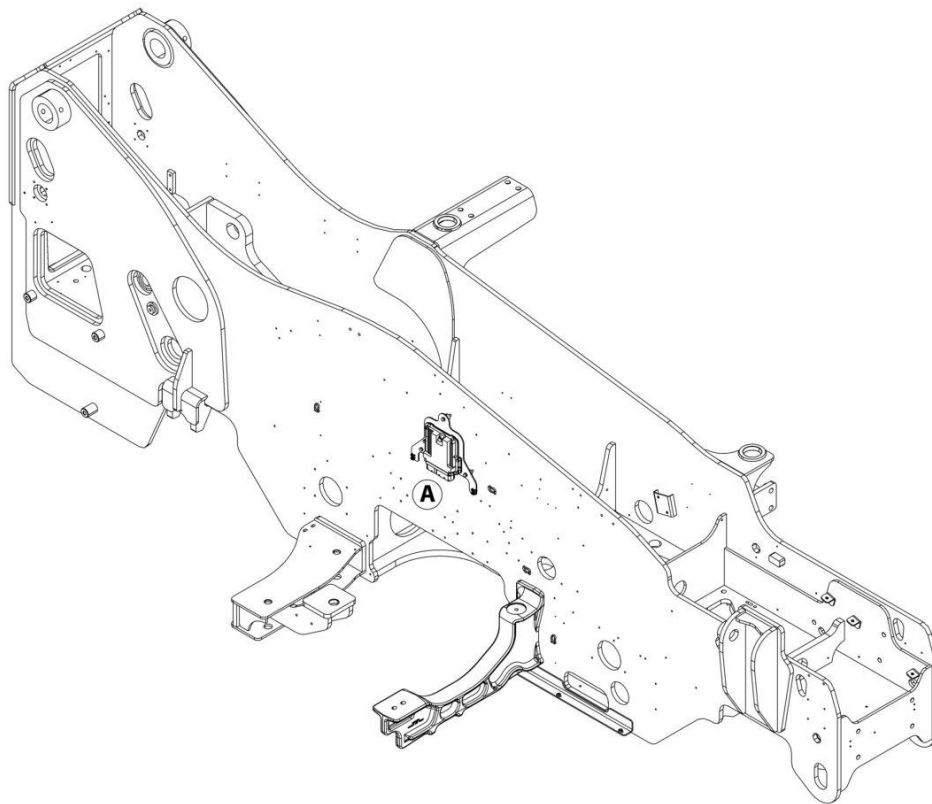
SECTION 10 - ELECTRICAL

FIGURE 10-57. ENGINE - GLOW PLUG RELAY HARNESS (MINING) (ULS)

ITEM	PART NUMBER	QTY	DESCRIPTION	REV
	1001228732	Ref	Glow Plug Relay Harness (Mining) (ULS)	A
1	1001187070	1	Ring, Terminal	
2	1001187077	1	Ring, Terminal	
3	1001187070	1	Ring, Terminal	
4	4460536	1	Connector	
5	4460464	3	Terminal	

SECTION 10 - ELECTRICAL

FIGURE 10-58. ENGINE ECU INSTALLATION



ART_1001284530

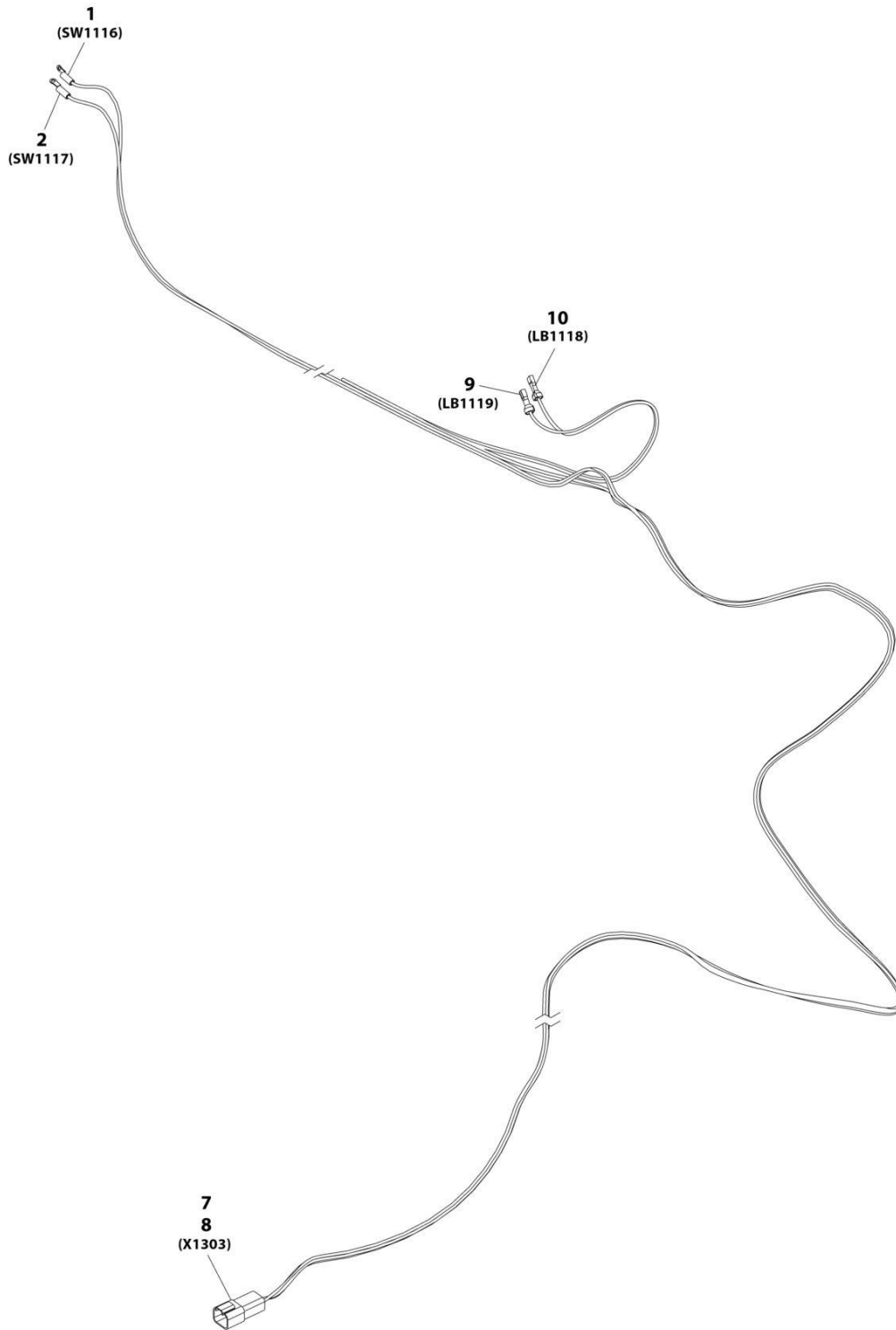
SECTION 10 - ELECTRICAL

FIGURE 10-58. ENGINE ECU INSTALLATION

ITEM	PART NUMBER	QTY	DESCRIPTION	REV
	1001284538	Ref	ENGINE ECU INSTALLATION	A
1	0700614	4	Bolt M6 x 30	
2	0760807	3	Bolt M8 x 14	
3	3290605	2	Nut M6	
4	3900357	2	Capscrew M6 x 16	
5	4811700	6	Washer M6	
6	4831900	3	Washer M8	
7	1001138645	2	Mount, Cable Tie	
8	1001179907	3	Mount, Isolator	
9	1001284534	1	Bracket	

SECTION 10 - ELECTRICAL

FIGURE 10-59. ENGINE - AIR SHUTOFF VALVE HARNESS



ART_1001231407-C

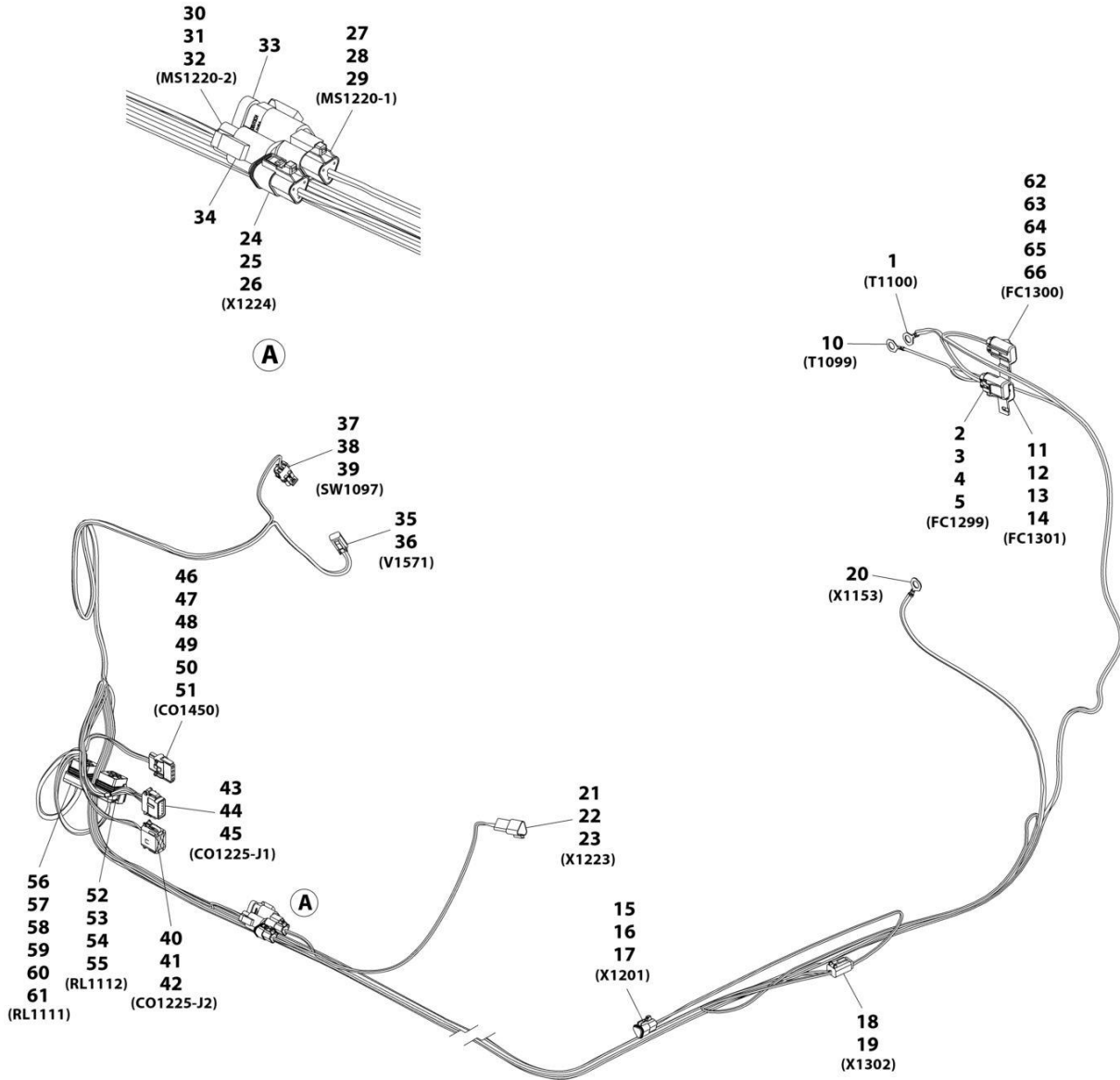
SECTION 10 - ELECTRICAL

FIGURE 10-59. ENGINE - AIR SHUTOFF VALVE HARNESS

ITEM	PART NUMBER	QTY	DESCRIPTION	REV
	1001231407	1	Air Shutoff Valve Harness	C
1	8220035	1	Terminal, Ring	
2	8220035	1	Terminal, Ring	
7	4460932	1	Connector	
8	4460464	4	Pin	
9	8220108	1	Connector, Female	
10	8220108	1	Connector, Female	

SECTION 10 - ELECTRICAL

FIGURE 10-60. ENGINE - AIR SHUT OFF VALVE HARNESS (ENGINE)



ART_1001231483_D

SECTION 10 - ELECTRICAL

FIGURE 10-60. ENGINE - AIR SHUT OFF VALVE HARNESS (ENGINE)

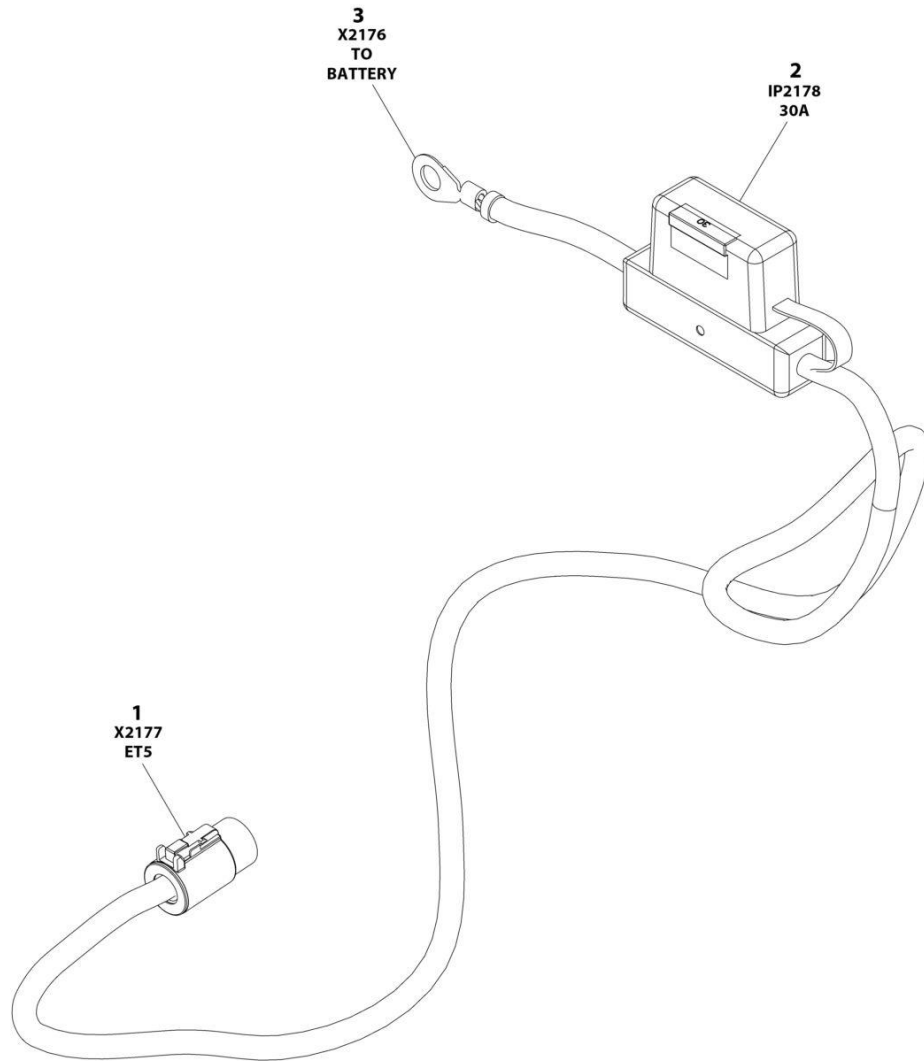
ITEM	PART NUMBER	QTY	DESCRIPTION	REV
	1001231483	Ref	Air Shut Off Valve Harness (Engine)	D
1	1001187079	1	Terminal, Ring	
2	1001231397	1	Connector	
3	8229235	1	Fuse, 20amp	
4	1001231401	2	Terminal	
5	1001230402	2	Seal	
10	1001187078	1	Terminal, Ring	
11	1001231397	1	Connector	
12	8229261	1	Fuse, 5amp	
13	1001231400	2	Terminal	
14	1001230403	2	Seal	
15	1001116812	1	Connector	
16	4460465	2	Terminal	
17	4460466	1	Plug	
18	4460884	1	Connector	
19	4460465	4	Terminal	
20	1001187079	1	Terminal, Ring	
21	1001144147	1	Connector	
22	4460464	2	Terminal	
23	4460466	1	Plug	
24	1001116812	1	Connector	
25	4460465	2	Terminal	
26	4460466	1	Plug	
27	1001116812	1	Connector	
28	4460465	2	Terminal	
29	4460466	1	Plug	
30	4460539	1	Connector	
31	4460465	2	Terminal	
32	4460466	1	Plug	
33	1001116815	1	Connector, 3 Pin	
34	4460945	1	Terminal, 3 Way "T" Receptacle	
35	4460891	1	Connector	
36	1001157890	2	Terminal	
37	4460742	1	Connector	
38	4460475	2	Terminal	
39	4460458	2	Plug	
40	1001116774	1	Connector	
41	4460518	8	Plug	
42	1001126008	4	Terminal	
43	1001116808	1	Connector	
44	1001126008	9	Terminal	
45	4460518	3	Plug	
46	4460761	1	Connector	
47	4460321	1	Terminal	
48	1001118378	4	Terminal	
49	4460809	4	Plug	
50	1001143551	1	Seal	
51	1001218358	1	Lanyard Rope	
52	1001231398	1	Connector	
53	1001231400	4	Terminal	

SECTION 10 - ELECTRICAL

ITEM	PART NUMBER	QTY	DESCRIPTION	REV
54	1001231404	4	Seal	
55	1001231406	1	Plug	
56	1001231398	1	Connector	
57	1001231401	2	Terminal	
58	1001231402	2	Seal	
59	1001231400	2	Terminal	
60	1001231404	2	Seal	
61	1001231406	1	Plug	
62	1001231397	1	Connector	
63	8229234	1	Fuse, 10amp	
64	1001231400	2	Terminal	
65	1001230403	1	Seal	
66	1001230404	1	Seal	

SECTION 10 - ELECTRICAL

FIGURE 10-61. ECM POWER CABLE



ART_1001293972

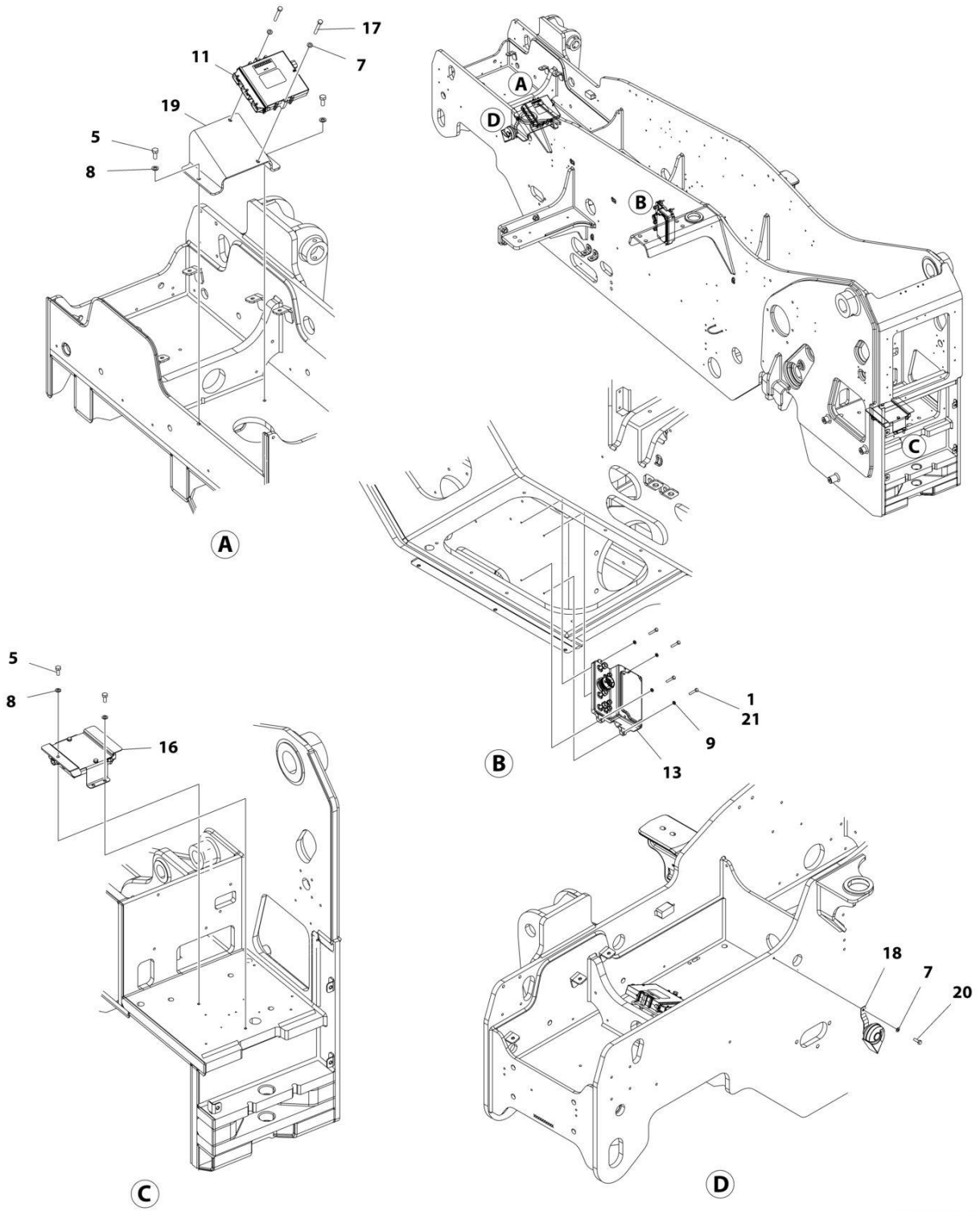
SECTION 10 - ELECTRICAL

FIGURE 10-61. ECM POWER CABLE

ITEM	PART NUMBER	QTY	DESCRIPTION	REV
	1001293972	Ref	ECM POWER CABLE	A
1	1001293902	1	Connector Plug	
2	1001293900	1	Fuse, Holder	
3	1001187076	1	Terminal, Ring	

SECTION 10 - ELECTRICAL

FIGURE 10-62. FRAME ELECTRICAL INSTALLATION



ART_1001183272_I

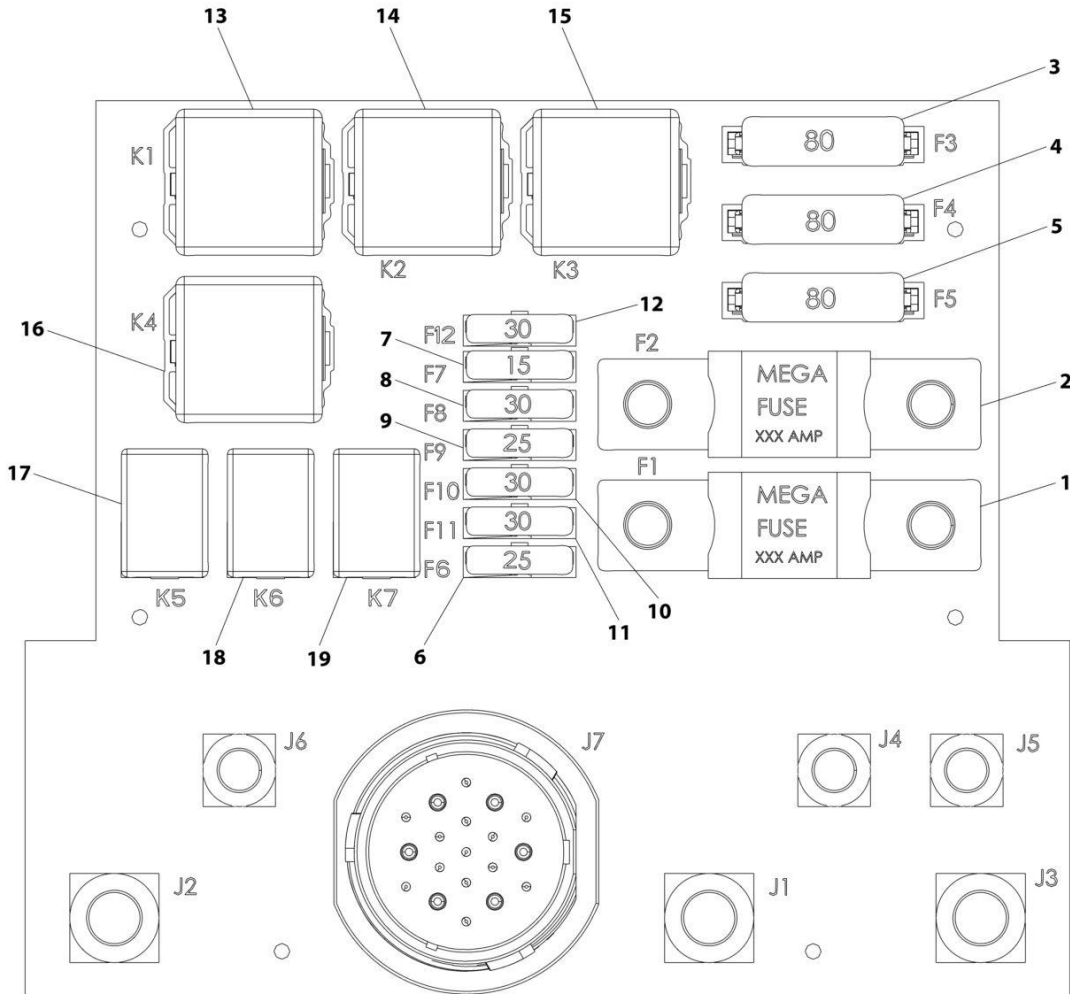
SECTION 10 - ELECTRICAL

FIGURE 10-62. FRAME ELECTRICAL INSTALLATION

ITEM	PART NUMBER	QTY	DESCRIPTION	REV
	1001183272	Ref	FRAME ELECTRICAL INSTALLATION	I
1	0700614	4	Bolt M6 x 30	
5	0761012	4	Bolt M10 x 25	
7	4811900	3	Washer M8	
8	4812000	4	Washer M10	
9	4831700	4	Washer M6	
11	1001270467	1	Control, Front Frame Module	
13	1001164402	1	Box, Power Distribution Electrical (See Separate Breakdown in this Section)	
16	1001210770	1	Installation, Rear Frame Module (See Separate Breakdown in this Section)	
17	0700820	2	Bolt M8 x 60	
18	10713707	1	Horn	
19	1001215208	1	Bracket	
20	0760812	1	Bolt M8 x 25	
21	1001180620	AR	Adhesive, Loctite	

SECTION 10 - ELECTRICAL

FIGURE 10-63. FRAME - POWER DISTRIBUTION ELECTRICAL BOX



ART_1001164402-G

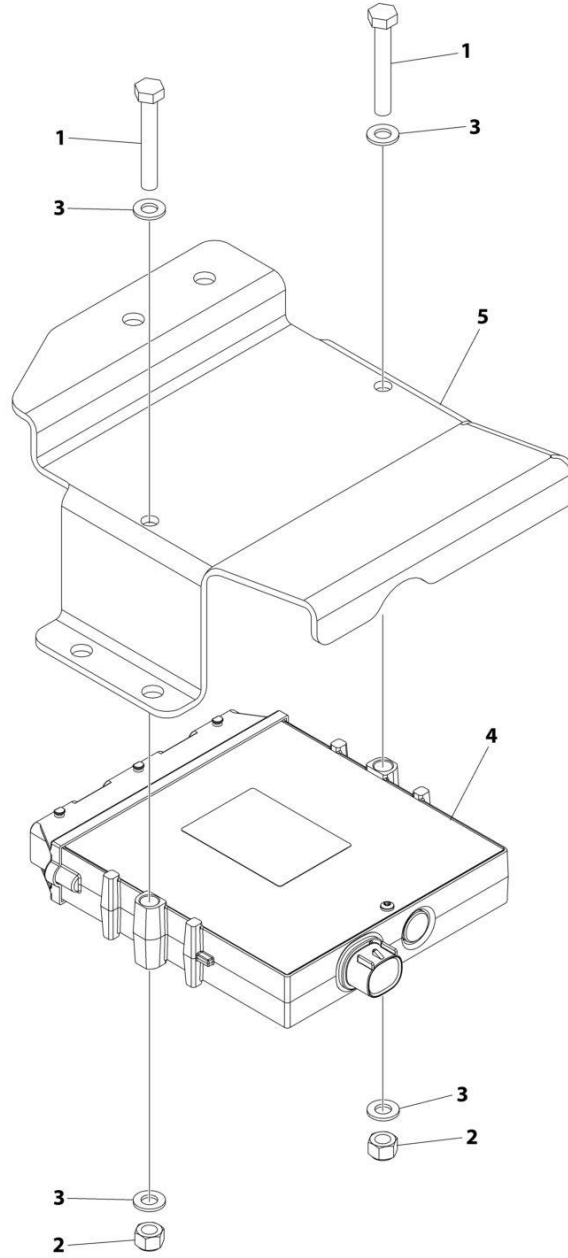
SECTION 10 - ELECTRICAL

FIGURE 10-63. FRAME - POWER DISTRIBUTION ELECTRICAL BOX

ITEM	PART NUMBER	QTY	DESCRIPTION	REV
	1001164402	Ref	Power Distribution Electrical Box	G
1	1001095336	1	Fuse, 150AMP	
2	70026296	1	Fuse, 200AMP	
3	70026297	1	Fuse, 80AMP	
4	70026297	1	Fuse, 80AMP	
5	70026297	1	Fuse, 80AMP	
6	8229247	1	Fuse, 25AMP	
7	8229244	1	Fuse, 15AMP	
8	8229245	1	Fuse, 30AMP	
9	8229247	1	Fuse, 25AMP	
10	8229245	1	Fuse, 30AMP	
11	8229245	1	Fuse, 30AMP	
12	8229245	1	Fuse, 30AMP	
13	70026294	1	Fuse, 70AMP	
14	70026294	1	Fuse, 70AMP	
15	70026294	1	Fuse, 70AMP	
16	70026294	1	Fuse, 70AMP	
17	70026295	1	Fuse, 35AMP	
18	70026295	1	Fuse, 35AMP	
19	70026295	1	Fuse, 35AMP	

SECTION 10 - ELECTRICAL

FIGURE 10-64. FRAME - REAR FRAME MODULE INSTALLATION



ART_1001210770_E

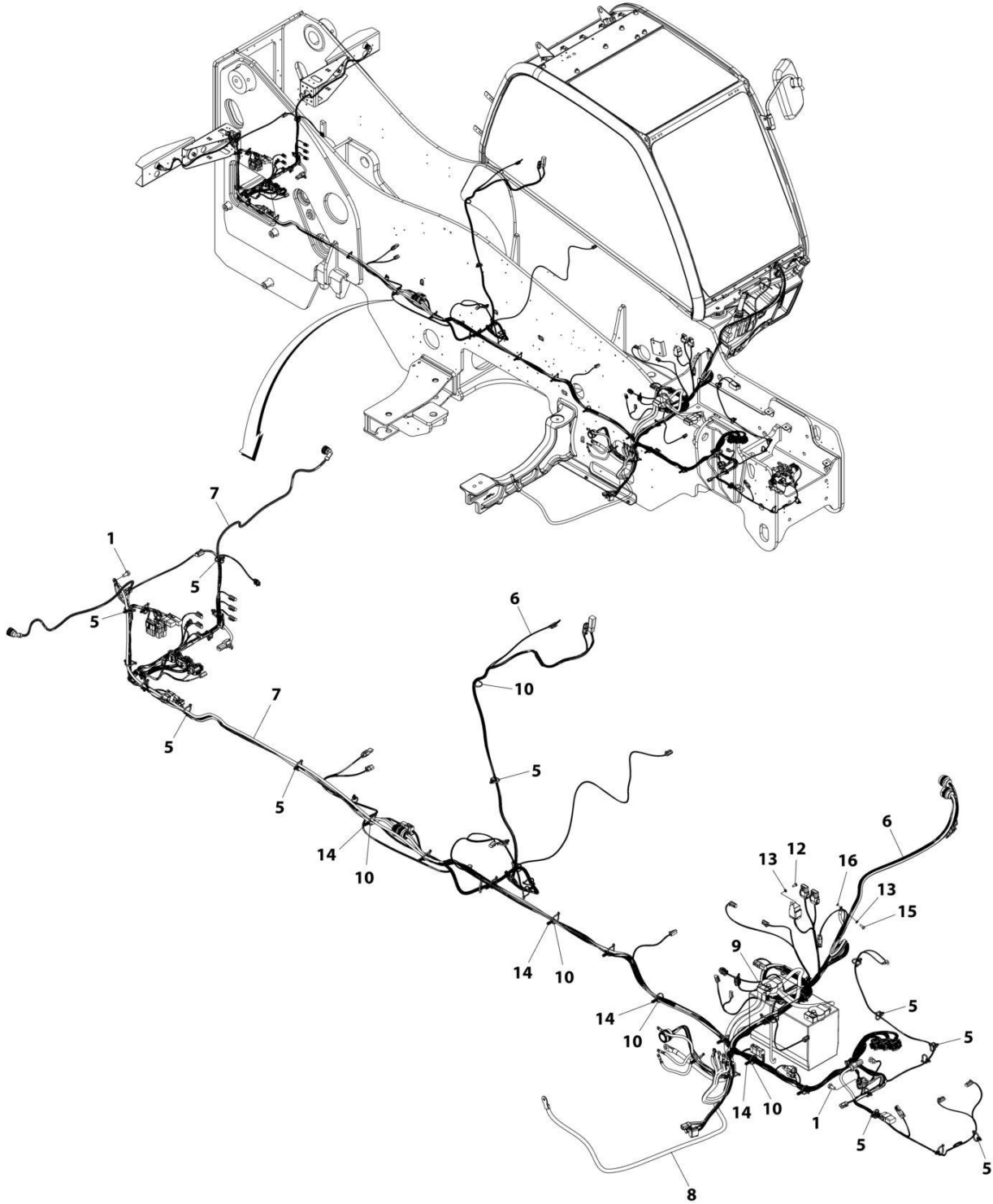
SECTION 10 - ELECTRICAL

FIGURE 10-64. FRAME - REAR FRAME MODULE INSTALLATION

ITEM	PART NUMBER	QTY	DESCRIPTION	REV
	1001210770	Ref	REAR FRAME MODULE INSTALLATION	E
1	0700819	2	Bolt M8 x 55	
2	3290805	2	Nut M8 x 1.25	
3	4811900	4	Washer M8	
4	1001270468	1	Control, Rear Frame Module	
5	1001255581	1	Bracket	

SECTION 10 - ELECTRICAL

FIGURE 10-65. FRAME WIRING INSTALLATION



ART_1001200159_I

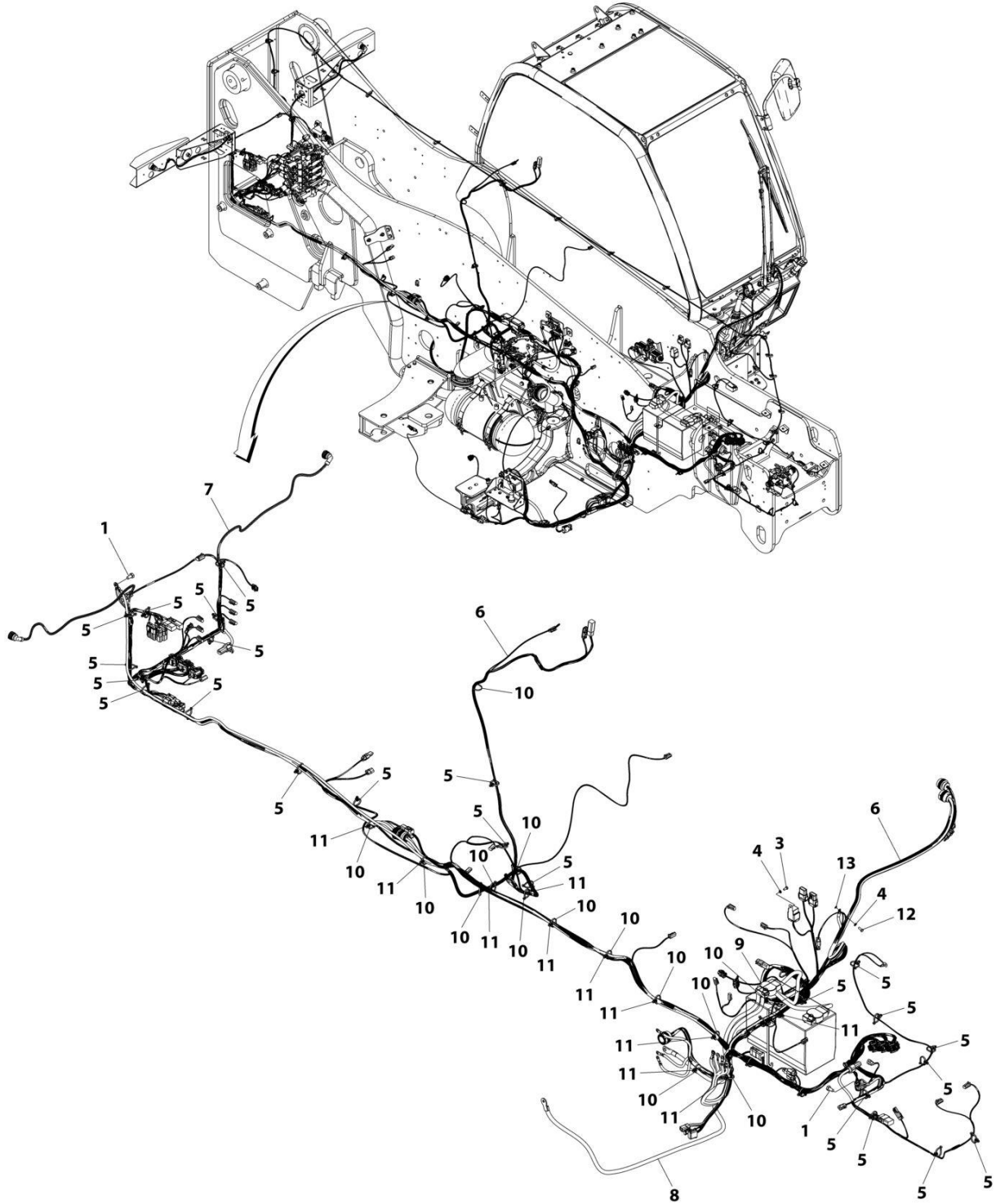
SECTION 10 - ELECTRICAL

FIGURE 10-65. FRAME WIRING INSTALLATION

ITEM	PART NUMBER	QTY	DESCRIPTION	REV
	1001200159	Ref	FRAME WIRING INSTALLATION	1
1	0761010	2	Bolt M10 x 20	
5	1001146588	25	Tie, Cable	
6	1001281607	1	Harness, Front Frame (See Separate Breakdown in this Section)	
7	1001184397	1	Harness, Rear Frame (See Separate Breakdown in this Section)	
8	1001200168	1	Cable, Negative Battery	
9	1001200169	1	Cable, Positive Battery	
10	1001008559	16	Strap, Cable	
12	0760607	1	Bolt M6 x 14	
13	4811700	2	Washer M6	
14	1001202986	13	Strap Push Mount	
15	0760608	1	Bolt M6 x 16	
16	4871700	1	Washer M6	

SECTION 10 - ELECTRICAL

FIGURE 10-66. FRAME WIRING INSTALLATION, MINING (ULS)



ART_1001228739_D

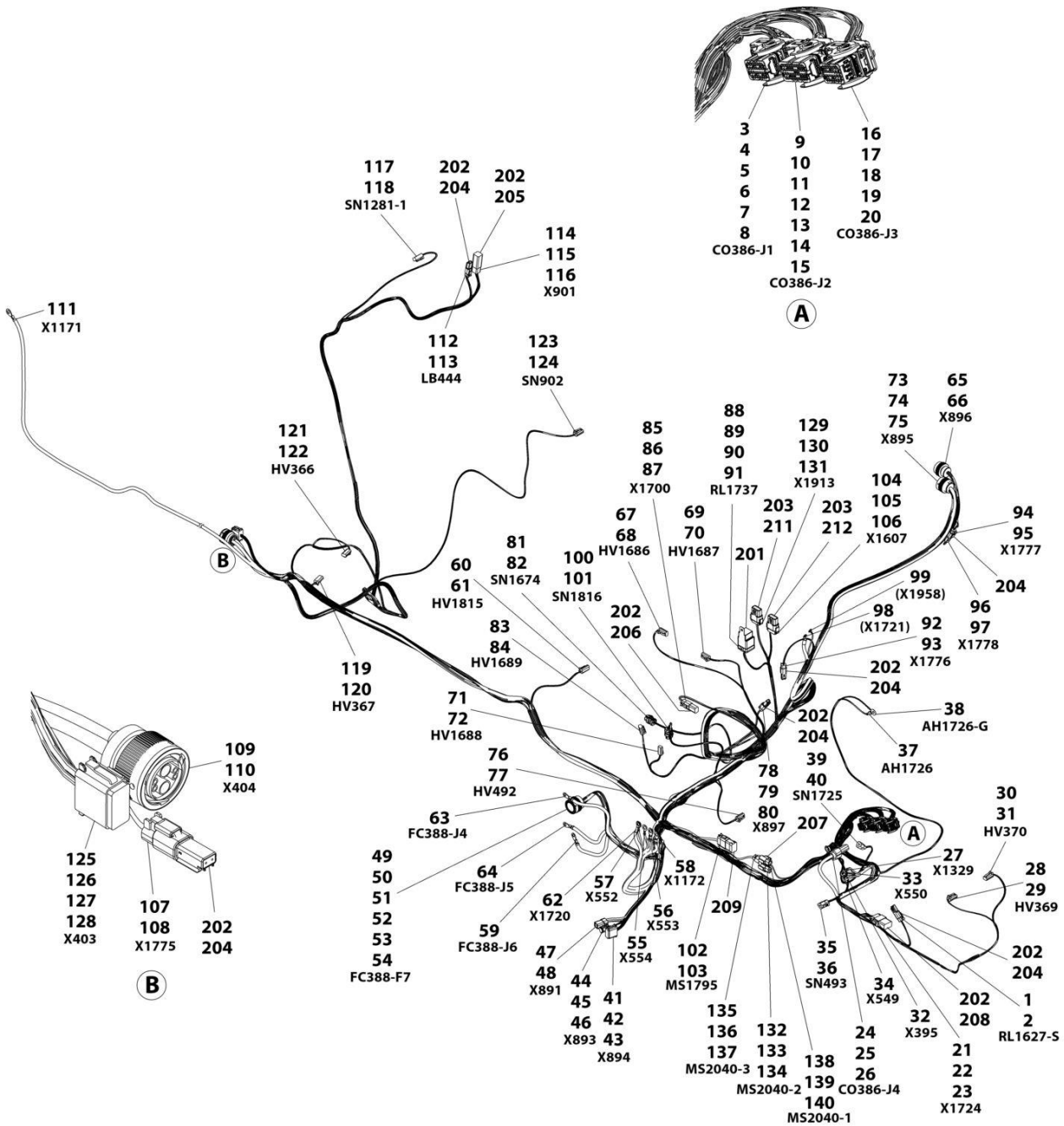
SECTION 10 - ELECTRICAL

FIGURE 10-66. FRAME WIRING INSTALLATION, MINING (ULS)

ITEM	PART NUMBER	QTY	DESCRIPTION	REV
	1001228739	Ref	FRAME WIRING INSTALLATION, MINING (ULS)	D
1	0761010	2	Bolt M10 x 20	
3	0760607	1	Bolt M6 x 14	
4	4811700	2	Washer M6	
5	1001146588	25	Tie, Cable	
6	1001281752	1	Harness, Front Frame (See Separate Breakdown in this Section)	
7	1001228741	1	Harness, Rear Frame (See Separate Breakdown in this Section)	
8	1001200168	1	Cable, Negative Battery	
9	1001200169	1	Cable, Positive Battery	
10	1001008559	16	Strap, Cable	
11	1001202986	13	Push Mount, Strap	
12	0760608	1	Bolt M6 x 16	
13	4871700	1	Washer M6	

SECTION 10 - ELECTRICAL

FIGURE 10-67. FRAME - FRONT FRAME HARNESS



ART_1001281607

SECTION 10 - ELECTRICAL

FIGURE 10-67. FRAME - FRONT FRAME HARNESS

ITEM	PART NUMBER	QTY	DESCRIPTION	REV
	1001281607	Ref	FRONT FRAME HARNESS	A
1	4460891	1	Connector	
2	4460465	2	Terminal	
3	1001161957	1	Connector	
4	643191201	1	Cover	
5	1001161100	12	Plug	
6	1001161097	12	Terminal	
7	1001161101	5	Plug	
8	1001161098	3	Terminal	
9	1001161963	1	Connector	
10	643201301	1	Cover	
11	1001161097	19	Terminal	
12	1001161100	21	Plug	
13	1001161099	6	Terminal	
14	1001161098	1	Terminal	
15	1001161101	1	Plug	
16	1001160500	1	Connector	
17	643191201	1	Cover	
18	1001161097	10	Terminal	
19	1001161100	15	Plug	
20	1001161099	7	Terminal	
21	4460933	1	Connector	
22	4460942	10	Terminal	
23	4460466	2	Plug	
24	1001160509	1	Connector	
25	1001160510	1	Terminal	
26	1001175267	1	Seal	
27	1001187080	1	Ring Terminal	
28	4460891	1	Connector	
29	4460465	2	Terminal	
30	4460891	1	Connector	
31	4460465	2	Terminal	
32	1001187080	1	Ring Terminal	
33	1001187079	1	Ring Terminal	
34	1001187079	1	Ring Terminal	
35	4460539	1	Connector	
36	4460465	3	Terminal	
37	8220051	1	Ring Terminal	
38	1001187073	1	Ring Terminal	
39	4460539	1	Connector	
40	4460465	3	Terminal	
41	4460933	1	Connector	
42	4460465	11	Terminal	
43	4460466	1	Plug	
44	1001116812	1	Connector	
45	4460465	2	Terminal	
46	4460466	1	Plug	
47	1001116810	1	Connector	
48	1001150611	4	Terminal	
49	1001165309	1	Connector	

SECTION 10 - ELECTRICAL

ITEM	PART NUMBER	QTY	DESCRIPTION	REV
50	4460466	2	Plug	
51	4460465	9	Terminal	
52	4460942	2	Terminal	
53	4460509	3	Terminal	
54	1001150611	3	Terminal	
55	1001187079	1	Ring Terminal	
56	1001187076	1	Ring Terminal	
57	1001187079	1	Ring Terminal	
58	1001187076	1	Ring Terminal	
59	1001187075	1	Ring Terminal	
60	4460891	1	Connector	
61	4460465	2	Terminal	
62	1001117109	1	Ring Terminal	
63	1001187075	1	Ring Terminal	
64	1001187075	1	Ring Terminal	
65	4461015	1	Connector	
66	4460465	14	Terminal	
67	4460891	1	Connector	
68	4460465	2	Terminal	
69	4460891	1	Connector	
70	4460465	2	Terminal	
71	4461290	1	Connector	
72	4460928	2	Terminal	
73	1001118323	1	Connector	
74	4460942	4	Terminal	
75	91013192	2	Terminal	
76	4460891	1	Connector	
77	4460465	2	Terminal	
78	4460891	1	Connector	
79	4460942	1	Terminal	
80	4460466	1	Plug	
81	1001116950	1	Connector	
82	4460465	2	Terminal	
83	4460891	1	Connector	
84	4460465	2	Terminal	
85	4460884	1	Connector	
86	4460465	3	Terminal	
87	4460942	1	Terminal	
88	1001231398	1	Connector	
89	1001231400	4	Terminal	
90	1001231406	1	Terminal	
91	1001231404	4	Plug	
92	4460891	1	Connector	
93	4460465	2	Terminal	
94	4460891	1	Connector	
95	4460465	2	Terminal	
96	4460897	1	Connector	
97	4460464	2	Terminal	
98	8220116	1	Ring Terminal	
99	1001207173	1	Ring Terminal	
100	1001116950	1	Connector	

SECTION 10 - ELECTRICAL

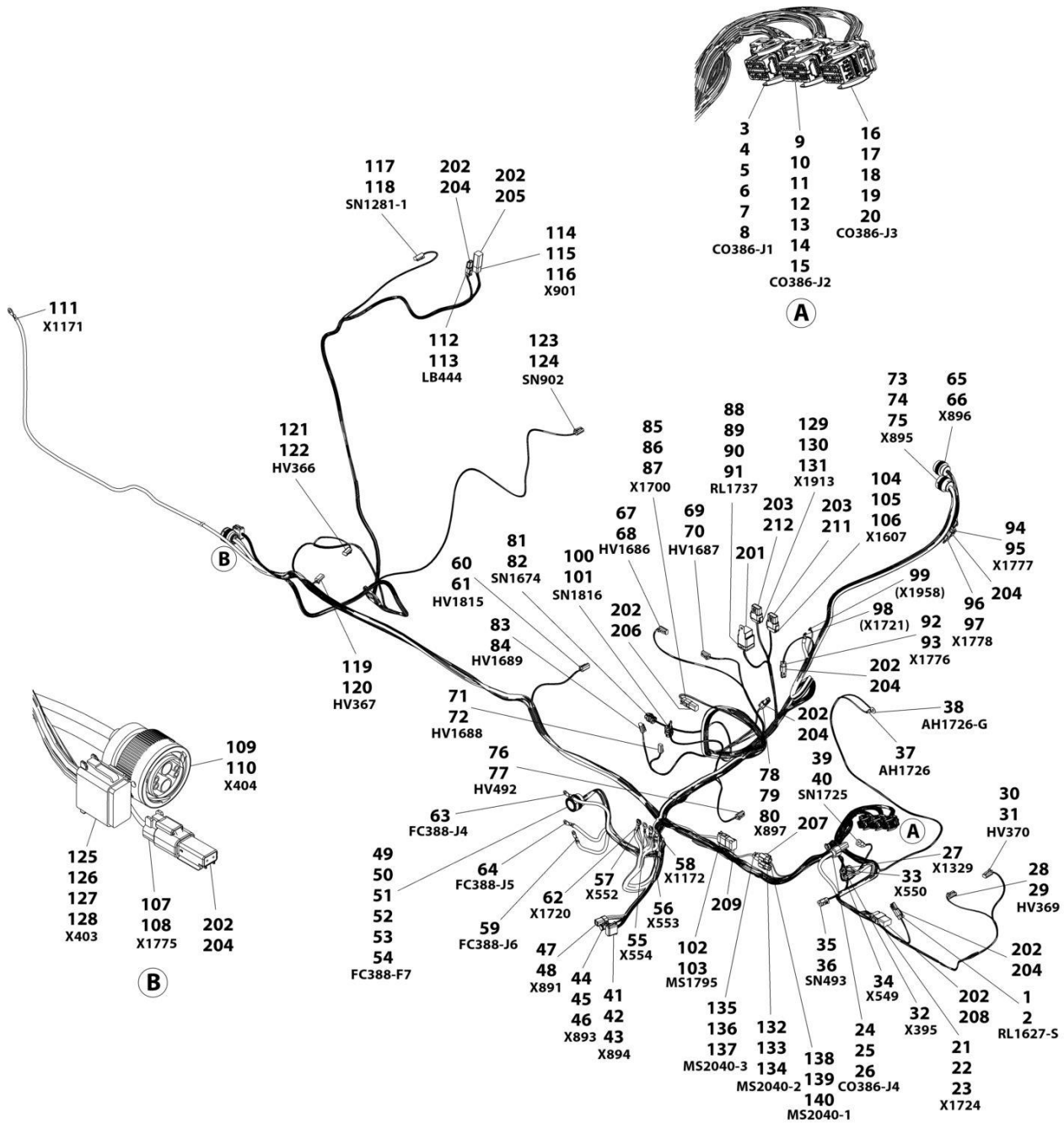
ITEM	PART NUMBER	QTY	DESCRIPTION	REV
101	4460465	2	Terminal	
102	4460930	1	Connector	
103	4460465	8	Terminal	
104	1001116774	1	Connector	
105	4460518	10	Plug	
106	1001126008	2	Terminal	
107	4460891	1	Connector	
108	4460465	2	Terminal	
109	1001165310	1	Connector	
110	91013192	2	Terminal	
111	1001187076	1	Ring Terminal	
112	4460891	1	Connector	
113	4460942	2	Terminal	
114	4460894	1	Connector	
115	4460465	2	Terminal	
116	4460942	4	Terminal	
117	4460891	1	Connector	
118	4460465	2	Terminal	
119	4460891	1	Connector	
120	4460465	2	Terminal	
121	4460891	1	Connector	
122	4460465	2	Terminal	
123	4460891	1	Connector	
124	4460465	2	Terminal	
125	4460933	1	Connector	
126	4460465	6	Terminal	
127	4460942	1	Terminal	
128	4460466	5	Plug	
129	1001116808	1	Connector	
130	4460518	9	Plug	
131	1001126008	3	Terminal	
132	4460539	1	Connector	
133	4460944	2	Terminal	
134	4460466	1	Plug	
135	1001116812	1	Connector	
136	4460944	2	Terminal	
137	4460466	1	Plug	
138	1001116812	1	Connector	
139	4460944	2	Terminal	
140	4460466	1	Plug	
201	3740080	1	Relay	
202	4460466	32	Plug	
203	4460518	24	Plug	
204	4460897	6	Connector	
205	4460899	1	Terminal	
206	4460932	1	Connector	
207	4460945	1	Terminal	
208	4460970	1	Connector	
209	4460984	1	Plug	
210	1001008559	3	Cable-Tie (Not Shown)	
211	1001132170	1	Connector	

SECTION 10 - ELECTRICAL

ITEM	PART NUMBER	QTY	DESCRIPTION	REV
212	1001132169	1	Connector	

SECTION 10 - ELECTRICAL

FIGURE 10-68. FRAME - FRONT FRAME HARNESS, MINING



ART_1001281752

SECTION 10 - ELECTRICAL

FIGURE 10-68. FRAME - FRONT FRAME HARNESS, MINING

ITEM	PART NUMBER	QTY	DESCRIPTION	REV
	1001281752	Ref	FRONT FRAME HARNESS	A
1	4460891	1	Connector	
2	4460465	2	Terminal	
3	1001161957	1	Connector	
4	643191201	1	Cover	
5	1001161100	12	Plug	
6	1001161097	12	Terminal	
7	1001161101	5	Plug	
8	1001161098	3	Terminal	
9	1001161963	1	Connector	
10	643201301	1	Cover	
11	1001161097	19	Terminal	
12	1001161100	21	Plug	
13	1001161099	6	Terminal	
14	1001161098	1	Terminal	
15	1001161101	1	Plug	
16	1001160500	1	Connector	
17	643191201	1	Cover	
18	1001161097	10	Terminal	
19	1001161100	15	Plug	
20	1001161099	7	Terminal	
21	4460933	1	Connector	
22	4460942	10	Terminal	
23	4460466	2	Plug	
24	1001160509	1	Connector	
25	1001160510	1	Terminal	
26	1001175267	1	Seal	
27	1001187080	1	Ring Terminal	
28	4460891	1	Connector	
29	4460465	2	Terminal	
30	4460891	1	Connector	
31	4460465	2	Terminal	
32	1001187080	1	Ring Terminal	
33	1001187079	1	Ring Terminal	
34	1001187079	1	Ring Terminal	
35	4460539	1	Connector	
36	4460465	3	Terminal	
37	8220051	1	Ring Terminal	
38	1001187073	1	Ring Terminal	
39	4460539	1	Connector	
40	4460465	3	Terminal	
41	4460933	1	Connector	
42	4460465	11	Terminal	
43	4460466	1	Plug	
44	1001116812	1	Connector	
45	4460465	2	Terminal	
46	4460466	1	Plug	
47	1001116810	1	Connector	
48	1001150611	4	Terminal	
49	1001165309	1	Connector	

SECTION 10 - ELECTRICAL

ITEM	PART NUMBER	QTY	DESCRIPTION	REV
50	4460466	2	Plug	
51	4460465	9	Terminal	
52	4460942	2	Terminal	
53	4460509	3	Terminal	
54	1001150611	3	Terminal	
55	1001187079	1	Ring Terminal	
56	1001187076	1	Ring Terminal	
57	1001187079	1	Ring Terminal	
58	1001187076	1	Ring Terminal	
59	1001187075	1	Ring Terminal	
60	4460891	1	Connector	
61	4460465	2	Terminal	
62	1001117109	1	Ring Terminal	
63	1001187075	1	Ring Terminal	
64	1001187075	1	Ring Terminal	
65	4461015	1	Connector	
66	4460465	14	Terminal	
67	4460891	1	Connector	
68	4460465	2	Terminal	
69	4460891	1	Connector	
70	4460465	2	Terminal	
71	4461290	1	Connector	
72	4460928	2	Terminal	
73	1001118323	1	Connector	
74	4460942	4	Terminal	
75	91013192	2	Terminal	
76	4460891	1	Connector	
77	4460465	2	Terminal	
78	4460891	1	Connector	
79	4460942	1	Terminal	
80	4460466	1	Plug	
81	1001116950	1	Connector	
82	4460465	2	Terminal	
83	4460891	1	Connector	
84	4460465	2	Terminal	
85	4460884	1	Connector	
86	4460465	3	Terminal	
87	4460942	1	Terminal	
88	1001231398	1	Connector	
89	1001231400	4	Terminal	
90	1001231406	1	Terminal	
91	1001231404	4	Plug	
92	4460891	1	Connector	
93	4460465	2	Terminal	
94	4460891	1	Connector	
95	4460465	2	Terminal	
96	4460897	1	Connector	
97	4460464	2	Terminal	
98	8220116	1	Ring Terminal	
99	1001207173	1	Ring Terminal	
100	1001116950	1	Connector	

SECTION 10 - ELECTRICAL

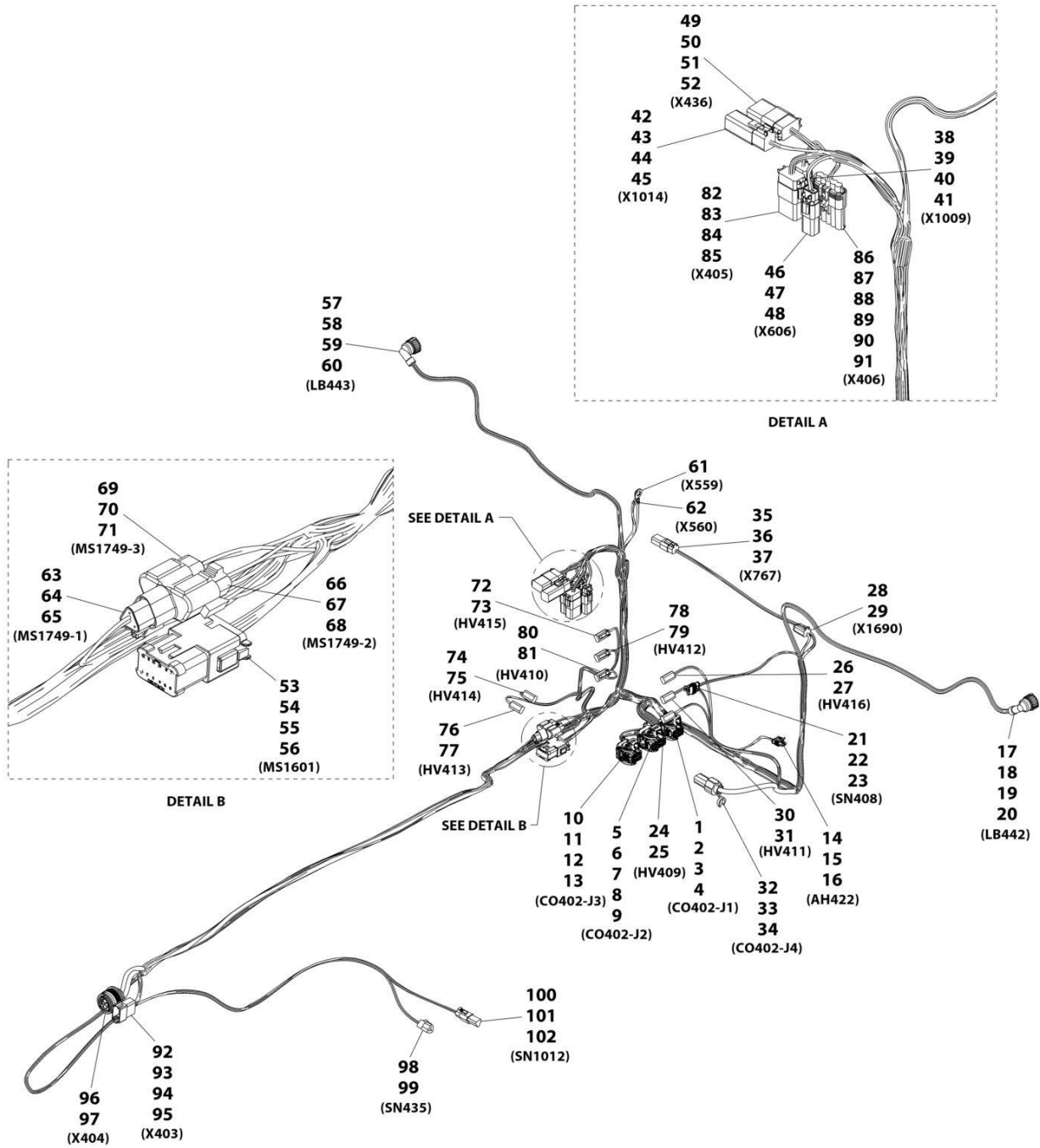
ITEM	PART NUMBER	QTY	DESCRIPTION	REV
101	4460465	2	Terminal	
102	4460930	1	Connector	
103	4460465	8	Terminal	
104	1001116774	1	Connector	
105	4460518	10	Plug	
106	1001126008	2	Terminal	
107	4460891	1	Connector	
108	4460465	2	Terminal	
109	1001165310	1	Connector	
110	91013192	2	Terminal	
111	1001187076	1	Ring Terminal	
112	4460891	1	Connector	
113	4460942	2	Terminal	
114	4460894	1	Connector	
115	4460465	2	Terminal	
116	4460942	4	Terminal	
117	4460891	1	Connector	
118	4460465	2	Terminal	
119	4460891	1	Connector	
120	4460465	2	Terminal	
121	4460891	1	Connector	
122	4460465	2	Terminal	
123	4460891	1	Connector	
124	4460465	2	Terminal	
125	4460933	1	Connector	
126	4460465	6	Terminal	
127	4460942	1	Terminal	
128	4460466	5	Plug	
129	1001116808	1	Connector	
130	4460518	9	Plug	
131	1001126008	3	Terminal	
132	4460539	1	Connector	
133	4460944	2	Terminal	
134	4460466	1	Plug	
135	1001116812	1	Connector	
136	4460944	2	Terminal	
137	4460466	1	Plug	
138	1001116812	1	Connector	
139	4460944	2	Terminal	
140	4460466	1	Plug	
201	3740080	1	Relay	
202	4460466	32	Plug	
203	4460518	24	Plug	
204	4460897	6	Connector	
205	4460899	1	Terminal	
206	4460932	1	Connector	
207	4460945	1	Terminal	
208	4460970	1	Connector	
209	4460984	1	Plug	
210	1001008559	3	Cable-Tie (Not Shown)	
211	1001132169	1	Connector	

SECTION 10 - ELECTRICAL

ITEM	PART NUMBER	QTY	DESCRIPTION	REV
212	1001132170	1	Connector	

SECTION 10 - ELECTRICAL

FIGURE 10-69. FRAME - REAR FRAME HARNESS



ART_1001184397-1

SECTION 10 - ELECTRICAL

FIGURE 10-69. FRAME - REAR FRAME HARNESS

ITEM	PART NUMBER	QTY	DESCRIPTION	REV
	1001184397	Ref	Rear Frame Harness	I
1	1001161957	1	Connector	
2	1001161097	6	Terminal	
3	1001161100	18	Plug	
4	1001161101	8	Plug	
5	1001161963	1	Connector	
6	1001161097	26	Terminal	
7	1001161100	14	Plug	
8	1001161099	6	Terminal	
9	1001161101	2	Plug	
10	1001160500	1	Connector	
11	1001161100	18	Plug	
12	1001161097	6	Terminal	
13	1001161099	8	Terminal	
14	4461118	1	Connector	
15	1001107854	2	Terminal	
16	1001116763	2	Terminal Seal	
17	1001116996	1	Connector	
18	1001118392	6	Terminal	
19	1001116696	1	Plug	
20	4461054	6	Terminal Seal	
21	4461262	1	Connector	
22	1001107854	3	Terminal	
23	1001104498	3	Terminal Seal	
24	4460891	1	Connector	
25	4460465	2	Terminal	
26	4460891	1	Connector	
27	4460465	2	Terminal	
28	4460884	1	Connector	
29	4460465	4	Terminal	
30	4460891	1	Connector	
31	4460465	2	Terminal	
32	1001160509	1	Connector	
33	1001160510	1	Terminal	
34	1001175267	1	Terminal Seal	
35	4460884	1	Connector	
36	4460932	1	Mating Connector	
37	4460465	4	Terminal	
38	4460884	1	Connector	
39	4460932	1	Mating Connector	
40	4460466	2	Plug	
41	4460465	2	Terminal	
42	4460894	1	Connector	
43	4460899	1	Mating Connector	
44	4460466	3	Plug	
45	4460465	3	Terminal	
46	4461018	1	Connector	
47	4461017	1	Mating Connector	
48	4460509	2	Terminal	
49	4460930	1	Connector	

SECTION 10 - ELECTRICAL

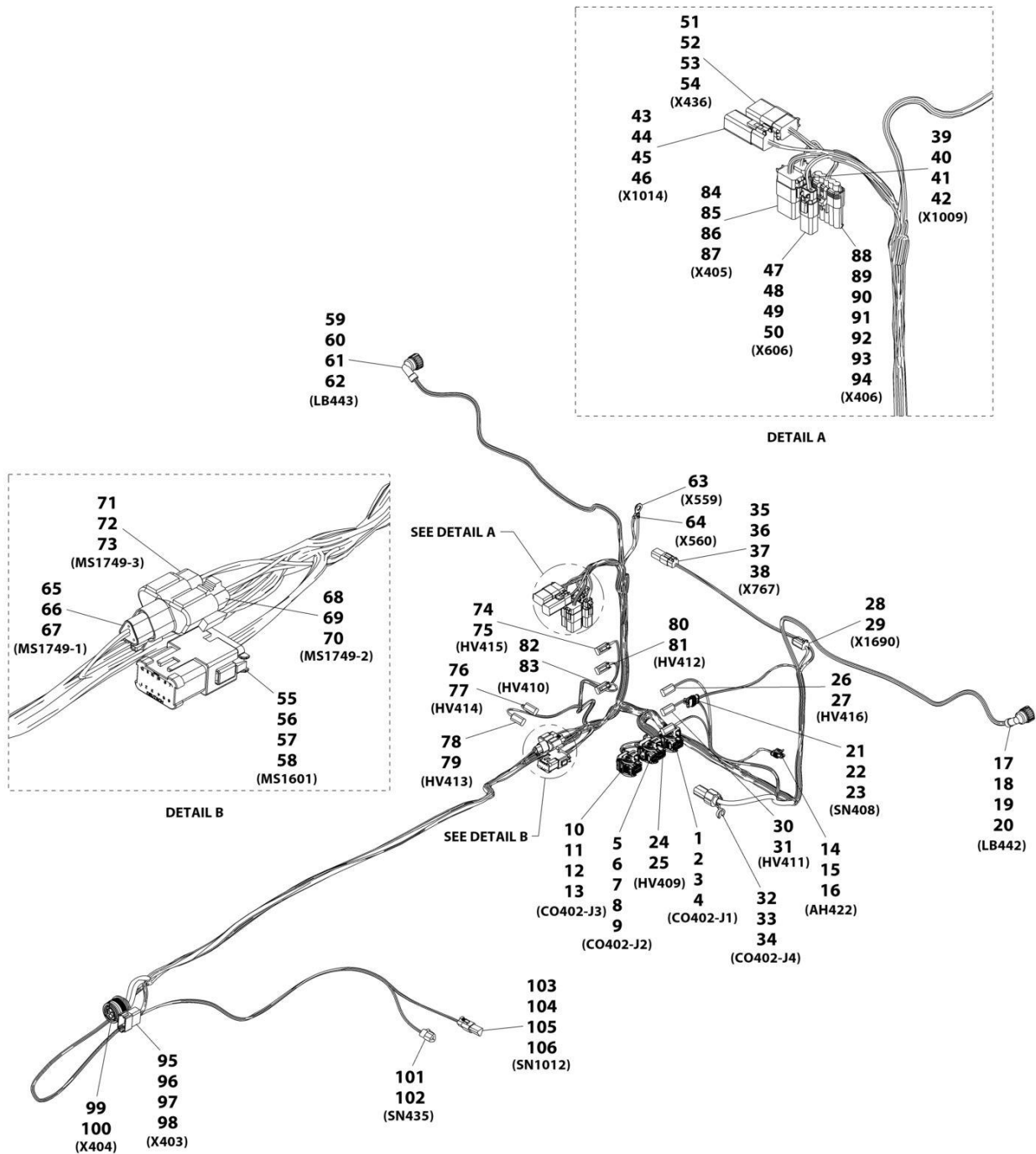
ITEM	PART NUMBER	QTY	DESCRIPTION	REV
50	4460931	1	Mating Connector	
51	4460466	2	Plug	
52	4460465	6	Terminal	
53	4460933	1	Connector	
54	1001125677	1	Bussbar Connector	
55	4460465	10	Terminal	
56	4460466	2	Plug	
57	1001116996	1	Connector	
58	1001118392	6	Terminal	
59	1001116696	1	Plug	
60	4461054	6	Terminal Seal	
61	1001187080	1	Ring Terminal	
62	1001187079	1	Ring Terminal	
63	1001116812	1	Connector	
64	4460944	2	Terminal	
65	4460466	1	Plug	
66	4460539	1	Connector	
67	4460944	2	Terminal	
68	4460466	1	Plug	
69	1001116812	1	Connector	
70	4460944	2	Terminal	
71	4460466	1	Plug	
72	4460891	1	Connector	
73	4460465	2	Terminal	
74	4460891	1	Connector	
75	4460465	2	Terminal	
76	4460891	1	Connector	
77	4460465	2	Terminal	
78	4460891	1	Connector	
79	4460465	2	Terminal	
80	4460891	1	Connector	
81	4460465	2	Terminal	
82	4460930	1	Connector	
83	4460931	1	Mating Connector	
84	4460466	2	Plug	
85	4460465	6	Terminal	
86	1001121726	1	Connector	
87	1001121727	1	Mating Connector	
88	1001116728	4	Terminal	
89	4460748	1	Plug	
90	1001175265	3	Terminal Seal	
91	4460458	1	Terminal Seal	
92	4460970	1	Connector	
93	4460464	6	Terminal	
94	4460941	1	Terminal	
95	4460466	5	Plug	
96	1001165311	1	Connector	
97	91013191	2	Terminal	
98	4460539	1	Connector	
99	4460944	3	Terminal	
100	4460539	1	Connector	

SECTION 10 - ELECTRICAL

ITEM	PART NUMBER	QTY	DESCRIPTION	REV
101	4460536	1	Mating Connector	
102	4460465	3	Terminal	

SECTION 10 - ELECTRICAL

FIGURE 10-70. FRAME - REAR FRAME HARNESS, MINING



ART_1001228741-A

SECTION 10 - ELECTRICAL

FIGURE 10-70. FRAME - REAR FRAME HARNESS, MINING

ITEM	PART NUMBER	QTY	DESCRIPTION	REV
	1001228741	Ref	Front Frame Harness, Mining	A
1	1001161957	1	Connector	
2	1001161097	6	Terminal	
3	1001161100	18	Plug	
4	1001161101	8	Plug	
5	1001161963	1	Connector	
6	1001161097	26	Terminal	
7	1001161100	14	Plug	
8	1001161099	6	Terminal	
9	1001161101	2	Plug	
10	1001160500	1	Connector	
11	1001161100	18	Plug	
12	1001161097	6	Terminal	
13	1001161099	8	Terminal	
14	4461118	1	Connector	
15	1001107854	2	Terminal	
16	1001116763	2	Terminal Seal	
17	1001116996	1	Connector	
18	1001118392	6	Terminal	
19	1001116696	1	Plug	
20	4461054	6	Terminal Seal	
21	4461262	1	Connector	
22	1001107854	3	Terminal	
23	1001104498	3	Terminal Seal	
24	4460891	1	Connector	
25	4460465	2	Terminal	
26	4460891	1	Connector	
27	4460465	2	Terminal	
28	4460884	1	Connector	
29	4460465	4	Terminal	
30	4460891	1	Connector	
31	4460465	2	Terminal	
32	1001160509	1	Connector	
33	1001160510	1	Terminal	
34	1001175267	1	Terminal Seal	
35	4460884	1	Connector	
36	4460932	1	Mating Connector	
37	4460465	4	Terminal	
38	4460466	1	Plug	
39	4460884	1	Connector	
40	4460932	1	Mating Connector	
41	4460466	2	Plug	
42	4460465	2	Terminal	
43	4460894	1	Connector	
44	4460899	1	Mating Connector	
45	4460466	3	Plug	
46	4460465	3	Terminal	
47	4461018	1	Connector	
48	4461017	1	Mating Connector	
49	4460509	2	Terminal	

SECTION 10 - ELECTRICAL

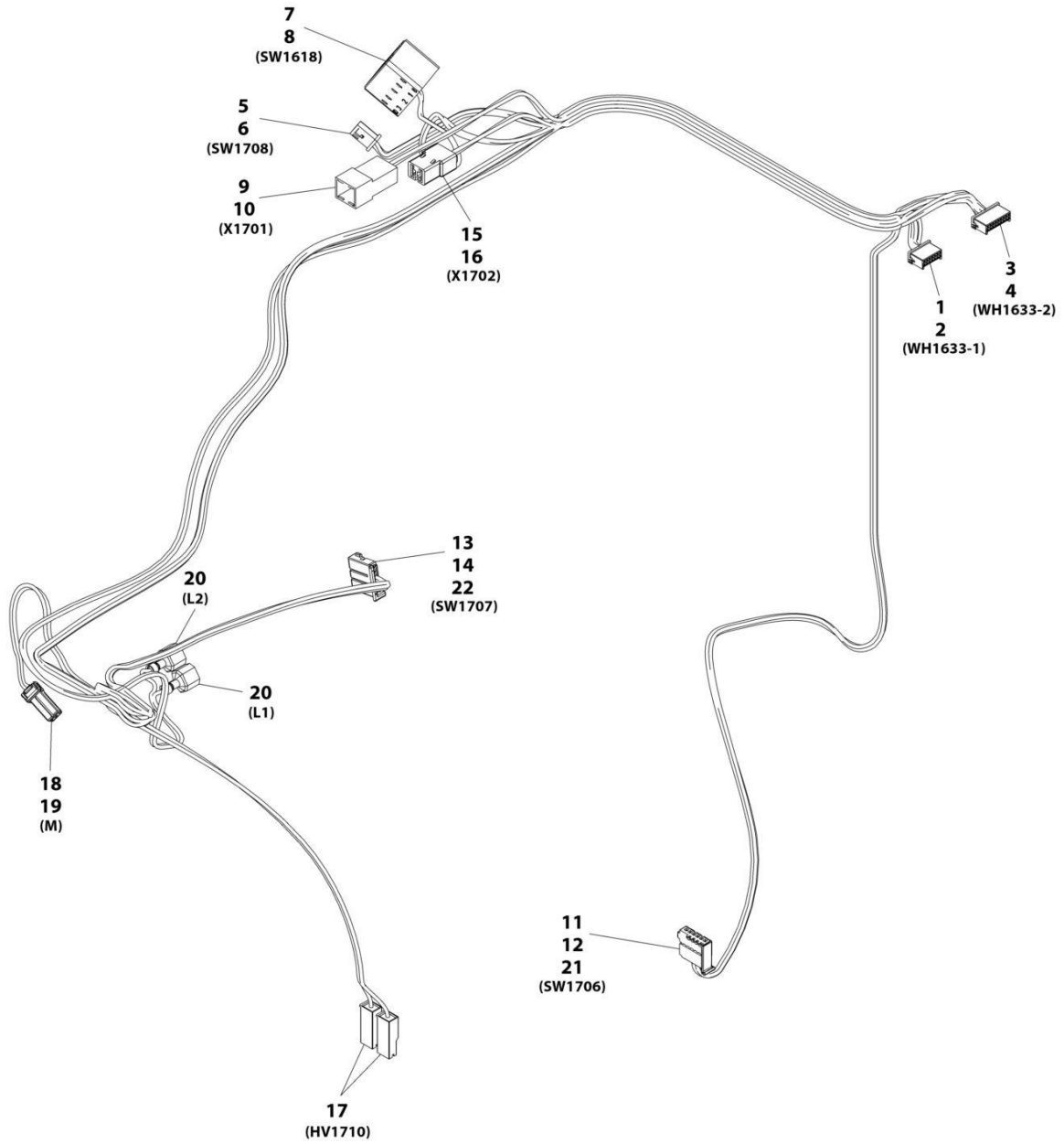
ITEM	PART NUMBER	QTY	DESCRIPTION	REV
51	4460930	1	Connector	
52	4460931	1	Mating Connector	
53	4460466	2	Plug	
54	4460465	6	Terminal	
55	4460933	1	Connector	
56	1001125677	1	Bussbar Connector	
57	4460465	10	Terminal	
58	4460466	2	Plug	
59	1001116996	1	Connector	
60	1001118392	6	Terminal	
61	1001116696	1	Plug	
62	4461054	6	Terminal Seal	
63	1001187080	1	Ring Terminal	
64	1001187079	1	Ring Terminal	
65	1001116812	1	Connector	
66	4460944	2	Terminal	
67	4460466	1	Plug	
68	4460539	1	Connector	
69	4460944	2	Terminal	
70	4460466	1	Plug	
71	1001116812	1	Connector	
72	4460944	2	Terminal	
73	4460466	1	Plug	
74	4460891	1	Connector	
75	4460465	2	Terminal	
76	4460891	1	Connector	
77	4460465	2	Terminal	
78	4460891	1	Connector	
79	4460465	2	Terminal	
80	4460891	1	Connector	
81	4460465	2	Terminal	
82	4460891	1	Connector	
83	4460465	2	Terminal	
84	4460930	1	Connector	
85	4460931	1	Mating Connector	
86	4460466	2	Plug	
87	4460465	6	Terminal	
88	1001121726	1	Connector	
89	1001121727	1	Mating Connector	
90	1001116728	4	Terminal	
91	1001116727	1	Plug	
92	4460748	1	Plug	
93	1001175265	3	Terminal Seal	
94	4460458	1	Terminal Seal	
95	4460970	1	Connector	
96	4460464	6	Terminal	
97	4460941	1	Terminal	
98	4460466	5	Plug	
99	1001165311	1	Connector	
100	91013191	2	Terminal	
101	4460539	1	Connector	

SECTION 10 - ELECTRICAL

ITEM	PART NUMBER	QTY	DESCRIPTION	REV
102	4460944	3	Terminal	
103	4460539	1	Connector	
104	4460536	1	Mating Connector	
105	4460466	1	Plug	
106	4460465	3	Terminal	

SECTION 10 - ELECTRICAL

FIGURE 10-71. HVAC ACTUATOR HARNESS



ART_1001268830

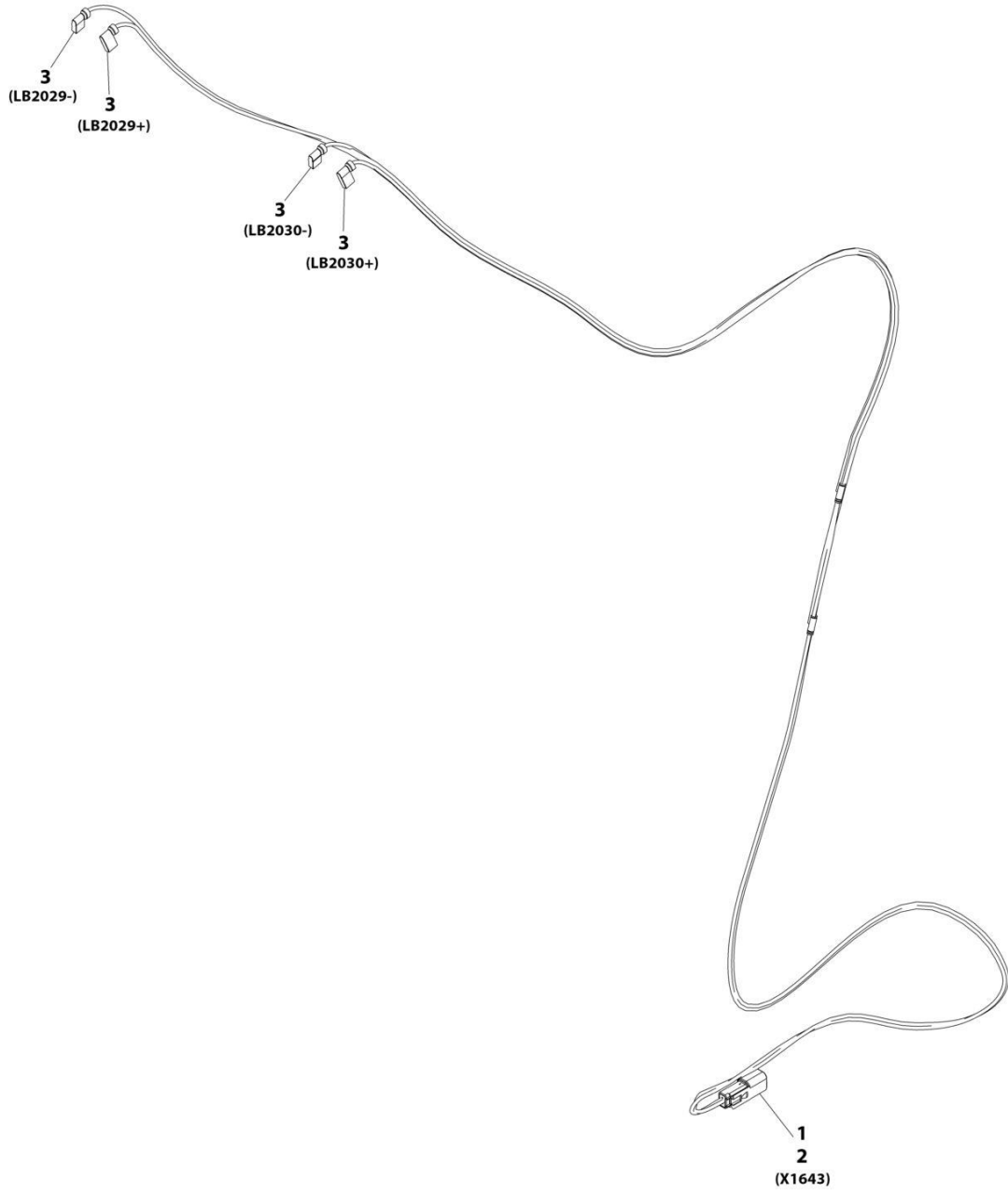
SECTION 10 - ELECTRICAL

FIGURE 10-71. HVAC ACTUATOR HARNESS

ITEM	PART NUMBER	QTY	DESCRIPTION	REV
	1001268830	Ref	CAB HVAC ACTUATOR HARNESS	B
1	1001274536	1	Connector	
2	1001274543	10	Terminal	
3	1001274537	1	Connector	
4	1001274543	8	Terminal	
5	1001184473	1	Connector	
6	1001184479	3	Terminal	
7	1001274533	1	Connector	
8	1001274539	4	Terminal	
9	1001116999	1	Connector	
10	1001274540	2	Terminal	
11	1001274534	1	Connector	
12	1001274541	2	Terminal	
13	1001274534	1	Connector	
14	1001274541	5	Terminal	
15	1001116991	1	Connector	
16	1001116720	2	Terminal	
17	1001274535	2	Connector	
18	1001274538	1	Connector	
19	1001274544	2	Terminal	
20	8220050	2	Terminal	
21	1001274553	1	Retainer	
22	1001274553	1	Retainer	

SECTION 10 - ELECTRICAL

FIGURE 10-72. LICENSE LIGHT HARNESS



ART_1001178053-C

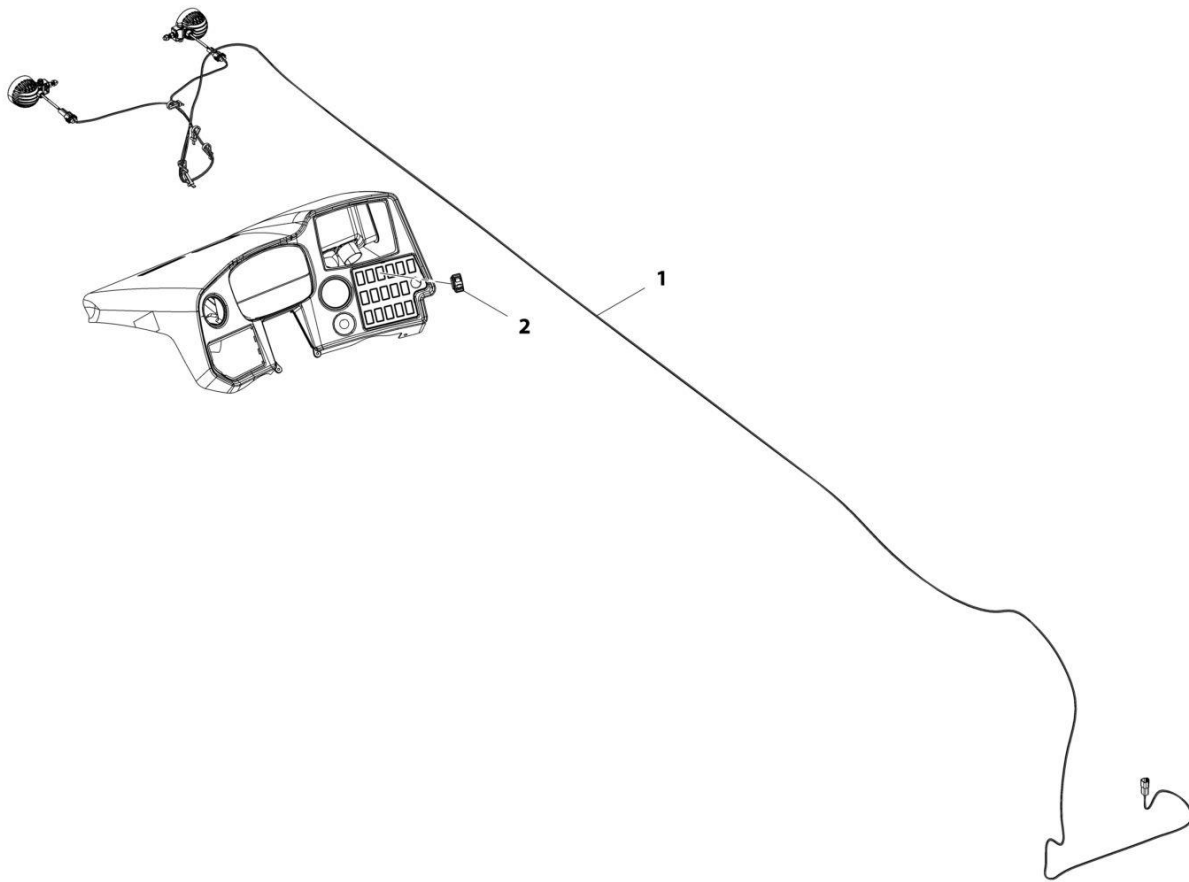
SECTION 10 - ELECTRICAL

FIGURE 10-72. LICENSE LIGHT HARNESS

ITEM	PART NUMBER	QTY	DESCRIPTION	REV
	1001178053	Ref	License Light Harness	C
1	4460897	1	Connector	
2	4460941	2	Terminal	
3	1001190396	4	Connector	

SECTION 10 - ELECTRICAL

FIGURE 10-73. LIGHTS - BOOM WORK LIGHTS (LED)



ART_1001209427-B

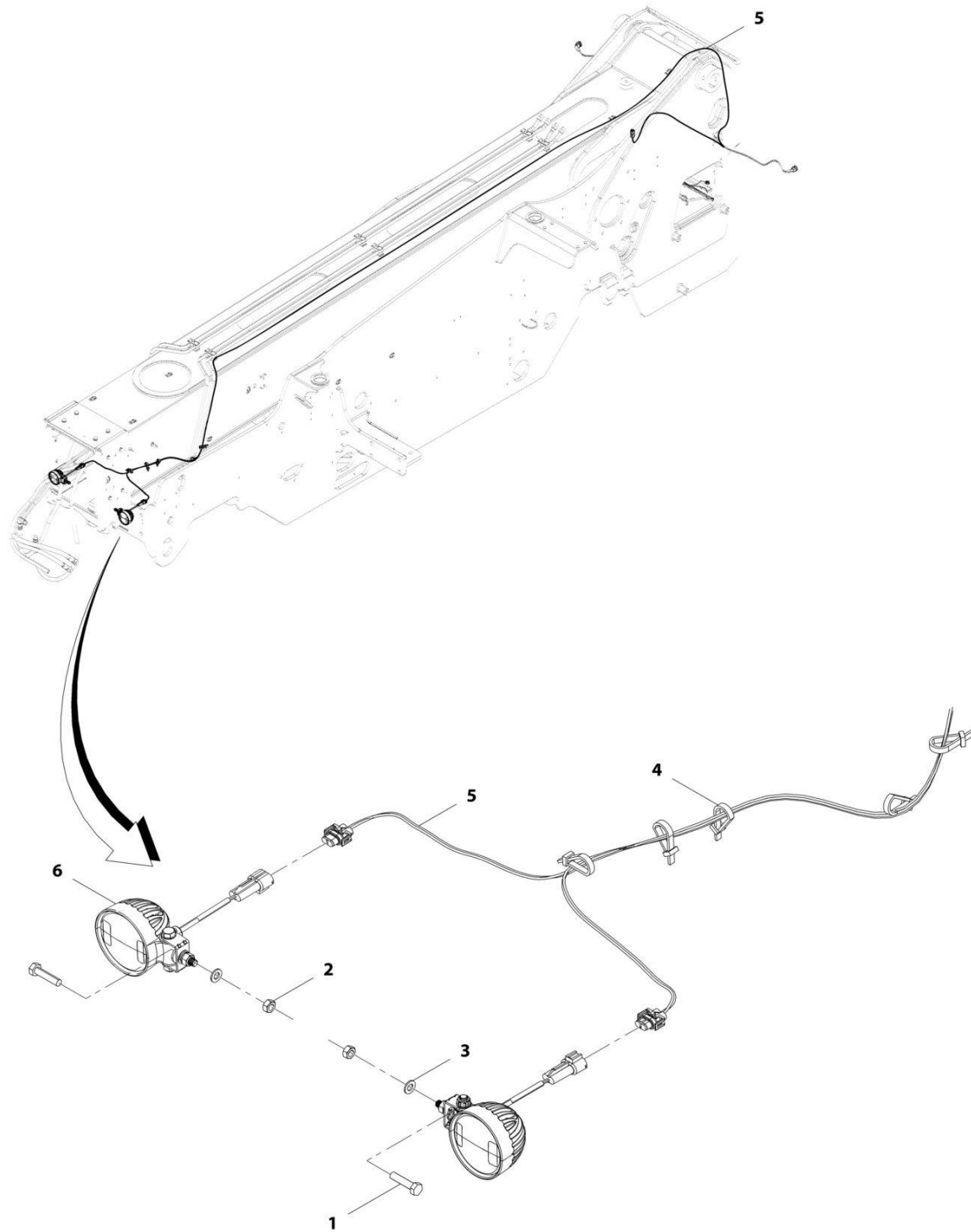
SECTION 10 - ELECTRICAL

FIGURE 10-73. LIGHTS - BOOM WORK LIGHTS (LED)

ITEM	PART NUMBER	QTY	DESCRIPTION	REV
	1001209427	Ref	Boom Work Lights (LED)	B
1	1001159739	1	Switch, Boom Worklights	
2	1001209456	1	Installation, LED Boom Work lights (See Separate Breakdown in this Section)	

SECTION 10 - ELECTRICAL

FIGURE 10-74. LIGHTS - BOOM WORK LIGHT INSTALLATION (LED)



ART_1001209456-C

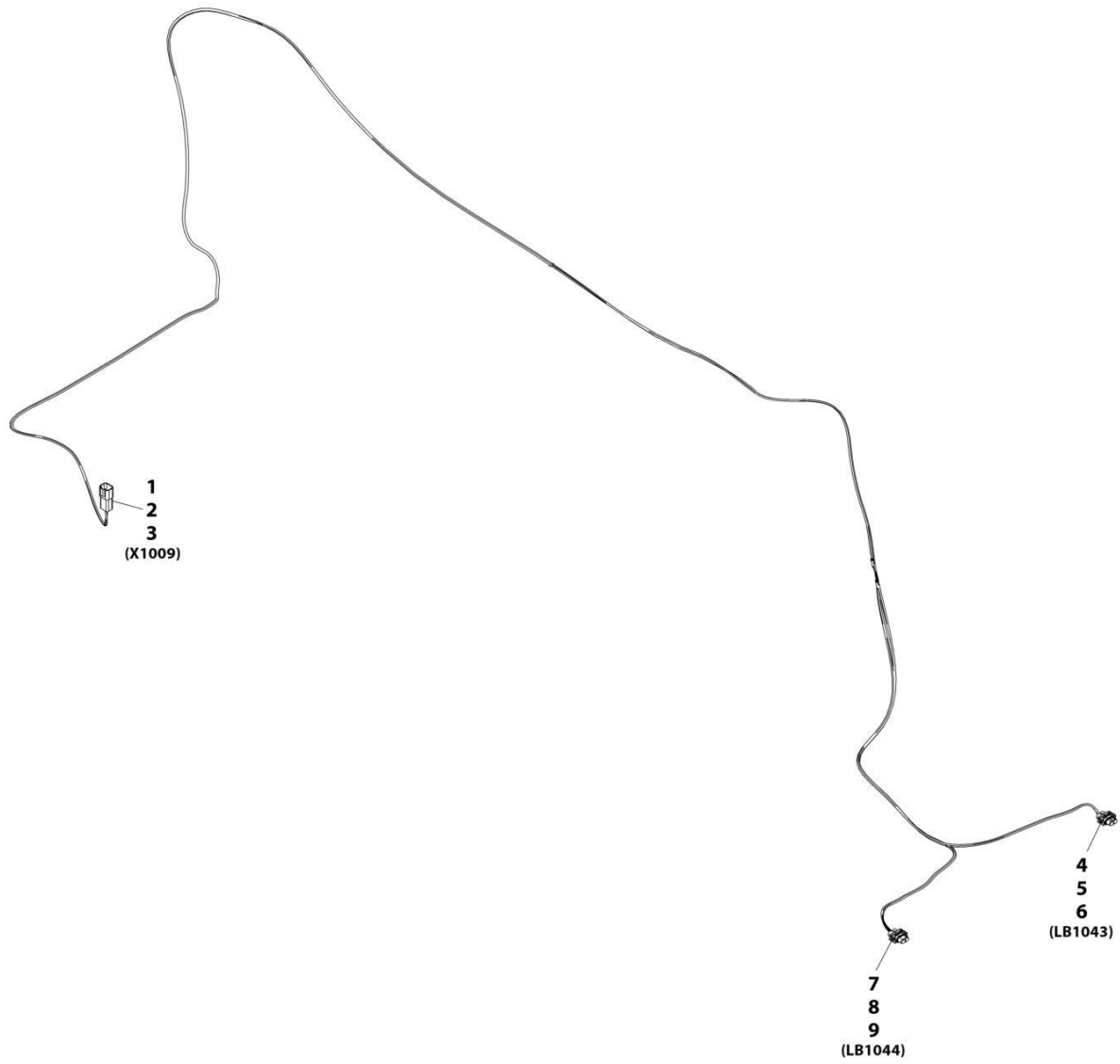
SECTION 10 - ELECTRICAL

FIGURE 10-74. LIGHTS - BOOM WORK LIGHT INSTALLATION (LED)

ITEM	PART NUMBER	QTY	DESCRIPTION	REV
	1001209456	Ref	Boom Work Light Installation (LED)	C
1	0700815	2	Bolt, M8X35	
2	3290801	2	Nut, M8X1.25	
3	4811900	2	Washer, M8	
4	1001008923	5	Strap, Cable	
5	1001184796	1	Harness, Boom Work Lights (See Separate Breakdown in this Section)	
6	1001203640	2	Lamp, LED Worklight	

SECTION 10 - ELECTRICAL

FIGURE 10-75. LIGHTS - BOOM WORKLIGHTS HARNESS



ART_1001184796-E

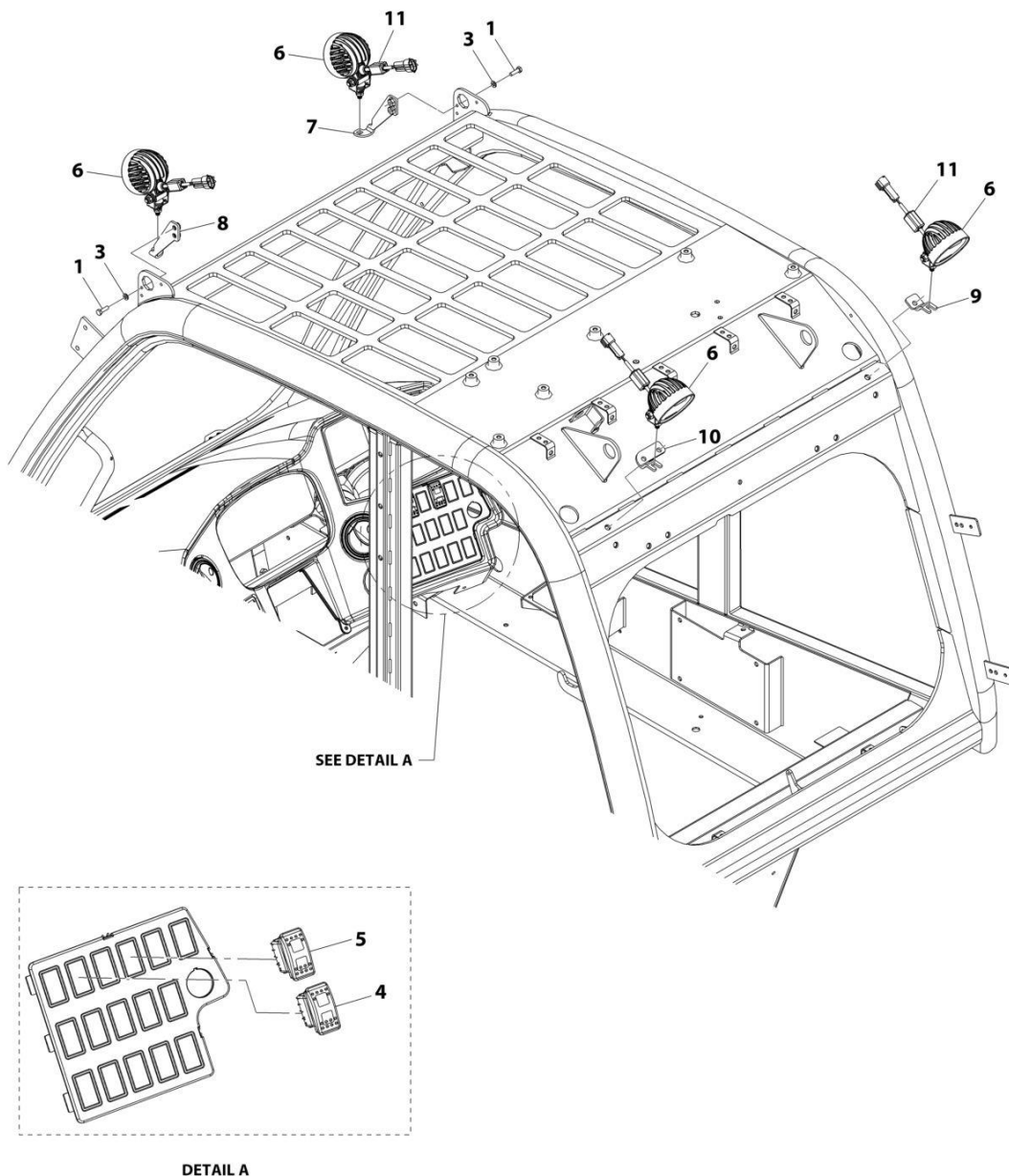
SECTION 10 - ELECTRICAL

FIGURE 10-75. LIGHTS - BOOM WORKLIGHTS HARNESS

ITEM	PART NUMBER	QTY	DESCRIPTION	REV
	1001184796	Ref	Boom Worklights Harness	E
1	4460932	1	Connector	
2	4460464	2	Terminal	
3	4460466	2	Plug	
4	4461115	1	Connector	
5	1001116728	2	Terminal	
6	4460458	2	Terminal Seal	
7	4461115	1	Connector	
8	1001116728	2	Terminal	
9	4460458	2	Terminal Seal	

SECTION 10 - ELECTRICAL

FIGURE 10-76. LIGHTS - CAB WORK LIGHTS INSTALLATION (NO A/C) (LED)



ART_1001200538-D

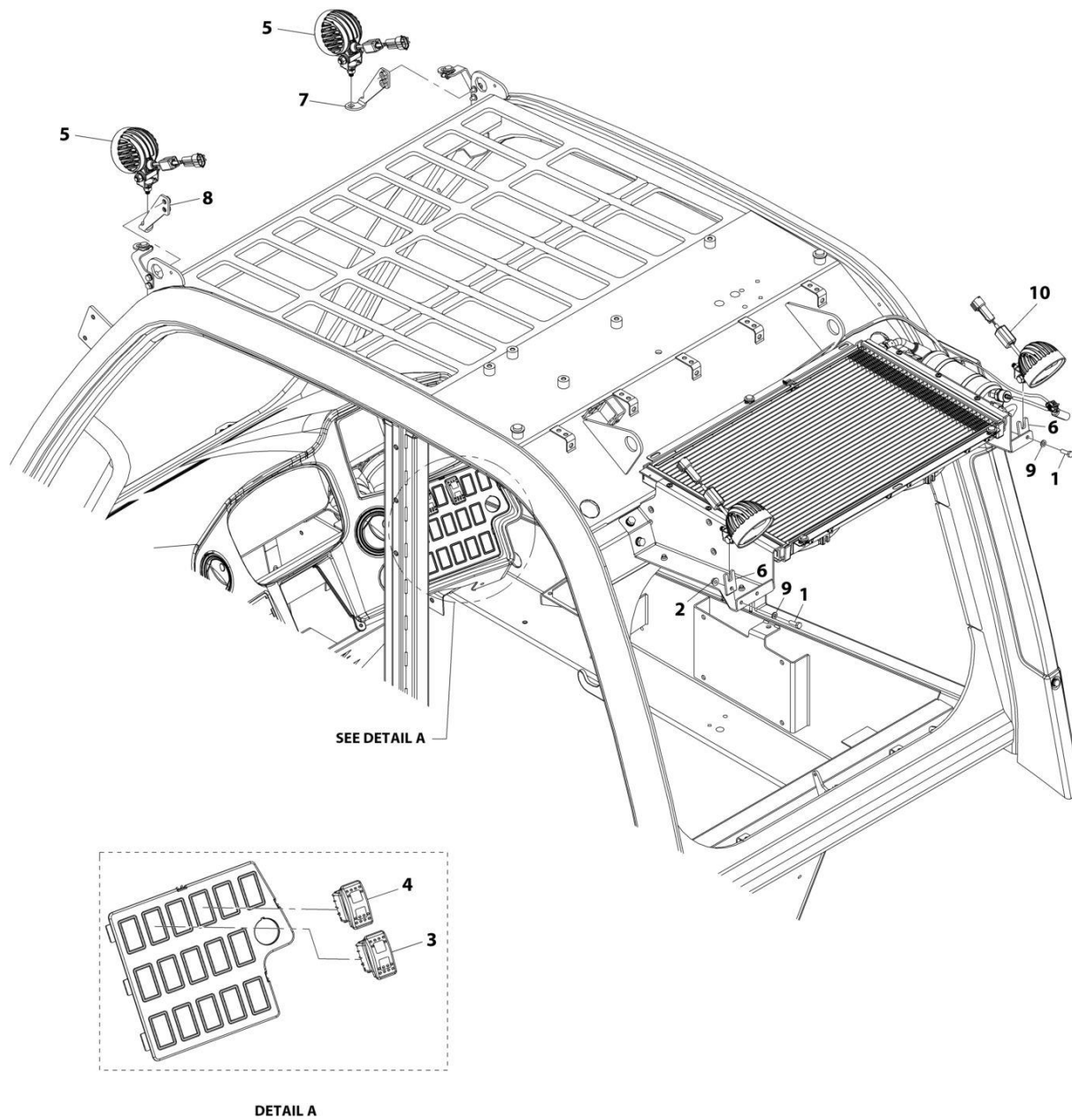
SECTION 10 - ELECTRICAL

FIGURE 10-76. LIGHTS - CAB WORK LIGHTS INSTALLATION (NO A/C) (LED)

ITEM	PART NUMBER	QTY	DESCRIPTION	REV
	1001200538	Ref	Cab Worklights Installation (No A/C - LED)	D
1	0700610	4	Bolt, M6X20	
3	4811700	4	Washer, M6	
4	1001159845	1	Switch, Front Worklights	
5	1001159846	1	Switch, Rear Worklights	
6	1001203640	4	Lamp, LED Work Light	
7	1001244193	1	Support, LED Work Light RH	
8	1001244192	1	Support, LED Work Light LH	
9	1001204528	1	Support, LED Work Light RH	
10	1001204530	1	Support, LED Work Light LH	
11	1001228989	4	Harness, Ferrite	

SECTION 10 - ELECTRICAL

FIGURE 10-77. LIGHTS - CAB WORK LIGHTS INSTALLATION (A/C) (LED)



ART_1001200539-D

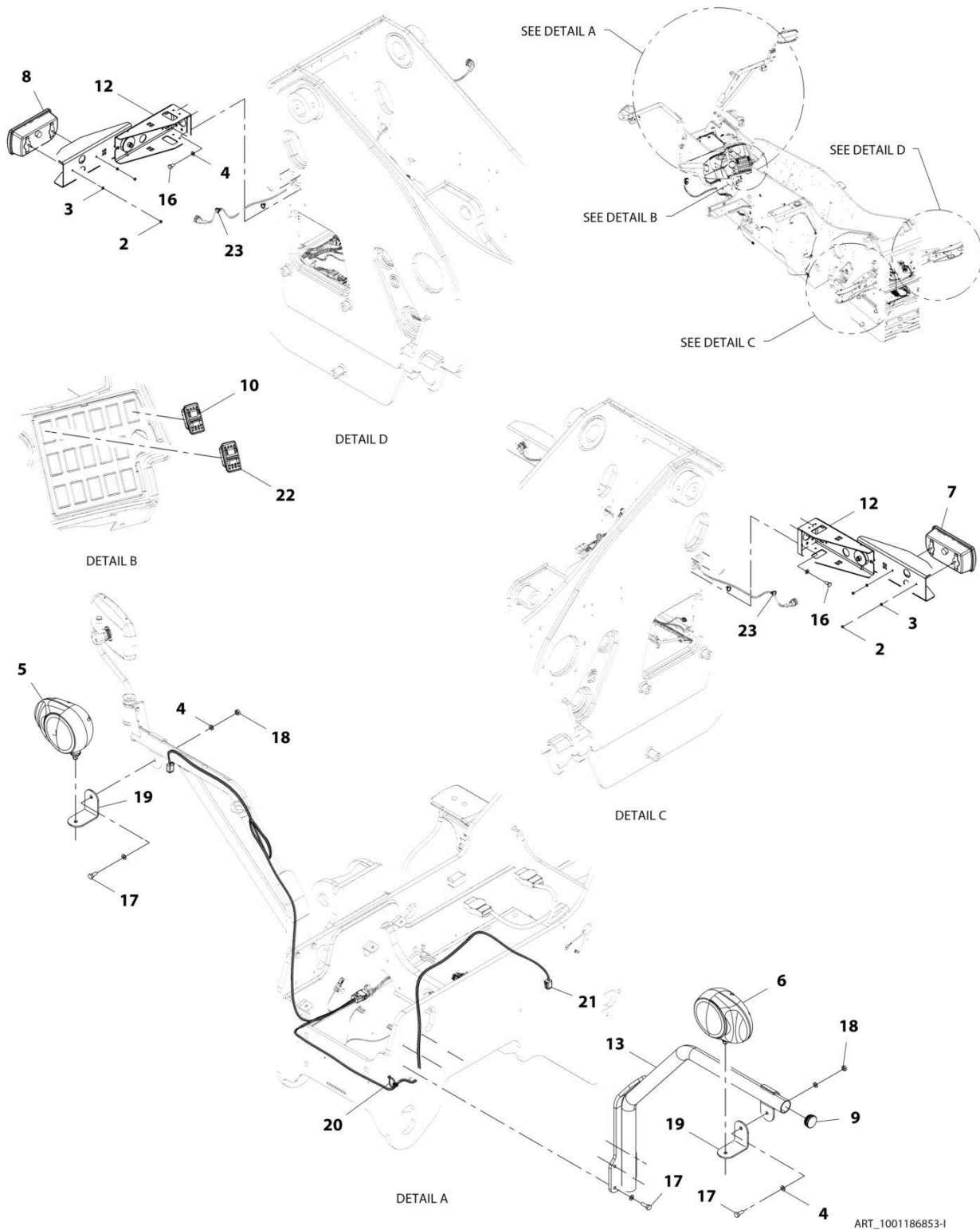
SECTION 10 - ELECTRICAL

FIGURE 10-77. LIGHTS - CAB WORK LIGHTS INSTALLATION (A/C) (LED)

ITEM	PART NUMBER	QTY	DESCRIPTION	REV
	1001200539	Ref	Cab Worklights Installation (A/C - LED)	D
1	0700610	2	Bolt, M6X20	
2	5220600	2	Nut, M6	
3	1001159845	1	Switch, Front Worklights	
4	1001159846	1	Switch, Rear Worklights	
5	1001203640	4	Lamp, LED Work Light	
6	1001204060	2	Bracket	
7	1001244193	1	Support, LED Work Light RH	
8	1001244192	1	Support, LED Work Light LH	
9	4811700	2	Washer, M6	
10	1001228989	4	Harness, Ferrite	

SECTION 10 - ELECTRICAL

FIGURE 10-78. LIGHTS - DRIVING LIGHT INSTALLATION (RH DIP)



ART_1001186853-I

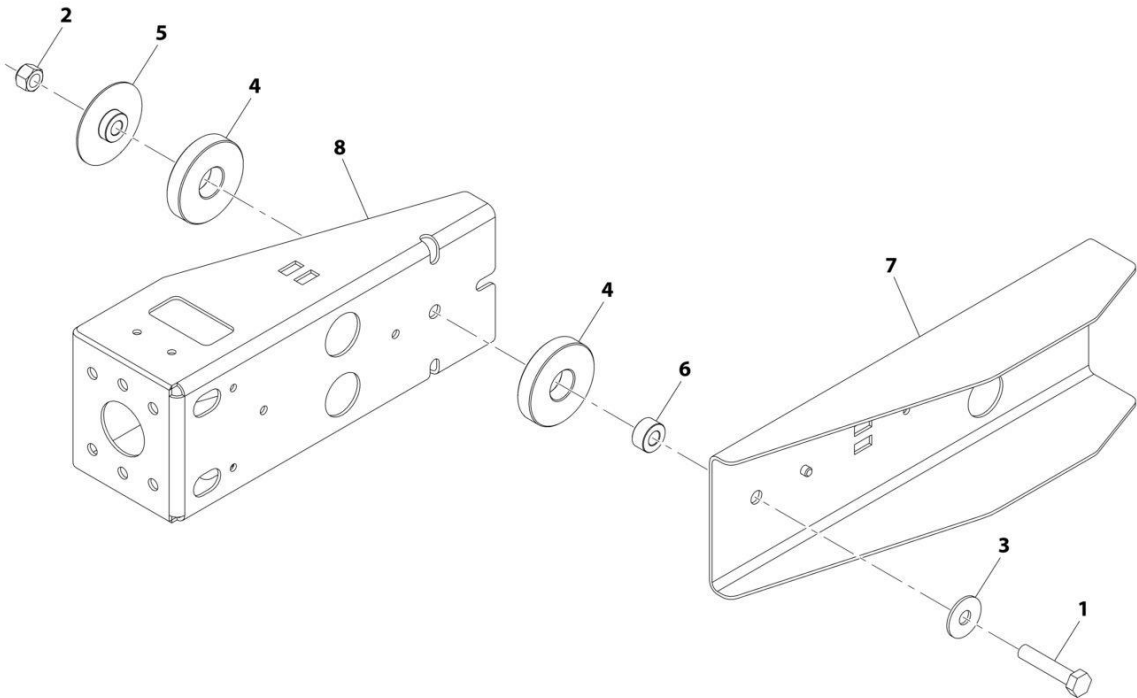
SECTION 10 - ELECTRICAL

FIGURE 10-78. LIGHTS - DRIVING LIGHT INSTALLATION (RH DIP)

ITEM	PART NUMBER	QTY	DESCRIPTION	REV
	1001186853	Ref	Driving Light Installation (RH Dip)	1
2	3290607	4	Nut, Lock M6X1	
3	4811700	4	Washer, M6	
4	4812000	16	Washer, M10	
5	2920208	1	Light, Driving (RH) (RH Dip)	
	7029969	1	Bulb, 4W	
	7029970	1	Bulb, 55W	
	7029971	1	Bulb, 21W	
6	2920207	1	Light, Driving (LH) (RH Dip)	
	7029969	1	Bulb, 4W	
	7029970	1	Bulb, 55W	
	7029971	1	Bulb, 21W	
7	1001091715	1	Light, Rear (LH)	
	70021341	1	Bulb, 5W	
	70021340	1	Bulb, 21W	
	7029971	1	Bulb, 21W	
8	1001091716	1	Light, Rear (RH)	
	70021341	1	Bulb, 5W	
	70021340	1	Bulb, 21W	
	7029971	1	Bulb, 21W	
9	1001209697	1	Cap	
10	1001159734	1	Switch, Hazard	
12	1001183112	2	Assembly, Rear Light Bracket (See Separate Breakdown in this Section)	
13	1001206100	1	Bracket	
16	0761010	8	Bolt, M10X20	
17	0701014	6	Bolt, M10X30	
18	3291001	2	Nut, M10X1.5	
19	1001203368	2	Bracket	
20	1001146588	1	Strap, Tie	
21	1001215693	1	Harness, Headlight (See Separate Breakdown in this Section)	
22	1001159737	1	Switch, Fog Lights	
23	1001008559	4	Strap, Cable	

SECTION 10 - ELECTRICAL

FIGURE 10-79. LIGHTS - DRIVING LIGHT BRACKET ASSEMBLY



ART_1001183112-C

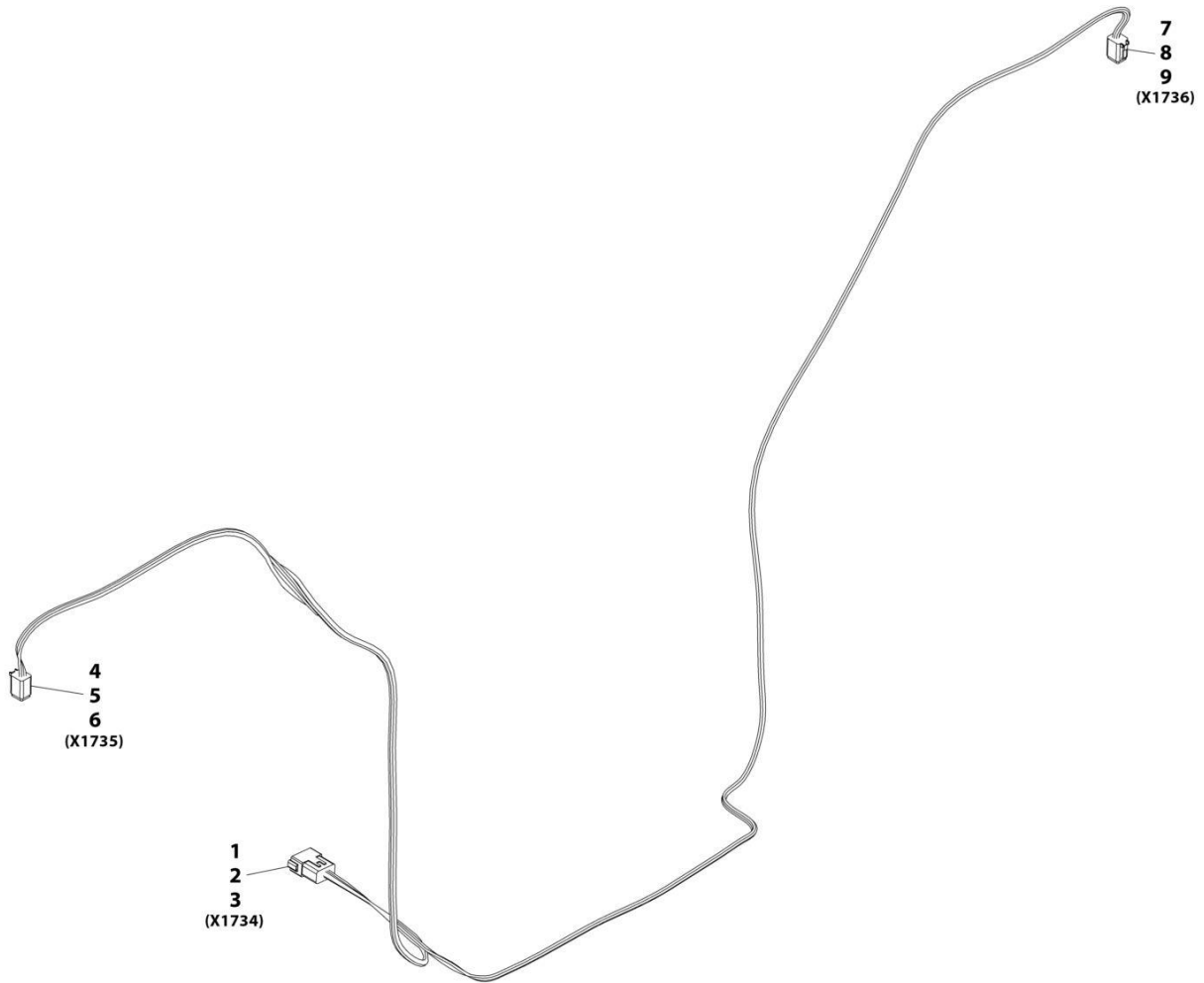
SECTION 10 - ELECTRICAL

FIGURE 10-79. LIGHTS - DRIVING LIGHT BRACKET ASSEMBLY

ITEM	PART NUMBER	QTY	DESCRIPTION	REV
	1001183112	Ref	Rear Light Bracket Assembly	C
1	0701220	1	Bolt, M12X60	
2	3291205	1	Nut, Lock M12X1.75	
3	4812102	1	Washer, M12	
4	8000565	2	Washer, Rubber	
5	1001182490	1	Washer, Top Hat	
6	1001182495	1	Washer	
7	1001196217	1	Bracket	
8	1001196100	1	Bracket	

SECTION 10 - ELECTRICAL

FIGURE 10-80. LIGHTS - DRIVING HEADLIGHT HARNESS



ART_1001215693-C

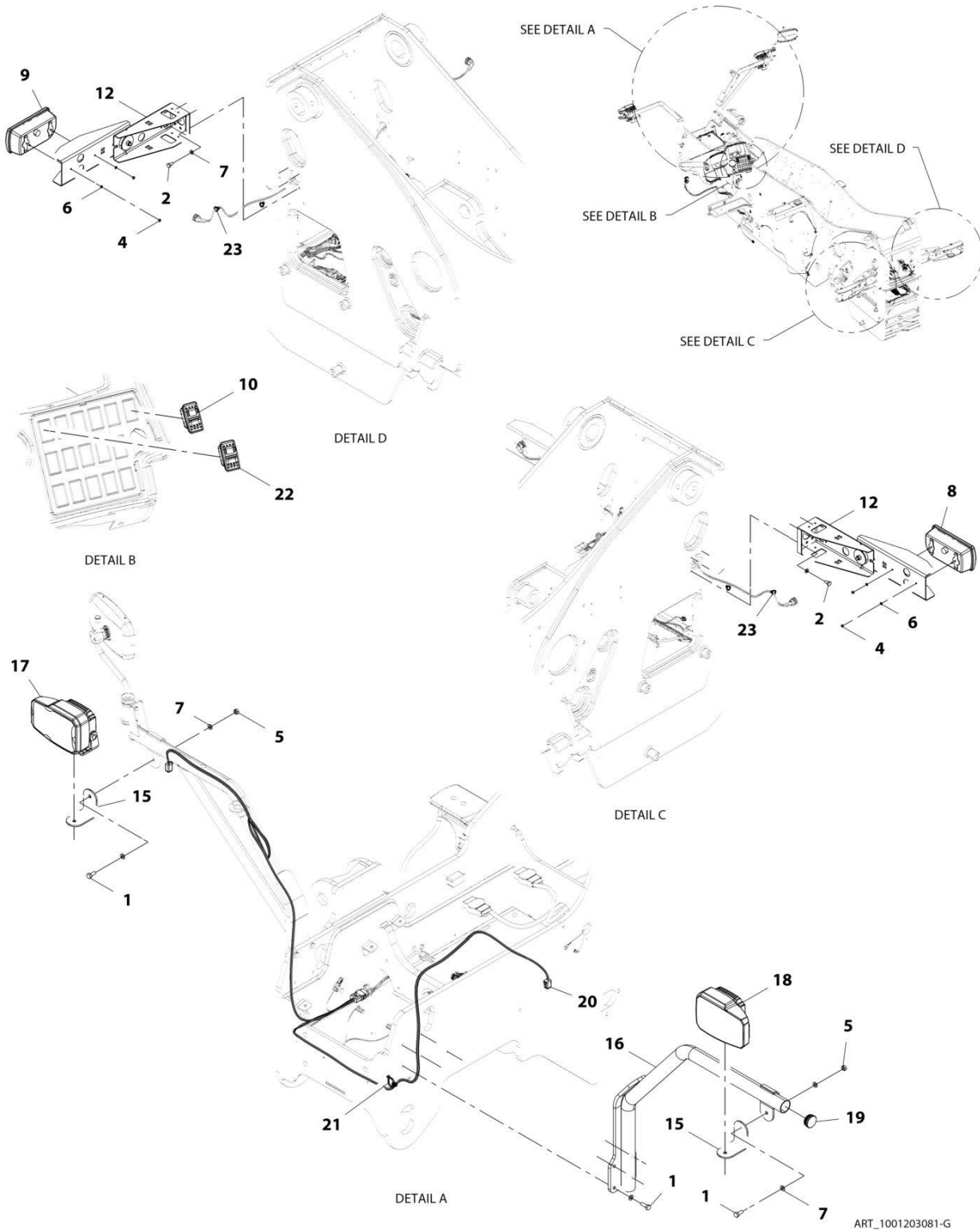
SECTION 10 - ELECTRICAL

FIGURE 10-80. LIGHTS - DRIVING HEADLIGHT HARNESS

ITEM	PART NUMBER	QTY	DESCRIPTION	REV
	1001215693	Ref	Headlight Harness	C
1	4460970	1	Connector	
2	4460941	10	Terminal	
3	4460466	2	Plug	
4	4460894	1	Connector	
5	4460942	5	Terminal	
6	4460466	1	Plug	
7	4460894	1	Connector	
8	4460942	5	Terminal	
9	4460466	1	Plug	

SECTION 10 - ELECTRICAL

FIGURE 10-81. LIGHTS - DRIVING LIGHT INSTALLATION (LED) (RH DIP)



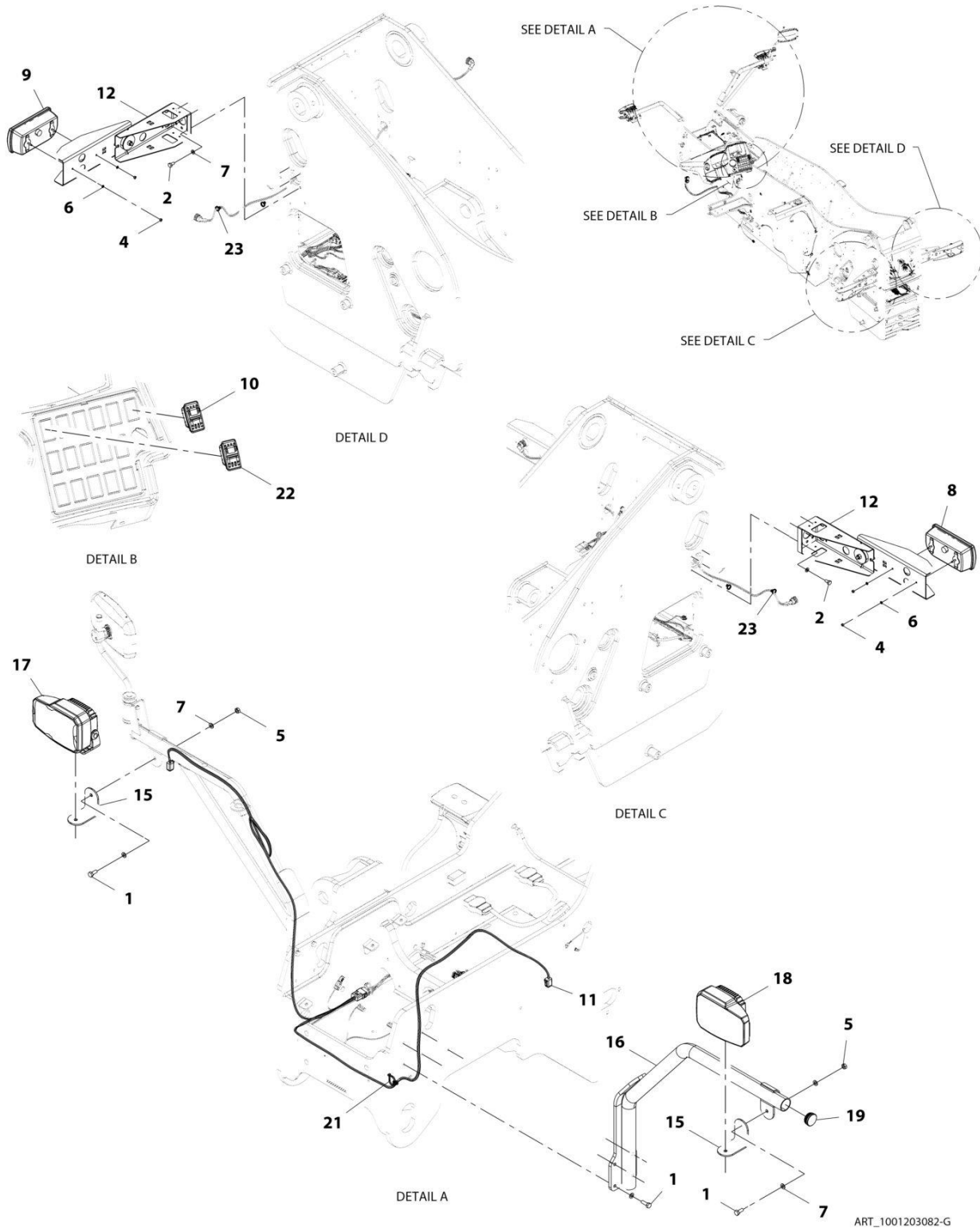
SECTION 10 - ELECTRICAL

FIGURE 10-81. LIGHTS - DRIVING LIGHT INSTALLATION (LED) (RH DIP)

ITEM	PART NUMBER	QTY	DESCRIPTION	REV
	1001203081	Ref	Driving Light Installation (LED) (RH Dip)	G
1	0701014	6	Bolt, M10X30	
2	0761010	8	Bolt, M10X20	
4	3290607	4	Bolt, M6X1	
5	3291001	2	Nut, M10X1.5	
6	4811700	4	Washer, M6	
7	4812000	16	Washer, M10	
8	1001091715	1	Light, Rear (LH)	
	70021341	1	Bulb, 5W	
	70021340	1	Bulb, 21W	
	7029971	1	Bulb, 21W	
9	1001091716	1	Light, Rear (RH)	
	70021341	1	REPLACEMENT BULB, 12V-5W	
	70021340	1	Bulb, 21W	
	7029971	1	Bulb, 21W	
10	1001159734	1	Switch, Hazard	
12	1001183112	2	Assembly, Rear Light Bracket (See Separate Breakdown in this Section)	
15	1001203368	2	Bracket	
16	1001206100	1	Bracket	
17	1001209690	1	Light, Driving (RH - LED) (RH Dip)	
18	1001209691	1	Light, Driving (LH - LED) (LH Dip)	
19	1001209697	1	Cap	
20	1001215693	1	Harness, Headlights (See Separate Breakdown in this Section)	
21	1001146588	1	Strap, Cable Tie	
22	1001159737	1	Switch, Fog Lights	
23	1001008559	4	Strap, Cable Tie	

SECTION 10 - ELECTRICAL

FIGURE 10-82. LIGHTS - DRIVING LIGHT INSTALLATION (LED) LH DIP



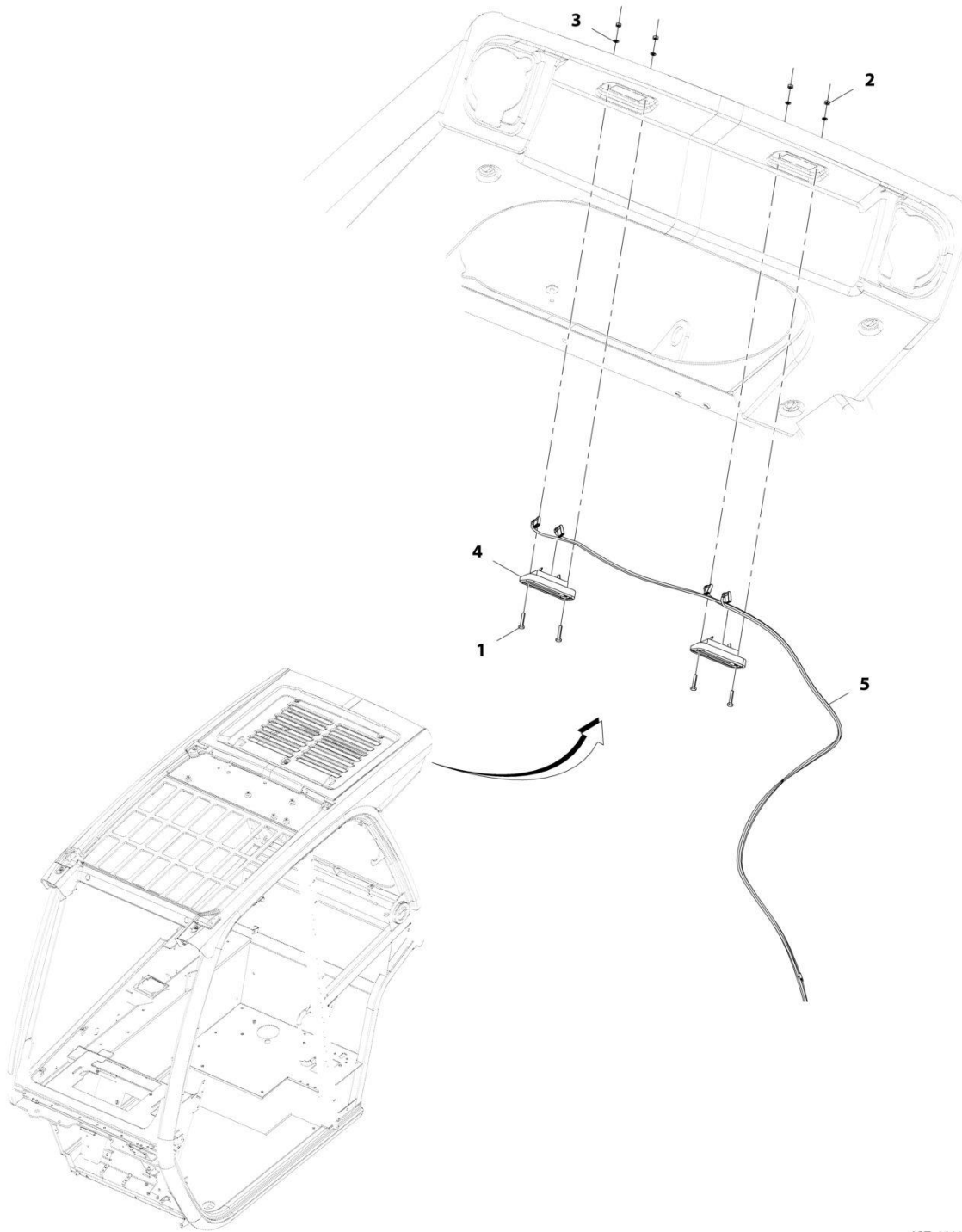
SECTION 10 - ELECTRICAL

FIGURE 10-82. LIGHTS - DRIVING LIGHT INSTALLATION (LED) LH DIP)

ITEM	PART NUMBER	QTY	DESCRIPTION	REV
	1001203082	Ref	Driving Light Installation (LED) (LH Dip)	G
1	0701014	6	Bolt, M10X30	
2	0761010	8	Bolt, M10X20	
4	3290607	4	Nut, Lock M6X1	
5	3291001	2	Nut, M10X1.5	
6	4811700	4	Washer, M6	
7	4812000	16	Washer, M10	
8	1001091715	1	Lamp, Rear (LH)	
	70021341	1	Bulb, 5W	
	70021340	1	Bulb, 21W	
	7029971	1	Bulb, 21W	
9	1001091716	1	Lamp, Rear (RH)	
	70021341	1	Bulb, 5W	
	70021340	1	Bulb, 21W	
	7029971	1	Bulb, 21W	
10	1001159734	1	Switch, Hazard	
11	1001215693	1	Harness, Headlights (See Separate Breakdown in this Section)	
12	1001183112	2	Assembly, Rear Light Bracket (See Separate Breakdown in this Section)	
15	1001203368	2	Bracket	
16	1001206100	1	Bracket	
17	1001209692	1	Light, Driving, (RH - LED) (LH Dip)	
18	1001209693	1	Light, Driving, (LH - LED) (LH Dip)	
19	1001209697	1	Cap	
21	1001146588	1	Strap, Cable Tie	
22	1001159737	1	Switch, Fog Lights	
23	1001008559	4	Strap, Cable	

SECTION 10 - ELECTRICAL

FIGURE 10-83. LIGHTS - LICENSE PLATE LIGHT INSTALLATION (8010 ONLY)



ART_1001200383-B

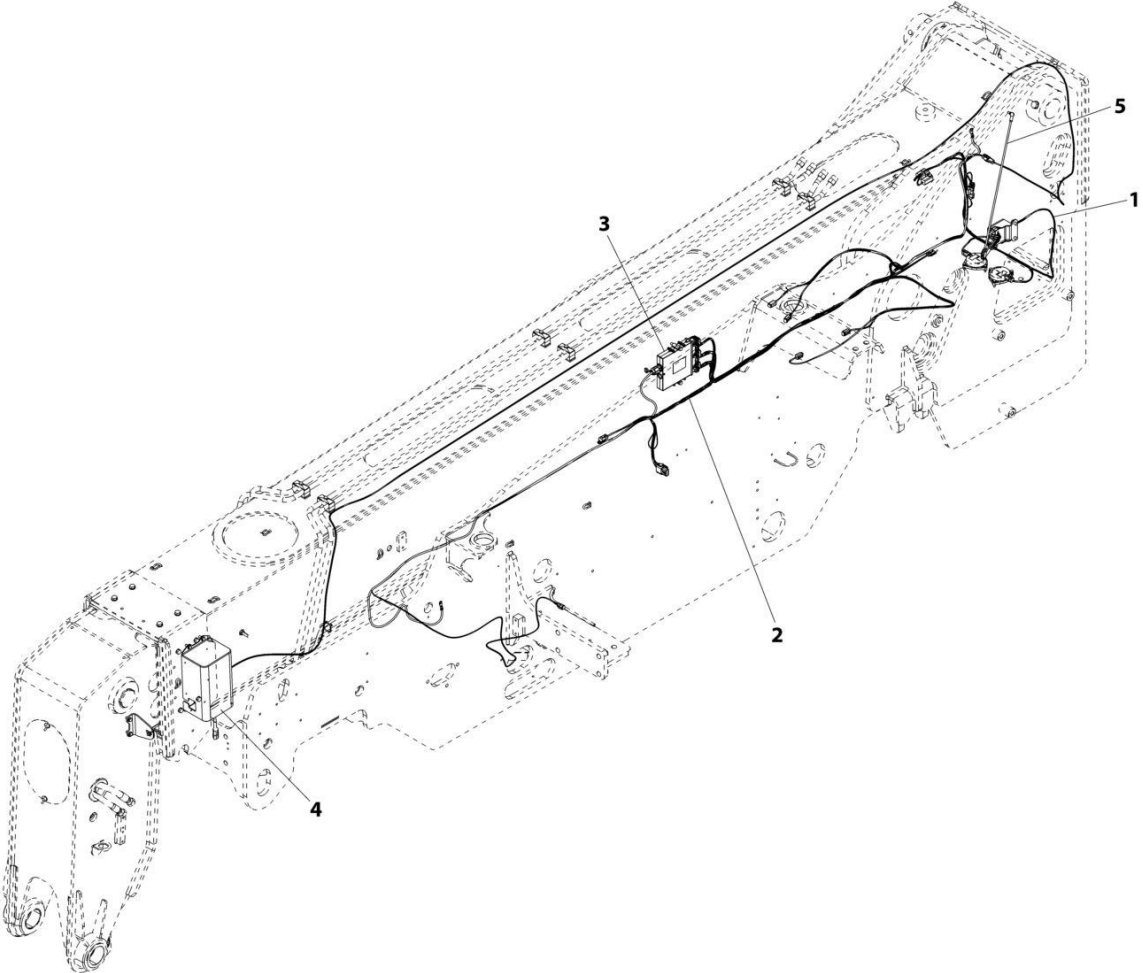
SECTION 10 - ELECTRICAL

FIGURE 10-83. LIGHTS - LICENSE PLATE LIGHT INSTALLATION (8010 ONLY)

ITEM	PART NUMBER	QTY	DESCRIPTION	REV
	1001200383	Ref	License Plate Lamp Installation	B
1	0760410	4	Bolt, M4X20	
2	3290401	4	Nut, M4X0.7 Grade 8	
3	4831400	4	Washer, Lock M4	
4	1001173829	2	Lamp, License Plate	
5	1001178053	1	Harness, License Light (See Separate Breakdown in Electrical Section)	

SECTION 10 - ELECTRICAL

FIGURE 10-84. LMIS CONTROL PACKAGE INSTALLATION



ART_1001192431

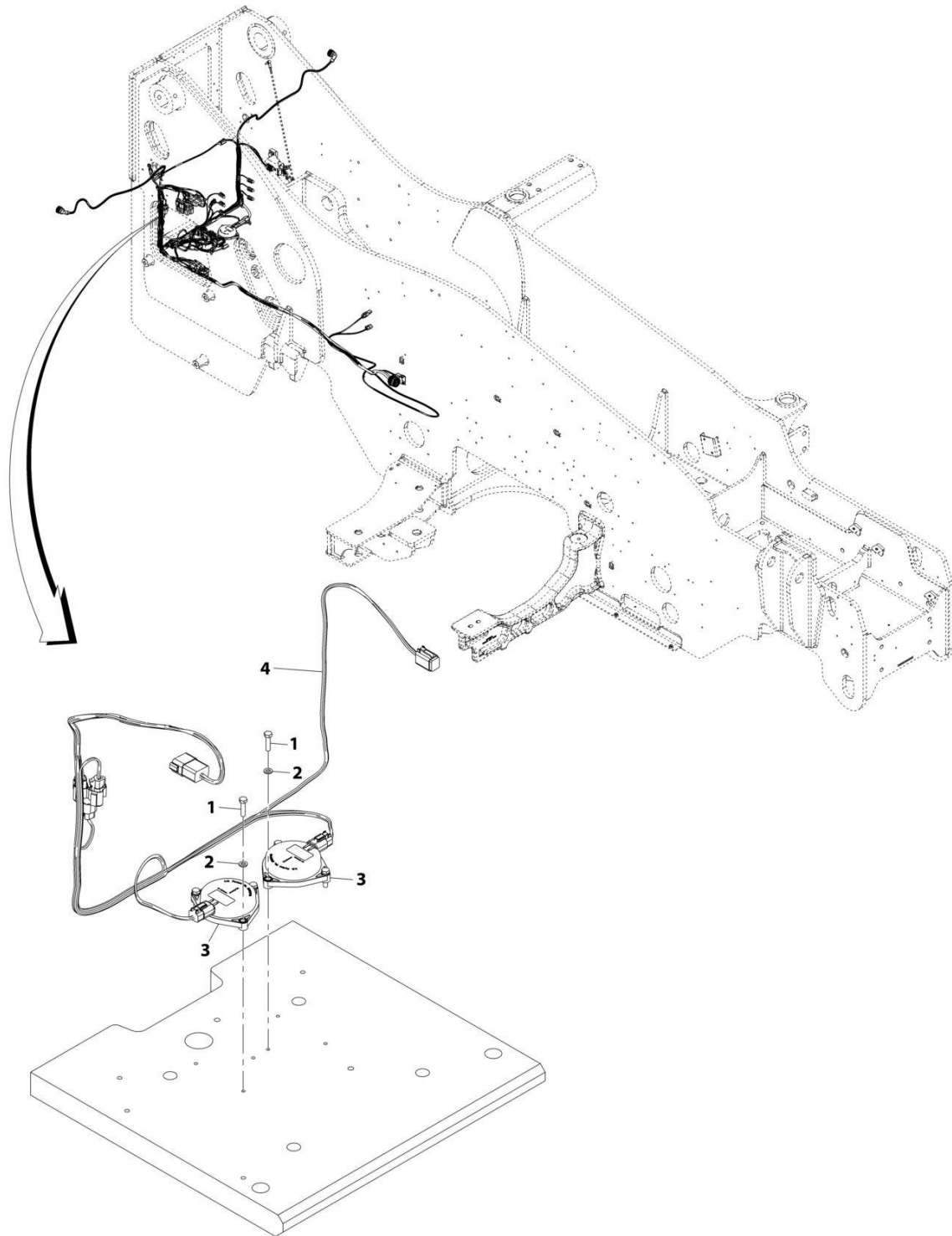
SECTION 10 - ELECTRICAL

FIGURE 10-84. LMIS CONTROL PACKAGE INSTALLATION

ITEM	PART NUMBER	QTY	DESCRIPTION	REV
	1001192431	Ref	LMIS Control Package Installation	E
1	1001195200	1	Installation, Tilt Sensor (See Separate Breakdown in this Section)	
2	1001195201	1	Installation, LMIS Wiring (See Separate Breakdown in this Section)	
3	1001195471	1	Installation, LMIS Controller (See Separate Breakdown in this Section)	
4	1001195473	1	Installation, LMIS Cable Reel (See Separate Breakdown in this Section)	
5	1001195590	1	Installation, Boom Angle Sensor (LMIS) (See Separate Breakdown in this Section)	

SECTION 10 - ELECTRICAL

FIGURE 10-85. LMIS TILT SENSOR INSTALLATION



ART_1001195200-B

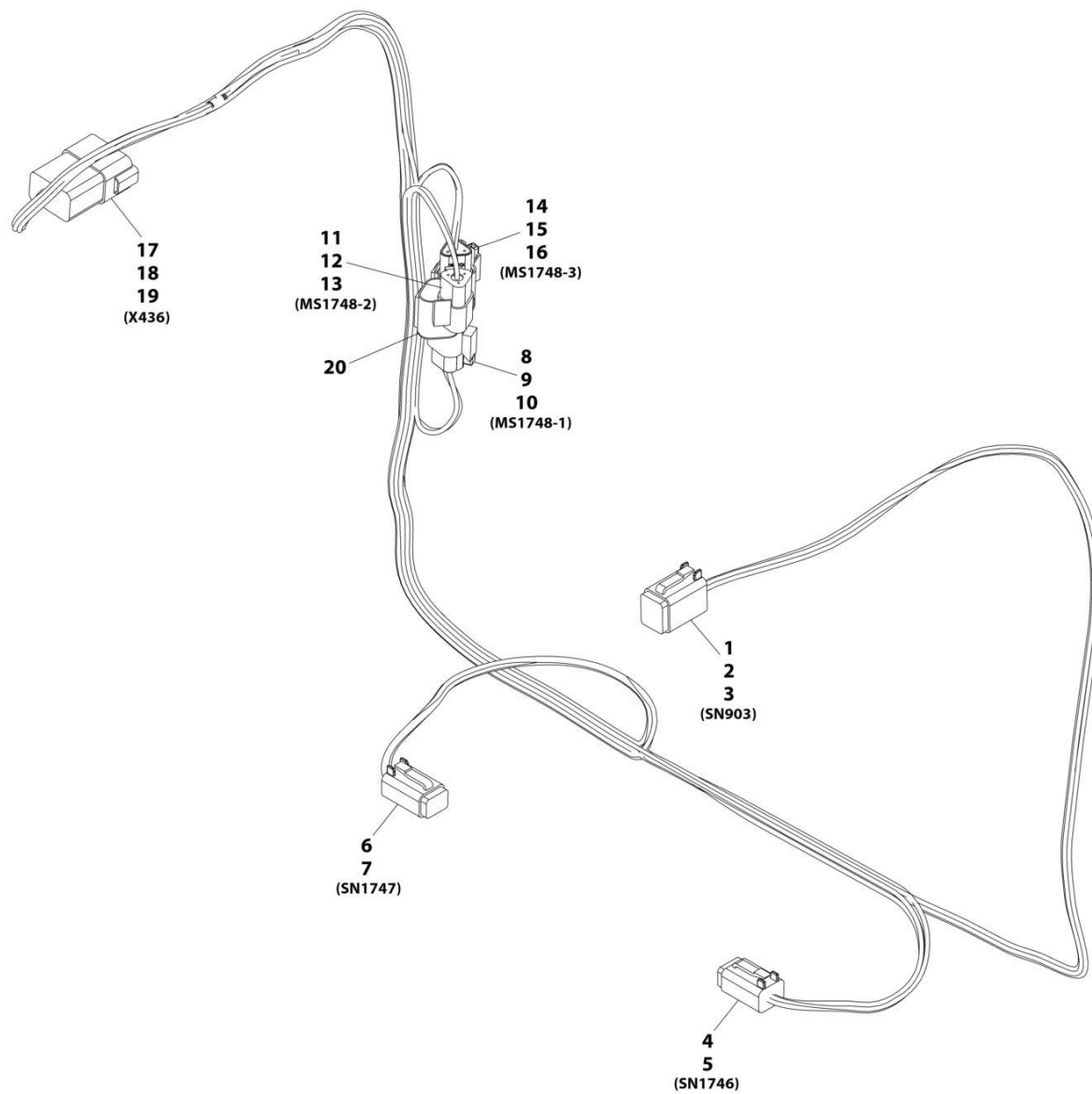
SECTION 10 - ELECTRICAL

FIGURE 10-85. LMIS TILT SENSOR INSTALLATION

ITEM	PART NUMBER	QTY	DESCRIPTION	REV
	1001195200	Ref	Tilt Sensor Installation	B
1	0700612	6	Bolt, M6X25	
2	4811700	6	Washer, M6	
3	1001163095	2	Sensor, Tilt	
4	1001195202	1	Harness, Platform Ready (See Separate Breakdown in this Section)	

SECTION 10 - ELECTRICAL

FIGURE 10-86. LMIS - PLATFORM READY HARNESS



ART_1001195202-A

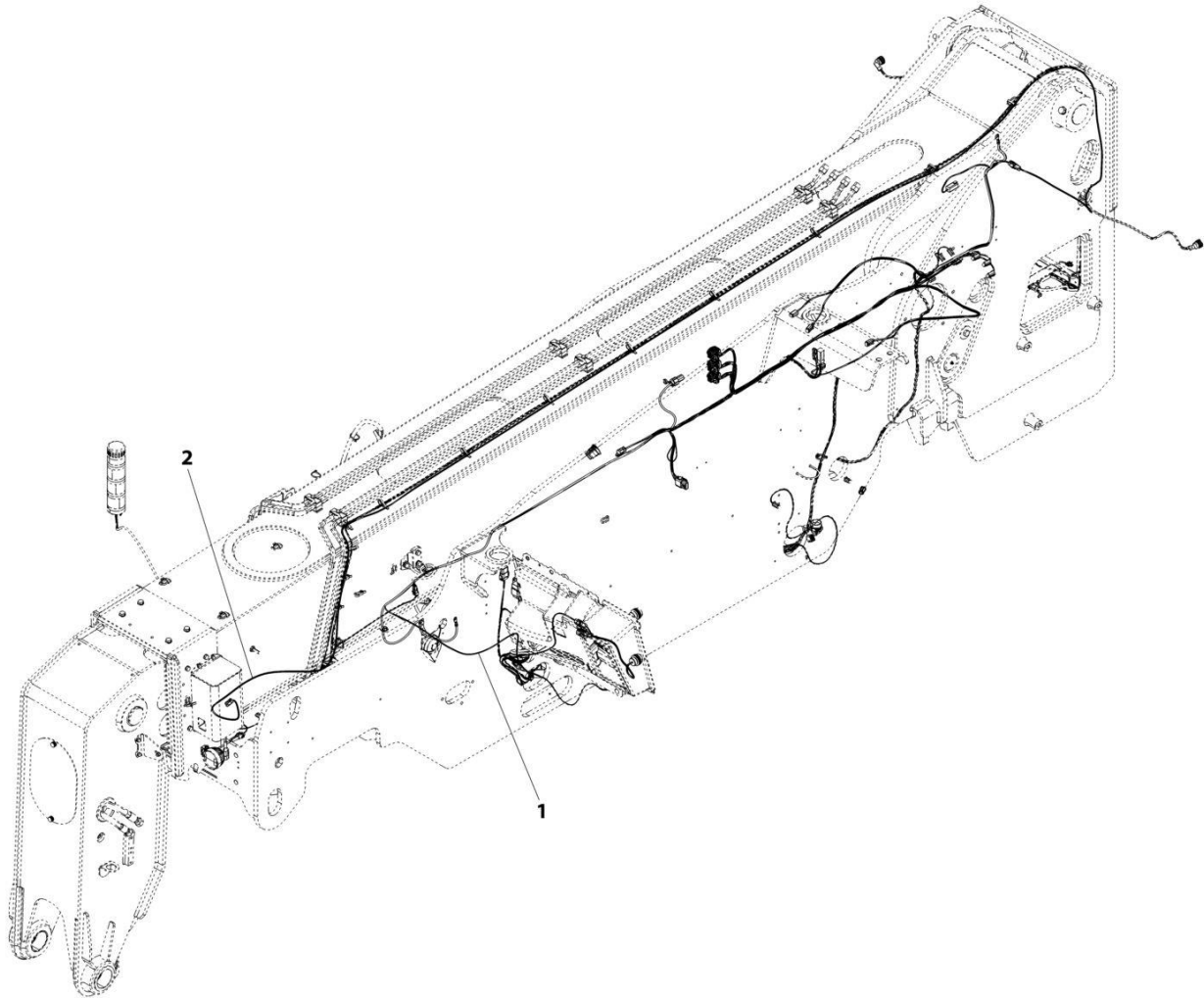
SECTION 10 - ELECTRICAL

FIGURE 10-86. LMIS - PLATFORM READY HARNESS

ITEM	PART NUMBER	QTY	DESCRIPTION	REV
	1001195202	Ref	Platform Ready Harness	A
1	4460894	1	Connector	
2	4460465	4	Terminal	
3	4460466	2	Plug	
4	4460884	1	Connector	
5	4460944	4	Terminal	
6	4460884	1	Connector	
7	4460944	4	Terminal	
8	1001116812	1	Connector	
9	4460944	2	Terminal	
10	4460466	1	Plug	
11	4460539	1	Connector	
12	4460944	2	Terminal	
13	4460466	1	Plug	
14	1001116812	1	Connector	
15	4460944	2	Terminal	
16	4460466	1	Plug	
17	4460931	1	Connector	
18	4460464	6	Terminal	
19	4460466	2	Plug	
20	4460945	1	Connector, 3 Way	

SECTION 10 - ELECTRICAL

FIGURE 10-87. LMIS WIRING INSTALLATION



ART_1001195201-F

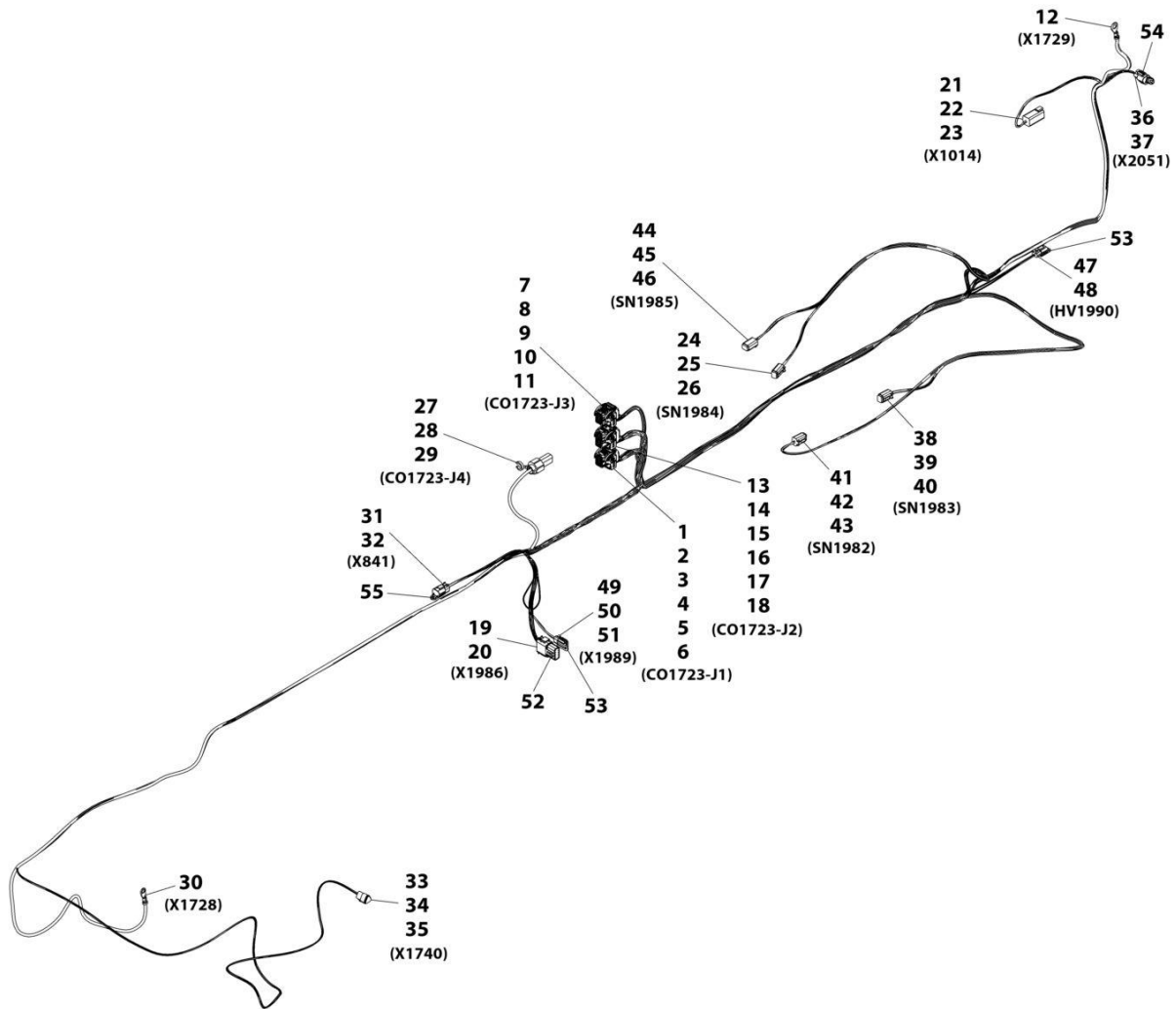
SECTION 10 - ELECTRICAL

FIGURE 10-87. LMIS WIRING INSTALLATION

ITEM	PART NUMBER	QTY	DESCRIPTION	REV
1	1001195201	Ref	LMIS Wiring Installation	F
	1001184795	1	Harness, Chassis Option (See Separate Breakdown in this Section)	
2	1001192619	1	Harness, LMIS Boom (See Separate Breakdown in this Section)	

SECTION 10 - ELECTRICAL

FIGURE 10-88. LMIS CHASSIS OPTION HARNESS



ART_1001184795-G

SECTION 10 - ELECTRICAL

FIGURE 10-88. LMIS CHASSIS OPTION HARNESS

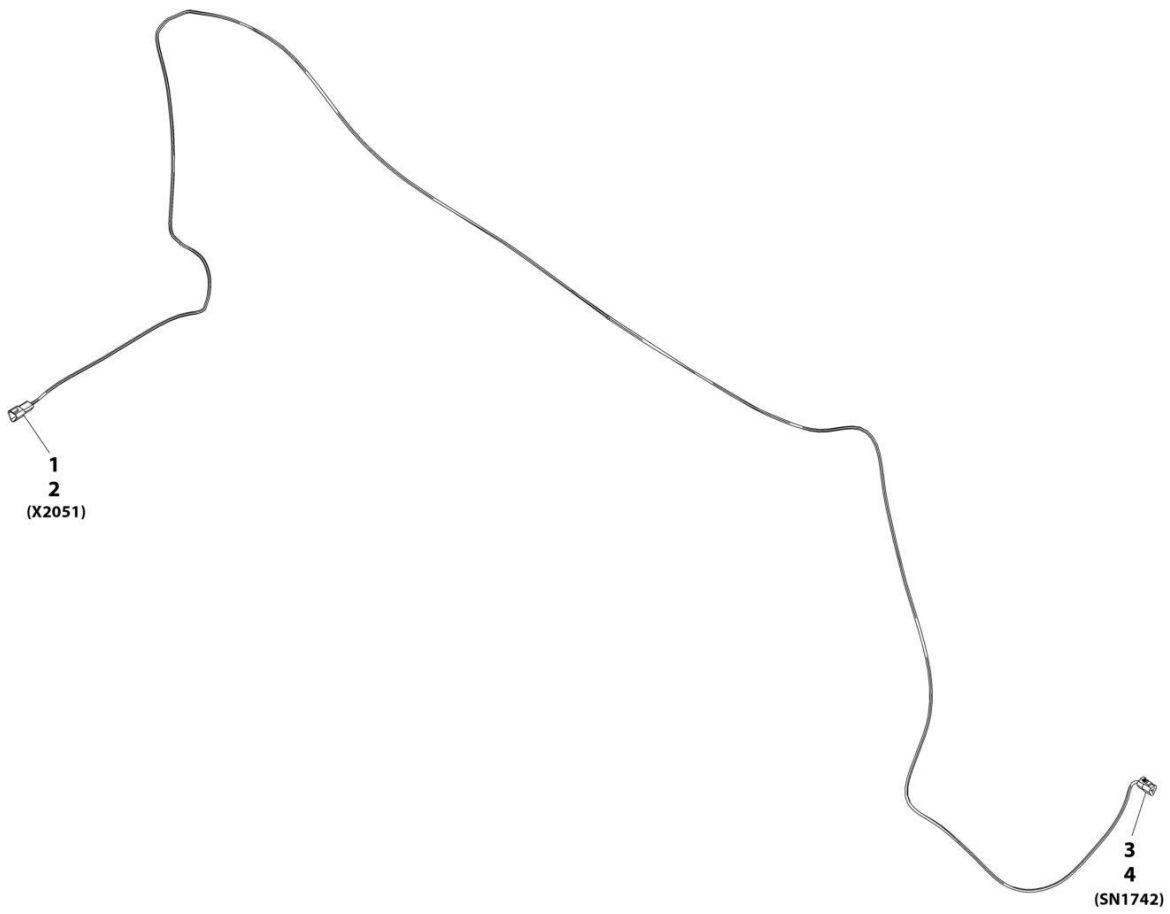
ITEM	PART NUMBER	QTY	DESCRIPTION	REV
	1001184795	Ref	LMIS Chassis Option Harness	G
1	1001161957	1	Connector	
2	1001161097	17	Terminal	
3	1001161100	7	Plug	
4	1001161101	2	Plug	
5	1001161098	2	Terminal	
6	1001161099	4	Terminal	
7	1001160500	1	Connector	
8	1001161100	16	Plug	
9	1001161097	8	Terminal	
10	1001161101	7	Plug	
11	1001161098	1	Terminal	
12	1001187076	1	Ring Terminal	
13	1001161963	1	Connector	
14	1001161097	24	Terminal	
15	1001161100	16	Plug	
16	1001161095	1	Terminal	
17	1001161099	3	Terminal	
18	1001161101	4	Plug	
19	1001116774	1	Connector	
20	4460928	12	Terminal	
21	4460899	1	Connector	
22	4460464	3	Terminal	
23	4460466	3	Plug	
24	4460884	1	Connector	
25	4460942	1	Terminal	
26	4460465	3	Terminal	
27	1001160509	1	Connector	
28	1001160510	1	Terminal	
29	1001175266	1	Terminal Seal	
30	1001187075	1	Ring Terminal	
31	4460884	1	Connector	
32	4460465	4	Terminal	
33	1001116812	1	Connector	
34	4460944	2	Terminal	
35	4460466	1	Plug	
36	4460539	1	Connector	
37	4460465	3	Terminal	
38	4460884	1	Connector	
39	4460942	1	Terminal	
40	4460465	3	Terminal	
41	4460884	1	Connector	
42	4460942	1	Terminal	
43	4460465	3	Terminal	
44	4460884	1	Connector	
45	4460942	1	Terminal	
46	4460465	3	Terminal	
47	4460891	1	Connector	
48	4460465	2	Terminal	
49	4460891	1	Connector	

SECTION 10 - ELECTRICAL

ITEM	PART NUMBER	QTY	DESCRIPTION	REV
50	4460465	1	Terminal	
51	4460942	1	Terminal	

SECTION 10 - ELECTRICAL

FIGURE 10-89. LMIS BOOM HARNESS



ART_1001192619-D

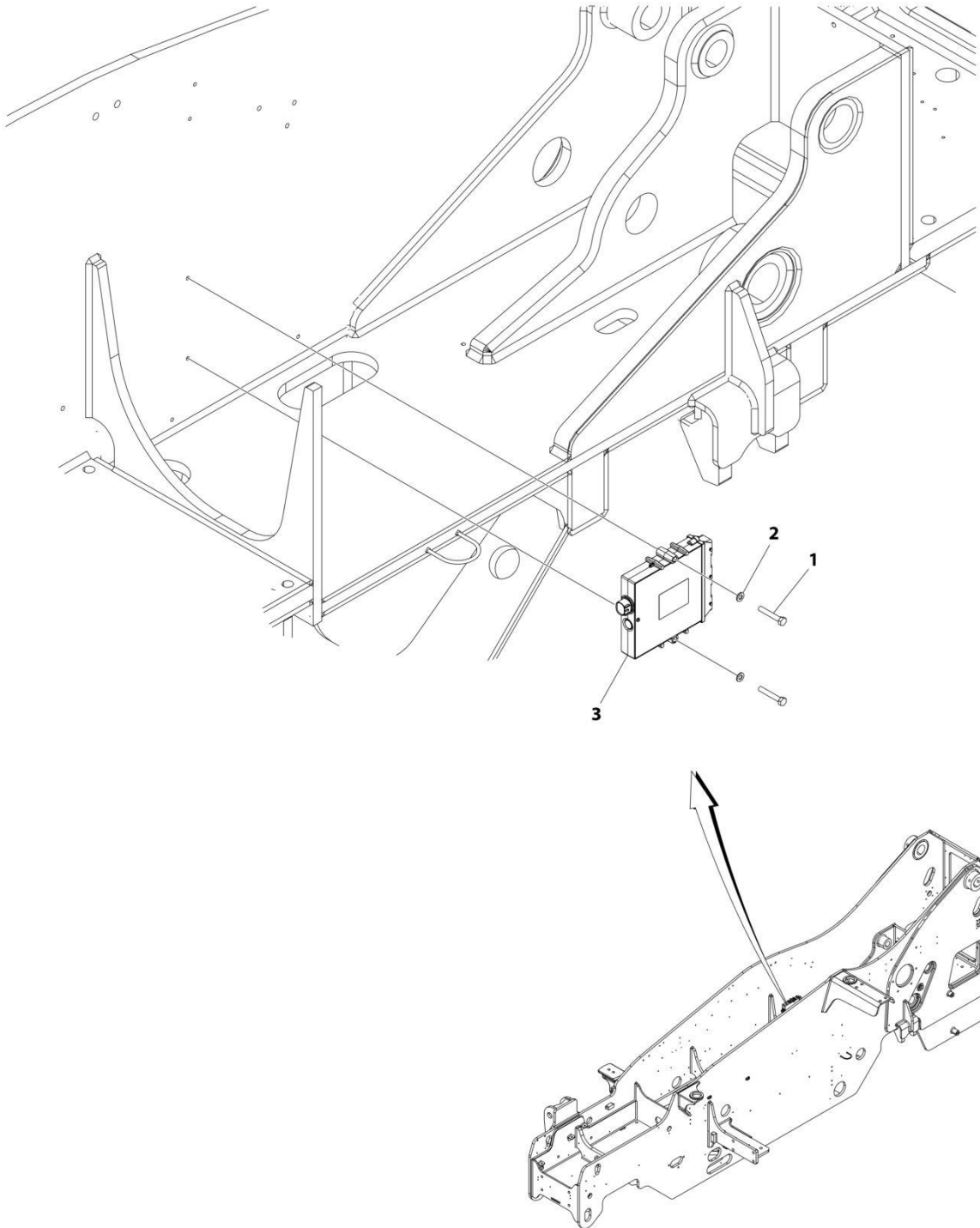
SECTION 10 - ELECTRICAL

FIGURE 10-89. LMIS BOOM HARNESS

ITEM	PART NUMBER	QTY	DESCRIPTION	REV
	1001192619	Ref	LMIS Boom Harness	D
1	4460536	1	Connector	
2	4460464	3	Terminal	
3	4460539	1	Connector	
4	4460465	3	Terminal	

SECTION 10 - ELECTRICAL

FIGURE 10-90. LMIS CONTROLLER INSTALLATION



ART_1001195471_C

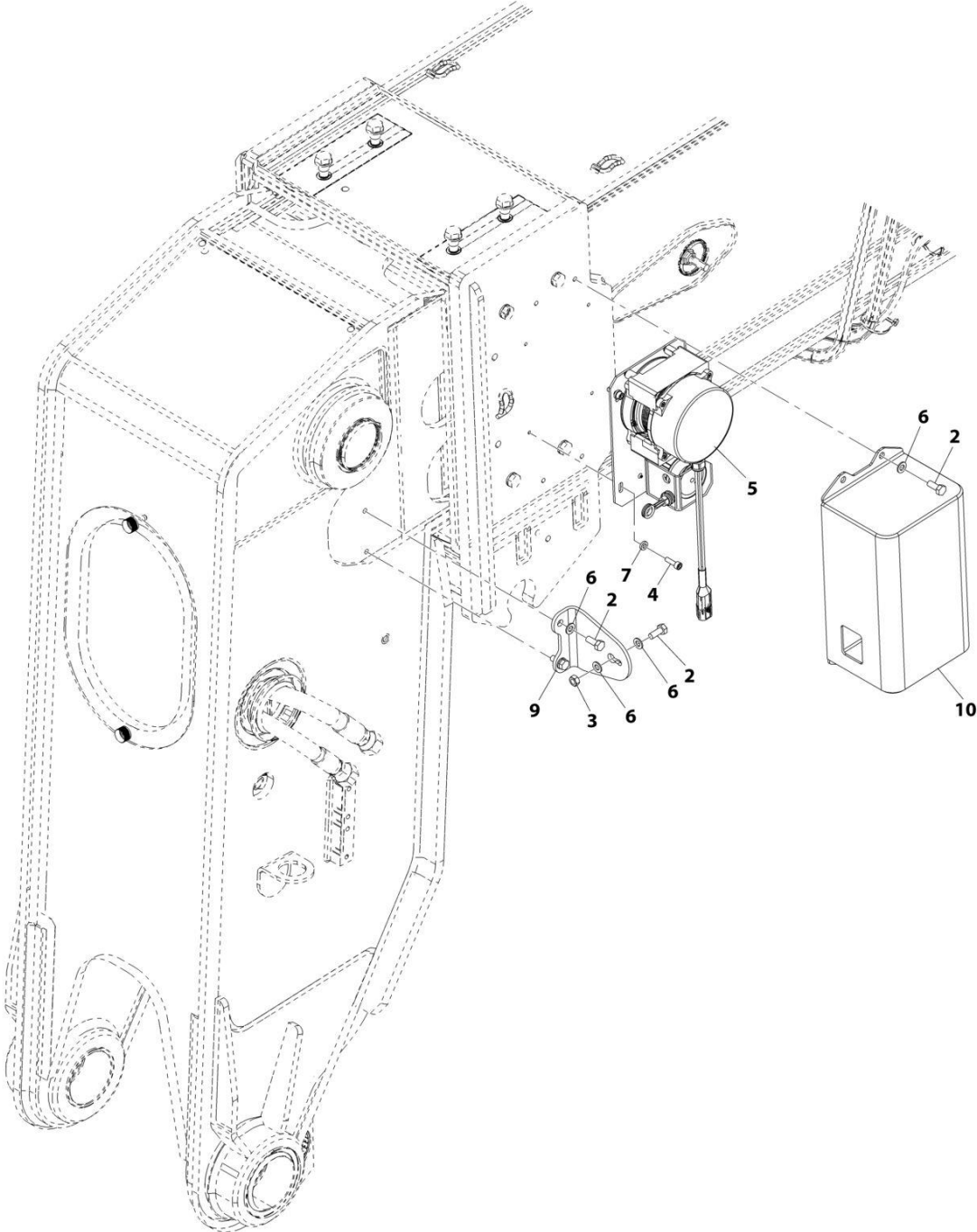
SECTION 10 - ELECTRICAL

FIGURE 10-90. LMIS CONTROLLER INSTALLATION

ITEM	PART NUMBER	QTY	DESCRIPTION	REV
	1001195471	Ref	LMIS CONTROLLER INSTALLATION	C
1	0700818	2	Bolt M8 x 50	
2	4811900	2	Washer M8	
3	1001270485	1	Module, LMIS Control	

SECTION 10 - ELECTRICAL

FIGURE 10-91. LMIS CABLE REEL INSTALLATION



ART_1001195473

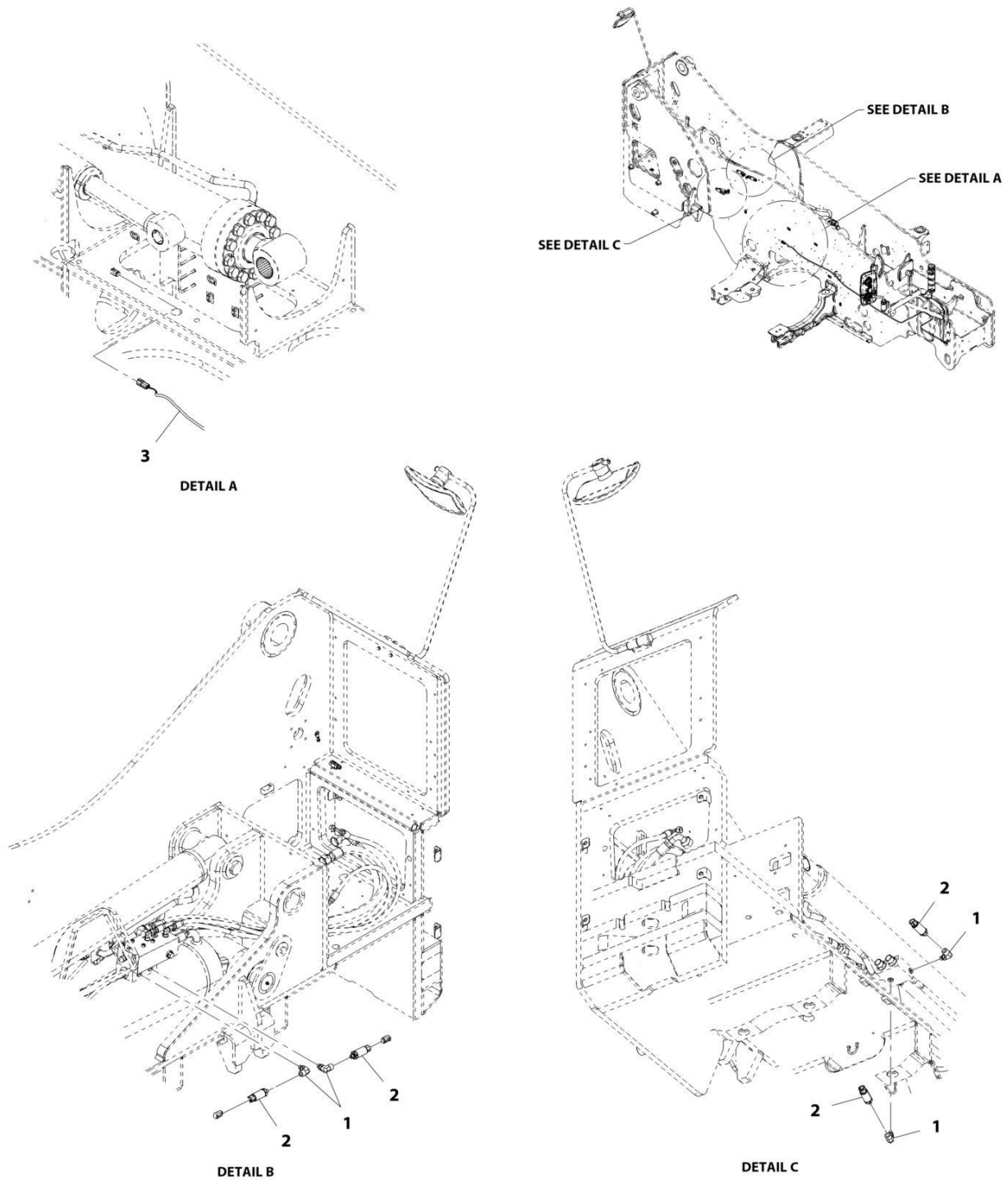
SECTION 10 - ELECTRICAL

FIGURE 10-91. LMIS CABLE REEL INSTALLATION

ITEM	PART NUMBER	QTY	DESCRIPTION	REV
	1001195473	Ref	LMIS Cable Reel Installation	E
2	0760810	7	Bolt, M8X20	
3	3290801	1	Nut, M8X1.25	
4	4031708	4	Screw, M6X20	
5	1001223903	1	Sensor, Boom Length	
6	4811900	8	Washer, M8	
7	5240600	4	Washer, M6	
9	1001224127	1	Bracket	
10	1001224128	1	Panel	

SECTION 10 - ELECTRICAL

FIGURE 10-92. LMIS INSTALLATION (HIGH END DISPLAY)



ART_1001183549-C

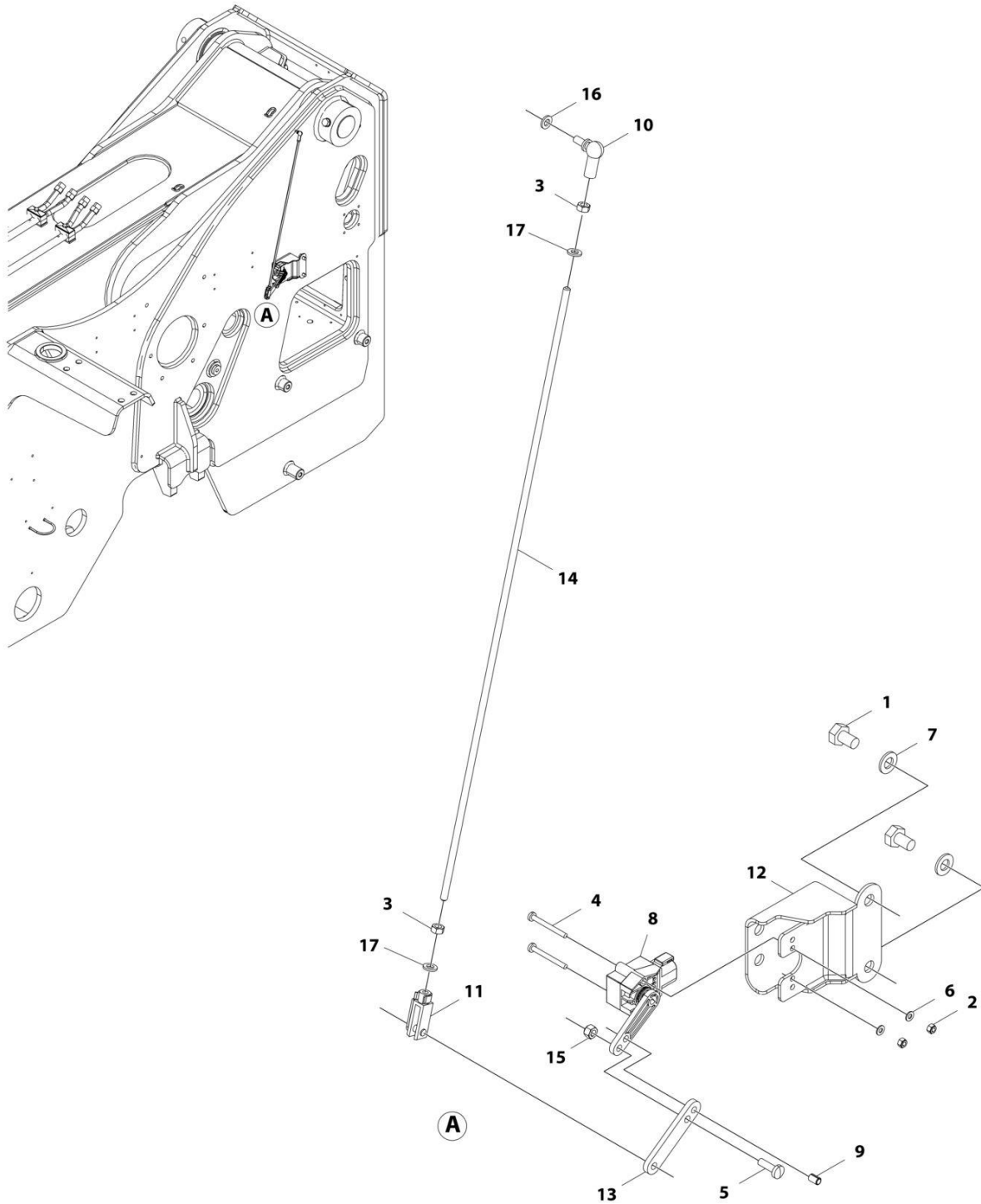
SECTION 10 - ELECTRICAL

FIGURE 10-92. LMIS INSTALLATION (HIGH END DISPLAY)

ITEM	PART NUMBER	QTY	DESCRIPTION	REV
	1001183549	Ref	LMIS Installation (High End Display)	C
1	1001101855	4	Fitting, 90	
2	1001162885	4	Sensor, LMIS	
3	1001195591	1	Installation, LMIS Beacon Light (See Separate Breakdown in this Section)	

SECTION 10 - ELECTRICAL

FIGURE 10-93. LMIS BOOM ANGLE SENSOR INSTALLATION



ART_1001195590

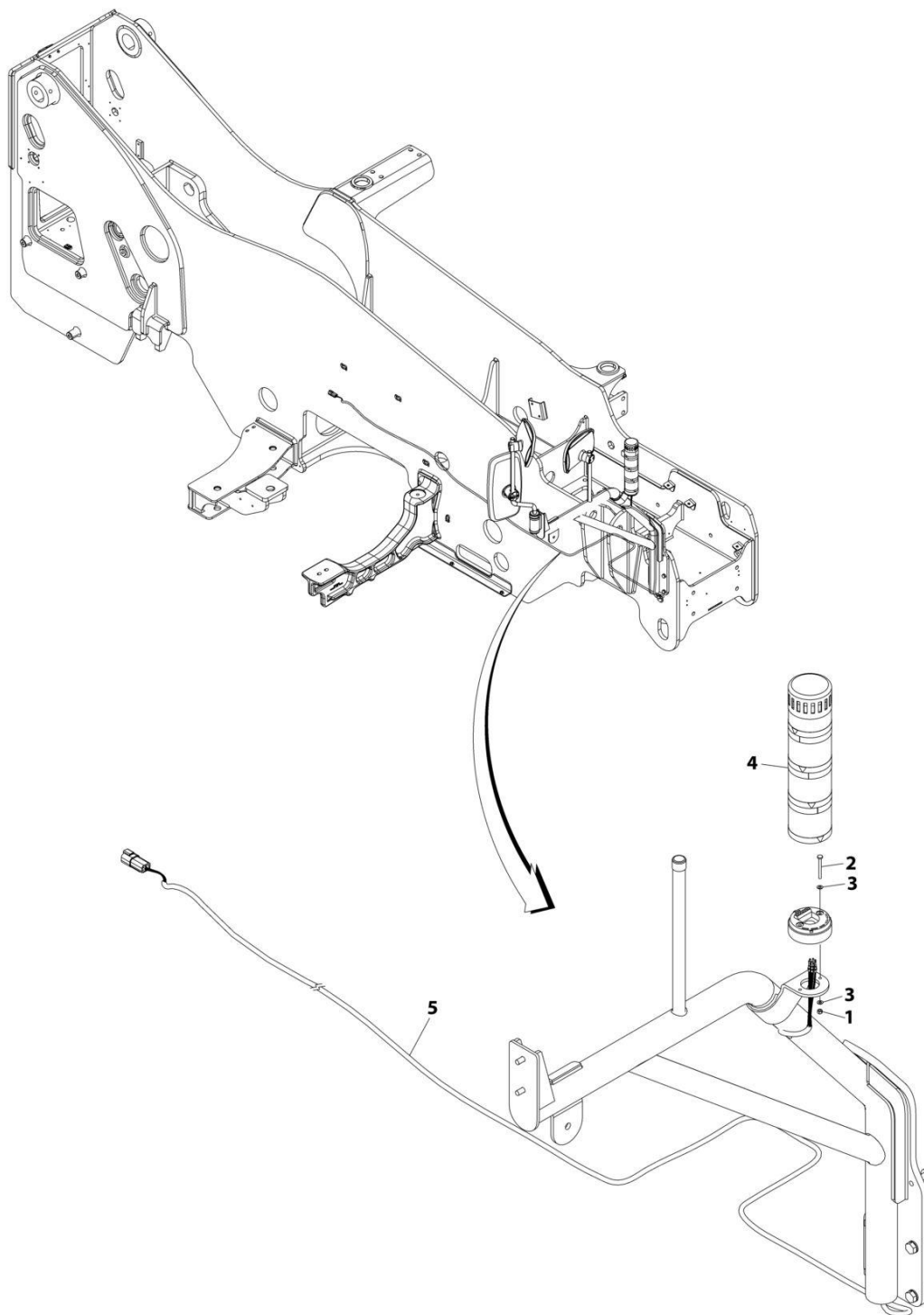
SECTION 10 - ELECTRICAL

FIGURE 10-93. LMIS BOOM ANGLE SENSOR INSTALLATION

ITEM	PART NUMBER	QTY	DESCRIPTION	REV
	1001195590	Ref	BOOM ANGLE SENSOR INSTALLATION (LMIS)	E
1	0761008	2	Bolt M10 x 16	
2	3290405	2	Nut M4	
3	3290601	2	Nut M6 x 1	
4	4010416	2	Screw M4 x 40	
5	4010610	1	Screw M6 x 20	
6	4811400	2	Washer M4	
7	4812000	2	Washer M10	
8	1001099717	1	Sensor, Boom Angle	
9	1001103156	1	Pin	
10	1001103300	1	Fitting, Ball Joint	
11	1001134274	1	Clevis	
12	1001213775	1	Bracket	
13	1001195731	1	Link, Boom Angle Sensor	
14	1001195732	1	Rod	
15	3290605	1	Nut M6 x 1	
16	4811700	1	Washer M6	
17	4761400	2	Washer 1/4	

SECTION 10 - ELECTRICAL

FIGURE 10-94. LMIS BEACON LIGHT INSTALLATION



ART_1001195591_E

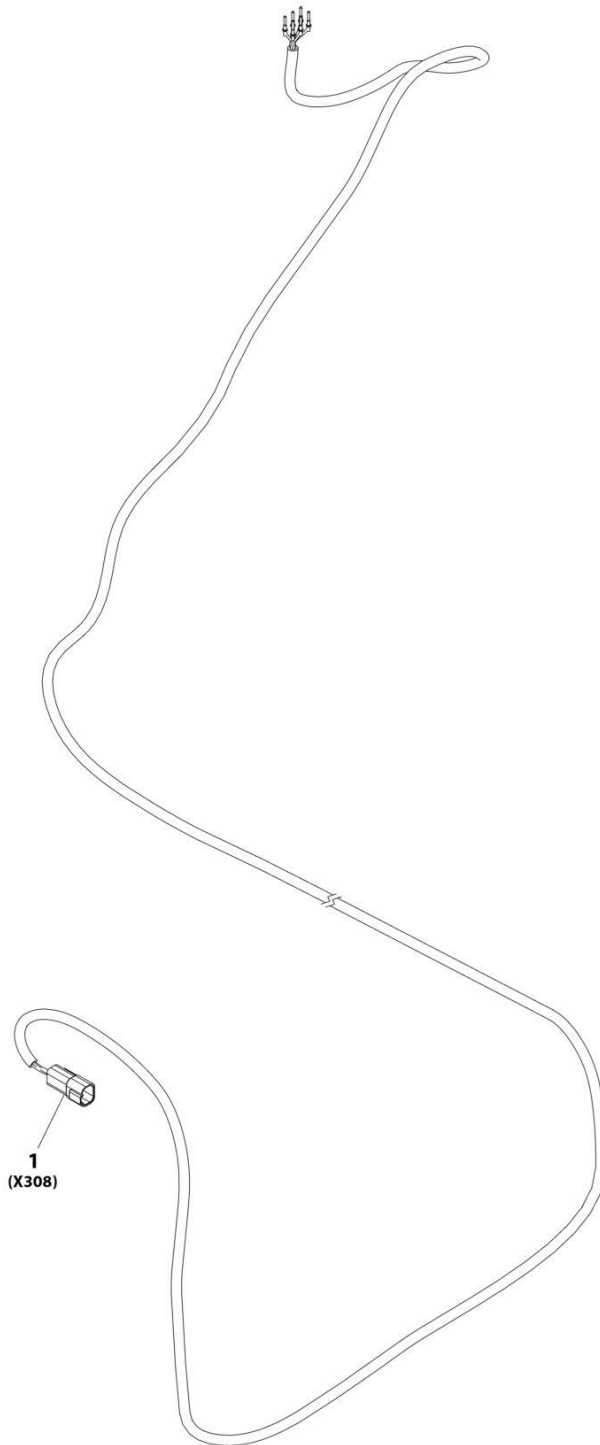
SECTION 10 - ELECTRICAL

FIGURE 10-94. LMIS BEACON LIGHT INSTALLATION

ITEM	PART NUMBER	QTY	DESCRIPTION	REV
	1001195591	Ref	LMIS Beacon Light Installation	E
1	3290405	2	Nut M4	
2	4010416	2	Screw, M4X40	
3	4811400	4	Washer, M4	
	1001265343	1	Light, LMIS Beacon	
5	1001117247	1	Harness, LMIS Beacon Option (See Separate Breakdown in this Section)	
7	1001146588	1	Tie-Strap (Not Shown)	

SECTION 10 - ELECTRICAL

FIGURE 10-95. LMIS BEACON OPTION HARNESS



ART_1001117247

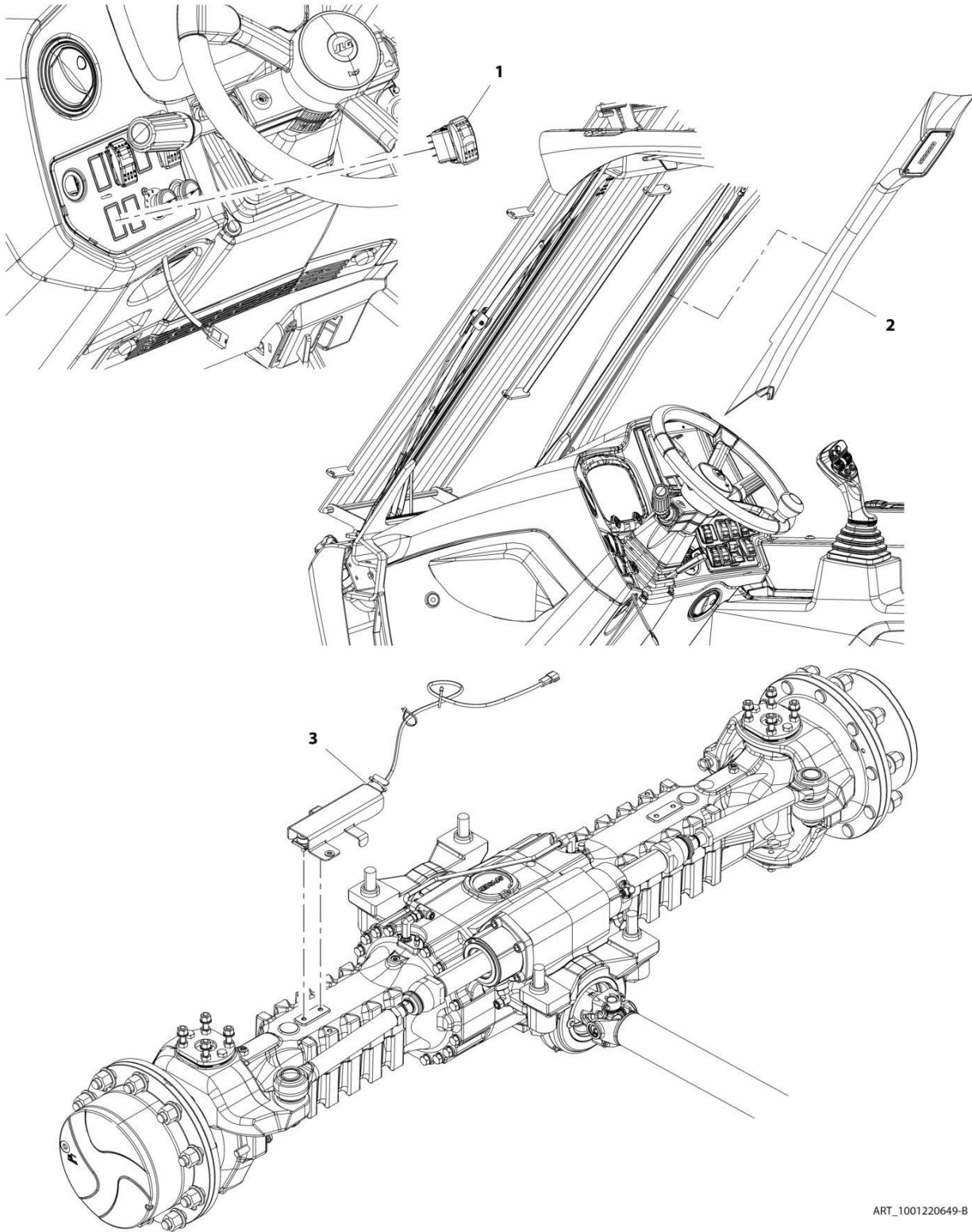
SECTION 10 - ELECTRICAL

FIGURE 10-95. LMIS BEACON OPTION HARNESS

ITEM	PART NUMBER	QTY	DESCRIPTION	REV
1	1001117247 4460932	Ref 1	LMIS Beacon Option Harness Connector	D

SECTION 10 - ELECTRICAL

FIGURE 10-96. LSI INSTALLATION



ART_1001220649-B

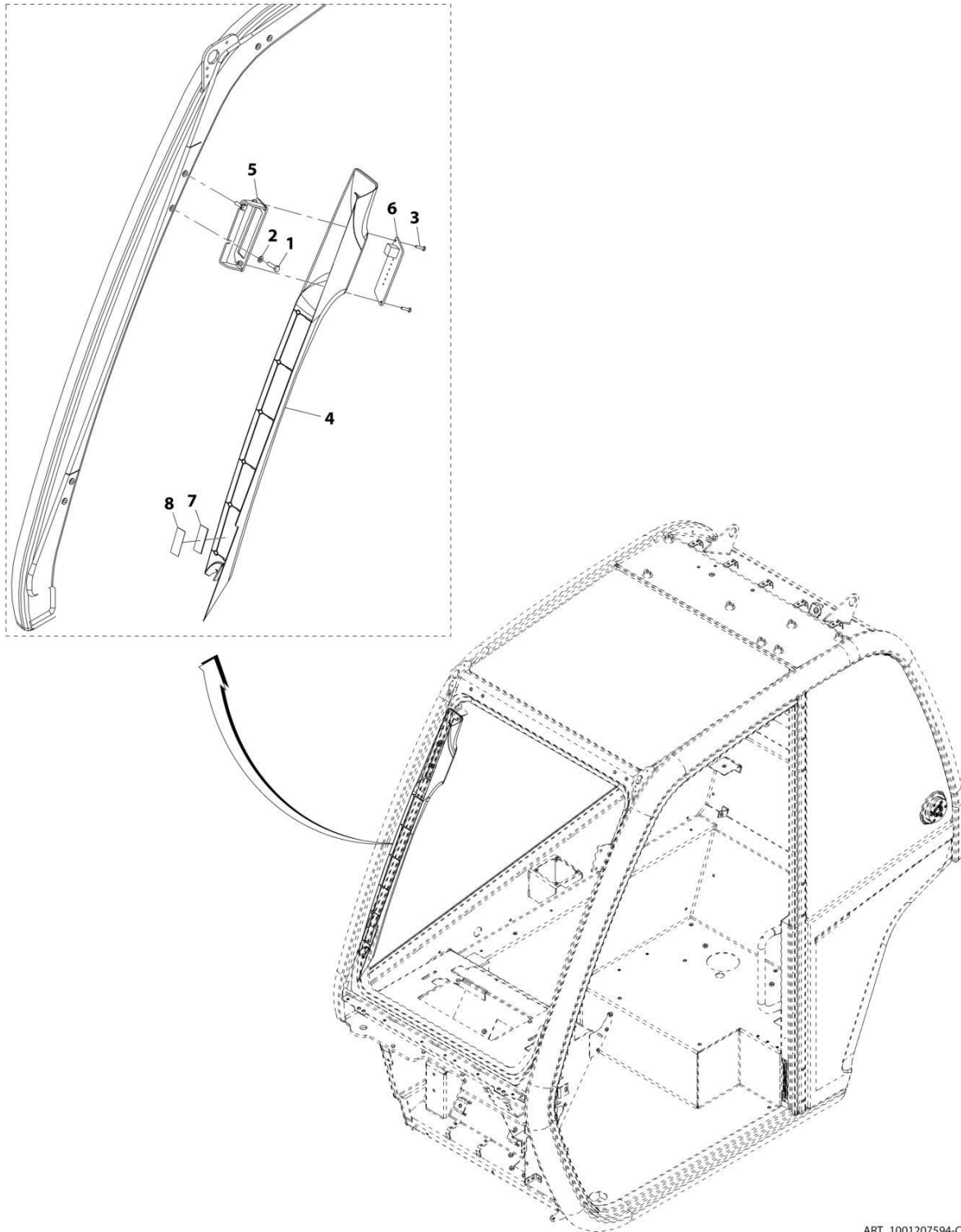
SECTION 10 - ELECTRICAL

FIGURE 10-96. LSI INSTALLATION

ITEM	PART NUMBER	QTY	DESCRIPTION	REV
	1001220649	Ref	LSI Installation	B
1	1001159742	1	Switch, LSI Override	
2	1001207594	Ref	Installation, LSI Display (See Separate Breakdown in this Section)	
3	1001220650	Ref	Installation, LSI Sensor (See Separate breakdown in this Section)	

SECTION 10 - ELECTRICAL

FIGURE 10-97. LSI DISPLAY INSTALLATION



ART_1001207594-C

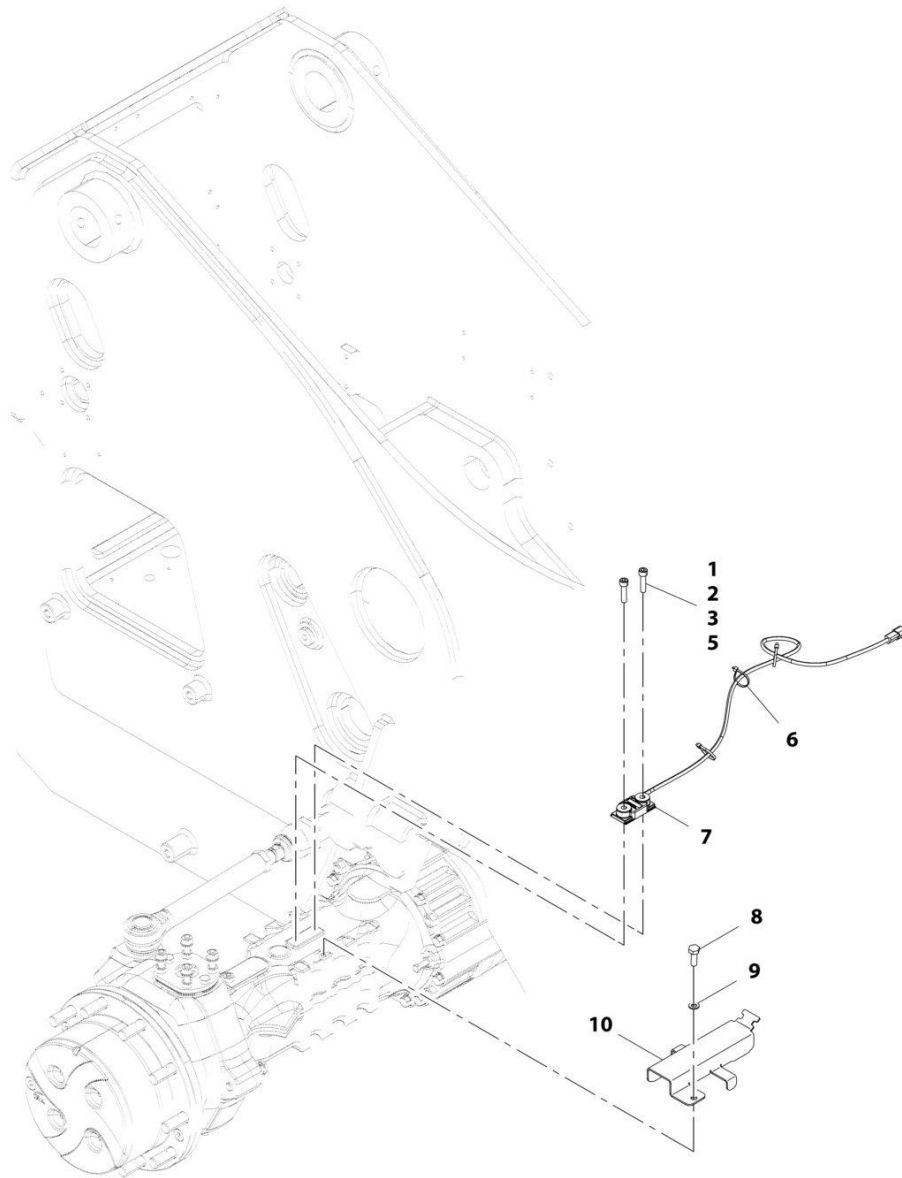
SECTION 10 - ELECTRICAL

FIGURE 10-97. LSI DISPLAY INSTALLATION

ITEM	PART NUMBER	QTY	DESCRIPTION	REV
	1001207594	Ref	LSI Display Installation	C
1	0760610	2	Bolt, M6X20	
2	4811700	2	Washer, M6	
3	1001126837	2	Screw, M4X16	
4	1001182839	1	Cover	
5	1001214401	1	Bracket	
6	1001213752	1	Display, LSI	
7	1001221318	1	Tape, Hook Fastener	
8	1001221319	1	Tape, Hook Fastener	

SECTION 10 - ELECTRICAL

FIGURE 10-98. LSI SENSOR INSTALLATION



ART_1001220650-B

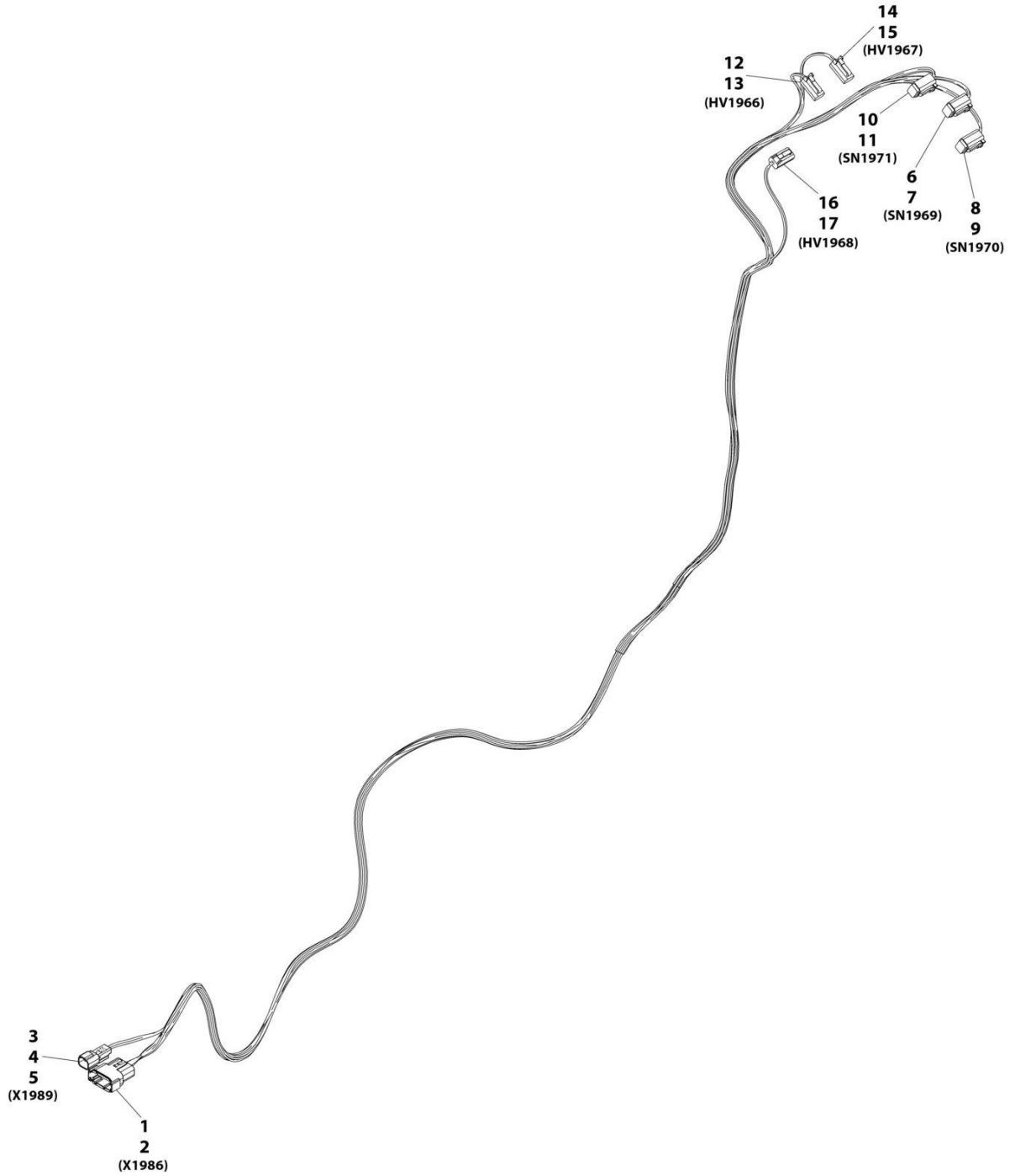
SECTION 10 - ELECTRICAL

FIGURE 10-98. LSI SENSOR INSTALLATION

ITEM	PART NUMBER	QTY	DESCRIPTION	REV
	1001220650	Ref	LSI Sensor Installation	B
1	5272012	2	Bolt, M10X40	
2	1001116128	AR	Sealant	
3	1001125465	AR	Compound, Locking	
5	1001129425	AR	Compound, Locking	
6	1001008559	3	Strap, Cable	
7	1001160730	1	Sensor, LSI	
8	0761010	1	Bolt, M10X20	
9	4812000	1	Washer, M10	
10	1001230850	1	Bracket, LSI Cover	

SECTION 10 - ELECTRICAL

FIGURE 10-99. RALP PLATFORM HARNESS



ART_1001193566-C

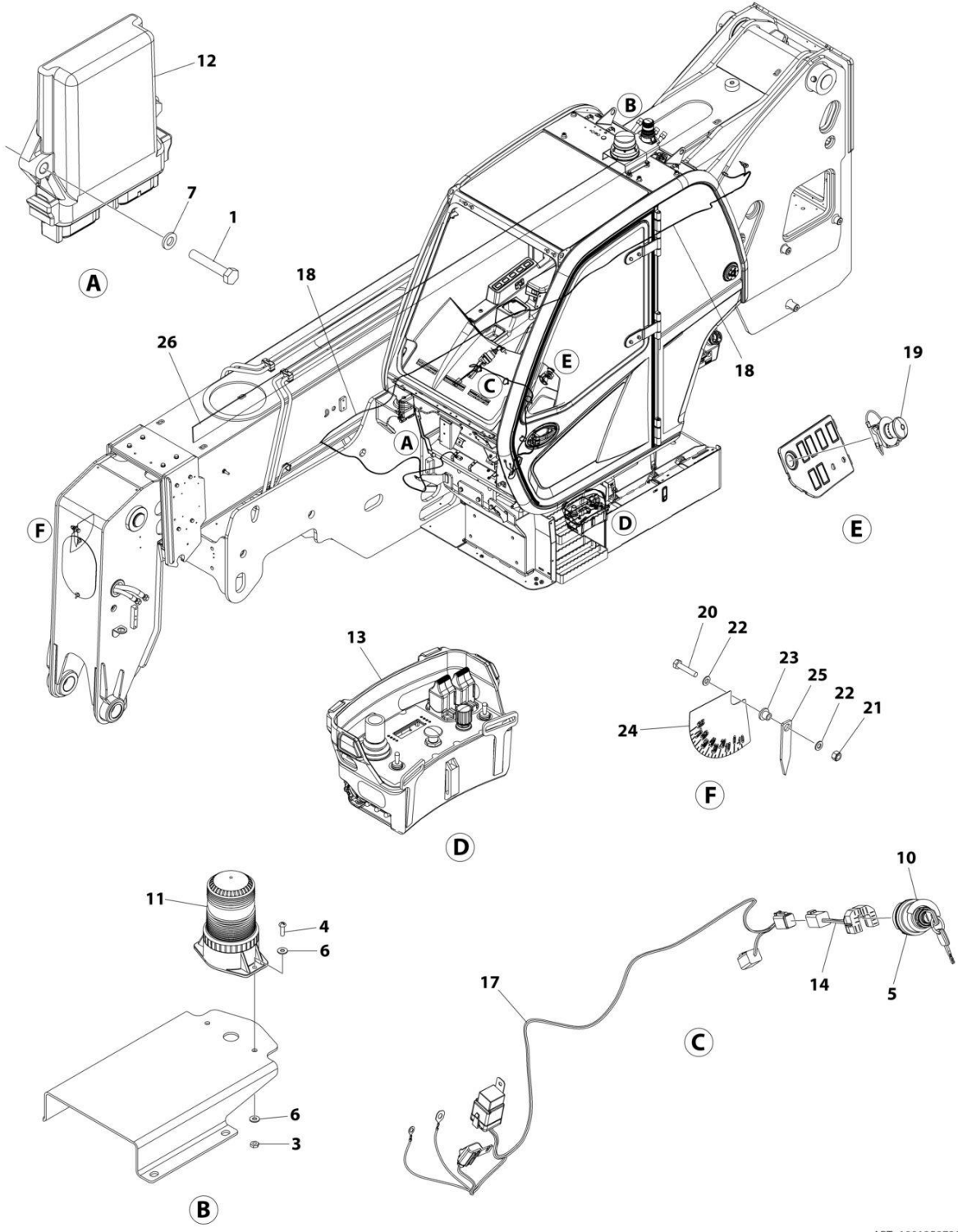
SECTION 10 - ELECTRICAL

FIGURE 10-99. RALP PLATFORM HARNESS

ITEM	PART NUMBER	QTY	DESCRIPTION	REV
	1001193566	Ref	Platform Harness (RALP)	C
1	1001132169	1	Connector	
2	4460929	12	Terminal	
3	4460897	1	Connector	
4	4460464	1	Terminal	
5	4460941	1	Terminal	
6	4460884	1	Connector	
7	4460465	4	Terminal	
8	4460884	1	Connector	
9	4460465	4	Terminal	
10	4460884	1	Connector	
11	4460465	4	Terminal	
12	4460891	1	Connector	
13	4460465	2	Terminal	
14	4460891	1	Connector	
15	4460465	2	Terminal	
16	4460891	1	Connector	
17	4460465	2	Terminal	

SECTION 10 - ELECTRICAL

FIGURE 10-100. REMOTE CONTROL (BOOM)



ART_1001258731_D

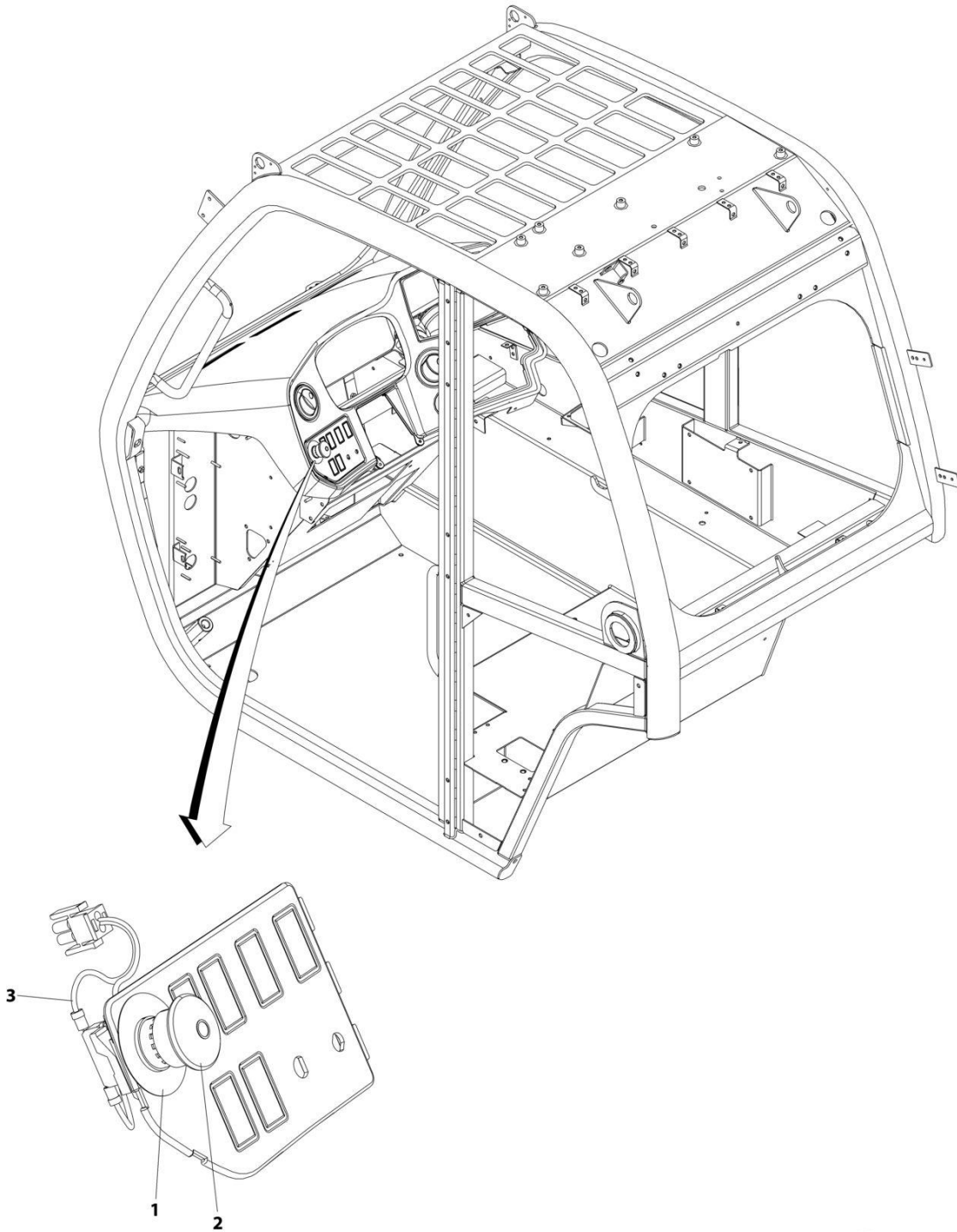
SECTION 10 - ELECTRICAL

FIGURE 10-100. REMOTE CONTROL (BOOM)

ITEM	PART NUMBER	QTY	DESCRIPTION	REV
	1001258731	Ref	REMOTE CONTROL (BOOM)	D
1	0760615	2	Bolt M6 x 35	
3	3311005	2	Nut #10	
4	3911010	2	Screw #10 x 5/8	
5	4360657	1	Switch, Ignition	
6	4711000	4	Washer #10	
7	4811700	2	Washer M6	
9	1001008559	4	Strap, As-Cable	
10	1001268354	1	Decal - Ignition Switch	
11	1001200910	1	Light, Beacon (Blue)	
12	1001206112	1	Control, Remote Controller	
13	1001209194	1	Control, Remote	
14	1001241610	1	Harness, Key (See Separate Breakdown in this Section)	
15	1001253671	1	Installation, Manual Pump (Lift/Tele) (Not Shown) (See Separate Breakdown in HYDRAULIC Section)	
17	1001259205	1	Harness, Remote Control Power (See Separate Breakdown in this Section)	
18	1001259231	1	Installation, Harness (Emergency Lowering - Frame)	
18	1001008559	1	Strap, As-Cable (Not Shown)	
18	1001258719	1	Harness, Emergency Lowering - Frame (See Separate Breakdown in this Section)	
19	1001259246	1	Installation, Emergency Stop Switch (See Separate Breakdown in this Section)	
20	0701018	1	Bolt M10 x 50	
21	3291005	1	Nut M10	
22	4812000	2	Washer M10	
23	1001171808	1	Spacer	
24	1001269176	1	Decal - Boom Angle Indicator	
25	1001269177	1	Plate - Boom Angle Indicator	
26	1001275622	1	Decal - Boom Extend Remote	

SECTION 10 - ELECTRICAL

FIGURE 10-101. REMOTE CONTROL EMERGENCY STOP SWITCH INSTALLATION



ART_1001259246

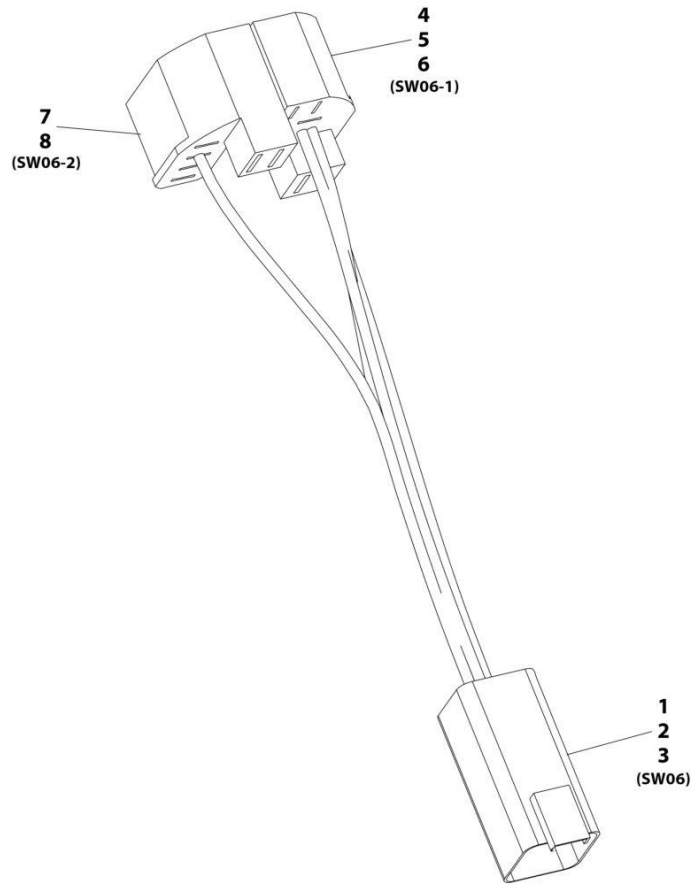
SECTION 10 - ELECTRICAL

FIGURE 10-101. REMOTE CONTROL EMERGENCY STOP SWITCH INSTALLATION

ITEM	PART NUMBER	QTY	DESCRIPTION	REV
	1001259246	Ref	Remote Control Emergency Stop Switch Installation	A
1	1704260	1	Decal - Emergency Stop	
2	4360475	1	Switch, Emergency Stop	
3	1001259224	1	Harness, EMS Switch	
3	4460320	1	Connector	
3	4460183	2	Terminal	

SECTION 10 - ELECTRICAL

FIGURE 10-102. REMOTE CONTROL KEY HARNESS



ART_1001241610-A

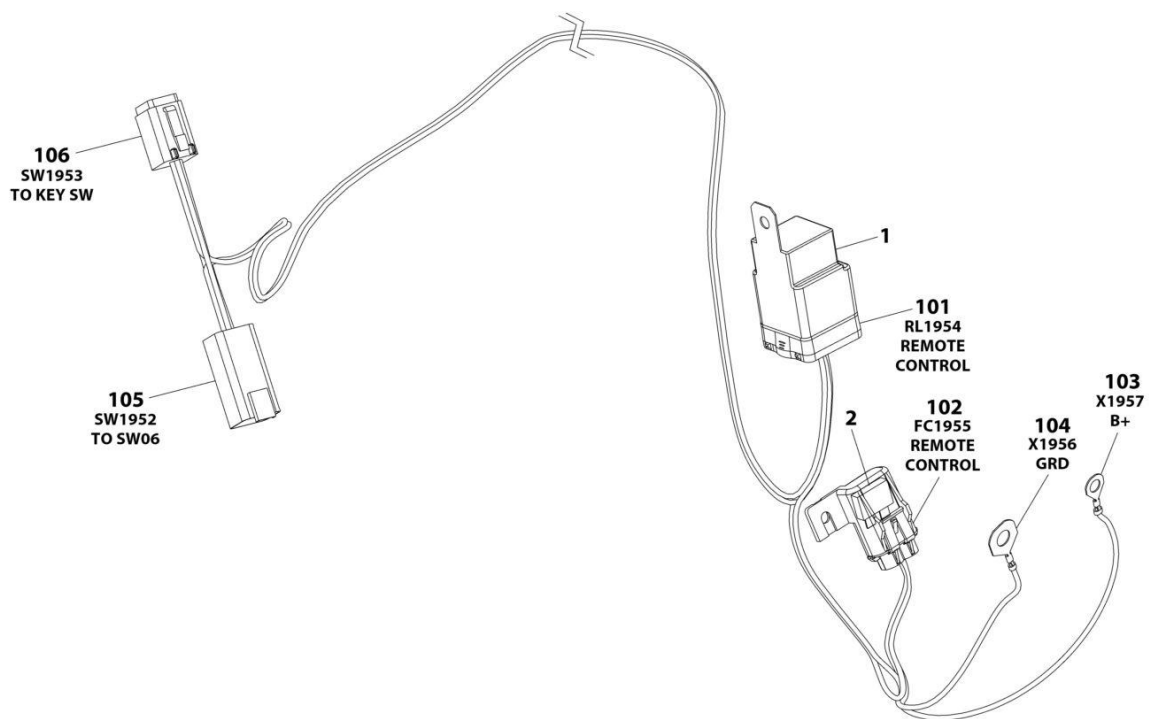
SECTION 10 - ELECTRICAL

FIGURE 10-102. REMOTE CONTROL KEY HARNESS

ITEM	PART NUMBER	QTY	DESCRIPTION	REV
	1001241610	Ref	Key Harness	A
1	4460899	1	Connector	
2	4460464	4	Terminal	
3	4460466	2	Plug	
4	1001118685	1	Connector	
5	1001104519	2	Terminal	
6	1001118383	1	Terminal	
7	1001117121	1	Connector	
8	1001104519	1	Terminal	

SECTION 10 - ELECTRICAL

FIGURE 10-103. REMOTE CONTROL POWER HARNESS



ART_1001259205

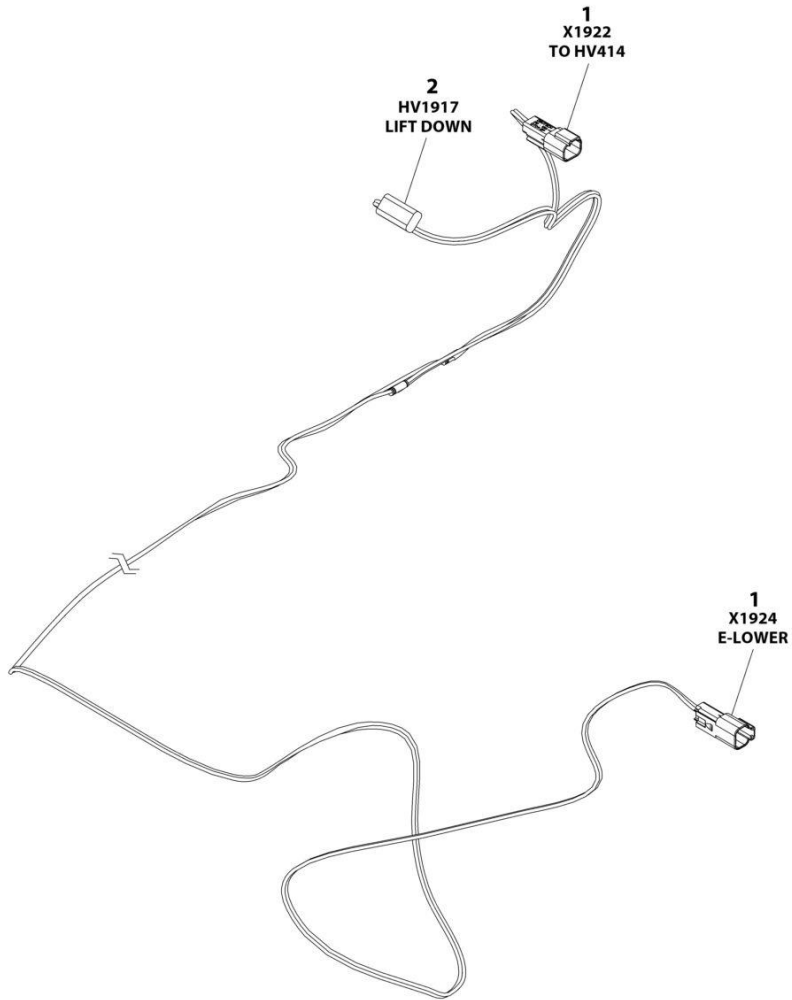
SECTION 10 - ELECTRICAL

FIGURE 10-103. REMOTE CONTROL POWER HARNESS

ITEM	PART NUMBER	QTY	DESCRIPTION	REV
	1001259205	Ref	Remote Control Power Harness	A
1	3740080	1	Relay	
2	8229234	1	Fuse, 10Amp	
101	1001231398	1	Connector, Relay	
101	1001231400	4	Terminal	
101	1001231404	4	Seal, Terminal	
101	1001231406	1	Plug, Terminal	
102	1001231397	1	Connector - 2 Position	
102	1001231400	2	Terminal	
102	1001231404	2	Seal, Terminal	
103	1001207173	1	Terminal, Ring	
104	1001211775	1	Terminal, Ring	
105	4460899	1	Receptacle, Female - 6 Position	
105	4460464	4	Pin, Male	
105	4460466	2	Plug, Terminal	
106	4460894	1	Plug, Male - 6 Position	
106	4460465	4	Socket, Female	
106	4460466	2	Plug, Terminal	

SECTION 10 - ELECTRICAL

FIGURE 10-104. REMOTE CONTROL EMERGENCY LOWERING HARNESS



ART_1001258719

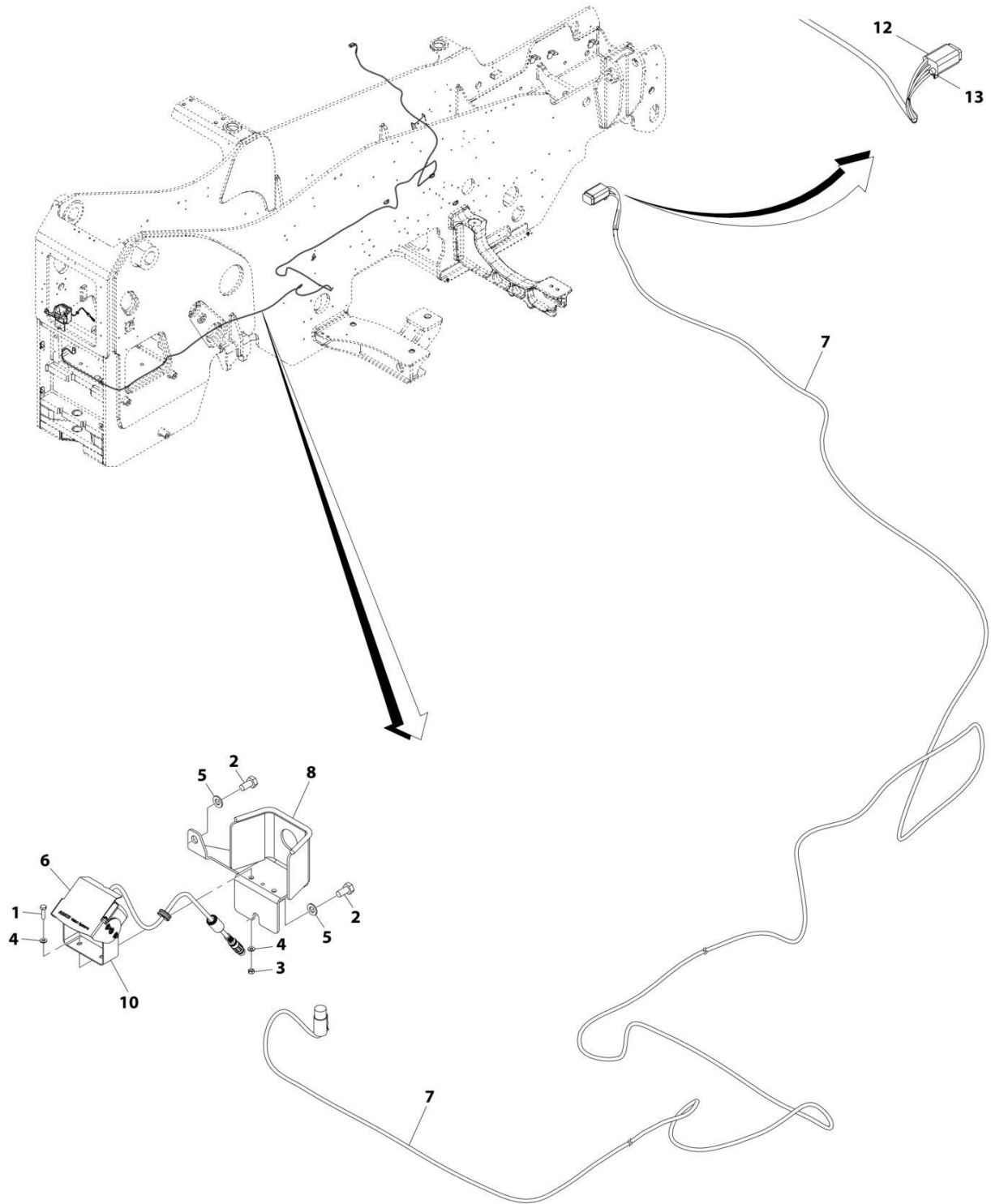
SECTION 10 - ELECTRICAL

FIGURE 10-104. REMOTE CONTROL EMERGENCY LOWERING HARNESS

ITEM	PART NUMBER	QTY	DESCRIPTION	REV
	1001258719	Ref	Remote Control Emergency Lowering Harness	A
1	4460897	2	Receptacle, Female - 2 Position	
1	4460464	4	Pin, Male	
2	4460891	1	Plug, Male - 2 Position	
2	4460465	2	Socket, Male	

SECTION 10 - ELECTRICAL

FIGURE 10-105. REVERSE CAMERA INSTALLATION



ART_1001192321-G

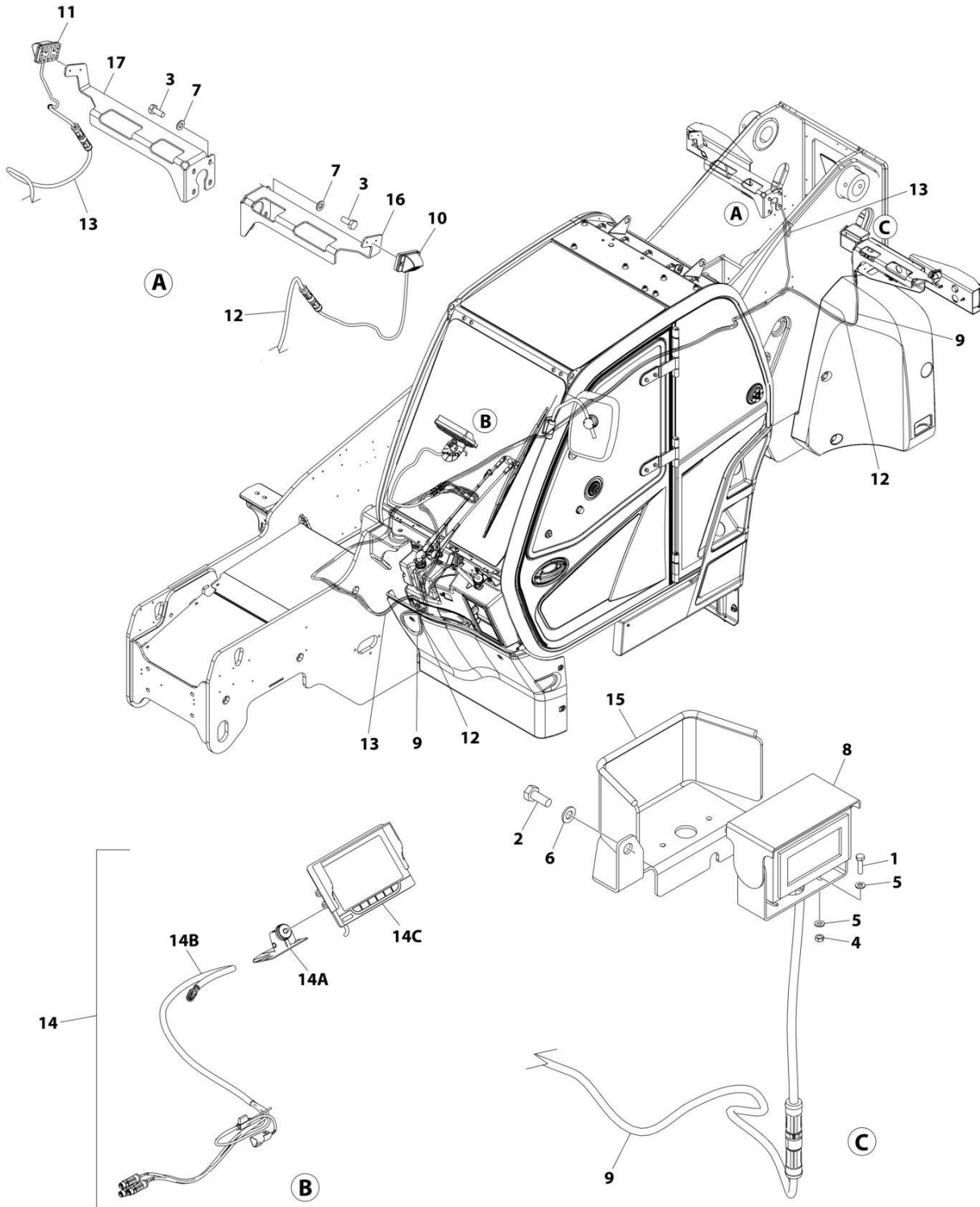
SECTION 10 - ELECTRICAL

FIGURE 10-105. REVERSE CAMERA INSTALLATION

ITEM	PART NUMBER	QTY	DESCRIPTION	REV
	1001192321	Ref	Reverse Camera Installation	G
1	0700408	2	Bolt, M4X16	
2	0760808	2	Bolt, M8X16	
3	3290401	2	Nut, M4X0.7	
4	4811400	4	Washer, M4	
5	4811900	2	Washer, M8	
6	1001167017	1	Camera, Reverse	
7	1001171962	1	Cable, Camera	
8	1001205307	1	Bracket	
10	1001202621	1	Bracket	
12	4460884	1	Connector	
13	4460466	1	Terminal	

SECTION 10 - ELECTRICAL

FIGURE 10-106. MULTI VIEW CAMERA INSTALLATION



ART_1001297791

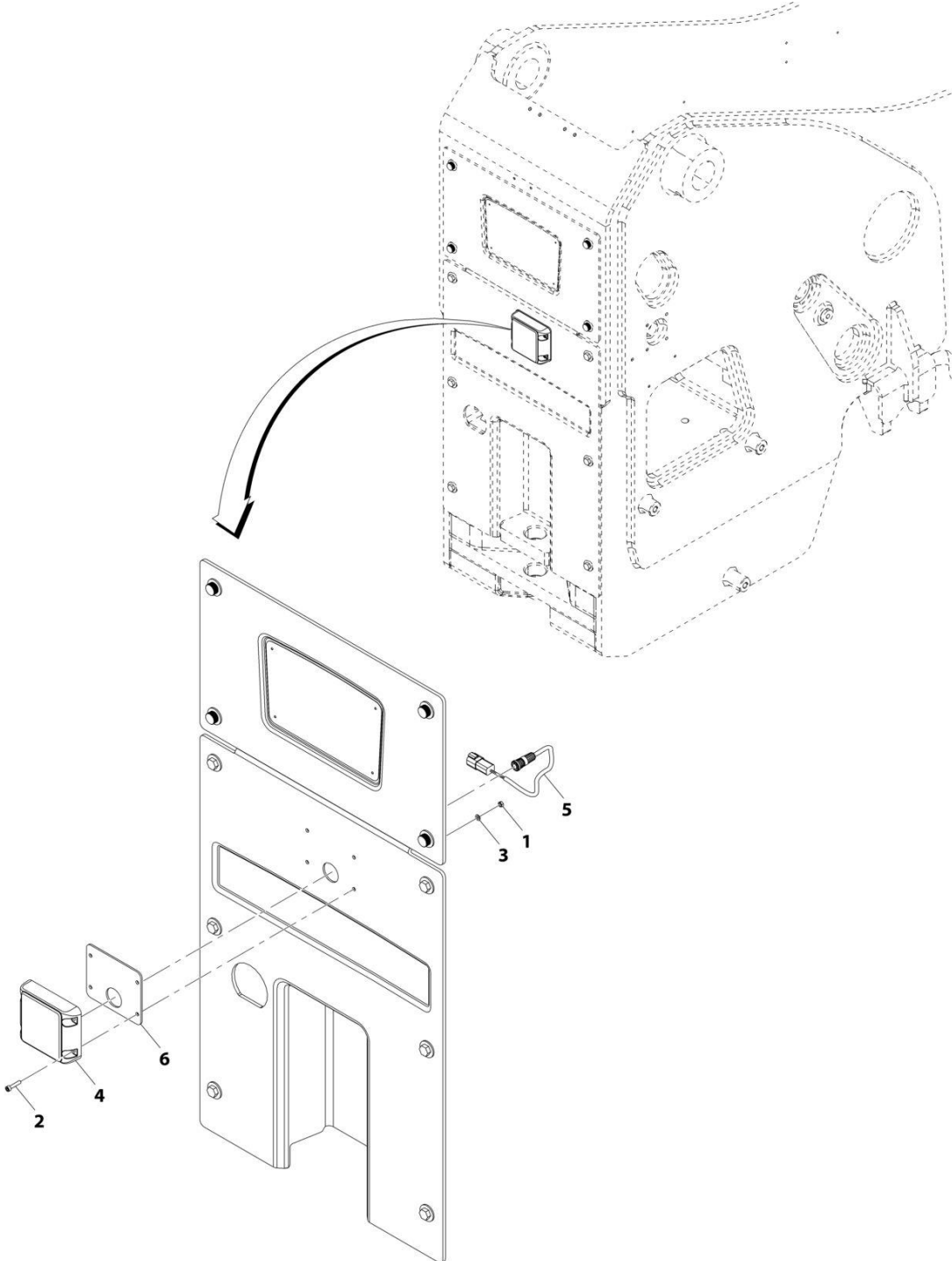
SECTION 10 - ELECTRICAL

FIGURE 10-106. MULTI VIEW CAMERA INSTALLATION

ITEM	PART NUMBER	QTY	DESCRIPTION	REV
	1001297791	Ref	MULTI VIEW CAMERA INSTALLATION	A
1	0700408	2	Bolt M4 x 16	
2	0760810	2	Bolt M8 x 20	
3	0761012	8	Bolt M10 x 25	
4	3290401	2	Nut M4	
5	4811400	4	Washer M4	
6	4811900	2	Washer M8	
7	4812000	8	Washer M10	
8	1001233174	1	Camera, Rear View	
9	1001233434	1	Extension Cable Camera Harness	
10	1001264534	1	Camera, Side View (LH)	
11	1001264536	1	Camera, Side View (RH)	
12	1001265979	1	Extension Cable Camera Harness (LH)	
13	1001265980	1	Extension Cable Camera Harness (RH)	
14	1001289479	1	Quad View Monitor Assembly	C
14A	1001233217	1	Bracket	
14B	1001294608	1	Quad View Monitor Harness	
14C	1001302410	1	Monitor LED Display	
15	1001294994	1	Bracket, Rear	
16	1001295267	1	Bracket, Side (LH)	
17	1001295268	1	Bracket, Side (RH)	

SECTION 10 - ELECTRICAL

FIGURE 10-107. REVERSE SENSOR INSTALLATION



ART_1001192322-F

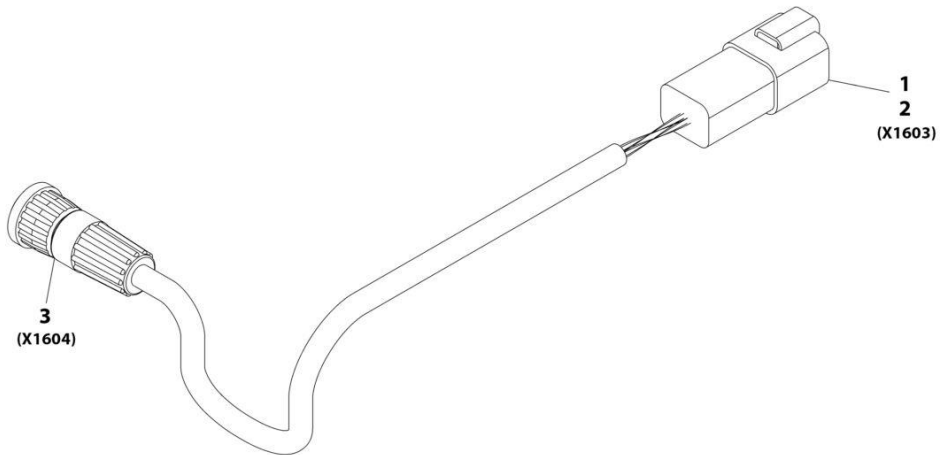
SECTION 10 - ELECTRICAL

FIGURE 10-107. REVERSE SENSOR INSTALLATION

ITEM	PART NUMBER	QTY	DESCRIPTION	REV
	1001192322	Ref	Reverse Sensor Installation	F
1	3290501	4	Nut, M5X0.8	
2	5271609	4	Screw, M5X25	
3	4811600	4	Washer, M5	
4	1001247421	1	Sensor, Reverse	
5	1001175776	1	Harness, Reverse Sensor (See Separate Breakdown in this Section)	
6	1001251518	1	Plate	

SECTION 10 - ELECTRICAL

FIGURE 10-108. REVERSE SENSOR HARNESS



ART_1001175776-C

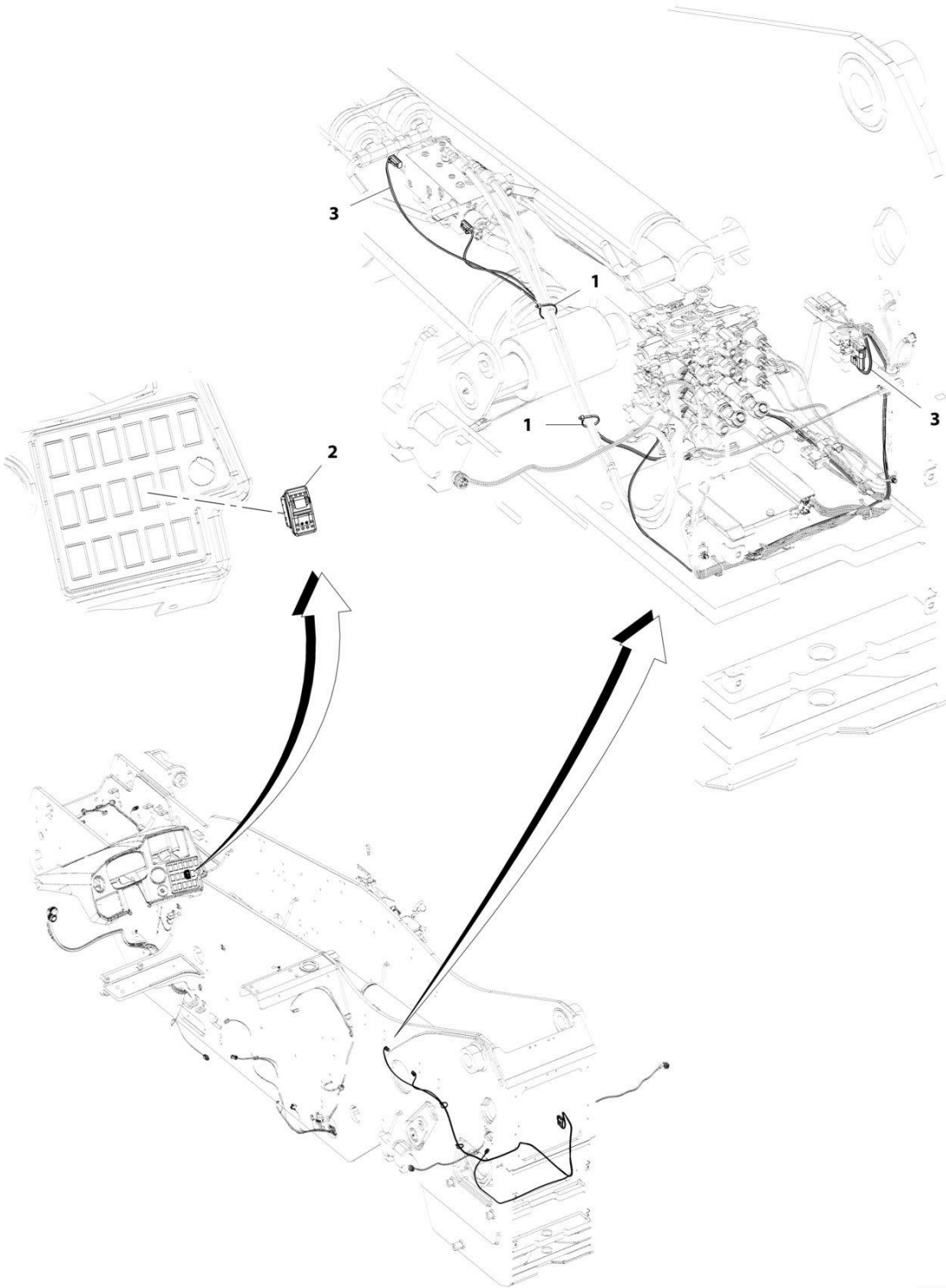
SECTION 10 - ELECTRICAL

FIGURE 10-108. REVERSE SENSOR HARNESS

ITEM	PART NUMBER	QTY	DESCRIPTION	REV
	1001175776	Ref	Reverse Sensor Harness	C
1	4460932	1	Connector	
2	4460464	4	Terminal	
3	1001175733	1	Connector	

SECTION 10 - ELECTRICAL

FIGURE 10-109. RIDE CONTROL WIRING INSTALLATION



ART_1001200105-B

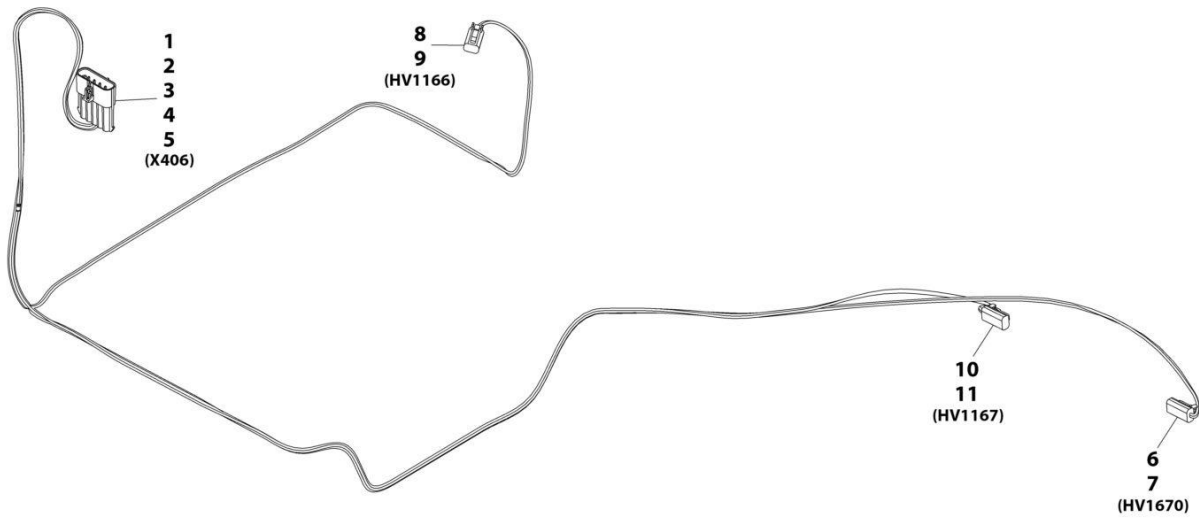
SECTION 10 - ELECTRICAL

FIGURE 10-109. RIDE CONTROL WIRING INSTALLATION

ITEM	PART NUMBER	QTY	DESCRIPTION	REV
	1001200105	Ref	Ride Control Wiring Installation	B
1	1001008559	2	Strap, Cable Tie	
2	1001159745	1	Switch, Boom Ride	
3	1001197668	1	Harness, Boom Ride Float (See Separate Breakdown in this Section)	

SECTION 10 - ELECTRICAL

FIGURE 10-110. RIDE CONTROL HARNESS (BOOM)



ART_1001197668-D

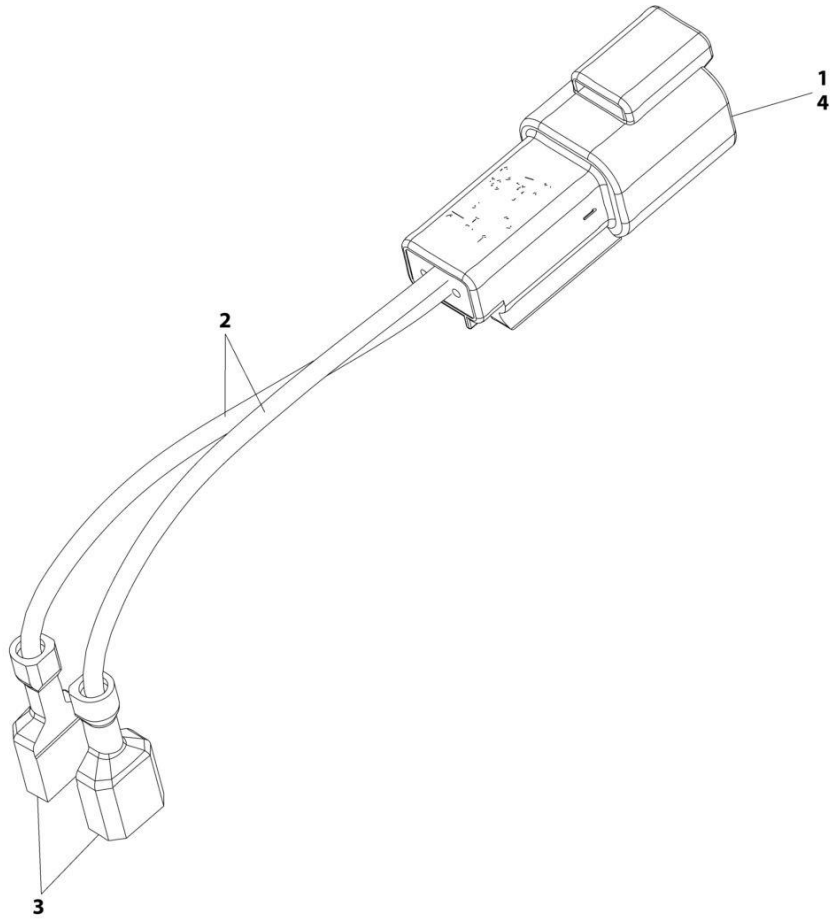
SECTION 10 - ELECTRICAL

FIGURE 10-110. RIDE CONTROL HARNESS (BOOM)

ITEM	PART NUMBER	QTY	DESCRIPTION	REV
	1001197668	Ref	Boom Ride Control Harness	D
1	1001121727	1	Connector	
2	1001116745	3	Terminal	
3	1001116729	1	Terminal	
4	4460458	4	Terminal Seal	
5	1001116727	1	Plug	
6	4460891	1	Connector	
7	4460465	2	Terminal	
8	4460891	1	Connector	
9	4460465	2	Terminal	
10	4460891	1	Connector	
11	4460465	2	Terminal	

SECTION 10 - ELECTRICAL

FIGURE 10-111. SPEED HARNESS (VEHICLE SPEED)



ART_1001229981-A

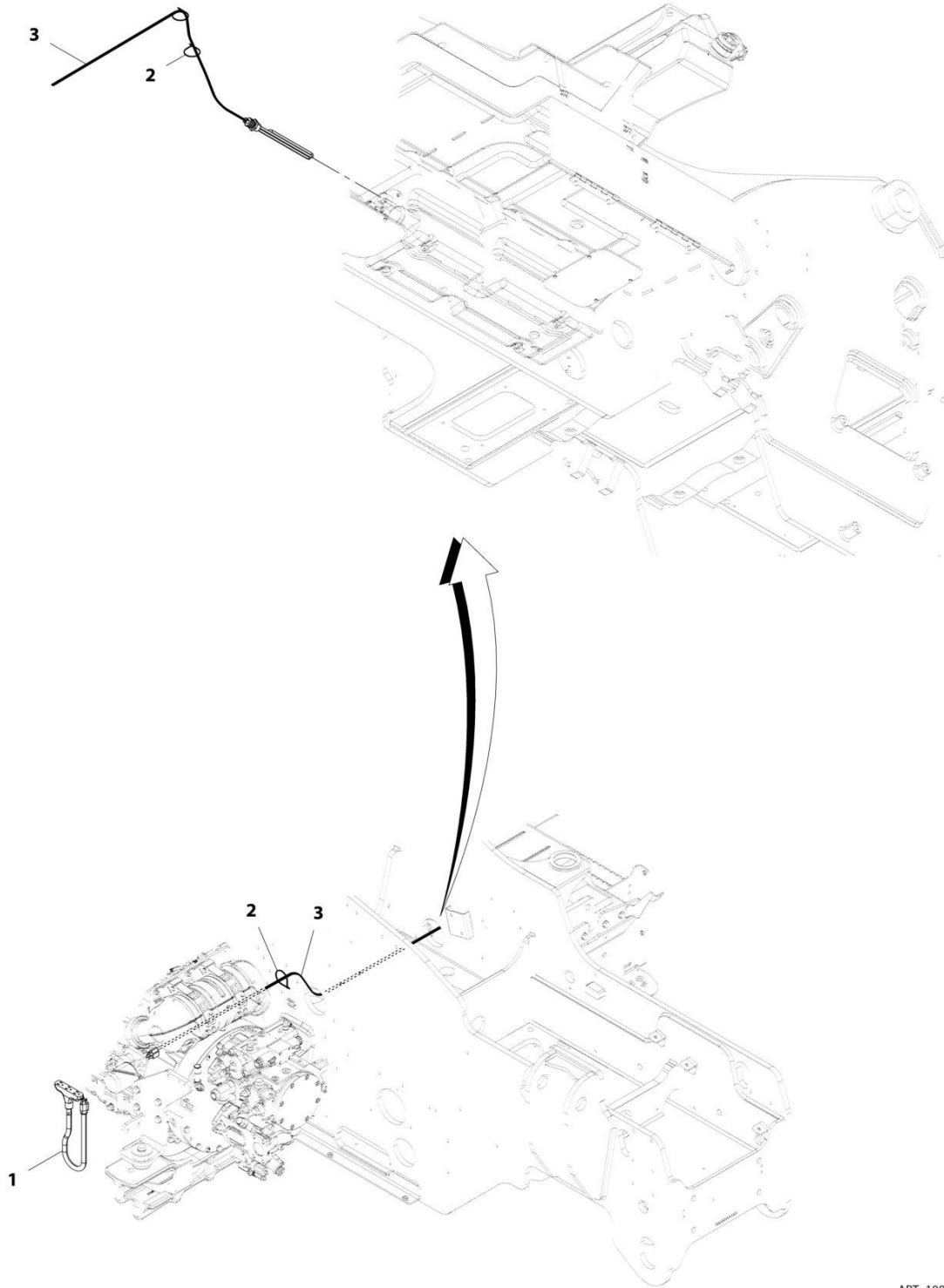
SECTION 10 - ELECTRICAL

FIGURE 10-111. SPEED HARNESS (VEHICLE SPEED)

ITEM	PART NUMBER	QTY	DESCRIPTION	REV
	1001229981	Ref	Vehicle Speed Pigtail Harness	A
1	4460464	2	Terminal	
2	4921614	200 mm	Wire, 18GA White	
3	1001194421	2	Terminal	
4	4460897	1	Connector	

SECTION 10 - ELECTRICAL

FIGURE 10-112. TANK HEATER INSTALLATION - HYDRAULIC TANK (115V)



ART_1001195593-B

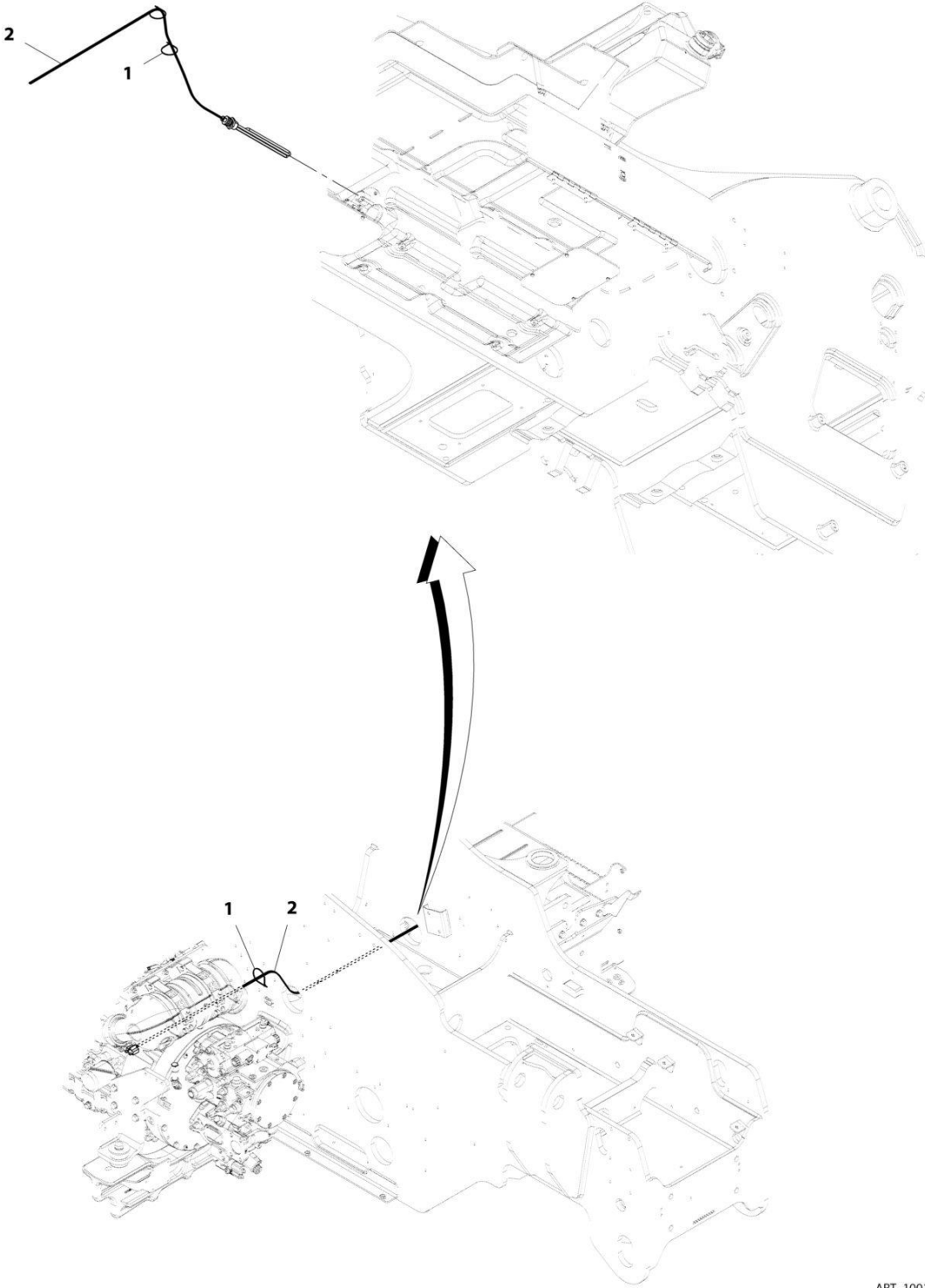
SECTION 10 - ELECTRICAL

FIGURE 10-112. TANK HEATER INSTALLATION - HYDRAULIC TANK (115V)

ITEM	PART NUMBER	QTY	DESCRIPTION	REV
	1001195593	Ref	Hydraulic Tank Heater Installation (115V)	B
1	1060626	1	Cord, 3-Way Extension	
2	4240099	AR	Tie, Wire	
3	1001105886	1	Heater, Immersion	

SECTION 10 - ELECTRICAL

FIGURE 10-113. TANK HEATER INSTALLATION - HYDRAULIC TANK (240V)



ART_1001204549-B

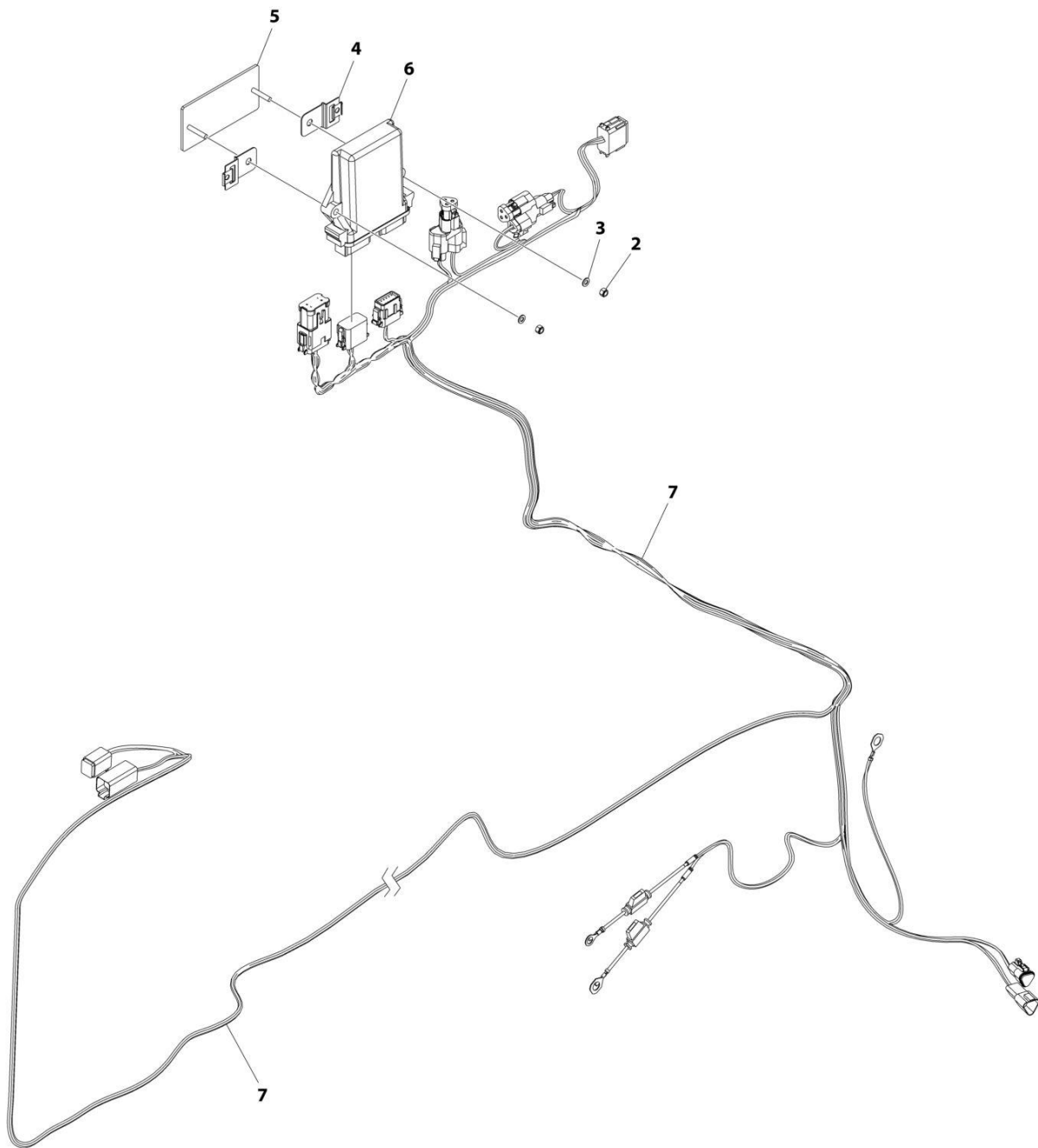
SECTION 10 - ELECTRICAL

FIGURE 10-113. TANK HEATER INSTALLATION - HYDRAULIC TANK (240V)

ITEM	PART NUMBER	QTY	DESCRIPTION	REV
1	1001204549	Ref	Hydraulic Tank Heater Installation (240V)	B
1	4240099	AR	Tie, Wire	
2	1001195439	1	Heater, Immersion	

SECTION 10 - ELECTRICAL

FIGURE 10-114. TELEMATICS GATEWAY INSTALLATION



ART_1001275277

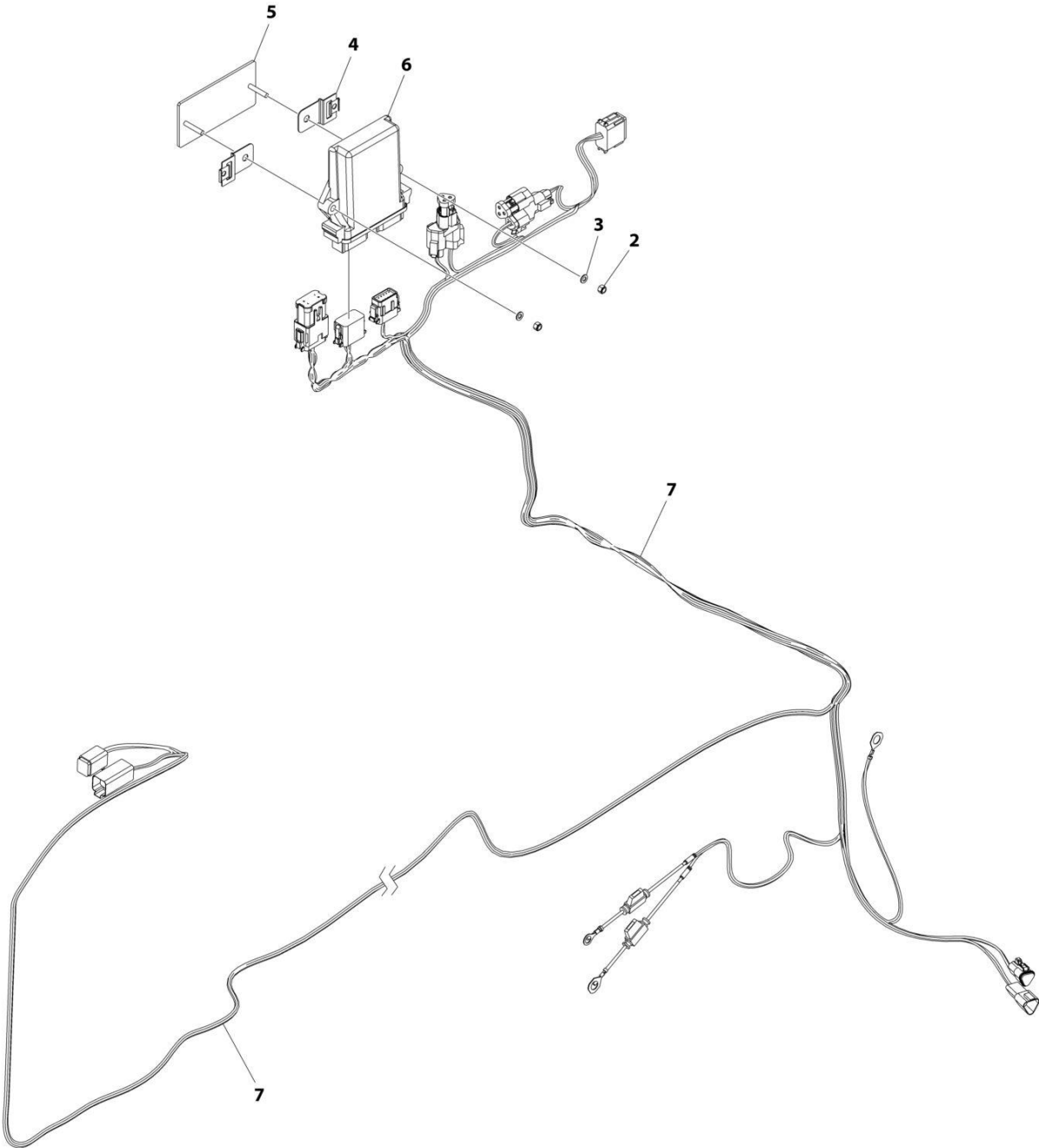
SECTION 10 - ELECTRICAL

FIGURE 10-114. TELEMATICS GATEWAY INSTALLATION

ITEM	PART NUMBER	QTY	DESCRIPTION	REV
	1001275277	Ref	TELEMATICS GATEWAY INSTALLATION	A
1	1062255	AR	Tie-Strap (Not Shown)	
2	3290505	2	Nut M5	
3	4811600	2	Washer M5	
4	1001153749	2	Clip	
5	1001219082	1	Bracket	
6	1001229458	1	Controller, Gateway	
7	1001275276	1	Harness, Telematics Gateway (See Separate Breakdown in this Section)	

SECTION 10 - ELECTRICAL

FIGURE 10-115. TELEMATICS GATWAY PLUS



ART_1001287805

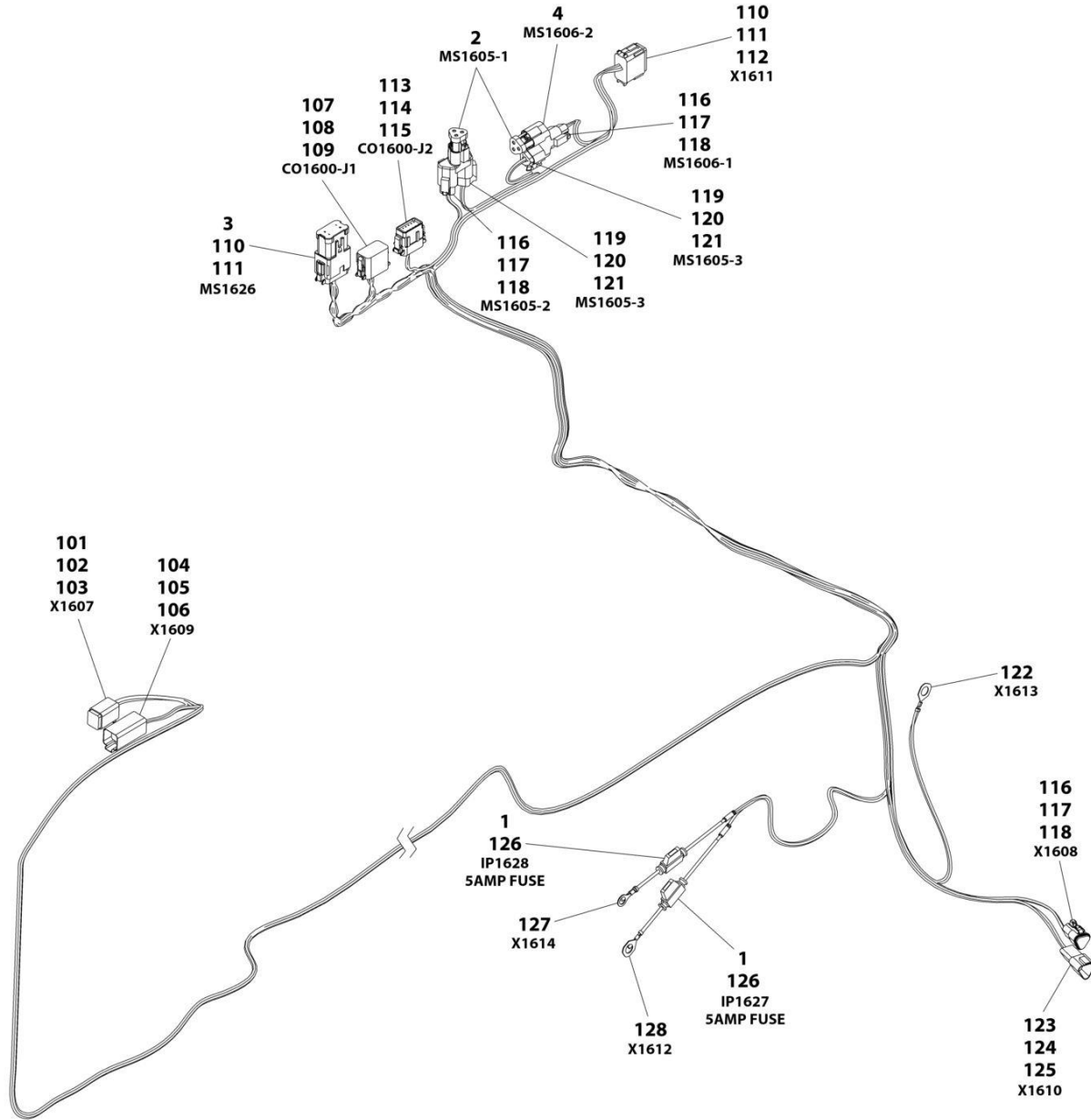
SECTION 10 - ELECTRICAL

FIGURE 10-115. TELEMATICS GATWAY PLUS

ITEM	PART NUMBER	QTY	DESCRIPTION	REV
	1001287805	Ref	TELEMATICS GATEWAY PLUS	A
1	1062255	AR	Tie-Strap (Not Shown)	
2	3290505	2	Nut M5	
3	4811600	2	Washer M5	
4	1001153749	2	Clip	
5	1001219082	1	Bracket	
6	1001282260	1	Control, Gateway Plus	
7	1001275276	1	Harness, Telematics Gateway (See Separate Breakdown in this Section)	

SECTION 10 - ELECTRICAL

FIGURE 10-116. TELEMATICS GATEWAY HARNESS



ART_1001275276

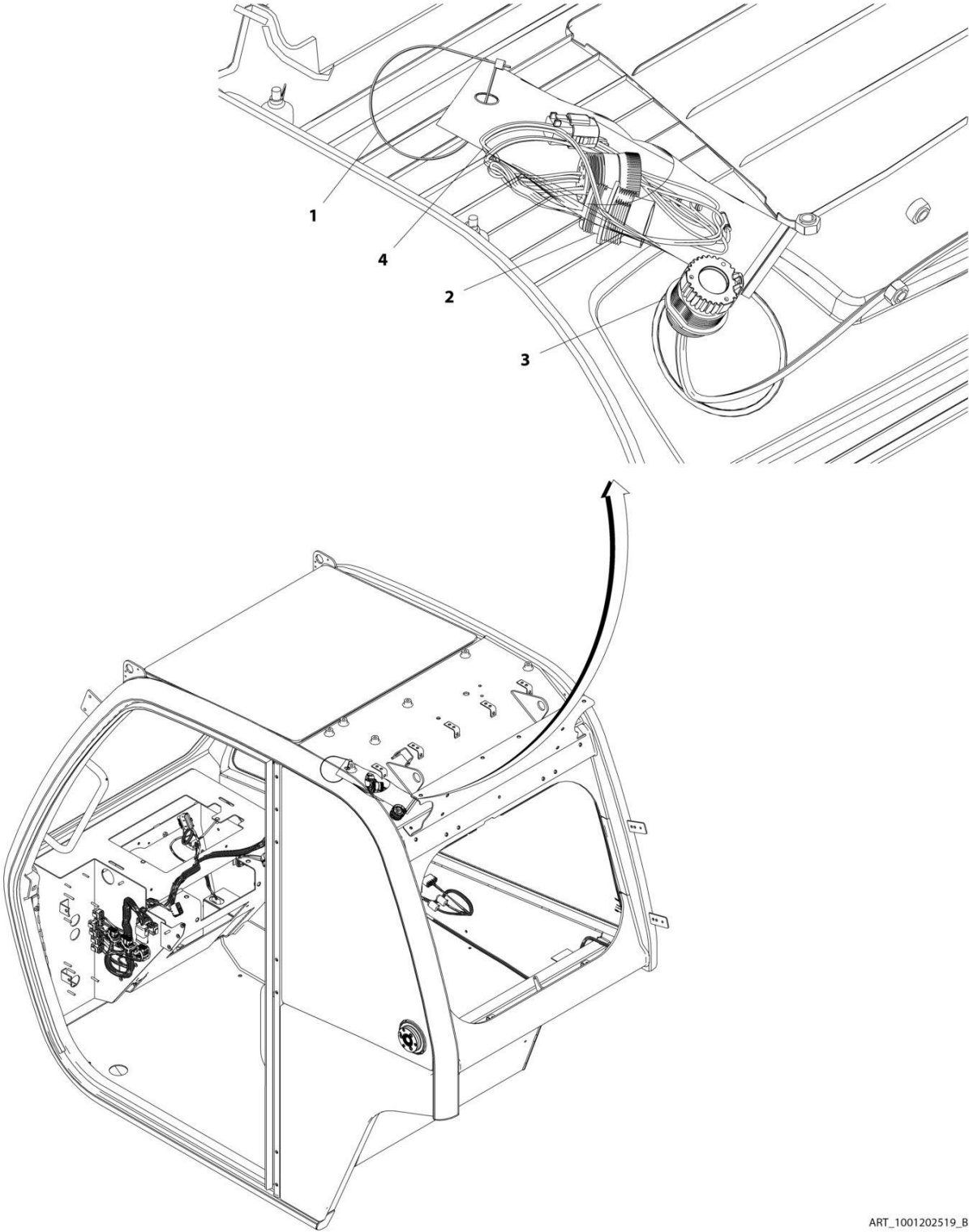
SECTION 10 - ELECTRICAL

FIGURE 10-116. TELEMATICS GATEWAY HARNESS

ITEM	PART NUMBER	QTY	DESCRIPTION	REV
	1001275276	Ref	TELEMATICS GATEWAY HARNESS	A
1	8229242	2	Fuse, 5AMP	
2	1001116815	2	Connector, Plug - 3 Position	
3	1001200206	1	Connector, Buss - 12 Position	
4	4460945	2	Receptacle, 3 - Way	
101	4460894	1	Plug, Male - 6 Position	
102	4460465	3	Socket, Female	
103	4460466	3	Plug, Terminal	
104	4460899	1	Receptacle, Female - 6 Position	
105	4460464	3	Pin, Male	
106	4460466	3	Plug, Terminal	
107	1001116774	1	Connector - 12 Position	
108	1001126008	6	Terminal	
109	4460518	6	Plug, Terminal	
110	4460933	2	Connector - 12 Position	
111	4460465	17	Socket, Female	
112	4460466	7	Plug, Terminal	
113	1001116808	1	Connector - 12 Position	
114	1001126008	2	Terminal	
115	4460518	10	Plug, Terminal	
116	1001116812	3	Plug, Male - 3 Position	
117	4460465	6	Socket, Female	
118	4460466	3	Plug, Terminal	
119	4460539	2	Plug, Male - 3 Position	
120	4460465	4	Socket, Female	
121	4460466	2	Plug, Terminal	
122	1001187081	1	Terminal, Ring	
123	1001144147	1	Receptacle, Female - 3 Position	
124	4460464	2	Pin, Male	
125	4460466	1	Plug, Terminal	
126	2400060	2	Fuseholder with Cover	
127	4460670	1	Terminal, Ring	
128	1001187078	1	Terminal, Ring	

SECTION 10 - ELECTRICAL

FIGURE 10-117. TELEMATICS READY INSTALLATION



ART_1001202519_B

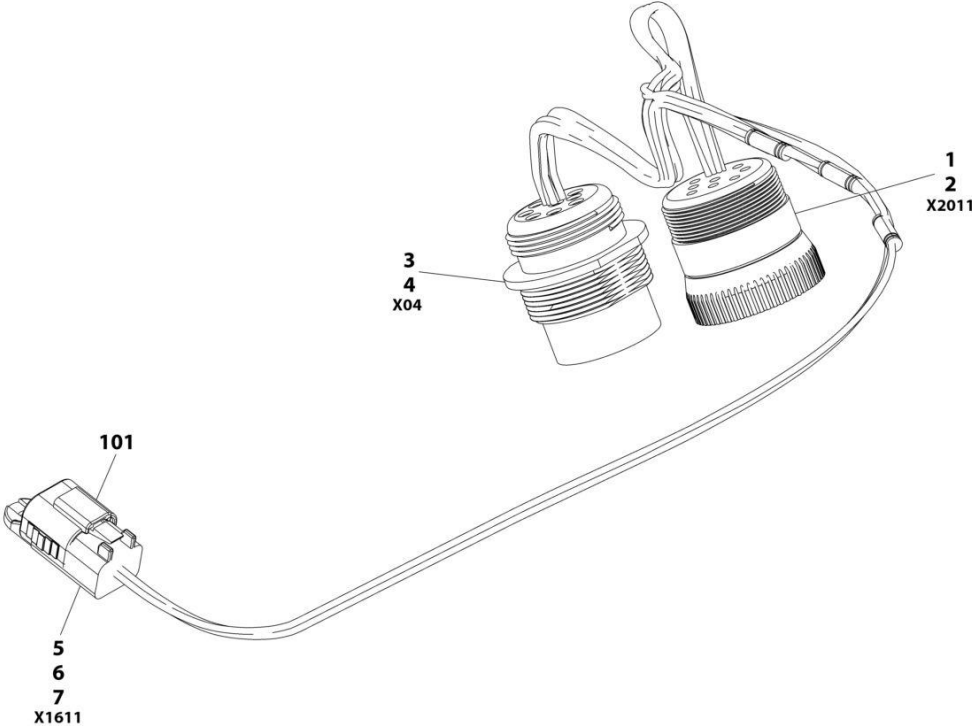
SECTION 10 - ELECTRICAL

FIGURE 10-117. TELEMATICS READY INSTALLATION

ITEM	PART NUMBER	QTY	DESCRIPTION	REV
	1001202519	Ref	TELEMATICS READY INSTALLATION	B
1	8584003	1	Strap, Tie	
2	1001291182	1	Harness, Telematics Ready (See Separate Breakdown in ELECTRICAL Section)	
3	1001201162	1	Cap	
4	1001202617	1	Bag	

SECTION 10 - ELECTRICAL

FIGURE 10-118. TELEMATICS READY HARNESS



ART_1001291182

SECTION 10 - ELECTRICAL

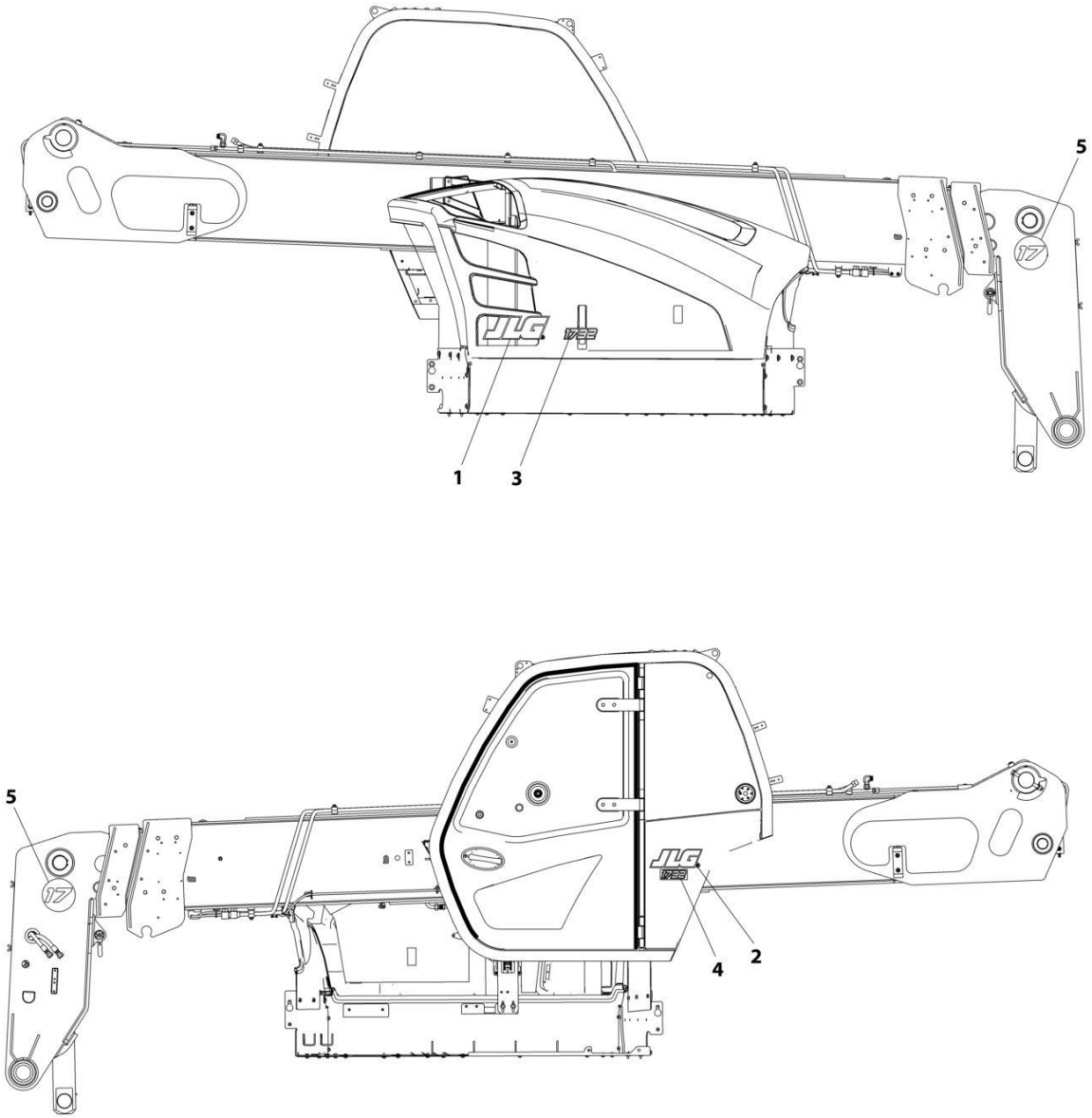
FIGURE 10-118. TELEMATICS READY HARNESS

ITEM	PART NUMBER	QTY	DESCRIPTION	REV
	1001291182	Ref	TELEMATICS READY HARNESS	A
1	1001112796	1	Connector	
2	4460465	9	Terminal	
3	1001112612	1	Connector	
4	4460464	9	Terminal	
5	4460884	1	Connector	
6	4460465	3	Terminal	
7	4460466	1	Plug	
101	1001192401	1	Dust Cap	

SECTION 11 - DECALS

SECTION 11 - DECALS

FIGURE 11-1. DECAL INSTALLATION 1732



ART_1001226532_C

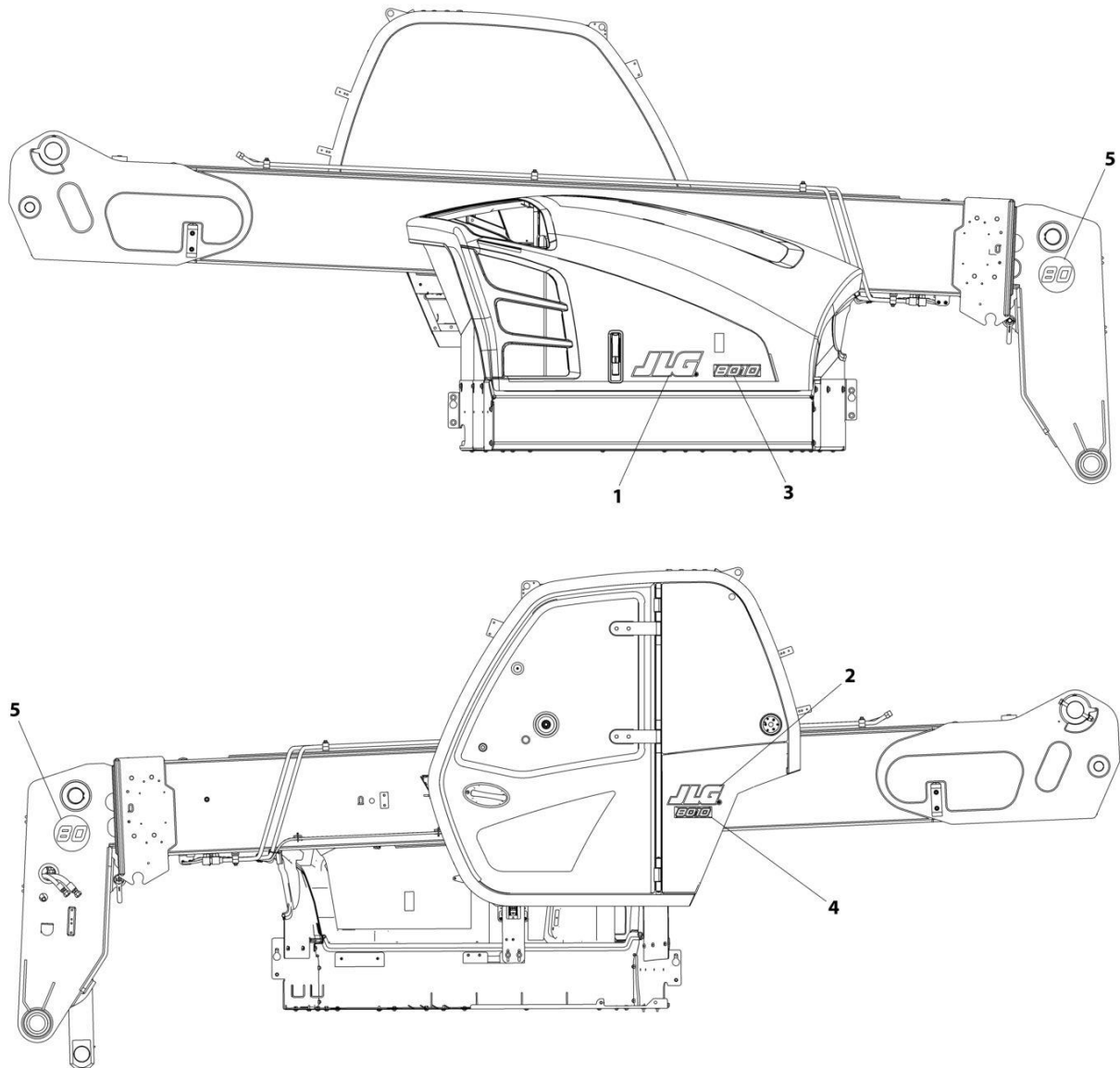
SECTION 11 - DECALS

FIGURE 11-1. DECAL INSTALLATION 1732

ITEM	PART NUMBER	QTY	DESCRIPTION	REV
	1001226532	Ref	1732 DECAL INSTALLATION	C
1	1001160775	1	Decal, JLG 5 Black	
2	1001169674	1	Decal, JLG M100 x 285	
3	1001276770	1	Decal, JLG 1732 Hood	
4	1001276771	1	Decal, JLG 1732 Cab	
5	1001279170	2	Decal, Boom Head	

SECTION 11 - DECALS

FIGURE 11-2. DECAL INSTALLATION 8010



ART_1001192739_D

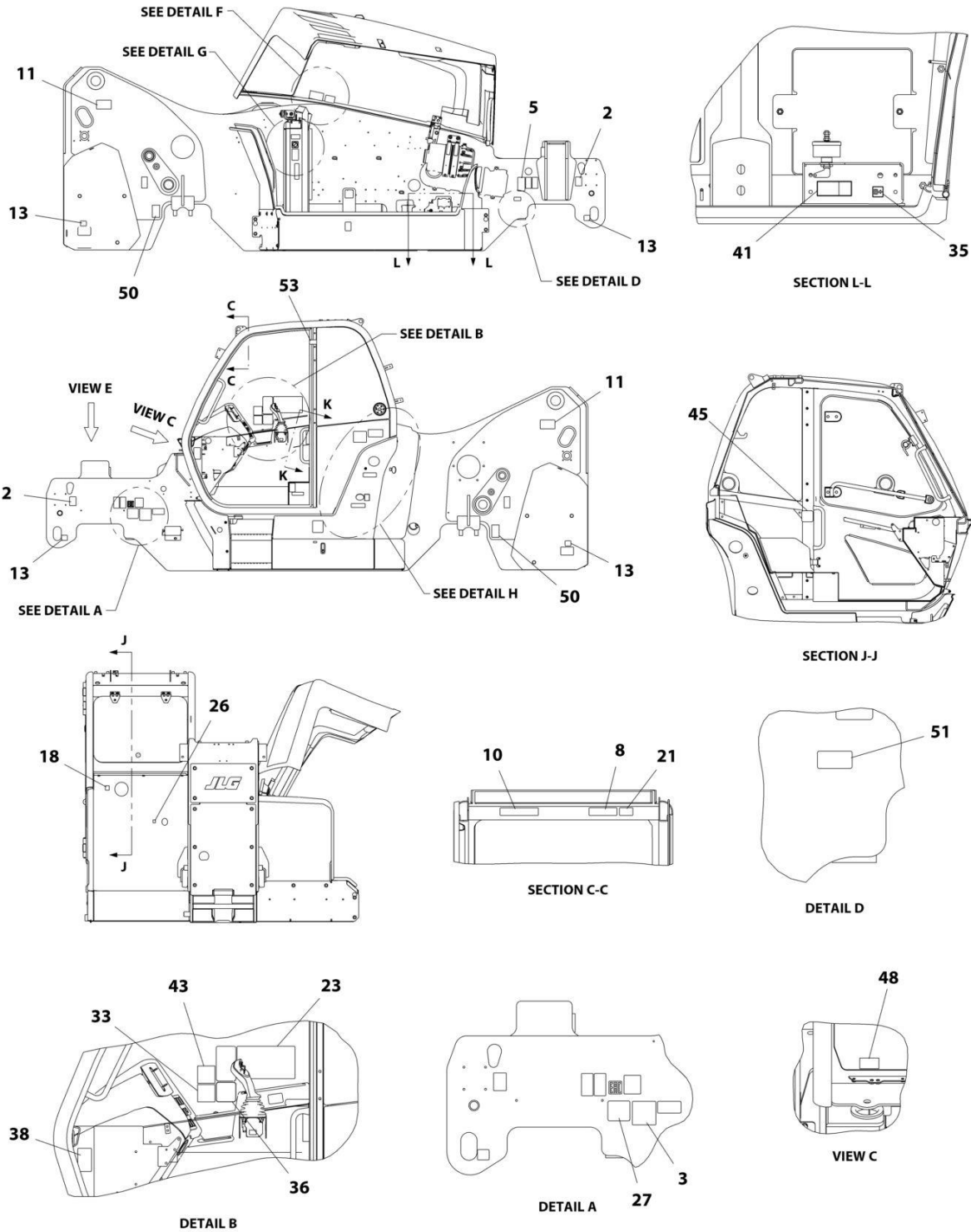
SECTION 11 - DECALS

FIGURE 11-2. DECAL INSTALLATION 8010

ITEM	PART NUMBER	QTY	DESCRIPTION	REV
	1001192739	Ref	DECAL INSTALLATION 8010	D
1	1001160775	1	Decal, JLG 5 Black	
2	1001169674	1	Decal, JLG M100 x 285	
3	1001276776	1	Decal, JLG 8010 Hood	
4	1001276777	1	Decal, JLG 8010 Cab	
5	1001279174	2	Decal, Boom Head	

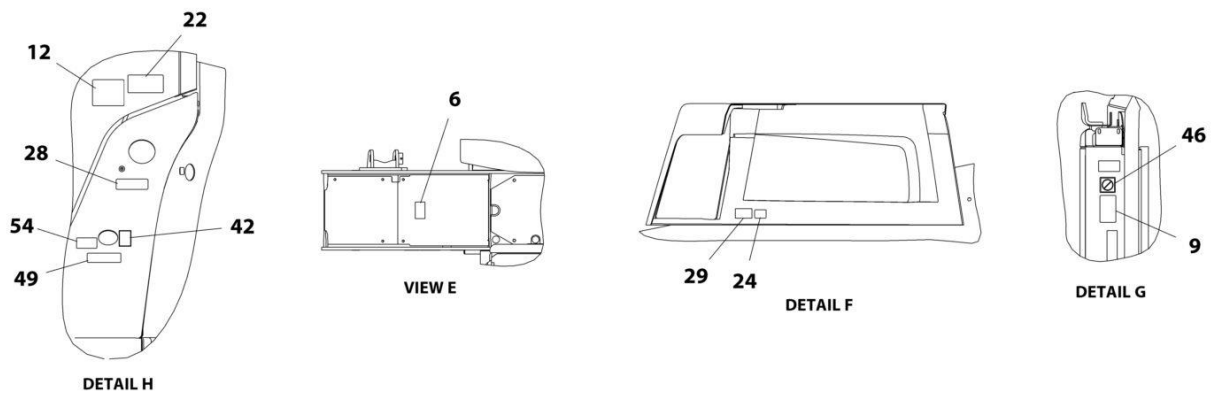
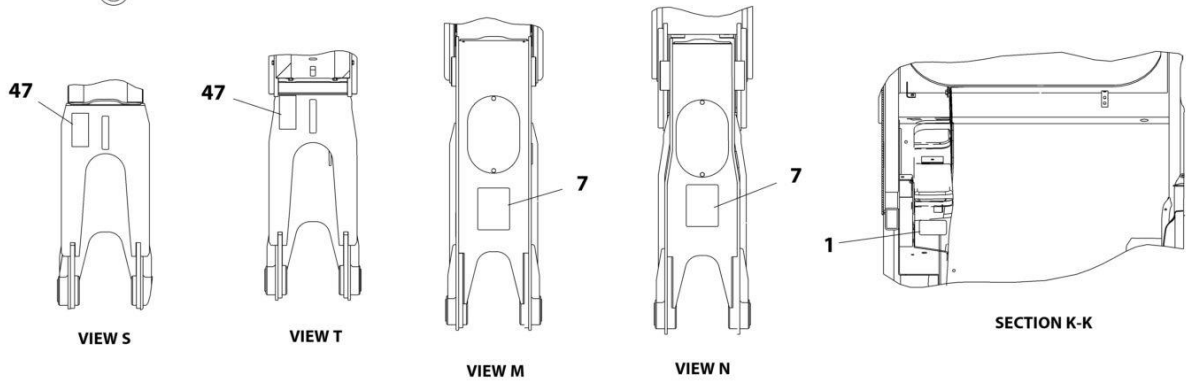
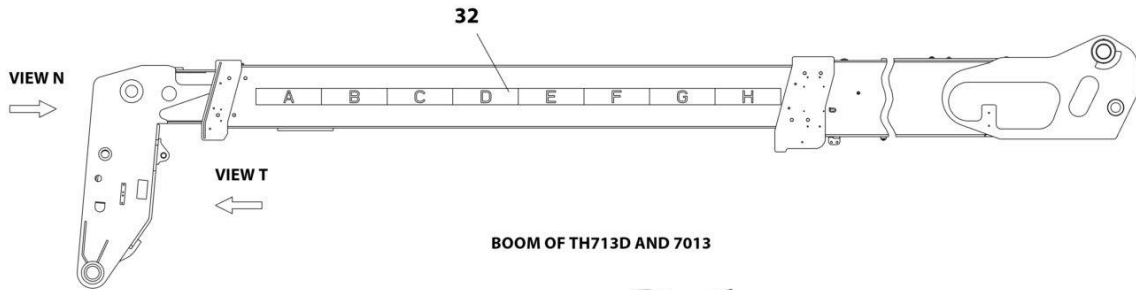
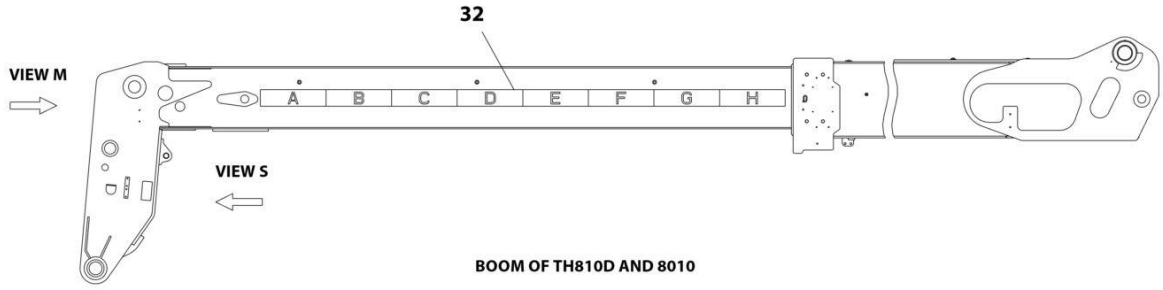
SECTION 11 - DECALS

FIGURE 11-3. DECAL INSTALLATION (ENGLISH)



ART_1001192745_1-K

SECTION 11 - DECALS



ART_1001192745_2-K

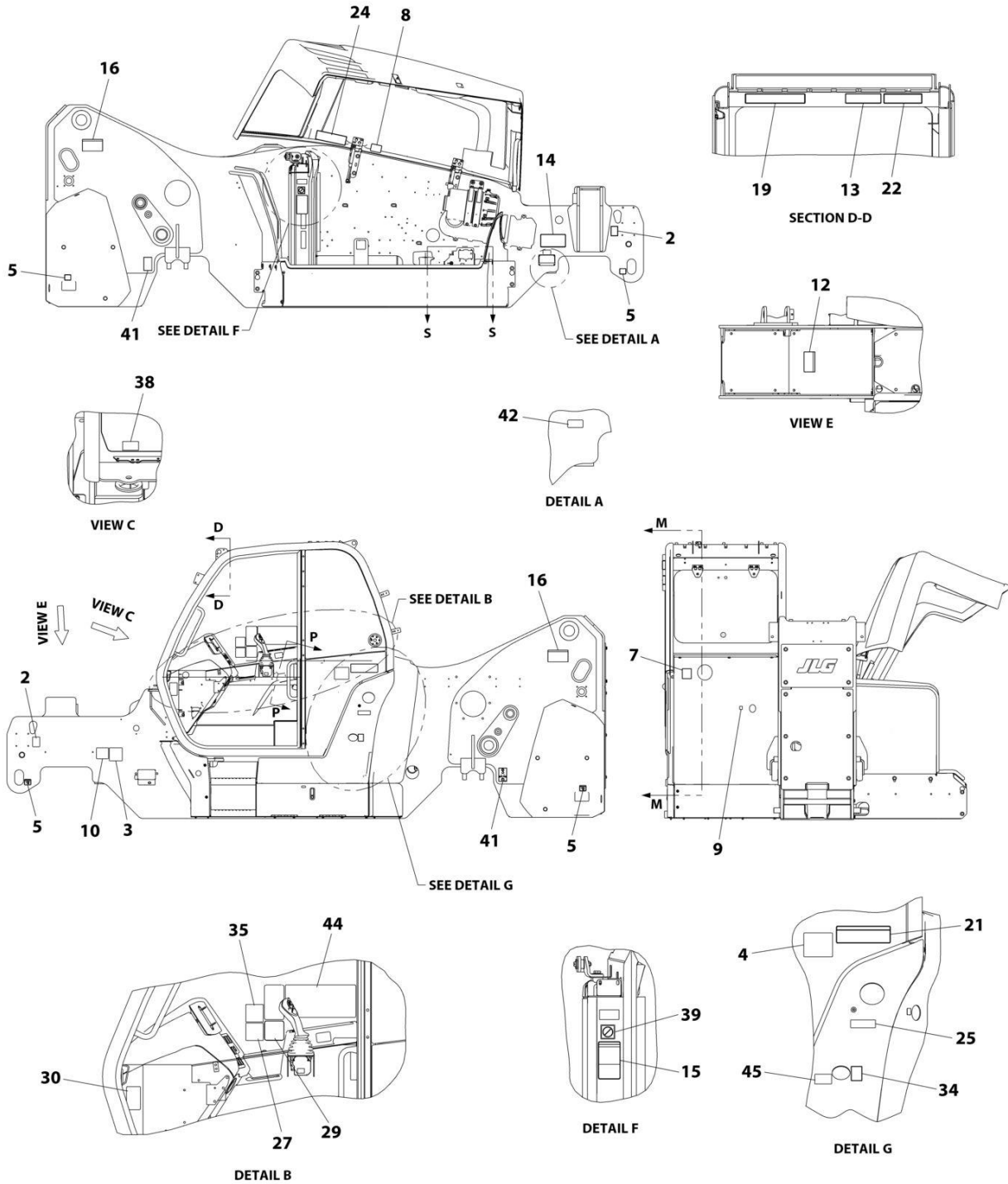
SECTION 11 - DECALS

FIGURE 11-3. DECAL INSTALLATION (ENGLISH)

ITEM	PART NUMBER	QTY	DESCRIPTION	REV
	1001192745	Ref	Decal Installation (English)	K
1	1670836	1	Cover, Boom	
2	1701500	2	Decal, Lift	
3	See Note	NSS	Decal, Bar Code (Note: Not Available for Purchase)	
5	1706300	1	Decal, Ether Warning	
6	1706296	1	Decal, Battery Warning	
7	1001195849	1	Decal, Carry Personnel	
8	1706299	1	Decal, Contacting Power Lines Warning	
9	1706301	1	Decal, Keep Clear Of Rotating Parts Warning	
10	1706306	1	Decal, Tip Over Warning	
11	1706302	2	Decal, Pinch Point Boom Holes	
12	3251813	1	Decal, USA	
13	4109801	4	Decal, Tie Down Point	
18	1001094708	1	Decal, Hydraulic Oil	
21	1706850	1	Decal, Crush Hazard Warning	
22	1706768	1	Decal, Vehicle Roll Away	
23	1707078	1	Decal, Warning/Danger	
24	1001109053	1	Decal, Coolant Fill	
26	1001130323	1	Decal, Oil Level	
27	1001131271	1	Decal, Patent	
28	1001218704	1	Decal, Ultra Low Sulfur Diesel	
29	1001139578	1	Decal, Hot Fluid Warning	
32	1001171277	1	Decal, Boom Extend	
33	1001172035	1	Decal, No Weld or Drill	
35	1001184632	1	Decal, Battery Positive	
36	1001188372	1	Decal, Sway	
38	1001191229	1	Decal, Fuse Panel	
41	1001195855	1	Decal, Battery Disconnect	
42	1001196806	1	Decal, Diesel Exhaust Fluid	
43	1001227287	1	Decal, Manual	
45	1001214206	1	Decal, Park Brake	
46	AU2105	1	Decal, No Karcher	
47	1001207217	1	Decal, Danger Swinging Loads	
48	1001218659	1	Decal, Brake Fluid	
49	1001219212	1	Decal, DEF Fluid	
50	1001222650	2	Decal, Axle Lift	
51	1001223453	1	DECAL,ICES (CAN)	
53	1001231801	1	Decal, Warning Prop 65	
54	1001247646	1	Decal, DEF Min. Refill Volume	

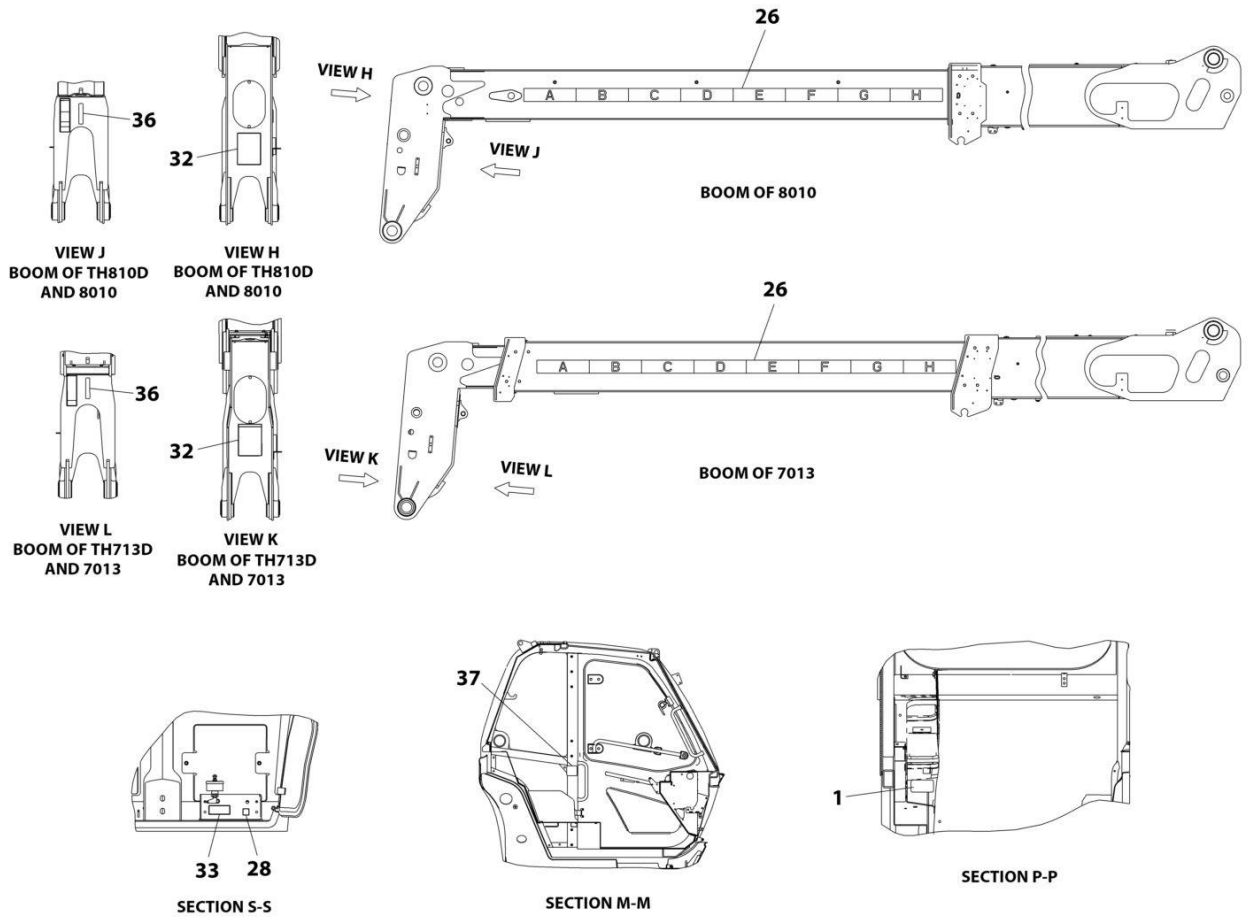
SECTION 11 - DECALS

FIGURE 11-4. DECAL INSTALLATION (ENGLISH/FRENCH)



ART_1001220230_1-J

SECTION 11 - DECALS



ART_1001220230_2-J

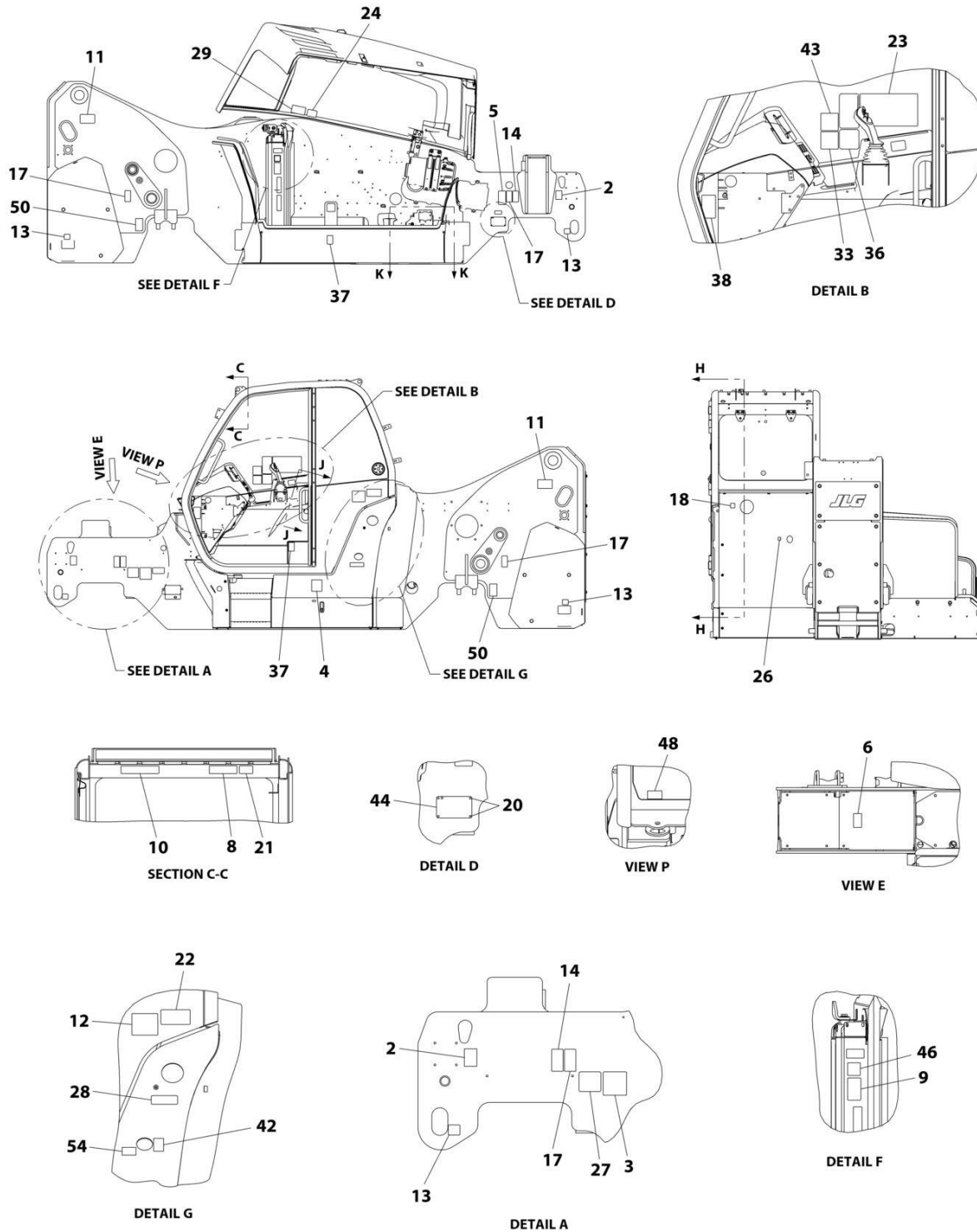
SECTION 11 - DECALS

FIGURE 11-4. DECAL INSTALLATION (ENGLISH/FRENCH)

ITEM	PART NUMBER	QTY	DESCRIPTION	REV
	1001220230	Ref	Decal Installation (English/French)	J
1	1670836	1	Cover, Boom	
2	1701500	2	Decal, Lift	
3	See Note	NSS	Decal, Bar Code (Note: Not Available for Purchase)	
4	3251813	1	Decal, USA	
5	4109801	4	Decal, Tie Down Point	
7	1001094708	1	Decal, Hydraulic Oil	
8	1001109053	1	Decal, Coolant Fill	
9	1001130323	1	Decal, Oil Level	
10	1001131271	1	Decal, Patent Telehandlers USA/Canada	
12	1001163174	1	Decal, Battery Warning	
13	1001163210	1	Decal, Electrocutation Hazard	
14	1001163212	1	Decal, Warning No Either	
15	1001163222	1	Decal, Moving Parts	
16	1001163223	2	Decal, Pinch Point	
19	1001163285	1	Decal, Warning Tip Over	
21	1001163300	1	Decal, No Riders	
22	1001163304	1	Decal, Warning Crushing Hazard	
24	1001163323	1	Decal, Warning Hot Fluid	
25	1001163355	1	Decal, Ultra Low Sulfur Diesel	
26	1001171277	1	Decal, Boom Extend	
27	1001172035	1	Decal, No Weld or Drill	
28	1001184632	1	Decal, Battery Positive	
29	1001188372	1	Decal, Sway	
30	1001191229	1	Decal, Fuse Panel	
32	1001195851	1	Decal, Carry Personnel	
33	1001195855	1	Decal, Battery Disconnect	
34	1001196806	1	Decal, Diesel Exhaust Fluid	
35	1001227287	1	Decal, Manual	
36	1001209625	1	Decal, Danger Swinging Loads	
37	1001214206	1	Decal, Park Brake	
38	1001219211	1	Decal, Brake Fluid	
39	AU2105	1	Decal, No Karcher	
41	1001222650	2	Decal, Axle Lift	
42	1001223453	1	Decal, ICES	
44	1001233558	1	Decal, Warning/Danger - Cab	
45	1001247646	1	Decal, DEF Min. Refill Volume	

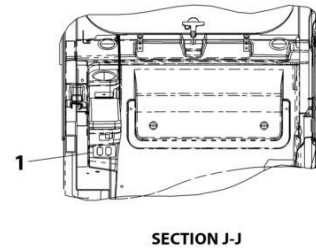
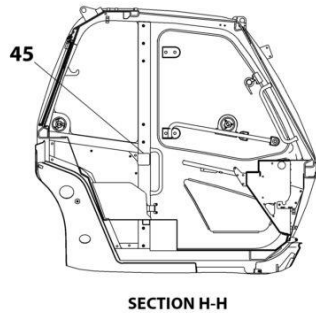
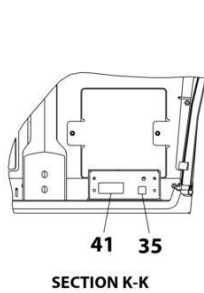
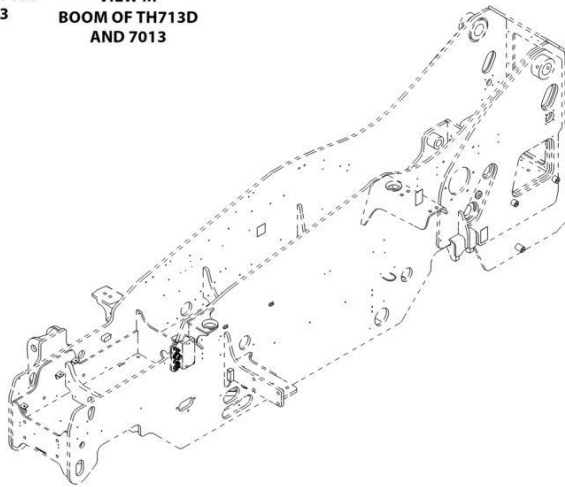
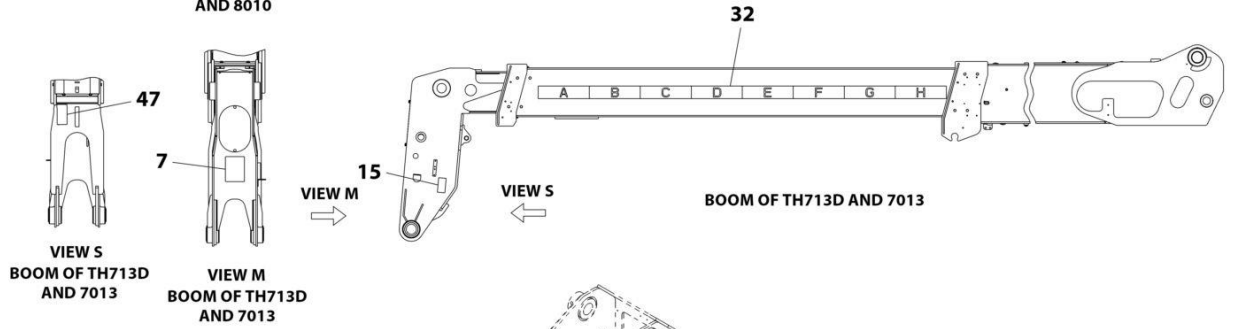
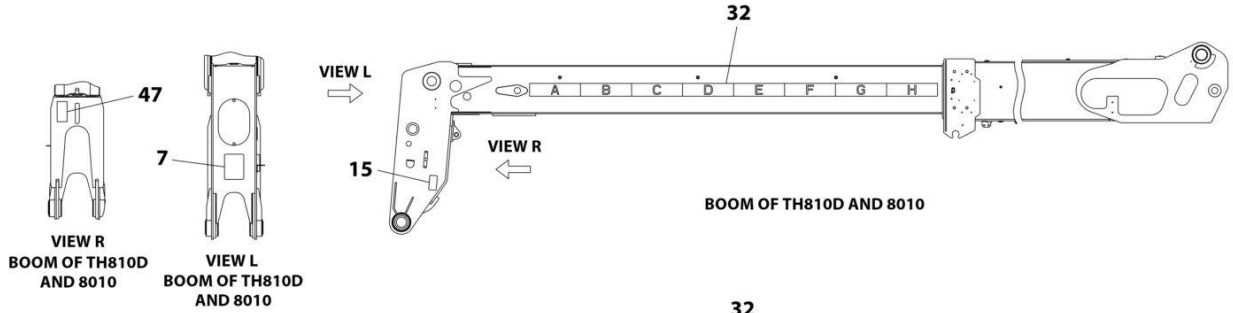
SECTION 11 - DECALS

FIGURE 11-5. DECAL INSTALLATION (ISO) (ULS)



ART_1001192741_F_1

SECTION 11 - DECALS



ART_1001192741_F_2

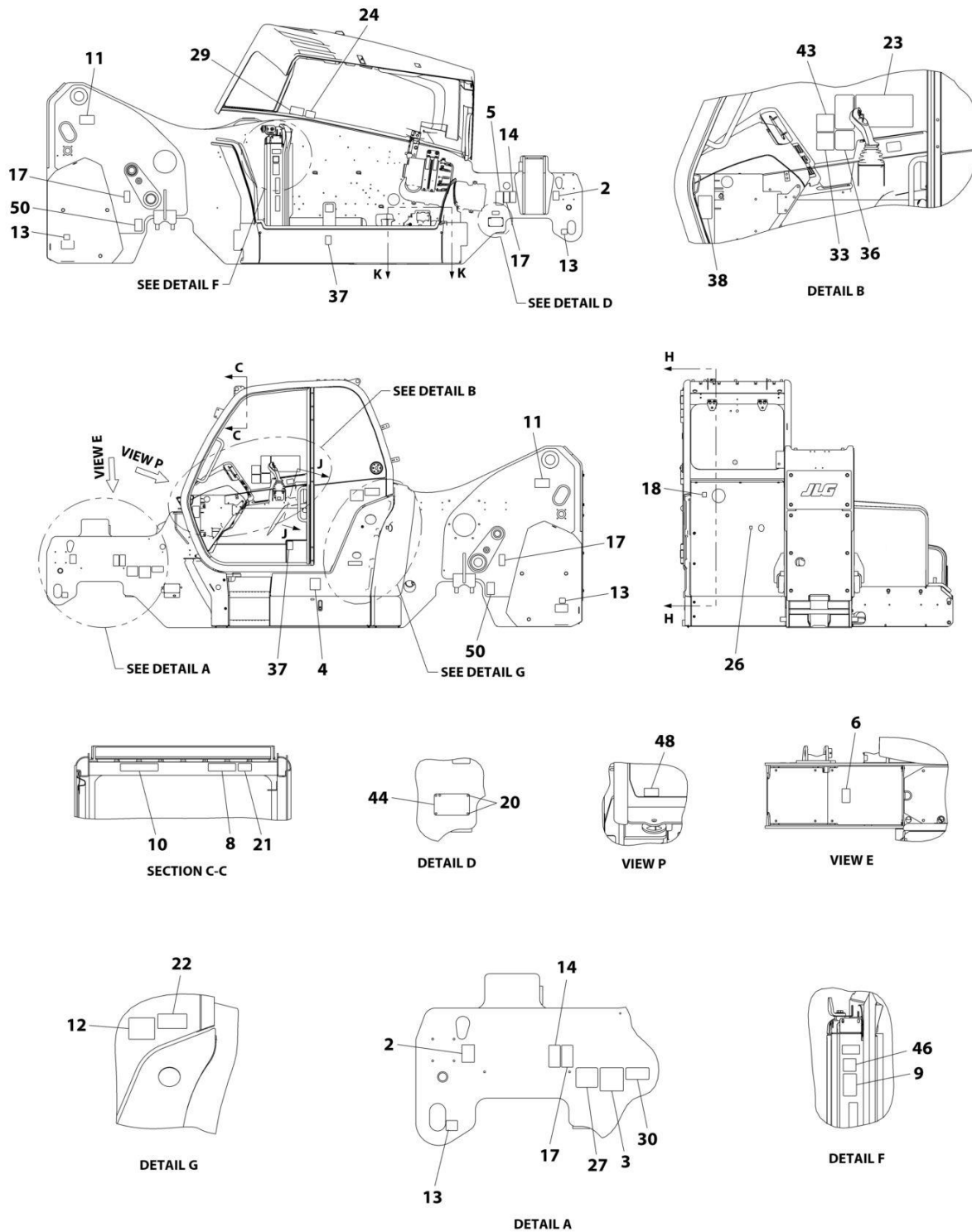
SECTION 11 - DECALS

FIGURE 11-5. DECAL INSTALLATION (ISO) (ULS)

ITEM	PART NUMBER	QTY	DESCRIPTION	REV
	1001192741	Ref	Decal Installation (ULS)	F
1	1670836	1	Cover, Boom	
2	1701500	2	Decal-Lift	
3	See Note	NSS	Decal, Bar Code (Note: Not Available for Purchase)	
4	1705980	1	Decal, Acoustic Power 106db	
5	1706098	1	Decal, Warning Ether Start	
6	1706281	1	Decal, Battery Warning (ISO)	
7	1706282	1	Decal, Carry Personnel (ISO)	
8	1706284	1	Decal, Electrocutation Hazard (ISO)	
9	1706285	1	Decal, Moving Parts (ISO)	
10	1706288	1	Decal, Tip Over Warning	
11	1706292	2	Decal, Pinch Point Boom Holes	
12	3251813	1	Decal, USA	
13	4109801	4	Decal, Tie Down Point	
14	8005671	2	Decal, Cylinder Lock Warning	
15	8005675	2	Decal, Watch for Raised Boom Warning	
17	8008657	4	Decal, Set Brake Lever Warning	
18	1001094708	1	Decal, Hydraulic Oil	
20	1001009178	4	Tack, Metal	
21	1001092877	1	Decal, Crush Hazard Warning	
22	1001092878	1	Decal, No Riders	
23	1001101895	1	Decal, Cab Warning	
24	1001109053	1	Decal, Coolant Fill	
26	1001130323	1	Decal, Oil Level	
27	1001131271	1	Decal, Patent Telehandlers USA/Canada	
28	1001218704	1	Decal, Ultra Low Sulfur Diesel	
29	1001139942	1	Decal, Hot Fluid Warning	
32	1001171277	1	Decal, Boom Extend	
33	1001172035	1	Decal, No Weld or Drill	
35	1001184632	1	Decal, Battery Positive	
36	1001188372	1	Decal, Sway	
37	1001189154	2	Decal, Read Operators Manual	
38	1001191229	1	Decal, Fuse Panel	
41	1001195855	1	Decal, Battery Disconnect	
42	1001196806	1	Decal, Diesel Exhaust Fluid	
43	1001227287	1	Decal, Manual	
44	See Note	NSS	SN Plate (Note: Stamped Part - Not Available for Purchase0	
45	1001214206	1	Decal, Park Brake	
46	AU2105	1	Decal, No Karcher	
47	1001207218	1	Decal, Danger Swinging Load	
48	1001219211	1	Decal, Brake Fluid	
50	1001222650	2	Decal, Axle Lift	
54	1001247646	1	Decal, DEF Minimum Refill Volume	

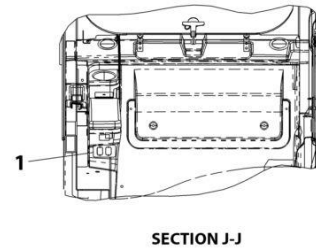
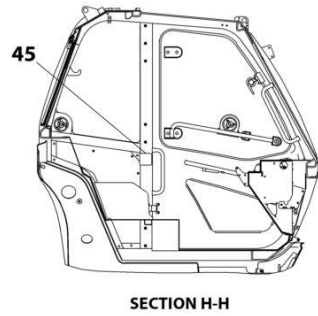
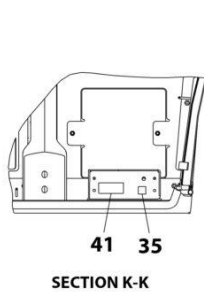
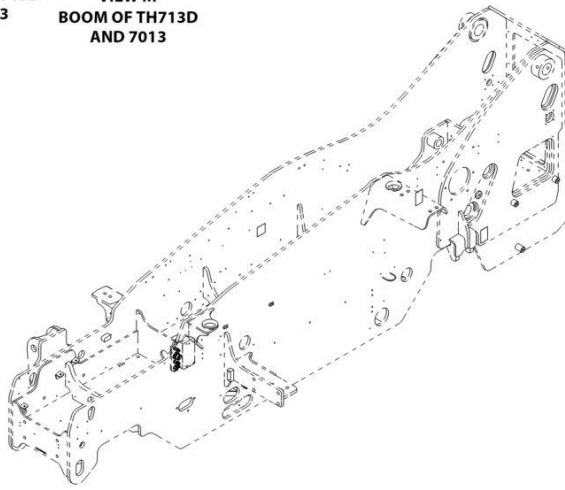
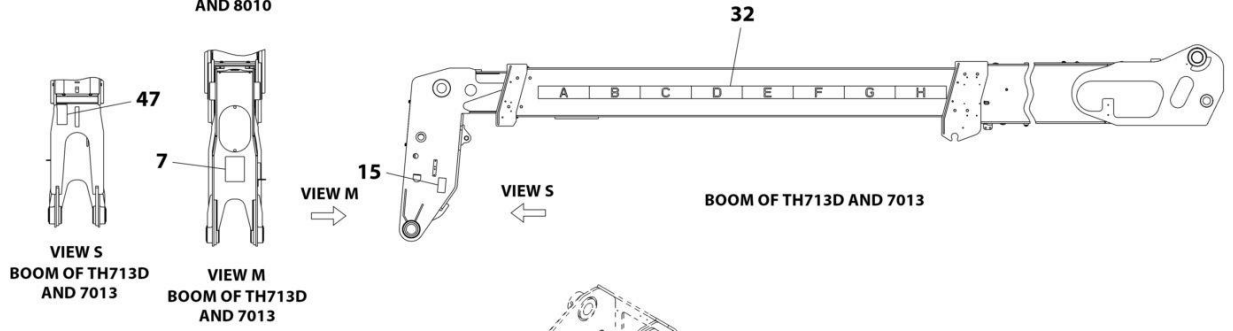
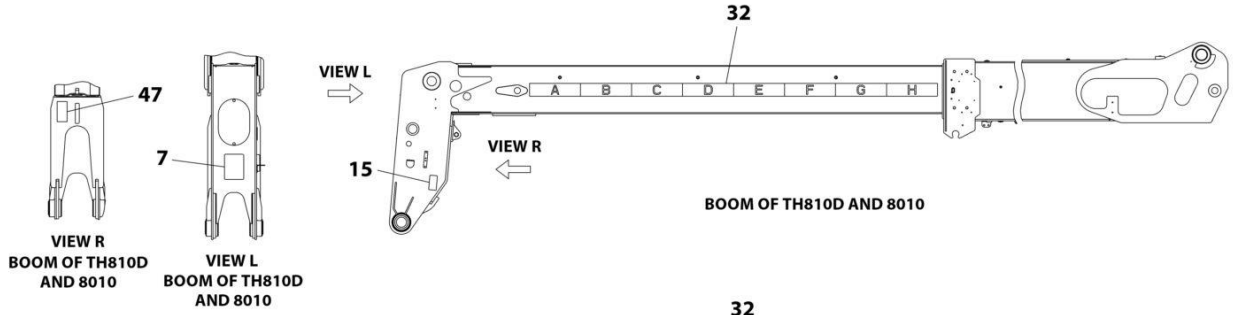
SECTION 11 - DECALS

FIGURE 11-6. DECAL INSTALLATION (ISO) (LS)



ART_1001220707_D_1

SECTION 11 - DECALS



ART_1001220707_D_2

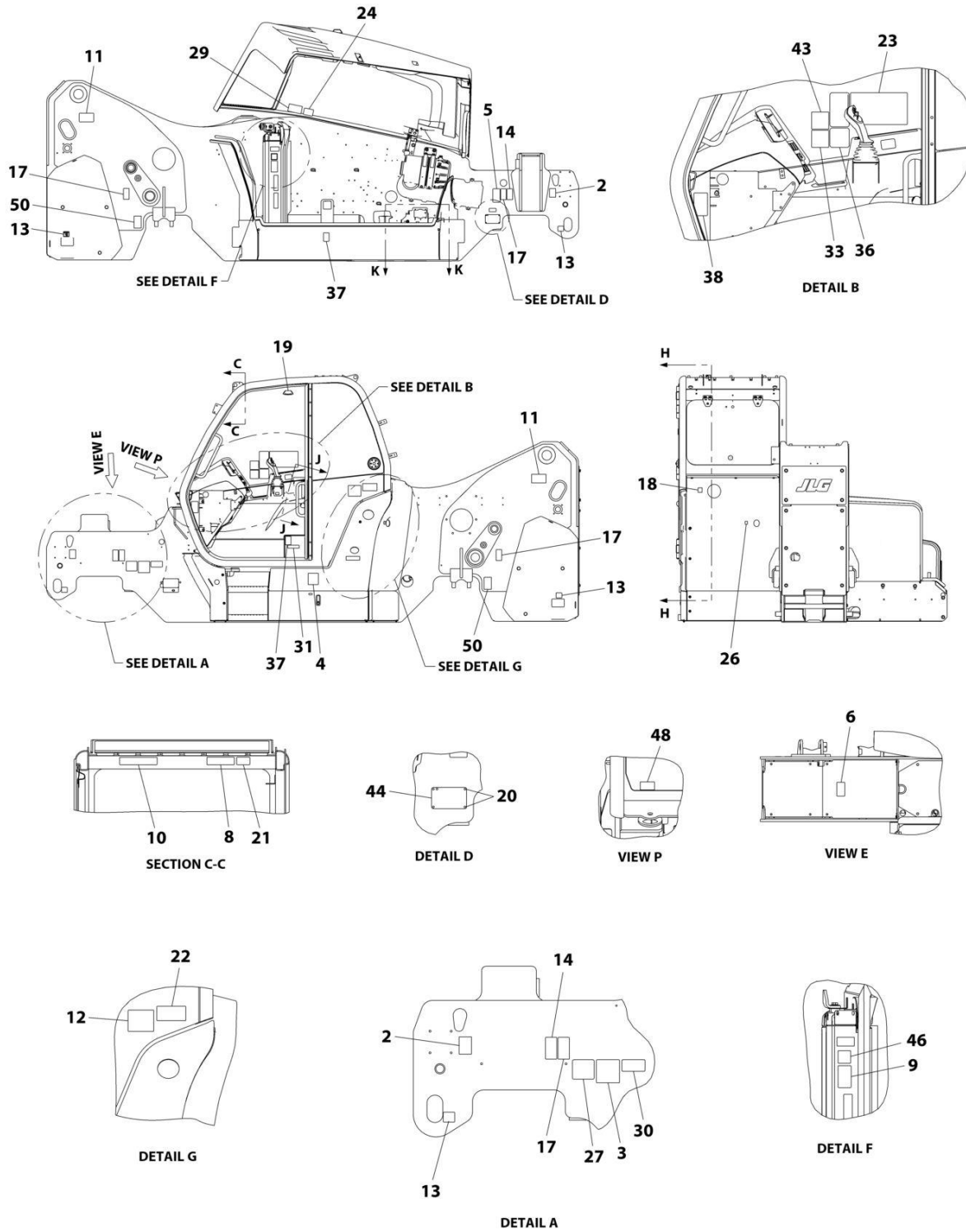
SECTION 11 - DECALS

FIGURE 11-6. DECAL INSTALLATION (ISO) (LS)

ITEM	PART NUMBER	QTY	DESCRIPTION	REV
	1001220707	Ref	Decal Installation (LS)	D
1	1670836	1	Cover, Boom	
2	1701500	2	Decal, Lift	
3	See Note	NSS	Decal, Bar Code (Note: Not Available for Purchase)	
4	1705980	1	Decal, Acoustic Power 106db	
5	1706098	1	Decal, Warning Ether Start	
6	1706281	1	Decal, Battery Warning (ISO)	
7	1706282	1	Decal, Carry Personnel (ISO)	
8	1706284	1	Decal, Electrocutation Hazard (ISO)	
9	1706285	1	Decal, Moving Parts (ISO)	
10	1706288	1	Decal, Tip Over Warning	
11	1706292	2	Decal, Pinch Point Boom Holes	
12	3251813	1	Decal, USA	
13	4109801	4	Decal, Tie Down Point	
14	8005671	2	Decal, Cylinder Lock Warning	
15	8005675	2	Decal, Watch for Raised Boom Warning	
17	8008657	4	Decal, Set Brake Lever Warning	
18	1001094708	1	Decal, Hydraulic Oil	
20	1001009178	4	Tack, Metal	
21	1001092877	1	Decal, Crush Hazard Warning	
22	1001092878	1	Decal, No Riders	
23	1001101895	1	Decal, Cab Warning	
24	1001109053	1	Decal, Coolant Fill	
26	1001130323	1	Decal, Oil Level	
27	1001131271	1	Decal, Patent Telehandlers USA/Canada	
29	1001139942	1	Decal, Hot Fluid Warning	
30	1001143852	1	Decal, LRC EPA	
32	1001171277	1	Decal, Boom Extend	
33	1001172035	1	Decal, No Weld or Drill	
35	1001184632	1	Decal, Battery Positive	
36	1001188372	1	Decal, Sway	
37	1001189154	2	Decal, Read Operators Manual	
38	1001191229	1	Decal, Fuse Panel	
41	1001195855	1	Decal, Battery Disconnect	
43	1001227287	1	Decal, Manual	
44	See Note	NSS	SN Plate (Note: Stamped Part - Not Available for Purchase0	
45	1001214206	1	Decal, Park Brake	
46	AU2105	1	Decal, No Karcher	
47	1001207218	1	Decal, Danger Swinging Load	
48	1001219211	1	Decal, Brake Fluid	
50	1001222650	2	Decal, Axle Lift	

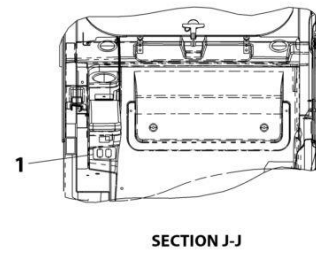
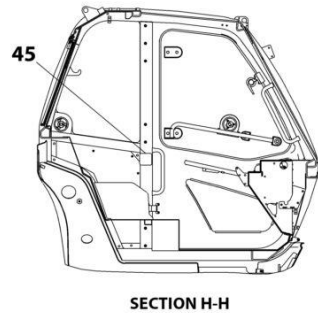
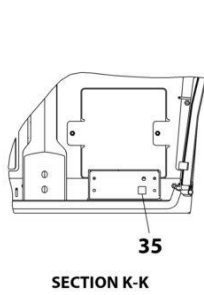
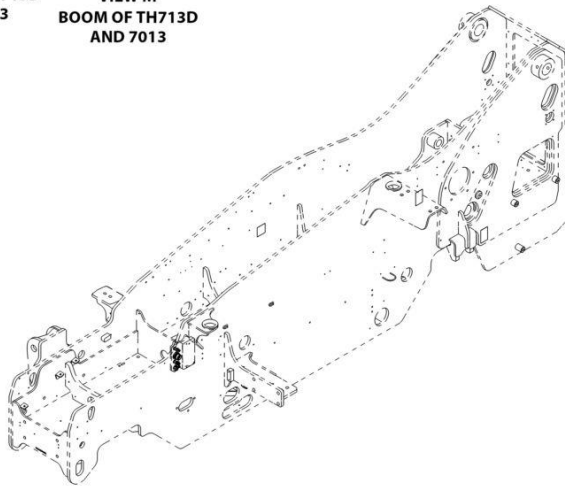
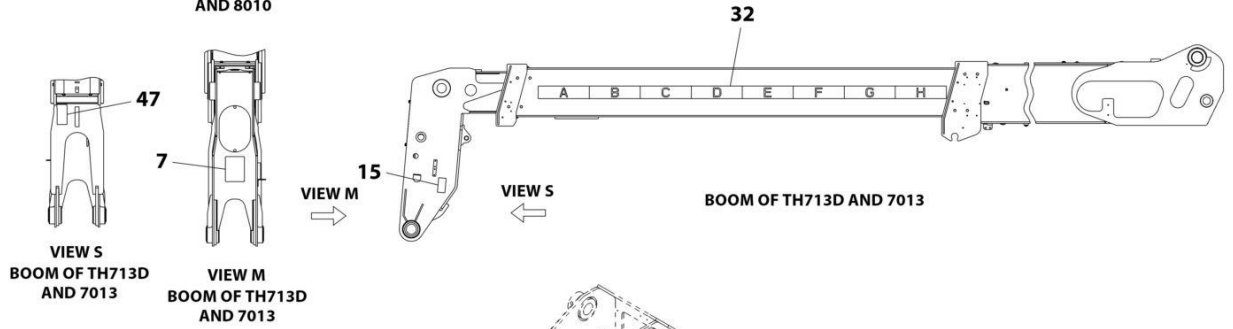
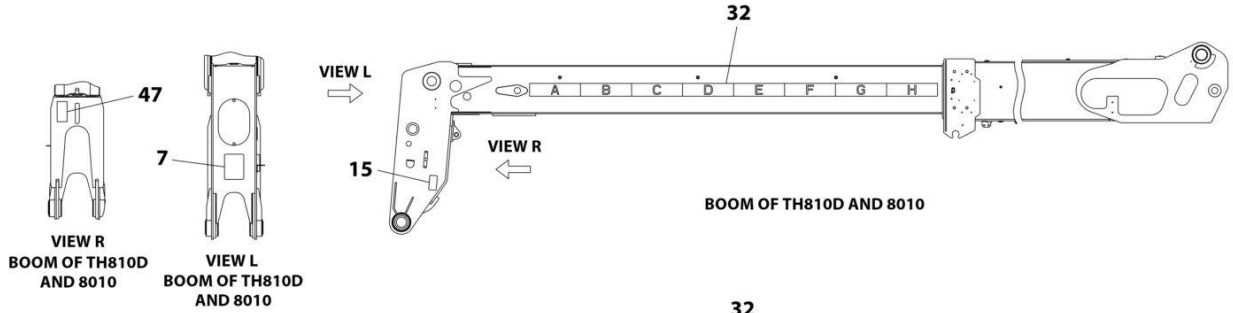
SECTION 11 - DECALS

FIGURE 11-7. DECAL INSTALLATION (AUSTRALIAN)



ART_1001192743_E_1

SECTION 11 - DECALS



ART_1001192743_E_2

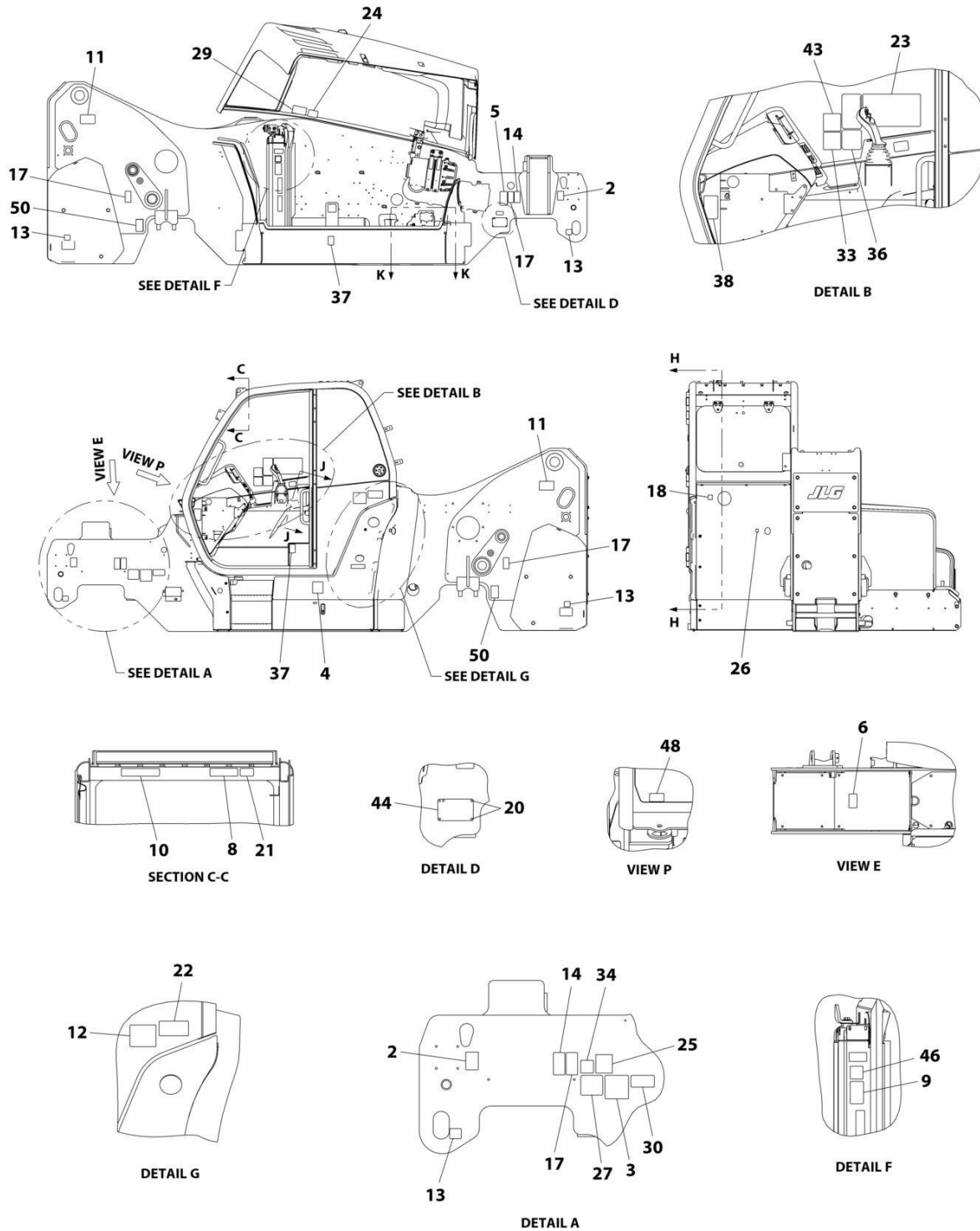
SECTION 11 - DECALS

FIGURE 11-7. DECAL INSTALLATION (AUSTRALIAN)

ITEM	PART NUMBER	QTY	DESCRIPTION	REV
	1001192743	Ref	Decal Installation (AUS)	E
1	1670836	1	Cover, Boom	
2	1701500	2	Decal, Lift	
3	See Note	NSS	Decal, Bar Code (Note: Not Available for Purchase)	
4	1705980	1	Decal, Acoustic Power 106db	
5	1706098	1	Decal, Warning Ether Start	
6	1706281	1	Decal, Battery Warning (ISO)	
7	1706282	1	Decal, Carry Personnel (ISO)	
8	1706284	1	Decal, Electrocutation Hazard (ISO)	
9	1706285	1	Decal, Moving Parts (ISO)	
10	1706288	1	Decal, Tip Over Warning	
11	1706292	2	Decal, Pinch Point Boom Holes	
12	3251813	1	Decal, USA	
13	4109801	4	Decal, Tie Down Point	
14	8005671	2	Decal, Cylinder Lock Warning	
15	8005675	2	Decal, Watch for Raised Boom Warning	
17	8008657	3	Decal, Set Brake Lever Warning	
18	1001094708	1	Decal, Hydraulic Oil	
19	8466306	1	Gauge, Tilt Angle	
20	1001009178	4	Tack, Metal	
21	1001092877	1	Decal, Crush Hazard Warning	
22	1001092878	1	Decal, No Riders	
23	1001101895	1	Decal, Cab Warning	
24	1001109053	1	Decal, Coolant Fill	
26	1001130323	1	Decal, Oil Level	
27	1001131271	1	Decal, Patent	
29	1001139942	1	Decal, Hot Fluid Warning	
30	1001143852	1	Decal, LRC EPA	
31	1001155230	1	Decal, Cab AUS Safety	
32	1001171277	1	Decal, Boom Extend	
33	1001172035	1	Decal, No Weld or Drill	
35	1001184632	1	Decal, Battery Positive	
36	1001188372	1	Decal, Sway	
37	1001189154	2	Decal, Read Operators Manual	
38	1001191229	1	Decal, Fuse Panel	
43	1001227287	1	Decal, Manual	
44	See Note	NSS	SN Plate (Note: Stamped Part - Not Available for Purchase0	
45	1001214206	1	Decal, Park Brake	
46	AU2105	1	Decal, No Karcher	
47	1001207218	1	Decal, Danger Swinging Load	
48	1001219211	1	Decal, Brake Fluid	
50	1001222650	2	Decal, Axle Lift	

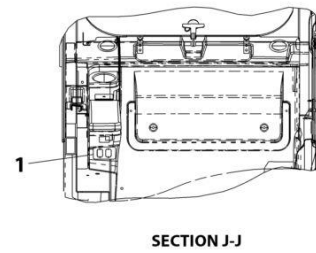
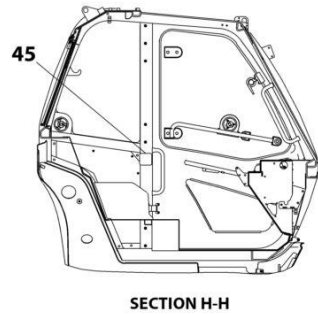
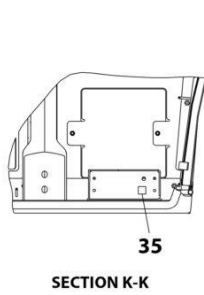
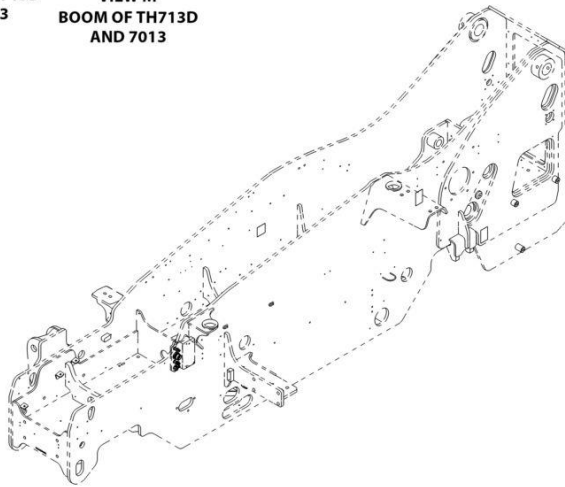
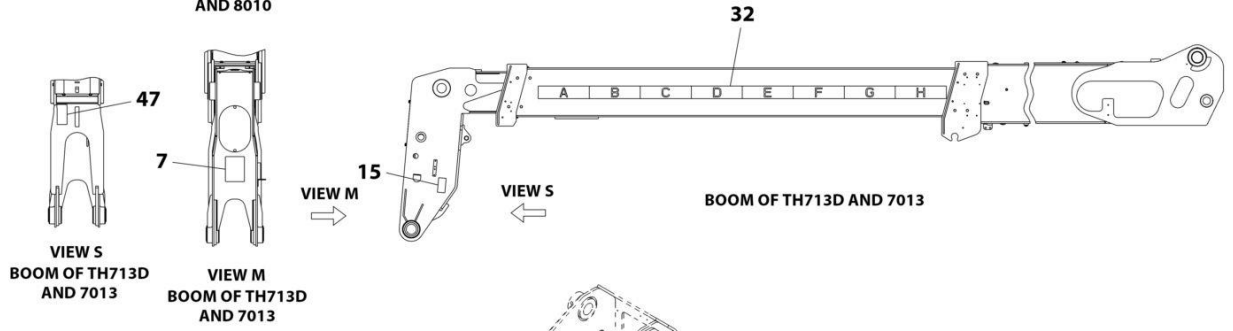
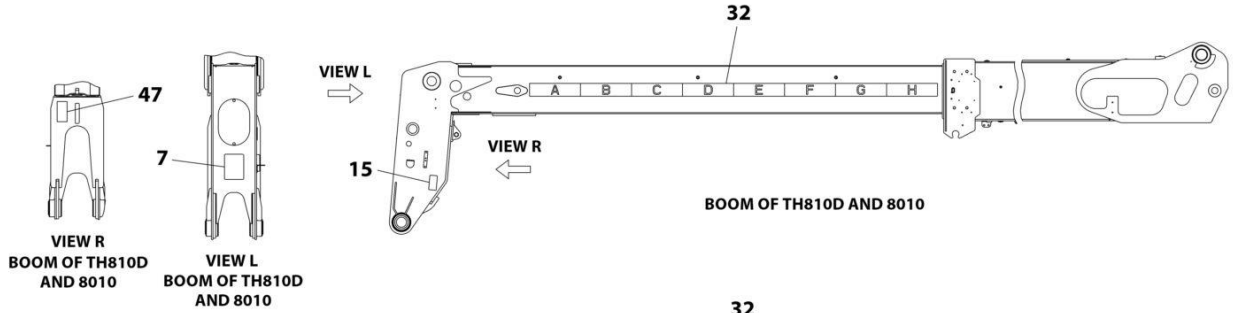
SECTION 11 - DECALS

FIGURE 11-8. DECAL INSTALLATION (RUSSIAN CIS)



ART_1001195313_E_1

SECTION 11 - DECALS



ART_1001195313_E_2

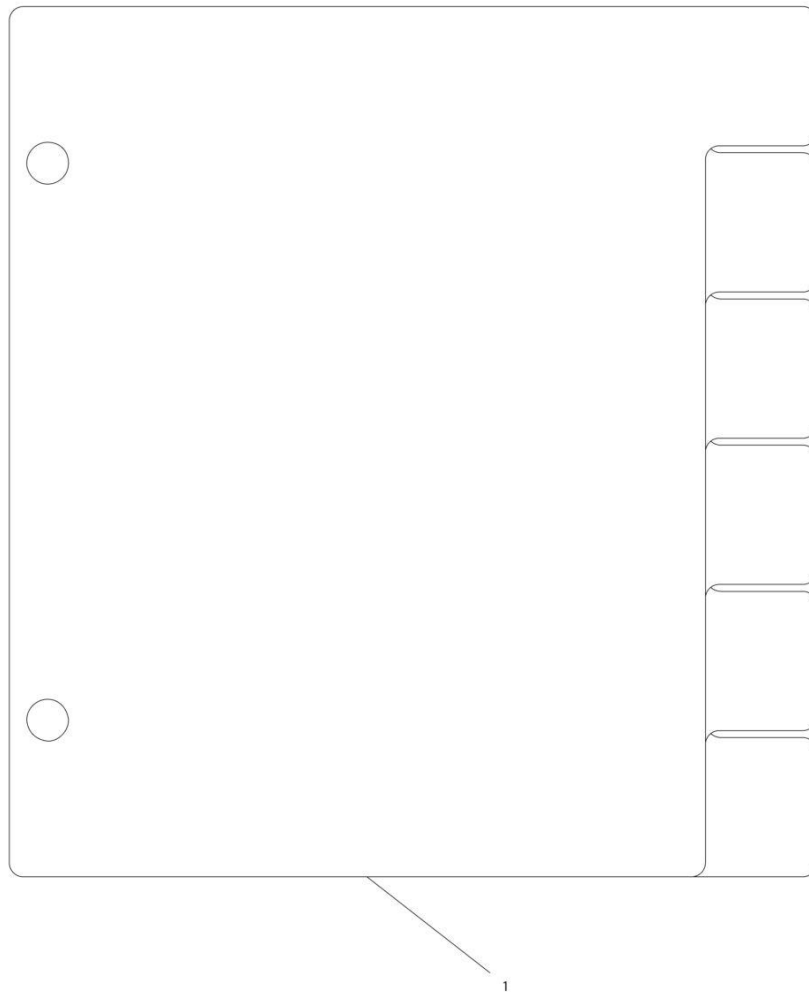
SECTION 11 - DECALS

FIGURE 11-8. DECAL INSTALLATION (RUSSIAN CIS)

ITEM	PART NUMBER	QTY	DESCRIPTION	REV
	1001195313	Ref	Decal Installation (CIS)	E
1	1670836	1	Cover, Boom	
2	1701500	2	Decal, Lift	
3	See Note	NSS	Decal, Bar Code (Note: Not Available for Purchase)	
4	1705980	1	Decal, Acoustic Power 106db	
5	1706098	1	Decal, Warning Ether Start	
6	1706281	1	Decal, Battery Warning (ISO)	
7	1706282	1	Decal, Carry Personnel (ISO)	
8	1706284	1	Decal, Electrocutation Hazard (ISO)	
9	1706285	1	Decal, Moving Parts (ISO)	
10	1706288	1	Decal, Tip Over Warning	
11	1706292	2	Decal, Pinch Point Boom Holes	
12	3251813	1	Decal, USA	
13	4109801	4	Decal, Tie Down Point	
14	8005671	2	Decal, Cylinder Lock Warning	
15	8005675	2	Decal, Watch for Raised Boom Warning	
17	8008657	4	Decal, Set Brake Lever Warning	
18	1001094708	1	Decal, Hydraulic Oil	
20	1001009178	4	Tack, Metal	
21	1001092877	1	Decal, Crush Hazard Warning	
22	1001092878	1	Decal, No Riders	
23	1001101895	1	Decal, Cab Warning	
24	1001109053	1	Decal, Coolant Fill	
25	1001121555	1	Decal, PCT Russia	
26	1001130323	1	Decal, Oil Level	
27	1001131271	1	Decal, Patent	
29	1001139942	1	Decal, Hot Fluid Warning	
30	1001143852	1	Decal, LRC EPA	
32	1001171277	1	Decal, Boom Extend	
33	1001172035	1	Decal, No Weld or Drill	
34	1001173703	1	Decal, EAC	
35	1001184632	1	Decal, Battery Positive	
36	1001188372	1	Decal, Sway	
37	1001189154	2	Decal, Read Operators Manual	
38	1001191229	1	Decal, Fuse Panel	
43	1001227287	1	Decal, Manual	
44	See Note	NSS	SN Plate (Note: Stamped Part - Not Available for Purchase0	
45	1001214206	1	Decal, Park Brake	
46	AU2105	1	Decal, No Karcher	
47	1001207218	1	Decal, Danger Swinging Load	
48	1001219211	1	Decal, Brake Fluid	
50	1001222650	2	Decal, Axle Lift	

SECTION 11 - DECALS

FIGURE 11-9. CAPACITY CHART (1732)



ART_1001233431-B

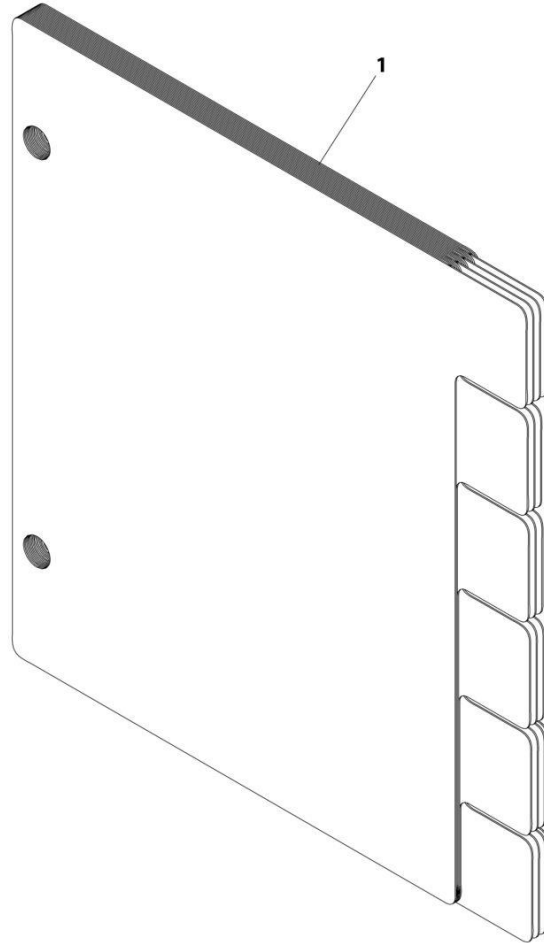
SECTION 11 - DECALS

FIGURE 11-9. CAPACITY CHART (1732)

ITEM	PART NUMBER	QTY	DESCRIPTION	REV
1	1001233431	1	Capacity Chart	

SECTION 11 - DECALS

FIGURE 11-10. CAPACITY CHART (8010)



ART_1001238106-A

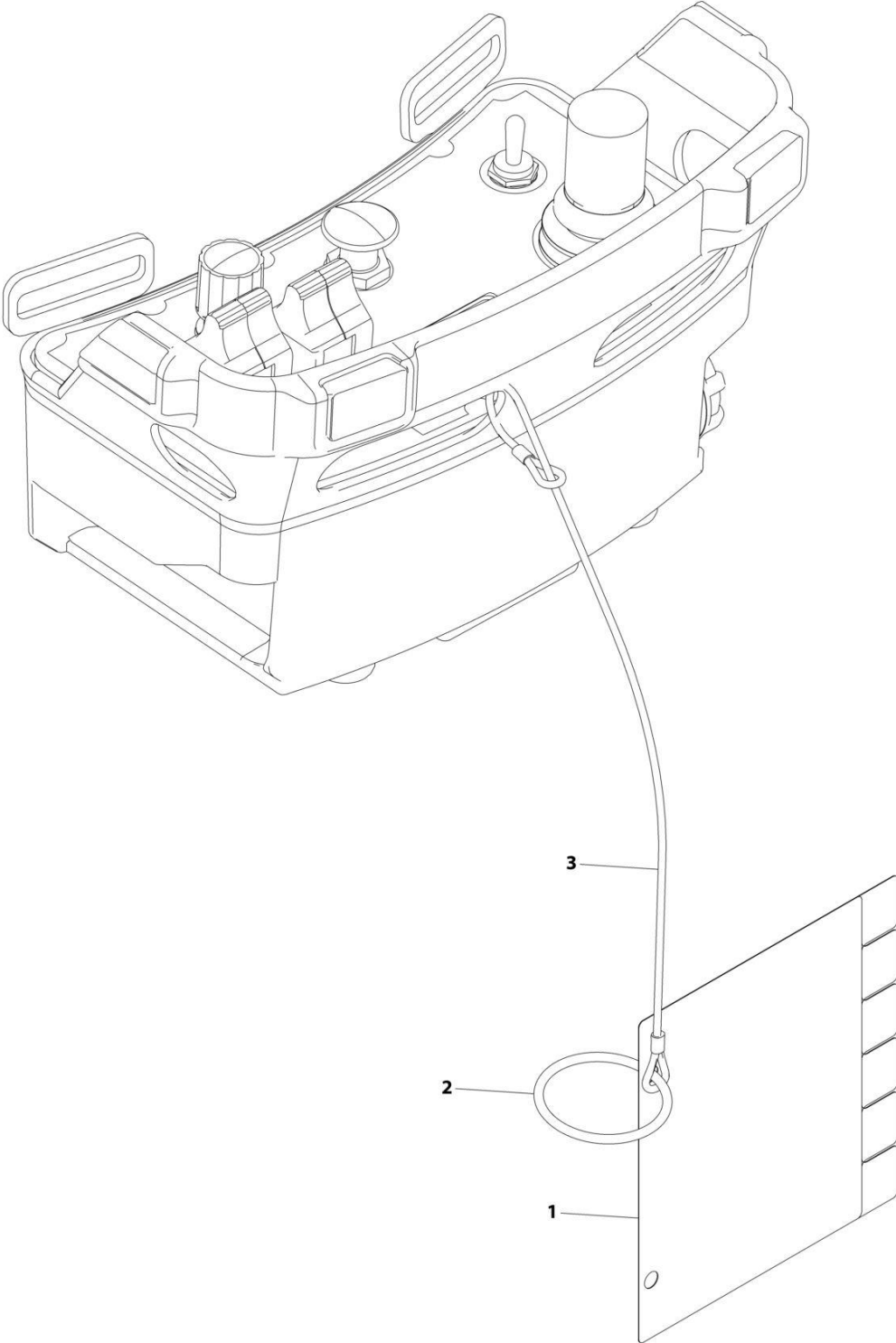
SECTION 11 - DECALS

FIGURE 11-10. CAPACITY CHART (8010)

ITEM	PART NUMBER	QTY	DESCRIPTION	REV
1	1001238106	Ref	Capacity Chart (ISO)	

SECTION 11 - DECALS

FIGURE 11-11. CAPACITY CHART - REMOTE BOOM CONTROL (1732)



ART_1001275900

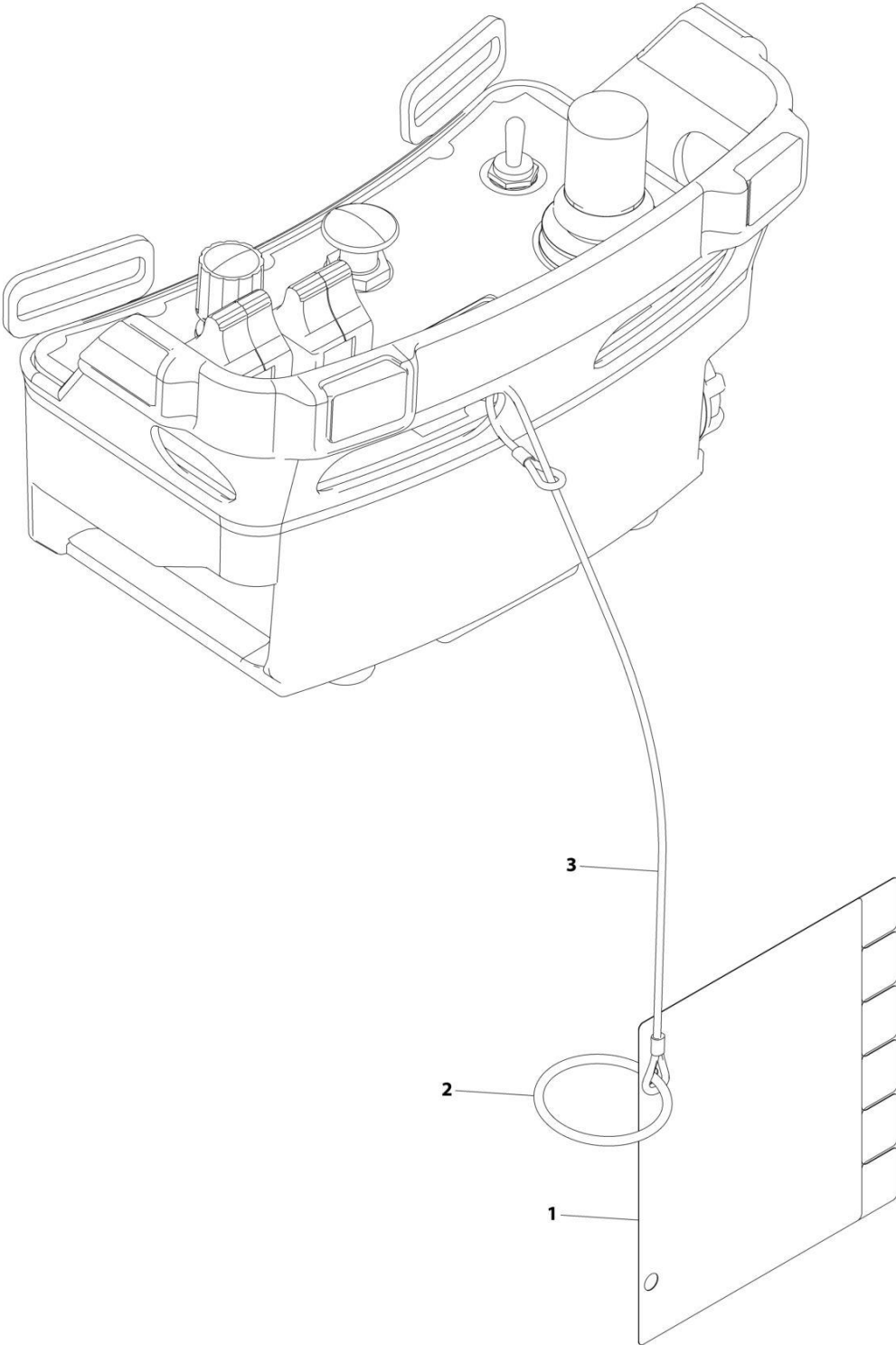
SECTION 11 - DECALS

FIGURE 11-11. CAPACITY CHART - REMOTE BOOM CONTROL (1732)

ITEM	PART NUMBER	QTY	DESCRIPTION	REV
	1001275900	Ref	CAPACITY CHART - REMOTE BOOM CONTROL	A
1	1001275721	1	Capacity Chart	
2	1001271061	1	Clip	
3	1060799	1	Cable, Lanyard	

SECTION 11 - DECALS

FIGURE 11-12. CAPACITY CHART - REMOTE BOOM CONTROL (8010)



ART_1001275902

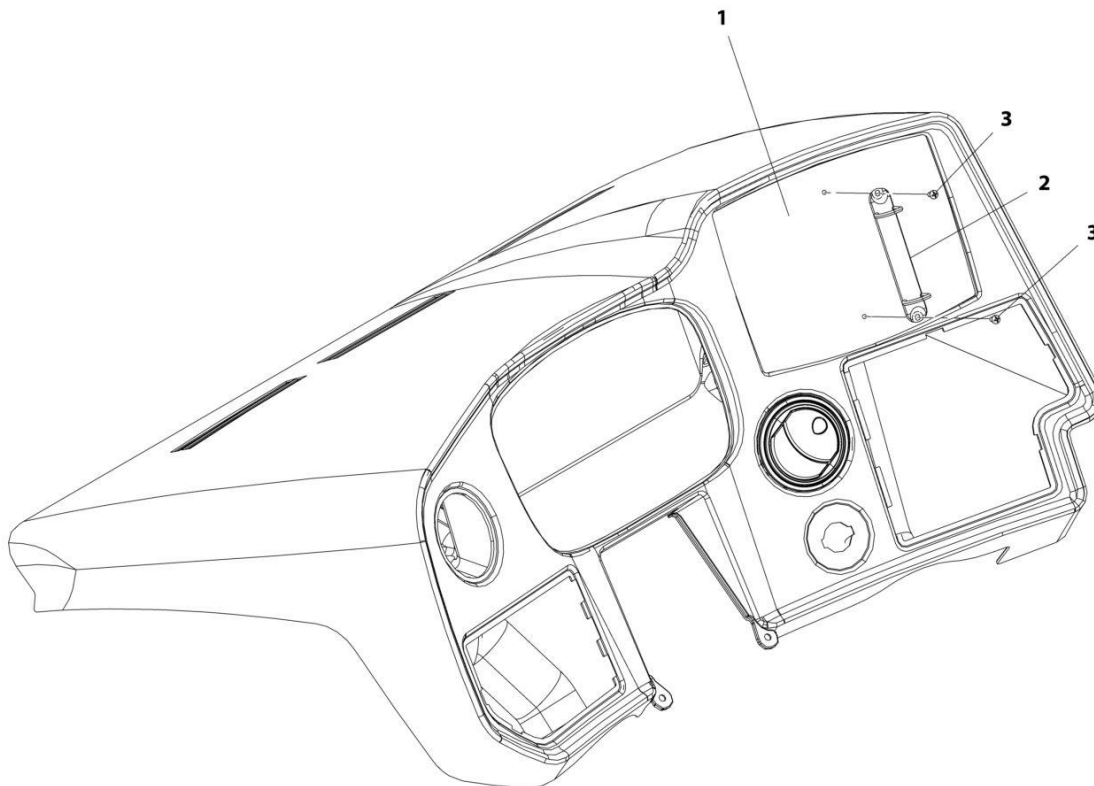
SECTION 11 - DECALS

FIGURE 11-12. CAPACITY CHART - REMOTE BOOM CONTROL (8010)

ITEM	PART NUMBER	QTY	DESCRIPTION	REV
	1001275902	Ref	CAPACITY CHART - REMOTE BOOM CONTROL	B
1	1001238106	1	Capacity Chart	
2	1001271061	1	Clip	
3	1060799	1	Cable, Lanyard	

SECTION 11 - DECALS

FIGURE 11-13. CAPACITY CHART HOLDER INSTALLATION



ART_1001178706-A

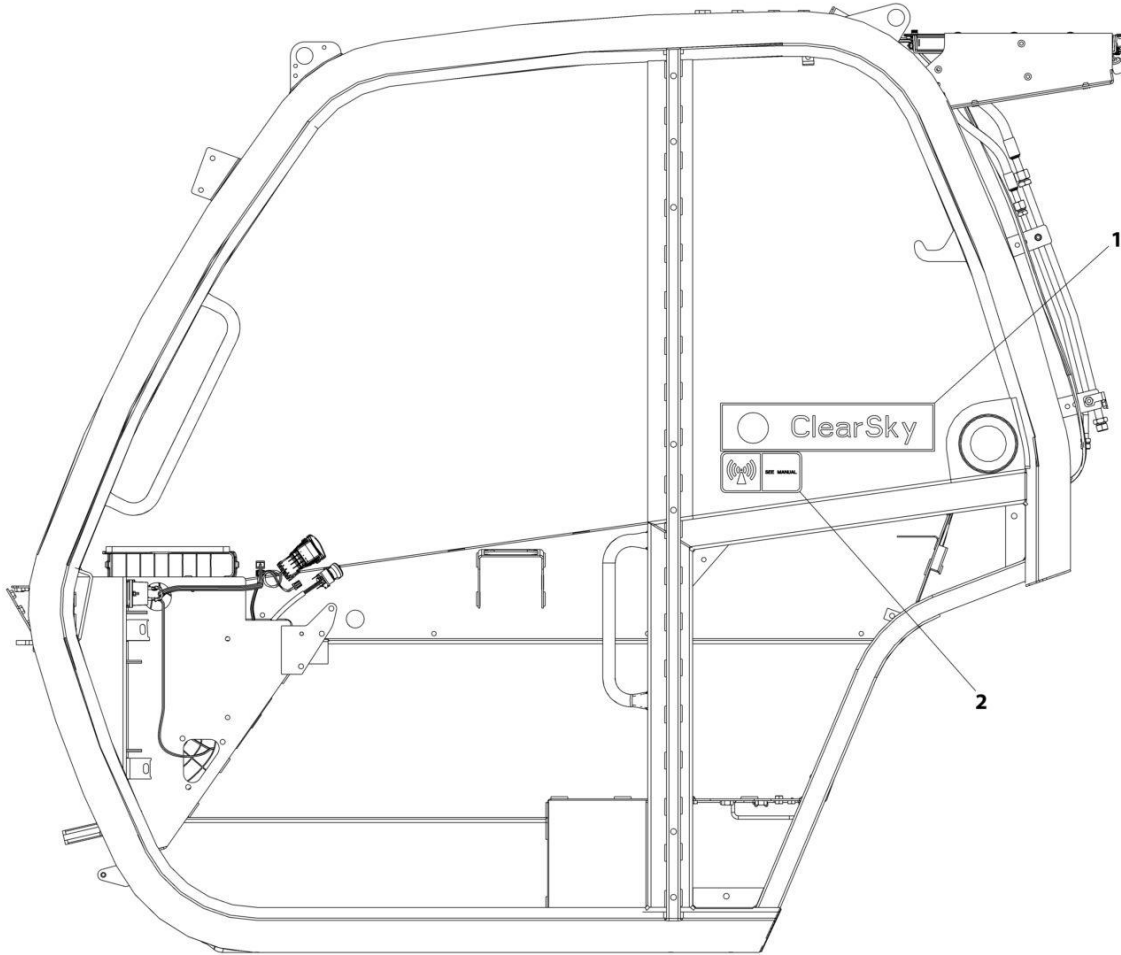
SECTION 11 - DECALS

FIGURE 11-13. CAPACITY CHART HOLDER INSTALLATION

ITEM	PART NUMBER	QTY	DESCRIPTION	REV
	1001178706	Ref	Capacity Chart Holder Installation	A
1	1001179297	1	Load Chart, Bezel	
2	1001005960	1	Holder	
3	7029486	2	Screw	

SECTION 11 - DECALS

FIGURE 11-14. CLEARSKY DECAL INSTALLATION



ART_1001229707

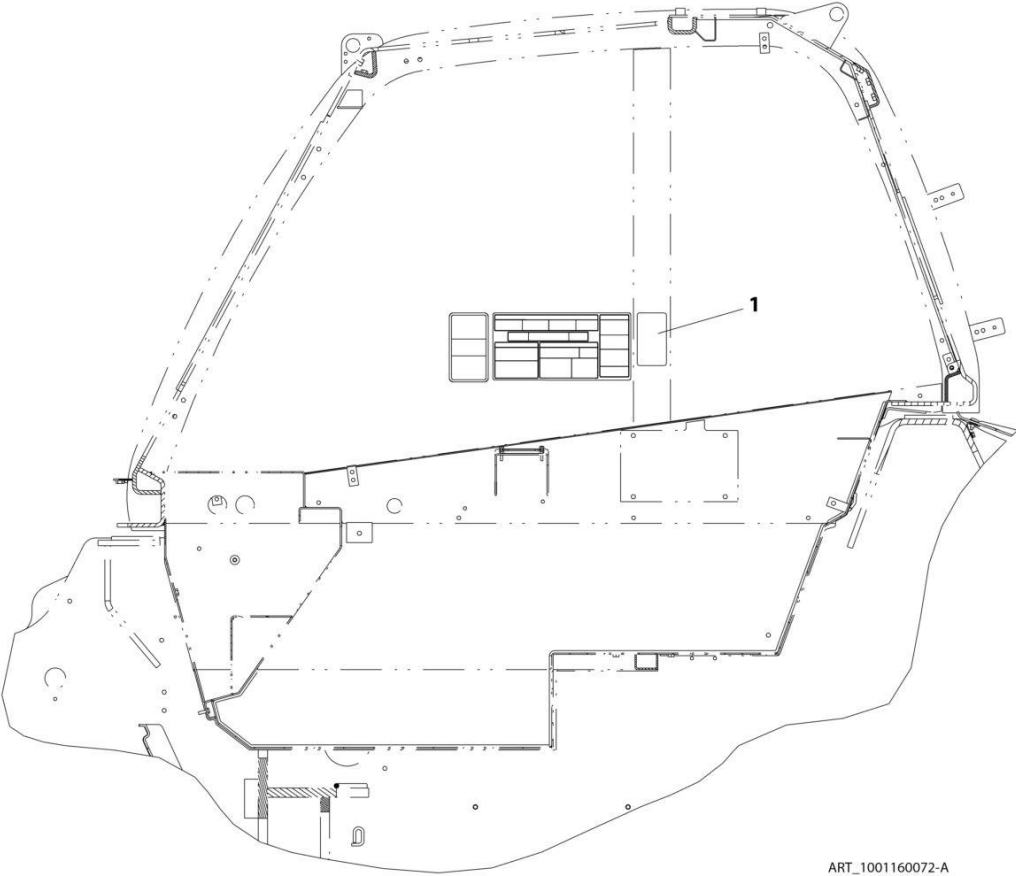
SECTION 11 - DECALS

FIGURE 11-14. CLEARSKY DECAL INSTALLATION

ITEM	PART NUMBER	QTY	DESCRIPTION	REV
	1001229707	Ref	Clearsky Decal Installation	C
1	1001294815	1	Decal - ClearSky	
2	1001120989	1	Radio Frequency Decal	

SECTION 11 - DECALS

FIGURE 11-15. REVERSE SENSOR SYSTEM DECAL (ENGLISH)



ART_1001160072-A

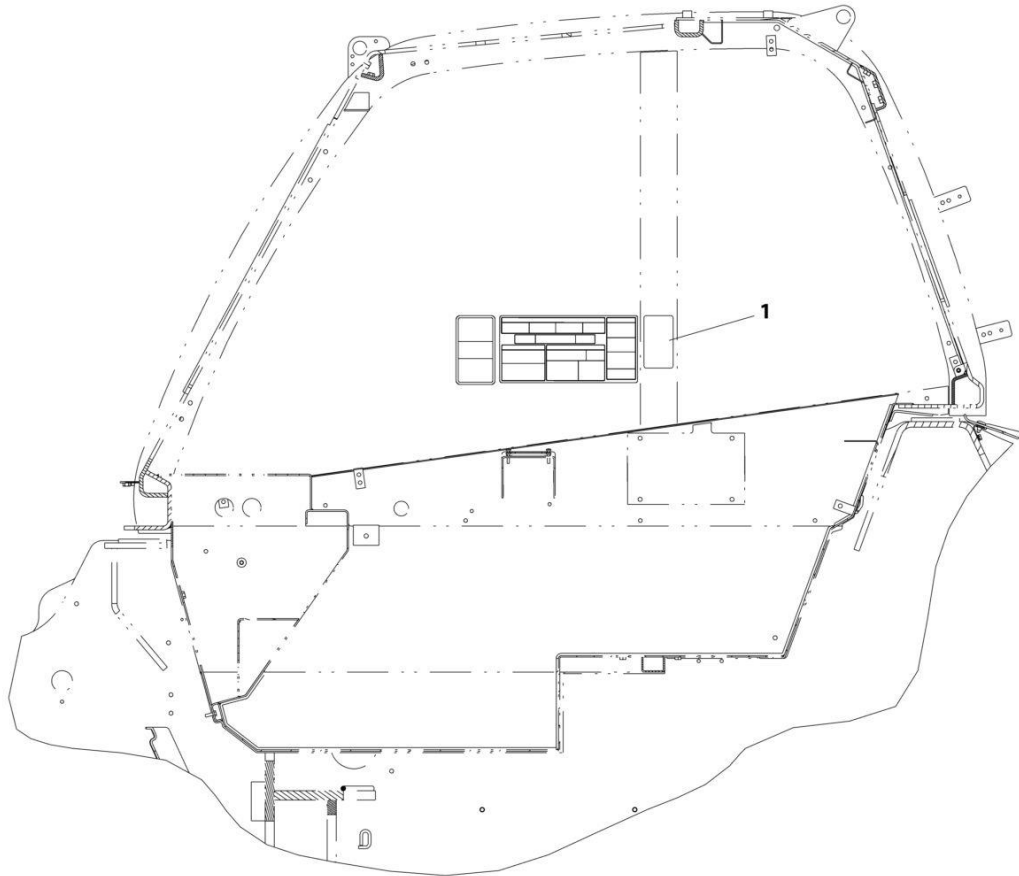
SECTION 11 - DECALS

FIGURE 11-15. REVERSE SENSOR SYSTEM DECAL (ENGLISH)

ITEM	PART NUMBER	QTY	DESCRIPTION	REV
1	1001160072	1	Reverse Sensor System Decal (English)	A

SECTION 11 - DECALS

FIGURE 11-16. REVERSE SENSING SYSTEM DECAL (ENGLISH/FRENCH)



ART_1001160945-A

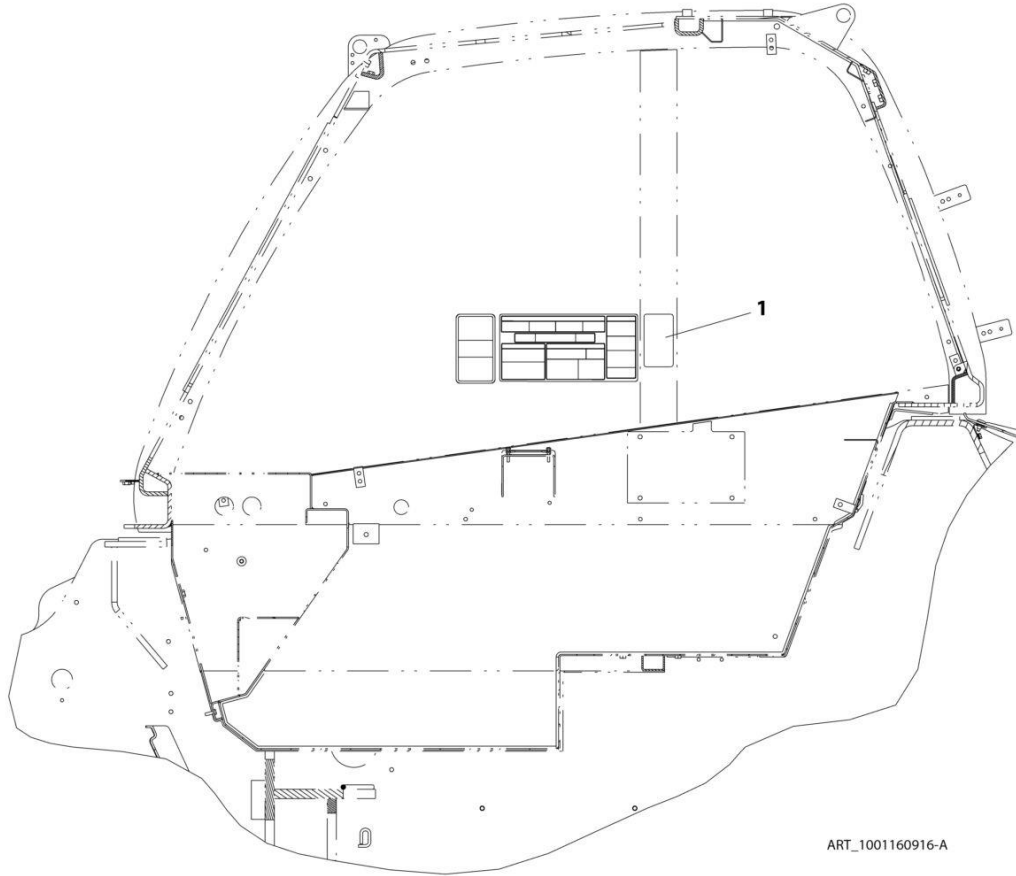
SECTION 11 - DECALS

FIGURE 11-16. REVERSE SENSING SYSTEM DECAL (ENGLISH/FRENCH)

ITEM	PART NUMBER	QTY	DESCRIPTION	REV
1	1001160945	1	Reverse Sensor System Decal (ENGLISH/FRENCH)	A

SECTION 11 - DECALS

FIGURE 11-17. REVERSE SENSOR SYSTEM DECAL (ISO)



SECTION 11 - DECALS

FIGURE 11-17. REVERSE SENSOR SYSTEM DECAL (ISO)

ITEM	PART NUMBER	QTY	DESCRIPTION	REV
1	1001160916	1	Reverse Sensor System Decal (ISO)	A

SECTION 12 - RECOMMENDED SERVICE PARTS STOCK

SECTION 12 - RECOMMENDED SERVICE PARTS STOCK

SECTION 12 - RECOMMENDED SERVICE PARTS STOCK

FIGURE 12-1. RECOMMENDED SERVICE PARTS STOCK

ITEM	PART NUMBER	QTY	DESCRIPTION	REV
		Ref	Note: The following list will service one machine (built to current production per date on the front cover) with emergency repair parts which can be installed in the field. Parts from the list should be replaced when inventory is depleted to keep service parts stock supplied. For further information, contact your JLG dealer or the JLG Industries Parts Department.	
	70020764	1	Coil (Boom Aux Diverter Valve)	
	70028281	1	Coil (Boom Raise Ride & Float Valve)	
	70002963	1	Coil (Cab Hydraulics)	
	70004595	1	Coil (Frame Level Control)	
	70026582	1	Coil (Speed Control / Steering Select Valve)	
	1001206112	1	Control, Remote Controller (Boom)	
	1001249078	1	Control, Voltage	
	1001159028	1	Controller, Accelerator	
	1001213265	1	Controller, Brake	
	1001257348	1	Controller, FNR (0 Speed)	
	1001257088	1	Controller, FNR (2 Speed)	
	1001222603	1	Controller, Joystick	
	1001222606	1	Controller, Joystick, 2R2B (2 Speed)	
	1001209194	1	Controller, Remote (Boom)	
	1001191685	12	Element, Filter (Hydraulic Tank Assembly)	
	70025153	12	Element, Fuel Filter (Primary)	
	70004512	12	Element, Fuel Filter (Secondary)	
	1001162662	12	Filter, Breather (Hydraulic Tank)	
	1001141461	12	Filter, Charge (Charge Filter Assembly)	
	70025850	12	Filter, Cylindrical Air Primary	
	70025851	12	Filter, Cylindrical Air Secondary	
	7016331	12	Filter, Oil (Engine Assembly)	
	8229242	2	Fuse, 5A (Standard Electrical Board Assembly, Option 1 Board & Clearsky 2 Harness)	
	8229261	2	Fuse, 5A (ASOV Harness)	
	80983191	2	Fuse, 10A (Standard Electrical Board Assembly, Option 1 Board & Option 2 Board)	
	8229234	2	Fuse, 10A (Remote Control Harness)	
	8229244	2	Fuse, 15A (Option 2 Board & Frame Power Distribution Box)	
	8229235	2	Fuse, 20A (ASOV Harness)	
	8229247	2	Fuse, 25A (Option 1 Board & Frame Power Distribution Box)	
	8229245	2	Fuse, 30A (Standard Electrical Board Assembly & Frame Power Distribution Box)	
	70026297	2	Fuse, 80A (Frame Power Distribution Box)	
	1001095336	2	Fuse, 150A (Frame Power Distribution Box)	
	70026296	2	Fuse, 200A (Frame Power Distribution Box)	
	1001131177	2	Fuse, Power Module (Engine Wiring Installation)	
	70022765	1	Key, Ignition (set of 2) (Dash Electrical Installation)	
	2940074	1	Latch (Fork Mounted Basket)	
	1001203181	1	Module, Accessory Control (Cooling Package)	
	1001250475	1	Module, Attachment Recognition Receiver (FCC)	
	1001270466	1	Module, Cab Control (Cab Electrical)	
	1001229955	1	Module, Dual CAN TCU (ClearSky CANBUS)	
	70027426	1	Module, EGR (Engine Assembly)	

SECTION 12 - RECOMMENDED SERVICE PARTS STOCK

ITEM	PART NUMBER	QTY	DESCRIPTION	REV
	70005495	1	Module, Engine Control (Engine Assembly)	
	1001270467	1	Module, Front Frame Control	
	1001270485	1	Module, LMIS Control	
	1001270468	1	Module, Rear Frame Control	
	1001226328	1	Module, 3W TCU (ClearSky 3-Wire)	
	70025780	1	Relay (Engine Assembly)	
	3740080	1	Relay (Cooling Package & Remote Control Power Harness)	
	1001117308	1	Relay, 35A (Engine Pod Electrical Installation)	
	70026292	1	Relay, 35A (Standard Electrical Board Assembly)	
	70026295	1	Relay, 35A (Frame Power Distribution Box)	
	70026293	1	Relay, 50A (Option 1 Board)	
	70026294	1	Relay, 70A (Frame Power Distribution Box)	
	70028383	1	Sensor, Angle (Brake)	
	4000015	1	Sensor, Boom Angle (No LMIS)	
	1001099717	1	Sensor, Boom Angle (LMIS)	
	1001223903	1	Sensor, Boom Length	
	1001138827	1	Sensor, Coolant Level	
	70025539	1	Sensor, Dual Pad (Seat)	
	1001162885	1	Sensor, LMIS (LMIS Installation) (High End Display)	
	1001160730	1	Sensor, LSI (LSI Sensor Installation)	
	1001147340	1	Sensor, Pressure (Frame Hydraulic)	
	1001183024	1	Sensor, Proximity (Boom Retract)	
	1001247421	1	Sensor, Reverse	
	1001128478	1	Sensor, Temperature (Hydraulic Tank)	
	1001163095	1	Sensor, Tilt (LMIS Tilt Sensor Installation)	
	1001104654	1	Switch, Aux Decomp	
	1001159746	1	Switch, Aux Electric	
	1001159738	1	Switch, Beacon	
	1001159745	1	Switch, Boom Ride	
	1001159739	1	Switch, Boom Worklights	
	4360658	1	Switch, Brake Light	
	1001159741	1	Switch, Constant AUX	
	70025486	1	Switch, Contact (Standard Seat)	
	1001192142	1	Switch, Disconnect (Engine Pod)	
	70028326	1	Switch, Driver Presence (Premium Air Suspension Seat)	
	4360475	1	Switch, E-Stop (External Emergency Stop Installation)	
	1001159737	1	Switch, Fog Lights	
	1001212470	1	Switch, Frame Level	
	1001159845	1	Switch, Front Worklights	
	1001159734	1	Switch, Hazard	
	70024107	1	Switch, Heater (Premium Air Suspension Seat)	
	1001169268	1	Switch, Horn Button	
	1001160326	1	Switch, HVAC On/Off (Heater and A/C)	
	1001159925	1	Switch, HVAC Recycle (Heater and A/C)	
	1001172547	1	Switch, HVAC Rotary 3 Speed (Heater and A/C)	
	4360657	1	Switch, Ignition (Remote Control Boom)	
	1001080978	1	Switch, Lift/Loader	
	1001163639	1	Switch, Light (Cab Light Switch)	
	1001159742	1	Switch, LSI Override	
	1001080375	1	Switch, Quick Coupler	
	1001159735	1	Switch, Rear Wiper	

SECTION 12 - RECOMMENDED SERVICE PARTS STOCK

ITEM	PART NUMBER	QTY	DESCRIPTION	REV
	1001159846	1	Switch, Rear Worklights	
	1001145204	1	Switch, Reversing Fan (Reversing Cooling Fan)	
	1001159736	1	Switch, Roof Wiper	
	1001159849	1	Switch, Steer Mode	
	1001215941	1	Switch, Toggle SPST (ASOV)	
	1001256974	1	Switch, Turn-Wiper	
	1001102502	1	Switch, 4 Position Key	

SECTION 13 - SPECIAL OPTIONS/ACCESSORIES/KITS

SECTION 13 - SPECIAL OPTIONS/ACCESSORIES/KITS

SECTION 13 - SPECIAL OPTIONS/ACCESSORIES/KITS

FIGURE 13-1. SPECIAL OPTIONS/ACCESSORIES/KITS

ITEM	PART NUMBER	QTY	DESCRIPTION	REV
		Ref	Note: This list is to accommodate machines ordered with special equipment. Options may not be applicable to all models. For more specific parts information contact JLG Parts Department.	
		Ref	SPECIAL OPTIONS/ACCESSORIES/KITS	
	1001233189	Ref	Air Shutoff Valve (ASOV) Kit	
	1001229072	Ref	Boom Kit - 1732/8010	
	1001229213	Ref	Boom Brushes Kit - 1732/8010	
	1001231057	Ref	Boom Prop Kit	
	1001229074	Ref	Boom Wear Pad Kit - 1732/8010	
	1001213286	Ref	Cab Display Kit	
	1001199382	Ref	Cab Guard Kit - Roof/Front Combo	
	1001212845	Ref	Cab Guard Kit - Front	
	1001199380	Ref	Cab Guard Kit - Roof	
	1001268341	Ref	Camera (Rear View) Add-on Kit(Dealer Installed)	
	1001229811	Ref	Camera Kit - Reverse Camera	
	1001276923	Ref	ClearSky Telematics Add-on Kit (Contact JLG for Approved Countries)	
	1001291382	1	ClearSky Prep Installation	
	1001229532	Ref	Cold Weather Kit - 115V	
	1001229813	Ref	Cold Weather Kit - 230V	
	1001231341	Ref	Decal Kit - 1732	
	1001245694	Ref	DEF Tank/Heater Service Kit	
	1001148902	Ref	Electrical Connector Kit - Amp/Tyco Electrical Connectors	
	1001148903	Ref	Electrical Connector Kit - Deutsch DT Electrical Connectors	
	1001148904	Ref	Electrical Connector Kit - Deutsch HD Electrical Connectors	
	1001148905	Ref	Electrical Connector Kit - Packard Electrical Connectors	
	1001148906	Ref	Electrical Connector Kit - Various Electrical Connectors	
	1001230409	Ref	Emergency Stop Switch Kit - External	
	1001229812	Ref	Engine Block Heater Kit - 115V	
	1001230125	Ref	Engine Block Heater Kit - 230V	
	1001229576	Ref	Fender Kit	
	1001239961	Ref	Fire Extinguisher Kit	
	1001230126	Ref	Heat to Heat/AC Upgrade Kit	
	1001274891	Ref	Joystick Kit - 2 Speed FNR with Clamp	
	1001274892	Ref	Joystick Kit - 0 Speed FNR with Lights	
	1001230188	Ref	Light Kit - Beacon/Strobe (LED)	
	1001199376	Ref	Light Kit - Beacon/Strobe	
	1001231110	Ref	Light Kit - Drive/Road Lights (RH)	
	1001231138	Ref	Light Kit - Drive/Road Lights (LED) (RH)	
	1001229104	Ref	Light Kit - Work Lights	
	1001230699	Ref	Radio Ready Kit	
	1001252304	Ref	Reversing Sensing Kit	
	1001199328	Ref	Roof Wiper Kit	
	1001228993	Ref	Service Kits	I
	1001229216	Ref	Telematics Kit (Long Roof) (NA)	
	1001229324	Ref	Telematics Kit (Short Roof) (NA)	
	1001265372	Ref	Telematics Kit - Canbus (NA)	
	1001254390	Ref	Telematics Kit - Canbus (CE)	
	1001254400	Ref	Telematics Kit - Canbus Extension	

SECTION 13 - SPECIAL OPTIONS/ACCESSORIES/KITS

ITEM	PART NUMBER	QTY	DESCRIPTION	REV
		Ref	Tools:	
	1001249695	Ref	Analyzer and Cable Kit	
	1001249941	Ref	Analyzer and Cable Kit (Battery Powered)	
	7002821	Ref	Crimper (For Wire to Pin/Socket Connections)	
	7002823	Ref	Extractor (For Removal of Pin/Socket from Connectors)	
	8896941	Ref	Wire Stripper	
	7004275	Ref	Seal Tool 1" (For Cylinders)	
	7004276	Ref	Seal Tool 1 1/2" (For Cylinders)	
	7002826	Ref	Seal Tool 2" (For Cylinders)	
	1001262959	Ref	Voltage Regulator Add-on Kit (Dealer Installed)	
	1001214167	Ref	Window (Rear) Release Kit	

SECTION 13 - SPECIAL OPTIONS/ACCESSORIES/KITS

PART NUMBER INDEX

SECTION 13 - SPECIAL OPTIONS/ACCESSORIES/KITS

0100011.....817	0760605 ... 209, 387, 531, 535	1001003803 81	1001092878.. 1024, 1028, 1032, 1036
0100081.....37		1001004640 541	1001093171..... 181
0400075.....751, 753	076060755, 57, 101, 263, 265, 271, 387, 627,	1001004720 201, 265	1001093564.....757
0498748.....387	835, 837, 839, 841, 887, 889	1001004723 821	1001094708.. 1016, 1020, 1024, 1028, 1032, 1036
0630576.....55, 57	0760608 ... 215, 273, 409, 425, 443, 481, 493,	1001005368 405	1001095301.....217
0641405.....123	531, 535, 539, 541, 565, 747, 749, 825, 827, 887, 889	1001005438 609	1001095336..... 883, 1058
0641510.....185, 223	0760610 965	1001005904 575, 579, 583	1001095650 93, 445, 447, 541
0641608.....605	0760615 569, 971	1001005960 1047	1001095804.....801, 803, 805
0651607.....93	0760806 273	1001006730 521	1001095810.....123
0681714.....609	0760807 53, 595, 871	1001006731 523	1001096019..... 119
0700408.....537, 981, 983	076080853, 93, 407, 495, 497, 747, 749, 981	1001007056 85	1001096020..... 121
0700610.....31, 37, 55, 57, 61, 101, 265, 277, 443, 495, 825, 827, 921, 923	0760810 ... 43, 45, 59, 63, 65, 67, 73, 79, 91, 235, 247, 259, 273, 281, 415, 435, 437, 466, 475, 497, 501, 507, 515, 517, 531, 567, 569, 571, 573, 577, 657, 953, 983	1001007641 481, 483	1001096023..... 121
0700612...55, 57, 65, 939	0760812 27, 237, 239, 265, 369, 371, 393, 823, 881	1001008475 483	1001096024..... 119
0700614....185, 265, 466, 615, 871, 881	0760815 393, 577, 581	1001008540 825, 827	1001096025..... 121
0700616.....569, 599	0760823 31, 33, 267	1001008559 201, 239, 281, 645, 781, 789, 813, 821, 823, 835, 837, 839, 841, 887, 889, 893, 899, 925, 931, 933, 967, 971, 989	1001096365..... 393
0700618....781, 835, 837, 839, 841	0761008 771, 957	1001008857 393	1001097244..... 443
0700808.....835, 839	0761009 777	1001008898 387	1001097540....55, 57, 61, 455
0700814.....53, 255, 257, 265, 603	0761010 ... 43, 45, 47, 49, 53, 59, 101, 221, 249, 265, 539, 825, 827, 835, 837, 839, 841, 887, 889, 925, 931, 933, 967	1001008999 53	1001097586..... 403
0700815.....917	0761012 ... 29, 33, 43, 45, 55, 57, 81, 83, 211, 541, 567, 609, 627, 635, 821, 823, 881, 983	1001008604 483	1001097587..... 305, 327
0700816.....235, 251, 273	0761210 89, 237, 239	1001008654 595	1001098128..... 565
0700817567, 569	0761212 ... 249, 821, 823	1001008742 425	1001098150..... 440
0700818.....611, 623, 951	0761214 .31, 33, 207, 265	1001008834 151	1001098762.....757, 761
0700819.....885	0761215 207, 237, 239	1001008857 393	1001098769..... 95
0700820....433, 435, 437, 597, 881	0761217 177	1001008923 777, 917	1001099566..... 281
0700821.....565	0761218 237, 239	1001008988 387	1001099699..... 457
0700824.....541	0770814 533	1001008999 53	1001099717..... 957, 1059
0700826.....273	0770815 259	1001009018 21	1001100166..... 657
0700828.....635	0771012 79	1001009124 483	1001100169..... 657
0701014....53, 59, 63, 65, 87, 217, 265, 277, 565, 925, 931, 933	0771414 661, 665	1001009163 293	1001100319..... 235
0701016.....217, 631	0771416 295	1001009178 . 1024, 1028, 1032, 1036	1001101041..... 111, 115, 135, 137, 139, 141, 151, 153, 156, 160, 167, 571, 575, 579, 583
0701018....211, 237, 239, 277, 971	0771618 291	1001009325 79, 221	1001101042..... 111, 115, 135, 137, 139, 141, 151, 153, 156, 160, 167, 571, 575, 579, 583
0701020.....27, 237, 239	0791605 251	1001010646 521, 523	1001101041..... 111, 115, 135, 137, 139, 141, 151, 153, 156, 160, 167, 571, 575, 579, 583
0701024.....617	0860520 123	1001010647 521, 523	1001101702..... 539
0701026.....223	1001002946 393	1001010648 521, 523	1001101808..... 747
0701027.....621	1001002947 393	1001010649 521, 523	1001101855..... 955
0701216...31, 33, 89, 641	1001002953 393	1001010650 521, 523	1001101895.. 1024, 1028, 1032, 1036
0701220.....927	1001002957 393	1001010839 483	1001102157..... 41
0701230.....73	1001003031 77, 79	1001014231 609	1001102502..... 801, 803, 805, 1060
0701618.....207	1001003043 403	1001028264 21	1001102844..... 125
0701626.....207	1001003227 53	1001028291 21	1001103012..... 784
0701628....145, 147, 149, 207	1001003301 29	1001028306 21	1001103156..... 771, 957
0701630.....207	1001003305 221, 223, 239, 277, 777, 823	1001028308 21	1001103300..... 771, 957
0711016.....77	1001003427 35	1001028377 21	1001104477..... 579, 583, 701
0711030.....277		1001028400 21	1001104498..... 779, 784, 788, 903, 907
0711215.....79		1001028415 79	1001104499..... 788
0711216.....77, 227		1001047062 387	1001104519..... 785, 807, 975
0711218.....77		1001080375 577, 581, 1059	1001104654..... 801, 803, 805, 1059
0711635.....73		1001080978 801, 803, 805, 1059	1001105093..... 569
0712020.....377		1001081085 297	1001105886..... 995
0712022.....377		1001090343 421, 499	1001107192..... 387
0712027.....379		1001091715 925, 931, 933	
0712442.....621		1001091716 925, 931, 933	
0760405....145, 147, 149		1001091751 815	
0760410.....935		1001092481 117	
0760507....219, 457, 813, 821, 823, 837		1001092482 117	
0760512.....425		1001092877 . 1024, 1028, 1032, 1036	

SECTION 13 - SPECIAL OPTIONS/ACCESSORIES/KITS

1001107339 277	1001116985..... 788	1001126391..... 843, 845,	1001142724 65
1001107854 779, 784,	1001116986..... 787, 788	847, 850, 853, 856,	1001143200 401
788, 799, 903, 907	1001116991..... 785, 788,	863, 865	1001143551 875
1001109053 . 1016, 1020,	911	1001126393..... 843, 845,	1001143852 . 1028, 1032,
1024, 1028, 1032, 1036	1001116995..... 787	847, 850, 853, 856,	1036
1001109387 177	1001116996..... 903, 904,	863, 865	1001144147 797, 844,
1001110023 575, 583,	907, 908	1001126485..... 843, 844,	848, 854, 864, 875,
703	1001116997..... 786	847, 848, 853, 854,	1003
1001110115 583	1001116998..... 788	863, 864	1001144296 785, 789
1001111076 493	1001116999..... 785, 911	1001126487..... 843, 847,	1001144629J 123
1001111140 615	1001117011..... 787, 789,	853, 863	1001145204 261, 831,
1001111147 493	811	1001126837 771, 965	1060
1001111317 385, 389	1001117021..... 799	1001128128..... 833, 844,	1001145391 83, 85
1001112612 765, 769,	1001117024..... 833	848, 854, 864	1001145539 466
788, 1007	1001117079..... 787	1001128144..... 251	1001146160 127
1001112796 775, 819,	1001117081..... 785, 786,	1001128341..... 251	1001146588 221, 235,
1007	787	1001128478..... 29, 293,	239, 249, 261, 265,
1001114495 245, 247	1001117109..... 892, 898	1059	777, 781, 817, 831,
1001114761 635	1001117121..... 807, 975	1001128890 127	835, 837, 839, 841,
1001114803 237, 239	1001117247..... 959, 961	1001129425 967	887, 889, 925, 931,
1001116128 463, 967	1001117308..... 825, 827,	1001130220..... 55, 57, 61	933, 959
1001116696 903, 904,	1059	1001130323.. 1016, 1020,	1001147340 ... 615, 1059
907, 908	1001118282..... 833, 844,	1024, 1028, 1032, 1036	1001147416 571, 575,
1001116697 784	848, 854, 864	1001131177 835, 837,	579, 583
1001116698 784	1001118323..... 892, 898	839, 841, 1058	1001147449 440, 451
1001116700 785, 811	1001118378..... 875	1001131271.. 1016, 1020,	1001148841 843, 847,
1001116716 785	1001118379..... 787	1024, 1028, 1032, 1036	853, 863
1001116720 911	1001118383..... 807, 975	1001132168..... 47, 49	1001148842 843, 847,
1001116723 785, 786,	1001118384..... 785, 786,	1001132169..... 894, 899,	853, 863
787, 788	787, 788	969	1001148902 1062
1001116725 844, 848,	1001118386..... 788	1001132170 893, 900	1001148903 1062
854, 864	1001118387..... 788	1001132564..... 440	1001148904 1062
1001116727 845, 850,	1001118392..... 903, 904,	1001133714..... 844, 849,	1001148905 1062
855, 865, 908, 991	907, 908	855, 856, 864	1001148906 1062
1001116728 904, 908,	1001118684..... 786	1001133715..... 844, 847,	1001149278 440, 451
919	1001118685..... 807, 975	849, 853, 855, 856, 864	1001150294 501, 503
1001116729 991	1001119020..... 789	1001133793..... 217	1001150610 848, 854
1001116732 833, 848,	1001119467..... 501, 517	1001134274 771, 957	1001150611 891, 892,
854	1001120989..... 1049	1001135650..... 843, 844,	897, 898
1001116733 833	1001121555..... 1036	847, 849, 853, 855,	1001150735 787
1001116734 833, 844,	1001121726..... 904, 908	856, 863, 864	1001150737 787
848, 854, 864	1001121727..... 904, 908,	1001135651 843, 847,	1001151238 633
1001116745 991	991	849, 853, 855, 856, 863	1001152915 385
1001116747 799	10011223457..... 784	1001135851 844, 864	1001152947 385
1001116748 787	1001125117..... 77, 79, 89	1001136975..... 221	1001153612 844, 849,
1001116754 786	1001125222..... 539	1001136999..... 788	855, 864
1001116763 799, 903,	1001125465..... 967	1001137000..... 788	1001153748 653, 735
907	1001125677..... 785, 845,	1001137578..... 845, 850,	1001153749 835, 839,
1001116774 875, 893,	850, 855, 865, 904, 908	856, 865	999, 1001
899, 945, 1003	1001126008..... 788, 829,	1001138116..... 847, 853	1001155228 383, 387
1001116808 875, 893,	844, 848, 854, 864,	1001138645..... 871	1001155230 1032
899, 1003	875, 893, 899, 1003	1001138827 251, 1059	1001155446 375, 379
1001116810 891, 897	1001126011..... 788, 844,	1001138945..... 277	1001155447 381, 415
1001116811 844, 848,	849, 855, 864	1001139551 499	1001155486 499
854, 864	1001126245..... 844, 848,	1001139552..... 421, 423	1001155540 237, 239
1001116812 785, 787,	854, 864	1001139568..... 405	1001155823 235
788, 789, 797, 843,	1001126349..... 843, 863	1001139578..... 1016	1001156265 541
847, 848, 849, 853,	1001126351..... 843, 863	1001139942.. 1024, 1028,	1001157890 875
854, 855, 856, 863,	1001126352..... 843, 863	1032, 1036	1001157891 765, 769
875, 891, 893, 897,	1001126353..... 843, 847,	1001141246..... 393	1001158146 801, 803
899, 904, 908, 941,	853, 863	1001141281 415	1001158596 507
945, 1003	1001126356..... 843, 863	1001141311 499	1001158601 501
1001116815 789, 845,	1001126357..... 843, 863	1001141312..... 421, 423	1001158736C..... 515
850, 856, 865, 875,	1001126360..... 843, 863	1001141313 499	1001158738C... 501, 517
1003	1001126362..... 843, 847,	1001141461..... 607, 1058	1001159028 527, 529,
1001116950 892, 898	853, 863	1001141462..... 607	1058
1001116984 788	1001126384..... 843, 863	1001141976..... 605, 607	

SECTION 13 - SPECIAL OPTIONS/ACCESSORIES/KITS

1001159734.....925, 931, 933, 1059	1001161769..... 781, 791	1001166543 843, 847, 853, 863	1001169355.....551
1001159735.....801, 803, 805, 1059	1001161770..... 781, 793	1001166551 847, 853	1001169367.....551
1001159736.....499, 1060	1001161771 781, 795	1001166555 847, 853	1001169368.....251
1001159737.....925, 931, 933, 1059	1001161851 451	1001166556 843, 845, 847, 850, 853, 856, 863, 865	1001169454.....31, 33
1001159738.....1059	1001161855 440	1001166565 211, 213	1001169603.....440
1001159739.....915, 1059	1001161896 541	1001166634 389, 393	1001169604.....440, 451
1001159741.....801, 803, 805, 1059	1001161897 541	1001166704 845, 856, 865	1001169674...1011, 1013
1001159742.....963, 1059	1001161898 541	1001166707 849, 855	1001169751.....549
1001159743.....803, 805	1001161957 891, 897, 903, 907, 945	1001166715 211	1001169763.....553
1001159745.....989, 1059	1001161959 784	1001166754 379	1001169825.....829
1001159746.....763, 767, 1059	1001161963 891, 897, 903, 907, 945	1001166755 379	1001169880.....389
1001159845.....921, 923, 1059	1001162062 539	1001166774 843, 845, 847, 850, 853, 856, 863, 865	1001169883.....391
1001159846.....921, 923, 1060	1001162212 235	1001167004 557	1001169885.....391
1001159849.....801, 803, 805, 1060	1001162662 29, 1058	1001167015 461, 463	1001170106.....35
1001159925.....466, 475, 1059	1001162789 381, 425	1001167017 981	1001170113J.....389, 391
1001160042.....466	1001162885 955, 1059	1001167186 255	1001170114.....387, 389
1001160043.....475	1001162886 784	1001167266 431, 469	1001170231.....531
1001160072.....1051	1001162887 785	1001167409 235	1001170311.....259
1001160326.....466, 1059	1001162920 531	1001167528 845, 850, 856, 865	1001170325.....455
1001160420.....255	1001162922 531	1001167616 844, 848, 854, 864	1001170326.....411
1001160496.....437	1001162953 466, 469	1001167620 845, 850, 856, 865	1001170366.....381, 409
1001160498.....784	1001163095 939, 1059	1001167621 847, 853	1001170432.....275
1001160500.....891, 897, 903, 907, 945	1001163104 79	1001167622 847, 853	1001170504.....440
1001160502.....784	1001163174 1020	1001167623 847, 853	1001170514.....453
1001160503.....435, 437	1001163210 1020	1001167624 845, 850, 856, 865	1001170518.....440
1001160506.....433	1001163212 1020	1001167629 844, 848, 854, 864	1001170519.....440, 453
1001160508.....381, 407	1001163222 1020	1001167630 843, 844, 847, 848, 853, 854, 863, 864	1001170601J.....387
1001160509.....891, 897, 903, 907, 945	1001163223 1020	1001167631 843, 847, 853, 863	1001170944.....393
1001160510.....891, 897, 903, 907, 945	1001163285 1020	1001167633 843, 847, 853, 863	1001170993.....413
1001160730.....967, 1059	1001163300 1020	1001167635 843, 847, 853, 863	1001171037.....391
1001160775...1011, 1013	1001163304 1020	1001167636 849, 855	1001171179.....27
1001160916.....1055	1001163323 1020	1001167937 397	1001171182.....405
1001160927.....751, 753, 757, 761	1001163340 785	1001167958 387, 397	1001171183.....405
1001160928.....751, 753, 757, 761	1001163355 1020	1001168030 601	1001171277.. 1016, 1020, 1024, 1028, 1032, 1036
1001160945.....1053	1001163639 809, 1059	1001168054 531	1001171635.....391
1001161067453	1001164183 93	1001168142 541	1001171756.....425
1001161078.....459	1001164402 881, 883	1001168151 541	1001171767.....413
1001161080.....459	1001164655 407	1001168264 369, 371	1001171808.....95, 971
1001161095.....945	1001164726 387	1001168327 466	1001171874.....531
1001161097784, 891, 897, 903, 907, 945	1001164971 621	1001168330 466	1001171885.....43, 45
1001161098.....784, 891, 897, 945	1001164972 621	1001168331 466	1001171962.....981
1001161099.....784, 891, 897, 903, 907, 945	1001165035 221	1001168429 65	1001172035.. 1016, 1020, 1024, 1028, 1032, 1036
1001161100.....784, 891, 897, 903, 907, 945	1001165175 79	1001168456 466	1001172088.....531
1001161101.....784, 891, 897, 903, 907, 945	1001165194 845, 850, 856, 865	1001168531 515, 811	1001172094.....531
1001161252.....440	1001165269 425, 427	1001168599 625, 721	1001172110.....49, 51
1001161253.....440	1001165270 425	1001168758 55	1001172112.....51
1001161499.....381, 527	1001165273 427	1001169135 515, 519	1001172113.....51
1001161672.....541	1001165275 393	1001169151 466, 799	1001172114.....51
	1001165276 389	1001169265 53	1001172115.....51
	1001165309 891, 897	1001169268 553, 1059	1001172146.....27
	1001165310 893, 899	1001169354 549, 551	1001172147.....27
	1001165311 904, 908		1001172193.....385, 389
	1001165327 427		1001172401.....381, 417
	1001165351 425		1001172495.....757, 761
	1001165407 425		1001172496.....757, 761
	1001165416 425		1001172547.....466, 475, 1059
	1001165455 425		1001172550.....466, 475
	1001165458 425, 443		1001172553.....466, 475
	1001165637 415		1001172693.....35
	1001165827 749		1001172755.....221
	1001166191 481		1001172774.....435
	1001166192 65, 481		1001172829.....57
	1001166385 493		1001172999.....89
			1001173257.....433

SECTION 13 - SPECIAL OPTIONS/ACCESSORIES/KITS

1001173298 387	1001178670..... 541, 733	1001183447 145	1001187075 892, 898, 945
1001173411 785	1001178680..... 405	1001183549 955	1001187076 879, 892, 893, 898, 899, 945
1001173452 237, 239	1001178681..... 405	1001183550 453	1001187077 867, 869
1001173457 237, 239	1001178693..... 31, 33	1001183597 447	1001187078 833, 848, 854, 875, 1003
1001173528 245, 247	1001178706..... 1047	1001183700 605	1001187079 875, 891, 892, 897, 898, 904, 908
1001173679 89	1001178783..... 485	1001183827 215	1001187080 844, 848, 854, 864, 891, 897, 904, 908
1001173703 1036	1001178791..... 267	1001183829 215	1001187081 1003
1001173829 935	1001178826..... 489	1001183831 211	1001187272 609
1001173873 271	1001178933..... 781	1001183835 211, 215	1001187273 609
1001173965 440	1001179008..... 487, 489, 491	1001184280 473	1001187275 609
1001174103 73, 75	1001179009..... 487, 489, 491	1001184296 473, 479	1001187355 643
1001174104 81	1001179080..... 469	1001184297 473, 479	1001187423 359, 361
1001174107 659	1001179081..... 469	1001184397 887, 903	1001187820 81, 83
1001174126 659, 661	1001179130..... 429, 469	1001184403 429	1001187821 81
1001174129 367	1001179297..... 1047	1001184404 429	1001187847 81, 83
1001174295 387, 399	1001179482..... 493	1001184405 429	1001187848 81, 83
1001174320 385	1001179483..... 493	1001184406 429	1001187882 850, 853
1001174321 393	1001179484..... 445	1001184427 473	1001188372. 1016, 1020, 1024, 1028, 1032, 1036
1001174419 91	1001179592..... 455	1001184439 387	1001188590 466, 475
1001174431 89	1001179850..... 23, 25, 27	1001184473 911	1001188592 473
1001174652 451	1001179851..... 27, 29	1001184479 911	1001188594 473, 479
1001174653 451	1001179852..... 29	1001184610 83	1001188602 473, 479
1001174655 451	1001179907..... 273, 871	1001184632. 1016, 1020, 1024, 1028, 1032, 1036	1001188603 473, 479
1001174712 801, 803, 805	1001179931..... 547	1001184795 943, 945	1001188610 473, 479
1001174741 495	1001180070..... 233, 699	1001184796 917, 919	1001188612 473, 479
1001174795 269	1001180263..... 433, 435	1001184869 55	1001188614 473, 479
1001174800 495	1001180306..... 21	1001184870 57	1001188618 473
1001174801 495	1001180437..... 271	1001184871 61	1001188619 473
1001174811 661, 663	1001180542..... 249	1001184872 55, 57	1001188720 473, 479
1001174812 75, 673	1001180553..... 249	1001184874 55, 57	1001188725 473, 479
1001175058 375	1001180620..... 881	1001184975 440	1001188729 473, 479
1001175201 267	1001180682..... 485	1001184976 289	1001188733 479
1001175265 844, 848, 849, 854, 855, 864, 904, 908	1001180683..... 485	1001184977 289, 303	1001188757 207
1001175266 945	1001181128..... 825, 827	1001184978 289, 325	1001188817 473
1001175267 891, 897, 903, 907	1001181411..... 405	1001184979 289, 295	1001188818 473
1001175347 21	1001181531..... 801, 803, 805	1001184980 289, 291	1001188855 277
1001175470 411	1001181625..... 235	1001184981 289, 301	1001188856 277
1001175471 409, 413	1001181726..... 440, 443	1001184982 303, 305	1001189023 473
1001175477 387	1001181920..... 401	1001184983 325, 327	1001189024 473
1001175568 221	1001181921..... 401	1001184984 305, 307, 309, 311, 315, 317, 319, 321	1001189025 473, 479
1001175733 987	1001181961..... 751, 753	1001184985 327, 329, 331, 333, 335, 337, 341, 347	1001189046 835, 837, 839, 841
1001175776 985, 987	1001182123..... 401	1001184986 295, 297	1001189048 473
1001175812 65	1001182139..... 401	1001184987 301	1001189054 473
1001175903 440	1001182330..... 497	1001184988 301	1001189154. 1024, 1028, 1032, 1036
1001176002 845, 850, 856, 865	1001182490..... 927	1001185026 259	1001189182 440
1001176004 845, 850, 856, 865	1001182529..... 515, 519	1001185633 497	1001189246 37
1001176121 409, 411	1001182530..... 515	1001185870 440	1001189288J ... 359, 361, 363, 365
1001176272 401	1001182839..... 965	1001185927 23	1001189876 805
1001176273 401	1001182881..... 209	1001185929 23, 31	1001190037 844, 848, 855, 864
1001176333 788	1001182929..... 835, 837, 859	1001185930 31, 33, 37	1001190250 81, 83
1001176338 485	1001182930..... 835, 837, 867	1001185931 37	1001190253 75
1001176626 401	1001183024..... 777, 1059	1001185933 37	1001190254 73
1001177082 27	1001183112..... 925, 927, 931, 933	1001185935 37	1001190256 73
1001177597 789	1001183221..... 765	1001186843 609	1001190257 73
1001178053 913, 935	1001183272..... 739, 741, 743, 745, 881	1001186853 925	1001190259 669
1001178123 425	1001183306..... 367, 369	1001186855 751	
1001178157 75, 669	1001183307..... 367, 371	1001186856 755	
1001178159 385	1001183308..... 369	1001186881 65	
1001178160 385	1001183309..... 371	1001186898 211	
1001178170 466		1001187070 843, 847, 853, 863, 867, 869	
1001178474 31, 33		1001187073 891, 897	

SECTION 13 - SPECIAL OPTIONS/ACCESSORIES/KITS

1001190260.....73	1001192401 1007	1001193704 197, 199, 227	1001195822.....461
1001190264.....81, 83	1001192410 541	1001193705 223, 225	1001195823.....463
1001190396.....913	1001192430 771	1001193709 563, 595	1001195849.....1016
1001190921.....844, 848, 854, 864	1001192431 937	1001193729 185	1001195851.....1020
1001191035.....91, 93	1001192520 591	1001193797 277	1001195855.. 1016, 1020, 1024, 1028
1001191036.....93	1001192537 739	1001193803 181	1001195878.....385
1001191039.....93	1001192538 741	1001193887 91	1001195881.....99
1001191091.....399	1001192558 781	1001193993 825, 827	1001195953.....777, 779
1001191108.....145	1001192560 803	1001194103 821, 823	1001195970.....143
1001191110.....75	1001192575 763	1001194244 821	1001196076.....517
1001191157.....29	1001192614 135	1001194282 541	1001196100.....927
1001191163.....29	1001192615 131	1001194421 786, 815, 993	1001196191.....237, 239
1001191229.. 1016, 1020, 1024, 1028, 1032, 1036	1001192616 133	1001194534 211	1001196217.....927
1001191255.....375, 377	1001192617 141	1001194698 381	1001196332.....759
1001191256.....377	1001192619 943, 949	1001194699 381, 383	1001196402.....591
1001191257.....377	1001192622 ... 43, 45, 53	1001194700 383, 385	1001196502.....821, 823
1001191281 443, 445	1001192623J 53	1001194702 587	1001196664.....229
1001191282 445	1001192627 53	1001194969 53	1001196778.....177
1001191283 443, 447	1001192631 53	1001194980 39	1001196779.....177
1001191284 443, 449	1001192643 395	1001194981 29	1001196806.. 1016, 1020, 1024
1001191310 447	1001192644 397	1001195089 273	1001196878.....89
1001191311 449	1001192646 387	1001195194 77	1001196879.....89
1001191312 449	1001192649 111	1001195200 937, 939	1001196949.....175
1001191313 449	1001192650 115	1001195201 937, 943	1001196950.....173
1001191370 443	1001192700 179	1001195202 939, 941	1001196951.....171
1001191546.....835, 839	1001192702 193	1001195254 539	1001196952.....169
1001191635.....63	1001192711 185	1001195263 749	1001196959.....609
1001191685 29, 1058	1001192720 185	1001195313 1036	1001196964.....615
1001191752 75, 79	1001192722 159	1001195342 431	1001196967.....615
1001191753 79	1001192723 129	1001195343 431	1001196969.....615
1001191789 79	1001192734 155	1001195345 431	1001196970.....615
1001191915 539	1001192735 163	1001195346 431	1001196973.....615
1001191959 449	1001192737 531	1001195385 431	1001196974.....615
1001192096 565	1001192739 1013	1001195386 431	1001196975.....615
1001192124 35	1001192741 1024	1001195430 603, 605	1001196976.....615
1001192125 31, 33, 35	1001192743 1032	1001195433 603	1001196977.....615
1001192142 825, 827, 1059	1001192745 1016	1001195434 603	1001196978.....615
1001192168 359	1001192766 387, 395	1001195435 603	1001196981.....615
1001192170 361	1001192771 591	1001195437 431	1001196982.....615
1001192177 359	1001192772 591	1001195438 431	1001196989.....595
1001192178 359	1001192875 185	1001195439 997	1001196992.....595
1001192180 361	1001192876 185	1001195469 761	1001196993.....595
1001192181 361	1001192877 185	1001195471 937, 951	1001196995.....595
1001192240 445	1001192885 641	1001195473 937, 953	1001196996.....595
1001192309 387	1001192886 641, 643	1001195582 755, 757	1001196997.....595
1001192318 45	1001192887 641	1001195590 937, 957	1001197011.....565
1001192320 43	1001192888 643, 725	1001195591 955, 959	1001197056.....59
1001192321 981	1001192889 563, 631	1001195593 755, 995	1001197057.....59
1001192322 985	1001192890 631, 633	1001195636 75, 77	1001197072.....207
1001192323 747	1001193100 75, 567	1001195637J.....77	1001197139.....531
1001192324 63	1001193111 577, 581	1001195655 73	1001197196.....563, 647
1001192336 67	1001193210 389	1001195720 777	1001197197.....615, 617
1001192339 149	1001193307 229, 697	1001195721 813	1001197198.....617, 619
1001192342 151	1001193308 293, 695	1001195731 771, 957	1001197199.....615
1001192344 153	1001193393 197, 199, 231	1001195732 771, 957	1001197200.....615
1001192352 73	1001193461 609	1001195733 627	1001197259.....459
1001192358 83	1001193465 567	1001195737 77, 79	1001197262.....75
1001192363 571	1001193474 539	1001195738 77	1001197339.....43, 45
1001192364 95	1001193516 563, 651	1001195739 77	1001197480.....31
1001192365 577	1001193517 563, 627	1001195814 383, 401	1001197481.....37
1001192366 573	1001193540 185	1001195816 440	1001197668.....989, 991
1001192367 581	1001193566 969	1001195817 440	1001197733.....59
1001192370 773	1001193698 747, 749	1001195818 440	1001197734.....59
1001192392 35	1001193703 197, 199, 223	1001195820 461	1001198307 55, 57, 59
		1001195821 463	

SECTION 13 - SPECIAL OPTIONS/ACCESSORIES/KITS

1001198355..... 185	1001201301..... 237, 239, 243	1001203989.....75	1001209203..... 567, 569
1001198578..... 659, 665	1001201302..... 237, 239, 249	1001204032.....247, 727	1001209345..... 65
1001199325..... 657	1001201303..... 237, 245	1001204057.....729	1001209346..... 63
1001199328..... 1062	1001201304..... 237, 239, 251	1001204060.....923	1001209387..... 47, 49
1001199376..... 1062	1001201305..... 237, 239, 253	1001204066.....393	1001209388..... 53
1001199380..... 1062	1001201309.....249	1001204115.....393	1001209418..... 565
1001199382..... 1062	1001201314.....245	1001204120.....393	1001209419..... 565
1001199670..... 273	1001201315..... 245, 247	1001204152.....595	1001209427..... 915
1001199902..... 265	1001201316..... 245, 247	1001204411.....265	1001209456..... 915, 917
1001200105..... 591, 989	1001201317.....251	1001204413.....265	1001209463..... 493
1001200106..... 197, 835	1001201331.....425	1001204414.....265	1001209625..... 1020
1001200111..... 683	1001201420.....621	1001204486.....53	1001209690..... 931
1001200159..... 739, 741, 887	1001201425..... 197, 199, 201	1001204528.....921	1001209691..... 931
1001200160..... 739, 743, 821	1001201499.....535	1001204530.....921	1001209692..... 933
1001200161..... 821, 823	1001201500.....537	1001204544.....759	1001209693..... 933
1001200162..... 821, 823	1001201501..... 535, 537	1001204548..... 759, 761	1001209697..... 925, 931, 933
1001200164..... 821, 823	1001201812.....563	1001204549..... 759, 997	1001209862..... 585, 705
1001200165..... 821, 823	1001201848..... 55, 57, 61	1001204598.....381, 419	1001209899..... 401
1001200166..... 821, 823	1001201856.....265	1001204709.....489	1001209972..... 569
1001200167..... 821, 823	1001201858.....265	1001205061..... 531, 535	1001210270..... 569
1001200168..... 887, 889	1001201885..... 815	1001205307.....981	1001210281..... 323
1001200169..... 887, 889	1001202018..... 265, 273	1001205375.....569	1001210282..... 595
1001200206..... 1003	1001202020.....591	1001205381.....569	1001210326..... 81, 83
1001200226..... 621	1001202021.....265	1001205528.....657	1001210327..... 595
1001200249..... 265	1001202024..... 563, 609	1001205532..... 387, 393	1001210524..... 565
1001200344..... 69	1001202025..... 563, 615	1001205564.....253	1001210525..... 565
1001200383..... 935	1001202026..... 563, 603	1001205565.....253	1001210526..... 565
1001200393..... 81, 83	1001202027..... 609	1001205573.....615	1001210567..... 777
1001200395..... 83	1001202172..... 739, 743, 825	1001205618.....565	1001210568..... 569
1001200443..... 197	1001202247.....247	1001206100..... 925, 931, 933	1001210569..... 569
1001200445..... 237	1001202321..... 277, 279	1001206112..... 971, 1058	1001210635..... 615
1001200447..... 265	1001202325.....279	1001206242.....567	1001210769..... 323, 357
1001200451..... 275	1001202454.....805	1001206633..... 773, 775	1001210770..... 881, 885
1001200453..... 277	1001202519..... 1005	1001206709.....595	1001210771..... 227, 229
1001200498..... 237, 239	1001202526..... 235, 275	1001206725.....101	1001210780..... 713
1001200499..... 237, 239	1001202617..... 1005	1001206744.....539	1001210797..... 615
1001200538..... 921	1001202621.....981	1001206954.....729	1001210800..... 595
1001200539..... 923	1001202722..... 847, 853	1001207171..... 844, 848, 854, 864	1001210801..... 713
1001200631..... 239	1001202723..... 847, 853	1001207173..... 892, 898, 977	1001210870..... 221
1001200701..... 277	1001202730..... 107, 109	1001207217..... 1016	1001211020..... 615
1001200862..... 197, 199, 207	1001202786..... 369, 371	1001207218..... 1024, 1028, 1032, 1036	1001211445..... 753
1001200863..... 197, 199, 209	1001202899..... 265	1001207325.....621	1001211606..... 563, 565
1001200864..... 197, 199, 211	1001202901.....201	1001207594..... 963, 965	1001211616..... 253
1001200865..... 197, 199, 217	1001202986..... 887, 889	1001207788.....615	1001211617..... 253
1001200866..... 197, 199, 221	1001203005.....235	1001207789.....615	1001211693..... 781
1001200870..... 609	1001203081.....931	1001207790.....615	1001211775..... 977
1001200871..... 207	1001203082.....933	1001207866.....99, 101	1001211899..... 59
1001200872..... 207	1001203181..... 239, 1058	1001207898.....303, 323	1001211900..... 59
1001200873..... 207	1001203368..... 925, 931, 933	1001207899..... 325, 357	1001211907..... 440
1001200874..... 207	1001203503..... 185	1001207956.....539	1001211907..... 440
1001200885..... 209	1001203557..... 753	1001207963.....440	1001212011..... 399
1001200886..... 209	1001203558..... 753	1001208037.....539	1001212047..... 487
1001200910..... 971	1001203640..... 917, 921, 923	1001208308.....440	1001212048..... 491
1001200968..... 463	1001203932..... 43, 45	1001208451.....657	1001212049..... 487
1001201074..... 621, 623	1001203933..... 43, 45	1001208532.....615	1001212050..... 491
1001201124..... 763, 765	1001203934..... 43, 45	1001208534.....615	1001212184..... 603
1001201162..... 1005	1001203947..... 237, 239	1001209097..... 843, 847, 853, 863	1001212312..... 585, 669
1001201299..... 235	1001203948..... 237, 239	1001209194..... 971, 1058	1001212369..... 415
1001201300..... 235	1001203987..... 79	1001209200..... 567, 569	1001212418..... 651, 653
		1001209201..... 567, 569	1001212468..... 443
		1001209202..... 567, 569	1001212470..... 801, 803, 1059
			1001212739..... 231, 233
			1001212788..... 595, 597
			1001212789..... 597, 713
			1001212845..... 1062
			1001212880..... 595

SECTION 13 - SPECIAL OPTIONS/ACCESSORIES/KITS

1001212886.....825, 827	1001216798 279	1001220649 963	1001224128.....953
1001212920.....253	1001216799 279	1001220650 963, 967	1001224450J.....53
1001212921253	1001216803 555	1001220707 1028	1001224598.....323
1001212924.....267	1001216974 501, 507, 515	1001220717 801	1001224938.....357
1001212925.....267	1001217226 661, 665	1001220760 293	1001224944.....589, 707
1001213026.....21, 563	1001217320 813	1001220859 813	1001224945.....593, 709
1001213265.....531, 533, 1058	1001217352 75, 645	1001220861 813	1001224946.....633
1001213286.....1062	1001217354 645	1001220942 569	1001225317.....367
1001213306.....609	1001217355 645	1001221041 197, 199, 219	1001225390.....591
1001213307609	1001217482 623, 625	1001221057 473	1001225392.....587
1001213308609, 611	1001217552 571	1001221058 473	1001225393.....587, 591
1001213309611, 613	1001217553 571	1001221059 466, 475	1001225656.....713
1001213311613, 717	1001217620 291, 293	1001221087 365	1001226328.....1059
1001213317577, 579	1001217669 293	1001221157 365	1001226481.....440
1001213318573, 575	1001217752 837	1001221270 365	1001226523.....209
1001213319581, 583	1001217753 261, 831	1001221295 466, 475	1001226532.....1011
1001213331393	1001217754 257	1001221318 965	1001226557.....565
1001213562657	1001217755 257	1001221319 965	1001226681.....267
1001213752965	1001217756 261, 831	1001221321 365	1001226797.....265
1001213775771, 957	1001217757 261, 263, 831	1001221349 273	1001226828.....587
1001213791387	1001217758 263	1001221383 273	1001226829.....587, 591
100121383355, 57	1001217759 263	1001221493 261, 831, 833	1001226947.....657, 683
100121383455, 57	1001217760 261, 831	1001221553 363	1001227077.....239
1001213988781	1001217761 249	1001221554 363	1001227090.....277
1001214092415	1001217762 249	1001221695 363	1001227133.....440
1001214123259	1001217763 249	1001221734 365	1001227186.....385
10012141671063	1001217948 609	1001221868 221	1001227187.....389
1001214206..1016, 1020, 1024, 1028, 1032, 1036	1001218358 875	1001221928 601, 715	1001227188.....389
1001214220531	1001218542 466, 475	1001221986 599, 601	1001227287..1016, 1020, 1024, 1028, 1032, 1036
1001214254147	1001218659 1016	1001221987 595, 599	1001227334.....77, 79
1001214349281	1001218694 59	1001221988 595	1001227337.....77
1001214401965	1001218704 .. 1016, 1024	1001221989 595	1001227440.....591
1001214415147	1001218754 149	1001222188 35	1001227469.....741, 745, 823
1001214429609	1001218755 145, 147, 149	1001222190 35	1001227670.....111, 129, 131, 133, 145, 147, 149, 151, 153, 160, 163, 193
1001214430609	1001218996 466, 475	1001222455 785	1001227802.....387
1001214431609	1001219082 239, 999, 1001	1001222460 201	1001227945.....541
1001214661567	1001219113J 53	1001222603 557, 1058	1001227964.....239
1001214829591	1001219115 53	1001222606 555, 1058	1001228248.....221
1001215022245, 247	1001219121 . 1020, 1024, 1028, 1032, 1036	1001222650 . 1016, 1020, 1024, 1028, 1032, 1036	1001228427.....137
1001215024245, 247	1001219212 1016	1001222741 393	1001228504.....619
1001215093609	1001219220 401	1001223066 741, 745, 827	1001228504.....619
1001215121809	1001219225 53	1001223109 609	1001228643.....239
1001215208881	1001219250 53	1001223265 440	1001228727.....199
1001215212609	1001219615 629, 719	1001223435 139	1001228728.....199, 839
1001215256595	1001219659 597	1001223453 .. 1016, 1020	1001228732.....839, 841, 869
1001215319269	1001219764 587, 589	1001223455 785, 786, 787	1001228733.....839, 841, 861
1001215341627, 629	1001219765 591, 593	1001223456 784	1001228735.....841
100121546479	1001219863 440	1001223457 784, 785	1001228738.....743
1001215470567	1001219865 440	1001223618 247, 729	1001228739.....743, 745, 889
1001215531393	1001219905 73	1001223622 729	1001228741.....889, 907
1001215539609	1001219953 73	1001223628 247	1001228742.....745
1001215693925, 929, 931, 933	1001220230 1020	1001223645 247	1001228743.....767
1001215802609	1001220248 87	1001223705 25	1001228744.....767, 769
1001215859565	1001220286 89	1001223706 25, 33	1001228860.....91
1001215860565	1001220329 381, 421, 423	1001223869 239, 247	1001228872.....235
1001215941239, 1060	1001220338 403, 405	1001223870 33	1001228872.....235
1001216263495	1001220339 383, 403	1001223874 239	1001228989.....921, 923
1001216265497	1001220473 565	1001223903 953, 1059	1001228993.....1062
1001216267495	1001220507 545	1001223911 33	1001229056.....79
1001216269495	1001220540 379	1001223968 801, 803, 805, 807	1001229072.....1062
1001216270497	1001220641 87	1001224127 953	1001229074.....1062
1001216331661	1001220643 647, 649		

SECTION 13 - SPECIAL OPTIONS/ACCESSORIES/KITS

1001229104..... 1062	1001235963..... 43, 47	1001258512..... 125	1001274541..... 911
1001229153..... 805	1001235965..... 45, 49	1001258523..... 166	1001274543..... 911
1001229201..... 359, 363	1001238106... 1041, 1045	1001258664..... 125	1001274544..... 911
1001229213..... 1062	1001238470..... 235	1001258712..... 781, 797	1001274553..... 911
1001229216..... 1062	1001238560..... 123, 185	1001258719..... 971, 979	1001274891..... 1062
1001229324..... 1062	1001238565..... 117, 119, 121, 123	1001258731..... 971	1001274892..... 1062
1001229422..... 569	1001238566..... 185	1001259205..... 971, 977	1001275276... 999, 1001, 1003
1001229458..... 999	1001238570..... 185	1001259214..... 125	1001275277..... 999
1001229532..... 1062	1001238653..... 117	1001259224..... 973	1001275622..... 971
1001229543..... 387	1001238654..... 121	1001259225..... 125	1001275721..... 1043
1001229576..... 1062	1001238655..... 119	1001259231..... 971	1001275900..... 1043
1001229609..... 43, 45	1001238781..... 231	1001259246..... 971, 973	1001275902..... 1045
1001229707..... 1049	1001239878..... 271	1001262959..... 1063	1001276770..... 1011
1001229811..... 1062	1001239879..... 271	1001264534..... 983	1001276771..... 1011
1001229812..... 1062	1001239961..... 1062	1001264536..... 983	1001276776..... 1013
1001229813..... 1062	1001241308..... 395	1001264844..... 789	1001276777..... 1013
1001229955..... 1058	1001241337..... 457	1001264976..... 471, 477	1001276923..... 1062
1001229981..... 295, 993	1001241590..... 775	1001265343..... 959	1001278028..... 771
1001230125..... 1062	1001241591..... 775	1001265344..... 63	1001279170..... 1011
1001230126..... 1062	1001241610..... 971, 975	1001265346..... 65	1001279174..... 1013
1001230163..... 399	1001241836..... 43, 45	1001265372..... 1062	1001280471..... 507, 509
1001230188..... 1062	1001241880..... 633, 723	1001265979..... 983	1001280661..... 817
1001230239..... 127	1001241950..... 557	1001265980..... 983	1001281297..... 285
1001230241..... 127	1001244192..... 921, 923	1001266488..... 517	1001281298..... 285
1001230402..... 875	1001244193..... 921, 923	1001267973..... 623, 689	1001281301..... 285
1001230403..... 875, 876	1001244428..... 847	1001267974..... 669, 671	1001281304..... 285
1001230404..... 876	1001244429..... 853	1001267977..... 85, 681	1001281305..... 285
1001230409..... 1062	1001245694..... 1062	1001267979..... 665, 667	1001281307..... 285
1001230699..... 1062	1001247184..... 273	1001268341..... 1062	1001281309..... 285
1001230850..... 967	1001247421..... 985, 1059	1001268354..... 971	1001281310..... 285
1001230931..... 787	1001247646.. 1016, 1020, 1024	1001268744..... 517, 815	1001281311..... 285
1001231057..... 1062	1001247948..... 843, 863	1001268827..... 475, 477	1001281359..... 285
1001231110..... 1062	1001247955..... 843, 863	1001268828..... 477, 479	1001281360..... 285
1001231138..... 1062	1001247969..... 843, 863	1001268829..... 471, 477	1001281473..... 285
1001231341..... 1062	1001249078..... 101, 1058	1001268830..... 471, 477, 911	1001281607..... 887, 891
1001231385..... 55, 57	1001249249..... 101	1001268831..... 466, 471	1001281656..... 285
1001231393..... 713	1001249251..... 99	1001268832..... 471, 473	1001281752..... 889, 897
1001231397..... 875, 876, 977	1001249695..... 1063	1001268833..... 471, 473	1001281888..... 285
1001231398..... 815, 875, 876, 892, 898, 977	1001249941..... 1063	1001268846..... 440	1001282260..... 1001
1001231400..... 815, 875, 876, 892, 898, 977	1001250161..... 485	1001269176..... 971	1001283097..... 781, 784
1001231401..... 875, 876	1001250276..... 99	1001269177..... 971	1001283175..... 443
1001231402..... 876	1001250475..... 103, 1058	1001269555..... 473, 479	1001283991..... 285
1001231404..... 815, 876, 892, 898, 977	1001250476..... 105	1001269556..... 473, 479	1001283992..... 285
1001231406..... 815, 876, 892, 898, 977	1001250708..... 55, 57, 79	1001269558..... 473, 479	1001284531..... 201, 203
1001231407..... 240, 873	1001251518..... 985	1001269559..... 473, 479	1001284532..... 205
1001231483..... 240, 875	1001252304..... 1062	1001269560..... 473, 479	1001284534..... 871
1001231692..... 127	1001252304..... 1062	1001269561..... 473, 479	1001284536..... 265
1001231801..... 1016	1001253661..... 637, 639	1001269563..... 473, 479	1001284538..... 197, 199, 871
1001232288..... 825, 829	1001253671..... 635, 971	1001269564..... 473, 479	1001285715..... 801, 803, 805
1001232500..... 127	1001254390..... 1062	1001269578..... 473	1001285934..... 835, 837, 863
1001232509..... 283, 755	1001254400..... 1062	1001269579..... 473	1001286174..... 839, 841, 843
1001232850..... 221	1001255519..... 635	1001270117..... 411	1001286599..... 817
1001232988..... 101	1001255520..... 635	1001270466..... 781, 1058	1001286941..... 817, 819
1001233024..... 283	1001255521..... 635	1001270467..... 881, 1059	1001287805..... 1001
1001233024..... 283	1001255522..... 635	1001270468..... 885, 1059	1001288070..... 505, 517
1001233174..... 983	1001255522..... 635	1001270485..... 951, 1059	1001288098..... 517
1001233189..... 1062	1001255536..... 635, 637	1001270976..... 466, 475	1001289060..... 817
1001233217..... 983	1001255567..... 635	1001271061... 1043, 1045	1001289299..... 817
1001233431..... 1039	1001255568..... 635	1001271061... 1043, 1045	1001289300..... 817
1001233434..... 983	1001255581..... 885	1001271061... 1043, 1045	1001289301..... 817
1001233558..... 1020	1001256073..... 385	1001274533..... 911	1001289479..... 983
1001234395..... 101	1001256073..... 385	1001274534..... 911	1001289562..... 269
1001234455..... 47, 49	1001256974..... 559, 1060	1001274535..... 911	
	1001257071..... 559	1001274536..... 911	
	1001257088..... 545, 1058	1001274537..... 911	
	1001257330..... 541, 543	1001274538..... 911	
	1001257348..... 547, 1058	1001274539..... 911	
	1001258099..... 457	1001274540..... 911	

SECTION 13 - SPECIAL OPTIONS/ACCESSORIES/KITS

1001289563.....267, 269	1706292..... 1024, 1028, 1032, 1036	2170712..... 635	3291005.....95, 217, 237, 239, 277, 621, 635, 825, 827, 971
1001289647.....817	1706296..... 1016	2170716..... 253	3291201..... 177, 249
1001289648.....817	1706299..... 1016	2170804..... 649	3291205..... 73, 927
1001290040.....817	1706300..... 1016	2170806..... 323, 357	3291605.....73, 145, 147, 149, 207
1001291056.....817	1706301..... 1016	2171816..... 609	3300449.....817
1001291182... 1005, 1007	1706302..... 185, 1016	2171832..... 609	3311005.....971
1001291382.....1062	1706306..... 1016	2172106..... 635	3311405.....123
1001293067.....265, 267	1706768..... 1016	2172110..... 569	3311502.....185
1001293068.....265, 271	1706850..... 1016	2172116..... 253	3311508..... 757, 761
1001293070..... 197, 199, 235	1706892..... 117	2172410..... 591	3332011.....379
1001293900..... 879	1707078..... 1016	2200223..... 237, 239	3391410.....185
1001293902..... 879	2080040..... 123	2220238..... 619	3421453.....123
1001293903..... 844, 864	2080078..... 405	2220239..... 29, 713	3422661.....125
1001293972.....821, 823, 835, 837, 839, 841, 879	2080086..... 385	2220240..... 29	3440620.....127
1001294608.....983	2080087..... 385	2220767..... 249	3520028.....539
1001294815.....1049	2080092..... 409	2220811..... 293	3520072.....123
1001294994.....983	2110406..... 613, 643	2220883..... 725	3520193..... 77
1001295267.....983	2110408..... 649	2220885..... 681	3520198.....123
1001295268.....983	2110410..... 229	2220886..... 725	3700015.....69
1001297791.....983	2110606..... 83, 151, 613, 619, 637, 643	2220887..... 667	3700016.....69
1001301393..... 189	2110610..... 579, 583	2221221..... 635	3740080... 239, 815, 893, 899, 977, 1059
1001301527..... 187	2110806..... 657	2400060..... 1003	3760170.....123
1001302410.....983	2110808... 619, 629, 653	24921332..... 265	3760348.....531
1001303246..... 191	2110810..... 643, 713	2560122..... 635	3790152.....247
1001305478..... 183	2111010... 233, 567, 569, 575, 579, 583, 585, 619, 643, 665	2580040..... 755	3820020.....123
1060379..... 123, 125	2111012..... 633	2600281..... 123	3900357.....871
1060626.....757, 761, 995	2111212..... 633	2720160..... 595	3900379..... 61, 455
1060799..... 1043, 1045	2111216..... 229	2902443 ... 844, 848, 855, 864	3911010.....971
1062255... 221, 235, 249, 253, 261, 275, 279, 283, 615, 755, 831, 835, 837, 839, 841, 999, 1001	2111616... 253, 293, 643	2920207..... 925	39844923.....337
10713707.....881	2130404... 541, 589, 593, 619, 629, 637	2920208..... 925	3986405.....297
10725554.....311, 337	2130406..... 229, 637	2940074..... 123, 1058	3986610.....519
10732931.....723	2130408..... 629	3020037..... 291	3986643.....519
10837953.....723	2130606..... 601, 633	31200160..... 117	4000015.....1059
120034.....781	2130808... 323, 357, 541	31200386..... 119	4010416.....957, 959
12052634.....843, 863	2131010... 567, 569, 591, 593	31200387..... 121	4010510.....555, 557
1320022.....466	2131212... 589, 593, 605, 619, 657	31200388..... 121	4010608002.....385, 387, 440, 493, 495
1320060.....249	2131216..... 229	314689..... 75, 669	4010610.....771, 957
1670836..... 1016, 1020, 1024, 1028, 1032, 1036	2132016..... 633	3251813..... 1016, 1020, 1024, 1028, 1032, 1036	4010610002.....440, 463, 495, 539
1701500..... 1016, 1020, 1024, 1028, 1032, 1036	2144603..... 295	3290401 ... 443, 466, 475, 817, 935, 981, 983	4010612002.....389, 440, 443, 447, 449
1701509..... 123	2144606..... 217	3290405 ... 395, 771, 957, 959	4031205... 835, 837, 839, 841
1702773..... 117, 119, 121	2150406..... 625	3290501 ... 781, 837, 985	4031607 29, 35, 559, 835, 839
1704260.....813, 973	2150606..... 151	3290505 ... 89, 101, 239, 457, 559, 821, 823, 999, 1001	4031608... 453, 837, 841
1704277..... 123	2150608..... 229	3290507..... 101	4031608001.....440
1704885..... 117, 119, 121	2150808... 323, 357, 653	3290601 ... 185, 443, 466, 495, 531, 539, 747, 749, 771, 781, 957	4031708.....953
1705980..... 1024, 1028, 1032, 1036	2151010... 575, 579, 583	3290605 47, 49, 277, 440, 443, 449, 771, 871, 957	4031708001.....461
1706098..... 1024, 1028, 1032, 1036	2151212..... 605	3290606..... 565	4031712.....569
1706281..... 1024, 1028, 1032, 1036	2151616..... 253, 633	3290607 ... 925, 931, 933	4031907..... 817
1706282..... 1024, 1028, 1032, 1036	2152020..... 29	3290801 ... 237, 239, 247, 387, 423, 527, 835, 839, 917, 953	4031910.....433, 435
1706284..... 1024, 1028, 1032, 1036	2160016. 77, 81, 83, 621, 661, 665	3290805 ... 235, 273, 533, 583, 635, 885	4031912.....647, 651
1706285..... 1024, 1028, 1032, 1036	2170104..... 233	3290806..... 405	4031916.....669
1706288..... 1024, 1028, 1032, 1036	2170106..... 633	3291001 ... 211, 221, 237, 239, 277, 821, 823, 925, 931, 933	4031918... 573, 577, 581
	2170112..... 633		4031921.....587, 591
	2170206..... 151, 633		4032010..... 73
	2170208..... 541		4060919.....21
	2170216..... 253		4105262.....95
	2170316..... 229		4109801..... 1016, 1020, 1024, 1028, 1032, 1036
	2170410..... 591		4110422.....127, 193
	2170704..... 229		
	2170706..... 635		

SECTION 13 - SPECIAL OPTIONS/ACCESSORIES/KITS

4240018 595, 615	856, 863, 864, 875,	848, 849, 853, 854,	925, 931, 933, 939,
4240099 ... 595, 609, 995,	891, 893, 897, 899,	855, 856, 863, 864,	957, 965, 971
997	904, 908, 909, 941,	893, 899, 904, 908,	4811700001 440
4280307 37	945, 949, 1003	909, 941, 945	4811702 ... 215, 409, 495,
4360475 .. 813, 973, 1059	4460608 ... 843, 847, 853,	4460945....789, 845, 850,	531, 535, 541
4360657 971, 1059	863	856, 865, 875, 893,	4811702001 387, 389,
4360658 537, 1059	4460670 1003	899, 941, 1003	440, 557
4460183 973	4460705 785	4460970....844, 848, 854,	4811900 ... 27, 31, 33, 59,
4460225 784, 785	4460742 247, 875	864, 893, 899, 904,	63, 65, 67, 73, 91, 93,
4460234 781	4460744 786	908, 929	223, 235, 237, 239,
4460265 784	4460746 786, 789	4460979....844, 849, 855,	251, 259, 265, 267,
4460267 784, 785	4460748 ... 848, 854, 904,	864	273, 281, 387, 393,
4460268 784, 785, 786	908	4460984.....893, 899	407, 415, 433, 435,
4460320 785, 973	4460761 875	4460994.....786	437, 466, 497, 501,
4460321 875	4460789 799	4461000.....813	507, 515, 517, 527,
4460343 784, 785	4460809 875	4461006....847, 849, 853,	531, 541, 565, 567,
4460424 786	4460836 785	855	573, 577, 583, 595,
4460434 784	4460884 ... 797, 875, 892,	4461008....843, 847, 853,	597, 603, 611, 623,
4460458 ... 786, 789, 844,	898, 903, 907, 941,	863	635, 657, 747, 749,
848, 854, 864, 875,	945, 969, 981, 1007	4461015.....797, 892, 898	817, 835, 839, 881,
904, 908, 919, 991	4460891 ... 775, 788, 789,	4461017....765, 769, 859,	885, 917, 951, 953,
4460464 ... 765, 769, 779,	797, 843, 845, 848,	861, 903, 907	981, 983
786, 788, 789, 797,	849, 850, 854, 855,	4461018....844, 849, 855,	4811902... 43, 45, 53, 79,
799, 807, 815, 833,	856, 863, 865, 875,	864, 903, 907	247, 255, 257, 265,
844, 848, 854, 864,	891, 892, 893, 897,	4461054....843, 847, 853,	466, 475, 495, 497,
867, 869, 873, 875,	898, 899, 903, 904,	863, 903, 904, 907, 908	569, 823
892, 898, 904, 908,	907, 908, 945, 969,	4461070....845, 850, 855,	4812000 ... 29, 33, 47, 49,
919, 941, 945, 949,	979, 991	865	59, 63, 65, 73, 77, 79,
969, 975, 977, 979,	4460892 ... 845, 850, 854,	4461071....844, 849, 855,	81, 83, 87, 95, 101,
987, 993, 1003, 1007	865	864	211, 217, 223, 249,
4460465 ... 775, 785, 787,	4460894 ... 785, 787, 811,	4461095....844, 849, 855,	265, 277, 539, 541,
788, 789, 797, 811,	844, 848, 854, 864,	864	565, 567, 605, 609,
819, 843, 844, 847,	893, 899, 903, 907,	4461115.....788, 789, 919	617, 621, 627, 631,
848, 849, 853, 854,	929, 941, 977, 1003	4461118.....799, 903, 907	635, 771, 777, 821,
855, 863, 864, 875,	4460897 ... 775, 786, 789,	4461262....779, 784, 788,	823, 825, 827, 835,
891, 892, 893, 897,	797, 811, 833, 845,	903, 907	837, 839, 841, 881,
898, 899, 903, 904,	850, 854, 855, 865,	4461290....829, 892, 898	925, 931, 933, 957,
905, 907, 908, 909,	892, 893, 898, 899,	4641520.....649, 731	967, 971, 983
941, 945, 946, 949,	913, 969, 979, 993	4711000.....971	4812002 ... 27, 43, 45, 53,
969, 977, 979, 991,	4460899 ... 799, 807, 893,	4711400.....123, 817	55, 57, 59, 81, 83, 211,
1003, 1007	899, 903, 907, 945,	471678.....425	221, 237, 239
4460466 ... 765, 769, 775,	975, 977, 1003	4740274.....237, 239	4812100 . 31, 33, 73, 207,
785, 786, 787, 788,	4460906 785	4740428.....817	249, 265, 641, 821, 823
789, 797, 807, 819,	4460928 ... 788, 892, 898,	4740532.....227, 231	481210231, 33, 237, 239,
833, 843, 844, 845,	945	4740550.....237, 239	367, 927
847, 848, 849, 850,	4460929969	4761400.....957	4812300 73, 207, 291
853, 854, 855, 856,	4460930 ... 788, 819, 893,	4761700.....609	4812500 377, 379
863, 864, 865, 875,	899, 903, 904, 908	4807718.....421, 423	4831400 ... 443, 466, 475,
891, 892, 893, 897,	4460931 ... 765, 769, 788,	4811400....145, 147, 149,	817, 935
898, 899, 903, 904,	789, 904, 908, 941	443, 466, 475, 537,	4831600 29, 835, 837,
907, 908, 909, 919,	4460932 ... 779, 797, 833,	771, 817, 957, 959,	839, 841
929, 941, 945, 975,	873, 893, 899, 903,	981, 983	483170055, 57, 271, 495,
977, 981, 1003, 1007	907, 919, 961, 987	4811600.....89, 101, 219,	539, 881
4460475 875	4460933 ... 785, 844, 849,	239, 440, 457, 813,	4831900 ... 255, 257, 466,
4460496 781	855, 864, 891, 893,	821, 823, 837, 985,	475, 531, 871
4460497 781	897, 899, 904, 908,	999, 1001	4832100 237, 239
4460508 ... 765, 769, 844,	1003	4811700....31, 37, 47, 49,	4871700 887, 889
848, 854, 859, 861, 864	4460941 ... 797, 799, 833,	55, 57, 61, 65, 101,	4892600 305, 327
4460509 ... 844, 849, 855,	904, 908, 913, 929, 969	185, 209, 265, 273,	4921614 993
864, 892, 898, 903, 907	4460942 ... 785, 797, 845,	277, 385, 387, 425,	5220600 923
4460518 ... 788, 875, 893,	850, 856, 865, 891,	443, 461, 463, 466,	5220800 ... 751, 753, 757,
899, 1003	892, 893, 897, 898,	481, 493, 495, 531,	761
4460536 ... 789, 815, 867,	899, 929, 945, 946	535, 539, 565, 599,	5240600 953
869, 905, 909, 949	4460943 ... 765, 769, 788,	627, 747, 749, 771,	5240800 571
4460539 ... 787, 788, 789,	797, 811	781, 825, 827, 835,	5241000 277
843, 844, 847, 848,	4460944 ... 785, 787, 788,	837, 839, 841, 871,	5241200 177
849, 853, 854, 855,	789, 843, 844, 847,	887, 889, 921, 923,	5241400 295

SECTION 13 - SPECIAL OPTIONS/ACCESSORIES/KITS

5242400.....185, 621	70022140..... 311, 337	70025012..... 315	70026474.....139, 141
5250608.....431	70022528..... 193	70025014..... 315	70026475.....139, 141
5251012.....201	70022726..... 697	70025153..... 1058	70026476... 139, 141, 159
5271609.....985	70022765 801, 803, 1058	70025335..... 309, 335	70026477..137, 139, 141, 711
5272012.....967	70022773..... 319, 331	70025337..... 339	70026478.....139, 141
643191201.784, 891, 897	70022938. 135, 137, 139, 141, 155, 160, 166, 167	70025338..... 339	70026479..135, 137, 139, 141
643201301.784, 891, 897	70023179..... 519	70025339..... 313, 339	70026480..135, 137, 139, 141
70002963.715, 725, 1058	70023181..... 519	70025483..... 503	70026481..135, 137, 139, 141, 155, 159, 167
70004387.....715	70023182..... 519	70025485..... 503	70026482..135, 137, 139, 141, 155, 159, 167
70004512.....1058	70023184..... 519	70025486..... 503, 1059	70026483.....135, 137, 139, 141, 155, 159, 167
70004595.....719, 1058	70023186..... 519	70025489..... 503	70026484.....135, 137, 139, 141, 155, 159, 167
70005440.....639	70023189..... 519	70025490..... 503	70026485.....135, 137, 139, 141, 155, 159, 167
70005495.....1059	70023469..... 311, 337	70025491..... 503	70026486.....677
70006427.....725	70023489..... 339	70025539..... 511, 1059	70026497.....677
70008128.....671	70023490..... 313, 339	70025561..... 315, 341	70026498.....677
70020276.....297	70023493..... 339	70025562..... 315, 341	70026499.....677
70020438.....683	70023494..... 311, 337	70025590..... 663	70026500.....677
70020555...129, 179, 181	70023916..... 683	70025614..... 663, 673	70026501.....159, 677
70020764.701, 703, 1058	70024004..... 313	70025780..... 1059	70026502...677, 691, 693
70020867.....731, 735	70024035..... 673	70025816..... 529	70026503.....166, 677
70020922.....539	70024059..... 193	70025817..... 529	70026504.....155, 677
70021251.....503	70024064..... 193	70025850..... 213, 1058	70026505.....677
70021252.....503	70024107..... 519, 1059	70025851..... 213, 1058	70026506.....677
70021314.....509, 511	70024123. 139, 141, 155, 159, 679	70025854..... 723	70026582.731, 735, 1058
70021316.....509, 511	70024129. 677, 679, 691, 693	70025856..... 313	70026614..137, 139, 141, 711
70021317.....509	70024130. 135, 137, 139, 141, 155, 160, 679	70025859..... 533	70026616.....139, 141
70021318.....509	70024142..... 693	70025860..... 533	70026631.....297
70021319.....509, 513	70024146.. 315, 341, 351	70025884..... 321, 347	70026745...129, 179, 181
70021320.....509	70024147.. 315, 341, 351	70025887..... 311, 337	70026746...129, 179, 181
70021321.....509, 513	70024201..... 723	70025970..... 317	70026747.....329
70021322.....509	70024210..... 317, 329	70026002..... 315, 341	70026748.....329
70021323.....509, 513	70024213..... 317	70026081..... 243	70026750.....313
70021324.....509, 513	70024215..... 317	70026238..... 315, 341	70026777.....723
70021325.....509, 513	70024216..... 329	70026260.. 315, 341, 343	70026778.....723
70021326.....509, 513	70024224..... 683	70026261.. 315, 341, 345	70026779.....723
70021327.....509, 513	70024228..... 683	70026262..... 317	70026781.....723
70021328.....509, 513	70024229..... 683	70026263..... 317	70026783.....723
70021329.....509	70024230..... 683	70026264..... 317	70026784.....723
70021330.....509, 513	70024231..... 683	70026265..... 321, 347	70026838.....683
70021340...925, 931, 933	70024234..... 683	70026266.. 321, 347, 349	70026892.....297
70021341...925, 931, 933	70024235..... 683	70026292..... 791, 1059	70026896.....297
70021349..111, 115, 153, 193	70024236..... 683	70026293..... 793, 1059	70026897.....297
70021350.....111, 115	70024237..... 683	70026294..... 883, 1059	70026898.....297
70021367.....115	70024459..... 519	70026295..... 883, 1059	70026901.....297
70021387.....193	70024538.. 141, 159, 167	70026296..... 883, 1058	70026904.....297
70021397.....193	70024721.. 155, 160, 167	70026297..... 883, 1058	70026908.....297
70021415.....193	70024731..... 166	70026312..... 725	70026909.....297
70021422.....115	70024733..... 679	70026314..... 725	70026911.....297
70021440.....685, 687	70024734. 166, 677, 679, 691, 693	70026315..... 725	70026927.....298
70021444.....687	70024772.. 155, 160, 167	70026353..... 243	70027022.....317, 329
70021445.....687	70024787..... 167	70026354..... 243	70027092.....317
70021446.....687	70024847..... 723	70026359..... 243	70027105.....313, 339
70021447.....687	70024848..... 317	70026369..... 723	70027109.....297
70021448.....687	70024849..... 317	70026370..... 723	70027110.....297
70021451.....687	70024856..... 519	70026372..... 723	70027134.....723
70021452.....687	70024857..... 519	70026373..... 723	70027180..169, 171, 173, 175
70021531.....701, 703	70024858..... 519	70026376..... 723	70027317.....317, 329
70021606.....329	70024859..... 519	70026379..... 723	70027392.....511
70021613.....329	70024861..... 519	70026383..... 723	70027393.....511
70021979.....193	70024881.. 315, 341, 349	70026395..... 213	70027394.....509, 511
70022007.....723	70024945..... 697	70026396..... 213	70027395.....509
70022008.....723	70024946..... 697	70026434..... 533	70027399.....509
70022010.....723		70026469.. 139, 141, 677	
70022014.....723		70026470..... 139, 141	
70022019.....723		70026471.. 139, 141, 159	
70022034.....503		70026472.. 139, 141, 159	
		70026473.. 139, 141, 159	

SECTION 13 - SPECIAL OPTIONS/ACCESSORIES/KITS

70027426	1058	70028322	673	70028414	719	70028583	675
70027595	699	70028323	673	70028415	719	70028584	675
70027596	703	70028324	673	70028416	719	70028585	675
70027598	697	70028326	519, 1059	70028420	695	70028586	675
70027601	695	70028327	225	70028421	721	70028587	675
70027773	111	70028328	225	70028422	683, 705	70028588	675, 679
70027796	317	70028329	225	70028485	111, 115, 153	70028589	137, 711
70027801	683	70028330	225	70028486	115, 153	70028591	153
70027862	297	70028331	225	70028487	115	70028592	153
70027879	151	70028332	225	70028488	115, 153	70028593	153
70027880	151	70028333	225	70028489	111, 115	70028594	153
70027881	151	70028334	225	70028490	111, 115	70028595	153
70027882	151	70028335	225	70028491	115	70028596	153
70027887	151	70028336	225	70028492	115	70028597	153
70027888	151	70028337	225	70028493	115	70028598	153
70027889	151	70028338	225	70028494	115	70028599	153, 685
70027890	151	70028339	225	70028495	111, 115, 153	70028600	153
70027896	151	70028340	225	70028496	111, 115, 153	70028601	153
70027899	151	70028341	225	70028497	115	70028602	153
70027986	319, 331	70028342	225	70028498	115	70028603	153, 687
70027989	153	70028343	225	70028499	115	70028604	153
70028114	166	70028344	225	70028500	115	70028605	153
70028115	167	70028345	225	70028501	115	70028606	153
70028119	167	70028346	225	70028502	719	70028607	153
7002821	1063	70028347	225	70028503	719	70028609	685
7002823	1063	70028348	225	70028504	719	70028610	685
70028243	719	70028349	225	70028505	151	70028611	685
70028253	159	70028350	225	70028506	151	70028612	687
70028254	691	70028351	225	70028507	151	70028613	687
70028255	691	70028352	225	70028508	151	70028614	687
70028256	691, 693	70028353	225	70028509	151	70028615	111
70028257	691, 693	70028354	225	70028510	151	70028616	111
70028258	691, 693	70028355	225	70028511	151	70028617	111
7002826	1063	70028357	225	70028512	151	70028618	111
70028262	159	70028358	225	70028513	151	70028619	111
70028263	135, 137	70028359	225	70028514	727	70028620	111
70028267	155, 160	70028360	225	70028515	727	70028621	111
70028270	691	70028361	717	70028516	727	70028622	111
70028281	709, 1058	70028364	683	70028517	727	70028623	111
70028282	589, 707, 709	70028367	683	70028525	153	70028624	111
70028285	733	70028368	683	70028526	153	70028625	111
70028286	723	70028381	533	70028546	799	70028626	111
70028287	723	70028382	533	70028548	243	70028627	111
70028288	723	70028383	533, 1059	70028549	243	70028628	111
70028289	723	70028384	667	70028550	243	70028629	111
70028295	723	70028387	315, 341	70028554	111, 129, 153, 193	70028630	111
70028296	723	70028388	309, 315, 335, 341	70028563	135, 137	70028631	111
70028297	723	70028389	309, 315, 335, 341	70028564	135, 137	70028632	111
70028298	723	70028390	311, 313	70028565	135, 137	70028633	111
70028299	723	70028391	311	70028566	135, 137	70028634	112
70028300	723	70028392	315, 341	70028567	135, 137	70028635	111
70028306	663	70028393	319, 331	70028568	135, 137	70028636	111
70028307	663	70028394	319, 331	70028569	135, 137	70028637	111
70028308	663	70028396	315, 341	70028570	135, 137	70028638	111
70028309	663, 673	70028397	341	70028571	135, 137	70028648	159
70028310	663, 673	70028398	337, 339	70028572	135, 137, 675	70028649	159
70028311	663	70028399	337	70028573	135, 137, 711	70028650	159
70028312	663	70028400	341	70028574	135, 137	70028651	159
70028313	663	70028401	311, 337	70028575	137	70028652	159, 691
70028314	673	70028405	159	70028576	137	70028653	159, 693
70028315	673	70028406	159	70028577	137	70028654	159
70028316	673	70028410	697	70028578	137	70028655	159
70028317	673	70028411	697	70028579	137	70028656	159
70028318	673	70028412	699	70028580	137	70028657	159
70028319	673	70028413	699	70028581	675	70028658	159
70028320	673			70028582	675	70028659	159
70028321	673					70028660	159

SECTION 13 - SPECIAL OPTIONS/ACCESSORIES/KITS

70028661.....	159	70028730.....	679	70028860.....	193	70031315.....	671
70028662.....	159	70028731.....	679	70028861.....	193	70031316.....	671
70028663.....	159	70028732.....	679	70028862.....	193	70031317.....	671
70028664.....	159	70028733.....	679	70028863.....	193	70031318.....	671
70028665.....	159	70028734.....	141, 156	70028864.....	193	70031319.....	671
70028666.....	159	70028738.....	141	70028865.....	193	70031320.....	671
70028667.....	159	70028739.....	141	70028866.....	193	70031321.....	671
70028668.....	159	70028740.....	141	70028867.....	193	70031322.....	671
70028669.....	159	70028741.....	141	70028902.....	725	70031323.....	671
70028670.....	159	70028742.....	141	70028903.....	725	70031324.....	671
70028671.....	159	70028743.....	141	70028904.....	725	7004275.....	1063
70028672.....	139, 141, 155, 159, 167	70028744.....	135	70028905.....	725	7004276.....	1063
70028673.....	159	70028745.....	135	70029016.....	683	70050473.....	723
70028674.....	159	70028746.....	135	70029017.....	683	70050475.....	723
70028675.....	159	70028747.....	135	70029018.....	683	7010543.....	715
70028676.....	159	70028748.....	135	70029019.....	683	7016331.....	1058
70028677.....	159	70028749.....	139	70029868.....	723	7022390.....	709
70028678.....	160	70028750.....	139	70029870.....	723	7024947.....	699
70028679.....	160	70028751.....	139	70029871.....	723	7026731.....	355
70028680.....	160	70028752.....	139	70029872.....	723	7028621.....	519
70028681.....	160, 167	70028753.....	139	70029873.....	723	7028714.....	315, 341
70028682.....	160	70028767.....	159	70029874.....	723	7028715.....	315, 341
70028683.....	160	70028768.....	159	70029941.....	673	7028716.....	315, 341
70028684.....	160	70028770.....	691	70030102.....	639	7028733.....	315, 341
70028685.....	160	70028771.....	693	70030103.....	639	7029127.....	319, 331
70028686.....	160	70028785.....	167	70030104.....	639	7029288.....	309, 335
70028687.....	155, 160, 167	70028786.....	166	70030105.....	166	7029290.....	349
70028688.....	155, 160, 167	70028787.....	166	70030106.....	166	7029307.....	319, 331
70028689.....	155, 160, 167	70028789.....	167	70030107.....	167	7029317.....	315
70028690.....	160	70028791.....	167	70030353.....	261, 831	7029486.....	461, 463, 1047
70028691.....	691, 693	70028792.....	167	70030355.....	261, 831	7029520.....	181
70028692.....	693	70028794.....	167	70030356.....	261, 831	7029702.....	153
70028693.....	693	70028795.....	167	70030388.....	689	7029703.....	153
70028694.....	693	70028796.....	167	70030389.....	689	7029704.....	153
70028695.....	160	70028801.....	298	70030391.....	689	7029709.....	111
70028696.....	160	70028817.....	297	70030392.....	689	7029711.....	111, 115, 153, 193
70028697.....	139, 156, 160	70028818.....	297	70030393.....	689	7029712.....	111
70028701.....	155	70028819.....	297	70030394.....	689	7029733.....	341, 355
70028702.....	155	70028820.....	297	70030403.....	689	7029734.....	317, 329
70028703.....	155	70028821.....	297	70030404.....	689	7029735.....	317, 329
70028704.....	155, 679	70028822.....	297	70031050.....	509	7029743.....	315
70028705.....	155	70028823.....	297	70031051.....	509	7029767.....	503
70028706.....	155	70028824.....	297	70031052.....	509	7029785.....	329
70028707.....	155	70028825.....	297	70031053.....	509	7029787.....	317
70028708.....	155	70028826.....	297	70031054.....	509	7029969.....	925
70028709.....	155	70028827.....	297	70031293.....	681	7029970.....	925
70028710.....	155	70028828.....	297	70031294.....	681	7029971.....	925, 931, 933
70028711.....	155	70028829.....	297	70031295.....	681	7169541.....	239
70028712.....	155	70028830.....	297	70031296.....	681	7300435.....	207
70028713.....	155	70028831.....	297	70031297.....	681	77133136.....	567, 569
70028714.....	155	70028832.....	297	70031298.....	667	77133137.....	567, 569
70028715.....	155	70028833.....	297	70031299.....	667	77133497.....	569
70028716.....	155	70028834.....	297	70031300.....	667	77213042.....	265
70028717.....	155	70028835.....	297	70031301.....	667	8000565.....	927
70028718.....	155	70028836.....	297	70031302.....	667	8000759.....	405
70028719.....	155	70028837.....	297	70031303.....	667	8000803.....	387
70028720.....	155	70028838.....	297	70031304.....	667	8002200.....	77, 79
70028721.....	155	70028839.....	297	70031305.....	667	8004398.....	405
70028722.....	155	70028840.....	297	70031306.....	667	8005671.....	1024, 1028, 1032, 1036
70028723.....	155	70028841.....	298	70031307.....	667	8005675.....	1024, 1028, 1032, 1036
70028724.....	155	70028842.....	298	70031308.....	667	8005870.....	419
70028725.....	155	70028843.....	298	70031309.....	667	8005901.....	463
70028726.....	155	70028844.....	298	70031310.....	667	8006258.....	657
70028727.....	155	70028845.....	298	70031311.....	671	8008175.....	319, 331
70028727.....	155	70028846.....	298	70031312.....	671		
70028728.....	679	70028847.....	298	70031313.....	671		
70028729.....	679	70028848.....	298	70031314.....	671		

SECTION 13 - SPECIAL OPTIONS/ACCESSORIES/KITS

8008640	77, 79	8220097 ...	844, 848, 854, 864	8430032.....	595	91403413.....	193
8008657	1024, 1028, 1032, 1036	8220098 ...	844, 848, 854, 864	8430033.....	643	91403414.....	193
80203020	297	8220108	829, 873	8430034.....	613, 637	91403448.....	127
80203021	297	8220116	892, 898	8430081.....	595	91403530.....	93
80204002	309, 335	8220124 ...	843, 847, 853, 863	8466306.....	417, 1032	91474364.....	297
80204005 ..	309, 335, 353	8220375	786, 789	8584003.....	1005	91474512.....	309, 335
80204007	297	8229234 ..	876, 977, 1058	85941018.....	595, 823	91504107.....	811
80204012	341	8229235	875, 1058	8769123.....	577, 581	91513266.....	367
80204016	297	8229242 .	791, 793, 1003, 1058	8769126.....	577, 581	91514081.....	315, 341
80204033	311, 337	8229244 ..	795, 883, 1058	8769146.....	569	91514082.....	315, 341
80204035	311, 337	8229245 ..	791, 883, 1058	8769152.....	569	91514083.....	315
80204043	311, 337	8229247 ..	793, 883, 1058	8769199.....	569	91514084.....	315
80204048	311, 337	8229261	875, 1058	8770030.....	633	91514089 .	309, 315, 317, 335
80204060	317	8275212	265	8770075.....	571	91514090.....	349
80204065	315, 341	8278020	237, 239	8770104.....	633	91514095.....	315, 341
80204071	315, 341	8305919 ...	215, 263, 409, 440, 495	8770215.....	645	91514098.....	309, 335
80204076	315, 341	8307219	263	8770286.....	633	91514101.....	309, 335
80204108	317	8310382	125	8786549....	359, 361, 363, 365	91514111.....	343, 345
80204117 ..	317, 329, 349	8310410	817	88662434.....	595, 615	91514112.....	315, 341
80204143	319, 331	8310559	399	8880219-OM.....	301	91514117.....	315, 341
80204144	319, 331	8310686	647, 651	8896941.....	1063	91514118.....	367
80204176	297	8342813	41	90206196.....	59	91514123.....	311
80204215	297	8405006	249, 595, 635	90206198.....	595	91514130.....	311, 337
80204281	317, 329	8405007 ...	249, 603, 609, 615	90206202.....	21	91514133.....	311, 337
80214120	315, 341	8405009	249, 267, 531	90554016.....	179	91514134.....	311, 337
80233218	531	8405101	249	90554017.....	153	91514134.....	311, 337
80264002	509, 511	8405102	253	90554020.....	153, 193	91514143.....	313
80264004	509, 511	8405104	249	90554042..	111, 115, 153, 193	91514146.....	297, 353
80333151	531	8405201	249, 440, 451	90554045..	111, 115, 153, 193, 685, 687	91514147.....	353
80333184	635	8405402	209	90554054.....	193	91514148.....	353
8034697	723	8406105	207	90554065.....	111	91514149 ..	315, 341, 353
80363195	407	8406112	281	90554066.....	111	91514151.....	317
80604017	811	8406201	595, 635	90554067.....	111, 153	91514154 ..	297, 317, 329
806253	67	8406202	573, 577	91013191.....	153, 193	91514159.....	317, 329
806264	67	8410009	275, 466, 475	91013191..	844, 864, 904, 908	91514174.....	315, 341
80963055	850, 855	8410013	235, 595, 609	91013192..	892, 893, 898, 899	91514175 ..	315, 341, 351
80963056 .	844, 845, 849, 855, 864, 865	8420053 ...	111, 115, 135, 137, 139, 141, 151, 153, 155, 160, 167, 193	91043125..	571, 575, 579, 583	91514177 ..	315, 341, 351
80963067	848, 855	8420055 ...	111, 115, 135, 137, 139, 141, 151, 153, 155, 160, 167, 193	91043126..	571, 575, 579, 583	91514178.....	315, 341
80983191 .	791, 793, 795, 1058	8424233	609	9106-3039.....	615	91514179.....	315, 341
82033995	235, 275			9106-3040.....	615	91514180.....	315, 341
8220035	873			91083106.....	609	91514181.....	315, 341
8220043	859, 861			91163268.....	265	91514184.....	315, 355
8220045	833			91403193.....	289	91514185.....	315, 355
8220050	911					91514186.....	315, 355
8220051 ...	786, 787, 891, 897					91514189.....	315, 341
						943191201	784
						AU2105	1016, 1020, 1024, 1028, 1032, 1036
						N.S.S..	145, 147, 149, 715



**Corporate Office
JLG Industries, Inc.
1 JLG Drive
McConnellsburg, PA 17233-9533 USA
☎ (717) 485-5161 (Corporate)
☎ (877) 554-5438 (Customer Support)
📠 (717) 485-6417**

**Visit our website for JLG Worldwide Locations.
www.jlg.com**



OSHKOSH™