



Illustrated Parts Manual

AG823

PVC 2311

31222451

July 15, 2024 - Rev C

English (en-US)

EFFECTIVITY PAGE

November 1, 2023 - A - Original Issue of Manual (Edited to B/M 1001260823 Revision P)

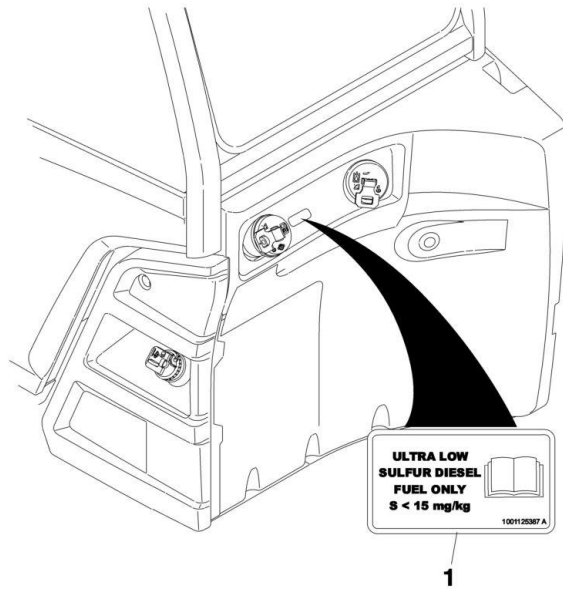
April 8, 2024 - B - Revised Manual (Edited to B/M 1001260823 Revision U)

July 15, 2024 - C - Revised Manual (Edited to B/M 1001260823 Revision U)

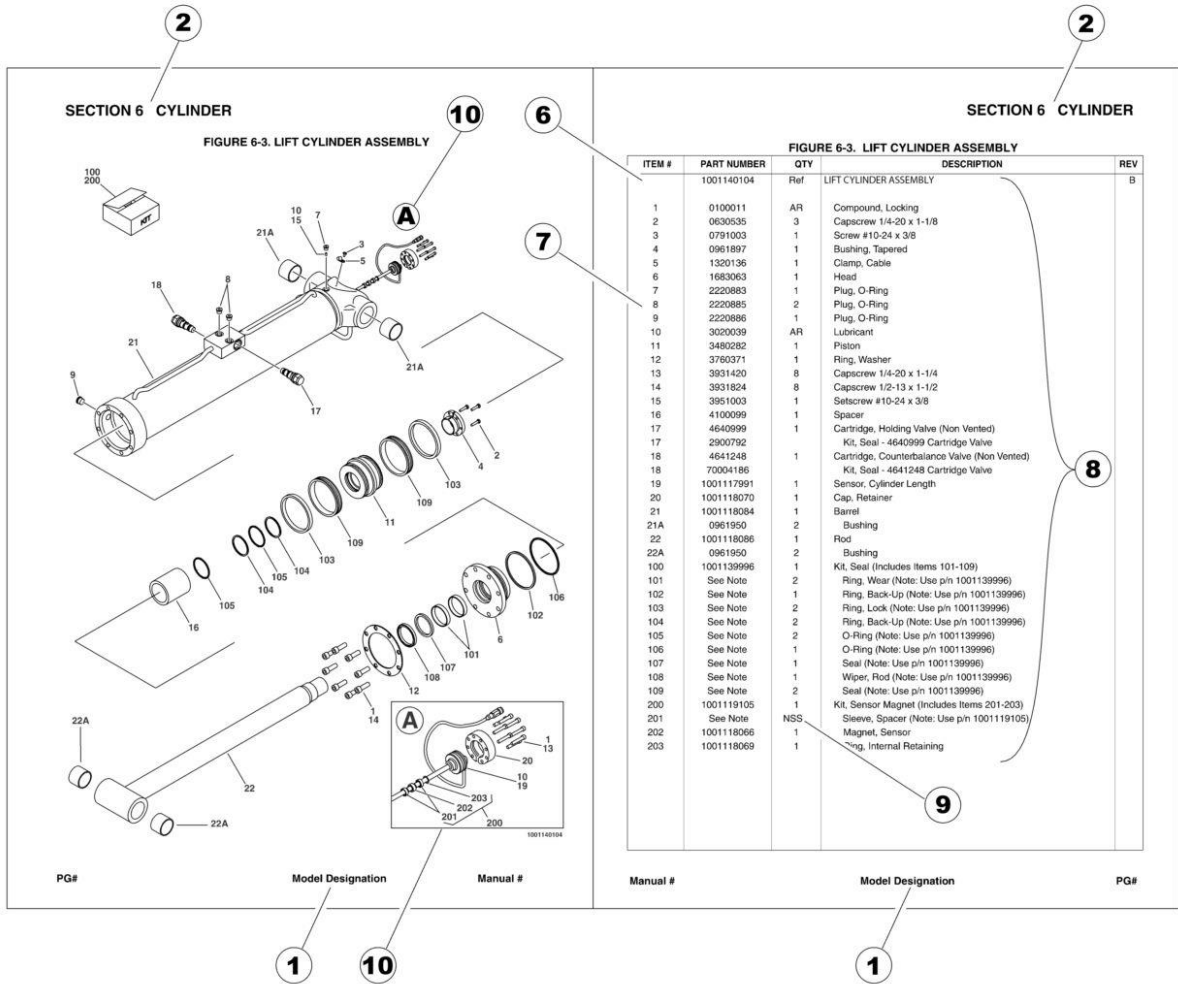
Machine Configuration

Two configurations of each machine are included in this manual. Determine if machine is equipped with Ultra Sulfur Fuel Decal (1) as indicated below.

- If equipped with the Ultra Low Sulfur decal, all specific references to this machine configuration will be referred to as Ultra Low Sulfur (ULS) from this point forward.
- If not equipped with the Ultra Low Sulfur decal, all specific references to this machine configuration will be referred to as Low Sulfur (LS) from this point forward.



GENERAL INFORMATION



1) MACHINE IDENTIFICATION

Machines are identified by model and in some cases a combination of models, serial number (SN) or regional standard (i.e ANSI, CE, CSA). Components may also be identified by SN or manufacturer. Common components that may be identified by these characteristics are engines and hydraulic components.

2) PARTS MANUAL ORGANIZATION

Product information in this manual is organized under section titles. Frame, Cylinder, Hydraulic and Electrical are a few examples. Each section is organized by figure and page number. The information within the Figure is then organized by item number, part number, description and corresponding illustration (s).

3) TABLE OF CONTENTS (NOT SHOWN)

A table of contents is found toward the beginning of the manual. Figure number, description and page number are provided for quick reference to the page containing the related information.

4) RECOMMENDED SPARE PARTS (NOT SHOWN)

The Recommended Spare Parts List, located near the end of the manual, reference most frequently used maintenance parts.

5) PART NUMBER INDEX (NOT SHOWN)

A numerical index listing all part numbers and the corresponding page number(s) appears at the back of the manual.

GENERAL INFORMATION

6) NON-SERVICED PARTS

In some instances, it is necessary to display non-serviced parts, assemblies or installations. In the case of assemblies and installations there will be a Ref in the Qty. column. In case of parts that are not available for service within assemblies or components, there will be a NSS (Not Sold Separately) or NLA (No Longer Available) listed in the Qty. column of the manual.

7) PARTS LIST ITEM NUMBERS

Numbers shown in the item# column correspond to numbers used in the associated illustration (s). Item numbers which are missing from the sequence in the parts list are not used on that page.

8) INDENTED PARTS DESCRIPTION

An indented part description is included in the item under which it is indented.

9) ABBREVIATION AND SYMBOLS

AC.....	Alternating Current	L.....	Liter
ADE.....	Advanced Design Electronics	LB(LBS).....	Pounds
AG.....	Agricultural	LCD.....	Liquid Crystal Display
ANSI.....	American National Standards Institute	LED.....	Light Emitting Diodes
AR.....	As Required	LH.....	Left Hand
ASSY.....	Assembly	LRC.....	Low Rated Countries
AUS.....	Australia	LSS.....	Load Sensing System
AUX.....	Auxiliary	M(m).....	Metric/Meter
AWG.....	American Wire Gauge	MM(mm).....	Milimeter
B/M.....	Bill of Material	mA.....	Miliamps
CAC.....	Charge Air Cooler	NLA.....	No Longer Available
CE.....	European Conformity	NPT.....	National Pipe Threads
CCW.....	Counter Clockwise	NSS.....	Not Sold Separately
CM.....	Centimeter	OD.....	Outside Diameter
CW.....	Clockwise	ORB.....	O-Ring Boss
CSA.....	Canadian Standards Association	ORFS.....	O-Ring Face Seal
CYL.....	Cylinder	OZ (oz).....	Ounces
DIA.....	Diameter	PG.....	Page
DC.....	Direct Current	PN.....	Part Number
DEF.....	Diesel Exhaust Fluid	QT(qt.).....	Quarts
EMS.....	Emergency Stop	QTY.....	Quantity
ENG.....	Engine	REF.....	Reference
FT(ft).....	Feet	REV.....	Revision Level
GA(Ga).....	Gauge	RH.....	Right Hand
HRC.....	High Rated Countries	SAE.....	Society of Automotive Engineers
HVAC.....	Heating, Ventilating, and Air Conditioning	SN.....	Serial Number
HYD.....	Hydraulic	SPEC(S).....	Specifications
Hz.....	Hertz	T/T.....	Turntable
ID.....	Inside Diameter	UGM.....	Universal Ground Module
IN.....	inches	V.....	Volts
ISO.....	International Organization for Standards	W.....	Watts
JIC.....	Joint Industry Council	#.....	Number
KG.....	Kilogram		

10) ILLUSTRATION REFERENCE LETTERS

When necessary, illustrations may contain reference letters that are intended to track information (i. e. hoses, harnesses) from one point to another or to track visual enlargement of components to show details that may be located in another area on the illustration.

Note: Due to continuous product improvements, JLG Industries, Inc. reserves the right to make specification changes without prior notification. Contact JLG Industries, Inc. for updated information.

TABLE OF CONTENTS

SECTION 1 - FRAME AND ATTACHING PARTS.....	17
FIGURE 1-1. FRAME INSTALLATION.....	18
FIGURE 1-2. ENGINE ENCLOSURE INSTALLATION.....	20
FIGURE 1-3. ENGINE ENCLOSURE COVER INSTALLATION.....	22
FIGURE 1-4. HOOD INSTALLATION.....	24
FIGURE 1-5. COVER PLATES INSTALLATION (NO OUTRIGGERS - ULS).....	26
FIGURE 1-6. COVER PLATE INSTALLATION (NO TRAILER BRAKES).....	28
FIGURE 1-7. COVER PLATE INSTALLATION (TRAILER BRAKES).....	30
FIGURE 1-8. COVER PLATE INSTALLATION (NO REAR AUX).....	32
FIGURE 1-9. COVER PLATE INSTALLATION (REAR AUX).....	34
FIGURE 1-10. COVER PLATE INSTALLATION (HYDRAULIC HITCH AND REAR AUX).....	36
FIGURE 1-11. REAR COVER PLATE INSTALLATION (NO HYDRAULIC HITCH).....	38
FIGURE 1-12. TANKS INSTALLATION.....	40
FIGURE 1-13. FUEL TANK INSTALLATION.....	42
FIGURE 1-14. FUEL TANK ASSEMBLY.....	44
FIGURE 1-15. HYDRAULIC TANK INSTALLATION.....	46
FIGURE 1-16. HYDRAULIC TANK ASSEMBLY.....	48
FIGURE 1-17. FUEL AND HYDRAULIC CAP INSTALLATION.....	50
FIGURE 1-18. HITCH RETRIEVAL INSTALLATION.....	52
FIGURE 1-19. HITCH INSTALLATION (EEC AUTO).....	54
FIGURE 1-20. HITCH INSTALLATION (PITON).....	56
FIGURE 1-21. HITCH ASSEMBLY (EEC AUTO).....	58
FIGURE 1-22. SLIDING HITCH ASSEMBLY (PITON).....	60
FIGURE 1-23. HITCH INSTALLATION (EEC MANUAL).....	62
FIGURE 1-24. HITCH ASSEMBLY (EEC MANUAL).....	64
FIGURE 1-25. HITCH INSTALLATION (FIXED).....	66
FIGURE 1-26. HITCH ASSEMBLY (FIXED).....	68
FIGURE 1-27. HITCH INSTALLATION (HYDRAULIC).....	70
FIGURE 1-28. CAB PLUG INSTALLATION (NON HYDRAULIC HITCH).....	72
FIGURE 1-29. MIRROR INSTALLATION.....	74
FIGURE 1-30. REAR MIRROR INSTALLATION (FLAT).....	76
FIGURE 1-31. REAR MIRROR INSTALLATION (CONVEX).....	78
FIGURE 1-32. MIRROR ASSEMBLY (CONVEX).....	80
FIGURE 1-33. TOOLBOX INSTALLATION.....	82
SECTION 2 - BOOM.....	85
FIGURE 2-1. BOOM PINNING INSTALLATION.....	86
FIGURE 2-2. LIFT CYLINDER PINNING INSTALLATION.....	88
FIGURE 2-3. COMPENSATION CYLINDER PINNING INSTALLATION.....	90
FIGURE 2-4. BOOM PIVOT INSTALLATION.....	92
FIGURE 2-5. BOOM ASSEMBLY.....	94
FIGURE 2-6. FIRST BOOM SECTION ASSEMBLY.....	96
FIGURE 2-7. SECOND BOOM SECTION ASSEMBLY.....	98
FIGURE 2-8. LEVER ASSEMBLY.....	100
FIGURE 2-9. COUPLER INSTALLATION - MANUAL (JLG).....	102

TABLE OF CONTENTS

FIGURE 2-10. COUPLER INSTALLATION - MANUAL (CAT)	104
FIGURE 2-11. COUPLER INSTALLATION - HYDRAULIC (JLG)	106
FIGURE 2-12. COUPLER INSTALLATION - HYDRAULIC (CAT)	108
FIGURE 2-13. BOOM PROP INSTALLATION	110
FIGURE 2-14. BOOM BRUSHES INSTALLATION	112
FIGURE 2-15. REMOTE GREASE SYSTEM INSTALLATION	114
SECTION 3 - ATTACHMENTS	117
FIGURE 3-1. AUGER COUPLING	118
FIGURE 3-2. AUGER BIT (6INX4IN)	120
FIGURE 3-3. AUGER BIT (9INX4IN)	122
FIGURE 3-4. AUGER BIT (12INX4IN)	124
FIGURE 3-5. AUGER BIT (15INX4IN)	126
FIGURE 3-6. AUGER BIT (18INX4IN)	128
FIGURE 3-7. AUGER BIT (24INX4IN)	130
FIGURE 3-8. AUGER BIT (36INX4IN)	132
FIGURE 3-9. BALE HANDLER (TUBE CLAMP)	134
FIGURE 3-10. BALE HANDLER KIT (TUBE CLAMP)	136
FIGURE 3-11. BALE HANDLER (SPIKE CLAMP)	138
FIGURE 3-12. BALE HANDLER KIT (SPIKE CLAMP)	140
FIGURE 3-13. BASKET - FORK MOUNTED (1.2MX2.4M) (DOMESTIC DECALS)	142
FIGURE 3-14. BASKET - FORK MOUNTED (1.2MX2.4M) (FRENCH LANGUAGE DECALS)	144
FIGURE 3-15. BASKET - FORK MOUNTED (1.2MX2.4M) (ISO DECALS)	146
FIGURE 3-16. BUCKET (CONCRETE)	148
FIGURE 3-17. BUCKET (DIRT)	152
FIGURE 3-18. BUCKET (GRAPPLE MULTI-PURPOSE)	154
FIGURE 3-19. BUCKET (MANURE GRAPPLE)	156
FIGURE 3-20. BUCKET(0.6M ³) (MULTI-PURPOSE 4 IN 1)	158
FIGURE 3-21. BUCKET(1M ³ /1.25YD ³) (GENERAL PURPOSE - ROUND HEEL)	160
FIGURE 3-22. BUCKET(1M ³ /1.25YD ³) (GENERAL PURPOSE - ANGULAR HEEL)	162
FIGURE 3-23. BUCKET(1M ³ /1.25YD ³) (MULTI-PURPOSE 4 IN 1)	164
FIGURE 3-24. BUCKET (1.5M ³ /2YD ³) (GENERAL PURPOSE - ROUND HEEL)	166
FIGURE 3-25. BUCKET (1.5M ³ /2YD ³) (GENERAL PURPOSE - ANGULAR HEEL)	168
FIGURE 3-26. BUCKET (2M ³ /2.6YD ³) (GENERAL PURPOSE - ROUND HEEL)	170
FIGURE 3-27. BUCKET (2M ³ /2.6YD ³) (GENERAL PURPOSE - ANGULAR HEEL)	172
FIGURE 3-28. BUCKET (2.5M ³ /3.25YD ³) (GENERAL PURPOSE - ROUND HEEL)	174
FIGURE 3-29. BUCKET (2.5M ³ /3.25YD ³) (GENERAL PURPOSE - ANGULAR HEEL)	176
FIGURE 3-30. BUCKET (3M ³ /4YD ³) (GENERAL PURPOSE - ROUND HEEL)	178
FIGURE 3-31. BUCKET (3M ³ /4YD ³) (GENERAL PURPOSE - ANGULAR HEEL)	180
FIGURE 3-32. BUCKET BOLT-ON EDGE (ONE PIECE)	182
FIGURE 3-33. BUCKET BOLT-ON EDGE (TWO PIECE)	184
FIGURE 3-34. BUCKET BOLT-ON EDGE (THREE PIECE)	186
FIGURE 3-35. BUCKET FRONT GUARD	188
FIGURE 3-36. CARRIAGE ASSEMBLY (1225MM)	190
FIGURE 3-37. CARRIAGE ASSEMBLY (1270MM)	192
FIGURE 3-38. CARRIAGE ASSEMBLY (1524MM)	194

TABLE OF CONTENTS

FIGURE 3-39. CARRIAGE ASSEMBLY (1829MM).....	196
FIGURE 3-40. CARRIAGE ASSEMBLY - FORK POSITIONING (4.0 TON - 1225 MM).....	198
FIGURE 3-41. CARRIAGE ASSEMBLY - SIDE SHIFT (4.0 TON - 1225 MM)	200
FIGURE 3-42. CARRIAGE ASSEMBLY - SIDE TILTING (4.5 TON - 1225 MM).....	202
FIGURE 3-43. CARRIAGE ASSEMBLY - SIDE TILTING (4.0 TON - 1575 MM).....	204
FIGURE 3-44. CARRIAGE ASSEMBLY - SID TILTING (4.0 TON - 1829 MM)	206
FIGURE 3-45. CARRIAGE ASSEMBLY - FEM CARRIAGE AND FORKS.....	208
FIGURE 3-46. FORK - BAILING CARRIAGE (DUAL TINE)	210
FIGURE 3-47. FORK - EXTENSIONS (62X163X2286) (ANSI)	212
FIGURE 3-48. FORK - LUMBER (45X150X1540).....	214
FIGURE 3-49. FORK - LUMBER (50X150X1830).....	216
FIGURE 3-50. FORK - PALLET (50X100X1200)	218
FIGURE 3-51. FORK - PALLET (50X100X1200) (WITH SIDE SHIFT CARRIAGE).....	220
FIGURE 3-52. FORK - PALLET (50X120X1200)	222
FIGURE 3-53. FORK - PALLET (60X125X1220)	224
FIGURE 3-54. FORK - MUCK WITH GRAB	226
FIGURE 3-55. HOOK - CRANE (FORK MOUNTED)	228
FIGURE 3-56. FORK MOUNTED PLATFORM.....	230
FIGURE 3-57. HOPPER - TRASH.....	232
FIGURE 3-58. SILAGE DEFACER	234
FIGURE 3-59. TRUSS BOOM (0.9 TON - 3.5M/12FT WITH WINCH)	236
FIGURE 3-60. TRUSS BOOM (1TON - 3.5M/12FT).....	238
FIGURE 3-61. TRUSS BOOM (1.8 TON - 0.9M/3FT WITH WINCH)	240
FIGURE 3-62. TRUSS BOOM (4.4TON - 2.3M/7.5FT).....	242
FIGURE 3-63. UNIVERSAL HITCH ATTACHMENT	244
SECTION 4 - ENGINE AND ATTACHING PARTS	247
FIGURE 4-1. ENGINE INSTALLATION (90KW - ULS - PISTON PUMP).....	248
FIGURE 4-2. ENGINE INSTALLATION (100KW - ULS - PISTON PUMP) (Prior to SN 0160124988)	250
FIGURE 4-3. ENGINE INSTALLATION (100KW - ULS - PISTON PUMP) (SN 0160126024 to Present)	252
FIGURE 4-4. ENGINE MOUNTING INSTALLATION (90KW/100KW).....	254
FIGURE 4-5. 3.6L ENGINE (90KW - ULS - PISTON PUMP)	256
FIGURE 4-6. 3.6L ENGINE (100KW - ULS - PISTON PUMP) (Prior to SN 0160124988).....	258
FIGURE 4-7. 3.6L ENGINE (100KW) (SN 0160126024 to Present).....	260
FIGURE 4-8. 3.6L ENGINE (90KW - LS - PISTON PUMP) (Prior to SN 0160124988)	264
FIGURE 4-9. ENGINE (100KW - LS) (SN 0160126024 to Present)	266
FIGURE 4-10. ENGINE INSTALLATION (90KW - LS - PISTON PUMP) (Prior to SN 0160124988).....	268
FIGURE 4-11. ENGINE INSTALLATION (90KW - LS - PISTON PUMP) (SN 0160126024 to Present)	270
FIGURE 4-12. ENGINE ECU INSTALLATION (ULS) (Prior to SN 0160124988)	272
FIGURE 4-13. ECU HRC INSTALLATION (SN 0160126024 to Present).....	274
FIGURE 4-14. BRACKET GUARD INSTALLATION.....	276
FIGURE 4-15. FUEL LINES INSTALLATION (ULS - RHOC)	278
FIGURE 4-16. FUEL LINES INSTALLATION (LS) (SN 0160126024 to Present).....	280
FIGURE 4-17. PRIMARY FUEL FILTER INSTALLATION (90KW - LS)	282
FIGURE 4-18. EXHAUST INSTALLATION (LS) (Prior to SN 0160124988)	284
FIGURE 4-19. EXHAUST INSTALLATION (LS) (SN 0160126024 to Present)	286

TABLE OF CONTENTS

FIGURE 4-20. EXHAUST INSTALLATION (ULS) (Prior to SN 0160124988)	288
FIGURE 4-21. EXHAUST INSTALLATION (ULS) (SN 0160126024 to Present)	290
FIGURE 4-22. DEF LINES INSTALLATION (ULS) (Prior to SN 0160124988).....	292
FIGURE 4-23. DEF LINES INSTALLATION (SN 0160126024 to Present)	294
FIGURE 4-24. DEF CONTROL MODULE INSTALLATION (ULS).....	296
FIGURE 4-25. DEF TANK INSTALLATION (ULS) (Prior to SN 0160124988)	298
FIGURE 4-26. DEF TANK INSTALLATION (SN 0160126024 to Present).....	300
FIGURE 4-27. DEF TANK ASSEMBLY.....	302
FIGURE 4-28. AIR CLEANER INSTALLATION (90/100KW) (Prior to SN 0160124988).....	304
FIGURE 4-29. AIR CLEANER INSTALLATION (90/100KW) (SN 0160126024 to Present).....	306
FIGURE 4-30. AIR CLEANER ASSEMBLY (90/100KW)	308
FIGURE 4-31. PRE-AIR CLEANER ACCESSORY	310
FIGURE 4-32. AIR INTAKE RAIN CAP ACCESSORY	312
FIGURE 4-33. AIR INTAKE LINES INSTALLATION (90/100KW - ULS).....	314
FIGURE 4-34. AIR INTAKE LINES INSTALLATION (90KW - LS)	316
FIGURE 4-35. COOLING PACKAGE INSTALLATION (90KW - ULS)	318
FIGURE 4-36. COOLING FAN INSTALLATION	320
FIGURE 4-37. FAN LINES INSTALLATION (90KW).....	322
FIGURE 4-38. FAN DRIVE MOTOR (NO RHOC).....	324
FIGURE 4-39. FUEL FILTER & PUMP INSTALLATION	326
FIGURE 4-40. REMOTE FUEL PUMP INSTALLATION (74.4KW)	328
FIGURE 4-41. COOLER INSTALLATION (90KW)	330
FIGURE 4-42. RADIATOR COOLING PACKAGE (90KW)	332
FIGURE 4-43. REMOTE HOC INSTALLATION.....	334
FIGURE 4-44. FAN DRIVE MOTOR (RHOC)	336
FIGURE 4-45. COOLANT LINES INSTALLATION (ULS)	338
FIGURE 4-46. COOLER LINES INSTALLATION (90KW).....	340
FIGURE 4-47. CAC LINES INSTALLATION (ULS).....	342
FIGURE 4-48. SURGE TANK INSTALLATION.....	344
FIGURE 4-49. TANK EXPANSION	346
FIGURE 4-50. BULKHEAD INSTALLATION.....	348
FIGURE 4-51. HYDRAULIC PUMP INSTALLATION (90KW)	350
FIGURE 4-52. HEATER LINES INSTALLATION (LS).....	352
FIGURE 4-53. HEATER LINES INSTALLATION (ULS) (Prior to SN 0160124988)	354
FIGURE 4-54. HEATER LINE INSTALLATION (LS) (SN 0160126024 to Present)	356
FIGURE 4-55. HEATER LINES INSTALLATION (SN 0160126024 to Present).....	358
FIGURE 4-56. HEATER LINES WITH BLOCK HEATER INSTALLATION (ULS) (Prior to SN 0160124988).....	360
FIGURE 4-57. HEATER LINES WITH HEATER INSTALLATION (SN 0160126024 to Present)	362
FIGURE 4-58. BLOCK HEATER INSTALLATION (120V - LS)	364
FIGURE 4-59. BLOCK HEATER (LS)	366
FIGURE 4-60. A/C PUMP INSTALLATION.....	368
FIGURE 4-61. A/C LINES INSTALLATION.....	370
SECTION 5 - DRIVE TRAIN	373
FIGURE 5-1. TRANSMISSION INSTALLATION (6 SPD - 90KW)	374
FIGURE 5-2. TRANSMISSION INSTALLATION (6 SPD - 97KW)	376

TABLE OF CONTENTS

FIGURE 5-3. TRANSMISSION (6 SPD - 90KW)	378
FIGURE 5-4. TRANSMISSION (6 SPD - HHP - 97KW)	380
FIGURE 5-5. PLANETARY CASE AND PARTS GROUP	382
FIGURE 5-6. TORQUE CONVERTER GROUP	384
FIGURE 5-7. TORQUE CONVERTER GROUP	386
FIGURE 5-8. TRANSFER GEAR AND CASE GROUP	388
FIGURE 5-9. TRANSMISSION HYDRAULIC CONTROL GROUP.....	390
FIGURE 5-10. INPUT SHAFT GROUP	392
FIGURE 5-11. TRANSMISSION CLUTCH GROUP	394
FIGURE 5-12. CLUTCH AND GEAR GROUP.....	396
FIGURE 5-13. TRANSMISSION PUMP GROUP	398
FIGURE 5-14. OUTPUT SHAFT GROUP	400
FIGURE 5-15. SPEED SENSOR.....	402
FIGURE 5-16. IDLER GEAR	404
FIGURE 5-17. REAR TRANSMISSION CASE	406
FIGURE 5-18. PLANETARY CASE.....	408
FIGURE 5-19. FRONT TRANSFER CASE.....	410
FIGURE 5-20. REAR TRANSFER CASE	412
FIGURE 5-21. RELIEF VALVE	414
FIGURE 5-22. SOLENOID VALVE	416
FIGURE 5-23. SOLENOID VALVE	418
FIGURE 5-24. FRONT TRANSMISSION CASE ASSEMBLY	420
FIGURE 5-25. REAR TRANSMISSION CASE ASSEMBLY	422
FIGURE 5-26. DRIVESHAFT & AXLE INSTALLATION	424
FIGURE 5-27. DRIVE SHAFTS INSTALLATION.....	426
FIGURE 5-28. FRONT AXLE INSTALLATION	428
FIGURE 5-29. FRONT AXLE ASSEMBLY	430
FIGURE 5-30. REAR AXLE INSTALLATION	440
FIGURE 5-31. REAR AXLE ASSEMBLY.....	442
FIGURE 5-32. AXLE SHIM INSTALLATION	452
FIGURE 5-33. TIRE/WHEEL SET (AIR - 460/70 R24 XMCL)	454
FIGURE 5-34. TIRE/WHEEL SET (AIR - 500/70 R24 XMCL)	456
FIGURE 5-35. FENDER INSTALLATION.....	458
FIGURE 5-36. FENDER ASSEMBLY (RR-RH)	460
FIGURE 5-37. FENDER ASSEMBLY (RR-LH).....	462
FIGURE 5-38. FENDER ASSEMBLY (FRT-RH)	464
FIGURE 5-39. FENDER ASSEMBLY (FRT-LH).....	466
SECTION 6 - CAB.....	469
FIGURE 6-1. CAB MOUNTS INSTALLATION.....	470
FIGURE 6-2. ENCLOSED CAB INSTALLATION.....	472
FIGURE 6-3. ENCLOSED CAB ASSEMBLY.....	474
FIGURE 6-4. ENCLOSED CAB GROUP	476
FIGURE 6-5. ENCLOSED CAB.....	478
FIGURE 6-6. DOOR INSTALLATION.....	480
FIGURE 6-7. DOOR UPPER GLASS ASSEMBLY.....	482

TABLE OF CONTENTS

FIGURE 6-8. CAB LATCH ASSEMBLY	484
FIGURE 6-9. CAB DOOR TRIGGER ASSEMBLY	486
FIGURE 6-10. DOOR ASSEMBLY (AG)	488
FIGURE 6-11. CAB DOOR	490
FIGURE 6-12. DOOR STRAP INSTALLATION	492
FIGURE 6-13. REAR WINDOW INSTALLATION	494
FIGURE 6-14. REAR WINDOW ASSEMBLY	496
FIGURE 6-15. ENCLOSED CAB PLUG GROUP	498
FIGURE 6-16. INTERIOR MIRROR INSTALLATION.....	500
FIGURE 6-17. FRONT WIPER INSTALLATION	502
FIGURE 6-18. LEVEL INDICATOR INSTALLATION	504
FIGURE 6-19. ENCLOSED CAB TRIM INSTALLATION	506
FIGURE 6-20. DASH COVER ASSEMBLY	510
FIGURE 6-21. REAR PANEL COVER ASSEMBLY	512
FIGURE 6-22. ADJUSTABLE ARMREST INSTALLTION	514
FIGURE 6-23. ARMREST	516
FIGURE 6-24. FIXED ARMREST BRACKET	518
FIGURE 6-25. MOVING ARMREST BRACKET.....	520
FIGURE 6-26. BEACON TERMINAL INSTALLATION	522
FIGURE 6-27. WASHER HOSES INSTALLATION	524
FIGURE 6-28. HAMMER INSTALLATION	526
FIGURE 6-29. HAMMER ATTACHMENT ASSEMBLY	528
FIGURE 6-30. FRONT COVER INSTALLATION	530
FIGURE 6-31. FILTER TRAY PANEL	532
FIGURE 6-32. FRONT DUCT COVER.....	534
FIGURE 6-33. WASHER TANK INSTALLATION	536
FIGURE 6-34. WASHER BOTTLE	538
FIGURE 6-35. SEAT INSTALLATION (AIR SUSPENSION - STANDARD)	540
FIGURE 6-36. SEAT ASSEMBLY (AIR SUSPENSION - STANDARD)	542
FIGURE 6-37. UPPER SEAT ASSEMBLY.....	544
FIGURE 6-38. SUSPENSION KIT	546
FIGURE 6-39. SEAT INSTALLATION (PREMIUM).....	548
FIGURE 6-40. SEAT ASSEMBLY (AIR SUSPENSION - PREMIUM)	550
FIGURE 6-41. SEAT INSTALLATION (CLOTH) (SEAOP).....	552
FIGURE 6-42. SEAT INSTALLATION (MECHANICAL)	554
FIGURE 6-43. SEAT ASSEMBLY (Prior to SN 0160124988)	556
FIGURE 6-44. SEAT ASSEMBLY	558
FIGURE 6-45. SEAT BELT INSTALLATION (2IN)	560
FIGURE 6-46. SEAT BELT INSTALLATION (3IN)	562
FIGURE 6-47. SEAT BELT INSTALLATION (3 INCH).....	564
FIGURE 6-48. HEATER INSTALLATION.....	566
FIGURE 6-49. HEATER ASSEMBLY	568
FIGURE 6-50. HEATER AND A/C INSTALLATION	570
FIGURE 6-51. CAB CONDENSER ASSEMBLY	574
FIGURE 6-52. CONDENSER.....	576

TABLE OF CONTENTS

FIGURE 6-53. A/C RECEIVER DRIER.....	578
FIGURE 6-54. HEATER AND A/C ASSEMBLY.....	580
FIGURE 6-55. ROOF WIPER INSTALLATION	582
FIGURE 6-56. HEADLINER INSTALLATION	584
FIGURE 6-57. HEADLINER/ RADIO READY INSTALLATION	586
FIGURE 6-58. CAB GUARD INSTALLATION (TOP).....	588
FIGURE 6-59. CAB GUARD INSTALLATION (FRONT).....	590
FIGURE 6-60. CAB GUARD INSTALLATION (TOP AND FRONT).....	592
FIGURE 6-61. COMMON CAB TRIM INSTALLATION.....	594
FIGURE 6-62. CAB TRIM INSTALLATION	596
FIGURE 6-63. ROOF CAP INSTALLATION (A/C).....	598
FIGURE 6-64. ROOF CAP INSTALLATION (NO A/C)	600
FIGURE 6-65. FRONT NOSE CONE INSTALLATION (SIDELIGHT).....	602
FIGURE 6-66. RETRACTABLE SUNSCREEN INSTALLATION	604
FIGURE 6-67. CAB STEP INSTALLATION.....	606
FIGURE 6-68. FLOOR MAT INSTALLATION.....	608
FIGURE 6-69. EXTERNAL WINDOW RELEASE INSTALLATION (ANSI).....	610
FIGURE 6-70. EXTERNAL WINDOW RELEASE INSTALLATION (CAN).....	612
SECTION 7 - CONTROLS	615
FIGURE 7-1. ACCELERATOR PEDAL INSTALLATION	616
FIGURE 7-2. ACCELERATOR PEDAL	618
FIGURE 7-3. BRAKE PEDAL INSTALLATION.....	620
FIGURE 7-4. BRAKE PEDAL	622
FIGURE 7-5. BRAKE PEDAL PLATE.....	624
FIGURE 7-6. BRAKE SENSOR INSTALLATION	626
FIGURE 7-7. SWITCH PLATE ASSEMBLY	628
FIGURE 7-8. PARKING BRAKE INSTALLATION (CABLE - STANDARD)	630
FIGURE 7-9. PARKING BRAKE COVER (MECHANICAL)	632
FIGURE 7-10. PARKING CABLE ASSEMBLY (MECHANICAL)	634
FIGURE 7-11. STEERING WHEEL INSTALLATION.....	636
FIGURE 7-12. STEERING WHEEL.....	638
FIGURE 7-13. STEERING COLUMN INSTALLATION.....	640
FIGURE 7-14. HORN INSTALLATION.....	642
FIGURE 7-15. HORN BUTTON INSTALLATION	644
FIGURE 7-16. JOYSTICK INSTALLATION	646
FIGURE 7-17. WIPER-TURN SWITCH (0 SPEED - FNR).....	648
FIGURE 7-18. WIPER-TURN SWITCH (NO SPEED)	650
SECTION 8 - HYDRAULIC CIRCUITS.....	653
FIGURE 8-1. COMMON HYDRAULICS INSTALLATION.....	654
FIGURE 8-2. AUXILIARY HYDRAULICS INSTALLATION - REAR (TWIN)	658
FIGURE 8-3. AUXILIARY HYDRAULICS INSTALLATION - REAR (SINGLE)	660
FIGURE 8-4. BOOM HYDRAULIC INSTALLATION.....	662
FIGURE 8-5. BOOM LINES INSTALLATION	664
FIGURE 8-6. BOOM RAISE HOSES INSTALLATION (NO RIDE CONTROL).....	666

TABLE OF CONTENTS

FIGURE 8-7. BOOM RAISE HOSES INSTALLATION (WITH RIDE CONTROL)	668
FIGURE 8-8. BRAKE LINES INSTALLATION.....	670
FIGURE 8-9. BRAKE INSTALLATION – TRAILER.....	672
FIGURE 8-10. BRAKE ACCUMULATOR LINES INSTALLATION (WITHOUT SAHR)	674
FIGURE 8-11. COUPLER (HYDRAULIC) LINES INSTALLATION (FRONT BOOM - TWIN).....	676
FIGURE 8-12. COUPLER (HYDRAULIC) LINES INSTALLATION (FRONT BOOM - SINGLE).....	678
FIGURE 8-13. COUPLER (MANUAL) LINES INSTALLATION (FRONT BOOM - TWIN)	680
FIGURE 8-14. COUPLER (MANUAL) LINES INSTALLATION (FRONT BOOM - SINGLE)	682
FIGURE 8-15. LIFT CYLINDER INSTALLATION.....	684
FIGURE 8-16. MAIN CONTROL VALVE INSTALLATION	686
FIGURE 8-17. MAIN HYDRAULIC PUMP INSTALLATION	688
FIGURE 8-18. IMPLEMENT PUMP INSTALLATION.....	690
FIGURE 8-19. PRIORITY LINES INSTALLATION.....	692
FIGURE 8-20. PRIORITY VALVE INSTALLATION.....	694
FIGURE 8-21. RETURN LINES INSTALLATION.....	696
FIGURE 8-22. STEERING LINES INSTALLATION.....	698
FIGURE 8-23. STEER SELECT VALVE INSTALLATION.....	700
FIGURE 8-24. SUCTION LINES INSTALLATION.....	702
SECTION 9 - HYDRAULIC COMPONENTS	705
FIGURE 9-1. CYLINDER ASSEMBLY - COMPENSATION.....	706
FIGURE 9-2. CYLINDER SUB-ASSEMBLY - COUPLER LOCKING	708
FIGURE 9-3. CYLINDER ASSEMBLY - COUPLER LOCKING.....	710
FIGURE 9-4. CYLINDER SUB-ASSEMBLY - EXTEND/RETRACT (TELESCOPE)	712
FIGURE 9-5. CYLINDER ASSEMBLY - EXTEND/RETRACT (TELESCOPE).....	714
FIGURE 9-6. CYLINDER ASSEMBLY - LIFT.....	716
FIGURE 9-7. CYLINDER ASSEMBLY - TILT.....	718
FIGURE 9-8. IMPLEMENT PUMP	720
FIGURE 9-9. VALVE SUB-ASSEMBLY - DIVERTOR (HI-FLOW).....	722
FIGURE 9-10. VALVE ASSEMBLY - DIVERTOR	724
FIGURE 9-11. VALVE ASSEMBLY - DIVERTOR	726
FIGURE 9-12. VALVE ASSEMBLY - DIVERTOR	728
FIGURE 9-13. VALVE ASSEMBLY - FAN MOTOR CONTROL.....	730
FIGURE 9-14. VALVE ASSEMBLY - HYDRAULIC HITCH CONTROL VALVE	732
FIGURE 9-15. VALVE ASSEMBLY - MAIN CONTROL	734
FIGURE 9-16. VALVE ASSEMBLY - PRIORITY FLOW MANIFOLD	736
FIGURE 9-17. VALVE ASSEMBLY - RIDE CONTROL.....	738
FIGURE 9-18. VALVE ASSEMBLY - STEERING SELECT VALVE	740
FIGURE 9-19. VALVE ASSEMBLY - TRAILER BRAKE	742
SECTION 10 - ELECTRICAL.....	745
FIGURE 10-1. 823 ELECTRICAL LAYOUT	746
FIGURE 10-2. BATTERY INSTALLATION (STANDARD).....	756
FIGURE 10-3. BATTERY INSTALLATION (DUAL).....	758
FIGURE 10-4. BEACON/STROBE INSTALLATION	760
FIGURE 10-5. BOOM HARNESS INSTALLATION.....	762

TABLE OF CONTENTS

FIGURE 10-6. BOOM HARNESS.....	764
FIGURE 10-7. BOOM ANGLE SENSOR INSTALLATION	766
FIGURE 10-8. BOOM RETRACT SENSOR INSTALLATION.....	768
FIGURE 10-9. BOOM RETRACT SENSOR INSTALLATION.....	770
FIGURE 10-10. CAB ELECTRICAL INSTALLATION (Prior to SN 0160128525)	772
FIGURE 10-11. CAB ELECTRICAL INSTALLATION (SN 0160129566 to Present).....	776
FIGURE 10-12. CAB HARNESS (Prior to SN 0160128525).....	780
FIGURE 10-13. CAB HARNESS	788
FIGURE 10-14. CAB HARNESS	790
FIGURE 10-15. CAB STANDARD ELECTRICAL BOARD ASSEMBLY	796
FIGURE 10-16. CAB OPTION 1 ELECTRICAL BOARD ASSEMBLY	798
FIGURE 10-17. CAB OPTION 2 ELECTRICAL BOARD ASSEMBLY	800
FIGURE 10-18. CAB OPTION HARNESS.....	802
FIGURE 10-19. DASH ELECTRICS INSTALLATION (ULS)	804
FIGURE 10-20. CAB HEATER HARNESS INSTALLATION	806
FIGURE 10-21. CAB HEATER HARNESS.....	808
FIGURE 10-22. CAB HVAC ACTUATOR HARNESS.....	810
FIGURE 10-23. CAB HVAC ACTUATOR HARNESS.....	812
FIGURE 10-24. CAB - MULTIFUNCTION DISPLAY INSTALLATION.....	814
FIGURE 10-25. CAB SEAT ADAPTOR HARNESS (PREMIUM SEAT)	816
FIGURE 10-26. CLEARSKY INSTALLATION (A/C - LONG ROOF CAP)	818
FIGURE 10-27. CLEARSKY INSTALLATION (NO A/C - SHORT ROOF CAP)	820
FIGURE 10-28. CLEARSKY HARNESS.....	822
FIGURE 10-29. DECLUTCH SWITCH INSTALLATION	824
FIGURE 10-30. ELECTRICAL COMPONENTS INSTALLATION	826
FIGURE 10-31. ELECTRICAL POWER DISTRIBUTION ELECTRICAL BOX.....	828
FIGURE 10-32. ELECTRICAL RELAY INSTALLATION - 200 AMP	830
FIGURE 10-33. ENGINE WIRING INSTALLATION (ULS)	832
FIGURE 10-34. ENGINE WIRING INSTALLATION (LS) (Prior to SN 0160124988)	834
FIGURE 10-35. ENGINE WIRING INSTALLATION (HRC) (SN 0160126024 to Present)	836
FIGURE 10-36. ENGINE WIRING INSTALLATION (LS) (Prior to SN 0160124988)	838
FIGURE 10-37. ENGINE WIRING INSTALLATION (LRC) (SN 0160126024 to Present).....	840
FIGURE 10-38. ENGINE HARNESS (ULS).....	842
FIGURE 10-39. ENGINE HARNESS (LS)	850
FIGURE 10-40. ENGINE HARNESS (LS)	852
FIGURE 10-41. ENGINE HARNESS (HRC).....	858
FIGURE 10-42. ENGINE HARNESS (HRC).....	860
FIGURE 10-43. ENGINE FUEL PUMP HARNESS.....	864
FIGURE 10-44. ENGINE GLOW PLUG RELAY HARNESS.....	866
FIGURE 10-45. ENGINE SPEED SET SWITCH INSTALLATION.....	868
FIGURE 10-46. FRAME MAIN ELECTRICAL INSTALLATION	870
FIGURE 10-47. FRAME HARNESS - REAR (SN 0160126024 to Present).....	872
FIGURE 10-48. FRAME HARNESS - REAR (Prior to SN 0160124988)	876
FIGURE 10-49. FRAME HARNESS - FRONT.....	880
FIGURE 10-50. IGNITION SWITCH INSTALLATION.....	884

TABLE OF CONTENTS

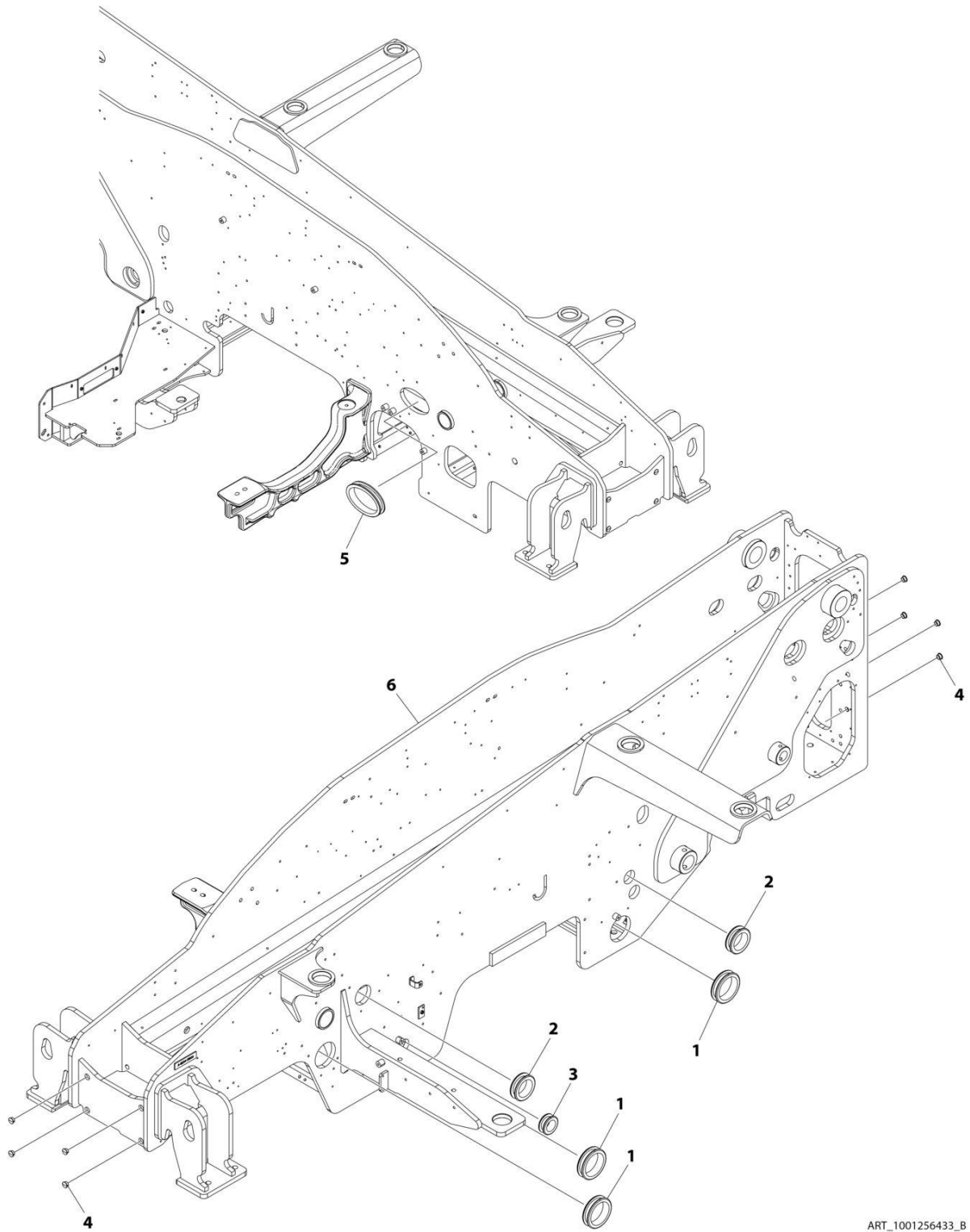
FIGURE 10-51. LIGHTS - DIP LIGHTS INSTALLATION (RH).....	886
FIGURE 10-52. LIGHTS - LICENSE PLATE LAMP INSTALLATION.....	888
FIGURE 10-53. LIGHTS - LICENSE PLATE LAMP HARNESS.....	890
FIGURE 10-54. LIGHTS - NO ROADLIGHTS INSTALLATION.....	892
FIGURE 10-55. LIGHTS - WORKLIGHTS INSTALLATION (BOOM MOUNTED).....	894
FIGURE 10-56. LIGHTS - WORKLIGHTS INSTALLATION - LED (BOOM MOUNTED).....	896
FIGURE 10-57. LIGHTS - WORKLIGHTS HARNESS (BOOM MOUNTED LIGHTS).....	898
FIGURE 10-58. LIGHTS - WORKLIGHTS INSTALLATION (CAB MOUNTED) (NO A/C).....	900
FIGURE 10-59. LIGHTS - WORKLIGHTS INSTALLATION - LED (CAB MOUNTED) (NO A/C).....	902
FIGURE 10-60. LIGHTS - WORKLIGHTS INSTALLATION (CAB MOUNTED) (WITH A/C).....	904
FIGURE 10-61. LIGHTS - WORKLIGHTS INSTALLATION -LED (CAB MOUNTED) (WITH A/C).....	906
FIGURE 10-62. LSI SENSOR INSTALLATION.....	908
FIGURE 10-63. LSI DISPLAY INSTALLATION.....	910
FIGURE 10-64. LSI SENSOR INSTALLATION.....	912
FIGURE 10-65. LSI SWITCH INSTALLATION.....	914
FIGURE 10-66. LSI SENSOR COVER INSTALLATION.....	916
FIGURE 10-67. REVERSE ALARM INSTALLATION.....	918
FIGURE 10-68. REVERSE CAMERA INSTALLATION.....	920
FIGURE 10-69. REVERSE CAMERA INSTALATION (WITHOUT HED).....	922
FIGURE 10-70. REVERSE SENSING INSTALLATION.....	924
FIGURE 10-71. REVERSE SENSING HARNESS.....	926
FIGURE 10-72. SEAT BELT ALARM HARNESS.....	928
FIGURE 10-73. TRAILER ELECTRICS INSTALLATION.....	930
FIGURE 10-74. TRAILER CONNECTOR HARNESS.....	932
SECTION 11 - DECALS.....	935
FIGURE 11-1. DECALS INSTALLATION (ANSI).....	936
FIGURE 11-2. DECALS INSTALLATION - JLG.....	940
FIGURE 11-3. DECALS INSTALLATION - JLG AG.....	942
FIGURE 11-4. CAPACITY CHART (ANSI).....	944
FIGURE 11-5. CAPACITY CHARTS (CAT COUPLER) (ANSI).....	946
FIGURE 11-6. CAPACITY CHARTS (CAT COUPLER) (METRIC).....	948
FIGURE 11-7. CAPACITY CHART HOLDER INSTALLATION.....	950
FIGURE 11-8. TRIANGLE INSTALLATION - SLOW MOVING VEHICLE.....	952
FIGURE 11-9. TRIANGLE INSTALLATION – SLOW MOVING VEHICLE (WITH HITCH) (SN 0160126024 to Present).....	954
SECTION 12 - RECOMMENDED SERVICE PARTS STOCK.....	957
FIGURE 12-1. RECOMMENDED SERVICE PARTS STOCK.....	958
SECTION 13 - SPECIAL OPTIONS/ACCESSORIES/KITS.....	961
FIGURE 13-1. SPECIAL OPTIONS/ACCESSORIES/KITS.....	962
PART NUMBER INDEX.....	963

SECTION 1 - FRAME AND ATTACHING PARTS

SECTION 1 - FRAME AND ATTACHING PARTS

SECTION 1 - FRAME AND ATTACHING PARTS

FIGURE 1-1. FRAME INSTALLATION



ART_1001256433_B

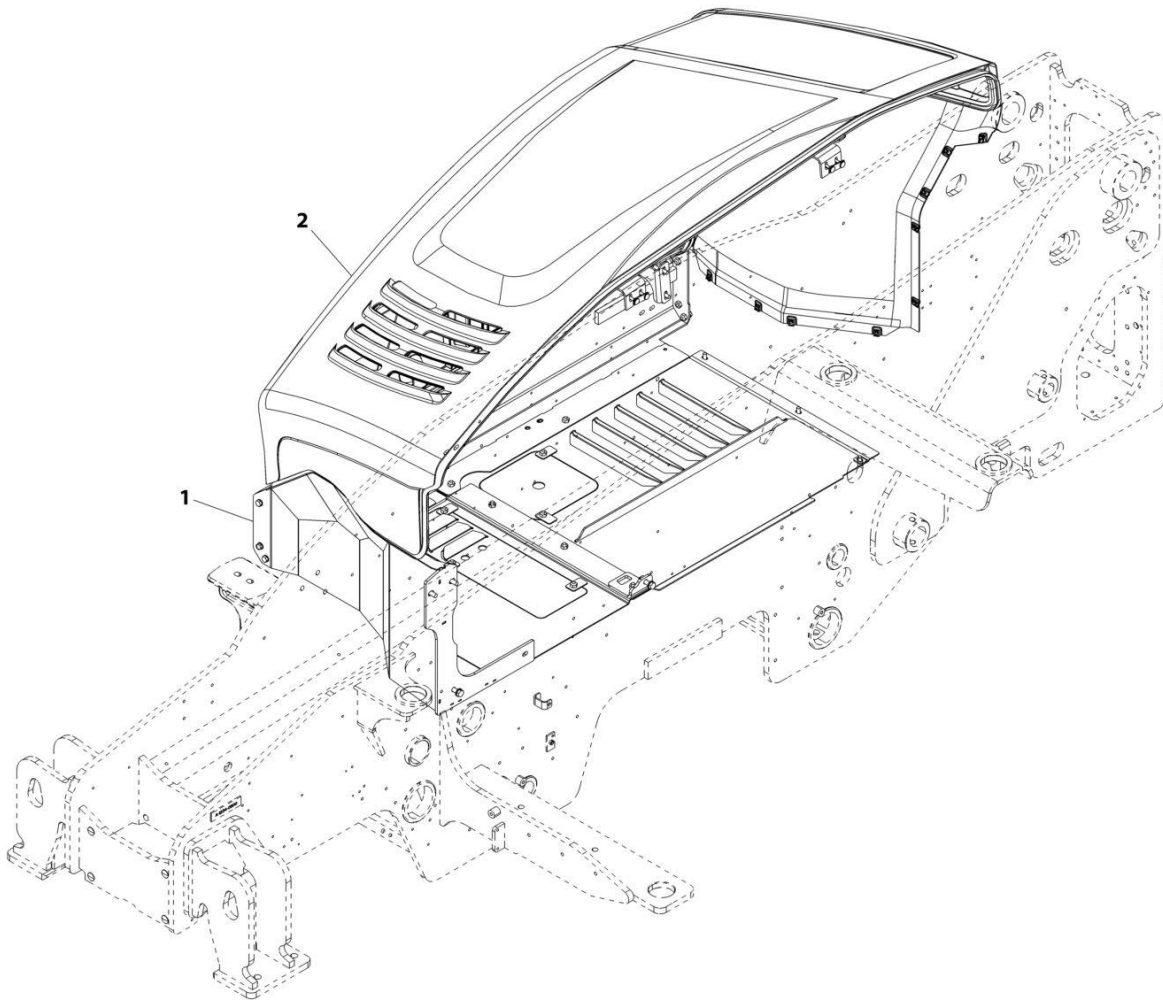
SECTION 1 - FRAME AND ATTACHING PARTS

FIGURE 1-1. FRAME INSTALLATION

ITEM	PART NUMBER	QTY	DESCRIPTION	REV
	1001256433	Ref	FRAME INSTALLATION	B
1	1001003439	3	Grommet, Rubber	
2	1001028291	2	Grommet	
3	1001028308	1	Grommet, Rubber	
4	1001091126	8	Plug, Black	
5	1001217550	1	Grommet, Rubber	
6	1001256434	1	Frame	

SECTION 1 - FRAME AND ATTACHING PARTS

FIGURE 1-2. ENGINE ENCLOSURE INSTALLATION



ART_1001257415-A

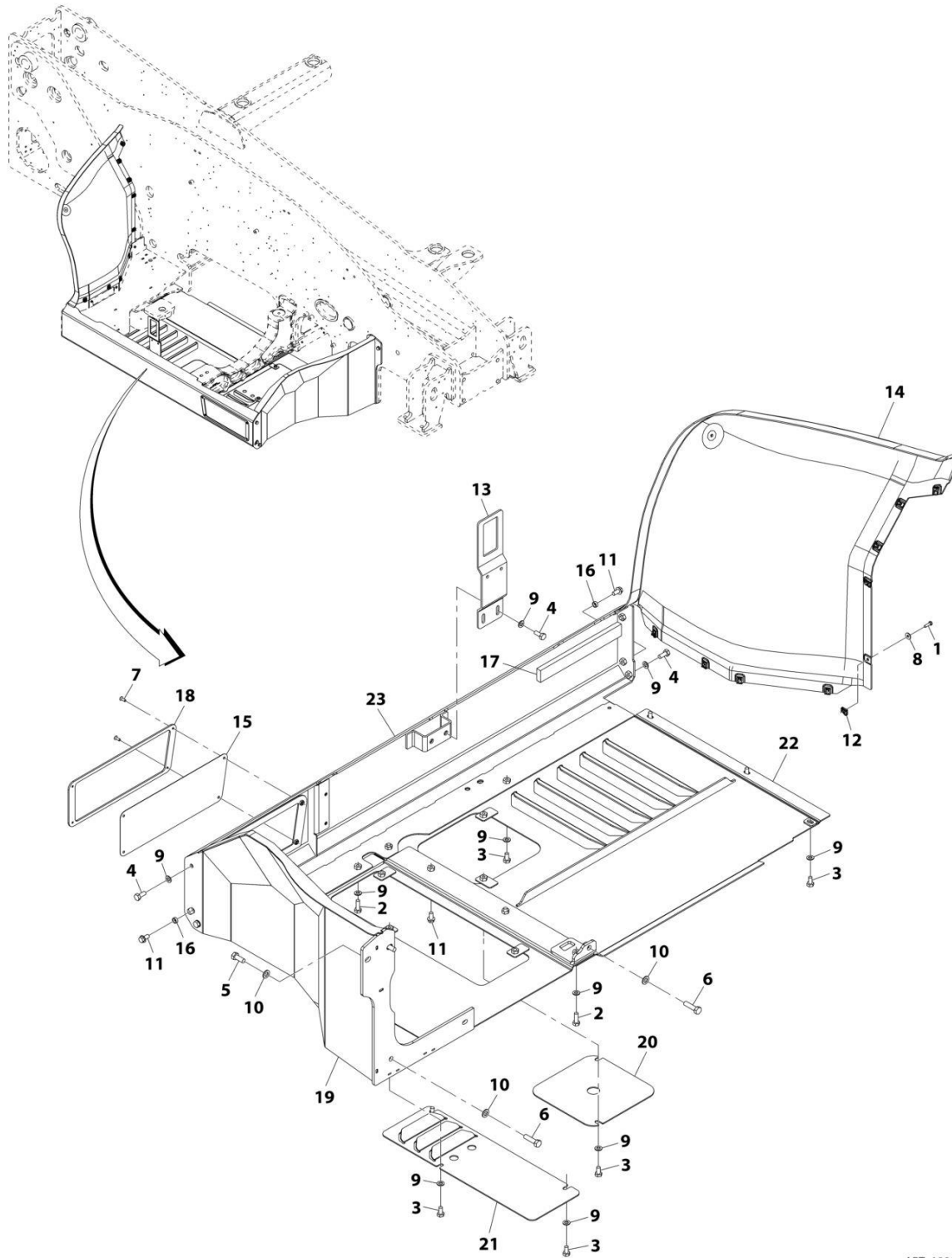
SECTION 1 - FRAME AND ATTACHING PARTS

FIGURE 1-2. ENGINE ENCLOSURE INSTALLATION

ITEM	PART NUMBER	QTY	DESCRIPTION	REV
1	1001257415	Ref	Engine Enclosure Installation (NO RHOC)	A
	1001195829	1	Installation, Engine Enclosure Cover (RHOC) (See Separate Breakdown in this Section)	
2	1001257414	1	Installation, Hood (See Separate Breakdown in this Section)	

SECTION 1 - FRAME AND ATTACHING PARTS

FIGURE 1-3. ENGINE ENCLOSURE COVER INSTALLATION



ART_1001195829-C

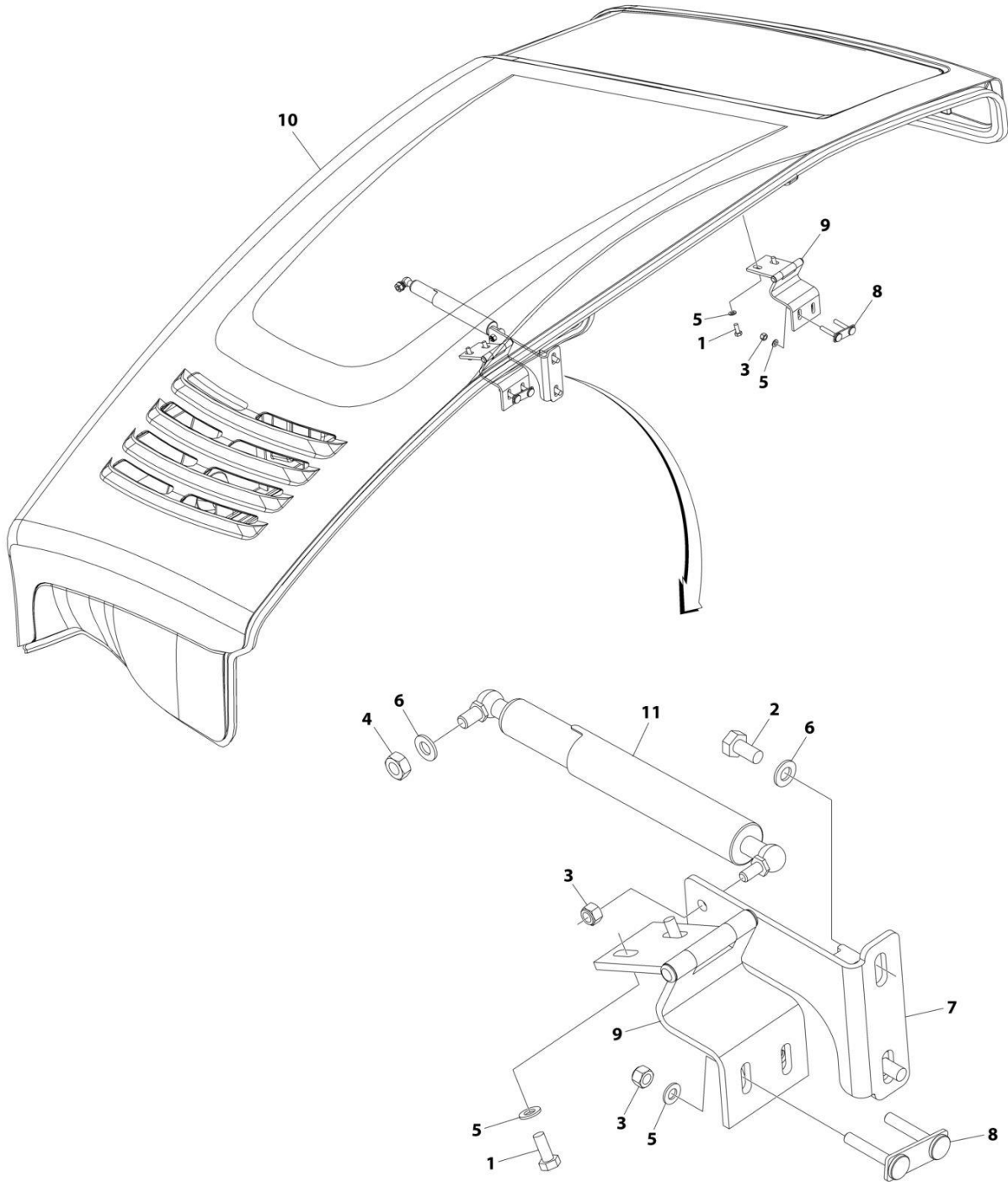
SECTION 1 - FRAME AND ATTACHING PARTS

FIGURE 1-3. ENGINE ENCLOSURE COVER INSTALLATION

ITEM	PART NUMBER	QTY	DESCRIPTION	REV
	1001195829	Ref	Engine Enclosure Cover Installation (RHOC)	E
1	0700610	9	Bolt, M6 X 20	
2	0701014	2	Bolt, M10X30	
3	0761010	10	Bolt, M10X20	
4	0761012	6	Bolt, M10X25	
5	0761214	2	Bolt, M12X30	
6	0761217	2	Bolt, M12X45	
7	3900224	4	Screw	
8	4811702	9	Washer, M6	
9	4812000	18	Washer, M10	
10	4812100	4	Washer, M12	
11	5251010	4	Bolt, M10X20 Grade 10.9	
12	8305919	9	Nut, M6	
13	1001154688	1	Plate	
14	1001184524	1	Cover, Engine Enclosure Rear	
15	1001185061	1	Grill, Engine Enclosure	
16	1001197135	2	Sleeve, Enclosure Skirt	
17	1001197266	1	Seal, Engine Enclosure	
18	1001185023J	1	Panel, Front Vent	
19	1001195210J	1	Panel, Front Enclosure	
20	1001195240J	1	Plate	
21	1001195252J	1	Plate	
22	1001201805J	1	Panel, Engine Enclosure Base	
23	1001196876J	1	Panel, Engine Enclosure Side	

SECTION 1 - FRAME AND ATTACHING PARTS

FIGURE 1-4. HOOD INSTALLATION



ART_1001257414

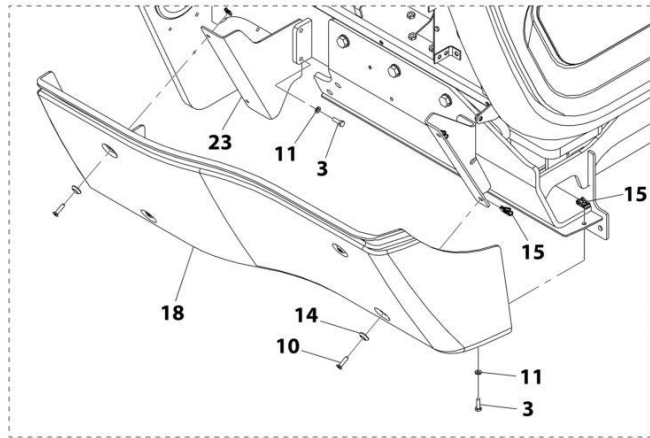
SECTION 1 - FRAME AND ATTACHING PARTS

FIGURE 1-4. HOOD INSTALLATION

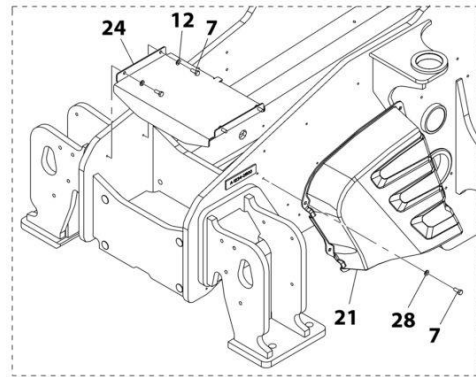
ITEM	PART NUMBER	QTY	DESCRIPTION	REV
	1001257414	Ref	HOOD INSTALLATION	D
1	0760810	4	Bolt M8 x 20	
2	0761010	2	Bolt M10 x 20	
3	3290805	5	Nut M8	
4	3291001	1	Nut M10	
5	4811900	8	Washer M8	
6	4812000	3	Washer M10	
7	1001273847	1	Bracket	
8	1001195587	2	Brace	
9	1001205080	2	Hinge, Hood	
10	1001257413	1	Hood	
11	1001271338	1	Spring	

SECTION 1 - FRAME AND ATTACHING PARTS

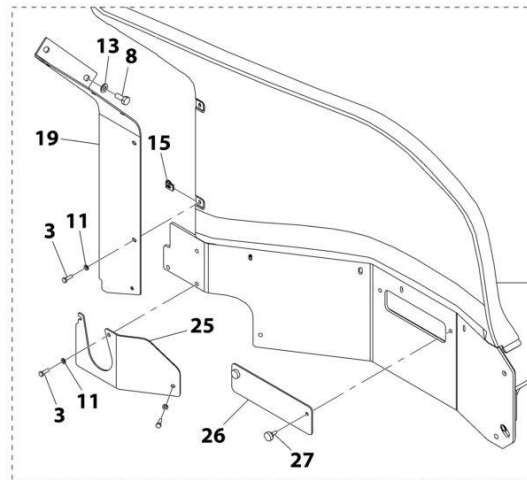
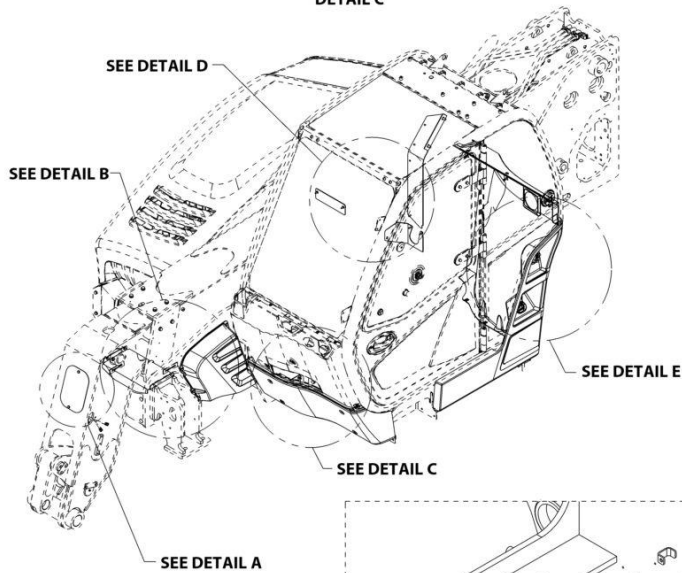
FIGURE 1-5. COVER PLATES INSTALLATION (NO OUTRIGGERS - ULS)



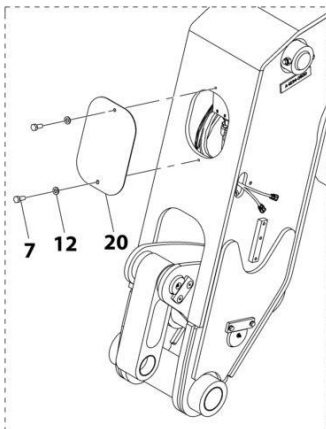
DETAIL C



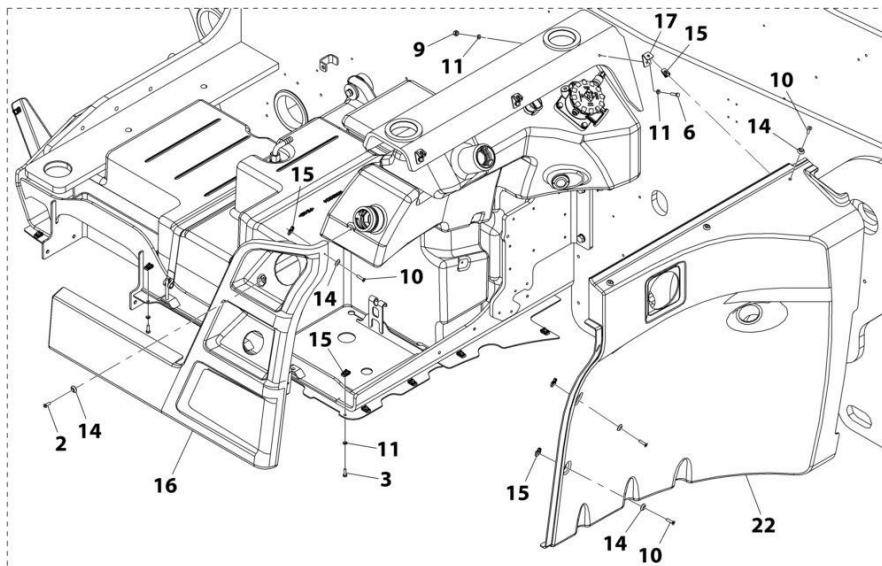
DETAIL B



DETAIL D



DETAIL A



DETAIL E

ART_1001183590-E

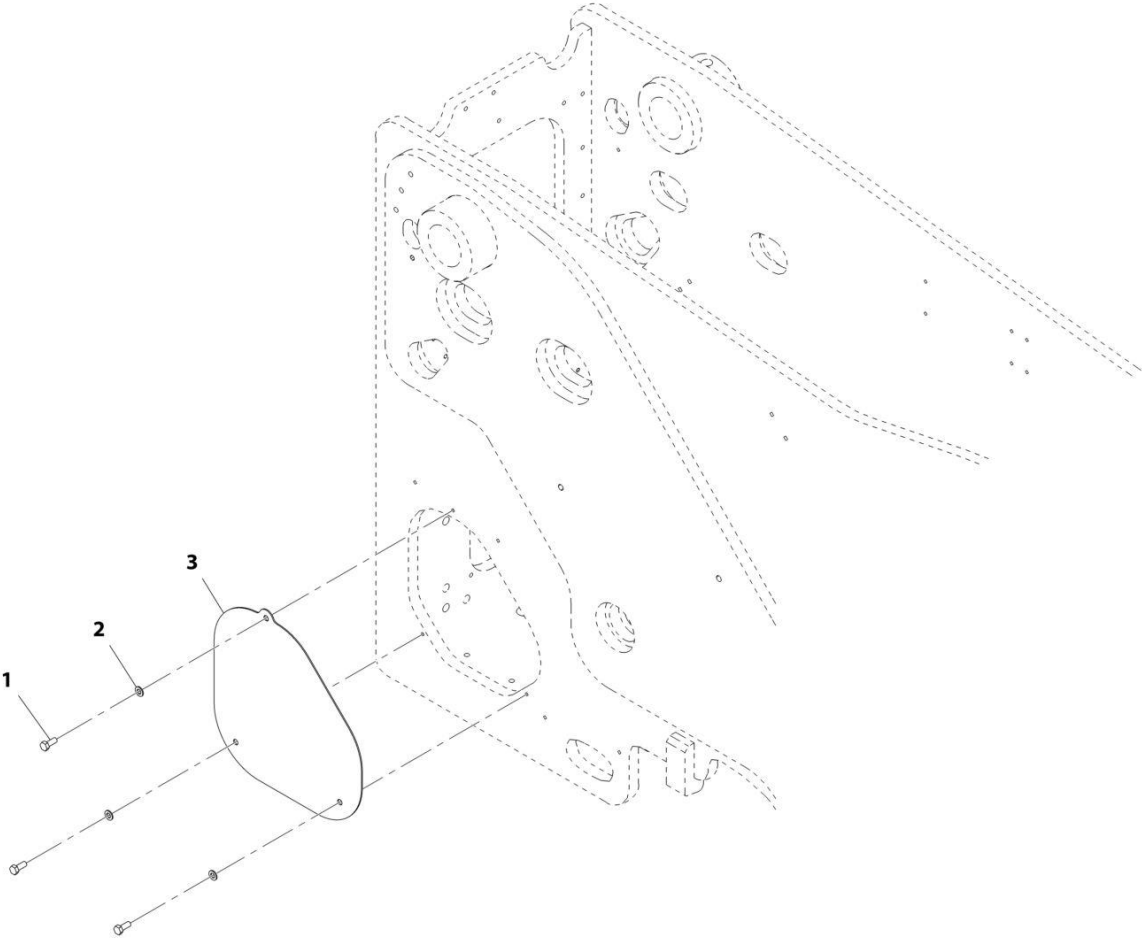
SECTION 1 - FRAME AND ATTACHING PARTS

FIGURE 1-5. COVER PLATES INSTALLATION (NO OUTRIGGERS - ULS)

ITEM	PART NUMBER	QTY	DESCRIPTION	REV
	1001183590	Ref	Cover Plates Installation (No Outriggers - ULS)	E
2	0630576	1	Screw, M6X20	
3	0700610	14	Bolt, M6X20	
6	0760612	3	Bolt, M6X25	
7	0760810	10	Bolt, M8X20	
8	0761012	2	Bolt, M10X25	
9	3290605	3	Nut, Lock M6X1 Grade 8	
10	3900379	10	Screw, M6-1X25 Grade 10.9	
11	4811700	20	Washer, M6	
12	4811900	6	Washer, M8	
13	4812000	2	Washer, M10	
14	1001097540	11	Washer, M6	
15	8305919	18	Nut, M6	
16	1001168758	1	Cover, Side Tank	
17	1001171782	3	Plate, Angle Mount	
18	1001174328	1	Cover, Lower Front	
19	1001182210	1	Plate, Enclosure Rear	
20	1001185936	1	Plate, Cover Boom Head	
21	1001187717	1	Cover, ECU	
22	1001190408	1	Cover, Rear Tank	
23	1001191808	1	Bracket, Cover	
24	1001189984J	1	Panel, Frame	
25	1001201504J	1	Panel, Cover	
26	1001216923J	1	Plate, Radiator Cover	
27	2080092	2	Screw, Thumb M6X20	
28	4811902	4	Washer, M8	

SECTION 1 - FRAME AND ATTACHING PARTS

FIGURE 1-6. COVER PLATE INSTALLATION (NO TRAILER BRAKES)



ART_1001203386-A

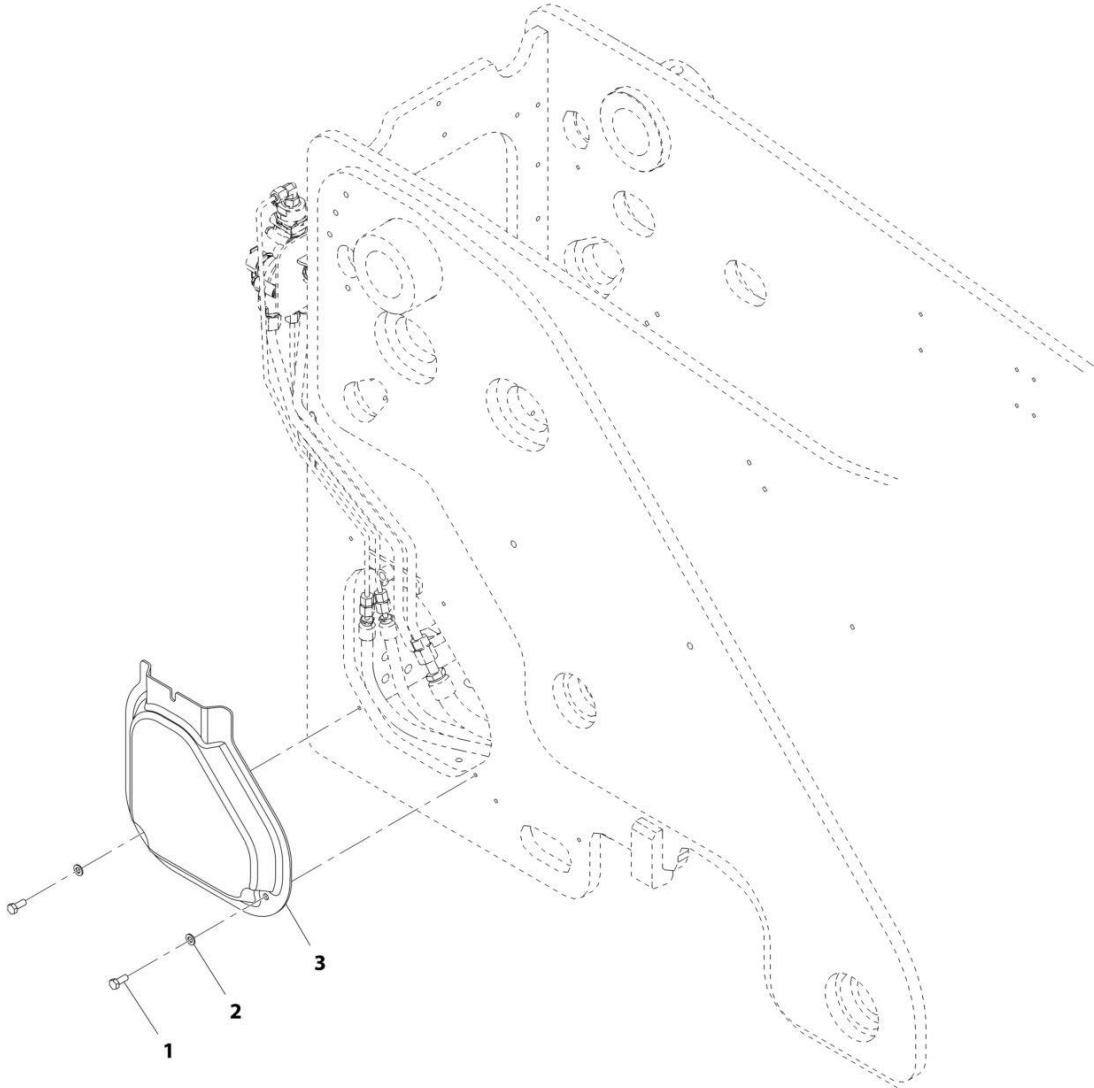
SECTION 1 - FRAME AND ATTACHING PARTS

FIGURE 1-6. COVER PLATE INSTALLATION (NO TRAILER BRAKES)

ITEM	PART NUMBER	QTY	DESCRIPTION	REV
	1001203386	Ref	Cover Plate Installation (No Trailer Brakes)	A
1	0760810	3	Bolt, M8X20	
2	4811900	3	Washer, M8	
3	1001180574J	1	Plate, Cover	

SECTION 1 - FRAME AND ATTACHING PARTS

FIGURE 1-7. COVER PLATE INSTALLATION (TRAILER BRAKES)



ART_1001203406-A

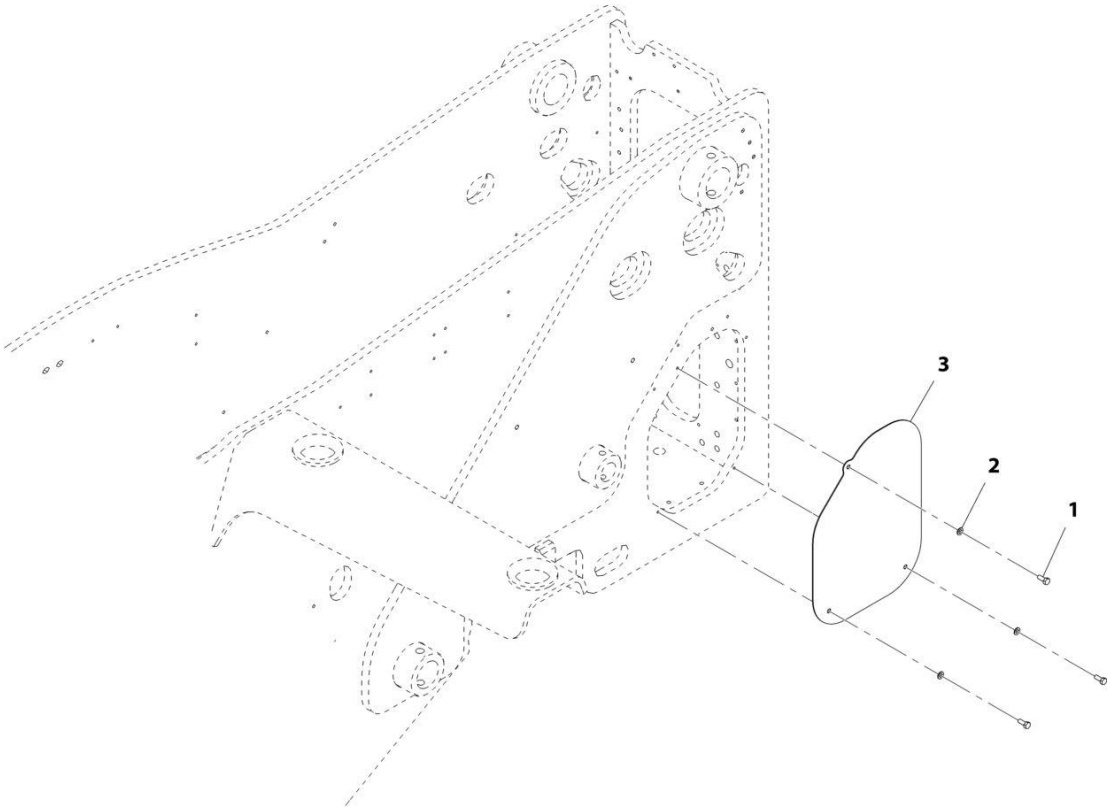
SECTION 1 - FRAME AND ATTACHING PARTS

FIGURE 1-7. COVER PLATE INSTALLATION (TRAILER BRAKES)

ITEM	PART NUMBER	QTY	DESCRIPTION	REV
	1001203406	Ref	Cover Plate Installation (Trailer Brakes)	A
1	0760810	2	Bolt, M8X20	
2	4811900	2	Washer, M8	
3	1001203410	1	Cover, Frame	

SECTION 1 - FRAME AND ATTACHING PARTS

FIGURE 1-8. COVER PLATE INSTALLATION (NO REAR AUX)



ART_1001203374-A

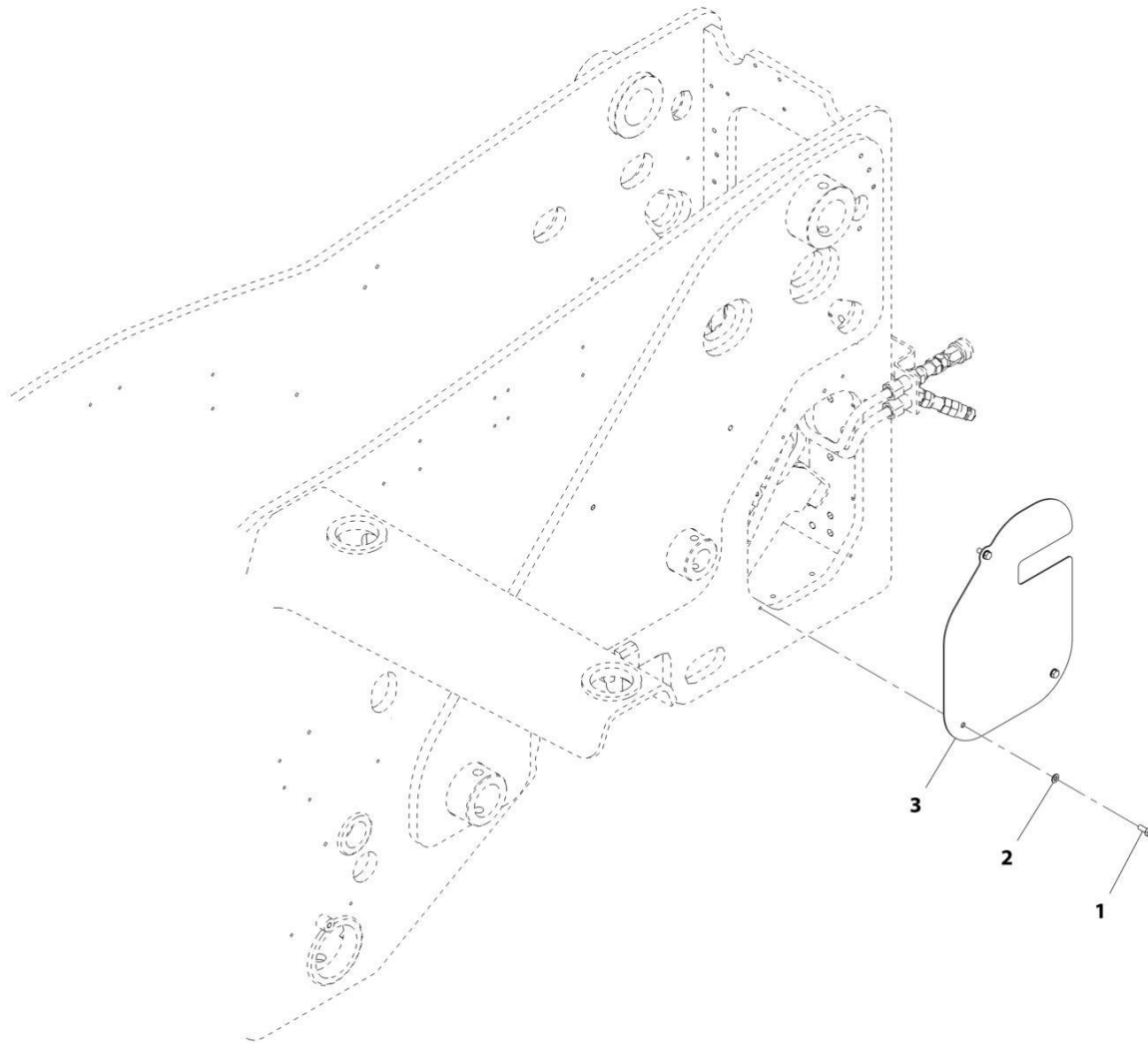
SECTION 1 - FRAME AND ATTACHING PARTS

FIGURE 1-8. COVER PLATE INSTALLATION (NO REAR AUX)

ITEM	PART NUMBER	QTY	DESCRIPTION	REV
	1001203374	Ref	Cover Plate Installation (No Rear Aux)	A
1	0760810	3	Bolt, M8X20	
2	4811900	3	Washer, M8	
3	1001183908J	1	Plate, Cover	

SECTION 1 - FRAME AND ATTACHING PARTS

FIGURE 1-9. COVER PLATE INSTALLATION (REAR AUX)



ART_1001203402-B

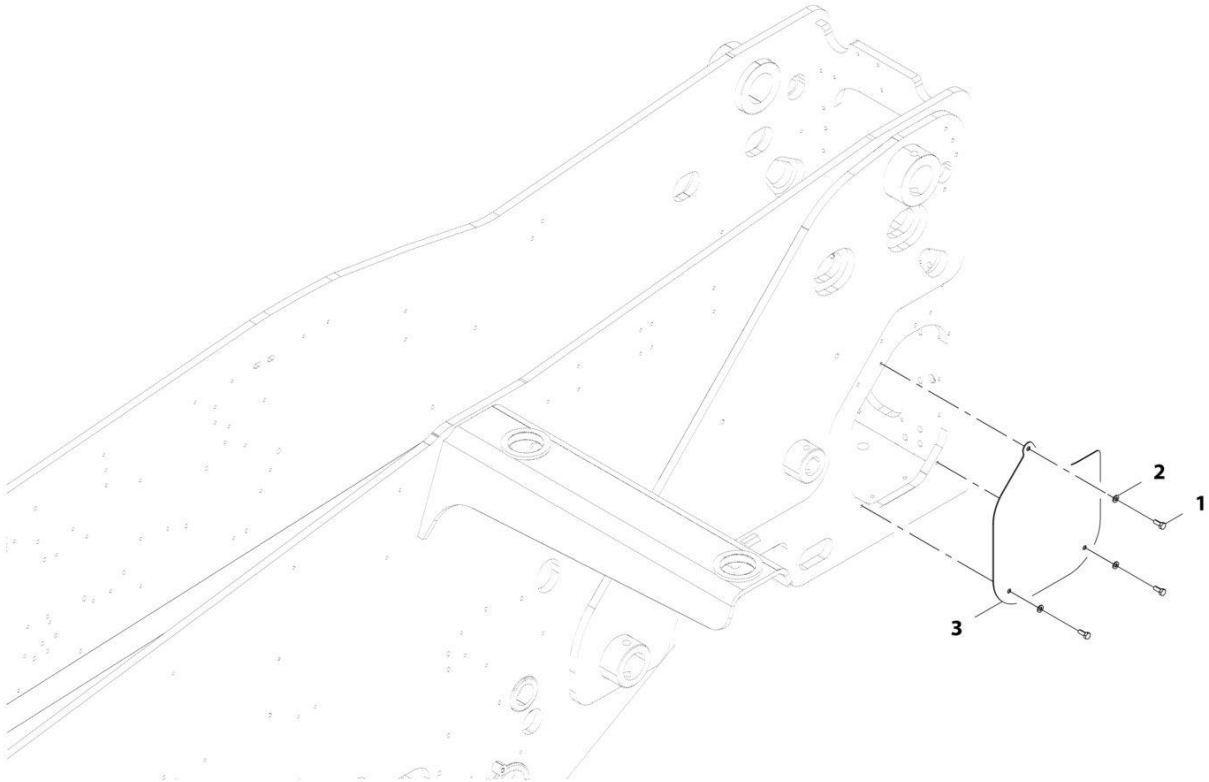
SECTION 1 - FRAME AND ATTACHING PARTS

FIGURE 1-9. COVER PLATE INSTALLATION (REAR AUX)

ITEM	PART NUMBER	QTY	DESCRIPTION	REV
	1001203402	Ref	Cover Plate Installation (Rear Aux)	B
1	0760810	3	Bolt, M8X20	
2	4811900	3	Washer, M8	
3	1001203408J	1	Plate, Cover	

SECTION 1 - FRAME AND ATTACHING PARTS

FIGURE 1-10. COVER PLATE INSTALLATION (HYDRAULIC HITCH AND REAR AUX)



ART_1001214492-A

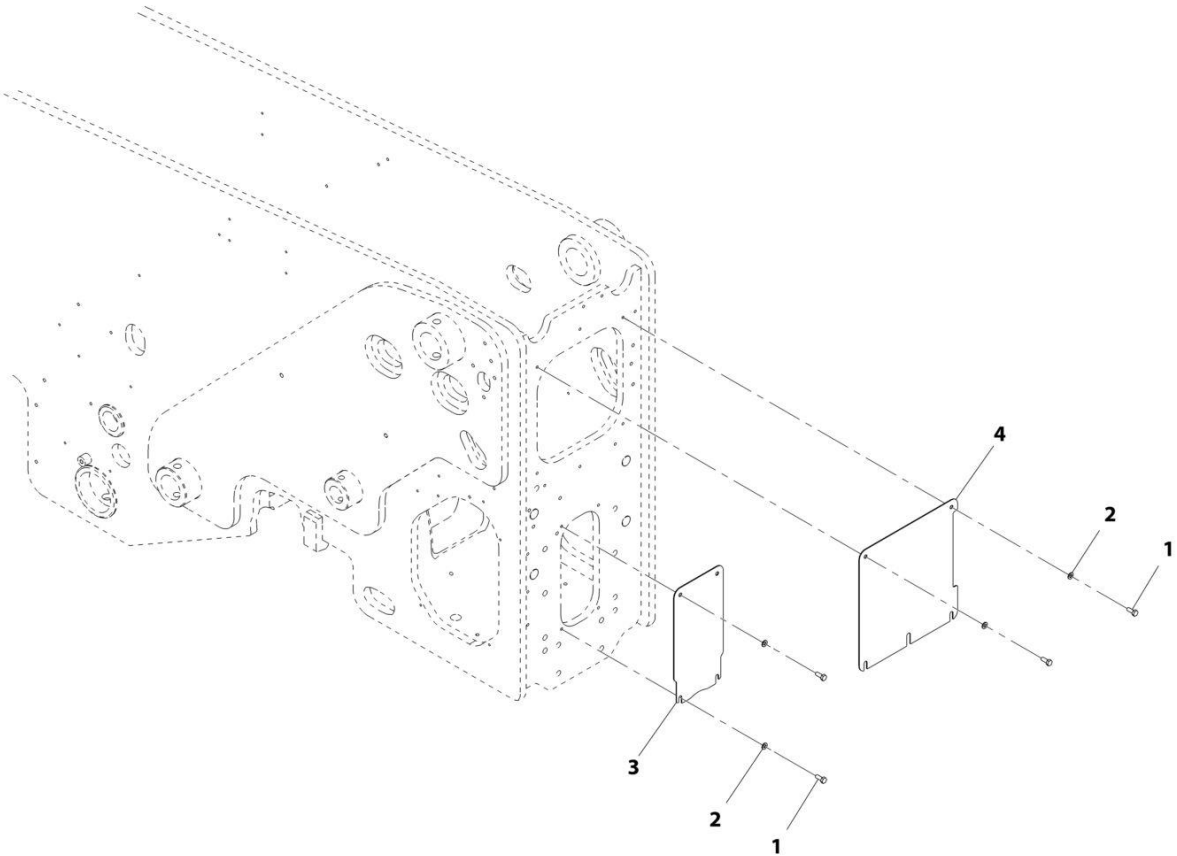
SECTION 1 - FRAME AND ATTACHING PARTS

FIGURE 1-10. COVER PLATE INSTALLATION (HYDRAULIC HITCH AND REAR AUX)

ITEM	PART NUMBER	QTY	DESCRIPTION	REV
	1001214492	Ref	Cover Plate Installation (Hydraulic Hitch and Rear Aux)	A
1	0760810	3	Bolt, M8X20	
2	4811900	3	Washer, M8	
3	1001214036J	1	Plate	

SECTION 1 - FRAME AND ATTACHING PARTS

FIGURE 1-11. REAR COVER PLATE INSTALLATION (NO HYDRAULIC HITCH)



ART_1001203291-B

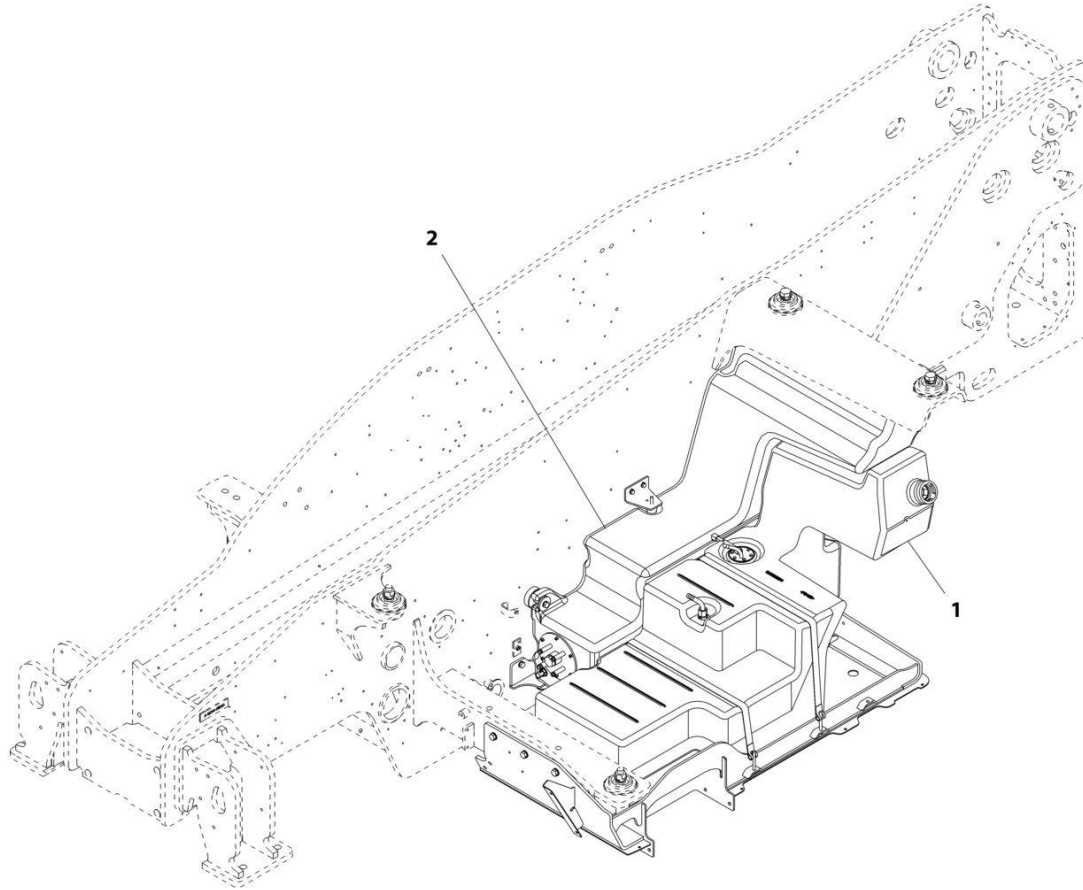
SECTION 1 - FRAME AND ATTACHING PARTS

FIGURE 1-11. REAR COVER PLATE INSTALLATION (NO HYDRAULIC HITCH)

ITEM	PART NUMBER	QTY	DESCRIPTION	REV
	1001203291	Ref	Rear Cover Plate Installation (No Hydraulic Hitch)	B
1	0760810	8	Bolt, M8X20	
2	4811900	8	Washer, M8	
3	1001183909J	1	Plate, Cover	
4	1001183910J	1	Plate, Cover	

SECTION 1 - FRAME AND ATTACHING PARTS

FIGURE 1-12. TANKS INSTALLATION



ART_1001176964-B

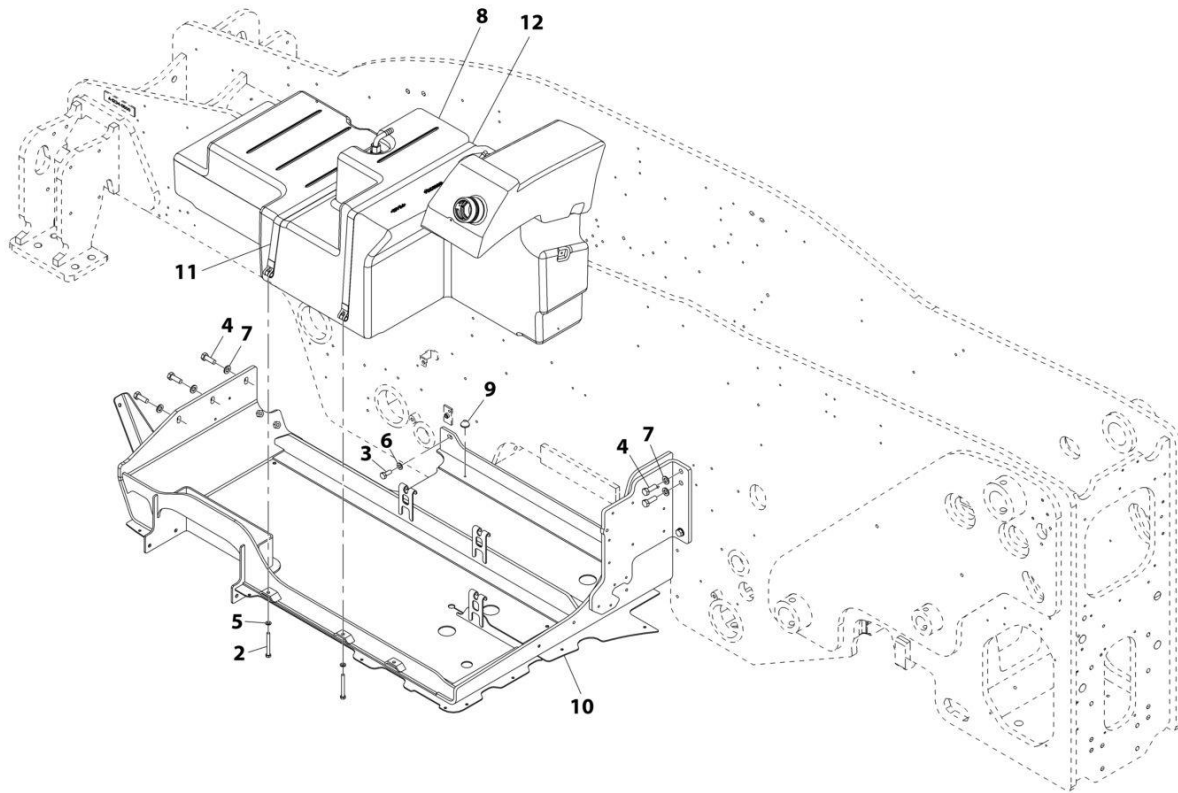
SECTION 1 - FRAME AND ATTACHING PARTS

FIGURE 1-12. TANKS INSTALLATION

ITEM	PART NUMBER	QTY	DESCRIPTION	REV
1	1001176964	Ref	Tanks Installation	B
	1001176965	Ref	Installation, Fuel Tank (See Separate Breakdown in this Section)	
	1001176966	Ref	Installation, Hydraulic Tank (See Separate Breakdown in this Section)	

SECTION 1 - FRAME AND ATTACHING PARTS

FIGURE 1-13. FUEL TANK INSTALLATION



ART_1001176965-D

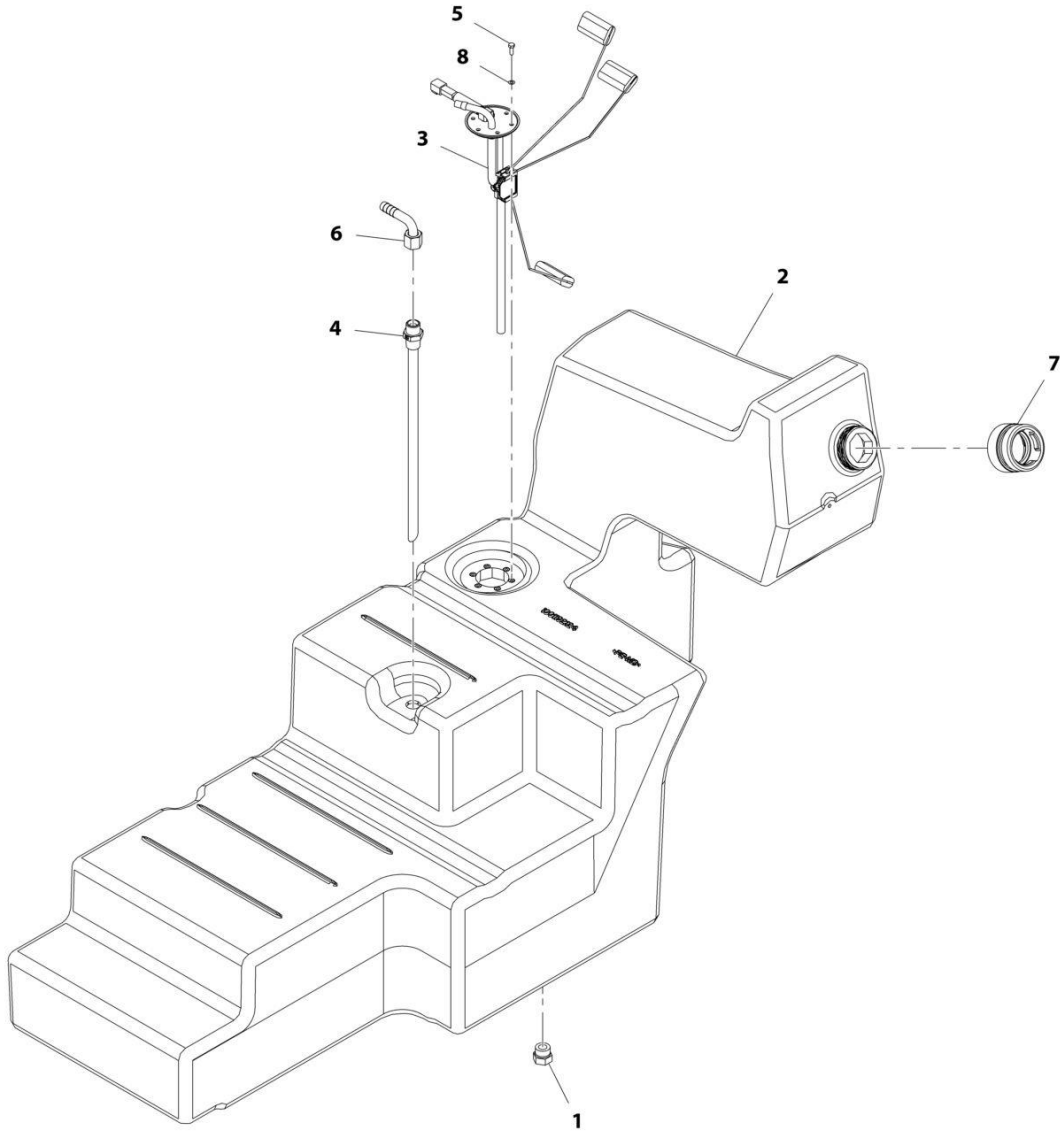
SECTION 1 - FRAME AND ATTACHING PARTS

FIGURE 1-13. FUEL TANK INSTALLATION

ITEM	PART NUMBER	QTY	DESCRIPTION	REV
	1001176965	Ref	Fuel Tank Installation	D
2	0760823	2	Bolt, M8X75	
3	0761012	1	Bolt, M10X25	
4	0761215	6	Bolt, M12X35	
5	4811900	2	Washer, M8	
6	4812000	1	Washer, M10	
7	4812100	6	Washer, M12	
8	1001192125	1	Assembly, Fuel Tank (See Separate Breakdown in this Section)	
9	1001169454	4	Mount	
10	1001197360	1	Support, Plate	
11	1001178474	1	Strap, Tank	
12	1001178693	1	Strap, Tank	

SECTION 1 - FRAME AND ATTACHING PARTS

FIGURE 1-14. FUEL TANK ASSEMBLY



ART_1001192125-C

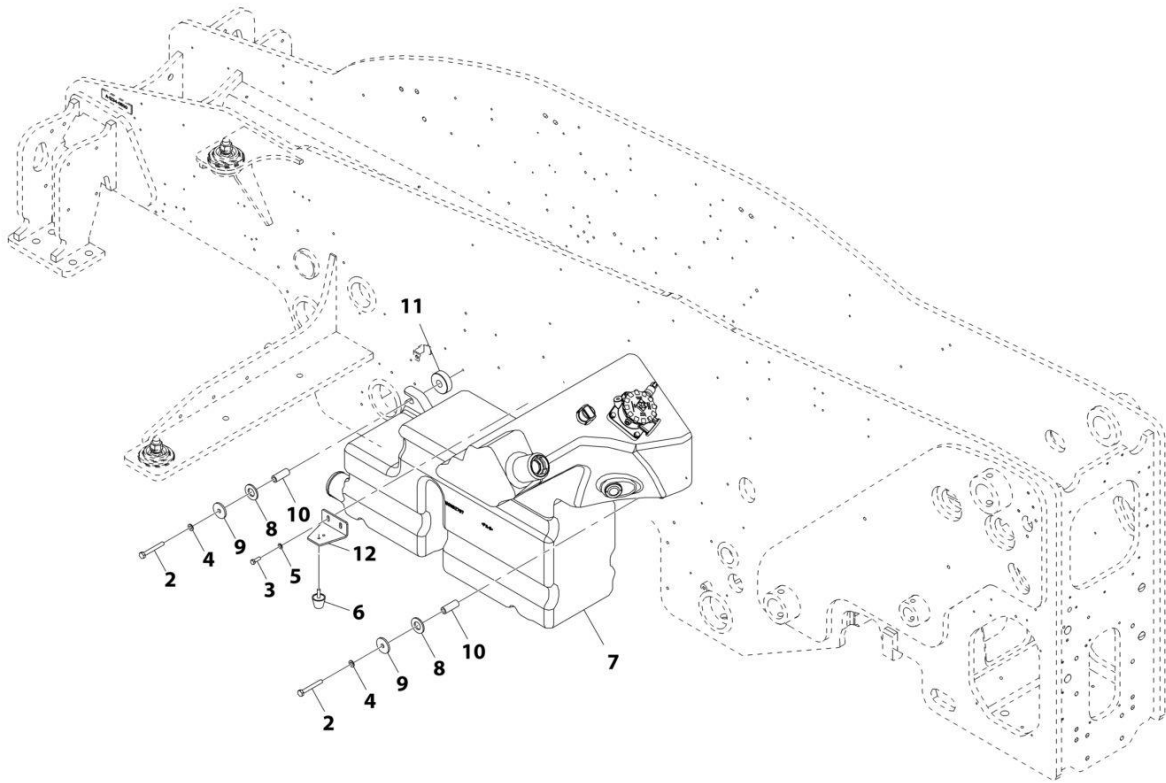
SECTION 1 - FRAME AND ATTACHING PARTS

FIGURE 1-14. FUEL TANK ASSEMBLY

ITEM	PART NUMBER	QTY	DESCRIPTION	REV
	1001192125	Ref	FUEL TANK ASSEMBLY	C
1	1001003427	1	Plug	
2	1001192124	1	Tank, Fuel	
3	1001222188	1	Pump, Fuel	
4	1001170106	1	Pipe, Fuel Supply	
5	4031607	6	Bolt, M5X16	
6	1001172693	1	Fitting, 90	
7	1001192392	1	Adapter	
8	1001222190	6	Washer	

SECTION 1 - FRAME AND ATTACHING PARTS

FIGURE 1-15. HYDRAULIC TANK INSTALLATION



ART_1001176966-C

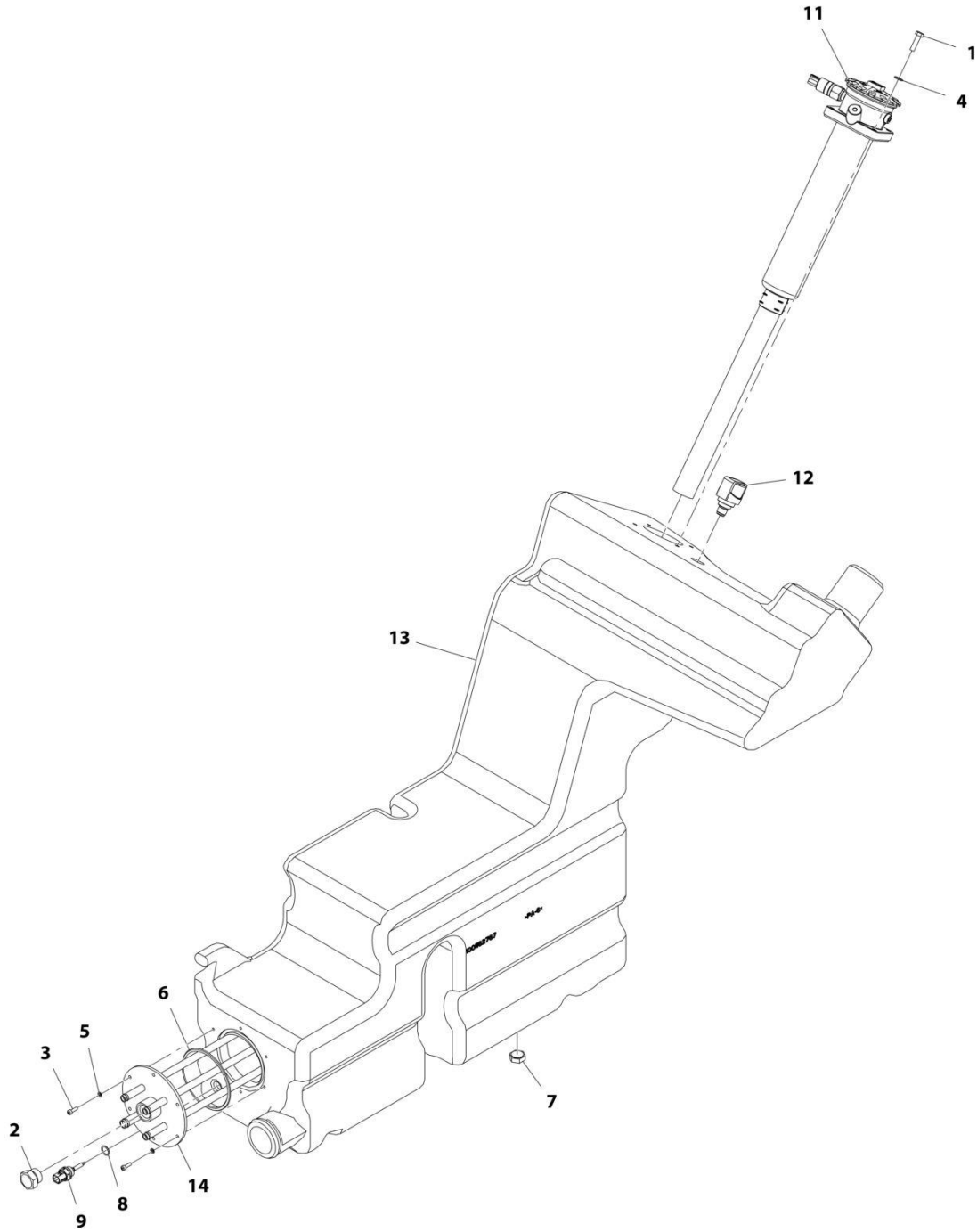
SECTION 1 - FRAME AND ATTACHING PARTS

FIGURE 1-15. HYDRAULIC TANK INSTALLATION

ITEM	PART NUMBER	QTY	DESCRIPTION	REV
	1001176966	Ref	Hydraulic Tank Installation	C
2	0701024	2	Bolt, M10X80	
3	0760812	2	Bolt, M8X25	
4	4812000	2	Washer, M10	
5	4811900	2	Washer, M8	
6	1001008575	1	Bumper	
7	1001191521	1	Assembly, Hydraulic Tank (See Separate Breakdown in this Section)	
8	1001172146	2	Washer	
9	1001172147	2	Washer, M10	
10	1001177060	2	Sleeve, Spacer	
11	1001177062	2	Washer	
12	1001177082	1	Bracket, Frame	

SECTION 1 - FRAME AND ATTACHING PARTS

FIGURE 1-16. HYDRAULIC TANK ASSEMBLY



ART_1001191521-D

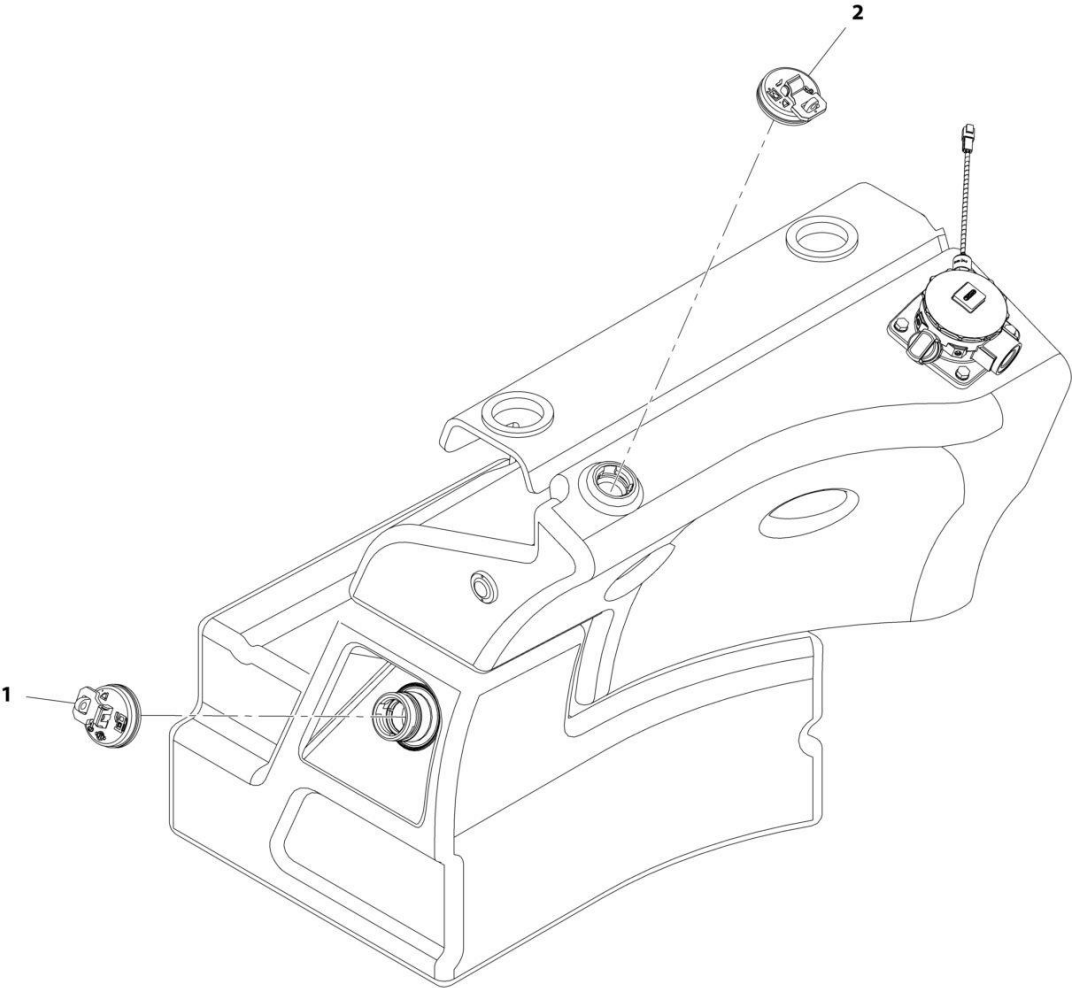
SECTION 1 - FRAME AND ATTACHING PARTS

FIGURE 1-16. HYDRAULIC TANK ASSEMBLY

ITEM	PART NUMBER	QTY	DESCRIPTION	REV
	1001191521	Ref	HYDRAULIC TANK ASSEMBLY	D
1	0700814	4	Bolt M8 x 30	
2	2220240	1	Plug	
3	4031607	6	Screw M5 x 16	
4	4811900	4	Washer M8	
5	4831600	6	Washer, Lock M5	
6	1001003301	1	O-Ring	
7	2220239	1	Plug	
8	1001009163	1	O-Ring	
9	1001128478	1	Sensor, Hydraulic Oil Temperature	
11	1001162659	1	Filter, Hydraulic	
12	1001162662	1	Filter, Breather	
13	1001162767	1	Tank, Hydraulic	
14	1001191533	1	Manifold, Hydraulic Return	

SECTION 1 - FRAME AND ATTACHING PARTS

FIGURE 1-17. FUEL AND HYDRAULIC CAP INSTALLATION



ART_1001197275-A

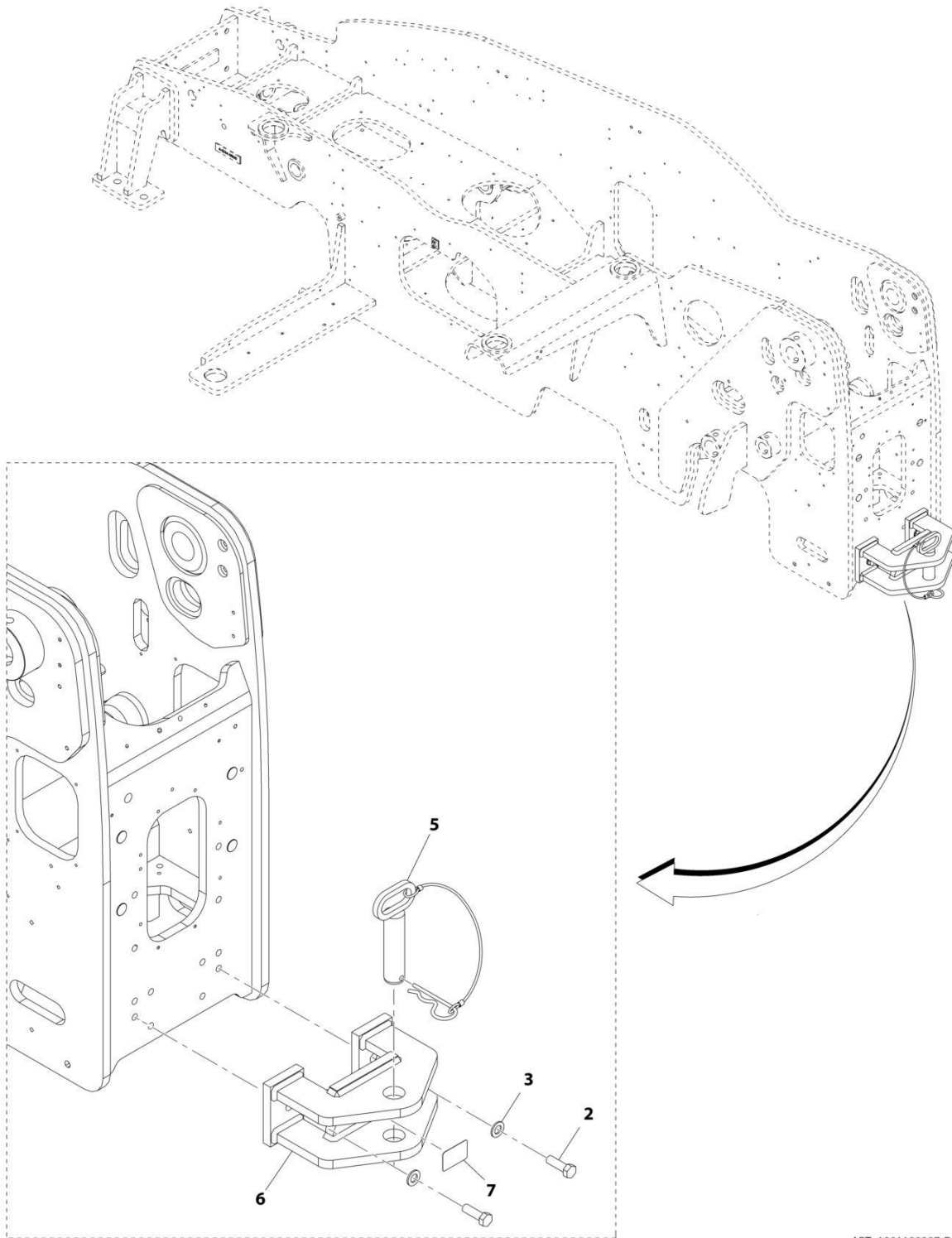
SECTION 1 - FRAME AND ATTACHING PARTS

FIGURE 1-17. FUEL AND HYDRAULIC CAP INSTALLATION

ITEM	PART NUMBER	QTY	DESCRIPTION	REV
	1001197275	Ref	Fuel and Hydraulic Cap Installation	A
1	1001142658	1	Cap, Fuel	
2	1001142659	1	Cap, Hydraulic	

SECTION 1 - FRAME AND ATTACHING PARTS

FIGURE 1-18. HITCH RETRIEVAL INSTALLATION



ART_1001180207-D

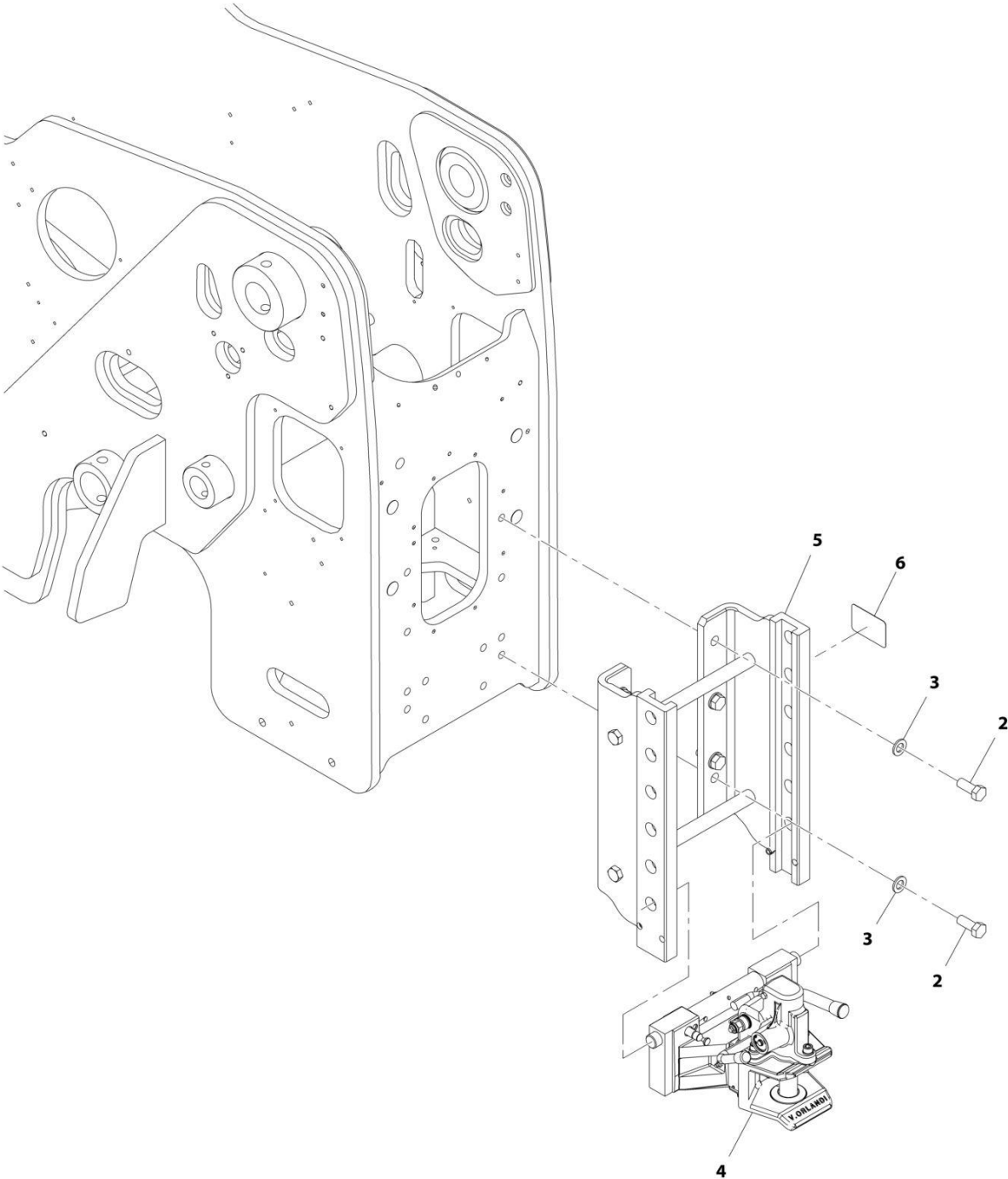
SECTION 1 - FRAME AND ATTACHING PARTS

FIGURE 1-18. HITCH RETRIEVAL INSTALLATION

ITEM	PART NUMBER	QTY	DESCRIPTION	REV
	1001180207	Ref	Hitch Retrieval Installation	D
2	0771618	2	Bolt, M16X50 Grade 10.9	
3	5241600	2	Washer, M16	
6	1001106570	NLA	Hitch, Retrieval (no longer available, use 1001238460 for replacement)	
6	1001238460	1	Hitch, Retrieval	
7	1001241674	1	Decal, Retrieval Point	

SECTION 1 - FRAME AND ATTACHING PARTS

FIGURE 1-19. HITCH INSTALLATION (EEC AUTO)



ART_1001180196-C

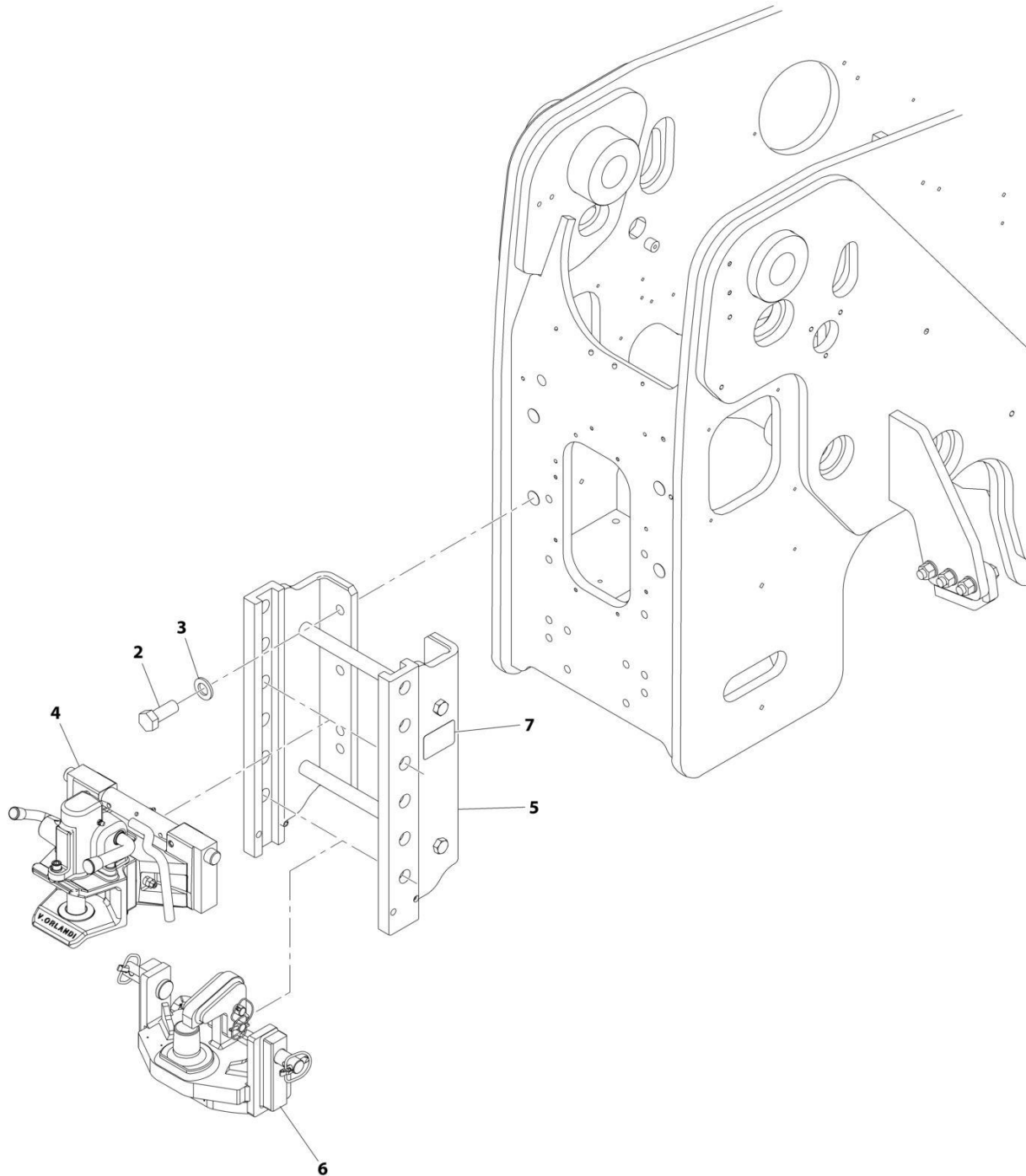
SECTION 1 - FRAME AND ATTACHING PARTS

FIGURE 1-19. HITCH INSTALLATION (EEC AUTO)

ITEM	PART NUMBER	QTY	DESCRIPTION	REV
	1001180196	Ref	Hitch Installation (EEC Auto)	C
2	0701616	8	Bolt, M16X40	
3	4812300	8	Washer, M6	
4	1001098629	1	Assembly, Hitch (EEC Auto) (See Separate Breakdown in this Section)	
5	1001183274	1	Hitch, Sliding Towing Bracket	
6	1001241674	1	Decal, Retrieval Point	

SECTION 1 - FRAME AND ATTACHING PARTS

FIGURE 1-20. HITCH INSTALLATION (PITON)



ART_1001180202-C

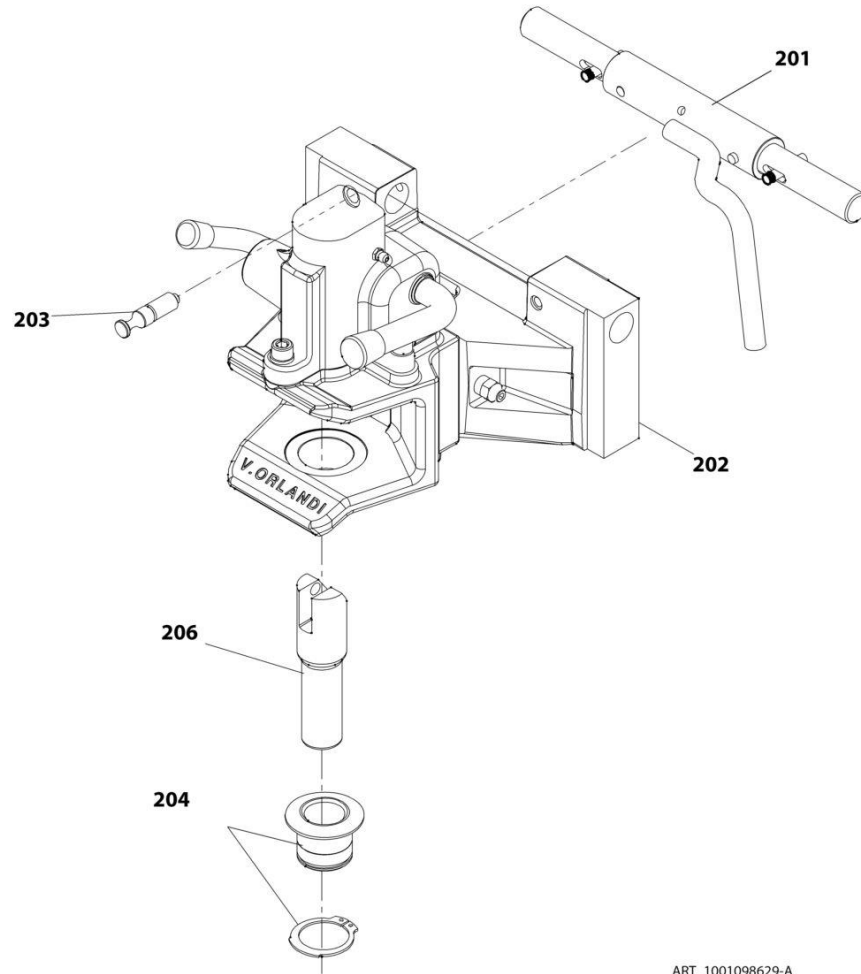
SECTION 1 - FRAME AND ATTACHING PARTS

FIGURE 1-20. HITCH INSTALLATION (PITON)

ITEM	PART NUMBER	QTY	DESCRIPTION	REV
	1001180202	Ref	Hitch Installation (Piton)	C
2	0701616	8	Bolt, M16X40	
3	4812300	8	Washer, M16	
4	1001098629	1	Assembly, Hitch (EEC AUTO) (See Separate Breakdown in this Section)	
5	1001183274	1	Hitch, Sliding Towing Bracket	
6	1001185248	1	Hitch, Sliding (Piton) (See Separate Breakdown in this Section)	
7	1001241674	1	Decal, Retrieval Point	

SECTION 1 - FRAME AND ATTACHING PARTS

FIGURE 1-21. HITCH ASSEMBLY (EEC AUTO)



ART_1001098629-A

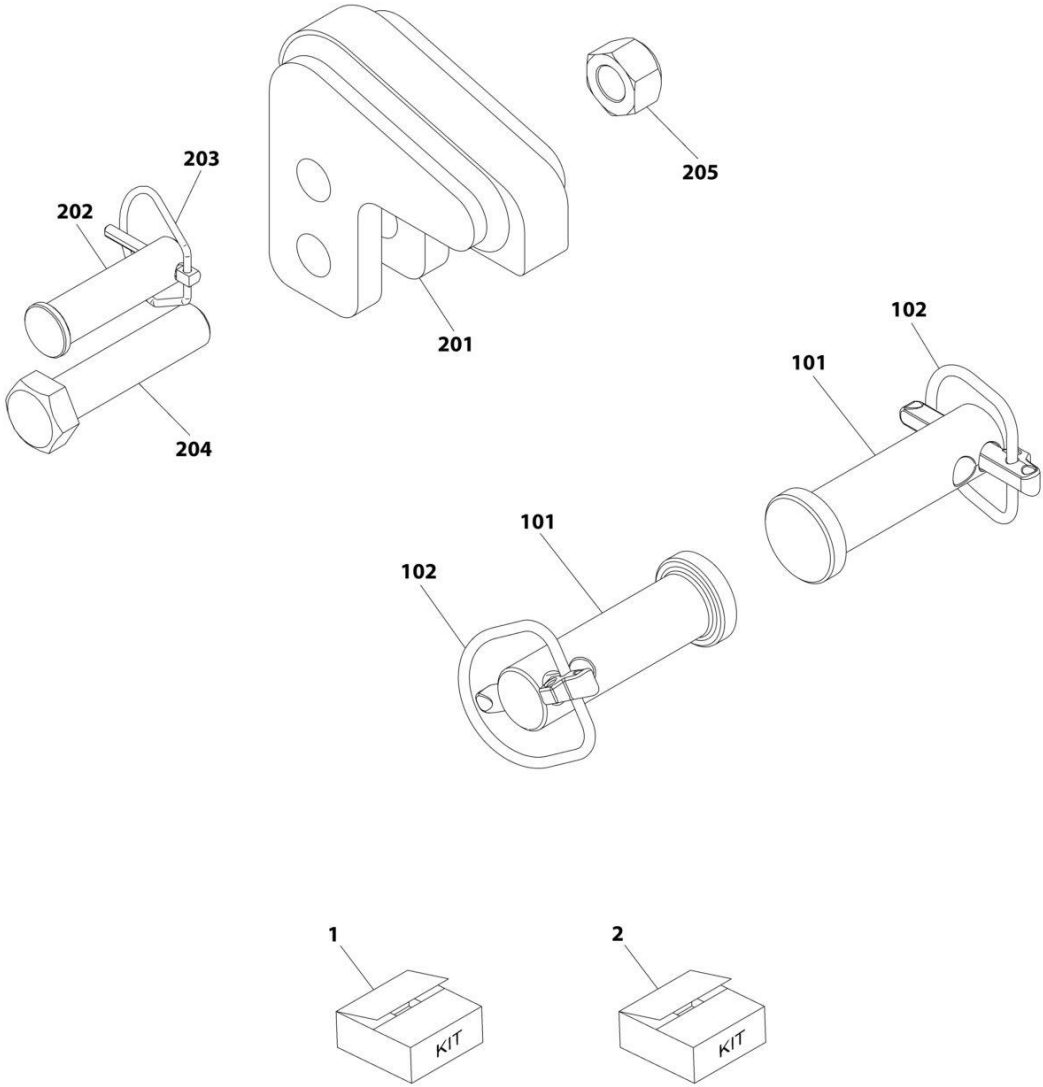
SECTION 1 - FRAME AND ATTACHING PARTS

FIGURE 1-21. HITCH ASSEMBLY (EEC AUTO)

ITEM	PART NUMBER	QTY	DESCRIPTION	REV
	1001098629	Ref	Hitch Assembly (EEC Auto)	A
201	70022821	1	Lever, Opening	
202	70022822	1	Mechanism, Box	
203	70022823	1	Pivot, Security	
204	70022824	1	Bushing	
206	70022825	1	Pin	

SECTION 1 - FRAME AND ATTACHING PARTS

FIGURE 1-22. SLIDING HITCH ASSEMBLY (PITON)



ART_1001185248-A

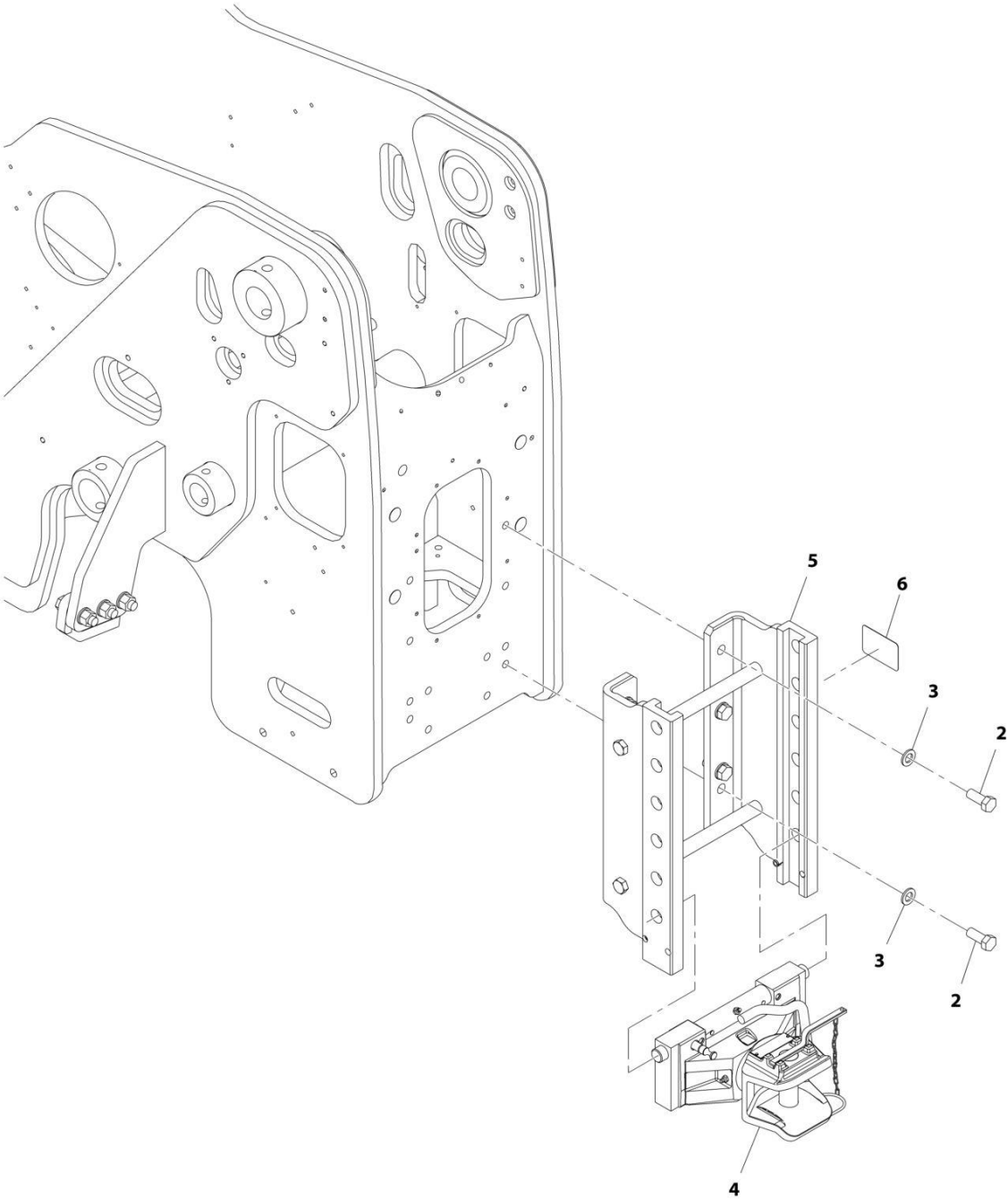
SECTION 1 - FRAME AND ATTACHING PARTS

FIGURE 1-22. SLIDING HITCH ASSEMBLY (PITON)

ITEM	PART NUMBER	QTY	DESCRIPTION	REV
	1001185248	Ref	Sliding Hitch Assembly (Piton)	A
1	70027175	1	Kit, Pins (includes items 101 and 102)	
2	70027174	1	Kit, Keeper (includes items 201 thru 205)	
101	Kit	2	Pin	
102	Kit	2	Pin, Safety	
201	Kit	1	Keeper	
202	Kit	1	Pin	
203	Kit	1	Pin, Safety	
204	Kit	1	Bolt, M20X95	
205	Kit	1	Nut	

SECTION 1 - FRAME AND ATTACHING PARTS

FIGURE 1-23. HITCH INSTALLATION (EEC MANUAL)



ART_1001180198-C

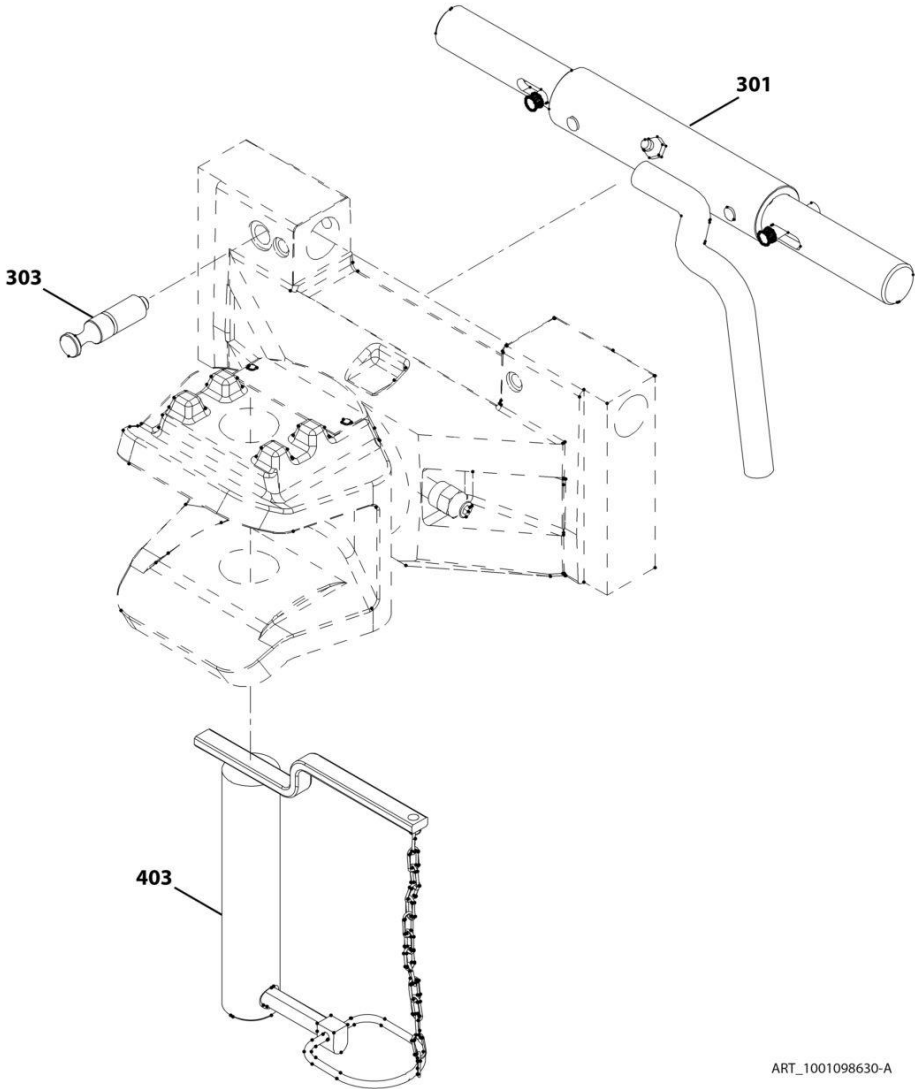
SECTION 1 - FRAME AND ATTACHING PARTS

FIGURE 1-23. HITCH INSTALLATION (EEC MANUAL)

ITEM	PART NUMBER	QTY	DESCRIPTION	REV
	1001180198	Ref	Hitch Installation (EEC Manual)	C
2	0701616	8	Bolt, M16X40	
3	4812300	8	Washer, M16	
4	1001098630	1	Assembly, Hitch (EEC Manual) (See Separate Breakdown in this Section)	
5	1001183274	1	Hitch, Sliding Towing Bracket	
6	1001241674	1	Decal, Retrieval Point	

SECTION 1 - FRAME AND ATTACHING PARTS

FIGURE 1-24. HITCH ASSEMBLY (EEC MANUAL)



ART_1001098630-A

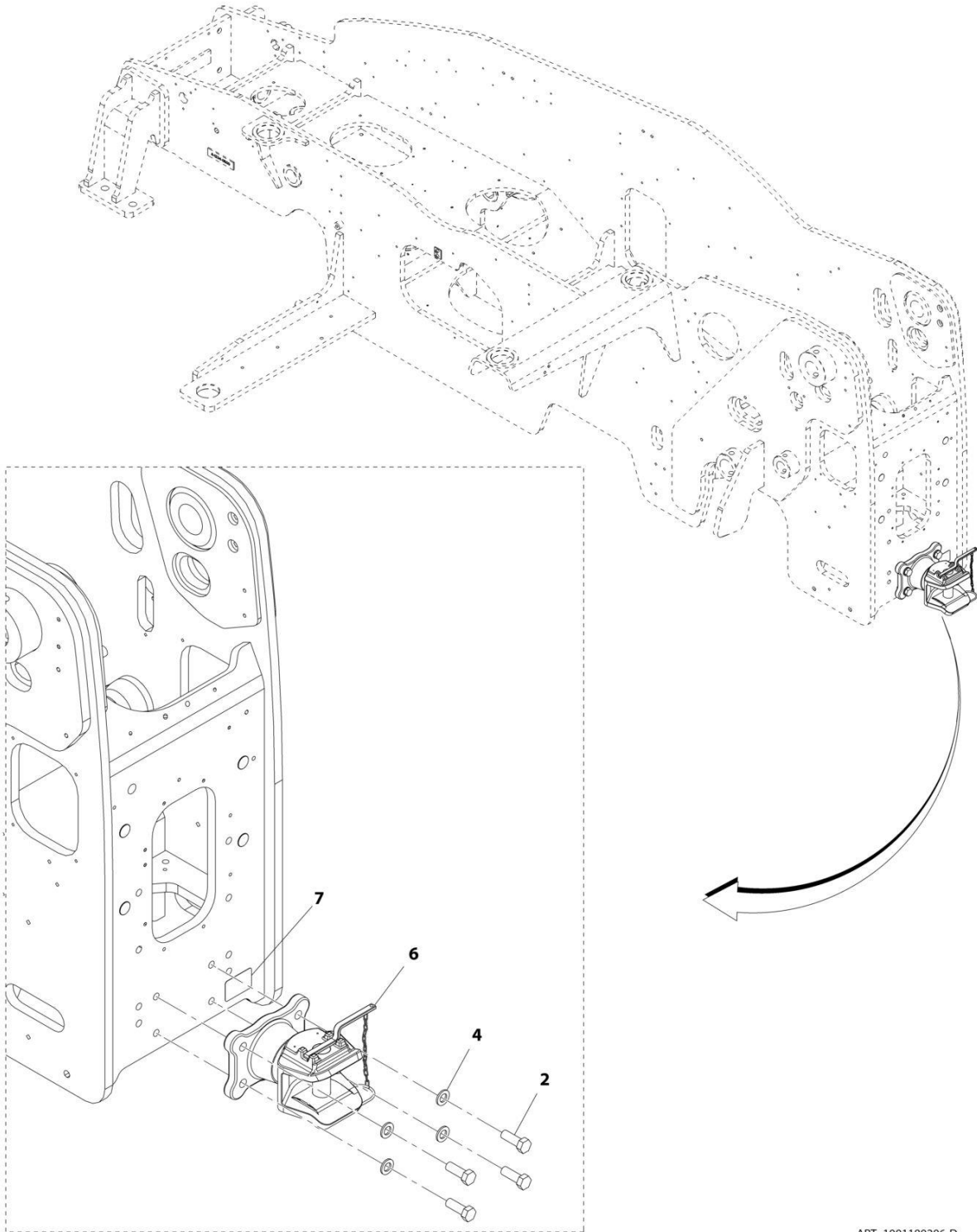
SECTION 1 - FRAME AND ATTACHING PARTS

FIGURE 1-24. HITCH ASSEMBLY (EEC MANUAL)

ITEM	PART NUMBER	QTY	DESCRIPTION	REV
	1001098630	Ref	Hitch Assembly (EEC Manual)	A
301	70022821	1	Lever, Opening	
303	70022823	1	Pivot, Security	
403	70022826	1	Pin	

SECTION 1 - FRAME AND ATTACHING PARTS

FIGURE 1-25. HITCH INSTALLATION (FIXED)



ART_1001180206-D

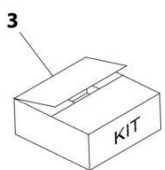
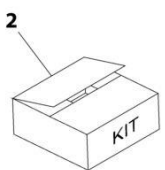
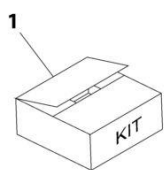
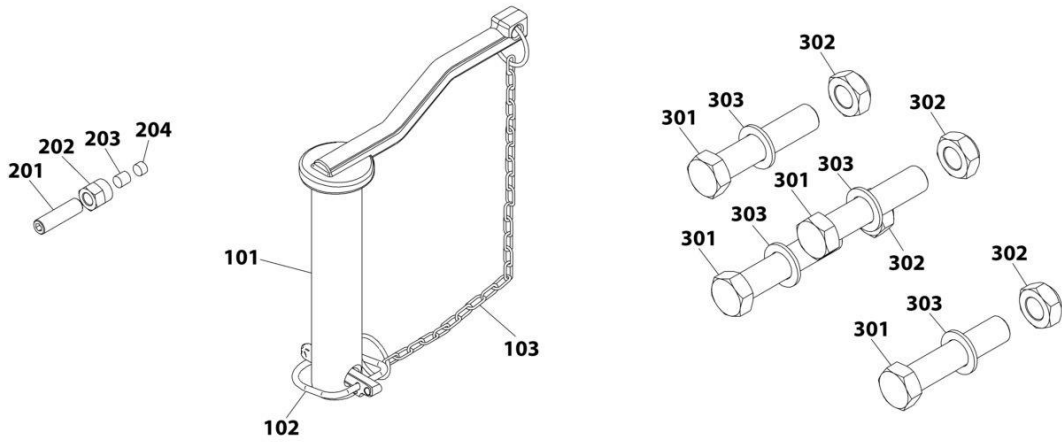
SECTION 1 - FRAME AND ATTACHING PARTS

FIGURE 1-25. HITCH INSTALLATION (FIXED)

ITEM	PART NUMBER	QTY	DESCRIPTION	REV
	1001180206	Ref	Hitch Installation (Fixed)	D
2	0701617	4	Bolt, M16X45	
4	4812300	4	Washer, M16	
6	1001110849	1	Assembly, Hitch (Fixed) (See Separate Breakdown in this Section)	
7	1001241674	1	Decal, Retrieval Point	

SECTION 1 - FRAME AND ATTACHING PARTS

FIGURE 1-26. HITCH ASSEMBLY (FIXED)



ART_1001110849-B

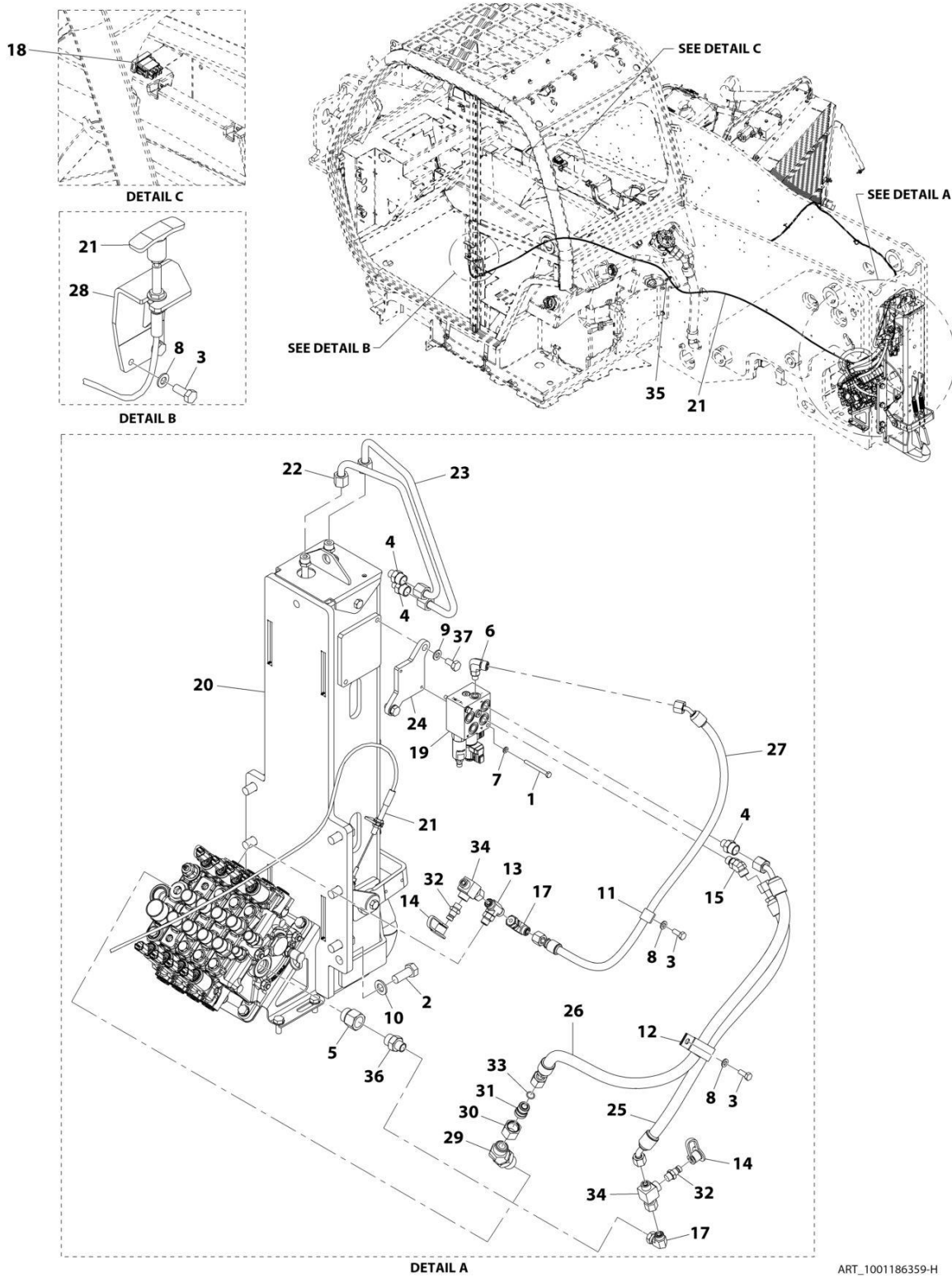
SECTION 1 - FRAME AND ATTACHING PARTS

FIGURE 1-26. HITCH ASSEMBLY (FIXED)

ITEM	PART NUMBER	QTY	DESCRIPTION	REV
	1001110849	Ref	Hitch Assembly (Fixed)	B
1	70027178	1	Kit, Towing Pin (includes items 101 thru 103)	
2	70027176	1	Kit, Friction (includes items 201 thru 204)	
3	70027177	1	Kit, Screws (includes items 301 thru 303)	
101	Kit	1	Pin	
102	Kit	1	Chain, Safety	
103	Kit	1	Pin, Safety	
201	Kit	1	Screw, M16X80	
202	Kit	1	Nut, M10	
203	Kit	1	Insert	
204	Kit	1	Insert	
301	Kit	4	Screw, M16X80	
302	Kit	4	Nut, M16	
303	Kit	4	Washer	

SECTION 1 - FRAME AND ATTACHING PARTS

FIGURE 1-27. HITCH INSTALLATION (HYDRAULIC)



ART_1001186359-H

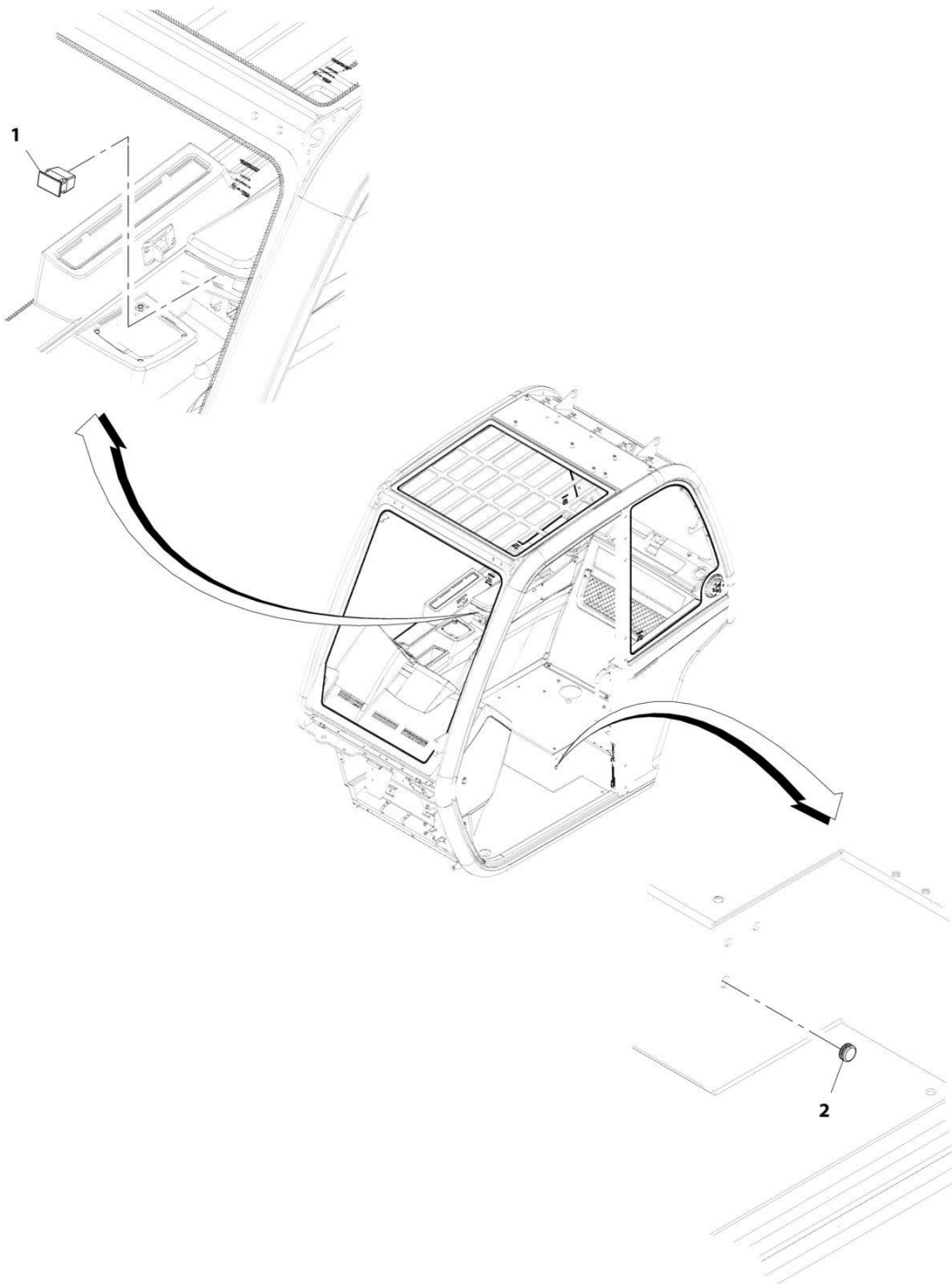
SECTION 1 - FRAME AND ATTACHING PARTS

FIGURE 1-27. HITCH INSTALLATION (HYDRAULIC)

ITEM	PART NUMBER	QTY	DESCRIPTION	REV
	1001186359	Ref	Hitch Installation (Hydraulic)	H
1	0700620	2	Bolt, M6X60	
2	0711616	8	Bolt, M16X40 Grade 10.9	
3	0760810	4	Bolt, M8X20	
4	2110806	3	Fitting, Straight ORFS	
5	8760550	1	Fitting, Tee	
6	2130604	1	Fitting, 90 ORFS	
7	4811700	2	Washer, M6	
8	4811900	4	Washer, M8	
9	4812000	2	Washer, M10	
10	4812300	8	Washer, M16	
11	1001009207	1	Clip	
12	1001008720	1	Clip	
13	2170406	1	Fitting, Tee ORFS	
14	1001008761	2	Dust Cap	
15	2150606	1	Fitting, 45 ORFS	
17	2172106	2	Fitting, 90 ORFS	
18	1001198836	1	Switch, Hitch Up/Down	
19	1001226722	Ref	Valve, Hydraulic Hitch Control (See Separate Breakdown in HYDRAULIC COMPONENTS Section)	
20	1001182763	1	Hitch, Hydraulic	
21	1001186392	1	Cable, Hitch Release	
22	1001204374	1	Pipe	
23	1001204375	1	Pipe	
24	1001188413	1	Plate	
25	1001204518	1	Hose, ORFS	
26	1001206557	1	Hose, ORFS	
27	1001206558	1	Hose, ORFS	
28	1001188722	1	Bracket, Hitch	
29	2151012	1	Fitting, 45 ORFS	
30	8770143	1	Nut, ORFS	
31	1001032853	1	Reducer, ORFS	
32	1001003590	2	Fitting, Straight	
33	1001008805	1	Seal	
34	1001033119	2	Adapter, ORFS	
35	1001146588	1	Tie Strap	
36	2110610	1	Fitting, Straight	
37	0761010	2	Bolt, M10X20	

SECTION 1 - FRAME AND ATTACHING PARTS

FIGURE 1-28. CAB PLUG INSTALLATION (NON HYDRAULIC HITCH)



ART_1001214572-A

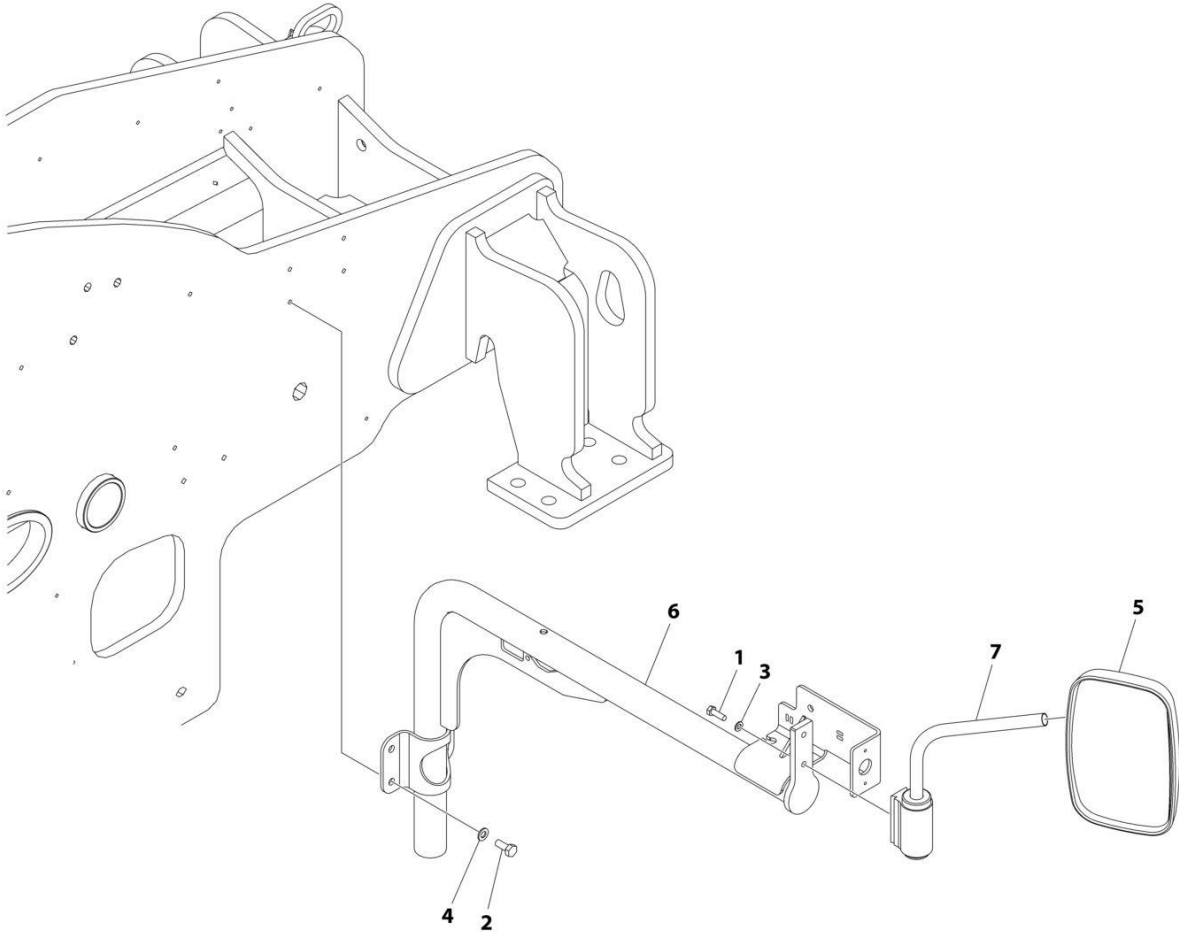
SECTION 1 - FRAME AND ATTACHING PARTS

FIGURE 1-28. CAB PLUG INSTALLATION (NON HYDRAULIC HITCH)

ITEM	PART NUMBER	QTY	DESCRIPTION	REV
	1001214572	1	Cab Plug Installation (Non Hydraulic Hitch)	A
1	4360669	1	Cover, Switch	
2	1001176323	1	Plug	

SECTION 1 - FRAME AND ATTACHING PARTS

FIGURE 1-29. MIRROR INSTALLATION



ART_1001269628_B

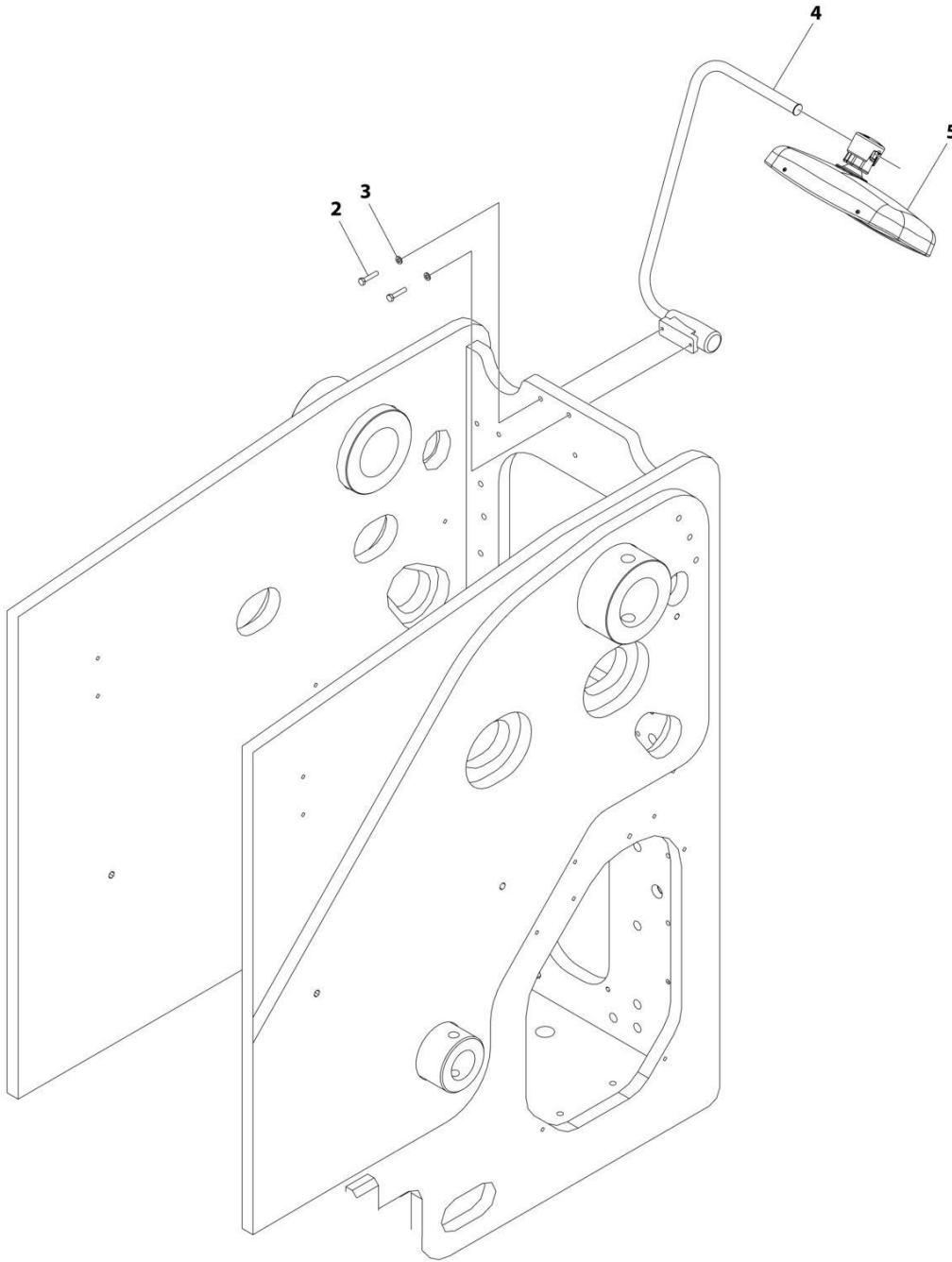
SECTION 1 - FRAME AND ATTACHING PARTS

FIGURE 1-29. MIRROR INSTALLATION

ITEM	PART NUMBER	QTY	DESCRIPTION	REV
	1001269628	Ref	MIRROR INSTALLATION	B
1	0760812	2	Bolt M8 x 25	
1	0760810	2	Bolt M8 x 20	
2	0761012	4	Bolt M10 x 25	
3	4811900	2	Washer M8	
4	4812000	4	Washer M10	
5	1001191635	1	Mirror	
6	1001265395	1	Bracket	
7	1001269627	1	Bracket	

SECTION 1 - FRAME AND ATTACHING PARTS

FIGURE 1-30. REAR MIRROR INSTALLATION (FLAT)



ART_1001186395_C

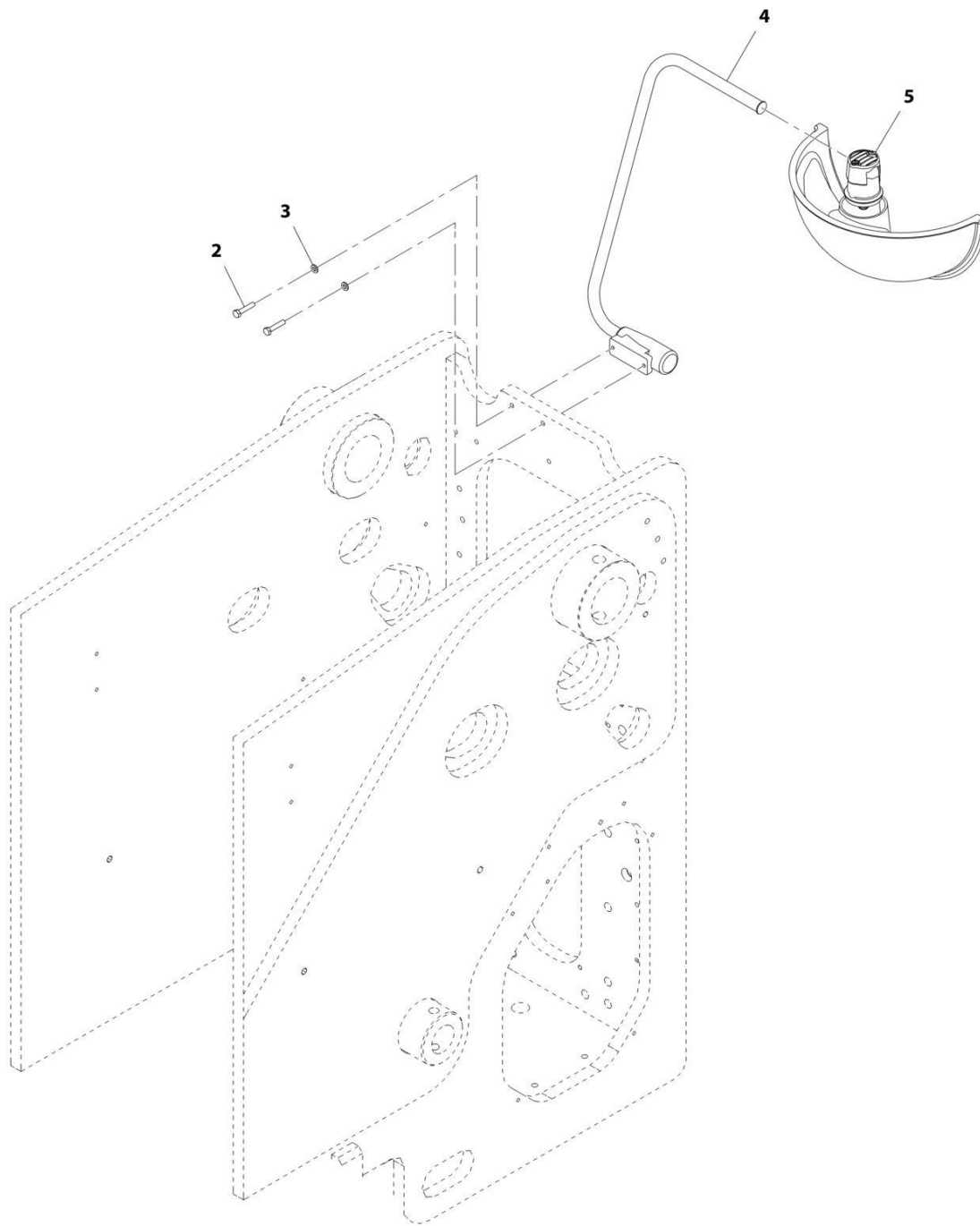
SECTION 1 - FRAME AND ATTACHING PARTS

FIGURE 1-30. REAR MIRROR INSTALLATION (FLAT)

ITEM	PART NUMBER	QTY	DESCRIPTION	REV
	1001186395	Ref	REAR MIRROR INSTALLATION (FLAT)	C
2	0700614	2	Bolt M6 x 30	
3	4811700	2	Washer M6	
4	1001005980	1	Arm	
5	1001191635	1	Mirror Assembly	

SECTION 1 - FRAME AND ATTACHING PARTS

FIGURE 1-31. REAR MIRROR INSTALLATION (CONVEX)



ART_1001186439-B

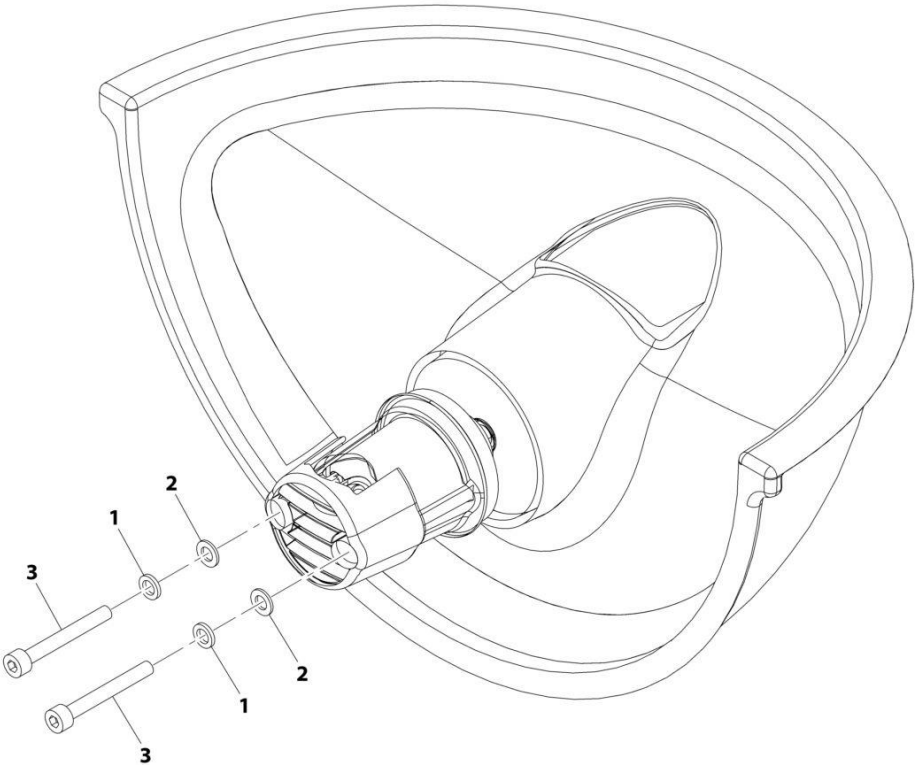
SECTION 1 - FRAME AND ATTACHING PARTS

FIGURE 1-31. REAR MIRROR INSTALLATION (CONVEX)

ITEM	PART NUMBER	QTY	DESCRIPTION	REV
	1001186439	Ref	Hitch Mirror Installation (Fish Eye)	B
2	0700614	2	Bolt, M6X30	
3	4811700	2	Washer, M6	
4	1001005980	1	Arm	
5	1001008436	1	Assembly, Mirror (Convex) (See Separate Breakdown in this Section)	

SECTION 1 - FRAME AND ATTACHING PARTS

FIGURE 1-32. MIRROR ASSEMBLY (CONVEX)



ART_1001008436-D

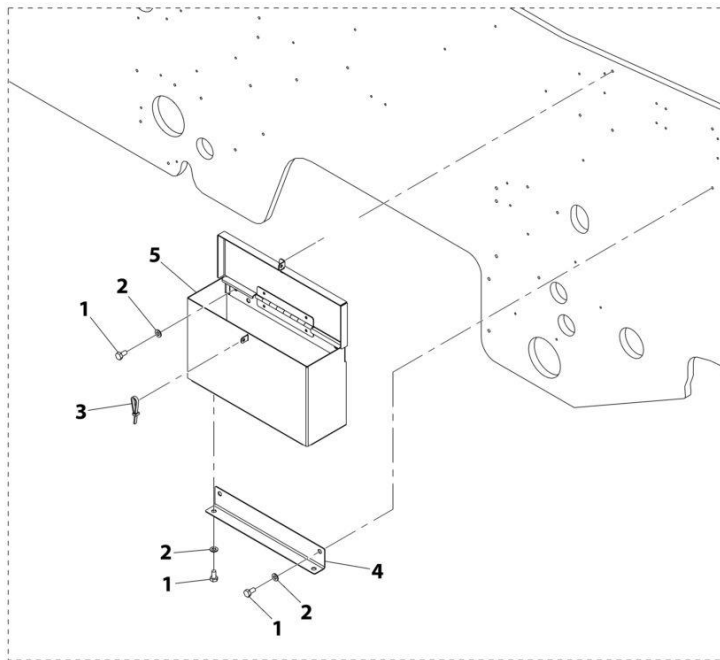
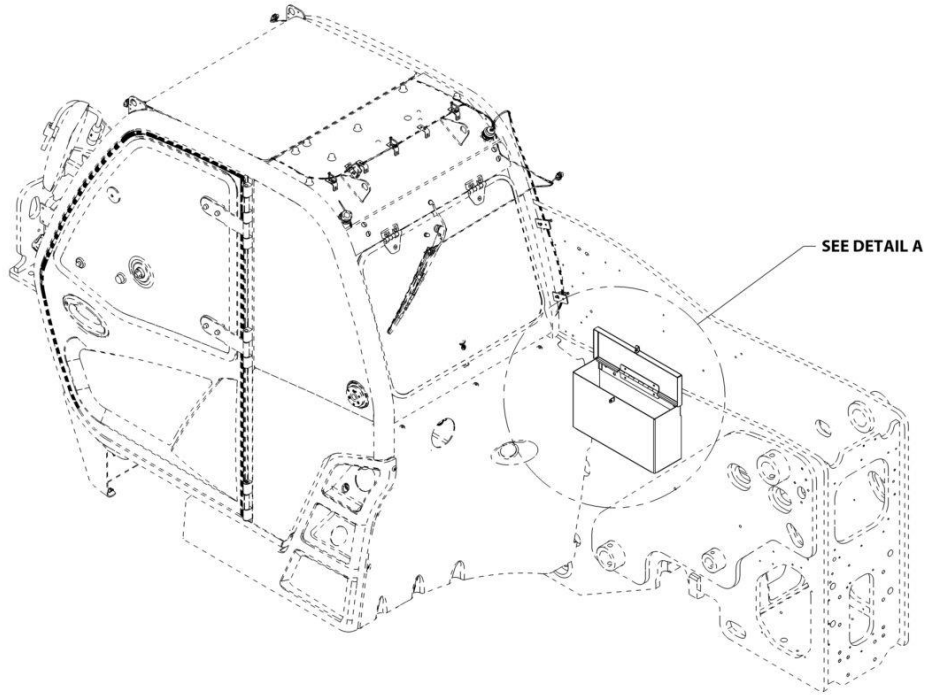
SECTION 1 - FRAME AND ATTACHING PARTS

FIGURE 1-32. MIRROR ASSEMBLY (CONVEX)

ITEM	PART NUMBER	QTY	DESCRIPTION	REV
	1001008436	Ref	Mirror Assembly (Convex)	D
1	1001008475	2	Washer, Lock	
2	1001009062	2	Washer	
3	1001010838	2	Bolt	

SECTION 1 - FRAME AND ATTACHING PARTS

FIGURE 1-33. TOOLBOX INSTALLATION



DETAIL A

ART_1001225619-A

SECTION 1 - FRAME AND ATTACHING PARTS

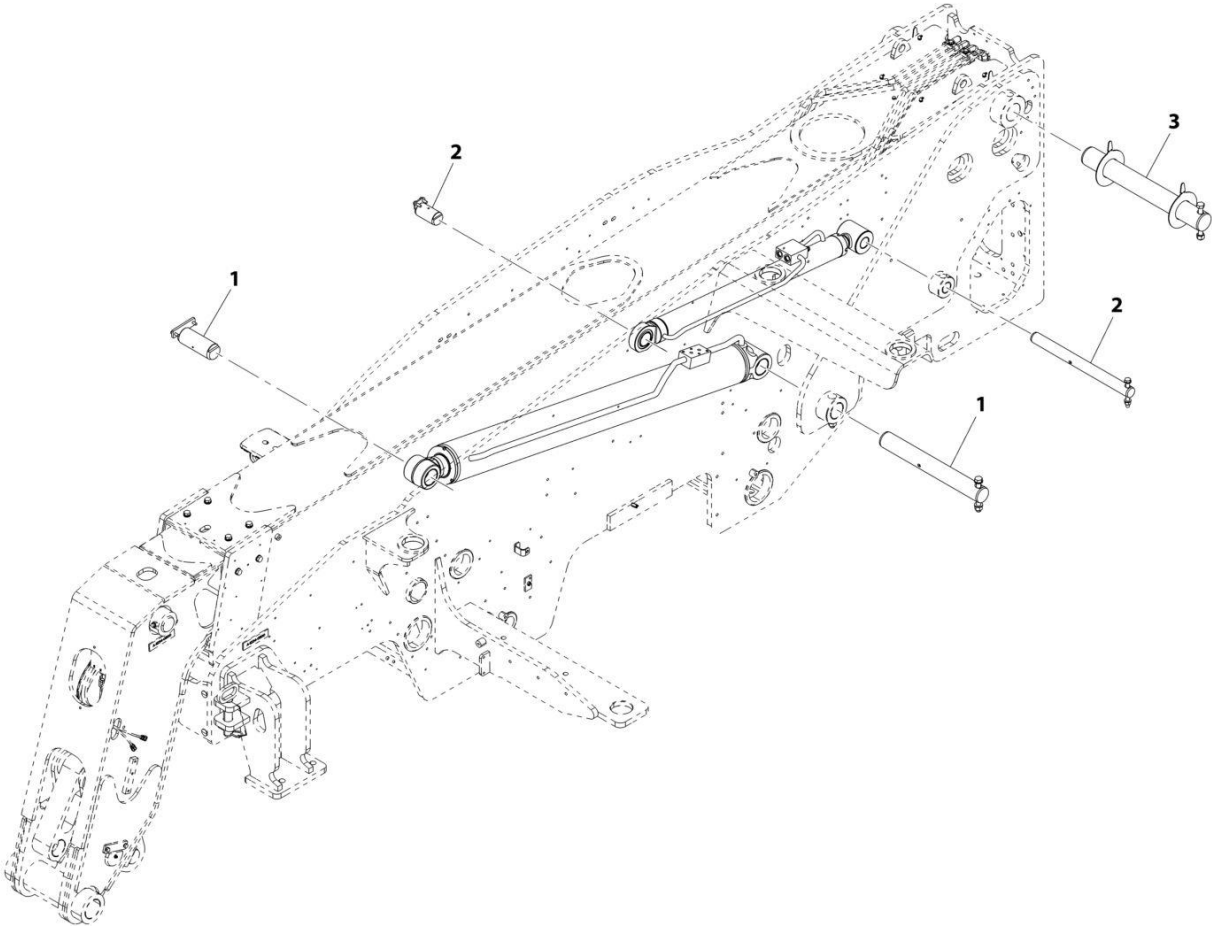
FIGURE 1-33. TOOLBOX INSTALLATION

ITEM	PART NUMBER	QTY	DESCRIPTION	REV
	1001225619	Ref	Toolbox Installation	A
1	0761010	6	Bolt, M10X20	
2	4812000	6	Washer, M10	
3	1001008559	1	Strap	
4	1001178729	1	Bracket	
5	1001192836	1	Box	

SECTION 2 - BOOM

SECTION 2 - BOOM

FIGURE 2-1. BOOM PINNING INSTALLATION



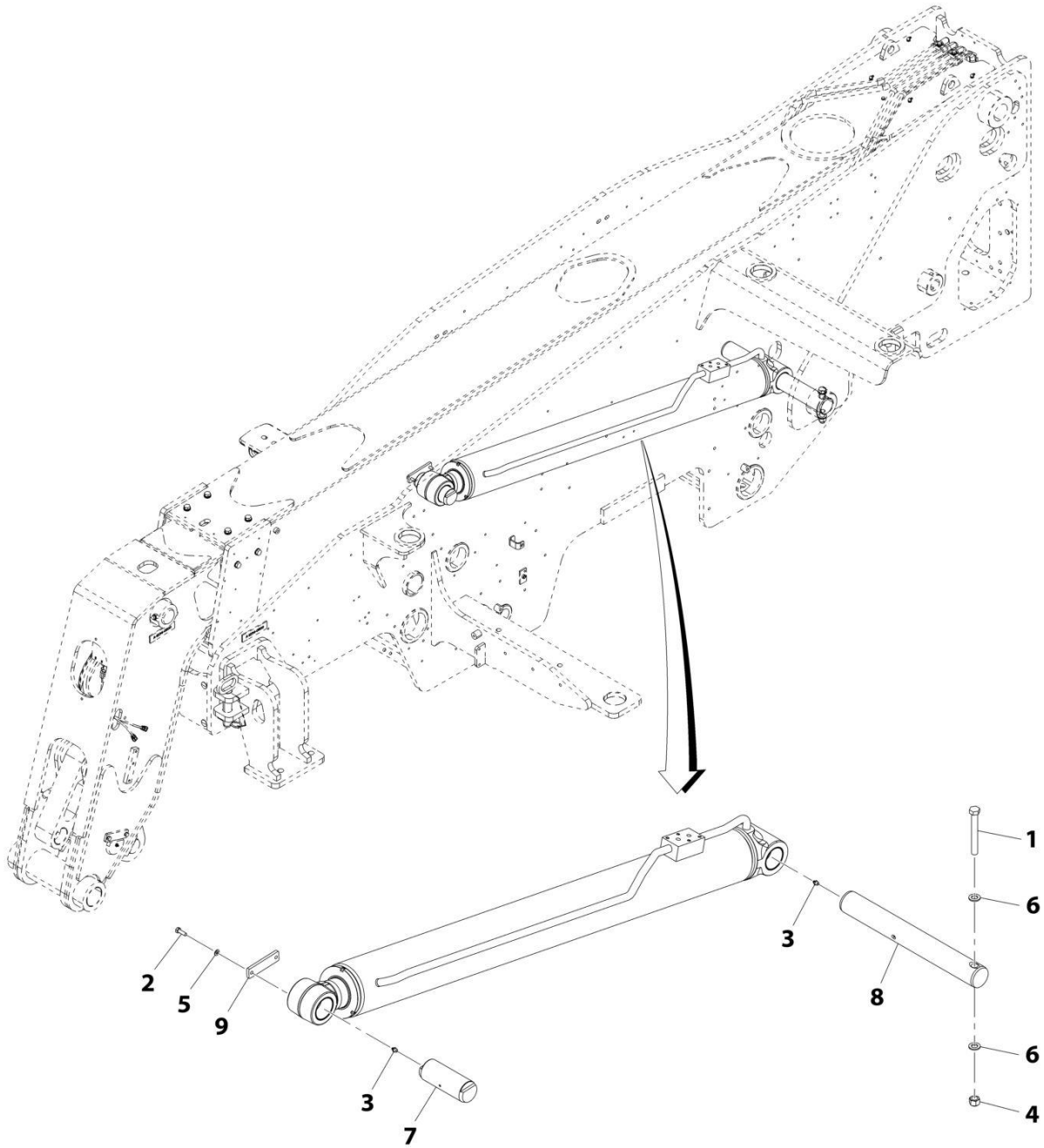
ART_1001256335-A

FIGURE 2-1. BOOM PINNING INSTALLATION

ITEM	PART NUMBER	QTY	DESCRIPTION	REV
	1001256335	Ref	Boom Pinning Installation	A
1	1001256336	1	Installation, Lift Cylinder Pinning (See Separate Breakdown in this Section)	
2	1001256337	1	Installation, Compensation Cylinder Pinning (See Separate Breakdown in this Section)	
3	1001256338	1	Installation, Boom Pivot (See Separate Breakdown in this Section)	

SECTION 2 - BOOM

FIGURE 2-2. LIFT CYLINDER PINNING INSTALLATION



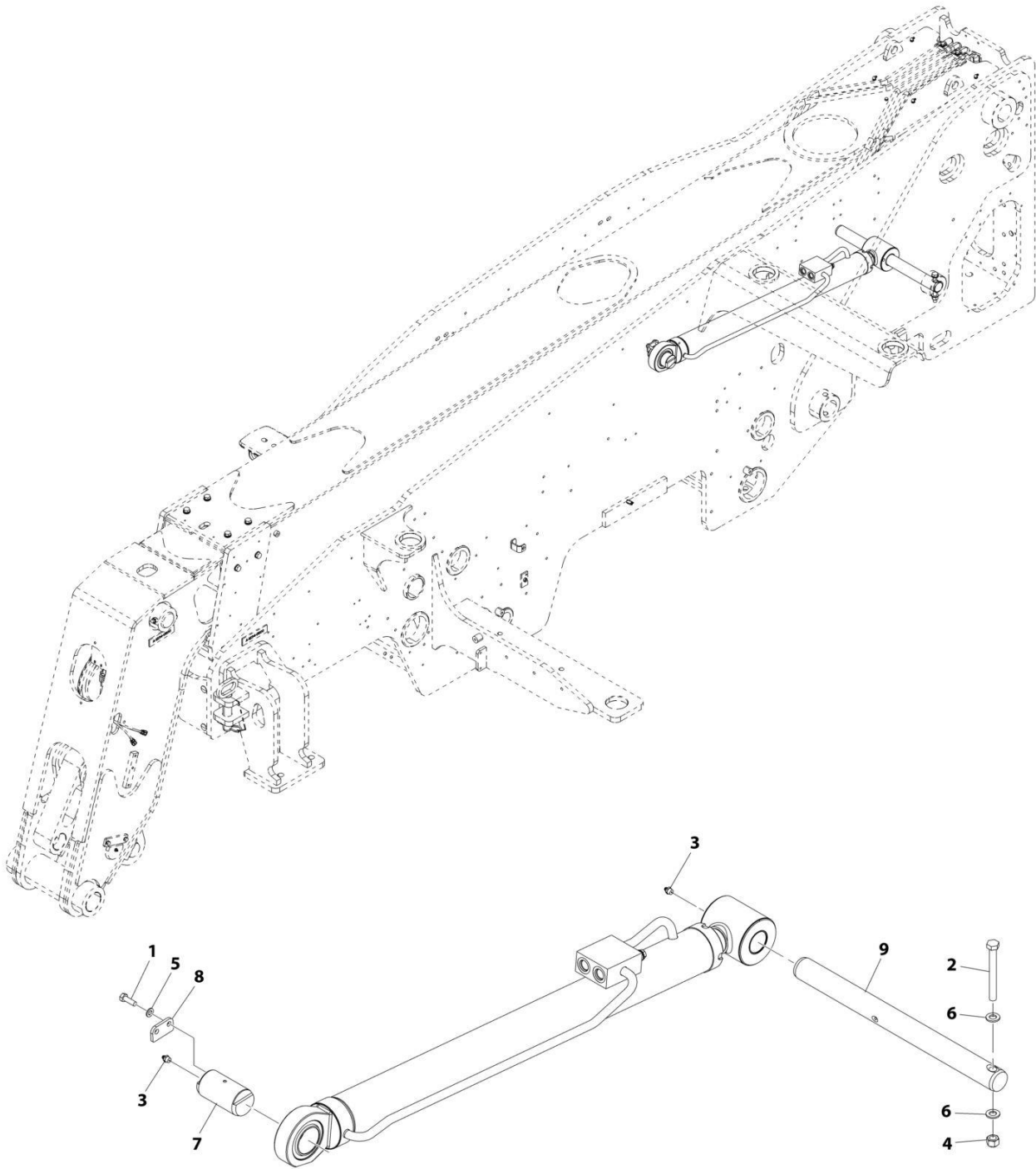
ART_1001256336-A

FIGURE 2-2. LIFT CYLINDER PINNING INSTALLATION

ITEM	PART NUMBER	QTY	DESCRIPTION	REV
	1001256336	Ref	Lift Cylinder Pinning Installation	A
1	0701630	1	Bolt, M16X130	
2	0760812	2	Bolt, M8X25	
3	2160016	2	Fitting, Grease	
4	3291605	1	Nut, Lock M16X2 Grade 8	
5	4811900	2	Washer, M8	
6	4812300	2	Washer, M16	
7	1001175898	1	Pin	
8	1001183460	1	Pin	
9	1001191621	1	Plate	

SECTION 2 - BOOM

FIGURE 2-3. COMPENSATION CYLINDER PINNING INSTALLATION



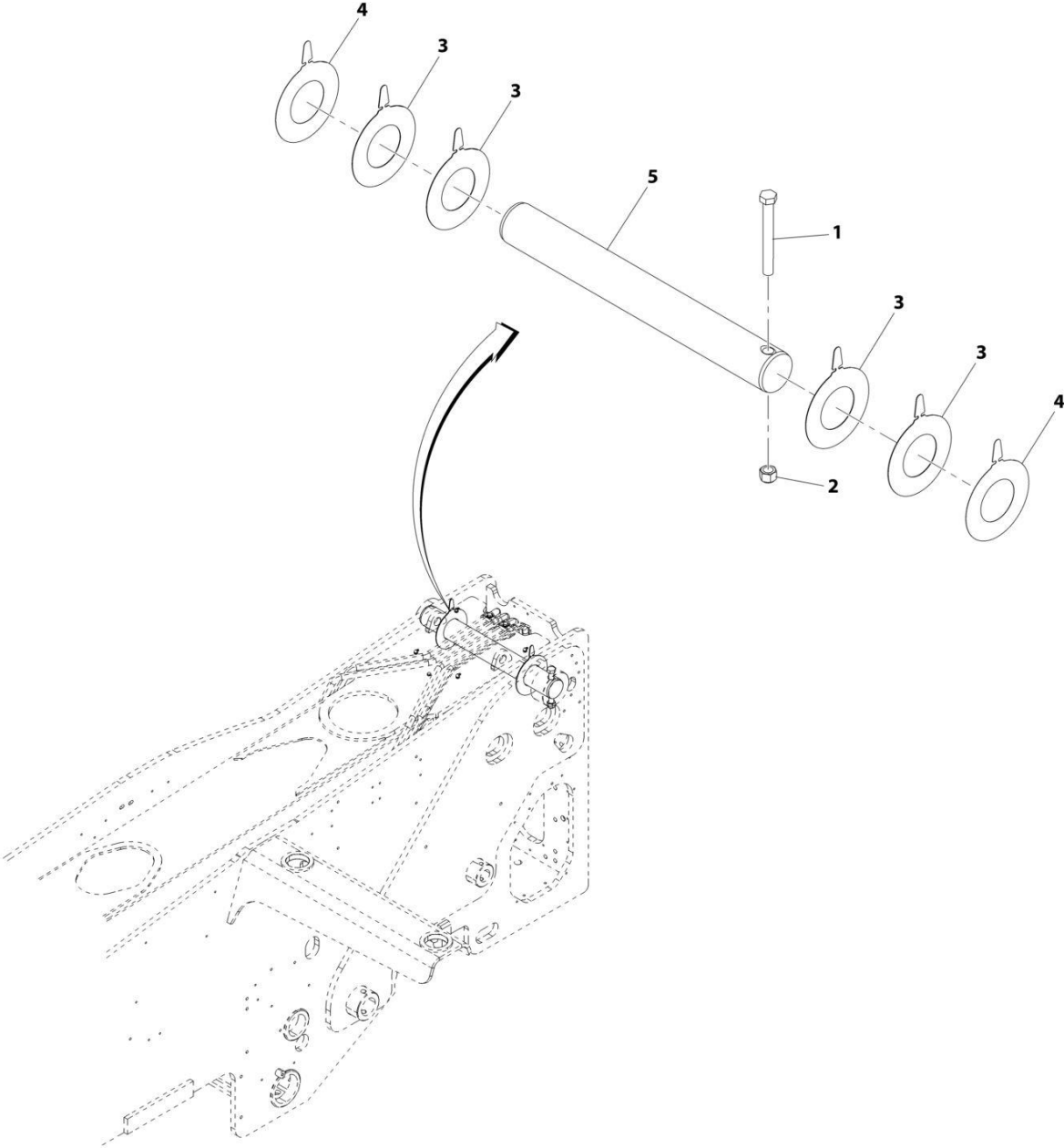
ART_1001256337-A

FIGURE 2-3. COMPENSATION CYLINDER PINNING INSTALLATION

ITEM	PART NUMBER	QTY	DESCRIPTION	REV
	1001256337	Ref	Compensation Cylinder Pinning Installation	A
1	0760812	2	Bolt, M8X25	
2	0761228	1	Bolt, M12X110	
3	2160016	2	Fitting, Grease	
4	3291205	1	Nut, Lock M12X1.75 Grade 8	
5	4811900	2	Washer, M8	
6	4812100	2	Washer, M12	
7	1001175754	1	Pin	
8	1001176942	1	Bracket	
9	1001183461	1	Pin	

SECTION 2 - BOOM

FIGURE 2-4. BOOM PIVOT INSTALLATION



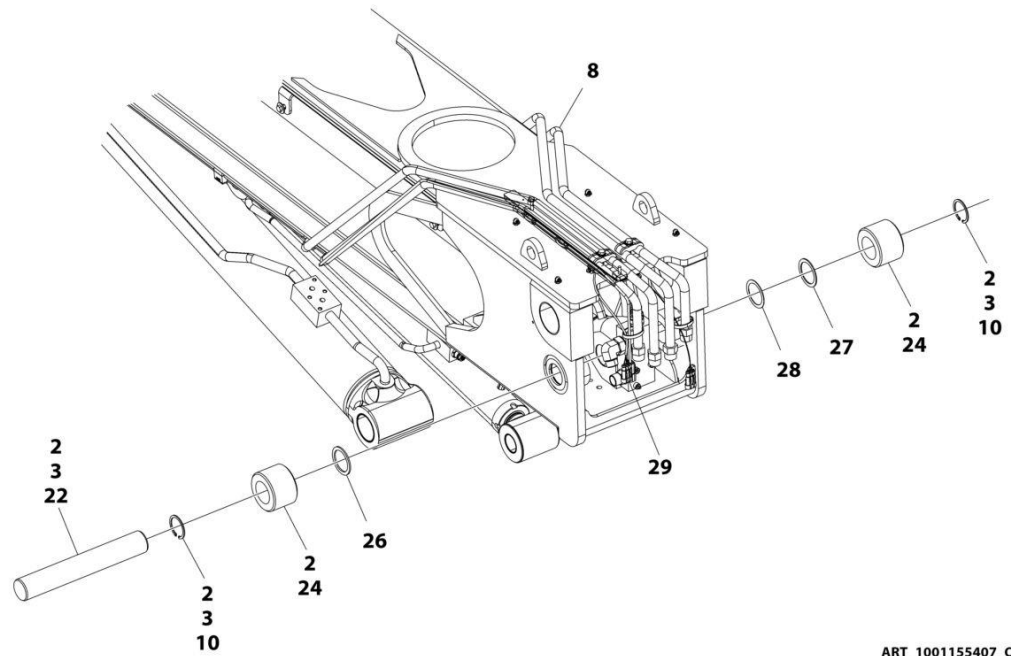
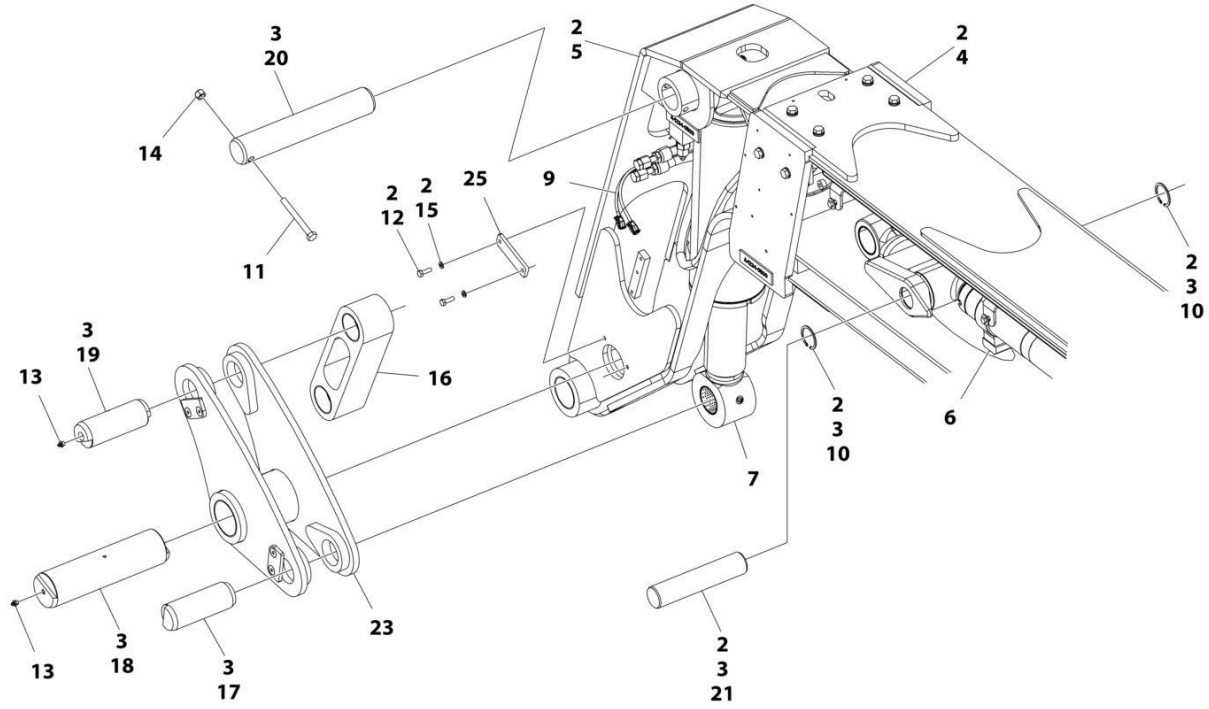
ART_1001256338-A

FIGURE 2-4. BOOM PIVOT INSTALLATION

ITEM	PART NUMBER	QTY	DESCRIPTION	REV
	1001256338	Ref	Boom Pivot Installation	A
1	0711631	1	Bolt, M16X140	
2	3291605	1	Nut, Lock M16X2	
3	1001169048	AR	Shim, 1MM	
4	1001169049	AR	Shim, 0.5MM	
5	1001175225	1	Pin	

SECTION 2 - BOOM

FIGURE 2-5. BOOM ASSEMBLY



ART_1001155407_O

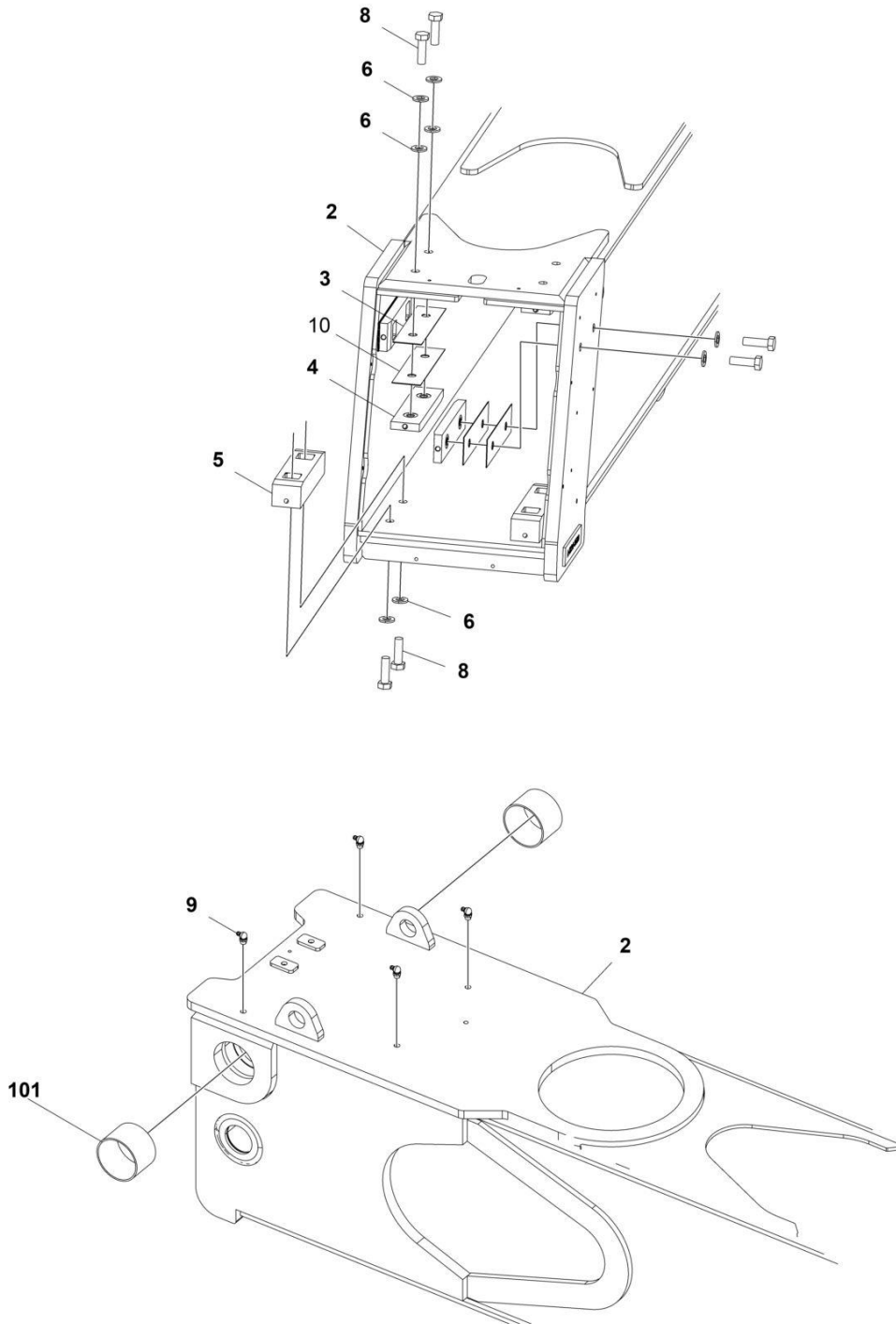
SECTION 2 - BOOM

FIGURE 2-5. BOOM ASSEMBLY

ITEM	PART NUMBER	QTY	DESCRIPTION	REV
	1001155407	Ref	BOOM ASSEMBLY	0
2	1001098457	AR	Lubricant	
3	3020040	AR	Lubricant	
4	1001153858	1	Assembly, First Boom Section (See Separate Breakdown in this Section)	
5	1001153859	1	Assembly, Second Boom Section (See Separate Breakdown in this Section)	
6	1001274912	1	Cylinder Sub-Assembly - Extend/Retract (See Separate Breakdown in HYDRAULIC COMPONENTS Section)	
7	1001276695	1	Cylinder Assembly - Tilt (See Separate Breakdown in HYDRAULIC COMPONENTS Section)	
8	1001216311	1	Installation, Boom Hydraulic (See Separate Breakdown in HYDRAULIC CIRCUITS Section)	
9	1001186169	1	Installation, Boom Harness (See Separate Breakdown in ELECTRICAL Section)	
10	314689	4	Ring, Retaining M50	
11	0711228	1	Bolt M12 x 110	
12	0760812	2	Bolt M8 x 25	
13	2160016	2	Fitting, Grease	
14	3291205	1	Nut M12	
15	4831900	2	Washer M8	
16	1001096870	1	Link Assembly	
16	1001100442	4	Bearing	
17	1001175746	1	Pin, Tilt	
18	1001175747	1	Pin, Tilt Lower	
19	1001175749	1	Pin, Tilt Link	
20	1001175896	1	Pin, Tilt	
21	1001175897	1	Pin, Telescope Cylinder	
22	1001175900	1	Pin, Telescope Cylinder	
23	1001176407	1	Lever Assembly (See Separate Breakdown in this Section)	
24	1001176691	2	Tube, Spacer	
25	1001191621	1	Plate, Pin Retainer	
26	1001155958	AR	Shim	
27	1001155959	AR	Shim	
28	1001155960	AR	Shim	
29	1001221242	1	Retract Sensor Installation (See Separate Breakdown in ELECTRICAL Section)	

SECTION 2 - BOOM

FIGURE 2-6. FIRST BOOM SECTION ASSEMBLY



ART_1001153858

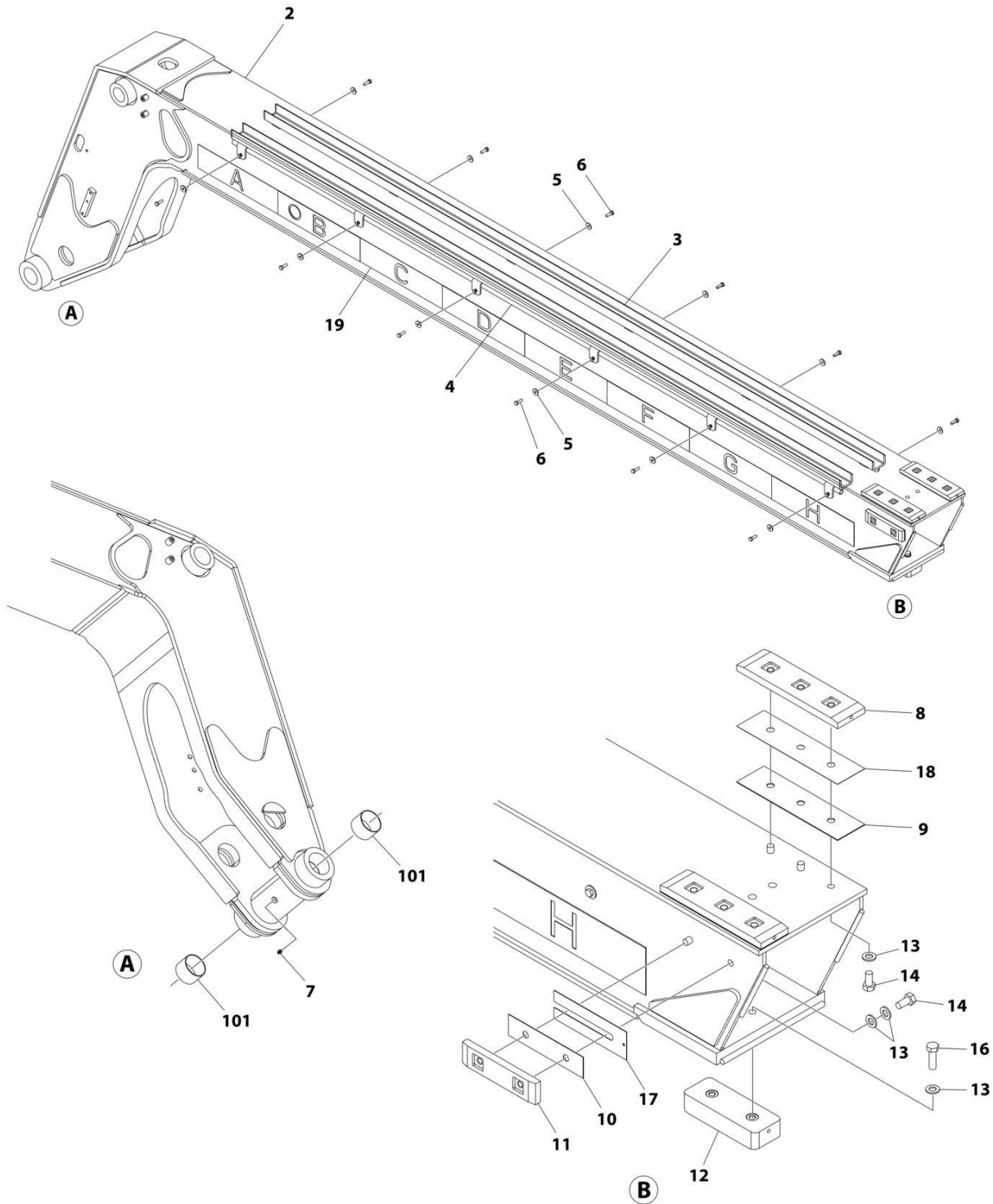
SECTION 2 - BOOM

FIGURE 2-6. FIRST BOOM SECTION ASSEMBLY

ITEM	PART NUMBER	QTY	DESCRIPTION	REV
	1001153858	Ref	FIRST BOOM SECTION ASSEMBLY	L
2	1001174804J	1	Boom, First	
3	1001147731	AR	Shim, M1	
4	1001147657	4	Pad	
5	1001175853	2	Pad	
6	1001125117	AR	Washer M12	
8	0711216	12	Bolt M12 x 40 Grade 10.9	
9	2160018	4	Fitting, Grease	
11	1001154174	AR	Shim M0.5	
12	1001163103	1	Shim	
101	1001090150	2	Bearing	

SECTION 2 - BOOM

FIGURE 2-7. SECOND BOOM SECTION ASSEMBLY



ART_1001153859_J

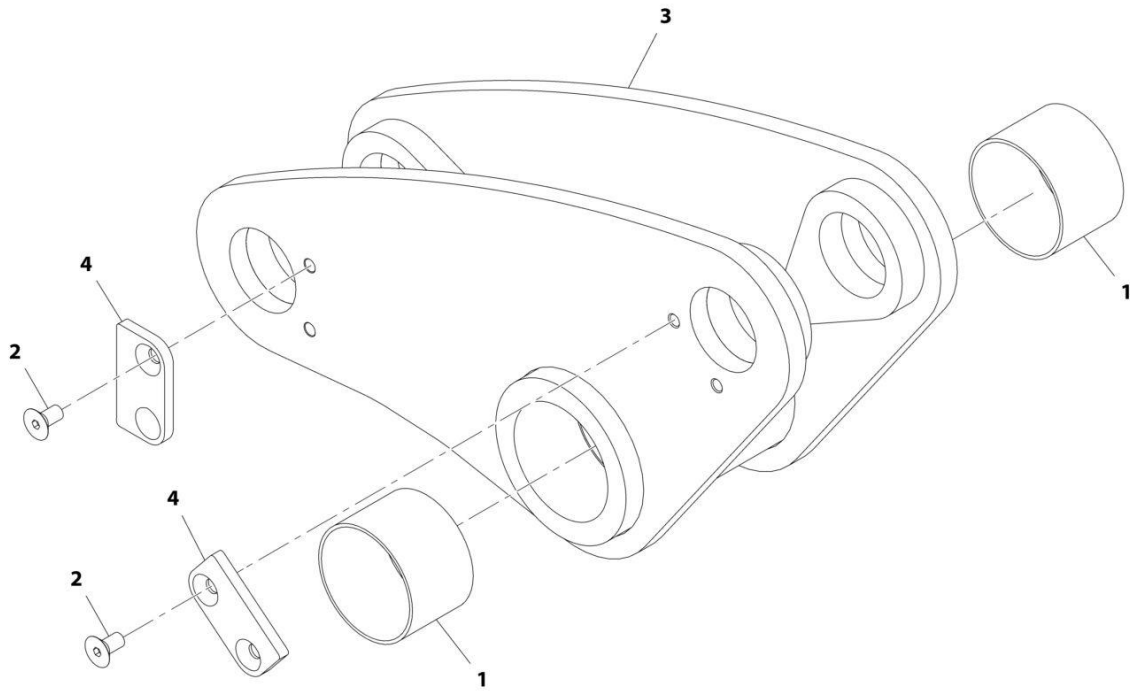
SECTION 2 - BOOM

FIGURE 2-7. SECOND BOOM SECTION ASSEMBLY

ITEM	PART NUMBER	QTY	DESCRIPTION	REV
	1001153859	Ref	SECOND BOOM SECTION ASSEMBLY	J
2	1001242220	1	Boom, Second	
3	1001174557	1	Hose	
4	1001175661	1	Hose	
5	4811902	12	Washer, M8	
6	0760812	12	Bolt M8 x 25	
7	2160016	1	Fitting, Grease	
8	1001177054	2	Pad	
9	1001177073	AR	Pad	
10	1001147731	AR	Pad	
11	1001147657	2	Pad	
12	1001175762	1	Pad	
13	1001125117	AR	Washer M12	
14	0771212	10	Bolt M12 x 25 Grade 10.9	
16	0711216	2	Bolt M12 x 40 Grade 10.9	
17	1001163103	AR	Shim	
18	1001221577	AR	Shim	
19	1001227229	1	Decal, Boom	
101	1001090150	2	Bearing	

SECTION 2 - BOOM

FIGURE 2-8. LEVER ASSEMBLY



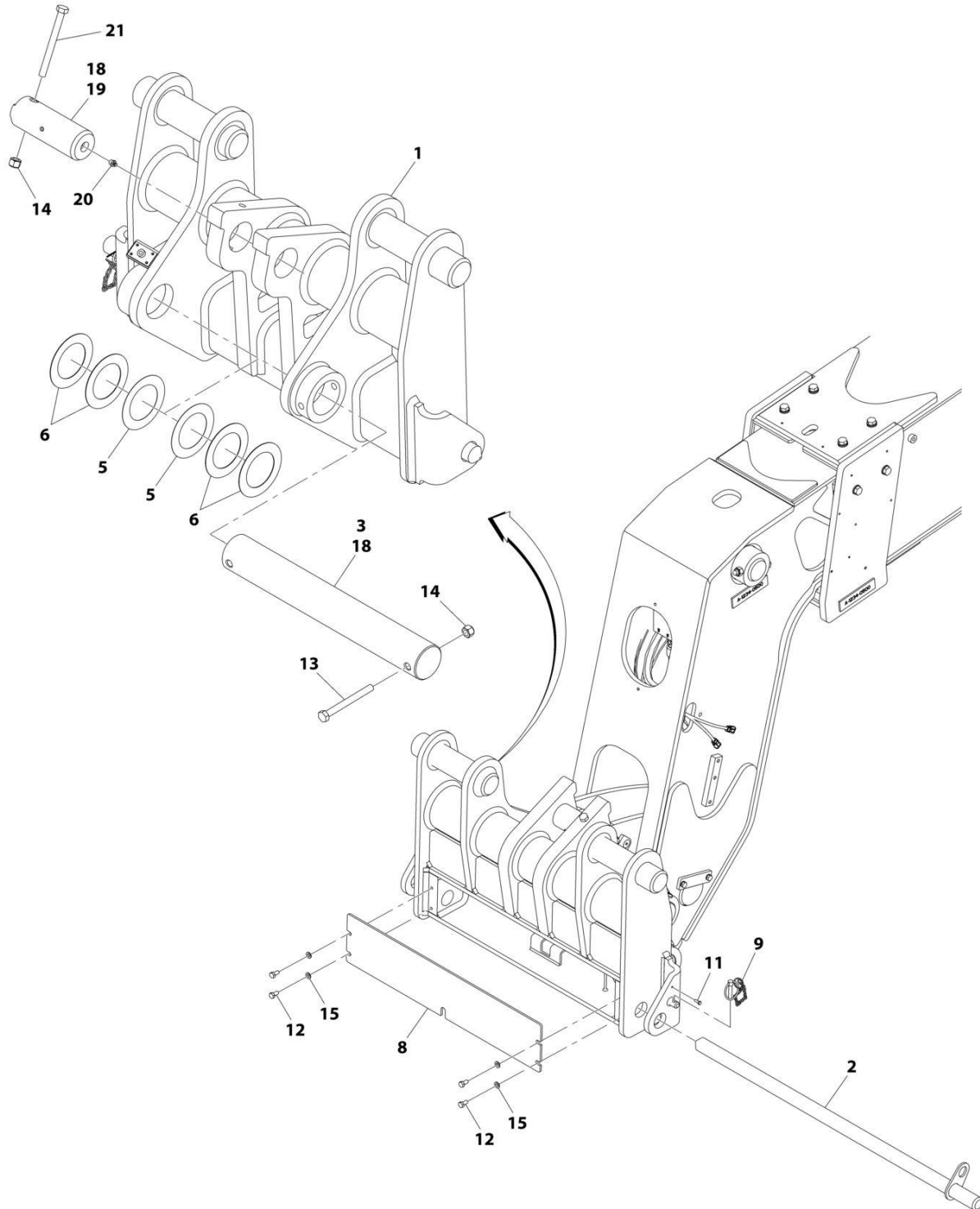
ART_1001176407-C

FIGURE 2-8. LEVER ASSEMBLY

ITEM	PART NUMBER	QTY	DESCRIPTION	REV
	1001176407	Ref	Lever Assembly	C
1	1001092298	2	Bearing	
2	1001155441	4	Screw, M10-1.5X20	
3	1001189480	1	Plate	
4	1001176882	2	Plate, Pin Retainer	

SECTION 2 - BOOM

FIGURE 2-9. COUPLER INSTALLATION - MANUAL (JLG)



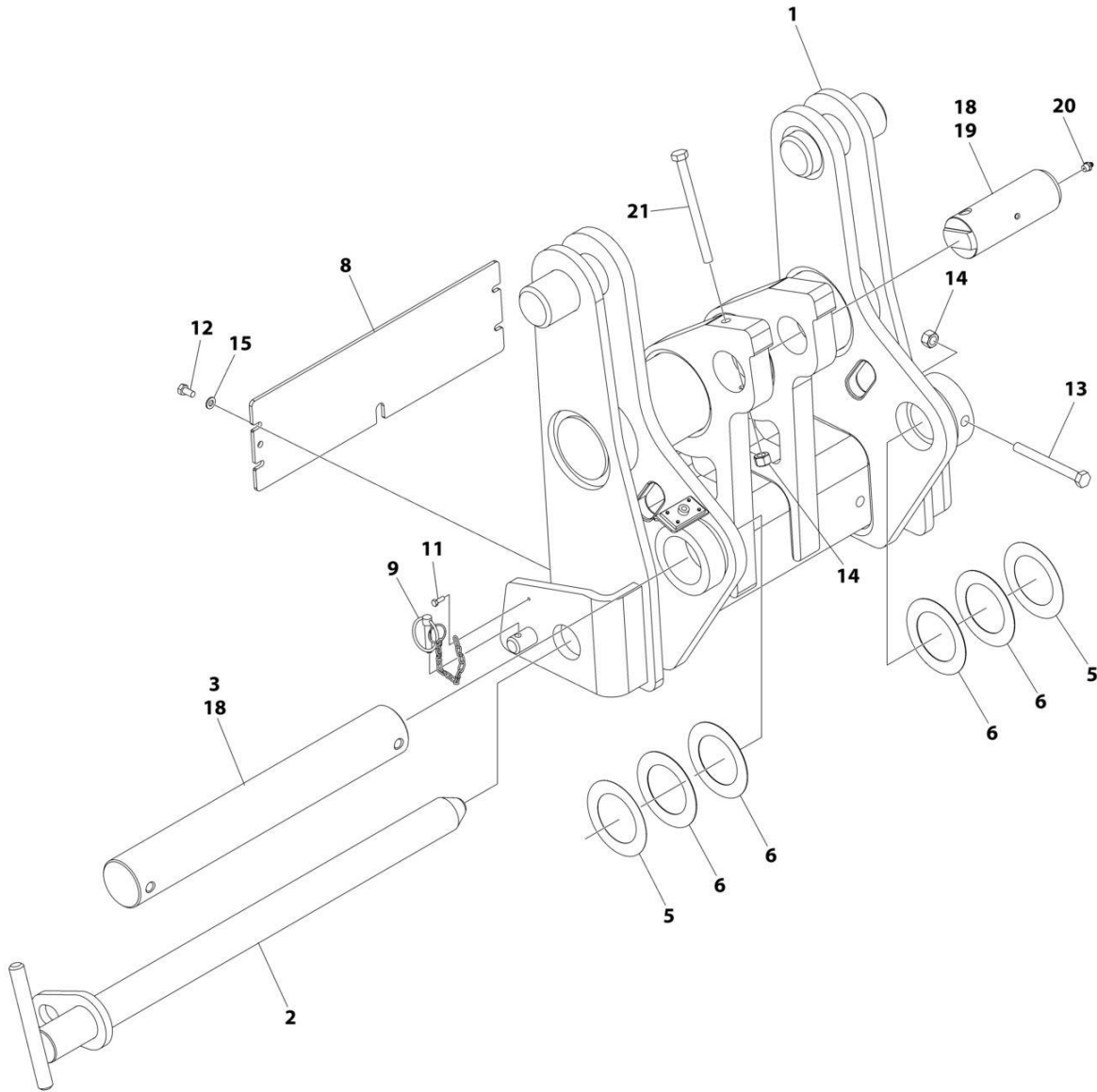
ART_1001178526-E

FIGURE 2-9. COUPLER INSTALLATION - MANUAL (JLG)

ITEM	PART NUMBER	QTY	DESCRIPTION	REV
	1001178526	Ref	Manual Quick Coupler Installation	E
1	1001189099	1	Carriage	
2	1001162636	1	Pin	
3	1001172886	1	Pin	
5	1001098146	AR	Shim, M72X110X0.5	
6	1001098147	AR	Shim, M72X110X1.0	
8	1001171390	1	Plate	
9	1001149923	1	Chain, Retaining Pin	
11	0760507	1	Bolt, M5X14	
12	0760808	4	Bolt, M8X16	
13	0701229	1	Bolt, M12X120	
14	3291205	2	Nut, Lock M12X1.75 Grade 8	
15	4811900	4	Washer, M8	
18	1001098457	AR	Lube, Lithium Grease	
19	1001197479	1	Pin	
20	2160016	1	Fitting, Grease	
21	0701232	1	Bolt, M12X150	

SECTION 2 - BOOM

FIGURE 2-10. COUPLER INSTALLATION - MANUAL (CAT)



ART_1001178527

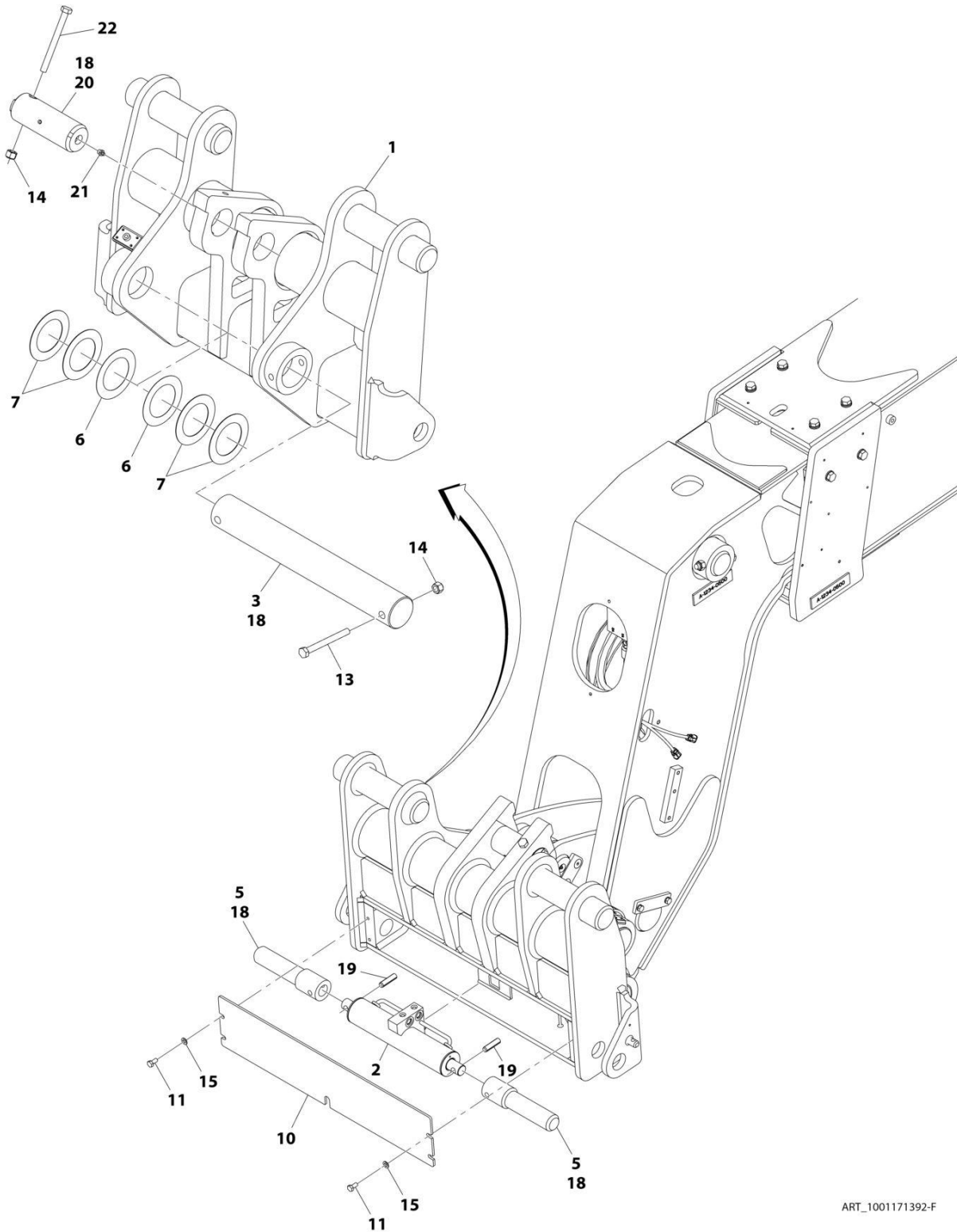
SECTION 2 - BOOM

FIGURE 2-10. COUPLER INSTALLATION - MANUAL (CAT)

ITEM	PART NUMBER	QTY	DESCRIPTION	REV
	1001178527	Ref	COUPLER ASSEMBLY - MANUAL	E
1	1001197065	1	Carriage	
2	1001183004	1	Pin	
3	1001172886	1	Pin	
5	1001098146	AR	Shim	
6	1001098147	AR	Shim	
8	1001170985	1	Plate	
9	1001149923	1	Pin, Retaining	
11	0760507	1	Bolt M5 x 14	
12	0760808	4	Bolt M8 x 16	
13	0701229	1	Bolt M12 x 120	
14	3291205	2	Nut M12	
15	4811900	4	Washer M8	
18	1001098457	AR	Grease, Lithium	
19	1001197479	1	Pin	
20	2160016	1	Fitting, Grease	
21	0701232	1	Bolt M12 x 150	

SECTION 2 - BOOM

FIGURE 2-11. COUPLER INSTALLATION - HYDRAULIC (JLG)



ART_1001171392-F

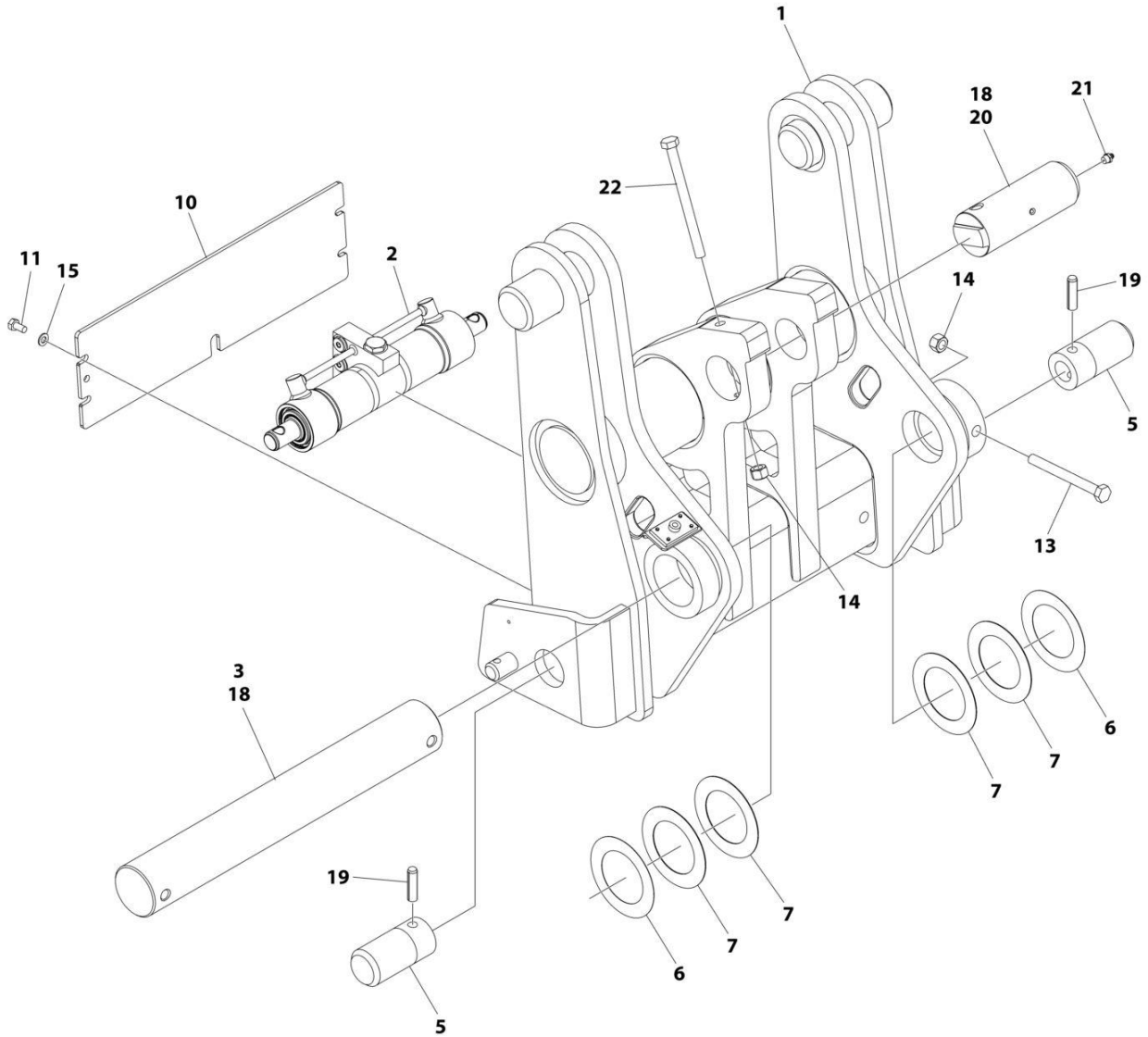
SECTION 2 - BOOM

FIGURE 2-11. COUPLER INSTALLATION - HYDRAULIC (JLG)

ITEM	PART NUMBER	QTY	DESCRIPTION	REV
	1001171392	Ref	Hydraulic Quick Coupler Installation	F
1	1001189099	1	Carriage	
2	1001114787	1	Assembly, Coupler Locking Cylinder (See Separate Breakdown in HYDRAULIC COMPONENTS Section)	
3	1001172886	1	Pin	
5	1001170984	2	Rod, Locking	
6	1001098146	AR	Shim, M72X110X0.5	
7	1001098147	AR	Shim, M72X110X1.0	
10	1001171390	1	Plate	
11	0760808	4	Bolt, M8X16	
13	0701229	1	Bolt, M12X120	
14	3291205	2	Nut, Lock M12X1.75 Grade 8	
15	4811900	4	Washer, M8	
18	1001098457	AR	Lube, Lithium Grease	
19	1001184610	2	Pin	
20	1001197479	1	Pin	
21	2160016	1	Fitting, Grease	
22	0701232	1	Bolt, M12X150	

SECTION 2 - BOOM

FIGURE 2-12. COUPLER INSTALLATION - HYDRAULIC (CAT)



ART_1001171393_F

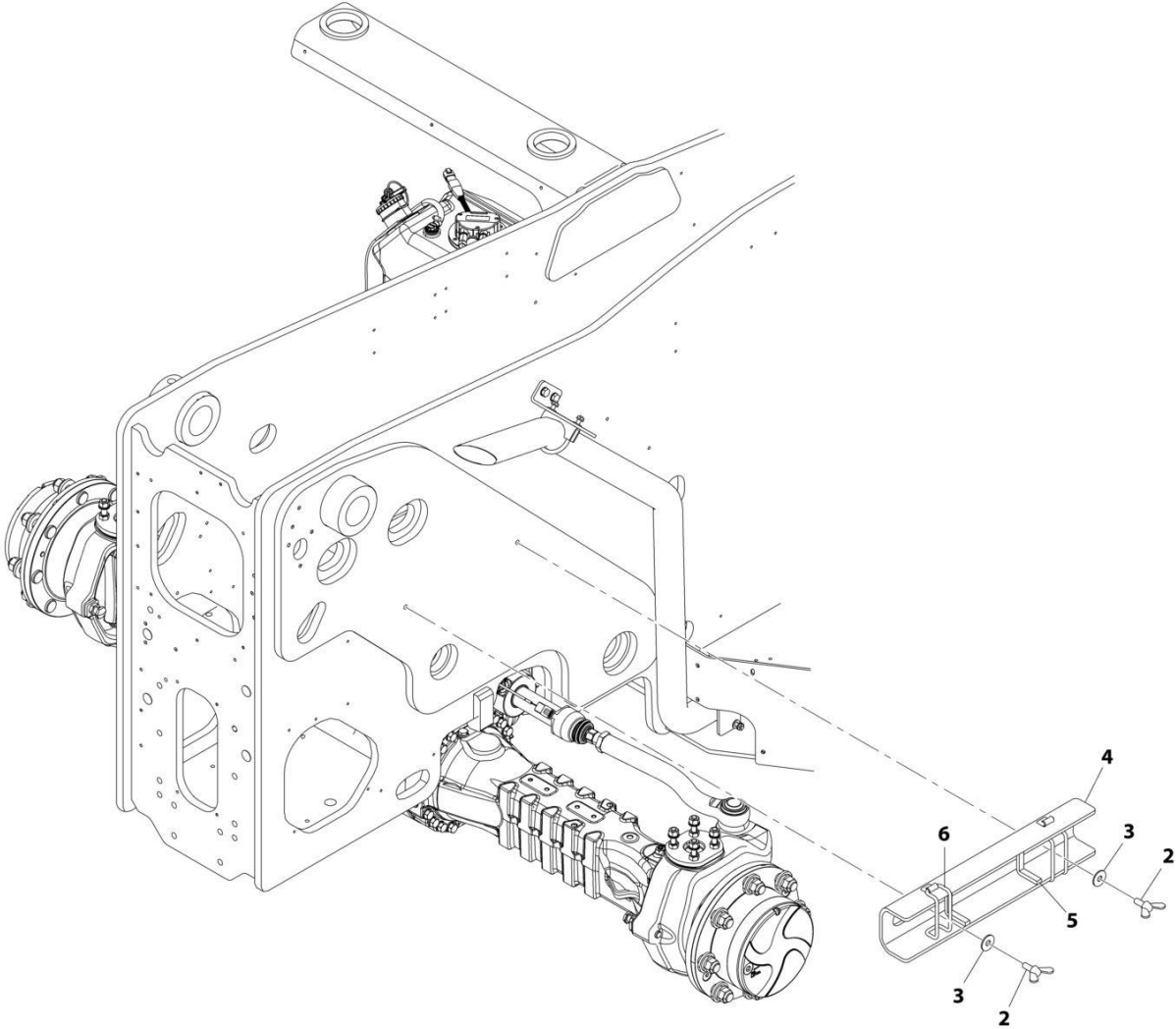
SECTION 2 - BOOM

FIGURE 2-12. COUPLER INSTALLATION - HYDRAULIC (CAT)

ITEM	PART NUMBER	QTY	DESCRIPTION	REV
	1001171393	Ref	COUPLER ASSEMBLY - HYDRAULIC	F
1	1001197065	1	Coupler	
2	1001114787	NSS	Lockout Cylinder Sub-Assembly (Purchase Individual Parts)	
2	1001267977	1	Lockout Cylinder Assembly (See Separate Breakdown in HYDRAULIC COMPONENTS Section)	
2	1001145444	1	Cartridge, Check Valve	
3	1001172886	1	Pin	
5	1001182362	2	Rod	
6	1001098146	AR	Shim	
7	1001098147	AR	Shim	
10	1001170985	1	Plate	
11	0760808	4	Bolt M8 x 16	
13	0701229	1	Bolt M12 x 120	
14	3291205	2	Nut M12	
15	4811900	4	Washer M8	
18	1001098457	AR	Grease, Lithium	
19	1001184610	2	Pin	
20	1001197479	1	Pin	
21	2160016	1	Fitting, Grease	
22	0701232	1	Bolt M12 x 150	

SECTION 2 - BOOM

FIGURE 2-13. BOOM PROP INSTALLATION



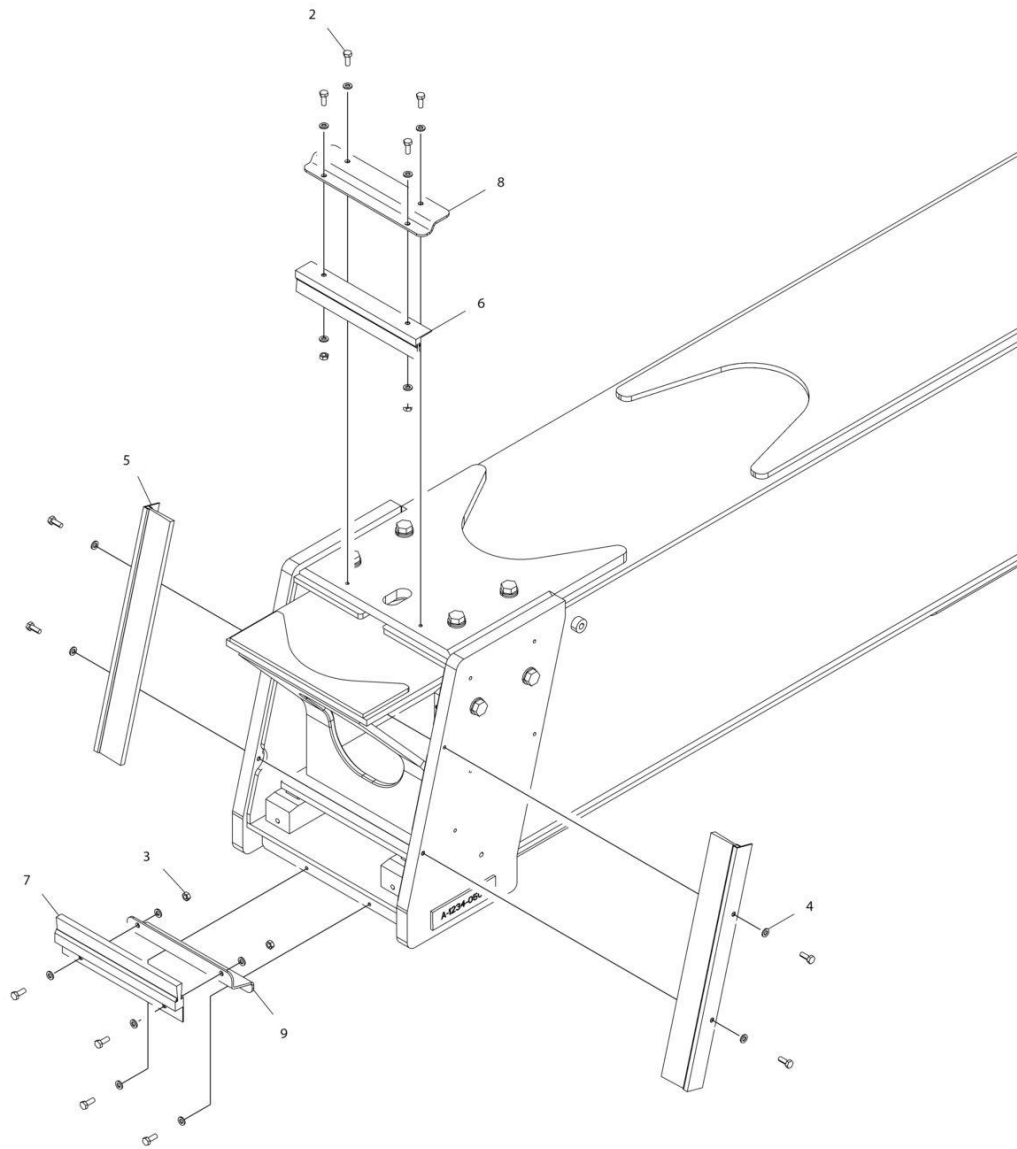
ART_1001189475-D

FIGURE 2-13. BOOM PROP INSTALLATION

ITEM	PART NUMBER	QTY	DESCRIPTION	REV
	1001189475	Ref	Boom Prop Installation	D
2	443630	2	Screw, Wing M12X30	
3	4812102	2	Washer, M12	
4	1001204535	1	Bracket, Boom Support	
5	1001189476	2	Pad	
6	1784861	2	O-Ring	

SECTION 2 - BOOM

FIGURE 2-14. BOOM BRUSHES INSTALLATION



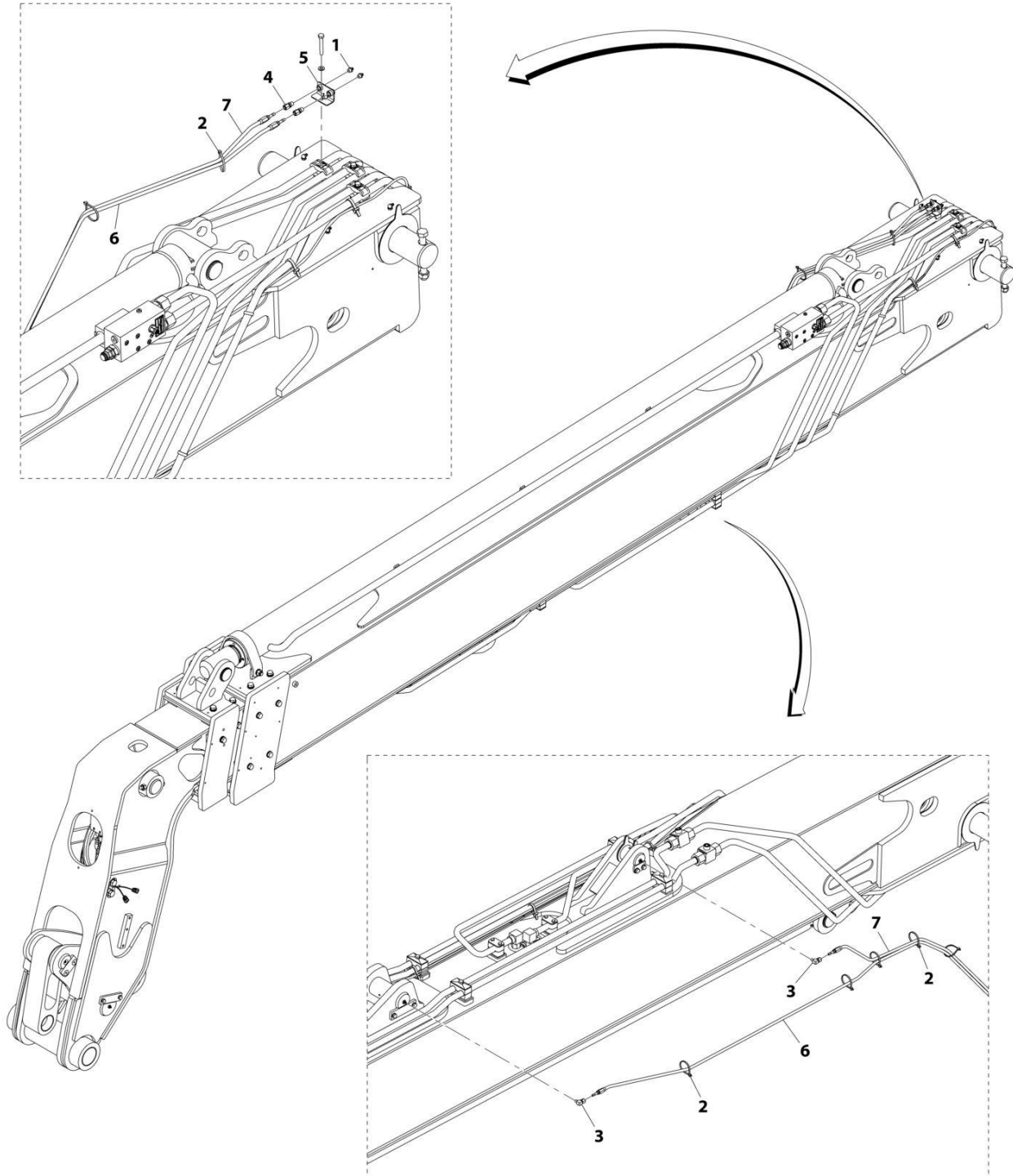
ART_1001186698

FIGURE 2-14. BOOM BRUSHES INSTALLATION

ITEM	PART NUMBER	QTY	DESCRIPTION	REV
	1001186698	Ref	BOOM BRUSHES INSTALLATION	E
2	0760608	12	Bolt M6 x 16	
3	3290601	4	Nut M6 x 1	
4	4811700	16	Washer M6	
5	1001184423	2	Seal	
6	1001184425	1	Seal	
7	1001184426	1	Seal	
8	1001214297	1	Bracket	
9	1001214312	1	Bracket	

SECTION 2 - BOOM

FIGURE 2-15. REMOTE GREASE SYSTEM INSTALLATION



ART_1001210417-B

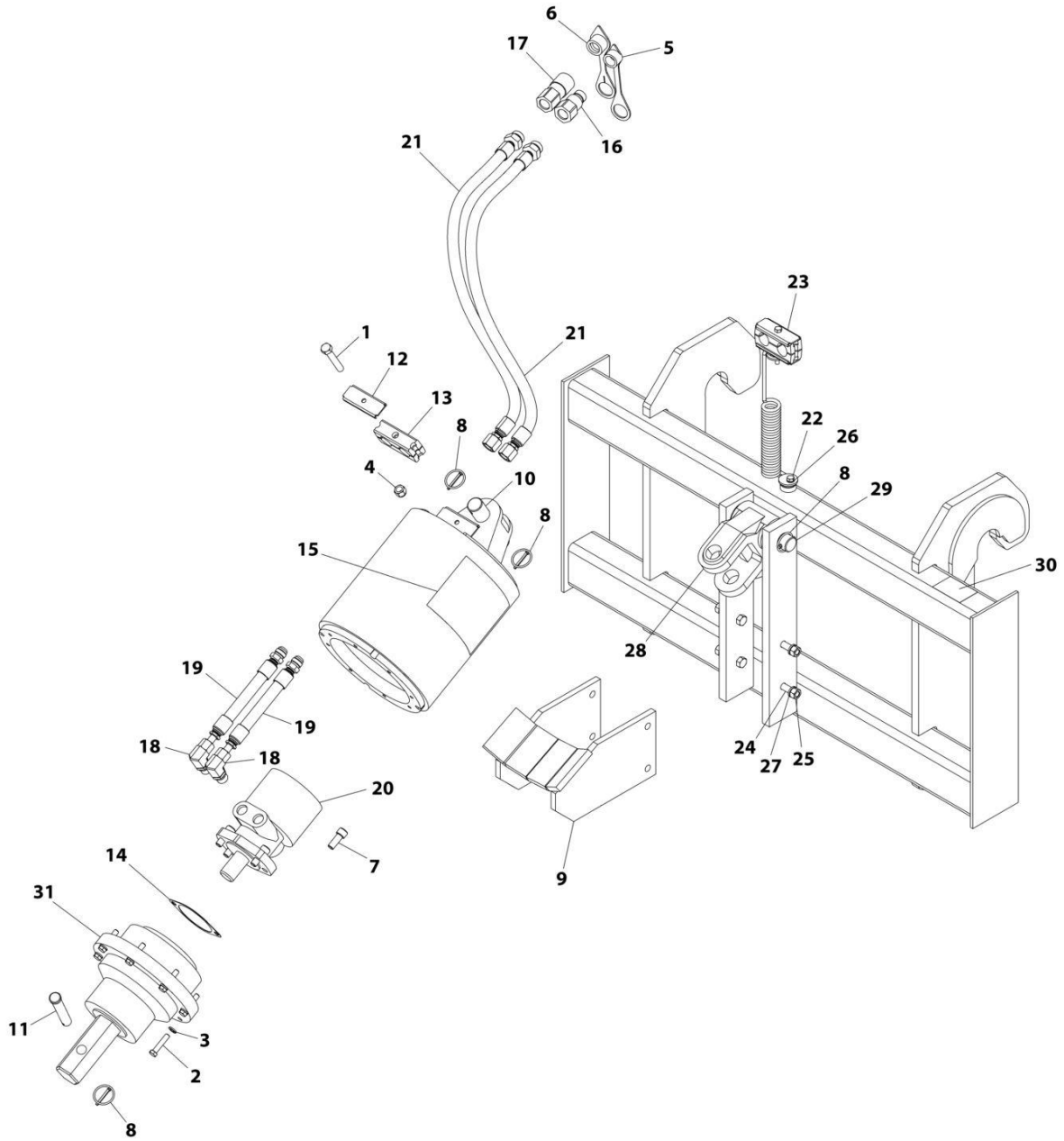
FIGURE 2-15. REMOTE GREASE SYSTEM INSTALLATION

ITEM	PART NUMBER	QTY	DESCRIPTION	REV
	1001210417	Ref	REMOTE GREASE SYSTEM INSTALLATION	D
1	2160016	1	Fitting, Grease	
2	1001008559	7	Strap, Cable	
3	1001164053	2	Adapter, 90 Grease	
4	1001101563	2	Adapter, Straight Grease	
5	1001227653	1	Bracket	
6	1001210431	1	Hose, Grease	
7	1001210432	1	Hose, Grease	

SECTION 3 - ATTACHMENTS

SECTION 3 - ATTACHMENTS

FIGURE 3-1. AUGER COUPLING



ART_1001206173-B

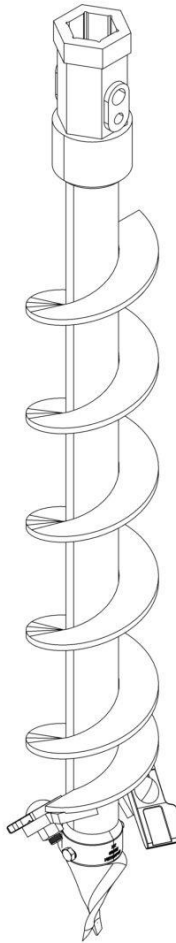
SECTION 3 - ATTACHMENTS

FIGURE 3-1. AUGER COUPLING

ITEM	PART NUMBER	QTY	DESCRIPTION	REV
	1001206173	1	Auger (Coupler Mounted)	E
1	90554070	1	Bolt	
2	70027774	8	Bolt	
3	90554042	8	Washer, Lock	
4	70027775	1	Nut, Lock	
5	1001093826	1	Cap, Male Dust	
6	1001093827	1	Cap, Female Dust	
7	70027776	4	Bolt	
8	70027777	5	Pin	
9	70027778	1	Bracket, Cradle	
10	70027781	1	Pin	
11	70027782	1	Pin	
12	70027783	1	Plate, Hose Cushion	
13	70027784	1	Block, Hose Cushion	
14	70027785	1	Gasket, Motor	
15	70027787	2	Decal, Danger	
16	1001101041	1	Coupler, Male Hydraulic	
17	1001101042	1	Coupler, Female Hydraulic	
18	70027788	2	Fitting	
19	70027789	2	Hose	
20	70027791	1	Motor	
21	70027794	2	Hose	
22	70027773	1	Bolt	
23	70027792	1	Clamp, Hose	
24	90554019	4	Bolt	
25	90554054	4	Nut	
26	90554067	1	Washer, Lock	
27	90554020	4	Washer, Lock	
28	70027779	1	Swivel	
29	70027780	1	Pin	
30	70027786	1	Decal, Warning	
31	70027793	1	Gearbox, Planetary	
101	N.S.S.	1	Plate, Serial Number	

SECTION 3 - ATTACHMENTS

FIGURE 3-2. AUGER BIT (6INX4IN)



ART_1001204128-B

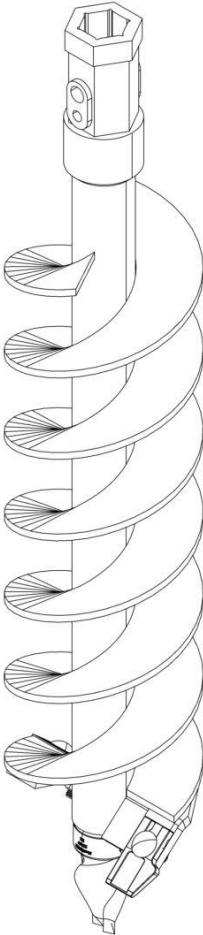
SECTION 3 - ATTACHMENTS

FIGURE 3-2. AUGER BIT (6INX4IN)

ITEM	PART NUMBER	QTY	DESCRIPTION	REV
	1001204128	Ref	Auger Bit (6INX4IN)	B

SECTION 3 - ATTACHMENTS

FIGURE 3-3. AUGER BIT (9INX4IN)



ART_1001204129-B

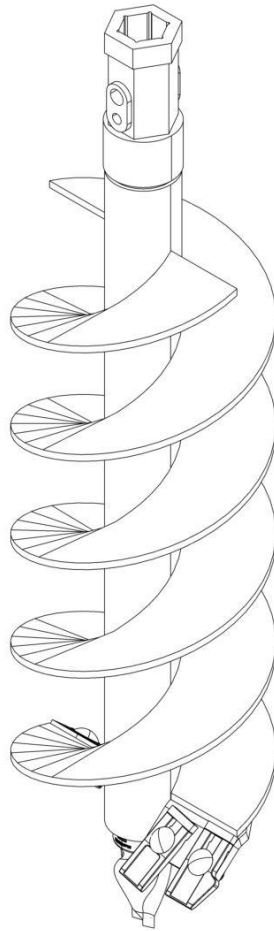
SECTION 3 - ATTACHMENTS

FIGURE 3-3. AUGER BIT (9INX4IN)

ITEM	PART NUMBER	QTY	DESCRIPTION	REV
	1001204129	Ref	Auger Bit (9INX4IN)	B

SECTION 3 - ATTACHMENTS

FIGURE 3-4. AUGER BIT (12INX4IN)



ART_1001204130-B

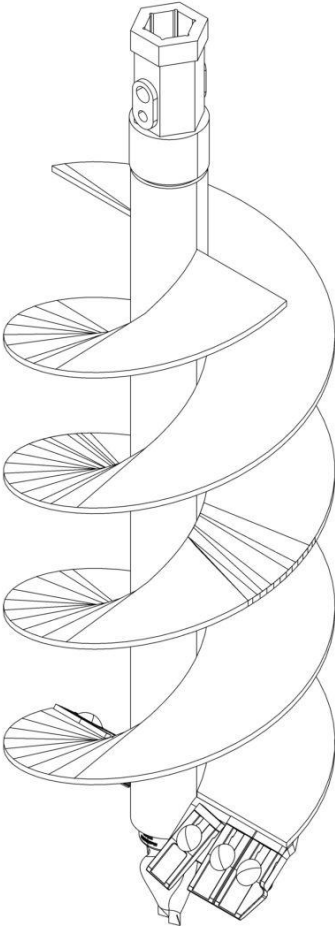
SECTION 3 - ATTACHMENTS

FIGURE 3-4. AUGER BIT (12INX4IN)

ITEM	PART NUMBER	QTY	DESCRIPTION	REV
	1001204130	Ref	Auger Bit (12INX4IN)	B

SECTION 3 - ATTACHMENTS

FIGURE 3-5. AUGER BIT (15INX4IN)



ART_1001204131-B

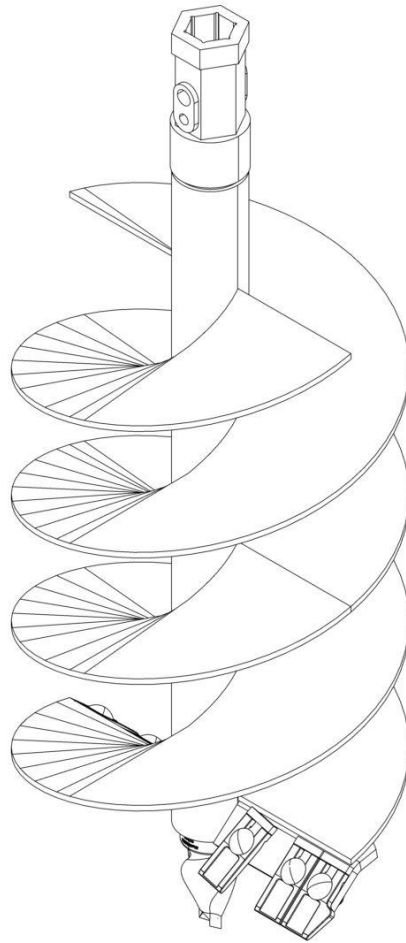
SECTION 3 - ATTACHMENTS

FIGURE 3-5. AUGER BIT (15INX4IN)

ITEM	PART NUMBER	QTY	DESCRIPTION	REV
	1001204131	Ref	Auger Bit (15INX4IN)	B

SECTION 3 - ATTACHMENTS

FIGURE 3-6. AUGER BIT (18INX4IN)



ART_1001204132-B

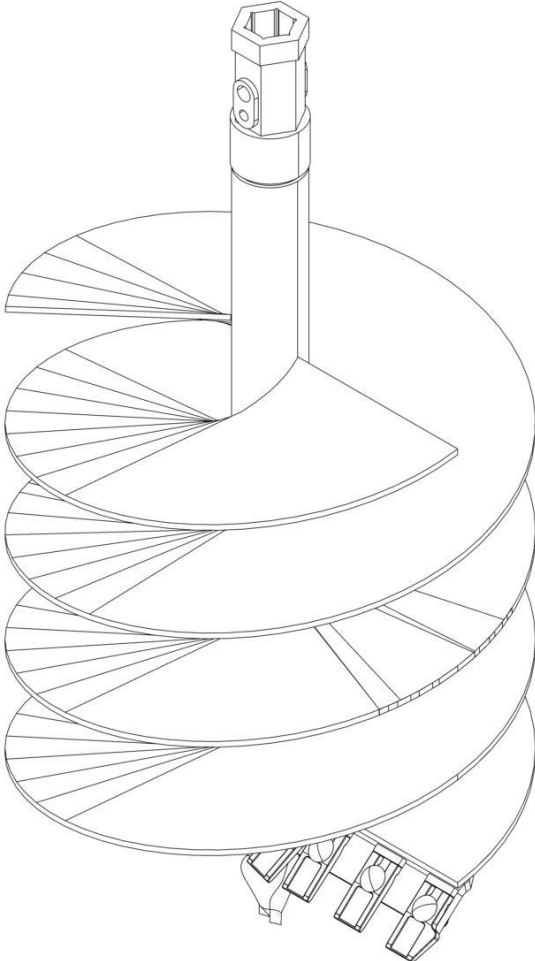
SECTION 3 - ATTACHMENTS

FIGURE 3-6. AUGER BIT (18INX4IN)

ITEM	PART NUMBER	QTY	DESCRIPTION	REV
	1001204132	Ref	Auger Bit (18INX4IN)	B

SECTION 3 - ATTACHMENTS

FIGURE 3-7. AUGER BIT (24INX4IN)



ART_1001204133-B

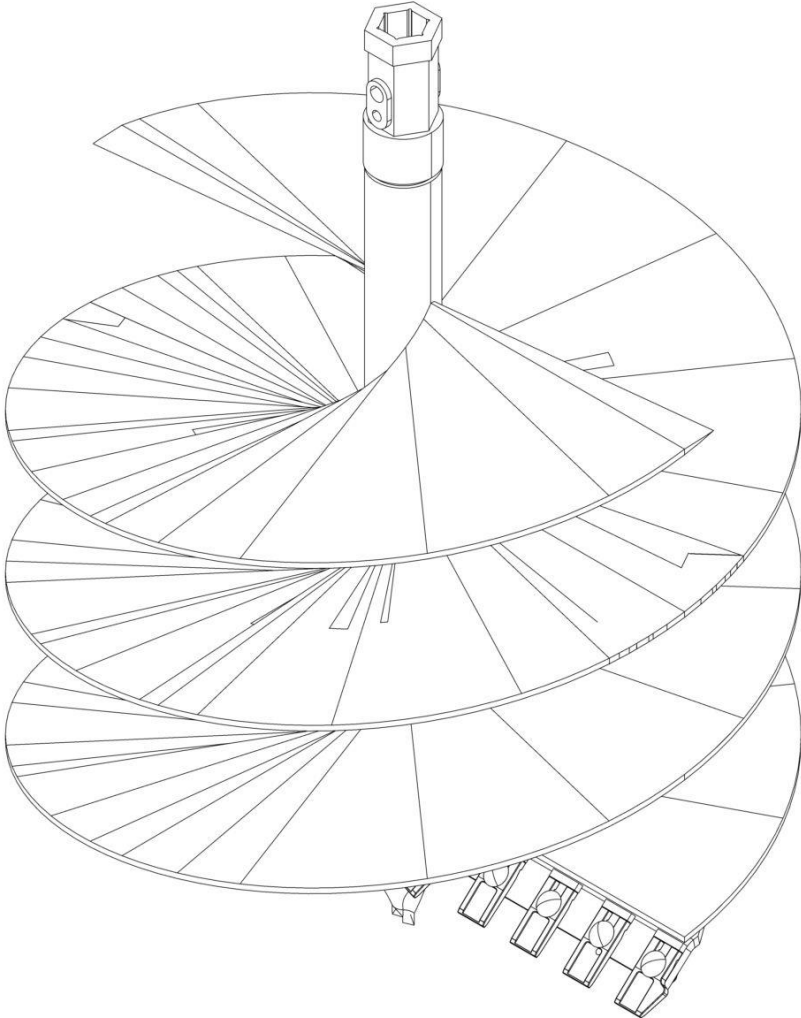
SECTION 3 - ATTACHMENTS

FIGURE 3-7. AUGER BIT (24INX4IN)

ITEM	PART NUMBER	QTY	DESCRIPTION	REV
	1001204133	Ref	Auger Bit (24INX4IN)	B

SECTION 3 - ATTACHMENTS

FIGURE 3-8. AUGER BIT (36INX4IN)



ART_1001204134-B

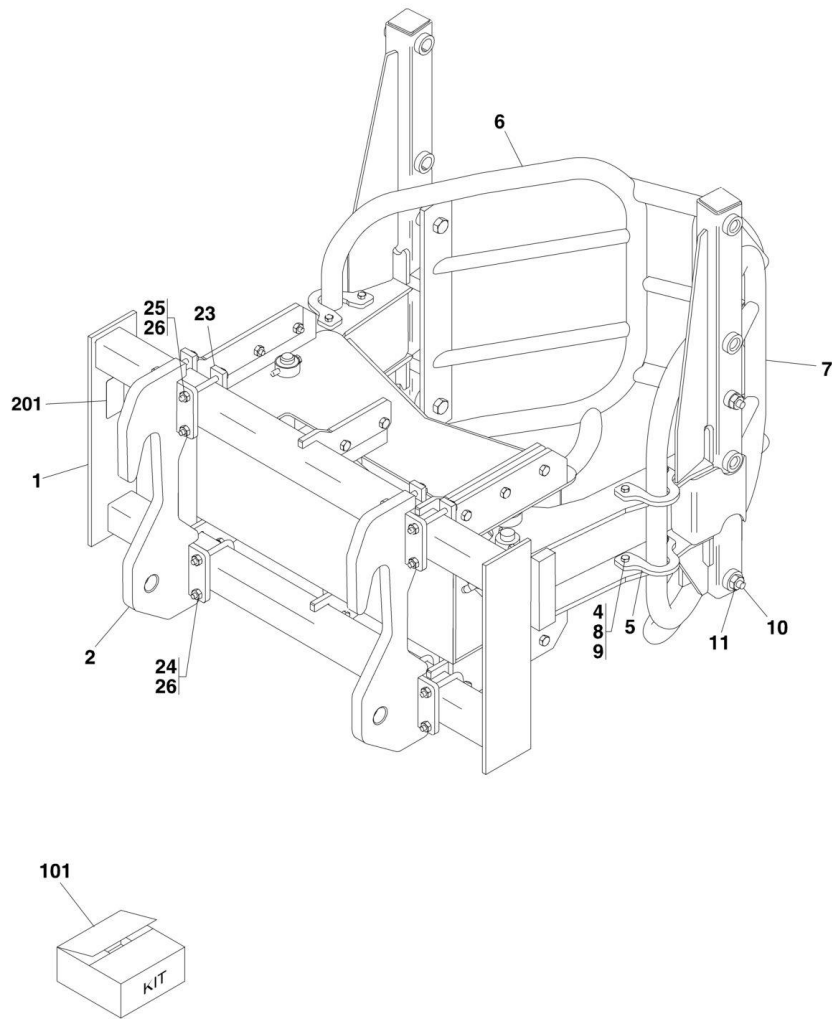
SECTION 3 - ATTACHMENTS

FIGURE 3-8. AUGER BIT (36INX4IN)

ITEM	PART NUMBER	QTY	DESCRIPTION	REV
	1001204134	Ref	Auger Bit (36INX4IN)	B

SECTION 3 - ATTACHMENTS

FIGURE 3-9. BALE HANDLER (TUBE CLAMP)



ART_0240117-E

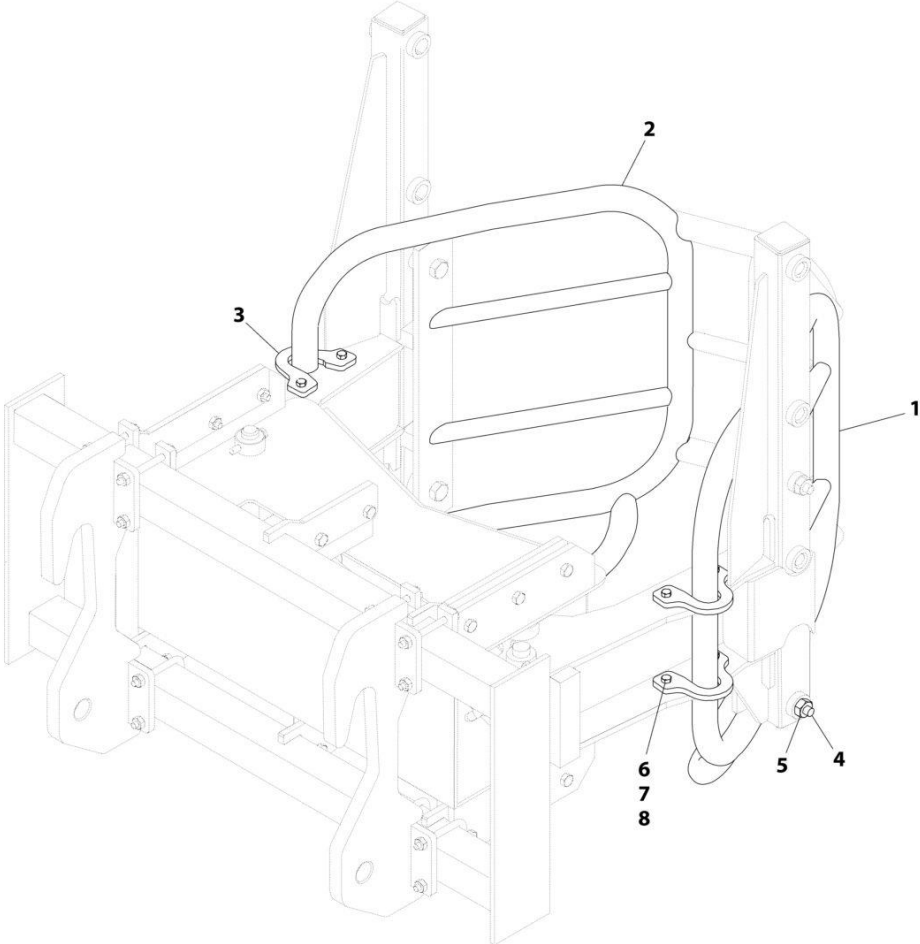
SECTION 3 - ATTACHMENTS

FIGURE 3-9. BALE HANDLER (TUBE CLAMP)

ITEM	PART NUMBER	QTY	DESCRIPTION	REV
	0240117	1	Bale Handler (Tube Clamp)	E
1	N.S.S.	1	Weldment	
2	7029344	1	Weldment, Attach (includes items 23 thru 26)	
4	7029345	8	Bolt, M12X45	
5	7029346	4	Strap	
6	7029347	1	Arm, Left Tube	
7	7029348	1	Arm, Right Tube	
8	7029349	8	Washer, M12	
9	7029350	8	Locknut, M12X8	
10	7029351	4	Bolt, M22X180	
11	7029352	4	Locknut, M22X8	
23	7029353	4	Plate	
24	7029354	4	U-Bolt	
25	7029355	8	Bolt, M16X130	
26	7029356	16	Locknut, M16X8	
101	2902440	1	Kit, Bale Handler (Spikes to Tube) (CE & AUS) (includes items 4 thru 11) (See Separate Breakdown in this Section)	
201	N.S.S.	AR	SN Plate	

SECTION 3 - ATTACHMENTS

FIGURE 3-10. BALE HANDLER KIT (TUBE CLAMP)



ART_2902440-A

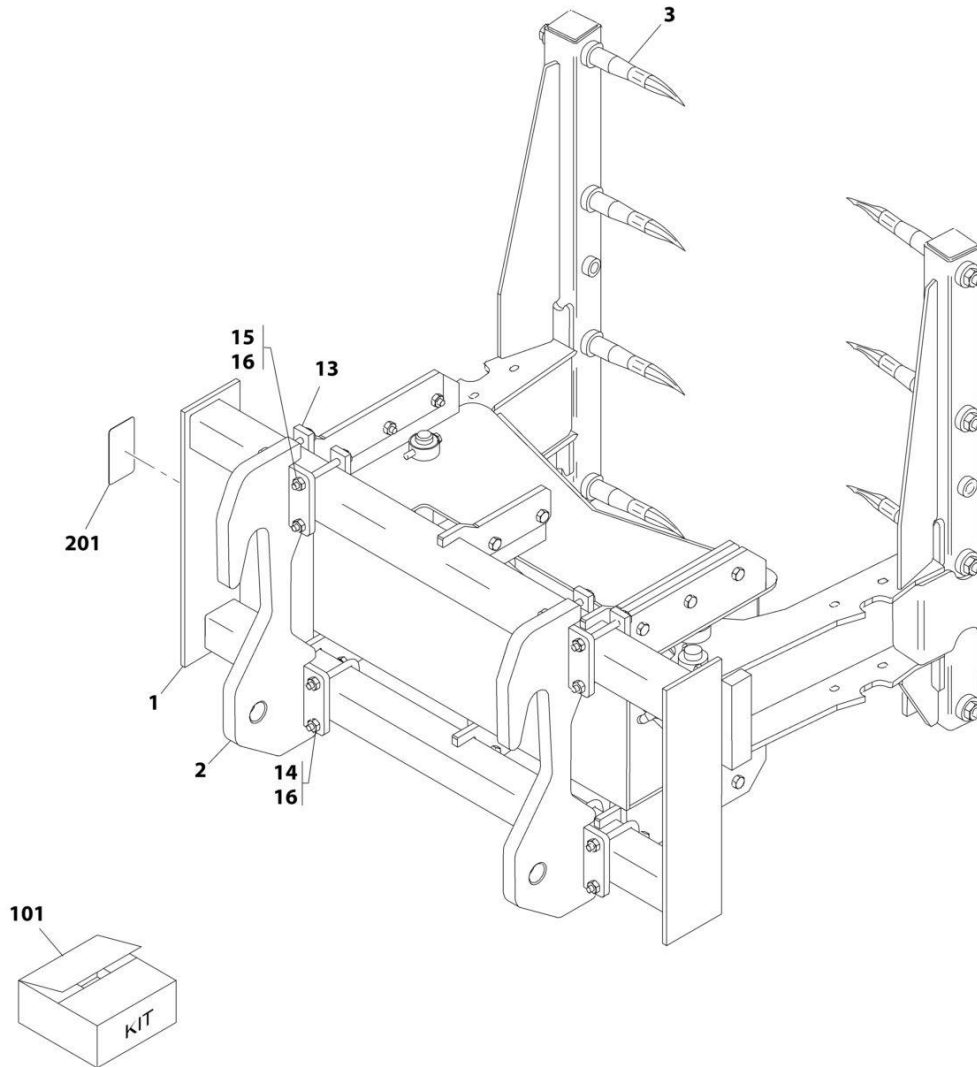
SECTION 3 - ATTACHMENTS

FIGURE 3-10. BALE HANDLER KIT (TUBE CLAMP)

ITEM	PART NUMBER	QTY	DESCRIPTION	REV
	2902440	Ref	Bale Handler Kit (Spikes to Tube)	A
1	7029348	1	Bent Arm, Right	
2	7029347	1	Bent Arm, Left	
3	7029346	4	Strap	
4	7029351	4	Bolt, M22X180-8.8	
5	7029352	4	Locknut, M22-8	
6	7029345	8	Bolt, M12X45-8.8	
7	7029350	8	Locknut, M12-8	
8	7029349	8	Washer, M12	

SECTION 3 - ATTACHMENTS

FIGURE 3-11. BALE HANDLER (SPIKE CLAMP)



ART_0240118-E

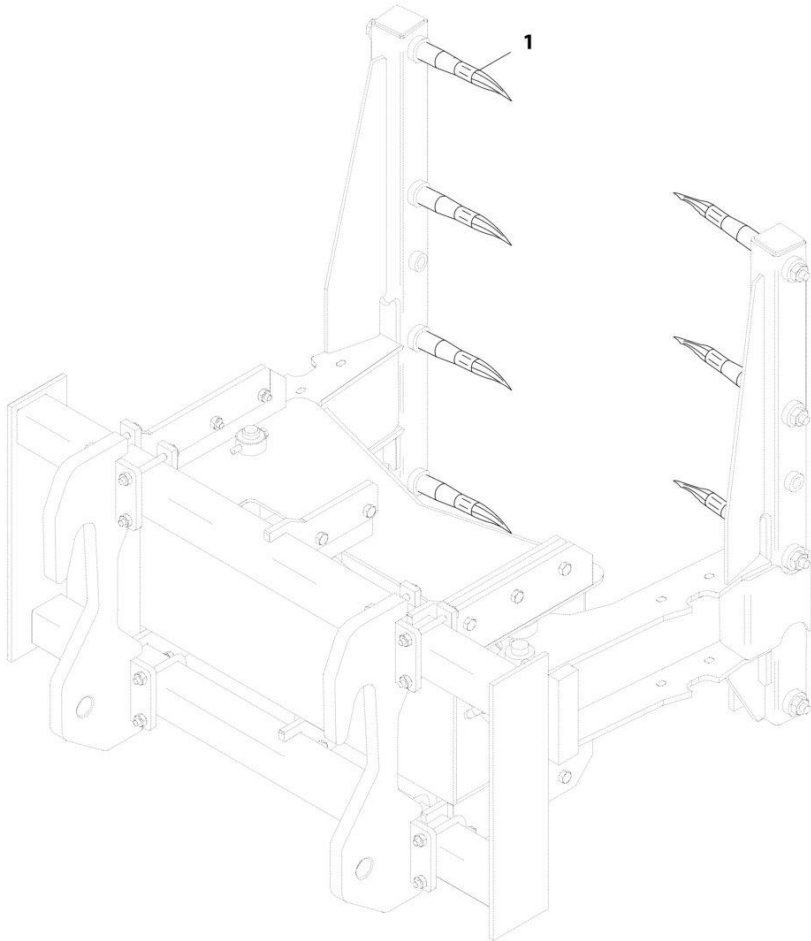
SECTION 3 - ATTACHMENTS

FIGURE 3-11. BALE HANDLER (SPIKE CLAMP)

ITEM	PART NUMBER	QTY	DESCRIPTION	REV
	0240118	1	Bale Handler (Spike Clamp)	E
1	N.S.S.	1	Weldment	
2	7029344	1	Weldment, Attach (includes items 13 thru 16)	
3	7029357	8	Spike	
13	7029353	4	Plate	
14	7029354	4	U-Bolt	
15	7029355	8	Bolt, M16X130	
16	7029356	16	Locknut, M16X8	
101	2902441	1	Kit, Bale Handler Kit (Spikes) (CE & AUS) (includes item 3) (See Separate Breakdown in this Section)	
201	N.S.S.	AR	SN Plate	

SECTION 3 - ATTACHMENTS

FIGURE 3-12. BALE HANDLER KIT (SPIKE CLAMP)



ART_2902441-A

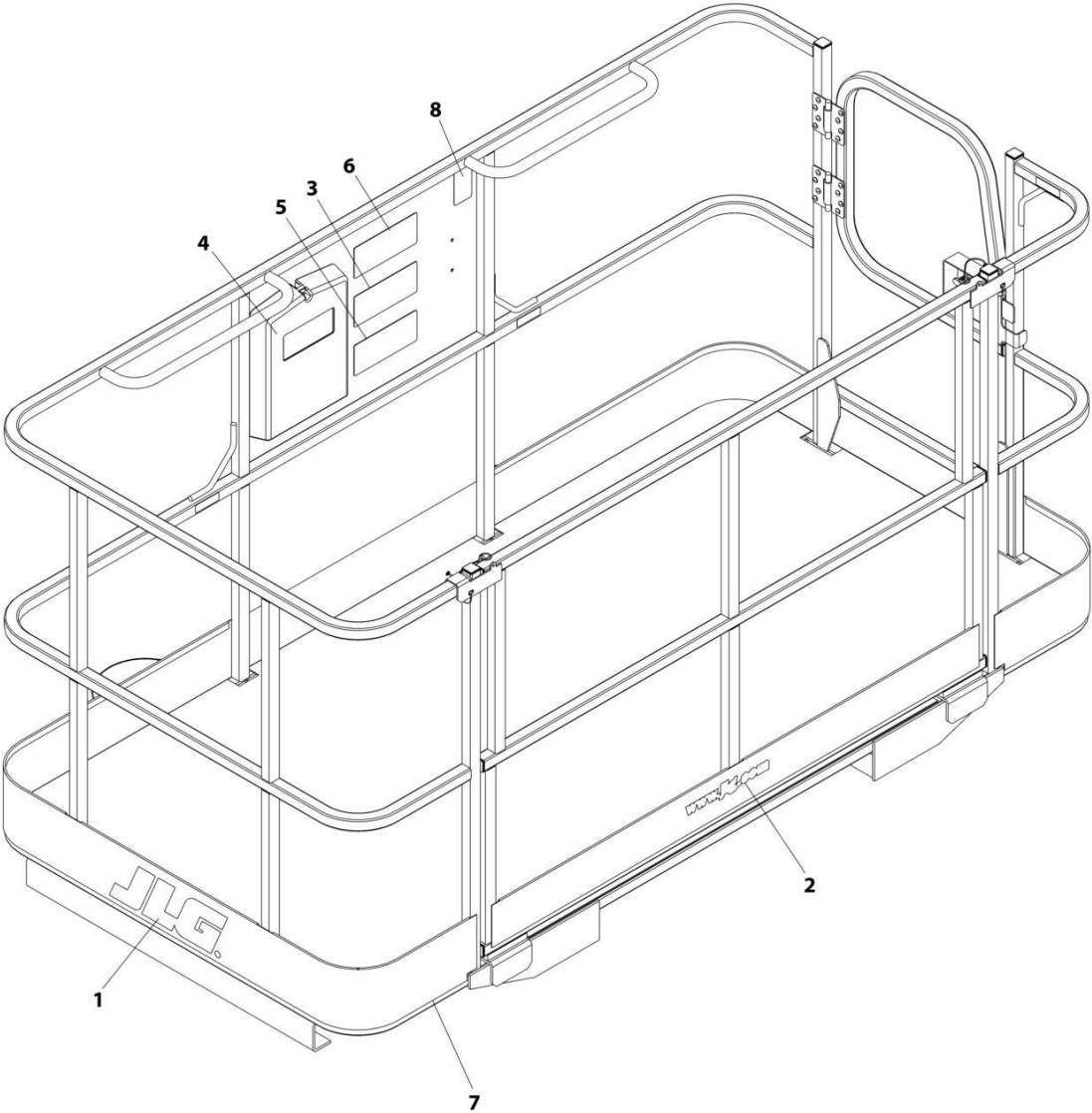
SECTION 3 - ATTACHMENTS

FIGURE 3-12. BALE HANDLER KIT (SPIKE CLAMP)

ITEM	PART NUMBER	QTY	DESCRIPTION	REV
1	2902441 Kit	1 1	Bale Handler Kit (Spikes) Kit	A

SECTION 3 - ATTACHMENTS

FIGURE 3-13. BASKET - FORK MOUNTED (1.2MX2.4M) (DOMESTIC DECALS)



ART_1001238653-A

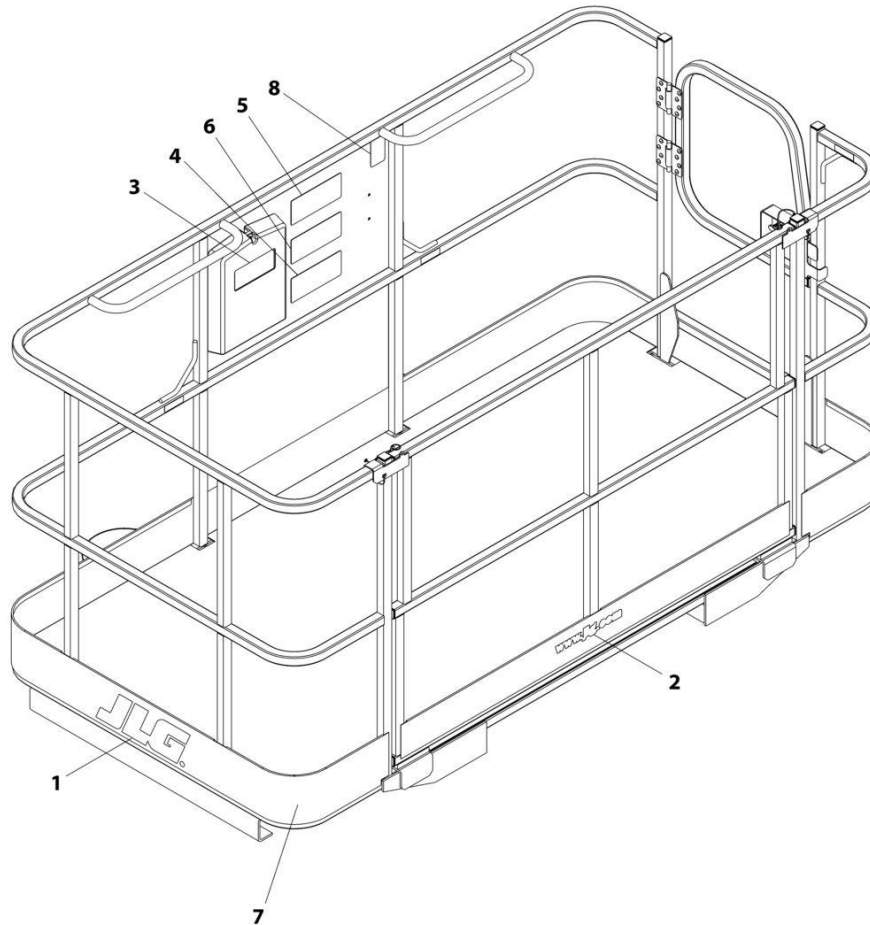
SECTION 3 - ATTACHMENTS

FIGURE 3-13. BASKET - FORK MOUNTED (1.2MX2.4M) (DOMESTIC DECALS)

ITEM	PART NUMBER	QTY	DESCRIPTION	REV
	1001238653	Ref	FORK MOUNTED PLATFORM	B
1	1702773	2	Decal, JLG	
2	1704885	1	Decal, Website	
3	1706892	1	Decal, Platform Warning	
4	31200160	1	Manual, Personnel Work Platform Operation and Safety	
5	1001092481	1	Decal, Warning Attachment	
6	1001092482	1	Decal, Platform Capacity	
7	1001238565	1	Platform, Fork Mounted (See Separate Breakdown in this Section)	
8	See Note	NSS	SN Plate (Note: Stamped Part - Not Available for Purchase)	

SECTION 3 - ATTACHMENTS

FIGURE 3-14. BASKET - FORK MOUNTED (1.2MX2.4M) (FRENCH LANGUAGE DECALS)



ART_1001238655-A

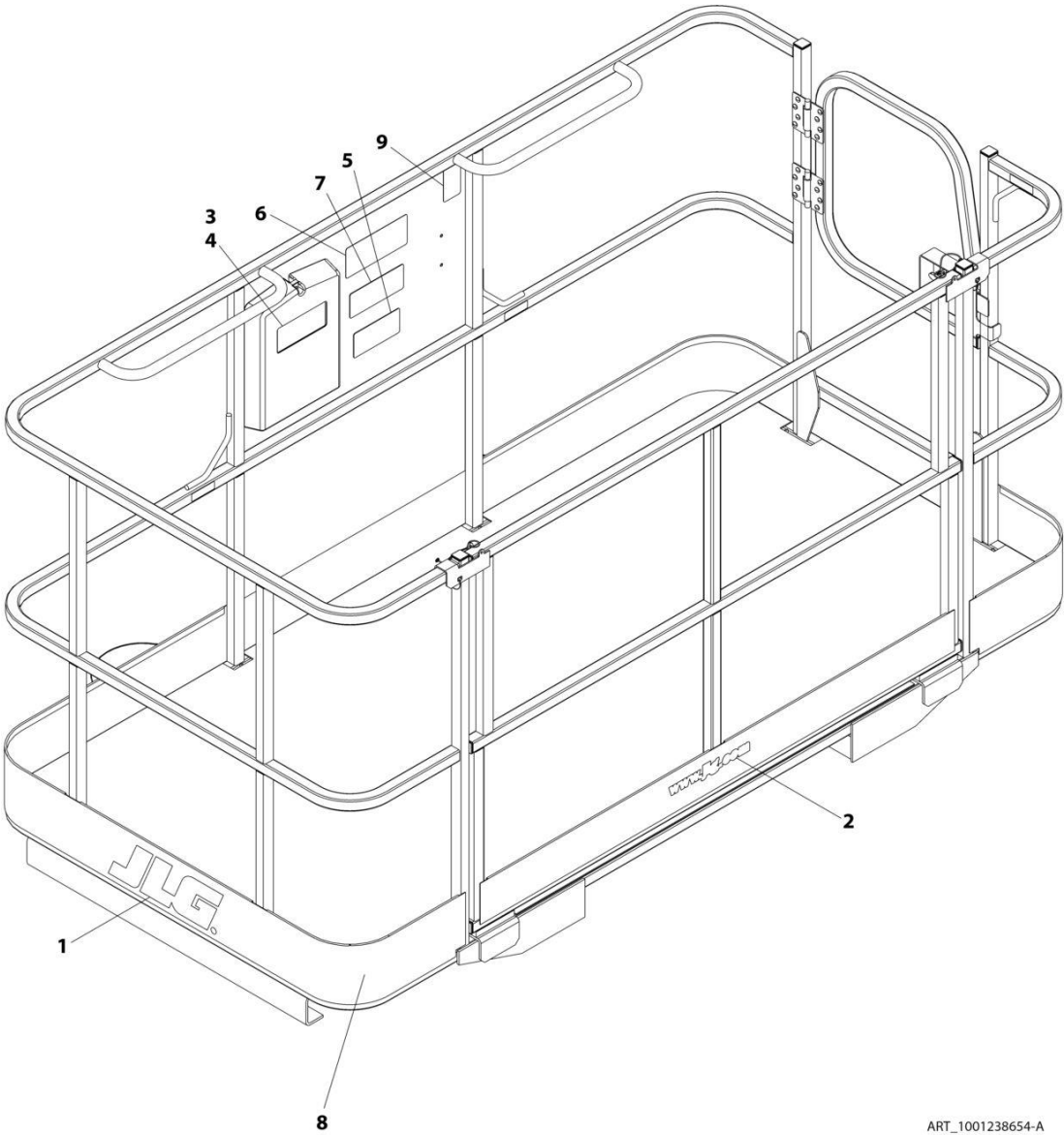
SECTION 3 - ATTACHMENTS

FIGURE 3-14. BASKET - FORK MOUNTED (1.2MX2.4M) (FRENCH LANGUAGE DECALS)

ITEM	PART NUMBER	QTY	DESCRIPTION	REV
	1001238655	Ref	BASKET, PERSONNEL	B
1	1702773	2	Decal, JLG	
2	1704885	1	Decal, Website	
3	31200386	1	Manual, Operation and Safety (French)	
4	1001096019	1	Decal, Warning Attachment (French)	
5	1001096020	1	Decal, Platform Capacity (French)	
6	1001096024	1	Decal, Platform Warning (French)	
7	1001238565	1	Platform, Fork Mounted (ANSI) (See Separate Breakdown in this Section)	
8	See Note	NSS	SN Plate (Note: Stamped Part - Not Available for Purchase)	

SECTION 3 - ATTACHMENTS

FIGURE 3-15. BASKET - FORK MOUNTED (1.2MX2.4M) (ISO DECALS)



ART_1001238654-A

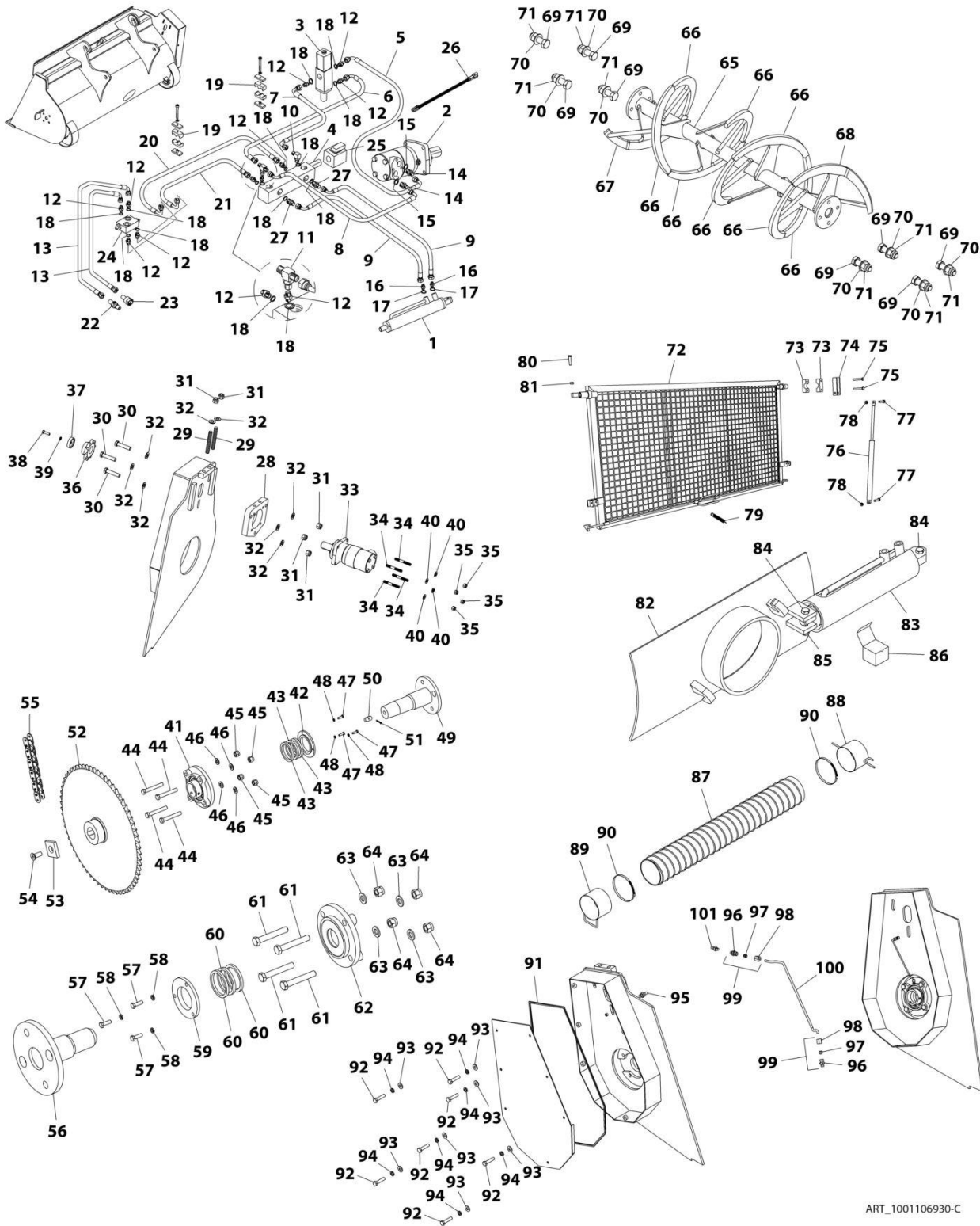
SECTION 3 - ATTACHMENTS

FIGURE 3-15. BASKET - FORK MOUNTED (1.2MX2.4M) (ISO DECALS)

ITEM	PART NUMBER	QTY	DESCRIPTION	REV
	1001238654	Ref	BASKET, PERSONNEL	B
1	1702773	2	Decal, JLG	
2	1704885	1	Decal, Website	
3	31200387	1	Manual, Operation and Safety, Spanish	
4	31200388	1	Manual, Operation and Safety, Portuguese	
5	1001096021	1	Decal, Warning Attachment	
6	1001096023	1	Decal, Platform Capacity	
7	1001096025	1	Decal, Platform Warning	
8	1001238565	1	Platform, Fork Mounted (ANSI) (See Separate Breakdown in this Section)	
9	See Note	NSS	SN Plate (Note: Stamped Part - Not Available for Purchase)	

SECTION 3 - ATTACHMENTS

FIGURE 3-16. BUCKET (CONCRETE)



ART_1001106930-C

SECTION 3 - ATTACHMENTS

FIGURE 3-16. BUCKET (CONCRETE)

ITEM	PART NUMBER	QTY	DESCRIPTION	REV
	1001106930	1	Concrete Bucket	E
1	70024436	1	Cylinder, Concrete Bucket	
2	70024437	1	Engine, Hydraulic	
3	70024438	1	Valve, Flow Divisor	
4	70024439	1	Valve, Solenoid	
5	70024440	1	Pipe	
6	70024441	1	Pipe	
7	70024442	1	Pipe	
8	70024443	1	Pipe	
9	70024444	2	Pipe	
10	70024445	1	Fitting, 90	
11	70024446	1	Fitting, Tee	
12	70024447	10	Fitting, Straight	
13	70024448	2	Pipe	
14	70024449	2	Fitting, Straight	
15	70024450	2	Gasket	
16	1001104958	2	Fitting, Straight	
17	1001103531	2	Gasket	
18	70022927	2	Gasket	
19	70024452	2	Clamp	
20	70024453	1	Pipe	
21	70024454	1	Pipe	
22	1001101041	1	Coupling, Male Quick Disconnect	
23	1001101042	1	Coupling, Female Quick Disconnect	
24	70027990	1	Valve	
25	70024455	1	Coil	
26	70024456	1	Electric Cable	
27	70027991	2	Fitting, Straight	
28	70027992	1	Regulation plate	
29	70027993	2	Stud	
30	70027994	3	Bolt	
31	70027995	5	Nut, Self Locking	
32	70020728	8	Washer	
33	70024437	1	Hydraulic Engine	
34	70027996	4	Stud	
35	70027997	4	Nut, Self Locking	
36	70027998	1	Pinion	
37	70027999	1	Pinion cover	
38	70028000	1	Bolt	
39	70028001	1	Grower	
40	70028002	4	Washer	
41	70028003	1	Support Flange bearing	
42	70028004	1	Cover seal press	
43	70028005	3	Rope Fat	
44	70020724	4	Bolt	
45	70020726	4	Nut, Self Locking	
46	70020725	4	Washer	
47	70028006	3	Bolt	
48	70028007	3	Grower	
49	70028008	1	Pin	

SECTION 3 - ATTACHMENTS

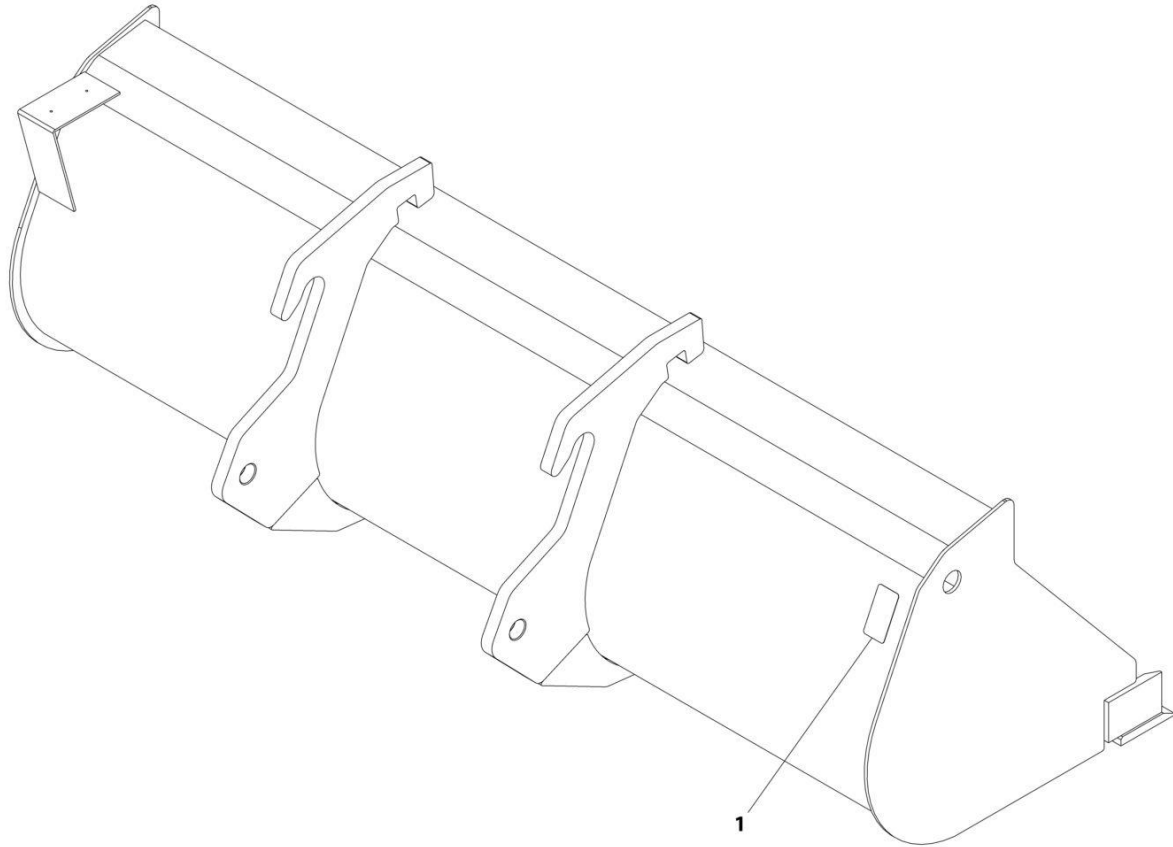
ITEM	PART NUMBER	QTY	DESCRIPTION	REV
50	70028009	1	Tab	
51	70028010	1	Bolt	
52	70028011	1	Koruna Wheels	
53	70028012	1	Fixing Koruna Wheels	
54	70028013	1	Bolt	
55	70028014	1	Track	
56	70028015	1	Pin	
57	70028006	3	Bolt	
58	70028007	3	Grower	
59	70028016	1	Cover seal press	
60	70028017	3	Rope Fat	
61	70028018	4	Bolt	
62	70028019	1	Support flange bearing	
63	70028002	4	Washer	
64	70027997	4	Nut, Self Locking	
65	70028020	1	Helical mixer only carpentry	
66	70028021	8	Central Sector	
67	70028022	1	Left Sector	
68	70028023	1	Right Sector	
69	70028024	8	Bolt	
70	70020728	8	Washer	
71	70027995	8	Nut, Self Locking	
72	70028025	1	Grid only carpentry	
73	70028026	4	Clamp heavy	
74	70028027	2	Pull nitrogen absorber	
75	70028028	4	Bolt	
76	70028029	2	Nitrogen absorber	
77	70028030	4	Bolt	
78	1001103201	4	Nut, Self Locking	
79	70028031	1	Return spring	
80	70028032	1	Bolt	
81	70028033	1	Nut	
82	70028034	1	Sliding door only carpentry	
83	70024436	1	Cylinder	
84	70028035	2	Bolt	
85	1001103201	2	Nut, Self Locking	
86	70028036	1	Gasket Kit	
87	70028037	1	Dump tube	
88	70028038	1	Tube with clevis door blocking	
89	70028039	1	Tube with clevis move	
90	70028040	2	Hose Clamp	
91	70028041	1	Gasket carter	
92	70028042	7	Bolt	
93	70028087	7	Washer	
94	70028007	7	Grower	
95	70021242	1	Greaser	
96	70028043	2	Link	
97	70028044	2	Sleeve	
98	70028046	2	Nut	
99	70028045	2	Link, sleeve, nut	
100	70028047	1	Pipe	

SECTION 3 - ATTACHMENTS

ITEM	PART NUMBER	QTY	DESCRIPTION	REV
101	70021242	1	Greaser	

SECTION 3 - ATTACHMENTS

FIGURE 3-17. BUCKET (DIRT)



ART_1001197945-A

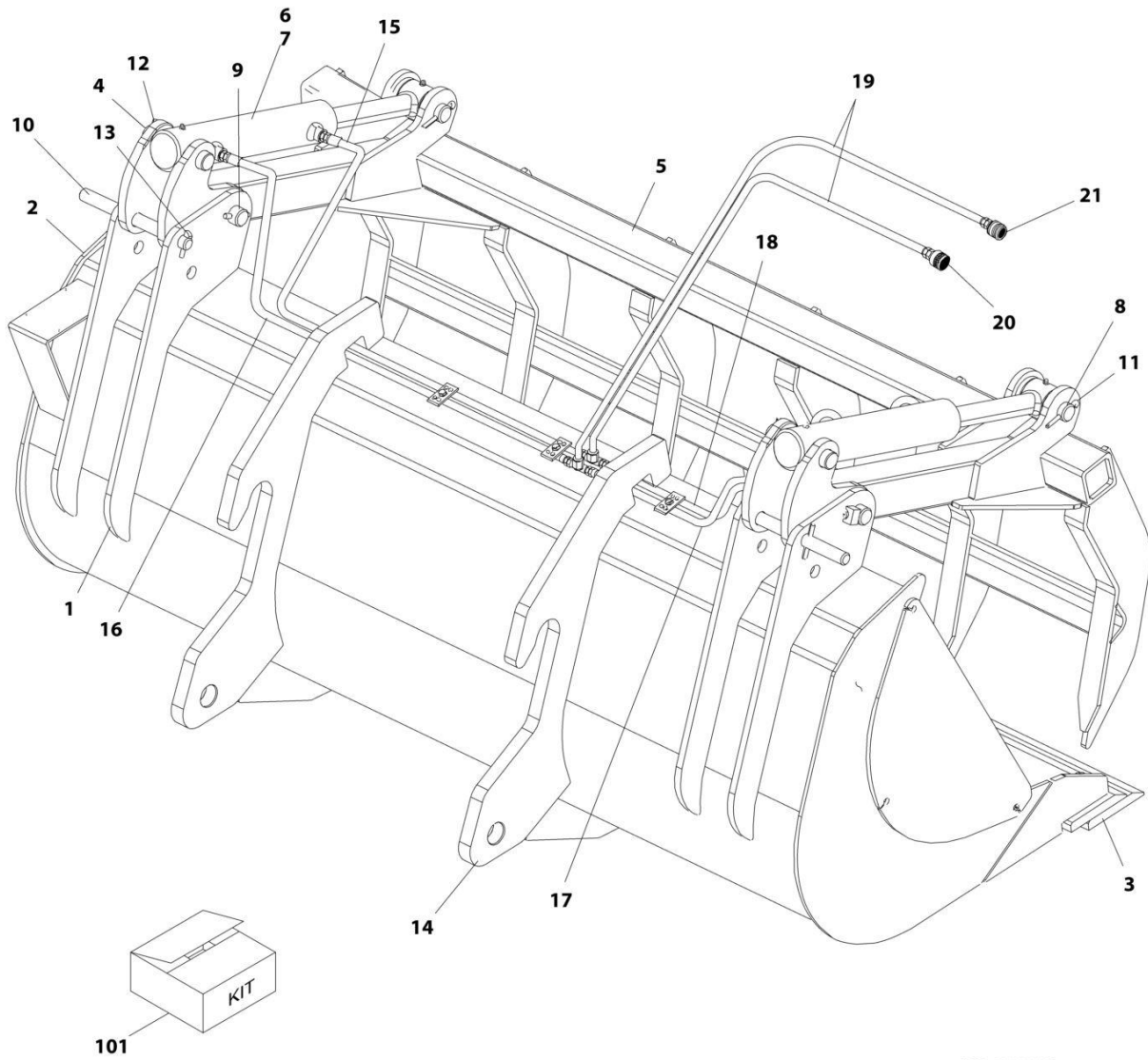
SECTION 3 - ATTACHMENTS

FIGURE 3-17. BUCKET (DIRT)

ITEM	PART NUMBER	QTY	DESCRIPTION	REV
1	1001197945	1	Dig Bucket (1.0 m ³)	D
	N.S.S.	1	Plate, Serial Number	

SECTION 3 - ATTACHMENTS

FIGURE 3-18. BUCKET (GRAPPLE MULTI-PURPOSE)



ART_0930004-E

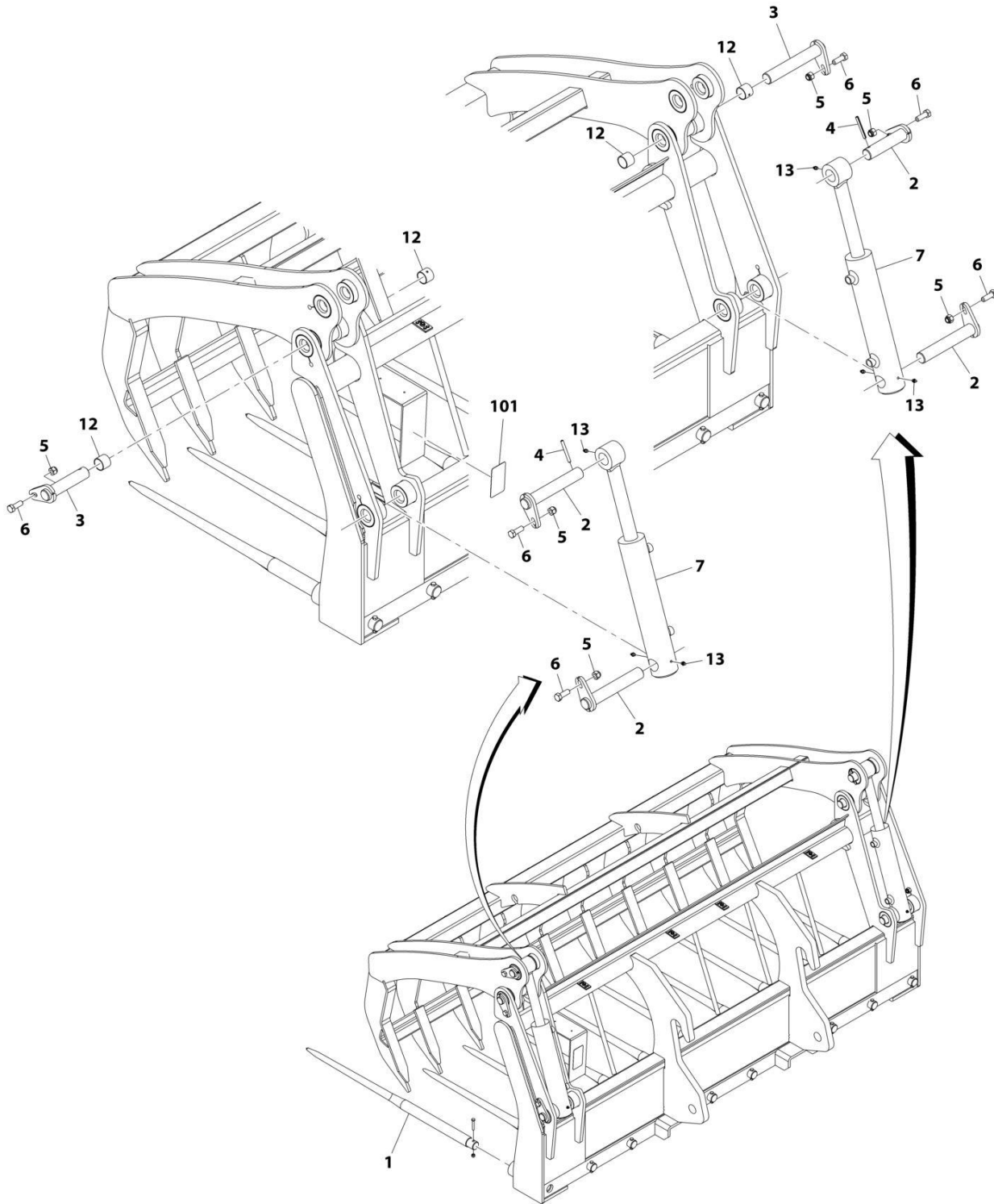
SECTION 3 - ATTACHMENTS

FIGURE 3-18. BUCKET (GRAPPLE MULTI-PURPOSE)

ITEM	PART NUMBER	QTY	DESCRIPTION	REV
	0930004	1	Multi-Purpose Grapple Bucket (Wide Grip - 2450 MM) (CE & AUS)	E
1	N.S.S.	1	Weldment	
2	7028133	1	Plate	
3	7028132	1	Assembly, Blade (includes blade and the following hardware)	
	7029356	8	Nut, Lock M16	
	70023484	8	Bolt, M16X60	
4	7028126	2	Bracket	
5	7028125	1	Grapple	
6	7028127	2	Cylinder, Tilt	
	7028910	AR	Kit, Seal	
7	7028131	6	Bushing	
8	7028128	2	Pin	
9	7028129	2	Pin, Locking	
10	7028130	2	Pin	
11	7028135	4	Pin, Roll	
12	7028134	8	Pin, Roll	
13	7029124	2	Circlip	
14	7029749	1	Assembly, Connecting	
15	7028986	1	Hose	
16	7028987	1	Hose	
17	7028988	1	Hose	
18	7028989	1	Hose	
19	7028984	2	Hose	
20	1001094555	1	Coupler, Female	
21	1001094556	1	Coupler, Male	
101	Kit	1	Kit	

SECTION 3 - ATTACHMENTS

FIGURE 3-19. BUCKET (MANURE GRAPPLE)



ART_1001216001-B

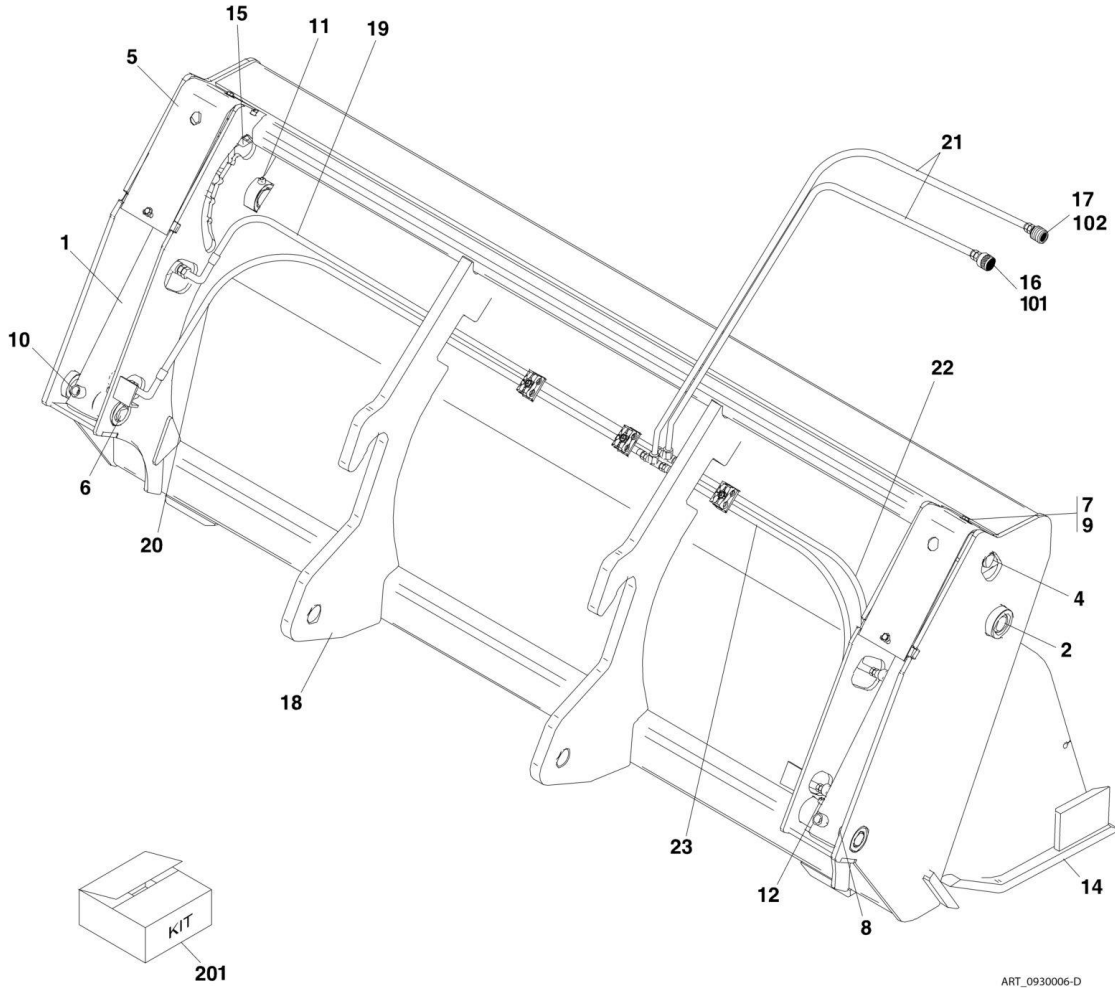
SECTION 3 - ATTACHMENTS

FIGURE 3-19. BUCKET (MANURE GRAPPLE)

ITEM	PART NUMBER	QTY	DESCRIPTION	REV
	1001216001	1	Manure Grapple Bucket (2300 MM)	D
1	70027302	10	Right Electro-Forged Fingers	
2	70027294	4	Pin	
3	70027293	2	Pin	
4	70027298	2	Roll Pin	
5	70027296	6	Nut	
6	70027297	6	Screw	
7	7028127	2	Cylinder	
8	70027325	1	Hose (not shown)	
9	7028988	1	Hose (not shown)	
10	70027326	1	Hose (not shown)	
11	7028986	1	Hose (not shown)	
12	7028131	10	Bush	
13	7028918	6	Grease Nipple	
101	N.S.S.	1	Plate, Serial Number	

SECTION 3 - ATTACHMENTS

FIGURE 3-20. BUCKET(0.6M³) (MULTI-PURPOSE 4 IN 1)



ART_0930006-D

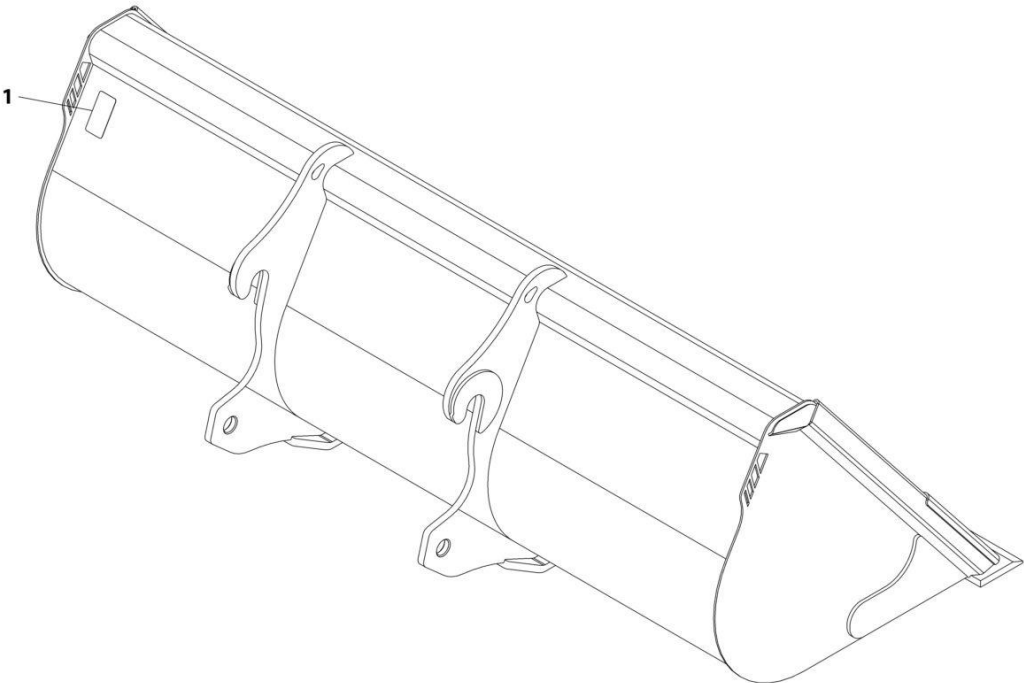
SECTION 3 - ATTACHMENTS

FIGURE 3-20. BUCKET(0.6M³) (MULTI-PURPOSE 4 IN 1)

ITEM	PART NUMBER	QTY	DESCRIPTION	REV
	0930006	1	4 in 1 Bucket 0.6 M ³	D
1	7028990	2	Cylinder	
1	7028910	1	Kit, Seal, Cylinder	
2	7028911	2	Pin	
3	7028912	6	Nut, (not shown)	
4	7028913	2	Pin	
5	7028914	2	Plate, Protective	
6	7028915	2	Pin	
7	7028916	4	Bolt	
8	7028131	6	Bushing	
9	7028917	4	Washer	
10	7028918	6	Nipple, Grease	
11	7028920	2	Screw	
12	7028919	4	Screw	
14	N.S.S.	1	Weldment	
15	7028923	1	Gauge	
16	1001094555	1	Adapter, Female Quick Disconnect	
17	1001094556	1	Adapter, Male Quick Disconnect	
18	N.S.S.	1	Weldment	
19	7028982	1	Hose	
20	7028983	1	Hose	
21	7028984	2	Hose	
22	7028985	1	Hose	
23	7028991	1	Hose	
101	1001093826	1	Cap, Dust	
102	1001093827	1	Plug, Dust	
201	1001097287	1	Kit, Quick Disconnect Adapter (includes items 16, 17, 101 & 102)	

SECTION 3 - ATTACHMENTS

FIGURE 3-21. BUCKET(1M³/1.25YD³) (GENERAL PURPOSE - ROUND HEEL)



ART_1001215988-B

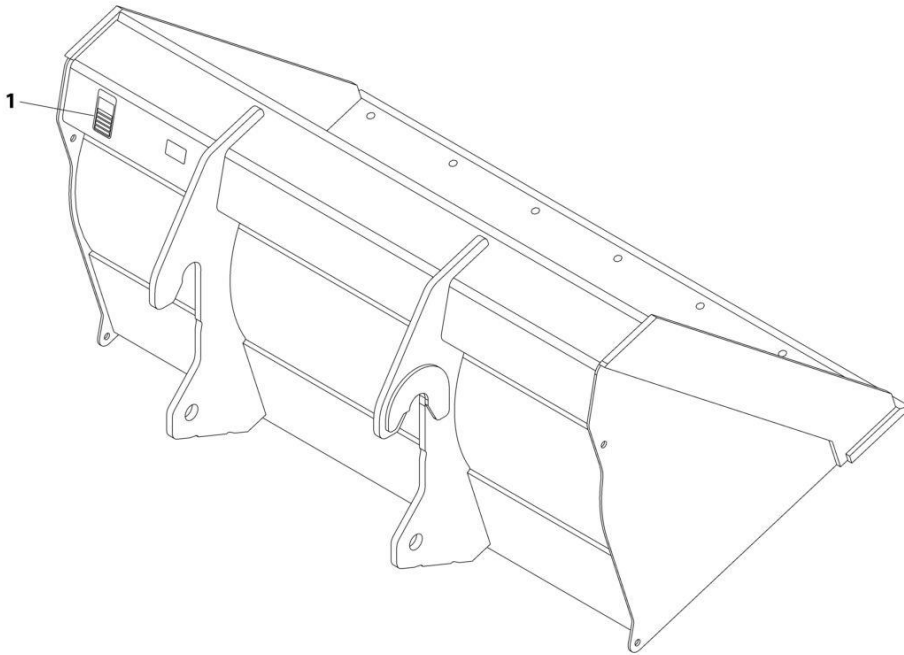
SECTION 3 - ATTACHMENTS

FIGURE 3-21. BUCKET(1M³/1.25YD³) (GENERAL PURPOSE - ROUND HEEL)

ITEM	PART NUMBER	QTY	DESCRIPTION	REV
	1001215988	1	Bucket (1 m ³)	D
1	N.S.S.	1	Plate, Serial Number	
2	70031031	1	Attachment, Cutting Edge (Optional - Must be Ordered Separately) (Not Shown)	

SECTION 3 - ATTACHMENTS

FIGURE 3-22. BUCKET(1M³/1.25YD³) (GENERAL PURPOSE - ANGULAR HEEL)



ART_1001290109

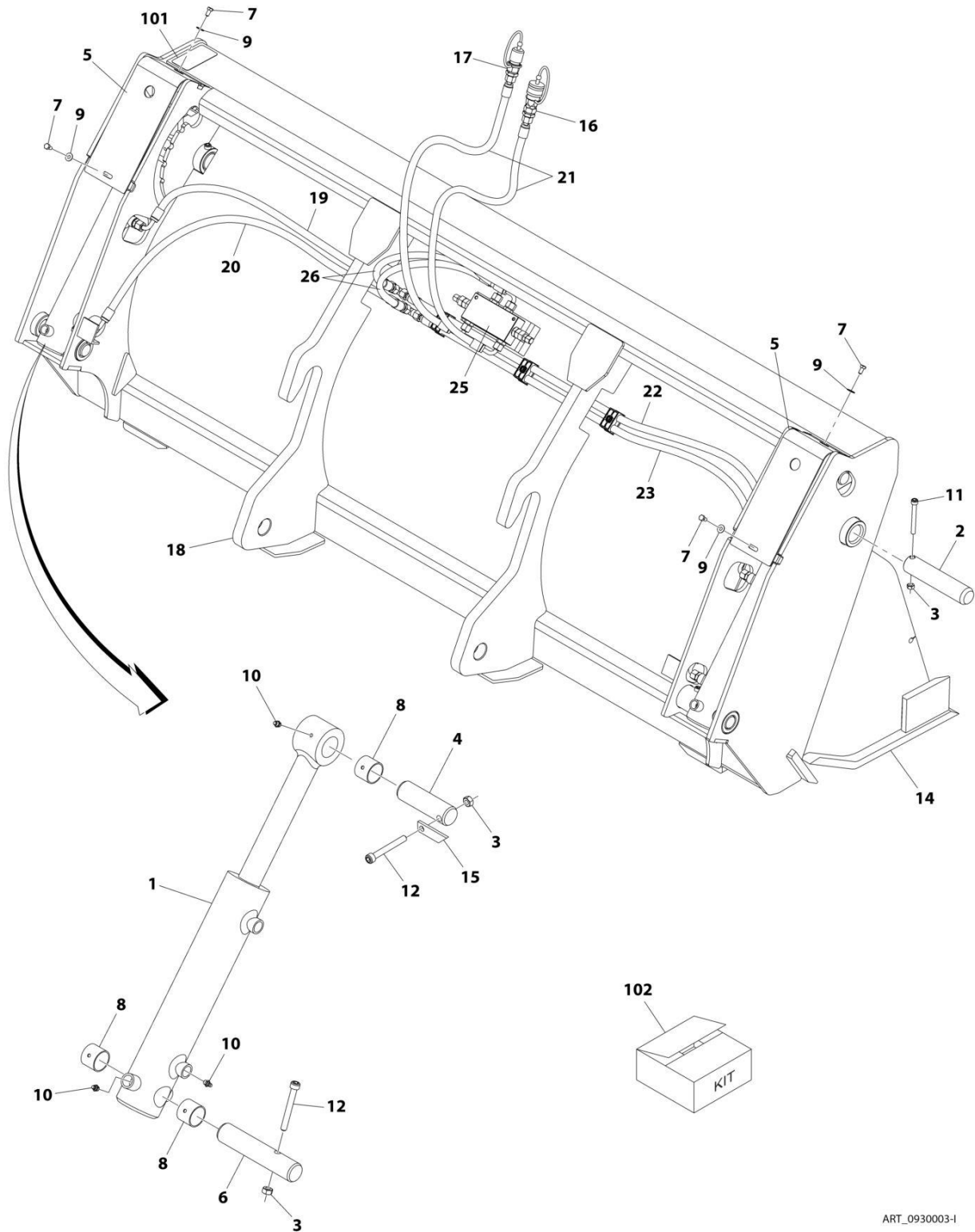
SECTION 3 - ATTACHMENTS

FIGURE 3-22. BUCKET(1M³/1.25YD³) (GENERAL PURPOSE - ANGULAR HEEL)

ITEM	PART NUMBER	QTY	DESCRIPTION	REV
1	1001290109 N.S.S.	Ref 1	BUCKET Plate, Serial Number	B

SECTION 3 - ATTACHMENTS

FIGURE 3-23. BUCKET(1M³/1.25YD³) (MULTI-PURPOSE 4 IN 1)



ART_0930003-1

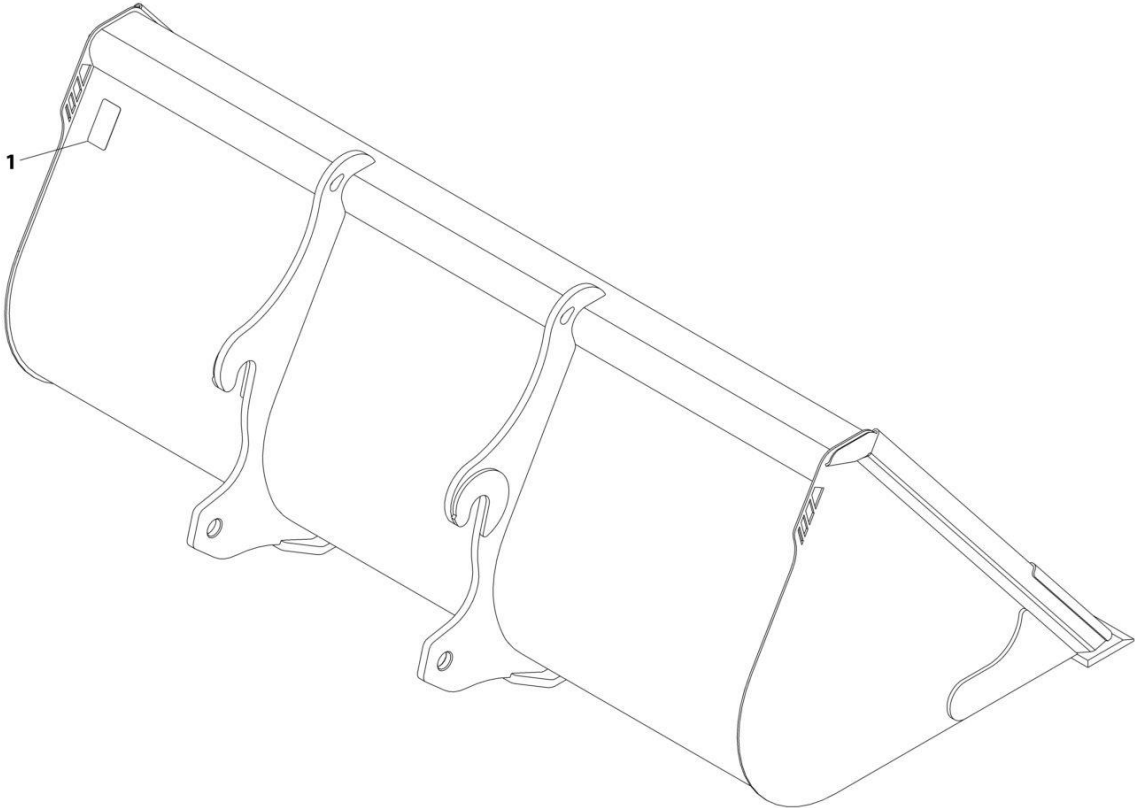
SECTION 3 - ATTACHMENTS

FIGURE 3-23. BUCKET(1M³/1.25YD³) (MULTI-PURPOSE 4 IN 1)

ITEM	PART NUMBER	QTY	DESCRIPTION	REV
	0930003	Ref	4 in 1 Bucket (1.0 m ³)	1
1	7028990	2	Cylinder	
	7028910	AR	Kit, Seal, Cylinder	
2	7028911	2	Pin	
3	7028912	6	Nut, (not shown)	
4	7028913	2	Pin	
5	N.S.S.	2	Plate	
6	7028915	2	Pin	
7	7028916	4	Bolt	
8	7028131	6	Bushing	
9	7028917	4	Washer	
10	7028918	6	Nipple, Grease	
11	7028920	2	Screw	
12	7028919	4	Screw	
14	N.S.S.	1	Weldment	
15	7028923	1	Gauge	
16	1001094555	1	Coupling, Female Quick Disconnect	
17	1001094556	1	Coupling, Male Quick Disconnect	
18	N.S.S.	1	Weldment	
19	7028982	1	Hose	
20	7028983	1	Hose	
21	7028984	2	Hose	
22	7028995	1	Hose	
23	7028991	1	Hose	
24	70027291	1	Balancing Valve	
26	70029011	2	Hose	
101	N.S.S.	1	S/N Plate	
102	1001097287	1	Quick Disconnect Coupling Kit, (includes items 16, 17 dust cap and dust plug)	

SECTION 3 - ATTACHMENTS

FIGURE 3-24. BUCKET (1.5M³/2YD³) (GENERAL PURPOSE - ROUND HEEL)



ART_1001215990-B

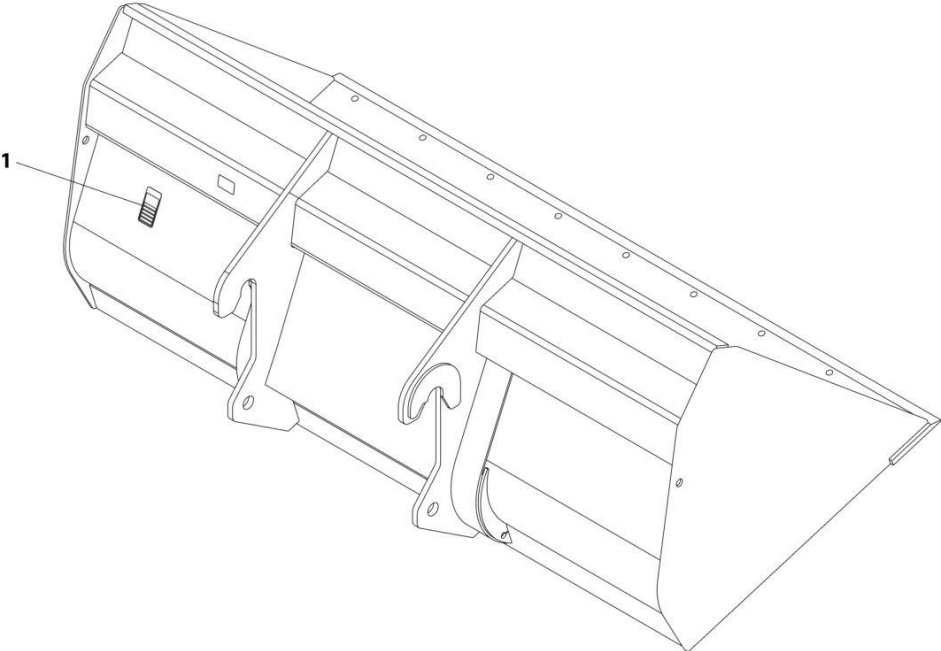
SECTION 3 - ATTACHMENTS

FIGURE 3-24. BUCKET (1.5M³/2YD³) (GENERAL PURPOSE - ROUND HEEL)

ITEM	PART NUMBER	QTY	DESCRIPTION	REV
	1001215990	1	Bucket (1.5 m ³)	D
1	N.S.S.	1	Plate, Serial Number	
2	70031031	1	Attachment, Cutting Edge (Optional - Must be Ordered Separately) (Not Shown)	

SECTION 3 - ATTACHMENTS

FIGURE 3-25. BUCKET (1.5M³/2YD³) (GENERAL PURPOSE - ANGULAR HEEL)



ART_1001290111

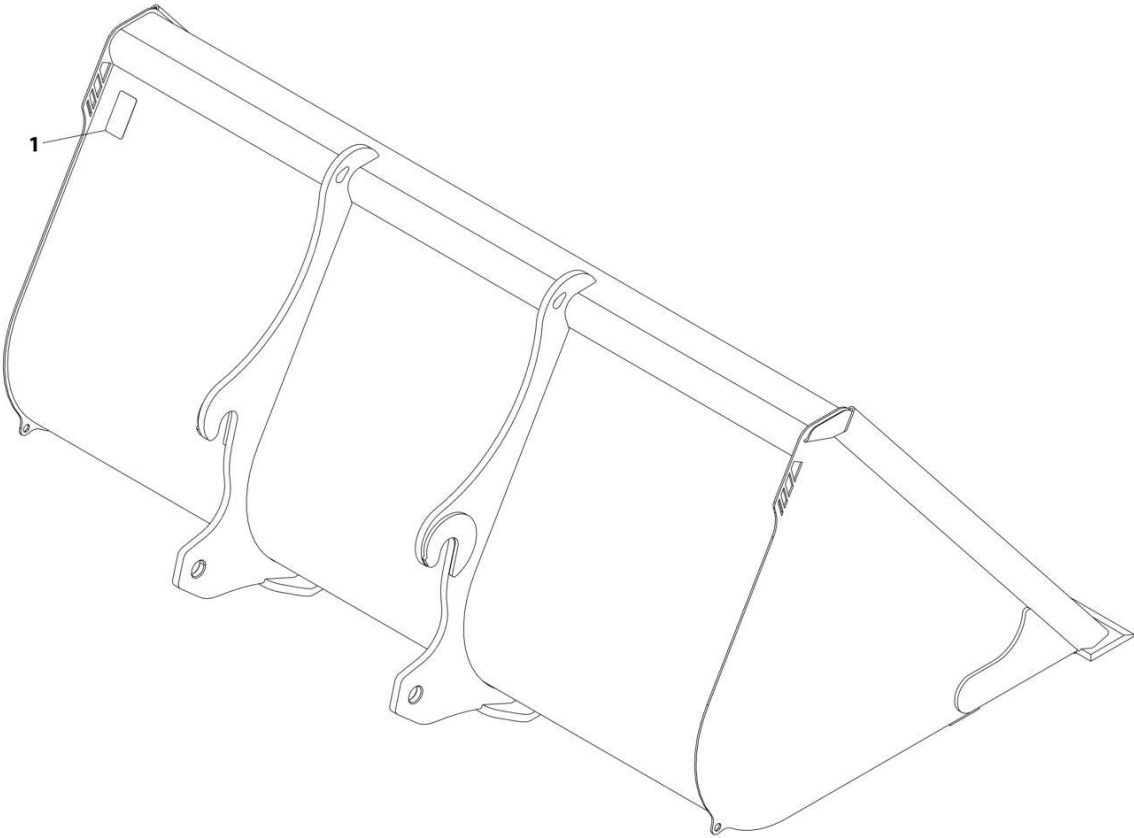
SECTION 3 - ATTACHMENTS

FIGURE 3-25. BUCKET (1.5M³/2YD³) (GENERAL PURPOSE - ANGULAR HEEL)

ITEM	PART NUMBER	QTY	DESCRIPTION	REV
1	1001290111 N.S.S.	Ref 1	BUCKET Plate, Serial Number	B

SECTION 3 - ATTACHMENTS

FIGURE 3-26. BUCKET (2M³/2.6YD³) (GENERAL PURPOSE - ROUND HEEL)



ART_1001215992-B

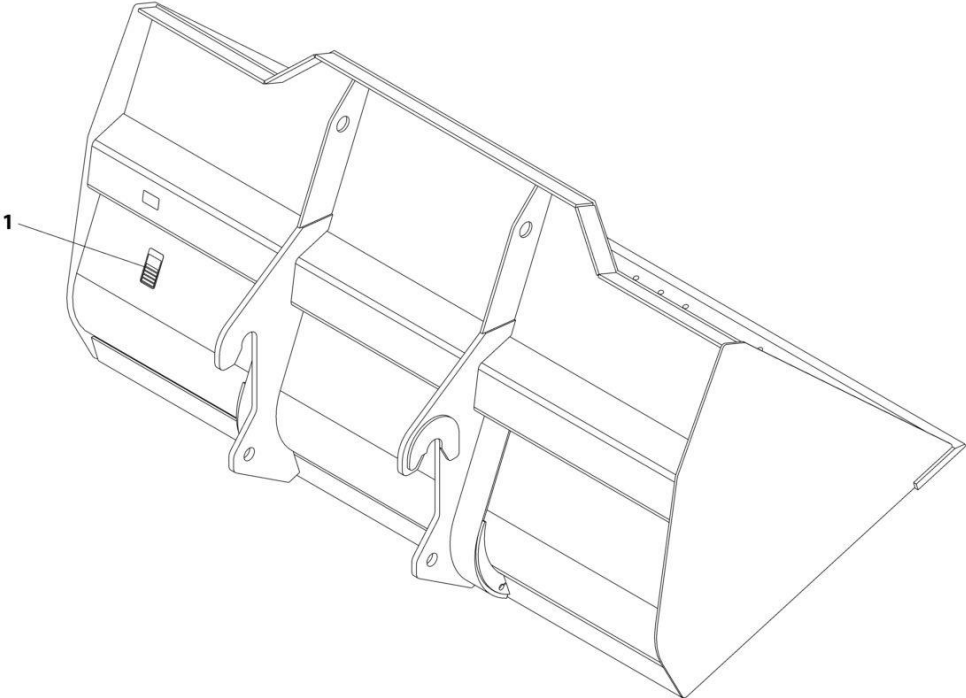
SECTION 3 - ATTACHMENTS

FIGURE 3-26. BUCKET (2M³/2.6YD³) (GENERAL PURPOSE - ROUND HEEL)

ITEM	PART NUMBER	QTY	DESCRIPTION	REV
	1001215992	1	Bucket (2 m ³)	D
1	N.S.S.	1	Plate, Serial Number	
2	70031031	1	Attachment, Cutting Edge (Optional - Must be Ordered Separately) (Not Shown)	

SECTION 3 - ATTACHMENTS

FIGURE 3-27. BUCKET (2M³/2.6YD³) (GENERAL PURPOSE - ANGULAR HEEL)



ART_1001290113

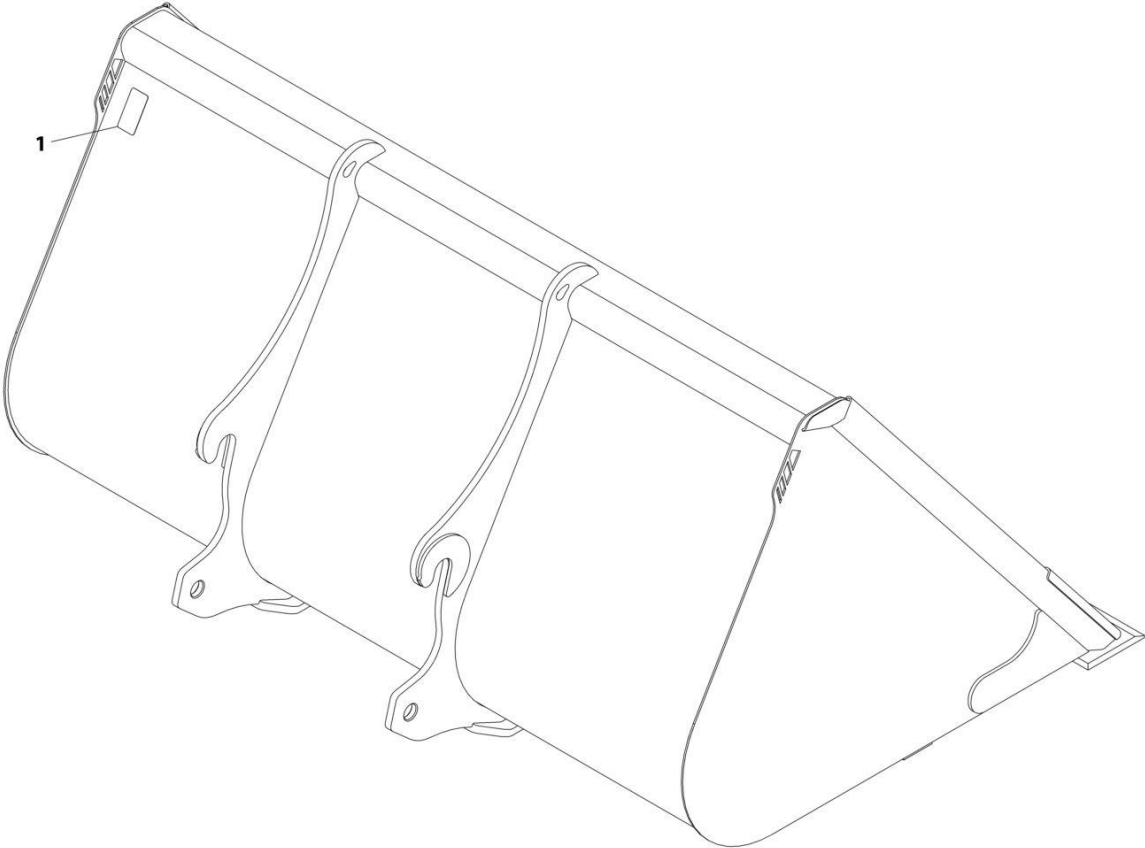
SECTION 3 - ATTACHMENTS

FIGURE 3-27. BUCKET (2M³/2.6YD³) (GENERAL PURPOSE - ANGULAR HEEL)

ITEM	PART NUMBER	QTY	DESCRIPTION	REV
1	1001290113 N.S.S.	Ref 1	BUCKET Plate, Serial Number	B

SECTION 3 - ATTACHMENTS

FIGURE 3-28. BUCKET (2.5M³/3.25YD³) (GENERAL PURPOSE - ROUND HEEL)



ART_1001215994-B

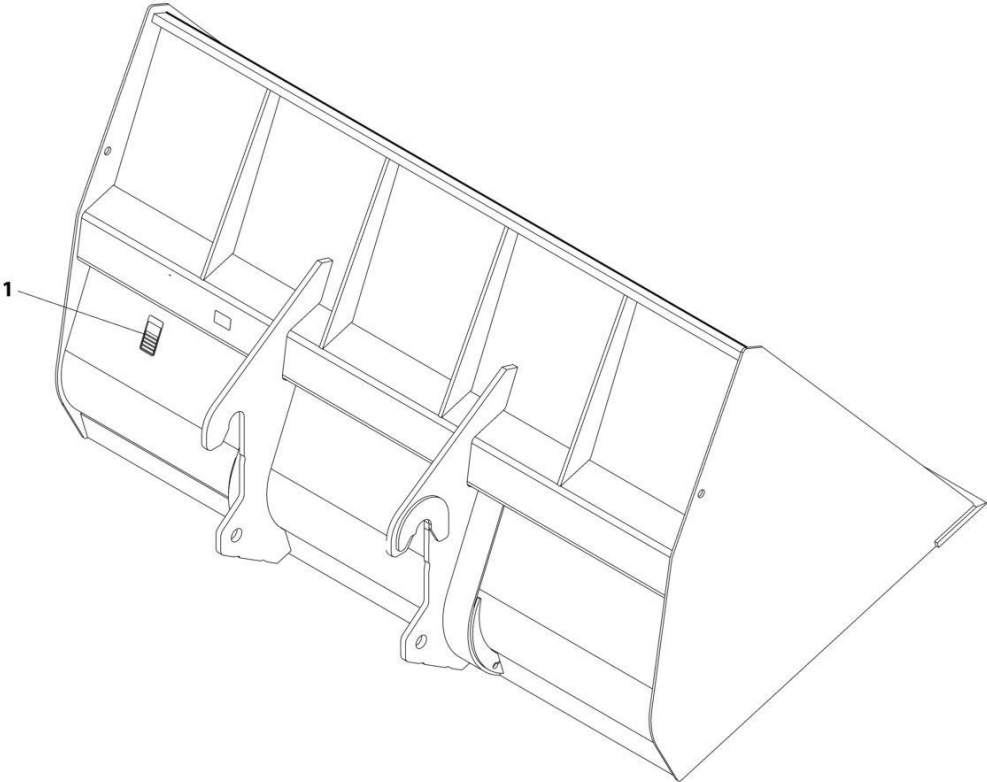
SECTION 3 - ATTACHMENTS

FIGURE 3-28. BUCKET (2.5M³/3.25YD³) (GENERAL PURPOSE - ROUND HEEL)

ITEM	PART NUMBER	QTY	DESCRIPTION	REV
	1001215994	1	Bucket (2.5 m ³)	D
1	N.S.S.	1	Plate, Serial Number	
2	70031031	1	Attachment, Cutting Edge (Optional - Must be Ordered Separately) (Not Shown)	

SECTION 3 - ATTACHMENTS

FIGURE 3-29. BUCKET (2.5M³/3.25YD³) (GENERAL PURPOSE - ANGULAR HEEL)



ART_1001290115

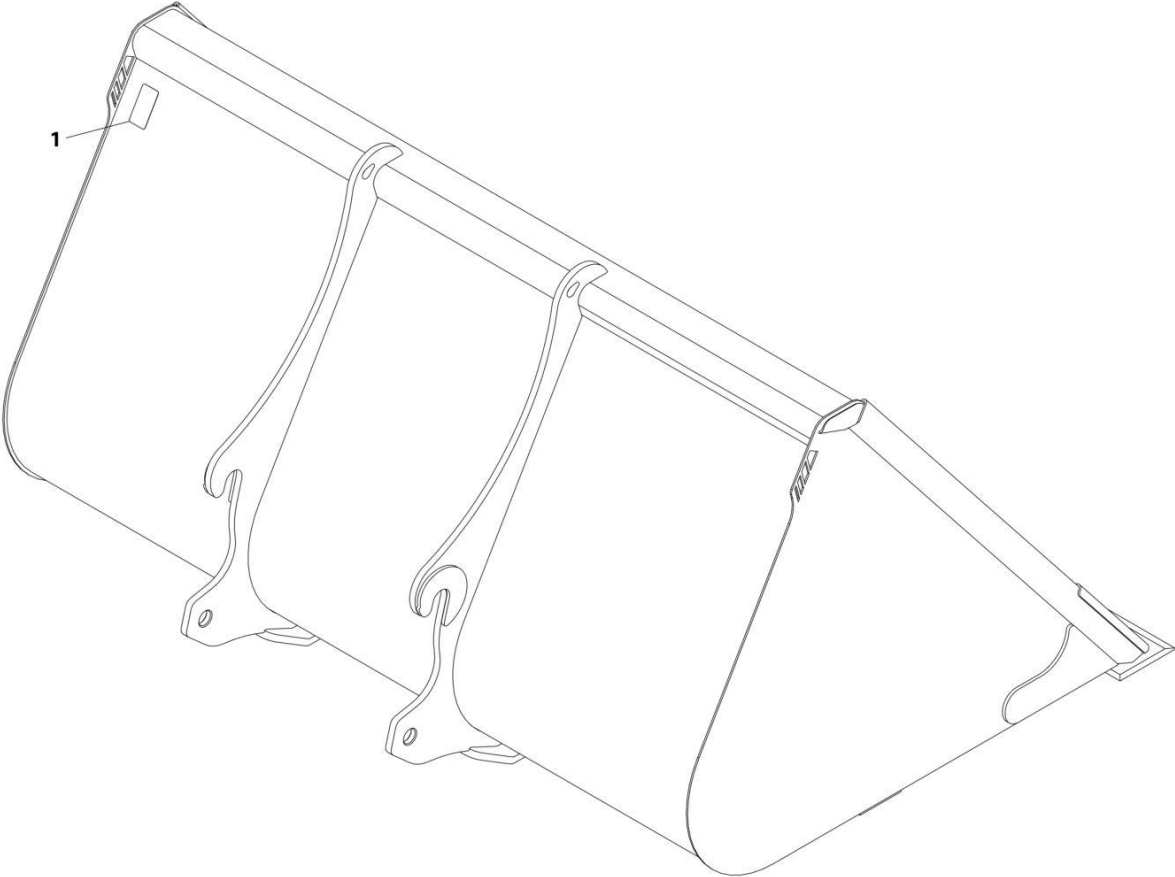
SECTION 3 - ATTACHMENTS

FIGURE 3-29. BUCKET (2.5M³/3.25YD³) (GENERAL PURPOSE - ANGULAR HEEL)

ITEM	PART NUMBER	QTY	DESCRIPTION	REV
1	1001290115 N.S.S.	Ref 1	BUCKET Plate, Serial Number	B

SECTION 3 - ATTACHMENTS

FIGURE 3-30. BUCKET (3M³/4YD³) (GENERAL PURPOSE - ROUND HEEL)



ART_1001215996-B

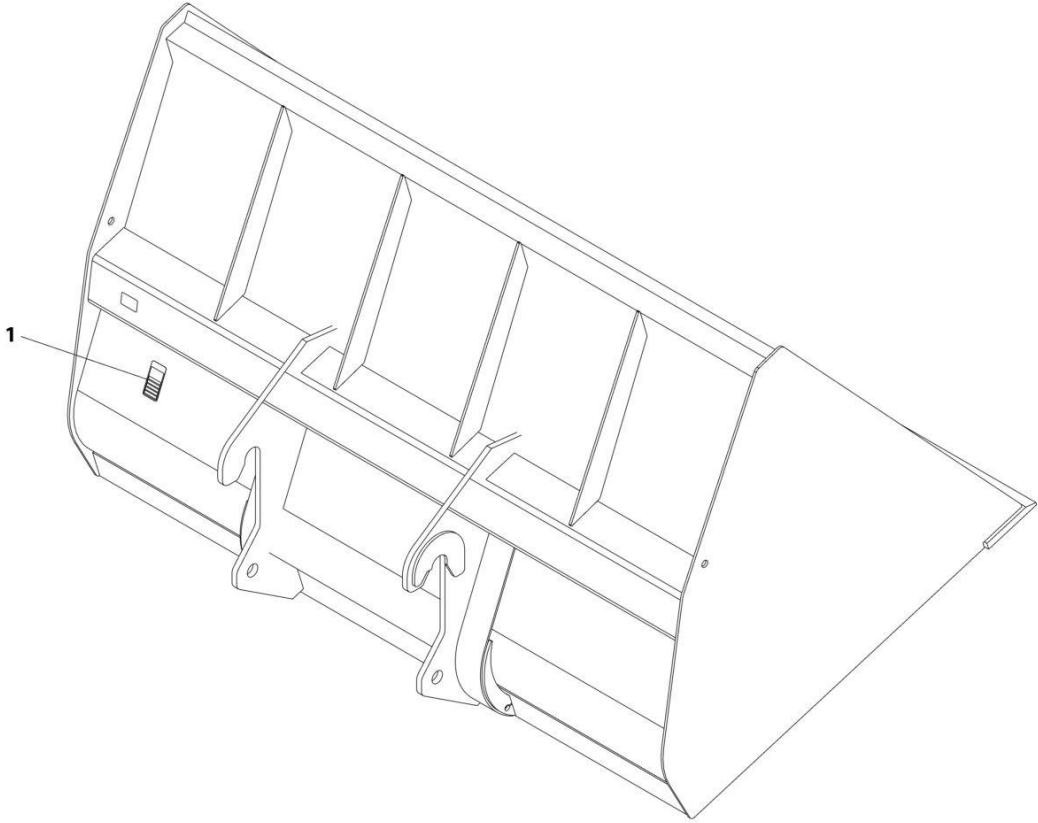
SECTION 3 - ATTACHMENTS

FIGURE 3-30. BUCKET (3M³/4YD³) (GENERAL PURPOSE - ROUND HEEL)

ITEM	PART NUMBER	QTY	DESCRIPTION	REV
	1001215996	1	Bucket (3 m ³)	D
1	N.S.S.	1	Plate, Serial Number	
2	70031032	1	Attachment, Cutting Edge (Optional - Must be Ordered Separately) (Not Shown)	

SECTION 3 - ATTACHMENTS

FIGURE 3-31. BUCKET (3M³/4YD³) (GENERAL PURPOSE - ANGULAR HEEL)



ART_1001290122

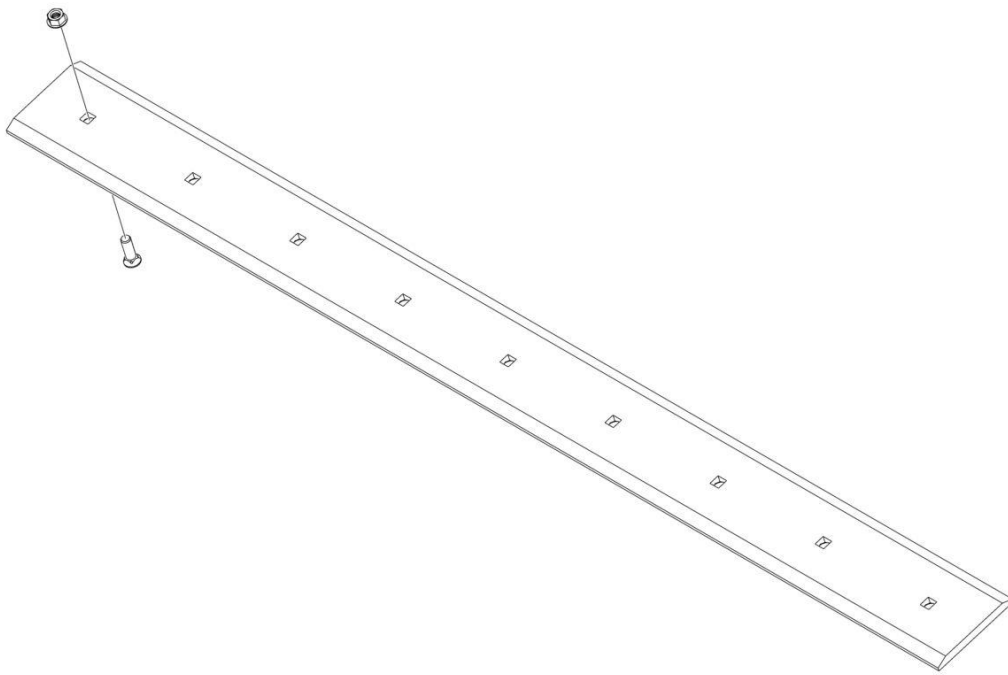
SECTION 3 - ATTACHMENTS

FIGURE 3-31. BUCKET (3M³/4YD³) (GENERAL PURPOSE - ANGULAR HEEL)

ITEM	PART NUMBER	QTY	DESCRIPTION	REV
1	1001290122 N.S.S.	Ref 1	BUCKET Plate, Serial Number	B

SECTION 3 - ATTACHMENTS

FIGURE 3-32. BUCKET BOLT-ON EDGE (ONE PIECE)



ART_1001290442

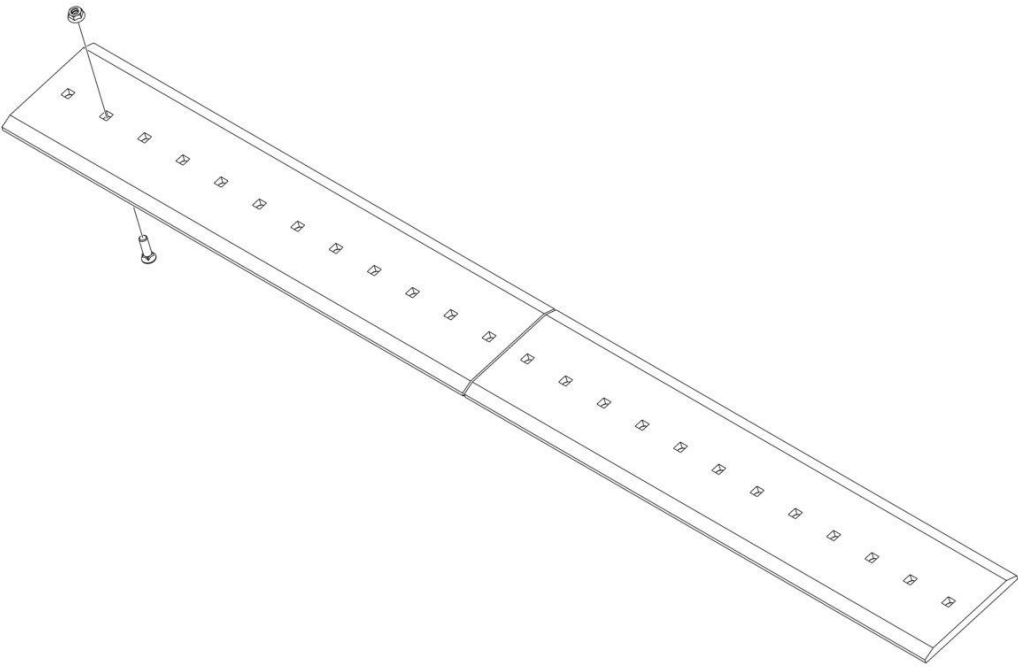
SECTION 3 - ATTACHMENTS

FIGURE 3-32. BUCKET BOLT-ON EDGE (ONE PIECE)

ITEM	PART NUMBER	QTY	DESCRIPTION	REV
	1001290442 See Note	Ref Ref	BOLT-ON EDGE Note: No Service Parts Available at Time of Printing.	A

SECTION 3 - ATTACHMENTS

FIGURE 3-33. BUCKET BOLT-ON EDGE (TWO PIECE)



ART_1001290441

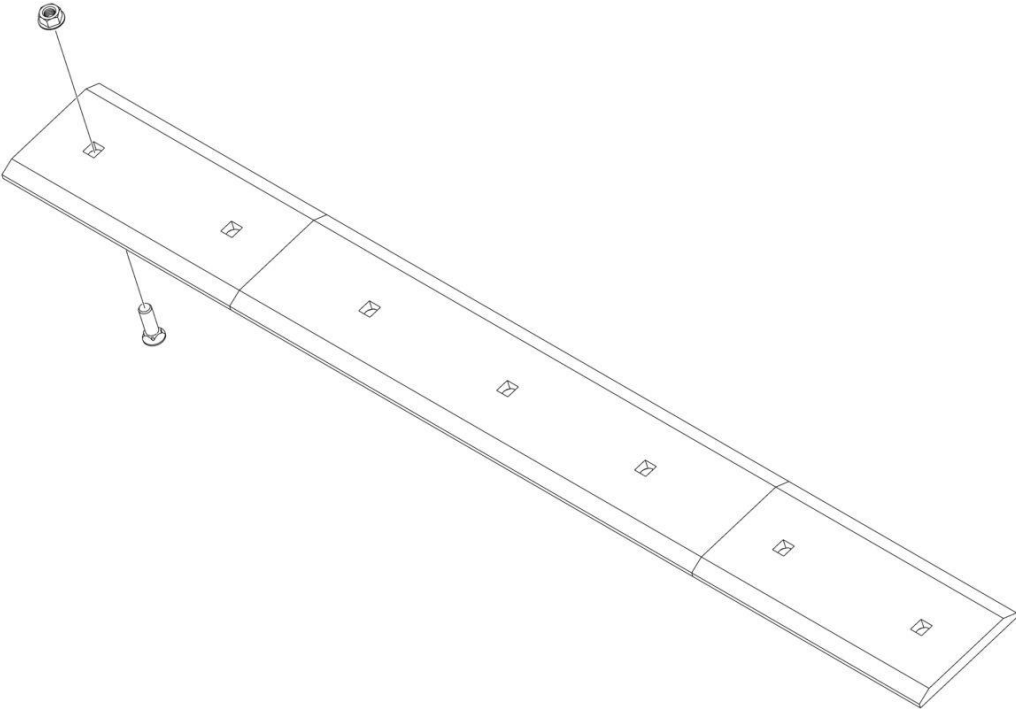
SECTION 3 - ATTACHMENTS

FIGURE 3-33. BUCKET BOLT-ON EDGE (TWO PIECE)

ITEM	PART NUMBER	QTY	DESCRIPTION	REV
	1001290441 See Note	Ref Ref	BOLT-ON EDGE Note: No Service Parts Available at Time of Printing.	A

SECTION 3 - ATTACHMENTS

FIGURE 3-34. BUCKET BOLT-ON EDGE (THREE PIECE)



ART_1001290440

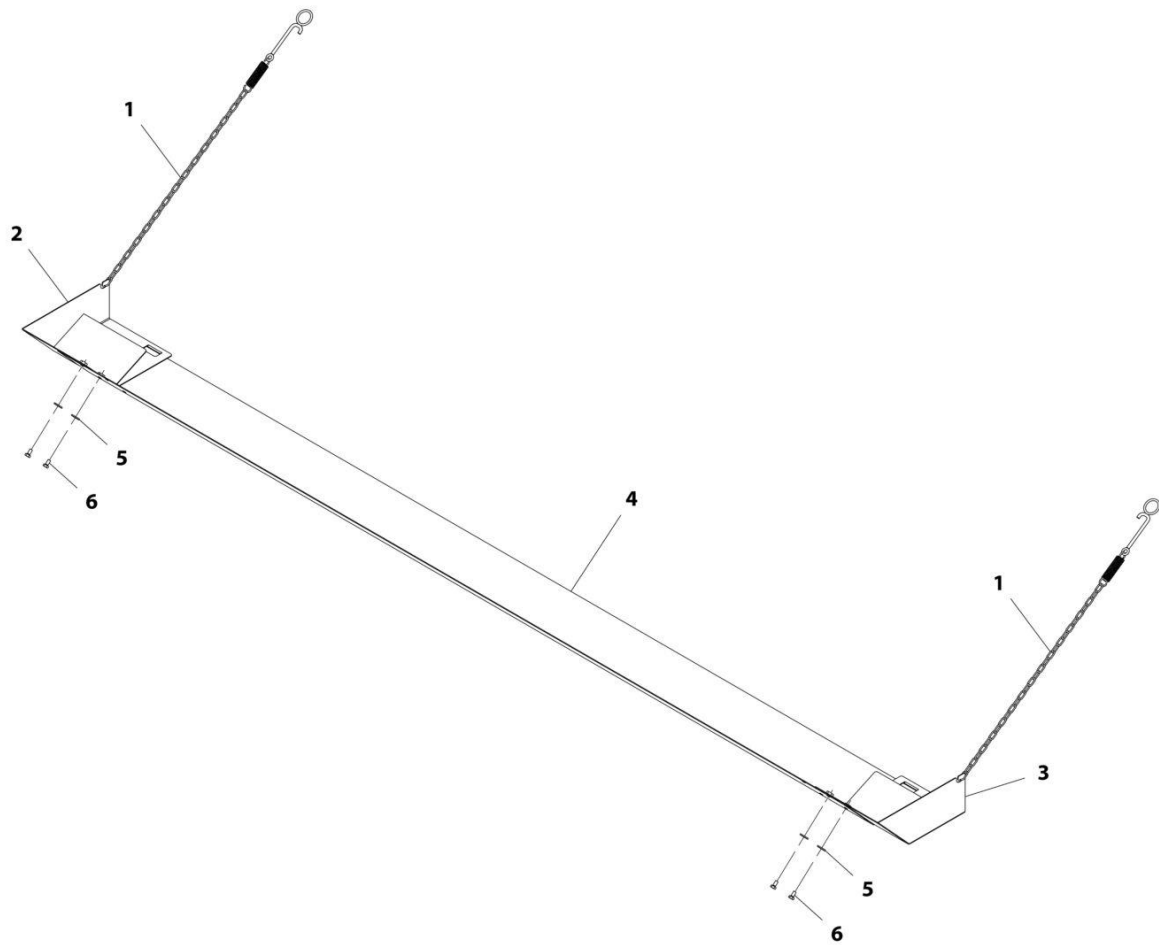
SECTION 3 - ATTACHMENTS

FIGURE 3-34. BUCKET BOLT-ON EDGE (THREE PIECE)

ITEM	PART NUMBER	QTY	DESCRIPTION	REV
	1001290440 See Note	Ref Ref	BOLT-ON EDGE Note: No Service Parts Available at Time of Printing.	A

SECTION 3 - ATTACHMENTS

FIGURE 3-35. BUCKET FRONT GUARD



ART_1001004620-B

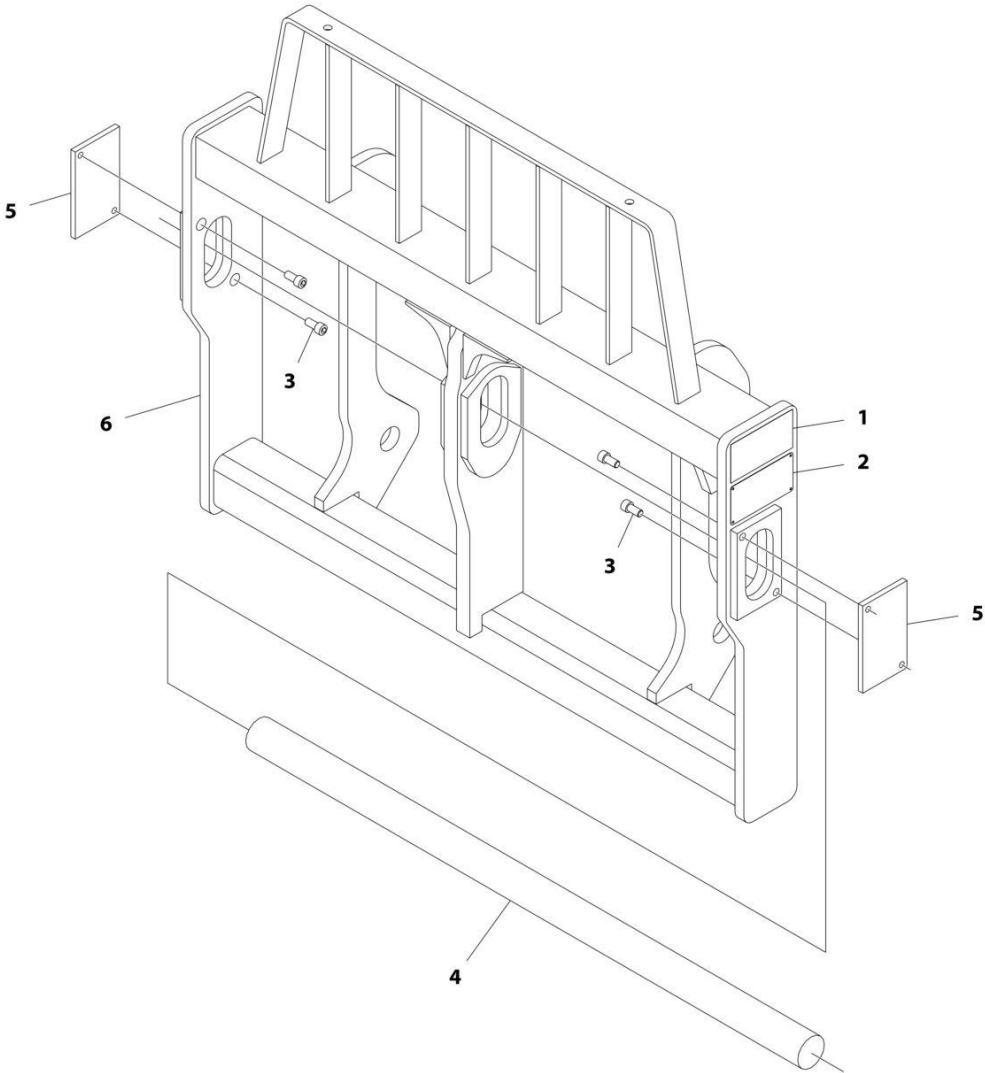
SECTION 3 - ATTACHMENTS

FIGURE 3-35. BUCKET FRONT GUARD

ITEM	PART NUMBER	QTY	DESCRIPTION	REV
	1001004620	1	Bucket Guard	B
1	1001003064	2	Assembly, Retainer	
2	1001004617	1	Plate	
3	1001004618	1	Plate	
4	1001004619	1	Plate	
5	1001008665	4	Washer	
6	1001009105	4	Bolt, M6X1	

SECTION 3 - ATTACHMENTS

FIGURE 3-36. CARRIAGE ASSEMBLY (1225MM)



ART_1001107581

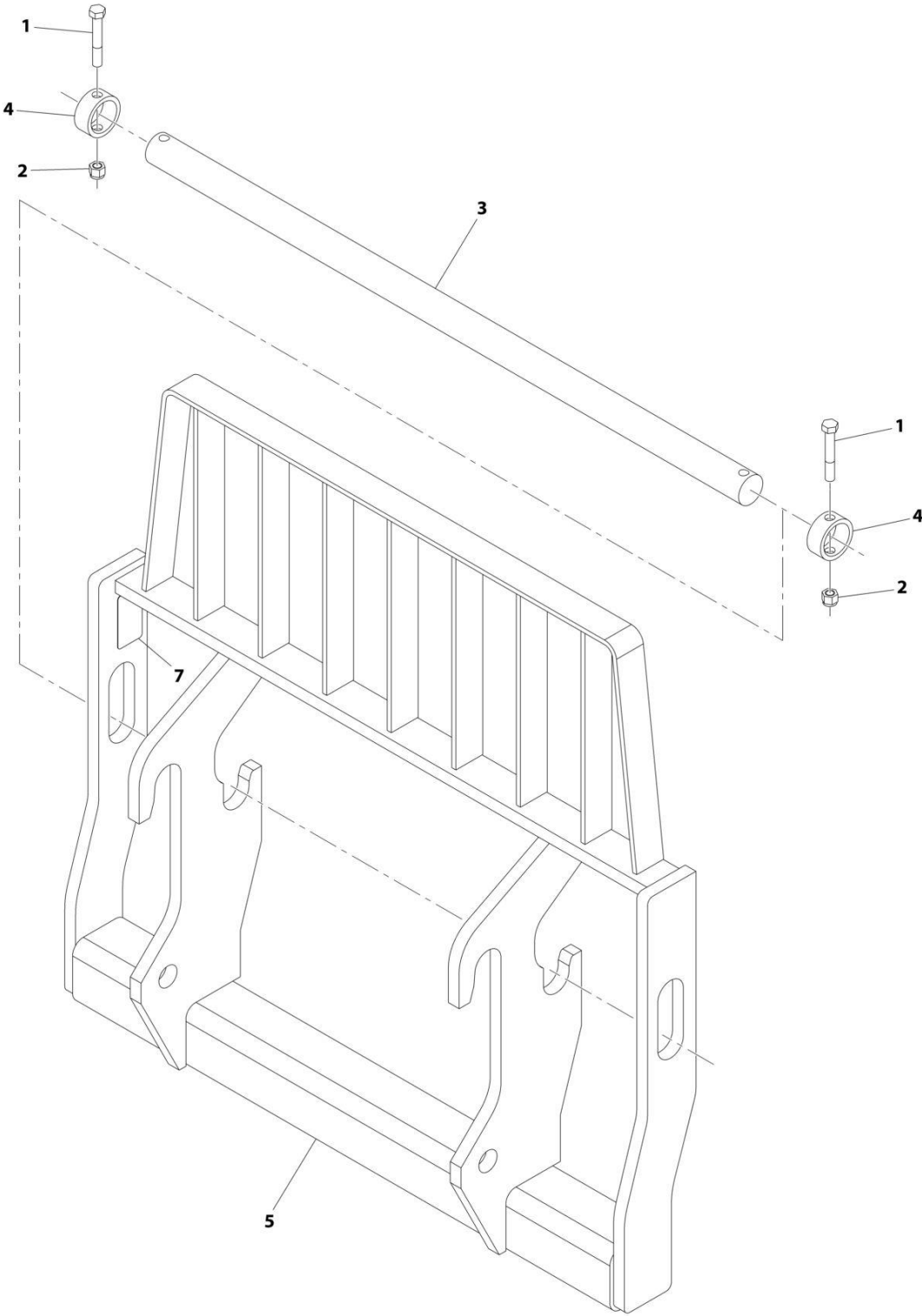
SECTION 3 - ATTACHMENTS

FIGURE 3-36. CARRIAGE ASSEMBLY (1225MM)

ITEM	PART NUMBER	QTY	DESCRIPTION	REV
	1001107581	Ref	CARRIAGE ASSEMBLY (1225MM)	E
1	See Note	NSS	Name Plate, Carriage (Note: Not Available for Purchase)	
2	See Note	NSS	Plate, Serial Number (Note: Not Available for Purchase)	
3	4032109	4	Bolt M12 x 25	
4	1001107336	1	Shaft, Carriage	
5	1001107338	2	Cover, Shaft	
6	See Note	NSS	Carriage (Note: Purchase PN 1001107581)	

SECTION 3 - ATTACHMENTS

FIGURE 3-37. CARRIAGE ASSEMBLY (1270MM)



ART_1001104435-E

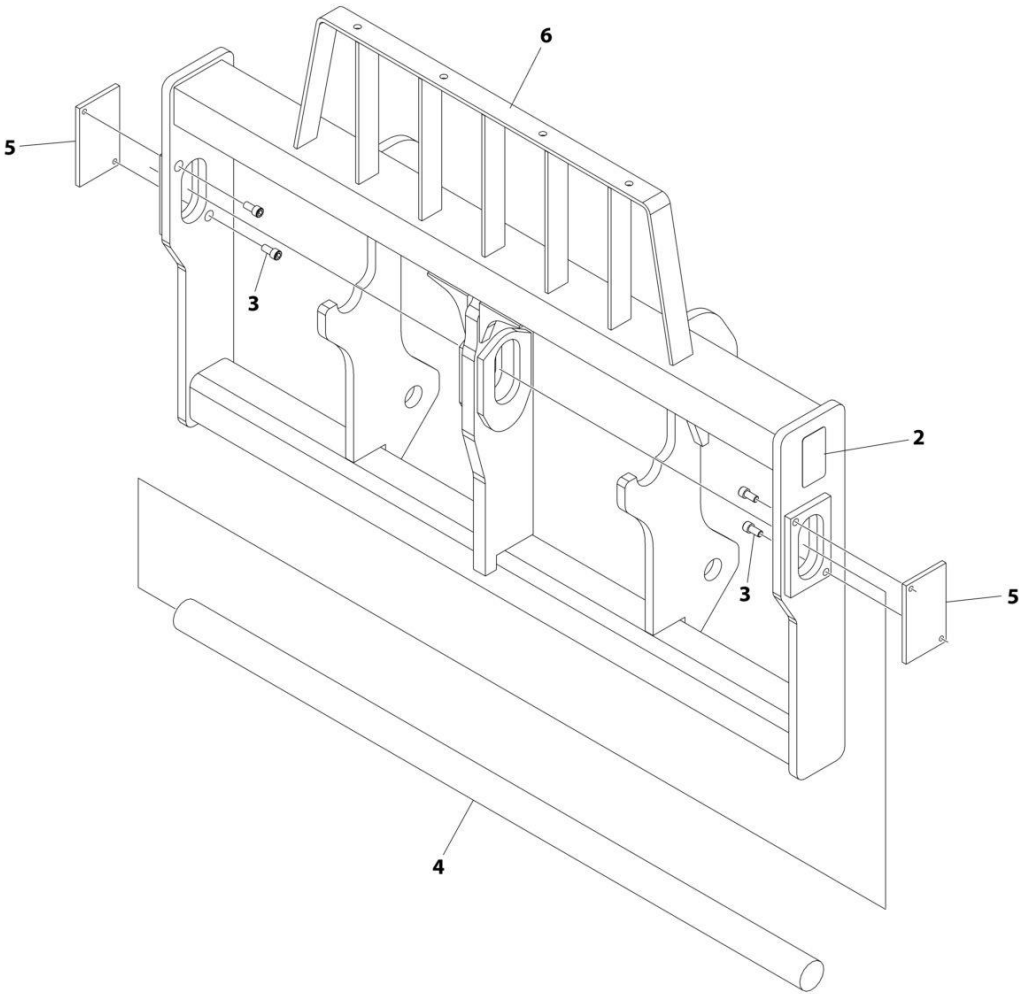
SECTION 3 - ATTACHMENTS

FIGURE 3-37. CARRIAGE ASSEMBLY (1270MM)

ITEM	PART NUMBER	QTY	DESCRIPTION	REV
	1001104435	Ref	Carriage Assembly, (50Inch/1270mm)	H
1	0642032	2	Hex HD Capscrew, 5/8-11X4	
2	3300240	2	Locknut, 5/8-11	
3	3423275	1	Fork Pin	
4	90200003	2	Collar	
5	N.S.S.	1	Carriage Weldment	
7	N.S.S.	1	S/N Plate	

SECTION 3 - ATTACHMENTS

FIGURE 3-38. CARRIAGE ASSEMBLY (1524MM)



ART_1001259144

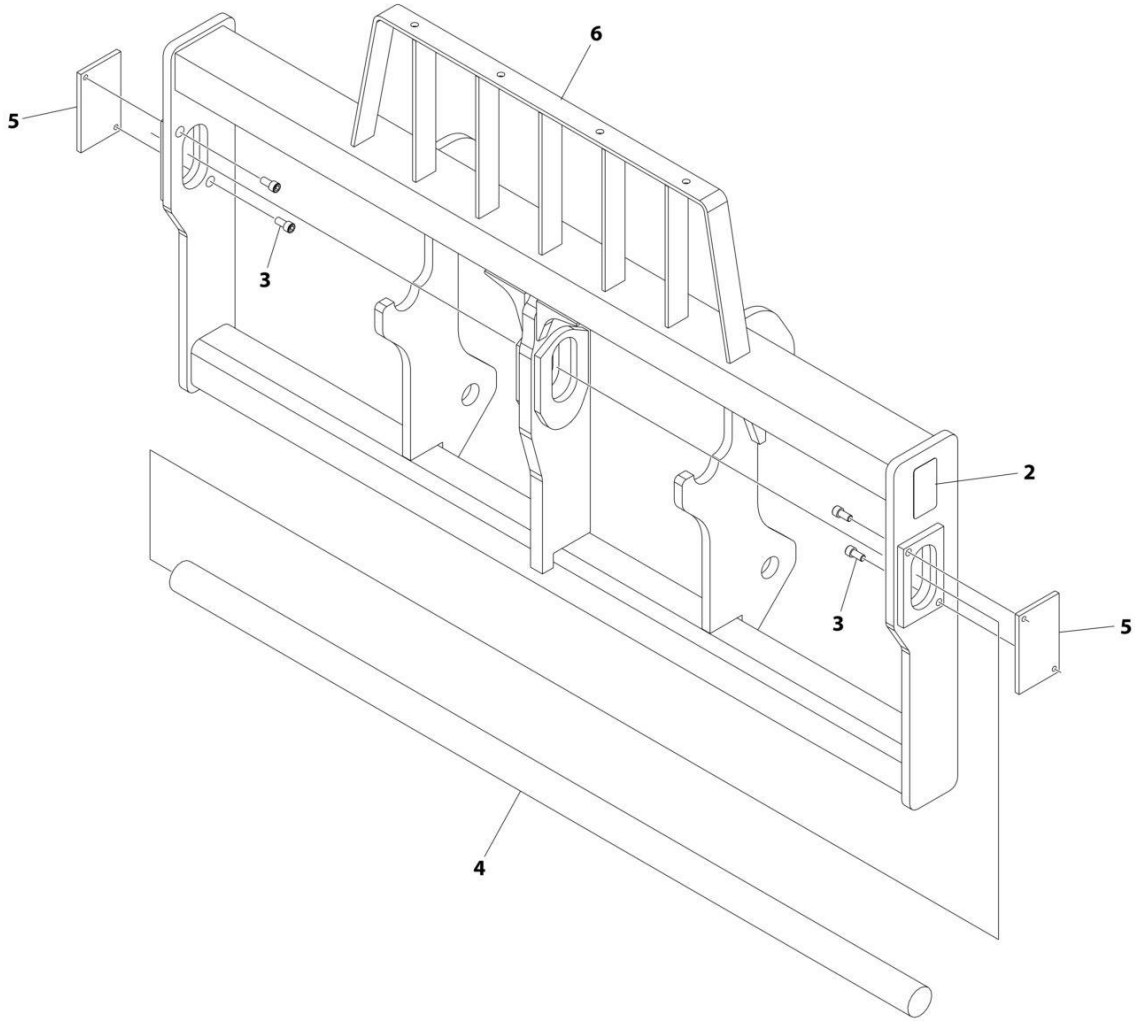
SECTION 3 - ATTACHMENTS

FIGURE 3-38. CARRIAGE ASSEMBLY (1524MM)

ITEM	PART NUMBER	QTY	DESCRIPTION	REV
	1001259144	Ref	CARRIAGE ASSEMBLY (1524MM)	C
1	See Note	NSS	Name Plate (Note: Not Available for Purchase)	
2	See Note	NSS	Plate, Serial Number (Note: Not Available for Purchase)	
3	70021504	4	Bolt M12X25	
4	70030283	1	Shaft, Carriage	
5	1001107338	2	Cover, Shaft	
6	See Note	NSS	Carriage (Use PN 1001259144)	

SECTION 3 - ATTACHMENTS

FIGURE 3-39. CARRIAGE ASSEMBLY (1829MM)



ART_1001259146

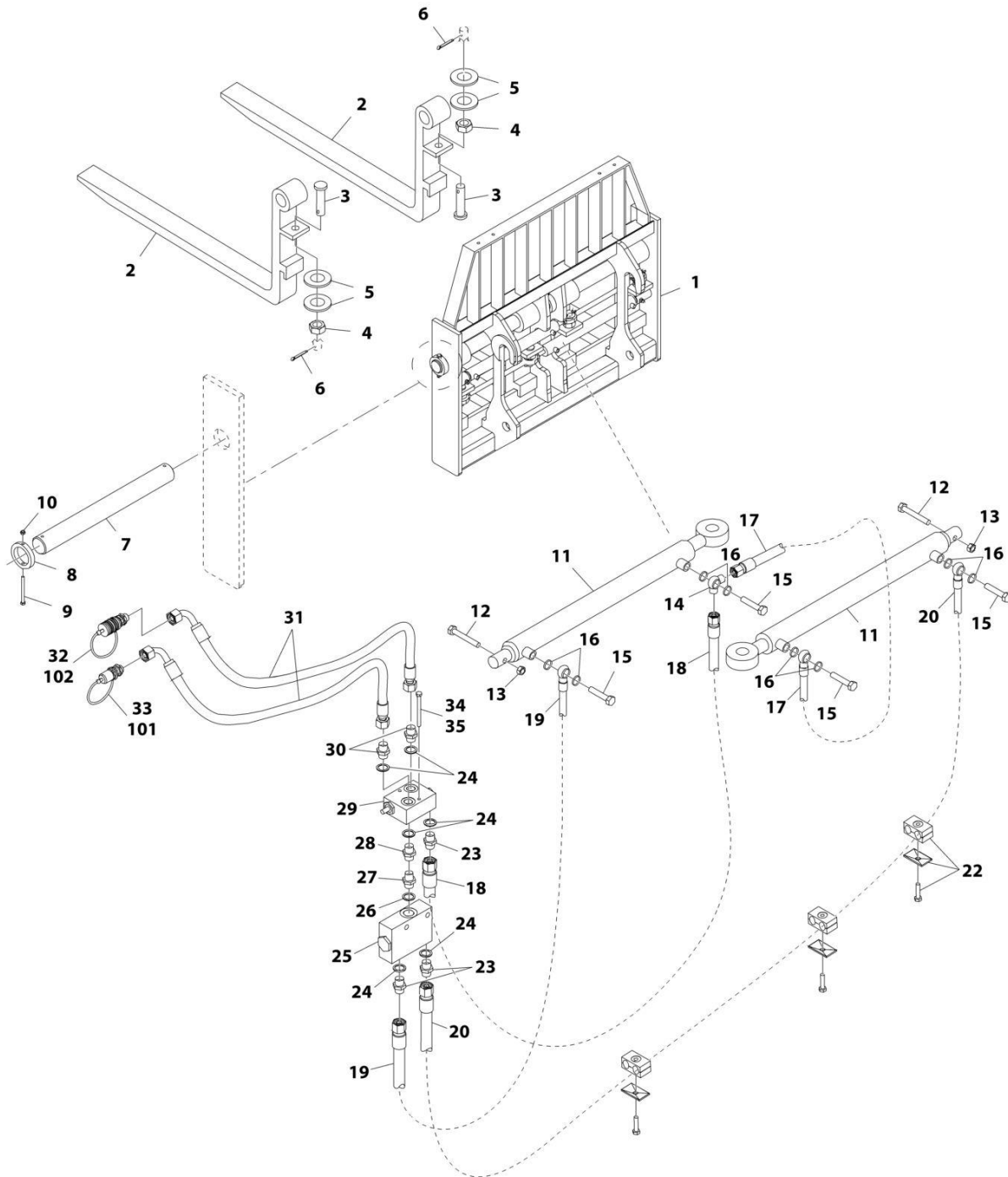
SECTION 3 - ATTACHMENTS

FIGURE 3-39. CARRIAGE ASSEMBLY (1829MM)

ITEM	PART NUMBER	QTY	DESCRIPTION	REV
	1001259146	Ref	CARRIAGE ASSEMBLY (1829MM)	C
1	See Note	NSS	Name Plate, Carriage (Note: Not Available for Purchase)	
2	See Note	NSS	Plate, Serial Number (Note: Not Available for Purchase)	
3	70021504	4	Bolt M12X25	
4	70030282	1	Shaft	
5	1001107338	2	Cover, Shaft	
6	See Note	NSS	Carriage (Note: Use PN 1001259146)	

SECTION 3 - ATTACHMENTS

FIGURE 3-40. CARRIAGE ASSEMBLY - FORK POSITIONING (4.0 TON - 1225 MM)



ART_1001091313-C

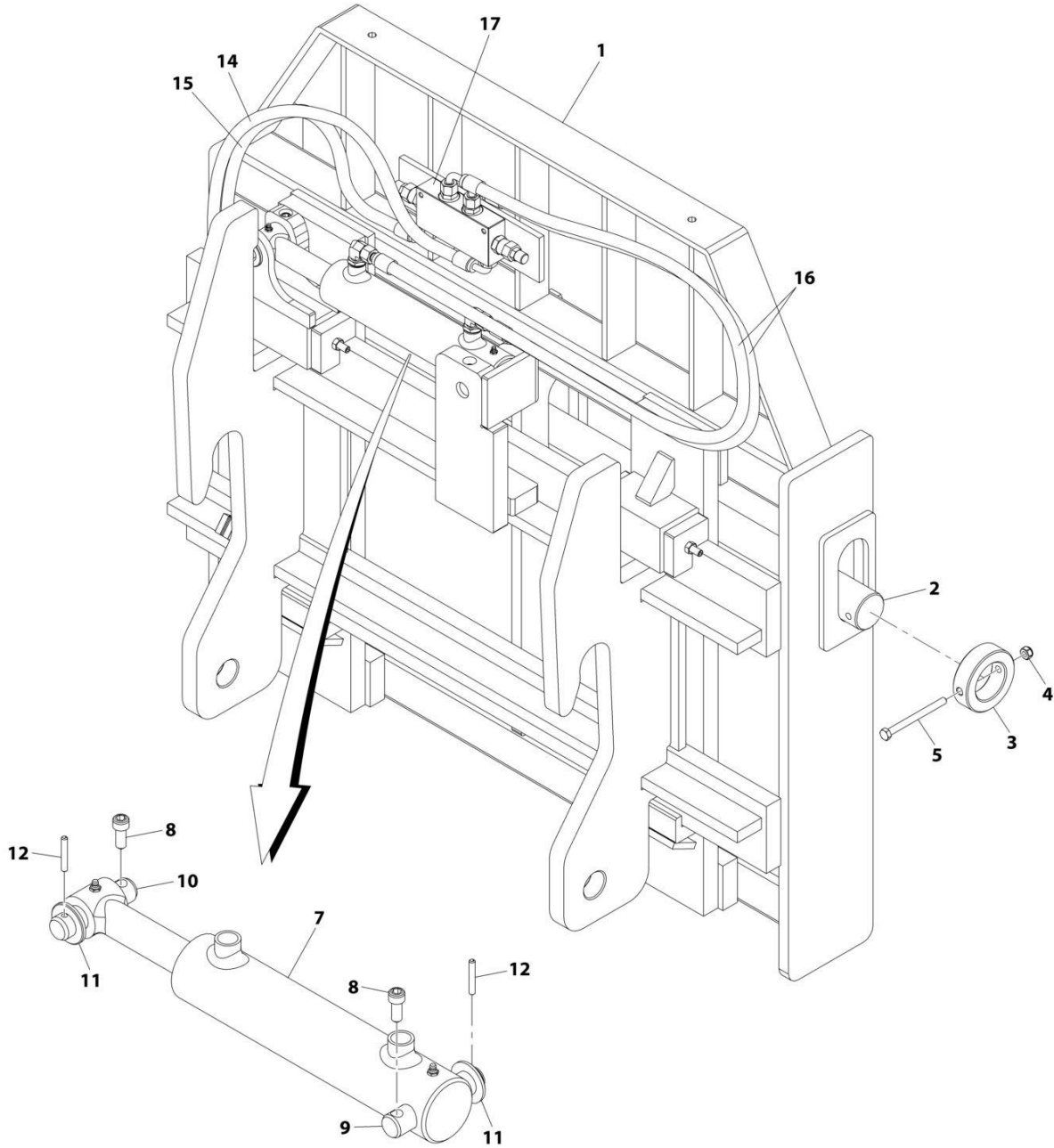
SECTION 3 - ATTACHMENTS

FIGURE 3-40. CARRIAGE ASSEMBLY - FORK POSITIONING (4.0 TON - 1225 MM)

ITEM	PART NUMBER	QTY	DESCRIPTION	REV
	1001091313	Ref	Fork Positioning Carriage with Forks (4.0 ton)	D
1	N.S.S.	1	Weldment	
2	70022922	2	Forks, (100X50X1200), (2000kg per fork)	
3	70021835	2	Rod Pin	
4	70026018	2	Nut	
5	70028978	4	Washer	
6	70021836	2	Split Pin	
7	70022923	2	Carriage Shaft	
8	70022924	4	Shaft Collar	
9	70028979	4	Bolt	
10	70021241	4	Hex Locknut, M12	
11	70023276	2	Cylinder	
11	70023278	AR	Seal Kit, (use with cylinders marked 1.3351.01C.02.01)	
11	70023277	AR	Seal Kit, (use with cylinders marked 1.3351.01C.02.02)	
13	70028031	2	Locknut	
12	70028028	2	Bolt	
14	70022925	1	Elbow, 90	
15	1001103530	4	Bolt	
16	70020730	8	O-Ring	
17	70021838	1	Hose	
18	70021839	1	Hose	
19	70021840	1	Hose	
20	70021841	1	Hose	
22	1001103533	3	Clamp Set, (includes screw and plate)	
23	70020731	3	Fitting	
24	70022907	6	O-Ring	
25	70021842	1	Counter Valve	
26	70022927	1	O-Ring	
27	70022928	1	Fitting	
28	70022929	1	Fitting	
29	70021843	1	Pressure Valve	
30	70022906	2	Adapter	
31	70022930	2	Pipe	
32	1001094555	1	Female Quick Disconnect Coupling	
33	1001094556	1	Male Quick Disconnect Coupling	
34	70028980	2	Bolt	
35	70022912	2	Nut	
101	1001093826	1	Dust Cap	
102	1001093827	1	Dust Plug	

SECTION 3 - ATTACHMENTS

FIGURE 3-41. CARRIAGE ASSEMBLY - SIDE SHIFT (4.0 TON - 1225 MM)



ART_1170002-L

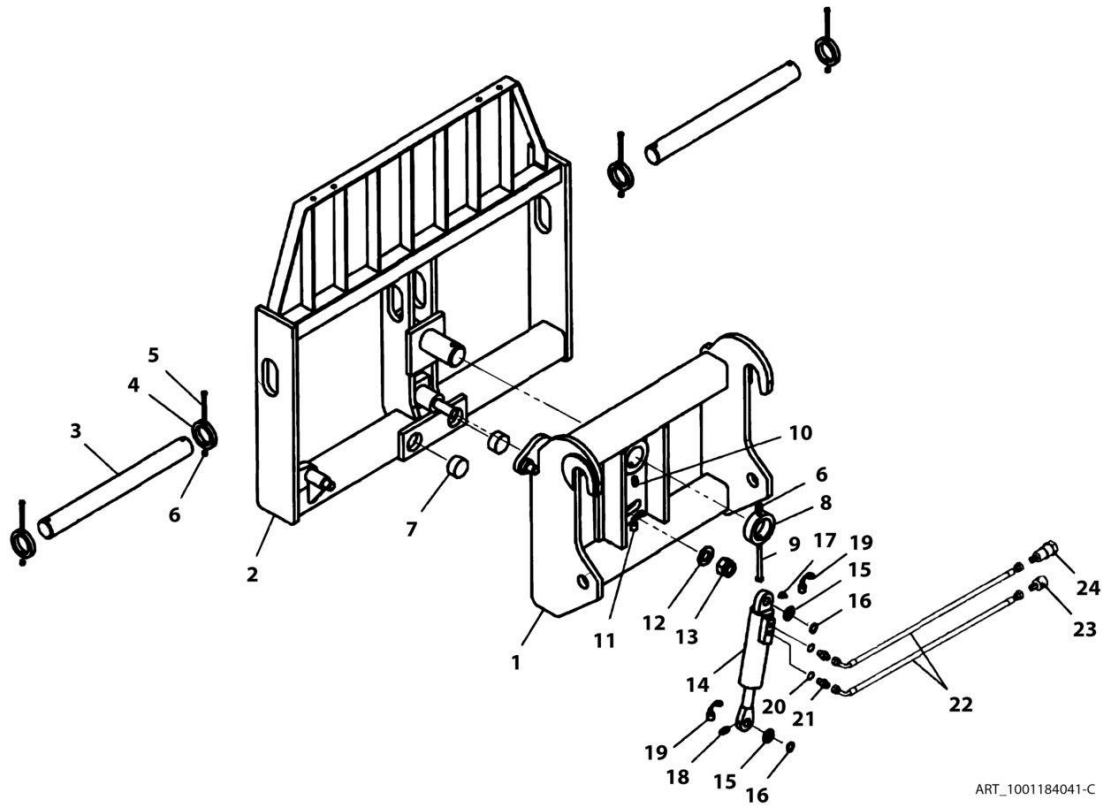
SECTION 3 - ATTACHMENTS

FIGURE 3-41. CARRIAGE ASSEMBLY - SIDE SHIFT (4.0 TON - 1225 MM)

ITEM	PART NUMBER	QTY	DESCRIPTION	REV
	1170002	Ref	Side Shift Carriage (4.0 ton - 1255 MM)	L
1	N.S.S.	1	Carriage, Side Shift	
2	7028136	1	Bar, Fork Carrier	
3	7028137	2	Collar	
4	3291005	2	Nut, Lock M10X1.5	
5	0701029	2	Bolt, M10X120	
7	70021558	1	Cylinder	
8	70021559	2	Bolt	
9	70021560	1	Pin	
10	70021561	1	Pin	
11	70021562	2	Washer	
12	70021563	2	Pin	
13	N.S.S.	1	Plate, Serial Number, (not shown)	
14	70029011	3	Hose	
15	70029012	1	Hose	
16	70029013	2	Hose	
17	70027291	1	Balancing Valve	

SECTION 3 - ATTACHMENTS

FIGURE 3-42. CARRIAGE ASSEMBLY - SIDE TILTING (4.5 TON - 1225 MM)



ART_1001184041-C

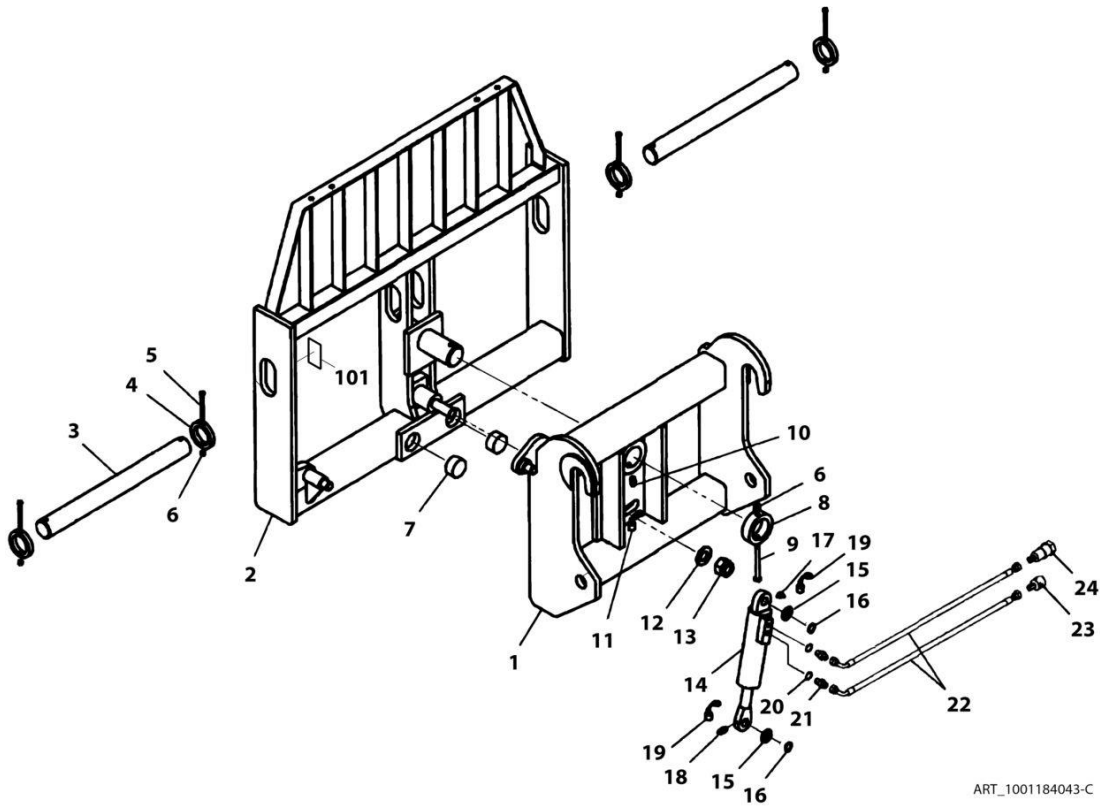
SECTION 3 - ATTACHMENTS

FIGURE 3-42. CARRIAGE ASSEMBLY - SIDE TILTING (4.5 TON - 1225 MM)

ITEM	PART NUMBER	QTY	DESCRIPTION	REV
	1001184041	1	Side Tilting Carriage (4.5 ton - 1225 MM)	E
1	N.S.S.	1	Carriage Weldment	
2	70027604	1	Fork, Carriage	
3	70027605	2	Pin	
4	70027606	4	Pin, Block	
5	70027607	4	Bolt	
6	70021241	5	Nut, Lock M12	
7	70021238	2	Buffer	
8	70021239	1	Collar	
9	70021240	1	Bolt	
10	70021242	1	Fitting, Grease	
11	70021243	1	Cover, Grease Fitting	
12	70021244	1	Washer	
13	70022697	1	Nut, Lock	
14	70020506	1	Cylinder	
15	70020507	1	Washer	
16	70020508	2	Ring, Snap	
17	70021245	1	Fitting, Grease	
18	70021246	1	Fitting, Grease	
19	70021247	2	Cover, Grease Fitting	
20	70020730	2	O-Ring	
21	70020731	2	Fitting	
22	70021248	2	Tube, Hydraulic	
23	1001094556	1	Coupling, Male Quick Disconnect	
24	1001094555	1	Coupling, Female Quick Disconnect	

SECTION 3 - ATTACHMENTS

FIGURE 3-43. CARRIAGE ASSEMBLY - SIDE TILTING (4.0 TON - 1575 MM)



ART_1001184043-C

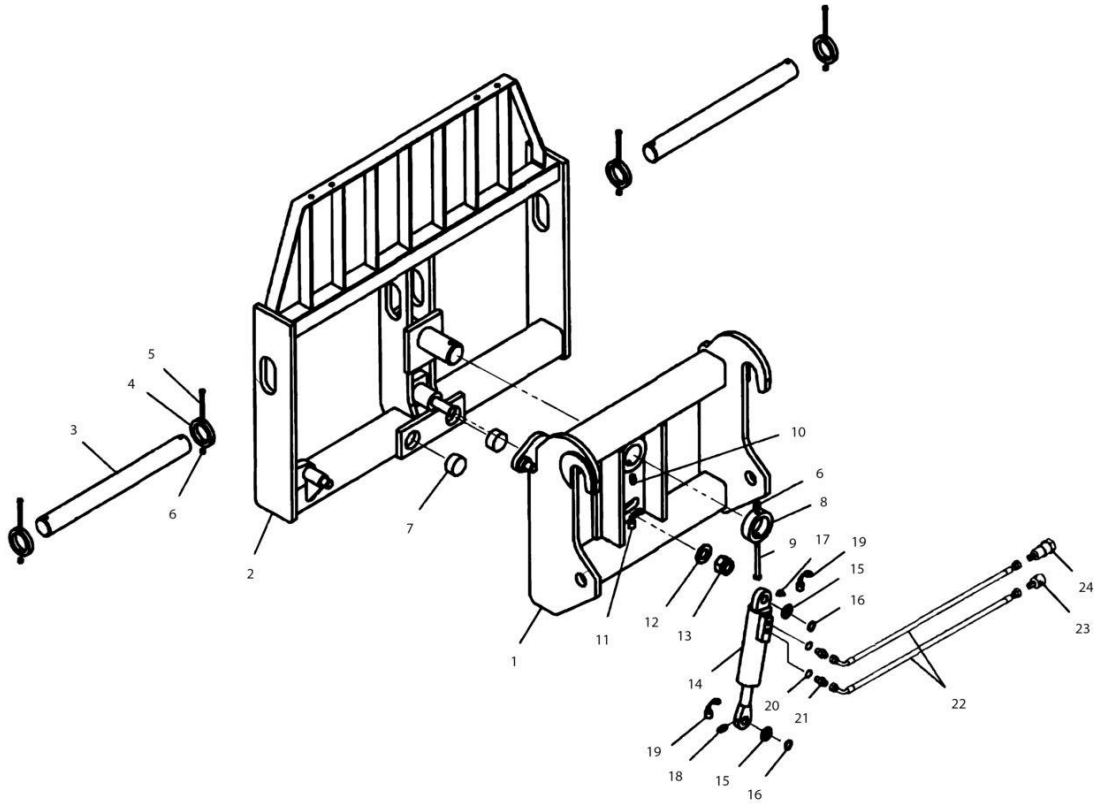
SECTION 3 - ATTACHMENTS

FIGURE 3-43. CARRIAGE ASSEMBLY - SIDE TILTING (4.0 TON - 1575 MM)

ITEM	PART NUMBER	QTY	DESCRIPTION	REV
	1001184043	1	Side Tilting Carriage (4.0 ton - 1575 MM)	E
1	N.S.S.	Ref	Weldment, Carriage	
2	70027604	1	Fork, Carriage	
3	70027605	2	Pin	
4	70027606	4	Pin, Block	
5	70027607	4	Bolt	
6	70021241	5	Locknut, M12	
7	70021238	2	Buffer	
8	70021239	1	Collar	
9	70021240	1	Bolt	
10	70021242	1	Fitting, Grease	
11	70021243	1	Cover, Grease Fitting	
12	70021244	1	Washer	
13	70022697	1	Bolt	
14	70020506	1	Cylinder	
15	70020507	1	Washer	
16	70020508	2	Ring, Snap	
17	70021245	1	Fitting, Grease	
18	70021246	1	Fitting, Grease	
19	70021247	2	Cover, Grease Fitting	
20	70020730	2	O-Ring	
21	70020731	2	Fitting, Straight	
22	70021248	2	Tube	
23	1001094556	1	Coupling, Male Quick Disconnect	
24	1001094555	1	Coupling, Female Quick Disconnect	
101	N.S.S.	Ref	Plate, Serial Number	

SECTION 3 - ATTACHMENTS

FIGURE 3-44. CARRIAGE ASSEMBLY - SID TILTING (4.0 TON - 1829 MM)



ART_1001184045-B

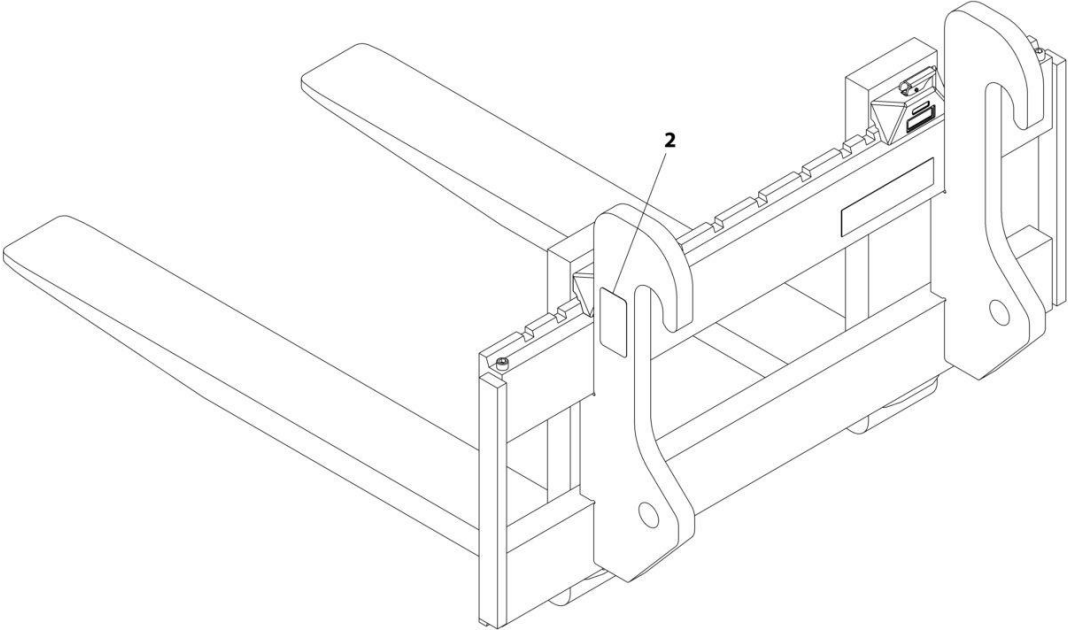
SECTION 3 - ATTACHMENTS

FIGURE 3-44. CARRIAGE ASSEMBLY - SID TILTING (4.0 TON - 1829 MM)

ITEM	PART NUMBER	QTY	DESCRIPTION	REV
	1001184045	1	Side Tilting Carriage (4.0 ton - 1829 MM)	E
1	N.S.S.	1	Weldment	
2	N.S.S.	1	Weldment, Carriage	
3	70027658	2	Shaft, Fork	
4	70027606	4	Pin, Block	
5	70027607	4	Bolt	
6	70021241	5	Nut, Lock M12	
7	70021238	2	Buffer	
8	70021239	1	Collar	
9	70021240	1	Bolt	
10	70021242	1	Fitting, Grease	
11	70021243	1	Cover	
12	70021244	1	Washer	
13	70022697	1	Nut, Lock	
14	70020506	1	Cylinder	
15	70020507	2	Washer	
16	70020508	2	Ring	
17	70021245	1	Fitting, Grease	
18	70021246	1	Fitting, Grease	
19	70021247	2	Cover	
20	70020730	2	O-Ring	
21	70020731	2	Link	
22	70027608	2	Pipe, Flexible	
23	1001094556	1	Coupling, Male Quick Disconnect	
24	1001094555	1	Coupling, Female Quick Disconnect	

SECTION 3 - ATTACHMENTS

FIGURE 3-45. CARRIAGE ASSEMBLY - FEM CARRIAGE AND FORKS



ART_1001265218

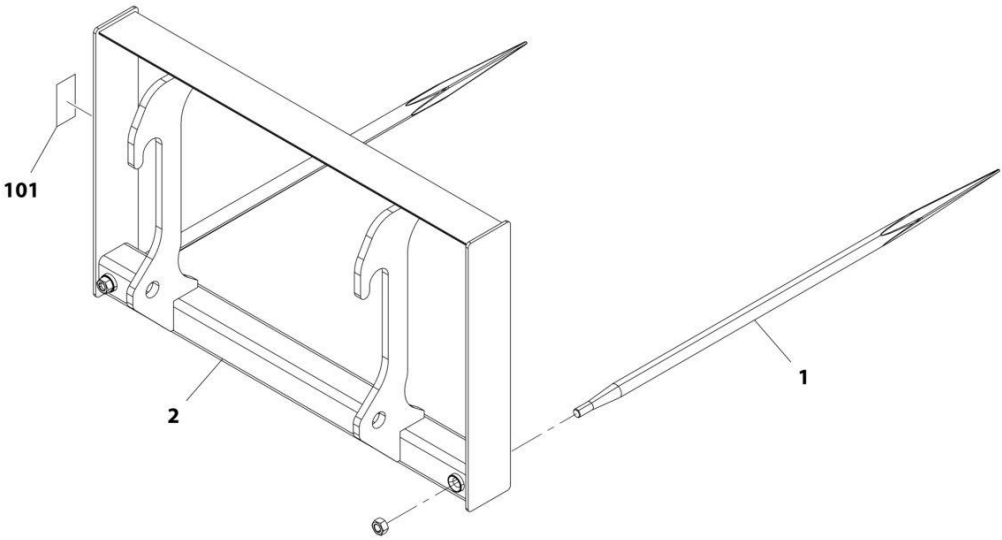
SECTION 3 - ATTACHMENTS

FIGURE 3-45. CARRIAGE ASSEMBLY - FEM CARRIAGE AND FORKS

ITEM	PART NUMBER	QTY	DESCRIPTION	REV
1	1001265218 N.S.S.	Ref 1	FEM CARRIAGE AND FORKS Plate, Serial Number	A

SECTION 3 - ATTACHMENTS

FIGURE 3-46. FORK - BAILING CARRIAGE (DUAL TINE)



ART_1001211897-B

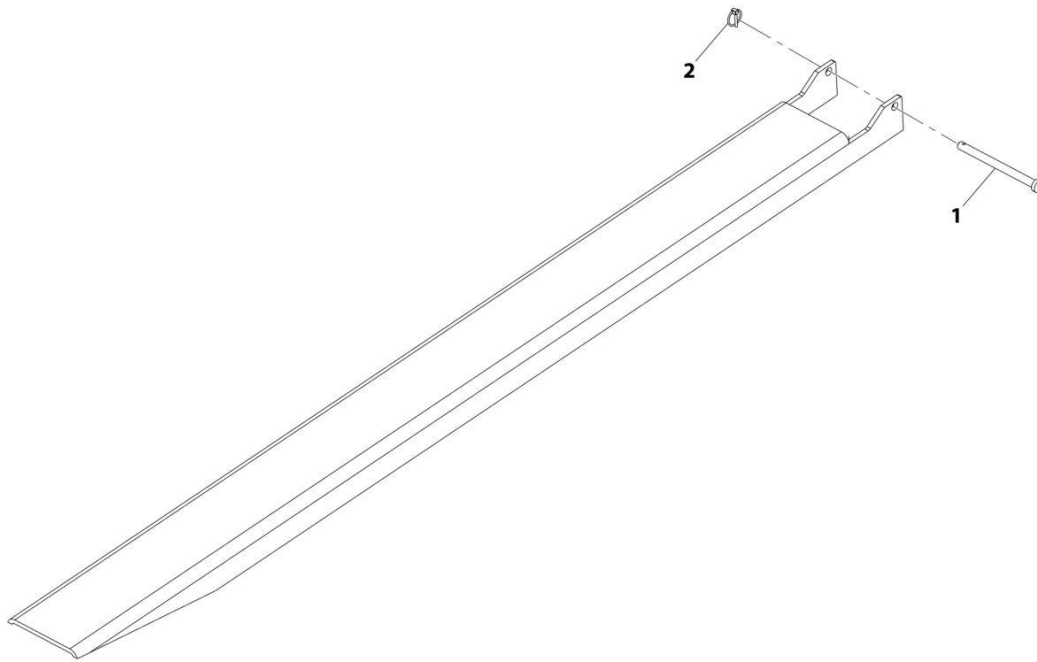
SECTION 3 - ATTACHMENTS

FIGURE 3-46. FORK - BAILING CARRIAGE (DUAL TINE)

ITEM	PART NUMBER	QTY	DESCRIPTION	REV
	1001211897	1	Dual Tine Bailing Fork Carriage	B
1	70027631	2	Tine, Bale (includes Hex Nut)	
2	N.S.S.	Ref	Weldment, Carriage	
101	N.S.S.	Ref	Plate, Serial Number	

SECTION 3 - ATTACHMENTS

FIGURE 3-47. FORK - EXTENSIONS (62X163X2286) (ANSI)



ART_1001137512-D

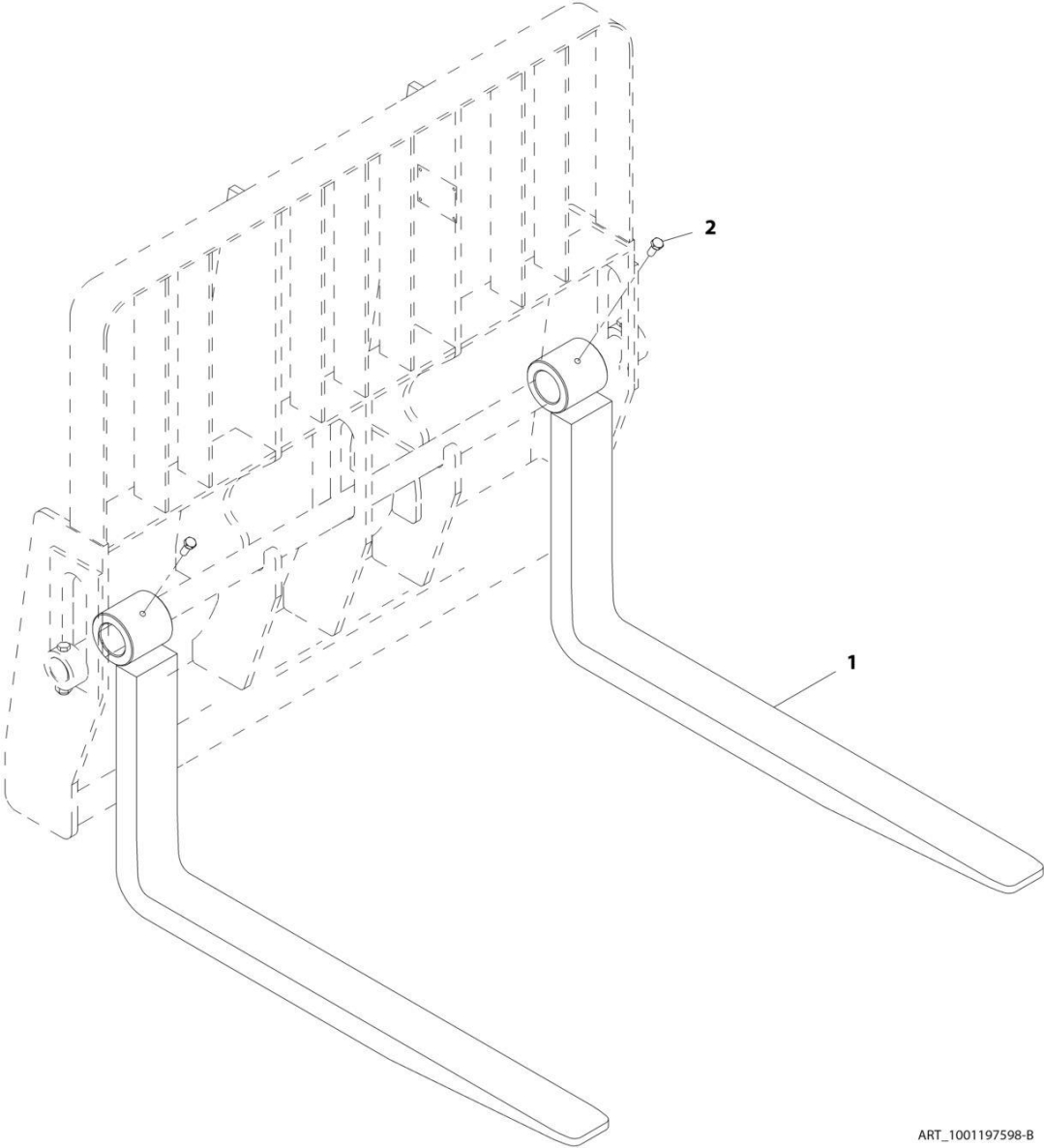
SECTION 3 - ATTACHMENTS

FIGURE 3-47. FORK - EXTENSIONS (62X163X2286) (ANSI)

ITEM	PART NUMBER	QTY	DESCRIPTION	REV
	1001137512	2 pr	Fork Extensions (62X163X2286)	D
1	70024306	1	Pin	
2	70024307	1	Clip	

SECTION 3 - ATTACHMENTS

FIGURE 3-48. FORK - LUMBER (45X150X1540)



ART_1001197598-B

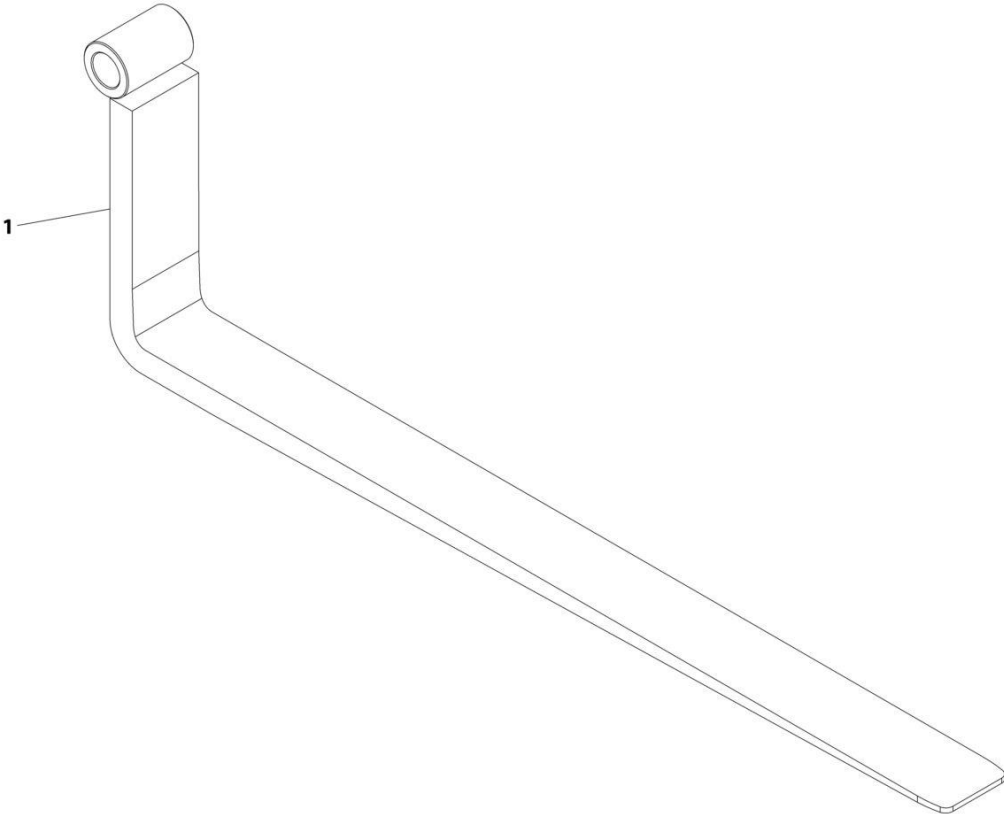
SECTION 3 - ATTACHMENTS

FIGURE 3-48. FORK - LUMBER (45X150X1540)

ITEM	PART NUMBER	QTY	DESCRIPTION	REV
1	1001197598	2	Lumber Fork (45X150X1540)	B
2	70027180	2	Screw, M16X30	
	Note	Ref	<p>FORKS RATED LESS THAN THE ATTACHMENT OR MACHINE'S CAPACITY DECREASES CAPACITY OF THE ATTACHMENT OR MACHINE TO THAT OF THE FORKS. FORKS RATED MORE THAN THE ATTACHMENT OR MACHINE'S CAPACITY DO NOT INCREASE ATTACHMENT OR MACHINE'S CAPACITY.</p>	
	Note	Ref	<p>PLEASE CONSULT JLG PARTS DEPARTMENT TO DETERMINE THE CORRECT FORKS APPLICABLE TO YOUR SPECIFIC CARRIAGE ASSEMBLY AND APPLICATION.</p>	

SECTION 3 - ATTACHMENTS

FIGURE 3-49. FORK - LUMBER (50X150X1830)



ART_1001257317-B

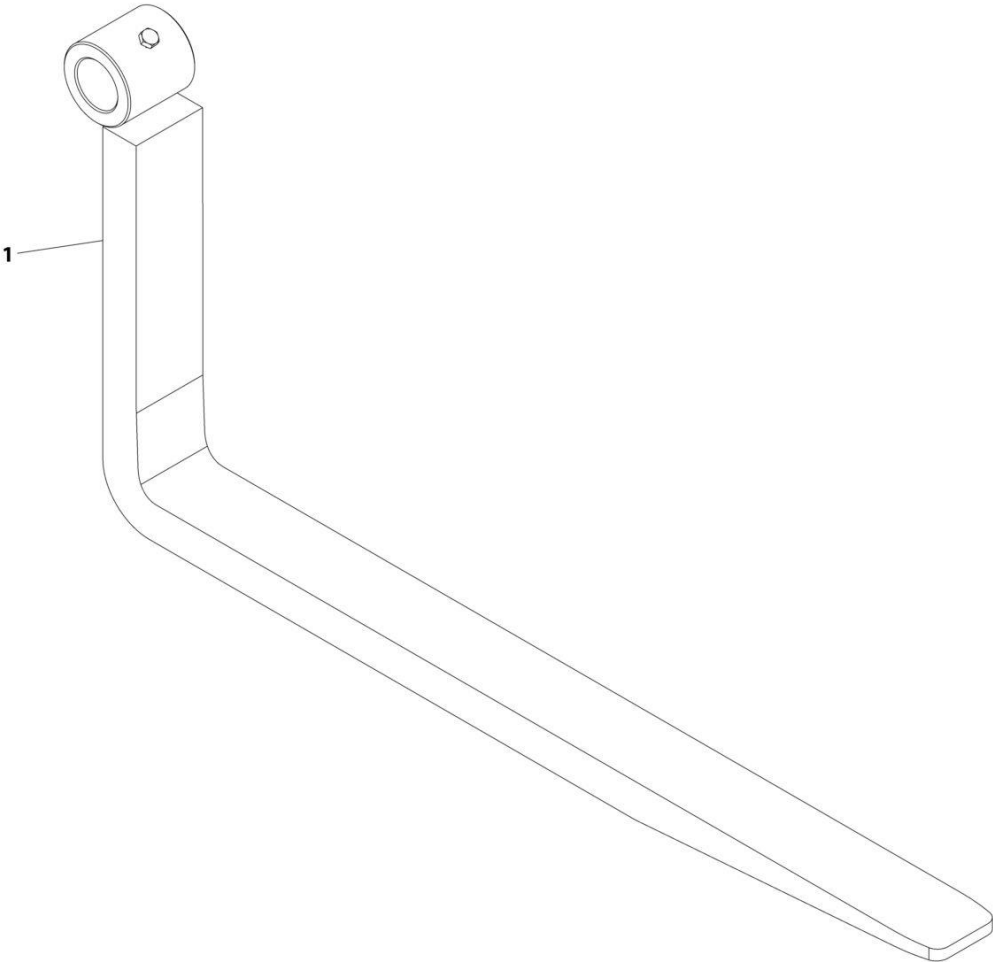
SECTION 3 - ATTACHMENTS

FIGURE 3-49. FORK - LUMBER (50X150X1830)

ITEM	PART NUMBER	QTY	DESCRIPTION	REV
1	1001257317	2	Lumber Fork (50X150X1830)	B
	Note	Ref	FORKS RATED LESS THAN THE ATTACHMENT OR MACHINE'S CAPACITY DECREASES CAPACITY OF THE ATTACHMENT OR MACHINE TO THAT OF THE FORKS. FORKS RATED MORE THAN THE ATTACHMENT OR MACHINE'S CAPACITY DO NOT INCREASE ATTACHMENT OR MACHINE'S CAPACITY.	
	Note	Ref	PLEASE CONSULT JLG PARTS DEPARTMENT TO DETERMINE THE CORRECT FORKS APPLICABLE TO YOUR SPECIFIC CARRIAGE ASSEMBLY AND APPLICATION.	

SECTION 3 - ATTACHMENTS

FIGURE 3-50. FORK - PALLET (50X100X1200)



ART_1001257263-B

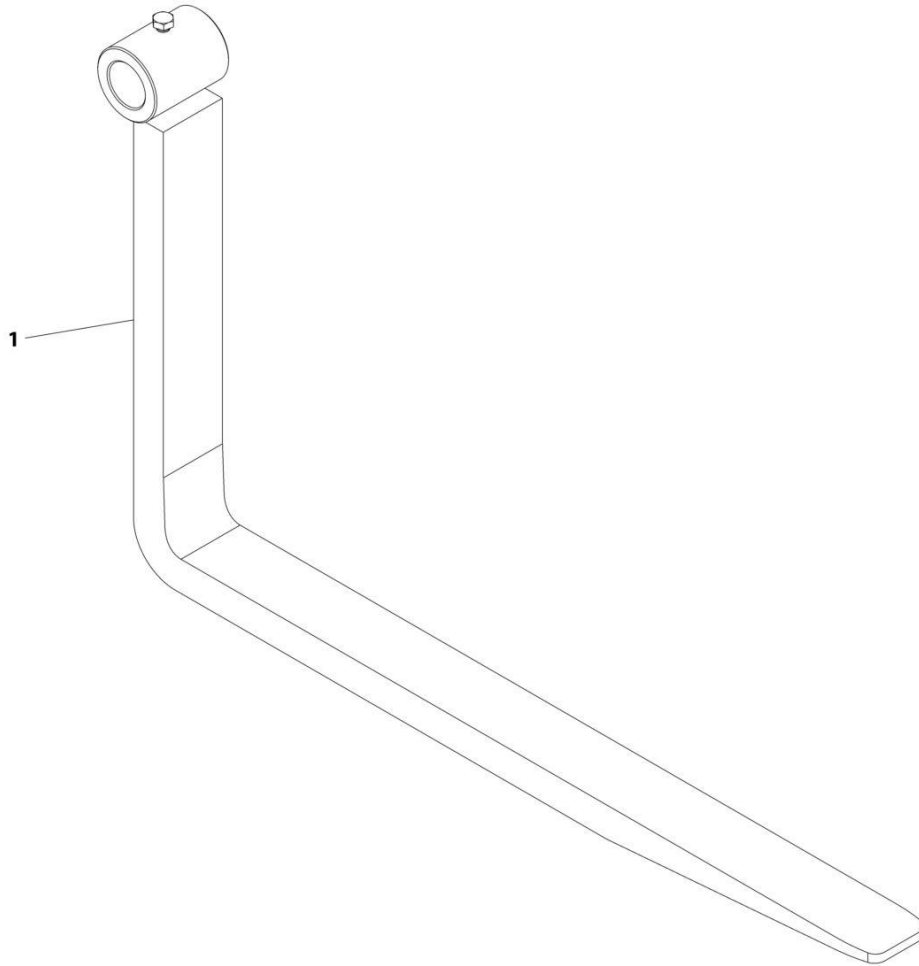
SECTION 3 - ATTACHMENTS

FIGURE 3-50. FORK - PALLET (50X100X1200)

ITEM	PART NUMBER	QTY	DESCRIPTION	REV
1	1001257263	1 pr	Pallet Fork (50X100X1200)	B
	Note	Ref	FORKS RATED LESS THAN THE ATTACHMENT OR MACHINE'S CAPACITY DECREASES CAPACITY OF THE ATTACHMENT OR MACHINE TO THAT OF THE FORKS. FORKS RATED MORE THAN THE ATTACHMENT OR MACHINE'S CAPACITY DO NOT INCREASE ATTACHMENT OR MACHINE'S CAPACITY.	
	Note	Ref	PLEASE CONSULT JLG PARTS DEPARTMENT TO DETERMINE THE CORRECT FORKS APPLICABLE TO YOUR SPECIFIC CARRIAGE ASSEMBLY AND APPLICATION.	

SECTION 3 - ATTACHMENTS

FIGURE 3-51. FORK - PALLET (50X100X1200) (WITH SIDE SHIFT CARRIAGE)



ART_1001257265-B

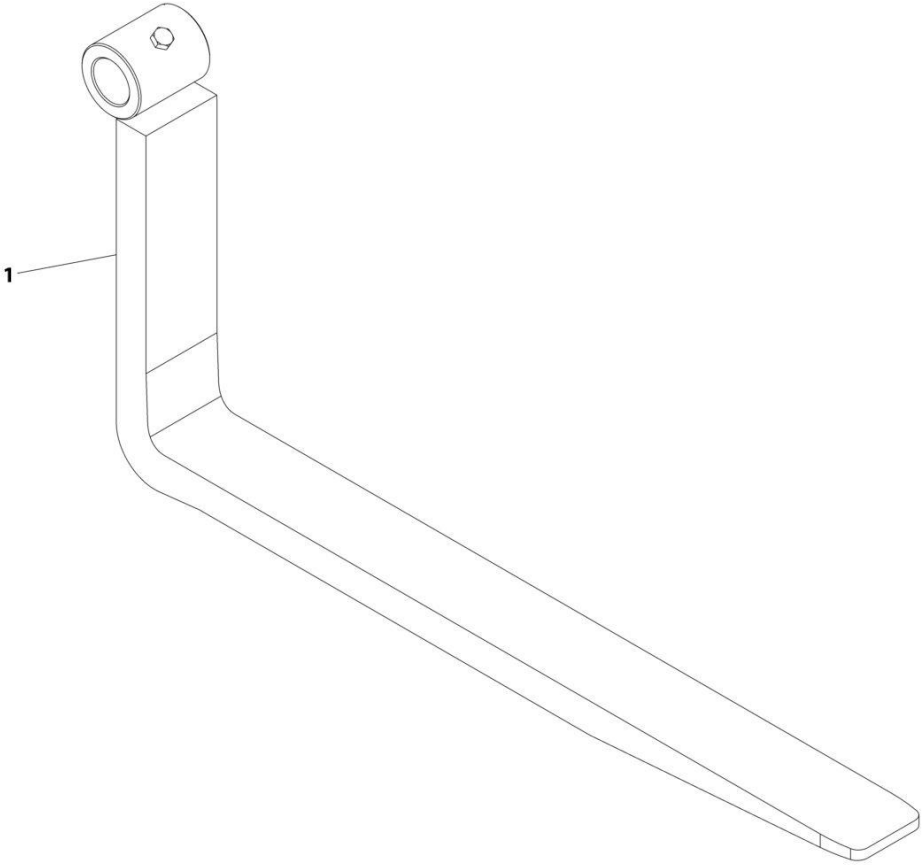
SECTION 3 - ATTACHMENTS

FIGURE 3-51. FORK - PALLET (50X100X1200) (WITH SIDE SHIFT CARRIAGE)

ITEM	PART NUMBER	QTY	DESCRIPTION	REV
1	1001257265	2 pr	Pallet Fork (50X100X1200)	B
	Note	Ref	FORKS RATED LESS THAN THE ATTACHMENT OR MACHINE'S CAPACITY DECREASES CAPACITY OF THE ATTACHMENT OR MACHINE TO THAT OF THE FORKS. FORKS RATED MORE THAN THE ATTACHMENT OR MACHINE'S CAPACITY DO NOT INCREASE ATTACHMENT OR MACHINE'S CAPACITY.	
	Note	Ref	PLEASE CONSULT JLG PARTS DEPARTMENT TO DETERMINE THE CORRECT FORKS APPLICABLE TO YOUR SPECIFIC CARRIAGE ASSEMBLY AND APPLICATION.	

SECTION 3 - ATTACHMENTS

FIGURE 3-52. FORK - PALLET (50X120X1200)



ART_1001257327-B

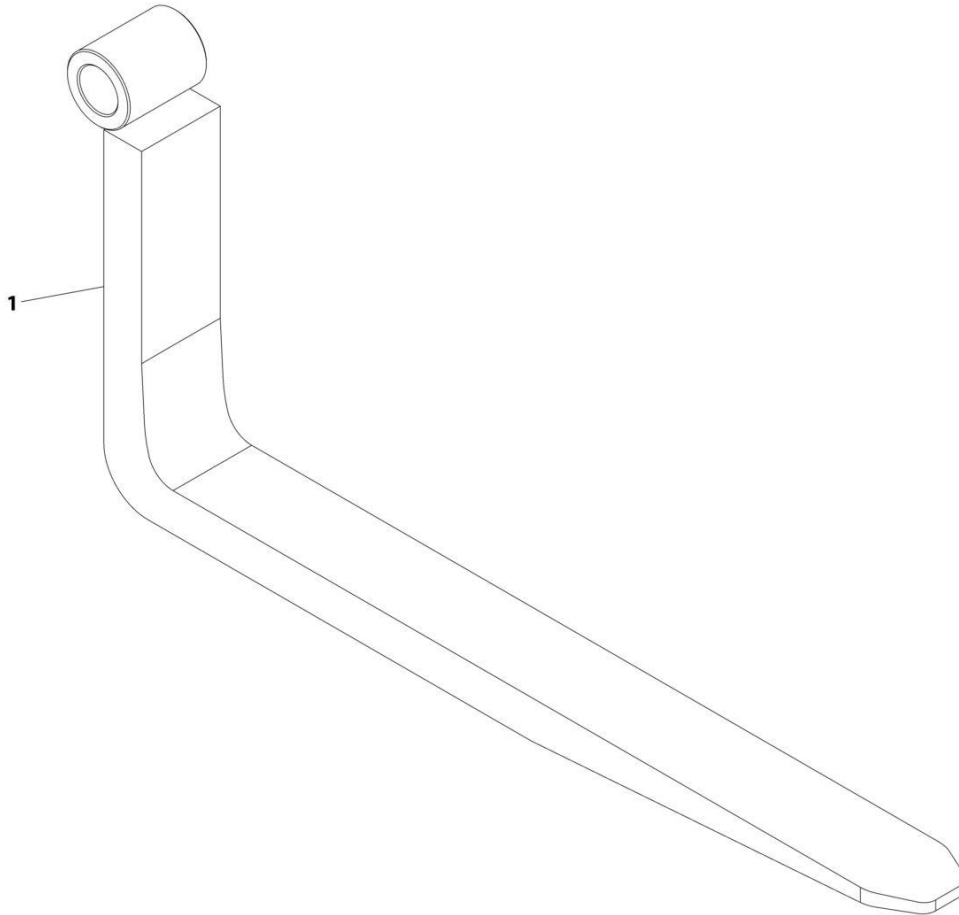
SECTION 3 - ATTACHMENTS

FIGURE 3-52. FORK - PALLET (50X120X1200)

ITEM	PART NUMBER	QTY	DESCRIPTION	REV
	1001257327	1	Fork-Pallet (50X120X1200)	B
	Note	Ref	FORKS RATED LESS THAN THE ATTACHMENT OR MACHINE'S CAPACITY DECREASES CAPACITY OF THE ATTACHMENT OR MACHINE TO THAT OF THE FORKS. FORKS RATED MORE THAN THE ATTACHMENT OR MACHINE'S CAPACITY DO NOT INCREASE ATTACHMENT OR MACHINE'S CAPACITY.	
	Note	Ref	PLEASE CONSULT JLG PARTS DEPARTMENT TO DETERMINE THE CORRECT FORKS APPLICABLE TO YOUR SPECIFIC CARRIAGE ASSEMBLY AND APPLICATION.	

SECTION 3 - ATTACHMENTS

FIGURE 3-53. FORK - PALLET (60X125X1220)



ART_1001257318-B

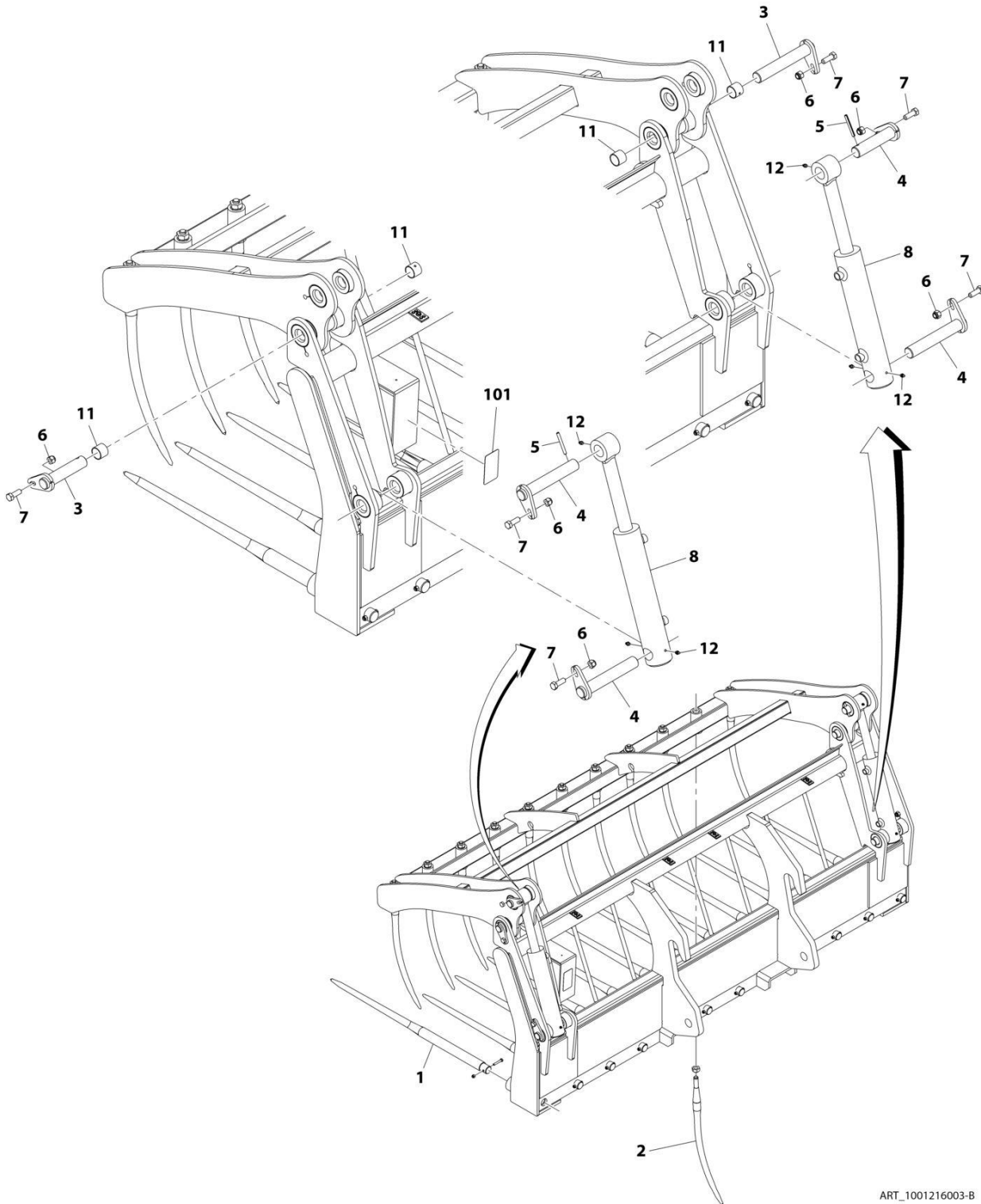
SECTION 3 - ATTACHMENTS

FIGURE 3-53. FORK - PALLET (60X125X1220)

ITEM	PART NUMBER	QTY	DESCRIPTION	REV
	1001257318	1 pr	Pallet Fork (60X125X1220)	B
	Note	Ref	FORKS RATED LESS THAN THE ATTACHMENT OR MACHINE'S CAPACITY DECREASES CAPACITY OF THE ATTACHMENT OR MACHINE TO THAT OF THE FORKS. FORKS RATED MORE THAN THE ATTACHMENT OR MACHINE'S CAPACITY DO NOT INCREASE ATTACHMENT OR MACHINE'S CAPACITY.	
	Note	Ref	PLEASE CONSULT JLG PARTS DEPARTMENT TO DETERMINE THE CORRECT FORKS APPLICABLE TO YOUR SPECIFIC CARRIAGE ASSEMBLY AND APPLICATION.	

SECTION 3 - ATTACHMENTS

FIGURE 3-54. FORK - MUCK WITH GRAB



ART_1001216003-B

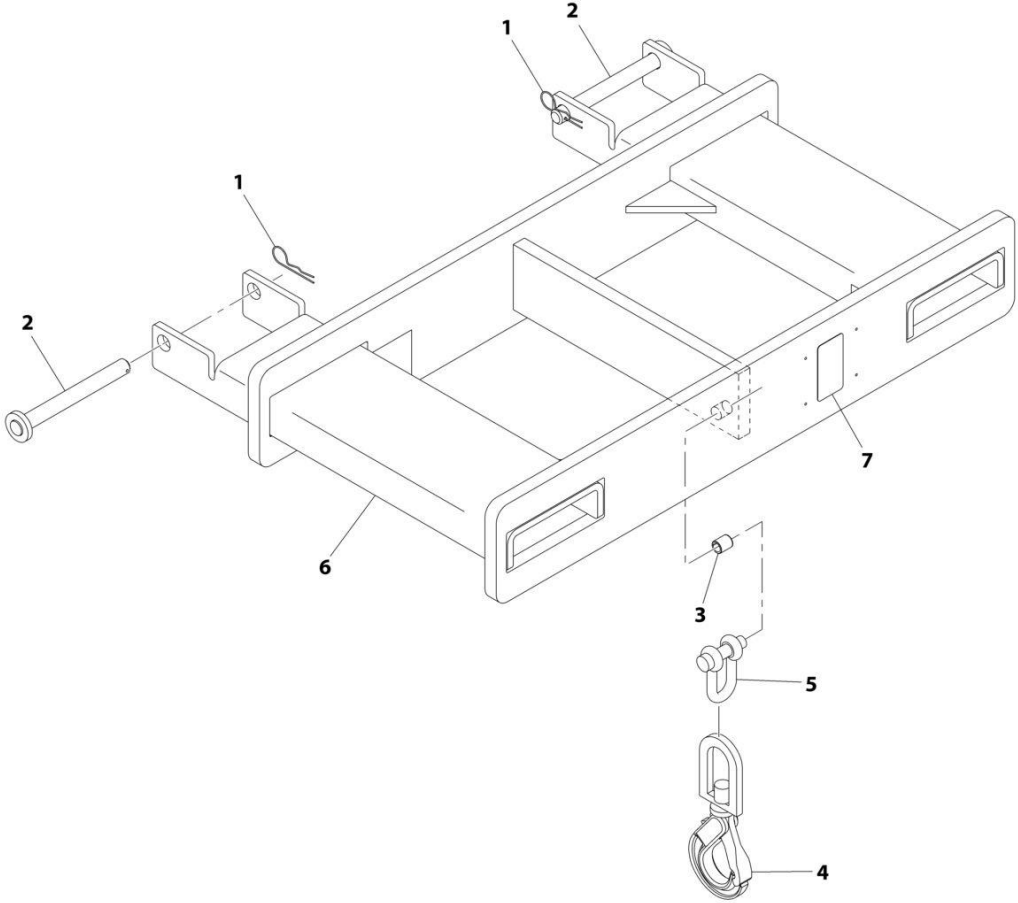
SECTION 3 - ATTACHMENTS

FIGURE 3-54. FORK - MUCK WITH GRAB

ITEM	PART NUMBER	QTY	DESCRIPTION	REV
	1001216003	1	Muck Fork and Grab (2450MM)	D
1	70027302	12	Right Electro-Forged Fingers	
2	70027324	11	Curved Electro-Forged Fingers	
3	70027293	2	Pin	
4	70027294	4	Pin	
5	70027298	2	Roll Pin	
6	70027296	6	Nut	
7	70027297	6	Screw	
8	7028127	2	Cylinder	
9	70027295	2	Hose (not shown)	
10	70028436	2	Hose (not shown)	
11	7028131	10	Ring	
12	7028918	6	Grease Nipple	
101	N.S.S.	1	Plate, Serial Number	

SECTION 3 - ATTACHMENTS

FIGURE 3-55. HOOK - CRANE (FORK MOUNTED)



ART_1001097205-I

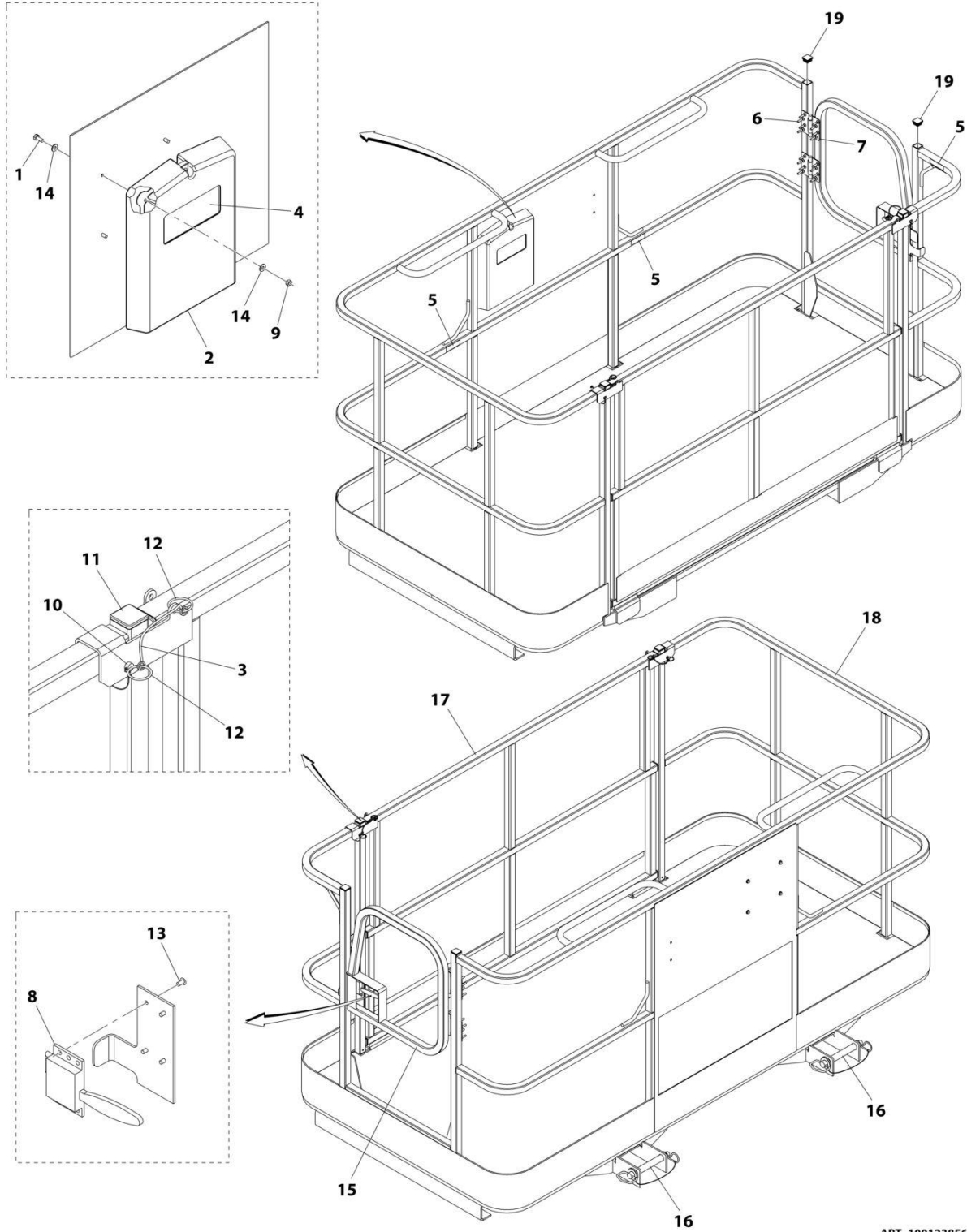
SECTION 3 - ATTACHMENTS

FIGURE 3-55. HOOK - CRANE (FORK MOUNTED)

ITEM	PART NUMBER	QTY	DESCRIPTION	REV
	1001097205	Ref	Fork Mounted Hook (4 Ton)	J
1	7029520	2	Pin, Cotter	
2	1001093171	2	Pin	
3	70020555	1	Bushing	
4	90554080	1	Hook	
5	7029521	1	Shackle	
6	See Note	NSS	Frame, Hook (Note: Purchase Complete Assembly)	
7	See Note	NSS	S/N Plate (Note: Stamped Part - Not Available for Purchase)	

SECTION 3 - ATTACHMENTS

FIGURE 3-56. FORK MOUNTED PLATFORM



ART_1001238565

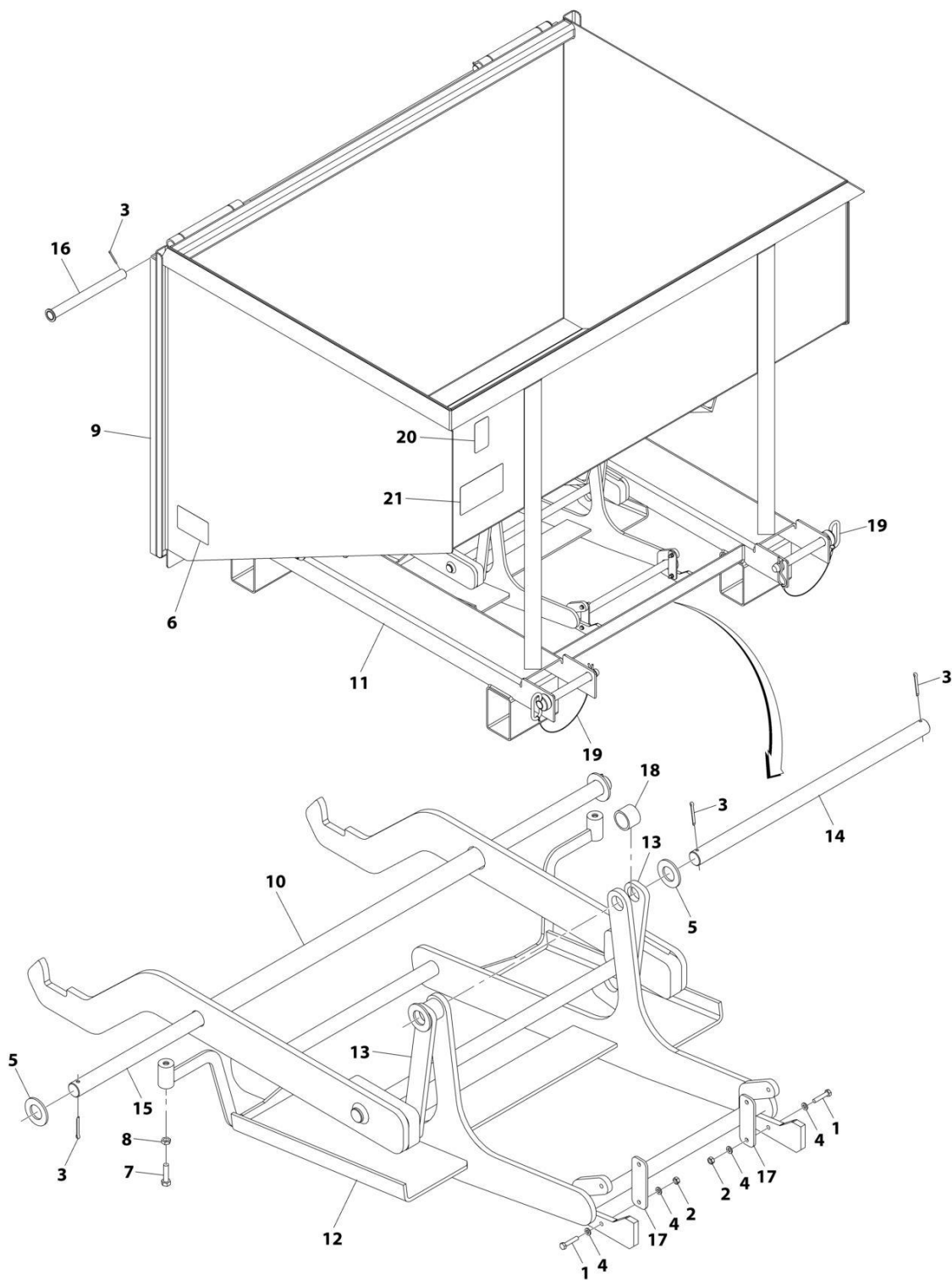
SECTION 3 - ATTACHMENTS

FIGURE 3-56. FORK MOUNTED PLATFORM

ITEM	PART NUMBER	QTY	DESCRIPTION	REV
	1001238565	Ref	FORK MOUNTED PLATFORM ASSEMBLY	F
1	0641405	4	Bolt 1/4 x 5/8	
2	0860520	1	Box, Manual Storage	
3	1060379	2	Cable, Lanyard	
4	1701509	1	Decal, Manual	
5	1704277	3	Decal, Lanyard Attach	
6	2080040	16	Fastener	
7	2600281	2	Hinge	
8	2940074	1	Latch	
9	3311405	4	Nut 1/4	
10	3421453	2	Pin	
11	3520072	7	Plug	
12	3760170	4	Ring	
13	3820020	4	Rivet	
14	4711400	8	Washer 1/4	
15	1001144629J	1	Gate	
16	1001238560	2	Pin, Hitch	
17	1001095810	1	Gate	
18	See Note	NSS	Platform, Fork Mounted	
19	3520198	4	Plug	

SECTION 3 - ATTACHMENTS

FIGURE 3-57. HOPPER - TRASH



ART_1001238566-B

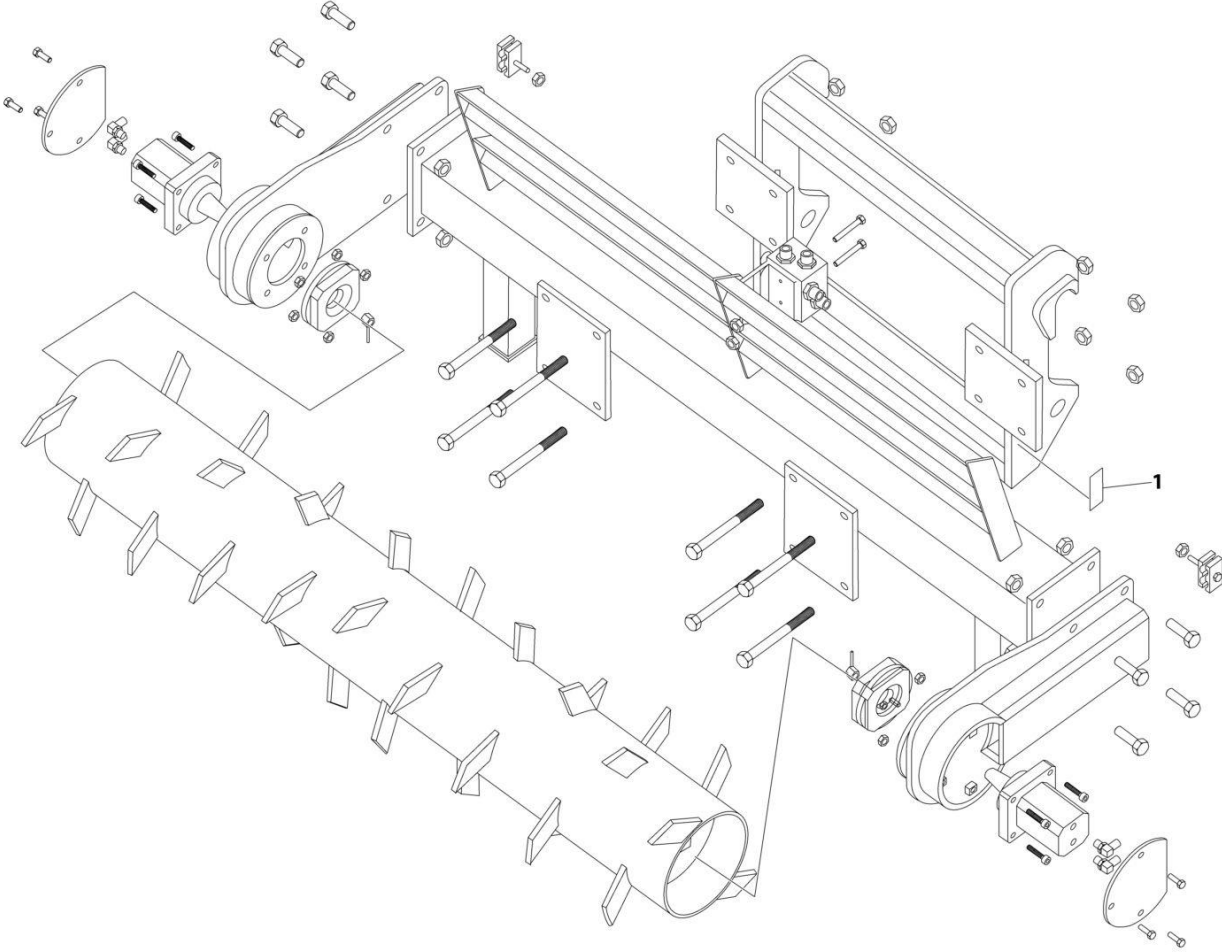
SECTION 3 - ATTACHMENTS

FIGURE 3-57. HOPPER - TRASH

ITEM	PART NUMBER	QTY	DESCRIPTION	REV
	1001238566	Ref	FORK MOUNTED TRASH HOPPER	C
1	0700614	4	Bolt M6 x 30	
2	3290601	4	Nut M6 x 1	
3	3391410	6	Pin	
4	4811700	8	Washer M6	
5	5242400	4	Washer M24	
6	1706302	2	Decal, Pinch Point	
7	0641510	2	Bolt 5/16 x 1-1/4	
8	3311502	2	Nut 5/16	
9	1001192711	1	Door Assembly	
10	1001192720	1	Hook Assembly	
11	See Note	NSS	Hopper, Trash (Note: Purchase Complete Assembly)	
12	1001192875	1	Tray Assembly	
13	1001192876	2	Arm, Swing	
14	1001192877	1	Rod, Swing	
15	1001238570	1	Bar	
16	1001193540	2	Pin	
17	1001193729	2	Plate	
18	1001198355	2	Spacer	
19	1001238560	2	Pin	
20	See Note	NSS	SN Plate (Note: Stamped Part - Not Available for Purchase)	
21	1001203503	1	Decal, Trash Hopper Operation	

SECTION 3 - ATTACHMENTS

FIGURE 3-58. SILAGE DEFACER



ART_1001275274

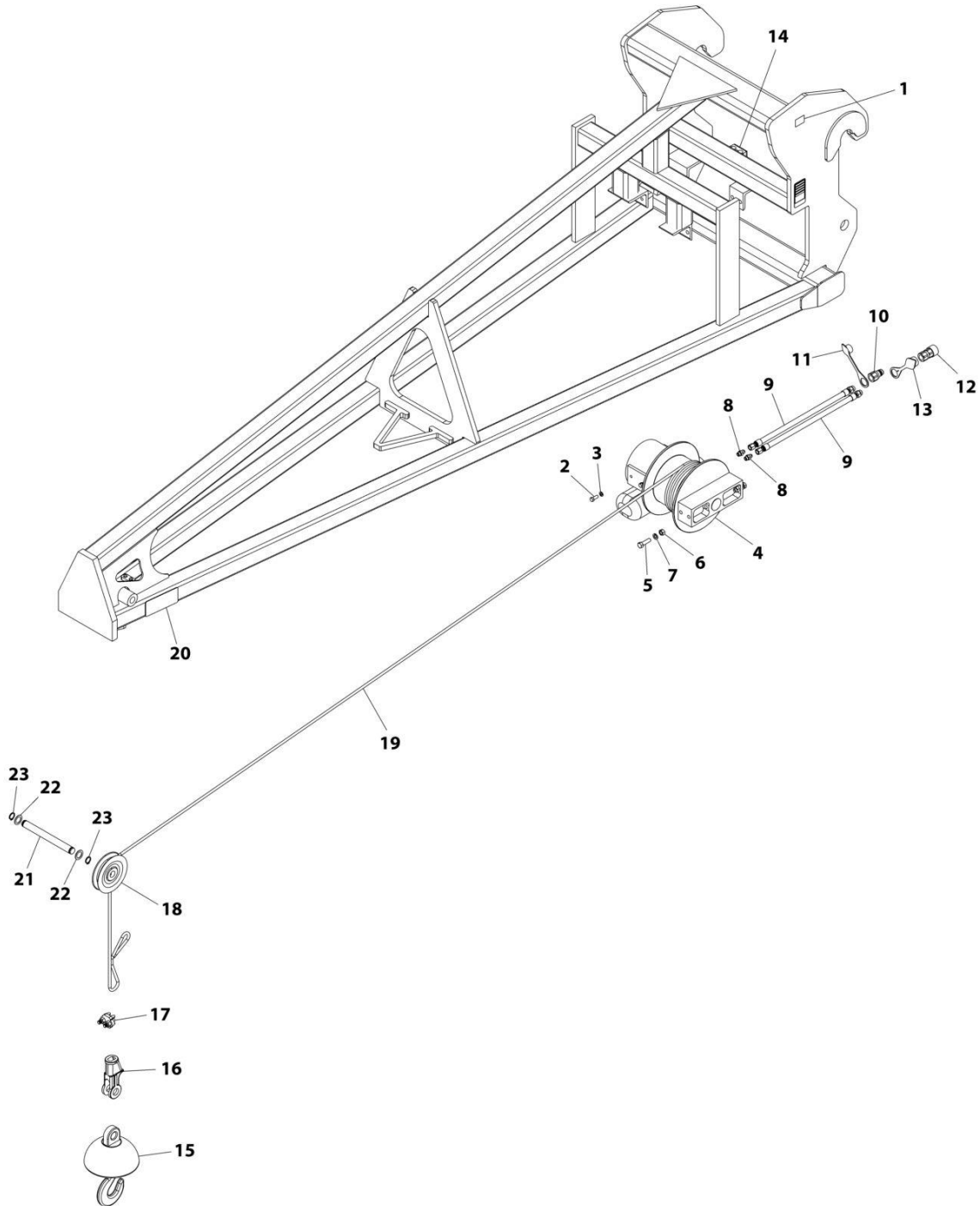
SECTION 3 - ATTACHMENTS

FIGURE 3-58. SILAGE DEFACER

ITEM	PART NUMBER	QTY	DESCRIPTION	REV
1	1001275274 See Note N.S.S.	Ref Ref 1	SILAGE DEFACER Note: No other Service Parts Available at Time of Printing Plate, Serial Number (Not Available for Purchase)	A

SECTION 3 - ATTACHMENTS

FIGURE 3-59. TRUSS BOOM (0.9 TON - 3.5M/12FT WITH WINCH)



ART_1001206671-B

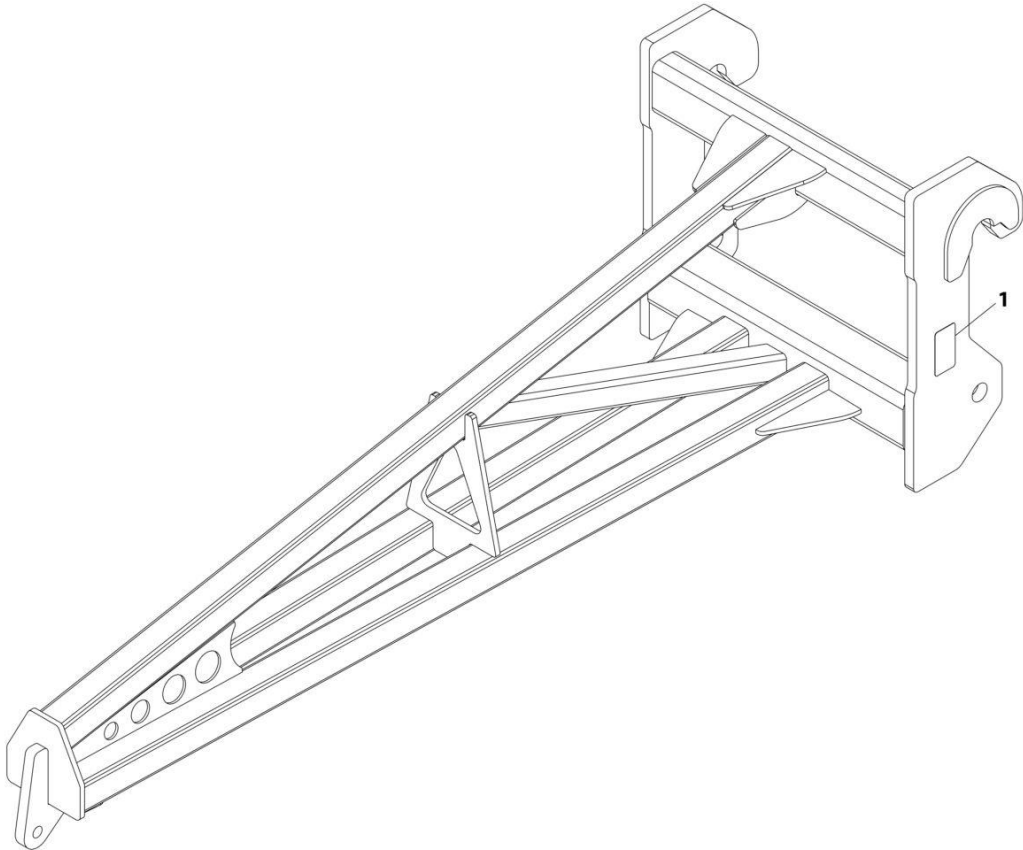
SECTION 3 - ATTACHMENTS

FIGURE 3-59. TRUSS BOOM (0.9 TON - 3.5M/12FT WITH WINCH)

ITEM	PART NUMBER	QTY	DESCRIPTION	REV
	1001206671	1	Truss Boom	E
1	90554016	1	Decal	
2	70021349	4	Bolt	
3	90554042	4	Washer	
4	70021921	1	Winch, Truss Boom, Assembly	
5	70024059	2	Bolt	
6	90554054	2	Nut	
7	90554020	2	Washer	
8	70021415	2	Fitting	
9	70026702	2	Hose	
10	1001101041	1	Hydraulic Couplier, Male	
11	1001093826	1	Dust Cap, Male	
12	1001101042	1	Hydraulic Couplier, Female	
13	1001093827	1	Plug, Dust, Female	
14	70021387	1	Hose Clamp	
15	70021978	1	Ball Swivel Safety Hook	
16	70021979	1	Wedge Socket Assembly	
17	70022528	1	Clamp, Cable	
18	70021935	1	Sheave, Grooved Pulley	
19	70022028	1	Cable	
20	70027790	2	Decal	
21	70022529	1	Pin	
22	70027009	2	Washer	
23	70026698	2	Ring, Snap	

SECTION 3 - ATTACHMENTS

FIGURE 3-60. TRUSS BOOM (1TON - 3.5M/12FT)



ART_1001292995

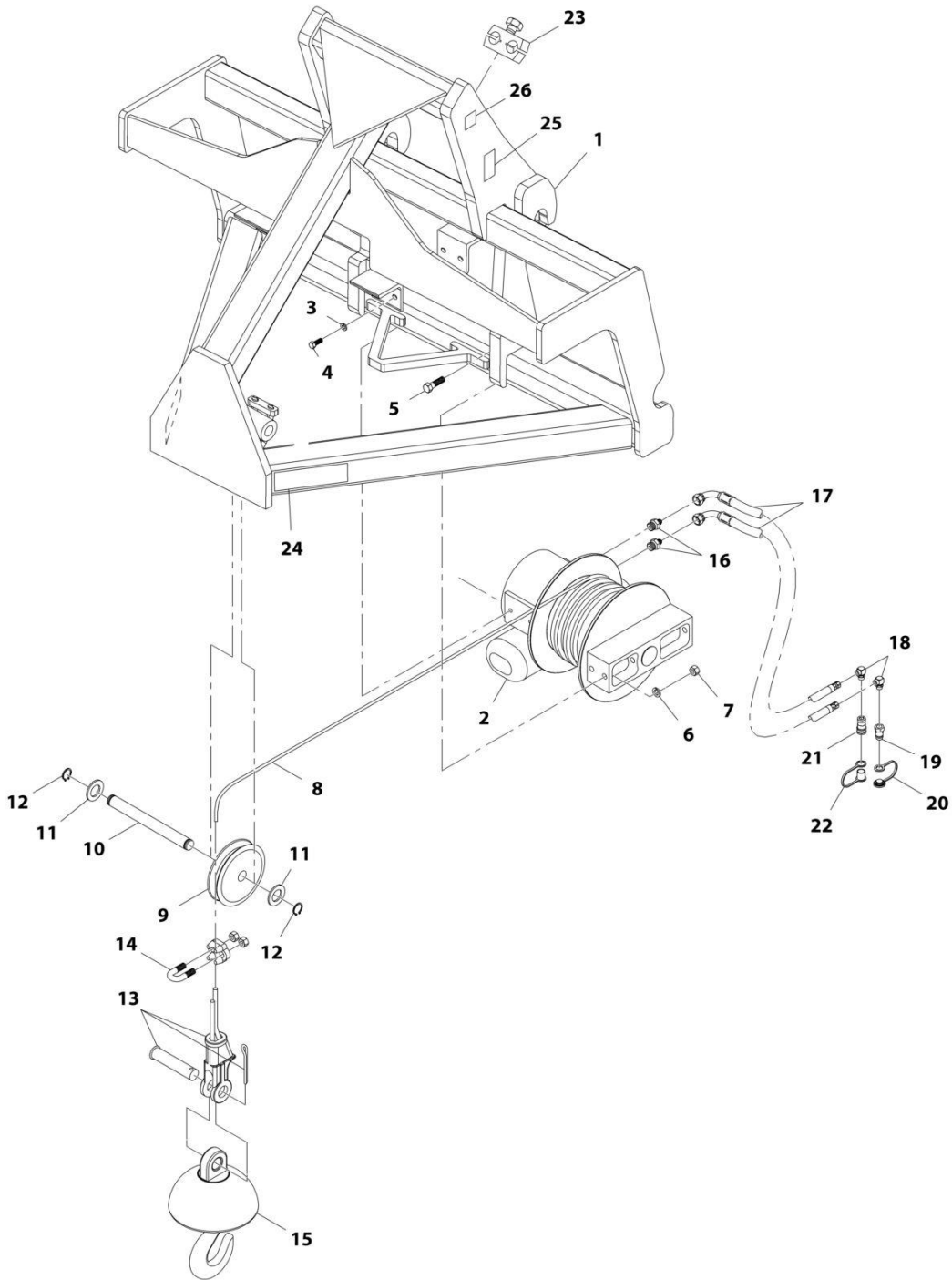
SECTION 3 - ATTACHMENTS

FIGURE 3-60. TRUSS BOOM (1TON - 3.5M/12FT)

ITEM	PART NUMBER	QTY	DESCRIPTION	REV
1	1001292995 See Note	Ref NSS	TRUSS BOOM Plate, Serial Number (Note: Not Available for Purchase)	A

SECTION 3 - ATTACHMENTS

FIGURE 3-61. TRUSS BOOM (1.8 TON - 0.9M/3FT WITH WINCH)



ART_1001206669-B

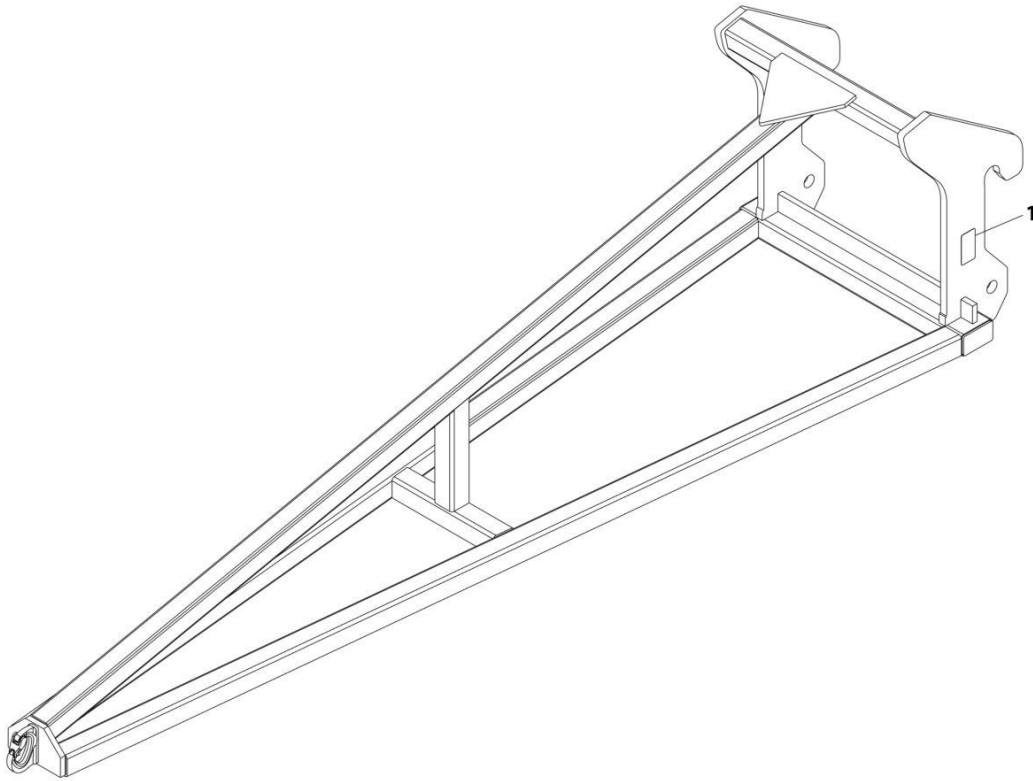
SECTION 3 - ATTACHMENTS

FIGURE 3-61. TRUSS BOOM (1.8 TON - 0.9M/3FT WITH WINCH)

ITEM	PART NUMBER	QTY	DESCRIPTION	REV
	1001206669	1	Truss Boom (1.8 Ton - 3 FT with Winch)	E
1	N.S.S.	1	Weldment, Truss Boom Frame	
2	70021921	1	Winch	
3	90554042	4	Washer	
4	70021349	4	Bolt	
5	70024059	2	Bolt	
6	90554020	2	Washer	
7	90554054	2	Nut	
8	70022028	1	Cable	
9	70021935	1	Pulley	
10	70022529	1	Pin	
11	70027009	2	Washer	
12	70026698	2	Ring, Snap	
13	70021979	1	Assembly, Socket (includes Pin & Cotter Pin)	
14	70022528	1	Clamp	
15	70021978	1	Hook, Ball Swivel	
16	70021415	2	Fitting	
17	70021977	2	Hose	
18	70022527	2	Fitting, 90	
19	7029692	1	Coupler, Male Quick	
20	1001003475	1	Cap, Dust	
21	70021342	1	Coupler, Female Quick	
22	1001003474	1	Plug, Dust	
23	70021387	1	Clamp, Hose	
24	4110422	2	Decal, Swinging Loads Danger	
25	N.S.S.	1	Plate, Serial Number	
26	90554016	1	Decal, Made in USA	

SECTION 3 - ATTACHMENTS

FIGURE 3-62. TRUSS BOOM (4.4TON - 2.3M/7.5FT)



ART_1001292996

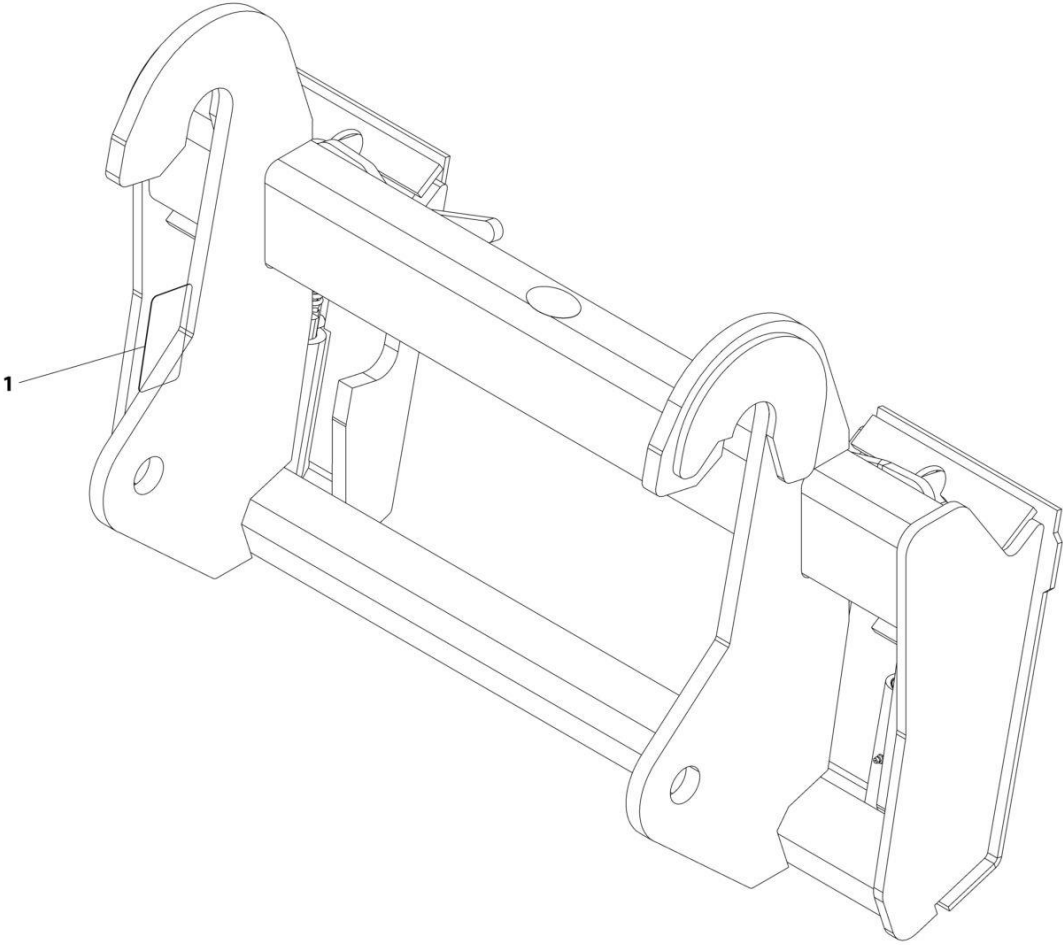
SECTION 3 - ATTACHMENTS

FIGURE 3-62. TRUSS BOOM (4.4TON - 2.3M/7.5FT)

ITEM	PART NUMBER	QTY	DESCRIPTION	REV
1	1001292996 See Note	Ref NSS	TRUSS BOOM Plate, Serial Number (Note: Not Available for Purchase)	A

SECTION 3 - ATTACHMENTS

FIGURE 3-63. UNIVERSAL HITCH ATTACHMENT



ART_1001272548

SECTION 3 - ATTACHMENTS

FIGURE 3-63. UNIVERSAL HITCH ATTACHMENT

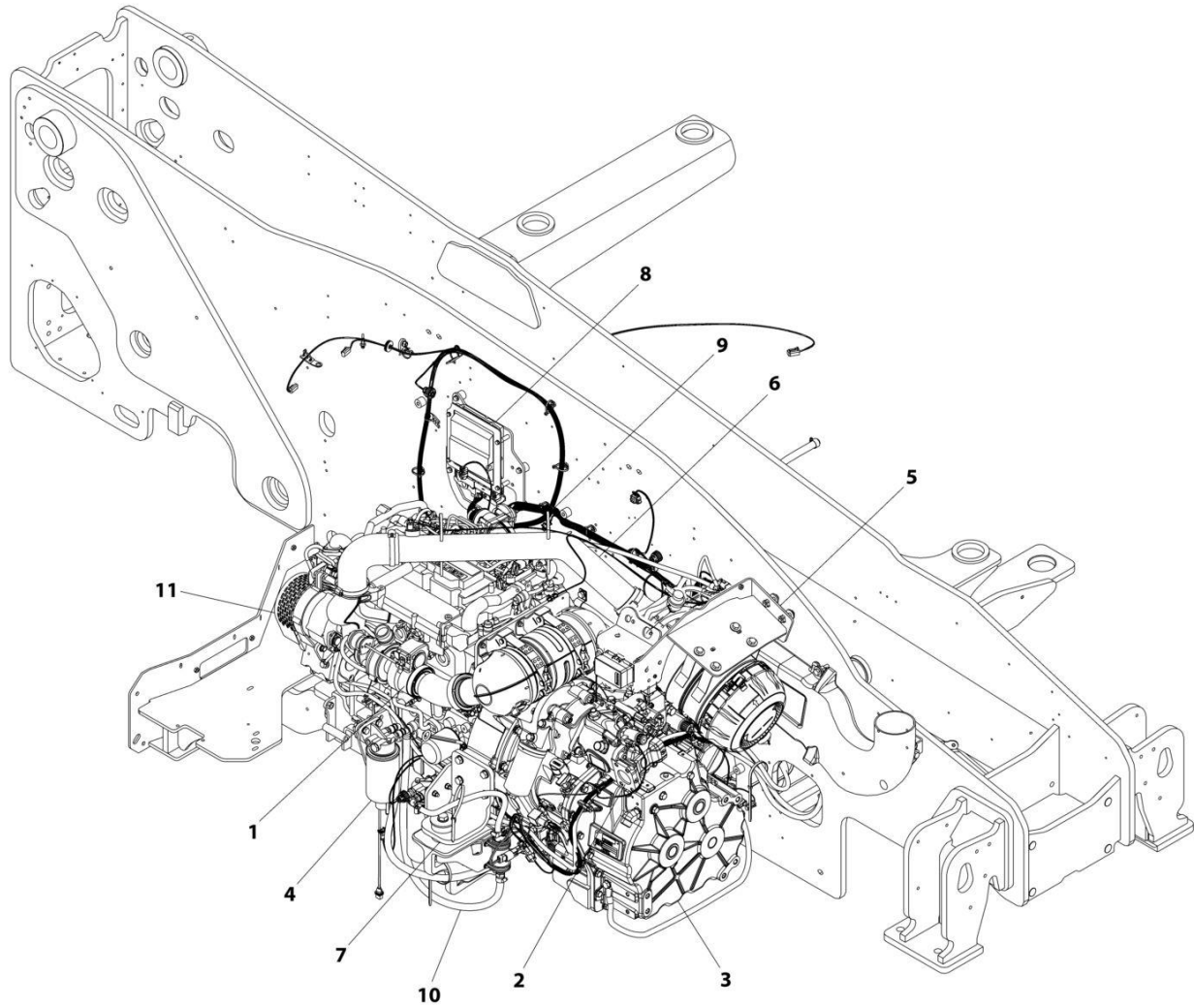
ITEM	PART NUMBER	QTY	DESCRIPTION	REV
1	1001272548 N.S.S.	Ref 1	UNIVERSAL HITCH ATTACHMENT S/N Plate	C

SECTION 4 - ENGINE AND ATTACHING PARTS

SECTION 4 - ENGINE AND ATTACHING PARTS

SECTION 4 - ENGINE AND ATTACHING PARTS

FIGURE 4-1. ENGINE INSTALLATION (90KW - ULS - PISTON PUMP)



ART_1001175309_G

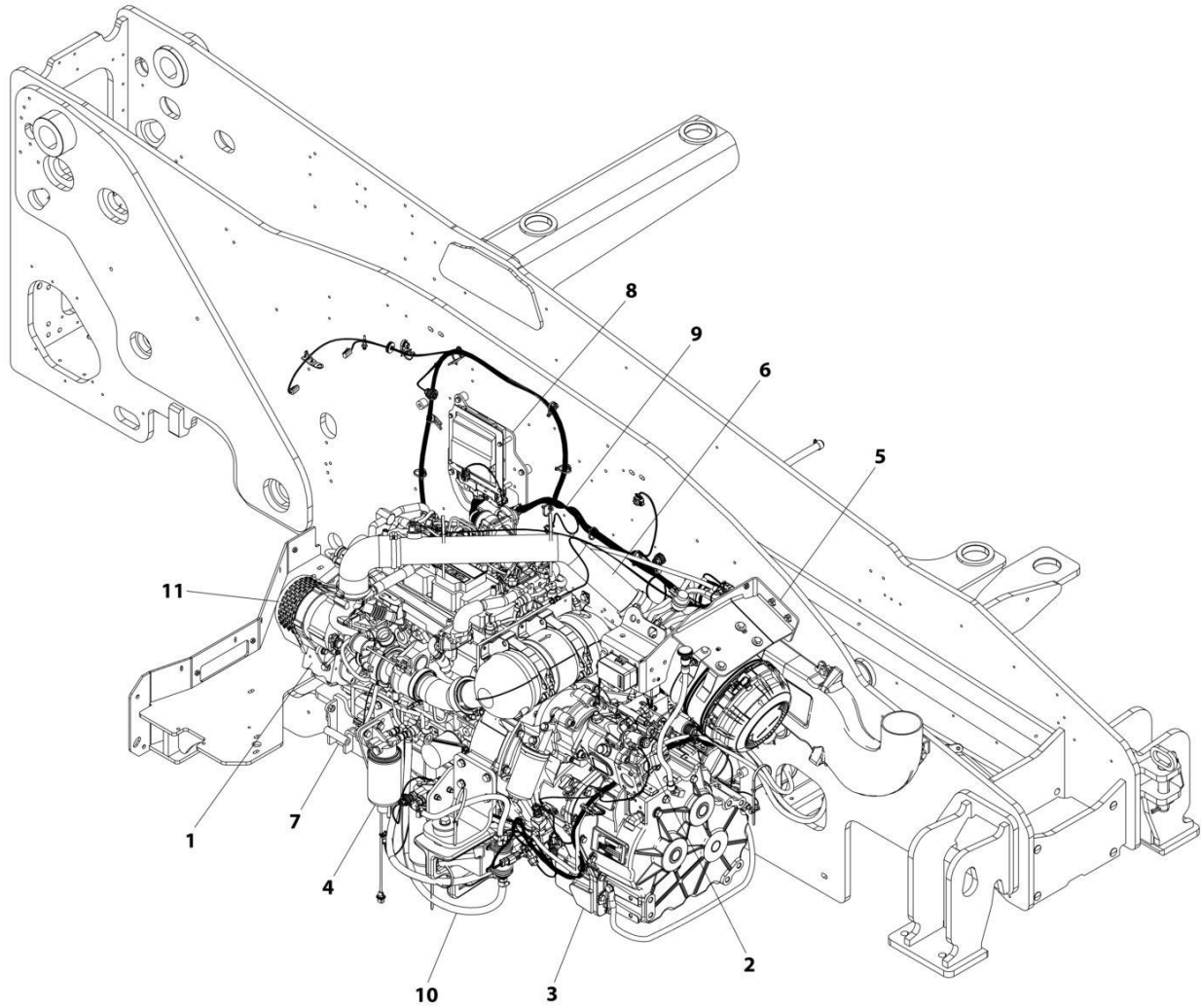
SECTION 4 - ENGINE AND ATTACHING PARTS

FIGURE 4-1. ENGINE INSTALLATION (90KW - ULS - PISTON PUMP)

ITEM	PART NUMBER	QTY	DESCRIPTION	REV
1	1001175309 1001175553	Ref 1	Engine Installation (90KW - ULS - Piston Pump) Engine, 3.6L (90KW - ULS - Piston Pump) (See Separate Breakdown in this Section)	G
2	1001177863	Ref	Installation, Main Hydraulic Pump (See Separate Breakdown in HYDRAULIC CIRCUITS Section)	
3	1001178439	Ref	Installation, Transmission (6 SPD) (See Separate Breakdown in DRIVETRAIN Section)	
4	1001181951	Ref	Installation, Fuel Filter (90/100KW - ULS) (See Separate Breakdown in this Section)	
5	1001257142	Ref	Installation, Air Cleaner (90/100KW) (See Separate Breakdown in this Section)	
6	1001182037	Ref	Installation, Air Intake Lines (90/100KW - ULS) (See Separate Breakdown in this Section)	
7	1001182582	Ref	Installation, Engine Mounting (90/100KW) (See Separate Breakdown in this Section)	
8	1001182735	Ref	Installation, Engine ECU (ULS) (See Separate Breakdown in this Section)	
9	1001185375	Ref	Installation, Engine Wiring (ULS) (See Separate Breakdown in ELECTRICAL Section)	
10	1001197821	Ref	Installation, Fuel Lines (ULS - RHOC) (See Separate Breakdown in this Section)	
11	1001182235	Ref	Installation, Bracket Guard (See Separate Breakdown in this Section)	

SECTION 4 - ENGINE AND ATTACHING PARTS

FIGURE 4-2. ENGINE INSTALLATION (100KW - ULS - PISTON PUMP) (Prior to SN 0160124988)



ART_1001178622_H

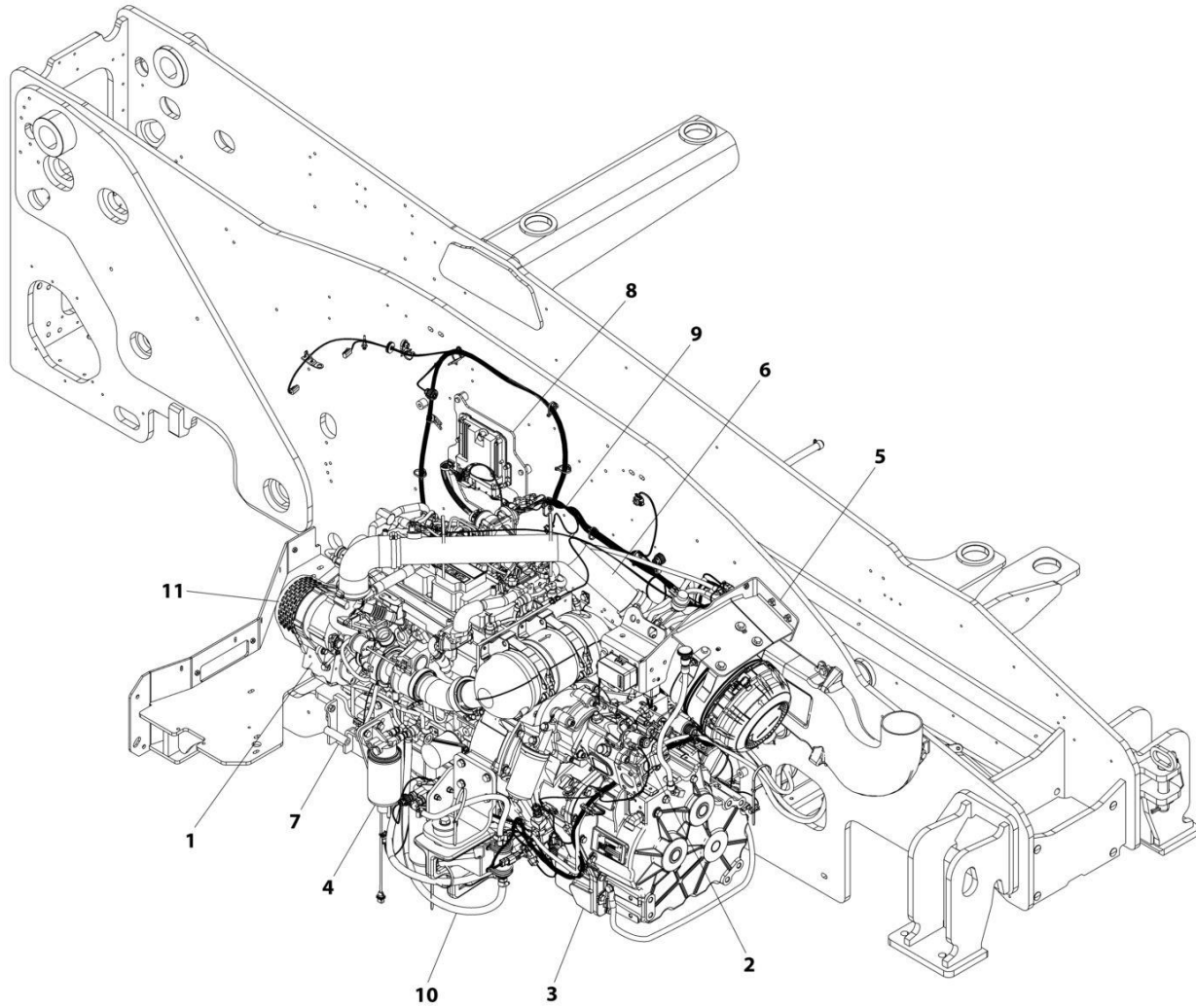
SECTION 4 - ENGINE AND ATTACHING PARTS

FIGURE 4-2. ENGINE INSTALLATION (100KW - ULS - PISTON PUMP) (Prior to SN 0160124988)

ITEM	PART NUMBER	QTY	DESCRIPTION	REV
1	1001178622	Ref	EENGINE INSTALLATION (100KW - ULS - Piston Pump)	H
	1001175555	Ref	Engine, 3.6L (100KW - ULS - Piston Pump) (See Separate Breakdown in this Section)	
2	1001177863	Ref	Installation, Main Hydraulic Pump (See Separate Breakdown in HYDRAULIC CIRCUITS Section)	
3	1001182647	Ref	Installation, Transmission (6 SPD - HHP) (See Separate Breakdown in DRIVETRAIN Section)	
4	1001181951	Ref	Installation, Fuel Filter (90/100KW - ULS) (See Separate Breakdown in this Section)	
5	1001257142	Ref	Installation, Air Cleaner (90/100KW) (See Separate Breakdown in this Section)	
6	1001182037	Ref	Installation, Air Intake Lines (90/100KW - ULS) (See Separate Breakdown in this Section)	
7	1001182582	Ref	Installation, Engine Mounting (90/100KW) (See Separate Breakdown in this Section)	
8	1001182735	Ref	Installation, Engine ECU (ULS) (See Separate Breakdown in this Section)	
9	1001185375	Ref	Installation, Engine Wiring (ULS) (See Separate Breakdown in ELECTRICAL Section)	
10	1001197821	Ref	Installation, Fuel Lines (ULS - RHOC) (See Separate Breakdown in this Section)	
11	1001182235	Ref	Installation, Bracket Guard (See Separate Breakdown in this Section)	

SECTION 4 - ENGINE AND ATTACHING PARTS

FIGURE 4-3. ENGINE INSTALLATION (100KW - ULS - PISTON PUMP) (SN 0160126024 to Present)



ART_1001178622_I

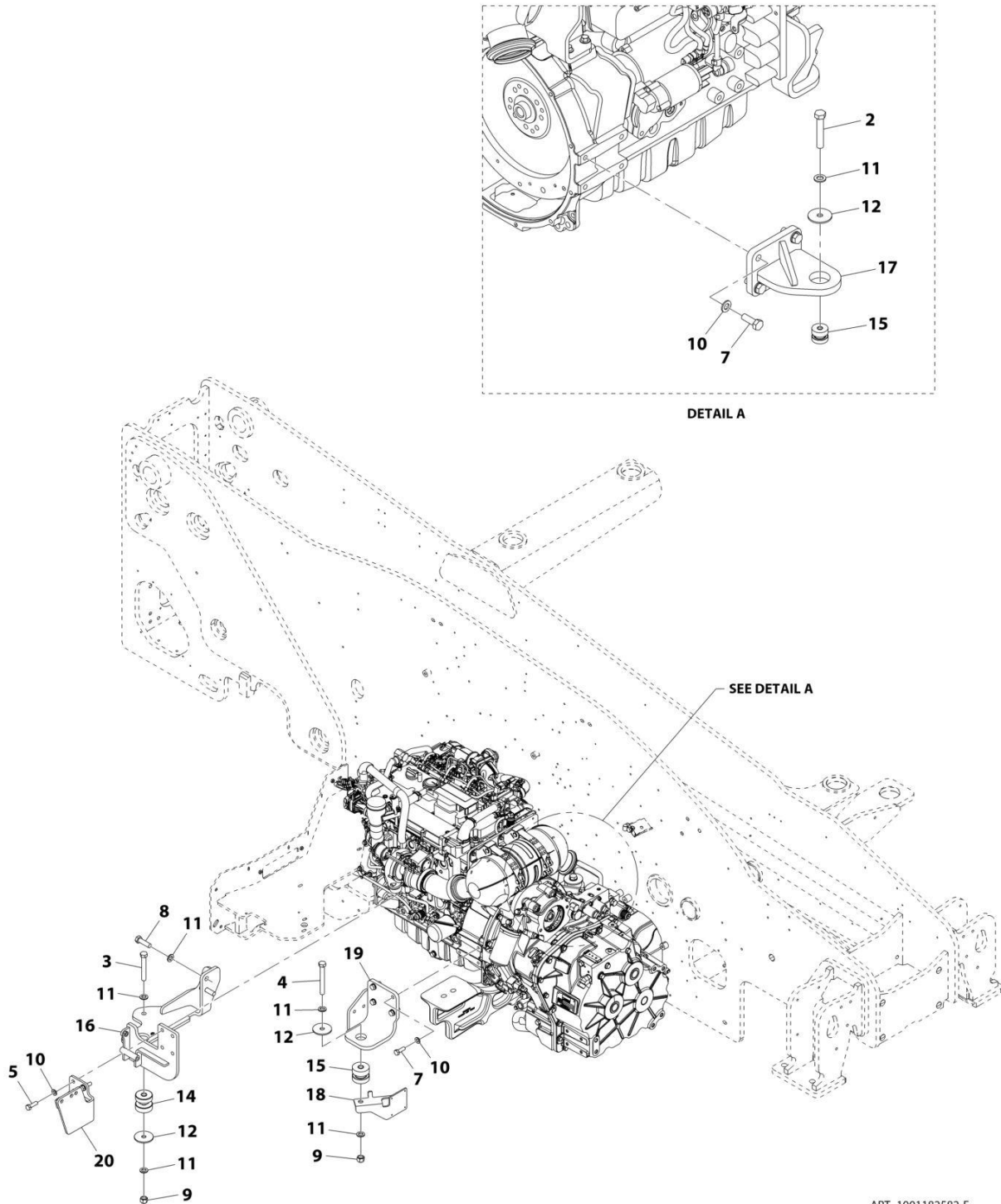
SECTION 4 - ENGINE AND ATTACHING PARTS

FIGURE 4-3. ENGINE INSTALLATION (100KW - ULS - PISTON PUMP) (SN 0160126024 to Present)

ITEM	PART NUMBER	QTY	DESCRIPTION	REV
1	1001178622	Ref	EINGINE INSTALLATION (100KW - ULS - Piston Pump)	I
	1001284540	Ref	Engine, 3.6L (100KW - ULS - Piston Pump) (See Separate Breakdown in this Section)	
2	1001177863	Ref	Installation, Main Hydraulic Pump (See Separate Breakdown in HYDRAULIC CIRCUITS Section)	
3	1001182647	Ref	Installation, Transmission (6 SPD - HHP) (See Separate Breakdown in DRIVETRAIN Section)	
4	1001181951	Ref	Installation, Fuel Filter (90/100KW - ULS) (See Separate Breakdown in this Section)	
5	1001257142	Ref	Installation, Air Cleaner (90/100KW) (See Separate Breakdown in this Section)	
6	1001182037	Ref	Installation, Air Intake Lines (90/100KW - ULS) (See Separate Breakdown in this Section)	
7	1001182582	Ref	Installation, Engine Mounting (90/100KW) (See Separate Breakdown in this Section)	
8	1001286009	Ref	Installation, Engine ECU (ULS) (See Separate Breakdown in this Section)	
9	1001185375	Ref	Installation, Engine Wiring (ULS) (See Separate Breakdown in ELECTRICAL Section)	
10	1001197821	Ref	Installation, Fuel Lines (ULS - RHOC) (See Separate Breakdown in this Section)	
11	1001182235	Ref	Installation, Bracket Guard (See Separate Breakdown in this Section)	

SECTION 4 - ENGINE AND ATTACHING PARTS

FIGURE 4-4. ENGINE MOUNTING INSTALLATION (90KW/100KW)



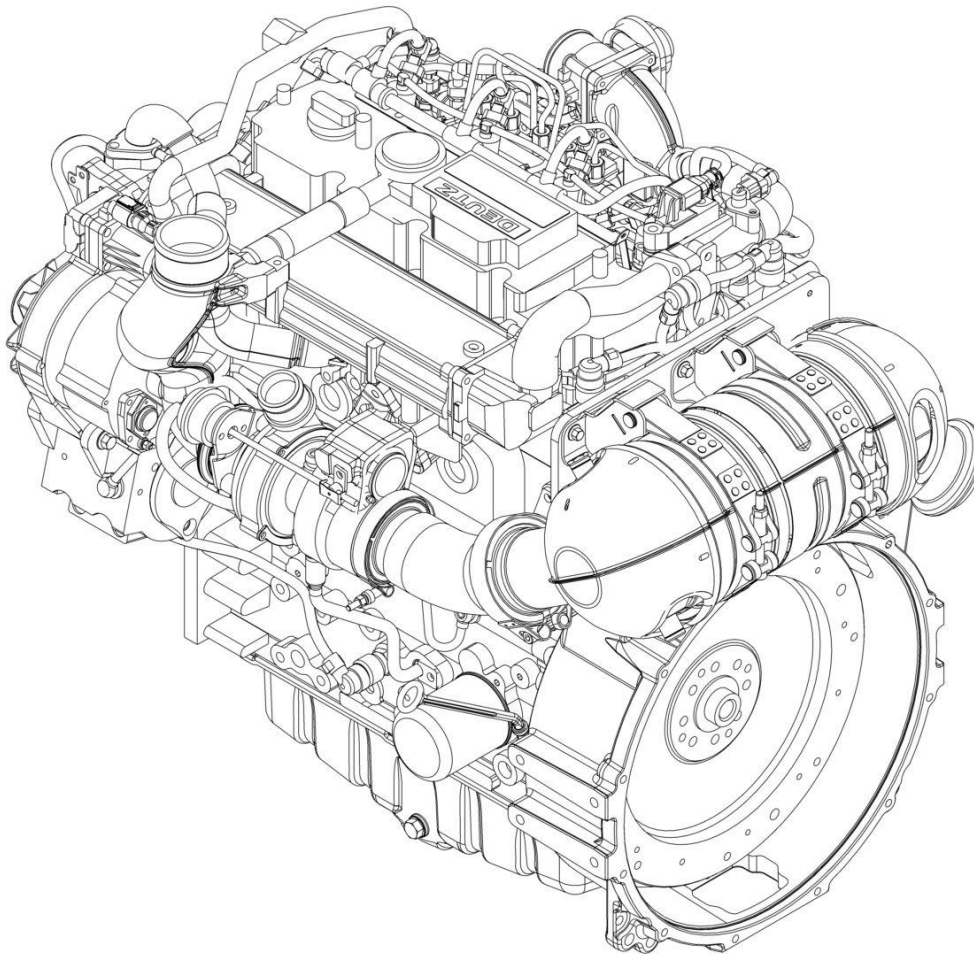
SECTION 4 - ENGINE AND ATTACHING PARTS

FIGURE 4-4. ENGINE MOUNTING INSTALLATION (90KW/100KW)

ITEM	PART NUMBER	QTY	DESCRIPTION	REV
	1001182582	Ref	Engine Mounting Installation (90KW/100KW)	G
2	0701626	1	Bolt, M16X90	
3	0701628	1	Bolt, M16X110	
4	0701630	1	Bolt, M16X130	
5	0761216	4	Bolt, M12X40	
7	0761215	8	Bolt, M12X35	
8	0761619	2	Bolt, M16X55	
9	3291605	2	Bolt, M16X2	
10	4812100	12	Washer, M12	
11	4812300	7	Washer, M16	
12	7300435	3	Washer	
14	1001163387	1	Mount, Isolator Engine	
15	1001195518	2	Mount, Isolator Engine	
16	1001169216	1	Bracket, Engine Mount	
17	1001169424	1	Bracket, Engine Mount	
18	1001188204	1	Bracket, Fuel Pump	
19	1001183745	1	Bracket, Engine Mount	
20	1001189586	1	Bracket, Fuel Filter	

SECTION 4 - ENGINE AND ATTACHING PARTS

FIGURE 4-5. 3.6L ENGINE (90KW - ULS - PISTON PUMP)



ART_1001175553

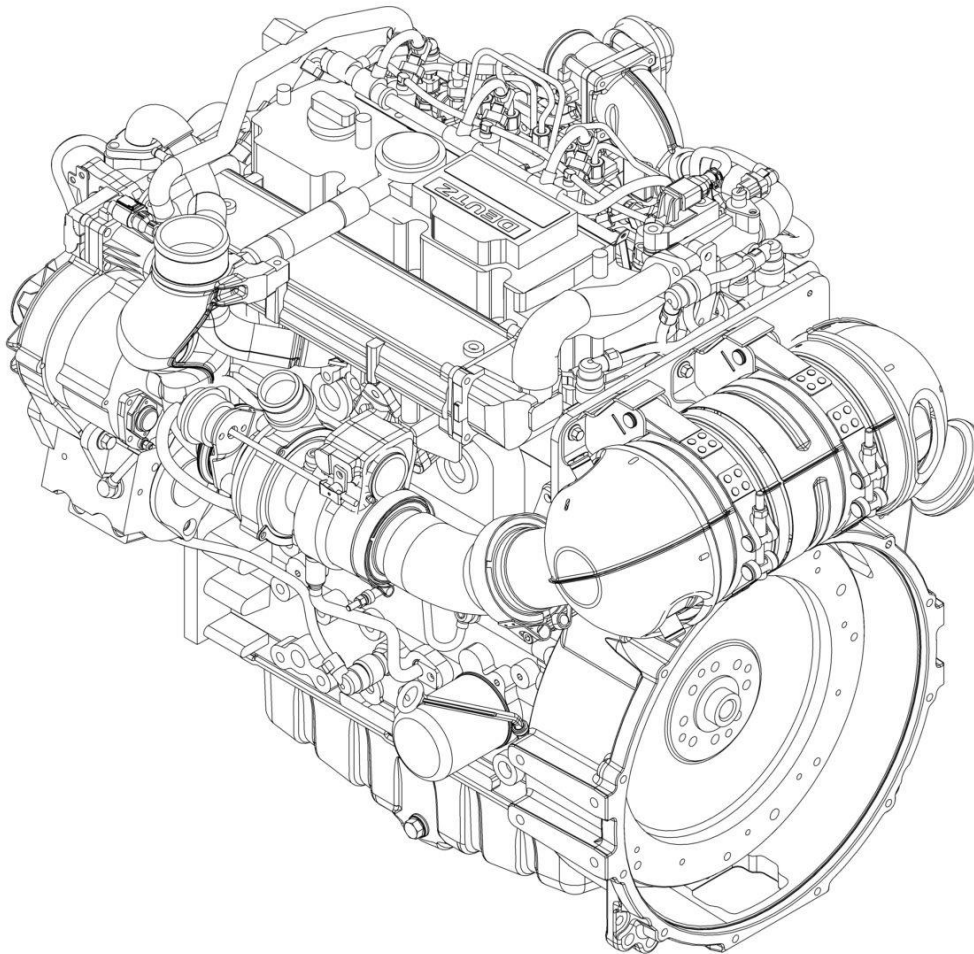
SECTION 4 - ENGINE AND ATTACHING PARTS

FIGURE 4-5. 3.6L ENGINE (90KW - ULS - PISTON PUMP)

ITEM	PART NUMBER	QTY	DESCRIPTION	REV
	1001175553	Ref	3.6L Engine (90KW - ULS - Piston Pump)	H
	70027657	1	Dipstick	
	7020442	2	O-Ring	
	7020465	1	Cap, Filler	
	70025205	1	Gasket	
	70004280	1	Seal	
	7016331	1	Filter, Oil	
	70024494	1	Oil cooler	
	70024495	1	Gasket	
	70024509	1	Gasket	
	70011901	1	Pump, High Pressure	
	70024485	4	Injector, Fuel	
	70024504	1	Sensor, Pressure	
	70024920	1	Seal	
	70026011	1	Pump, Water	
	70024918	1	Sender, Temperature	
	70005504	1	Sensor, Pressure	
	70005505	2	O-Seal	
	70027405	1	Sensor, Temperature	
	70005507	2	O-Seal	
	70005515	1	Turbocharger	
	70024480	1	Gasket	
	70027404	1	Generator	
	70027403	1	V-Belt	
	70025535	1	Starter	
	70026210	1	Sensor	
	70005191	1	O-Ring	
	70024505	1	Sensor, Temperature	
	70005556	1	Sensor, Temperature	
	70005559	1	Sensor, Temperature	
	70025153	1	Prefilter, Fuel	
	70027417	1	Filter, Fuel	
	1001225432	1	Element, Filter	

SECTION 4 - ENGINE AND ATTACHING PARTS

FIGURE 4-6. 3.6L ENGINE (100KW - ULS - PISTON PUMP) (Prior to SN 0160124988)



ART_1001175555

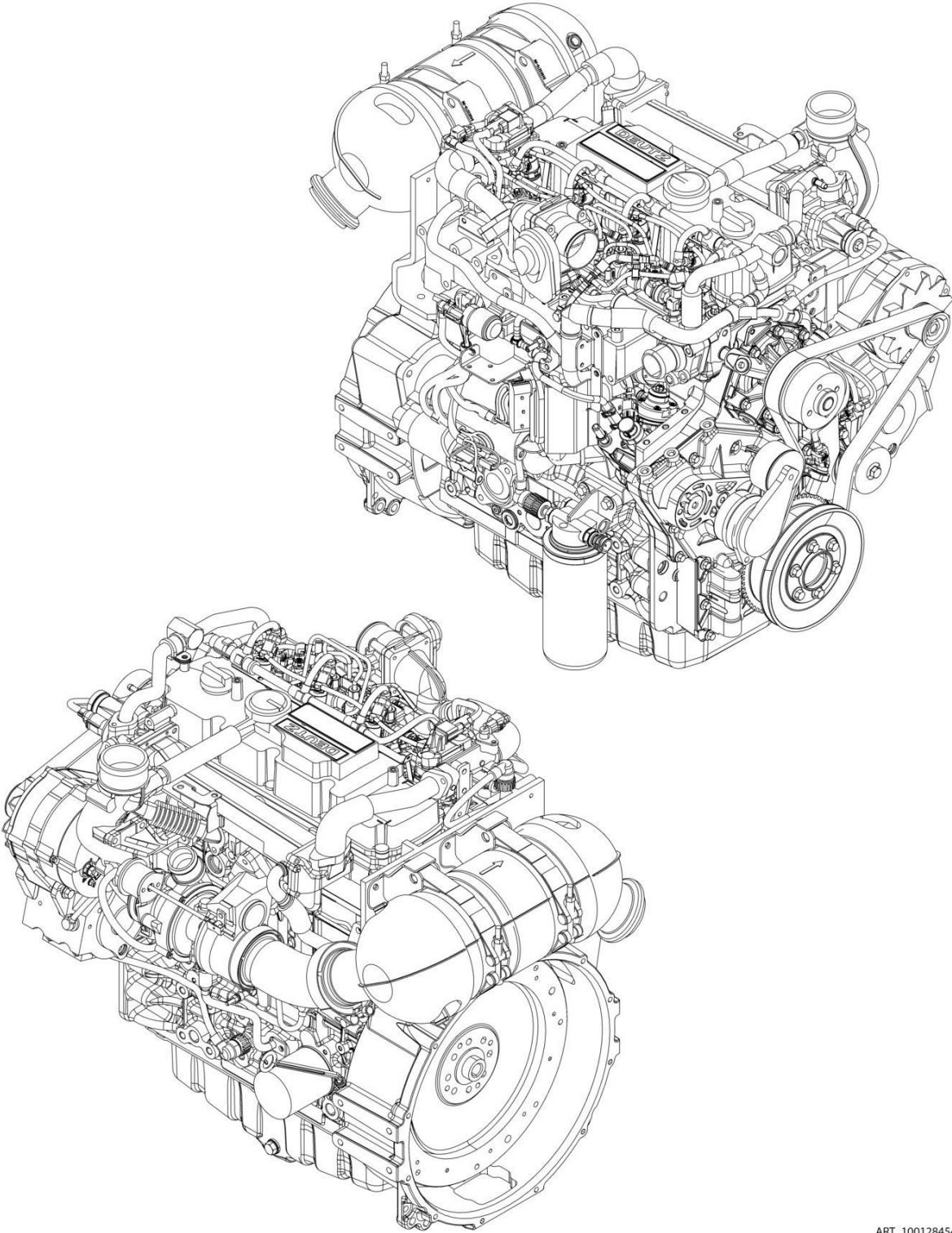
SECTION 4 - ENGINE AND ATTACHING PARTS

FIGURE 4-6. 3.6L ENGINE (100KW - ULS - PISTON PUMP) (Prior to SN 0160124988)

ITEM	PART NUMBER	QTY	DESCRIPTION	REV
	1001175555	Ref	3.6L Engine (100KW - ULS - Piston Pump)	H
	70027657	1	Dipstick	
	7020442	2	O-Ring	
	7020465	1	Cap, Filler	
	70025205	1	Gasket	
	70004280	1	Seal	
	7016331	1	Filter, Oil	
	70024494	1	Oil cooler	
	70024495	1	Gasket	
	70024509	1	Gasket	
	70011901	1	Pump, High Pressure	
	70024485	4	Injector, Fuel	
	70024504	1	Sensor, Pressure	
	70024920	1	Seal	
	70026011	1	Pump, Water	
	70024918	1	Sender, Temperature	
	70005504	1	Sensor, Pressure	
	70005505	2	O-Seal	
	70027405	1	Sensor, Temperature	
	70005507	2	O-Seal	
	70005515	1	Turbocharger	
	70024480	1	Gasket	
	70027404	1	Generator	
	70027403	1	V-Belt	
	70025535	1	Starter	
	70026210	1	Sensor	
	70005191	1	O-Ring	
	70024505	1	Sensor, Temperature	
	70005556	1	Sensor, Temperature	
	70005559	1	Sensor, Temperature	
	70027417	1	Filter, Fuel	
	1001225432	1	Element, Filter	
	70025153	1	Prefilter, Fuel	

SECTION 4 - ENGINE AND ATTACHING PARTS

FIGURE 4-7. 3.6L ENGINE (100KW) (SN 0160126024 to Present)



ART_1001284540

SECTION 4 - ENGINE AND ATTACHING PARTS

FIGURE 4-7. 3.6L ENGINE (100KW) (SN 0160126024 to Present)

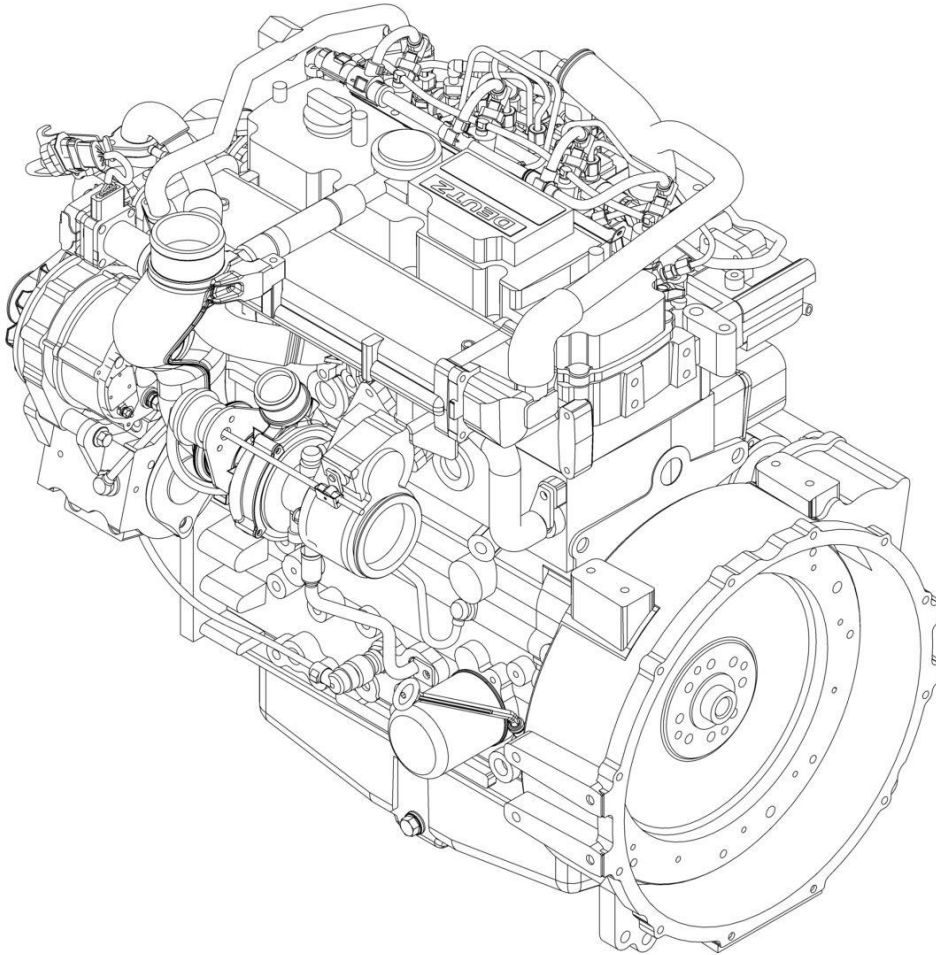
ITEM	PART NUMBER	QTY	DESCRIPTION	REV
	1001284540	Ref	ENGINE COMPONENTS - DEUTZ TCD3.6	C
		Ref	COOLING SYSTEM COMPONENTS	
	70030273	1	Pump, Water (Includes Seals)	
	70005497	1	Seal	
		Ref	ELECTRICAL SYSTEM COMPONENTS	
	70008426	1	Module, Engine Control (ECU)	
	70024513	1	Cable, Primary Fuel Filter Sensor (Includes Seal)	
	70025239	1	Seal	
	70024504	2	Sensor, Fuel Pressure (at Filter) (Includes Seal)	
	70024920	1	Seal	
	70008422	1	Pump, Fuel Supply (Includes Clamps)	
	70025144	2	Clamp	
	70024507	1	Sensor, Pressure (On Air Exchange Manifold)	
	70031697	1	Sender, Temperature	
	70025535	1	Starter	
	70031087	1	Generator (Includes Control)	
	70031706	1	Control, Generator	
	70025780	1	Relay (on Air Exchange Manifold)	
	70008430	1	Harness, Engine	
	70026210	2	Sensor, Speed (Includes Sealing Ring)	
	70028542	4	Plug, Glow	
	70008431	1	Sensor, Pressure	
	70024505	1	Sender, Temperature	
	70005556	1	Sender, Temperature	
	70005522	1	Sensor	
	70005524	1	Sensor	
	1001211556	1	Sensor/Sender, Ambient Air	
	1001293066	1	Sensor, Level (DEF)	
		Ref	EXHAUST COMPONENTS	
	70029399	1	Gasket, Exhaust Manifold to Head (Not Shown)	
	70029879	1	Gasket, Exhaust Manifold to Turbo	
	70007083	1	Turbocharger	
	70031712	1	Catalyst, Exhaust (SCR)	
	70031714	1	Catalyst, Exhaust (DPF)	
		Ref	FUEL SYSTEM COMPONENTS	
	1001225430	1	Filter, Fuel Primary	
	1001225432	1	Filter, Fuel	
	70008425	1	Pump, High Pressure	
	70025152	1	O-Ring	
	70004505	1	Valve, Overflow (Includes O-Rings)	
	70004506	1	O-Ring	
	70004507	1	O-Ring	
	70004508	1	Valve, Volume Control (Includes O-Ring & Gasket)	
	70004509	1	O-Ring	
	70004510	1	Gasket	
	70024485	4	Injector, Fuel (Includes Sealing Washer & O-Ring)	
	70025140	4	Washer, Sealing	
	70025145	4	O-Ring	
	70005492	1	Valve, Throttle	
	70031385	1	Pump, Supply (Includes Filter, Cap & Seals)	

SECTION 4 - ENGINE AND ATTACHING PARTS

ITEM	PART NUMBER	QTY	DESCRIPTION	REV
	70005549	1	Filter	
	70005550	1	Cover	
		Ref	GASKETS & SEALS & KITS	
	70025707	1	Gasket Kit	
	70024483	1	Gasket, Head	
	70024481	1	Gasket, Valve Cover	
	70004280	1	Seal, Front Main	
	70024495	1	Gasket, Oil Cooler	
	70025235	1	Kit, Repair - Fuel Rail	
	70024475	1	Gasket, Air Exchange Manifold	
	70024965	1	Gasket, Fan Pump	
	TP_REF	Ref	LUBRICATION SYSTEM COMPONENTS	
	7016331	1	Filter, Oil	
	70027657	1	Dipstick (Includes O-Ring)	
	7020442	1	O-Ring, Dipstick	
	70025755	1	Tube, Dipstick	
	70005941	1	Plug, Oil Drain	
	7020404	1	Washer, Oil Drain Plug	
	7020465	1	Cap, Oil Fill	
	70031215	1	Pump, Oil (Includes Adapter Tube & O-Ring)	
	70029386	4	O-Ring (Oil Pump)	
	70031474	1	Cooler, Oil	
		Ref	MECHANICAL COMPONENTS	
	70025743	1	Pulley, Crank (V-Groove)	
	70027410	1	Pulley, Crank (Ribbed)	
	70028764	1	Flywheel (Includes Ring Gear)	
	7020208	1	Gear, Ring	
	70025737	1	Wheel, Sensor	
	70025775	1	Belt, Ribbed (Drives Generator)	
	70027403	1	Belt, Ribbed	
	70027431	1	Tensioner, Belt	
	70027468	1	Pump, Drive	

SECTION 4 - ENGINE AND ATTACHING PARTS

FIGURE 4-8. 3.6L ENGINE (90KW - LS - PISTON PUMP) (Prior to SN 0160124988)



ART_1001175554-C

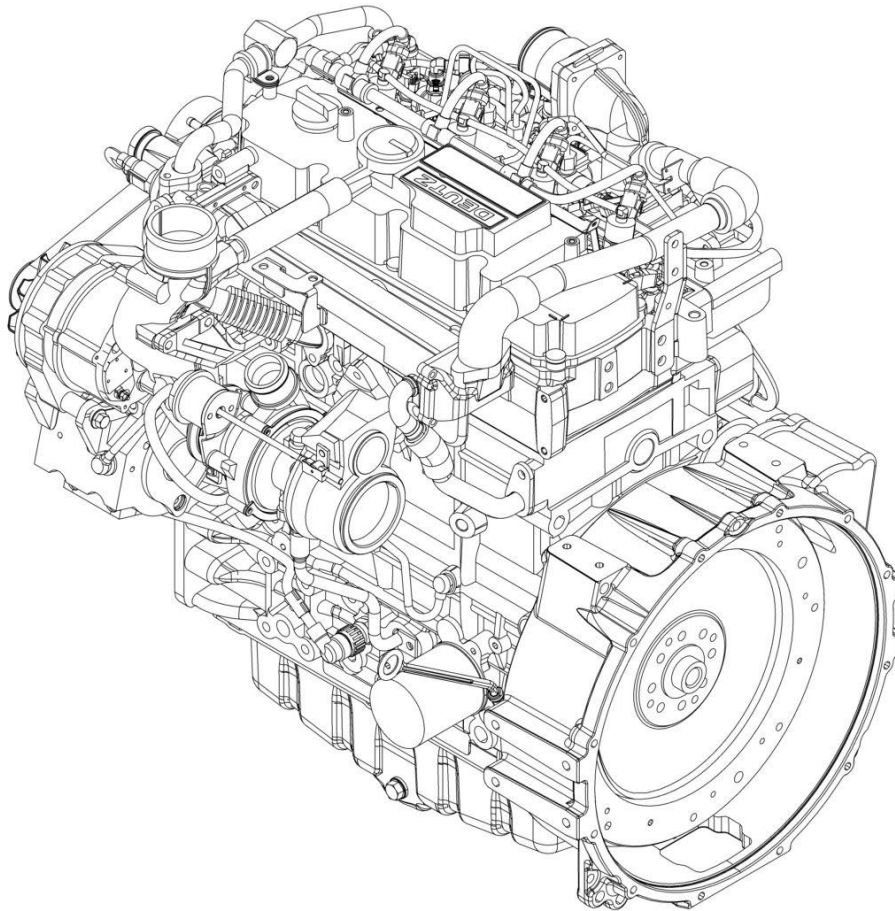
SECTION 4 - ENGINE AND ATTACHING PARTS

FIGURE 4-8. 3.6L ENGINE (90KW - LS - PISTON PUMP) (Prior to SN 0160124988)

ITEM	PART NUMBER	QTY	DESCRIPTION	REV
	1001175554	Ref	3.6L Engine (90KW - LS - Piston Pump)	C
	70027657	1	Dipstick	
	7020442	2	O-Ring	
	7020465	1	Cap, Filler	
	70025205	1	Gasket	
	70004280	1	Seal	
	7016331	1	Filter, Oil	
	70024494	1	Oil cooler	
	70024495	1	Gasket	
	70024509	1	Gasket	
	70011901	1	Pump, High Pressure	
	70024485	4	Injector, Fuel	
	70004512	1	Filter, Fuel	
	70024504	1	Sensor, Pressure	
	70005504	1	Sensor, Pressure	
	70026011	1	Pump, Water	
	70024918	1	Sender, Temperature	
	70004518	1	Turbocharger	
	70024480	1	Gasket	
	70025533	1	Generator	
	70025478	1	V-Belt	
	70025535	1	Starter	
	70026210	2	Generator	
	70005191	2	O-Ring	
	70027417	1	Filter, Fuel	
	1001225432	1	Element, Filter	

SECTION 4 - ENGINE AND ATTACHING PARTS

FIGURE 4-9. ENGINE (100KW - LS) (SN 0160126024 to Present)



ART_1001288945

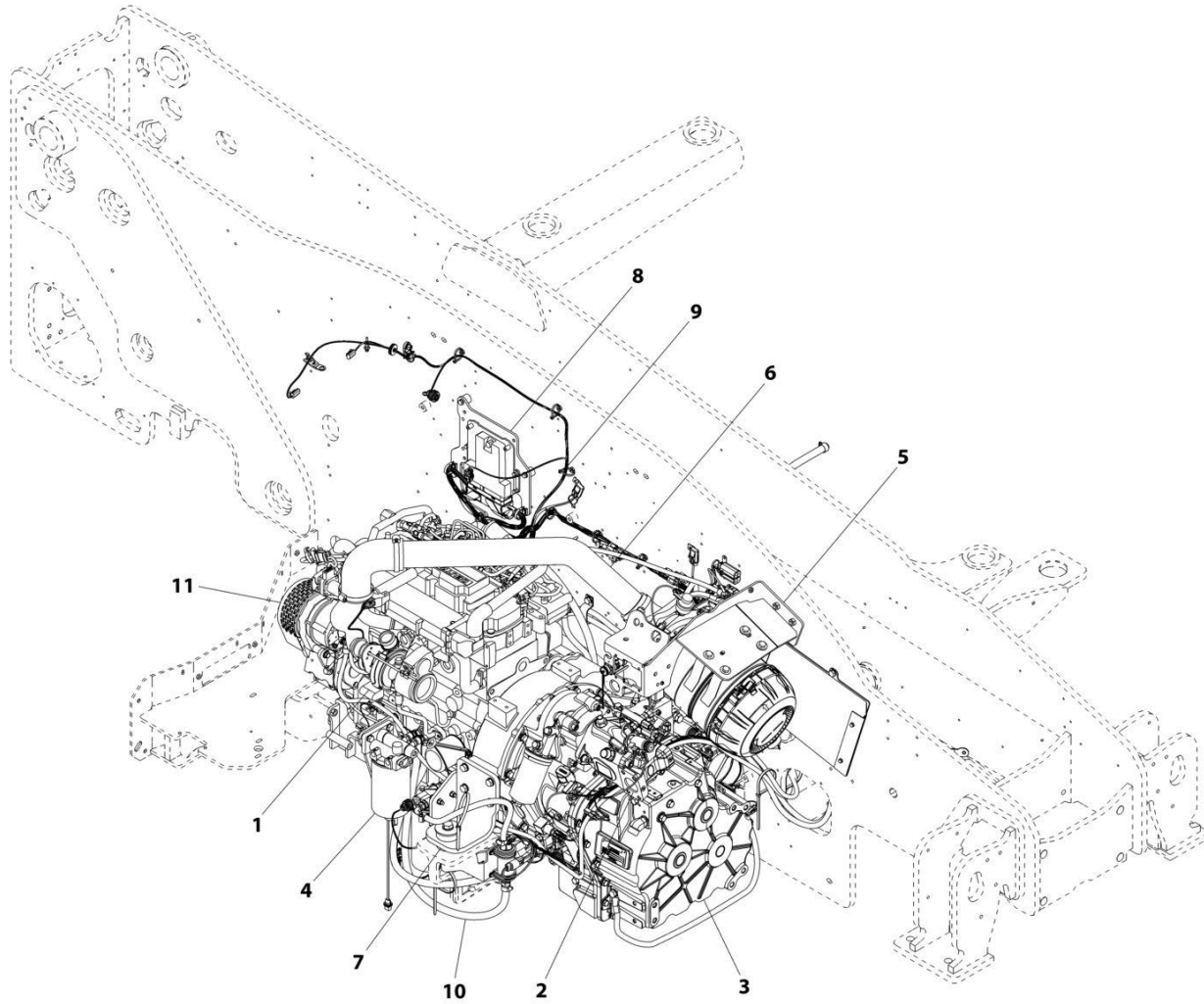
SECTION 4 - ENGINE AND ATTACHING PARTS

FIGURE 4-9. ENGINE (100KW - LS) (SN 0160126024 to Present)

ITEM	PART NUMBER	QTY	DESCRIPTION	REV
	1001288945	Ref	ENGINE (100KW - LS)	A
	See Note	Ref	Note: No Other Available Service Parts at time of Printing	
	31020305	1	Pump, Fuel	
	31023448	1	Unit, Control	
	31022030	1	Clamp	
	31022047	1	Filter, Fuel	
	31020740	3	Gasket	
	31010978	3	Label	

SECTION 4 - ENGINE AND ATTACHING PARTS

FIGURE 4-10. ENGINE INSTALLATION (90KW - LS - PISTON PUMP) (Prior to SN 0160124988)



ART_1001175315-D

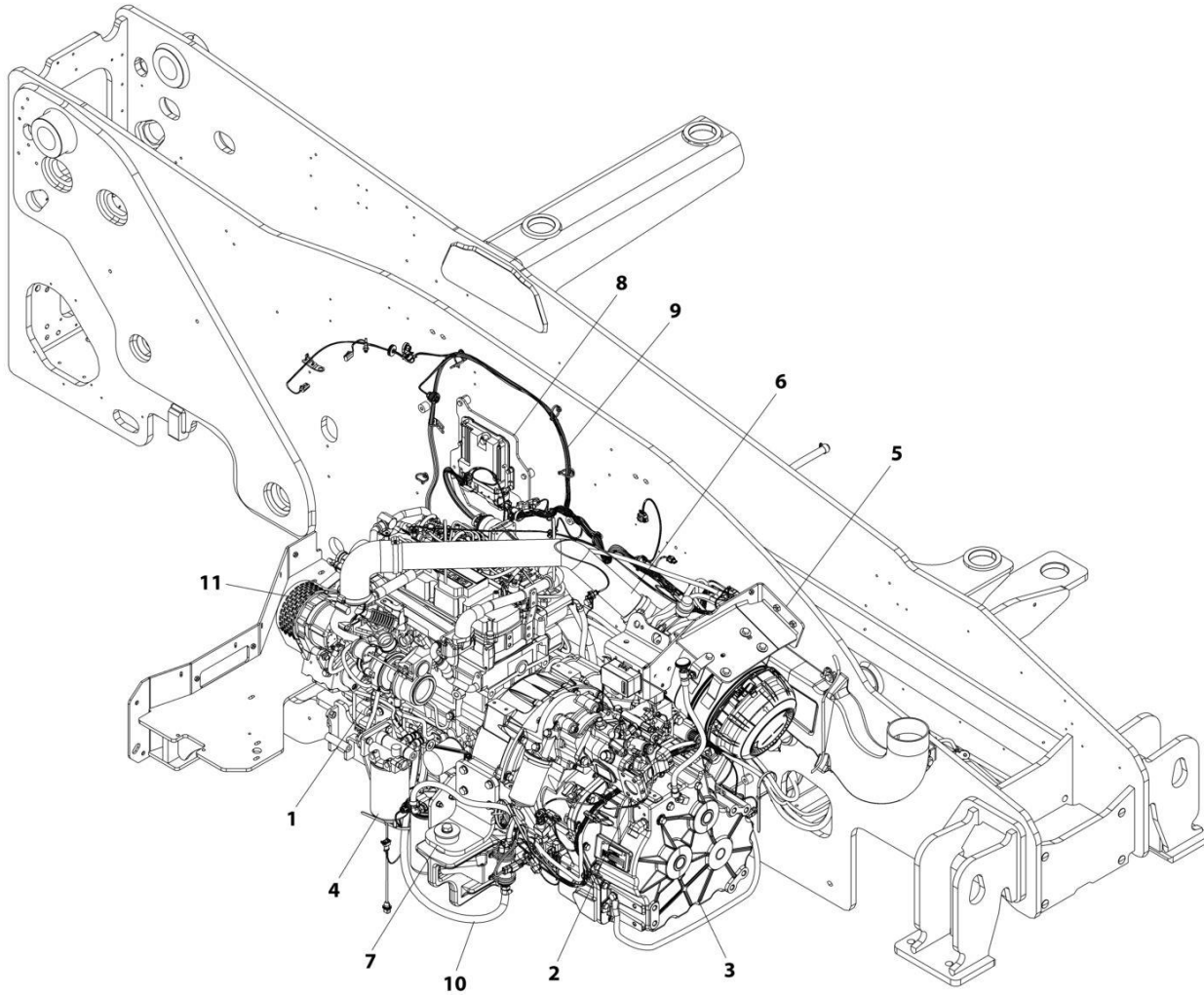
SECTION 4 - ENGINE AND ATTACHING PARTS

FIGURE 4-10. ENGINE INSTALLATION (90KW - LS - PISTON PUMP) (Prior to SN 0160124988)

ITEM	PART NUMBER	QTY	DESCRIPTION	REV
	1001175315	Ref	Engine Installation (90KW - LS - Piston Pump)	D
1	1001175554	1	Engine, 3.6L (90KW - LS - Piston Pump) (See Separate Breakdown in this Section)	
2	1001177863	Ref	Installation, Main Hydraulic Pump (See Separate Breakdown in HYDRAULIC CIRCUITS Section)	
3	1001178439	Ref	Installation, Transmission (6 SPD) (See Separate Breakdown in DRIVETRAIN Section)	
4	1001181952	Ref	Installation, Primary Fuel Filter (90KW - LS) (See Separate Breakdown in this Section)	
5	1001182036	Ref	Installation, Air Cleaner (90/100KW) (See Separate Breakdown in this Section)	
6	1001182039	Ref	Installation, Air Intake Lines (90KW - LS) (See Separate Breakdown in this Section)	
7	1001182582	Ref	Installation, Engine Mounting (90/100KW) (See Separate Breakdown in this Section)	
8	1001182736	Ref	Installation, Engine ECU (LS) (See Separate Breakdown in ELECTRICAL Section)	
9	1001185377	Ref	Installation, Engine Wiring (LS) (See Separate Breakdown in ELECTRICAL Section)	
10	1001185189	Ref	Installation, Fuel Lines (LS - RHOC) (See Separate Breakdown in this Section)	
11	1001182235	Ref	Installation, Bracket Guard (See Separate Breakdown in this Section)	

SECTION 4 - ENGINE AND ATTACHING PARTS

FIGURE 4-11. ENGINE INSTALLATION (90KW - LS - PISTON PUMP) (SN 0160126024 to Present)



ART_1001175315_E

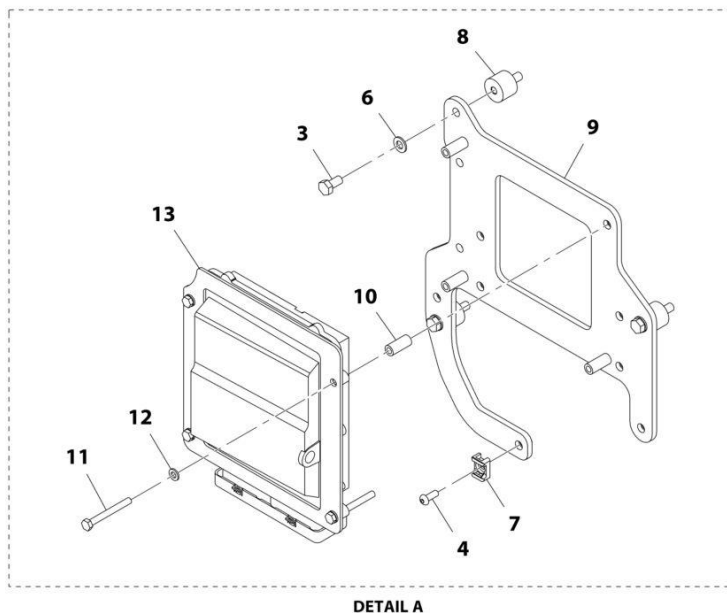
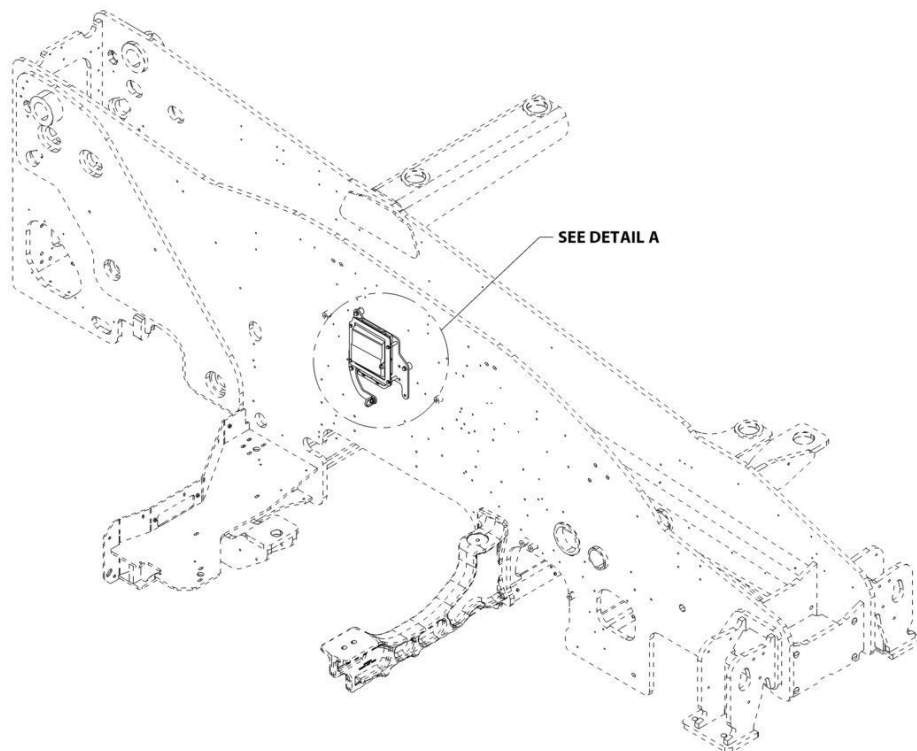
SECTION 4 - ENGINE AND ATTACHING PARTS

FIGURE 4-11. ENGINE INSTALLATION (90KW - LS - PISTON PUMP) (SN 0160126024 to Present)

ITEM	PART NUMBER	QTY	DESCRIPTION	REV
1	1001175315	Ref	ENGINE INSTALLATION (90KW - LS - PISTON PUMP)	E
	1001288945	1	Engine, 3.6L (90KW - LS - Piston Pump) (See Separate Breakdown in this Section)	
2	1001177863	Ref	Installation, Main Hydraulic Pump (See Separate Breakdown in HYDRAULIC CIRCUITS Section)	
3	1001182647	Ref	Installation, Transmission (6 SPD) (See Separate Breakdown in DRIVETRAIN Section)	
4	1001181952	Ref	Installation, Primary Fuel Filter (90KW - LS) (See Separate Breakdown in this Section)	
5	1001257142	Ref	Installation, Air Cleaner (90/100KW) (See Separate Breakdown in this Section)	
6	1001182039	Ref	Installation, Air Intake Lines (90KW - LS) (See Separate Breakdown in this Section)	
7	1001182582	Ref	Installation, Engine Mounting (90/100KW) (See Separate Breakdown in this Section)	
8	1001286009	Ref	Installation, Engine ECU (LS) (See Separate Breakdown in ELECTRICAL Section)	
9	1001293131	Ref	Installation, Engine Wiring (LS) (See Separate Breakdown in ELECTRICAL Section)	
10	1001185189	Ref	Installation, Fuel Lines (LS - RHOC) (See Separate Breakdown in this Section)	
11	1001182235	Ref	Installation, Bracket Guard (See Separate Breakdown in this Section)	

SECTION 4 - ENGINE AND ATTACHING PARTS

FIGURE 4-12. ENGINE ECU INSTALLATION (ULS) (Prior to SN 0160124988)



ART_1001182735-D

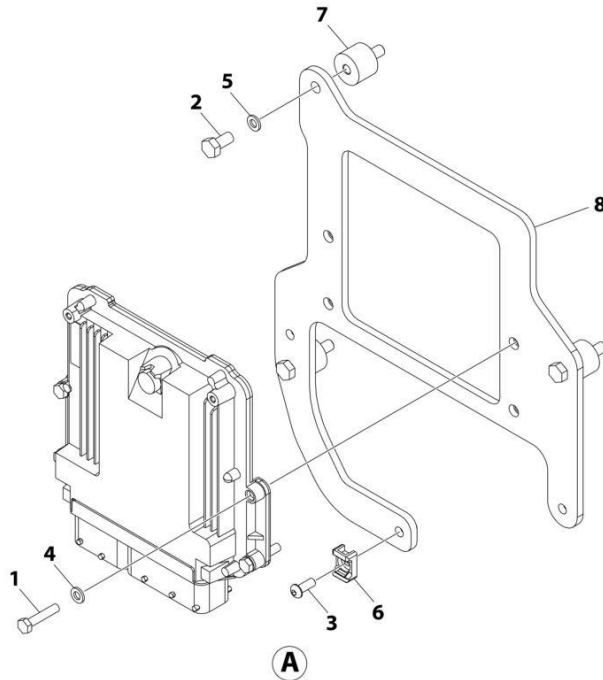
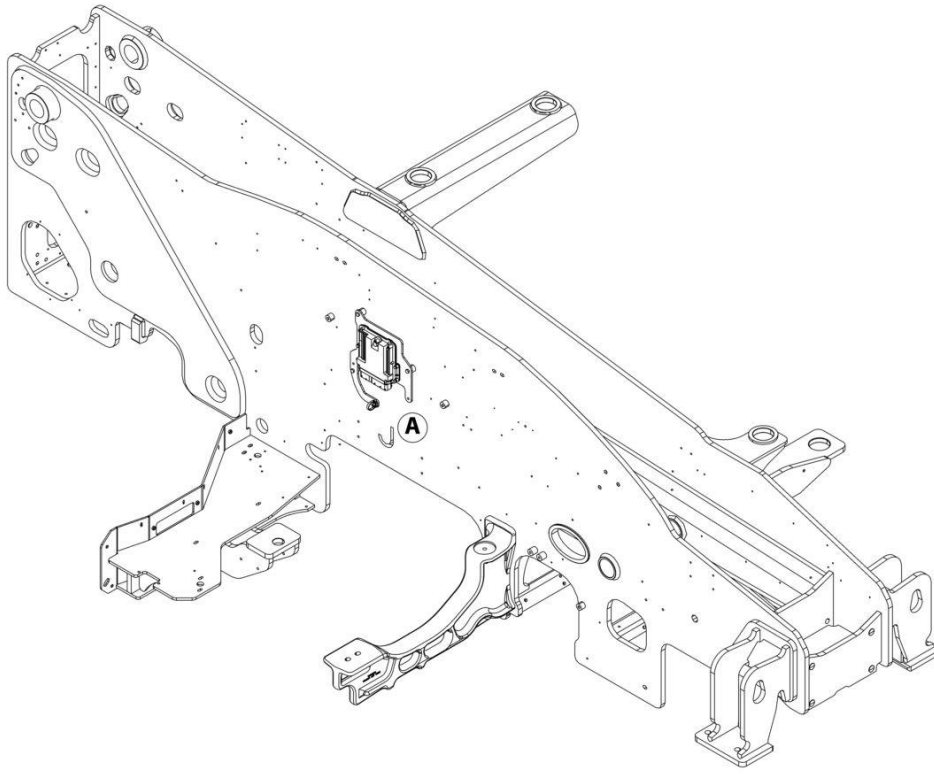
SECTION 4 - ENGINE AND ATTACHING PARTS

FIGURE 4-12. ENGINE ECU INSTALLATION (ULS) (Prior to SN 0160124988)

ITEM	PART NUMBER	QTY	DESCRIPTION	REV
	1001182735	Ref	Engine ECU Installation (ULS)	D
3	0760808	3	Bolt, M8X16	
4	3900357	1	Capscrew, M6X16	
6	4811900	3	Washer, M8	
7	1001138645	1	Mount, Cable Tie	
8	1001179907	3	Mount, Isolator	
9	1001183347	1	Plate	
10	1001196587	4	Sleeve, Spacer	
11	0760619	4	Bolt, M6X55	
12	4811700	4	Washer, M6	
13	1001206120	1	Plate	

SECTION 4 - ENGINE AND ATTACHING PARTS

FIGURE 4-13. ECU HRC INSTALLATION (SN 0160126024 to Present)



ART_1001286009

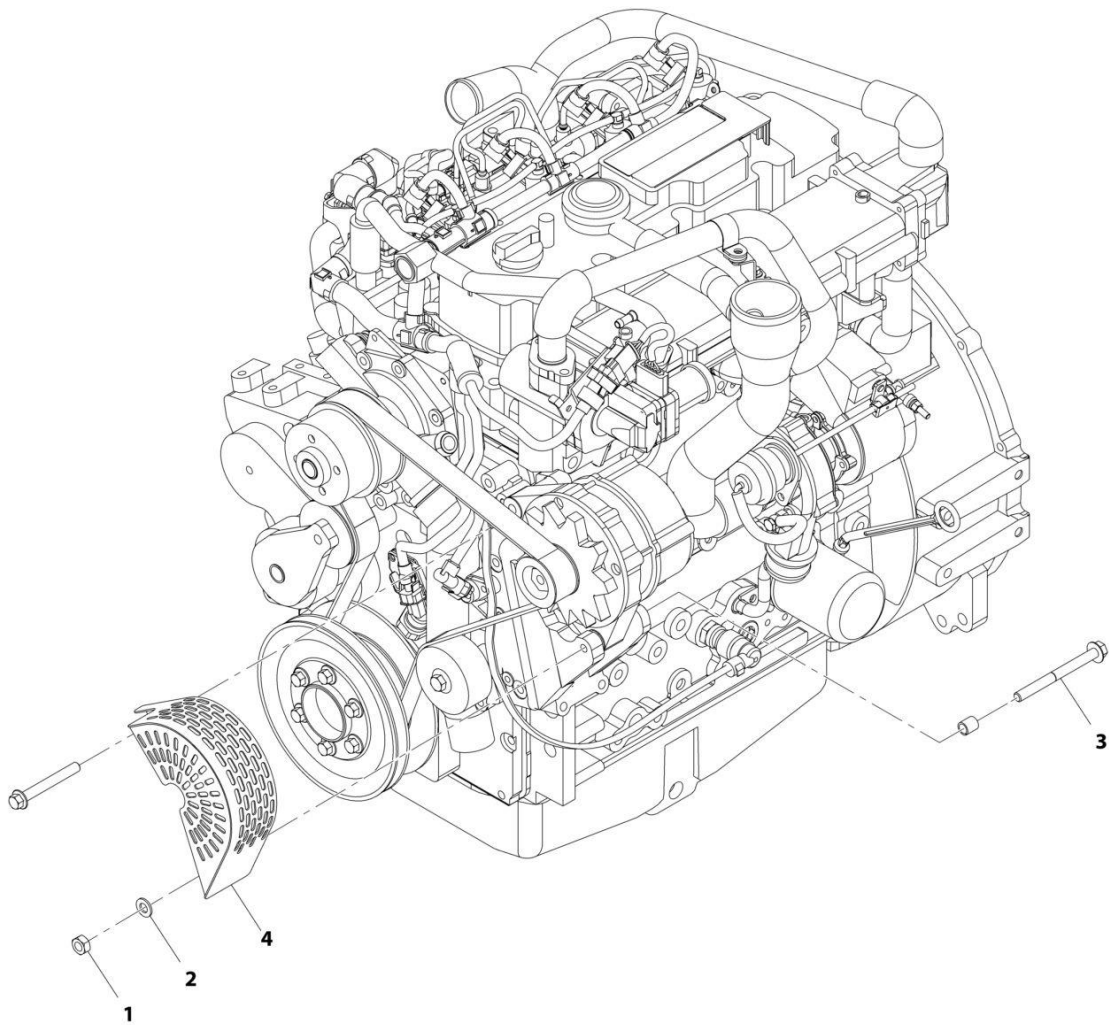
SECTION 4 - ENGINE AND ATTACHING PARTS

FIGURE 4-13. ECU HRC INSTALLATION (SN 0160126024 to Present)

ITEM	PART NUMBER	QTY	DESCRIPTION	REV
	1001286009	Ref	ENGINE EUC INSTALLATION	A
1	0760614	4	Bolt M6 x 30	
2	0760808	3	Bolt, M8X16	
3	3900357	1	Capscrew, M6X16	
4	4811700	4	Washer, M6	
5	4811900	3	Washer, M8	
6	1001138645	1	Mount, Cable Tie	
7	1001179907	3	Mount, Isolator	
8	1001286598	1	Bracket	

SECTION 4 - ENGINE AND ATTACHING PARTS

FIGURE 4-14. BRACKET GUARD INSTALLATION



ART_1001182235-B

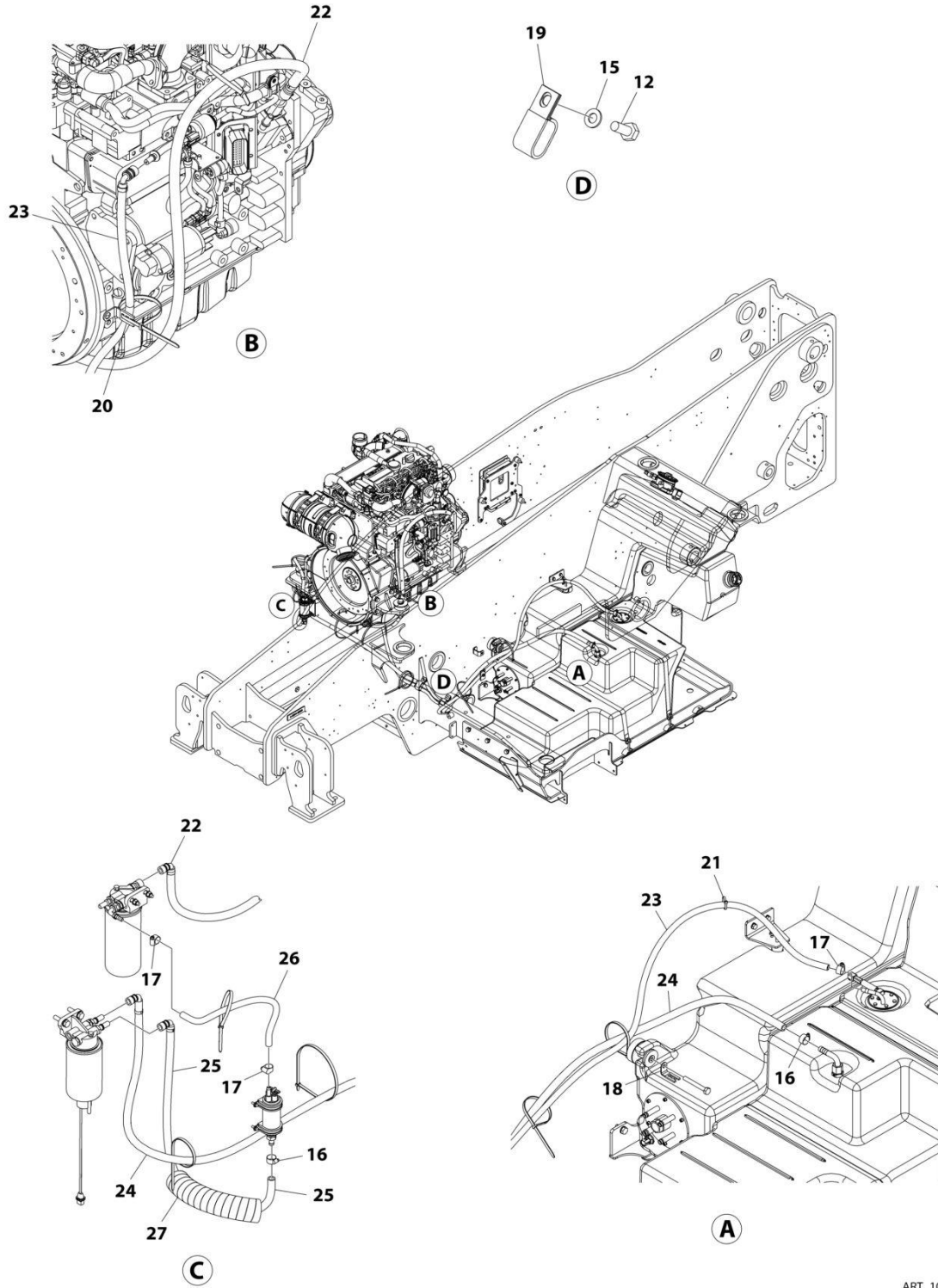
SECTION 4 - ENGINE AND ATTACHING PARTS

FIGURE 4-14. BRACKET GUARD INSTALLATION

ITEM	PART NUMBER	QTY	DESCRIPTION	REV
	1001182235	Ref	Bracket Guard Installation	B
1	3291001	1	Nut, M10X1.5 Grade 8	
2	4812000	1	Washer, M10	
3	1001152378	1	Bolt, M10X110 Grade 10.9	
4	1001213006	1	Bracket, Guard	

SECTION 4 - ENGINE AND ATTACHING PARTS

FIGURE 4-15. FUEL LINES INSTALLATION (ULS - RHOC)



ART_1001197821_F

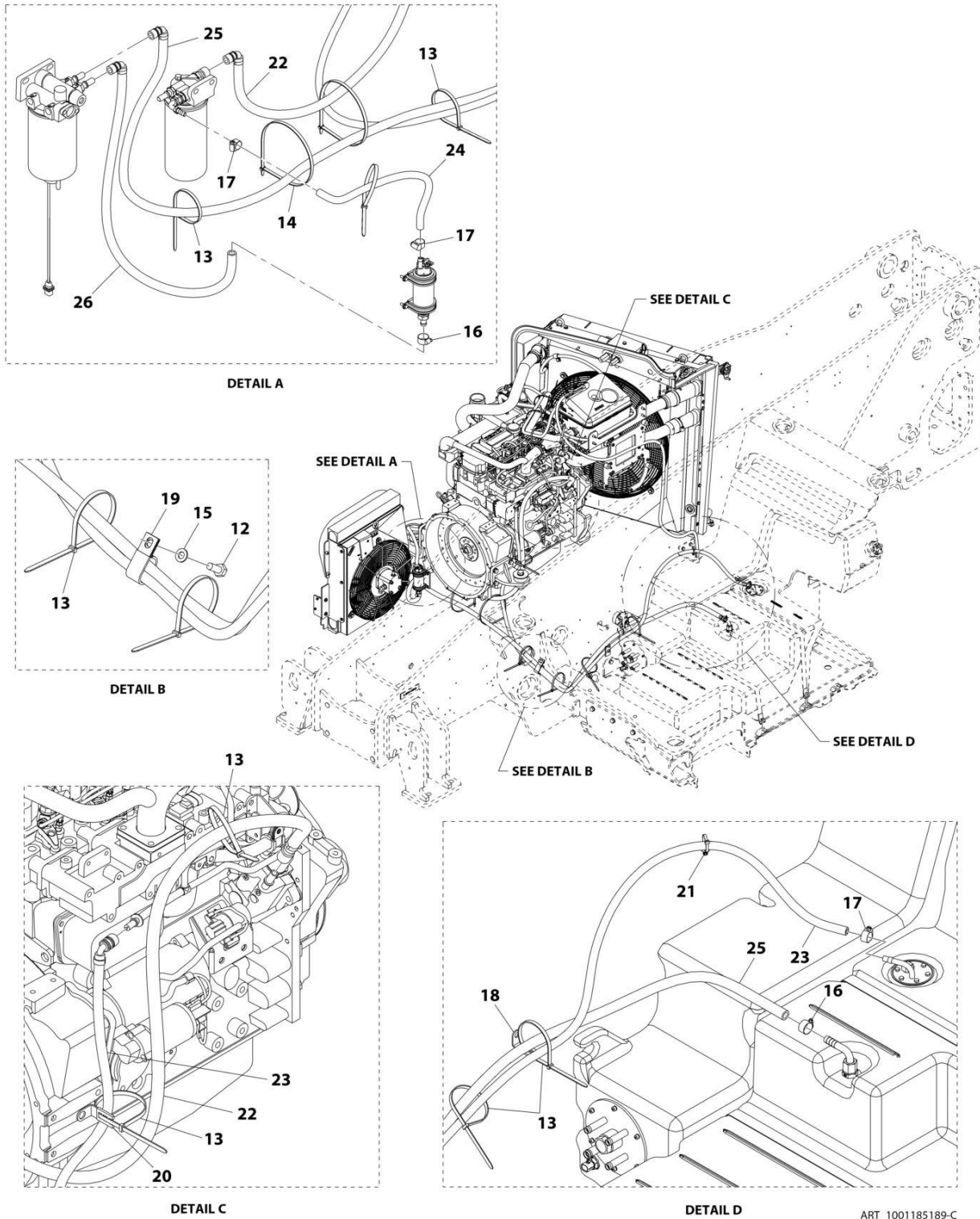
SECTION 4 - ENGINE AND ATTACHING PARTS

FIGURE 4-15. FUEL LINES INSTALLATION (ULS - RHOC)

ITEM	PART NUMBER	QTY	DESCRIPTION	REV
	1001197821	Ref	FUEL LINES INSTALLATION (ULS - RHOC)	F
12	0761012	2	Bolt M10 x 25	
13	1062255	AR	Tie-Strap 365MM (Not Shown)	
14	4240127	AR	Tie-Strap 615MM (Not Shown)	
15	4812000	2	Washer M10	
16	8405006	2	Clamp, Gear	
17	8410013	3	Clamp, Gear	
18	1001003305	1	Clip	
19	1001026104	2	Clip	
20	1001130198	1	Clip, 90	
21	1001146588	1	Strap, Fir Tree Cable Tie	
22	1001204841	1	Hose, 0.5IN Fuel	
23	1001256644	1	Hose, 0.38IN Fuel	
24	1001216854	1	Hose, 0.5IN Fuel	
25	1001216855	1	Hose, 0.5IN Fuel	
26	1001205041	1	Hose, 0.38IN Fuel	
27	1001268889	1	Sleeve, Hose Wrap	

SECTION 4 - ENGINE AND ATTACHING PARTS

FIGURE 4-16. FUEL LINES INSTALLATION (LS) (SN 0160126024 to Present)



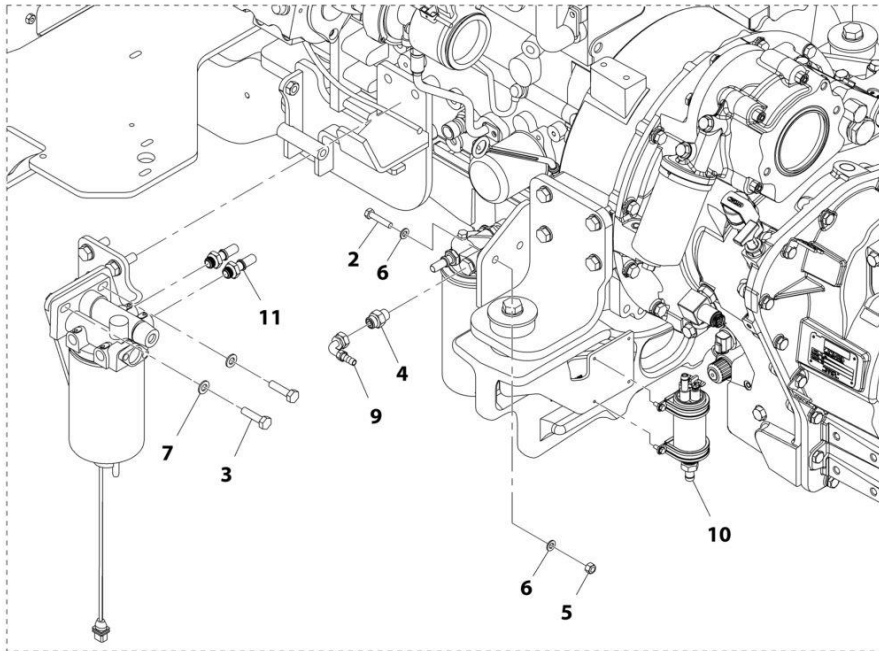
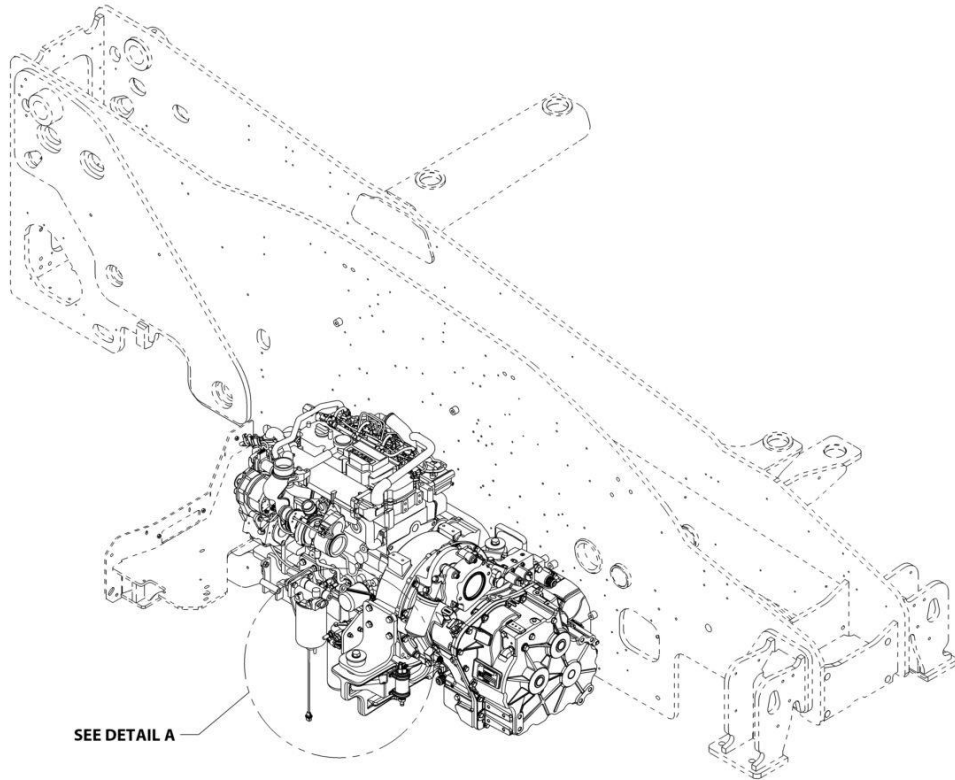
SECTION 4 - ENGINE AND ATTACHING PARTS

FIGURE 4-16. FUEL LINES INSTALLATION (LS) (SN 0160126024 to Present)

ITEM	PART NUMBER	QTY	DESCRIPTION	REV
	1001185189	Ref	Fuel Lines Installation (LS - RHOC)	C
12	0761012	1	Bolt, M10X25	
13	1062255	AR	Strap, Tie	
14	4240127	AR	Strap, Tie	
15	4812000	1	Washer, M10	
16	8405006	2	Clamp, Gear	
17	8410013	3	Clamp, Gear	
18	1001003305	1	Clip	
19	1001026104	1	Clip	
20	1001130198	1	Clip, 90	
21	1001146588	1	Strap, Fir Tree Cable Tie	
22	1001204841	1	Hose, 0.5IN Fuel	
23	1001204842	1	Hose, 0.38IN Fuel	
24	1001205041	1	Hose, 0.38IN Fuel	
25	1001216854	1	Hose, 0.5IN Fuel	
26	1001216855	1	Hose, 0.5IN Fuel	

SECTION 4 - ENGINE AND ATTACHING PARTS

FIGURE 4-17. PRIMARY FUEL FILTER INSTALLATION (90KW - LS)



DETAIL A

ART_1001181952-D

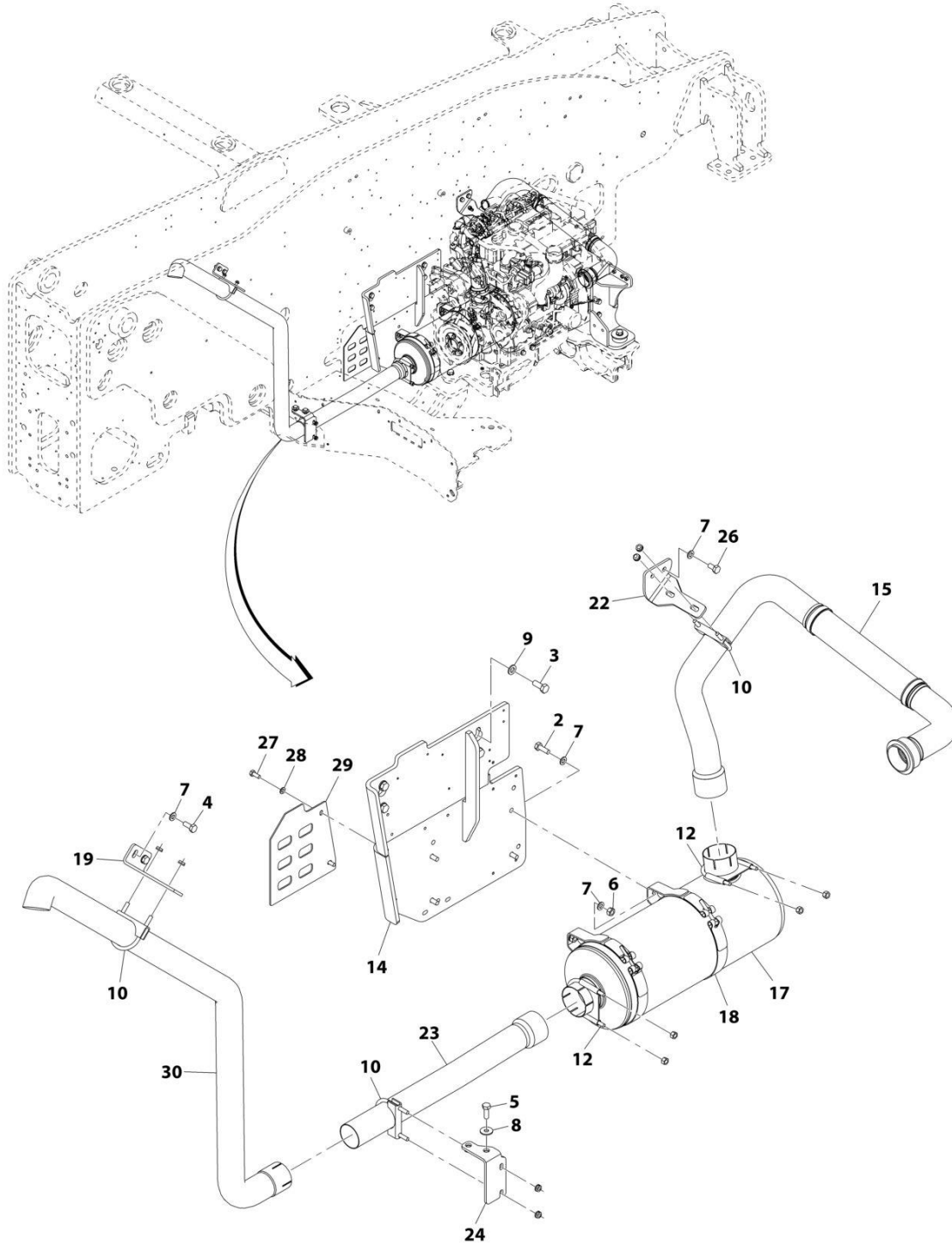
SECTION 4 - ENGINE AND ATTACHING PARTS

FIGURE 4-17. PRIMARY FUEL FILTER INSTALLATION (90KW - LS)

ITEM	PART NUMBER	QTY	DESCRIPTION	REV
	1001181952	Ref	Primary Fuel Filter Installation (90KW - LS)	D
2	0700816	2	Bolt, M8X40	
3	0701016	2	Bolt, M10X40	
4	2144606	1	Fitting, Straight ORFS	
5	3290805	2	Nut, Lock M8X1.25 Grade 8	
6	4811900	4	Washer, M8	
7	4812000	2	Washer, M10	
9	1001133793	1	Fitting, 90 ORFS	
10	1001165789	Ref	Installation, Remote Fuel Pump (74.4KW) (See Separate Breakdown in this Section)	
11	1001133690	2	Coupling, M16X1.5	

SECTION 4 - ENGINE AND ATTACHING PARTS

FIGURE 4-18. EXHAUST INSTALLATION (LS) (Prior to SN 0160124988)



ART_1001175325-E1

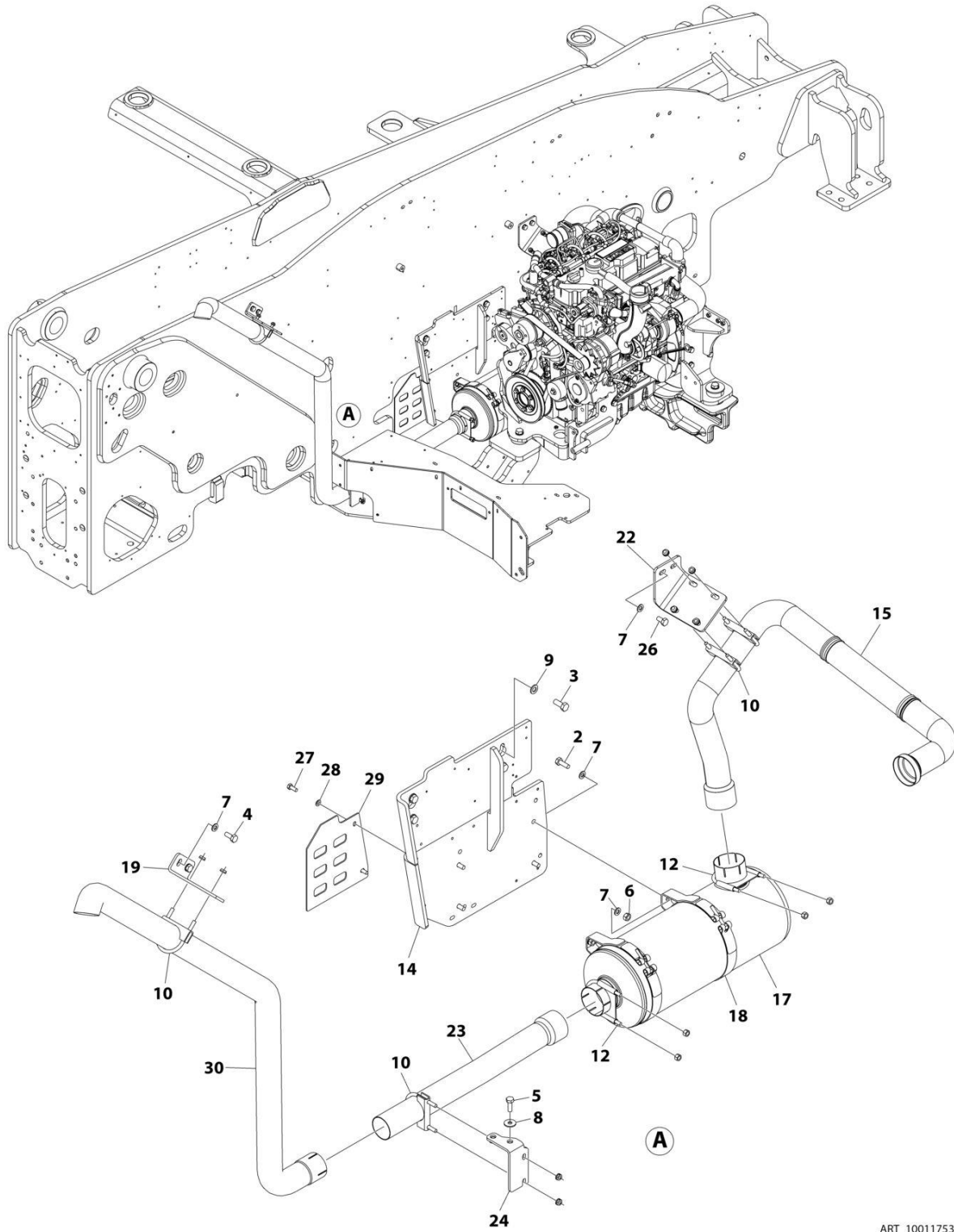
SECTION 4 - ENGINE AND ATTACHING PARTS

FIGURE 4-18. EXHAUST INSTALLATION (LS) (Prior to SN 0160124988)

ITEM	PART NUMBER	QTY	DESCRIPTION	REV
	1001175325	Ref	Exhaust Installation (LS)	E
2	0701014	4	Bolt, M10X30	
3	0701214	4	Bolt, M12X30	
4	0761012	2	Bolt, M10X25	
5	0761014	2	Bolt, M10X30	
6	3291007	4	Nut, Lock M10X1.5 Grade 8	
7	4812000	12	Washer, M10	
8	4812002	2	Washer, M10	
9	4812100	4	Washer, M12	
10	8275212	3	Clamp, Muffler	
12	24921332	2	Clamp, Exhaust	
14	1001210022	1	Bracket	
15	1001208281	1	Pipe, Exhaust	
17	1001180226	1	Muffler, Exhaust	
18	1001180227	2	Clamp, Muffler	
19	1001182824	1	Bracket, Tailpipe	
22	1001190740	1	Plate, Exhaust	
23	1001184710	1	Tube, Exhaust	
24	1001201811	1	Bracket, Tailpipe	
26	0761010	2	Bolt, M10X20	
27	0760810	2	Bolt, M8X20	
28	4811900	2	Washer, M8	
29	1001201823	1	Plate, Airflow	
30	1001222187	1	Pipe, Tail Exhaust	

SECTION 4 - ENGINE AND ATTACHING PARTS

FIGURE 4-19. EXHAUST INSTALLATION (LS) (SN 0160126024 to Present)



ART_1001175325_F

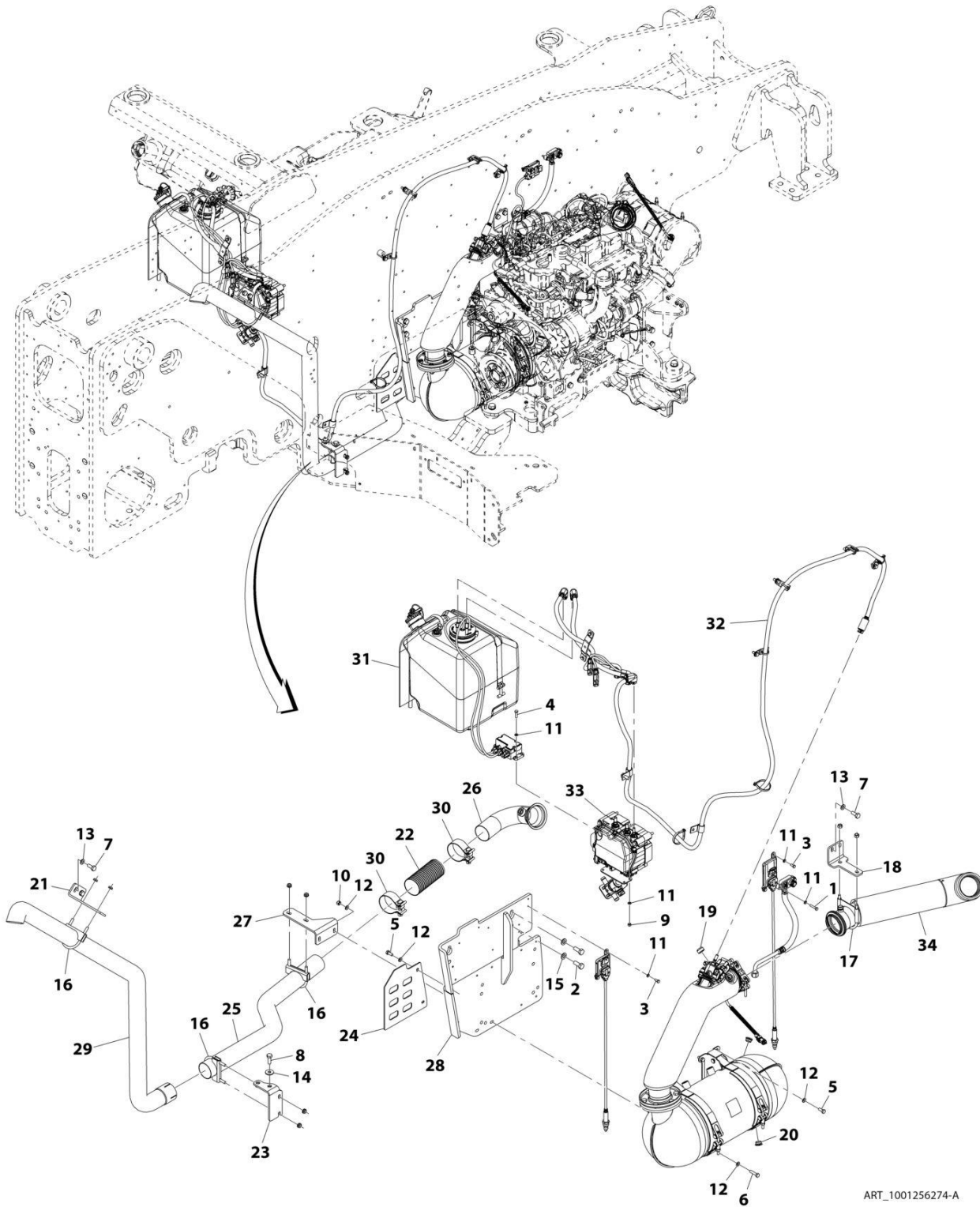
SECTION 4 - ENGINE AND ATTACHING PARTS

FIGURE 4-19. EXHAUST INSTALLATION (LS) (SN 0160126024 to Present)

ITEM	PART NUMBER	QTY	DESCRIPTION	REV
	1001175325	Ref	EXHAUST INSTALLATION (LS)	F
2	0701014	4	Bolt M10 x 30	
3	0701214	4	Bolt M12 x 30	
4	0761012	2	Bolt M10 x 25	
5	0761014	2	Bolt M10 x 30	
6	3291007	4	Nut M10	
7	4812000	12	Washer M10	
8	4812002	2	Washer M10	
9	4812100	4	Washer M12	
10	8275212	4	Clamp, Muffler	
12	24921332	2	Clamp, Exhaust	
14	1001210022	1	Bracket	
15	1001298301	1	Pipe, Exhaust	
17	1001180226	1	Muffler, Exhaust	
18	1001180227	2	Clamp, Muffler	
19	1001182824	1	Bracket, Tailpipe	
22	1001288376	1	Plate, Exhaust	
23	1001184710	1	Tube, Exhaust	
24	1001201811	1	Bracket, Tailpipe	
26	0761010	2	Bolt M10 x 20	
27	0760810	2	Bolt M8 x 20	
28	4811900	2	Washer M8	
29	1001201823	1	Plate, Airflow	
30	1001222187	1	Pipe, Tail Exhaust	

SECTION 4 - ENGINE AND ATTACHING PARTS

FIGURE 4-20. EXHAUST INSTALLATION (ULS) (Prior to SN 0160124988)



ART_1001256274-A

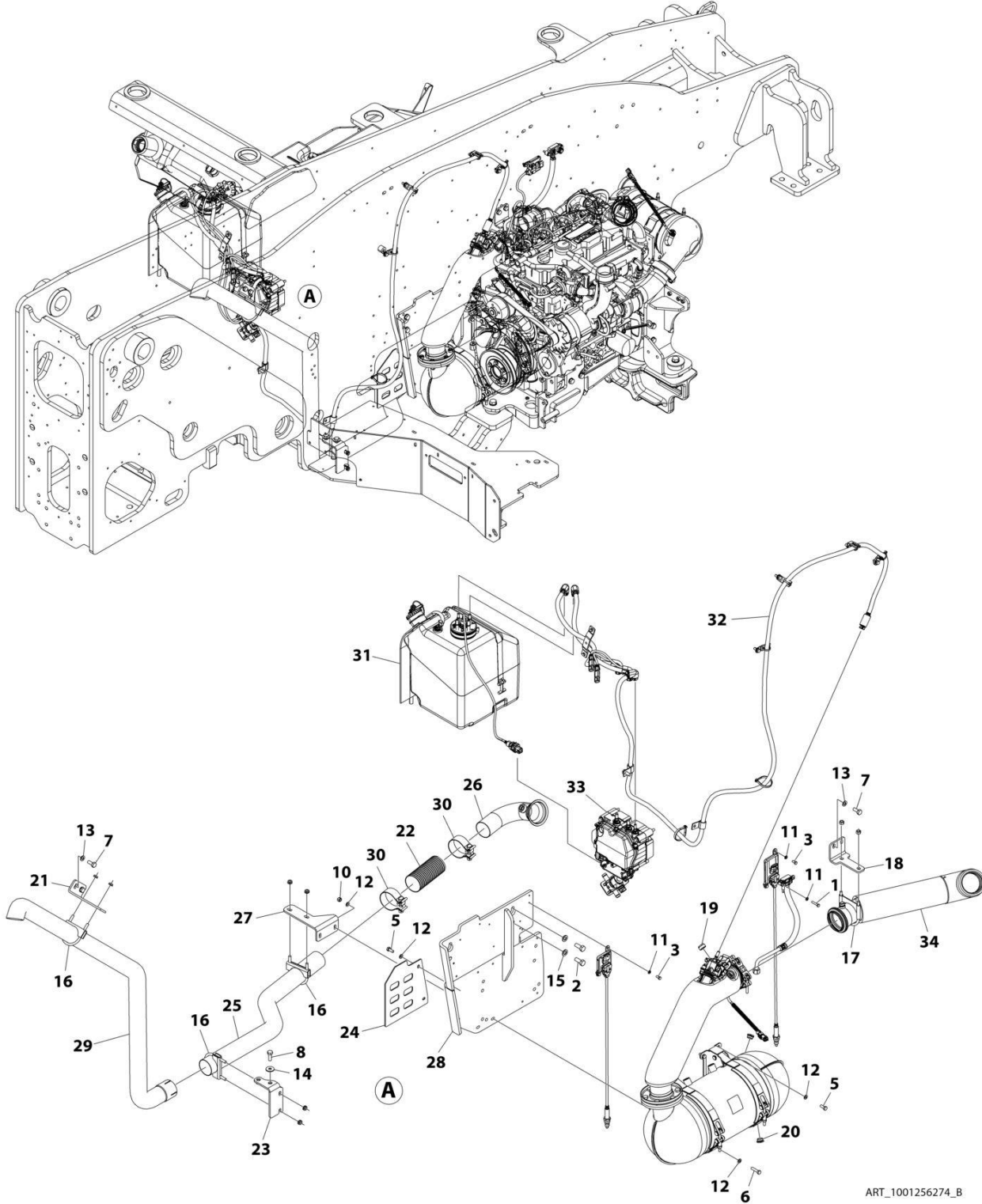
SECTION 4 - ENGINE AND ATTACHING PARTS

FIGURE 4-20. EXHAUST INSTALLATION (ULS) (Prior to SN 0160124988)

ITEM	PART NUMBER	QTY	DESCRIPTION	REV
	1001256274	Ref	EXHAUST INSTALLATION (ULS)	A
1	0700614	2	Bolt M6 x 30	
2	0701214	4	Bolt M12 x 30	
3	0760607	4	Bolt M6 x 14	
4	0760612	4	Bolt, M6 x 25	
5	0760810	8	Bolt M8 x 20	
6	0760815	2	Bolt M8 x 35	
7	0761012	4	Bolt M10 x 25	
8	0761014	2	Bolt M10 x 30	
9	3290605	4	Nut, Lock M6 x 1 Grade 8	
10	3290805	2	Nut, Lock M8 x 1.25 Grade 8	
11	4811700	5	Washer M6	
12	4811900	12	Washer M8	
13	4812000	4	Washer M10	
14	4812002	2	Washer M10	
15	4812100	4	Washer M12	
16	8275212	3	Clamp, Muffler	
17	24921332	1	Clamp, Exhaust	
18	1001169918	1	Plate, Exhaust	
19	1001171913	1	Cap	
20	1001171959	2	Plug	
21	1001182824	1	Bracket, Tailpipe	
22	1001201766	1	Pipe, Exhaust Flex	
23	1001201811	1	Bracket, Tailpipe	
24	1001201823	1	Plate, Airflow	
25	1001201929	1	Pipe, Exhaust	
26	1001201930	1	Pipe, Exhaust	
27	1001201933	1	Support, Exhaust Pipe	
28	1001210022	1	Bracket	
29	1001222187	1	Pipe, Tail Exhaust	
30	1001225213	2	Clamp, Flex Pipe	
31	1001256277	1	Installation, DEF Tank (ULS) (See Separate Breakdown in this Section)	
32	1001256278	1	Installation, DEF Lines (ULS) (See Separate Breakdown in this Section)	
33	1001256563	1	Installation, DEF Control Module (ULS) (See Separate Breakdown in this Section)	
34	1001193551	1	Pipe, Exhaust Flex	

SECTION 4 - ENGINE AND ATTACHING PARTS

FIGURE 4-21. EXHAUST INSTALLATION (ULS) (SN 0160126024 to Present)



ART_1001256274_B

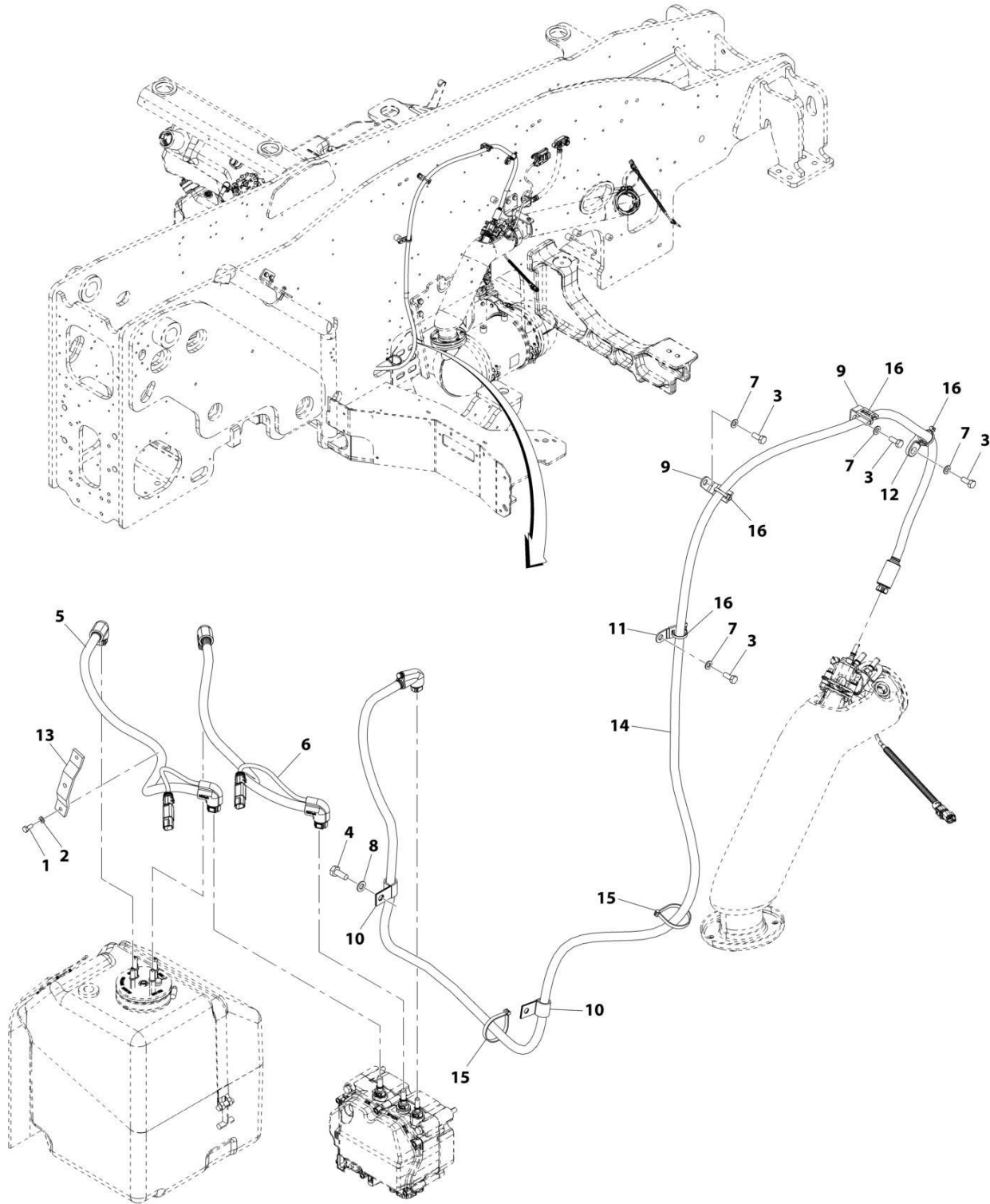
SECTION 4 - ENGINE AND ATTACHING PARTS

FIGURE 4-21. EXHAUST INSTALLATION (ULS) (SN 0160126024 to Present)

ITEM	PART NUMBER	QTY	DESCRIPTION	REV
	1001256274	Ref	EXHAUST INSTALLATION (ULS)	C
1	0700614	2	Bolt M6 x 30	
2	0701214	4	Bolt M12 x 30	
3	0760607	4	Bolt M6 x 14	
5	0760810	8	Bolt M8 x 20	
6	0760815	2	Bolt M8 x 35	
7	0761012	4	Bolt M10 x 25	
8	0761014	2	Bolt M10 x 30	
10	3290805	2	Nut, Lock M8X1.25 Grade 8	
11	4811700	5	Washer M6	
12	4811900	12	Washer M8	
13	4812000	4	Washer M10	
14	4812002	2	Washer M10	
15	4812100	4	Washer M12	
16	8275212	3	Clamp, Muffler	
17	24921332	1	Clamp, Exhaust	
18	1001169918	1	Plate, Exhaust	
21	1001182824	1	Bracket, Tailpipe	
22	1001201766	1	Pipe, Exhaust Flex	
23	1001201811	1	Bracket, Tailpipe	
24	1001201823	1	Plate, Airflow	
25	1001201929	1	Pipe, Exhaust	
26	1001201930	1	Pipe, Exhaust	
27	1001201933	1	Support, Exhaust Pipe	
28	1001210022	1	Bracket	
29	1001222187	1	Pipe, Tail Exhaust	
30	1001225213	2	Clamp, Flex Pipe	
31	1001294203	1	Installation, DEF Tank (ULS) (See Separate Breakdown in this Section)	
32	1001294204	1	Installation, DEF Lines (ULS) (See Separate Breakdown in this Section)	
33	1001256563	1	Installation, DEF Control Module (ULS) (See Separate Breakdown in this Section)	
34	1001193551	1	Pipe, Exhaust Flex	
35	1001004720	4	Strap- Cable (Not Shown)	

SECTION 4 - ENGINE AND ATTACHING PARTS

FIGURE 4-22. DEF LINES INSTALLATION (ULS) (Prior to SN 0160124988)



ART_1001256278-A

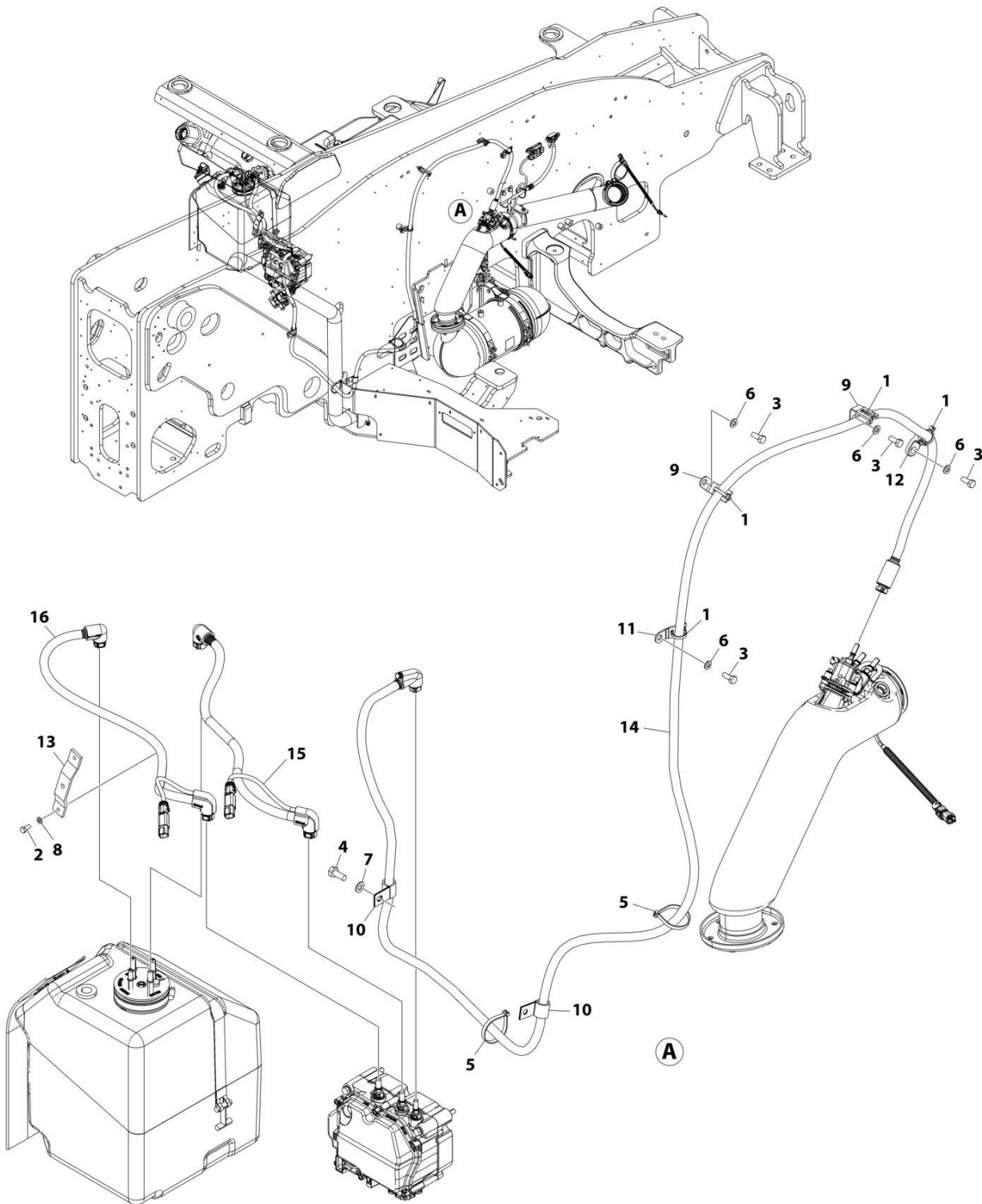
SECTION 4 - ENGINE AND ATTACHING PARTS

FIGURE 4-22. DEF LINES INSTALLATION (ULS) (Prior to SN 0160124988)

ITEM	PART NUMBER	QTY	DESCRIPTION	REV
	1001256278	Ref	DEF LINES INSTALLATION (ULS)	A
1	0760607	2	Bolt M6 x 14	
2	4831700	2	Washer, Lock M6	
3	0760810	4	Bolt M8 x 20	
4	0761012	1	Bolt M10 x 25	
5	1001239879	1	Hose, Heated (DEF)	
6	1001239878	1	Hose, Heated (DEF)	
7	4811900	4	Washer M8	
8	4812000	1	Washer M10	
9	1001003305	2	Clip	
10	1001008574	2	Clip	
11	1001008593	1	Clip	
12	1001169146	1	Mount	
13	1001180328	1	Bracket	
14	1001207486	1	Hose, Heated (DEF)	
15	1062255	2	Strap, Tie	
16	471678	4	Strap, Tie	

SECTION 4 - ENGINE AND ATTACHING PARTS

FIGURE 4-23. DEF LINES INSTALLATION (SN 0160126024 to Present)



ART_1001294204

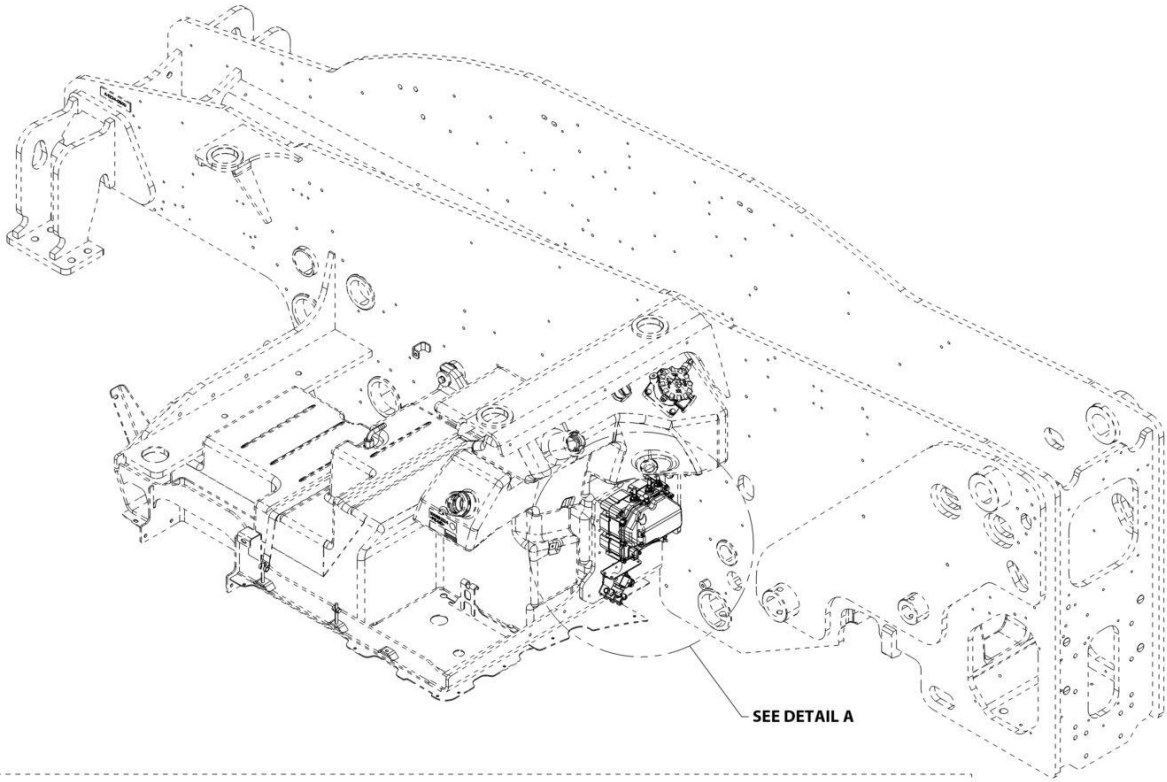
SECTION 4 - ENGINE AND ATTACHING PARTS

FIGURE 4-23. DEF LINES INSTALLATION (SN 0160126024 to Present)

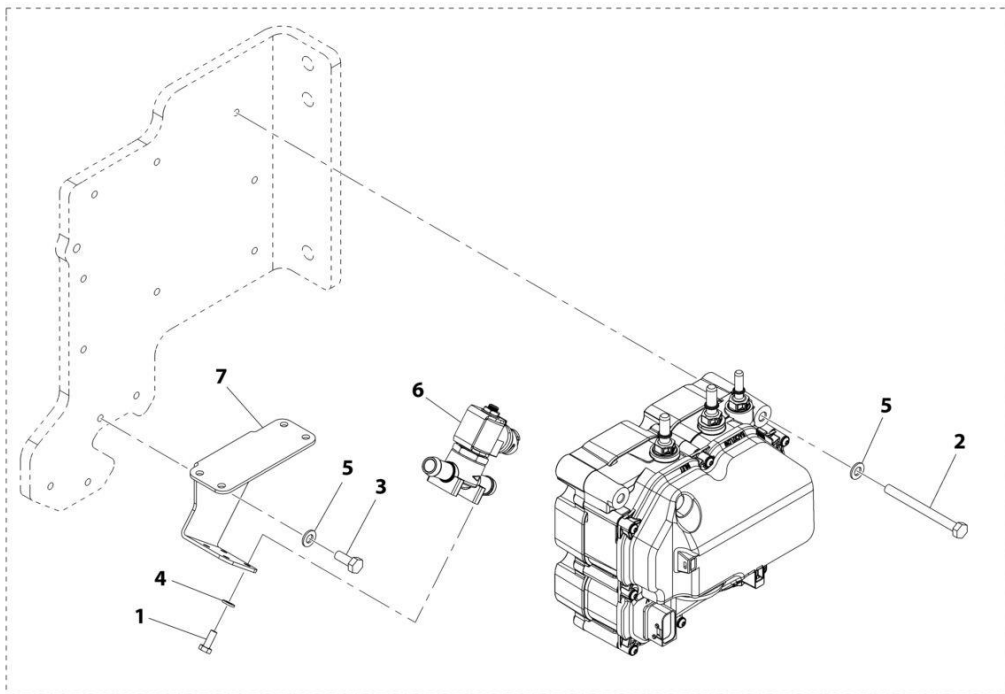
ITEM	PART NUMBER	QTY	DESCRIPTION	REV
	1001294204	Ref	DEF LINES INSTALLATION	A
1	471678	4	Strap, Tie	
2	0760607	2	Bolt M6 x 14	
3	0760810	4	Bolt M8 x 20	
4	0761012	1	Bolt M10 x 25	
5	1062255	2	Strap, Tie	
6	4811900	4	Washer M8	
7	4812000	1	Washer M10	
8	4831700	2	Washer, Lock M6	
9	1001003305	2	Clip	
10	1001008574	2	Clip	
11	1001008593	1	Clip	
12	1001169146	1	Mount	
13	1001180328	1	Bracket	
14	1001207486	1	Hose, Heated (DEF)	
15	1001239878	1	Hose, Heated (DEF)	
16	1001239879	1	Hose, Heated (DEF)	

SECTION 4 - ENGINE AND ATTACHING PARTS

FIGURE 4-24. DEF CONTROL MODULE INSTALLATION (ULS)



SEE DETAIL A



DETAIL A

ART_1001256563-A

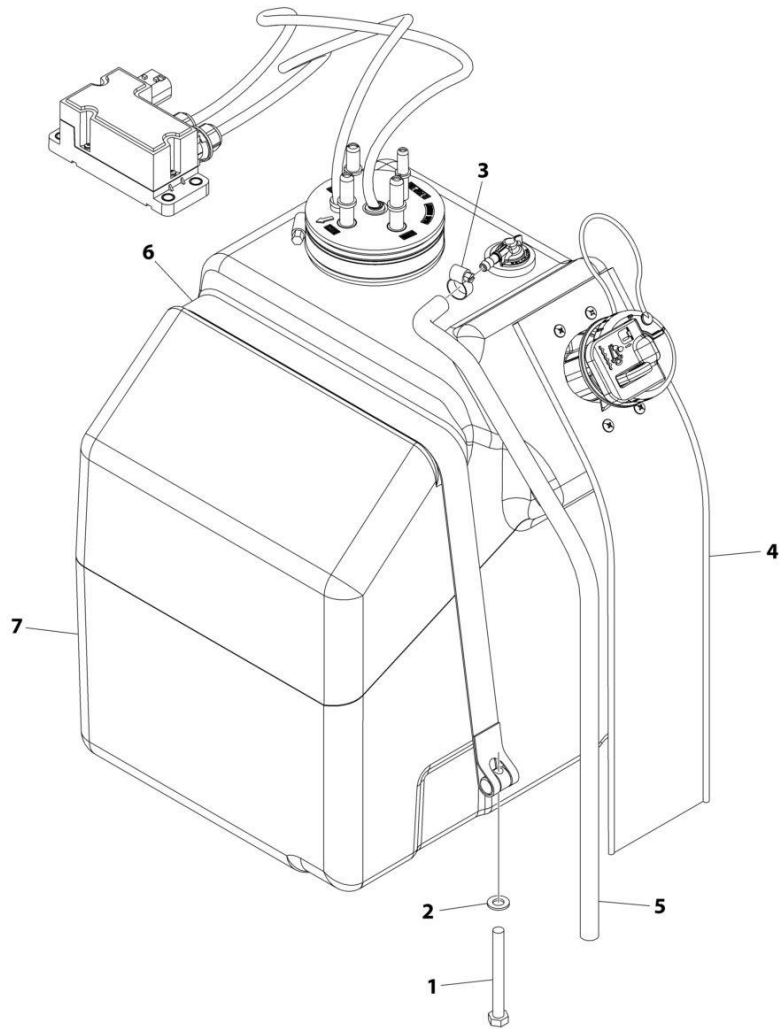
SECTION 4 - ENGINE AND ATTACHING PARTS

FIGURE 4-24. DEF CONTROL MODULE INSTALLATION (ULS)

ITEM	PART NUMBER	QTY	DESCRIPTION	REV
	1001256563	Ref	DEF Control Module Installation (ULS)	A
1	0700608	4	Bolt, M6X16	
2	0700826	3	Bolt, M8X90	
3	0760810	2	Bolt, M8X20	
4	4811700	4	Washer, M6	
5	4811900	5	Washer, M8	
6	1001199670	1	Valve	
7	1001256410	1	Bracket	

SECTION 4 - ENGINE AND ATTACHING PARTS

FIGURE 4-25. DEF TANK INSTALLATION (ULS) (Prior to SN 0160124988)



ART_1001256277_B

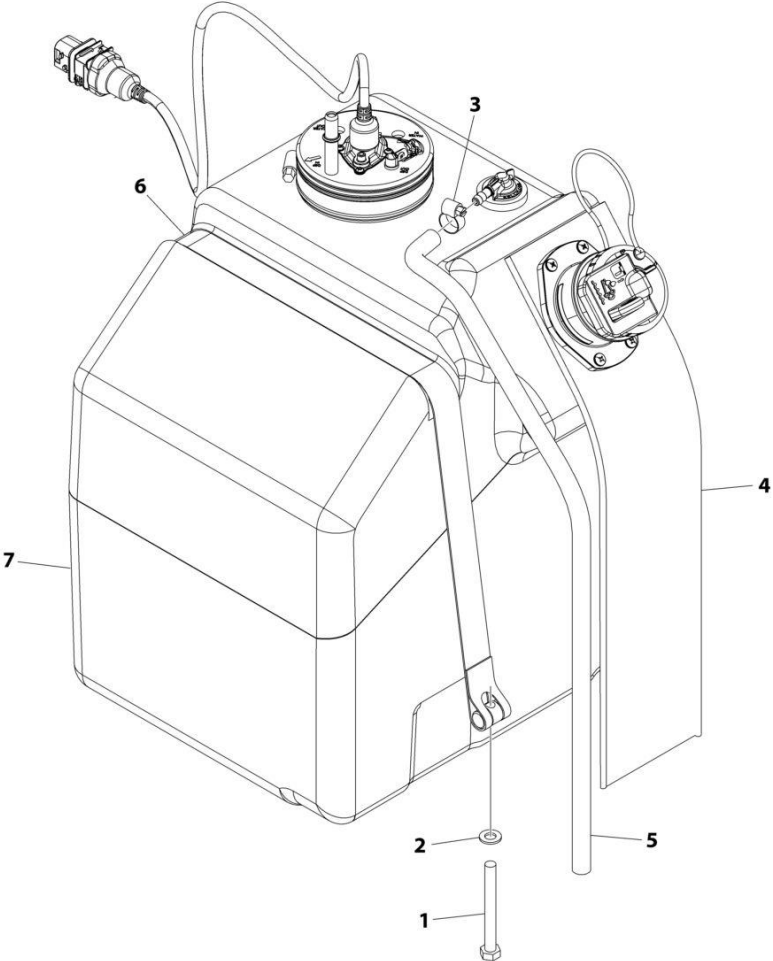
SECTION 4 - ENGINE AND ATTACHING PARTS

FIGURE 4-25. DEF TANK INSTALLATION (ULS) (Prior to SN 0160124988)

ITEM	PART NUMBER	QTY	DESCRIPTION	REV
	1001256277	Ref	DEF TANK INSTALLATION (ULS)	B
1	0760823	1	Bolt M8 x 75	
2	4811900	1	Washer M8	
3	8405009	1	Clamp	
4	1001168272	1	Sleeve	
5	1001175201	0.6 m	Hose	
6	1001178791	1	Strap	
7	1001289563	1	DEF Tank Assembly (ULS) (See Separate Breakdown in this Section)	

SECTION 4 - ENGINE AND ATTACHING PARTS

FIGURE 4-26. DEF TANK INSTALLATION (SN 0160126024 to Present)



ART_1001294203

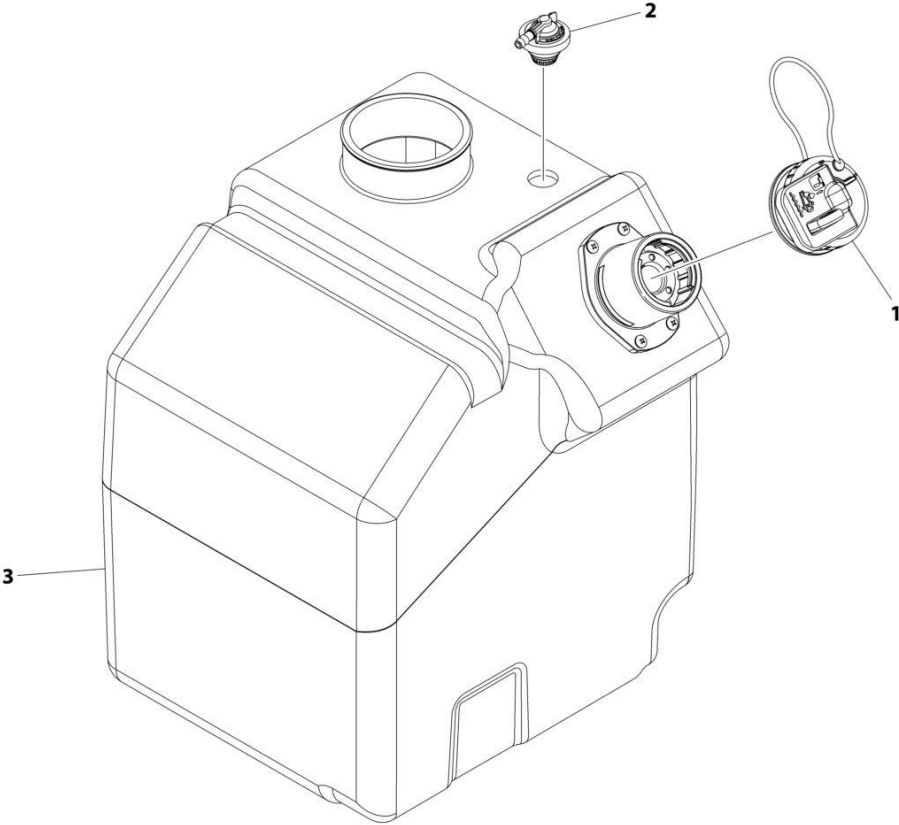
SECTION 4 - ENGINE AND ATTACHING PARTS

FIGURE 4-26. DEF TANK INSTALLATION (SN 0160126024 to Present)

ITEM	PART NUMBER	QTY	DESCRIPTION	REV
	1001294203	Ref	DEF TANK INSTALLATION	A
1	0760823	1	Bolt M8 x 75	
2	4811900	1	Washer M8	
3	8405009	1	Clamp	
4	1001168272	1	Sleeve	
5	1001175201	2 ft	Hose	
6	1001178791	1	Strap	
7	1001289563	1	DEF Tank Assembly (ULS) (See Separate Breakdown in this Section)	

SECTION 4 - ENGINE AND ATTACHING PARTS

FIGURE 4-27. DEF TANK ASSEMBLY



ART_1001289563

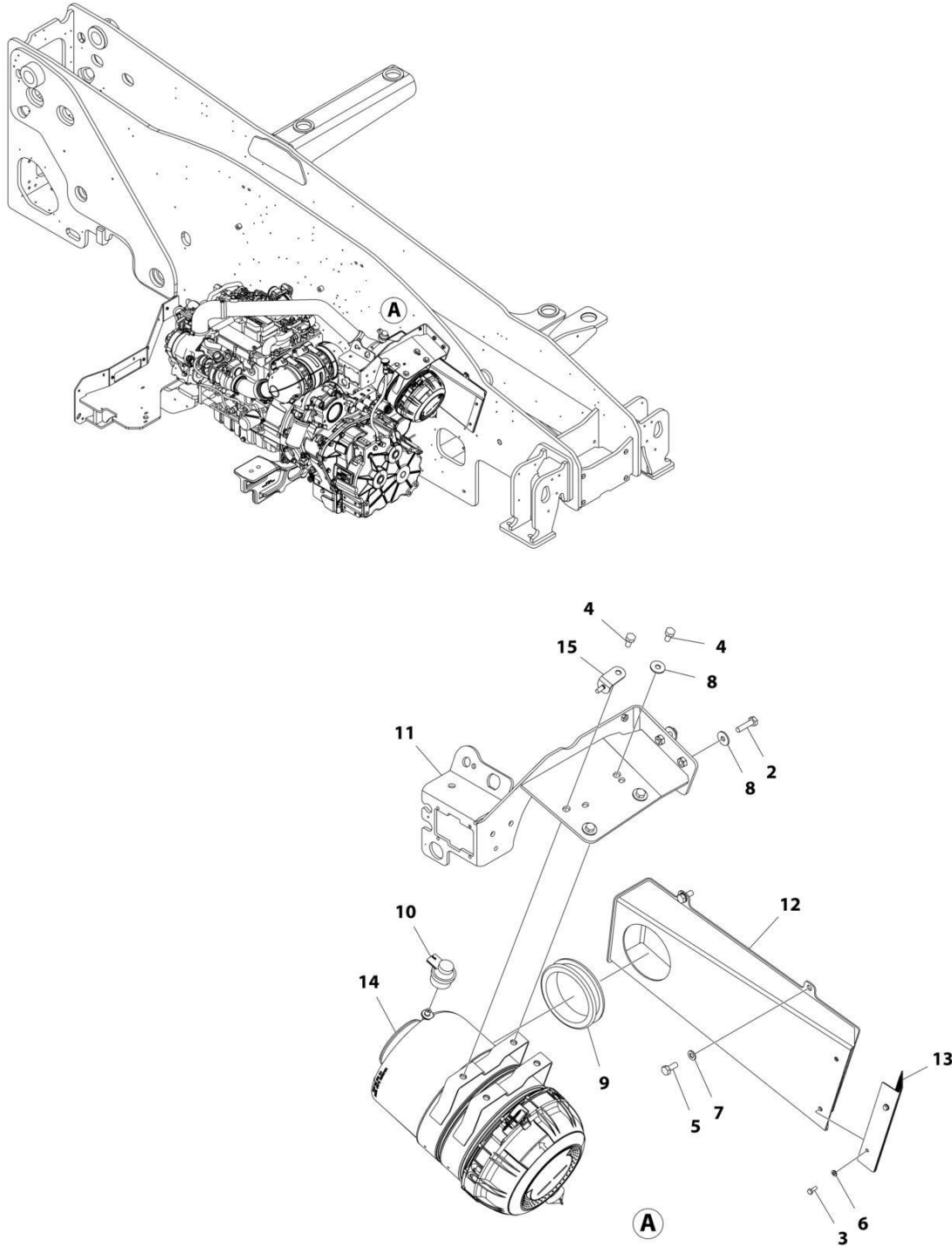
SECTION 4 - ENGINE AND ATTACHING PARTS

FIGURE 4-27. DEF TANK ASSEMBLY

ITEM	PART NUMBER	QTY	DESCRIPTION	REV
	1001289563	Ref	DEF TANK ASSEMBLY	A
1	1001174795	1	Reutter Cap Assembly	
2	1001215319	1	DEF Breather Valve	
3	1001289562	1	DEF Tank	

SECTION 4 - ENGINE AND ATTACHING PARTS

FIGURE 4-28. AIR CLEANER INSTALLATION (90/100KW) (Prior to SN 0160124988)



ART_1001182036

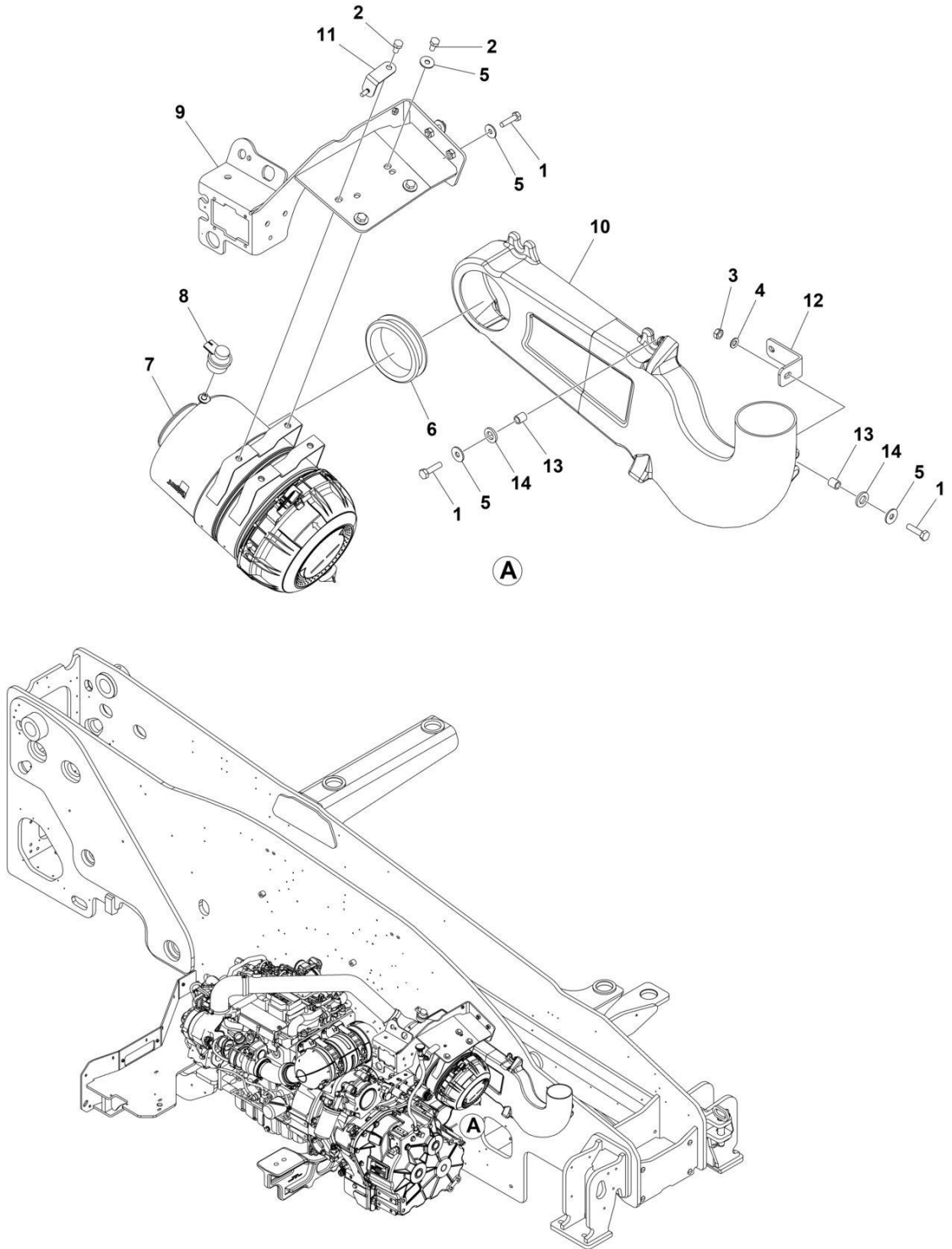
SECTION 4 - ENGINE AND ATTACHING PARTS

FIGURE 4-28. AIR CLEANER INSTALLATION (90/100KW) (Prior to SN 0160124988)

ITEM	PART NUMBER	QTY	DESCRIPTION	REV
	1001182036	Ref	AIR CLEANER INSTALLATION (90/100KW)	G
2	0701016	3	Bolt M10 x 40	
3	0760608	2	Bolt M6 x 16	
4	0761010	4	Bolt M10 x 20	
5	0761012	4	Bolt M10 x 25	
6	4811700	2	Washer M6	
7	4812000	4	Washer M10	
8	4812002	6	Washer M10	
9	1001166397	1	Grommet	
10	1001166715	1	Indicator	
11	1001212906	1	Bracket	
12	1001186009	1	Duct	
13	1001186290	1	Grill	
14	1001166565	1	Filter, Air Cleaner (90/100KW) (See Separate Breakdown in this Section)	
15	1001218486	1	Bracket	

SECTION 4 - ENGINE AND ATTACHING PARTS

FIGURE 4-29. AIR CLEANER INSTALLATION (90/100KW) (SN 0160126024 to Present)



ART_1001257142_D

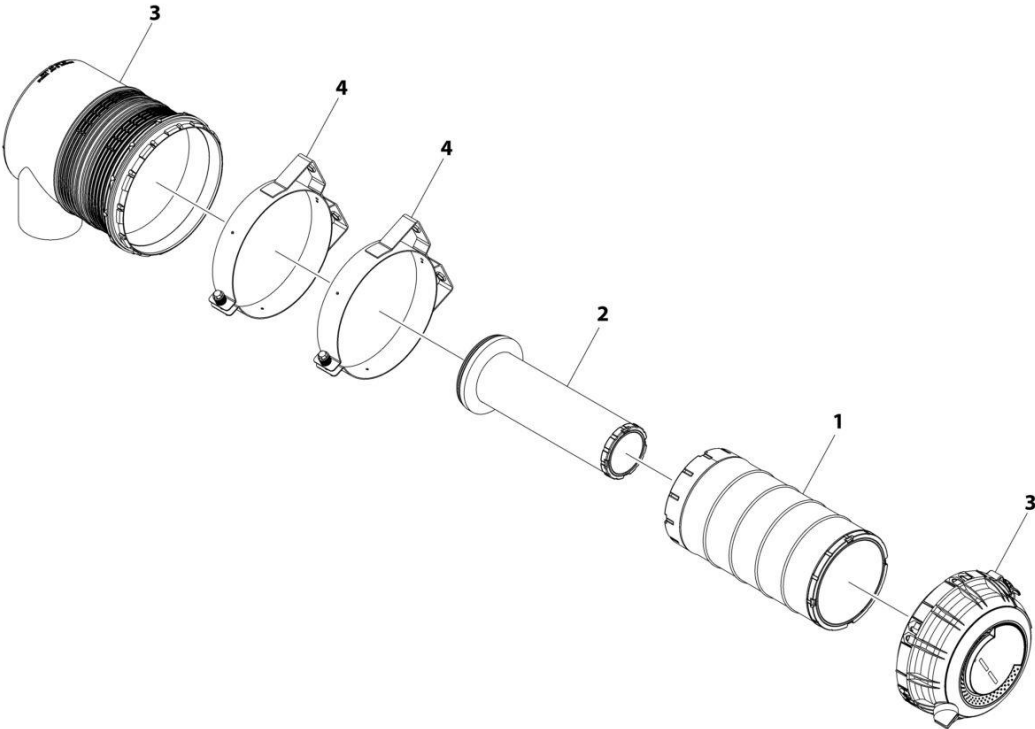
SECTION 4 - ENGINE AND ATTACHING PARTS

FIGURE 4-29. AIR CLEANER INSTALLATION (90/100KW) (SN 0160126024 to Present)

ITEM	PART NUMBER	QTY	DESCRIPTION	REV
	1001257142	Ref	AIR CLEANER INSTALLATION (90/100KW)	D
1	0701016	8	Bolt M10 x 40	
2	0761010	4	Bolt M10 x 20	
3	3291001	1	Nut M10 x 1.5 Grade 8	
4	4812000	1	Washer M10	
5	4812002	11	Washer M10	
6	1001183831	1	Grommet	
7	1001166565	1	Filter, Air Cleaner (90/100KW) (See Separate Breakdown in this Section)	
8	1001166715	1	Sensor, Air Restriction	
9	1001212906	1	Bracket	
10	1001216813	1	Duct	
11	1001263830	1	Bracket	
12	1001231388	1	Bracket	
13	1001231389	5	Sleeve, Spacer	
14	1001231390	5	Washer	

SECTION 4 - ENGINE AND ATTACHING PARTS

FIGURE 4-30. AIR CLEANER ASSEMBLY (90/100KW)



ART_1001166565

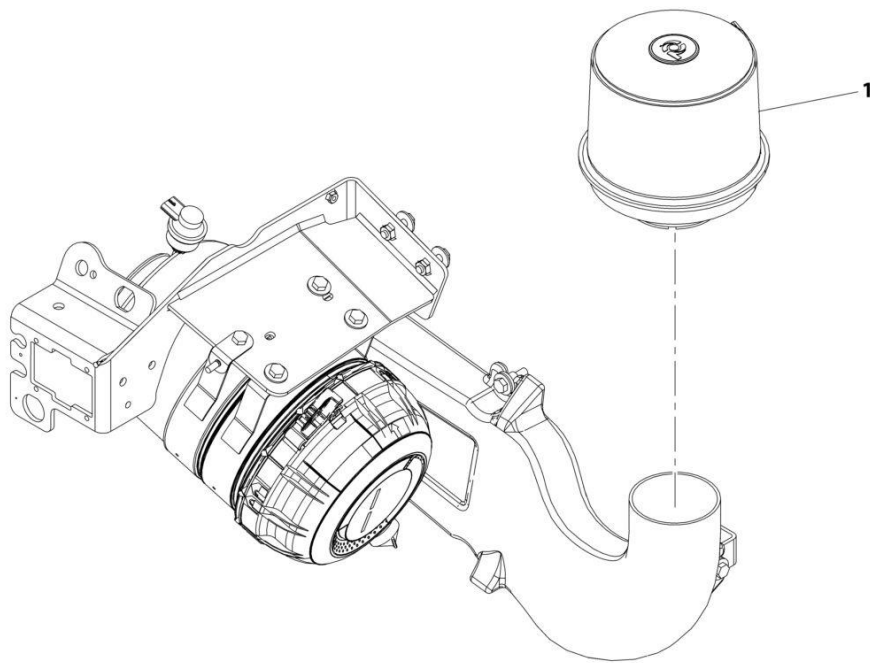
SECTION 4 - ENGINE AND ATTACHING PARTS

FIGURE 4-30. AIR CLEANER ASSEMBLY (90/100KW)

ITEM	PART NUMBER	QTY	DESCRIPTION	REV
	1001166565	Ref	AIR FILTER ASSEMBLY (90/100KW)	F
1	70025850	1	Filter, Cylindrical Air Primary	
2	70025851	1	Filter, Cylindrical Air Secondary	
3	70026395	1	Cover	
4	70026396	2	Bracket	

SECTION 4 - ENGINE AND ATTACHING PARTS

FIGURE 4-31. PRE-AIR CLEANER ACCESSORY



ART_1001231731-A

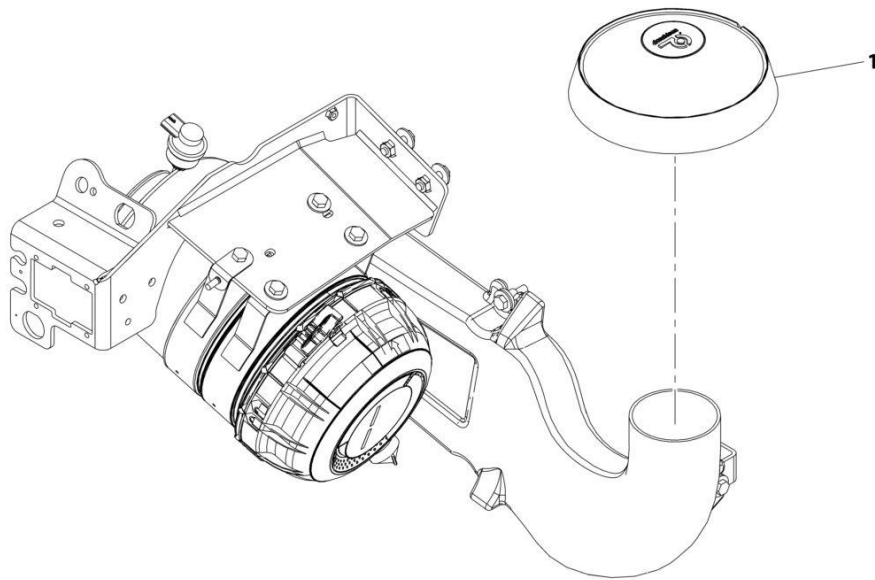
SECTION 4 - ENGINE AND ATTACHING PARTS

FIGURE 4-31. PRE-AIR CLEANER ACCESSORY

ITEM	PART NUMBER	QTY	DESCRIPTION	REV
1	1001231731 1001092771	Ref 1	PRE-AIR CLEANER ACCESSORY Accessory, Pre-Cleaner,Topspin	A

SECTION 4 - ENGINE AND ATTACHING PARTS

FIGURE 4-32. AIR INTAKE RAIN CAP ACCESSORY



ART_1001231732-A

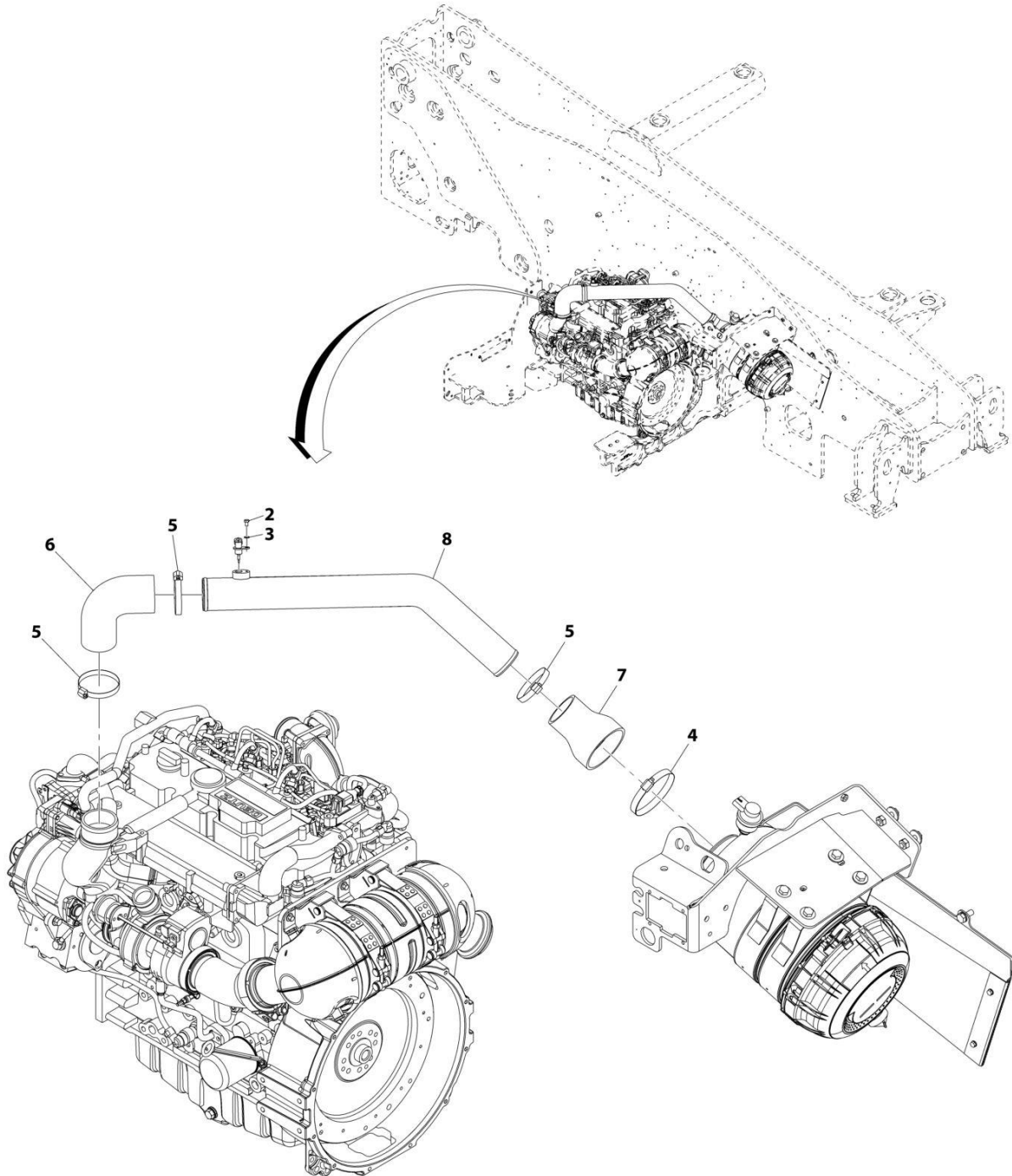
SECTION 4 - ENGINE AND ATTACHING PARTS

FIGURE 4-32. AIR INTAKE RAIN CAP ACCESSORY

ITEM	PART NUMBER	QTY	DESCRIPTION	REV
1	1001231732 1001231750	Ref 1	Air Intake Rain Cap Accessory Accessory, Rain Cap	A

SECTION 4 - ENGINE AND ATTACHING PARTS

FIGURE 4-33. AIR INTAKE LINES INSTALLATION (90/100KW - ULS)



ART_1001182037-D

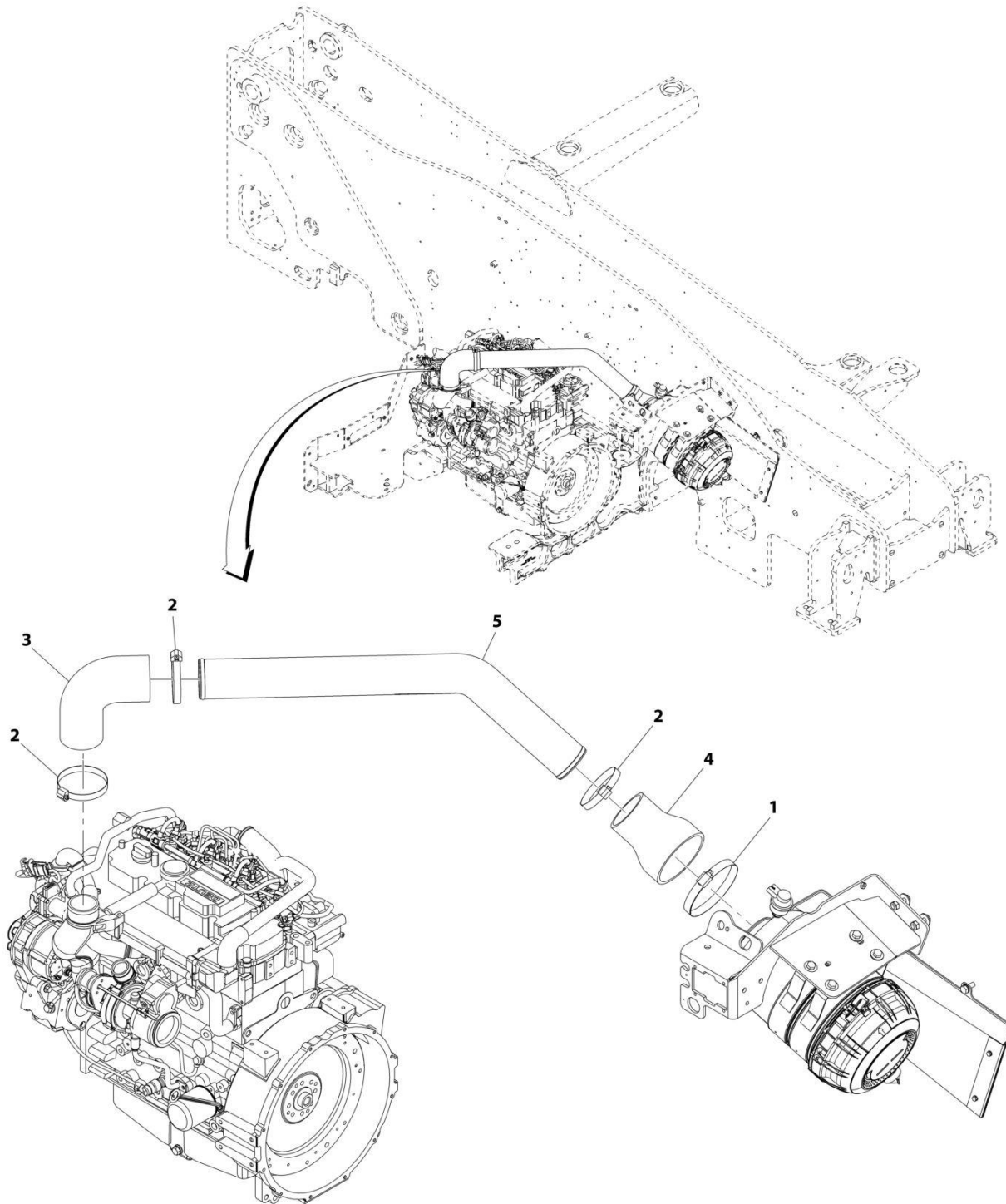
SECTION 4 - ENGINE AND ATTACHING PARTS

FIGURE 4-33. AIR INTAKE LINES INSTALLATION (90/100KW - ULS)

ITEM	PART NUMBER	QTY	DESCRIPTION	REV
	1001182037	Ref	Air Intake Lines Installation (90/100KW - ULS)	D
2	0760605	1	Bolt, M6X10	
3	4811700	1	Washer, M6	
4	8405402	1	Clamp	
5	8410011	3	Clamp, Gear	
6	1001182881	1	Hose	
7	1001182885	1	Hose	
8	1001182886	1	Tube	

SECTION 4 - ENGINE AND ATTACHING PARTS

FIGURE 4-34. AIR INTAKE LINES INSTALLATION (90KW - LS)



ART_1001182039-A

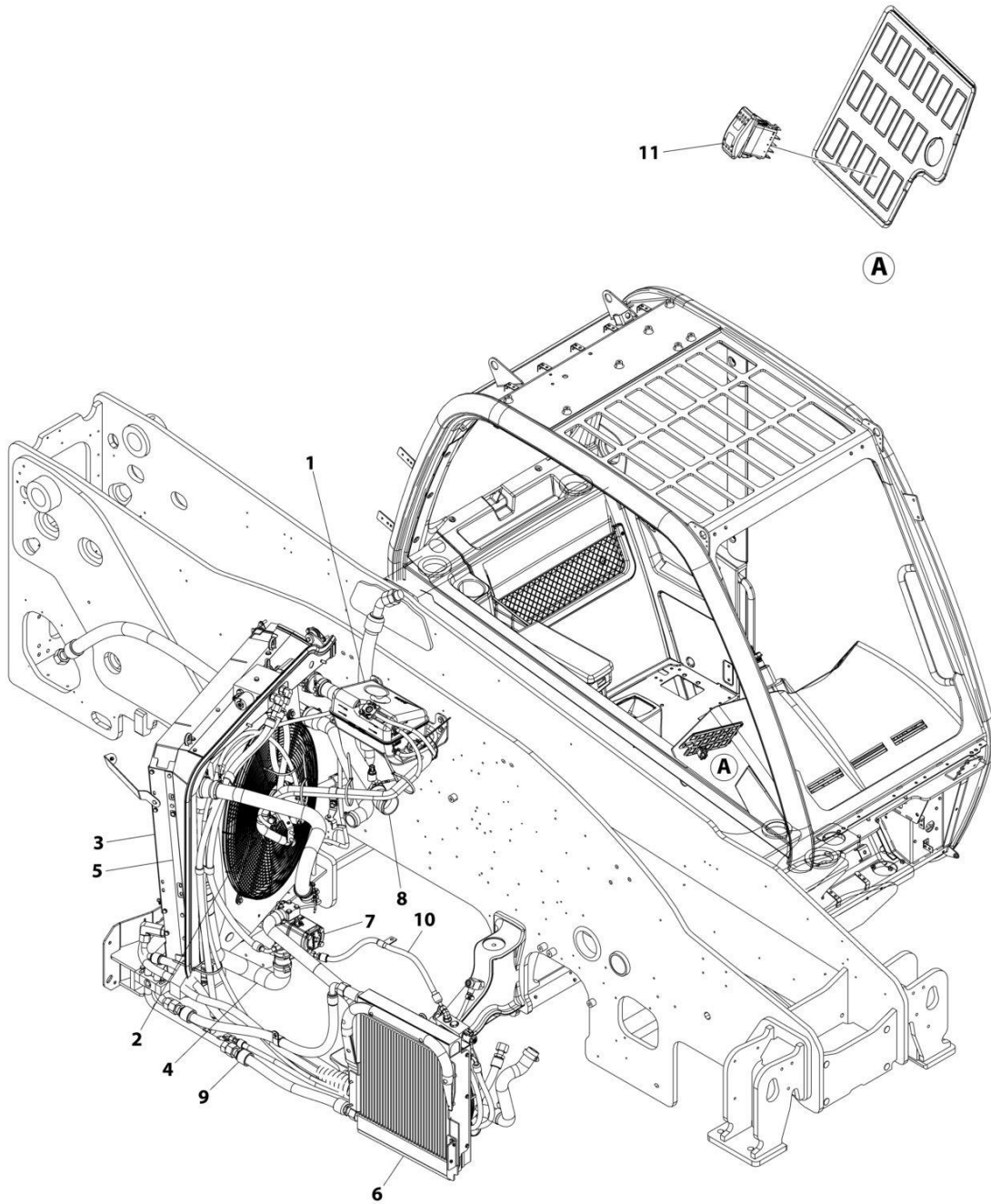
SECTION 4 - ENGINE AND ATTACHING PARTS

FIGURE 4-34. AIR INTAKE LINES INSTALLATION (90KW - LS)

ITEM	PART NUMBER	QTY	DESCRIPTION	REV
	1001182039	Ref	Air Intake Lines Installation (90KW - LS)	A
1	8405402	1	Clamp	
2	8410011	3	Clamp, Gear	
3	1001182881	1	Hose	
4	1001182885	1	Hose	
5	1001182888	1	Tube	

SECTION 4 - ENGINE AND ATTACHING PARTS

FIGURE 4-35. COOLING PACKAGE INSTALLATION (90KW - ULS)



ART_1001182450

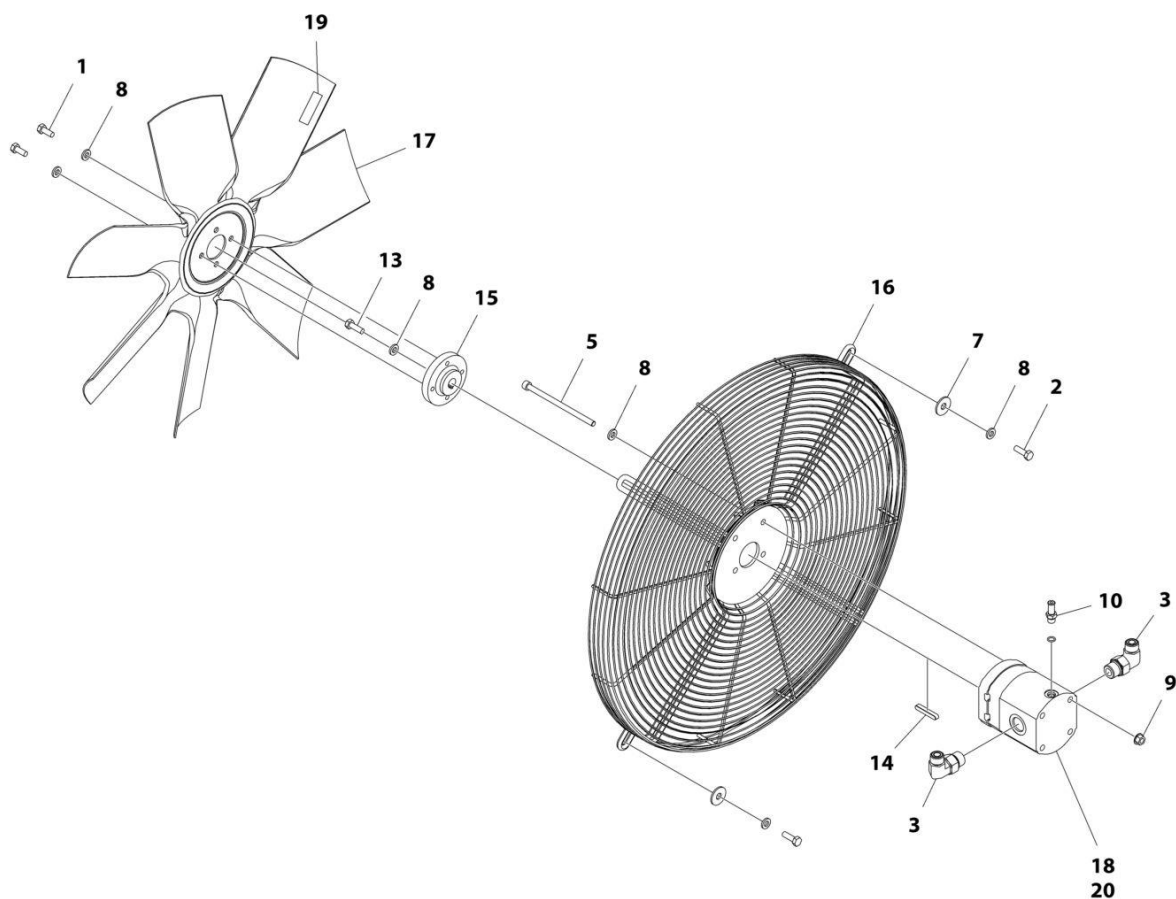
SECTION 4 - ENGINE AND ATTACHING PARTS

FIGURE 4-35. COOLING PACKAGE INSTALLATION (90KW - ULS)

ITEM	PART NUMBER	QTY	DESCRIPTION	REV
	1001182450	Ref	COOLING PACKAGE INSTALLATION (90KW - ULS)	H
1	1001179864	Ref	Installation, Surge Tank (See Separate Breakdown in this Section)	
2	1001182112	Ref	Installation, Cooling Fan (See Separate Breakdown in this Section)	
3	1001184062	Ref	Installation, Cooler (90KW) (See Separate Breakdown in this Section)	
4	1001184120	Ref	Installation, Coolant Lines (ULS) (See Separate Breakdown in this Section)	
5	1001184955	Ref	Installation, Bulkhead (See Separate Breakdown in this Section)	
6	1001185337	Ref	Installation, Remote HOC (See Separate Breakdown in this Section)	
7	1001185864	Ref	Installation, Hydraulic Pump (90KW) (See Separate Breakdown in this Section)	
8	1001186849	Ref	Installation, CAC Lines (ULS) (See Separate Breakdown in this Section)	
9	1001183076	Ref	Installation, Cooler Lines (90KW) (See Separate Breakdown in this Section)	
10	1001187276	Ref	Installation, Fan Lines (90KW) (See Separate Breakdown in this Section)	
11	1001145204	1	Switch, Reversing Fan	

SECTION 4 - ENGINE AND ATTACHING PARTS

FIGURE 4-36. COOLING FAN INSTALLATION



ART_1001182112

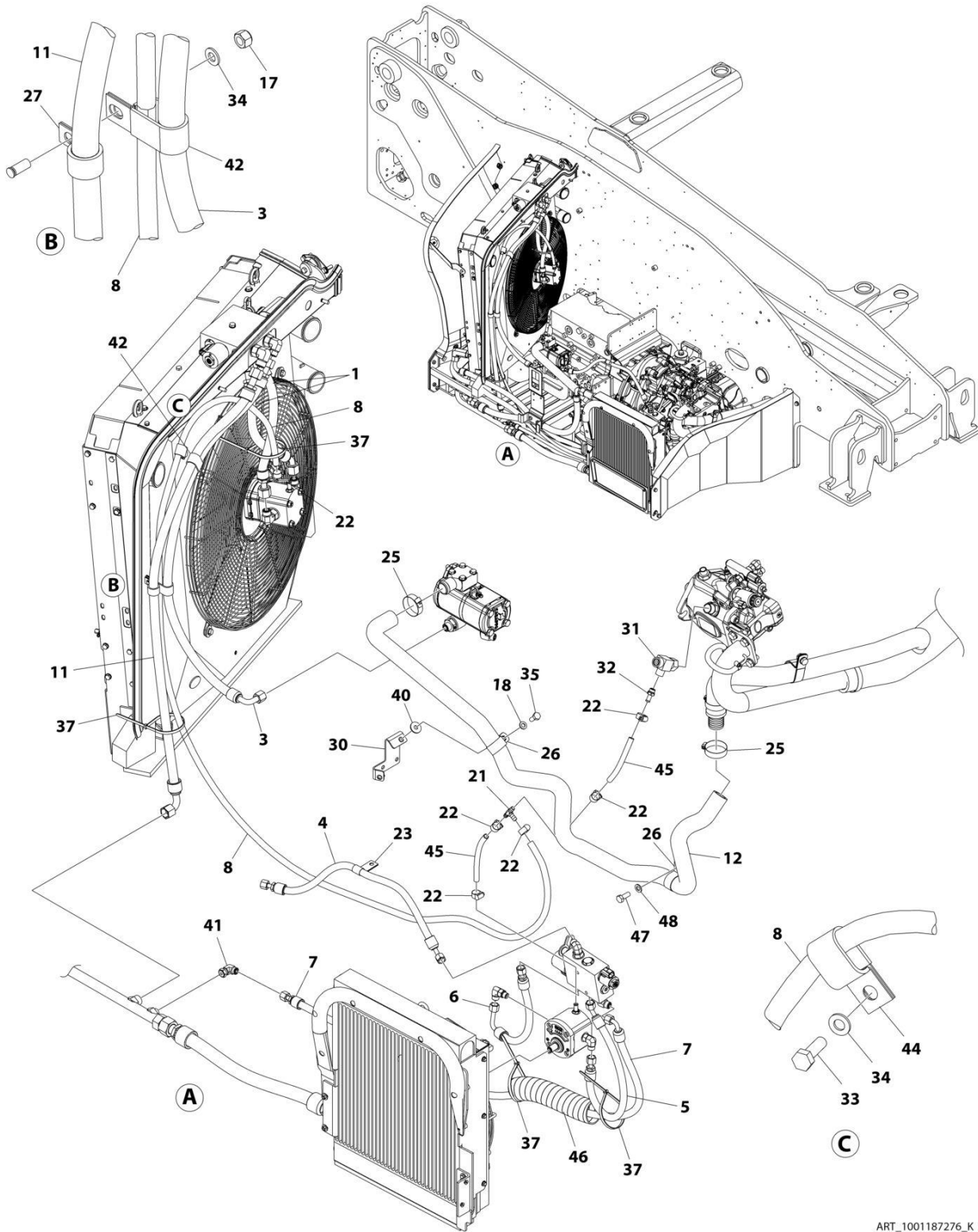
SECTION 4 - ENGINE AND ATTACHING PARTS

FIGURE 4-36. COOLING FAN INSTALLATION

ITEM	PART NUMBER	QTY	DESCRIPTION	REV
	1001182112	Ref	COOLING FAN INSTALLATION	F
1	0770810	4	Bolt M8 x 20 Grade 10.9	
2	0760812	4	Bolt M8 x 25	
3	2130810	2	Fitting, 90 ORFS	
5	4031927	4	Bolt M8 x 140	
7	4812002	4	Washer M10	
8	5240800	13	Washer M8	
9	5260800	4	Nut M10	
10	1001093401	1	Fitting, Straight ORFS	
13	1001139034	1	Bolt	
14	1001152940	1	Key, Fan Hub	
15	1001191508	1	Adapter, Fan Hub	
16	1001182111	1	Shield, Fan	
17	1001182193	1	Fan, M610	
18	1001182949	1	Motor, Fan Drive (14.53CC) (See Separate Breakdown in this Section)	
19	1001222573	AR	Reflective Tape	
20	1001125466	AR	Compound, Locking	

SECTION 4 - ENGINE AND ATTACHING PARTS

FIGURE 4-37. FAN LINES INSTALLATION (90KW)



ART_1001187276_K

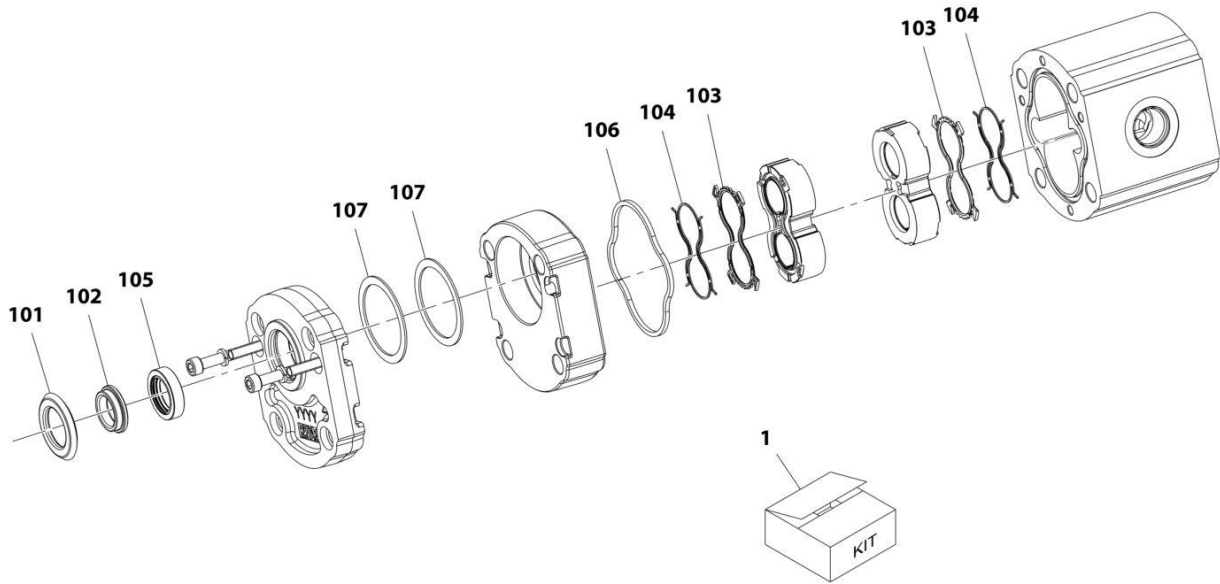
SECTION 4 - ENGINE AND ATTACHING PARTS

FIGURE 4-37. FAN LINES INSTALLATION (90KW)

ITEM	PART NUMBER	QTY	DESCRIPTION	REV
	1001187276	Ref	FAN LINES INSTALLATION (90KW)	K
1	1001187277	2	Hose	
3	1001203025	1	Hose, ORFS	
4	1001202922	1	Hose, ORFS	
5	1001229063	1	Hose, ORFS	
6	1001229068	1	Hose, ORFS	
7	1001228931	1	Hose, ORFS	
8	1001228929	1	Hose	
11	1001203178	1	Hose, ORFS	
12	1001199403	1	Hose	
17	3290805	1	Nut, Lock M8 x 1.25 Grade 8	
18	4812000	1	Washer M10	
21	1001003934	1	Fitting, Tee Barb	
22	8410013	6	Clamp, Gear	
22	1001152729	6	Clamp, Gear	
23	1001004143	1	Clip	
25	1001008657	2	Clamp, Hose	
26	1320239	2	Clamp, 1-3/4IN	
27	1001009384	1	Clip	
30	1001187712	1	Bracket	
31	1001033120	1	Fitting, Tee ORFS	
32	1001168030	1	Barb, Hose	
33	0760812	1	Bolt M8 x 25	
34	4811900	2	Washer M8	
35	0701012	1	Bolt M10 x 25	
37	1062255	4	Tie-Strap	
40	4812002	1	Washer M10	
41	2172106	1	Fitting, 90 ORFS	
42	1001008720	2	Clip	
44	1001008626	1	Clip	
45	1001228930	2	Hose	
46	1001268889	1	Sleeve, Hose Wrap	
47	0701214	1	Bolt M12 x 30	
48	4812100	1	Washer M12	

SECTION 4 - ENGINE AND ATTACHING PARTS

FIGURE 4-38. FAN DRIVE MOTOR (NO RHOC)



ART_1001182949-B

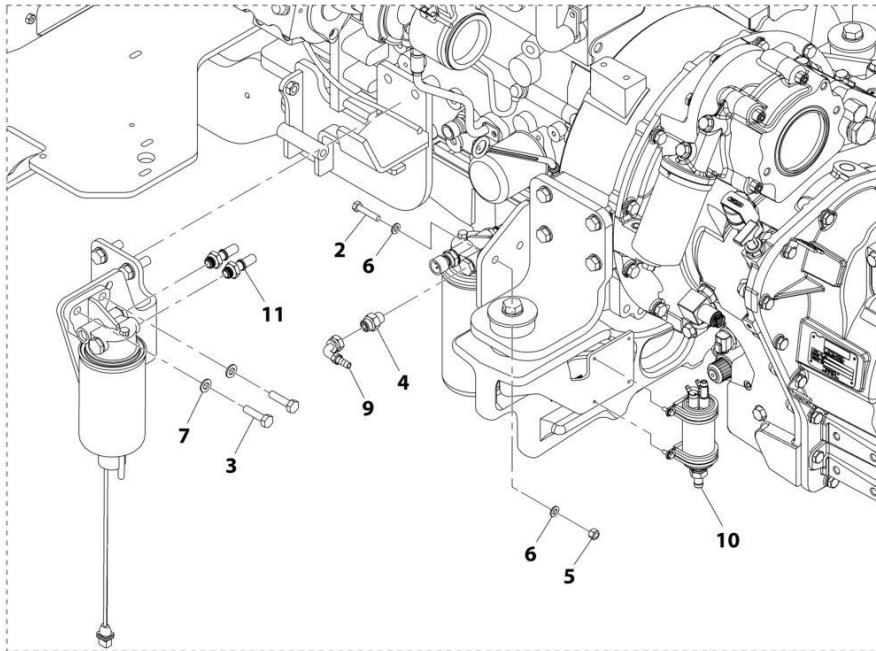
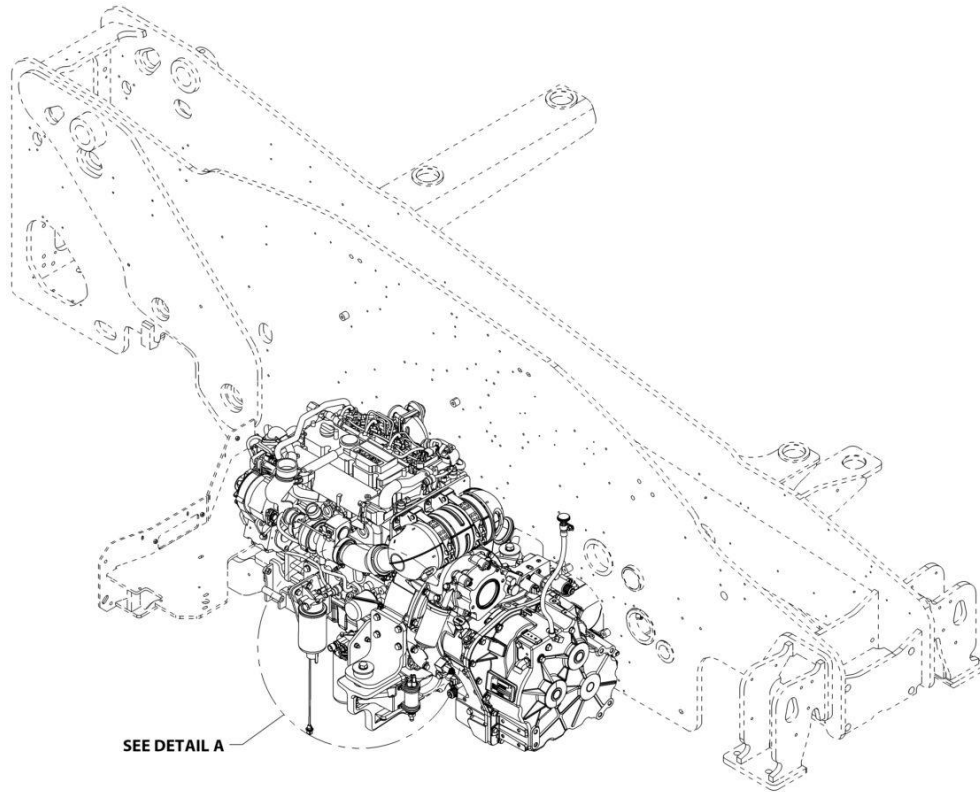
SECTION 4 - ENGINE AND ATTACHING PARTS

FIGURE 4-38. FAN DRIVE MOTOR (NO RHOC)

ITEM	PART NUMBER	QTY	DESCRIPTION	REV
	1001182949	Ref	Fan Drive Motor (No RHOC)	B
1	70027008	1	Kit, Seal	
101	Kit	1	Seal	
102	Kit	1	Holder Bushing	
103	Kit	2	Seal	
104	Kit	2	Ring, Anti-Extrusion	
105	Kit	1	Seal, Shaft	
106	Kit	1	Seal	
107	Kit	2	Seal	

SECTION 4 - ENGINE AND ATTACHING PARTS

FIGURE 4-39. FUEL FILTER & PUMP INSTALLATION



DETAIL A

ART_1001181951-F

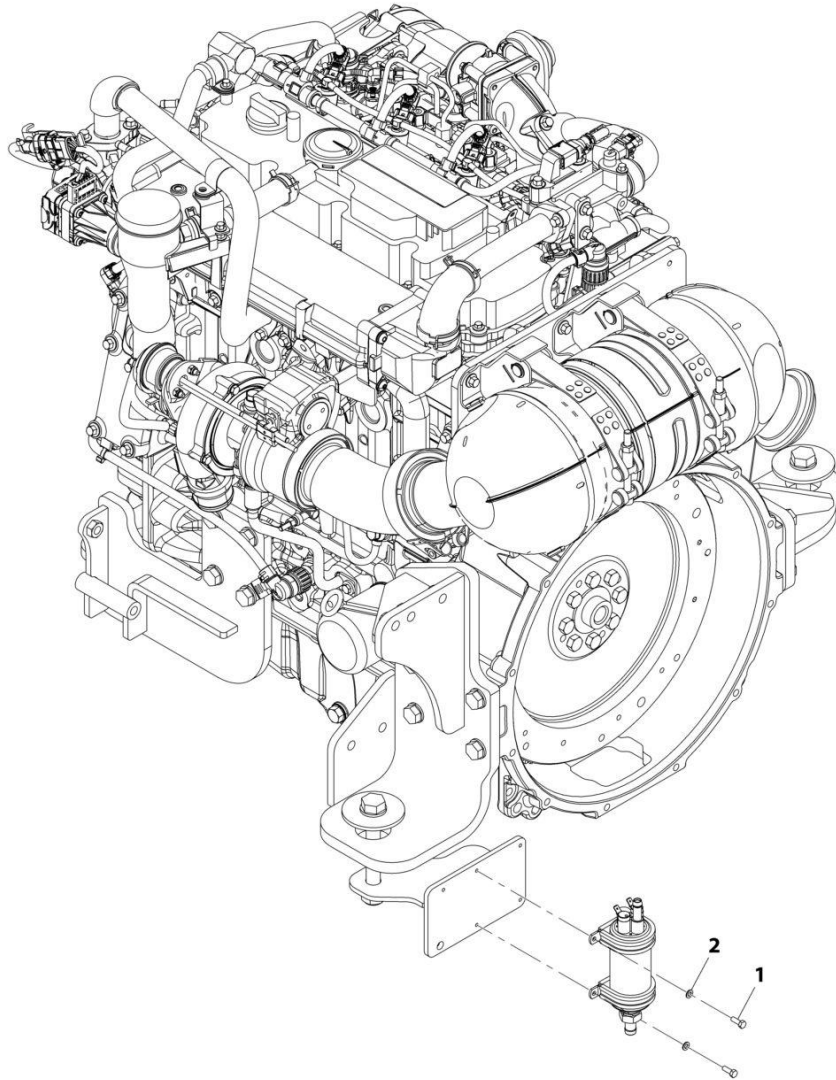
SECTION 4 - ENGINE AND ATTACHING PARTS

FIGURE 4-39. FUEL FILTER & PUMP INSTALLATION

ITEM	PART NUMBER	QTY	DESCRIPTION	REV
	1001181951	Ref	FUEL FILTER INSTALLATION	F
2	0700816	2	Bolt M8X40	
3	0701016	2	Bolt M10X40	
4	2144606	1	Fitting, Straight ORFS	
5	3290805	2	Nut, Lock M8	
6	4811900	4	Washer M8	
7	4812000	2	Washer M10	
9	1001133793	1	Fitting, 90 ORFS	
10	1001165789	1	Remote Fuel Pump Installation (See Separate Breakdown in this Section)	
11	1001133690	2	Coupling, M16X1.5	

SECTION 4 - ENGINE AND ATTACHING PARTS

FIGURE 4-40. REMOTE FUEL PUMP INSTALLATION (74.4KW)



ART_1001165789-G

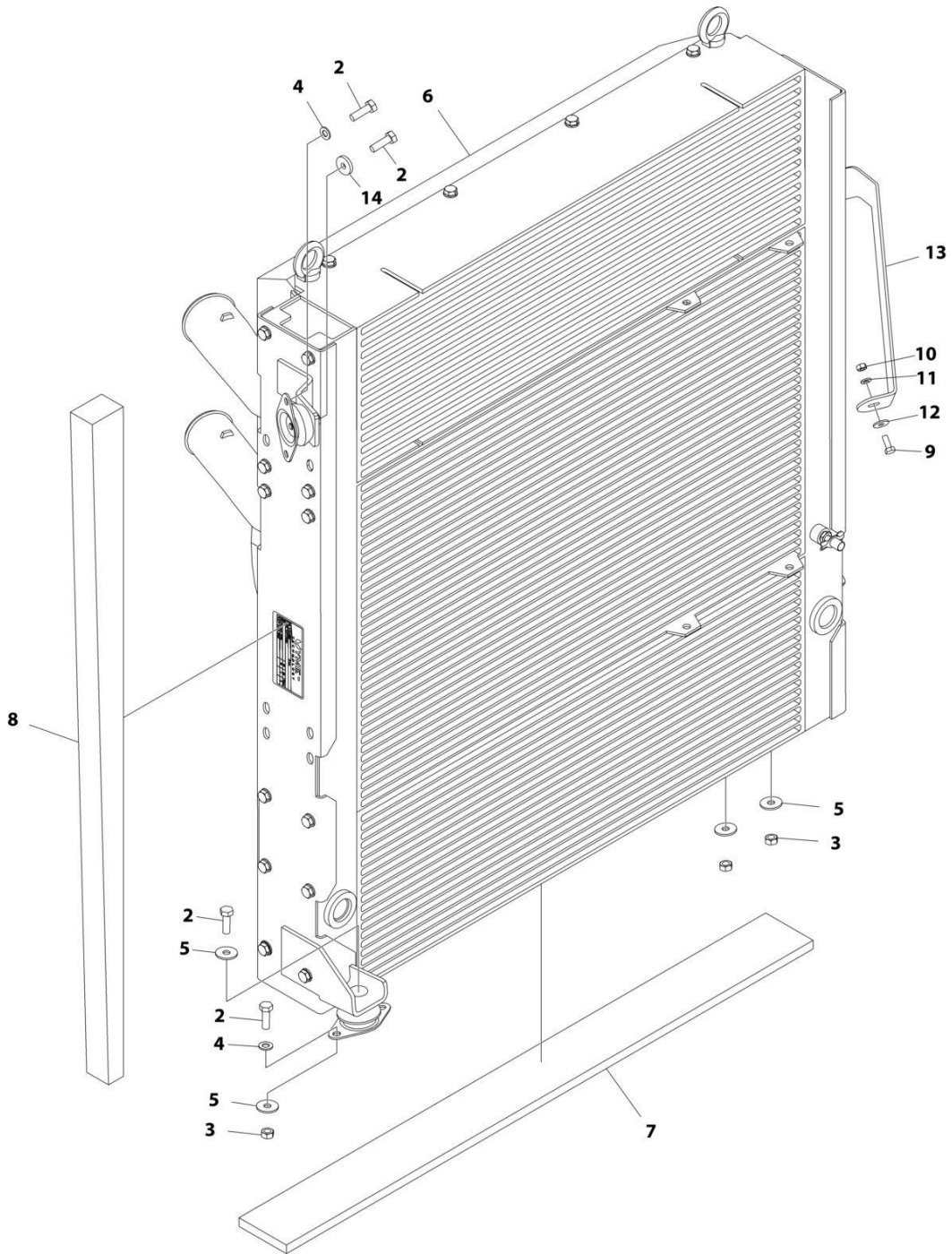
SECTION 4 - ENGINE AND ATTACHING PARTS

FIGURE 4-40. REMOTE FUEL PUMP INSTALLATION (74.4KW)

ITEM	PART NUMBER	QTY	DESCRIPTION	REV
	1001165789	Ref	Remote Fuel Pump Installation (74.4KW)	G
1	0760507	4	Bolt, M5X14	
2	4811600	4	Washer, M5	

SECTION 4 - ENGINE AND ATTACHING PARTS

FIGURE 4-41. COOLER INSTALLATION (90KW)



ART_1001184062

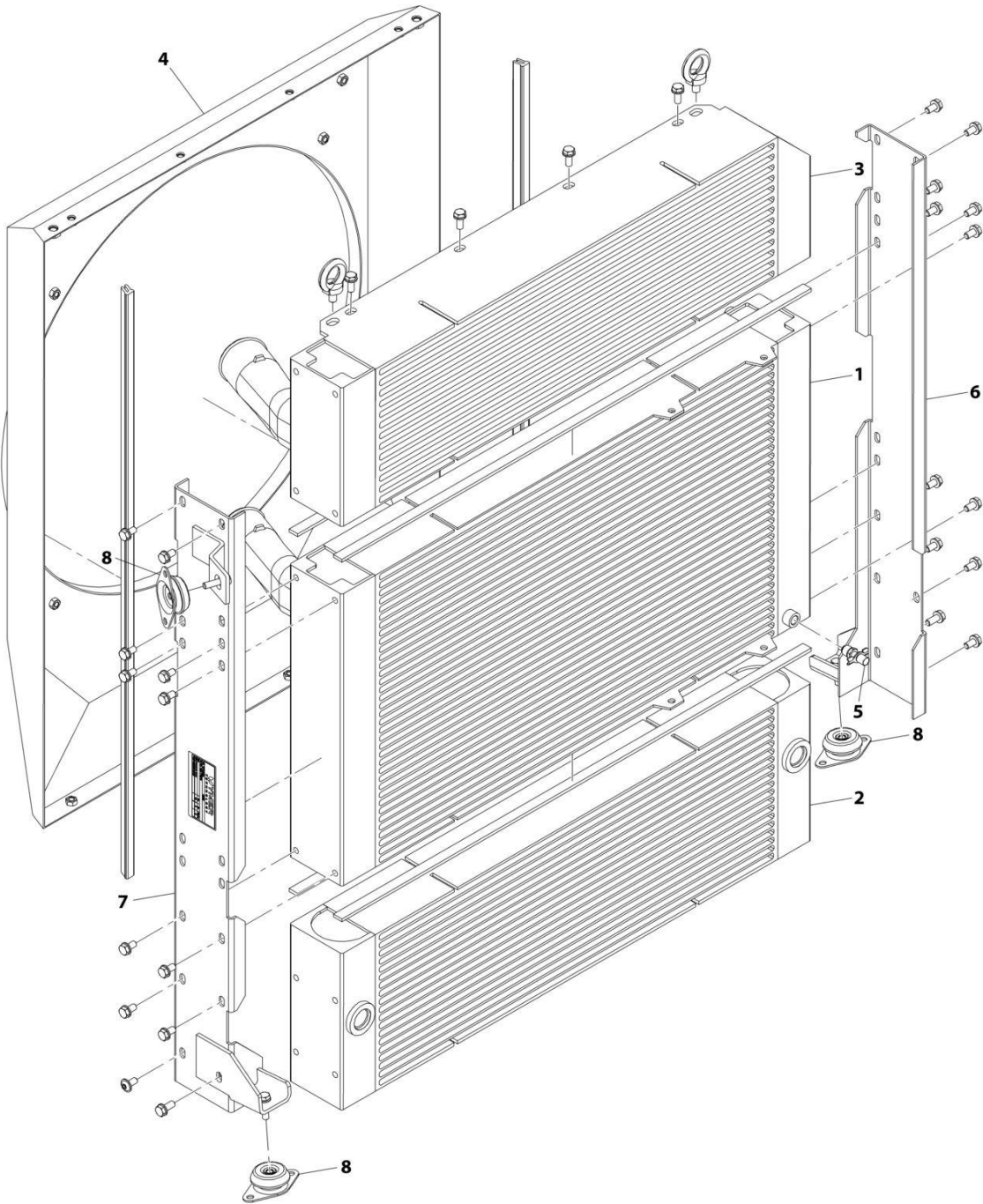
SECTION 4 - ENGINE AND ATTACHING PARTS

FIGURE 4-41. COOLER INSTALLATION (90KW)

ITEM	PART NUMBER	QTY	DESCRIPTION	REV
	1001184062	Ref	COOLER INSTALLATION (90KW)	E
2	0760812	9	Bolt M8 x 25	
3	3290801	4	Nut M8 x 1.25 Grade 8	
4	4811900	6	Washer M8	
5	4811902	6	Washer M8	
6	1001175320	1	Package, Radiator Cooling (90KW) (See Separate Breakdown in this Section)	
7	1001182994	1	Seal	
8	1001182995	1	Seal	
9	0760608	1	Bolt M6 x 16	
10	3290601	1	Nut M6 x 1 Grade 8	
11	4811700	1	Washer M6	
12	4811702	1	Washer M6	
13	1001202120	1	Plate	
14	4740572	1	Washer M10	

SECTION 4 - ENGINE AND ATTACHING PARTS

FIGURE 4-42. RADIATOR COOLING PACKAGE (90KW)



ART_1001175320-C

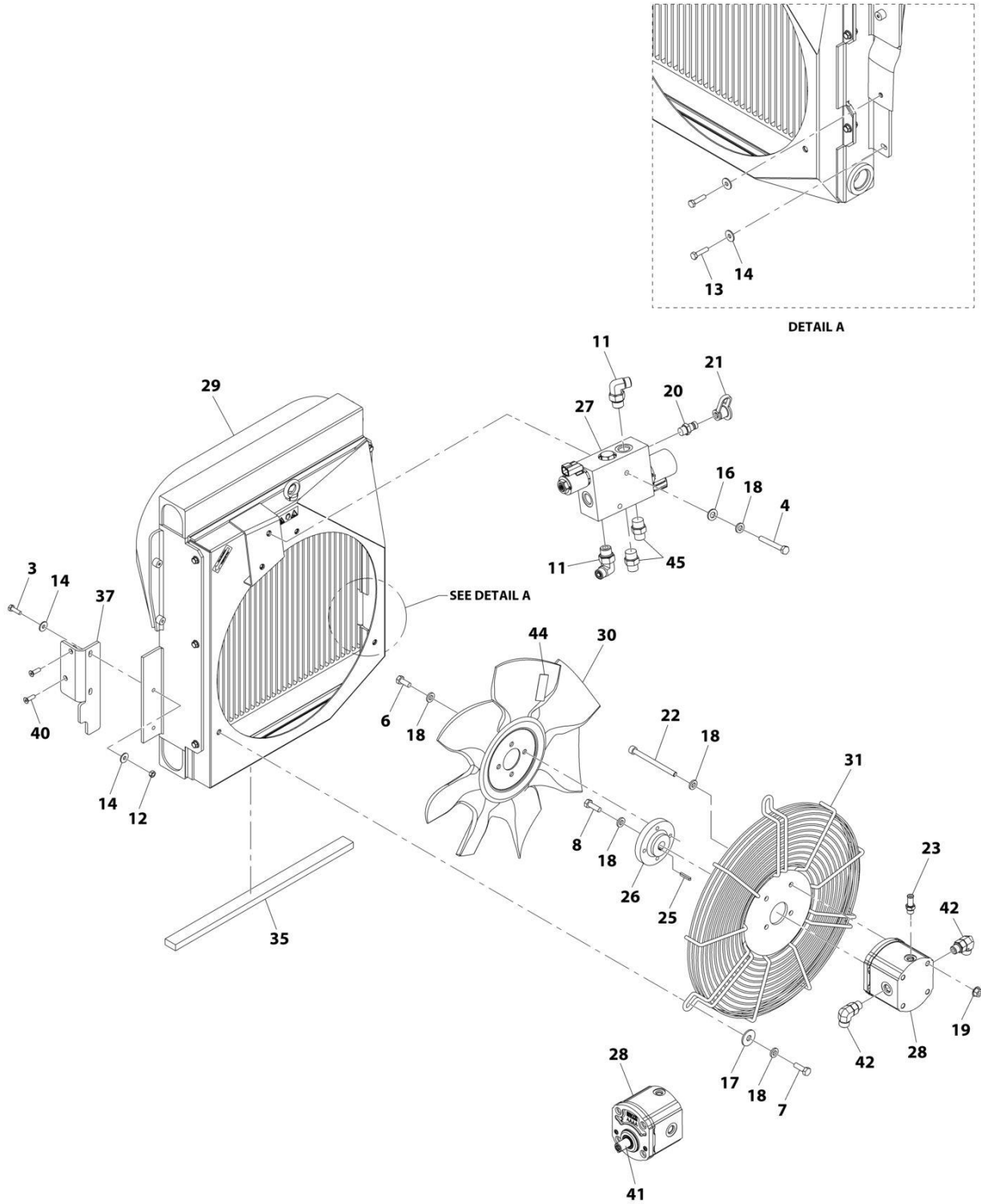
SECTION 4 - ENGINE AND ATTACHING PARTS

FIGURE 4-42. RADIATOR COOLING PACKAGE (90KW)

ITEM	PART NUMBER	QTY	DESCRIPTION	REV
	1001175320	Ref	Radiator Cooling Package (90KW)	C
1	70027199	1	Cooler, Water	
2	70027200	1	Cooler, Oil	
3	70027201	1	Cooler, Air	
4	70027202	1	Shroud	
5	70025644	1	Valve, Drain	
6	70027203	1	Bracket, Mounting	
7	70027204	1	Bracket, Mounting	
8	1001184609	1	Isolator, Mount	

SECTION 4 - ENGINE AND ATTACHING PARTS

FIGURE 4-43. REMOTE HOC INSTALLATION



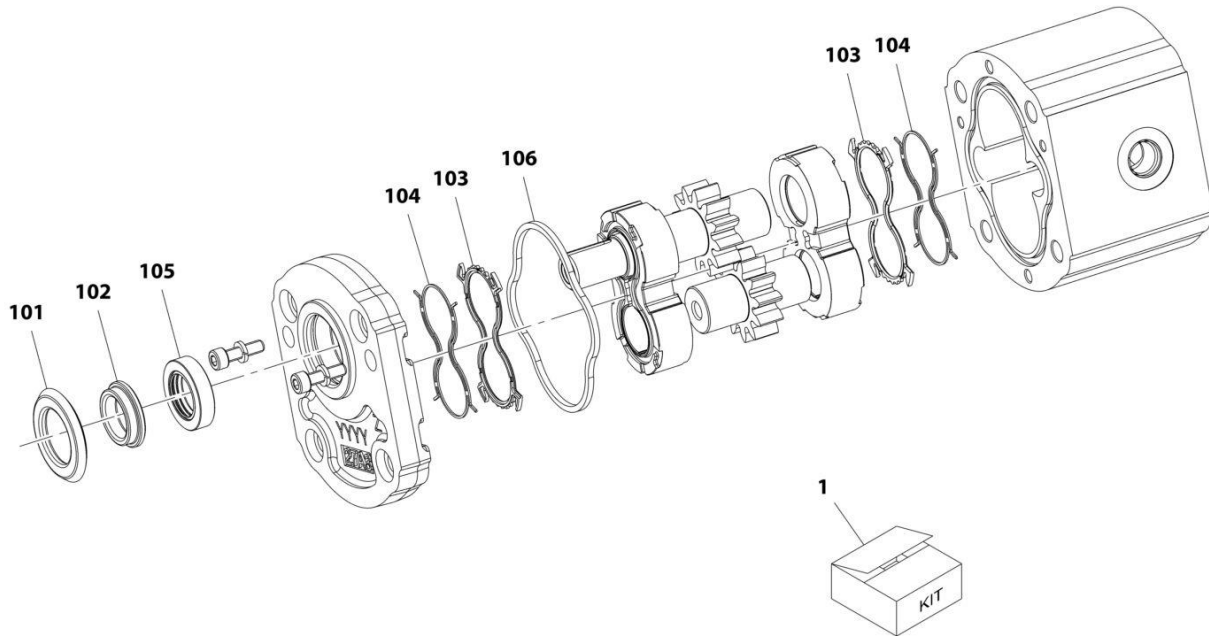
SECTION 4 - ENGINE AND ATTACHING PARTS

FIGURE 4-43. REMOTE HOC INSTALLATION

ITEM	PART NUMBER	QTY	DESCRIPTION	REV
	1001185337	Ref	Remote HOC Installation	1
3	0700610	2	Bolt, M6X20	
4	0700821	2	Bolt, M8X65	
6	0770810	4	Bolt, M8X20 Grade 10.9	
7	0760812	3	Bolt, M8X25	
8	1001139034	1	Bolt	
11	2130608	2	Fitting, 90 ORFS	
12	3290601	2	Nut, M6X1 Grade 8	
13	0700612	2	Bolt, M6X25	
14	4811702	6	Washer, M6	
16	4812000	2	Washer, M10	
17	4812002	3	Washer, M10	
18	5240800	14	Washer, M8	
19	5260800	4	Nut, M8	
20	1001003590	1	Fitting, Straight	
21	1001008761	1	Cap, Dust	
22	1001093277	4	Bolt, M8X100	
23	1001093401	1	Fitting, Straight ORFS	
25	1001152940	1	Key, Fan Hub	
26	1001191508	1	Adapter, Fan Hub	
27	1001182213	1	Valve, Fan Motor Control (See Separate Breakdown in Hydraulic Components Section)	
28	1001182950	1	Motor, Fan Drive (7.29CC) (See Separate Breakdown in this Section)	
29	1001183956	1	Cooler, Oil	
30	1001185210	1	Fan	
31	1001185282	1	Shield, Fan	
35	1001219810	1	Seal	
37	1001197430	1	Bracket	
40	0630576	2	Screw, M6X20	
41	1001125466	AR	Compound, Locking	
42	2130606	2	Fitting, 90 ORFS	
44	1001222573	AR	Reflective Tape	
45	2110608	2	Fitting, Straight ORFS	

SECTION 4 - ENGINE AND ATTACHING PARTS

FIGURE 4-44. FAN DRIVE MOTOR (RHOC)



ART_1001182950-B

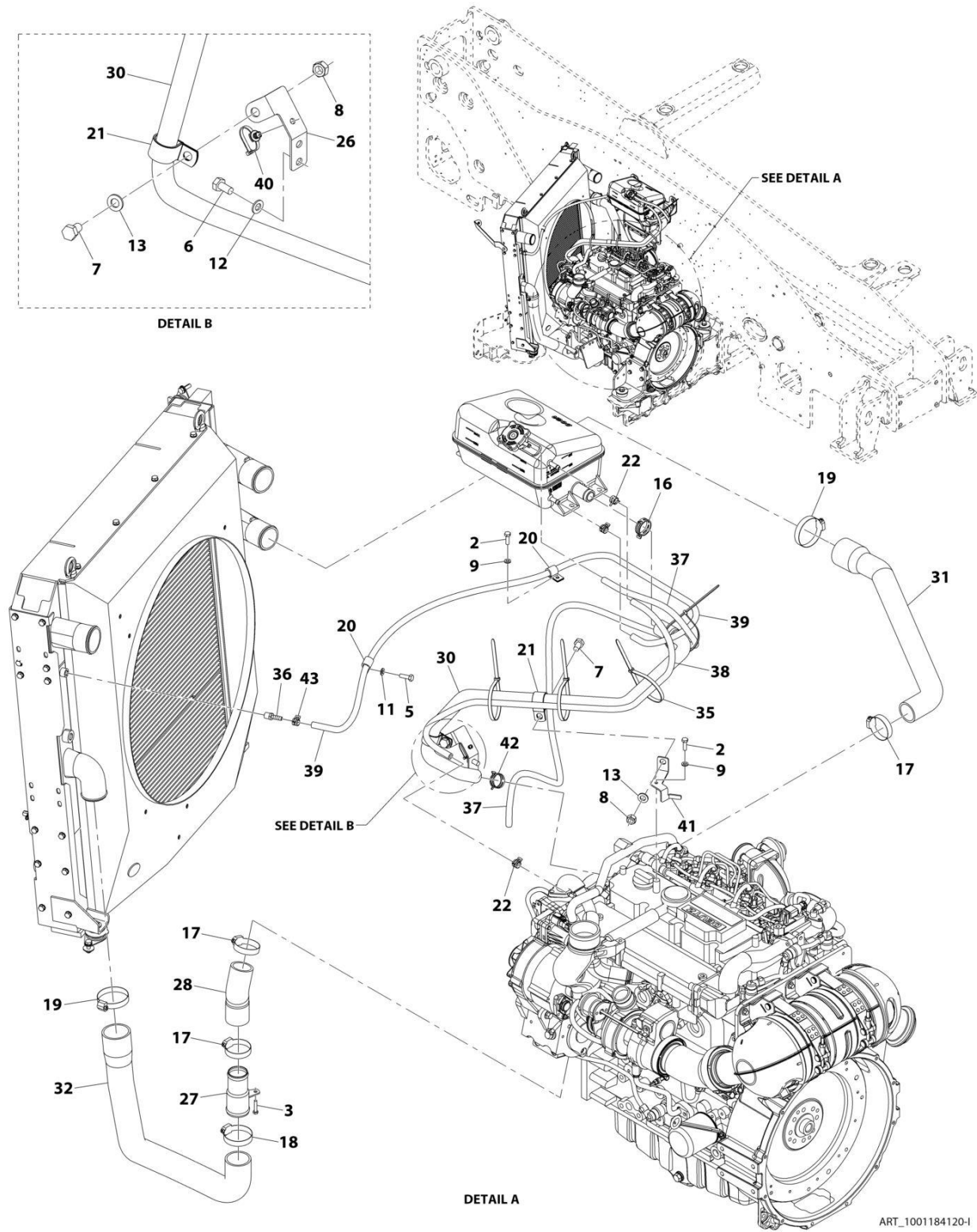
SECTION 4 - ENGINE AND ATTACHING PARTS

FIGURE 4-44. FAN DRIVE MOTOR (RHOC)

ITEM	PART NUMBER	QTY	DESCRIPTION	REV
	1001182950	Ref	Fan Drive Motor (RHOC)	B
1	70027037	1	Kit, Seal	
101	N.S.S.	1	Seal, Axial	
102	N.S.S.	1	Bush Holder	
103	N.S.S.	2	Seal	
104	N.S.S.	2	Ring	
105	N.S.S.	1	Seal	
106	N.S.S.	1	Seal	

SECTION 4 - ENGINE AND ATTACHING PARTS

FIGURE 4-45. COOLANT LINES INSTALLATION (ULS)



ART_1001184120-1

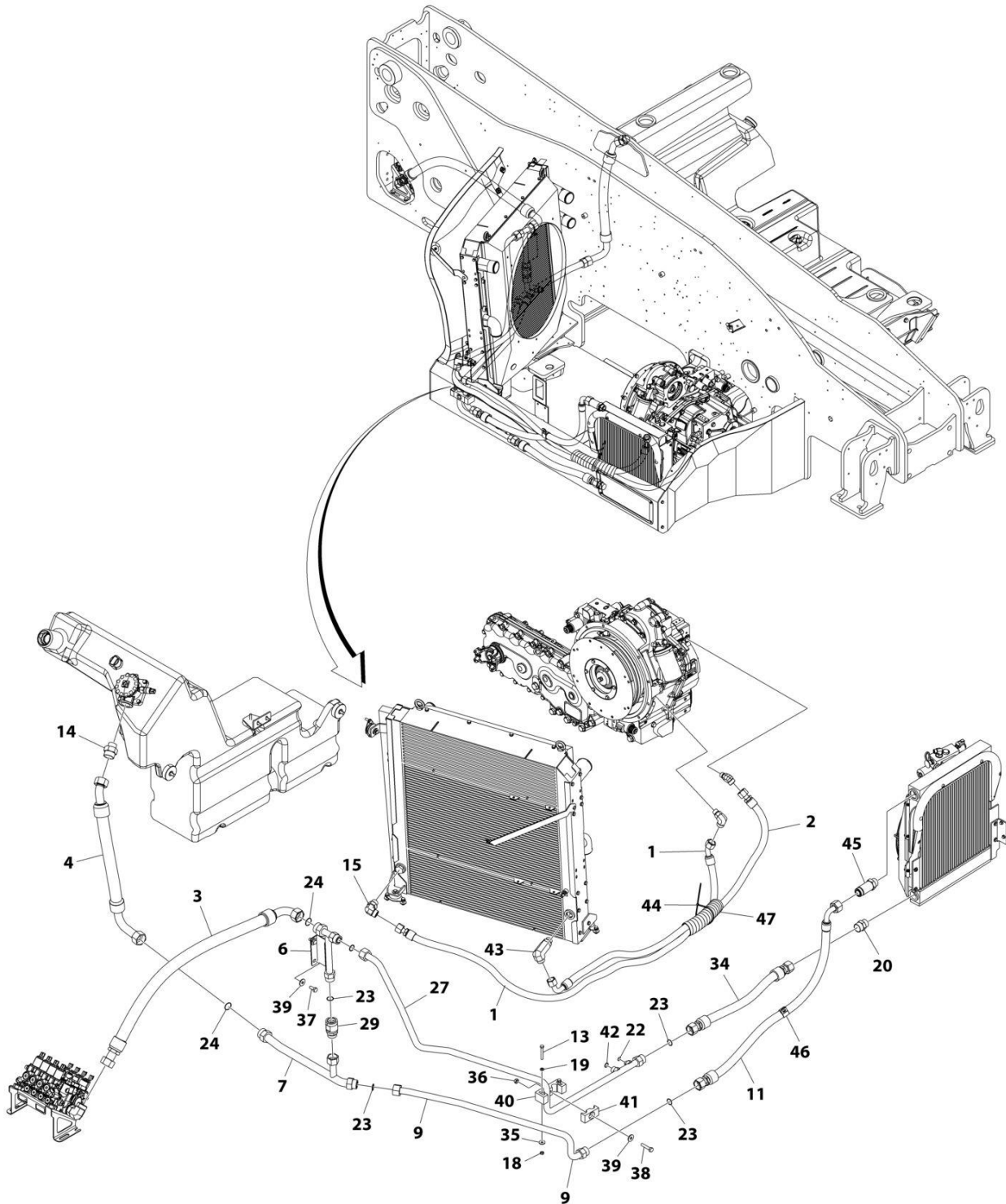
SECTION 4 - ENGINE AND ATTACHING PARTS

FIGURE 4-45. COOLANT LINES INSTALLATION (ULS)

ITEM	PART NUMBER	QTY	DESCRIPTION	REV
	1001184120	Ref	Coolant Lines Installation (ULS)	1
2	0700610	2	Bolt, M6X20	
3	0700614	1	Bolt, M6X30	
5	0760812	1	Bolt, M8X25	
6	0761010	2	Bolt, M10X20	
7	0761210	2	Bolt, M12X20	
8	3291201	2	Nut, M12X1.75 Grade 8	
9	4811700	2	Washer, M6	
11	4811900	1	Washer, M8	
12	4812000	2	Washer, M10	
13	4812100	2	Washer, M12	
16	1001212949	1	Clamp	
17	8405104	3	Clamp	
18	8405201	1	Clamp	
19	8405202	2	Clamp, Gear	
20	1001008580	2	Clip	
21	8406302	2	Clamp, Hose	
22	1001195443	3	Clamp	
26	1001168727	1	Bracket	
27	1001189884	1	Pipe	
28	1001217333	1	Hose	
30	1001184099	1	Hose	
31	1001184129	1	Hose	
32	1001184128	1	Hose	
35	1062255	AR	Strap, Tie	
36	8420231	1	Adapter	
37	1001203009	1	Hose	
38	1001203027	1	Hose	
39	1001203028	1	Hose	
40	1001146588	1	Strap	
41	1001205551	1	Bracket	
42	1001212948	1	Clamp	
43	1001140296	1	Clamp	

SECTION 4 - ENGINE AND ATTACHING PARTS

FIGURE 4-46. COOLER LINES INSTALLATION (90KW)



ART_1001183076_G

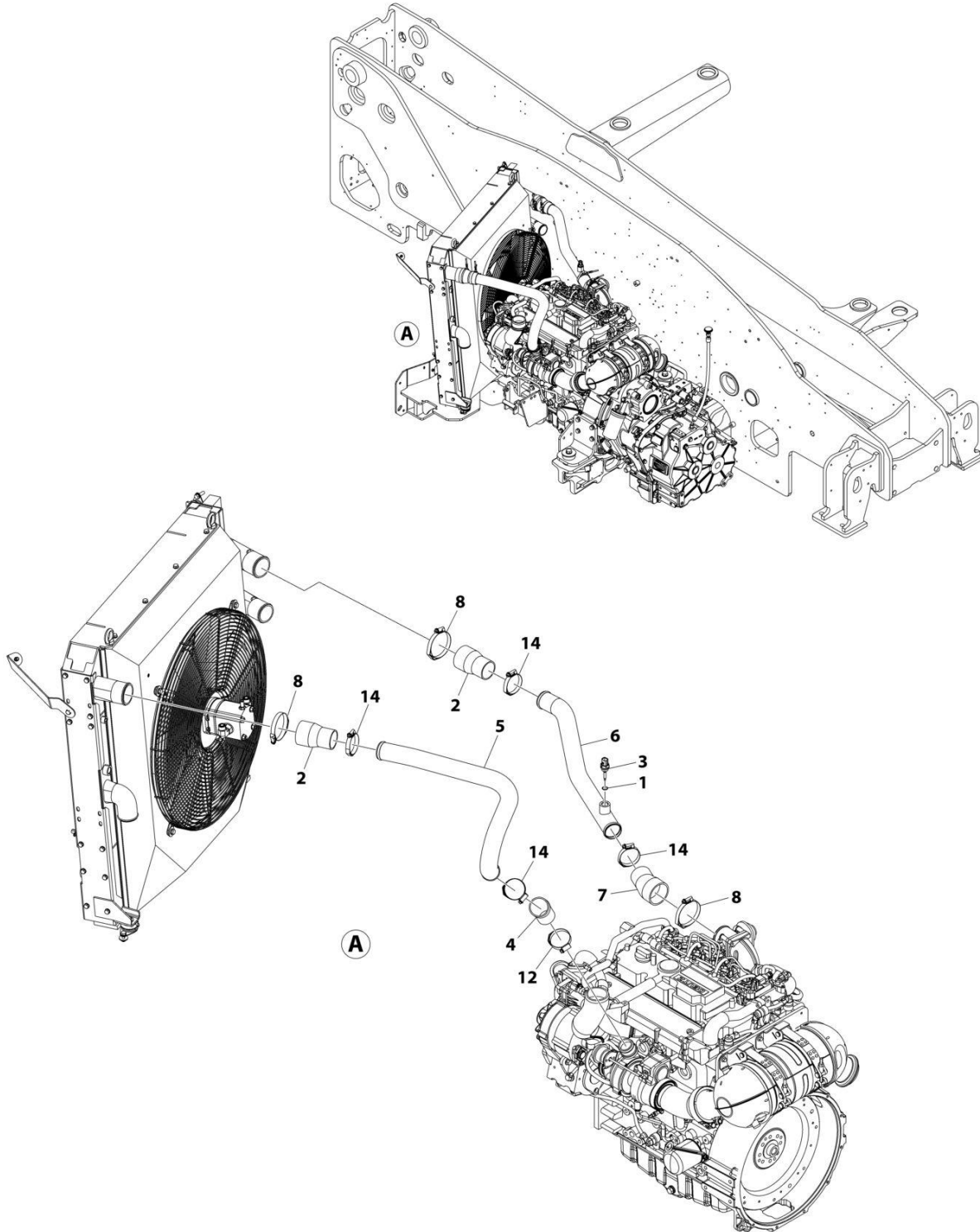
SECTION 4 - ENGINE AND ATTACHING PARTS

FIGURE 4-46. COOLER LINES INSTALLATION (90KW)

ITEM	PART NUMBER	QTY	DESCRIPTION	REV
	1001183076	Ref	COOLER LINES INSTALLATION (90KW)	G
1	1001203173	1	Hose, ORFS	
2	1001229093	1	Hose, ORFS	
3	1001202249	1	Hose, ORFS	
4	1001203039	1	Hose, ORFS	
6	1001202445	1	Pipe, ORFS	
7	1001203014	1	Pipe, ORFS	
9	1001202329	1	Pipe, ORFS	
11	1001265061	1	Hose, ORFS	
13	0700820	2	Bolt, M8X60	
14	2112016	1	Fitting, Straight ORFS	
15	2131212	1	Fitting, 90 ORFS	
18	3290801	2	Nut, M8X1.25 Grade 8	
19	4811900	2	Washer, M8	
20	2111616	1	Fitting, Straight ORFS	
22	1001008804	1	Seal	
23	1001010240	5	Seal, O-Ring ORFS	
24	1001010938	2	Seal, O-Ring ORFS	
27	1001202328	1	Pipe, ORFS	
29	1001185871	1	Check, Valve ORFS	
34	1001202376	1	Hose, ORFS	
35	4811902	2	Washer, M8	
36	3291001	1	Nut, M10X1.5 Grade 8	
37	0701012	2	Bolt, M10X25	
38	0701018	1	Bolt, M10X50	
39	4812002	3	Washer, M10	
40	1001202653	1	Clamp, Pipes Female	
41	1001202654	1	Clamp, Pipes Male	
42	1001008922	1	Seal	
43	2170212	1	Fitting, 90 ORFS	
44	1062255	1	Strap, Tie	
45	2170116	1	Fitting, Straight ORFS	
46	8406302	1	Clamp	
47	1001268889	1	Sleeve, Hose Wrap	

SECTION 4 - ENGINE AND ATTACHING PARTS

FIGURE 4-47. CAC LINES INSTALLATION (ULS)



ART_1001186849_G

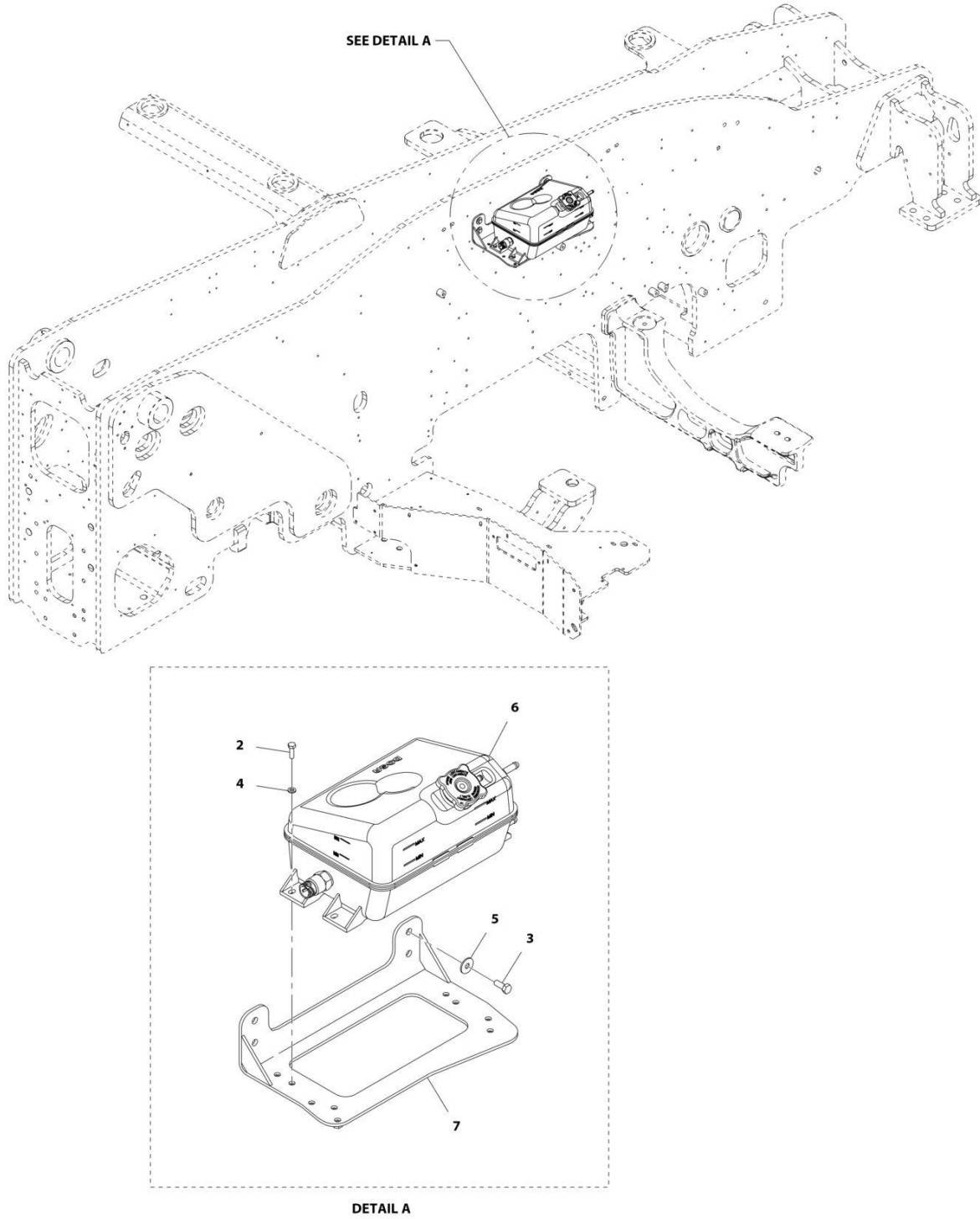
SECTION 4 - ENGINE AND ATTACHING PARTS

FIGURE 4-47. CAC LINES INSTALLATION (ULS)

ITEM	PART NUMBER	QTY	DESCRIPTION	REV
	1001186849	Ref	CAC LINES INSTALLATION (ULS)	G
1	1001009163	1	O-Ring	
2	1001226096	2	Coupling, Reducer	
3	1001128478	1	Sensor, Temperature	
4	1001197653	1	Coupling, Reducer	
5	1001197641	1	Pipe	
6	1001197638	1	Pipe	
7	1001197654	1	Coupling, Reducer	
8	1001215022	3	Clamp	
12	1001215024	1	Clamp	
14	1001215023	4	Clamp	

SECTION 4 - ENGINE AND ATTACHING PARTS

FIGURE 4-48. SURGE TANK INSTALLATION



ART_1001179864-C

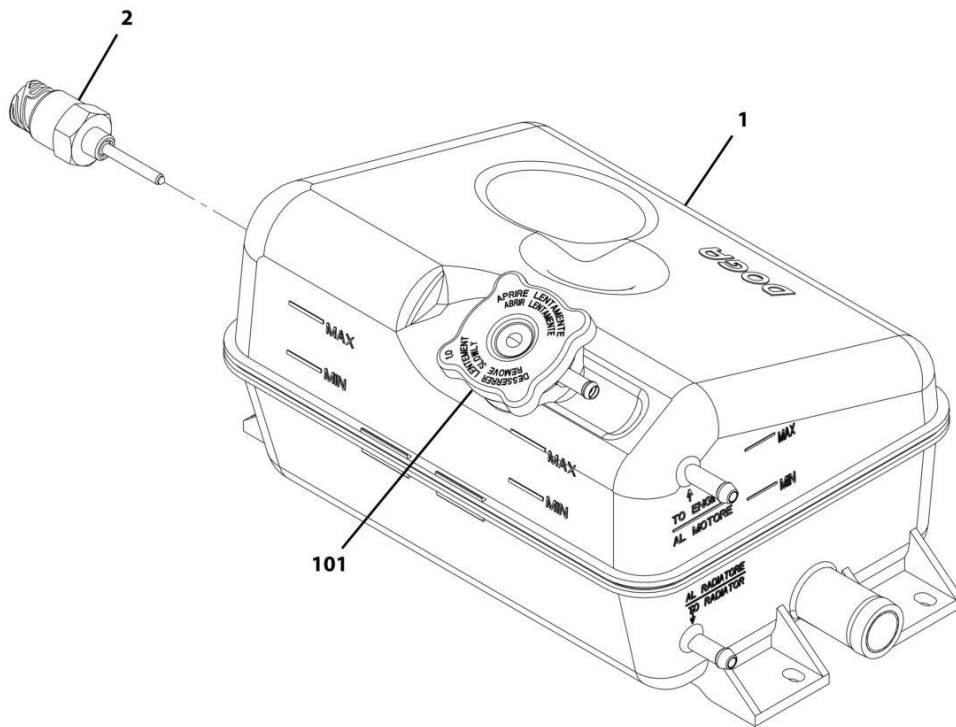
SECTION 4 - ENGINE AND ATTACHING PARTS

FIGURE 4-48. SURGE TANK INSTALLATION

ITEM	PART NUMBER	QTY	DESCRIPTION	REV
	1001179864	Ref	Surge Tank Installation	C
2	0700610	4	Bolt, M6X20	
3	0760810	4	Bolt, M8X20	
4	4811700	4	Washer, M6	
5	4811902	4	Washer, M8	
6	1001149375	1	Tank, Expansion (See Separate Breakdown in this Section)	
7	1001188407	1	Bracket	

SECTION 4 - ENGINE AND ATTACHING PARTS

FIGURE 4-49. TANK EXPANSION



ART_1001149375-B

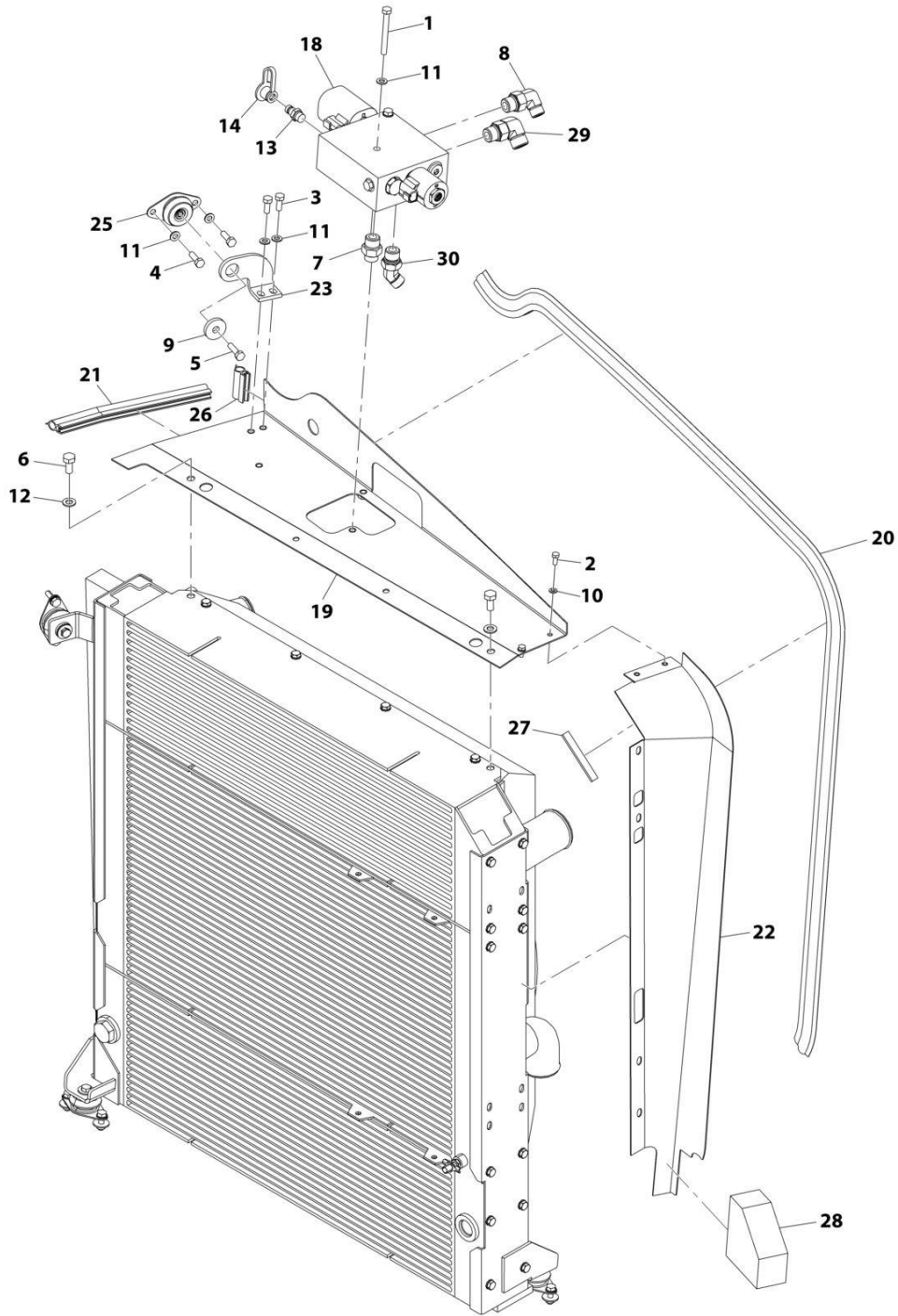
SECTION 4 - ENGINE AND ATTACHING PARTS

FIGURE 4-49. TANK EXPANSION

ITEM	PART NUMBER	QTY	DESCRIPTION	REV
	1001149375	Ref	EXPANSION TANK	B
1	1001149308	1	Tank, Expansion	
2	1001149376	1	Sensor, Coolant Level	
101	70026997	1	Cap	

SECTION 4 - ENGINE AND ATTACHING PARTS

FIGURE 4-50. BULKHEAD INSTALLATION



ART_1001184955-H

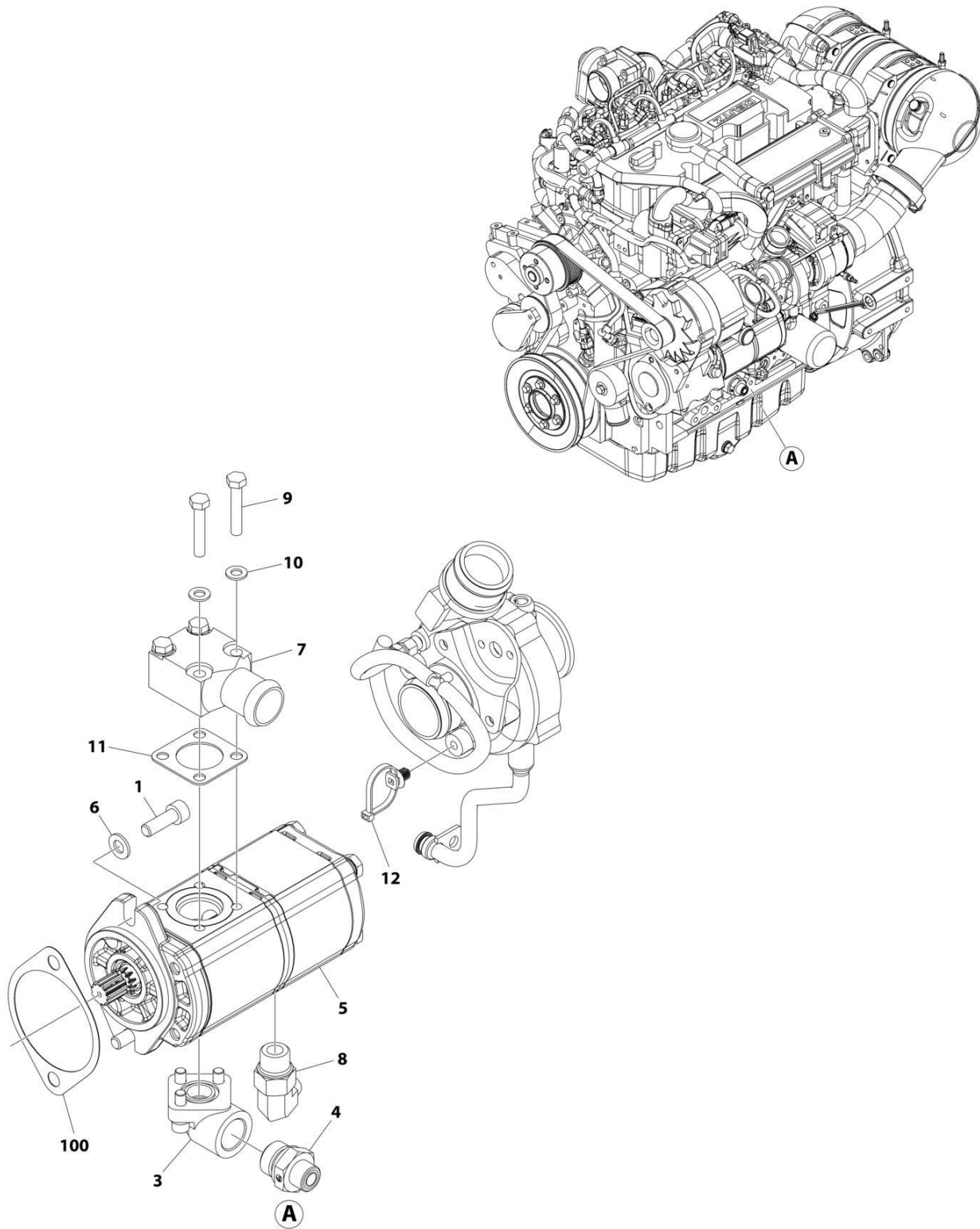
SECTION 4 - ENGINE AND ATTACHING PARTS

FIGURE 4-50. BULKHEAD INSTALLATION

ITEM	PART NUMBER	QTY	DESCRIPTION	REV
	1001184955	Ref	Bulkhead Installation	H
1	0700823	2	Bolt, M8X75	
2	0760607	2	Bolt, M6X14	
3	0760810	2	Bolt, M8X20	
4	0760812	2	Bolt, M8X25	
5	0760814	1	Bolt, M8X30	
6	0761011	2	Bolt, M10X22	
7	2110810	1	Fitting, Straight ORFS	
8	2130810	1	Fitting, 90 ORFS	
9	4740572	1	Washer, M10	
10	4811700	2	Washer, M6	
11	4811900	6	Washer, M8	
12	4812000	2	Washer, M10	
13	1001003590	1	Fitting, Straight	
14	1001008761	1	Cap	
18	1001200908	1	Valve, Fan Motor Control	
19	1001230411	1	Panel	
20	1001182452	1	Seal	
21	1001182453	1	Seal	
22	1001183958	1	Panel	
23	1001184445	1	Bracket	
25	1001184609	1	Mount	
26	1001184800	1	Seal	
27	1001216867	1	Seal, Bulkhead	
28	1001186370	1	Seal	
29	2131010	1	Fitting, 90 ORFS	
30	2150810	1	Fitting, 45 ORFS	

SECTION 4 - ENGINE AND ATTACHING PARTS

FIGURE 4-51. HYDRAULIC PUMP INSTALLATION (90KW)



ART_1001185864-G

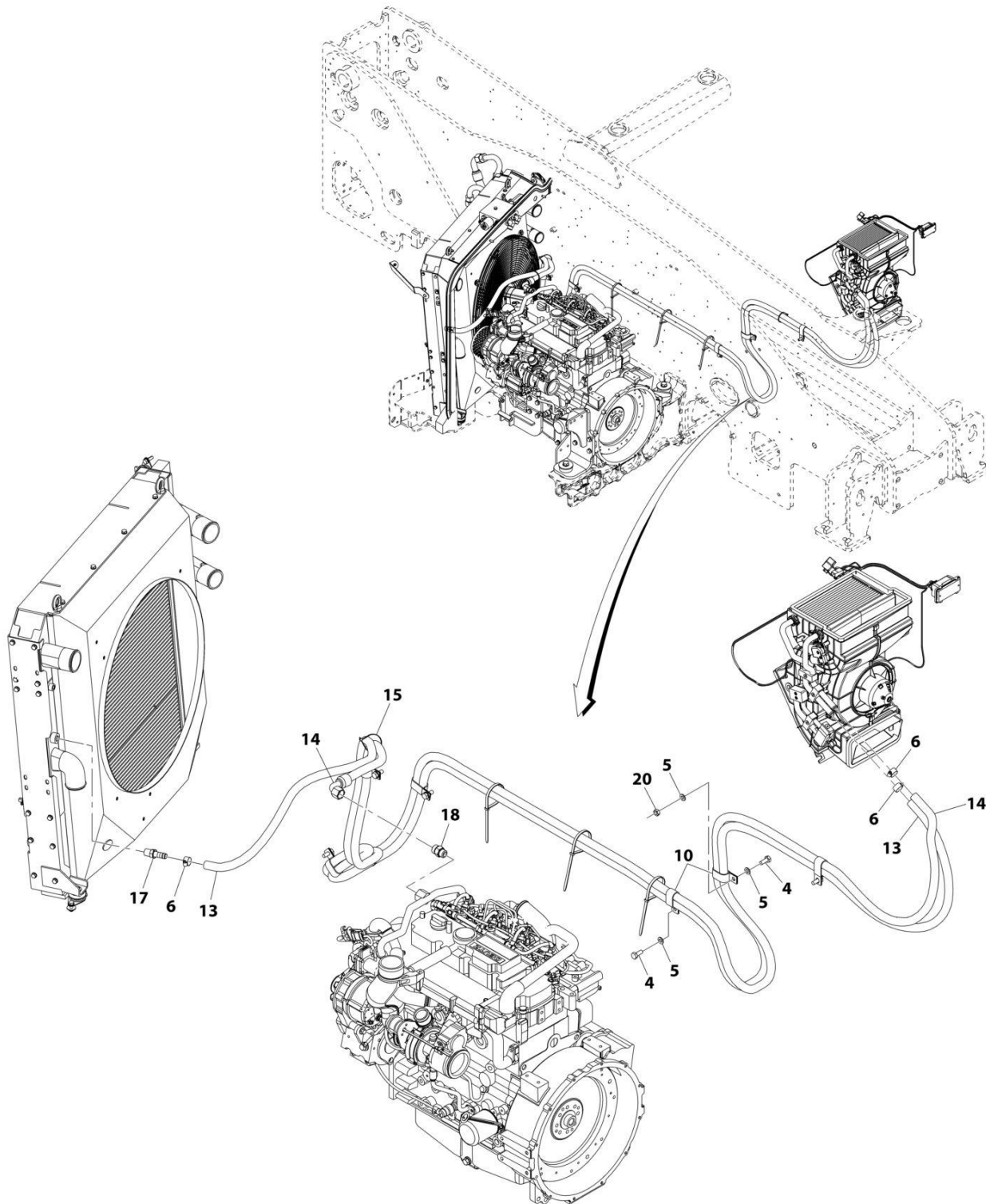
SECTION 4 - ENGINE AND ATTACHING PARTS

FIGURE 4-51. HYDRAULIC PUMP INSTALLATION (90KW)

ITEM	PART NUMBER	QTY	DESCRIPTION	REV
	1001185864	Ref	Hydraulic Pump Installation (90KW)	G
1	4032010	2	Bolt, M10X30	
3	1001135245	1	Elbow, Adapter	
4	1001192411	1	Fitting, Straight ORFS	
5	1001182935	1	Pump	
6	4812000	2	Washer, M10	
7	1001202643	1	Fitting	
8	2130610	1	Fitting, 90 ORFS	
9	0700817	4	Bolt, M8X45	
10	4811900	4	Washer, M8	
11	1001203012	1	Seal	
12	1001146588	1	Strap	
100	70024965	1	Gasket, Fan Pump (Supplied with Engine)	

SECTION 4 - ENGINE AND ATTACHING PARTS

FIGURE 4-52. HEATER LINES INSTALLATION (LS)



ART_1001181413-D

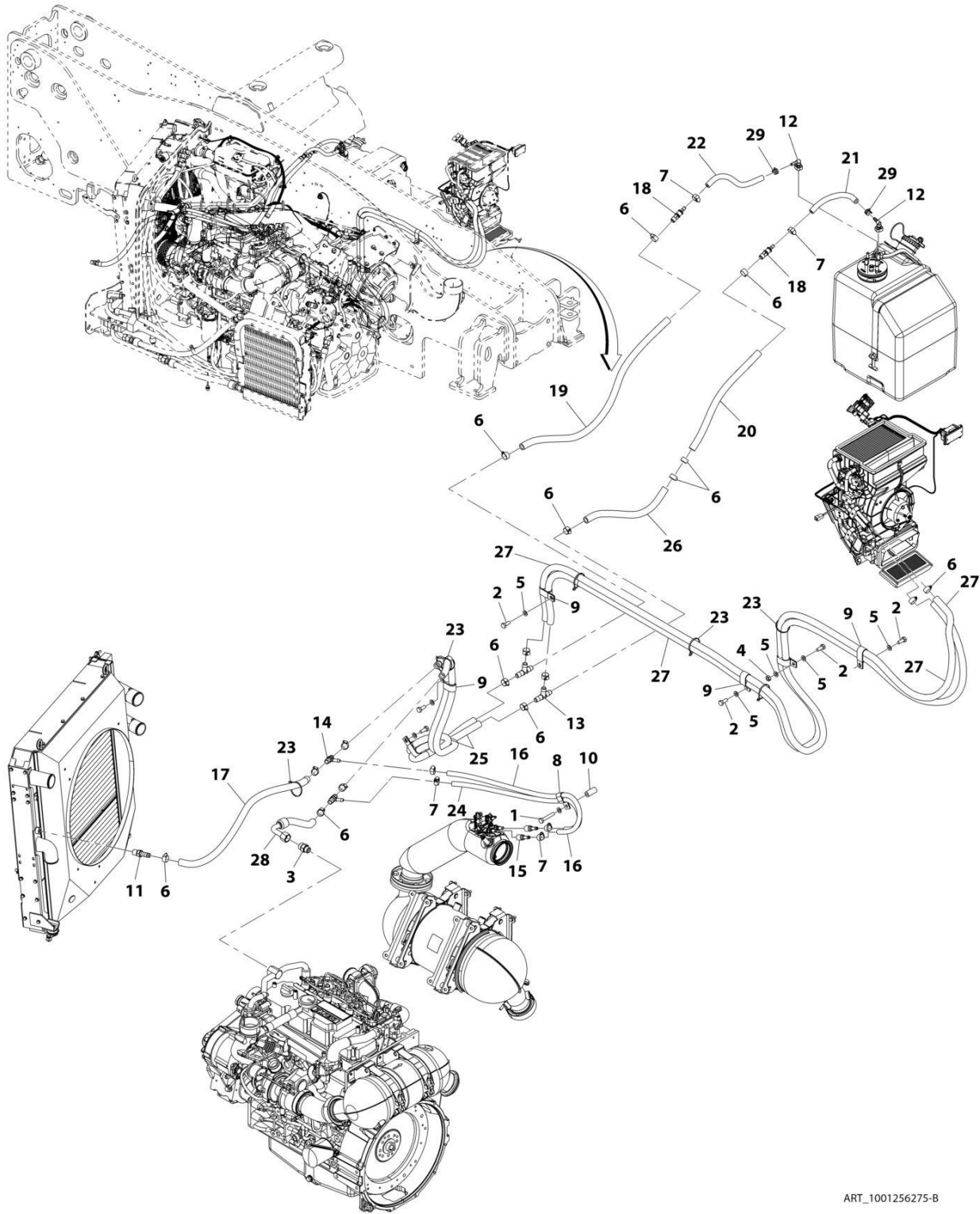
SECTION 4 - ENGINE AND ATTACHING PARTS

FIGURE 4-52. HEATER LINES INSTALLATION (LS)

ITEM	PART NUMBER	QTY	DESCRIPTION	REV
	1001181413	Ref	Heater Lines Installation (LS)	E
4	0761012	6	Bolt, M10X25	
5	4812000	7	Washer, M10	
6	8410009	4	Clamp	
10	1001008720	6	Clip	
13	1001201296	1	Hose	
13	1001284581	1	Hose	
14	1001202772	1	Hose	
14	1001284544	1	Hose	
15	1001008559	2	Strap	
17	1001104685	1	Fitting, Barbed	
18	1001202921	1	Fitting, Straight ORFS	
18	2221257	1	Fitting, Straight ORFS	
18	1001203005	1	Fitting, 45	
20	3291001	1	Nut, M10X1.5	
21	1001268889	1	Sleeve, Hose Wrap	

SECTION 4 - ENGINE AND ATTACHING PARTS

FIGURE 4-53. HEATER LINES INSTALLATION (ULS) (Prior to SN 0160124988)



ART_1001256275-B

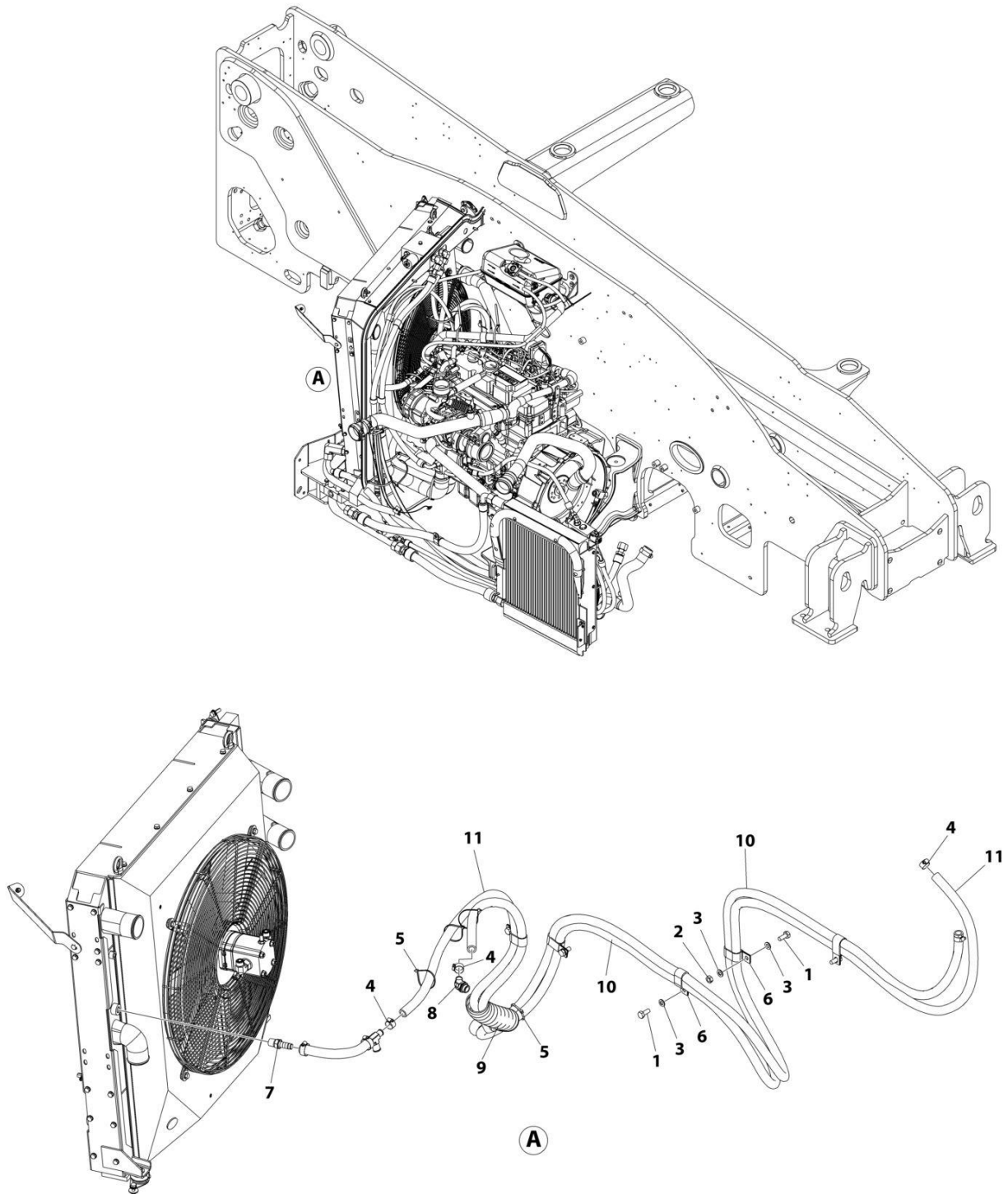
SECTION 4 - ENGINE AND ATTACHING PARTS

FIGURE 4-53. HEATER LINES INSTALLATION (ULS) (Prior to SN 0160124988)

ITEM	PART NUMBER	QTY	DESCRIPTION	REV
	1001256275	Ref	Heater Lines Installation (ULS)	B
1	0701020	1	Bolt, M10X60	
2	0761012	6	Bolt, M10X25	
3	1001202921	1	Fitting, Straight ORFS	
4	3291001	1	Nut, M10X1.5	
5	4812000	8	Washer, M10	
6	8410009	17	Clamp, Gear	
7	8410013	6	Clamp, Gear	
8	1001008573	1	Clip	
9	1001008720	6	Clip	
10	1001092122	1	Spacer	
11	1001104685	1	Fitting, Barbed	
12	1001155823	2	Coupling,90 Deg Quick Connect	
13	1001183125	2	Fitting, Tee	
14	1001183149	2	Fitting, Tee	
15	1001183357	2	Fitting, Straight	
16	1001202474	1	Hose	
17	1001202476	1	Hose	
18	1001238470	2	Adapter	
19	1001256381	1	Hose	
20	1001256382	1	Hose	
21	1001256383	1	Hose	
22	1001256384	1	Hose	
23	1001008559	8	Strap	
24	1001202473	1	Hose	
25	1001202477	2	Hose	
26	1001202478	1	Hose	
27	1001202480	2	Hose	
28	1001212956	1	Hose	
29	1001254357	2	Clamp	

SECTION 4 - ENGINE AND ATTACHING PARTS

FIGURE 4-54. HEATER LINE INSTALLATION (LS) (SN 0160126024 to Present)



ART_1001260972

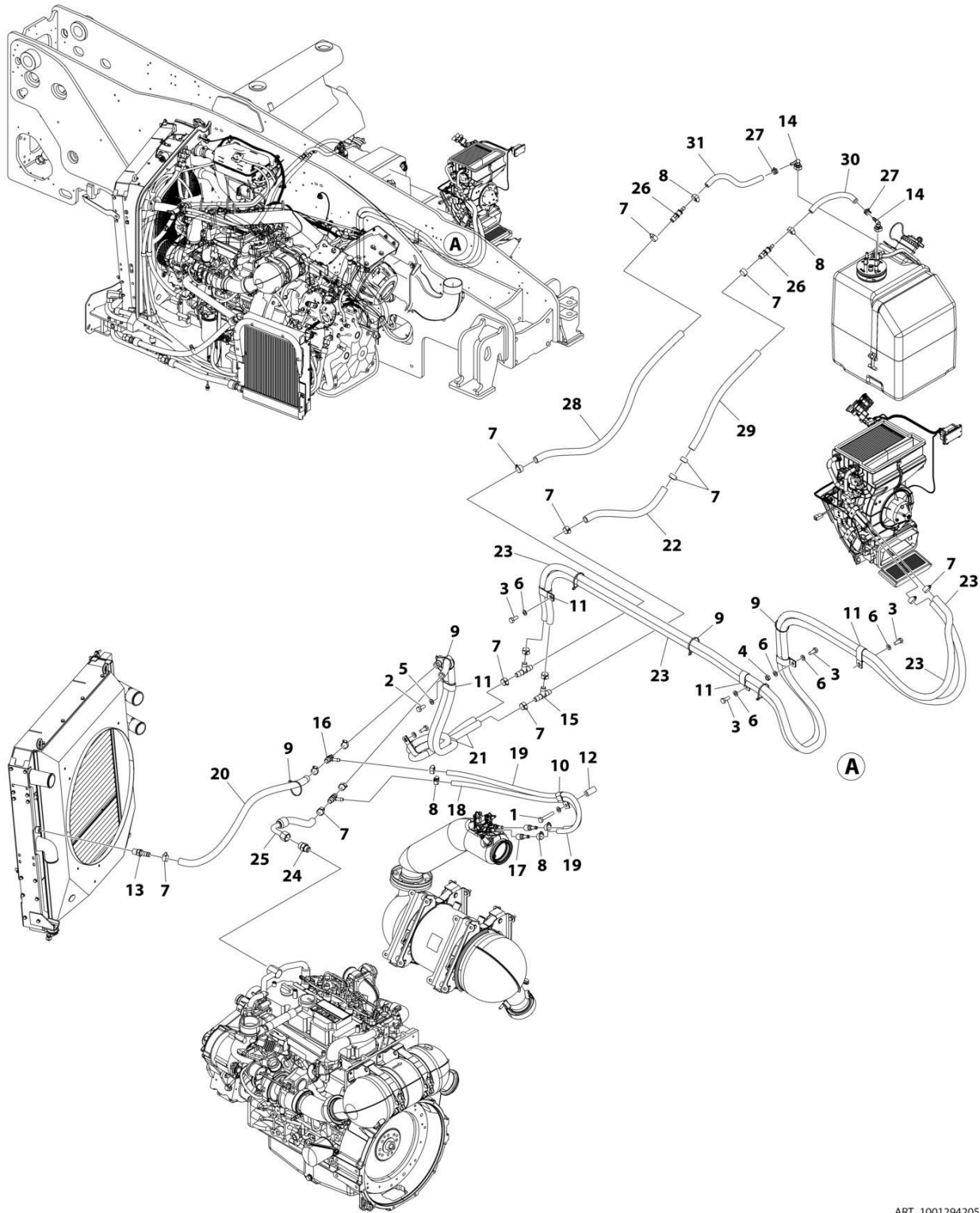
SECTION 4 - ENGINE AND ATTACHING PARTS

FIGURE 4-54. HEATER LINE INSTALLATION (LS) (SN 0160126024 to Present)

ITEM	PART NUMBER	QTY	DESCRIPTION	REV
	1001260972	Ref	HEATER LINES INSTALLATION	A
1	0761012	6	Bolt M10 x 25	
2	3291001	1	Nut M10	
3	4812000	7	Washer M10	
4	8410009	4	Clamp	
5	1001008559	4	Strap, Tie	
6	1001008720	6	Clip-Loop	
7	1001104685	1	Fitting, Straight Barbed/NPTF	
8	1001203005	1	Fitting, 45 Barbed	
9	1001268889	1	Sleeve, Hose Wrap	
10	1001284544	1	Hose	
11	1001284581	1	Hose	

SECTION 4 - ENGINE AND ATTACHING PARTS

FIGURE 4-55. HEATER LINES INSTALLATION (SN 0160126024 to Present)



ART_1001294205

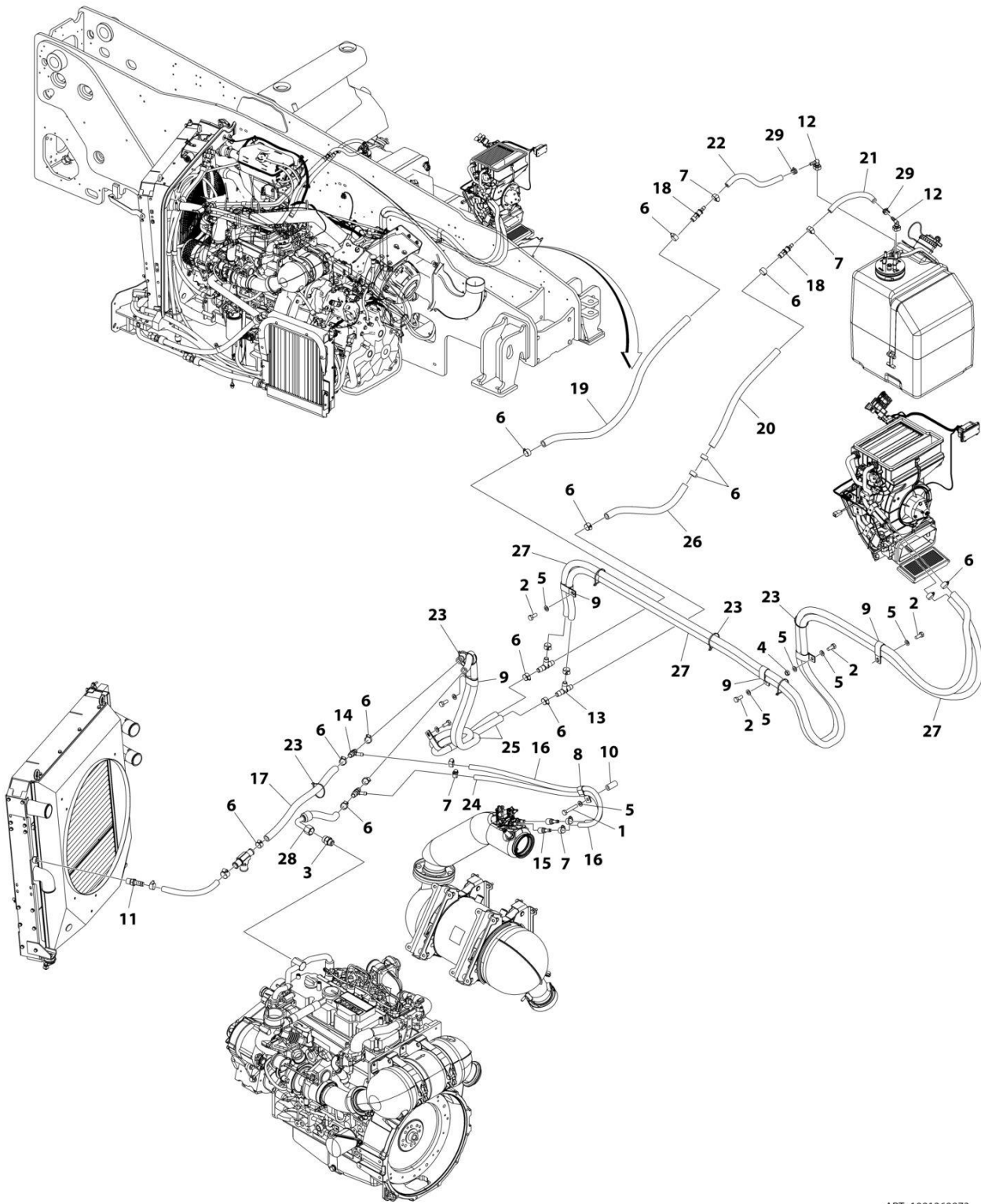
SECTION 4 - ENGINE AND ATTACHING PARTS

FIGURE 4-55. HEATER LINES INSTALLATION (SN 0160126024 to Present)

ITEM	PART NUMBER	QTY	DESCRIPTION	REV
	1001294205	Ref	HEATER LINES INSTALLATION	A
1	0701020	1	Bolt M10 x 60	
2	0760812	1	Bolt M8 x 25	
3	0761012	5	Bolt M10 x 25	
4	3291001	1	Nut M10	
5	4811900	1	Washer M8	
6	4812000	7	Washer M10	
7	8410009	17	Clamp	
8	8410013	6	Clamp	
9	1001008559	8	Tie- Strap	
10	1001008573	1	Clip	
11	1001008720	6	Clip	
12	1001092122	1	Spacer	
13	1001104685	1	Fitting, Barbed	
14	1001155823	2	Coupling,90 Connect	
15	1001183125	2	Fitting, Tee	
16	1001183149	2	Fitting, Tee	
17	1001183357	2	Fitting, Straight	
18	1001202473	1	Hose	
19	1001202474	1	Hose	
20	1001202476	1	Hose	
21	1001202477	2	Hose	
22	1001202478	1	Hose	
23	1001202480	2	Hose	
24	1001202921	1	Fitting, Straight ORFS	
25	1001212956	1	Hose	
26	1001238470	2	Adapter	
27	1001254357	2	Clamp	
28	1001256381	1	Hose	
29	1001256382	1	Hose	
30	1001256383	1	Hose	
31	1001256384	1	Hose	

SECTION 4 - ENGINE AND ATTACHING PARTS

FIGURE 4-56. HEATER LINES WITH BLOCK HEATER INSTALLATION (ULS) (Prior to SN 0160124988)



ART_1001260973

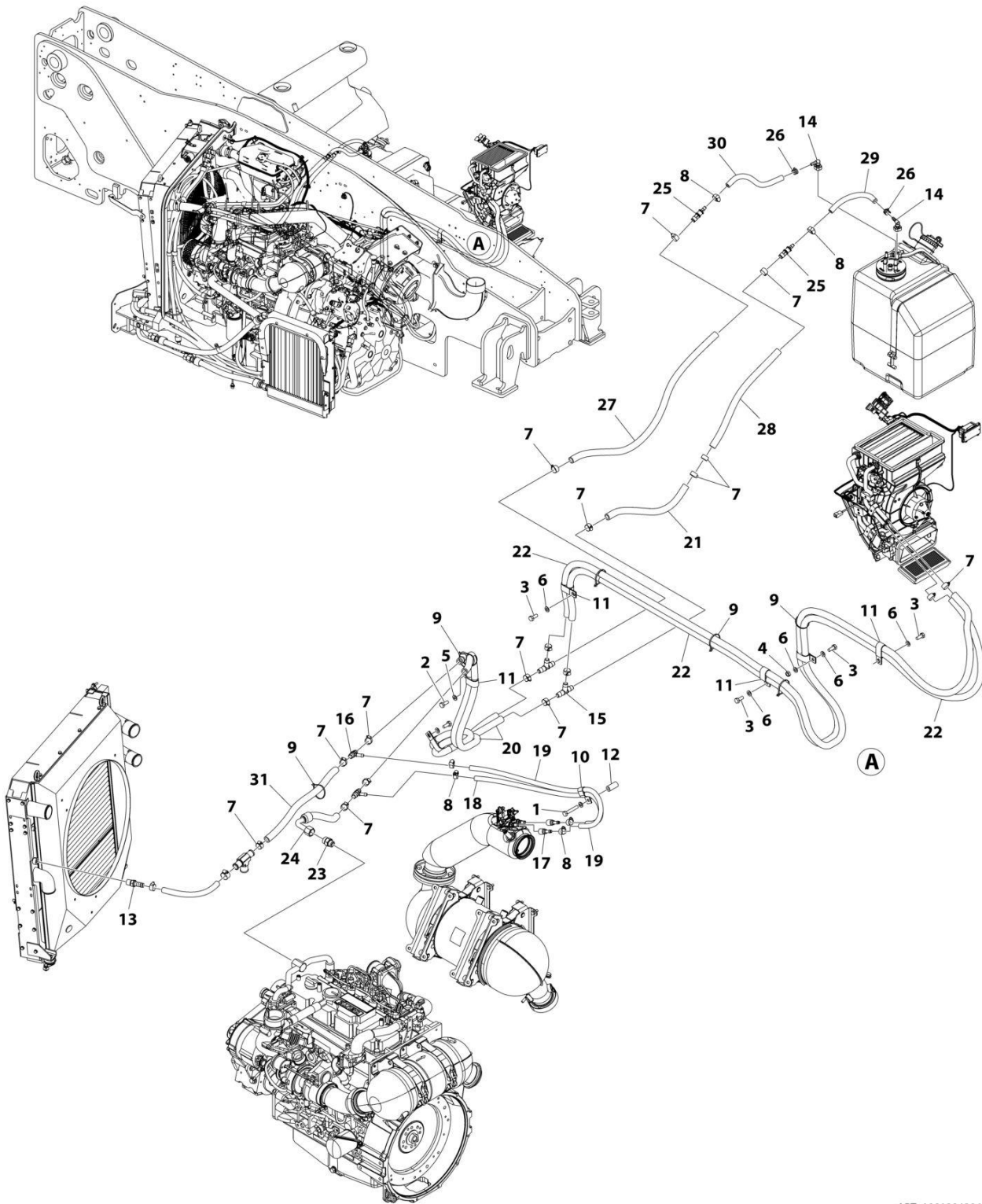
SECTION 4 - ENGINE AND ATTACHING PARTS

FIGURE 4-56. HEATER LINES WITH BLOCK HEATER INSTALLATION (ULS) (Prior to SN 0160124988)

ITEM	PART NUMBER	QTY	DESCRIPTION	REV
	1001260973	Ref	HEATER LINES WITH BLOCK HEATER INSTALLATION (ULS)	A
1	0701020	1	Bolt M10X60	
2	0761012	6	Bolt M10X25	
3	1001202921	1	Fitting, Straight ORFS	
4	3291001	1	Nut M10	
5	4812000	8	Washer M10	
6	8410009	17	Clamp, Gear	
7	8410013	6	Clamp, Gear	
8	1001008573	1	Clip	
9	1001008720	6	Clip	
10	1001092122	1	Spacer	
11	1001104685	1	Fitting, Barbed	
12	1001155823	2	Coupling,90 Deg Quick Connect	
13	1001183125	2	Fitting, Tee	
14	1001183149	2	Fitting, Tee	
15	1001183357	2	Fitting, Straight	
16	1001202474	1	Hose	
17	1001260974	1	Hose	
18	1001238470	2	Adapter	
19	1001256381	1	Hose	
20	1001256382	1	Hose	
21	1001256383	1	Hose	
22	1001256384	1	Hose	
23	1001008559	8	Strap	
24	1001202473	1	Hose	
25	1001202477	2	Hose	
26	1001202478	1	Hose	
27	1001202480	2	Hose	
28	1001212956	1	Hose	
29	1001254357	2	Clamp	

SECTION 4 - ENGINE AND ATTACHING PARTS

FIGURE 4-57. HEATER LINES WITH HEATER INSTALLATION (SN 0160126024 to Present)



ART_1001294206

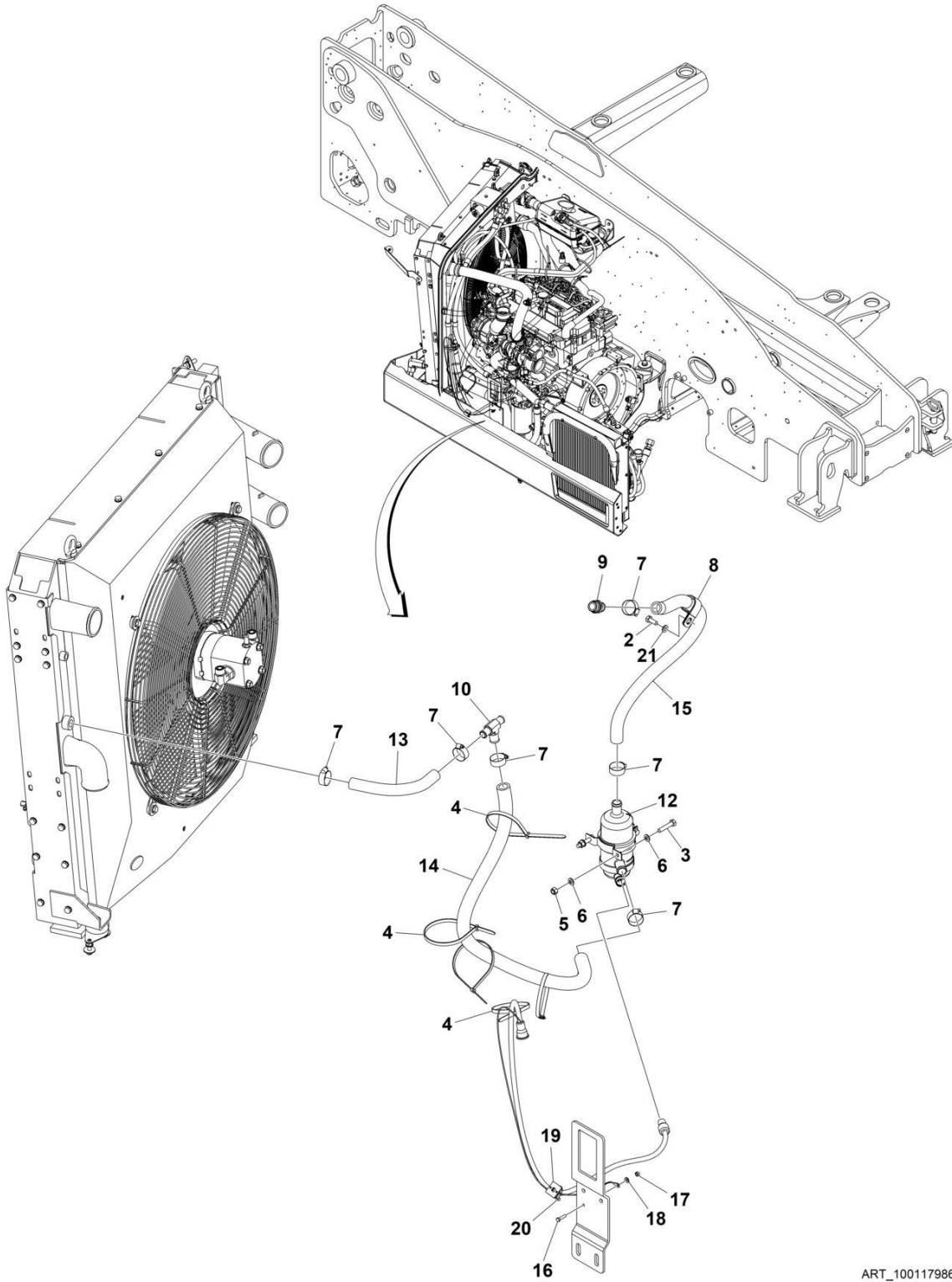
SECTION 4 - ENGINE AND ATTACHING PARTS

FIGURE 4-57. HEATER LINES WITH HEATER INSTALLATION (SN 0160126024 to Present)

ITEM	PART NUMBER	QTY	DESCRIPTION	REV
	1001294206	Ref	HEATER LINES WITH HEATER INSTALLATION	A
1	0701020	1	Bolt M10 x 60	
2	0760812	1	Bolt M8 x 25	
3	0761012	5	Bolt M10 x 25	
4	3291001	1	Nut M10	
5	4811900	1	Washer M8	
6	4812000	7	Washer M10	
7	8410009	17	Clamp	
8	8410013	6	Clamp	
9	1001008559	8	Strap	
10	1001008573	1	Clip	
11	1001008720	6	Clip	
12	1001092122	1	Spacer	
13	1001104685	1	Fitting, Barbed	
14	1001155823	2	Coupling, 90 Connect	
15	1001183125	2	Fitting, Tee	
16	1001183149	2	Fitting, Tee	
17	1001183357	2	Fitting, Straight	
18	1001202473	1	Hose	
19	1001202474	1	Hose	
20	1001202477	2	Hose	
21	1001202478	1	Hose	
22	1001202480	2	Hose	
23	1001202921	1	Fitting, Straight ORFS	
24	1001212956	1	Hose	
25	1001238470	2	Adapter	
26	1001254357	2	Clamp	
27	1001256381	1	Hose	
28	1001256382	1	Hose	
29	1001256383	1	Hose	
30	1001256384	1	Hose	
31	1001260974	1	Hose	

SECTION 4 - ENGINE AND ATTACHING PARTS

FIGURE 4-58. BLOCK HEATER INSTALLATION (120V - LS)



ART_1001179861_F

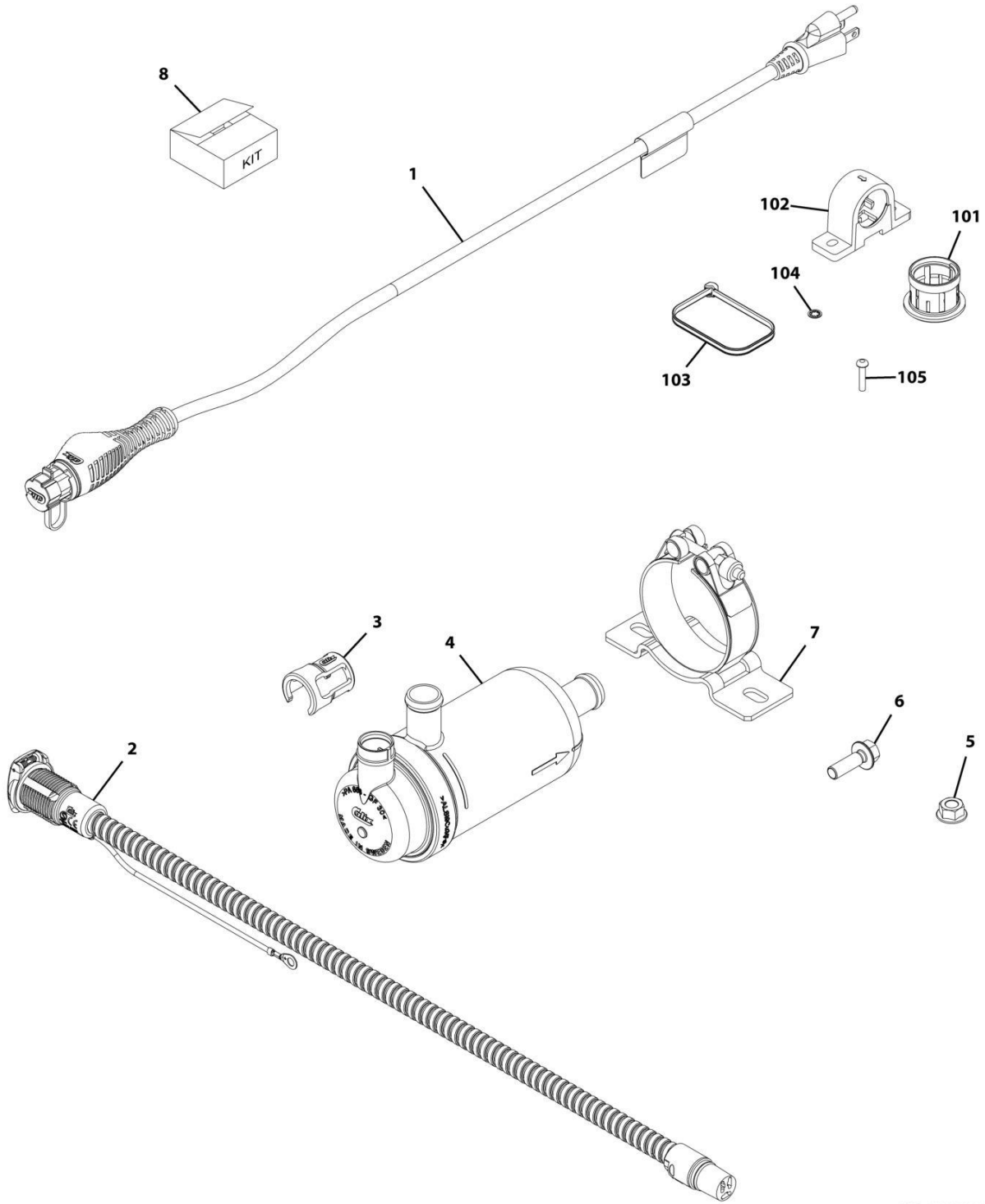
SECTION 4 - ENGINE AND ATTACHING PARTS

FIGURE 4-58. BLOCK HEATER INSTALLATION (120V - LS)

ITEM	PART NUMBER	QTY	DESCRIPTION	REV
	1001179861	Ref	BLOCK HEATER INSTALLATION (120V)	F
2	0761010	1	Bolt M10 x 20	
3	0760816	2	Bolt M8 x 40	
4	1062255	5	Strap, Tie	
5	3290805	2	Nut Lock M8 x 1.25 Grade 8	
6	4811900	4	Washer M8	
7	8405007	6	Clamp	
8	8406302	1	Clamp	
9	1001167408	1	Adapter, Hose	
10	1001167773	1	Fitting, Tee	
12	1001179910	1	Block Heater (120V) (See Separate Breakdown in this Section)	
13	1001204302	1	Hose	
14	1001204301	1	Hose	
15	1001204373	1	Hose	
16	0700510	1	Bolt M5 x 20	
17	3290505	1	Nut M5	
18	4811700	1	Washer M6	
19	4460234	1	Mount, Cable Tie	
20	1001008559	1	Strap, Tie	
21	4812000	1	Washer M10	

SECTION 4 - ENGINE AND ATTACHING PARTS

FIGURE 4-59. BLOCK HEATER (LS)



ART_1001179910-B

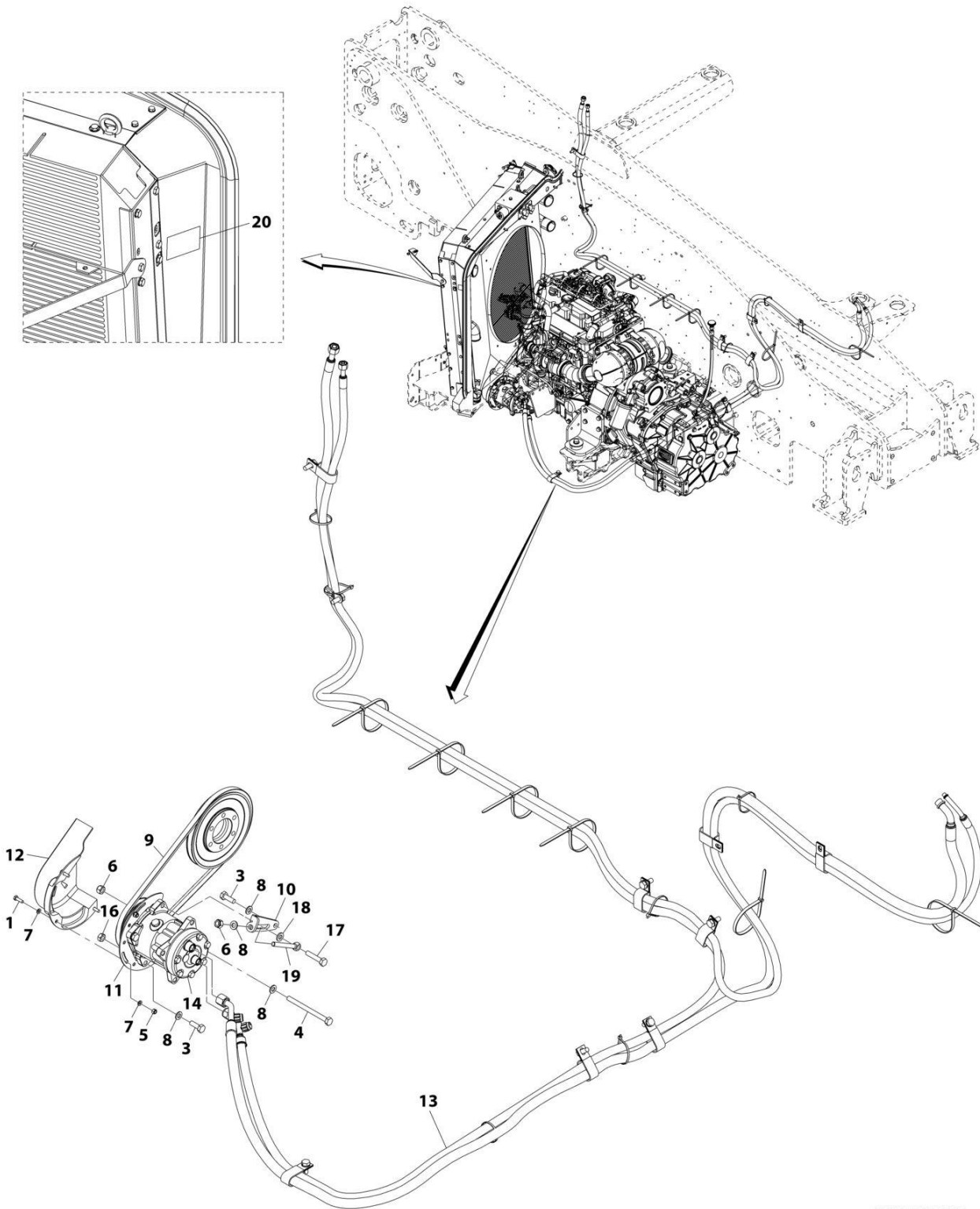
SECTION 4 - ENGINE AND ATTACHING PARTS

FIGURE 4-59. BLOCK HEATER (LS)

ITEM	PART NUMBER	QTY	DESCRIPTION	REV
	1001179910	Ref	Block Heater (LS)	B
1	70026725	1	Cable, Supply	
2	70026726	1	Cable, Inlet	
3	70026720	1	Clip, Safety	
4	70026721	1	Heater	
5	70026722	2	Nut, Flange M8X8	
6	70026723	2	Screw, Flange M8X25	
7	70026724	1	Clamp	
8	70026719	1	Kit, MK Assembly	
101	Kit	1	Expander	
102	Kit	1	Clamp	
103	Kit	5	Wrap, Tie	
104	Kit	2	Washer, Lock	
105	Kit	3	Screw	

SECTION 4 - ENGINE AND ATTACHING PARTS

FIGURE 4-60. A/C PUMP INSTALLATION



ART_1001178725

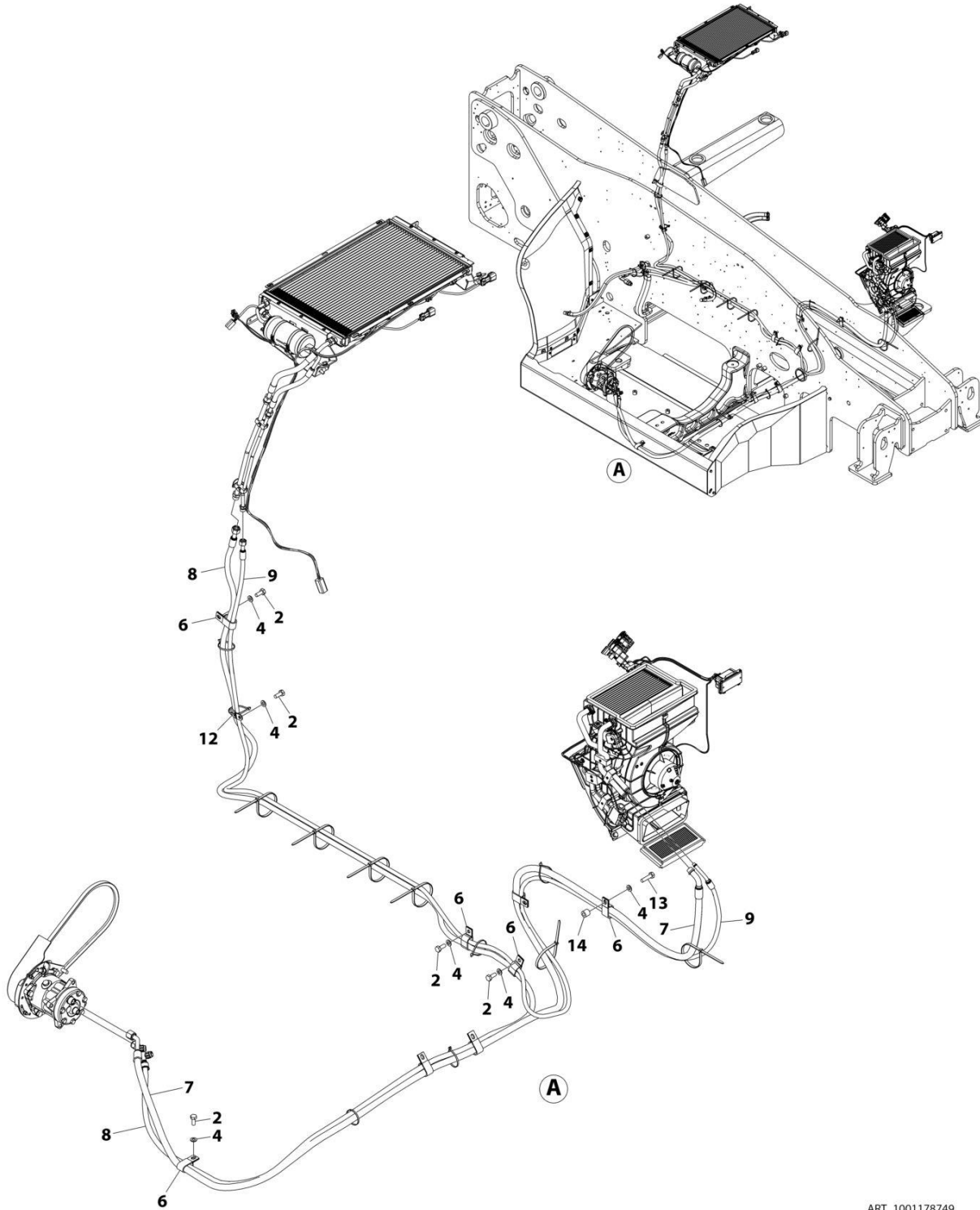
SECTION 4 - ENGINE AND ATTACHING PARTS

FIGURE 4-60. A/C PUMP INSTALLATION

ITEM	PART NUMBER	QTY	DESCRIPTION	REV
	1001178725	Ref	A/C Pump Installation	F
1	0700610	3	Bolt, M6X20	
3	0701014	3	Bolt, M10X30	
4	0701030	1	Bolt, M10X130	
5	3290605	3	Nut, Lock M6X1 Grade 8	
6	3291005	2	Nut, Lock M10X1.5 Grade 8	
7	4811700	6	Washer, M6	
8	4812000	5	Washer, M10	
9	1001167356	1	Belt, Drive A/C	
10	1001188855	1	Plate	
11	1001193735	1	Support	
12	1001171000	1	Cover	
13	1001178749	Ref	Installation, A/C Lines (See Separate Breakdown in this Section)	
14	1001119220	1	Compressor	
16	3291001	2	Nut, M10X1.5 Grade 8	
17	0701018	1	Bolt, M10X50	
18	5241000	1	Washer, M10	
19	1001188856	1	Rod	
20	1001227090	1	Decal	

SECTION 4 - ENGINE AND ATTACHING PARTS

FIGURE 4-61. A/C LINES INSTALLATION



ART_1001178749

SECTION 4 - ENGINE AND ATTACHING PARTS

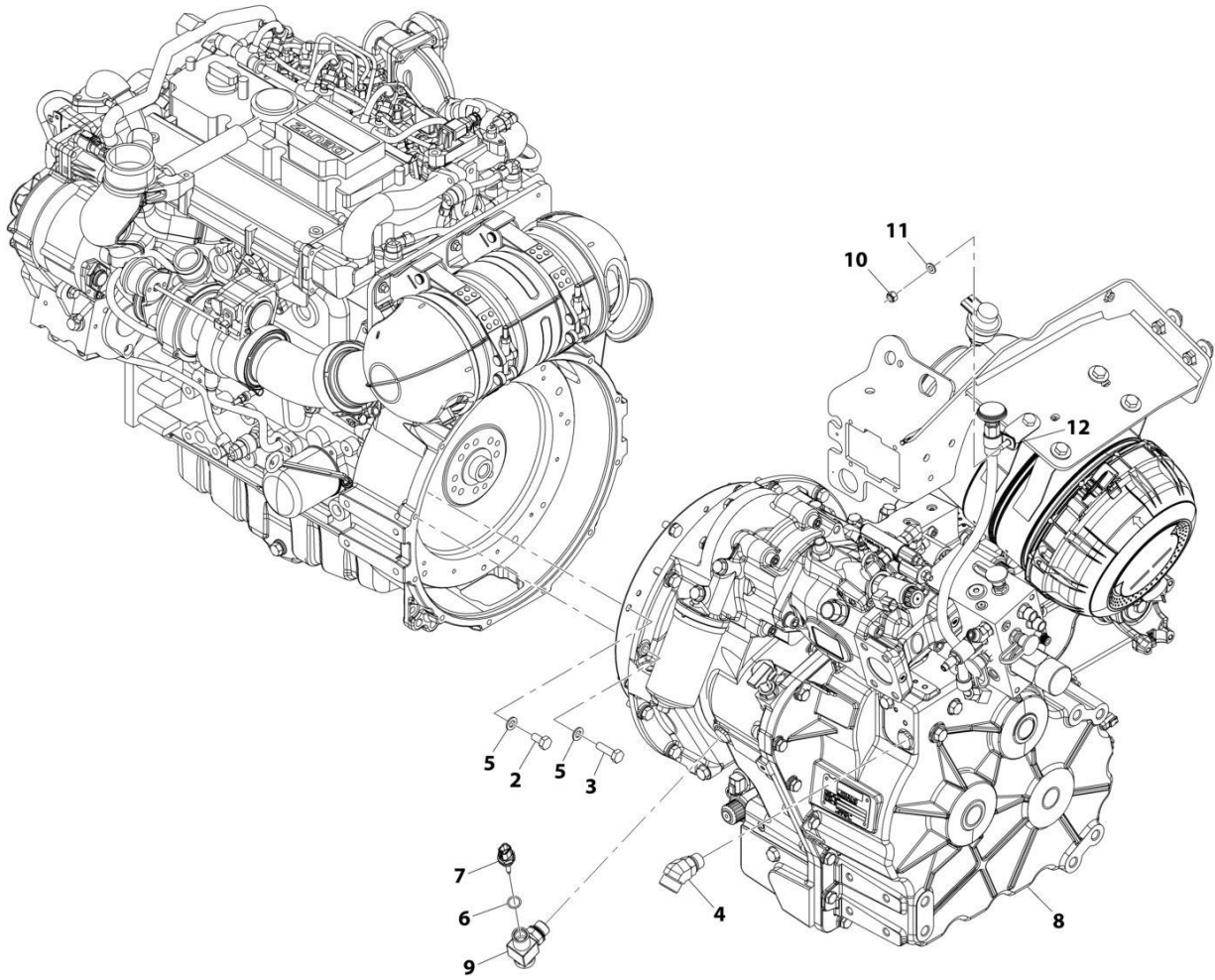
FIGURE 4-61. A/C LINES INSTALLATION

ITEM	PART NUMBER	QTY	DESCRIPTION	REV
	1001178749	Ref	A/C LINES INSTALLATION	G
2	0761012	5	Bolt M10 x 25	
4	4812000	6	Washer M10	
6	1001026104	8	Clip	
7	1001203825	1	Hose	
8	1001180593	1	Hose	
9	1001203826	1	Hose	
10	1001008559	AR	Tie-Strap 365MM (Not Shown)	
11	1062255	AR	Tie-Strap 170MM (Not Shown)	
12	1001008593	1	Clip	
13	0701016	1	Bolt M10 x 40	
14	1001095401	1	Spacer	

SECTION 5 - DRIVE TRAIN

SECTION 5 - DRIVE TRAIN

FIGURE 5-1. TRANSMISSION INSTALLATION (6 SPD - 90KW)



ART_1001178439-F

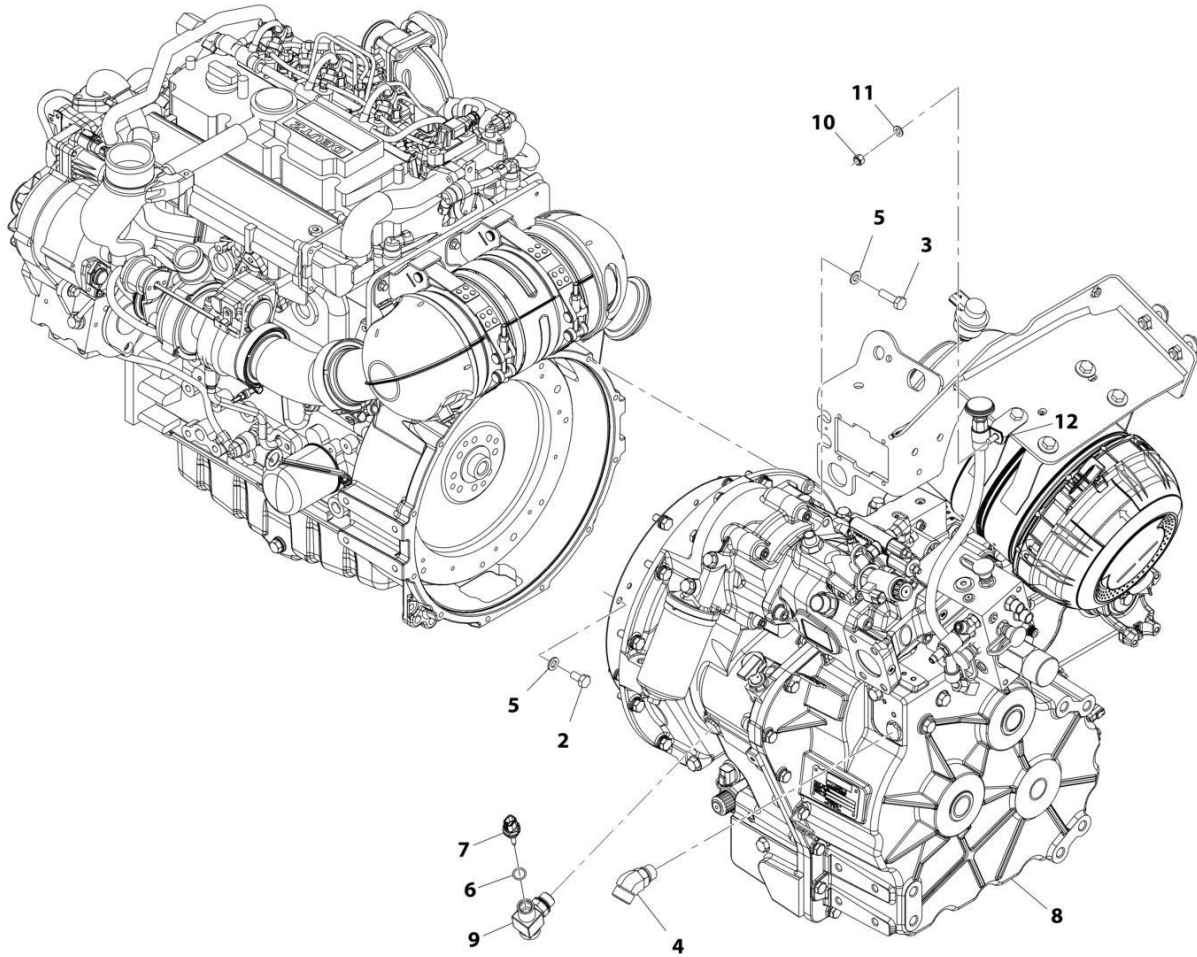
SECTION 5 - DRIVE TRAIN

FIGURE 5-1. TRANSMISSION INSTALLATION (6 SPD - 90KW)

ITEM	PART NUMBER	QTY	DESCRIPTION	REV
	1001178439	Ref	TRANSMISSION INSTALLATION (6 SPD)	F
2	0761010	8	Bolt M10 x 20	
3	0761015	10	Bolt M10 x 35	
4	2151210	1	Fitting, 45 ORFS	
5	4812000	18	Washer M10	
6	1001009163	1	O-Ring	
7	1001128478	1	Sensor, Temperature	
8	1001177851	1	Transmission (6 SPD - DTZ - 90KW) (See Separate Breakdown in this Section)	
9	1001219182	1	Adapter, ORFS	
10	3290805	1	Nut, Lock M8 x 1.25	
11	4811900	1	Washer M8	
12	91043147	1	Clamp	

SECTION 5 - DRIVE TRAIN

FIGURE 5-2. TRANSMISSION INSTALLATION (6 SPD - 97KW)



ART_1001182647-D

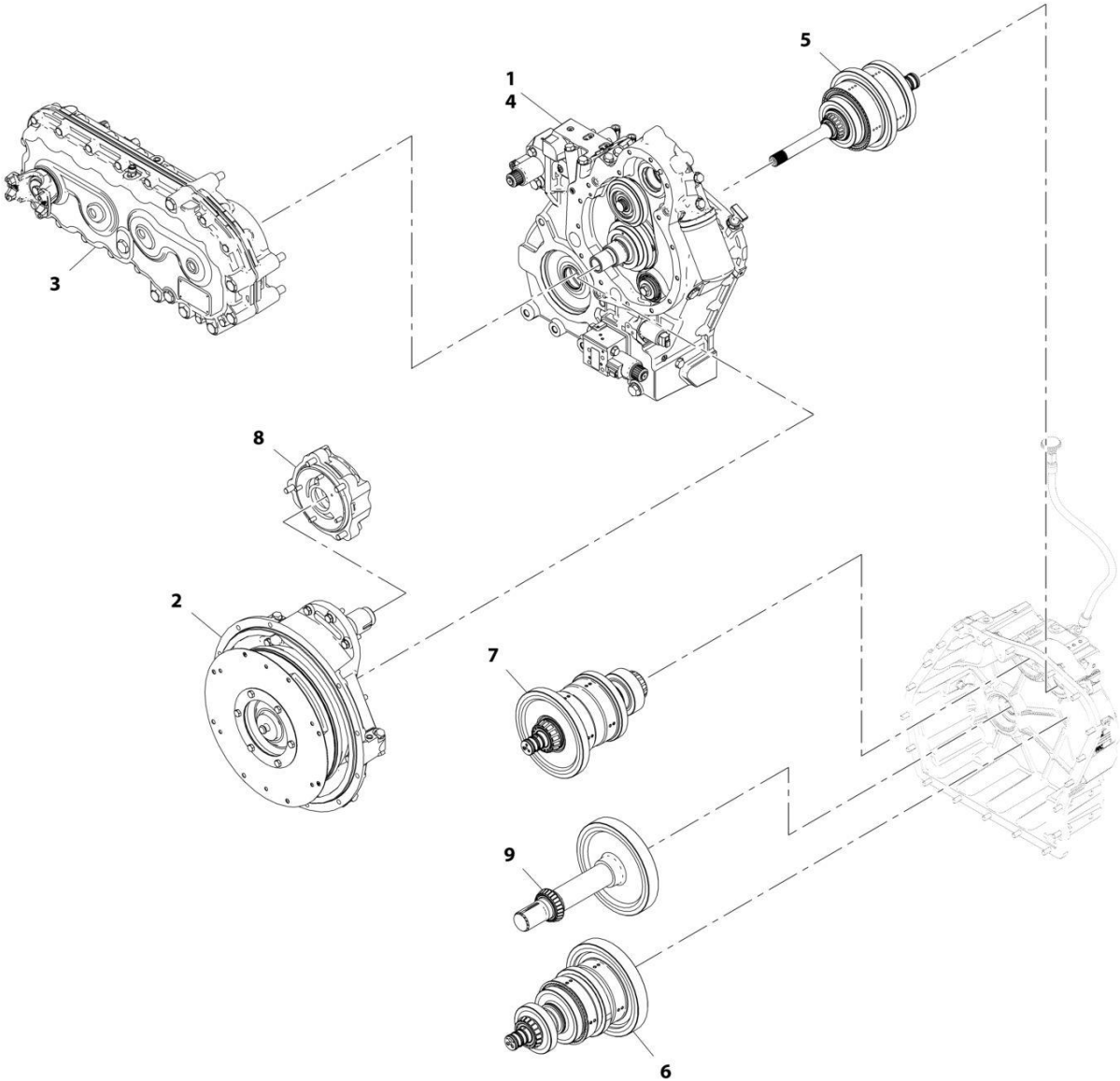
SECTION 5 - DRIVE TRAIN

FIGURE 5-2. TRANSMISSION INSTALLATION (6 SPD - 97KW)

ITEM	PART NUMBER	QTY	DESCRIPTION	REV
	1001182647	Ref	TRANSMISSION INSTALLATION (6 SPD - HHP)	D
2	0761010	8	Bolt M10 x 20	
3	0761015	10	Bolt M10 x 35	
4	2151210	1	Fitting, 45 ORFS	
5	4812000	18	Washer M10	
6	1001009163	1	O-Ring	
7	1001128478	1	Sensor, Temperature	
8	1001181559	1	Transmission (6 SPD - HHP - 97KW) (See Separate Breakdown in this Section)	
9	1001219182	1	Fitting, Tee ORFS	
10	3290805	1	Nut, Lock M8 x 1.25	
11	4811900	1	Washer M8	
12	91043147	1	Clamp	

SECTION 5 - DRIVE TRAIN

FIGURE 5-3. TRANSMISSION (6 SPD - 90KW)



ART_1001177851-E

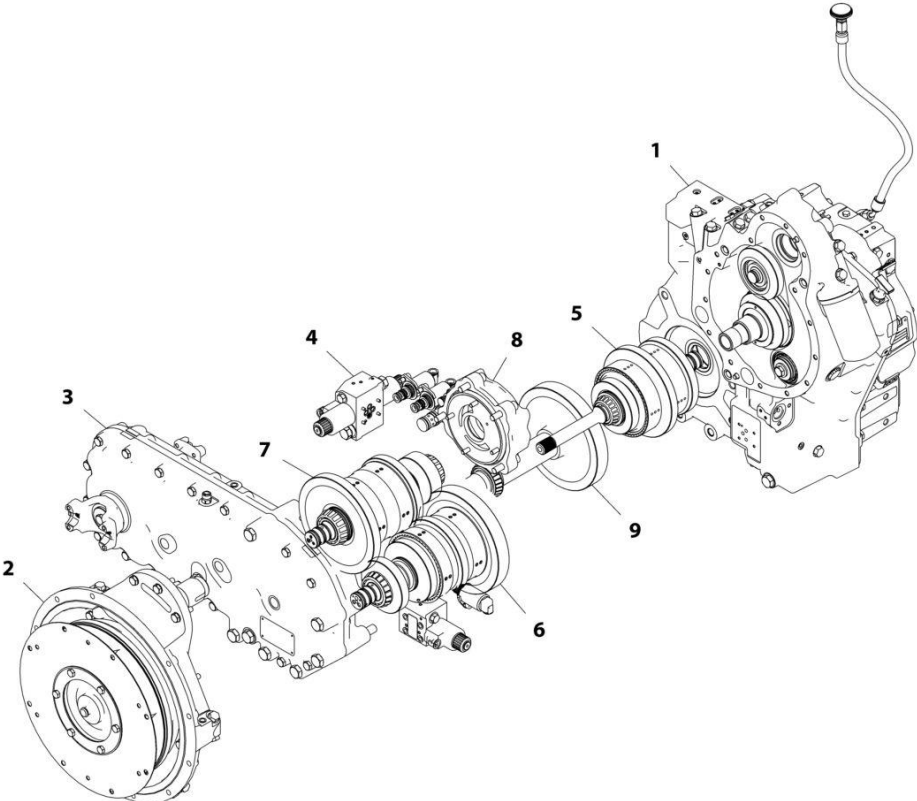
SECTION 5 - DRIVE TRAIN

FIGURE 5-3. TRANSMISSION (6 SPD - 90KW)

ITEM	PART NUMBER	QTY	DESCRIPTION	REV
1	1001177851	Ref	Transmission (6 SPD - 90KW)	E
	70027723	Ref	Group, Planetary Case and Parts (See Separate Breakdown in this Section)	
2	70027721	Ref	Group, Torque Converter (See Separate Breakdown in this Section)	
3	70027725	Ref	Group, Transfer Gear and Case (See Separate Breakdown in this Section)	
4	70027720	Ref	Group, Transmission Hydraulic Control (See Separate Breakdown in this Section)	
5	70027717	Ref	Group, Input Shaft (See Separate Breakdown in this Section)	
6	70027718	Ref	Group, Transmission Clutch (See Separate Breakdown in this Section)	
7	70027715	Ref	Group, Clutch and Gear (See Separate Breakdown in this Section)	
8	70027719	Ref	Group, Transmission Pump (See Separate Breakdown in this Section)	
9	70027716	Ref	Group, Output Shaft (See Separate Breakdown in this Section)	

SECTION 5 - DRIVE TRAIN

FIGURE 5-4. TRANSMISSION (6 SPD - HHP - 97KW)



ART_1001181559-D

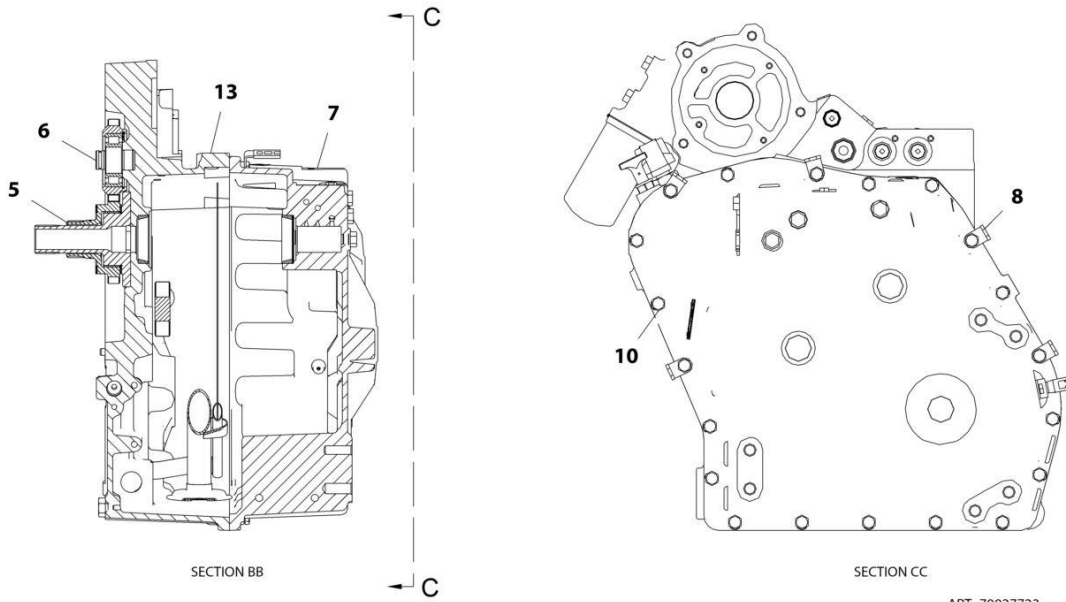
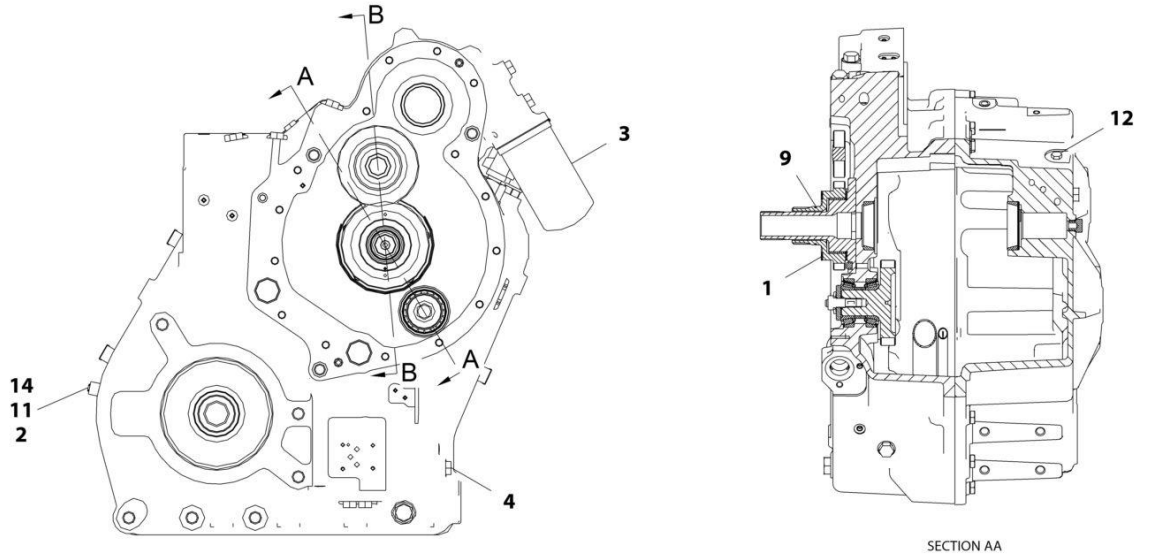
SECTION 5 - DRIVE TRAIN

FIGURE 5-4. TRANSMISSION (6 SPD - HHP - 97KW)

ITEM	PART NUMBER	QTY	DESCRIPTION	REV
	1001181559	Ref	Transmission (6 SPD - HHP - 97KW)	D
1	70027723	Ref	Group, Planetary Case and Parts (See Separate Breakdown in this Section)	
2	70027724	Ref	Group, Torque Converter (See Separate Breakdown in this Section)	
3	70027725	Ref	Group, Transfer Gear and Case (See Separate Breakdown in this Section)	
4	70027720	Ref	Group, Transmission Hydraulic Control (See Separate Breakdown in this Section)	
5	70027717	Ref	Group, Input Shaft (See Separate Breakdown in this Section)	
6	70027718	Ref	Group, Transmission Clutch (See Separate Breakdown in this Section)	
7	70027715	Ref	Group, Clutch and Gear (See Separate Breakdown in this Section)	
8	70027719	Ref	Group, Transmission Pump (See Separate Breakdown in this Section)	
9	70027716	Ref	Group, Output Shaft (See Separate Breakdown in this Section)	

SECTION 5 - DRIVE TRAIN

FIGURE 5-5. PLANETARY CASE AND PARTS GROUP



ART_70027723

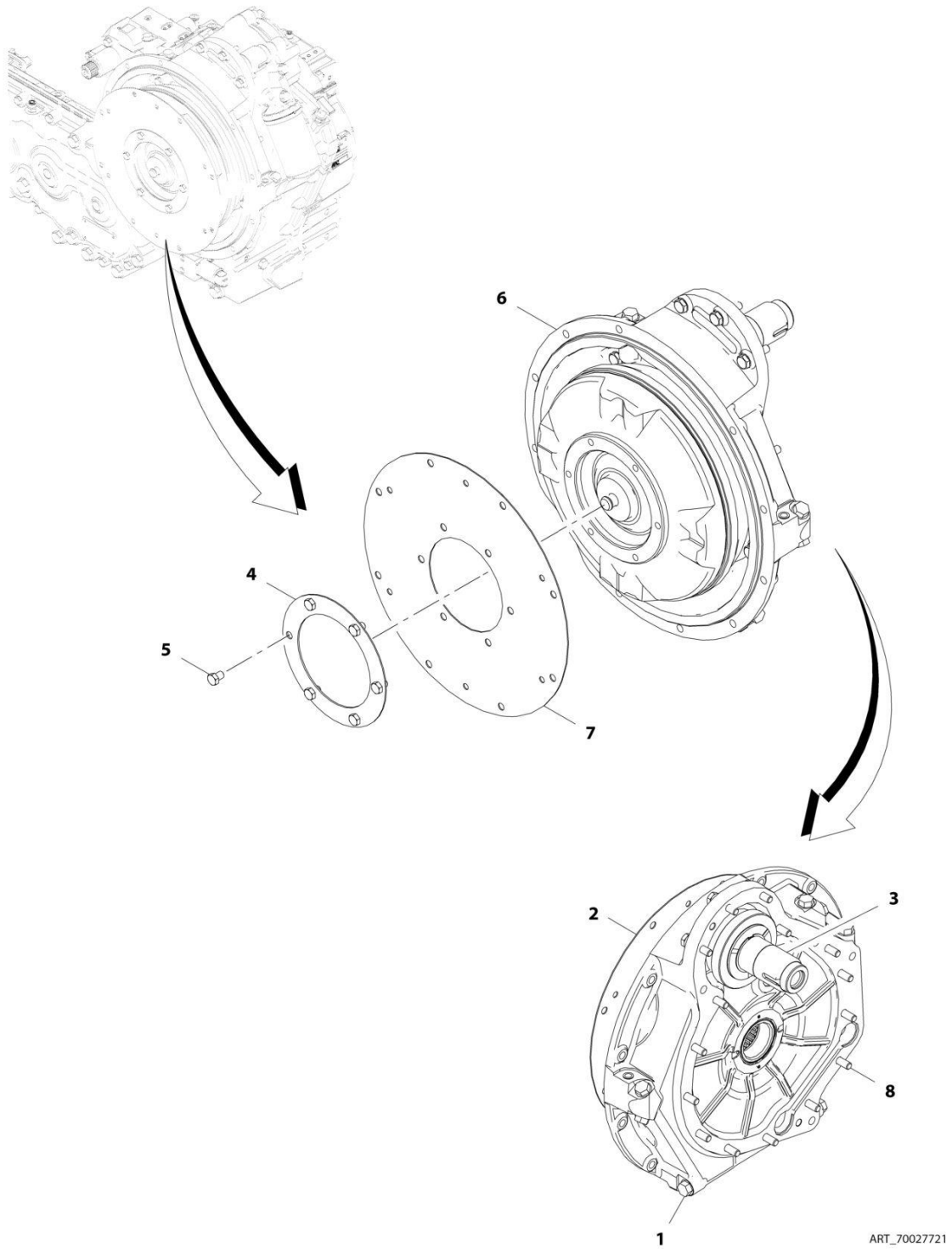
SECTION 5 - DRIVE TRAIN

FIGURE 5-5. PLANETARY CASE AND PARTS GROUP

ITEM	PART NUMBER	QTY	DESCRIPTION	REV
	70027723	Ref	Planetary Case and Parts Group	
1	70025511	2	Washer, Thrust	
2	70025526	1	Sensor, Speed (See Separate Breakdown in this Section)	
3	70025453	1	Filter, Transmission	
4	70027663	1	Assembly, Plug	
	70025525	1	O-Ring	
	70025524	1	Plug	
5	70027341	1	Assembly, Gear	
6	70027707	1	Gear, Idler (See Separate Breakdown in this Section)	
7	70027711	1	Case, Rear Transmission (See Separate Breakdown in this Section)	
8	70027331	5	Clip	
9	70025512	1	O-Ring	
10	70025514	20	Bolt	
11	70025528	1	Bolt	
12	70025529	1	Plug	
13	70027714	1	Case, Planetary (See Separate Breakdown in this Section)	
14	70025527	1	O-Ring	

SECTION 5 - DRIVE TRAIN

FIGURE 5-6. TORQUE CONVERTER GROUP



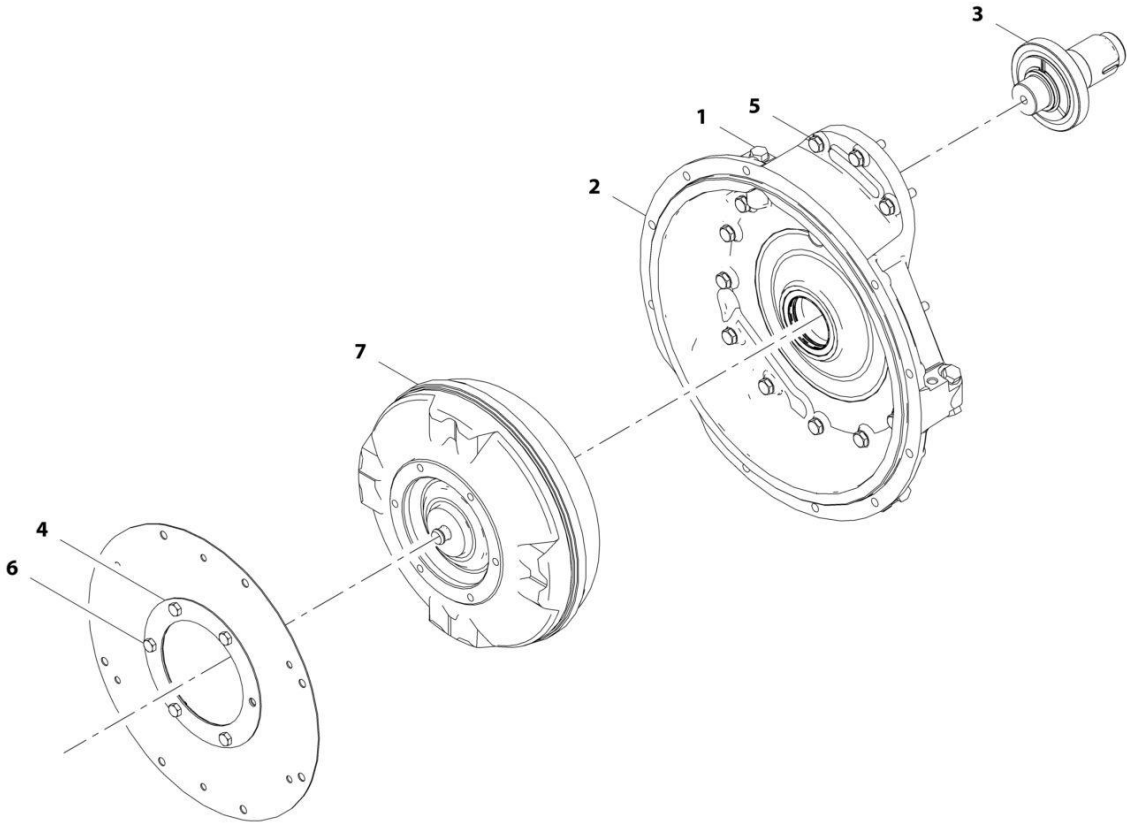
SECTION 5 - DRIVE TRAIN

FIGURE 5-6. TORQUE CONVERTER GROUP

ITEM	PART NUMBER	QTY	DESCRIPTION	REV
1	70027721	Ref	Torque Converter Group	
	70027663	7	Assembly, Plug	
	70025525	1	O-Ring	
	70025524	1	Plug	
2	70027666	1	Assembly, Torque Converter	
	70027676	1	Bearing	
	70025383	1	Seal	
	70025382	2	Pin	
	70027345	1	Converter	
3	70027667	1	Assembly, Shaft	
	70025510	2	Ring, Snap	
	70025393	2	Disc, Thrust	
	70025392	1	Pump, Gear	
4	70025397	1	Plate, Converter Drive	
5	70025398	6	Screw	
6	70027382	1	Converter, Torque	
7	70027670	1	Plate, Converter Drive	
8	70027682	15	Bolt	

SECTION 5 - DRIVE TRAIN

FIGURE 5-7. TORQUE CONVERTER GROUP



ART_70027724

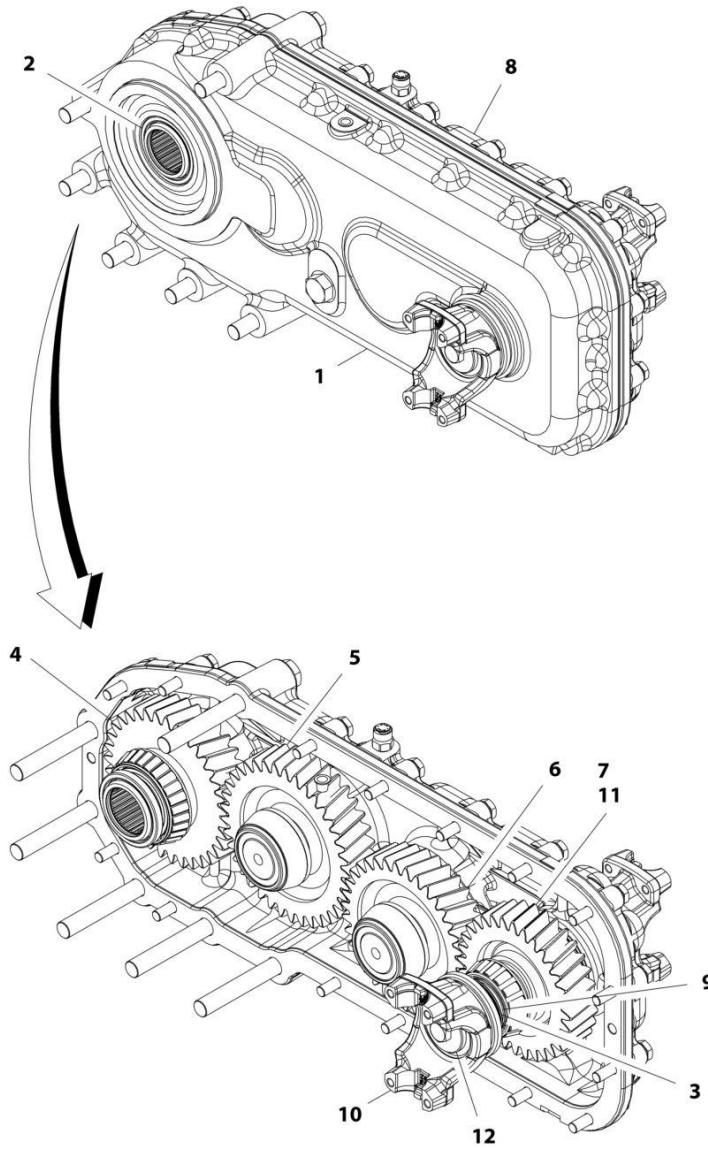
SECTION 5 - DRIVE TRAIN

FIGURE 5-7. TORQUE CONVERTER GROUP

ITEM	PART NUMBER	QTY	DESCRIPTION	REV
1	70027724	Ref	Torque Converter Group	
	70027663	7	Assembly, Plug	
	70025525	1	O-Ring	
	70025524	1	Plug	
2	70027666	1	Torque Converter	
	70027676	1	Bearing	
	70025383	1	Seal	
	70025382	2	Pin	
	70027345	1	Converter	
	70027667	1	Assembly, Shaft	
3	70025510	2	Ring, Snap	
	70025393	2	Disc, Thrust	
	70025392	1	Pump, Gear	
	70025397	1	Plate, Converter	
4	70025397	1	Plate, Converter	
5	70025514	15	Bolt	
6	70025398	6	Setscrew	
7	70027383	1	Converter, Torque	

SECTION 5 - DRIVE TRAIN

FIGURE 5-8. TRANSFER GEAR AND CASE GROUP



ART_70027725

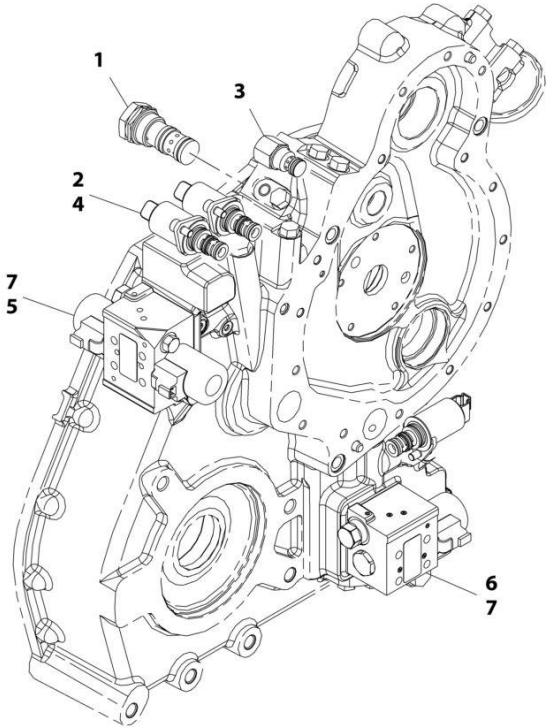
SECTION 5 - DRIVE TRAIN

FIGURE 5-8. TRANSFER GEAR AND CASE GROUP

ITEM	PART NUMBER	QTY	DESCRIPTION	REV
	70027725	Ref	Group, Transfer Gear and Case	
1	70027373	1	Case, Front Transfer (See Separate Breakdown in this Section)	
2	70024642	1	Seal, Lip	
3	70027376	2	Seal, Lip	
4	70027672	1	Gear Assembly	
	70025496	2	Cone, Roller Bearing	
	70024634	1	Cone, Roller Bearing	
	70027368	1	Gear, Input	
5	70027673	1	Assembly, Idler Gear	
	70025493	2	Bearing, Cone	
	70027369	1	Idler, Gear	
6	70027674	1	Assembly, Idler Gear	
	70025493	2	Bearing, Cone	
	70027370	1	Idler, Gear	
7	70027675	1	Assembly, Output Shaft	
	70025496	2	Cone, Roller Bearing	
	70025498	2	Ring, Retaining	
	70024639	1	Shaft, Output	
	70027371	1	Gear, Output	
8	70027375	1	Case, Rear Transfer (See Separate Breakdown in this Section)	
9	70024644	2	Spacer	
10	70024645	2	Yoke	
11	70025503	2	O-Ring	
12	70025504	2	Washer	

SECTION 5 - DRIVE TRAIN

FIGURE 5-9. TRANSMISSION HYDRAULIC CONTROL GROUP



ART_70027720

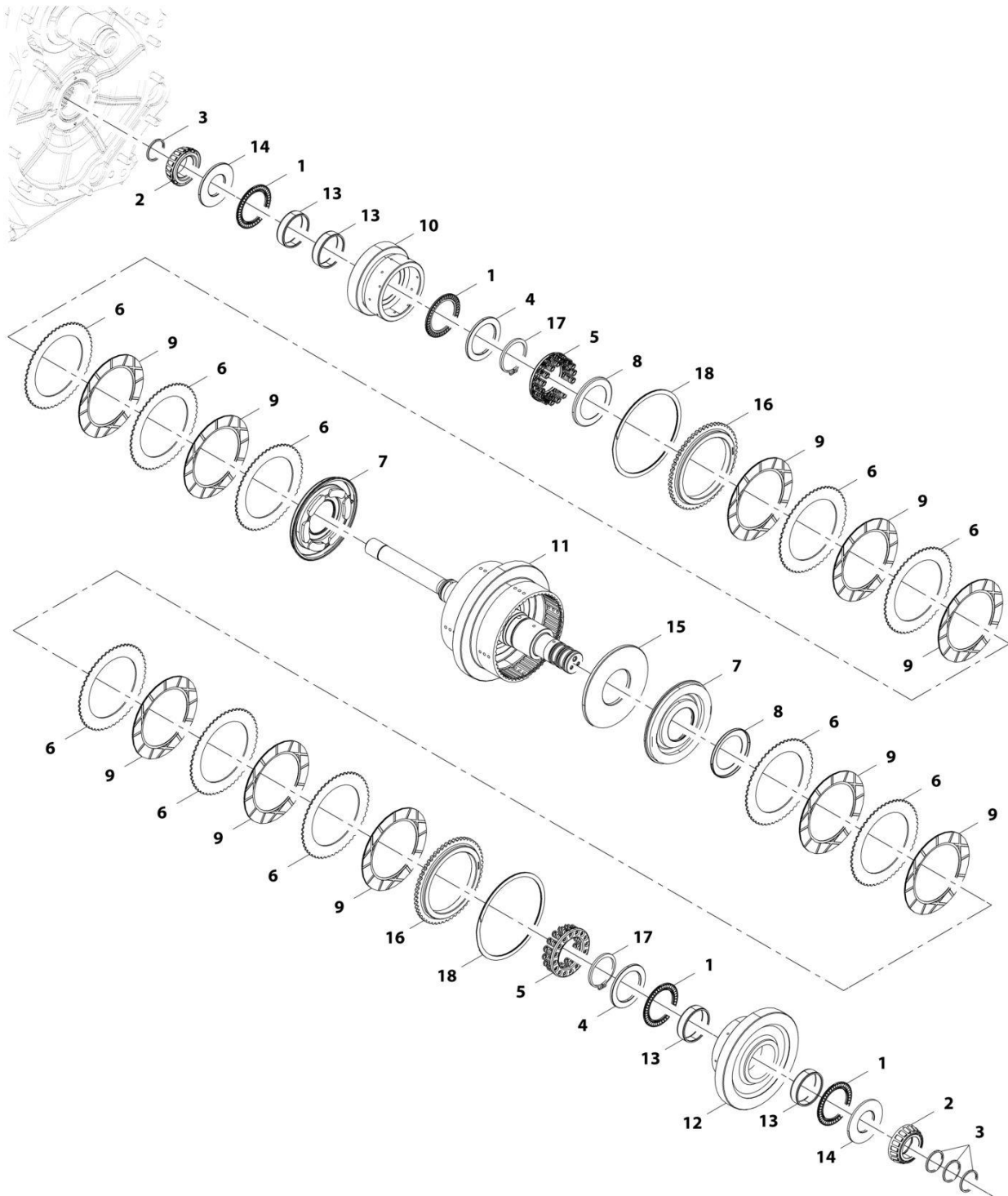
SECTION 5 - DRIVE TRAIN

FIGURE 5-9. TRANSMISSION HYDRAULIC CONTROL GROUP

ITEM	PART NUMBER	QTY	DESCRIPTION	REV
	70027720	Ref	Transmission Hydraulic Control Group	
1	70025469	1	Valve, Relief (See Separate Breakdown in this Section)	
2	70025520	3	Capscrew	
3	70025470	1	Valve, Relief	
	70027387	1	O-Ring	
	70027680	1	O-Ring	
4	70025451	3	Valve, Solenoid	
5	70027362	1	Valve, Solenoid (See Separate Breakdown in this Section)	
6	70027363	1	Valve, Solenoid (See Separate Breakdown in this Section)	
7	70027671	8	Bolt	

SECTION 5 - DRIVE TRAIN

FIGURE 5-10. INPUT SHAFT GROUP



ART_70027717

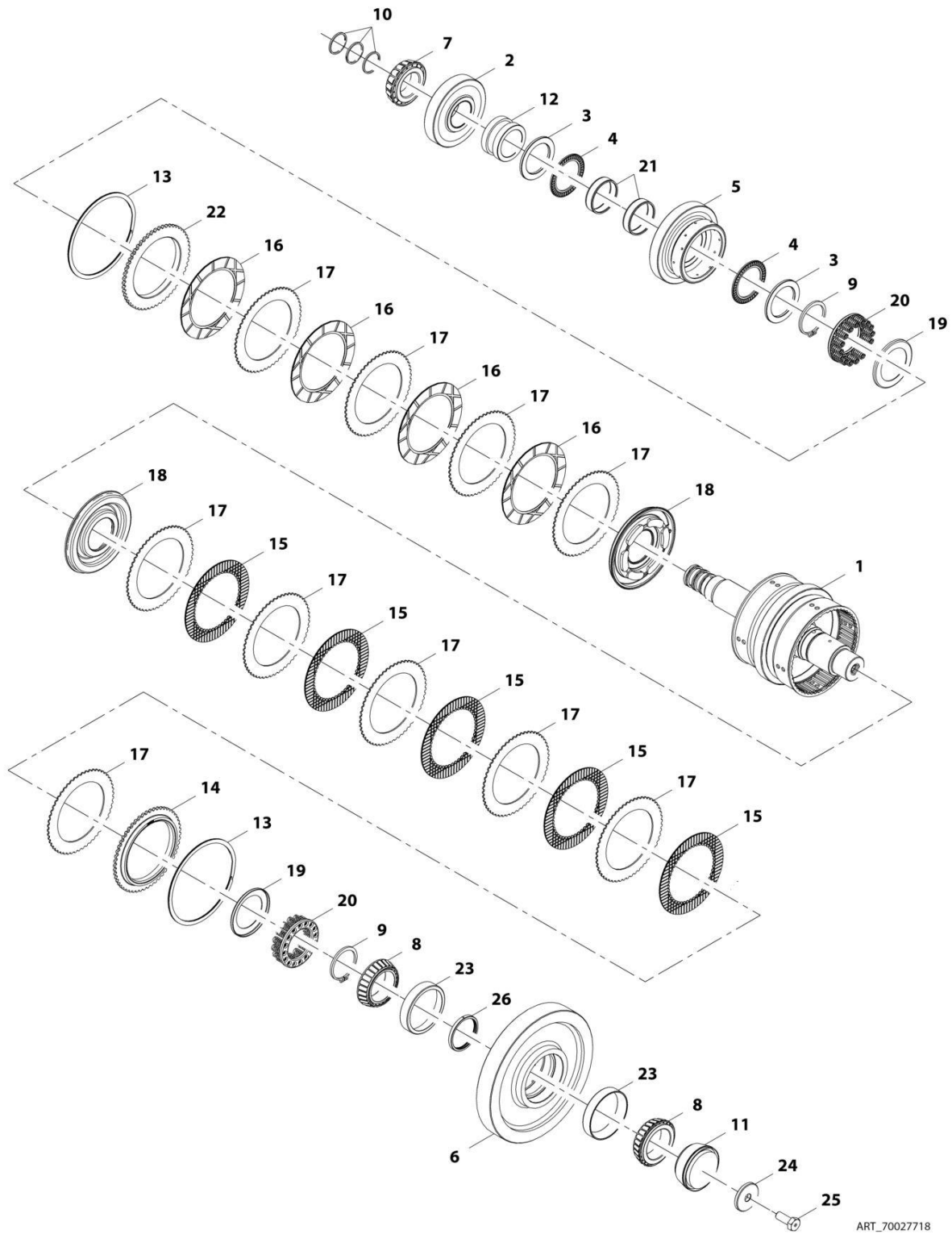
SECTION 5 - DRIVE TRAIN

FIGURE 5-10. INPUT SHAFT GROUP

ITEM	PART NUMBER	QTY	DESCRIPTION	REV
	70027717	Ref	Input Shaft Group	
1	70025432	4	Bearing, Thrust	
2	70025508	2	Bearing, Roller Cone	
3	70025433	4	Ring, Sealing	
4	70025429	2	Washer, Thrust	
5	70025440	2	Assembly, Spring and Retainer	
6	70025437	10	Plate, Clutch	
7	70025438	2	Piston, Clutch	
8	70025439	2	Retainer, Spring	
9	70025448	10	Disc, Friction	
10	70025400	1	Gear	
11	70025445	1	Assembly, Plug	
	70027328	2	Plug	
	70027348	1	Plug, Orifice	
12	70025401	1	Gear	
13	70025424	4	Bearing, Needle Roller	
14	70025446	2	Washer, Thrust	
15	70025449	1	Spacer, Piston	
16	70025447	2	Plate, Retainer	
17	70025498	2	Ring, Retaining	
18	70027681	2	Ring, Retaining	

SECTION 5 - DRIVE TRAIN

FIGURE 5-11. TRANSMISSION CLUTCH GROUP



ART_70027718

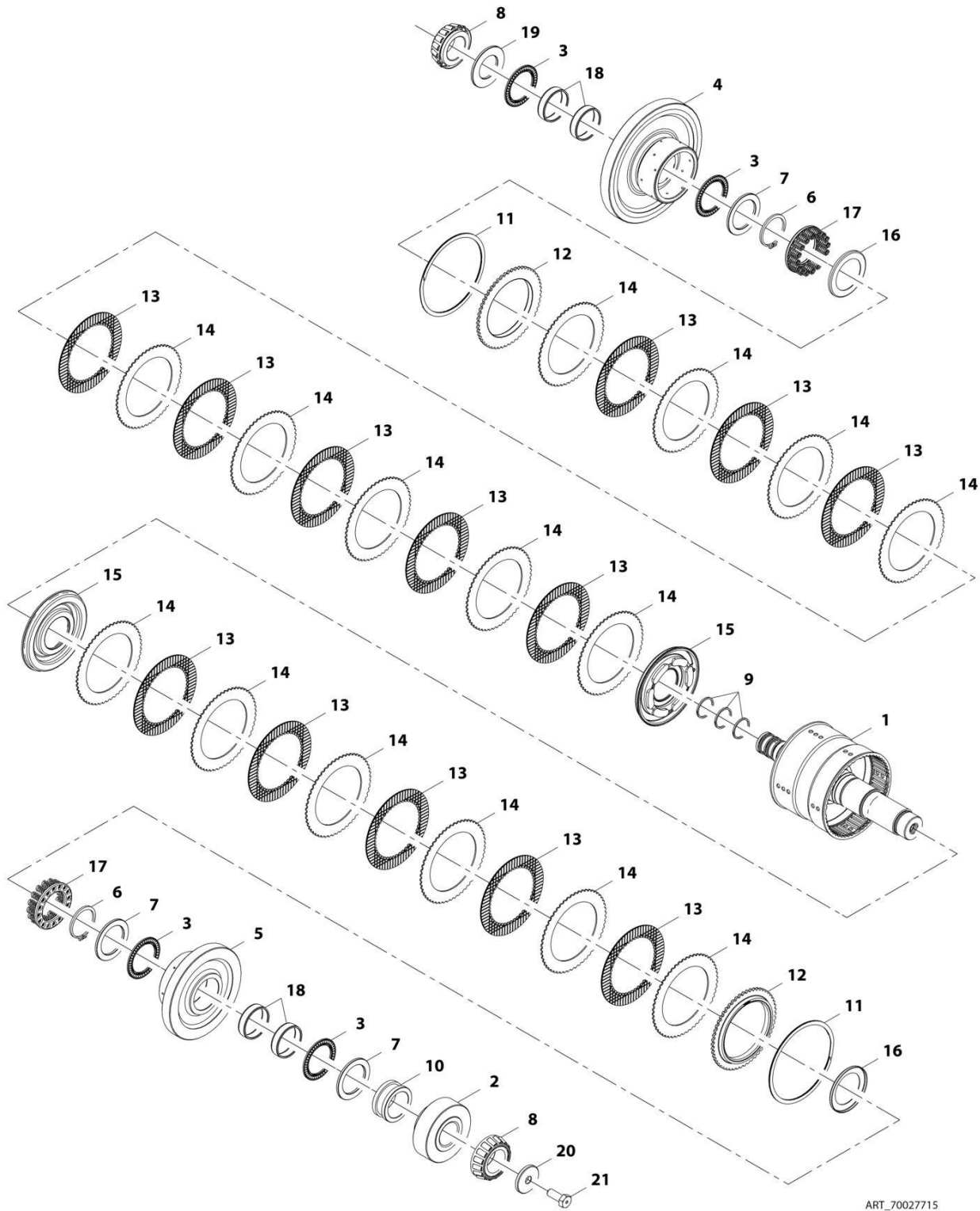
SECTION 5 - DRIVE TRAIN

FIGURE 5-11. TRANSMISSION CLUTCH GROUP

ITEM	PART NUMBER	QTY	DESCRIPTION	REV
	70027718	Ref	Transmission Clutch Group	
1	70025450	1	Shaft, Forward High/3rd	
	70027339	2	Plug	
	70027344	1	Plug-Orifice	
2	70025402	1	Gear	
3	70025429	2	Washer, Thrust	
4	70025432	2	Bearing, Thrust	
5	70025403	1	Gear	
6	70025404	1	Gear	
7	70025406	1	Bearing, Cone Roller	
8	70025407	2	Bearing, Cone Roller	
9	70025498	2	Ring, Retaining	
10	70025433	3	Ring, Sealing	
11	70025493	1	Bearing, Cone Roller	
12	70025409	1	Spacer	
13	70027681	2	Ring, Retaining	
14	70025435	1	Plate, Retainer	
15	70025436	5	Disc-Friction	
16	70025448	4	Disc-Friction	
17	70025437	10	Plate, Clutch	
18	70025438	2	Piston, Clutch	
19	70025439	2	Spring, Retainer	
20	70025440	2	Assembly, Spring and Retainer	
21	70025424	2	Bearing, Needle Roller	
22	70025447	1	Plate, Retaining	
23	70025408	2	Bearing, Cup	
24	70025504	1	Washer	
25	70025442	1	Bolt	
26	70025410	AR	Spacer, 5.88-5.90	
	70025411	AR	Spacer, 5.85-5.87	
	70025412	AR	Spacer, 5.82-5.84	
	70025413	AR	Spacer, 5.79-5.81	
	70025414	AR	Spacer, 6.00-6.02	
	70025415	AR	Spacer, 5.97-5.99	
	70025416	AR	Spacer, 5.94-5.96	
	70025417	AR	Spacer, 5.91-5.93	
	70025418	AR	Spacer, 6.09-6.11	
	70025419	AR	Spacer, 6.06-6.08	
	70027358	AR	Spacer, 6.12-6.14	
	70027359	AR	Spacer, 6.15-6.17	
	70025420	AR	Spacer, 6.03-6.05	
	70027364	AR	Spacer, 6.20-6.22	
	70027365	AR	Spacer, 6.25-6.27	

SECTION 5 - DRIVE TRAIN

FIGURE 5-12. CLUTCH AND GEAR GROUP



ART_70027715

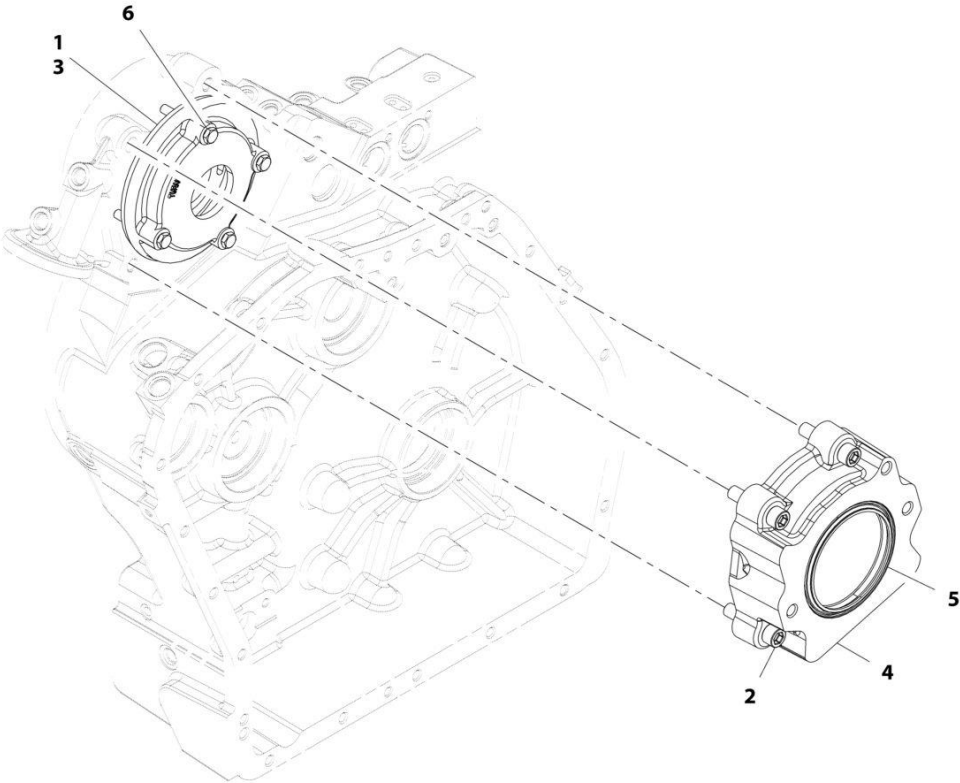
SECTION 5 - DRIVE TRAIN

FIGURE 5-12. CLUTCH AND GEAR GROUP

ITEM	PART NUMBER	QTY	DESCRIPTION	REV
	70027715	Ref	Clutch and Gear Group	
1	70025431	1	Assembly, Plug	
	70027328	2	Plug	
	70027344	1	Plug, Orifice	
	70027349	1	Plug, Orifice	
2	70025423	1	Gear	
3	70025432	4	Bearing, Thrust	
4	70025425	1	Gear	
5	70025401	1	Gear	
6	70025498	2	Ring, Retaining	
7	70025429	3	Washer, Thrust	
8	70025496	2	Cone, Roller Bearing	
9	70025433	3	Ring, Sealing	
10	70025426	1	Spacer	
11	70027681	2	Ring, Retaining	
12	70025435	2	Plate, Retainer	
13	70025436	13	Disc, Friction	
14	70025437	15	Plate, Clutch	
15	70025438	2	Piston, Clutch	
16	70025439	2	Retainer, Spring	
17	70025440	2	Assembly, Spring and Retainer	
18	70025424	4	Bearing, Needle Roller	
19	70025441	1	Washer, Thrust	
20	70025504	1	Washer	
21	70025442	1	Bolt	

SECTION 5 - DRIVE TRAIN

FIGURE 5-13. TRANSMISSION PUMP GROUP



ART_70027719

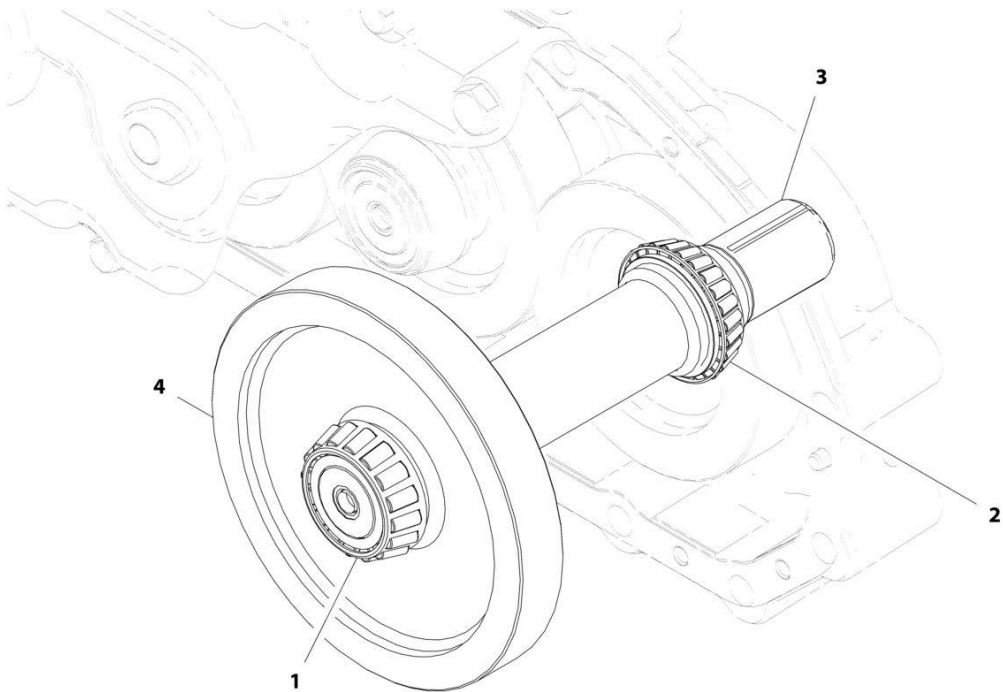
SECTION 5 - DRIVE TRAIN

FIGURE 5-13. TRANSMISSION PUMP GROUP

ITEM	PART NUMBER	QTY	DESCRIPTION	REV
	70027719	Ref	Transmission Pump Group	
1	70025464	1	O-Ring	
2	70025463	4	Capscrew	
3	70025459	1	Pump, Charge	
4	70025452	1	Housing, Pump	
5	70027347	1	Plug	
6	70025522	4	Bolt	

SECTION 5 - DRIVE TRAIN

FIGURE 5-14. OUTPUT SHAFT GROUP



ART_70027716

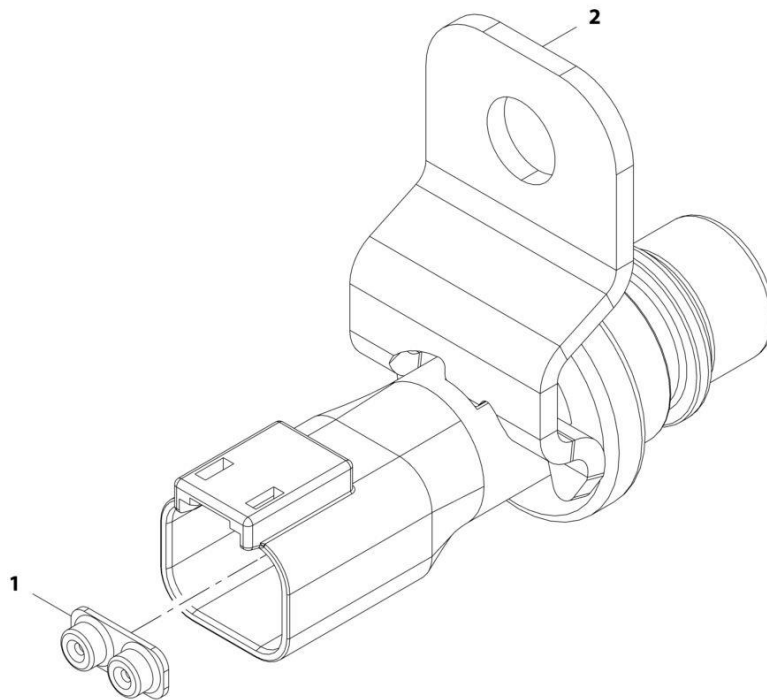
SECTION 5 - DRIVE TRAIN

FIGURE 5-14. OUTPUT SHAFT GROUP

ITEM	PART NUMBER	QTY	DESCRIPTION	REV
	70027716	Ref	Output Shaft Group	
1	70025496	1	Cone, Roller Bearing	
2	70025407	1	Cone, Roller Bearing	
3	70025428	1	Gear	
4	70025427	1	Shaft, Output	

SECTION 5 - DRIVE TRAIN

FIGURE 5-15. SPEED SENSOR



ART_70025526

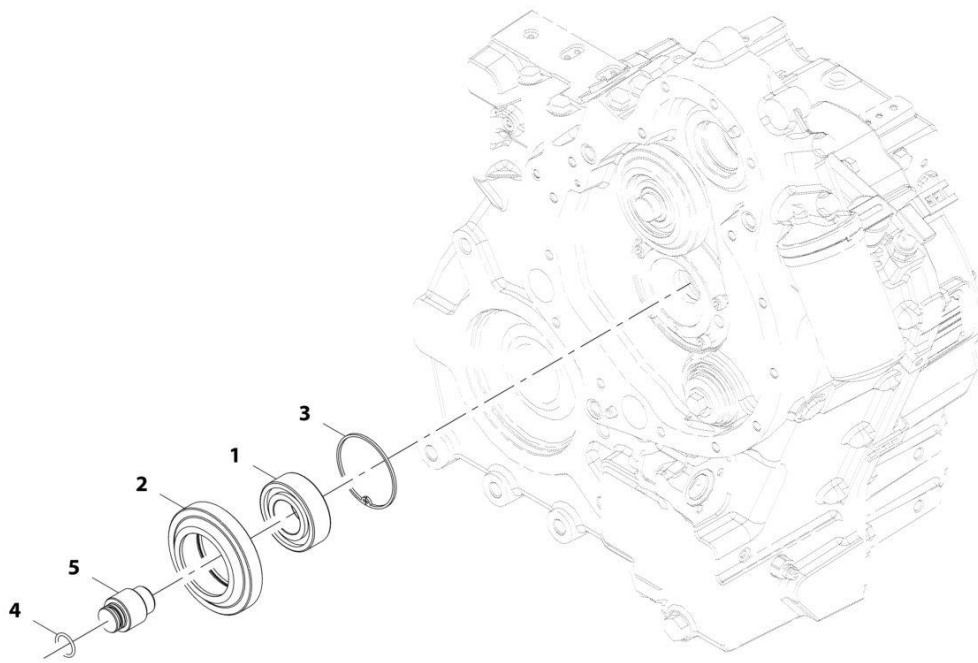
SECTION 5 - DRIVE TRAIN

FIGURE 5-15. SPEED SENSOR

ITEM	PART NUMBER	QTY	DESCRIPTION	REV
	70025526	Ref	Speed Sensor	
1	70027332	1	Connector	
2	70027661	1	Bracket	

SECTION 5 - DRIVE TRAIN

FIGURE 5-16. IDLER GEAR



ART_70027707

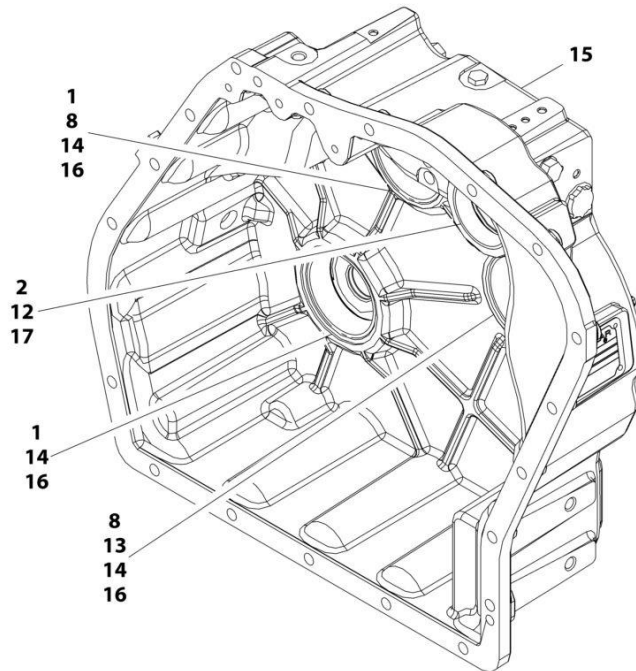
SECTION 5 - DRIVE TRAIN

FIGURE 5-16. IDLER GEAR

ITEM	PART NUMBER	QTY	DESCRIPTION	REV
	70027707	Ref	Idler Gear Group	
1	70025389	1	Bearing, Roller	
2	70025388	1	Pump, Idler Gear	
3	70025391	1	Circlip	
4	70025390	1	O-Ring	
5	70025387	1	Pump, Output Shaft	

SECTION 5 - DRIVE TRAIN

FIGURE 5-17. REAR TRANSMISSION CASE



ART_70027711

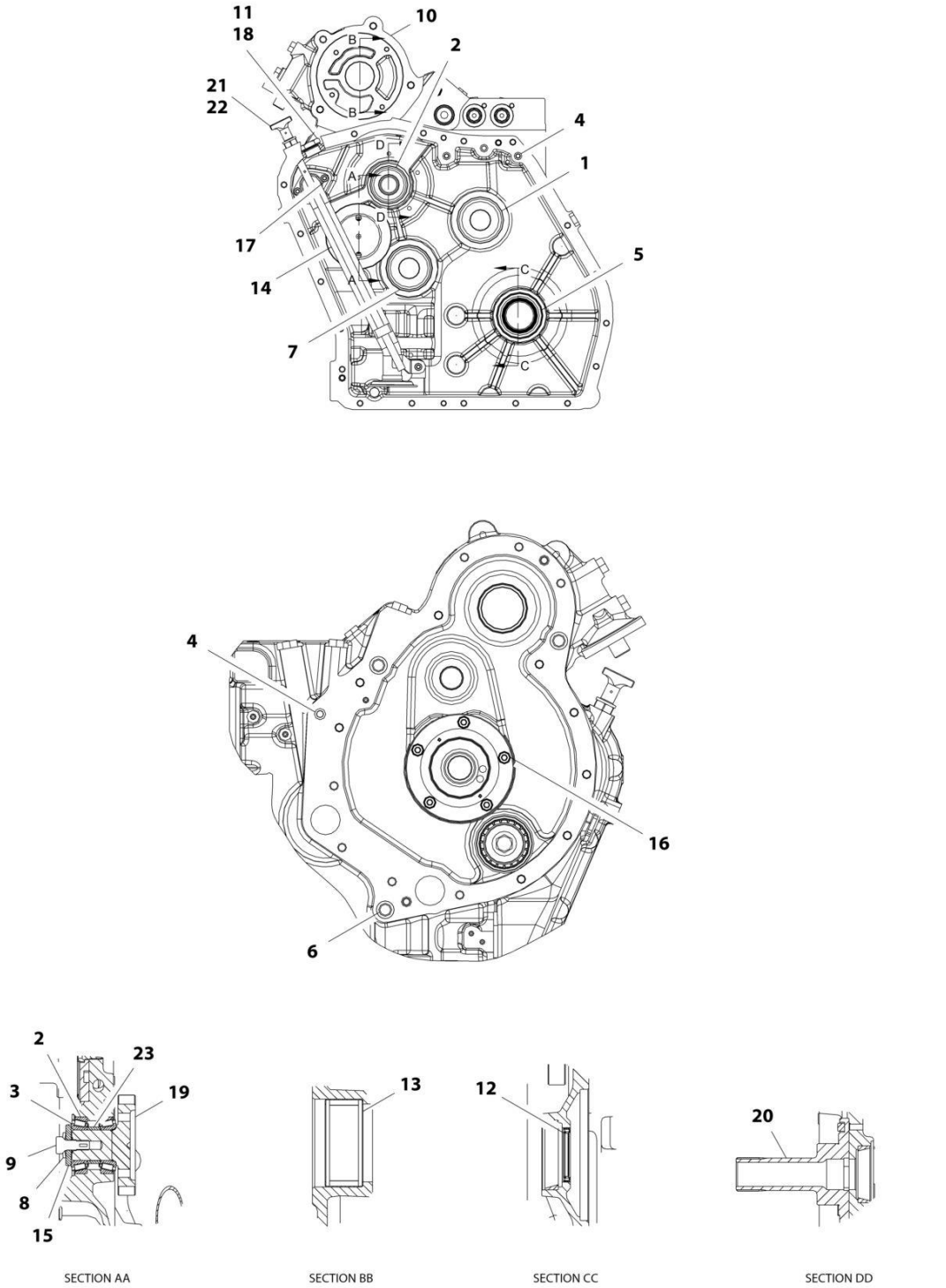
SECTION 5 - DRIVE TRAIN

FIGURE 5-17. REAR TRANSMISSION CASE

ITEM	PART NUMBER	QTY	DESCRIPTION	REV
	70027711	Ref	Rear Transmission Case	
1	70025497	2	Cup, Roller Bearing	
2	70025443	AR	Shim, 0.508	
	70025444	AR	Shim, 0.381	
	70025518	AR	Shim, 0.051	
	70025515	AR	Shim, 0.178	
	70025516	AR	Shim, 0.127	
	70025517	AR	Shim, 0.076	
8	70025502	AR	Shim, 0.599	
	70025501	AR	Shim, 0.178	
	70025500	AR	Shim, 0.076	
	70025499	AR	Shim, 0.051	
12	70025509	1	Cup, Roller Bearing	
13	70025494	1	Cup, Bearing	
14	70025476	3	Cap	
15	70025430	1	Assembly, Rear Transmission Case (See Separate Breakdown in this Section)	
16	70025421	3	Shim	
17	70027350	1	Spacer	

SECTION 5 - DRIVE TRAIN

FIGURE 5-18. PLANETARY CASE



ART_70027714

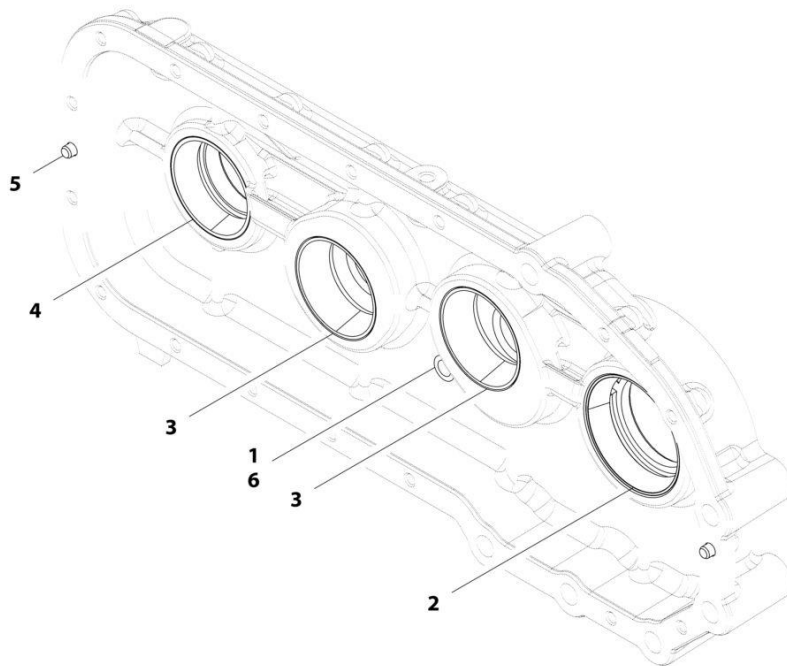
SECTION 5 - DRIVE TRAIN

FIGURE 5-18. PLANETARY CASE

ITEM	PART NUMBER	QTY	DESCRIPTION	REV
	70027714	Ref	Planetary Case	
1	70025497	1	Cup, Roller Bearing	
2	70025509	3	Cup, Roller Bearing	
3	70025508	1	Cone, Roller Bearing	
4	70025523	4	O-Ring	
5	70025408	1	Cup, Bearing	
6	70025468	3	O-Ring	
7	70027340	1	Bearing	
8	70025380	1	Washer, Bevel Spring	
9	70025505	1	Bolt	
10	70025467	1	Assembly, Front Transmission Case (See Separate Breakdown in this Section)	
11	70027664	1	Housing	
12	70027376	1	Seal, Lip	
13	70025360	1	Bearing, Needle Roller	
14	70027668	1	Assembly, Strainer	
	70025461	2	O-Ring	
	70025460	1	Strainer	
15	70025504	1	Washer	
16	70025513	5	Capscrew	
17	70025520	3	Capscrew	
18	70025472	1	Washer	
19	70027665	1	Shaft, Idler	
	70025508	1	Cone, Bearing	
	70025361	1	Gear, Reverse Idler	
20	70025394	1	Support	
	70025382	2	Pin	
21	70025465	1	Dipstick	
22	70025462	1	Assembly, Dipstick Tube	
	70027388	1	O-Ring	
	70027346	1	Tube	
23	70025370	AR	Spacer, 15.09-15.11	
	70025376	AR	Spacer, 15.27-15.29	
	70025362	AR	Spacer, 14.85-14.87	
	70025377	AR	Spacer, 15.30-15.32	
	70025371	AR	Spacer, 15.12-15.14	
	70025372	AR	Spacer, 15.15-15.17	
	70025373	AR	Spacer, 15.18-15.20	
	70025363	AR	Spacer, 14.88-14.90	
	70025364	AR	Spacer, 14.91-14.93	
	70025365	AR	Spacer, 14.94-14.96	
	70025366	AR	Spacer, 14.97-14.99	
	70025367	AR	Spacer, 15.00-15.02	
	70025368	AR	Spacer, 15.03-15.05	
	70025369	AR	Spacer, 15.06-15.08	
	70025374	AR	Spacer, 15.21-15.23	
	70025378	AR	Spacer, 15.33-15.35	
	70025379	AR	Spacer, 15.36-15.38	
	70025375	AR	Spacer, 15.24-15.26	

SECTION 5 - DRIVE TRAIN

FIGURE 5-19. FRONT TRANSFER CASE



ART_70027373

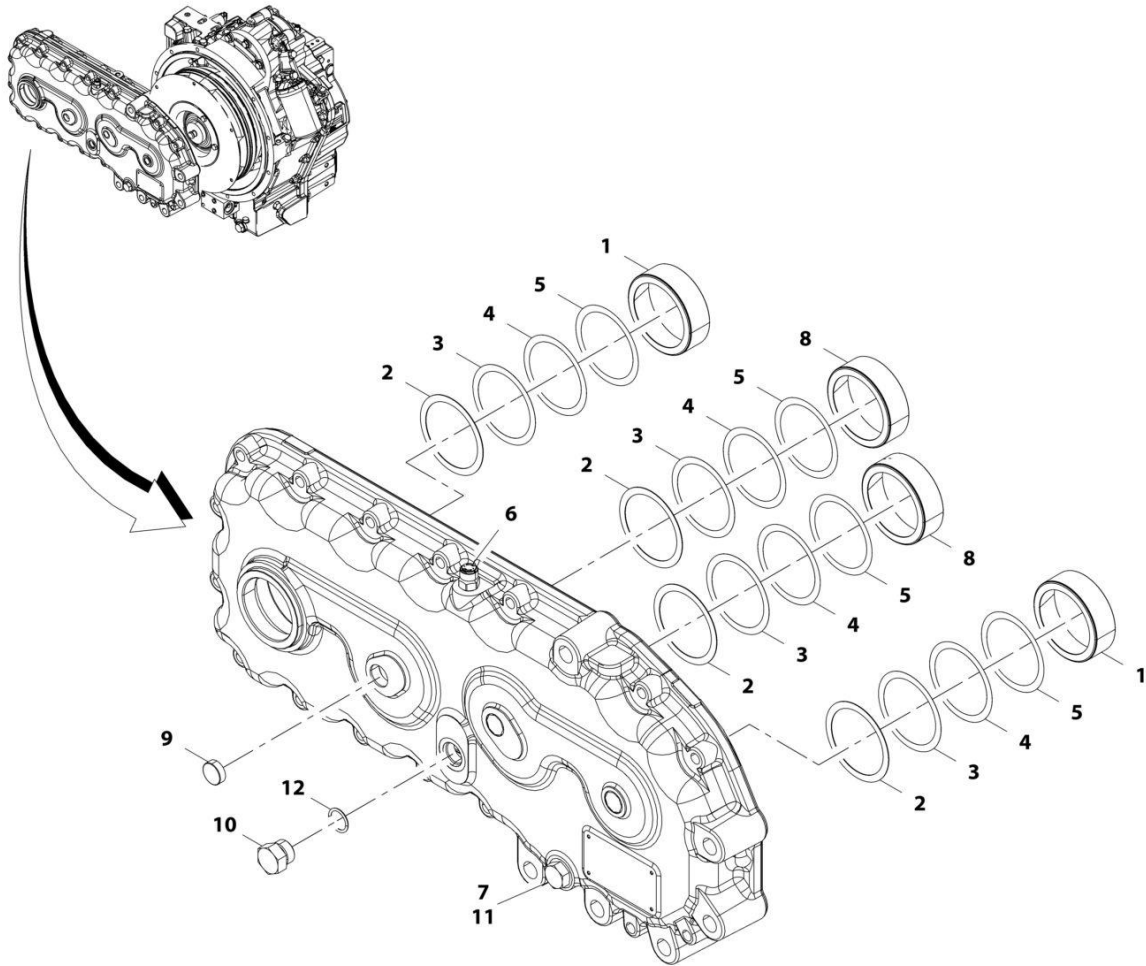
SECTION 5 - DRIVE TRAIN

FIGURE 5-19. FRONT TRANSFER CASE

ITEM	PART NUMBER	QTY	DESCRIPTION	REV
	70027373	Ref	Front Transfer Case	
1	70025506	1	Plug	
2	70024635	1	Cup, Roller Bearing	
3	70025494	2	Cup, Bearing	
4	70025497	1	Cup, Roller Bearing	
5	70025495	2	Dowel	
6	70027387	1	O-Ring	

SECTION 5 - DRIVE TRAIN

FIGURE 5-20. REAR TRANSFER CASE



ART_70027375

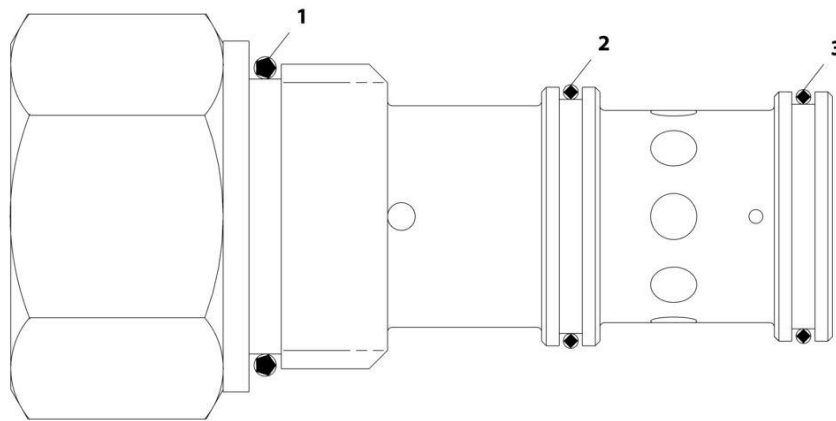
SECTION 5 - DRIVE TRAIN

FIGURE 5-20. REAR TRANSFER CASE

ITEM	PART NUMBER	QTY	DESCRIPTION	REV
	70027375	Ref	Rear Transfer Case	
1	70025497	2	Cup, Roller Bearing	
2	70025502	4	Shim, 0.236	
3	70025501	4	Shim, 0.007	
4	70025500	4	Shim, 0.003	
5	70025499	4	Shim, 0.002	
6	70027374	1	Breather	
7	70024646	1	Plug	
8	70025494	2	Cup, Bearing	
9	70024641	3	Cap	
10	70025506	1	Plug	
11	7022730	1	O-Ring	
12	70027387	1	O-Ring	

SECTION 5 - DRIVE TRAIN

FIGURE 5-21. RELIEF VALVE



ART_70025469

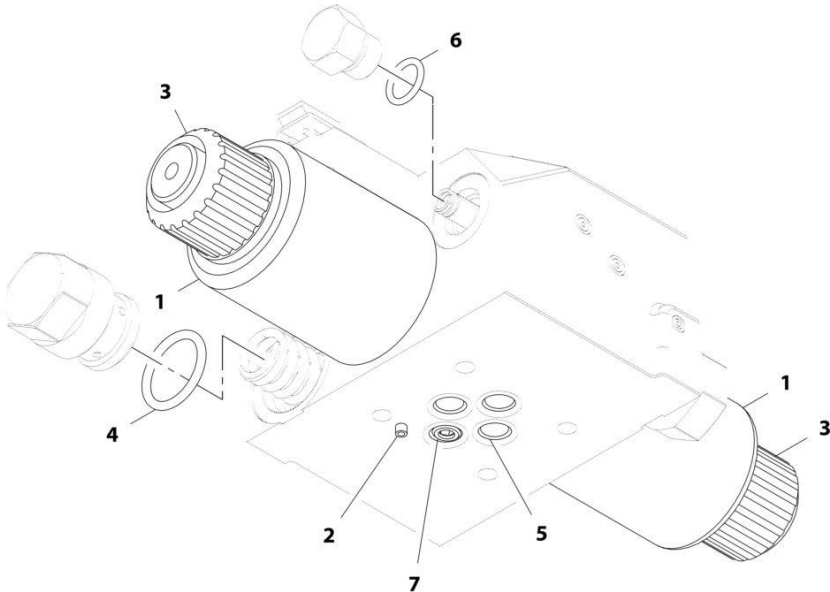
SECTION 5 - DRIVE TRAIN

FIGURE 5-21. RELIEF VALVE

ITEM	PART NUMBER	QTY	DESCRIPTION	REV
	70025469	Ref	Valve, Relief	
1	70027679	1	O-Ring	
2	70027678	1	O-Ring	
3	70027660	1	O-Ring	

SECTION 5 - DRIVE TRAIN

FIGURE 5-22. SOLENOID VALVE



ART_70027362

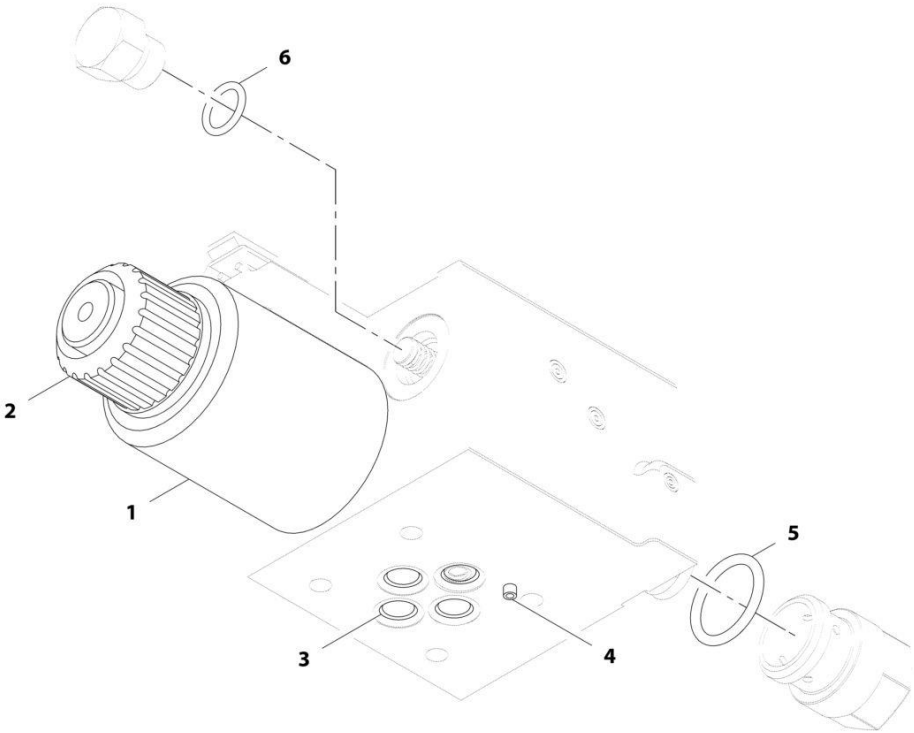
SECTION 5 - DRIVE TRAIN

FIGURE 5-22. SOLENOID VALVE

ITEM	PART NUMBER	QTY	DESCRIPTION	REV
	70027362	Ref	Solenoid Valve	
1	70025456	2	Coil, Solenoid	
2	70027389	1	Pin	
3	70025457	2	Assembly, Solenoid	
	70027677	1	O-Ring	
	70025455	1	Nut, Self Locking	
4	70027352	2	O-Ring	
5	70025466	4	O-Ring	
6	70027353	2	O-Ring	
7	70027361	1	Plug	

SECTION 5 - DRIVE TRAIN

FIGURE 5-23. SOLENOID VALVE



ART_70027363

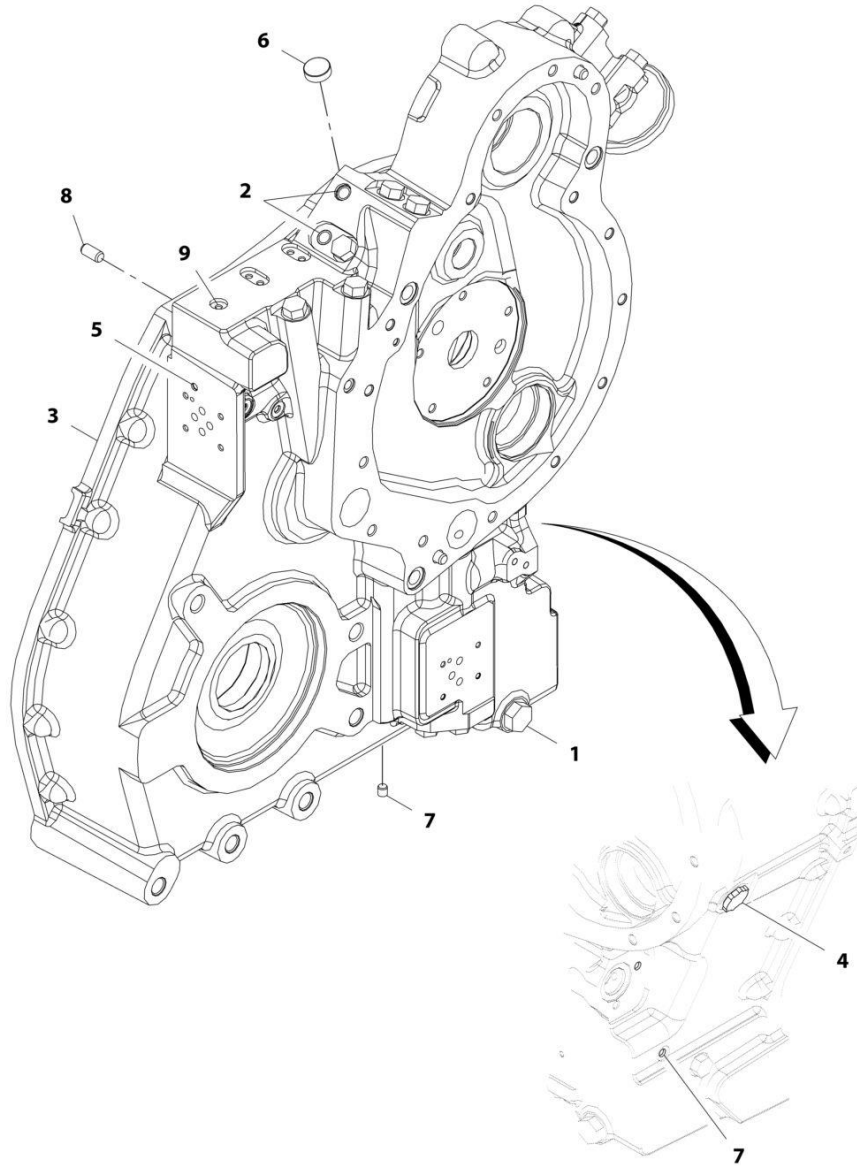
SECTION 5 - DRIVE TRAIN

FIGURE 5-23. SOLENOID VALVE

ITEM	PART NUMBER	QTY	DESCRIPTION	REV
	70027363	Ref	Solenoid Valve	
1	70025456	1	Coil, Solenoid	
2	70025457	1	Tube	
	70027677	1	O-Ring	
	70025455	1	Nut, Self Locking	
3	70025466	4	O-Ring	
4	70027389	1	Pin	
5	70027352	1	O-Ring	
6	70027353	1	O-Ring	

SECTION 5 - DRIVE TRAIN

FIGURE 5-24. FRONT TRANSMISSION CASE ASSEMBLY



ART_70025467

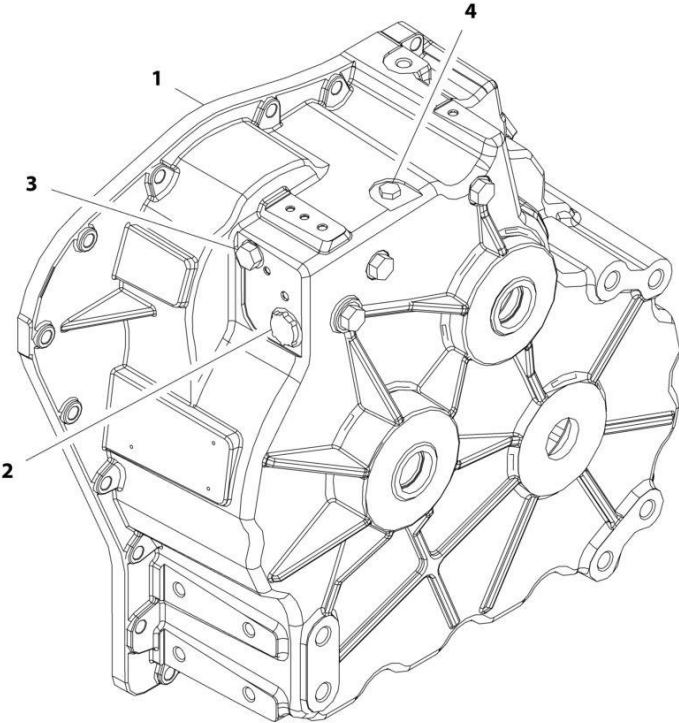
SECTION 5 - DRIVE TRAIN

FIGURE 5-24. FRONT TRANSMISSION CASE ASSEMBLY

ITEM	PART NUMBER	QTY	DESCRIPTION	REV
	70025467	Ref	Front Transmission Case Assembly	
1	70024646	1	Plug	
2	70025471	2	Plug	
3	70027669	1	Case, Front Transmission	
	70027354	1	Adapter	
4	70027337	1	Plug	
5	70027338	4	Plug	
6	70024641	1	Cap	
7	70027339	3	Plug	
8	70025495	4	Dowel	
9	70027328	7	Plug	

SECTION 5 - DRIVE TRAIN

FIGURE 5-25. REAR TRANSMISSION CASE ASSEMBLY



ART_70025430

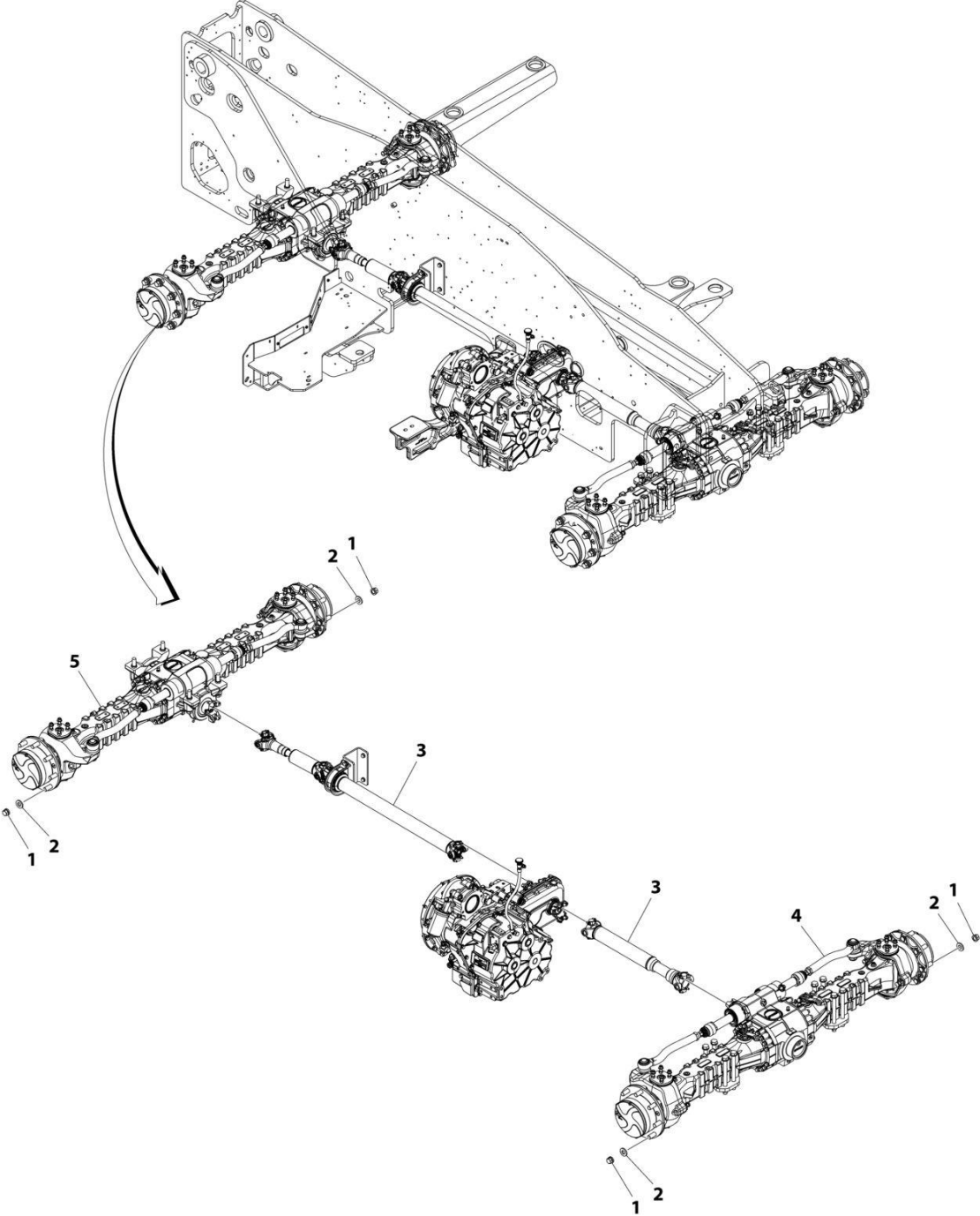
SECTION 5 - DRIVE TRAIN

FIGURE 5-25. REAR TRANSMISSION CASE ASSEMBLY

ITEM	PART NUMBER	QTY	DESCRIPTION	REV
1	70025430	Ref	Rear Transmission Case Assembly	
	70027366	1	Case, Rear Transmission	
	70027338	4	Plug	
	70027339	4	Plug	
2	70027337	1	Plug	
3	70027663	4	Assembly, Plug	
	70025525	1	O-Ring	
4	70025524	1	Plug	
	70025529	1	Plug	

SECTION 5 - DRIVE TRAIN

FIGURE 5-26. DRIVESHAFT & AXLE INSTALLATION



ART_1001256360

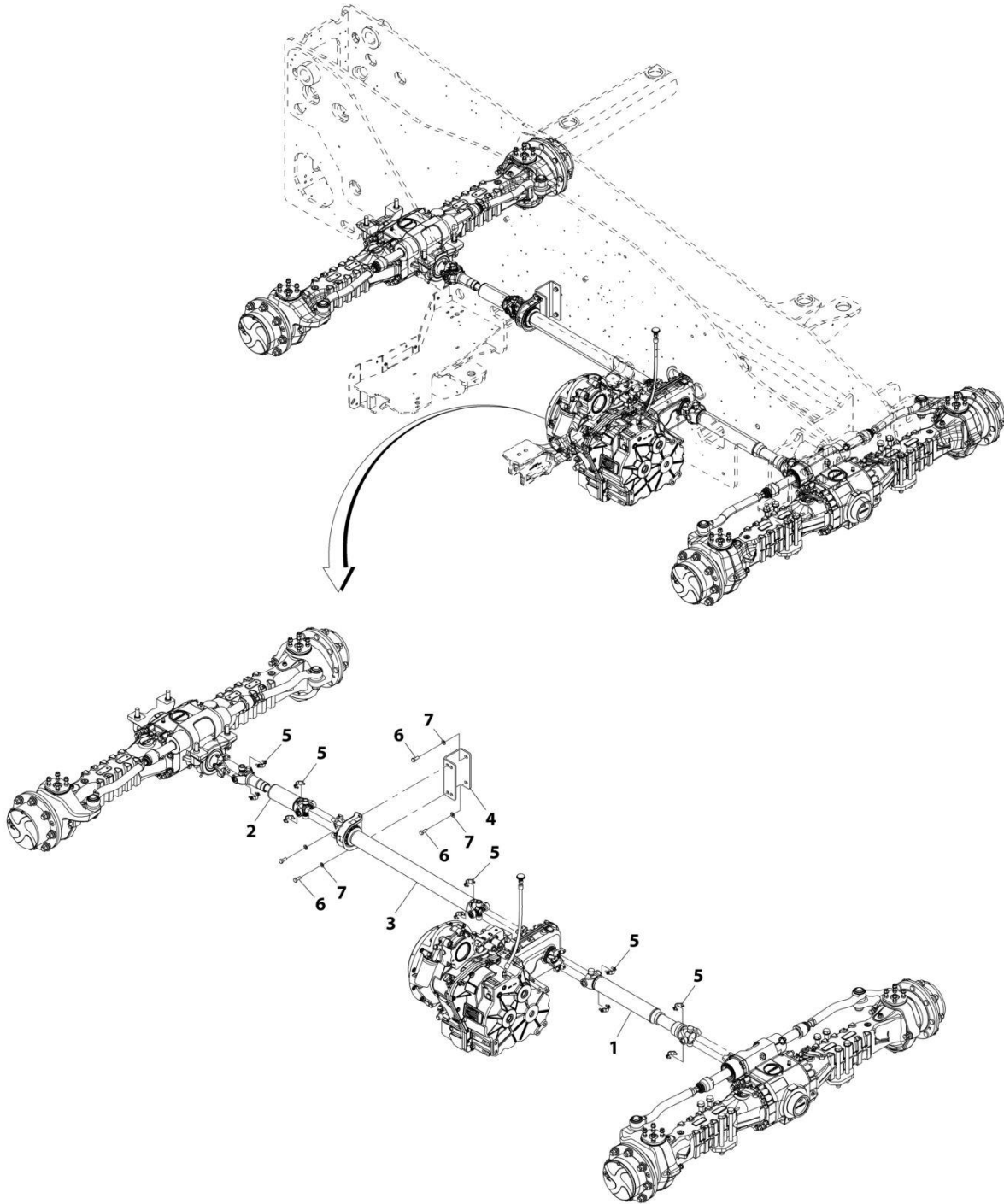
SECTION 5 - DRIVE TRAIN

FIGURE 5-26. DRIVESHAFT & AXLE INSTALLATION

ITEM	PART NUMBER	QTY	DESCRIPTION	REV
	1001256360	Ref	DRIVETRAIN INSTALLATION	D
1	3300479	32	Nut M22 (Without Free-Spinning Flange)	
1	91403193	32	Nut M22 Grade 8 (With Free-Spinning Flange)	
2	1001114802	32	Washer M22	
3	1001177638	1	Installation, Drive Shaft (See Separate Breakdown in this Section)	
4	1001256366	1	Installation, Front Axle (No Hydraulic Park Brake) (See Separate Breakdown in this Section)	
5	1001256367	1	Installation, Rear Axle (See Separate Breakdown in this Section)	

SECTION 5 - DRIVE TRAIN

FIGURE 5-27. DRIVE SHAFTS INSTALLATION



ART_1001177638-B

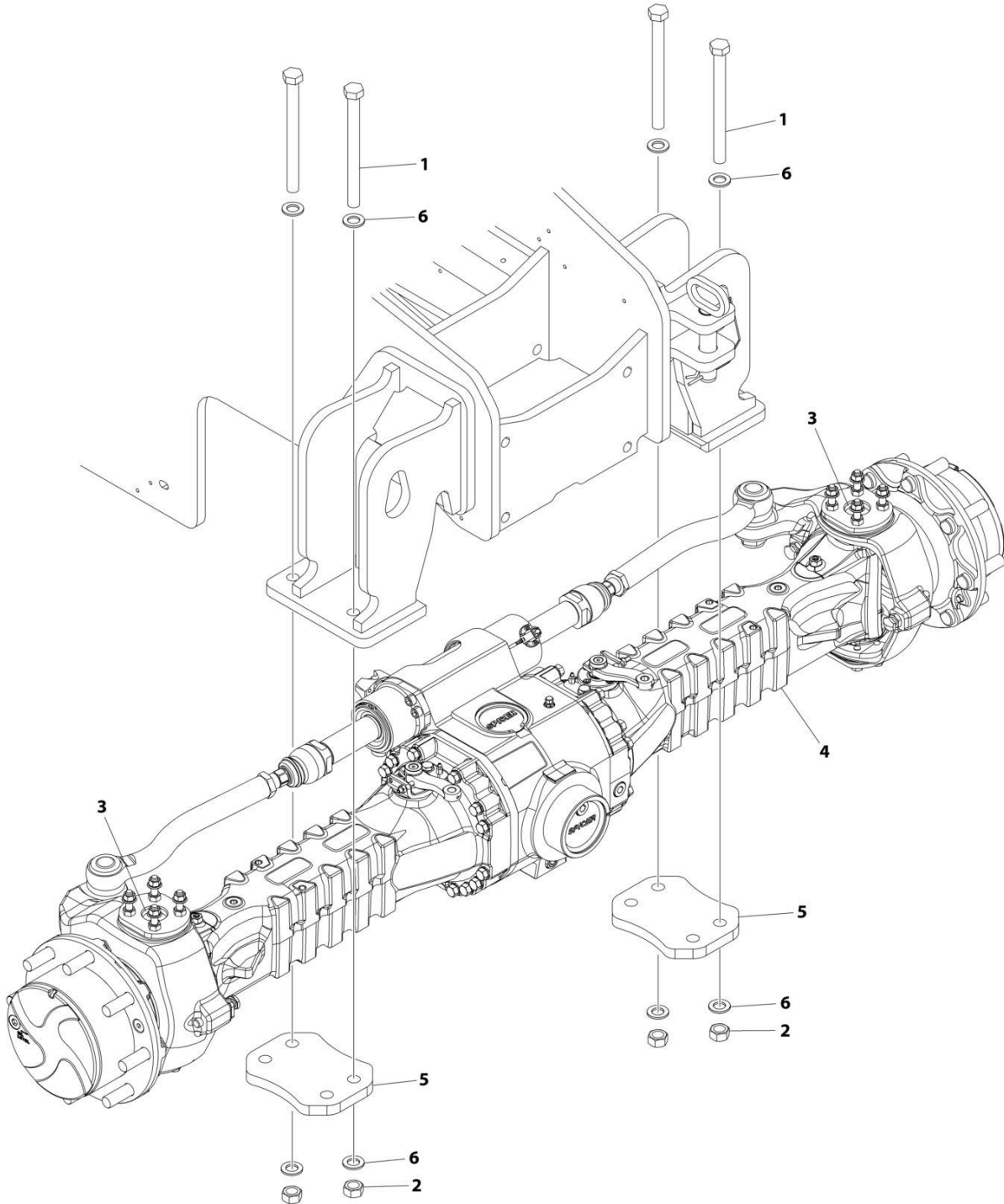
SECTION 5 - DRIVE TRAIN

FIGURE 5-27. DRIVE SHAFTS INSTALLATION

ITEM	PART NUMBER	QTY	DESCRIPTION	REV
	1001177638	Ref	Drive Shafts Installation	B
1	1001174879	1	Shaft, Drive	
2	1001174880	1	Shaft, Drive	
3	1001174881	1	Shaft, Drive	
4	1001177870	1	Support	
5	8005079	10	Clampset	
6	0761214	4	Bolt, M12X30	
7	4812100	4	Washer, M12	

SECTION 5 - DRIVE TRAIN

FIGURE 5-28. FRONT AXLE INSTALLATION



ART_1001256366_B

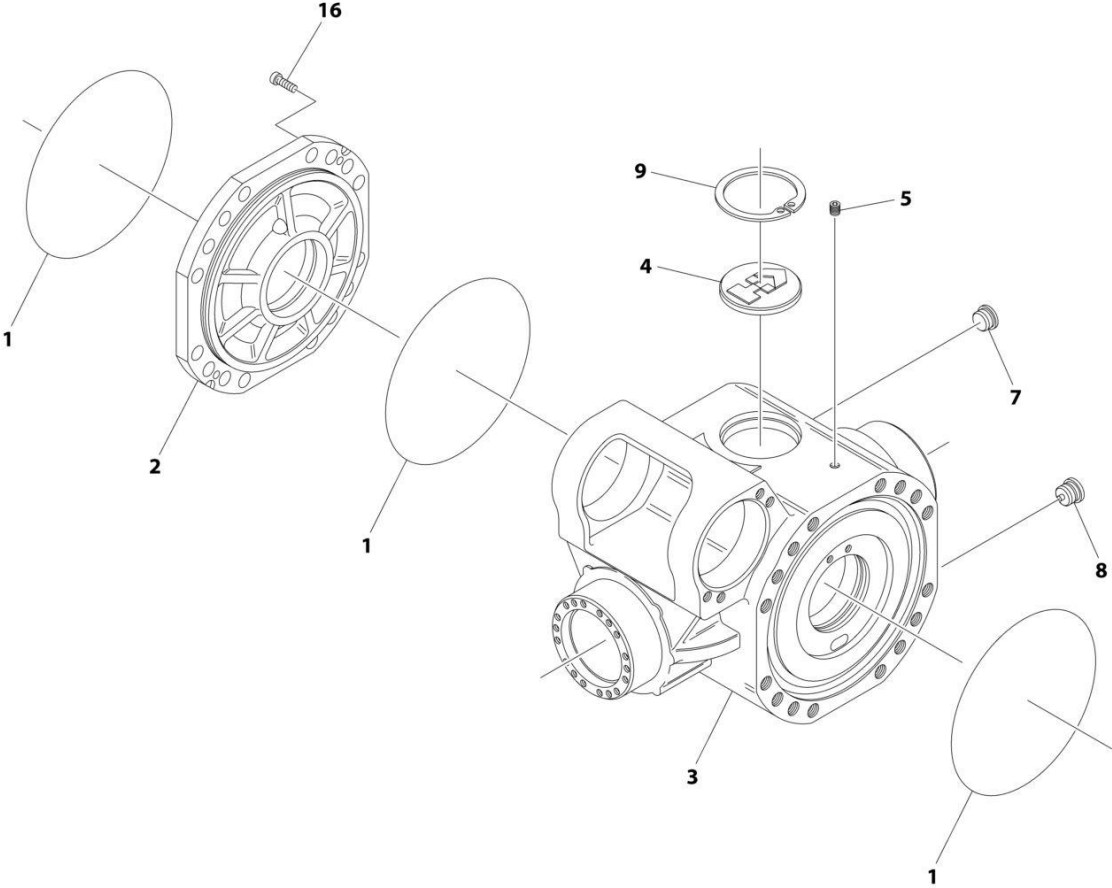
SECTION 5 - DRIVE TRAIN

FIGURE 5-28. FRONT AXLE INSTALLATION

ITEM	PART NUMBER	QTY	DESCRIPTION	REV
	1001256366	Ref	FRONT AXLE INSTALLATION (NO HYDRAULIC PARK BRAKE)	B
1	0712040	8	Bolt M20 x 230, Grade 10.9	
2	3332011	8	Nut M20 x 2.5	
3	1001008462	AR	Grease	
4	1001270167	1	Installation, Front Axle (No Hydraulic Park Brake) (See Separate Breakdown in this Section)	
5	1001190542	2	Plate	
6	1001197130	16	Washer	

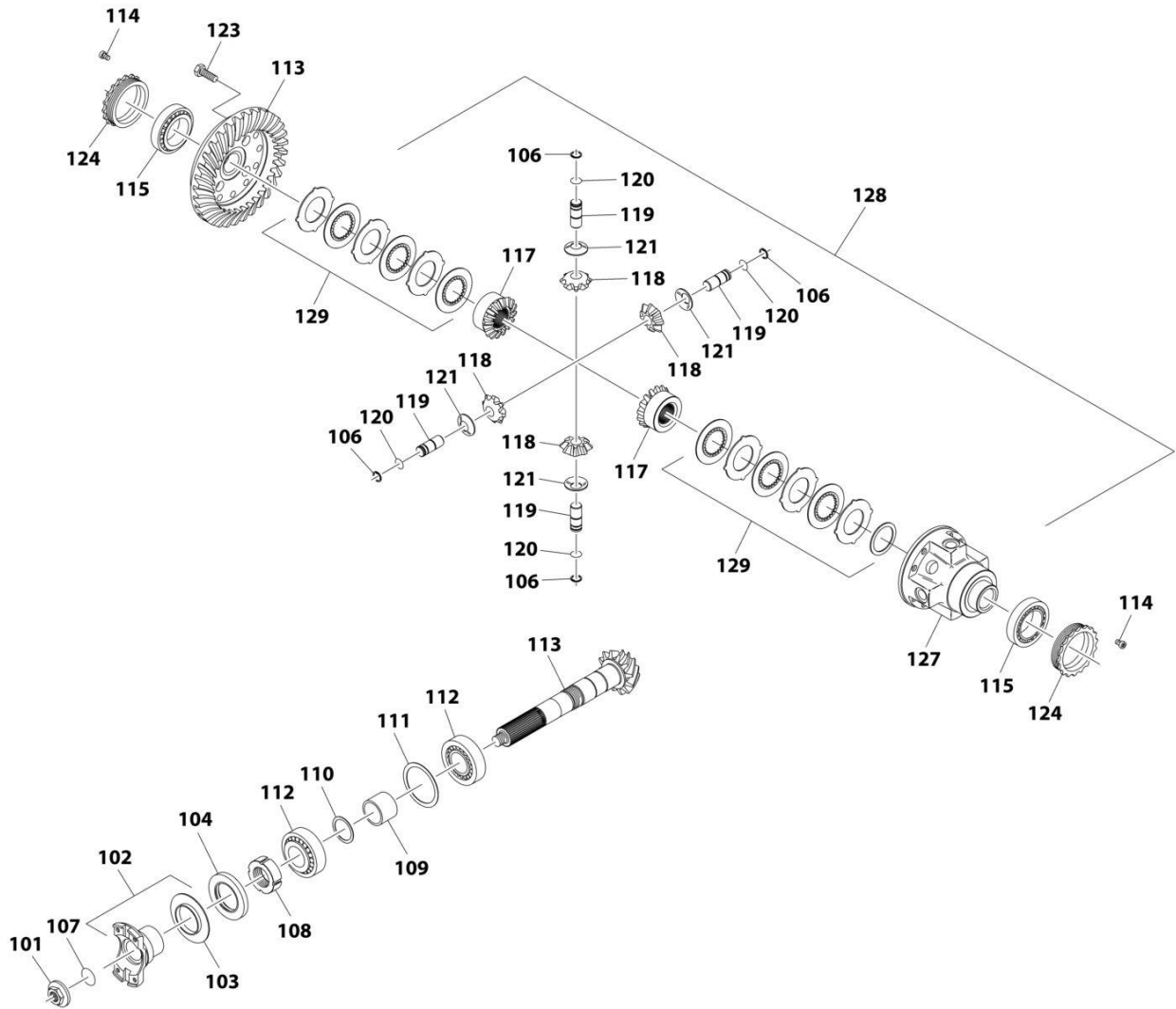
SECTION 5 - DRIVE TRAIN

FIGURE 5-29. FRONT AXLE ASSEMBLY



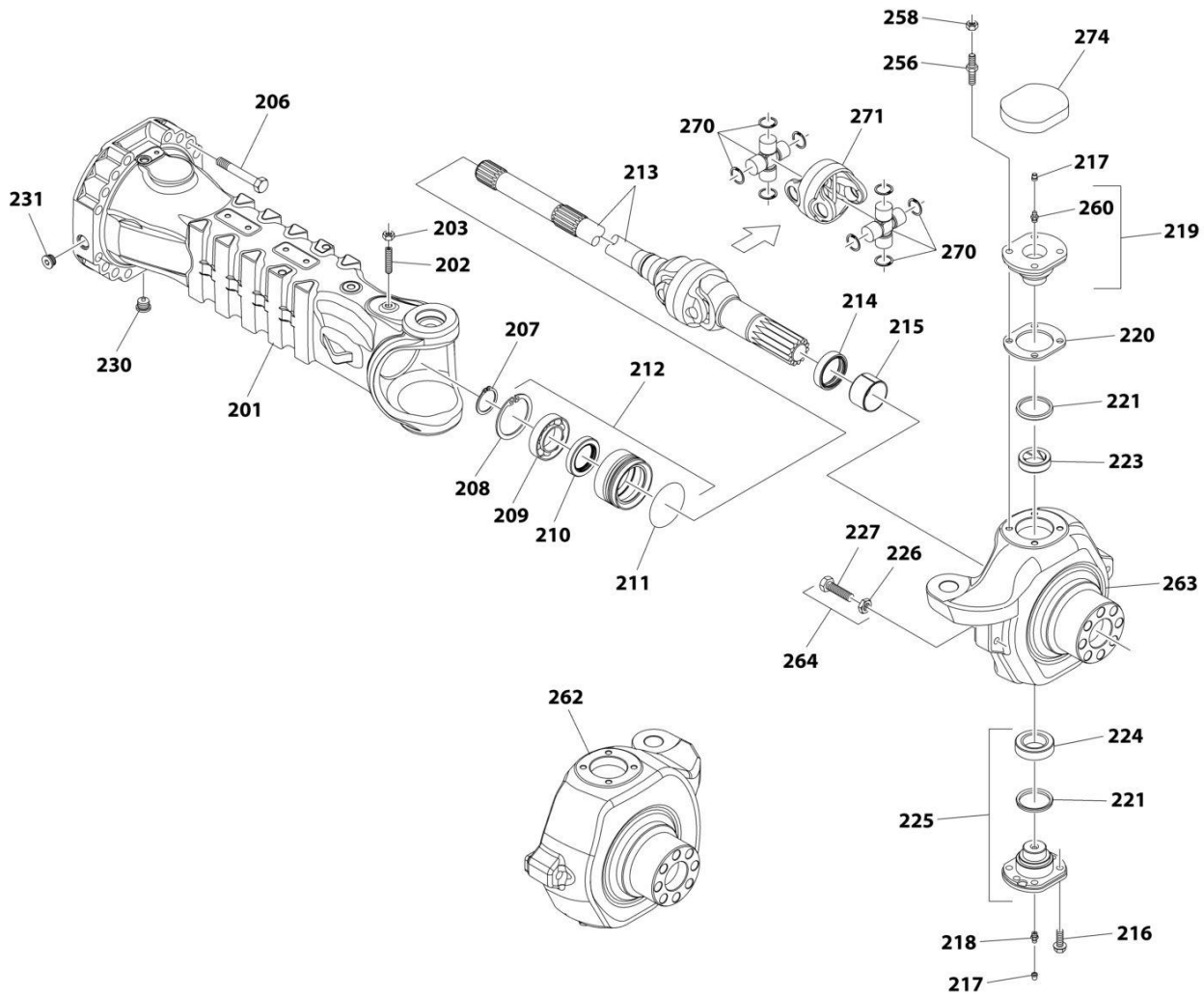
ART_1001270167_10F6

SECTION 5 - DRIVE TRAIN



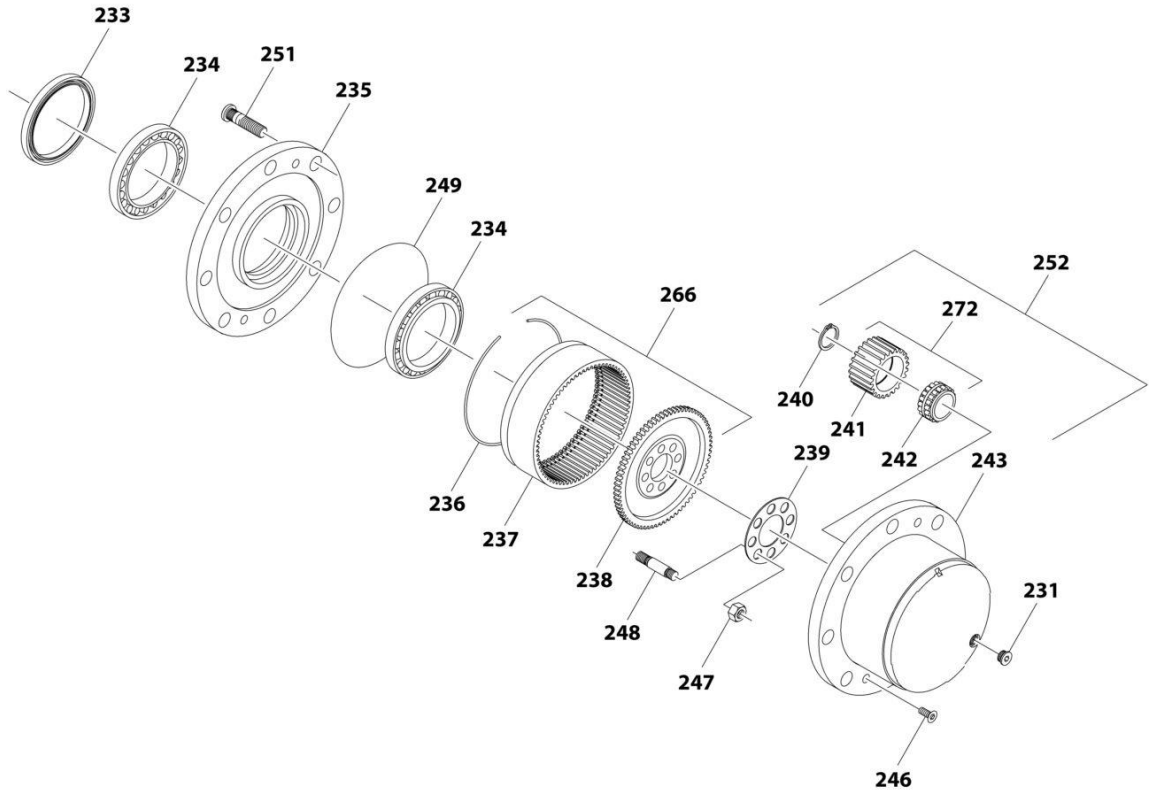
ART_1001270167_20F6

SECTION 5 - DRIVE TRAIN



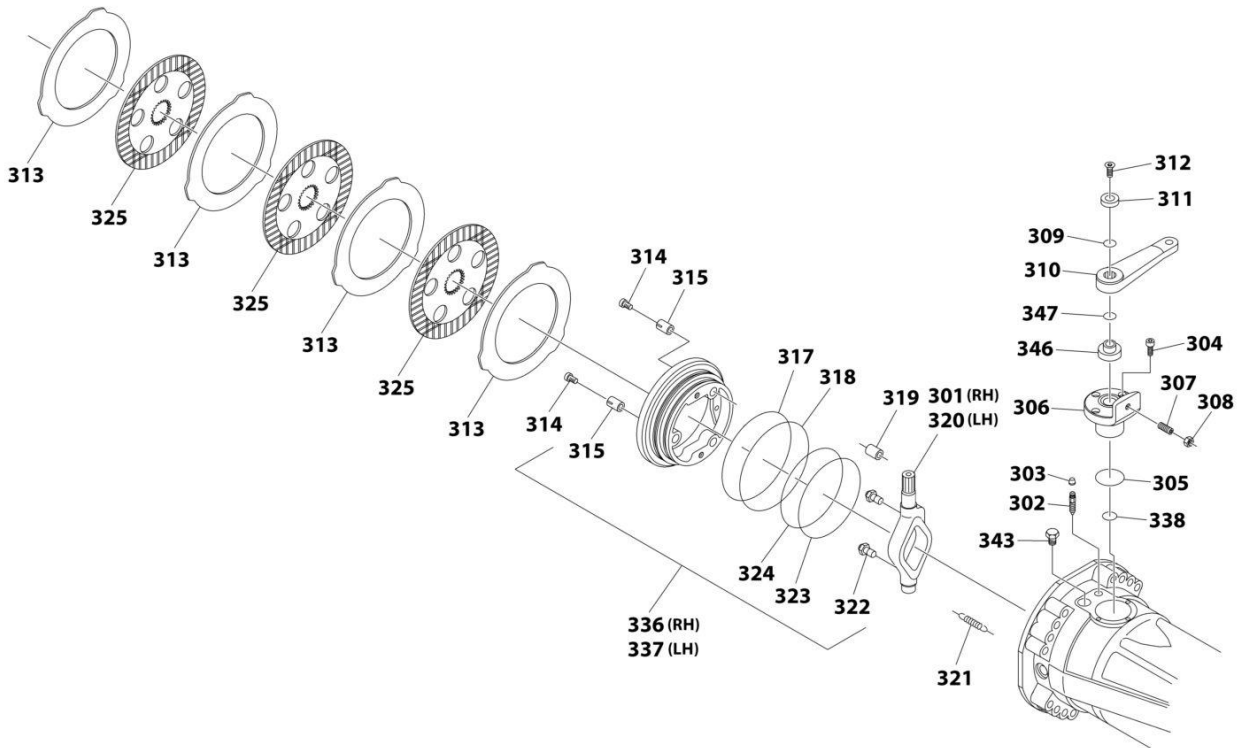
ART_1001270167_30F6

SECTION 5 - DRIVE TRAIN



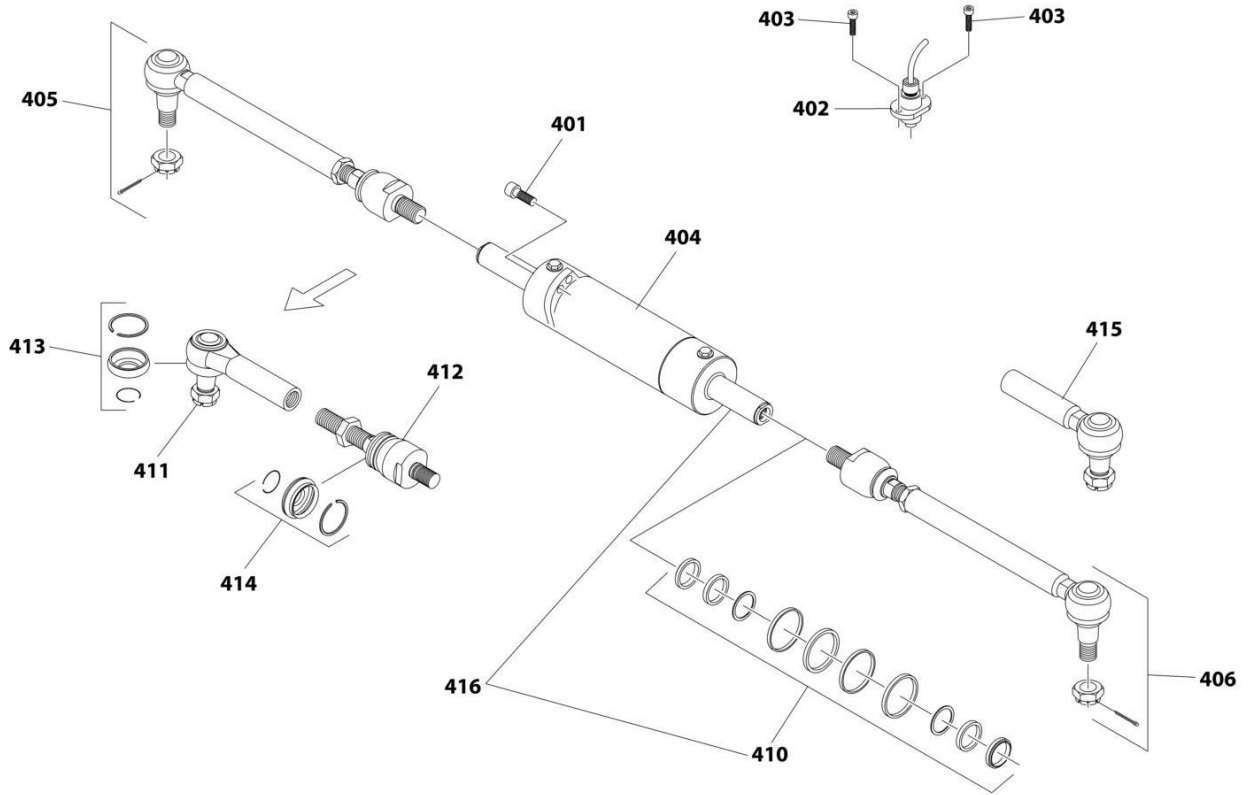
ART_1001270167_4OF6

SECTION 5 - DRIVE TRAIN



ART_1001270167_50F6

SECTION 5 - DRIVE TRAIN



ART_1001270167_60F6

SECTION 5 - DRIVE TRAIN

FIGURE 5-29. FRONT AXLE ASSEMBLY

ITEM	PART NUMBER	QTY	DESCRIPTION	REV
	1001270167	Ref	AXLE ASSEMBLY	B
		Ref	Central Housing Assembly	
1	91474507	3	O-Ring	
2	70027107	1	Cover	
3	70026749	1	Housing	
4	91514098	1	Plug	
5	91474512	1	Plug	
7	91514188	1	Plug	
8	7028706	1	Plug	
9	80204005	1	Circlip	
16	91474591	4	Bolt	
		Ref	Differential Assembly	
101	70026631	1	Nut	
102	7029427	1	Flange	
103	91474531	1	Cover	
104	70024522	1	Seal	
106	91474550	4	Circlip	
107	91474529	1	O-Ring	
108	91474533	1	Ring Nut	
109	91474539	1	Spacer	
110	70025556	1	Shim Kit	
111	70025555	1	Shim Kit	
112	3968141	2	Bearing	
113	8007749	1	Gear Set	
114	91514134	2	Bolt	
115	70028471	2	Bearing	
117	91474549	2	Gear, Side	
118	91474554	4	Gear, Pinion	
119	7029131	4	Pin	
120	91474551	4	Circlip	
121	91474553	4	Washer	
123	70025562	12	Bolt	
124	91474547	2	Ring Nut	
127	91474555	1	Carrier	
128	70028940	1	Differential Sub-Assembly (Includes Items 106, 117-121, 127 & 129)	
129	8007755	2	Disc	
		Ref	Hub Reduction Assembly	
201	70028906	2	Case, Axle	
202	2400600	2	Bolt	
203	91514082	2	Nut	
206	7029428	28	Bolt	
207	80204071	2	Circlip	
208	80204005	2	Circlip	
209	91514146	2	Bearing	
210	91514147	2	Seal	
211	91514148	2	O-Ring	
212	70030992	2	Bushing Kit (Includes Bushing & Items 208-211)	
213	70029869	2	Joint, Universal	
214	8007771	2	Seal	

SECTION 5 - DRIVE TRAIN

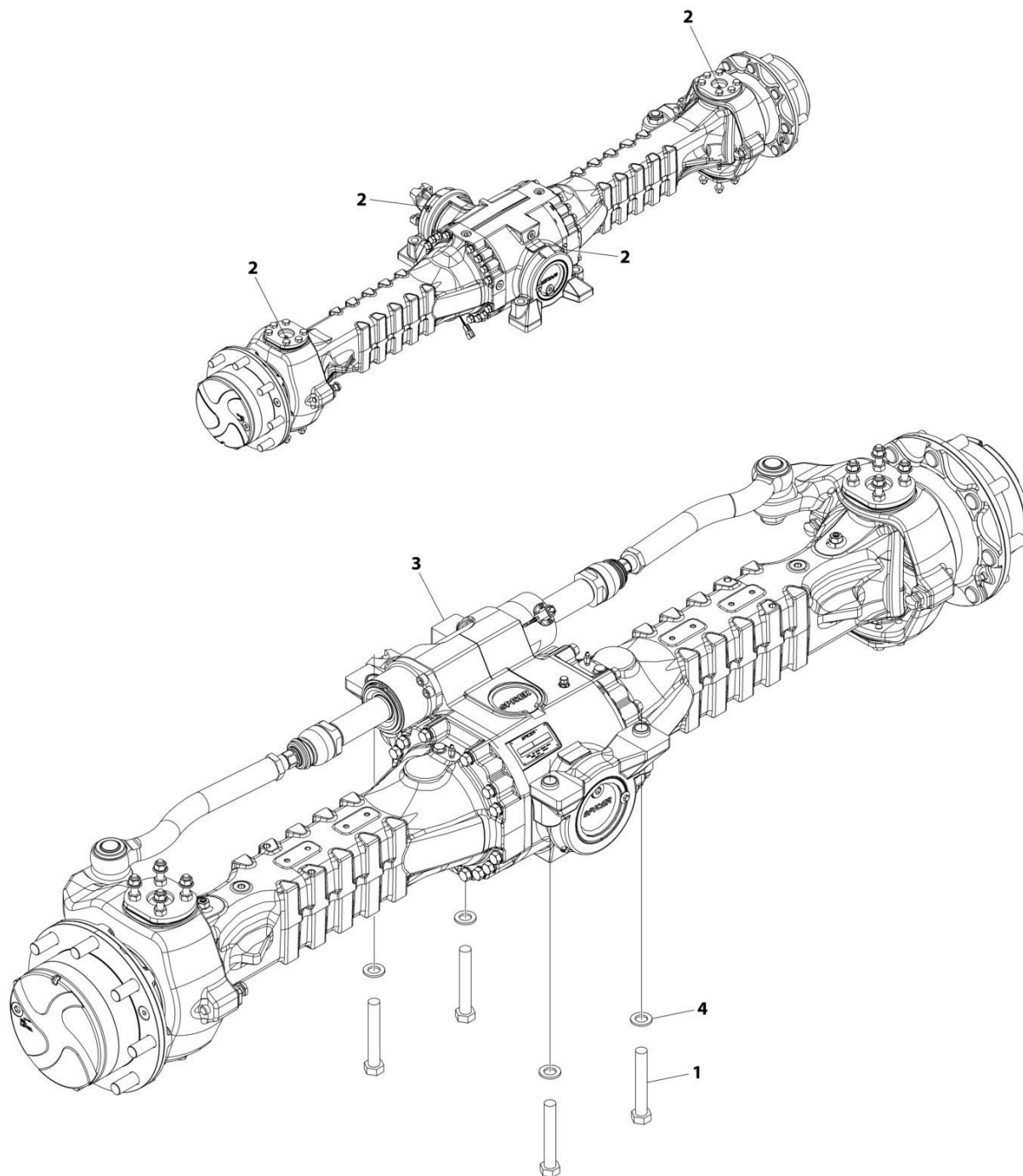
ITEM	PART NUMBER	QTY	DESCRIPTION	REV
215	8004468	2	Bushing	
216	70025562	12	Bolt	
217	80204117	4	Plug	
218	91514099	2	Grease Fitting	
219	70025567	2	Pivot (Includes Item 218)	
220	70028536	1	Shim Kit	
221	2401043	2	Seal	
223	70020173	2	Bushing	
224	2401258	2	Seal	
225	8006605	2	Pivot Kit (Includes Pivot and Items 221 & 224)	
226	80204065	4	Nut	
227	91514117	4	Bolt	
230	7028706	2	Plug	
231	91514188	4	Plug	
233	7029430	2	Seal	
234	70030251	4	Bearing	
235	70028537	2	Hub	
236	91474579	2	Circlip	
237	91474580	2	Ring Gear	
238	3983720	2	Support, Ring Gear	
239	3983731	2	Plate, Locking	
240	91474585	8	Circlip	
241	70028473	8	Gear, Planet	
242	70028474	8	Bearing	
243	70026821	2	Carrier, Planet Gear	
246	91514189	4	Bolt	
247	91474584	16	Nut	
248	70027315	16	Stud	
249	91474507	2	O-Ring	
251	70030365	16	Wheel Stud	
252	70026827	2	Planet Gear Carrier Kit (Includes Housing and Items 240-243)	
256	70025819	8	Stud	
258	70027320	8	Nut	
260	7028115	2	Grease Fitting	
262	70030274	1	Case, Steer (LH) (Includes Item 215)	
263	70030264	1	Case, Steer (RH) (Includes Item 215)	
264	70028733	4	Bolt Kit (Includes Items 226 & 227)	
266	7029432	2	Ring Gear Kit (Includes Items 236-238)	
270	70030933	2	Joint Cross	
271	70030994	1	Center, Joint	
272	70027114	8	Planet Gear Kit (Includes Items 241 & 242)	
274	70028392	2	Cover	
		Ref	Brake Assembly	
301	8007785	1	Lever (RH)	
302	2960243	2	Bolt, Bleeding	
303	80204117	2	Plug	
304	2401736	6	Bolt	
305	3986405	2	O-Ring	
306	70030250	2	Bushing	
307	8002798	2	Setscrew	
308	8008168	2	Nut	

SECTION 5 - DRIVE TRAIN

ITEM	PART NUMBER	QTY	DESCRIPTION	REV
309	7028038	2	O-Ring	
310	70030248	2	Lever, Brake	
311	7028039	2	Washer	
312	8008169	2	Screw	
313	70025823	10	Disc, Intermediate Brake	
314	7029786	6	Bolt	
315	70027317	3	Spring	
317	70025821	1	O-Ring	
318	70025821	1	O-Ring	
319	70021613	2	Bolt	
320	8007786	1	Lever (LH)	
321	3984425	6	Spring	
322	2903197	2	Pusher	
323	70025822	1	O-Ring	
324	70025822	1	O-Ring	
325	91474568	8	Disc	
336	70027319	1	Piston Kit (RH) (Includes Piston and Items 315, 317, 318 & 322-324)	
337	70027318	1	Piston Kit (LH) (Includes Piston and Items 315, 317, 318 & 322-324)	
338	8007802	2	O-Ring	
343	91514154	2	Plug	
346	70030247	2	Bushing	
347	70030249	2	O-Ring	
		Ref	Steering Assembly	
401	91474522	4	Bolt	
402	70031002	1	Sensor	
403	8008175	2	Bolt	
404	70031000	1	Cylinder	
405	70026819	1	Tie Rod (RH)	
406	70026820	1	Tie Rod (LH)	
410	70031001	1	Seal Kit Less Rod (Includes Seals Only)	
411	70028907	1	Joint, 90 Degree (RH)	
412	70028476	2	Joint, Axial (1 Per Side)	
413	70028477	2	Rubber Boot & Locking Ring Kit (1 Per Side)	
414	70028468	2	Rubber Boot & Locking Ring Kit (1 Per Side)	
415	70028908	1	Joint, 90 Degree (LH)	
416	70031003	1	Seal & Rod Kit (Includes Seals & Rod)	

SECTION 5 - DRIVE TRAIN

FIGURE 5-30. REAR AXLE INSTALLATION



ART_1001256367_B

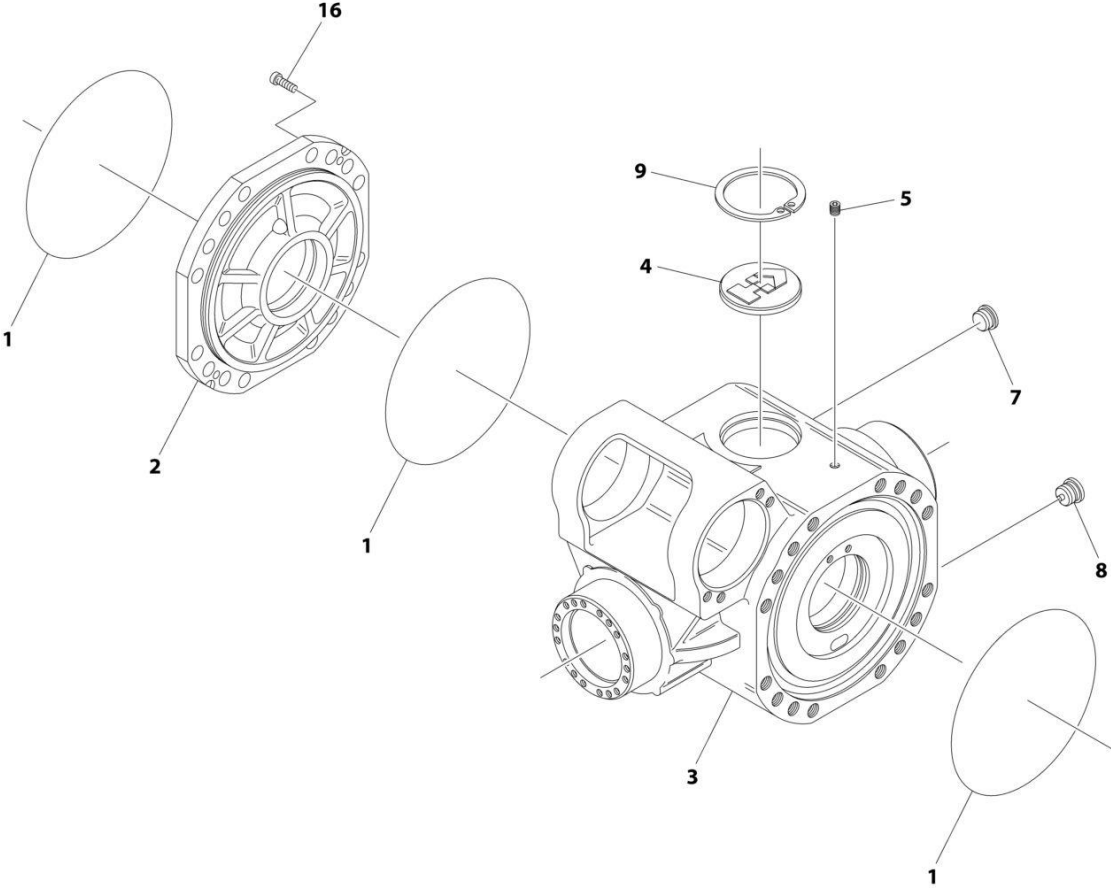
SECTION 5 - DRIVE TRAIN

FIGURE 5-30. REAR AXLE INSTALLATION

ITEM	PART NUMBER	QTY	DESCRIPTION	REV
	1001256367	Ref	Rear Axle Installation	B
1	0712030	4	Bolt, M20X130 Grade 10.9	
2	1001008462	AR	Grease	
3	1001270170	1	Installation, Rear Axle (See Separate Breakdown in this Section)	
4	1001197130	4	Washer	

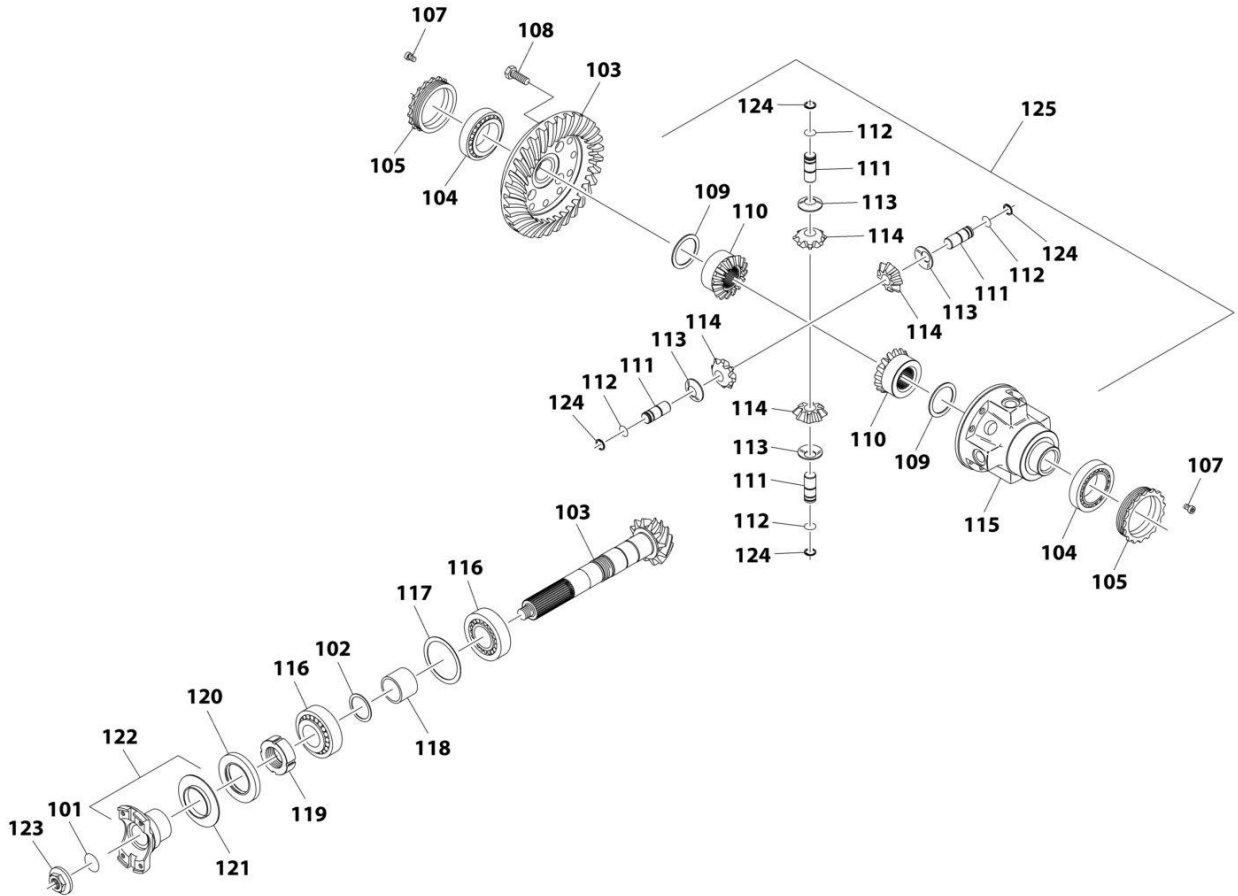
SECTION 5 - DRIVE TRAIN

FIGURE 5-31. REAR AXLE ASSEMBLY



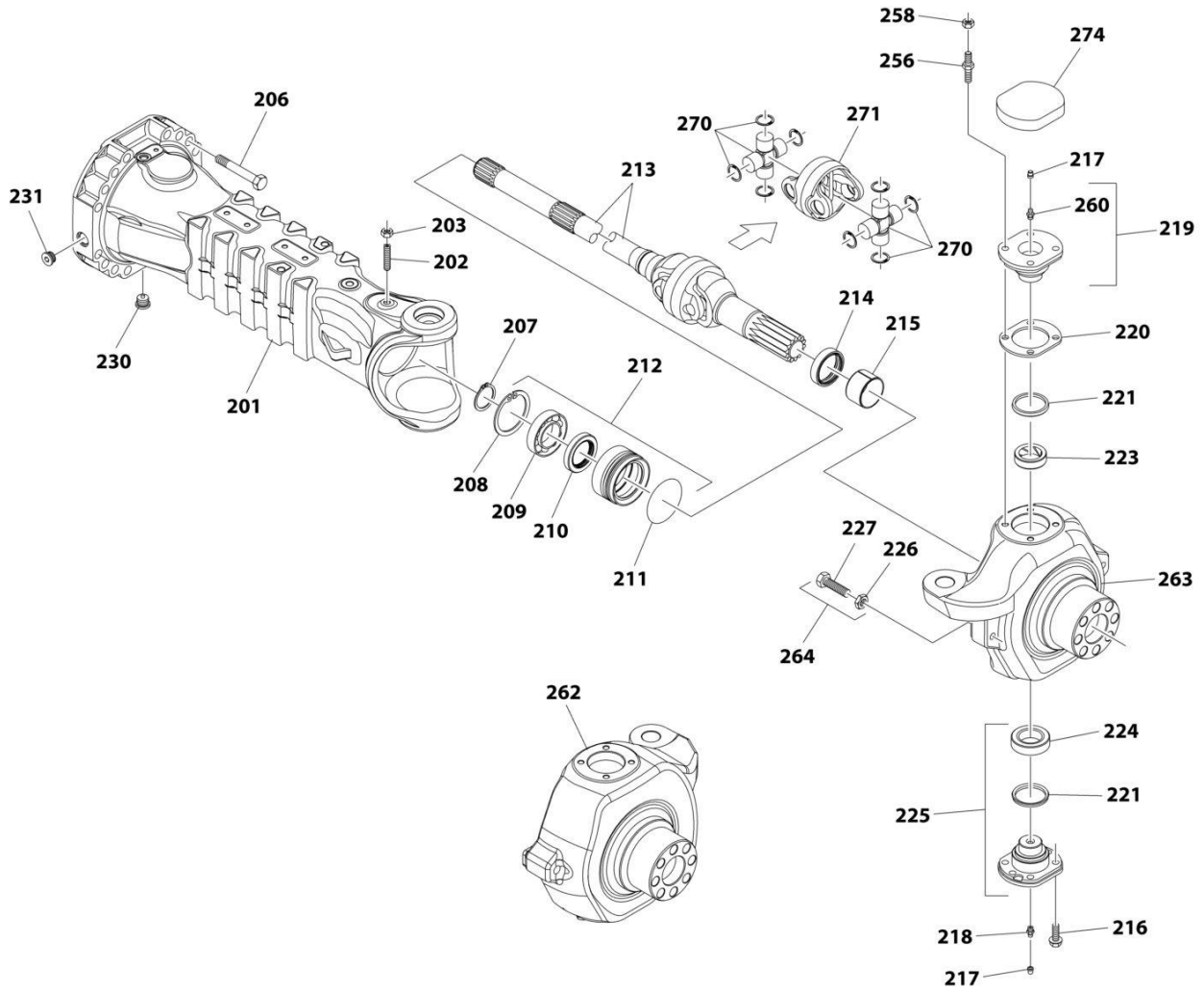
ART_1001270170_10F7

SECTION 5 - DRIVE TRAIN



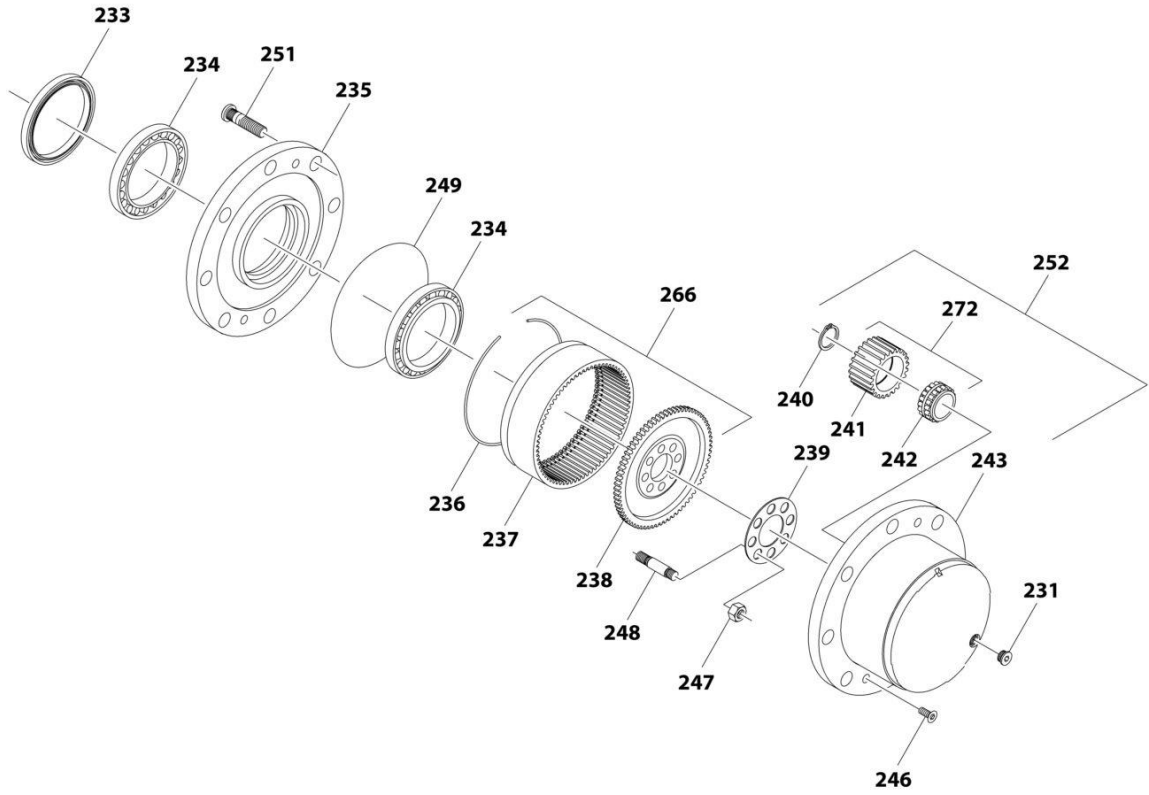
ART_1001270170_2OF7

SECTION 5 - DRIVE TRAIN



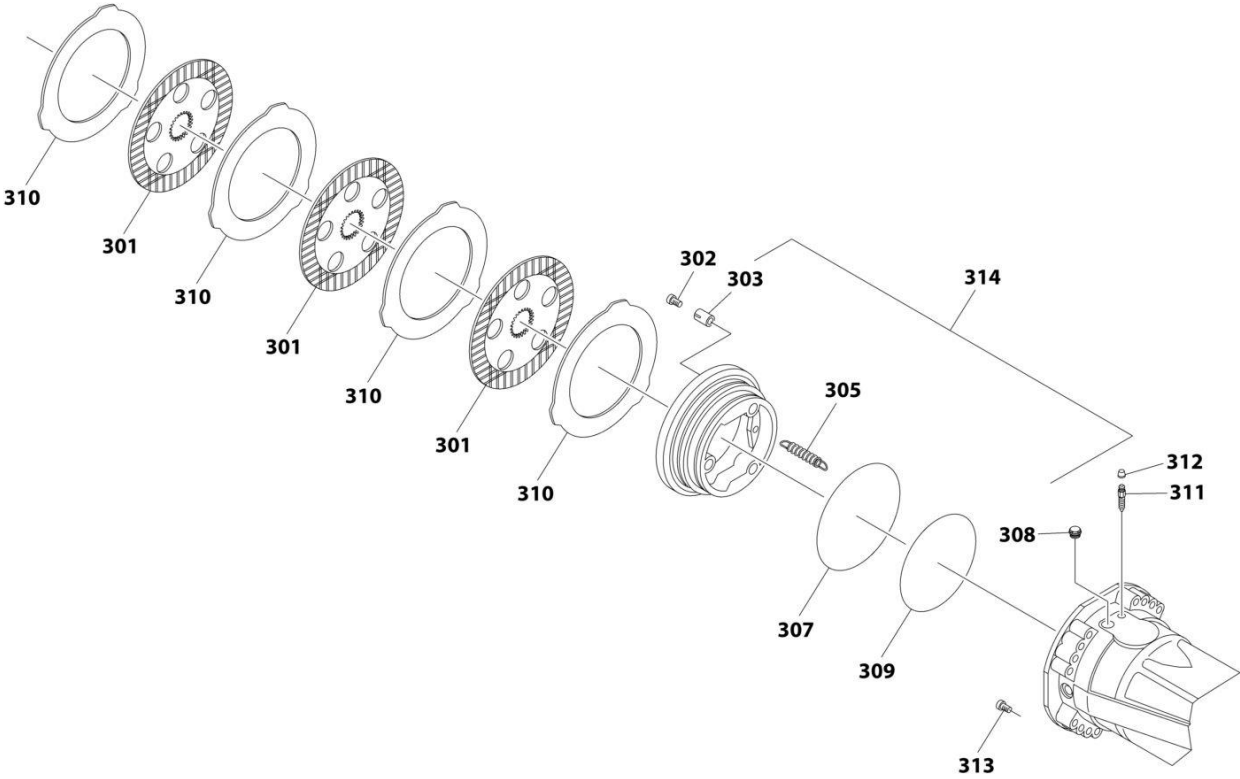
ART_1001270170_30F7

SECTION 5 - DRIVE TRAIN



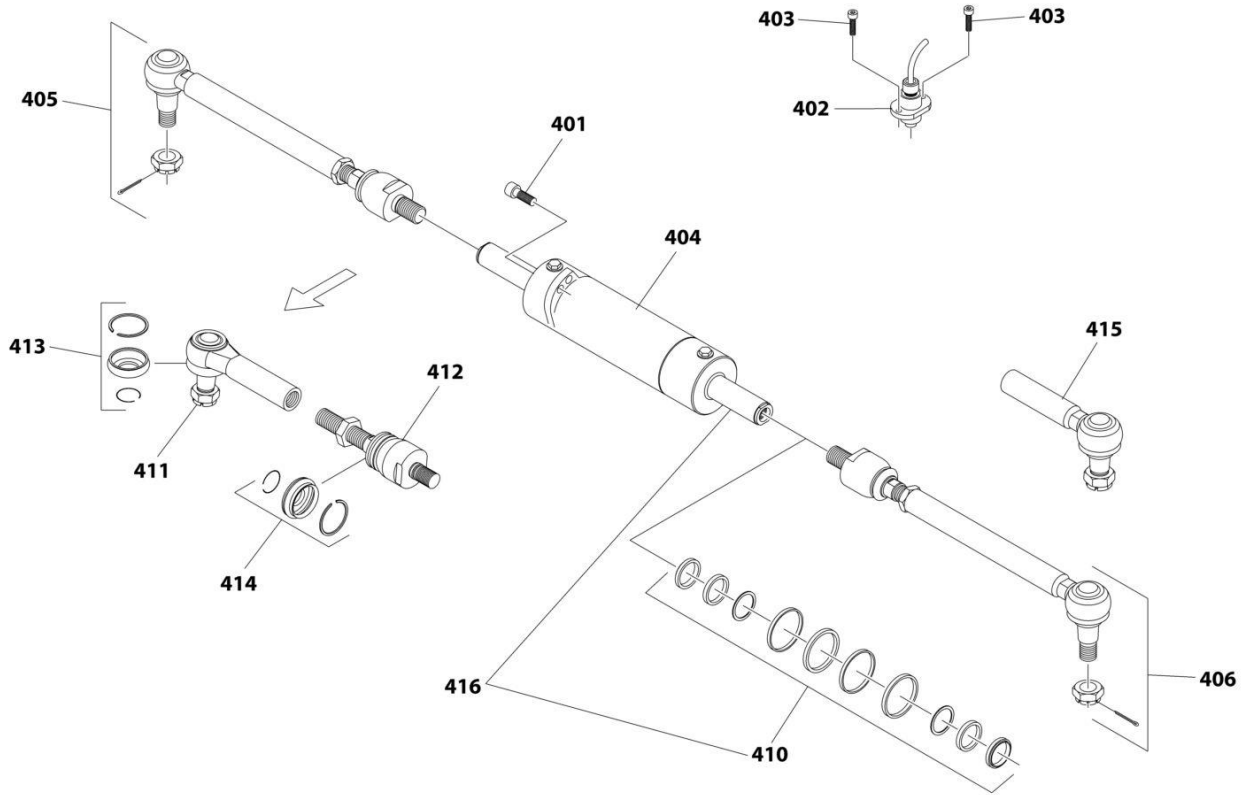
ART_1001270170_4OF7

SECTION 5 - DRIVE TRAIN



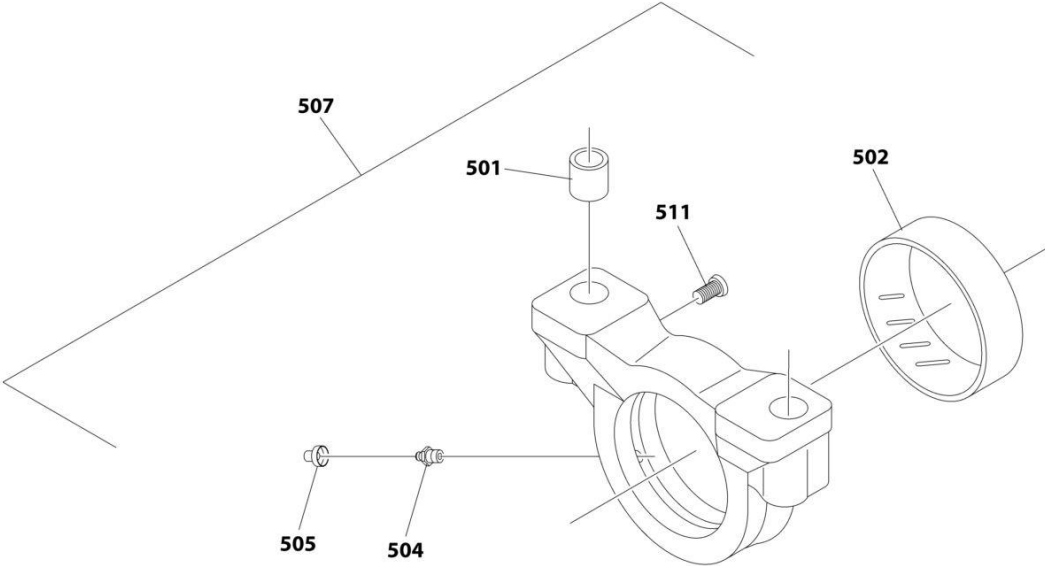
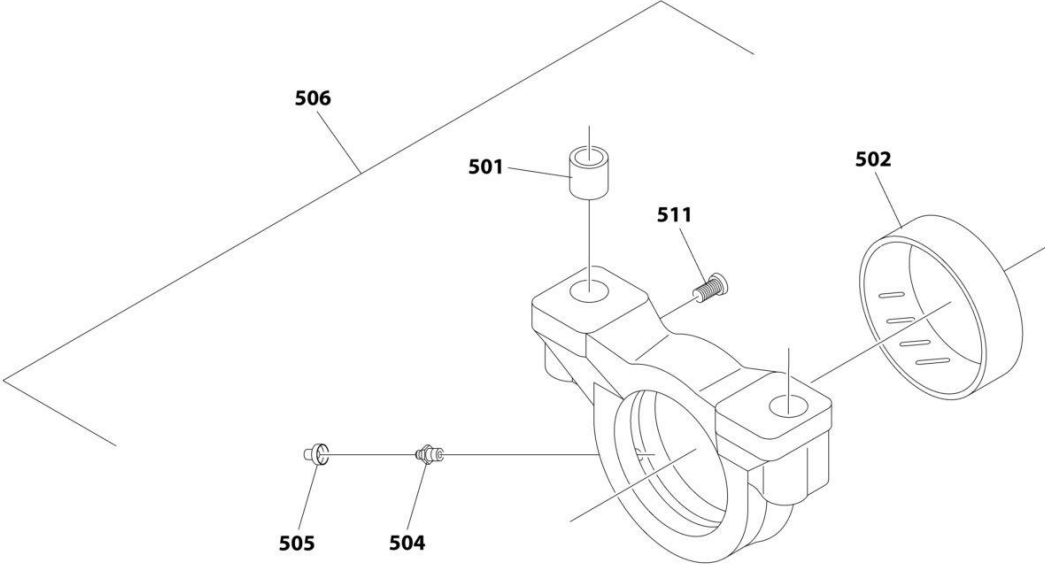
ART_1001270170_S0F7

SECTION 5 - DRIVE TRAIN



ART_1001270170_GOF7

SECTION 5 - DRIVE TRAIN



ART_1001270170_7OF7

SECTION 5 - DRIVE TRAIN

FIGURE 5-31. REAR AXLE ASSEMBLY

ITEM	PART NUMBER	QTY	DESCRIPTION	REV
	1001270170	Ref	AXLE ASSEMBLY	C
		Ref	Central Housing Assembly	
1	91474507	3	O-Ring	
2	70027107	1	Cover	
3	70026749	1	Housing	
4	91514098	1	Plug	
5	91474512	1	Plug	
7	91514188	1	Plug	
8	7028706	1	Plug	
9	80204005	1	Circlip	
16	91474591	4	Bolt	
		Ref	Differential Assembly	
101	91474529	1	O-Ring	
102	70025556	1	Shim Kit	
103	7028043	1	Gear Set	
104	70028471	2	Bearing	
105	91474547	2	Ring Nut	
107	91514134	2	Bolt	
108	70025562	12	Bolt	
109	91474593	2	Washer	
110	70025569	2	Gear, Side	
111	7029131	4	Pin	
112	91474551	4	Circlip	
113	91474553	4	Washer	
114	70025570	4	Gear, Pinion	
115	91474595	1	Carrier	
116	3968141	2	Bearing	
117	70025555	1	Shim Kit	
118	91474539	1	Spacer	
119	91474533	1	Ring Nut	
120	70024522	1	Seal	
121	91474531	1	Cover	
122	7029427	1	Flange	
123	70026631	1	Nut	
124	91474550	4	Circlip	
125	70021140	1	Differential Sub-Assembly (Includes Items 109-115 & 124)	
		Ref	Hub Reduction Assembly	
201	70027108	2	Case, Axle	
202	2400600	2	Bolt	
203	91514082	2	Nut	
206	7029428	28	Bolt	
207	80204071	2	Circlip	
208	80204005	2	Circlip	
209	91514146	2	Bearing	
210	91514147	2	Seal	
211	91514148	2	O-Ring	
212	70030992	2	Bushing Kit (Includes Bushing & Items 208-211)	
213	70029869	2	Joint, Universal	
214	8007771	2	Seal	
215	8004468	2	Bushing	

SECTION 5 - DRIVE TRAIN

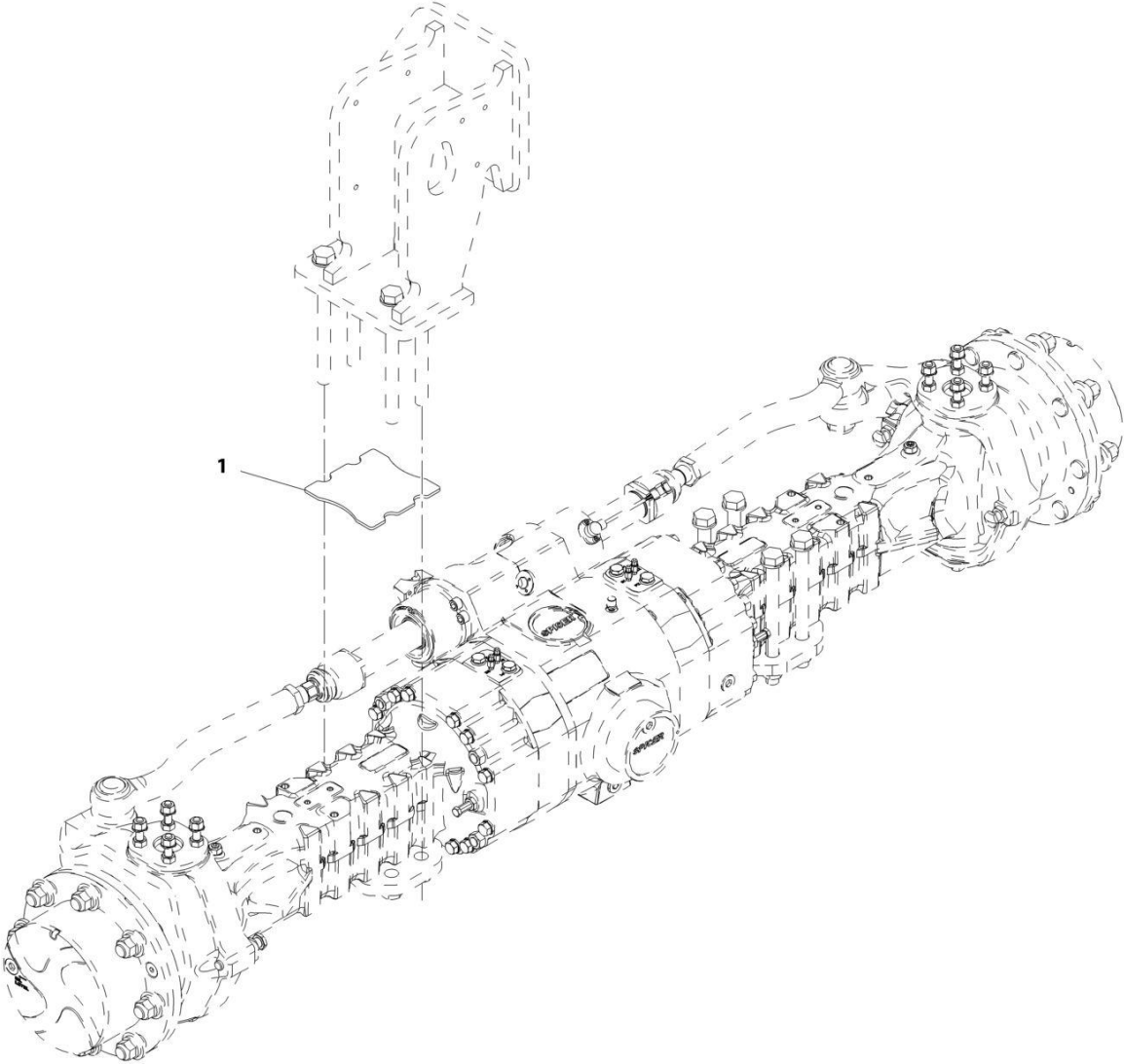
ITEM	PART NUMBER	QTY	DESCRIPTION	REV
216	70025562	12	Bolt	
217	80204117	4	Plug	
218	70024881	2	Grease Fitting	
219	70025567	2	Pivot (Includes Item 218)	
220	70028536	1	Shim Kit	
221	2401043	2	Seal	
223	70020173	2	Bushing	
224	2401258	2	Seal	
225	8006605	2	Pivot Kit (Includes Pivot and Items 221 & 224)	
226	80204065	4	Nut	
227	7028733	4	Bolt	
230	7028706	2	Plug	
231	91514188	4	Plug	
233	7029430	2	Seal	
234	70030251	4	Bearing	
235	70028537	2	Hub	
236	91474579	2	Circlip	
237	91474580	2	Ring Gear	
238	3983720	2	Support, Ring Gear	
239	3983731	2	Plate, Locking	
240	91474585	8	Circlip	
241	70028473	8	Gear, Planet	
242	70028474	8	Bearing	
243	70026821	2	Carrier, Planet Gear	
246	91514189	4	Bolt	
247	91474584	16	Nut	
248	70027315	16	Stud	
249	91474507	2	O-Ring	
251	70030365	16	Wheel Stud	
252	70026827	2	Planet Gear Carrier Kit (Includes Housing and Items 240-243)	
256	70025819	8	Stud	
258	70027320	8	Nut	
260	7028115	2	Grease Fitting	
262	70030274	1	Case, Steer (LH) (Includes Item 215)	
263	70030264	1	Case, Steer (RH) (Includes Item 215)	
264	70028733	4	Bolt Kit (Includes Items 226 & 227)	
266	7029432	2	Ring Gear Kit (Includes Items 236-238)	
270	70030933	2	Joint Cross	
271	70030994	1	Center, Joint	
272	70027114	8	Planet Gear Kit (Includes Items 241 & 242)	
274	70028392	2	Cover	
		Ref	Brake Assembly	
301	91474568	6	Disc	
302	7029786	6	Bolt, Adjusting	
303	70027317	6	Spring	
305	3984425	6	Spring	
307	70025821	2	O-Ring	
308	91514154	2	Plug	
309	70025822	2	O-Ring	
310	70025823	8	Disc, Intermediate Brake	
311	2960243	2	Bolt, Bleeding	

SECTION 5 - DRIVE TRAIN

ITEM	PART NUMBER	QTY	DESCRIPTION	REV
312	80204117	2	Plug	
313	70021613	2	Bolt	
314	70027316	2	Brakes Piston Kit (Includes Items 303-305, 307 & 309)	
		Ref	Steering Assembly	
401	91474522	4	Bolt	
402	70031002	1	Sensor	
403	8008175	2	Bolt	
404	70031000	1	Cylinder	
405	70026819	1	Tie Rod (RH)	
406	70026820	1	Tie Rod (LH)	
410	70031001	1	Seal Kit Less Rod (Includes Seals Only)	
411	70028907	1	Joint, 90 Degree (RH)	
412	70028476	2	Joint, Axial (1 Per Side)	
413	70028477	2	Rubber Boot & Locking Ring Kit (1 Per Side)	
414	70028468	2	Rubber Boot & Locking Ring Kit (1 Per Side)	
415	70028908	1	Joint, 90 Degree (LH)	
416	70031003	1	Seal & Rod Kit (Includes Seals & Rod)	
		Ref	Trunion Assembly	
501	91474516	4	Bushing	
502	7028082	2	Bushing	
504	91514099	2	Grease Fitting	
505	80204117	2	Plug	
506	70026630	1	Trunion Kit (Front) (Includes Trunion and Items 501,502,504,505 & 511)	
507	70026630	1	Trunion Kit (Rear) (Includes Trunion and Items 501,502,504,505 & 511)	
511	70025884	2	Bolt	

SECTION 5 - DRIVE TRAIN

FIGURE 5-32. AXLE SHIM INSTALLATION



ART_1001186574-C

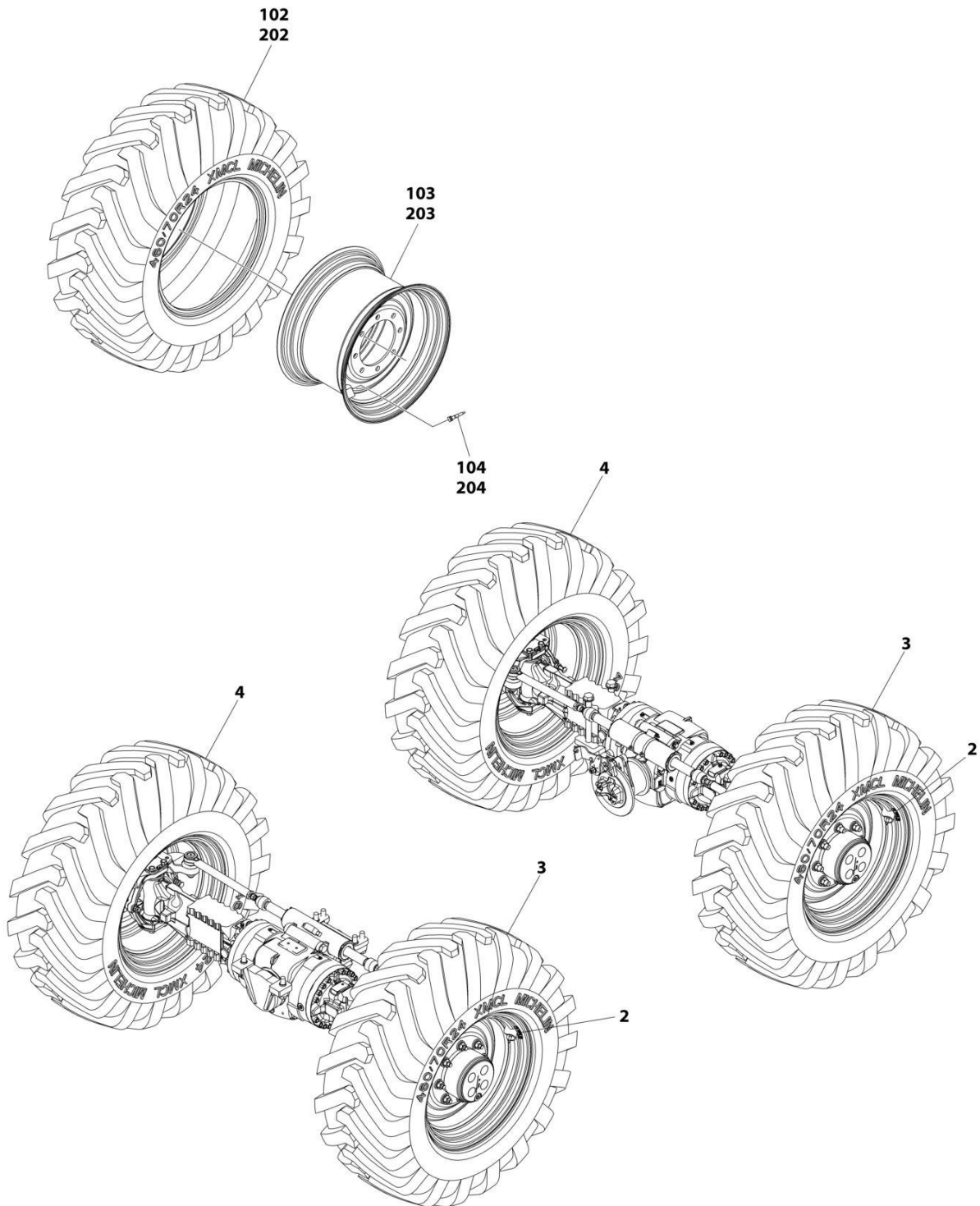
SECTION 5 - DRIVE TRAIN

FIGURE 5-32. AXLE SHIM INSTALLATION

ITEM	PART NUMBER	QTY	DESCRIPTION	REV
1	1001186574 1001190541	Ref 1	Axle Shim Installation (24IN Wheel) Plate, Axle Shim	C

SECTION 5 - DRIVE TRAIN

FIGURE 5-33. TIRE/WHEEL SET (AIR - 460/70 R24 XMCL)



ART_1001142285_D

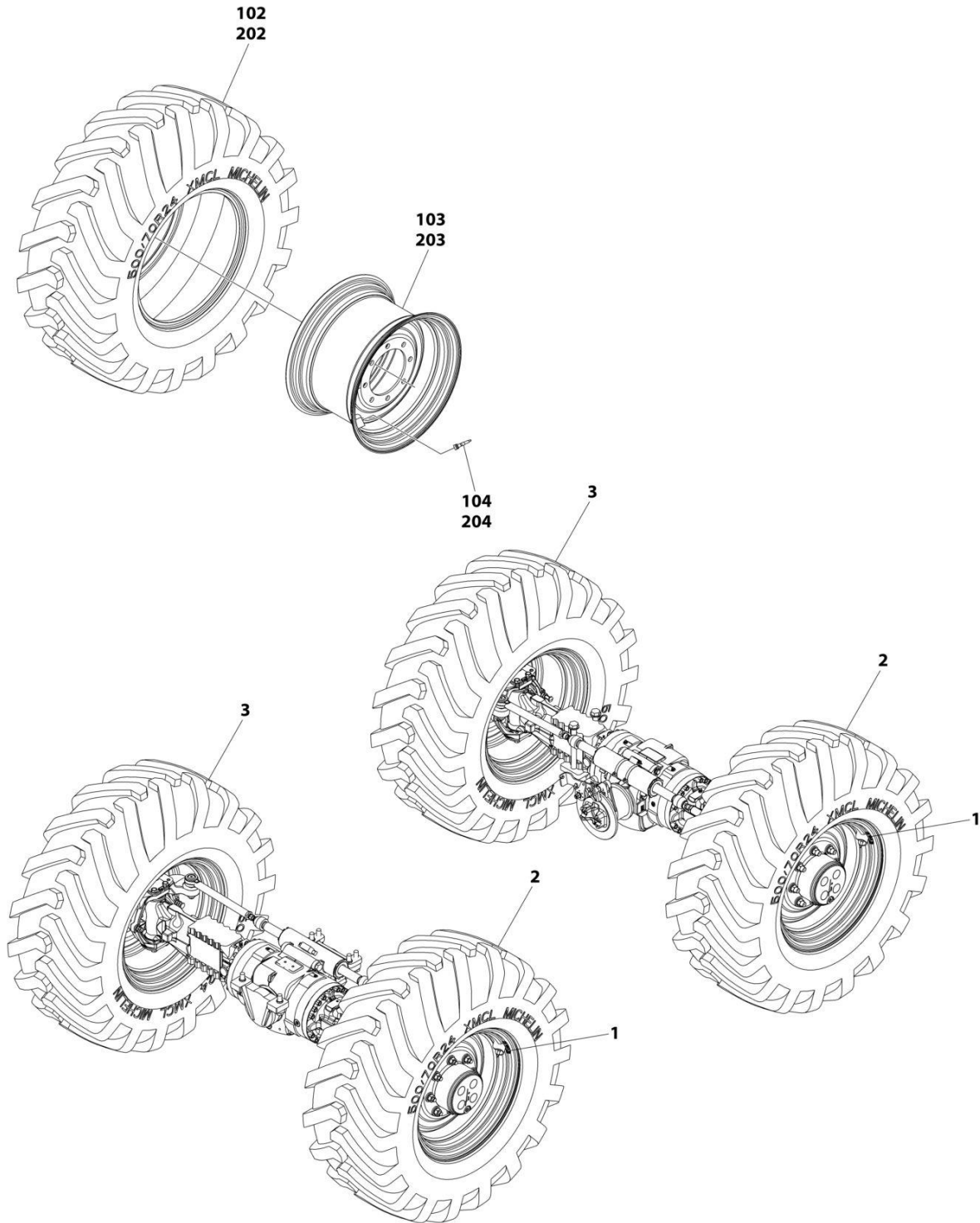
SECTION 5 - DRIVE TRAIN

FIGURE 5-33. TIRE/WHEEL SET (AIR - 460/70 R24 XMCL)

ITEM	PART NUMBER	QTY	DESCRIPTION	REV
	1001142285	Ref	TIRE/WHEEL SET (AIR - 460/70 R24 XMCL)	D
2	8005827	4	Label	
3	1001142286	2	Assembly, Tire/Wheel (RH) (Air - 460/70 R24) (Includes Items 102-104)	
4	1001142287	2	Assembly, Tire/Wheel (LH) (Air - 460/70 R24) (Includes Items 202-204)	
	1001142286	Ref	TIRE/WHEEL ASSEMBLY (RH)	C
102	1001092008	2	Tire 460/70 R24 XMCL (1 Per Assembly)	
103	1001212590	2	Wheel, Rim (RH) (1 Per Assembly)	
104	1001008719	2	Valve, Air (1 Per Assembly)	
	1001142287	Ref	TIRE/WHEEL ASSEMBLY (LH)	C
202	1001092008	2	Tire 460/70 R24 XMCL (1 Per Assembly)	
203	1001212591	2	Wheel, Rim (LH) (1 Per Assembly)	
204	1001008719	2	Valve, Air (1 Per Assembly)	

SECTION 5 - DRIVE TRAIN

FIGURE 5-34. TIRE/WHEEL SET (AIR - 500/70 R24 XMCL)



ART_1001142288_D

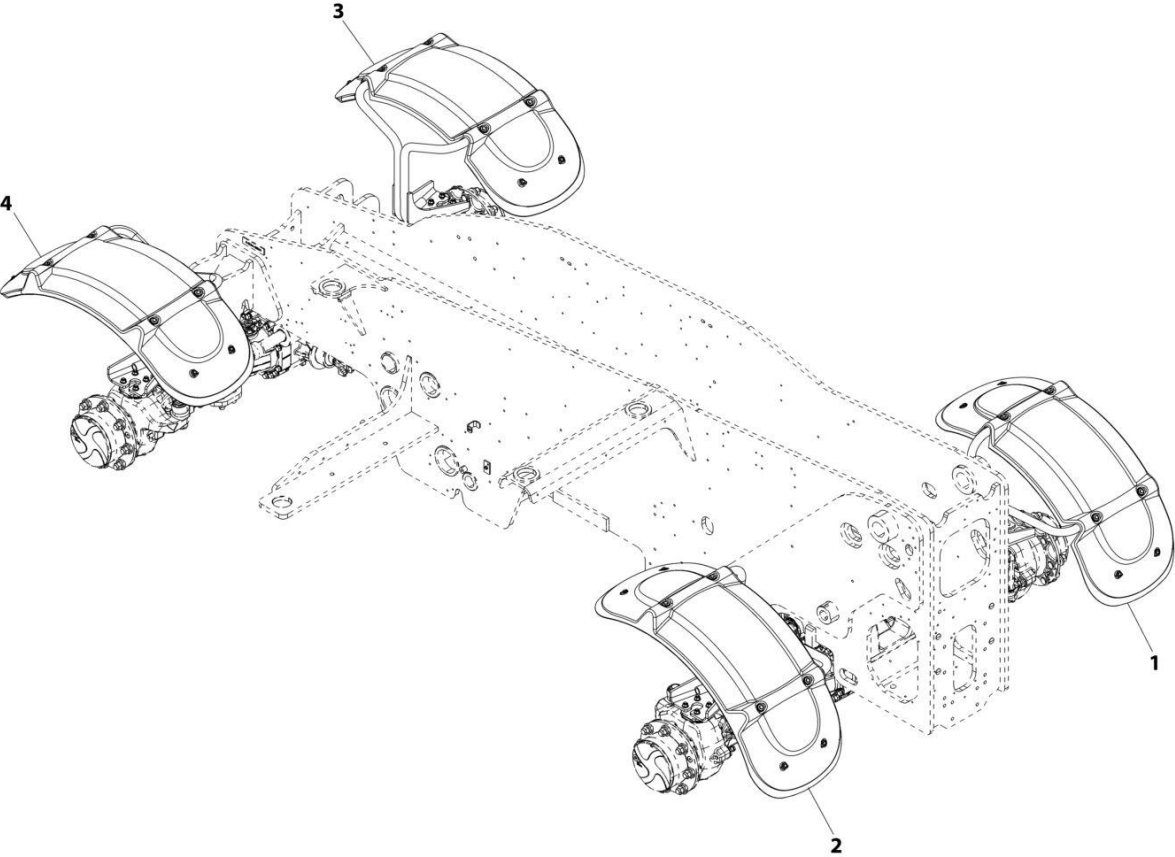
SECTION 5 - DRIVE TRAIN

FIGURE 5-34. TIRE/WHEEL SET (AIR - 500/70 R24 XMCL)

ITEM	PART NUMBER	QTY	DESCRIPTION	REV
	1001142288	Ref	TIRE/WHEEL SET (AIR - 500/70 R24 XMCL)	D
1	1001127728	4	Decal	
2	1001142289	2	Assembly, Tire/Wheel (RH) (Air - 500/70 R24) (Includes Items 102-104)	
3	1001142290	2	Assembly, Tire/Wheel (LH) (Air - 500/70 R24) (Includes Items 202-204)	
	1001142289	Ref	TIRE/WHEEL ASSEMBLY (RH)	B
102	1001092009	2	Tire 500/70 R24 XMCL (1 Per Assembly)	
103	1001212598	2	Wheel, Rim (RH) (1 Per Assembly)	
104	1001008719	2	Valve, Air (1 Per Assembly)	
	1001142290	Ref	TIRE/WHEEL ASSEMBLY (LH)	B
202	1001092009	2	Tire 500/70 R24 XMCL (1 Per Assembly)	
203	1001212599	2	Wheel, Rim (LH) (1 Per Assembly)	
204	1001008719	2	Valve, Air (1 Per Assembly)	

SECTION 5 - DRIVE TRAIN

FIGURE 5-35. FENDER INSTALLATION



ART_1001248161-A

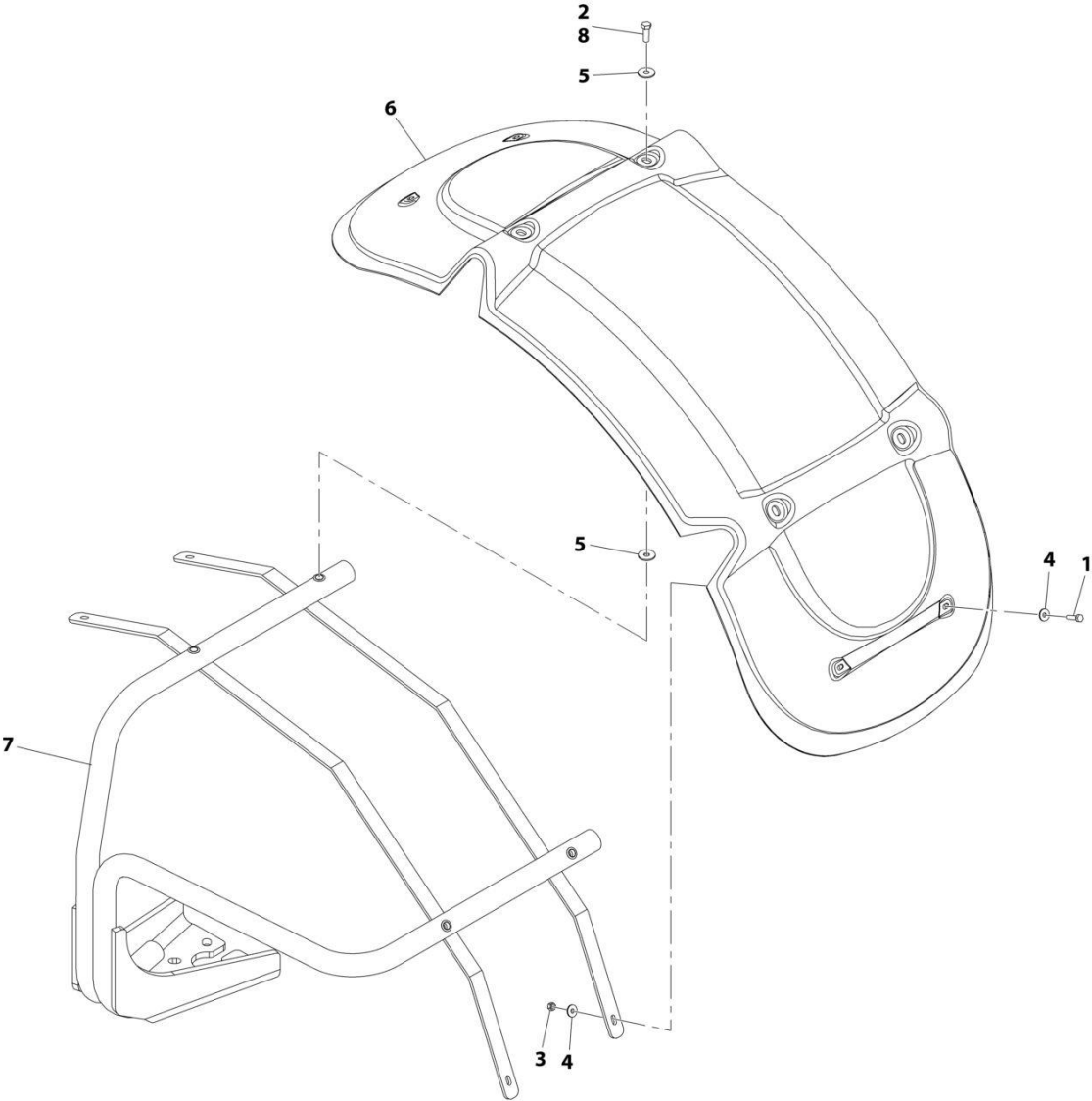
SECTION 5 - DRIVE TRAIN

FIGURE 5-35. FENDER INSTALLATION

ITEM	PART NUMBER	QTY	DESCRIPTION	REV
	1001248161	Ref	Fender Installation	A
1	1001243433	1	Assembly, Fender (RR-RH) (See Separate Breakdown in this Section)	
2	1001243435	1	Assembly, Fender (RR-LH) (See Separate Breakdown in this Section)	
3	1001250416	1	Assembly, Fender (FRT-RH) (See Separate Breakdown in this Section)	
4	1001250417	1	Assembly, Fender (FRT-LH) (See Separate Breakdown in this Section)	

SECTION 5 - DRIVE TRAIN

FIGURE 5-36. FENDER ASSEMBLY (RR-RH)



ART_1001243433-A

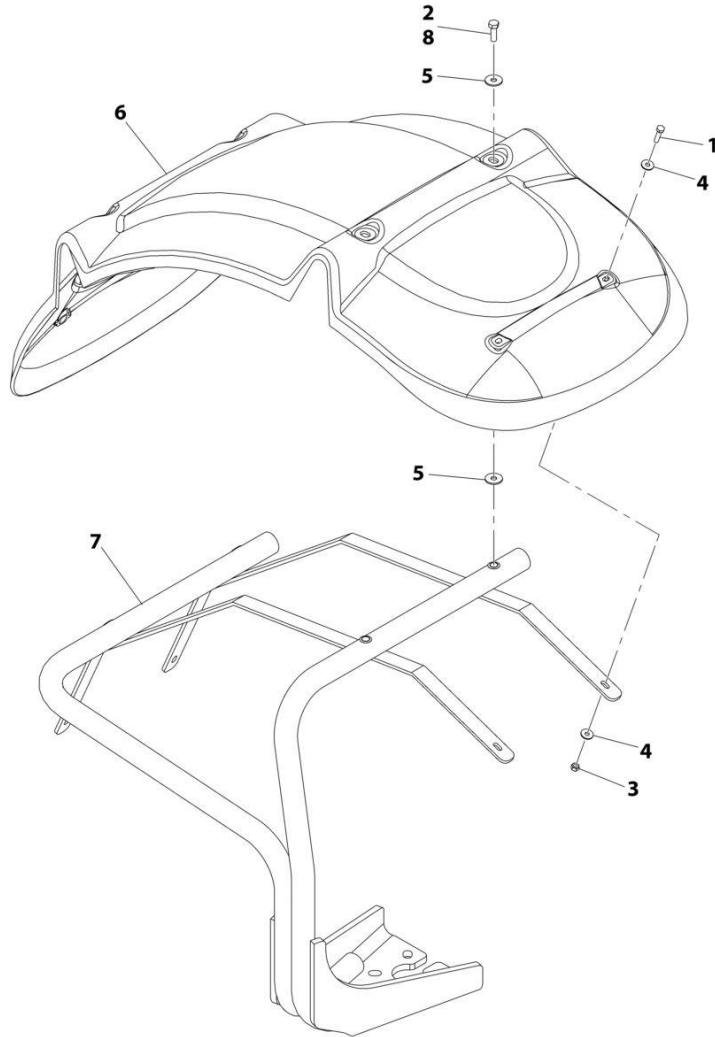
SECTION 5 - DRIVE TRAIN

FIGURE 5-36. FENDER ASSEMBLY (RR-RH)

ITEM	PART NUMBER	QTY	DESCRIPTION	REV
	1001243433	Ref	Fender Assembly (Standard)	A
1	0700612	4	Bolt, M6X25	
2	0760812	4	Bolt, M8X25	
3	3290605	4	Nut M6	
4	4811702	8	Washer, M6	
5	4811902	8	Washer, M8	
6	1001100845	1	Fender	
7	1001243434	1	Fender assembly	
8	1001095650	AR	Adhesive	

SECTION 5 - DRIVE TRAIN

FIGURE 5-37. FENDER ASSEMBLY (RR-LH)



ART_1001243435-A

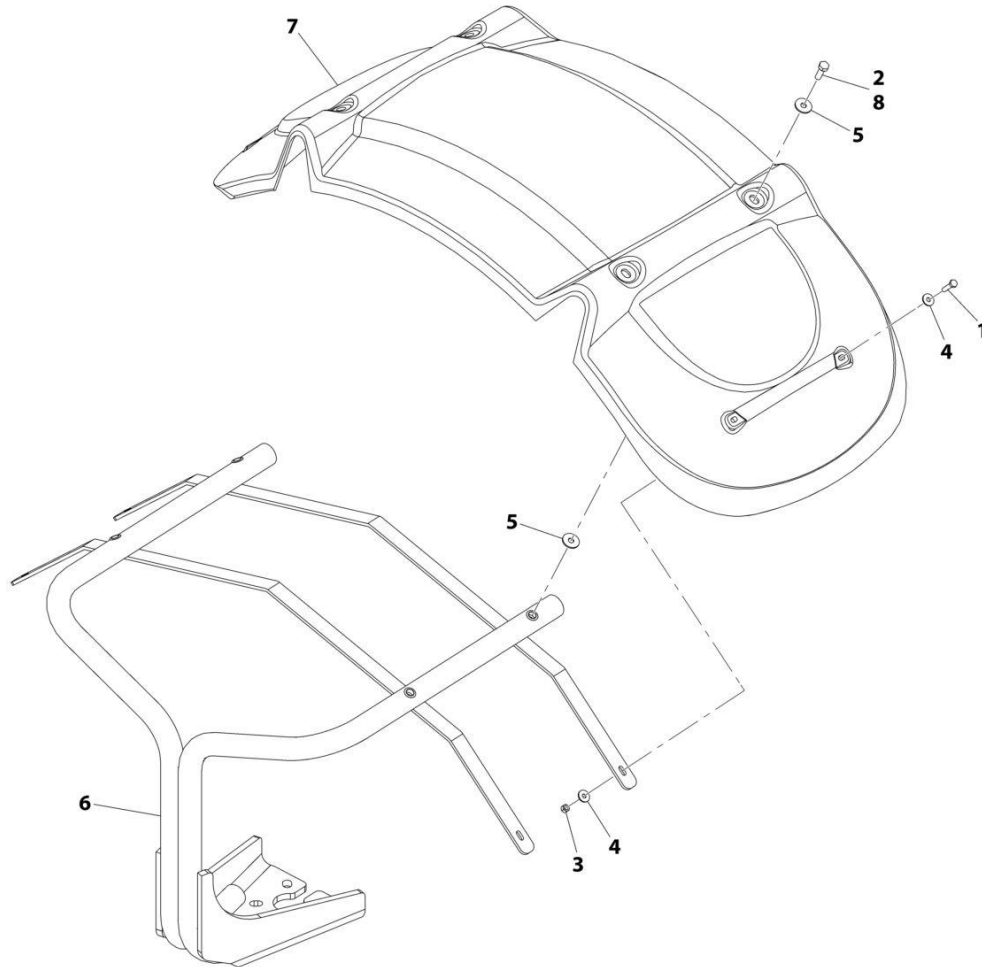
SECTION 5 - DRIVE TRAIN

FIGURE 5-37. FENDER ASSEMBLY (RR-LH)

ITEM	PART NUMBER	QTY	DESCRIPTION	REV
	1001243435	Ref	Fender Assembly (Standard)	A
1	0700612	4	Bolt, M6X25	
2	0760812	4	Bolt, M8X25	
3	3290605	4	Nut M6	
4	4811702	8	Washer, M6	
5	4811902	8	Washer, M8	
6	1001100845	1	Fender	
7	1001243436	1	Fender Assembly	
8	1001095650	AR	Adhesive	

SECTION 5 - DRIVE TRAIN

FIGURE 5-38. FENDER ASSEMBLY (FRT-RH)



ART_1001250416-A

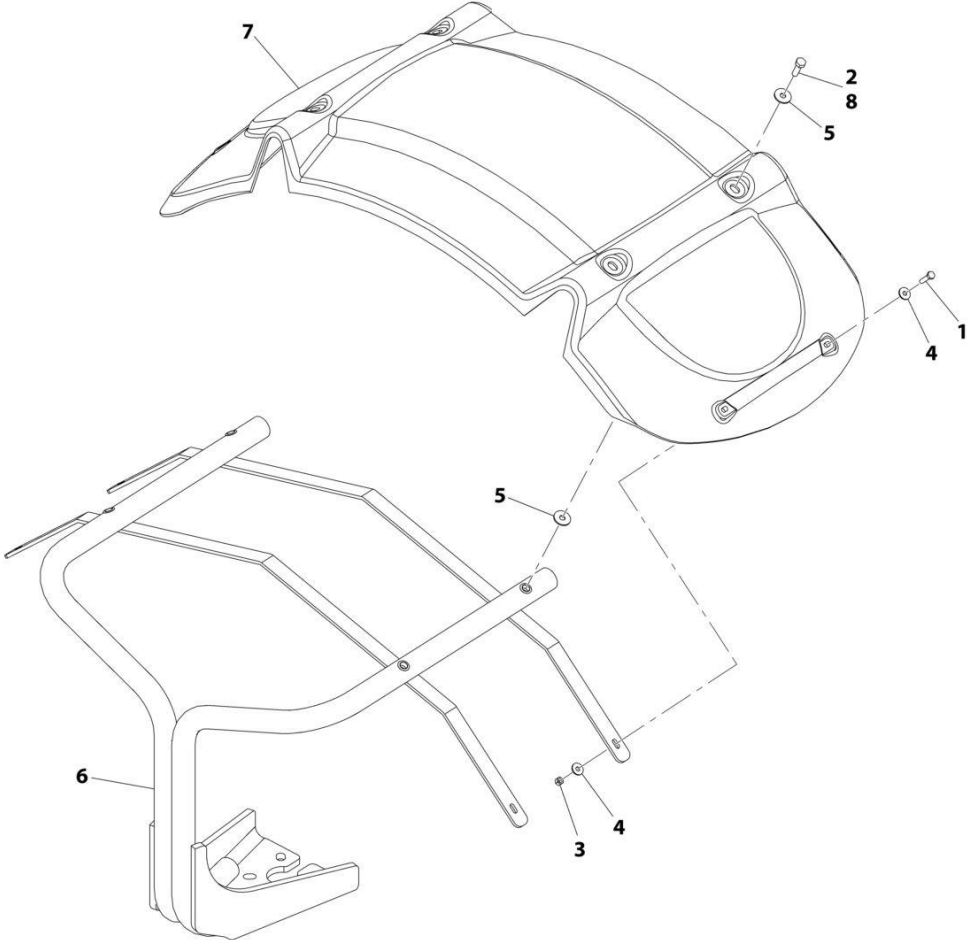
SECTION 5 - DRIVE TRAIN

FIGURE 5-38. FENDER ASSEMBLY (FRT-RH)

ITEM	PART NUMBER	QTY	DESCRIPTION	REV
	1001250416	Ref	Fender Assembly (Standard)	A
1	0700612	4	Bolt, M6X25	
2	0760812	4	Bolt, M8X25	
3	3290605	4	Nut M6	
4	4811702	8	Washer, M6	
5	4811902	8	Washer, M8	
6	1001248760	1	Fender Assembly	
7	1001250421	1	Fender	
8	1001095650	AR	Adhesive	

SECTION 5 - DRIVE TRAIN

FIGURE 5-39. FENDER ASSEMBLY (FRT-LH)



ART_1001250417-A

SECTION 5 - DRIVE TRAIN

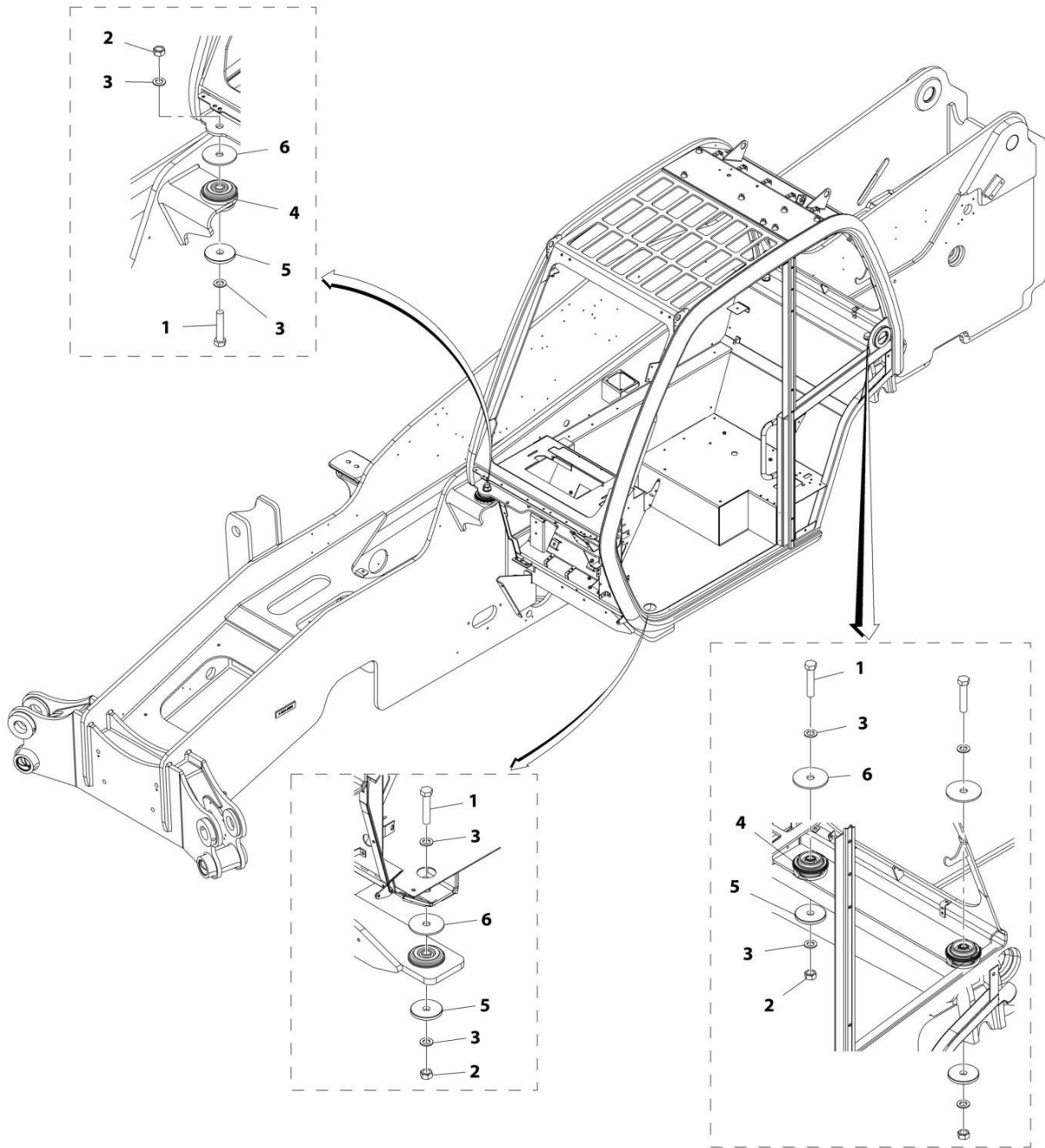
FIGURE 5-39. FENDER ASSEMBLY (FRT-LH)

ITEM	PART NUMBER	QTY	DESCRIPTION	REV
	1001250417	Ref	Fender Assembly (Standard)	A
1	0700612	4	Bolt, M6X25	
2	0760812	4	Bolt, M8X25	
3	3290605	4	Nut M6	
4	4811702	8	Washer, M6	
5	4811902	8	Washer, M8	
6	1001248760	1	Fender Assembly	
7	1001250420	1	Fender	
8	1001095650	AR	Adhesive	

SECTION 6 - CAB

SECTION 6 - CAB

FIGURE 6-1. CAB MOUNTS INSTALLATION



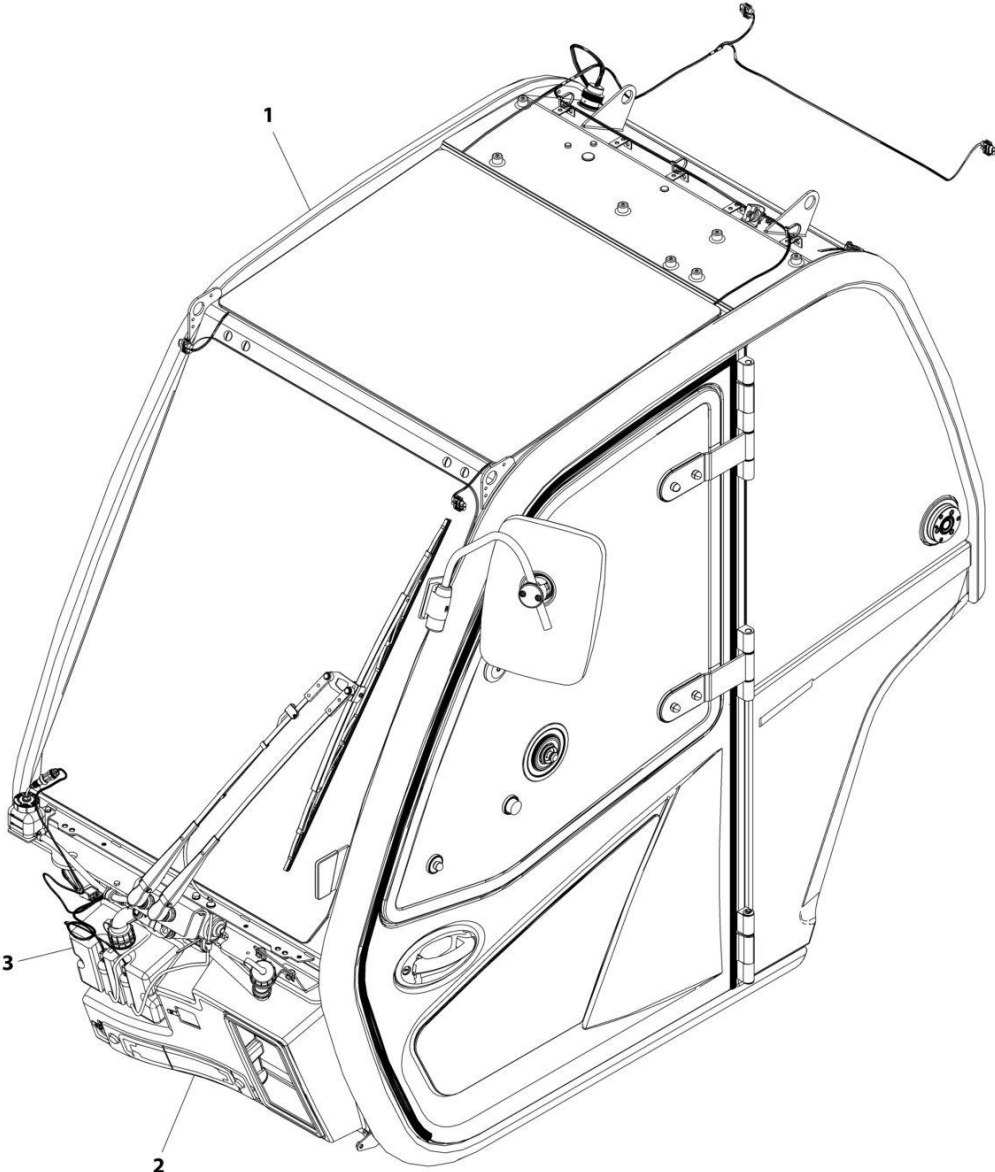
ART_1001155446-E

FIGURE 6-1. CAB MOUNTS INSTALLATION

ITEM	PART NUMBER	QTY	DESCRIPTION	REV
	1001155446	Ref	Cab Mounts Installation	E
1	0712027	4	Bolt, M20X100	
2	3332011	4	Nut, M20X2.5	
3	4812500	8	Washer, M20	
4	1001166754	4	Mount, Cab Isolation	
5	1001166755	4	Washer, Cab Rebound	
6	1001220540	4	Washer, Cab Mount	

SECTION 6 - CAB

FIGURE 6-2. ENCLOSED CAB INSTALLATION



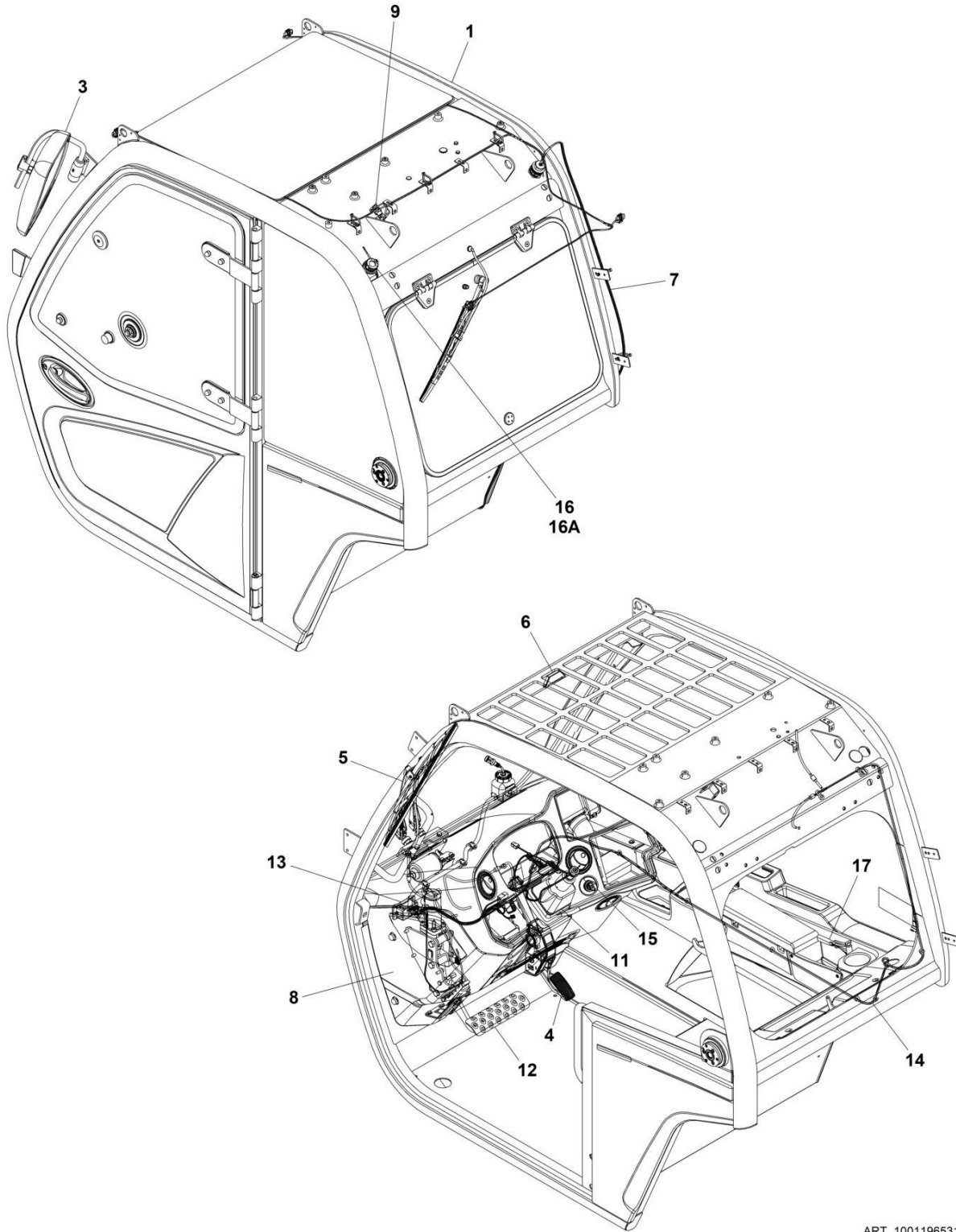
ART_1001202086-D

FIGURE 6-2. ENCLOSED CAB INSTALLATION

ITEM	PART NUMBER	QTY	DESCRIPTION	REV
1	1001202086	Ref	Enclosed Cab Installation	D
	1001196531	Ref	Assembly, Enclosed Cab (JLG) (See Separate Breakdown in this Section)	
2	1001170366	Ref	Installation, Front Cover (See Separate Breakdown in this Section)	
3	1001201027	Ref	Installation, Washer Tank (See Separate Breakdown in this Section)	

SECTION 6 - CAB

FIGURE 6-3. ENCLOSED CAB ASSEMBLY



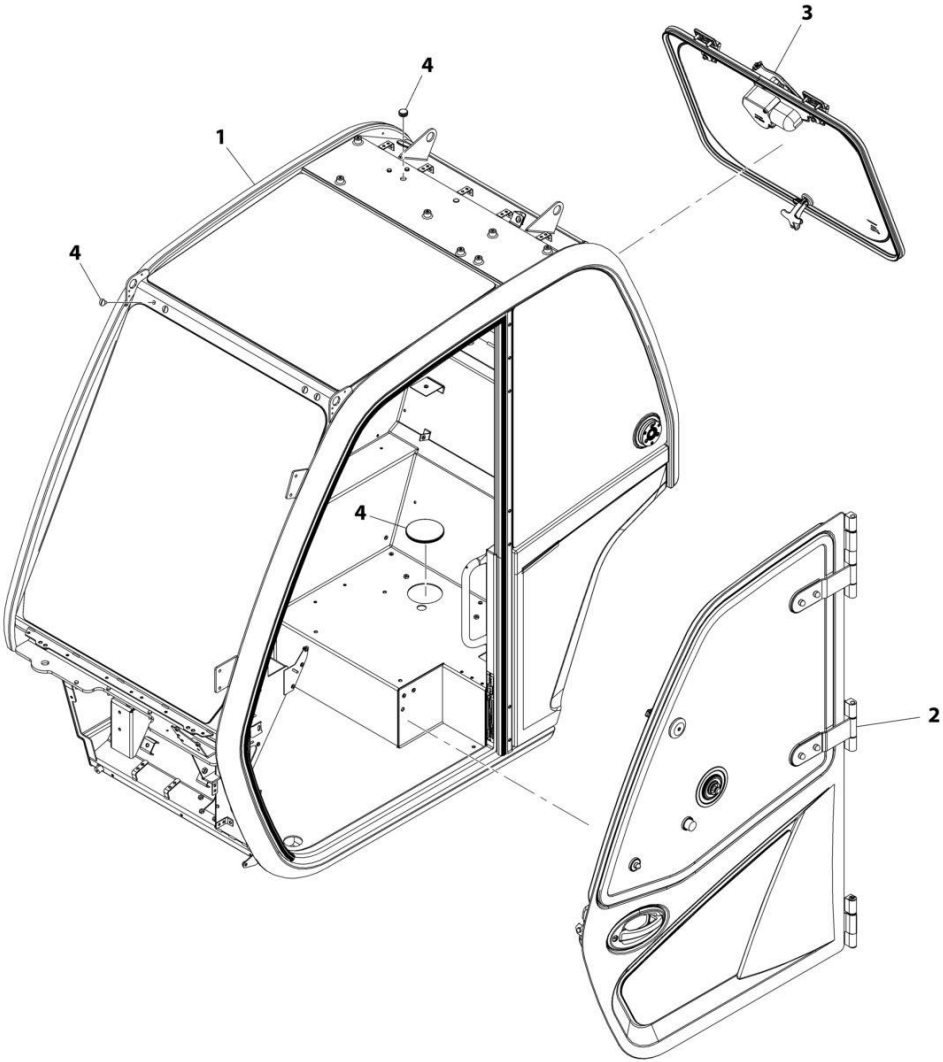
ART_1001196531_AA

FIGURE 6-3. ENCLOSED CAB ASSEMBLY

ITEM	PART NUMBER	QTY	DESCRIPTION	REV
	1001196531	Ref	ENCLOSED CAB ASSEMBLY	AA
1	1001168152	Ref	Group, Enclosed Cab (JLG) (See Separate Breakdown in this Section)	
3	1001230435	Ref	Installation, Interior Mirror (See Separate Breakdown in this Section)	
4	1001161499	Ref	Installation, Accelerator Pedal (See Separate Breakdown in CONTROLS Section)	
5	1001155447	Ref	Installation, Front Wiper (See Separate Breakdown in this Section)	
6	1001172401	Ref	Installation, Level Indicator (See Separate Breakdown in this Section)	
7	1001271363	Ref	Installation, Cab Electrical (See Separate Breakdown in ELECTRICAL Section)	
8	1001167981	Ref	Installation, Enclosed Cab Trim (See Separate Breakdown in this Section)	
9	1001218856	Ref	Installation, Beacon Bracket (See Separate Breakdown in this Section)	
11	1001229534	Ref	Installation, Steering Column Tilt (See Separate Breakdown in CONTROLS Section)	
12	1001188262	Ref	Installation, Brake Pedal (See Separate Breakdown in this Section)	
13	1001201340	Ref	Installation, Cab Heater Harness (See Separate Breakdown in ELECTRICAL Section)	
14	1001201520	Ref	Installation, Washer Hoses (See Separate Breakdown in this Section)	
15	1001208518	Ref	Installation, Ignition Switch (JLG) (See Separate Breakdown in ELECTRICAL Section)	
16	1001201161	Ref	Installation, Telematics Cap	
16A	1001201162	1	Cap	
17	1001210628	Ref	Installation, Hammer (See Separate Breakdown in this Section)	

SECTION 6 - CAB

FIGURE 6-4. ENCLOSED CAB GROUP



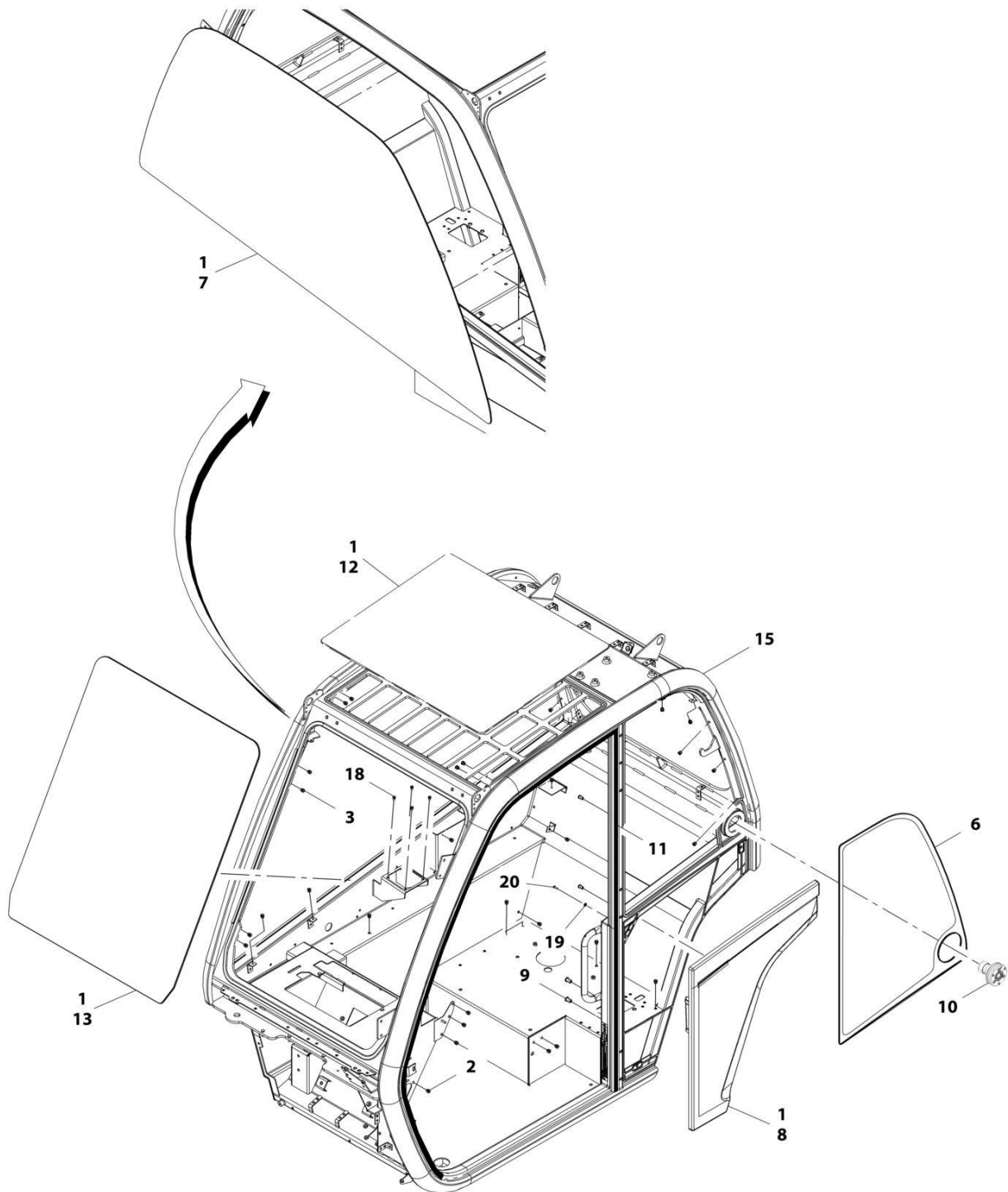
ART_1001168152

FIGURE 6-4. ENCLOSED CAB GROUP

ITEM	PART NUMBER	QTY	DESCRIPTION	REV
	1001168152	Ref	Enclosed Cab Group	1
1	1001173641	Ref	Cab, Enclosed (JLG) (See Separate Breakdown in this Section)	
2	1001155228	Ref	Installation, Door (JLG) (See Separate Breakdown in this Section)	
3	1001178678	Ref	Installation, Rear Window (See Separate Breakdown in this Section)	
4	1001170603	Ref	Group, Enclosed Cab Plug (See Separate Breakdown in this Section)	

SECTION 6 - CAB

FIGURE 6-5. ENCLOSED CAB



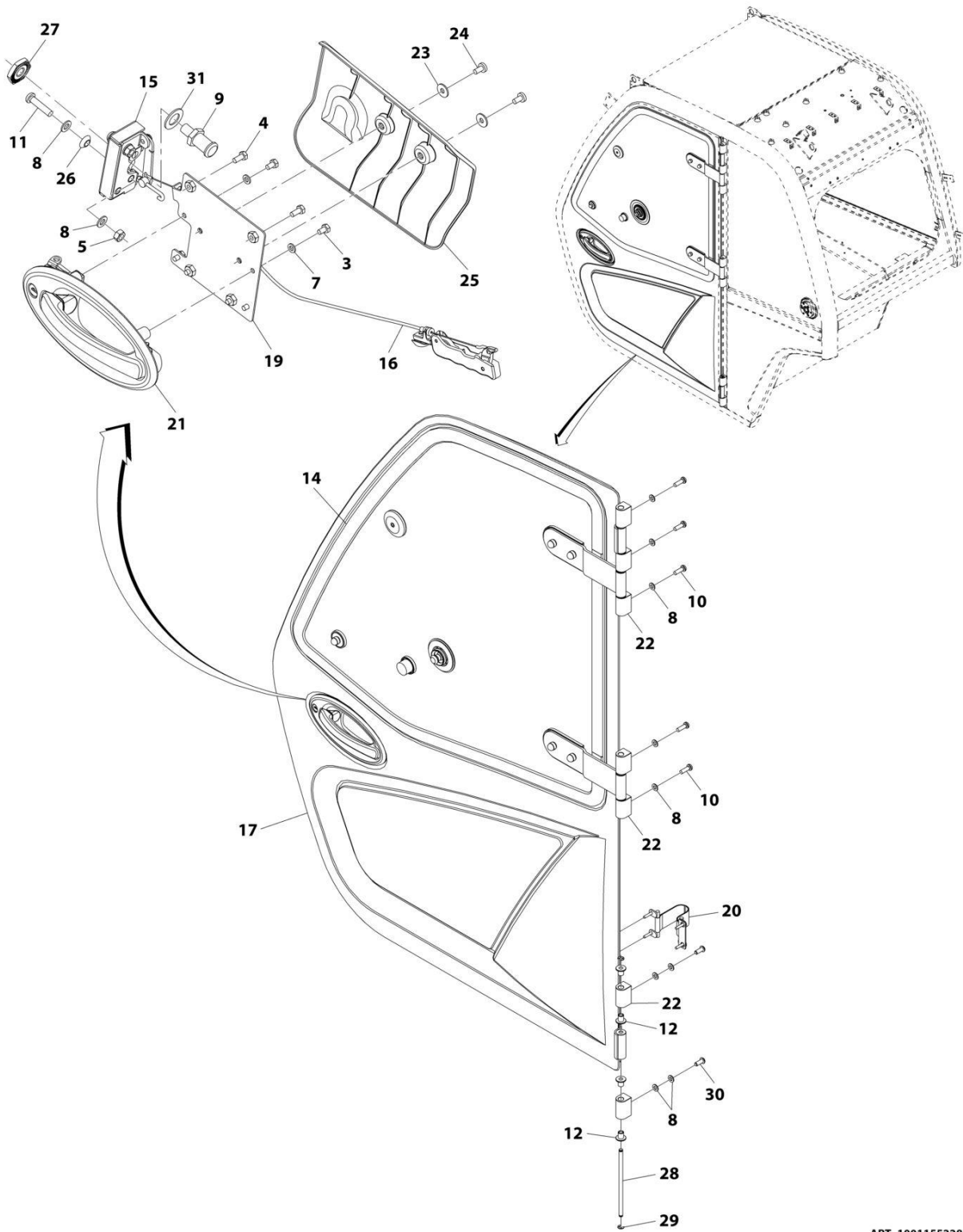
ART_1001173641_I

FIGURE 6-5. ENCLOSED CAB

ITEM	PART NUMBER	QTY	DESCRIPTION	REV
	1001173641	Ref	Enclosed Cab	I
1	1001111317	AR	Compound, Locking	
2	2080086	27	Rivnut, M6X1	
3	2080087	16	Rivnut, M8X1.25	
6	1001152915	1	Glass, LH Screen	
7	1001152947	1	Glass, RH Screen	
8	1001229319	1	Panel, Cab Quarter	
9	1001172193	2	Rivnut, M5X0.8	
10	1001174320	1	Latch, Top Window	
11	1001227186	1	Seal, Cab Door	
12	1001178159	1	Glass, Roof Laminated	
13	1001178160	1	Glass, Front Laminated	
	1001225177	1	Weldment, Cab	
18	1001195878	7	Rivnut, M5X0.8	
19	4811700	3	Washer, M6	
20	0750804	3	Screw	

SECTION 6 - CAB

FIGURE 6-6. DOOR INSTALLATION



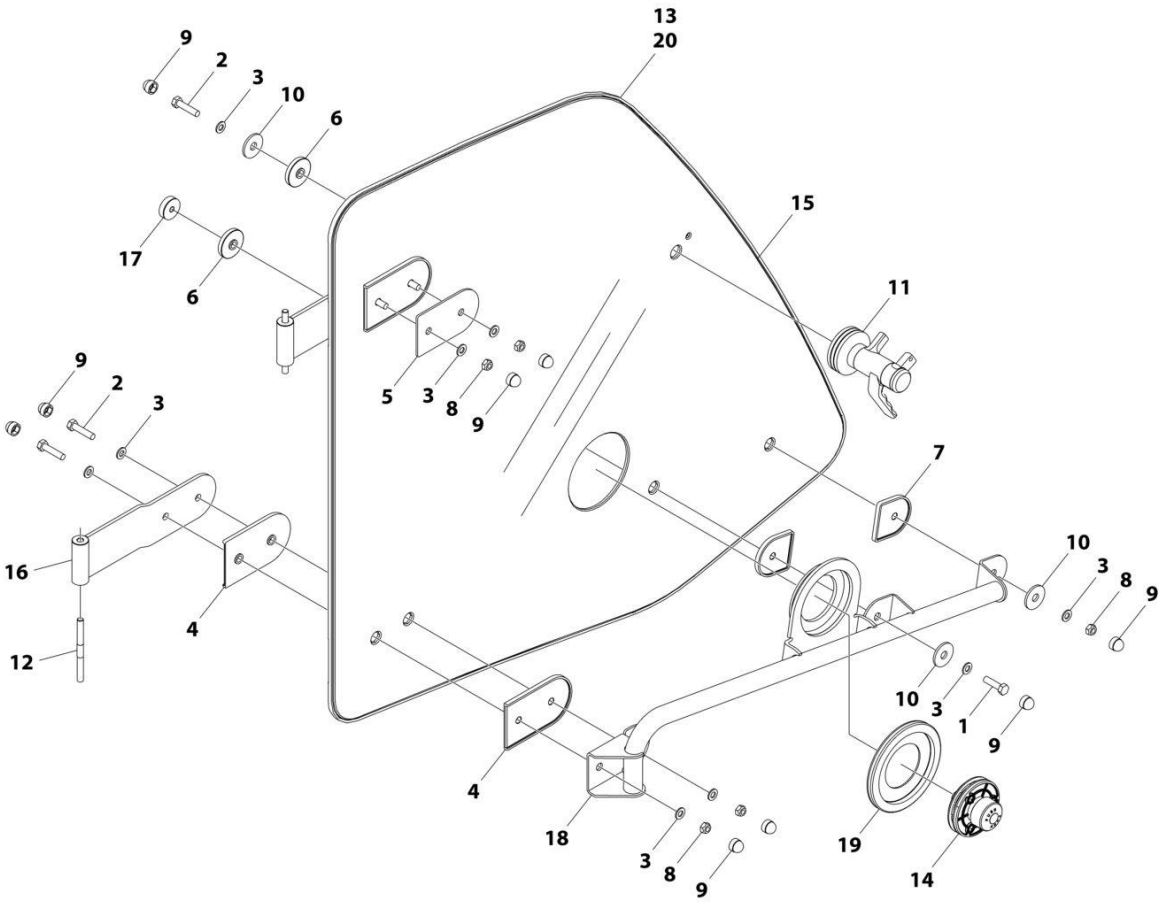
ART_1001155228

FIGURE 6-6. DOOR INSTALLATION

ITEM	PART NUMBER	QTY	DESCRIPTION	REV
	1001155228	Ref	Door Installation	Q
3	0760605	4	Bolt, M6X10	
4	0760607	4	Bolt, M6X14	
5	3290801	2	Nut, M8X1.25 Grade 8	
7	4811700	4	Washer, M6	
8	4811900	13	Washer, M8	
9	8000803	1	Pin, Door Striker	
10	1001008988	5	Screw M8X25	
11	1001047062	2	Screw, M8X35	
12	1001107192	10	Sleeve, Hinge	
14	1001205532	1	Assembly, Door Upper Glass (See Separate Breakdown in this Section)	
15	1001192766	1	Assembly, Cab Latch (See Separate Breakdown in this Section)	
16	1001167958	1	Assembly, Cab Door Trigger (See Separate Breakdown in this Section)	
17	1001170114	1	Assembly, Door (See Separate Breakdown in this Section)	
19	1001173298	1	Bracket	
20	1001174295	1	Installation, Door Strap (See Separate Breakdown in this Section)	
21	1001192646	1	Handle, Exterior Door	
22	1001229543	7	Block, Hinge (Rounded Top/Bottom Edge)	
22	1001170601J	7	Block, Hinge (Square Top/Bottom Edge)	
23	4811702001	2	Washer, M6	
24	4010608002	2	Screw, Posi-Drive, M6X16	
25	1001175477	1	Cover, Cab Door Interior	
26	1001184439	2	Bushing	
27	1001192309	1	Nut, M12X1	
28	1001213791	1	Pin	
29	0498748	2	Washer, Lock M7	
30	1001164726	2	Bolt, M8X20	
31	1001227802	1	Washer	

SECTION 6 - CAB

FIGURE 6-7. DOOR UPPER GLASS ASSEMBLY



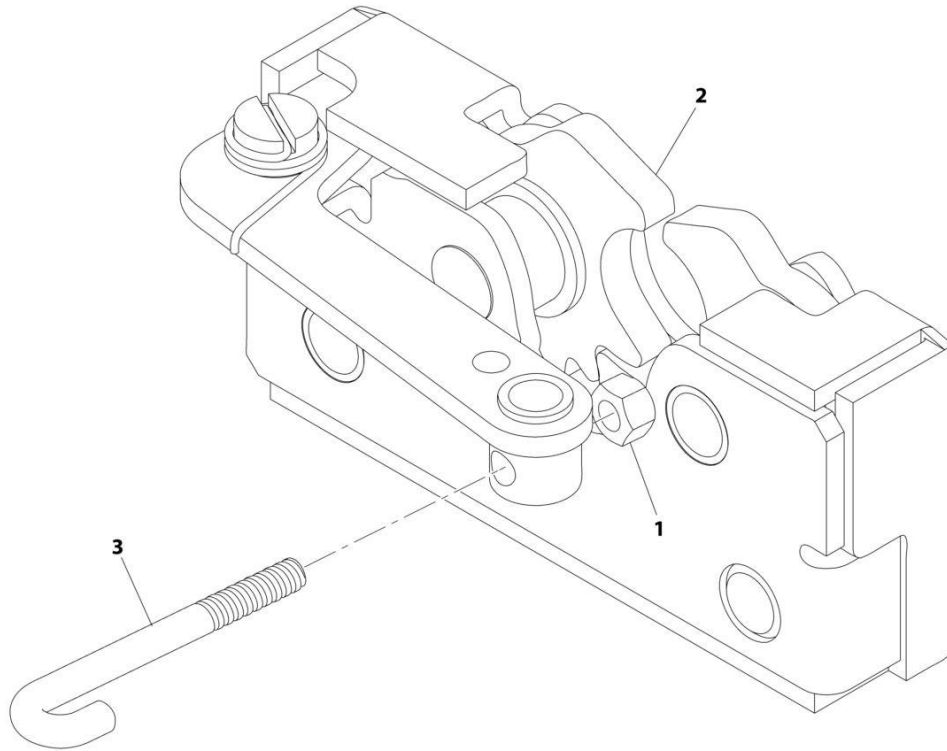
ART_1001205532

FIGURE 6-7. DOOR UPPER GLASS ASSEMBLY

ITEM	PART NUMBER	QTY	DESCRIPTION	REV
	1001205532	Ref	Door Upper Glass Assembly	G
1	0760812	1	Bolt, M8X25	
2	0760815	5	Bolt, M8X35	
3	4811900	11	Washer, 8MM	
4	1001002946	4	Mount, Hinge	
5	1001002947	1	Mount, Hinge	
6	1001002953	2	Mount, Rubber	
7	1001002957	2	Mount, Latch	
8	1001008857	5	Nut, Lock	
9	1001096365	11	Cap, M8	
10	1001141246	3	Mount, Rubber	
11	1001165275	1	Latch, Window	
12	1001166634	2	Pin, Hinge	
13	1001170944	1	Panel, Window Surround	
14	1001174321	1	Striker, Top Window	
15	1001204066	1	Glass, Window	
16	1001204115	2	Hinge	
17	1001222741	1	Buffer, Cab	
18	1001204120	1	Handle	
19	1001213331	1	Gasket	
20	1001215531	AR	Adhesive	

SECTION 6 - CAB

FIGURE 6-8. CAB LATCH ASSEMBLY



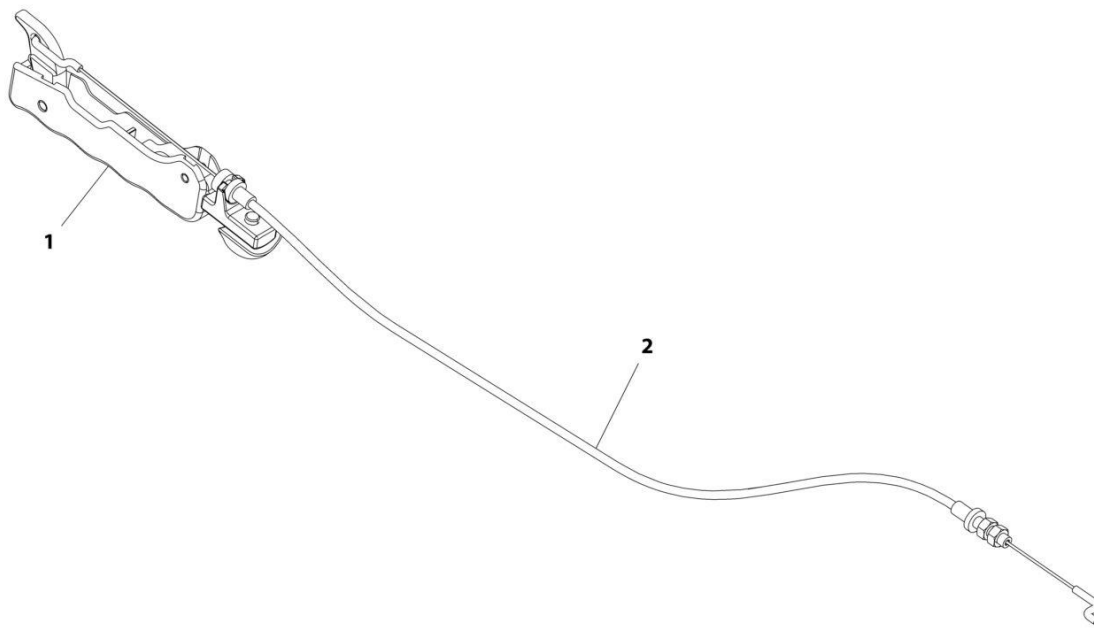
ART_1001192766-B

FIGURE 6-8. CAB LATCH ASSEMBLY

ITEM	PART NUMBER	QTY	DESCRIPTION	REV
	1001192766	Ref	Cab Latch Assembly	B
1	3290405	1	Nut, M4X0.7 Grade 8	
2	1001192643	1	Latch	
3	1001241308	1	Link, Door Handle	

SECTION 6 - CAB

FIGURE 6-9. CAB DOOR TRIGGER ASSEMBLY



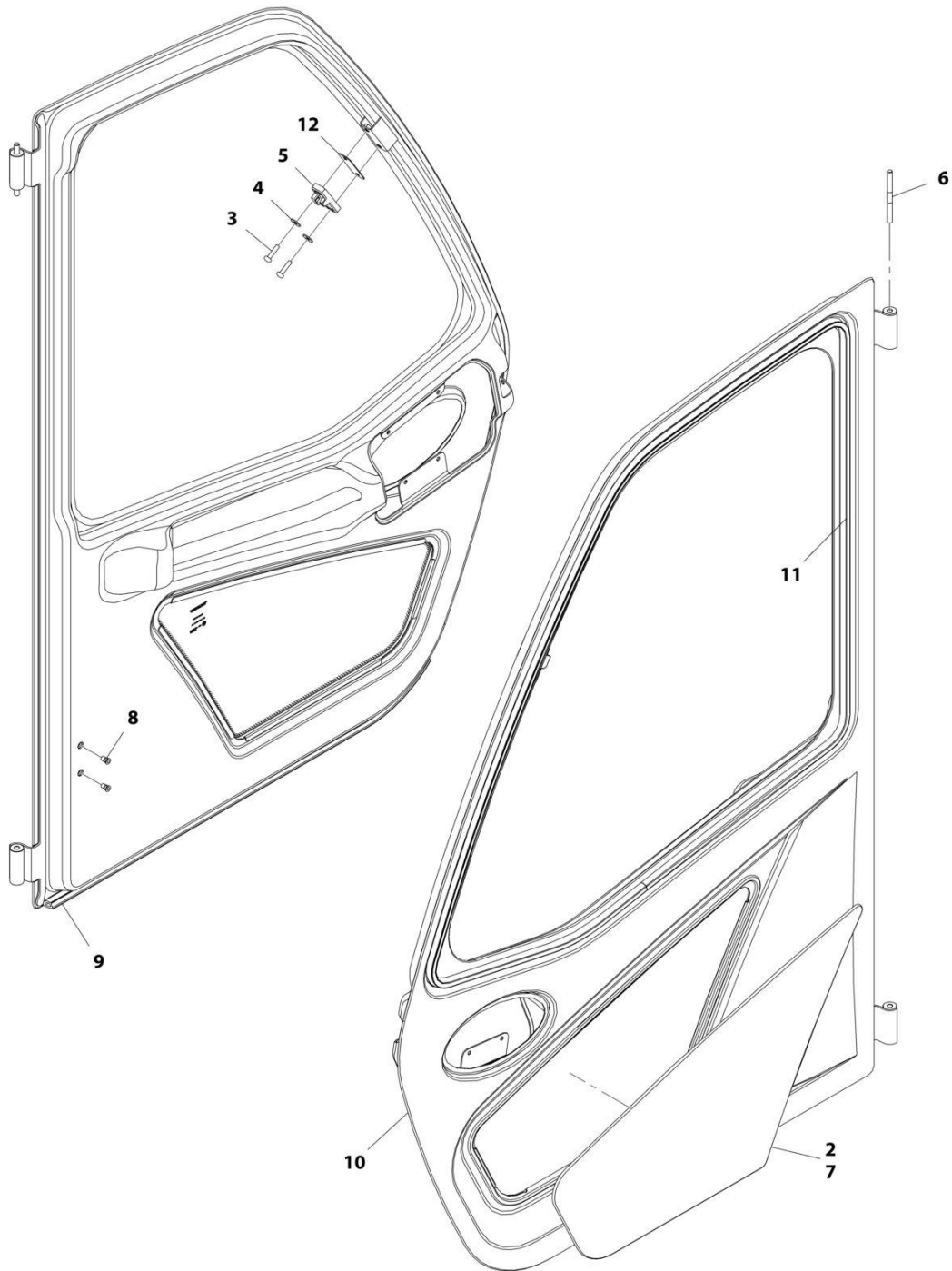
ART_1001167958-E

FIGURE 6-9. CAB DOOR TRIGGER ASSEMBLY

ITEM	PART NUMBER	QTY	DESCRIPTION	REV
	1001167958	Ref	Cab Door Trigger Assembly	E
1	1001167937	1	Trigger, Cab Interior Release	
2	1001192644	1	Cable, Cab Latch Release	

SECTION 6 - CAB

FIGURE 6-10. DOOR ASSEMBLY (AG)



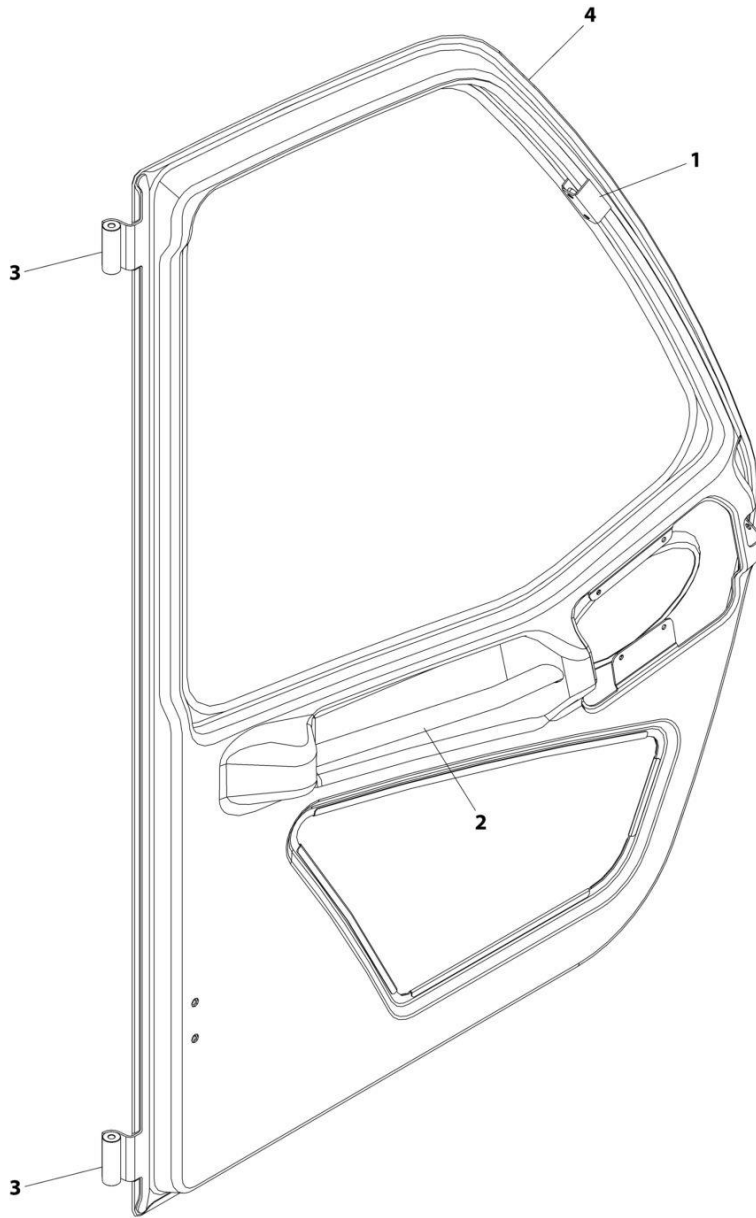
ART_1001170114

FIGURE 6-10. DOOR ASSEMBLY (AG)

ITEM	PART NUMBER	QTY	DESCRIPTION	REV
	1001170114	Ref	Door Assembly	K
2	1001111317	AR	Compound, Locking	
3	4010612002	2	Screw, M6X25	
4	4811702001	2	Washer, M6	
5	1001165276	1	Plate, Window Latch Striker	
6	1001166634	1	Pin, Hinge	
7	1001169880	1	Window, Lower Glass	
8	1001172193	2	Rivnut, M5X0.8	
9	1001227188	1	Seal, Cab Door	
10	1001170113J	1	Door, Cab (See Separate Breakdown in this Section)	
11	1001227187	1	Seal, Cab Door Window	
12	1001193210	AR	Shim, Window Latch	

SECTION 6 - CAB

FIGURE 6-11. CAB DOOR



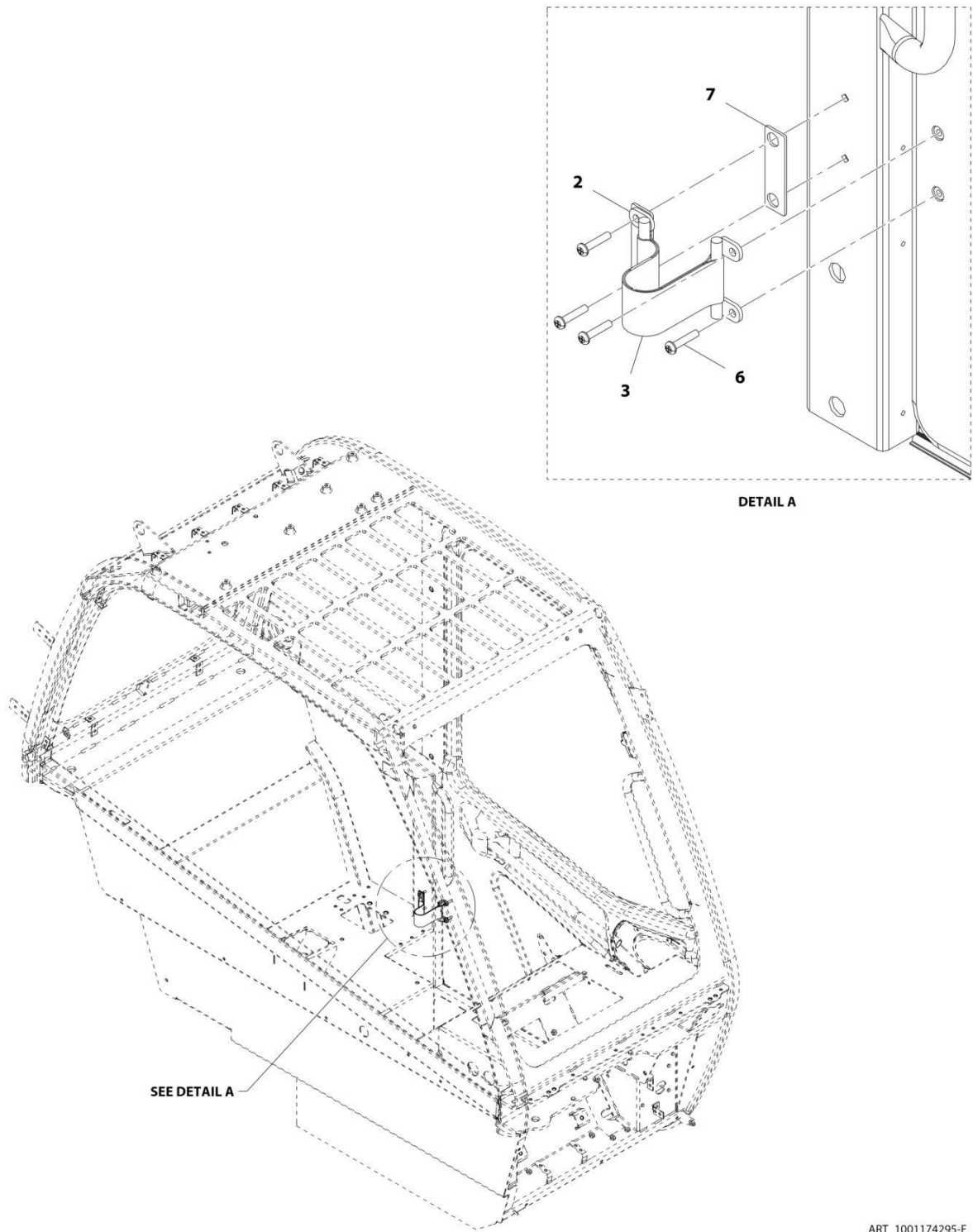
ART_1001170113-E

FIGURE 6-11. CAB DOOR

ITEM	PART NUMBER	QTY	DESCRIPTION	REV
	1001170113	Ref	Cab Door	E
1	1001169883	1	Bracket, Window Latch	
2	1001169885	1	Handle, Interior Door	
3	1001171037	1	Plate, Hinge	
4	1001171635	1	Frame, Door	

SECTION 6 - CAB

FIGURE 6-12. DOOR STRAP INSTALLATION



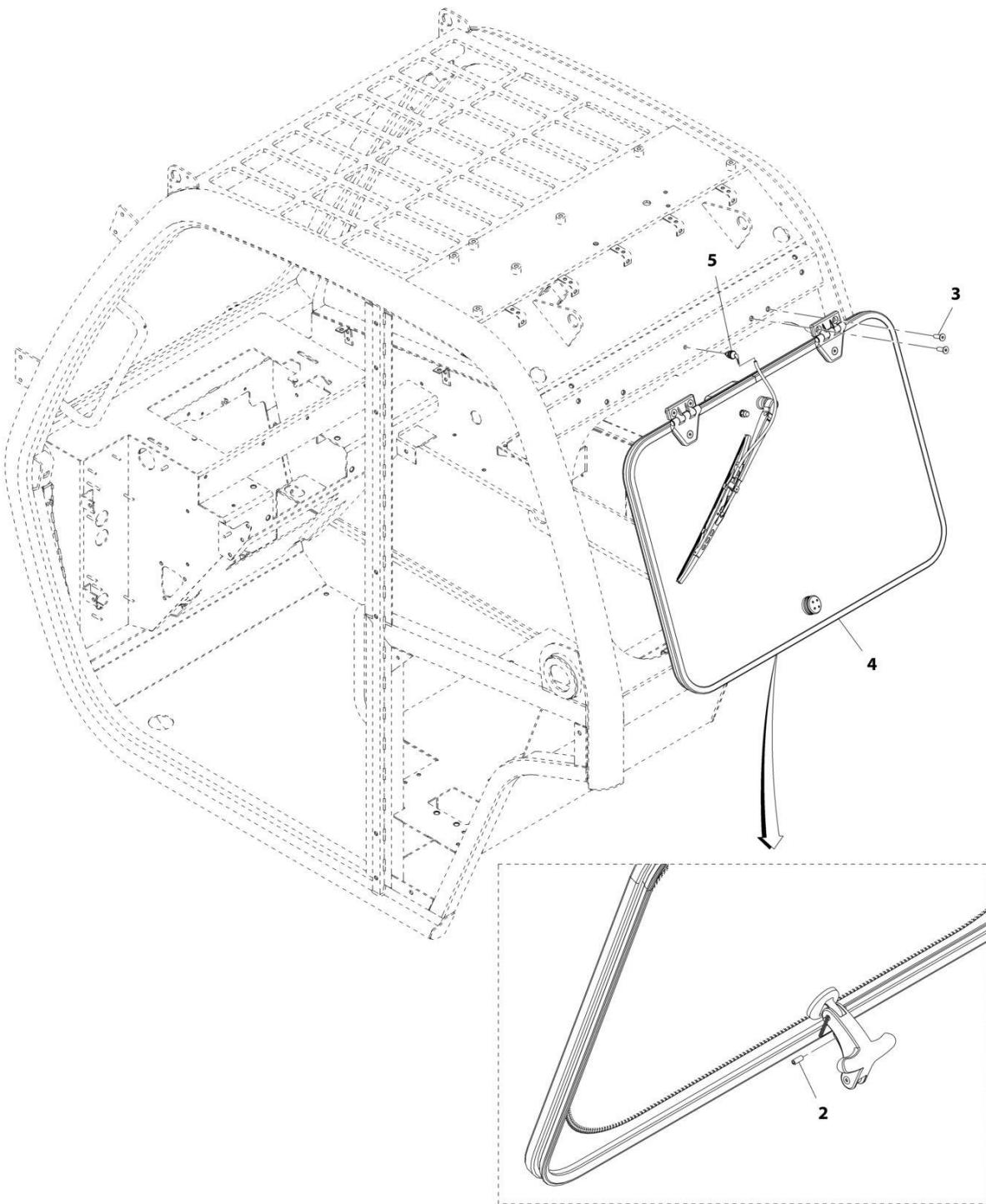
ART_1001174295-F

FIGURE 6-12. DOOR STRAP INSTALLATION

ITEM	PART NUMBER	QTY	DESCRIPTION	REV
	1001174295	Ref	Door Strap Installation	F
2	1001230163	2	Bracket, Strap Holder	
3	1001212011	1	Strap, Door Hold Open	
6	8310559	4	Screw	
7	1001191091	1	Plate, Cab Door Strap	

SECTION 6 - CAB

FIGURE 6-13. REAR WINDOW INSTALLATION



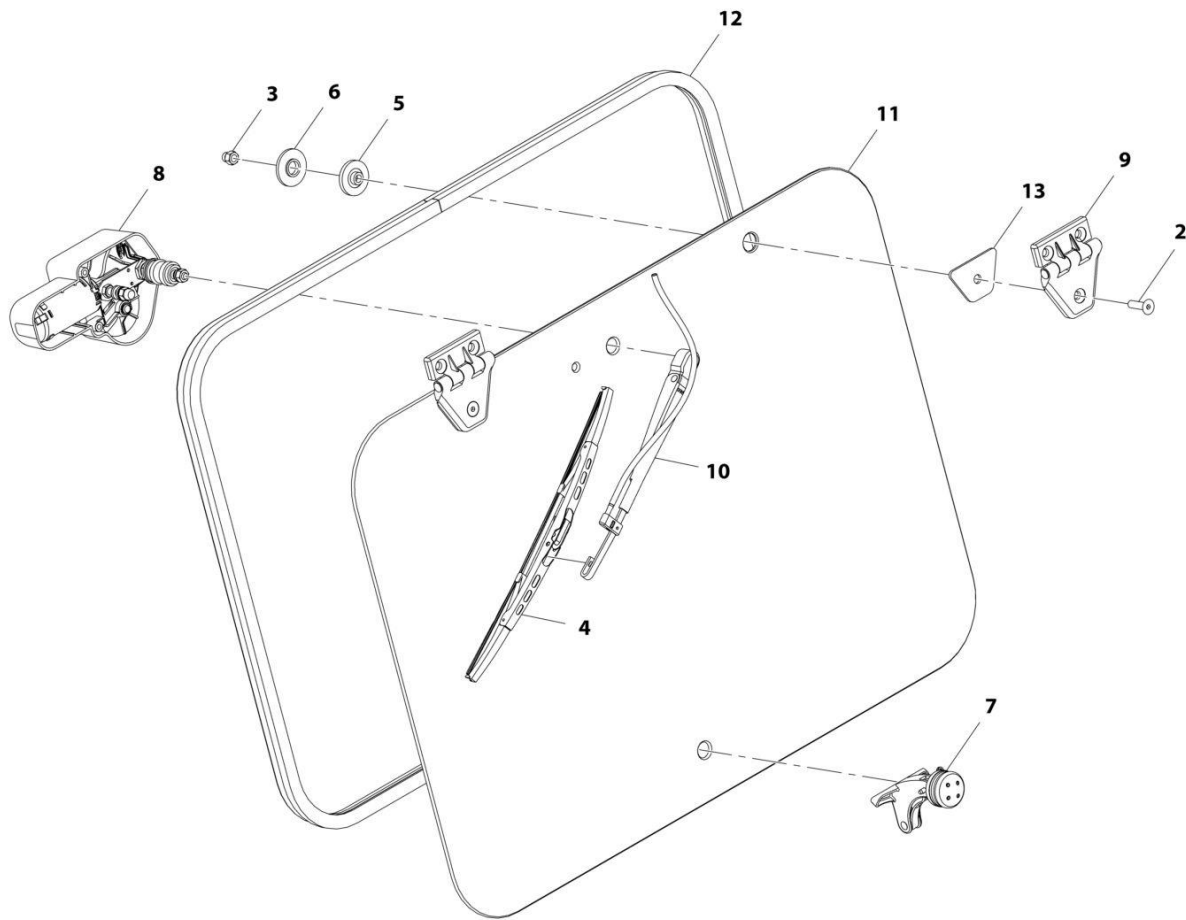
ART_1001178678-C

FIGURE 6-13. REAR WINDOW INSTALLATION

ITEM	PART NUMBER	QTY	DESCRIPTION	REV
	1001178678	Ref	Rear Window Installation	C
2	1001003043	1	Pin, Spring	
3	1001097586	4	Screw, M8X1.25	
4	1001178679	1	Assembly, Rear Window (See Separate Breakdown in this Section)	
5	1001090343	1	Connector	

SECTION 6 - CAB

FIGURE 6-14. REAR WINDOW ASSEMBLY



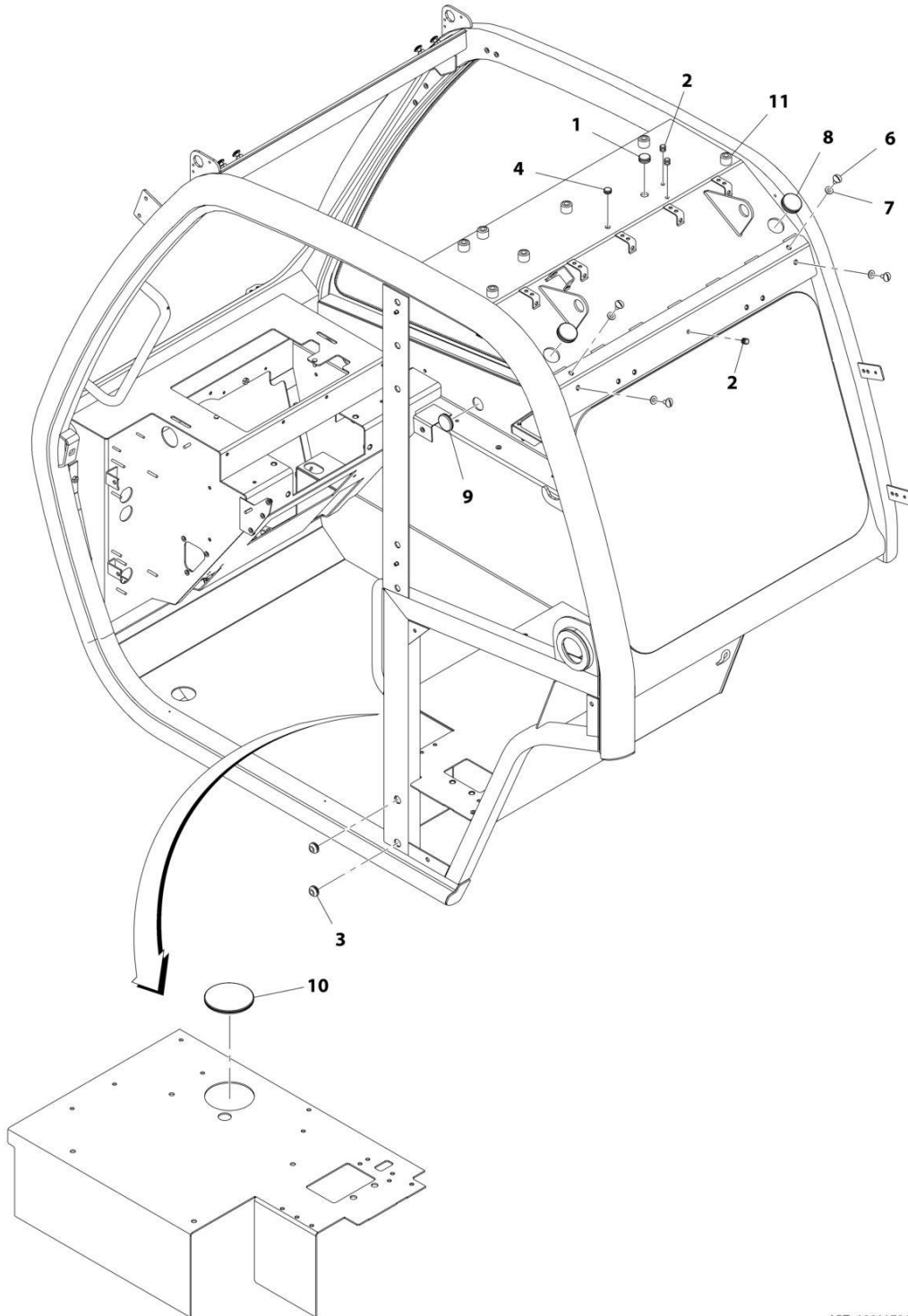
ART_1001178679-C

FIGURE 6-14. REAR WINDOW ASSEMBLY

ITEM	PART NUMBER	QTY	DESCRIPTION	REV
	1001178679	Ref	Rear Window Assembly	C
2	2080078	2	Fastener, M8X30	
3	3290806	2	Nut, M8X1.25 Grade 8	
4	4807718	1	Blade, Wiper	
5	8000759	2	Spacer	
6	8004398	2	Spacer	
7	1001005368	1	Latch, Window	
8	1001139552	1	Motor, Rear Wiper	
9	1001139568	2	Hinge	
10	1001141312	1	Arm, Rear Window Wiper	
11	1001178680	1	Glass, Rear Window	
12	1001178681	1	Seal	
13	1001181411	2	Gasket, Rear Window Hinge	

SECTION 6 - CAB

FIGURE 6-15. ENCLOSED CAB PLUG GROUP



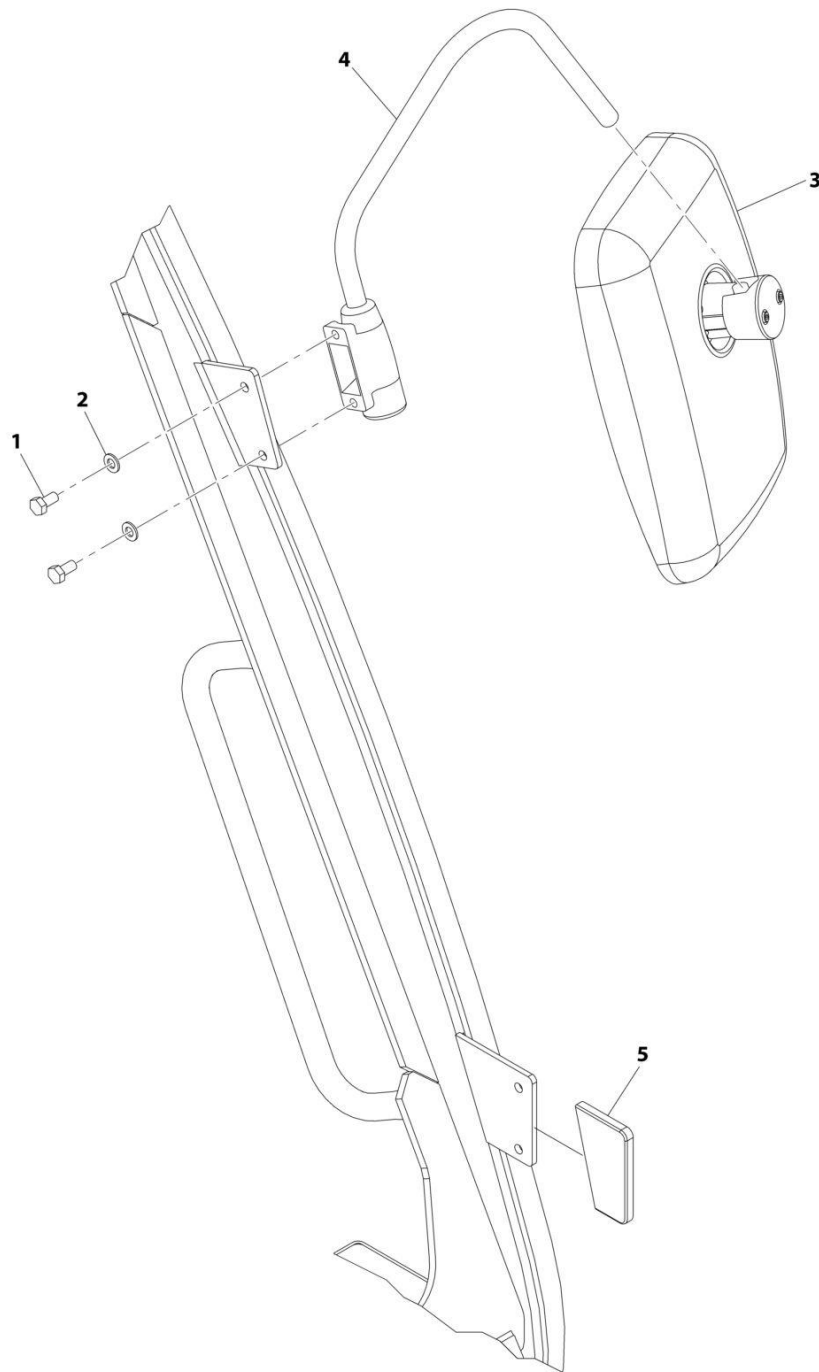
ART_1001170603-E

FIGURE 6-15. ENCLOSED CAB PLUG GROUP

ITEM	PART NUMBER	QTY	DESCRIPTION	REV
	1001170603	Ref	Enclosed Cab Plug Group	E
1	1001176273	1	Plug	
2	1001176272	3	Plug	
3	1001143200	2	Plug	
4	1001176626	1	Plug	
6	1001181920	8	Screw, M8X16	
7	1001181921	8	Washer, Rubber M8	
8	1001182123	2	Plug	
9	1001182139	1	Plug	
10	1001209899	1	Plug	
11	1001219220	7	Cap, Vinyl Round	

SECTION 6 - CAB

FIGURE 6-16. INTERIOR MIRROR INSTALLATION



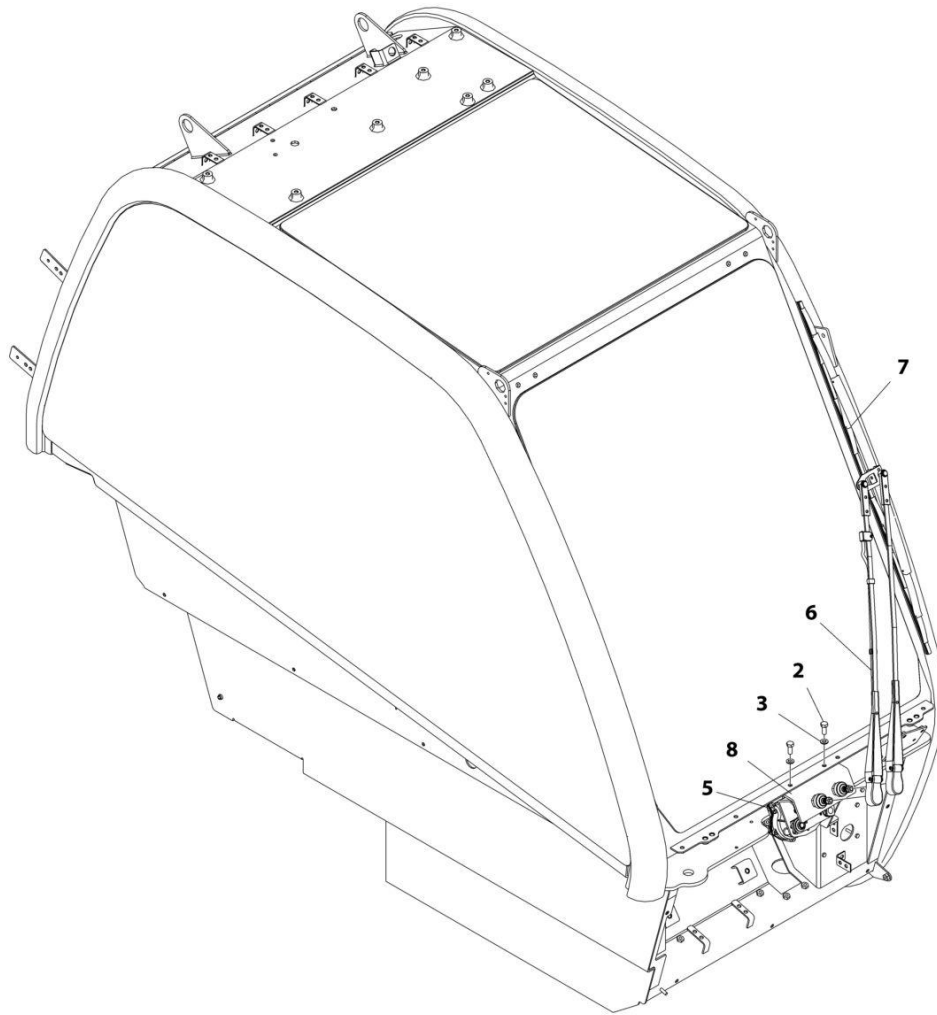
ART_1001230435-A

FIGURE 6-16. INTERIOR MIRROR INSTALLATION

ITEM	PART NUMBER	QTY	DESCRIPTION	REV
	1001230435	Ref	Basic Mirror Installation	A
1	0760808	2	Bolt, M8X16	
2	4811900	2	Washer, M8	
3	80363195	1	Mirror	
4	1001164655	1	Bracket	
5	1001227357	1	Cover, Mirror Bracket	

SECTION 6 - CAB

FIGURE 6-17. FRONT WIPER INSTALLATION



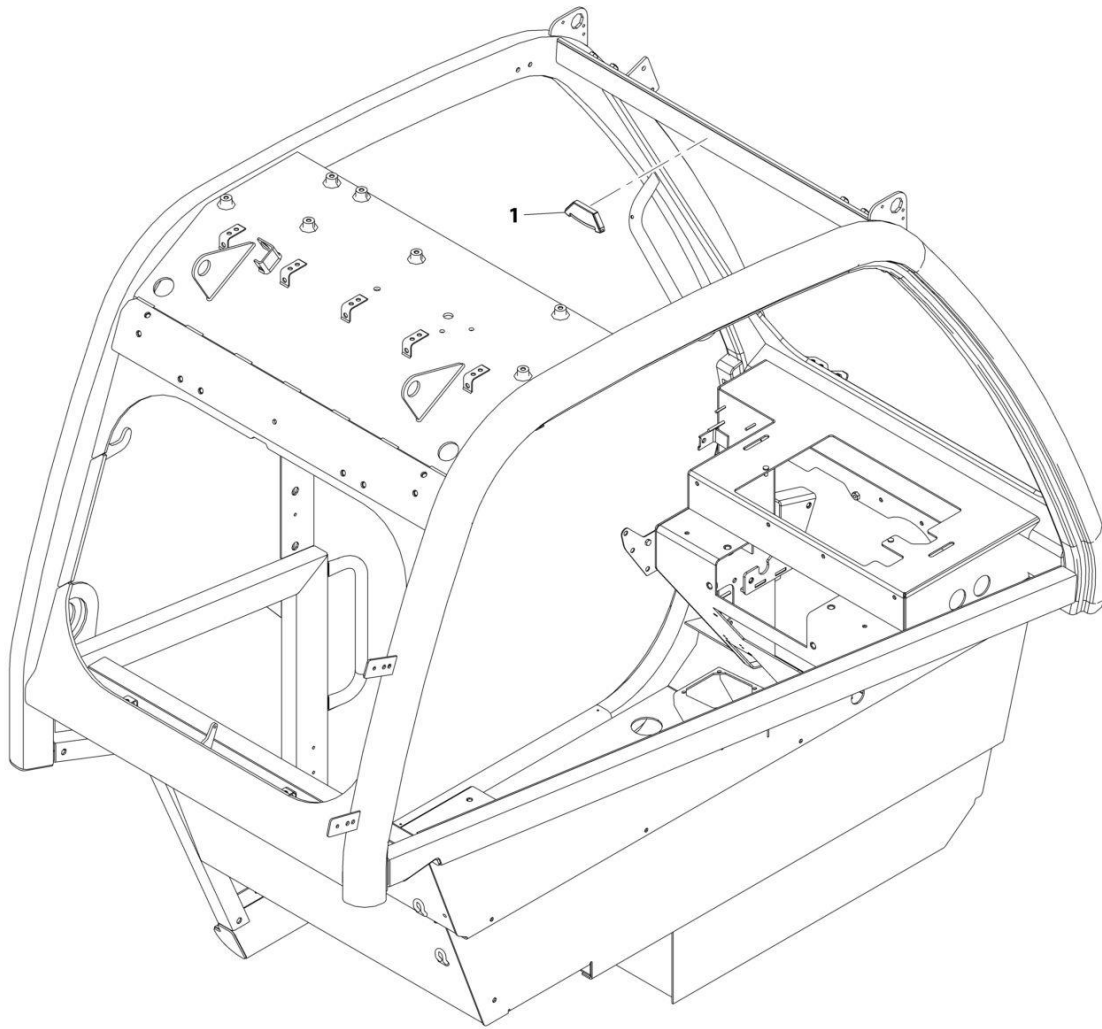
ART_1001155447-G

FIGURE 6-17. FRONT WIPER INSTALLATION

ITEM	PART NUMBER	QTY	DESCRIPTION	REV
	1001155447	Ref	Front Wiper Installation	G
2	0760810	2	Bolt, M8X20	
3	4811900	2	Washer, M8	
5	1001214092	1	Motor, Front Wiper	
6	1001212369	1	Arm, Front Wiper	
7	1001141281	1	Blade, Wiper	
8	1001165637	1	Bracket	

SECTION 6 - CAB

FIGURE 6-18. LEVEL INDICATOR INSTALLATION



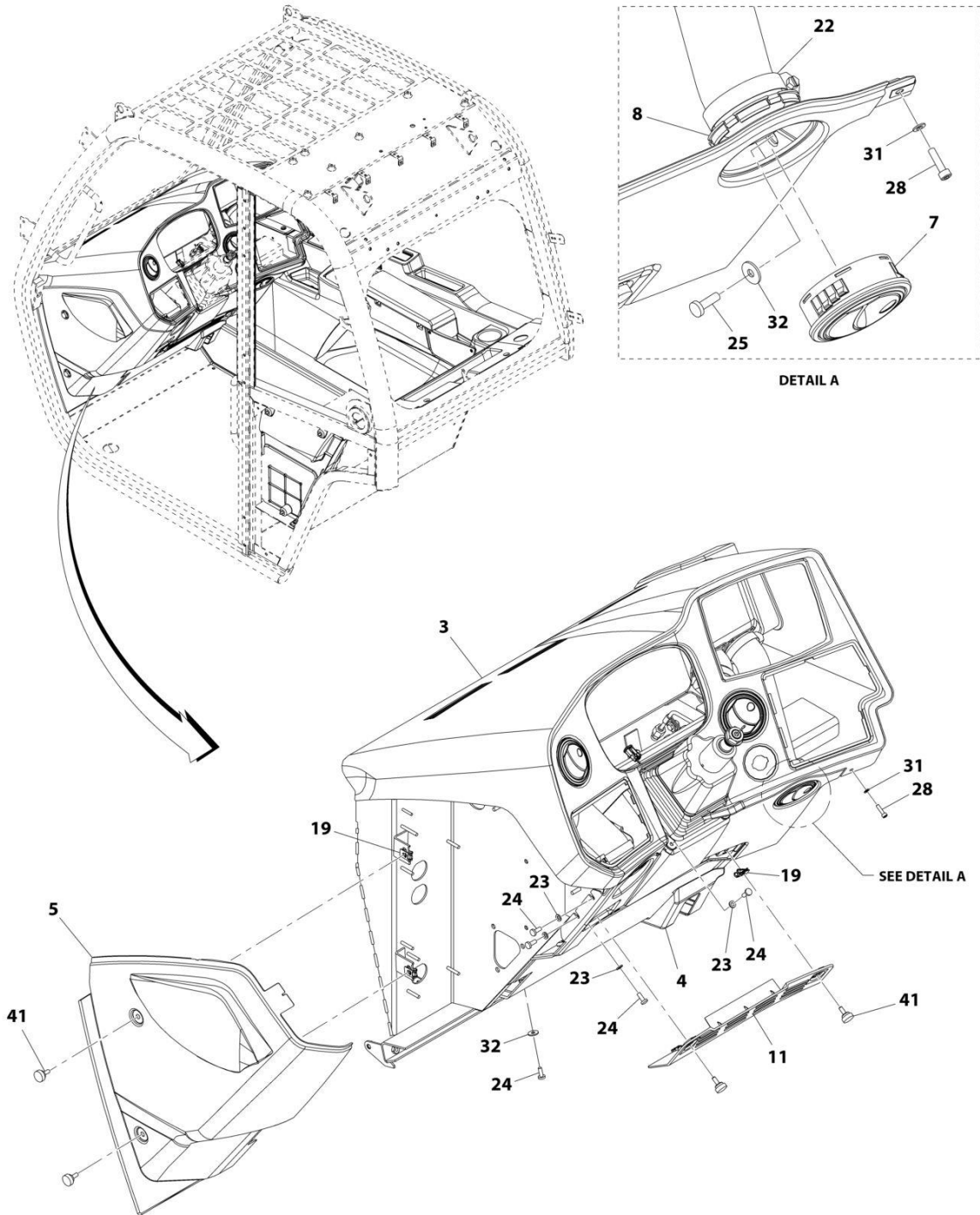
ART_1001172401-C

FIGURE 6-18. LEVEL INDICATOR INSTALLATION

ITEM	PART NUMBER	QTY	DESCRIPTION	REV
1	1001172401 8466306	Ref 1	Level Indicator Installation Gauge, Tilt Angle	C

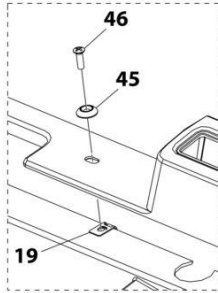
SECTION 6 - CAB

FIGURE 6-19. ENCLOSED CAB TRIM INSTALLATION

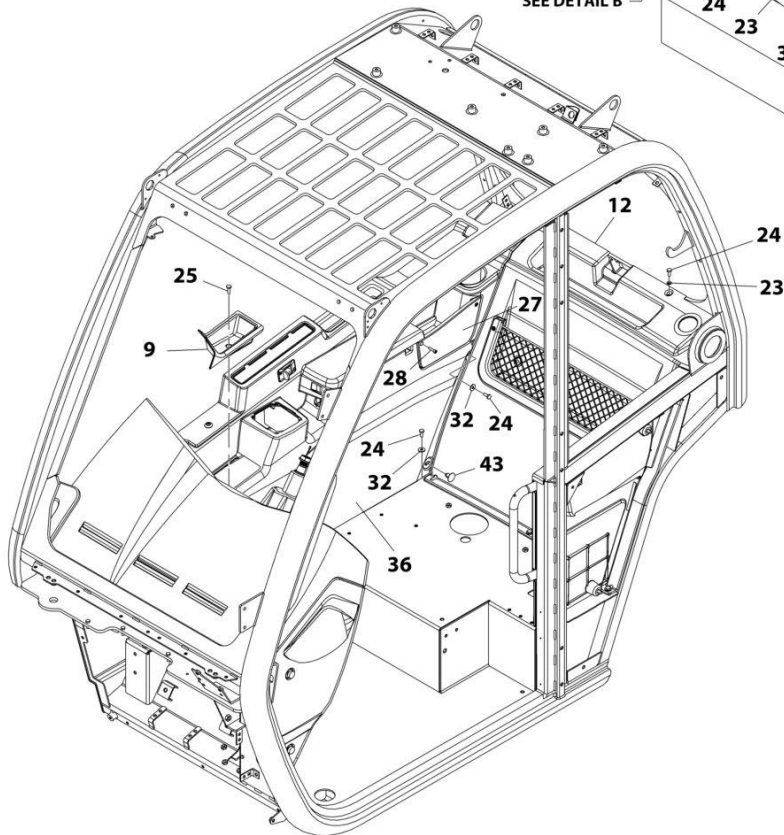
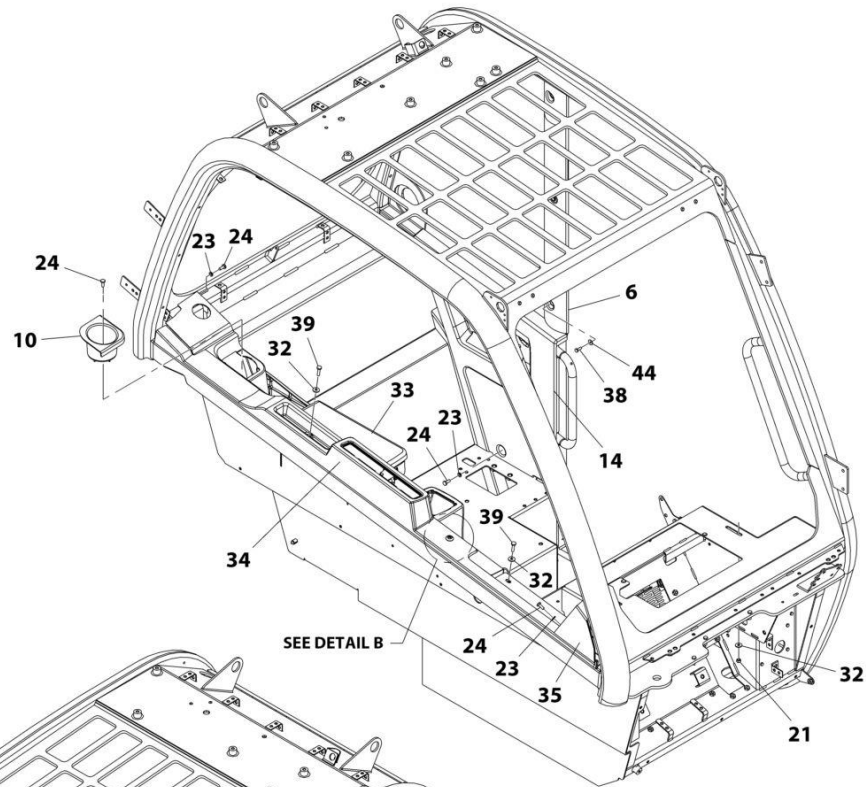


ART_1001167981_1-N

SECTION 6 - CAB



DETAIL B



ART_1001167981_2-N

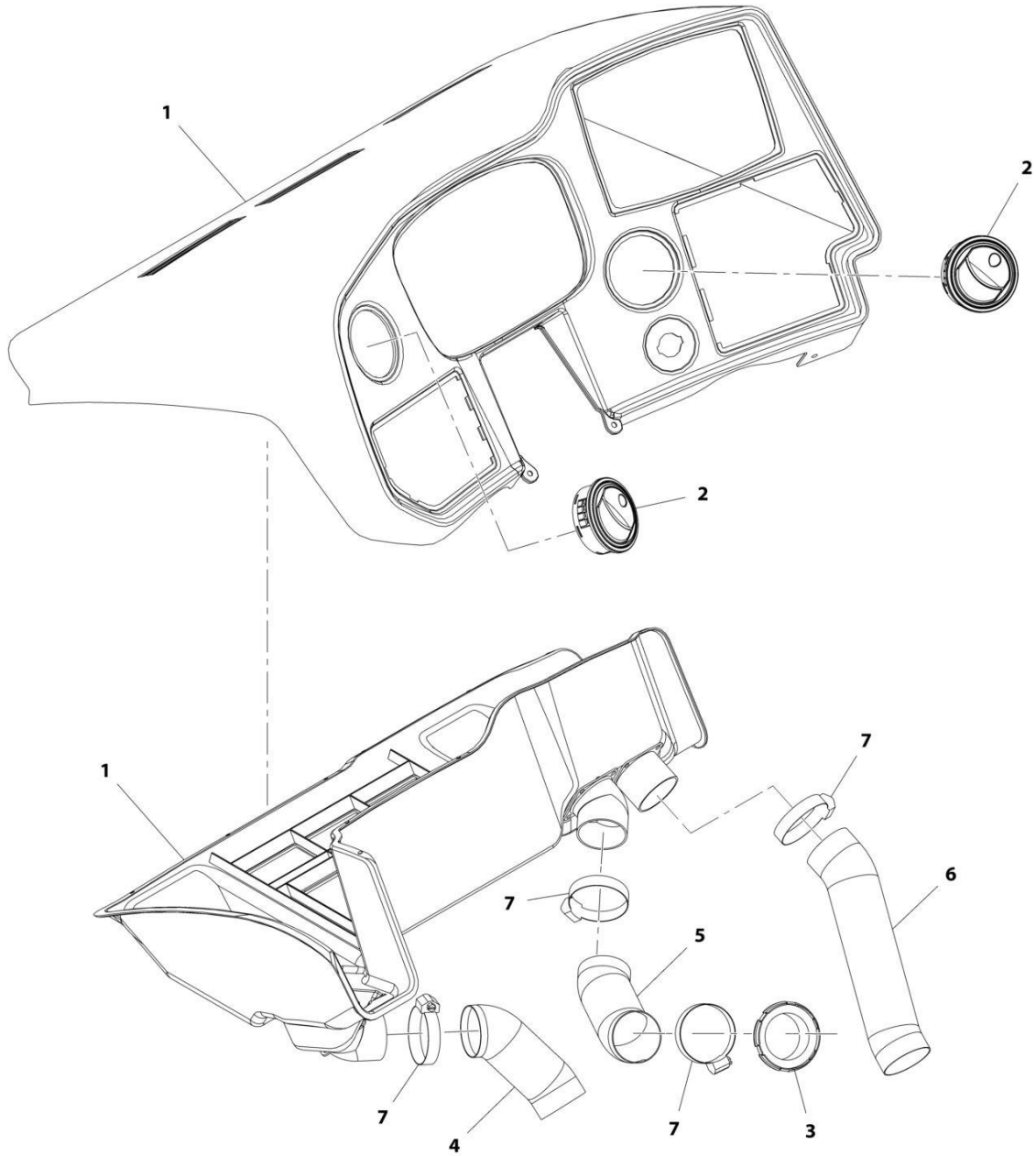
SECTION 6 - CAB

FIGURE 6-19. ENCLOSED CAB TRIM INSTALLATION

ITEM	PART NUMBER	QTY	DESCRIPTION	REV
	1001167981	Ref	Enclosed Cab Trim Installation	P
3	1001169604	1	Assembly, Dash Cover (See Separate Breakdown in this Section)	
4	1001175903	1	Panel, Lower Dash	
5	1001161855	1	Panel, LH Dash	
6	1001219076	1	Panel, Cover	
7	1001147449	2	Vent, Air	
8	1001149278	2	Vent, Connector	
9	1001169603	1	Panel, Trinket Tray	
10	1001170518	1	Holder, Cup	
11	1001170504	1	Panel, Recirculation Grille Cover	
12	1001170519	1	Assembly, Rear Panel Cover (See Separate Breakdown in this Section)	
14	1001161068	1	Panel, Cover	
19	8305919	5	Nut, M6	
21	3290605	2	Nut, Lock M6X1 Grade 8	
22	8405201	2	Clamp, Gear	
23	4811700001	13	Washer, M6	
24	4010608002	20	Screw, M6X16	
25	4010610002	2	Screw, M6X20	
27	1001173965	1	Bezel, RH	
28	4031608001	3	Bolt, M5X20	
31	4811600	1	Washer, M5	
32	4811702001	12	Washer, M6	
33	1001181726	Ref	Installation, Adjustable Armrest (See Separate Breakdown in this Section)	
34	1001182834	1	Panel, Cover	
35	1001185870	1	Panel, Cover	
36	1001189182	1	Panel, Cover	
38	4010508002	3	Bolt, M5-.8X16	
39	4010612002	3	Screw, M6X25	
41	1001208308	4	Bolt, M6X15	
43	1001211907	1	Screw, Retainer	
44	4811602001	3	Washer, 5M	
45	1001098150	1	Washer, M6	
46	1001132564	1	Screw M6X20	

SECTION 6 - CAB

FIGURE 6-20. DASH COVER ASSEMBLY



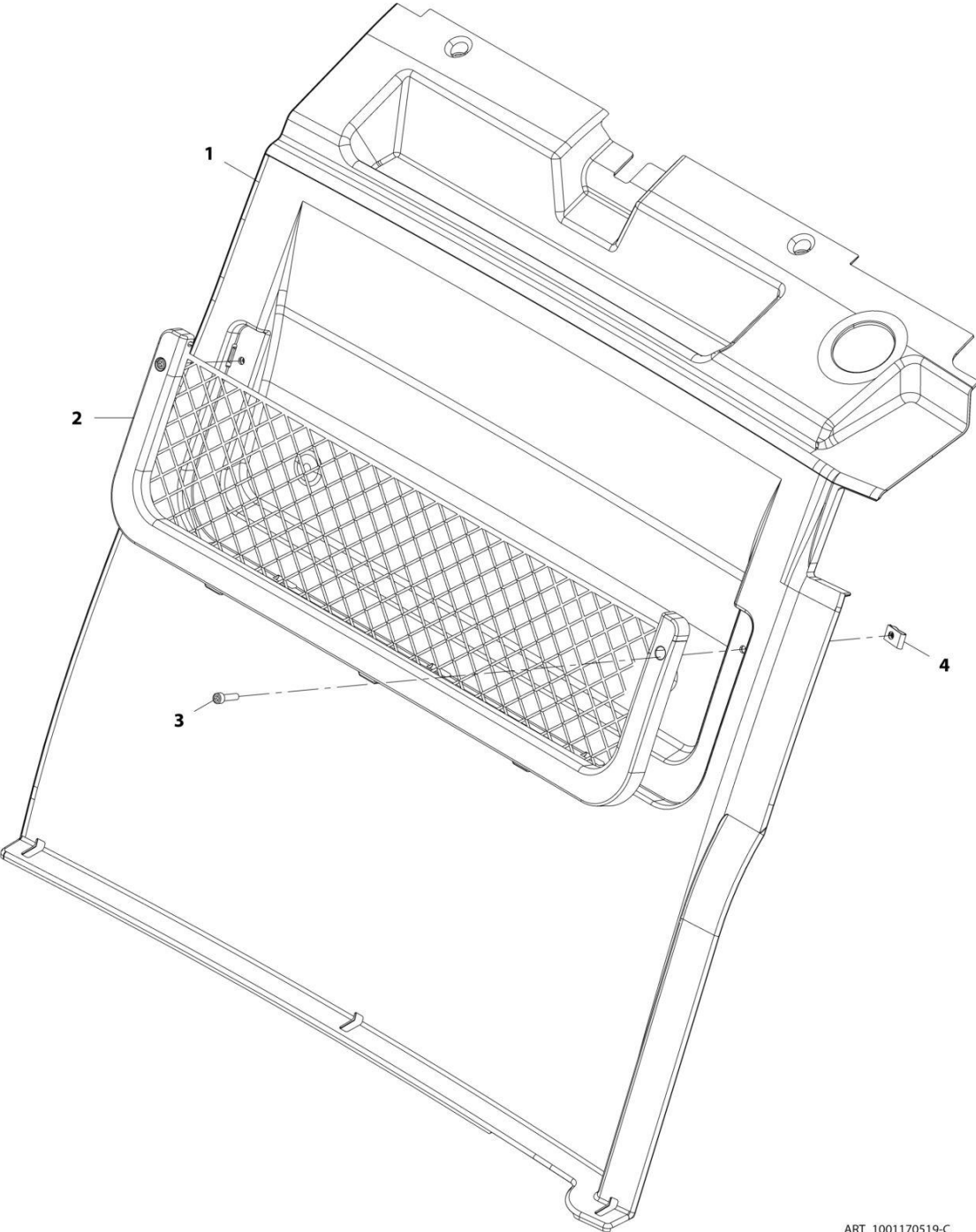
ART_1001169604-B

FIGURE 6-20. DASH COVER ASSEMBLY

ITEM	PART NUMBER	QTY	DESCRIPTION	REV
	1001169604	Ref	Dash Cover Assembly (Construction)	B
1	1001161851	1	Panel, Top Dash	
2	1001147449	2	Vent, Air	
3	1001149278	1	Vent, Connector	
4	1001174652	1	Hose	
5	1001174653	1	Hose	
6	1001174655	1	Hose	
7	8405201	4	Clamp, Gear	

SECTION 6 - CAB

FIGURE 6-21. REAR PANEL COVER ASSEMBLY



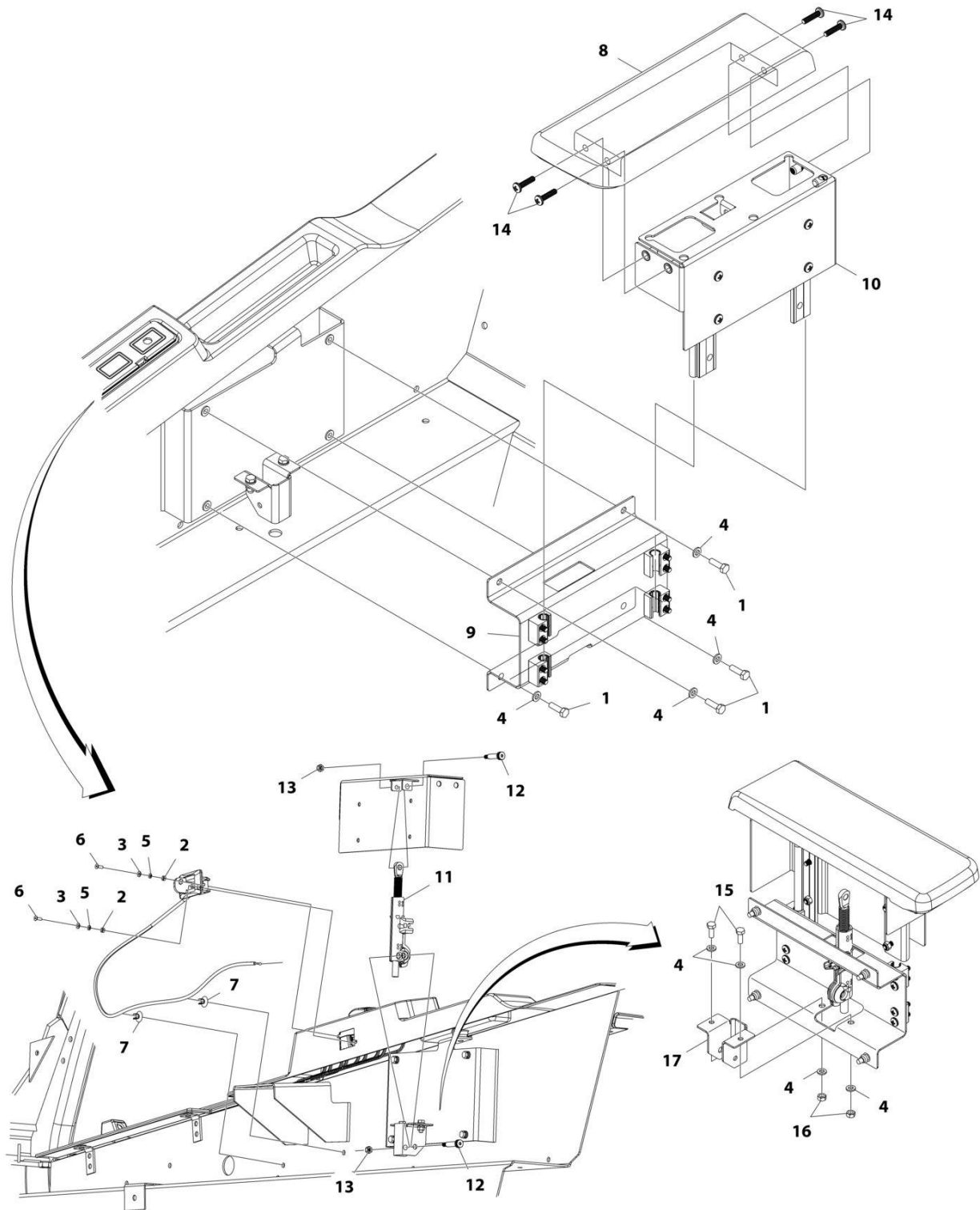
ART_1001170519-C

FIGURE 6-21. REAR PANEL COVER ASSEMBLY

ITEM	PART NUMBER	QTY	DESCRIPTION	REV
	1001170519	Ref	Rear Panel Cover Assembly	C
1	1001161067	1	Panel, Rear	
2	1001170514	1	Storage Net, Rear Panel	
3	4031608	2	Bolt, M5X20	
4	1001183550	2	Nut, Cage M5	

SECTION 6 - CAB

FIGURE 6-22. ADJUSTABLE ARMREST INSTALLTION



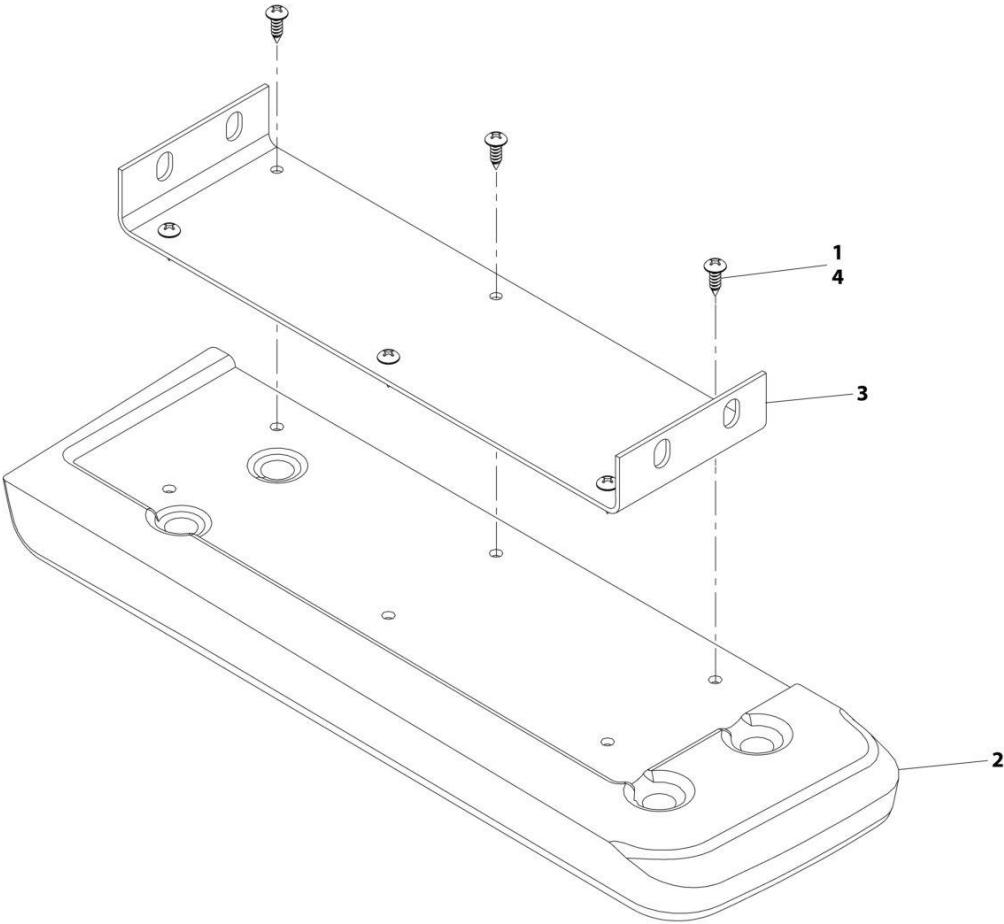
ART_1001181726_G

FIGURE 6-22. ADJUSTABLE ARMREST INSTALLTION

ITEM	PART NUMBER	QTY	DESCRIPTION	REV
	1001181726	Ref	ADJUSTABLE ARMREST INSTALLTION	G
1	0700610	4	Bolt, M6X20	
2	3290401	2	Nut, M4X0.7	
3	4811400	2	Washer, M4	
4	4811700	8	Washer, M6	
5	4831400	2	Washer, Lock M4	
6	1001097244	2	Screw, M4X12	
7	1001165458	2	Hose	
8	1001191281	1	Armrest (See Separate Breakdown in this Section)	
9	1001191283	1	Bracket, Fixed Armrest (See Separate Breakdown in this Section)	
10	1001191284	1	Bracket, Moving Armrest (See Separate Breakdown in this Section)	
11	1001283175	1	Spring	
12	1001191370	2	Screw, M6	
13	3290605	2	Nut, M6X1 Grade 8	
14	4010612002	4	Screw, M6X25	
15	0760608	2	Bolt, M6X16	
16	3290601	2	Nut, M6X1	
17	1001212468	1	Bracket, Locking Spring Mount	

SECTION 6 - CAB

FIGURE 6-23. ARMREST



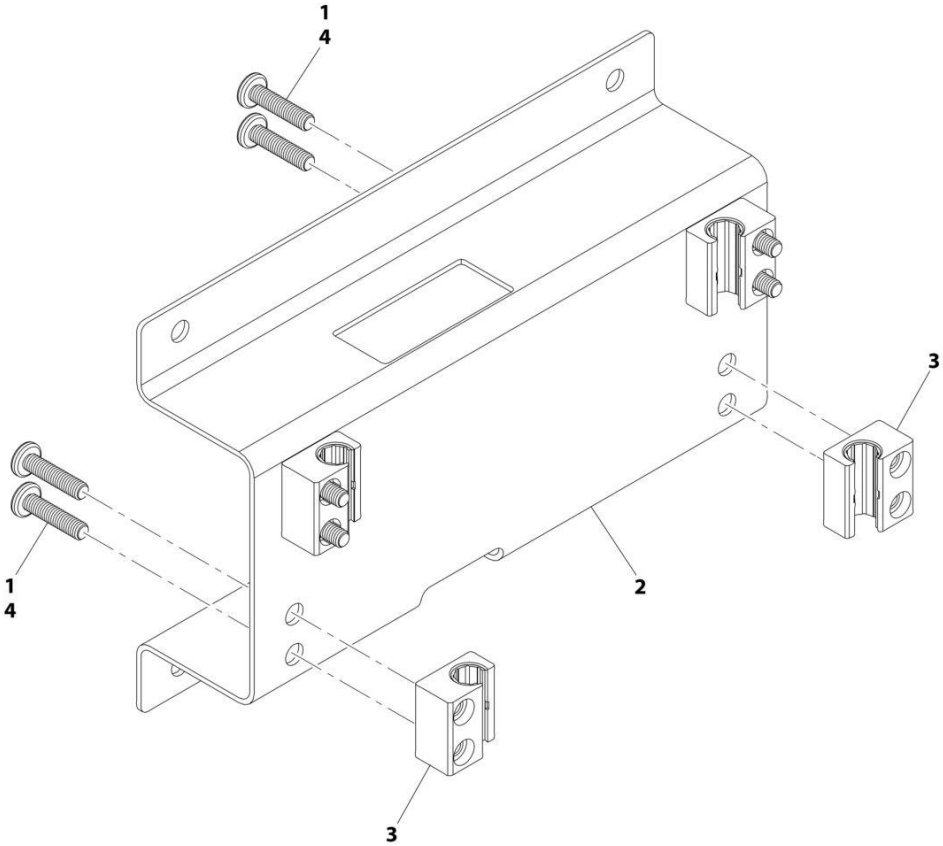
ART_1001191281

FIGURE 6-23. ARMREST

ITEM	PART NUMBER	QTY	DESCRIPTION	REV
	1001191281	Ref	Armrest	E
1	1001095650	AR	Adhesive	
2	1001179484	1	Armrest, Cab	
3	1001191282	1	Bracket, Armrest Pad	
4	1001192240	6	Screw	

SECTION 6 - CAB

FIGURE 6-24. FIXED ARMREST BRACKET



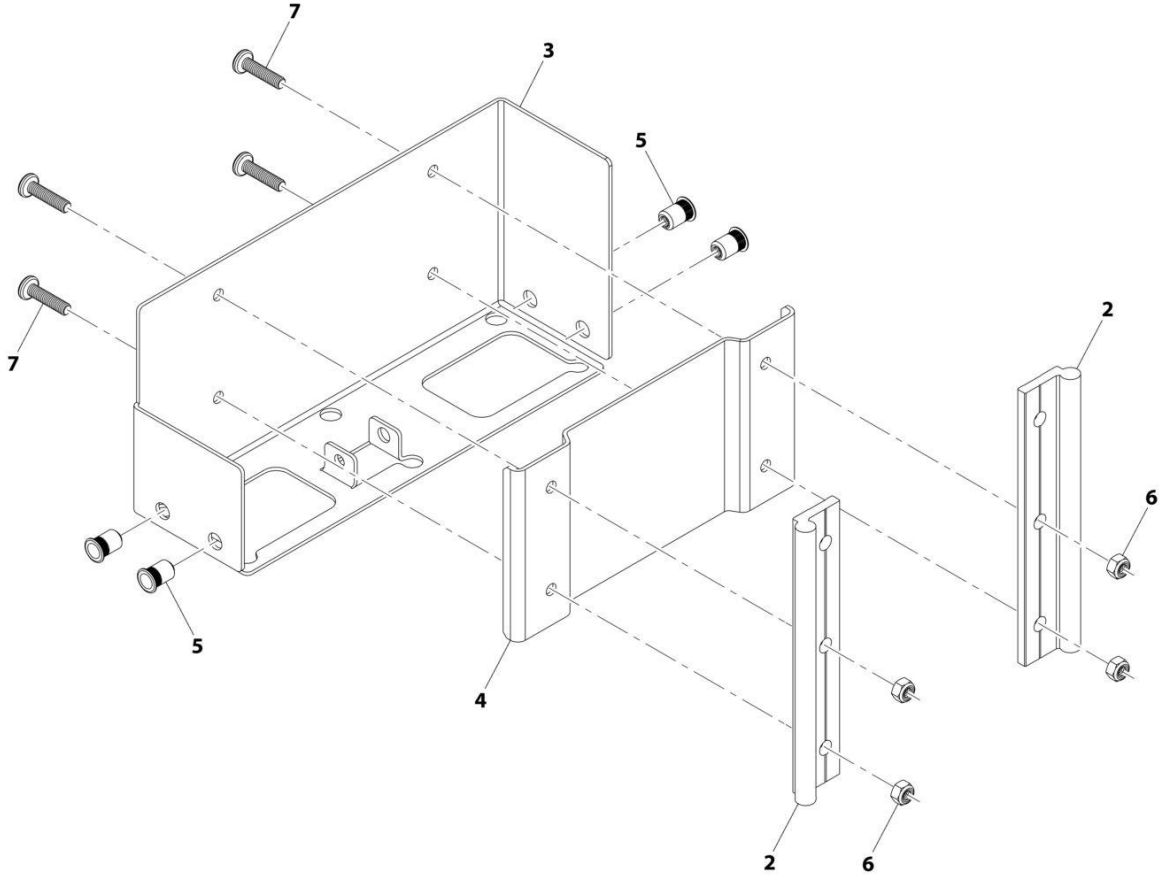
ART_1001191283-B

FIGURE 6-24. FIXED ARMREST BRACKET

ITEM	PART NUMBER	QTY	DESCRIPTION	REV
	1001191283	Ref	Fixed Armrest Bracket	B
1	1001095650	AR	Adhesive	
2	1001183597	1	Armrest Bracket	
3	1001191310	4	Slide Block	
4	4010612002	8	Screw	

SECTION 6 - CAB

FIGURE 6-25. MOVING ARMREST BRACKET



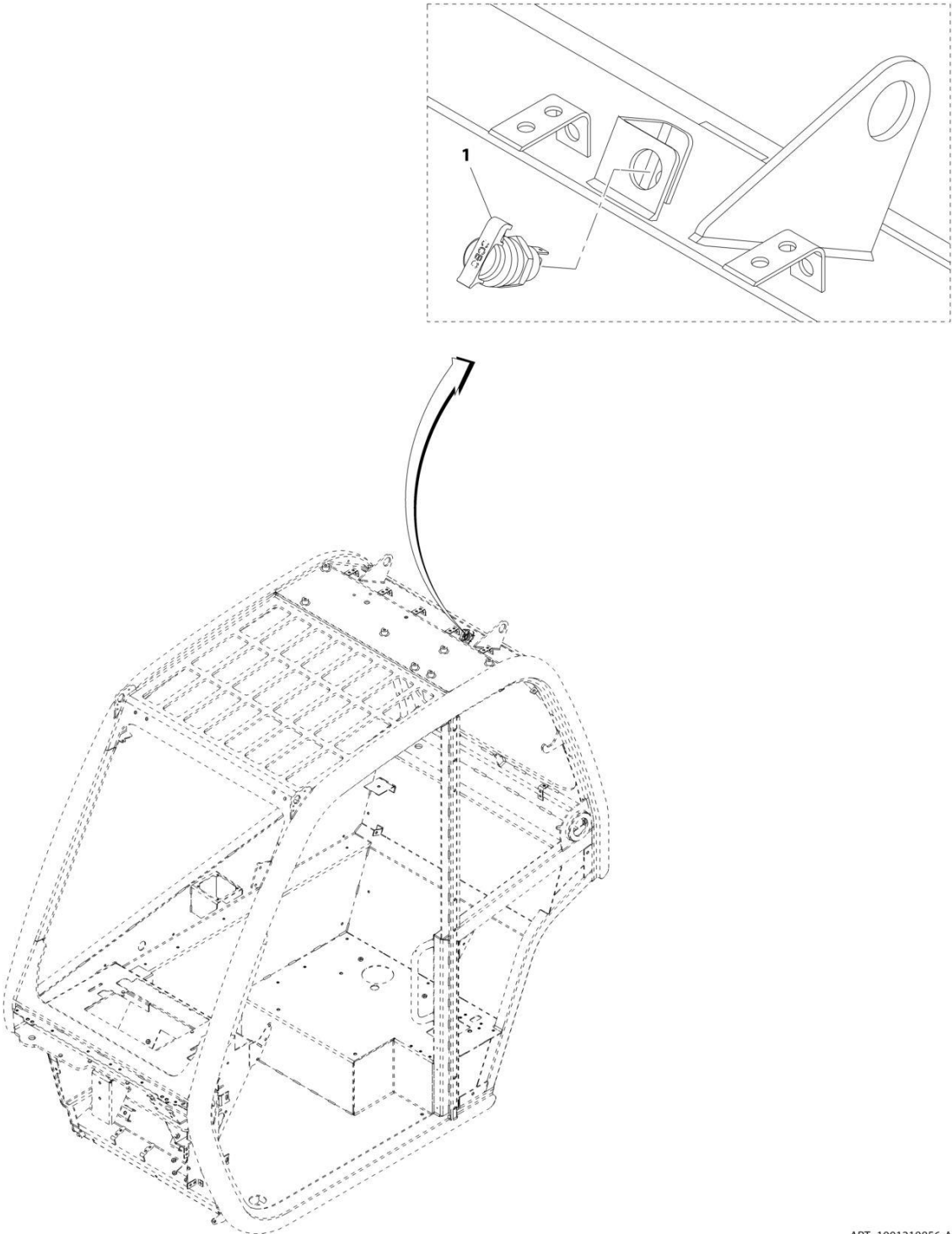
ART_1001191284-B

FIGURE 6-25. MOVING ARMREST BRACKET

ITEM	PART NUMBER	QTY	DESCRIPTION	REV
	1001191284	Ref	Moving Armrest Bracket	B
2	1001191311	2	Side Rail	
3	1001191312	1	Armrest Mount Bracket	
4	1001191313	1	Spacer Block Plate	
5	1001191959	4	Rivenut M6 X 1	
6	3290605	4	Nut, Lock M6X1	
7	4010612002	4	Screw, M6X25	

SECTION 6 - CAB

FIGURE 6-26. BEACON TERMINAL INSTALLATION



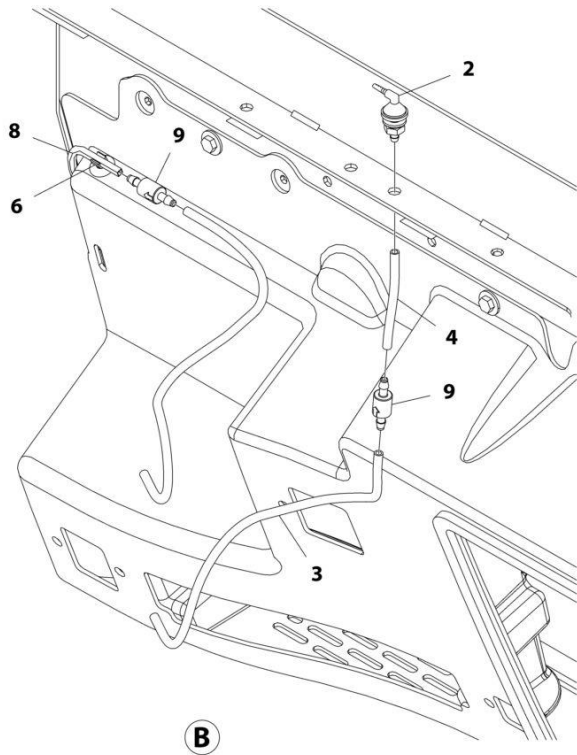
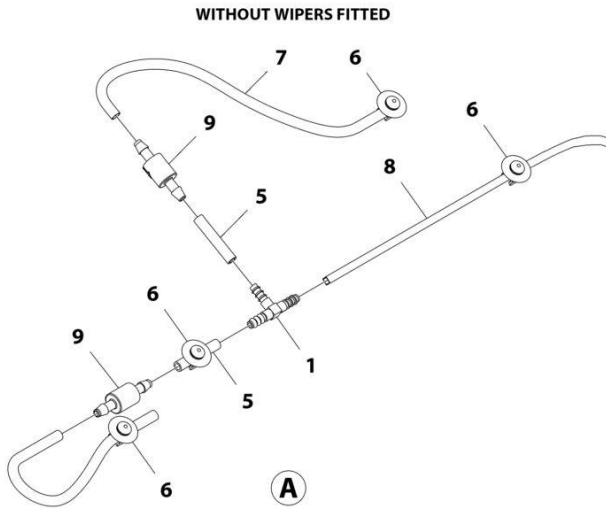
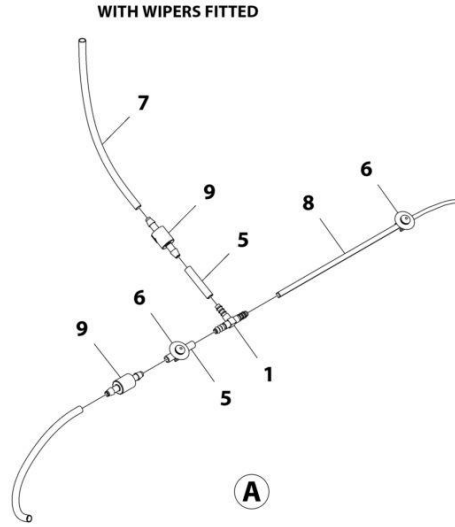
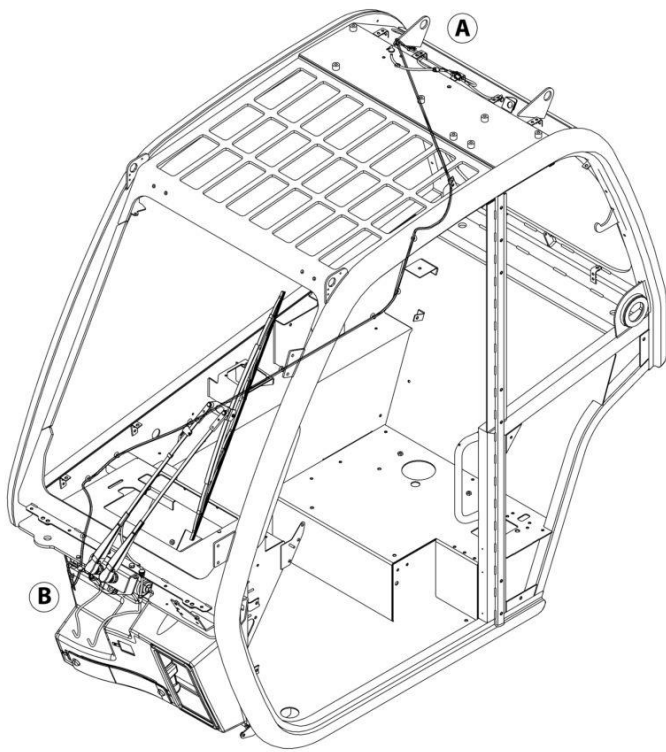
ART_1001218856-A

FIGURE 6-26. BEACON TERMINAL INSTALLATION

ITEM	PART NUMBER	QTY	DESCRIPTION	REV
1	1001218856 4461174	Ref 1	Beacon Bracket Installation Plug, 12V Power	A

SECTION 6 - CAB

FIGURE 6-27. WASHER HOSES INSTALLATION



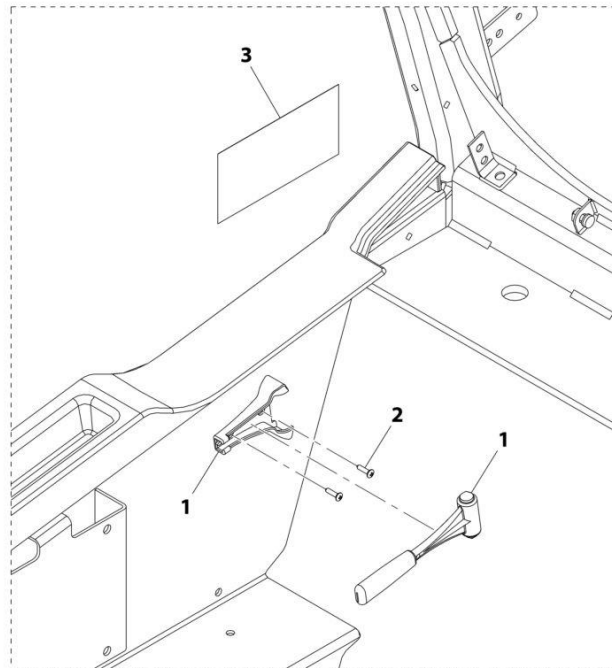
ART_1001201520

FIGURE 6-27. WASHER HOSES INSTALLATION

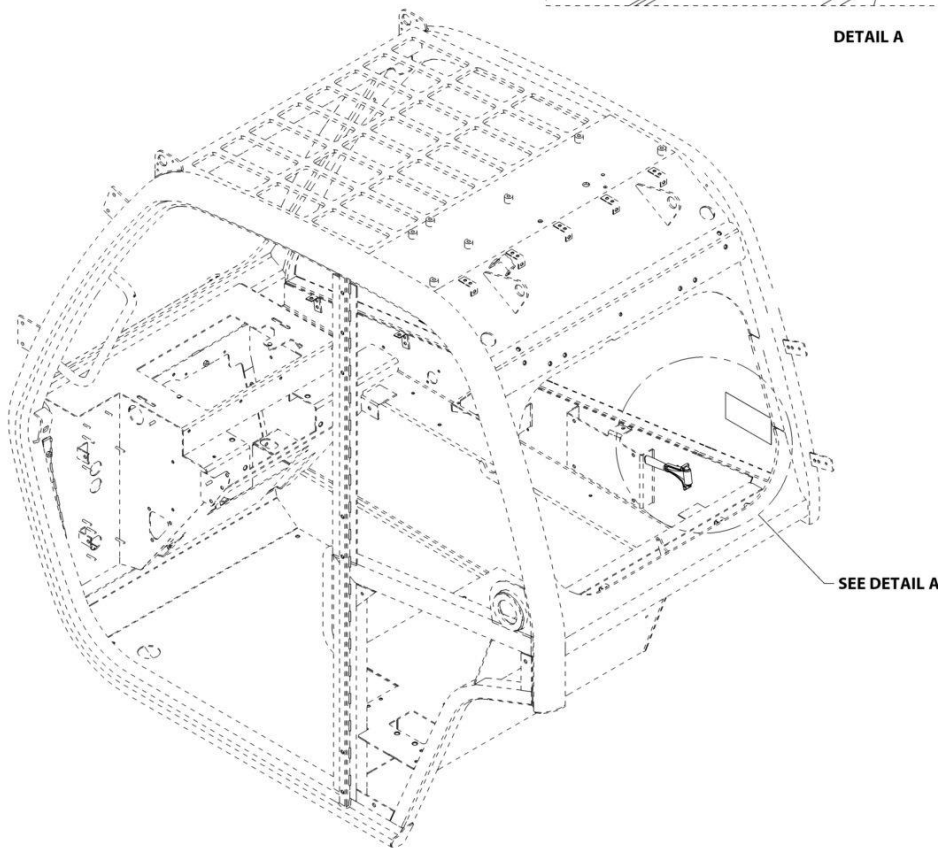
ITEM	PART NUMBER	QTY	DESCRIPTION	REV
	1001201520	Ref	WASHER HOSES INSTALLATION	C
1	1001008742	1	Coupling, Tee	
2	1001090343	1	Connector	
3	1001165351	2	Hose	
4	1001165416	1	Hose	
5	1001165455	2	Hose	
6	1001165458	16	Mount, Hose	
7	1001178123	2	Hose	
8	1001180045	1	Hose	
9	1001201331	4	Valve, Check	

SECTION 6 - CAB

FIGURE 6-28. HAMMER INSTALLATION



DETAIL A



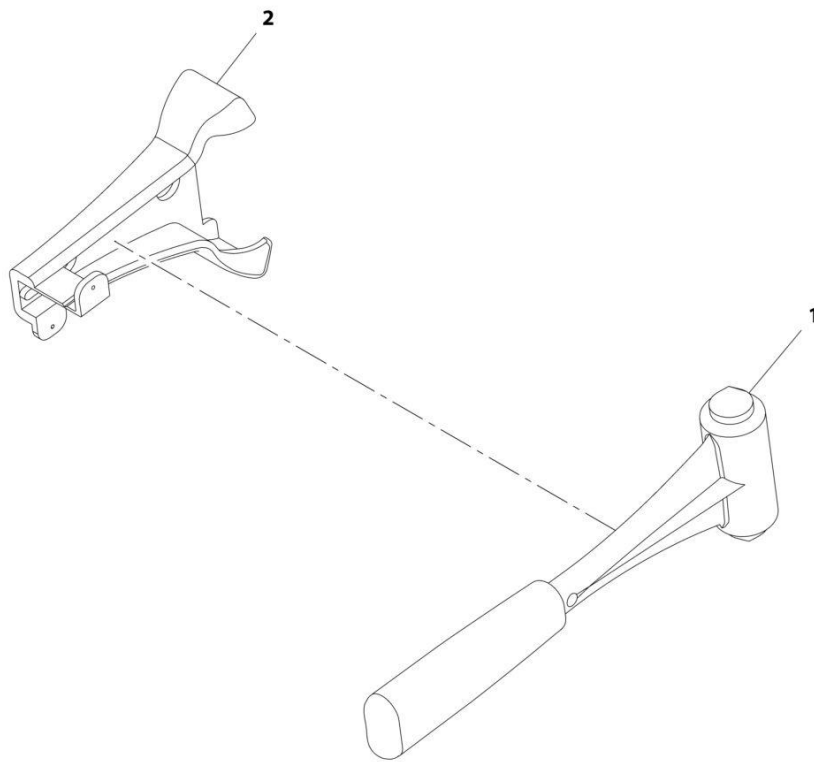
ART_1001210628-B

FIGURE 6-28. HAMMER INSTALLATION

ITEM	PART NUMBER	QTY	DESCRIPTION	REV
1	1001210628	Ref	Hammer Installation	B
	1001005038	1	Assembly, Hammer Attachment (See Separate Breakdown in this Section)	
2	1001005193	2	Screw	
3	1001215804	1	Decal, Emergency Exit	

SECTION 6 - CAB

FIGURE 6-29. HAMMER ATTACHMENT ASSEMBLY



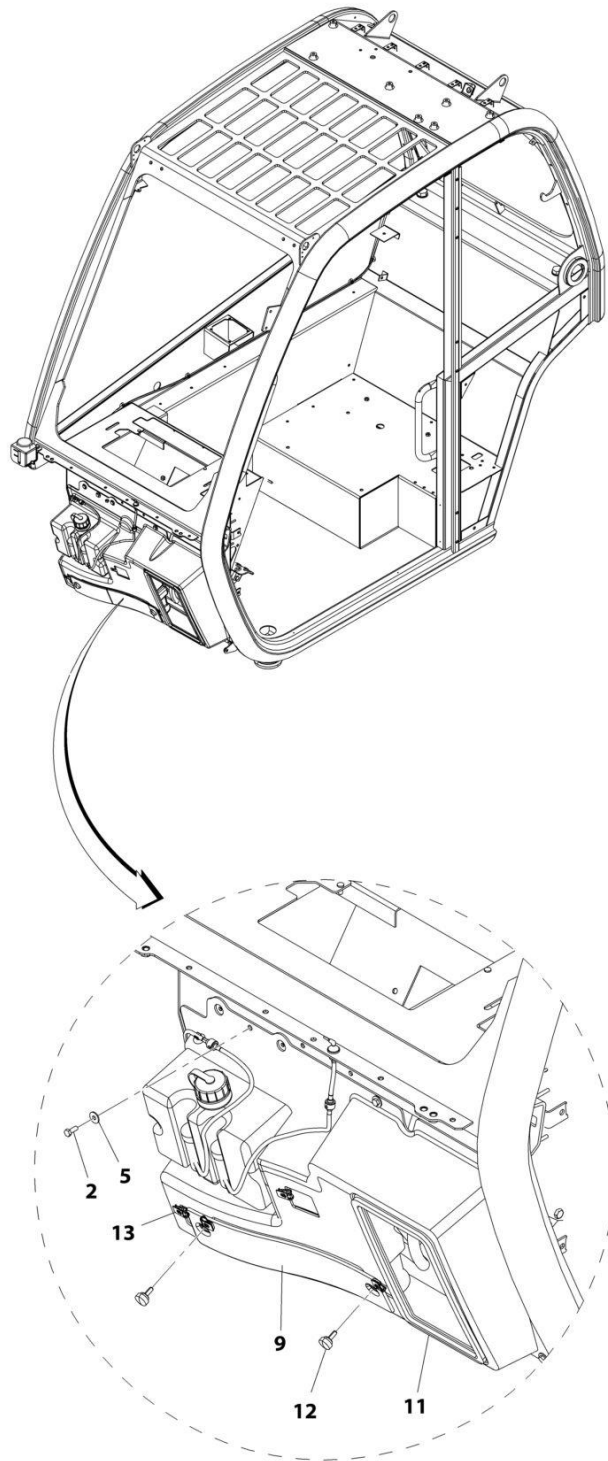
ART_1001005038-B

FIGURE 6-29. HAMMER ATTACHMENT ASSEMBLY

ITEM	PART NUMBER	QTY	DESCRIPTION	REV
	1001005038	Ref	Hammer Attachment Assembly	B
1	1001006954	1	Hammer	
2	1001006955	1	Bracket, Hammer	

SECTION 6 - CAB

FIGURE 6-30. FRONT COVER INSTALLATION



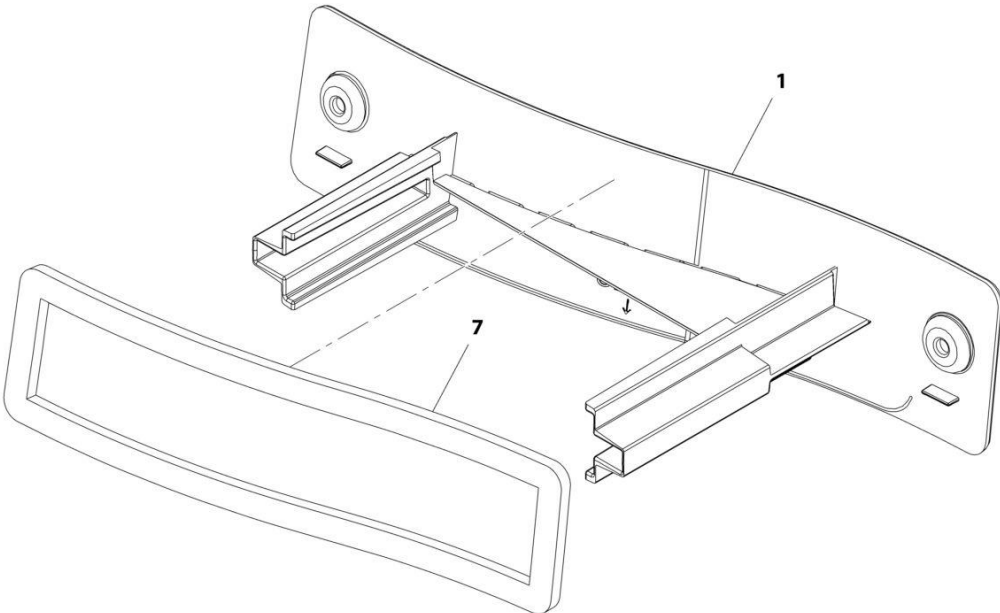
ART_1001170366-G

FIGURE 6-30. FRONT COVER INSTALLATION

ITEM	PART NUMBER	QTY	DESCRIPTION	REV
	1001170366	Ref	Front Cover Installation	G
2	0760608	7	Bolt, M6X16	
5	4811702	7	Washer, M6	
9	1001175471	1	Panel, Filter Tray (See Separate Breakdown in this Section)	
11	1001176121	1	Cover, Front Duct (See Separate Breakdown in this Section)	
12	2080092	2	Thumb Screw, M6X16	
13	8305919	4	Nut, M6	

SECTION 6 - CAB

FIGURE 6-31. FILTER TRAY PANEL



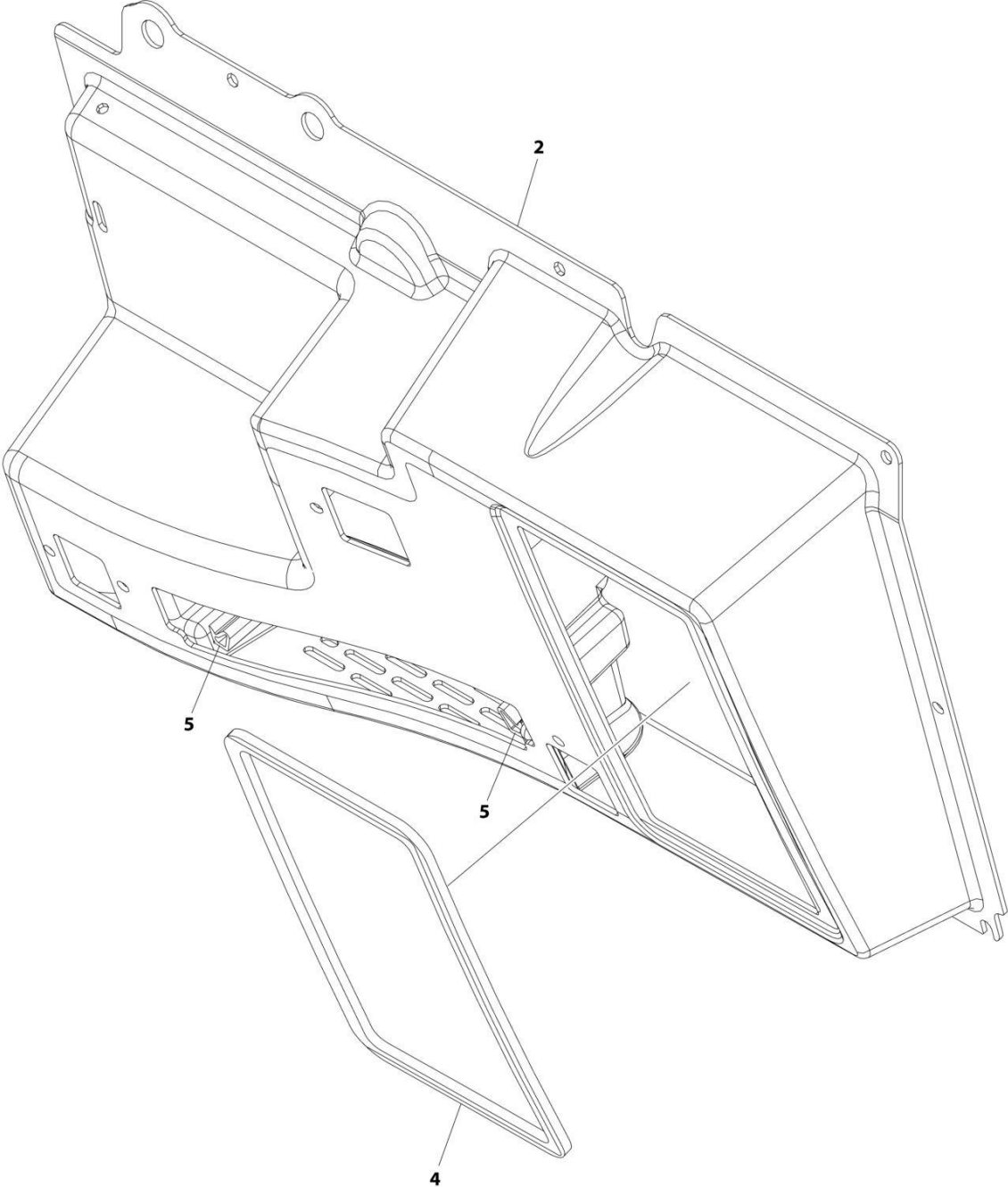
ART_1001175471-D

FIGURE 6-31. FILTER TRAY PANEL

ITEM	PART NUMBER	QTY	DESCRIPTION	REV
	1001175471	Ref	Filter Tray Panel	D
1	1001170993	1	Panel, Front Inlet	
7	1001171767	1	Cab, Front Panel Seal	

SECTION 6 - CAB

FIGURE 6-32. FRONT DUCT COVER



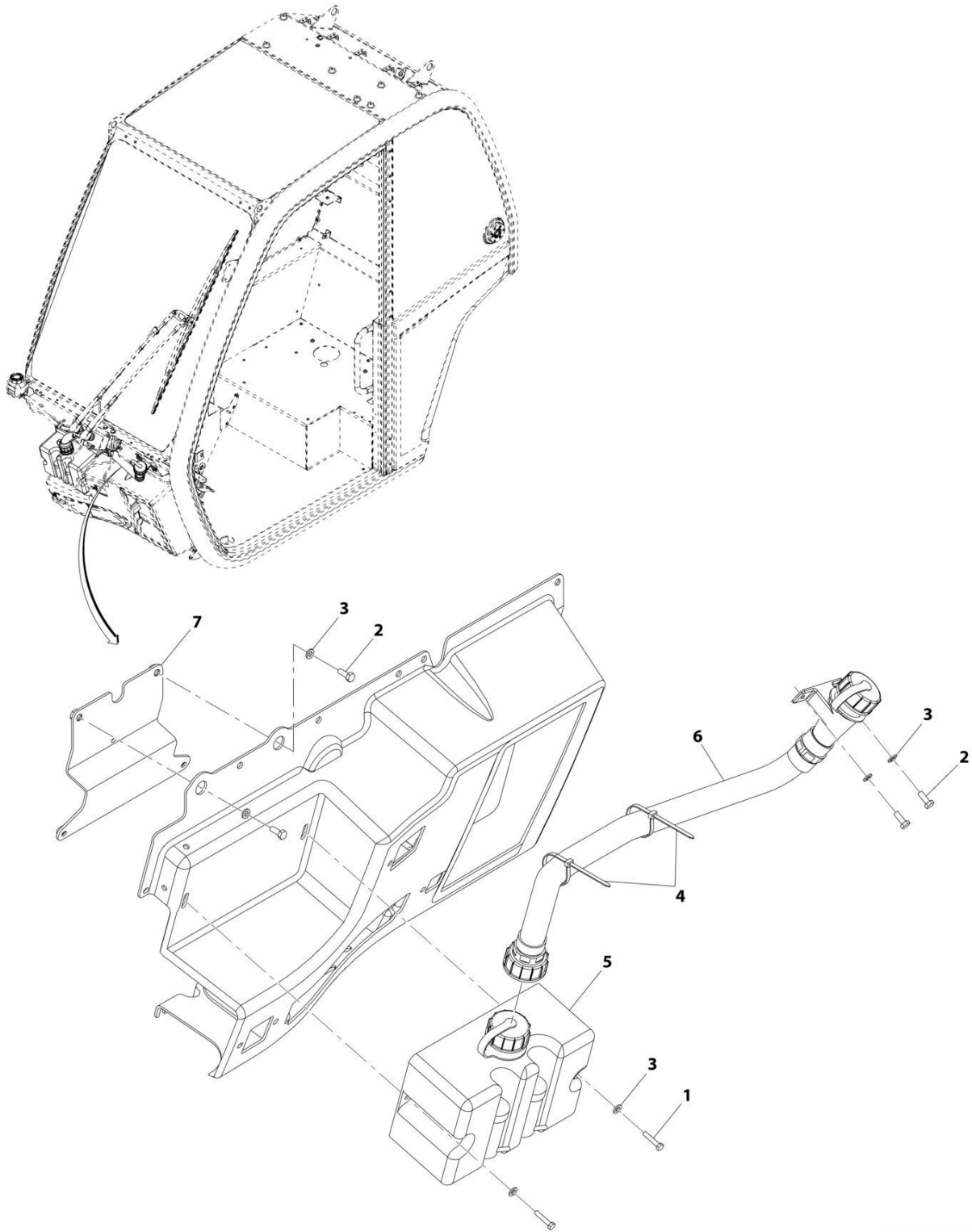
ART_1001176121

FIGURE 6-32. FRONT DUCT COVER

ITEM	PART NUMBER	QTY	DESCRIPTION	REV
	1001176121	Ref	FRONT DUCT COVER	H
2	1001170326	1	Cover, Front	
4	1001175470	1	Seal, Front Cab Panel	
5	1001270117	AR	Seal, Bulb	

SECTION 6 - CAB

FIGURE 6-33. WASHER TANK INSTALLATION



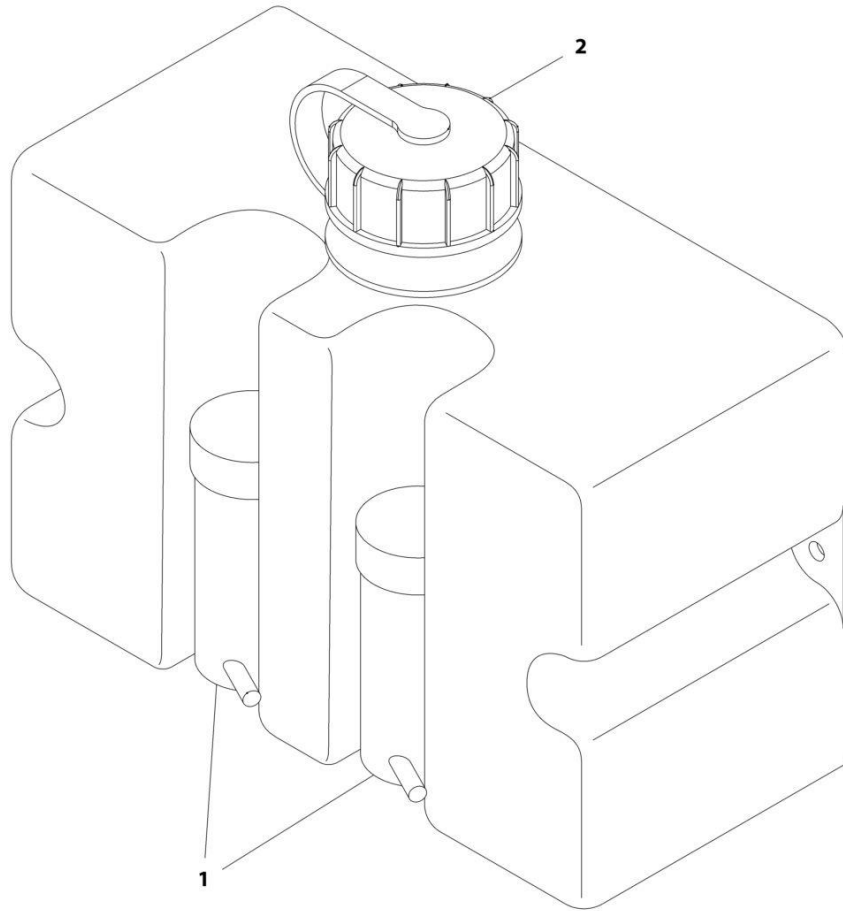
ART_1001201027-C

FIGURE 6-33. WASHER TANK INSTALLATION

ITEM	PART NUMBER	QTY	DESCRIPTION	REV
	1001201027	Ref	Washer Tank Installation	C
1	0760512	2	Bolt M5X25	
2	0760608	4	Bolt, M6X16	
3	4811700	6	Washer, M6	
4	471678	2	Band, Cable	
5	1001165269	1	Bottle, Washer (See Separate Breakdown in this Section)	
6	1001165270	1	Hose, Washer Filler	
7	1001171756	1	Bracket	

SECTION 6 - CAB

FIGURE 6-34. WASHER BOTTLE



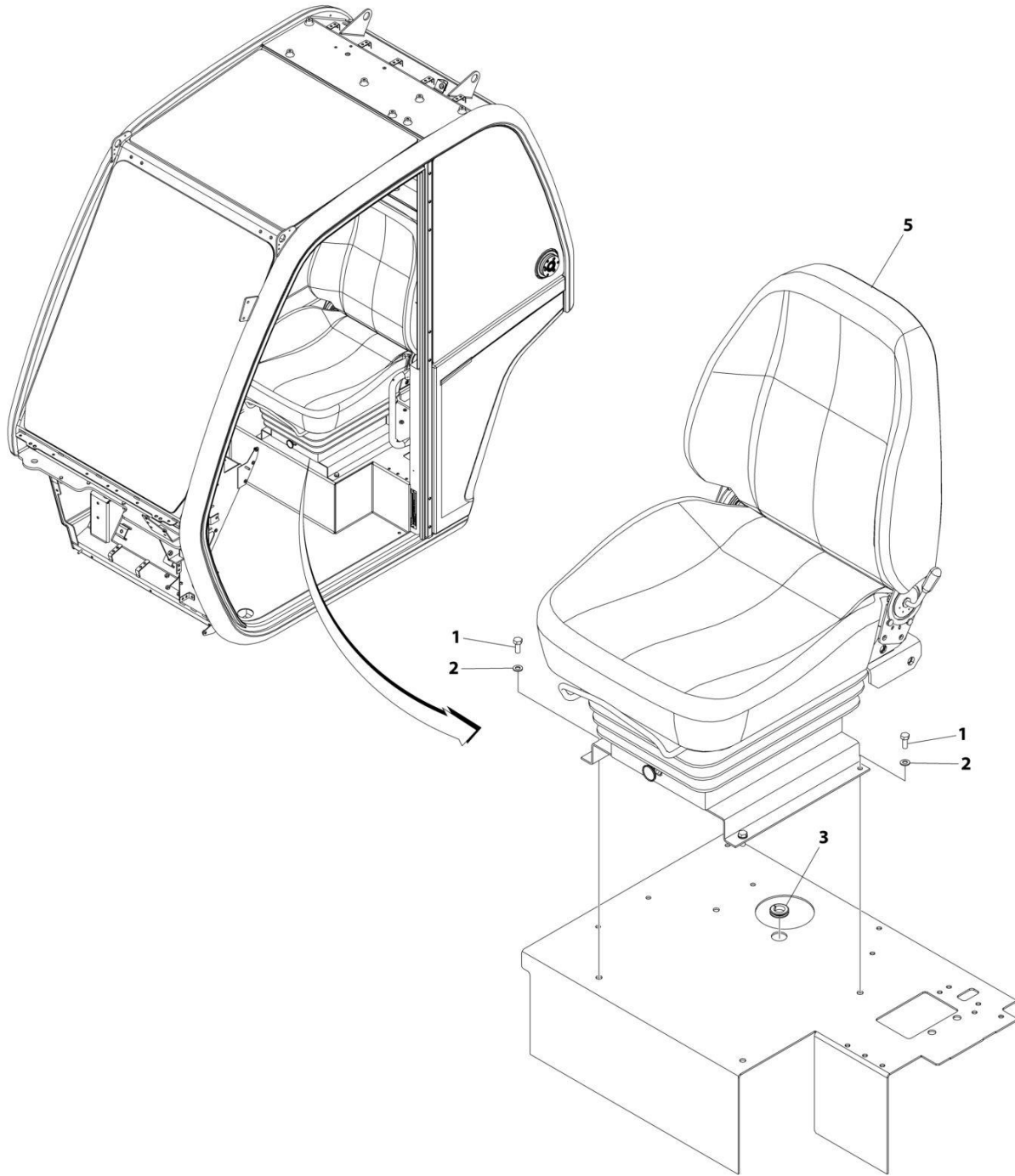
ART_1001165269-B

FIGURE 6-34. WASHER BOTTLE

ITEM	PART NUMBER	QTY	DESCRIPTION	REV
	1001165269	Ref	Washer Bottle	B
1	1001165327	2	Pump, Washer	
2	1001165273	1	Cap, Washer	

SECTION 6 - CAB

FIGURE 6-35. SEAT INSTALLATION (AIR SUSPENSION - STANDARD)



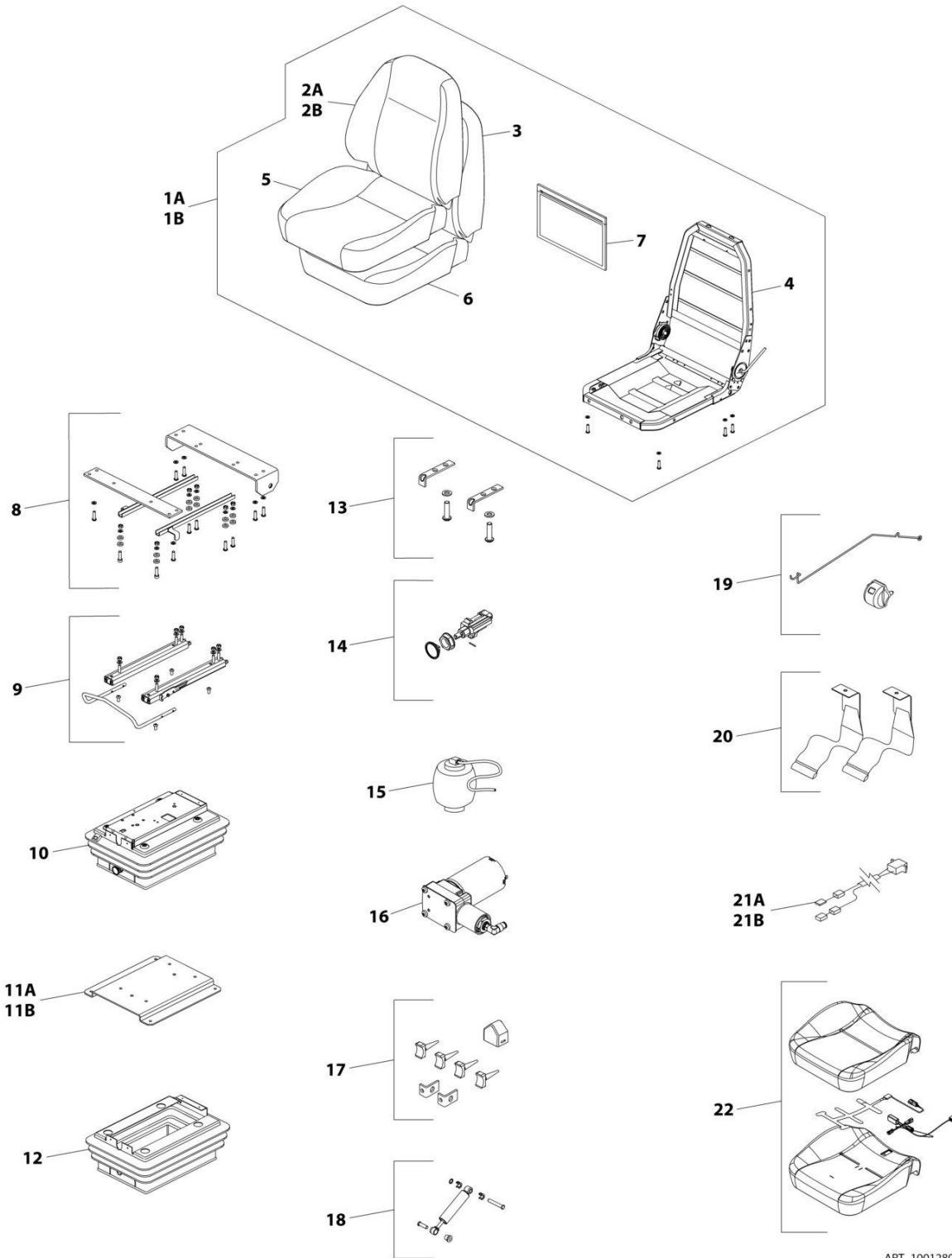
ART_1001158596_E

FIGURE 6-35. SEAT INSTALLATION (AIR SUSPENSION - STANDARD)

ITEM	PART NUMBER	QTY	DESCRIPTION	REV
	1001158596	Ref	SEAT INSTALLATION (AIR SUSPENSION - STANDARD)	E
1	0760810	4	Bolt, M8X20	
2	4811900	4	Washer, M8	
3	1001216974	1	Grommet	
5	1001280471	1	Seat Assembly (See Separate Breakdown in this Section)	

SECTION 6 - CAB

FIGURE 6-36. SEAT ASSEMBLY (AIR SUSPENSION - STANDARD)



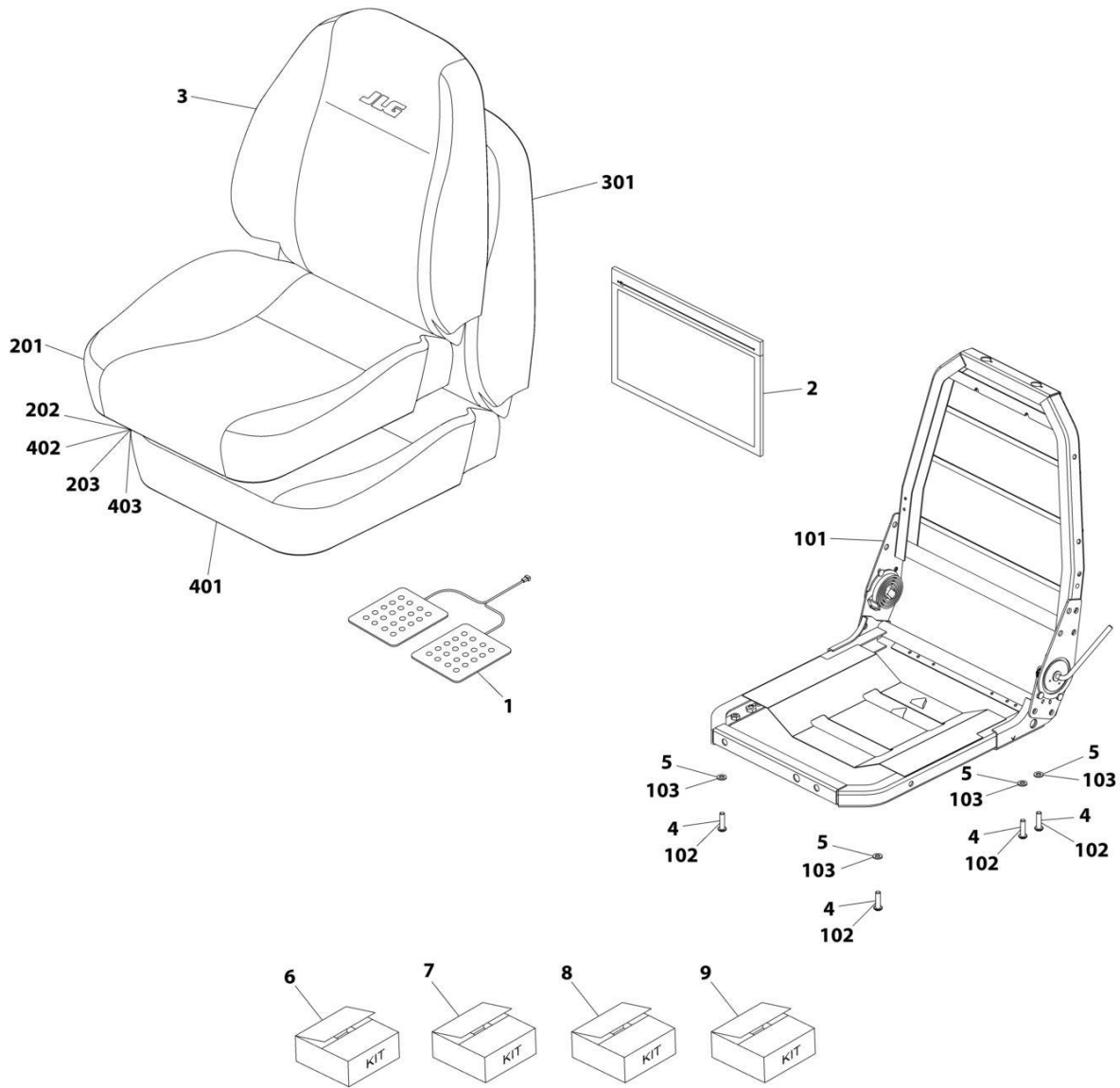
ART_1001280471

FIGURE 6-36. SEAT ASSEMBLY (AIR SUSPENSION - STANDARD)

ITEM	PART NUMBER	QTY	DESCRIPTION	REV
	1001280471	Ref	SEAT ASSEMBLY (AIR SUSPENSION - STANDARD)	A
1A	70031050	1	Cushion and Frame Assembly (Without Sensor) (Includes Items 2-7)	
1B	70031051	1	Cushion and Frame Assembly (With Sensor) (Includes Items 2-7)	
2A	70027399	1	Fabric, Seat Back (Without Sensor)	
2B	70031052	1	Fabric, Seat Back (With Sensor)	
3	80264002	1	Foam, Seat Back	
4	70021314	1	Frame, Seat Bottom and Back	
5	70027394	1	Fabric, Seat Bottom	
6	80264004	1	Foam, Seat Bottom	
7	70021316	1	Document Bag Kit	
8	70021317	1	Frame Mount Kit	
9	70021318	1	Fore/Aft Side Adjustment Kit	
10	70021319	1	Suspension Kit	
11A	70021320	1	Mounting Plate Kit (16.5mm Height)	
11B	70027395	1	Mounting Plate Kit (44.5mm Height)	
12	70021321	1	Cover, Suspension	
13	70021322	1	Side Rail Stop Kit	
14	70021323	1	Air Valve Kit	
15	70021324	1	Air Spring Kit	
16	70021325	1	Compressor Kit	
17	70021326	1	Limit Switches Kit	
18	70021327	1	Damper Kit	
19	70021328	1	Ride Indicator Kit	
20	70021329	1	Seatbelts Kit	
21A	70021330	1	Seat Adapter Harness (Without Sensor)	
21B	70031053	1	Seat Adapter Harness (With Sensor)	
22	70031054	1	Cover/Foam/Sensor Kit (Includes Items 5 & 6)	

SECTION 6 - CAB

FIGURE 6-37. UPPER SEAT ASSEMBLY



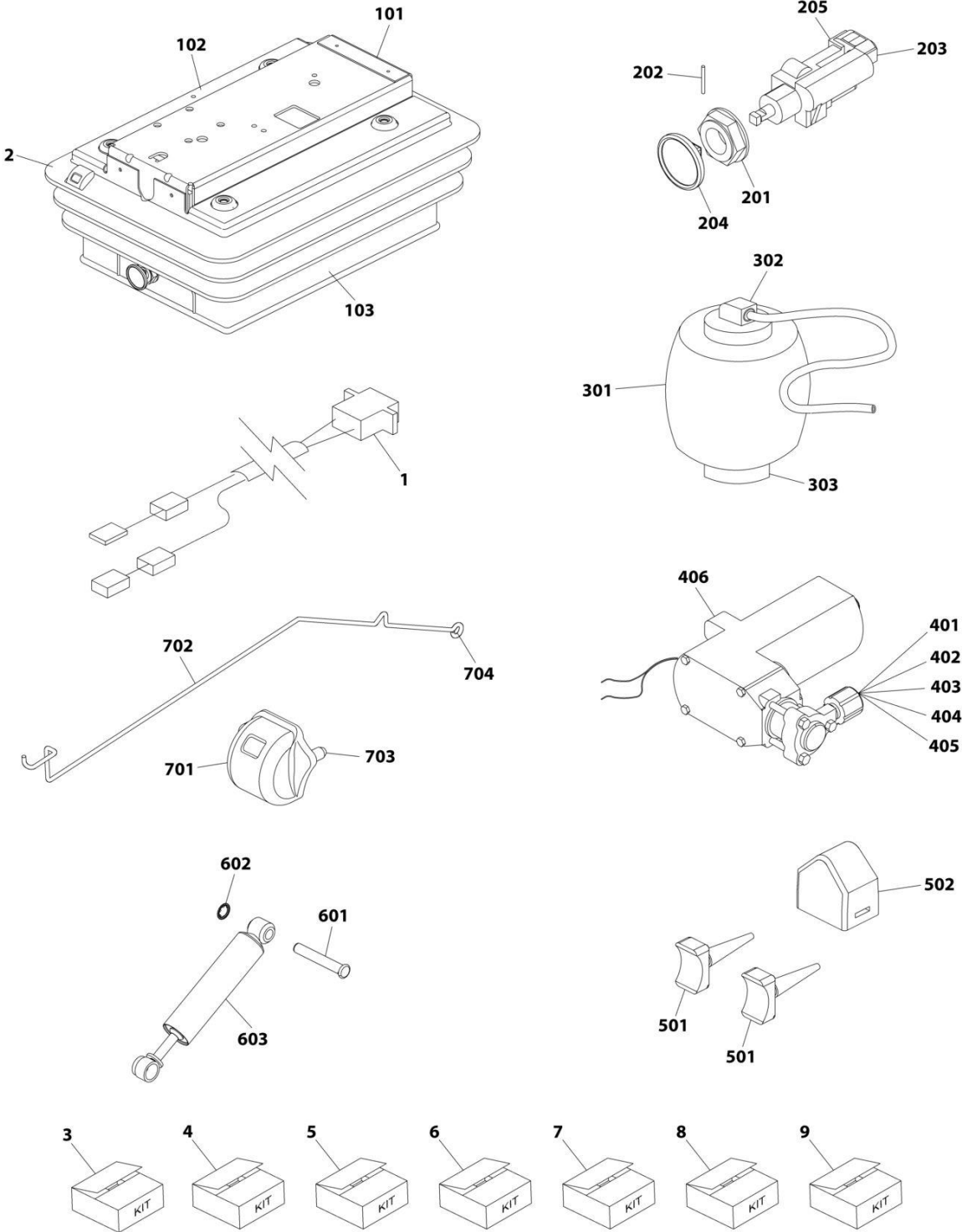
ART_70027392

FIGURE 6-37. UPPER SEAT ASSEMBLY

ITEM	PART NUMBER	QTY	DESCRIPTION	REV
	70027392	Ref	Upper Seat Assembly	
1	70025539	1	Pad, Sensor	
2	70021316	1	Bag	
3	70027393	1	Cover, Back	
4	N.S.S.	4	Bolt, M8X25	
5	N.S.S.	4	Washer	
6	70021314	1	Kit, Frame (includes items 101 thru 103)	
7	70027394	1	Kit, Bottom Seat Cover (includes items 201 thru 203)	
8	80264002	1	Kit, Back Foam (includes items 301 thru 303)	
9	80264004	1	Kit, Seat Foam (includes items 401 thru 403)	
101	N.S.S.	1	Frame, Seat	
102	N.S.S.	4	Bolt, M8X25	
103	N.S.S.	4	Washer	
201	N.S.S.	1	Cover, Seat	
202	N.S.S.	2	Clip	
203	N.S.S.	17	Clip	
301	N.S.S.	1	Foam, Back	
302	N.S.S.	3	Bar, Trim	
303	N.S.S.	4	Ring	
401	N.S.S.	1	Foam, Seat	
402	N.S.S.	2	Clip	
403	N.S.S.	17	Clip	

SECTION 6 - CAB

FIGURE 6-38. SUSPENSION KIT



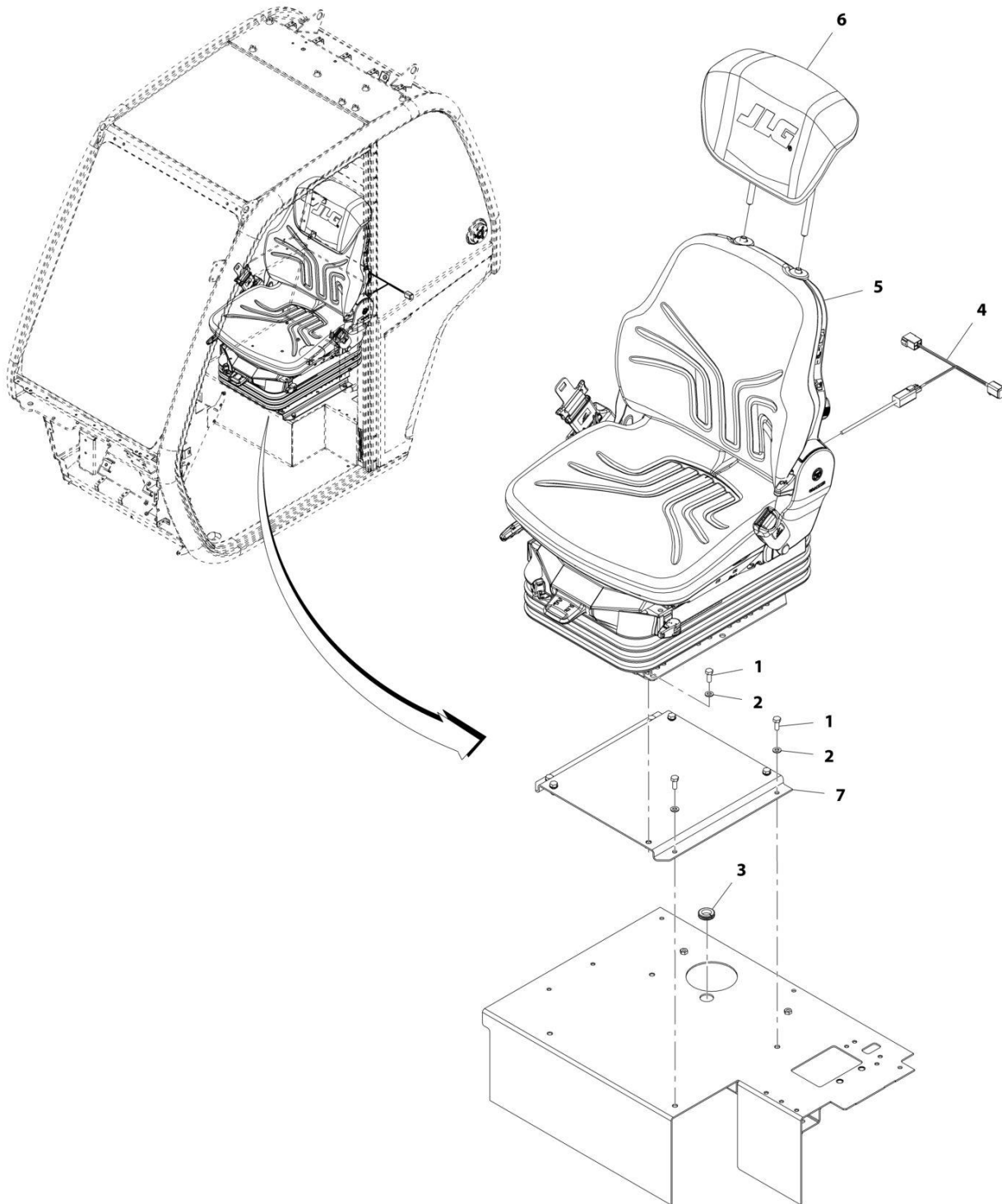
ART_70021319

FIGURE 6-38. SUSPENSION KIT

ITEM	PART NUMBER	QTY	DESCRIPTION	REV
	70021319	Ref	Suspension Kit	
1	70021330	1	Lead, Fly	
2	N.S.S.	1	Suspension	
3	70021321	1	Kit, Suspension Cover (includes items 101 thru 103)	
4	70021323	1	Kit, Air Valve (includes items 201 thru 205)	
5	70021324	1	Kit, Air Spring (includes items 301 thru 303)	
6	70021325	1	Kit, Compressor (includes items 401 thru 406)	
7	70021326	1	Kit, Upstop/Bumpstop (includes items 501 & 502)	
8	70021327	1	Kit, Damper (includes items 601 thru 603)	
9	70021328	1	Kit, Ride Indicator (includes items 701 thru 704)	
101	N.S.S.	6	Clip, Cover	
102	N.S.S.	1	Cover, Suspension	
103	N.S.S.	5	Clip, Cover	
201	N.S.S.	1	Nut, Air Valve	
202	N.S.S.	1	Pin, Retaining	
203	N.S.S.	1	Valve, Combination	
204	N.S.S.	1	Knob	
205	N.S.S.	2	Tie, Plastic	
301	N.S.S.	1	Spring, Air	
302	N.S.S.	1	Clip	
303	N.S.S.	1	Screw, Countersunk Self Tapping	
401	N.S.S.	1	Clip	
402	N.S.S.	1	Pad	
403	N.S.S.	1	Loom	
404	N.S.S.	2	Tie, Cable	
405	N.S.S.	3	Tie, Plastic	
406	N.S.S.	1	Compressor (with Elbow)	
501	N.S.S.	2	Upstop	
502	N.S.S.	1	Bumpstop	
601	N.S.S.	2	Pin	
602	N.S.S.	2	Washer, Starlock	
603	N.S.S.	1	Damper	
701	N.S.S.	1	Indicator, Ride	
702	N.S.S.	1	Wire, Ride Indicator	
703	N.S.S.	2	Washer, Starlock	
704	N.S.S.	1	Washer, Grip M4	

SECTION 6 - CAB

FIGURE 6-39. SEAT INSTALLATION (PREMIUM)



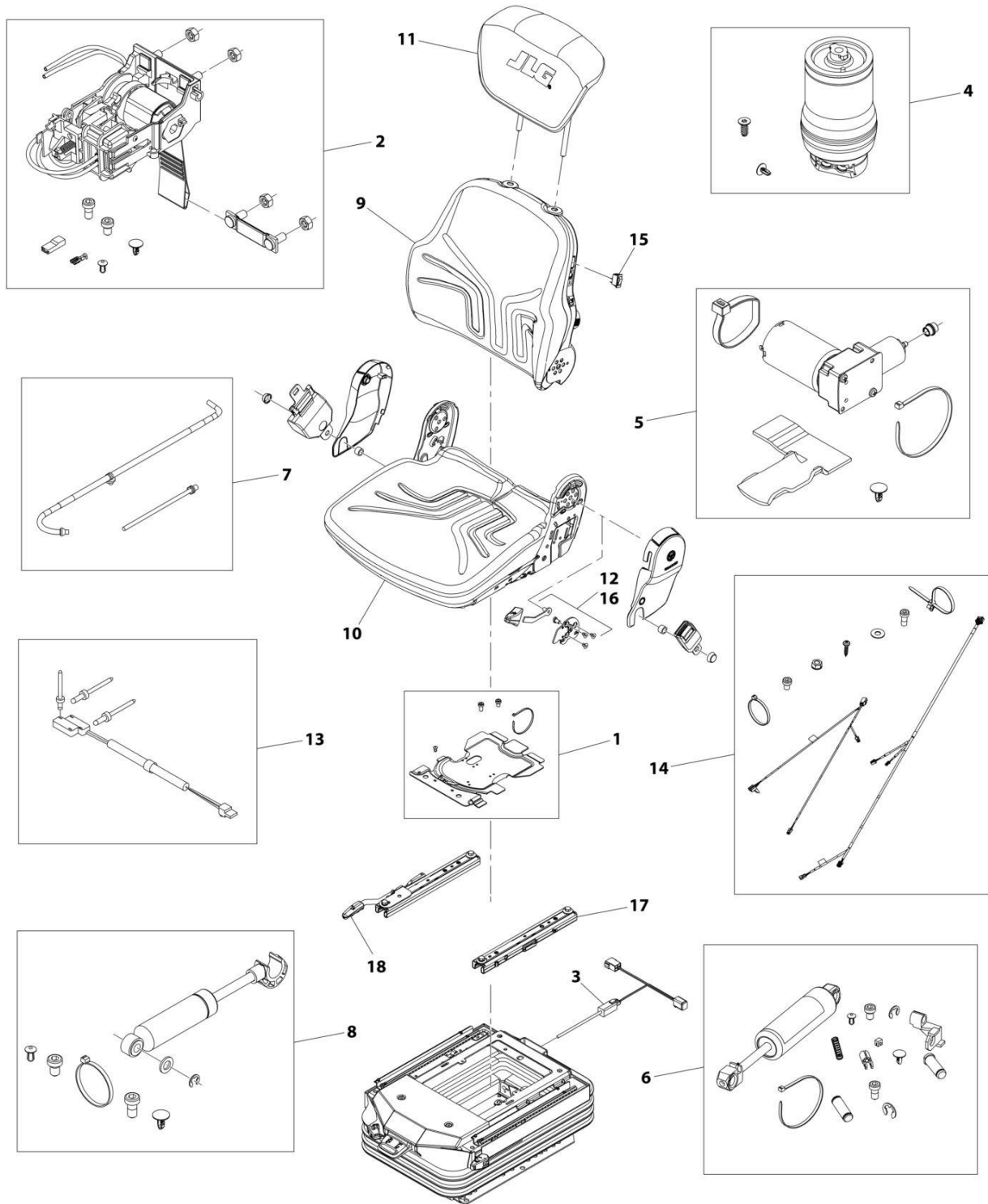
ART_1001205648-B

FIGURE 6-39. SEAT INSTALLATION (PREMIUM)

ITEM	PART NUMBER	QTY	DESCRIPTION	REV
	1001205648	1	Installation, Seat (Premium)	B
1	0760810	8	Bolt, M8X20	
2	4811900	8	Washer, M8	
3	1001216974	1	Grommet	
4	1001168531	1	Harness, Seat Adaptor (See Separate Breakdown in this Section)	
5	1001169135	1	Assembly, Seat (See Separate Breakdown in this Section)	
6	1001182529	1	Headrest	
7	1001158736C	1	Plinth, Seat	

SECTION 6 - CAB

FIGURE 6-40. SEAT ASSEMBLY (AIR SUSPENSION - PREMIUM)



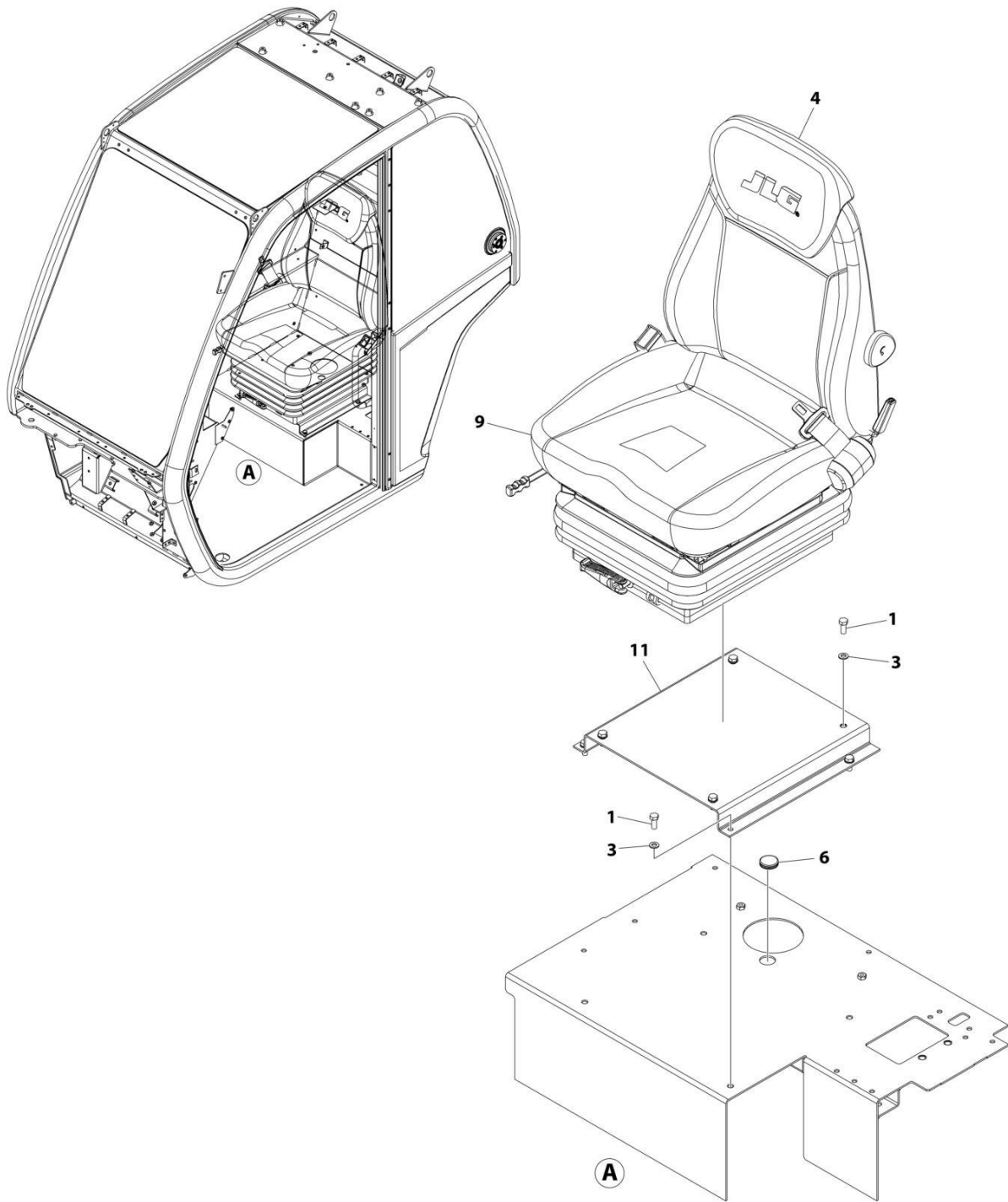
ART_1001169135-B

FIGURE 6-40. SEAT ASSEMBLY (AIR SUSPENSION - PREMIUM)

ITEM	PART NUMBER	QTY	DESCRIPTION	REV
	1001169135	Ref	Seat Assembly (Air Suspension - Premium)	B
1	70024856	1	Cover	
2	70023182	1	Control Level Kit	
3	70023186	1	Wiring Harness, Air/Safeswitch	
4	70023184	1	Air Spring Kit	
5	70024857	1	Compressor, 12V	
6	70023181	1	Shock Absorber Kit	
7	70024459	1	Air Tubes Kit	
8	70023189	2	Shock Absorber Kit	
9	70023179	1	Back Cushion Kit	
10	70024858	1	Seat Cushion Kit	
11	1001182529	1	Headrest, Cloth	
12	70024859	1	Backrest Actuator	
13	70028326	1	Switch	
14	70024861	1	Wiring Harness	
15	70024107	1	Switch, Heater	
16	7028621	1	Handle, Backrest Angle Adjust	
17	3986643	1	Adjust Slide Kit	
18	3986610	1	Handle	

SECTION 6 - CAB

FIGURE 6-41. SEAT INSTALLATION (CLOTH) (SEAOP)



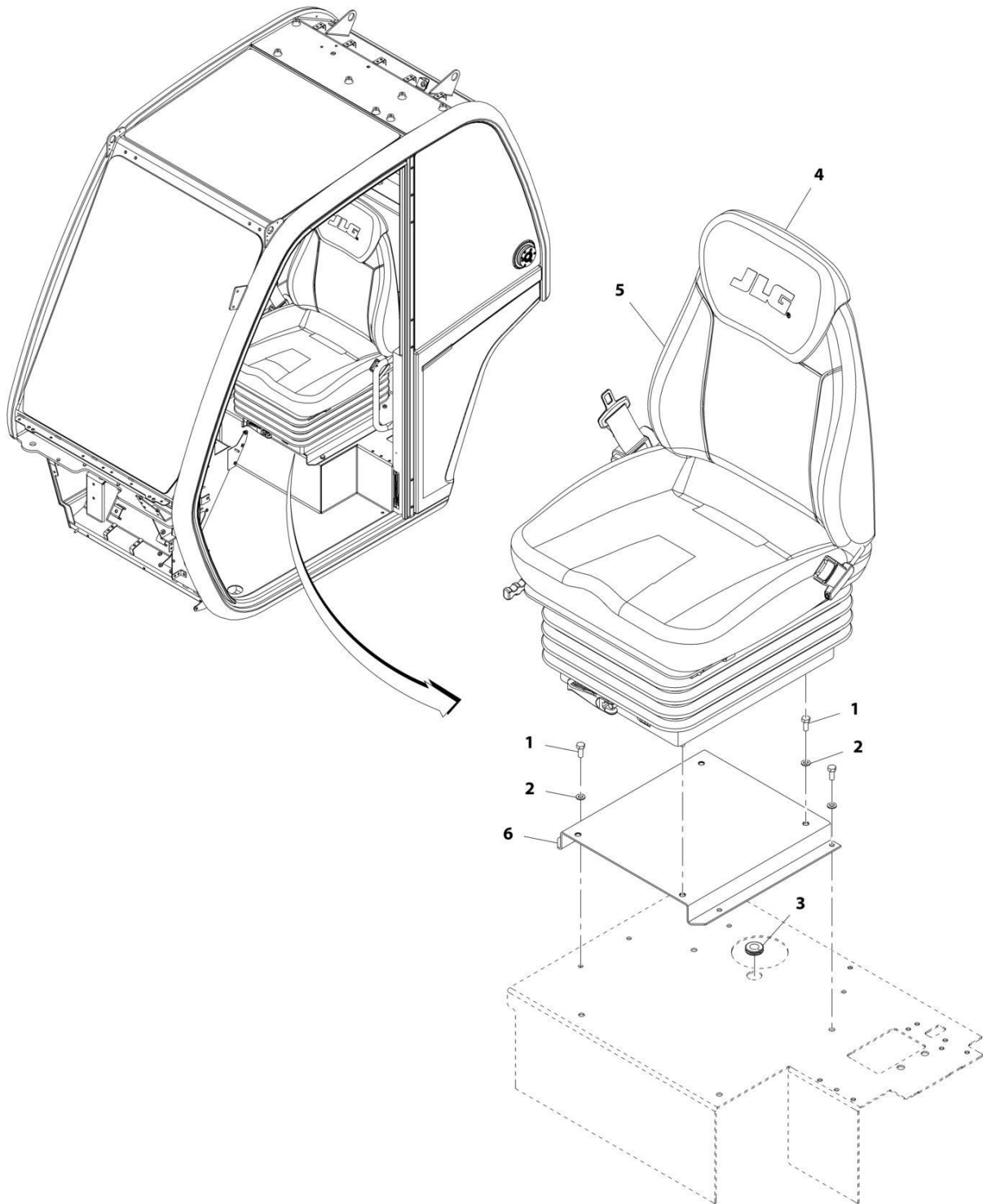
ART_1001288098

FIGURE 6-41. SEAT INSTALLATION (CLOTH) (SEAOP)

ITEM	PART NUMBER	QTY	DESCRIPTION	REV
	1001288098	Ref	SEAT INSTALLATION (CLOTH) (SEAOP)	A
1	0760810	8	Bolt M8 x 20	
3	4811900	8	Washer M8	
4	1001119467	1	Headrest, Cloth	
6	1001196076	1	Cap	
7	1001266488	1	Lamp, LED (Red) (Not Shown)	
8	1001268744	1	Seat Belt Alarm Harness (See Separate Breakdown in ELECTRICAL Section) (Not Shown)	
9	1001288070	1	Seat Assembly (See Separate Breakdown in this Section)	
11	1001158738C	1	Plinth, Seat	

SECTION 6 - CAB

FIGURE 6-42. SEAT INSTALLATION (MECHANICAL)



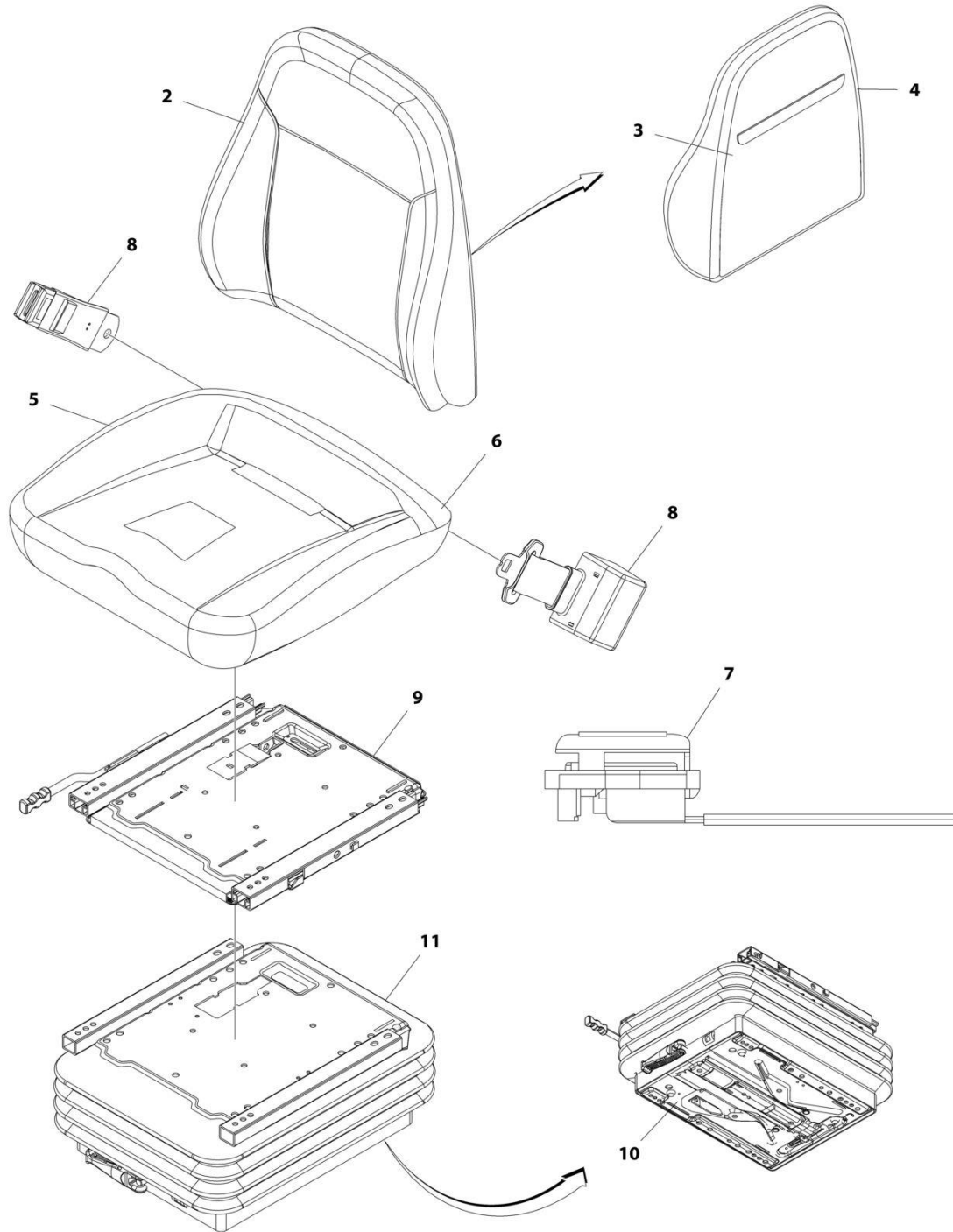
ART_1001205782-B

FIGURE 6-42. SEAT INSTALLATION (MECHANICAL)

ITEM	PART NUMBER	QTY	DESCRIPTION	REV
	1001205782	Ref	Seat Installation (Mechanical - JLG)	C
1	0760810	8	Bolt, M8X20	
2	4811900	8	Washer, M8	
3	1001216974	1	Grommet	
4	1001119467	1	Headrest, Cloth	
5	1001288070	1	Seat, Assembly (See Separate Breakdown in this Section)	
6	1001205514	1	Plinth, Seat	

SECTION 6 - CAB

FIGURE 6-43. SEAT ASSEMBLY (Prior to SN 0160124988)



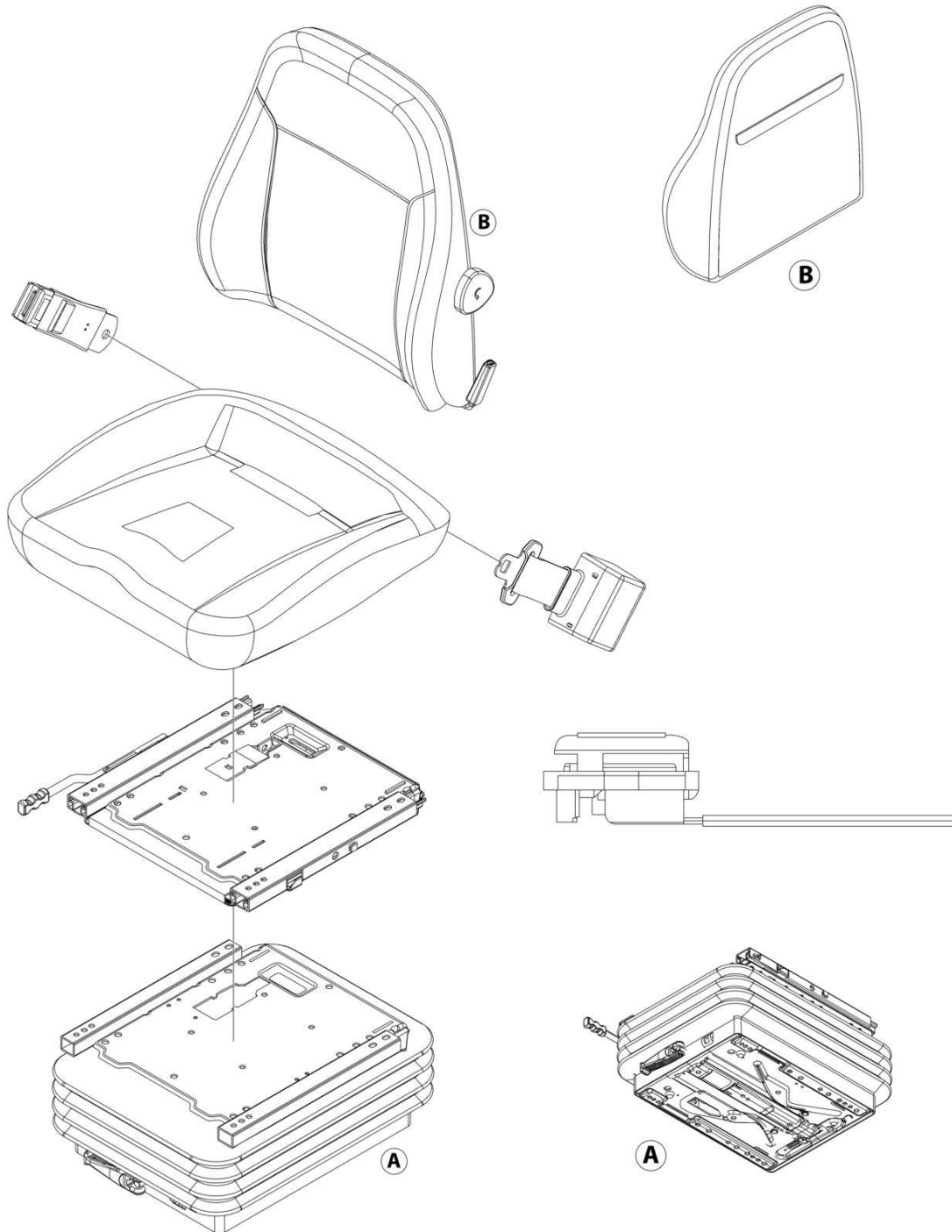
ART_1001150294

FIGURE 6-43. SEAT ASSEMBLY (Prior to SN 0160124988)

ITEM	PART NUMBER	QTY	DESCRIPTION	REV
	1001150294	Ref	CLOTH SEAT	F
2	70025489	1	Fabric, Upper Seat	
3	70025490	1	Cover, Back	
4	70025483	1	Foam, Back	
5	70025491	1	Cover, Seat	
6	70025485	1	Foam, Seat	
7	70025486	1	Switch, Contact	
8	7029767	1	Belt, Seat	
9	70021252	1	Rail, Slide	
10	70021251	1	Unit, Suspension	
11	70022034	1	Cover, Rubber	

SECTION 6 - CAB

FIGURE 6-44. SEAT ASSEMBLY



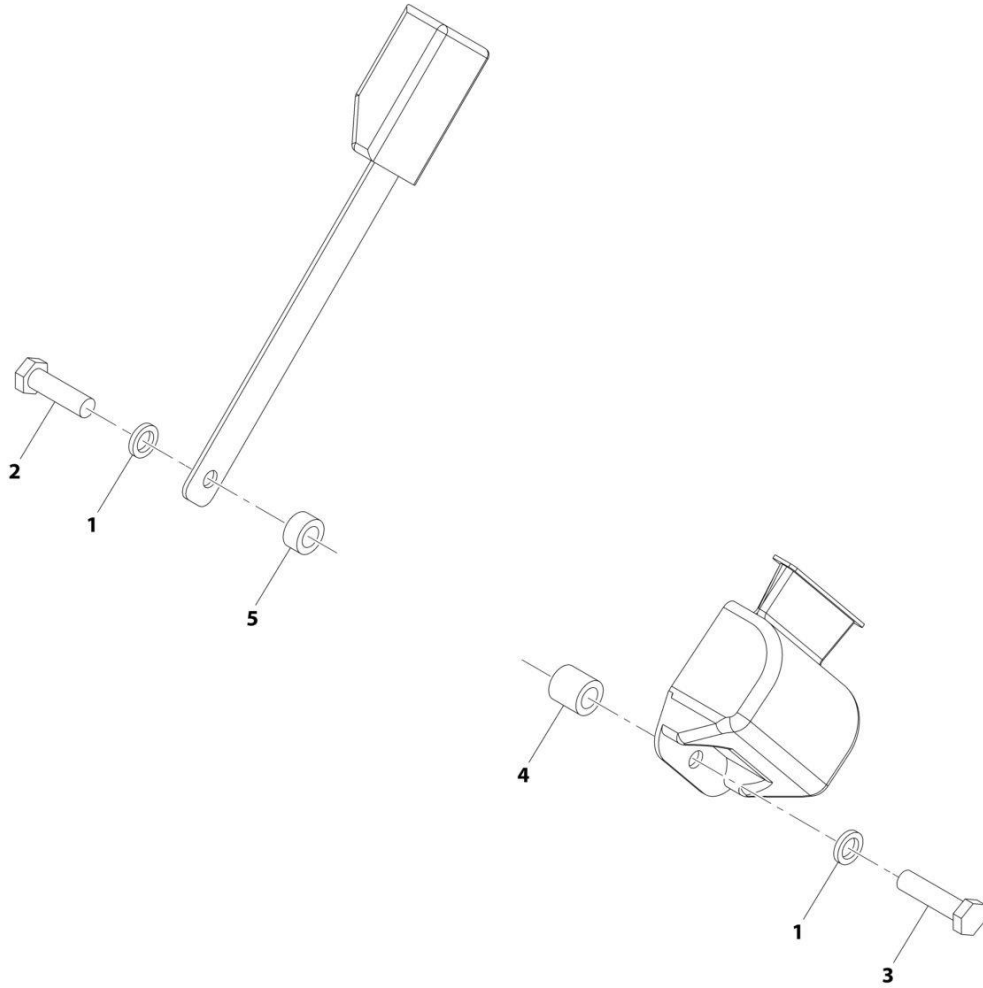
ART_1001288070

FIGURE 6-44. SEAT ASSEMBLY

ITEM	PART NUMBER	QTY	DESCRIPTION	REV
	1001288070 See Note	Ref NSS	SEAT ASSEMBLY Note: No Available Parts at time of Printing	B

SECTION 6 - CAB

FIGURE 6-45. SEAT BELT INSTALLATION (2IN)



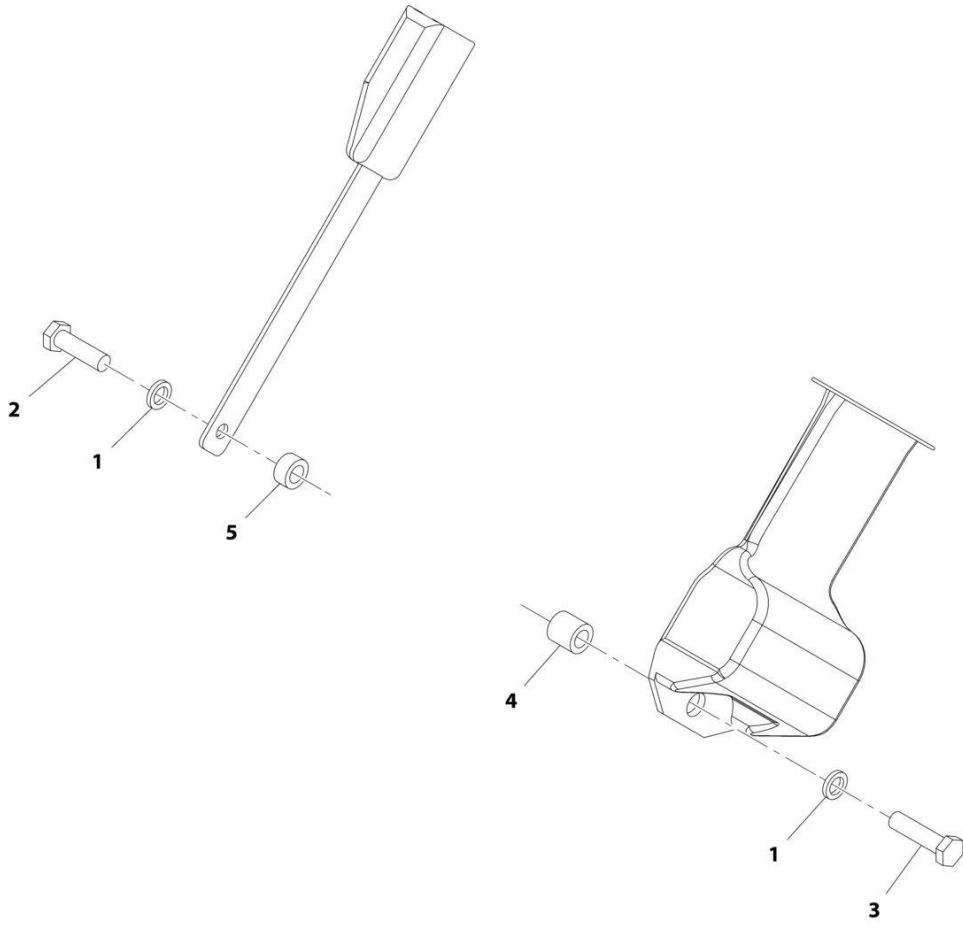
ART_1001006730

FIGURE 6-45. SEAT BELT INSTALLATION (2IN)

ITEM	PART NUMBER	QTY	DESCRIPTION	REV
	1001006730	Ref	Seat Belt Installation (2IN)	H
1	1001010646	2	Washer	
2	1001010647	1	Bolt	
3	1001010648	1	Bolt	
4	1001010649	1	Spacer, Shim	
5	1001010650	1	Spacer, Shim	

SECTION 6 - CAB

FIGURE 6-46. SEAT BELT INSTALLATION (3IN)



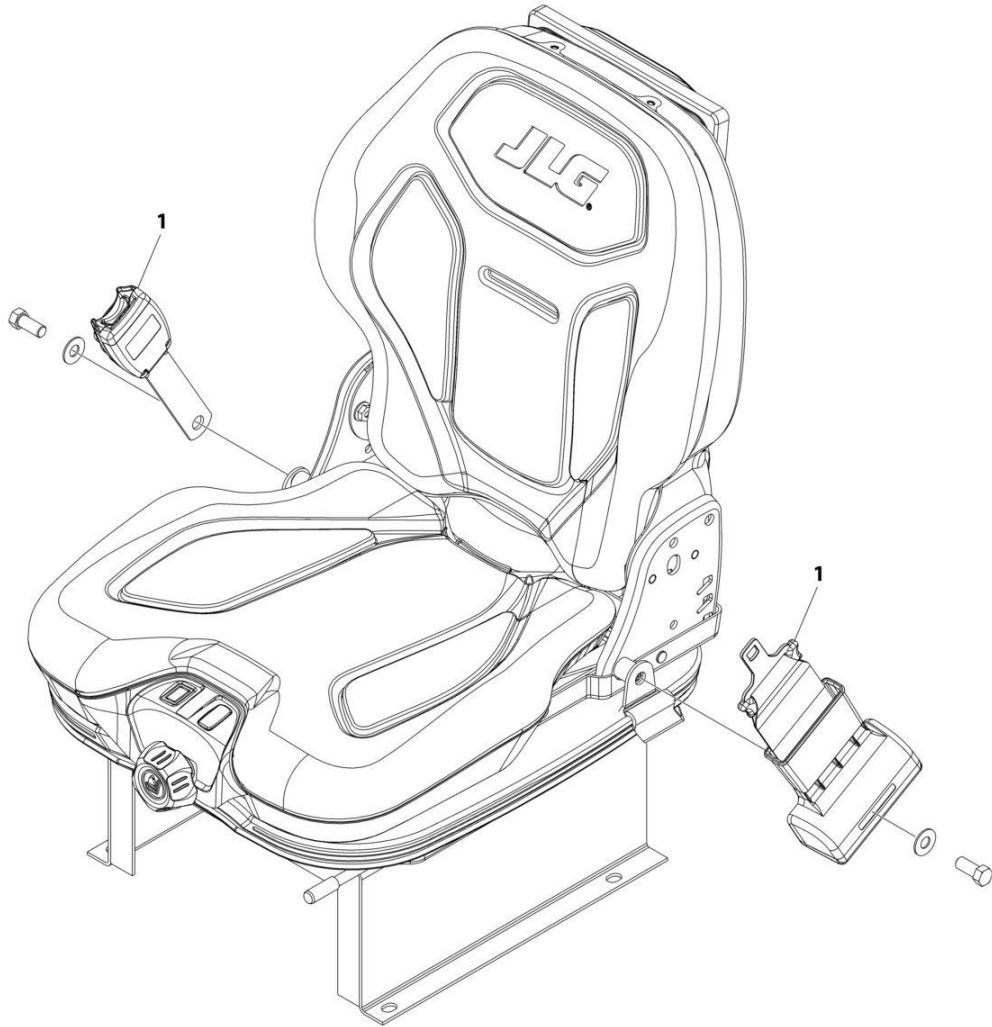
ART_1001006731-B

FIGURE 6-46. SEAT BELT INSTALLATION (3IN)

ITEM	PART NUMBER	QTY	DESCRIPTION	REV
	1001006731	Ref	Seat Belt Installation (3IN)	B
1	1001010646	2	Washer	
2	1001010647	1	Bolt	
3	1001010648	1	Bolt	
4	1001010649	1	Spacer	
5	1001010650	1	Spacer	

SECTION 6 - CAB

FIGURE 6-47. SEAT BELT INSTALLATION (3 INCH)



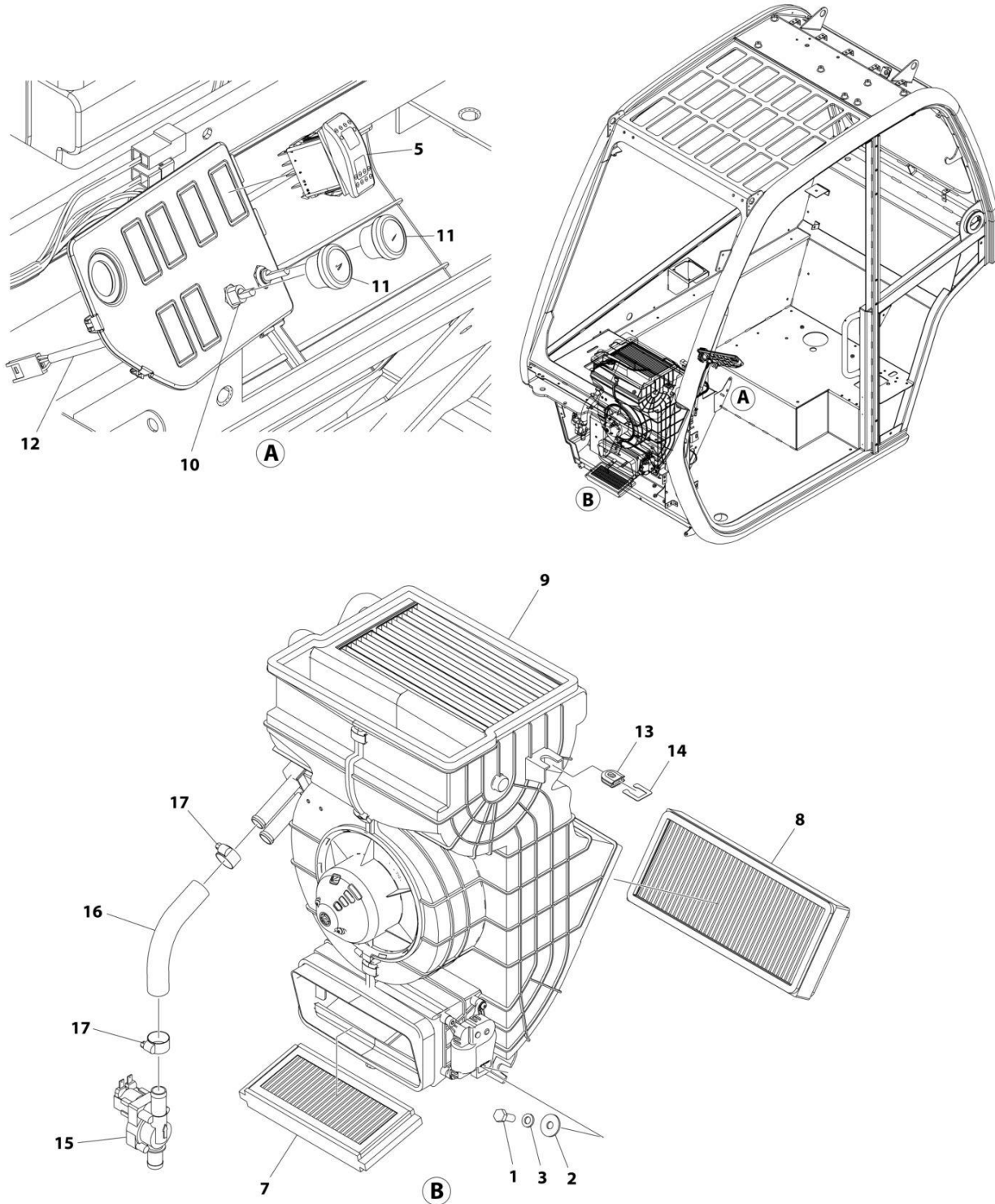
ART_1001258245

FIGURE 6-47. SEAT BELT INSTALLATION (3 INCH)

ITEM	PART NUMBER	QTY	DESCRIPTION	REV
	1001258245	Ref	Seat Belt Installation (3in Width)	B
1	1001258244	1	Seat Belt (3in) (Black Strap)	
1	1001275933	1	Seat Belt (3in) (Orange Strap)	

SECTION 6 - CAB

FIGURE 6-48. HEATER INSTALLATION



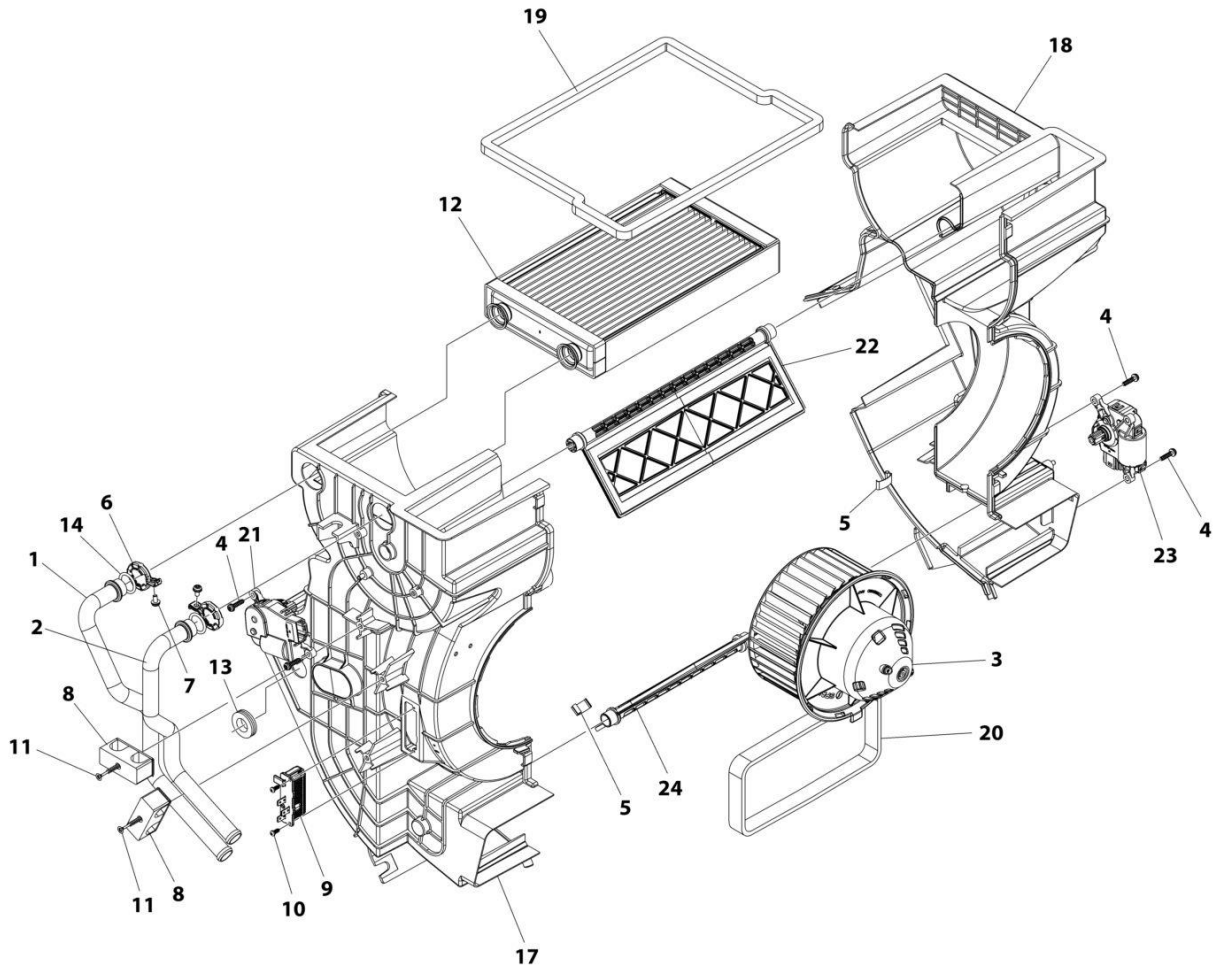
ART_1001201336_G

FIGURE 6-48. HEATER INSTALLATION

ITEM	PART NUMBER	QTY	DESCRIPTION	REV
	1001201336	Ref	HEATER INSTALLATION	G
1	0760810	2	Bolt M8 x 20	
2	4811902	2	Washer M8	
3	4831900	2	Washer M8	
5	1001159925	1	Switch, HVAC Recycle	
7	1001218996	1	Filter, HVAC Air	
8	1001172553	1	Filter, HVAC Recirculation Air	
9	1001268828	1	Assembly, Heater (See Separate Breakdown in this Section)	
10	1001172547	1	Switch	
11	1001172550	2	Knob, HVAC	
12	1001270976	1	Control, HVAC	
13	1001188590	2	Grommet	
14	1001218542	2	Shim	
15	1001221059	1	Valve, HVAC	
16	1001221295	1	Hose	
17	8410009	2	Clamp	

SECTION 6 - CAB

FIGURE 6-49. HEATER ASSEMBLY



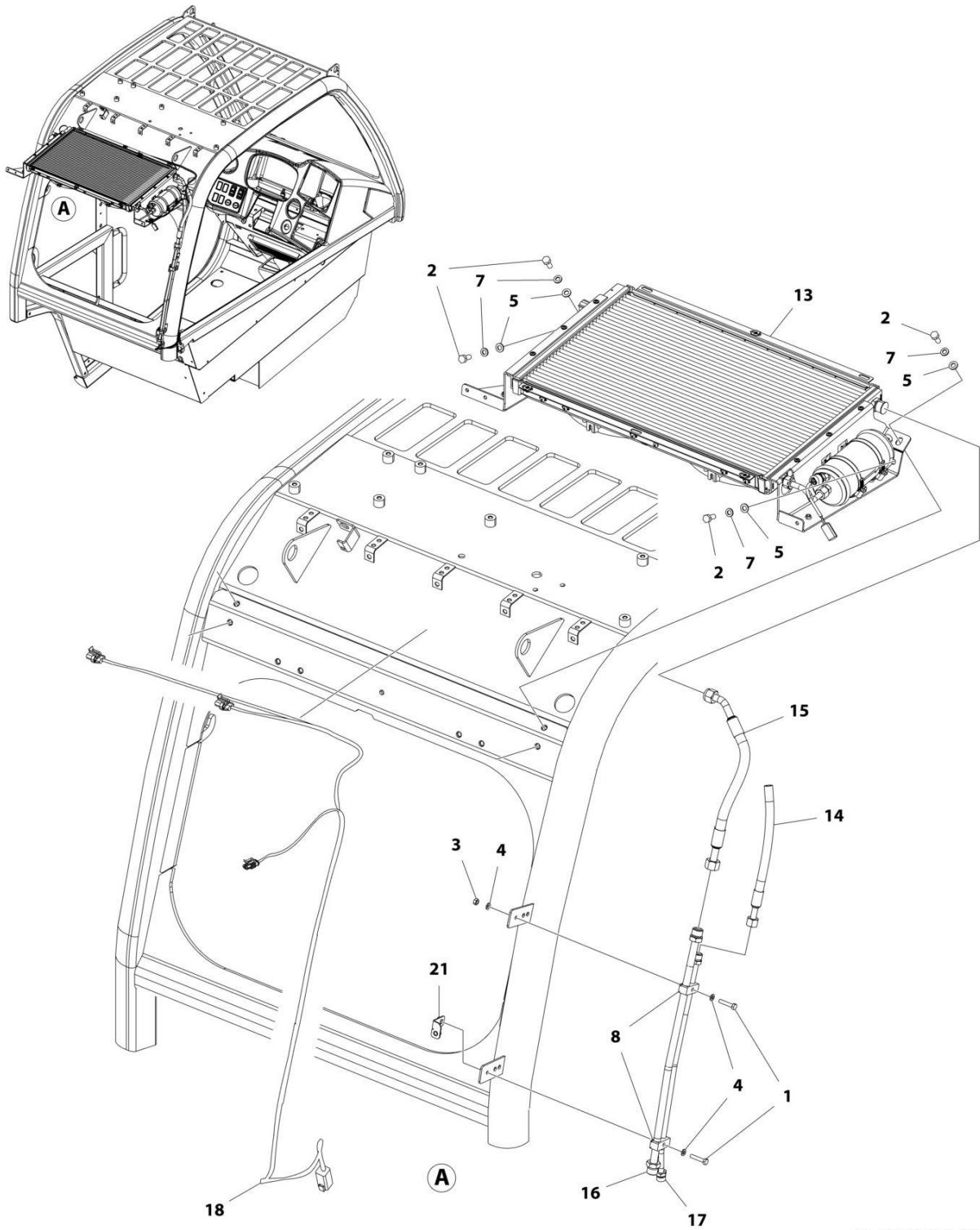
ART_1001268828

FIGURE 6-49. HEATER ASSEMBLY

ITEM	PART NUMBER	QTY	DESCRIPTION	REV
	1001268828	Ref	HEATER	B
1	1001184296	1	Pipe, Water	
2	1001184297	1	Pipe, Water	
3	1001188594	1	Fan, 12V	
4	1001188602	4	Screw	
5	1001188603	9	Clamp	
6	1001188604	2	Clamp	
7	1001188610	2	Screw	
8	1001188612	2	Clamp	
9	1001188614	1	Resistor	
10	1001188720	2	Screw	
11	1001188725	2	Screw	
12	1001188729	1	Radiator, Heater Core	
13	1001188733	1	Grommet	
14	1001189025	2	O-Ring	
17	1001269555	1	Housing, RH	
18	1001269556	1	Housing, LH	
19	1001269558	1	Foam, Air Outlet	
20	1001269559	1	Foam, Air Inlet	
21	1001269560	1	Actuator, Fresh/Recirculation Air	
22	1001269561	1	Flap, Mixing	
23	1001269563	1	Actuator, Fresh/Recirculation Air	
24	1001269564	1	Flap, HVAC Fresh	

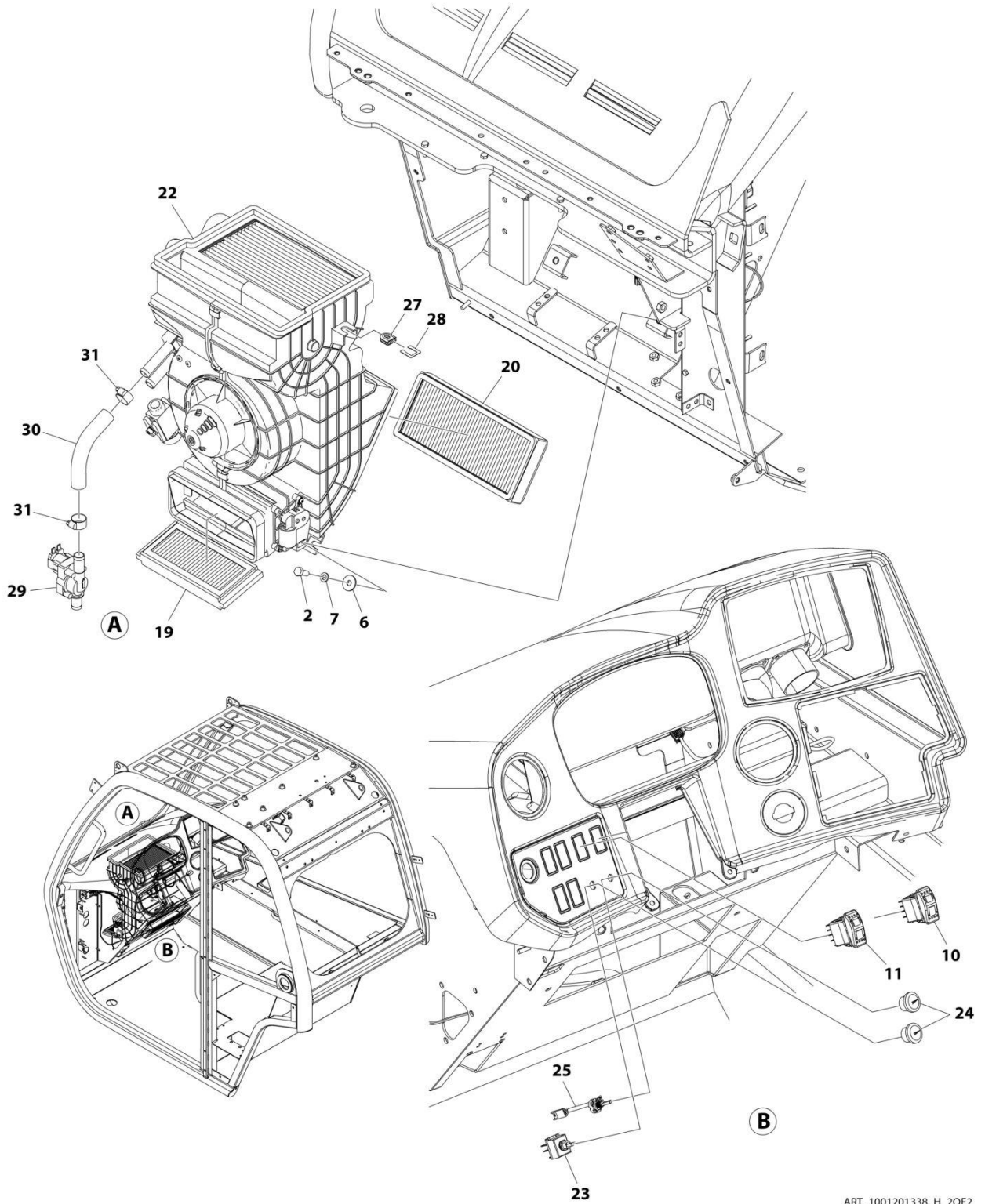
SECTION 6 - CAB

FIGURE 6-50. HEATER AND A/C INSTALLATION



ART_1001201338_H_1OF2

SECTION 6 - CAB



ART_1001201338_H_2OF2

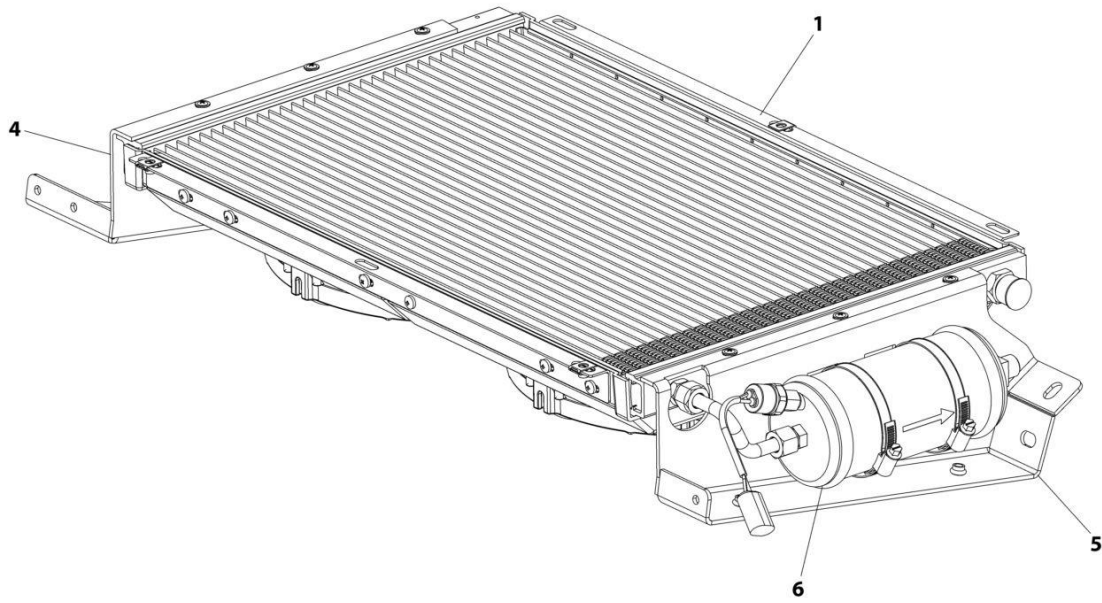
SECTION 6 - CAB

FIGURE 6-50. HEATER AND A/C INSTALLATION

ITEM	PART NUMBER	QTY	DESCRIPTION	REV
	1001201338	Ref	HEATER AND A/C INSTALLATION	H
1	0700614	2	Bolt M6 x 30	
2	0760810	6	Bolt M8 x 20	
3	3290601	1	Nut M6 x 1	
4	4811700	3	Washer M6	
5	4811900	4	Washer M8	
6	4811902	2	Washer M8	
7	4831900	6	Washer M8	
8	1001145539	2	Support, Pipe	
10	1001159925	1	Switch, HVAC Recycle	
11	1001160326	1	Switch, HVAC On/Off	
13	1001162953	1	Assembly, Cab Condenser (See Separate Breakdown in this Section)	
14	1001168327	1	Hose	
15	1001168330	1	Hose	
16	1001168331	1	Tube	
17	1001168456	1	Tube	
18	1001169151	1	Harness, A/C Option (See Separate Breakdown in ELECTRICAL Section)	
19	1001218996	1	Filter, HVAC Fresh Air	
20	1001172553	1	Filter, HVAC Air Recirculation	
21	1001178170	1	Bracket	
22	1001268832	1	Assembly, Heater and A/C (See Separate Breakdown in this Section)	
23	1001172547	1	Switch, HVAC Rotary 3 Speed	
24	1001172550	2	Knob, HVAC Control	
25	1001270976	1	Cable, HVAC	
27	1001188590	2	Grommet	
28	1001218542	2	Shim	
29	1001221059	1	Valve, HVAC	
30	1001221259	1	Hose	
31	8410009	2	Clamp	

SECTION 6 - CAB

FIGURE 6-51. CAB CONDENSER ASSEMBLY



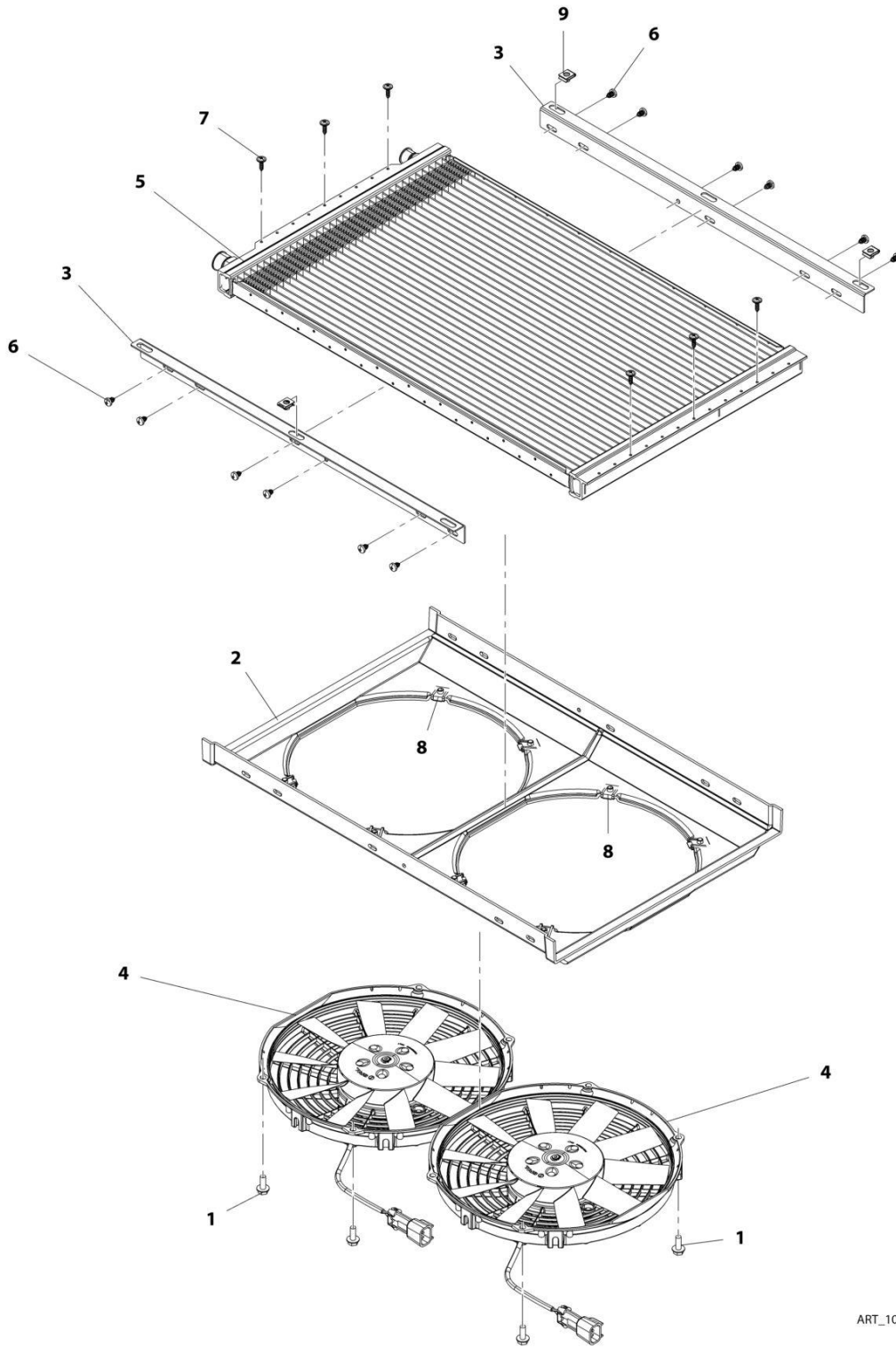
ART_1001162953

FIGURE 6-51. CAB CONDENSER ASSEMBLY

ITEM	PART NUMBER	QTY	DESCRIPTION	REV
	1001162953	Ref	Cab Condenser Assembly	G
1	1001167266	1	Condenser (See Separate Breakdown in this Section)	
4	1001179080	1	Bracket	
5	1001179081	1	Bracket	
6	1001179130	1	Drier, A/C Receiver (See Separate Breakdown in this Section)	

SECTION 6 - CAB

FIGURE 6-52. CONDENSER



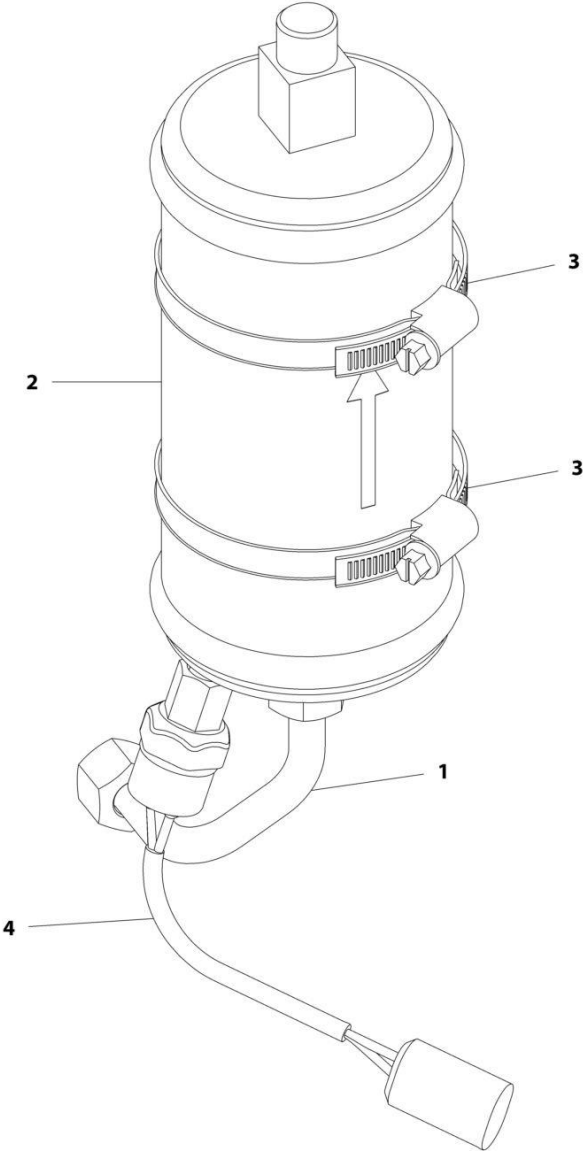
ART_1001167266-C

FIGURE 6-52. CONDENSER

ITEM	PART NUMBER	QTY	DESCRIPTION	REV
	1001167266	Ref	Condenser	C
1	5250608	8	Bolt, M6X16	
2	1001195342	1	Bracket, Condenser Fan Mount	
3	1001195343	2	Support, Condenser	
4	1001195345	2	Fan, Condenser	
5	1001195346	1	Condenser	
6	1001195385	12	Screw, M3.9X9.5	
7	1001195386	6	Screw, M4.2X16	
8	1001195437	8	Clip, M6X1	
9	1001195438	3	Clip, M6X1	

SECTION 6 - CAB

FIGURE 6-53. A/C RECEIVER DRIER



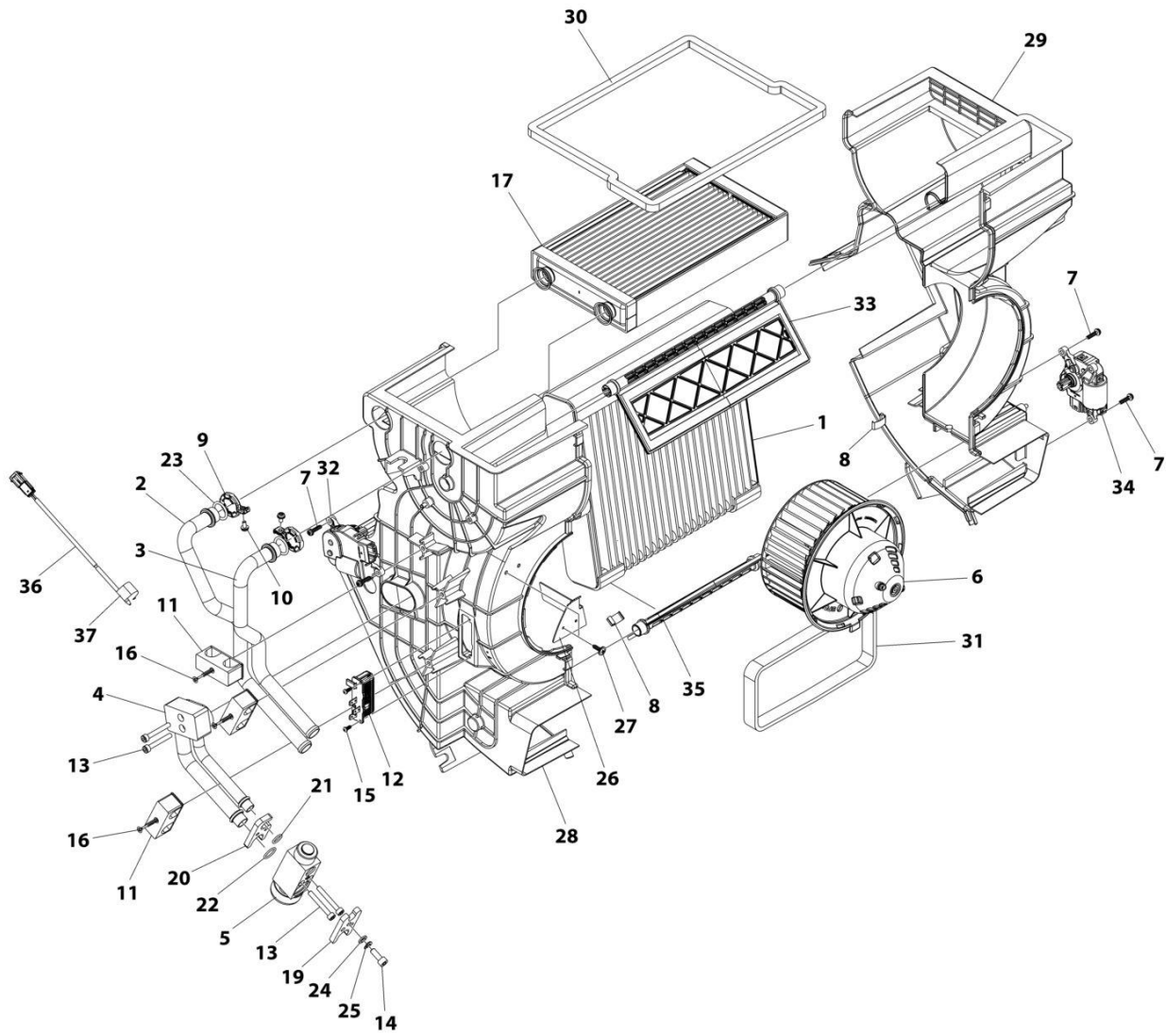
ART_1001179130-B

FIGURE 6-53. A/C RECEIVER DRIER

ITEM	PART NUMBER	QTY	DESCRIPTION	REV
	1001179130	Ref	A/C Receiver Drier	B
1	1001184403	1	Tube, Heater	
2	1001184404	1	Receiver, Heater Drier	
3	1001184405	2	Clamp	
4	1001184406	1	Connector, Heater	

SECTION 6 - CAB

FIGURE 6-54. HEATER AND A/C ASSEMBLY



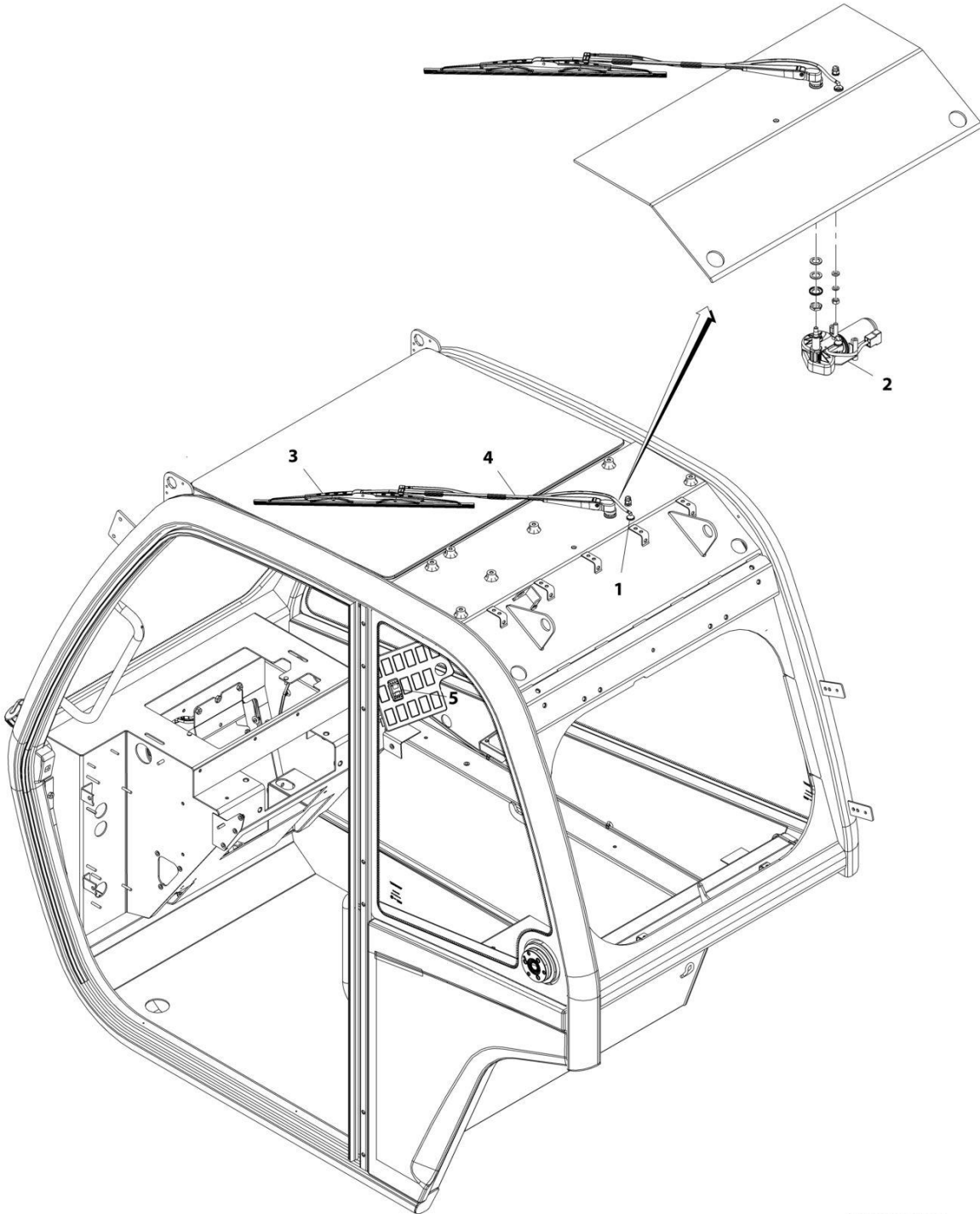
ART_1001268832

FIGURE 6-54. HEATER AND A/C ASSEMBLY

ITEM	PART NUMBER	QTY	DESCRIPTION	REV
	1001268832	Ref	HEATER AND A/C	B
1	1001184280	1	Evaporator, Heater	
2	1001184296	1	Pipe, Heater Water	
3	1001184297	1	Pipe, Heater Water	
4	1001184427	1	Pipe, Heater	
5	1001188592	1	Valve, HVAC Expansion	
6	1001188594	1	Fan, HVAC Centrifugal 12V	
7	1001188602	4	Screw M4	
8	1001188603	9	Clamp, HVAC Case	
9	1001188604	2	Clamp, HVAC Pipe	
10	1001188610	2	Screw M4	
11	1001188612	3	Clamp, Pipe	
12	1001188614	1	Resistor	
13	1001188618	4	Screw M5	
14	1001188619	1	Screw M6	
15	1001188720	2	Screw M2.9 x 9.5	
16	1001188725	3	Screw M4 x 35	
17	1001188729	1	Radiator, Heater Core	
19	1001188817	1	Clamp, Hose	
20	1001188818	1	Clamp, HVAC EVAP/Valve	
21	1001189023	1	O-Ring	
22	1001189024	1	O-Ring	
23	1001189025	2	O-Ring	
24	1001189048	1	Washer	
25	1001189054	1	Washer, Spring	
26	1001221057	1	Plate	
27	1001221058	2	Screw	
28	1001269555	1	Housing, HVAC RH	
29	1001269556	1	Housing, HVAC LH	
30	1001269558	1	Seal, Heater Outlet Foam	
31	1001269559	1	Seal, Air Inlet Foam	
32	1001269560	1	Actuator, Hot/Cold Mixing	
33	1001269561	1	Foam, Heater Mixing Flap	
34	1001269563	1	Actuator, Fresh/Recirculation Air	
35	1001269564	1	Foam, Heater Mixing Flap	
36	1001269578	1	Temperature Sensor	
37	1001269579	1	Clamp, Temperature Sensor	

SECTION 6 - CAB

FIGURE 6-55. ROOF WIPER INSTALLATION



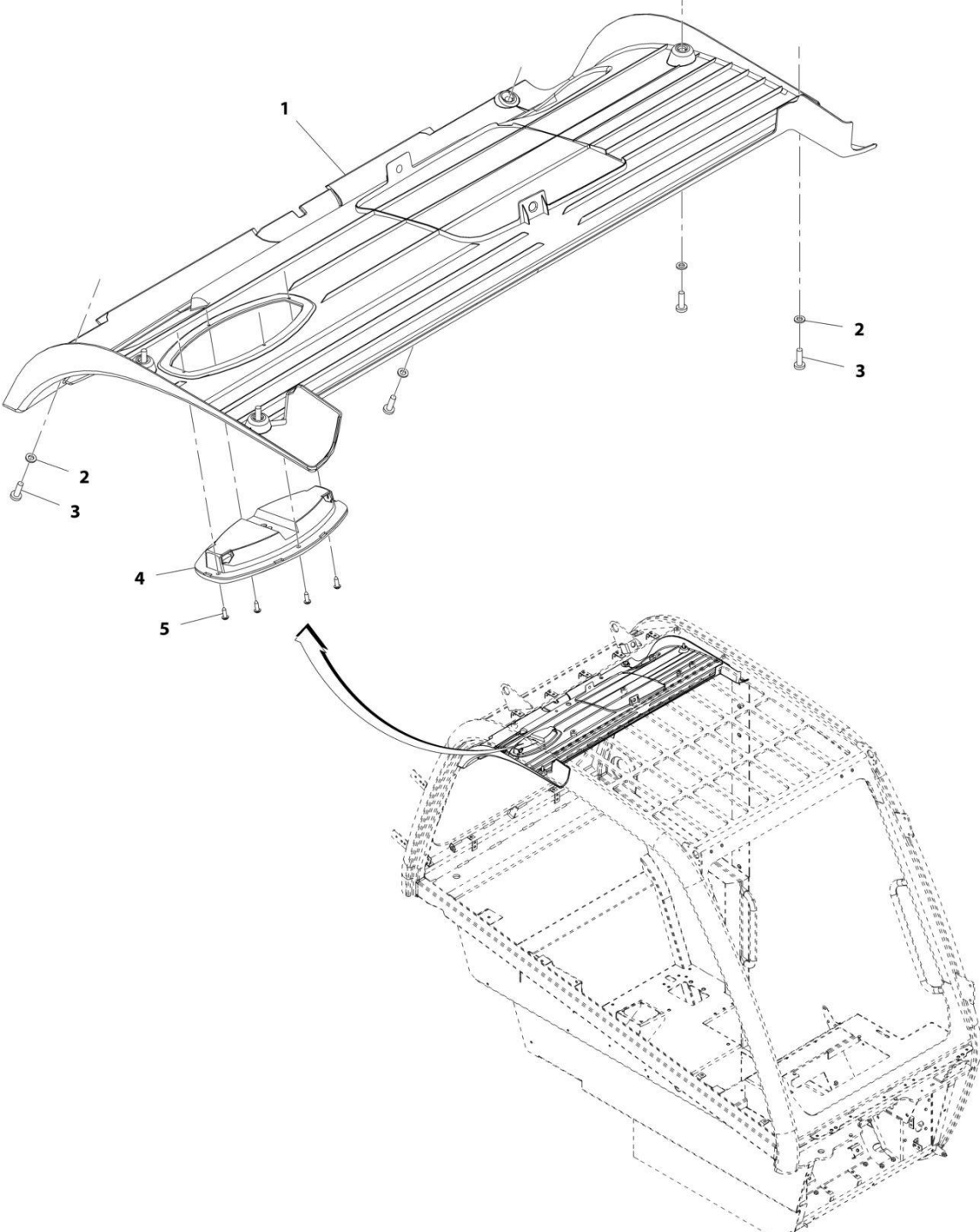
ART_1001155486-B

FIGURE 6-55. ROOF WIPER INSTALLATION

ITEM	PART NUMBER	QTY	DESCRIPTION	REV
	1001155486	Ref	Roof Wiper Installation	B
1	1001090343	1	Connector	
2	1001139551	1	Motor, Roof Wiper	
3	1001141313	1	Blade, Roof Wiper	
4	1001141311	1	Arm, Roof Wiper Blade	
5	1001159736	1	Switch, Roof Wiper	

SECTION 6 - CAB

FIGURE 6-56. HEADLINER INSTALLATION



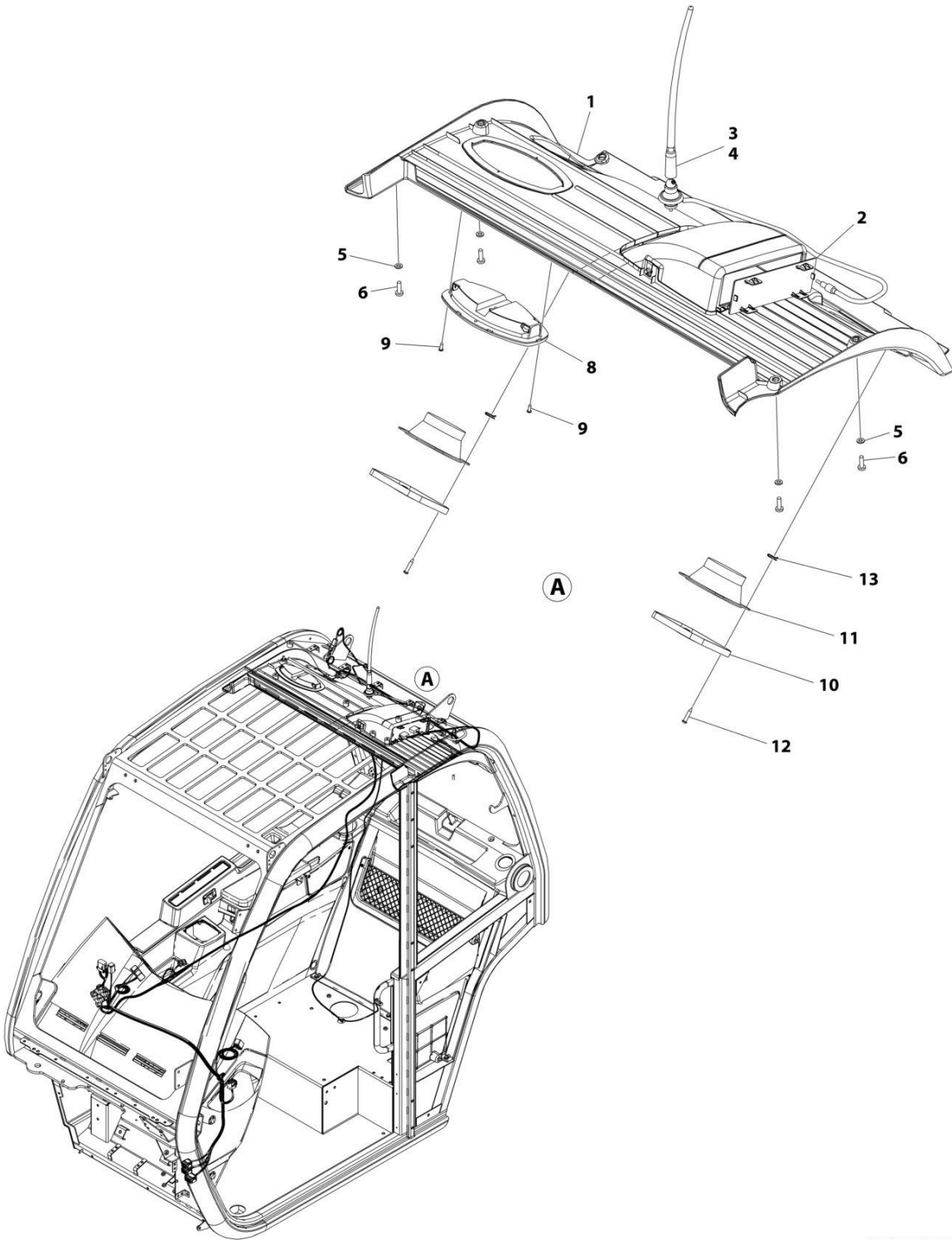
ART_1001170718-C

FIGURE 6-56. HEADLINER INSTALLATION

ITEM	PART NUMBER	QTY	DESCRIPTION	REV
	1001170718	Ref	Headliner Installation	D
1	1001170716	1	Panel, Headliner	
2	4811700	6	Washer, M6	
3	4031708001	6	Capscrew M6 x 20	
4	1001167015	1	Lamp, Dome	
5	7029486	4	Screw	

SECTION 6 - CAB

FIGURE 6-57. HEADLINER/ RADIO READY INSTALLATION



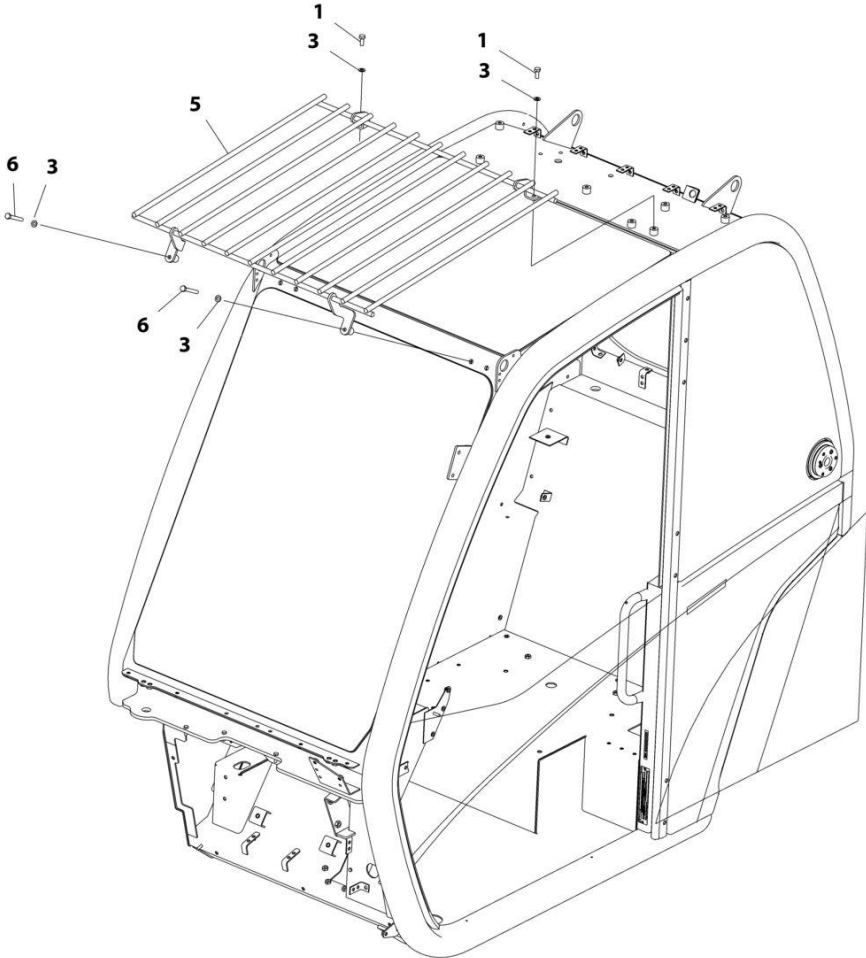
ART_1001173425

FIGURE 6-57. HEADLINER/ RADIO READY INSTALLATION

ITEM	PART NUMBER	QTY	DESCRIPTION	REV
	1001173425	Ref	HEADLINER/ RADIO READY INSTALLATION	F
1	1001243343	1	Cover, Headliner	
2	1001200968	1	Plate	
3	8005901	1	Antenna	
4	1001116128	AR	Sealant, Polysiloxane	
5	4811700	6	Washer, 6M	
6	4031708001	6	Screw, M6 x 20	
8	1001167015	1	Lamp	
9	7029486	4	Screw	
10	1671326	2	Cover, Speaker	
11	1001146901	1	Radio, Speaker	
12	1001111147	8	Screw, Spire	
13	1001258342	8	Nut, Spire	

SECTION 6 - CAB

FIGURE 6-58. CAB GUARD INSTALLATION (TOP)



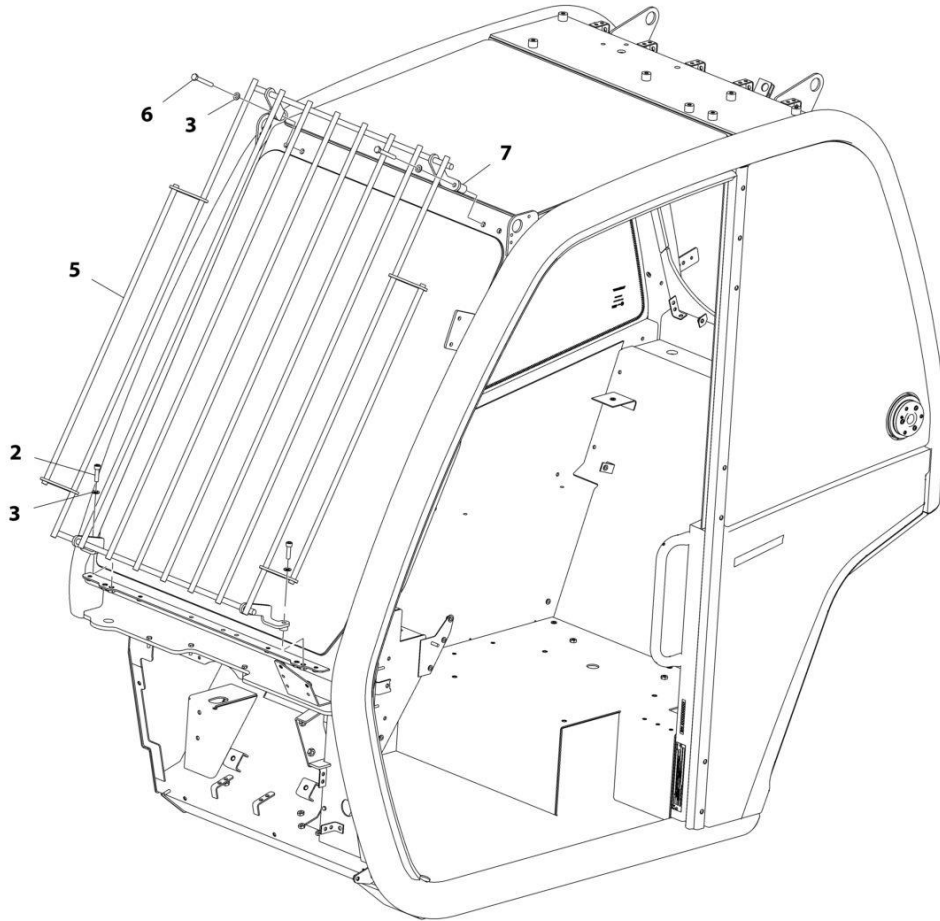
ART_1001160496

FIGURE 6-58. CAB GUARD INSTALLATION (TOP)

ITEM	PART NUMBER	QTY	DESCRIPTION	REV
	1001160496	Ref	Cab Guard Installation (Top)	G
1	0760810	2	Bolt, M8X20	
3	4811900	4	Washer, M8	
5	1001160503	1	Guard, Top Screen	
6	0700820	2	Bolt, M8X60	

SECTION 6 - CAB

FIGURE 6-59. CAB GUARD INSTALLATION (FRONT)



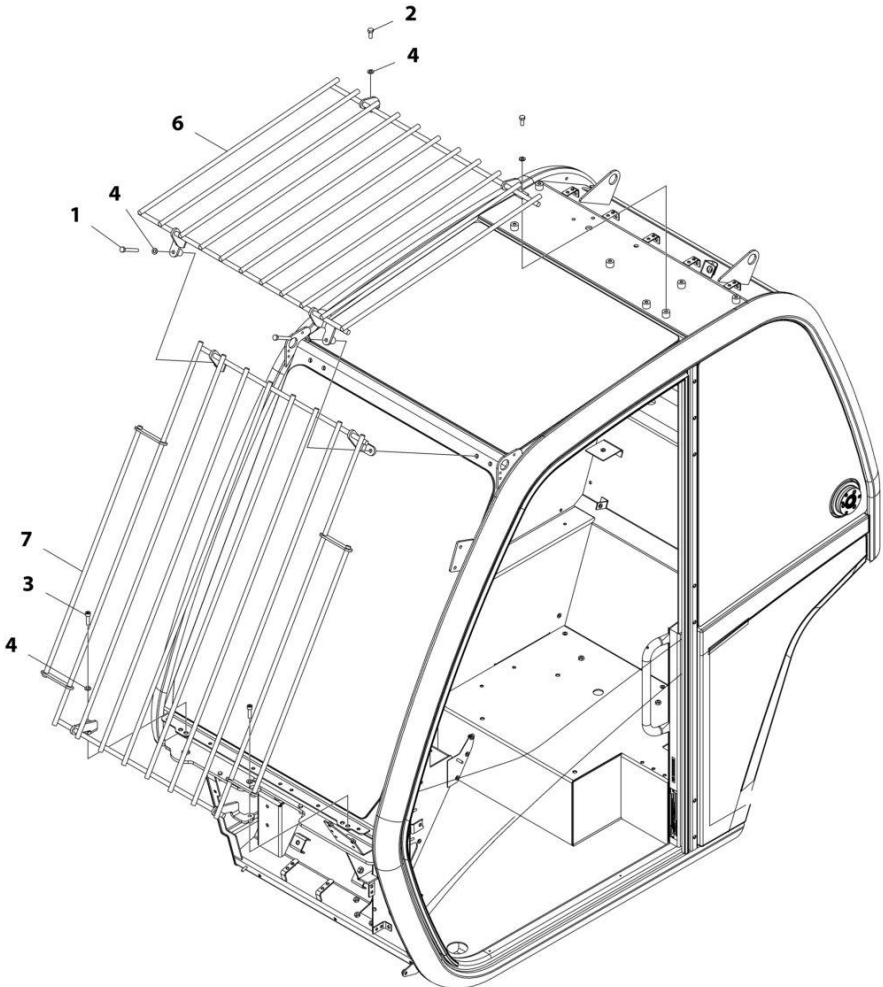
ART_1001160506-G

FIGURE 6-59. CAB GUARD INSTALLATION (FRONT)

ITEM	PART NUMBER	QTY	DESCRIPTION	REV
	1001160506	Ref	Cab Guard Installation (Front)	G
2	4031910	2	Bolt, M8X30	
3	4811900	4	Washer, M8	
5	1001180263	1	Guard, Front Screen	
6	0700820	2	Bolt, M8X60	
7	1001173257	2	Spacer	

SECTION 6 - CAB

FIGURE 6-60. CAB GUARD INSTALLATION (TOP AND FRONT)



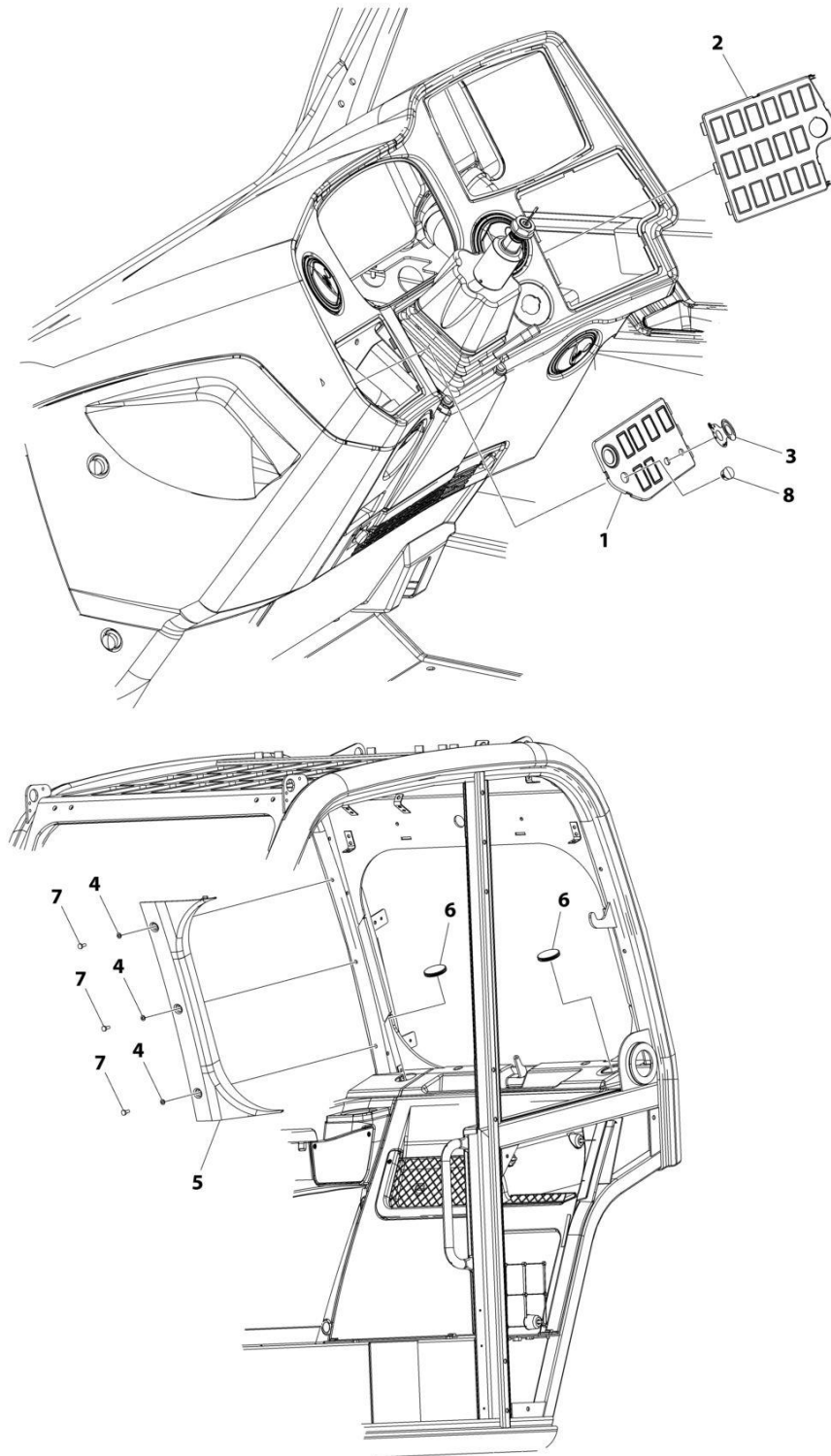
ART_1001172774

FIGURE 6-60. CAB GUARD INSTALLATION (TOP AND FRONT)

ITEM	PART NUMBER	QTY	DESCRIPTION	REV
	1001172774	Ref	CAB GUARD INSTALLATION (TOP AND FRONT)	G
1	0700820	2	Bolt M8 x 60	
2	0760810	2	Bolt M8 x 20	
3	4031910	2	Bolt M8 x 30	
4	4811900	6	Washer M8	
6	1001160503	1	Guard, Top Screen	
7	1001180263	1	Guard, Front Screen	

SECTION 6 - CAB

FIGURE 6-61. COMMON CAB TRIM INSTALLATION



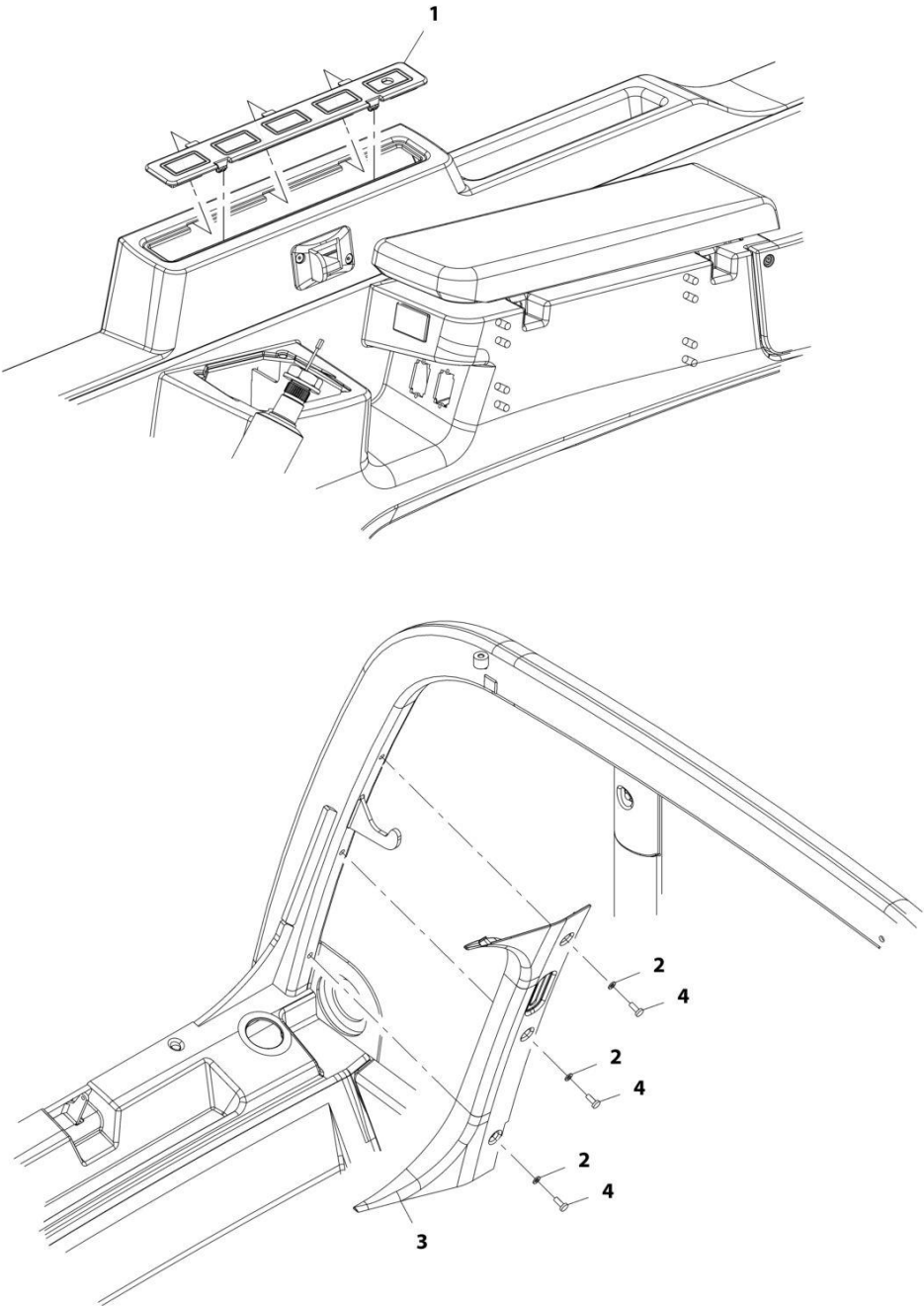
ART_1001200694_E

FIGURE 6-61. COMMON CAB TRIM INSTALLATION

ITEM	PART NUMBER	QTY	DESCRIPTION	REV
	1001200694	Ref	COMMON CAB TRIM INSTALLATION	E
1	1001268846	1	Panel, LH Switch	
2	1001219865	1	Panel, RH Switch	
3	1001184975	1	Decal, HVAC	
4	4811700001	3	Washer M6	
5	1001161253	1	Panel, Cover	
6	1001223265	2	Grommet	
7	4010608002	3	Screw M6 x 16	
8	1001207963	1	Plug	

SECTION 6 - CAB

FIGURE 6-62. CAB TRIM INSTALLATION



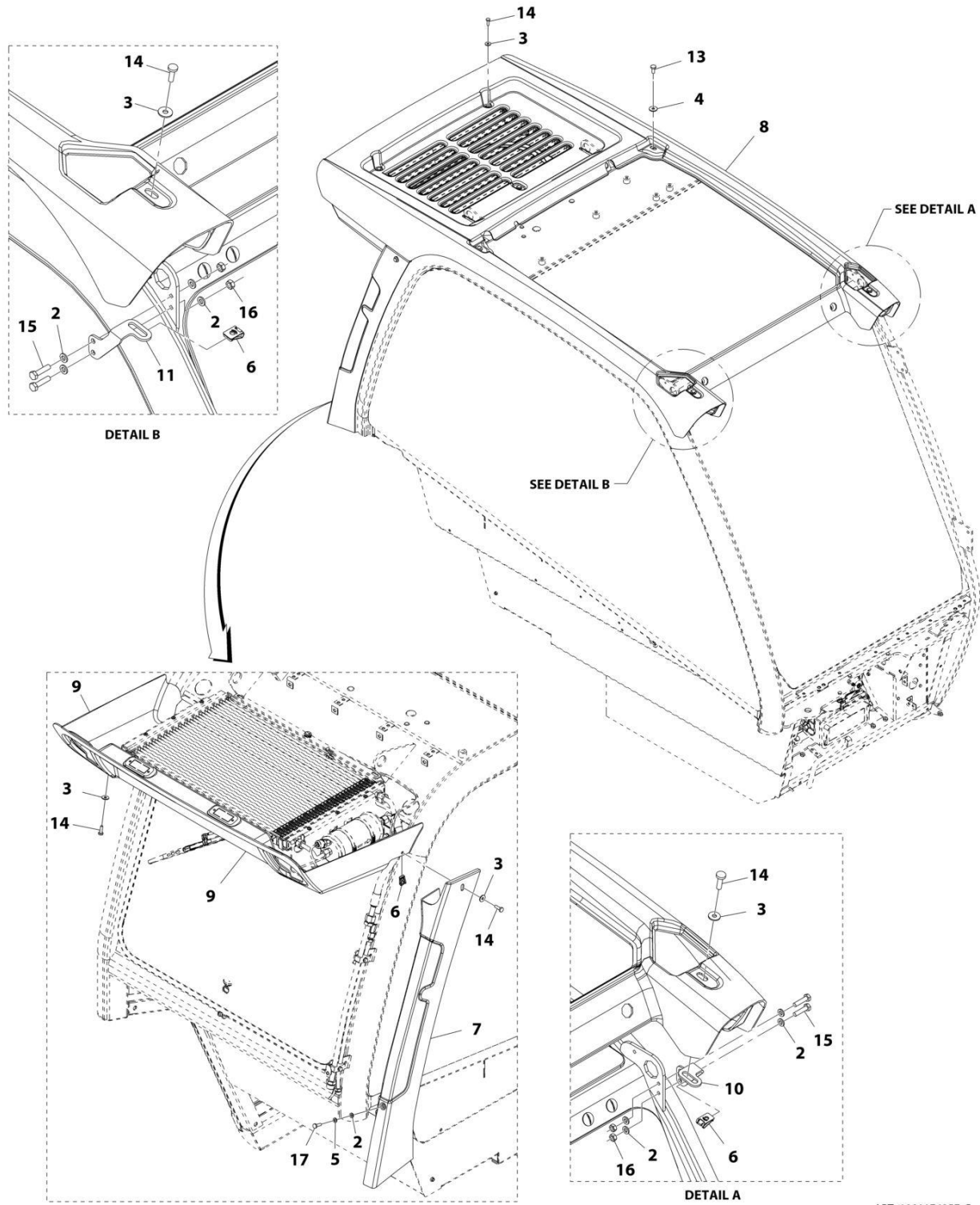
ART_1001201207-B

FIGURE 6-62. CAB TRIM INSTALLATION

ITEM	PART NUMBER	QTY	DESCRIPTION	REV
	1001201207	Ref	Cab Trim Installation	B
1	1001177464	1	Plate, Switch	
2	4811700	1	Washer, M6	
3	1001161252	1	Panel, Cover	
4	4010608002	3	Screw, M6X16	

SECTION 6 - CAB

FIGURE 6-63. ROOF CAP INSTALLATION (A/C)



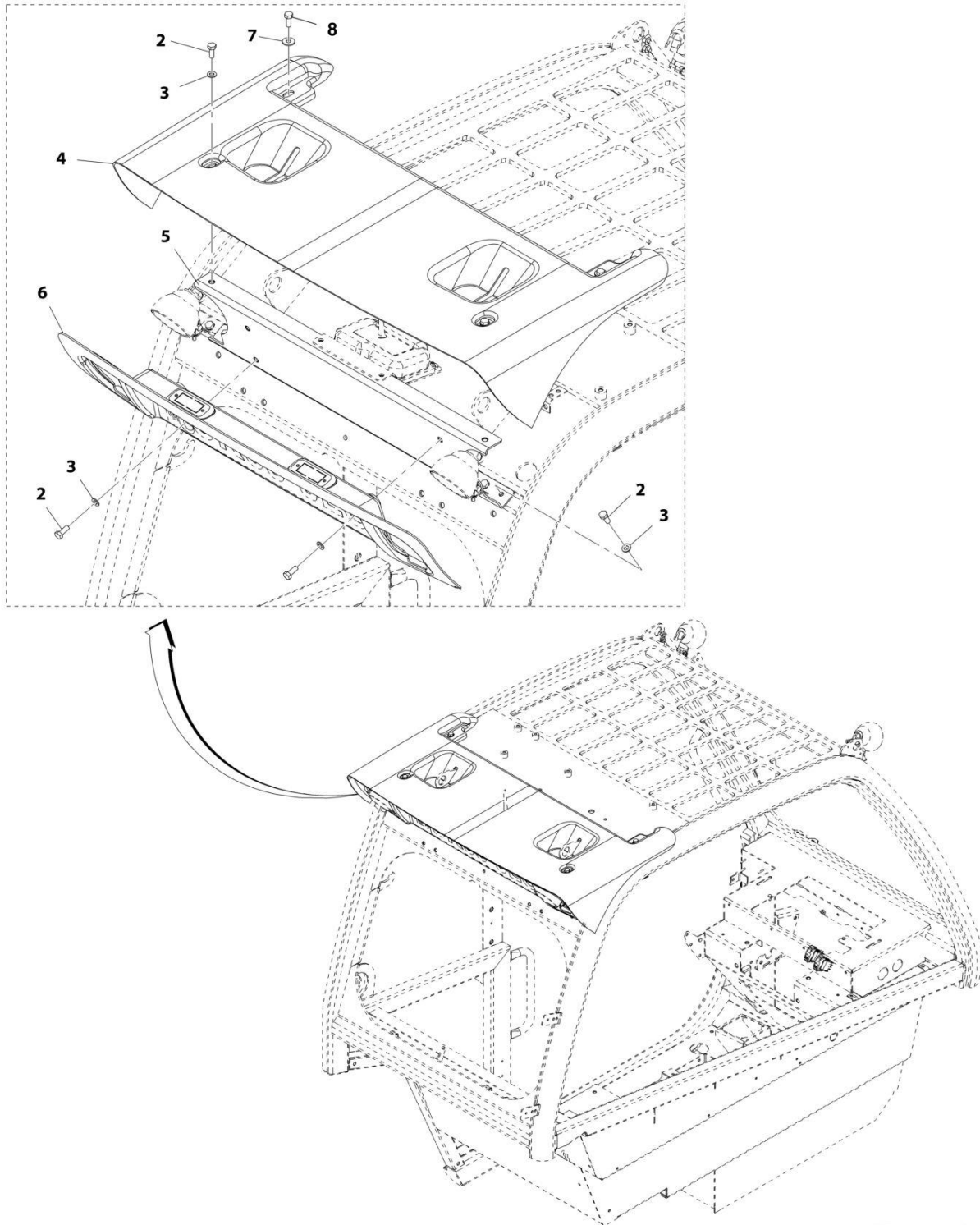
ART_1001176257-G

FIGURE 6-63. ROOF CAP INSTALLATION (A/C)

ITEM	PART NUMBER	QTY	DESCRIPTION	REV
	1001176257	Ref	Roof Cap Installation (A/C)	G
2	4811700	9	Washer, M6	
3	4811702	10	Washer, M6	
4	4811902	2	Washer, M8	
5	4831700	1	Washer, Lock M6	
6	8305919	3	Nut, M6	
7	1001174741	1	Cover	
8	1001176140	1	Cover	
9	1001176318	1	Cover	
10	1001174800	1	Bracket	
11	1001174801	1	Bracket	
13	0760608	2	Bolt, M6X16	
14	4010610002	10	Screw, Posi-Drive M6X20	
15	0700612	4	Bolt, M6X25	
16	3290601	4	Nut, M6X1	
17	4010608002	1	Screw, Posi-Drive, M6X16	

SECTION 6 - CAB

FIGURE 6-64. ROOF CAP INSTALLATION (NO A/C)



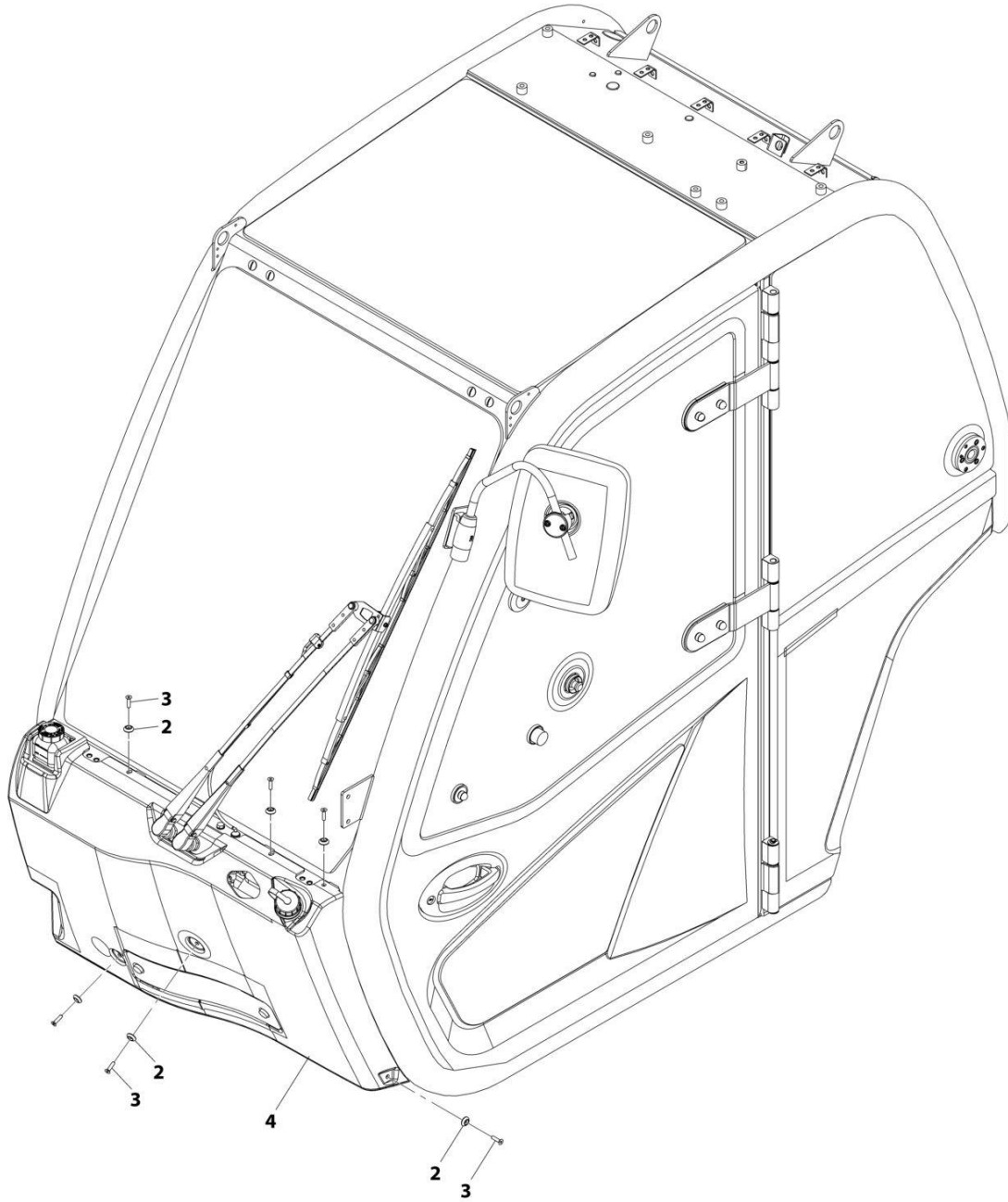
ART_1001185848-D

FIGURE 6-64. ROOF CAP INSTALLATION (NO A/C)

ITEM	PART NUMBER	QTY	DESCRIPTION	REV
	1001185848	Ref	Roof Cap Installation (No A/C - AG)	D
2	0760810	8	Bolt, M8X20	
3	4811900	8	Washer, M8	
4	1001182330	1	Cover, Short Upper Roof Cap	
5	1001185633	1	Bracket, Roof Cap Mount	
6	1001185845	1	Cover, Short Lower Roof Cap	
7	4811902	2	Washer, M8	
8	0760808	2	Bolt, M8X16	

SECTION 6 - CAB

FIGURE 6-65. FRONT NOSE CONE INSTALLATION (SIDELIGHT)



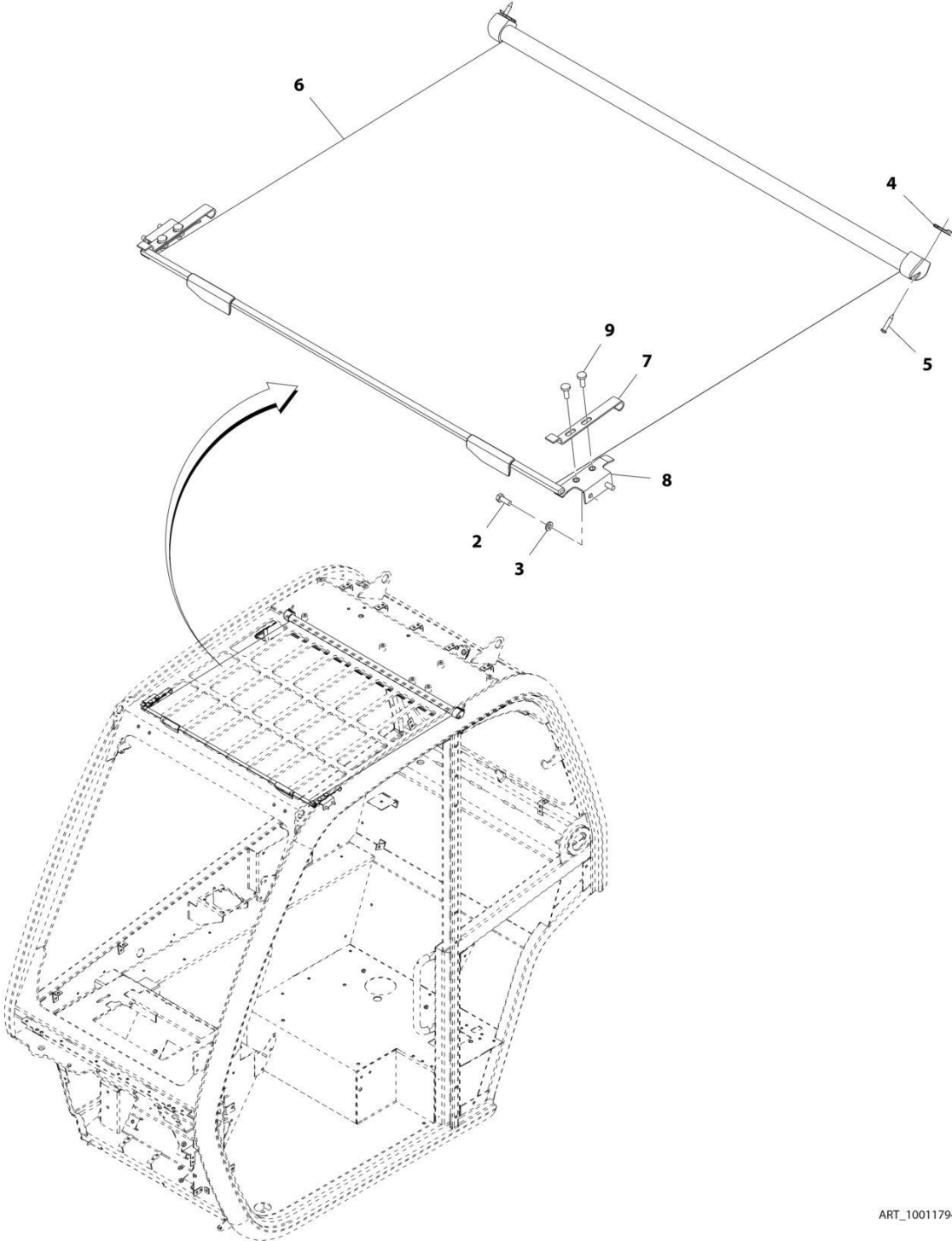
ART_1001179895-G

FIGURE 6-65. FRONT NOSE CONE INSTALLATION (SIDELIGHT)

ITEM	PART NUMBER	QTY	DESCRIPTION	REV
	1001179895	Ref	Front Nose Cone Installation (Sidelight)	G
2	1001097540	6	Washer, M6	
3	3900379	6	Screw, M6X25MM	
4	1001179898	1	Cover	

SECTION 6 - CAB

FIGURE 6-66. RETRACTABLE SUNSCREEN INSTALLATION



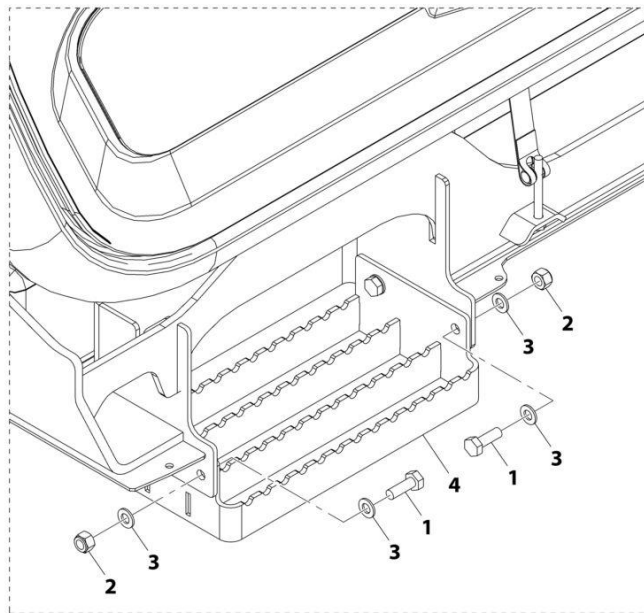
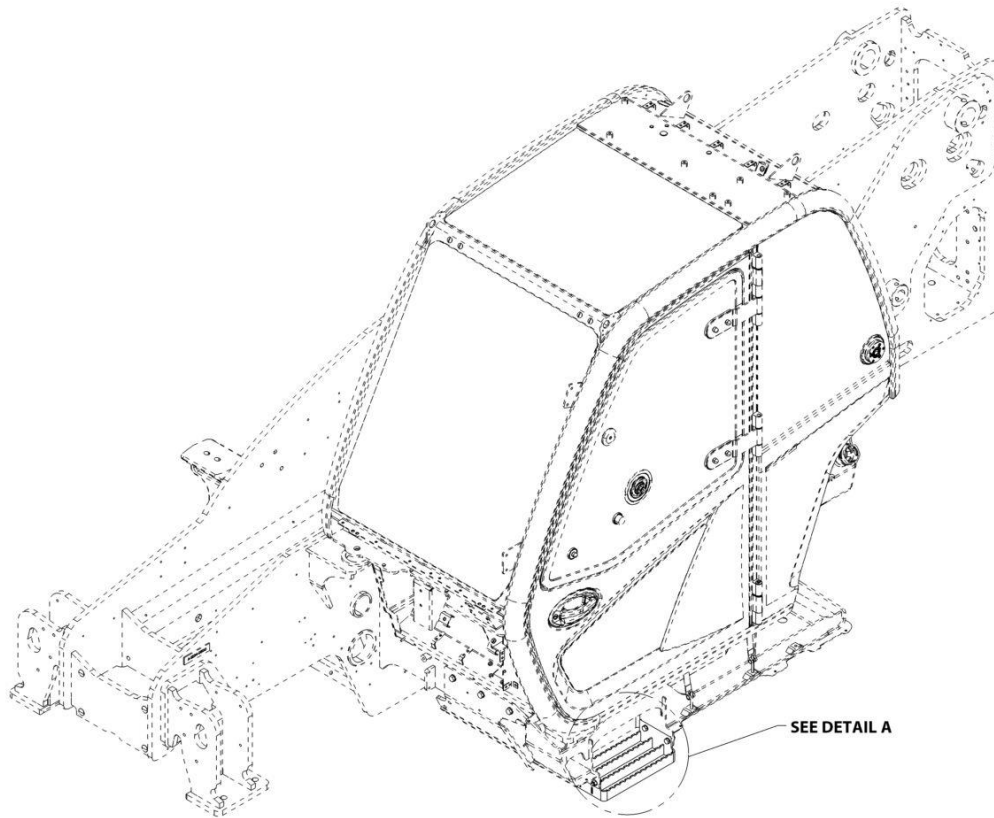
ART_1001179482-D

FIGURE 6-66. RETRACTABLE SUNSCREEN INSTALLATION

ITEM	PART NUMBER	QTY	DESCRIPTION	REV
	1001179482	Ref	Retractable Sunscreen Installation	D
2	0760608	4	Bolt, M6X16	
3	4811700	4	Washer, M6	
4	1001111076	2	Nut, Spire	
5	1001111147	2	Screw, Self Tapping	
6	1001179483	1	Cab, Sun Blind	
7	1001209463	2	Bracket	
8	1001166385	2	Bracket	
9	4010608002	4	Screw, Posi-Drive M6X16	

SECTION 6 - CAB

FIGURE 6-67. CAB STEP INSTALLATION



DETAIL A

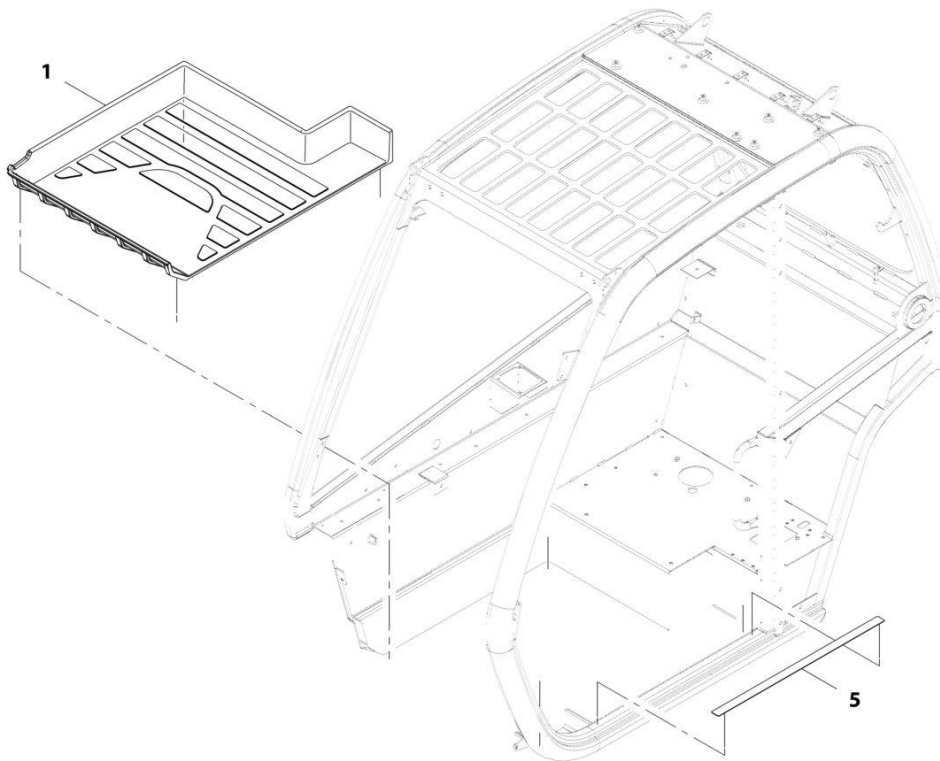
ART_1001198958-B

FIGURE 6-67. CAB STEP INSTALLATION

ITEM	PART NUMBER	QTY	DESCRIPTION	REV
	1001198958	Ref	Cab Step Installation	B
1	0701014	4	Bolt, M10X30	
2	3291005	4	Nut, Lock M10X1.5 Grade 8	
3	4812000	8	Washer, M10	
4	1001198924	1	Bracket, Step	

SECTION 6 - CAB

FIGURE 6-68. FLOOR MAT INSTALLATION



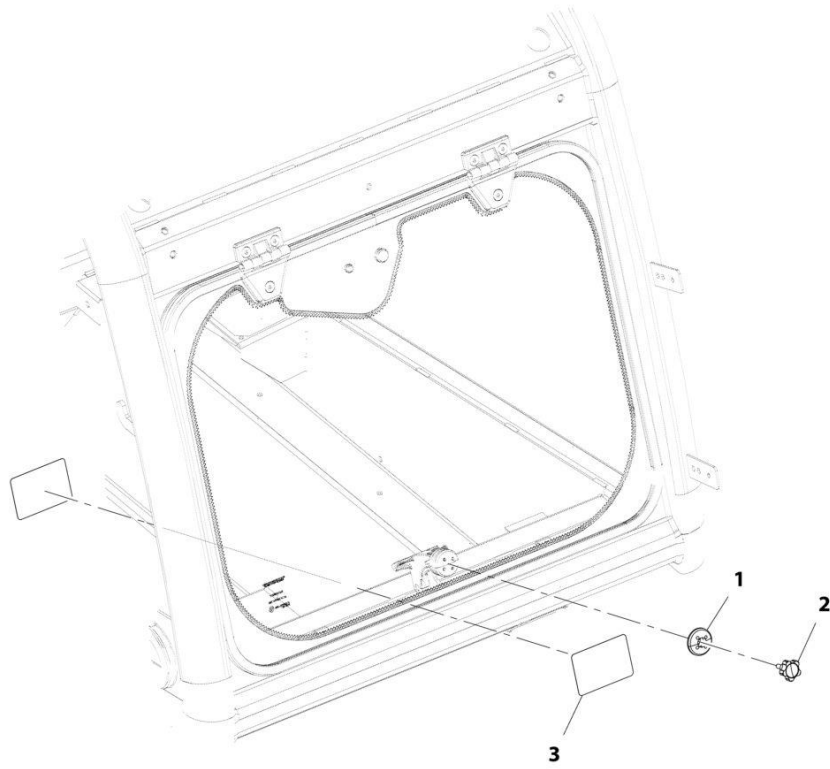
ART_1001161080-E

FIGURE 6-68. FLOOR MAT INSTALLATION

ITEM	PART NUMBER	QTY	DESCRIPTION	REV
	1001161080	Ref	Floor Mat Installation	E
1	1001161078	1	Cab, Floor Mat	
5	1001197259	1	Tape, Frame Non Skid	

SECTION 6 - CAB

FIGURE 6-69. EXTERNAL WINDOW RELEASE INSTALLATION (ANSI)



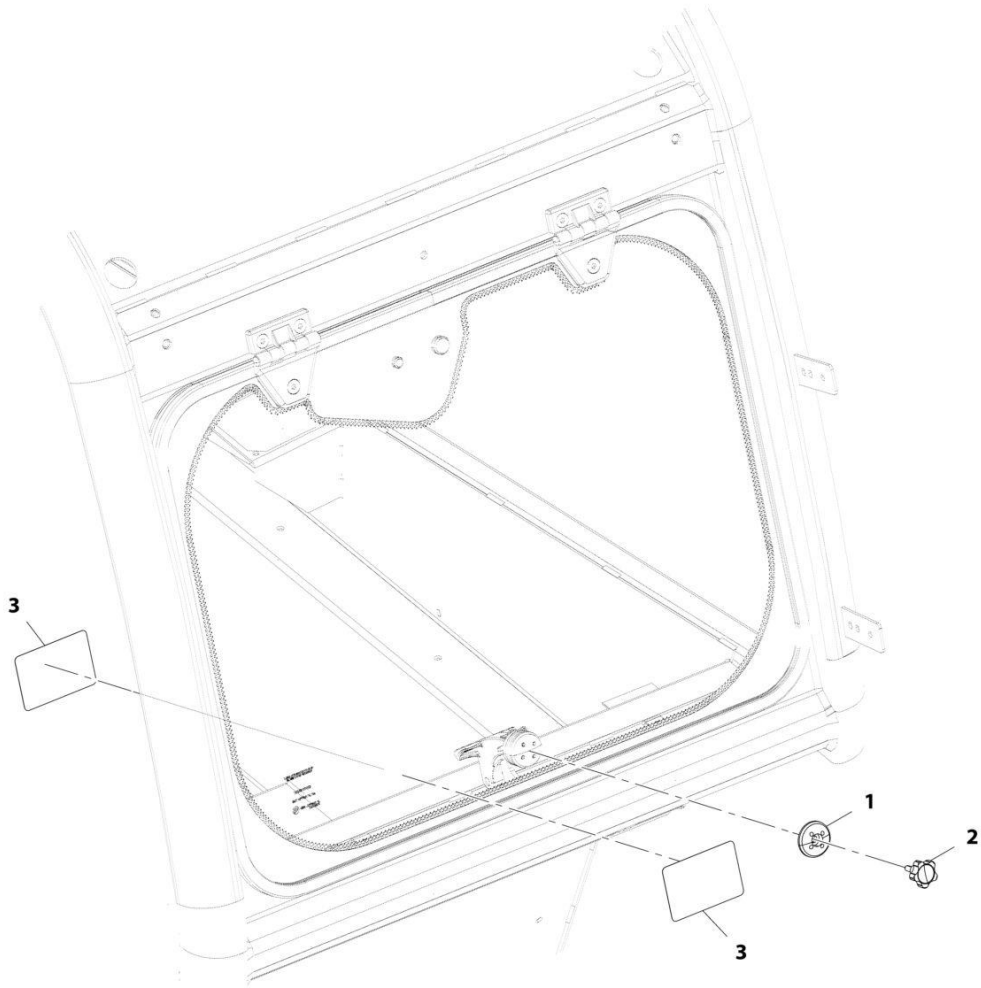
ART_1001212047-A

FIGURE 6-69. EXTERNAL WINDOW RELEASE INSTALLATION (ANSI)

ITEM	PART NUMBER	QTY	DESCRIPTION	REV
	1001212047	Ref	External Window Release Installation (ANSI)	A
1	1001179008	1	Cap, Latch Window	
2	1001179009	1	Cap, Knob M6	
3	1001212049	2	Decal, Emergency Exit	

SECTION 6 - CAB

FIGURE 6-70. EXTERNAL WINDOW RELEASE INSTALLATION (CAN)



ART_1001178826-C

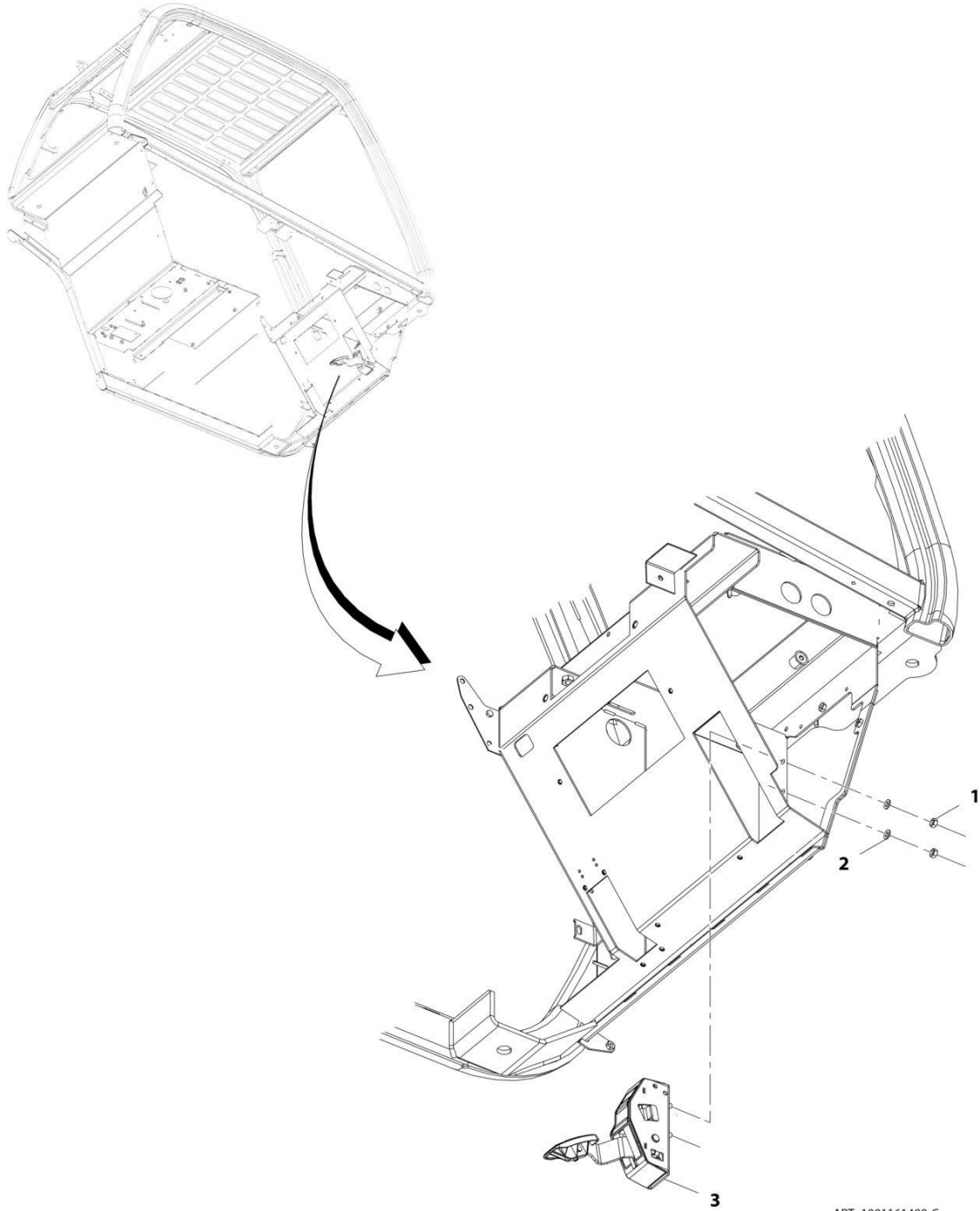
FIGURE 6-70. EXTERNAL WINDOW RELEASE INSTALLATION (CAN)

ITEM	PART NUMBER	QTY	DESCRIPTION	REV
	1001178826	Ref	External Window Release Installation (English/French)	C
1	1001179008	1	Cap, Latch Window	
2	1001179009	1	Knob	
3	1001204709	2	Decal, Emergency Exit (English/French)	

SECTION 7 - CONTROLS

SECTION 7 - CONTROLS

FIGURE 7-1. ACCELERATOR PEDAL INSTALLATION



ART_1001161499-C

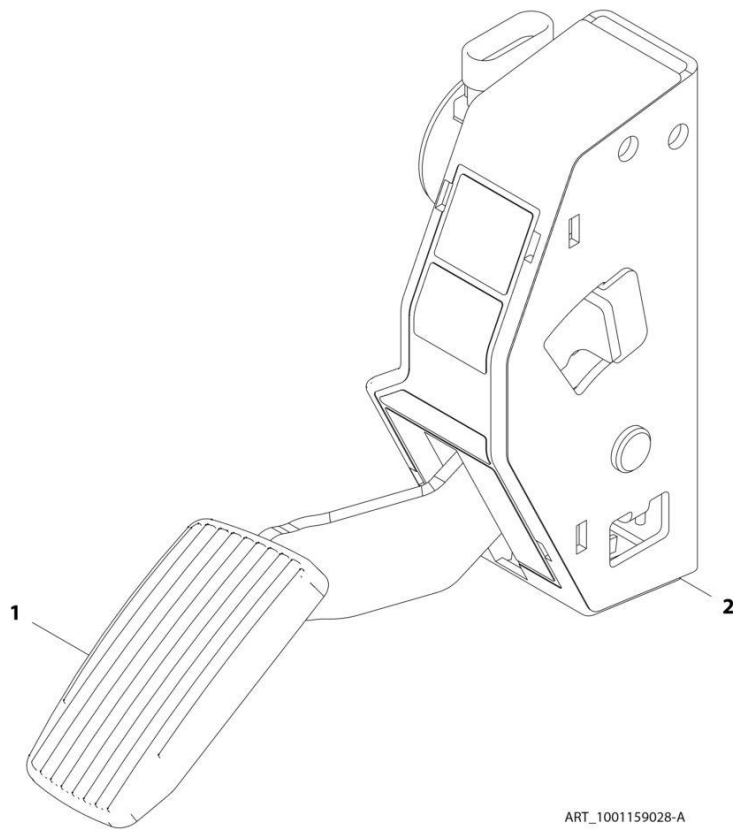
SECTION 7 - CONTROLS

FIGURE 7-1. ACCELERATOR PEDAL INSTALLATION

ITEM	PART NUMBER	QTY	DESCRIPTION	REV
	1001161499	Ref	Accelerator Pedal Installation	C
1	3290801	2	Nut, M8X1.25	
2	4811900	2	Washer, M8	
3	1001159028	1	Pedal, Accelerator (See Separate Breakdown in this Section)	

SECTION 7 - CONTROLS

FIGURE 7-2. ACCELERATOR PEDAL



ART_1001159028-A

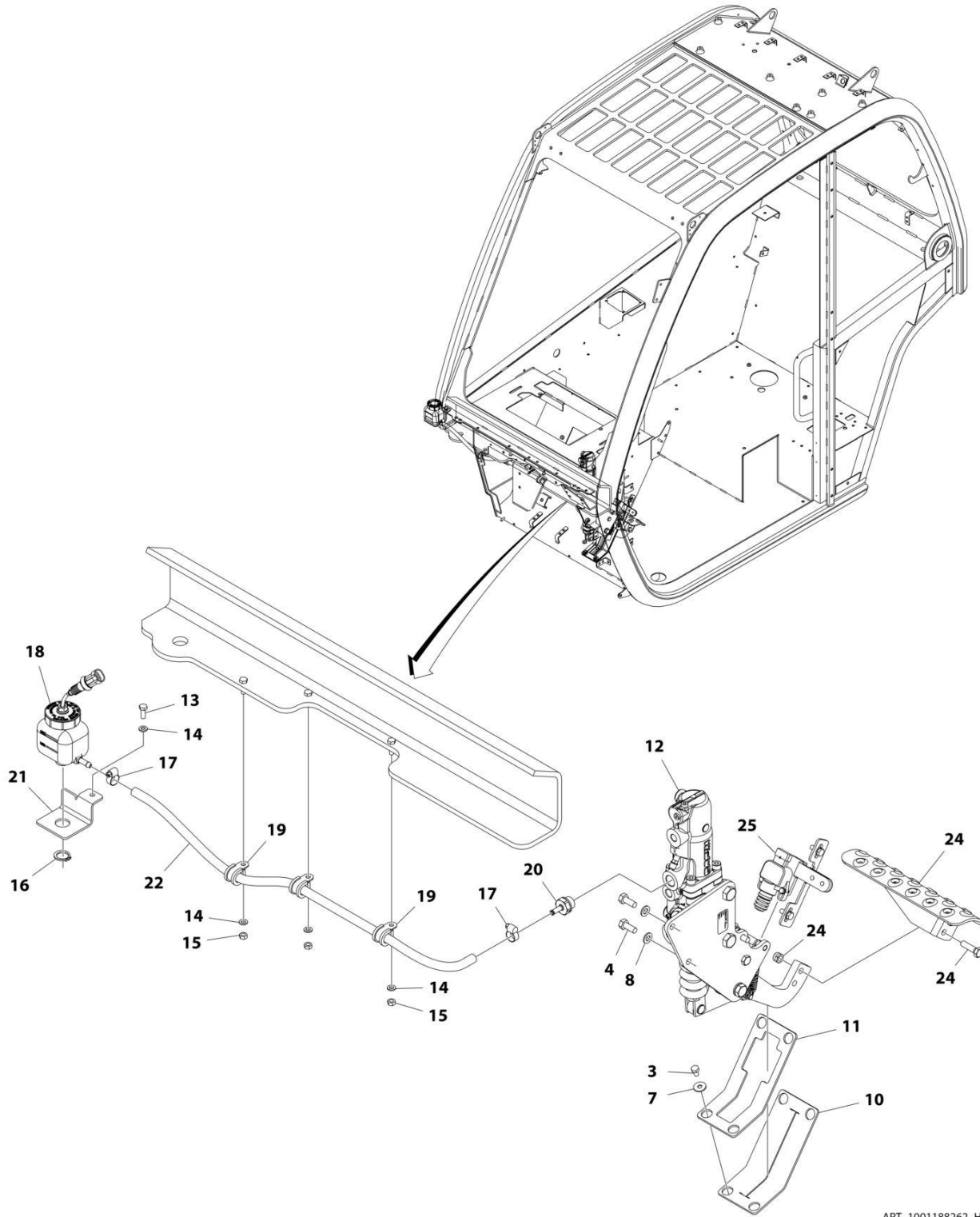
SECTION 7 - CONTROLS

FIGURE 7-2. ACCELERATOR PEDAL

ITEM	PART NUMBER	QTY	DESCRIPTION	REV
	1001159028	Ref	Accelerator Pedal	A
1	70025816	1	Pad, Rubber	
2	70025817	1	Cover, Rubber	

SECTION 7 - CONTROLS

FIGURE 7-3. BRAKE PEDAL INSTALLATION



ART_1001188262_H

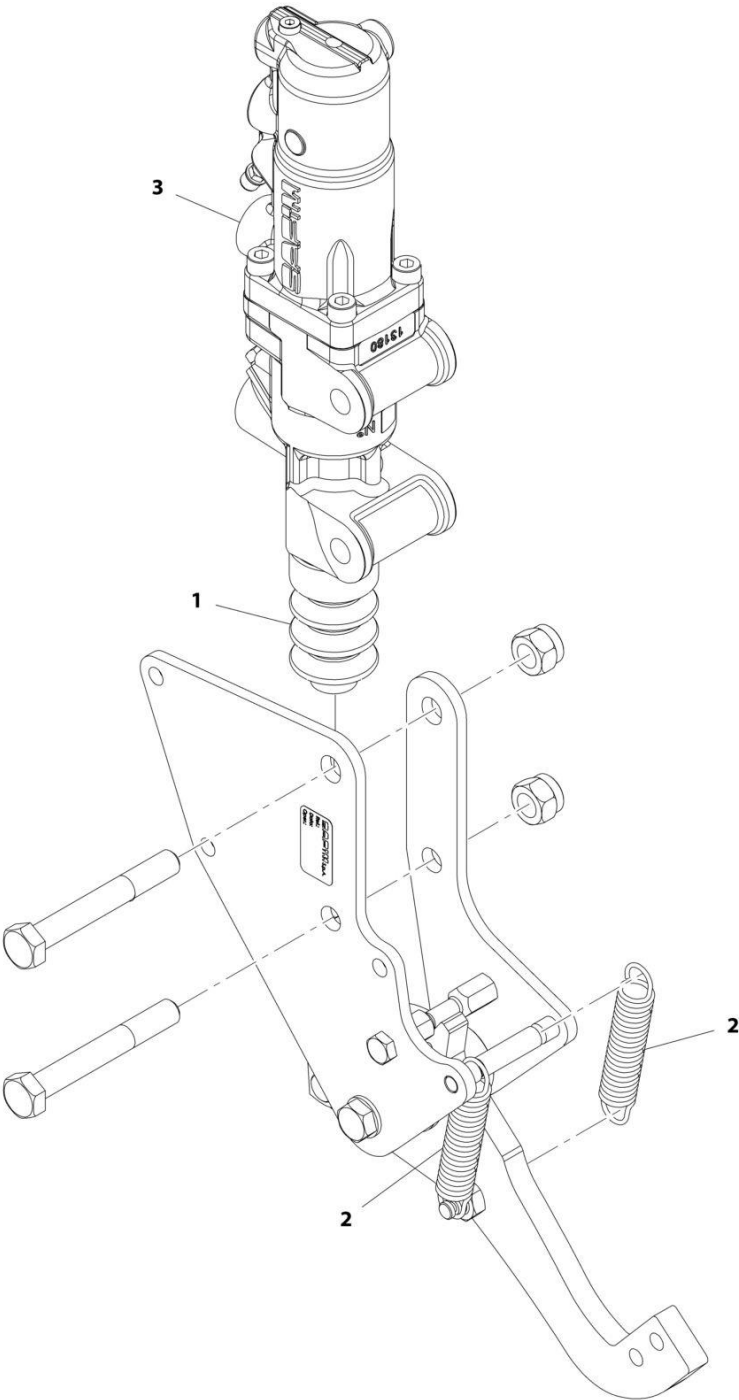
SECTION 7 - CONTROLS

FIGURE 7-3. BRAKE PEDAL INSTALLATION

ITEM	PART NUMBER	QTY	DESCRIPTION	REV
	1001188262	Ref	BRAKE PEDAL INSTALLATION	H
3	0760605	4	Bolt M6 x 10	
4	0760810	3	Bolt M8 x 20	
7	4811702	4	Washer M6	
8	4811900	3	Washer M8	
10	1001162920	1	Gasket, Brake Pedal	
11	1001162922	1	Plate	
12	1001187413	1	Pedal, Brake (See Separate Breakdown in this Section)	
13	0760608	1	Bolt M6 x 16	
14	4811700	4	Washer M6	
15	3290601	3	Nut M6	
16	3760348	1	Ring, Retaining	
17	8405009	2	Clamp, Gear	
18	1001269248	1	Reservoir, Brake	
19	1001170231	3	Clip	
20	1001171874	1	Fitting, Hose Barb	
21	1001172088	1	Bracket	
22	1001172094	1	Hose	
24	1001197139	1	Plate, Brake Pedal (See Separate Breakdown in this Section)	
25	1001205061	Ref	Installation, Brake Sensor (See Separate Breakdown in this Section)	

SECTION 7 - CONTROLS

FIGURE 7-4. BRAKE PEDAL



ART_1001187413-D

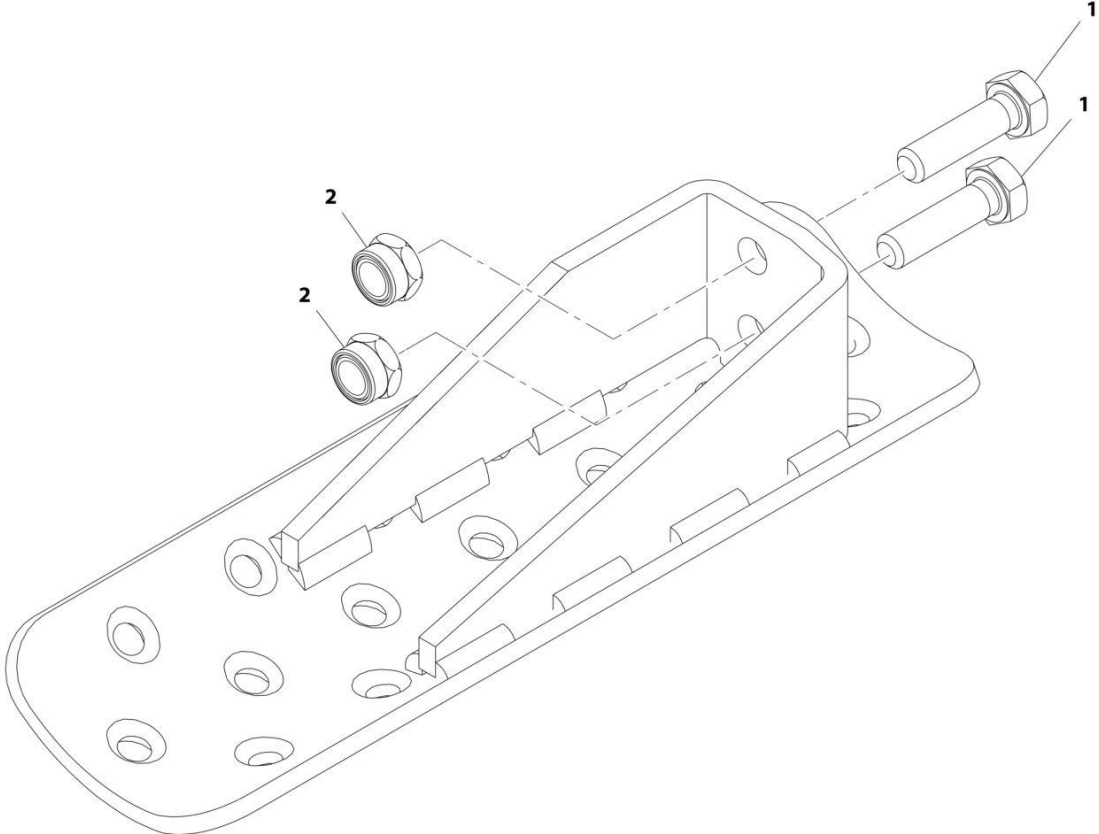
SECTION 7 - CONTROLS

FIGURE 7-4. BRAKE PEDAL

ITEM	PART NUMBER	QTY	DESCRIPTION	REV
	1001187413	Ref	Brake Pedal	D
1	70025859	1	Cover, Dust	
2	70025860	1	Spring, Return	
3	70026537	1	Cylinder, Master	

SECTION 7 - CONTROLS

FIGURE 7-5. BRAKE PEDAL PLATE



ART_1001197139-A

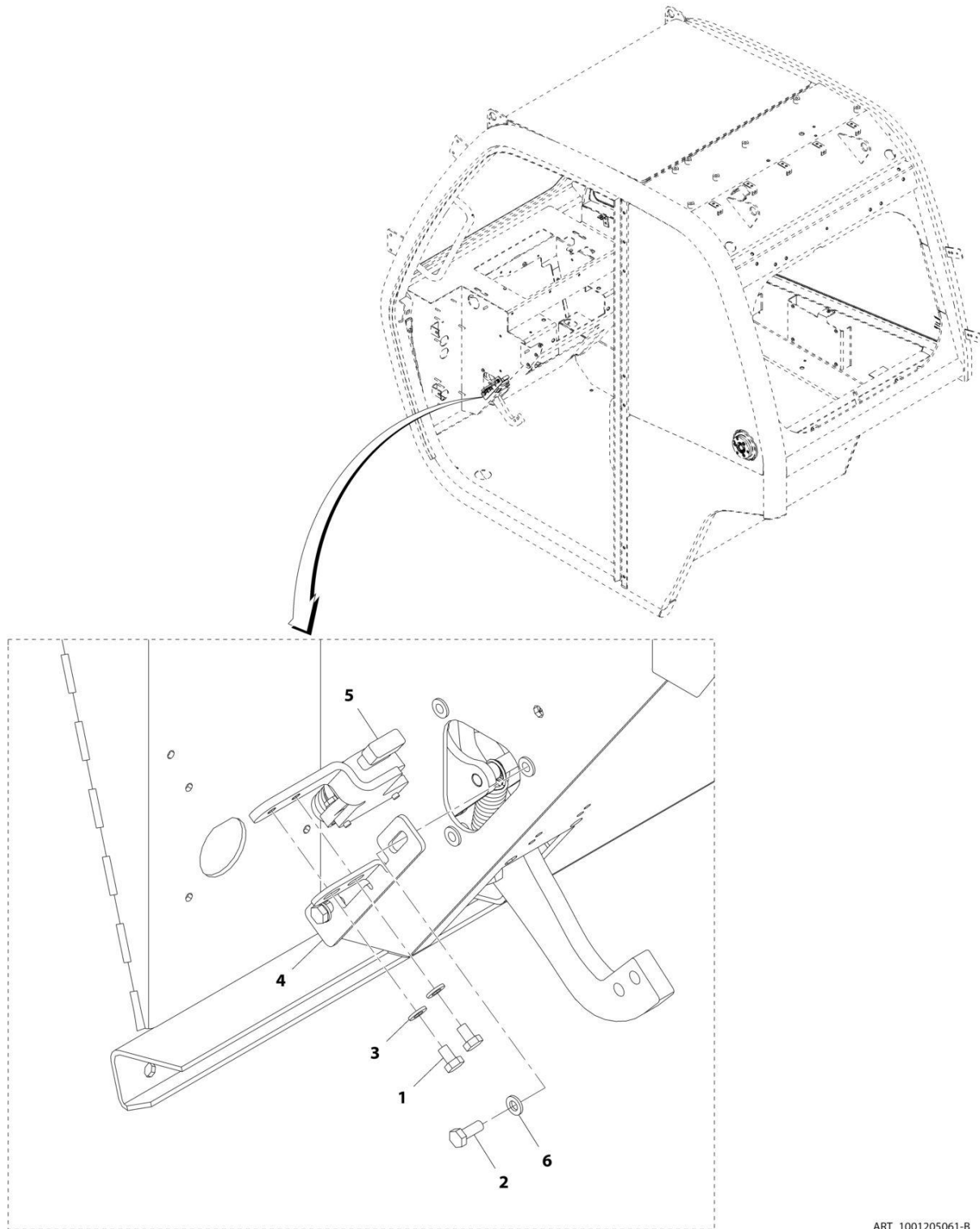
SECTION 7 - CONTROLS

FIGURE 7-5. BRAKE PEDAL PLATE

ITEM	PART NUMBER	QTY	DESCRIPTION	REV
	1001197139	Ref	Brake Pedal Plate	A
1	0770814	1	Bolt, M8X30 Grade 10.9	
2	3290805	1	Nut, Lock M8X1.25 Grade 8	

SECTION 7 - CONTROLS

FIGURE 7-6. BRAKE SENSOR INSTALLATION



ART_1001205061-B

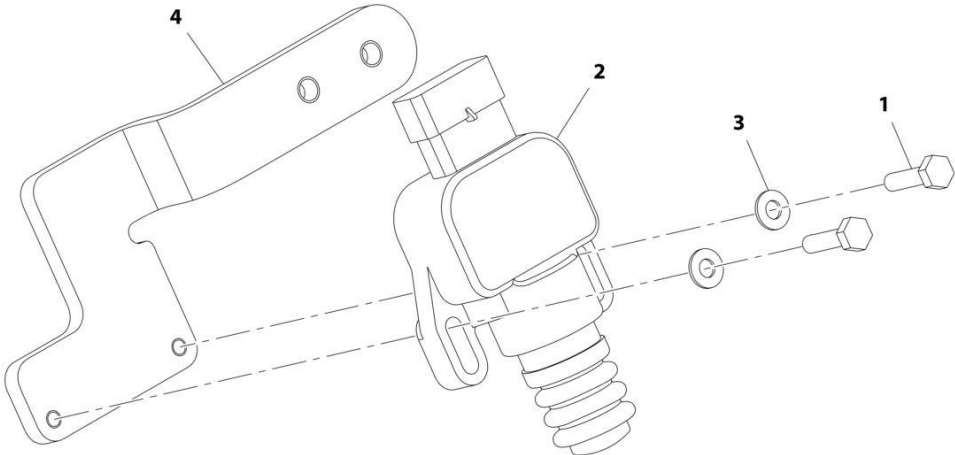
SECTION 7 - CONTROLS

FIGURE 7-6. BRAKE SENSOR INSTALLATION

ITEM	PART NUMBER	QTY	DESCRIPTION	REV
	1001205061	Ref	Brake Sensor Installation	B
1	0760605	2	Bolt, M6X10	
2	0760608	2	Bolt, M6X16	
3	4811700	2	Washer, M6	
4	1001201499	1	Plate, Switch Adjustment	
5	1001201501	1	Assembly, Switch Plate (See Separate Breakdown in this Section)	
6	4811702	2	Washer, M6	

SECTION 7 - CONTROLS

FIGURE 7-7. SWITCH PLATE ASSEMBLY



ART_1001201501-A

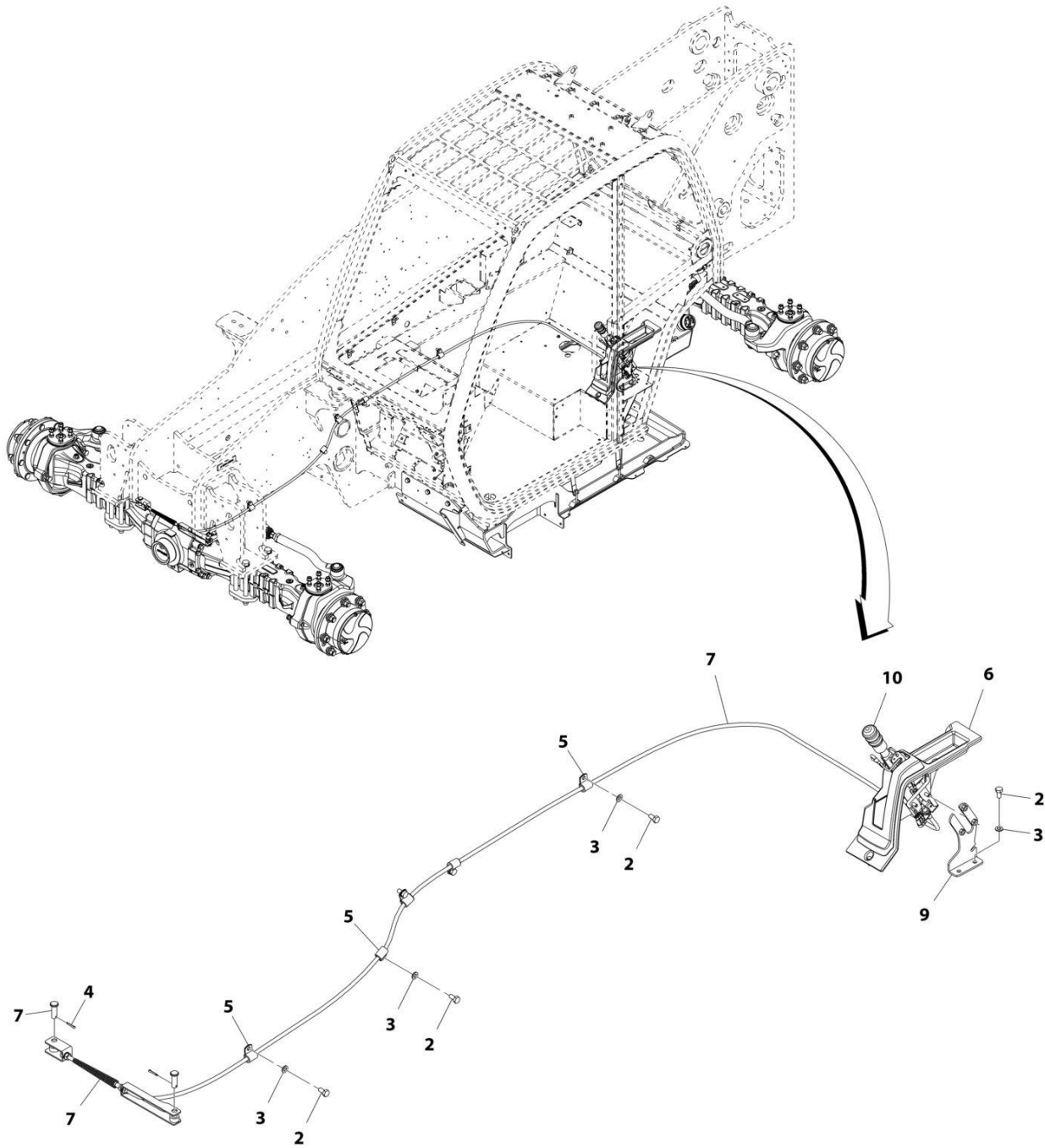
SECTION 7 - CONTROLS

FIGURE 7-7. SWITCH PLATE ASSEMBLY

ITEM	PART NUMBER	QTY	DESCRIPTION	REV
	1001201501	Ref	Switch Plate Assembly	A
1	0700408	2	Bolt, M4X16	
2	4360658	1	Sensor, Brake	
3	4811400	2	Washer, M4	
4	1001201500	1	Plate	

SECTION 7 - CONTROLS

FIGURE 7-8. PARKING BRAKE INSTALLATION (CABLE - STANDARD)



ART_1001180472-E

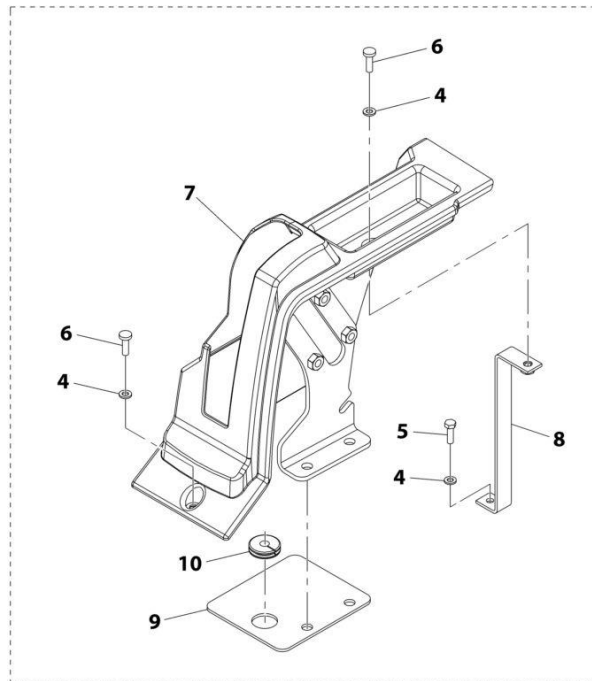
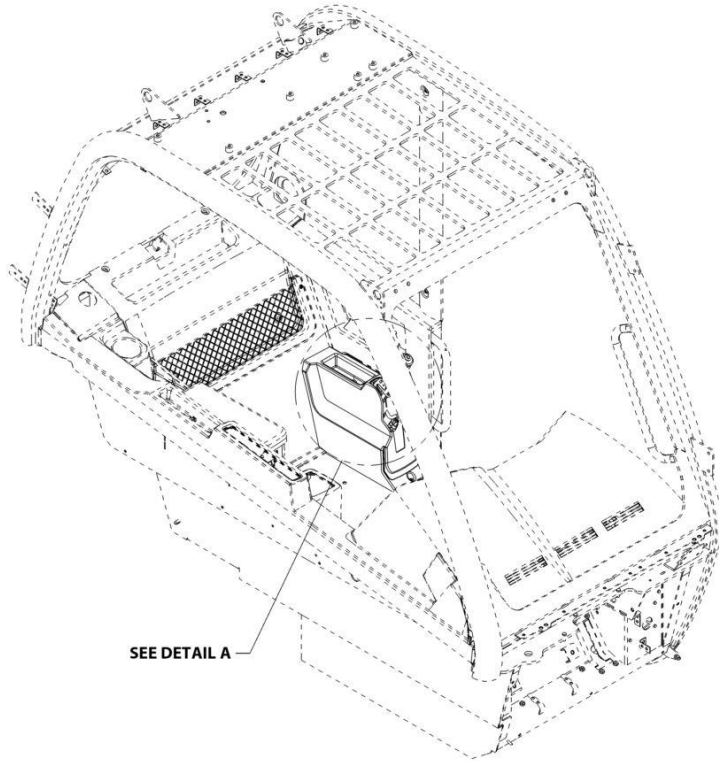
SECTION 7 - CONTROLS

FIGURE 7-8. PARKING BRAKE INSTALLATION (CABLE - STANDARD)

ITEM	PART NUMBER	QTY	DESCRIPTION	REV
	1001180472	Ref	Parking Brake Installation (Cable)	E
2	0761010	7	Bolt, M10X20	
3	4812000	7	Washer, M10	
4	3391408	2	Pin	
5	1001003809	5	Clamp	
6	1001174567	1	Cover, Parking Brake (Mechanical) (See Separate Breakdown in this Section)	
7	1001177053	1	Assembly, Parking Cable (Mechanical) (See Separate Breakdown in this Section)	
9	1001195207	1	Bracket	
10	1001201951	1	Lever, Parking Brake (Mechanical)	

SECTION 7 - CONTROLS

FIGURE 7-9. PARKING BRAKE COVER (MECHANICAL)



DETAIL A

ART_1001174567-C

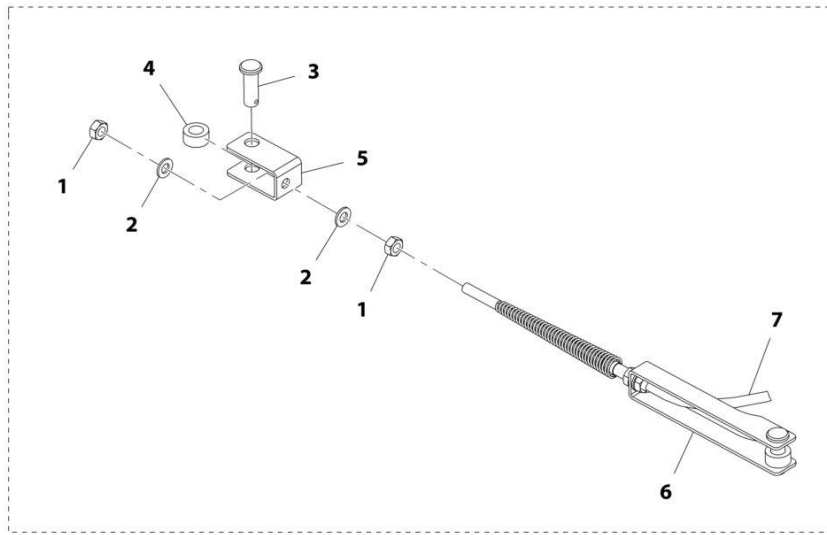
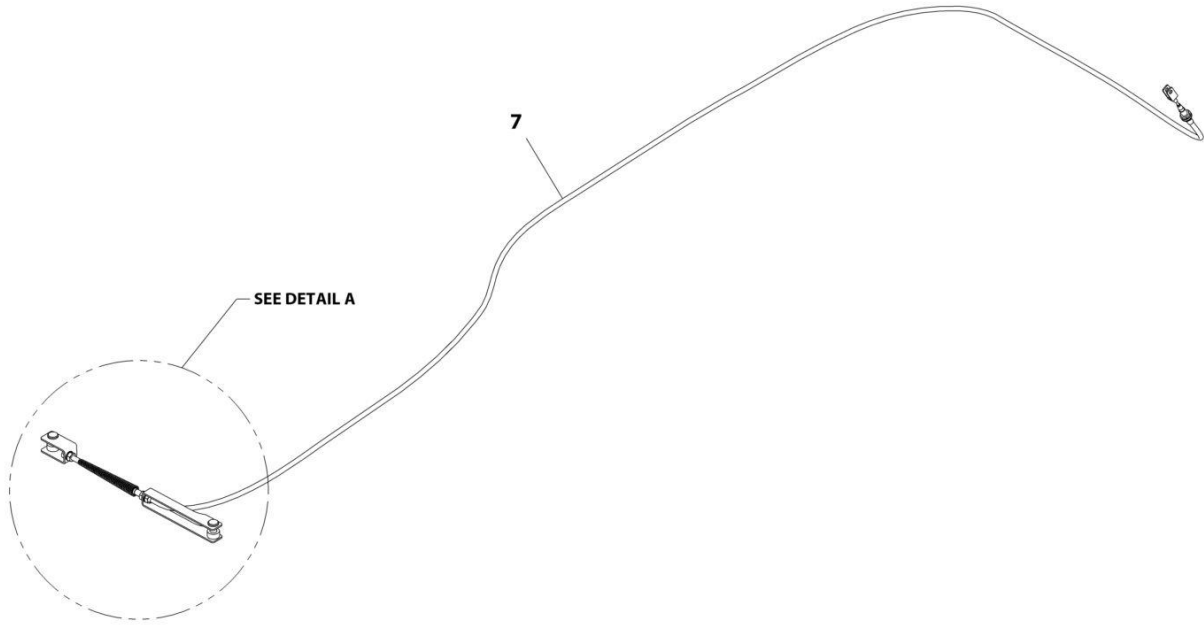
SECTION 7 - CONTROLS

FIGURE 7-9. PARKING BRAKE COVER (MECHANICAL)

ITEM	PART NUMBER	QTY	DESCRIPTION	REV
	1001174567	Ref	Parking Brake Cover (Mechanical)	D
4	4811700	3	Washer, M6	
5	0700610	1	Bolt, M6X20	
6	4010610002	2	Screw, M6X20	
7	1001195004	1	Panel, Brake Cover	
8	1001195254	1	Bracket	
9	1001221255	1	Plate, Cover	
10	1001008469	1	Grommet	
11	3520028	1	Plug (Not Shown)	

SECTION 7 - CONTROLS

FIGURE 7-10. PARKING CABLE ASSEMBLY (MECHANICAL)



DETAIL A

ART_1001177053-A

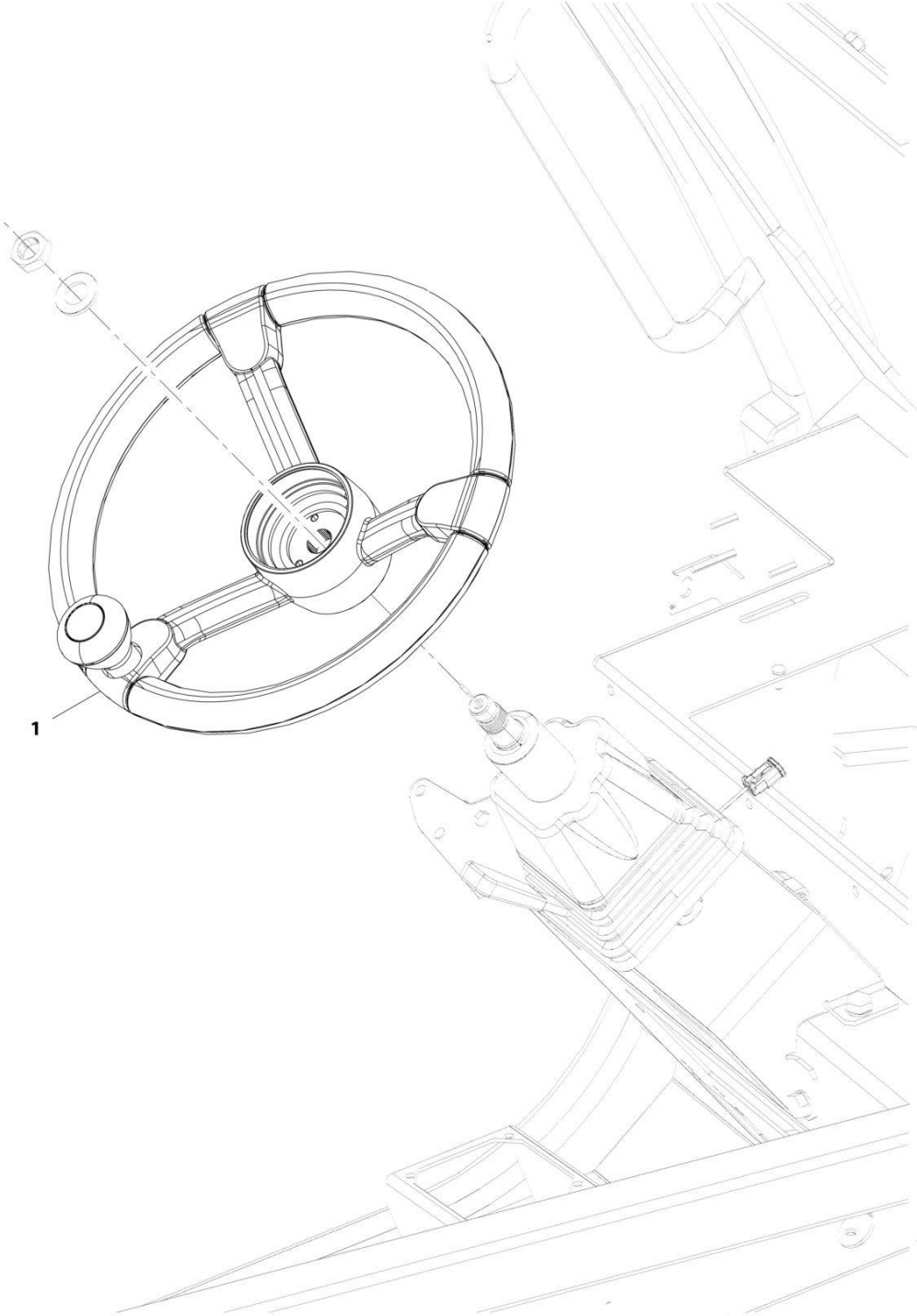
SECTION 7 - CONTROLS

FIGURE 7-10. PARKING CABLE ASSEMBLY (MECHANICAL)

ITEM	PART NUMBER	QTY	DESCRIPTION	REV
	1001177053	Ref	Parking Cable Assembly (Mechanical)	A
1	3291001	4	Nut, M10X1.5 Grade 8	
2	4812000	4	Washer, M10	
3	1001177048	2	Pin	
4	1001177049	2	Spacer	
5	1001177050	1	Clevis, Park Brake Small	
6	1001177051	1	Clevis, Park Brake Large	
7	1001177052	1	Cable, Hand Brake	

SECTION 7 - CONTROLS

FIGURE 7-11. STEERING WHEEL INSTALLATION



ART_1001169751-C

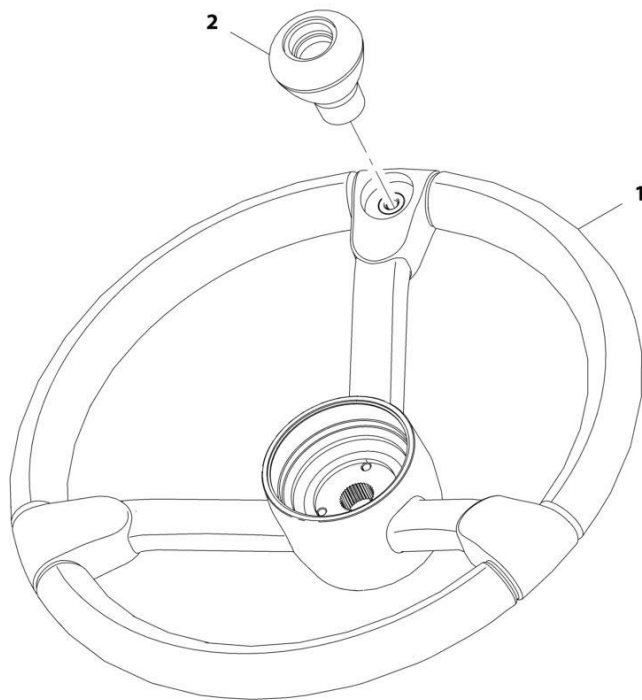
SECTION 7 - CONTROLS

FIGURE 7-11. STEERING WHEEL INSTALLATION

ITEM	PART NUMBER	QTY	DESCRIPTION	REV
1	1001169751 1001169354	Ref 1	Steering Wheel Installation Wheel, Steering (See Separate Breakdown in this Section)	C

SECTION 7 - CONTROLS

FIGURE 7-12. STEERING WHEEL



ART_1001169354-D

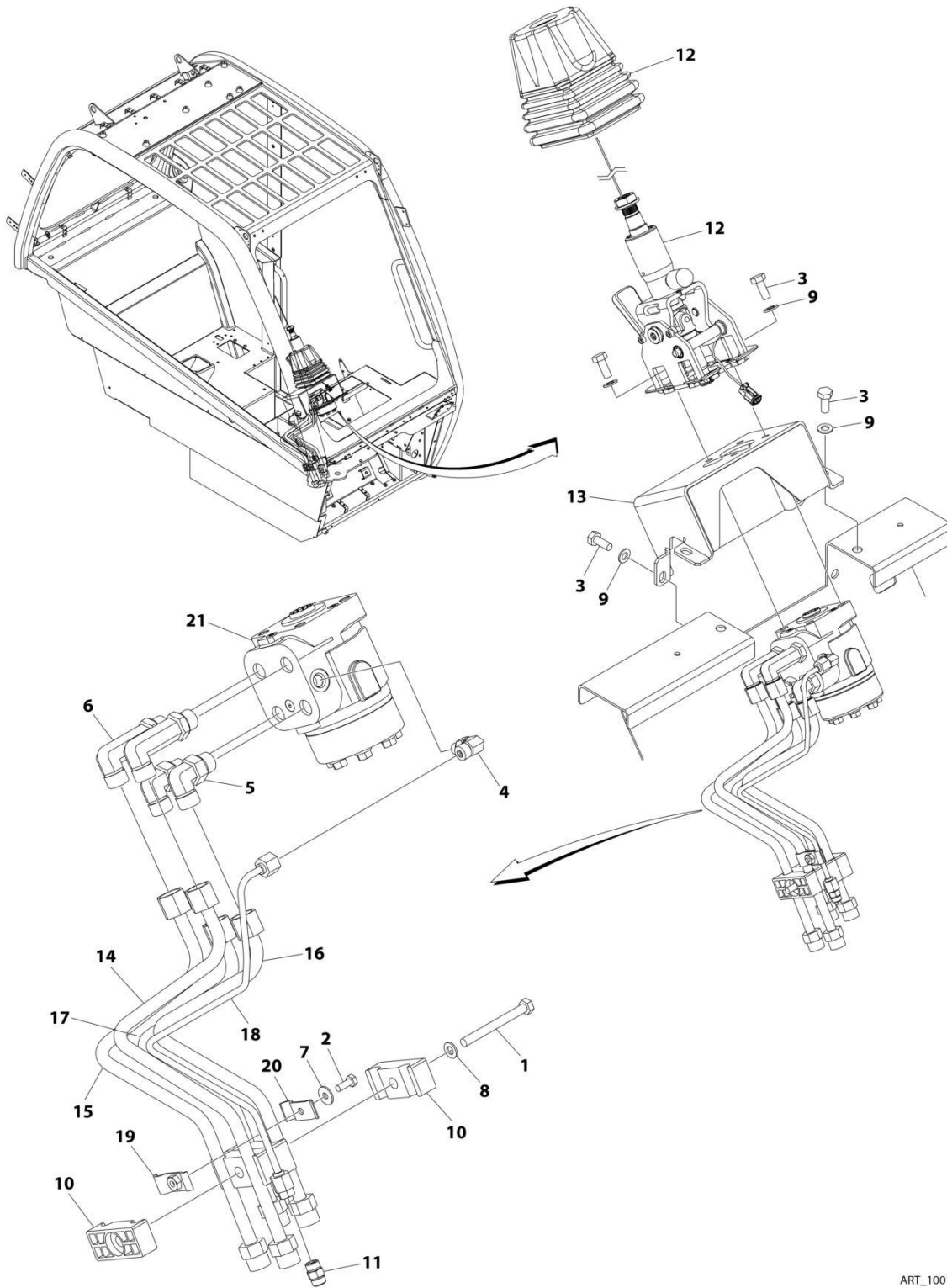
SECTION 7 - CONTROLS

FIGURE 7-12. STEERING WHEEL

ITEM	PART NUMBER	QTY	DESCRIPTION	REV
	1001169354	Ref	Steering Wheel	D
1	1001169367	1	Wheel, Steering	
2	1001169355	1	Handle, Steer Spinner	

SECTION 7 - CONTROLS

FIGURE 7-13. STEERING COLUMN INSTALLATION



ART_1001229534_D

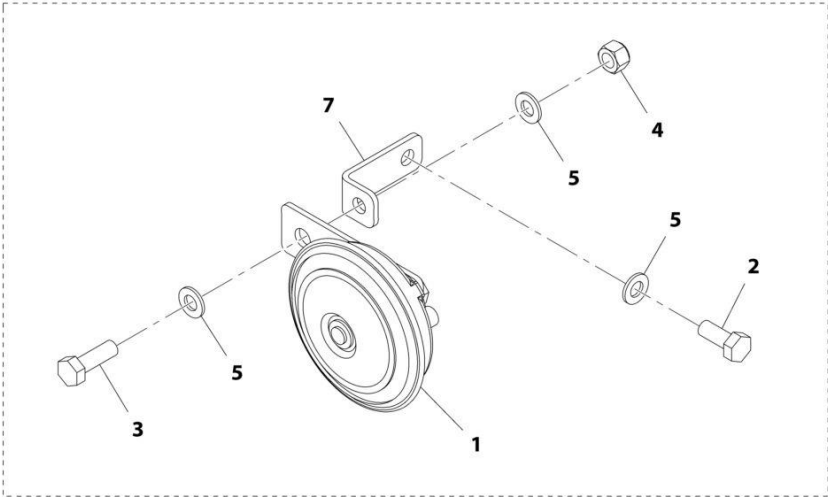
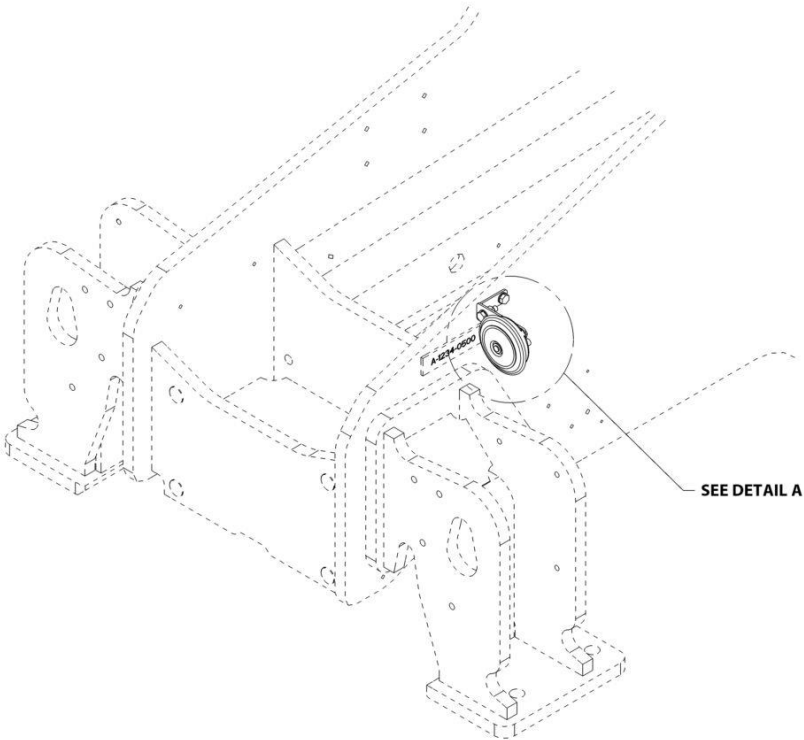
SECTION 7 - CONTROLS

FIGURE 7-13. STEERING COLUMN INSTALLATION

ITEM	PART NUMBER	QTY	DESCRIPTION	REV
	1001229534	Ref	Steering Column Installation	D
1	0700824	1	Bolt, M8X80	
2	0760608	1	Bolt, M6X16	
3	0761012	8	Bolt, M10X25	
4	2130404	1	Fitting, 90 ORFS	
5	2130808	2	Fitting, 90 ORFS	
6	2170208	2	Fitting, 90 ORFS	
7	4811702	1	Washer, M6	
8	4811900	1	Washer, M8	
9	4812000	8	Washer, M10	
10	1001004640	4	Clamp	
11	1001143857	1	Fitting, Straight ORFS	
12	1001257330	1	Column Assembly - Tilt Steering (No Service Parts Available - Purchase Complete Assembly))	
13	1001156265	1	Bracket, Support	
14	1001161672	1	Pipe	
15	1001161896	1	Pipe	
16	1001161897	1	Pipe	
17	1001161898	1	Pipe	
18	1001162979	1	Pipe	
19	1001168142	1	Bracket	
20	1001168151	1	Bracket	
21	1001229087	1	Valve, Steering Unit	

SECTION 7 - CONTROLS

FIGURE 7-14. HORN INSTALLATION



DETAIL A

ART_1001180418-C

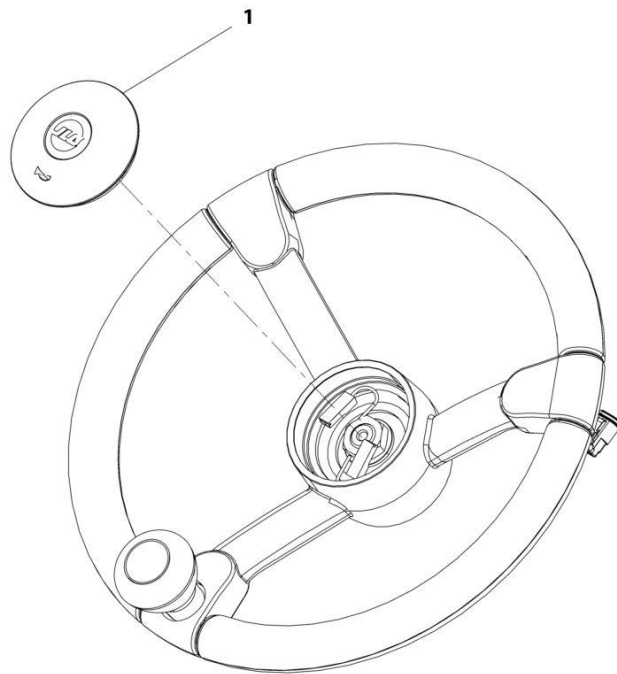
SECTION 7 - CONTROLS

FIGURE 7-14. HORN INSTALLATION

ITEM	PART NUMBER	QTY	DESCRIPTION	REV
	1001180418	Ref	Horn Installation	C
1	1001003596	1	Horn	
2	0760810	1	Bolt, M8X20	
3	0760812	1	Bolt, M8X25	
4	3290805	1	Nut, Lock M8X1.25 Grade 8	
5	4811900	3	Washer, M8	
7	1001104437	1	Bracket, Horn Mount	

SECTION 7 - CONTROLS

FIGURE 7-15. HORN BUTTON INSTALLATION



ART_1001169763-A

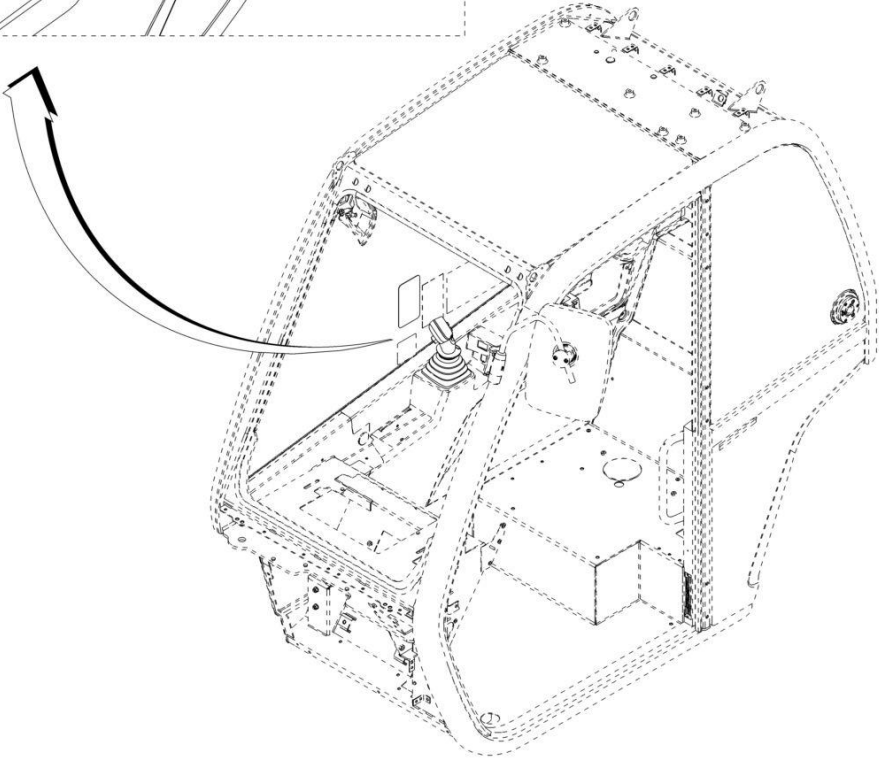
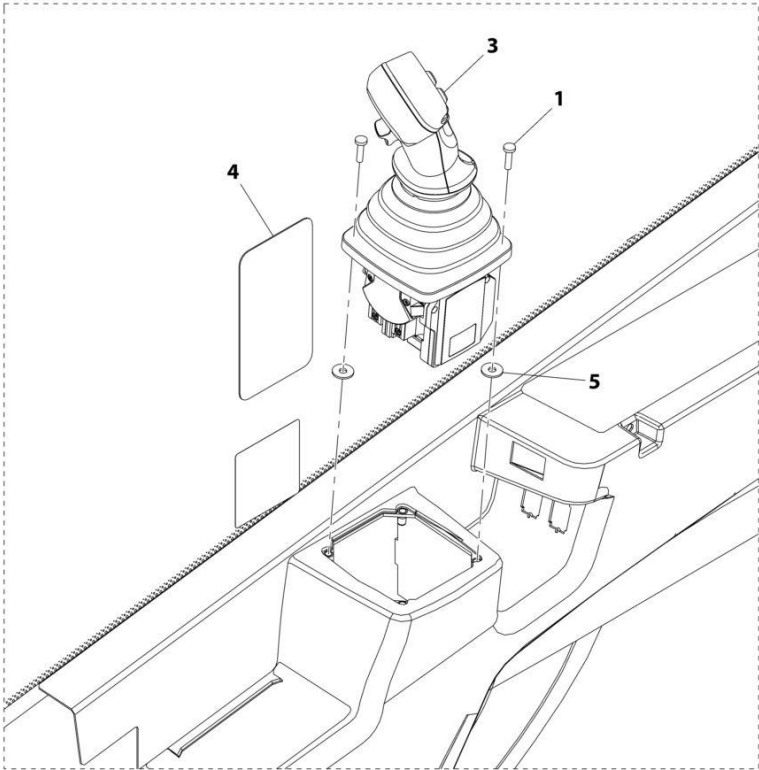
SECTION 7 - CONTROLS

FIGURE 7-15. HORN BUTTON INSTALLATION

ITEM	PART NUMBER	QTY	DESCRIPTION	REV
1	1001169763 1001169268	Ref 1	Horn Button Installation Button, Horn	A

SECTION 7 - CONTROLS

FIGURE 7-16. JOYSTICK INSTALLATION



ART_1001167004-G

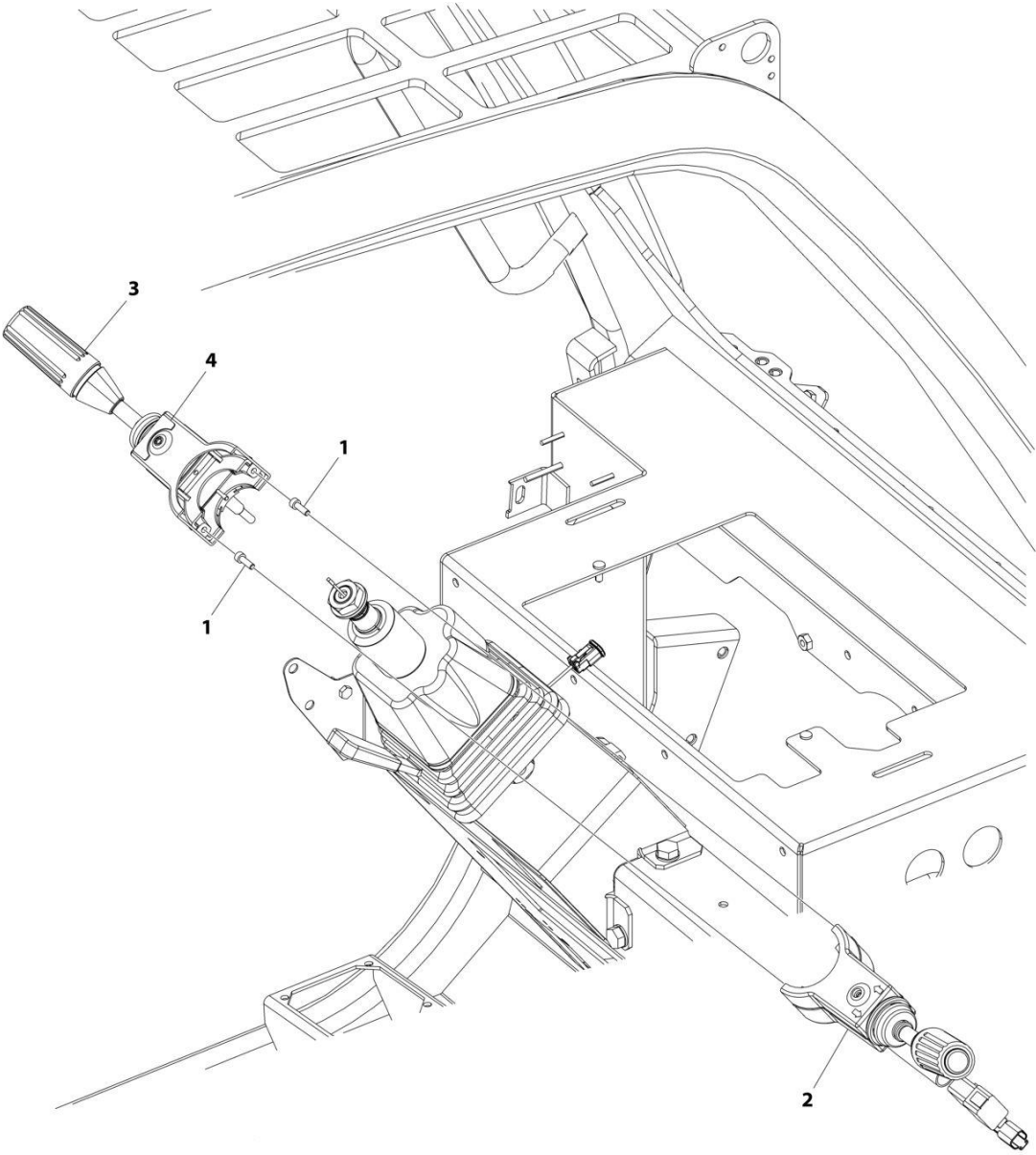
SECTION 7 - CONTROLS

FIGURE 7-16. JOYSTICK INSTALLATION

ITEM	PART NUMBER	QTY	DESCRIPTION	REV
	1001167004	Ref	Joystick Installation	H
1	4010510	4	Screw, M5X20	
3	1001222603	1	Joystick	
4	1001236404	NLA	Decal, Joystick (no longer available, use 1001241950 for replacement)	
4	1001241950	1	Decal, Joystick	
5	4811702001	AR	Washer, M6	

SECTION 7 - CONTROLS

FIGURE 7-17. WIPER-TURN SWITCH (0 SPEED - FNR)



ART_1001181927

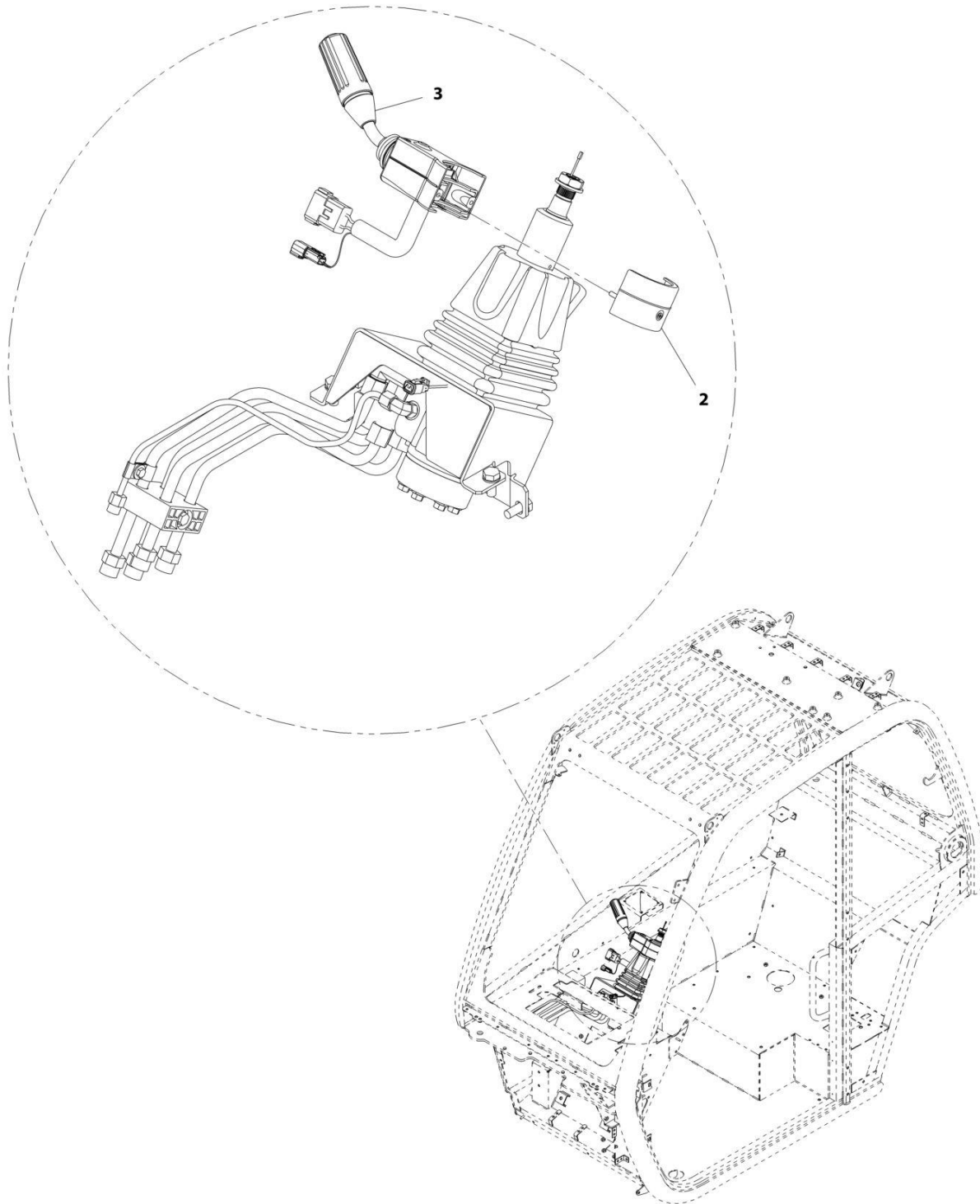
SECTION 7 - CONTROLS

FIGURE 7-17. WIPER-TURN SWITCH (0 SPEED - FNR)

ITEM	PART NUMBER	QTY	DESCRIPTION	REV
	1001181927	Ref	Wiper-Turn Switch (0 Speed - FNR)	F
1	4031607	2	Bolt, M5X16	
2	1001214280	1	Switch, Turn-Wiper	
3	1001257348	1	Switch, Zero Speed	
4	1001236402	1	Decal	

SECTION 7 - CONTROLS

FIGURE 7-18. WIPER-TURN SWITCH (NO SPEED)



ART_1001181928-D

SECTION 7 - CONTROLS

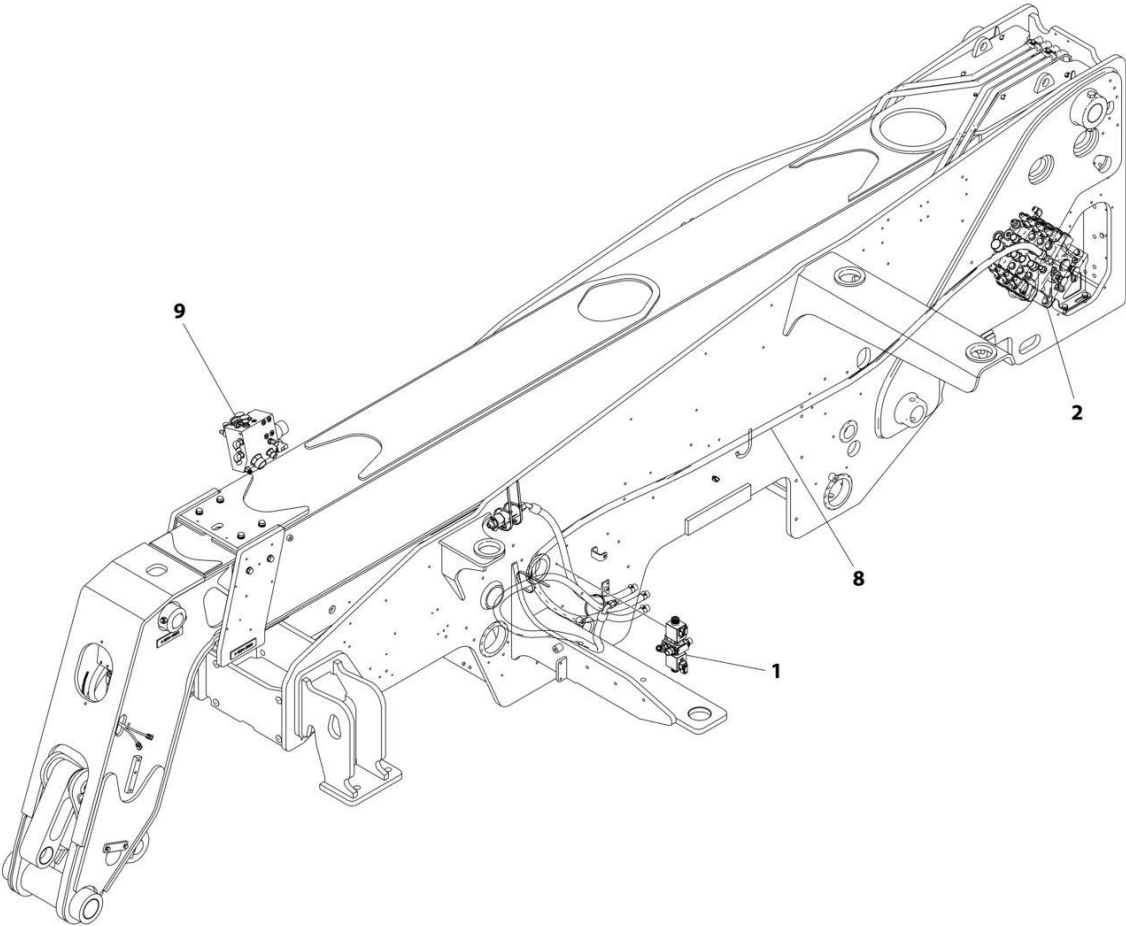
FIGURE 7-18. WIPER-TURN SWITCH (NO SPEED)

ITEM	PART NUMBER	QTY	DESCRIPTION	REV
	1001181928	Ref	Wiper-Turn Switch (No Speed)	D
2	1001146949	1	Clamp	
3	1001214280	1	Switch, Turn-Wiper	

SECTION 8 - HYDRAULIC CIRCUITS

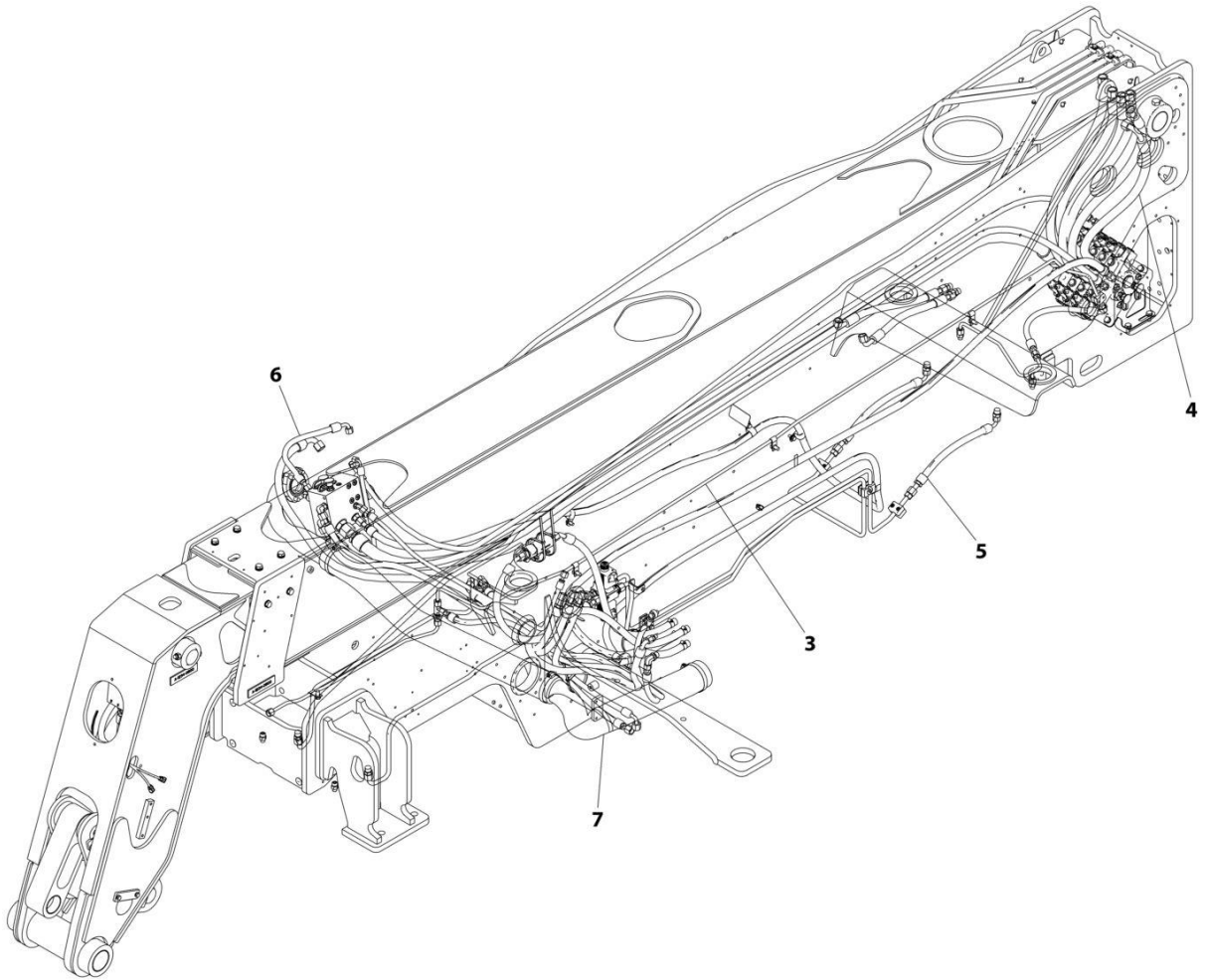
SECTION 8 - HYDRAULIC CIRCUITS

FIGURE 8-1. COMMON HYDRAULICS INSTALLATION



ART_1001256609_F_10F2

SECTION 8 - HYDRAULIC CIRCUITS



ART_1001256609_F_20F2

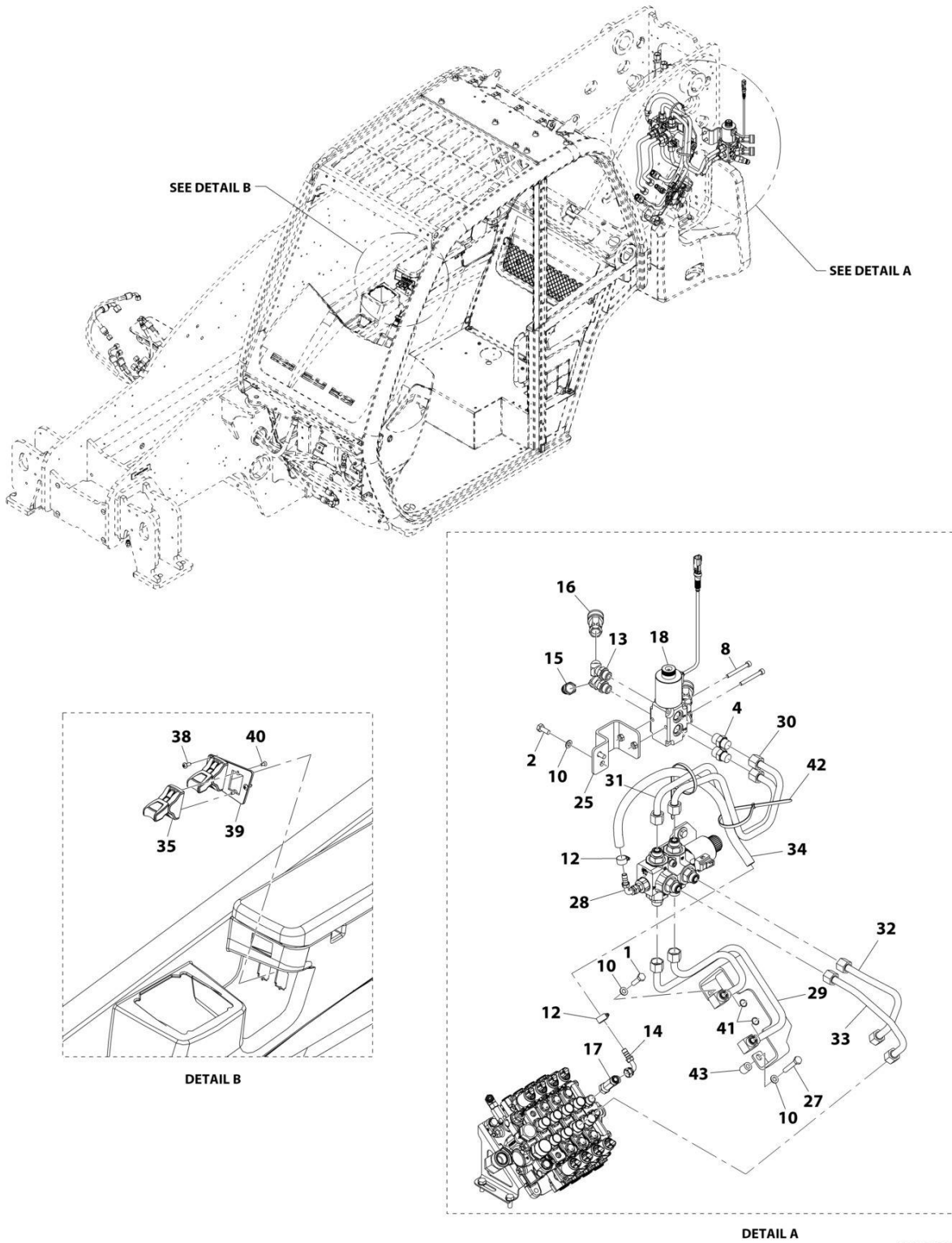
SECTION 8 - HYDRAULIC CIRCUITS

FIGURE 8-1. COMMON HYDRAULICS INSTALLATION

ITEM	PART NUMBER	QTY	DESCRIPTION	REV
	1001256609	Ref	HYDRAULICS INSTALLATION	F
1	1001172894	1	Installation, Steer Valve (See Separate Breakdown in this Section)	
2	1001172900	1	Installation, Main Control Valve (See Separate Breakdown in this Section)	
3	1001172909	1	Installation, Brake Lines (See Separate Breakdown in this Section)	
4	1001173013	1	Installation, Boom Lines (See Separate Breakdown in this Section)	
5	1001180134	1	Installation, Steering Lines (See Separate Breakdown in this Section)	
6	1001269407	1	Installation, Priority Lines (See Separate Breakdown in this Section)	
7	1001184531	1	Installation, Suction Lines (See Separate Breakdown in this Section)	
8	1001185351	1	Installation, Return Lines (See Separate Breakdown in this Section)	
9	1001269021	1	Installation, Priority Valve (See Separate Breakdown in this Section)	

SECTION 8 - HYDRAULIC CIRCUITS

FIGURE 8-2. AUXILIARY HYDRAULICS INSTALLATION - REAR (TWIN)



ART_1001197090-1

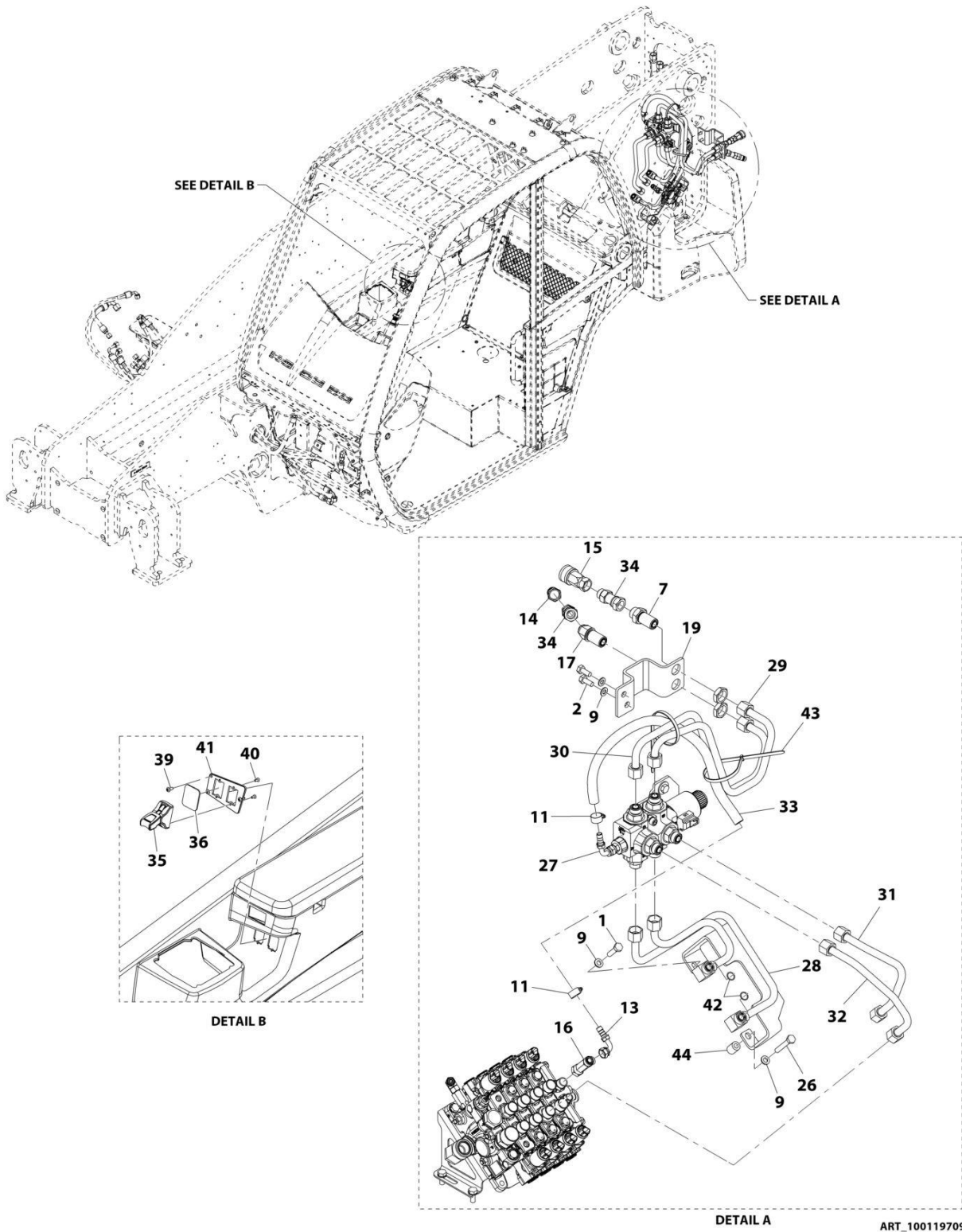
SECTION 8 - HYDRAULIC CIRCUITS

FIGURE 8-2. AUXILIARY HYDRAULICS INSTALLATION - REAR (TWIN)

ITEM	PART NUMBER	QTY	DESCRIPTION	REV
	1001197090	Ref	Rear Aux Hydraulics Installation (Twin)	I
1	0701016	1	Bolt, M10X40	
2	0761012	2	Bolt, M10X25	
4	2111010	2	Fitting, Straight ORFS	
8	4031918	2	Bolt, M8X70	
10	4812000	4	Washer, M10	
12	8405006	2	Clamp	
13	1001005904	4	Fitting, 45	
14	1001095301	1	Fitting, 90 ORFS	
15	1001101041	2	Coupling, Male Quick Disconnect	
16	1001101042	2	Coupling, Female Quick Disconnect	
17	1001104646	1	Fitting, Tee ORFS	
18	1001110023	1	Valve, Divertor (See Separate Breakdown in HYDRAULIC COMPONENTS Section)	
25	1001213871	1	Bracket	
27	0701021	1	Bolt, M10X65	
28	1001204420	1	Assembly, Divertor Valve (Hi Flow) (See Separate Breakdown in HYDRAULIC COMPONENTS Section)	
29	1001204421	NLA	Pipe (no longer available, use 1001226776 for replacement)	
29	1001226776	1	Pipe	
30	1001213771	NLA	Pipe, ORFS (no longer available, use 1001226101 for replacement)	
30	1001226101	1	Pipe, ORFS	
31	1001213772	1	Pipe, ORFS	
32	1001204427	NLA	Pipe, ORFS (no longer available, use 1001226777 for replacement)	
32	1001226777	1	Pipe, ORFS	
33	1001204428	NLA	Pipe, ORFS (no longer available, use 1001226778 for replacement)	
33	1001226778	1	Pipe, ORFS	
34	1001204437	NLA	Hose (no longer available, use 1001226779 for replacement)	
34	1001226779	1	Hose	
35	1001242098	2	Joystick, Fingertip Control	
38	7029486	1	Screw	
39	1001216163	1	Plate	
40	1001216232	4	Screw	
41	1001008922	2	Seal	
42	1062255	2	Strap, Tie	
43	1001188548	1	Boss	

SECTION 8 - HYDRAULIC CIRCUITS

FIGURE 8-3. AUXILIARY HYDRAULICS INSTALLATION - REAR (SINGLE)



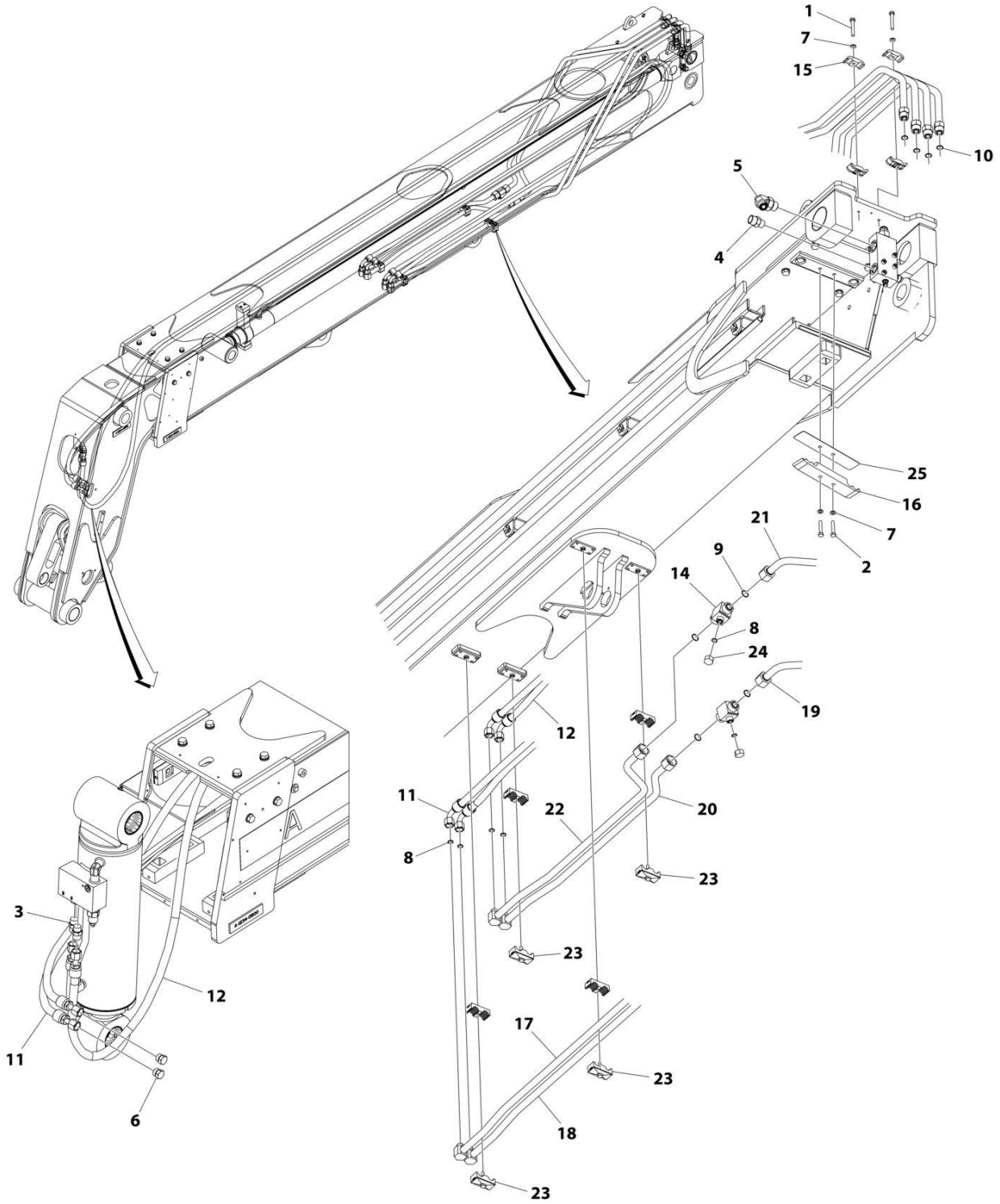
SECTION 8 - HYDRAULIC CIRCUITS

FIGURE 8-3. AUXILIARY HYDRAULICS INSTALLATION - REAR (SINGLE)

ITEM	PART NUMBER	QTY	DESCRIPTION	REV
	1001197093	Ref	Rear Aux Hydraulics Installation (Single)	I
1	0701016	1	Bolt, M10X40	
2	0761012	2	Bolt, M10X25	
7	2171110	1	Fitting, Straight ORFS	
9	4812000	4	Washer, M10	
11	8405006	2	Clamp	
13	1001095301	1	Fitting, 90 ORFS	
14	1001101041	1	Coupling, Male Quick Disconnect	
15	1001101042	1	Coupling, Female Quick Disconnect	
16	1001104646	1	Fitting, Tee ORFS	
17	2171310	1	Fitting, 45 ORFS	
19	1001213829	1	Bracket	
26	0701021	1	Bolt, M10X65	
27	1001204420	1	Assembly, Divertor Valve (Hi Flow) (See Separate Breakdown in HYDRAULIC COMPONENTS Section)	
28	1001204421	NLA	Pipe (no longer available, use 1001226776 for replacement)	
28	1001226776	1	Pipe	
29	1001213771	NLA	Pipe, ORFS (no longer available, use 1001226101 for replacement)	
29	1001226101	1	Pipe, ORFS	
30	1001213772	1	Pipe, ORFS	
31	1001204427	NLA	Pipe, ORFS (no longer available, use 1001226777 for replacement)	
31	1001226777	1	Pipe, ORFS	
32	1001204428	NLA	Pipe, ORFS (no longer available, use 1001226778 for replacement)	
32	1001226778	1	Pipe, ORFS	
33	1001204437	NLA	Hose (no longer available, use 1001226779 for replacement)	
33	1001226779	1	Hose	
34	1001001556	2	Fitting, Straight ORFS	
35	1001242098	1	Joystick, Fingertip Control	
36	1001214399	1	Cover	
39	7029486	3	Screw	
40	1001216232	2	Screw	
41	1001216163	1	Plate	
42	1001008922	2	Seal	
43	1062255	2	Strap, Tie	
44	1001188548	1	Boss	

SECTION 8 - HYDRAULIC CIRCUITS

FIGURE 8-4. BOOM HYDRAULIC INSTALLATION



ART_1001216311

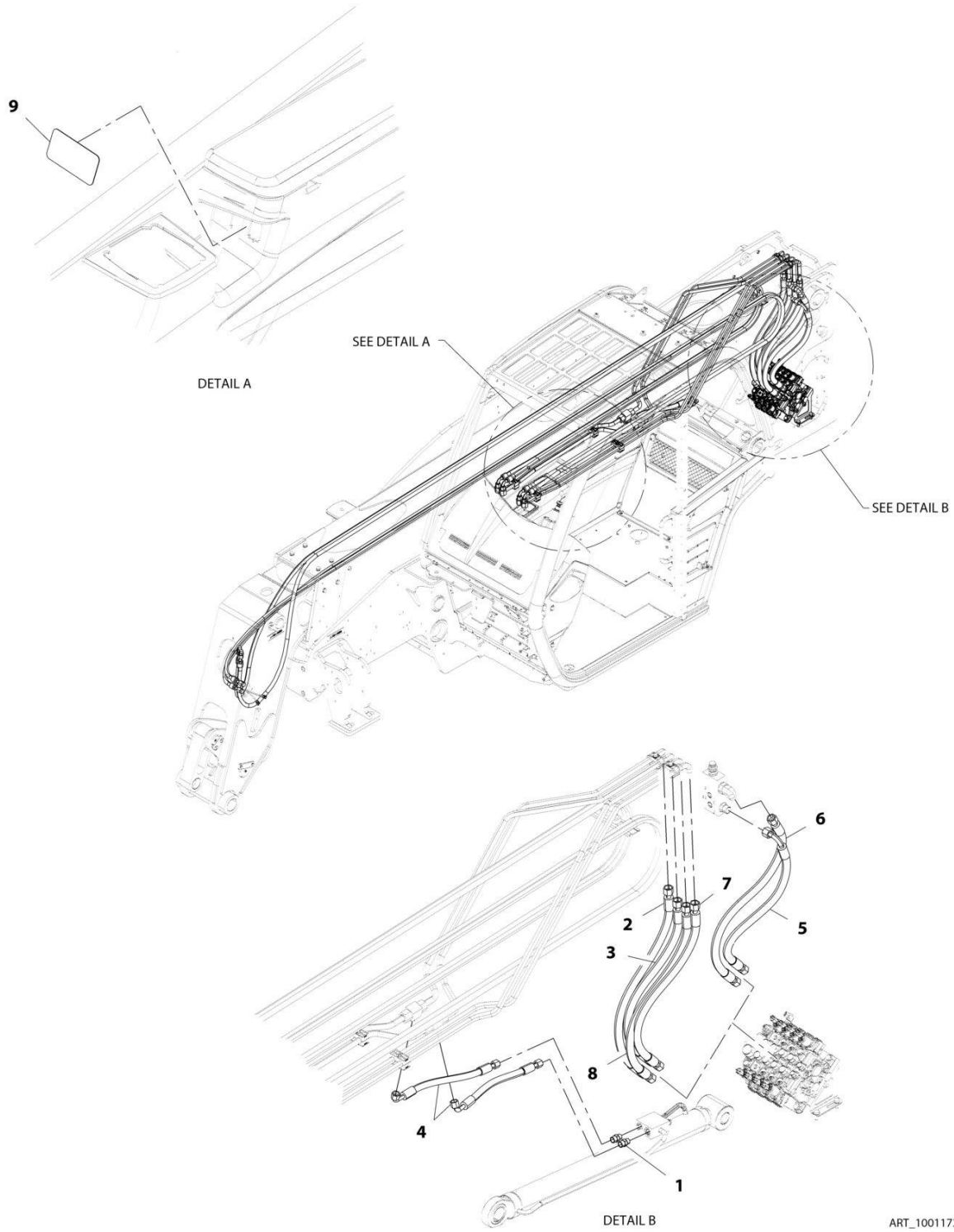
SECTION 8 - HYDRAULIC CIRCUITS

FIGURE 8-4. BOOM HYDRAULIC INSTALLATION

ITEM	PART NUMBER	QTY	DESCRIPTION	REV
	1001216311	Ref	BOOM HUDRAULIC INSTALLATION	D
1	0700819	2	Bolt M8 x 55	
2	0760815	2	Bolt M8 x 35	
2	0760817	2	Bolt M8 x 45	
3	2110808	2	Fitting, Straight ORFS	
4	2111010	1	Fitting, Straight ORFS	
5	2131012	1	Fitting, 90 ORFS (Prior to SN 0300087631)	
6	2171008	2	Fitting, Straight ORFS	
7	4811900	4	Washer M8	
8	1001008805	6	Seal	
9	1001008863	4	Seal	
10	1001008922	4	Seal	
11	1001178102	1	Hose	
12	1001270595	1	Hose	
14	1001182793	2	Fitting, Tee ORFS	
15	1001213883	2	Clamp	
16	1001213925	1	Clamp (Used without Item 25 Clamping Plate)	
16	1001282197	1	Clamp (Used with Item 25 Clamping Plate)	
17	1001216275	1	Tube	
18	1001216276	1	Pipe	
19	1001216277	1	Pipe	
20	1001216278	1	Pipe	
21	1001216279	1	Pipe	
22	1001216280	1	Pipe	
23	1001216237	4	Kit, Clamp	
24	2170908	2	Fitting, Cap ORFS	
25	1001282247	1	Plate, Clamping	

SECTION 8 - HYDRAULIC CIRCUITS

FIGURE 8-5. BOOM LINES INSTALLATION



ART_1001173013-D

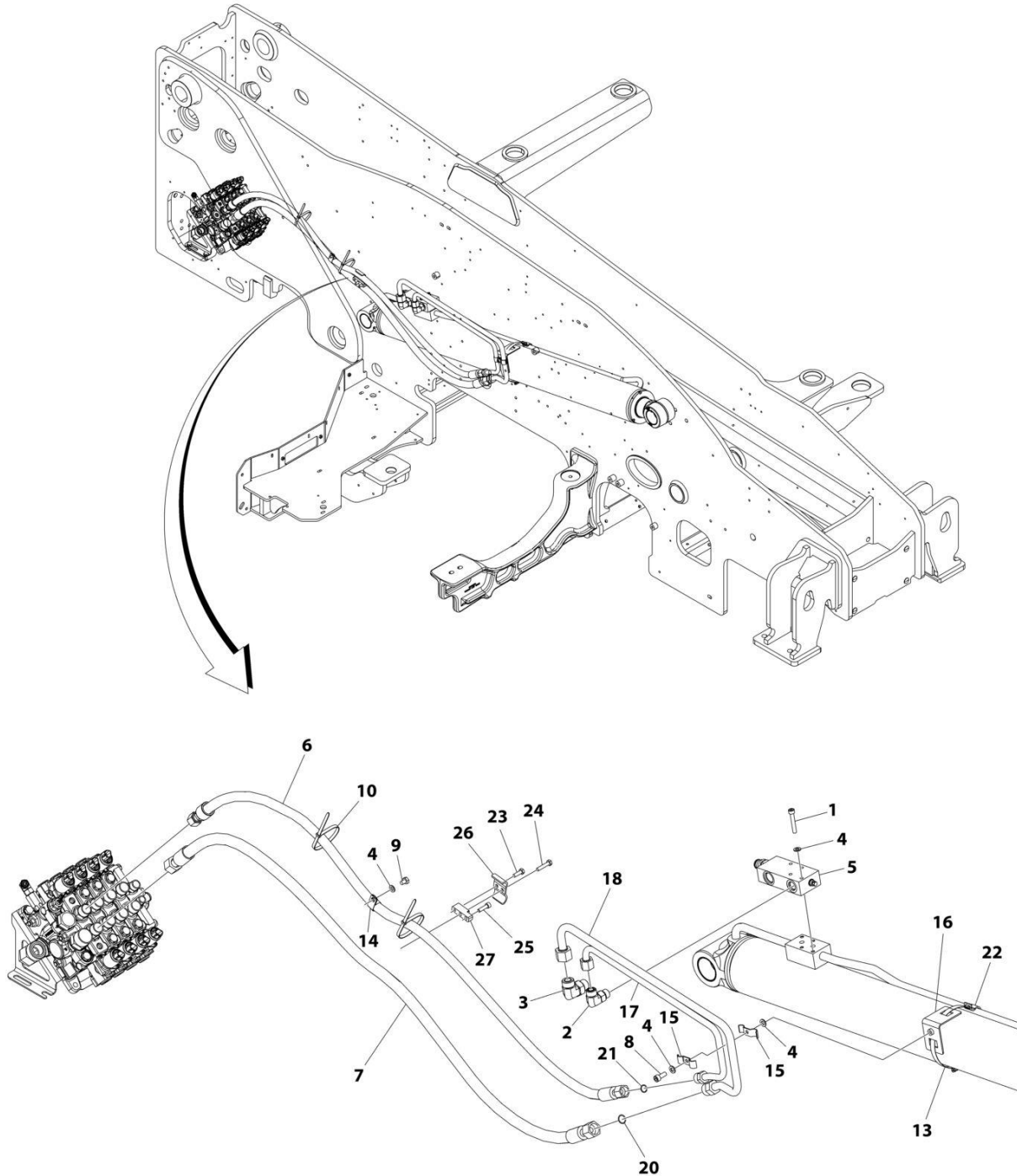
SECTION 8 - HYDRAULIC CIRCUITS

FIGURE 8-5. BOOM LINES INSTALLATION

ITEM	PART NUMBER	QTY	DESCRIPTION	REV
	1001173013	Ref	Boom Lines Installation	D
1	2110808	2	Fitting, Straight ORFS	
2	1001181562	1	Hose	
3	1001181563	1	Hose	
4	1001181784	2	Hose	
5	1001181568	1	Hose	
6	1001181569	1	Hose	
7	1001181565	1	Hose	
8	1001181564	1	Hose	
9	1670836	1	Cover, Boom	

SECTION 8 - HYDRAULIC CIRCUITS

FIGURE 8-6. BOOM RAISE HOSES INSTALLATION (NO RIDE CONTROL)



ART_1001179041_I

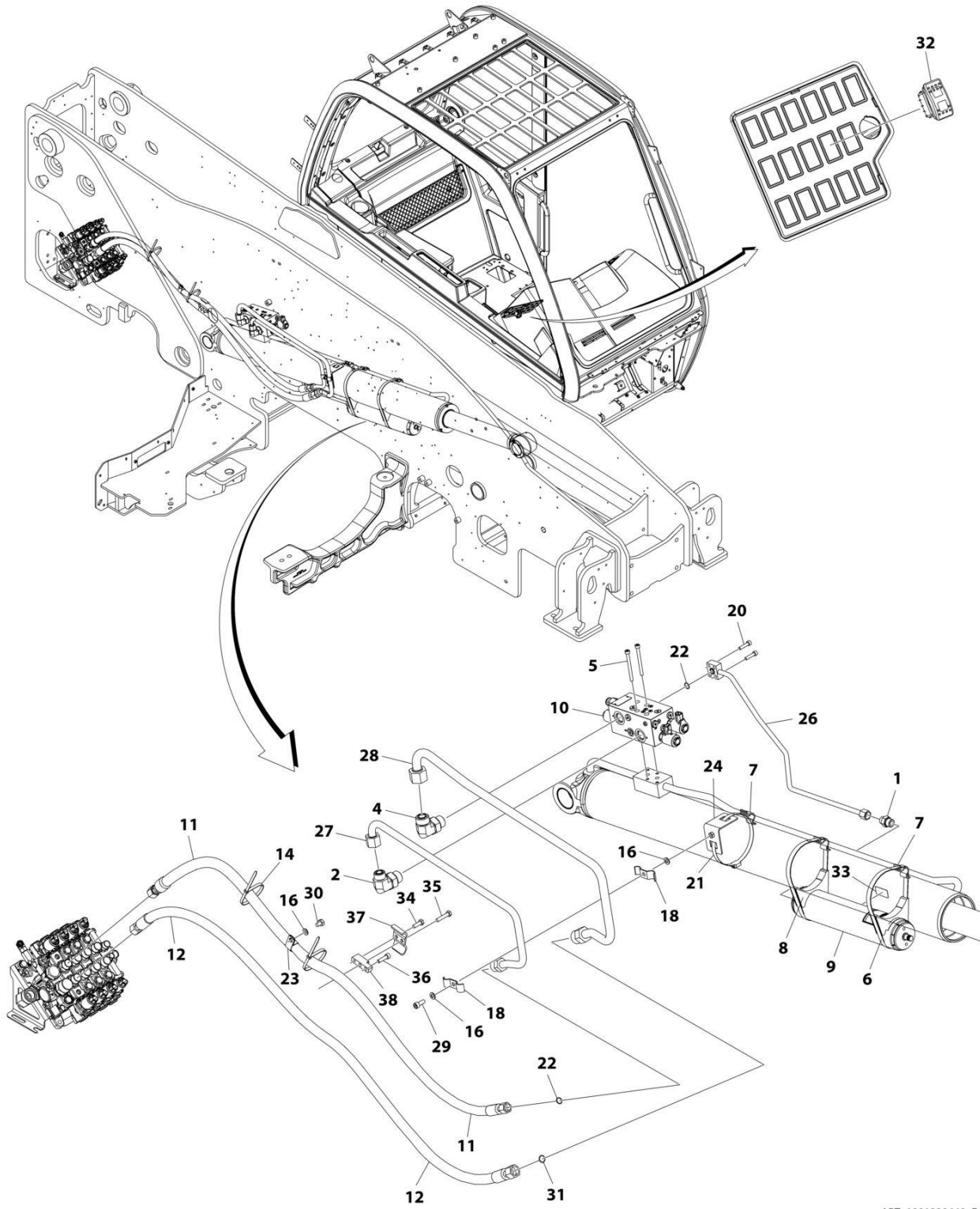
SECTION 8 - HYDRAULIC CIRCUITS

FIGURE 8-6. BOOM RAISE HOSES INSTALLATION (NO RIDE CONTROL)

ITEM	PART NUMBER	QTY	DESCRIPTION	REV
	1001179041	Ref	BOOM RAISE HOSES INSTALLATION (NO RIDE CONTROL)	I
1	5271814	4	Bolt M8 x 50	
2	2131010	1	Fitting, 90 ORFS	
3	2131212	1	Fitting, 90 ORFS	
4	4811900	7	Washer M8	
5	1001201245	1	Valve, Counterbalance (Sold as Assembly - No Service Parts Available)	
5	70027600	1	Seal Kit - Mounting (Includes Seals Between Valve & Cylinder)	
6	1001229223	1	Hose, ORFS	
7	1001203922	1	Hose, ORFS	
8	4031908	1	Bolt M8 x 20	
9	0760807	1	Bolt M8 x 14	
10	1062255	2	Strap, Tie	
13	8405502	1	Clamp	
14	8406201	1	Clamp	
15	1001198331	2	Clamp, Twin	
16	1001221665	1	Bracket	
17	1001221659	1	Pipe, ORFS	
18	1001221660	1	Pipe, ORFS	
20	1001008863	1	Seal	
21	1001008922	1	Seal	
22	1001101064	AR	Clip	
23	0760812	1	Bolt M8 x 25	
24	0760816	1	Bolt M8 x 40	
25	4031910	1	Bolt M8 x 30	
26	1001271129	1	Bracket	
27	1001270857	1	Mount, Block	

SECTION 8 - HYDRAULIC CIRCUITS

FIGURE 8-7. BOOM RAISE HOSES INSTALLATION (WITH RIDE CONTROL)



ART_1001229640_F

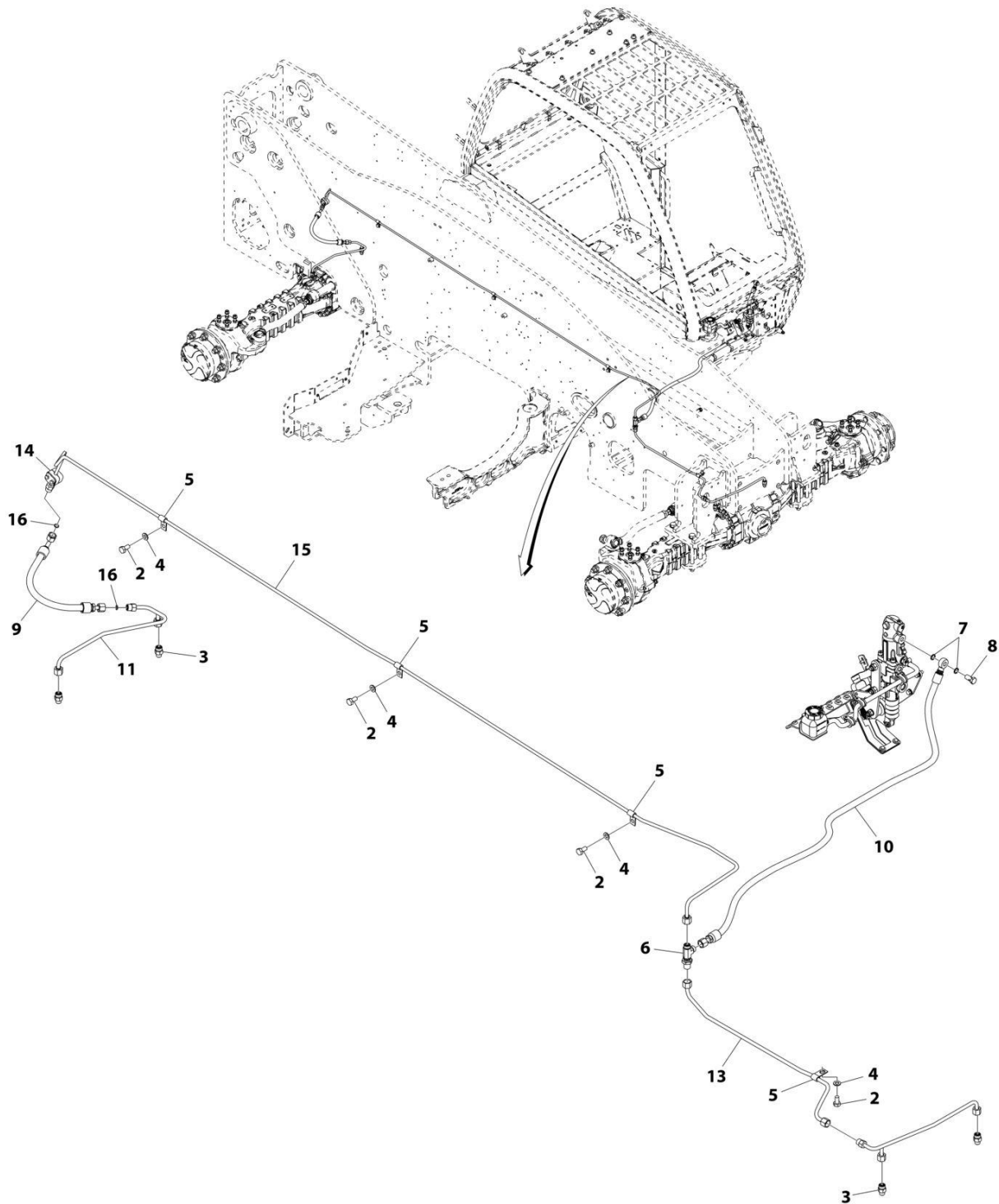
SECTION 8 - HYDRAULIC CIRCUITS

FIGURE 8-7. BOOM RAISE HOSES INSTALLATION (WITH RIDE CONTROL)

ITEM	PART NUMBER	QTY	DESCRIPTION	REV
	1001229640	Ref	BOOM RAISE HOSES INSTALLATION (RIDE CONTROL)	F
1	2110810	1	Fitting, Straight ORFS	
2	2131012	1	Fitting, 90 ORFS	
4	2131212	1	Fitting, 90 ORFS	
5	5271922	4	Bolt M8 x 90	
6	1001101063	2	Clamp	
7	1001101064	AR	Clip	
8	1001208035	2	Bumper	
9	1001229562	1	Cylinder, Piston Accumulator	
10	1001263039	1	Valve, Ride Control (See Separate Breakdown in HYDRAULIC COMPONENTS Section)	
11	1001229223	1	Hose, ORFS	
12	1001203922	1	Hose, ORFS	
14	1062255	2	Strap, Tie	
16	4811900	3	Washer M8	
18	1001198331	2	Clamp, Twin	
20	5271808	4	Screw M8 x 20	
21	8405502	1	Clamp	
22	1001008922	2	Seal	
23	8406201	1	Clamp	
24	1001221665	1	Bracket	
26	1001211452	1	Pipe, ORFS	
27	1001221659	1	Pipe, ORFS	
28	1001229314	1	Pipe	
29	4031908	1	Bolt M8 x 20	
30	0760807	1	Bolt M8 x 14	
31	1001008863	1	Seal	
32	1001159745	1	Switch	
33	1001247708	1	Decal, Stored Energy	
34	0760812	1	Bolt M8 x 25	
35	0760816	1	Bolt M8 x 40	
36	4031910	1	Bolt M8 x 30	
37	1001271129	1	Bracket	
38	1001270857	1	Mount, Block	

SECTION 8 - HYDRAULIC CIRCUITS

FIGURE 8-8. BRAKE LINES INSTALLATION



ART_1001172909-E

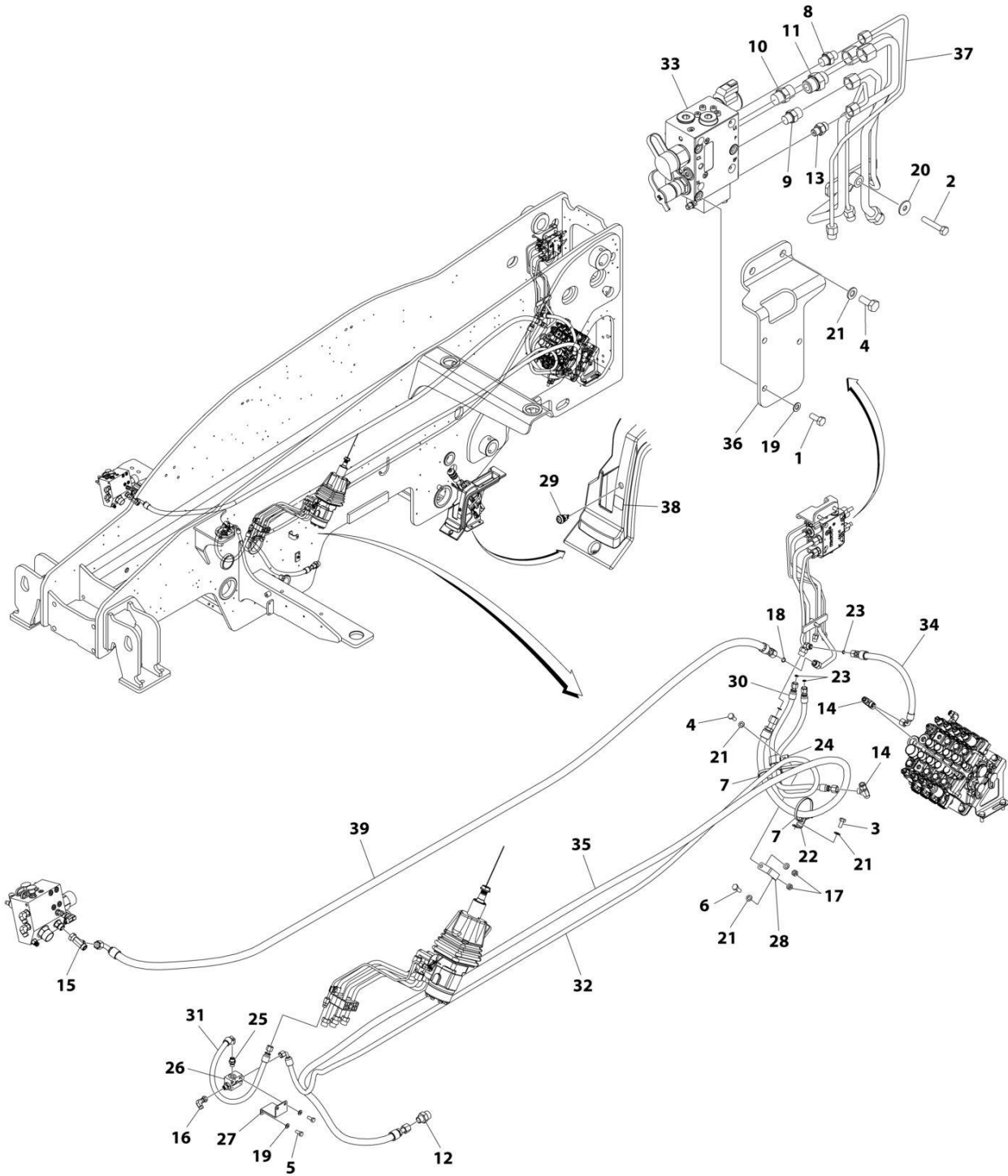
SECTION 8 - HYDRAULIC CIRCUITS

FIGURE 8-8. BRAKE LINES INSTALLATION

ITEM	PART NUMBER	QTY	DESCRIPTION	REV
	1001172909	Ref	Brake Lines Installation	E
2	0761010	4	Bolt, M10X20	
3	2144605	4	Fitting, Straight ORFS	
4	4812000	4	Washer, M10	
5	1001008773	4	Clip	
6	88662434	1	Fitting, Tee ORFS	
7	1001105639	2	Washer	
8	1001105643	1	Bolt	
9	1001181008	1	Hose, Rear Brake	
10	1001221952	1	Hose, ORFS	
11	1001181016	1	Pipe, ORFS	
13	1001181019	1	Pipe, ORFS	
14	1001181170	1	Clamp	
15	1001221953	1	Pipe, ORFS	
16	1001008804	2	Seal	

SECTION 8 - HYDRAULIC CIRCUITS

FIGURE 8-9. BRAKE INSTALLATION – TRAILER



ART_1001269410

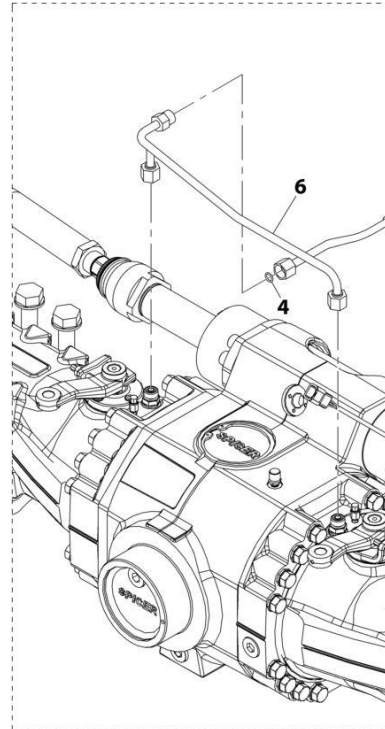
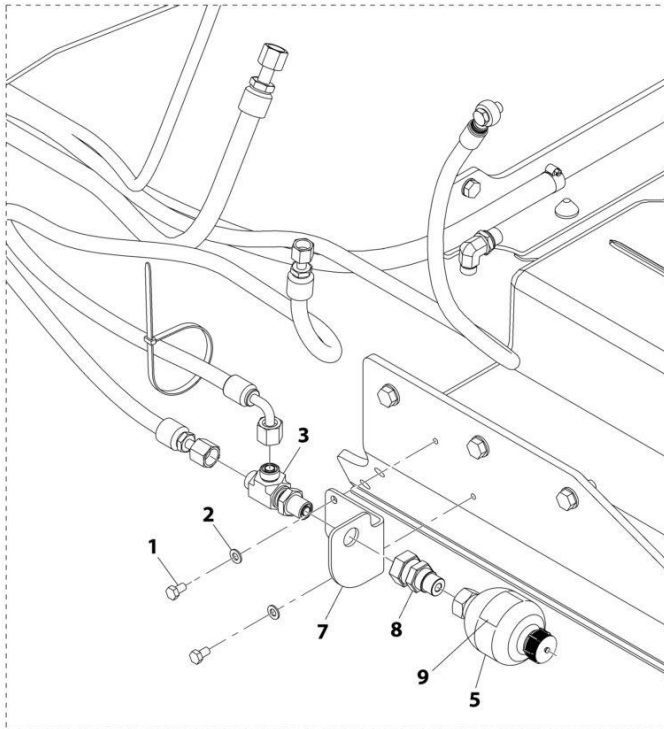
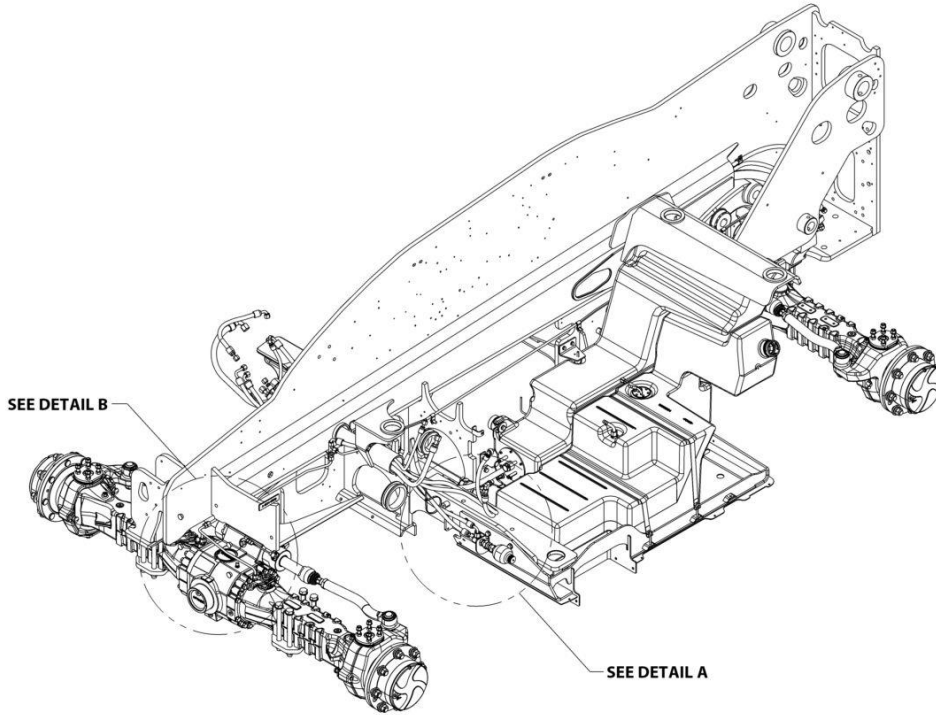
SECTION 8 - HYDRAULIC CIRCUITS

FIGURE 8-9. BRAKE INSTALLATION – TRAILER

ITEM	PART NUMBER	QTY	DESCRIPTION	REV
	1001269410	Ref	TRAILER BRAKE INSTALLATION	C
1	0700810	3	Bolt M8 x 20	
2	0700817	1	Bolt M8 x 45	
3	0701011	1	Bolt M10 x 22	
4	0701012	3	Bolt M10 x 25	
5	0760810	4	Bolt M8 x 20	
6	0761014	1	Bolt M10 x 30	
7	1062255	2	Strap, Tie	
8	2110406	1	Fitting, Straight ORFS/ORB	
9	2110606	1	Fitting, Straight ORFS/ORB	
10	2110808	1	Fitting, Straight ORFS/ORB	
11	2110810	1	Fitting, Straight ORFS/ORB	
12	2110812	1	Fitting, Straight ORFS/ORB	
13	2144602	1	Fitting, Straight ORFS/ORB	
14	2170706	2	Fitting, Tee ORFS	
15	2170708	1	Fitting, Tee ORFS	
16	2172104	1	Fitting, 90 ORFS	
17	3291001	2	Nut M10 x 1.5, Grade 8	
18	3790013	2	O-Ring	
19	4811900	7	Washer M8	
20	4811902	1	Washer M8	
21	4812000	6	Washer M10	
22	1001003305	1	Clip	
23	1001008586	3	O-Ring	
24	1001008626	1	Clip	
25	1001120501	1	Fitting, Straight ORFS/BSPP	
26	1001151257	1	Valve, Dynamic Select	
27	1001184517	1	Bracket	
28	1001184518	1	Bracket	
29	1001200633	1	Switch, Trailer Brake	
30	1001269720	1	Hose	
31	1001269721	1	Hose	
32	1001269722	1	Hose	
33	1001230194	1	Valve, Trailer Brake (See Separate Breakdown in HYDRAULIC COMPONENTS Section)	
34	1001269723	1	Hose	
35	1001269724	1	Hose	
36	1001293727	1	Bracket	
37	1001232651	1	Pipe	
38	1001235451	1	Decal - Trailer Brake	
39	1001204731	1	Hose, ORFS	

SECTION 8 - HYDRAULIC CIRCUITS

FIGURE 8-10. BRAKE ACCUMULATOR LINES INSTALLATION (WITHOUT SAHR)



ART_1001213031-B

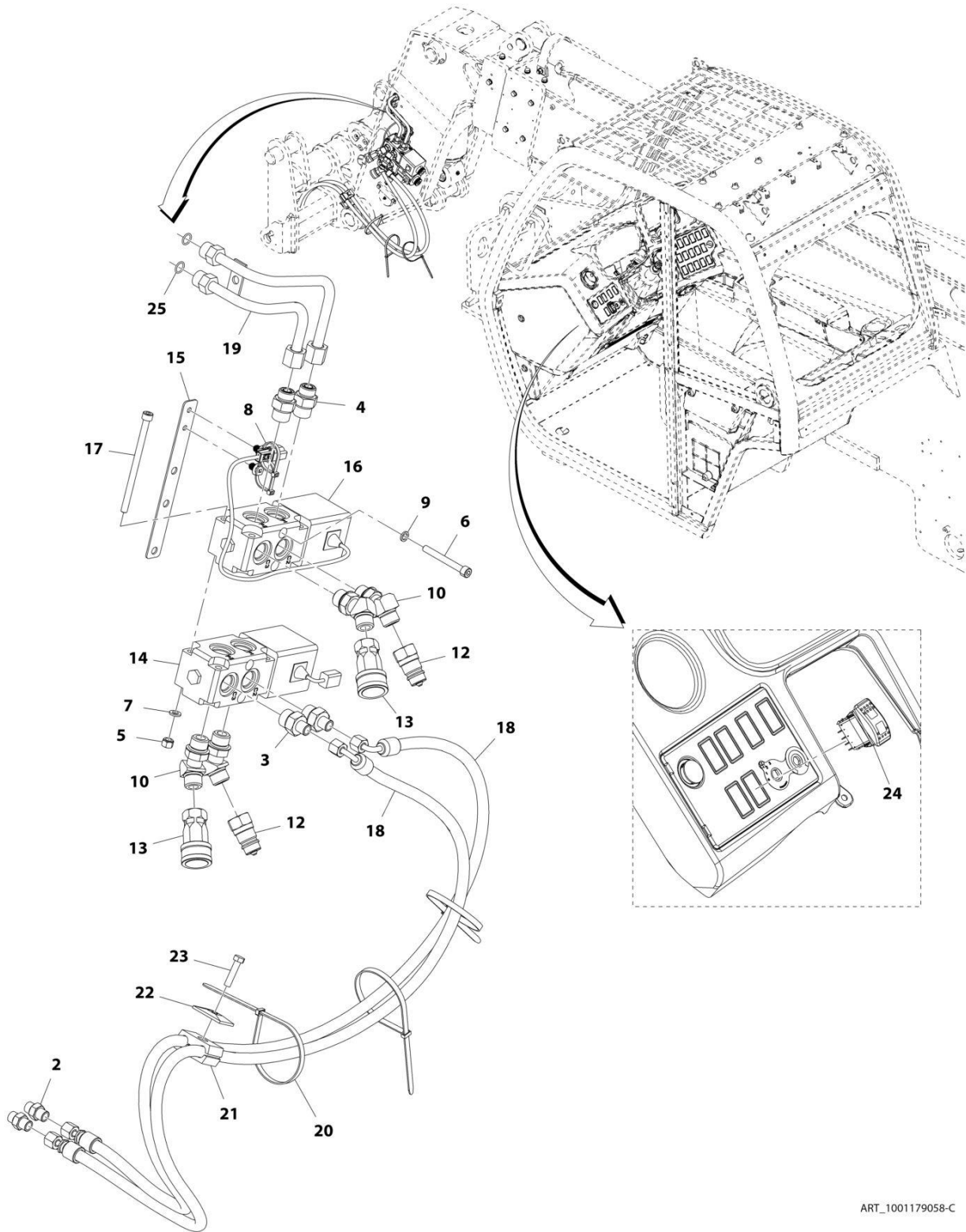
SECTION 8 - HYDRAULIC CIRCUITS

FIGURE 8-10. BRAKE ACCUMULATOR LINES INSTALLATION (WITHOUT SAHR)

ITEM	PART NUMBER	QTY	DESCRIPTION	REV
	1001213031	Ref	Brake Accumulator	C
1	0760807	2	Bolt, M8X14	
2	4811900	2	Washer, M8	
3	8770167	1	Fitting, Tee ORFS	
4	1001008804	1	Seal	
5	1001173418	1	Brake, Damper	
5	1001310831	1	Brake, Damper	
6	1001181017	1	Pipe, ORFS	
7	1001207522	1	Bracket, Accumulator	
8	1001207523	1	Fitting, Straight ORFS	
9	1001237054	1	Decal, Stored Energy	

SECTION 8 - HYDRAULIC CIRCUITS

FIGURE 8-11. COUPLER (HYDRAULIC) LINES INSTALLATION (FRONT BOOM - TWIN)



ART_1001179058-C

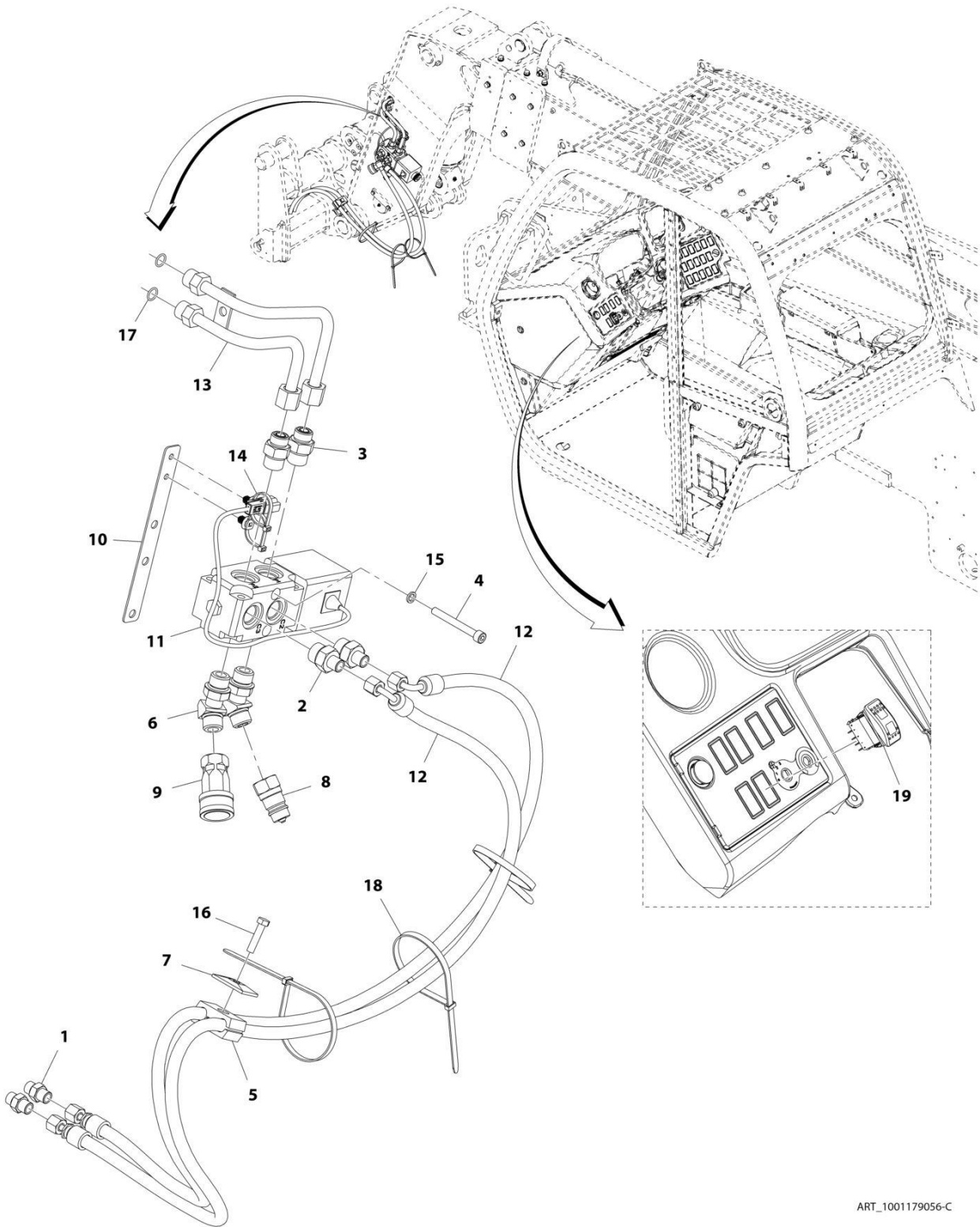
SECTION 8 - HYDRAULIC CIRCUITS

FIGURE 8-11. COUPLER (HYDRAULIC) LINES INSTALLATION (FRONT BOOM - TWIN)

ITEM	PART NUMBER	QTY	DESCRIPTION	REV
	1001179058	Ref	Hydraulic Coupler Lines Installation (Front Boom - Twin)	C
2	2110406	2	Fitting, Straight ORFS	
3	2110410	2	Fitting, Straight ORFS	
4	2110810	2	Fitting, Straight ORFS	
5	3290805	4	Nut, Lock M8X1.25 Grade 8	
6	4031918	2	Bolt, M8X70	
7	4831900	4	Washer, Lock M8	
8	1001146588	2	Strap, Fir Tree Cable Tie	
9	1001005262	2	Washer	
10	1001005904	4	Elbow	
12	1001101041	2	Coupling, Male Quick Disconnect	
13	1001101042	2	Coupling, Female Quick Disconnect	
14	1001104477	1	Valve, Divertor (See Separate Breakdown in HYDRAULIC COMPONENTS Section)	
15	1001108918	1	Plate	
16	1001110023	1	Valve, Divertor (See Separate Breakdown in HYDRAULIC COMPONENTS Section)	
17	1001110115	4	Bolt, M8X100	
18	1001200218	2	Hose, ORFS	
19	1001181161	1	Tube	
20	1062255	3	Strap, Tie	
21	8769124	1	Clamp	
22	77133140	1	Plate, Cover	
23	77133177	1	Bolt, M5/16X1-3/8	
24	1001080375	1	Switch, Quick Switch	
25	1001008805	2	Seal	

SECTION 8 - HYDRAULIC CIRCUITS

FIGURE 8-12. COUPLER (HYDRAULIC) LINES INSTALLATION (FRONT BOOM - SINGLE)



ART_1001179056-C

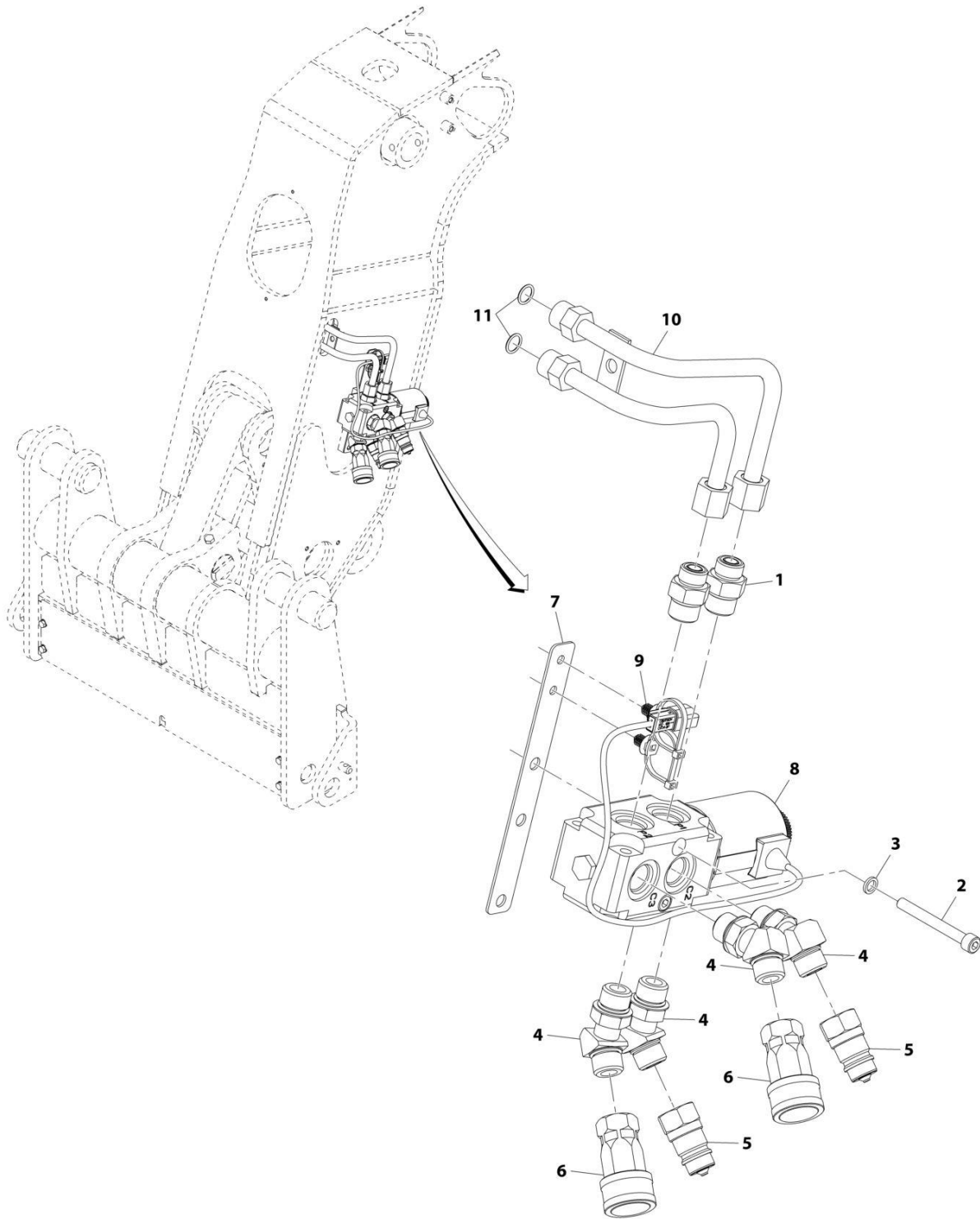
SECTION 8 - HYDRAULIC CIRCUITS

FIGURE 8-12. COUPLER (HYDRAULIC) LINES INSTALLATION (FRONT BOOM - SINGLE)

ITEM	PART NUMBER	QTY	DESCRIPTION	REV
	1001179056	Ref	Hydraulic Coupler Lines Installation (Front Boom - Single)	C
1	2110406	2	Fitting, Straight ORFS	
2	2110410	2	Fitting, Straight ORFS	
3	2110810	2	Fitting, Straight ORFS	
4	4031918	2	Bolt, M8X70	
5	8769124	1	Clamp	
6	1001005904	2	Elbow	
7	77133140	1	Plate, Cover	
8	1001101041	1	Coupling, Male Quick Disconnect	
9	1001101042	1	Coupling, Female Quick Disconnect	
10	1001108918	1	Plate	
11	1001110023	1	Valve, Divertor (See Separate Breakdown in HYDRAULIC COMPONENTS Section)	
12	1001200218	2	Hose, ORFS	
13	1001181161	1	Tube	
14	1001146588	2	Strap, Fir Tree Cable Tie	
15	1001005262	2	Washer	
16	77133177	1	Bolt, M5/16X1-3/8	
17	1001008805	2	Seal	
18	1062255	3	Strap, Tie	
19	1001080375	1	Switch, Quick Switch	

SECTION 8 - HYDRAULIC CIRCUITS

FIGURE 8-13. COUPLER (MANUAL) LINES INSTALLATION (FRONT BOOM - TWIN)



ART_1001201205-B

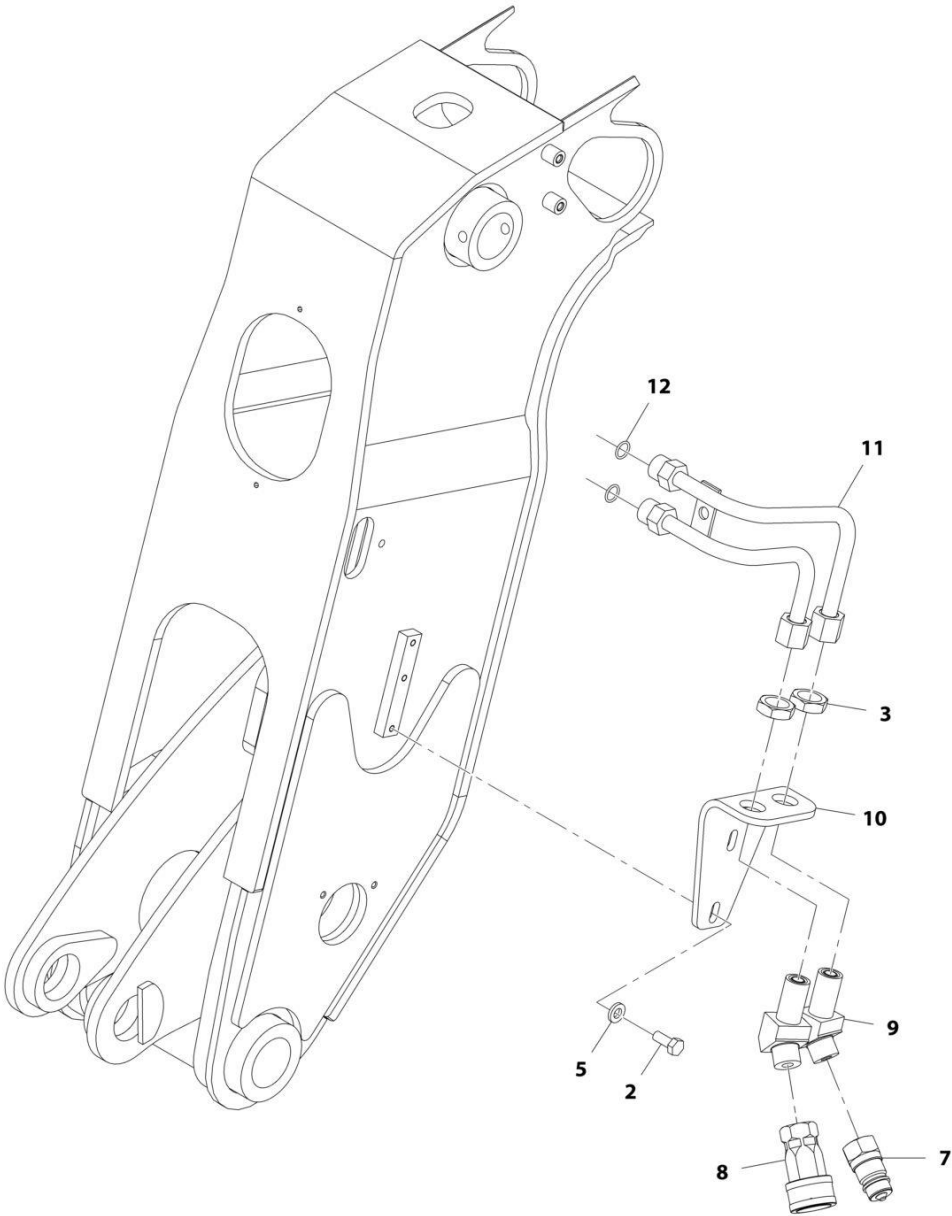
SECTION 8 - HYDRAULIC CIRCUITS

FIGURE 8-13. COUPLER (MANUAL) LINES INSTALLATION (FRONT BOOM - TWIN)

ITEM	PART NUMBER	QTY	DESCRIPTION	REV
	1001201205	Ref	Manual Coupler Lines Installation (Front Boom - Twin)	B
1	2110810	2	Fitting, Straight ORFS	
2	4031918	2	Bolt, M8X70	
3	1001005262	2	Washer	
4	1001005904	4	Fitting, 45	
5	1001101041	2	Adapter, Male Quick Disconnect	
6	1001101042	2	Adapter, Female Quick Disconnect	
7	1001108918	1	Plate	
8	1001110023	1	Valve, Divertor (See Separate Breakdown in HYDRAULIC COMPONENTS Section)	
9	1001146588	2	Strap, Cable	
10	1001181161	1	Tube	
11	1001008805	2	Seal	

SECTION 8 - HYDRAULIC CIRCUITS

FIGURE 8-14. COUPLER (MANUAL) LINES INSTALLATION (FRONT BOOM - SINGLE)



ART_1001179054-C

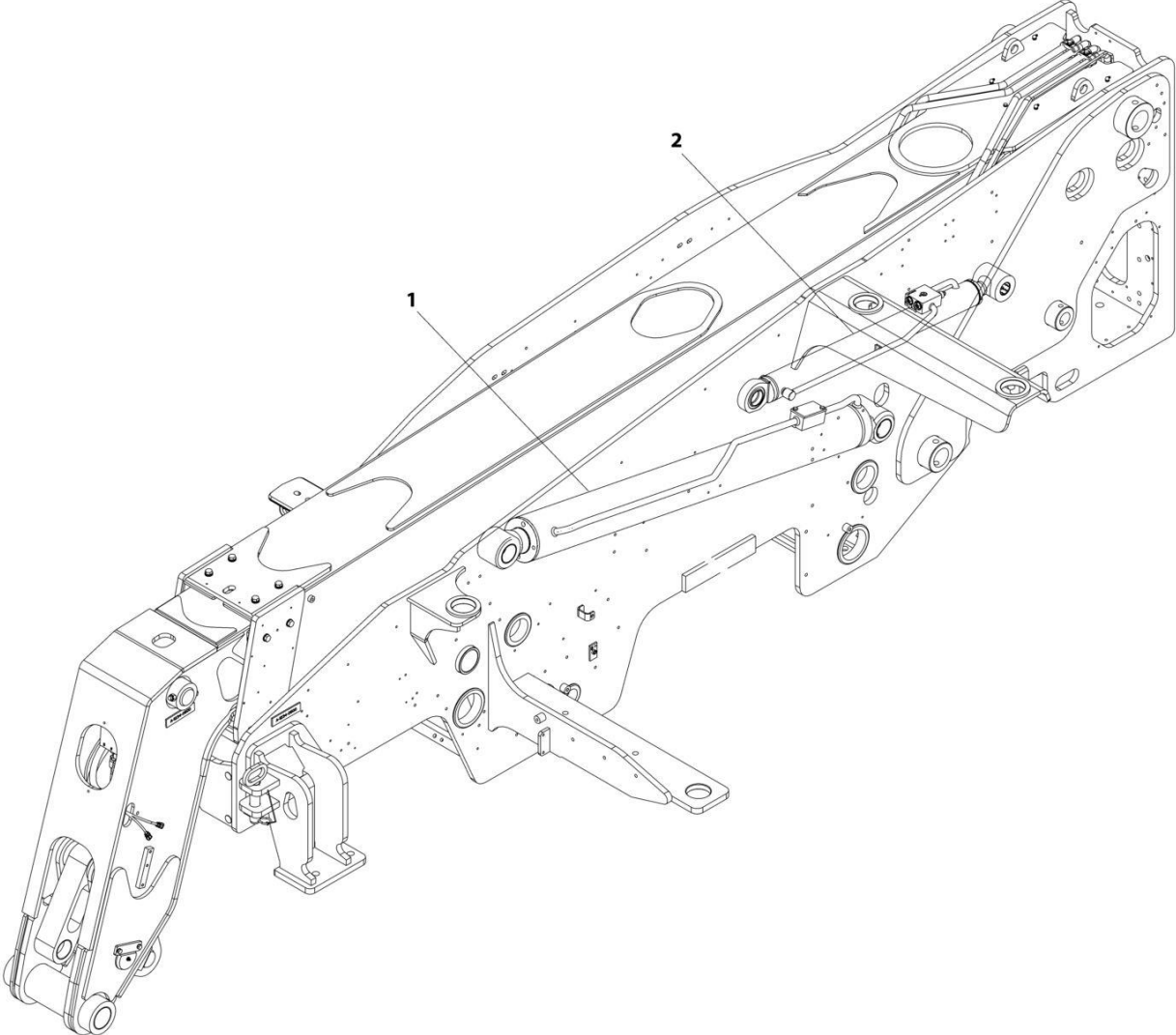
SECTION 8 - HYDRAULIC CIRCUITS

FIGURE 8-14. COUPLER (MANUAL) LINES INSTALLATION (FRONT BOOM - SINGLE)

ITEM	PART NUMBER	QTY	DESCRIPTION	REV
	1001179054	Ref	Manual Coupler Lines Installation (Front Boom - Single)	C
2	0760810	2	Bolt, M8X20	
3	2172208	2	Nut	
5	5240800	2	Washer, M8	
7	1001101041	1	Adapter, Male Quick Disconnect	
8	1001101042	1	Adapter, Female Quick Disconnect	
9	1001103640	2	Adapter, 45 ORFS	
10	1001202177	1	Plate	
11	1001181161	1	Tube	
12	1001008805	2	Seal	

SECTION 8 - HYDRAULIC CIRCUITS

FIGURE 8-15. LIFT CYLINDER INSTALLATION



ART_1001277383

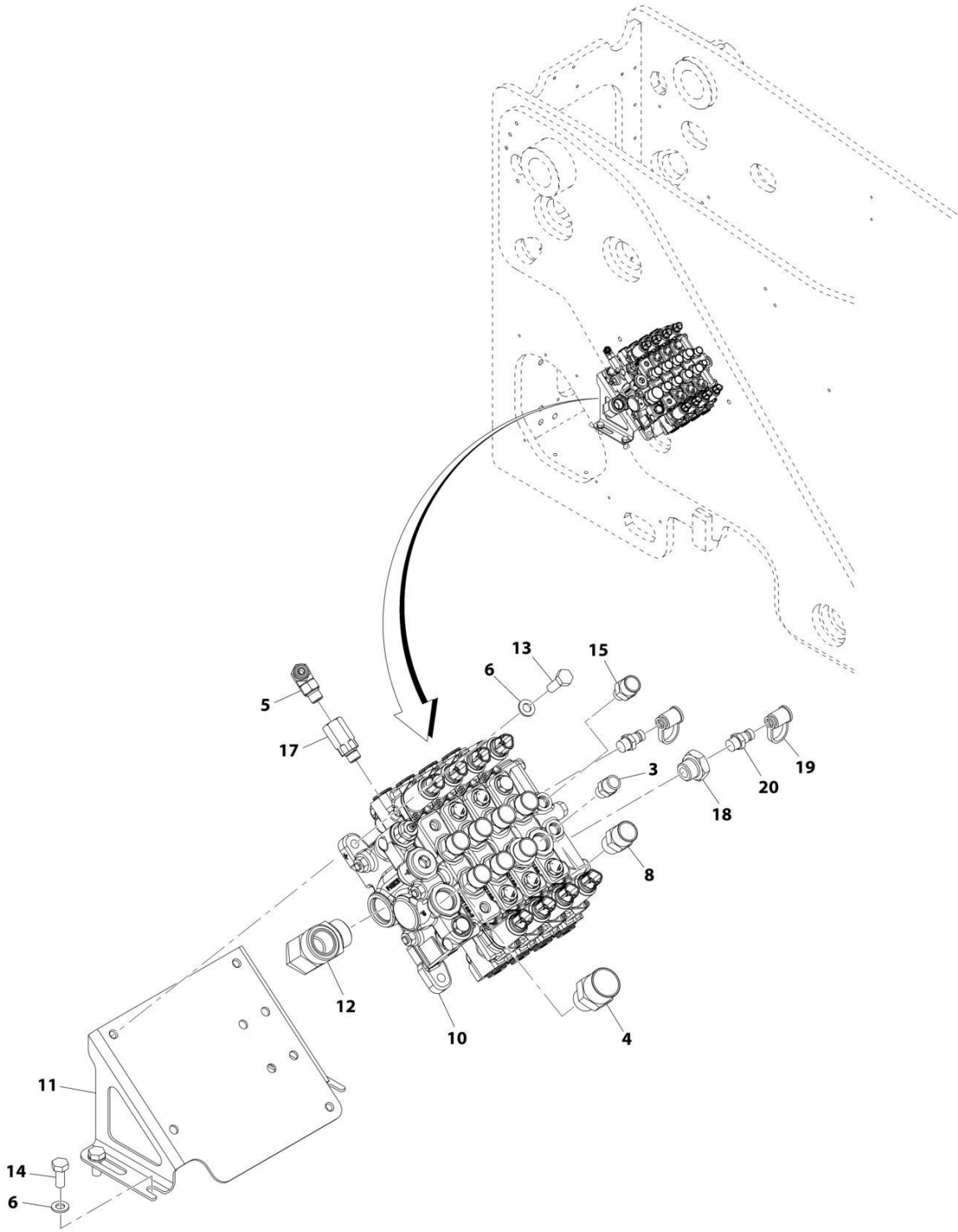
SECTION 8 - HYDRAULIC CIRCUITS

FIGURE 8-15. LIFT CYLINDER INSTALLATION

ITEM	PART NUMBER	QTY	DESCRIPTION	REV
1	1001277383	Ref	LIFT CYLINDER INSTALLATION	A
	1001267963	1	Cylinder, Lift (See Separate Breakdown in HYDRAULIC COMPONENTS Section)	
2	1001274913	1	Compensation Cylinder (See Separate Breakdown in HYDRAULIC COMPONENTS Section)	

SECTION 8 - HYDRAULIC CIRCUITS

FIGURE 8-16. MAIN CONTROL VALVE INSTALLATION



ART_1001172900-J

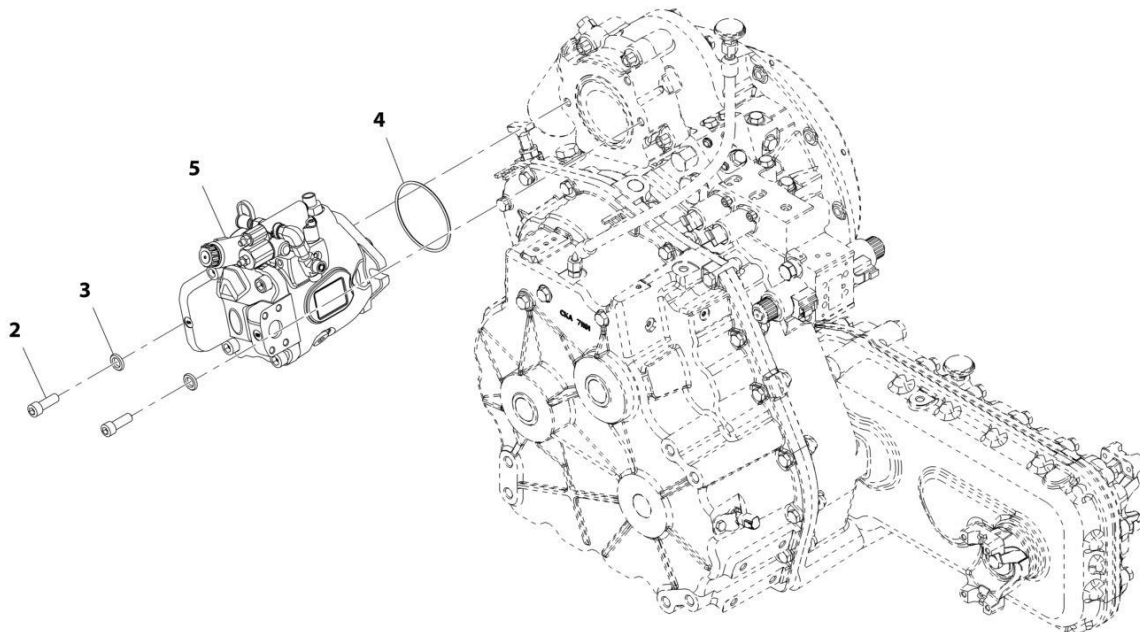
SECTION 8 - HYDRAULIC CIRCUITS

FIGURE 8-16. MAIN CONTROL VALVE INSTALLATION

ITEM	PART NUMBER	QTY	DESCRIPTION	REV
	1001172900	Ref	Main Control Valve Installation	J
3	2110606	1	Fitting, Straight ORFS	
4	2111612	1	Fitting, Straight ORFS	
5	2130606	1	Fitting, 90 ORFS	
6	4812000	7	Washer, M10	
8	2111010	8	Fitting, Straight ORFS	
10	1001241883	1	Valve, Main Control (See Separate Breakdown in HYDRAULIC COMPONENTS Section)	
11	1001182231	1	Bracket	
12	2132016	1	Fitting, 90 ORFS	
13	0701014	3	Bolt, M10X30	
14	0701012	4	Bolt, M10X25	
15	2110806	1	Fitting, Straight ORFS	
17	1001187355	1	Valve, Check	
18	2220221	1	Fitting, Reducer	
19	1001008761	2	Cap	
20	1001003590	2	Fitting, Straight	

SECTION 8 - HYDRAULIC CIRCUITS

FIGURE 8-17. MAIN HYDRAULIC PUMP INSTALLATION



ART_1001177863-B

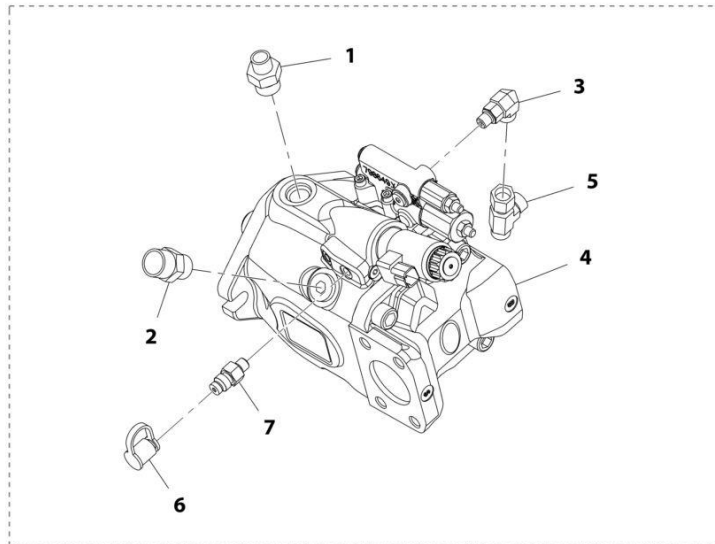
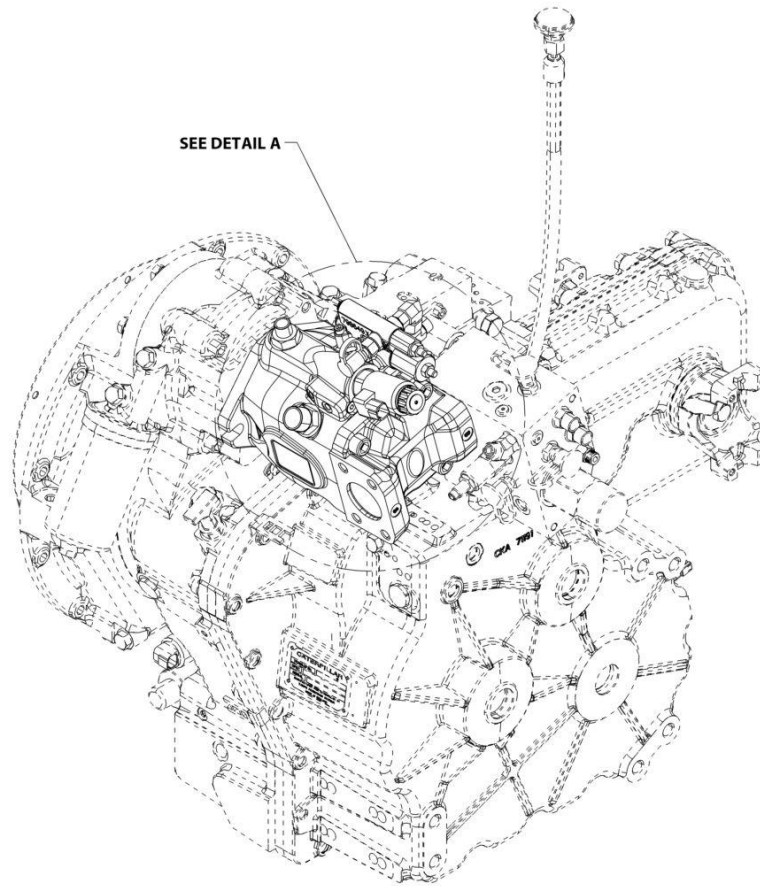
SECTION 8 - HYDRAULIC CIRCUITS

FIGURE 8-17. MAIN HYDRAULIC PUMP INSTALLATION

ITEM	PART NUMBER	QTY	DESCRIPTION	REV
	1001177863	Ref	Main Hydraulic Pump Installation	C
2	0761215	1	Bolt M12X35	
3	4740532	2	Washer M12	
4	1001008450	1	O-Ring	
5	1001183983	Ref	Implement Pump Installation (See Separate Breakdown in this Section)	

SECTION 8 - HYDRAULIC CIRCUITS

FIGURE 8-18. IMPLEMENT PUMP INSTALLATION



DETAIL A

ART_1001183983-B

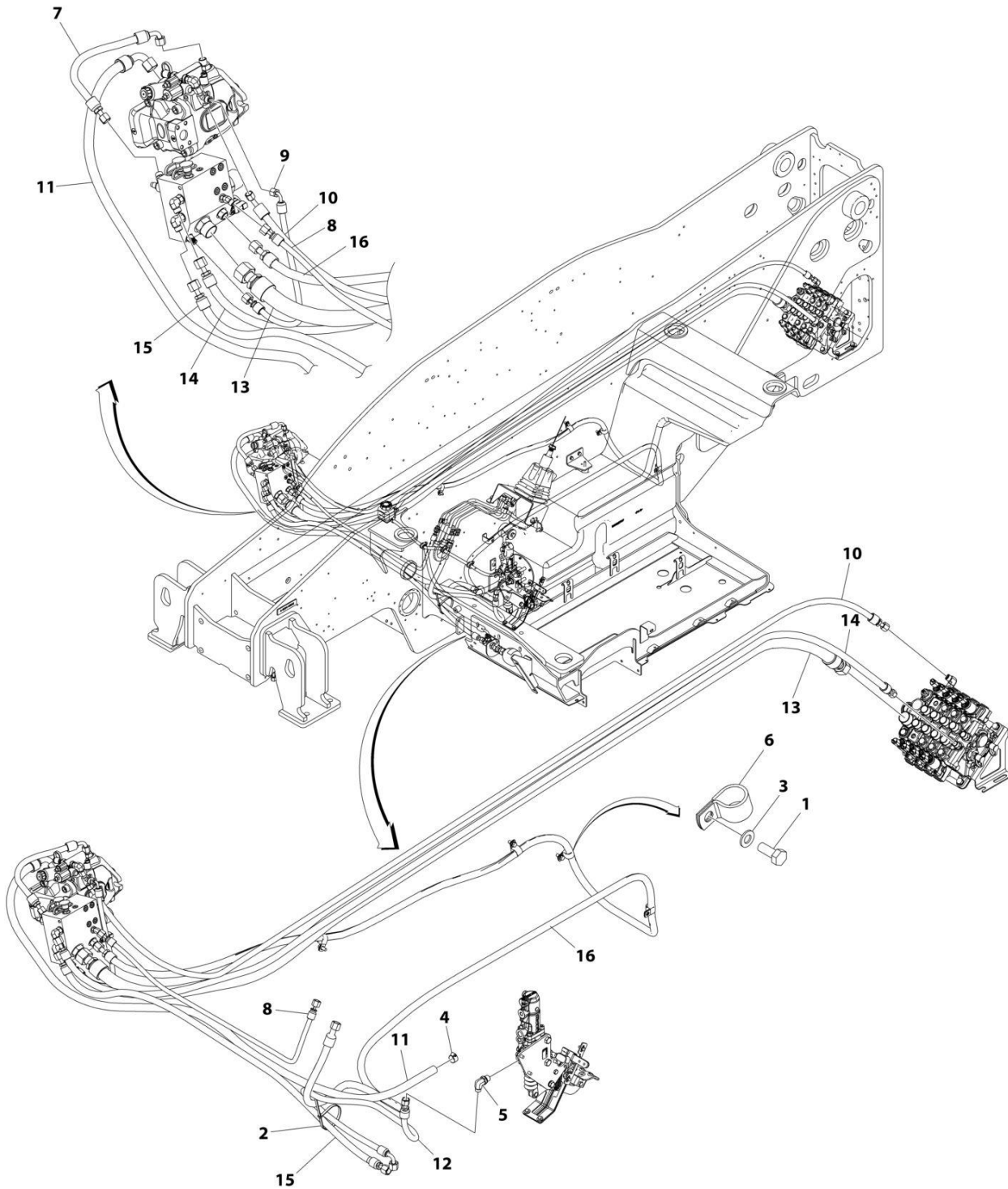
SECTION 8 - HYDRAULIC CIRCUITS

FIGURE 8-18. IMPLEMENT PUMP INSTALLATION

ITEM	PART NUMBER	QTY	DESCRIPTION	REV
	1001183983	Ref	Implement Pump Installation	B
1	2110610	1	Fitting, Straight ORFS	
2	2111010	1	Fitting, Straight ORFS	
3	2130604	1	Fitting, 90 ORFS	
4	1001200815	1	Pump, Implement (See Separate Breakdown in HYDRAULIC COMPONENTS Section)	
5	2170706	1	Fitting, Tee ORFS	
6	8430032	1	Plug	
7	8430033	1	Adapter	

SECTION 8 - HYDRAULIC CIRCUITS

FIGURE 8-19. PRIORITY LINES INSTALLATION



ART_1001269407

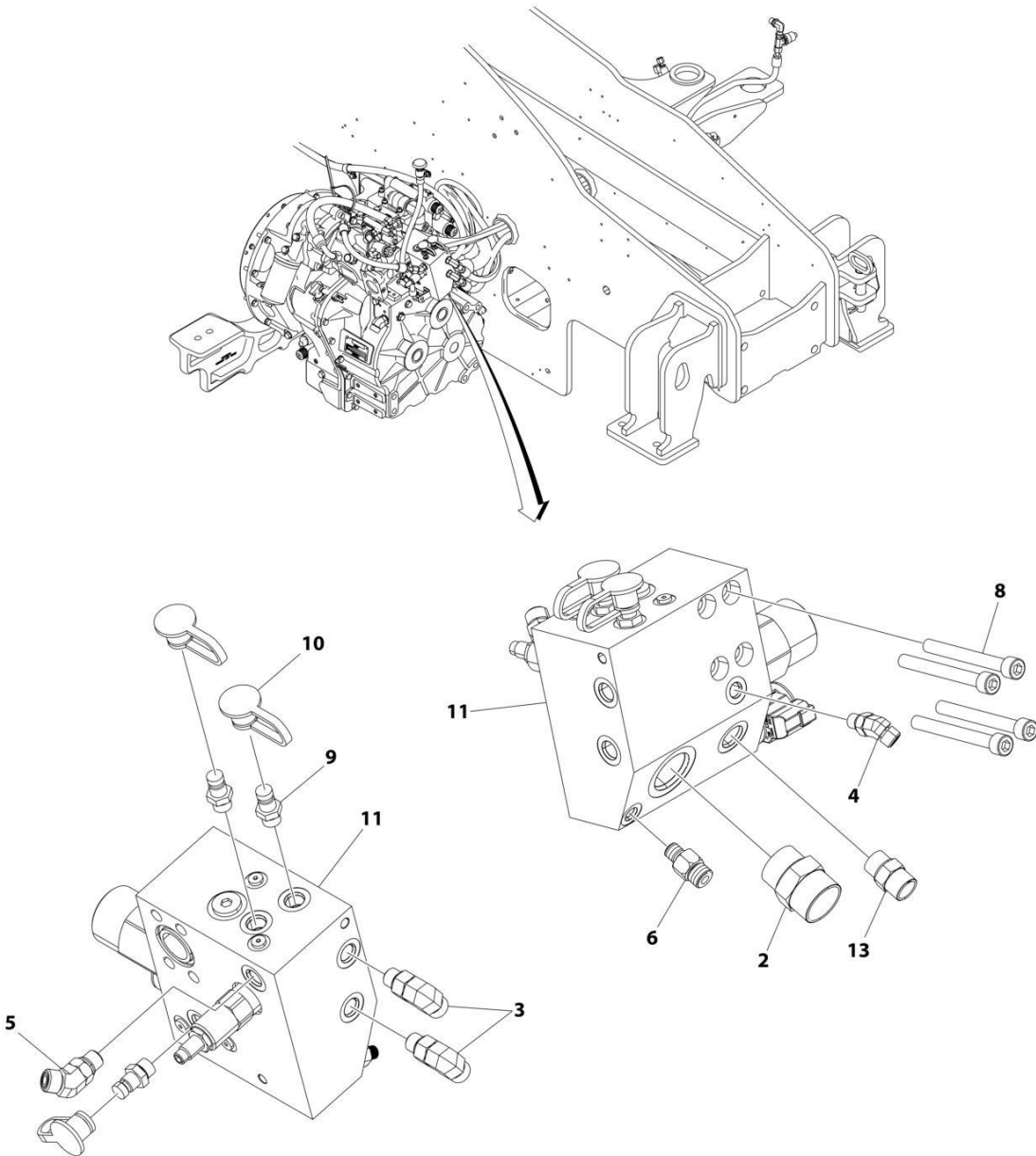
SECTION 8 - HYDRAULIC CIRCUITS

FIGURE 8-19. PRIORITY LINES INSTALLATION

ITEM	PART NUMBER	QTY	DESCRIPTION	REV
	1001269407	Ref	PRIORITY LINES INSTALLATION	B
1	0760810	3	Bolt M8 x 20	
2	1062255	1	Tie-strap	
3	4811900	3	Washer M8	
4	8405006	1	Clamp	
5	80333151	1	Fitting, 90 ORFS	
6	8406202	4	Clip	
7	1001180850	1	Hose	
8	1001180855	1	Hose	
9	1001221027	1	Hose, ORFS	
10	1001196002	1	Hose, ORFS	
11	1001196723	1	Hose, ORFS	
12	1001207525	1	Hose, ORFS	
13	1001221020	1	Hose, ORFS	
14	1001261091	1	Hose, ORFS	
15	1001261092	1	Hose, ORFS	
16	1001269411	1	Hose	

SECTION 8 - HYDRAULIC CIRCUITS

FIGURE 8-20. PRIORITY VALVE INSTALLATION



ART_1001269021

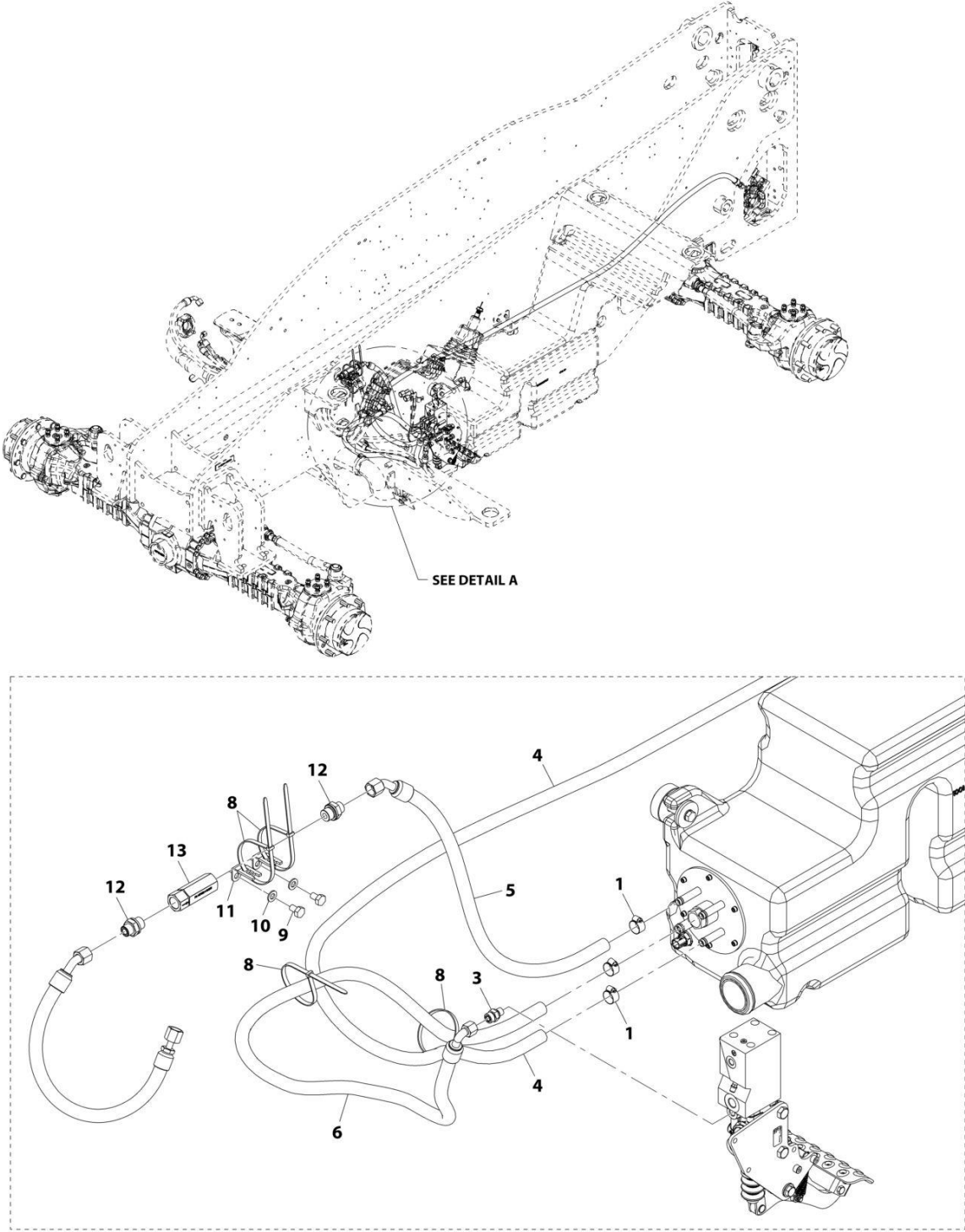
SECTION 8 - HYDRAULIC CIRCUITS

FIGURE 8-20. PRIORITY VALVE INSTALLATION

ITEM	PART NUMBER	QTY	DESCRIPTION	REV
	1001269021	Ref	PRIORITY VALVE INSTALLATION	B
2	2111616	1	Fitting, Straight ORFS	
3	2130606	2	Fitting, 90 ORFS	
4	2150404	1	Fitting, 45 ORFS	
5	2150606	1	Fitting, 45 ORFS	
6	4641237	1	Valve, Check	
8	5272022	4	Screw M10 x 90	
9	1001003590	3	Fitting, Straight	
10	1001008761	3	Cap	
11	1001220639	1	Manifold, Priority Flow (See Separate Breakdown in Hydraulic Components Section)	
13	1001265815	1	Valve, Moms Check	

SECTION 8 - HYDRAULIC CIRCUITS

FIGURE 8-21. RETURN LINES INSTALLATION



DETAIL A

ART_1001185351-D

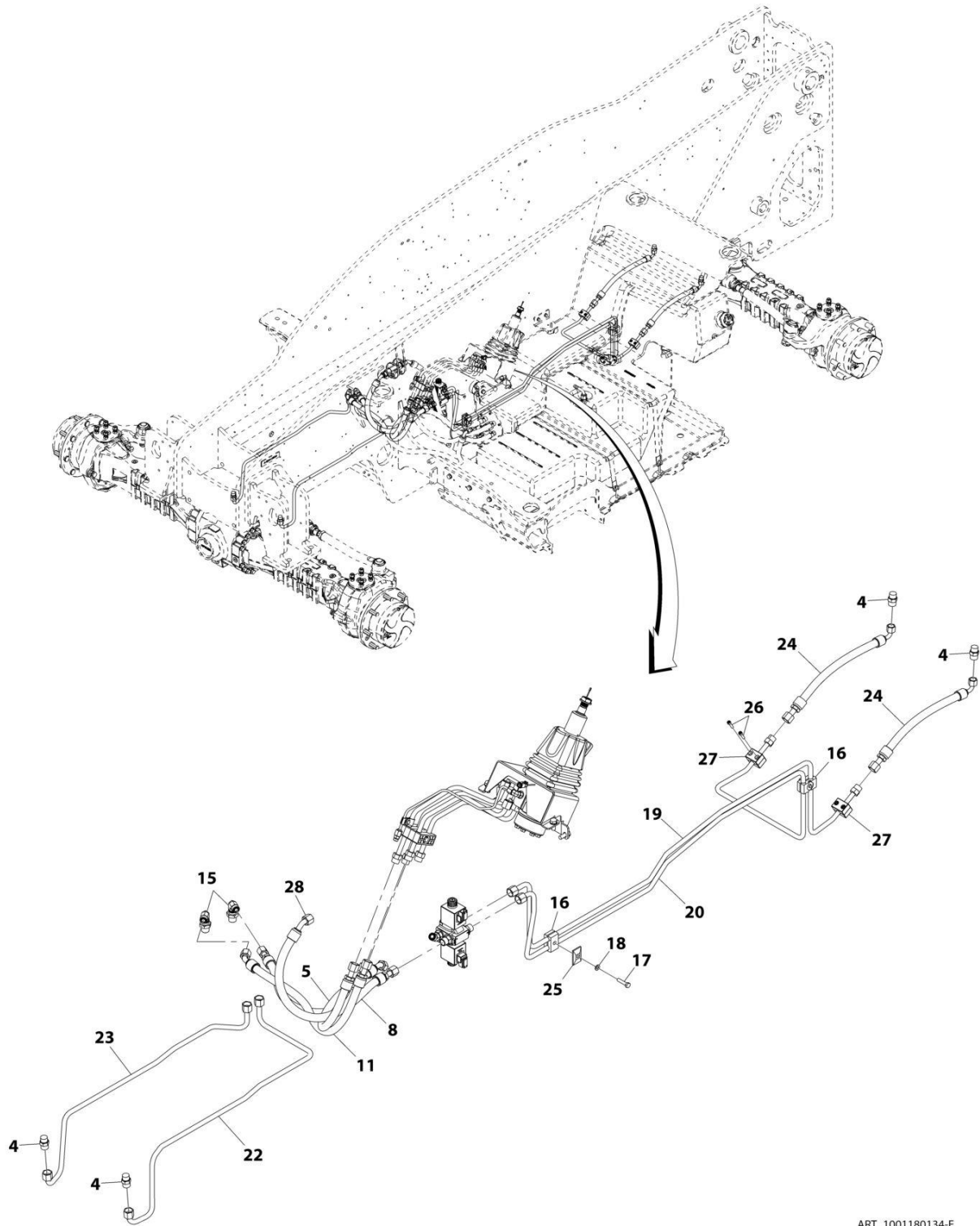
SECTION 8 - HYDRAULIC CIRCUITS

FIGURE 8-21. RETURN LINES INSTALLATION

ITEM	PART NUMBER	QTY	DESCRIPTION	REV
	1001185351	Ref	Return Lines Installation	D
1	8410009	3	Clamp, Gear	
3	80233218	1	Adapter, Straight ORFS	
4	1001196787	NLA	Hose, ORFS (no longer available, use 1001224143 for replacement)	
4	1001224143	1	Hose, ORFS	
5	1001201943	NLA	Hose, ORFS (no longer available, use 1001224144 for replacement)	
5	1001224144	1	Hose, ORFS	
6	1001196661	1	Hose, ORFS	
8	1062255	4	Strap, Tie	
9	0761008	2	Bolt, M10X16	
10	4812000	2	Washer, M10	
11	1001003305	2	Clip	
12	1001121127	2	Adapter, Straight ORFS	
13	1001224447	NLA	Check Valve (no longer available, use 1001227974 for replacement)	
13	1001227974	1	Check Valve	

SECTION 8 - HYDRAULIC CIRCUITS

FIGURE 8-22. STEERING LINES INSTALLATION



ART_1001180134-E

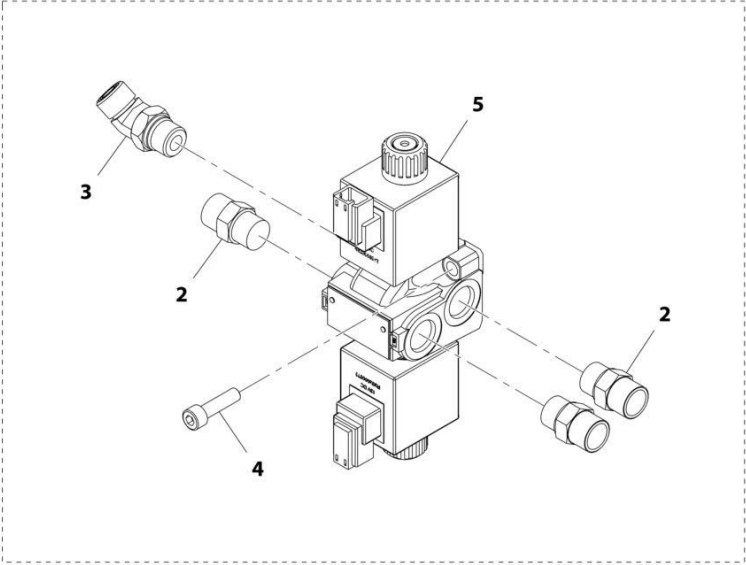
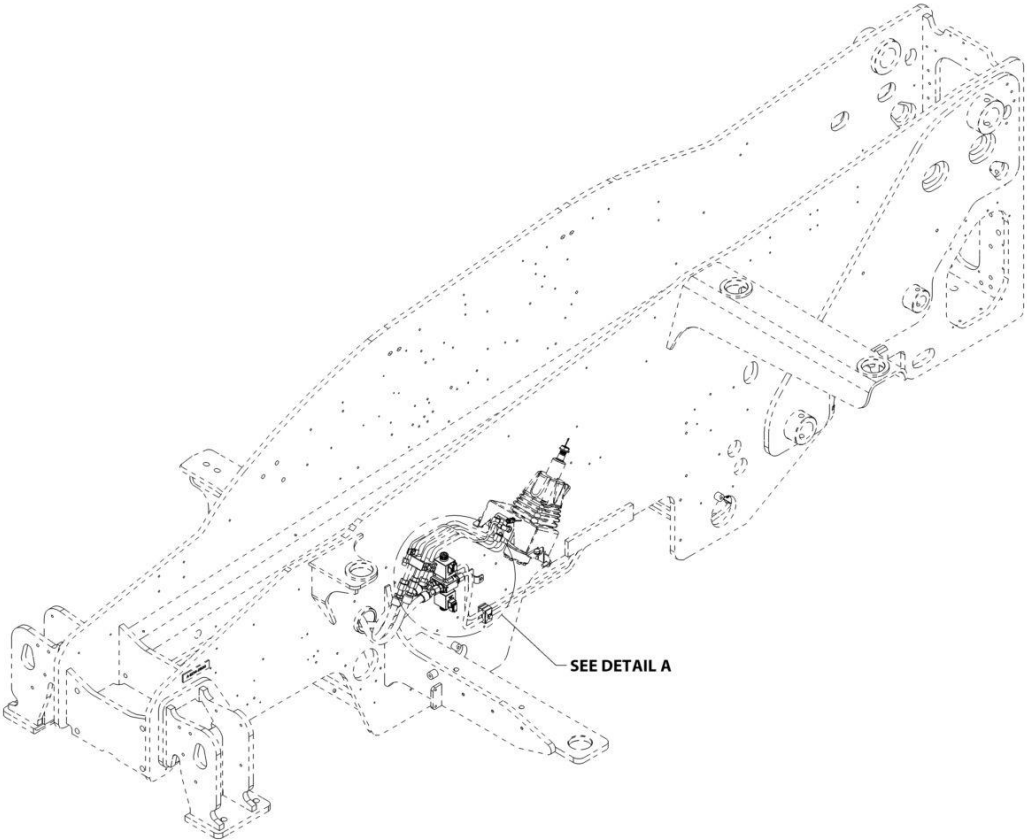
SECTION 8 - HYDRAULIC CIRCUITS

FIGURE 8-22. STEERING LINES INSTALLATION

ITEM	PART NUMBER	QTY	DESCRIPTION	REV
	1001180134	Ref	Steering Lines Installation	E
4	2110808	4	Fitting, Straight ORFS	
5	1001180810	1	Hose, Steering	
8	1001180809	1	Hose, Steering	
11	1001180811	1	Hose, Steering	
15	2171208	2	Adapter, ORFS	
16	77133168	2	Clamp	
17	0700815	2	Bolt, M8X35	
18	4811900	2	Washer, M8	
19	1001195741	1	Pipe, ORFS	
20	1001195742	1	Pipe, ORFS	
22	1001193515	1	Pipe, ORFS	
23	1001193514	NLA	Pipe, ORFS (no longer available, use 1001225423 for replacement)	
23	1001225423	1	Pipe, ORFS	
24	1001193513	2	Hose, ORFS	
25	77133140	2	Plate, Cover	
26	4031709	4	Bolt, M6X25	
27	1001104934	2	Clamp	
28	1001224476	1	Hose Assy, ORFS	

SECTION 8 - HYDRAULIC CIRCUITS

FIGURE 8-23. STEER SELECT VALVE INSTALLATION



ART_1001172894-B

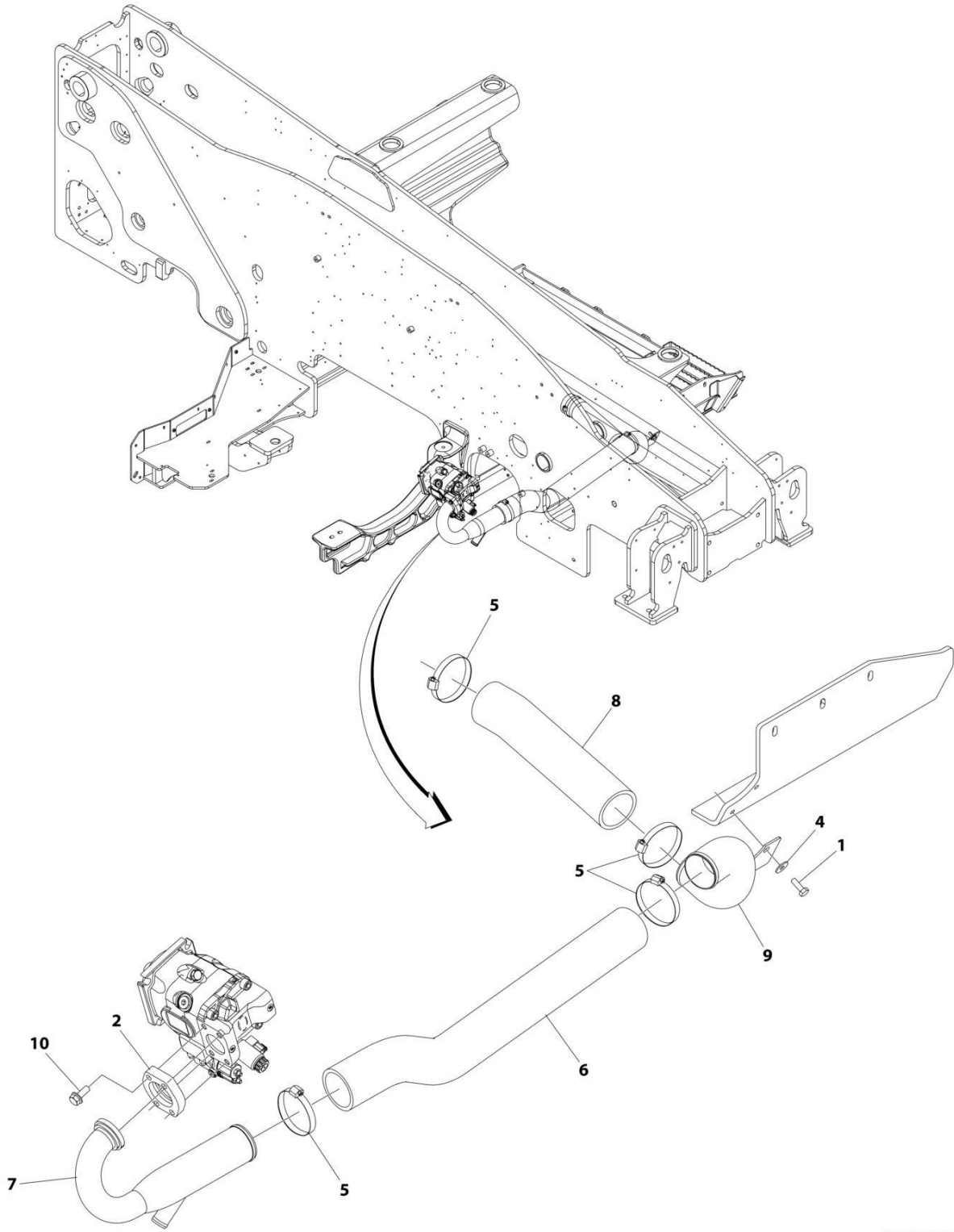
SECTION 8 - HYDRAULIC CIRCUITS

FIGURE 8-23. STEER SELECT VALVE INSTALLATION

ITEM	PART NUMBER	QTY	DESCRIPTION	REV
	1001172894	Ref	Steer Select Valve Installation	B
2	2110808	3	Fitting, Straight ORFS	
3	2150808	1	Fitting, 45 ORFS	
4	4031910	2	Screw, M8X30	
5	1001153748	1	Valve, Steering Select (See Separate Breakdown in HYDRAULIC COMPONENTS Section)	

SECTION 8 - HYDRAULIC CIRCUITS

FIGURE 8-24. SUCTION LINES INSTALLATION



ART_1001184531

SECTION 8 - HYDRAULIC CIRCUITS

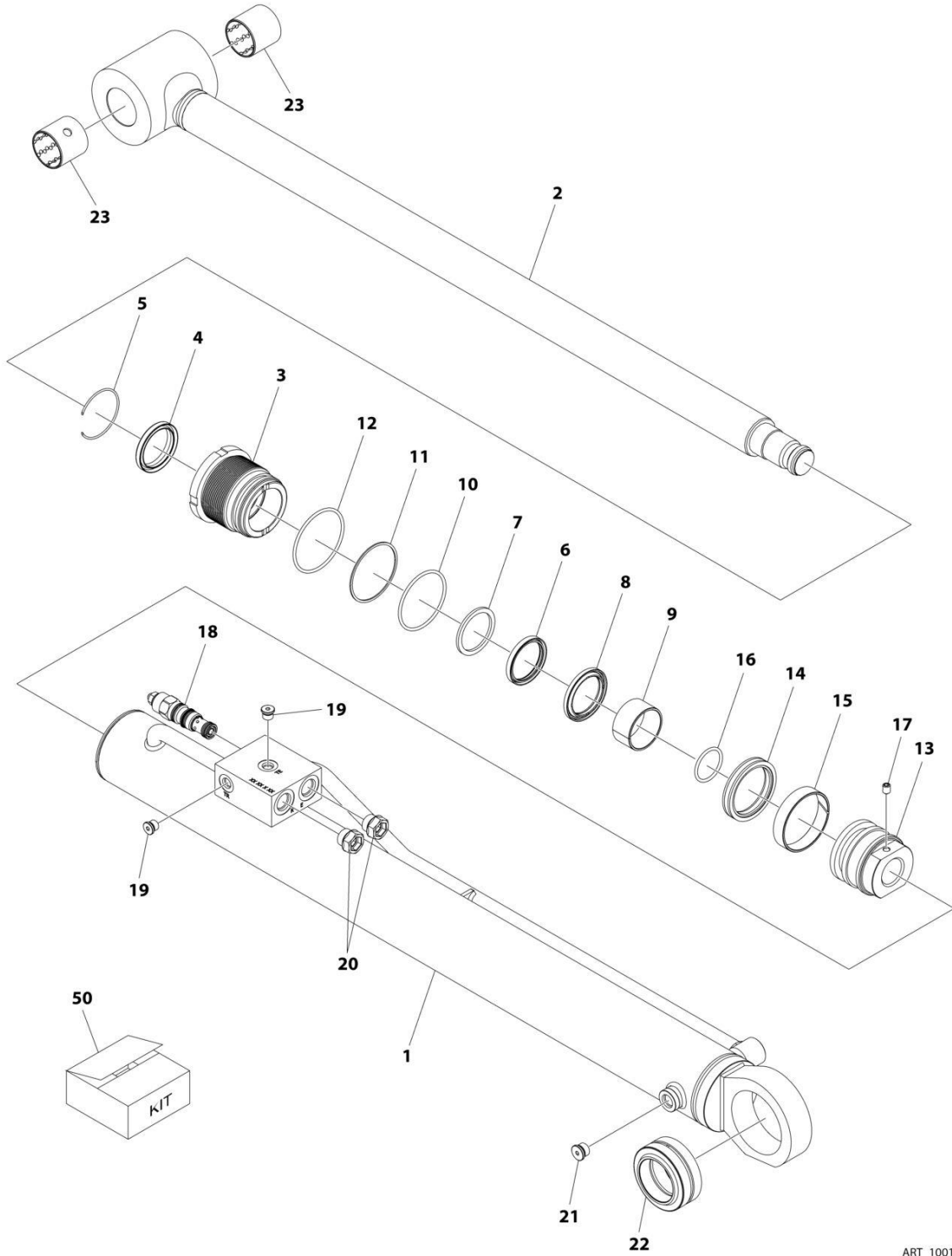
FIGURE 8-24. SUCTION LINES INSTALLATION

ITEM	PART NUMBER	QTY	DESCRIPTION	REV
	1001184531	Ref	SUCTION LINES INSTALLATION	F
1	0761014	2	Bolt M10 x 30	
2	2171832	1	Fitting, Straight	
4	4812002	2	Washer M10	
5	8405301	4	Clamp	
6	1001176313	1	Hose	
7	1001202135	1	Pipe	
8	1001193421	1	Hose	
9	1001184530	1	Pipe	
10	5201215	4	Bolt M12 x 35	

SECTION 9 - HYDRAULIC COMPONENTS

SECTION 9 - HYDRAULIC COMPONENTS

FIGURE 9-1. CYLINDER ASSEMBLY - COMPENSATION



ART_1001274913

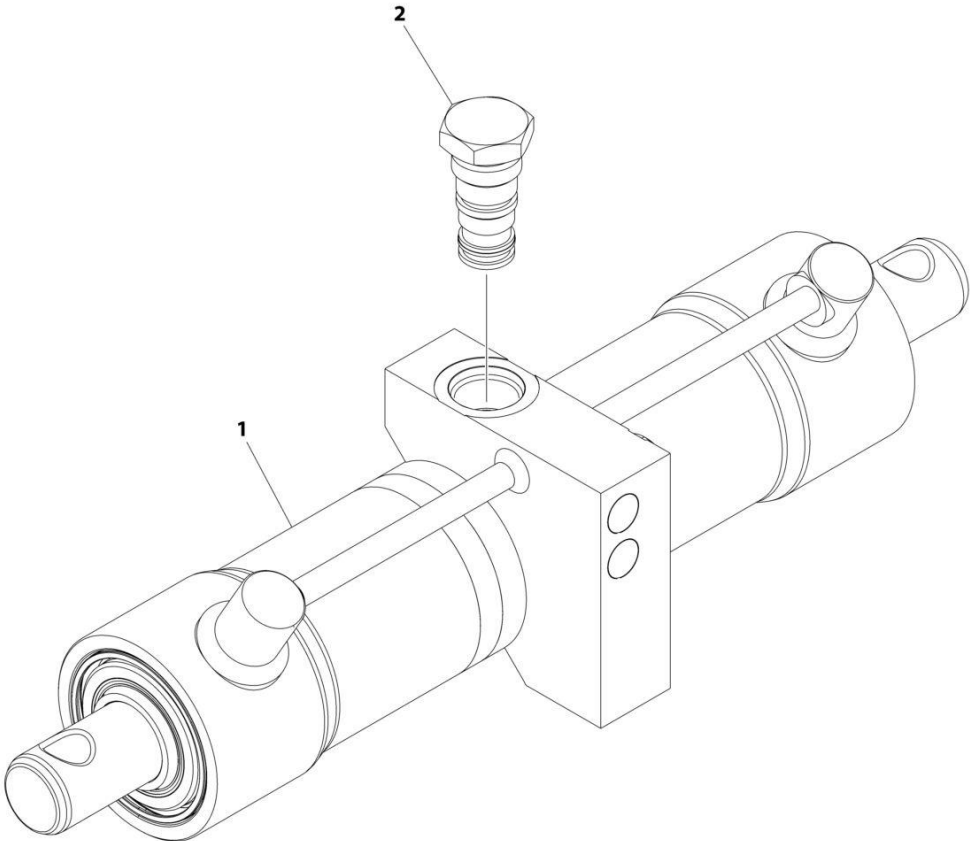
SECTION 9 - HYDRAULIC COMPONENTS

FIGURE 9-1. CYLINDER ASSEMBLY - COMPENSATION

ITEM	PART NUMBER	QTY	DESCRIPTION	REV
	1001274913	Ref	CYLINDER ASSEMBLY - COMPENSATION	A
		Ref	Note: Original Cylinder May Have Been Replaced with Service Replacement. Identify PN Stamped on Cylinder Before Ordering Parts.	
1	See Note	NSS	Barrel (Note: Use PN 1001274913)	
2	70030953	1	Rod	
3	70030954	1	Head	
4	See Note	NSS	Wiper (Note: Use Item 50)	
5	70002410	1	Ring, Retaining	
6	See Note	NSS	Seal (Note: Use Item 50)	
7	See Note	NSS	Ring, Back-up (Note: Use Item 50)	
8	See Note	NSS	Ring (Note: Use Item 50)	
9	70005793	1	Bearing, Dry	
10	See Note	NSS	O-Ring (Note: Use Item 50)	
11	See Note	NSS	Ring, Back-up (Note: Use Item 50)	
12	See Note	NSS	O-Ring (Note: Use Item 50)	
13	70030955	1	Piston	
14	See Note	NSS	Seal (Note: Use Item 50)	
15	See Note	NSS	Ring, Wear (Note: Use Item 50)	
16	See Note	NSS	O-Ring (Note: Use Item 50)	
17	70023369	1	Set Screw	
18	70028384	1	Cartridge, Valve	
19	70023370	2	Plug	
20	See Note	Ref	Dust Plug (Note: Shipping Use Only)	
21	70023371	1	Plug	
22	70030956	1	Bearing	
23	70030957	2	Bearing	
50	70030958	1	Seal Kit - 1001274913 Cylinder (Includes Items 4, 6-8, 10-12 & 14-16)	

SECTION 9 - HYDRAULIC COMPONENTS

FIGURE 9-2. CYLINDER SUB-ASSEMBLY - COUPLER LOCKING



ART_1001114787_C

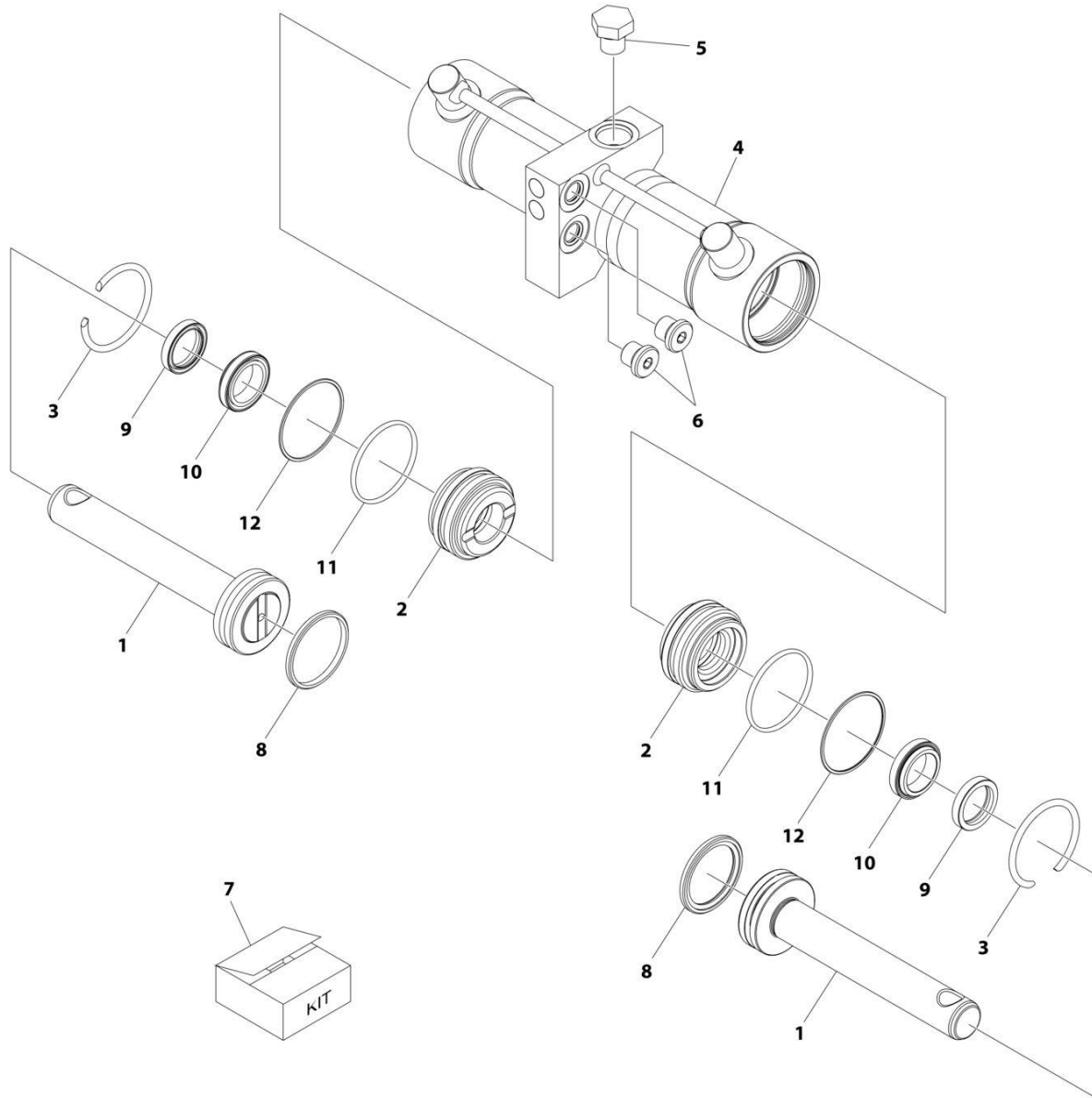
SECTION 9 - HYDRAULIC COMPONENTS

FIGURE 9-2. CYLINDER SUB-ASSEMBLY - COUPLER LOCKING

ITEM	PART NUMBER	QTY	DESCRIPTION	REV
1	1001114787	Ref	COUPLER LOCKING CYLINDER ASSEMBLY	C
	1001267977	1	Cylinder, Coupler Locking (See Separate Breakdown in this Section)	
2	1001145444	1	Valve, P.O. Check	

SECTION 9 - HYDRAULIC COMPONENTS

FIGURE 9-3. CYLINDER ASSEMBLY - COUPLER LOCKING



ART_1001267977

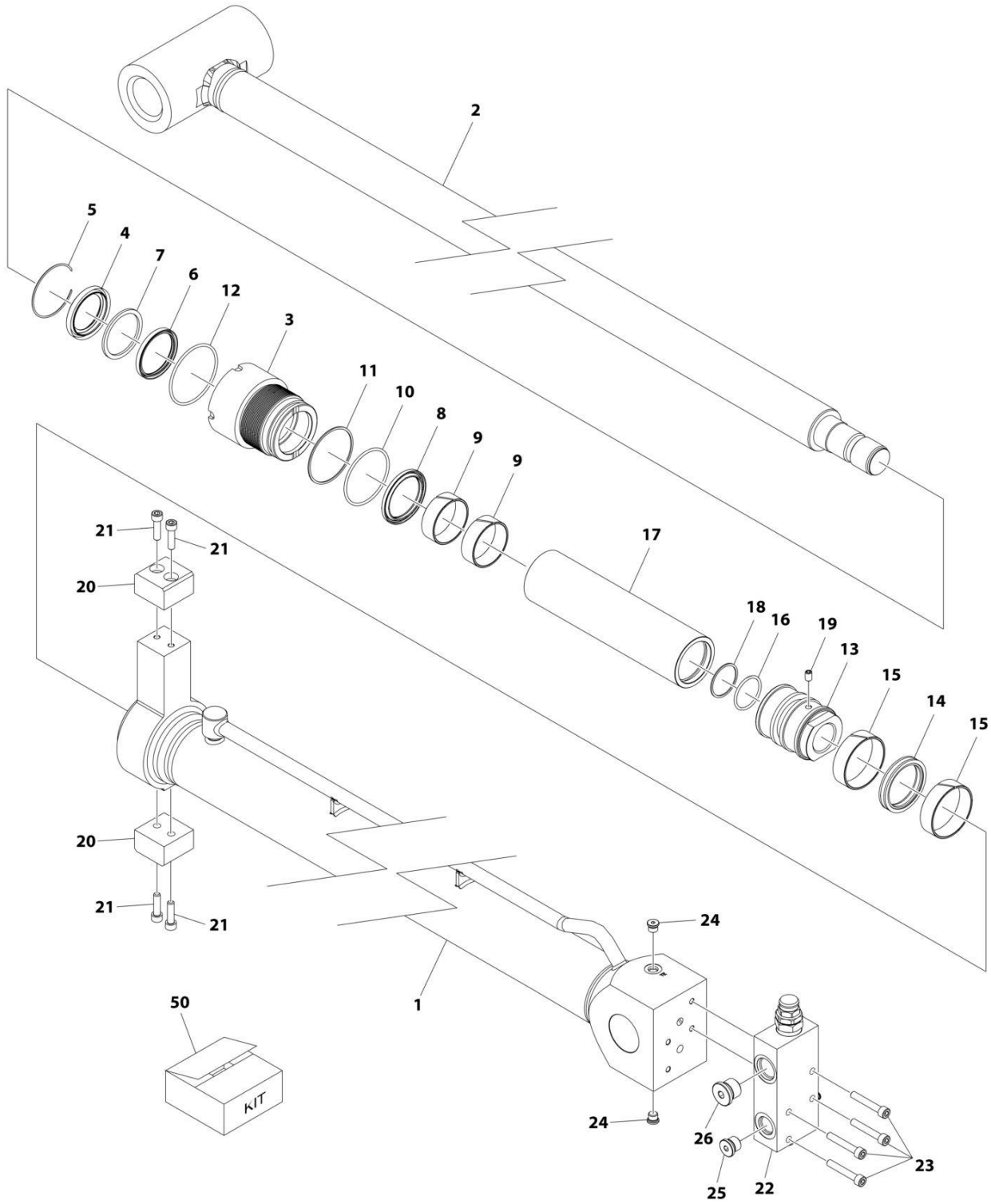
SECTION 9 - HYDRAULIC COMPONENTS

FIGURE 9-3. CYLINDER ASSEMBLY - COUPLER LOCKING

ITEM	PART NUMBER	QTY	DESCRIPTION	REV
	1001267977	Ref	COUPLER LOCKING CYLINDER	B
		Ref	Note: Original Cylinder May Have Been Replaced with Service Replacement. Identify PN Stamped on Cylinder Before Ordering Parts.	
1	70031293	2	Rod	
2	70031294	2	Bushing	
3	70031295	2	Ring, Snap	
4	See Note	NSS	Barrel (Note: Not Sold Separately, Purchase 1001267977)	
5	70031296	1	Plug	
6	2220885	2	Plug	
7	70031297	1	Seal Kit (Includes Items 8-12)	
8	See Note	2	Seal, Piston (Note: Use Item 7)	
9	See Note	2	Seal, Rod (Note: Use Item 7)	
10	See Note	2	Ring, Wiper (Note: Use Item 7)	
11	See Note	2	O-Ring (Note: Use Item 7)	
12	See Note	2	Ring, Backup (Note: Use Item 7)	

SECTION 9 - HYDRAULIC COMPONENTS

FIGURE 9-4. CYLINDER SUB-ASSEMBLY - EXTEND/RETRACT (TELESCOPE)



ART_1001274912

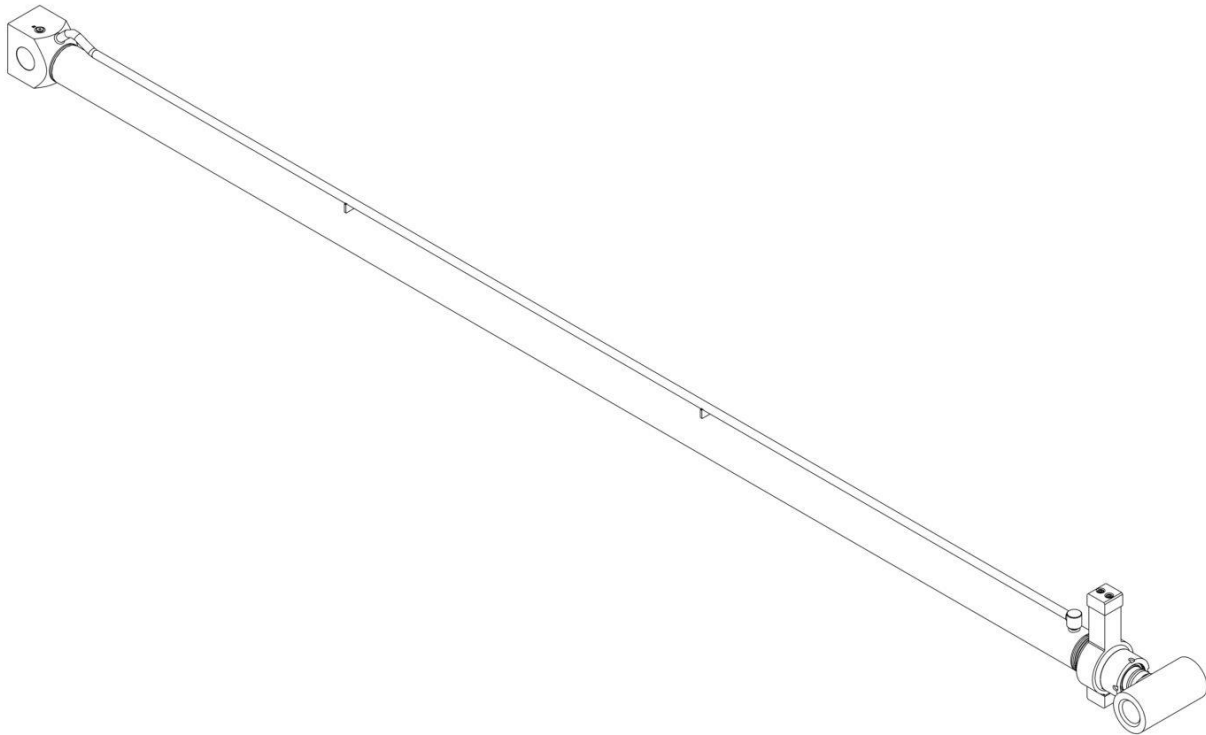
SECTION 9 - HYDRAULIC COMPONENTS

FIGURE 9-4. CYLINDER SUB-ASSEMBLY - EXTEND/RETRACT (TELESCOPE)

ITEM	PART NUMBER	QTY	DESCRIPTION	REV
	1001274912	Ref	CYLINDER ASSEMBLY	B
		Ref	Note: Original Cylinder May Have Been Replaced with Service Replacement. Identify PN Stamped on Cylinder Before Ordering Parts.	
1	See Note	NSS	Barrel (Note: Use PN 1001274912)	
2	70031033	1	Rod	
3	70031034	1	Head	
4	See Note	NSS	Wiper (Note: Use Item 50)	
5	70031035	1	Ring, Retaining	
6	See Note	NSS	Seal, Rod (Note: Use Item 50)	
7	See Note	NSS	Ring, Back Up (Note: Use Item 50)	
8	See Note	NSS	Ring, Buffer (Note: Use Item 50)	
9	See Note	NSS	Ring, Wear (Note: Use Item 50)	
10	See Note	NSS	O-Ring (Note: Use Item 50)	
11	See Note	NSS	Ring, Back Up (Note: Use Item 50)	
12	See Note	NSS	O-Ring (Note: Use Item 50)	
13	70031036	1	Piston	
14	See Note	NSS	Seal, Piston (Note: Use Item 50)	
15	See Note	NSS	Ring, Wear (Note: Use Item 50)	
16	See Note	NSS	O-Ring (Note: Use Item 50)	
17	70031037	1	Spacer	
18	See Note	NSS	O-Ring (Note: Use Item 50)	
19	70006596	1	Setscrew M8 x 12	
20	70031038	2	Pad, Wear	
21	70031039	4	Capscrew M8 x 30	
22	1001276648	1	Cartridge, Valve	
23	70031040	4	Capscrew M8 x 50	
24	2220883	2	Plug 7/16	
25	70005433	1	Plug 7/8	
26	70027702	1	Plug 1-1/16	
50	70031041	1	Seal kit (Includes Items 4, 6-12, 4-16 & 18)	

SECTION 9 - HYDRAULIC COMPONENTS

FIGURE 9-5. CYLINDER ASSEMBLY - EXTEND/RETRACT (TELESCOPE)



ART_1001274911

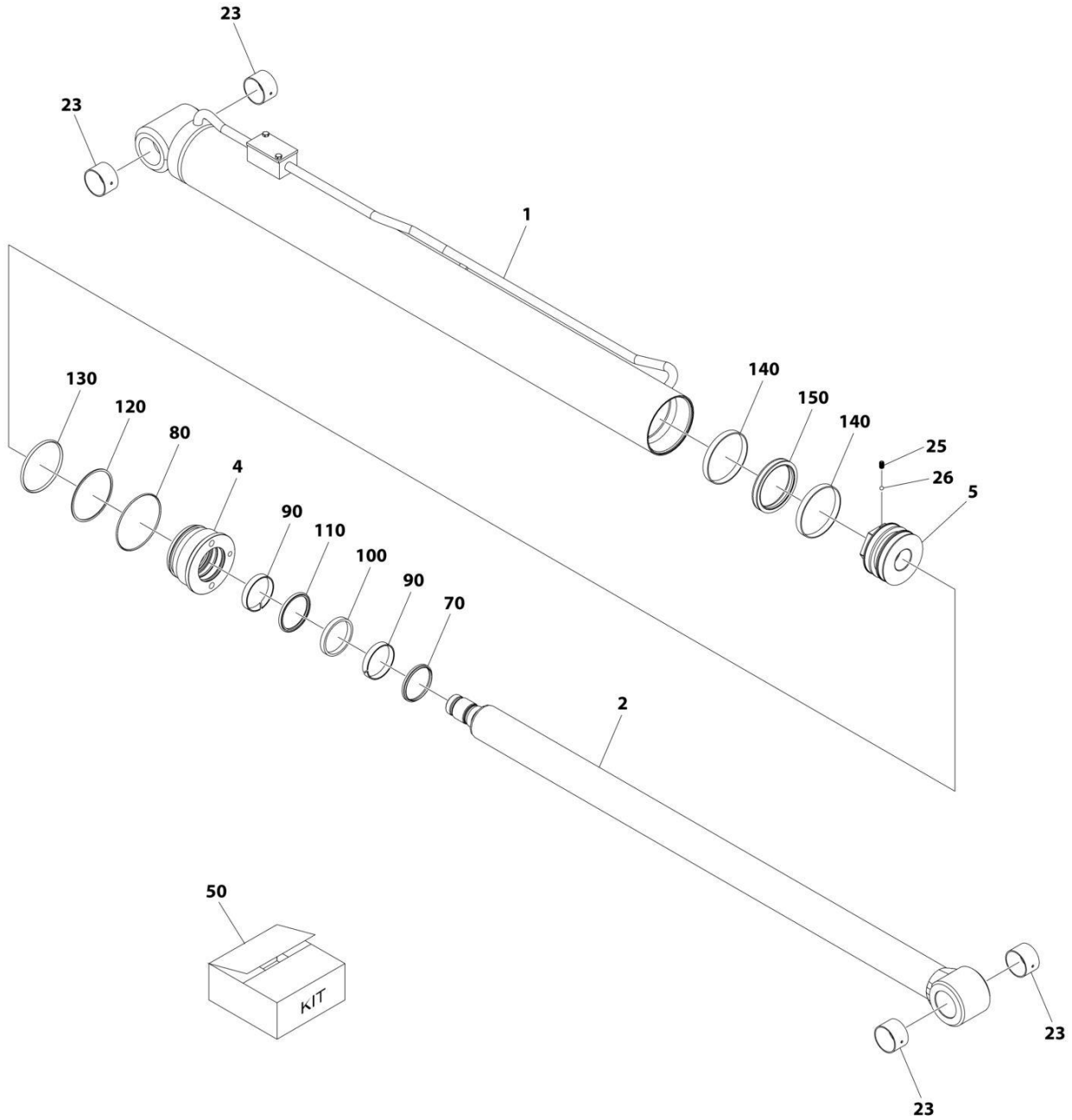
SECTION 9 - HYDRAULIC COMPONENTS

FIGURE 9-5. CYLINDER ASSEMBLY - EXTEND/RETRACT (TELESCOPE)

ITEM	PART NUMBER	QTY	DESCRIPTION	REV
	1001274911	Ref	CYLINDER ASSEMBLY - EXTEND/RETRACT (TELESCOPE)	B
		Ref	Note: Original Cylinder May Have Been Replaced with Service Replacement. Identify PN Stamped on Cylinder Before Ordering Parts.	
		Ref	Note: No Service Parts Available at Time of Printing.	

SECTION 9 - HYDRAULIC COMPONENTS

FIGURE 9-6. CYLINDER ASSEMBLY - LIFT



ART_1001267963

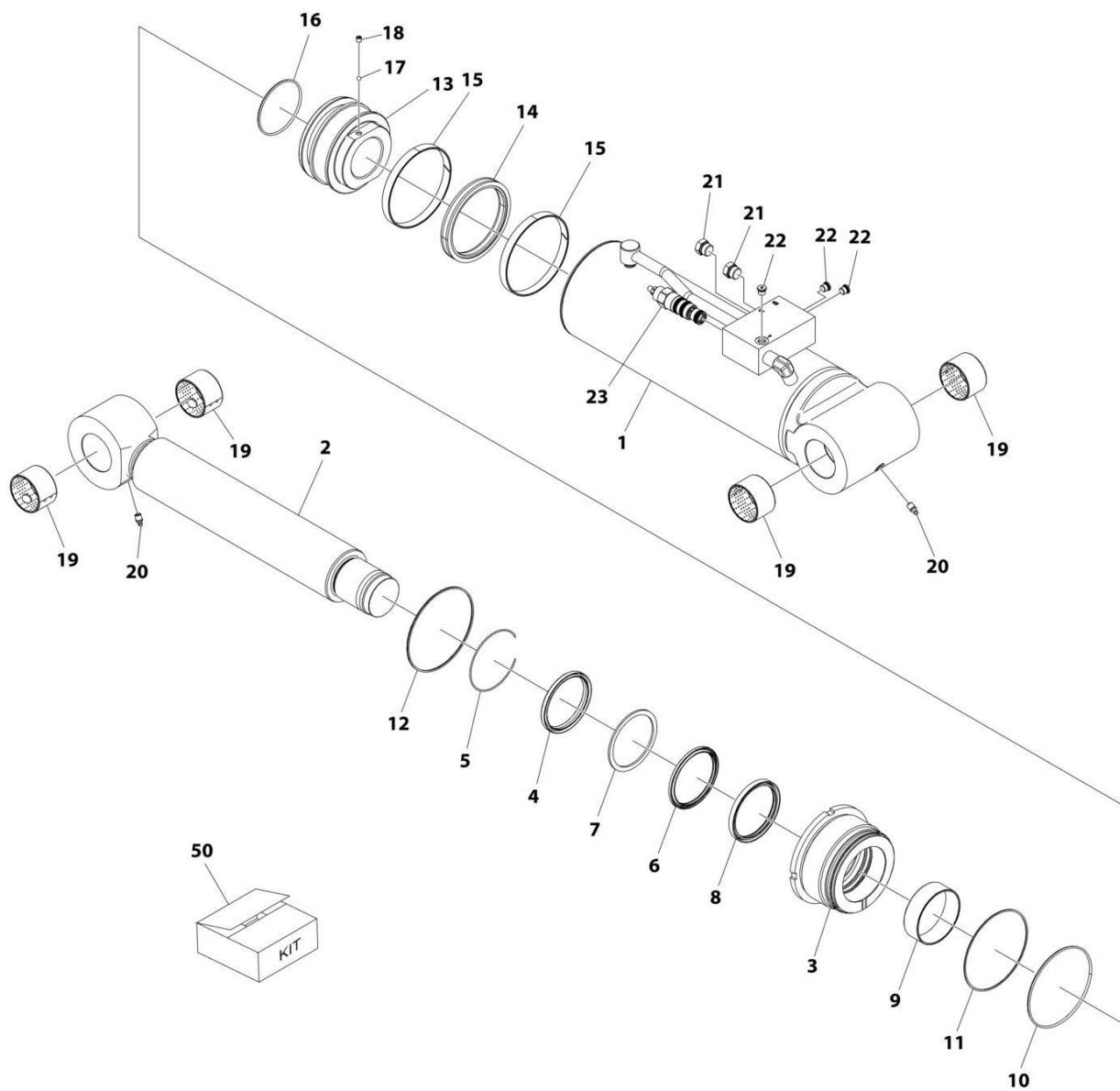
SECTION 9 - HYDRAULIC COMPONENTS

FIGURE 9-6. CYLINDER ASSEMBLY - LIFT

ITEM	PART NUMBER	QTY	DESCRIPTION	REV
	1001267963	Ref	CYLINDER ASSEMBLY - LIFT	B
		Ref	Note: Original Cylinder May Have Been Replaced with Service Replacement. Identify PN Stamped on Cylinder Before Ordering Parts.	
1	See Note	NSS	Barrel (Note: Use PN 1001267963)	
2	See Note	NSS	Rod (Note: Use PN 1001267963)	
4	70030997	1	Head	
5	70030998	1	Piston	
23	70025602	4	Bushing	
25	70025613	1	Set Screw M10 x 16	
26	70025614	1	Ball	
50	70030999	1	Seal Kit - 1001267963 Cylinder	
70	See Note	NSS	Seal (Note: Use Item 50)	
80	See Note	NSS	O-Ring (Note: Use Item 50)	
90	See Note	NSS	Ring Wear (Note: Use Item 50)	
100	See Note	NSS	Seal (Note: Use Item 50)	
110	See Note	NSS	Seal (Note: Use Item 50)	
120	See Note	NSS	Ring (Note: Use Item 50)	
130	See Note	NSS	Ring (Note: Use Item 50)	
140	See Note	NSS	Ring (Note: Use Item 50)	
150	See Note	NSS	Seal (Note: Use Item 50)	

SECTION 9 - HYDRAULIC COMPONENTS

FIGURE 9-7. CYLINDER ASSEMBLY - TILT



ART_1001276695

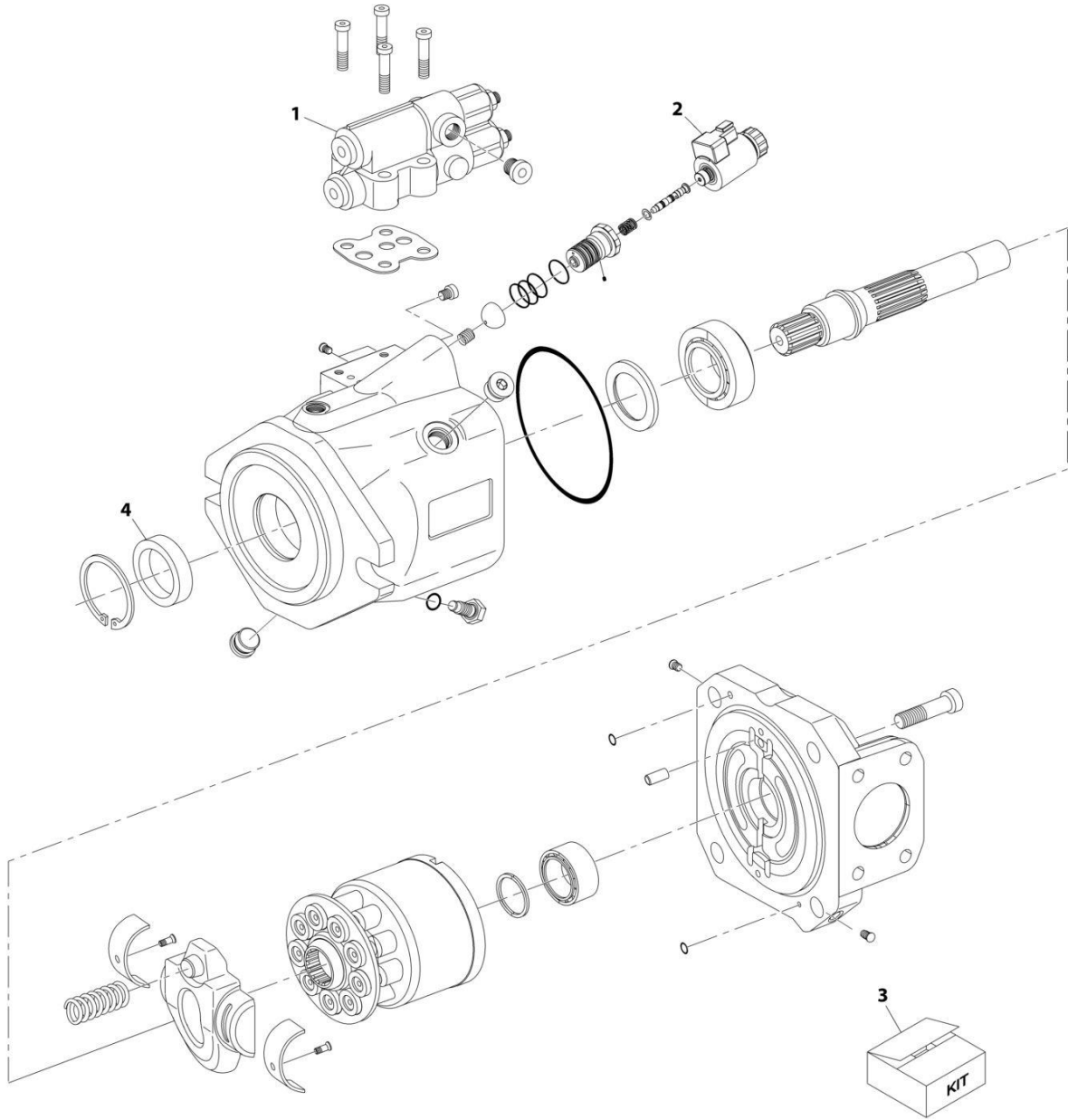
SECTION 9 - HYDRAULIC COMPONENTS

FIGURE 9-7. CYLINDER ASSEMBLY - TILT

ITEM	PART NUMBER	QTY	DESCRIPTION	REV
	1001276695	Ref	CYLINDER ASSEMBLY	C
		Ref	Note: Original Cylinder May Have Been Replaced with Service Replacement. Identify PN Stamped on Cylinder Before Ordering Parts.	
1	See Note	NSS	Barrel (Note: Use PN 1001276695)	
2	70027744	1	Rod	
3	70027745	1	Head	
4	See Note	NSS	Wiper (Note: Use Item 50)	
5	70023380	1	Ring, Retaining	
6	See Note	NSS	Seal, Rod (Note: Use Item 50)	
7	See Note	NSS	Ring, Back Up (Note: Use Item 50)	
8	See Note	NSS	Ring, Buffer (Note: Use Item 50)	
9	70027225	1	Bearing, Dry	
10	See Note	NSS	O-Ring (Note: Use Item 50)	
11	See Note	NSS	Ring, Back Up (Note: Use Item 50)	
12	See Note	NSS	O-Ring (Note: Use Item 50)	
13	70031044	1	Piston	
14	See Note	NSS	Seal, Piston (Note: Use Item 50)	
15	See Note	NSS	Ring, Wear (Note: Use Item 50)	
16	See Note	NSS	O-Ring (Note: Use Item 50)	
17	70022564	1	Ball	
18	70022563	1	Setscrew M8 x 10	
19	70026543	4	Bearing, Dry	
20	70026308	2	Fitting, Grease	
21	70023372	2	Plug, 3/4	
22	2220883	3	Plug, 7/16	
23	1001189888	1	Cartridge, Valve	
50	70031045	1	Seal Kit (Includes Items 4, 6-8, 10-12 & 14-16)	

SECTION 9 - HYDRAULIC COMPONENTS

FIGURE 9-8. IMPLEMENT PUMP



ART_1001200815-B

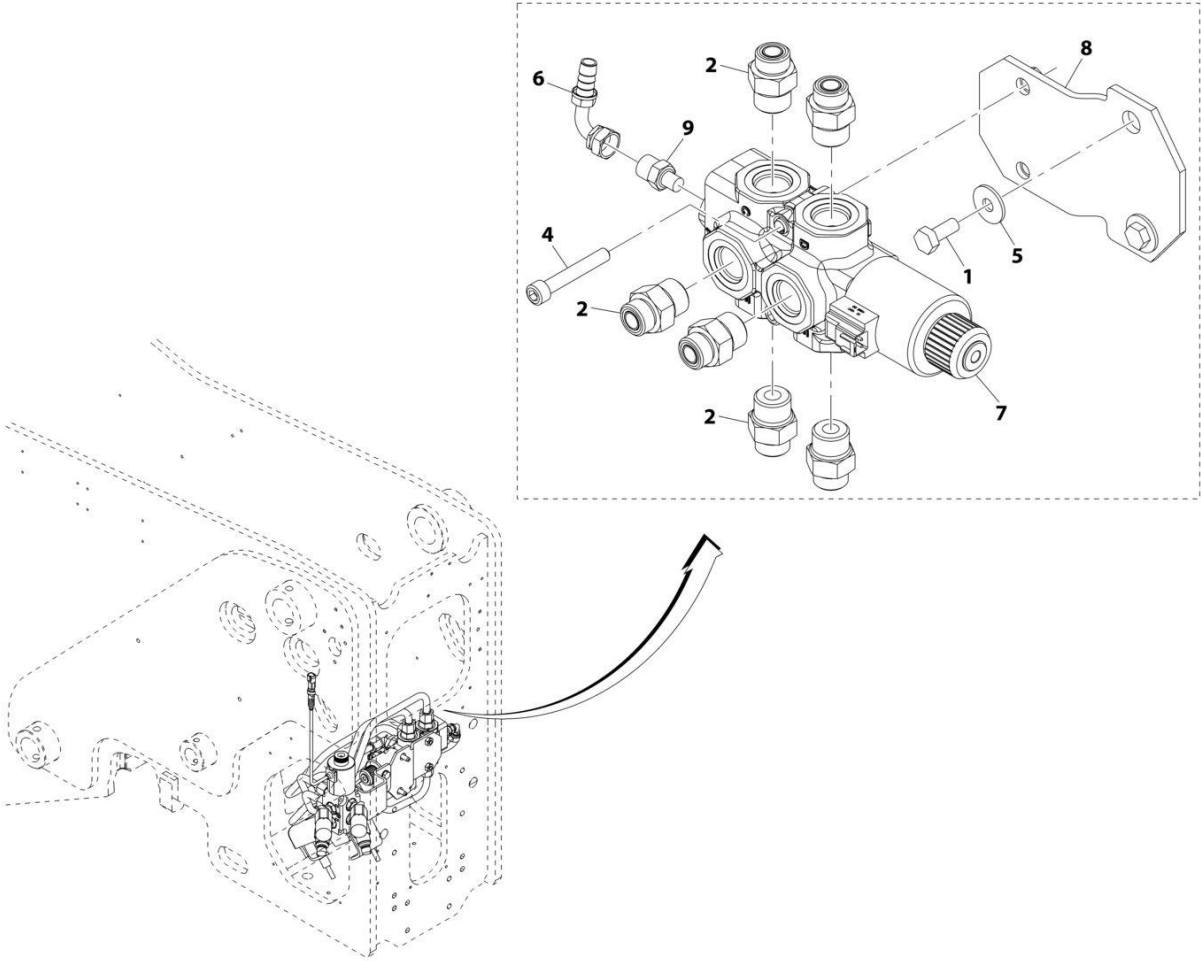
SECTION 9 - HYDRAULIC COMPONENTS

FIGURE 9-8. IMPLEMENT PUMP

ITEM	PART NUMBER	QTY	DESCRIPTION	REV
	1001200815	Ref	Implement Pump	B
1	70027595	1	Controller, DSR	
2	70024186	1	Controller, EK	
3	70024189	1	Kit, Seal	
4	7024947	1	SHAFT SEAL	
	Kit	1	O-Ring	
	Kit	2	O-Ring	
	Kit	2	O-Ring	
	Kit	4	O-Ring	
	Kit	2	O-Ring	
	Kit	1	Seal	
	Kit	1	Ring, Retaining	
	Kit	1	O-Ring	
	Kit	1	Seal	
	Kit	1	O-Ring	
	Kit	6	Seal	
	Kit	1	O-Ring	
	Kit	1	O-Ring	
	Kit	2	O-Ring	
	Kit	2	Ring, Thrust	
	Kit	1	O-Ring	
	Kit	1	O-Ring	
	Kit	1	Ring, Backup	
	Kit	1	O-Ring	
	Kit	1	Ring, Backup	

SECTION 9 - HYDRAULIC COMPONENTS

FIGURE 9-9. VALVE SUB-ASSEMBLY - DIVERTOR (HI-FLOW)



ART_1001204420-C

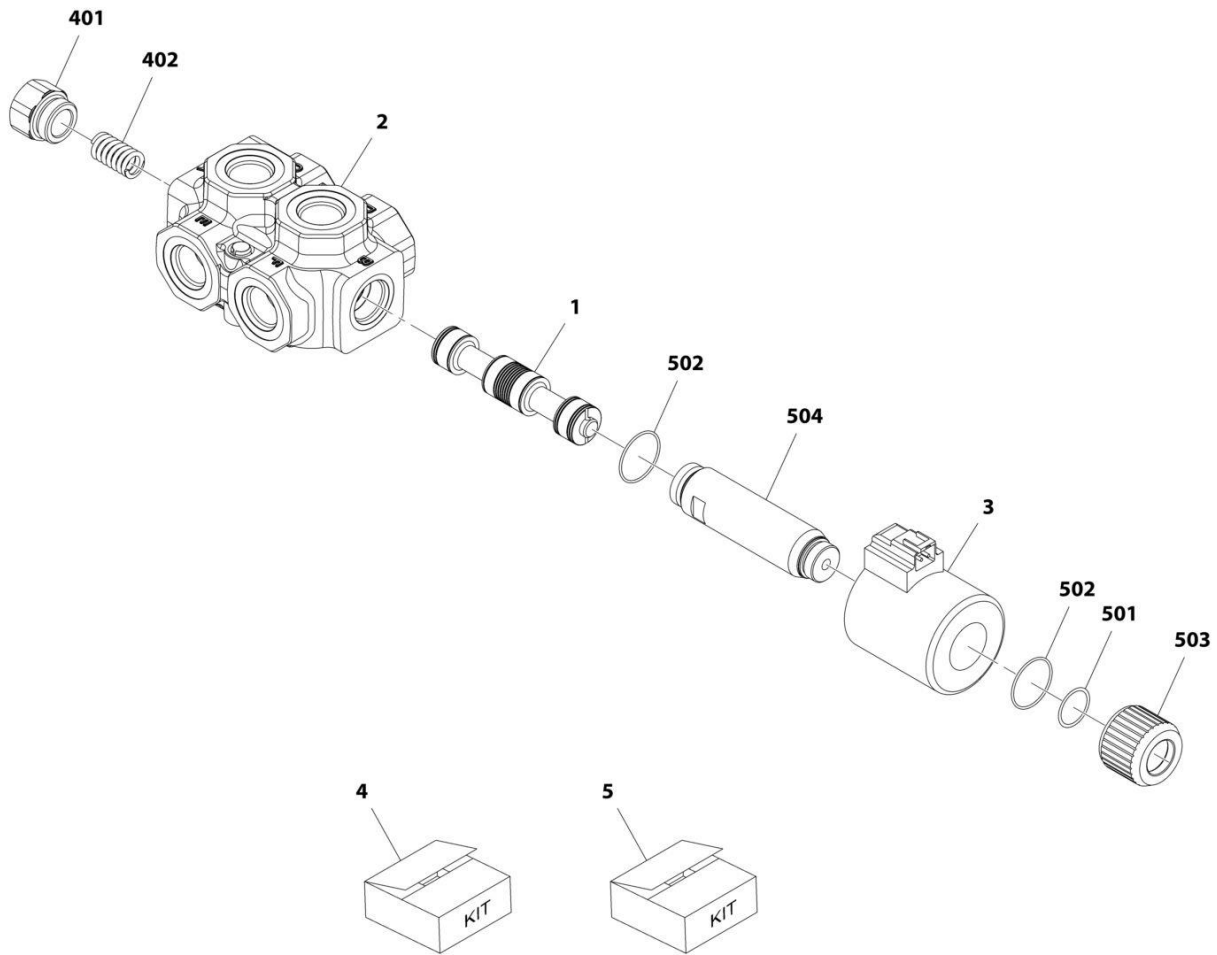
SECTION 9 - HYDRAULIC COMPONENTS

FIGURE 9-9. VALVE SUB-ASSEMBLY - DIVERTOR (HI-FLOW)

ITEM	PART NUMBER	QTY	DESCRIPTION	REV
	1001204420	Ref	Divertor Valve Assembly (Hi Flow)	C
1	0761012	2	Bolt, M10X25	
2	2111012	6	Fitting, Straight ORFS	
4	4032017	2	Bolt	
5	4812002	2	Washer, M10	
6	1001095301	1	Fitting, 90 ORFS	
7	1001173771	1	Valve, Divertor (Hi Flow) (See Separate Breakdown in this Section)	
8	1001213748	1	Bracket	
9	2110604	1	Fitting, Straight ORFS	

SECTION 9 - HYDRAULIC COMPONENTS

FIGURE 9-10. VALVE ASSEMBLY - DIVERTOR



ART_1001173771-D

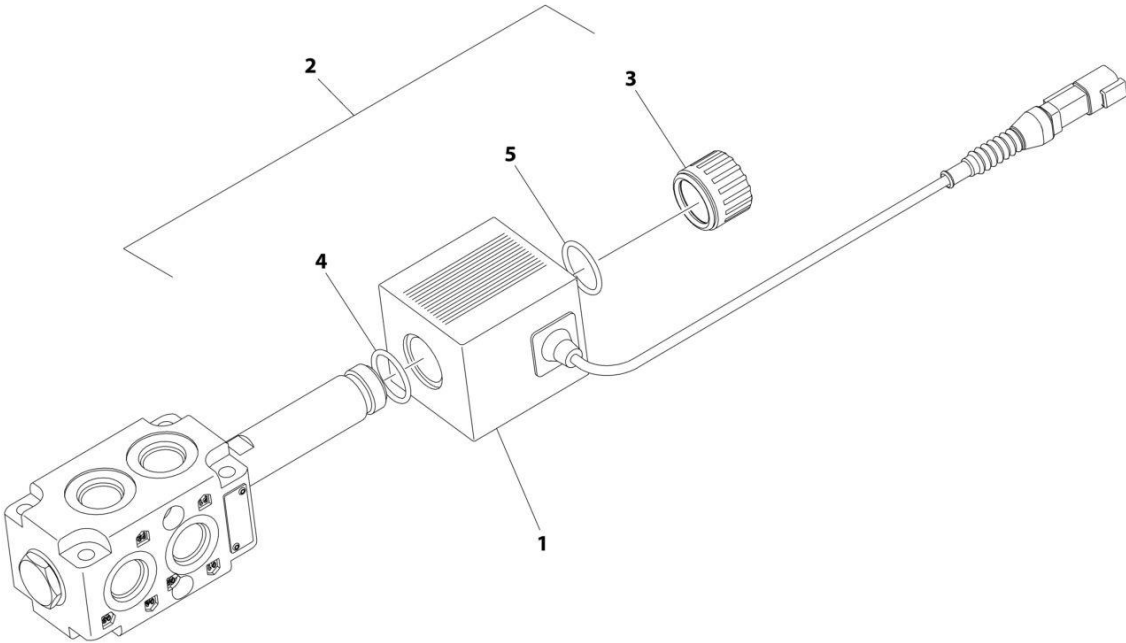
SECTION 9 - HYDRAULIC COMPONENTS

FIGURE 9-10. VALVE ASSEMBLY - DIVERTOR

ITEM	PART NUMBER	QTY	DESCRIPTION	REV
	1001173771	Ref	Divertor Valve	D
1	70027267	1	Spool, Divertor	
2	70027268	1	Body, Divertor	
3	70027269	1	Coil	
4	70027270	1	Kit, Drain Plug	
401	Kit	1	Plug	
402	Kit	1	Spring	
5	70027271	1	Kit, Tube	
501	Kit	1	O-Ring	
502	Kit	2	O-Ring	
503	Kit	1	Plug	
504	Kit	1	Tube	

SECTION 9 - HYDRAULIC COMPONENTS

FIGURE 9-11. VALVE ASSEMBLY - DIVERTOR



ART_1001104477

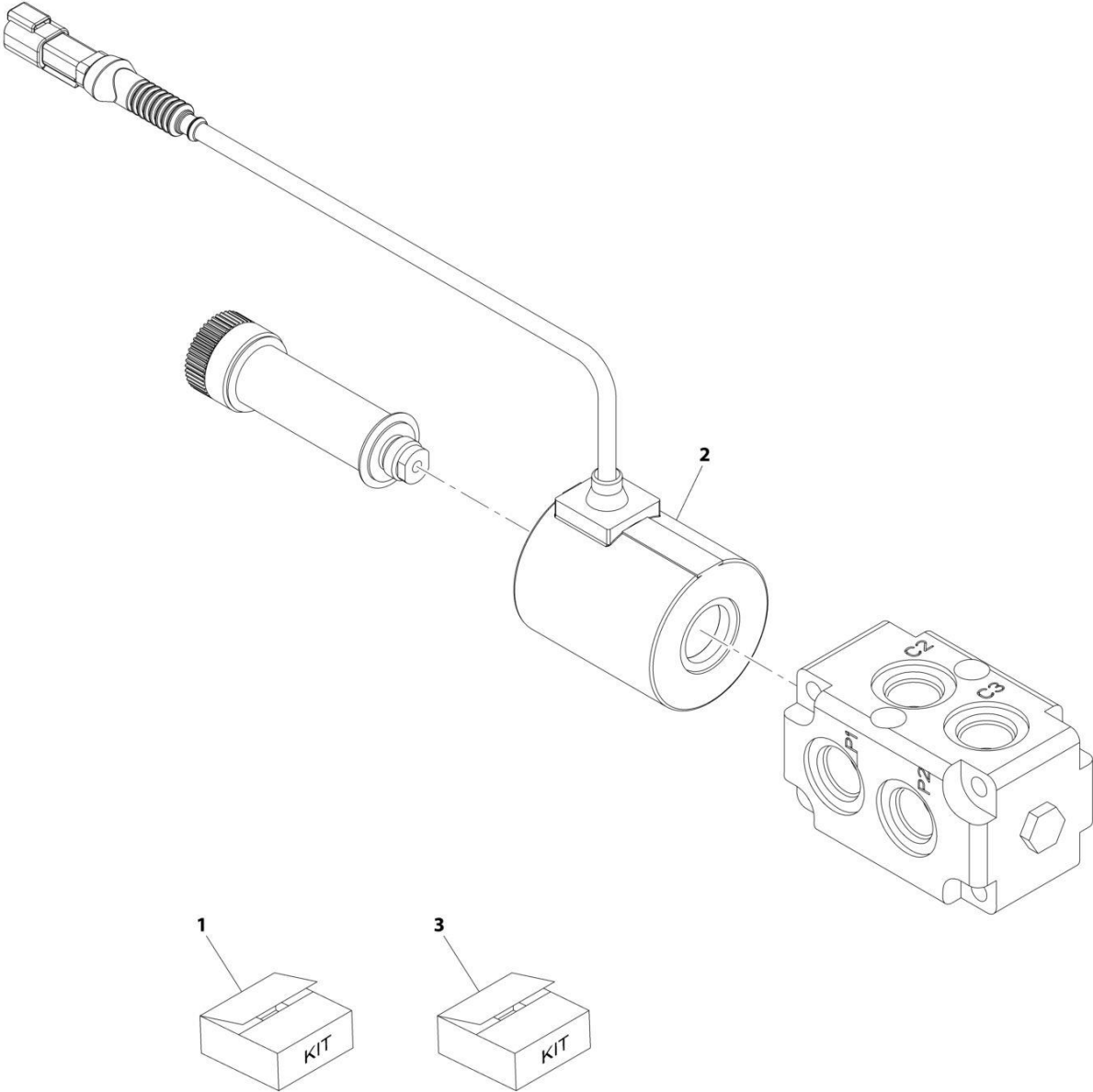
SECTION 9 - HYDRAULIC COMPONENTS

FIGURE 9-11. VALVE ASSEMBLY - DIVERTOR

ITEM	PART NUMBER	QTY	DESCRIPTION	REV
	1001104477	Ref	DIVERTOR VALVE	D
1	70020764	1	Coil	
2	70021531	1	Retainer Kit (Includes Items 3-5)	
3	Kit	1	Nut	
4	Kit	1	O-Ring	
5	Kit	1	O-Ring	

SECTION 9 - HYDRAULIC COMPONENTS

FIGURE 9-12. VALVE ASSEMBLY - DIVERTOR



ART_100110023-B

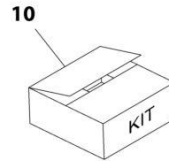
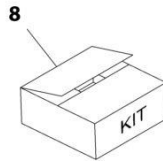
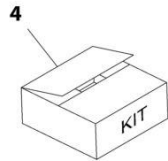
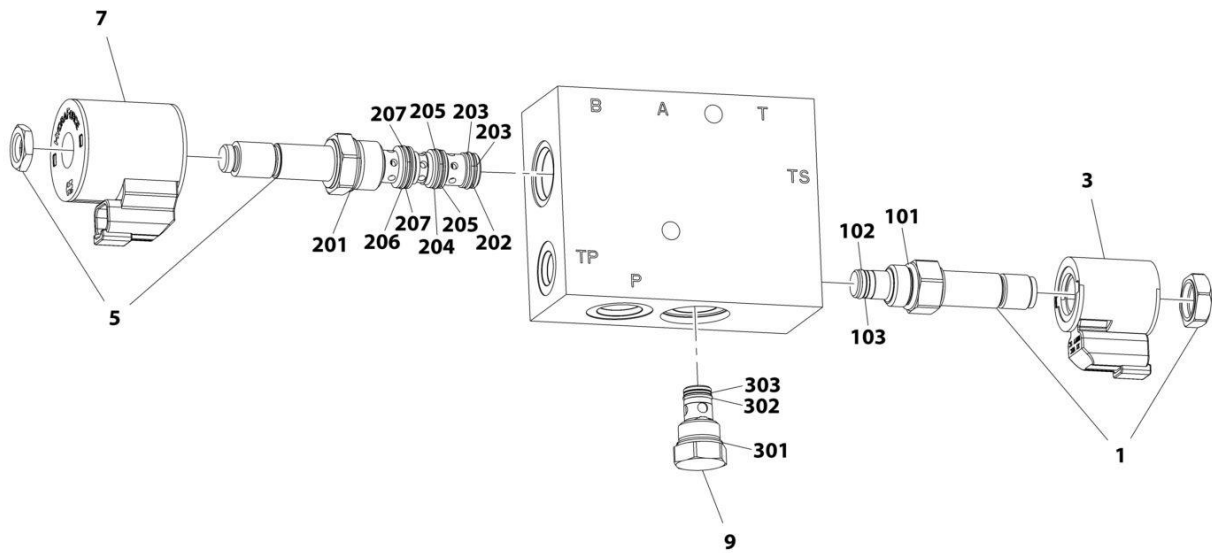
SECTION 9 - HYDRAULIC COMPONENTS

FIGURE 9-12. VALVE ASSEMBLY - DIVERTOR

ITEM	PART NUMBER	QTY	DESCRIPTION	REV
	1001110023	Ref	Divertor Valve	B
1	70027596	1	Kit, Seal	
	Kit	2	O-Ring	
2	70020764	1	Coil	
3	70021531	1	Kit, Coil Nut	
	N.S.S.	1	O-Ring	
	N.S.S.	1	O-Ring	
	N.S.S.	1	Nut	

SECTION 9 - HYDRAULIC COMPONENTS

FIGURE 9-13. VALVE ASSEMBLY - FAN MOTOR CONTROL



ART_1001182213-C

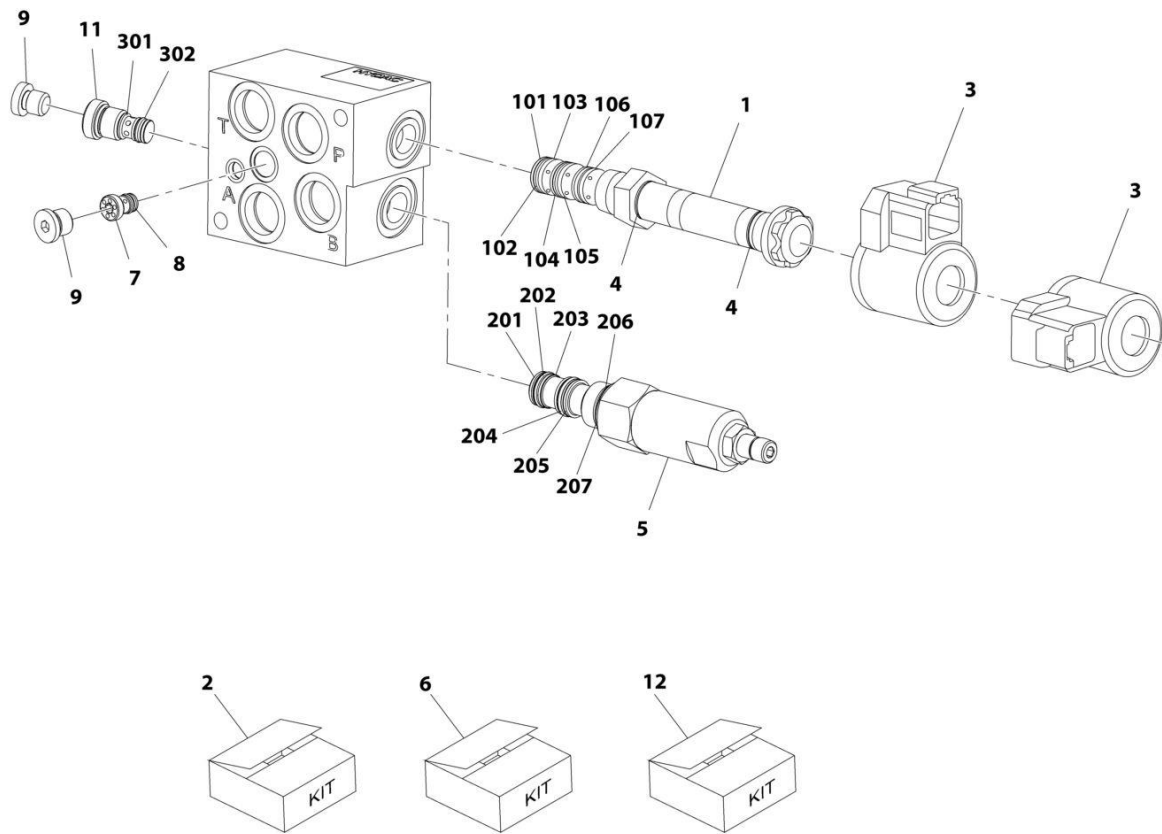
SECTION 9 - HYDRAULIC COMPONENTS

FIGURE 9-13. VALVE ASSEMBLY - FAN MOTOR CONTROL

ITEM	PART NUMBER	QTY	DESCRIPTION	REV
	1001182213	Ref	Fan Motor Control Valve	C
1	70027004	1	Valve, Proportional	
3	70002971	1	Coil	
4	7012998	1	Kit, Seal (includes items 101 thru 103)	
5	8036580	1	Valve, Solenoid	
7	70003788	1	Coil	
8	7012903	1	Kit, Seal (includes items 201 thru 207)	
9	7022391	1	Valve, Check	
10	7012998	1	Kit, Seal (includes items 301 thru 303)	
101	N.S.S.	1	O-Ring	
102	N.S.S.	1	O-Ring	
103	N.S.S.	1	O-Ring, Back-up	
201	N.S.S.	1	O-Ring	
202	N.S.S.	1	O-Ring	
203	N.S.S.	2	O-Ring, Back-up	
204	N.S.S.	1	O-Ring	
205	N.S.S.	2	O-Ring, Back-up	
206	N.S.S.	1	O-Ring	
207	N.S.S.	2	O-Ring, Back-up	
301	N.S.S.	1	O-Ring	
302	N.S.S.	1	O-Ring	
303	N.S.S.	1	O-Ring, Back-up	

SECTION 9 - HYDRAULIC COMPONENTS

FIGURE 9-14. VALVE ASSEMBLY - HYDRAULIC HITCH CONTROL VALVE



ART_1001226722-A

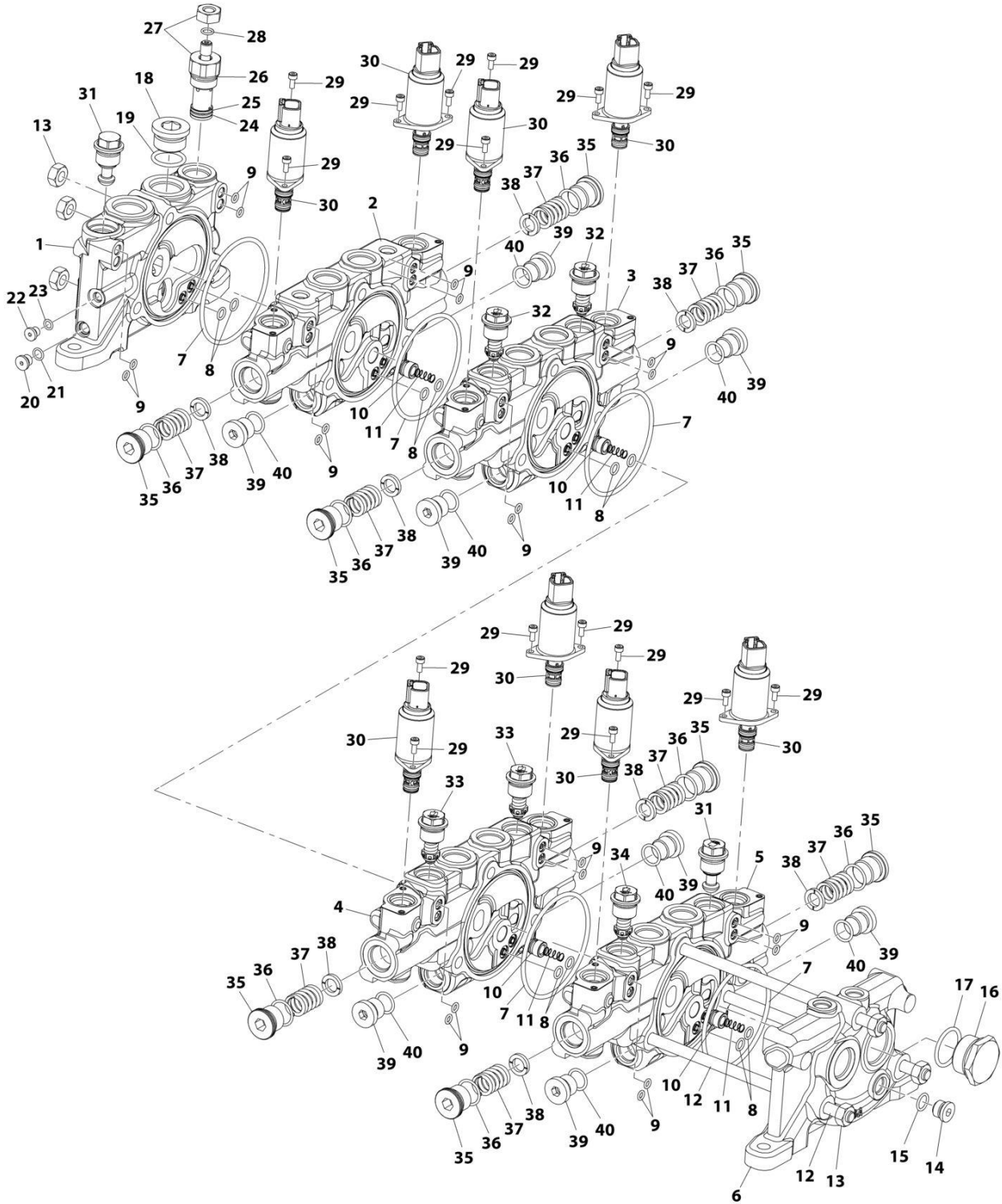
SECTION 9 - HYDRAULIC COMPONENTS

FIGURE 9-14. VALVE ASSEMBLY - HYDRAULIC HITCH CONTROL VALVE

ITEM	PART NUMBER	QTY	DESCRIPTION	REV
	1001226722	Ref	Hydraulic Hitch Control Valve	B
1	70026965	1	Valve	
2	70026966	1	Kit, Seal	
101	Kit	1	O-Ring	
102	Kit	1	O-Ring	
103	Kit	2	Support Ring	
104	Kit	1	O-Ring	
105	Kit	2	Support Ring	
106	Kit	1	O-Ring	
107	Kit	2	Support Ring	
3	70026967	2	Coil	
4	70026968	1	Nut	
5	70026969	1	Valve	
6	70026970	1	Kit, Seal	
201	Kit	1	O-Ring	
202	Kit	1	O-Ring	
203	Kit	2	Support Ring	
204	Kit	1	O-Ring	
205	Kit	2	Support Ring	
206	Kit	1	O-Ring	
207	Kit	2	Support Ring	
7	70026971	1	Valve	
8	70026972	1	Seal	
9	70026973	2	Plug	
11	70026975	1	Valve	
12	70026976	1	Kit, Seal	
301	Kit	1	O-Ring	
302	Kit	1	O-Ring	

SECTION 9 - HYDRAULIC COMPONENTS

FIGURE 9-15. VALVE ASSEMBLY - MAIN CONTROL



ART_1001241883-A

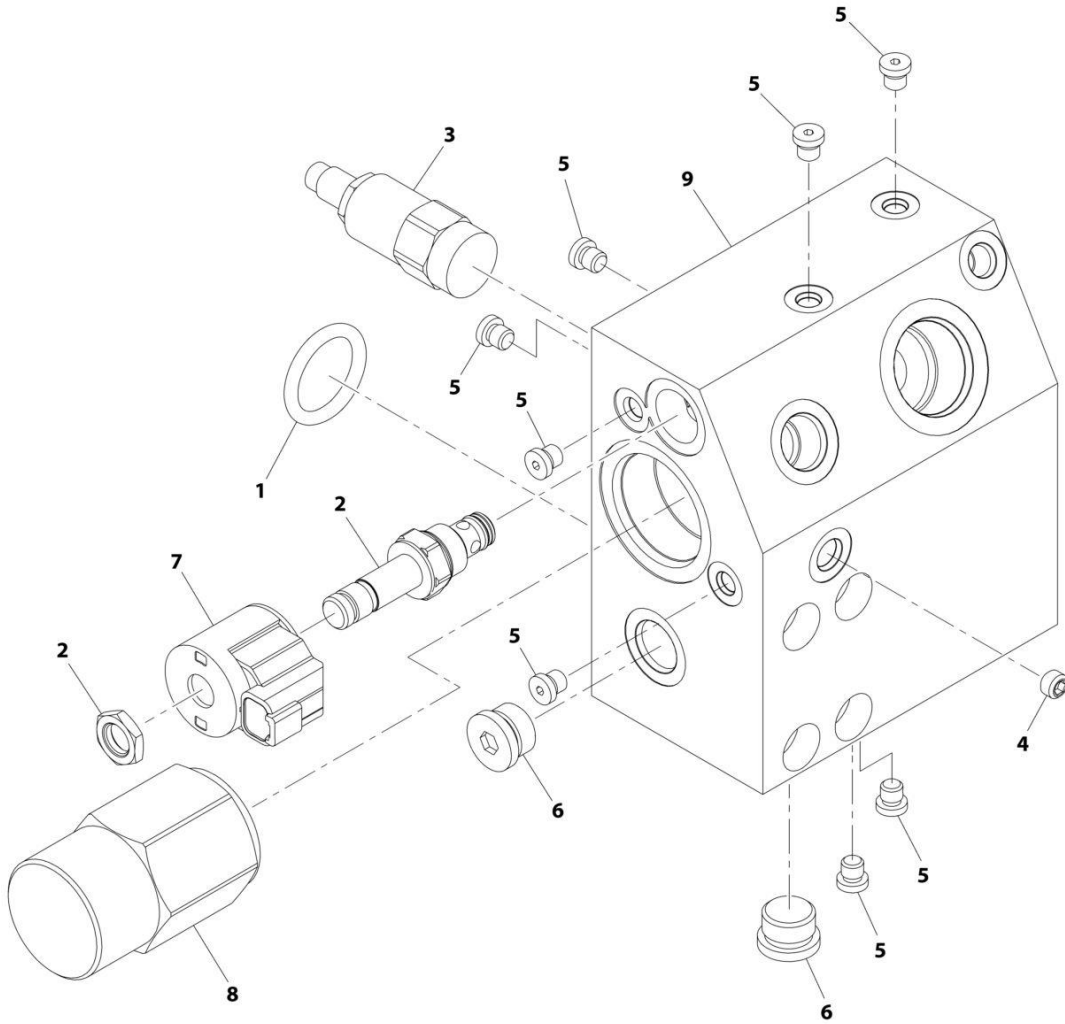
SECTION 9 - HYDRAULIC COMPONENTS

FIGURE 9-15. VALVE ASSEMBLY - MAIN CONTROL

ITEM	PART NUMBER	QTY	DESCRIPTION	REV
	1001241883	Ref	Main Control Valve	A
1	70027136	1	Section, Inlet	
2	70029992	1	Lift Section Assembly	
3	70029993	1	Tilt Section Assembly	
4	70029994	1	Aux Section Assembly	
5	70029995	1	Extend/Retract Section Assembly	
6	70027141	1	Outlet Section Assembly	
7	8034697	5	O-Ring	
8	10837926	10	O-Ring	
9	70027128	20	O-Ring	
10	10837929	4	Poppet	
11	10837937	4	Spring	
12	70026375	3	Tie Rod	
13	70050481	6	Nut-Metric	
14	70050475	1	Plug Assy	
15	70024201	1	O-Ring	
16	70029030	1	Plug Assy W/O-Ring	
17	10732931	1	O-Ring	
18	70050472	1	Plug Assy, W/O-Ring	
19	70026374	1	O-Ring	
20	70026368	1	Plug Assy W/O-Ring	
21	70026371	1	O-Ring	
22	70026379	1	Plug Assy W/O-Ring	
23	70026372	1	O-Ring	
24	70026370	1	O-Ring	
25	70026376	1	Back-Up Ring	
26	10837928	1	O-Ring	
27	70027132	1	Drain Regulator Assembly	
28	70026373	1	O-Ring	
29	70027135	16	Screw	
30	70029820	8	Solenoid, Cartridge Valve	
31	70026382	2	Shut-Off Plug Assembly	
32	70022010	2	Relief Valve Assembly	
33	70027133	2	Relief Valve Assembly	
34	70027134	1	Relief Valve Assembly	
35	70024847	8	Plug Assembly W/O-Ring	
36	70026777	8	O-Ring	
37	70026377	8	Spring	
38	70027129	8	Spring Seat	
39	70027131	8	Plug Assembly W/O-Ring	
40	70027130	8	O-Ring	

SECTION 9 - HYDRAULIC COMPONENTS

FIGURE 9-16. VALVE ASSEMBLY - PRIORITY FLOW MANIFOLD



ART_1001220639-B

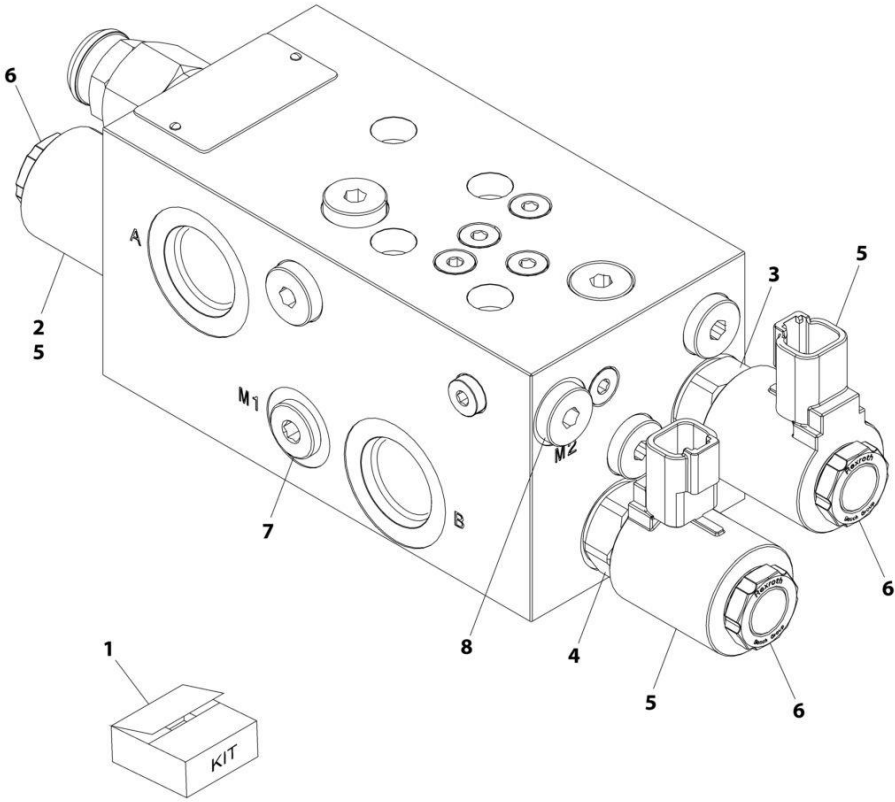
SECTION 9 - HYDRAULIC COMPONENTS

FIGURE 9-16. VALVE ASSEMBLY - PRIORITY FLOW MANIFOLD

ITEM	PART NUMBER	QTY	DESCRIPTION	REV
	1001220639	Ref	Priority Flow Valve	B
1	70027000	1	O-Ring	
2	70027001	1	Valve, Solenoid	
3	70027002	1	Reducer, Pressure	
4	70026313	1	Plug	
5	2220881	8	Plug	
6	2220886	2	Plug	
7	70002386	1	Coil	
8	70028900	1	Direction Control Valve	
9	N.S.S.	1	Body	

SECTION 9 - HYDRAULIC COMPONENTS

FIGURE 9-17. VALVE ASSEMBLY - RIDE CONTROL



ART_1001263039

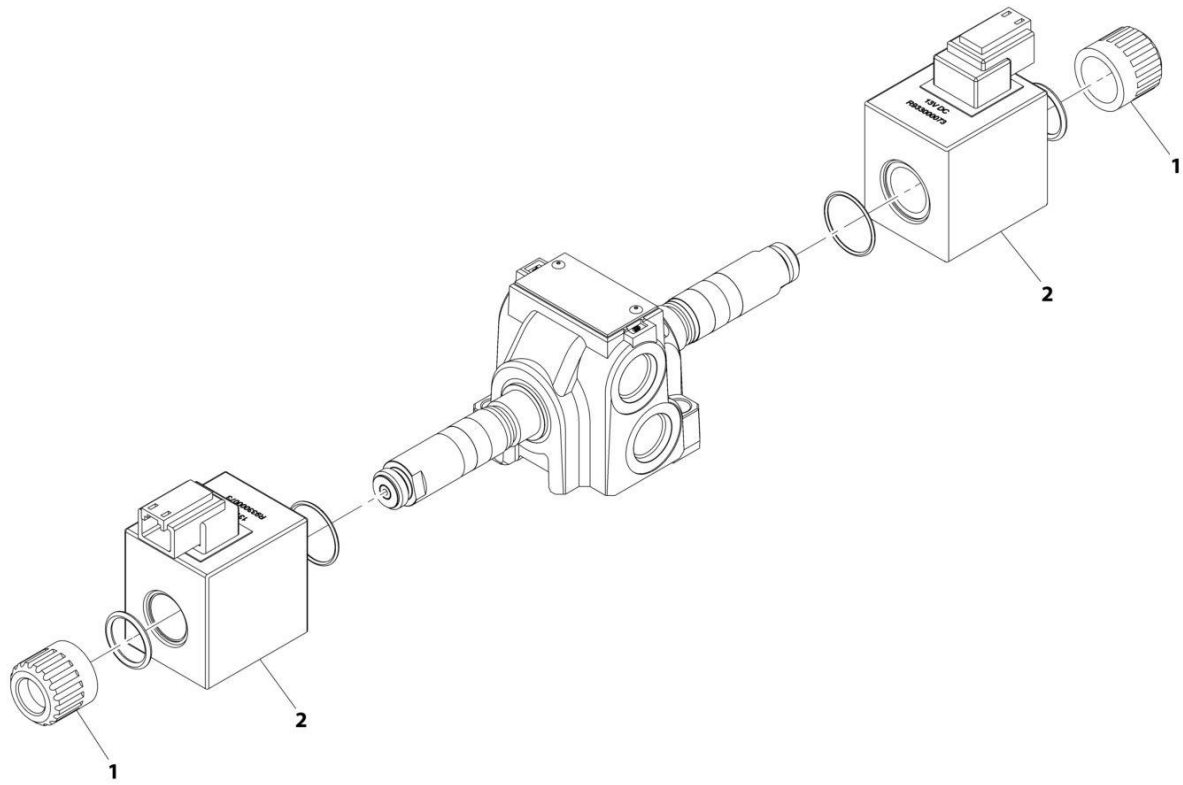
SECTION 9 - HYDRAULIC COMPONENTS

FIGURE 9-17. VALVE ASSEMBLY - RIDE CONTROL

ITEM	PART NUMBER	QTY	DESCRIPTION	REV
	1001263039	Ref	VALVE ASSEMBLY - RIDE CONTROL	A
1	70027600	1	Seal Kit - Mounting (Includes to Mount Valve Assembly)	
2	70030943	1	Valve, Solenoid Cartridge (Less Coil)	
3	70030944	1	Valve, Solenoid Cartridge (Less Coil)	
4	70030945	1	Valve, Solenoid Cartridge (Less Coil)	
5	70030946	3	Coil	
6	70007604	3	Coil Nut	
7	70030947	1	Plug Kit	
8	70030948	1	Plug Kit	

SECTION 9 - HYDRAULIC COMPONENTS

FIGURE 9-18. VALVE ASSEMBLY - STEERING SELECT VALVE



ART_1001153748-C

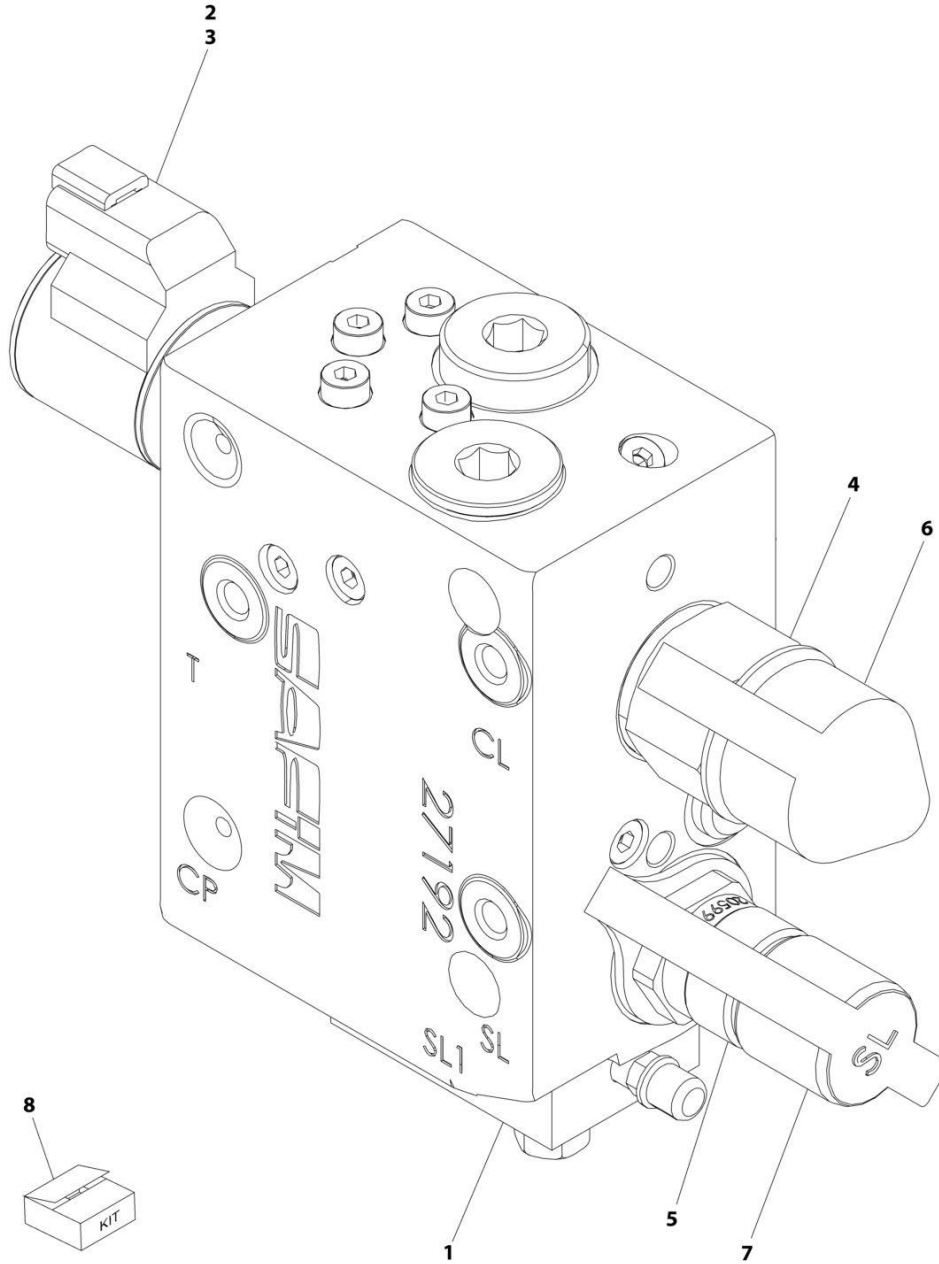
SECTION 9 - HYDRAULIC COMPONENTS

FIGURE 9-18. VALVE ASSEMBLY - STEERING SELECT VALVE

ITEM	PART NUMBER	QTY	DESCRIPTION	REV
	1001153748	Ref	Steering Select Valve	C
1	70020867	2	Nut, Coil	
2	70026582	2	Coil	

SECTION 9 - HYDRAULIC COMPONENTS

FIGURE 9-19. VALVE ASSEMBLY - TRAILER BRAKE



ART_1001230194

SECTION 9 - HYDRAULIC COMPONENTS

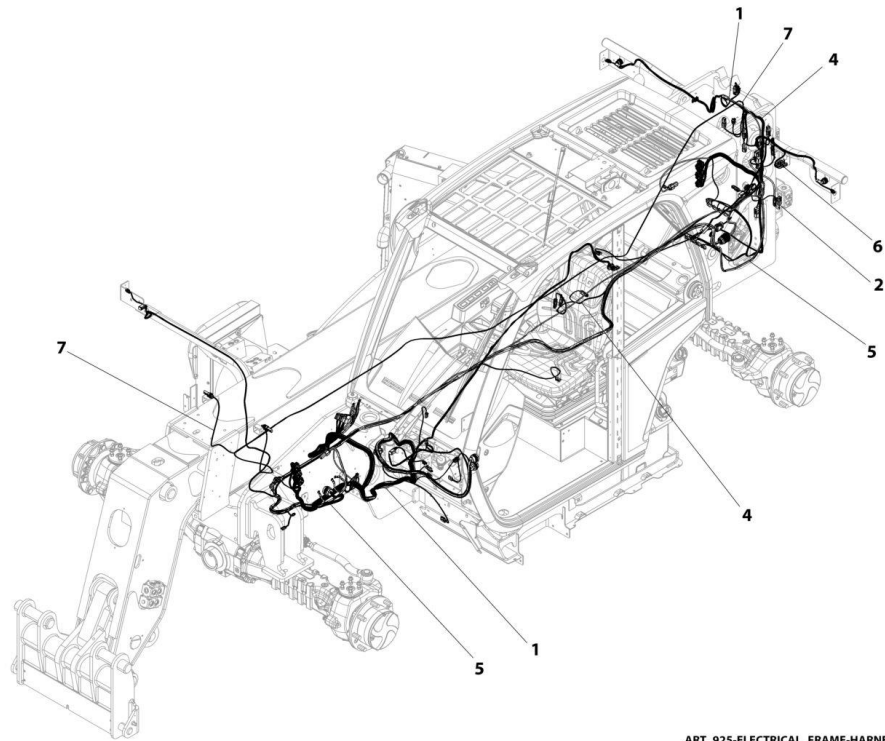
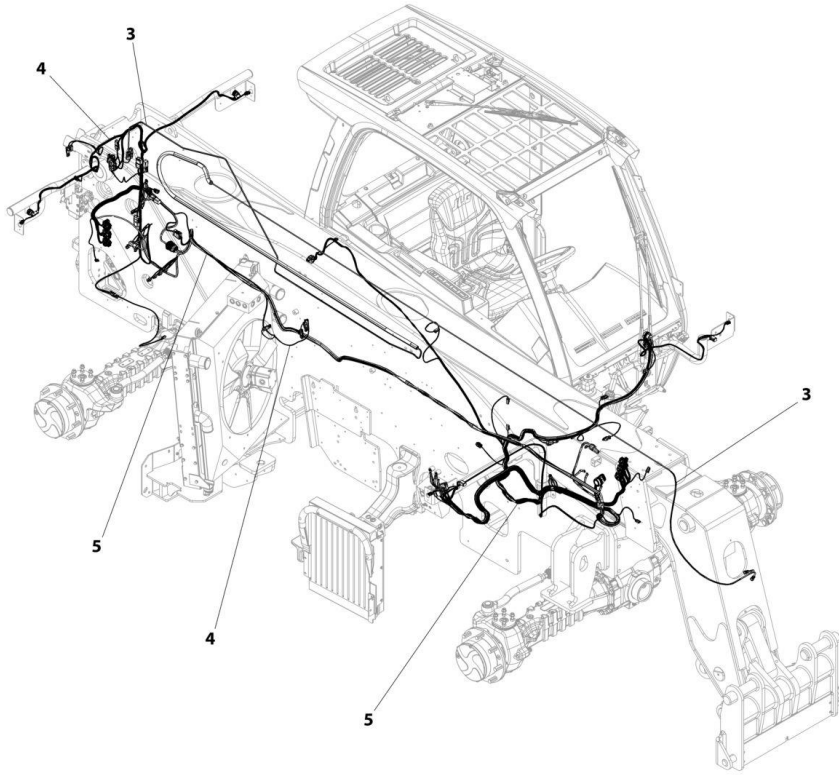
FIGURE 9-19. VALVE ASSEMBLY - TRAILER BRAKE

ITEM	PART NUMBER	QTY	DESCRIPTION	REV
	1001230194	Ref	TRAILER BRAKE VALVE	A
1	70028868	1	Pilot Group	
2	70028869	1	Solenoid Valve with Coil	
3	70028870	1	Coil	
4	70028871	1	Coupling, CL	
5	70028872	1	Coupling, SL	
6	70028873	1	Cap, CL	
7	70028874	1	Cap, SL	
8	70028875	1	Seal Kit (Includes Items 101-112)	
101	Kit	1	Cap Bleeding Screw	
102	Kit	1	Quadrant Pilot Block	
103	Kit	10	Seal	
104	Kit	1	Seal	
105	Kit	1	Seal	
106	Kit	1	Seal	
107	Kit	1	Seal	
108	Kit	1	Seal	
109	Kit	1	Seal	
110	Kit	1	Seal	
111	Kit	1	Anti Extrusion	
112	Kit	1	Anti Extrusion	

SECTION 10 - ELECTRICAL

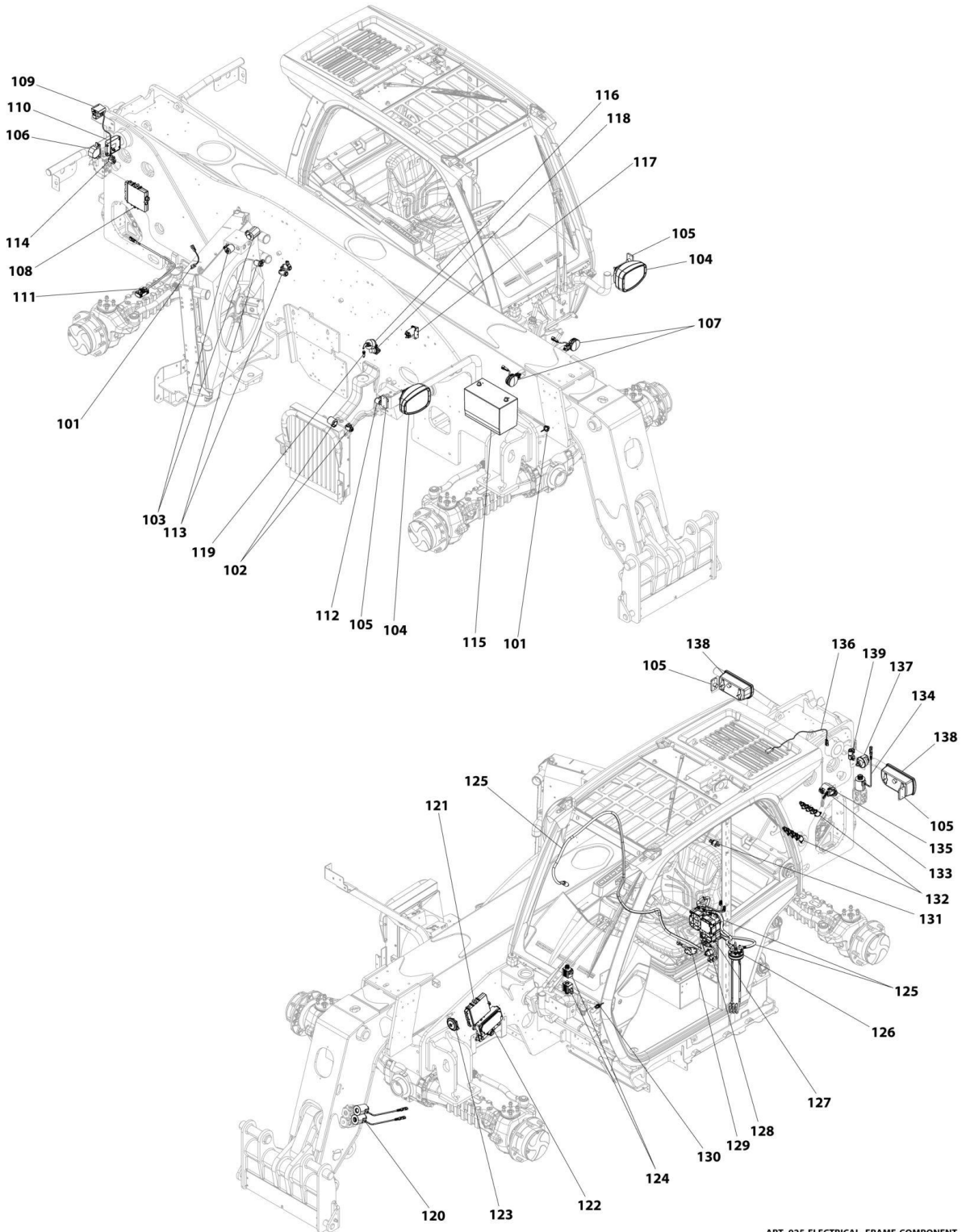
SECTION 10 - ELECTRICAL

FIGURE 10-1. 823 ELECTRICAL LAYOUT



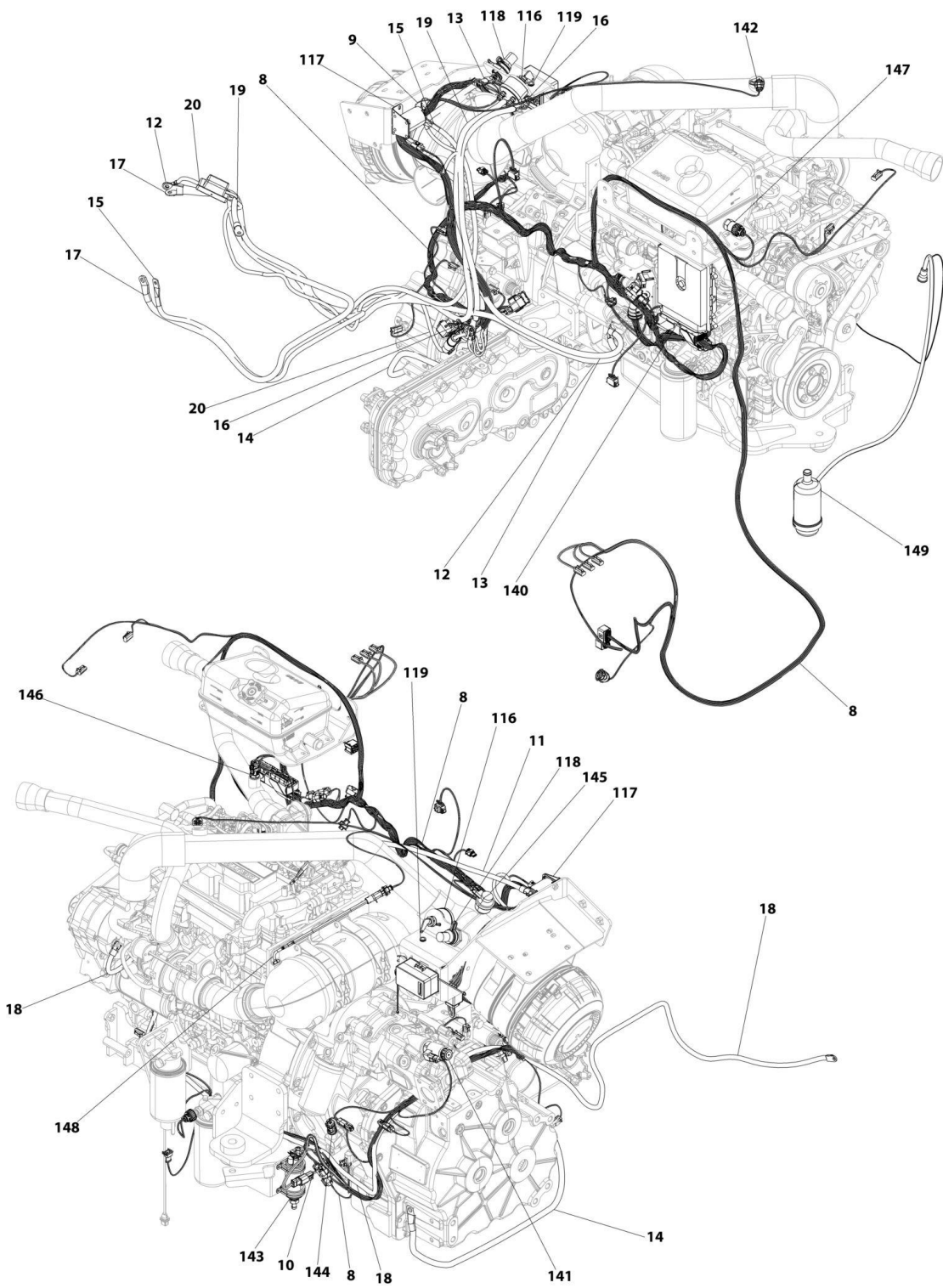
ART_925-ELECTRICAL_FRAME-HARNESS

SECTION 10 - ELECTRICAL



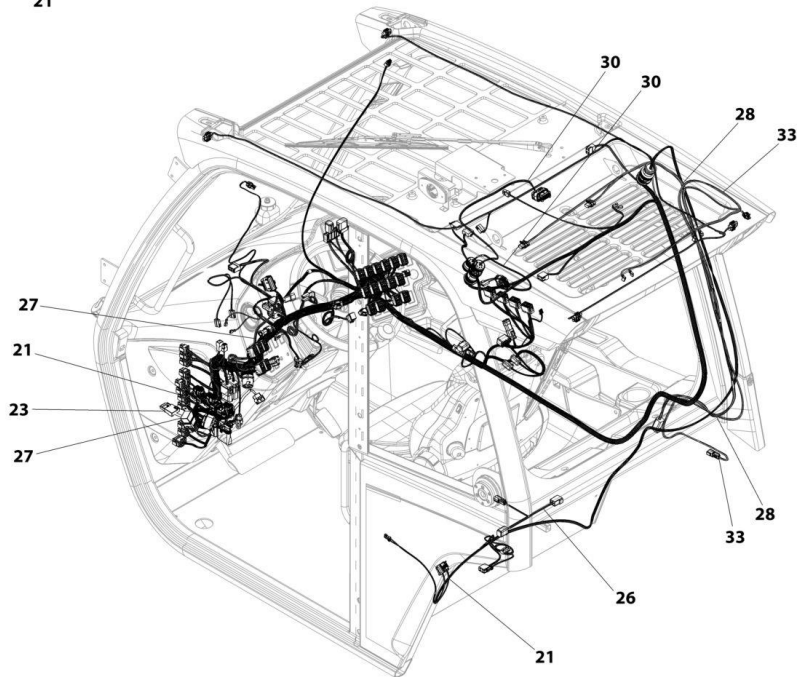
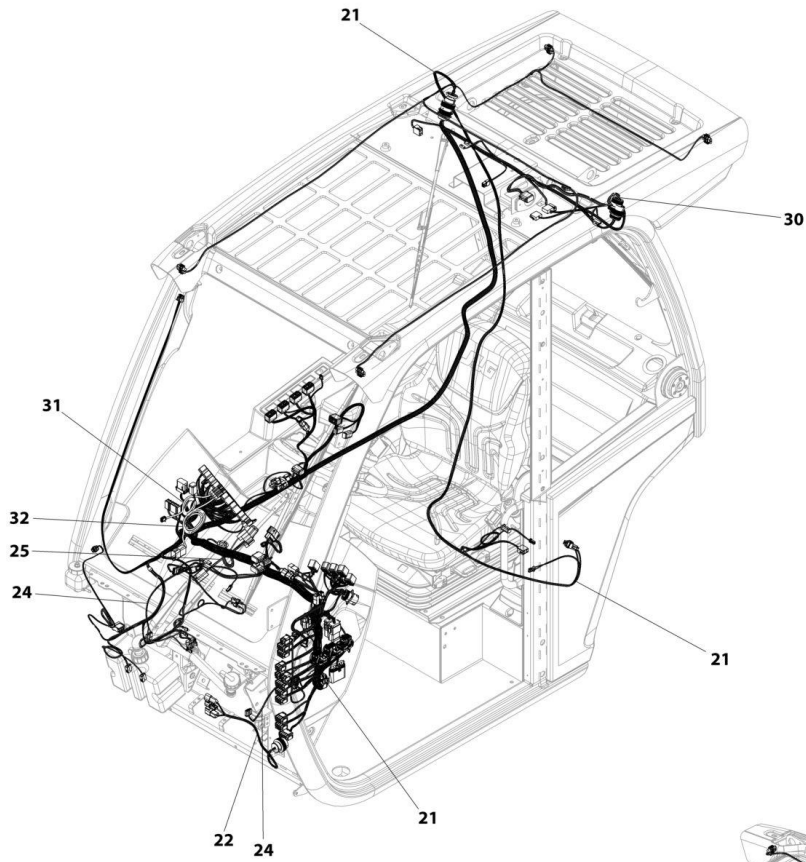
ART_925-ELECTRICAL_FRAME-COMPONENT

SECTION 10 - ELECTRICAL



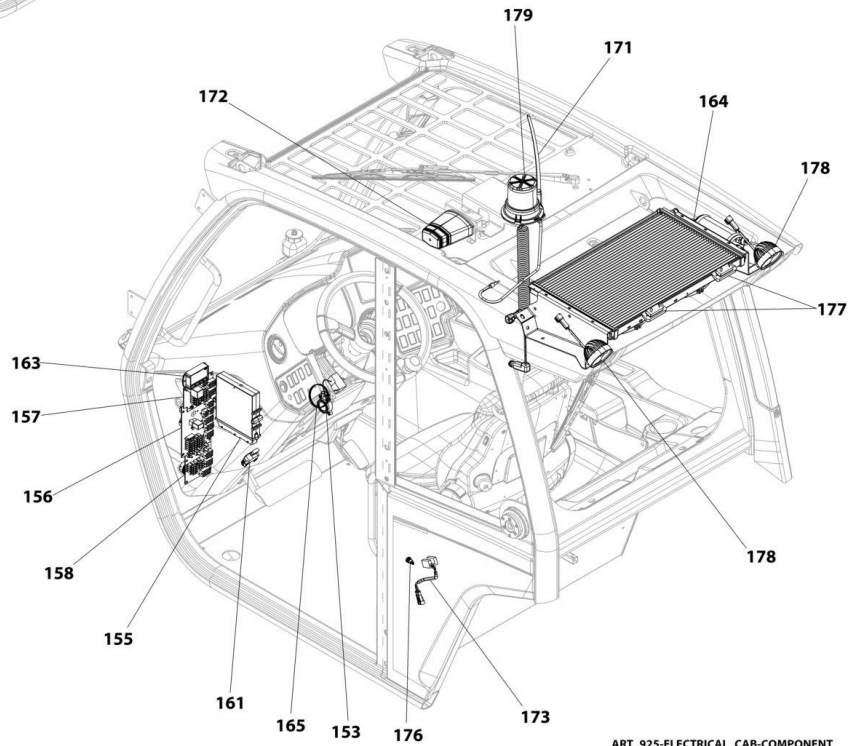
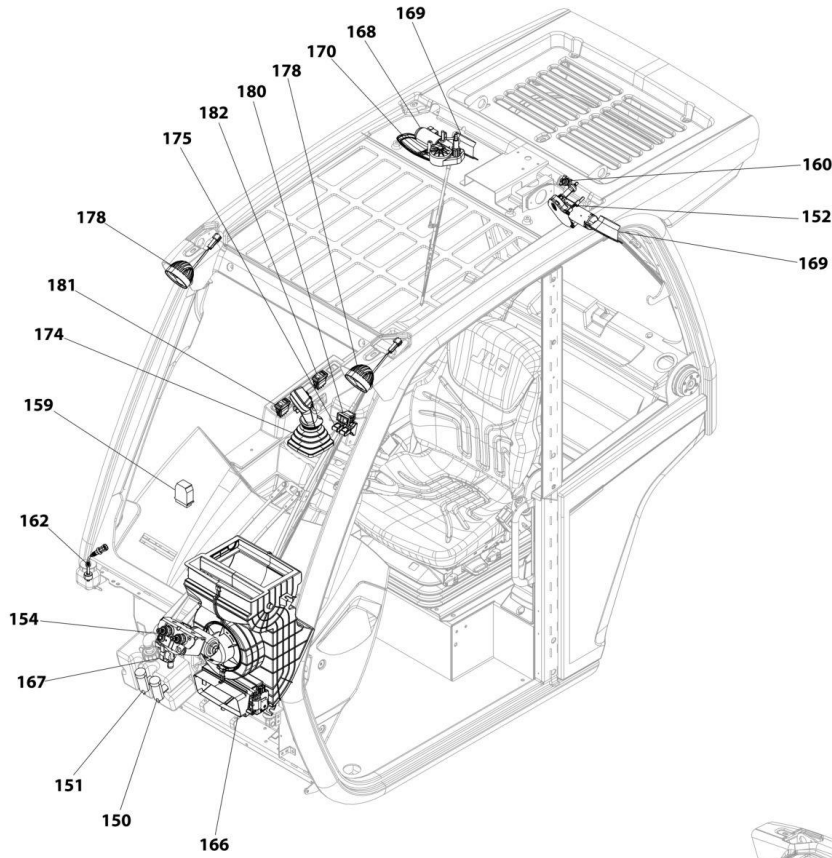
ART_925-ELECTRICAL_ENGINE_DEUTZ3-6-90KW

SECTION 10 - ELECTRICAL



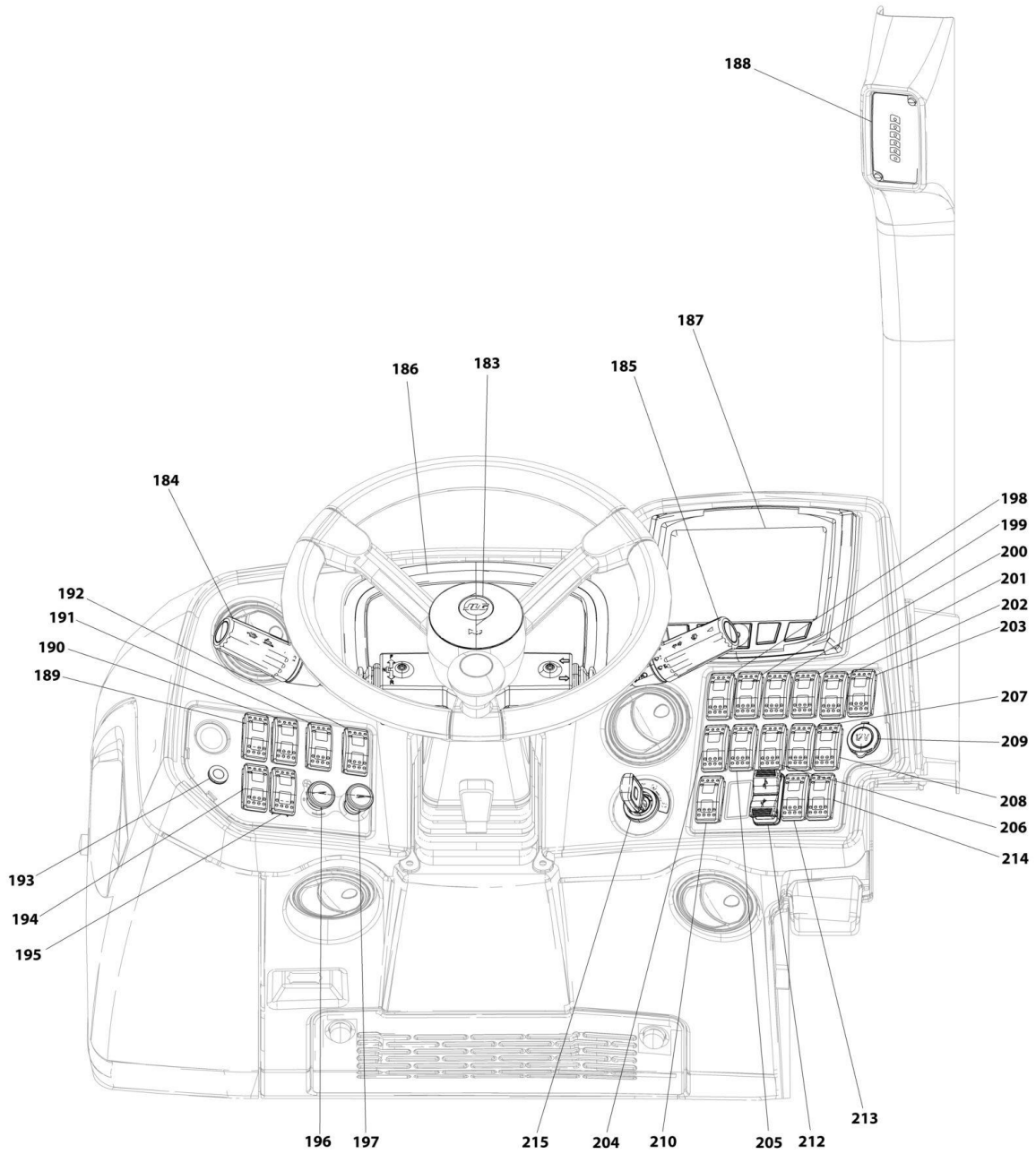
ART_823-ELECTRICAL_CAB-HARNESS

SECTION 10 - ELECTRICAL



ART_925-ELECTRICAL_CAB-COMPONENT

SECTION 10 - ELECTRICAL



ART_823-ELECTRICAL_CONTROLS

SECTION 10 - ELECTRICAL

FIGURE 10-1. 823 ELECTRICAL LAYOUT

ITEM	PART NUMBER	QTY	DESCRIPTION	REV
		Ref	Note: This figure is for identifying part location only.	
		Ref	HARNESS LIST	
1		Ref	Cable, Reverse Camera	
2		Ref	Harness, Reverse Sensor	
3		Ref	Harness, Boom	
4		Ref	Harness, Rear Frame	
5		Ref	Harness, Front Frame	
6		Ref	Harness, Trailer Connector	
7		Ref	Harness, Boom Worklights	
8		Ref	Harness, Engine	
9		Ref	Harness, Glow Plug Relay to Engine Harness	
10		Ref	Harness, Fuel Pump	
11		Ref	Cable, Glow Plug to Relay	
12		Ref	Cable, Battery (+) to Starter	
13		Ref	Cable, Starter to Jump Start Stud	
14		Ref	Cable, Ground Buss to Engine Ground	
15		Ref	Cable, PDM to Glow Plug Relay	
16		Ref	Cable, Disconnect to Ground Buss	
17		Ref	Cable, Battery (+) to PDM	
18		Ref	Cable, Alternator Power	
19		Ref	Cable, Battery (-) to Disconnect	
20		Ref	Cable, ECM Power	
21		Ref	Harness, Cab	
22		Ref	Harness, Cab Option	
23		Ref	Cable, Communication Analyzer	
24		Ref	Harness, HVAC Actuator	
25		Ref	Harness, Ignition Switch	
26		Ref	Harness, Seat Adaptor	
27		Ref	Harness, Seat Belt Alarm	
28		Ref	Harness, A/C Option	
30		Ref	Harness, Telematics (Telematics Mounted On Top Of Cab Roof)	
30		Ref	Harness, Telematics (with Short Roof Cap & No A/C)	
30		Ref	Harness, Telematics (with Long Roof Cap & A/C)	
31		Ref	Cable, Display Programming	
32		Ref	Cable, Display Video	
33		Ref	Harness, License Plate Light	
		Ref	COMPONENT LIST	
101		Ref	Sensor, Steer	
102		Ref	Solenoids, Hydraulic Cooling Fan	
103		Ref	Solenoids, Engine Cooling Fan	
104		Ref	Headlight	
105		Ref	Light, Side Marker	
106		Ref	Alarm, Backup	
107		Ref	Worklights	
108		Ref	Module, Rear Frame	
109		Ref	Camera, Reverse	
110		Ref	Sensor, Reverse	
111		Ref	Sensor, Rear Axle	
112		Ref	Solenoids, Priority Valve	
113		Ref	Solenoids, Ride Control Valve	

SECTION 10 - ELECTRICAL

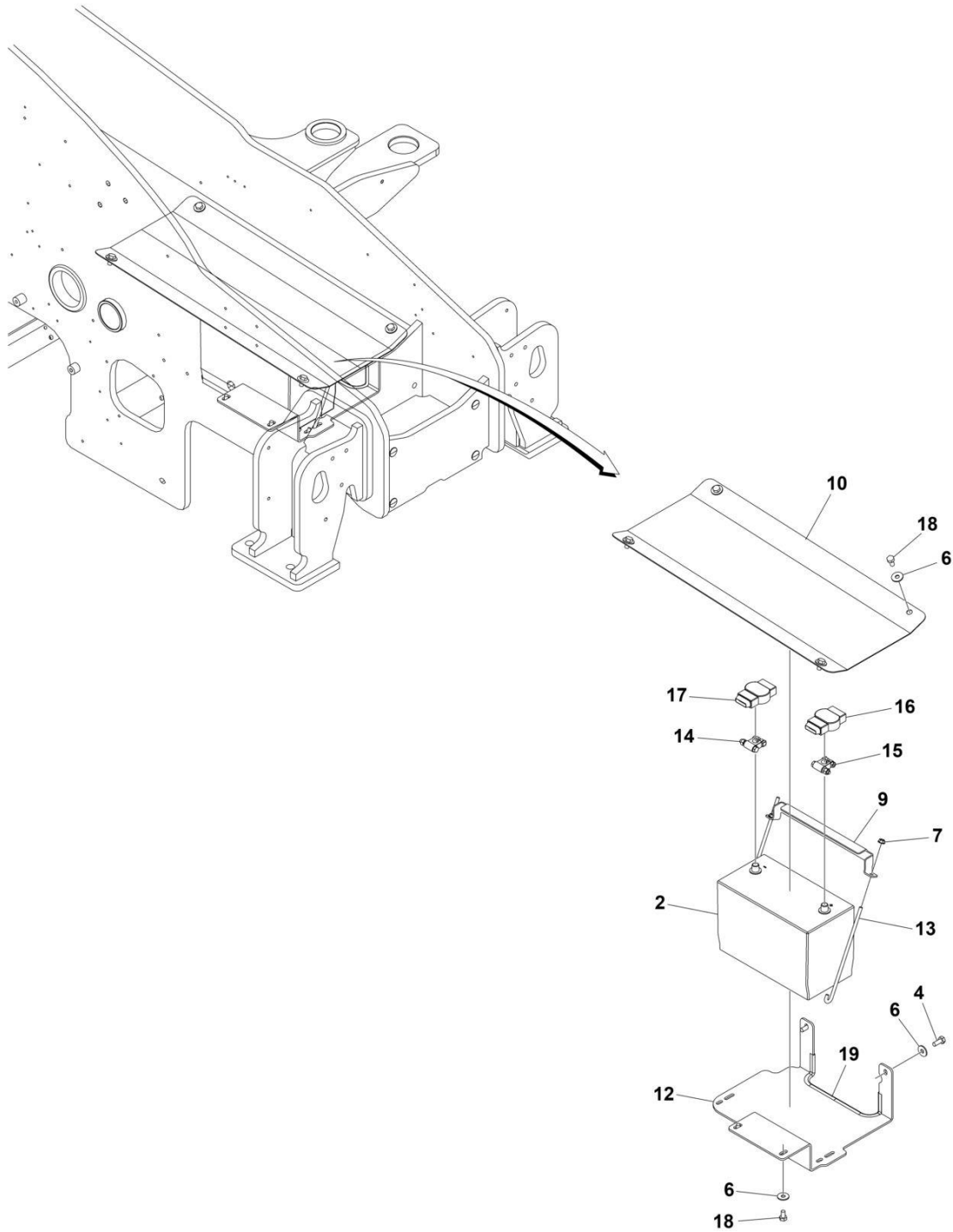
ITEM	PART NUMBER	QTY	DESCRIPTION	REV
114		Ref	Solenoid, Trailer Brake Valve	
115		Ref	Battery	
116		Ref	Switch, Battery Disconnect	
117		Ref	Relay	
118		Ref	Battery Jump Start Stud	
119		Ref	Light, DEF Purge Indicator	
120		Ref	Solenoids, Boom Quick Switch Valve	
121		Ref	Module, Front Frame	
122		Ref	Box, Power Distribution Electrical	
123		Ref	Horn	
124		Ref	Solenoids, Steer Select Valve	
125		Ref	Hose, Heated (DEF)	
126		Ref	Module, DEF Tank	
127		Ref	Pump, DEF Module	
128		Ref	Solenoids, Def Tank	
129		Ref	Fuel Pump	
130		Ref	Sensor, Hydraulic Oil Temperature	
131		Ref	Switch, Hydraulic Oil Pressure	
132		Ref	Solenoids, Main Control Valve	
133		Ref	Sensor, Boom Angle	
134		Ref	Solenoid, Rear Aux Divertor Valve	
135		Ref	Solenoids, Hi-Flow Divertor Valve	
136		Ref	Sensor, Proximity	
137		Ref	Connector, Electrical (Trailer)	
138		Ref	Taillight	
139		Ref	Solenoids, Hitch Control Valve	
140		Ref	Module, Engine Control	
141		Ref	Solenoid, Implement Pump	
142		Ref	Sensor, Ambient Air Temperature	
143		Ref	Fuel Pump	
144		Ref	Sensor, Temperature	
145		Ref	Sensor, Air Restriction	
146		Ref	Sensor, Engine Coolant Temperature	
147		Ref	Sensor, Coolant Level	
148		Ref	Sensor, Temperature	
149		Ref	Heater, Engine Block	
150		Ref	Pump, Windshield Washer	
151		Ref	Pump, Rear Window Washer	
152		Ref	Motor, Rear Wiper	
153		Ref	Sensor, Throttle	
154		Ref	Motor, Front Wiper	
155		Ref	Module, Cab	
156		Ref	Electrical Board, Standard	
157		Ref	Electrical Board, Option 1	
158		Ref	Electrical Board, Option 2	
159		Ref	Module, Wipers	
160		Ref	Plug, 12V Power	
161		Ref	Sensor, Brake	
162		Ref	Sensor, Brake Fluid Level	
163		Ref	HVAC Actuator	
164		Ref	Assembly, Cab Condenser	

SECTION 10 - ELECTRICAL

ITEM	PART NUMBER	QTY	DESCRIPTION	REV
165		Ref	Sensor, HVAC Thermostat	
166		Ref	Assembly, Heater & A/C	
167		Ref	Valve, HVAC	
168		Ref	Motor, Roof Wiper	
169		Ref	Speakers	
170		Ref	Lamp, Dome	
171		Ref	Antenna, Radio	
172		Ref	Module, ClearSky Telematics	
173		Ref	Sensor, Parking Brake	
174		Ref	Joystick	
175		Ref	Control, Fingertip Joystick	
176		Ref	Switch, Trailer Brake	
177		Ref	Light, License Plate	
178		Ref	Worklights	
179		Ref	Beacon	
180		Ref	Switch, Hitch Up/Down	
181		Ref	Switch, Transmission Disconnect	
182		Ref	Switch, Engine Speed Set	
183		Ref	Horn	
184		Ref	Lever, Transmission Control	
185		Ref	Lever, Accessory Control	
186		Ref	Instrument Panel	
187		Ref	Multifunction Display	
188		Ref	Display, LSI	
189		Ref	Switch, Lift/Loader	
190		Ref	Switch, Continuous Auxiliary Hydraulic	
191		Ref	Switch, Air Conditioning	
192		Ref	Switch, HVAC Recirculation	
193		Ref	Light, Seat Belt Indicator	
194		Ref	Switch, LSI Override	
195		Ref	Switch, Coupler	
196		Ref	HVAC Fan Speed	
197		Ref	Switch, HVAC Temperature Control	
198		Ref	Switch, Fog Lights	
199		Ref	Switch, Front Work Lights	
200		Ref	Switch, Boom Work Lights	
201		Ref	Switch, Rear Work Lights	
202		Ref	Switch, Beacon Light	
203		Ref	Switch, Hazard Lights	
204		Ref	Switch, Rear Wiper	
205		Ref	Switch, Roof Wiper	
206		Ref	Switch, Bucket Mode	
207		Ref	Switch, Boom Ride Control	
208		Ref	Switch, Auxiliary Decompression	
209		Ref	Power Outlet	
210		Ref	Switch, Steer Select	
212		Ref	USB Port	
213		Ref	Switch, Reversing Fan	
214		Ref	Switch, Master Light and Road Lights	
215		Ref	Switch, Ignition	

SECTION 10 - ELECTRICAL

FIGURE 10-2. BATTERY INSTALLATION (STANDARD)



ART_1001180267_J

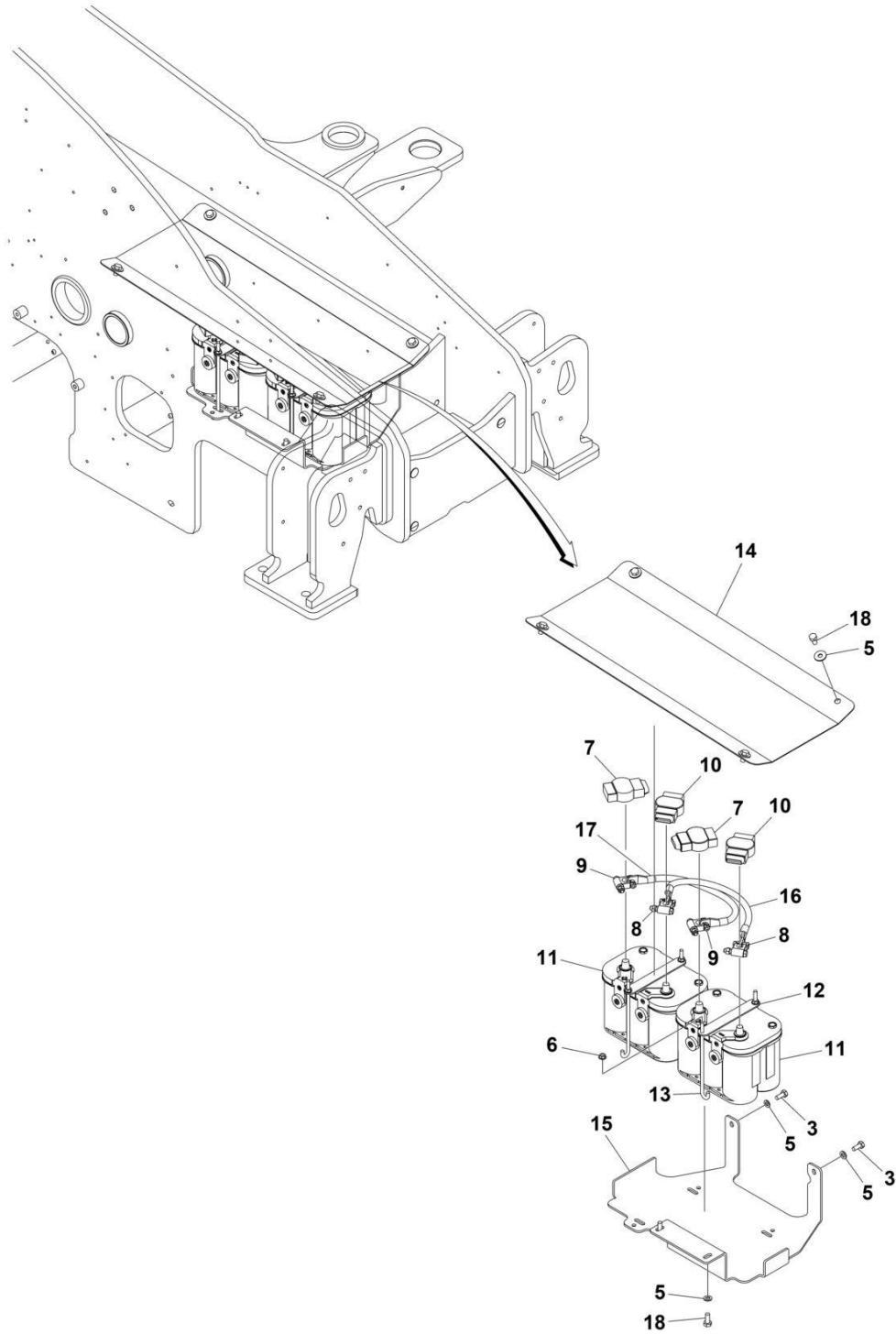
SECTION 10 - ELECTRICAL

FIGURE 10-2. BATTERY INSTALLATION (STANDARD)

ITEM	PART NUMBER	QTY	DESCRIPTION	REV
	1001180267	Ref	BATTERY INSTALLATION (STANDARD)	J
2	0400075	1	Battery, 12V	
4	0761012	2	Bolt M10 x 25	
6	4812002	8	Washer M10	
7	5220800	2	Nut M8	
9	1001141596	1	Plate	
10	1001179221J	1	Cover	
12	1001217179	1	Tray	
13	1001179586	2	J-Bolt	
14	8270147	1	Clamp	
15	8270148	1	Clamp	
16	7301893	1	Insulator, Battery Terminal	
17	1001145300	1	Insulator, Battery Terminal	
18	0761009	6	Bolt M10 x 18	
19	1001208037	1	Seal	

SECTION 10 - ELECTRICAL

FIGURE 10-3. BATTERY INSTALLATION (DUAL)



ART_1001179197_E

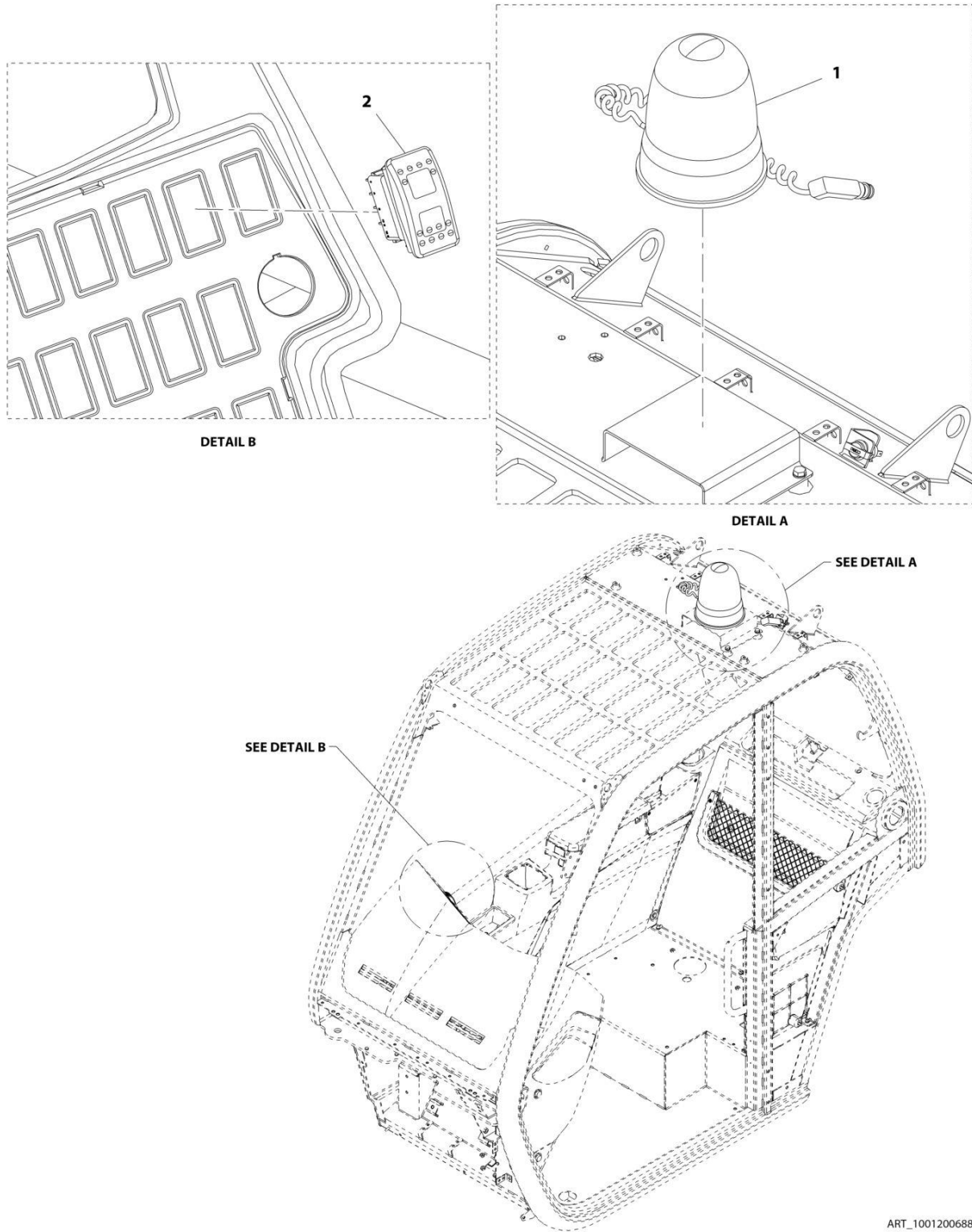
SECTION 10 - ELECTRICAL

FIGURE 10-3. BATTERY INSTALLATION (DUAL)

ITEM	PART NUMBER	QTY	DESCRIPTION	REV
	1001179197	Ref	BATTERY INSTALLATION (DUAL)	E
3	0761012	2	Bolt M10 x 25	
5	4812002	8	Washer M10	
6	5220800	4	Nut M8	
7	7301893	2	Insulator, Battery Terminal	
8	8270147	2	Clamp	
9	8270148	2	Clamp	
10	1001145300	2	Insulator, Battery Terminal	
11	1001167212	2	Battery	
12	1001179585	2	Bracket	
13	1001179586	4	Bolt	
14	1001179221J	1	Cover	
15	1001230622	1	Tray	
16	1001189339	1	Cable	
17	1001189338	1	Cable	
18	0761009	6	Bolt M10 x 18	
19	1001208037	1	Seal (Not Shown)	

SECTION 10 - ELECTRICAL

FIGURE 10-4. BEACON/STROBE INSTALLATION



ART_1001200688-B

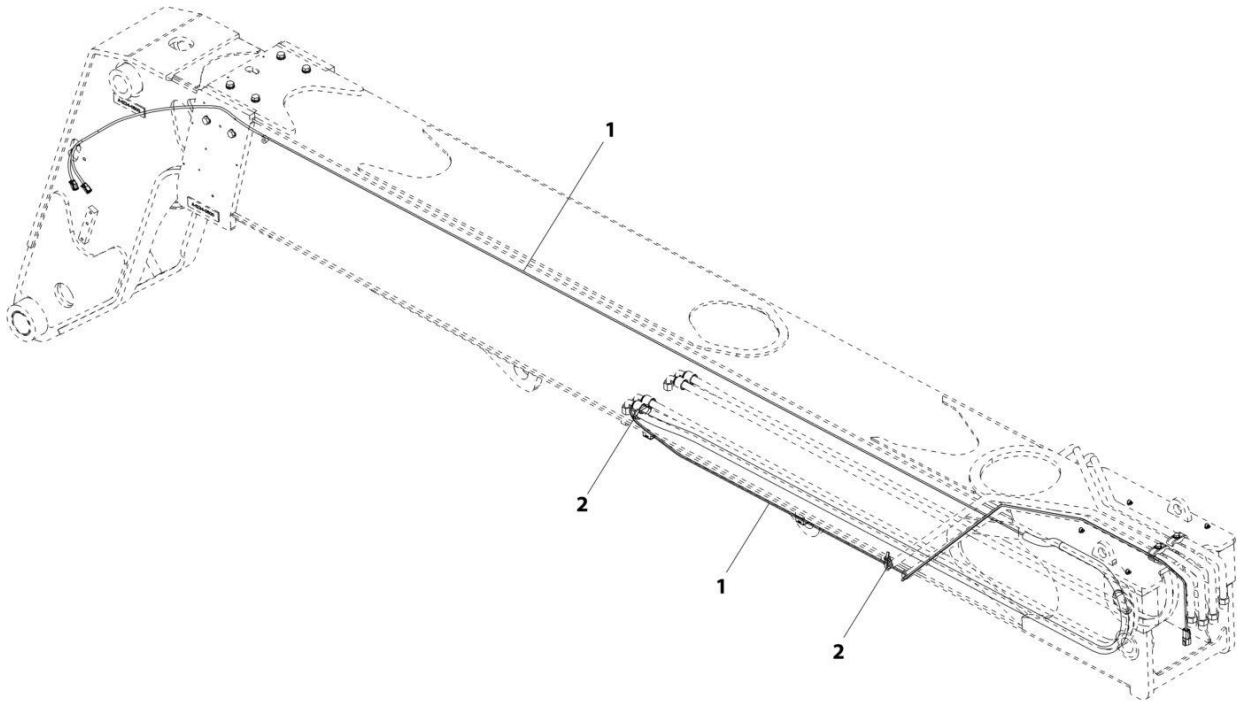
SECTION 10 - ELECTRICAL

FIGURE 10-4. BEACON/STROBE INSTALLATION

ITEM	PART NUMBER	QTY	DESCRIPTION	REV
	1001200688	Ref	BEACON LIGHT INSTALLATION	B
1	1001217623	1	Light, Warning	
2	1001159738	1	Switch, Beacon	

SECTION 10 - ELECTRICAL

FIGURE 10-5. BOOM HARNESS INSTALLATION



ART_1001186169-C

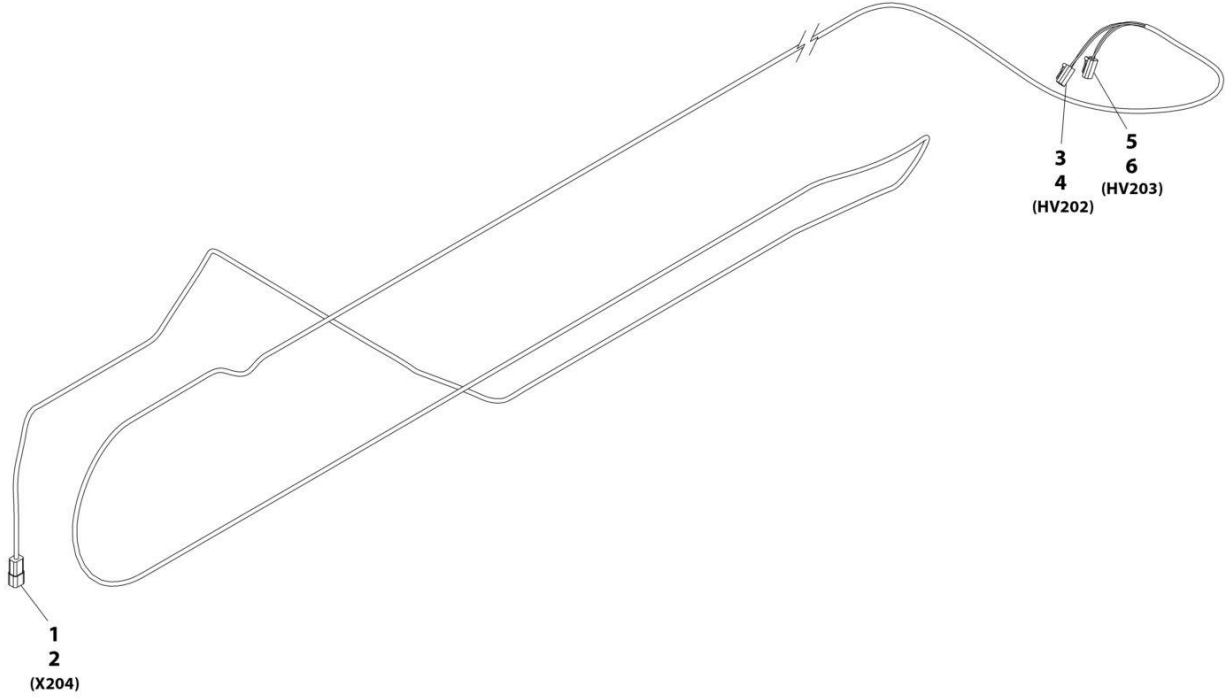
SECTION 10 - ELECTRICAL

FIGURE 10-5. BOOM HARNESS INSTALLATION

ITEM	PART NUMBER	QTY	DESCRIPTION	REV
	1001186169	Ref	Boom Harness Installation	C
1	1001184420	1	Harness, Boom (See Separate Breakdown in this Section)	
2	1001008923	AR	Strap, Cable Tie	

SECTION 10 - ELECTRICAL

FIGURE 10-6. BOOM HARNESS



ART_1001184420-C

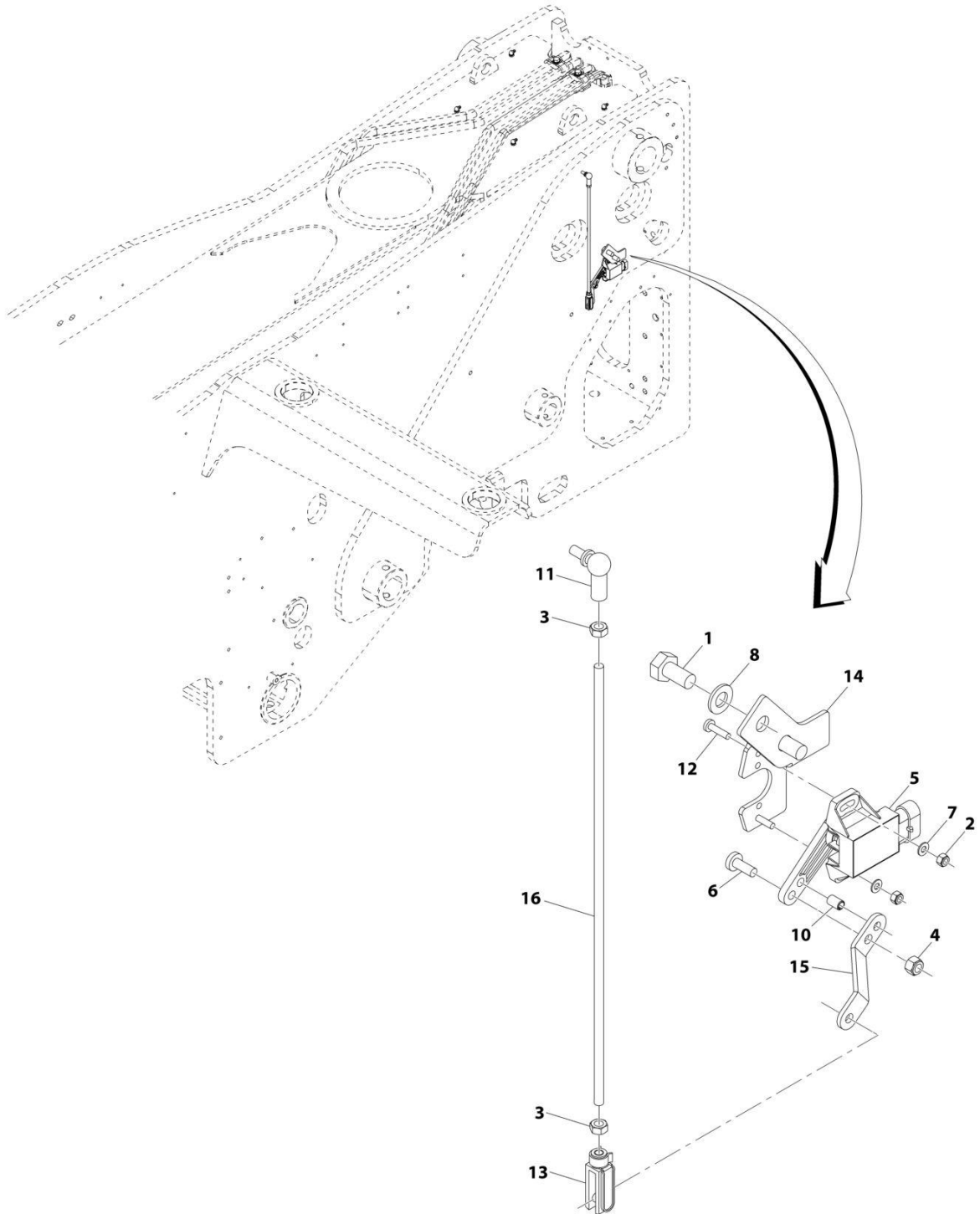
SECTION 10 - ELECTRICAL

FIGURE 10-6. BOOM HARNESS

ITEM	PART NUMBER	QTY	DESCRIPTION	REV
	1001184420	Ref	Boom Harness	C
1	4460932	1	Connector	
2	4460464	4	Terminal	
3	4460891	1	Connector	
4	4460465	2	Terminal	
5	4460891	1	Connector	
6	4460465	2	Terminal	

SECTION 10 - ELECTRICAL

FIGURE 10-7. BOOM ANGLE SENSOR INSTALLATION



ART_1001179937-C

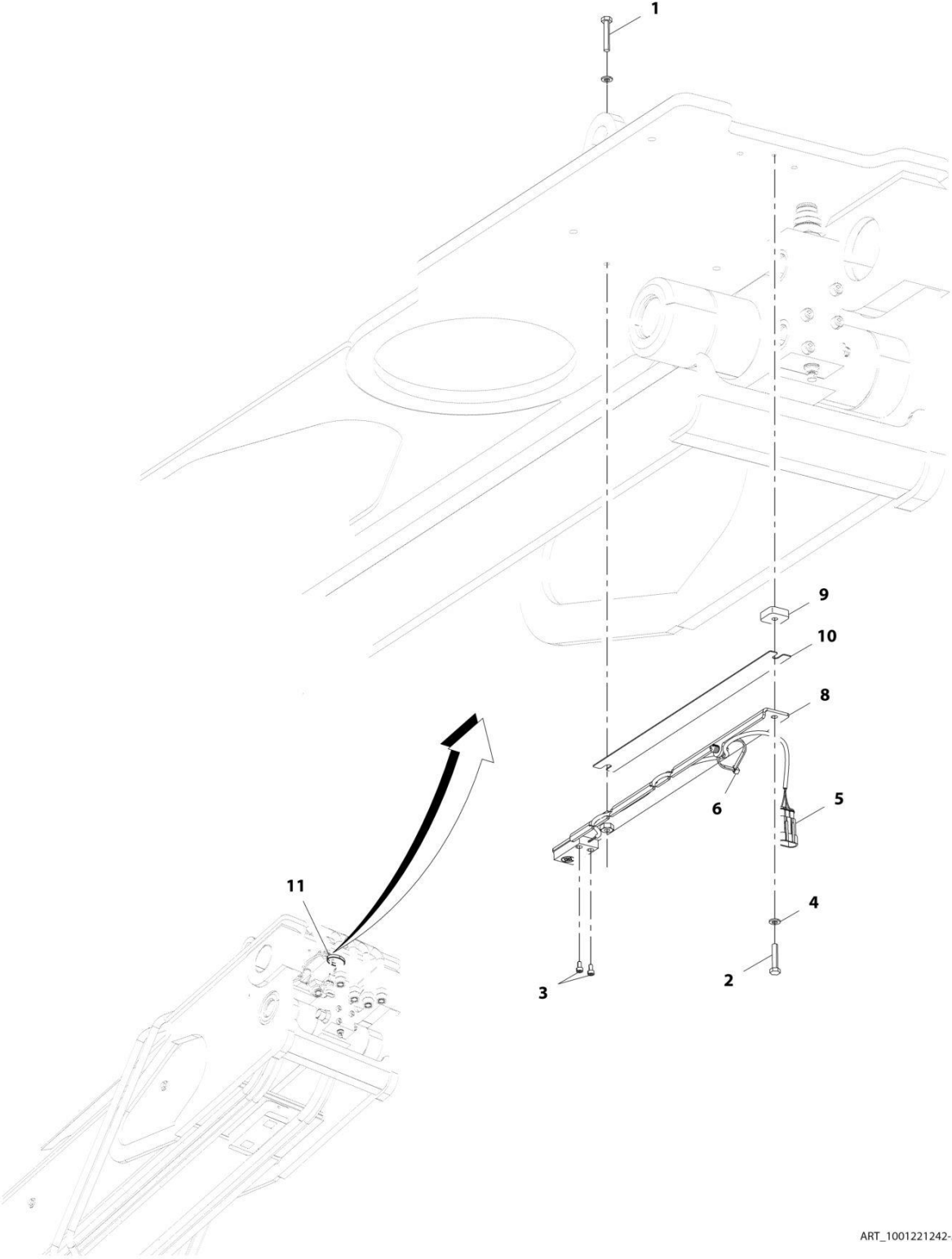
SECTION 10 - ELECTRICAL

FIGURE 10-7. BOOM ANGLE SENSOR INSTALLATION

ITEM	PART NUMBER	QTY	DESCRIPTION	REV
	1001179937	Ref	BOOM ANGLE SENSOR INSTALLATION	D
1	0761010	2	Bolt M10 x 20	
2	3290405	2	Nut, Lock M4 x 0.7	
3	3290601	2	Nut M6 x 1	
4	3290605	1	Nut, Lock M6 x 1	
	1001278028	1	Sensor, Boom Angle	
6	4010608	1	Screw M6 x 16	
7	4811400	2	Washer M4	
8	4812000	2	Washer M10	
10	1001103156	1	Pin	
11	1001103300	1	Ball, Joint	
12	1001126837	2	Screw M4 x 16	
13	1001134274	1	Clevis	
14	1001187851	1	Bracket	
15	1001187852	1	Link	
16	1001187853	1	Rod	

SECTION 10 - ELECTRICAL

FIGURE 10-8. BOOM RETRACT SENSOR INSTALLATION



ART_1001221242-A

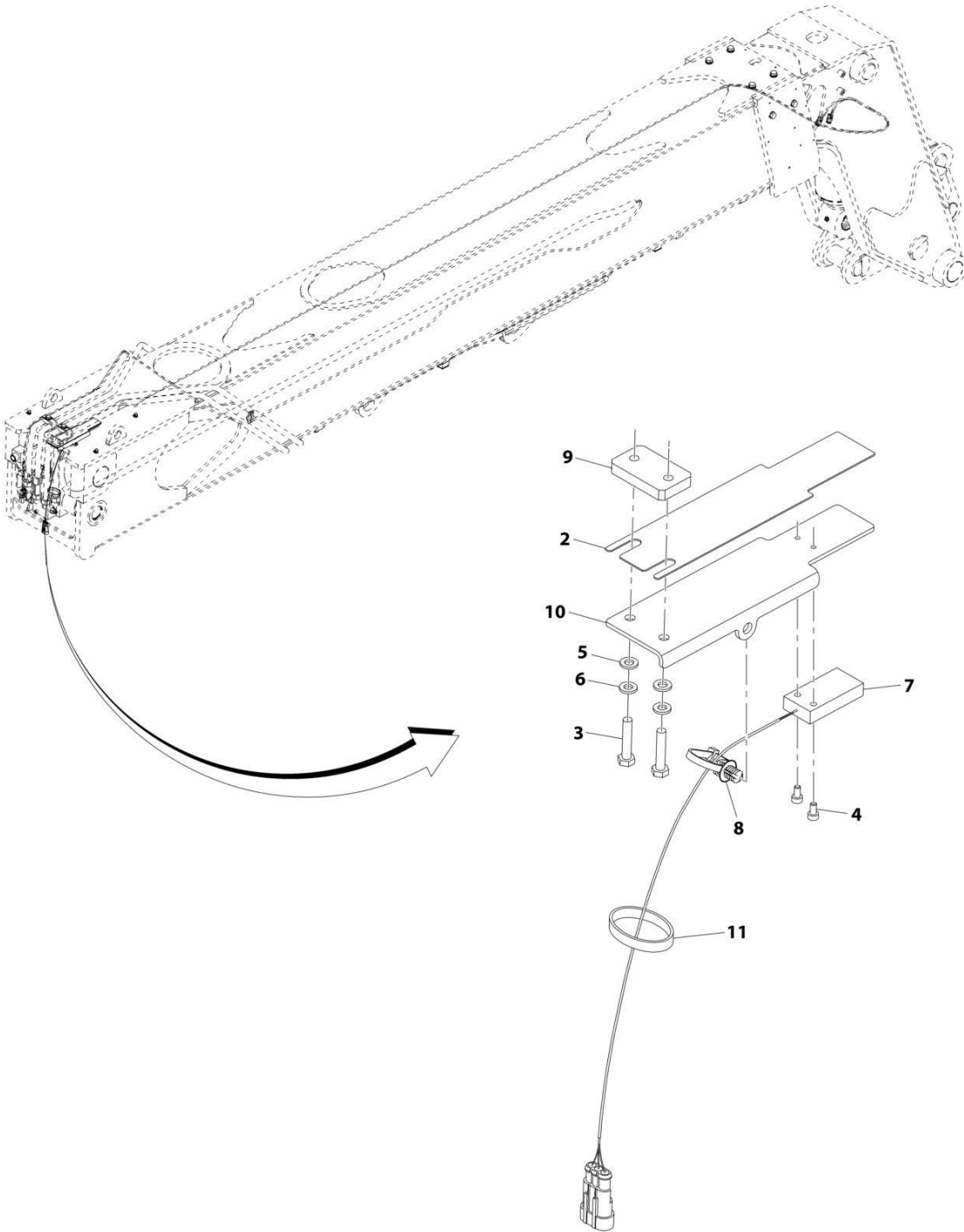
SECTION 10 - ELECTRICAL

FIGURE 10-8. BOOM RETRACT SENSOR INSTALLATION

ITEM	PART NUMBER	QTY	DESCRIPTION	REV
	1001221242	Ref	Boom Retract Sensor Installation	A
1	0700615	1	Bolt, M6X35	
2	0760614	1	Bolt, M6X30	
3	4031504	2	Screw, M4X8	
4	4811700	2	Washer, M6	
5	1001121021	1	Sensor, Proximity	
6	1001146588	1	Strap, Cable	
8	1001221249	1	Bracket	
9	1001221257	1	Plate	
10	1001221293	1	Shim	
11	1001008923	1	Strap, Cable	

SECTION 10 - ELECTRICAL

FIGURE 10-9. BOOM RETRACT SENSOR INSTALLATION



ART_1001184856-D

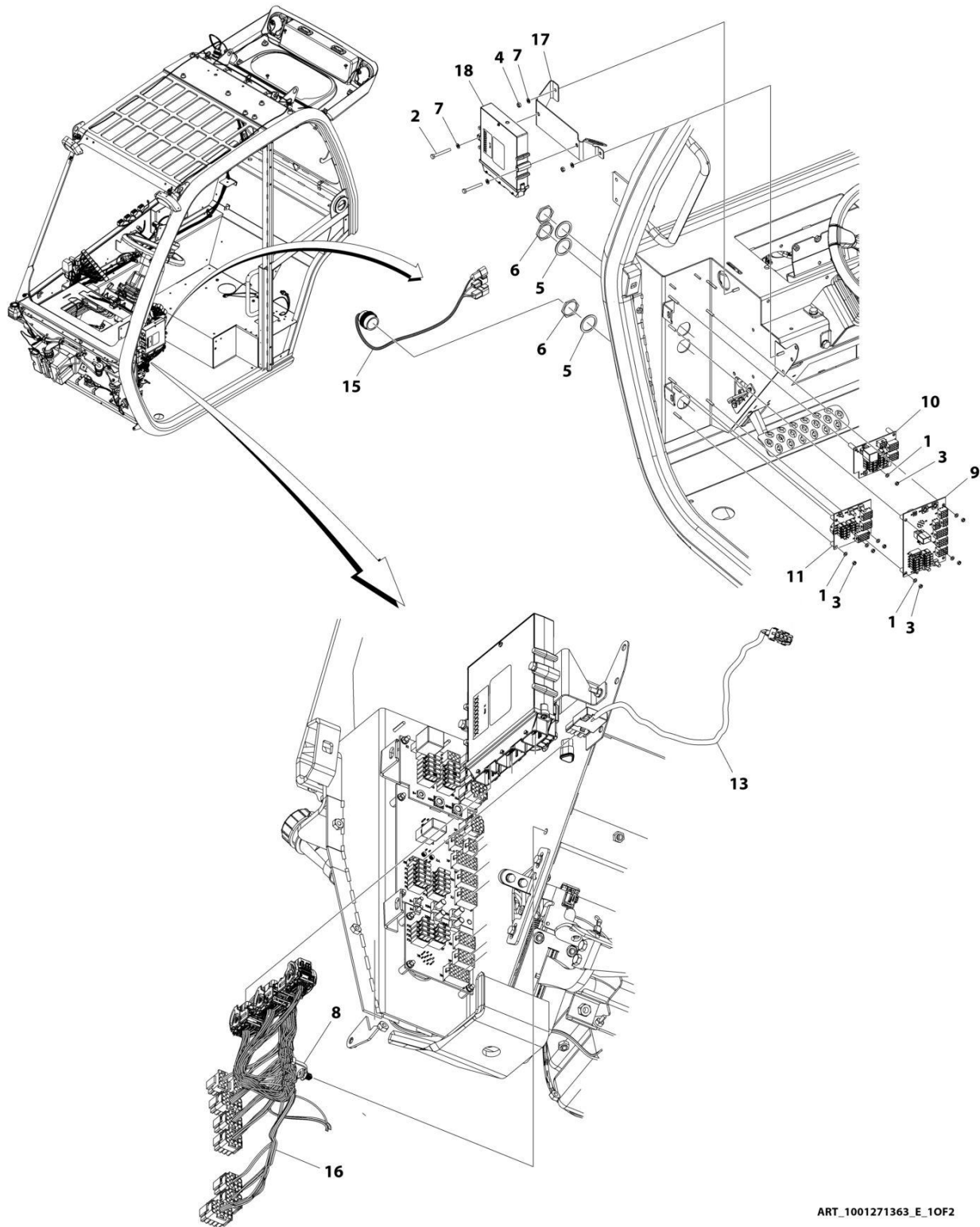
SECTION 10 - ELECTRICAL

FIGURE 10-9. BOOM RETRACT SENSOR INSTALLATION

ITEM	PART NUMBER	QTY	DESCRIPTION	REV
	1001184856	Ref	Boom Retract Sensor Installation	D
2	1001199299	AR	Shim, Retract Sensor	
3	0760614	2	Bolt, M6X30	
4	4031504	2	Screw, M4X8	
5	4811700	2	Washer, M6	
6	4831700	2	Washer, Lock M6	
7	1001121021	1	Sensor, Proximity	
8	1001146588	1	Strap, Cable	
9	1001182049	1	Plate	
10	1001218495	1	Bracket	
11	1001008923	1	Strap, Cable	

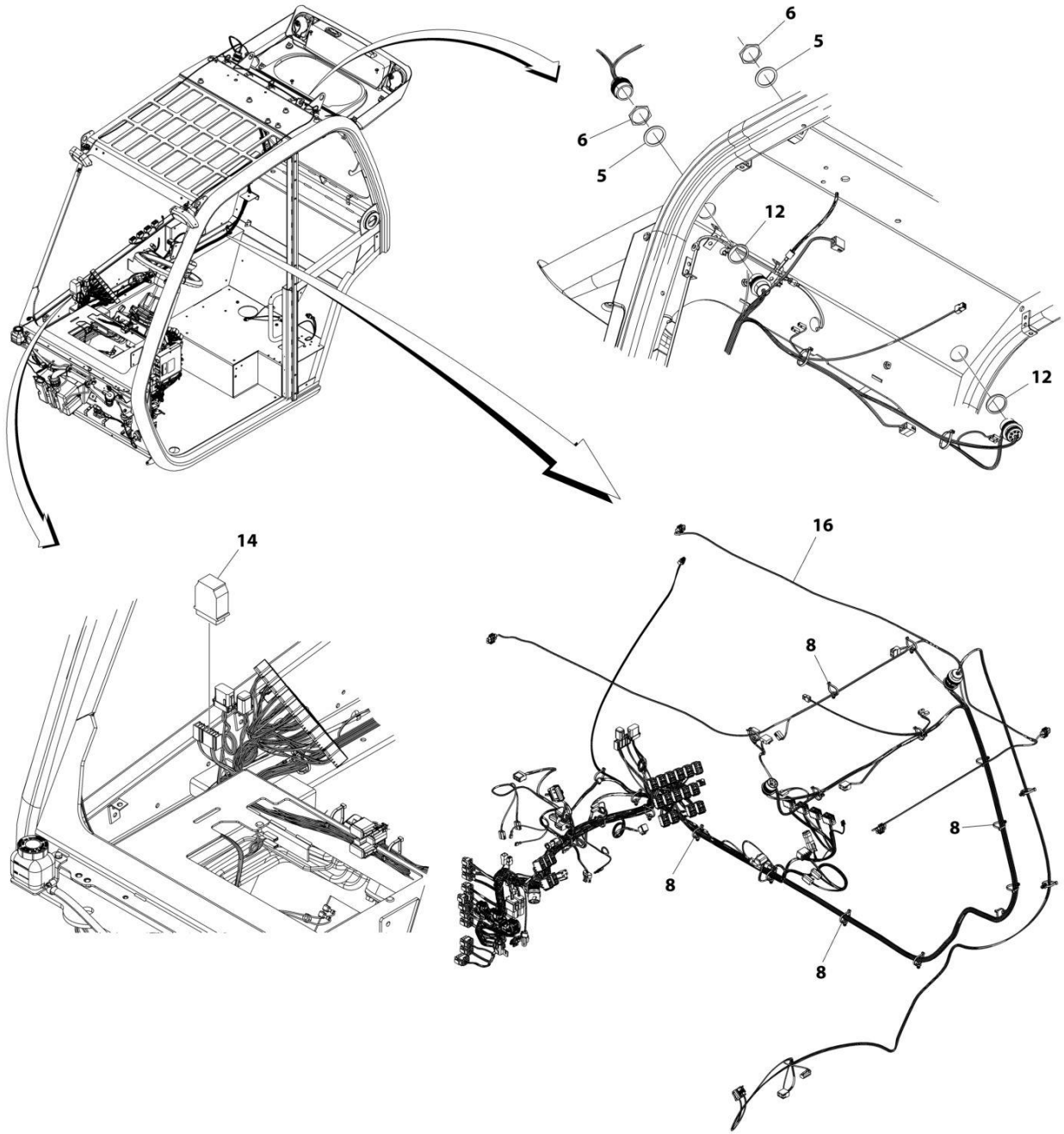
SECTION 10 - ELECTRICAL

FIGURE 10-10. CAB ELECTRICAL INSTALLATION (Prior to SN 0160128525)



ART_1001271363_E_10F2

SECTION 10 - ELECTRICAL



ART_1001271363_E_20F2

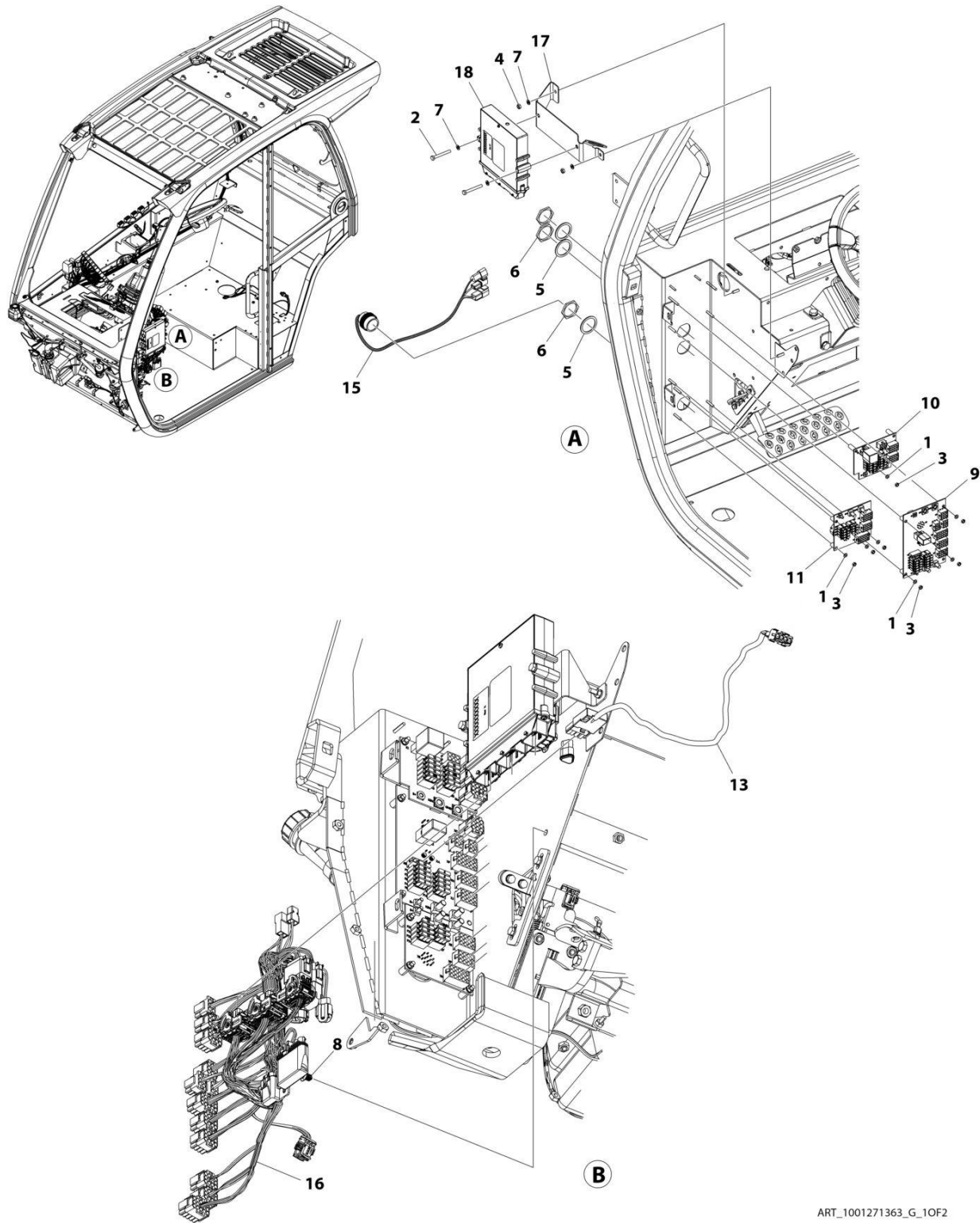
SECTION 10 - ELECTRICAL

FIGURE 10-10. CAB ELECTRICAL INSTALLATION (Prior to SN 0160128525)

ITEM	PART NUMBER	QTY	DESCRIPTION	REV
	1001271363	Ref	CAB ELECTRICAL INSTALLATION	E
1	120034	7	Washer, Plastic	
2	0700618	2	Bolt M6 x 50	
3	3290501	7	Nut M5	
4	3290601	2	Nut M6	
5	4460496	5	Washer, Terminal Lock	
6	4460497	5	Nut, Terminal	
7	4811700	4	Washer M6	
8	1001146588	23	Strap, Cable Tie	
9	1001161769	1	Assembly, Standard Electrical Board (See Separate Breakdown in this Section)	
10	1001161770	1	Assembly, Option 1 Electrical Board (See Separate Breakdown in this Section)	
11	1001161771	1	Assembly, Option 2 Electrical Board (See Separate Breakdown in this Section)	
12	1001211693	2	Seal	
13	1001213988	1	Cable, Communication Analyzer	
14	1001214281	1	Module, Wipers	
15	1001265358	1	Harness, Cab Option LBP (See Separate Breakdown in this Section)	
16	1001285007	1	Harness, Cab (See Separate Breakdown in this Section)	
17	1001270180	1	Bracket	
18	1001270466	1	Module, Cab Control	

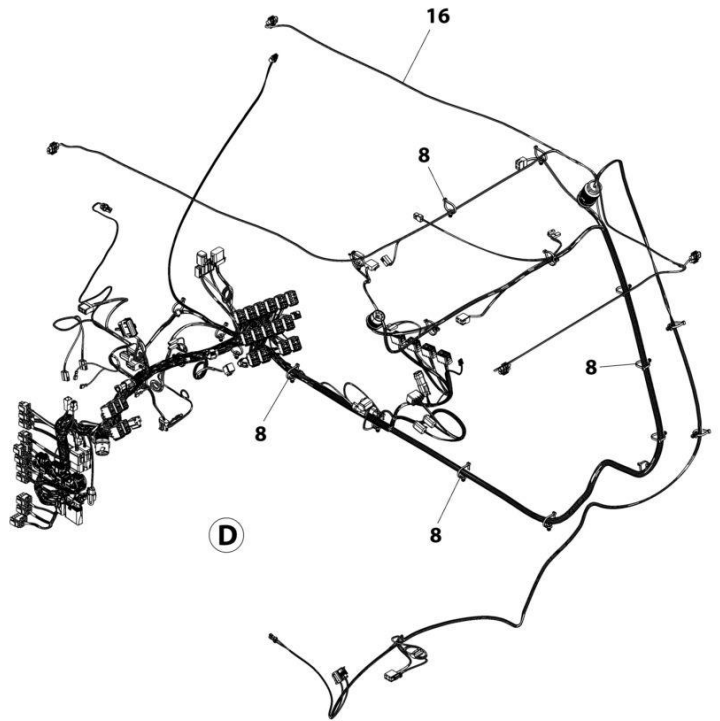
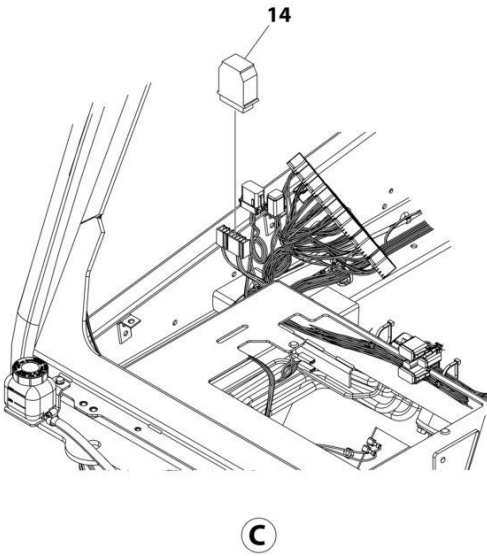
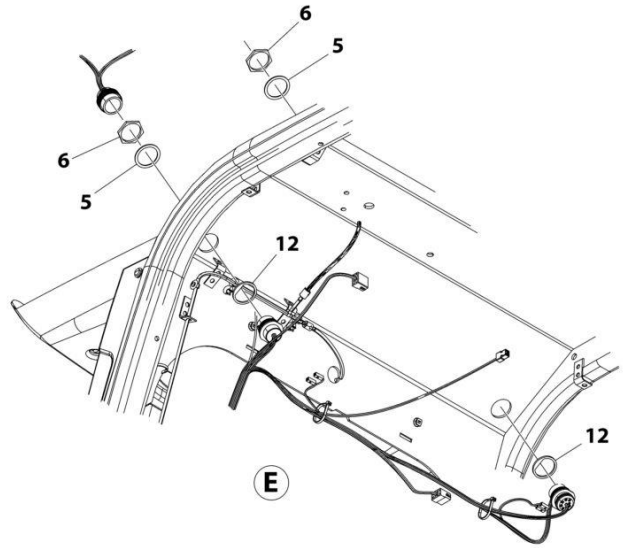
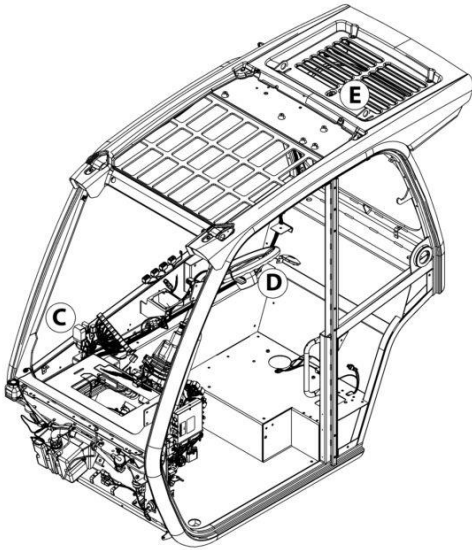
SECTION 10 - ELECTRICAL

FIGURE 10-11. CAB ELECTRICAL INSTALLATION (SN 0160129566 to Present)



ART_1001271363_G_10F2

SECTION 10 - ELECTRICAL



ART_1001271363_G_20F2

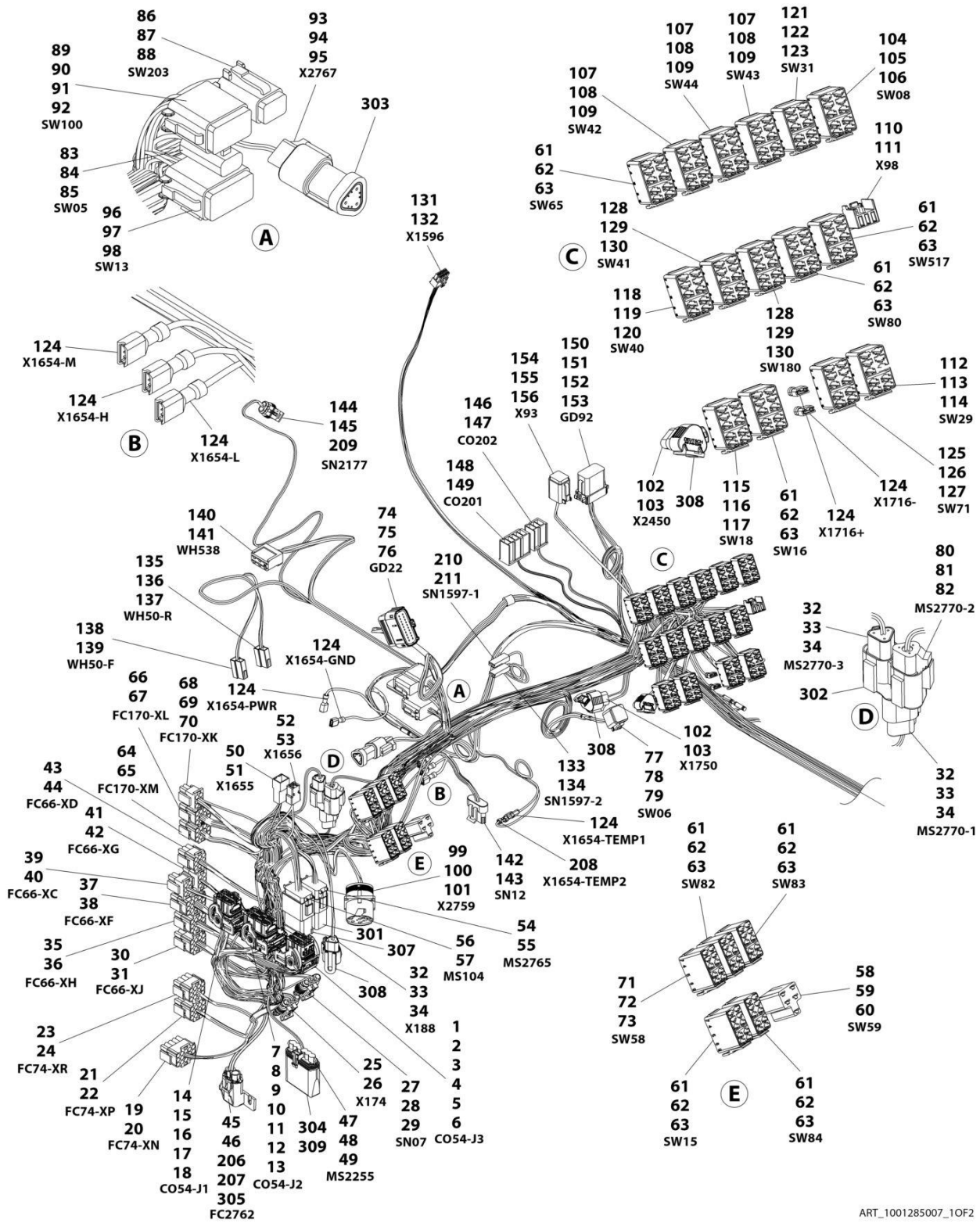
SECTION 10 - ELECTRICAL

FIGURE 10-11. CAB ELECTRICAL INSTALLATION (SN 0160129566 to Present)

ITEM	PART NUMBER	QTY	DESCRIPTION	REV
	1001271363	Ref	CAB ELECTRICAL INSTALLATION	G
1	120034	7	Washer, Plastic	
2	0700618	2	Bolt M6 x 50	
3	3290501	7	Nut M5	
4	3290601	2	Nut M6	
5	4460496	5	Washer, Terminal Lock	
6	4460497	5	Nut, Terminal	
7	4811700	4	Washer M6	
8	1001146588	23	Strap, Cable Tie	
9	1001161769	1	Assembly, Standard Electrical Board (See Separate Breakdown in this Section)	
10	1001161770	1	Assembly, Option 1 Electrical Board (See Separate Breakdown in this Section)	
11	1001161771	1	Assembly, Option 2 Electrical Board (See Separate Breakdown in this Section)	
12	1001211693	2	Seal	
13	1001213988	1	Cable, Communication Analyzer	
14	1001214281	1	Module, Wipers	
15	1001265358	1	Harness, Cab Option LBP (See Separate Breakdown in this Section)	
16	1001301486	1	Harness, Cab (See Separate Breakdown in this Section)	
17	1001270180	1	Bracket	
18	1001270466	1	Module, Cab Control	

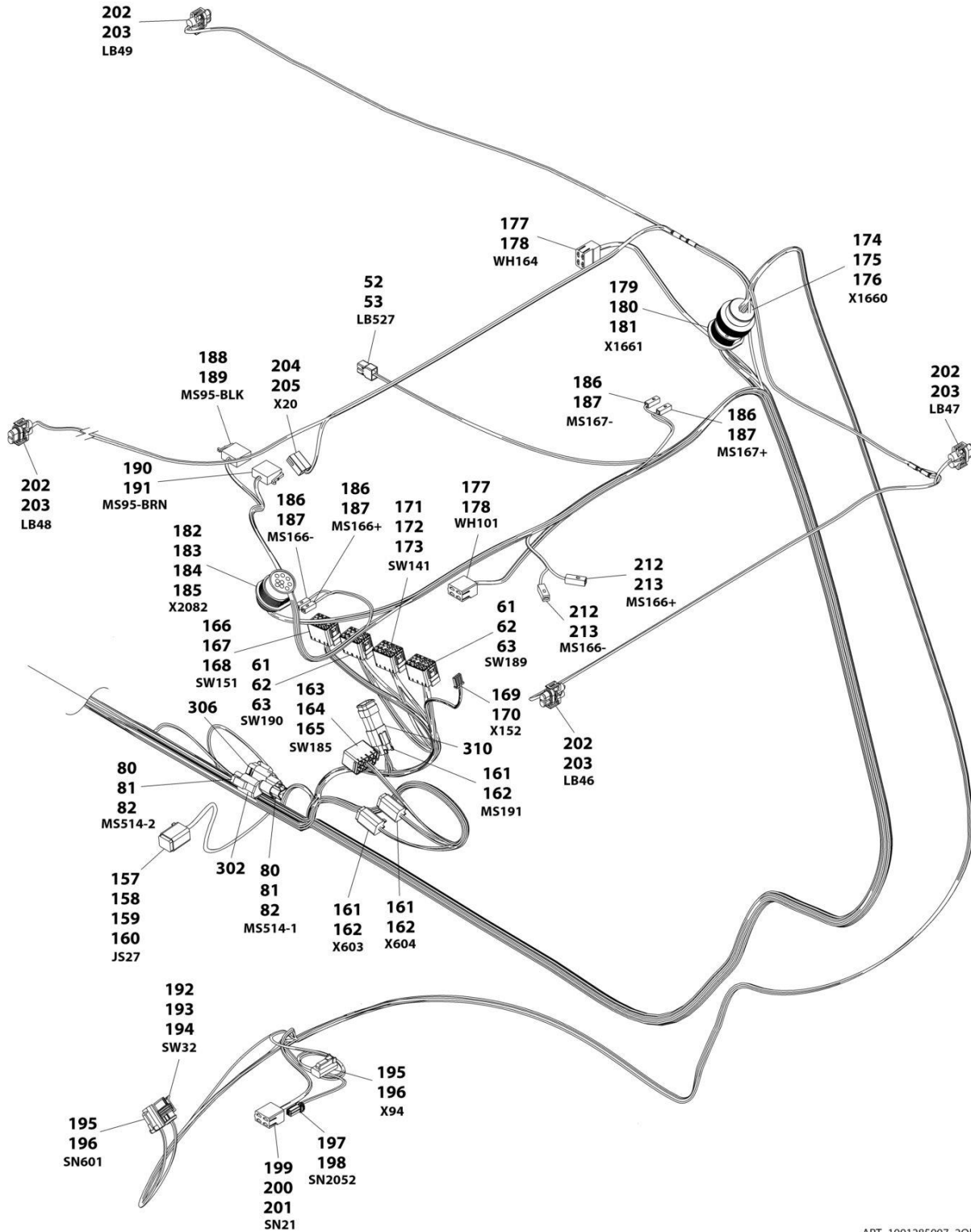
SECTION 10 - ELECTRICAL

FIGURE 10-12. CAB HARNESS (Prior to SN 0160128525)



ART_1001285007_1OF2

SECTION 10 - ELECTRICAL



ART_1001285007_2OF2

SECTION 10 - ELECTRICAL

FIGURE 10-12. CAB HARNESS (Prior to SN 0160128525)

ITEM	PART NUMBER	QTY	DESCRIPTION	REV
	1001285007	Ref	CAB HARNESS	C
1	1001161959	1	Connector	
2	1001161095	12	Terminal	
3	1001161097	7	Terminal	
4	1001161098	2	Terminal	
5	1001161100	4	Plug, Terminal	
6	1001161101	7	Plug, Terminal	
7	1001160502	1	Connector	
8	1001161095	25	Terminal	
9	1001161097	1	Terminal	
10	1001161098	5	Terminal	
11	1001161099	1	Terminal	
12	1001161100	13	Plug, Terminal	
13	1001161101	2	Plug, Terminal	
14	1001160498	1	Connector	
15	1001161095	24	Terminal	
16	1001161098	6	Terminal	
17	1001161099	1	Terminal	
18	1001161101	1	Plug, Terminal	
19	4460434	1	Connector	
20	4460268	5	Terminal	
21	4460343	1	Connector	
22	4460268	6	Terminal	
23	4460343	1	Connector	
24	4460267	4	Terminal	
25	4461262	1	Connector	
26	1001107854	3	Terminal	
27	1001103012	1	Connector	
28	1001116697	2	Terminal	
29	1001116698	2	Plug, Terminal	
30	4460343	1	Connector	
31	4460267	11	Terminal	
32	1001116812	3	Connector	
33	4460944	6	Terminal	
34	4460466	3	Plug, Terminal	
35	4460343	1	Connector	
36	4460268	9	Terminal	
37	4460434	1	Connector	
38	4460268	14	Terminal	
39	4460225	1	Connector	
40	4460267	3	Terminal	
41	4460225	1	Connector	
42	4460268	5	Terminal	
43	4460265	1	Connector	
44	4460268	7	Terminal	
45	1001231397	1	Connector	
46	1001231399	1	Terminal	
47	4460744	1	Connector	
48	4460746	4	Terminal	
49	1001116727	2	Plug, Terminal	

SECTION 10 - ELECTRICAL

ITEM	PART NUMBER	QTY	DESCRIPTION	REV
50	1001116999	1	Connector	
51	1001116700	4	Terminal	
52	1001116991	2	Connector	
53	1001118384	4	Terminal	
54	4460930	1	Connector	
55	4460465	8	Terminal	
56	4460933	1	Connector	
57	4460465	12	Terminal	
58	1001173411	1	Connector	
59	1001116716	2	Terminal	
60	1001104519	5	Terminal	
61	1001117081	10	Connector	
62	1001116723	60	Terminal	
63	1001118384	10	Terminal	
64	4460343	1	Connector	
65	4460267	7	Terminal	
66	4460343	1	Connector	
67	4460267	7	Terminal	
68	4460225	1	Connector	
69	4460267	5	Terminal	
70	4460906	1	Terminal	
71	1001117081	1	Connector	
72	1001116723	4	Terminal	
73	1001118384	2	Terminal	
74	1001162886	1	Connector	
75	1001162887	7	Terminal	
76	1001163340	13	Plug, Terminal	
77	4460894	1	Connector	
78	4460465	3	Terminal	
79	4460466	3	Plug, Terminal	
80	4460539	3	Connector	
81	4460944	6	Terminal	
82	4460466	3	Plug, Terminal	
83	4460897	1	Connector	
84	4460464	2	Terminal	
85	4460466	1	Plug, Terminal	
86	4460884	1	Connector	
87	4460942	2	Terminal	
88	4460466	2	Plug, Terminal	
89	4460836	1	Connector	
90	4460942	3	Terminal	
91	4460465	8	Terminal	
92	4460466	1	Plug, Terminal	
93	4461095	1	Connector	
94	4460465	2	Terminal	
95	4460466	1	Plug, Terminal	
96	4460933	1	Connector	
97	4460465	9	Terminal	
98	4460466	3	Plug, Terminal	
99	1001112612	1	Connector	
100	4460464	6	Terminal	

SECTION 10 - ELECTRICAL

ITEM	PART NUMBER	QTY	DESCRIPTION	REV
101	4460466	3	Plug, Terminal	
102	4460539	2	Connector	
103	4460465	6	Terminal	
104	1001117079	1	Connector	
105	1001116723	6	Terminal	
106	1001118384	2	Terminal	
107	1001117081	3	Connector	
108	1001116723	6	Terminal	
109	1001118384	12	Terminal	
110	1001118684	1	Connector	
111	1001116754	2	Terminal	
112	1001117081	1	Connector	
113	1001116723	10	Terminal	
114	1001118384	1	Terminal	
115	1001117081	1	Connector	
116	1001116723	6	Terminal	
117	1001118384	5	Terminal	
118	1001117081	1	Connector	
119	1001116723	6	Terminal	
120	1001118384	4	Terminal	
121	1001117081	1	Connector	
122	1001223455	1	Terminal	
123	1001118384	7	Terminal	
124	8220051	8	Connector	
125	1001117081	1	Connector	
126	1001116723	8	Terminal	
127	1001118384	2	Terminal	
128	1001117081	2	Connector	
129	1001223455	8	Terminal	
130	1001118384	6	Terminal	
131	1001150735	1	Connector	
132	1001150737	7	Terminal	
133	1001116995	1	Connector	
134	1001118379	2	Terminal	
135	4460994	1	Connector	
136	1001118384	1	Terminal	
137	1001116723	2	Terminal	
138	4460994	1	Connector	
139	1001118384	2	Terminal	
140	1001116997	1	Connector	
141	1001118384	5	Terminal	
142	1001117064	1	Connector	
143	1001116748	6	Terminal	
144	4461118	1	Connector	
145	1001107854	2	Terminal	
146	1001214687	1	Connector	
147	1001116753	3	Terminal	
148	1001214686	1	Connector	
149	1001116753	5	Terminal	
150	1001176333	1	Connector	
151	4460465	3	Terminal	

SECTION 10 - ELECTRICAL

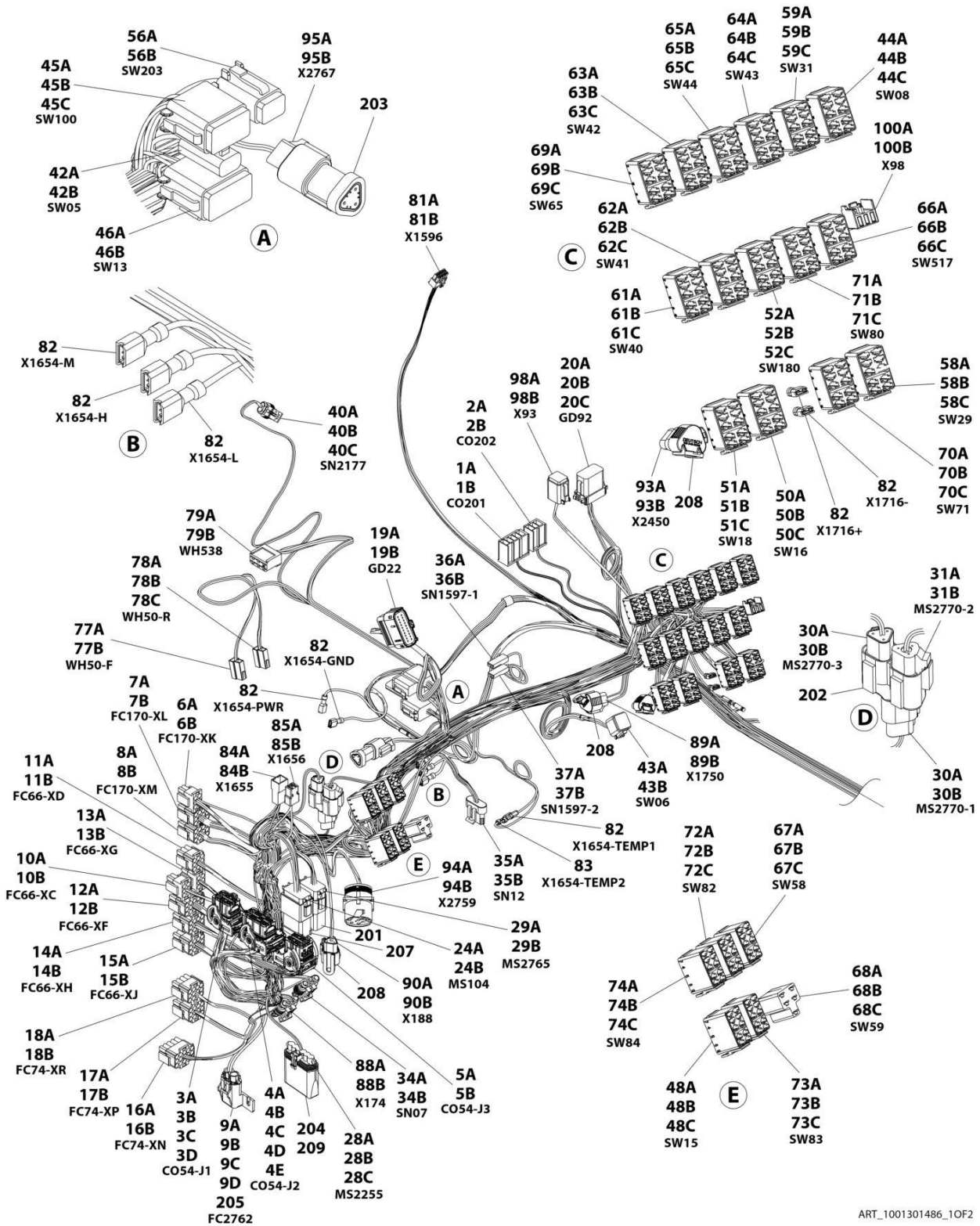
ITEM	PART NUMBER	QTY	DESCRIPTION	REV
152	4460944	2	Terminal	
153	4460466	13	Plug, Terminal	
154	4460930	1	Connector	
155	4460465	2	Terminal	
156	4460466	6	Plug, Terminal	
157	4460894	1	Connector	
158	4460465	3	Terminal	
159	4460944	2	Terminal	
160	4460466	1	Plug, Terminal	
161	4460884	3	Connector	
162	4460942	12	Terminal	
163	1001117081	1	Connector	
164	1001116723	2	Terminal	
165	1001118384	4	Terminal	
166	1001117081	1	Connector	
167	1001116723	12	Terminal	
168	1001118384	1	Terminal	
169	1001184473	1	Connector	
170	1001184479	3	Terminal	
171	1001117081	1	Connector	
172	1001116723	6	Terminal	
173	1001118384	1	Terminal	
174	1001136999	1	Connector	
175	1001126011	15	Terminal	
176	4460518	6	Plug, Terminal	
177	1001116986	2	Connector	
178	1001118384	8	Terminal	
179	1001137000	1	Connector	
180	1001126008	15	Terminal	
181	4460518	6	Plug, Terminal	
182	1001112612	1	Connector	
183	4460464	7	Terminal	
184	4460943	2	Terminal	
185	4460466	4	Plug, Terminal	
186	1001116998	4	Connector	
187	1001118387	4	Terminal	
188	1001116985	1	Connector	
189	1001118386	3	Terminal	
190	1001116984	1	Connector	
191	1001118386	4	Terminal	
192	4461262	1	Connector	
193	1001107854	15	Terminal	
194	1001116698	6	Terminal	
195	4460891	2	Connector	
196	4460465	4	Terminal	
197	1001264844	1	Connector	
198	1001264861	4	Terminal	
199	1001116986	1	Connector	
200	1001118384	1	Terminal	
201	1001116723	2	Terminal	
202	4461115	4	Connector	

SECTION 10 - ELECTRICAL

ITEM	PART NUMBER	QTY	DESCRIPTION	REV
203	1001116728	8	Terminal	
204	4460994	1	Connector	
205	1001118384	2	Terminal	
206	1001231400	1	Terminal	
207	1001231404	2	Seal	
208	1001194421	1	Terminal	
209	1001104498	2	Seal	
210	1001116995	1	Connector	
211	1001236622	1	Terminal	
212	1001116998	2	Connector	
213	1001118387	2	Terminal	
301	4460931	1	Connector	
302	4460945	2	Connector, 3 Way Tee	
303	4461070	1	Connector with Resistor	
304	8220375	1	Cap	
305	8229234	1	Fuse 10 Amp	
306	1001116815	1	Connector, Plug	
307	1001125677	1	Bussbar	
308	1001144296	3	Cap	
309	1001177597	2	Model, Diode	
310	1001201070	1	Connector, Resistor	

SECTION 10 - ELECTRICAL

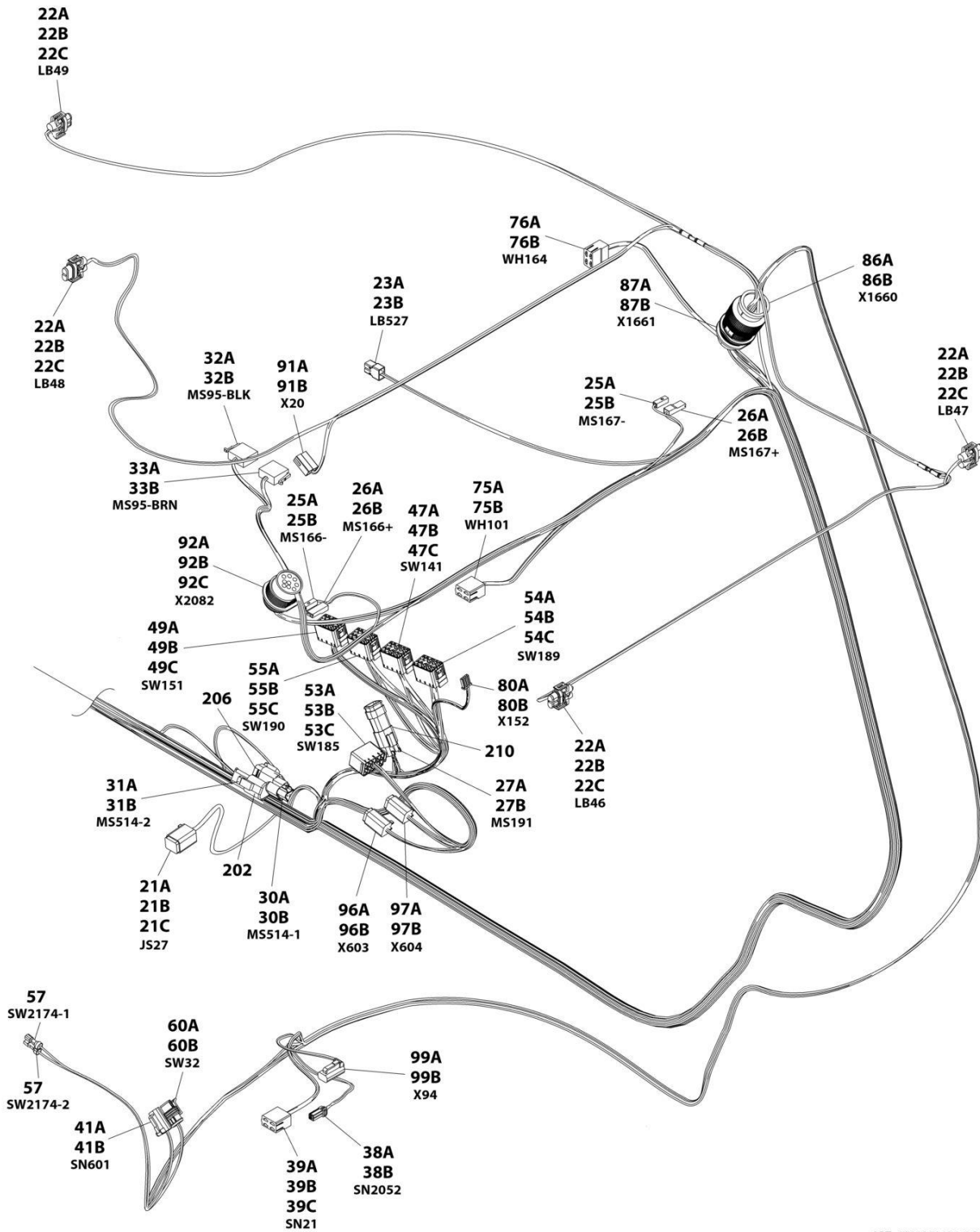
FIGURE 10-13. CAB HARNESS



ART_1001301486_10F2

SECTION 10 - ELECTRICAL

FIGURE 10-14. CAB HARNESS



ART_1001301486_20F2

SECTION 10 - ELECTRICAL

FIGURE 10-14. CAB HARNESS

ITEM	PART NUMBER	QTY	DESCRIPTION	REV
	1001301486	Ref	CAB HARNESS	A
1A	1001214686	1	Connector 5 Position	
1B	1001116753	4	Terminal	
2A	1001214687	1	Connector 3 Position	
2B	1001116753	3	Terminal	
3A	1001160498	1	Connector 32 Position	
3B	1001161095	24	Terminal	
3C	1001161098	6	Terminal	
3D	1001161099	1	Terminal	
4A	1001160502	1	Connector 48 Position	
4B	1001161095	23	Terminal	
4C	1001161098	5	Terminal	
4D	1001161099	1	Terminal	
4E	1001161097	1	Terminal	
5A	1001161959	1	Connector 32 Position	
5B	1001161095	30	Terminal	
6A	4460225	1	Connector 6 Position	
6B	4460267	6	Terminal	
7A	4460343	1	Connector 12 Position	
7B	4460268	10	Terminal	
8A	4460343	1	Connector 12 Position	
8B	4460267	7	Terminal	
9A	1001231397	1	Connector 2 Position	
9B	1001231399	1	Terminal	
9C	1001231400	1	Terminal	
9D	1001231404	2	Seal	
10A	4460225	1	Connector 6 Position	
10B	4460267	3	Terminal	
11A	4460265	1	Connector 9 Position	
11B	4460268	6	Terminal	
12A	4460434	1	Connector 15 Position	
12B	4460268	15	Terminal	
13A	4460225	1	Connector 6 Position	
13B	4460268	5	Terminal	
14A	4460343	1	Connector 12 Position	
14B	4460268	9	Terminal	
15A	4460343	1	Connector 12 Position	
15B	4460267	10	Terminal	
16A	4460434	1	Connector 15 Position	
16B	4460268	7	Terminal	
17A	4460343	1	Connector 12 Position	
17B	4460268	6	Terminal	
18A	4460343	1	Connector 12 Position	
18B	4460267	4	Terminal	
19A	1001162886	1	Connector 20 Position	
19B	1001162887	7	Terminal	
20A	1001176333	1	Connector 18 Position	
20B	4460944	4	Terminal	
20C	4460465	3	Terminal	
21A	4460894	1	Connector 6 Position	

SECTION 10 - ELECTRICAL

ITEM	PART NUMBER	QTY	DESCRIPTION	REV
21B	4460944	2	Terminal	
21C	4460465	3	Terminal	
22A	4461115	4	Connector 2 Position	
22B	1001116728	8	Terminal	
22C	4460458	8	Seal	
23A	1001116991	1	Connector 2 Position	
23B	1001118384	1	Terminal	
24A	4460933	1	Connector 12 Position	
24B	4460465	12	Terminal	
25A	1001116998	2	Connector 1 Position	
25B	1001118387	2	Terminal	
26A	1001116995	2	Connector 1 Position	
26B	1001118387	2	Terminal	
27A	4460884	1	Connector 4 Position	
27B	4460465	4	Terminal	
28A	4460744	1	Connector 4 Position	
28B	4460746	4	Terminal	
28C	4460458	4	Seal	
29A	4460930	1	Connector 8 Position	
29B	4460465	8	Terminal	
30A	1001116812	3	Connector 3 Position	
30B	4460944	6	Terminal	
31A	4460539	2	Connector 3 Position	
31B	4460944	4	Terminal	
32A	1001116985	1	Connector 8 Position	
32B	1001118386	3	Terminal	
33A	1001116984	1	Connector 8 Position	
33B	1001118386	4	Terminal	
34A	1001103012	1	Connector 4 Position	
34B	1001116697	2	Terminal	
35A	1001117064	1	Connector 6 Position	
35B	1001116748	6	Terminal	
36A	1001116995	1	Connector 1 Position	
36B	1001236622	1	Terminal	
37A	1001116995	1	Connector 1 Position	
37B	1001118379	2	Terminal	
38A	1001264844	1	Connector 2 Position	
38B	1001264861	1	Terminal	
39A	1001116986	1	Connector 4 Position	
39B	1001118384	2	Terminal	
39C	1001116723	2	Terminal	
40A	4461118	1	Connector 2 Position	
40B	1001107854	2	Terminal	
40C	1001104498	2	Seal	
41A	4460891	1	Connector 2 Position	
41B	4460465	2	Terminal	
42A	4460897	1	Connector	
42B	4460464	1	Terminal	
43A	4460894	1	Connector 6 Position	
43B	4460465	3	Terminal	
44A	1001117079	1	Connector 10 Position	

SECTION 10 - ELECTRICAL

ITEM	PART NUMBER	QTY	DESCRIPTION	REV
44B	1001116723	6	Terminal	
44C	1001118384	2	Terminal	
45A	4460836	1	Connector 12 Position	
45B	4460465	8	Terminal	
45C	4460942	3	Terminal	
46A	4460933	1	Connector 12 Position	
46B	4460465	9	Terminal	
47A	1001117081	1	Connector 10 Position	
47B	1001118384	1	Terminal	
47C	1001116723	6	Terminal	
48A	1001117081	1	Connector 10 Position	
48B	1001118384	1	Terminal	
48C	1001116723	6	Terminal	
49A	1001117081	1	Connector 10 Position	
49B	1001118384	1	Terminal	
49C	1001116723	10	Terminal	
50A	1001117081	1	Connector 10 Position	
50B	1001118384	1	Terminal	
50C	1001116723	6	Terminal	
51A	1001117081	1	Connector 10 Position	
51B	1001118384	5	Terminal	
51C	1001116723	6	Terminal	
52A	1001117081	1	Connector 10 Position	
52B	1001118384	3	Terminal	
52C	1001116723	4	Terminal	
53A	1001117081	1	Connector 10 Position	
53B	1001118384	4	Terminal	
53C	1001116723	2	Terminal	
54A	1001117081	1	Connector 10 Position	
54B	1001118384	1	Terminal	
54C	1001116723	6	Terminal	
55A	1001117081	1	Connector 10 Position	
55B	1001118384	1	Terminal	
55C	1001116723	6	Terminal	
56A	4460884	1	Connector 4 Position	
56B	4460942	2	Terminal	
57	8220108	2	Terminal	
58A	1001117081	1	Connector 10 Position	
58B	1001118384	1	Terminal	
58C	1001116723	10	Terminal	
59A	1001117081	1	Connector 10 Position	
59B	1001118384	7	Terminal	
59C	1001223455	1	Terminal	
60A	4461262	1	Connector 3 Position	
60B	1001107854	2	Terminal	
61A	1001117081	1	Connector 10 Position	
61B	1001118384	4	Terminal	
61C	1001116723	6	Terminal	
62A	1001117081	1	Connector 10 Position	
62B	1001118384	3	Terminal	
62C	1001116723	4	Terminal	

SECTION 10 - ELECTRICAL

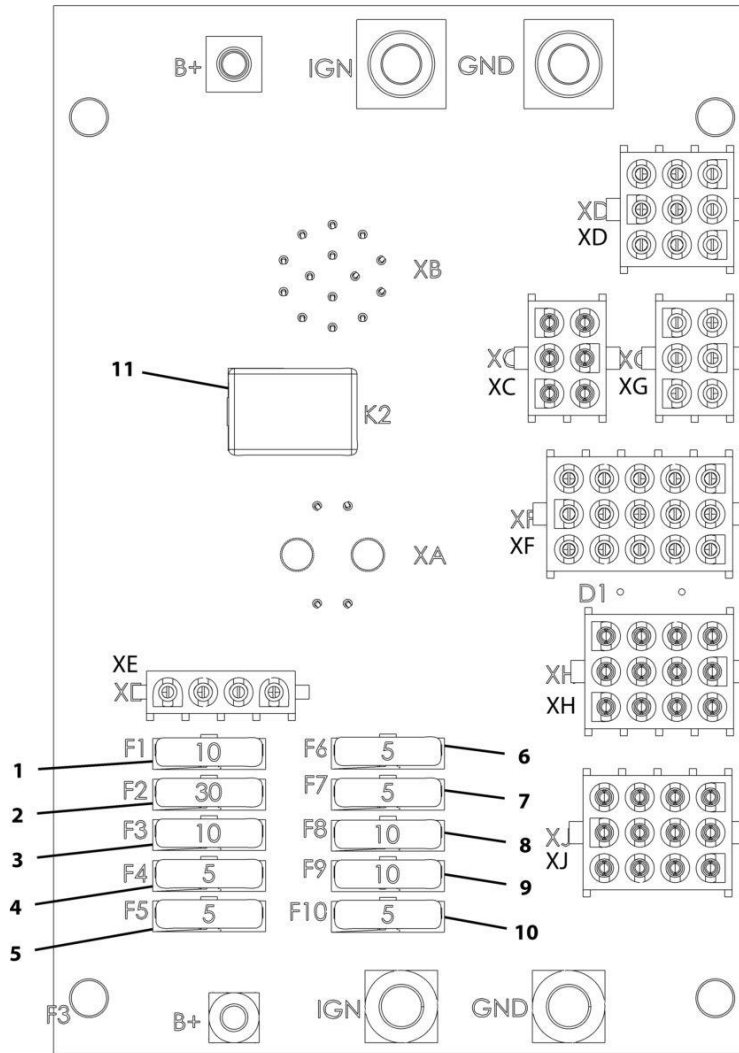
ITEM	PART NUMBER	QTY	DESCRIPTION	REV
63A	1001117081	1	Connector 10 Position	
63B	1001118384	2	Terminal	
63C	1001116723	4	Terminal	
64A	1001117081	1	Connector 10 Position	
64B	1001118384	2	Terminal	
64C	1001116723	4	Terminal	
65A	1001117081	1	Connector 10 Position	
65B	1001118384	2	Terminal	
65C	1001116723	4	Terminal	
66A	1001117081	1	Connector 10 Position	
66B	1001118384	1	Terminal	
66C	1001116723	6	Terminal	
67A	1001117081	1	Connector 10 Position	
67B	1001118384	2	Terminal	
67C	1001116723	4	Terminal	
68A	1001173411	1	Connector 5 Position	
68B	1001104519	5	Terminal	
68C	1001116716	2	Terminal	
69A	1001117081	1	Connector 10 Position	
69B	1001118384	1	Terminal	
69C	1001116723	6	Terminal	
70A	1001117081	1	Connector 10 Position	
70B	1001118384	2	Terminal	
70C	1001116723	8	Terminal	
71A	1001117081	1	Connector 10 Position	
71B	1001118384	1	Terminal	
71C	1001116723	6	Terminal	
72A	1001117081	1	Connector 10 Position	
72B	1001118384	1	Terminal	
72C	1001116723	6	Terminal	
73A	1001117081	1	Connector 10 Position	
73B	1001118384	1	Terminal	
73C	1001116723	6	Terminal	
74A	1001117081	1	Connector 10 Position	
74B	1001118384	1	Terminal	
74C	1001116723	6	Terminal	
75A	1001116986	1	Connector 4 Position	
75B	1001118384	4	Terminal	
76A	1001116986	1	Connector 4 Position	
76B	1001118384	4	Terminal	
77A	4460994	1	Connector 2 Position	
77B	1001118384	2	Terminal	
78A	4460994	1	Connector 2 Position	
78B	1001118384	1	Terminal	
78C	1001116723	2	Terminal	
79A	1001116997	1	Connector 6 Position	
79B	1001118384	5	Terminal	
80A	1001184473	1	Connector 4 Position	
80B	1001184479	3	Terminal	
81A	1001150735	1	Connector 10 Position	
81B	1001150737	7	Terminal	

SECTION 10 - ELECTRICAL

ITEM	PART NUMBER	QTY	DESCRIPTION	REV
82	8220051	8	Terminal	
83	1001194421	1	Terminal	
84A	1001116999	1	Connector 1 Position	
84B	1001116700	4	Terminal	
85A	1001116991	1	Connector 2 Position	
85B	1001118384	2	Terminal	
86A	1001136999	1	Connector 1 Position	
86B	1001126011	16	Terminal	
87A	1001137000	1	Connector 21 Position	
87B	1001126008	16	Terminal	
88A	4461262	1	Connector 3 Position	
88B	1001107854	3	Terminal	
89A	4460539	1	Connector 3 Position	
89B	4460465	3	Terminal	
90A	1001116812	1	Connector 3 Position	
90B	4460944	2	Terminal	
91A	4460994	1	Connector 2 Position	
91B	1001118384	2	Terminal	
92A	1001112612	1	Connector 9 Position	
92B	4460943	2	Terminal	
92C	4460464	7	Terminal	
93A	4460539	1	Connector 3 Position	
93B	4460465	3	Terminal	
94A	1001112612	1	Connector 9 Position	
94B	4460464	6	Terminal	
95A	4461095	1	Connector 3 Position	
95B	4460465	2	Terminal	
96A	4460884	1	Connector 4 Position	
96B	4460465	4	Terminal	
97A	4460884	1	Connector 4 Position	
97B	4460465	4	Terminal	
98A	4460930	1	Connector 8 Position	
98B	4460465	2	Terminal	
99A	4460891	1	Connector 2 Position	
99B	4460465	2	Terminal	
100A	1001118684	1	Connector 3 Position	
100B	1001116754	2	Terminal	
201	4460984	1	Connector 8 Position	
202	4460945	2	Connector Tee	
203	4461070	1	Connector 3 Position Resistor	
204	8220375	1	Cap	
205	8229234	1	Fuse 10A	
206	1001116815	1	Connector 3 Position	
207	1001125677	1	Bussbar	
208	1001144296	3	Cap	
209	1001177597	2	Diode Assembly	
210	1001201070	1	Connector 2 Position Resistor	

SECTION 10 - ELECTRICAL

FIGURE 10-15. CAB STANDARD ELECTRICAL BOARD ASSEMBLY



ART_1001161769-C

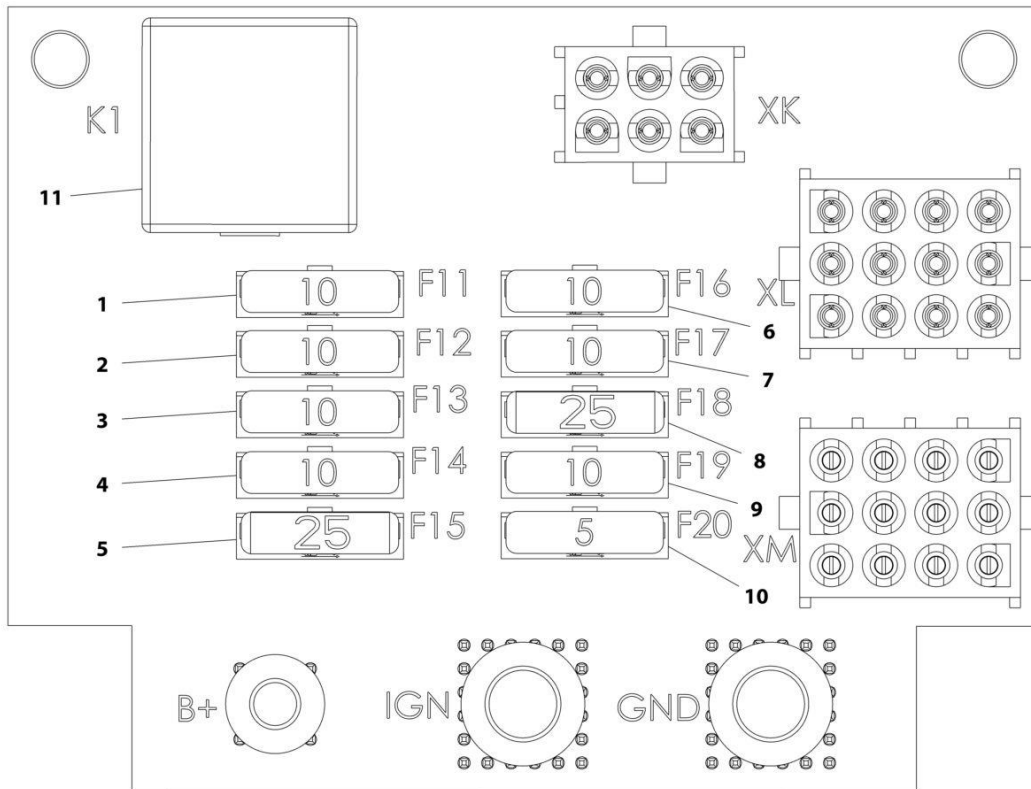
SECTION 10 - ELECTRICAL

FIGURE 10-15. CAB STANDARD ELECTRICAL BOARD ASSEMBLY

ITEM	PART NUMBER	QTY	DESCRIPTION	REV
	1001161769	Ref	Standard Electrical Board Assembly	C
1	80983191	1	Fuse, 10AMP	
2	8229245	1	Fuse, 30AMP	
3	80983191	1	Fuse, 10AMP	
4	8229242	1	Fuse, 5AMP	
5	8229242	1	Fuse, 5AMP	
6	8229242	1	Fuse, 5AMP	
7	8229242	1	Fuse, 5AMP	
8	80983191	1	Fuse, 10AMP	
9	80983191	1	Fuse, 10AMP	
10	8229242	1	Fuse, 5AMP	
11	70026292	1	Fuse, 35AMP	

SECTION 10 - ELECTRICAL

FIGURE 10-16. CAB OPTION 1 ELECTRICAL BOARD ASSEMBLY



ART_1001161770-C

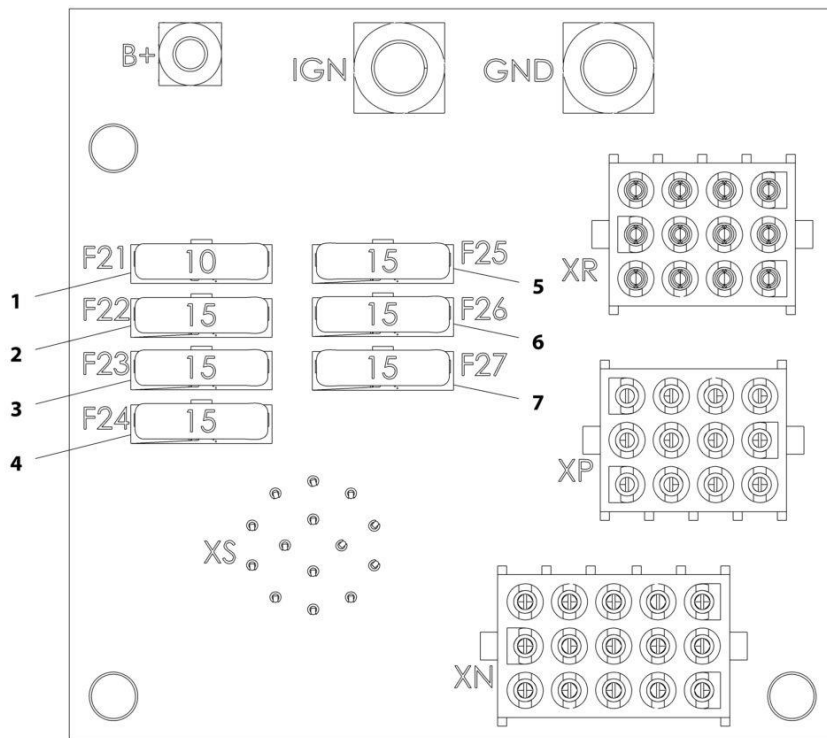
SECTION 10 - ELECTRICAL

FIGURE 10-16. CAB OPTION 1 ELECTRICAL BOARD ASSEMBLY

ITEM	PART NUMBER	QTY	DESCRIPTION	REV
	1001161770	Ref	Option 1 Electrical Board Assembly	C
1	80983191	1	Fuse, 10AMP	
2	80983191	1	Fuse, 10AMP	
3	80983191	1	Fuse, 10AMP	
4	80983191	1	Fuse, 10AMP	
5	8229247	1	Fuse, 25AMP	
6	80983191	1	Fuse, 10AMP	
7	80983191	1	Fuse, 10AMP	
8	8229247	1	Fuse, 25AMP	
9	80983191	1	Fuse, 10AMP	
10	8229242	1	Fuse, 5AMP	
11	70026293	1	Fuse, 50AMP	

SECTION 10 - ELECTRICAL

FIGURE 10-17. CAB OPTION 2 ELECTRICAL BOARD ASSEMBLY



ART_1001161771-B

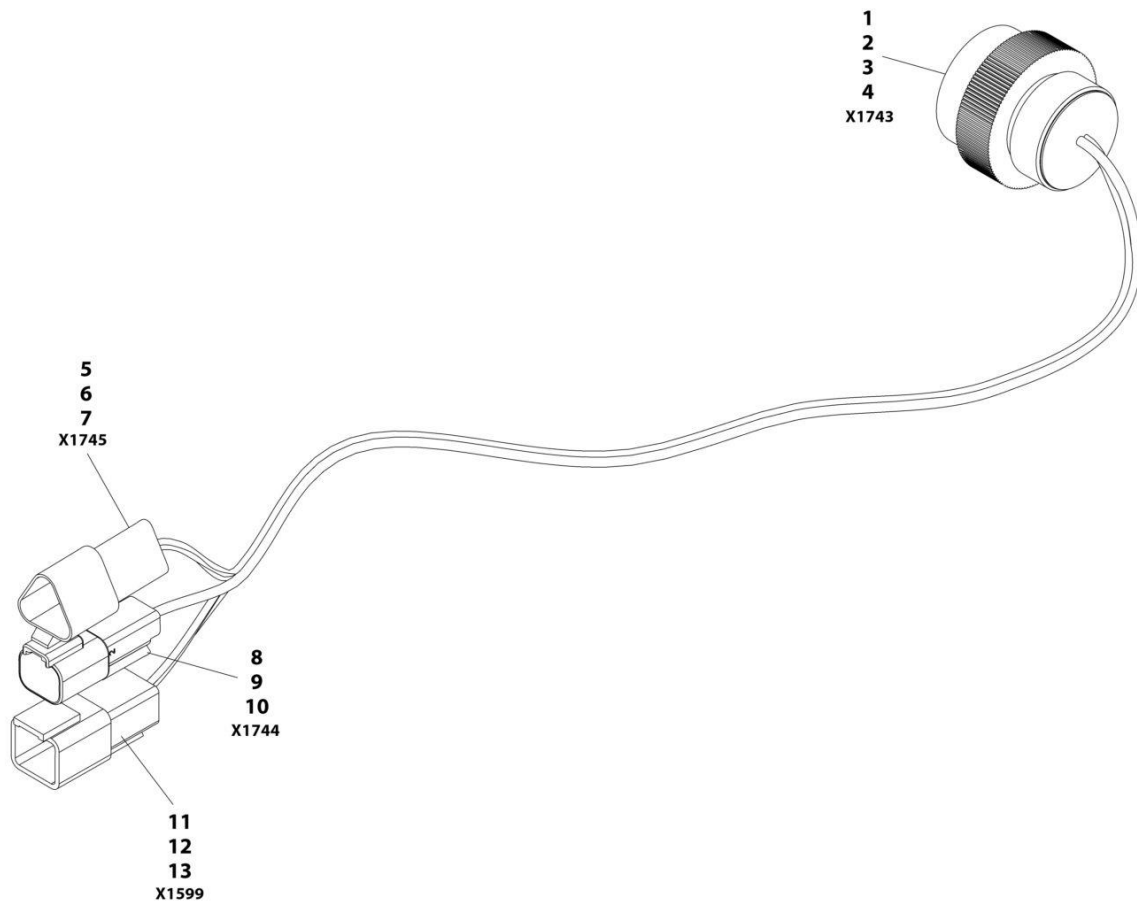
SECTION 10 - ELECTRICAL

FIGURE 10-17. CAB OPTION 2 ELECTRICAL BOARD ASSEMBLY

ITEM	PART NUMBER	QTY	DESCRIPTION	REV
	1001161771	Ref	Option 2 Electrical Board Assembly	B
1	80983191	1	Fuse, 10AMP	
2	8229244	1	Fuse, 15AMP	
3	8229244	1	Fuse, 15AMP	
4	8229244	1	Fuse, 15AMP	
5	8229244	1	Fuse, 15AMP	
6	8229244	1	Fuse, 15AMP	
7	8229244	1	Fuse, 15AMP	

SECTION 10 - ELECTRICAL

FIGURE 10-18. CAB OPTION HARNESS



ART_1001265358

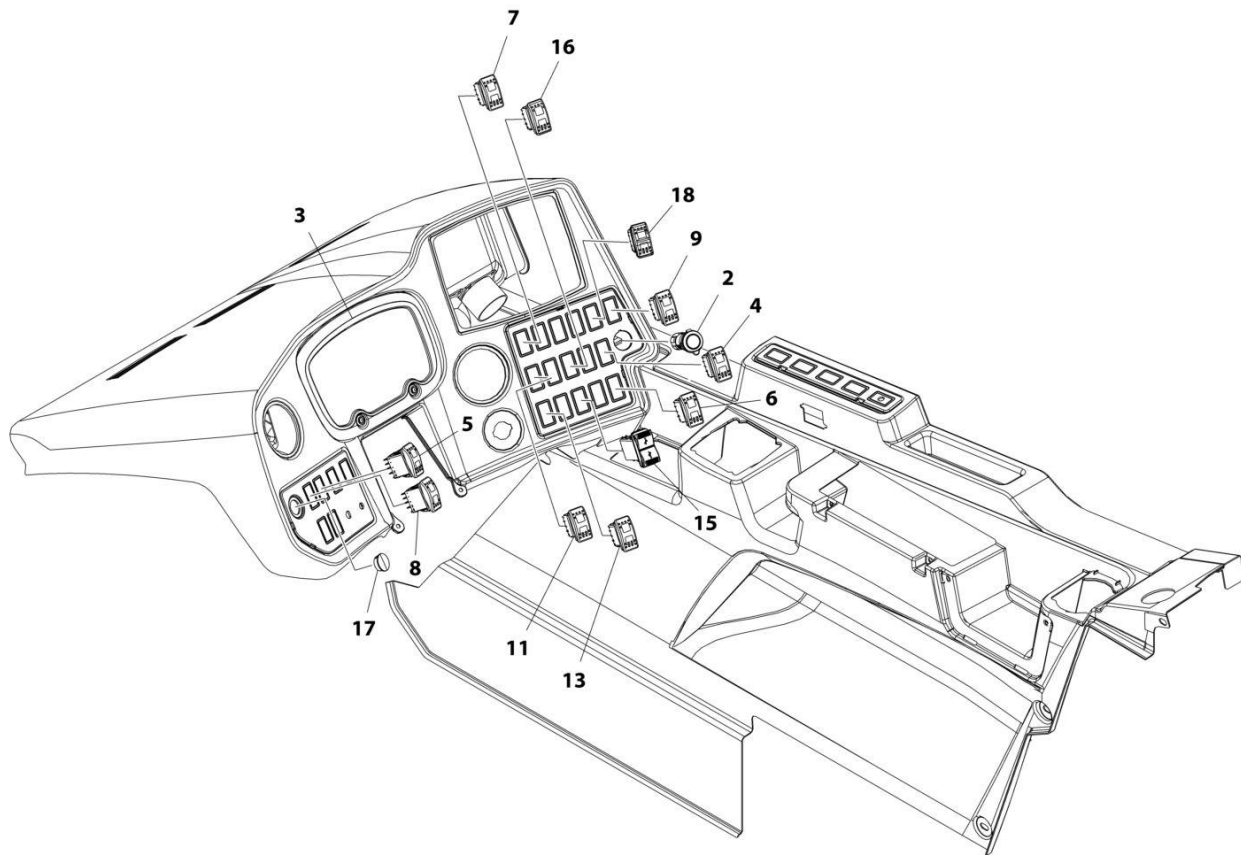
SECTION 10 - ELECTRICAL

FIGURE 10-18. CAB OPTION HARNESS

ITEM	PART NUMBER	QTY	DESCRIPTION	REV
	1001265358	Ref	CAB OPTION HARNESS	A
1	4461015	1	Connector	
2	4460465	5	Terminal	
3	4460942	1	Terminal	
4	4460466	8	Plug	
5	1001144147	1	Connector	
6	4460943	2	Terminal	
7	4460466	1	Plug	
8	4460897	1	Connector	
9	4460941	1	Terminal	
10	4460466	1	Plug	
11	1001097051	1	Connector	
12	4460929	3	Terminal	
13	4460466	1	Plug	

SECTION 10 - ELECTRICAL

FIGURE 10-19. DASH ELECTRICS INSTALLATION (ULS)



ART_1001185809_G

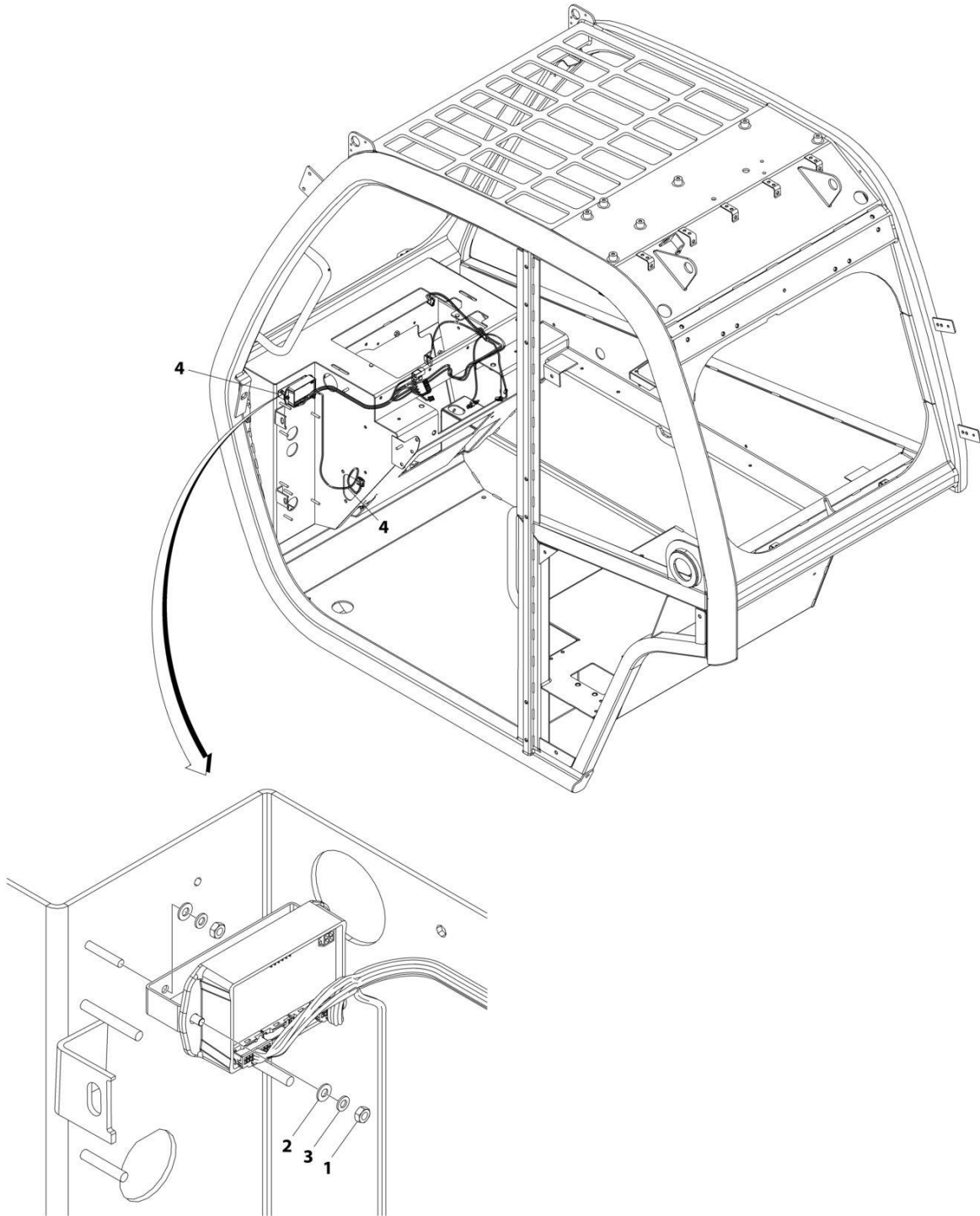
SECTION 10 - ELECTRICAL

FIGURE 10-19. DASH ELECTRICS INSTALLATION (ULS)

ITEM	PART NUMBER	QTY	DESCRIPTION	REV
	1001185809	Ref	DASH ELECTRICS INSTALLATION (ULS)	G
2	1001095804	1	Connector, 12V Power Socket	
3	1001158146	1	Cluster, Electrical Gauge	
4	1001104654	1	Switch, AUX Decomp	
5	1001159741	1	Switch, Constanst AUX	
6	1001163639	1	Switch, Driving Lights	
7	1001159737	1	Switch, Fog Lights	
8	1001189898	1	Switch, Framer/Loader	
9	1001159734	1	Switch, Hazard	
11	1001159735	1	Switch, Rear Wiper	
13	1001159849	1	Switch, Steer Mode	
15	1001174712	1	Switch, USB Charger	
16	1001159748	1	Switch, Bucket Mode	
17	1001190589	1	Plug, Blanking	
18	1001285715	1	Switch, Beacon	

SECTION 10 - ELECTRICAL

FIGURE 10-20. CAB HEATER HARNESS INSTALLATION



ART_1001201340_E

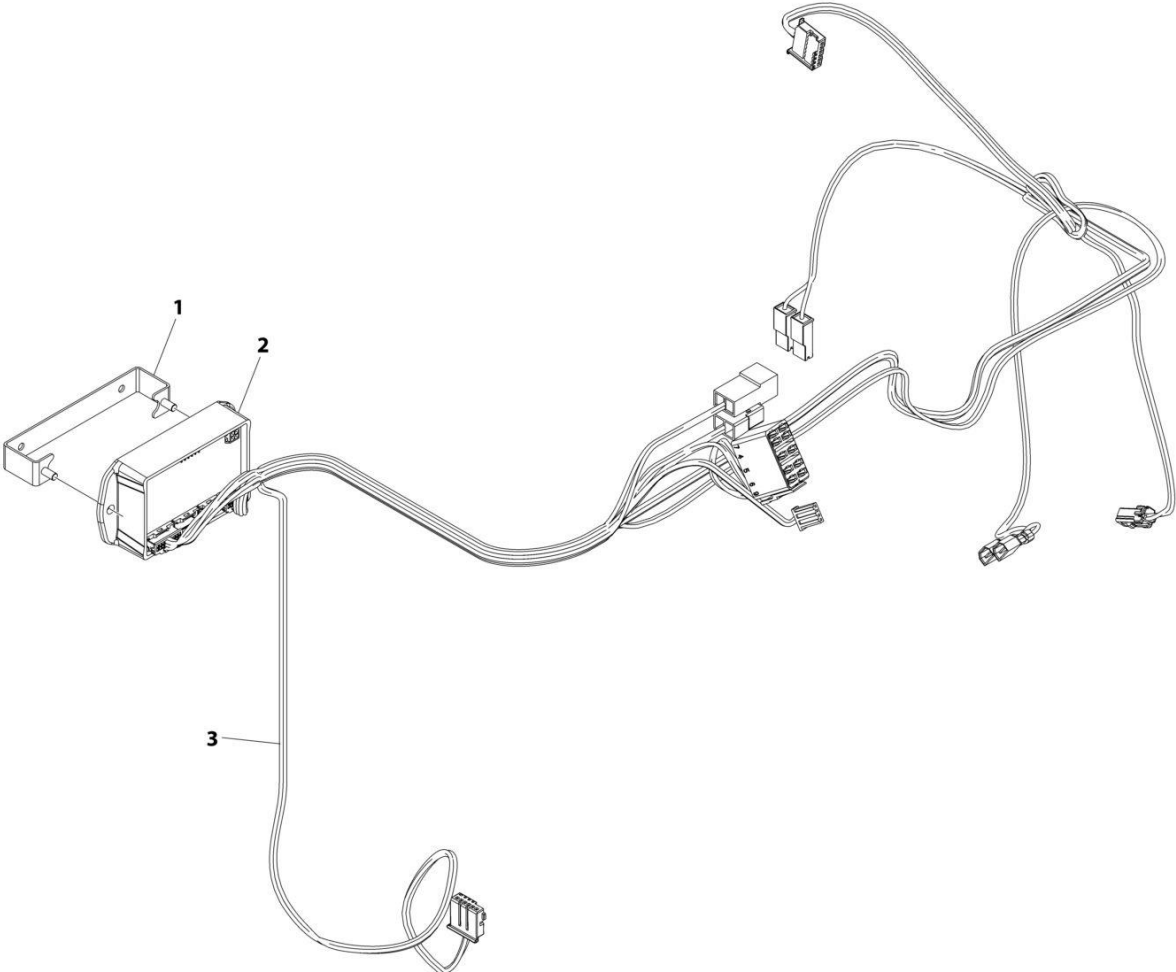
SECTION 10 - ELECTRICAL

FIGURE 10-20. CAB HEATER HARNESS INSTALLATION

ITEM	PART NUMBER	QTY	DESCRIPTION	REV
	1001201340	Ref	CAB HEATER HARNESS INSTALLATION	E
1	3290401	4	Nut M4	
2	4811400	4	Washer M4	
3	4831400	4	Washer, Lock M4	
4	1001271803	1	Harness, Cab Heater (See Separate Breakdown in this Section)	

SECTION 10 - ELECTRICAL

FIGURE 10-21. CAB HEATER HARNESS



ART_1001271803

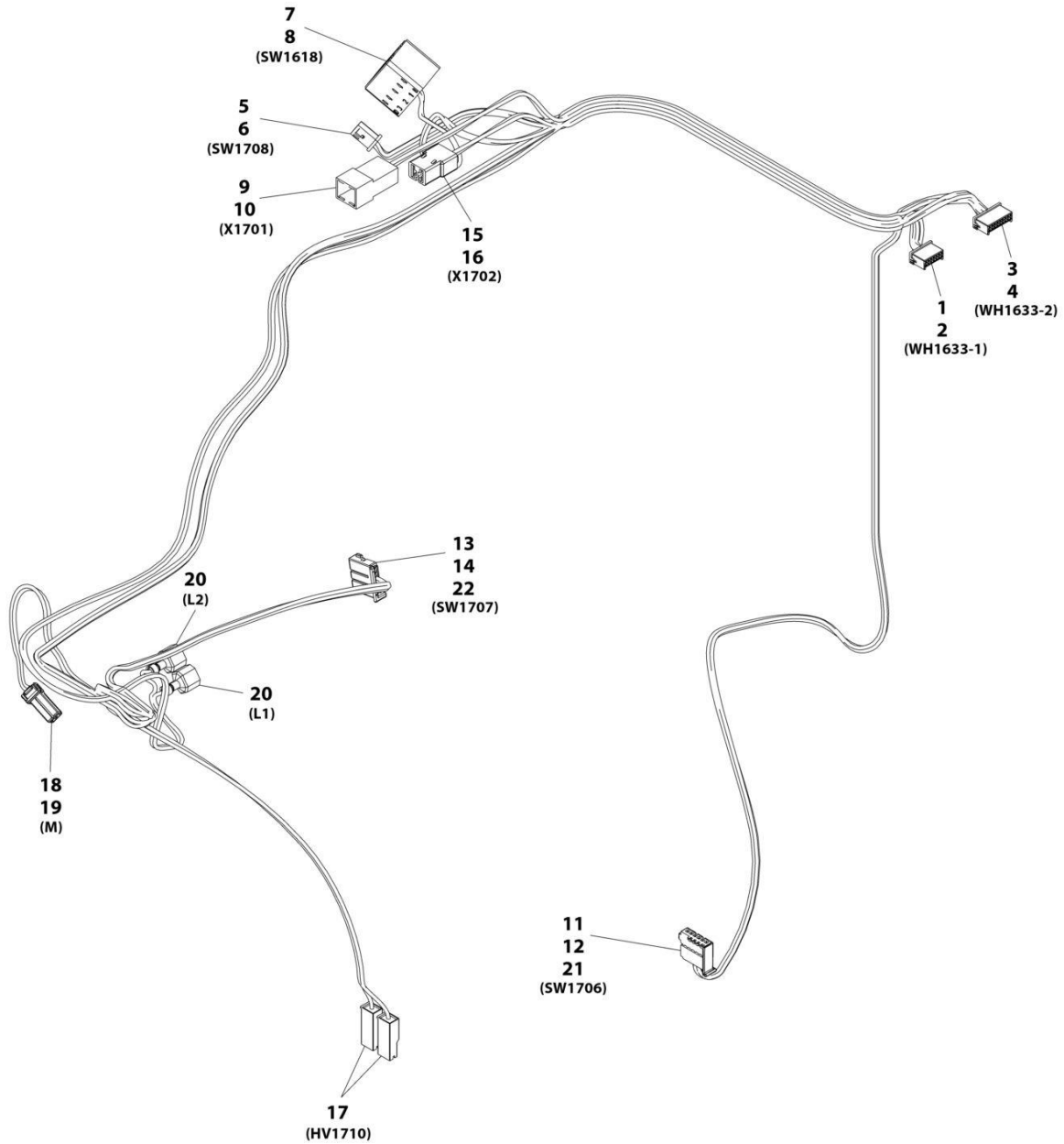
SECTION 10 - ELECTRICAL

FIGURE 10-21. CAB HEATER HARNESS

ITEM	PART NUMBER	QTY	DESCRIPTION	REV
	1001271803	Ref	CAB HEATER HARNESS	B
1	1001264976	1	Bracket	
2	1001268829	1	Actuator, HVAC (Sold as Assembly Only)	
3	1001268830	1	Harness, HVAC Cab Actuator (See Separate Breakdown in this Section)	

SECTION 10 - ELECTRICAL

FIGURE 10-22. CAB HVAC ACTUATOR HARNESS



ART_1001268830

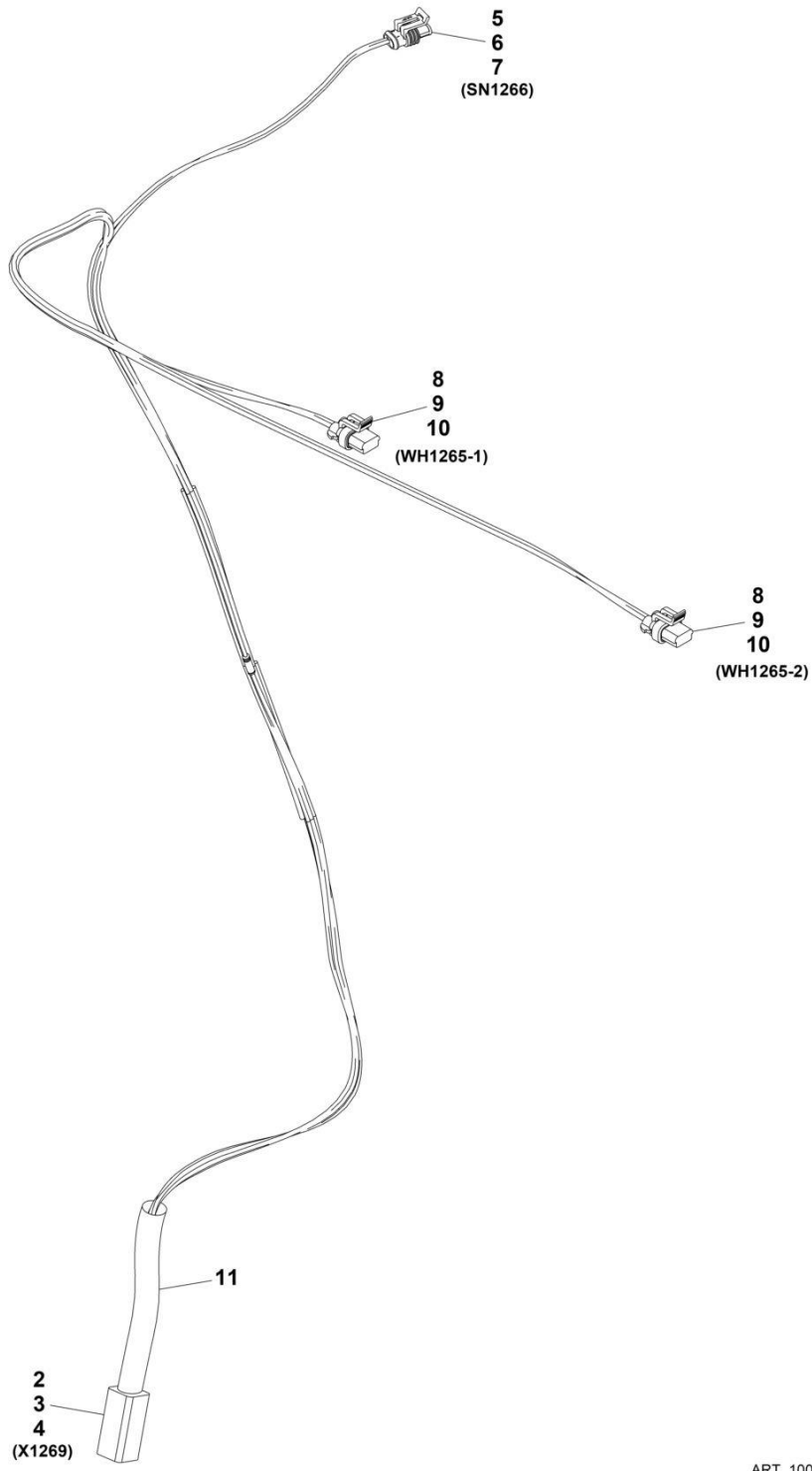
SECTION 10 - ELECTRICAL

FIGURE 10-22. CAB HVAC ACTUATOR HARNESS

ITEM	PART NUMBER	QTY	DESCRIPTION	REV
	1001268830	Ref	CAB HVAC ACTUATOR HARNESS	B
1	1001274536	1	Connector	
2	1001274543	10	Terminal	
3	1001274537	1	Connector	
4	1001274543	8	Terminal	
5	1001184473	1	Connector	
6	1001184479	3	Terminal	
7	1001274533	1	Connector	
8	1001274539	4	Terminal	
9	1001116999	1	Connector	
10	1001274540	2	Terminal	
11	1001274534	1	Connector	
12	1001274541	2	Terminal	
13	1001274534	1	Connector	
14	1001274541	5	Terminal	
15	1001116991	1	Connector	
16	1001116720	2	Terminal	
17	1001274535	2	Connector	
18	1001274538	1	Connector	
19	1001274544	2	Terminal	
20	8220050	2	Terminal	
21	1001274553	1	Retainer	
22	1001274553	1	Retainer	

SECTION 10 - ELECTRICAL

FIGURE 10-23. CAB HVAC ACTUATOR HARNESS



ART_1001169151

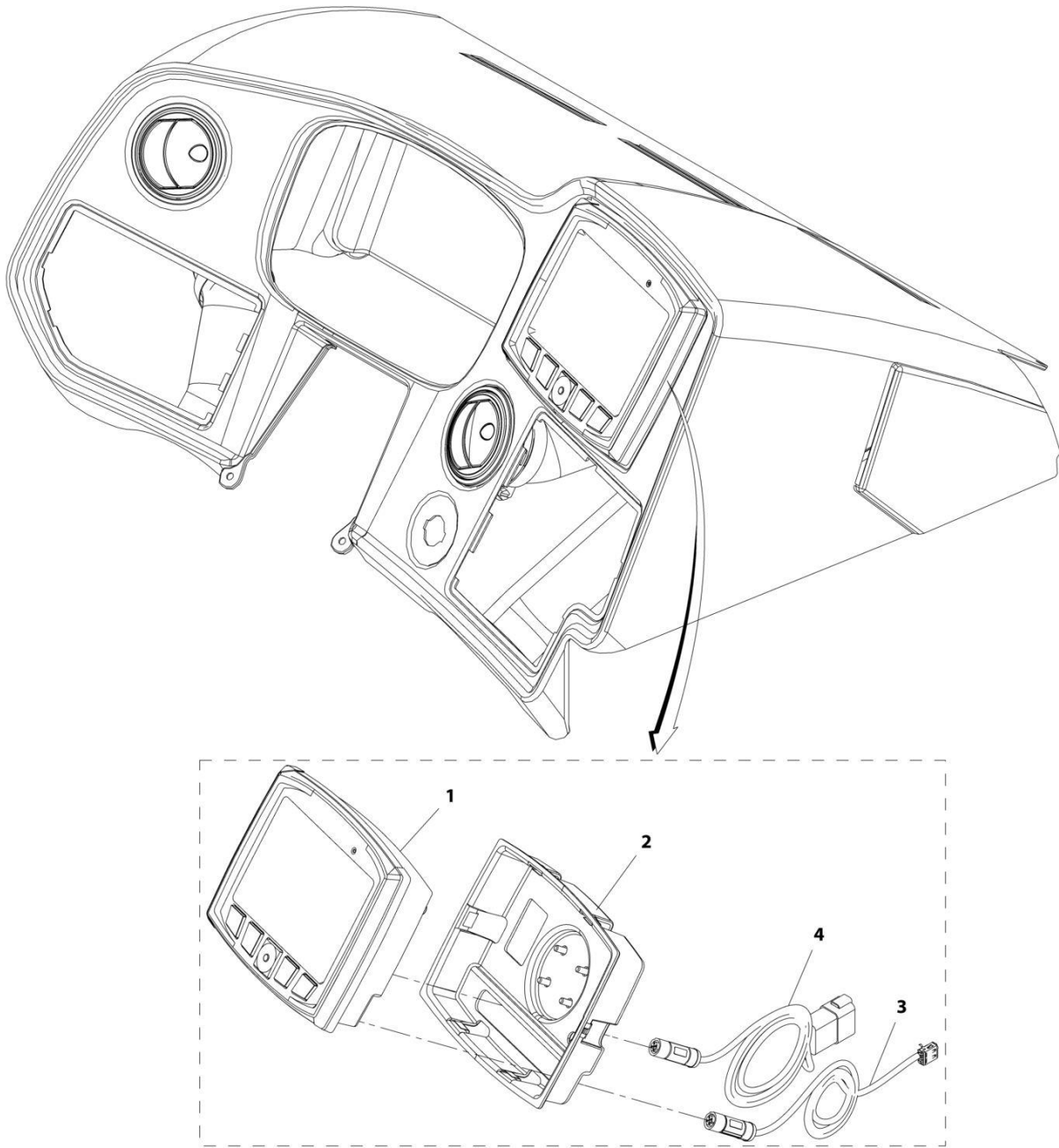
SECTION 10 - ELECTRICAL

FIGURE 10-23. CAB HVAC ACTUATOR HARNESS

ITEM	PART NUMBER	QTY	DESCRIPTION	REV
	1001169151	Ref	A/C Option Harness	G
2	4460899	1	Connector	
3	4460941	4	Terminal	
4	4460464	2	Terminal	
5	4461118	1	Connector	
6	1001107854	2	Terminal	
7	1001116763	2	Seal	
8	1001117021	2	Connector	
9	1001116747	4	Terminal	
10	4460789	4	Seal	
11	70028546	1	Backshell	

SECTION 10 - ELECTRICAL

FIGURE 10-24. CAB - MULTIFUNCTION DISPLAY INSTALLATION



ART_1001176338-B

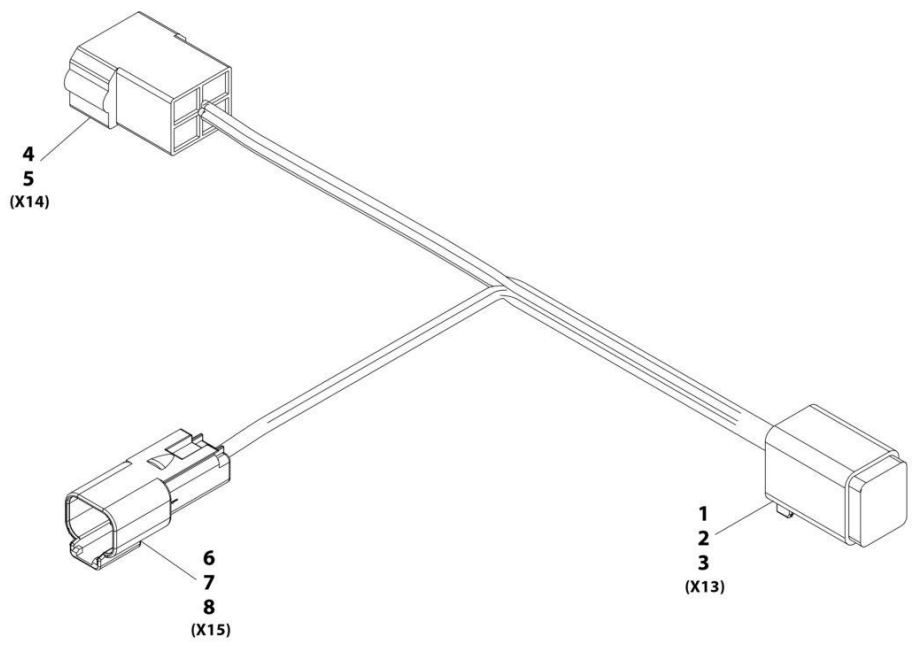
SECTION 10 - ELECTRICAL

FIGURE 10-24. CAB - MULTIFUNCTION DISPLAY INSTALLATION

ITEM	PART NUMBER	QTY	DESCRIPTION	REV
	1001176338	Ref	Multifunction Display Installation	B
1	1001211357	1	Display	
2	1001178783	1	Bezel	
3	1001180682	1	Cable, Display Programming	
4	1001180683	1	Cable, Display Video	

SECTION 10 - ELECTRICAL

FIGURE 10-25. CAB SEAT ADAPTOR HARNESS (PREMIUM SEAT)



ART_1001168531-A

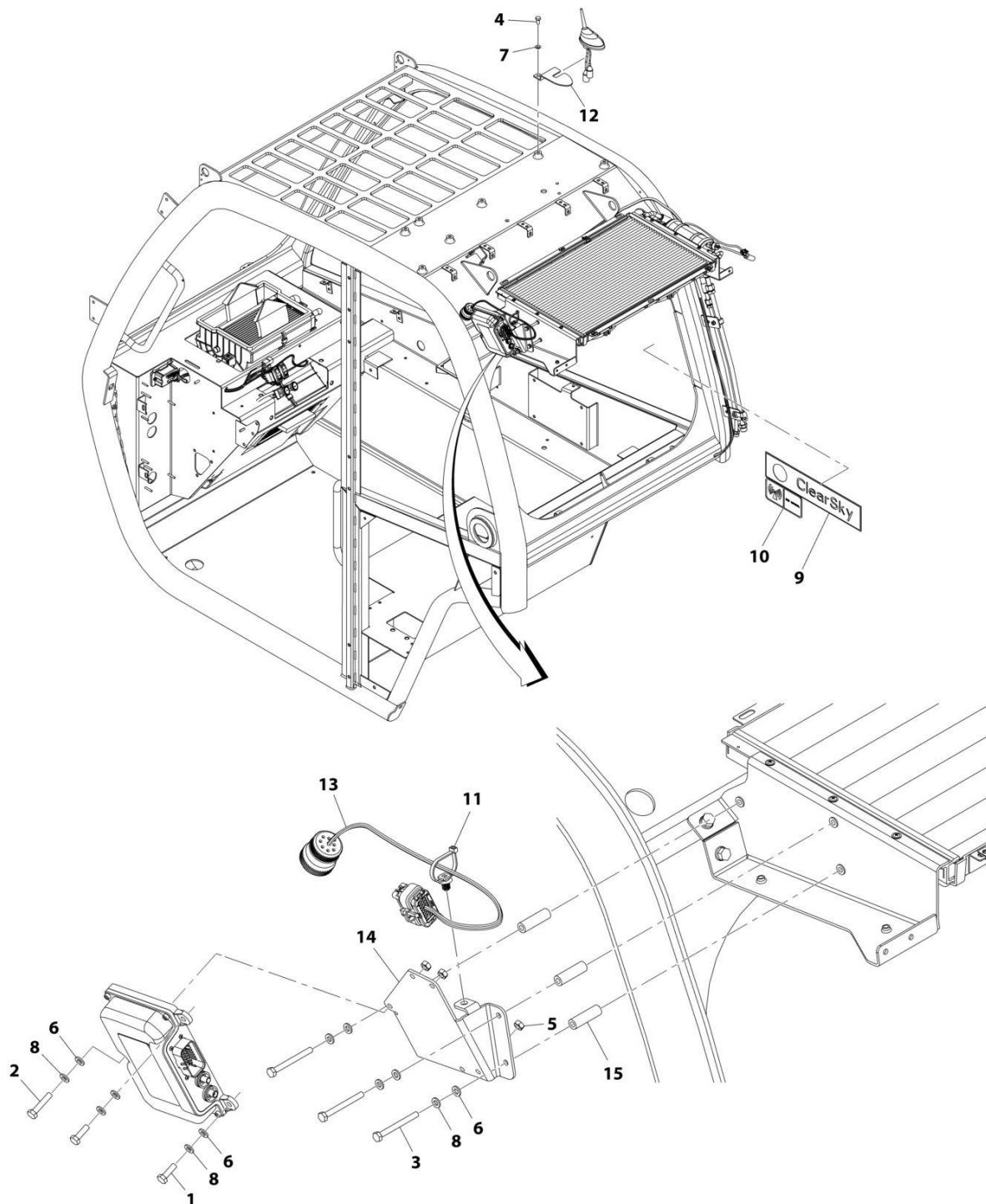
SECTION 10 - ELECTRICAL

FIGURE 10-25. CAB SEAT ADAPTOR HARNESS (PREMIUM SEAT)

ITEM	PART NUMBER	QTY	DESCRIPTION	REV
	1001168531	Ref	Seat Adaptor Harness	A
1	4460894	1	Connector	
2	91504107	1	Lock, Connector	
3	4460465	6	Terminal	
4	1001117011	1	Connector	
5	1001116700	3	Terminal	
6	4460897	1	Connector	
7	80604017	1	Lock, Connector	
8	4460943	2	Terminal	

SECTION 10 - ELECTRICAL

FIGURE 10-26. CLEARSKY INSTALLATION (A/C - LONG ROOF CAP)



ART_1001220945-A

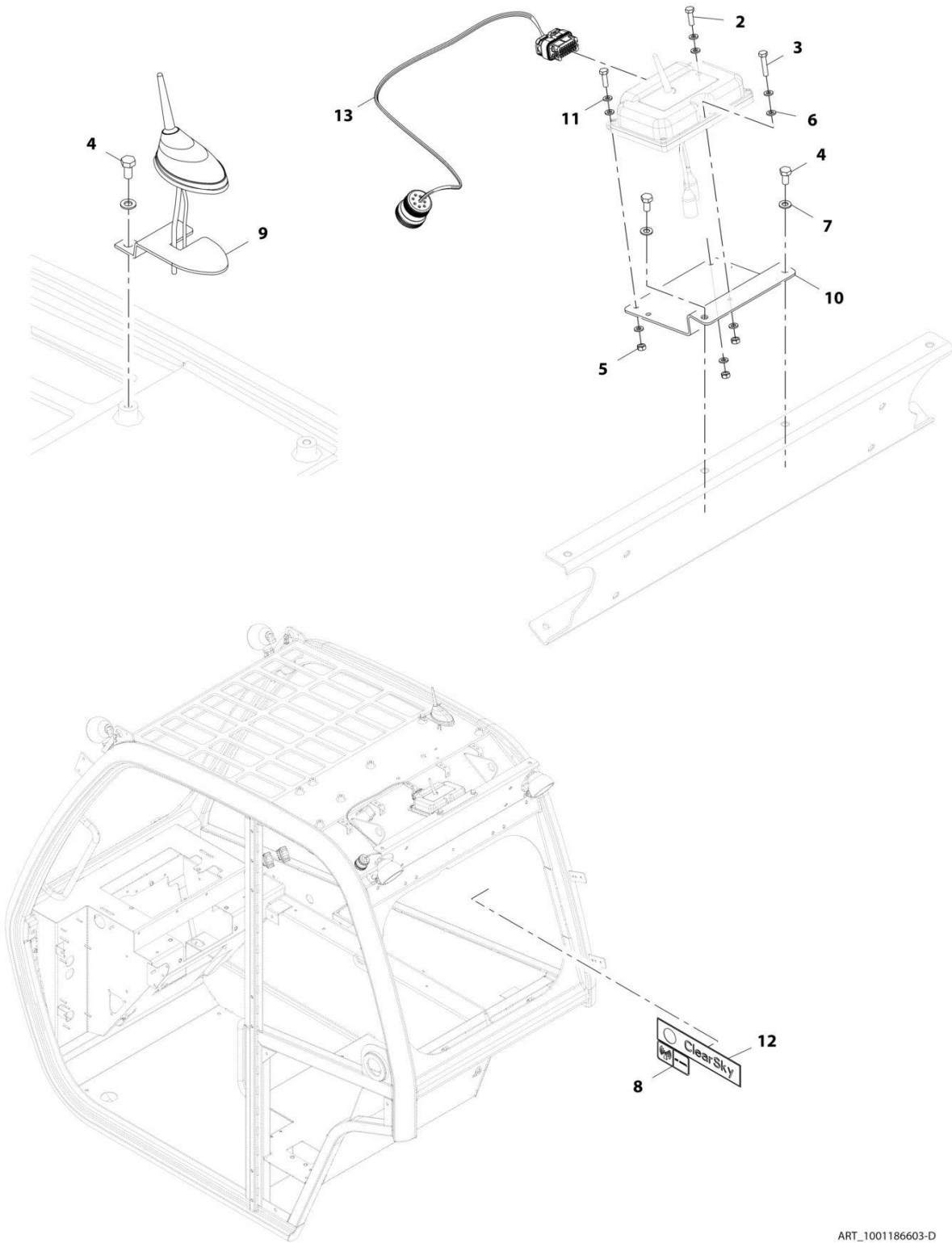
SECTION 10 - ELECTRICAL

FIGURE 10-26. CLEARSKY INSTALLATION (A/C - LONG ROOF CAP)

ITEM	PART NUMBER	QTY	DESCRIPTION	REV
	1001220945	Ref	Clearsky Installation (A/C - Long Roof Cap)	A
1	0700610	2	Bolt, M6X20	
2	0700614	1	Bolt, M6X30	
3	0700620	3	Bolt, M6X60	
4	0760808	1	Bolt, M8X16	
5	3290601	3	Nut, M6X1 Grade 8	
6	4811700	6	Washer, M6	
7	4811900	1	Washer, M8	
8	4831700	6	Washer, Lock M6	
9	1001116208	1	Decal, Clearsky	
10	1001120989	1	Decal, Radio Frequency	
11	1001146588	1	Strap, Cable	
12	1001174372	1	Bracket, Antenna	
13	1001196452	Ref	Harness, Clearsky (See Separate Breakdown in this Section)	
14	1001220947	1	Bracket	
15	1001220948	3	Spacer	

SECTION 10 - ELECTRICAL

FIGURE 10-27. CLEARSKY INSTALLATION (NO A/C - SHORT ROOF CAP)



ART_1001186603-D

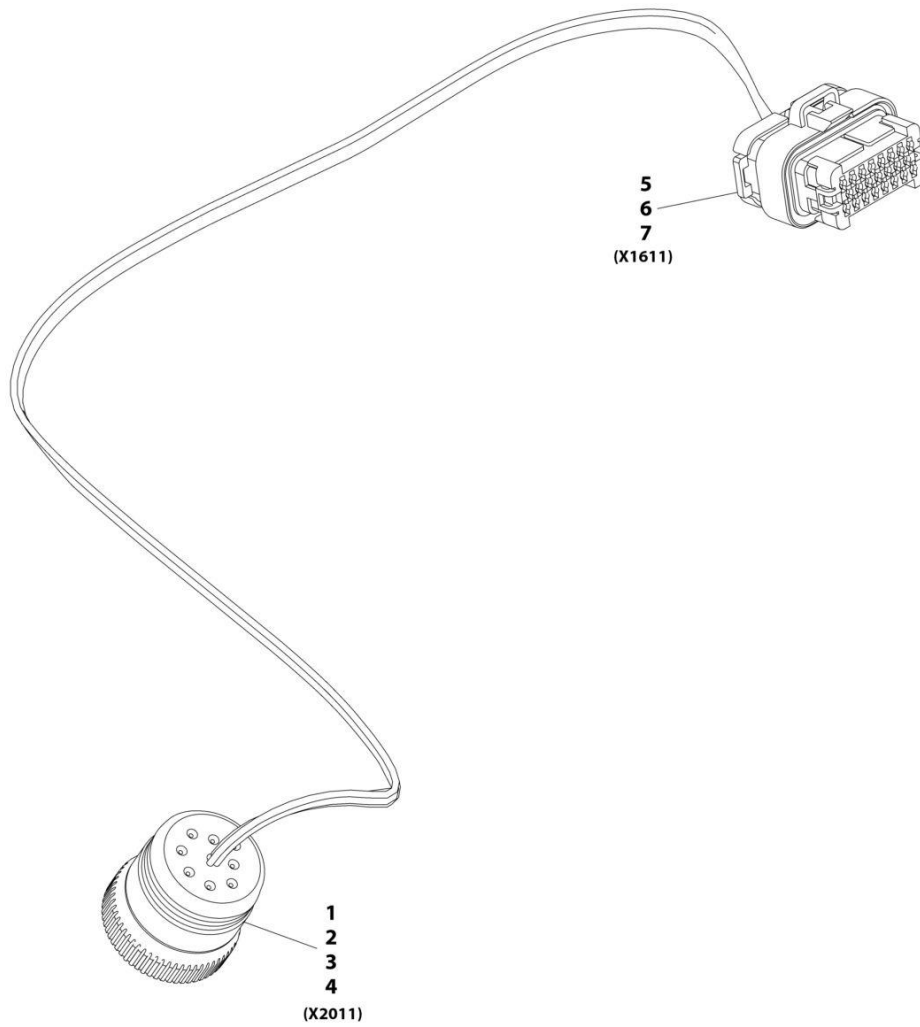
SECTION 10 - ELECTRICAL

FIGURE 10-27. CLEARSKY INSTALLATION (NO A/C - SHORT ROOF CAP)

ITEM	PART NUMBER	QTY	DESCRIPTION	REV
	1001186603	Ref	Clearsky Installation (No A/C - Short Roof Cap)	D
2	0700610	2	Bolt, M6X20	
3	0700614	1	Bolt, M6X30	
4	0760808	3	Bolt, M8X16	
5	3290601	3	Nut, M6X1 Grade 8	
6	4811700	6	Washer, M6	
7	4811900	3	Washer, M8	
8	1001120989	1	Decal, Radio Frequency	
9	1001174372	1	Bracket, Antenna	
10	1001185722	1	Bracket	
11	4831700	3	Washer, Lock M6	
12	1001116208	1	Decal, Clearsky	
13	1001196452	1	Harness, Clearsky (See Separate Breakdown in this Section)	

SECTION 10 - ELECTRICAL

FIGURE 10-28. CLEARSKY HARNESS



ART_1001196452-A

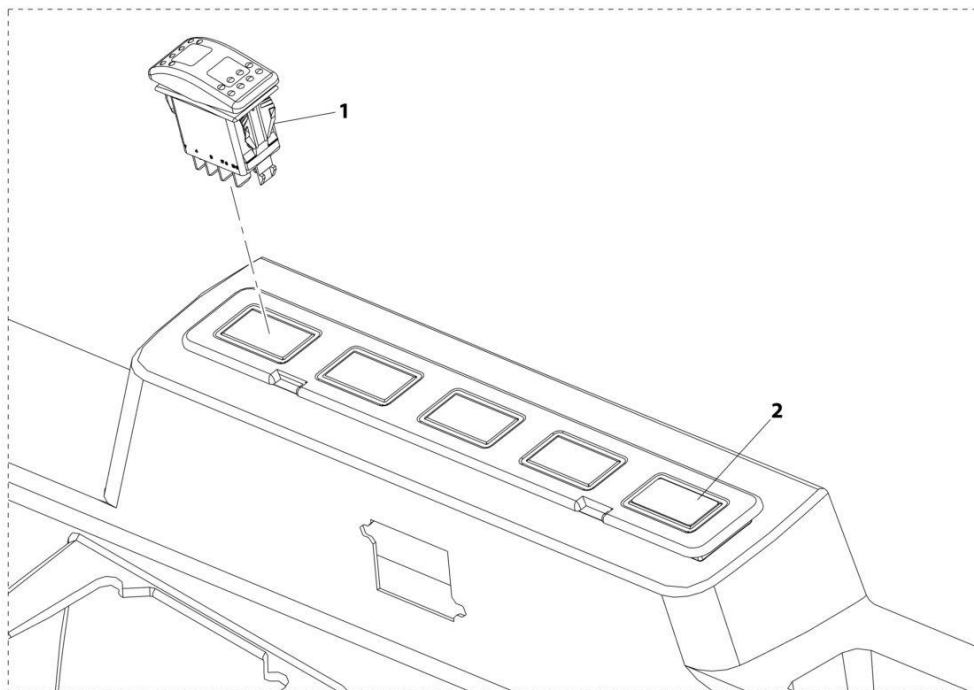
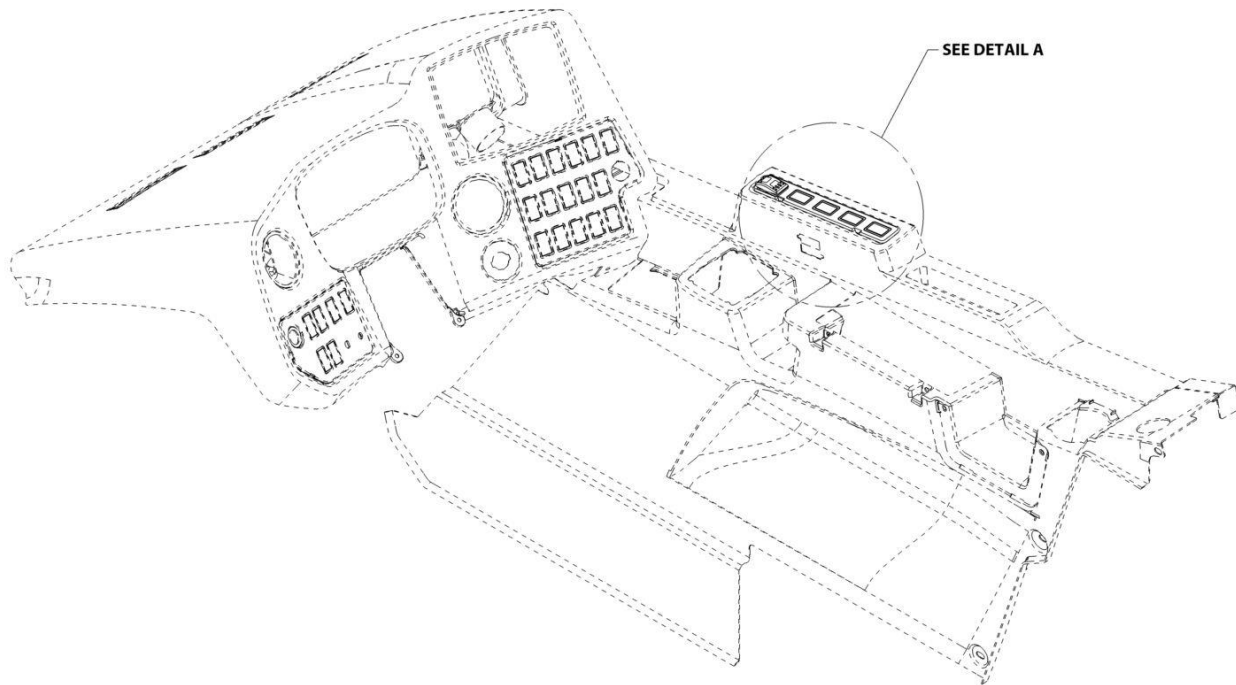
SECTION 10 - ELECTRICAL

FIGURE 10-28. CLEARSKY HARNESS

ITEM	PART NUMBER	QTY	DESCRIPTION	REV
	1001196452	Ref	Clearsky Harness (A/C)	A
1	1001112796	1	Connector	
2	4460465	3	Terminal	
3	4460944	2	Terminal	
4	4460466	4	Plug	
5	1001116994	1	Connector	
6	4460871	5	Terminal	
7	4460905	18	Plug	

SECTION 10 - ELECTRICAL

FIGURE 10-29. DECLUTCH SWITCH INSTALLATION



DETAIL A

ART_1001202430-B

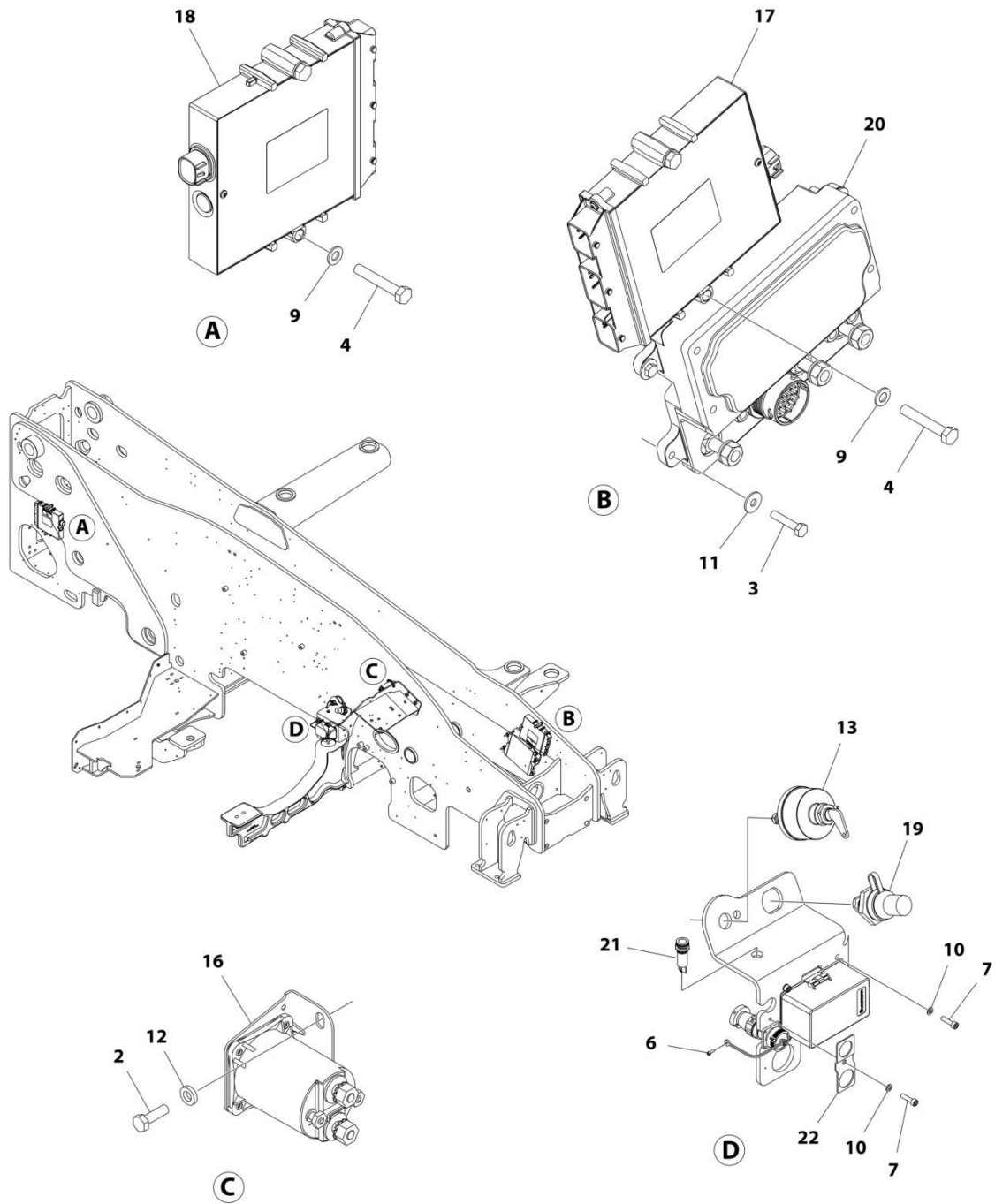
SECTION 10 - ELECTRICAL

FIGURE 10-29. DECLUTCH SWITCH INSTALLATION

ITEM	PART NUMBER	QTY	DESCRIPTION	REV
	1001202430	Ref	Declutch Switch Installation	B
1	1001202421	1	Switch, Transmission Disconnect	
2	1001226481	1	Decal, Blank	

SECTION 10 - ELECTRICAL

FIGURE 10-30. ELECTRICAL COMPONENTS INSTALLATION



ART_1001183838_E

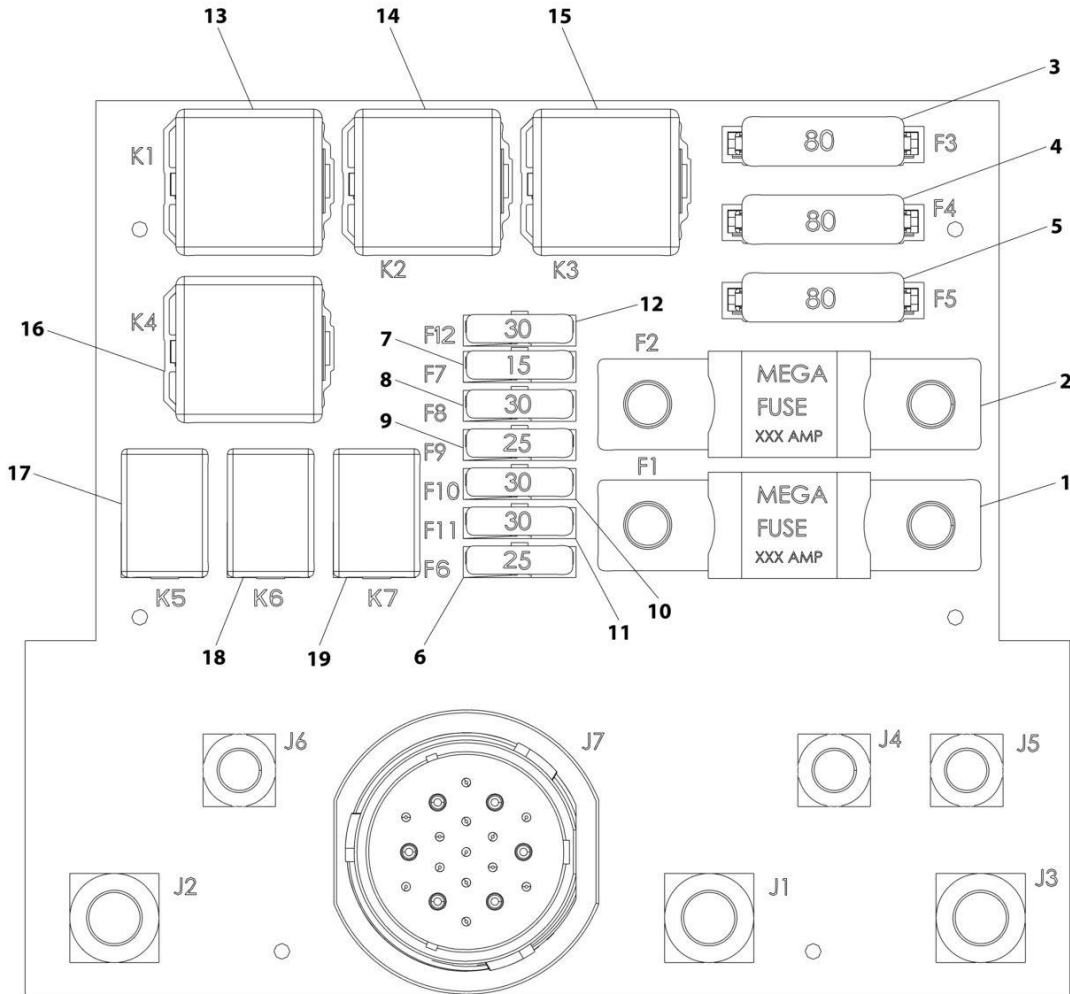
SECTION 10 - ELECTRICAL

FIGURE 10-30. ELECTRICAL COMPONENTS INSTALLATION

ITEM	PART NUMBER	QTY	DESCRIPTION	REV
	1001183838	Ref	ELECTRICAL COMPONENTS INSTALLATION	E
2	0700610	2	Bolt M6 x 20	
3	0700614	4	Bolt M6 x 30	
4	0700818	4	Bolt M8 x 50	
6	3900349	1	Screw M2.5 x 0.45	
7	4031608	5	Screw M5 x 20	
9	4811900	4	Washer M8	
10	4831600	5	Washer M5	
11	4811702	4	Washer M6	
12	5240600	2	Washer M6	
13	1001008926	NLA	Switch, Disconnect (no longer available, use 1001192142 for replacement)	
13	1001192142	1	Switch, Battery Disconnect	
16	1001117308	1	Relay, 200 AMP (See Separate Breakdown in this Section)	
17	1001270467	1	Module, Rear Frame (Note: Re-calibration required when replaced)	
18	1001270468	1	Module, Front Frame (Note: Re-calibration required when replaced)	
19	1001193993	1	Stud, Battery Jump Start	
20	1001164402	1	Box, Power Distribution Electrical (See Separate Breakdown in this Section)	
21	1001169825	1	Light, DEF Purge Indicator	
22	1001186693	1	Plate	

SECTION 10 - ELECTRICAL

FIGURE 10-31. ELECTRICAL POWER DISTRIBUTION ELECTRICAL BOX



ART_1001164402-G

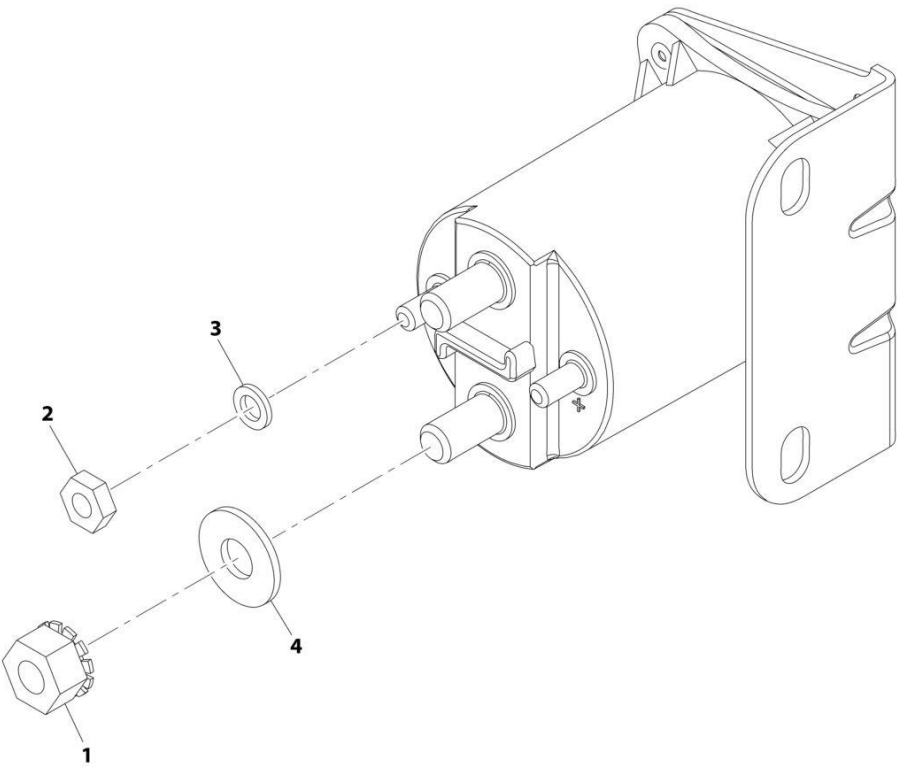
SECTION 10 - ELECTRICAL

FIGURE 10-31. ELECTRICAL POWER DISTRIBUTION ELECTRICAL BOX

ITEM	PART NUMBER	QTY	DESCRIPTION	REV
	1001164402	Ref	Power Distribution Electrical Box	G
1	1001095336	1	Fuse, 150AMP	
2	70026296	1	Fuse, 200AMP	
3	70026297	1	Fuse, 80AMP	
4	70026297	1	Fuse, 80AMP	
5	70026297	1	Fuse, 80AMP	
6	8229247	1	Fuse, 25AMP	
7	8229244	1	Fuse, 15AMP	
8	8229245	1	Fuse, 30AMP	
9	8229247	1	Fuse, 25AMP	
10	8229245	1	Fuse, 30AMP	
11	8229245	1	Fuse, 30AMP	
12	8229245	1	Fuse, 30AMP	
13	70026294	1	Fuse, 70AMP	
14	70026294	1	Fuse, 70AMP	
15	70026294	1	Fuse, 70AMP	
16	70026294	1	Fuse, 70AMP	
17	70026295	1	Fuse, 35AMP	
18	70026295	1	Fuse, 35AMP	
19	70026295	1	Fuse, 35AMP	

SECTION 10 - ELECTRICAL

FIGURE 10-32. ELECTRICAL RELAY INSTALLATION - 200 AMP



ART_1001117308-C

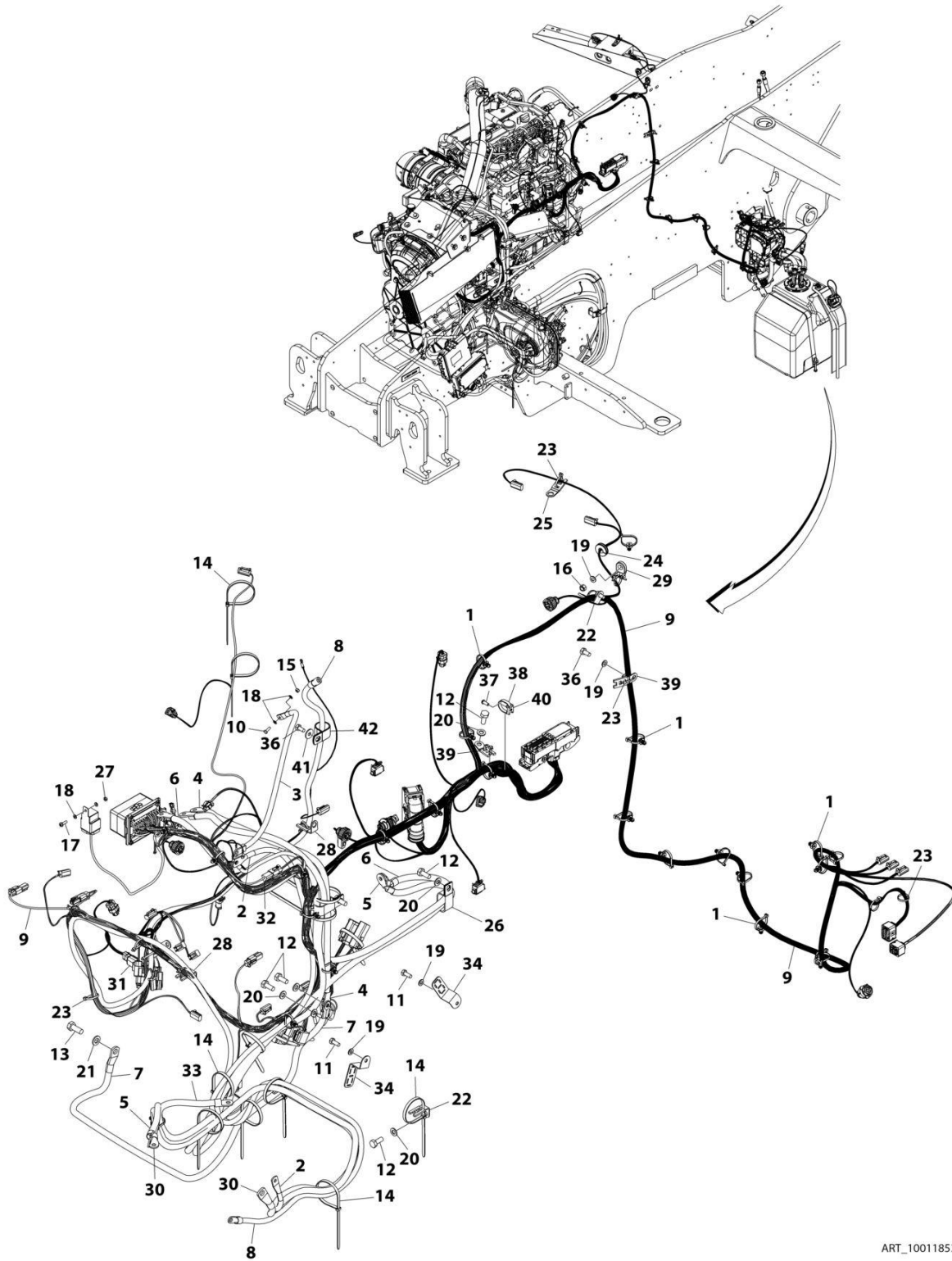
SECTION 10 - ELECTRICAL

FIGURE 10-32. ELECTRICAL RELAY INSTALLATION - 200 AMP

ITEM	PART NUMBER	QTY	DESCRIPTION	REV
	1001117308	Ref	200 AMP Relay Installation	C
1	3300220	2	Nut, Washer	
2	3321001	2	Nut	
3	4761000	2	Washer, Lock	
4	1001111424	2	Washer	

SECTION 10 - ELECTRICAL

FIGURE 10-33. ENGINE WIRING INSTALLATION (ULS)



ART_1001185375_G

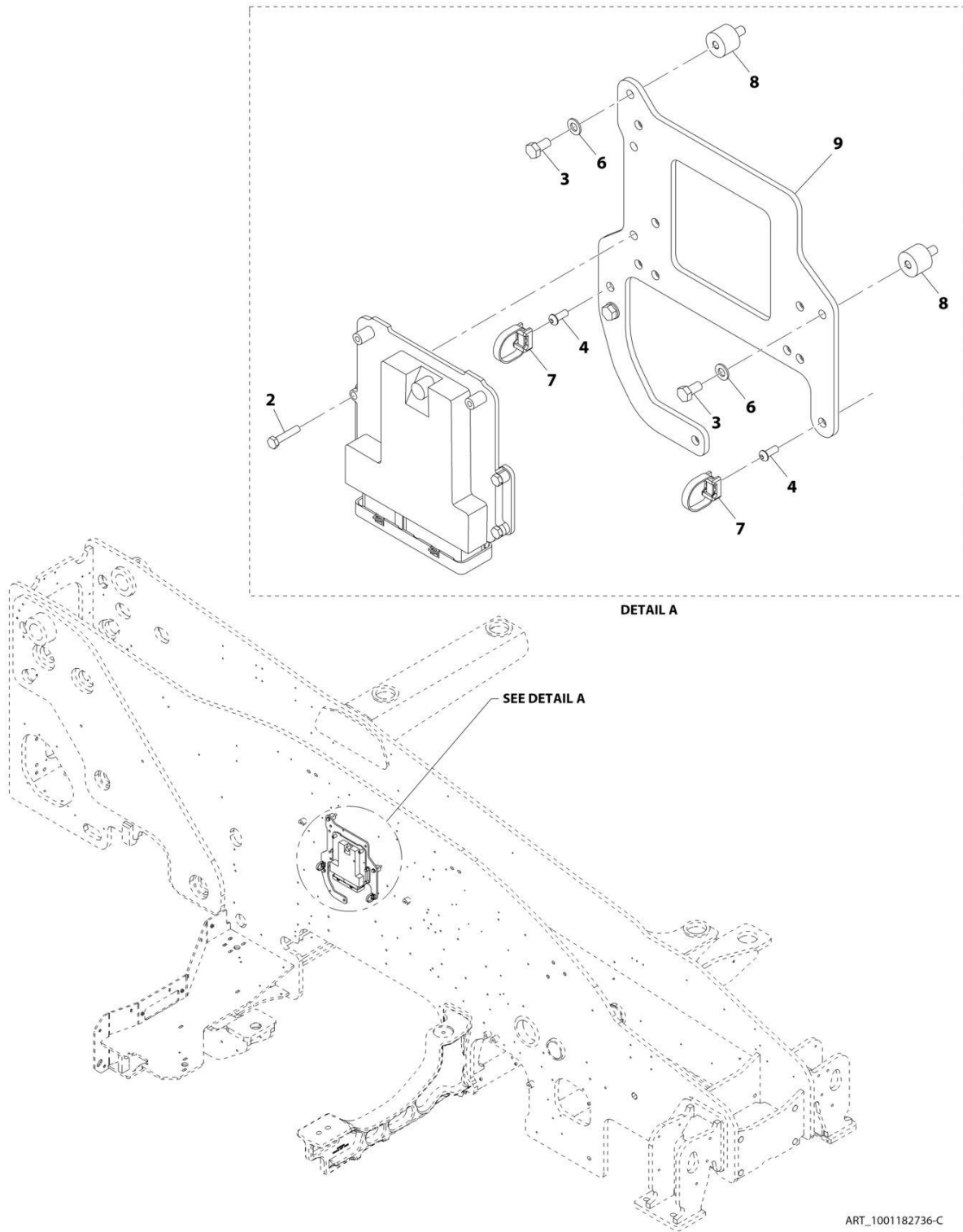
SECTION 10 - ELECTRICAL

FIGURE 10-33. ENGINE WIRING INSTALLATION (ULS)

ITEM	PART NUMBER	QTY	DESCRIPTION	REV
	1001185375	Ref	ENGINE WIRING INSTALLATION (ULS)	G
1	1001146588	24	Strap, Tie	
2	1001182218	1	Cable, PDM to Glow Plug Relay	
3	1001182219	1	Cable, Glow Plug to Relay	
4	1001182654	1	Cable, Disconnect to Ground Buss	
5	1001182650	1	Cable, Starter to Battery +	
6	1001182651	1	Cable, Starter to Jump Start Stud	
7	1001182652	1	Cable, Ground Buss to Engine Ground	
8	1001283711	1	Cable, Alternator	
9	1001256834	1	Harness, Engine (ULS) (See Separate Breakdown in this Section)	
10	0760507	1	Bolt M5 x 14	
11	0760810	2	Bolt M8 x 20	
12	0761012	7	Bolt M10 x 25	
13	0761214	1	Bolt M12 x 30	
14	1062255	13	Strap, Tie	
15	3290505	1	Nut, Lock M5 x 0.8 Grade 8	
16	3290805	1	Nut, Lock M8 x 1.25 Grade 8	
17	3900381	1	Screw M5 x 16	
18	4811600	4	Washer M5	
19	4811900	5	Washer M8	
20	4812000	7	Washer M10	
21	4812100	1	Washer M12	
22	1001003305	4	Clip	
23	1001008559	14	Strap, Tie	
24	1001009375	1	Grommet	
25	1001025750	1	Clip, Ladder	
26	1001008720	2	Clip	
27	3290501	1	Nut M5 x 0.8	
28	1001130198	3	Clip, Ladder	
29	1001169146	1	Mount	
30	1001182217	1	Cable, Batt + to PDM	
31	1001182929	1	Harness, Fuel Pump (See Separate Breakdown in this Section)	
32	1001182930	1	Harness, Glow Plug Relay to Engine Harness (See Separate Breakdown in this Section)	
33	1001203015	1	Cable, Batt (-) to Batt Disc	
34	1001203882	2	Bracket, Harness Tie Wrap	
36	0760808	3	Bolt M8 x 16	
37	3900357	1	Screw M6 x 16	
38	8881800	1	Strap, Tie	
39	1001008593	2	Clip	
40	1001138645	1	Mount, Cable Tie	
41	4811902	1	Washer M8	
42	8406302	1	Clamp	

SECTION 10 - ELECTRICAL

FIGURE 10-34. ENGINE WIRING INSTALLATION (LS) (Prior to SN 0160124988)



ART_1001182736-C

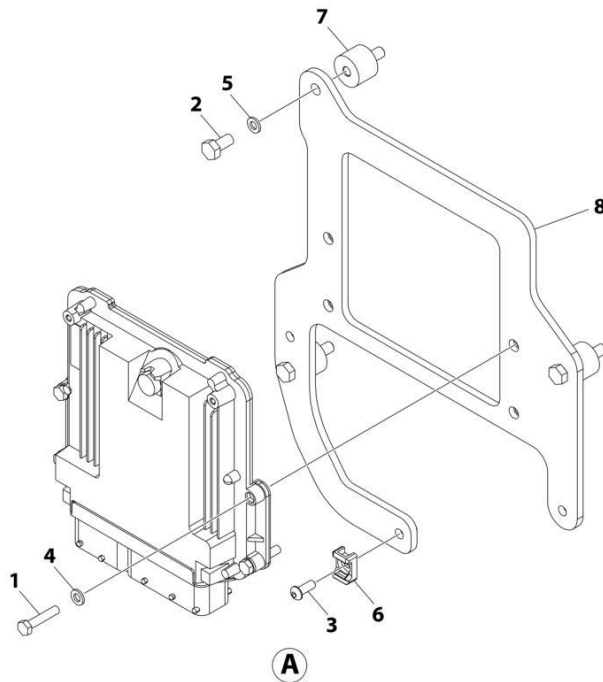
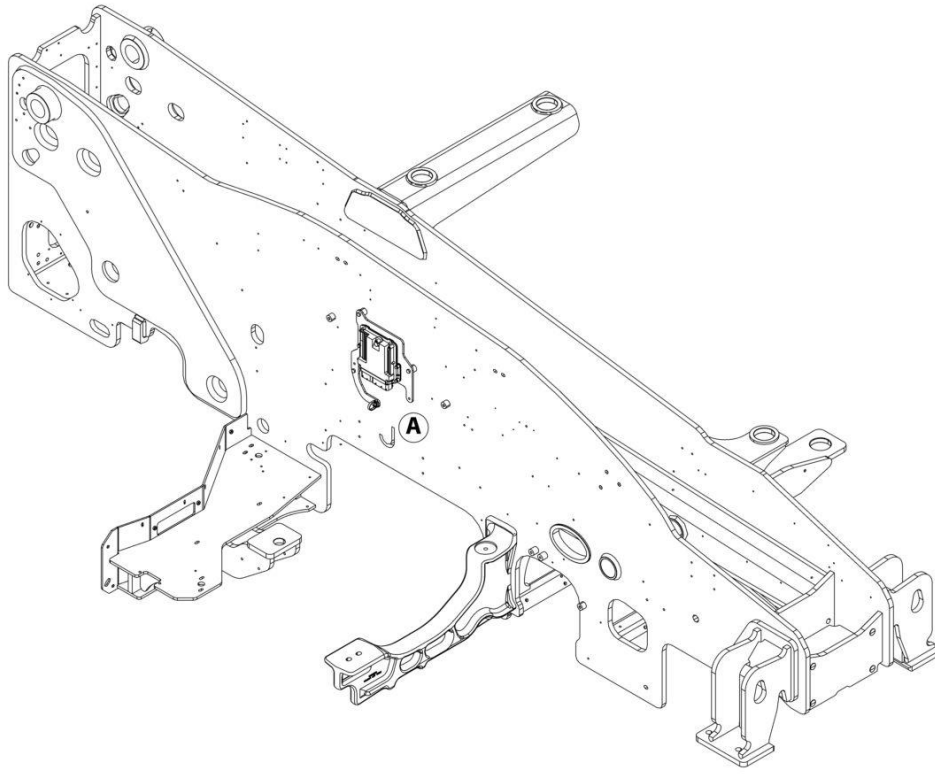
SECTION 10 - ELECTRICAL

FIGURE 10-34. ENGINE WIRING INSTALLATION (LS) (Prior to SN 0160124988)

ITEM	PART NUMBER	QTY	DESCRIPTION	REV
	1001182736	Ref	Engine ECU Installation (LS)	C
2	0700614	4	Bolt, M6X30	
3	0760808	3	Bolt, M8X16	
4	3900357	2	Capscrew, M6X16	
6	4811900	3	Washer, M8	
7	1001138645	2	Mount, Cable Tie	
8	1001179907	3	Mount, Isolator	
9	1001183347	1	Plate	

SECTION 10 - ELECTRICAL

FIGURE 10-35. ENGINE WIRING INSTALLATION (HRC) (SN 0160126024 to Present)



ART_1001286009

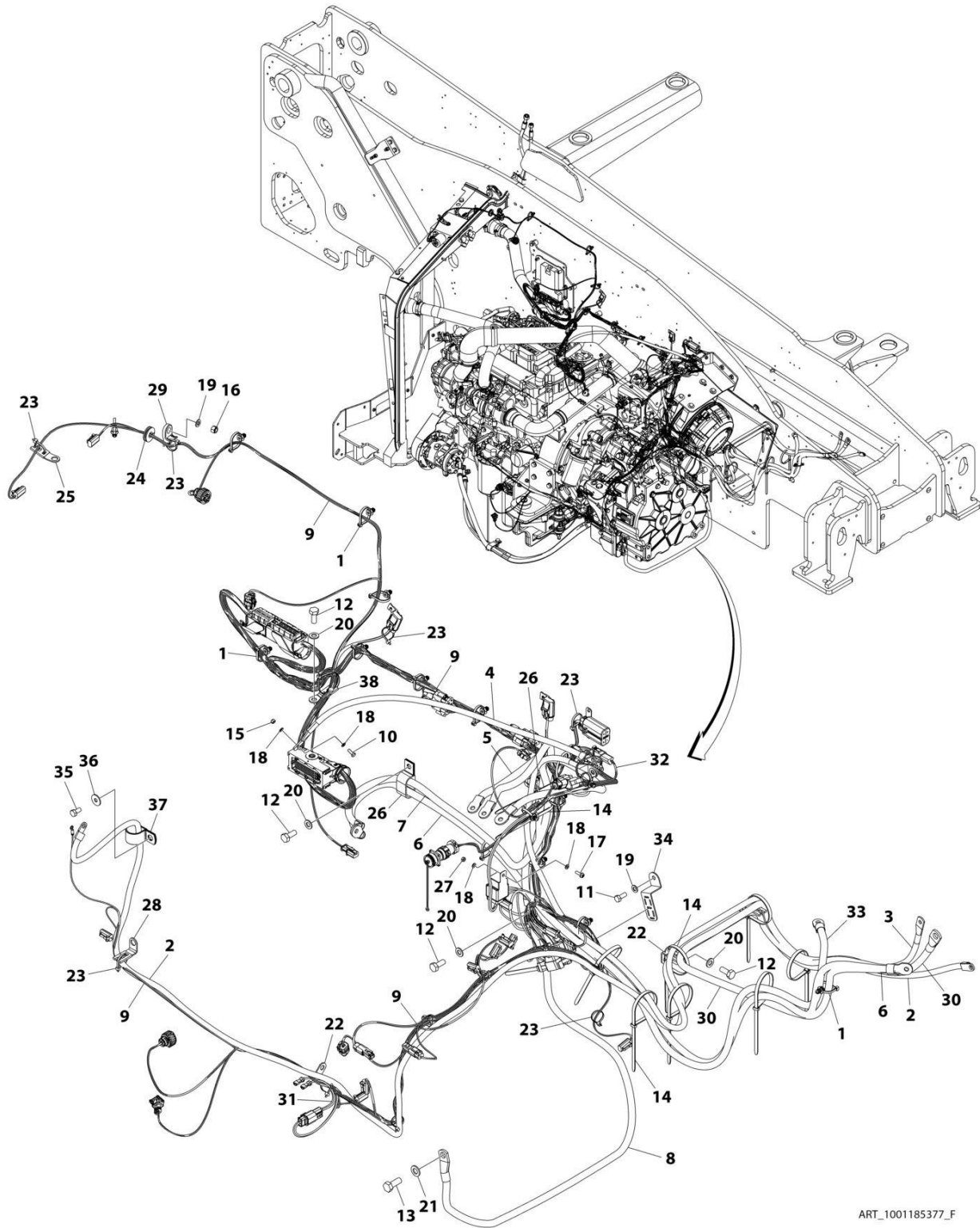
SECTION 10 - ELECTRICAL

FIGURE 10-35. ENGINE WIRING INSTALLATION (HRC) (SN 0160126024 to Present)

ITEM	PART NUMBER	QTY	DESCRIPTION	REV
	1001286009	Ref	ENGINE EUC INSTALLATION	A
1	0760614	4	Bolt M6 x 30	
2	0760808	3	Bolt, M8X16	
3	3900357	1	Capscrew, M6X16	
4	4811700	4	Washer, M6	
5	4811900	3	Washer, M8	
6	1001138645	1	Mount, Cable Tie	
7	1001179907	3	Mount, Isolator	
8	1001286598	1	Bracket	

SECTION 10 - ELECTRICAL

FIGURE 10-36. ENGINE WIRING INSTALLATION (LS) (Prior to SN 0160124988)



ART_1001185377_F

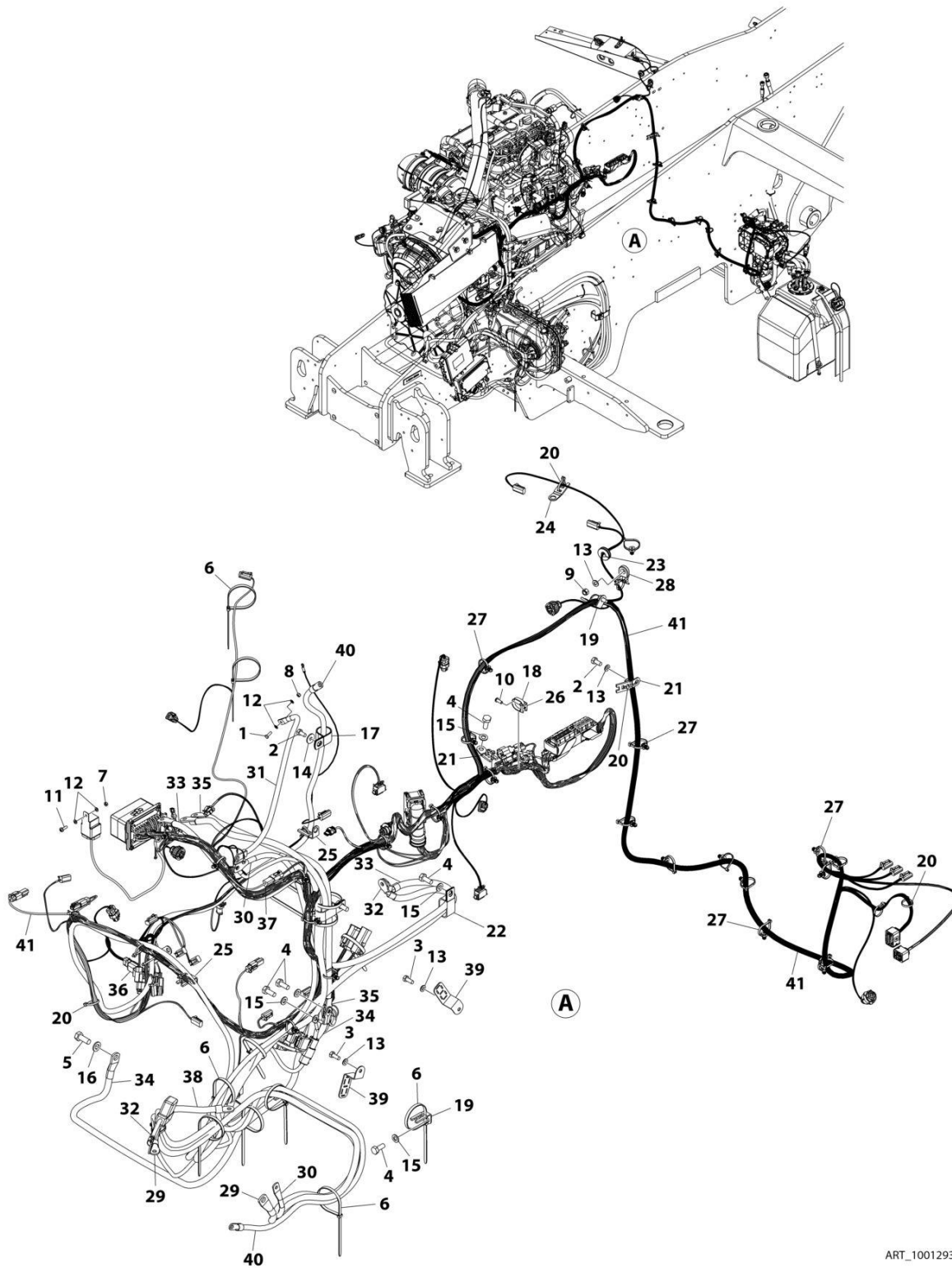
SECTION 10 - ELECTRICAL

FIGURE 10-36. ENGINE WIRING INSTALLATION (LS) (Prior to SN 0160124988)

ITEM	PART NUMBER	QTY	DESCRIPTION	REV
	1001185377	Ref	ENGINE WIRING INSTALLATION (LS)	F
1	1001146588	16	Strap, Cable Tie	
2	1001283711	1	Cable	
3	1001182218	1	Cable	
4	1001182219	1	Cable	
5	1001182654	1	Cable	
6	1001182650	1	Cable	
7	1001182651	1	Cable	
8	1001182652	1	Cable	
9	1001184503	1	Harness, Engine (LS) (See Separate Breakdown in this Section)	
10	0760507	1	Bolt M5 x 14	
11	0760810	1	Bolt M8 x 20	
12	0761012	7	Bolt M10 x 25	
13	0761214	1	Bolt M12 x 30	
14	1062255	10	Strap, Tie	
15	3290505	1	Nut, Lock M5 x 0.8	
16	3290805	1	Nut, Lock M8 x 1.25	
17	3900381	1	Screw M5 x 16	
18	4811600	4	Washer M5	
19	4811900	2	Washer M8	
20	4812000	7	Washer M10	
21	4812100	1	Washer M12	
22	1001003305	3	Clip	
23	1001008559	13	Strap, Cable	
24	1001009375	1	Grommet	
25	1001025750	1	Clip	
26	1001008720	2	Clip	
27	1001128972	1	Nut M5 x 0.8	
28	1001130198	2	Clip	
29	1001169146	1	Mount	
30	1001182217	1	Cable	
31	1001182929	1	Harness, Fuel Pump (See Separate Breakdown in this Section)	
32	1001182930	1	Harness, Glow Plug Relay (See Separate Breakdown in this Section)	
33	1001203015	1	Cable	
34	1001203882	1	Bracket	
35	0760808	1	Bolt M8 x 16	
36	4811902	1	Washer M8	
37	8406302	1	Clamp	
38	1001008593	1	Clip	

SECTION 10 - ELECTRICAL

FIGURE 10-37. ENGINE WIRING INSTALLATION (LRC) (SN 0160126024 to Present)



ART_1001293131

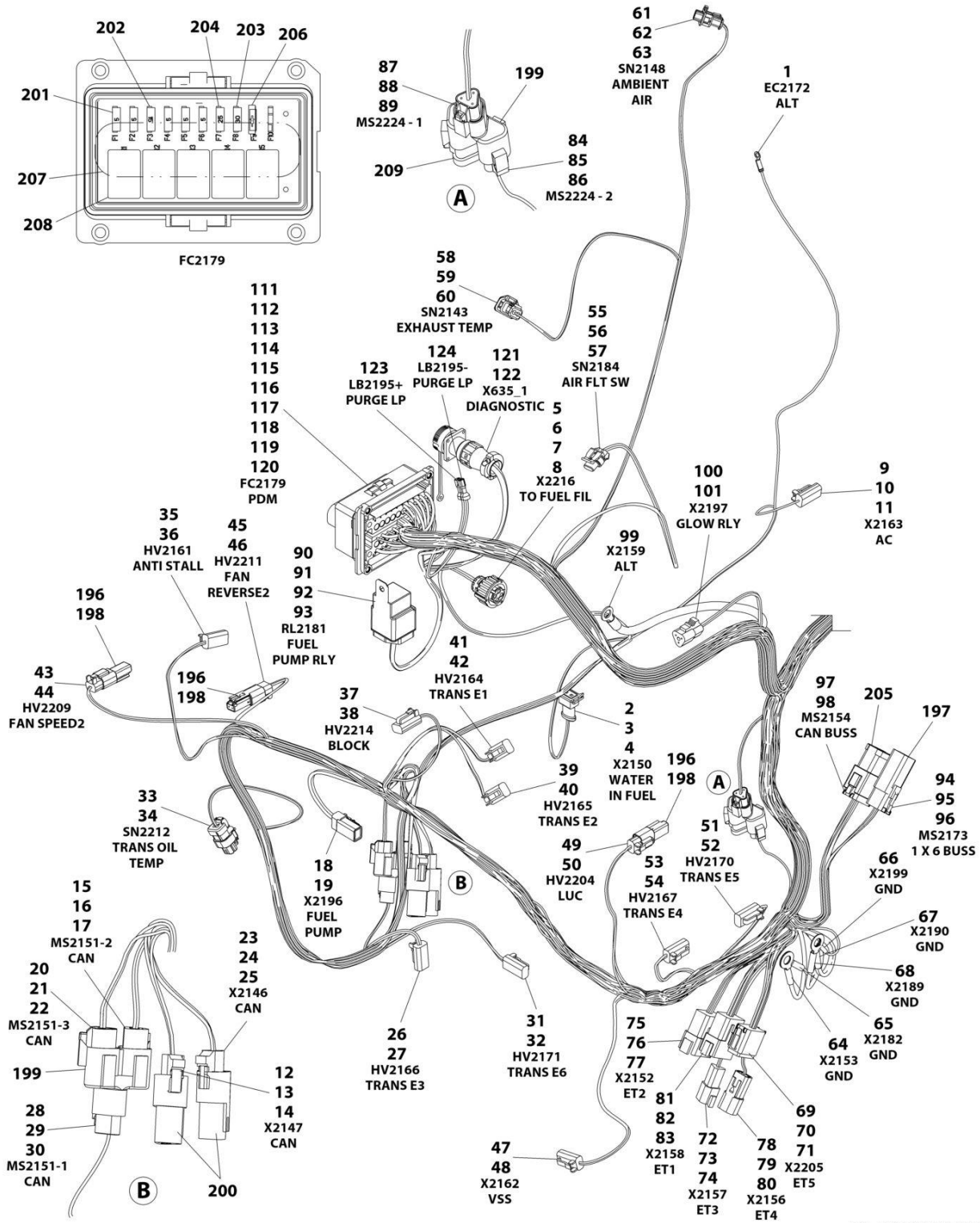
SECTION 10 - ELECTRICAL

FIGURE 10-37. ENGINE WIRING INSTALLATION (LRC) (SN 0160126024 to Present)

ITEM	PART NUMBER	QTY	DESCRIPTION	REV
	1001293131	Ref	ENGINE WIRING INSTALLATION	A
1	0760507	1	Bolt M5 x 14	
2	0760808	3	Bolt M8 x 16	
3	0760810	2	Bolt M8 x 20	
4	0761012	7	Bolt M10 x 25	
5	0761214	1	Bolt M12 x 30	
6	1062255	13	Tie-Strap	
7	3290501	1	Nut M5	
8	3290505	1	Nut, Lock M5	
9	3290805	1	Nut, Lock M8	
10	3900357	1	Capscrew M6 x 16	
11	3900381	1	Capscrew M5 x 16	
12	4811600	4	Washer M5	
13	4811900	5	Washer M8	
14	4811902	1	Washer M8	
15	4812000	7	Washer M10	
16	4812100	1	Washer M12	
17	8406302	1	Clamp	
18	8881800	1	Tie-Strap	
19	1001003305	4	Clip	
20	1001008559	14	Cable	
21	1001008593	2	Clip	
22	1001008720	2	Clip-Loop	
23	1001009375	1	Grommet	
24	1001025750	1	Clip	
25	1001130198	3	Clip	
26	1001138645	1	Cable Tie	
27	1001146588	24	Fir Tree Cable Tie	
28	1001169146	1	Mount	
29	1001182217	1	Cable	
30	1001182218	1	Cable	
31	1001182219	1	Cable	
32	1001182650	1	Cable	
33	1001182651	1	Cable	
34	1001182652	1	Cable	
35	1001182654	1	Cable	
36	1001182929	1	Harness, Fuel Pump (See Separate Breakdown in this Section)	
37	1001182930	1	Harness, Glow Plug (See Separate Breakdown in this Section)	
38	1001203015	1	Cable	
39	1001203882	2	Bracket	
40	1001283711	1	Cable	
41	1001292201	1	Harness, Engine (See Separate Breakdown in this Section)	
42	1001294690	1	Cable, ECM Power (Not Shown)	

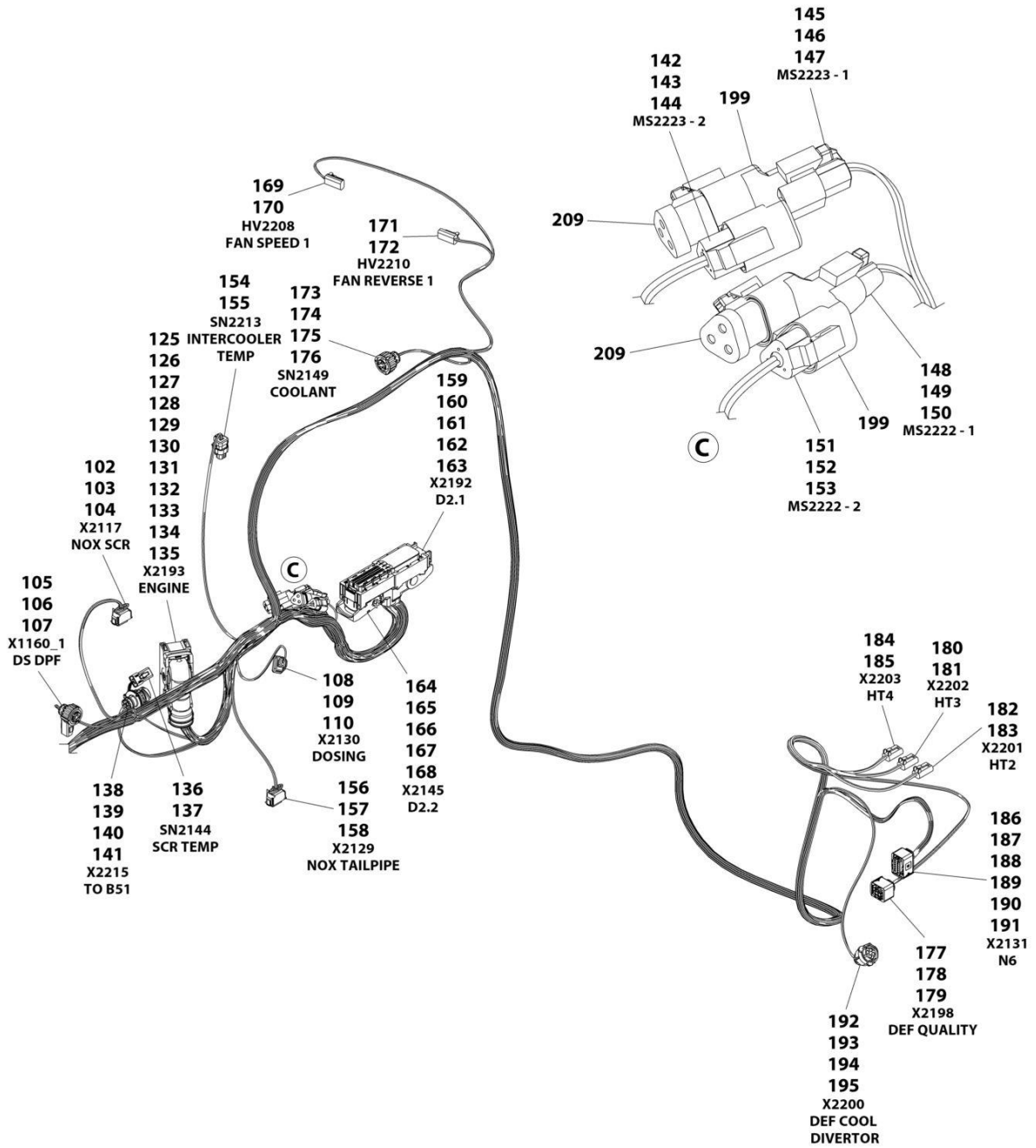
SECTION 10 - ELECTRICAL

FIGURE 10-38. ENGINE HARNESS (ULS)



ART_1001256834_B_10F2

SECTION 10 - ELECTRICAL



ART_1001256834_B_20F2

SECTION 10 - ELECTRICAL

FIGURE 10-38. ENGINE HARNESS (ULS)

ITEM	PART NUMBER	QTY	DESCRIPTION	REV
	1001256834	Ref	Engine Harness (ULS)	B
1	4460247	1	Terminal, Ring	
2	1001167636	1	Connector	
3	1001166707	2	Terminal	
4	4461006	2	Seal	
5	1001133714	1	Connector	
6	1001133715	3	Terminal	
7	1001135650	3	Seal	
8	1001135651	1	Plug	
9	4460891	1	Connector	
10	4460465	1	Terminal	
11	4460466	1	Plug	
12	4461095	1	Connector	
13	4460465	2	Terminal	
14	4460466	1	Plug	
15	4460539	1	Connector	
16	4460944	2	Terminal	
17	4460466	1	Plug	
18	4461018	1	Connector	
19	4460509	2	Terminal	
20	1001116812	1	Connector	
21	4460944	2	Terminal	
22	4460466	1	Plug	
23	4461095	1	Connector	
24	4460465	2	Terminal	
25	4460466	1	Plug	
26	4460891	1	Connector	
27	4460465	2	Terminal	
28	1001116812	1	Connector	
29	4460944	2	Terminal	
30	4460466	1	Plug	
31	4460891	1	Connector	
32	4460465	2	Terminal	
33	1001116950	1	Connector	
34	4460465	2	Terminal	
35	4460891	1	Connector	
36	4460465	2	Terminal	
37	4460891	1	Connector	
38	4460465	2	Terminal	
39	4460891	1	Connector	
40	4460465	2	Terminal	
41	4460891	1	Connector	
42	4460465	2	Terminal	
43	4460891	1	Connector	
44	4460465	2	Terminal	
45	4460891	1	Connector	
46	4460465	2	Terminal	
47	4460891	1	Connector	
48	4460465	2	Terminal	
49	4460891	1	Connector	

SECTION 10 - ELECTRICAL

ITEM	PART NUMBER	QTY	DESCRIPTION	REV
50	4460465	2	Terminal	
51	4460891	1	Connector	
52	4460465	2	Terminal	
53	4460891	1	Connector	
54	4460465	2	Terminal	
55	1001209097	1	Connector	
56	8220124	2	Terminal	
57	4460608	2	Seal	
58	1001126487	1	Connector	
59	1001167634	2	Terminal	
60	1001126485	2	Seal	
61	1001126487	1	Connector	
62	1001167634	2	Terminal	
63	1001126485	2	Seal	
64	1001117110	1	Terminal, Ring	
65	1001117110	1	Terminal, Ring	
66	4460256	1	Terminal, Ring	
67	1001117109	1	Terminal, Ring	
68	1001117110	1	Terminal, Ring	
69	4460933	1	Connector	
70	4460465	7	Terminal	
71	4460466	5	Plug	
72	1001144147	1	Connector	
73	4460464	2	Terminal	
74	4460466	1	Plug	
75	4460950	1	Connector	
76	4460464	8	Terminal	
77	4460466	4	Plug	
78	1001116811	1	Connector	
79	4460508	3	Plug	
80	4460466	1	Plug	
81	4460970	1	Connector	
82	4460464	8	Terminal	
83	4460466	4	Plug	
84	4460539	1	Connector	
85	4460944	2	Terminal	
86	4460466	1	Plug	
87	1001116812	1	Connector	
88	4460944	2	Terminal	
89	4460466	1	Plug	
90	1001118282	1	Connector	
91	1001116734	2	Terminal	
92	1001116732	2	Terminal	
93	1001128128	1	Plug	
94	4460894	1	Connector	
95	4460465	5	Terminal	
96	4460466	1	Plug	
97	4460933	1	Connector	
98	4460944	12	Terminal	
99	8220115	1	Terminal, Ring	
100	4460539	1	Connector	

SECTION 10 - ELECTRICAL

ITEM	PART NUMBER	QTY	DESCRIPTION	REV
101	4460465	2	Terminal	
102	1001167631	1	Connector	
103	1001167630	4	Terminal	
104	1001126485	4	Seal	
105	1001138116	1	Connector	
106	1001133715	3	Terminal	
107	1001135650	4	Seal	
108	1001126487	1	Connector	
109	1001167635	2	Terminal	
110	1001126485	2	Seal	
111	1001167616	1	Box, Fuse	
112	8220097	19	Terminal	
113	8220098	9	Terminal	
114	1001116725	3	Terminal	
115	1001116726	9	Terminal	
116	1001175265	19	Seal	
117	4460458	9	Seal	
118	4460789	6	Seal	
119	80963067	4	Seal	
120	4460748	5	Plug	
121	2902443	1	Kit, Receptacle	
122	4461071	6	Terminal	
123	8220108	1	Terminal, Blade	
124	8220108	1	Terminal, Blade	
125	1001126362	1	Connector	
126	1001166556	26	Terminal	
127	1001166701	26	Seal	
128	1001166774	10	Terminal	
129	1001126393	10	Seal	
130	1001166543	2	Terminal	
131	4461054	2	Seal	
132	1001166541	2	Terminal	
133	4461006	2	Seal	
134	1001126391	20	Plug	
135	4461008	2	Plug	
136	1001126245	1	Connector	
137	1001126008	2	Terminal	
138	1001148842	1	Connector	
139	1001148841	3	Terminal	
140	1001135650	3	Seal	
141	1001135651	1	Plug	
142	4460539	1	Connector	
143	4460944	2	Terminal	
144	4460466	1	Plug	
145	1001116812	1	Connector	
146	4460944	2	Terminal	
147	4460466	1	Plug	
148	1001116812	1	Connector	
149	4460944	2	Terminal	
150	4460466	1	Plug	
151	4460539	1	Connector	

SECTION 10 - ELECTRICAL

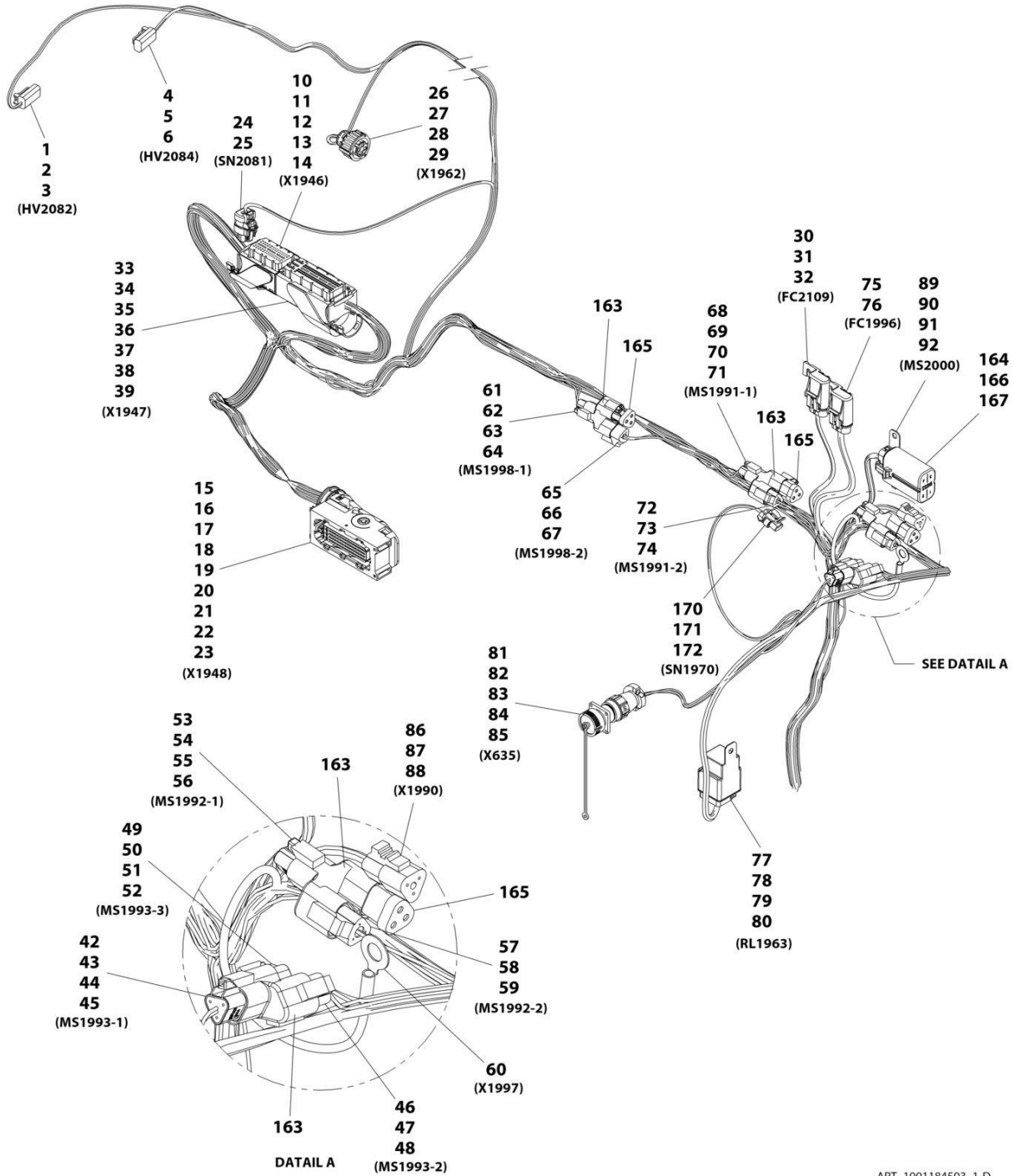
ITEM	PART NUMBER	QTY	DESCRIPTION	REV
152	4460944	2	Terminal	
153	4460466	1	Plug	
154	1001116950	1	Connector	
155	4460465	2	Terminal	
156	1001167629	1	Connector	
157	1001167630	4	Terminal	
158	1001126485	4	Seal	
159	1001167625	1	Connector	
160	1001166555	13	Terminal	
161	1001167621	50	Terminal	
162	1001167623	5	Plug	
163	1001167622	37	Terminal	
164	1001167615	1	Connector	
165	1001166551	6	Terminal	
166	1001126353	6	Seal	
167	1001167621	21	Terminal	
168	1001167622	64	Plug	
169	4460891	1	Connector	
170	4460465	2	Terminal	
171	4460891	1	Connector	
172	4460465	2	Terminal	
173	1001133714	1	Connector	
174	1001133715	3	Terminal	
175	1001135650	3	Seal	
176	1001135651	1	Plug	
177	1001167528	1	Connector	
178	1001166704	4	Terminal	
179	1001137578	4	Seal	
180	4460891	1	Connector	
181	4460942	2	Terminal	
182	4460891	1	Connector	
183	4460942	2	Terminal	
184	4460891	1	Connector	
185	4460942	2	Terminal	
186	1001165194	1	Connector	
187	1001166556	8	Terminal	
188	1001116701	8	Seal	
189	1001166774	2	Terminal	
190	1001126393	2	Seal	
191	1001126391	2	Plug	
192	1001167620	1	Connector	
193	1001176004	2	Terminal	
194	1001176002	2	Seal	
195	1001167624	2	Plug	
196	4460466	6	Seal	
197	4460892	1	Terminal	
198	4460897	3	Connector	
199	4460945	4	Receptacle, 3-Way	
200	4461070	2	Connector	
201	8229242	5	Fuse, 5A	
202	8229244	1	Fuse, 15A	

SECTION 10 - ELECTRICAL

ITEM	PART NUMBER	QTY	DESCRIPTION	REV
203	8229245	1	Fuse, 30A	
204	8229247	1	Fuse, 25A	
205	1001125677	1	Connector	
206	1001177597	1	Fuse, 6A	
207	1001190921	1	Seal, Fuse Box	
208	1001205172	5	Fuse, 35A	
209	1001116815	3	Connector	

SECTION 10 - ELECTRICAL

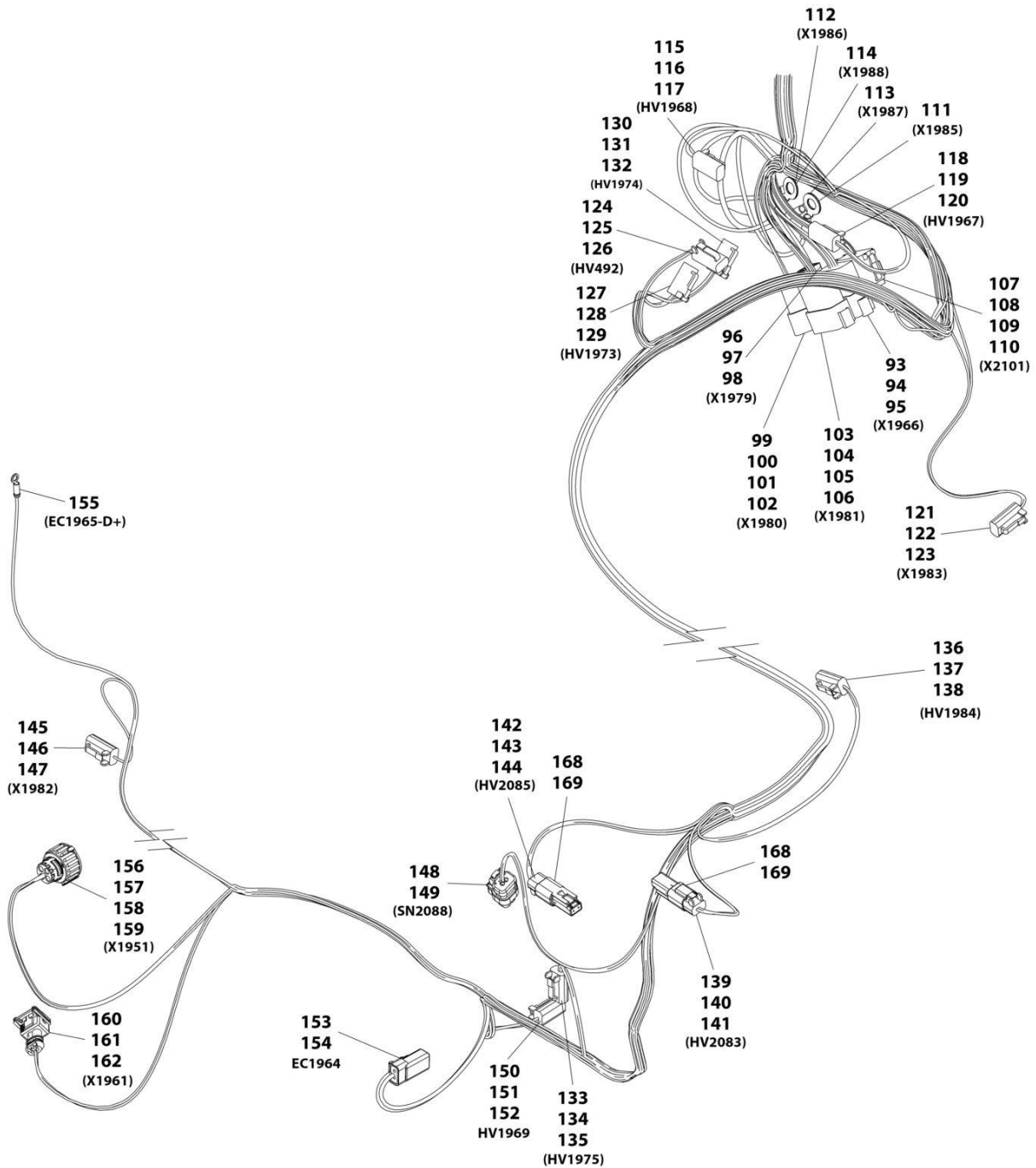
FIGURE 10-39. ENGINE HARNESS (LS)



ART_1001184503_1-D

SECTION 10 - ELECTRICAL

FIGURE 10-40. ENGINE HARNESS (LS)



ART_1001184503_2-D

SECTION 10 - ELECTRICAL

FIGURE 10-40. ENGINE HARNESS (LS)

ITEM	PART NUMBER	QTY	DESCRIPTION	REV
	1001184503	Ref	Engine Harness (LS)	D
1	4460891	1	Connector	
2	80604018	1	Lock, Connector	
3	4460465	2	Terminal	
4	4460891	1	Connector	
5	80604018	1	Lock, Connector	
6	4460465	2	Terminal	
10	1001126360	1	Connector	
11	1001126351	13	Terminal	
12	1001126384	17	Terminal	
13	1001126357	11	Plug	
14	1001126356	19	Plug	
15	1001126362	1	Connector	
16	1001166556	24	Terminal	
17	1001166701	24	Seal	
18	1001166774	10	Terminal	
19	1001126393	10	Seal	
20	1001166543	2	Terminal	
21	4461054	2	Seal	
22	1001126391	22	Plug	
23	1001116696	4	Plug	
24	1001116950	1	Connector	
25	4460465	2	Terminal	
26	1001133714	1	Connector	
27	1001133715	3	Terminal	
28	1001135650	3	Seal	
29	1001135651	1	Plug	
30	1001117018	1	Connector (includes 25 amp auto fuse)	
31	1001116734	1	Terminal	
32	1001116735	1	Terminal	
33	1001126349	1	Connector	
34	1001126352	6	Terminal	
35	1001126353	6	Seal	
36	1001126384	19	Terminal	
37	1001126351	2	Terminal	
38	1001126356	65	Terminal	
39	1001126357	2	Plug	
42	1001116812	1	Connector	
43	91554019	1	Lock, Connector	
44	4460944	2	Terminal	
45	4460466	1	Plug	
46	4460539	1	Connector	
47	4460944	2	Terminal	
48	4460466	1	Plug	
49	1001116812	1	Connector	
50	91554019	1	Lock, Connector	
51	4460944	2	Terminal	
52	4460466	1	Plug	
53	1001116812	1	Connector	
54	91554019	1	Lock, Connector	

SECTION 10 - ELECTRICAL

ITEM	PART NUMBER	QTY	DESCRIPTION	REV
55	4460944	2	Terminal	
56	4460466	1	Plug	
57	4460539	1	Connector	
58	4460944	2	Terminal	
59	4460466	1	Plug	
60	100117110	1	Ring, Terminal	
61	1001116812	1	Connector	
62	91554019	1	Lock, Connector	
63	4460944	2	Terminal	
64	4460466	1	Plug	
65	4460539	1	Connector	
66	4460944	2	Terminal	
67	4460466	1	Plug	
68	1001116812	1	Connector	
69	91554019	1	Lock, Connector	
70	4460944	2	Terminal	
71	4460466	1	Plug	
72	4460539	1	Connector	
73	4460944	2	Terminal	
74	4460466	1	Plug	
75	1001117018	1	Connector (includes 25 amp auto fuse)	
76	1001116734	2	Terminal	
77	1001118282	1	Connector	
78	1001116734	3	Terminal	
79	1001116732	1	Terminal	
80	1001128128	1	Plug	
81	2902443	1	Kit, Receptacle	
82	4461071	6	Terminal	
83	4461072	1	Housing, Flange Mount Receptacle Inner	
84	4461073	1	Cap, Dust	
85	4461074	1	Housing, Receptacle Outer	
86	4460539	1	Connector	
87	4460465	2	Terminal	
88	4460942	1	Terminal	
89	1001184551	1	Connector	
90	1001116728	7	Terminal	
91	1001116747	1	Terminal	
92	1001175265	8	Seal	
93	4460970	1	Connector	
94	4460464	7	Terminal	
95	4460466	5	Plug	
96	1001116811	1	Connector	
97	4460508	3	Terminal	
98	4460466	1	Plug	
99	1001144147	1	Connector	
100	91554022	1	Lock, Connector	
101	4460464	2	Terminal	
102	4460466	1	Plug	
103	4460950	1	Connector Housing	
104	80363179	1	Lock, Connector	
105	4460464	9	Terminal	

SECTION 10 - ELECTRICAL

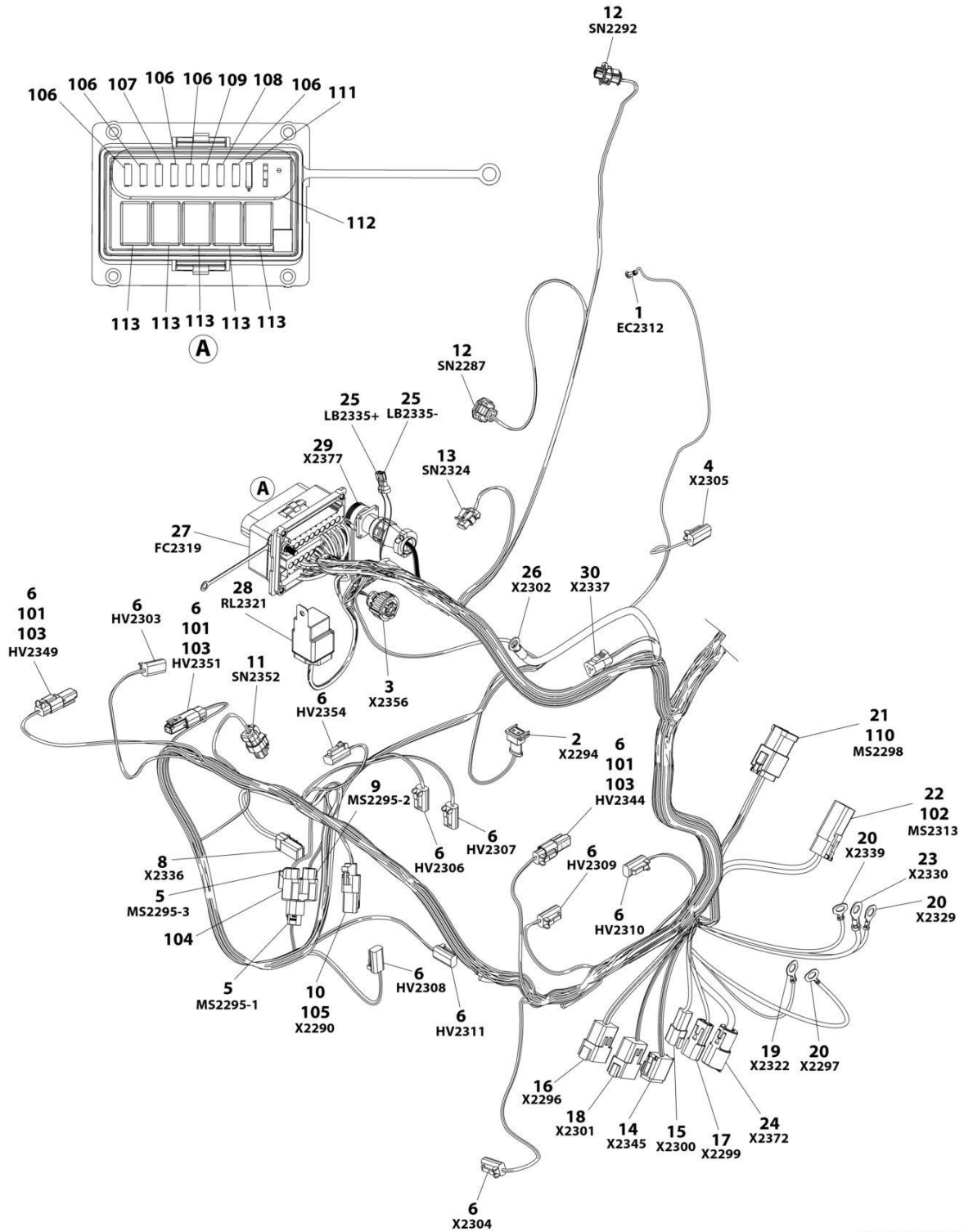
ITEM	PART NUMBER	QTY	DESCRIPTION	REV
106	4460466	3	Plug	
107	4460933	1	Connector	
108	80604016	1	Lock, Connector	
109	4460465	7	Terminal	
110	4460466	5	Plug	
111	1001117110	1	Ring, Terminal	
112	1001117109	1	Ring, Terminal	
113	1001117110	1	Ring, Terminal	
114	1001117110	1	Ring, Terminal	
115	4460891	1	Connector	
116	80604018	1	Lock, Connector	
117	4460465	2	Terminal	
118	4460891	1	Connector	
119	80604018	1	Lock, Connector	
120	4460465	2	Terminal	
121	4460891	1	Connector	
122	80604018	1	Lock, Connector	
123	4460465	2	Terminal	
124	4460891	1	Connector	
125	80604018	1	Lock, Connector	
126	4460465	2	Terminal	
127	4460891	1	Connector	
128	80604018	1	Lock, Connector	
129	4460465	2	Terminal	
130	4460891	1	Connector	
131	80604018	1	Lock, Connector	
132	4460465	2	Terminal	
133	4460891	1	Connector	
134	80604018	1	Lock, Connector	
135	4460465	2	Terminal	
136	4460891	1	Connector	
137	80604018	1	Lock, Connector	
138	4460465	2	Terminal	
139	4460891	1	Connector	
140	80604018	1	Lock, Connector	
141	4460465	2	Terminal	
142	4460891	1	Connector	
143	80604018	1	Lock, Connector	
144	4460465	2	Terminal	
145	4460891	1	Connector	
146	80604018	1	Lock, Connector	
147	4460465	2	Terminal	
148	1001116950	1	Connector	
149	4460465	2	Terminal	
150	4460891	1	Connector	
151	80604018	1	Lock, Connector	
152	4460465	2	Terminal	
153	4461018	1	Connector	
154	4460509	2	Belgium Built Machines - Use Terminal	
155	4460247	1	Terminal, Ring	
156	1001133714	1	Connector	

SECTION 10 - ELECTRICAL

ITEM	PART NUMBER	QTY	DESCRIPTION	REV
157	1001133715	3	Terminal	
158	1001135650	3	Seal	
159	1001135651	1	Plug	
160	1001116983	1	Connector	
161	1001116710	2	Terminal	
162	4461006	2	Seal	
163	4460945	4	Connector	
164	8229242	1	Fuse, 5A	
165	1001116815	3	Connector	
166	1001177597	1	Diode, 6A	
167	1001197719	2	Resistor	
168	4460466	4	Plug	
169	4460897	2	Connector	
170	4461118	1	Connector	
171	8220124	2	Terminal	
172	1001189877	2	Seal	

SECTION 10 - ELECTRICAL

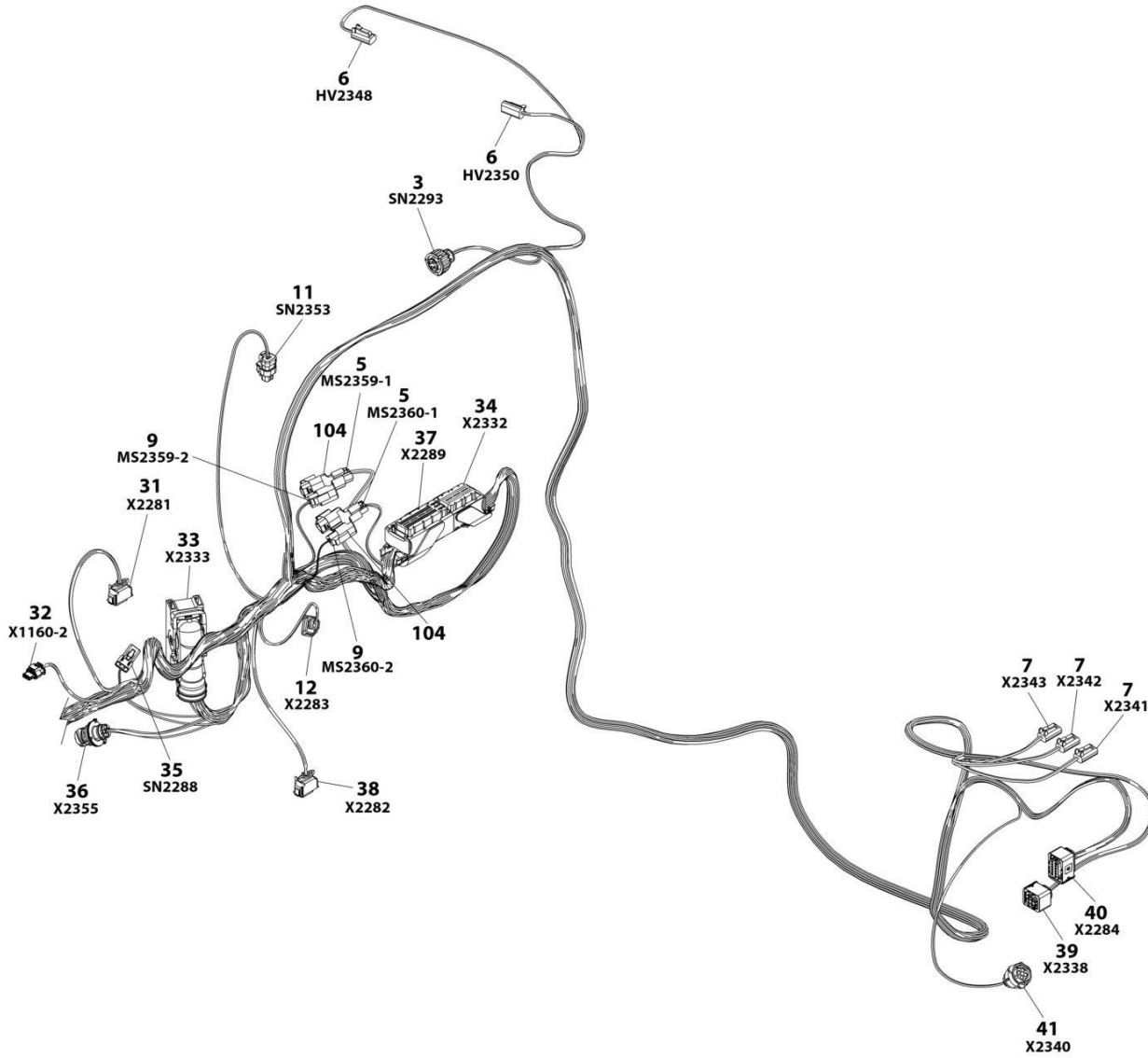
FIGURE 10-41. ENGINE HARNESS (HRC)



ART_1001292201_1OF2

SECTION 10 - ELECTRICAL

FIGURE 10-42. ENGINE HARNESS (HRC)



ART_1001292201_20F2

SECTION 10 - ELECTRICAL

FIGURE 10-42. ENGINE HARNESS (HRC)

ITEM	PART NUMBER	QTY	DESCRIPTION	REV
	1001292201	Ref	ENGINE DEUTZ HRC HARNESS	A
1	4460247	1	Terminal, Ring	
2	1001167636	1	Connector	
2	1001166707	2	Socket	
2	4461006	2	Seal	
3	1001133714	2	Connector	
3	1001133715	6	Socket	
	1001135250	6	Seal	
4	4460891	1	Connector	
4	4460465	1	Socket	
5	1001116812	4	Connector	
5	4460944	8	Socket	
6	4460891	14	Connector	
6	4460465	28	Socket	
7	4460891	3	Connector	
7	4460942	6	Socket	
8	4461018	1	Connector	
8	4460509	2	Socket	
9	4460539	3	Connector	
9	4460944	6	Socket	
10	4461095	1	Connector	
10	4460944	2	Socket	
11	1001116950	2	Connector	
11	1001118390	4	Socket	
12	1001126487	3	Connector	
12	1001167635	6	Socket	
12	1001126485	6	Seal	
13	1001209097	1	Connector	
13	8220124	2	Socket	
13	4460608	2	Seal	
14	4460933	1	Connector	
14	4460465	7	Socket	
15	1001144147	1	Connector	
15	4460464	2	Pin	
16	4460950	1	Connector	
16	4460464	8	Pin	
17	1001116811	1	Connector	
17	4460508	1	Pin	
18	4460970	1	Connector	
18	4460464	8	Pin	
19	1001187078	1	Terminal, Ring	
20	1001187080	3	Terminal, Ring	
21	4460933	1	Connector	
21	4460465	12	Socket	
22	4460894	1	Connector	
22	4460465	6	Socket	
23	1001187076	1	Terminal, Ring	
24	1001293903	1	Connector	
24	91013191	1	Pin	
25	8220108	2	Socket	

SECTION 10 - ELECTRICAL

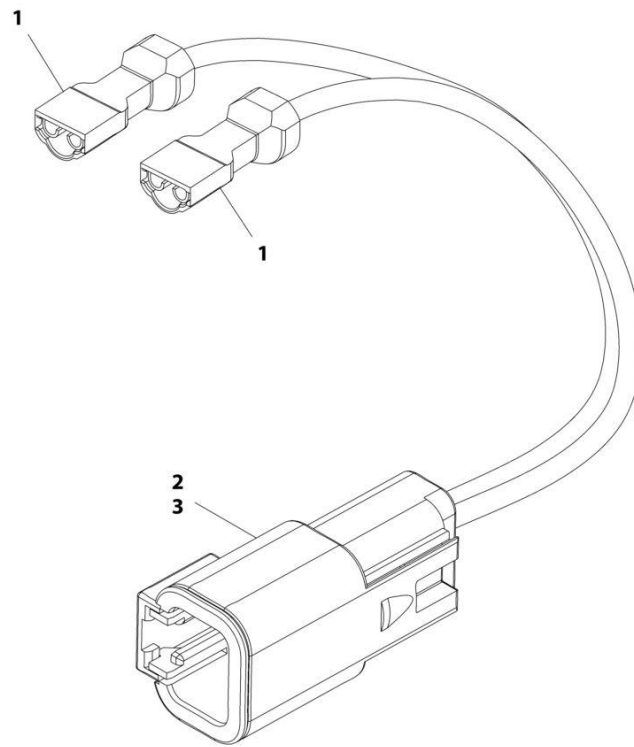
ITEM	PART NUMBER	QTY	DESCRIPTION	REV
26	8220115	1	Terminal, Ring	
27	1001167616	1	Connector	
27	8220097	19	Socket (18AWG)	
27	1001116726	9	Socket (16AWG)	
27	8220098	9	Socket (14AWG)	
27	1001116725	3	Socket (10-12AWG)	
27	1001175265	19	Seal	
27	4460458	18	Seal	
27	80963067	3	Seal	
28	1001118282	1	Connector	
28	1001116732	2	Socket (18-20AWG)	
28	1001116734	2	Socket (12AWG)	
29	2902443	1	Connector	
29	4461071	6	Socket	
30	4460539	1	Connector	
30	4460465	3	Socket	
31	1001167631	1	Connector	
31	1001167630	4	Socket	
31	1001126485	4	Seal	
32	1001247948	1	Connector	
32	1001247955	3	Socket	
32	1001247969	3	Seal	
33	1001126362	1	Connector	
33	1001166556	36	Socket (18-22AWG)	
33	1001166774	12	Socket (16-18AWG)	
33	1001166543	2	Socket (14-16AWG)	
33	1001126393	48	Seal	
33	4461054	2	Seal	
34	1001126360	1	Connector	
34	1001126351	13	Socket (15-18AWG)	
34	1001126384	27	Socket (18-20AWG)	
35	1001126245	1	Connector	
35	1001126008	2	Socket	
36	1001148842	1	Connector	
36	1001148841	3	Socket	
37	1001126349	1	Connector	
37	1001126352	6	Socket (13-17AWG)	
37	1001126351	3	Socket (15-18AWG)	
37	1001126384	45	Socket (18-20AWG)	
37	1001126353	6	Seal	
38	1001167629	1	Connector	
38	1001167630	4	Socket	
38	1001126485	4	Seal	
39	1001167528	1	Connector	
39	1001166704	4	Socket	
39	1001137548	4	Seal	
40	1001165194	1	Connector	
40	1001166556	8	Socket (18-22AWG)	
40	1001166774	1	Socket (16-18AWG)	
40	1001126393	9	Seal	
41	1001167620	1	Connector	

SECTION 10 - ELECTRICAL

ITEM	PART NUMBER	QTY	DESCRIPTION	REV
41	1001176004	2	Socket	
41	1001176002	2	Seal	
101	4460466	6	Plug	
102	4460892	1	Terminal	
103	4460897	3	Connector	
104	4460945	3	Receptacle, 3-Way	
105	4461070	1	Connector	
106	8229242	5	Fuse, 5A	
107	8229244	1	Fuse, 15A	
108	8229245	1	Fuse, 30A	
109	8229247	1	Fuse, 25A	
110	1001125677	1	Connector	
111	1001177597	1	Model, Diode	
112	1001190921	1	Seal, Fuse Box	
113	1001205172	5	Fuse, 35A	
114	1001293903	1	Connector (Not Shown)	

SECTION 10 - ELECTRICAL

FIGURE 10-43. ENGINE FUEL PUMP HARNESS



ART_1001182929-E

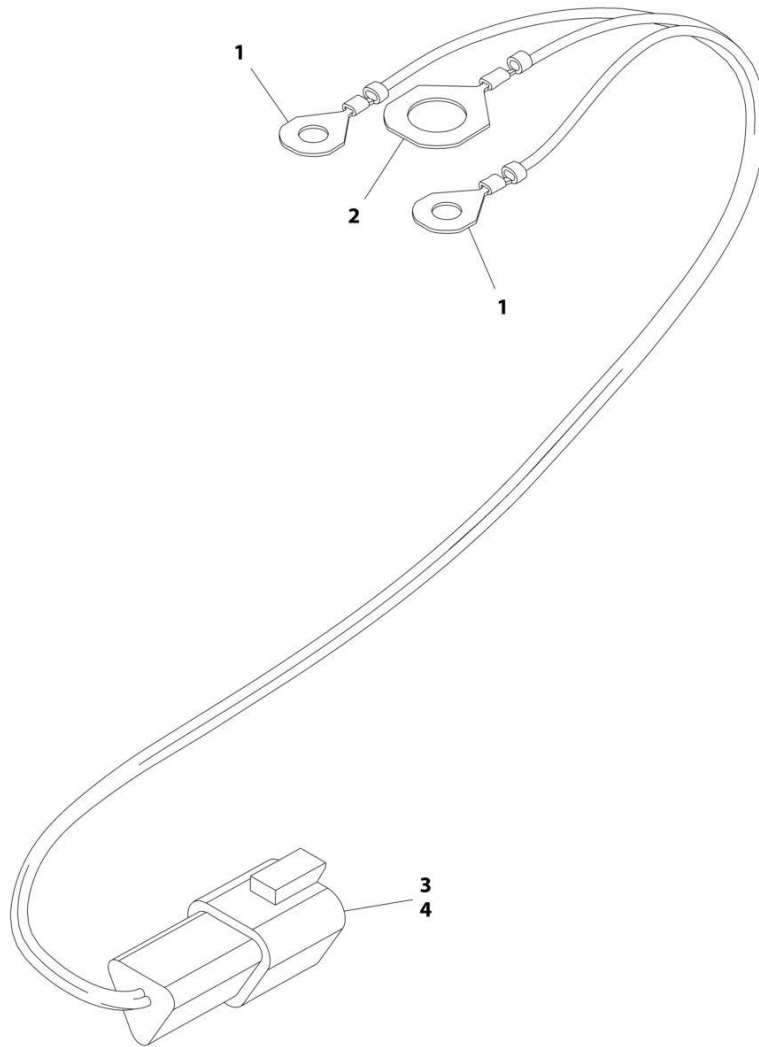
SECTION 10 - ELECTRICAL

FIGURE 10-43. ENGINE FUEL PUMP HARNESS

ITEM	PART NUMBER	QTY	DESCRIPTION	REV
	1001182929	Ref	Fuel Pump Harness	E
1	8220043	2	Connector	
2	4461017	1	Connector	
3	4460508	2	Terminal	

SECTION 10 - ELECTRICAL

FIGURE 10-44. ENGINE GLOW PLUG RELAY HARNESS



ART_1001182930-C

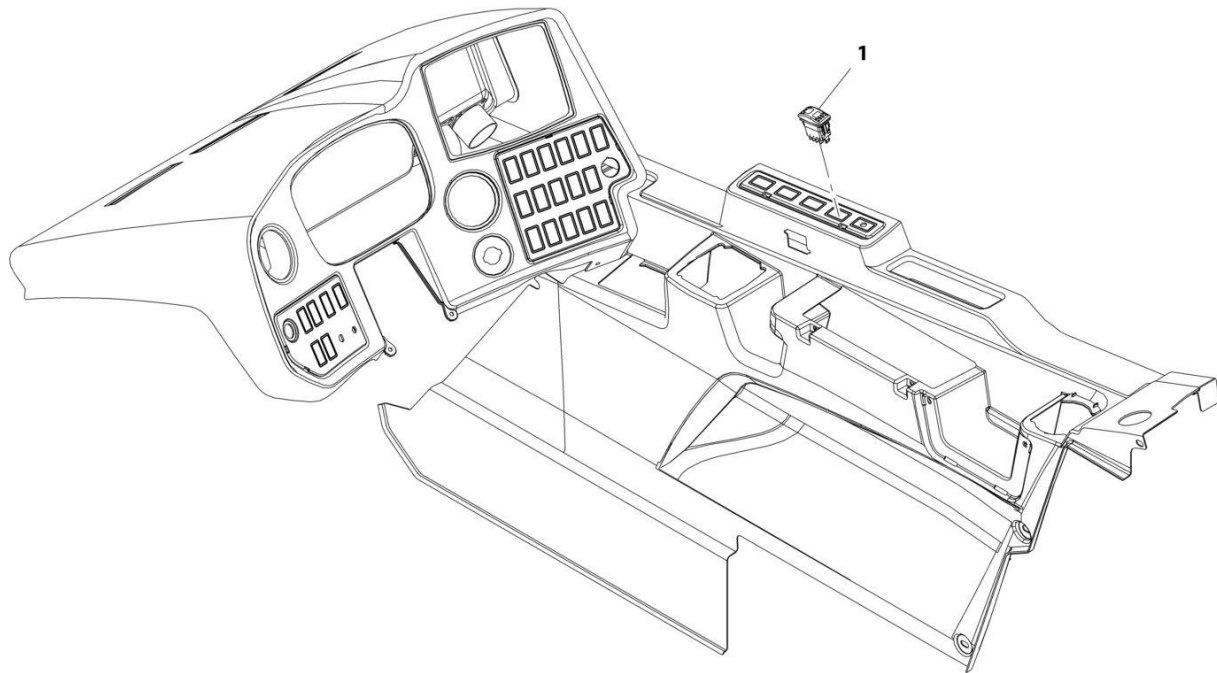
SECTION 10 - ELECTRICAL

FIGURE 10-44. ENGINE GLOW PLUG RELAY HARNESS

ITEM	PART NUMBER	QTY	DESCRIPTION	REV
	1001182930	Ref	Glow Plug Relay Harness	C
1	1001187070	2	Ring, Terminal	
2	1001187077	1	Ring, Terminal	
3	4460536	1	Connector	
4	4460464	3	Terminal	

SECTION 10 - ELECTRICAL

FIGURE 10-45. ENGINE SPEED SET SWITCH INSTALLATION



ART_1001197639-B

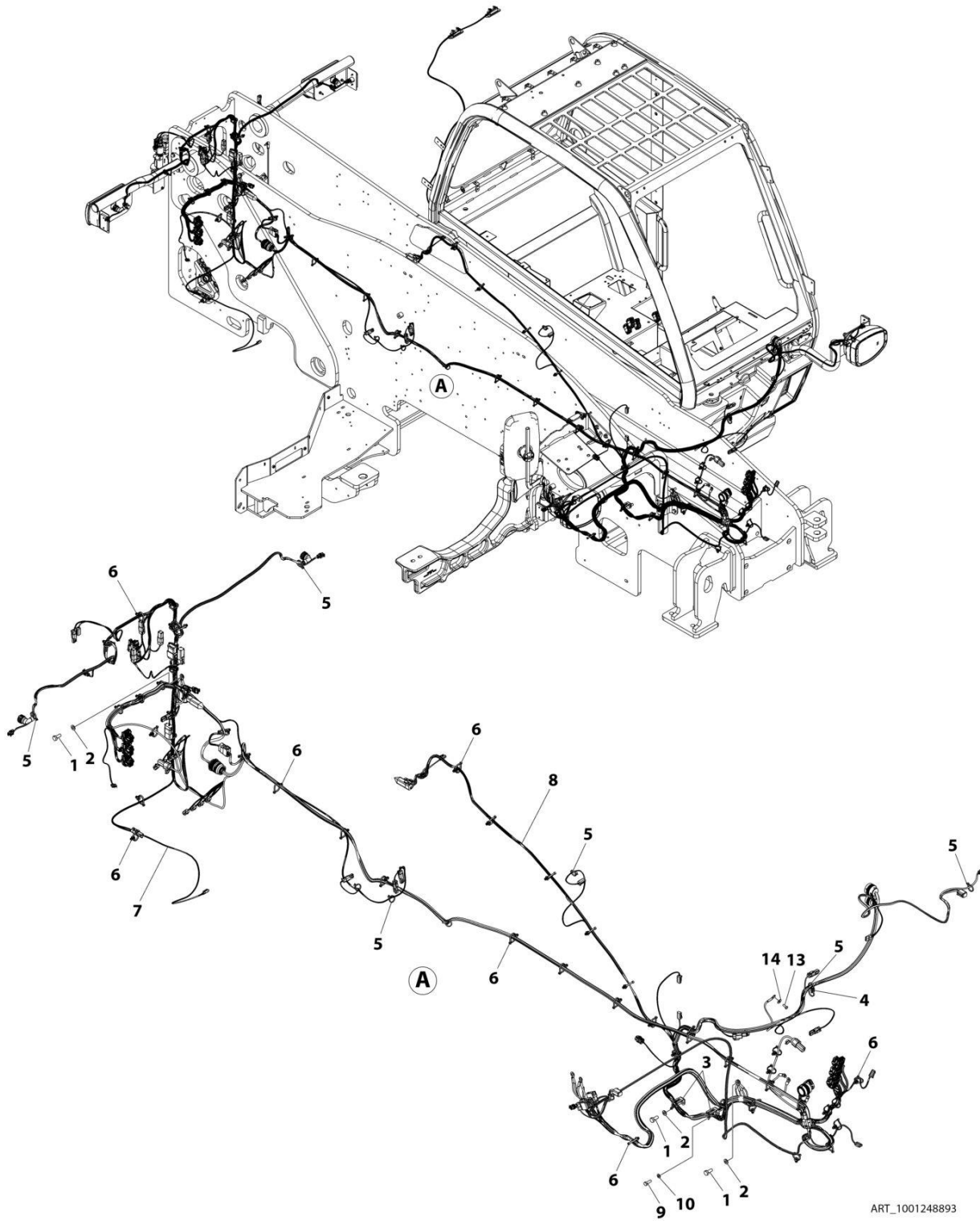
SECTION 10 - ELECTRICAL

FIGURE 10-45. ENGINE SPEED SET SWITCH INSTALLATION

ITEM	PART NUMBER	QTY	DESCRIPTION	REV
1	1001197639	1	Engine Speed Set Switch Installation	B
	1001198932	1	Switch, Engine Speed Set	

SECTION 10 - ELECTRICAL

FIGURE 10-46. FRAME MAIN ELECTRICAL INSTALLATION



ART_1001248893

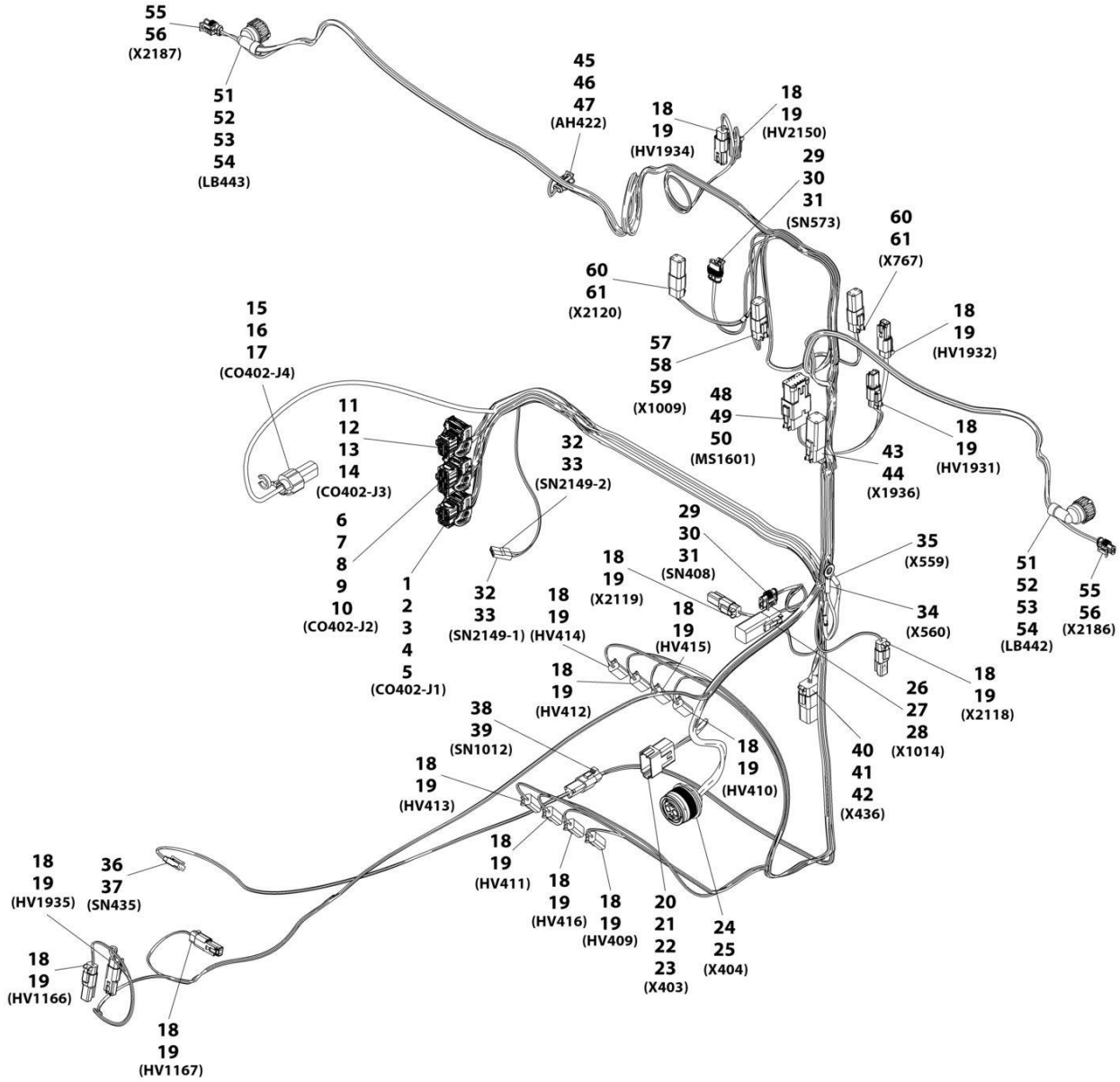
SECTION 10 - ELECTRICAL

FIGURE 10-46. FRAME MAIN ELECTRICAL INSTALLATION

ITEM	PART NUMBER	QTY	DESCRIPTION	REV
	1001248893	Ref	MAIN ELECTRICAL INSTALLATION	D
1	0761012	3	Bolt, M10 x 25	
2	4812000	3	Washer, M10	
3	1001003305	2	Clip	
4	1001004723	1	Saddle	
5	1001008559	14	Strap, Cable	
6	1001146588	50	Strap, Cable Tie	
7	1001248891	1	Harness, Rear Frame (See Separate Breakdown in this Section)	
8	1001268851	1	Harness, Front Frame (See Separate Breakdown in this Section)	
9	0700812	1	Capscrew M8 x 25	
10	4811900	1	Washer M8	
13	0760608	1	Capscrew M6 x 16	
14	4811702	1	Washer M6	

SECTION 10 - ELECTRICAL

FIGURE 10-47. FRAME HARNESS - REAR (SN 0160126024 to Present)



ART_1001248891-B

SECTION 10 - ELECTRICAL

FIGURE 10-47. FRAME HARNESS - REAR (SN 0160126024 to Present)

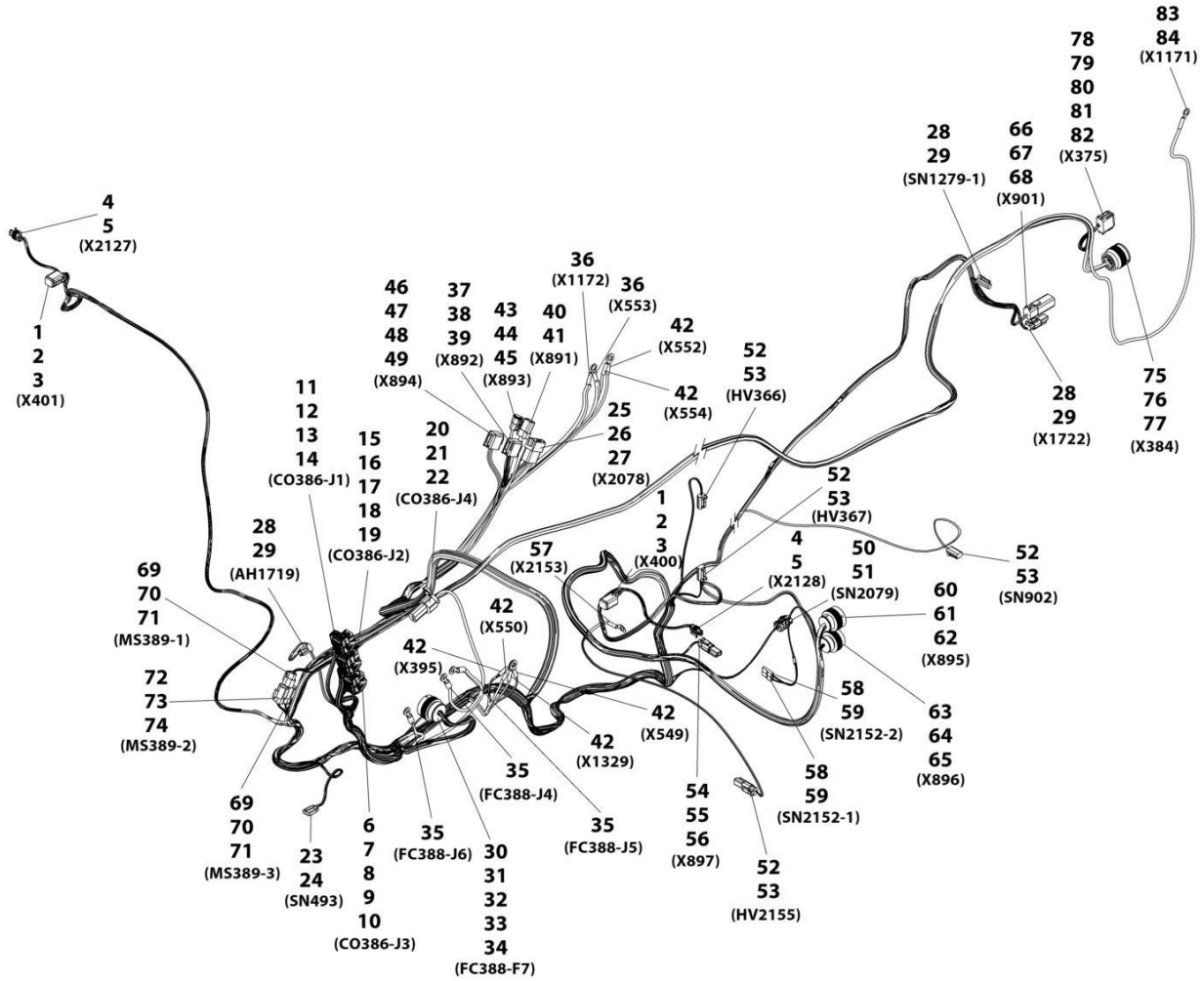
ITEM	PART NUMBER	QTY	DESCRIPTION	REV
	1001248891	Ref	Rear Frame Harness	B
1	1001161958	1	Connector	
2	1001161095	11	Terminal	
3	1001161100	13	Terminal	
4	1001161101	4	Terminal	
5	1001161099	4	Terminal	
6	1001161964	1	Connector	
7	1001161095	29	Terminal	
8	1001161100	11	Plug	
9	1001161099	7	Terminal	
10	1001161101	1	Plug	
11	1001160499	1	Connector	
12	1001161100	20	Plug	
13	1001161095	5	Terminal	
14	1001161099	7	Terminal	
15	1001160509	1	Connector	
16	1001160510	1	Terminal	
17	1001175266	1	Seal	
18	4460891	1	Connector	
19	4460465	2	Terminal	
20	4460970	1	Connector	
21	4460464	4	Terminal	
22	1001157891	1	Terminal	
23	4460466	7	Plug	
24	1001165311	1	Connector	
25	91013191	2	Terminal	
26	4460894	1	Connector	
27	4460465	2	Terminal	
28	4460466	4	Plug	
29	4461262	1	Connector	
30	1001107854	3	Terminal	
31	1001104498	3	Seal	
32	1001116995	1	Connector	
33	1001118379	1	Terminal	
34	1001117110	1	Connector	
35	1001117108	1	Connector	
36	4460911	1	Connector	
37	1001126008	3	Terminal	
38	4460539	1	Connector	
39	4460465	3	Terminal	
40	4460931	1	Connector	
41	4460465	6	Terminal	
42	4460466	2	Plug	
43	4460894	1	Connector	
44	4460942	6	Terminal	
45	4461118	1	Connector	
46	1001107854	2	Terminal	
47	1001104498	2	Seal	
48	4460933	1	Connector	
49	4460465	10	Terminal	

SECTION 10 - ELECTRICAL

ITEM	PART NUMBER	QTY	DESCRIPTION	REV
50	4460466	2	Plug	
51	1001116996	1	Connector	
52	1001118392	6	Terminal	
53	4461054	6	Seal	
54	1001116696	1	Plug	
55	4461118	1	Connector	
56	1001107854	2	Terminal	
57	4460884	1	Connector	
58	4460465	2	Terminal	
59	4460466	2	Plug	
60	4460884	1	Connector	
61	4460465	4	Plug	

SECTION 10 - ELECTRICAL

FIGURE 10-48. FRAME HARNESS - REAR (Prior to SN 0160124988)



ART_1001248892-B

SECTION 10 - ELECTRICAL

FIGURE 10-48. FRAME HARNESS - REAR (Prior to SN 0160124988)

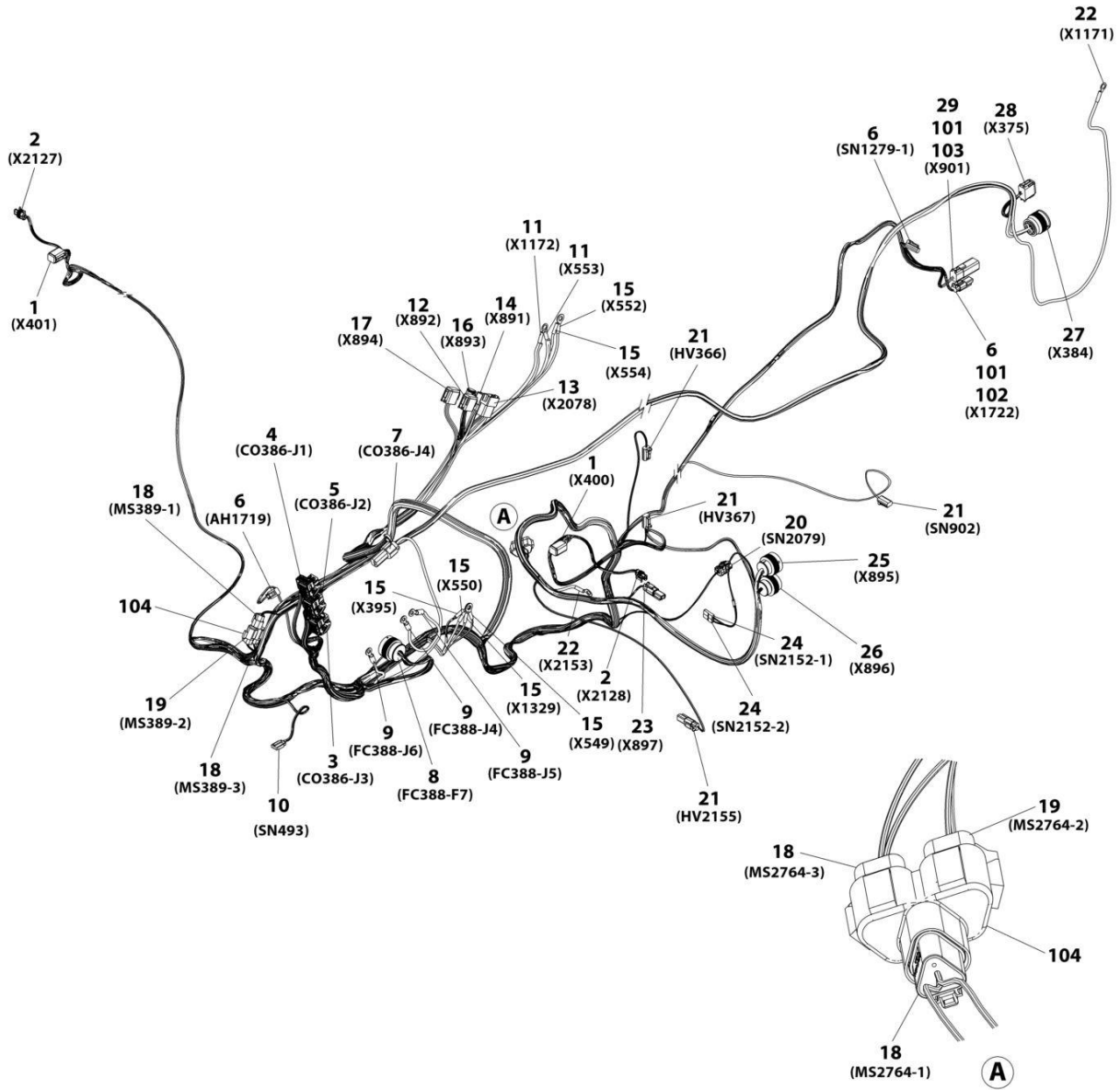
ITEM	PART NUMBER	QTY	DESCRIPTION	REV
	1001248892	Ref	Front Frame Harness	B
1	4460894	1	Connector	
2	4460942	5	Terminal	
3	4460466	1	Plug	
4	4461118	1	Connector	
5	1001107854	3	Terminal	
6	1001160500	1	Connector	
7	1001161100	13	Plug	
8	1001161095	11	Terminal	
9	1001161101	1	Plug	
10	1001161099	7	Terminal	
11	1001161957	1	Connector	
12	1001161095	11	Terminal	
13	1001161100	18	Plug	
14	1001161098	3	Terminal	
15	1001161963	1	Connector	
16	1001161095	18	Terminal	
17	1001161100	22	Plug	
18	1001161099	6	Terminal	
19	1001161101	2	Plug	
20	1001160509	1	Connector	
21	1001160510	1	Terminal	
22	1001175266	1	Seal	
23	4460911	1	Connector	
24	1001126008	3	Terminal	
25	4460970	1	Connector	
26	4460464	7	Terminal	
27	4460466	5	Plug	
28	4460891	1	Connector	
29	4460942	2	Terminal	
30	1001165309	1	Connector	
31	4460466	2	Plug	
32	4460465	7	Terminal	
33	4460509	7	Terminal	
34	1001150611	4	Terminal	
35	8220114	1	Connector	
36	1001128127	1	Connector	
37	4460933	1	Connector	
38	4460465	9	Terminal	
39	4460466	3	Plug	
40	1001116810	1	Connector	
41	4460509	4	Terminal	
42	1001117110	1	Connector	
43	1001116812	1	Connector	
44	4460465	2	Terminal	
45	4460466	1	Terminal	
46	4460836	1	Connector	
47	4460942	1	Terminal	
48	4460465	9	Terminal	
49	4460466	2	Plug	

SECTION 10 - ELECTRICAL

ITEM	PART NUMBER	QTY	DESCRIPTION	REV
50	1001116950	1	Connector	
51	4460465	2	Terminal	
52	4460891	1	Connector	
53	4460465	2	Terminal	
54	4460891	1	Connector	
55	1001157890	1	Terminal	
56	4460466	1	Plug	
57	1001117109	1	Connector	
58	1001116995	1	Connector	
59	1001118379	1	Terminal	
60	1001118323	1	Connector	
61	4460942	4	Terminal	
62	91013192	2	Terminal	
63	4461015	1	Connector	
64	4460465	7	Terminal	
65	4460466	7	Plug	
66	4460894	1	Connector	
67	4460942	4	Terminal	
68	4460465	2	Terminal	
69	1001116812	1	Connector	
70	4460944	2	Terminal	
71	4460466	1	Plug	
72	4460539	1	Connector	
73	4460944	2	Terminal	
74	4460466	1	Plug	
75	1001165310	1	Connector	
76	1001116686	4	Terminal	
77	91013192	2	Terminal	
78	4460933	1	Connector	
79	4460465	3	Terminal	
80	4460942	1	Terminal	
81	1001157890	2	Terminal	
82	4460466	6	Plug	
83	1001117108	1	Connector	
84	1001117109	1	Terminal	

SECTION 10 - ELECTRICAL

FIGURE 10-49. FRAME HARNESS - FRONT



ART_1001268851

SECTION 10 - ELECTRICAL

FIGURE 10-49. FRAME HARNESS - FRONT

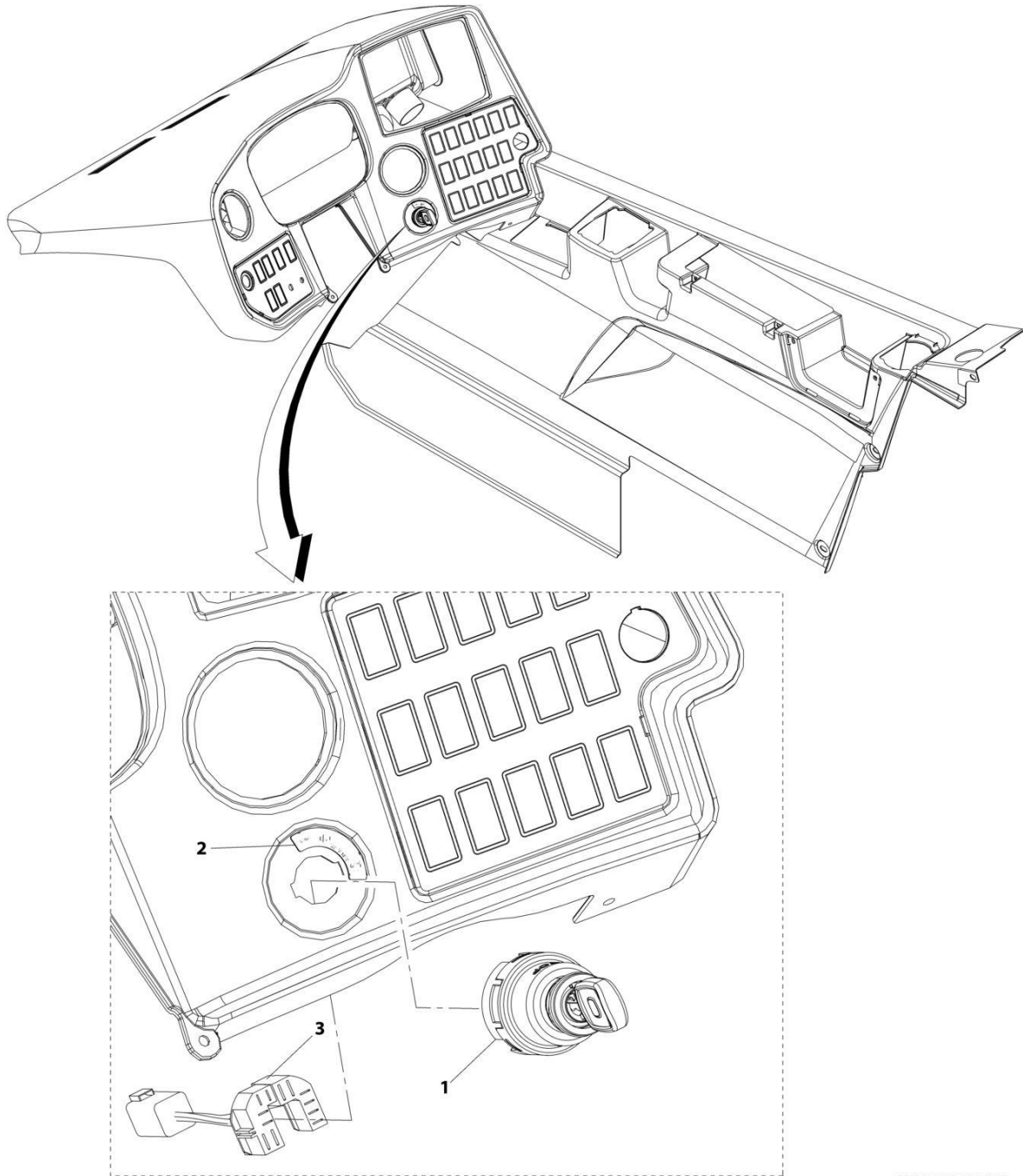
ITEM	PART NUMBER	QTY	DESCRIPTION	REV
	1001268851	Ref	FRONT FRAME HARNESS	A
1	4460894	2	Connector	
1	4460942	10	Socket	
1	4460466	2	Plug	
2	4461118	2	Connector	
2	1001107854	4	Socket	
3	1001160500	1	Connector	
3	1001161095	11	Socket (18AWG)	
3	1001161099	7	Socket (16-14AWG)	
3	1001161100	14	Plug	
4	1001161957	1	Connector	
4	1001161095	11	Socket (18AWG)	
4	1001161098	3	Socket (20-16AWG)	
4	1001161100	17	Plug	
5	1001161963	1	Connector	
5	1001161095	18	Socket (18AWG)	
5	1001161099	6	Socket (16-14AWG)	
5	1001161101	23	Plug	
6	4460891	3	Connector	
6	4460742	6	Socket	
7	1001160509	1	Connector	
7	1001160510	1	Socket	
7	1001175266	1	Seal	
8	1001165309	1	Connector	
8	4460465	7	Socket (16-20AWG)	
8	1001150611	4	Socket (10-12AWG)	
8	4460509	6	Socket (12-14AWG)	
8	4460466	2	Plug	
9	8220114	3	Terminal, Ring	
10	4460911	1	Connector	
10	1001126008	3	Socket	
11	1001128127	2	Terminal, Ring	
12	4460933	1	Connector	
12	4460465	9	Socket	
12	4460466	3	Plug	
13	4460970	1	Connector	
13	4460464	7	Socket	
13	4460466	5	Plug	
14	1001116810	1	Connector	
14	4460509	4	Socket	
15	1001117110	6	Terminal, Ring	
16	1001116812	1	Connector	
16	4460465	2	Socket	
16	4460466	1	Plug	
17	4460836	1	Connector	
17	4460942	1	Socket (14-16AWG)	
17	4460465	9	Socket (16-20AWG)	
17	4460466	2	Plug	
18	1001116812	4	Connector	
18	4460944	8	Socket	

SECTION 10 - ELECTRICAL

ITEM	PART NUMBER	QTY	DESCRIPTION	REV
18	4460466	4	Plug	
19	4460539	2	Connector	
19	4460944	4	Socket	
19	4460466	2	Plug	
20	1001116950	1	Connector	
20	4460465	2	Socket	
21	4460891	4	Connector	
21	4460465	8	Socket	
22	1001119109	2	Terminal, Ring	
23	4460891	1	Connector	
23	1001157890	1	Socket	
23	4460466	1	Plug	
24	1001116995	2	Connector	
24	1001118379	2	Socket	
25	1001118323	1	Connector	
25	4460942	4	Socket (14-16AWG)	
25	91013192	2	Socket (6AWG)	
26	4461015	1	Connector	
26	4460465	9	Socket	
26	4460466	5	Plug	
27	1001165310	1	Connector	
27	91013192	2	Socket	
27	1001116686	4	Plug	
28	4460933	1	Connector	
28	4460465	3	Socket (16-20AWG)	
28	4460942	1	Socket (14-16AWG)	
28	1001157890	2	Socket (12-16AWG)	
28	4460466	6	Plug	
29	4460894	1	Connector	
29	4460942	4	Socket (14-16AWG)	
29	4460465	2	Socket (16-20AWG)	

SECTION 10 - ELECTRICAL

FIGURE 10-50. IGNITION SWITCH INSTALLATION



ART_1001208518-B

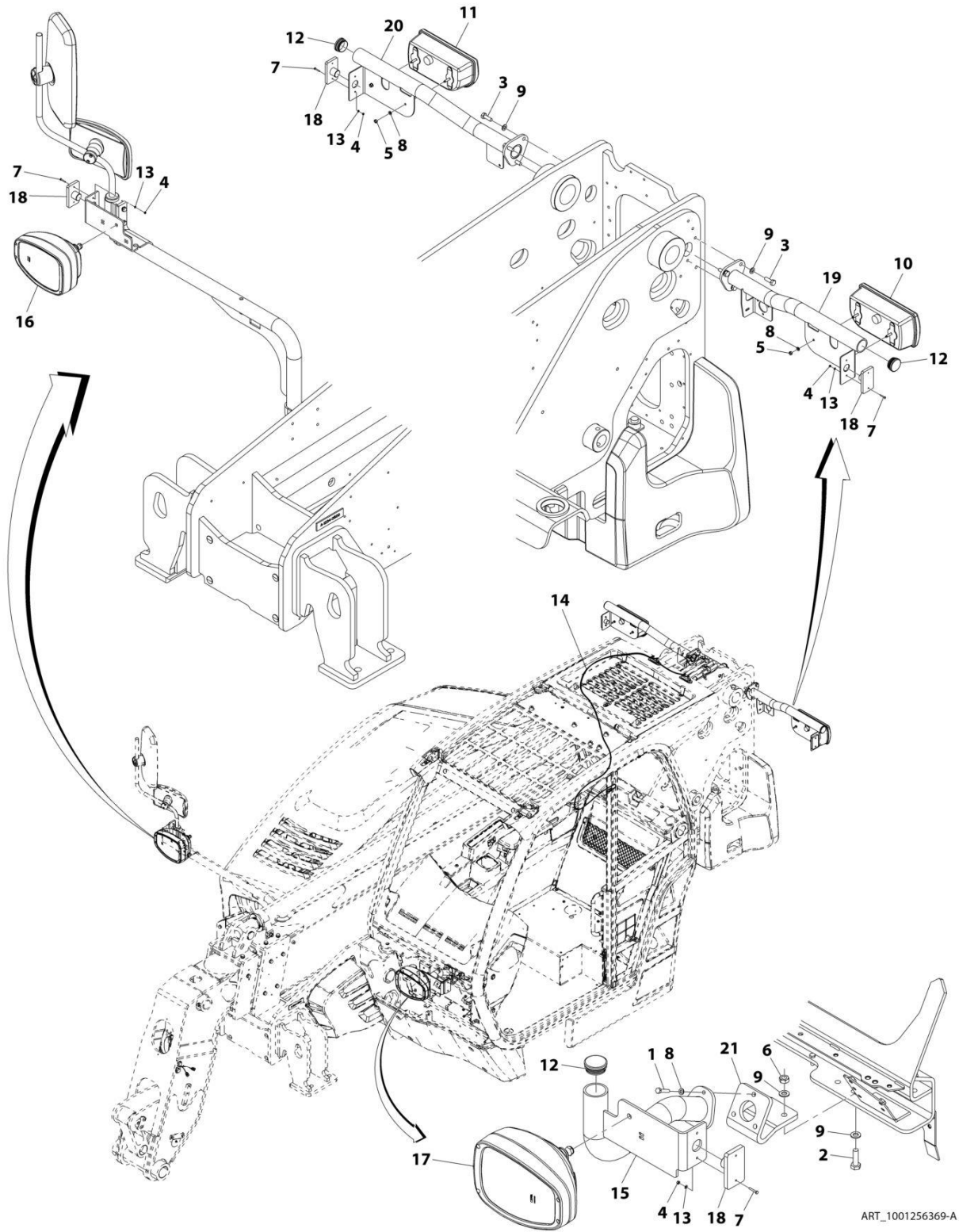
SECTION 10 - ELECTRICAL

FIGURE 10-50. IGNITION SWITCH INSTALLATION

ITEM	PART NUMBER	QTY	DESCRIPTION	REV
	1001208518	Ref	Ignition Switch Installation	B
1	1001102502	1	Switch, 4 Position Key	
1	70022765	1	Key, Ignition	
2	1001181531	1	Decal, Ignition Switch	
3	1001223968	1	Harness, Ignition Switch	

SECTION 10 - ELECTRICAL

FIGURE 10-51. LIGHTS - DIP LIGHTS INSTALLATION (RH)



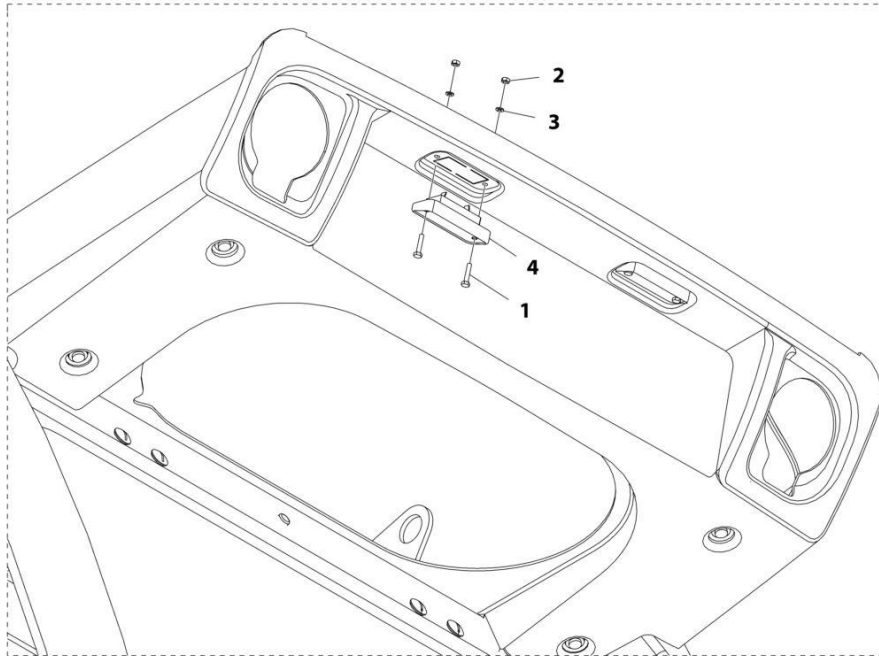
SECTION 10 - ELECTRICAL

FIGURE 10-51. LIGHTS - DIP LIGHTS INSTALLATION (RH)

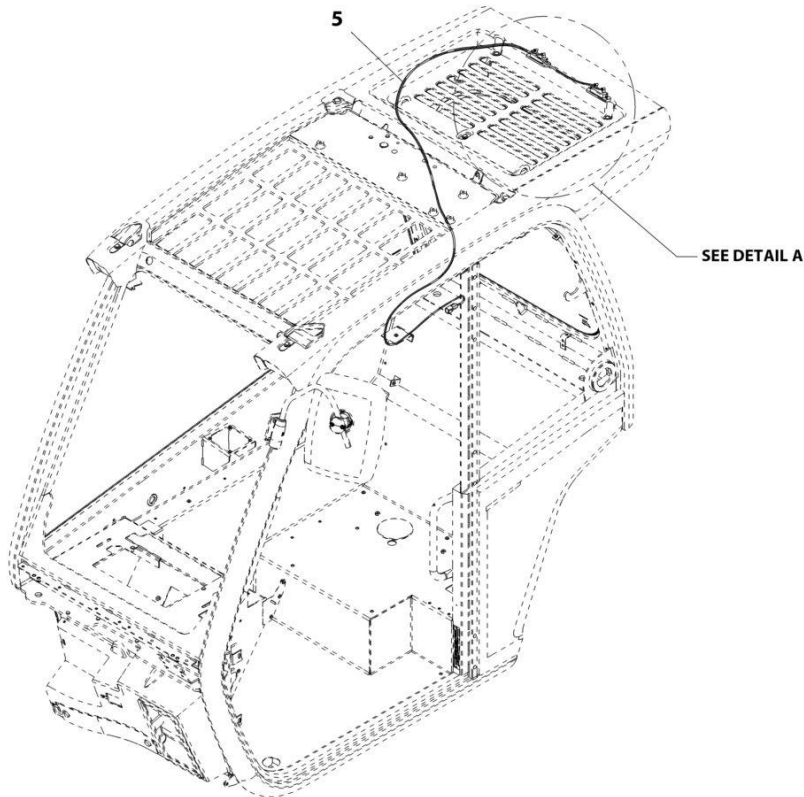
ITEM	PART NUMBER	QTY	DESCRIPTION	REV
	1001256369	Ref	Dip Lights Installation (RHD - No Outriggers)	B
1	0700614	3	Bolt M6 X 30	
2	0701015	2	Bolt M10 X 35	
3	0761012	1	Bolt M10 X 25	
4	3290305	8	Nut, Lock M3 X 0.5	
5	3290601	4	Nut M6 X 1	
6	3291001	2	Nut M10 X 1.5	
7	4010310	8	Screw M3 X 20	
8	4811700	7	Washer M6	
9	4812000	10	Washer M10	
10	1001091715	1	Taillight (LH)	
11	1001091716	1	Taillight (RH)	
12	1001096913	3	Bracket	
13	1001110544	8	Washer	
14	1001189569	1	Installation, License Plate Lamp (See Separate Breakdown in this Section)	
15	1001242650	1	Bracket	
16	1001244593	1	Headlight (RH)	
17	1001244594	1	Headlight (LH)	
18	1001248416	4	Light, Side Marker	
19	1001248899	1	Bracket	
20	1001248901	1	Bracket	
21	1001248902	1	Mount	

SECTION 10 - ELECTRICAL

FIGURE 10-52. LIGHTS - LICENSE PLATE LAMP INSTALLATION



DETAIL A



ART_1001189569-A

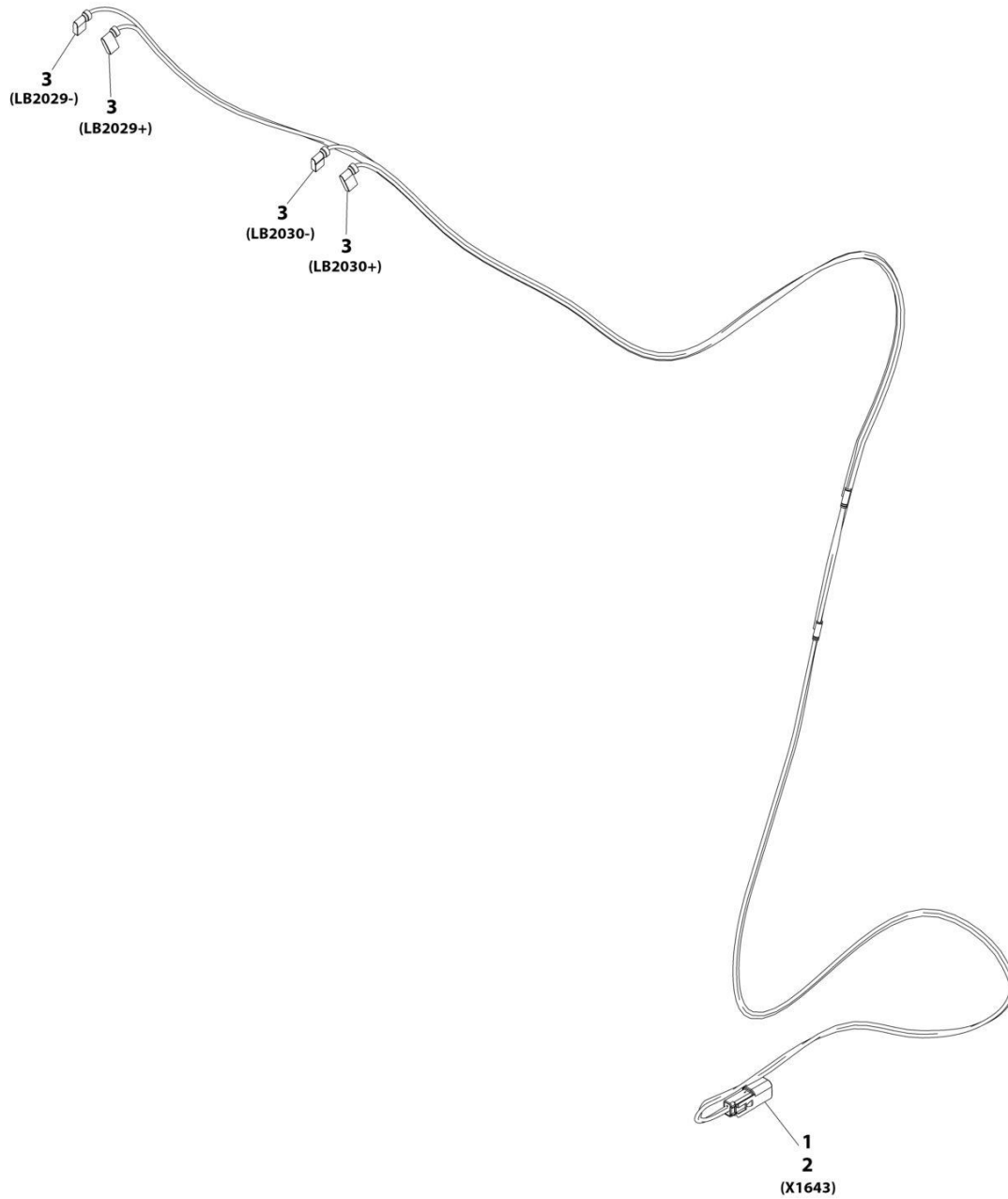
SECTION 10 - ELECTRICAL

FIGURE 10-52. LIGHTS - LICENSE PLATE LAMP INSTALLATION

ITEM	PART NUMBER	QTY	DESCRIPTION	REV
	1001189569	Ref	License Plate Lamp Installation	A
1	0760410	4	Bolt, M4X20	
2	3290401	4	Nut, M4X0.7 Grade 8	
3	4831400	4	Washer, Lock M4	
4	1001173829	2	Lamp, License Plate	
5	1001178053	1	Harness, License Light (See Separate Breakdown in this Section)	

SECTION 10 - ELECTRICAL

FIGURE 10-53. LIGHTS - LICENSE PLATE LAMP HARNESS



ART_1001178053-C

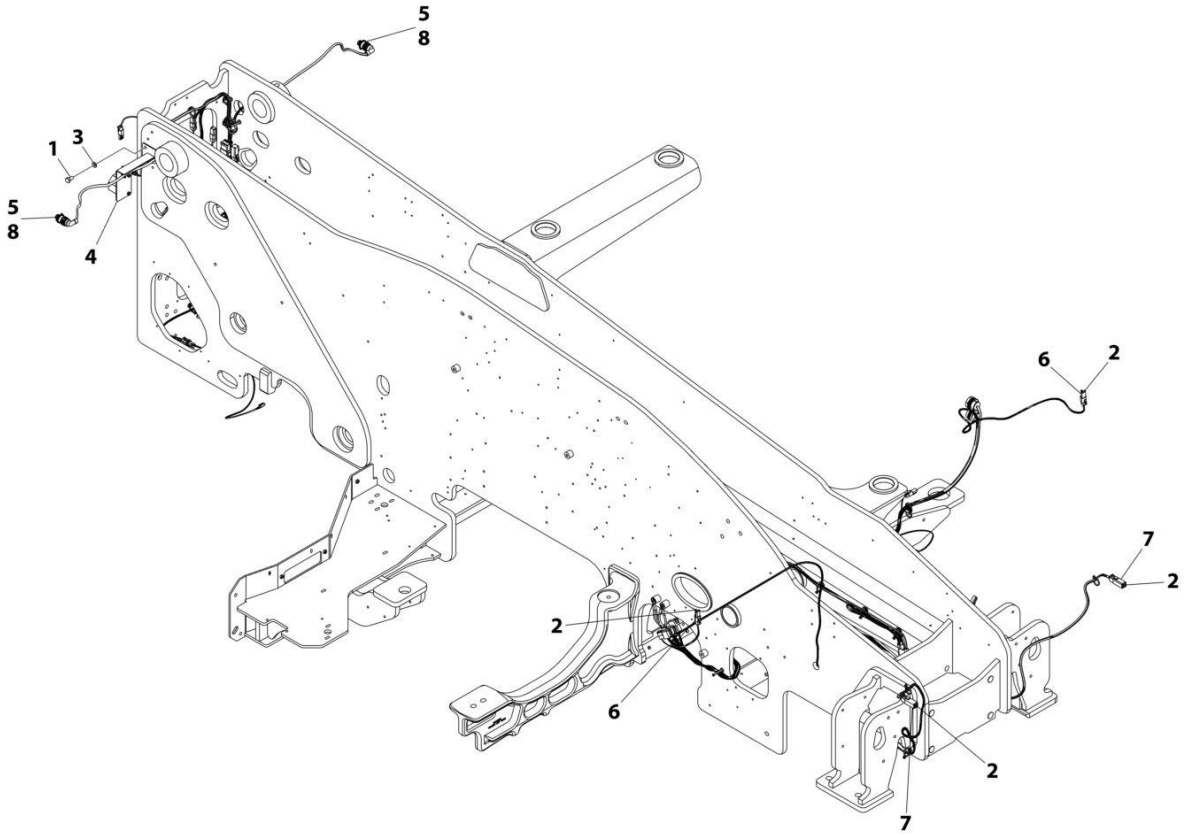
SECTION 10 - ELECTRICAL

FIGURE 10-53. LIGHTS - LICENSE PLATE LAMP HARNESS

ITEM	PART NUMBER	QTY	DESCRIPTION	REV
	1001178053	Ref	License Light Harness	C
1	4460897	1	Connector	
2	4460941	2	Terminal	
3	1001190396	4	Connector	

SECTION 10 - ELECTRICAL

FIGURE 10-54. LIGHTS - NO ROADLIGHTS INSTALLATION



ART_1001225382-A

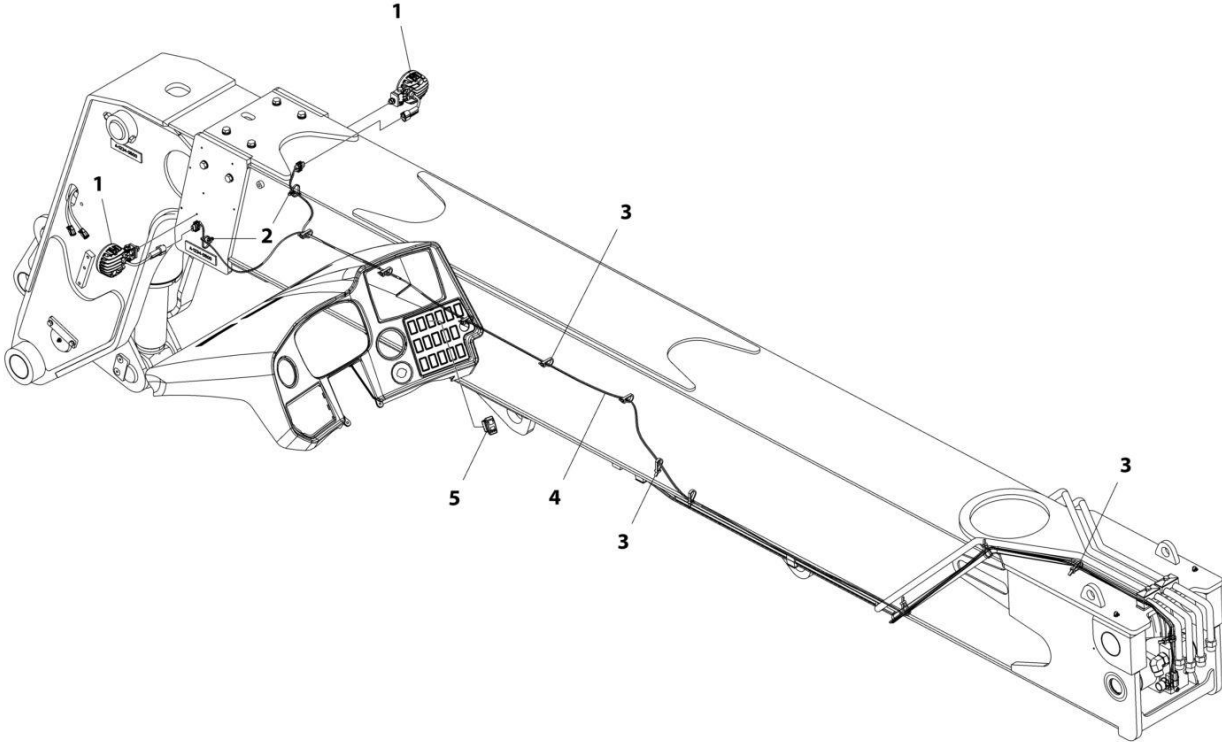
SECTION 10 - ELECTRICAL

FIGURE 10-54. LIGHTS - NO ROADLIGHTS INSTALLATION

ITEM	PART NUMBER	QTY	DESCRIPTION	REV
	1001225382	Ref	No Road Lights Installation	A
1	0761010	2	Bolt, M10X20	
2	4460466	18	Plug	
3	4812000	2	Washer, M10	
4	1001225386	1	Mount, Reverse Alarm	
5	1001225658	2	Connector	
6	4460536	2	Connector	
7	4460899	2	Connector	
8	4461008	14	Plug	

SECTION 10 - ELECTRICAL

FIGURE 10-55. LIGHTS - WORKLIGHTS INSTALLATION (BOOM MOUNTED)



ART_1001180529_E

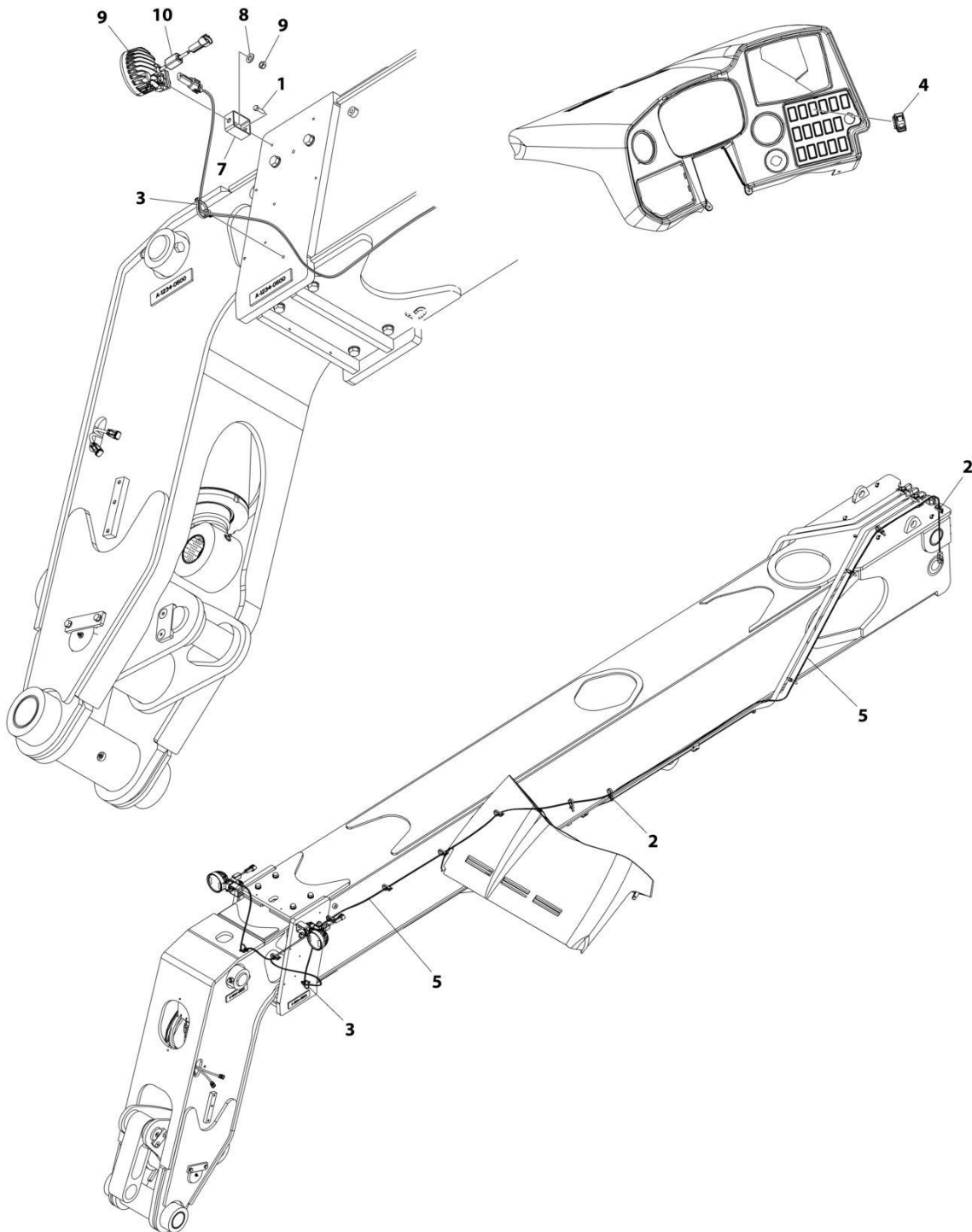
SECTION 10 - ELECTRICAL

FIGURE 10-55. LIGHTS - WORKLIGHTS INSTALLATION (BOOM MOUNTED)

ITEM	PART NUMBER	QTY	DESCRIPTION	REV
	1001180529	Ref	BOOM WORKLIGHTS INSTALLATION	E
1	1001273635	2	Worklight	
2	1001146588	2	Strap, Cable	
3	1001008923	11	Strap, Cable	
4	1001183297	1	Harness, Boom Worklights (See Separate Breakdown in this Section)	
5	1001159739	1	Switch, Boom Worklights	

SECTION 10 - ELECTRICAL

FIGURE 10-56. LIGHTS - WORKLIGHTS INSTALLATION - LED (BOOM MOUNTED)



ART_1001210961_F

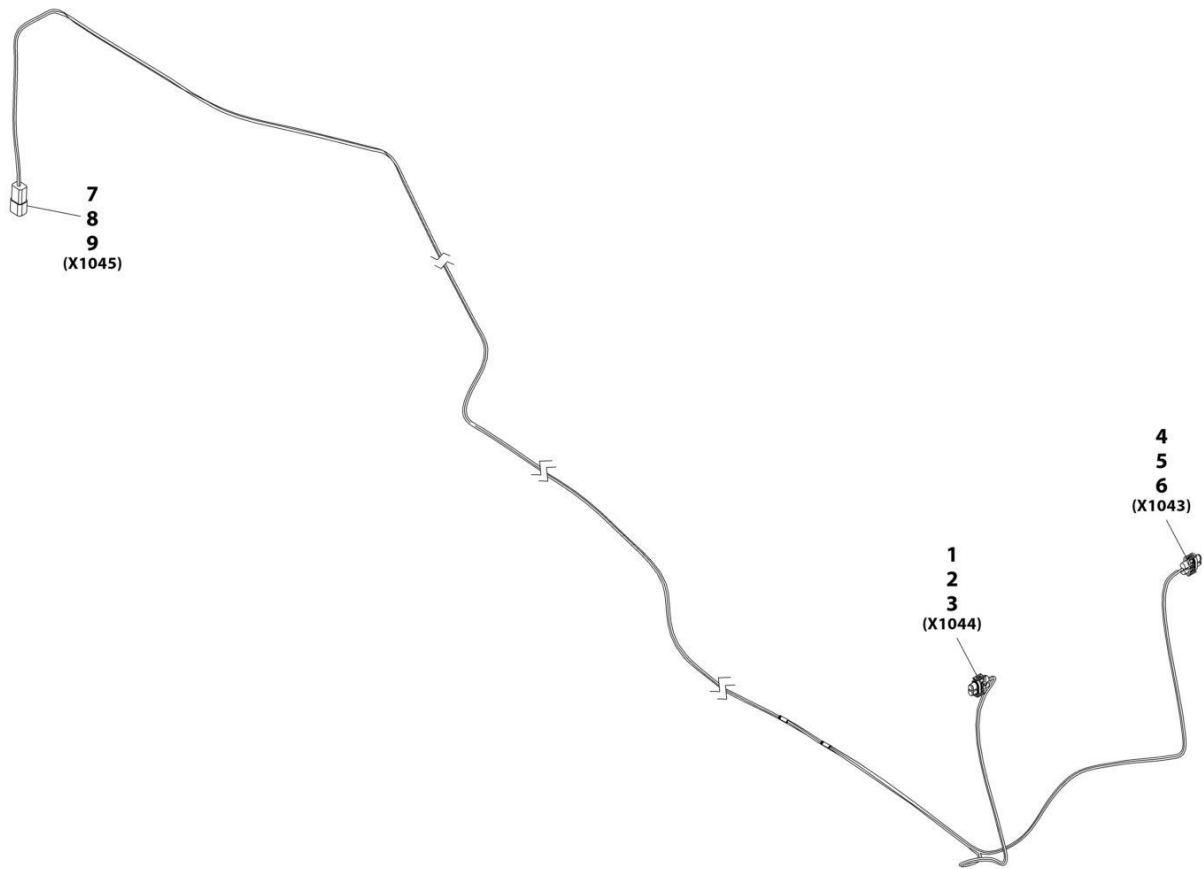
SECTION 10 - ELECTRICAL

FIGURE 10-56. LIGHTS - WORKLIGHTS INSTALLATION - LED (BOOM MOUNTED)

ITEM	PART NUMBER	QTY	DESCRIPTION	REV
	1001210961	Ref	BOOM LED WORKLIGHTS INSTALLATION	F
1	0760610	2	Bolt M6 x 20	
2	1001008923	11	Strap, Cable	
3	1001146588	2	Strap, Tie	
4	1001159739	1	Switch, Boom Worklights	
5	1001183297	1	Harness, Boom Worklights (See Separate Breakdown in this Section)	
7	1001210962	2	Bracket	
8	4812000	2	Washer M10	
9	1001273635	2	Worklights	
10	1001228989	2	Ferrite	

SECTION 10 - ELECTRICAL

FIGURE 10-57. LIGHTS - WORKLIGHTS HARNESS (BOOM MOUNTED LIGHTS)



ART_1001183297-C

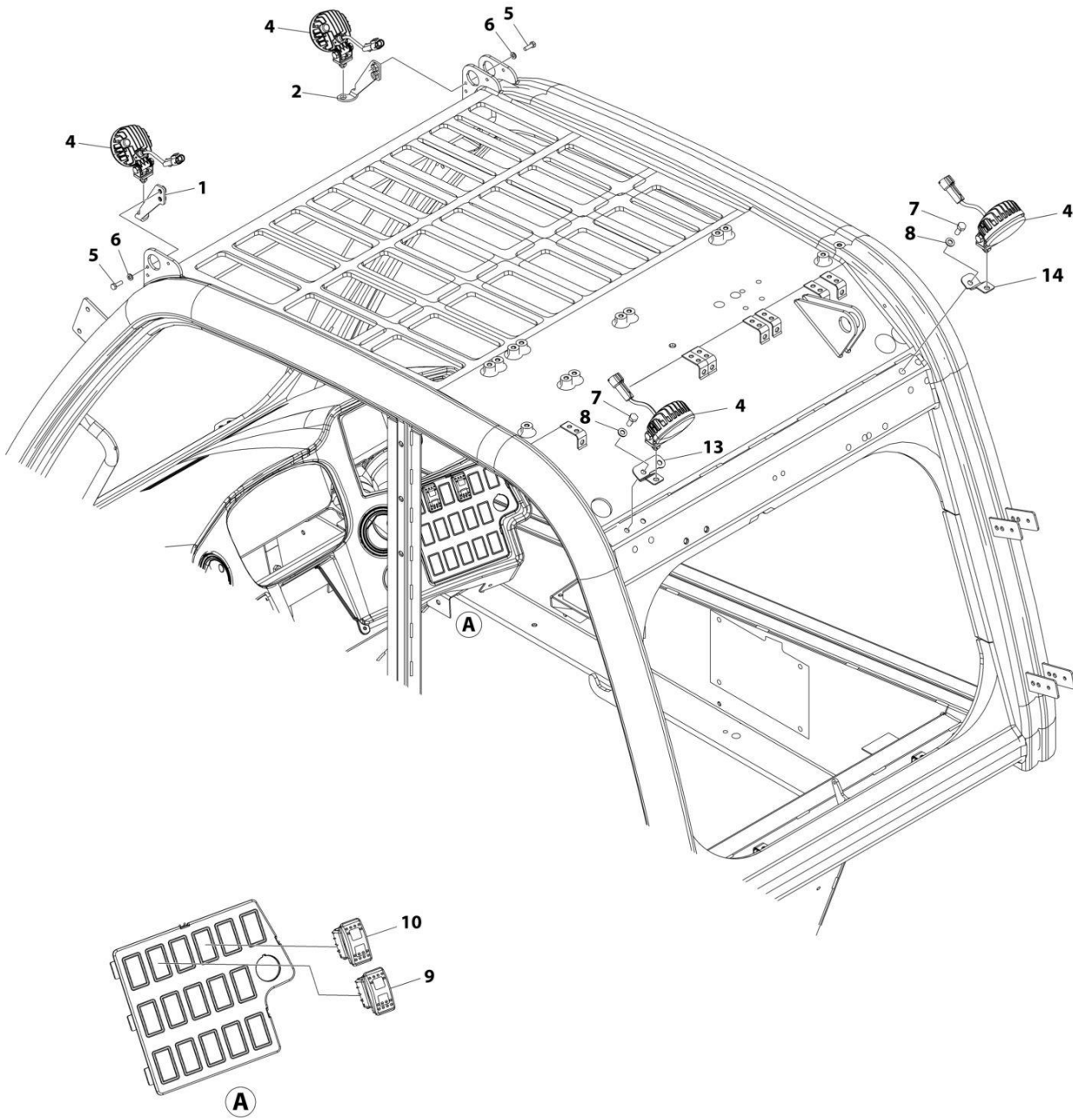
SECTION 10 - ELECTRICAL

FIGURE 10-57. LIGHTS - WORKLIGHTS HARNESS (BOOM MOUNTED LIGHTS)

ITEM	PART NUMBER	QTY	DESCRIPTION	REV
	1001183297	Ref	Boom Worklights Harness	C
1	4461115	1	Connector	
2	1001116728	2	Terminal	
3	4460458	2	Seal	
4	4461115	1	Connector	
5	1001116728	2	Terminal	
6	4460458	2	Seal	
7	4460932	1	Connector	
8	4460464	2	Terminal	
9	4460466	2	Plug	

SECTION 10 - ELECTRICAL

FIGURE 10-58. LIGHTS - WORKLIGHTS INSTALLATION (CAB MOUNTED) (NO A/C)



ART_1001167822_G

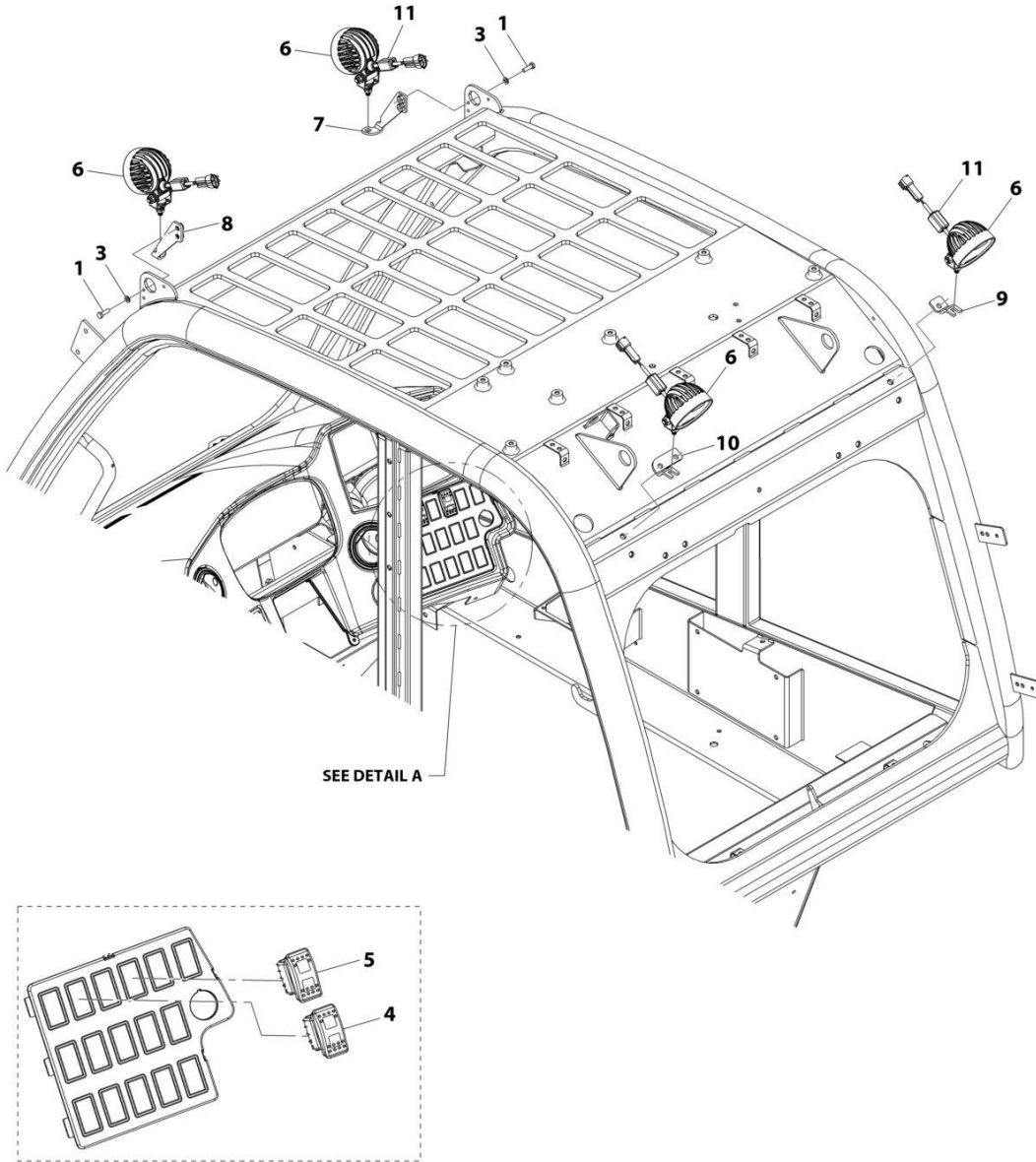
SECTION 10 - ELECTRICAL

FIGURE 10-58. LIGHTS - WORKLIGHTS INSTALLATION (CAB MOUNTED) (NO A/C)

ITEM	PART NUMBER	QTY	DESCRIPTION	REV
	1001167822	Ref	CAB WORKLIGHTS INSTALLATION (NO A/C)	G
1	1001186567	1	Bracket, Work Light LH	
2	1001186565	1	Bracket, Work Light RH	
4	1001273635	4	Worklights	
5	0700610	4	Bolt M6 x 20	
6	4811700	4	Washer M6	
7	0760810	2	Bolt M8 x 20	
8	4811900	2	Washer M8	
9	1001159845	1	Switch, Front Worklights	
10	1001159846	1	Switch, Rear Worklights	
13	1001183888	1	Bracket, Work Light LH	
14	1001183890	1	Bracket, Work Light RH	

SECTION 10 - ELECTRICAL

FIGURE 10-59. LIGHTS - WORKLIGHTS INSTALLATION - LED (CAB MOUNTED) (NO A/C)



ART_1001200538-D

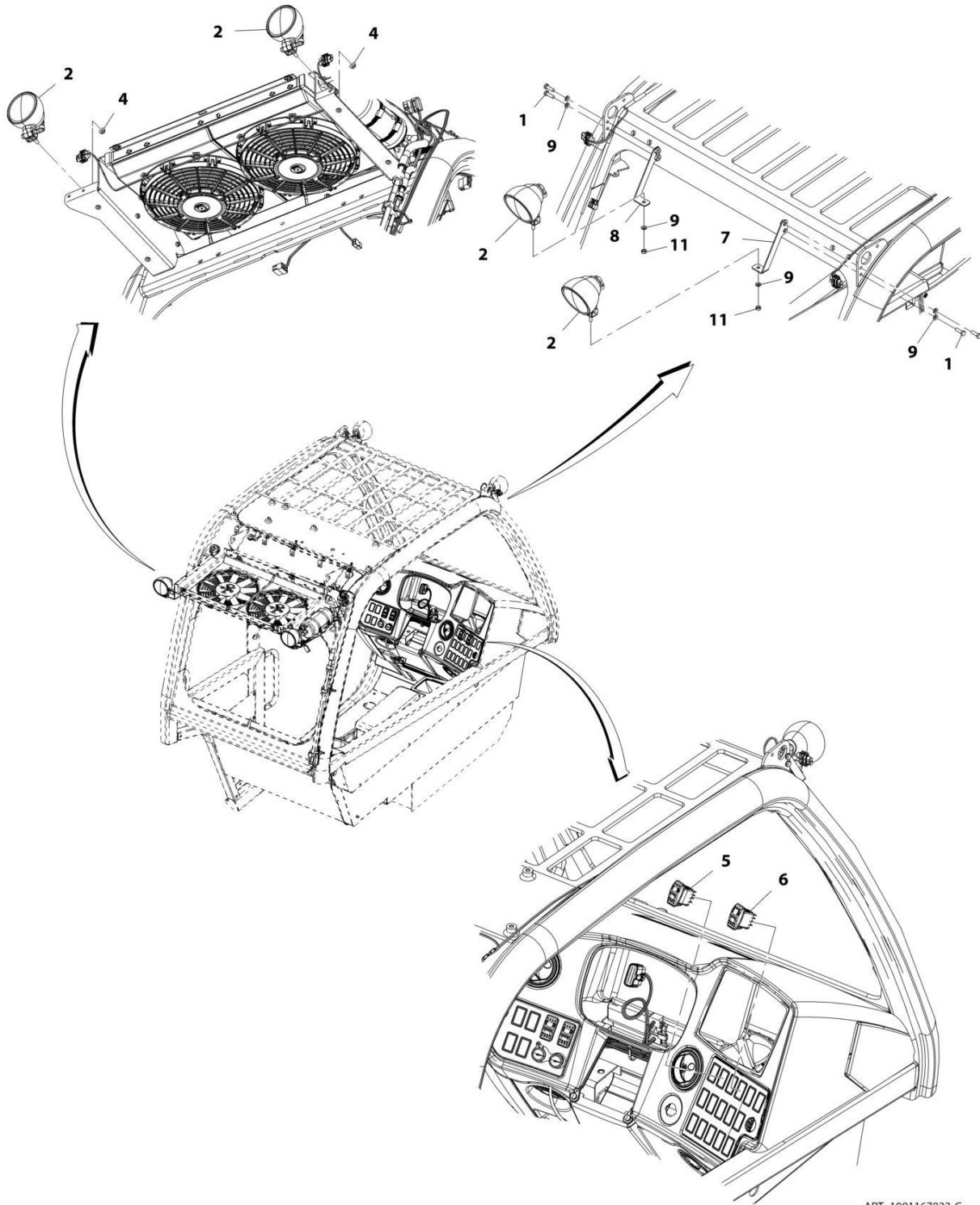
SECTION 10 - ELECTRICAL

FIGURE 10-59. LIGHTS - WORKLIGHTS INSTALLATION - LED (CAB MOUNTED) (NO A/C)

ITEM	PART NUMBER	QTY	DESCRIPTION	REV
	1001200538	Ref	Cab Worklights Installation (No A/C - LED)	D
1	0700610	4	Bolt, M6X20	
3	4811700	4	Washer, M6	
4	1001159845	1	Switch, Front Worklights	
5	1001159846	1	Switch, Rear Worklights	
6	1001203640	4	Lamp, LED Work Light	
7	1001244193	1	Support, LED Work Light RH	
8	1001244192	1	Support, LED Work Light LH	
9	1001204528	1	Support, LED Work Light RH	
10	1001204530	1	Support, LED Work Light LH	
11	1001228989	4	Harness, Ferrite	

SECTION 10 - ELECTRICAL

FIGURE 10-60. LIGHTS - WORKLIGHTS INSTALLATION (CAB MOUNTED) (WITH A/C)



ART_1001167823-G

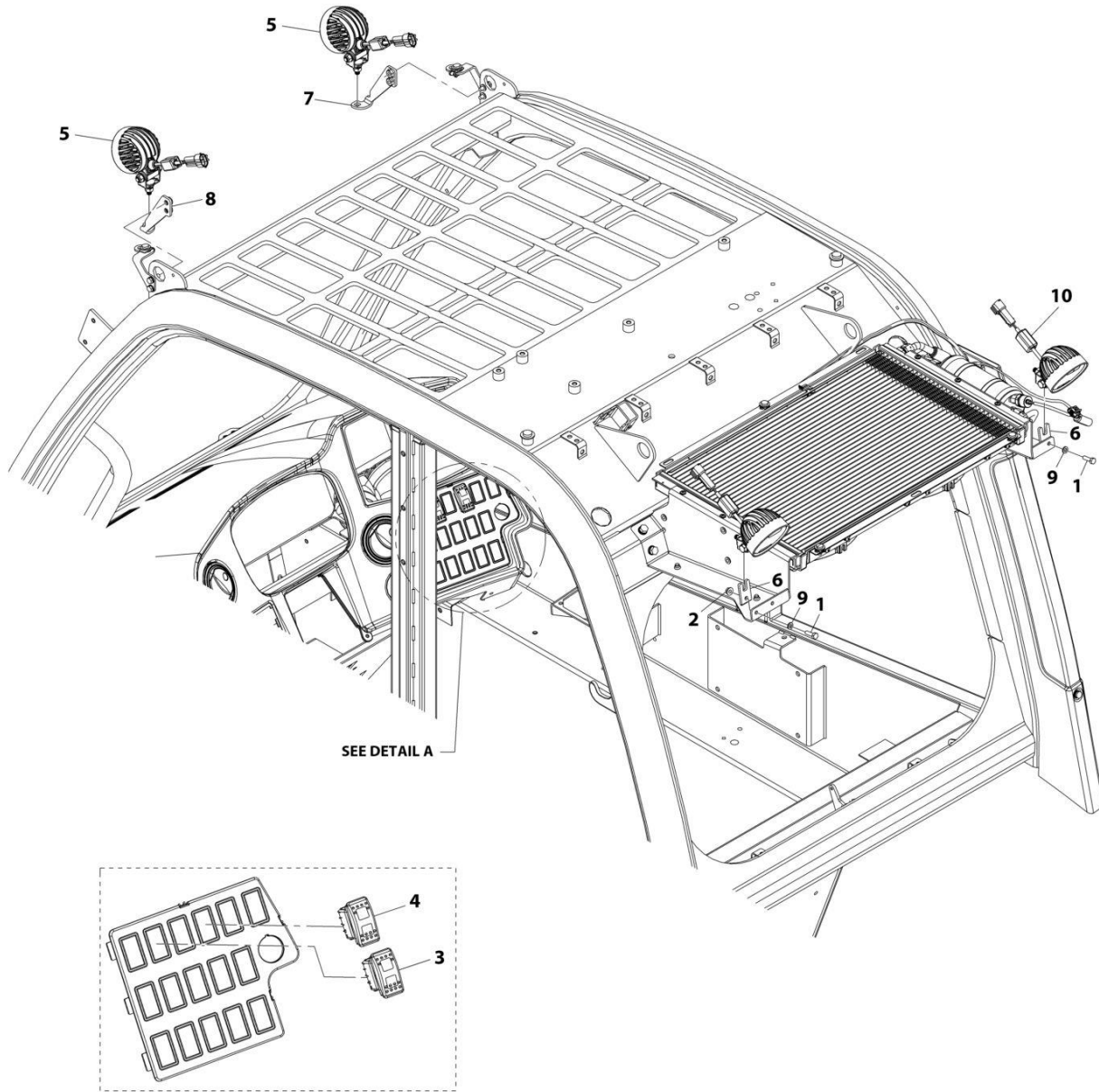
SECTION 10 - ELECTRICAL

FIGURE 10-60. LIGHTS - WORKLIGHTS INSTALLATION (CAB MOUNTED) (WITH A/C)

ITEM	PART NUMBER	QTY	DESCRIPTION	REV
	1001167823	Ref	Cab Worklights Installation (A/C)	G
1	0700610	4	Bolt, M6X20	
2	2920206	4	Worklight	
4	5220600	2	Nut, M6	
5	1001159845	1	Switch, Front Worklights	
6	1001159846	1	Switch, Rear Worklights	
7	1001186567	1	Bracket, Work Light LH	
8	1001186565	1	Bracket, Work Light RH	
9	4811700	6	Washer, M6	
11	3290601	2	Nut, M6X1 Grade 8	

SECTION 10 - ELECTRICAL

FIGURE 10-61. LIGHTS - WORKLIGHTS INSTALLATION -LED (CAB MOUNTED) (WITH A/C)



ART_1001200539-D

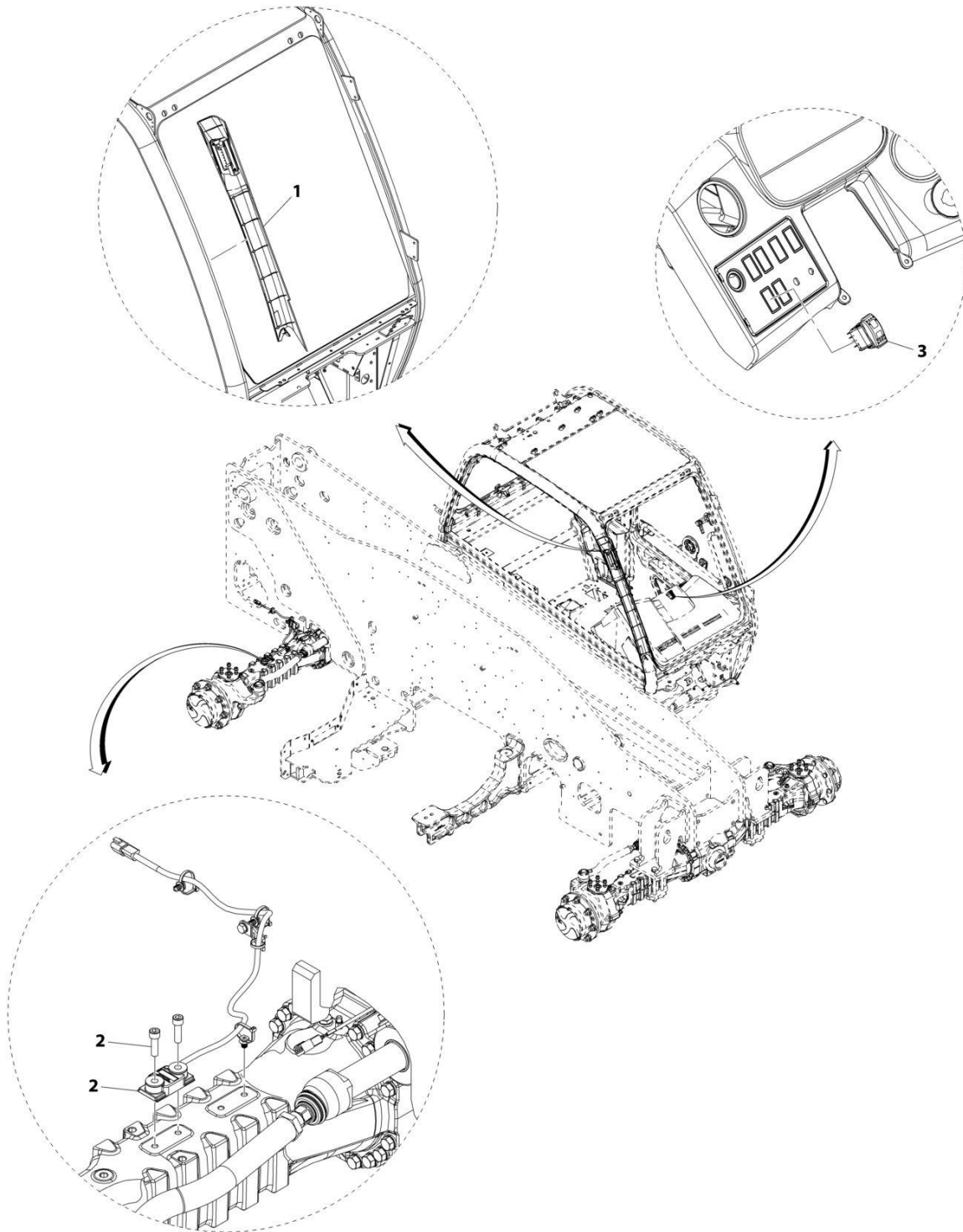
SECTION 10 - ELECTRICAL

FIGURE 10-61. LIGHTS - WORKLIGHTS INSTALLATION -LED (CAB MOUNTED) (WITH A/C)

ITEM	PART NUMBER	QTY	DESCRIPTION	REV
	1001200539	Ref	Cab Worklights Installation (A/C - LED)	D
1	0700610	2	Bolt, M6X20	
2	5220600	2	Nut, M6	
3	1001159845	1	Switch, Front Worklights	
4	1001159846	1	Switch, Rear Worklights	
5	1001203640	4	Lamp, LED Work Light	
6	1001204060	2	Bracket	
7	1001244193	1	Support, LED Work Light RH	
8	1001244192	1	Support, LED Work Light LH	
9	4811700	2	Washer, M6	
10	1001228989	4	Harness, Ferrite	

SECTION 10 - ELECTRICAL

FIGURE 10-62. LSI SENSOR INSTALLATION



ART_1001257425-A

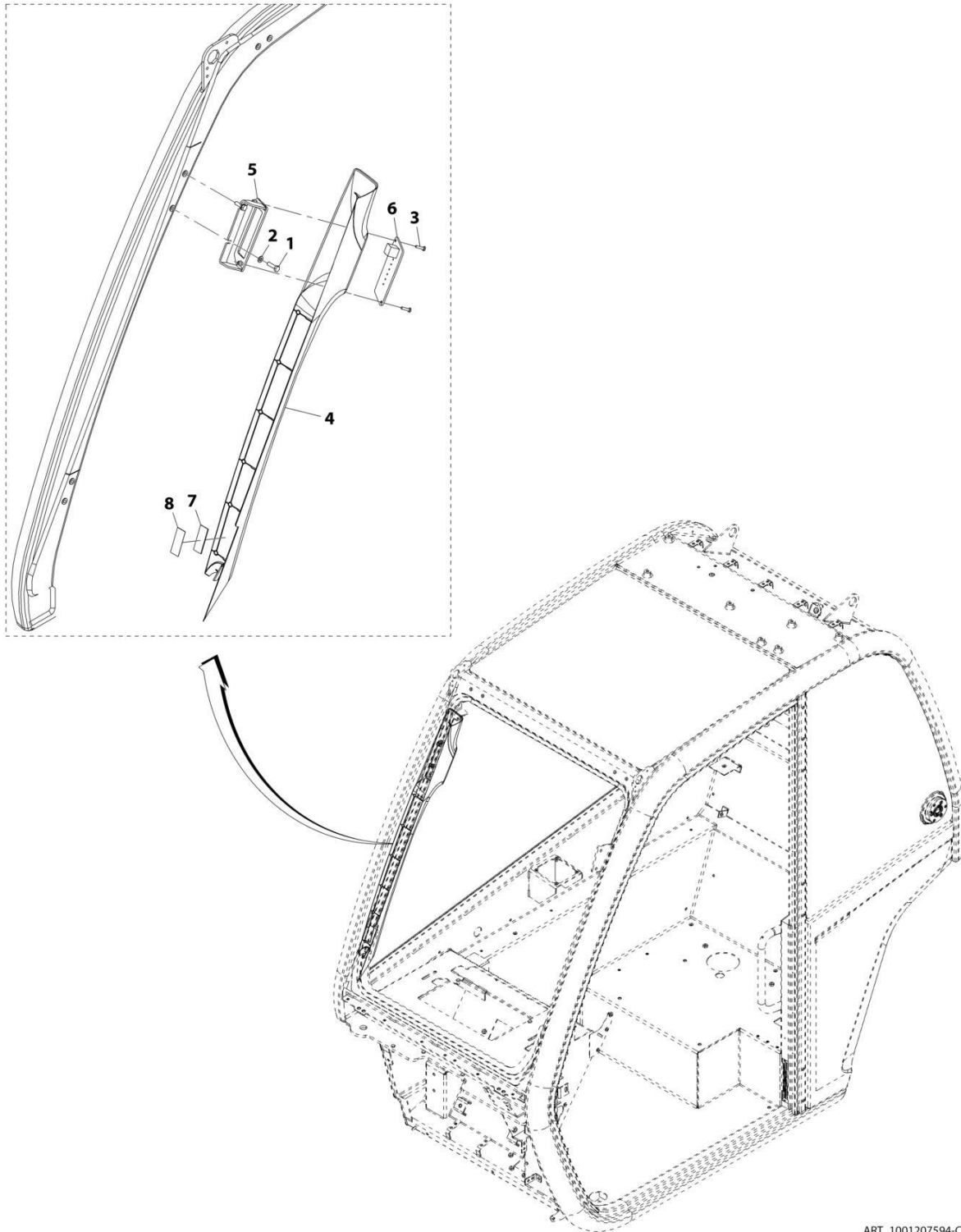
SECTION 10 - ELECTRICAL

FIGURE 10-62. LSI SENSOR INSTALLATION

ITEM	PART NUMBER	QTY	DESCRIPTION	REV
1	1001257425	Ref	LSI Sensor Installation (24IN Wheel)	A
	1001207594	1	Installation, LSI Assembly (See Separate Breakdown in this Section)	
2	1001199935	1	Installation, LSI Sensor (24IN Wheel) (See Separate Breakdown in this Section)	
3	1001257426	1	Installation, LSI Switch (See Separate Breakdown in this Section)	

SECTION 10 - ELECTRICAL

FIGURE 10-63. LSI DISPLAY INSTALLATION



ART_1001207594-C

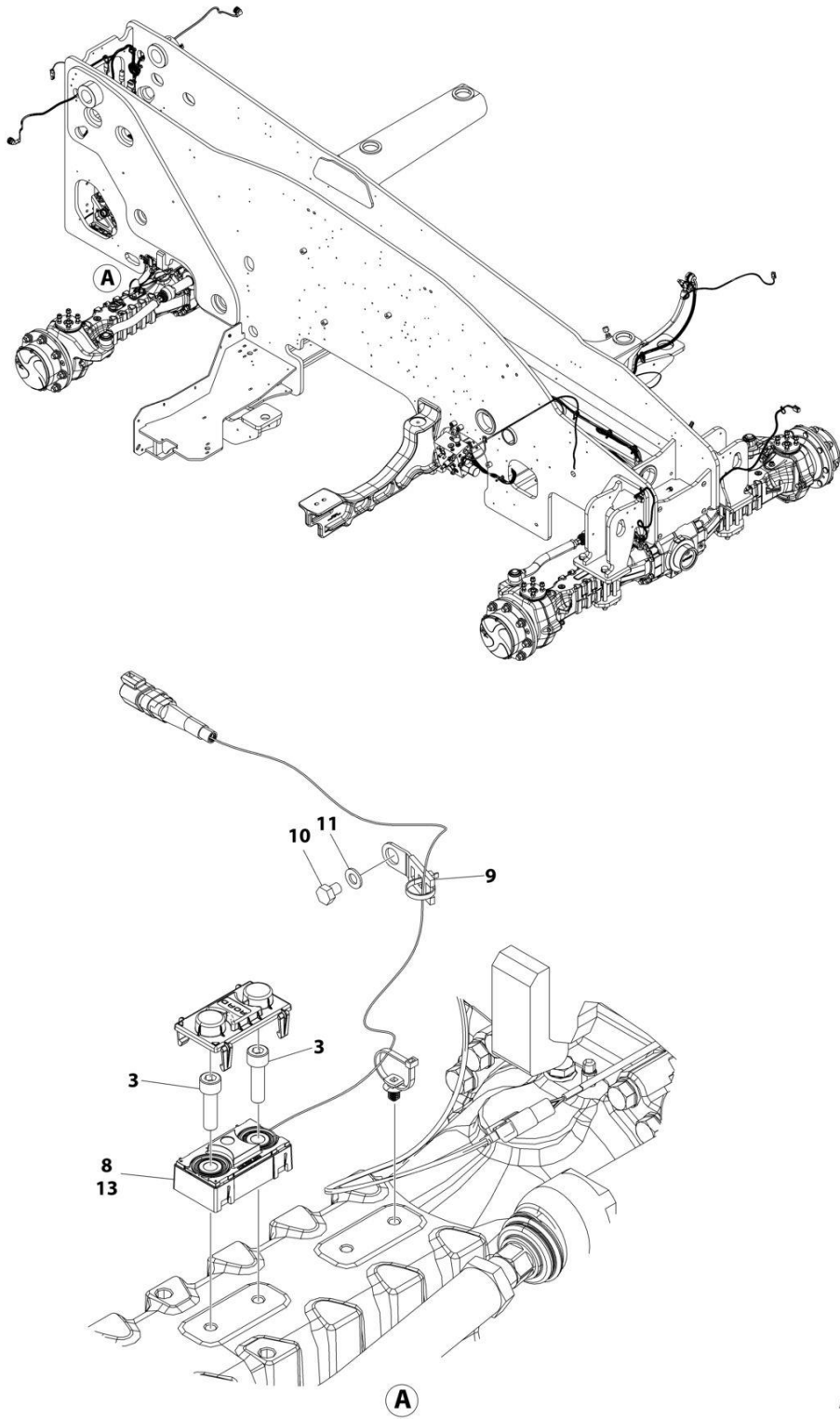
SECTION 10 - ELECTRICAL

FIGURE 10-63. LSI DISPLAY INSTALLATION

ITEM	PART NUMBER	QTY	DESCRIPTION	REV
	1001207594	Ref	LSI Display Installation	C
1	0760610	2	Bolt, M6X20	
2	4811700	2	Washer, M6	
3	1001126837	2	Screw, M4X16	
4	1001182839	1	Cover	
5	1001214401	1	Bracket	
6	1001213752	1	Display, LSI	
7	1001221318	1	Tape, Hook Fastener	
8	1001221319	1	Tape, Hook Fastener	

SECTION 10 - ELECTRICAL

FIGURE 10-64. LSI SENSOR INSTALLATION



ART_1001199935_F

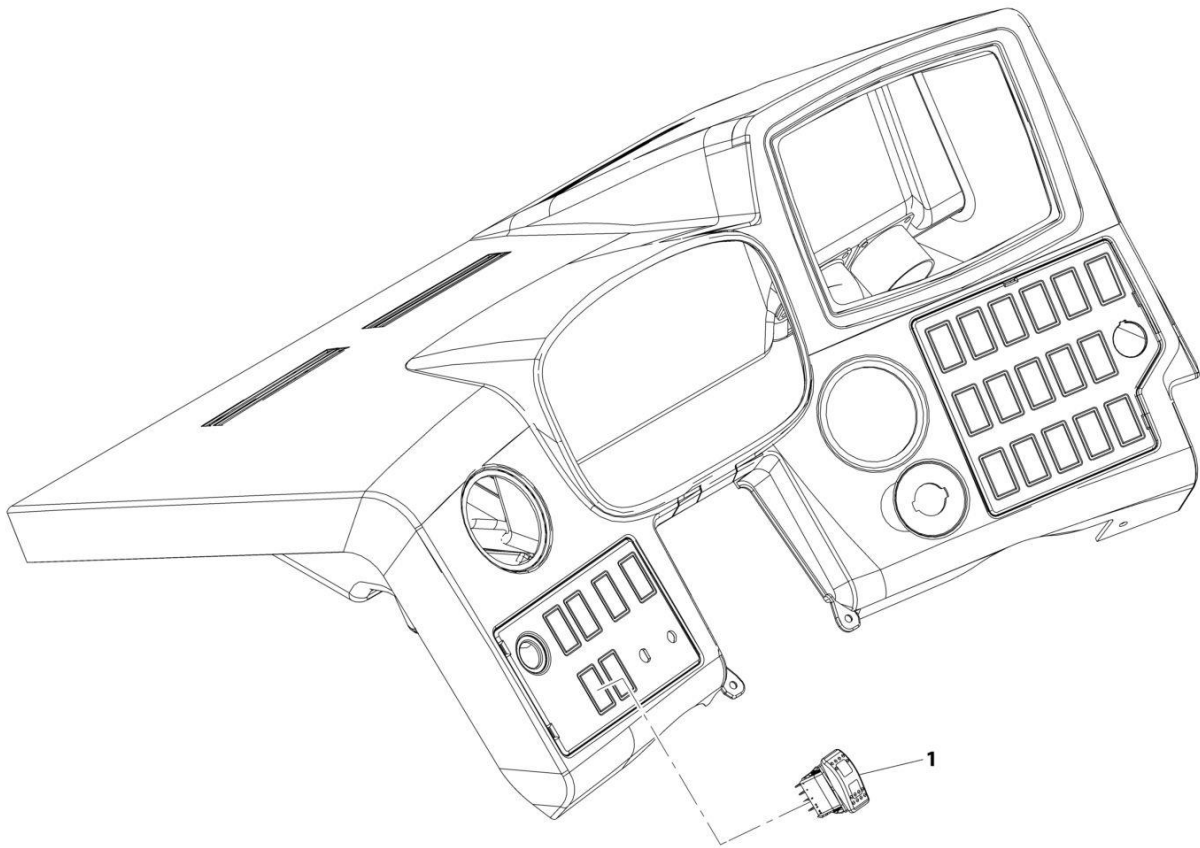
SECTION 10 - ELECTRICAL

FIGURE 10-64. LSI SENSOR INSTALLATION

ITEM	PART NUMBER	QTY	DESCRIPTION	REV
	1001199935	Ref	LSI SENSOR	F
3	5272011	2	Capscrew M10 x 35	
4	1001116128	1	Sealant, Polysiloxane	
5	1001146588	AR	Tie-Strap with Anchor (Not Shown)	
8	1001289105	1	Sensor, Rear Axle LSI	
9	1001025750	AR	Clip	
10	0760805	1	Bolt M8 x 10	
11	4811900	1	Washer M8	
12	1001008559	AR	Tie-Strap (Not Shown)	
13	1001289296	AR	Compound, Locking	

SECTION 10 - ELECTRICAL

FIGURE 10-65. LSI SWITCH INSTALLATION



ART_1001257426-A

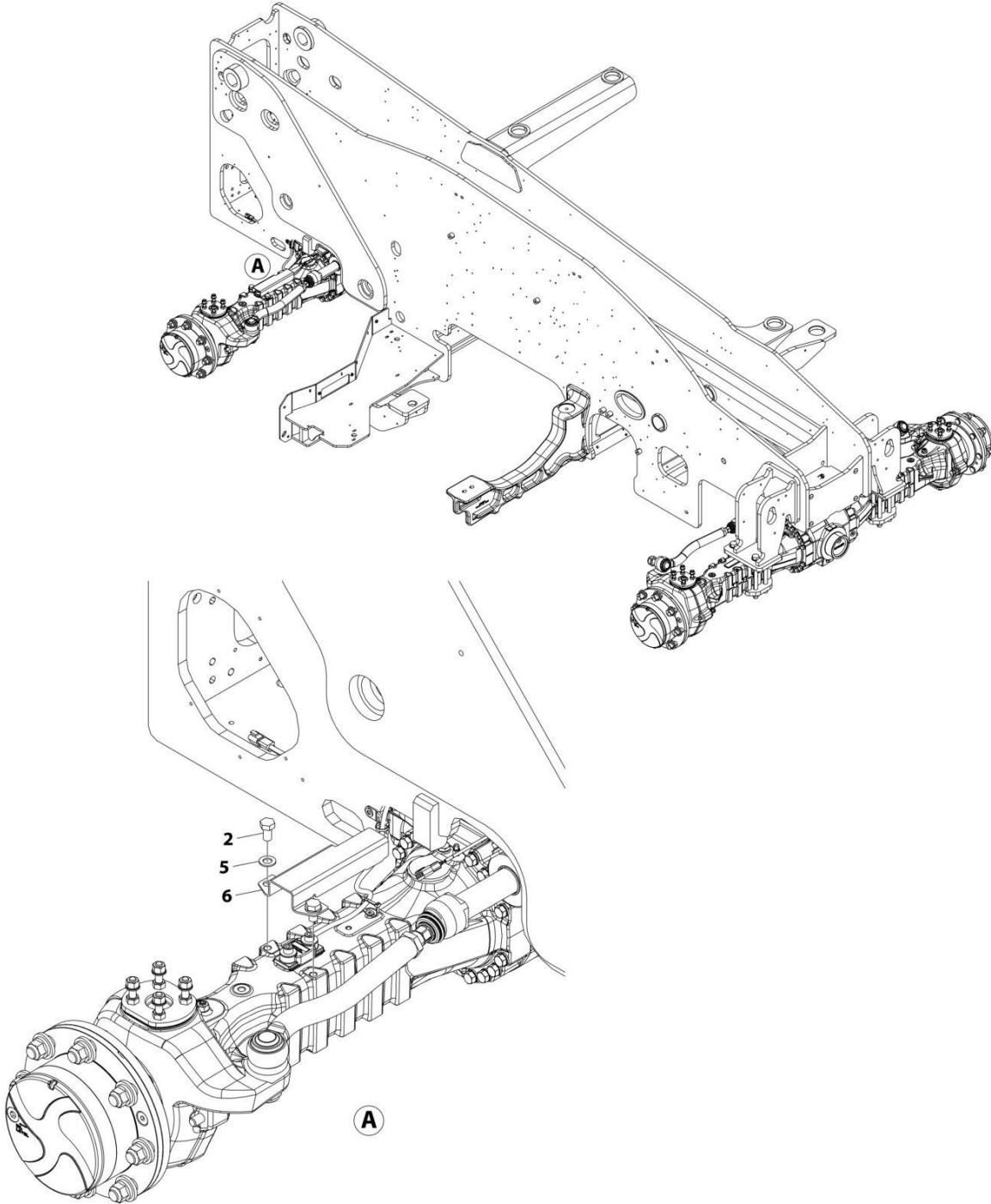
SECTION 10 - ELECTRICAL

FIGURE 10-65. LSI SWITCH INSTALLATION

ITEM	PART NUMBER	QTY	DESCRIPTION	REV
1	1001257426 1001159742	Ref 1	LSI Switch Installation Switch, LSI Override	A

SECTION 10 - ELECTRICAL

FIGURE 10-66. LSI SENSOR COVER INSTALLATION



ART_1001225414

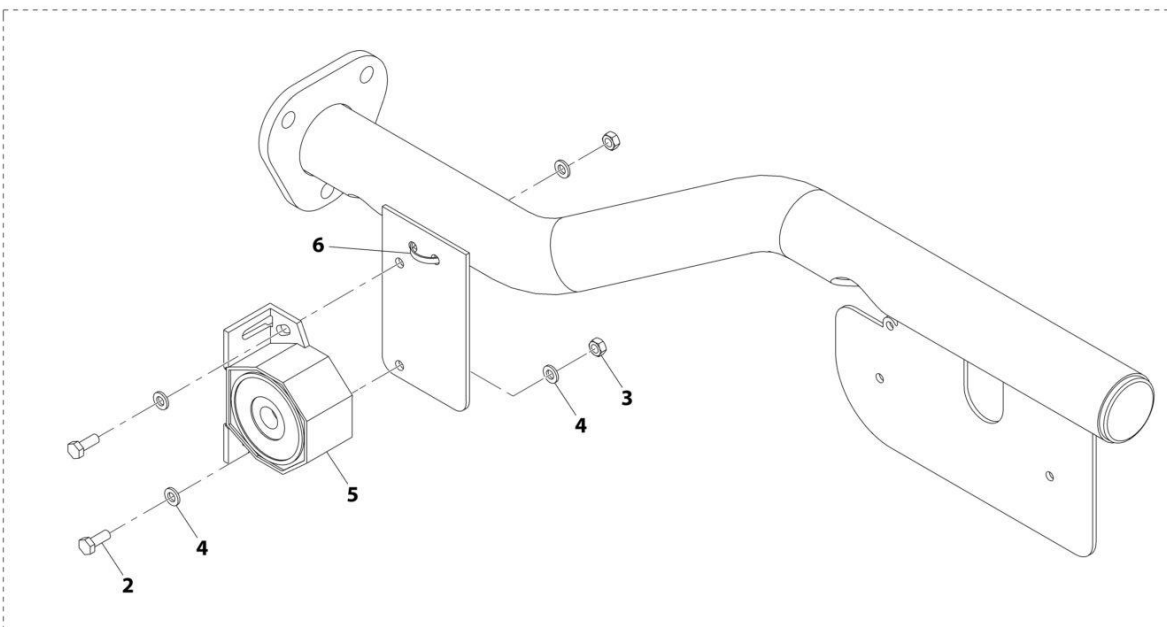
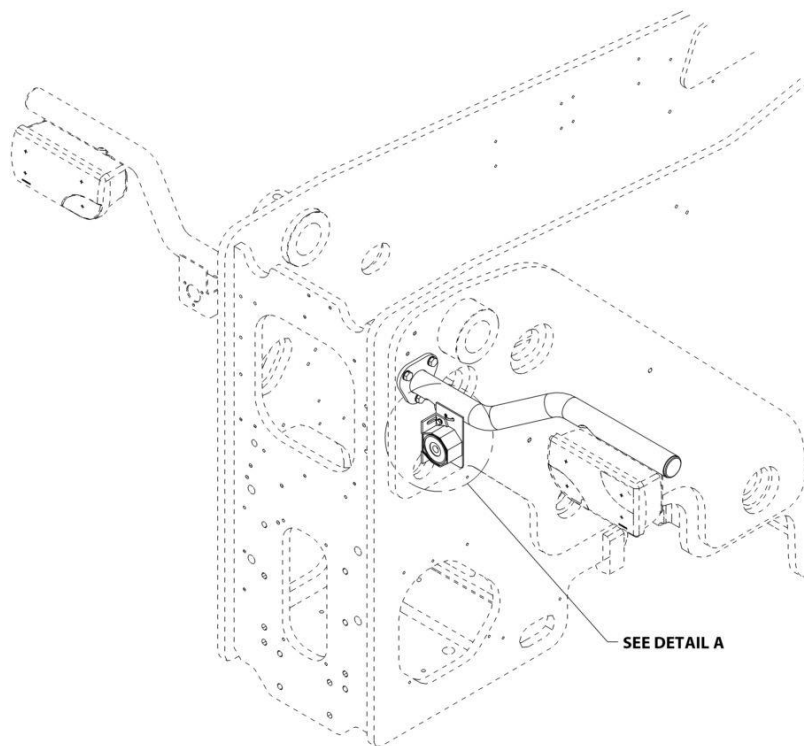
SECTION 10 - ELECTRICAL

FIGURE 10-66. LSI SENSOR COVER INSTALLATION

ITEM	PART NUMBER	QTY	DESCRIPTION	REV
	1001225414	Ref	LSI SENSOR COVER INSTALLATION	D
2	0761412	2	Bolt M14 x 25	
5	4812200	2	Washer M14	
6	1001290666	1	Shield, LSI Sensor	

SECTION 10 - ELECTRICAL

FIGURE 10-67. REVERSE ALARM INSTALLATION



DETAIL A

ART_1001183596-D

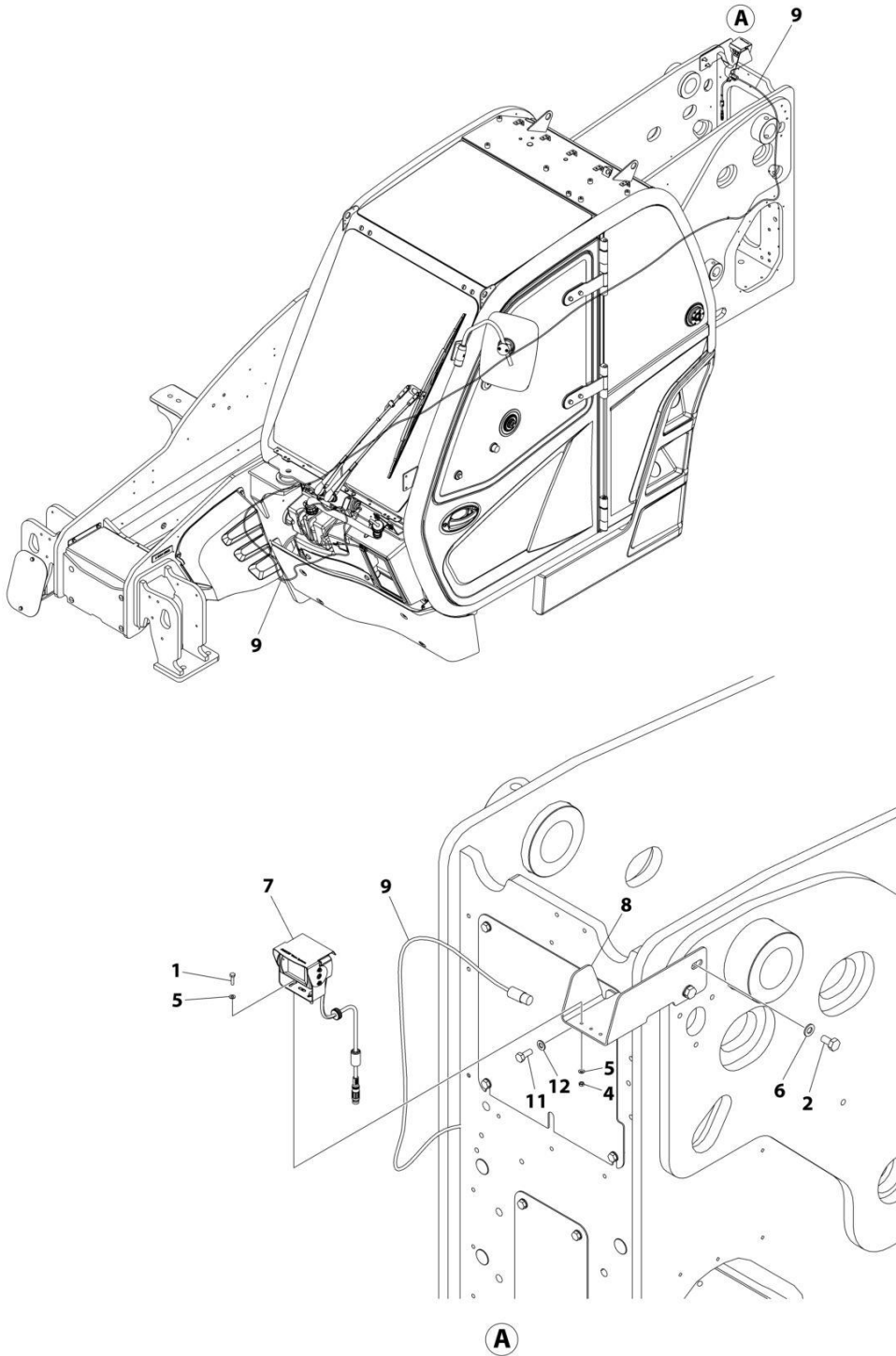
SECTION 10 - ELECTRICAL

FIGURE 10-67. REVERSE ALARM INSTALLATION

ITEM	PART NUMBER	QTY	DESCRIPTION	REV
	1001183596	Ref	Reverse Alarm Installation	D
2	0760608	2	Bolt, M6X16	
3	3290601	2	Nut, M6X1	
4	4811700	4	Washer, M6	
5	1001147060	1	Alarm, Reverse	
6	1001008559	1	Strap, Cable	

SECTION 10 - ELECTRICAL

FIGURE 10-68. REVERSE CAMERA INSTALLATION



ART_1001190225_D

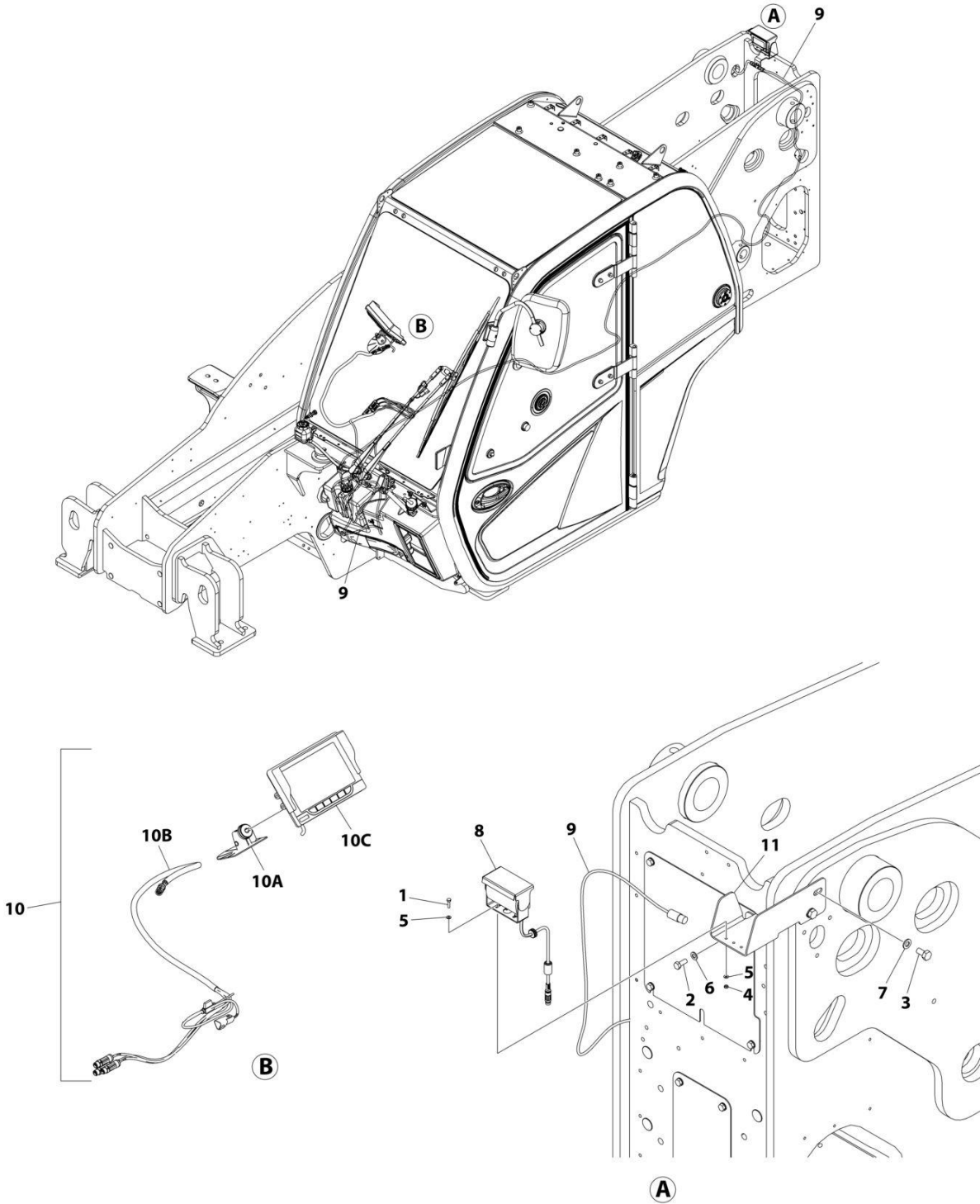
SECTION 10 - ELECTRICAL

FIGURE 10-68. REVERSE CAMERA INSTALLATION

ITEM	PART NUMBER	QTY	DESCRIPTION	REV
	1001190225	Ref	REVERSE CAMERA INSTALLATION (TRAILER BRAKES)	D
1	0700408	2	Bolt M4 x 16	
2	0761010	2	Bolt M10 x 20	
4	3290401	2	Nut M4 x 0.7	
5	4811400	4	Washer M4	
6	4812000	2	Washer M10	
7	1001167017	1	Camera	
8	1001202293	1	Bracket	
9	1001265375	1	Cable, Reverse Camera	
11	0760810	1	Bolt M8 x 20	
12	4811900	1	Washer M8	

SECTION 10 - ELECTRICAL

FIGURE 10-69. REVERSE CAMERA INSTALATION (WITHOUT HED)



ART_1001299940

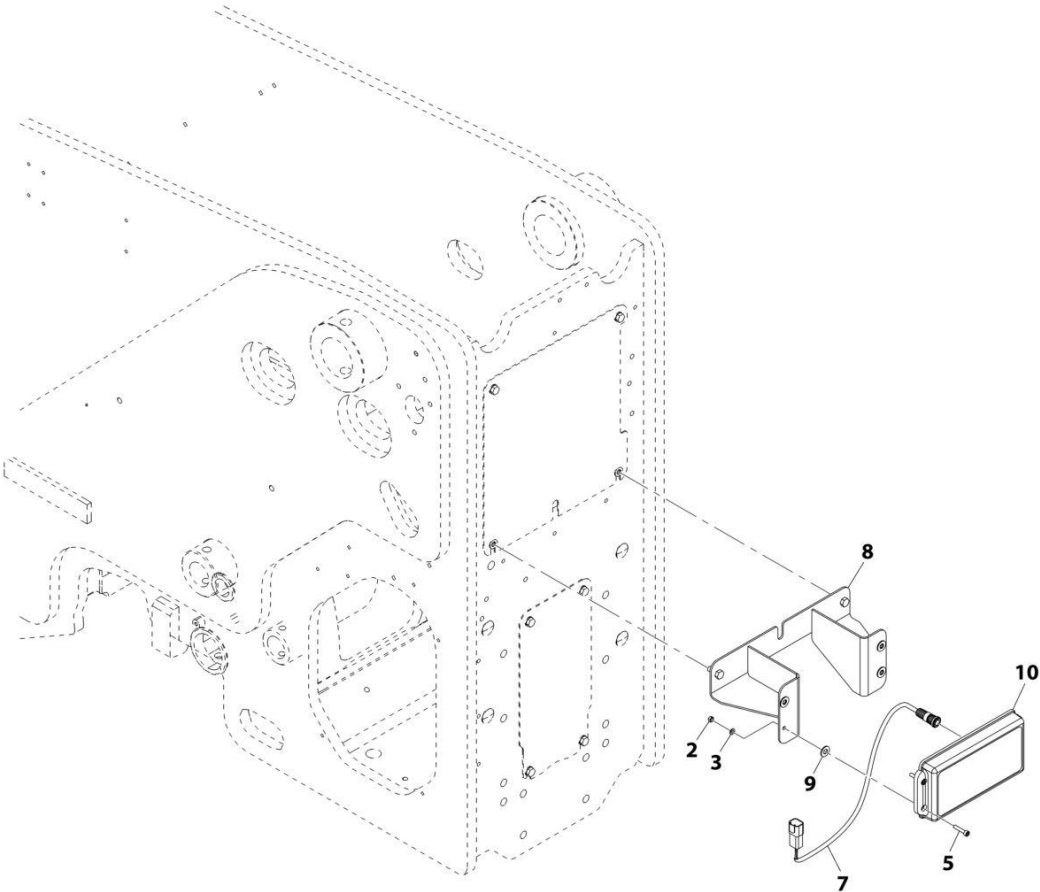
SECTION 10 - ELECTRICAL

FIGURE 10-69. REVERSE CAMERA INSTALATION (WITHOUT HED)

ITEM	PART NUMBER	QTY	DESCRIPTION	REV
	1001299940	Ref	REVERSE CAMERA INSTALLATION	A
1	0700408	2	Bolt M4 x 16	
2	0760810	1	Bolt M8 x 20	
3	0761010	2	Bolt M10 x 20	
4	3290401	2	Nut M4	
5	4811400	4	Washer M4	
6	4811900	1	Washer M8	
7	4812000	2	Washer M10	
8	1001233174	1	Camera, Rear View	
9	1001233434	1	Extension Cable Camera Harness	
10	1001289479	1	Quad View Monitor Assembly	
10A	1001233217	1	Bracket	
10B	1001294608	1	Quad View Monitor Harness	
10C	1001302410	1	Monitor, LED Display	
11	1001300078	1	Bracket	

SECTION 10 - ELECTRICAL

FIGURE 10-70. REVERSE SENSING INSTALLATION



ART_1001190227-C

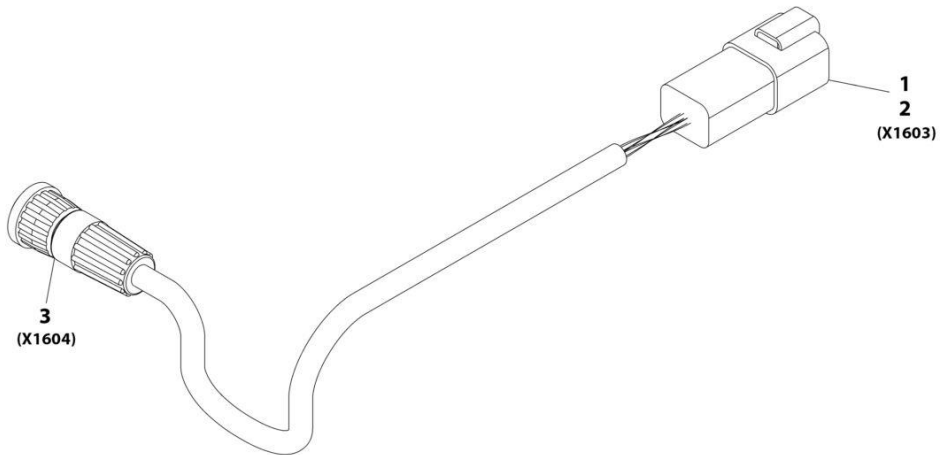
SECTION 10 - ELECTRICAL

FIGURE 10-70. REVERSE SENSING INSTALLATION

ITEM	PART NUMBER	QTY	DESCRIPTION	REV
	1001190227	Ref	Reverse Sensor Installation (No Hydraulic Hitch)	C
2	3290501	4	Nut, M5X0.8	
3	4811600	4	Washer, M5	
5	5271609	4	Screw, M5X25	
7	1001175776	1	Harness, Reverse Sensor (See Separate Breakdown in this Section)	
8	1001202288	1	Bracket	
9	1001181921	4	Washer, Rubber M8	
10	1001189997	1	Sensor, Reverse	

SECTION 10 - ELECTRICAL

FIGURE 10-71. REVERSE SENSING HARNESS



ART_1001175776-C

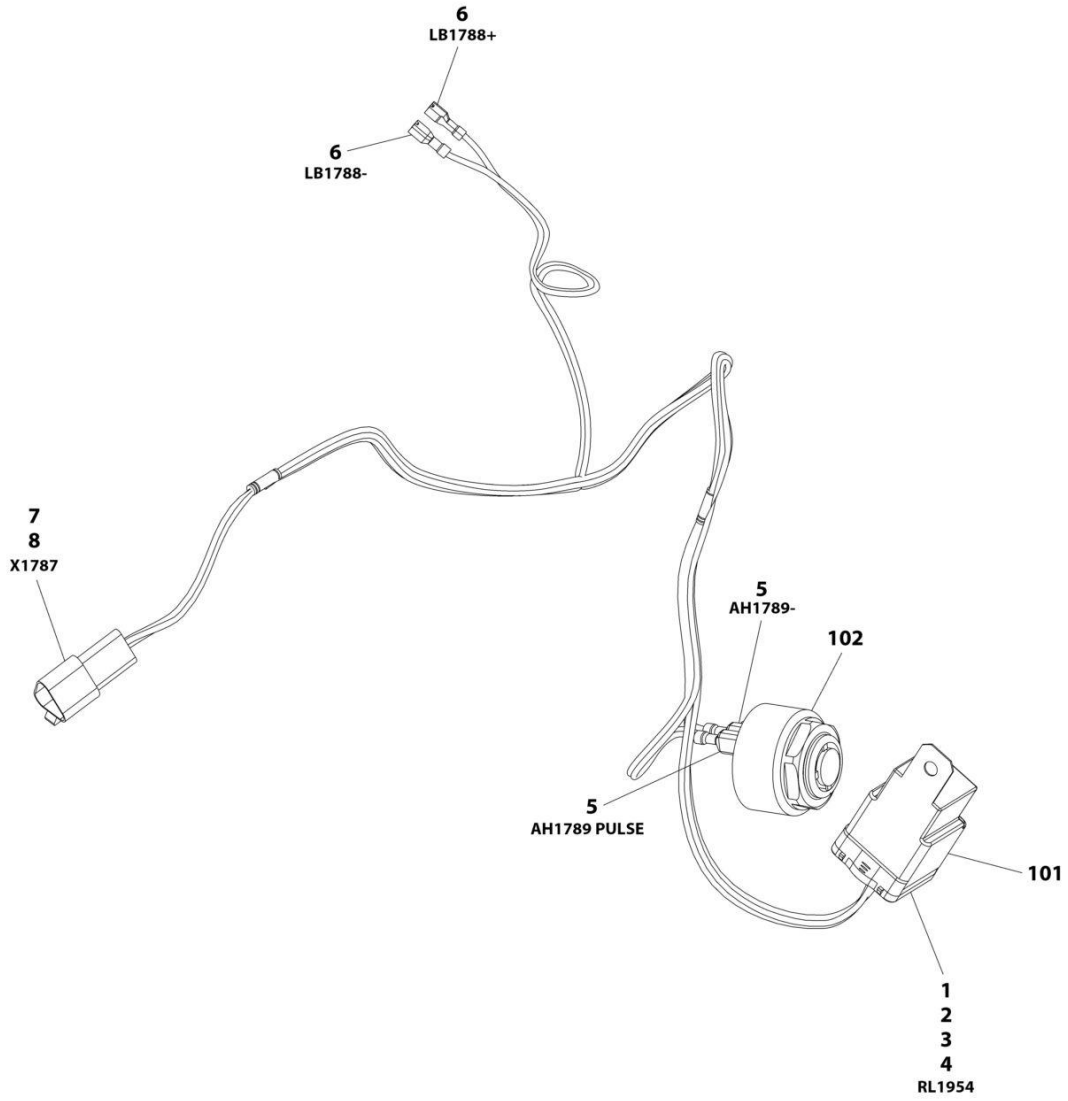
SECTION 10 - ELECTRICAL

FIGURE 10-71. REVERSE SENSING HARNESS

ITEM	PART NUMBER	QTY	DESCRIPTION	REV
	1001175776	Ref	Reverse Sensor Harness	C
1	4460932	1	Connector	
2	4460464	4	Terminal	
3	1001175733	1	Connector	

SECTION 10 - ELECTRICAL

FIGURE 10-72. SEAT BELT ALARM HARNESS



ART_1001268744

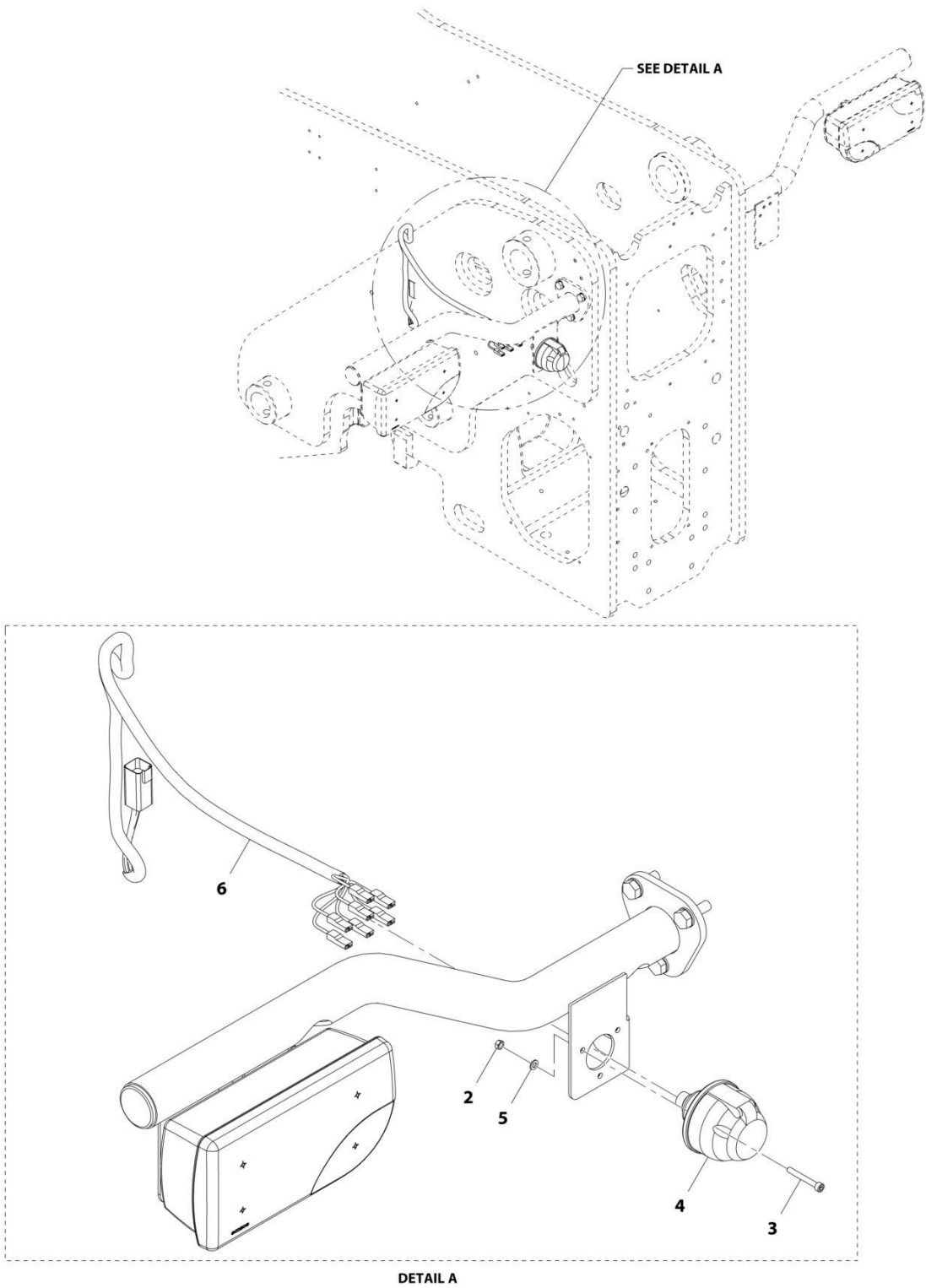
SECTION 10 - ELECTRICAL

FIGURE 10-72. SEAT BELT ALARM HARNESS

ITEM	PART NUMBER	QTY	DESCRIPTION	REV
	1001268744	Ref	SEAT BELT ALARAM HARNESS	B
1	1001231398	1	Connector	
2	1001231400	4	Terminal	
3	1001231406	1	Terminal	
4	1001231404	4	Plug	
5	1001194421	2	Terminal	
6	1001201885	2	Terminal	
7	4460536	1	Connector	
8	4460464	3	Terminal	
101	3740080	1	Relay, Weather Proof	
102	1001091751	1	Buzzer Alarm	

SECTION 10 - ELECTRICAL

FIGURE 10-73. TRAILER ELECTRICS INSTALLATION



ART_1001179059-B

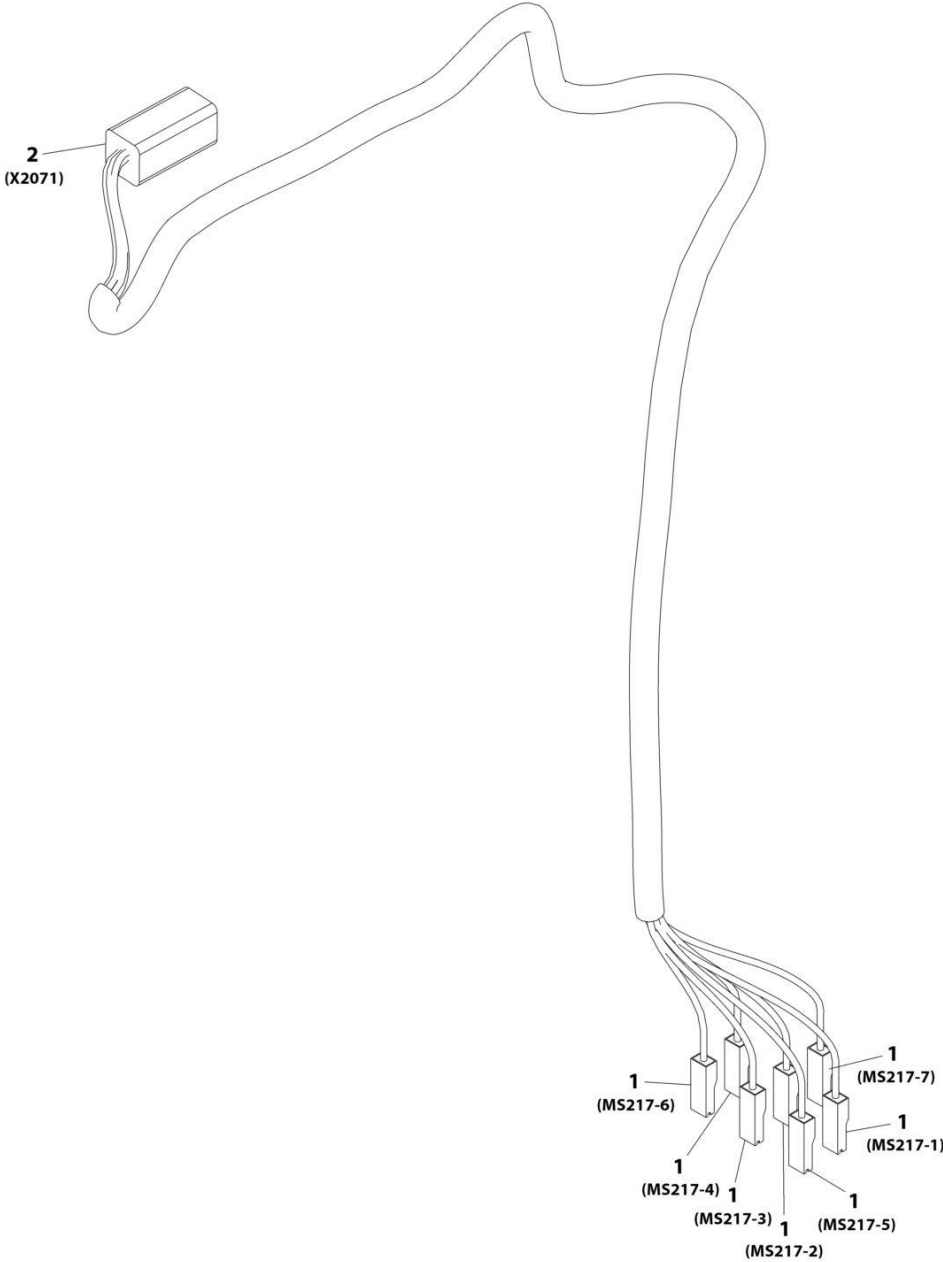
SECTION 10 - ELECTRICAL

FIGURE 10-73. TRAILER ELECTRICS INSTALLATION

ITEM	PART NUMBER	QTY	DESCRIPTION	REV
	1001179059	Ref	TRAILER ELECTRICS INSTALLATION	B
2	3290501	3	Nut M5	
3	4031612	3	Bolt M5 X 40	
4	4461170	1	Connector	
5	4811600	3	Washer M5	
6	1001184839	1	Harness,Trailer Connector (See Separate Breakdown in this Section)	

SECTION 10 - ELECTRICAL

FIGURE 10-74. TRAILER CONNECTOR HARNESS



ART_1001184839-C

SECTION 10 - ELECTRICAL

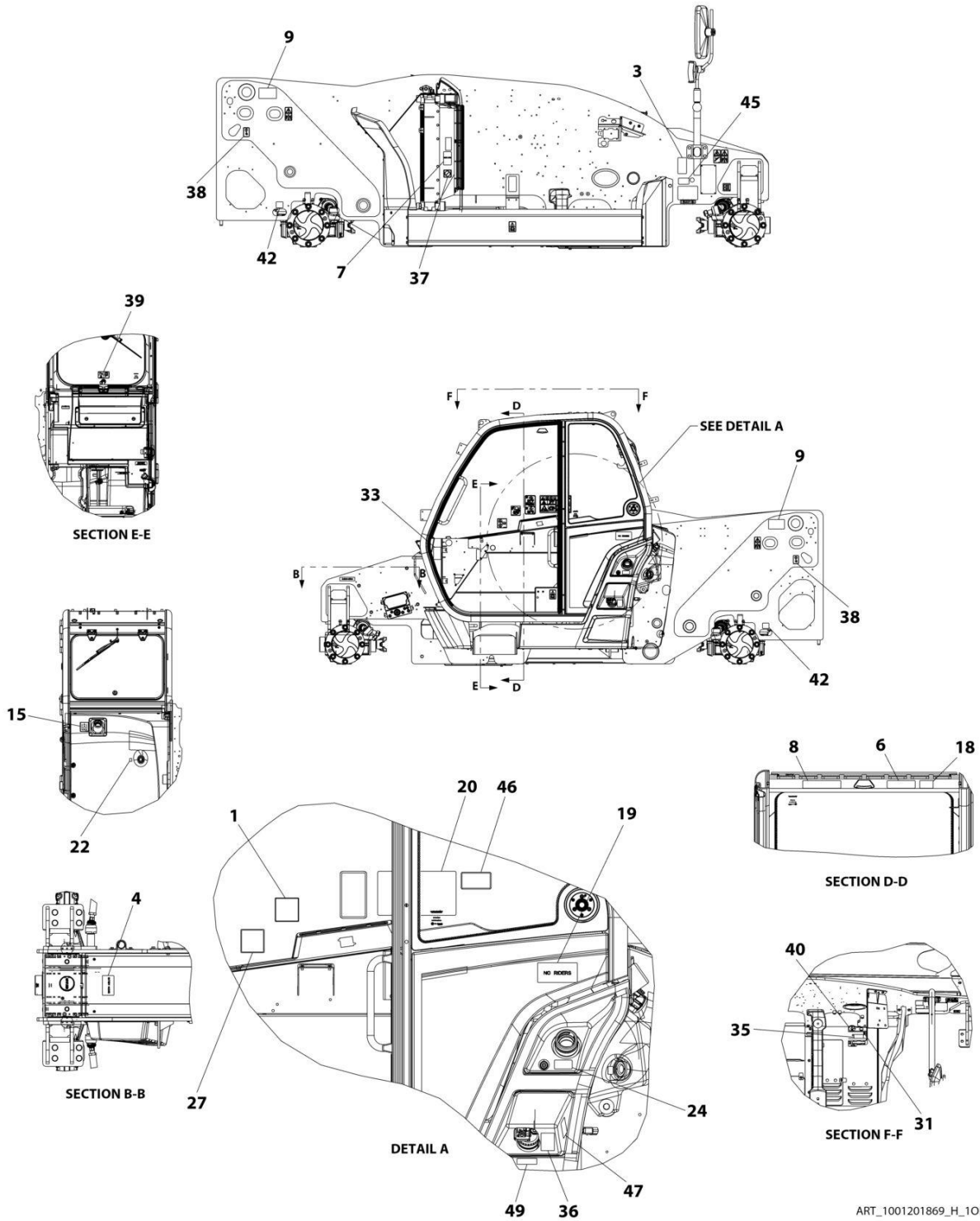
FIGURE 10-74. TRAILER CONNECTOR HARNESS

ITEM	PART NUMBER	QTY	DESCRIPTION	REV
	1001184839	Ref	TRAILER CONNECTOR HARNESS	C
1	1001116995	7	Connector	
2	4460899	1	Connector	
2	4460941	6	Pin	

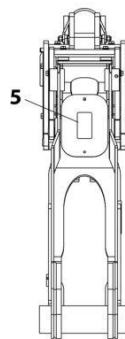
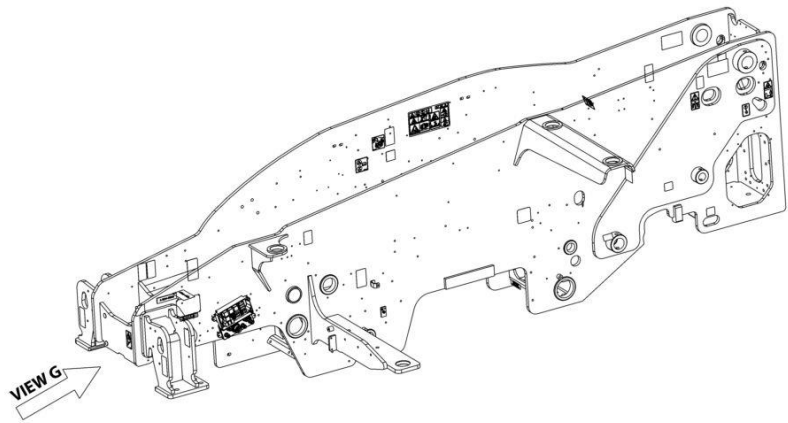
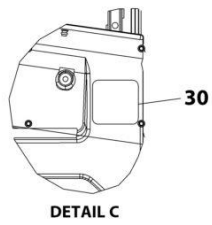
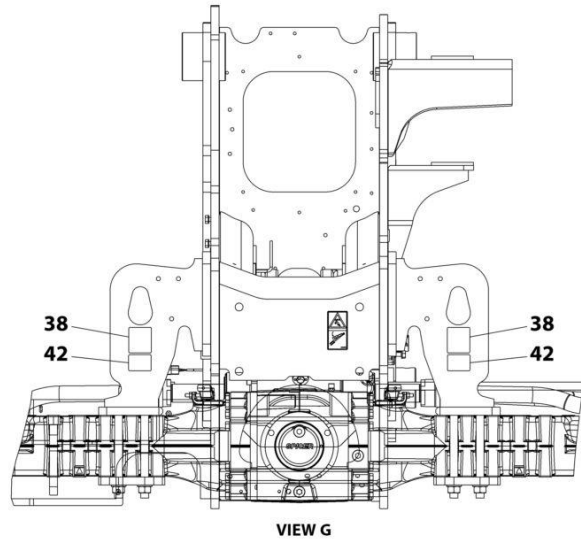
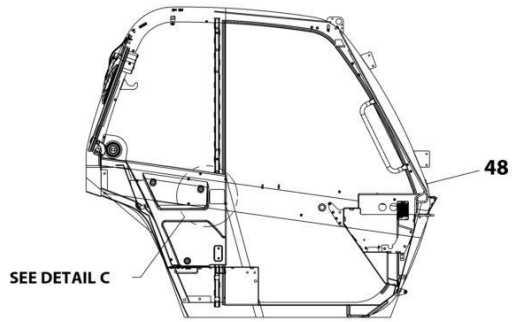
SECTION 11 - DECALS

SECTION 11 - DECALS

FIGURE 11-1. DECALS INSTALLATION (ANSI)



SECTION 11 - DECALS



ART_1001201869_H_20F2

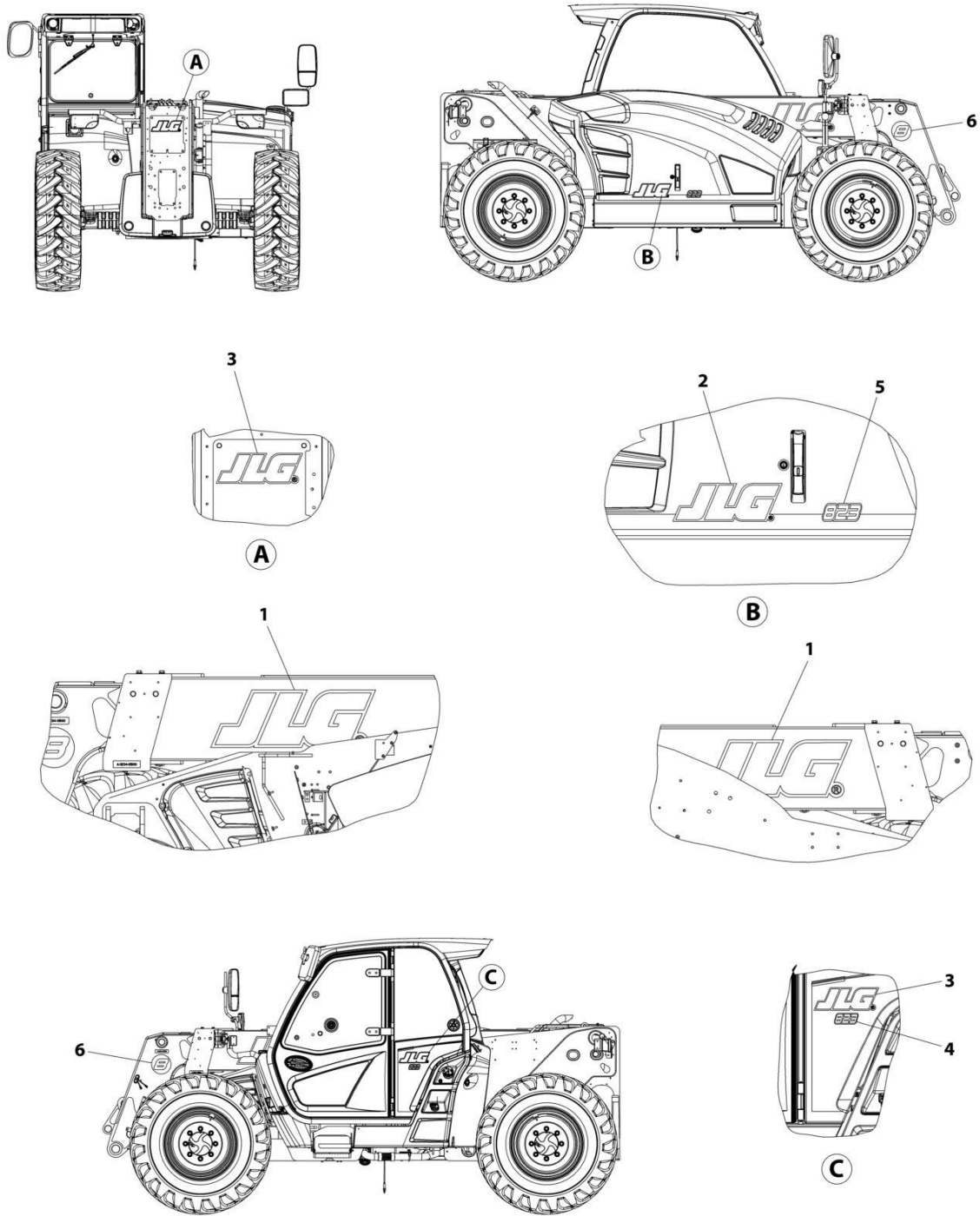
SECTION 11 - DECALS

FIGURE 11-1. DECALS INSTALLATION (ANSI)

ITEM	PART NUMBER	QTY	DESCRIPTION	REV
	1001201869	Ref	Decals Installation (ULS)	H
1	1001227287	1	Decal, Manual Location	
3	1706300	1	Decal, Ether Warning	
4	1706296	1	Decal, Battery Warning (ANSI)	
5	1001102750	1	Decal, No Standing On Forks	
6	1706299	1	Decal, Contacting Power Lines Warning	
7	1706301	1	Decal, Keep Clear Of Rotating Parts Warning	
8	1706306	1	Decal, Tip Over Warning	
9	1706302	2	Decal, Pinch Point Boom Holes	
15	1001094708	1	Decal, Hydraulic Oil	
18	1706850	1	Decal, Crush Hazard Warning	
19	1706768	1	Decal, Vehicle Roll Away	
20	1707078	1	Decal, Warning/Danger	
22	1001130323	1	Decal, Oil Level	
24	1001125387	1	Decal, Ultra Low Sulfur Diesel	
27	1001172035	1	Decal, No Weld or Drill	
30	1001214206	1	Decal, Park Brake	
31	1001184632	1	Decal, Battery Positive	
33	1001191229	1	Decal, Fuse Panel	
35	1001195855	1	Decal, Battery Disconnect	
36	1001196806	1	Decal, Diesel Exhaust Fluid	
37	AU2105	1	Decal, No Karcher	
38	1701500	1	Decal, Lift	
39	8005870	1	Decal, Emergency Exit	
40	1001008540	1	Plate, Battery	
42	4109801	4	Decal, Tie Down Point	
45	1001223453	1	Decal, ICES	
46	1001231801	1	Decal, Warning Prop 65	
47	1001247646	1	Decal, Def Min Refill Volume	
48	1001218659	1	Decal, Brake Fluid Spec	
49	1001219212	1	Decal, Def Fluid Only	

SECTION 11 - DECALS

FIGURE 11-2. DECALS INSTALLATION - JLG



ART_1001258271

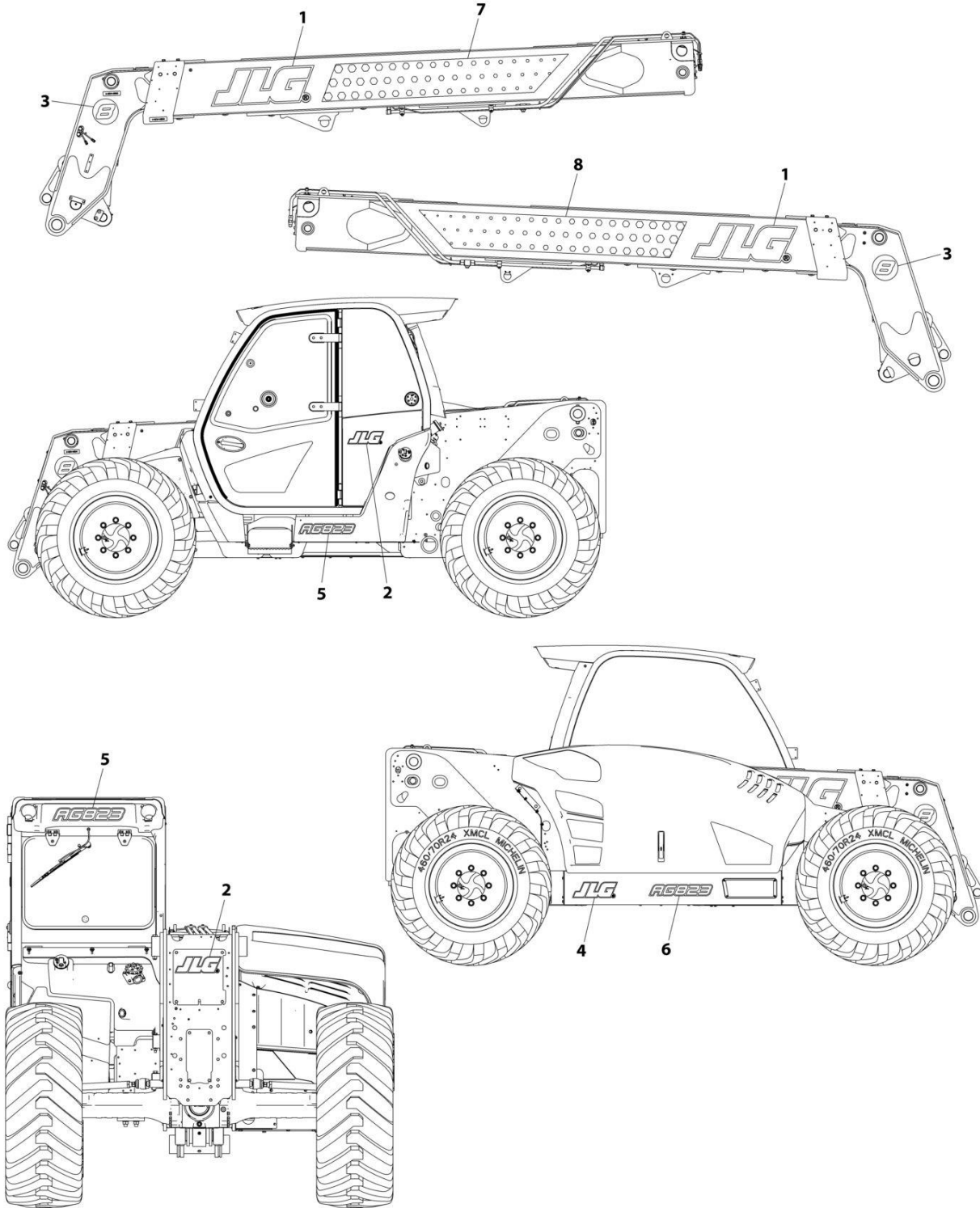
SECTION 11 - DECALS

FIGURE 11-2. DECALS INSTALLATION - JLG

ITEM	PART NUMBER	QTY	DESCRIPTION	REV
	1001258271	Ref	DECALS INSTALLATION - JLG	C
1	1001159728	2	Decal, JLG Logo	
2	1001160775	1	Decal, JLG - 5in Black	
3	1001169674	2	Decal, JLG M100 x 285	
4	1001276751	1	Decal, JLG 823 Cab	
5	1001276752	1	Decal, JLG 823 Hood	
6	1001279165	2	Decal, Boom Head	

SECTION 11 - DECALS

FIGURE 11-3. DECALS INSTALLATION - JLG AG



ART_1001289374

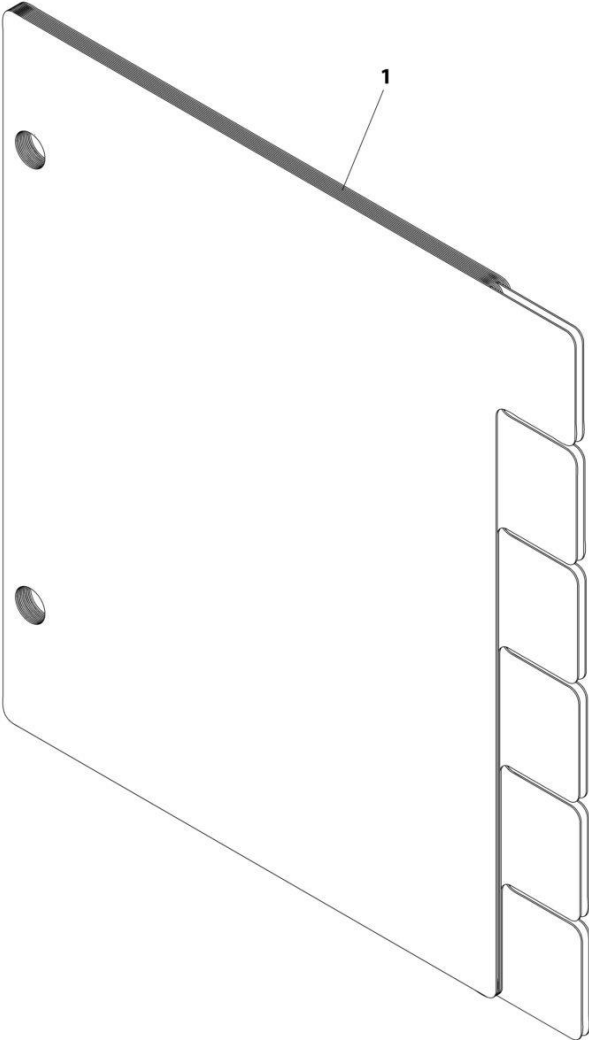
SECTION 11 - DECALS

FIGURE 11-3. DECALS INSTALLATION - JLG AG

ITEM	PART NUMBER	QTY	DESCRIPTION	REV
	1001289374	Ref	DECALS INSTALLATION - JLG AG	A
1	1001159728	2	Decal, JLG Logo	
2	1001169674	2	Decal, JLG M100 x 285	
3	1001279165	2	Decal, Boom Head	
4	1001288631	1	Decal, JLG	
5	1001289375	2	Decal, AG 823 18in	
6	1001289376	1	Decal, AG 823 20in	
7	1001289377	1	Decal, AG 823 Boom - Cab Side	
8	1001289378	1	Decal, AG 823 Boom - Eng Side	

SECTION 11 - DECALS

FIGURE 11-4. CAPACITY CHART (ANSI)



ART_1001264638

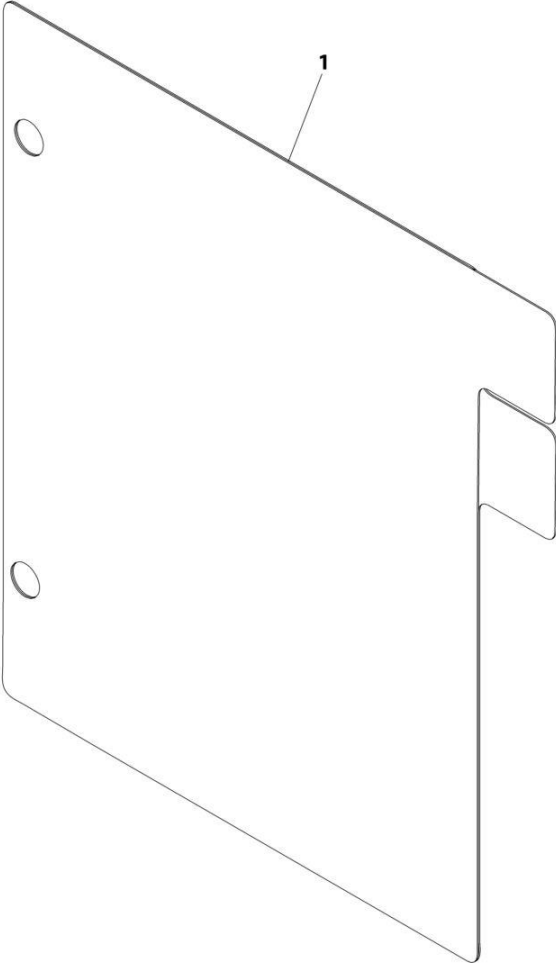
SECTION 11 - DECALS

FIGURE 11-4. CAPACITY CHART (ANSI)

ITEM	PART NUMBER	QTY	DESCRIPTION	REV
1	1001264638	Ref	CAPACITY CHART (ANSI)	

SECTION 11 - DECALS

FIGURE 11-5. CAPACITY CHARTS (CAT COUPLER) (ANSI)



ART_1001296287

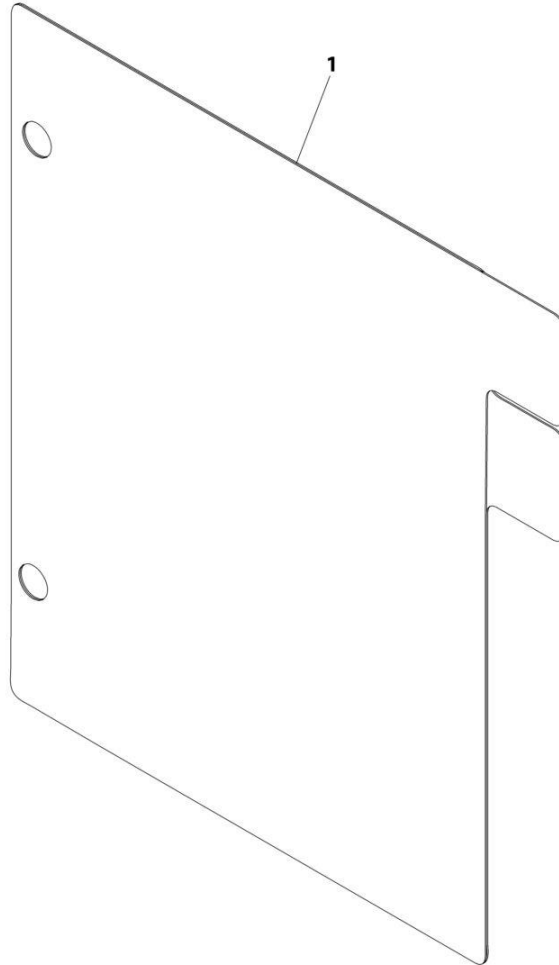
SECTION 11 - DECALS

FIGURE 11-5. CAPACITY CHARTS (CAT COUPLER) (ANSI)

ITEM	PART NUMBER	QTY	DESCRIPTION	REV
1	1001296287	Ref	CAPACITY CHARTS - COMPETITOR COUPLERS	B

SECTION 11 - DECALS

FIGURE 11-6. CAPACITY CHARTS (CAT COUPLER) (METRIC)



ART_1001306307

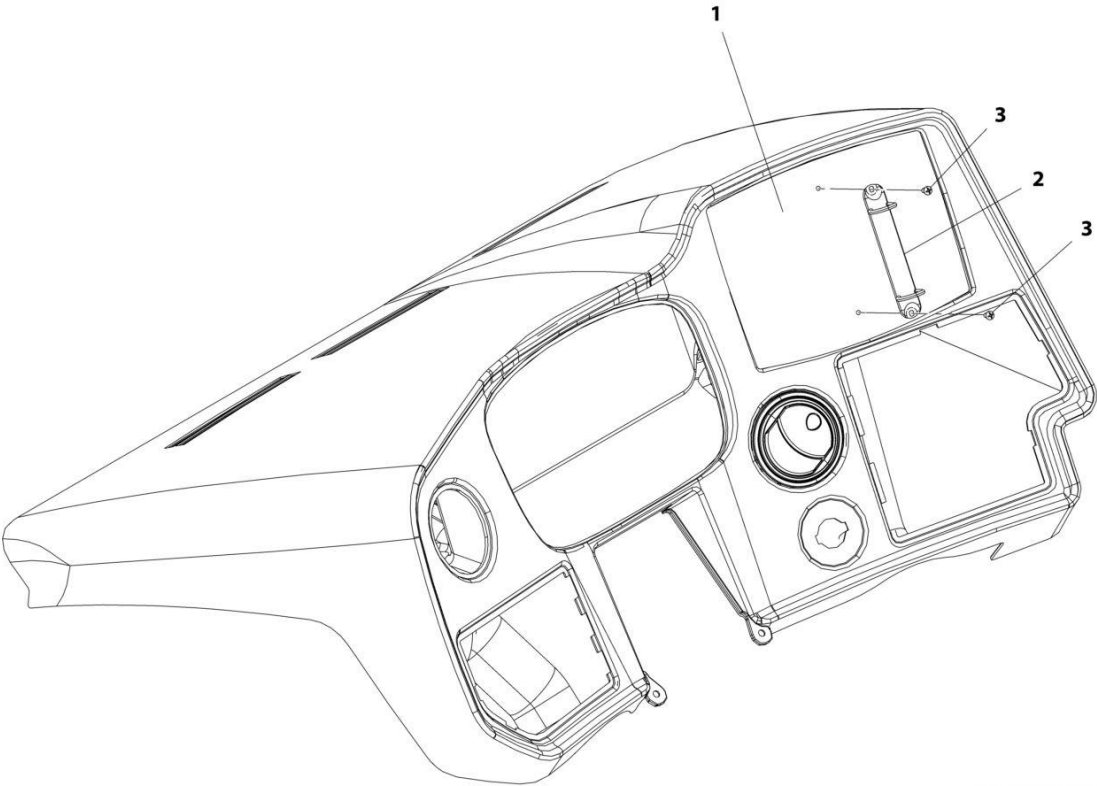
SECTION 11 - DECALS

FIGURE 11-6. CAPACITY CHARTS (CAT COUPLER) (METRIC)

ITEM	PART NUMBER	QTY	DESCRIPTION	REV
1	1001306307	Ref	CAPACITY CHARTS - COMPETITOR COUPLERS	B

SECTION 11 - DECALS

FIGURE 11-7. CAPACITY CHART HOLDER INSTALLATION



ART_1001178706-A

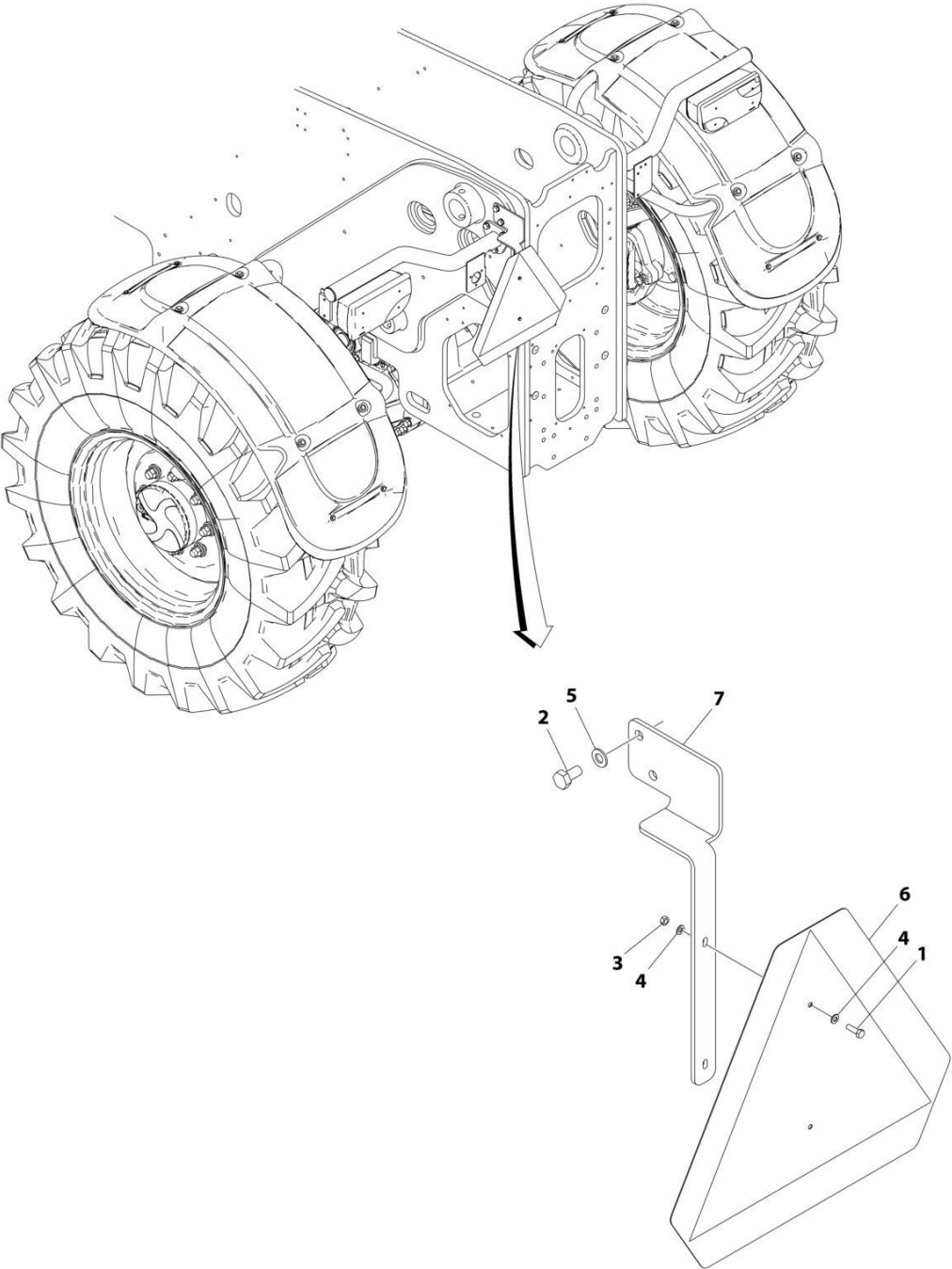
SECTION 11 - DECALS

FIGURE 11-7. CAPACITY CHART HOLDER INSTALLATION

ITEM	PART NUMBER	QTY	DESCRIPTION	REV
	1001178706	Ref	Capacity Chart Holder Installation	A
1	1001179297	1	Load Chart, Bezel	
2	1001005960	1	Holder	
3	7029486	2	Screw	

SECTION 11 - DECALS

FIGURE 11-8. TRIANGLE INSTALLATION - SLOW MOVING VEHICLE



ART_1001273005

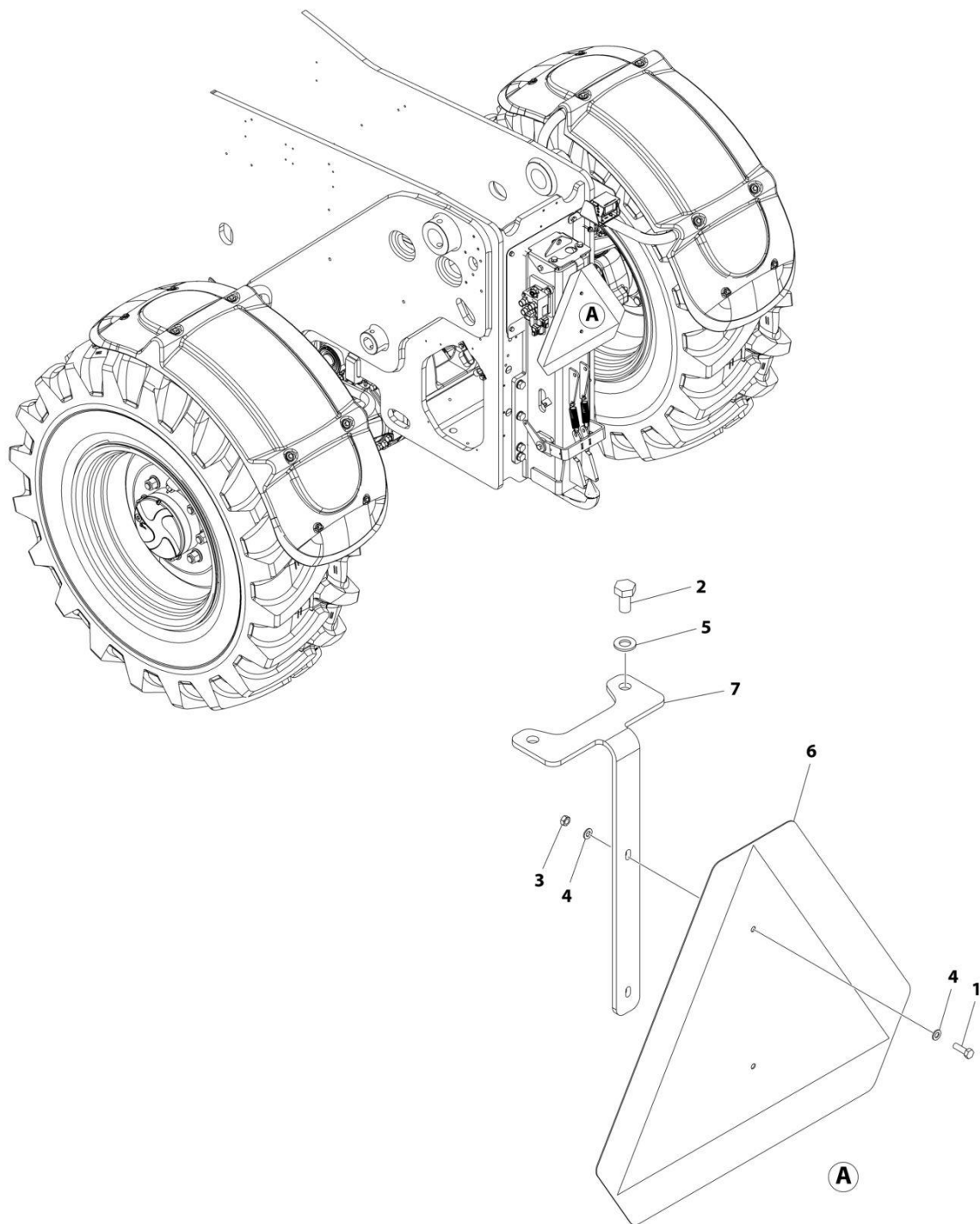
SECTION 11 - DECALS

FIGURE 11-8. TRIANGLE INSTALLATION - SLOW MOVING VEHICLE

ITEM	PART NUMBER	QTY	DESCRIPTION	REV
	1001273005	Ref	TRIANGLE INSTALLATION - SLOW MOVING VEHICLE	A
1	0760508	2	Bolt M5 x 16	
2	0761010	2	Bolt M10 x 20	
3	3290501	2	Nut M5	
4	4811600	4	Washer M5	
5	4812000	2	Washer M10	
6	1001272882	1	Reflector, Red Triangle	
7	1001273004	1	Bracket	

SECTION 11 - DECALS

FIGURE 11-9. TRIANGLE INSTALLATION – SLOW MOVING VEHICLE (WITH HITCH) (SN 0160126024 to Present)



ART_1001296155

SECTION 11 - DECALS

FIGURE 11-9. TRIANGLE INSTALLATION – SLOW MOVING VEHICLE (WITH HITCH) (SN 0160126024 to Present)

ITEM	PART NUMBER	QTY	DESCRIPTION	REV
	1001296155	Ref	TRIANGLE INSTALLATION - SLOW MOVING VEHICLE (WITH HITCH)	A
1	0760508	2	Bolt M5 x 16	
2	0761010	2	Bolt M10 x 20	
3	3290501	2	Nut M5	
4	4811600	4	Washer M5	
5	4812000	2	Washer M10	
6	1001272882	1	Reflector, Red Triangle	
7	1001296156	1	Bracket	

SECTION 12 - RECOMMENDED SERVICE PARTS STOCK

SECTION 12 - RECOMMENDED SERVICE PARTS STOCK

SECTION 12 - RECOMMENDED SERVICE PARTS STOCK

FIGURE 12-1. RECOMMENDED SERVICE PARTS STOCK

ITEM	PART NUMBER	QTY	DESCRIPTION	REV
		Ref	Note: The following list will service one machine (built to current production per date on the front cover) with emergency repair parts which can be installed in the field. Parts from the list should be replaced when inventory is depleted to keep service parts stock supplied. For further information, contact your JLG dealer or the JLG Industries Parts Department.	
	70024455	1	Coil (Concrete Bucket)	
	70027269	1	Coil (Divertor Valve)	
	70020764	1	Coil (Divertor Valve)	
	70002971	1	Coil (Fan Motor Control)	
	70003788	1	Coil (Fan Motor Control)	
	70026967	1	Coil (Hydraulic Hitch Control)	
	70002386	1	Coil (Priority Flow Manifold)	
	70026582	1	Coil (Steering Select Valve)	
	70028870	1	Coil (Trailer Brake Valve)	
	70025456	1	Coil, Solenoid (Solenoid Valve)	
	1001270467	1	Control, TMH Front Frame Module LBP	
	1001270468	1	Control, TMH Rear Frame Module LBP	
	1001159028	1	Controller, Accelerator Pedal	
	70024859	1	Controller, Backrest Actuator (Seat Assembly Air Suspension - Premium)	
	1001187413	1	Controller, Brake Pedal	
	1001222603	1	Controller, Joystick 3R4B	
	1001242098	1	Controller, Joystick Fingertip Control	
	1001201951	1	Controller, Parking Brake (Mechanical)	
		Ref	Engine (90KW ULS)	
	70004511	12	Filter, Fuel	
	70025153	12	Filter, Fuel Prefilter	
	7016331	12	Filter, Oil	
	70025850	12	Filter, Primary Air	
	70025851	12	Filter, Secondary Air	
		Ref	Engine (100KW ULS)	
	70027417	12	Filter, Fuel	
	70025153	12	Filter, Fuel Prefilter	
	7016331	12	Filter, Oil	
	70025850	12	Filter, Primary Air	
	70025851	12	Filter, Secondary Air	
	1001162662	12	Filter, Breather Hydraulic (Hydraulic Tank)	
	1001162659	12	Filter, Hydraulic (Hydraulic Tank)	
	8229242	2	Fuse, 5A (Electrical & OPT 1 Board, Engine Harness)	
	80983191	2	Fuse, 10A (Electrical, OPT 1 & OPT 2 Board)	
	8229234	2	Fuse, 10A (Cab Harness)	
	8229244	2	Fuse, 15A (OPT 2 Board, Power Distribution Box & Engine Harness)	
	8229247	2	Fuse, 25A (OPT 1 Board, Power Distribution Box & Engine Harness)	
	8229245	2	Fuse, 30A (Electrical Board, Power Distribution Box & Engine Harness)	
	1001205172	2	Fuse, 35A (Engine Harness)	
	70026297	2	Fuse, 80A (Power Distribution Box)	

SECTION 12 - RECOMMENDED SERVICE PARTS STOCK

ITEM	PART NUMBER	QTY	DESCRIPTION	REV
	1001095336	2	Fuse, 150A (Power Distribution Box)	
	70026296	2	Fuse, 200A (Power Distribution Box)	
	1001177597	2	Fuse, Mini Diode 6A (Engine Harness)	
	70022765	1	Key, Ignition	
	2940074	1	Latch (Fork Mounted Platform)	
	1001270466	1	Module, Cab Control	
	1001262322	1	Module, ClearSky Telematics CANBUS	
	70026292	1	Relay, 35Amp (Electrical Board)	
	70026295	1	Relay, 35Amp (Power Distribution Box)	
	70026293	1	Relay, 50Amp (OPT 1 Board)	
	70026294	1	Relay, 70Amp (Power Distribution Box)	
	1001117308	1	Relay, 200Amp (Electrical Relay Installation)	
	4000015	1	Sensor, Angle (Boom Angle Sensor)	
	1001149376	1	Sensor, Coolant Level (Expansion Tank)	
	70025539	1	Sensor, Pad (Upper Seat Assembly)	
	1001160730	1	Sensor, Rear Axle LSI	
	1001189997	1	Sensor, Reverse	
	70026808	1	Sensor, Steering (Rear Axle)	
	1001128478	1	Sensor, Temperature (CAC & Hydraulic Tank)	
	1001269578	1	Sensor, Temperature (Heat & A/C)	
	1001102502	1	Switch, 4 Position Key (Ignition Switch)	
	1001104654	1	Switch, AUX Decomp (Dash Electrical)	
	1001159738	1	Switch, Beacon (Beacon Install)	
	1001159745	1	Switch, Boom Ride (Boom Raise Hoses Install (With Ride Control)	
	1001159739	1	Switch, Boom Worklights	
	4360658	1	Switch, Brake Light (Switch Plate)	
	1001159748	1	Switch, Bucket Mode (Dash Electrical)	
	1001159741	1	Switch, Constant AUX (Dash Electrical)	
	1001202421	1	Switch, Declutch (Declutch Switch Installation)	
	1001192142	1	Switch, Disconnect (Electrical Components)	
	1001163639	1	Switch, Driving Lights (Dash Electrical)	
	1001198932	1	Switch, Engine Speed Set (Engine Speed Set Installation)	
	1001159737	1	Switch, Fog Lights (Dash Electrical)	
	1001189898	1	Switch, Framer/Loader (Dash Electrical)	
	1001159845	1	Switch, Front Worklights (Cab Worklights)	
	1001159734	1	Switch, Hazard (Dash Electrical)	
	70024107	1	Switch, Heater (Premium Air Suspension Seat)	
	1001198836	1	Switch, Hitch (Hitch Installation)	
	1001169268	1	Switch, Horn (Horn Button Installation)	
	1001160326	1	Switch, HVAC On/Off (Heater & AC)	
	1001159925	1	Switch, HVAC Recycle (Heater & AC)	
	1001172547	1	Switch, HVAC Rotary 3 Speed (Heater & AC)	
	1001159742	1	Switch, LSI Override	
	1001200633	1	Switch, Pushbutton (Brake Installation - Trailer)	
	1001080375	1	Switch, Quick Switch (Hydraulic Coupler)	
	1001159735	1	Switch, Rear Wiper (Dash Electrical)	
	1001159846	1	Switch, Rear Worklights (Cab Worklights)	
	1001145204	1	Switch, Reversing Fan (Cooling Package)	
	1001159736	1	Switch, Roof Wiper	
	1001159849	1	Switch, Steer Mode (Dash Electrical)	
	1001214280	1	Switch, Turn-Wiper (Wiper - Turn Switch (0 Speed -FNR) & (No Speed)	

SECTION 12 - RECOMMENDED SERVICE PARTS STOCK

ITEM	PART NUMBER	QTY	DESCRIPTION	REV
	1001174712	1	Switch, USB Charger (Dash Electrical)	
	1001257348	1	Switch, Zero Speed (Wiper - Turn Switch (0 Speed -FNR)	

SECTION 13 - SPECIAL OPTIONS/ACCESSORIES/KITS

SECTION 13 - SPECIAL OPTIONS/ACCESSORIES/KITS

SECTION 13 - SPECIAL OPTIONS/ACCESSORIES/KITS

FIGURE 13-1. SPECIAL OPTIONS/ACCESSORIES/KITS

ITEM	PART NUMBER	QTY	DESCRIPTION	REV
	See Note	Ref	Note: This list is to accommodate machines ordered with special equipment. Options may not be applicable to all models. For more specific parts information contact JLG Parts Department.	
		Ref	SPECIAL OPTIONS/ACCESSORIES/KITS	
	1001264937	Ref	Boom Assembly Kit	
	1001264916	Ref	Boom Brush Kit	
	1001264918	Ref	Boom Kit	
	1001199382	Ref	Cab Guard Front & Top Kit	
	1001199381	Ref	Cab Guard Front Kit	
	1001199380	Ref	Cab Guard Top Kit	
	1001268341	Ref	Camera (Rear View) Add-on Kit(Dealer Installed)	
	70024168	Ref	Coupler Locking Cylinder Seal Kit	
	1001264873	Ref	Filter Kit - Without HVAC (Level 1)	
	1001264874	Ref	Filter Kit - With HVAC (Level 2)	
	1001265291	Ref	Service Kits	B
	1001264921	Ref	Wear Pad Kit	
	1001264727	Ref	ClearSky Kit	

SECTION 13 - SPECIAL OPTIONS/ACCESSORIES/KITS

PART NUMBER INDEX

SECTION 13 - SPECIAL OPTIONS/ACCESSORIES/KITS

0240117.....135	0712027.....471	0761015.....375, 377	363, 365, 371, 833,
0240118.....139	0712030.....441	0761210.....339	839, 841, 871, 913, 919
0400075.....757	0712040.....429	0761214.....23, 427, 833,	1001008573.....355, 359,
0498748.....481	0750804.....479	839, 841	361, 363
0630576.....27, 335	0760410.....889	0761215.....43, 255, 689	1001008574.....293, 295
0641405.....231	0760507... 103, 105, 329,	0761216.....255	1001008575.....47
0641510.....233	833, 839, 841	0761217.....23	1001008580.....339
0642032.....193	0760508.....953, 955	0761228.....91	1001008586.....673
0700408.....629, 921, 923	0760512.....537	0761412.....917	1001008593.....293, 295,
0700510.....365	0760605... 315, 481, 621,	0761619.....255	371, 833, 839, 841
0700608.....297	627	0770810.....321, 335	1001008626.....323, 673
0700610 23, 27, 335, 339,	0760607... 289, 291, 293,	0770814.....625	1001008657.....323
345, 369, 515, 633,	295, 349, 481	0771212.....99	1001008665.....189
819, 821, 827, 901,	0760608... 113, 305, 331,	0771618.....53	1001008719.....455, 457
903, 905, 907	515, 531, 537, 599,	0860520.....231	1001008720 71, 323, 353,
0700612....335, 461, 463,	605, 621, 627, 641,	0930003.....165	355, 357, 359, 361,
465, 467, 599	871, 919	0930004.....155	363, 833, 839, 841
0700614 77, 79, 233, 289,	0760610.....897, 911	0930006.....159	1001008742.....525
291, 339, 572, 819,	0760612.....27, 289	1001001556.....661	1001008761 71, 335, 349,
821, 827, 835, 887	0760614... 275, 769, 771,	1001002946.....483	687, 695
0700615.....769	837	1001002947.....483	1001008773.....671
0700618.....774, 778	0760619.....273	1001002953.....483	1001008804.....341, 671,
0700620.....71, 819	0760805.....913	1001002957.....483	675
0700810.....673	0760807... 667, 669, 675	1001003043.....495	1001008805 71, 663, 677,
0700812.....871	0760808... 103, 105, 107,	1001003064.....189	679, 681, 683
0700814.....49	109, 273, 275, 501,	1001003301.....49	1001008857.....483
0700815.....699	601, 819, 821, 833,	1001003305... 279, 281,	1001008863.....663, 667,
0700816.....283, 327	835, 837, 839, 841	293, 295, 673, 697,	669
0700817.....351, 673	0760810... 25, 27, 29, 31,	833, 839, 841, 871	1001008922.....341, 659,
0700818.....827	33, 35, 37, 39, 71, 75,	1001003427.....45	661, 663, 667, 669
0700819.....663	285, 287, 289, 291,	1001003439.....19	1001008923.....763, 769,
0700820....341, 589, 591,	293, 295, 297, 345,	1001003474.....241	771, 895, 897
593	349, 503, 541, 549,	1001003475.....241	1001008926.....827
0700821.....335	553, 555, 567, 572,	1001003590 71, 335, 349,	1001008988.....481
0700823.....349	589, 593, 601, 621,	687, 695	1001009062.....81
0700824.....641	643, 673, 683, 693,	1001003596.....643	1001009105.....189
0700826.....297	833, 839, 841, 901,	1001003809.....631	1001009163 49, 343, 375,
0701011.....673	921, 923	1001003934.....323	377
0701012....323, 341, 673,	0760812... 47, 75, 89, 91,	1001004143.....323	1001009207.....71
687	95, 99, 321, 323, 331,	1001004617.....189	1001009375.....833, 839,
0701014....23, 285, 287,	335, 339, 349, 359,	1001004618.....189	841
369, 607, 687	363, 461, 463, 465,	1001004619.....189	1001009384.....323
0701015.....887	467, 483, 643, 667, 669	1001004620.....189	1001010240.....341
0701016....283, 305, 307,	0760814.....349	1001004640.....641	1001010646.....561, 563
327, 371, 659, 661	0760815... 289, 291, 483,	1001004720.....291	1001010647.....561, 563
0701018.....341, 369	663	1001004723.....871	1001010648.....561, 563
0701020....355, 359, 361,	0760816.... 365, 667, 669	1001005038.....527, 529	1001010649.....561, 563
363	0760817.....663	1001005193.....527	1001010650.....561, 563
0701021.....659, 661	0760823.....43, 299, 301	1001005262... 677, 679,	1001010838.....81
0701024.....47	0761008.....697	681	1001010938.....341
0701029.....201	0761009.....757, 759	1001005368.....497	1001025750.....833, 839,
0701030.....369	0761010... 23, 25, 71, 83,	1001005904... 659, 677,	841, 913
0701214....285, 287, 289,	285, 287, 305, 307,	679, 681	1001026104....279, 281,
291, 323	339, 365, 375, 377,	1001005960.....951	371
0701229.... 103, 105, 107,	631, 671, 767, 893,	1001005980.....77, 79	1001028291.....19
109	921, 923, 953, 955	1001006730.....561	1001028308.....19
0701232.... 103, 105, 107,	0761011.....349	1001006731.....563	1001032853.....71
109	0761012... 23, 27, 43, 75,	1001006954.....529	1001033119.....71
0701616.....55, 57, 63	279, 281, 285, 287,	1001006955.....529	1001033120.....323
0701617.....67	289, 291, 293, 295,	1001008436.....79, 81	1001047062.....481
0701626.....255	305, 353, 355, 357,	1001008450.....689	1001080375.....677, 679,
0701628.....255	359, 361, 363, 371,	1001008462.....429, 441	959
0701630.....89, 255	641, 659, 661, 723,	1001008469.....633	1001090150.....97, 99
0711216.....97, 99	757, 759, 833, 839,	1001008475.....81	1001090343.....495, 525,
0711228.....95	841, 871, 887	1001008540.....938	583
0711616.....71	0761014... 285, 287, 289,	1001008559 83, 115, 353,	1001091126.....19
0711631.....93	291, 673, 703	355, 357, 359, 361,	1001091313.....199

SECTION 13 - SPECIAL OPTIONS/ACCESSORIES/KITS

1001091715 887	1001102750..... 938	1001116728..... 786, 792, 854, 899	1001119109 882
1001091716 887	1001103012..... 782, 792	1001116732..... 845, 854, 862	1001119220 369
1001091751 929	1001103156..... 767	1001116734..... 845, 853, 854, 862	1001119467 553, 555
1001092008 455	1001103201..... 150	1001116735..... 853	1001120501 673
1001092009 457	1001103300..... 767	1001116747..... 813, 854	1001120989 819, 821
1001092122 355, 359, 361, 363	1001103530..... 199	1001116748..... 784, 792	1001121021 769, 771
1001092298 101	1001103531..... 149	1001116753..... 784, 791	1001121127 697
1001092481 143	1001103533..... 199	1001116754..... 784, 795	1001125117 97, 99
1001092482 143	1001103640..... 683	1001116763..... 813	1001125387 938
1001092771 311	1001104435..... 193	1001116810..... 877, 881	1001125466 321, 335
1001093171 229	1001104437..... 643	1001116811..... 845, 854, 861	1001125677 786, 795, 848, 863
1001093277 335	1001104477..... 677, 727	1001116812..... 782, 792, 795, 844, 845, 846, 853, 854, 861, 877, 878, 881	1001126008 785, 795, 846, 862, 873, 877, 881
1001093401 321, 335	1001104498..... 786, 792, 873	1001116950..... 844, 847, 853, 855, 861, 878, 882	1001126011 785, 795
1001093826 119, 159, 199, 237	1001104519..... 783, 794	1001116983 856	1001126245 846, 862
1001093827 119, 159, 199, 237	1001104646..... 659, 661	1001116984..... 785, 792	1001126349 853, 862
1001094555 155, 159, 165, 199, 203, 205, 207	1001104654..... 805, 959	1001116985..... 785, 792	1001126351 853, 862
1001094556 155, 159, 165, 199, 203, 205, 207	1001104685..... 353, 355, 357, 359, 361, 363	1001116986..... 785, 792, 794	1001126352 853, 862
1001094708 938	1001104934..... 699	1001116991..... 783, 792, 795, 811	1001126353 847, 853, 862
1001095301 659, 661, 723	1001104958..... 149	1001116994..... 823	1001126356 853
1001095336 829, 959	1001105639..... 671	1001116995..... 784, 786, 792, 873, 878, 882, 933	1001126357 853
1001095401 371	1001105643..... 671	1001116996..... 874	1001126360 853, 862
1001095650 461, 463, 465, 467, 517, 519	1001106570..... 53	1001116997..... 784, 794	1001126362 846, 853, 862
1001095804 805	1001106930..... 149	1001116998..... 785, 786, 792	1001126384 853, 862
1001095810 231	1001107192..... 481	1001116999..... 783, 795, 811	1001126391 846, 847, 853
1001096019 145	1001107336..... 191	1001117011..... 817	1001126393 846, 847, 853, 862
1001096020 145	1001107338..... 191, 195, 197	1001117018..... 853, 854	1001126485 845, 846, 847, 861, 862
1001096021 147	1001107581..... 191	1001117021 813	1001126487 845, 846, 861
1001096023 147	1001107854..... 782, 784, 785, 792, 793, 795, 813, 873, 874, 877, 881	1001117064..... 784, 792	1001126837 767, 911
1001096024 145	1001108918..... 677, 679, 681	1001117079..... 784, 792	1001127728 457
1001096025 147	1001110023..... 659, 677, 679, 681, 729	1001117079..... 783, 784, 785, 793, 794	1001128127 877, 881
1001096365 483	1001110115..... 677	1001117108..... 873, 878	1001128128 845, 854
1001096870 95	1001110544..... 887	1001117109..... 845, 855, 878	1001128478 49, 343, 375, 377, 959
1001096913 887	1001110849..... 67, 69	1001117110..... 845, 854, 855, 873, 877, 881	1001128972 839
1001097051 803	1001111076..... 605	1001117308..... 827, 831, 959	1001130198 279, 281, 833, 839, 841
1001097205 229	1001111147..... 587, 605	1001118282..... 845, 854, 862	1001130323 938
1001097244 515	1001111317..... 479, 489	1001118323..... 878, 882	1001132564 508
1001097287 159, 165	1001111424..... 831	1001118379..... 784, 792, 873, 878, 882	1001133690 283, 327
1001097540 27, 603	1001112612..... 783, 785, 795	1001118384..... 783, 784, 785, 786, 792, 793, 794, 795	1001133714 844, 847, 853, 855, 861
1001097586 495	1001112796..... 823	1001118386..... 785, 792	1001133715 844, 846, 847, 853, 856, 861
1001098146 103, 105, 107, 109	1001114787..... 107, 109, 709	1001118387..... 785, 786, 792	1001133793 283, 327
1001098147 103, 105, 107, 109	1001114802..... 425	1001118390..... 861	1001134274 767
1001098150 508	1001116128..... 587, 913	1001118392..... 874	1001135245 351
1001098457 95, 103, 105, 107, 109	1001116208..... 819, 821	1001118684..... 784, 795	1001135250 861
1001098629 55, 57, 59	1001116686..... 878, 882		1001135650 844, 846, 847, 853, 856
1001098630 63, 65	1001116696..... 853, 874		1001135651 844, 846, 847, 853, 856
1001100442 95	1001116697..... 782, 792		1001136999 785, 795
1001100845 461, 463	1001116698..... 782, 785		1001137000 785, 795
1001101041 119, 149, 237, 659, 661, 677, 679, 681, 683	1001116700..... 783, 795, 817		1001137512 213
1001101042 119, 149, 237, 659, 661, 677, 679, 681, 683	1001116701..... 847		1001137548 862
1001101063 669	1001116710..... 856		1001137578 847
1001101064 667, 669	1001116716..... 783, 794		1001138116 846
1001101563 115	1001116720..... 811		1001138645 273, 275, 833, 835, 837, 841
1001102502 885, 959	1001116723..... 783, 784, 785, 792, 793, 794		
	1001116725..... 846, 862		
	1001116726..... 846, 862		
	1001116727..... 782		

SECTION 13 - SPECIAL OPTIONS/ACCESSORIES/KITS

1001139034.....321, 335	1001155486..... 583	1001161769 774, 778, 797	1001166754.....471
1001139551.....583	1001155823 355, 359, 361, 363	1001161770 774, 778, 799	1001166755.....471
1001139552.....497	1001155958 95	1001161771 774, 778, 801	1001166774.....846, 847, 853, 862
1001139568.....497	1001155959 95	1001161851 511	1001167004..... 647
1001140296.....339	1001155960 95	1001161855 508	1001167015.....585, 587
1001141246.....483	1001156265 641	1001161896 641	1001167017..... 921
1001141281503	1001157890 878, 882	1001161897 641	1001167212..... 759
1001141311583	1001157891 873	1001161898 641	1001167266.....575, 577
1001141312497	1001158146 805	1001161957 877, 881	1001167356.....369
1001141313583	1001158596 541	1001161958 873	1001167408.....365
1001141596757	1001158736C..... 549	1001161959 782, 791	1001167528.....847, 862
1001142285455	1001158738C..... 553	1001161963 877, 881	1001167615..... 847
1001142286455	1001159028 617, 619, 958	1001161964 873	1001167616.....846, 862
1001142287455	1001159728 941, 943	1001162636 103	1001167620.....847, 862
1001142288457	1001159734 805, 959	1001162659 49, 958	1001167621..... 847
1001142289457	1001159735 805, 959	1001162662 49, 958	1001167622.....847
1001142290457	1001159736 583, 959	1001162767 49	1001167623.....847
100114265851	1001159737 805, 959	1001162886 783, 791	1001167624.....847
100114265951	1001159738 761, 959	1001162887 783, 791	1001167625..... 847
1001143200499	1001159739 895, 897, 959	1001162920 621	1001167629.....847, 862
1001143857641	1001159741 805, 959	1001162922 621	1001167630.....846, 847, 862
1001144147803, 845, 854, 861	1001159742 915, 959	1001162953 572, 575	1001167631.....846, 862
1001144296786, 795	1001159745 669, 959	1001162979 641	1001167633.....845
1001144629J231	1001159748 805, 959	1001163103 97, 99	1001167635.....846, 861
1001145204319, 959	1001159845 901, 903, 905, 907, 959	1001163340 783	1001167636.....844, 861
1001145300757, 759	1001159846 901, 903, 905, 907, 959	1001163387 255	1001167773.....365
1001145444109, 709	1001159849 805, 959	1001163639 805, 959	1001167822..... 901
1001145539572	1001159925 567, 572, 959	1001164053 115	1001167823.....905
1001146588 71, 279, 281, 339, 351, 677, 679, 681, 769, 771, 774, 778, 819, 833, 839, 841, 871, 895, 897, 913	1001160326 572, 959	1001164402 827, 829	1001167937.....487
1001146901587	1001160496 589	1001164655 501	1001167958.....481, 487
1001146949651	1001160498 782, 791	1001164726 481	1001167981.....475, 508
1001147060919	1001160499 873	1001165194 847, 862	1001168030.....323
1001147449508, 511	1001160500 877, 881	1001165269 537, 539	1001168142.....641
100114765797, 99	1001160502 782, 791	1001165270 537	1001168151.....641
100114773197, 99	1001160503 589, 593	1001165273 539	1001168152.....475, 477
1001148841846, 862	1001160506 591	1001165275 483	1001168272.....299, 301
1001148842846, 862	1001160509 873, 877, 881	1001165276 489	1001168327.....572
1001149278508, 511	1001160510 873, 877, 881	1001165309 877, 881	1001168330.....572
1001149308347	1001160730 959	1001165310 878, 882	1001168331.....572
1001149375345, 347	1001160775 941	1001165311 873	1001168456.....572
1001149376347, 959	1001161067 513	1001165327 539	1001168531.....549, 817
1001149923103, 105	1001161068 508	1001165351 525	1001168727339
1001150294557	1001161078 609	1001165416 525	1001168758..... 27
1001150611877, 881	1001161080 609	1001165455 525	1001169048..... 93
1001150735784, 794	1001161095 782, 791, 873, 877, 881	1001165458 515, 525	1001169049..... 93
1001150737784, 794	1001161097 782, 791	1001165458 515, 525	1001169135.....549, 551
1001151257673	1001161098 782, 791, 877, 881	1001165637 503	1001169146.....293, 295, 833, 839, 841
1001152378277	1001161099 782, 791, 873, 877, 881	1001165789 283, 327, 329	1001169151.....572, 813
1001152729323	1001161100 782, 873, 877, 881	1001166385 605	1001169216.....255
1001152915479	1001161101 782, 873, 877, 881	1001166397 305	1001169268.....645, 959
1001152940321, 335	1001161252 597	1001166541 846	1001169354.....637, 639
1001152947479	1001161253 595	1001166543 846, 853, 862	1001169355.....639
1001153748701, 741	1001161499 475, 617	1001166551 847	1001169367.....639
100115385895, 97	1001161672 641	1001166555 847	1001169424.....255
100115385995, 99		1001166556 846, 847, 853, 862	1001169454..... 43
100115417497		1001166565 305, 307, 309	1001169603.....508
100115468823		1001166634 483, 489	1001169604.....508, 511
1001155228477, 481		1001166701 846, 853	1001169674.....941, 943
100115540795		1001166704 847, 862	1001169751.....637
1001155441101		1001166707 844, 861	1001169763.....645
1001155446471		1001166715 305, 307	1001169825.....827
1001155447475, 503			1001169880.....489
			1001169883.....491
			1001169885.....491

SECTION 13 - SPECIAL OPTIONS/ACCESSORIES/KITS

1001169918 289, 291	1001174652..... 511	1001177053..... 631, 635	1001180198 63
1001170106 45	1001174653..... 511	1001177054..... 99	1001180202 57
1001170113 491	1001174655..... 511	1001177060..... 47	1001180206 67
1001170113J 489	1001174712..... 805, 960	1001177062..... 47	1001180207 53
1001170114 481, 489	1001174741..... 599	1001177073..... 99	1001180226 285, 287
1001170231 621	1001174795..... 303	1001177082..... 47	1001180227 285, 287
1001170326 535	1001174800..... 599	1001177464..... 597	1001180263 591, 593
1001170366 473, 531	1001174801..... 599	1001177597..... 786, 795, 848, 856, 863, 959	1001180267 757
1001170504 508	1001174804J..... 97	1001177638..... 425, 427	1001180328 293, 295
1001170514 513	1001174879..... 427	1001177851..... 375, 379	1001180418 643
1001170518 508	1001174880..... 427	1001177863..... 249, 251, 253, 269, 271, 689	1001180472 631
1001170519 508, 513	1001174881..... 427	1001177870..... 427	1001180529 895
1001170601J 481	1001175201..... 299, 301	1001178053..... 889, 891	1001180574J 29
1001170603 477, 499	1001175225..... 93	1001178102..... 663	1001180593 371
1001170716 585	1001175265..... 846, 854, 862	1001178123..... 525	1001180682 815
1001170718 585	1001175266..... 873, 877, 881	1001178159..... 479	1001180683 815
1001170944 483	1001175309..... 249	1001178160..... 479	1001180809 699
1001170984 107	1001175315..... 269, 271	1001178170..... 572	1001180810 699
1001170985 105, 109	1001175320..... 331, 333	1001178439..... 249, 269, 375	1001180811 699
1001170993 533	1001175325..... 285, 287	1001178474..... 43	1001180850 693
1001171000 369	1001175470..... 535	1001178526..... 103	1001180855 693
1001171037 491	1001175471..... 531, 533	1001178527..... 105	1001181008 671
1001171390 103, 107	1001175477..... 481	1001178622..... 251, 253	1001181016 671
1001171392 107	1001175553..... 249, 257	1001178678..... 477, 495	1001181017 675
1001171393 109	1001175554..... 265, 269	1001178679..... 495, 497	1001181019 671
1001171635 491	1001175555..... 251, 259	1001178680..... 497	1001181161 677, 679, 681, 683
1001171756 537	1001175661..... 99	1001178681..... 497	1001181170 671
1001171767 533	1001175733..... 927	1001178693..... 43	1001181411 497
1001171782 27	1001175746..... 95	1001178706..... 951	1001181413 353
1001171874 621	1001175747..... 95	1001178725..... 369	1001181531 885
1001171913 289	1001175749..... 95	1001178729..... 83	1001181559 377, 381
1001171959 289	1001175754..... 91	1001178749..... 369, 371	1001181562 665
1001172035 938	1001175762..... 99	1001178783..... 815	1001181563 665
1001172088 621	1001175776..... 925, 927	1001178791..... 299, 301	1001181564 665
1001172094 621	1001175853..... 97	1001178826..... 613	1001181565 665
1001172146 47	1001175896..... 95	1001179008..... 611, 613	1001181568 665
1001172147 47	1001175897..... 95	1001179009..... 611, 613	1001181569 665
1001172193 479, 489	1001175898..... 89	1001179041..... 667	1001181726 508, 515
1001172401 475, 505	1001175900..... 95	1001179054..... 683	1001181784 665
1001172547 567, 572, 959	1001175903..... 508	1001179056..... 679	1001181920 499
1001172550 567, 572	1001176002..... 847, 863	1001179058..... 677	1001181921 499, 925
1001172553 567, 572	1001176004..... 847, 863	1001179059..... 931	1001181927 649
1001172693 45	1001176121..... 531, 535	1001179080..... 575	1001181928 651
1001172774 593	1001176140..... 599	1001179081..... 575	1001181951 249, 251, 253, 327
1001172886 103, 105, 107, 109	1001176257..... 599	1001179130..... 575, 579	1001181952 269, 271, 283
1001172894 656, 701	1001176272..... 499	1001179197..... 759	1001182036 269, 305
1001172900 656, 687	1001176273..... 499	1001179221J..... 757, 759	1001182037 249, 251, 253, 315
1001172909 656, 671	1001176313..... 703	1001179297..... 951	1001182039 269, 271, 317
1001173013 656, 665	1001176318..... 599	1001179482..... 605	1001182049 771
1001173257 591	1001176323..... 73	1001179483..... 605	1001182111 321
1001173298 481	1001176333..... 784, 791	1001179484..... 517	1001182112 319, 321
1001173411 783, 794	1001176338..... 815	1001179585..... 759	1001182123 499
1001173418 675	1001176407..... 95, 101	1001179586..... 757, 759	1001182139 499
1001173425 587	1001176626..... 499	1001179861..... 365	1001182193 321
1001173641 477, 479	1001176691..... 95	1001179864..... 319, 345	1001182210 27
1001173771 723, 725	1001176882..... 101	1001179895..... 603	1001182213 335, 731
1001173829 889	1001176942..... 91	1001179898..... 603	1001182217 833, 839, 841
1001173965 508	1001176964..... 41	1001179907..... 273, 275, 835, 837	1001182218 833, 839, 841
1001174295 481, 493	1001176965..... 41, 43	1001179910..... 365, 367	1001182219 833, 839, 841
1001174320 479	1001176966..... 41, 47	1001179937..... 767	
1001174321 483	1001177048..... 635	1001180045..... 525	
1001174328 27	1001177049..... 635	1001180134..... 656, 699	
1001174372 819, 821	1001177050..... 635	1001180196..... 55	
1001174557 99	1001177051..... 635		
1001174567 631, 633	1001177052..... 635		

SECTION 13 - SPECIAL OPTIONS/ACCESSORIES/KITS

1001182231.....687	1001183909J..... 39	100118593627	1001189480.....101
1001182235.....249, 251, 253, 269, 271, 277	1001183910J..... 39	1001186009 305	1001189569.....887, 889
1001182330.....601	1001183956 335	1001186169 95, 763	1001189586.....255
1001182362.....109	1001183958 349	1001186290 305	1001189877.....856
1001182450.....319	1001183983 689, 691	1001186359 71	1001189884.....339
1001182452.....349	1001184041 203	1001186370 349	1001189888.....719
1001182453.....349	1001184043 205	1001186392 71	1001189898.....805, 959
1001182529.....549, 551	1001184045 207	1001186395 77	1001189984J.....27
1001182582.....249, 251, 253, 255, 269, 271	1001184062 319, 331	1001186439 79	1001189997.....925, 959
1001182647.....251, 253, 271, 377	1001184099 339	1001186565 901, 905	1001190225.....921
1001182650.....833, 839, 841	1001184120 319, 339	1001186567 901, 905	1001190227.....925
1001182651.....833, 839, 841	1001184128 339	1001186574 453	1001190396.....891
1001182652.....833, 839, 841	1001184129 339	1001186603 821	1001190408.....27
1001182654.....833, 839, 841	1001184280 581	1001186693 827	1001190541.....453
1001182735.....249, 251, 273	1001184296 569, 581	1001186698 113	1001190542.....429
1001182736.....269, 835	1001184297 569, 581	1001186849 319, 343	1001190589.....805
1001182763.....71	1001184403 579	1001187070 867	1001190740.....285
1001182793.....663	1001184404 579	1001187076 861	1001190921.....848, 863
1001182824.....285, 287, 289, 291	1001184405 579	1001187077 867	1001191091.....493
1001182834.....508	1001184406 579	1001187078 861	1001191229.....938
1001182839.....911	1001184420 763, 765	1001187080 861	1001191281.....515, 517
1001182881.....315, 317	1001184423 113	1001187276 319, 323	1001191282.....517
1001182885.....315, 317	1001184425 113	1001187277 323	1001191283.....515, 519
1001182886.....315	1001184426 113	1001187355 687	1001191284.....515, 521
1001182888.....317	1001184427 581	1001187413 621, 623, 958	1001191310.....519
1001182929.....833, 839, 841, 865	1001184439 481	1001187712 323	1001191311.....521
1001182930.....833, 839, 841, 867	1001184445 349	1001187717 27	1001191312.....521
1001182935.....351	1001184473 785, 794, 811	1001187851 767	1001191313.....521
1001182949.....321, 325	1001184479 785, 794, 811	1001187852 767	1001191370.....515
1001182950.....335, 337	1001184503 839, 853	1001187853 767	1001191508.....321, 335
1001182994.....331	1001184517 673	1001188204 255	1001191521.....47, 49
1001182995.....331	1001184518 673	1001188262 475, 621	1001191533.....49
1001183004.....105	1001184524 23	1001188407 345	1001191621.....89, 95
1001183076.....319, 341	1001184530 703	1001188413 71	1001191635.....75, 77
1001183125.....355, 359, 361, 363	1001184531 703	1001188548 659, 661	1001191808.....27
1001183149.....355, 359, 361, 363	1001184533 703	1001188590 567, 572	1001191959.....521
1001183274.....55, 57, 63	1001184551 854	1001188592 581	1001192124.....45
1001183297.....895, 897, 899	1001184609 333, 349	1001188594 569, 581	1001192125.....43, 45
1001183347.....273, 835	1001184610 107, 109	1001188602 569, 581	1001192142.....827, 959
1001183357.....355, 359, 361, 363	1001184632 938	1001188603 569, 581	1001192240.....517
1001183460.....89	1001184710 285, 287	1001188604 569, 581	1001192309.....481
1001183461.....91	1001184800 349	1001188610 569, 581	1001192392.....45
1001183550.....513	1001184839 931, 933	1001188612 569, 581	1001192411.....351
1001183590.....27	1001184856 771	1001188614 569, 581	1001192643.....485
1001183596.....919	1001184955 319, 349	1001188618 581	1001192644.....487
1001183597.....519	1001184975 595	1001188619 581	1001192646.....481
1001183745.....255	1001185023J..... 23	1001188720 569, 581	1001192711.....233
1001183831.....307	1001185061 23	1001188722 71	1001192720.....233
1001183838.....827	1001185189 269, 271, 281	1001188725 569, 581	1001192766.....481, 485
1001183888.....901	1001185210 335	1001188729 569, 581	1001192836.....83
1001183890.....901	1001185248 57, 61	1001188733 569	1001192875.....233
1001183908J.....33	1001185282 335	1001188817 581	1001192876.....233
	1001185337 319, 335	1001188818 581	1001192877.....233
	1001185351 656, 697	1001188855 369	1001193210.....489
	1001185375 249, 251, 253, 833	1001188856 369	1001193421.....703
	1001185377 269, 839	1001189023 581	1001193513.....699
	1001185633 601	1001189024 581	1001193514.....699
	1001185722 821	1001189025 569, 581	1001193515.....699
	1001185809 805	1001189048 581	1001193540.....233
	1001185845 601	1001189054 581	1001193551.....289, 291
	1001185848 601	1001189099 103, 107	1001193729.....233
	1001185864 319, 351	1001189182 508	1001193735.....369
	1001185870 508	1001189338 759	1001193993.....827
	1001185871 341	1001189339 759	1001194421.....786, 795, 929
		1001189475 111	1001195004.....633
		1001189476 111	1001195207.....631

SECTION 13 - SPECIAL OPTIONS/ACCESSORIES/KITS

1001195210J 23	1001200218..... 677, 679	1001202921..... 353, 355, 359, 361, 363	1001205648 549
1001195240J 23	1001200538..... 903	1001202922..... 323	1001205782 555
1001195252J 23	1001200539..... 907	1001203005..... 353, 357	1001206120 273
1001195254 633	1001200633..... 673, 959	1001203009..... 339	1001206173 119
1001195342 577	1001200688..... 761	1001203012..... 351	1001206557 71
1001195343 577	1001200694..... 595	1001203014..... 341	1001206558 71
1001195345 577	1001200815..... 691, 721	1001203015..... 833, 839, 841	1001206669 241
1001195346 577	1001200908..... 349	1001203025..... 323	1001206671 237
1001195385 577	1001200968..... 587	1001203027..... 339	1001207486 293, 295
1001195386 577	1001201027..... 473, 537	1001203028..... 339	1001207522 675
1001195437 577	1001201070..... 786, 795	1001203039..... 341	1001207523 675
1001195438 577	1001201161..... 475	1001203173..... 341	1001207525 693
1001195443 339	1001201162..... 475	1001203178..... 323	1001207594 909, 911
1001195518 255	1001201205..... 681	1001203291..... 39	1001207963 595
1001195587 25	1001201207..... 597	1001203374..... 33	1001208035 669
1001195741 699	1001201245..... 667	1001203386..... 29	1001208037 757, 759
1001195742 699	1001201296..... 353	1001203402..... 35	1001208281 285
1001195829 21, 23	1001201331..... 525	1001203406..... 31	1001208308 508
1001195855 938	1001201336..... 567	1001203408J..... 35	1001208518 475, 885
1001195878 479	1001201338..... 572	1001203410..... 31	1001209097 845, 861
1001196002 693	1001201340..... 475, 807	1001203503..... 233	1001209463 605
1001196076 553	1001201499..... 627	1001203640..... 903, 907	1001209899 499
1001196452 819, 821, 823	1001201500..... 629	1001203825..... 371	1001210022 285, 287, 289, 291
1001196531 473, 475	1001201501..... 627, 629	1001203826..... 371	1001210417 115
1001196587 273	1001201504J..... 27	1001203882..... 833, 839, 841	1001210431 115
1001196661 697	1001201520..... 475, 525	1001203922..... 667, 669	1001210432 115
1001196723 693	1001201766..... 289, 291	1001204060..... 907	1001210628 475, 527
1001196787 697	1001201805J..... 23	1001204066..... 483	1001210961 897
1001196806 938	1001201811..... 285, 287, 289, 291	1001204115..... 483	1001210962 897
1001196876J 23	1001201823..... 285, 287, 289, 291	1001204120..... 483	1001211357 815
1001197065 105, 109	1001201869..... 938	1001204128..... 121	1001211452 669
1001197090 659	1001201885..... 929	1001204129..... 123	1001211556 261
1001197093 661	1001201929..... 289, 291	1001204130..... 125	1001211693 774, 778
1001197130 429, 441	1001201930..... 289, 291	1001204131..... 127	1001211897 211
1001197135 23	1001201933..... 289, 291	1001204132..... 129	1001211907 508
1001197139 621, 625	1001201943..... 697	1001204133..... 131	1001212011 493
1001197259 609	1001201951..... 631, 958	1001204134..... 133	1001212047 611
1001197266 23	1001202086..... 473	1001204301..... 365	1001212049 611
1001197275 51	1001202120..... 331	1001204302..... 365	1001212369 503
1001197360 43	1001202135..... 703	1001204373..... 365	1001212468 515
1001197430 335	1001202177..... 683	1001204374..... 71	1001212590 455
1001197479 103, 105, 107, 109	1001202249..... 341	1001204375..... 71	1001212591 455
1001197598 215	1001202288..... 925	1001204420..... 659, 661, 723	1001212598 457
1001197638 343	1001202293..... 921	1001204421..... 659, 661	1001212599 457
1001197639 869	1001202328..... 341	1001204427..... 659, 661	1001212906 305, 307
1001197641 343	1001202329..... 341	1001204428..... 659, 661	1001212948 339
1001197653 343	1001202376..... 341	1001204437..... 659, 661	1001212949 339
1001197654 343	1001202421..... 825, 959	1001204518..... 71	1001212956 355, 359, 361, 363
1001197719 856	1001202430..... 825	1001204528..... 903	1001213006 277
1001197821 249, 251, 253, 279	1001202445..... 341	1001204530..... 903	1001213031 675
1001197945 153	1001202473..... 355, 359, 361, 363	1001204535..... 111	1001213331 483
1001198331 667, 669	1001202474..... 355, 359, 361, 363	1001204709..... 613	1001213748 723
1001198355 233	1001202476..... 355, 359	1001204731..... 673	1001213752 911
1001198836 71, 959	1001202477..... 355, 359, 361, 363	1001204841..... 279, 281	1001213771 659, 661
1001198924 607	1001202478..... 355, 359, 361, 363	1001204842..... 281	1001213772 659, 661
1001198932 869, 959	1001202480..... 355, 359, 361, 363	1001205041..... 279, 281	1001213791 481
1001198958 607	1001202643..... 351	1001205061..... 621, 627	1001213829 661
1001199299 771	1001202653..... 341	1001205080..... 25	1001213871 659
1001199380 962	1001202654..... 341	1001205172..... 848, 863, 958	1001213883 663
1001199381 962	1001202772..... 353	1001205514..... 555	1001213925 663
1001199382 962		1001205532..... 481, 483	1001213988 774, 778
1001199403 323		1001205551..... 339	1001214036J 37
1001199670 297			1001214092 503
1001199935 909, 913			1001214206 938

SECTION 13 - SPECIAL OPTIONS/ACCESSORIES/KITS

1001214280.....649, 651, 959	1001221242..... 95, 769	1001229093 341	1001244594..... 887
1001214281.....774, 778	1001221249 769	1001229223 667, 669	1001247646.....938
1001214297..... 113	1001221255 633	1001229314 669	1001247708.....669
1001214312..... 113	1001221257 769	1001229319 479	1001247948.....862
1001214399.....661	1001221259 572	1001229534 475, 641	1001247955.....862
1001214401.....911	1001221293 769	1001229543 481	1001247969.....862
1001214492.....37	1001221295 567	1001229562 669	1001248161.....459
1001214572.....73	1001221318 911	1001229640 669	1001248416.....887
1001214686.....784, 791	1001221319 911	1001230163 493	1001248760.....465, 467
1001214687.....784, 791	1001221577 99	1001230194 673, 743	1001248891.....871, 873
1001215022.....343	1001221659 667, 669	1001230411 349	1001248892.....877
1001215023.....343	1001221660 667	1001230435 475, 501	1001248893.....871
1001215024.....343	1001221665 667, 669	1001230622 759	1001248899.....887
1001215319.....303	1001221952 671	1001231388 307	1001248901.....887
1001215531.....483	1001221953 671	1001231389 307	1001248902.....887
1001215804.....527	1001222187 285, 287, 289, 291	1001231390 307	1001250416.....459, 465
1001215988..... 161	1001222188 45	1001231397 782, 791	1001250417.....459, 467
1001215990..... 167	1001222190 45	1001231398 929	1001250420.....467
1001215992..... 171	1001222190 45	1001231399 782, 791	1001250421.....465
1001215994..... 175	1001222573 321, 335	1001231400 786, 791, 929	1001254357.....355, 359, 361, 363
1001215996..... 179	1001222603 647, 958	1001231404 786, 791, 929	1001256274.....289, 291
1001216001..... 157	1001222741 483	1001231406 929	1001256275.....355
1001216003..... 227	1001223265 595	1001231731 311	1001256277.....289, 299
1001216163.....659, 661	1001223453 938	1001231732 313	1001256278.....289, 293
1001216232.....659, 661	1001223455 784, 793	1001231750 313	1001256335.....87
1001216237.....663	1001223968 885	1001231801 938	1001256336.....87, 89
1001216275.....663	1001224143 697	1001232651 673	1001256337.....87, 91
1001216276.....663	1001224144 697	1001233174 923	1001256338.....87, 93
1001216277.....663	1001224476 699	1001233217 923	1001256360.....425
1001216278.....663	1001225177 479	1001233434 923	1001256366.....425, 429
1001216279.....663	1001225213 289, 291	1001235451 673	1001256367.....425, 441
1001216280.....663	1001225382 893	1001236402 649	1001256369.....887
1001216311.....95, 663	1001225386 893	1001236404 647	1001256381.....355, 359, 361, 363
1001216813.....307	1001225414 917	1001236622 786, 792	1001256382.....355, 359, 361, 363
1001216854.....279, 281	1001225423 699	1001237054 675	1001256383.....355, 359, 361, 363
1001216855.....279, 281	1001225430 261	1001238460 53	1001256384.....355, 359, 361, 363
1001216867.....349	1001225432 257, 259, 261, 265	1001238470 355, 359, 361, 363	1001256410.....297
1001216923J.....27	1001225619 83	1001238560 231, 233	1001256433.....19
1001216974.....541, 549, 555	1001225658 893	1001238565 143, 145, 147, 231	1001256434.....19
1001217179.....757	1001226096 343	1001238566 233	1001256563.....289, 291, 297
1001217333.....339	1001226101 659, 661	1001238570 233	1001256609.....656
1001217550.....19	1001226481 825	1001238653 143	1001256644.....279
1001217623.....761	1001226722 71, 733	1001238654 147	1001256834.....833, 844
1001218486.....305	1001226776 659, 661	1001238655 145	1001257142.....249, 251, 253, 271, 307
1001218495.....771	1001226777 659, 661	1001239878 293, 295	1001257263.....219
1001218542.....567, 572	1001226778 659, 661	1001239879 293, 295	1001257265.....221
1001218659.....938	1001226779 659, 661	1001241308 485	1001257317.....217
1001218856.....475, 523	1001227090 369	1001241674 53, 55, 57, 63, 67	1001257318.....225
1001218996.....567, 572	1001227186 479	1001242098 659, 661, 958	1001257327.....223
1001219076.....508	1001227187 489	1001242220 99	1001257330.....641
1001219182.....375, 377	1001227188 489	1001242650 887	1001257348.....649, 960
1001219212.....938	1001227229 99	1001243343 587	1001257413.....25
1001219220.....499	1001227287 938	1001243433 459, 461	1001257414.....21, 25
1001219810.....335	1001227357 501	1001243434 461	1001257415.....21
1001219865.....595	1001227653 115	1001243435 459, 463	1001257425.....909
1001220540.....471	1001227802 481	1001243436 463	1001257426.....909, 915
1001220639.....695, 737	1001227974 697	1001244192 903, 907	1001258244.....565
1001220945.....819	1001228929 323	1001244193 903, 907	1001258245.....565
1001220947.....819	1001228930 323	1001244593 887	1001258271.....941
1001220948.....819	1001228931 323		1001258342.....587
1001221020.....693	1001228989 897, 903, 907		
1001221027.....693	1001229063 323		
1001221057.....581	1001229068 323		
1001221058.....581	1001229087 641		
1001221059.....567, 572			

SECTION 13 - SPECIAL OPTIONS/ACCESSORIES/KITS

1001259144 195	1001270170..... 441, 449	1001289374..... 943	1706302 233, 938
1001259146 197	1001270180..... 774, 778	1001289375..... 943	1706306 938
1001260972 357	1001270466..... 774, 778, 959	1001289376..... 943	1706768 938
1001260973 361		1001289377..... 943	1706850 938
1001260974 361, 363	1001270467..... 827, 958	1001289378..... 943	1706892 143
1001261091 693	1001270468..... 827, 958	1001289479..... 923	1707078 938
1001261092 693	1001270595..... 663	1001289562..... 303	1784861 111
1001262322 959	1001270857..... 667, 669	1001289563..... 299, 301, 303	2080040 231
1001263039 669, 739	1001270976..... 567, 572	1001290109..... 163	2080078 497
1001263830 307	1001271129..... 667, 669	1001290111..... 169	2080086 479
1001264638 945	1001271338..... 25	1001290113..... 173	2080087 479
1001264727 962	1001271363..... 475, 774, 778	1001290115..... 177	2080092 27, 531
1001264844 785, 792		1001290122..... 181	2110406 ... 673, 677, 679
1001264861 785, 792	1001271803..... 807, 809	1001290122..... 181	2110410 677, 679
1001264873 962	1001272548..... 245	1001290440 187	2110604 723
1001264874 962	1001272882..... 953, 955	1001290441 185	2110606 673, 687
1001264916 962	1001273004..... 953	1001290442 183	2110608 335
1001264918 962	1001273005..... 953	1001290666 917	2110610 71, 691
1001264921 962	1001273635..... 895, 897, 901	1001292201 841, 861	2110806 71, 687
1001264937 962		1001292995 239	2110808 ... 663, 665, 673, 699, 701
1001264976 809	1001273847..... 25	1001292996 243	2110810 ... 349, 669, 673, 677, 679, 681
1001265061 341	1001274533..... 811	1001293066 261	2110812 673
1001265218 209	1001274534..... 811	1001293131 271, 841	2111010 ... 659, 663, 687, 691
1001265291 962	1001274535..... 811	1001293727 673	2111012 723
1001265358 774, 778, 803	1001274536..... 811	1001293903 861, 863	2111612 687
1001265375 921	1001274537..... 811	1001294203 291, 301	2111616 341, 695
1001265395 75	1001274538..... 811	1001294204 291, 295	2112016 341
1001265815 695	1001274539..... 811	1001294205 359	2130404 641
1001266488 553	1001274540 811	1001294206 363	2130604 71, 691
1001267963 685, 717	1001274541 811	1001294608 923	2130606 ... 335, 687, 695
1001267977 109, 709, 711	1001274543 811	1001294690 841	2130608 335
1001268341 962	1001274544 811	1001296155 955	2130610 351
1001268744 553, 929	1001274553 811	1001296156 955	2130808 641
1001268828 567, 569	1001274911 715	1001296287 947	2130810 321, 349
1001268829 809	1001274912 95, 713	1001298301 287	2131010 349, 667
1001268830 809, 811	1001274913 685, 707	1001299940 923	2131012 663, 669
1001268832 572, 581	1001275274 235	1001300078 923	2131212 ... 341, 667, 669
1001268846 595	1001275933 565	1001301486 778, 791	2132016 687
1001268851 871, 881	1001276648 713	1001302410 923	2144602 673
1001268889 279, 323, 341, 353, 357	1001276695 95, 719	1001306307 949	2144605 671
1001269021 656, 695	1001276751 941	1001310831 675	2144606 283, 327
1001269248 621	1001276752 941	1060379 231	2150404 695
1001269407 656, 693	1001277383 685	1062255 ... 279, 281, 293, 295, 323, 339, 341, 365, 371, 659, 661, 667, 669, 673, 677, 679, 693, 697, 833, 839, 841	2150606 71, 695
1001269410 673	1001278028 767	10732931 735	2150808 701
1001269411 693	1001279165 941, 943	10837926 735	2150810 349
1001269555 569, 581	1001280471 541, 543	10837928 735	2151012 71
1001269556 569, 581	1001282197 663	10837929 735	2151210 375, 377
1001269558 569, 581	1001282247 663	10837937 735	2160016 ... 89, 91, 95, 99, 103, 105, 107, 109, 115
1001269559 569, 581	1001283175 515	1170002 201	2160018 97
1001269560 569, 581	1001283711 833, 839, 841	120034 774, 778	2170116 341
1001269561 569, 581	1001284540 253, 261	1320239 323	2170208 641
1001269563 569, 581	1001284544 353, 357	1670836 665	2170212 341
1001269564 569, 581	1001284581 353, 357	1671326 587	2170406 71
1001269564 569, 581	1001285007 774, 782	1701500 938	2170706 673, 691
1001269578 581, 959	1001285715 805	1701509 231	2170708 673
1001269579 581	1001286009 253, 271, 275, 837	1702773 143, 145, 147	2170908 663
1001269627 75	1001286598 275, 837	1704277 231	2171008 663
1001269628 75	1001288070 553, 555, 559	1704885 143, 145, 147	2171110 661
1001269720 673	1001288098 553	1706296 938	2171208 699
1001269721 673	1001288376 287	1706299 938	2171310 661
1001269722 673	1001288631 943	1706300 938	2171832 703
1001269723 673	1001288945 267, 271	1706301 938	2172104 673
1001269724 673	1001289105 913		2172106 71, 323
1001270117 535	1001289296 913		
1001270167 429, 436			

SECTION 13 - SPECIAL OPTIONS/ACCESSORIES/KITS

2172208.....683	3300220 831	4460247 844, 855, 861	4460932.....765, 899, 927
2220221.....687	3300240 193	4460256 845	4460933....783, 792, 793,
2220239.....49	3300479 425	4460265 782, 791	845, 855, 861, 873,
2220240.....49	3311405 231	4460267 782, 783, 791	877, 878, 881, 882
2220881.....737	3311502 233	4460268 782, 791	4460941....803, 813, 891,
2220883.....713, 719	3321001 831	4460343 782, 783, 791	933
2220885.....711	3332011 429, 471	4460434 782, 791	4460942....783, 785, 793,
2220886.....737	3391408 631	4460458 ... 792, 846, 862,	803, 847, 854, 861,
2221257.....353	3391410 233	899	873, 877, 878, 881, 882
2400600.....436, 449	3421453 231	4460464 ... 765, 783, 785,	4460943....785, 795, 803,
2401043.....437, 450	3423275 193	792, 795, 813, 845,	817
2401258.....437, 450	3520028 633	854, 861, 867, 873,	4460944....782, 783, 785,
2401736.....437	3520072 231	877, 881, 899, 927, 929	791, 792, 795, 823,
24921332..285, 287, 289,	3520198 231	4460465 ... 765, 783, 784,	844, 845, 846, 847,
291	3740080 929	785, 791, 792, 793,	853, 854, 861, 878,
2600281.....231	3760170 231	795, 803, 817, 823,	881, 882
2902440.....135, 137	3760348 621	844, 845, 846, 847,	4460945....786, 795, 847,
2902441.....139, 141	3790013 673	853, 854, 855, 861,	856, 863
2902443....846, 854, 862	3820020 231	862, 873, 874, 877,	4460950....845, 854, 861
2903197.....438	3900224 23	878, 881, 882	4460970....845, 854, 861,
2920206.....905	3900349 827	4460466 ... 782, 783, 784,	873, 877, 881
2940074.....231, 959	3900357 ... 273, 275, 833,	785, 803, 823, 844,	4460984.....795
2960243.....437, 450	835, 837, 841	845, 846, 847, 853,	4460994....784, 786, 794,
3020040.....95	3900379 27, 603	854, 855, 856, 863,	795
31010978.....267	3900381 833, 839, 841	873, 874, 877, 878,	4461006....844, 846, 856,
31020305.....267	3968141 436, 449	881, 882, 893, 899	861
31020740.....267	3983720 437, 450	4460496 774, 778	4461008.....846, 893
31022030.....267	3983731 437, 450	4460497 774, 778	4461015....803, 878, 882
31022047.....267	3984425 438, 450	4460508 ... 845, 854, 861,	4461017.....865
31023448.....267	3986405 437	865	4461018....844, 855, 861
31200160.....143	3986610 551	4460509 ... 844, 855, 861,	4461054....846, 853, 862,
31200386.....145	3986643 551	877, 881	874
31200387.....147	4000015 959	4460518 785	4461070....786, 795, 847,
31200388.....147	4010310 887	4460536 867, 893, 929	863
314689.....95	4010508002 508	4460539 ... 783, 784, 792,	4461071....846, 854, 862
3290305.....887	4010510 647	795, 844, 845, 846,	4461072.....854
3290401....515, 807, 889,	4010608 767	853, 854, 861, 862,	4461073.....854
921, 923	4010608002 481, 508,	873, 878, 882	4461074.....854
3290405.....485, 767	595, 597, 599, 605	4460608 845, 861	4461095....783, 795, 844,
3290501....774, 778, 833,	4010610002 508, 599,	4460742 881	861
841, 925, 931, 953, 955	633	4460744 782, 792	4461115....785, 792, 899
3290505....365, 833, 839,	4010612002 489, 508,	4460746 782, 792	4461118....784, 792, 813,
841	515, 519, 521	4460748 846	856, 873, 874, 877, 881
3290601....113, 233, 331,	4031504 769, 771	4460789 813, 846	4461170.....931
335, 515, 572, 599,	4031607 45, 49, 649	4460836 ... 783, 793, 877,	4461174.....523
621, 767, 774, 778,	4031608 513, 827	881	4461262....782, 785, 793,
819, 821, 887, 905, 919	4031608001 508	4460871 823	795, 873
3290605.....27, 289, 369,	4031612 931	4460884 ... 783, 785, 792,	4641237.....695
461, 463, 465, 467,	4031708001 585, 587	793, 795, 874	4711400.....231
508, 515, 521, 767	4031709 699	4460891 ... 765, 785, 792,	471678.....293, 295, 537
3290801....331, 341, 481,	4031908 667, 669	795, 844, 845, 847,	4740532.....689
617	4031910 ... 591, 593, 667,	853, 855, 861, 873,	4740572.....331, 349
3290805.....25, 283, 289,	669, 701	877, 878, 881, 882	4761000.....831
291, 323, 327, 365,	4031918 ... 659, 677, 679,	4460892 847, 863	4807718.....497
375, 377, 625, 643,	681	4460894 ... 783, 785, 791,	4811400....515, 629, 767,
677, 833, 839, 841	4031927 321	792, 817, 845, 861,	807, 921, 923
3290806.....497	4032010 351	873, 877, 878, 881, 882	4811600....329, 508, 833,
3291001....25, 277, 307,	4032017 723	4460897 ... 783, 792, 803,	839, 841, 925, 931,
341, 353, 355, 357,	4032109 191	817, 847, 856, 863, 891	953, 955
359, 361, 363, 369,	4109801 938	4460899 813, 893, 933	4811602001.....508
635, 673, 887	4110422 241	4460905 823	4811700....27, 71, 77, 79,
3291005....201, 369, 607	4240127 279, 281	4460906 783	113, 233, 273, 275,
3291007.....285, 287	4360658 629, 959	4460911 873, 877, 881	289, 291, 297, 305,
3291201.....339	4360669 73	4460929 803	315, 331, 339, 345,
329120591, 95, 103, 105,	443630 111	4460930 ... 783, 785, 792,	349, 365, 369, 479,
107, 109	4460225 782, 783, 791	795	481, 515, 537, 572,
3291605.....89, 93, 255	4460234 365	4460931 786, 873	585, 587, 597, 599,

SECTION 13 - SPECIAL OPTIONS/ACCESSORIES/KITS

605, 621, 627, 633, 769, 771, 774, 778, 819, 821, 837, 887, 901, 903, 905, 907, 911, 919	4831900 95, 567, 572, 677	70020728..... 149, 150	70022034..... 557
4811700001 508, 595	5201215 703	70020730.. 199, 203, 205, 207	70022527 241
4811702 23, 331, 335, 461, 463, 465, 467, 531, 599, 621, 627, 641, 827, 871	5220600 905, 907	70020731.. 199, 203, 205, 207	70022528 237, 241
4811702001 481, 489, 508, 647	5220800 757, 759	70020764... 727, 729, 958	70022529 237, 241
4811900 ... 25, 27, 29, 31, 33, 35, 37, 39, 43, 47, 49, 71, 75, 89, 91, 103, 105, 107, 109, 273, 275, 283, 285, 287, 289, 291, 293, 295, 297, 299, 301, 323, 327, 331, 339, 341, 349, 351, 359, 363, 365, 375, 377, 481, 483, 501, 503, 541, 549, 553, 555, 572, 589, 591, 593, 601, 617, 621, 641, 643, 663, 667, 669, 673, 675, 693, 699, 819, 821, 827, 833, 835, 837, 839, 841, 871, 901, 913, 921, 923	5240600 827	70021140..... 449	70022563 719
481190227, 99, 331, 341, 345, 461, 463, 465, 467, 567, 572, 599, 601, 673, 833, 839, 841	5240800 321, 335, 683	70021238... 203, 205, 207	70022564 719
4812000 ... 23, 25, 27, 43, 47, 71, 75, 83, 277, 279, 281, 283, 285, 287, 289, 291, 293, 295, 305, 307, 323, 327, 335, 339, 349, 351, 353, 355, 357, 359, 361, 363, 365, 369, 371, 375, 377, 607, 631, 635, 641, 659, 661, 671, 673, 687, 697, 767, 833, 839, 841, 871, 887, 893, 897, 921, 923, 953, 955	5241000 369	70021239... 203, 205, 207	70022697 .. 203, 205, 207
4812002 ... 285, 287, 289, 291, 305, 307, 321, 323, 335, 341, 703, 723, 757, 759	5242400 233	70021240... 203, 205, 207	70022765 885, 959
4812100 . 23, 43, 91, 255, 285, 287, 289, 291, 323, 339, 427, 833, 839, 841	5250608 577	70021241.. 199, 203, 205, 207	70022821 59, 65
4812102 111	5251010 23	70021242.. 150, 151, 203, 205, 207	70022822 59
4812200 917	5260800 321, 335	70021243... 203, 205, 207	70022823 59, 65
4812300 ... 55, 57, 63, 67, 71, 89, 255	5271609 925	70021244... 203, 205, 207	70022824 59
4812500 471	5271808 669	70021245... 203, 205, 207	70022825 59
4831400 515, 807, 889	5271814 667	70021246... 203, 205, 207	70022826 65
4831600 49, 827	5271922 669	70021247... 203, 205, 207	70022906 199
4831700 ... 293, 295, 599, 771, 819, 821	5272011 913	70021248..... 203, 205	70022907 199
	5272022 695	70021251..... 557	70022912 199
	70002386 737, 958	70021252..... 557	70022922 199
	70002410 707	70021254..... 543, 545	70022923 199
	70002971 731, 958	70021314..... 543, 545	70022924 199
	70003788 731, 958	70021316..... 543, 545	70022925 199
	70004280 . 257, 259, 262, 265	70021317..... 543	70022927 149, 199
	70004505 261	70021318..... 543	70022928 199
	70004506 261	70021319..... 543, 547	70022929 199
	70004507 261	70021320..... 543	70022930 199
	70004508 261	70021321..... 543, 547	70023179 551
	70004509 261	70021322..... 543	70023181 551
	70004510 261	70021323..... 543, 547	70023182 551
	70004511 958	70021324..... 543, 547	70023184 551
	70004512 265	70021325..... 543, 547	70023186 551
	70004518 265	70021326..... 543, 547	70023189 551
	70005191 .. 257, 259, 265	70021327..... 543, 547	70023276 199
	70005433 713	70021328..... 543, 547	70023277 199
	70005492 261	70021329..... 543	70023278 199
	70005497 261	70021330..... 543, 547	70023369 707
	70005504 .. 257, 259, 265	70021342..... 241	70023370 707
	70005505 257, 259	70021349..... 237, 241	70023371 707
	70005507 257, 259	70021387..... 237, 241	70023372 719
	70005515 257, 259	70021415..... 237, 241	70023380 719
	70005522 261	70021504..... 195, 197	70023484 155
	70005524 261	70021531..... 727, 729	70024059 237, 241
	70005549 262	70021558..... 201	70024107 551, 959
	70005550 262	70021559..... 201	70024168 962
	70005556 .. 257, 259, 261	70021560..... 201	70024186 721
	70005559 257, 259	70021561..... 201	70024189 721
	70005793 707	70021562..... 201	70024201 735
	70005941 262	70021563..... 201	70024306 213
	70006596 713	70021613..... 438, 451	70024307 213
	70007083 261	70021835..... 199	70024436 149, 150
	70007604 739	70021836..... 199	70024437 149
	70008422 261	70021838..... 199	70024438 149
	70008425 261	70021839..... 199	70024439 149
	70008426 261	70021840..... 199	70024440 149
	70008430 261	70021841..... 199	70024441 149
	70008431 261	70021842..... 199	70024442 149
	70011901 .. 257, 259, 265	70021843..... 199	70024443 149
	70020173 437, 450	70021921..... 237, 241	70024444 149
	70020506 .. 203, 205, 207	70021935..... 237, 241	70024445 149
	70020507 .. 203, 205, 207	70021977..... 241	70024446 149
	70020508 .. 203, 205, 207	70021978..... 237, 241	70024447 149
	70020555 229	70021979..... 237, 241	70024448 149
	70020724 149	70022010..... 735	70024449 149
	70020725 149	70022028..... 237, 241	70024450 149
	70020726 149		70024452 149
			70024453 149
			70024454 149
			70024455 149, 958

SECTION 13 - SPECIAL OPTIONS/ACCESSORIES/KITS

70024456.....	149	70025387.....	405	70025462.....	409	70025569.....	449
70024459.....	551	70025388.....	405	70025463.....	399	70025570.....	449
70024475.....	262	70025389.....	405	70025464.....	399	70025602.....	717
70024480...257, 259, 265		70025390.....	405	70025465.....	409	70025613.....	717
70024481.....	262	70025391.....	405	70025466.....	417, 419	70025614.....	717
70024483.....	262	70025392.....	385, 387	70025467.....	409, 421	70025644.....	333
70024485..257, 259, 261, 265		70025393.....	385, 387	70025468.....	409	70025707.....	262
70024494...257, 259, 265		70025394.....	409	70025469.....	391, 415	70025737.....	262
70024495..257, 259, 262, 265		70025397.....	385, 387	70025470.....	391	70025743.....	262
70024504..257, 259, 261, 265		70025398.....	385, 387	70025471.....	421	70025755.....	262
70024505...257, 259, 261		70025400.....	393	70025472.....	409	70025775.....	262
70024507.....	261	70025401.....	393, 397	70025476.....	407	70025780.....	261
70024509...257, 259, 265		70025402.....	395	70025478.....	265	70025816.....	619
70024513.....	261	70025403.....	395	70025483.....	557	70025817.....	619
70024522.....	436, 449	70025404.....	395	70025485.....	557	70025819.....	437, 450
70024634.....	389	70025406.....	395	70025486.....	557	70025821.....	438, 450
70024635.....	411	70025407.....	395, 401	70025489.....	557	70025822.....	438, 450
70024639.....	389	70025408.....	395, 409	70025490.....	557	70025823.....	438, 450
70024641.....	413, 421	70025409.....	395	70025491.....	557	70025850.....	309, 958
70024642.....	389	70025410.....	395	70025493.....	389, 395	70025851.....	309, 958
70024644.....	389	70025411.....	395	70025494..407, 411, 413		70025859.....	623
70024645.....	389	70025412.....	395	70025495.....	411, 421	70025860.....	623
70024646.....	413, 421	70025413.....	395	70025496..389, 397, 401		70025884.....	451
70024847.....	735	70025414.....	395	70025497.407, 409, 411, 413		70026011...257, 259, 265	
70024856.....	551	70025415.....	395	70025498.389, 393, 395, 397		70026018.....	199
70024857.....	551	70025416.....	395	70025499.....	407, 413	70026210..257, 259, 261, 265	
70024858.....	551	70025417.....	395	70025500.....	407, 413	70026292.....	797, 959
70024859.....	551, 958	70025418.....	395	70025501.....	407, 413	70026293.....	799, 959
70024861.....	551	70025419.....	395	70025502.....	407, 413	70026294.....	829, 959
70024881.....	450	70025420.....	407	70025503.....	389	70026295.....	829, 959
70024918...257, 259, 265		70025421.....	397	70025504.389, 395, 397, 409		70026296.....	829, 959
70024920...257, 259, 261		70025422.....	397	70025505.....	409	70026297.....	829, 958
70024965.....	262, 351	70025423.....	397	70025506.....	411, 413	70026308.....	719
70025140.....	261	70025424..393, 395, 397		70025508.....	411, 413	70026313.....	737
70025144.....	261	70025425.....	397	70025509.....	393, 409	70026368.....	735
70025145.....	261	70025426.....	397	70025510.....	407, 409	70026370.....	735
70025152.....	261	70025427.....	401	70025511.....	385, 387	70026371.....	735
70025153...257, 259, 958		70025428.....	401	70025512.....	383	70026372.....	735
70025205...257, 259, 265		70025429..393, 395, 397		70025513.....	383	70026373.....	735
70025235.....	262	70025430.....	407, 423	70025514.....	409	70026374.....	735
70025239.....	261	70025431.....	397	70025515.....	383, 387	70026375.....	735
70025360.....	409	70025432..393, 395, 397		70025516.....	407	70026376.....	735
70025361.....	409	70025433..393, 395, 397		70025517.....	407	70026377.....	735
70025362.....	409	70025434..393, 395, 397		70025518.....	407	70026379.....	735
70025363.....	409	70025435.....	395, 397	70025520.....	391, 409	70026382.....	735
70025364.....	409	70025436.....	395, 397	70025522.....	399	70026395.....	309
70025365.....	409	70025437..393, 395, 397		70025523.....	409	70026396.....	309
70025366.....	409	70025438..393, 395, 397		70025524.383, 385, 387, 423		70026537.....	623
70025367.....	409	70025439..393, 395, 397		70025525.383, 385, 387, 423		70026543.....	719
70025368.....	409	70025440..393, 395, 397		70025526.....	383, 403	70026582.....	741, 958
70025369.....	409	70025441.....	397	70025527.....	383	70026630.....	451
70025370.....	409	70025442.....	395, 397	70025528.....	383	70026631.....	436, 449
70025371.....	409	70025443.....	407	70025529.....	383	70026698.....	237, 241
70025372.....	409	70025444.....	407	70025530.....	383, 423	70026702.....	237
70025373.....	409	70025445.....	393	70025531.....	265	70026719.....	367
70025374.....	409	70025446.....	393	70025533.....	265	70026720.....	367
70025375.....	409	70025447.....	393, 395	70025535.257, 259, 261, 265		70026721.....	367
70025376.....	409	70025448.....	393, 395	70025539.....	545, 959	70026722.....	367
70025377.....	409	70025449.....	393	70025555.....	436, 449	70026723.....	367
70025378.....	409	70025450.....	395	70025556.....	436, 449	70026724.....	367
70025379.....	409	70025451.....	391	70025562.436, 437, 449, 450		70026725.....	367
70025380.....	409	70025452.....	399	70025567.....	437, 450	70026726.....	367
70025382...385, 387, 409		70025453.....	383			70026749.....	436, 449
70025383.....	385, 387	70025455.....	417, 419			70026777.....	735
		70025456..417, 419, 958				70026808.....	959
		70025457.....	417, 419			70026819.....	438, 451
		70025459.....	399				
		70025460.....	409				
		70025461.....	409				

SECTION 13 - SPECIAL OPTIONS/ACCESSORIES/KITS

70026820	438, 451	70027324	227	70027660.....	415	70027996.....	149
70026821	437, 450	70027325	157	70027661.....	403	70027997.....	149, 150
70026827	437, 450	70027326	157	70027663..	383, 385, 387, 423	70027998.....	149
70026965	733	70027328 ..	393, 397, 421	70027664.....	409	70027999.....	149
70026966	733	70027331	383	70027665.....	409	70028000.....	149
70026967	733, 958	70027332	403	70027666.....	385, 387	70028001.....	149
70026968	733	70027337	421, 423	70027667.....	385, 387	70028002.....	149, 150
70026969	733	70027338	421, 423	70027668.....	409	70028003.....	149
70026970	733	70027339 ..	395, 421, 423	70027669.....	421	70028004.....	149
70026971	733	70027340	409	70027670.....	385	70028005.....	149
70026972	733	70027341	383	70027671.....	391	70028006.....	149, 150
70026973	733	70027344	395, 397	70027672.....	389	70028007.....	149, 150
70026975	733	70027345	385, 387	70027673.....	389	70028008.....	149
70026976	733	70027346	409	70027674.....	389	70028009.....	150
70026997	347	70027347	399	70027675.....	389	70028010.....	150
70027000	737	70027348	393	70027676.....	385, 387	70028011.....	150
70027001	737	70027349	397	70027677.....	417, 419	70028012.....	150
70027002	737	70027350	407	70027678.....	415	70028013.....	150
70027004	731	70027352	417, 419	70027679.....	415	70028014.....	150
70027008	325	70027353	417, 419	70027680.....	391	70028015.....	150
70027009	237, 241	70027354	421	70027681...393, 395, 397		70028016.....	150
70027037	337	70027358	395	70027682.....	385	70028017.....	150
70027107	436, 449	70027359	395	70027702.....	713	70028018.....	150
70027108	449	70027361	417	70027707.....	383, 405	70028019.....	150
70027114	437, 450	70027362	391, 417	70027711.....	383, 407	70028020.....	150
70027128	735	70027363	391, 419	70027714.....	383, 409	70028021.....	150
70027129	735	70027364	395	70027715...379, 381, 397		70028022.....	150
70027130	735	70027365	395	70027716...379, 381, 401		70028023.....	150
70027131	735	70027366	423	70027717...379, 381, 393		70028024.....	150
70027132	735	70027368	389	70027718...379, 381, 395		70028025.....	150
70027133	735	70027369	389	70027719...379, 381, 399		70028026.....	150
70027134	735	70027370	389	70027720...379, 381, 391		70028027.....	150
70027135	735	70027371	389	70027721.....	379, 385	70028028.....	150, 199
70027136	735	70027373	389, 411	70027722...379, 381, 383		70028029.....	150
70027141	735	70027374	413	70027724.....	381, 387	70028030.....	150
70027174	61	70027375	389, 413	70027725...379, 381, 389		70028031.....	150, 199
70027175	61	70027376	389, 409	70027744.....	719	70028032.....	150
70027176	69	70027382	385	70027745.....	719	70028033.....	150
70027177	69	70027383	387	70027773.....	119	70028034.....	150
70027178	69	70027387 ..	391, 411, 413	70027774.....	119	70028035.....	150
70027180	215	70027388	409	70027775.....	119	70028036.....	150
70027199	333	70027389	417, 419	70027776.....	119	70028037.....	150
70027200	333	70027392	545	70027777.....	119	70028038.....	150
70027201	333	70027393	545	70027778.....	119	70028039.....	150
70027202	333	70027394	543, 545	70027779.....	119	70028040.....	150
70027203	333	70027395	543	70027780.....	119	70028041.....	150
70027204	333	70027399	543	70027781.....	119	70028042.....	150
70027225	719	70027403 ..	257, 259, 262	70027782.....	119	70028043.....	150
70027267	725	70027404	257, 259	70027783.....	119	70028044.....	150
70027268	725	70027405	257, 259	70027784.....	119	70028045.....	150
70027269	725, 958	70027410	262	70027785.....	119	70028046.....	150
70027270	725	70027417 .	257, 259, 265, 958	70027786.....	119	70028047.....	150
70027271	725	70027431	262	70027787.....	119	70028087.....	150
70027291	165, 201	70027468	262	70027788.....	119	70028326.....	551
70027293	157, 227	70027595	721	70027789.....	119	70028384.....	707
70027294	157, 227	70027596	729	70027790.....	237	70028392.....	437, 450
70027295	227	70027600	667, 739	70027791.....	119	70028436.....	227
70027296	157, 227	70027604	203, 205	70027792.....	119	70028468.....	438, 451
70027297	157, 227	70027605	203, 205	70027793.....	119	70028471.....	436, 449
70027298	157, 227	70027606 ..	203, 205, 207	70027794.....	119	70028473.....	437, 450
70027302	157, 227	70027607 ..	203, 205, 207	70027990.....	149	70028474.....	437, 450
70027315	437, 450	70027608	207	70027991.....	149	70028476.....	438, 451
70027316	451	70027631	211	70027992.....	149	70028477.....	438, 451
70027317	438, 450	70027657 .	257, 259, 262, 265	70027993.....	149	70028536.....	437, 450
70027318	438	70027658	207	70027994.....	149	70028537.....	437, 450
70027319	438			70027995.....	149, 150	70028542.....	261
70027320	437, 450					70028546.....	813

SECTION 13 - SPECIAL OPTIONS/ACCESSORIES/KITS

70028733.....437, 450	70031033.....713	7028733.....450	8006605.....437, 450
70028764.....262	70031034.....713	7028910 155, 159, 165	8007749.....436
70028868.....743	70031035.....713	7028911 159, 165	8007755.....436
70028869.....743	70031036.....713	7028912 159, 165	8007771.....436, 449
70028870.....743, 958	70031037.....713	7028913 159, 165	8007785.....437
70028871.....743	70031038.....713	7028914 159	8007786.....438
70028872.....743	70031039.....713	7028915 159, 165	8007802.....438
70028873.....743	70031040.....713	7028916 159, 165	8008168.....437
70028874.....743	70031041.....713	7028917 159, 165	8008169.....438
70028875.....743	70031044.....719	7028918 ... 157, 159, 165,	8008175.....438, 451
70028900.....737	70031045.....719	227	80204005.....436, 449
70028906.....436	70031050.....543	7028919 159, 165	80204065.....437, 450
70028907.....438, 451	70031051.....543	7028920 159, 165	80204071.....436, 449
70028908.....438, 451	70031052.....543	7028923 159, 165	80204117... 437, 450, 451
70028940.....436	70031053.....543	7028982 159, 165	80233218.....697
70028978.....199	70031054.....543	7028983 159, 165	80264002.....543, 545
70028979.....199	70031087.....261	7028984 155, 159, 165	80264004.....543, 545
70028980.....199	70031215.....262	7028985 159	80333151.....693
70029011.....165, 201	70031293.....711	7028986 155, 157	8034697.....735
70029012.....201	70031294.....711	7028987 155	80363179.....854
70029013.....201	70031295.....711	7028988 155, 157	80363195.....501
70029030.....735	70031296.....711	7028989 155	8036580.....731
70029386.....262	70031297.....711	7028990 159, 165	80604016.....855
70029399.....261	70031385.....261	7028991 159, 165	80604017.....817
70029820.....735	70031474.....262	7028995 165	80604018.....853, 855
70029869.....436, 449	70031697.....261	7029124 155	80963067.....846, 862
70029879.....261	70031706.....261	7029131 436, 449	80983191.. 797, 799, 801,
70029992.....735	70031712.....261	7029344 135, 139	958
70029993.....735	70031714.....261	7029345 135, 137	8220043.....865
70029994.....735	70050472.....735	7029346 135, 137	8220050.....811
70029995.....735	70050475.....735	7029347 135, 137	8220051.....784, 795
70030247.....438	70050481.....735	7029348 135, 137	8220097.....846, 862
70030248.....438	7012903 731	7029349 135, 137	8220098.....846, 862
70030249.....438	7012998 731	7029350 135, 137	8220108.... 793, 846, 861
70030250.....437	7016331 ... 257, 259, 262,	7029351 135, 137	8220114.....877, 881
70030251.....437, 450	265, 958	7029352 135, 137	8220115.....845, 862
70030264.....437, 450	7020208 262	7029353 135, 139	8220124.... 845, 856, 861
70030273.....261	7020404 262	7029354 135, 139	8220375.....786, 795
70030274.....437, 450	7020442 ... 257, 259, 262,	7029355 135, 139	8229234.... 786, 795, 958
70030282.....197	265	7029356 135, 139, 155	8229242.... 797, 799, 847,
70030283.....195	7020465 ... 257, 259, 262,	7029357 139	856, 863, 958
70030365.....437, 450	265	7029427 436, 449	8229244.... 801, 829, 847,
70030933.....437, 450	7022391 731	7029428 436, 449	863, 958
70030943.....739	7022730 413	7029430 437, 450	8229245.... 797, 829, 848,
70030944.....739	7024947 721	7029432 437, 450	863, 958
70030945.....739	7028038 438	7029486 ... 585, 587, 659,	8229247.... 799, 829, 848,
70030946.....739	7028039 438	661, 951	863, 958
70030947.....739	7028043 449	7029520 229	8270147.....757, 759
70030948.....739	7028082 451	7029521 229	8270148.....757, 759
70030953.....707	7028115 437, 450	7029692 241	8275212.... 285, 287, 289,
70030954.....707	7028125 155	7029749 155	291
70030955.....707	7028126 155	7029767 557	8305919 23, 27, 508, 531,
70030956.....707	7028127 ... 155, 157, 227	7029786 438, 450	599
70030957.....707	7028128 155	7300435 255	8310559.....493
70030958.....707	7028129 155	7301893 757, 759	8405006.... 279, 281, 659,
70030992.....436, 449	7028130 155	77133140 .. 677, 679, 699	661, 693
70030994.....437, 450	7028131 ... 155, 157, 159,	77133168 699	8405007.....365
70030997.....717	165, 227	77133177 677, 679	8405009.... 299, 301, 621
70030998.....717	7028132 155	8000759 497	8405104.....339
70030999.....717	7028133 155	8000803 481	8405201.... 339, 508, 511
70031000.....438, 451	7028134 155	8002798 437	8405202.....339
70031001.....438, 451	7028135 155	8004398 497	8405301.....703
70031002.....438, 451	7028136 201	8004468 437, 449	8405402.....315, 317
70031003.....438, 451	7028137 201	8005079 427	8405502.....667, 669
70031031.. 161, 167, 171,	7028621 551	8005827 455	8406201.....667, 669
175	7028706 ... 436, 437, 449,	8005870 938	8406202.....693
70031032.....179	450	8005901 587	

SECTION 13 - SPECIAL OPTIONS/ACCESSORIES/KITS

8406302 ... 339, 341, 365, 833, 839, 841	90200003 193	91474529..... 436, 449	91474595 449
8410009 ... 353, 355, 357, 359, 361, 363, 567, 572, 697	90554016 237, 241	91474531..... 436, 449	91504107 817
8410011 315, 317	90554019 119	91474533..... 436, 449	91514082 436, 449
8410013 ... 279, 281, 323, 355, 359, 361, 363	90554020 .. 119, 237, 241	91474539..... 436, 449	91514098 436, 449
8420231 339	90554042 .. 119, 237, 241	91474547 436, 449	91514099 437, 451
8430032 691	90554054 .. 119, 237, 241	91474549..... 436	91514117 437
8430033 691	90554067 119	91474550..... 436, 449	91514134 436, 449
8466306 505	90554070 119	91474551..... 436, 449	91514146 436, 449
8760550 71	90554080 229	91474553..... 436, 449	91514147 436, 449
8769124 677, 679	91013191 861, 873	91474554..... 436	91514148 436, 449
8770143 71	91013192 878, 882	91474555..... 436	91514154 438, 450
8770167 675	91043147 375, 377	91474568..... 438, 450	91514188 . 436, 437, 449, 450
88662434 671	91403193 425	91474579..... 437, 450	91514189 437, 450
8881800 833, 841	91474507 . 436, 437, 449, 450	91474580..... 437, 450	91554019 853, 854
	91474512 436, 449	91474584..... 437, 450	91554022 854
	91474516 451	91474585..... 437, 450	AU2105 938
	91474522 438, 451	91474591..... 436, 449	TP_REF 262
		91474593..... 449	



**Corporate Office
JLG Industries, Inc.
1 JLG Drive
McConnellsburg, PA 17233-9533 USA
☎ (717) 485-5161 (Corporate)
☎ (833) 554-3276 (Customer Support)
farm@jlg.com (Customer Support)**

**Visit our website for JLG Worldwide Locations.
www.jlgagriculture.com**



OSHKOSH™