



Illustrated Parts Manual

Lighting Tower Model

Metro-LED

From S/N M4L0000001 to M4L0001119
From S/N M4L0001128 to M4L0001498
From S/N M4L0001550 to M4L0001742
From S/N M4L0001809 to M4L0001848
From S/N M4L0001885 to M4L0001904

1001309537

October 12, 2023



METRO-LED

REFERENCE MANUALS

- 1001309535 Metro-LED Operation and Safety Manual
- 1001309536 Metro-LED Service & Maintenance Manual
- 1001309537 Metro-LED Illustrated Parts Manual

JLG AUSTRALIA & NEW ZEALAND LOCATIONS

**JLG Industries
(Port Macquarie)**
11 Bolwarra Road
Port Macquarie
NSW 2444
Phone: (02) 6581 1111

**JLG Industries
(Victoria)**
30-32 Cyber Loop
Dandenong
Melbourne VIC 3175
Phone: (32) 9554 4333

**JLG Industries
(Queensland)**
223 Fison Avenue West
Eagle Farm
Brisbane QLD 4009
Phone: (07) 3309 9111

**JLG Industries
(Western Australia)**
30 Kewdale Road
Kewdale
Perth WA 6105
Phone: (08) 9356 9811

**JLG Industries
(New South Wales)**
358 Park Road
Regents Park
Sydney NSW 2143
Phone: (02) 8718 6300

**JLG Industries
(South Australia)**
9 Nucera Court
Green Fields
Adelaide SA 5107
Phone: (08) 8259 8777

**JLG Industries
(New Zealand)**
2B Fisher Crescent
Mt Wellington, Auckland
New Zealand
Phone: +64 9276 1728

**JLG Industries
(Northern Territory)**
23 Beresford Road
Yarrowonga
Darwin NT 0831
Phone: (08) 8259 8777

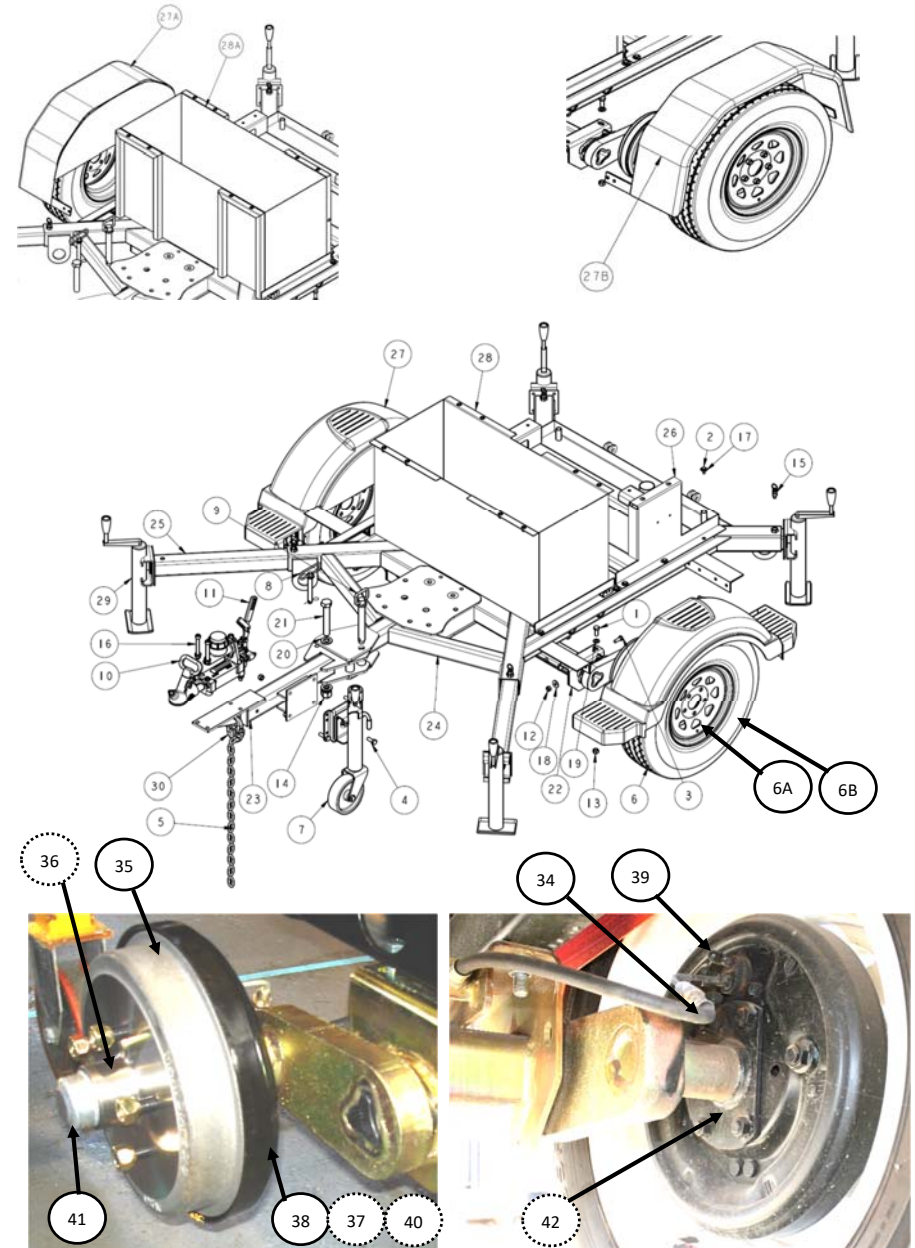
ILLUSTRATED PARTS MANUAL

CONTENTS

PAGE

• Chassis Assembly	4
• Lifting & Fuel Tank Assembly	6
• Battery & Power pack Assembly	8
• Engine & Alternator Assembly	10
• Hoods Assembly	13
• Mast Assembly	17
• Mast Section 1	20
• Mast Section 2	22
• Mast Section 3	24
• Mast Section 4	26
• Mast Section 5	28
• Mast Section 6	30
• Mast Section 7	32
• Light Head	33
• Electrical Assembly	38
• Decals & Miscellany	41
• Options	45
• Cable Brake Arrangement	50
• Recommended Spare Parts	51

CHASSIS ASSEMBLY



METRO-LED



7A

7B

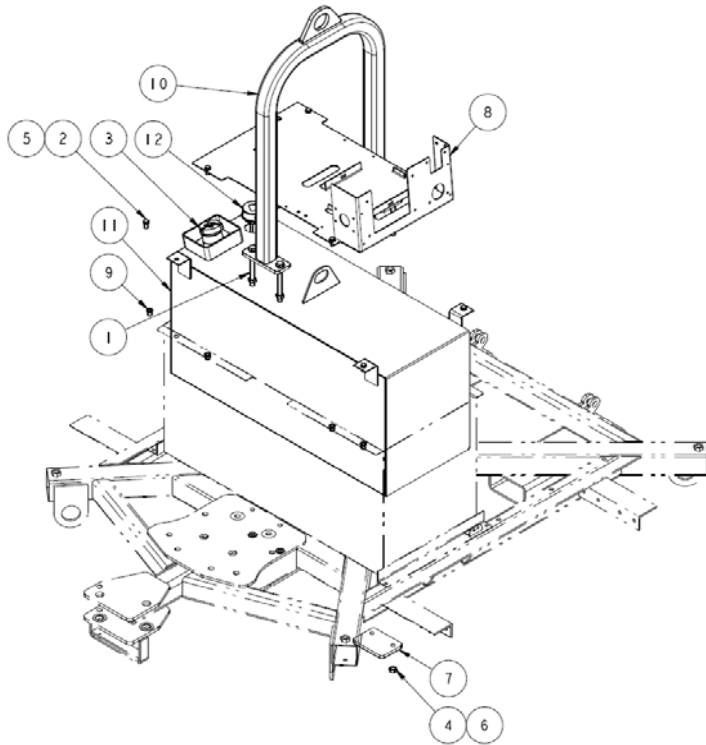
7C

SEQ.#	ITEM NO.	DESCRIPTION	QTY
1	0711215	HEX HEAD BOLT, M12 X 35 CLASS 10.9	4
2	0760810	HEX HEAD BOLT, M8 X 20 CLASS 8.8	10
3	0761014	HEX HEAD BOLT, M10 X 30 CLASS 8.8	8
4	0711215	HEX HEAD BOLT, M12 X 35 CLASS 10.9	4
5	1730753	CHAIN, TRAILER SAFETY	1
6	1730912	ASSY, TYRE/WHEEL	2
6A	1001238924	WHEEL, RIM 14X6 WHITE RANGER	2
6B	1001238925	TIRE, 185R14C 102/100R 850 KG	2
7	1001204567	JACK, JOCKEY WHEEL 6" (OPTION)	1
7A	1730952	JOCKEY WHEEL, 8" BLACK (OPTION)	1
7B	1001217920	WHEEL, JOCKEY 8" ALKO	1
7C	1001233857	WHEEL, JOCKEY 8" EZYROLL (OPTION)	1
8	1733192	PIN, HITCH	1
9	1733267	PIN, REWORK CLEVIS 1.00 X 6 mm	1
10	1001159424	COUPLING, 50 mm TOW BALL	1
11	1737060	CYLINDER, MASTER BRAKE ASSY.	1
12	3291005	HEX LOCK NUT, M10 X 1.5 CLASS 8	12
13	3331215	HEX LOCK NUT, M12 X 1.75 CLASS 10	8

METRO-LED

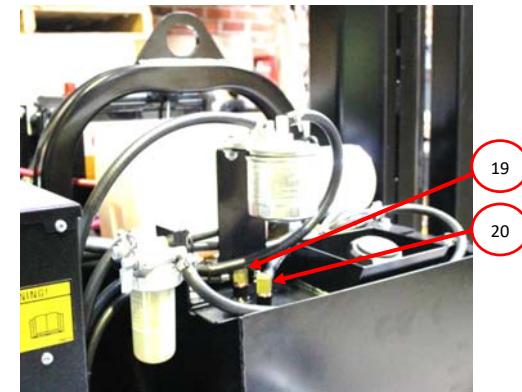
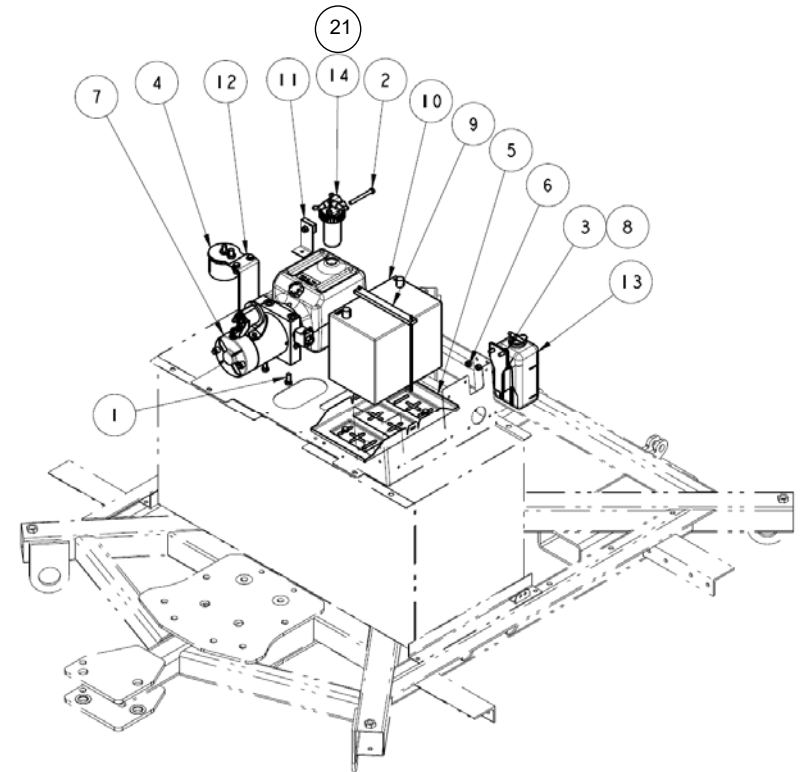
SEQ.#	ITEM NO.	DESCRIPTION	QTY
14	1001098827	HEX LOCK NUT, M24 X 3 CLASS 10	1
15	3422369	PIN, PLUNGER	4
16	1001212780	HEX SOCKET HEAD BOLT, M12 X 100 CLASS 12.9	4
17	4811902	WASHER, 8 mm LG OD	10
18	4812002	WASHER, 10 mm LG OD	8
19	4812100	WASHER, 12 mm	8
20	4812700	WASHER, 24 mm	2
21	1001097587	HEX HEAD BOLT, M24 X 150 CLASS 10.9	1
22	1001159428	AXLE, METRO HYDRAULIC BRAKE	1
22A	1001207381	AXLE, CABLE DISC BRAKE METRO (OPTION)	1
23	1001201167	HITCH, ASSY FOLDED METRO	1
24	1001201176	FRAME, WELDMENT METRO UNIVERSAL	1
25	1001201405	STABILIZER, WELDMENT	4
26	1001201793	MOUNT, WELDMENT 2482 GENSET	1
27	1001207379	MUDGUARD, 14 INCH PLASTIC	2
27A	1001202275	SHIELD, WELDMENT RH METRO	1
27B	1001202276	SHIELD, WELDMENT LH METRO	1
28	1001209189	FRAME, FUEL TANK BUNDING LED	1
28A	1001201399	FRAME, FUEL TANK BUNDING	1
29	A330008	ASSEMBLY, REAR OUTRIGGER JACK	4
	A330014	SNAP RING FOR JACK (NOT SHOWN)	A/R
	1001265715	KIT, SWIVEL PIN 3/8" DL JACK	A/R
30	1001204723	CHAIN, CONNECTING LINK	1
31	1001205758	HOSE ASSY, METRO DRUM BRAKE (NOT SHOWN)	1
32	1001172072	HARNES, TAILLIGHT (NOT SHOWN)	1
33	1001172073	HARNES, TAILLIGHT (NOT SHOWN)	1
34	1001233026	HOSE ASSY, METRO DRUM BRAKE (SHORT)	2
35	1732109	HUB, BRAKE DRUM	2
36	1001233028	KIT, WHEEL BEARING AND SEAL (HYD HUB)	2
37	1734149	BRAKE SHOES, PAIR	2
38	1001233031	PLATE, PAIR BACKING HYDRAULIC BRAKE	2
39	1001233032	BRAKE, BLEED SCREW 9 HYDRAULIC	2
40	1730882	BRAKE WHEEL CYLINDER, 9" HYDRAULIC	2
41	1734703	AXLE DUST CAP - K13	2
42	1734710	SEAL, HUB AXLE BEARING	2

LIFTING & FUEL TANK ASSEMBLY

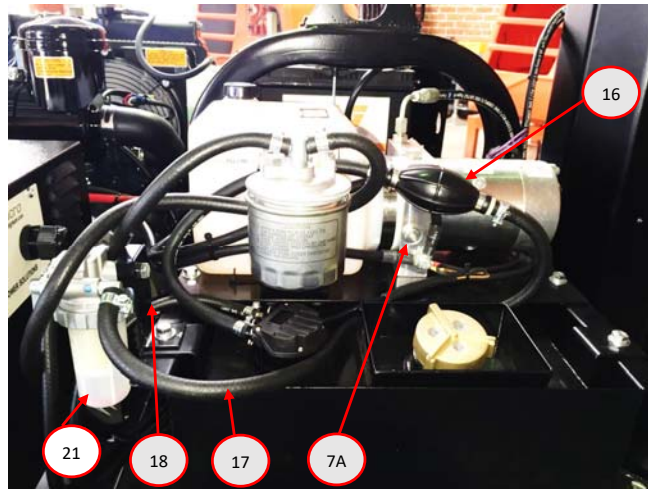


SEQ.#	ITEM NO.	DESCRIPTION	QTY
1	0711230	HEX HEAD BOLT, M12 X 130 CLASS 10.9	4
2	0760810	HEX HEAD BOLT, M8 X 20 CLASS 8.8	8
3	1001204660	GAUGE, FUEL METRO (PRIOR S/N: M4L0000247)	1
3A	1120314	CAP, FUEL TANK FILLER (FROM S/N: M4L0000247)	1
4	3331215	HEX LOCK NUT, M12 X 1.75 CLASS 10	4
5	4811902	WASHER, 8 mm LG OD	8
6	4812100	WASHER, 12 mm	8
7	1001202716	PLATE, LIFTING LUG MOUNT REAR	1
8	1001202855	BRACKET, CONTROL BOX MOUNT	1
9	1001205301	RIVET, M8 X 1.25 SHORT NUTSERT	10
10	1001202720	LUG, WELDMENT LIFTING METRO	1
10A	1001205928	LUG, WELDMENT LIFTING METRO (FOR MOULDED HOOD)	1
11	1001201412	TANK, WELDMENT FUEL METRO (PRIOR S/N: M4L0000247)	1
11A	1001218157	TANK, WELDMENT FUEL METRO (FROM S/N: M4L0000247)	1
12	1001219626	SENSOR, FUEL (FROM S/N: M4L0000247)	1
13	1001179341	INSERTION RUBBER 50 X 3 mm (NOT SHOWN)	0.75 m

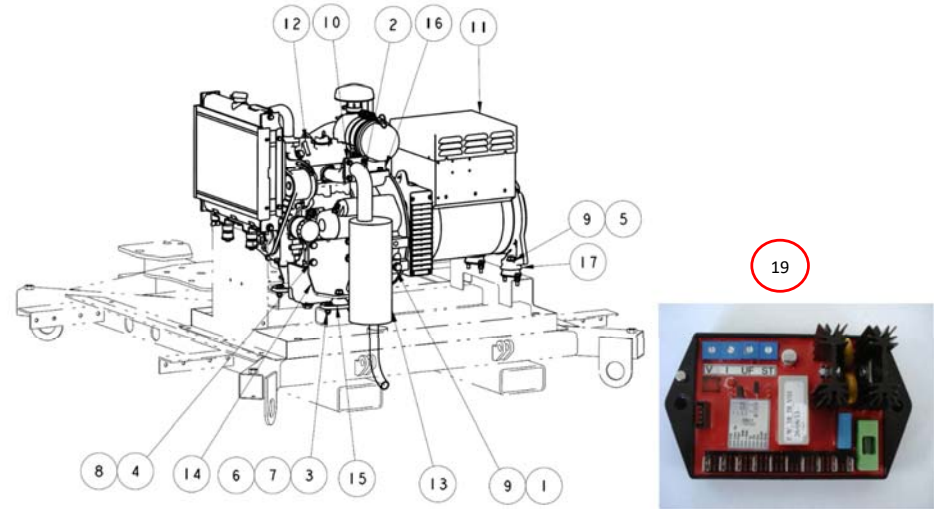
BATTERY & POWER PACK ASSEMBLY



ENGINE & ALTERNATOR ASSEMBLY

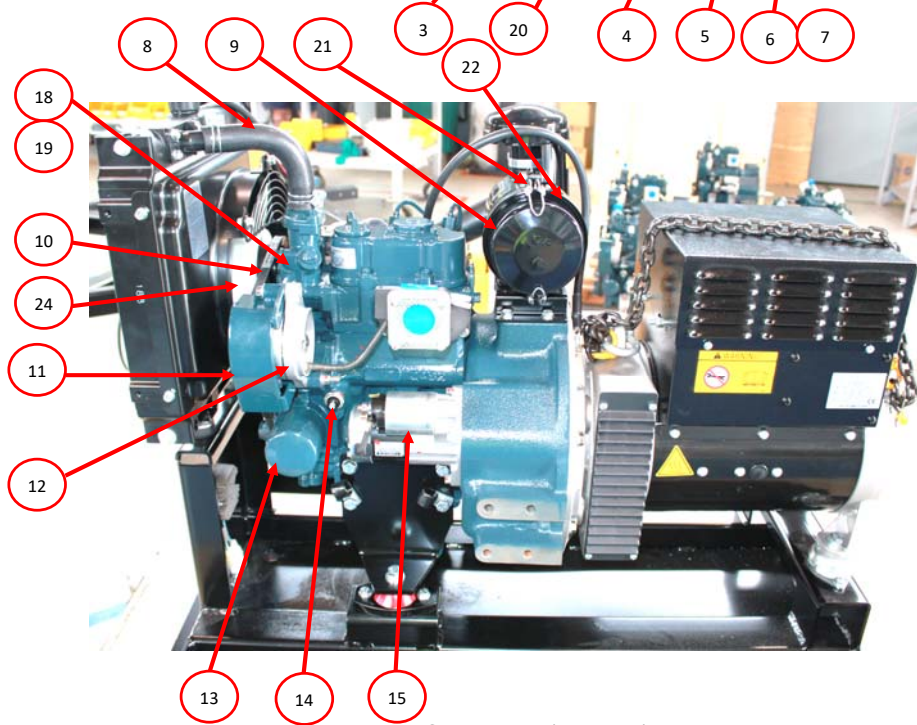
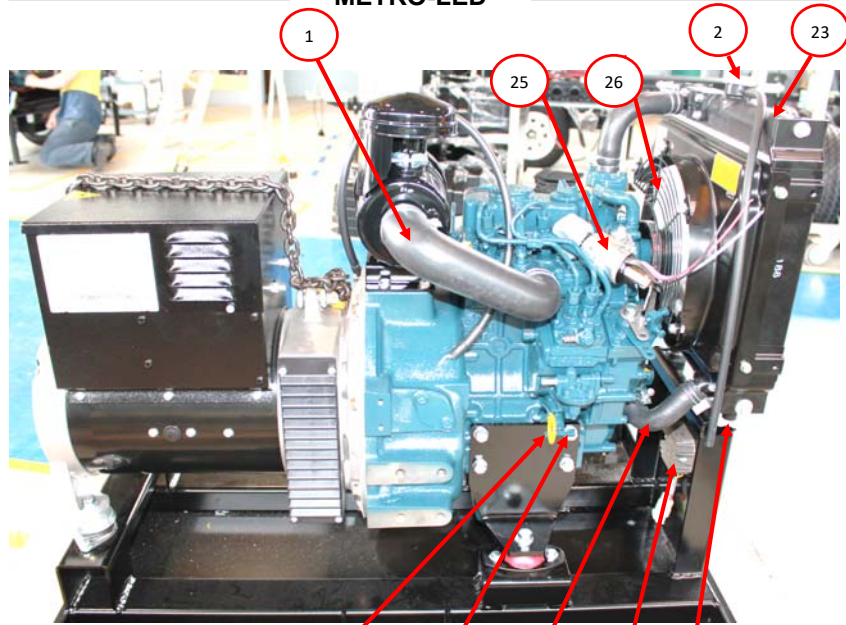


SEQ.#	ITEM NO.	DESCRIPTION	QTY
1	0681607	HEX HEAD BOLT, 3/8-16 X 7/8 GRADE 8	2
2	0700823	HEX HEAD BOLT, M8 X 75 CLASS 8.8	1
3	0760810	HEX HEAD BOLT, M8 X 20 CLASS 8.8	8
4	1001181346	FUEL FILTER	1
5	1731207	BATTERY TRAY, 314 X 185 PVC (PRIOR S/N: M4L0000228)	1
6	3290805	HEX LOCK NUT, M8 X 1.25 CLASS 8	6
7	1001210709	POWERPACK, HYDRAULIC C/W TANK & PRESSURE RELIEF VALVE	1
7A	1001246647	SEALING WASHER, 3/8UNC 750 SERIES PRV ADJUSTING SCREW	A/R
8	4811900	WASHER, 8 mm	12
9	1001160992	CLAMP, BATTERY HOLD DOWN	1
10	1001160993	BATTERY, 12 V	1
11	1001210885	BRACKET, ASSY WATER SEPARATOR MOUNT	1
12	1001171776	BRACKET, FUEL FILTER FINISHED	1
13	1001212181	CONTAINER, Z482 COOLANT BOTTLE	1
14	KU1583143353	FILTER, Z482 ASSY WATER SEPARATOR	1
15	1001208672	CABLE, KIT BATTERY METRO (NOT SHOWN)	1
16	1730815	FUEL-LINE PRIMER BULB	1
17	1735652	FUEL HOSE 5/16"	5.0 m
18	1737576	FUEL HOSE 3/16"	1.2 m
19	1730939	HOSETAIL, 1/4" BSPT x 1/4" HOSE 90DEG (PRIOR S/N: M4L0000247)	1
20	1001187892	FTG-PIPE, 1/4" NPT x 5/16" HOSE (PRIOR S/N: M4L0000247)	1
21	KU1583143380	WATER SEPARATOR CARTRIDGE	1



SEQ.#	ITEM NO.	DESCRIPTION	QTY
1	0681808	HEX HEAD BOLT, 1/2-13 X 1 GRADE 8	2
2	0760810	HEX HEAD BOLT, M8 X 20 CLASS 8.8	4
3	0760814	HEX HEAD BOLT, M8 X 30 CLASS 8.8	8
4	1001219876	HEX HEAD SCREW, M10 X 1.25P-30 CLASS 8.8	8
5	0711215	HEX HEAD BOLT, M12 X 35 CLASS 10.9	4
6	3290805	HEX LOCK NUT, M8 X 1.25 CLASS 8	12
7	4811900	WASHER, 8 mm	20
8	4812000	WASHER, 10 mm	8
9	4812100	WASHER, 12 mm	6
10	4831900	LOCKWASHER, SPRING 8 mm	4
11	1001208963	GENERATOR, 9 PHASE SINCRO (FROM S/N: M4L0000023 TO PRESENT)	1
12	1001201865	ENGINE, KUBOTA Z482-SAE DIESEL	1
13	1001216262	MUFFLER, STANDARD, METRO LED	1
13A	1001210790	MUFFLER, SPARK ARRESTER METRO	1
14	1001205306	BRACKET, KUBOTA Z482 ENGINE LEG	2
15	1001205894	ENGINE MOUNT, GPM7FS-12B ISOLATOR	2
16	1001206704	BRACKET, Z482 AIR CLEANER MOUNT	1
17	1001209186	MOUNT, ISOLATOR GENERATOR	2
18	1001211396	HARNESS, LT METRO MAIN LED (NOT SHOWN)	1
19	1001187612	CONTROL, SINCRO 154520 AVR DBC1	1

METRO-LED

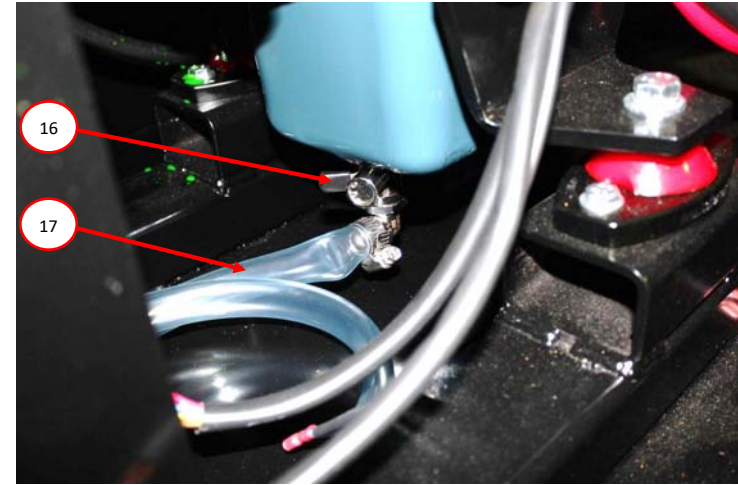


1001309537

JLG Industries (Australia)
Oshkosh Corporation

Page 11
12/10/23

METRO-LED



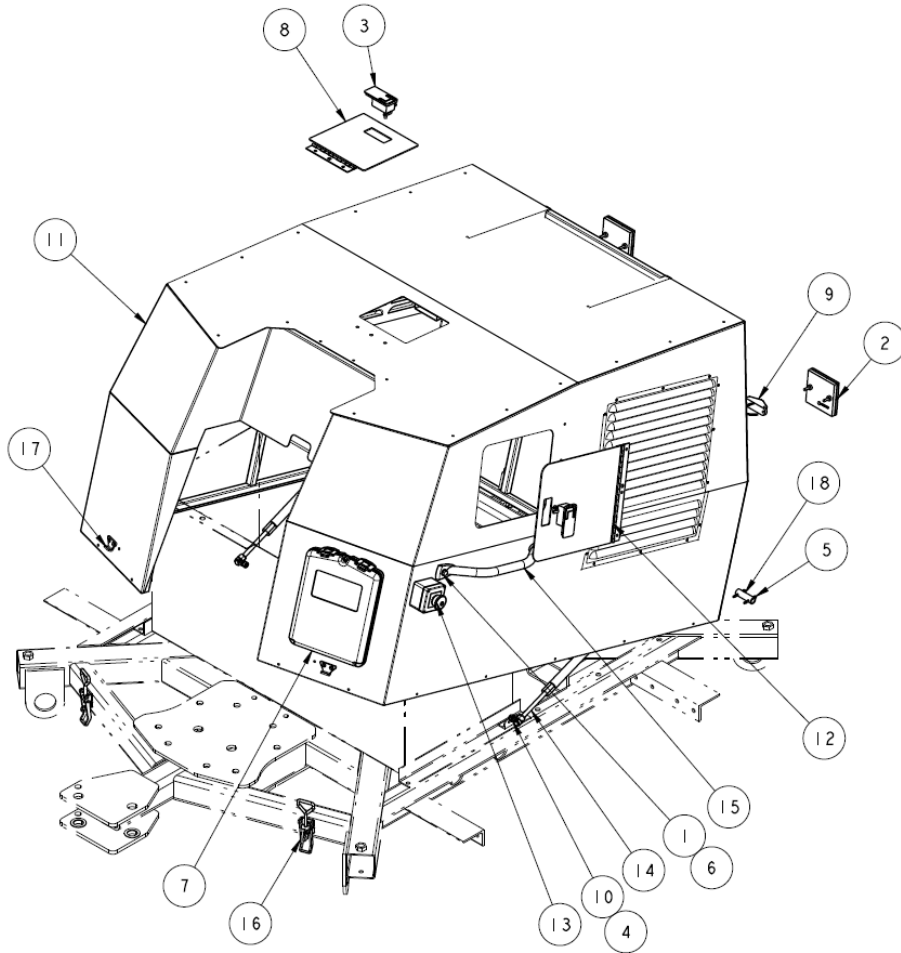
SEQ.#	ITEM NO.	DESCRIPTION	QTY
1	1001206201	HOSE, KUBOTA Z482 AIR CLEANER	1
2	70002329	CAP, RADIATOR KUBOTA Z482	1
3	1001212183	GAUGE, OIL KUBOTA Z482	1
4	1001212177	HOSE, RADIATOR BOTTOM Z482	1
5	7023108	ASSEMBLY, REGULATOR VOLTAGE Z482	1
6	1734127	MOUNT, RADIATOR TOP Z482	2
7	1733088	MOUNT RADIATOR RUBBER Z482	2
8	1001212176	HOSE, RADIATOR TOP Z482	1
9	1001212174	FILTER, AIR KUBOTA Z482	1
10	1001212175	FAN, BELT KUBOTA Z482	1
11	1001212179	FAN, BELT GUARD Z482	1
12	1001212178	ENGINE, DYNAMO Z482	1
13	7017980	FILTER, OIL Z482	1
14	1730874	OIL PRESSURE SENDER	1
15	70004850	ASSY STARTER	1
16	1001205052	VALVE, EZ7BL M22X1.5P L-NIPPLE	1
17	1001207320	HOSE, CLEAR VINYL 5/8 IN DIA	0.9 m
18	70004853	ASSY, WATER PUMP	1
19	70004854	GASKET, WATER PUMP	1
20	7017900	COCK, WATER DRAIN ASSY	1
21	1001229321	BRACKET, Z482 AIR CLEANER	1
	1001269719	SHIM, BAND CLAMP RUBBER	A/R
22	7023174	ASSY, AIR CLEANER/METAL HOUSING	1
23	1001232898	RADIATOR, KUBOTA Z482	1
24	1001233083	FAN, Z482 RADIATOR	1
25	SA489912	SOLENOID, START	1
26	1001269227	SHIELD, ENGINE FAN Z482 KUBOTA	1

1001309537

JLG Industries (Australia)
Oshkosh Corporation

Page 12
12/10/23

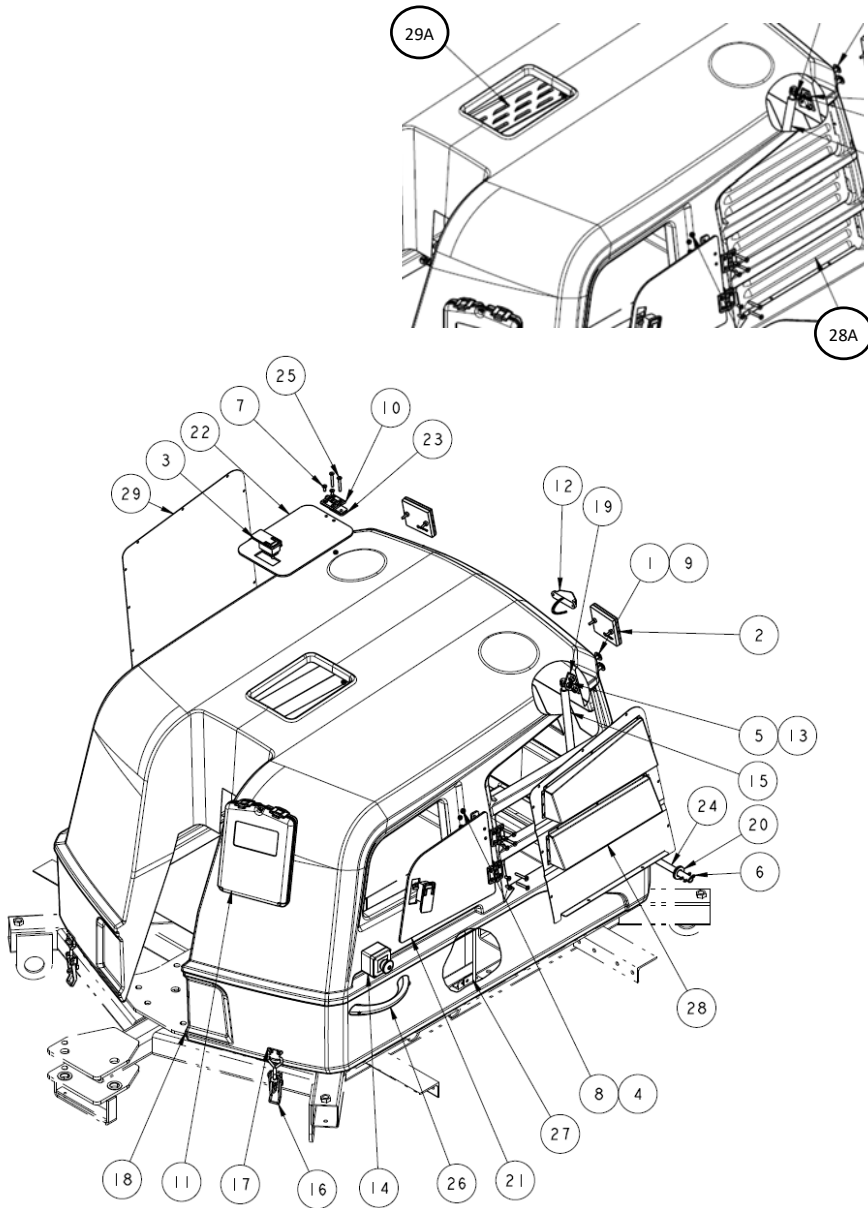
HOODS ASSEMBLY



SEQ.#	ITEM NO.	DESCRIPTION	QTY
1	0760816	HEX HEAD BOLT, M8 X 40 CLASS 8.8	2
2	1001214200	TAILLIGHT, LED LIGHTING TOWER	2
3	2940042	LATCH, LIFT AND TURN	3
4	3290805	HEX LOCK NUT, M8 X 1.25 CLASS 8	6
5	3391410	PIN, SPLIT 4 X 30 mm	4
6	4811900	WASHER, 8 mm	4
7	8990147	HOLDER, MANUAL	1
8	1001164912	ASSY, FUEL TANK ACCESS COVER FINISHED	1
9	1001174354	LAMP, NUMBER PLATE LED (PRIOR S/N:M4L0000232)	1
9A	1001223303	LAMP, NUMBER PLATE LED (FROM S/N: M4L0000232)	2
10	1001185541	BALL, GAS SPRING MOUNT	4
11	1001198766	INSTALL, STEEL HOODS	1
12	1001204573	DOOR, ACCESS METRO	2
13	1001204848	ELEC ASSY, EMERGENCY STOP	1
14	1001205047	ACTUATOR, GAS 200 N 400 mm STROKE	2
15	1001205049	HANDLE, STEEL	1
16	1001205832	LATCH, HOOD ZINC	2
17	1001205833	HOOK, HOOD LATCH ZINC	2
18	1001212946	PIPE, HINGE FOR STEEL HOOD	2
19	4360517	SWITCH, PROXIMITY (NOT SHOWN)	1

METRO-LED

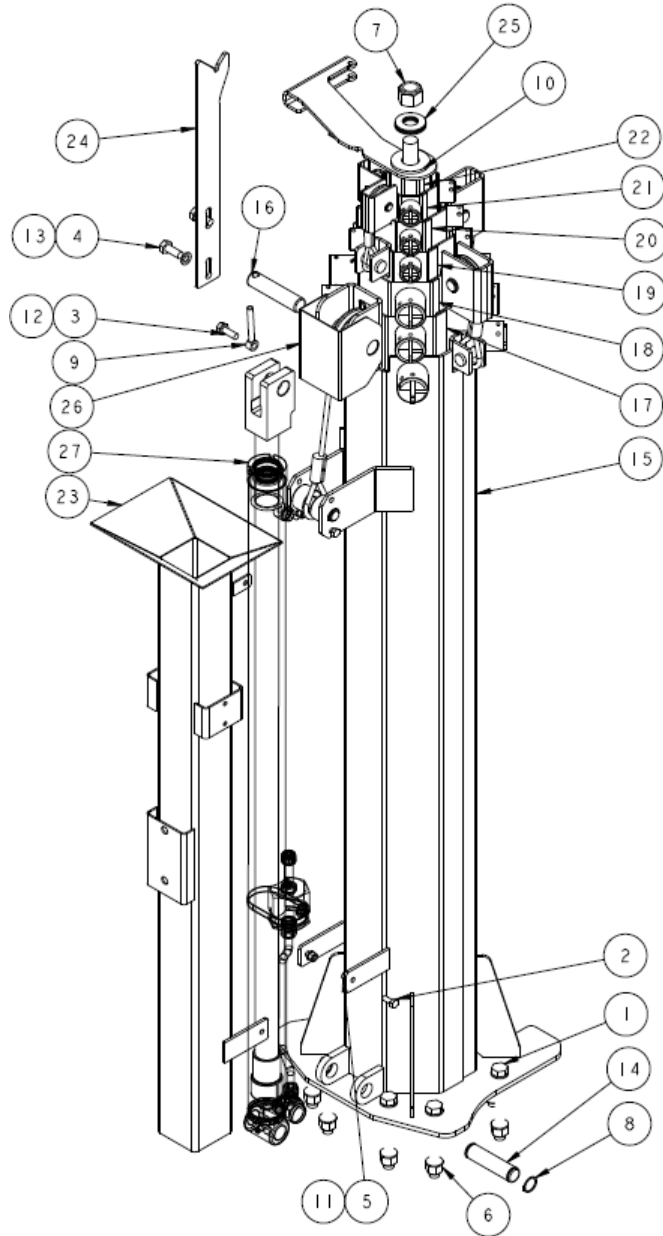
HOODS ASSEMBLY MOULDED



METRO-LED

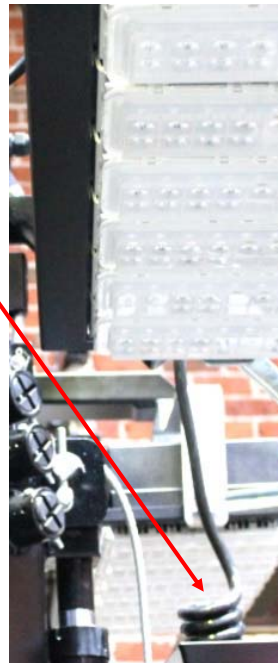
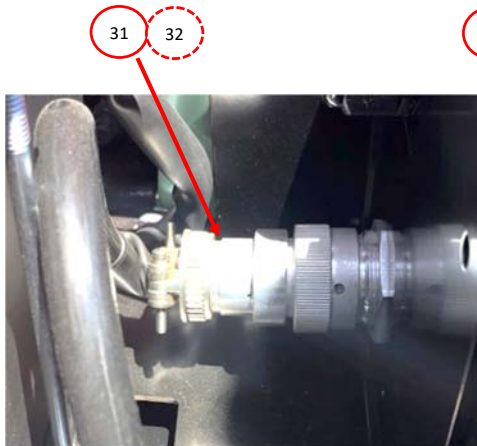
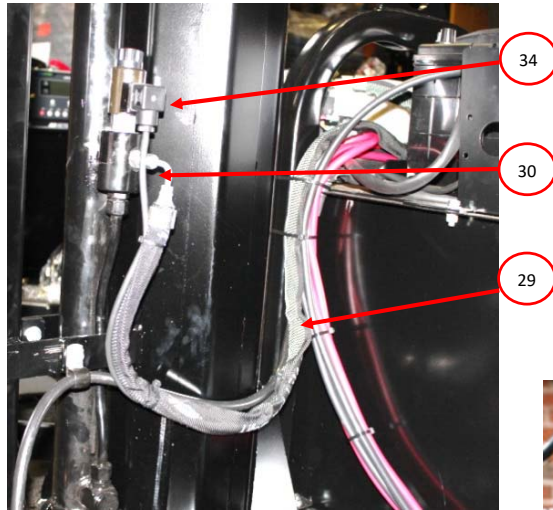
SEQ.#	ITEM NO.	DESCRIPTION	QTY
1	0760816	HEX HEAD BOLT, M8 X 25 CLASS 8.8	4
2	1001214200	TAIL LIGHT, LED LIGHTING TOWER	2
3	1735660	LATCH, LIFT AND TURN LOCKABLE	3
4	3290601	HEX NUT, M6 X 1 CLASS 8	18
5	3290805	HEX LOCK NUT, M8 X 1.25 CLASS 8	4
6	3391410	PIN, SPLIT 4 X 30 mm	4
7	3900224	COUNTER SUNK SCREW M6X12 CLASS 8.8	10
8	4811700	WASHER, 6 mm	10
9	4811902	WASHER, 8 mm LG OD	4
10	8006105	JOINT, HINGE	5
11	8990147	HOLDER, MANUAL	1
12	1001174354	LAMP, NUMBER PLATE LED (PRIOR S/N:M4L0000232)	1
12A	1001223303	LAMP, NUMBER PLATE LED (FROM S/N: M4L0000232)	2
13	1001185541	BALL, GAS SPRING MOUNT	4
14	1001204848	ELEC ASSY, EMERGENCY STOP	1
15	1001215883	ACTUATOR, GAS 200 N 825 mm LONG	2
16	1001205832	LATCH, HOOD ZINC	2
17	1001205833	HOOK, HOOD LATCH ZINC	2
18	1001228796 (OBSOLETE)	HOOD, MOULDED METRO (PRIOR S/N:M4L0001809)	1
18A	1001293167	HOOD, MOULDED SINGLE SHOT (FROM S/N:M4L0001809) (ORDER LOUVERS 28B & 29B TO SUITE WITH THIS HOOD)	1
19	1001205939	ANGLE, GAS STRUT MOUNT HOOD	2
20	1001208673	WASHER-SPEC, NYLON, M20 X 37 X3 mm	4
21	1001210269	DOOR, MOULDED HOOD LH	2
22	1001210710	DOOR TOP, MOULDED HOOD	1
23	1001210837	BAR, HINGE SPACER	6
24	1001211067	TUBE, HINGE FOR MOULDED HOOD	2
25	1001212699	COUNTER SUNK SCREW M6 X 45 CLASS 8.8	12
26	1001215885	HANDLE, BLACK 235 MM GRAB	1
27	1001217319	ROD, ASSY MOULDED HOOD GUIDE	1
28A	1001210766 (OBSOLETE)	BRACKET, ENGINE LOUVRES LH (PRIOR S/N: M4L000029 SHOULD ALSO ORDER ITEMS 28 & 29)	1
28	1001219429	PANEL, RADIATOR LOUVERS ASSY (FROM S/N: M4L0000298 TO M4L0001808)	1
28B	1001294391	PANEL, LOUVERS RAD END S-SHOT (FROM S/N:M4L0001809)	1
29A	1001210767 (OBSOLETE)	BRACKET, GENERATOR LOUVRES RH (PRIOR S/N: M4L0000298 ALSO ORDER ITEMS 28 & 29)	1
29	1001219466	PANEL, LOUVERS GENERATOR END (FROM S/N: M4L0000298 TO M4L0001808)	1
29B	1001294389	PANEL, LOUVERS GEN END S-SHOT (FROM S/N:M4L0001809)	1
30	4360517	SWITCH, PROXIMITY (NOT SHOWN)	1

MAST ASSEMBLY



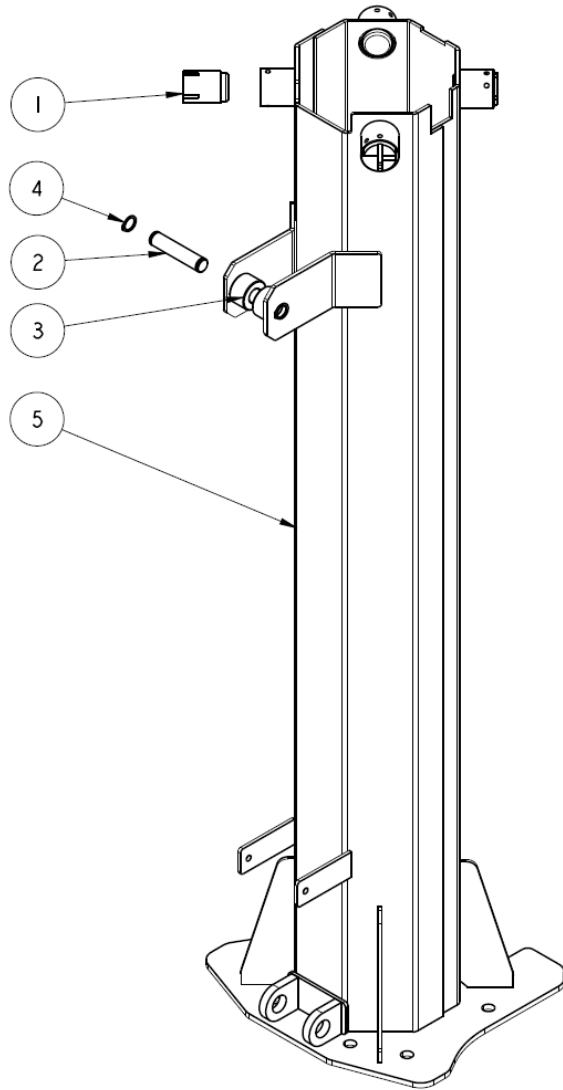
SEQ.#	ITEM NO.	DESCRIPTION	QTY
1	0701630	HEX HEAD BOLT, M16 X 130 CLASS 8.8	8
2	0760810	HEX HEAD BOLT, M8 X 20 CLASS 8.8	4
3	0761014	HEX HEAD BOLT, M10 X 30 CLASS 8.8	1
4	0761214	HEX HEAD BOLT, M12 X 30 CLASS 8.8	2
5	3290805	HEX LOCK NUT, M8 X 1.25 CLASS 8	4
6	3291605	HEX LOCK NUT, M16 X 2 CLASS 8	8
7	1001098827	HEX LOCK NUT, M24 X 3 CLASS 10	1
8	7011716	RING, RETAINING 1.0"	2
9	3841143	KEEPER, 3/8" SHAFT	1
10	4740418	WASHER, 1.12 X 2.50 X .18 BRONZ	1
11	4811900	WASHER, 8 mm	4
12	4832000	LOCKWASHER, SPRING 10 mm	1
13	4832100	LOCKWASHER, SPRING 12 mm	2
14	1001159483	PIN, CYLINDER CLEVIS	1
15	1001201575	MAST, WELDMENT SECTION 1	1
16	1001201580	PIN, MAST CYLINDER SHEAVE	1
17	1001201582	MAST, LT WELDMENT SECTION 2	1
18	1001201778	MAST, LT WELDMENT SECTION 3	1
19	1001201783	BOOM, LT WELDMENT SECTION 4	1
20	1001201794	MAST, LT WELDMENT SECTION 5	1
21	1001201798	MAST, LT WELDMENT SECTION 6	1
22	1001201803	MAST, LT WELDMENT SECTION 7	1
23	1001207853	SUPPORT, WELDMENT CURLY CORD	1
24	1001209969	PLATE, LIGHTHEAD STABILITY	1
25	1001212059	WASHER-DISC SPRING 50 X 25.4 X 2 mm	4
26	1001218855	COVER, MAST CABLE	1

MAST ASSEMBLY [CONTINUED]



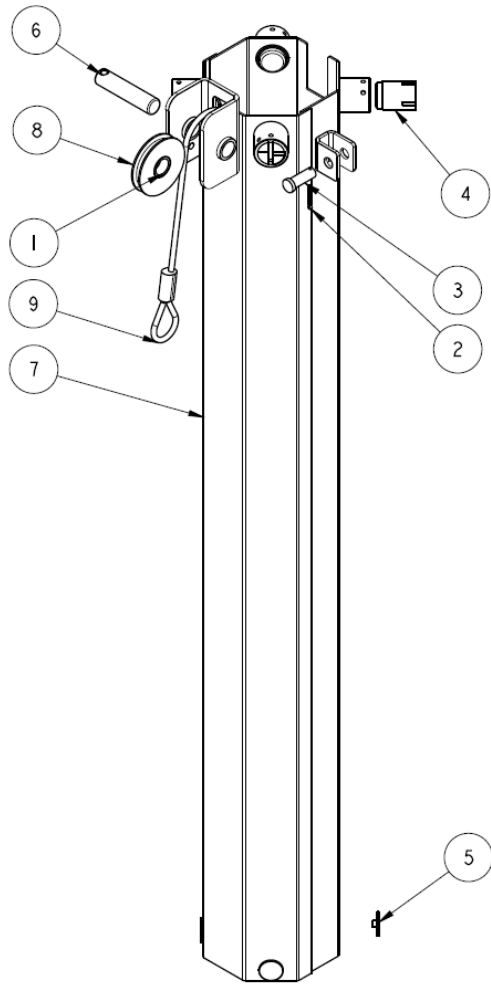
SEQ.#	ITEM NO.	DESCRIPTION	QTY
27	1001206341	CYLINDER, HYDRAULIC METRO (SUPERSEDED) ORDER 1001294209 – KIT, HYD CYLINDER METRO LT REPLACE PRIOR S/N: M4L0001549	1
	1001297296	PLATE, RESTRICTOR -1.2M17.4M4M (FOR CYLINDER 1001206341)	A/R
27	1001282255	CYLINDER, HYDRAULIC MECH OVERRIDE METRO FROM S/N: M4L0001550	1
28	1001161003	CABLE, COILED CORD (PRIOR S/N: M4L0000177)	1
28A	1001214489	CABLE, COILED CORD (FROM S/N: M4L0000177)	1
29	1001203248	HOSE ASSY, METRO LIFT CYLINDER	1
30	2220582	FTG 9/16 UNO X 7/16 JIC NIPP	1
31	4460754	CONNECTOR, HD SERIES PLUG	1
32	4460464	TERMINAL, DEUTSCH #16 - #18 PIN	12
33	1001161887	KIT, CYLINDER SEAL (NOT SHOWN)	1
34	1001220712	VALVE, SOLENOID MAIN CYLINDER (FOR CYLINDER 1001206341)	1
34A	1001299650	VALVE, SOLENOID MAIN CYLINDER (FOR CYLINDER 1001282255)	1

MAST SECTION 1



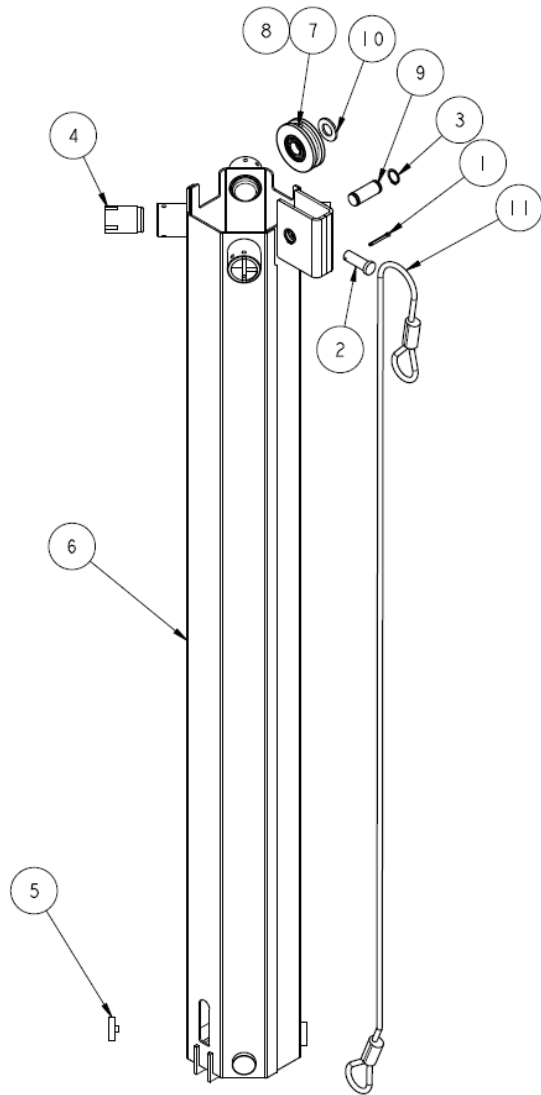
SEQ.#	ITEM NO.	DESCRIPTION	QTY
1	1001228793	PAD, 1.25" BSPP MAST WEAR	4
2	1001159482	PIN, LUG S1	1
3	1001159883	SHIM, MAST LUG, S1	2
4	1001160214	RING, RETAINING EXT, 0.75"	2
5	1001201575	MAST, WELDMENT SECTION 1	1

MAST SECTION 2



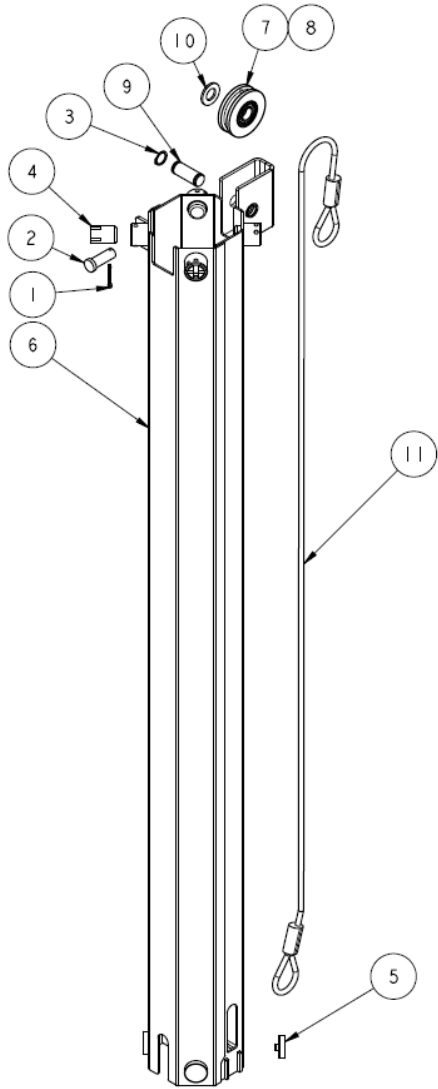
SEQ.#	ITEM NO.	DESCRIPTION	QTY
1	0961947	BEARING, GARMAX - 1 ID	1
2	3391410	PIN, SPLIT 4 X 30 mm	1
3	3431014	PIN, FLAT HEAD CLEVIS	1
4	1001228793	PAD, 1.25" BSPP MAST WEAR	4
5	1001159498	PAD, INNER 4 mm	4
6	1001201580	PIN, MAST CYLINDER SHEAVE	1
7	1001201582	MAST, LT WELDMENT SECTION 2	1
8	1001204659	SHEAVE, MAST CYL 92 mm DIA.	1
9	1001204568	CABLE, LT MAST S1-3 (CONNECT S3 LOWER POINT AND S1 TOP POINT)	1

MAST SECTION 3



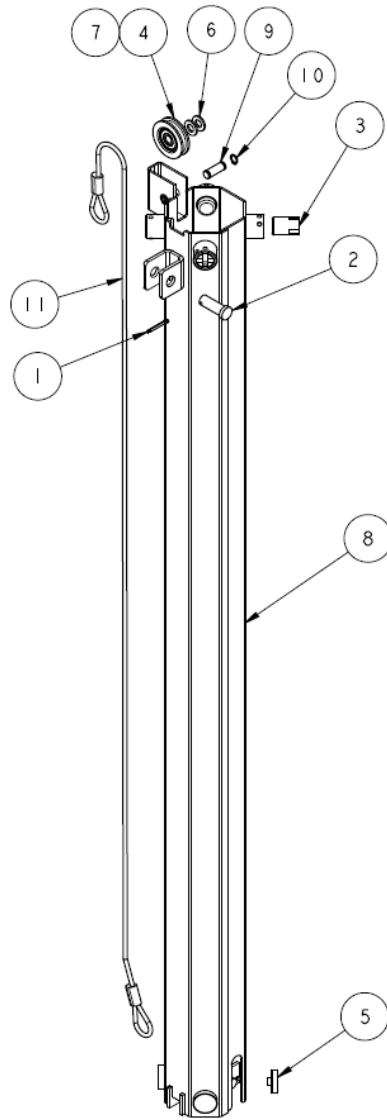
SEQ.#	ITEM NO.	DESCRIPTION	QTY
1	3391410	PIN, SPLIT 4 X 30 mm	2
2	3431014	PIN, FLAT HEAD CLEVIS	2
3	3760488	RING, RETAINING EXT M20	2
4	1001228793	PAD, 1.25" BSPP MAST WEAR	4
5	1001159496	PAD, INNER 10 mm	4
6	1001201778	MAST, LT WELDMENT SECTION 3	1
7	1001204172	SHEAVE, LT MAST 80 DIA	1
8	1001207844	BEARING, BALL, 20 X 42 X 12 mm	2
9	1001207845	PIN, DIA 20, MAST SHEAVE	1
10	1001208673	WASHER-SPEC, NYLON, M20 X 37 X 3 mm	2
11	1001204569	CABLE, LT MAST S2-4 (CONNECT S4 LOWER POINT AND S2 TOP POINT)	1

MAST SECTION 4



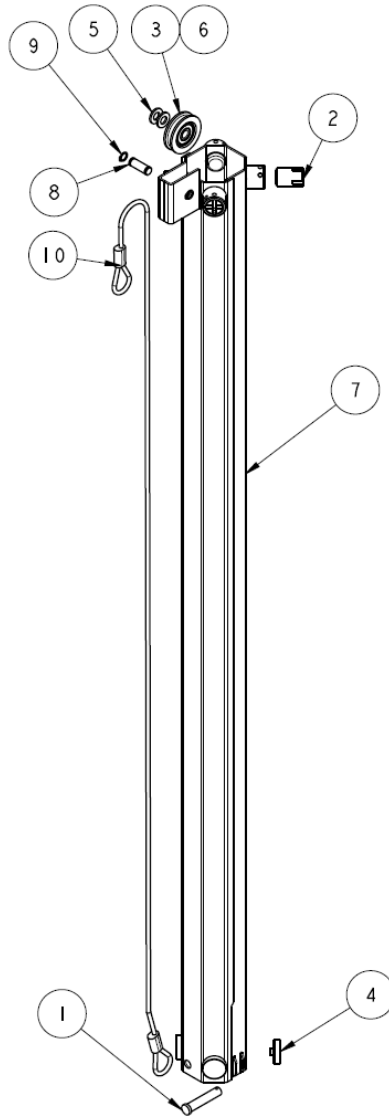
SEQ.#	ITEM NO.	DESCRIPTION	QTY
1	3391410	PIN, SPLIT 4 X 30 mm	2
2	3431014	PIN, FLAT HEAD CLEVIS	2
3	3760488	RING, RETAINING EXT M20	2
4	1001228794	PAD, 0.75" BSPP MAST WEAR	4
5	1001159496	PAD, INNER 10 mm	4
6	1001201783	BOOM, LT WELDMENT SECTION 4	1
7	1001204172	SHEAVE, LT MAST 80 DIA	1
8	1001207844	BEARING, BALL, 20 X 42 X 12 mm	2
9	1001207845	PIN, DIA 20, MAST SHEAVE	1
10	1001208673	WASHER-SPEC, NYLON, M20 X 37 X 3 mm	2
11	1001204569	CABLE, LT MAST S3-5 (CONNECT S5 LOWER POINT AND S3 TOP POINT)	1

MAST SECTION 5



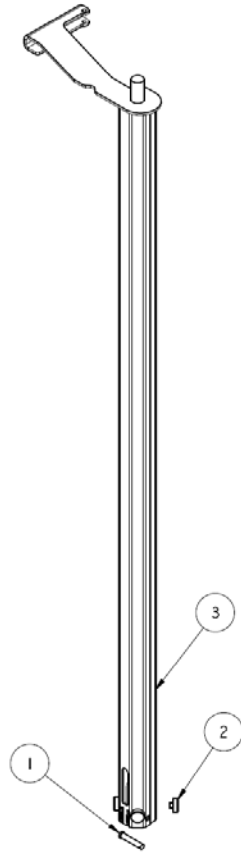
SEQ.#	ITEM NO.	DESCRIPTION	QTY
1	3391410	PIN, SPLIT 4 X 30 mm	2
2	3431014	PIN, FLAT HEAD CLEVIS	2
3	1001228794	PAD, 0.75" BSPP MAST WEAR	4
4	1001159479	SHEAVE, 60 mm	1
5	1001159496	PAD, INNER 10 mm	4
6	1001160216	WASHER, NYLON, 12 mm	4
7	1001160923	BEARING, NTN 6301LLU	1
8	1001201794	MAST, LT WELDMENT SECTION 5	1
9	1001207846	PIN, DIA 12, MAST SHEAVE	1
10	1001209642	RING, RETAINING EXT. 12 mm DIA	2
11	1001204570	CABLE, LT MAST S4-6 (CONNECT S6 LOWER POINT AND S4 TOP POINT)	1

MAST SECTION 6



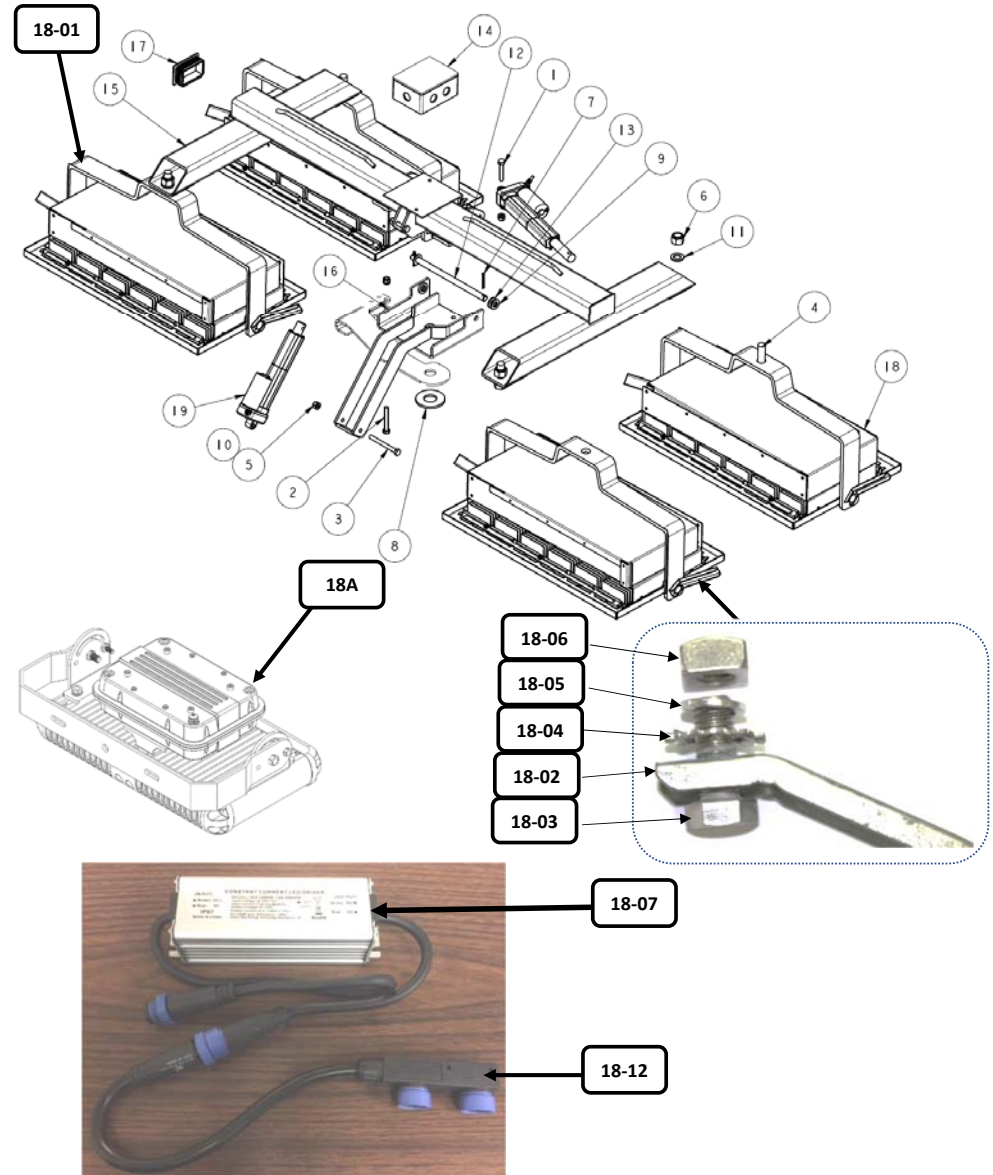
SEQ.#	ITEM NO.	DESCRIPTION	QTY
1	3430810	PIN, FLAT HEAD CLEVIS	1
2	1001228794	PAD, 0.75" BSPP MAST WEAR	4
3	1001159479	SHEAVE, 60 mm	1
4	1001159496	PAD, INNER 10 mm	4
5	1001160216	WASHER, NYLON, 12 mm	4
6	1001160923	BEARING, NTN 6301LLU	1
7	1001201798	MAST, LT WELDMENT SECTION 6	1
8	1001207846	PIN, DIA 12, MAST SHEAVE	1
9	1001209642	RING, RETAINING EXT. 12 mm DIA	2
10	1001204570	CABLE, LT MAST S5-7 (CONNECT S7 LOWER POINT AND S5 TOP POINT)	1

METRO-LED
MAST SECTION 7

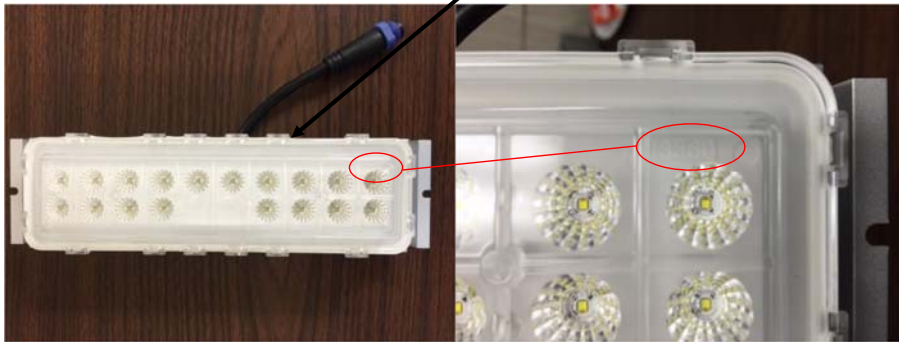


SEQ.#	ITEM NO.	DESCRIPTION	QTY
1	3430616	PIN, FLAT HEAD CLEVIS	1
2	1001201802	PAD, INNER MAST SEC 7	4
3	1001201803	MAST, LT WELDMENT SECTION 7	1

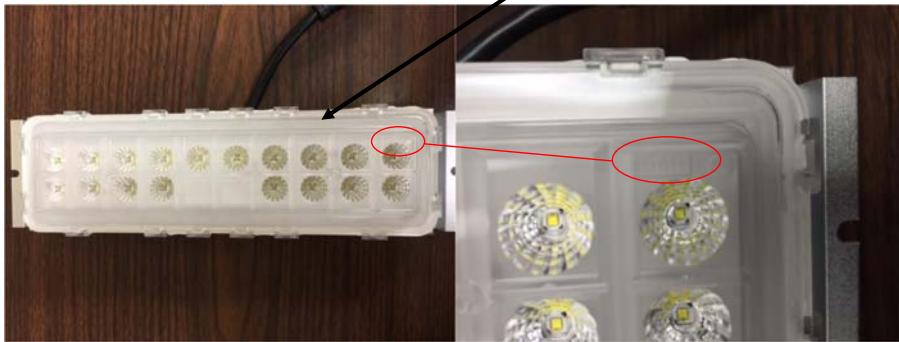
METRO-LED
LIGHT HEAD



METRO-LED



18-08



18-09

LAST 2 DIGITS MOULDED INTO OPTIC NOTE 40/60 DEGREE. ALSO ON PART LABEL.

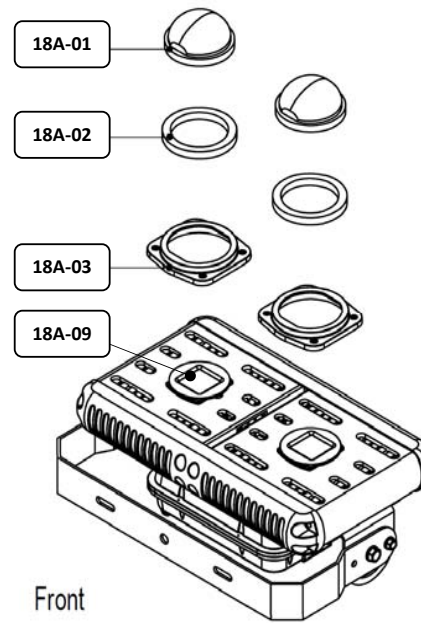


18-10



18-11

METRO-LED



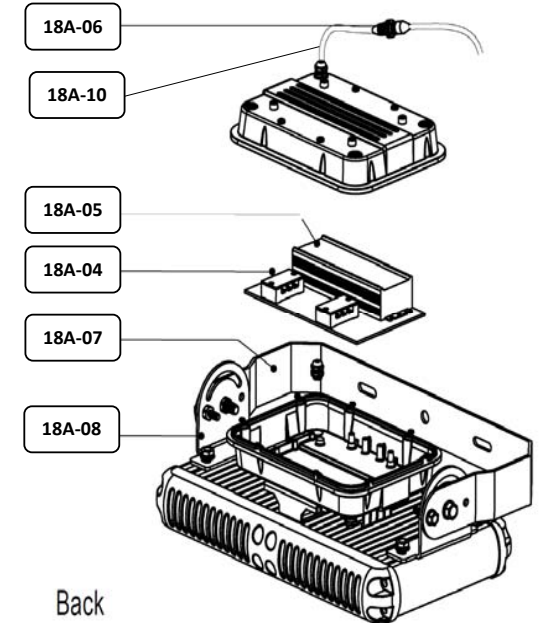
18A-01

18A-02

18A-03

18A-09

Front



18A-06

18A-10

18A-05

18A-04

18A-07

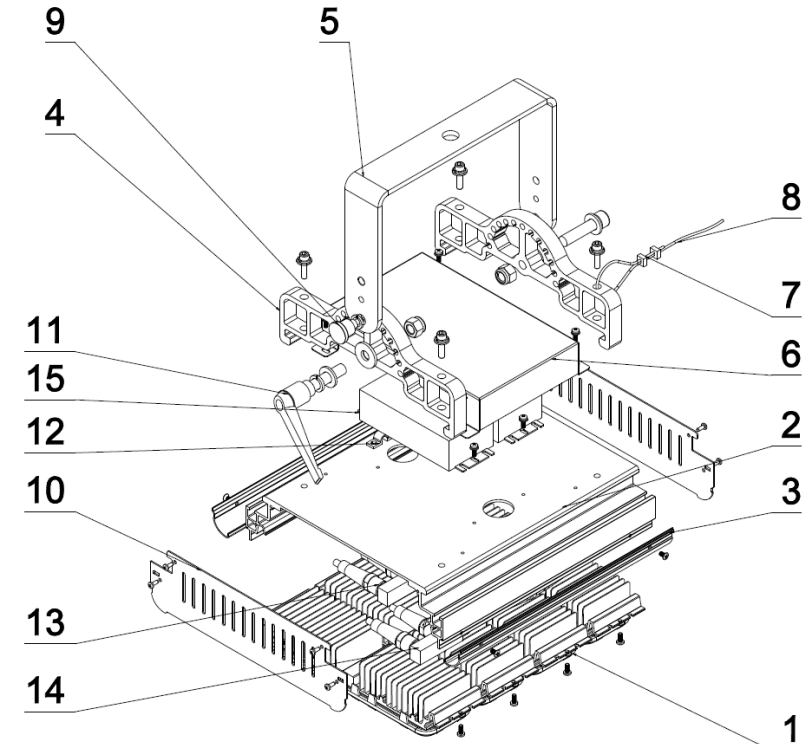
18A-08

Back

METRO-LED

SEQ.#	ITEM NO.	DESCRIPTION	QTY
1	0760817	HEX HEAD BOLT, M8 X 45 CLASS 8.8	2
2	0760820	HEX HEAD BOLT, M8 X 60 CLASS 8.8	1
3	0760824	HEX HEAD BOLT, M8 X 80 CLASS 8.8	1
4	0701620	HEX HEAD BOLT, M16 X 60 CLASS 8.8	4
5	3290805	HEX LOCK NUT, M8 X 1.25 CLASS 8	4
6	3291605	HEX LOCK NUT, M16 X 2 CLASS 8	4
7	3391210	PIN, SPLIT 3.2 X 30 mm	2
8	4740418	WASHER,1.12 X 2.50 X .18 BRONZ	1
9	4812100	WASHER, 12 mm	2
10	4831900	LOCKWASHER, SPRING 8 mm	4
11	4832300	LOCKWASHER, SPRING 16 mm	4
12	1001159798	PIN, LIGHTHEAD PIVOT	1
13	1001160216	WASHER, NYLON, 12 mm	2
14	1001205374	BOX, MAST JUNCTION METRO	1
15	1001206281	SUPPORT, LIGHTS LIGHT TOWER	1
16	1001206336	BRACKET, ASSY LIGHT HEAD PIVOT	1
17	1001215796	PLUG, PLASTIC INTERNAL 75 X 50 mm	2
18	1001189519	LAMP, 350 W LED	4
18-01	1001216542	LAMP, TRUNNION LED PSI	A/R
18-02	1001216545	LAMP, 30 DEG HANDLE LED PSI	A/R
18-03	1001238920	BOLT, ½-13 HEX HEAD CAP SCREW STAINLESS STEEL	A/R
18-04	10721477	WASHER, STAR, 1/2	A/R
18-05	11009080	LOCKWASHER, 1/2 SPR-TYPE SS	A/R
18-06	1001238921	NUT-SPEC, ½-13 SQUARE STAINLESS STEEL	A/R
18-07	1001216538	LAMP, DRIVER 30-60VDC LED PSI	A/R
18-08	1001216539	LAMP, MODULE 60D LED PSI	A/R
18-09	1001216540	LAMP, MODULE 40D LED PSI	A/R
18-10	1001216541	LAMP,3 PORT CONN LED PSI	A/R
18-11	1001216544	LAMP, CORD, 16/3 60' LED PSI	A/R
18-12	1001234111	LAMP, 2 PORT CABLE LED PSI	A/R
18A	1001212131	LAMP, LED 48VDC 300W,90-90 LENS	4
18A-01	1001217126	LAMP, LENS COVER, SINCRO 300W	A/R
18A-02	1001217125	LAMP, LENS RING, SINCRO 300W	A/R
18A-03	1001217124	LAMP, LENS 110MM-90 DEG, SINCRO	A/R
18A-04	1001217127	LAMP, WIRING BOARD, SINCRO 300 W	A/R
18A-05	1001217128	LAMP, LED DRIVER, SINCRO 300 W OR IF FITTED	A/R
	1001263567	2X 150 W LED DRIVER PER SINCRO 300 W LAMP	A/R
18A-06	1001217129	LAMP, RUBBER CABLE, SINCRO 300 W	A/R
18A-07	1001212987	BRACKET, TRUNNION, SINCRO 300 W	A/R
18A-08	1001217130	LAMP, TRUNNION MOUNT, SINCRO 300	A/R
18A-09	1001250339	LAMP, LED SOURCE 300W	A/R
18A-10	1001253966	LAMP,300 MM CABLE WITH PLUG	A/R
19	1001206338	ACTUATOR, ELECTRIC, 100KG (SUPERSEDED BY 1001236015)	2
19	1001236015	ACTUATOR, ELECTRIC, 150KG	2

METRO-LED

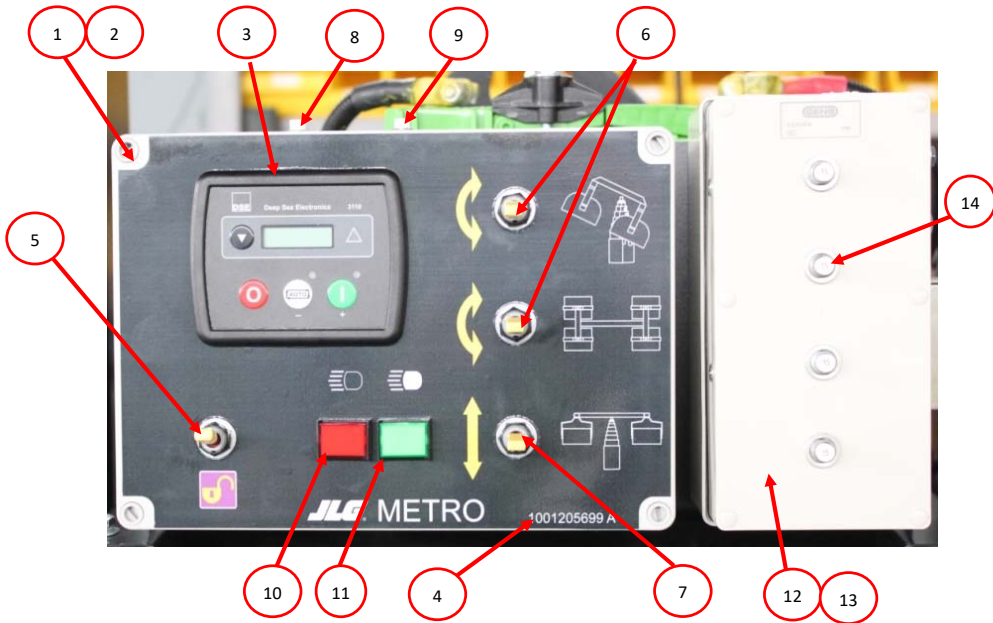


SEQ.#	ITEM NO.	DESCRIPTION	QTY
	1001273102	LAMP, LED 48VDC 300W	4
1	1001281346	LAMP, MODULE M2858-VDE 300W	4
2	1001289271	LAMP,4M-DFZ HOUSING 300W	1
3	1001289272	LAMP,4M-B TRIM 300W	2
4	1001289273	LAMP, BRIDGE BRACKET 300W	2
5	1001289274	LAMP, TRUNION BRACKET 300W	1
6	1001289275	LAMP,4MDF DRIVER COVER 300W	1
7	1001289279	LAMP, CABLE DOP 300W	4
8	1001289280	LAMP, WIRE ROPE 300W	1
9	1001281351	LAMP, M10 INDEX PLUNGER PIN	1
10	1001289276	LAMP, SIDE PLATE-B 300W	2
11	1001281350	LAMP,7 STYLE HANDLE M12-300W	1
12	1001289281	LAMP, PRESSING LINE PLATE 300W	1
13	1001281347	LAMP, WIRE HARNESS 300W	2
14	1001281348	LAMP, WIRE HARNESS 300W	1
15	1001281349	LAMP, DRIVE POWER 48V-150DN-100	2

METRO-LED

ELECTRICAL ASSEMBLY

MANUAL CONTROL



SEQ.#	ITEM NO.	DESCRIPTION	QTY
1	1001204625	BOX, CONTROL BASE MANUAL	1
2	1001204626	COVER, CONTROL BOX MANUAL	1
3	1001202721	CONTROLLER, MANUAL	1
4	1001205699	DECAL, METRO MANUAL CONTROL BOX	1
5	4360483	SWITCH TOGGLE	1
6	4360314	SWITCH, TOGGLE	2
7	4360328	SWITCH, TOGGLE	1
8	4360161	SWITCH, CIRCUIT BREAKER 20 AMP	1
9	4360070	15 A CIRCUIT BREAKER	1
10	1001204575	LATCHING PUSH BUTTON RED	1
11	1001204574	LATCHING PUSH BUTTON GREEN	1
12	1001207141	BOX, RELAY	1
13	1001207039	COVER, RELAY	1
14	4360070	SWITCH CIRCUIT BREAKER 15 A	4

METRO-LED

ELECTRICAL ASSEMBLY

AUTO-START CONTROL (PRIOR S/N: M4L0000335)



SEQ.#	ITEM NO.	DESCRIPTION	QTY
1	1001207226	BOX, CONTROL BASE AUTO	1
2	1001205187	COVER, CONTROL BOX AUTO	1
3	1001209453	CONTROL, LED LT ENGINE AUTO	1
4	1001205700	DECAL, METRO LED AUTO START	1
5	4360483	SWITCH TOGGLE	1
6	4360314	SWITCH, TOGGLE	2
7	4360328	SWITCH, TOGGLE	1
8	4360161	SWITCH, CIRCUIT BREAKER 20 A	2
9	1001207141	BOX, RELAY	1
10	1001207039	COVER, RELAY	1
11	4360070	SWITCH CIRCUIT BREAKER 15 A	4

ELECTRICAL ASSEMBLY

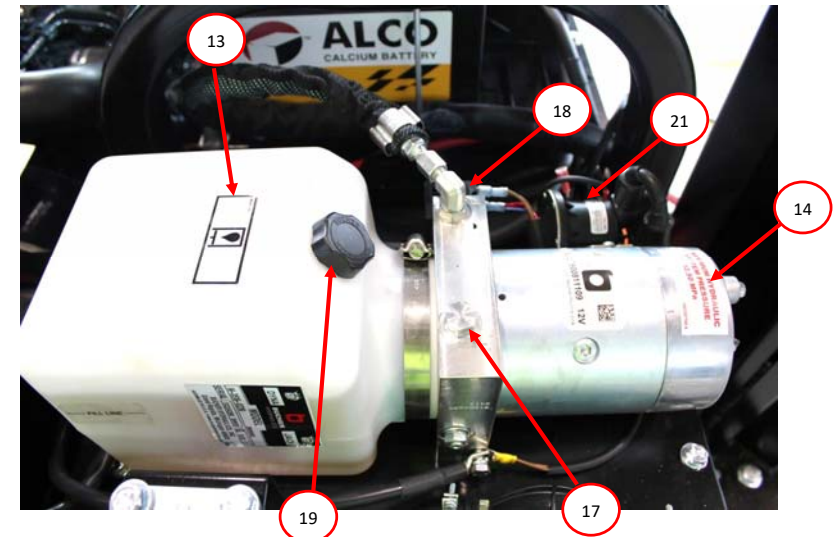
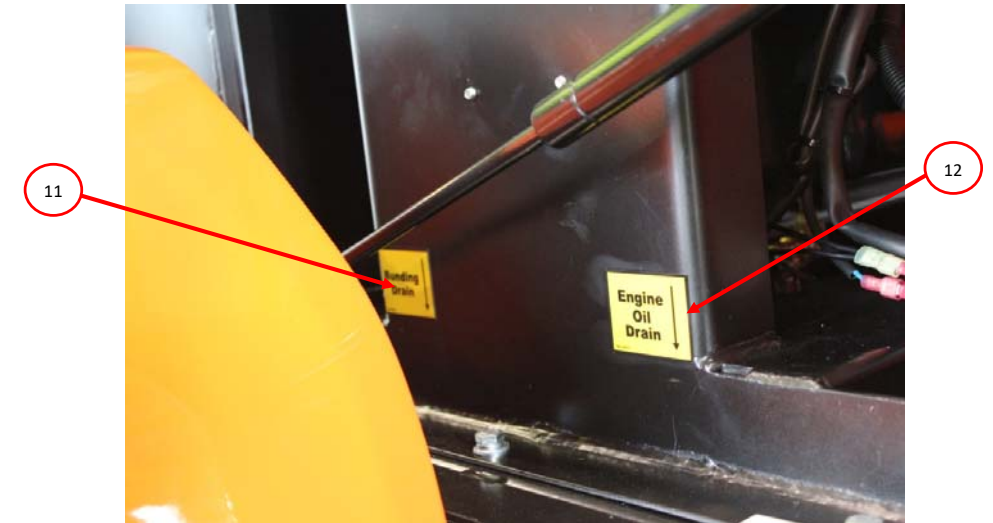
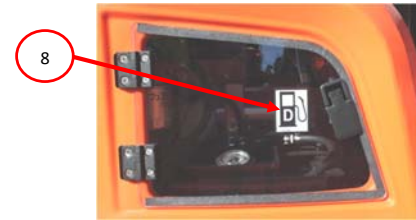
AUTO-START CONTROL (FROM S/N: M4L0000335)



SEQ.#	ITEM NO.	DESCRIPTION	QTY
1	1001228500	BOX, CONTROL METRO AUTO LED STEEL	1
2	1001218508	PLATE, CONTROL BOX AUTO METRO LED (NOT SHOWN)	1
3	1001209453	CONTROL, LED LT ENGINE AUTO	1
4	1001228275	DECAL, METRO LED AUTO START	1
5	4360483	SWITCH TOGGLE (PRIOR S/N: M4L0000694)	1
5A	4360387	SWITCH, PUSH BUTTON (FROM S/N: M4L0000694)	1
6	4360328	SWITCH, TOGGLE	1
7	4360161	SWITCH, CIRCUIT BREAKER 20 A	1
8	4360070	SWITCH CIRCUIT BREAKER 15 A	5
9	4360314	SWITCH, TOGGLE	2

DECALS AND MISCELLANY



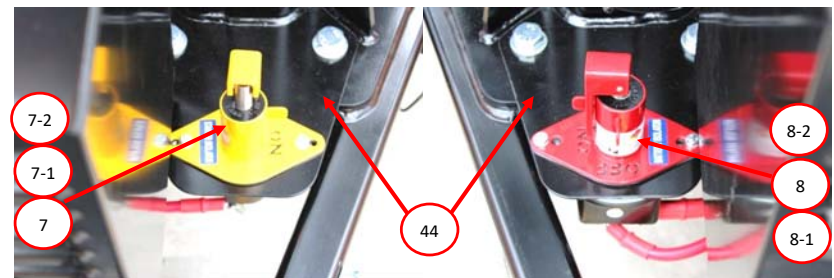


METRO-LED

METRO-LED

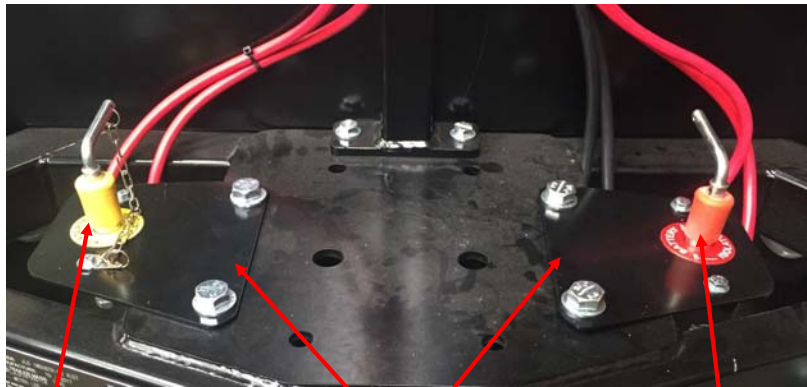
OPTIONS

SEQ.#	ITEM NO.	DESCRIPTION	QTY
1	1702009	DECAL, JLG BLACK 3.25"	3
2	1001209098	DECAL, METRO LED	1
3	1702300	DECAL, TIE DOWN	4
4	1703073	DECAL, FORK LIFT POINT	4
5	1701785	DECAL, DANGER	4
6	1001159779	DECAL, DANGER ELEC	2
7	1001159774	DECAL, DANGER TIPPING/ELEC LT	1
8	1701505	DECAL, FUEL	1
9	1700037	DECAL, GROUND CONTROL	1
10	1701500	DECAL, TIE DOWN/LIFT	1
11	1001159775	DECAL, BUNDING DRAIN	2
12	1001159777	DECAL, ENGINE OIL DRAIN	1
13	1001159780	DECAL, HYDRAULIC OIL	1
14	1001207748	DECAL, HYDRAULIC PRESSURE 12.5 MPa	1
15	1001218636	DECAL, CAUTION, STAND CLEAR OF MAST	1
16	1001222555	DECAL, CONTROLLER PWR SAVE MODE	1
17	2220237	FITTING 9/16" UNO PLUG	2
18	70000642	CARTRIDGE 2W/2P W/O COIL	1
19	70001025	CAP, RESERVOIR FILL	1
20	1001299273	DECAL, HANDBRAKE MAST RELEASE	1
21	70045064	SOLENOID, 12V, APU	1



DETAIL A

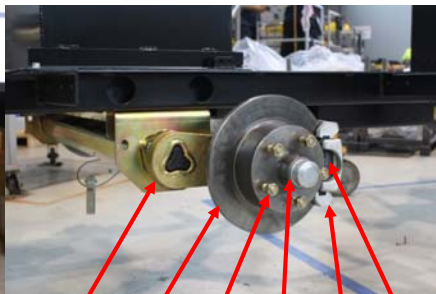
DETAIL B



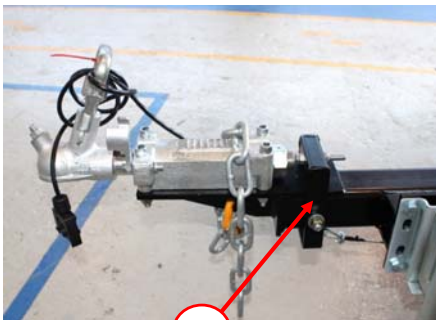
7A 7A-1 44 8A 8A-1



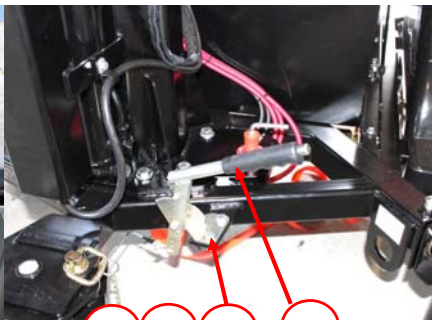
15 16 17 18



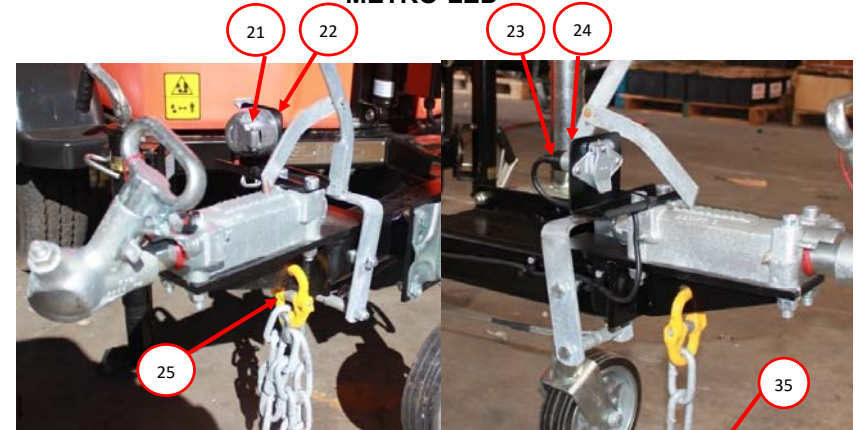
9 28 26 27 20 19



10



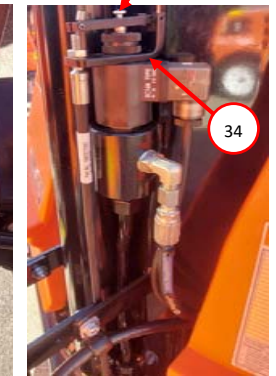
14 13 12 11



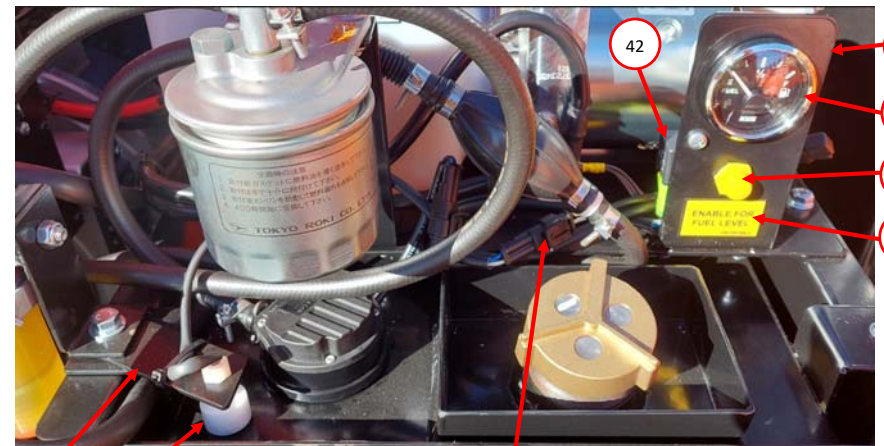
21 22 23 24 25 35



29 30 31 32 33

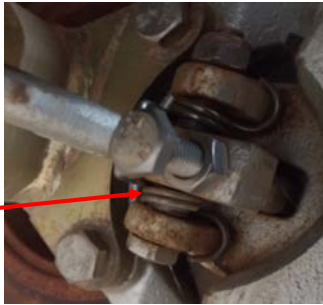


34



36 37 42 38 39 40 41 43

METRO-LED



45

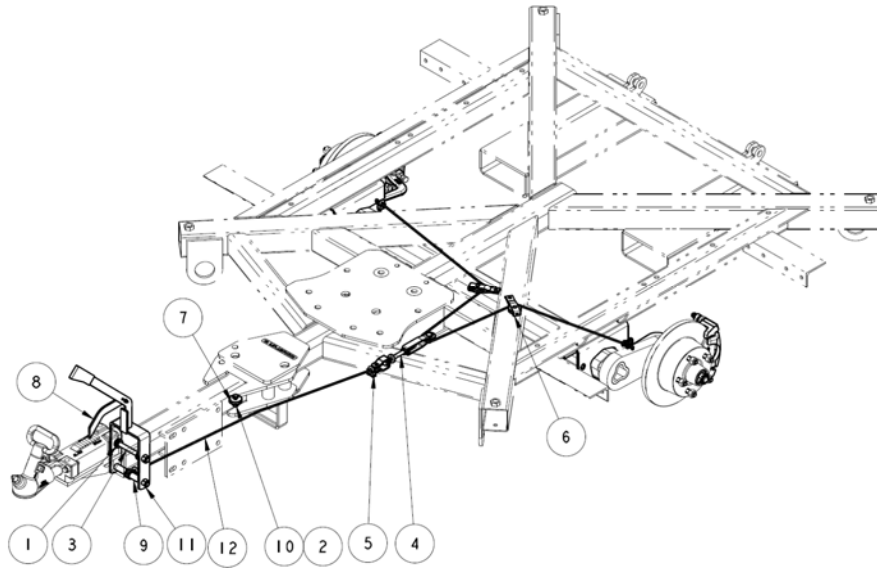
SEQ.#	ITEM NO.	DESCRIPTION	QTY
1	1001211018	BRACKET, WHEEL CHOCK PLASTIC	2
2	1001211017	WHEEL, CHOCK PLASTIC BLACK	2
3	1001172068	BEACON, LED LT	1
4	1734123	FIRE, EXTINGUISHER 4.5 kg ABE	1
5	1733394	BRACKET HD 4.5 kg FIRE EXT	1
6	1737513	TAPE, DG3 FLURO 45MT REFLECT	3.8M
7	1001207028	KIT, STARTER ISOLATOR, LOCKSAFE	1
7-1	1001209047	SWITCH, STARTER ISOLATOR 2P	1
7-2	LS1100302	BRACKET, STARTER ISOLATOR LOCKSAFE YELLOW	1
7A	1001207026	KIT, STARTER ISOLATOR	1
7A-1	1001209049	SWITCH, STARTER ISOLATOR 2P LK	1
8	1001207027	KIT, BATTERY ISOLATOR, LOCKSAFE	1
8-1	1001209048	SWITCH, BATTERY ISOLATOR 4P	1
8-2	1731126	BRACKET, LOCKSAFE DOUBLE POLE	1
8A	1001207025	KIT, BATTERY ISOLATOR SWITCH	1
8A-1	1001209057	SWITCH, BATTERY ISOLATOR 4P LK (PRIOR S/N: M4L0001573)	1
8B-1	1001287833	SWITCH, BATTERY ISOLATOR 4P LF (FROM S/N: M4L0001574)	1
-	1001288369	DECAL, ON-OFF (FROM S/N: M4L0001574)	1
9	1001207381	AXLE, MECHANICAL DISC BRAKE	1
10	1001211704	BRAKE, STIRRUP WELDMENT CABLE	1
11	1001212259	LEVER, HAND BRAKE	1
12	0701014	HEX HEAD BOLT, M10 X 30 CLASS 8.8	2
13	3291005	HEX LOCK NUT, M10 X 1.5 CLASS 8	2
14	4812002	WASHER, 10 mm LG OD	2
15	1001211467	CABLE, BRAKE 4 mm	A/R
16	1001211466	BRAKE, CABLE CLIP 5 mm	4
17	1001211465	CONTROL, BRAKE CABLE ADJUSTER	1
18	1001211468	BRAKE, CABLE PULLEY	2
19	1734700	BRAKE PAD	2
20	1001232478	BRAKE, CALLIPER ASSY MECH DISC	2
21	1730894	SOCKET, 7 PIN LARGE ROUND TRAILER	1
22	1001232364	BRACKET, TRAILER PIN SOCKET	1
23	1734626	SOCKET, TRAILER 6 PIN	1

METRO-LED

24	1001232365	BRACKET, TRAILER PIN SMALL SKT	1
25	WSS0015SCD	SHACKLE,1.5T 11 mm SCREW DEE S	1
26	1730886	WHEEL NUT ½" UNF Z/P – 6308A	10
27	1001245040	KIT, BEARING AND SEAL MECH DISC AXLE	2
28	1001262771	BRAKE, DISC HUB 14" FORD 5 X 114.3	2
29	1001262463	DECAL, MAX TOWING SPEED 80 KM/H	1
	1001286570	KIT, METRO MAST AUTO DOWN	1
30	1001286567	HITCH, WELDMENT MAST AUTO DOWN	1
31	1001277487	CABLE, DESCENT 1.43M	1
32	1001286563	LUG, EYELET 1/4"-20 UNC - 28MM	1
33	1001286566	LEVER, ASSY HANDBRAKE MODIFIED	1
34	1001286564	BRACKET, ASSY EMERGENCY RELEASE	1
35		SCREW, M4X30 PAN PHILIPS HEAD	1
36	1001291335	BRACKET, FLOAT SENSOR METRO	2
37	1001285935	SENSOR, FLOAT SWITCH VERTICAL	2
38	1001291297	BRACKET, ANALOG GAUGE MOUNT	1
39	1001291200	GAUGE, FUEL ANALOG 240-33 OHMS	1
40	4360387	SWITCH, PUSH BUTTON	1
41	1001291298	DECAL, ENABLE FOR FUEL LEVEL	1
42	1001171585	RELAY,30A 12VDC SPDT	1
43	4461227	TERMINAL, AMP 282104	1
-	4461118	TERMINAL, CONNECTOR, AMP	1
-	1001107854	TERMINAL, AMP SUPERSEAL SOCKET	2
-	1001104497	TERMINAL, AMP SUPERSEAL PIN	2
-	1001104498	TERMINAL, WIRE SEAL	2
44	1001210969	BRACKET, ISOLATOR MOUNT (PRIOR S/N:M4L0001573)	2
44A	1001288056	BRACKET, BATTERY ISOLATOR (FROM S/N:M4L0001574)	1
45	1001306492	SPRING, RETURN M/DISC AXLE	2

CABLE BRAKE ARRANGEMENT

(FROM S/N: M4L0000227)



SEQ.#	ITEM NO.	DESCRIPTION	QTY
1	4812100	WASHER, 12mm	12
2	0700814	HEX HEAD BOLT, M8 X 30 CLASS 8.8	1
3	0711230	HEX HEAD BOLT, M12 X 130 CLASS 10.9	2
4	1001211465	CONTROL, BRAKE CABLE ADJUSTER	1
5	1001211466	BRAKE, CABLE CLIP 5mm	4
6	1001211468	BRAKE, CABLE PULLEY	2
7	1001213685	BRAKE, CABLE PULLEY	1
8	1001217927	LEVER, ASSEMBLY HANDBRAKE	1
9	1001218015	SLEEVE, HANDBRAKE STIRRUP	2
10	3290805	HEX LOCK NUT, M8 X 1.25 CLASS 8	1
11	3291205	HEX LOCK NUT, M12 X 1.75 CLASS 8	2
12	1001211467	CABLE, BRAKE 4 mm	3 m

RECOMMENDED SPARE PARTS

ITEM DESCRIPTION	PART NO
FAN, BELT KUBOTA Z482	1001212175
HOSE, RADIATOR TOP Z482	1001212176
HOSE, RADIATOR BOTTOM Z482	1001212177
FILTER, AIR KUBOTA Z482	1001212174
FUEL FILTER	1730930
FILTER, OIL	7017980
FILTER, WATER SEPARATOR Z482	1001212180
SWITCH, CIRCUIT BREAKER 20 A	4360161
FUSE, 25 A MINI-BLADE	8229247
SWITCH, CIRCUIT BREAKER 15 A	4360070
RELAY	1001711585
CONTROLLER, METRO-LED MANUAL START	1001202721
CONTROLLER, METRO-LED AUTO-START	1001209453
SEALING WASHER, 3/8 UNC 750 SERIES	
SEALING WASHER, 3/8UNC 750 SERIES HYDRAULIC POWERPACKPRESSURE RELIEF VALVE ADJUSTING SCREW	1001246647
VALVE, CFPB-0169 SOLENOID MAST HYDRAULIC CYLINDER	1001220712