



Illustrated Parts Manual

Lighting Tower Model

Metro-LED Series II

From S/N M4L0001120 to M4L0001127
From S/N M4L0001499 to M4L0001549
From S/N M4L0001743 to M4L0001808
From S/N M4L0001849 to M4L0001884
From S/N M4L0001905 onwards

1001309592

Revision B

January 15, 2024



METRO-LED SERIES II

REFERENCE MANUALS

- 1001309590 Metro-LED II Operation and Safety Manual
- 1001309591 Metro-LED II Service & Maintenance Manual
- 1001309592 Metro-LED II Illustrated Parts Manual

JLG AUSTRALIA & NEW ZEALAND LOCATIONS

**JLG Industries
(Port Macquarie)**
11 Bolwarra Road
Port Macquarie
NSW 2444
Phone: (02) 6581 1111

**JLG Industries
(Victoria)**
Warehouse 2
74-94 Centre Road
Hallam
Melbourne VIC 3803
Phone: (03) 9554 4333

**JLG Industries
(Queensland)**
223 Fison Avenue West
Eagle Farm
Brisbane QLD 4009
Phone: (07) 3309 9111

**JLG Industries
(Western Australia)**
30 Kewdale Road
Kewdale
Perth WA 6105
Phone: (08) 9356 9811

**JLG Industries
(New South Wales)**
358 Park Road
Regents Park
Sydney NSW 2143
Phone: (02) 8718 6300

**JLG Industries
(South Australia)**
9 Nucera Court
Green Fields
Adelaide SA 5107
Phone: (08) 8259 8777

**JLG Industries
(New Zealand)**
2B Fisher Crescent
Mt Wellington, Auckland
New Zealand
Phone: +64 9276 1728

**JLG Industries
(Northern Territory)**
23 Beresford Road
Yarrowonga
Darwin NT 0831
Phone: (08) 8259 8777

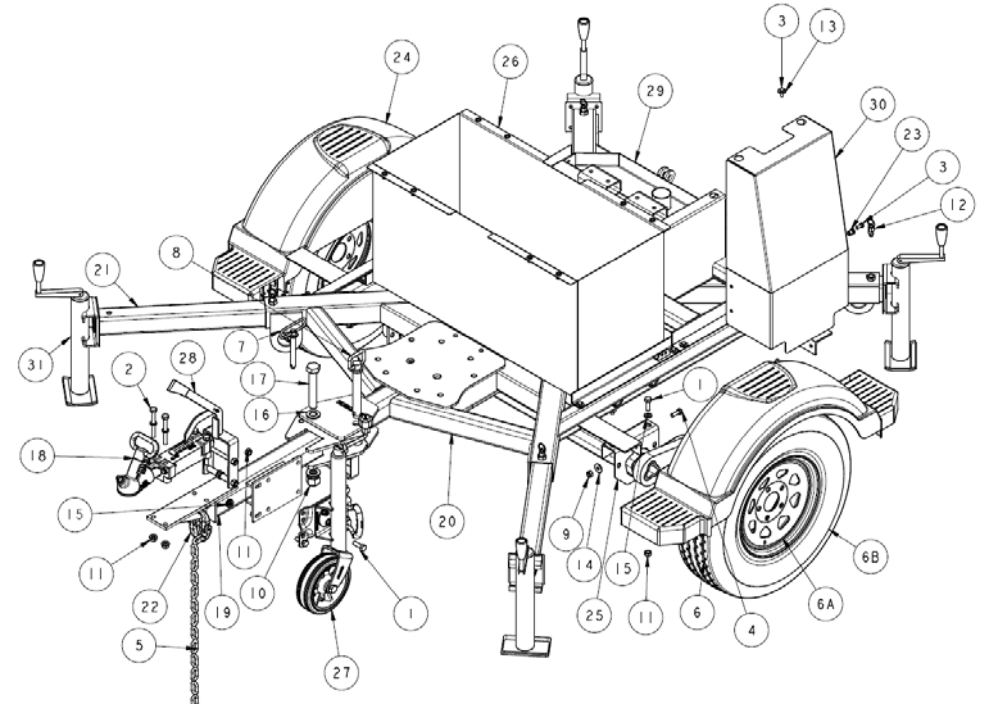
ILLUSTRATED PARTS MANUAL

CONTENTS

PAGE

• Chassis Assembly	4
• Lifting & Fuel Tank Assembly	5
• Battery & Power pack Assembly	8
• Engine & Alternator Assembly	10
• Hoods Assembly	15
• Mast Assembly	17
• Mast Section 1	21
• Mast Section 2	23
• Mast Section 3	25
• Mast Section 4	27
• Mast Section 5	29
• Mast Section 6	31
• Mast Section 7	33
• Light Head	34
• Electrical Assembly	38
• Decal & Miscellaneous Parts	39
• Options	43
• Recommended Spare Parts	46

CHASSIS ASSEMBLY



27A



27B

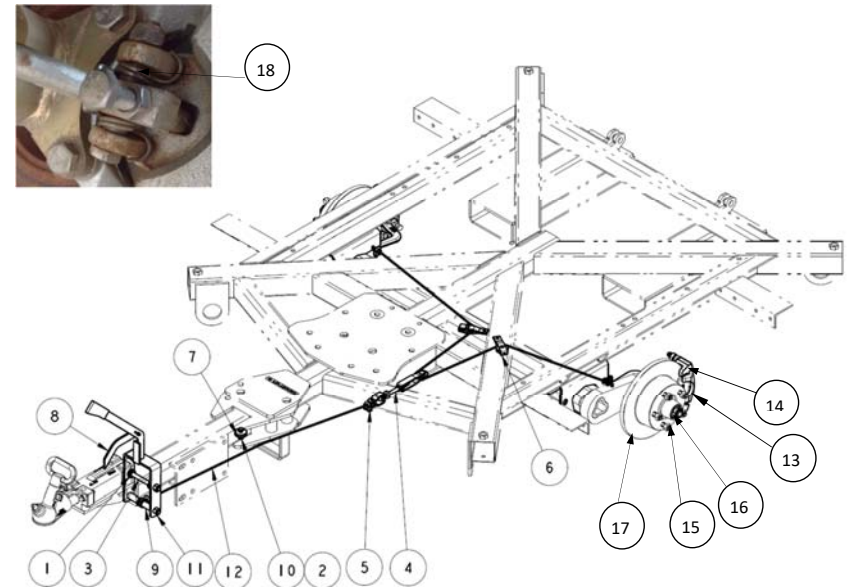


27C

METRO-LED SERIES II

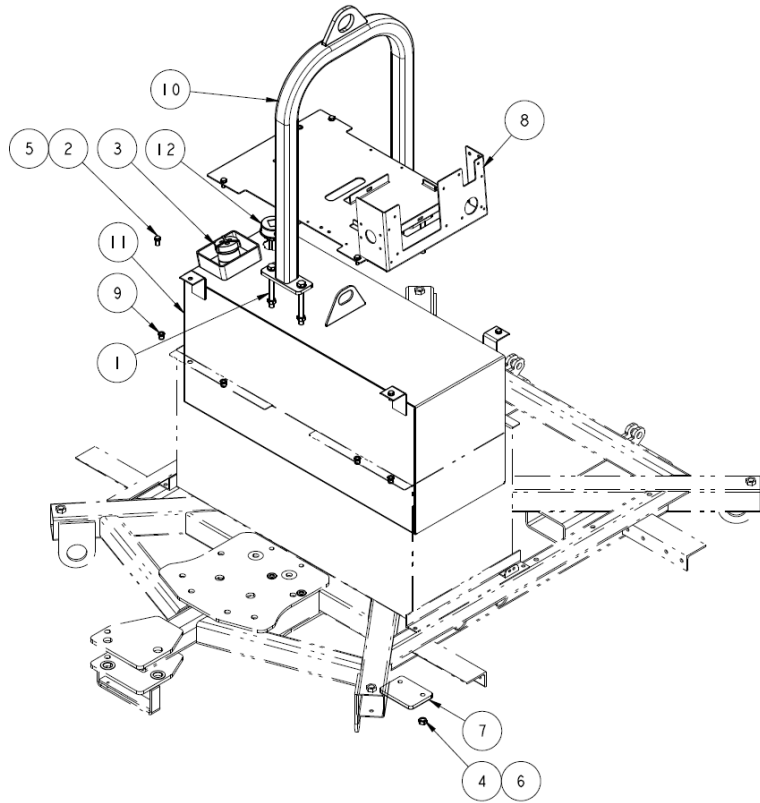
SEQ.#	ITEM NO.	DESCRIPTION	QTY
1	0711215	HEX HEAD BOLT, M12 X 35 CLASS 10.9	8
2	0711227	HEX HEAD BOLT, M12 X 100 CLASS 10.9	4
3	0760810	HEX HEAD BOLT, M8 X 20 CLASS 8.8	14
4	0761014	HEX HEAD BOLT, M10 X 30 CLASS 8.8	8
5	1730753	CHAIN, TRAILER SAFETY	1
6	1730912	ASSY, TYRE/WHEEL	2
6A	1001238924	WHEEL, RIM 14X6 WHITE RANGER	2
6B	1001238925	TYRE, 185R14C 102/100R 850 kg	2
7	1733192	PIN, HITCH	1
8	1733267	PIN, REWORK CLEVIS 1.00 X 6	1
9	3291005	HEX LOCK NUT, M10 X 1.5 CLASS 8	8
10	1001098827	HEX LOCK NUT, M24 X 3 CLASS 10	1
11	3331215	HEX LOCK NUT, M12 X 1.75 CLASS 10	12
12	3422369	PIN, PLUNGER	4
13	4811902	WASHER, 8 mm LG OD	10
14	4812002	WASHER, 10 mm LG OD	8
15	4812100	WASHER, 12 mm	20
16	4812700	WASHER, 24 mm	2
17	1001097587	HEX HEAD BOLT, M24 X 150 CLASS 10.9	1
18	1001159424	COUPLING, 50 mm TOW BALL	1
19	1001201167	HITCH, ASSY FOLDED METRO	1
20	1001201176	FRAME, WELDMENT METRO UNIVERSAL	1
21	1001201405	STABILIZER, WELDMENT	4
22	1001204723	CHAIN, CONNECTING LINK	1
23	1001205302	RIVET, M8X1.25 LONG NUTSERT	4
24	1001207379	MUDGUARD, 14" PLASTIC	2
25	1001207381	AXLE, CABLE DISC BRAKE METRO	1
26	1001209189	FRAME, FUEL TANK BUNDING LED	1
27	1001217920	WHEEL, JOCKEY 8" ALKO	1
27A	1001204567	JACK, JOCKEY WHEEL 6" (OPTION)	1
27B	1730952	JOCKEY WHEEL, 8" BLACK (OPTION)	1
27C	1001233857	JOCKEY WHEEL, 8" EZYROLL (OPTION)	1
27D	1001263825	WHEEL, AL-KO 8" HD JOCKEY (OPTION) (NOT SHOWN)	1
28	1001217927	LEVER, ASSEMBLY HANDBRAKE	1
29	1001259414	TRAY, GENSET METRO SERIES -II	1
30	1001259416	SHROUD, RADIATOR METRO SERIES- II	1
31	A330008	ASSEMBLY, REAR OUTRIGGER JACK	4
	A330014	SNAP RING FOR JACK (NOT SHOWN)	A/R
	1001265715	KIT, SWIVEL PIN 3/8" DL JACK	A/R
32	1001172072	HARNESS, TAILLIGHT (NOT SHOWN)	1
33	1001172073	HARNESS, TAILLIGHT (NOT SHOWN)	1

METRO-LED SERIES II
CABLE BRAKE ARRANGEMENT



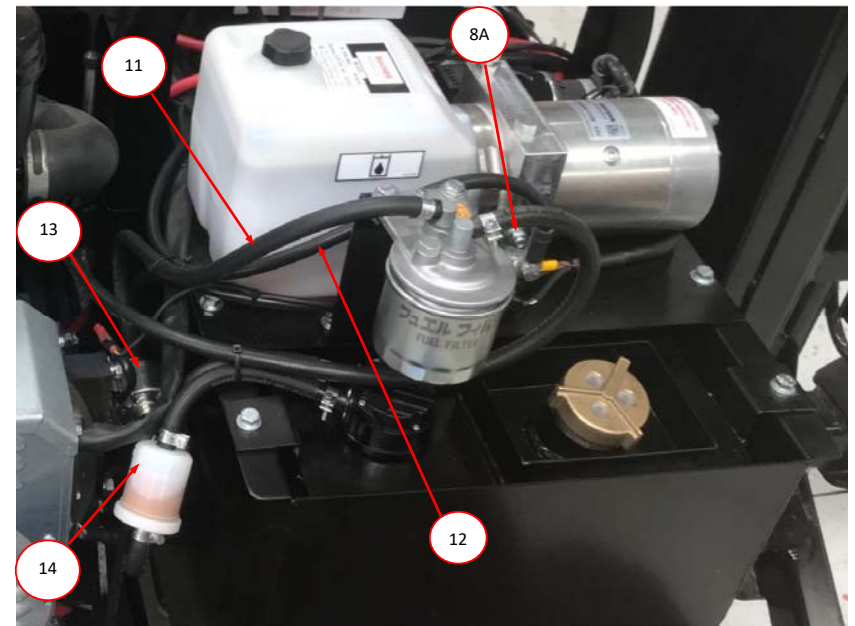
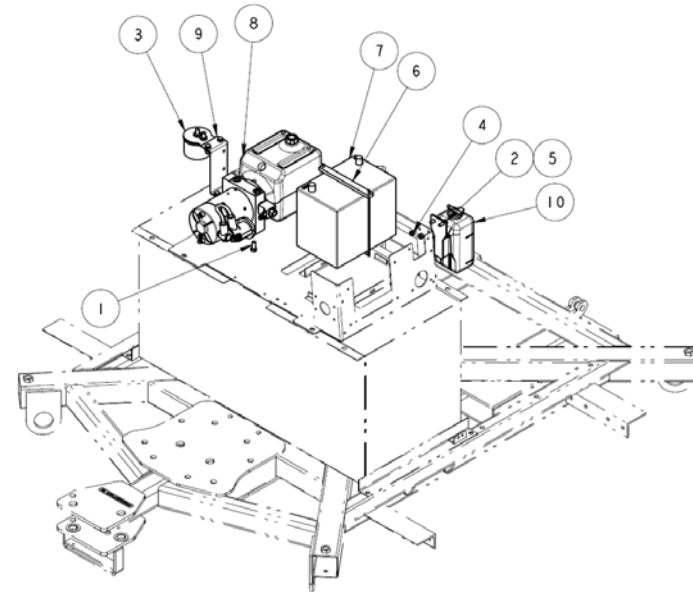
SEQ.#	ITEM NO.	DESCRIPTION	QTY
1	4812100	WASHER, 12mm	12
2	0700814	HEX HEAD BOLT, M8 X 30 CLASS 8.8	1
3	0711230	HEX HEAD BOLT, M12 X 130 CLASS 10.9	2
4	1001211465	CONTROL, BRAKE CABLE ADJUSTER	1
5	1001211466	BRAKE, CABLE CLIP 5mm	4
6	1001211468	BRAKE, CABLE PULLEY	2
7	1001213685	BRAKE, CABLE PULLEY	1
8	1001217927	LEVER, ASSEMBLY HANDBRAKE	1
9	1001218015	SLEEVE, HANDBRAKE STIRRUP	2
10	3290805	HEX LOCK NUT, M8 X 1.25 CLASS 8	1
11	3291205	HEX LOCK NUT, M12 X 1.75 CLASS 8	2
12	1001211467	CABLE, BRAKE 4 mm	3 m
13	1734700	BRAKE PAD	2
14	1001232478	BRAKE, CALLIPER ASSY MECH. DISC	2
15	1730886	WHEEL, NUT 1/2" UNF Z/P	10
16	1001245040	KIT, BEARING AND SEAL MECH DISC AXLE	2
17	1001262771	BRAKE, DISC HUB 14" FORD 5 X 114.3	2
18	1001306492	SPRING, RETURN M/DISC AXLE	2

LIFTING & FUEL TANK ASSEMBLY



SEQ.#	ITEM NO.	DESCRIPTION	QTY
1	0711230	HEX HEAD BOLT, M12 X 130 CLASS 10.9	4
2	0760810	HEX HEAD BOLT, M8 X 20 CLASS 8.8	8
3	1120314	CAP, FUEL TANK FILLER	1
4	3331215	HEX LOCK NUT, M12 X 1.75 CLASS 10	4
5	4811902	WASHER, 8 mm LG OD	8
6	4812100	WASHER, 12 mm	8
7	1001202716	PLATE, LIFTING LUG MOUNT REAR	1
8	1001202855	BRACKET, CONTROL BOX MOUNT	1
9	1001205301	RIVET, M8 X 1.25 SHORT NUTSERT	10
10	1001205928	LUG, WELDMENT LIFTING METRO	1
11	1001218157	TANK, WELDMENT FUEL METRO	1
12	1001219626	SENSOR, FUEL	1
13	1001179341	INSERTION RUBBER 50 X 3 mm (NOT SHOWN)	0.75 m

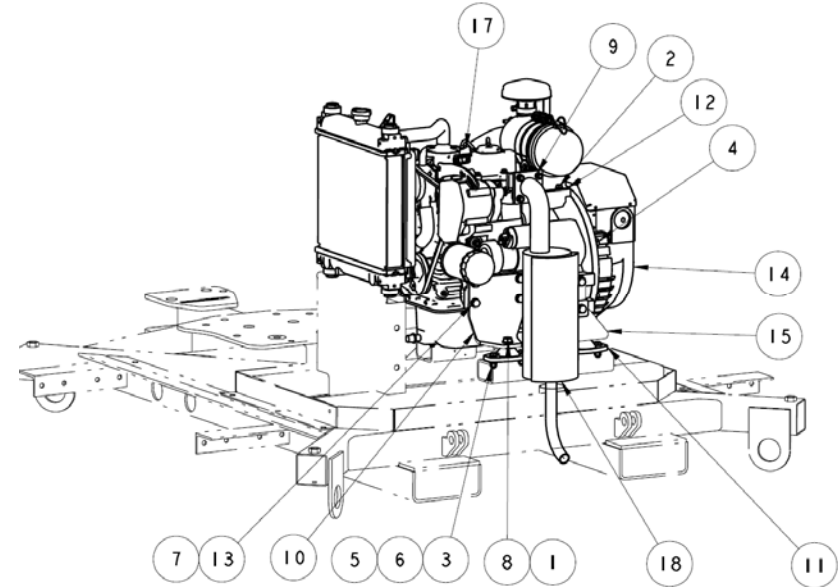
BATTERY & POWER PACK ASSEMBLY



METRO-LED SERIES II

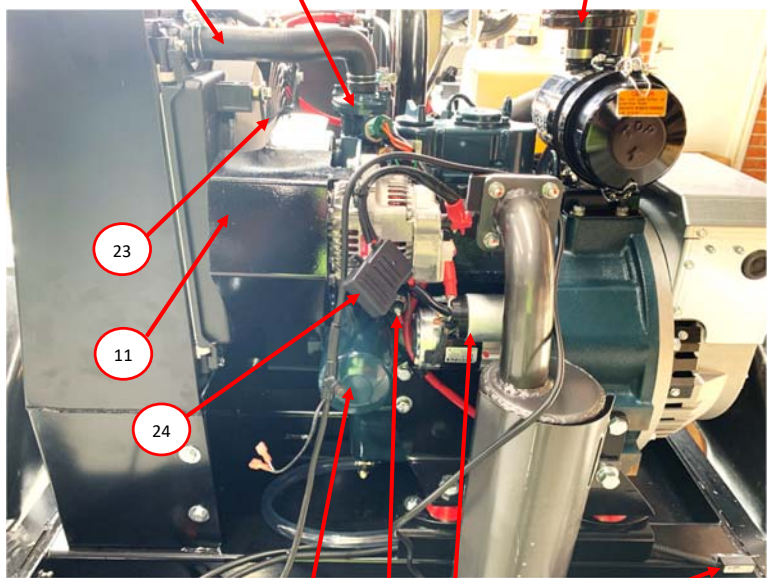
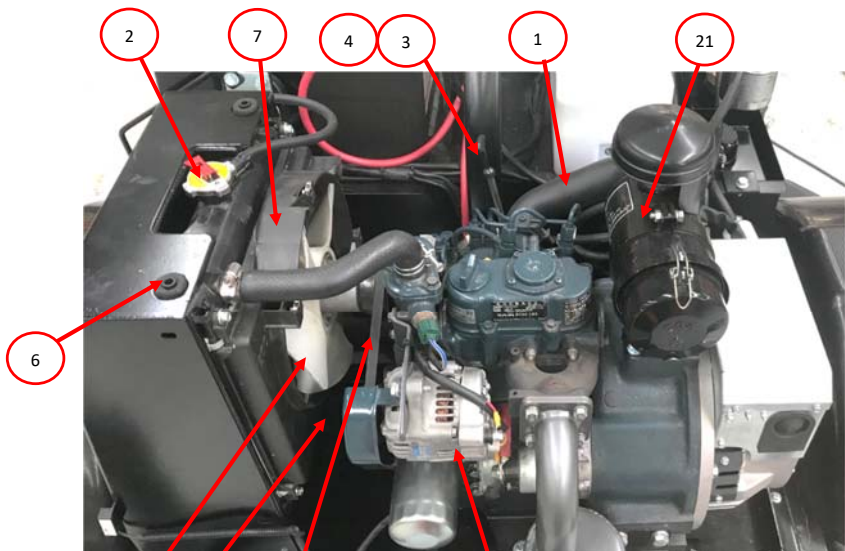
SEQ.#	ITEM NO.	DESCRIPTION	QTY
1	0681607	HEX HEAD BOLT, 3/8-16 X 7/8 GRADE 8	2
2	0760810	HEX HEAD BOLT, M8 X 20 CLASS 8.8	6
3	1001181346	FUEL FILTER	1
4	3290805	HEX LOCK NUT, M8 X 1.25 CLASS 8	4
5	4811900	WASHER, 8 mm	8
6	1001160992	CLAMP, BATTERY HOLD DOWN	1
7	1001160993	BATTERY, 12 V	1
8	1001210709	POWERPACK, HYDRAULIC C/W TANK & PRESSURE RELIEF VALVE	1
8A	1001246647	SEALING WASHER, 3/8UNC 750 SERIES PRESSURE RELIEF VALVE ADJUSTING SCREW	A/R
9	1001171776	BRACKET, FUEL FILTER FINISHED	1
10	1001212181	CONTAINER, Z482 COOLANT BOTTLE	1
11	1735652	FUEL HOSE 5/16"	5.0 m
12	1737576	FUEL HOSE 3/16"	1.2 m
13	1001265403	ELCTRIC FUEL PUMP	1
14	7017992	FILTER FUEL IN LINE	1
15	1001208672	CABLE, KIT BATTERY METRO (NOT SHOWN)	1

METRO-LED SERIES II
ENGINE & ALTERNATOR ASSEMBLY

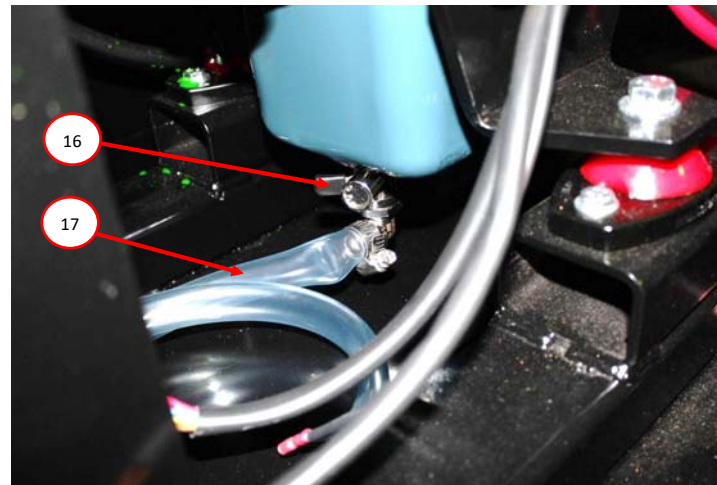


SEQ.#	ITEM NO.	DESCRIPTION	QTY
1	0711215	HEX HEAD BOLT, M12 X 35 CLASS 10.9	4
2	0760810	HEX HEAD BOLT, M8 X 20 CLASS 8.8	4
3	0760814	HEX HEAD BOLT, M8 X 30 CLASS 8.8	8
4	0761014	HEX HEAD BOLT, M10 X 30 CLASS 8.8	8
5	3290805	HEX LOCK NUT, M8 X 1.25 CLASS 8	12
6	4811900	WASHER, 8 mm	20
7	4812000	WASHER, 10 mm	16
8	4812100	WASHER, 12 mm	4
9	4831900	LOCKWASHER, SPRING 8 mm	4
10	1001205306	BRACKET, KUBOTA Z482 ENGINE LEG	2
11	1001205894	ENGINE MOUNT, GPM7FS-12B ISOLATOR	4
12	1001206704	BRACKET, Z482 AIR CLEANER MOUNT	1
13	1001219876	HEX HEAD SCREW, M10 X 1.25P-30 CLASS 8.8	8
14	1001254219	GENERATOR, PMG, 48V 1500 RPM	1
	1001306076	CAPACITOR, PMG FOR 1500 RPM 48V	-
	1001306433	RECTIFIER BRIDGE, 90 A 3PH FOR 1500 RPM PMG	-
15	1001255861	BRACKET, Z482EG ENGINE LEFT	1
16	1001255862	BRACKET, Z482EG ENGINE RIGHT (NOT SHOWN)	1
17	1001256289	ENGINE, KUBOTA Z482 ELEC-GOV	1
18	1001259415	MUFFLER, STANDARD METRO SERIES-II	1
19	1001269264	HARNES, LT METRO MAIN LED (NOT SHOWN)	1

METRO-LED SERIES II



METRO-LED SERIES II



Mounting arrangement for
Coates Machines only from
S/N: M4L0002257

METRO-LED SERIES II

SEQ.#	ITEM NO.	DESCRIPTION	QTY
1	1001206201	HOSE, KUBOTA Z482 AIR CLEANER	1
1A	1001206201	HOSE, KUBOTA (HALF & HALF FROM S/N: M4L0002257 ONLY FOR COATES LT)	2
2	1001258616	CAP, RADIATOR KUBOTA Z482 EG	1
3	1001258717	SUPPORT, DIPSTICK GUIDE KUBOTA	1
4	1001258718	GAUGE, DIPSTICK ENGINE KUBOTA	1
5	1001265317	HOSE, RADIATOR OUTLET (BOTTOM)	1
6	1001265318	MOUNT, RUBBER BUSH RADIATOR	4
7	1001265319	RADIATOR, Z482 ELE-GOV ENGINE	1
8	1001265320	HOSE, RADIATOR INLET (TOP)	1
9	1001212174	FILTER, AIR KUBOTA Z482	1
10	1001265321	FAN, BELT KUBOTA Z482 EG ENGINE	1
11	1001272031	BRACKET, FAN-BELT GUARD Z482EG	1
12	1001265351	ENGINE, ALTERNATOR Z482 EG	1
13	1001265352	FILTER, OIL Z482 EG ENGINE	1
	1001265353	WASHER, PLAIN OIL FILTER SWAP	1
14	70000297	OIL PRESSURE SENDER	1
15	1001265354	ASSY STARTER	1
16	1001205052	VALVE, E27BL M22X1.5P L-NIPPLE	1
17	1001207320	HOSE, CLEAR VINYL 5/8" DIA.	0.9 m
18	70004853	ASSY, WATER PUMP	1
19	70004854	GASKET, WATER PUMP (NOT SHOWN)	1
20	7017900	COCK, WATER DRAIN ASSY (NOT SHOWN)	1
21	1001229321	BRACKET, Z482 AIR CLEANER	1
22	1001265356	FAN, RADIATOR Z482 EG ENGINE	1
23	1001269228	SHIELD, ENGINE FAN Z482 EG KU (NOT SHOWN)	1
24	7346000126	FUSE HOLDER 12 GA INLINE 30 AMP	1
	8229245	FUSE, 30 AMP	1
25	4360517	SWITCH, PROXIMITY	1
26	1001259142	INDICATOR, RESTRICTION X002250	1
27	1001259420	MOUNT, AIR RESTRICT INDICATOR	1
27A	1001306726	MOUNT, AIR RESTRICT INDICATOR (FROM S/N: M4L0002257 ONLY FOR COATES LT)	1
28	1001118022	FILTER, PRE-CLEANER- BOWL (DONALDSON)	1
29	1001287689	GROMMET,5/16 ID X 17/32 OD	4

METRO-LED SERIES II

Z482 ELECTRONIC GOVERNOR ENGINE HARNESS CONNECTORS (NOT SHOWN)

ENGINE SPEED SENSOR (1001297172)

SEQ.#	ITEM NO.	DESCRIPTION	QTY
01	1001259285	CONNECTOR, FEMALE 3WAY SPEED SENSOR	1
02	1001259291	TERMINAL, FEMALE TE1188 SPEED SENSOR	3
03	1001259312	SEAL GREEN CA1082	3

COOLANT TEMP SENSOR

SEQ.#	ITEM NO.	DESCRIPTION	QTY
01	1001259274	CONNECTOR, FEMALE 2WAY TEMP SENSOR	1
02	1001259287	TERMINAL, FEMALE TE1176 TEMP SENSOR	2
03	1001259313	SEAL BROWN CA1086	2

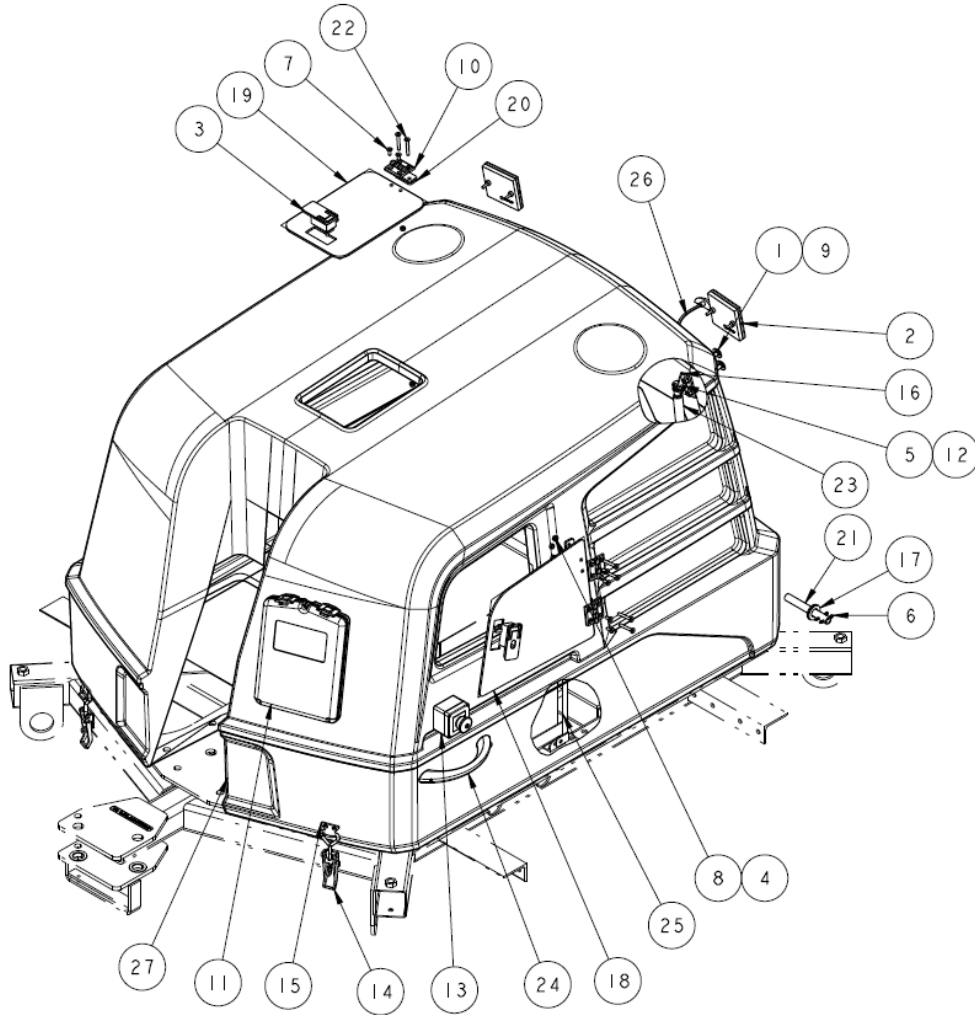
ACTUATOR SOLENOID (KU1E41160013)

SEQ.#	ITEM NO.	DESCRIPTION	QTY
01	1001259275	CONNECTOR, FEMALE 2WAY ACTUATOR	1
02	1001259290	TERMINAL, FEMALE TE1121 SOLENOID	2
03	1001259314	SEAL BLACK CA1085	2

ECU

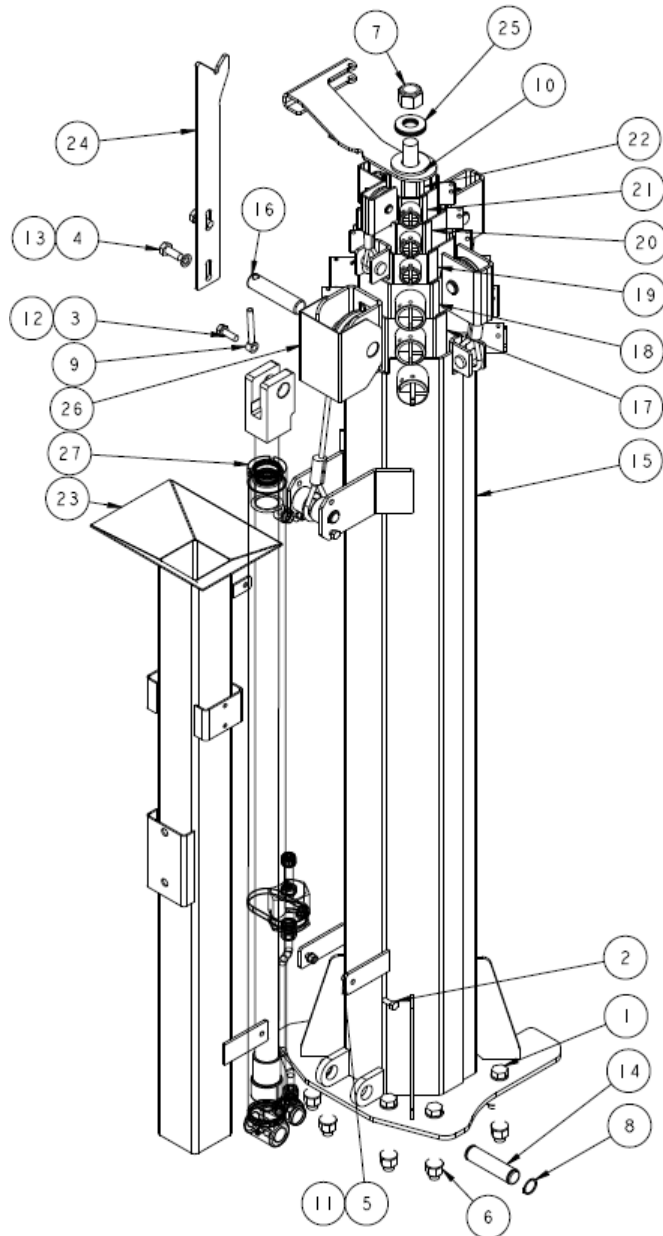
SEQ.#	ITEM NO.	DESCRIPTION	QTY
01	1001259273	CONNECTOR, FEMALE 44WAY ECU	1
02	1001259286	TERMINAL, FEMALE TE1831 ECU	21
03	1001259315	BLANKING PIN BLACK CA1192	23

HOODS ASSEMBLY MOULDED



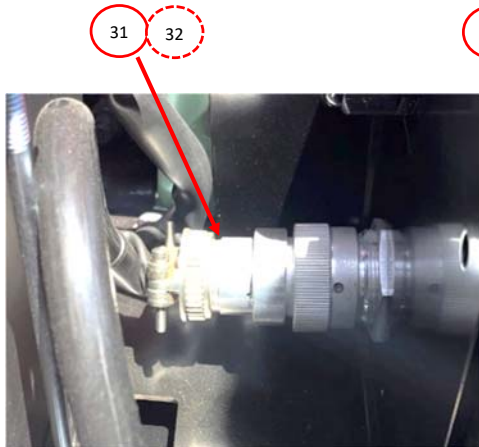
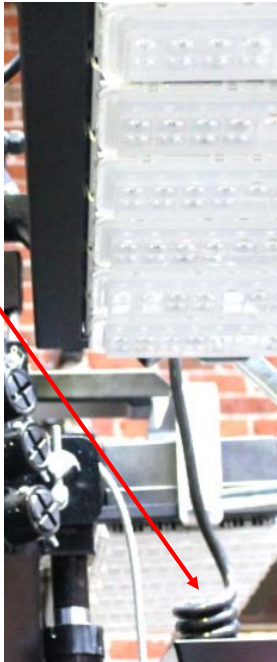
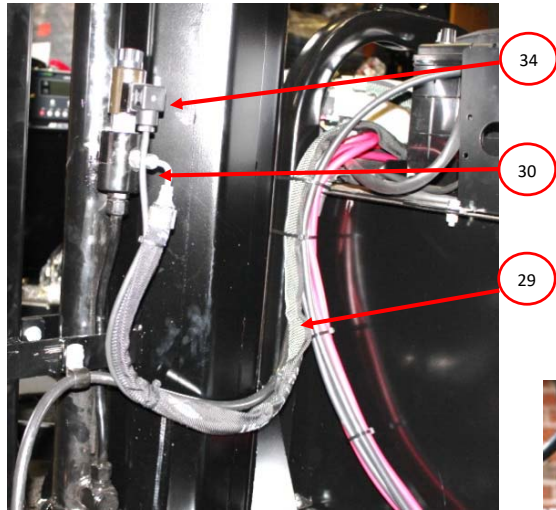
SEQ.#	ITEM NO.	DESCRIPTION	QTY
1	0760816	HEX HEAD BOLT, M8 X 25 CLASS 8.8	4
2	1001214200	TAIL LIGHT, LED LIGHTING TOWER	2
3	1735660	LATCH, LIFT AND TURN LOCKABLE	3
4	3290601	HEX NUT , M6 X 1 CLASS 8	18
5	3290805	HEX LOCK NUT, M8 X 1.25 CLASS 8	4
6	3391410	PIN, SPLIT 4 X 30 mm	4
7	3900224	COUNTER SUNK SCREW M6X12 CLASS 8.8	10
8	4811700	WASHER, 6 mm	10
9	4811902	WASHER, 8 mm LG OD	4
10	8006105	JOINT, HINGE	5
11	8990147	HOLDER, MANUAL	1
12	1001185541	BALL, GAS SPRING MOUNT	4
13	1001204848	ELEC ASSY, EMERGENCY STOP	1
14	1001205832	LATCH, HOOD ZINC	2
15	1001205833	HOOK, HOOD LATCH ZINC	2
16	1001205939	ANGLE, GAS STRUT MOUNT HOOD	2
17	1001208673	WASHER-SPEC, NYLON, M20 X 37 X 3 mm	4
18	1001210269	DOOR, MOULDED HOOD LH	2
19	1001210710	DOOR, TOP,MOULDED HOOD	1
20	1001210837	BAR, HINGE SPACER	6
21	1001211067	TUBE, HINGE FOR MOULDED HOOD	2
22	1001212699	COUNTER SUNK SCREW M6 X 45 CLASS 8.8	12
23	1001215883	ACTUATOR, GAS 200 N - 825 mm LONG	2
24	1001215885	HANDLE, BLACK 235 mm GRAB	1
25	1001217319	ROD, ASSY MOULDED HOOD GUIDE	1
26	1001223303	LAMP, NUMBER PLATE LED	2
27	1001259094	HOOD, MOULDED UNTRIMMED	1

MAST ASSEMBLY



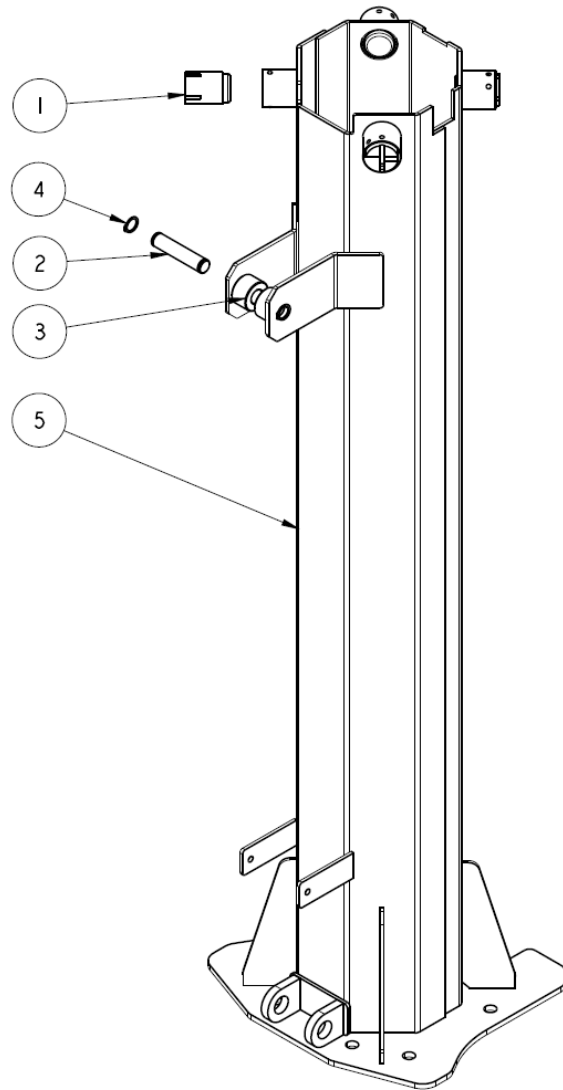
SEQ.#	ITEM NO.	DESCRIPTION	QTY
1	0701630	HEX HEAD BOLT, M16 X 130 CLASS 8.8	8
2	0760810	HEX HEAD BOLT, M8 X 20 CLASS 8.8	4
3	0761014	HEX HEAD BOLT, M10 X 30 CLASS 8.8	1
4	0761214	HEX HEAD BOLT, M12 X 30 CLASS 8.8	2
5	3290805	HEX LOCK NUT, M8 X 1.25 CLASS 8	4
6	3291605	HEX LOCK NUT, M16 X 2 CLASS 8	8
7	1001098827	HEX LOCK NUT, M24 X 3 CLASS 10	1
8	7011716	RING, RETAINING 1.0"	2
9	3841143	KEEPER, 3/8" SHAFT	1
10	4740418	WASHER, 1.12 X 2.50 X .18 BRONZ	1
11	4811900	WASHER, 8 mm	4
12	4832000	LOCKWASHER, SPRING 10 mm	1
13	4832100	LOCKWASHER, SPRING 12 mm	2
14	1001159483	PIN, CYLINDER CLEVIS	1
15	1001201575	MAST, WELDMENT SECTION 1	1
16	1001201580	PIN, MAST CYLINDER SHEAVE	1
17	1001201582	MAST, LT WELDMENT SECTION 2	1
18	1001201778	MAST, LT WELDMENT SECTION 3	1
19	1001201783	BOOM, LT WELDMENT SECTION 4	1
20	1001201794	MAST, LT WELDMENT SECTION 5	1
21	1001201798	MAST, LT WELDMENT SECTION 6	1
22	1001201803	MAST, LT WELDMENT SECTION 7	1
23	1001207853	SUPPORT, WELDMENT CURLY CORD	1
24	1001209969	PLATE, LIGHTHEAD STABILITY	1
25	1001212059	WASHER-DISC SPRING 50 X 25.4 X 2 mm	4
26	1001218855	COVER, MAST CABLE	1
27	1001206341	CYLINDER, HYDRAULIC METRO (SUPERSEDED)- ORDER 1001294209 - KIT, HYD CYLINDER METRO LT REPLACE PRIOR S/N: M4L0001549	1
	1001297296	PLATE, RESTRICTOR -1.2M17.4M4M (FOR CYLINDER 1001206341)	A/R
27	1001282255	CYLINDER, HYDRAULIC MECH OVERRIDE METRO FROM S/N: M4L0001550	1
28	1001214489	CABLE, COILED CORD	1
29	1001203248	HOSE ASSY, METRO LIFT CYLINDER	1
30	2220582	FTG 9/16 UNO X 7/16 JIC NIPP	1
31	4460754	CONNECTOR, HD SERIES PLUG	1
32	4460464	TERMINAL, DEUTSCH #16 - #18 PIN	12
33	1001161887	KIT, CYLINDER SEAL (NOT SHOWN)	1
34	1001220712	VALVE, SOLENOID MAIN CYLINDER (FOR CYLINDER 1001206341)	1
34A	1001299650	VALVE, SOLENOID MAIN CYLINDER (FOR CYLINDER 1001282255)	1

MAST ASSEMBLY [CONTINUED]



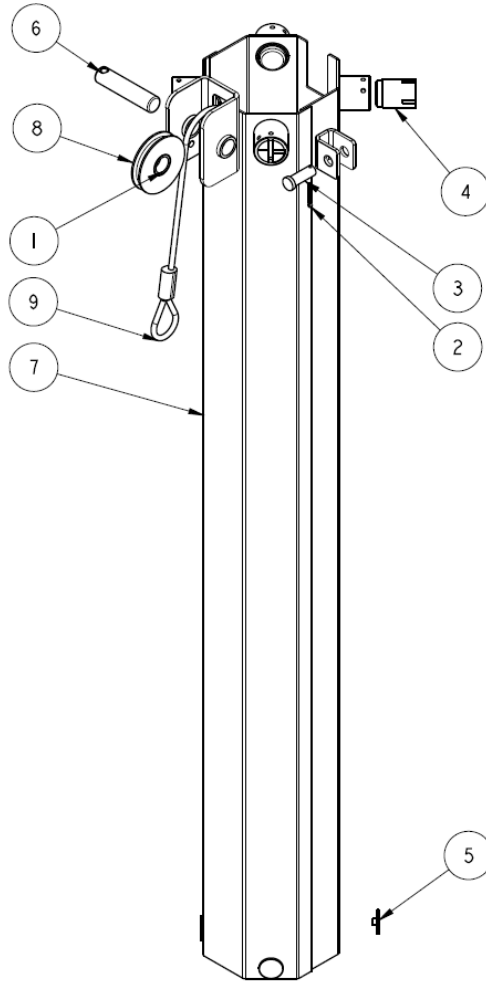
SEQ.#	ITEM NO.	DESCRIPTION	QTY
27	1001206341	CYLINDER, HYDRAULIC METRO (SUPERSEDED) ORDER 1001294209 – KIT, HYD CYLINDER METRO LT REPLACE PRIOR S/N: M4L0001549	1
	1001297296	PLATE, RESTRICTOR -1.2M17.4M4M (FOR CYLINDER 1001206341)	A/R
27	1001282255	CYLINDER, HYDRAULIC MECH OVERRIDE METRO FROM S/N: M4L0001550	1
28	1001214489	CABLE, COILED CORD	1
29	1001203248	HOSE ASSY, METRO LIFT CYLINDER	1
30	2220582	FTG 9/16 UNO X 7/16 JIC NIPP	1
31	4460754	CONNECTOR, HD SERIES PLUG	1
32	4460464	TERMINAL, DEUTSCH #16 - #18 PIN	12
33	1001161887	KIT, CYLINDER SEAL (NOT SHOWN)	1
34	1001220712	VALVE, SOLENOID MAIN CYLINDER (FOR CYLINDER 1001206341)	1
34A	1001299650	VALVE, SOLENOID MAIN CYLINDER (FOR CYLINDER 1001282255)	1

MAST SECTION 1



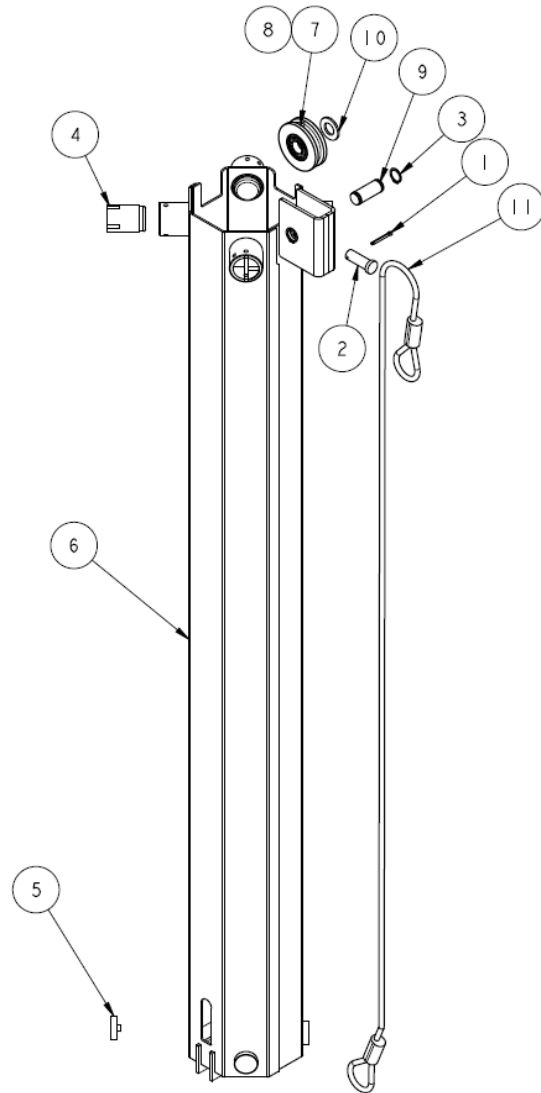
SEQ.#	ITEM NO.	DESCRIPTION	QTY
1	1001228793	PAD, 1.25" BSPP MAST WEAR	4
2	1001159482	PIN, LUG S1	1
3	1001159883	SHIM, MAST LUG, S1	2
4	1001160214	RING, RETAINING EXT, 0.75"	2
5	1001201575	MAST, WELDMENT SECTION 1	1

MAST SECTION 2



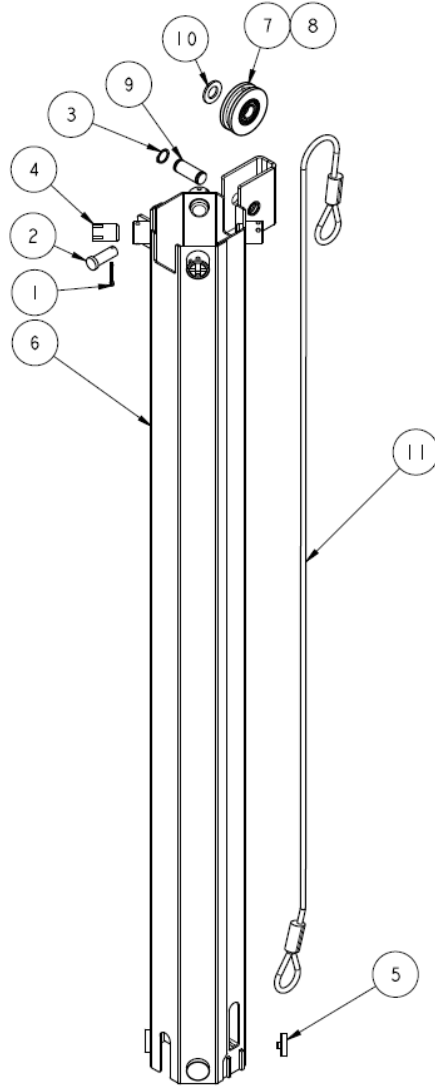
SEQ.#	ITEM NO.	DESCRIPTION	QTY
1	0961947	BEARING, GARMAX - 1 ID	1
2	3391410	PIN, SPLIT 4 X 30 mm	1
3	3431014	PIN, FLAT HEAD CLEVIS	1
4	1001228793	PAD, 1.25" BSPP MAST WEAR	4
5	1001159498	PAD, INNER 4 mm	4
6	1001201580	PIN, MAST CYLINDER SHEAVE	1
7	1001201582	MAST, LT WELDMENT SECTION 2	1
8	1001204659	SHEAVE, MAST CYL 92 mm DIA.	1
9	1001204568	CABLE, LT MAST S1-3 (CONNECT S3 LOWER POINT AND S1 TOP POINT)	1

MAST SECTION 3



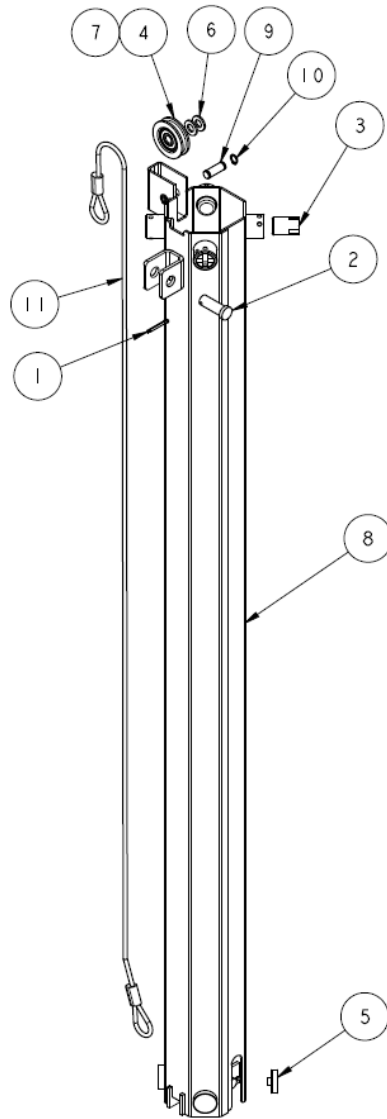
SEQ.#	ITEM NO.	DESCRIPTION	QTY
1	3391410	PIN, SPLIT 4 X 30 mm	2
2	3431014	PIN, FLAT HEAD CLEVIS	2
3	3760488	RING, RETAINING EXT M20	2
4	1001228793	PAD, 1.25" BSPP MAST WEAR	4
5	1001159496	PAD, INNER 10 mm	4
6	1001201778	MAST, LT WELDMENT SECTION 3	1
7	1001204172	SHEAVE, LT MAST 80 DIA	1
8	1001207844	BEARING, BALL, 20 X 42 X 12 mm	2
9	1001207845	PIN, DIA 20, MAST SHEAVE	1
10	1001208673	WASHER-SPEC, NYLON, M20 X 37 X 3 mm	2
11	1001204569	CABLE, LT MAST S2-4 (CONNECT S4 LOWER POINT AND S2 TOP POINT)	1

MAST SECTION 4



SEQ.#	ITEM NO.	DESCRIPTION	QTY
1	3391410	PIN, SPLIT 4 X 30 mm	2
2	3431014	PIN, FLAT HEAD CLEVIS	2
3	3760488	RING, RETAINING EXT M20	2
4	1001228794	PAD, 0.75" BSPP MAST WEAR	4
5	1001159496	PAD, INNER 10 mm	4
6	1001201783	BOOM, LT WELDMENT SECTION 4	1
7	1001204172	SHEAVE, LT MAST 80 DIA	1
8	1001207844	BEARING, BALL, 20 X 42 X 12 mm	2
9	1001207845	PIN, DIA 20, MAST SHEAVE	1
10	1001208673	WASHER-SPEC, NYLON, M20 X 37 X 3 mm	2
11	1001204569	CABLE, LT MAST S3-5 (CONNECT S5 LOWER POINT AND S3 TOP POINT)	1

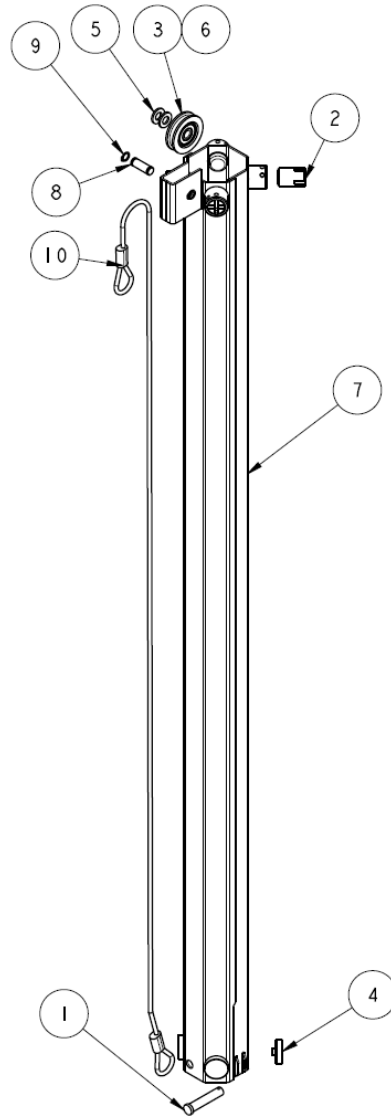
MAST SECTION 5



SEQ.#	ITEM NO.	DESCRIPTION	QTY
1	3391410	PIN, SPLIT 4 X 30 mm	2
2	3431014	PIN, FLAT HEAD CLEVIS	2
3	1001228794	PAD, 0.75" BSPP MAST WEAR	4
4	1001159479	SHEAVE, 60 mm	1
5	1001159496	PAD, INNER 10 mm	4
6	1001160216	WASHER, NYLON, 12 mm	4
7	1001160923	BEARING, NTN 6301LLU	1
8	1001201794	MAST, LT WELDMENT SECTION 5	1
9	1001207846	PIN, DIA 12, MAST SHEAVE	1
10	1001209642	RING, RETAINING EXT. 12 mm DIA	2
11	1001204570	CABLE, LT MAST S4-6 (CONNECT S6 LOWER POINT AND S4 TOP POINT)	1

METRO-LED SERIES II

MAST SECTION 6

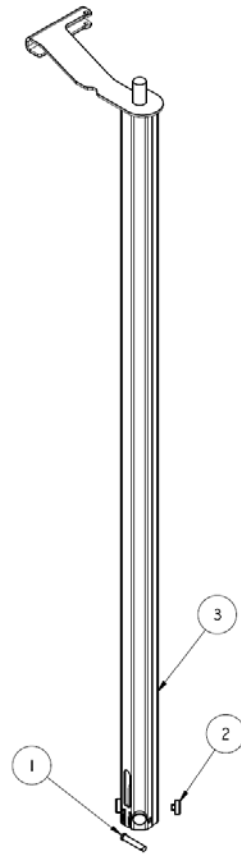


METRO-LED SERIES II

SEQ.#	ITEM NO.	DESCRIPTION	QTY
1	3430810	PIN, FLAT HEAD CLEVIS	1
2	1001228794	PAD, 0.75" BSPP MAST WEAR	4
3	1001159479	SHEAVE, 60 mm	1
4	1001159496	PAD, INNER 10 mm	4
5	1001160216	WASHER, NYLON, 12 mm	4
6	1001160923	BEARING, NTN 6301LLU	1
7	1001201798	MAST, LT WELDMENT SECTION 6	1
8	1001207846	PIN, DIA 12, MAST SHEAVE	1
9	1001209642	RING, RETAINING EXT. 12 mm DIA	2
10	1001204570	CABLE, LT MAST S5-7 (CONNECT S7 LOWER POINT AND S5 TOP POINT)	1

METRO-LED SERIES II

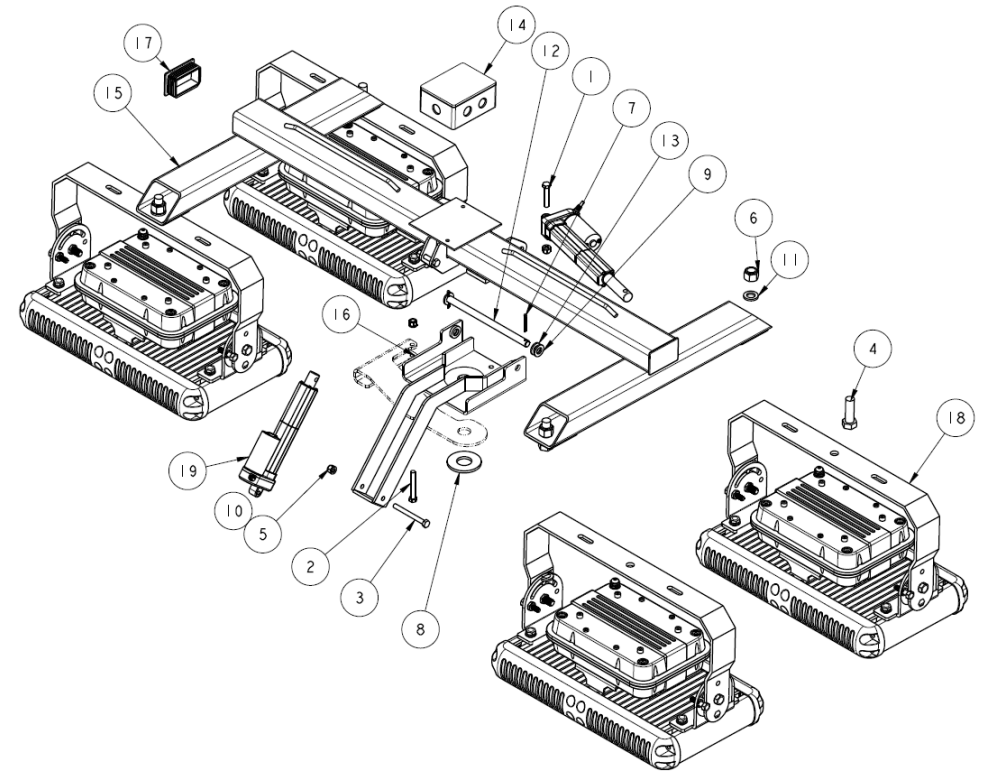
MAST SECTION 7



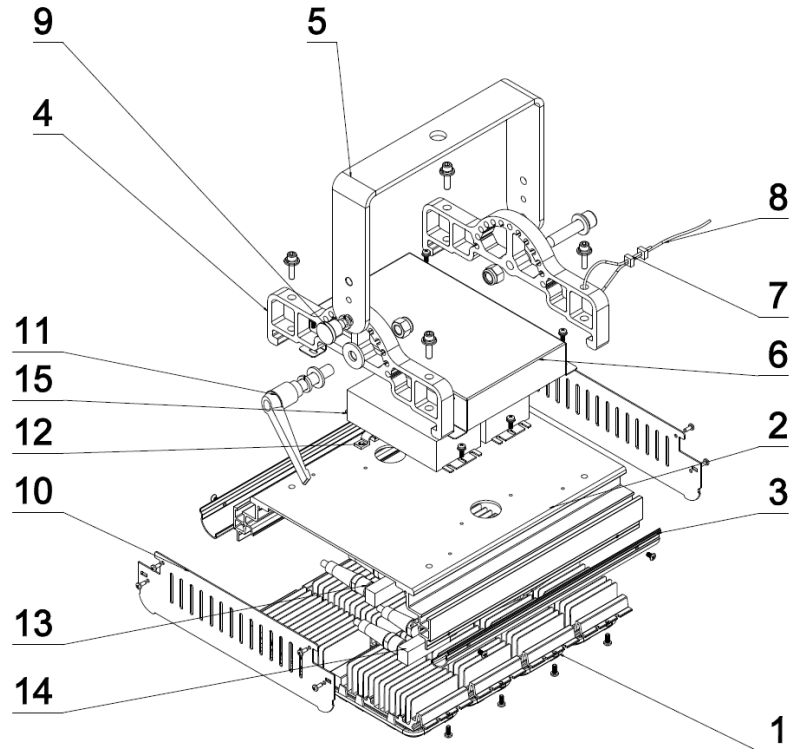
SEQ.#	ITEM NO.	DESCRIPTION	QTY
1	3430616	PIN, FLAT HEAD CLEVIS	1
2	1001201802	PAD, INNER MAST SEC 7	4
3	1001201803	MAST, LT WELDMENT SECTION 7	1

METRO-LED SERIES II

LIGHT HEAD



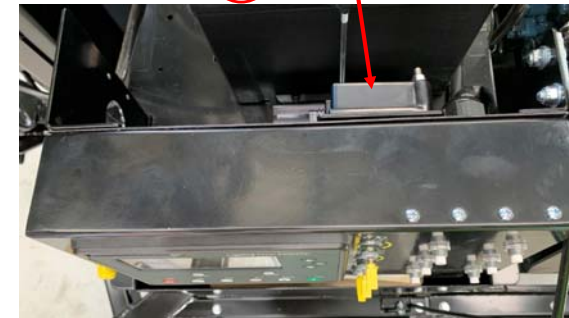
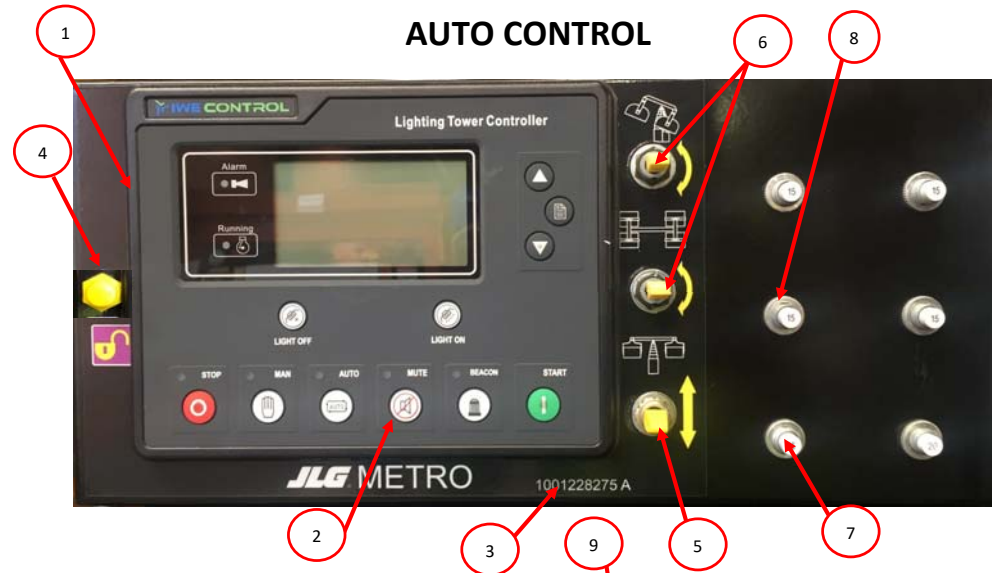
METRO-LED SERIES II



SEQ.#	ITEM NO.	DESCRIPTION	QTY
	1001273102	LAMP, LED 48VDC 300W	4
1	1001281346	LAMP, MODULE M28S8-VDE 300W	4
2	1001289271	LAMP, 4M-DFZ HOUSING 300W	1
3	1001289272	LAMP, 4M-B TRIM 300W	2
4	1001289273	LAMP, BRIDGE BRACKET 300W	2
5	1001289274	LAMP, TRUNION BRACKET 300W	1
6	1001289275	LAMP, 4MDF DRIVER COVER 300W	1
7	1001289279	LAMP, CABLE DOP 300W	4
8	1001289280	LAMP, WIREROPE 300W	1
9	1001281351	LAMP, M10 INDEX PLUNGER PIN	1
10	1001289276	LAMP, SIDE PLATE-B 300W	2
11	1001281350	LAMP, 7 STYLE HANDLE M12-300W	1
12	1001289281	LAMP, PRESSING LINE PLATE 300W	1
13	1001281347	LAMP, WIRE HARNESS 300W	2
14	1001281348	LAMP, WIRE HARNESS 300W	1
15	1001281349	LAMP, DRIVE POWER 48V-150DN-100	2

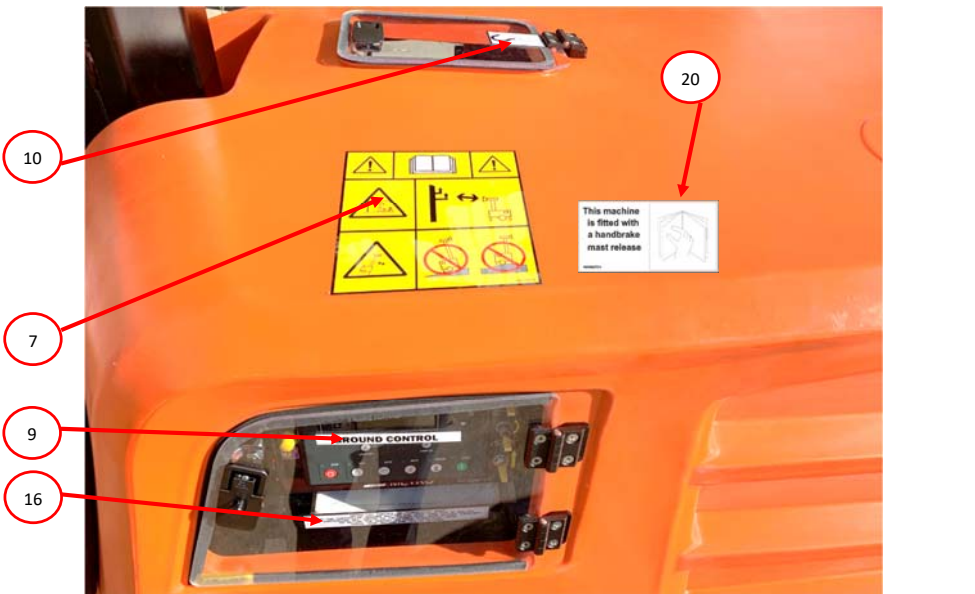
**METRO-LED SERIES II
ELECTRICAL ASSEMBLY**

AUTO CONTROL

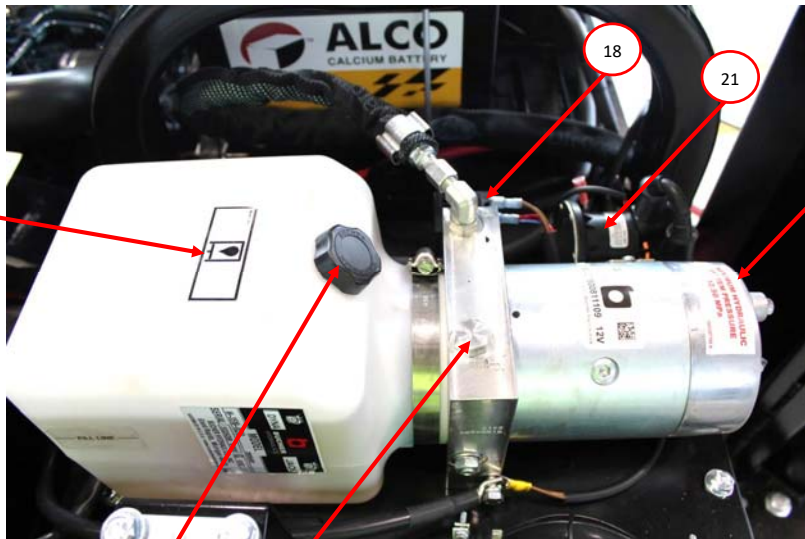


SEQ.#	ITEM NO.	DESCRIPTION	QTY
1	1001269263	KIT, CONTTOL BOX METRO S-II LED	1
-	1001228500	BOX, CONTROL AUTO METRO LED	1
-	1001218508	PLATE, CONTROL BOX AUTO METRO LED (NOW SHOWN)	1
2	1001209453	CONTROL, LED LT ENGINE AUTO	1
3	1001228275	DECAL, METRO LED AUTO START	1
4	4360387	SWITCH, PUSH BUTTON	1
5	4360328	SWITCH, TOGGLE	1
6	4360314	SWITCH, TOGGLE	2
7	4360161	SWITCH, CIRCUIT BREAKER 20 A	1
8	4360070	SWITCH, CIRCUIT BREAKER 15 A	5
9	1001265718	CONTROL, ECU 1500 RPM Z482 EG	1

DECALS & MISCELLANY



METRO-LED SERIES II



1001309592_E

19

17

JLG Industries (Australia)
Oshkosh Corporation

Page 41
15/01/24

METRO-LED SERIES II

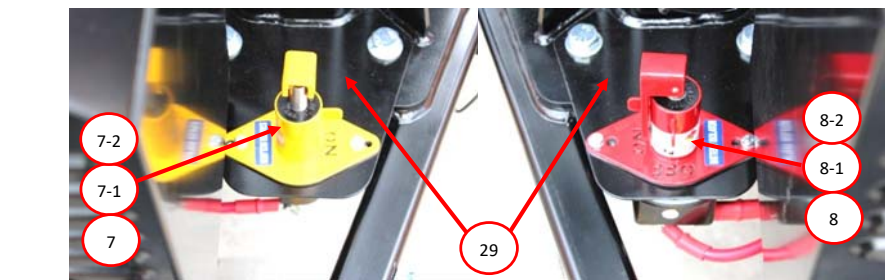
SEQ.#	ITEM NO.	DESCRIPTION	QTY
1	1702009	DECAL, JLG BLACK 3.25"	3
2	1001209098	DECAL, METRO LED	1
3	1702300	DECAL, TIE DOWN	4
4	1703073	DECAL, FORK LIFT POINT	4
5	1701785	DECAL, DANGER	4
6	1001159779	DECAL, DANGER ELEC	2
7	1001159774	DECAL, DANGER TIPPING/ELEC LT	1
8	1701505	DECAL, FUEL	1
9	1700037	DECAL, GROUND CONTROL	1
10	1701500	DECAL, TIE DOWN/LIFT	1
11	1001159775	DECAL, BUNDING DRAIN	2
12	1001159777	DECAL, ENGINE OIL DRAIN	1
13	1001159780	DECAL, HYDRAULIC OIL	1
14	1001207748	DECAL, HYDRAULIC PRESSURE 12.5 MPa	1
15	1001218636	DECAL, CAUTION, STAND CLEAR OF MAST	1
16	1001222555	DECAL, CONTROLLER PWR SAVE MODE	1
17	2220237	FITTING 9/16" UNO PLUG	2
18	70000642	CARTRIDGE 2W/2P W/O COIL	1
19	70001025	CAP, RESERVOIR FILL	1
20	1001299273	DECAL, HANDBRAKE MAST RELEASE	1
21	70045064	SOLENOID, 12V APU	1

1001309592_B

JLG Industries (Australia)
Oshkosh Corporation

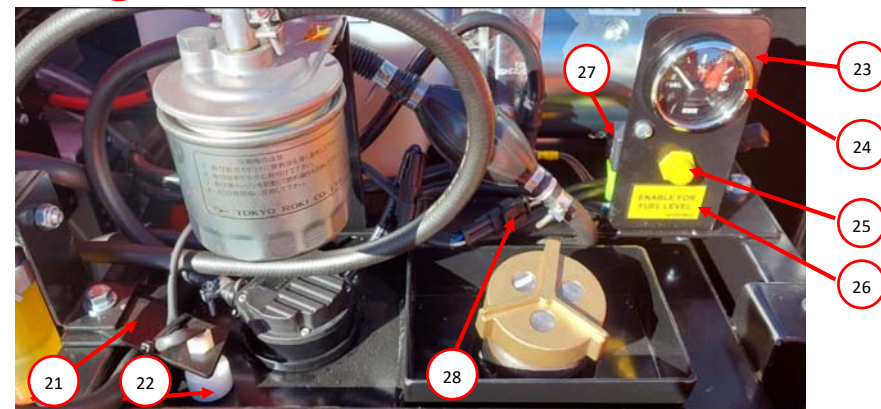
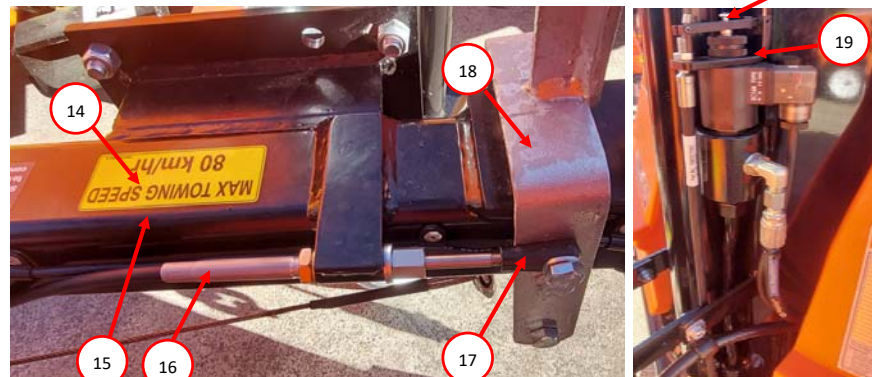
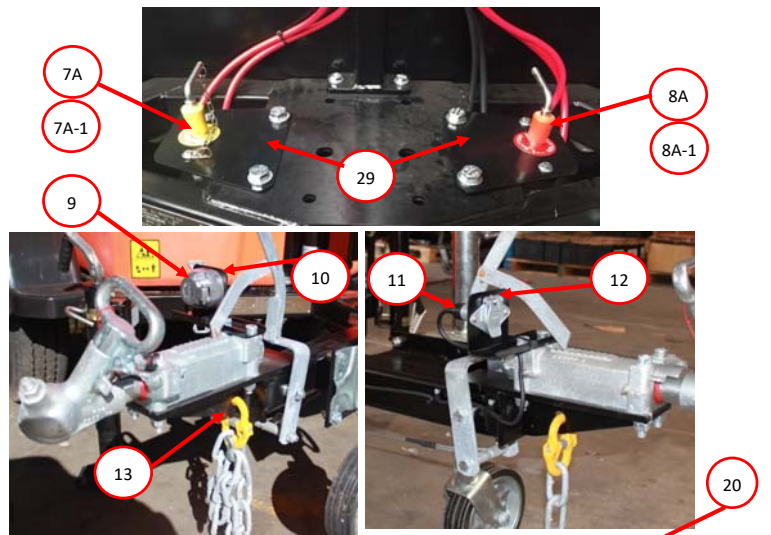
Page 42
15/01/24

OPTIONS



DETAIL A

DETAIL B



METRO-LED SERIES II

SEQ.#	ITEM NO.	DESCRIPTION	QTY
1	1001211018	BRACKET, WHEEL CHOCK PLASTIC	2
2	1001211017	WHEEL, CHOCK PLASTIC BLACK	2
3	1001172068	BEACON, LED LT	1
4	1734123	FIRE, EXTINGUISHER 4.5 kg ABE	1
5	1733394	BRACKET HD 4.5 kg FIRE EXT	1
6	1737513	TAPE, DG3 FLURO 45MT REFLECT	3.8 m
7	1001207028	KIT, STARTER ISOLATOR, LOCKSAFE	1
7-1	1001209047	SWITCH, STARTER ISOLATOR 2P	1
7-2	LS1100302	BRACKET, STARTER ISOLATOR LOCKSAFE YELLOW	1
7A	1001207026	KIT, STARTER ISOLATOR	1
7A-1	1001209049	SWITCH, STARTER ISOLATOR 2P LK	1
8	1001207027	KIT, BATTERY ISOLATOR, LOCKSAFE	1
8-1	1001209048	SWITCH, BATTERY ISOLATOR 4P	1
8-2	1731126	BRACKET, LOCKSAFE DOUBLE POLE	1
8A	1001207025	KIT, BATTERY ISOLATOR SWITCH	1
8A-1	1001209057	SWITCH, BATTERY ISOLATOR 4P LK	1
9	1730894	SOCKET, 7 PIN LARGE ROUND TRAILER	1
10	1001232364	BRACKET, TRAILER PIN SOCKET	1
11	1734626	SOCKET, TRAILER 6 PIN	1
12	1001232365	BRACKET, TRAILER PIN SMALL SKT	1
13	WSS00155CD	SHACKLE, 1.5 tonne D-TYPE	1
14	1001262463	DECAL, MAX TOWING SPEED 80 KM/H	1
	1001286570	KIT, METRO MAST AUTO DOWN	1
15	1001286567	HITCH, WELDMENT MAST AUTO DOWN	1
16	1001277487	CABLE, DESCENT 1.43M	1
17	1001286563	LUG, EYELET 1/4"-20 UNC - 28MM	1
18	1001286566	LEVER, ASSY HANDBRAKE MODIFIED	1
19	1001286564	BRACKET, ASSY EMERGENCY RELEASE	1
20		SCREW, M4X30 PAN PHILIPS HEAD	1
21	1001291335	BRACKET, FLOAT SENSOR METRO	2
22	1001285935	SENSOR, FLOAT SWITCH VERTICAL	2
23	1001291297	BRACKET, ANALOG GAUGE MOUNT	1
24	1001291200	GAUGE, FUEL ANALOG 240-33 OHMS	1
25	4360387	SWITCH, PUSH BUTTON	1
26	1001291298	DECAL, ENABLE FOR FUEL LEVEL	1
27	1001171585	RELAY,30A 12VDC SPDT	1
28	4461227	TERMINAL, AMP 282104	1
-	4461118	TERMINAL, CONNECTOR, AMP	1
-	1001107854	TERMINAL, AMP SUPERSEAL SOCKET	2
-	1001104497	TERMINAL, AMP SUPERSEAL PIN	2
-	1001104498	TERMINAL, WIRE SEAL	2
29	1001210969	BRACKET, ISOLATOR MOUNT (PRIOR S/N:M4L0001573)	2
29A	1001288056	BRACKET, BATTERY ISOLATOR (FROM S/N:M4L0001574)	1

METRO-LED SERIES II

RECOMMENDED SPARE PARTS

ITEM DESCRIPTION	PART NO
FAN, BELT KUBOTA Z482	1001212175
HOSE, RADIATOR TOP Z482	1001212176
HOSE, RADIATOR BOTTOM Z482	1001212177
FILTER, AIR KUBOTA Z482	1001212174
FUEL FILTER	1730930
FILTER, OIL	7017980
FILTER, WATER SEPARATOR Z482	1001212180
SWITCH,CIRCUIT BREAKER 20 A	4360161
FUSE, 25 A MINI-BLADE	8229247
SWITCH, CIRCUIT BREAKER 15 A	4360070
RELAY	1001171585
CONTROLLER, METRO-LED MANUAL-START	1001202721
CONTROLLER, METRO-LED AUTO-START	1001209453
FUSE, FUSMP205-1A 250V CFF HOLDER, FUSHF-011 M205SC IN-LINE	1001312647 1001312648
SEALING WASHER, 38 UNC 750 SERIES HYDRAULIC POWERPACK PRESSURE RELIEF VALVE ADJUSTING SCREW	1001246647
VALVE, CFPB-0169 SOLENOID MAST HYDRAULIC CYLINDER	1001220712