



Illustrated Parts Manual

Lighting Tower Model

Metro-MH

1001309812

October 18, 2023



REFERENCE MANUALS

1001309810 Metro-MH Operation and Safety Manual

1001309811 Metro-MH Service & Maintenance Manual

1001309812 Metro-MH Illustrated Parts Manual

CUSTOMER SUPPORT

**JLG Industries
(Port Macquarie)**

11 Bolwarra Road
Port Macquarie
NSW 2444
Phone: (02) 6581 1111

**JLG Industries
(Victoria)**

30-32 Cyber Loop
Dandenong
VIC 3175
Phone: (03) 9554 4333

**JLG Industries
(New South Wales)**

358 Park Road
Regents Park
NSW 2143
Phone: (02) 8718 6300

**JLG Industries
(South Australia)**

9 Nucera Court
Green Fields
SA 5107
Phone: (08) 8259 8777

**JLG Industries
(Queensland)**

223 Fison Avenue West
Eagle Farm
QLD 4009
Phone: (07) 3309 9111

**JLG Industries
(Western Australia)**

39 Kewdale Road
Kewdale, Perth
WA 6105
Phone: (08) 9356 9811

**JLG Industries
(New Zealand)**

2b Fisher Crescent
Mt Wellington, Auckland
New Zealand
Phone: + 64 9276 1728

**JLG Industries
(Northern Territory)**

23 Beresford Road
Yarrowonga
NT 0831
Phone: (08) 8259 8777

INTRODUCTION

This manual provides the information necessary for the safely service and maintain the JLG Metro-MH lighting tower.

Additional information can be sourced from the following Metro-MH manuals.

1001309810 Operation & Safety

1001309811 Service & Maintenance

Specific operating details are contained in this publication to familiarise the operating personnel with the correct and safe procedures necessary to operate this equipment.

Take the time to read and become familiar with all three Metro-MH manuals.

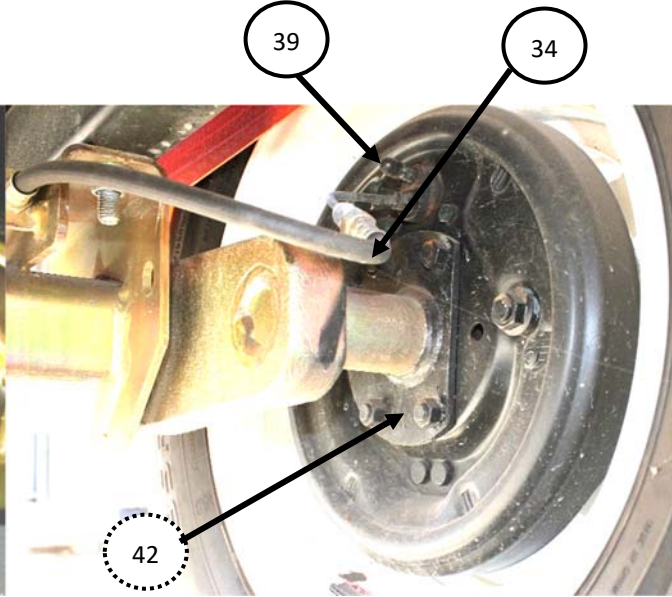
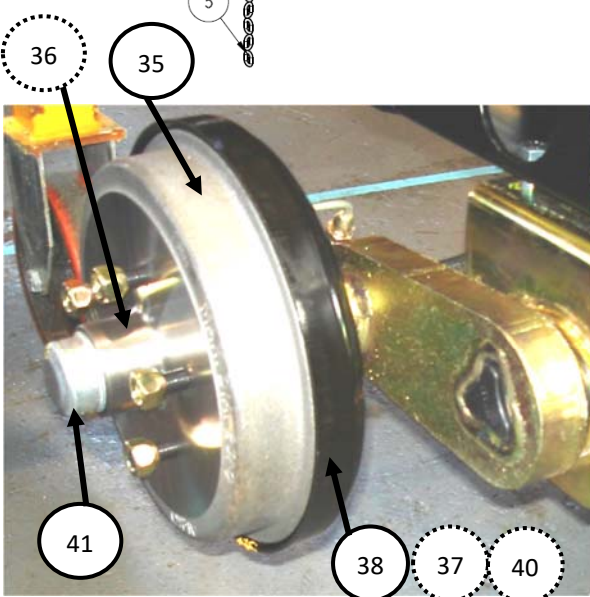
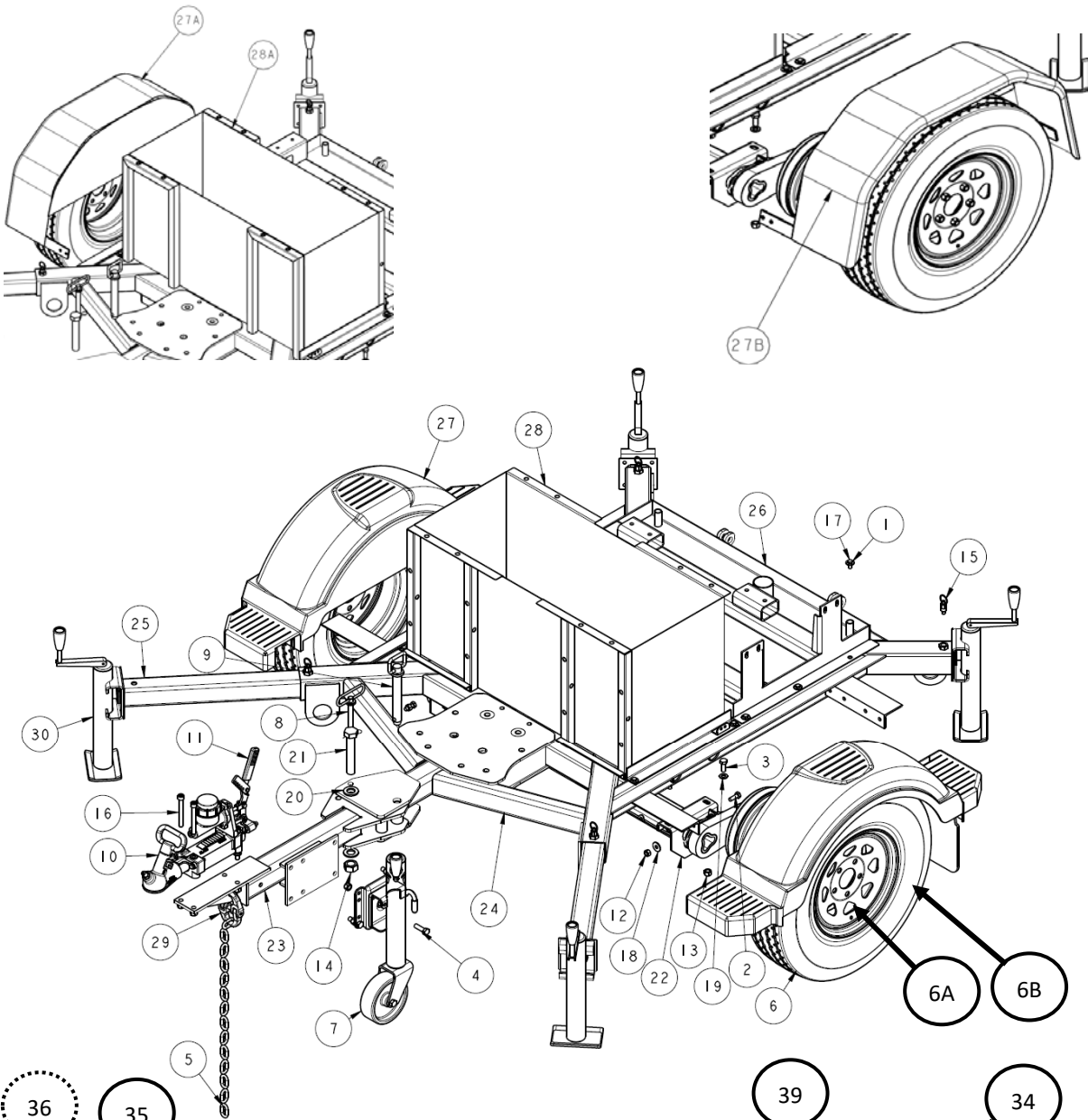
If you are uncertain about any of the information presented, contact your JLG Service Office before operations commence.

All instructions in this manual are based on the machine being used under the operating conditions for which it was designed. In reading this manual, particular attention should be given to safety related Cautions and Warnings.

ILLUSTRATED PARTS & SPARES

CONTENTS	PAGE
• Chassis Assembly	
• Lifting & Fuel Tank Assembly	5
• Battery, Ballast & Power pack Assembly	8
• Engine & Alternator Assembly	10
• Hoods Assembly	13
• Mast Assembly	17
• Mast Section 1	19
• Mast Section 2	21
• Mast Section 3	23
• Mast Section 4	25
• Mast Section 5	27
• Mast Section 6	97
• Mast Section 7	31
• Light Head	32
• Electrical Assembly	34
• Decal & Miscellaneous Parts	34
• Options	40
• Cable Brake Arrangement	43
• Recommended Spares	

CHASSIS ASSEMBLY



METRO-MH



7A



7B



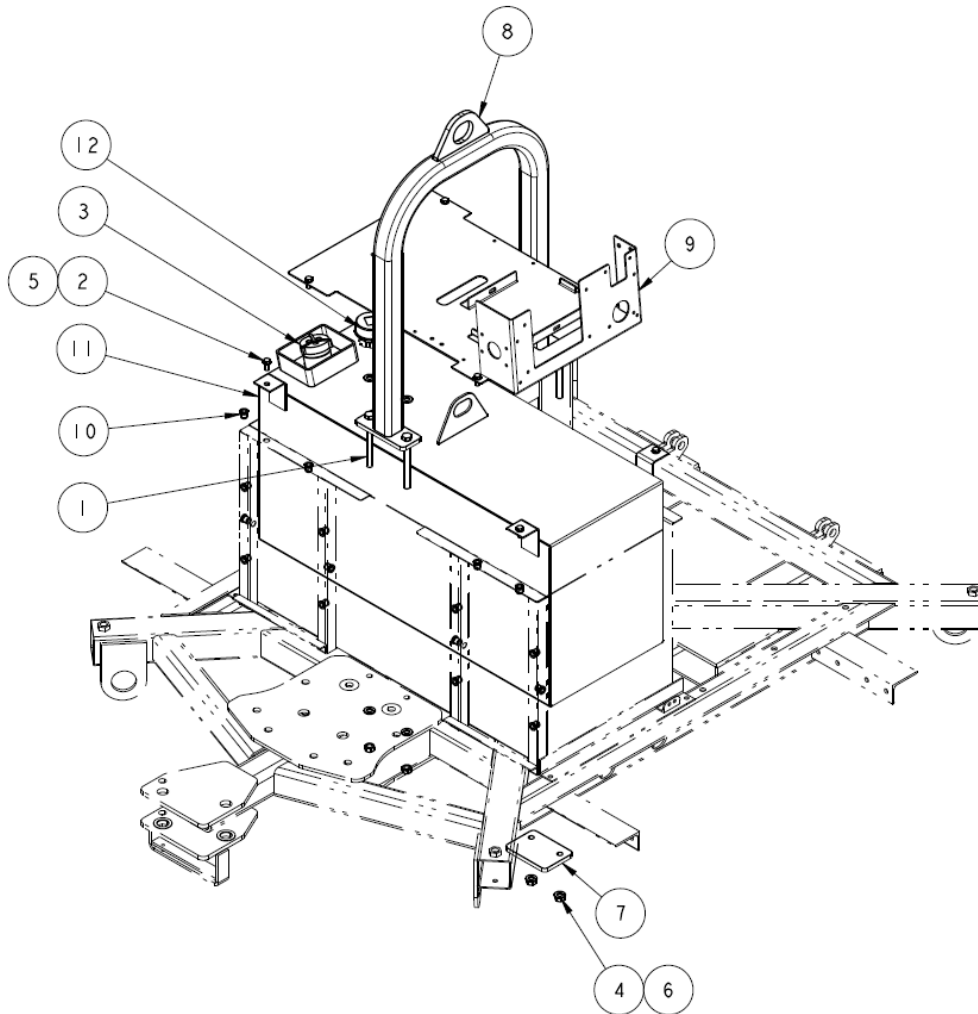
7C

SEQ.#	ITEM NO.	DESCRIPTION	QTY
1	0760810	HEX HEAD BOLT, M8 X 20 CLASS 8.8	10
2	0761014	HEX HEAD BOLT, M10 X 30 CLASS 8.8	8
3	0711214	HEX HEAD BOLT, M12 X 30 CLASS 10.9	4
4	0761214	HEX HEAD BOLT, M12 X 30 CLASS 8.8	4
5	1730753	CHAIN, TRAILER SAFETY	1
6	1730912	ASSY, TIRE/WHEEL	2
6A	1001238924	WHEEL, RIM 14X6 WHITE RANGER	2
6B	1001238925	TYRE, 185R14C 102/100R 850 KG	2
7	1001204567	JACK, JOCKEY WHEEL 6" (OPTION)	1
7A	1730952	JOCKEY WHEEL, 8" BLACK (OPTION)	1
7B	1001217920	WHEEL, JOCKEY 8" ALKO	1
7C	1001233857	WHEEL, JOCKEY 8" EZYROLL (OPTION)	1
8	1733192	PIN, HITCH	1
9	1733267	PIN, REWORK CLEVIS 1.00 X 6	1
10	1001159424	COUPLING, 50 mm TOW BALL	1
11	1737060	CYLINDER, MASTER BRAKE ASSY.	1
12	3291005	HEX LOCK NUT, M10 X 1.5 CLASS 8	8
13	3331215	HEX LOCK NUT, M12 X 1.75 CLASS 10	8

METRO-MH

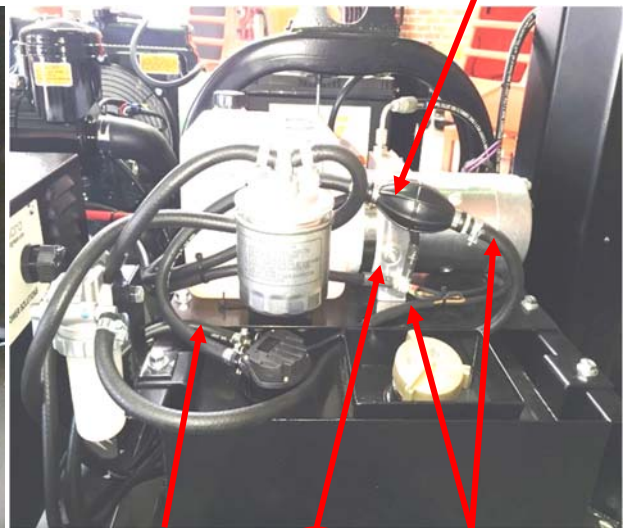
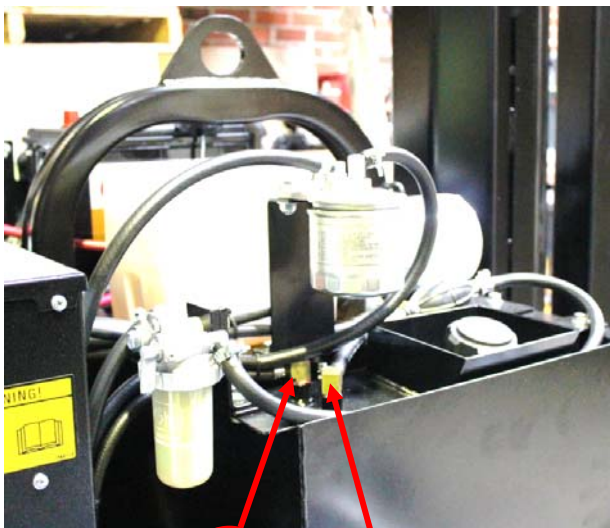
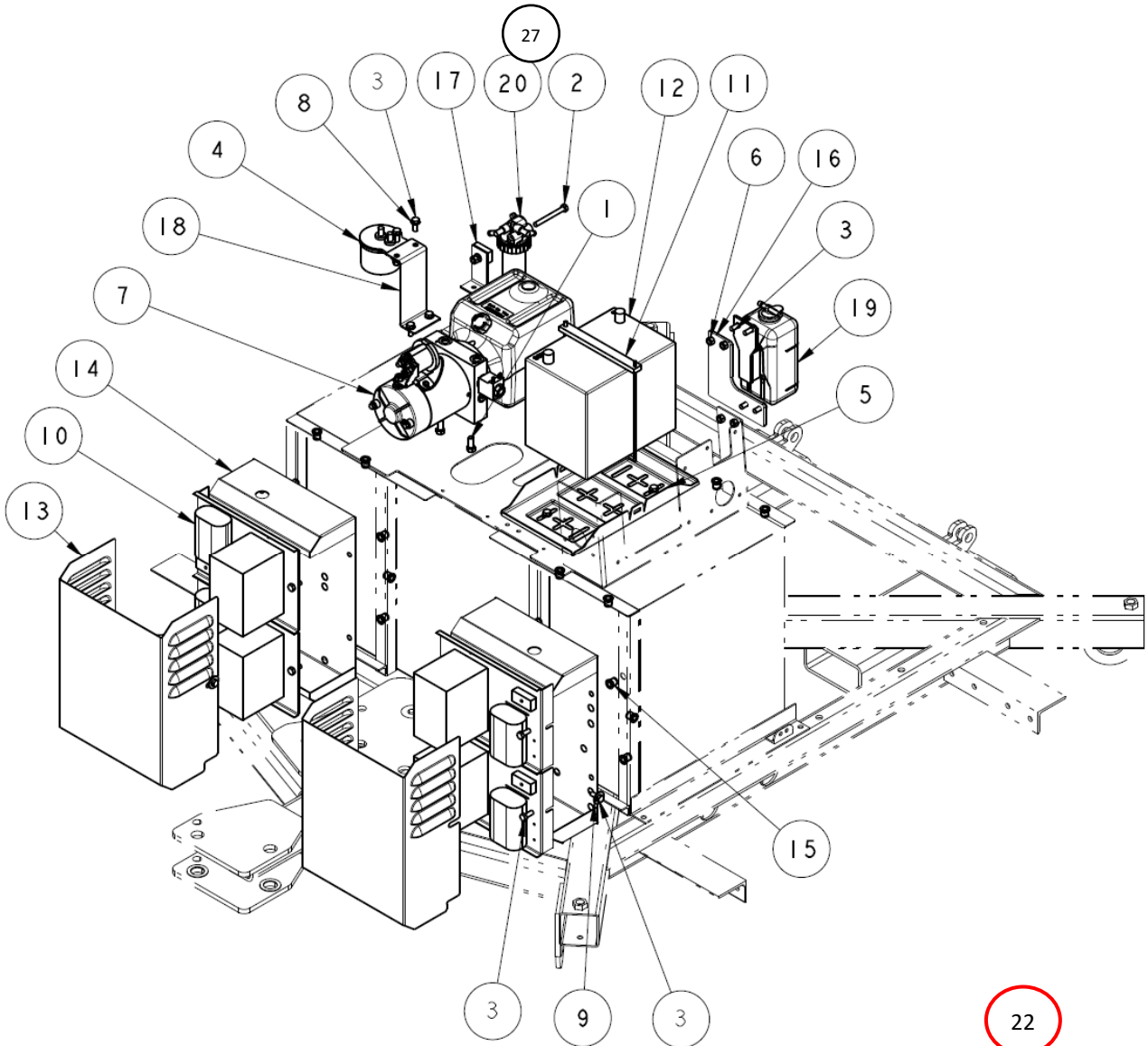
SEQ.#	ITEM NO.	DESCRIPTION	QTY
14	1001098827	HEX LOCK NUT, M24 X 3 CLASS 10	1
15	3422369	PIN, PLUNGER	4
16	1001212780	HEX SOCKET HEAD BOLT, M12 X 100 CLASS 12.9	4
17	4811902	WASHER, 8 mm LG OD	10
18	4812002	WASHER, 10 mm LG OD	8
19	4812100	WASHER, 12 mm	8
20	4812700	WASHER, 24 mm	2
21	1001097587	HEX HEAD BOLT, M24 X 150 CLASS 10.9	1
22	1001159428	AXLE, METRO HYDRAULIC BRAKE	1
22A	1001207381	AXLE, CABLE DISC BRAKE METRO (OPTION)	1
23	1001201167	HITCH, ASSY FOLDED METRO	1
24	1001201176	FRAME, WELDMENT METRO UNIVERSAL	1
25	1001201405	STABILIZER, WELDMENT	4
26	1001203087	SUPPORT, D905 GENSET	1
27	1001207379	MUDGUARD, 14 INCH PLASTIC	2
27A	1001202275	SHIELD, WELDMENT RH METRO	1
27B	1001202276	SHIELD, WELDMENT LH METRO	1
28	1001210789	FRAME, FUEL TANK BUNDING MH	1
28A	1001201399	FRAME, FUEL TANK BUNDING	1
29	1001204723	CHAIN, CONNECTING LINK	1
30	A330008	ASSEMBLY, REAR OUTRIGGER JACK	4
	A330014	SNAP RING FOR JACK (NOT SHOWN)	A/R
	1001265715	KIT, SWIVEL PIN 3/8" DL JACK	A/R
31	1001205758	HOSE ASSY, METRO DRUM BRAKE (NOT SHOWN)	1
32	1001172072	HARNESS, TAILLIGHT PN 5C430 (NOT SHOWN)	1
33	1001172073	HARNESS, TAILLIGHT PN 4C110 (NOT SHOWN)	1
34	1001233026	HOSE ASSY, METRO DRUM BRAKE (SHORT)	2
35	1732109	HUB, BRAKE DRUM	2
36	1001233028	KIT, WHEEL BEARING AND SEAL (HYD HUB)	2
37	1734149	BRAKE SHOES, PAIR	2
38	1001233031	PLATE, PAIR BACKING HYD BRAKE	2
39	1001233032	BRAKE, BLEED SCREW 9" HYDRAULIC	2
40	1730882	BRAKE WHEEL CYLINDER, 9" HYDRAULIC	2
41	1734703	AXLE DUST CAP - K13	2
42	1734710	SEAL, HUB AXLE BEARING	2

LIFTING & FUEL TANK ASSEMBLY



SEQ.#	ITEM NO.	DESCRIPTION	QTY
1	0711230	HEX HEAD BOLT, M12 X 130 CLASS 10.9	4
2	0760810	HEX HEAD BOLT, M8 X 20 CLASS 8.8	8
3	1001204660	GAUGE, FUEL METRO (PRIOR S/N: M4M0000059)	1
3A	1120314	CAP, FUEL TANK FILLER (FROM S/N: M4M0000059)	1
4	3331215	HEX LOCK NUT, M12 X 1.75 CLASS 10	4
5	4811902	WASHER, 8 mm LG OD	8
6	4812100	WASHER, 12 mm	8
7	1001202716	PLATE, LIFTING LUG MOUNT REAR	1
8	1001202720	LUG, WELDMENT LIFTING METRO	1
8A	1001205928	LUG, WELDMENT LIFTING METRO (FOR MOULDED HOOD)	1
9	1001202855	BRACKET, CONTROL BOX MOUNT	1
10	1001205301	RIVET, M8 X 1.25 SHORT NUTSERT	10
11	1001201412	TANK, WELDMENT FUEL METRO (PRIOR S/N: M4M0000059)	1
11A	1001218157	TANK, WELDMENT FUEL METRO (FROM S/N: M4M0000059)	1
12	1001219626	SENSOR, FUEL (FROM S/N: M4M0000059)	1
13	1001179341	LTR, INSERTION RUBBER 50 X 3 mm (NOT SHOWN)	0.75 m

BATTERY, BALLAST & POWER PACK ASSEMBLY



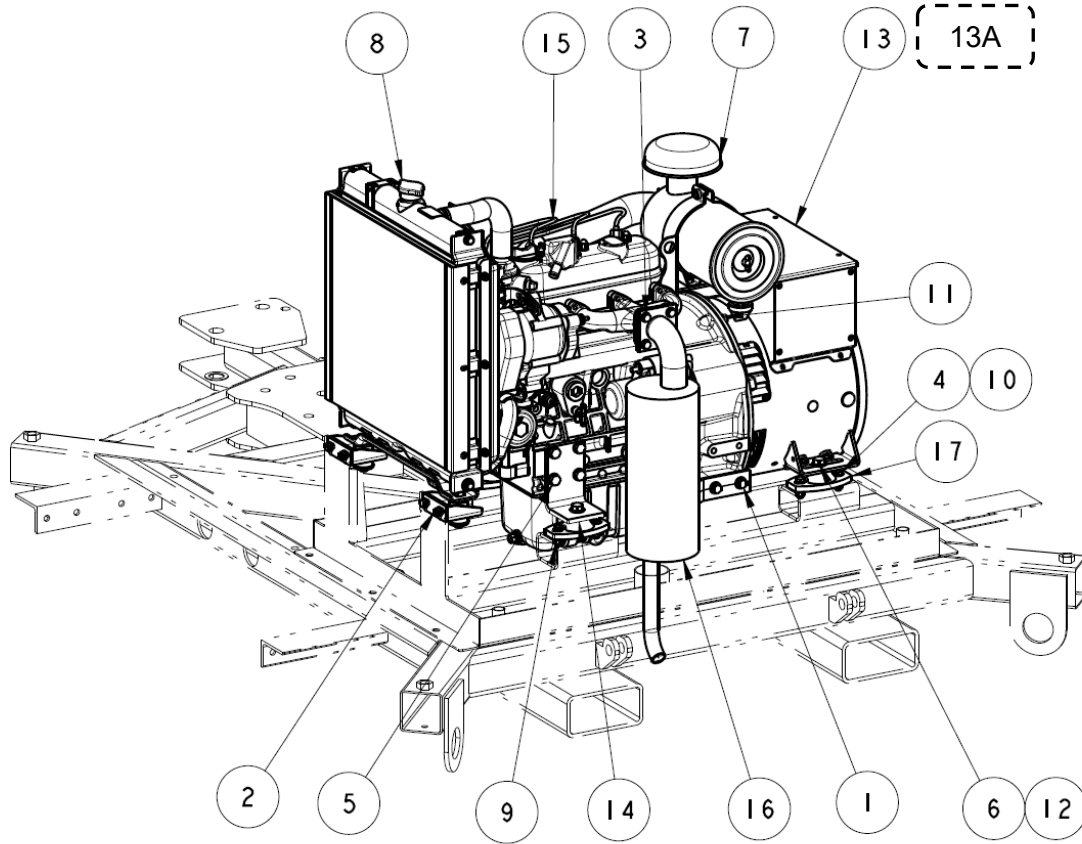
25 26

24 7A 23

METRO-MH

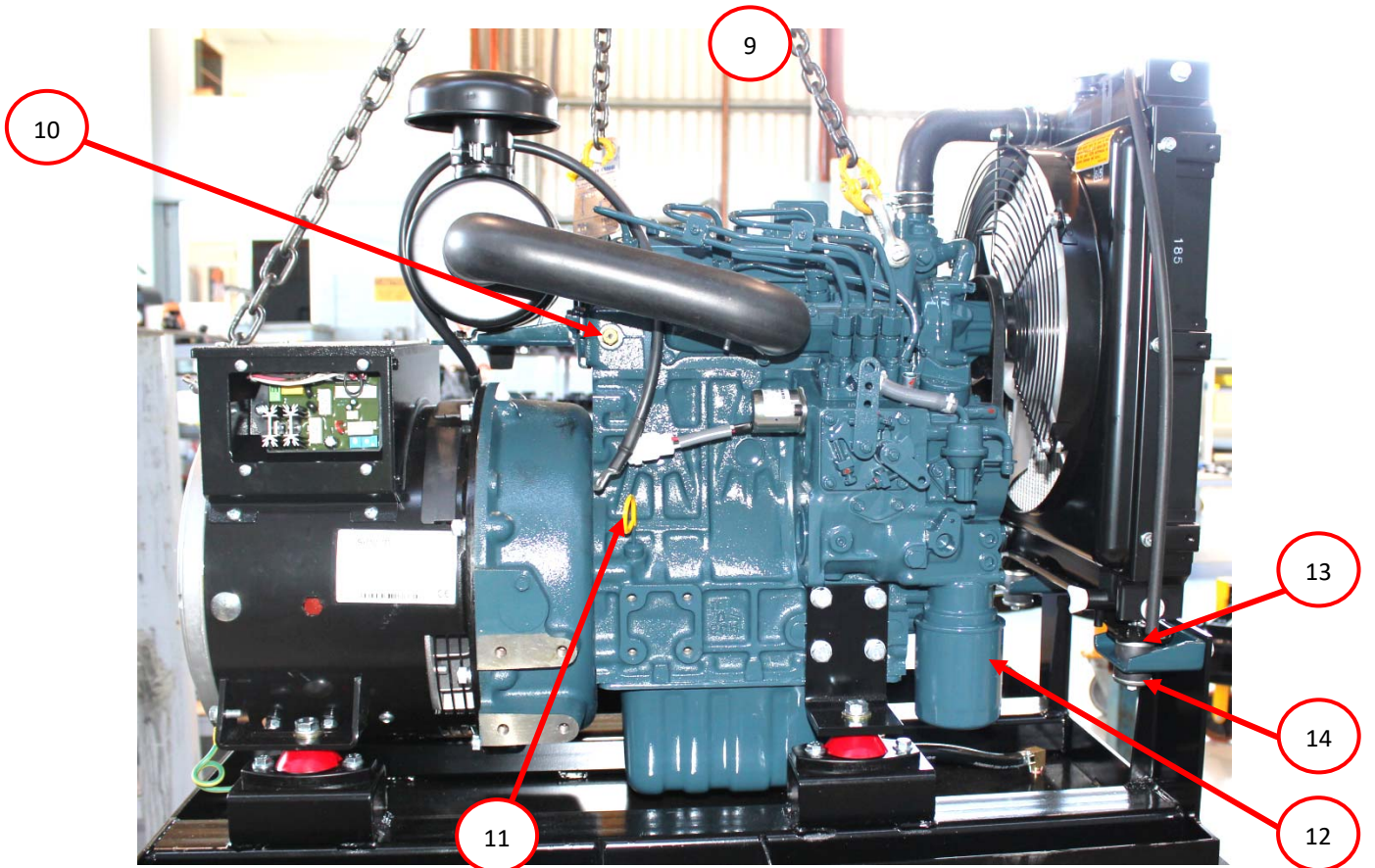
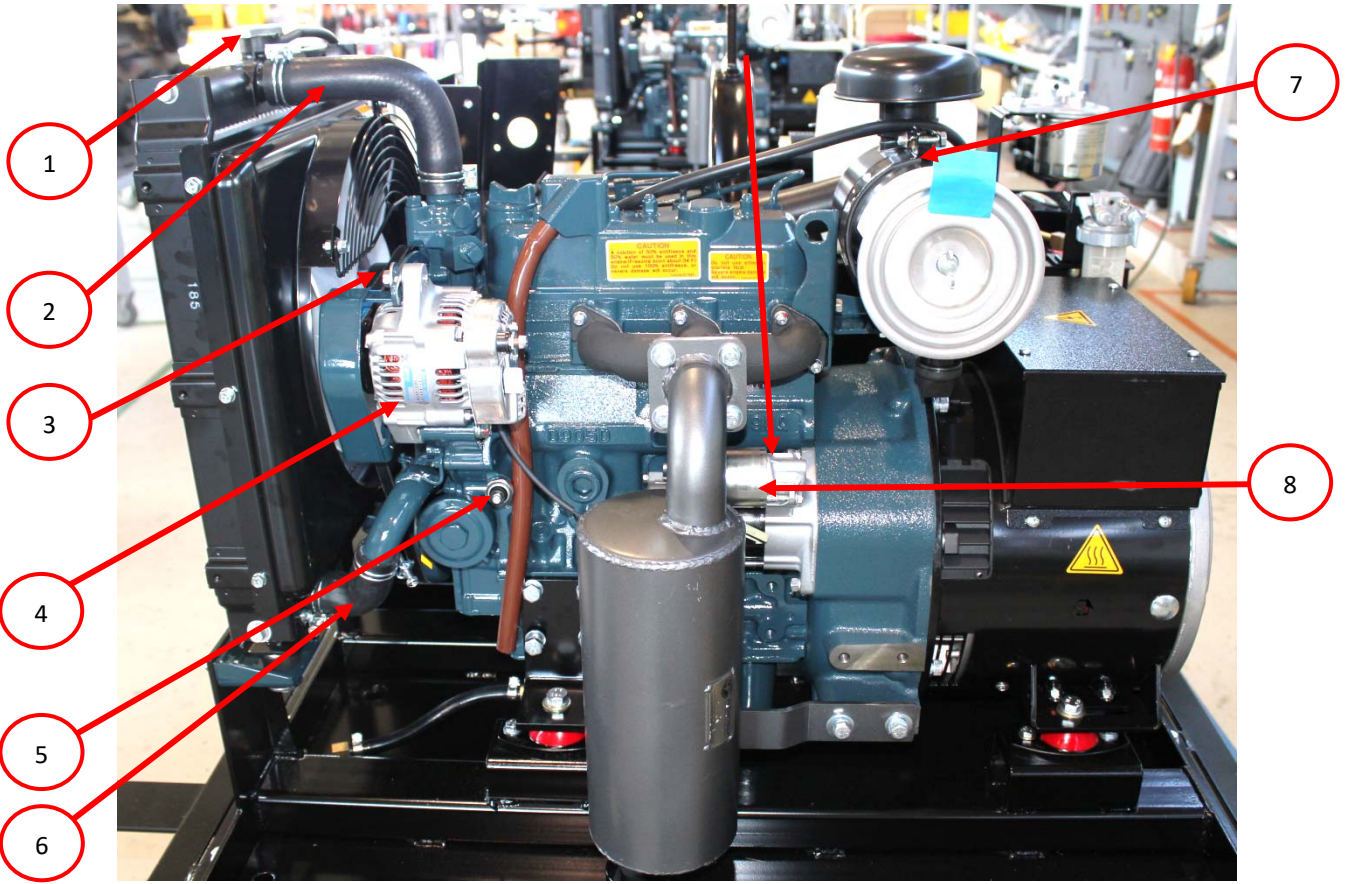
SEQ.#	ITEM NO.	DESCRIPTION	QTY
1	0681607	HEX HEAD BOLT, 3/8"-16 X 7/8 GRADE 8	2
2	0700823	HEX HEAD BOLT, M8 X 75 CLASS 8.8	1
3	0760810	HEX HEAD BOLT, M8 X 20 CLASS 8.8	22
4	1001181346	FUEL FILTER	1
5	1731207	BATTERY TRAY, 314 X 185 PVC (PRIOR S/N: M4M0000059)	1
6	3290805	HEX LOCK NUT, M8 X 1.25 CLASS 8	9
7	1001210709	POWERPACK, HYDRAULIC C/W TANK & PRESSURE RELIEF VALVE	1
7A	1001246647	SEALING WASHER, 3/8UNC 750 SERIES PRV ADJUSTING SCREW	A/R
8	4811900	WASHER, 8 mm	15
9	4811902	WASHER, 8 mm LG OD	4
10	1001212696	ELECTRICAL ASSY, BALLAST	4
11	1001160992	CLAMP, BATTERY HOLD DOWN	1
12	1001160993	BATTERY, 12 V	1
13	1001202949	SHIELD, BALLAST METRO	2
14	1001204847	SUPPORT, BALLAST METRO	2
15	1001205301	RIVET, M8 X 1.25 SHORT NUTSERT	12
16	1001206644	BRACKET, OVERFLOW CONTAINER	1
17	1001210885	BRACKET, ASSY FUEL FILTER MOUNT	1
18	1001171776	BRACKET, FUEL FILTER FINISHED	1
19	1001212181	CONTAINER, COOLANT BOTTLE Z482	1
20	KU1583143353	FILTER, ASSY WATER SAPERATER Z482	1
21	1001208672	CABLE, KIT BATTERY METRO (NOT SHOWN)	1
22	1730815	FUEL LINE PRIMER BULB	1
23	1735652	FUEL HOSE 5/16"	5.0 m
24	1737576	FUEL HOSE 3/16"	1.2 m
25	1730939	HOSETAIL, ¼ BSPT X ¼ HOSE 90 DEG (PRIOR S/N: M4M0000059)	1
26	1001187892	FTG-PIPE, 1/4 NPT X 5/16 HOSE (PRIOR S/N: M4M0000059)	1
27	KU1583143380	WATER SEPARATOR CARTRIDGE	1

ENGINE & ALTERNATOR ASSEMBLY

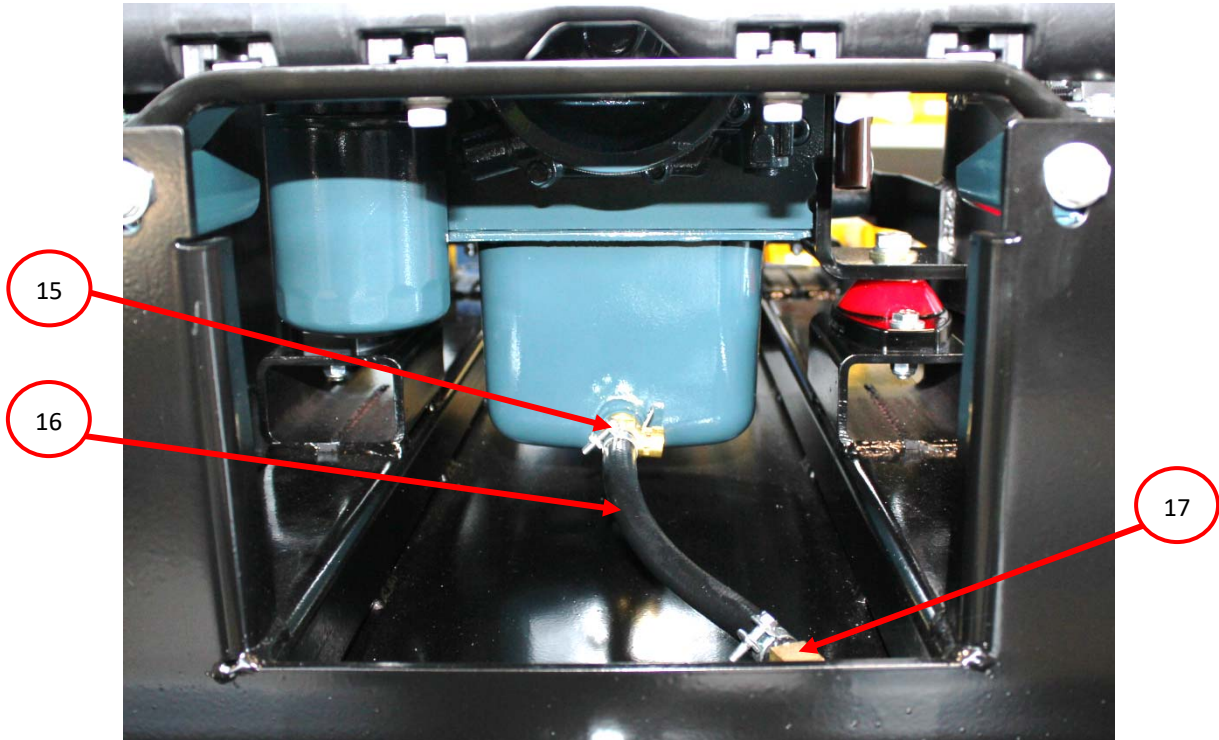


SEQ.#	ITEM NO.	DESCRIPTION	QTY
1	0681606	HEX HEAD BOLT, 3/8-16 X 3/4 GRADE 8	2
2	0760810	HEX HEAD BOLT, M8 X 20 CLASS 8.8	4
3	0760812	HEX HEAD BOLT, M8 X 25 CLASS 8.8	4
4	0760814	HEX HEAD BOLT, M8 X 30 CLASS 8.8	8
5	1001219876	HEX HEAD SCREW, M10 X 1.25P -25 CLASS 8.8	8
6	0761215	HEX HEAD BOLT, M12 X 35 CLASS 8.8	4
7	1730964	FILTER, AIR D905 ENGINE	1
8	1930953	RADIATOR, D905 ENGINE	1
9	3290805	HEX LOCK NUT, M8 X 1.25 CLASS 8	8
10	4811900	WASHER, 8 mm	24
11	4812000	WASHER, 10 mm	6
12	4812100	WASHER, 12mm	4
13	1001158727	ALTERNATOR, SINCRO	1
13A	1001164004	REGULATOR, AUTOMATIC VOLTAGE (SINCRO 155239)	(1)
14	1001164900	BRACKET, ENGINE ANGLE FINISHED	2
15	1001185703	ENGINE, KUBOTA D905 14.9 KW SAE2	1
16	1001204571	MUFFLER, D905 METRO	1
16A	1001223127	MUFFLER, S-ARRESTOR METRO MH	1
17	1001205894	ENGINE MOUNT, GPM7FS-12B ISOLATOR	4
18	1001205835	HARNESS, LT METRO MAIN (NOT SHOWN)	1

METRO-MH

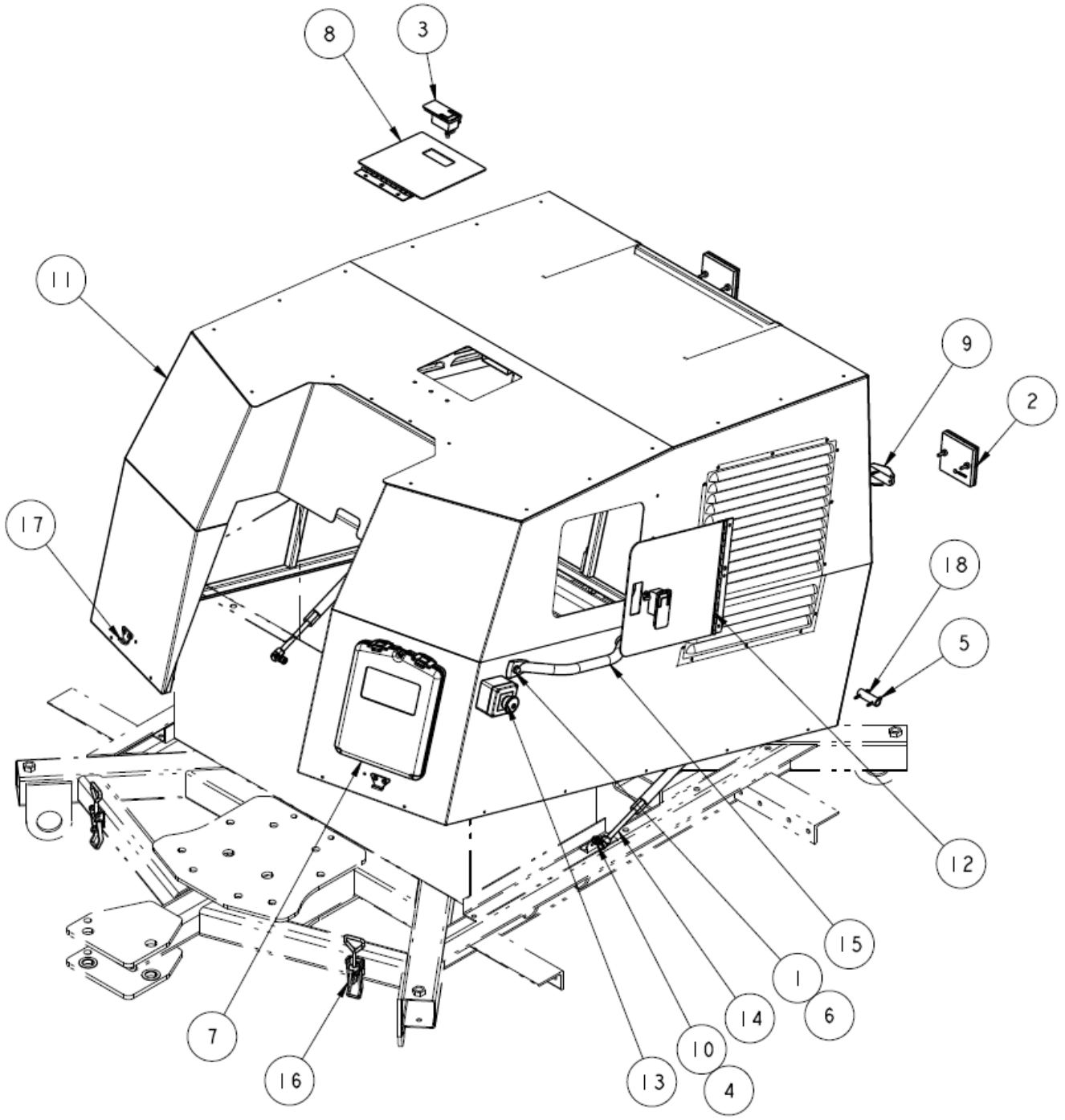


METRO-MH



SEQ.#	ITEM NO.	DESCRIPTION	QTY
1	70002329	CAP, RADIATOR KUBOTA Z482	1
2	1730954	HOSE, RADIATOR TOP D905	1
3	1730962	BELT, D905 ENGINE FAN	1
		UPPER GUARD, D905 ENGINE FAN BELT	1
		LOWER GUARD, D905 ENGINE FAN BELT	1
4	1730956	ALTERNATOR, DENSO 12 V	1
5	1730874	SENSOR, OIL PRESSURE	1
6	1730955	HOSE, RADIATOR LOWER	1
7	1001181345	FILTER ELEMENT, D905 ENGINE AIR	1
8	7023144	MOTOR, D905 ENGINE STARTER	1
9	1730966	SOLENOID, ENGINE RUN	1
10	1730796	SENSOR, D905 ENGINE TEMPERATURE	1
11	1730907	DIPSTICK, ENGINE OIL	1
12	2120929	FILTER, D905 ENGINE OIL	1
13	1734127	MOUNT, RADIATOR TOP	2
14	1734126	MOUNT, RADIATOR BOTTOM	2
15	1001161497	DRAIN COCK, FUMOTO F103N	1
16	1733314	HOSE, ENGINE OIL DRAIN	1
17	1730940	HOSETAIL, ¼ BSPT X 3/8 HOSE 90DEG	1

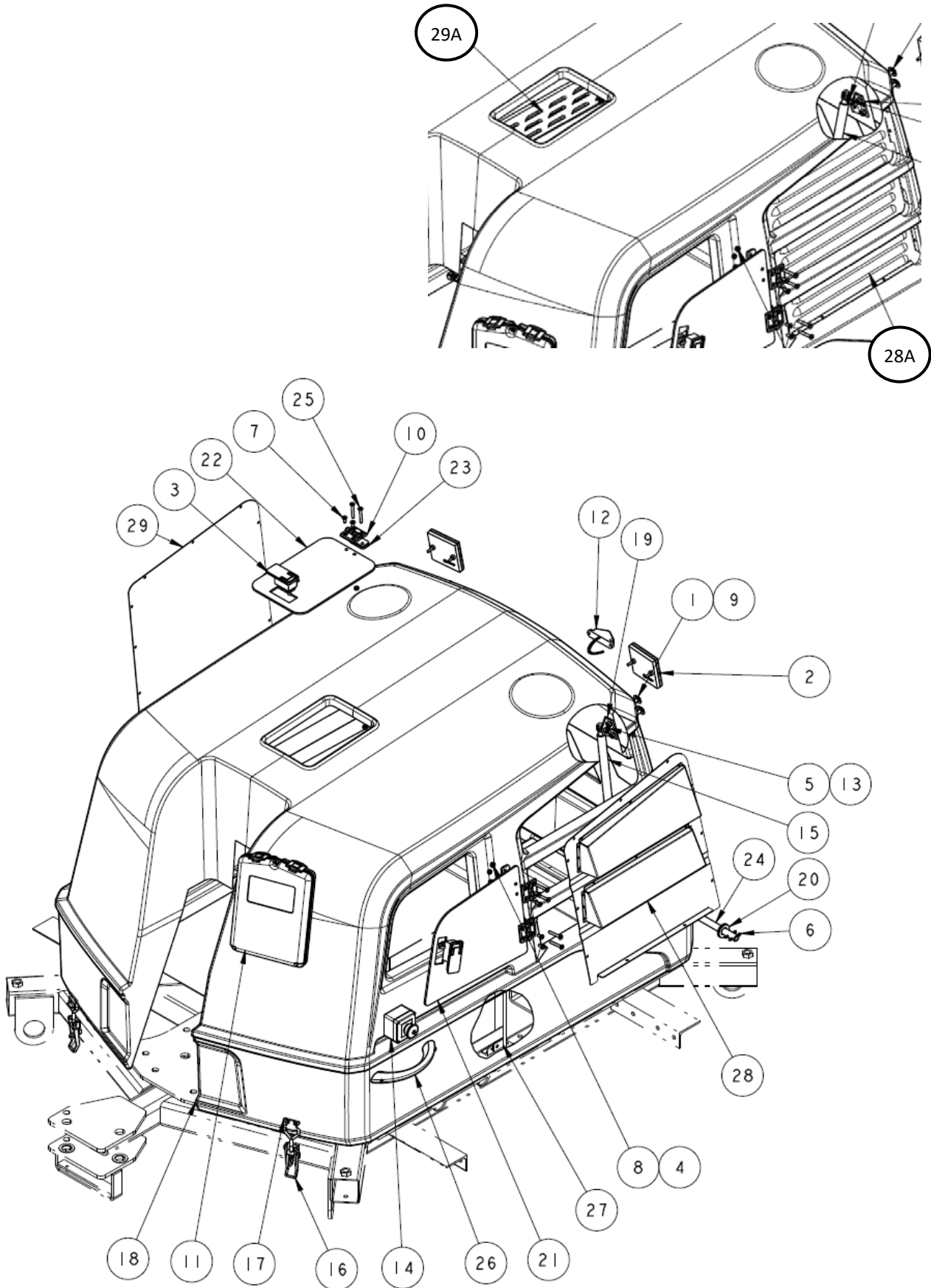
HOODS ASSEMBLY



METRO-MH

SEQ.#	ITEM NO.	DESCRIPTION	QTY
1	0760816	HEX HEAD BOLT, M8 X 40 CLASS 8.8	2
2	1001214200	TAILLIGHT, LED LIGHTING TOWER	2
3	2940042	LATCH, LIFT AND TURN	3
4	3290805	HEX LOCK NUT, M8 X 1.25 CLASS 8	6
5	3391410	PIN, SPLIT 4 X 30 mm	4
6	4811900	WASHER, 8 mm	4
7	8990147	HOLDER, MANUAL	1
8	1001164912	ASSY, FUEL TANK ACCESS COVER FINISHED	1
9	1001174354	LAMP, NUMBER PLATE LED (PRIOR S/N: M4M0000059)	1
9A	1001223303	LAMP, NUMBER PLATE LED (FROM S/N: M4M0000059)	2
10	1001185541	BALL, GAS SPRING MOUNT	4
11	1001198766	INSTALL, STEEL HOODS	1
12	1001204573	DOOR, ACCESS METRO	2
13	1001204848	ELEC ASSY, EMERGENCY STOP	1
14	1001205047	ACTUATOR, GAS 200 N 400 mm STRK	2
15	1001205049	HANDLE, STEEL	1
16	1001205832	LATCH, HOOD ZINC	2
17	1001205833	HOOK, HOOD LATCH ZINC	2
18	1001212946	PIPE, HINGE FOR STEEL HOOD	2
19	4360517	SWITCH, PROXIMITY (NOT SHOWN)	1

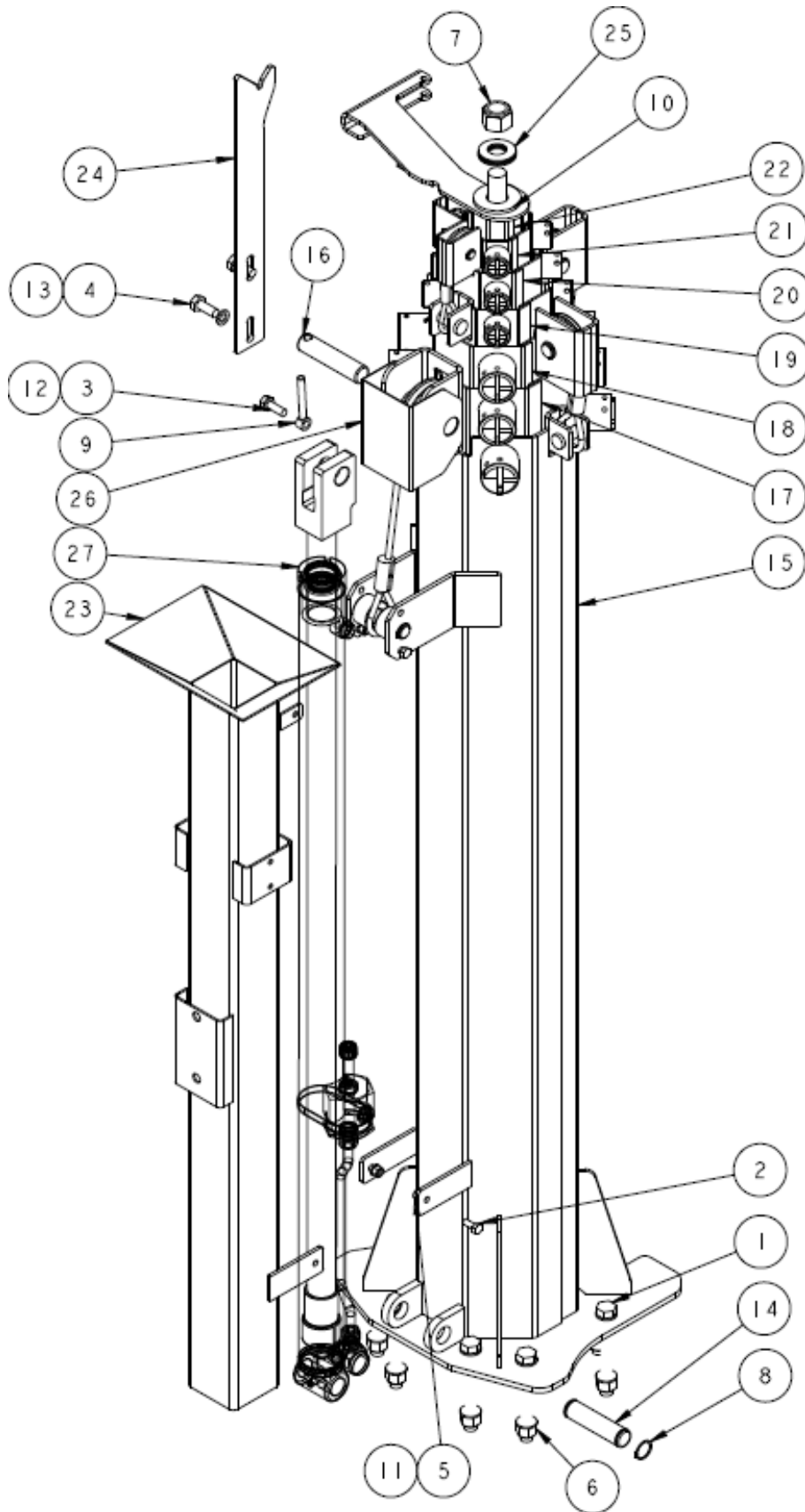
HOODS ASSEMBLY MOULDED



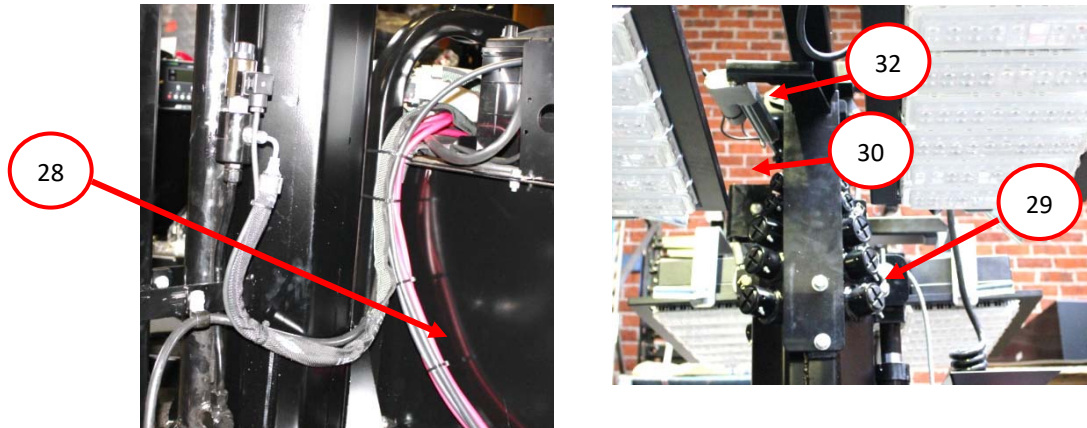
METRO-MH

SEQ.#	ITEM NO.	DESCRIPTION	QTY
1	0760816	HEX HEAD BOLT, M8 X 25 CLASS 8.8	4
2	1001214200	TAILLIGHT, LED LIGHTING TOWER	2
3	1735660	LATCH, LIFT AND TURN LOCKABLE	3
4	3290601	HEX NUT, M6 X 1 CLASS 8	18
5	3290805	HEX LOCK NUT, M8 X 1.25 CLASS 8	4
6	3391410	PIN, SPLIT 4 X 30 MM	4
7	3900224	COUNTER SUNK SCREW M6X12 CLASS 8.8	10
8	4811700	WASHER, 6mm	10
9	4811902	WASHER, 8mm LG OD	4
10	8006105	JOINT, HINGE	5
11	8990147	HOLDER, MANUAL	1
12	1001174354	LAMP, NUMBER PLATE LED (PRIOR S/N: M4M0000059)	1
12A	1001223303	LAMP, NUMBER PLATE LED (FROM S/N: M4M0000059)	2
13	1001185541	BALL, GAS SPRING MOUNT	4
14	1001204848	ELEC ASSY, EMERGENCY STOP	1
15	1001205047	ACTUATOR, GAS 200N 825MM LONG	2
16	1001205832	LATCH, HOOD ZINC	2
17	1001205833	HOOK, HOOD LATCH ZINC	2
18	1001205893	HOOD, MOULDED METRO	1
19	1001205939	ANGLE, GAS STRUT MOUNT HOOD	2
20	1001208673	WASHER-SPEC, NYLON, M20X37X3	4
21	1001210269	DOOR, MOULDED HOOD LH	2
22	1001210710	DOOR, TOP, MOULDED HOOD	1
23	1001210837	BAR, HINGE SPACER	6
24	1001211067	TUBE, HINGE FOR MOULDED HOOD	2
25	1001212699	COUNTER SUNK SCREW M6X45 CLASS 8.8	12
26	1001215885	HANDLE, BLACK 235 mm GRAB	1
27	1001217319	ROD, ASSY MOULDED HOOD GUIDE	1
28A	1001210766 (OBSOLETE)	BRACKET, ENGINE LOUVRES LH (PRIOR S/N: M4M0000059- SHOULD ALSO ORDER ITEMS 28 & 29)	1
28	1001219429	PANEL, RADIATOR LOUVRES ASSY (FROM S/N: M4M0000059)	1
29A	1001210767 (OBSOLETE)	BRACKET, GENERATOR LOUVRES RH (PRIOR S/N: M4M0000059- ALSO ORDER ITEMS 28 & 29)	1
29	1001219466	PANEL, LOUVRES GENERATOR END (FROM S/N: M4M0000059)	1
30	4360517	SWITCH, PROXIMITY (NOT SHOWN)	1

MAST ASSEMBLY

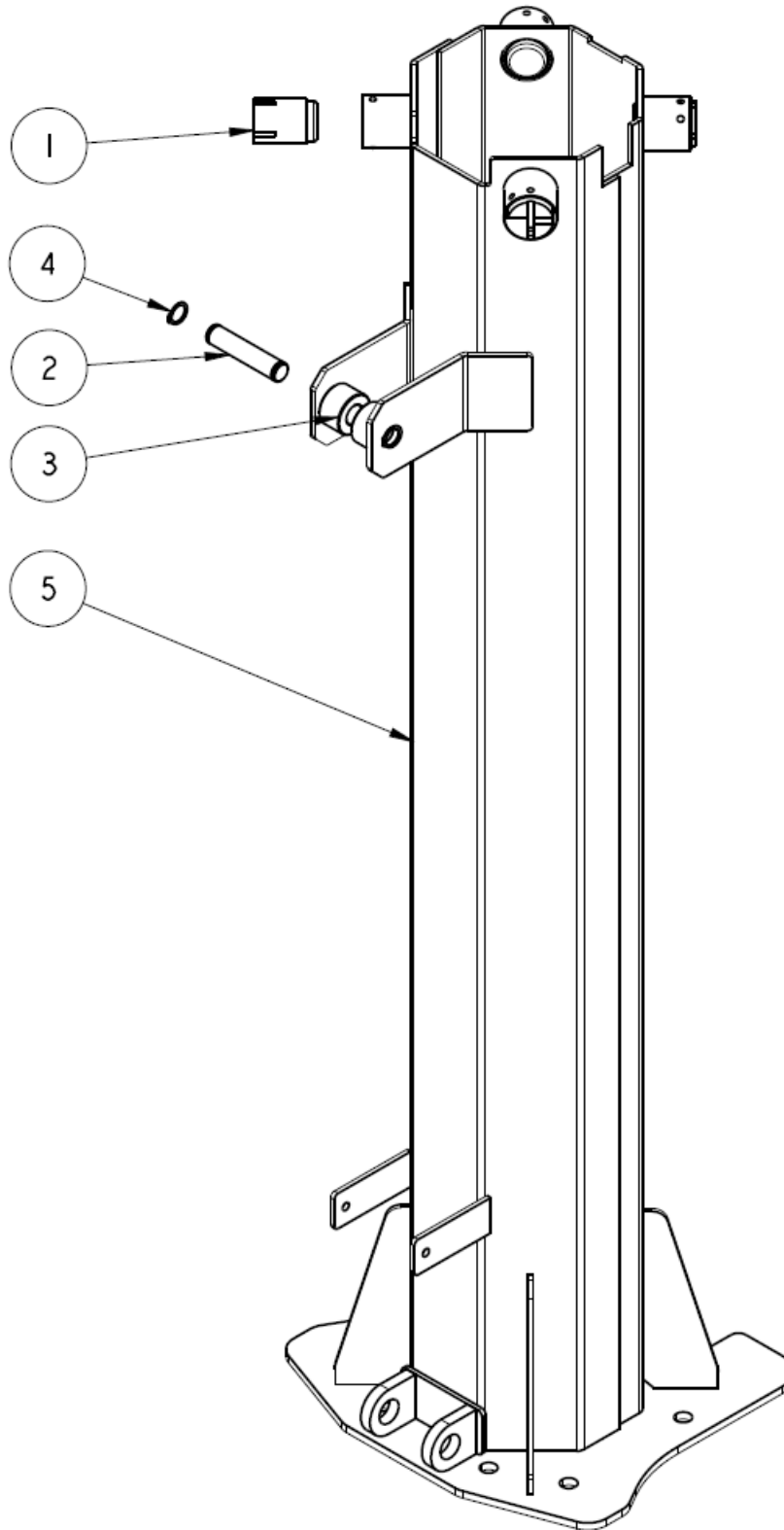


METRO-MH



SEQ.#	ITEM NO.	DESCRIPTION	QTY
1	0701630	HEX HEAD BOLT, M16 X 130 CLASS 8.8	8
2	0760810	HEX HEAD BOLT, M8 X 20 CLASS 8.8	4
3	0761014	HEX HEAD BOLT, M10 X 30 CLASS 8.8	1
4	0761214	HEX HEAD BOLT, M12 X 30 CLASS 8.8	2
5	3290805	HEX LOCK NUT, M8 X 1.25 CLASS 8	4
6	3291605	HEX LOCK NUT, M16 X 2 CLASS 8	8
7	1001098827	HEX LOCK NUT, M24 X 3 CLASS 10	1
8	7011716	RING, RETAINING 1"	2
9	3841143	KEEPER, 3/8" SHAFT	1
10	4740418	WASHER, 1.12 X 2.50 X .18 BRONZ	1
11	4811900	WASHER, 8mm	4
12	4832000	LOCKWASHER, SPRING 10 mm	1
13	4832100	LOCKWASHER, SPRING 12 mm	2
14	1001159483	PIN, CYL	1
15	1001201575	MAST, WELDMENT SECTION 1	1
16	1001201580	PIN, MAST CYLINDER SHEAVE	1
17	1001201582	MAST, LT WELDMENT SECTION 2	1
18	1001201778	MAST, LT WELDMENT SECTION 3	1
19	1001201783	BOOM, LT WELDMENT SECTION 4	1
20	1001201794	MAST, LT WELDMENT SECTION 5	1
21	1001201798	MAST, LT WELDMENT SECTION 6	1
22	1001201803	MAST, LT WELDMENT SECTION 7	1
23	1001207853	SUPPORT, WELDMENT CURLY CORD	1
24	1001209969	PLATE, LIGHTHEAD STABILITY	1
25	1001212059	WASHER-DISC SPRING 50X25.4X2	4
26	1001218855	COVER, MAST CABLE	1
27	1001206341	CYLINDER, HYDRAULIC METRO (SUPERSEDED)	-
27 A	1001282255	CYLINDER, HYDRAULIC MECH OVERRIDE METRO	1
28	1001161003	CABLE, COLIED CORD	1
28 A	1001214489	CABLE, COILED CORD (FROM S/N: M4L0000177)	1
29	1001203248	HOSE ASSY, METRO LIFT CYL	1
30	2220582	FTG 9/16 UNO X 7/16 JIC NIPP	1
31	1001161887	KIT, CYLINDER SEAL (NOT SHOWN)	1
32	1001220712	VALVE, SOLENOID MAIN CYLINDER (FOR ITEM 28)	1
32 A	1001299650	VALVE, SOLENOID MAIN CYLINDER (FOR ITEM 28 A)	1

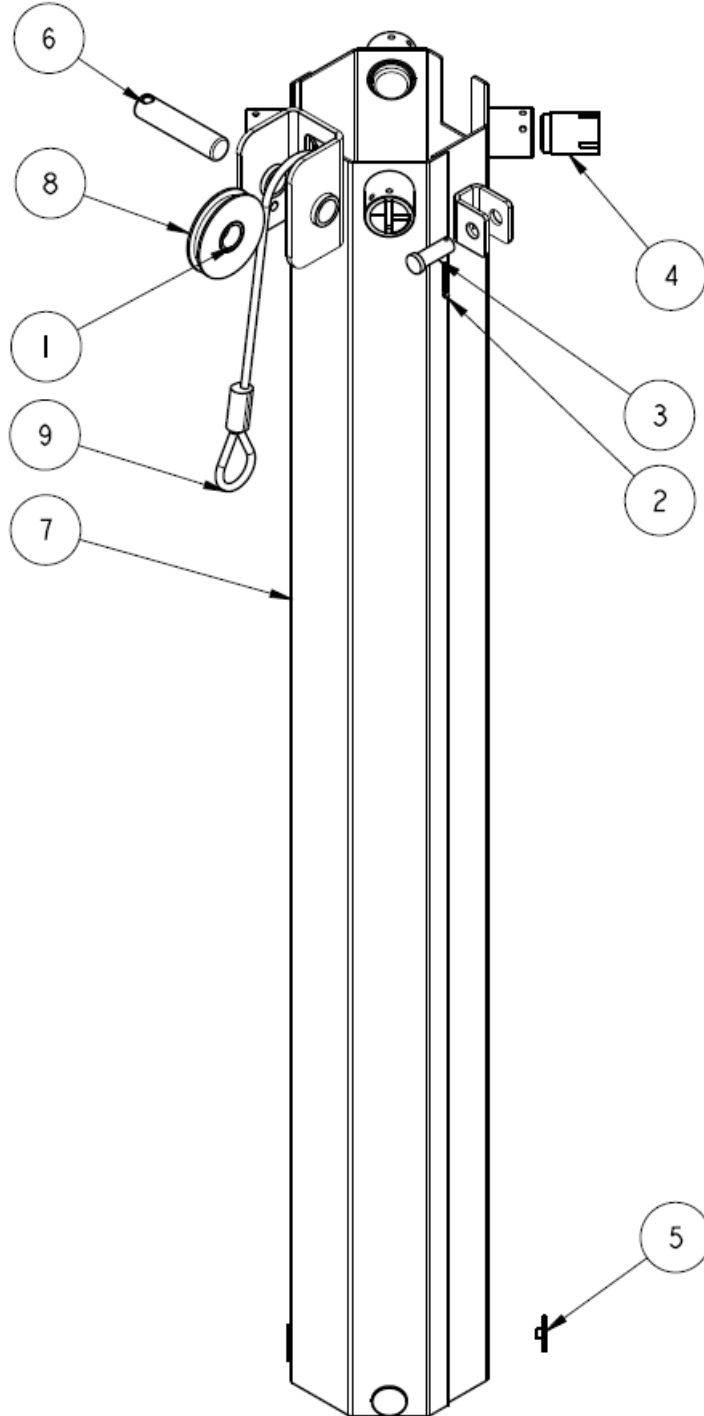
MAST SECTION 1



METRO-MH

SEQ.#	ITEM NO.	DESCRIPTION	QTY
1	1001228793	PAD, 1.25" BSPP MAST WEAR	4
2	1001159482	PIN, LUG S1	1
3	1001159883	SHIM, MAST LUG, S1	2
4	1001160214	RING, RETAINING EXT,0.75"	2
5	1001201575	MAST, WELDMENT SECTION 1	1

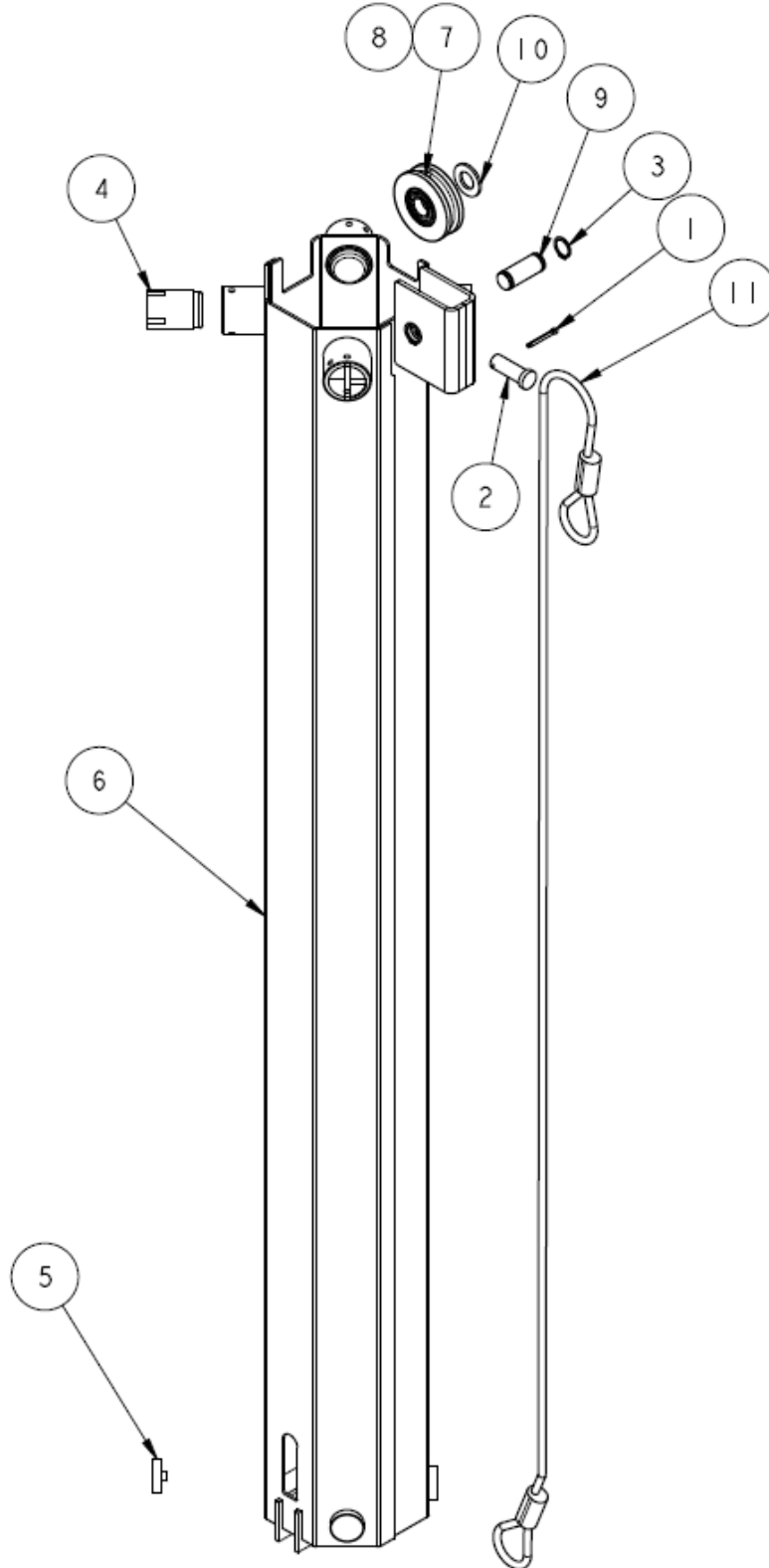
MAST SECTION 2



METRO-MH

SEQ.#	ITEM NO.	DESCRIPTION	QTY
1	0961947	BEARING, GARMAX - 1 ID	1
2	3391410	PIN, SPLIT 4 X 30 MM	1
3	3431014	PIN, FLAT HEAD CLEVIS	1
4	1001228793	PAD, 1.25" BSPP MAST WEAR	4
5	1001159498	PAD, INNER 4mm	4
6	1001201580	PIN, MAST CYLINDER SHEAVE	1
7	1001201582	MAST, LT WELDMENT SECTION 2	1
8	1001204659	SHEAVE, MAST CYL 92 DIA	1
9	1001204568	CABLE, LT MAST S1-3 (CONNECT S3 LOWER POINT AND S1 TOP POINT)	1

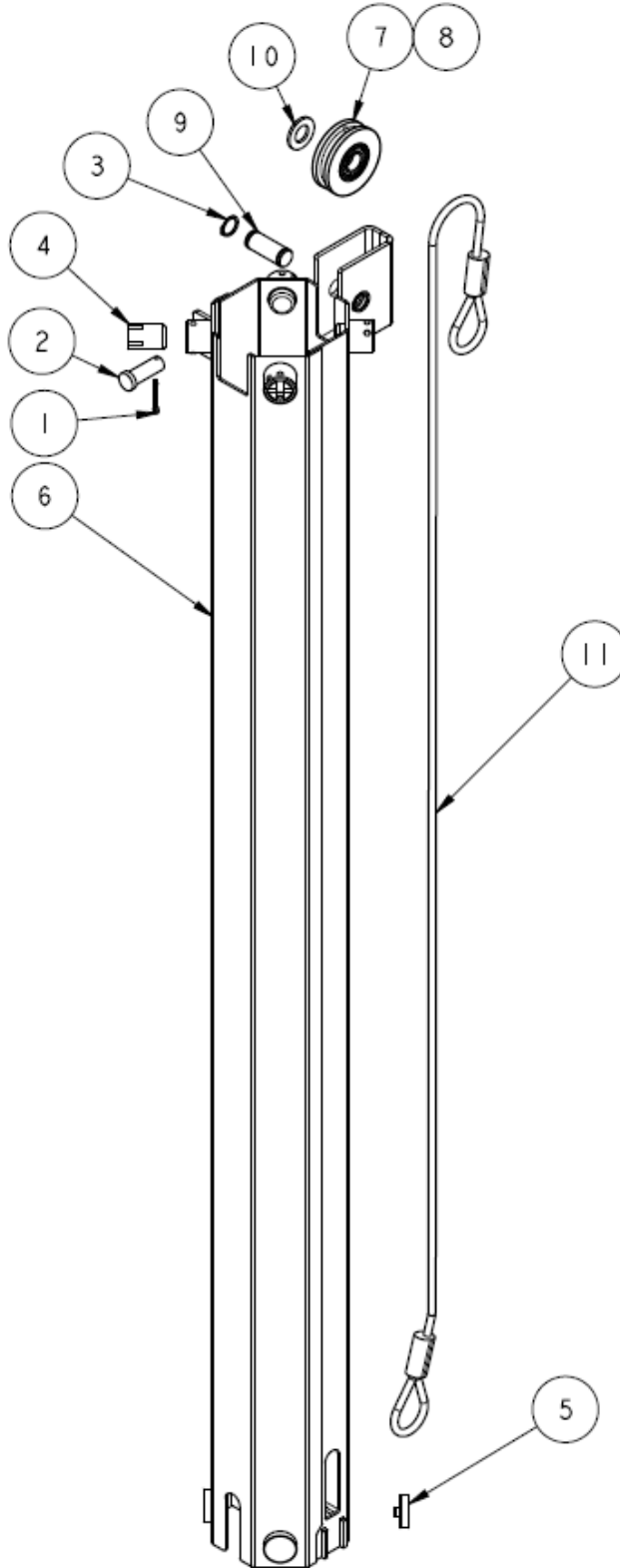
MAST SECTION 3



METRO-MH

SEQ.#	ITEM NO.	DESCRIPTION	QTY
1	3391410	PIN, SPLIT 4 X 30 mm	2
2	3431014	PIN, FLAT HEAD CLEVIS	2
3	3760488	RING, RETAINING EXT M20	2
4	1001228793	PAD, 1.25" BSPP MAST WEAR	4
5	1001159496	PAD, INNER 10 mm	4
6	1001201778	MAST, LT WELDMENT SECTION 3	1
7	1001204172	SHEAVE, LT MAST 80 mm DIA.	1
8	1001207844	BEARING, BALL, 20 X 42 X 12 mm	2
9	1001207845	PIN, DIA. 20, MAST SHEAVE	1
10	1001208673	WASHER-SPEC, NYLON, M20X37X3	2
11	1001204569	CABLE, LT MAST S2-4 (CONNECT S4 LOWER POINT AND S2 TOP POINT)	1

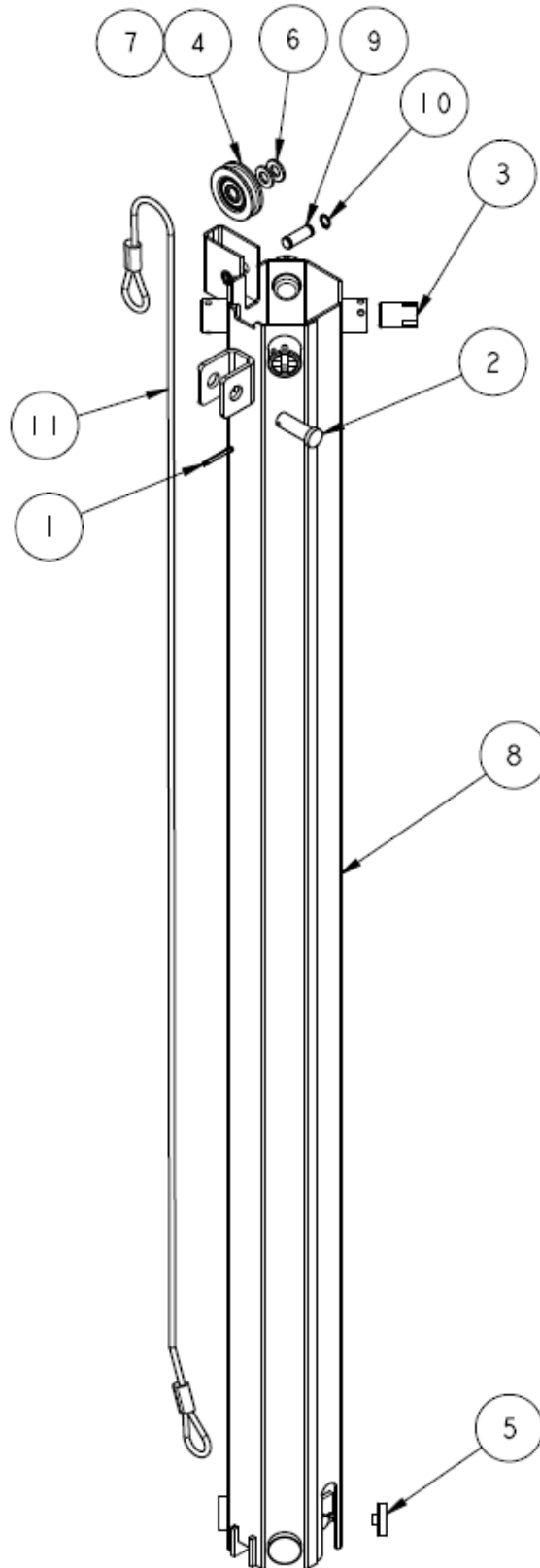
MAST SECTION 4



METRO-MH

SEQ.#	ITEM NO.	DESCRIPTION	QTY
1	3391410	PIN, SPLIT 4 X 30 MM	2
2	3431014	PIN, FLAT HEAD CLEVIS	2
3	3760488	RING, RETAINING EXT M20	2
4	1001228794	PAD ,0.75" BSPP MAST WEAR	4
5	1001159496	PAD, INNER 10MM	4
6	1001201783	BOOM, LT WELDMENT SECTION 4	1
7	1001204172	SHEAVE, LT MAST 80 DIA	1
8	1001207844	BEARING, BALL, 20X42X12	2
9	1001207845	PIN, DIA 20, MAST SHEAVE	1
10	1001208673	WASHER-SPEC, NYLON, M20X37X3	2
11	1001204569	CABLE, LT MAST S3-5 (CONNECT S5 LOWER POINT AND S3 TOP POINT)	1

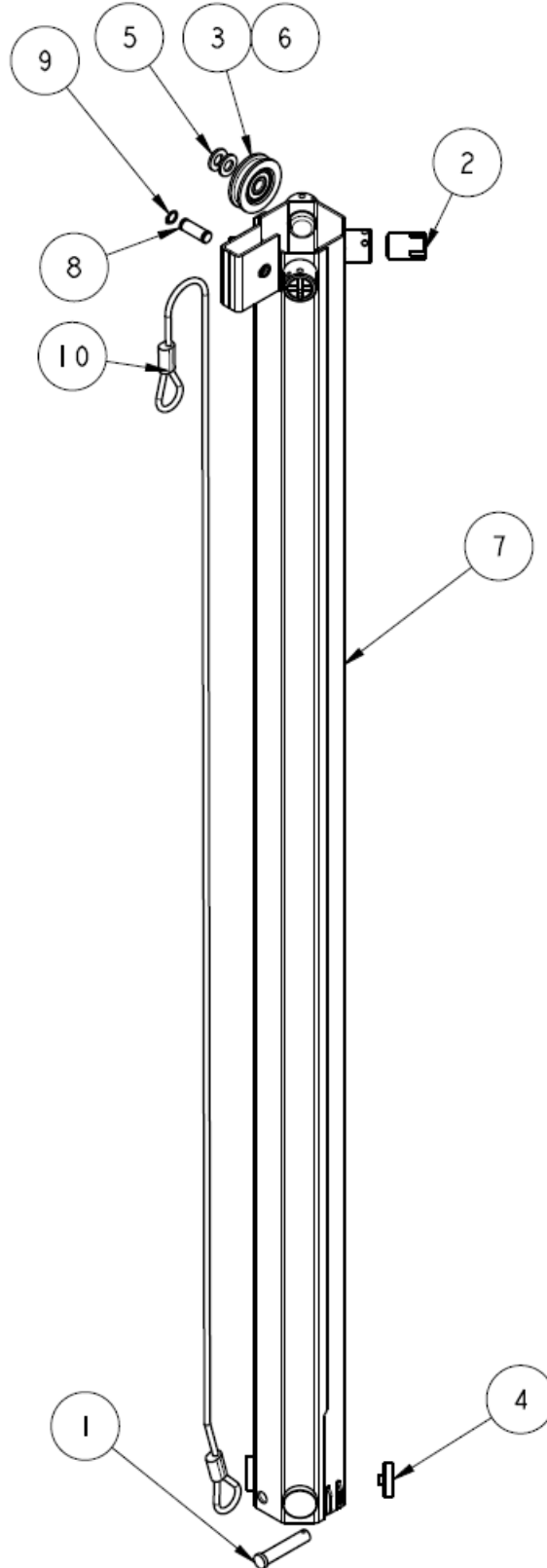
MAST SECTION 5



METRO-MH

SEQ.#	ITEM NO.	DESCRIPTION	QTY
1	3391410	PIN, SPLIT 4 X 30 mm	2
2	3431014	PIN, FLAT HEAD CLEVIS	2
3	1001228794	PAD, 0.75" BSPP MAST WEAR	4
4	1001159479	SHEAVE, 60 mm	1
5	1001159496	PAD, INNER 10 mm	4
6	1001160216	WASHER, NYLON, 12 mm	4
7	1001160923	BEARING, NTN 6301LLU	1
8	1001201794	MAST, LT WELDMENT SECTION 5	1
9	1001207846	PIN, DIA. 12 mm, MAST SHEAVE	1
10	1001209642	RING, RETAINING EXT. 12 mm DIA.	2
11	1001204570	CABLE, LT MAST S4-6 (CONNECT S6 LOWER POINT AND S4 TOP POINT)	1

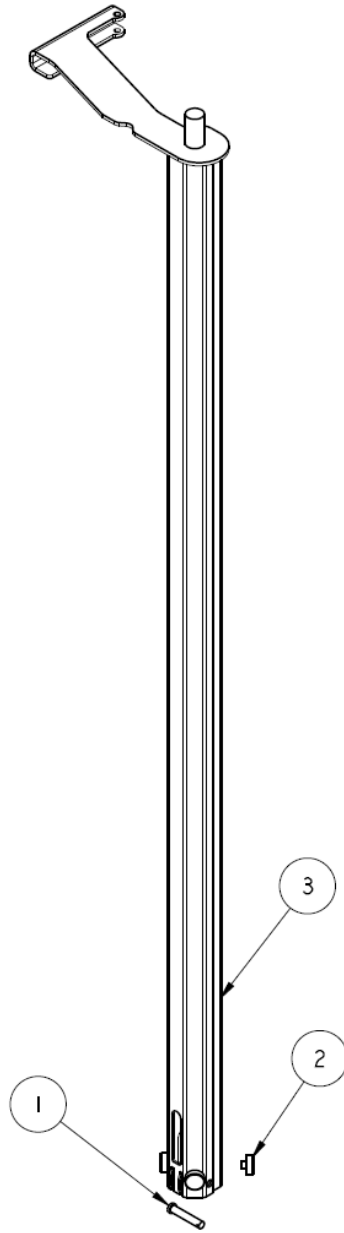
MAST SECTION 6



METRO-MH

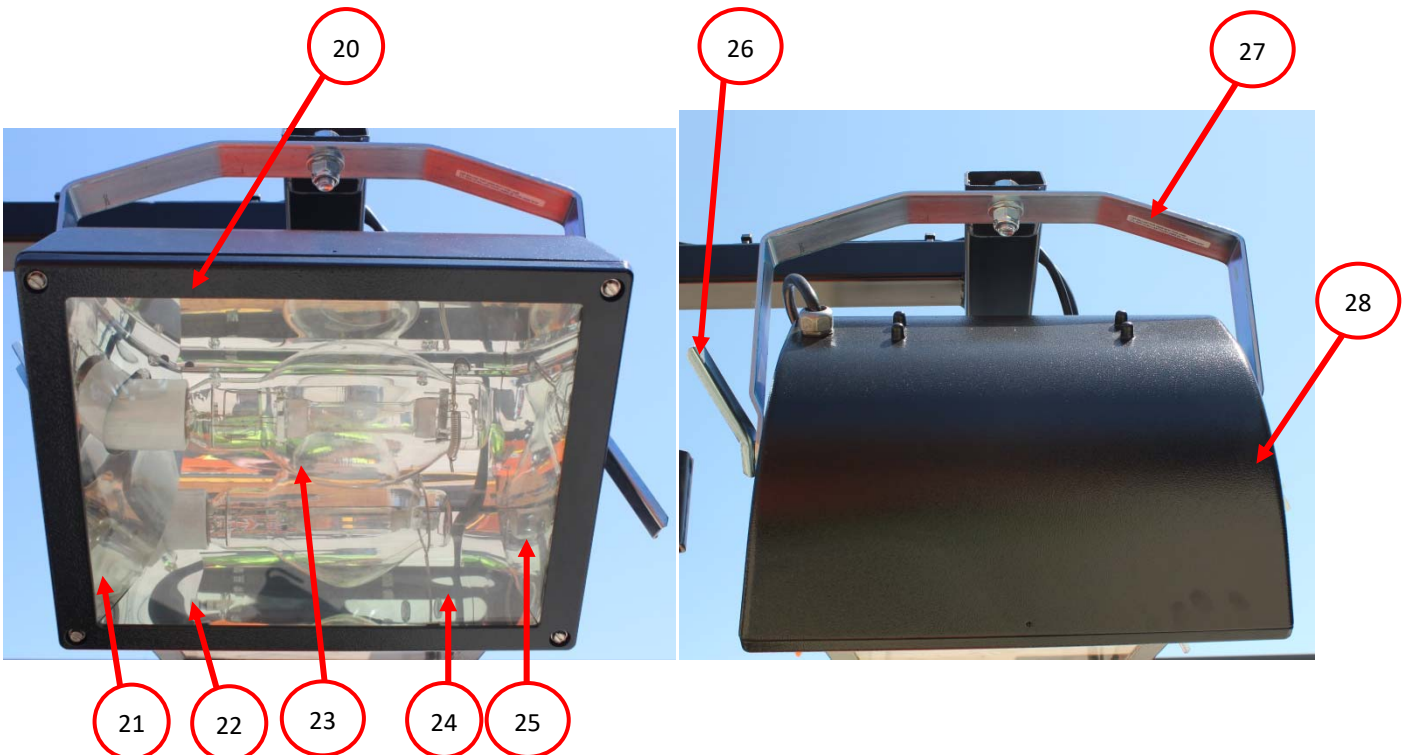
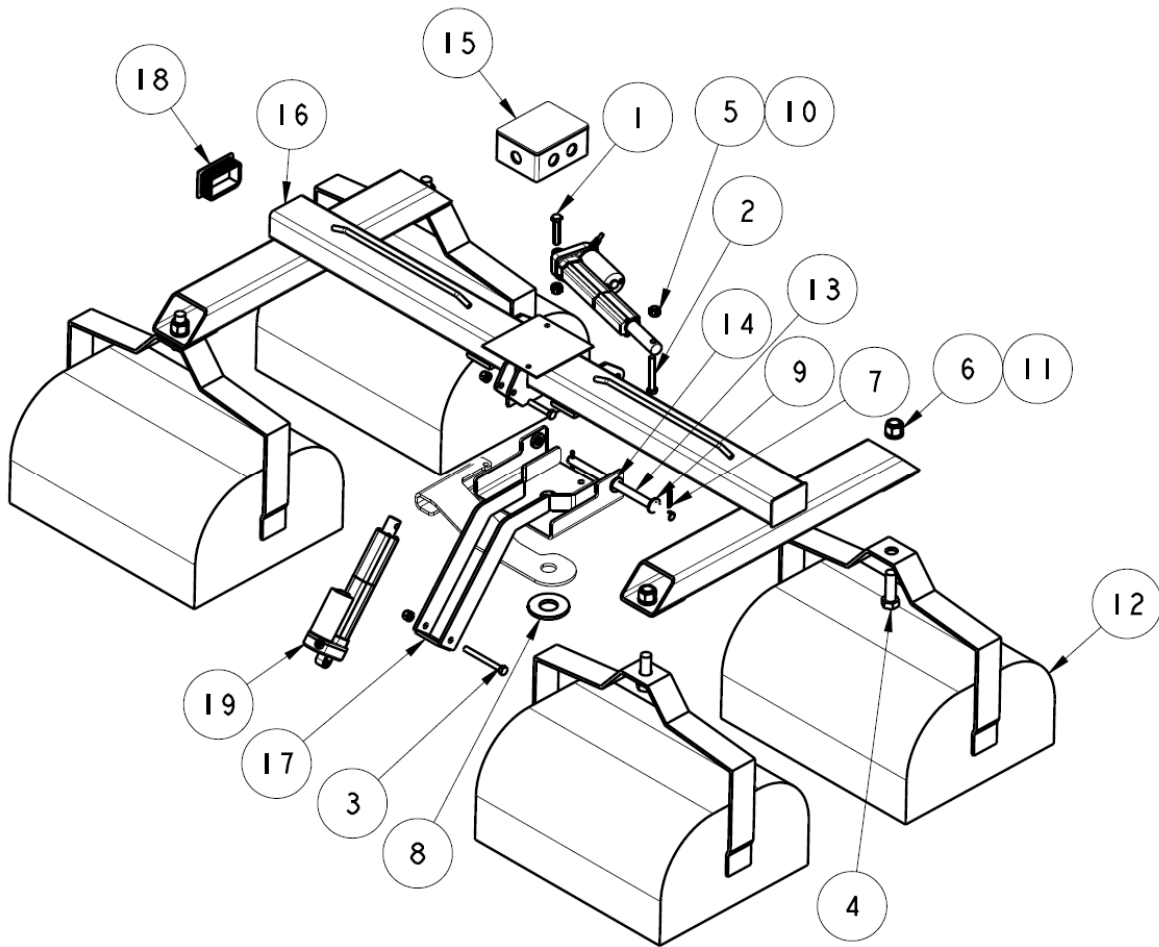
SEQ.#	ITEM NO.	DESCRIPTION	QTY
1	3430810	PIN, FLAT HEAD CLEVIS	1
2	1001228794	PAD ,0.75" BSPP MAST WEAR	4
3	1001159479	SHEAVE, 60 mm	1
4	1001159496	PAD, INNER 10 mm	4
5	1001160216	WASHER, NYLON, 12 mm	4
6	1001160923	BEARING, NTN 6301LLU	1
7	1001201798	MAST, LT WELDMENT SECTION 6	1
8	1001207846	PIN, DIA 12 mm, MAST SHEAVE	1
9	1001209642	RING, RETAINING EXT. 12 mm DIA	2
10	1001204570	CABLE, LT MAST S5-7 (CONNECT S7 LOWER POINT AND S5 TOP POINT)	1

MAST SECTION 7



SEQ.#	ITEM NO.	DESCRIPTION	QTY
1	3430616	PIN, FLAT HEAD CLEVIS	1
2	1001201802	PAD, INNER MAST SEC 7	4
3	1001201803	MAST, LT WELDMENT SECTION 7	1

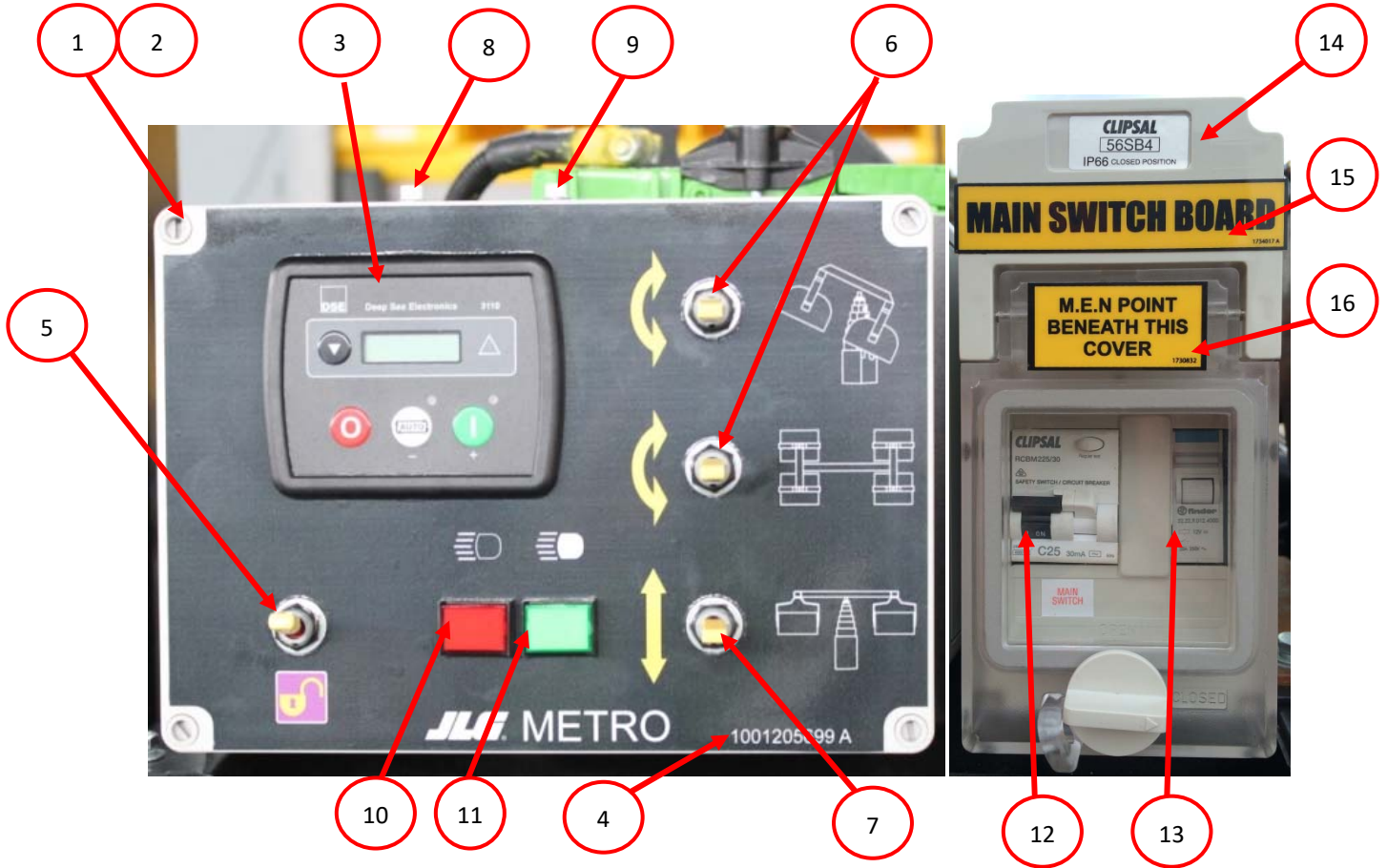
LIGHT HEAD



METRO-MH

SEQ.#	ITEM NO.	DESCRIPTION	QTY
1	0760817	HEX HEAD BOLT, M8 X 45 CLASS 8.8	2
2	0760820	HEX HEAD BOLT, M8 X 60 CLASS 8.8	1
3	0760824	HEX HEAD BOLT, M8 X 80 CLASS 8.8	1
4	0701620	HEX HEAD BOLT, M16 X 60 CLASS 8.8	4
5	3290805	HEX LOCK NUT, M8 X 1.25 CLASS 8	4
6	3291605	HEX LOCK NUT, M16 X 2 CLASS 8	4
7	3391210	PIN, SPLIT 3.2 X 30 mm	2
8	4740418	WASHER,1.12 X 2.50 X .18 BRONZ	1
9	4812100	WASHER, 12 mm	2
10	4831900	LOCKWASHER, SPRING 8 mm	4
11	4832300	LOCKWASHER, SPRING 16 mm	4
12	1001158721	LAMP, 1000W MH FLOODLIGHT	4
13	1001159798	PIN, LIGHTHEAD PIVOT	1
14	1001160216	WASHER, NYLON,12 mm	2
15	1001205374	BOX, MAST JUNCTION METRO	1
16	1001206281	SUPPORT, LIGHTS LIGHT TOWER	1
17	1001206336	BRACKET, ASSY LIGHT HEAD PIVOT	1
18	1001215796	PLUG, PLASTIC INTERNAL 75 X 50 mm	2
19	1001206338	ACTUATOR, ELECTRIC,100 kgf (SUPERSEDED BY 1001236015)	2
19	1001236015	ACTUATOR, ELECTIC 150 kgf	
20	1001212134	LAMP, TOP FRAME MH	4
21	1001212137	LAMP, SIDE REFLECTOR MH	4
22	1001212136	LAMP, MAIN REFLECTOR MH	4
23	1730995	LAMP, MLT MH 1000W BULB	4
24	1001212132	LAMP, LENS CLEAR GLASS MH	4
25	1001212138	LAMP, SIDE REFLECTOR 2 MH	4
26	1001212133	LAMP, HANDLE ADJUSTMENT MH	4
27	1001212139	LAMP, YORK TRUNNION MH	4
28	1001212135	LAMP, HOUSING BASE MH	4

**ELECTRICAL ASSEMBLY
MANUAL CONTROL**

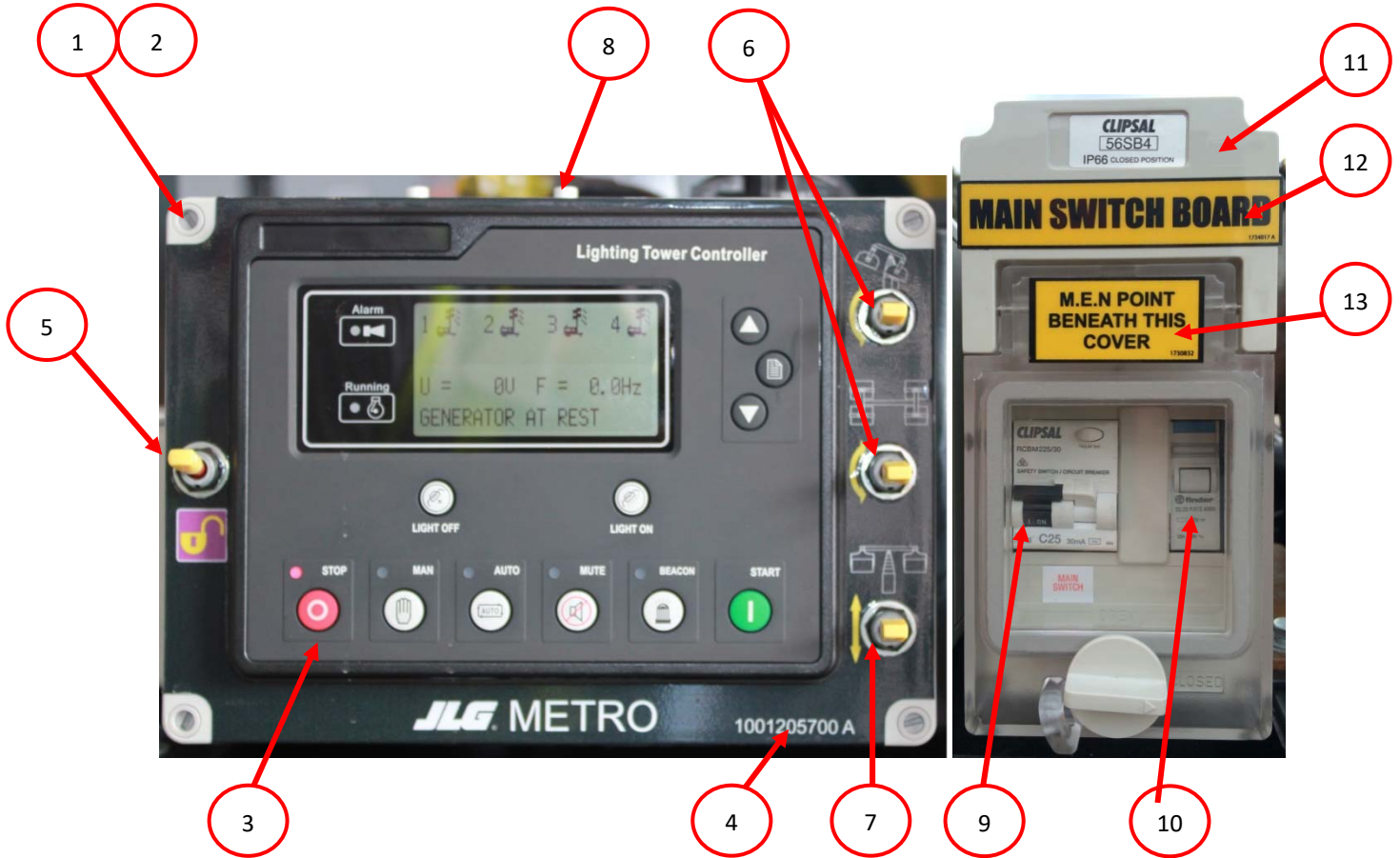


SEQ.#	ITEM NO.	DESCRIPTION	QTY
1	1001204625	BOX, CONTROL BASE MANUAL	1
2	1001204626	COVER, CONTROL BOX MANUAL	1
3	1001202721	CONTROLLER, MANUAL	1
4	1001205699	DECAL, METRO MANUAL CONTROL BOX	1
5	4360483	SWITCH TOGGLE	1
6	4360314	SWITCH, TOGGLE	2
7	4360328	SWITCH, TOGGLE	1
8	4360161	SWITCH, CIRCUIT BREAKER 20 A	1
9	4360070	15 A CIRCUIT BREAKER	1
10	1001204575	LATCHING PUSH BUTTON RED	1
11	1001204574	LATCHING PUSH BUTTON GREEN	1
12	1730958	RCD/MCB DOUBLE POLE, 25 A/30 mA	1
13	1734131	FINDER 12 V RELAY	1
14	1001210970	BOX, W/DOOR 4MOD F/DIN GREY	1
15	1734017	DECAL MAIN SWITCH BOARD	1
16	1730832	DECAL M.E.N POINT	1

METRO-MH

ELECTRICAL ASSEMBLY

AUTO CONTROL



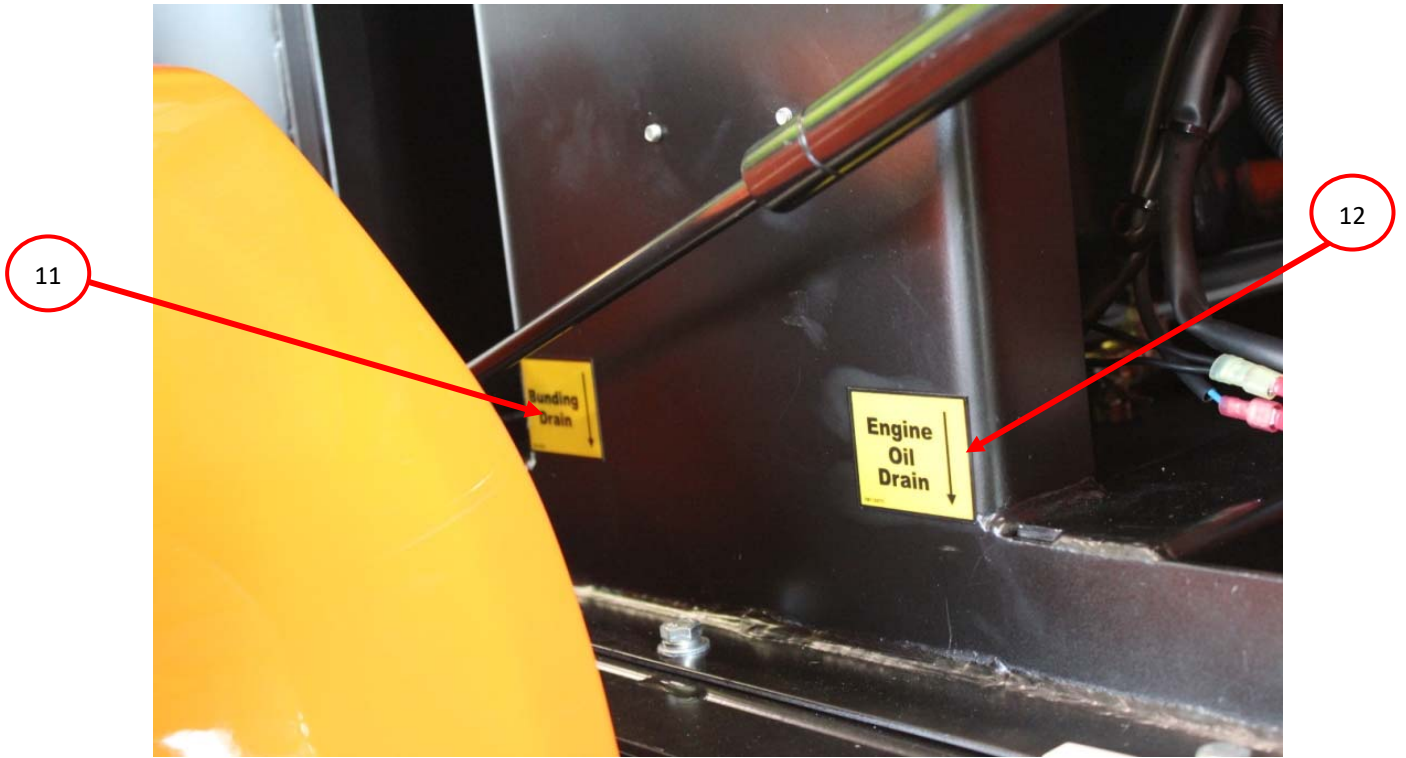
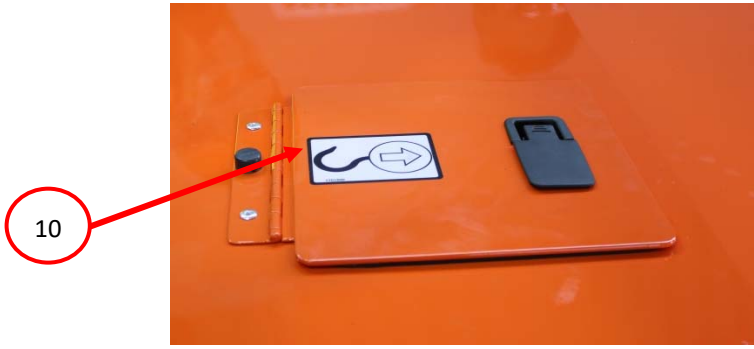
SEQ.#	ITEM NO.	DESCRIPTION	QTY
1	1001207226	BOX, CONTROL BASE AUTO	1
2	1001205187	COVER, CONTROL BOX AUTO	1
3	1001209453	CONTROL, LED LT ENGINE AUTO	1
4	1001205700	DECAL, METRO LED AUTO START	1
5	4360483	SWITCH TOGGLE	1
6	4360314	SWITCH, TOGGLE	2
7	4360328	SWITCH, TOGGLE	1
8	4360161	SWITCH, CIRCUIT BREAKER 20 A	2
9	1730958	RCD/MCB DOUBLE POLE, 25 A/30 mA	1
10	1734131	FINDER 12 V RELAY	1
11	1001210970	BOX, W/DOOR 4MOD F/DIN GREY	1
12	1734017	DECAL MAIN SWITCH BOARD	1
13	1730832	DECAL M.E.N POINT	1

DECAL & MISCELLANY

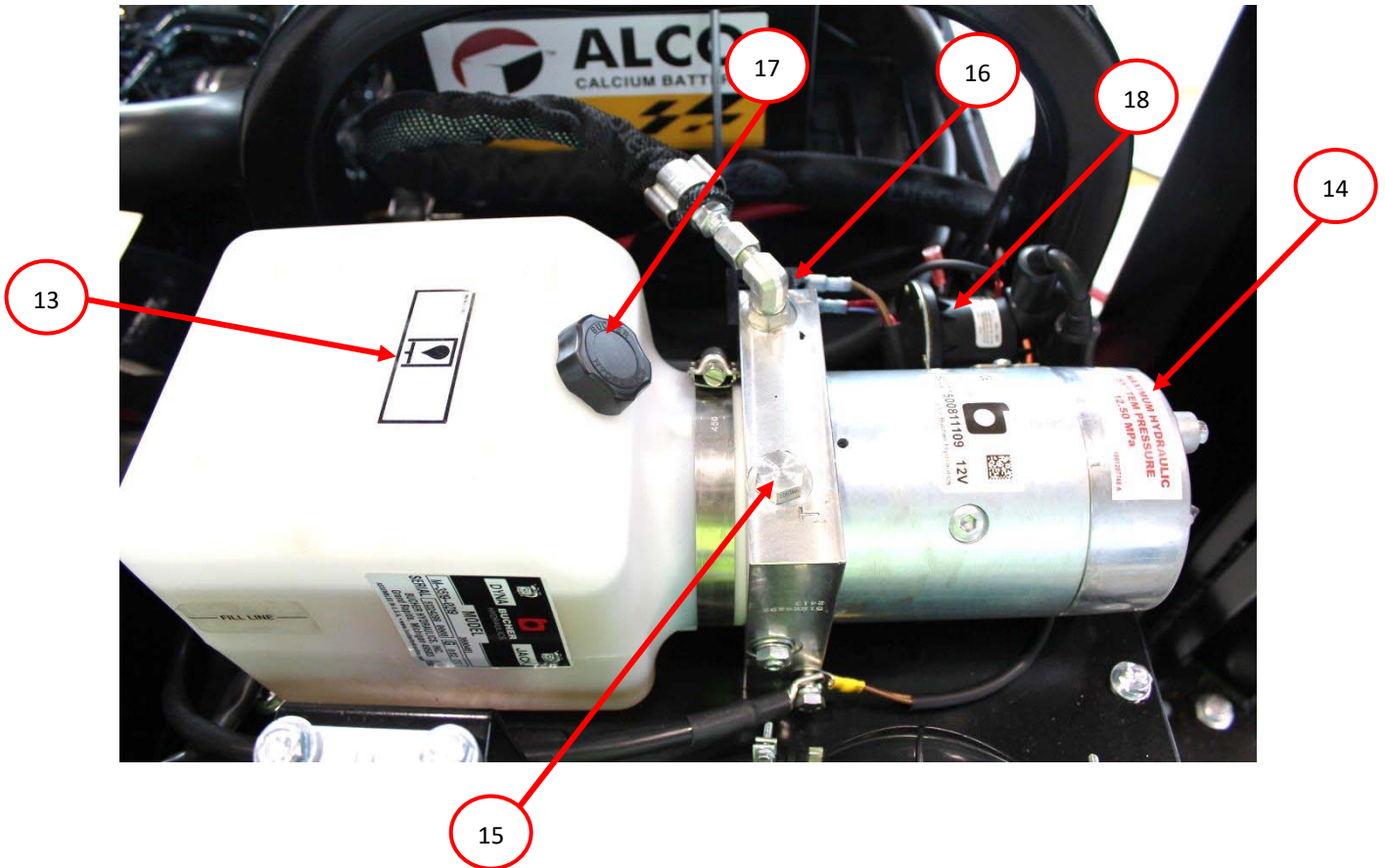


METRO-MH



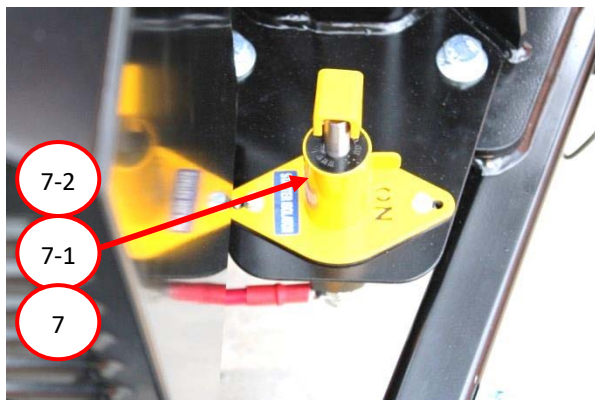


METRO-MH



SEQ.#	ITEM NO.	DESCRIPTION	QTY
1	1702009	DECAL, JLG BLACK 3.25"	3
2	1001209101	DECAL, METRO MH	1
3	1702300	DECAL, TIE DOWN	4
4	1703073	DECAL, FORKLIFT POINT	4
5	1701785	DECAL, DANGER	4
6	1001159779	DECAL, DANGER ELECTRICAL	2
7	1001159774	DECAL, DANGER TIPPING/ ELECTRICAL LT	1
8	1701505	DECAL, FUEL	1
9	1700037	DECAL, GROUND CONTROL	1
10	1701500	DECAL, TIE DOWN/LIFT	1
11	1001159775	DECAL, BUNDING DRAIN	2
12	1001159777	DECAL, ENGINE OIL DRAIN	1
13	1001159780	DECAL, HYDRAULIC OIL	1
14	1001207748	DECAL, HYDRAULIC PRESSURE 12.5 MPa	1
15	2220237	FTG 9/16" UNO PLUG	2
16	70000642	CARTRIDGE 2W/2P W/O COIL	1
17	70001025	CAP, RESERVOIR FILL	1
18	70045064	SOLENOID, 12V APU	1

OPTIONS

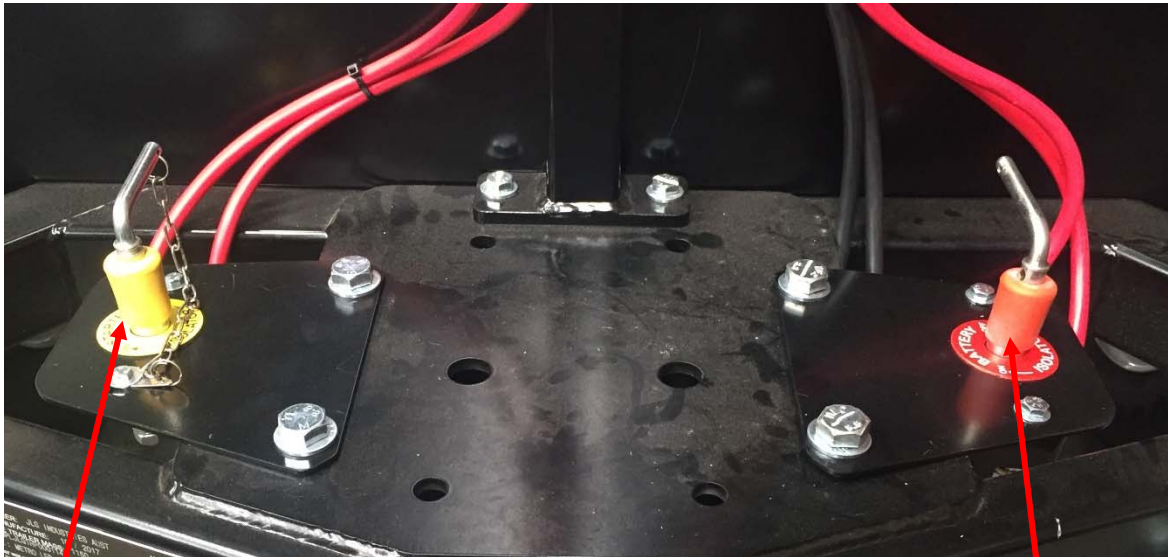


DETAIL A



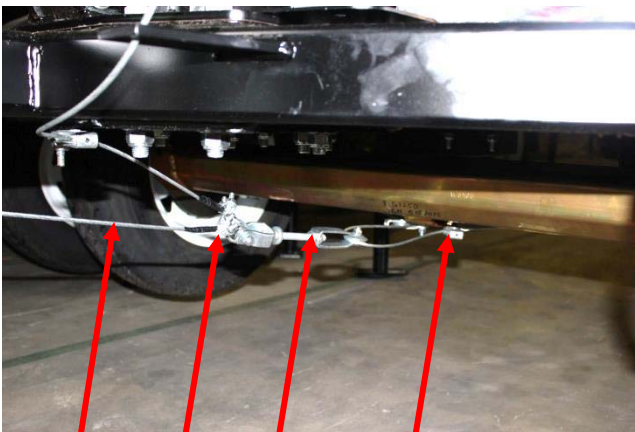
DETAIL B

METRO-MH

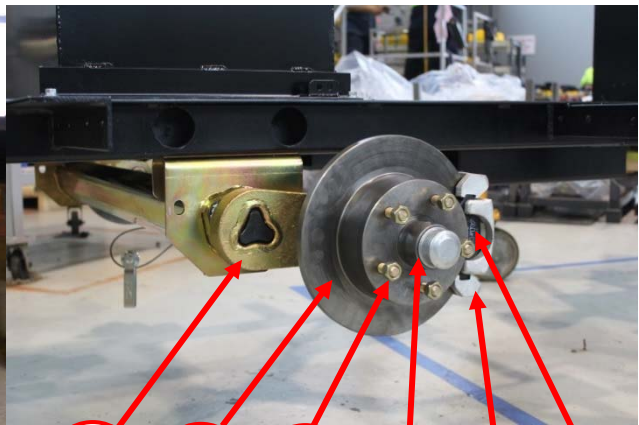


7A 7A-1

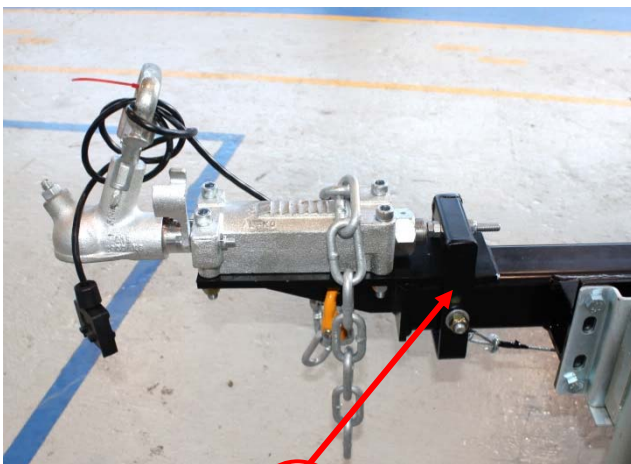
8A 8A-1



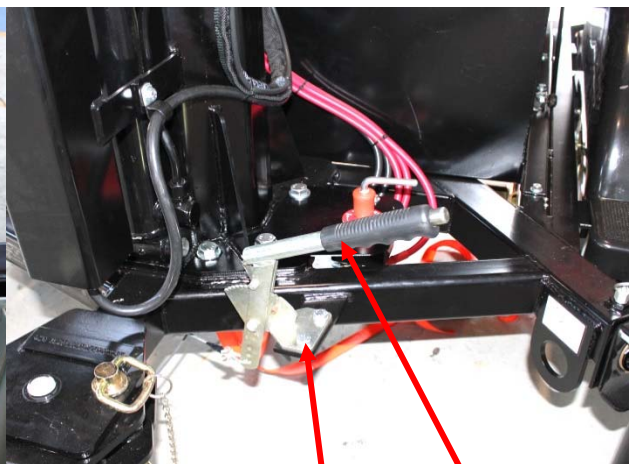
15 16 17 18



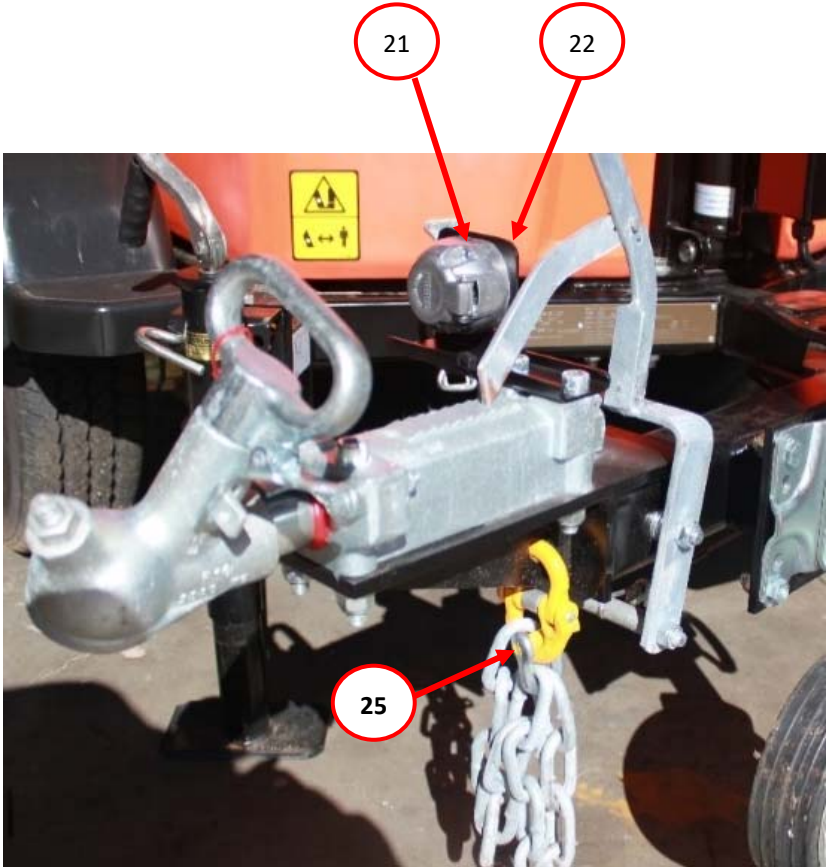
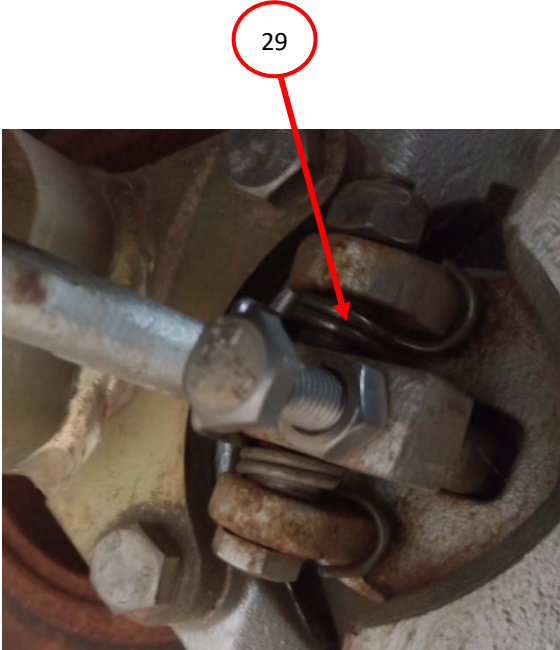
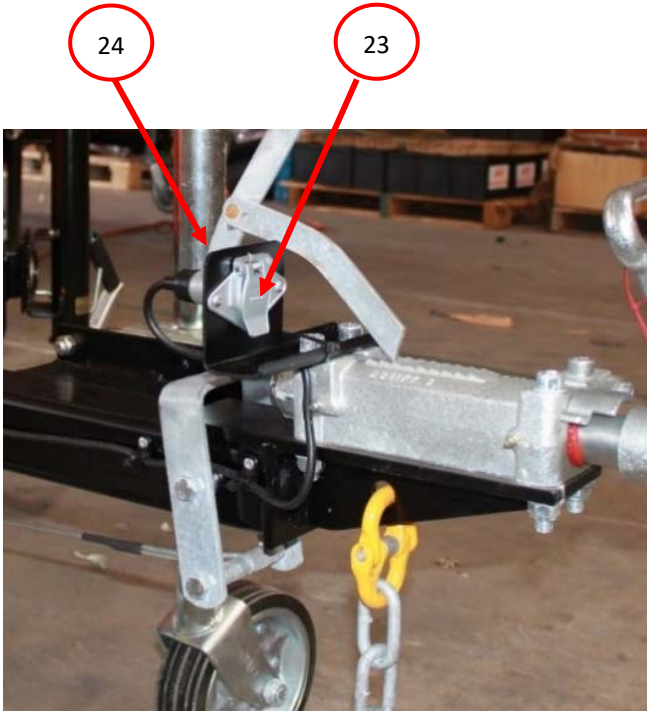
9 28 26 27 20 19



10



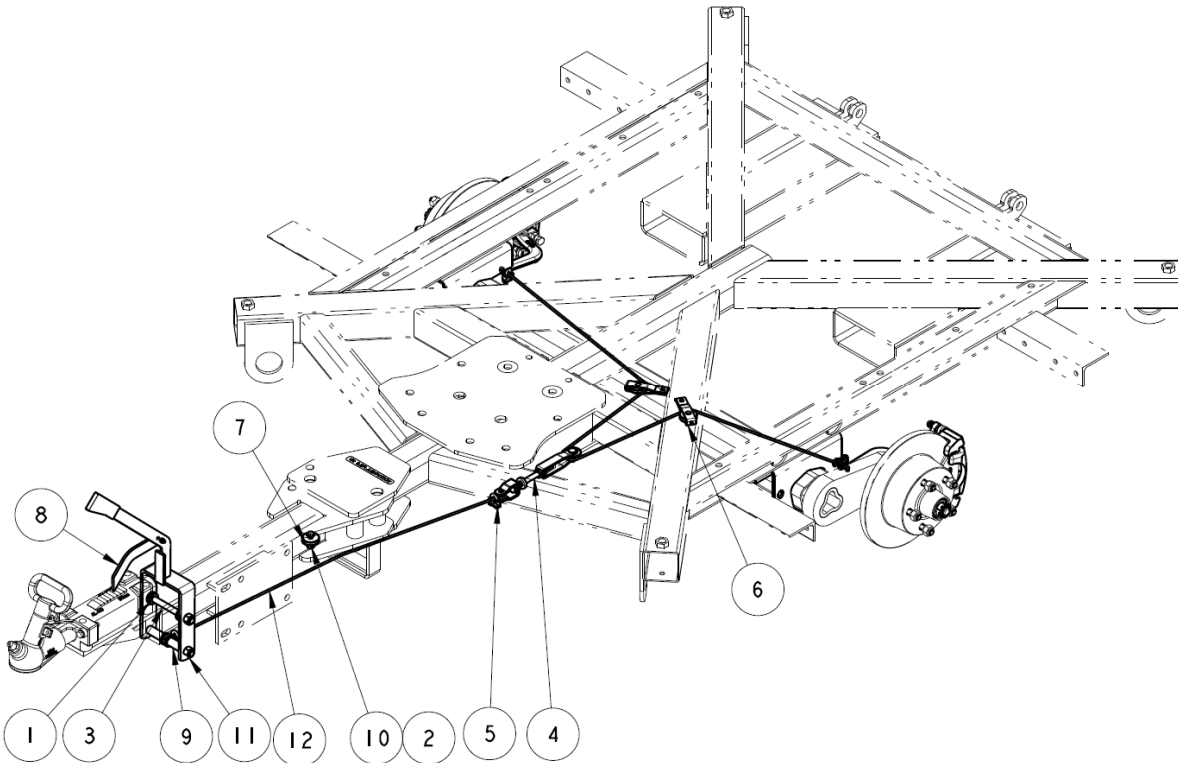
14 13 12 11



METRO-MH

SEQ.#	ITEM NO.	DESCRIPTION	QTY
1	1001211018	BRACKET, WHEEL CHOCK PLASTIC	2
2	1001211017	WHEEL, CHOCK PLASTIC BLACK	2
3	1001172068	BEACON, LED LT	1
4	1734123	FIRE, EXTINGUISHER 4.5 kg ABE	1
5	1733394	BRACKET HD 4.5 kg FIRE EXT	1
6	1737513	TAPE, DG3 FLURO 45MT REFLECT	3.8m
7	1001207028	KIT, STARTER ISOLATOR, LOCKSAFE	1
7-1	1001209047	SWITCH, STARTER ISOLATOR 2P	1
7-2	LS1100302	BRACKET, STARTER ISOLATOR LOCKSAFE YELLOW	1
7A	1001207026	KIT, STARTER ISOLATOR	1
7A-1	1001209049	SWITCH, STARTER ISOLATOR 2P LK	1
8	1001207027	KIT, BATTERY ISOLATOR, LOCKSAFE	1
8-1	1001209048	SWITCH, BATTERY ISOLATOR 4P	1
8-2	1731126	BRACKET, LOCKSAFE DOUBLE POLE	1
8A	1001207025	KIT, BATTERY ISOLATOR SWITCH	1
8A-1	1001209057	SWITCH, BATTERY ISOLATOR 4P LK	1
9	1001207381	AXLE, MECHANICAL DISC BRAKE	1
10	1001211704	BRAKE, STIRRUP WELDMENT CABLE	1
11	1001212259	LEVER, HAND BRAKE	1
12	0701014	HEX HEAD BOLT, M10 X 30 CLASS 8.8	2
13	3291005	HEX LOCK NUT, M10 X 1.5 CLASS 8	2
14	4812002	WASHER, 10 mm LG OD	2
15	1001211467	CABLE, BRAKE 4 mm	A/R
16	1001211466	BRAKE, CABLE CLIP 5 mm	4
17	1001211465	CONTROL, BRAKE CABLE ADJUSTER	1
18	1001211468	BRAKE, CABLE PULLEY	2
19	1734700	BRAKE PAD	2
20	1001232478	BRAKE, CALIPER ASSY MECH DISC	2
21	1730894	SOCKET, 7 PIN LARGE ROUNG TRAILER	1
22	1001232364	BRACKET, TRAILER PIN SOCKET	1
23	1734626	SOCKET, TRAILER 6 PIN	1
24	1001232365	BRACKET, TRAILER PIN SMALL SKT	1
25	WSS0015SCD	SHACKLE,1.5 tonne D TYPE	1
26	1730886	WHEEL NUT ½" UNF Z/P – 6308A	10
27	1001245040	KIT, BEARING AND SEAL MECH DISC AXLE	2
28	1001262771	BRAKE, DISC HUB 14" FORD 5 X 114.3	2
29	1001306492	SPRING, RETURN M/DISC AXLE	2

CABLE BRAKE ARRANGEMENT
(AFTER S/N: M4M000058)



SEQ.#	ITEM NO.	DESCRIPTION	QTY
1	4812100	WASHER, 12mm	12
2	0700814	HEX HEAD BOLT, M8 X 30 CLASS 8.8	1
3	0711230	HEX HEAD BOLT, M12 X 130 CLASS 10.9	2
4	1001211465	CONTROL, BRAKE CABLE ADJUSTER	1
5	1001211466	BRAKE, CABLE CLIP 5mm	4
6	1001211468	BRAKE, CABLE PULLEY	2
7	1001213685	BRAKE, CABLE PULLEY	1
8	1001217927	LEVER, ASSEMBLY HANDBRAKE	1
9	1001218015	SLEEVE, HANDBRAKE STIRRUP	2
10	3290805	HEX LOCK NUT, M8 X 1.25 CLASS 8	1
11	3291205	HEX LOCK NUT, M12 X 1.75 CLASS 8	2
12	1001211467	CABLE, BRAKE 4 mm	A/R

RECOMMENDED SPARES

ITEM DESCRIPTION	PART NO
BELT, D905 FAN	1730962
HOSE, D905 RADIATOR TOP	1730954
HOSE, D905 RADIATOR BOTTOM	1730955
FILTER ELEMENT, D905 AIR	1001181345
FILTER, D905 FUEL	1730930
FILTER, D905 OIL	2120929
FILTER, WATER SEPARATOR	1001212180
SWITCH, CIRCUIT BREAKER 20 A	4360161
FUSE, 25 A MINI-BLADE	8229247
LAMP, LENS GLASS	1001212132
LAMP, MLT METAL HALIDE 1000 W BULB	1730995
CONTROLLER, METRO-MH MANUAL START OPTION	1001202721
CONTROLLER, METRO-MH AUTO- START OPTION	1001171137
ELECTRICAL ASSEMBLY, BALLAST	1001212696
SEALING WASHER, 3/8UNC 750 SERIES HYDRAULIC POWERPACK PRESSURE RELIEF VALVE ADJUSTING SCREW	1001246647
VALVE, CFPB-0169 SOLENOID MAST HYDRAULIC CYLINDER	1001220712