



# Illustrated Parts Manual

## *Lighting Tower AN-Series*

### *Models*

**6308AN**

**6308AN-6**

**8308AN**

**9308AN**

**1001309961**

Revision C

June 11, 2024



**REFERENCE MANUALS**

- 1001309959      OPERATION & SAFETY**
- 1001309960      SERVICE & MAINTENACE**
- 1001309961      PARTS & RECOMMENDED SPARES**
- 1001309962      ANH SUPPLEMENT MANUAL**

**CUSTOMER SUPPORT**

***JLG Industries  
(Port Macquarie)***  
11 Bolwarra Road  
Port Macquarie  
NSW 2444  
Phone: (02) 6581 1111

***JLG Industries  
(Victoria)***  
Warehouse 2  
74-94 Centre Road  
Hallam  
VIC 3175  
Phone: (03) 9554 4333

***JLG Industries  
(Queensland)***  
223 Fison Avenue West  
Eagle Farm  
QLD 4009  
Phone: (07) 3309 9111

***JLG Industries  
(New South Wales)***  
358 Park Road  
Regents Park  
NSW 2143  
Phone: (02) 8718 6300

***JLG Industries  
(Western Australia)***  
39 Kewdale Road  
Kewdale, Perth  
WA 6105  
Phone: (08) 9356 9811

***JLG Industries  
(New Zealand)***  
2b Fisher Crescent  
Mt Wellington, Auckland  
New Zealand  
Phone: + 64 9276 1728

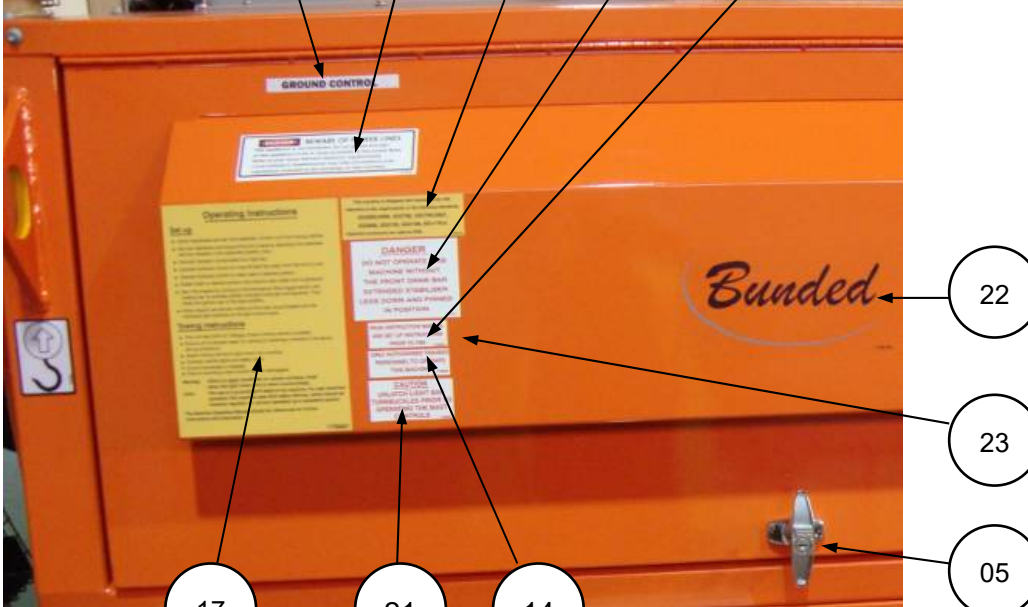
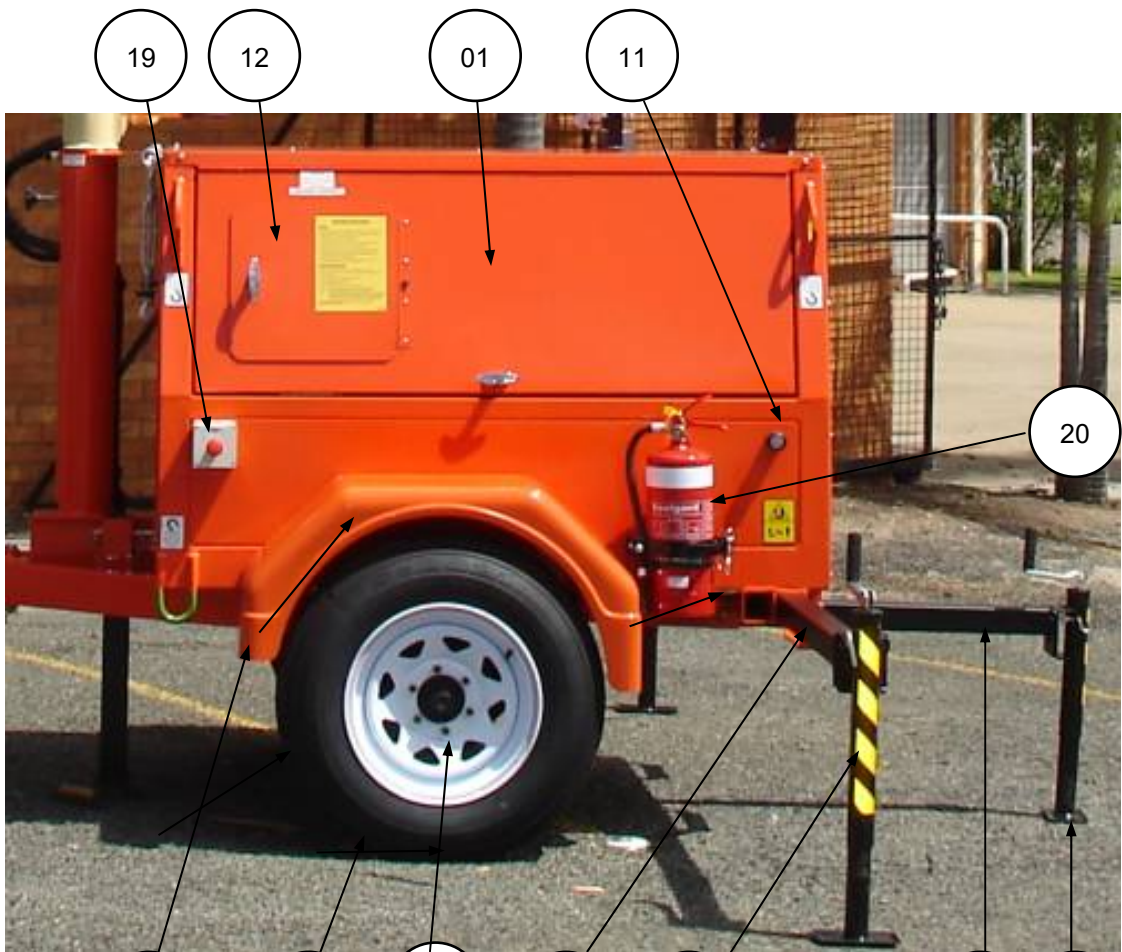
***JLG Industries  
(South Australia)***  
9 Nucera Court  
Green Fields  
SA 5107  
Phone: (08) 8259 8777

**BLANK PAGE**

## ILLUSTRATED PARTS MANUAL

<b>CONTENTS</b>	<b>PAGE</b>
• MACHINER LEFT SIDE VIEW	1
• MACHINER RIGHT SIDE VIEW	5
• MACHINER REAR VIEW	7
• MACHINER FRONT VIEW	10
• FRONT PANEL	13
• TRAILER AXLE AND WHEEL HUBS	15
• KUBOTA ENGINE - RIGHT SIDE	15
• KUBOTA ENGINE – LEFT SIDE	19
• PERKINS ENGINE – LEFT SIDE	21
• PERKINS ENINGE – RIGHT SIDE	23
• FUEL TANK & ACCESSORIES	24
• MAST ASSEMBLY	25
• MAST HYDRAULIC CYLINDERS	33
• MAST HYDRAULIC POWERPACK	37
• ELECTRICAL EQUIPMENT – LIGHTING TOWER	39
• ELECTRICAL EQUIPMENT - FLOODLIGHTS	47
• RECOMMENDED SPARES	51

MACHINE LEFT SIDE VIEW



## AN-Series

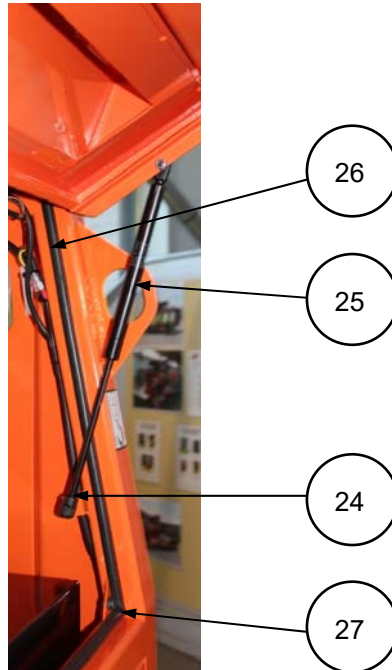
### MACHINE LEFT SIDE VIEW

SEQ.#	PART No.	QTY	DESCRIPTION
01	1730705	1	DOOR LH SIDE ASSEMBLY (SERIES I ONLY)
	1733280	1	DOOR WITH VENT ASSEMBLY LH
02	1730829	1	GUARD LH SIDE FIBREGLASS (PRIOR TO S/N 6308AN1840)
	1734233	1	MUDGUARD SHIELD FINISHED LH (S/N 6308AN1840 TO PRESENT)
03	1730603	2	16" X 6J WHEEL RIM
04	1730618	2	205/80 X 16" TYRE
05	1730529	2	HANDLE LOCK DOOR (3 FOR SERIES I MACHINES)
	1730790	2	HANDLE LOCKING TAB (3 FOR SERIES I MACHINES)
	1730916	2	COATES DOOR LOCK (COATES SPEC) (3 FOR SERIES I)
	1730033	2	PADLOCK HANDLE & S BRACKET (COATES SPEC)
06	1700037	1	DECAL 'GROUND CONTROL'
07	A330010	2	OUTRIGGER SIDE JACK ASSEMBLY
08	1730533	2	OUTRIGGER SIDE EXTENSION ARM
	1734353	2	OUTRIGGER SIDE EXTENSION ARM (6308AN-6 & 9308AN ONLY)
09	1730777	1	OUTRIGGER REAR JACK ASSEMBLY (SERIES I ONLY)
10	1730749	1	OUTRIGGER REAR EXTENSION ARM (SERIES I ONLY)
	1734354	1	OUTRIGGER REAR EXTENSION ARM (6308AN-6 & 9308AN SERIES I ONLY)
	1733737	1	OUTRIGGER REAR EXTENSION ARM (6308AN-6 & 9308AN SERIES II ONLY)
11	1730750	2	BLOCK STOP STABILIZER STOWAGE
12	1730820	1	ACCESS DOOR (SERIES I ONLY)
13	1730596	1	DECAL 'ONLY AUTHORISED TRAINED PERSONNEL' (PRIOR TO S/N 6308AN2015)
14	1730597	1	DECAL 'READ INSTRUCTION MANUAL' (PRIOR TO S/N 6308AN2015)
15	1730598	1	DECAL 'DO NOT OPERATE UNLESS OUTRIGGER LEGS DOWN' (PRIOR TO S/N 6308AN2015)
16	1736529	1	DECAL 'DANGER BEWARE OF POWER LINES' (PRIOR TO S/N 6308AN2015)
17	1730831	1	DECAL 'OPERATING INSTRUCTIONS' (PRIOR TO S/N 6308AN2015)
18	1730734	1	DECAL 'STANDARDS COMPLIANCE' (PRIOR TO S/N 6308AN2015)
19	4360475	1	EMERGENCY STOP SWITCH
	1733231	1	SINGLE GANG JUNCTION BOX BASE (GWR)
	1733047	1	SINGLE GANG JUNCTION BOX COVER (GWR)
	1730574	1	SINGLE GANG ENCLOSURE (CLIPSAL)
20	1730853	1	FIRE EXTINGUISHER 9.0 kg (OPTION)
	1733395	1	FIRE EXTINGUISHER 9.0 kg MOUNT BRACKET (OPTION)
	1734123	1	FIRE EXTINGUISHER 4.5 kg
	1733394	1	FIRE EXTINGUISHER 4.5 kg MOUNT BRACKET
	1733802	1	FIRE EXTINGUISHER 1.0 kg

## AN-Series

SEQ.#	PART No.	QTY	DESCRIPTION
21	1730535	1	DECAL 'UNLATCH LIGHT BAR' (PRIOR TO S/N 6308AN2015)
22	1734174	2	DECAL 'BUNDED' (SERIES II)
23	1734218	1	DECAL 'OPERATING INSTRUCTIONS & DANGER' (S/N 6308AN2015 TO PRESENT)
24	1001185541	4	MOUNT, GAS STRUT BALL
25	1001185540	2	STRUT, DOOR GAS
26	1734188	5	SEAL, DOOR RUBBER
27	0940036	4	BUMPER, DOOR RUBBER

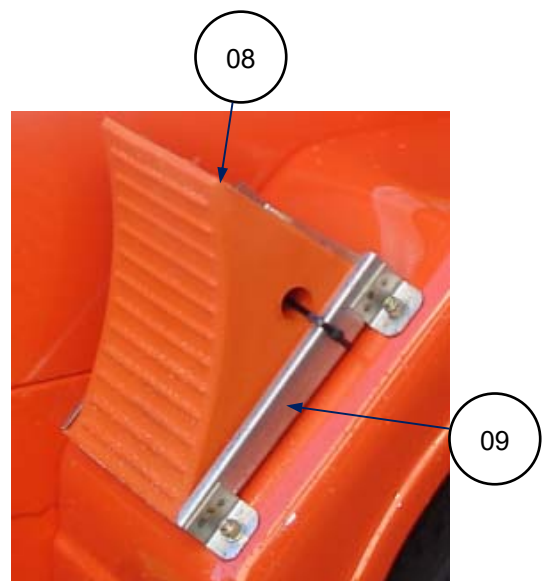
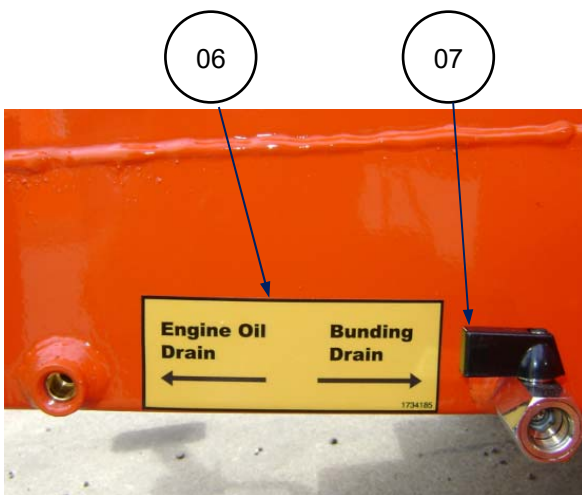
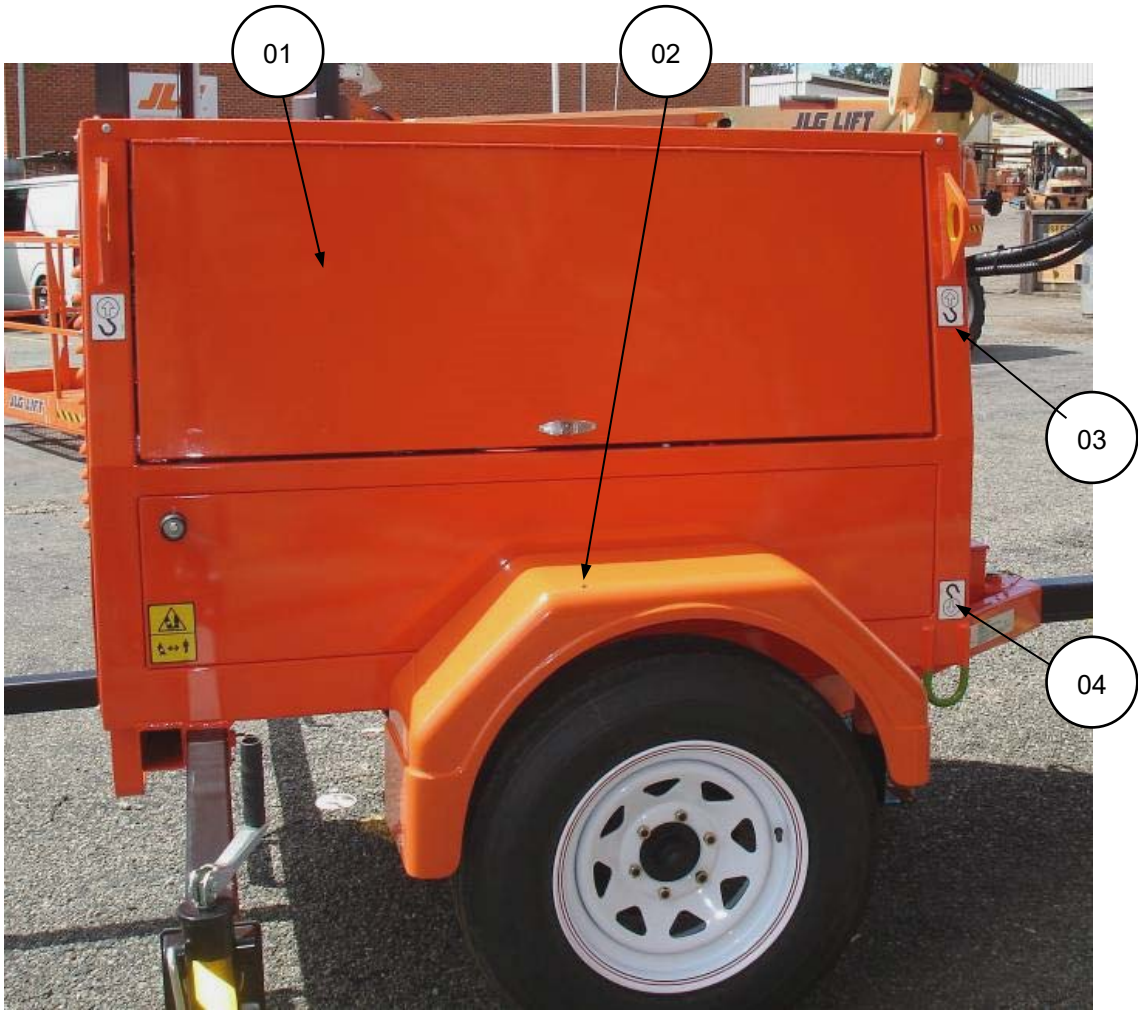
18







MACHINE RIGHT SIDE VIEW



---

---

**AN-Series**

---

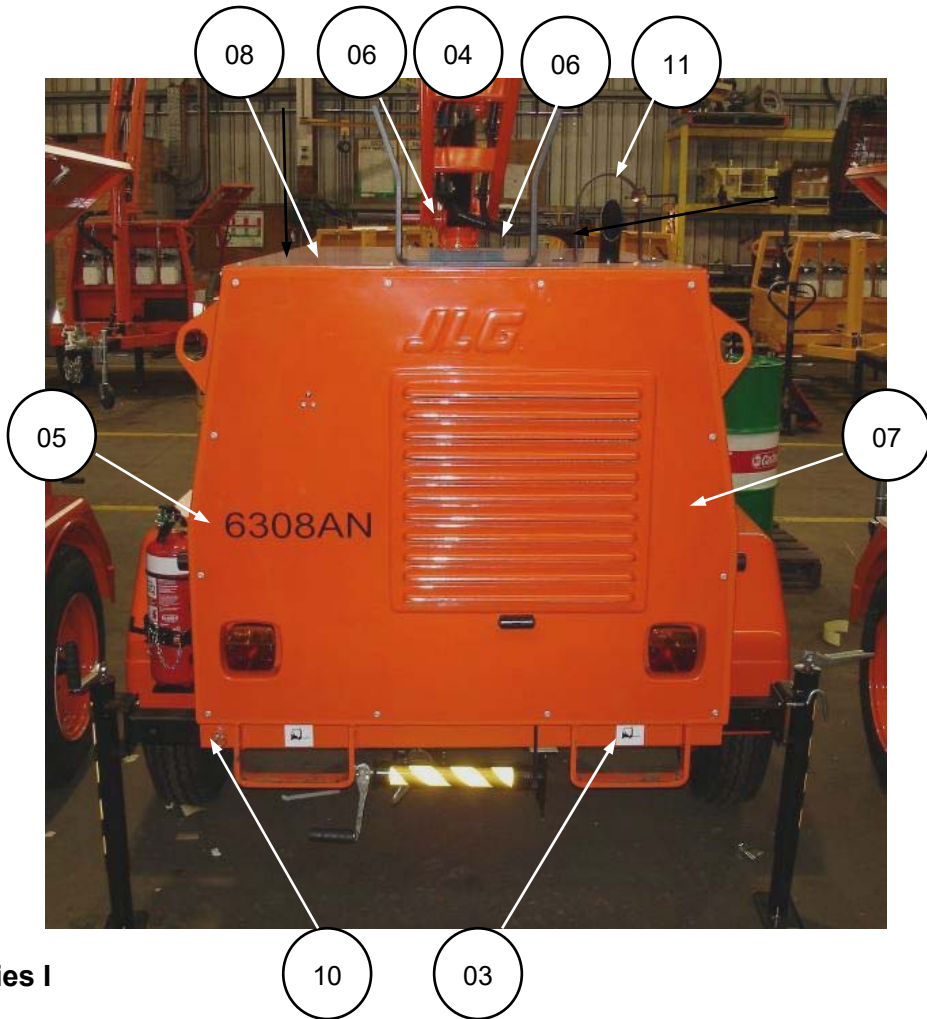
---

**MACHINE RIGHT SIDE VIEW**

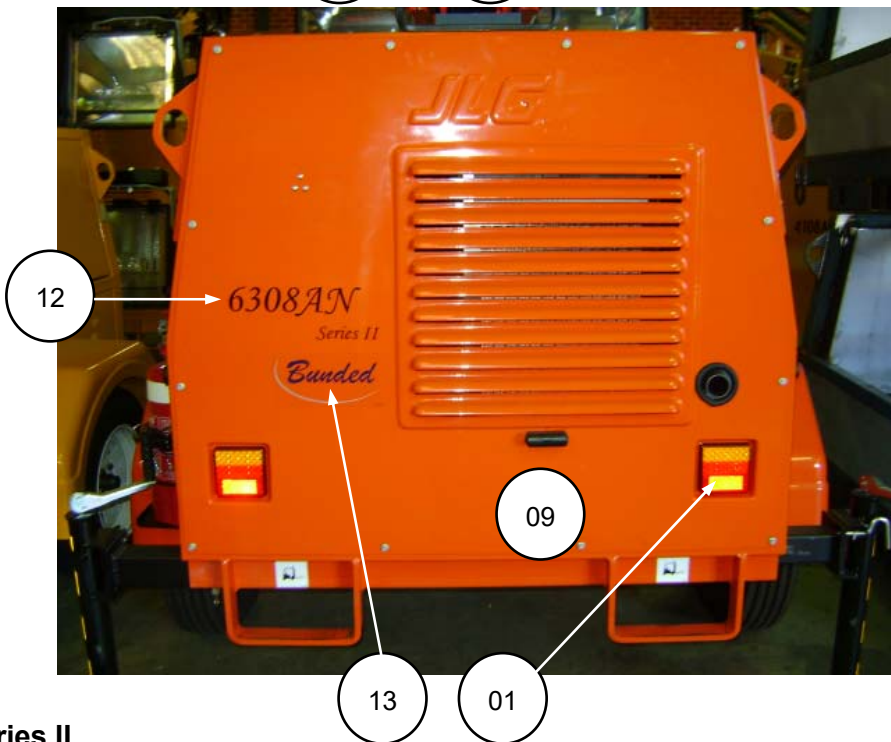
<b>SEQ.#</b>	<b>PART No.</b>	<b>QTY</b>	<b>DESCRIPTION</b>
01	1730611	1	DOOR RH SIDE ASSEMBLY (SERIES I ONLY)
	1733764	1	DOOR WITH VENT ASSEMBLY RH
02	1730830	1	GUARD RH SIDE FIBREGLASS (PRIOR TO S/N 6308AN1840)
	1734232	1	MUDGUARD SHIELD FINISHED RH (S/N 6308AN1840 TO PRESENT)
03	1701500	4	DECAL TIE DOWN/LIFT
04	1702300	2	DECAL TIE DOWN
05	1701785	2	CRUSHING HAZARD
06	1734185	1	DECAL 'ENGINE OIL AND BUNDING DRAIN' (SERIES II)
07	1734046	1	TAP, BSP ¼" (SERIES II)
08	1733735	2	URETHANE WHEEL CHOCK (OPTION)
09	1733736	2	WHEEL CHOCK MOUNT BRACKET (OPTION)

**AN-Series**

**MACHINE REAR VIEW**



**AN-Series I**



**AN-Series II**

---

---

**AN-Series**

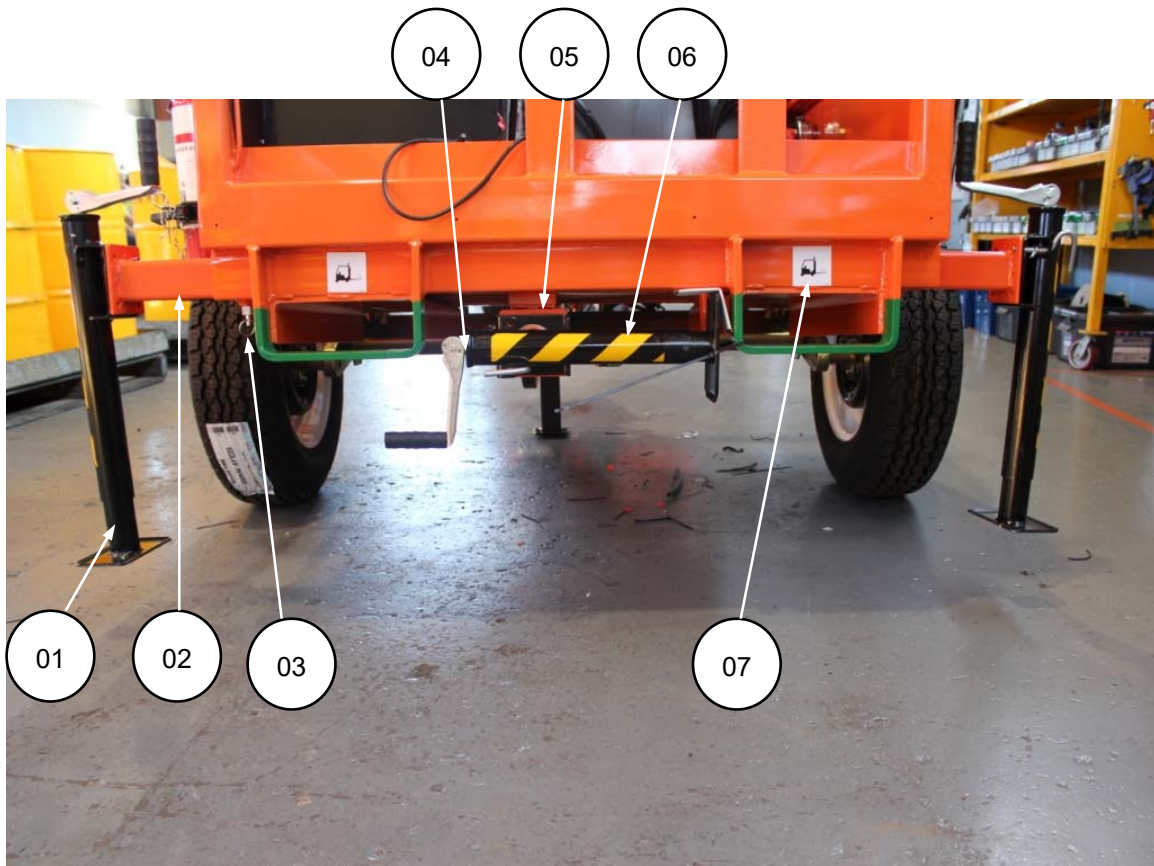
---

---

**MACHINE REAR VIEW**

SEQ.#	PART No.	QTY	DESCRIPTION
001	1733618	2	TAILLIGHT ASSEMBLY
	1733980	1	LAMP BULB 12 V 21/5 W (BRAKE)
	1730951	1	LAMP BULB 12 V 21 W (BLINKER)
	1734145	2	TAILLIGHT ASSEMBLY L.E.D.
02	1730819	1	DECAL REAR OUTRIGGER (PRIOR S/N 6308AN268) (NOT SHOWN)
03	1703073	2	DECAL 'FORKLIFT POCKET'
04	1730534	1	MAST SUPPORT CRADLE
05	1730617	1	DECAL '6308AN' (SERIES I ONLY)
06	1732597	1	WEAR PAD, MAIN BOOM
07	1001144507	1	REAR PANEL
	1001144809	1	REAR PANEL (SERIES II KUBOTA D1403 ENGINE)
	1001144810	1	REAR PANEL (SERIES II PERKINS 403D-11 ENGINE)
08	1730606	1	ROOF PANEL (SERIES I KUBOTA D1403 ENGINE)
	1730949	1	ROOF PANEL (SERIES I KUBOTA D1703 ENGINE)
	1734541	1	ROOF PANEL (SERIES I PERKINS 403D-11 ENGINE)
	1733335	1	ROOF PANEL (SERIES II)
09	1730914	1	LICENCE PLATE LAMP (S/N 6308AN269 TO PRESENT)
	1730593	1	NUMBER PLATE LIGHT NARVA (PRIOR S/N 6308AN268)
10	3422369	2	OUTRIGGER EXTENSION ARM LOCK PIN
11	1730735	1	MUFFLER GUARD (SERIES I)
12	1734186	1	DECAL '6308AN SERIES II' (SERIES II)
13	1734174	2	DECAL 'BUNDED' (SERIES II)

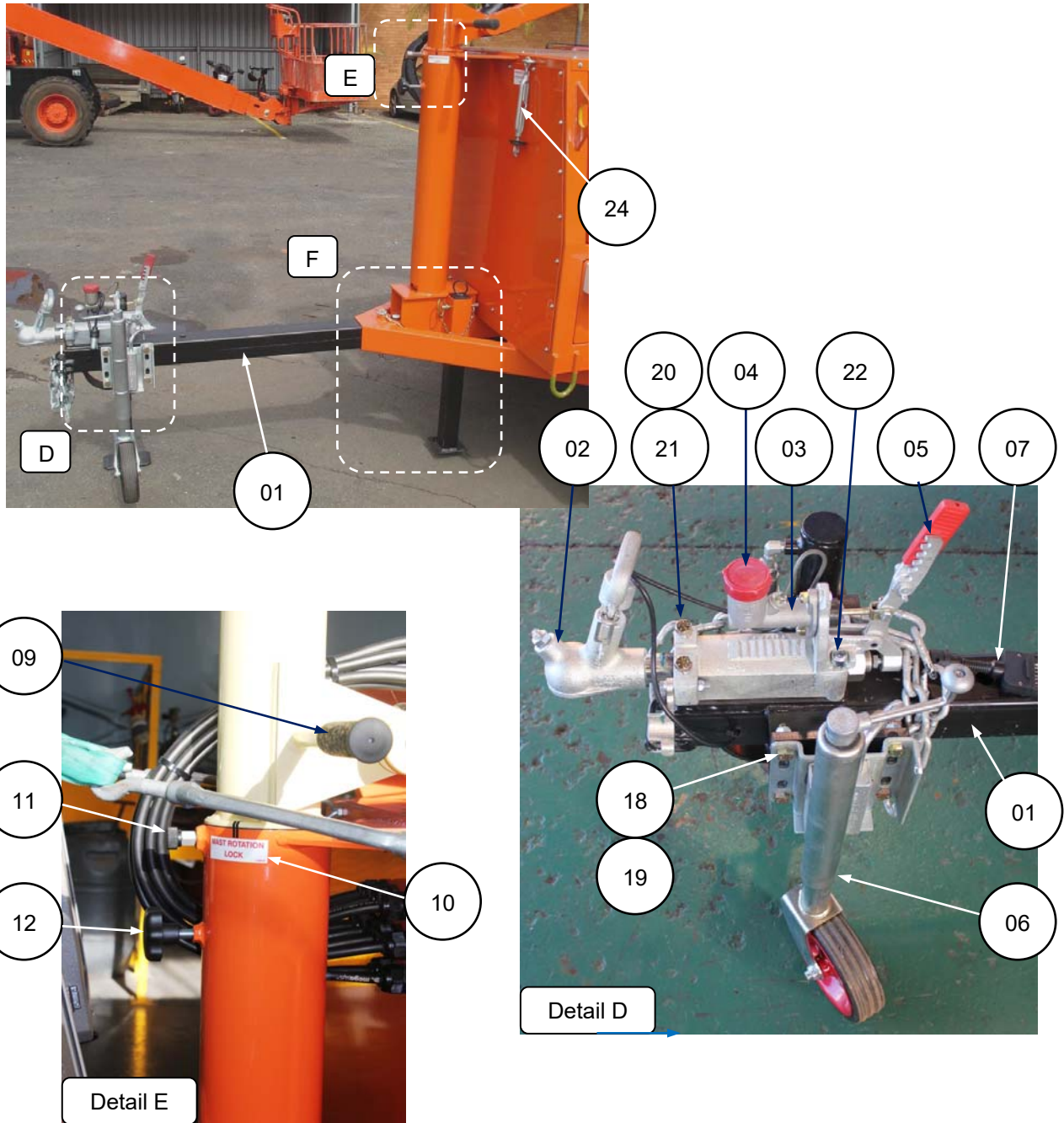
**MACHINE LOWER REAR VIEW**



SEQ.#	PART No.	DESCRIPTION	QTY
01	A330010	OUTRIGGER, SIDE JACK ASSEMBLY	2
02	1734353	OUTRIGGER, SIDE EXTENSION ARM	2
03	3422744	PIN, SPRING LOADED PLUNGER	2
04	A330008	OUTRIGGER, REAR JACK ASSEMBLY	1
-	1001265715	KIT, SWIVEL PIN 3/8" DL JACK	A/R
05	1733737	OUTRIGGER, REAR EXTENSION ARM	1
06	1737103	TAPE, REFLECTIVE BLACK/YELLOW	3
07	1703073	DECAL, 'FORKLIFT POINT'	2

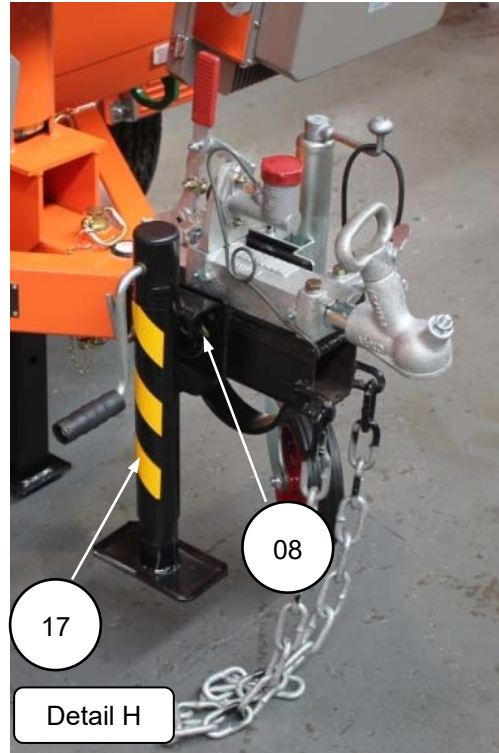
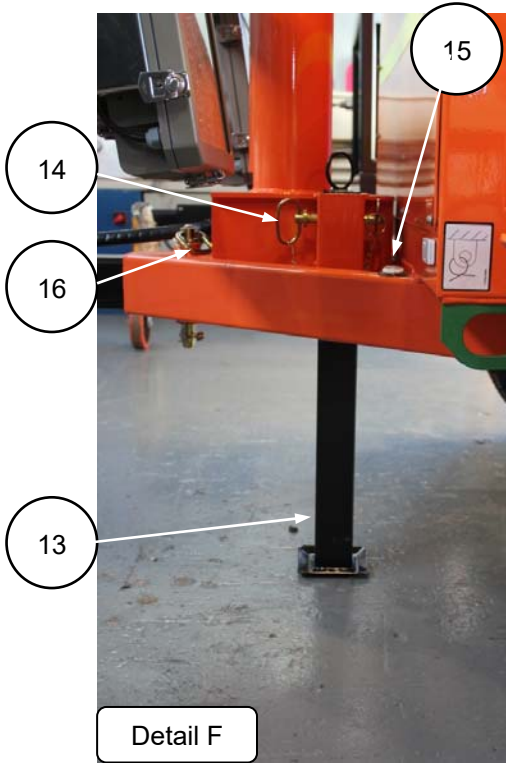


**MACHINE FRONT VIEW**



SEQ.#	ITEM NO.	DESCRIPTION	QTY
01	1730901	WELDMENT, FRONT DRAWBAR EXTENSION	1
02	1735456	COUPLING, OVERRIDE TOWBALL	1
20	0681828	1/2" UNC X 3.5" HEX HEAD BOLTS SAE GRADE 8	2
21	4891800	1/2" HARDENED FLAT WASHER	2
22	3931856	1/2" UNC X 3.5" SOCKET HEAD CAP SCREW ASTM 574	2
03	1737060	CYLINDER, HYDRAULIC BRAKE	1
04	1734707	CAP, HYDRAULIC BRAKE RESERVOIR	1
05	1730578	HANDLE, PARKING BRAKE	1

**MACHINE FRONT VIEW**

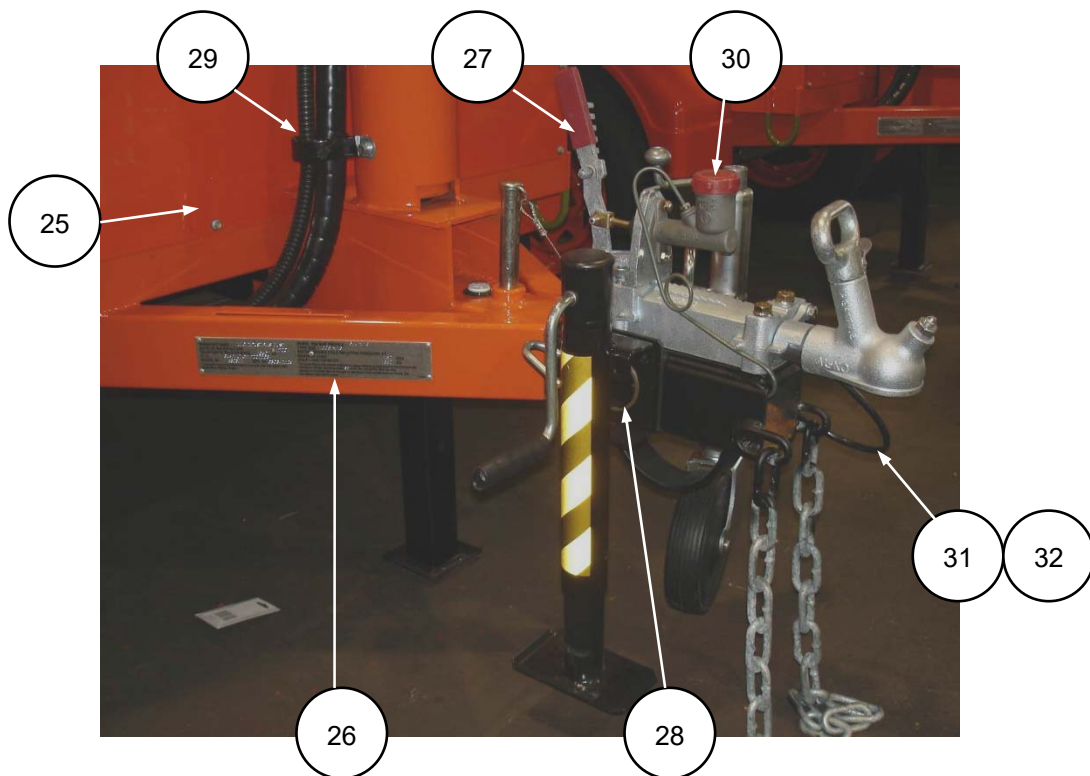


SEQ.#	ITEM NO.	DESCRIPTION	QTY
06	1737991	WHEEL, JOCKEY	1
07	1001172071	CABLE, 5C21B TRAILER	1
08	A330014	CIRCLIP, OUTRIGGER	4
09	1730797	GRIP, MAST ROTATE HANDLE	1
10	1730747	DECAL, MAST ROTATION LOCK	1
11	3422744	PIN, MAST INDEXING PLUNGER	1
12	1734165	KNOB, MAST ROTATE LOCKING	1
	A620550	FROM S/N 6308AN1464 BEFORE S/N6308AN1464	
13	1730580	LEG, TRANSPORT	1
14	1733192	PIN, HITCH TRANSPORT LEG	1
	1733193	CHAIN, HITCH PIN RETAINING	1
15	1733106	BUBBLE, LEVELLING	1
16	1733267	PIN, DRAWBAR ASSEMBLY	1
17	A650235	JACK, FRONT OUTRIGGER (DRAWBAR)	1
18	0681812	BOLT, HEX SCREW 1/2" UNC-1.5" SAE GRADE 8	4
19	3271805	NUT, HEX NYLOC 1/2"UNC GRADE 6	4

## AN-Series

### MACHINE FRONT

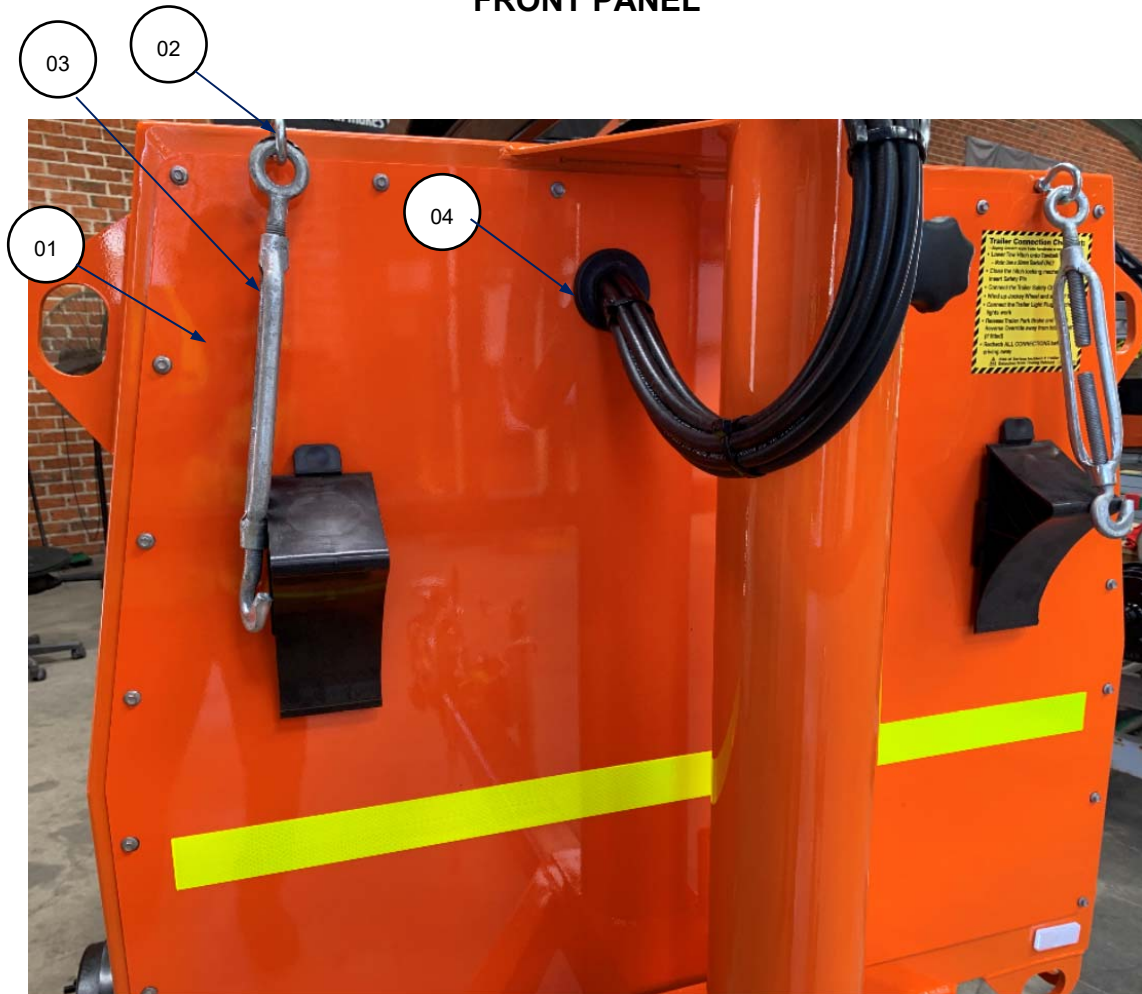
SEQ.#	PART No.	QTY	DESCRIPTION
23	1730599	1	DECAL – MAXIMUM VOLTAGE WITHIN ENCLOSURE
24	1730759	2	EYE BOLT
	1730760	2	TURN BUCKLE
	1730773	2	RUBBER BUMPER TURNBUCKLE
25	1001171 811P	1	PANEL, FRONT (FINISHED)
26	1737103	1	DECAL 'VIN PLATE IDENTIFICATION'
27	1730578	1	BRAKE HANDLE PARK BRAKE
28	A330014	4	OUTRIGGER CIRCLIP
29	1320219	3	HOSE CLAMP 2½" STEEL P CLIP
30	1734707	1	CAP HYD BRAKE RESERVOIR
31	1730520	6 m	5-CORE TRAILER CABLE
32	1737066	1	7 PIN SMALL ROUND METAL TRAILER PLUG
	1730881	1	7 PIN LARGE ROUND METAL TRAILER PLUG (COATES VIC SPEC)
	1730863	1	7 PIN FLAT 'QUICKFIT' TRAILER PLUG (COATES NSW SPEC)
	1730894	1	7 PIN LARGE ROUND METAL TRAILER SOCKET (COATES QLD SPEC)





# AN-Series

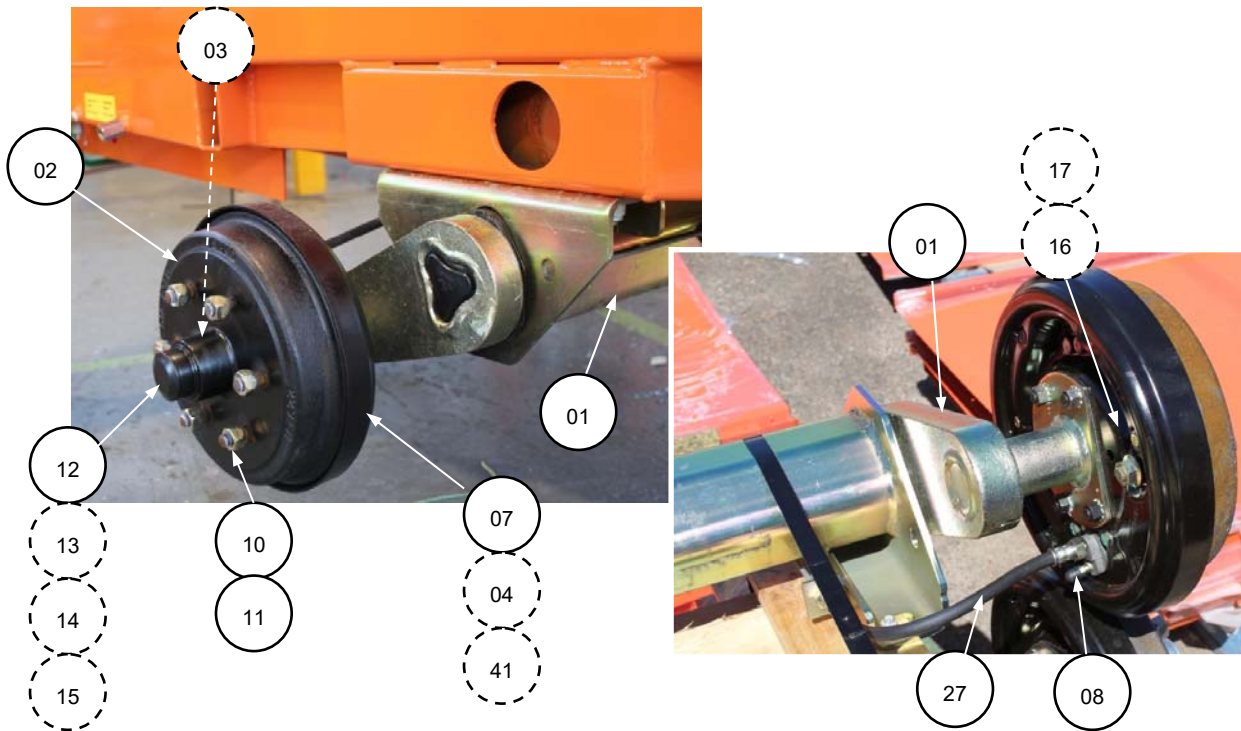
## FRONT PANEL



SEQ.#	ITEM NO.	DESCRIPTION	QTY
01	1001258395	PANEL, FINISHED FRONT	1
02	1730759	EYEBOLT, M10 x 100 mm Zn PLATED	2
03	1001171971	TURNBUCKLE, GALVANISED 16 mm LED LT	2
04	1001179445	GROMMET, RUBBER BLACK LED LT	1



TRAILER AXLE AND WHEEL HUBS



AL-KO axle 1730891



Vehicle Components Axle 1730573

**TRAILER AXLE AND WHEEL HUBS**

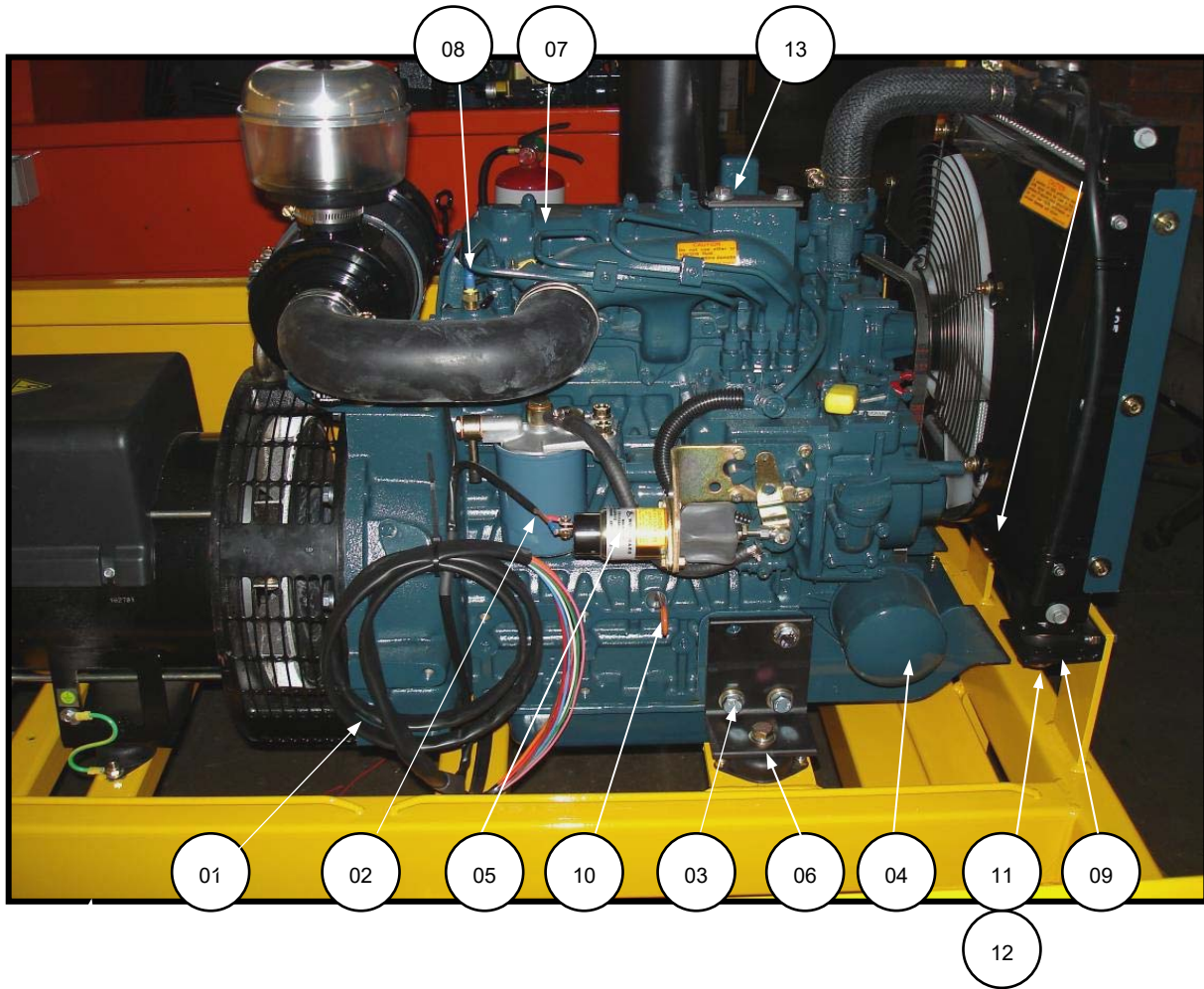
SEQ.#	PART No.	QTY	DESCRIPTION
01	1730891	1	AXLE ASSEMBLY RATING 1650 kg C/W BRAKES (ALKO)
	1730573	1	AXLE ASSEMBLY RATING 1900 kg C/W BRAKES (VEHICLE COMPONENTS)
02	1730825 1001249150	2	BRAKE DRUM HUB (SUPERSEDED BY 1001249150) BRAKE, 9SL H/DRUM (C/W HUB BEARINGS)
03	1730915	2	WHEEL BEARING SET (SEAL, DUST CAP AND SPLIT PIN)
04	1730577	2	BRAKE SHOE SET
41	1001303139	2	AXLE, BRAKE SHOE HOLD DOWN KIT
05	1734097	2	BACKING PLATE RH (VEHICLE COMPONENTS)
06	1730883	2	BACKING PLATE LH (VEHICLE COMPONENTS)
07	1734486	2	BACKING PLATE PAIR (ALKO)
08	1730884	2	BLEED NIPPLE
09	1730882	2	BRAKE WHEEL CYLINDER (9" DRUM)
10	1730885	12	WHEEL STUD
11	1730886	12	WHEEL NUT
12	1730887	2	DUST CAP
13	1730888	2	3/4" UNF AXLE NUT BEARING RETAINER
14	1730889	2	3/4" WASHER
15	1730890	2	3.2 X 32 SPLIT PIN
16	1730920	2	WHEEL BEARING SEAL
17	1730882	2	CYLINDER, WHEEL BRAKE DRUM
27	1730766	1	BRAKE-LINE KIT (FOR AXLE 1730891)
	1733808	1	LONG TUBE DRAW BAR
	1733809	1	SHORT TUBE (LEFT)
	1733810	1	SHORT TUBE (RIGHT)
	1733811	1	TEE-CONNECTOR
	1733812	1	FLEXIBLE HOSE DRAWBAR
	1733813	2	FLEXIBLE HOSE SIDE (320 MM LONG)
	1733814	3	'C' CLIPS
	1001244947	A/R	FLEXIBLE HOSE SIDE (420 MM LONG) IN LIEU OF HOSE 1733813
28	1001148979	1	BRAKE-LINE KIT (FOR AXLE 1730573)
	1001148976	1	TUBE, BRAKE LINE LH, VC BUNDED
	1001148977	1	TUBE, BRAKE LINE RH, VC BUNDED
	1001148978	2	HOSE ASSEMBLY, BRAKE LINE, VC BUNDED
	1733811	1	TEE-CONNECTOR (6308AN BRAKE TUBE)
	1733812	1	HOSE ASSEMBLY, DRAWBAR (6308AN)
	1733814	3	C-CLIPS (6308AN BRAKE HOSE)

} BRAKE-LINE KIT

} BRAKE-LINE KIT

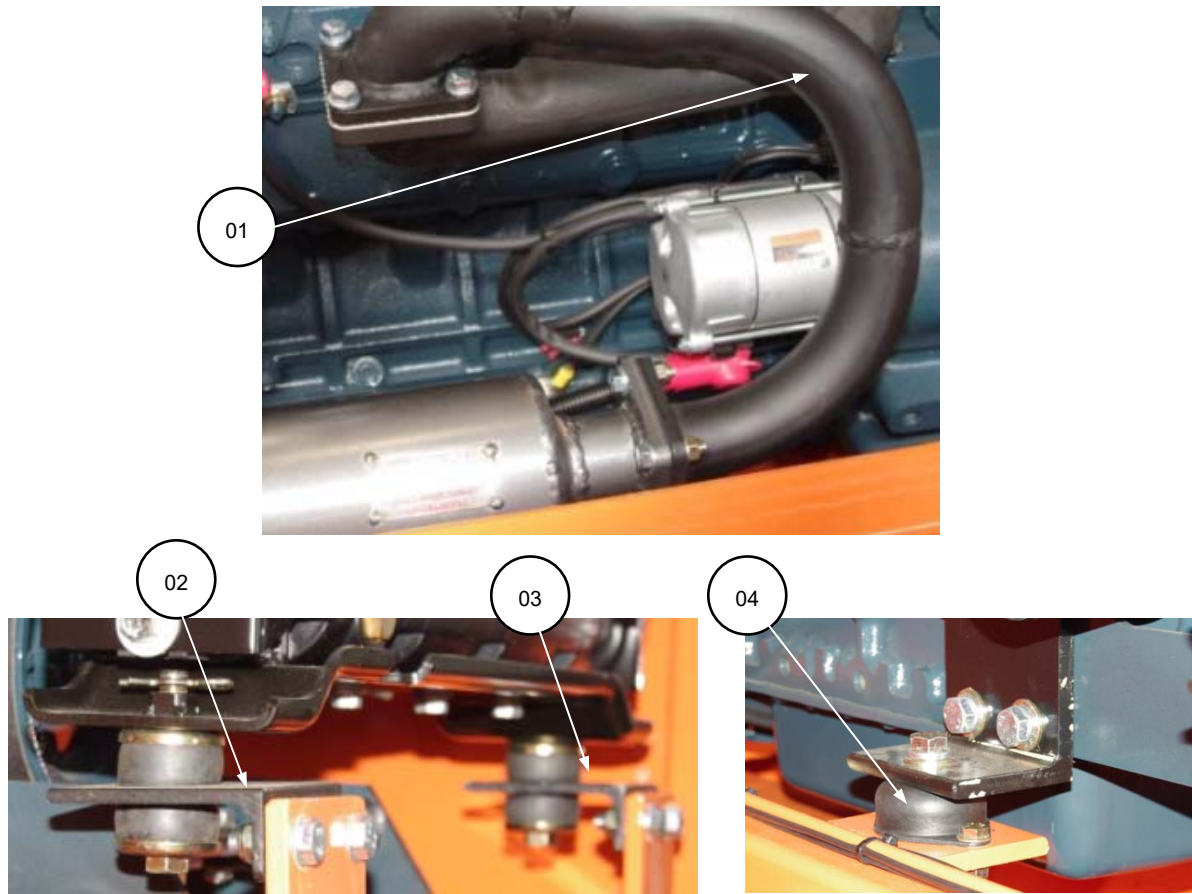


**KUBOTA ENGINE – RIGHT SIDE**



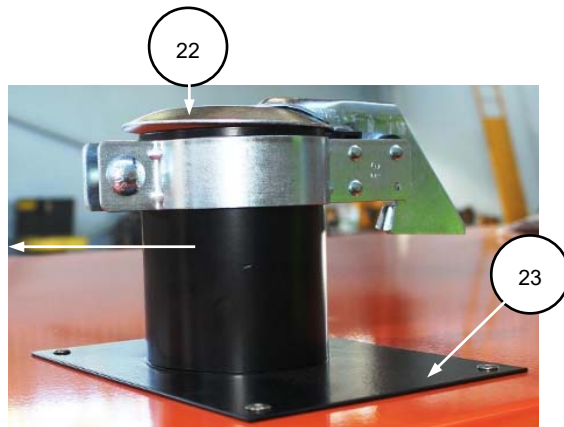
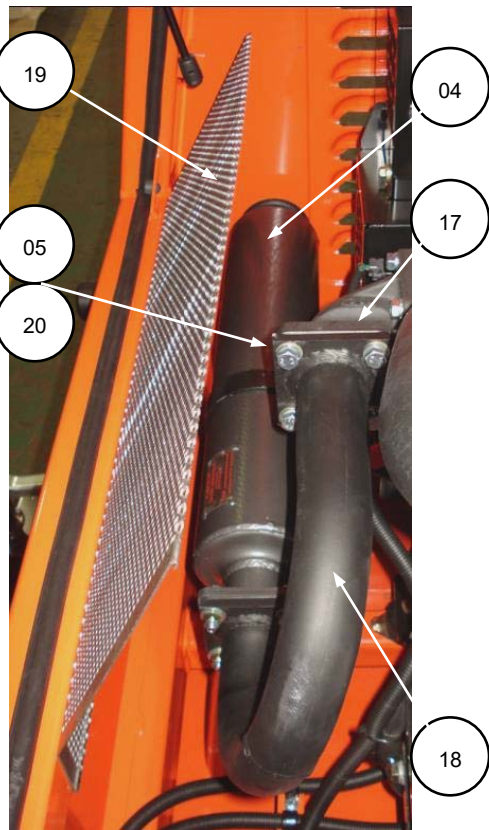
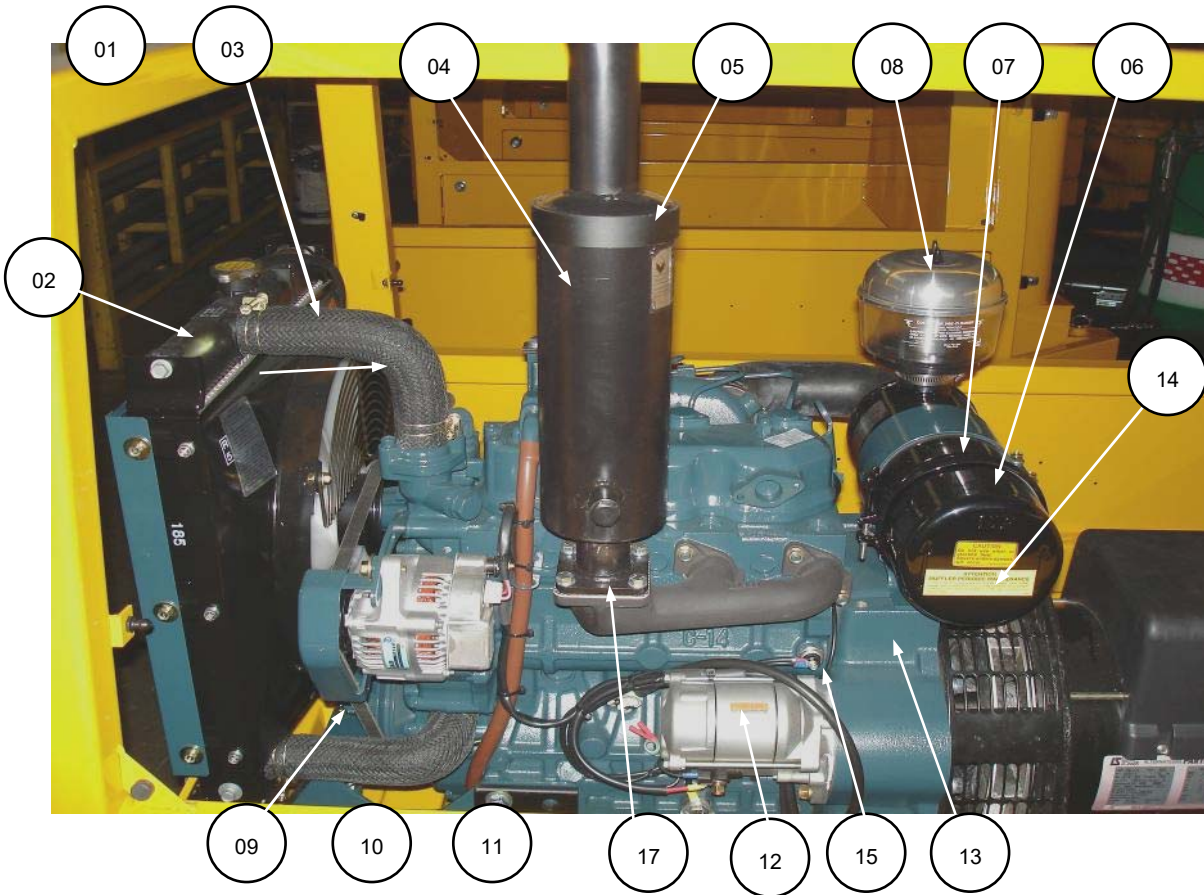
SEQ.#	PART No.	QTY	DESCRIPTION
01	1730567	1	ENGINE LOOM KUBOTA
02	1730873	1	FILTER FUEL D1403
03	1730742	2	ENGINE MOUNT LEFT & RIGHT SUIT D1403
04	1730569	1	FILTER OIL
05	3740074	1	SOLENOID ENGINE RUN
06	1730211	4	RUBBER MOUNT, ENGINE & GENERATOR
	1730595	6	RUBBER MOUNT, ENGINE & GENERATOR (MECC-ALTE ONLY)
07	1730875	3	GLOW PLUGS D1403
08	1730796	1	ENGINE TEMPERATURE SENDER D1403
09	1734130	2	BRACKET RADIATOR MOUNT
10	1730907	1	ENGINE DIPSTICK
11	1734127	2	RADIATOR MOUNT TOP
12	1734126	2	RADIATOR MOUNT BOTTOM
13	1734335	1	MUFFLER BRACKET UPRIGHT KUBOTA (SERIES I AND S/N6308AN2277 TO PRESENT)

**KUBOTA V2203 ENGINE ADDITIONAL COMPONENTS**



SEQ.#	PART No.	QTY	DESCRIPTION
01	1731329	1	WELDMENT KUBOTA V2203 REAR EXHAUST PIPE (9308ANH ONLY)
02	1734130	1	RADIATOR MOUNT BRACKET LH
03	1731326	1	RADIATOR MOUNT BRACKET RH FOR ENGINE V2203 (8308AN & 9308AN)
04	1731335	4	RUBBER MOUNT, ENGINE V2203 AND ALTERNATOR (8308AN & 9308AN)

KUBOTA ENGINE – LEFT SIDE



S/N 6308AN1464 – S/N 6308AN2276

From S/N 6308AN2277



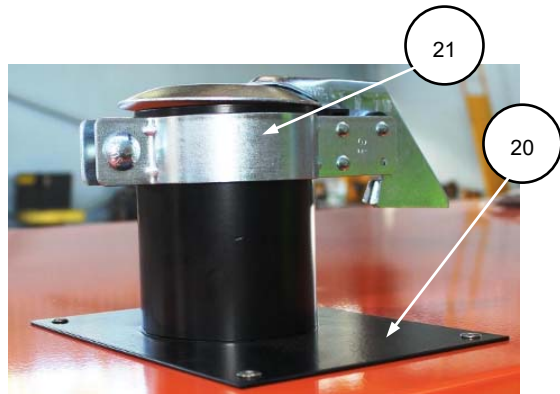
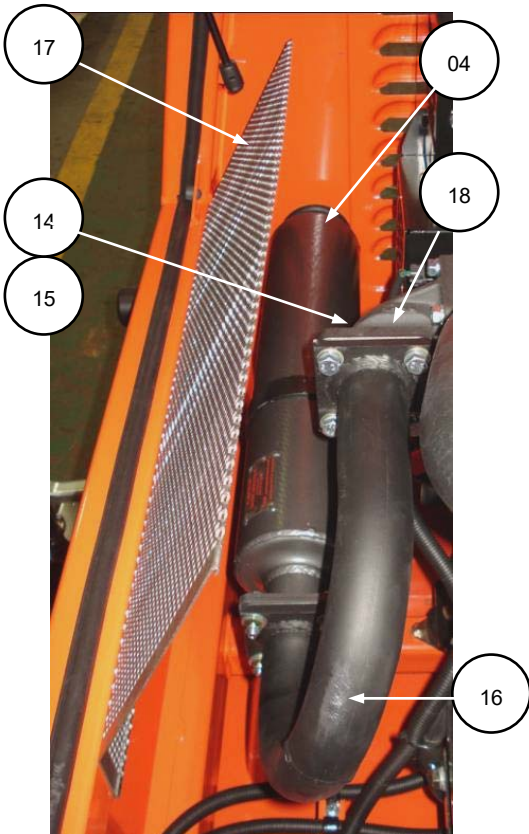
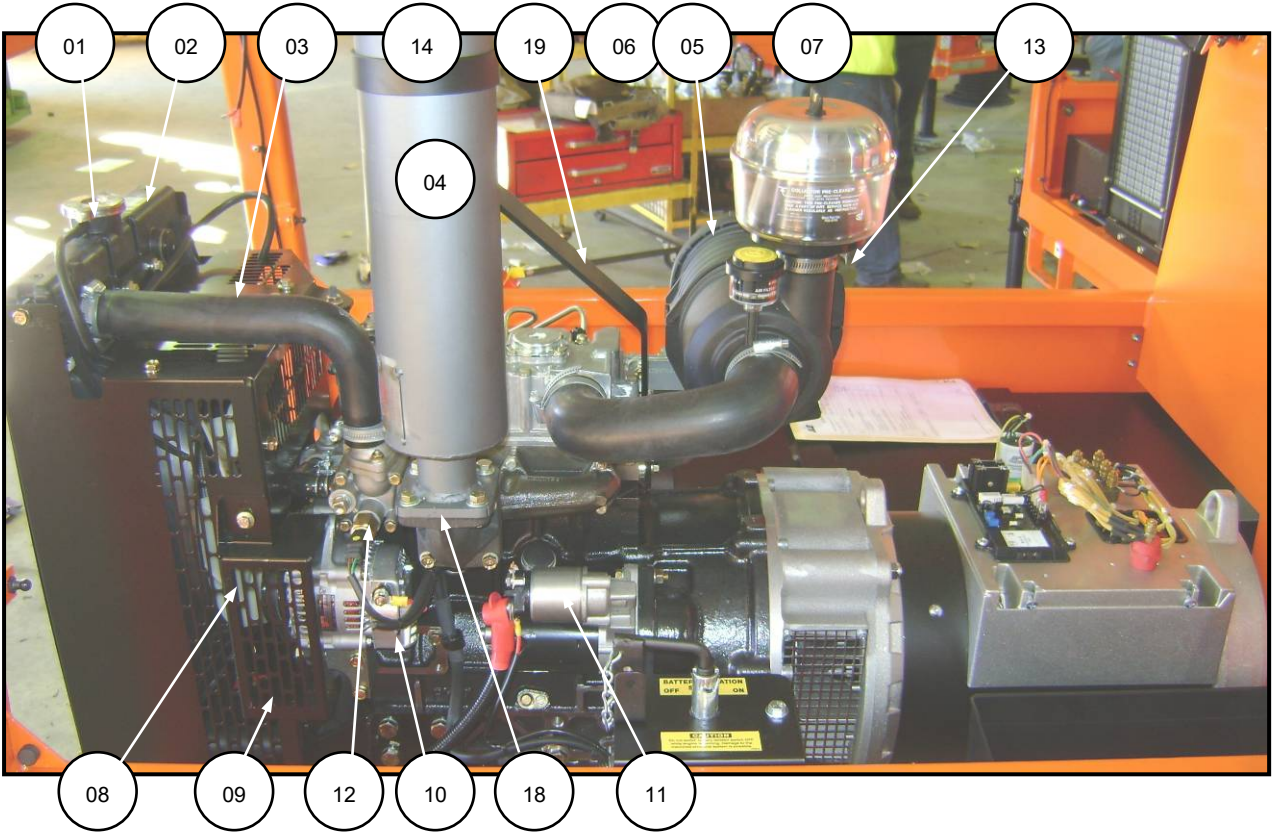
## AN-Series

### KUBOTA ENGINE – LEFT SIDE

SEQ.#	PART No.	QTY	DESCRIPTION
01	1730562	1	RADIATOR CAP OVERFLOW. CARPARTS N1000
02	1730865	1	RADIATOR D1403
03	1730867	1	RADIATOR HOSE TOP D1403
04	1730765 1001145528	1 1	MUFFLER SPARK ARRESTOR BEFORE S/N 6308AN2277 KUBOTA SPARK ARRESTOR MUFFLER S/N 6308AN2277 ONWARDS
05	1730817 1734334	1 1	MUFFLER SUPPORT CLAMP STAINLESS MUFFLER CLAMP
06	1730869	1	AIR FILTER ASSEMBLY D1403
07	1730565	1	AIR FILTER ELEMENT D1403
08	1730768	1	PRE-CLEANER FLEETGUARD (DONALDSON)
09	1730870 1734836 1734835	1 1 1	FAN BELT D1403 FAN BELT GUARD UPPER (OPTION) FAN BELT GUARD LOWER (OPTION)
10	1730868	1	RADIATOR HOSE LOWER D1403
11	1730558	1	ALTERNATOR 12V DENSO
12	1730871	1	STARTER MOTOR D1403
13	1730725 1730826 1734289	1 1 1	ENGINE KUBOTA D1403 (6308AN& 6308AN-6) ENGINE KUBOTA D1703 (8308AN) ENGINE KUBOTA V2203 (8308AN & 9308AN)
14	1730947	1	DECAL MUFFLER PERIODIC MAINTENANCE
15	1730874	1	OIL PRESSURE SENDER D1403
16	1730724	1	RAIN CAP, STANDARD MUFFLER (NOT SHOWN)
17	1733520	1	EXHAUST GASKET
18	1733290	1	REAR EXHAUST PIPE KUBOTA (SERIES II PRIOR TO S/N6308AN2277)
19	1734178	1	EXHAUST DEFLECTOR SHIELD PLATE (SERIES II PRIOR TO S/N6308AN2277)
20	1733329	1	MUFFLER BRACKET KUBOTA REAR EXHAUST (SERIES II PRIOR TO S/N6308AN2277)
21	1733241	1	EXHAUST SHROUD WELDMENT (S/N6308AN2277 TO PRESENT)
22	1001141759	1	3 1/2" EXHAUST RAIN CAP (S/N6308AN2277 TO PRESENT)



PERKINS ENGINE – LEFT SIDE



S/N 6308AN1464 – S/N 6308AN2276  
1001309961

JLG Industries (Australia)  
Oshkosh Corporation

From S/N 6308AN2277

Page 21  
11/06/24

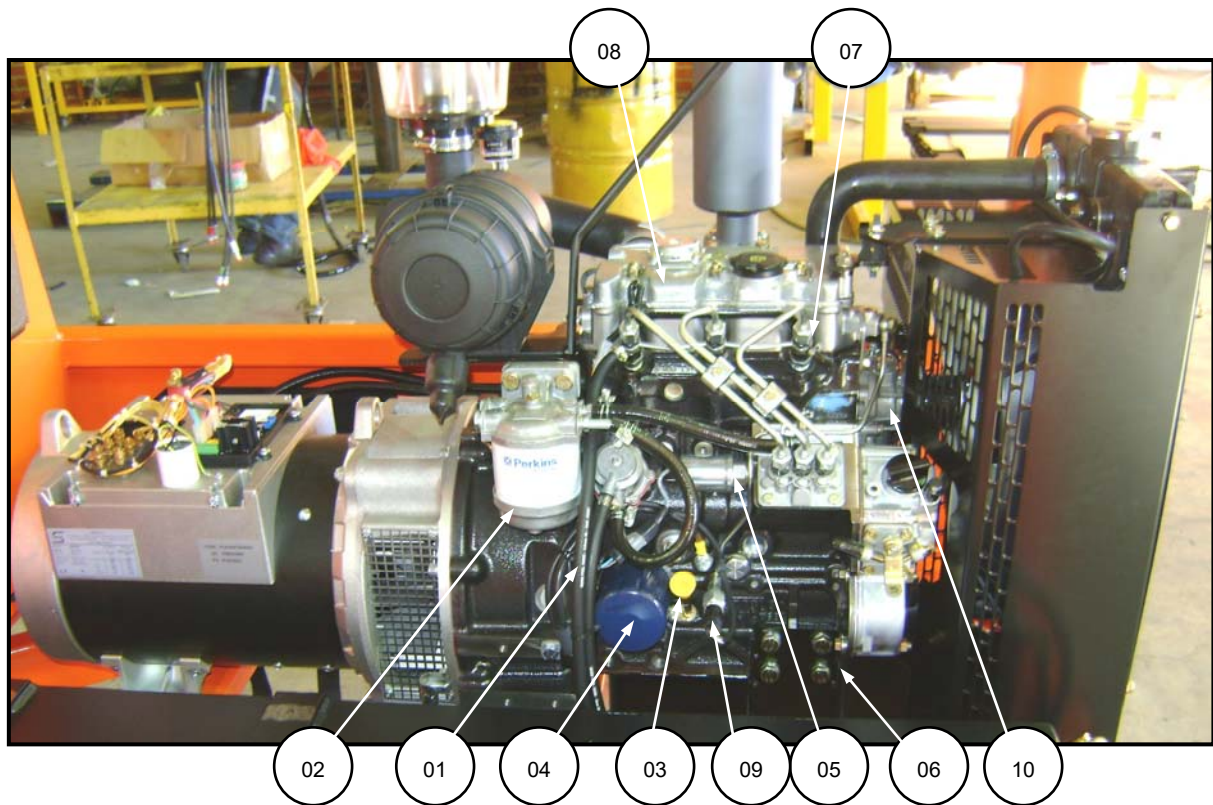
## AN-Series

### PERKINS ENGINE – LEFT SIDE

ITEM	PART NUMBER	QTY	DESCRIPTION OF PART
01	1731748	1	RADIATOR CAP OVERFLOW
02	1734421	1	RADIATOR
03	1734422	1	RADIATOR HOSE TOP
04	1730765	1	MUFFLER SPARK ARRESTOR PRIOR TO S/N 6308AN2277
	1001141797	1	PERKINS SPARK ARRESTOR MUFFLER S/N 6308AN2277 TO PRESENT
05	1734436	1	AIR FILTER ASSEMBLY
06	1734415	1	AIR FILTER ELEMENT
07	1730768	1	PRE-CLEANER
08	1734153	1	FAN BELT
09	1734423	1	RADIATOR HOSE LOWER
10	1734385	1	ALTERNATOR
11	1734382	1	STARTER MOTOR
12	1734381	1	WATER TEMPERATURE SENDER
13	1731350	1	JOINER RUBBER COUPLING
14	1734334	1	MUFFLER CLAMP
15	1734177	1	MUFFLER BRACKET PERKINS REAR EXHAUST SERIES II PRIOR TO S/N 6308AN2277
16	1734176	1	REAR EXHAUST PIPE PERKINS (SERIES II PRIOR TO S/N6308AN2277)
17	1734178	1	EXHAUST DEFLECTOR SHIELD PLATE SERIES II PRIOR TO S/N 6308AN2277
18	1733520	2	EXHAUST GASKET ONE FOR SERIES I MACHINES
19	1734336	1	PERKINS MUFFLER BRACKET UPRIGHT
	1001142697	1	SERIES I AND S/N 6308AN2277 TO PRESENT
20	1733241	1	EXHAUST SHROUD WELDMENT S/N 6308AN2277 TO PRESENT
21	1001141759	1	3 1/2" EXHAUST RAIN CAP S/N 6308AN2277 TO PRESENT

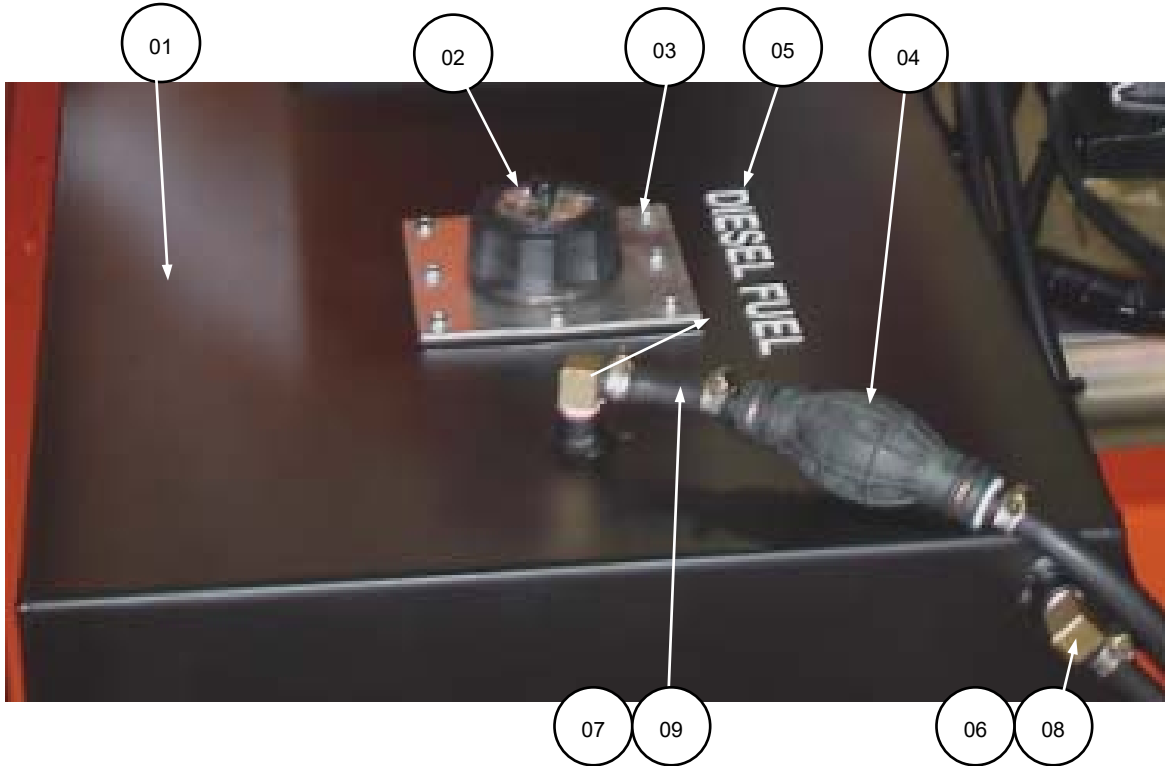
## AN-Series

### PERKINS ENGINE – RIGHT SIDE



SEQ.#	PART No.	QTY	DESCRIPTION
01	1734386	1	ENGINE LOOM
02	1733164	1	FILTER, FUEL
03	1734383	1	ENGINE DIPSTICK
04	1733165	1	FILTER, OIL
05	1734424	1	SOLENOID ENGINE RUN
06	1730211	4	RUBBER MOUNTS
07	1734384	3	GLOW PLUGS
08	1731747	1	PERKINS ENGINE 403D11
09	1734420	1	OIL PRESSURE SENDER
10	1734425	1	WATER PUMP
11	1001213257 1001213389	A/R	KIT, PERKINS RADIATOR MOUNT MR40 INSTRUCTIONS, RETROFIT MR40 KIT

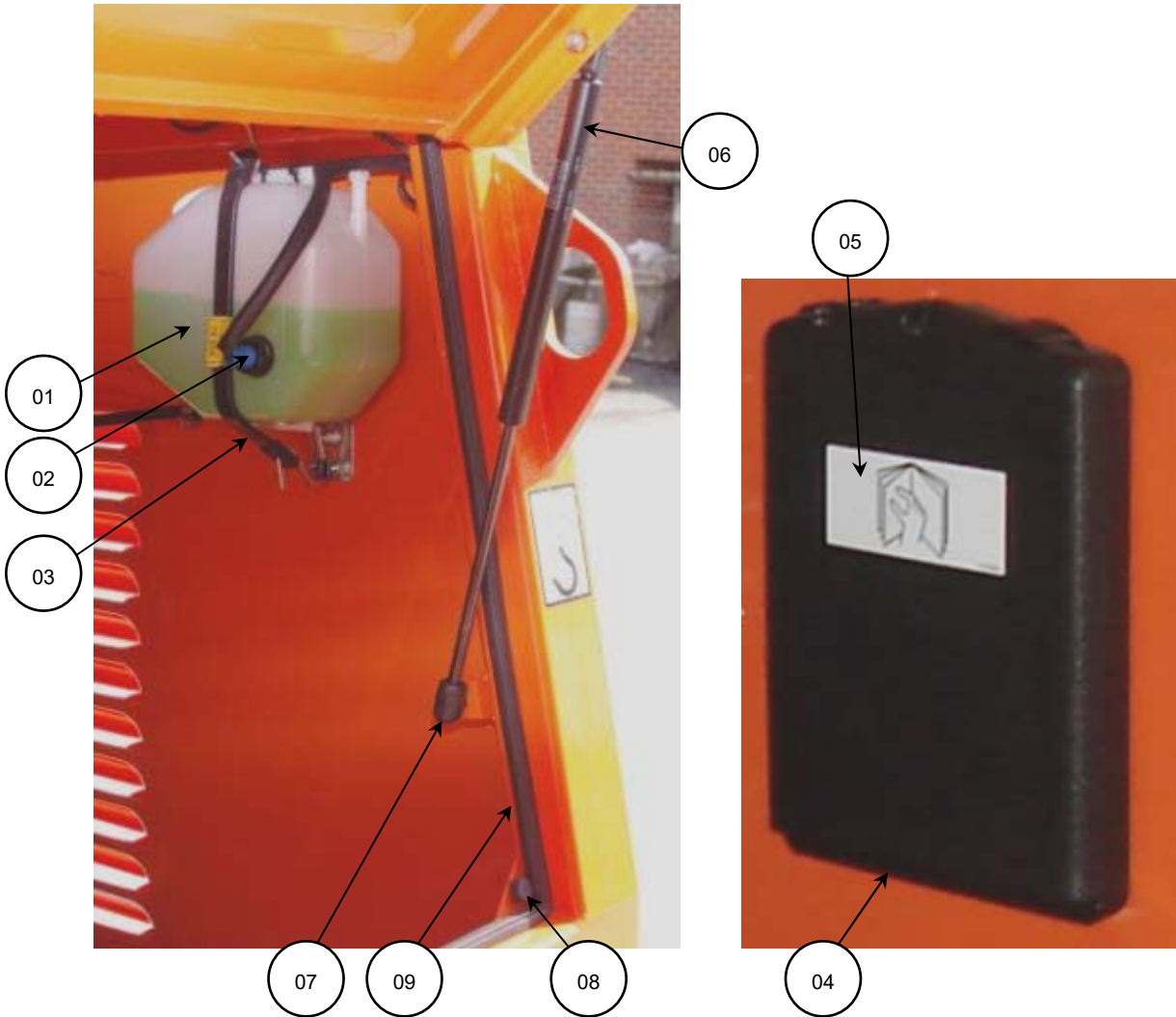
**FUEL TANK AND ACCESSORIES**



SEQ.#	PART No.	QTY	DESCRIPTION
01	1733282	1	FUEL TANK FINISHED
02	1730898	1	FUEL GAUGE AND CAP
03	1733318	A/R	FILLER NECK (TO SUIT FUEL TANK 1730759)
	3911010	8	ROUND HEAD SCREWS 10-24 X 5/8"
	1733510	A/R	GASKET, FILLER NECK RUBBER
04	1730815	1	FUEL LINE PRIMER BULB PUMP
05	1700200	1	DECAL 'DIESEL FUEL'
06	1320043	2	HOSE CLAMP 1/4" STEEL P CLIP
07	1320061	5	HOSE CLAMP 3/4" STEEL P CLIP
08	1730939	1	BRASS HOSETAIL 1/4" BSPT X 1/4" HOSE
09	1730940	1	BRASS HOSETAIL 1/4" BSPT X 3/8" HOSE



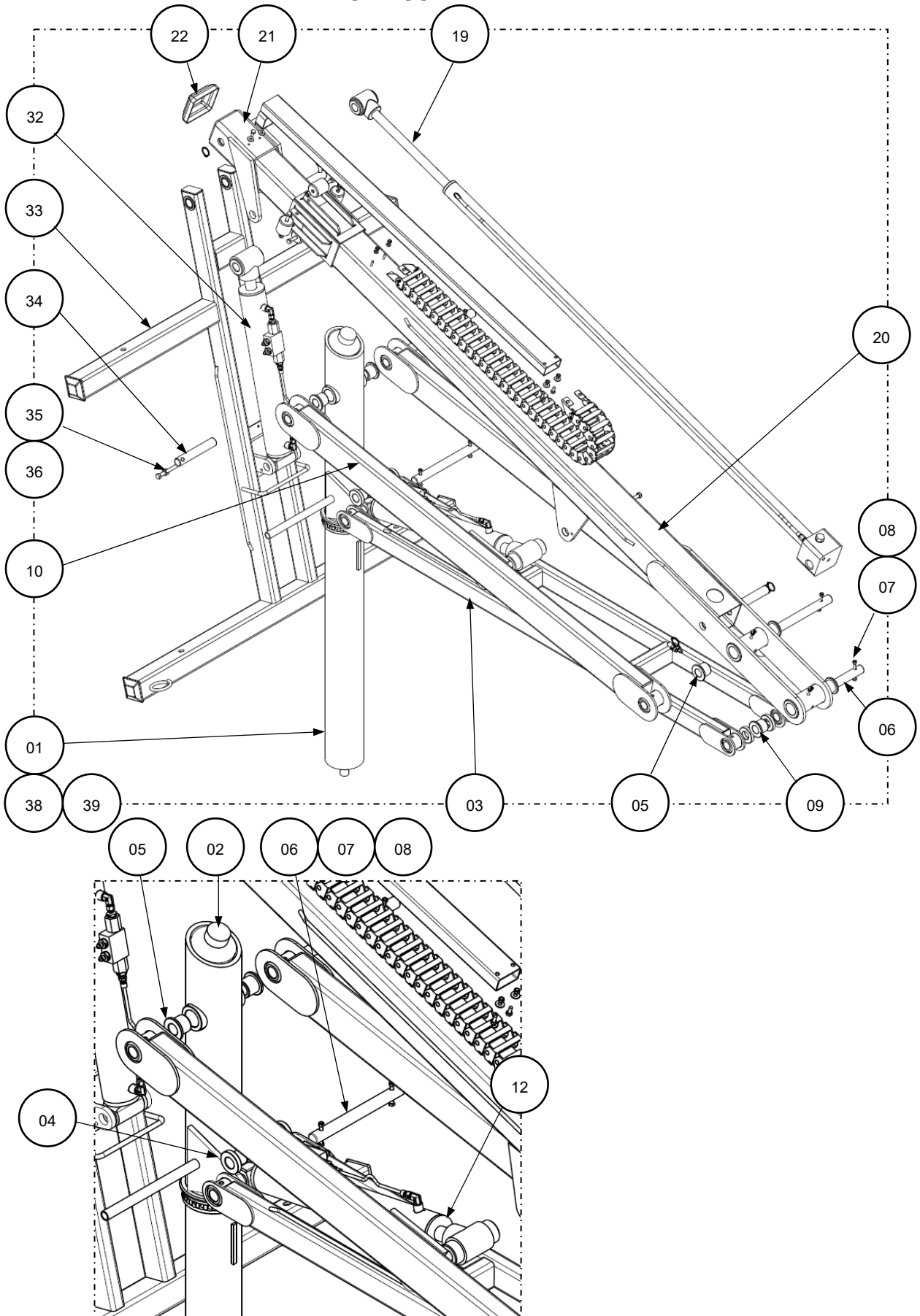
**RADIATOR OVERFLOW BOTTLE AND MANUALS HOLDER**



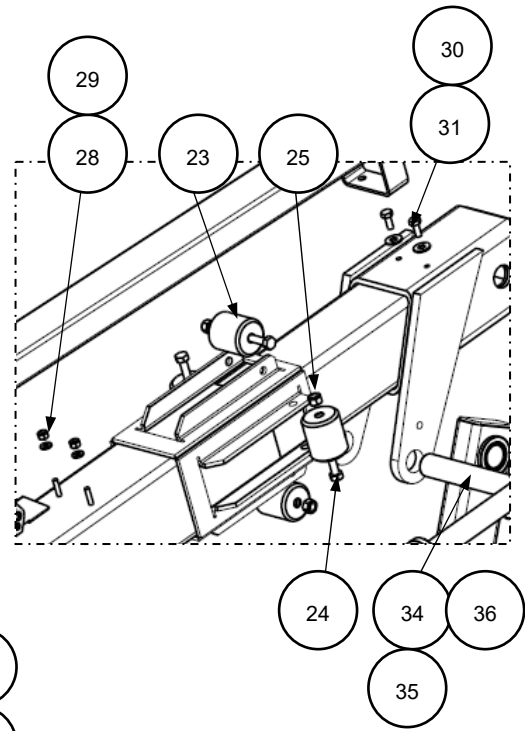
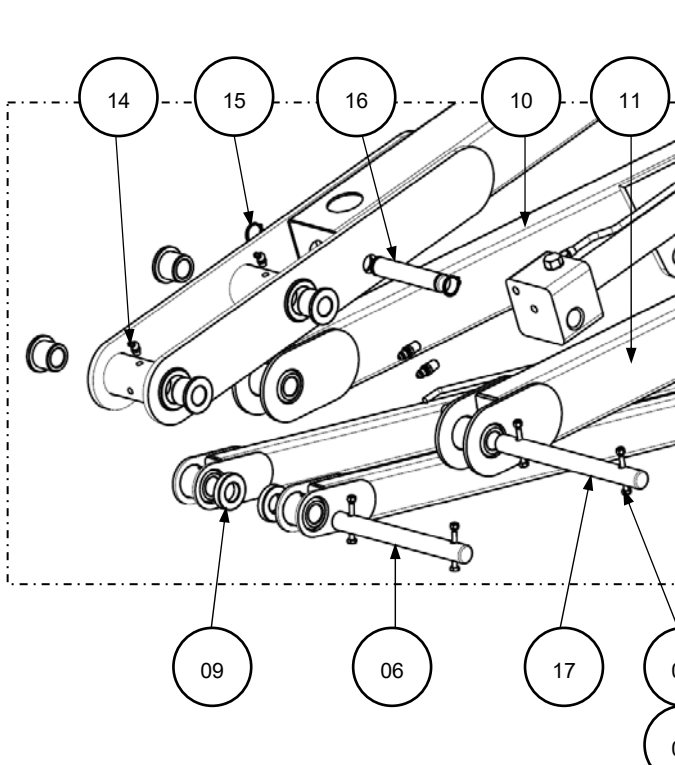
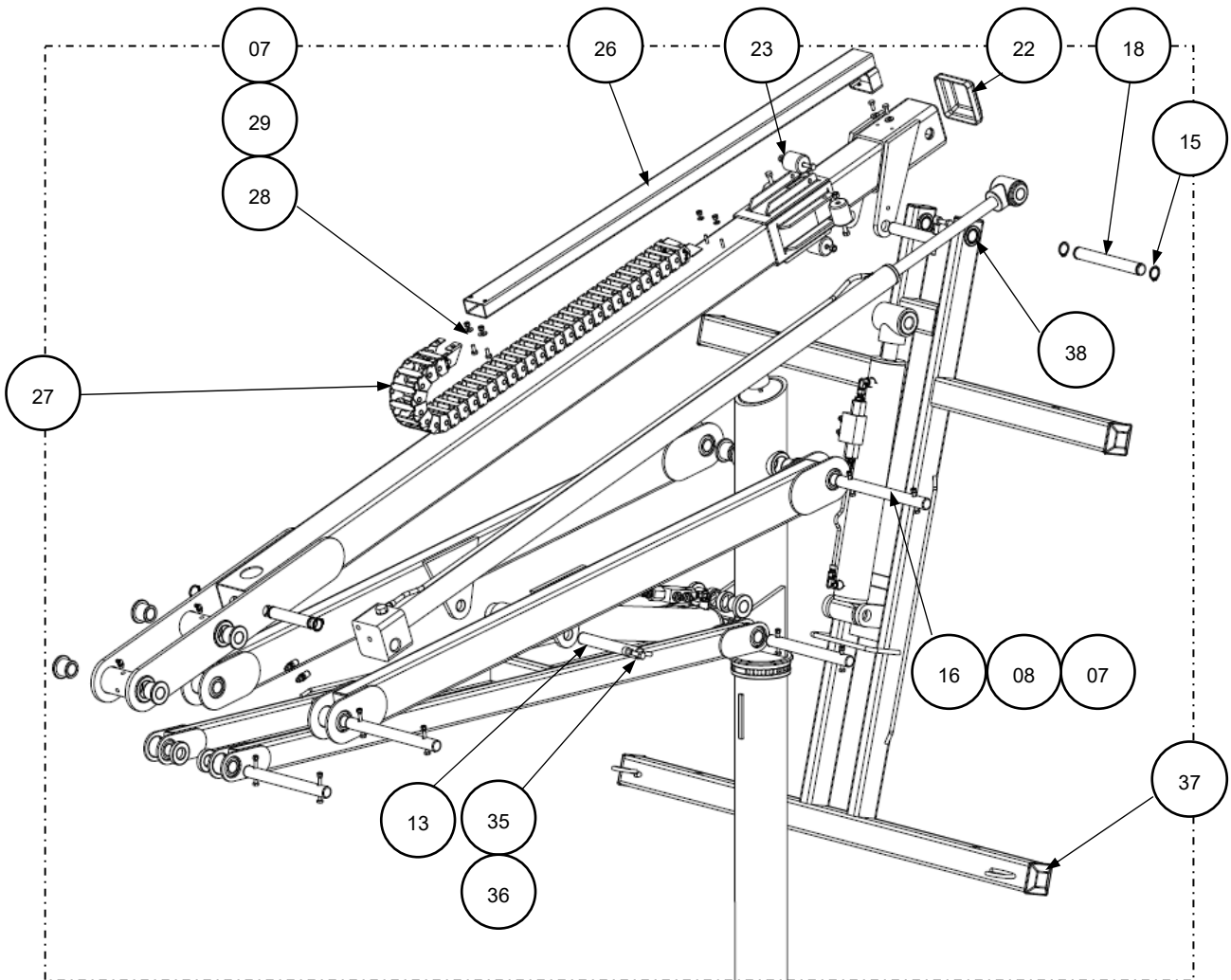
SEQ.#	PART No.	QTY	DESCRIPTION
1	1730785	1	OVERFLOW BOTTLE
2	1730918 1730919	1 1	WATER LEVEL SENSOR KIT. WATER LEVEL SENSOR REPLACEMENT (CONVERTS EARLY SENSOR PROBE TO LATER FLOAT LEVEL SWITCH)
3	1730791	1	RUBBER STRAP
4	0860520	1	BOX MANUAL STORAGE
5	1701509	1	DECAL – MANUAL STORAGE BOX
6	A330435	2	GAS STRUT DOOR
7	A330437	2	BALL STUD FOR GAS SPRING
8	0940036	5	DOOR BUMPER RUBBER
9	1734188	5	DOOR RUBBER SEAL



MAST ASSEMBLY - TYPE II



MAST ASSEMBLY - TYPE II





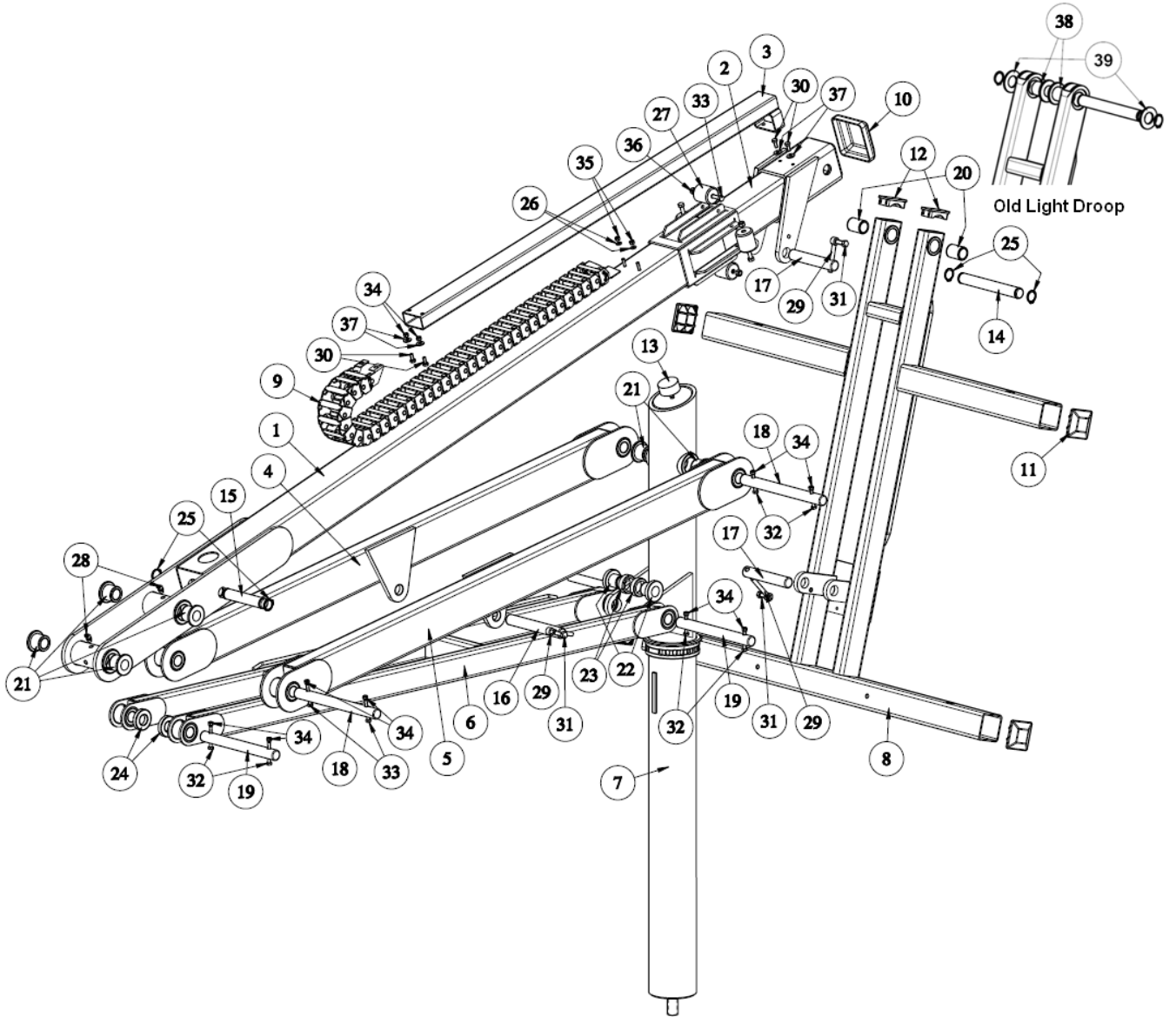
## AN-Series

### MAST ASSEMBLY –TYPE II

SEQ.#	ITEM NO.	DESCRIPTION	QTY
01	1730661	LOWER MAST – INNER (WELDMENT)	1
02	1730778	BUMPER, MAST SUPPORT	1
03	1730515	WELDMENT, OUTER LINK ARMS	1
04	1730513	FLANGED BUSH, ROUND MAST	2
05	1730511	FLANGED BUSH	6
06	1001173772	PIN, OUTER LINK ARM PIVOT	2
07	1734309	HEX NUT, NYLOC 1/4" UNC	10
08	0641416	HEX BOLT, 1/4"-20 UNC 2.0" LONG	6
09	1734299	SPACER, COLLAR	2
10	1730514	ARM, INNER LH LINK	1
11	1734352	ARM, INNER RH LINK	1
12	1733233	HYDRAULIC CYLINDER, MAST LIFT	1
13	1001173774	PIN, MAST LIFT-CYLINDER PIVOT	1
14	1731087	GREASE NIPPLE, 45° ANGLE 1/8" NPT	2
15	7011716	CIRCLIP, EXTERNAL 1.0"	1
16	1001173863	PIN, TELE-CYLINDER LOWER PIVOT	2
17	1001173773	PIN, INNER LINK ARM PIVOT	2
18	1001173862	PIN, LIGHT DROOP PIVOT	1
19	1733235	HYDRAULIC CYLINDER, TELE-MAST	1
20	1730517	TELE-MAST, OUTER SQUARE	1
21	1730516	TELE-MAST, INNER SQUARE	1
22	1730814	CAP, INNER SQUARE MAST GALVANISED	1
23	1730710	ROLLER, MAST CARRIER	4
24	0641522	BOLT, HEX HEAD 5/16"-18UNC – 2.75" LONG	4
25	1734471	NYLOC NUT, HEX HEAD 5/16" SAE GRADE 5	4
26	1730589	TUBE, CABLE CARRIER	1
27	1734586	ASSEMBLY, ENERGY CHAIN	1
28	4811700	WASHER, M6 FLAT WASHER	2
29	3290605	NYLOC NUT, HEX M6 x 1.0P	2
30	4751400	FLAT WASHER, 1/4" STEEL	4
31	0641405	SCREW, HEX HEAD 1/4"-20 UNC – 5/8" LONG	4
32	1733234	HYDRAULIC CYCLINDER, DROOP TILT	1
33	1001170585P	LIGHT DROOP	1
34	1001173864	PIN, TILT CYLINDER PIVOT	2
35	3841143	PIN, 3/8" KEEPER	3
36	0641608	SCREW, HEX HEAD 3/8"-16 UNC – 1.0" LONG	3
37	1001176386	CAP, LIGHT BAR END	4
	1001169783	DECAL, 'LED' (NOT SHOWN)	2
	1702009	DECAL, 'JLG' (NOT SHOWN) 3.5" HIGH	3
38	1731306	BUSH, LIGHT DROP MKII	2
39	4740418	WASHER THRUST – MAST BASE (NOT SHOWN)	2
40	3312605	HEX NUT NYLOC 1.0" UNC GRADE 8 (NOT SHOWN)	1



MAST ASSEMBLY – TYPE I



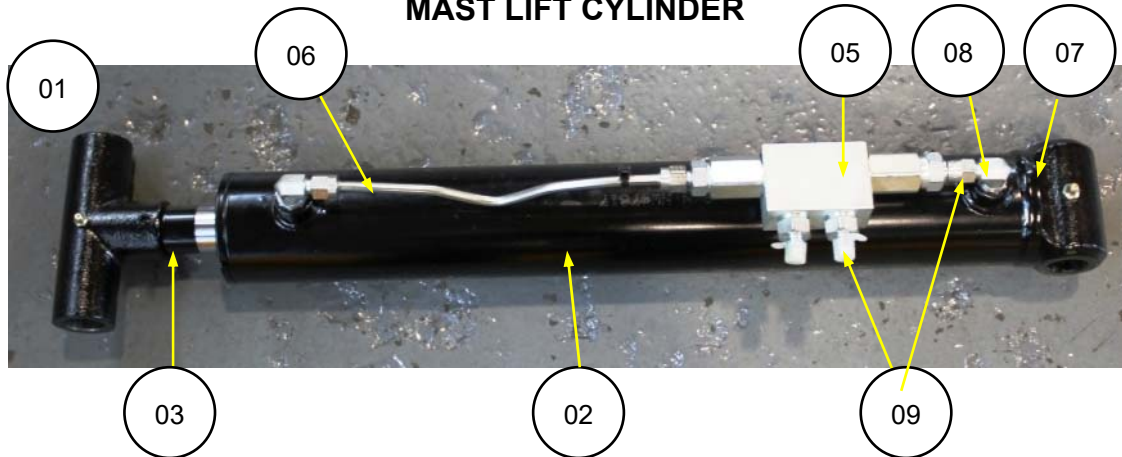
## AN-Series

### MAST ASSEMBLY – TYPE I

SEQ.#	PART No.	QTY	DESCRIPTION
1	1730517	1	WELDMENT, MAST UPPER EXTERNAL
	1734106	1	WELDMENT, MAST UPPER EXTERNAL (STAUFF CLAMP SPEC)
2	1730516	1	ASSEMBLY, MAST UPPER INNER
3	1730589	1	WELDMENT, CABLE CARRIER TUBE
4	1730514	1	WELDMENT, INNER LINK ARM LH
5	1734352	1	WELDMENT, INNER LINK ARM RH
6	1730515	1	WELDMENT, OUTER LINK ARMS
	1734105	1	WELDMENT, OUTER LINK ARMS (STAUFF CLAMP SPEC)
7	1730661	1	WELDMENT, LOWER INNER MAST
8	1734190	1	WELDMENT, LIGHT DROOP MKII
9	1734586	1	ASSEMBLY, CAT TRACK
10	1730814	1	CAP, INNER MAST GALVANIZE
11	1730812	4	END CAP, LIGHT BAR 65X65
12	1731360	2	END CAP, LIGHT BAR 65X35 (SCALLOPED)
13	1730778	1	RUBBER BUMPER, MAST PARK
14	1001173862	1	PIN, LIGHT DROOP PIVOT
15	1001173863	1	PIN, TELE-CYLINDER LOWER PIVOT
16	1001173774	1	PIN, LIFT-CYLINDER PIVOT
17	1001173864	2	PIN, TILT-CYLINDER PIVOT
18	1001173773	2	PIN, INNER LINK ARM PIVOT
19	1001173772	2	PIN, OUTER LINK ARM PIVOT
20	1731306	2	BUSH, LIGHT DROOP MKII
21	1730511	2	BUSH, MAST UPPER BRASS
22	1730513	2	BOSS, CYLINDER TO LOWER MAST
23	1730614	1	PIN, SS 1" DIA. 185MM LONG
24	1734299	2	SPACER, DOUBLE PIVOT
25	7011716	4	RING SNAP, PEDAL RETAINING
26	4811700	2	WASHER, 6MM
27	1730710	4	ROLLER, MAST CARRIER
28	1731087	2	FITTING, GREASE , 45 DEG. 1/8 NPT
29	3841143	3	KEEPER, 3/8" SHAFT
30	0641405	4	HEX HD CAP SCREW, 1/4"-20 X 5/8 LG
31	0641608	3	HEX HD CAP SCREW, 3/8"-16 X 1 LG
32	0641416	6	HEX HD CAP SCREW, 1/4"-20 X 2 LG
33	0641522	4	HEX HD CAP SCREW, 5/16"-18 X 2 3/4 LG
34	1734309	10	NUT, NYLOC 1/4
35	3290605	2	NUT, NYLOC M6 X 1 TPI ZP
36	1734471	4	NUT, NYLOC 5/16"
37	4751400	4	WASHER, 1/4" DIA. PLAIN STL., WIDE
38	1730615	2	BUSH, MAST UPPER INNER (OLD LIGHT DROOP)
39	1734053	1	WASHER, 1" PLAIN STL., NARROW (OLD LIGHT DROOP)
	1702009	3	DECAL 'JLG' 3 1/2" NOT SHOWN
	1730521	24	CONDUIT CLAMP, PLASTIC (OPTION) NOT SHOWN
	1735514	14	STAUFF CLAMP, 2 X 12MM PLASTIC (OPTION)
	1737913	5	STAUFF CLAMP, STEEL PLATE (OPTION)
	1737914	5	STAUFF CLAMP, BASE PLATE (OPTION)

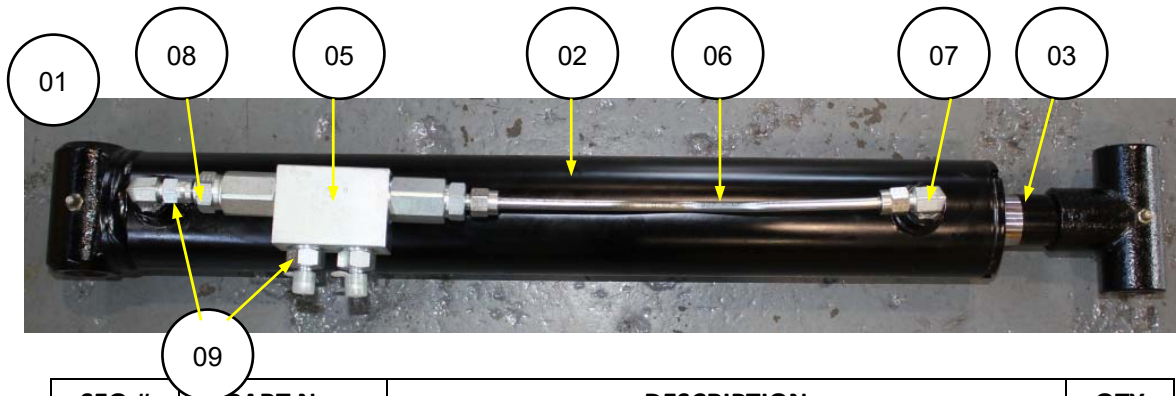
**HYDRAULIC CYLINDERS (NORDON)**

**MAST LIFT CYLINDER**



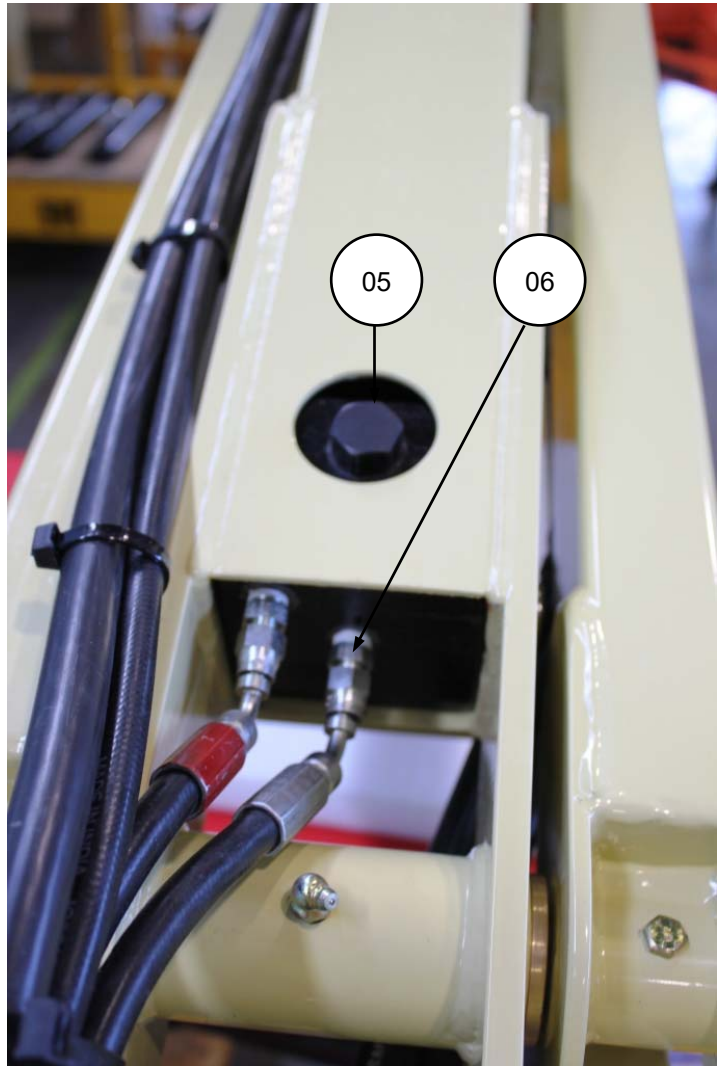
SEQ.#	PART No.	DESCRIPTION	QTY
01	1733233	HYDRAULIC CYLINDER, MAST LIFT (COMPLETE)	1
02	1734220	BARREL, LIFT CYLINDER	1
03	1734221	ROD, LIFT CYLINDER PISTON	1
04	1731355	SEAL KIT, TILT/LIFT CYCLINDER (NOT SHOWN)	1
05	1730634	VALVE, DOUBLE PILOT CHECK	1
06	1734156	TUBING, LIFT CYLINDER HYDRAULIC	1
07	1733343	ELBOW, M/M 1/4"x 7/16"	2
08	1733344	ADAPTOR, STRAIGHT UNION M/F 1/4" x 7/16"	1
09	1734248	NIPPLE, M/M ENCAPSUALTED SEAL 1/4" x 7/16"	3

**LIGHT DROOP TILT CYLINDER**



SEQ.#	PART No.	DESCRIPTION	QTY
01	1733234	HYDRAULIC CYLINDER, DROOP TILT (COMPLETE)	1
02	1734222	BARREL, TILT CYLINDER	1
03	1734223	ROD, TILT CYLINDER PISTON	1
04	1731355	SEAL KIT, TILT/LIFT CYCLINDER (NOT SHOWN)	1
05	1730634	VALVE, DOUBLE PILOT CHECK	1
06	1734155	TUBING, LIFT CYLINDER HYRAULIC	1
07	1733343	ELBOW, M/M 1/4"x 7/16"	2
08	1733344	ADAPTOR, STRAIGHT UNION M/F 1/4" x 7/16"	1
09	1734248	NIPPLE, M/M ENCAPSULATED SEAL 1/4" x 7/16"	3

TELE-MAST HYDRAULIC CYLINDER

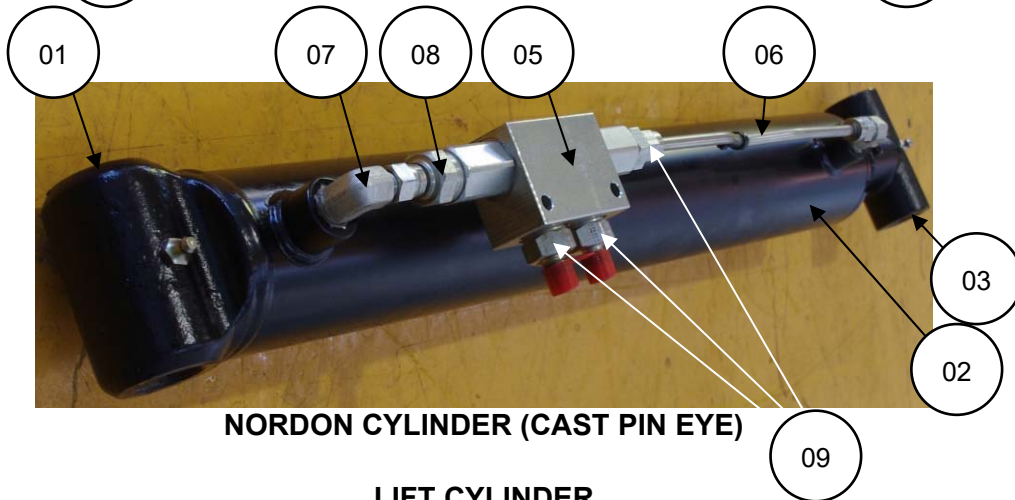


SEQ.#	PART No.	DESCRIPTION	QTY
01	1733235	HYDRAULIC CYLINDER, MAST TELE (COMPLETE)	1
02	1734224	BARREL, TELE CYLINDER	1
03	1734225	ROD, TELE CYLINDER PISTON	1
04	1731356	SEAL KIT, TILT/LIFT CYCLINDER (NOT SHOWN)	1
05	4640438	VALVE, CHECK CARTRIDGE	1
06	1733345	NIPPLE, M/M ENCAPSUALTED SEAL 1/4" x 7/16"	3

**HYDRAULIC CYLINDERS (BALE)**



**02 BALE CYLINDER (PIN EYE WELDED TO ROD) 03**



**NORDON CYLINDER (CAST PIN EYE)**

**LIFT CYLINDER**

SEQ.#	PART No.	QTY	DESCRIPTION
01	1733233	1	COMPLETE LIFT CYLINDER (NORDON)
02	1730839	1	BARREL – LIFT CYLINDER (BALE)
03	1730840	1	ROD – LIFT CYLINDER (BALE)
04	1730841	1	SEAL KIT – LIFT/TILT CYLINDER (BALE) (NOT SHOWN)
05	1730634	1	DOUBLE PILOT CHECK VALVE
06	1734156	1	TUBING LIFT CYLINDER
07	1733343	2	ELBOW M/M 1/4" X 7/16
08	1733344	1	STRAIGHT UNION ADAPTOR M/F 1/4" X 7/16"
09	1734248	3	NIPPLE M/M WITH ENCAPSULATED SEAL 1/4" X 7/16'

**TILT CYLINDER**

SEQ.#	PART No.	QTY	DESCRIPTION
01	1733234	1	COMPLETE TILT CYLINDER (NORDON)
02	1730845	1	BARREL – TILT CYLINDER (BALE)
03	1730846	1	ROD – TILT CYLINDER (BALE)
04	1730841	1	SEAL KIT – LIFT/TILT CYLINDER (BALE) (NOT SHOWN)
05	1730634	1	DOUBLE PILOT CHECK VALVE
06	1734155	1	TUBE TILT CYLINDER
07	1733343	2	ELBOW M/M 1/4" X 7/16"
08	1733344	1	STRAIGHT UNION ADAPTOR M/F ¼ X 7/16
09	1734248	3	NIPPLE M/M WITH ENCAPSULATED SEAL 1/4" X 7/16"

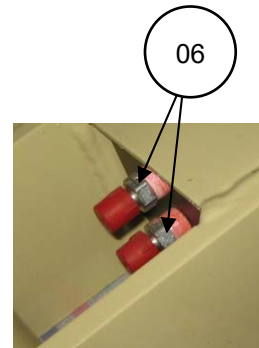




**BALE CYLINDER (PIN EYE WELDED TO ROD)**



**NORDON CYLINDER (CAST PIN EYE)**

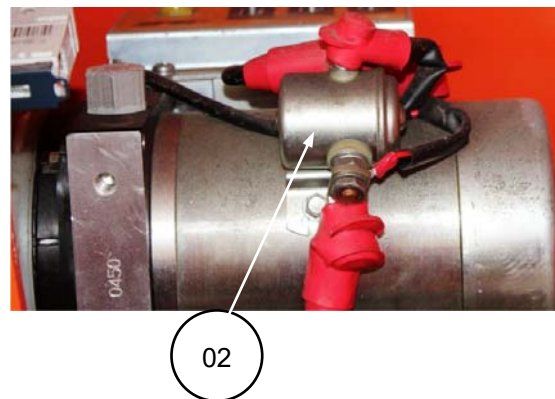
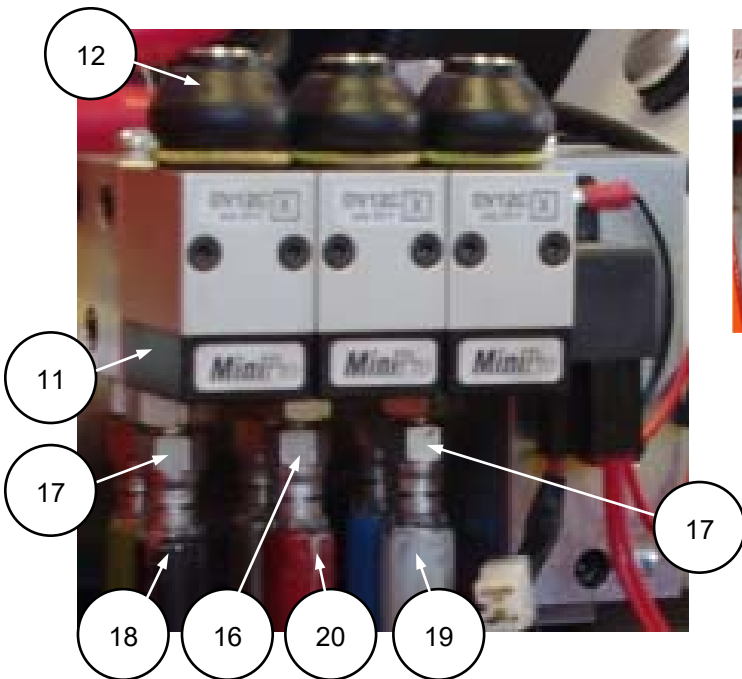
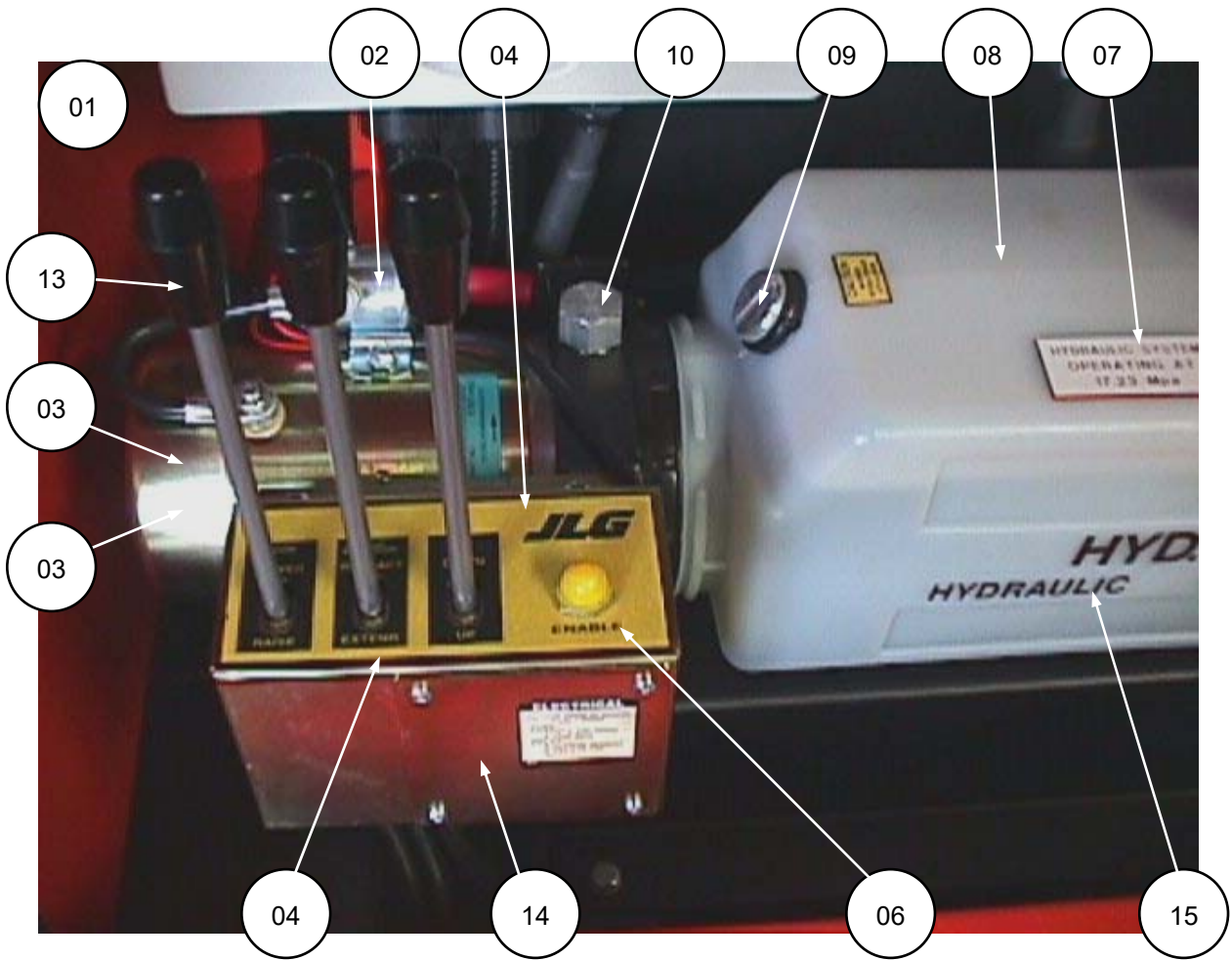


**TELE CYLINDER**

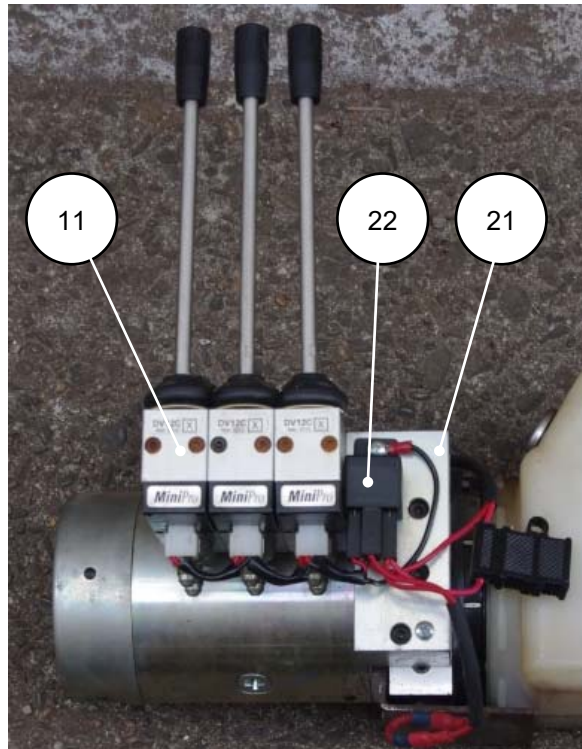
SEQ.#	PART No.	QTY	DESCRIPTION
01	1733235	1	COMPLETE TELE CYLINDER (NORDON)
02	1730842	1	BARREL – TELE CYLINDER (BALE)
03	1730843	1	ROD – TELE CYLINDER (BALE)
04	4640438	1	CHECK VALVE
05	173084	1	SEAL KIT – TELE CYLINDER (BALE)
06	1733345	2	NIPPLE M/M 1/4" X 7/16"



MAST HYDRAULIC CONROLS & POWERPACK



**MAST HYDRAULIC CONTROLS & POWERPACK**



SEQ.#	PART No.	QTY	DESCRIPTION
1	1730543	1	POWER PACK ASSEMBLY COMPLETE FENNER
2	1730549	1	SOLENOID MOTOR RUN 12V
3	1730583	1	ELECTRIC MOTOR
4	1730726	1	DECAL 'LIFT, TELE, TILT'
5	1730548	3	CONTROL LEVER WITH KNOB
6	4360387	1	SWITCH PUSHBUTTON. HYDRAULIC ENABLE
7	1730547	1	DECAL 'HYDRAULIC SYSTEM OPERATING AT 17.23 MPa'
8	1730854	1	OIL RESERVOIR
9	1730855	1	FILLER/BREATHER CAP
10	1730856	1	RELIEF VALVE KIT (WITH RELIEF VALVE, LOAD CHECK AND PLUG)
11	1001160091	3	DIRECTIONAL CONTROL VALVE COMPLETE [INCLUDES HANDLE, VALVE BLOCK, BOOT, SPRING MECHANISM, SWITCH AND SPOOL]
12	1730858	A/R	BOOT KIT WITH BOOT, BOOT GLAND AND BOOT SPRING
13	1730859	A/R	HANDLE ACTUATOR SWITCH KIT WITH SWITCH, MOUNTING PLATE AND SCREWS
14	1730860	1	METAL VALVE COVER
15	1700419	1	DECAL 'HYDRAULIC OIL'
16	1734248	2	NIPPLE M/M WITH ENCAPSULATED SEAL 1/4" X 7/16"
17	1734249	4	NIPPLE M/M WITH ENCAPSULATED SEAL AND ORIFICE 1/4" X 7/16"
18	1733346	2	LIFT CYLINDER HOSE ASSEMBLY
19	1733347	2	TILT CYLINDER HOSE ASSEMBLY
20	1733348	2	TELE CYLINDER HOSE ASSEMBLY
21	1001311595	1	MANIFOLD, PO SPXDDV END BLOCK (ADAPTER)
22	1001311596	1	RELAY, PO 0322019150

ENGINE CONTROL BOX



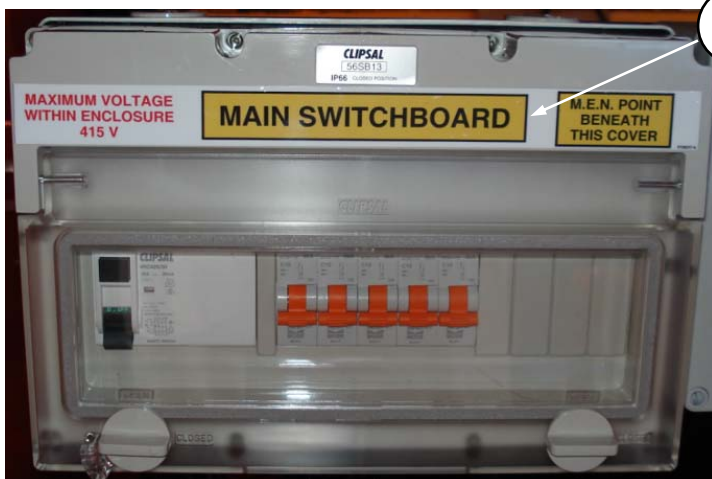
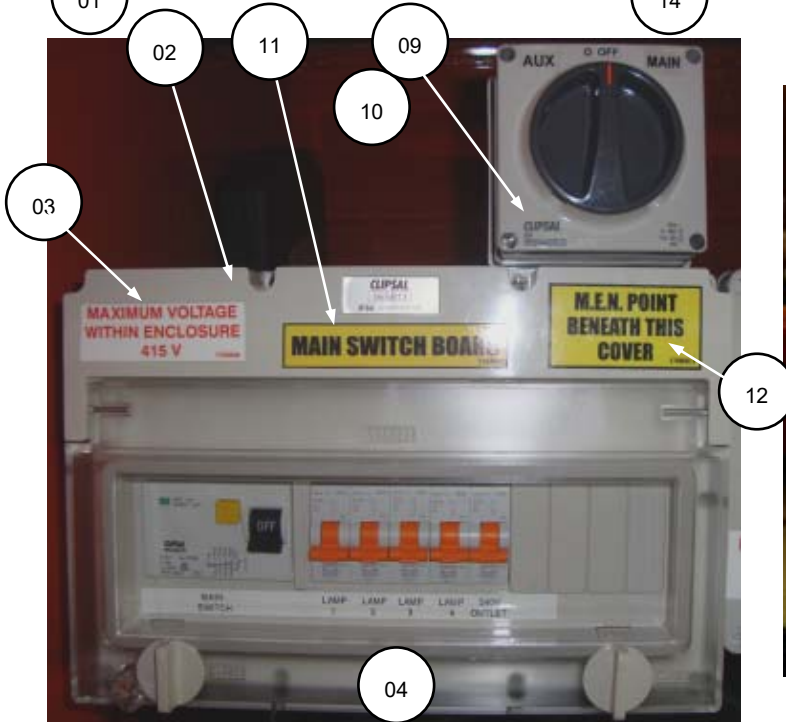
## AN-Series

### ENGINE CONTROL BOX

SEQ.#	PART No.	QTY	DESCRIPTION
1	4360199	2	TOGGLE SWITCH SINGLE-POLE SINGLE-THROW
2	4060229	1	SHIELD TOGGLE SWITCH
3	4360141	1	EMERGENCY STOP SWITCH GUARD
4	1730597	1	DECAL 'READ INSTRUCTION MANUAL' PRIOR TO S/N 6308AN2015
5	1730596	1	DECAL 'AUTHORISED TRAINED PERSONNEL' PRIOR TO S/N 6308AN2015
6	4360070	1	CIRCUIT BREAKER 15 AMP PUSH TO RESET
7	4360161	1	CIRCUIT BREAKER 20 AMP PUSH TO RESET
8	1730537	1	DECAL CONTROL PANEL PRIOR TO S/N 6308AN081
	1730798	1	DECAL CONTROL PANEL S/N 6308AN081 TO S/N 6308AN2014
9	2920026	2	LAMP RED
	2920029	2	LAMP BULB
10	2420165	1	HOURMETER GAUGE PRIOR TO S/N 6308AN1734
	2420172	1	HOURMETER GAUGE S/N 6308AN1734 TO PRESENT
11	2920027	1	LAMP GREEN
	2920029	1	LAMP BULB
12	1730538	1	DECAL 'MINIMUM INSULATION PROTECTION' PRIOR TO S/N 6308AN2015
13	1001146366	1	ENCLOSURE ENGINE CONTROL
14	4460051	1	TERMINAL GLAND CONNECTOR
15	1730540	1	IGNITION KEYSWITCH+KEYS CONTROL BOX KUBOTA (OPTION)
	1732656	1	IGNITION KEYSWITCH+KEYS CONTROL BOX LUCAS (OPTION)
	1734435	1	IGNITION KEYSWITCH+KEYS CONTROL BOX PERKINS (OPTION)
16	1730541	1	IGNITION KEY - CONTROL BOX KUBOTA ENGINE (OPTION)
	1730550	1	IGNITION KEY – CONTROL BOX PERKINS ENGINE (OPTION)
17	1730700	1	ENGINE SHUTDOWN TIMER 14 HR (OPTION)
	1730674	1	DECAL, SHUTDOWN TIMER 14 HR
	1734141	1	ENGINE SHUTDOWN TIMER 16 HR (OPTION)
	1734142	1	DECAL, SHUTDOWN TIMER 16 HR
18	1730800	1	OVERRIDE SWITCH PRIOR TO S/N 6308AN081
19	1733240	1	DECAL, GROUND CONTROL BOX S/N 6308AN2015 TO PRESENT
<b>OTHER 12 V DC COMPONENTS (NOT SHOWN)</b>			
	1730787	1	ENGINE DISTRESS SHUTDOWN MODULE (INSIDE BOX) PRIOR TO S/N 6308AN303
	1730924	1	KUBOTA ENGINE DISTRESS SHUTDOWN MODULE (GREY BOX) S/N 6308AN303 TO PRESENT
	1001141724	1	PERKINS ENGINE SHUTDOWN MODULE
	1735347	1	TERMINAL STRIP LOCATED INSIDE BOX
	1730542	1	GLOW PLUG TIMER MODULE
	3740086	1	START LOCKOUT RELAY
	3740085	1	START LOCKOUT RELAY BASE
	1734099	1	START OVERRIDE RELAY KIT (LATER MACHINES WITHOUT START OVERRIDE SWITCH.)
	1737268	1	INTERIOR SERVICE LIGHT
	1733979	1	INTERIOR SERVICE LIGHT BULB



LIGHT CONTROL ELECTRICAL BOXES

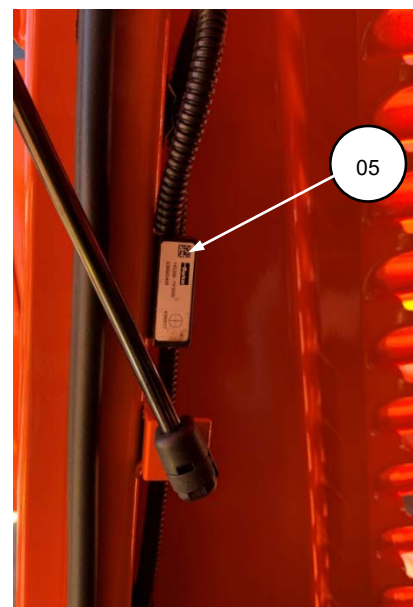
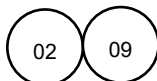
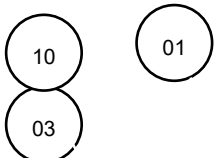


**LIGHT CONTROL ELECTRICAL BOXES**

SEQ.#	PART No.	QTY	DESCRIPTION
1	1730621	1	MAIN RCD CLIPSAL 4RC425/30
2	1730624	1	CLIPSAL ENCLOSURE 56SB13
3	1730536	1	DECAL 'MAXIMUM VOLTAGE 415 V' PRIOR TO S/N 6308AN2015
4	1730622	5	SINGLE-POLE CIRCUIT BREAKER
	1730197	5	DOUBLE-POLE CIRCUIT BREAKER (CLIPSAL)
	1733227	5	DOUBLE-POLE CIRCUIT BREAKER (PULSET)
5	1730836	1	AUTO SWITCHED OUTLET (CLIPSAL)
	1733228	1	AUTO SWITCHED OUTLET (GWR)
6	1733231	1	SINGLE GANG ENCLOSURE BASE
7	1750106	1	NEON COVER (CLIPSAL)
	1733230	1	NEON COVER (GWR)
8	1750104	1	3-GANG ENCLOSURE BASE (CLIPSAL)
	1733229	1	3-GANG ENCLOSURE BASE (GWR)
9	1730998	1	THREE- POLE SWITCH OPTION
10	1735107	1	SINGLE GANG ENCLOSURE BASE (CLIPSAL) OPTION
11	1734017	1	DECAL 'MAIN SWITCH BOARD' PRIOR TO S/N 6308AN2015
12	1730832	1	DECAL 'M.E.N POINT BENEATH THIS COVER' PRIOR TO S/N 6308AN2015
13	1730925	1	DECAL 'RCD TEST POINT ONLY'
14	1730623	1	RCD CIRCUIT BREAKER G.P.O. WILCO RCBM210/30 OPTION
15	1733216	3	M20 TO M16 NYLON GLAND
16	1734217	1	DECAL, AC POWERBOX S/N 6308AN2015 TO PRESENT
<b>OTHER 240 V AC COMPONENTS NOT SHOWN</b>			
	1735066	1	25 mm-20 mm REDUCER
	1733215	3M	25 mm NYLON CONDUIT
	1733214	1M	16 mm NYLON CONDUIT
	1733217	2	M25 TO M25 NYLON GLAND
	1320224	1	CABLE CLAMP
	1737284	1	GPO CLIPSAL 56C310D OPTION
	1730862	6	EARTH TAG FOR STEEL CONDUIT SWIVEL FITTING OPTION



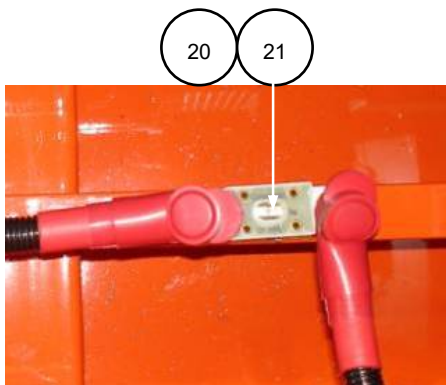
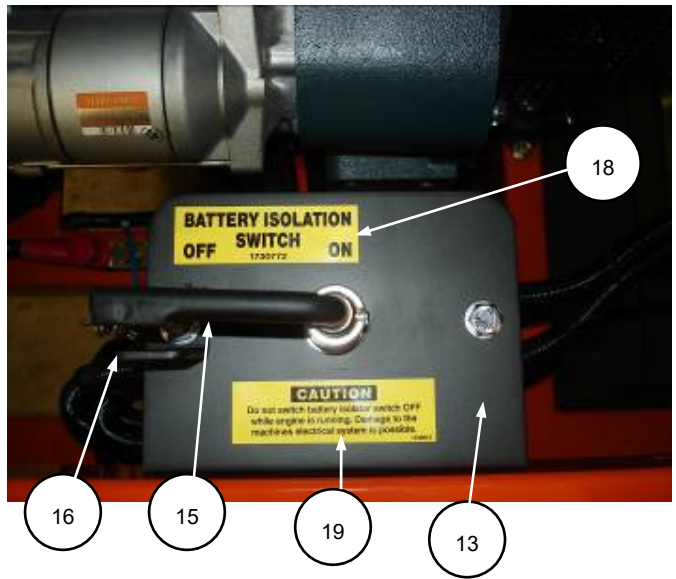
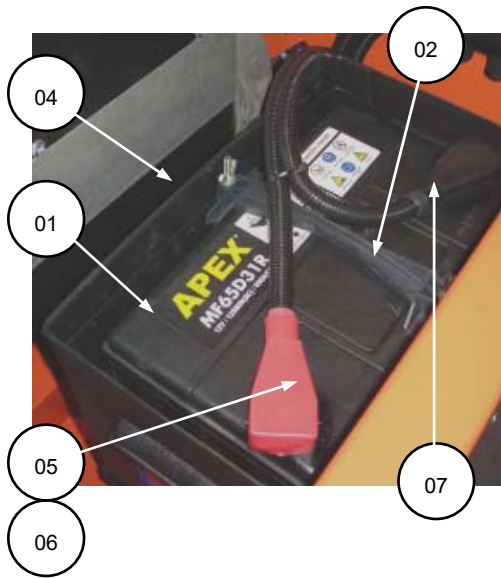
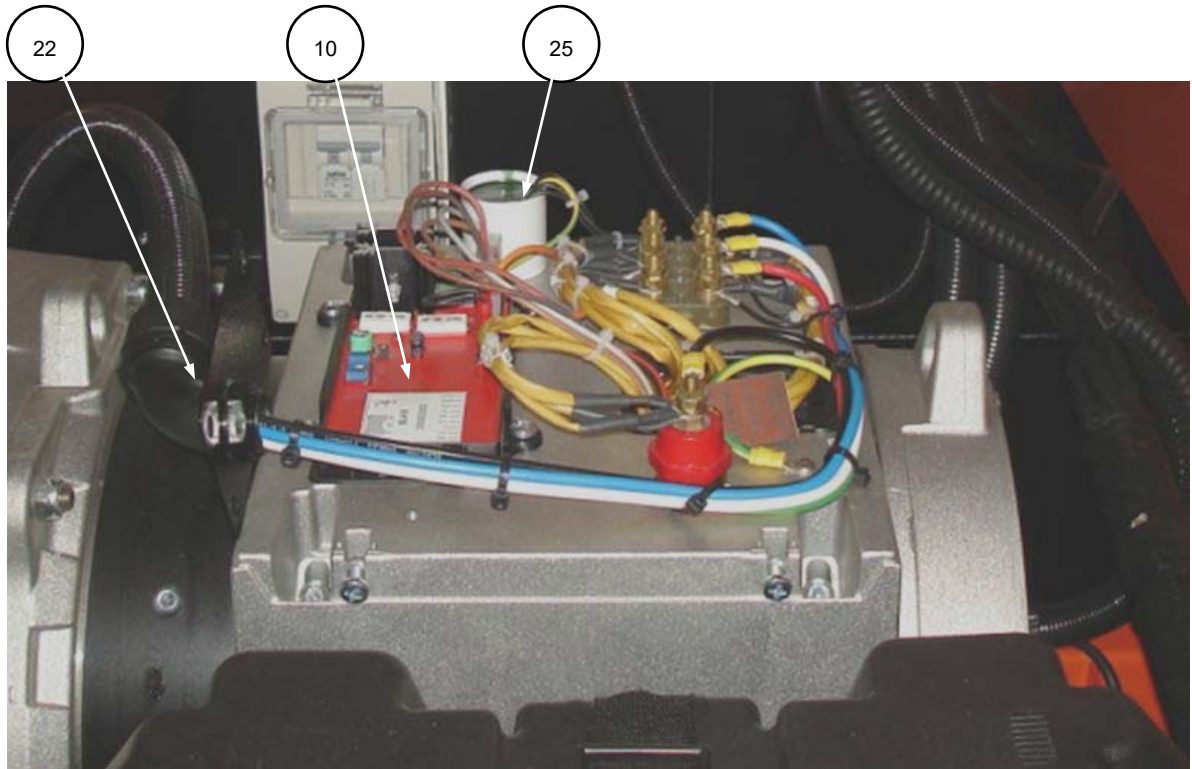
ELECTRICAL EQUIPMENT – BATTERY & ISOLATORS



**ELECTRICAL EQUIPMENT – BATTERY & ISOLATORS**

<b>SEQ.#</b>	<b>PART No.</b>	<b>DESCRIPTION</b>	<b>QTY</b>
01	1001257140	BATTERY, 12 V 90 AHR	1
02	1738283	TERMINAL, BATTERY LUG (+)/50	1
03	1738284	TERMINAL, BATTERY LUG (-)/50	1
04	1730727	CLAMP, BATTERY HOLD-DOWN	1
05	4360517	SWITCH, PROXIMITY	2
06	4460029	PLUG, ANDERSON 'JUMP-START' 250 A	1
07	1001172002	BRACKET, 'JUMP-START' SOCKET	1
08	2400041	FUSE, STARTER MOTOR 25 A (NOT SHOWN)	1
09	1730850	BOOT, BATTERY TERMINAL 1/0 & 2/0 - RED	1
10	1730851	BOOT, BATTERY TERMINAL 1/0 & 2/0 - BLACK	1
11	1731126	BRACKET, LOCKSAFE DOUBLE-POLE	1
12	4360155	STARTER ISOLATOR, COLE HERSEE (SINGLE-PHASE)	1
13	1001209048	SWITCH, BATTERY ISOLATOR 4P	1
14	1001247860	BRACKET, STARTER ISOLATOR C-HERSE	1

GENSET ALTERNATOR & ELECTRICAL ISOLATORS/FUSES

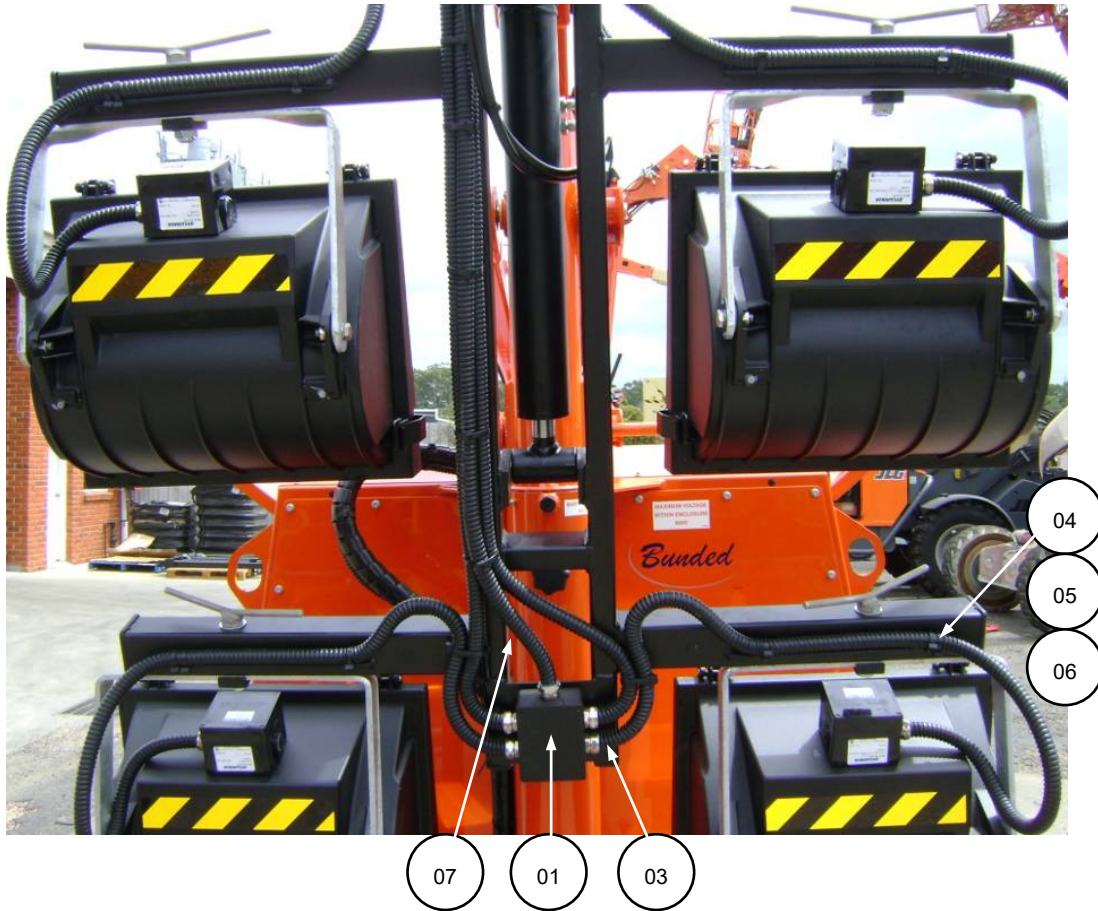


## AN-Series

SEQ.#	PART No.	QTY	DESCRIPTION
1	0400003	1	BATTERY 12 V N70ZZ
2	1730727	1	BATTERY CLAMP
3	1731207	1	BATTERY TRAY STANDARD
4	1730861	1	BATTERY BOX
5	1738283	1	TERMINAL BATTERY LUG POSITIVE
6	1734112	1	BATTERY TERMINAL BOOT RED
7	1738284	1	TERMINAL BATTERY LUG NEGATIVE
8	1734113	1	BATTERY TERMINAL BOOT BLACK
9	1730572	1	ALTERNATOR, MECC-ALTE. MODEL CT03-2L/4
	1730213	1	ALTERNATOR, SINCRO 14 kVA HB45AR (KUBOTA)
	1731750	1	ALTERNATOR, SINCRO 14 kVA HB45AR (PERKINS)
	1730251	1	ALTERNATOR, LEROY SOMER
	1730253	1	ALTERNATOR, SINCRO 16.5 kVA (8308AN)
10	1734290	1	ALTERNATOR, SINCRO 20 kVA (8308AN & 9308AN)
	1734125	1	AVR CARD, SINCRO
	1734080	1	AVR CARD, LEROY SOMER
11	1734109	1	COMPOUND REGULATOR (MECCALTE)
12	4360155	1	BATTERY ISOLATOR SWITCH, SINGLE-POLE
	1730847	1	BATTERY ISOLATOR SWITCH, DOUBLE-POLE
13	1730672	1	BRACKET, SINGLE-POLE BATTERY ISOLATOR SWITCH
	1730848	1	BRACKET, DOUBLE-POLE BATTERY ISOLATOR SWITCH
14	1734117	1	SINGLE-POLE ISOLATOR LOCKABLE HEAD
15	1733272	1	DOUBLE-POLE ISOLATOR HANDLE WELDMENT
16	1733269	1	DOUBLE-POLE BATTERY ISOLATOR BRACKET
17	1731126	1	DOUBLE-POLE ISOLATOR LOCKING BRACKET (LOCKSAFE) (OPTION)
18	1730772	1	DECAL, BATTERY ISOLATOR SWITCH
19	1730913	1	DECAL, CAUTION BATTERY ISOLATOR
20	2400044	1	200 A FUSE HOLDER
21	2400041	1	200 A FUSE, MOTOR STARTER SUPPLY
22	1733220	1	25 mm TO 25 mm 90° ADAPTER
23	1733733	1	COLE HERSEE HEAVY DUTY STARTER ASSEMBLY (OPTION)
24	4460618	1	TERMINAL ANDERSON 350 A (OPTION)
25	1737908	1	EMC FILTER (CAPACITOR)
<b>OTHER COMPONENTS NOT SHOWN</b>			
	1730832	1	DECAL 'MEM POINT' ALTERNATOR COVER (OPTION)
	1730850	8	RED 8 mm TERMINAL BOOT
	1730851	4	BLACK 8 mm TERMINAL BOOT
	1730879	4	RED 5 mm TERMINAL BOOT
	1730880	1	BLACK 5 mm TERMINAL BOOT



**LIGHTHEAD, JUNCTION BOX & HID MH FLOODLIGHTS**

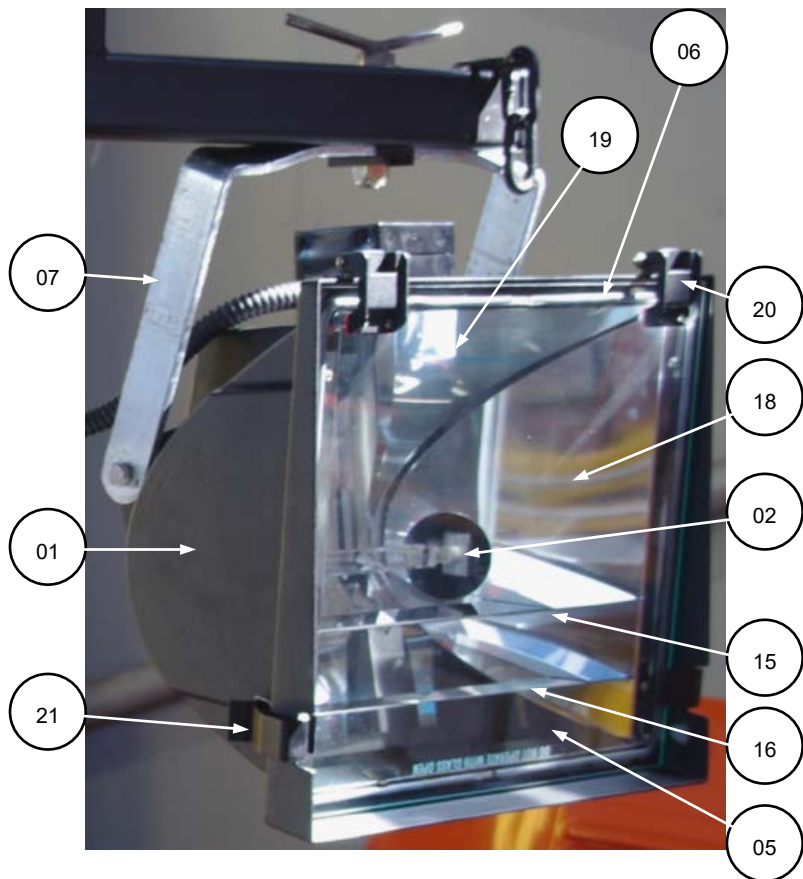
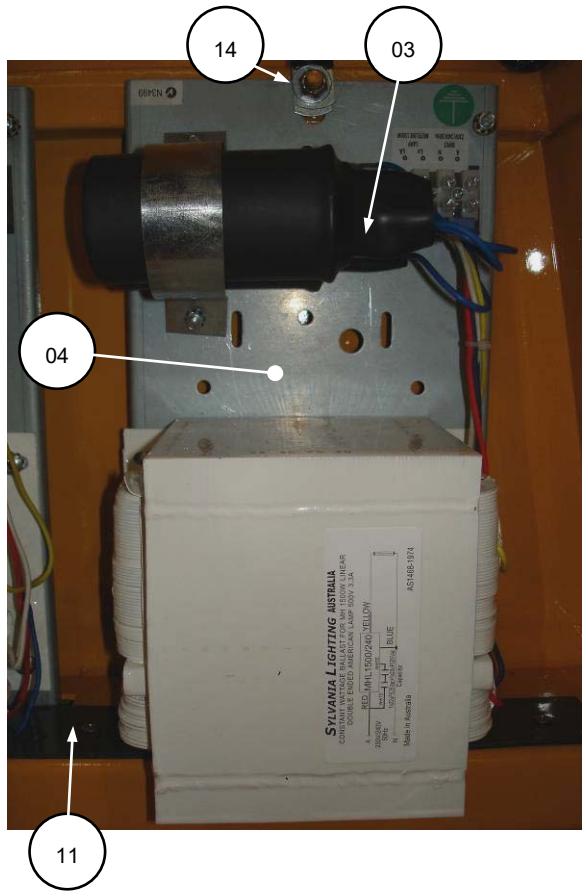
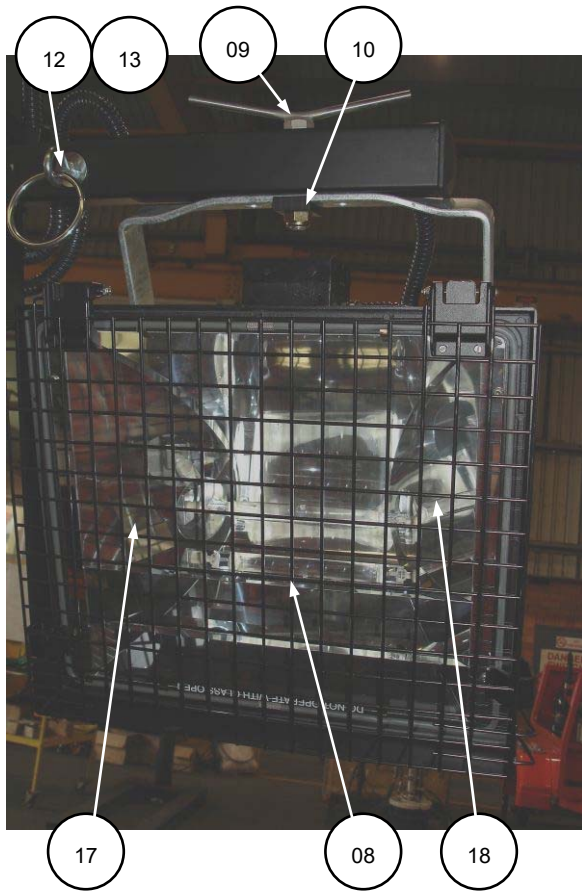


ITEM	PART No.	QTY	DESCRIPTION
01	1730574	1	CLIPSAL JUNCTION BOX WITH LID CL156JBIGY
	1733288	1	METAL JUNCTION BOX FINISHED
02	1730746	5	ADAPTOR SP20-M20-M OR 250-020_RFX
	1730862	5	EARTH TAG RING FOR STEEL CONDUIT SWIVEL FITTING                      OPTION
03	1733740	1	NEUTRAL LINK, 5 HOLES (INSIDE JUNCTION BOX)
04	1730487	2	LONG CONDUIT ASSEMBLY PRIOR TO S/N 6308AN1784
05	1730486	2	SHORT CONDUIT ASSEMBLY PRIOR TO S/N 6308AN1784
06	1734219	4	LIGHT CONDUIT ASSEMBLY S/N 6308AN1784 TO PRESENT
07	1730250	1	MAST AC HARNESS ASSEMBLY





HID METAL HALIDE FLOODLIGHTS



**HID METAL HALIDE FLOODLIGHTS**

ITEM	PART NUMBER	QTY	DESCRIPTION OF PART
1	1730584	4	METAL HALIDE LAMP ASSEMBLY 1500 W (6308AN)
	1730214	4	METAL HALIDE LAMP ASSEMBLY 2000 W (8308AN)
2	1730585	4	METAL HALIDE LAMP BULB 1500 W (6308AN)
	1730216	4	METAL HALIDE LAMP BULB 2000 W (8308AN)
3	1734021	8	BALLAST CAPACITOR SPARE SET 1500 W (6308AN)
	1001143828	8	BALLAST CAPACITOR SPARE SET 2000 W (8308AN)
4	1730586	4	COMPLETE BALLAST ASSEMBLY 1500 W (6308AN)
	1730215	4	COMPLETE BALLAST ASSEMBLY 2000 W (8308AN)
5	1730921	4	REPLACEMENT GLASS LENS
6	1734139	8	LIGHT ASSEMBLY GASKET
7	1730362	4	LIGHT TRUNNION
8	1734089	4	LIGHT MESH GUARD (OPTION)
9	1730519	4	T-BAR BOLT, LAMP BRACKET MOUNT 3/4" X 4" UNC
10	1734230	4	NUT RETAINING BRACKET FINISHED
11	1732316	1	NYLATRON PAD STRIP 44 mm WIDE
12	1730759	2	EYE BOLT
13	1730758	4	RING 75 mm
14	1320224	5	HOSE CLAMP 5/8" STEEL P CLIP
15	1734030	4	BOTTOM LOUVRE
16	1734031	4	TOP LOUVRE
17	1734032	4	L/H REFLECTOR
18	1734033	4	R/H REFLECTOR
19	1734034	4	MAIN REFLECTOR
20	1734154	8	HINGE IP54
21	1734164	8	LATCH REPLACEMENT SET IP54

**RECOMMENDED SPARE PARTS**

<b>DESCRIPTION</b>	<b>PART NO</b>
Solenoid Pump Motor	1730549
Pushbutton Switch Pump	4360387
Main Breaker RCD	1730621
Switch Circuit breaker 10 A Single Pole	1730622
Switch Circuit Breaker 10 A Double Pole	1730197
Lamp Warning Green	2920027
Lamp Warning Red	2920026
Key Switch Engine W/Key	1730540
Fan Belt (Kubota)	1730870
Fan Belt (Perkins)	1734153
Hose Radiator Top (Kubota)	1730867
Hose Radiator Top (Perkins)	1734422
Hose Radiator Lower (Kubota)	1730868
Hose Radiator Lower (Perkins)	1734423
Air Filter Element (Kubota)	1730565
Air Filter Element (Perkins)	1734415
Fuel Filter (Kubota)	1730873
Fuel Filter (Perkins)	1733164
Oil Filter (Kubota)	1730569
Oil Filter (Perkins)	1733165
Lamp Metal Halide 1500 W	1730585
Lamp HPS 1000 W c/w Ignitor Bulb	1001175210
Warning Lamp Bulb 12 V	2920029
Switch Circuit Breaker 15 A DC	4360070
Switch Circuit Breaker 20 A DC	4360161

