

METRO 4000



Illustrated Parts Manual

Models

Metro 4000

1001310758

March 28, 2019



Quality
Endorsed
Company

ISO 9001Lic 6080



REFERENCE MANUALS

- 1001310756 OPERATION & SAFETY**
- 1001310757 SERVICE & MAINTENANCE**
- 1001310758 PARTS & RECOMMENDED SPARES**

Service Office

JLG Industries (Port Macquarie)
11 Bolwarra Road
PORT MACQUARIE NSW 2444
Phone: (02) 6581 1111

JLG Industries (Victoria)
30-32 Cyber Loop
Dandenong VIC 3175
Phone: (03) 9554 4333

JLG Industries (Queensland)
223 Fison Avenue West
Eagle Farm QLD 4009
Phone: (07) 3309 9111

JLG Industries (Western Australia)
39 Kewdale Road
Kewdale, PERTH WA 6105
Phone: (08) 9356 9811

JLG Industries (NSW)
358 Park Road
REGENTS PARK NSW 2143
Phone: (02) 8718 6300

JLG Industries (SA)
9 Nucera Court
GREEN FIELDS SA 5107
Phone: (08) 8259 8777

JLG Industries (New Zealand)
2b Fisher Crescent
Mt Wellington, Auckland
New Zealand
Phone: + 64 9276 1728

SECTION THREE

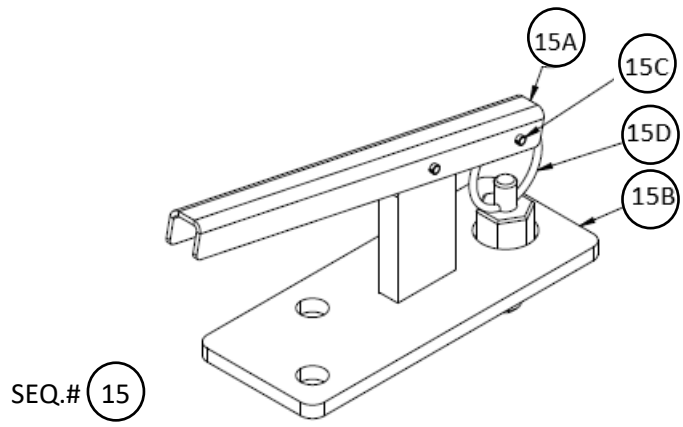
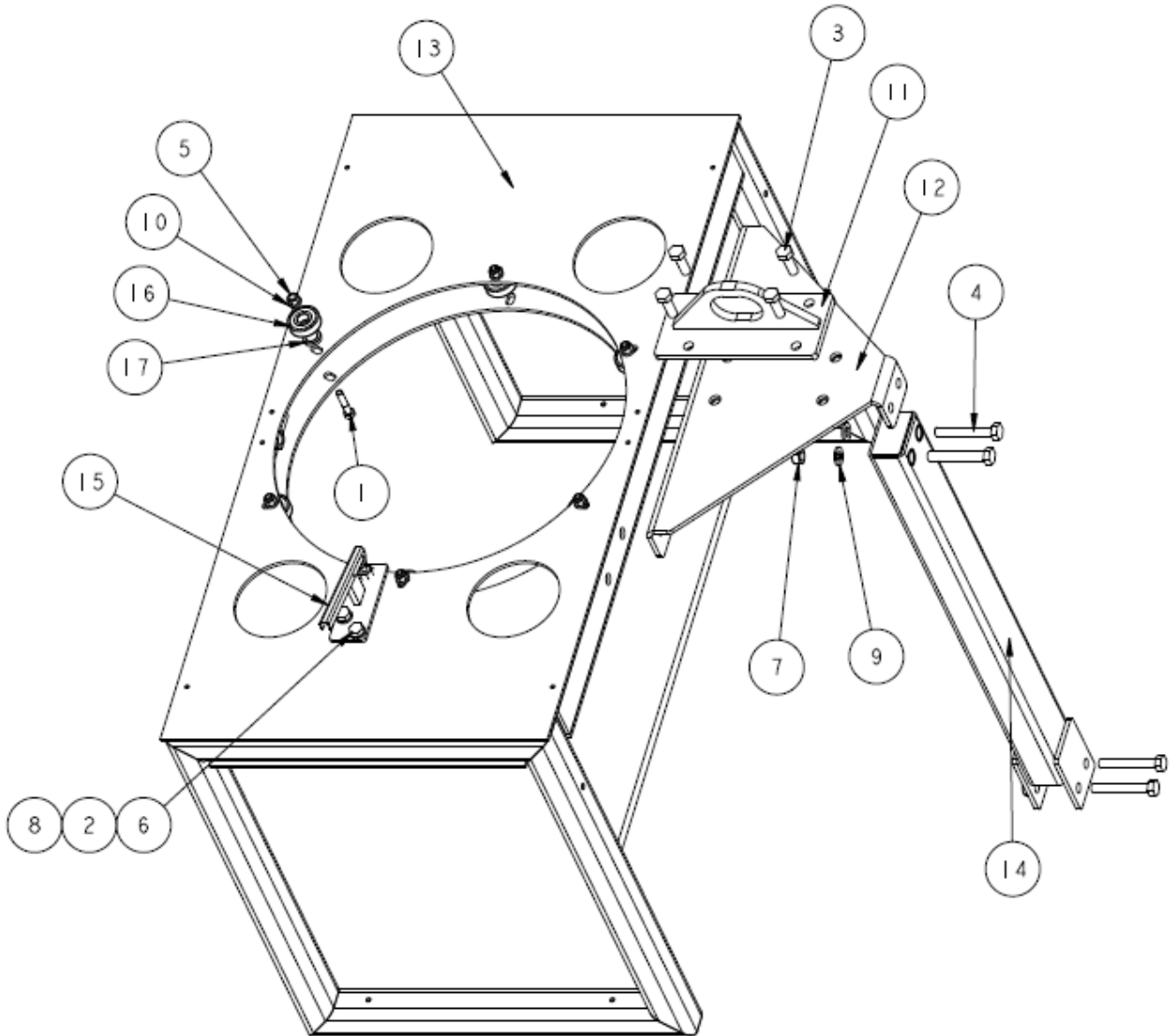
PARTS MANUAL

CONTENTS	Page
• Chassis Assembly	3-5
• Lifting Assembly	3-8
• Fuel Tank, Ballast, Battery & Powerpack Assembly	3-10
• Engine & Alternator Assembly	3-12
• Engine Service Filters	3-13
• Hoods Assembly	3-15
• Mast Assembly	3-17
• Mast Section 1	3-19
• Mast Section 2	3-21
• Mast Section 3	3-23
• Mast Section 4	3-25
• Mast Section 5	3-27
• Mast Section 6	3-29
• Mast Section 7	3-31
• Light Head	3-33
• Electrical Assembly	3-31
• Decal & Misc	3-37

METRO 4000

SEQ.#	ITEM NO.	DESCRIPTION	QTY
1	0701226	HEXHD SCR CLS 8.8, M12 X 90 LG	4
2	0711215	HEXHD SCR CLS 10.9, M12 X 35 LG	4
3	1730912	ASSY, TYRE AND WHEEL	2
4	1730952	JACK, 8" JOCKEY WHEEL	1
5	1734046	VALVE, 1/4"BSP MINI-BALL	2
6	1735532	SHIELD, MUDGUARD RH,4108 FINISHED	1
7	1735533	SHIELD, MUDGUARD LH,4108 FINISHED	1
8	1737060	CYLINDER, MASTER BRAKE ASSY.	1
9	3331215	HEX NUT, M12 X 1.75	4
10	3422369	PIN, PLUNGER RING HD	4
11	4812100	WASHER, 12mm	4
12	1001159424	COUPLING, 50MM TOW BALL	1
13	1001159428	AXLE, METRO LT	1
14	1001164005	WELDMENT, FRONT OUTRIGGER FINISHED	1
15	1001164006	WELDMENT, REAR OUTRIGGER INNER LH FINISHED	1
16	1001164007	WELDMENT, REAR OUTRIGGER INNER RH FINISHED	1
17	1001163046	ASSY, FRAME WITH MAST SUPPORT	1
18	A330010	ASSEMBLY, SIDE OUTRIGGER JACK	1
19	1001159486	KIT, BRAKE LINE	1

LIFTING ASSEMBLY

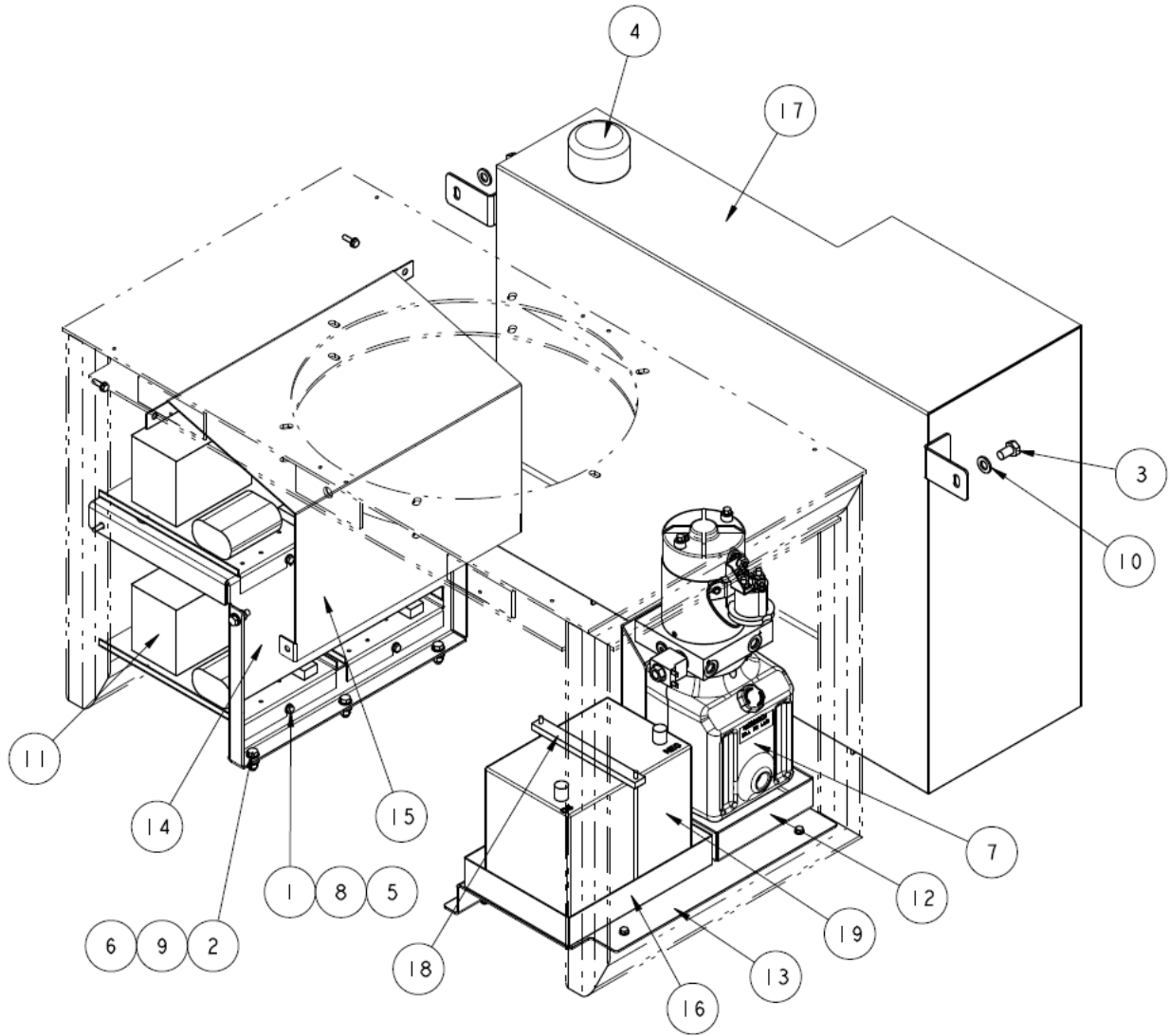


SEQ.# 15

METRO 4000

SEQ.#	ITEM NO.	DESCRIPTION	QTY
1	0700616	BOLT, HEX HEAD M8 DIN931	6
2	0701012	HEXHD SCR CLS 8.8, M10 X 25 LG	2
3	0701215	HEXHD SCR CLS 8.8, M12 X 35 LG	4
4	0701224	HEXHD SCR CLS 8.8, M12 X 80 LG	4
5	3290805	PREV TORQ HEX LOCK NUT, M8 X 1.25	6
6	3291005	PREV TORQ HEX LOCK NUT, M10 X 1.5	2
7	3291201	HEX NUT, M12 X 1.75	2
8	4812000	WASHER,	4
9	4812100	WASHER, 12mm	2
10	5240800	WASHER, 8MM THRU HARDENED	6
11	1001164008	WELDMENT, LIFTING LUG FINISHED	1
12	1001164009	WELDMENT, LIFTING MOUNT PLATE FINISHED	1
13	1001159451	WELDMENT, MAST SUPPORT FRAME	1
14	1001164010	WELDMENT, LIFTING POST FINISHED	1
15	1001163597	ASSEMBLY, MAST INDEXING PLUNGER	1
15A	1001162917	CHANNEL, MAST LOCKING LEVER	A/R
15B	1001163596	BRACKET, MAST LOCKING LEVER	A/R
15C	1001163598	ROLL PIN, METRIC ND3-L16 ISO 8752	A/R
15D	3422369	PIN, PLUNGER	A/R
16	1001163795	BEARING, 6302-2RSR DIN625	6
17	1001163796	AXLE, MAST SUPPORT ROLLER	6

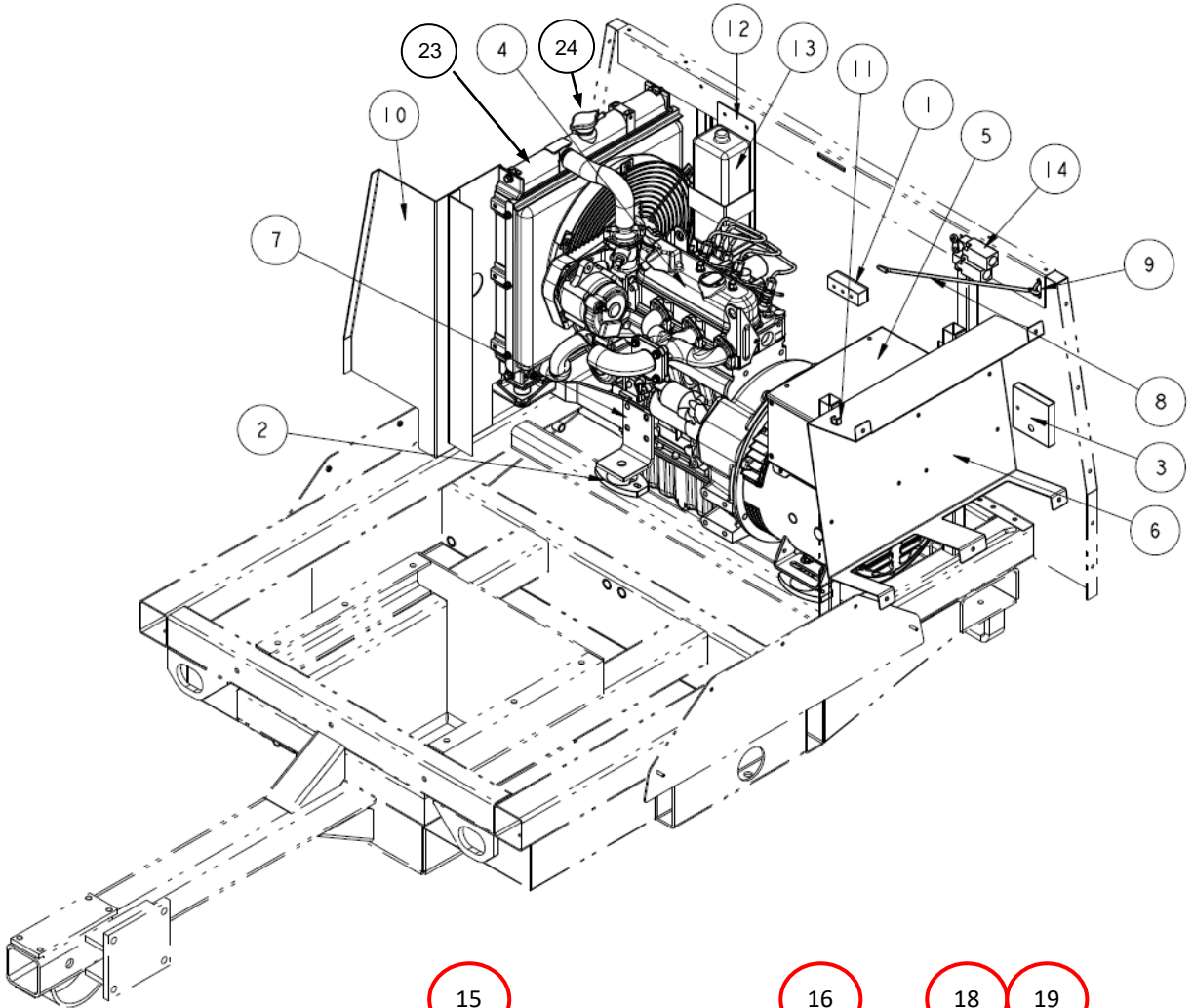
FUEL TANK, BALLAST, BATTERY & POWER PACK ASSEMBLY



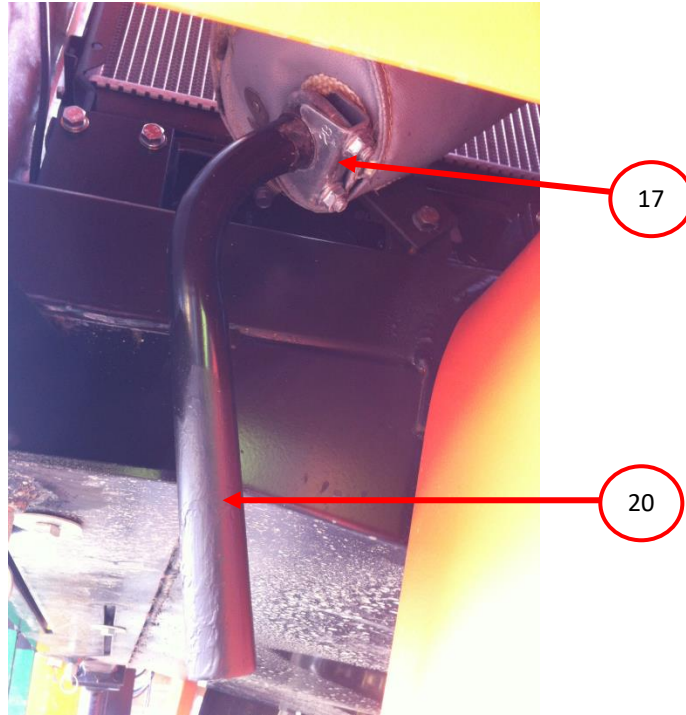
METRO 4000

SEQ.#	ITEM NO.	DESCRIPTION	QTY
1	0700610	HEXHD SCR CLS 8.8, M6 X 20 LG	14
2	0700812	HEXHD SCR CLS 8.8, M8 X 25 LG	8
3	0761210	HEXHD SCR CLS 8.8 FULLTHD, M12 X 20 LG	2
4	1120362	CAP, FUEL WITH GAUGE	1
5	3290605	PREV TORQ HEX LOCK NUT, M6 X 1	6
6	3290805	PREV TORQ HEX LOCK NUT, M8 X 1.25	8
7	3600461	MOTOR, HYD PUMP (12VDC)	1
8	4811700	WASHER, 6mm	20
9	4811900	WASHER, 8mm	16
10	4812100	WASHER, 12mm	2
11	1001158722	ASSEMBLY, BALLAST	4
12	1001164891	BRACKET, POWERPACK MOUNT FINISHED	1
13	1001164894	BRACKET, BATTERY POWERPACK FINISHED	1
14	1001164895	BRACKET, BALLAST MOUNT FINISHED	1
15	1001164896	BRACKET, BALLAST GUARD FINISHED	1
16	1001164897	TRAY, BATTERY FINISHED	1
17	1001164890	WELDMENT, FUEL TANK FINISHED	1
18	1001160992	CLAMP, BATTERY HOLD DOWN	1
19	1001160993	BATTERY, 12 VOLT	1
20	1001161919	STRIP,FUEL TANK RUBBER	1
21	4360436	FUEL LEVEL SENSOR (NOT SHOWN)	1

ENGINE & ALTERNATOR ASSEMBLY

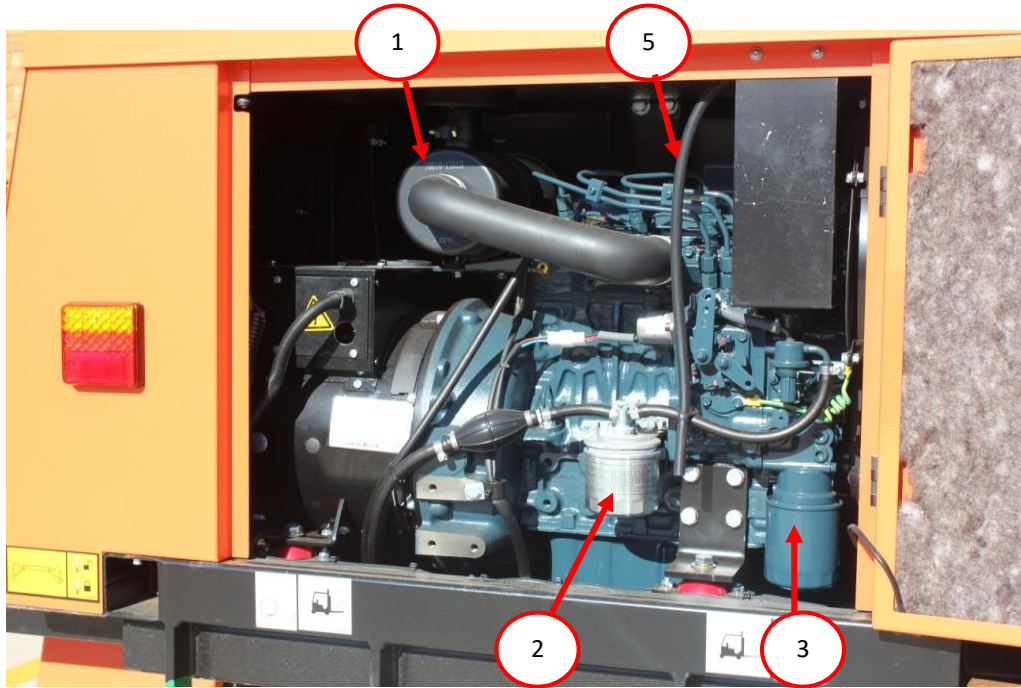


METRO 4000



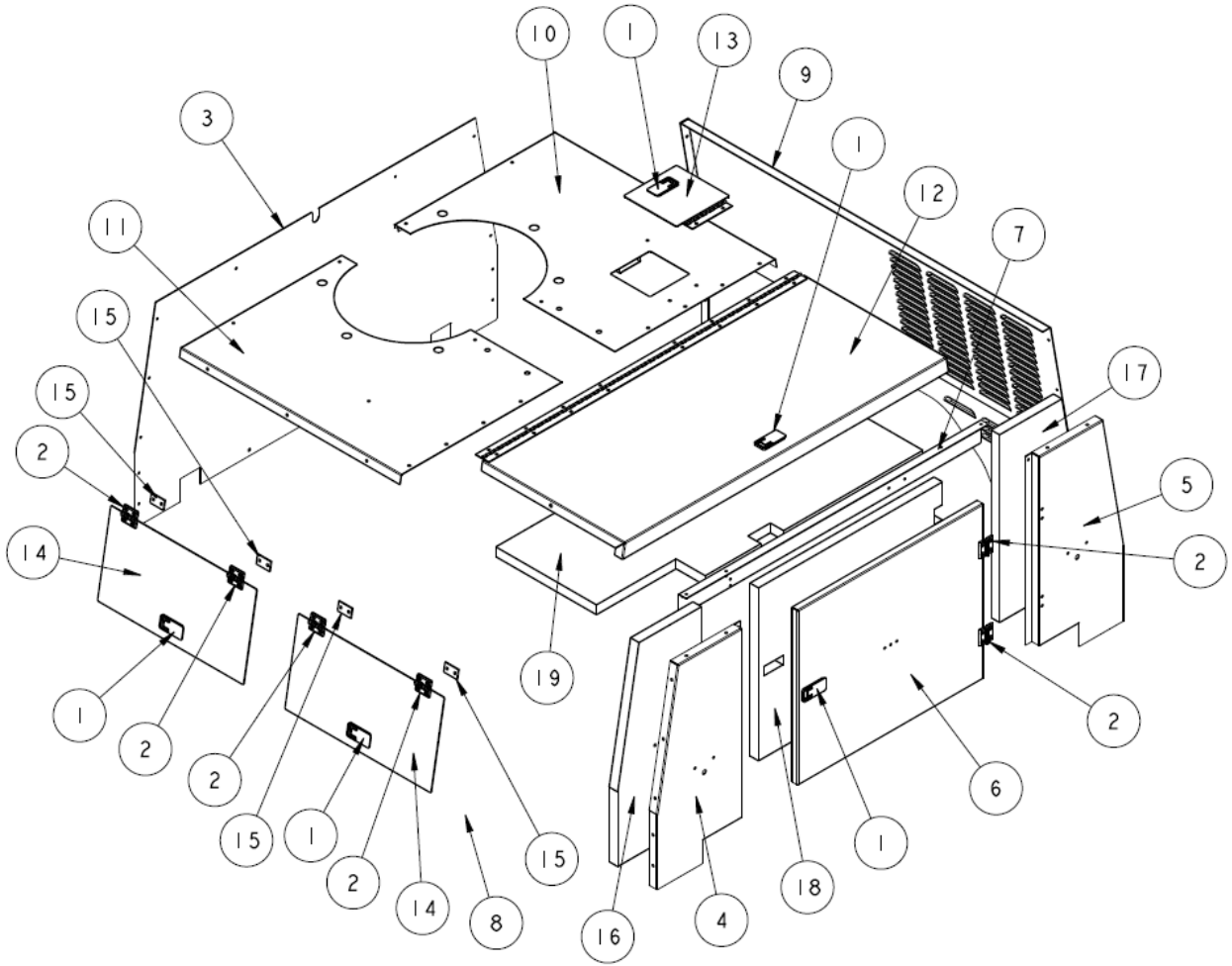
SEQ.#	ITEM NO.	DESCRIPTION	QTY
1	1730914	LAMP, NUMBER PLATE	1
2	1731344	MOUNT, ENGINE RUBBER	4
3	1734145	LIGHT, LED TAIL	2
4	1001158726	ENGINE, KUBOTA D1105-BG2 -SAE-2	1
5	1001158727	ALTERNATOR, SK160 SA1 SAE5	1
6	1001164892	BRACKET, CONTROLBOX MOUNT FINISHED	1
7	1001164900	BRACKET, KUBOTA D1105 ENGINE FINISHED	2
8	1001164916	HOOK, BONNET STAY FINISHED	1
9	1001159715	EYE STRAP, BONNET STAY	1
10	1001164898	WELDMENT, RADIATOR SHROUD FINISHED	1
11	1001160282	CLIP, BONNET STAY	1
12	1001164899	SUPPORT, RADIATOR HEADER TANK FINISHED	1
13	1001161927	BOTTLE, RADIATOR OVERFLOW	1
14	4360578	SWITCH, LIMIT	2
15	1001161737	PIPE, EXHAUST	1
16	1001161740	CLAMP, EXHAUST UPPER	1
17	1001161762	CLAMP, EXHAUST LOWER	1
18	1001161738	EXHAUST MUFFLER	1
19	1001161739	MUFFLER HEAT WRAP	1
20	1001161741	PIPE, EXHAUST TAIL	1
21	1001161885	SLEEVE, EXHAUST TAIL PIPE	1
22	1001161886	SLEEVE, MANIFOLD TO MUFFLER PIPE	1
23	1001118531	RADIATOR, D1105 ENGINE	1
24	1001236395	CAP, D1105 RADIATOR	1

ENGINE SERVICE FILTERS/BREATHERS



SEQ.#	ITEM NO.	DESCRIPTION	QTY
1	1001181345 1001233243	FILTER, KUBOTA D1105 AIR KIT, KUBOTA (B54) AIR CLEANER (INCLUDES MOUNTING BRACKETS/CLAMPS)	1 A/R
2	1001181346	FILTER, KUBOTA D1105 FUEL	1
3	1001181347	FILTER, KUBOTA D1105 OIL	1
4	1001181348	FILTER, KUBOTA D1105 IN-LINE FUEL	A/R
5	1001236394	PIPE, D1105 ENGINE BREATHER	1

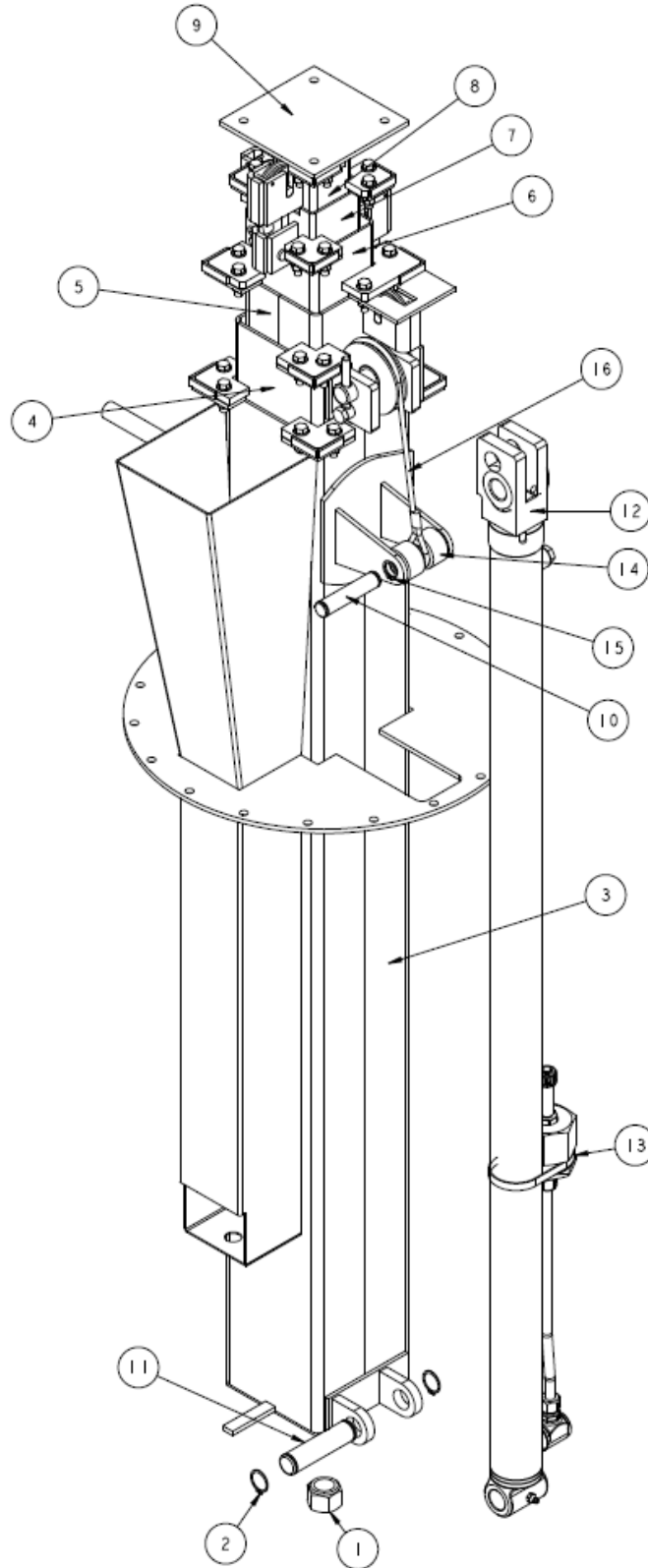
HOODS ASSEMBLY



METRO 4000

SEQ.#	ITEM NO.	DESCRIPTION	QTY
1	1735660	LATCH, LIFT AND TURN	5
	1001161057	BOLT, LATCH LOCKING	5
2	8006105	JOINT, HINGE	6
3	1001164901	PANEL, FRONT	1
4	1001164902	PANEL, REAR LH	1
5	1001164904	PANEL, REAR RH	1
6	1001164903	DOOR, REAR	1
7	1001164905	BRACKET, REAR PANEL SUPPORT	1
8	1001164906	WELDMENT, SIDE PANEL LH	1
9	1001164907	PANEL, SIDE RH	1
10	1001164908	WELDMENT, TOP PANEL RH	1
11	1001164909	PANEL, TOP LH	1
12	1001164910	ASSY, TOP BONNET	1
13	1001164912	ASSY, FUEL TANK ACCESS COVER	1
14	1001164911	PLATE, CONTROL BOX COVER	2
15	1001164915	PLATE, HINGE SPACER	4
16	1001160995	INSULATION, NOISE, RH PANEL	1
17	1001160996	INSULATE, NOISE, LH PANEL	1
18	1001160997	INSULATION, NOISE, DOOR	1
19	1001160998	INSULATION, NOISE, HOOD	1

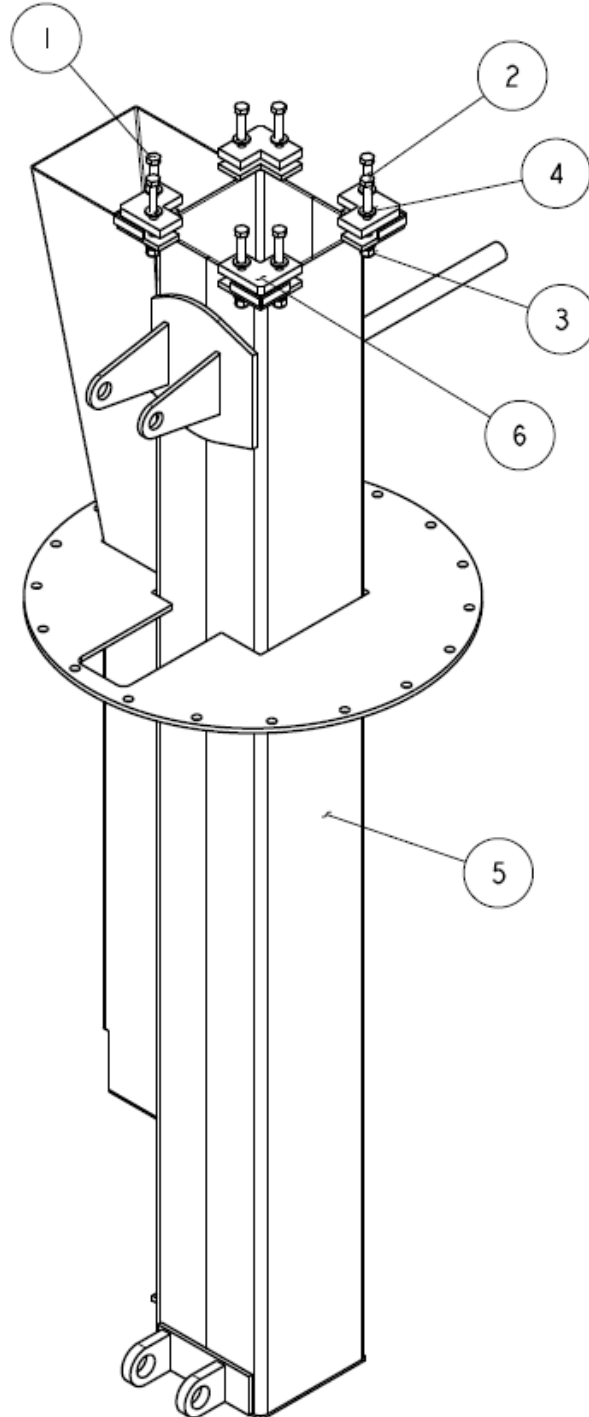
MAST ASSEMBLY



METRO 4000

SEQ.#	ITEM NO.	DESCRIPTION	QTY
1	3292405	PREV TORQ HEX LOCK NUT, M24 X 3	1
2	3760115	RING, RETAINING 1"	2
3	1001163892	MAST, METRO 4000 S1 FINISHED	1
4	1001163998	MAST, METRO 4000 S2 FINISHED	1
5	1001163999	MAST, METRO 4000 S3 FINISHED	1
6	1001164000	MAST, METRO 4000 S4 FINISHED	1
7	1001164001	MAST, METRO 4000 S5 FINISHED	1
8	1001164002	MAST, METRO 4000 S6 FINISHED	1
9	1001164003	MAST, METRO 4000 S7 FINISHED	1
10	1001159482	PIN, LUG S1	1
11	1001159483	PIN, CYL	1
12	1001159501	CLEVIS, MAST CYL, METRO4000	1
13	1001159503	CYLINDER, MAST METRO 4000	1
14	1001159883	SHIM, MAST LUG,S1	2
15	1001160214	RING, RETAINING EXT,0.75"	2
16	1001161000	CABLE, SECTION 1-3	1
17	1001161887	KIT, CYLINDER SEAL (NOT SHOWN)	1
18	1001161928	HOSE ASSY, ¼" x 1400, 7/16 JIC 90DEG x 7/16 JIC 90DEG	1
19	1001220712	VALVE, CYLINDER SOLENOID (NOT SHOWN)	1

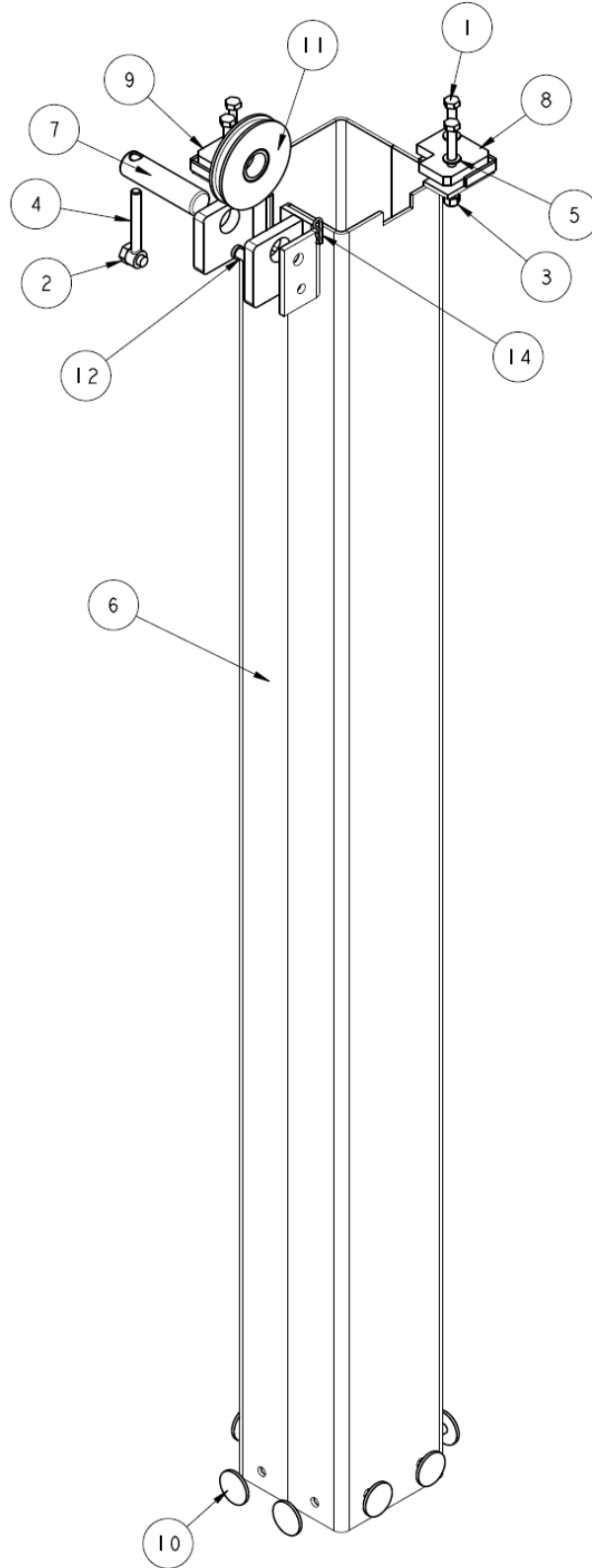
MAST SECTION 1



METRO 4000

SEQ.#	ITEM NO.	DESCRIPTION	QTY
1	0700814	HEXHD SCR CLS 8.8, M8 X 30 LG	1
2	0700815	HEXHD SCR CLS 8.8, M8 X 35 LG	7
3	3290805	PREV TORQ HEX LOCK NUT, M8 X 1.25	8
4	4811900	WASHER, 8mm	16
5	1001163892	MAST, WELDMENT,S1	1
6	1001159485	PAD, OUTER 1	4

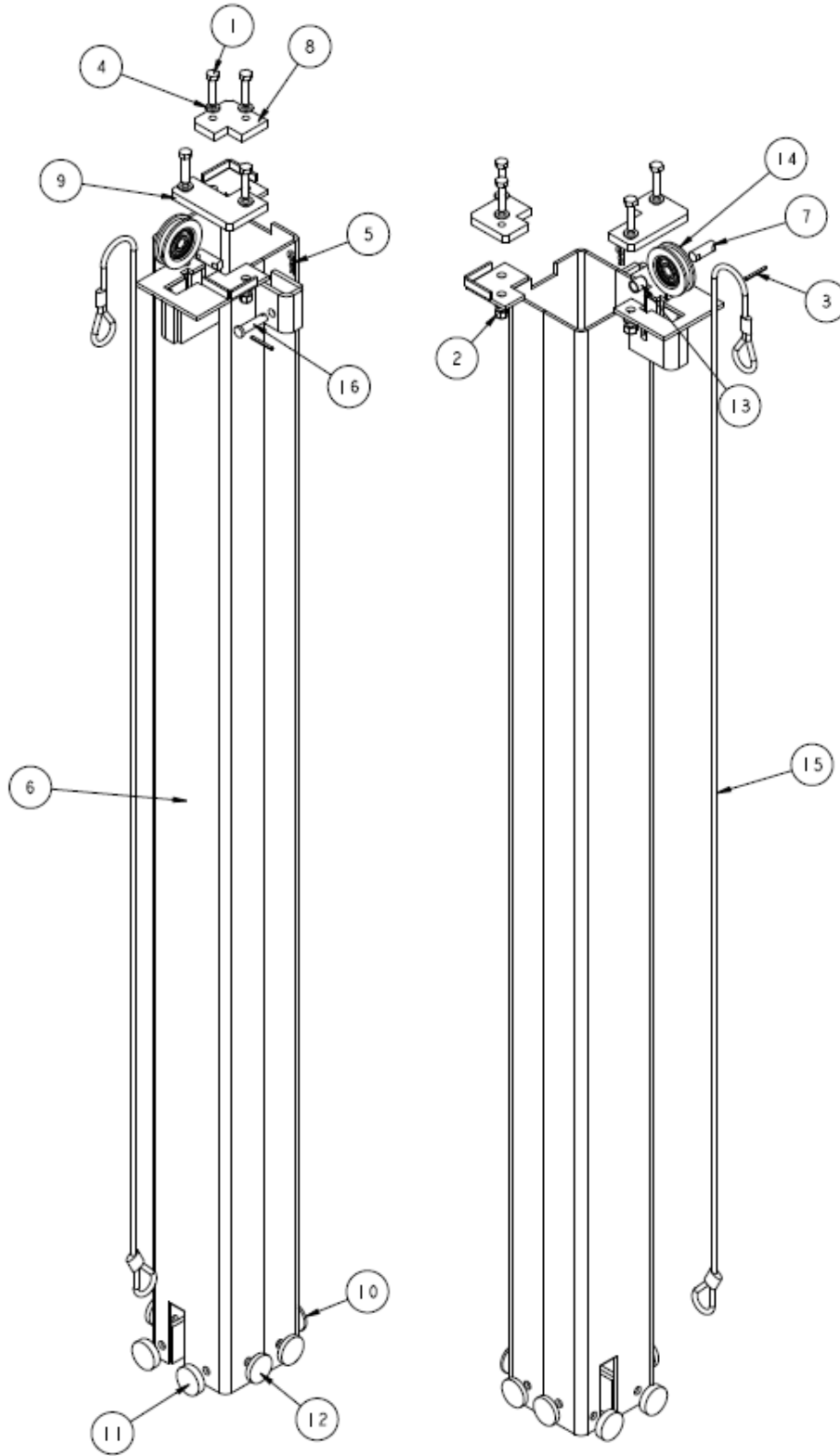
MAST SECTION 2



METRO 4000

SEQ.#	ITEM NO.	DESCRIPTION	QTY
1	0700815	HEXHD SCR CLS 8.8, M8 X 35 LG	4
2	0761008	HEXHD SCR CLS 8.8 FULLTHD, M10 X 16 LG	1
3	3290805	PREV TORQ HEX LOCK NUT, M8 X 1.25	4
4	3841143	KEEPER, 3/8" SHAFT	1
5	4811900	WASHER, 8mm	8
6	1001163998	MAST, WELDMENT,S2 FINISHED	1
7	1001159481	PIN, CYL/SHEAVE	1
8	1001159487	PAD, OUTER 2	1
9	1001159488	PAD, OUTER 3	1
10	1001159493	PAD, INNER 3mm	8
11	1001160954	SHEAVE, 90mm W/BEARING	1
12	3430612	PIN, FLAT HEAD CLEVIS	1
14	8302470	HAIR PIN, (COTTER) .094	1

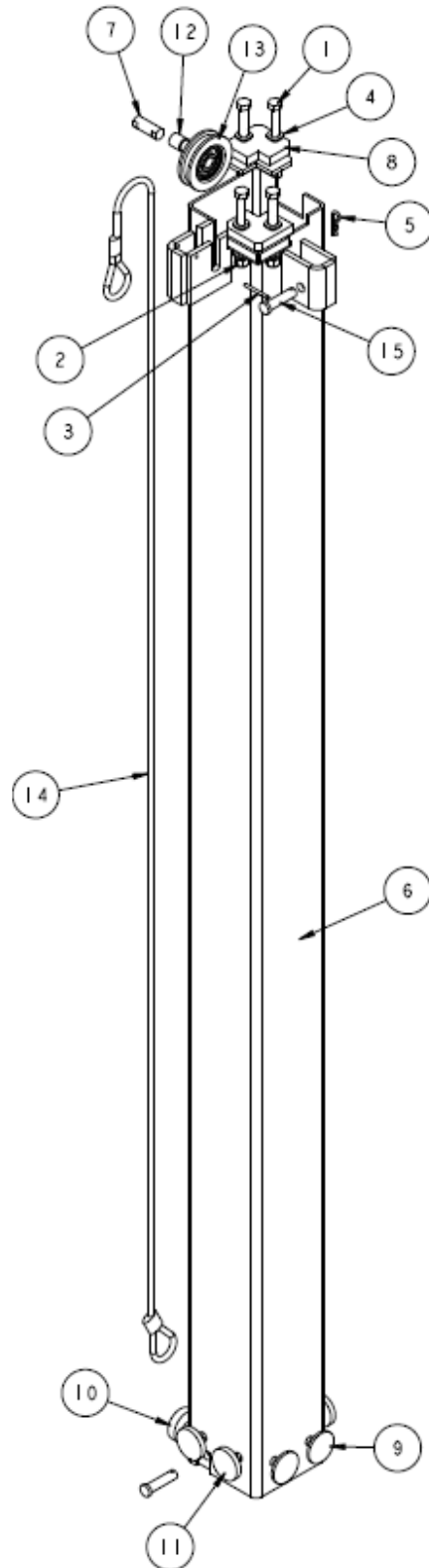
MAST SECTION 3



METRO 4000

SEQ.#	ITEM NO.	DESCRIPTION	QTY
1	0700815	HEXHD SCR CLS 8.8, M8 X 35 LG	4
2	3290805	PREV TORQ HEX LOCK NUT, M8 X 1.25	4
3	3440420	PIN, ROLL .12 X 1.25 LG	1
4	4811900	WASHER, 8mm	8
5	8302470	HAIR PIN, (COTTER) .094	2
6	1001163999	MAST, WELDMENT S3 FINISHED	1
7	1001159480	PIN, SHEAVE,60MM	1
8	1001159487	PAD, OUTER 2	1
9	1001159489	PAD, OUTER 4	1
10	1001159493	PAD, INNER 3mm	2
11	1001159494	PAD, INNER 9mm	2
12	1001159495	PAD, INNER 6mm	4
13	1001160212	BEARING, IGLIDUR X,12mm	1
14	1001160953	SHEAVE, 60mm W/BEARING	1
15	1001161001	CABLE, SECTION 3-5	1

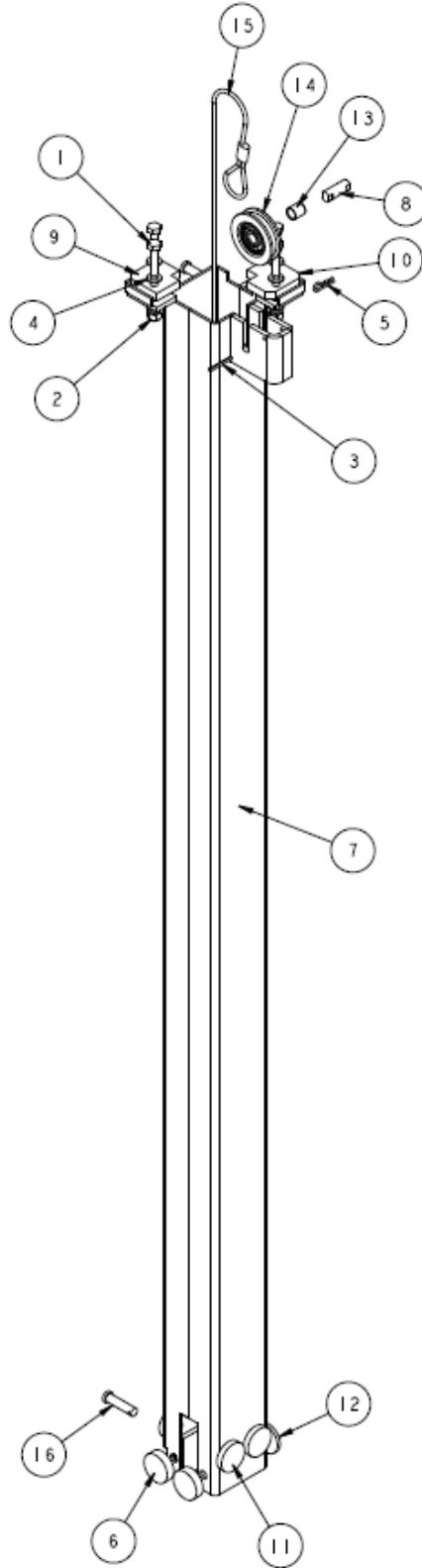
MAST SECTION 4



METRO 4000

SEQ.#	ITEM NO.	DESCRIPTION	QTY
1	0700815	HEXHD SCR CLS 8.8, M8 X 35 LG	4
2	3290805	PREV TORQ HEX LOCK NUT, M8 X 1.25	4
3	3440420	PIN, ROLL .12 X 1.25 LG	1
4	4811900	WASHER, 8mm	8
5	8302470	HAIR PIN, (COTTER) .094	2
6	1001164000	MAST, WELDMENT, S4 FINISHED	1
7	1001159480	PIN, SHEAVE,60MM	1
8	1001159491	PAD, OUTER 6	2
9	1001159493	PAD, INNER 3mm	2
10	1001159494	PAD, INNER 9mm	2
11	1001159495	PAD, INNER 6mm	4
12	1001160212	BEARING, IGLIDUR X,12mm	1
13	1001160953	SHEAVE, 60mm W/BEARING	1
14	1001165441	CABLE, SECTION 2-4	1
15	3430612	PIN, FLAT HEAD CLEVIS	2

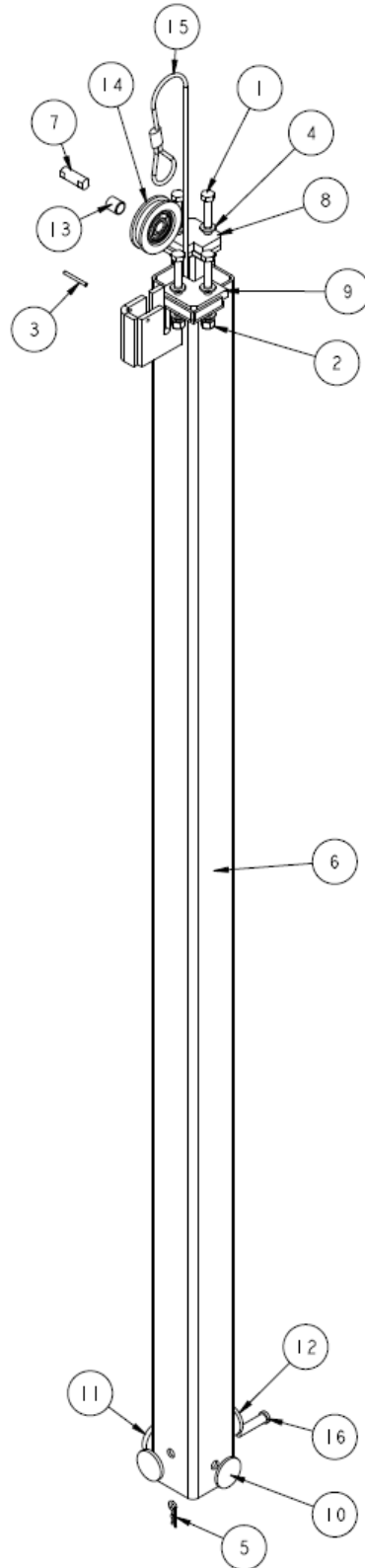
MAST SECTION 5



METRO 4000

SEQ.#	ITEM NO.	DESCRIPTION	QTY
1	0700815	HEXHD SCR CLS 8.8, M8 X 35 LG	4
2	3290805	PREV TORQ HEX LOCK NUT, M8 X 1.25	4
3	3440420	PIN, ROLL .12 X 1.25 LG	1
4	4811900	WASHER, 8mm	8
5	8302470	HAIR PIN, (COTTER) .094	2
6	101159496	PAD, INNER 10mm	2
7	1001164001	MAST, WELDMENT S5 FINISHED	1
8	1001159480	PIN, SHEAVE,60MM	1
9	1001159490	PAD, OUTER 5	1
10	1001159491	PAD, OUTER 6	1
11	1001159497	PAD, INNER 7mm	4
12	1001159498	PAD, INNER 4mm	2
13	1001160212	BEARING, IGLIDUR X,12mm	1
14	1001160953	SHEAVE, 60mm W/BEARING	1
15	1001161002	CABLE, SECTION 5-7	1
16	3430612	PIN, FLAT HEAD CLEVIS	2

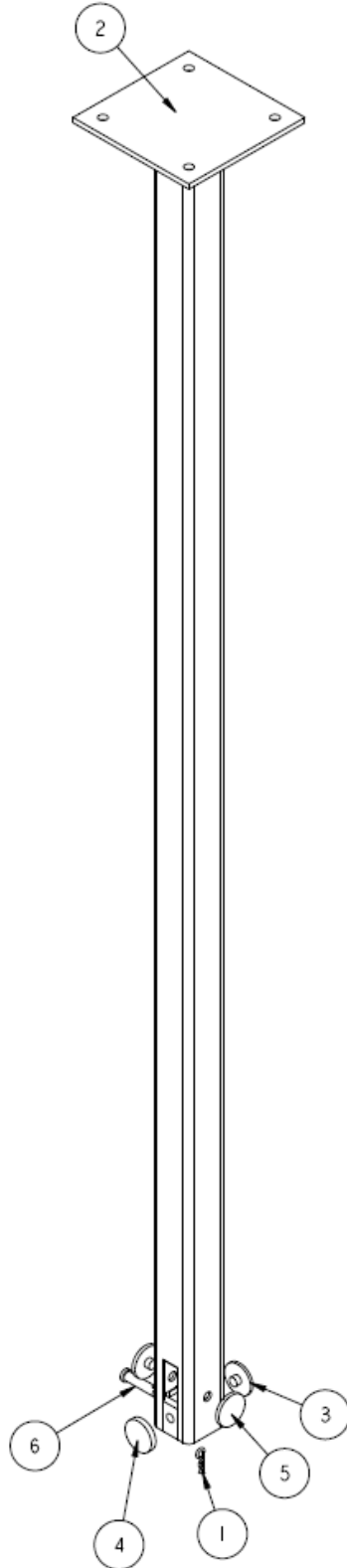
MAST SECTION 6



METRO 4000

SEQ.#	ITEM NO.	DESCRIPTION	QTY
1	0700815	HEXHD SCR CLS 8.8, M8 X 35 LG	4
2	3290805	PREV TORQ HEX LOCK NUT, M8 X 1.25	4
3	3440420	PIN, ROLL .12 X 1.25 LG	1
4	4811900	WASHER, 8mm	8
5	8302470	HAIR PIN, (COTTER) .094	1
6	1001164002	MAST, WELDMENT S6 FINISHED	1
7	1001159480	PIN, SHEAVE,60MM	1
8	1001159490	PAD, OUTER 5	1
9	1001159491	PAD, OUTER 6	1
10	1001159493	PAD, INNER 3mm	1
11	1001159495	PAD, INNER 6mm	1
12	1001159498	PAD, INNER 4mm	2
13	1001160212	BEARING, IGLIDUR X,12mm	1
14	1001160953	SHEAVE, 60mm W/BEARING	1
15	1001161002	CABLE, SECTION 5-7	1
16	3430612	PIN, FLAT HEAD CLEVIS	1

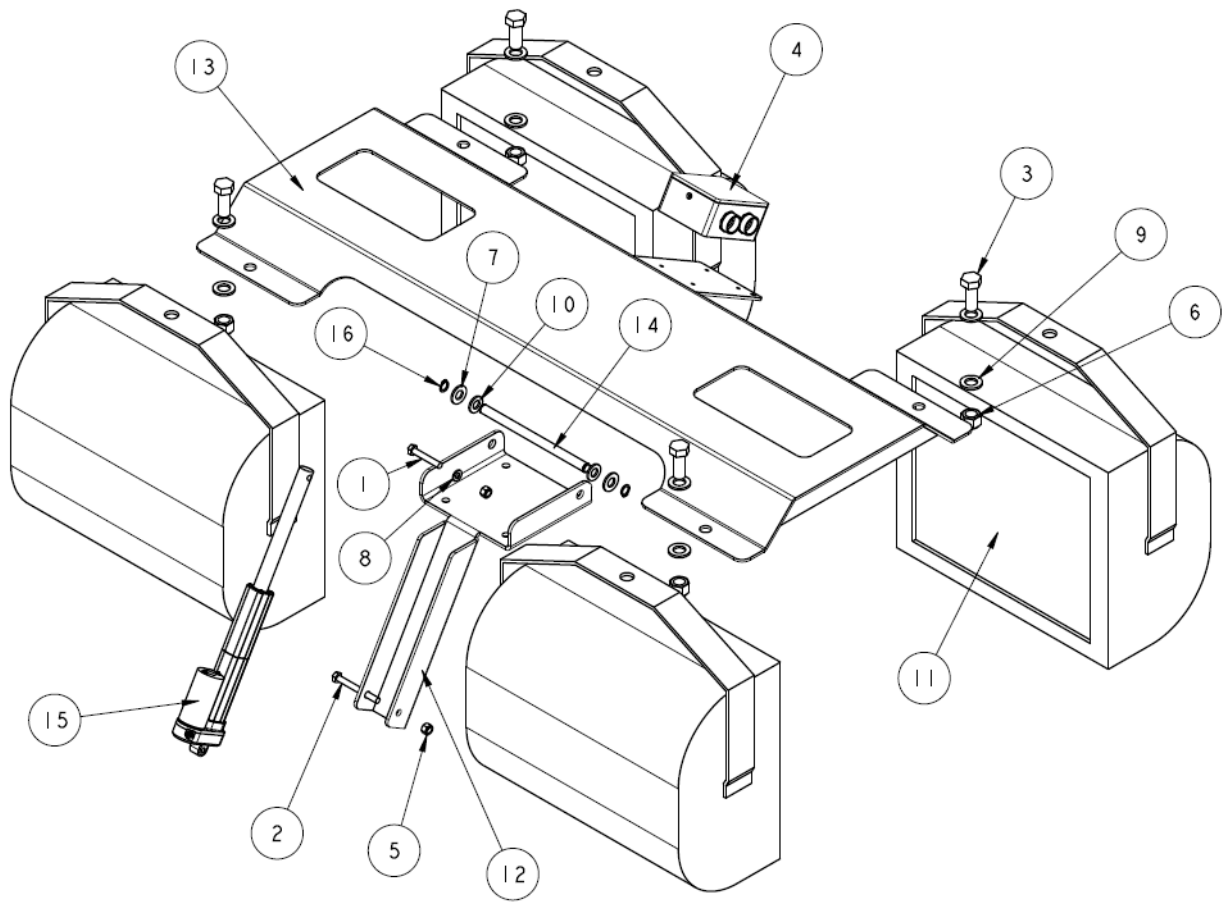
MAST SECTION 7



METRO 4000

SEQ.#	ITEM NO.	DESCRIPTION	QTY
1	8302470	HAIR PIN, (COTTER) .094	1
2	1001164003	MAST, WELDMENT S7 FINISHED	1
3	1001159493	PAD, INNER 3mm	1
4	1001159495	PAD, INNER 6mm	1
5	1001159498	PAD, INNER 4mm	2
6	3430612	PIN, FLAT HEAD CLEVIS	1

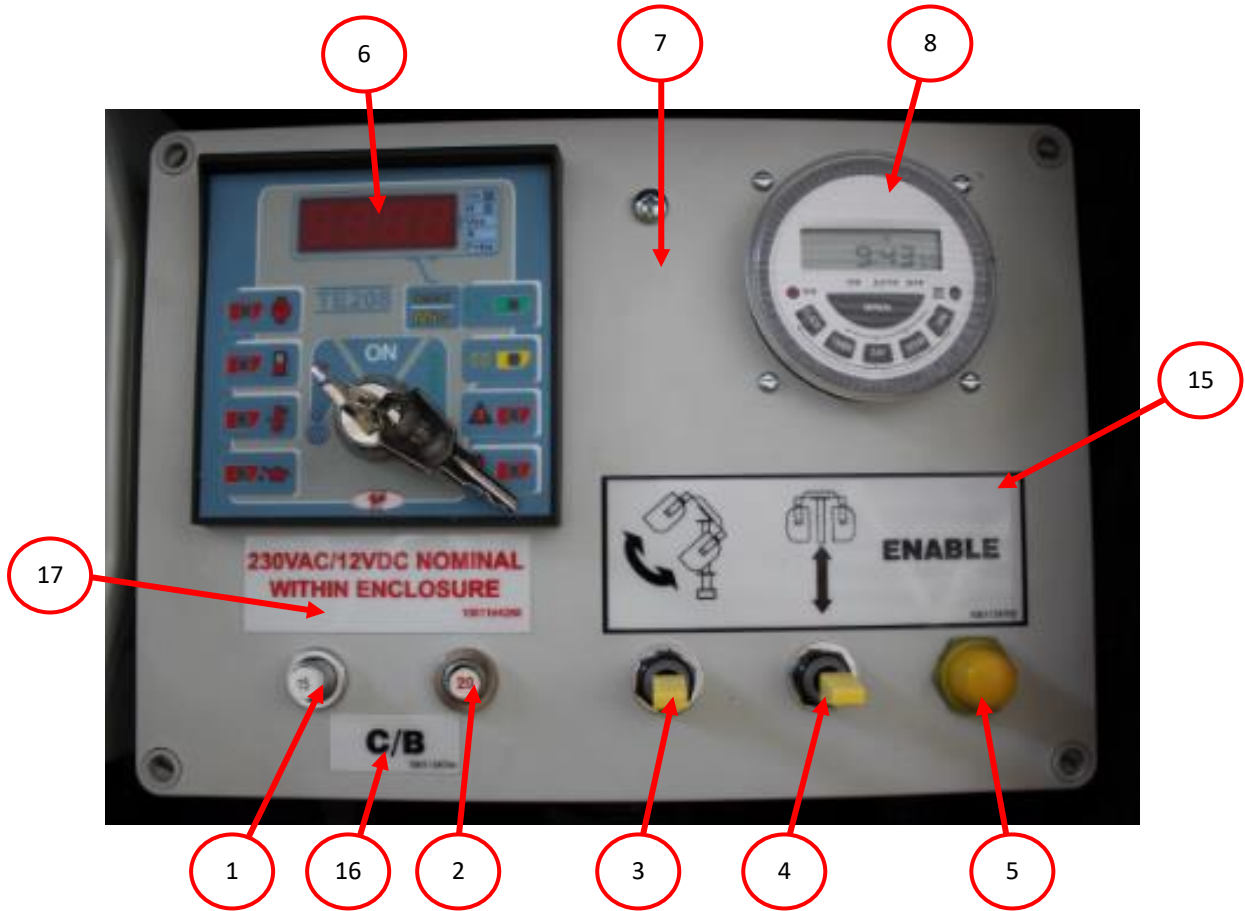
LIGHT HEAD



METRO 4000

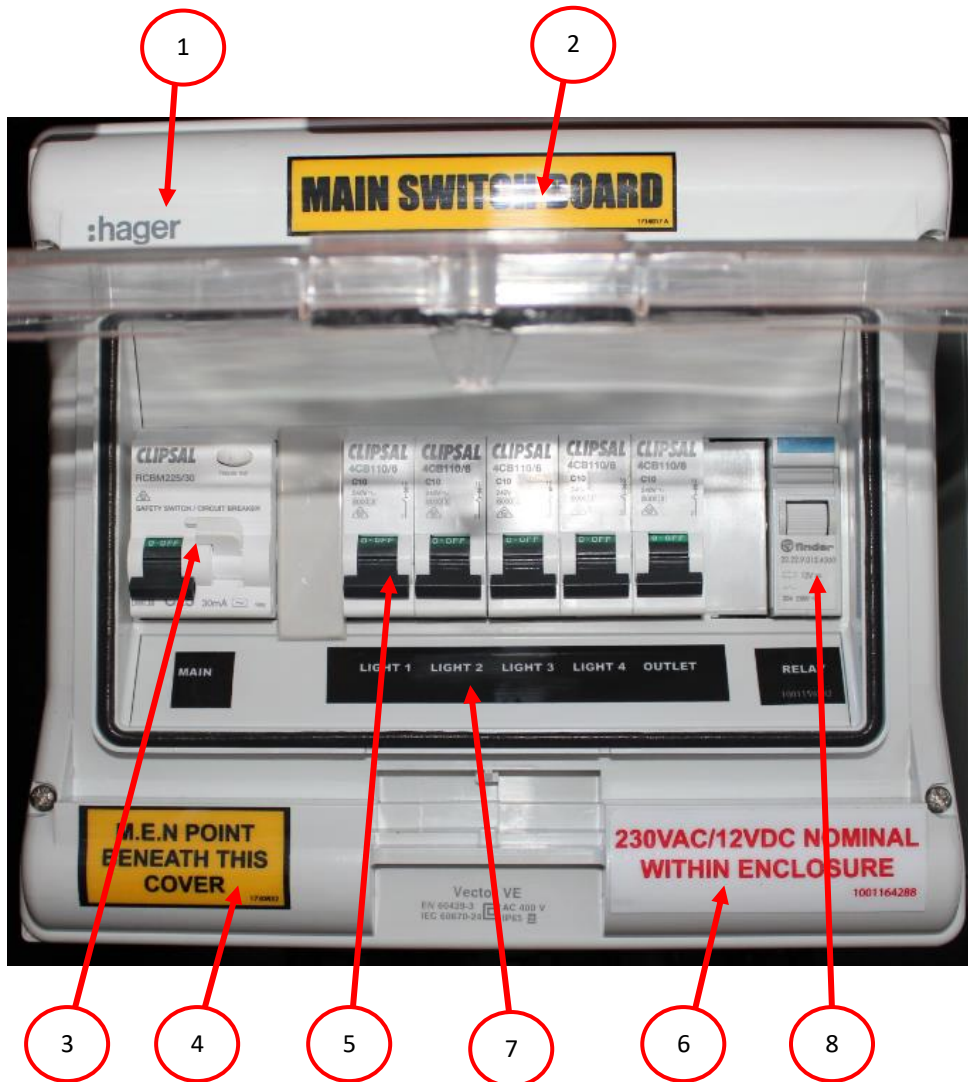
SEQ.#	ITEM NO.	DESCRIPTION	QTY
1	0700818	HEXHD SCR CLS 8.8, M8 X 50 LG	1
2	0700823	HEXHD SCR CLS 8.8, M8 X 75 LG	1
3	0701616	HEXHD SCR CLS 8.8, M16 X 40 LG	4
4	1730834	ENCLOSURE, JUNCTION	1
5	3290805	PREV TORQ HEX LOCK NUT, M8 X 1.25	2
6	3291605	PREV TORQ HEX LOCK NUT, M16 X 2	4
7	4711800	WASHER, 1/2 DIA PLAIN STL., NARROW	2
8	4811900	WASHER, 8mm	1
9	4812300	WASHER, 16mm	8
10	1001081022	WASHER, NYLON,12MM	2
11	1001158721	LAMP, 1000W MH FLOODLIGHT	4
12	1001164980	BRACKET, LIGHTHEAD PIVOT FINISHED	1
13	1001164981	WELDMENT, LIGHTHEAD FRAME FINISHED	1
14	1001159798	PIN, LIGHTHEAD PIVOT	1
15	1001159800	ACTUATOR, LIGHTHEAD TILT	1
16	1001159804	EXTERNAL CIRCLIP 0.5" MS16624	2
17	1001164109	LAMP BULB, MH 1000W	4

ELECTRICAL ASSEMBLY



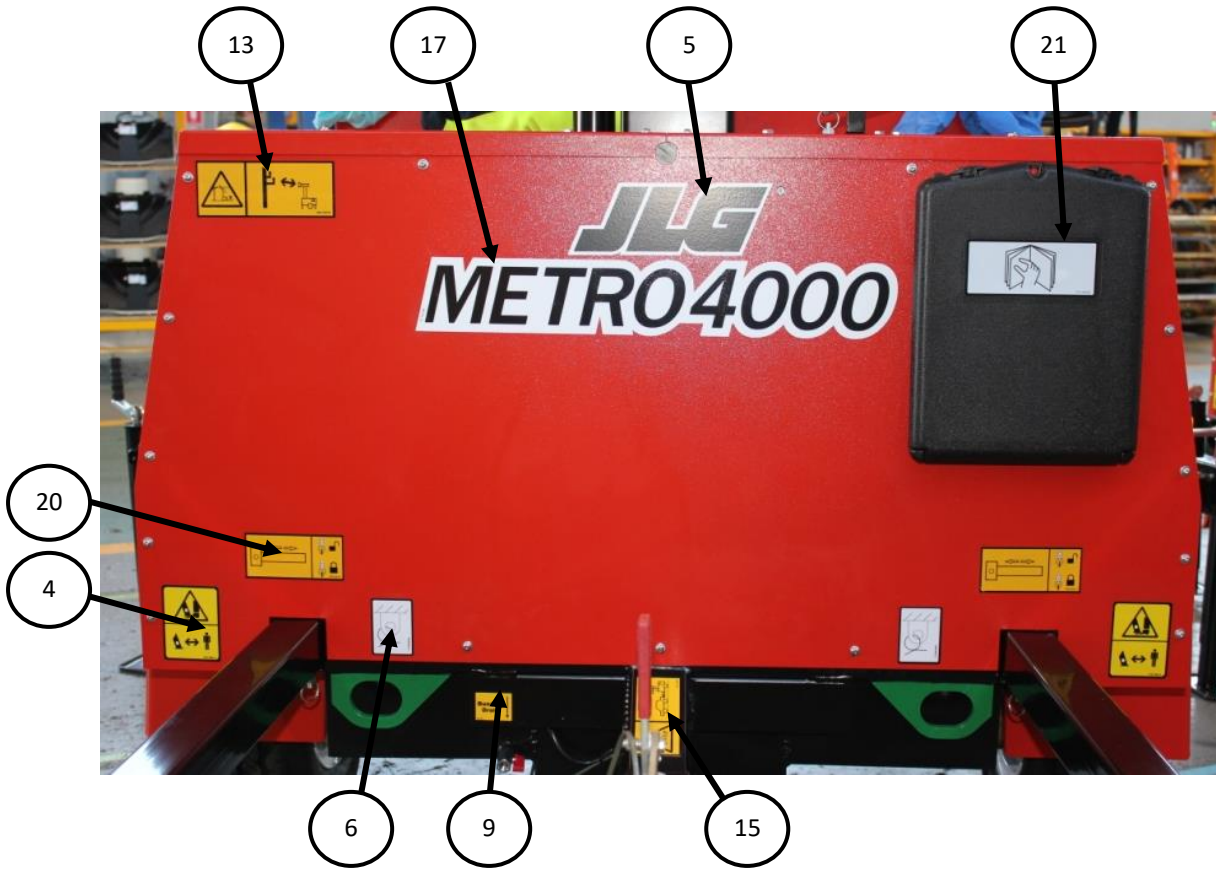
SEQ.#	ITEM NO.	DESCRIPTION	QTY
1	4360070	CIRCUIT BREAKER 15AMP PUSH TO RESET	1
2	4360161	CIRCUIT BREAKER 20AMP PUSH TO RESET	1
3	4360328S	SINGLE POLE TOGGLE SWITCH	1
4	4360314S	DOUBLE POLE TOGGLE SWITCH	1
5	4360387	ENABLE BUTTON	1
6	1001158723	TECNOELETTRA TE208 CONTROLLER	1
7	1730539	DC ENCLOSURE	1
8	1734636	TIMER MODULE	1
9	1735347	TERMINAL STRIP	1
10	1734632	RELAY	1
11	1734633	TIMER RELAY	1
12	1734634	RELAY SOCKET	1
13	3990001	DIODE	1
14	3740049	RELAY BOSCH (GLOW PLUG)	1
15	1001159785	DECAL, DC BOX CONTROL	1
16	1001159784	DECAL, DC BOX CIRCUIT BREAKER	1
17	1001164288	DECAL, NOMINAL VOLTAGE 230VAC/12VDC	1

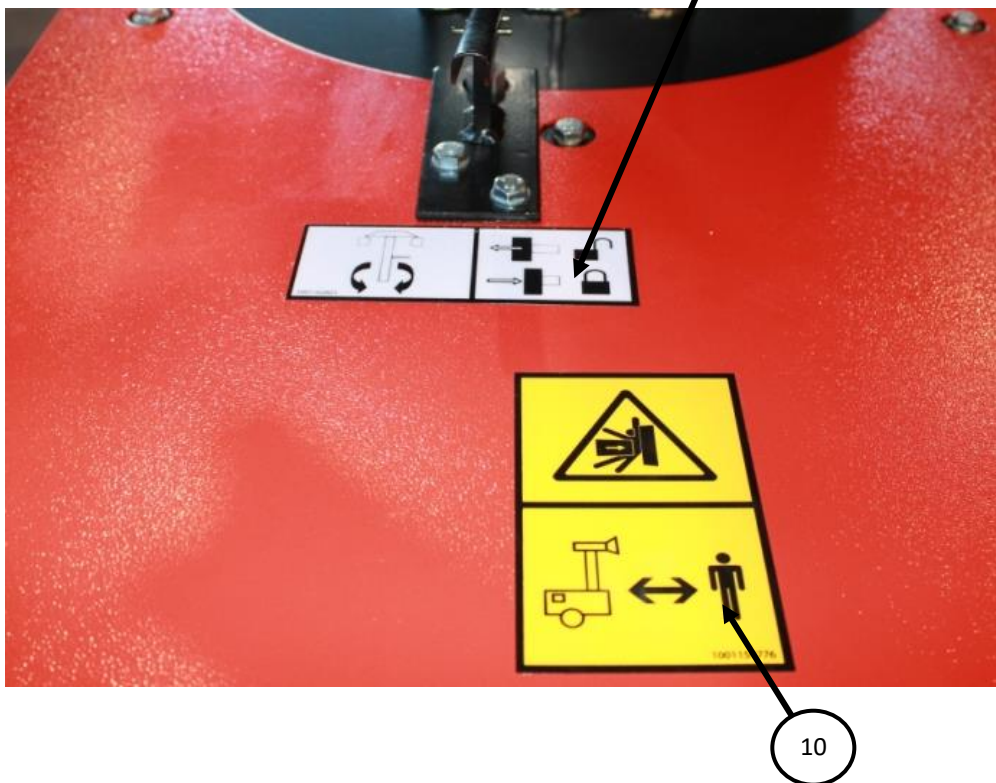
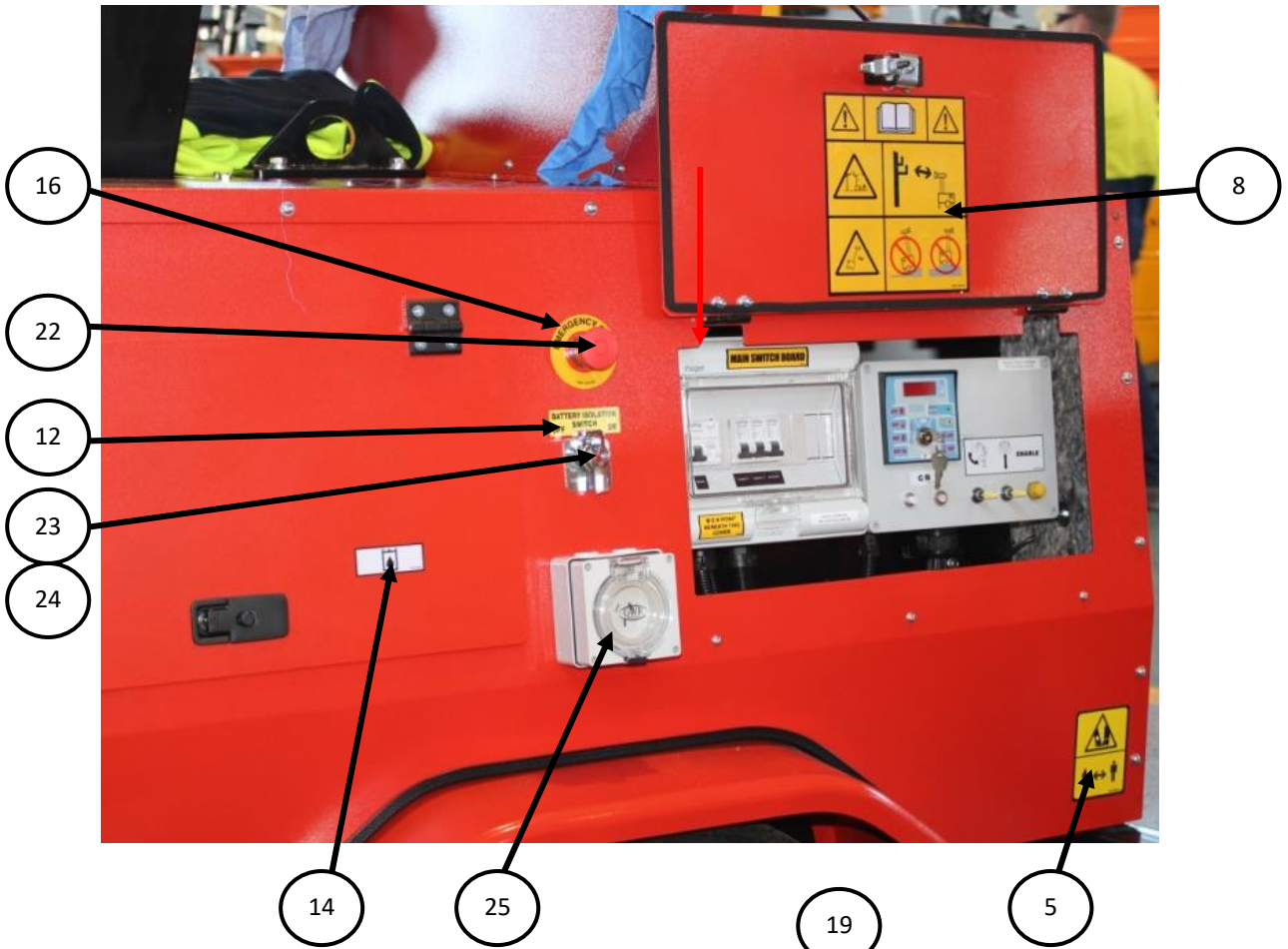
METRO 4000

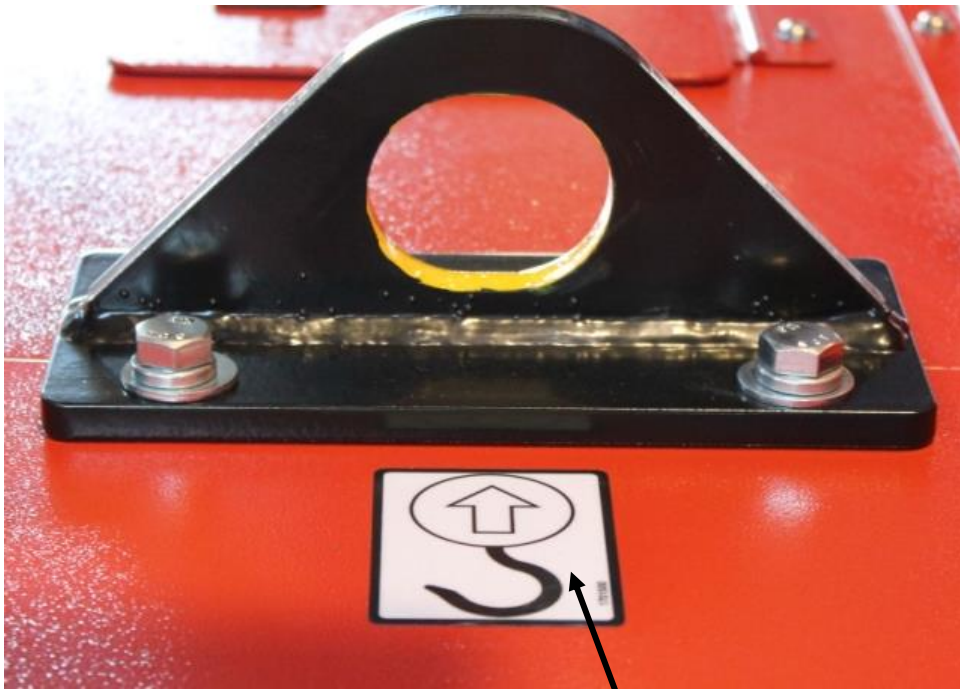


SEQ.#	ITEM NO.	DESCRIPTION	QTY
1	1001161494	AC J-BOX, HAGER VECTOR	1
2	1734017	DECAL, MAIN SWITCHBOARD	1
3	1730958	RCD/MCB SINGLE POLE MCB 25A	1
4	1730832	DECAL, M.E.N POINT	1
5	1730622	MCB, 240V 10A SINGLE POLE 6kA C-Curve	5
6	1001164288	DECAL, NOMINAL VOLTAGE 230VAC/12VDC	1
7	1001159782	DECAL, AC LIGHT SWITCHES	1
8	1734131	FINDER 12V RELAY	1

DECAL AND MISCELLANEOUS PARTS





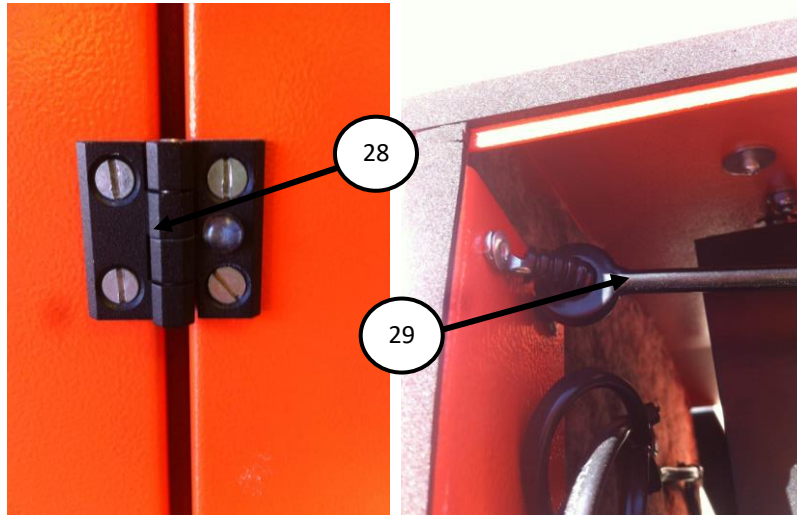


2



3

METRO 4000



SEQ.#	ITEM NO.	DESCRIPTION	QTY
1	1700037	DECAL, GROUND CONTROL	1
2	1701500	DECAL, LIFTING POINT	1
3	1701505	DECAL, DIESEL	1
4	1701785	DECAL, OUTRIGGER HAZARD	4
5	1702009	DECAL, JLG	2
6	1702300	DECAL, TIE DOWN LUGS	4
7	1703073	DECAL, FORK POCKETS	2
8	1001159774	DECAL, DANGER, CONSULT MANUAL	1
9	1001159775	DECAL, BUNDING DRAIN	1
10	1001159776	DECAL, CAUTION LOWERING MAST	2
11	1001159777	DECAL, ENGINE OIL DRAIN	1
12	1001159778	DECAL, BATTERY ISOLATOR	1
13	1001159779	DECAL, DANGER ELECTROCUTION	4
14	1001159780	DECAL, HYDRAULIC OIL	1
15	1001159781	DECAL, DO NOT TOW WHEN MAST UP	1
16	1001159783	DECAL, EMERGENCY STOP	1
17	1001162338	DECAL, METRO 4000	2
18	1001162824	DECAL, OUTRIGGER OPERATE	2
19	1001162825	DECAL, MAST ROTATION LOCK	1
20	1001163141	DECAL, FRONT OUTRIGGER	2
21	0860520	BOX, MANUAL STORAGE	1
22	4360475	SWITCH, EMERGENCY STOP	1
23	4360155	SWITCH, MASTER ISOLATOR SPST	1
24	1734117	KIT, BATTERY ISOLATOR LOCKABLE	1
	1733228	3 PIN SOCKET OUTLET	1
25	1733231	SINGLE GANG ENCLOSURE BASE	1
26	1734145	TAIL LIGHT LED	2
27	1730941	NUMBER PLATE LIGHT	1
28	1001168215	BUMPER, SURFACE PROTECTOR	2
29	1732276	CONDUIT, NYLON 8mm	35mm