



Illustrated Parts Manual

Model E300AJP

PVC
2401

P/N
31222492

June 3, 2024 - Rev B

ANSI

CE



**UK
CA**

AS/NZS



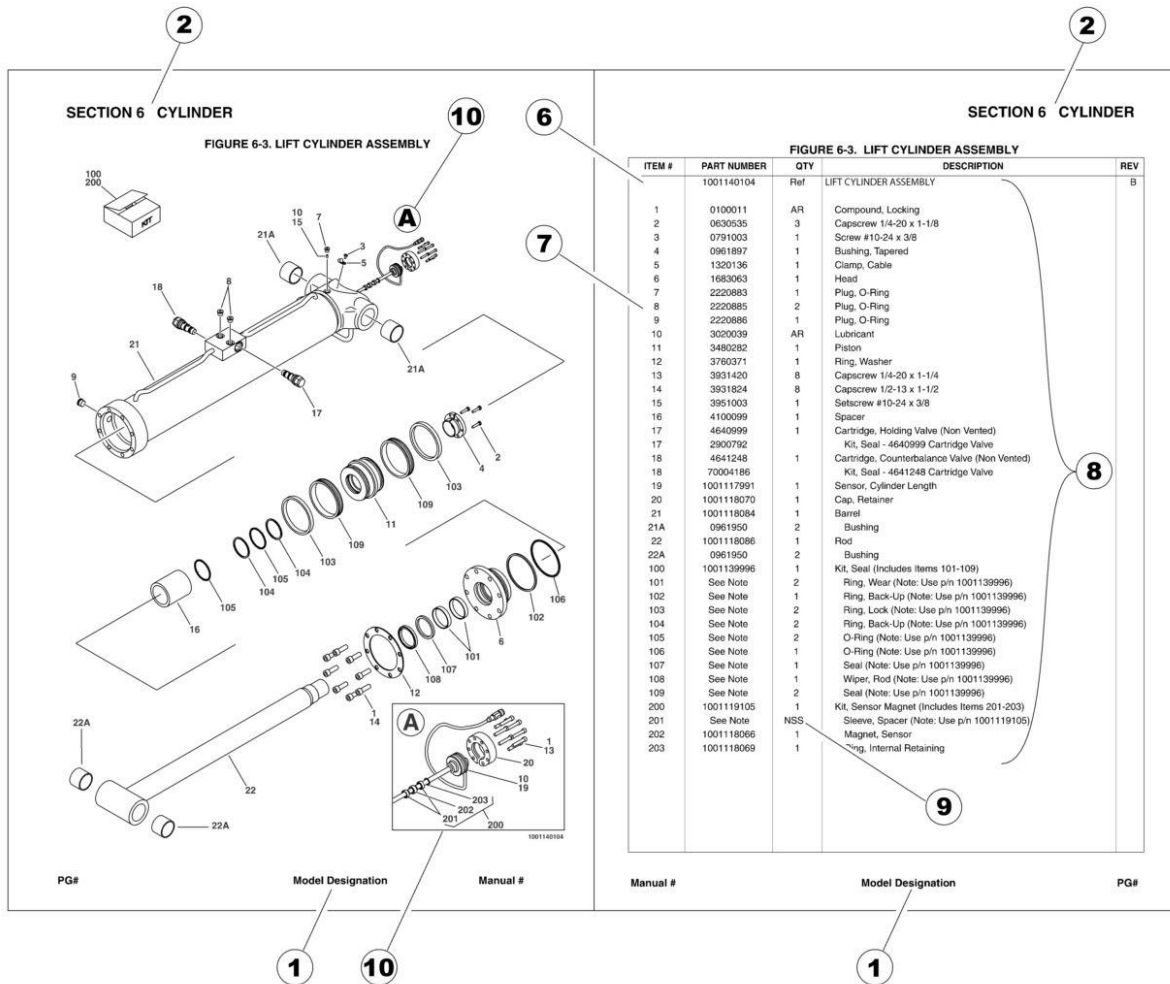
An Oshkosh Corporation Company

REVISION LOG

January 1, 2024 - A - Original Issue of Manual (Edited to B/M 1001247553 Revision P)

June 3, 2024 - B - Revised Manual (Edited to B/M 1001247553 Revision T)

GENERAL INFORMATION



1) MACHINE IDENTIFICATION

Machines are identified by model and in some cases a combination of models, serial number (SN) or regional standard (i.e ANSI, CE, CSA). Components may also be identified by SN or manufacturer. Common components that may be identified by these characteristics are engines and hydraulic components.

2) PARTS MANUAL ORGANIZATION

Product information in this manual is organized under section titles. Frame, Cylinder, Hydraulic and Electrical are a few examples. Each section is organized by figure and page number. The information within the Figure is then organized by item number, part number, description and corresponding illustration (s).

3) TABLE OF CONTENTS (NOT SHOWN)

A table of contents is found toward the beginning of the manual. Figure number, description and page number are provided for quick reference to the page containing the related information.

4) RECOMMENDED SPARE PARTS (NOT SHOWN)

The Recommended Spare Parts List, located near the end of the manual, reference most frequently used maintenance parts.

5) PART NUMBER INDEX (NOT SHOWN)

A numerical index listing all part numbers and the corresponding page number(s) appears at the back of the manual.

GENERAL INFORMATION

6) NON-SERVICED PARTS

In some instances, it is necessary to display non-serviced parts, assemblies or installations. In the case of assemblies and installations there will be a Ref in the Qty. column. In case of parts that are not available for service within assemblies or components, there will be a NSS (Not Sold Separately) or NLA (No Longer Available) listed in the Qty. column of the manual.

7) PARTS LIST ITEM NUMBERS

Numbers shown in the item# column correspond to numbers used in the associated illustration (s). Item numbers which are missing from the sequence in the parts list are not used on that page.

8) INDENTED PARTS DESCRIPTION

An indented part description is included in the item under which it is indented.

9) ABBREVIATION AND SYMBOLS

AC.....	Alternating Current	L.....	Liter
ADE.....	Advanced Design Electronics	LB(LBS).....	Pounds
AG.....	Agricultural	LCD.....	Liquid Crystal Display
ANSI.....	American National Standards Institute	LED.....	Light Emitting Diodes
AR.....	As Required	LH.....	Left Hand
ASSY.....	Assembly	LRC.....	Low Rated Countries
AUS.....	Australia	LSS.....	Load Sensing System
AUX.....	Auxiliary	M(m).....	Metric/Meter
AWG.....	American Wire Gauge	MM(mm).....	Milimeter
B/M.....	Bill of Material	mA.....	Miliamps
CAC.....	Charge Air Cooler	NLA.....	No Longer Available
CE.....	European Conformity	NPT.....	National Pipe Threads
CCW.....	Counter Clockwise	NSS.....	Not Sold Separately
CM.....	Centimeter	OD.....	Outside Diameter
CW.....	Clockwise	ORB.....	O-Ring Boss
CSA.....	Canadian Standards Association	ORFS.....	O-Ring Face Seal
CYL.....	Cylinder	OZ (oz).....	Ounces
DIA.....	Diameter	PG.....	Page
DC.....	Direct Current	PN.....	Part Number
DEF.....	Diesel Exhaust Fluid	QT(qt.).....	Quarts
EMS.....	Emergency Stop	QTY.....	Quantity
ENG.....	Engine	REF.....	Reference
FT(ft).....	Feet	REV.....	Revision Level
GA(Ga).....	Gauge	RH.....	Right Hand
HRC.....	High Rated Countries	SAE.....	Society of Automotive Engineers
HVAC.....	Heating, Ventilating, and Air Conditioning	SN.....	Serial Number
HYD.....	Hydraulic	SPEC(S).....	Specifications
Hz.....	Hertz	T/T.....	Turntable
ID.....	Inside Diameter	UGM.....	Universal Ground Module
IN.....	inches	V.....	Volts
ISO.....	International Organization for Standards	W.....	Watts
JIC.....	Joint Industry Council	#.....	Number
KG.....	Kilogram		

10) ILLUSTRATION REFERENCE LETTERS

When necessary, illustrations may contain reference letters that are intended to track information (i. e. hoses, harnesses) from one point to another or to track visual enlargement of components to show details that may be located in another area on the illustration.

Note: Due to continuous product improvements, JLG Industries, Inc. reserves the right to make specification changes without prior notification. Contact JLG Industries, Inc. for updated information.

TABLE OF CONTENTS

SECTION 1 - FRAME.....	11
FIGURE 1-1. STEER INSTALLATION.....	12
FIGURE 1-2. HUB AND SPINDLE ASSEMBLY - LH.....	14
FIGURE 1-3. HUB AND SPINDLE ASSEMBLY - RH.....	16
FIGURE 1-4. WHEEL DRIVE INSTALLATION.....	18
FIGURE 1-5. WHEEL DRIVE INSTALLATION - UL SPECS.....	20
FIGURE 1-6. DRIVE MOTOR ASSEMBLY.....	24
FIGURE 1-7. DRIVE HUB ASSEMBLY.....	26
FIGURE 1-8. TIRE AND WHEEL INSTALLATION.....	30
FIGURE 1-9. BATTERY INSTALLATION - 305AH BATTERIES.....	32
FIGURE 1-10. BATTERY INSTALLATION - 305AH BATTERIES (UL SPECS).....	34
FIGURE 1-11. BATTERY INSTALLATION - 305AH AGM BATTERIES.....	36
FIGURE 1-12. BATTERY INSTALLATION - 375AH/706HD BATTERIES.....	38
FIGURE 1-13. INVERTER INSTALLATION - OPTIONAL.....	40
FIGURE 1-14. FRAME COVERS INSTALLATION.....	42
SECTION 2 - TURNTABLE.....	45
FIGURE 2-1. VALVES, TANK AND MOTOR INSTALLATION.....	46
FIGURE 2-2. MAIN VALVE ASSEMBLY.....	48
FIGURE 2-3. BOOM VALVE ASSEMBLY.....	50
FIGURE 2-4. TURNTABLE BEARING AND SWING DRIVE INSTALLATION.....	52
FIGURE 2-5. TURNTABLE BEARING ASSEMBLY.....	54
FIGURE 2-6. SWING MOTOR ASSEMBLY.....	56
FIGURE 2-7. DRIVE ORIENTATION INSTALLATION.....	58
FIGURE 2-8. ELECTRICAL COMPONENTS INSTALLATION (ALL SPECS EXCEPT CE & UK CA SPECS).....	60
FIGURE 2-9. ELECTRICAL COMPONENTS INSTALLATION (CE & UK CA SPECS).....	62
FIGURE 2-10. ELECTRICAL COMPONENTS INSTALLATION (UL SPECS).....	64
FIGURE 2-11. GROUND CONTROL BOX ASSEMBLY - DISPLAY WITHOUT BUTTONS (ALL SPECS EXCEPT CE & UK CA SPECS).....	66
FIGURE 2-12. GROUND CONTROL BOX ASSEMBLY - DISPLAY WITHOUT BUTTONS (CE & UK CA SPECS).....	68
FIGURE 2-13. BATTERY CHARGER INSTALLATION - WITH PLUG (ALL SPECS EXCEPT CE & UK CA SPECS).....	70
FIGURE 2-14. BATTERY CHARGER INSTALLATION - WITH PLUG (CE & UK CA SPECS).....	72
FIGURE 2-15. BATTERY CHARGER INSTALLATION - WITHOUT PLUG.....	74
FIGURE 2-16. CLEARSKY INSTALLATION.....	76
FIGURE 2-17. STROBE LIGHT INSTALLATION - AMBER.....	78
FIGURE 2-18. STROBE LIGHT INSTALLATION - BLUE.....	80
FIGURE 2-19. STROBE LIGHT INSTALLATION - RED.....	82
FIGURE 2-20. HOOD PLUGS INSTALLATION.....	84
FIGURE 2-21. ALARM INSTALLATION.....	86
FIGURE 2-22. WHITE NOISE ALARM INSTALLATION.....	88
FIGURE 2-23. HOODS INSTALLATION.....	90
SECTION 3 - BOOM.....	93
FIGURE 3-1. BOOM AND CYLINDERS INSTALLATION.....	94
FIGURE 3-2. MAIN BOOM ASSEMBLY.....	96

TABLE OF CONTENTS

FIGURE 3-3. TOWER BOOM ASSEMBLY	98
FIGURE 3-4. JIB ASSEMBLY	100
FIGURE 3-5. ROTATOR ASSEMBLY - PLATFORM	102
FIGURE 3-6. ROTATOR ASSEMBLY - JIB SWING	104
FIGURE 3-7. POWER TRACK INSTALLATION	106
FIGURE 3-8. PLATFORM SUPPORT INSTALLATION	108
SECTION 4 - PLATFORM	111
FIGURE 4-1. PLATFORM ASSEMBLY - 4FT/1.22M - SIDE GATE ENTRY	112
FIGURE 4-2. PLATFORM ASSEMBLY - 4FT/1.22M - DROP BAR ENTRY	114
FIGURE 4-3. PLATFORM CONSOLE AND FOOTSWITCH INSTALLATION	116
FIGURE 4-4. PLATFORM CONSOLE AND FOOTSWITCH INSTALLATION (UL SPECS).....	118
FIGURE 4-5. CONSOLE BOX ASSEMBLY	120
FIGURE 4-6. CONSOLE BOX ASSEMBLY (UL SPECS)	124
FIGURE 4-7. CONTROLLER ASSEMBLY (DRIVE AND STEER)	128
FIGURE 4-8. CONTROLLER ASSEMBLY (LIFT AND SWING)	130
FIGURE 4-9. FOOTSWITCH ASSEMBLY	134
FIGURE 4-10. LIGHT PANEL INSTALLATION.....	136
FIGURE 4-11. TRAY ASSEMBLY	138
FIGURE 4-12. SKYGUARD BAR INSTALLATION.....	140
FIGURE 4-13. SKYEYE INSTALLATION.....	142
FIGURE 4-14. SKYLINE INSTALLATION	144
FIGURE 4-15. SKYSENSE MID TUBE SENSOR ASSEMBLY	146
FIGURE 4-16. SKYSENSE OVERHEAD SENSOR ASSEMBLY	148
FIGURE 4-17. USB CHARGER INSTALLATION.....	150
SECTION 5 - CYLINDER.....	153
FIGURE 5-1. LEVEL (PLATFORM SLAVE) CYLINDER ASSEMBLY.....	154
FIGURE 5-2. LIFT CYLINDER ASSEMBLY - JIB	156
FIGURE 5-3. LIFT CYLINDER ASSEMBLY - MAIN BOOM.....	158
FIGURE 5-4. LIFT CYLINDER ASSEMBLY - TOWER BOOM	160
FIGURE 5-5. MASTER CYLINDER ASSEMBLY	162
FIGURE 5-6. STEER CYLINDER ASSEMBLY	164
FIGURE 5-7. TELESCOPE CYLINDER ASSEMBLY	166
SECTION 6 - HYDRAULIC	169
FIGURE 6-1. HYDRAULIC DIAGRAM	170
SECTION 7 - ELECTRICAL.....	173
FIGURE 7-1. AC BOX AT PLATFORM INSTALLATION - LOCALLY SUPPLIED COMPONENTS (ANSI EXPORT, AUSTRALIAN AND CE & UK CA SPECS)	174
FIGURE 7-2. AC BOX AT PLATFORM INSTALLATION - 110V (ANSI, ANSI EXPORT, CSA, JAPANESE AND UL SPECS)	176
FIGURE 7-3. AC BOX AT PLATFORM INSTALLATION - ANSI AND CSA SPECS	178
FIGURE 7-4. AC BOX AT PLATFORM INSTALLATION - 110V IEC YELLOW (CE & UK CA SPECS).....	180
FIGURE 7-5. AC BOX AT PLATFORM INSTALLATION - 220V IEC BLUE (CE & UK CA SPECS)	182
FIGURE 7-6. AC BOX AT PLATFORM INSTALLATION - 220V AFSINT107 KEYED GROUND (CE & UK CA SPECS).....	184
FIGURE 7-7. AC BOX AT PLATFORM INSTALLATION - 220V CEE7 POST GROUND (CE & UK CA SPECS)	186

TABLE OF CONTENTS

FIGURE 7-8. AC BOX AT PLATFORM INSTALLATION - 220V CEE7 SIDE GROUND (CE & UK CA SPECS)	188
FIGURE 7-9. ACCESS CONTROL HARNESS	190
FIGURE 7-10. BATTERY CABLE KIT - 305AH BATTERIES	192
FIGURE 7-11. BATTERY CABLE KIT - 305AH BATTERIES (UL SPECS)	194
FIGURE 7-12. BATTERY CABLE KIT - 305AH AGM BATTERIES	196
FIGURE 7-13. BATTERY CABLE KIT - 375AH/706HD BATTERIES	198
FIGURE 7-14. BLUETOOTH MODULE HARNESS.....	200
FIGURE 7-15. BOOM CABLES AND CLAMPS INSTALLATION	202
FIGURE 7-16. BOOM HARNESS - MAIN BOOM.....	206
FIGURE 7-17. BOOM HARNESS - TOWER BOOM	208
FIGURE 7-18. BOOM VALVE AND LIMIT SWITCH HARNESS	210
FIGURE 7-19. BREAKER BOX KIT - CE & UK CA SPECS	212
FIGURE 7-20. CHARGER CORD PLUG INSTALLATION - 110V - IEC 60309 - YELLOW (CE & UK CA SPECS)	214
FIGURE 7-21. CHARGER CORD PLUG INSTALLATION - 220V - IEC 60309 - BLUE (CE & UK CA SPECS).....	216
FIGURE 7-22. CHARGER CORD PLUG INSTALLATION - 220V - AFSINT107 KEYED GROUND (CE & UK CA SPECS)	218
FIGURE 7-23. CHARGER CORD PLUG INSTALLATION - 220V - CEE7 POST GROUND (CE & UK CA SPECS)	220
FIGURE 7-24. CHARGER CORD PLUG INSTALLATION - 220V - CEE7 SIDE GROUND (CE & UK CA SPECS).....	222
FIGURE 7-25. CHARGER HARNESS – 48VDC	224
FIGURE 7-26. CLEARSKY INSTALLATION - 4G CANBUS CONNECTION (ALL SPECS EXCEPT CHINA SPECS)	226
FIGURE 7-27. CLEARSKY INSTALLATION 3WIRE CONNECTION (ALL SPECS UL & CHINA SPECS)	228
FIGURE 7-28. DRIVE CABLE KIT.....	230
FIGURE 7-29. DRIVE CABLE KIT - UL SPECS.....	232
FIGURE 7-30. GROUND CONTROL HARNESS	234
FIGURE 7-31. INVERTER HARNESS.....	236
FIGURE 7-32. PLATFORM CONSOLE HARNESS.....	238
FIGURE 7-33. RECEPTACLE BOX KIT - 110V IEC YELLOW (CE & UK CA SPECS)	242
FIGURE 7-34. RECEPTACLE BOX KIT - 220V IEC BLUE (CE & UK CA SPECS).....	244
FIGURE 7-35. RECEPTACLE BOX KIT - 220V AFSINT107 KEYED GROUND (CE & UK CA SPECS)	246
FIGURE 7-36. RECEPTACLE BOX KIT - 220V CEE7 POST GROUND (CE & UK CA SPECS)	248
FIGURE 7-37. RECEPTACLE BOX KIT - 220V CEE7 SIDE GROUND (CE & UK CA SPECS)	250
FIGURE 7-38. SKYGUARD INTERFACE HARNESS	252
FIGURE 7-39. SKYEYE EMITTER HARNESS.....	254
FIGURE 7-40. SKYEYE INTERMEDIATE HARNESS.....	256
FIGURE 7-41. SKYEYE RECEIVER HARNESS	258
FIGURE 7-42. SKYLINE HARNESS.....	260
FIGURE 7-43. STEER SENSOR HARNESS.....	262
FIGURE 7-44. STROBE LIGHT JUMPER HARNESS.....	264
FIGURE 7-45. TRACTION MODULE TO DRIVE HARNESS	266
FIGURE 7-46. TRACTION MODULE TO TURNTABLE HARNESS	270
FIGURE 7-47. TURNTABLE HARNESS	272
FIGURE 7-48. VALVE HARNESS	276
FIGURE 7-49. WHITE NOISE ALARM HARNESS.....	278
SECTION 8 - DECALS.....	281
FIGURE 8-1. DECAL INSTALLATION (ANSI SPEC)	282
FIGURE 8-2. DECAL INSTALLATION (AUSTRALIAN, CE & UK CA SPECS)	286

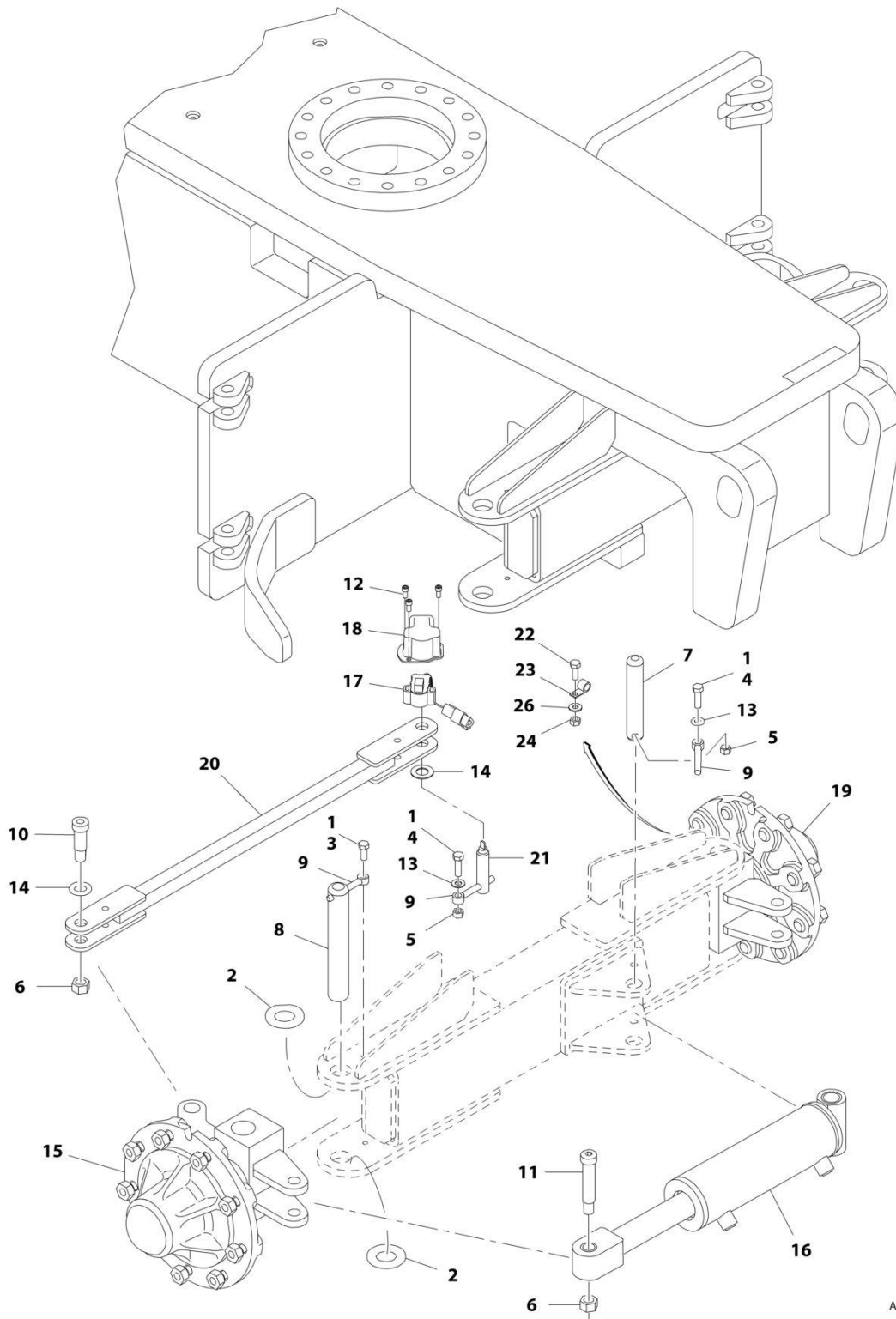
TABLE OF CONTENTS

FIGURE 8-3. DECAL INSTALLATION (BRAZIL SPEC).....	290
FIGURE 8-4. DECAL INSTALLATION (CHINESE SPEC)	294
FIGURE 8-5. DECAL INSTALLATION (CSA SPEC).....	298
FIGURE 8-6. DECAL INSTALLATION (JAPANESE SPEC)	302
FIGURE 8-7. DECAL INSTALLATION (KOREAN SPEC)	306
FIGURE 8-8. DECAL INSTALLATION (LATIN AMERICAN SPEC)	310
FIGURE 8-9. DECAL INSTALLATION - OPTIONS	314
SECTION 9 - RECOMMENDED SERVICE PARTS STOCK	317
FIGURE 9-1. RECOMMENDED SERVICE PARTS STOCK.....	318
SECTION 10 - SPECIAL OPTIONS/ACCESSORIES/KITS.....	321
FIGURE 10-1. SPECIAL OPTIONS/ACCESSORIES/KITS.....	322
PART NUMBER INDEX.....	325

SECTION 1 - FRAME

SECTION 1 - FRAME

FIGURE 1-1. STEER INSTALLATION



ART_1001180906

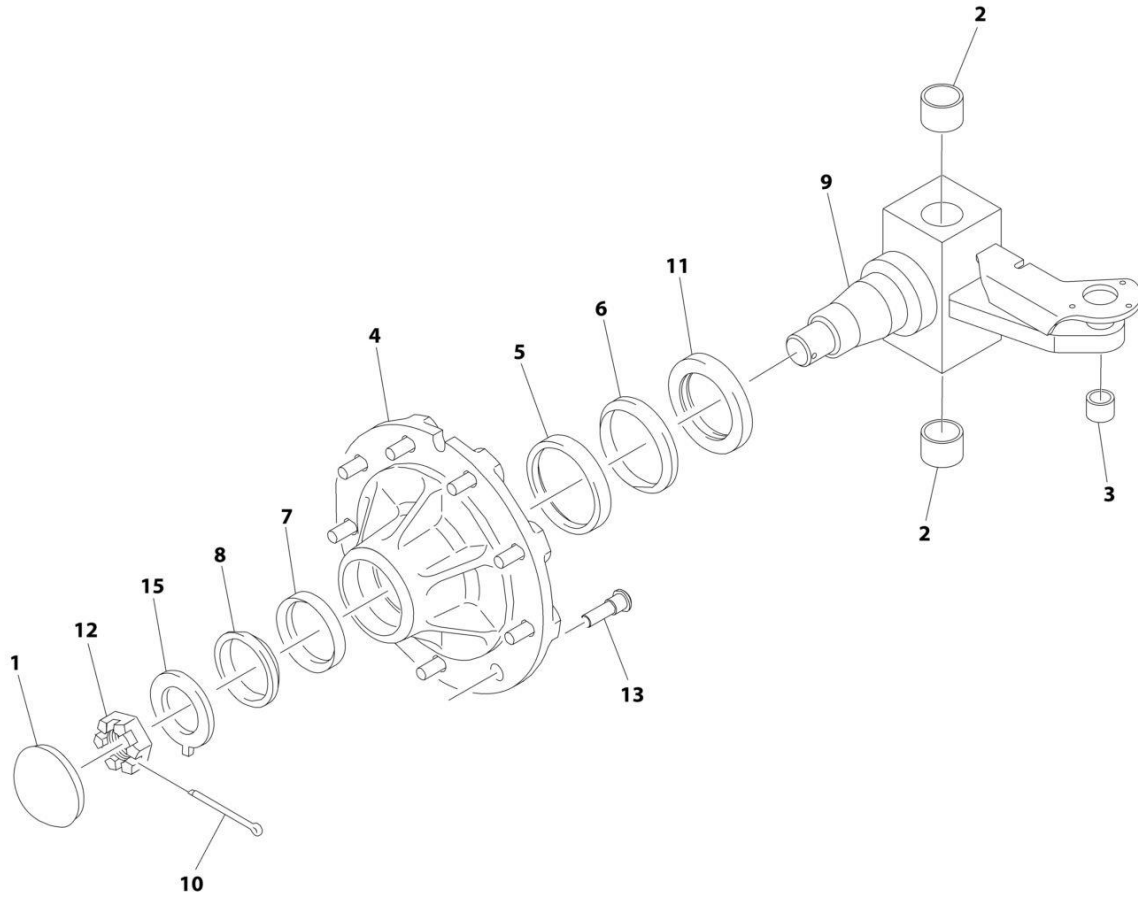
SECTION 1 - FRAME

FIGURE 1-1. STEER INSTALLATION

ITEM	PART NUMBER	QTY	DESCRIPTION	REV
	1001180906	Ref	STEER INSTALLATION	E
1	0100011	AR	Compound, Locking	
2	0440162	4	Bearing, Thrust	
3	0641607	2	Bolt 3/8 x 7/8	
4	0641610	2	Bolt 3/8 x 1-1/4	
5	3311605	2	Nut 3/8	
6	3312005	2	Nut 5/8	
7	3422181	1	Pin	
8	3422562	2	Pin	
9	3841143	4	Keeper, Pin	
10	3900118	1	Screw	
11	3900255	1	Screw 3/4 x 3	
12	3931408	3	Capscrew 1/4 x 1/2	
13	4711600	2	Washer 3/8	
14	4740086	2	Washer, Thrust	
15	1001107712	1	Hub and Spindle Assembly - RH (See Separate Breakdown in this Section)	
16	1001108310	1	Steer Cylinder Assembly (See Separate Breakdown in CYLINDER SECTION)	
17	1001161117	1	Switch, Sensor	
17	4460536	1	Receptacle, Female - 2 Position	
17	4460464	2	Pin, Male	
18	1001169423	1	Cover, Sensor	
19	1001180911	1	Hub and Spindle Assembly - LH (See Separate Breakdown in this Section)	
20	1001180913	1	Tie-Rod	
21	1001180915	1	Pin	
22	0641406	2	Bolt 1/4 x 3/4	
23	1320043	2	Clamp, Cable	
24	3311405	2	Nut 1/4	
25	4240175	1	Tie-Strap (Not Shown)	
26	4711400	2	Washer 1/4	
27	1001192113	1	Steer Sensor Harness (Not Shown - See Separate Breakdown in ELECTRICAL SECTION)	

SECTION 1 - FRAME

FIGURE 1-2. HUB AND SPINDLE ASSEMBLY - LH



ART_1001180911

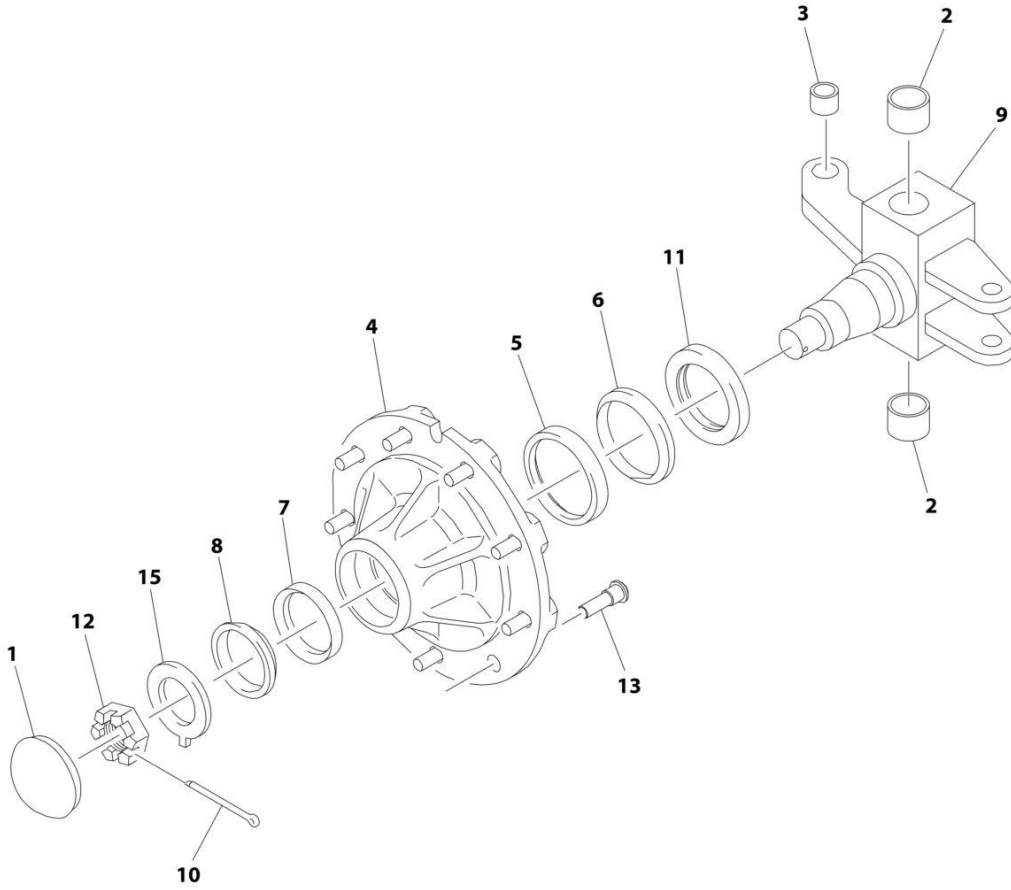
SECTION 1 - FRAME

FIGURE 1-2. HUB AND SPINDLE ASSEMBLY - LH

ITEM	PART NUMBER	QTY	DESCRIPTION	REV
	1001180911	Ref	HUB AND SPINDLE ASSEMBLY - LH	D
1	7020137	1	Cap, Dust	
2	0961951	2	Bushing	
3	0962140	1	Bearing	
4	70002434	1	Hub	
5	7020036	1	Cup, Bearing (Inner) (Part of Item 4)	
6	7020037	1	Cone, Bearing (Inner)	
7	7020038	1	Cup, Bearing (Outer) (Part of Item 4)	
8	7020039	1	Cone, Bearing (Outer)	
9	See Note	NSS	Spindle (Note: Use p/n 1001180911)	
10	7020140	1	Pin, Cotter	
11	7020040	1	Seal	
12	7020054	1	Nut 1-1/4	
13	7020041	9	Stud 5/8	
15	7020055	1	Washer 1-1/4	

SECTION 1 - FRAME

FIGURE 1-3. HUB AND SPINDLE ASSEMBLY - RH



ART_1001107712

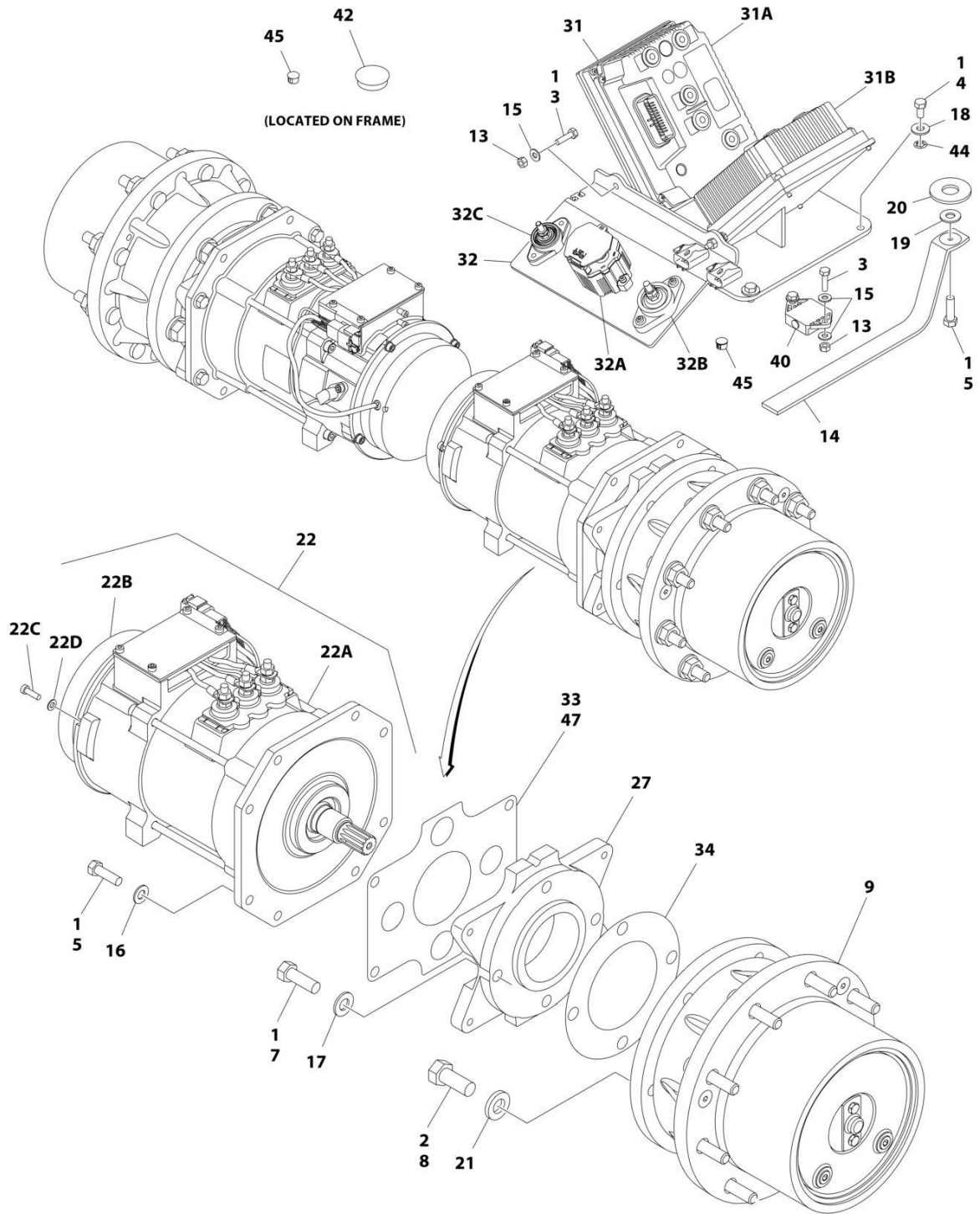
SECTION 1 - FRAME

FIGURE 1-3. HUB AND SPINDLE ASSEMBLY - RH

ITEM	PART NUMBER	QTY	DESCRIPTION	REV
	1001107712	Ref	HUB AND SPINDLE ASSEMBLY - RH	C
1	7020137	1	Cap, Dust	
2	0961951	2	Bushing	
3	0962140	1	Bearing	
4	70002434	1	Hub	
5	7020036	1	Cup, Bearing (Inner) (Part of Item 4)	
6	7020037	1	Cone, Bearing (Inner)	
7	7020038	1	Cup, Bearing (Outer) (Part of Item 4)	
8	7020039	1	Cone, Bearing (Outer)	
9	70002435	1	Spindle	
10	7020140	1	Pin, Cotter	
11	7020040	1	Seal	
12	7020054	1	Nut 1-1/4	
13	7020041	9	Stud 5/8	
15	7020055	1	Washer 1-1/4	

SECTION 1 - FRAME

FIGURE 1-4. WHEEL DRIVE INSTALLATION



ART_1001179774

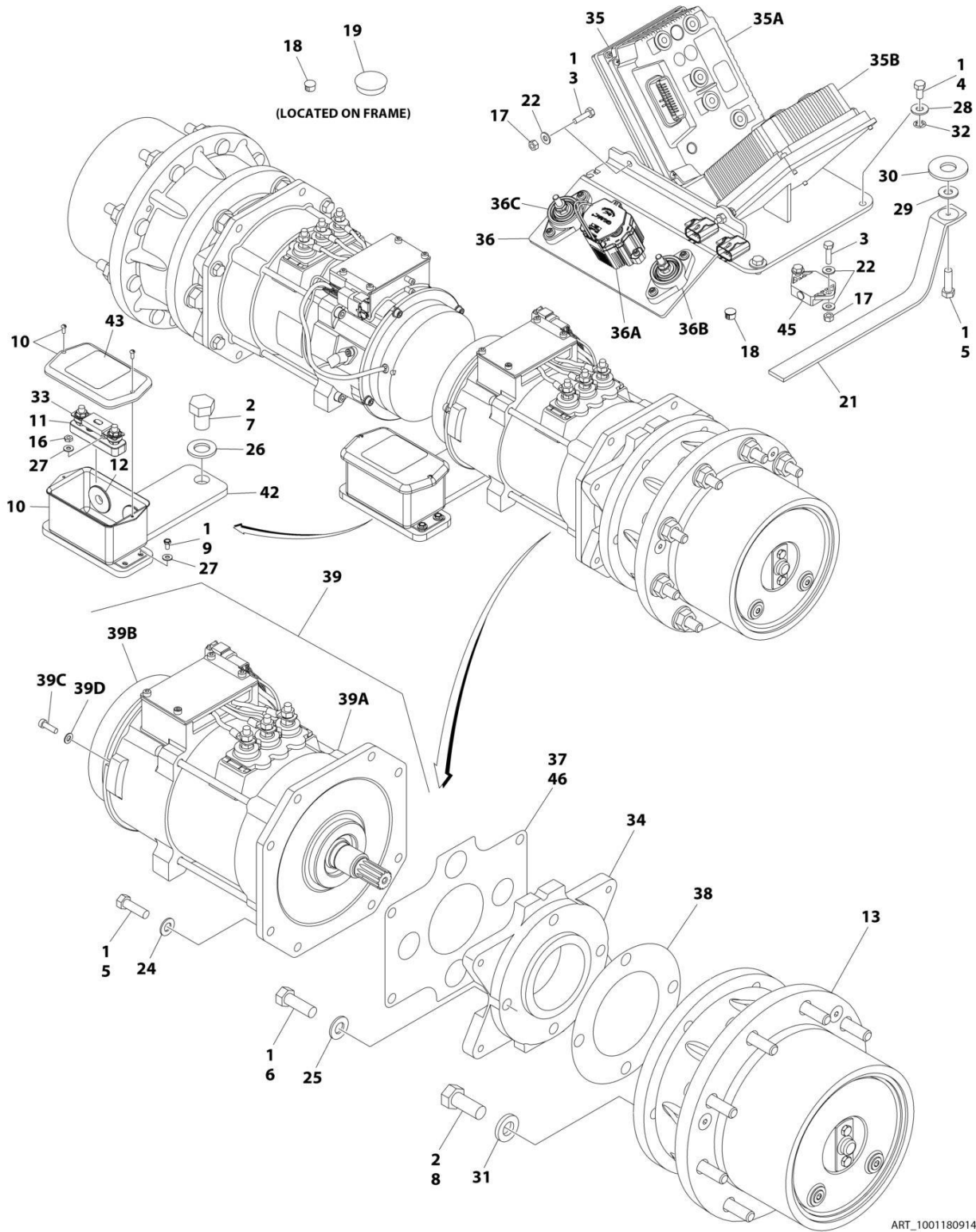
SECTION 1 - FRAME

FIGURE 1-4. WHEEL DRIVE INSTALLATION

ITEM	PART NUMBER	QTY	DESCRIPTION	REV
	1001179774	Ref	WHEEL DRIVE INSTALLATION	N
1	0100011	AR	Compound, Locking	
2	0100019	AR	Compound, Locking	
3	0641408	4	Bolt 1/4 x 1	
4	0641505	4	Bolt 5/16 x 5/8	
5	0641610	9	Bolt 3/8 x 1-1/4	
7	0641812	8	Bolt 1/2 x 1-1/2	
8	0682012	12	Bolt 5/8 x 1-1/2	
9	2780282	2	Drive Hub Assembly (See Separate Breakdown in this Section)	
13	3311401	4	Nut 1/4	
14	4240084	1	Strap, Anti-Static	
15	4711400	6	Washer 1/4	
16	4711600	8	Washer 3/8	
17	4711800	8	Washer 1/2	
18	4751500	4	Washer 5/16	
19	4751600	1	Washer 3/8	
20	4752200	1	Washer 3/4	
21	4892000	12	Washer 5/8	
22	1001184854	2	Drive Motor/Brake Assembly	G
22A	1001182550	2	Drive Motor Assembly (See Separate Breakdown in this Section)	
22B	1001184852	2	Drive Brake Assembly	
22B	70005415	2	O-Ring Between Brake and Motor (Not Shown)	
22C	4031707	8	Capscrew M6 x 16	
22D	1001109892	8	Washer M6	
23	1001192112	1	Traction Module to Turntable Harness (Not Shown - See Separate Breakdown in ELECTRICAL Section)	
24	1001192110	1	Traction Module to Drive Harness (Not Shown - See Separate Breakdown in ELECTRICAL Section)	
27	1001219722	2	Plate, Adapter Motor	
31	1001180317	1	Drive Module Assembly	
31A	1001178339	1	Module, Drive	
31B	1001192212	1	Module, Drive	
32	1001180675	1	Drive Plate Assembly	G
32A	1001170367	NLA	Relay (Use PN 1001272006)	
32A	1001272006	1	Relay	
32B	1001186860	1	Power Distribution Stud	
32C	1001212359	1	Power Distribution Stud	
33	1001220271	2	Seal, Motor	
34	1001182960	2	Seal, Hub	
40	1001219601	1	Sensor	
42	3520035	1	Plug (Located on Frame)	
44	1001119228	4	Nut M8	
45	3520028	4	Plug (Located on Frame)	
46	4240033	1	Tie-Strap (Not Shown)	
47	0100020	AR	Sealant	
100	1001195097	1	Drive Cable Kit (Not Shown - See Separate Breakdown in ELECTRICAL Section)	

SECTION 1 - FRAME

FIGURE 1-5. WHEEL DRIVE INSTALLATION - UL SPECS



ART_1001180914_G

SECTION 1 - FRAME

FIGURE 1-5. WHEEL DRIVE INSTALLATION - UL SPECS

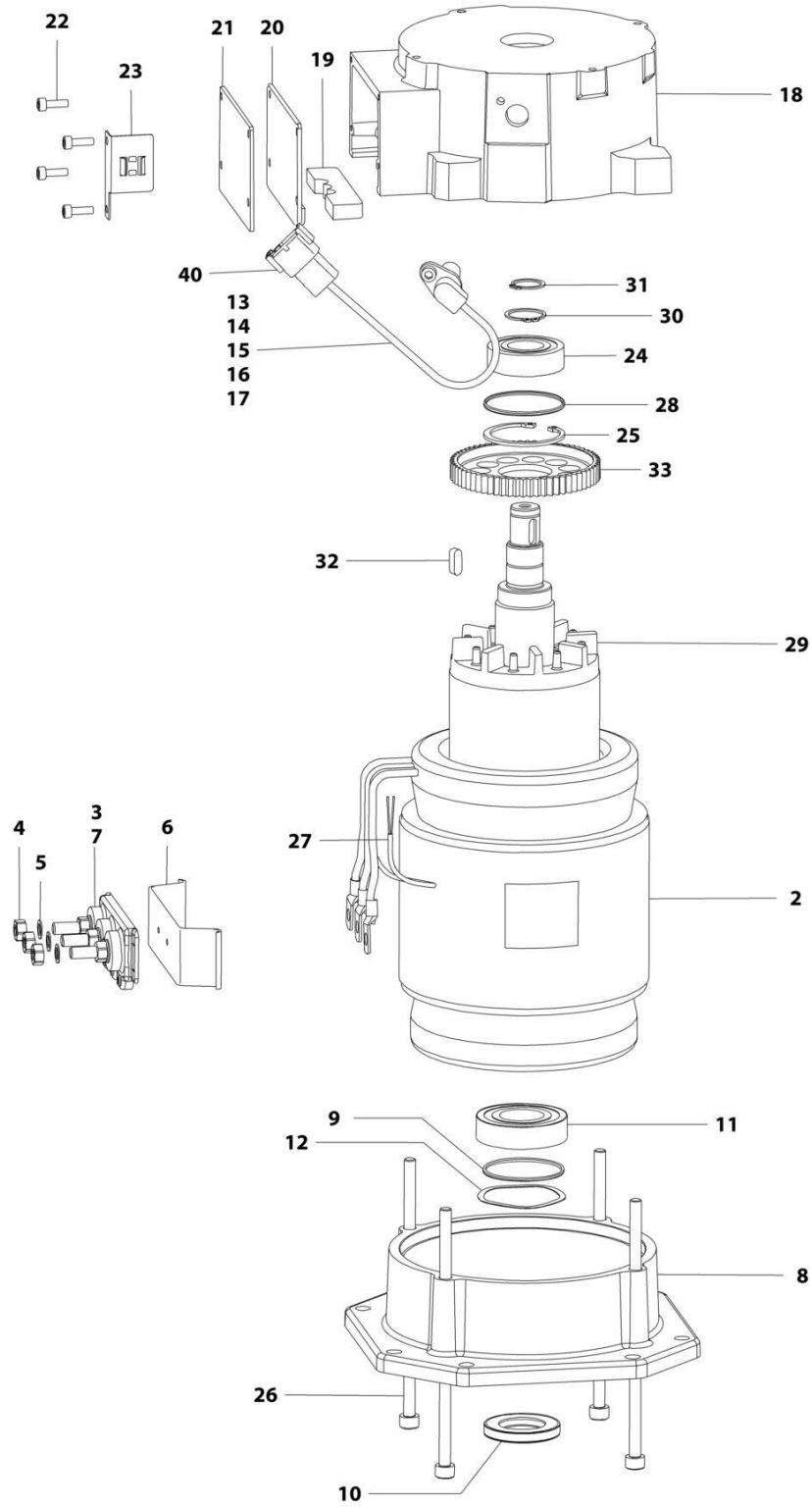
ITEM	PART NUMBER	QTY	DESCRIPTION	REV
	1001180914	Ref	WHEEL DRIVE INSTALLATION	G
1	0100011	AR	Compound, Locking	
2	0100019	AR	Compound, Locking	
3	0641408	4	Bolt 1/4 x 1	
4	0641505	4	Bolt 5/16 x 5/8	
5	0641610	9	Bolt 3/8 x 1-1/4	
6	0641812	8	Bolt 1/2 x 1-1/2	
7	0642208	1	Bolt 3/4 x 1	
8	0682012	12	Bolt 5/8 x 1-1/2	
9	0721003	4	Bolt #10 x 3/8	
10	0861375	1	Box, DSC Cover	
11	2400044	1	Block, Fuse	
12	2540037	2	Grommet, Fuse Box	
13	2780282	2	Drive Hub Assembly (See Separate Breakdown in this Section)	
16	3311001	2	Nut #10	
17	3311401	4	Nut 1/4	
18	3520028	4	Plug	
19	3520035	1	Plug	
20	4240033	1	Tie-Strap (Not Shown)	
21	4240084	1	Strap, Anti-Static	
22	4711400	6	Washer 1/4	
24	4711600	8	Washer 3/8	
25	4711800	8	Washer 1/2	
26	4712200	1	Washer 3/4	
27	4751000	6	Washer #10	
28	4751500	4	Washer 5/16	
29	4751600	1	Washer 3/8	
30	4752200	1	Washer 3/4	
31	4892000	12	Washer 5/8	
32	1001119228	4	Nut M8	
33	1001170365	1	Fuse, 400Amp	
34	1001219722	2	Plate, Adapter Motor	
35	1001180317	1	Drive Module Assembly	
35A	1001178339	1	Module, Drive	
35B	1001192212	1	Module, Drive	
36	1001272307	1	Drive Plate Assembly	A
36A	1001272006	1	Relay	
36B	1001186860	1	Power Distribution Stud	
36C	1001212359	1	Power Distribution Stud	
37	1001220271	2	Seal, Motor	
38	1001182960	2	Seal, Hub	
39	1001184854	2	Drive Motor/Brake Assembly	G
39A	1001182550	2	Drive Motor Assembly (See Separate Breakdown in this Section)	
39B	1001184852	2	Drive Brake Assembly	
39B	70005415	2	O-Ring Between Brake and Motor (Not Shown)	
39C	4031707	8	Capscrew M6 x 16	
39D	1001109892	8	Washer M6	
40	1001192110	1	Traction Module to Drive Harness (Not Shown - See Separate Breakdown in ELECTRICAL Section)	

SECTION 1 - FRAME

ITEM	PART NUMBER	QTY	DESCRIPTION	REV
41	1001192112	1	Traction Module to Turntable Harness (Not Shown - See Separate Breakdown in ELECTRICAL Section)	
42	1001210587	1	Bracket	
43	1001213626	1	Decal - Fuse, 400Amp	
44	0340048	1	Band Kit, Pump Motor (Not Shown)	
45	1001219601	1	Sensor	
46	0100020	AR	Sealant	
100	1001212446	1	Drive Cable Kit (Not Shown - See Separate Breakdown in ELECTRICAL Section)	

SECTION 1 - FRAME

FIGURE 1-6. DRIVE MOTOR ASSEMBLY



ART_1001182550

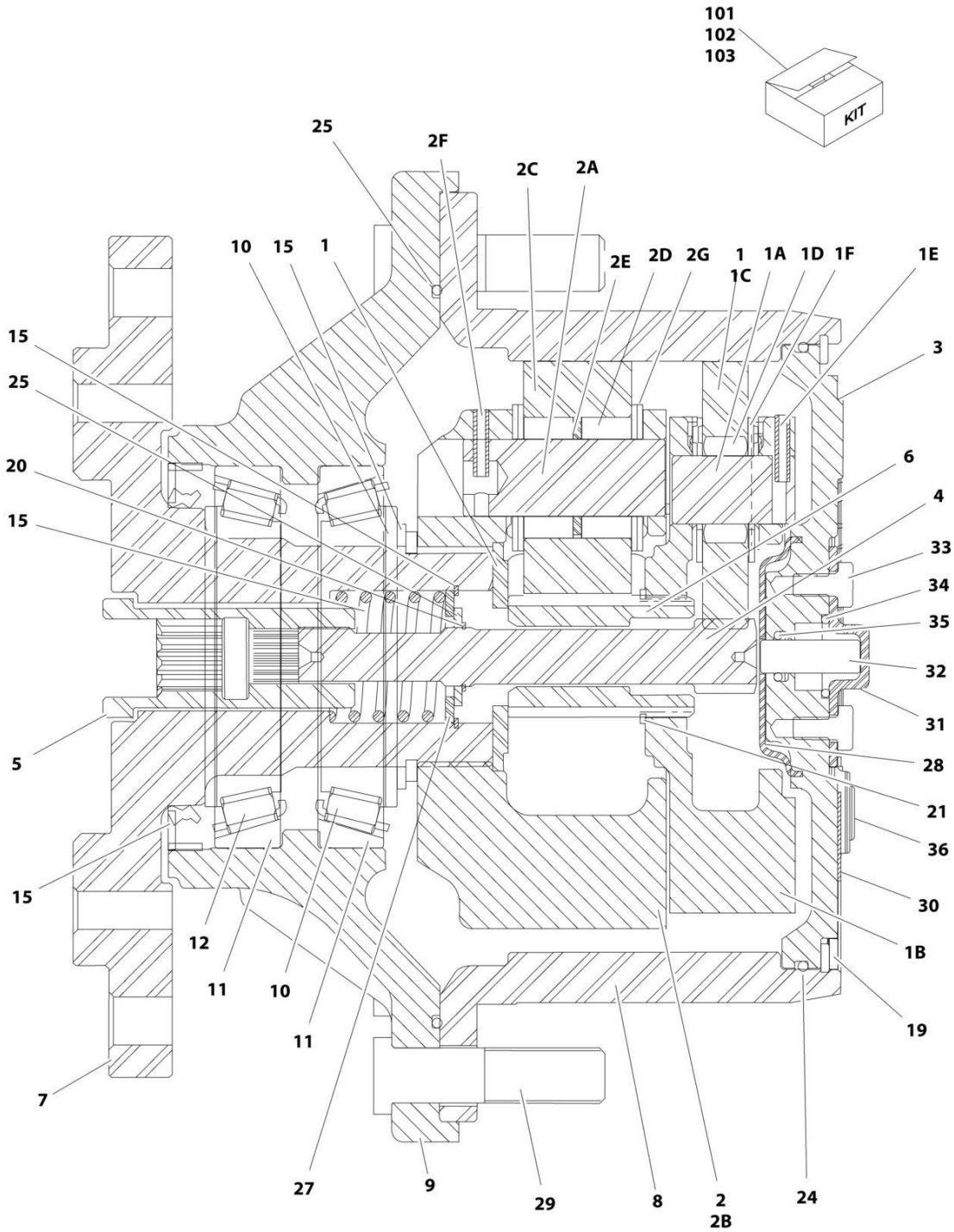
SECTION 1 - FRAME

FIGURE 1-6. DRIVE MOTOR ASSEMBLY

ITEM	PART NUMBER	QTY	DESCRIPTION	REV
	1001182550	Ref	DRIVE MOTOR ASSEMBLY	F
2	70005385	1	Stator	
3	70005386	1	Board, Terminal	
4	70005387	3	Nut M8	
5	70005388	3	Washer M8	
6	70005389	1	Base, Terminal	
7	70005390	2	Screw M5 x 14	
8	70005391	1	Plate, Drive End	
9	70004811	1	O-Ring	
10	70005392	1	Seal, Shaft	
11	70004809	1	Bearing	
12	70005393	1	Washer, Wavy	
13	70005394	1	Sensor (Includes Items 14-17)	
14	70005395	1	Screw M8 x 16	
15	70005396	1	Wedge	
16	70005397	1	Connector	
17	4460516	4	Pin, Male	
18	70005398	1	Shield, End	
19	70005399	1	Seal	
20	70005400	1	Seal	
21	70005401	1	Cover	
22	70005402	4	Screw M5 x 16	
23	70005403	1	Plate, Retaining	
24	70005404	1	Bearing	
25	70005405	1	Clip, Retainer	
26	70005406	4	Screw M8 x 180	
27	70005407	1	Temperature, Sensor	
28	70005408	1	O-Ring	
29	70005409	1	Rotor	
30	70004820	1	Clip, Retainer	
31	70005410	1	Clip, Retainer	
32	70005411	1	Key	
33	70005412	1	Gear	
40	1001190577	1	Connector - 8 Position	
40	4460516	8	Pin	

SECTION 1 - FRAME

FIGURE 1-7. DRIVE HUB ASSEMBLY



ART_2780282

SECTION 1 - FRAME

FIGURE 1-7. DRIVE HUB ASSEMBLY

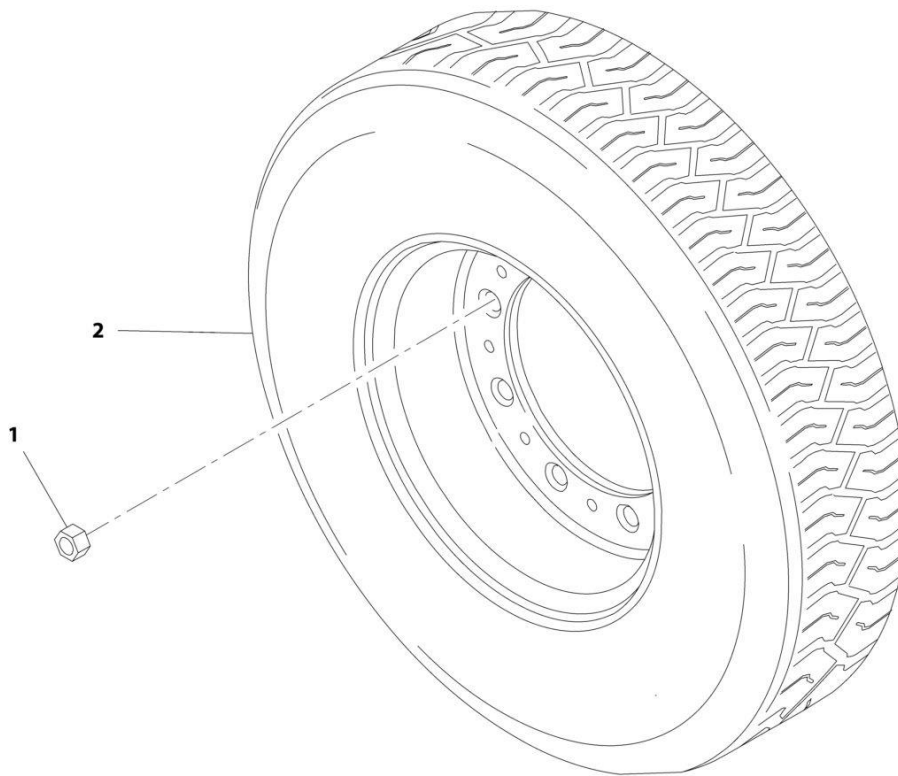
ITEM	PART NUMBER	QTY	DESCRIPTION	REV
	2780282	Ref	DRIVE HUB ASSEMBLY	D
1	70001366	1	Carrier Sub Assembly	
1A	See Note	NSS	Shaft, Planet (Note: Use Item 1)	
1B	See Note	NSS	Carrier (Note: Use Item 1)	
1C	See Note	NSS	Gear, Planet (Note: Use Item 1)	
1D	See Note	NSS	Bearing, Needle (Note: Use Item 1)	
1E	See Note	NSS	Rollpin (Note: Use Item 1)	
1F	See Note	NSS	Thrustwasher (Note: Use Item 1)	
2	70001367	1	Carrier, Input	
2A	See Note	NSS	Shaft, Planet (Note: Use Item 2)	
2B	See Note	NSS	Carrier (Note: Use Item 2)	
2C	See Note	NSS	Gear, Planet (Note: Use Item 2)	
2D	See Note	NSS	Bearing, Needle (Note: Use Item 2)	
2E	See Note	NSS	Spacer, Thrust (Note: Use Item 2)	
2F	See Note	NSS	Rollpin (Note: Use Item 2)	
2G	See Note	NSS	Thrustwasher (Note: Use Item 2)	
2H	See Note	NSS	Thrustwasher (Note: Use Item 2)	
3	See Note	NSS	Cover (Note: Use Item 103)	
4	70001369	1	Shaft, Input	
5	70001370	1	Coupling	
6	70001371	1	Shaft, Sun Gear	
7	70001372	1	Spindle	
8	70001373	1	Gear, Ring	
9	See Note	NSS	Housing (Note: Not Available - Purchase Complete Assembly)	
10	See Note	NSS	Cone, Bearing (Note: Use Item 101)	
11	See Note	NSS	Cup, Bearing (Note: Use Item 101)	
12	See Note	NSS	Cone, Bearing (Note: Use Item 101)	
13	7017009	1	Thrustwasher	
15	See Note	NSS	Seal, Lip (Note: Use Item 102)	
16	70001374	1	Spring	
17	70001375	1	Ring, Retaining (Internal)	
18	See Note	NSS	Ring, Retaining (Note: Use Item 102)	
19	7024738	1	Ring, Retaining (Note: Use Item 102)	
20	70001376	1	Ring, Retaining (External)	
21	70001377	1	Ring, Retaining (External)	
22	7000281	4	Screw (Not Shown - ID Plate Screws)	
23	7017022	3	Screw (Not Shown - Located on Front of Hub)	
24	See Note	NSS	O-Ring (Note: Use Item 102)	
25	See Note	NSS	O-Ring (Note: Use Item 102)	
26	70001378	1	Spacer, Thrust	
27	70001379	1	Thrustwasher	
28	7024741	1	Spacer, Thrust	
29	7007640	9	Stud, Wheel	
30	See Note	NSS	Flange, Plate (Note: Use Item 103)	
31	See Note	NSS	Cap, Disengage (Note: Use Item 103)	
32	See Note	NSS	Pin, Dowel (Note: Use Item 103)	
33	See Note	NSS	Bolt (Note: Use Item 103)	
34	See Note	NSS	O-Ring (Note: Use Item 103)	
35	See Note	NSS	O-Ring (Note: Use Item 103)	
36	See Note	NSS	O-Ring (Note: Use Item 103)	

SECTION 1 - FRAME

ITEM	PART NUMBER	QTY	DESCRIPTION	REV
101	7017007	1	Planet Gear Bearing Kit (Includes Items 10-12)	
102	70001380	1	Planet Gear Seal Kit (Includes Items 15, 18, 24 & 25)	
103	70001368	1	Cover/Cap/Disengage Kit (Includes Items 3 & 30-36)	

SECTION 1 - FRAME

FIGURE 1-8. TIRE AND WHEEL INSTALLATION



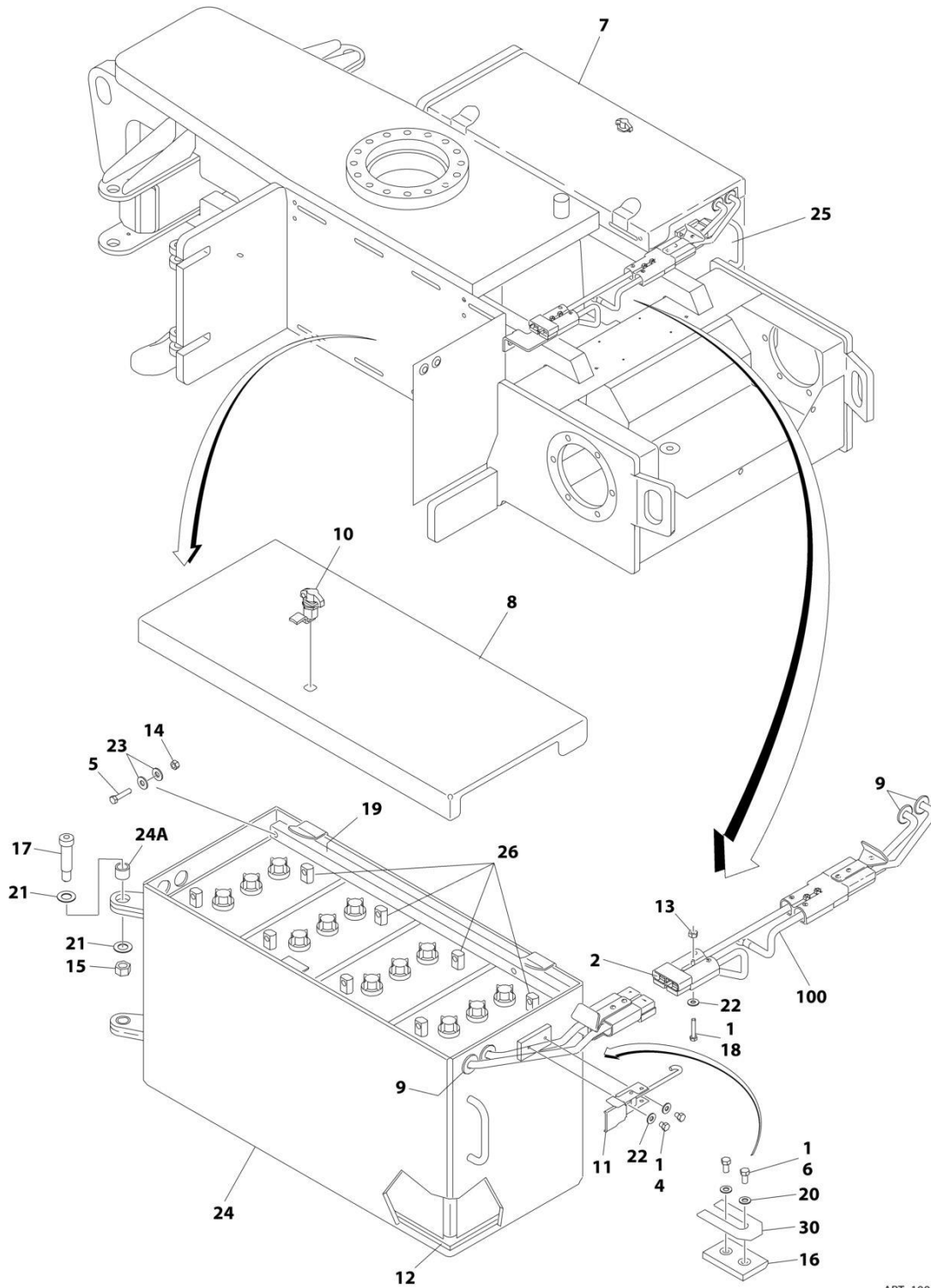
ART_0258986

FIGURE 1-8. TIRE AND WHEEL INSTALLATION

ITEM	PART NUMBER	QTY	DESCRIPTION	REV
	0258986	Ref	TIRE AND WHEEL INSTALLATION	D
1	3300106	36	Lugnut	
2	1001110772	4	Tire and Wheel Assembly	

SECTION 1 - FRAME

FIGURE 1-9. BATTERY INSTALLATION - 305AH BATTERIES



ART_1001177627

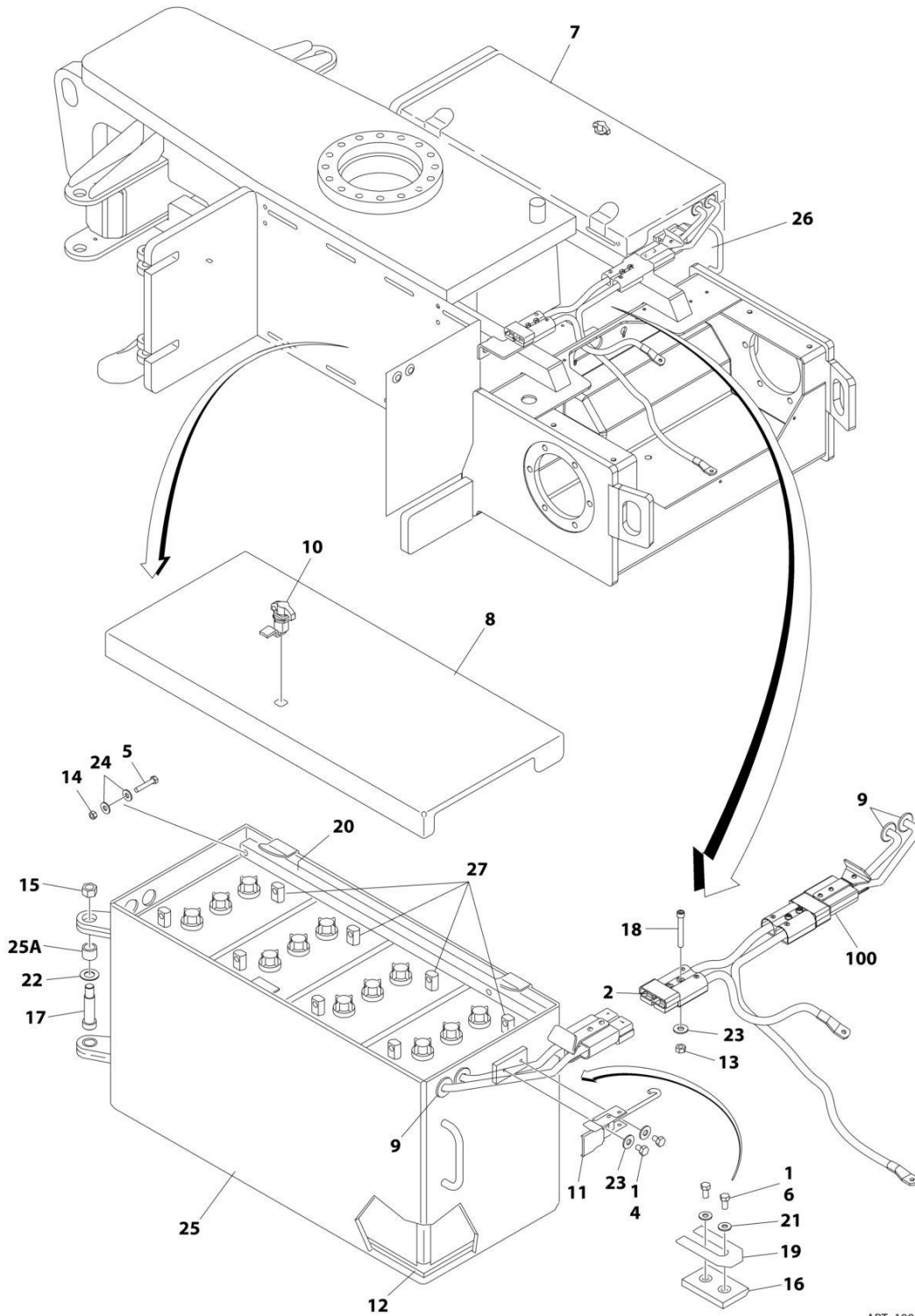
SECTION 1 - FRAME

FIGURE 1-9. BATTERY INSTALLATION - 305AH BATTERIES

ITEM	PART NUMBER	QTY	DESCRIPTION	REV
	1001177627	Ref	BATTERY INSTALLATION - 305AH BATTERIES	D
1	0100011	AR	Compound, Locking	
2	0100048	AR	Grease, Dielectric	
4	0641403	4	Bolt 1/4 x 3/8	
5	0641514	4	Bolt 5/16 x 1-3/4	
6	0641606	4	Bolt 3/8 x 3/4	
7	1670878	1	Cover (Right)	
8	1670890	1	Cover (Left)	
9	2540020	5	Grommet	
10	2940073	2	Latch	
11	2940114	2	Latch	
12	3000003	2	Liner	
13	3311401	4	Nut 1/4	
14	3311505	4	Nut 5/16	
15	3312005	4	Nut 5/8	
16	3340852	2	Pad	
17	3900266	4	Screw	
18	3931430	4	Capscrew 1/4 x 1-7/8	
19	4567739	2	Tube	
20	4711600	4	Washer 3/8	
21	4740086	8	Thrustwasher	
22	4751400	8	Washer 1/4	
23	4751500	AR	Washer 5/16	
24	4845923	1	Box, Battery (Left)	
24A	0962233	2	Bushing	
25	4845924	1	Box, Battery (Right)	
25A	0962233	2	Bushing (Not Shown)	
26	1001105091	8	Battery (6V-305-S)	
30	4070904	2	Shim	
100	1001194946	1	Battery Cable Kit (See Separate Breakdown in ELECTRICAL Section)	

SECTION 1 - FRAME

FIGURE 1-10. BATTERY INSTALLATION - 305AH BATTERIES (UL SPECS)



ART_1001212371

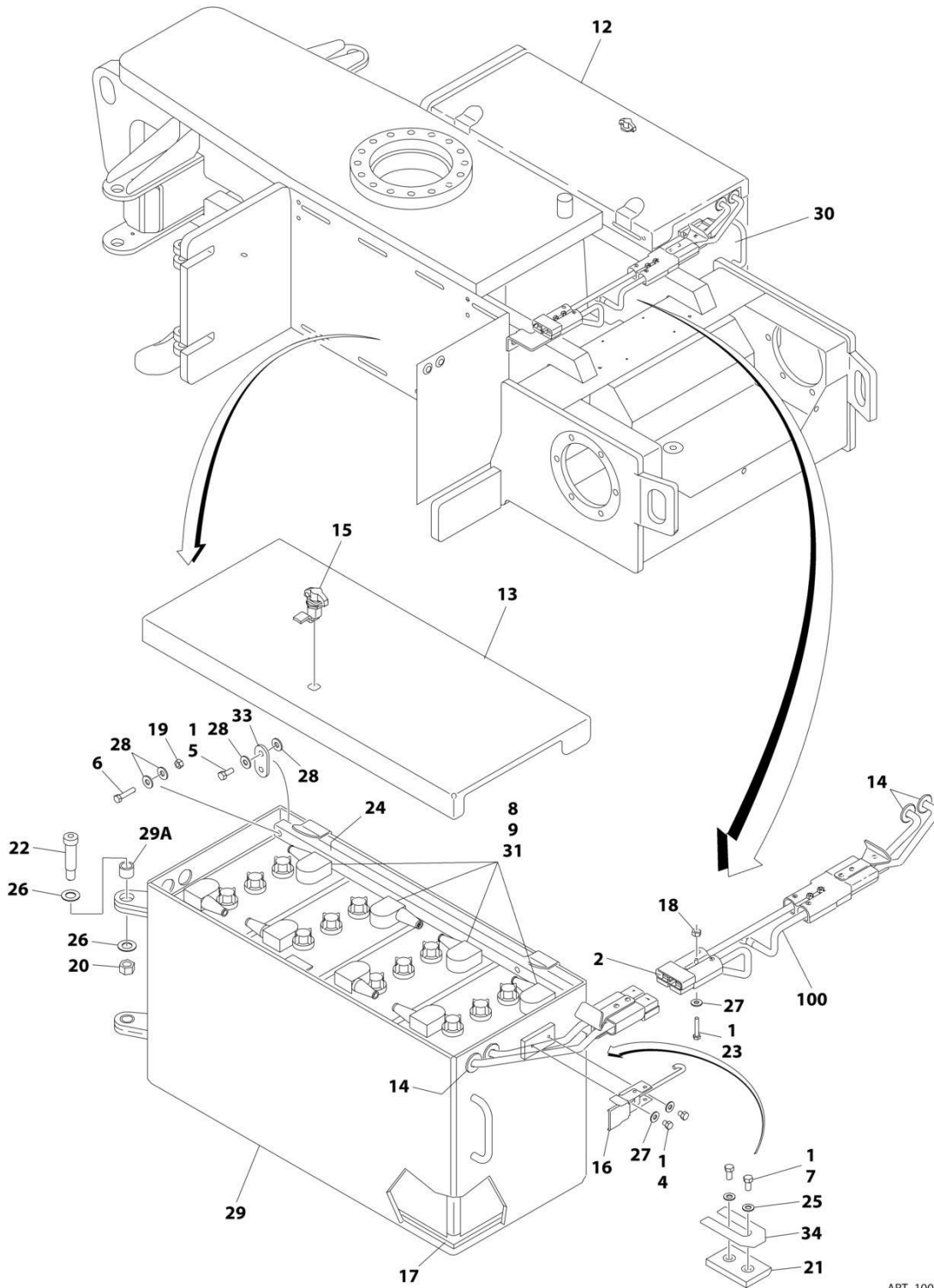
SECTION 1 - FRAME

FIGURE 1-10. BATTERY INSTALLATION - 305AH BATTERIES (UL SPECS)

ITEM	PART NUMBER	QTY	DESCRIPTION	REV
	1001212371	Ref	BATTERY INSTALLATION - 305AH BATTERIES (UL SPECS)	C
1	0100011	AR	Compound, Locking	
2	0100048	AR	Grease, Dielectric	
4	0641403	4	Bolt 1/4 x 3/8	
5	0641514	4	Bolt 5/16 x 1-3/4	
6	0641606	4	Bolt 3/8 x 3/4	
7	1670878	1	Cover (Right)	
8	1670890	1	Cover (Left)	
9	2540020	5	Grommet	
10	2940073	2	Latch	
11	2940114	2	Latch	
12	3000003	2	Liner	
13	3311401	4	Nut 1/4	
14	3311505	4	Nut 5/16	
15	3312005	4	Nut 5/8	
16	3340852	2	Pad	
17	3900266	4	Screw	
18	3931430	4	Capscrew 1/4 x 1-7/8	
19	4070904	2	Shim	
20	4567739	2	Tube	
21	4711600	4	Washer 3/8	
22	4740086	4	Thrustwasher	
23	4751400	8	Washer 1/4	
24	4751500	8	Washer 5/16	
25	4845923	1	Box, Battery (Left)	
25A	0962233	2	Bushing	
26	4845924	1	Box, Battery (Right)	
26A	0962233	2	Bushing (Not Shown)	
27	1001105091	8	Battery (6V-305-S)	
100	1001212376	1	Battery Cable Kit (See Separate Breakdown in ELECTRICAL Section)	

SECTION 1 - FRAME

FIGURE 1-11. BATTERY INSTALLATION - 305AH AGM BATTERIES



ART_1001177590

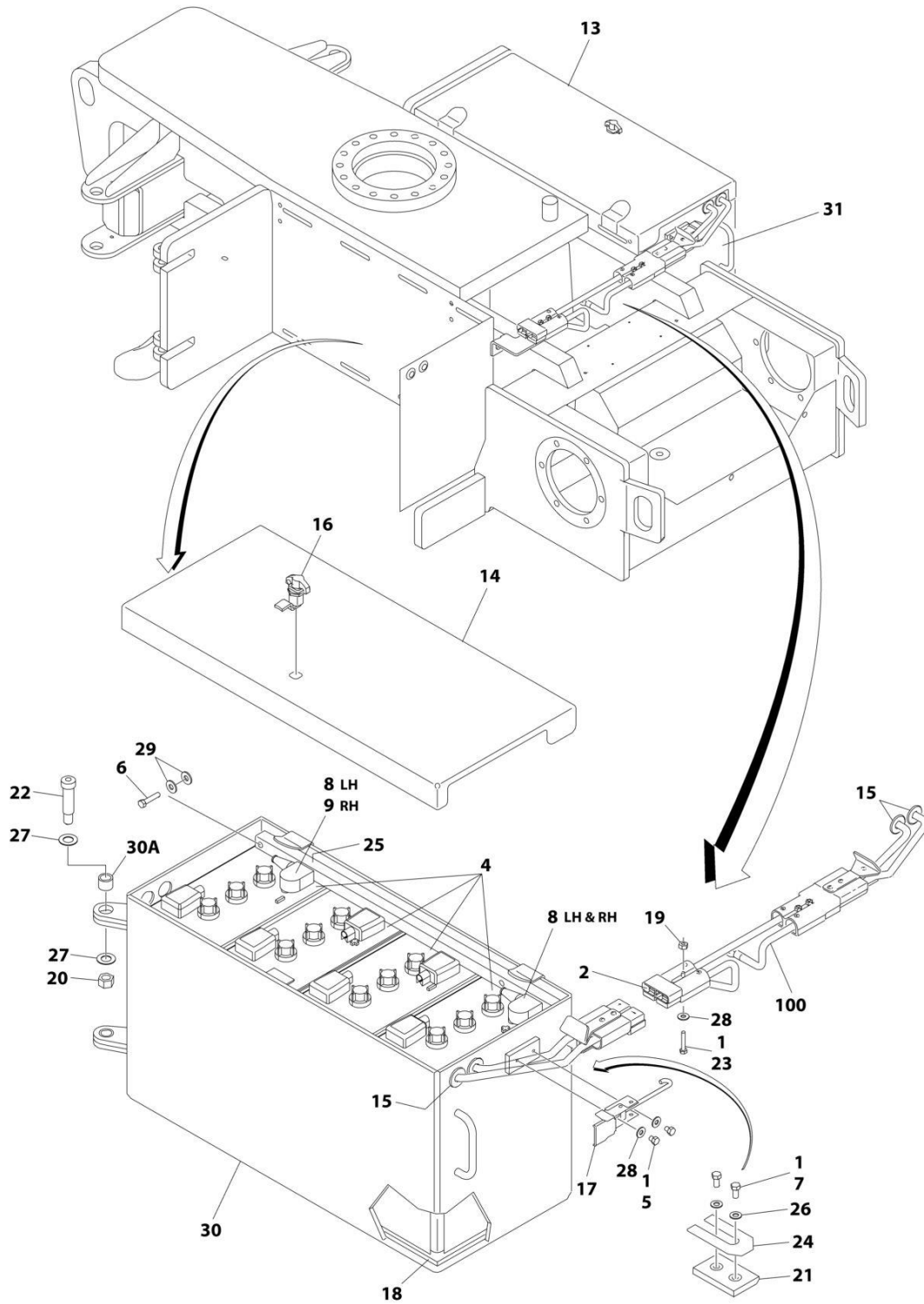
SECTION 1 - FRAME

FIGURE 1-11. BATTERY INSTALLATION - 305AH AGM BATTERIES

ITEM	PART NUMBER	QTY	DESCRIPTION	REV
	1001177590	Ref	BATTERY INSTALLATION - 305AH AGM BATTERIES	D
1	0100011	AR	Compound, Locking	
2	0100048	AR	Grease, Dielectric	
4	0641403	4	Bolt 1/4 x 3/8	
5	0641505	4	Bolt 5/16 x 5/8	
6	0641514	4	Bolt 5/16 x 1-3/4	
7	0641606	4	Bolt 3/8 x 3/4	
8	0840031	7	Boot, Terminal ("d" Shaped)	
9	0840032	9	Boot, Terminal ("b" Shaped)	
12	1670878	1	Cover (Right)	
13	1670890	1	Cover (Left)	
14	2540020	5	Grommet	
15	2940073	2	Latch	
16	2940114	2	Latch	
17	3000003	2	Liner	
18	3311401	4	Nut 1/4	
19	3311505	4	Nut 5/16	
20	3312005	4	Nut 5/8	
21	3340852	2	Pad	
22	3900266	4	Screw	
23	3931430	4	Capscrew 1/4 x 1-7/8	
24	4567739	2	Tube	
25	4711600	4	Washer 3/8	
26	4740086	8	Thrustwasher	
27	4751400	8	Washer 1/4	
28	4751500	AR	Washer 5/16	
29	4845923	1	Box, Battery (Left)	
29A	0962233	2	Bushing	
30	4845924	1	Box, Battery (Right)	
30A	0962233	2	Bushing (Not Shown)	
31	1001114782	8	Battery (6V-305AH-AGM)	
33	1001116006	4	Bracket	
34	4070904	2	Shim	
100	1001194945	1	Battery Cable Kit (See Separate Breakdown in ELECTRICAL Section)	

SECTION 1 - FRAME

FIGURE 1-12. BATTERY INSTALLATION - 375AH/706HD BATTERIES



ART_1001177626_F

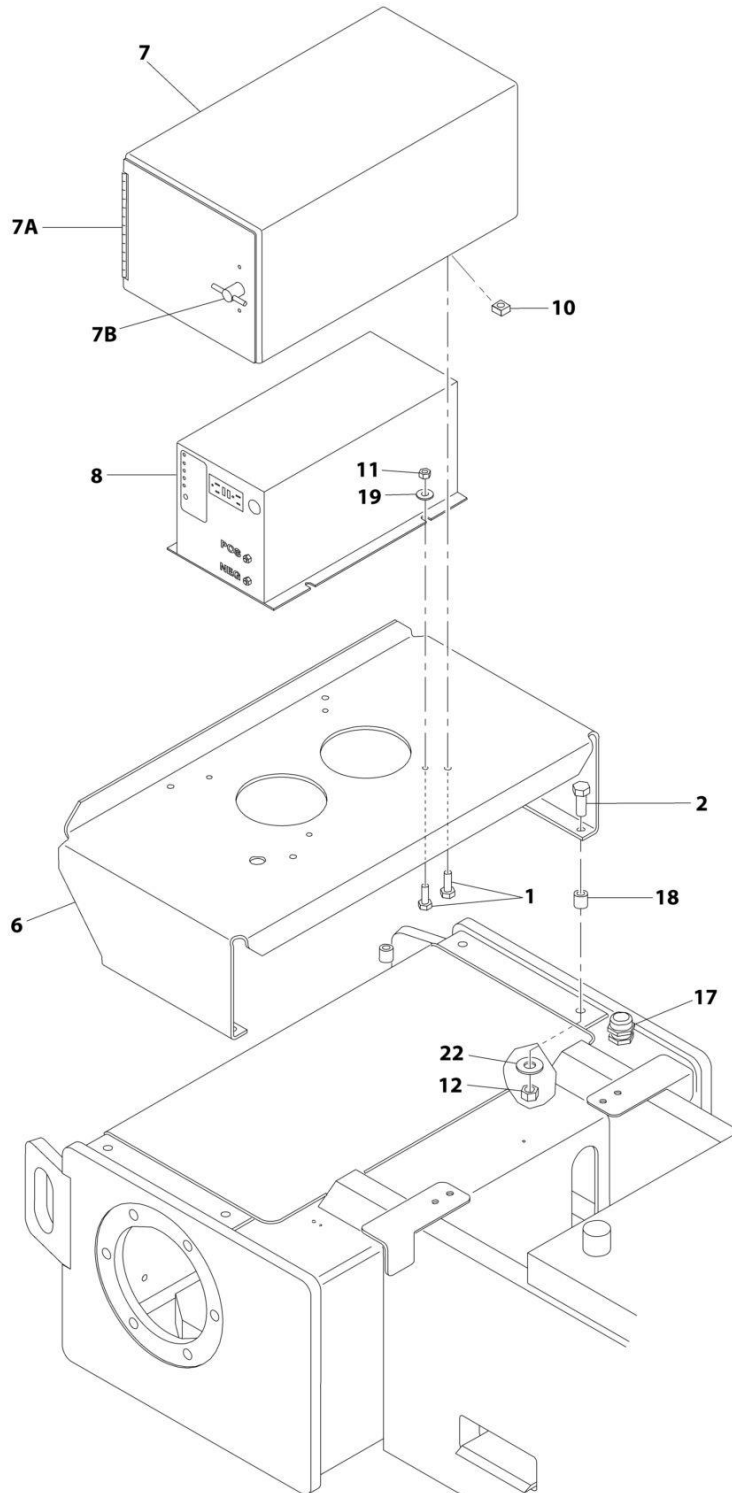
SECTION 1 - FRAME

FIGURE 1-12. BATTERY INSTALLATION - 375AH/706HD BATTERIES

ITEM	PART NUMBER	QTY	DESCRIPTION	REV
	1001177626	Ref	BATTERY INSTALLATION - 375AH/706HD BATTERIES	F
1	0100011	AR	Compound, Locking	
2	0100048	AR	Grease, Dielectric	
4	1001293088	8	Battery (6V-375AH/706HD)	
5	0641403	4	Bolt 1/4 x 3/8	
6	0641512	4	Bolt 5/16 x 1-1/2	
7	0641606	4	Bolt 3/8 x 3/4	
8	0840031	3	Boot, Terminal ("d" Shaped)	
9	0840032	1	Boot, Terminal ("b" Shaped)	
13	1670878	1	Cover (Right)	
14	1670890	1	Cover (Left)	
15	2540020	5	Grommet	
16	2940073	2	Latch	
17	2940114	2	Latch	
18	3000003	2	Liner	
19	3311401	4	Nut 1/4	
20	3312005	4	Nut 5/8	
21	3340852	2	Pad	
22	3900266	4	Screw	
23	3931430	4	Capscrew 1/4 x 1-7/8	
24	4070904	2	Shim	
25	4567739	2	Tube	
26	4711600	4	Washer 3/8	
27	4740086	8	Thrustwasher	
28	4751400	8	Washer 1/4	
29	4751500	AR	Washer 5/16	
30	4845923	1	Box, Battery (Left)	
30A	0962233	2	Bushing	
31	4845924	1	Box, Battery (Right)	
31A	0962233	2	Bushing (Not Shown)	
100	1001194947	1	Battery Cable Kit (See Separate Breakdown in ELECTRICAL Section)	

SECTION 1 - FRAME

FIGURE 1-13. INVERTER INSTALLATION - OPTIONAL



ART_1001195501

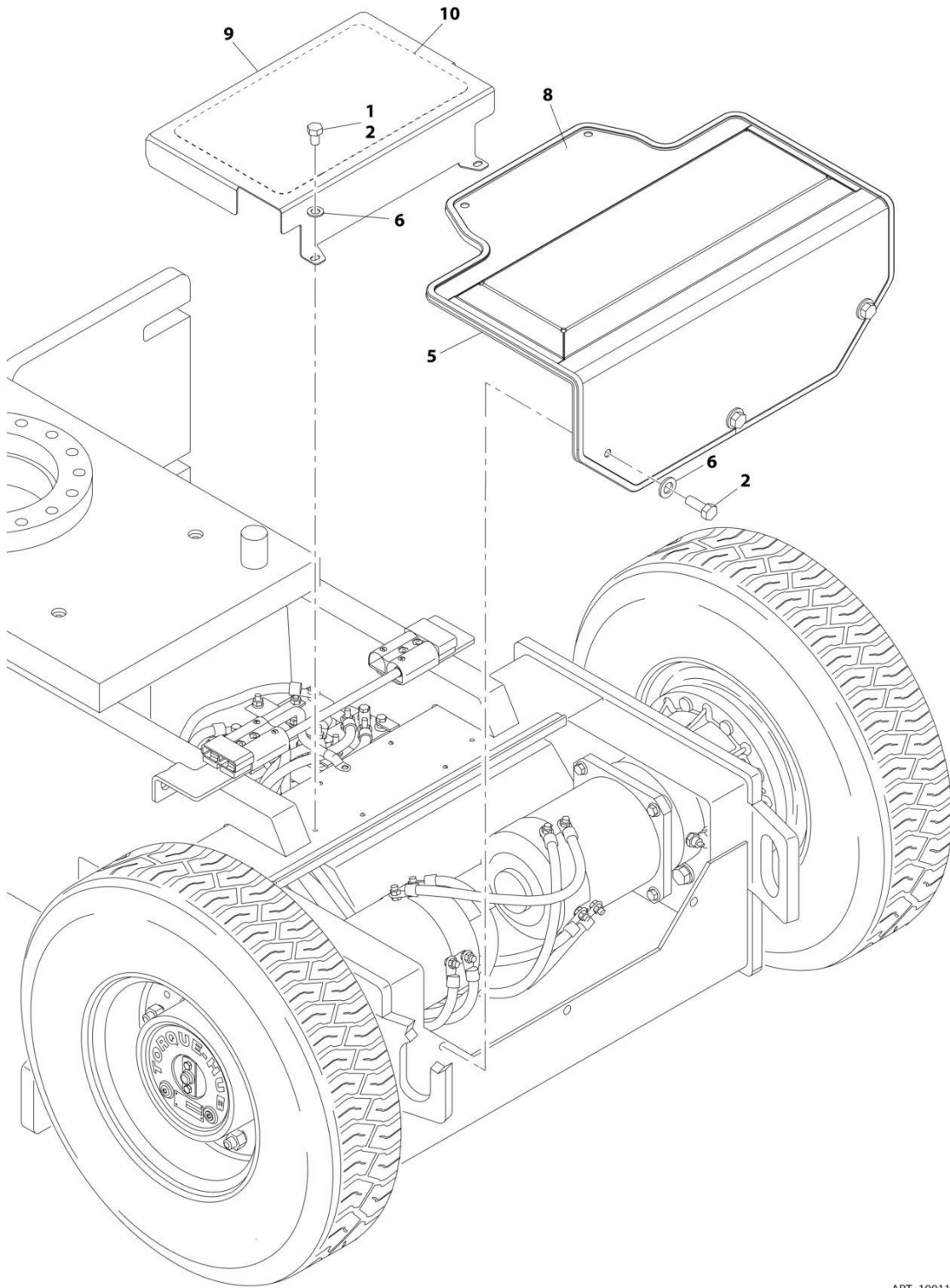
SECTION 1 - FRAME

FIGURE 1-13. INVERTER INSTALLATION - OPTIONAL

ITEM	PART NUMBER	QTY	DESCRIPTION	REV
	1001195501	Ref	INVERTER INSTALLATION - OPTIONAL	D
1	0641406	8	Bolt 1/4 x 3/4	
2	0641618	4	Bolt 3/8 x 2-1/4	
3	1060494	AR	Cable, Electrical - 12/3 (Not Shown)	
4	1060801	1	Cable, Inverter Positive (Not Shown)	
5	1060802	1	Cable, Inverter Negative (Not Shown)	
6	1271463	1	Channel, Mounting	
7	1670953	1	Cover	
7A	2600103	1	Hinge (Welded on Part)	
7B	2940048	1	Latch	
8	2460037	1	Inverter/Generator Assembly	
10	3300353	4	Nut, Tinnerman	
11	3311405	4	Nut 1/4	
12	3311605	4	Nut 3/8	
15	4460134	1	Connector, Female Twist Lock (Not Shown)	
16	4460138	1	Plug, Male (Not Shown)	
17	4460426	1	Connector, Strain Relief	
18	4568165	4	Spacer, Tube	
19	4751400	4	Washer 1/4	
21	1001192293	1	Inverter Harness (Not Shown - See Separate Breakdown in ELECTRICAL SECTION)	
22	4751600	4	Washer 3/8	

SECTION 1 - FRAME

FIGURE 1-14. FRAME COVERS INSTALLATION



ART_1001181936

SECTION 1 - FRAME

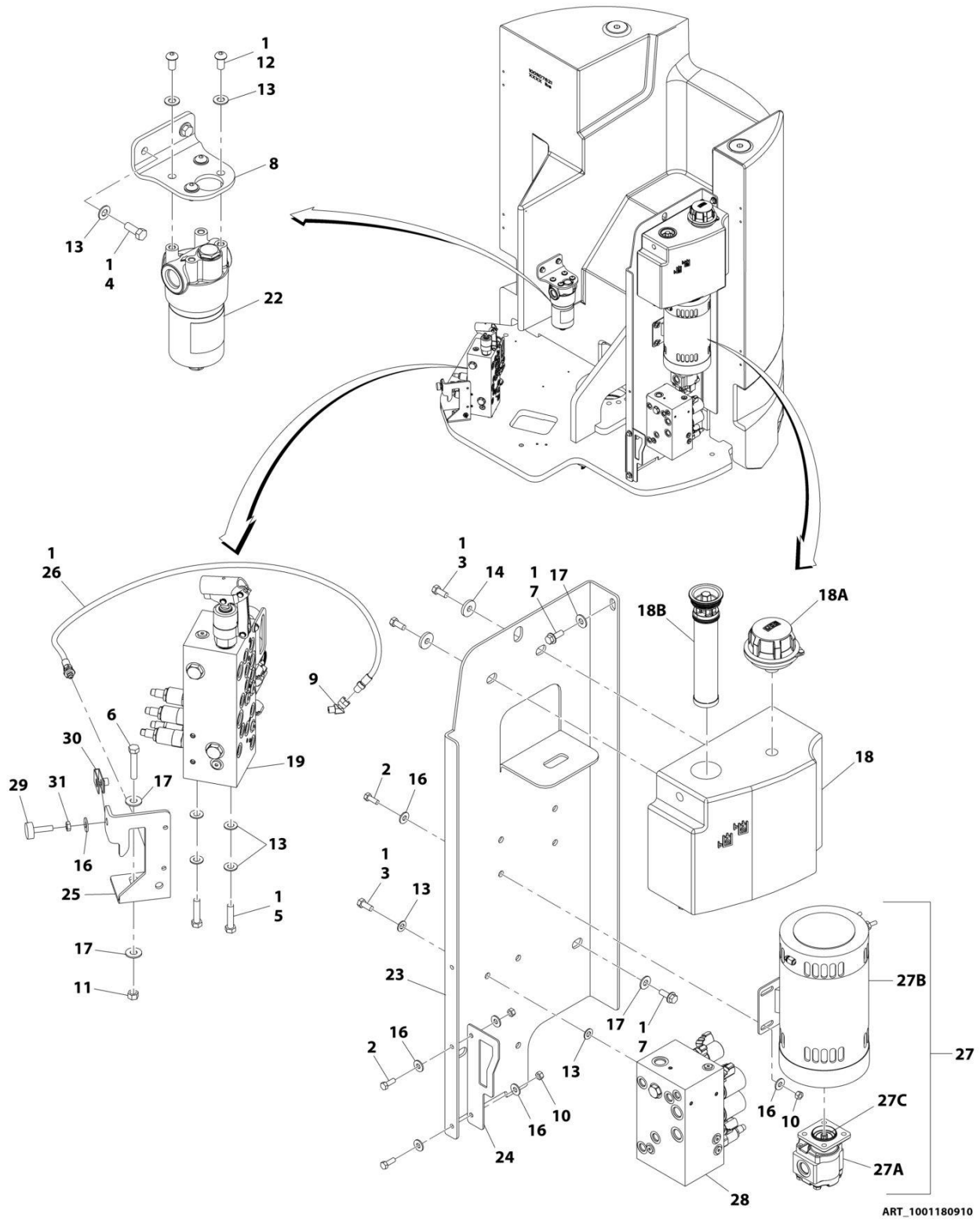
FIGURE 1-14. FRAME COVERS INSTALLATION

ITEM	PART NUMBER	QTY	DESCRIPTION	REV
	1001181936	Ref	FRAME COVERS INSTALLATION	D
1	0100011	AR	Compound, Locking	
2	0641606	7	Bolt 3/8 x 3/4	
5	3960447	63 in/1.6m	Seal	
6	4711600	7	Washer 3/8	
8	1001181643	1	Cover, Rear Axle	
9	1001181644	1	Cover, Contactor	
10	1001195457	1	Decal - Cable Routing	

SECTION 2 - TURNTABLE

SECTION 2 - TURNTABLE

FIGURE 2-1. VALVES, TANK AND MOTOR INSTALLATION



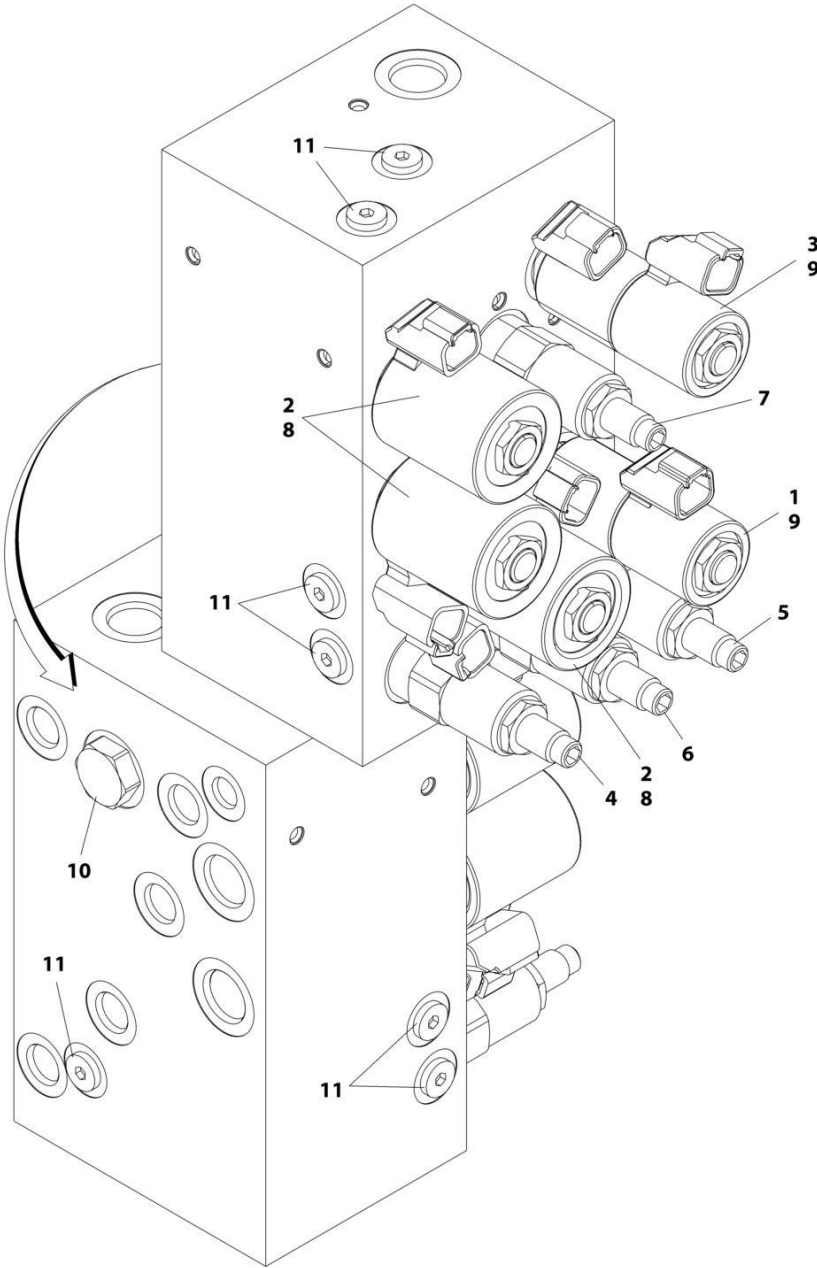
SECTION 2 - TURNTABLE

FIGURE 2-1. VALVES, TANK AND MOTOR INSTALLATION

ITEM	PART NUMBER	QTY	DESCRIPTION	REV
	1001180910	Ref	VALVES, TANK AND MOTOR INSTALLATION - E300AJP	D
1	0100011	AR	Compound, Locking	
2	0641507	6	Bolt 5/16 x 7/8	
3	0641607	5	Bolt 3/8 x 7/8	
4	0641608	2	Bolt 3/8 x 1	
5	0641613	4	Bolt 3/8 x 1-5/8	
6	0641616	1	Bolt 3/8 x 2	
7	0811608	3	Screw 3/8 x 1	
8	0903530	1	Bracket, Filter Mounting	
9	2220124	1	Fitting, 45 NPT	
10	3311505	6	Nut 5/16	
11	3311605	1	Nut 3/8	
12	3900283	4	Screw 3/8 x 3/4	
13	4711600	20	Washer 3/8	
14	4740308	2	Washer	
16	4751500	13	Washer 5/16	
17	4751600	5	Washer 3/8	
18	1001109126	1	Hydraulic Tank Assembly	
18A	70002526	1	Breather	
18B	70002525	1	Filter	
19	1001109446	1	Boom Valve Assembly (See Separate Breakdown in this Section)	
22	1001162882	1	Filter, High Pressure	
22	70004228	1	Element, Filter	
23	1001164642	1	Plate, Hydraulic Tray	
24	1001164643	1	Plate, Clamp Holder	
25	1001164706	1	Plate, Latch	
26	1001174991	1	Hose	
27	1001227665	1	Pump (Spline Shaft) Electric Motor Assembly	
27		Ref	Note: When replacing pump or motor/pump assembly, refer to Service Manual for initial pump start up procedure.	
27A	1001230634	1	Pump	
27A	70006345	1	Mounting Kit (Includes (4) Screws, (4) Washers & (1) Gasket)	
27B	1001175350	1	Motor	
27C	3020037	1	Lube, Coupling Grease	
28	1001177363	1	Main Valve Assembly (See Separate Breakdown in this Section)	
29	0940049	1	Stopper	
30	88662523	1	Nut, Tinnerman	
31	3311502	1	Nut 5/16	

SECTION 2 - TURNTABLE

FIGURE 2-2. MAIN VALVE ASSEMBLY



ART_1001177363

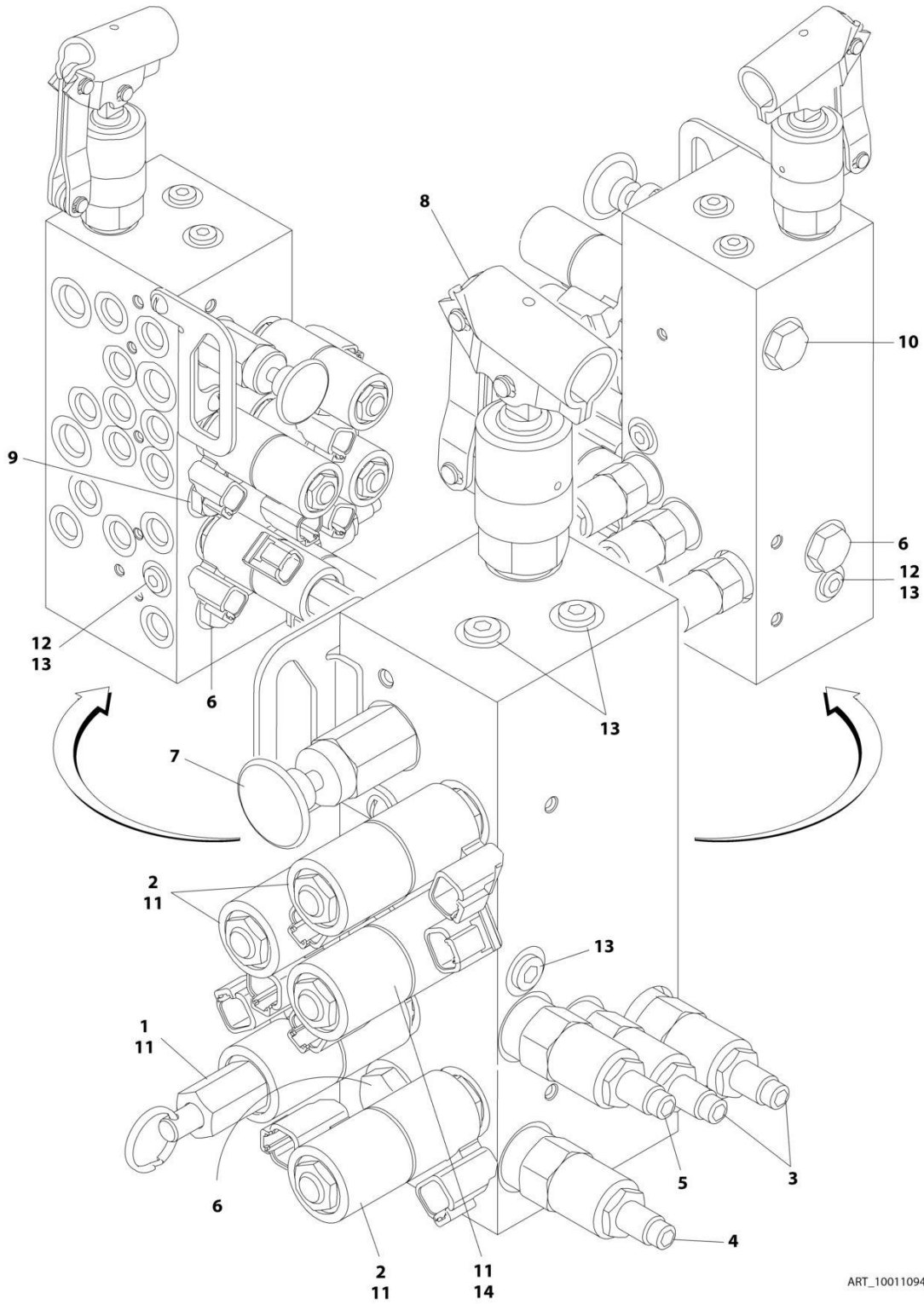
SECTION 2 - TURNTABLE

FIGURE 2-2. MAIN VALVE ASSEMBLY

ITEM	PART NUMBER	QTY	DESCRIPTION	REV
	1001177363	Ref	MAIN VALVE ASSEMBLY	B
1	7017433	1	Cartridge, Solenoid Valve (Steer Direction)	
1	7017402	1	Seal Kit - 7017433 Cartridge	
2	70002401	3	Cartridge, Solenoid (Flow Control/Main and Tower Lift Dump)	
2	7017496	3	Seal Kit - 70002401 Cartridge	
3	70002402	1	Cartridge, Solenoid (Swing)	
3	7017402	1	Seal Kit - 70002402 Cartridge	
4	70002403	1	Cartridge, Relief Valve (Main)	
4	7012972	1	Seal Kit - 70002403 Cartridge	
5	7017489	1	Cartridge, Relief Valve (Steer)	
5	7012998	1	Seal Kit - 7017489 Cartridge	
6	7017488	1	Cartridge, Relief Valve (Steer)	
6	7012998	1	Seal Kit - 7017488 Cartridge	
7	70002404	1	Cartridge, Relief Valve (Swing)	
7	7012998	1	Seal Kit - 70002404 Cartridge	
8	7024883	3	Coil	
9	7024885	4	Coil	
10	7010542	1	Cartridge, Load Shuttle (Swing)	
10	7010543	1	Seal Kit - 7010542 Cartridge	
11	7017406	AR	Plug	

SECTION 2 - TURNTABLE

FIGURE 2-3. BOOM VALVE ASSEMBLY



ART_1001109446

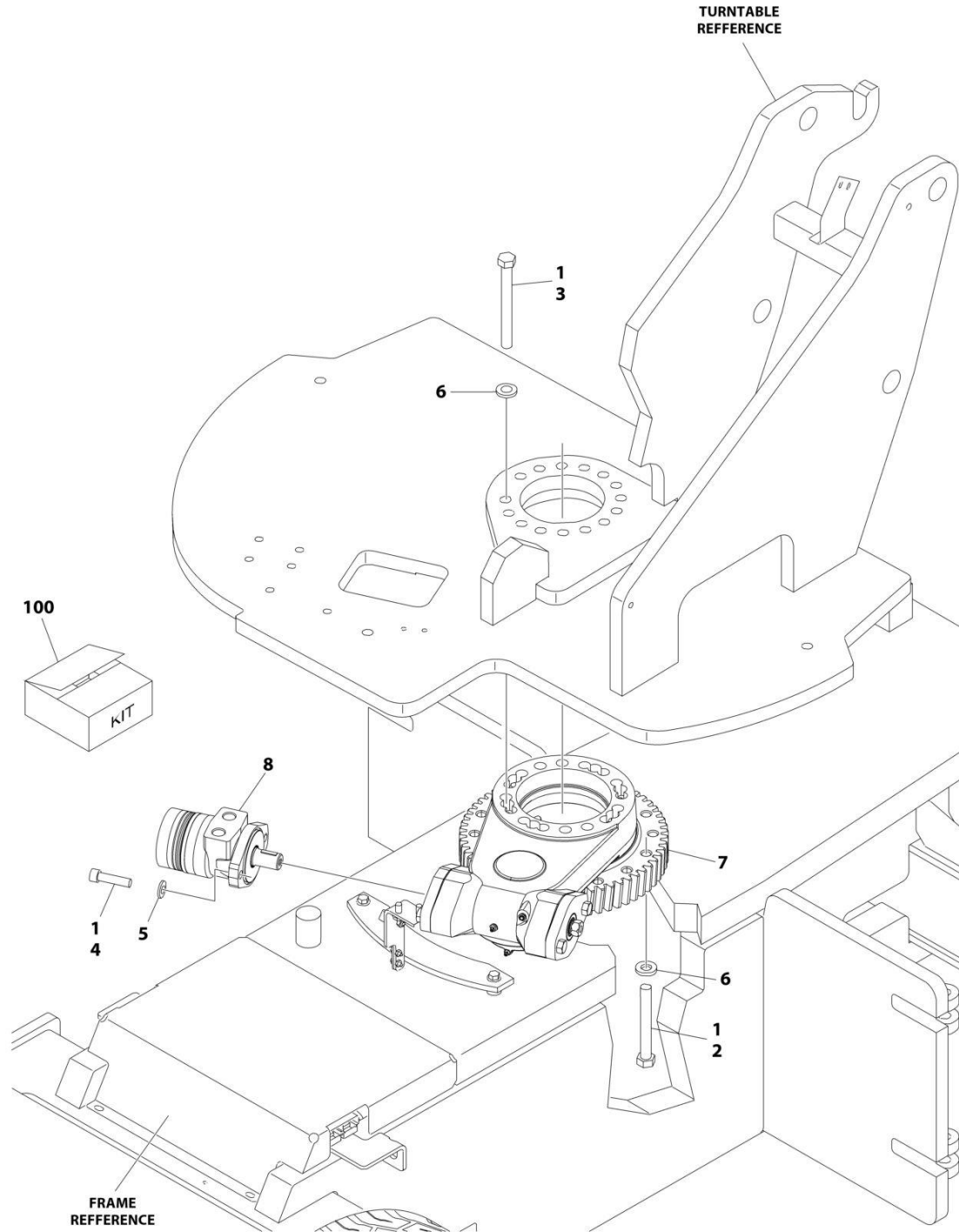
SECTION 2 - TURNTABLE

FIGURE 2-3. BOOM VALVE ASSEMBLY

ITEM	PART NUMBER	QTY	DESCRIPTION	REV
	1001109446	Ref	BOOM VALVE ASSEMBLY - E300AJP	D
1	70002405	1	Cartridge, Solenoid (Jib Lift)	
1	7017402	1	Seal Kit - 70002405 Cartridge	
2	7017452	3	Cartridge, Solenoid Valve (Telescope/Platform Rotate/Platform Level and Master)	
2	7017402	3	Seal Kit - 7017452 Cartridge	
3	7017421	2	Cartridge, Relief Valve (Jib Lift/Platform Level and Master)	
3	7012998	2	Seal Kit - 7017421 Cartridge	
4	7017418	1	Cartridge, Relief Valve (Platform Level and Master)	
4	7012998	1	Seal Kit - 7017418 Cartridge	
5	7017489	1	Cartridge, Relief Valve (Jib Lift)	
5	7012998	1	Seal Kit - 7017489 Cartridge	
6	7012914	2	Cartridge, Pressure Control Valve	
6	7012918	2	Seal Kit - 7012914 Cartridge	
7	70002406	1	Cartridge, Manual Control Valve	
7	7012904	1	Seal Kit - 70002406 Cartridge	
7	7012959	1	Knob	
8	70004019	1	Cartridge, Hand Pump Valve (was p/n 7012694)	
8	7017496	1	Seal Kit - 7012694 Cartridge	
8	2900756	1	Seal Kit - 70004019 Cartridge	
9	7022391	1	Cartridge, Check Valve	
9	7012967	1	Seal Kit - 7022391 Cartridge	
10	4641129	1	Cartridge, Check Valve	
10	7012540	1	Seal Kit - 4641129 Cartridge	
11	7024885	10	Coil	
12	70003528	2	Orifice	
13	701706	8	Plug	
14	7017452	1	Cartridge, Solenoid (Jib Rotate)	
14	7017402	1	Seal Kit - 7017452 Cartridge	

SECTION 2 - TURNTABLE

FIGURE 2-4. TURNTABLE BEARING AND SWING DRIVE INSTALLATION



ART_1001294633

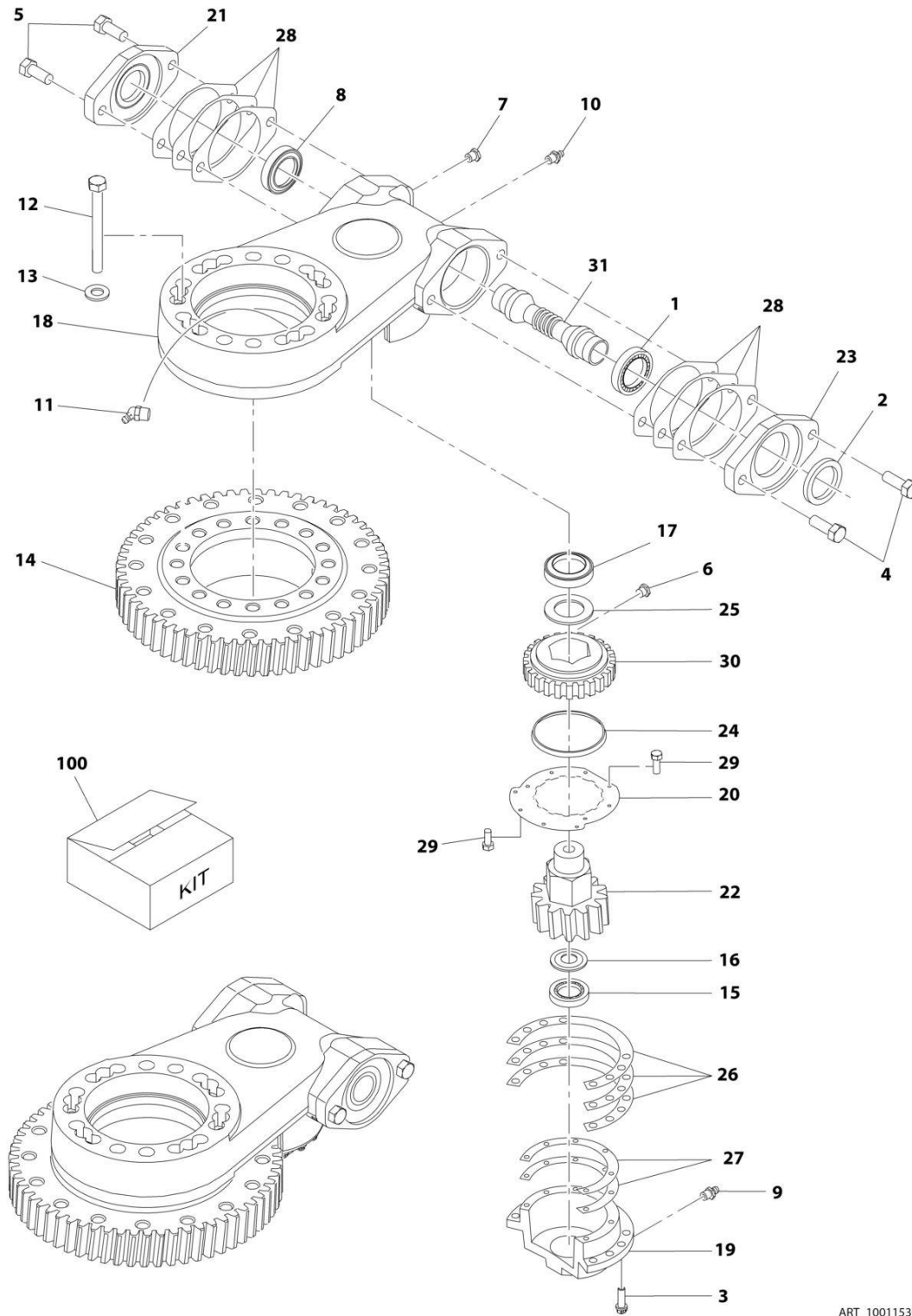
SECTION 2 - TURNTABLE

FIGURE 2-4. TURNTABLE BEARING AND SWING DRIVE INSTALLATION

ITEM	PART NUMBER	QTY	DESCRIPTION	REV
	1001294633	Ref	BEARING AND SWING DRIVE INSTALLATION	A
1	0100019	AR	Compound, Locking	
2	0682040	16	Bolt 5/8 x 5	
3	0682048	15	Bolt 5/8 x 6	
4	3931832	2	Capscrew 1/2 x 2	
5	4740171	2	Washer	
6	4892000	31	Washer 5/8	
7	1001153013	1	Turntable Bearing Assembly (Use Item 100) (See Separate Breakdown in this Section)	
8	1001294632	1	Swing Motor Assembly (See Separate Breakdown in this Section)	
100	1001160529	1	Turntable Bearing Kit (Includes P/N 1001153013 Bearing, Hardware and Instructions)	

SECTION 2 - TURNTABLE

FIGURE 2-5. TURNTABLE BEARING ASSEMBLY



ART_1001153013

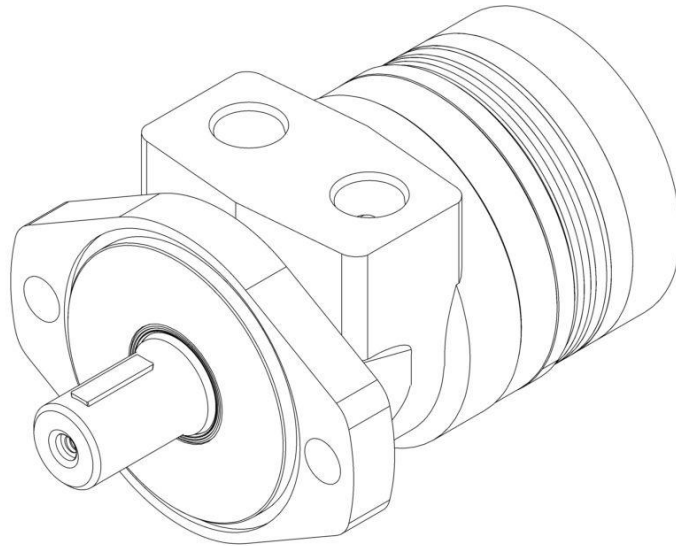
SECTION 2 - TURNTABLE

FIGURE 2-5. TURNTABLE BEARING ASSEMBLY

ITEM	PART NUMBER	QTY	DESCRIPTION	REV
	1001153013	Ref	TURNTABLE BEARING ASSEMBLY - JING WEI	B
1	70002643	2	Cup, Bearing	
1	70002644	2	Cone, Bearing	
2	70002645	1	Seal	
3	70002646	8	Bolt 5/16 x 7/8	
4	70002647	2	Bolt 1/2 x 1	
5	70002648	2	Bolt 1/2 x 1-1/4	
6	70000865	1	Plug	
7	70002649	1	Vent, Pressure	
8	70002650	1	Seal	
9	70002651	1	Fitting, Grease 1/4	
10		Ref	Component Options:	
10	70002652	1	Fitting, Grease 1/8 Straight	
10	See Note	NSS	Plug, Pipe (Note: Not Available - Purchase Locally)	
11	7027359	1	Fitting, Grease	
12	70002653	2	Capscrew 5/16 x 1-1/4	
13	70002654	2	Washer 1/4	
14	70004160	1	Ring Gear Kit (Kit Includes Ring Gear and Mounting Hardware)	
15	70002656	1	Cup, Bearing	
15	70002657	1	Cone, Bearing	
16	70002658	1	Ring, Grease	
17	7026048	1	Cup, Bearing	
17	7026049	1	Cone, Bearing	
18	1001103646	1	Housing	
19	70002659	1	Cap, Gear	
20	70002660	1	Plate, Cover	
21	70002661	1	Cap, Worm	
22	70002662	1	Pinion, Output	
23	70002663	1	Adapter, Motor	
24	70002664	1	Seal, Face	
25	7026052	1	Spacer, Washer	
26	70002665	1	Shim .0075 Natural	
26	70002666	1	Shim .005 Blue	
26	70002667	1	Shim .003 Green	
27	70002668	1	Shim .005 Blue	
27	70002669	1	Shim .020 Yellow	
28	7027352	1	Gasket .010 Brown	
28	7027351	1	Gasket .0075 Clear	
28	7027350	1	Gasket .005 Blue	
28	7027353	1	Gasket .020 Yellow	
29	70000681	10	Bolt #6 x 3/8	
30	70002670	1	Gear, Worm	
31	70002671	1	Shaft, Worm	
100	1001160529	1	Turntable Bearing Kit (Includes p/n 1001153013 Bearing, Hardware and Instructions)	

SECTION 2 - TURNTABLE

FIGURE 2-6. SWING MOTOR ASSEMBLY



ART_1001294632

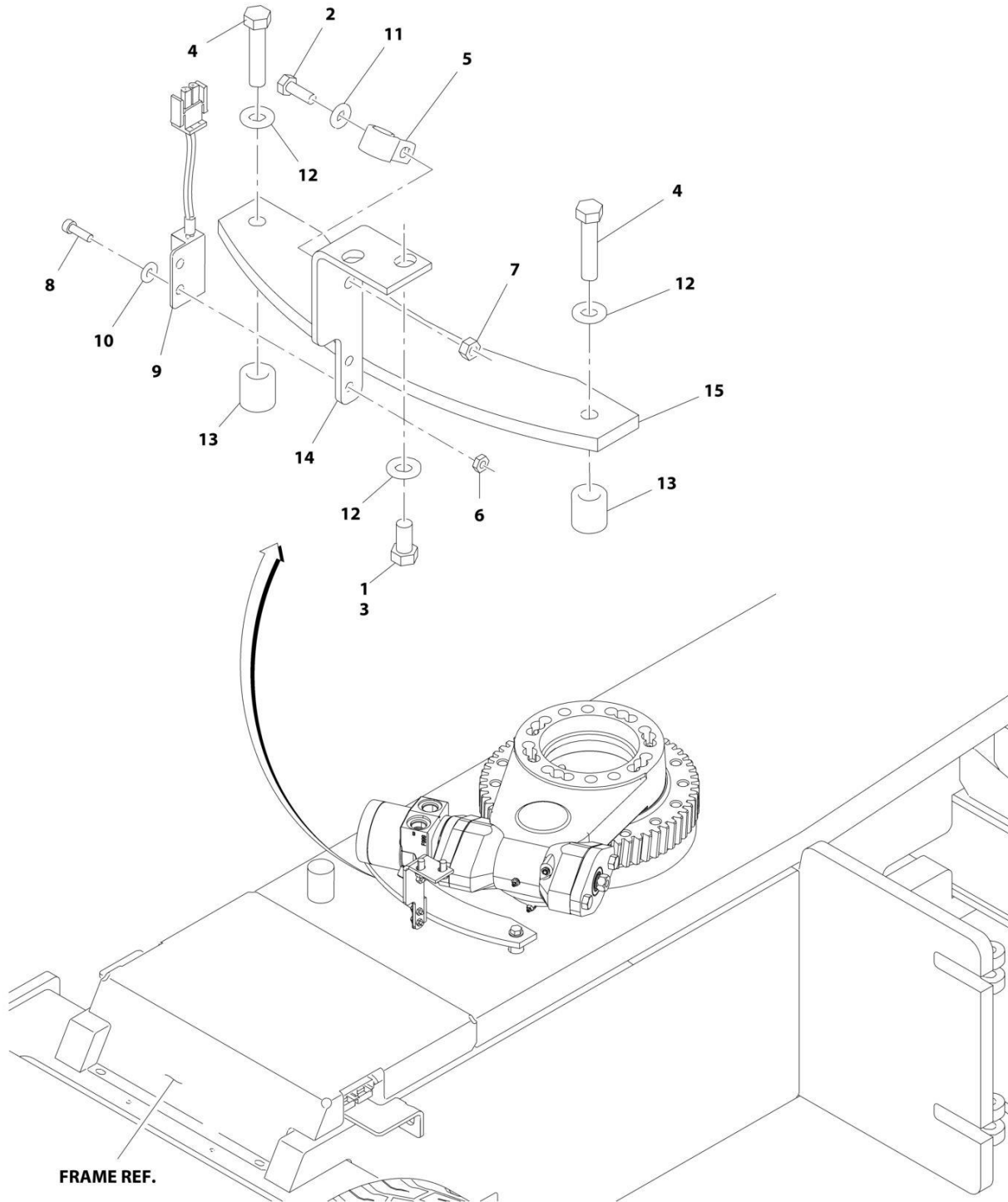
SECTION 2 - TURNTABLE

FIGURE 2-6. SWING MOTOR ASSEMBLY

ITEM	PART NUMBER	QTY	DESCRIPTION	REV
	1001294632 See Note	Ref Ref	SWING MOTOR ASSEMBLY (JING WEI/ZJ) Note: No Service Parts Available at Time of Printing	C

SECTION 2 - TURNTABLE

FIGURE 2-7. DRIVE ORIENTATION INSTALLATION



ART_1001107820

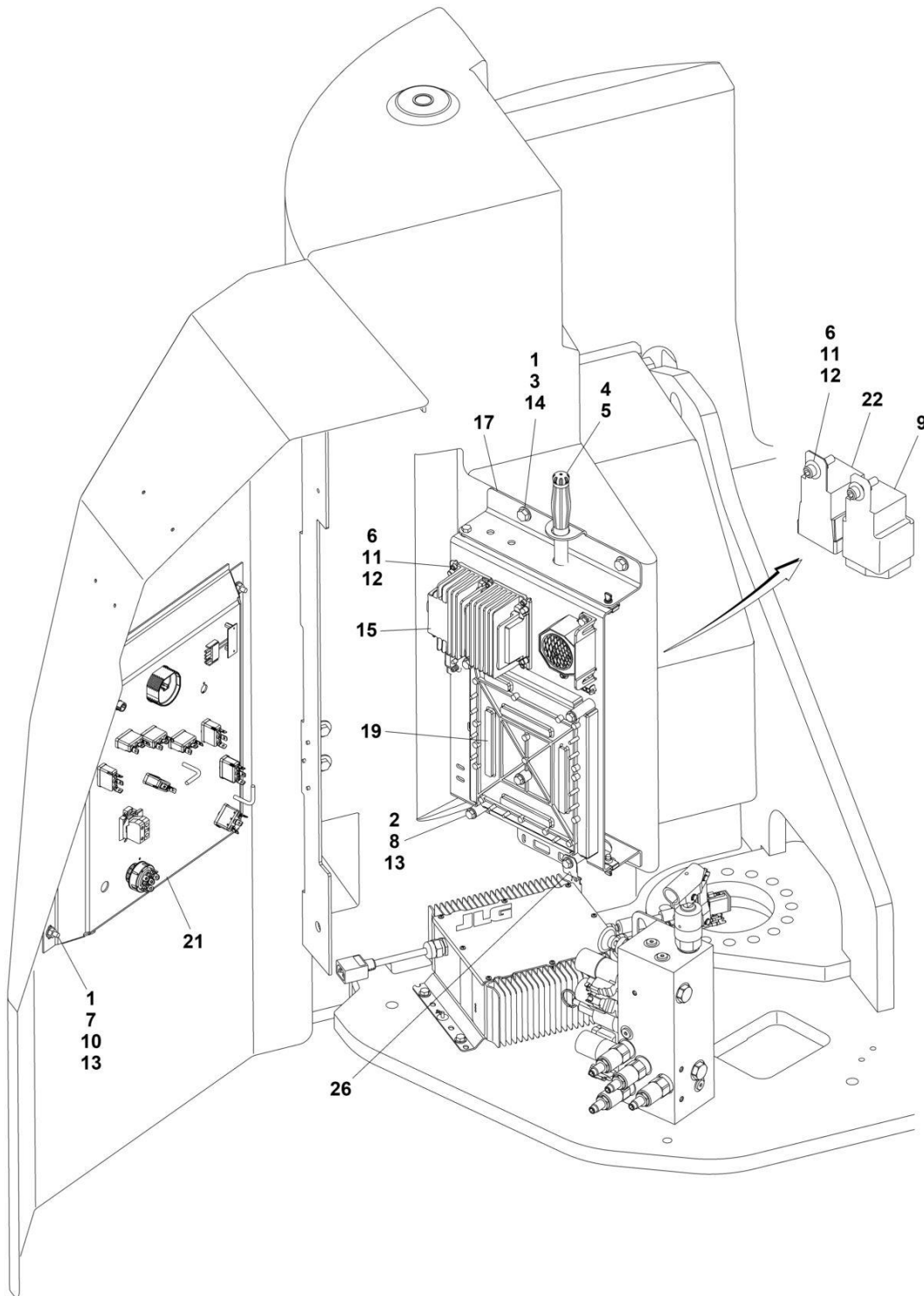
SECTION 2 - TURNTABLE

FIGURE 2-7. DRIVE ORIENTATION INSTALLATION

ITEM	PART NUMBER	QTY	DESCRIPTION	REV
	1001107820	Ref	DRIVE ORIENTATION INSTALLATION	C
1	0100011	AR	Compound, Locking	
2	0641406	1	Bolt 1/4 x 3/4	
3	0641606	2	Bolt 3/8 x 3/4	
4	0641616	2	Bolt 3/8 x 2	
5	1320041	1	Clamp	
6	3311005	2	Nut #10	
7	3311405	1	Nut 1/4	
8	3931010	2	Capscrew #10 x 5/8	
9	4360517	1	Switch, Proximity	
9	4460320	1	Plug, Male - 2 Position	
9	4460227	2	Pin, Male	
10	4711000	2	Washer #10	
10	4740120	2	Washer, Nylon	
11	4711400	1	Washer 1/4	
12	4711600	4	Washer 3/8	
13	1001114757	2	Spacer	
14	1001102527	1	Bracket, Switch Mounting	
15	1001108274	1	Cam	

SECTION 2 - TURNTABLE

FIGURE 2-8. ELECTRICAL COMPONENTS INSTALLATION (ALL SPECS EXCEPT CE & UK CA SPECS)



ART_1001249420_E

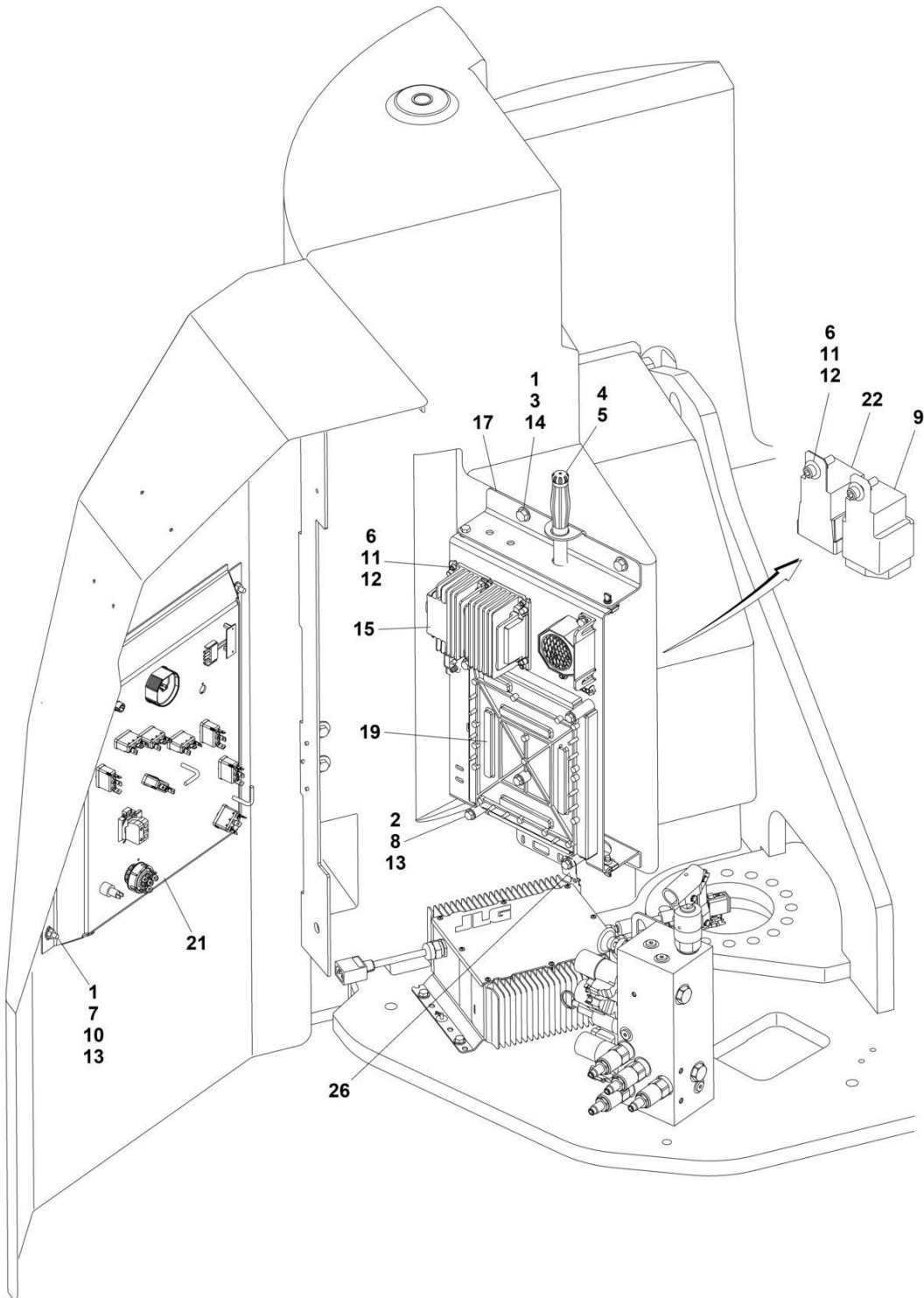
SECTION 2 - TURNTABLE

FIGURE 2-8. ELECTRICAL COMPONENTS INSTALLATION (ALL SPECS EXCEPT CE & UK CA SPECS)

ITEM	PART NUMBER	QTY	DESCRIPTION	REV
	1001249420	Ref	ELECTRICAL COMPONENTS INSTALLATION	E
1	0100011	AR	Compound, Locking	
2	0641418	5	Bolt 1/4 x 2-1/4	
3	0641606	4	Bolt 3/8 x 3/4	
4	2560122	1	Handle	
5	2560123	1	Grip, Handle	
6	3311005	7	Nut #10	
7	3311401	4	Nut 1/4	
8	3311405	5	Nut 1/4	
9	3740080	1	Relay	
10	3900258	4	Screw 1/4 x 3/4	
11	3931012	7	Capscrew #10 x 3/4	
12	4711000	8	Washer #10	
13	4711400	14	Washer 1/4	
14	4711600	4	Washer 3/8	
15	1001174447	1	Converter	
16	1001290019	1	Ground Control Harness (Not Shown) (See Separate Breakdown in ELECTRICAL Section)	
17	1001276873	1	Plate, Mounting	
18	1001285663	1	Valve Harness (Not Shown) (See Separate Breakdown in ELECTRICAL Section)	
19	1001283300	1	Module, Ground (Note: Recalibration Required when Replaced.)	
20	1001290029	1	Turntable Harness (Not Shown) (See Separate Breakdown in ELECTRICAL Section)	
21	1001266294	1	Ground Control Assembly (See Separate Breakdown in this Section)	
22	1001214667	1	Relay	
24	4240032	AR	Tie-Strap (Not Shown)	
25	4460234	AR	Mount, Tie-Strap (Not Shown)	
26	1001155743	1	Holder	

SECTION 2 - TURNTABLE

FIGURE 2-9. ELECTRICAL COMPONENTS INSTALLATION (CE & UK CA SPECS)



ART_1001249422_E

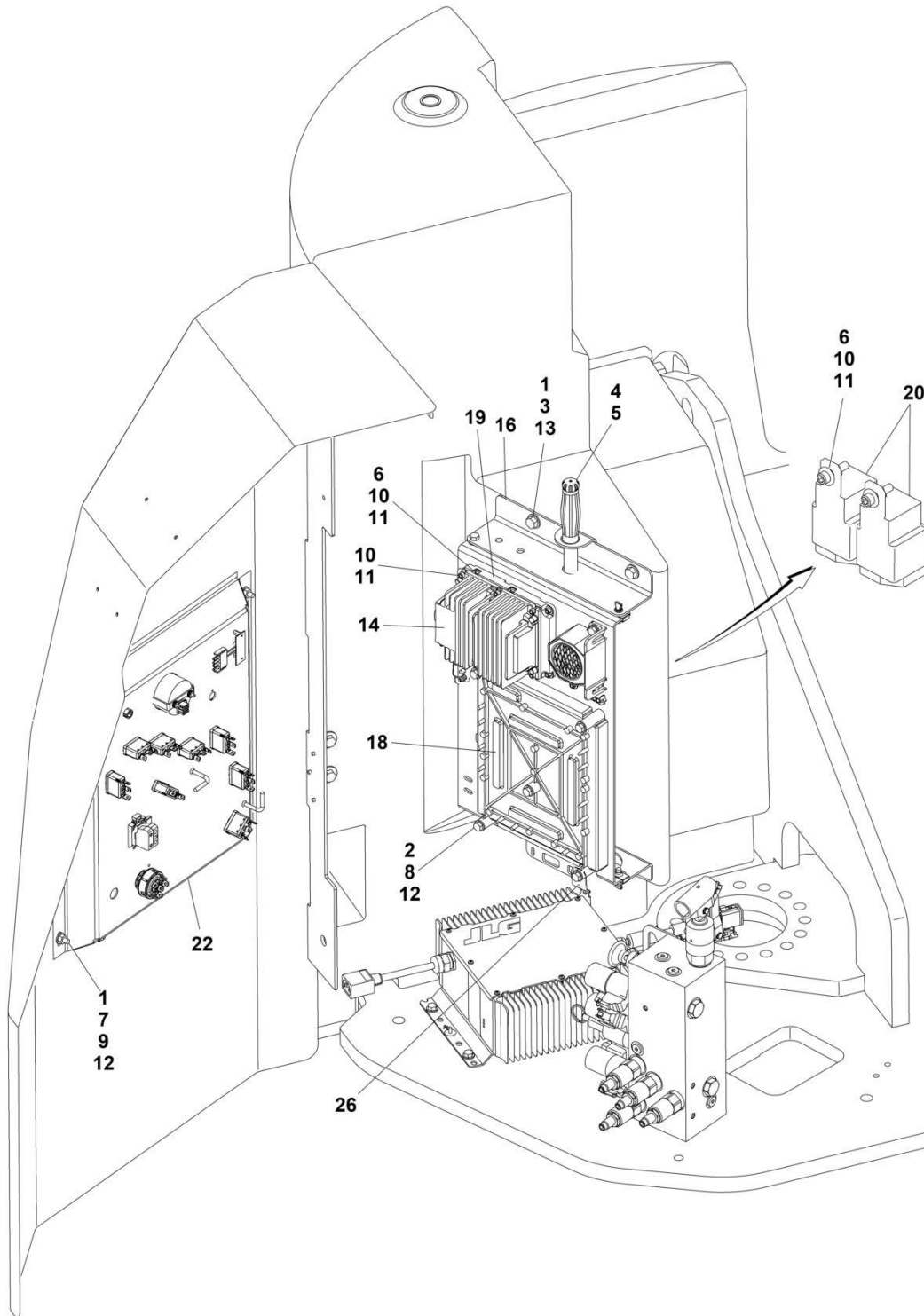
SECTION 2 - TURNTABLE

FIGURE 2-9. ELECTRICAL COMPONENTS INSTALLATION (CE & UK CA SPECS)

ITEM	PART NUMBER	QTY	DESCRIPTION	REV
	1001249422	Ref	ELECTRICAL COMPONENTS INSTALLATION	E
1	0100011	AR	Compound, Locking	
2	0641418	5	Bolt 1/4 x 2-1/4	
3	0641606	4	Bolt 3/8 x 3/4	
4	2560122	1	Handle	
5	2560123	1	Grip, Handle	
6	3311005	7	Nut #10	
7	3311401	4	Nut 1/4	
8	3311405	5	Nut 1/4	
9	3740080	1	Relay	
10	3900258	4	Screw 1/4 x 3/4	
11	3931012	7	Capscrew #10 x 3/4	
12	4711000	8	Washer #10	
13	4711400	14	Washer 1/4	
14	4711600	4	Washer 3/8	
15	1001174447	1	Converter	
16	1001181095	1	Ground Control Harness (Not Shown) (See Separate Breakdown in ELECTRICAL Section)	
16	1001290019	1	Ground Control Harness (Not Shown) (See Separate Breakdown in ELECTRICAL Section)	
17	1001276873	1	Plate, Mounting	
18	1001182474	1	Valve Harness (Not Shown) (See Separate Breakdown in ELECTRICAL Section)	
18	1001285663	1	Valve Harness (Not Shown) (See Separate Breakdown in ELECTRICAL Section)	
19	1001283300	1	Module, Ground (Note: Recalibration Required when Replaced.)	
20	1001245672	1	Turntable Harness (Not Shown) (See Separate Breakdown in ELECTRICAL Section)	
20	1001290029	1	Turntable Harness (Not Shown) (See Separate Breakdown in ELECTRICAL Section)	
21	1001266295	1	Ground Control Assembly (See Separate Breakdown in this Section)	
22	1001214667	1	Relay	
24	4240032	AR	Tiie-Strap (Not Shown)	
25	4460234	AR	Mount, Tie-Strap (Not Shown)	
26	1001155743	1	Holder	

SECTION 2 - TURNTABLE

FIGURE 2-10. ELECTRICAL COMPONENTS INSTALLATION (UL SPECS)



ART_1001249424_D

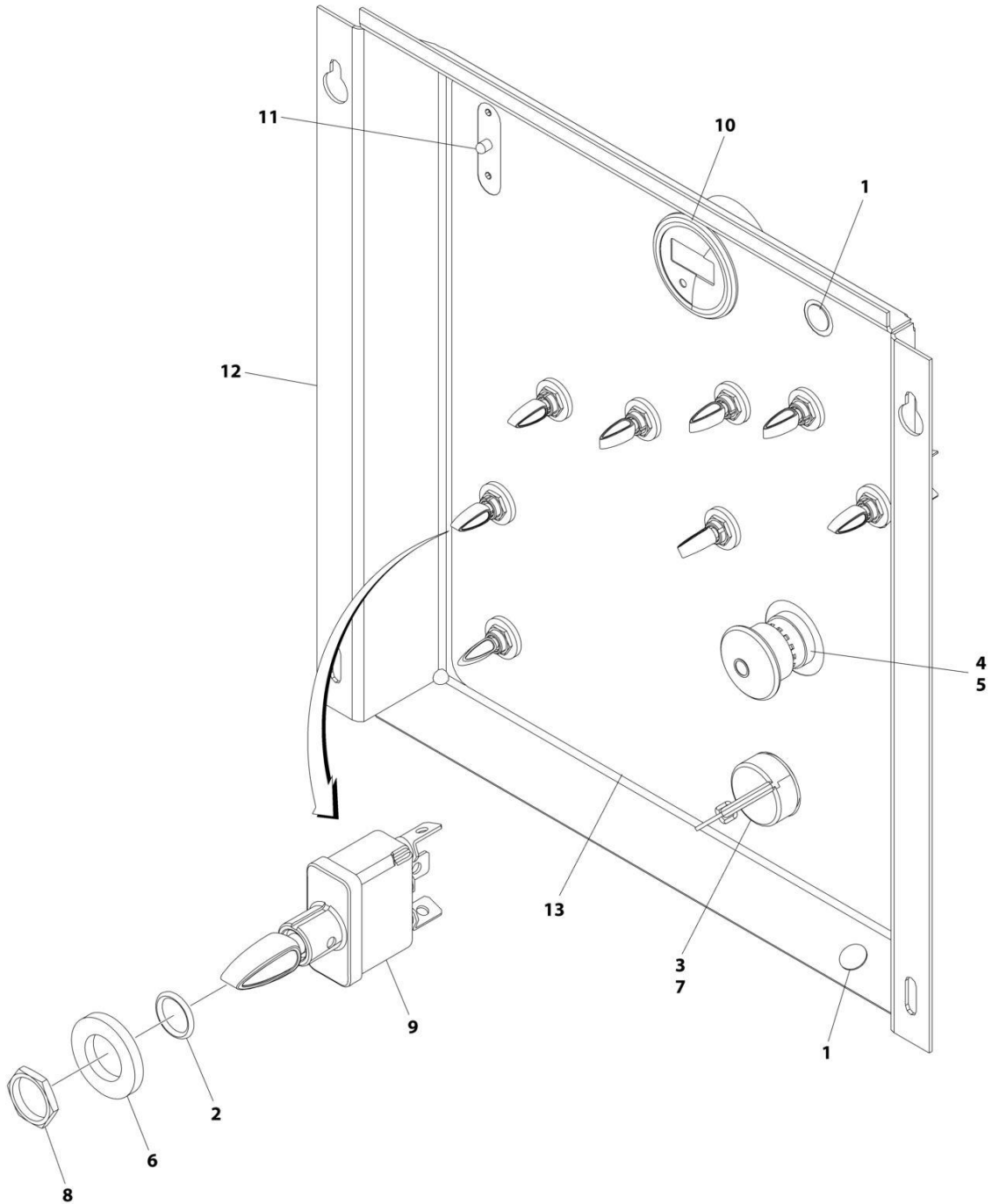
SECTION 2 - TURNTABLE

FIGURE 2-10. ELECTRICAL COMPONENTS INSTALLATION (UL SPECS)

ITEM	PART NUMBER	QTY	DESCRIPTION	REV
	1001249424	Ref	ELECTRICAL COMPONENTS INSTALLATION	D
1	0100011	AR	Compound, Locking	
2	0641418	5	Bolt 1/4 x 2-1/4	
3	0641606	4	Bolt 3/8 x 3/4	
4	2560122	1	Handle	
5	2560123	1	Grip, Handle	
6	3311005	7	Nut #10	
7	3311401	4	Nut 1/4	
8	3311405	5	Nut 1/4	
9	3900258	4	Screw 1/4 x 3/4	
10	3931012	13	Capscrew #10 x 3/4	
11	4711000	14	Washer #10	
12	4711400	14	Washer 1/4	
13	4711600	4	Washer 3/8	
14	1001174447	1	Converter	
15	1001181095	1	Ground Control Harness (Not Shown) (See Separate Breakdown in ELECTRICAL Section)	
15	1001290019	1	Ground Control Harness (Not Shown) (See Separate Breakdown in ELECTRICAL Section)	
16	1001276873	1	Plate, Mounting	
17	1001182474	1	Valve Harness (Not Shown) (See Separate Breakdown in ELECTRICAL Section)	
17	1001285663	1	Valve Harness (Not Shown) (See Separate Breakdown in ELECTRICAL Section)	
18	1001283300	1	Module, Ground (Note: Recalibration Required when Replaced.)	
19	1001212450	1	Insulate, Converter	
20	1001214667	2	Relay	
21	1001245672	1	Turntable Harness (Not Shown) (See Separate Breakdown in ELECTRICAL Section)	
21	1001290029	1	Turntable Harness (Not Shown) (See Separate Breakdown in ELECTRICAL Section)	
22	1001266294	1	Ground Control Assembly (See Separate Breakdown in this Section)	
24	4240032	AR	Tie-Strap (Not Shown)	
25	4460234	AR	Mount, Tie-Strap (Not Shown)	
26	1001155743	1	Holder	

SECTION 2 - TURNTABLE

FIGURE 2-11. GROUND CONTROL BOX ASSEMBLY - DISPLAY WITHOUT BUTTONS (ALL SPECS EXCEPT CE & UK CA SPECS)



ART_1001266294_B

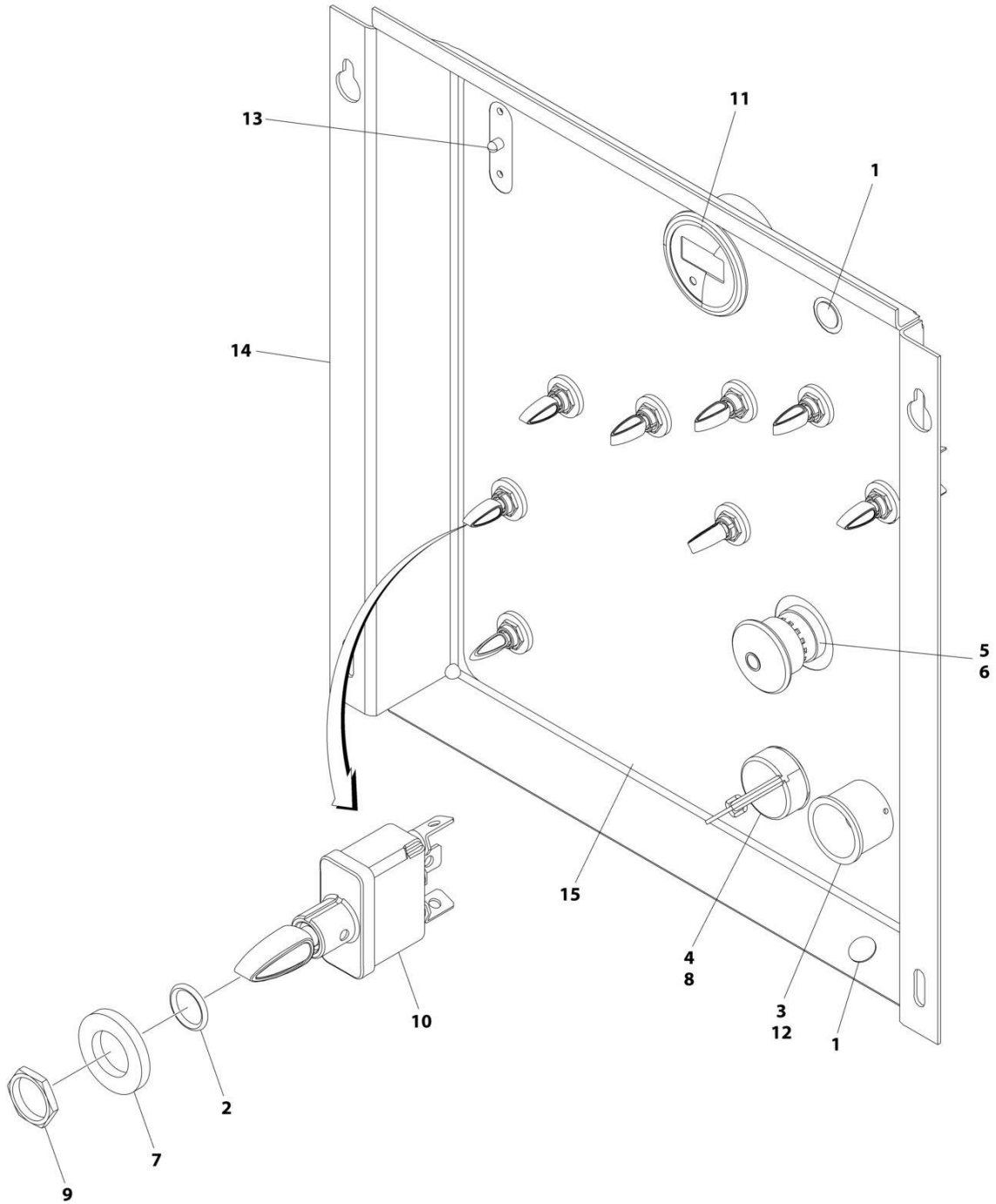
SECTION 2 - TURNTABLE

FIGURE 2-11. GROUND CONTROL BOX ASSEMBLY - DISPLAY WITHOUT BUTTONS (ALL SPECS EXCEPT CE & UK CA SPECS)

ITEM	PART NUMBER	QTY	DESCRIPTION	REV
	1001266294	Ref	GROUND CONTROL BOX ASSEMBLY	B
1	3520028	2	Plug	
2	3790012	8	O-Ring	
3	4360469	1	Switch, Key	
3	2860030	1 Set	Key, Replacement	
4	4360475	1	Switch, Emergency Stop	
4	7020175	1	Cap	
4	7020176	1	Block, Contact	
5	4360476	1	Switch, Contact	
6	4740397	8	Spacer, Washer	
7	1001151393	1	Shim, Nylon .063	
8	1001155044	8	Nut 15/32	
9	1001155045	8	Switch, Toggle	
10	1001109503	1	Display	
11	1001259489	1	Board LED	
12	1001280404	1	Panel, Ground Control	
13	1001266300	1	Decal, E300AJP Ground Control	

SECTION 2 - TURNTABLE

FIGURE 2-12. GROUND CONTROL BOX ASSEMBLY - DISPLAY WITHOUT BUTTONS (CE & UK CA SPECS)



ART_1001266295_B

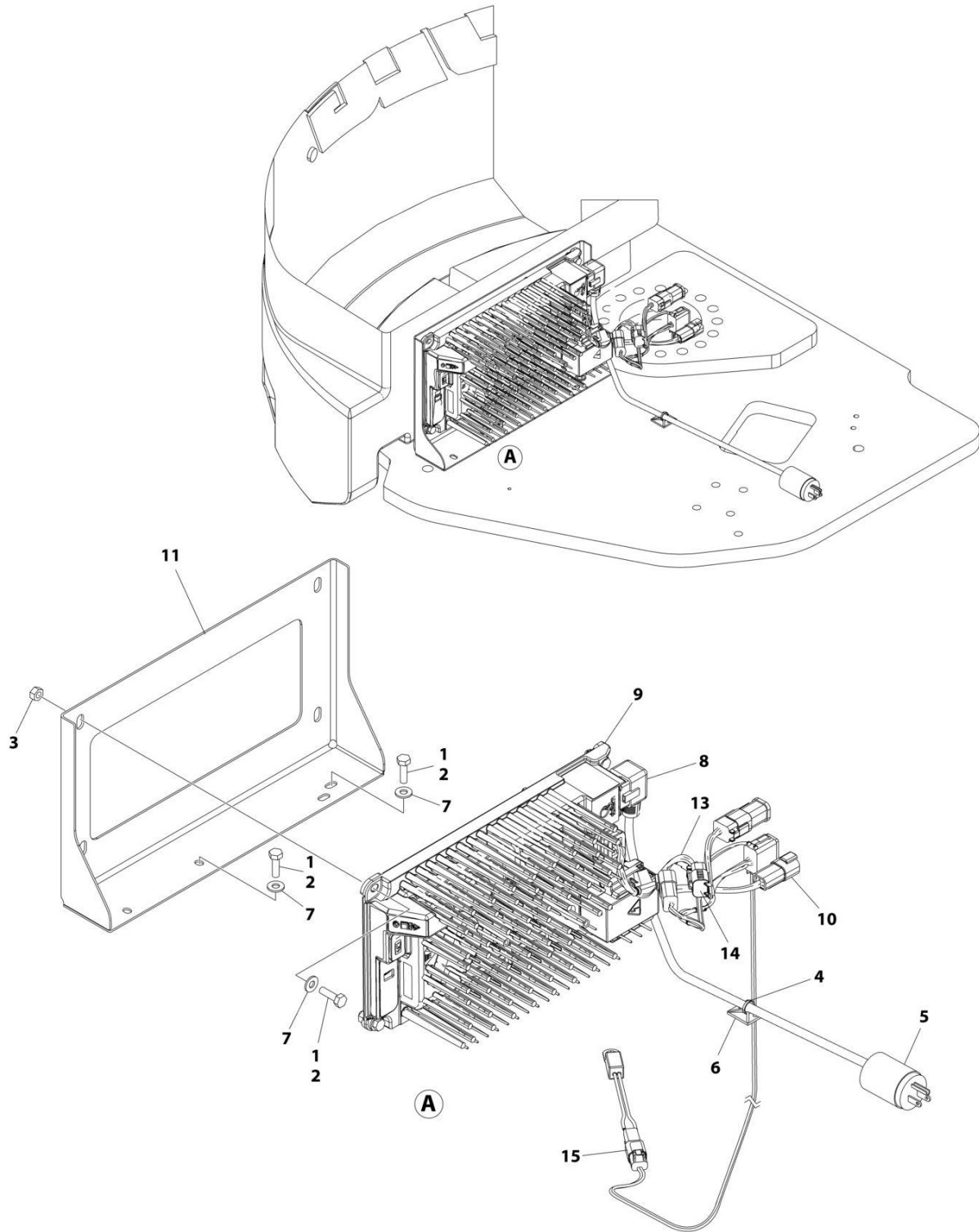
SECTION 2 - TURNTABLE

FIGURE 2-12. GROUND CONTROL BOX ASSEMBLY - DISPLAY WITHOUT BUTTONS (CE & UK CA SPECS)

ITEM	PART NUMBER	QTY	DESCRIPTION	REV
	1001266295	Ref	GROUND CONTROL BOX ASSEMBLY	B
1	3520028	2	Plug	
2	3790012	8	O-Ring	
3	4360387	1	Switch, Push Button	
4	4360469	1	Switch, Key	
4	2860030	1 Set	Key, Replacement	
5	4360475	1	Switch, Emergency Stop	
5	7020175	1	Cap	
5	7020176	1	Block, Contact	
6	4360476	1	Switch, Contact	
7	4360397	8	Spacer, Washer	
8	1001151393	1	Shim, Nylon .063	
9	1001155044	8	Nut 15/32	
10	1001155045	8	Switch, Toggle	
11	1001109503	1	Display	
12	1001176469	1	Shroud, Switch	
13	1001259489	1	Board, LED	
14	1001280404	1	Panel, Ground Control	
15	1001266301	1	Decal, E300AJP Ground Control	

SECTION 2 - TURNTABLE

FIGURE 2-13. BATTERY CHARGER INSTALLATION - WITH PLUG (ALL SPECS EXCEPT CE & UK CA SPECS)



ART_1001251467_E

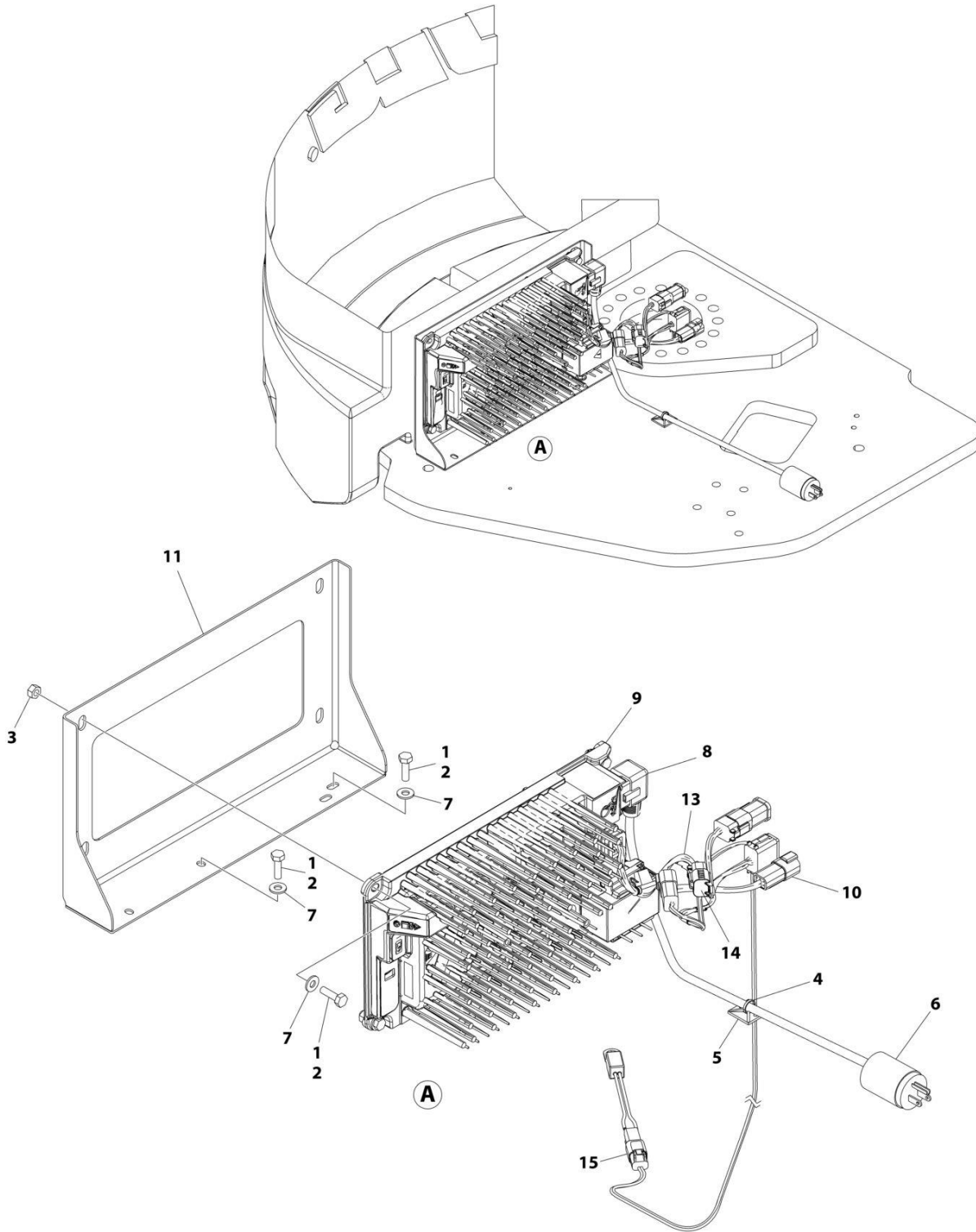
SECTION 2 - TURNTABLE

FIGURE 2-13. BATTERY CHARGER INSTALLATION - WITH PLUG (ALL SPECS EXCEPT CE & UK CA SPECS)

ITEM	PART NUMBER	QTY	DESCRIPTION	REV
	1001251467	Ref	BATTERY CHARGER INSTALLATION - WITH PLUG	E
1	0100011	AR	Compound, Locking	
2	0641407	6	Bolt 1/4 x 7/8	
3	3311401	4	Nut 1/4	
4	4240032	AR	Tie-Strap	
5	4460138	1	Plug	
6	4460234	AR	Mount, Cable	
7	4711400	6	Washer 1/4	
8	1001289788	1	Cable, Charger AC Input	
9	1001251382	1	Charger, 48V	
10	1001260408	1	Harness, Charger DC Connection	
11	1001260438	1	Bracket, Charger Mount	
13	1001260537	1	Harness, Charger 48V DC (See Separate Breakdown in ELECTRICAL Section)	
13	1001290020	1	Harness, Charger 48V DC (See Separate Breakdown in ELECTRICAL Section)	
14	1001192401	1	Cap, Dust	
15	1001225131	1	Harness, Temperature Sensor	

SECTION 2 - TURNTABLE

FIGURE 2-14. BATTERY CHARGER INSTALLATION - WITH PLUG (CE & UK CA SPECS)



ART_1001251468_E

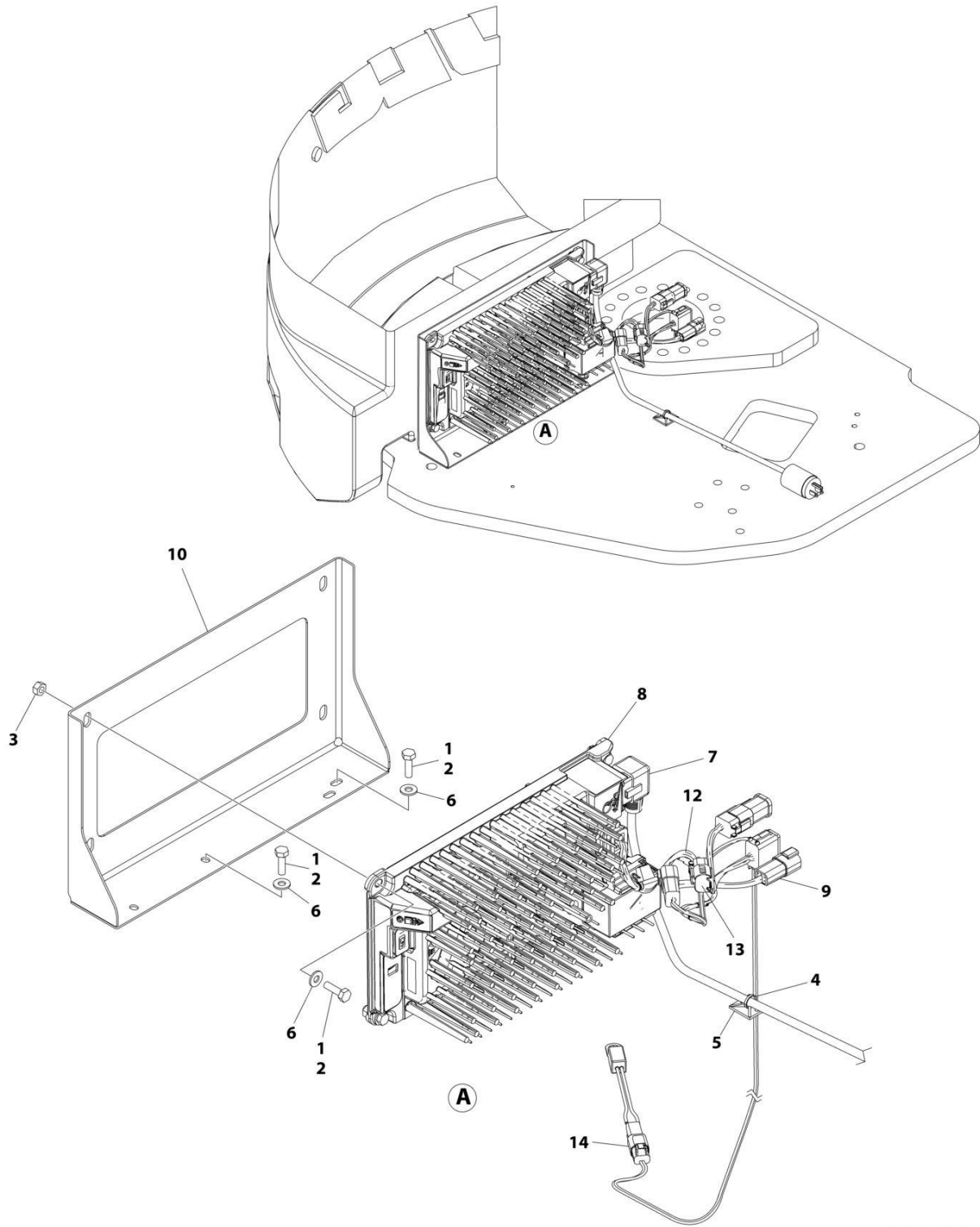
SECTION 2 - TURNTABLE

FIGURE 2-14. BATTERY CHARGER INSTALLATION - WITH PLUG (CE & UK CA SPECS)

ITEM	PART NUMBER	QTY	DESCRIPTION	REV
	1001251468	Ref	BATTERY CHARGER INSTALLATION - WITH PLUG	E
1	0100011	AR	Compound, Locking	
2	0641407	6	Bolt 1/4 x 7/8	
3	3311401	4	Nut 1/4	
4	4240032	AR	Tie-Strap	
5	4460234	AR	Mount, Cable	
6	4460805	1	Plug	
7	4711400	6	Washer 1/4	
8	1001289788	1	Cable, Charger AC Input	
9	1001251382	1	Charger, 48V	
10	1001260408	1	Harness, Charger DC Connection	
11	1001260438	1	Bracket, Charger Mount	
13	1001290020	1	Harness, Charger 48V DC (See Separate Breakdown in ELECTRICAL Section)	
13	1001260537	1	Harness, Charger 48V DC (See Separate Breakdown in ELECTRICAL Section)	
14	1001192401	1	Cap, Dust	
15	1001225131	1	Harness, Temperature Sensor	

SECTION 2 - TURNTABLE

FIGURE 2-15. BATTERY CHARGER INSTALLATION - WITHOUT PLUG



ART_1001251469_E

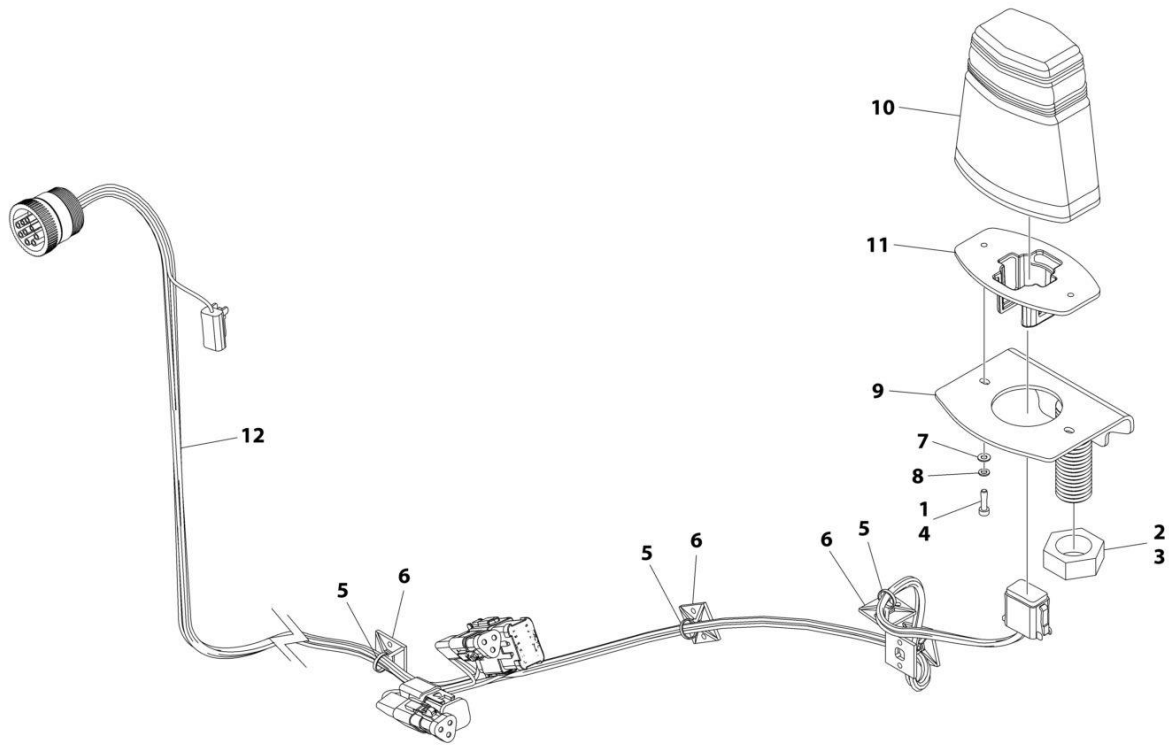
SECTION 2 - TURNTABLE

FIGURE 2-15. BATTERY CHARGER INSTALLATION - WITHOUT PLUG

ITEM	PART NUMBER	QTY	DESCRIPTION	REV
	1001251469	Ref	BATTERY CHARGER INSTALLATION - WITHOUT PLUG	E
1	0100011	AR	Compound, Locking	
2	0641407	6	Bolt 1/4 x 7/8	
3	3311401	4	Nut 1/4	
4	4240032	AR	Tie-Strap	
5	4460234	AR	Mount, Cable	
6	4711400	6	Washer 1/4	
7	1001289788	1	Cable, Charger AC Input	
8	1001251382	1	Charger, 48V	
9	1001260408	1	Harness, Charger DC Connection	
10	1001260438	1	Bracket, Charger Mount	
12	1001290020	1	Harness, Charger 48V DC (See Separate Breakdown in ELECTRICAL Section)	
13	1001192401	1	Cap, Dust	
14	1001225131	1	Harness, Temperature Sensor	

SECTION 2 - TURNTABLE

FIGURE 2-16. CLEARSKY INSTALLATION



ART_1001289850

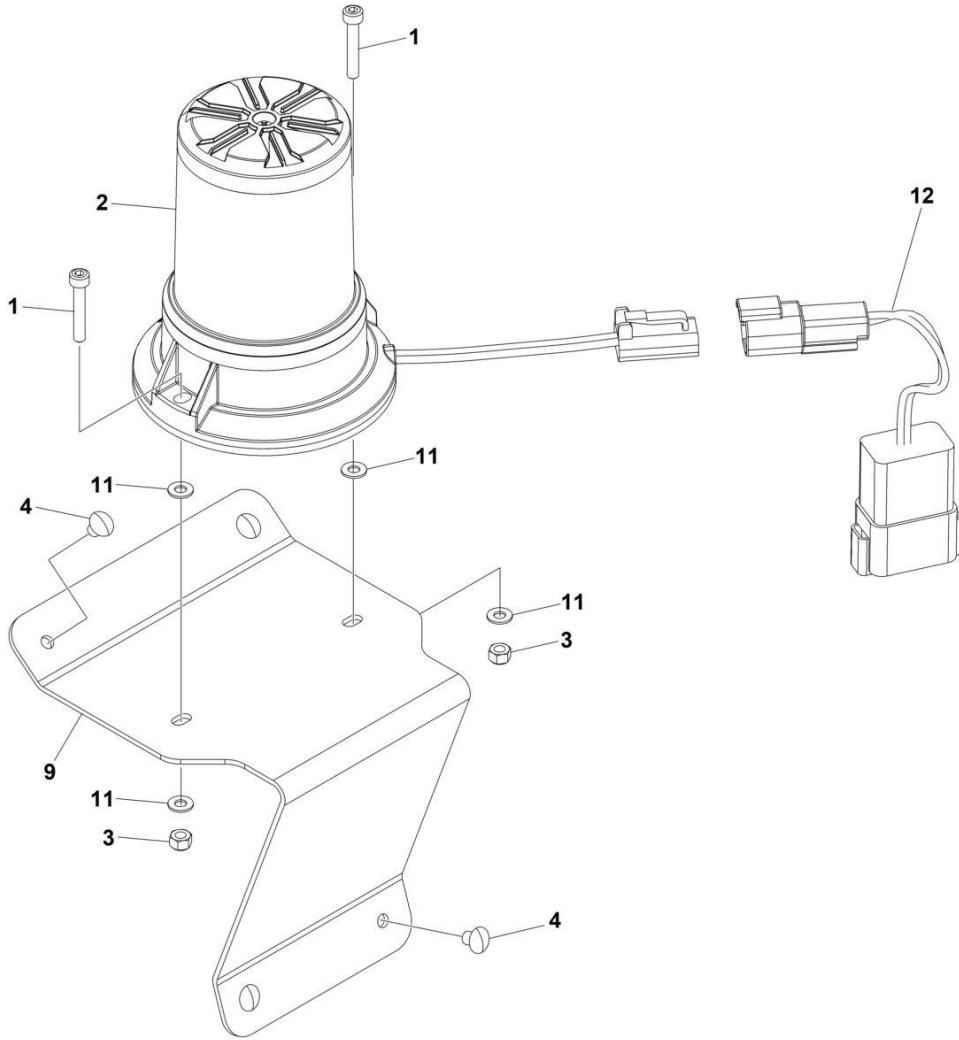
SECTION 2 - TURNTABLE

FIGURE 2-16. CLEARSKY INSTALLATION

ITEM	PART NUMBER	QTY	DESCRIPTION	REV
	1001289850	Ref	CLEARSKY INSTALLATION	B
1	0100011	AR	Compound, Locking	
2	3020043	AR	Lube, Anti-Seize	
3	3312602	1	Nut	
4	4031507	2	Bolt M4 x 16	
5	4240017	AR	Tie-Strap	
6	4460234	AR	Mount, Tie-Strap	
7	4811400	2	Washer M4	
8	4831400	2	Washer, Lock M4	
9	1001275149	1	Mount	
10	1001280661	1	Control, Clearsky	
11	1001289648	1	Plate	
12	1001286622	1	Harness	
13	3290401	2	Nut M4	
14	1001291056	2	Gasket	

SECTION 2 - TURNTABLE

FIGURE 2-17. STROBE LIGHT INSTALLATION - AMBER



ART_1001194014_D

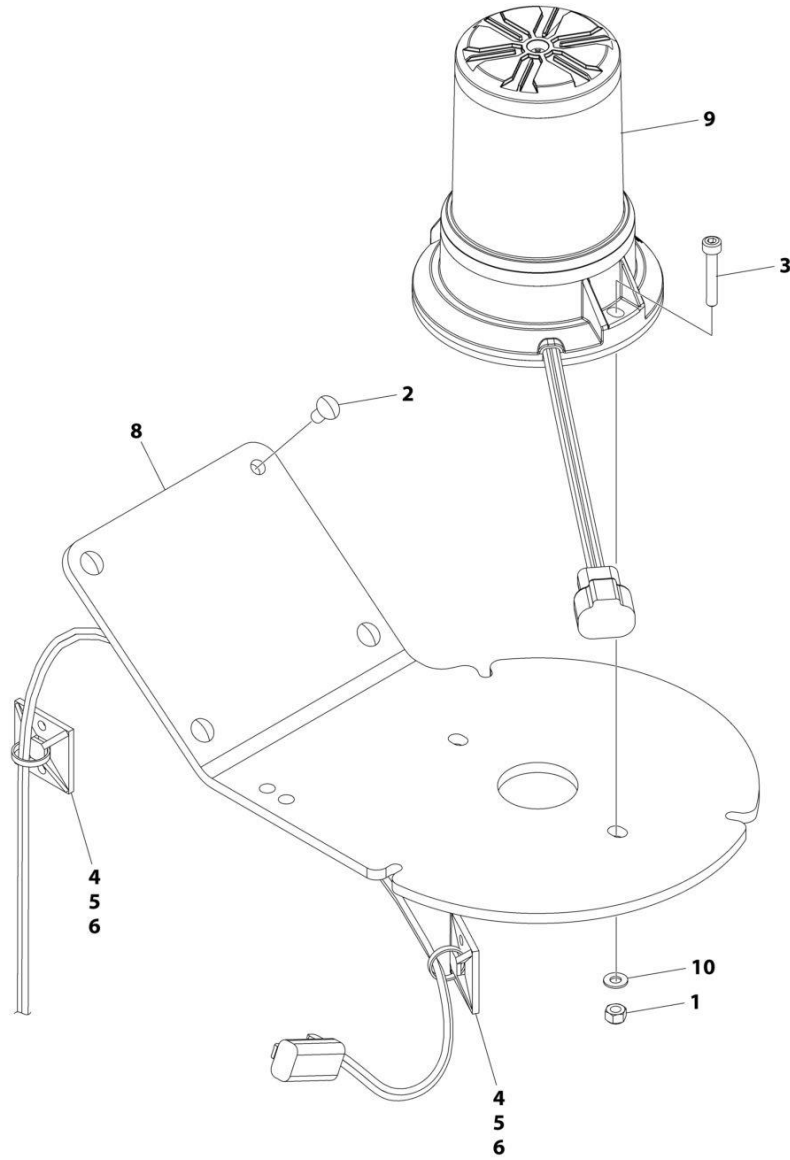
SECTION 2 - TURNTABLE

FIGURE 2-17. STROBE LIGHT INSTALLATION - AMBER

ITEM	PART NUMBER	QTY	DESCRIPTION	REV
	1001194014	Ref	STROBE LIGHT INSTALLATION - AMBER	D
1	4031509	2	Screw M4 x 25	
2	1001270594	1	Strobe Light Assembly	
2	4460891	1	Plug, Male - 2 Position	
2	4460465	2	Socket, Female	
2	4060865	1	Guard (Optional)	
3	3290405	2	Lock nut M4	
4	3820019	4	Rivet	
9	1001286773	1	Bracket	
11	4811400	4	Washer M4	
12	1001283776	1	Strobe Light Jumper Harness (See Separate Breakdown in Electrical Section)	

SECTION 2 - TURNTABLE

FIGURE 2-18. STROBE LIGHT INSTALLATION - BLUE



ART_1001239662

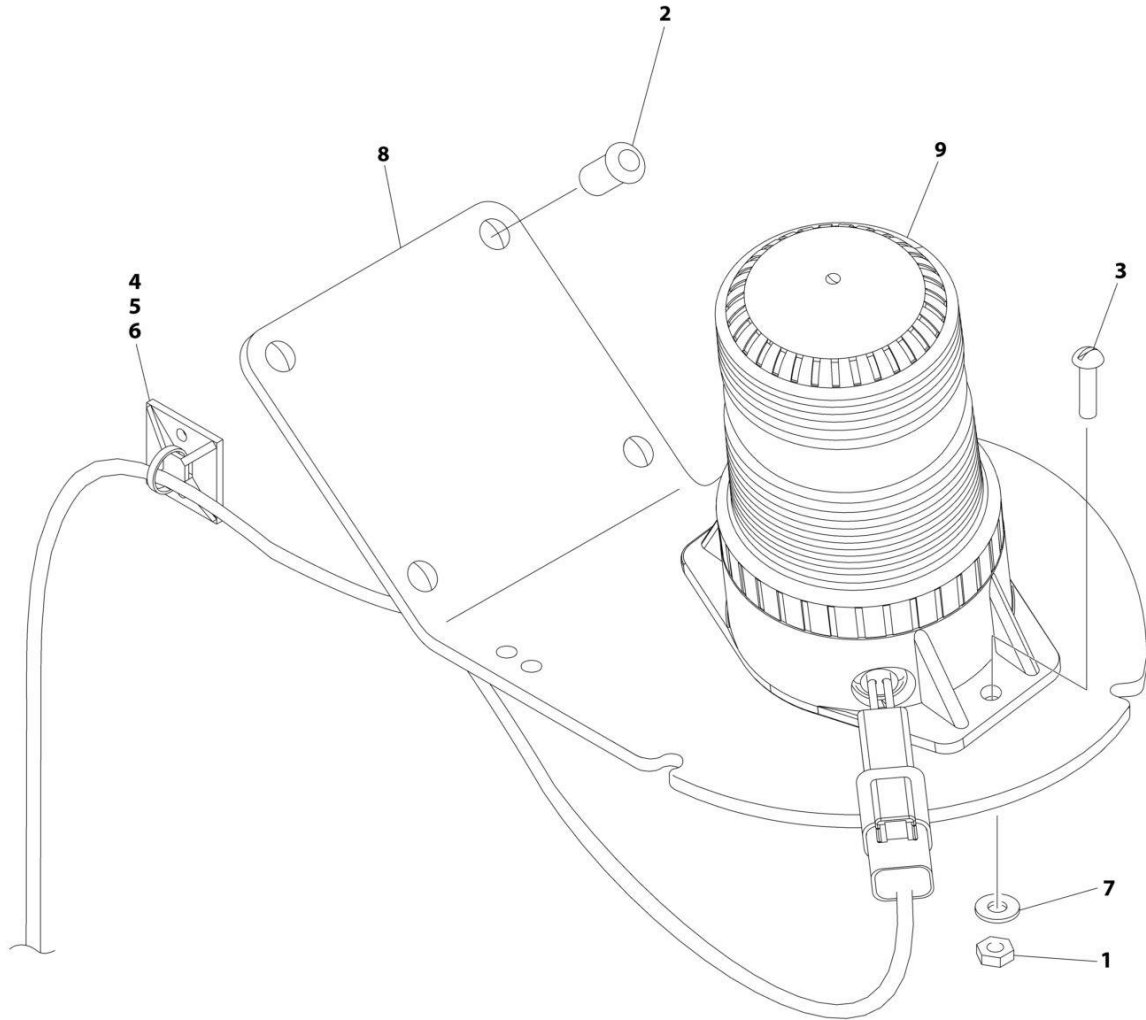
SECTION 2 - TURNTABLE

FIGURE 2-18. STROBE LIGHT INSTALLATION - BLUE

ITEM	PART NUMBER	QTY	DESCRIPTION	REV
	1001239662	Ref	STROBE LIGHT INSTALLATION - BLUE	B
1	3290405	2	Lock nut M4	
2	3820020	4	Rivet	
3	4031509	2	Screw M4 x 25	
4	4240032	5	Tie-Strap	
5	4240033	AR	Tie-Strap	
6	4460234	5	Mount, Cable	
8	1001197583	1	Bracket	
9	1001272681	1	Strobe Light Assembly	
9	4460897	1	Receptacle, Female - 2 Position	
9	4460464	2	Pin, Male	
10	4811400	2	Washer M4	

SECTION 2 - TURNTABLE

FIGURE 2-19. STROBE LIGHT INSTALLATION - RED



ART_1001239663

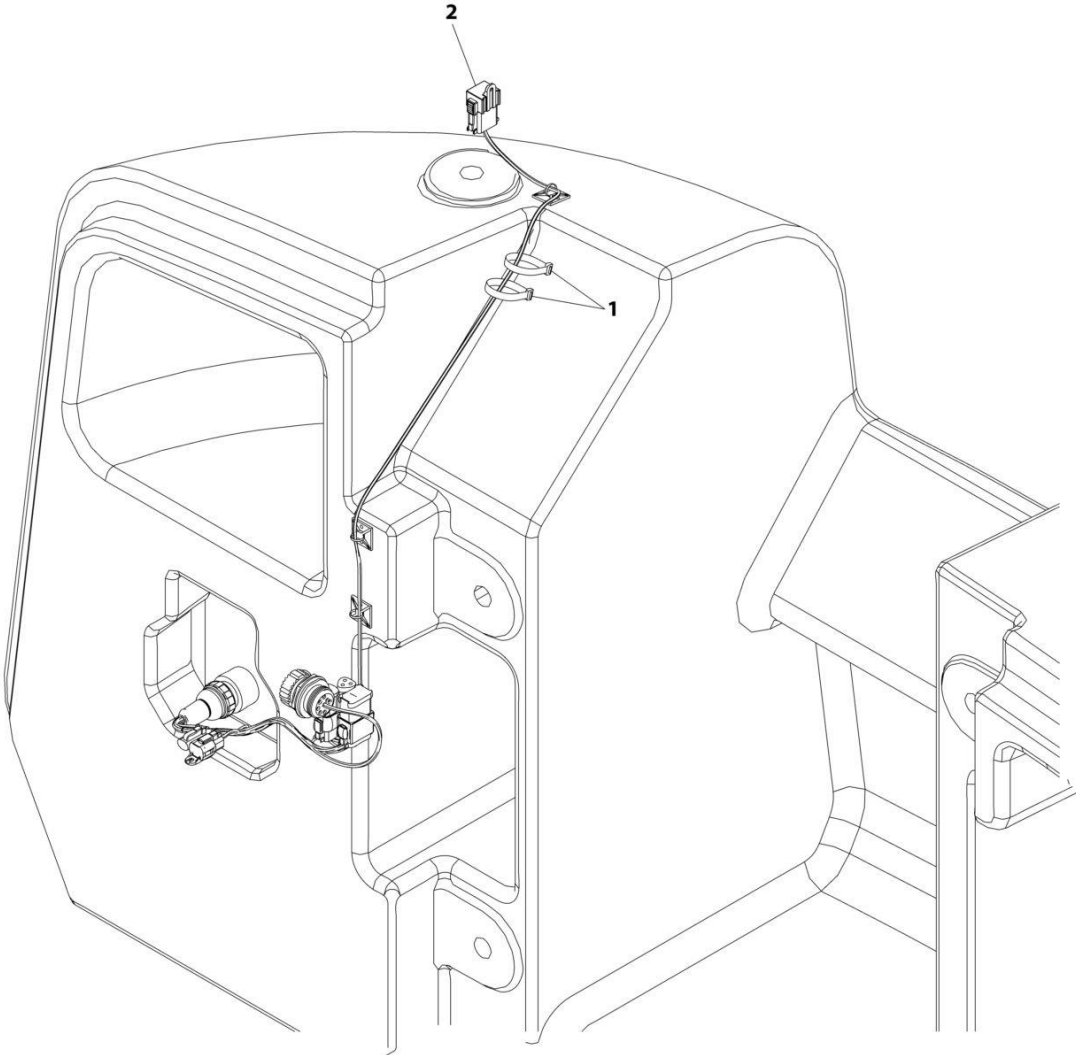
SECTION 2 - TURNTABLE

FIGURE 2-19. STROBE LIGHT INSTALLATION - RED

ITEM	PART NUMBER	QTY	DESCRIPTION	REV
	1001239663	Ref	STROBE LIGHT INSTALLATION - RED	A
1	3311005	2	Nut #10	
2	3820020	4	Rivet	
3	3911012	2	Screw #10 x 3/4	
4	4240032	5	Tie-Strap	
5	4240033	AR	Tie-Strap	
6	4460234	5	Mount, Cable	
7	4711000	4	Washer #10	
8	1001197583	1	Bracket	
9	1001207004	1	Strobe Light Assembly - Red	
9	4460897	1	Receptacle, Female - 2 Position	
9	4460464	2	Pin, Male	

SECTION 2 - TURNTABLE

FIGURE 2-20. HOOD PLUGS INSTALLATION



ART_1001293369

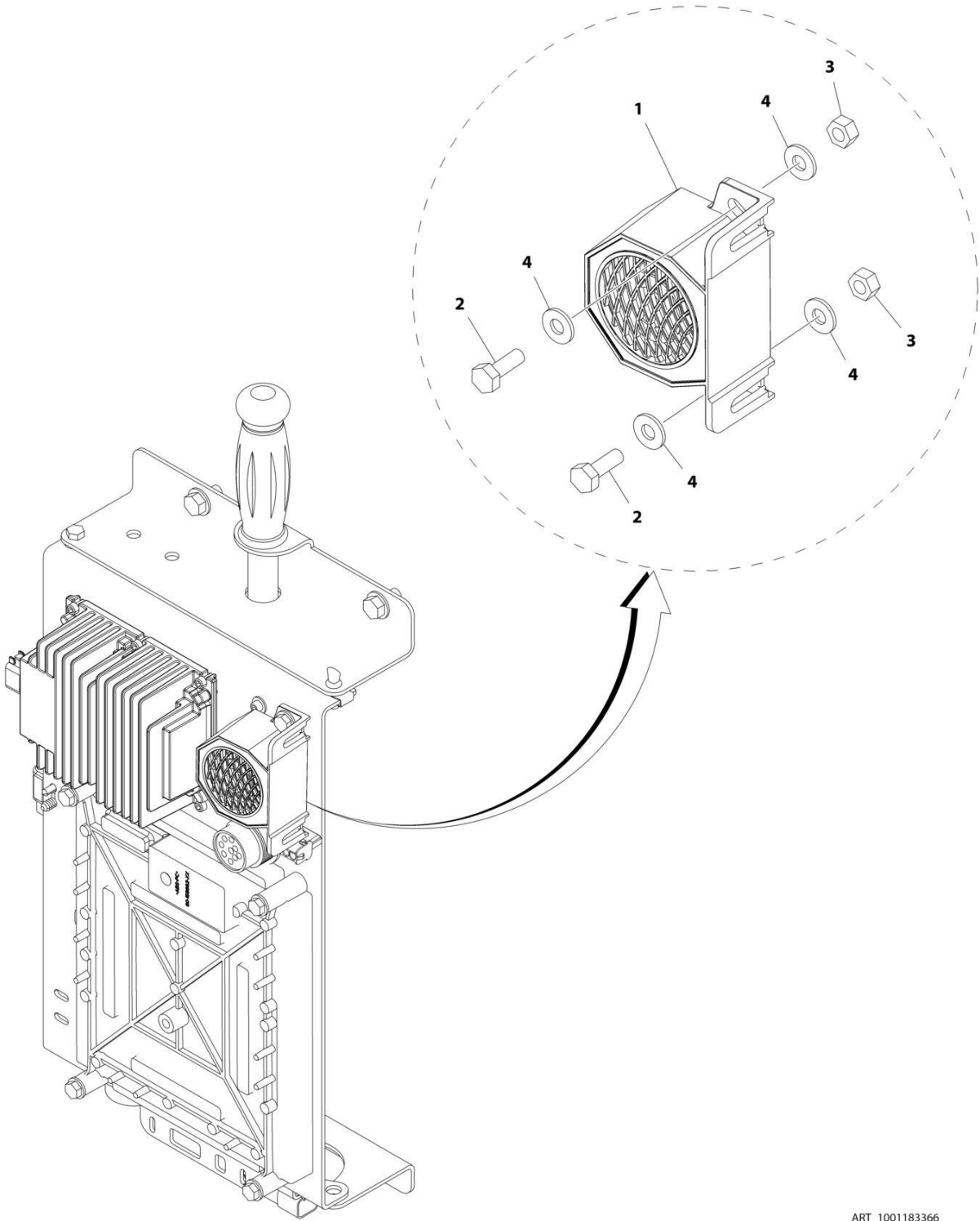
SECTION 2 - TURNTABLE

FIGURE 2-20. HOOD PLUGS INSTALLATION

ITEM	PART NUMBER	QTY	DESCRIPTION	REV
	1001293369	Ref	NO BECON INSTALLATION	A
1	4240018	2	Strap, Cable Tie	
2	1001244462	1	Connector, Dust Cap	

SECTION 2 - TURNTABLE

FIGURE 2-21. ALARM INSTALLATION



ART_1001183366

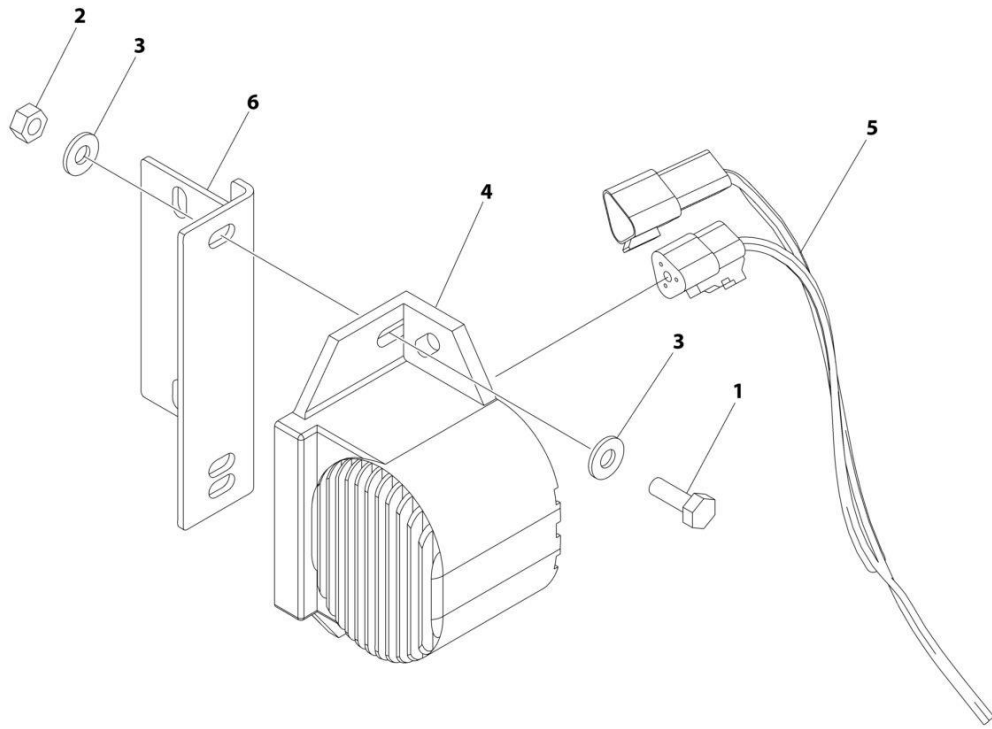
SECTION 2 - TURNTABLE

FIGURE 2-21. ALARM INSTALLATION

ITEM	PART NUMBER	QTY	DESCRIPTION	REV
	1001183366	Ref	ALARM INSTALLATION	B
1	0140043	1	Alarm	
1	4460536	1	Receptacle, Female - 3 Position	
1	4460464	3	Pin, Male	
2	0641406	2	Bolt 1/4 x 3/4	
3	3311405	2	Nut 1/4	
4	4711400	4	Washer 1/4	

SECTION 2 - TURNTABLE

FIGURE 2-22. WHITE NOISE ALARM INSTALLATION



ART_1001247386

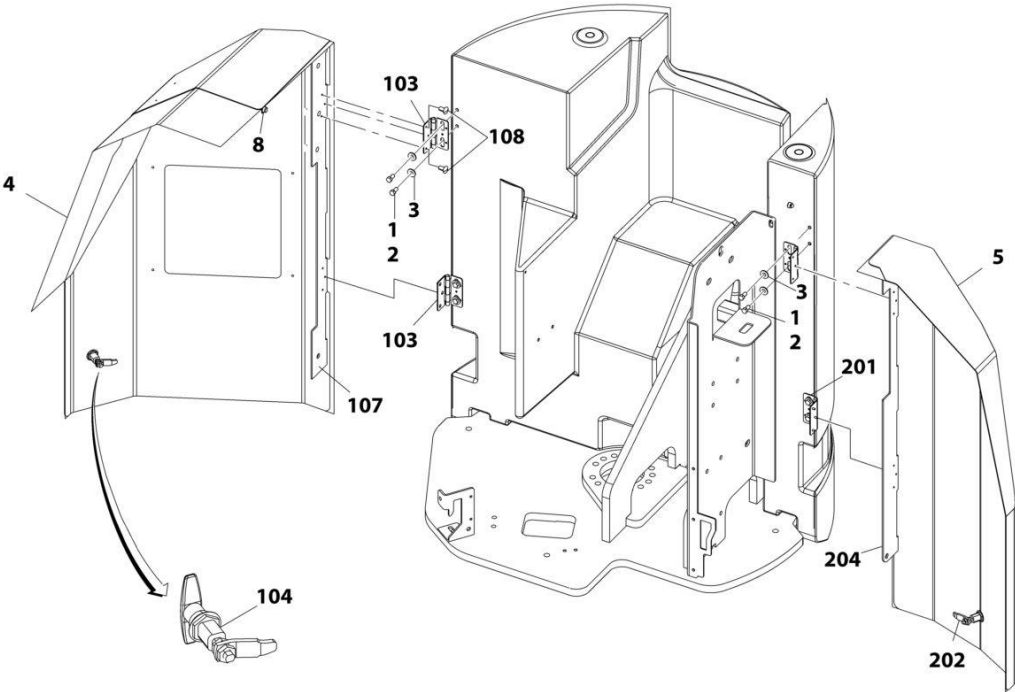
SECTION 2 - TURNTABLE

FIGURE 2-22. WHITE NOISE ALARM INSTALLATION

ITEM	PART NUMBER	QTY	DESCRIPTION	REV
	1001231958	Ref	WHITE NOISE ALARM INSTALLATION	A
1	0641406	2	Bolt 1/4 x 3/4	
2	3311405	2	Nut 1/4	
3	4711400	4	Washer 1/4	
4	1001182806	1	Alarm	
5	1001231007	1	White Noise Alarm Harness (See Separate Breakdown in ELECTRICAL SECTION)	
6	1001231886	1	Plate	

SECTION 2 - TURNTABLE

FIGURE 2-23. HOODS INSTALLATION



ART_1001164606

SECTION 2 - TURNTABLE

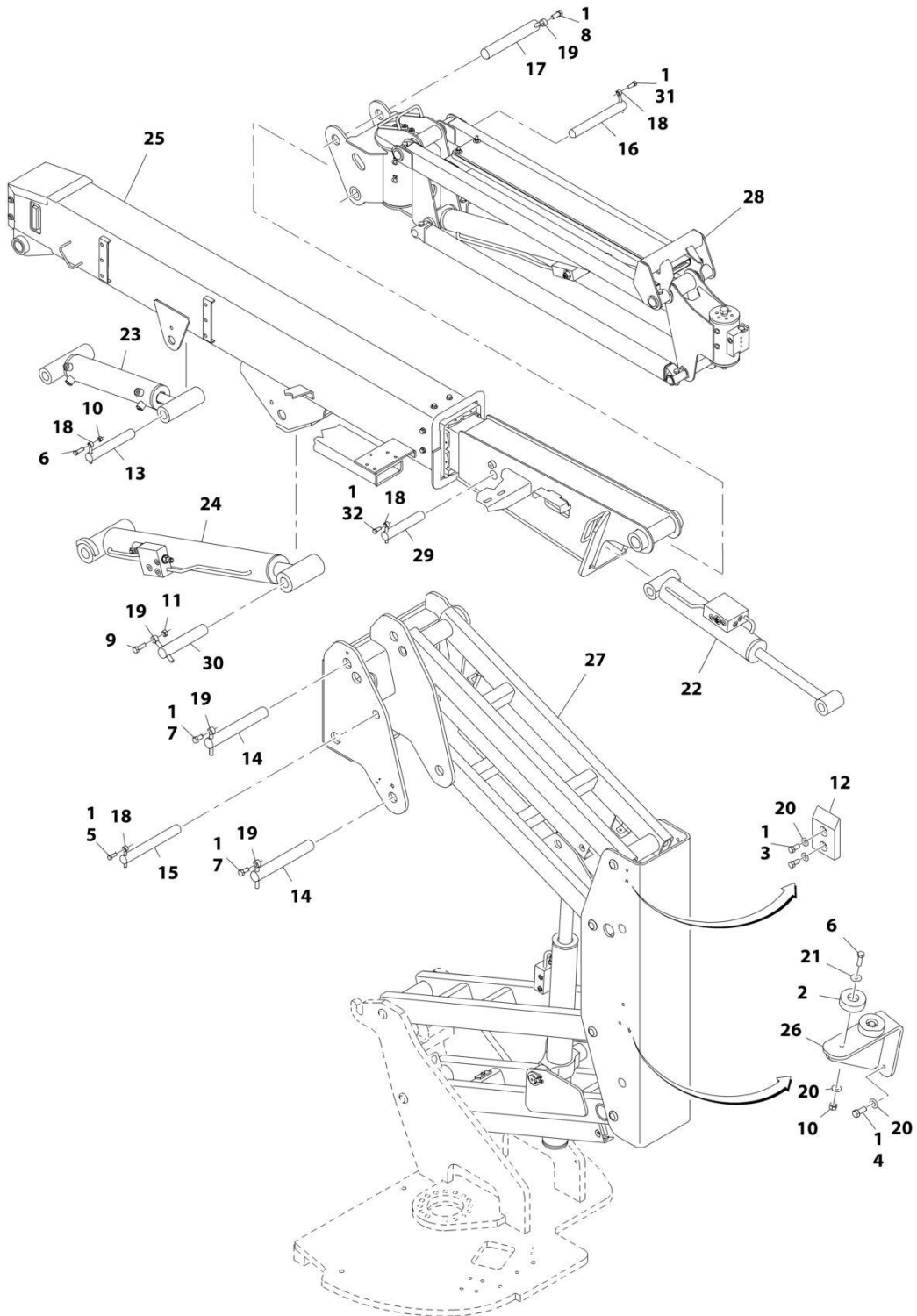
FIGURE 2-23. HOODS INSTALLATION

ITEM	PART NUMBER	QTY	DESCRIPTION	REV
	1001164606	Ref	HOODS INSTALLATION	D
1	0100011	AR	Compound, Locking	
2	0641606	8	Bolt 3/8 x 3/4	
3	4751600	8	Washer 3/8	
4	1001164239	1	Hood Assembly - LH (See Items 101-108 for Breakdown)	
5	1001164280	1	Hood Assembly - RH (See Items 201-204 for Breakdown)	
8	0940036	2	Door, Bumper	
	1001164239	Ref	HOOD ASSEMBLY - LH	G
103	2600258	2	Hinge	
104	2940117	1	Latch	
107	1001164238	1	Hood Steel - LH	
108	3820020	6	Rivet, Pop	
	1001164280	Ref	HOOD ASSEMBLY - RH	G
201	2600258	1	Hinge	
202	2940117	1	Latch	
203	3820020	1	Rivet, Pop (Not Shown)	
204	1001164257	1	Hood Steel - RH	

SECTION 3 - BOOM

SECTION 3 - BOOM

FIGURE 3-1. BOOM AND CYLINDERS INSTALLATION



ART_1001107584

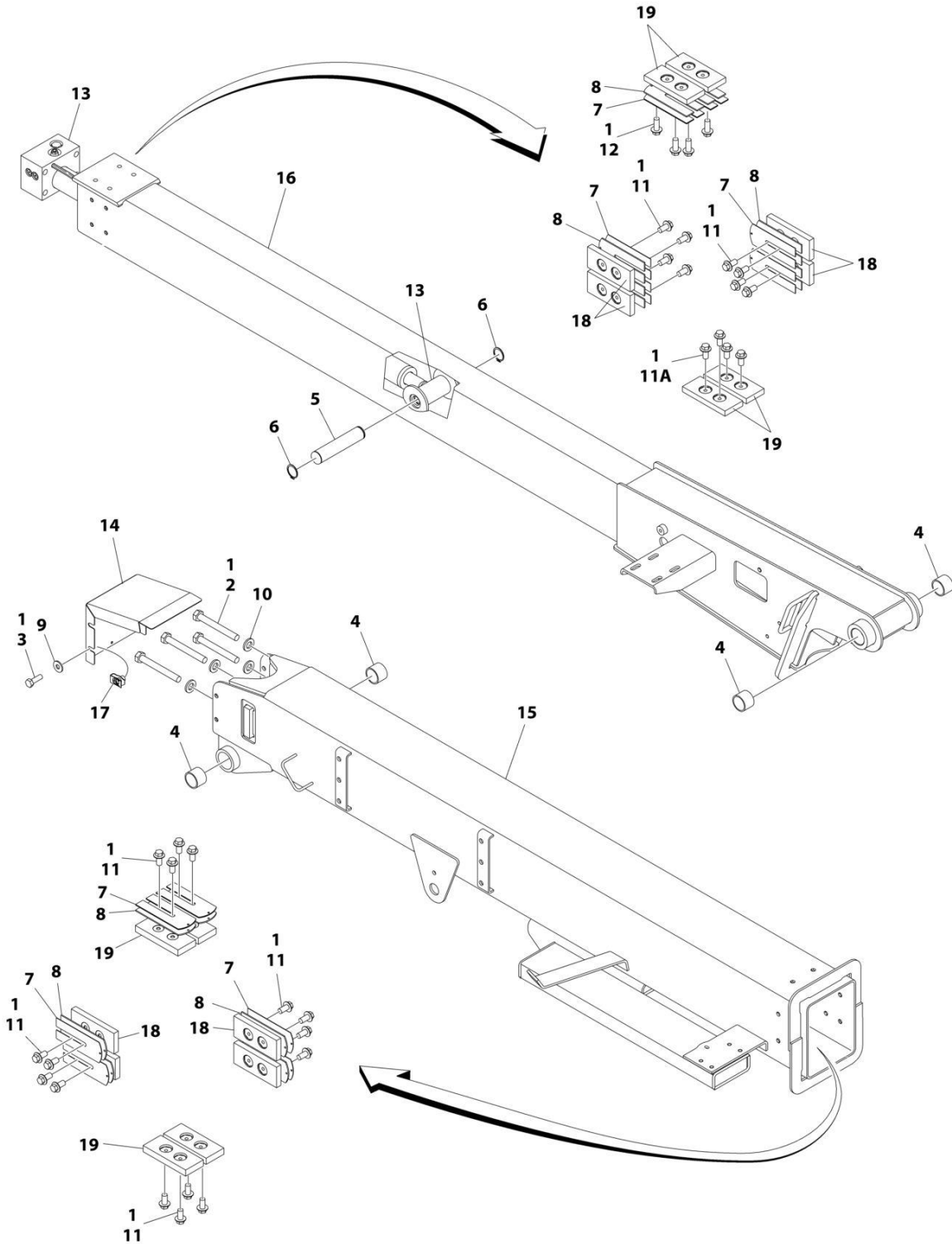
SECTION 3 - BOOM

FIGURE 3-1. BOOM AND CYLINDERS INSTALLATION

ITEM	PART NUMBER	QTY	DESCRIPTION	REV
	1001107584	Ref	BOOM AND CYLINDERS INSTALLATION - E300AJP	D
1	0100011	AR	Compound, Locking	
2	1001112607	2	Block, Boom Rest	
3	0641606	2	Bolt 3/8 x 3/4	
4	0641607	3	Bolt 3/8 x 7/8	
5	0641608	1	Bolt 3/8 x 1	
6	0641610	3	Bolt 3/8 x 1-1/4	
7	0641808	2	Bolt 1/2 x 1	
8	0761215	1	Bolt M12 x 35	
9	0641812	1	Bolt 1/2 x 1-1/2	
10	3311605	3	Nut 3/8	
11	3311805	1	Nut 1/2	
12	3340854	1	Pad, Boom Guide	
13	3422582	1	Pin	
14	3422787	2	Pin	
15	3422790	1	Pin	
16	3422792	1	Pin	
17	3422814	1	Pin	
18	3841143	4	Keeper, Pin	
19	3841203	4	Keeper, Pin	
20	4711600	7	Washer 3/8	
21	4751600	2	Washer 3/8	
22	1001203949	1	Level Cylinder Assembly - Platform Slave (See Separate Breakdown in CYLINDER SECTION)	
23	1001105989	1	Master Cylinder Assembly (See Separate Breakdown in CYLINDER SECTION)	
24	1001106880	1	Lift Cylinder Assembly - Main Boom (See Separate Breakdown in CYLINDER SECTION)	
25	1001123023	NLA	Main Boom Assembly (Use p/n 1001125316) (See Separate Breakdown in this Section)	
26	1001125235	1	Plate, Boom Rest	
27	1001107583	1	Tower Boom Assembly (See Separate Breakdown in this Section)	
28	1001123024	1	Jib Assembly (See Separate Breakdown in this Section)	
29	3422709	1	Pin	
30	1001109528	1	Pin	
31	0761014	1	Bolt M10 x 30	
32	0761011	1	Bolt M10 x 22	

SECTION 3 - BOOM

FIGURE 3-2. MAIN BOOM ASSEMBLY



ART_1001123023_D

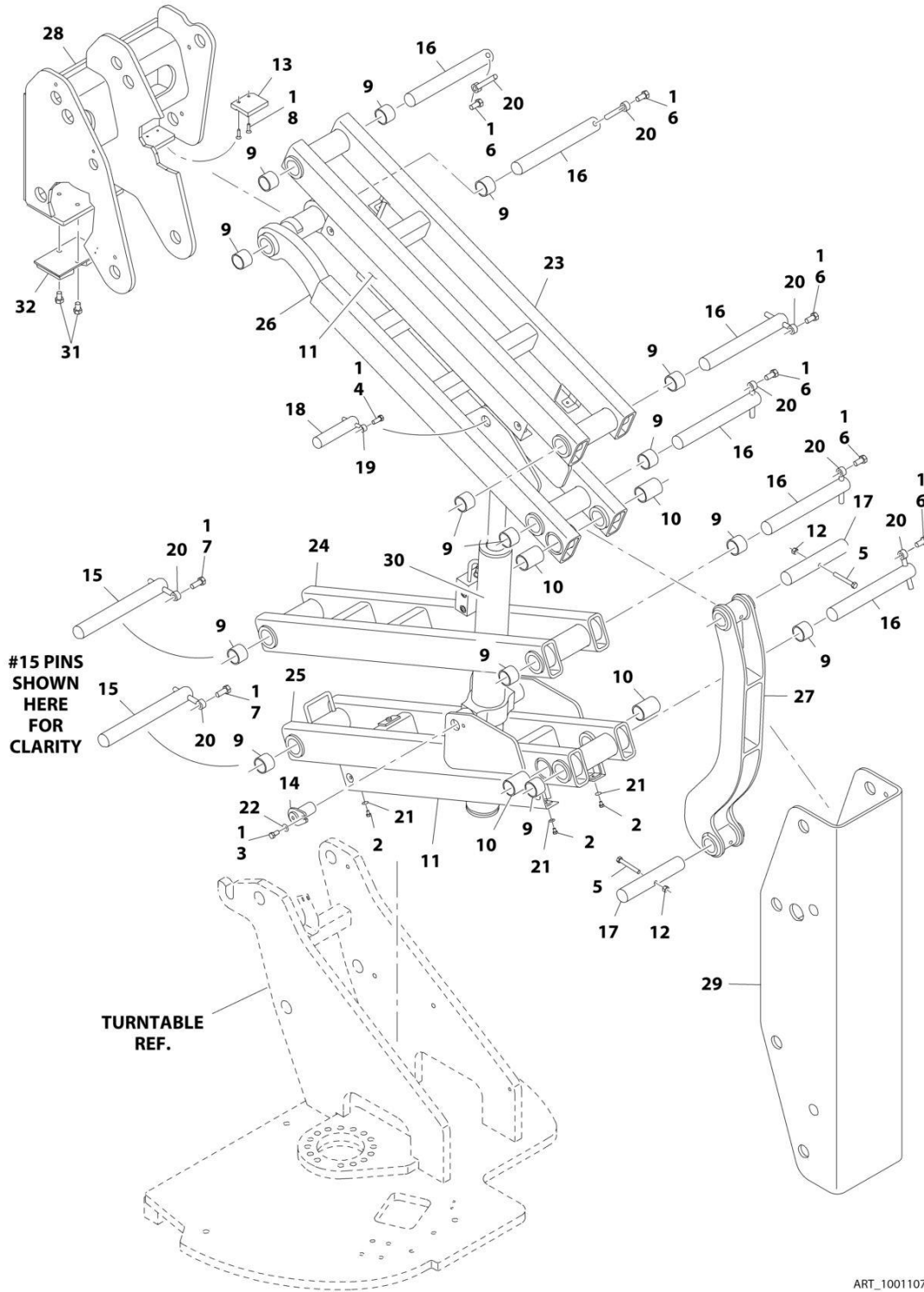
SECTION 3 - BOOM

FIGURE 3-2. MAIN BOOM ASSEMBLY

ITEM	PART NUMBER	QTY	DESCRIPTION	REV
	1001123023	Ref	MAIN BOOM ASSEMBLY	D
1	0100011	AR	Compound, Locking	
2	0711227	4	Bolt M12 x 100	
3	0760812	4	Bolt M8 x 25	
4	0961948	4	Bushing	
5	3422745	1	Pin	
6	3760115	2	Ring, Retaining	
7	4070897	16	Shim 18 Ga	
8	4070898	12	Shim 11 Ga	
9	4811902	4	Washer M8	
10	5241200	4	Washer M8	
11	5251010	24	Bolt M10 x 20	
11A	5251012	4	Bolt M10 x 25	
12	5251012	4	Bolt M10 x 25	
13	1001106879	1	Telescope Cylinder Assembly (See Separate Breakdown in CYLINDER Section)	
14	1001108290	1	Cover	
15	1001271248	1	Boom, Base	
16	1001271250	1	Boom, Fly	
17	1001118274	4	Nut	
18	1001123044	8	Pad	
19	1001123045	8	Pad	

SECTION 3 - BOOM

FIGURE 3-3. TOWER BOOM ASSEMBLY



ART_1001107583

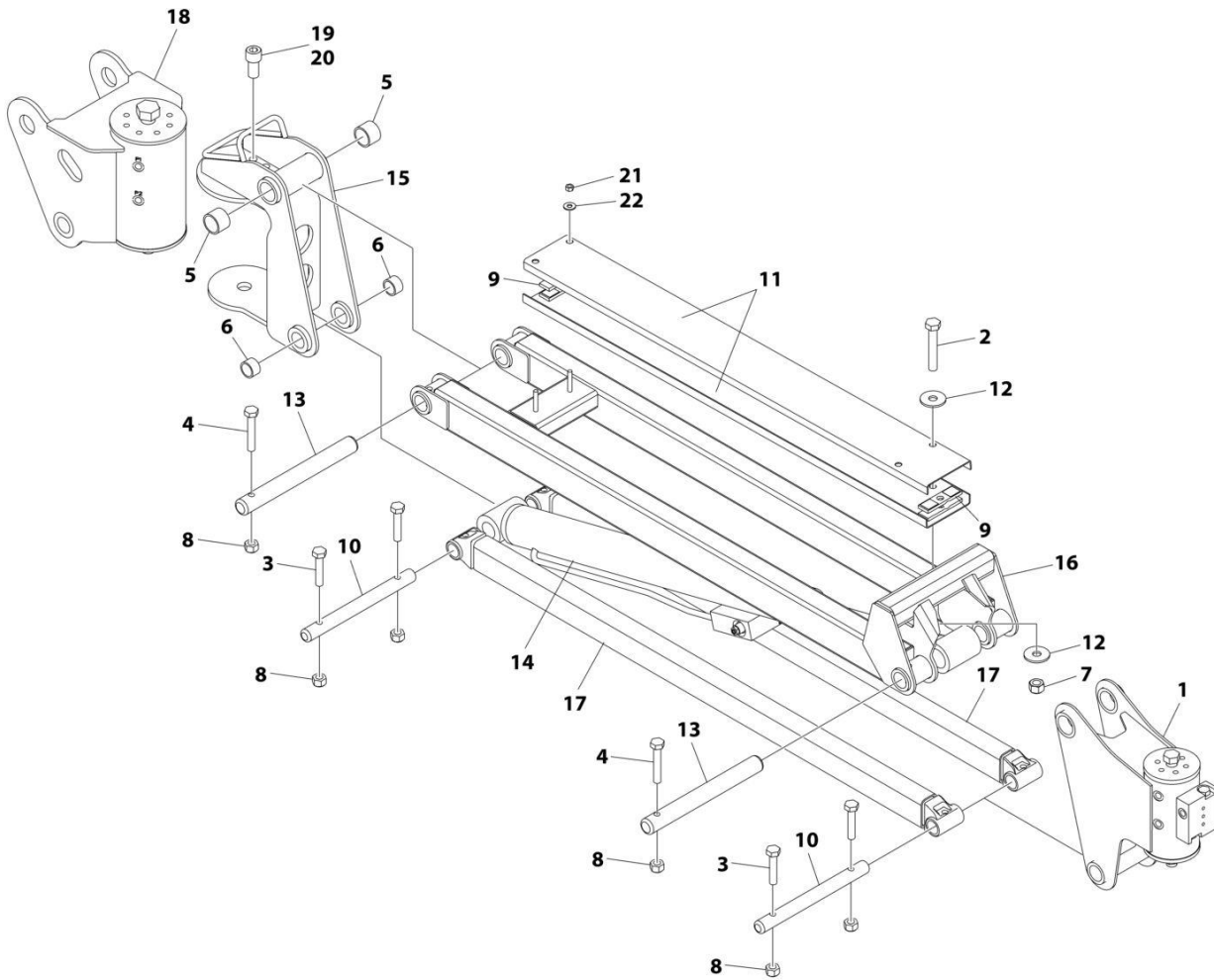
SECTION 3 - BOOM

FIGURE 3-3. TOWER BOOM ASSEMBLY

ITEM	PART NUMBER	QTY	DESCRIPTION	REV
	1001107583	Ref	TOWER BOOM ASSEMBLY - E300AJP	B
1	0100011	AR	Compound, Locking	
2	0641403	12	Bolt 1/4 x 3/8	
3	0641606	2	Bolt 3/8 x 3/4	
4	0641608	1	Bolt 3/8 x 1	
5	0641622	2	Bolt 3/8 x 2-3/4	
6	0641808	6	Bolt 1/2 x 1	
7	0641810	2	Bolt 1/2 x 1-1/4	
8	0741408	2	Screw 1/4 x 1	
9	0961948	16	Bearing	
10	0962259	4	Bearing	
11	1271433	4	Channel, Boom Cable/Hose	
12	3311605	2	Nut 3/8	
13	3340865	1	Pad, Wear	
14	3422424	2	Pin	
15	3422785	2	Pin	
16	3422786	6	Pin	
17	3422788	2	Pin	
18	3422789	1	Pin	
19	3841143	1	Keeper, Pin	
20	3841203	8	Keeper, Pin	
21	4711400	12	Washer 1/4	
22	4711600	2	Washer 3/8	
23	4845940	1	Link, Mid Boom (Top)	
24	4845942	1	Link, Lower Boom (Top)	
25	4845943	1	Link, Lower Boom (Bottom)	
26	4846083	1	Link, Mid Boom (Bottom)	
27	1001097487	1	Link, Timing	
28	1001107217	1	Upright (Top)	
29	1001107567	1	Upright (Bottom)	
30	1001107886	1	Lift Cylinder Assembly - Tower Boom (See Separate breakdown in CYLINDER SECTION)	
31	0641806	2	Bolt 1/2 x 3/4	
32	0940048	1	Bumper	

SECTION 3 - BOOM

FIGURE 3-4. JIB ASSEMBLY



ART_1001123024

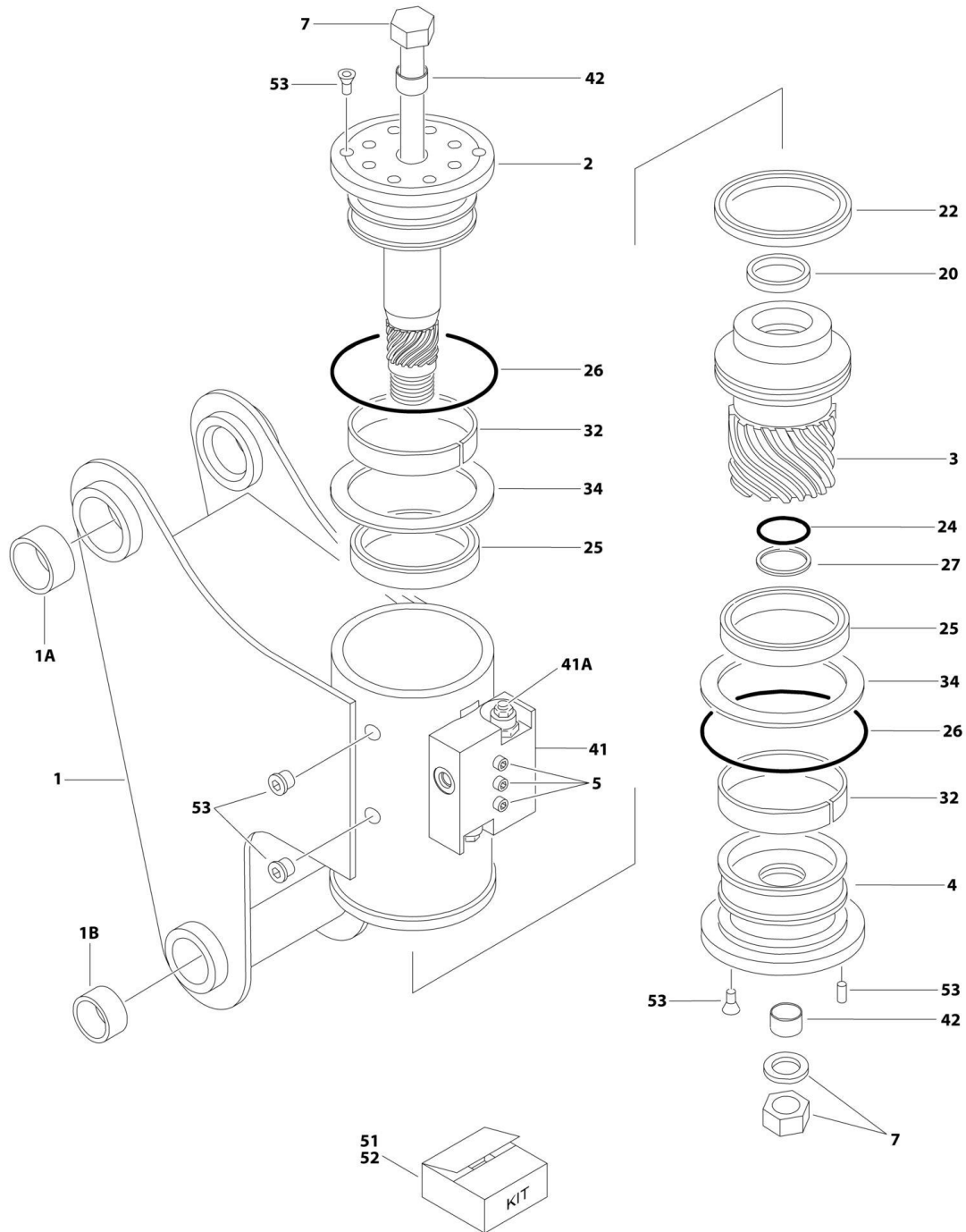
SECTION 3 - BOOM

FIGURE 3-4. JIB ASSEMBLY

ITEM	PART NUMBER	QTY	DESCRIPTION	REV
	1001123024	Ref	JIB ASSEMBLY - E300AJP	C
1	0060044	1	Platform Rotator Assembly (See Separate Breakdown in this Section)	
2	0700818	2	Bolt M8 x 50	
3	0701018	4	Bolt M10 x 50	
4	0701020	2	Bolt M10 x 60	
5	0961951	2	Bushing	
6	0962292	2	Bushing	
7	3290805	2	Nut M8	
8	3291005	6	Nut M10	
9	3340860	4	Pad, Rubber	
10	3422791	2	Pin	
11	3572551	2	Channel, Hose Carrier	
12	4811902	4	Washer M8	
13	3422794	2	Pin	
14	1001108429	1	Lift Cylinder Assembly - Jib (See Separate Breakdown in CYLINDER Section)	
15	4846502	1	Support	
16	4846278	1	Link, Jib (Top)	
17	1001118516	NLA	Link, Jib (Bottom) (Use p/n 1001094670)	
17	1001094670	2	Link, Jib (Bottom)	
18	0060065	1	Jib Swing Rotator Assembly (See Separate Breakdown in this Section)	
19	0100011	AR	Compound, Locking	
20	3931816	8	Capscrew 1/2 x 1	
21	3311501	2	Nut 5/16	
22	4751500	2	Washer 5/16	

SECTION 3 - BOOM

FIGURE 3-5. ROTATOR ASSEMBLY - PLATFORM



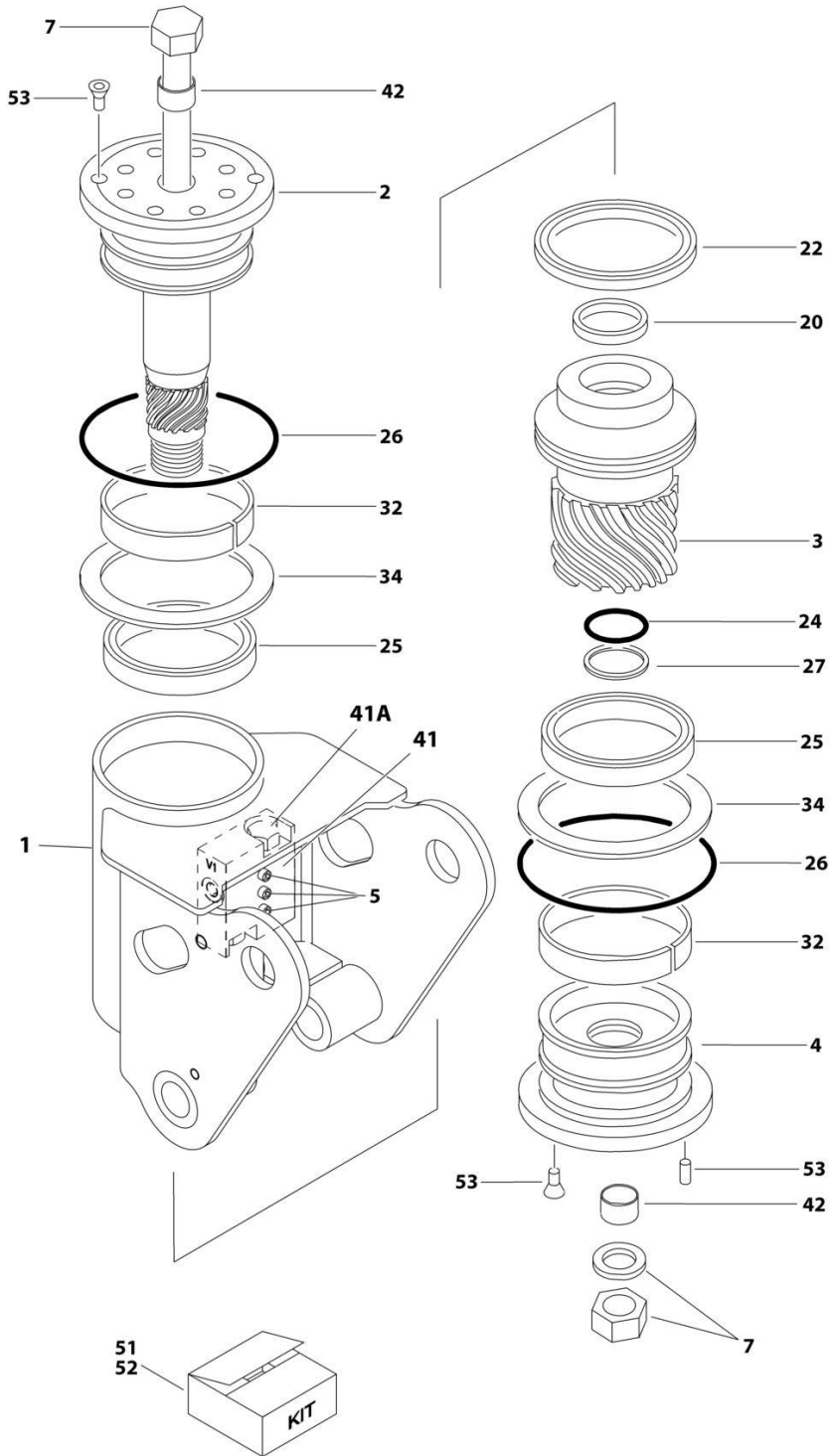
ART_0060044

FIGURE 3-5. ROTATOR ASSEMBLY - PLATFORM

ITEM	PART NUMBER	QTY	DESCRIPTION	REV
	0060044	Ref	ROTATOR ASSEMBLY	D
1	See Note	1	Case/Bracket Weldment (Note: Not Available - Purchase Complete Assembly)	
1A	0962257	2	Bushing	
1B	0961947	2	Bushing	
2	7017120	1	Shaft (Rotator with Helac Control #25928)	
2	7017196	1	Shaft (Rotator with Helac Control #26962)	
3	7017121	1	Piston Sleeve (Rotator with Helac Control #25928)	
3	7027900	1	Piston Sleeve (Rotator with Helac Control #26962)	
4	See Note	1	Cap, End (Rotator with Helac Control #25928) (Note: Use p/n 0060044)	
4	7027901	1	Cap, End (Rotator with Helac Control #26962)	
5	See Note	3	Capscrew 1/4 x 1-1/2, Grade 8 (Note: Not Available - Purchase Locally)	
7	7017126	1	Tie Rod Assembly	
20	See Note	NSS	Seal, Rod (Note: Use Item 52)	
22	See Note	NSS	Seal, Piston (Note: Use Item 52)	
24	See Note	NSS	Seal, Cap (Note: Use Item 52)	
25	See Note	NSS	Packing, Bearing (Note: Use Item 52)	
26	See Note	NSS	Seal (Note: Use Item 52)	
27	See Note	NSS	Ring, Back-Up Cap (Note: Use Item 52)	
32	See Note	NSS	Bearing, Shaft (Note: Use Item 51)	
34	See Note	2	Washer, Thrust (Note: Use Item 51)	
41	7017172	1	Counterbalance Valve Assembly (Helac p/n 24327, 26553 or 26554 Stamped Beside Mounting Screws)	
41A	7011323	2	Valve, Cartridge (Helac p/n 24327 Valve)	
41A	2900770	2	Seal Kit - 7011323 Cartridge (1 Per Assembly)	
41A	7017192	2	Valve Cartridge (Helac p/n 26553 or 26554) (No Seal Kit Available)	
42	70004323	1	Bushing, Shaft	
51	7017122	1	Bearing Kit (Includes Items 32-34)	
52	7017127	1	Seal Kit - Standard (Includes Items 20,22,24,25,26 & 27)	
52	70000341	1	Seal Kit - Low Temperature (Includes Items 20,22,24,25,26 & 27)	
53	7017123	1	Hardware Kit	

SECTION 3 - BOOM

FIGURE 3-6. ROTATOR ASSEMBLY - JIB SWING



ART_0060065

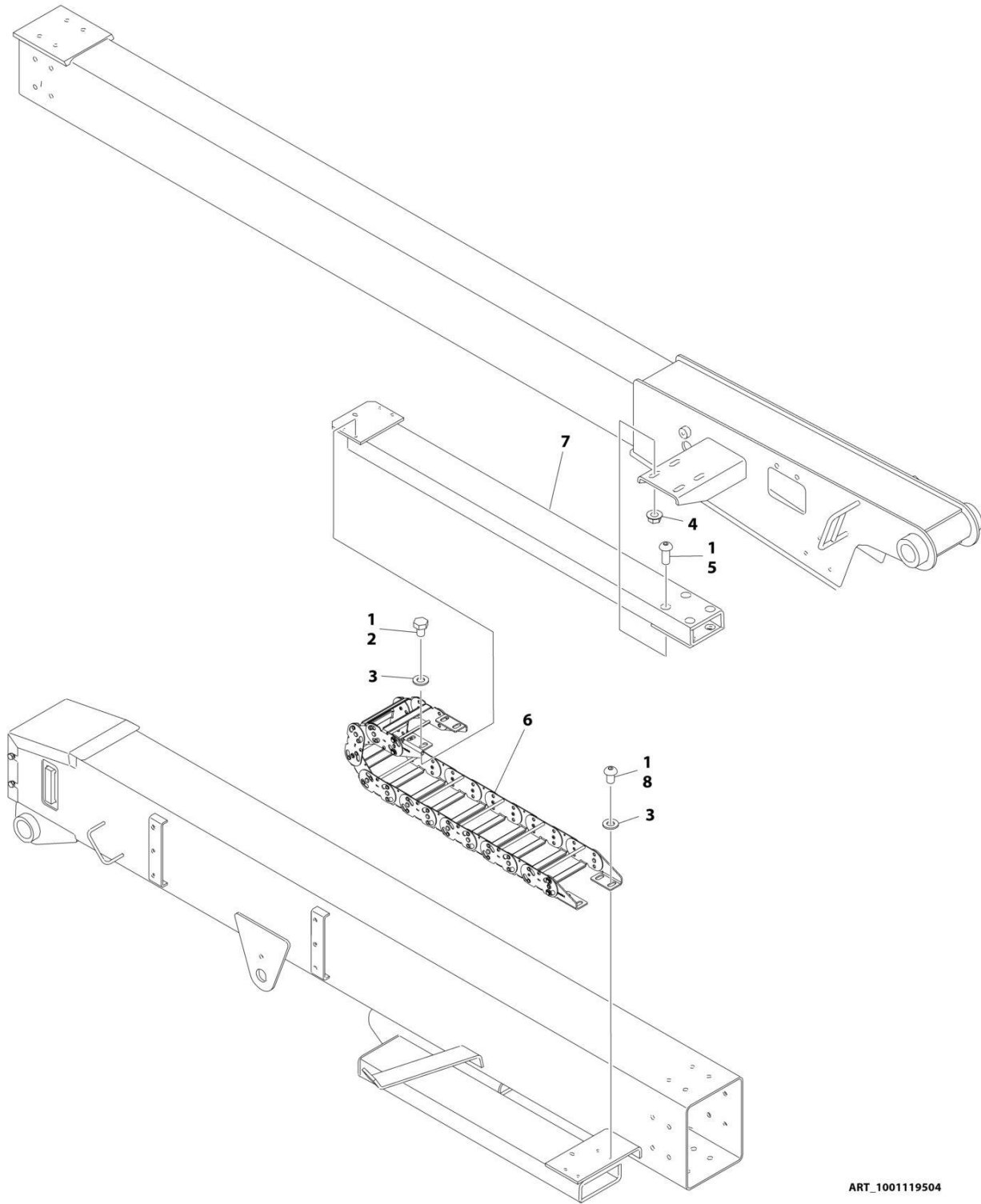
SECTION 3 - BOOM

FIGURE 3-6. ROTATOR ASSEMBLY - JIB SWING

ITEM	PART NUMBER	QTY	DESCRIPTION	REV
	0060065	Ref	ROTATOR ASSEMBLY - MAIN BOOM TO JIB	C
1	See Note	1	Case/Bracket Weldment (Note: Not Available - Purchase Complete Assembly)	
2	7017167	1	Shaft	
3	7017168	1	Piston Sleeve	
4	7017169	1	Cap, End	
5	See Note	3	Capscrew 1/4, Grade 8 (Note: Not Available - Purchase Locally)	
7	7017173	1	Tie Rod Assembly	
20	See Note	1	Seal, Rod (Note: Use Item 52)	
22	See Note	1	Seal, Piston (Note: Use Item 52)	
24	See Note	1	Seal, Cap (Note: Use Item 52)	
25	See Note	2	Packing, Bearing (Note: Use Item 52)	
26	See Note	2	Seal (Note: Use Item 52)	
27	See Note	1	Ring, Back-up (Note: Use Item 52)	
32	See Note	2	Bearing, Shaft (Note: Use Item 51)	
34	See Note	2	Washer, Thrust (Note: Use Item 51)	
41	7017172	1	Counterbalance Valve Assembly	
41A	7017192	2	Valve, Cartridge (No Seal Kit Available)	
42	See Note	2	Bushing, Shaft (Note: Not Available for Purchase)	
51	7017178	1	Bearing Kit (Includes Items 32-34)	
52	7017165	1	Seal Kit - Standard (Includes Items 20, 22 & 24-27,	
52	70000340	1	Seal Kit - Low Temperature (Includes Items 20,22 & 24-27)	
53	7017179	1	Hardware Kit	

SECTION 3 - BOOM

FIGURE 3-7. POWER TRACK INSTALLATION



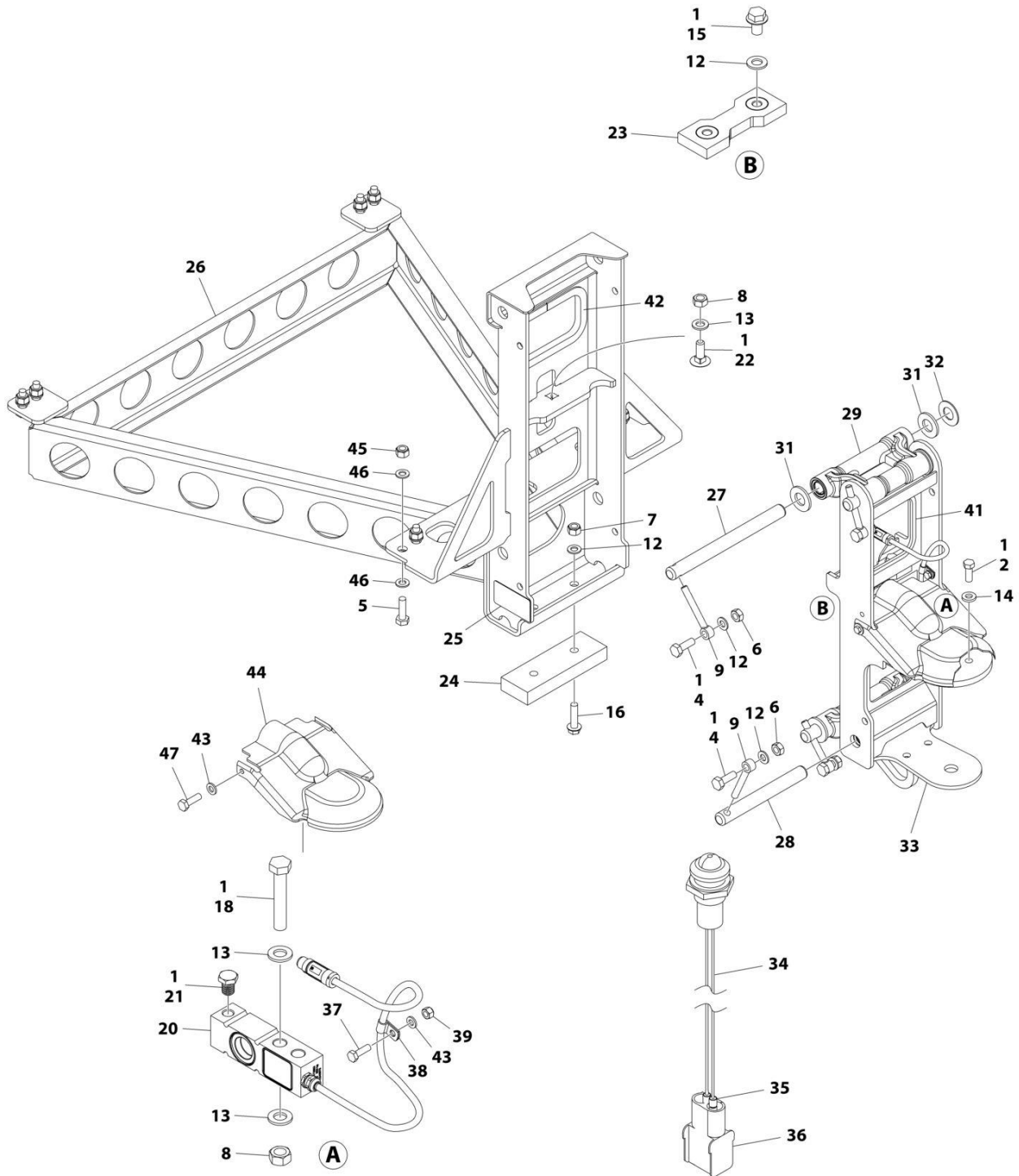
ART_1001119504

FIGURE 3-7. POWER TRACK INSTALLATION

ITEM	PART NUMBER	QTY	DESCRIPTION	REV
	1001119504	Ref	POWER TRACK INSTALLATION	C
1	0100011	AR	Compound, Locking	
2	0761007	4	Bolt M10 x 14	
3	4812000	8	Washer M10	
4	5221000	4	Nut M10 Grade 10.9	
5	8310668	4	Screw M10 x 25 Grade 10.9	
6	1001224891	1	Carrier, Power Track	
6	70006269	1	Repair Kit (Includes 10 Link Section of Track)	
6	70006280	1	Bracket Kit (Includes 4 Mounting Feet and Hardware to Attach to Track)	
7	1001119513	1	Tube, Support	
8	1001119527	4	Screw M10 x 16	

SECTION 3 - BOOM

FIGURE 3-8. PLATFORM SUPPORT INSTALLATION



ART_1001219016

SECTION 3 - BOOM

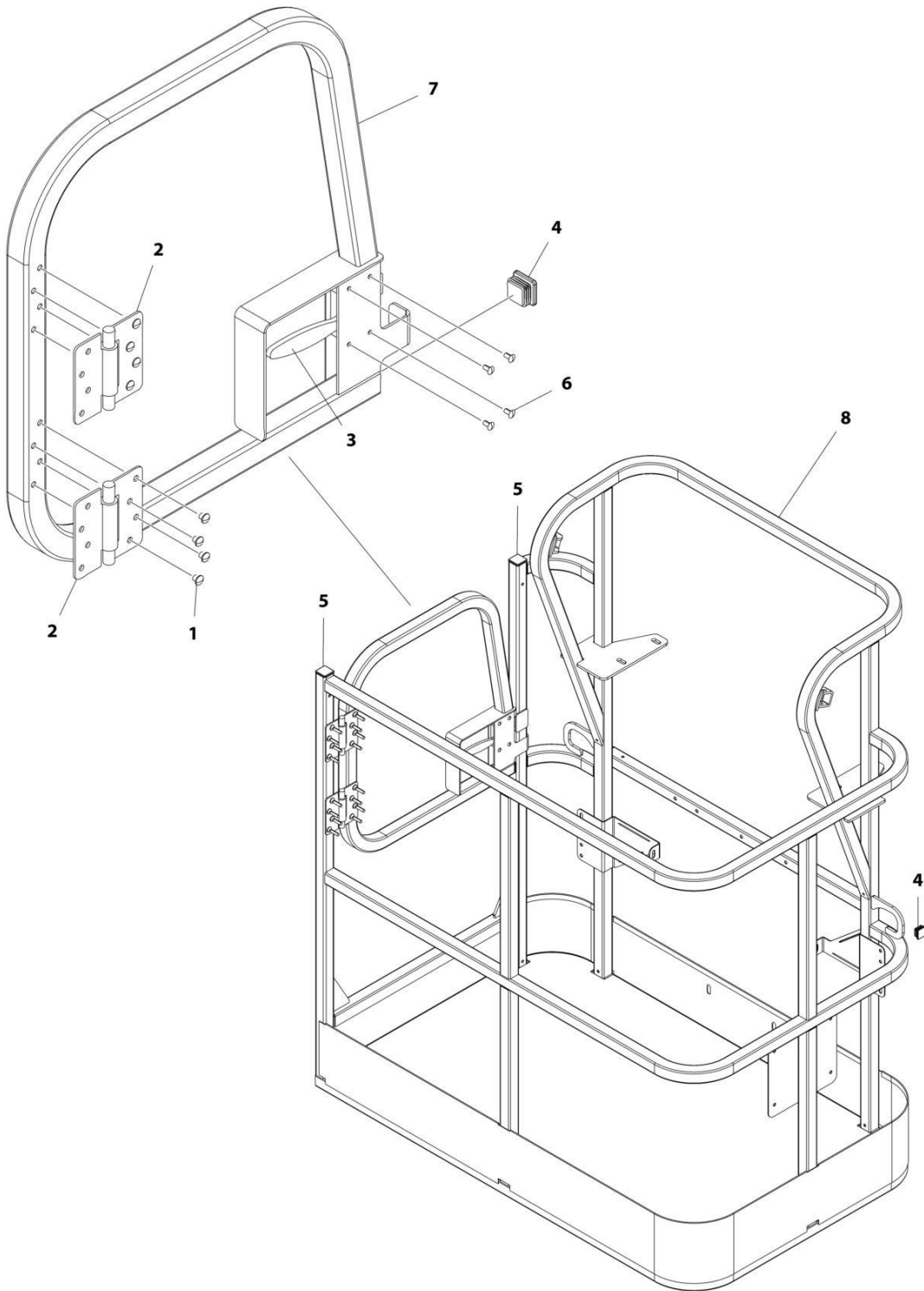
FIGURE 3-8. PLATFORM SUPPORT INSTALLATION

ITEM	PART NUMBER	QTY	DESCRIPTION	REV
	1001219016	Ref	PLATFORM SUPPORT INSTALLATION	E
1	0100011	AR	Compound, Locking	
2	0681608	6	Bolt 3/8 x 1	
4	0761014	4	Bolt M10 x 30	
5	0761215	8	Bolt M12 x 35	
6	3291001	4	Nut M10	
7	3291005	2	Nut M10	
8	3291201	3	Nut M12	
9	3841143	4	Keeper	
12	4812000	8	Washer M10	
13	4812100	5	Washer M12	
14	4891600	6	Washer 3/8	
15	5251008	2	Bolt M10 x 16	
16	5251016	2	Bolt M10 x 40	
18	1001098828	2	Bolt M12 x 70 Grade 10.9	
20	1001172663	1	Gauge, Load Sensing	
21	1001188622	1	Screw M12	
22	1001188844	1	Bolt M12 x 35	
23	1001190985	1	Pad, Wear	
24	1001200491	1	Plate	
25	1001216630	2	Decal - Tie Down/No Lift	
26	1001217228	1	Platform Support	
27	1001217242	2	Pin	
28	1001217243	2	Pin	
29	1001217244	2	Link, LSS Assembly	
29	1001217413	4	Bearing	
29	1001217249	1	Seal	
31	1001217253	8	Bearing	
32	1001217254	4	Bearing	
33	1001217267	1	Support, Rotary	
34	2920151	1	Light	
35	4460226	2	Socket, Female	
36	4460424	1	Connector - 2 Position	
37	0760610	1	Bolt M6 x 20	
38	1320136	1	Clamp	
39	3290605	1	Nut	
41	4060804	1.5 ft/ 0.5m	Flex-Trim	
42	4060805	1.5 ft/ 0.5m	Flex-Trim	
43	4811702	3	Washer M6	
44	1001228627	1	Cover, Platform Support and LSS	
45	3291205	8	Nut M12	
46	5241200	16	Washer M12	
47	0760606	2	Bolt M6 x 12	

SECTION 4 - PLATFORM

SECTION 4 - PLATFORM

FIGURE 4-1. PLATFORM ASSEMBLY - 4FT/1.22M - SIDE GATE ENTRY



ART_1001186387

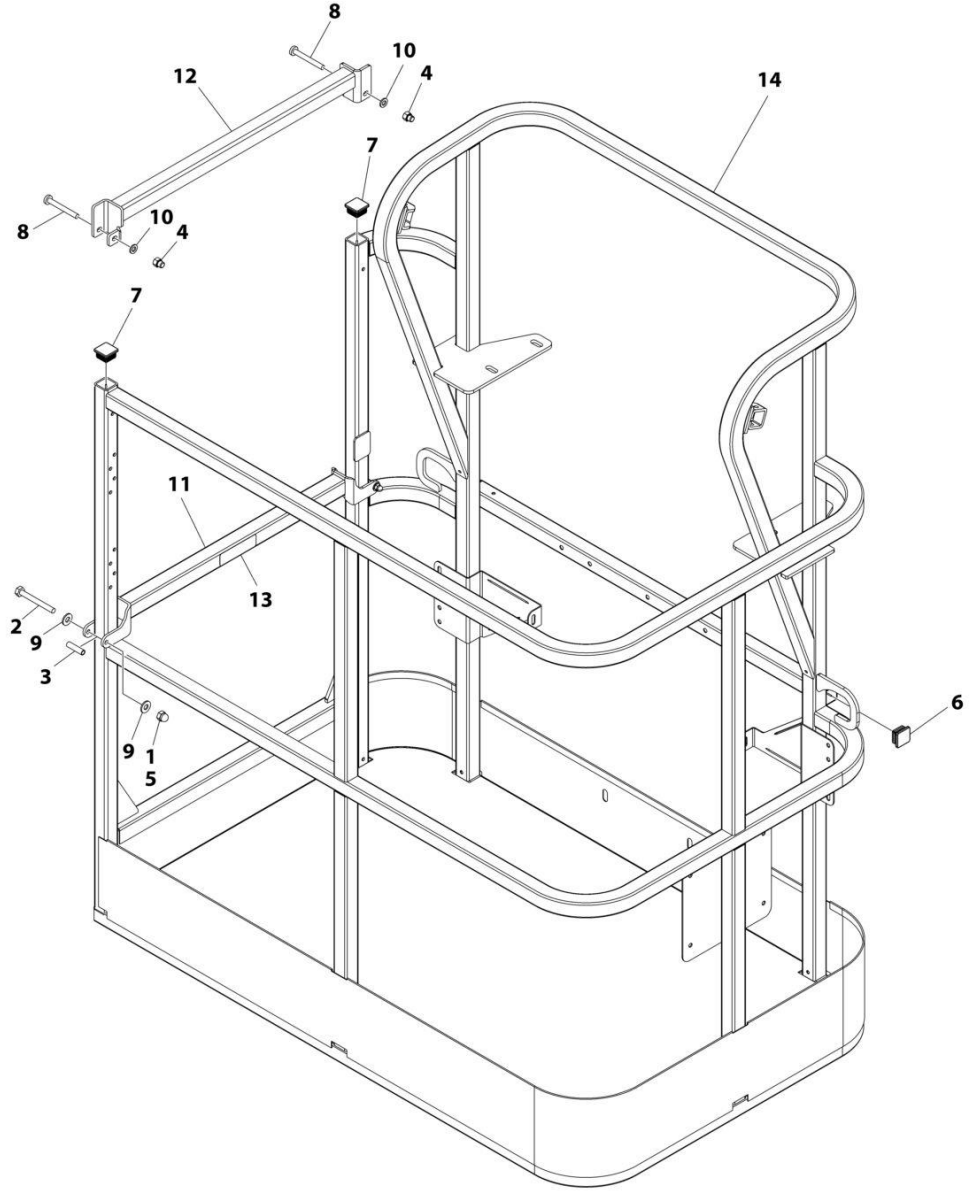
SECTION 4 - PLATFORM

FIGURE 4-1. PLATFORM ASSEMBLY - 4FT/1.22M - SIDE GATE ENTRY

ITEM	PART NUMBER	QTY	DESCRIPTION	REV
	1001186387	Ref	PLATFORM ASSEMBLY	C
		Ref	Note: Platform and Mesh must be ordered separately for Platforms with Mesh. See SPECIAL OPTIONS SECTION for Mesh Installations.	
		Ref	Note: Replacement Decals Must be Ordered Separately - See DECALS SECTION.	
1	2080040	16	Fastener, Huck	
2	2600281	2	Hinge, Self-Closing	
3	2940074	1	Latch	
4	3520072	3	Plug	
5	3520198	2	Plug	
6	3820020	4	Rivet	
7	1001144629	1	Gate	
8	See Note	1	Platform (Note: Not Available - Purchase Platform Assembly)	

SECTION 4 - PLATFORM

FIGURE 4-2. PLATFORM ASSEMBLY - 4FT/1.22M - DROP BAR ENTRY



ART_1001186375

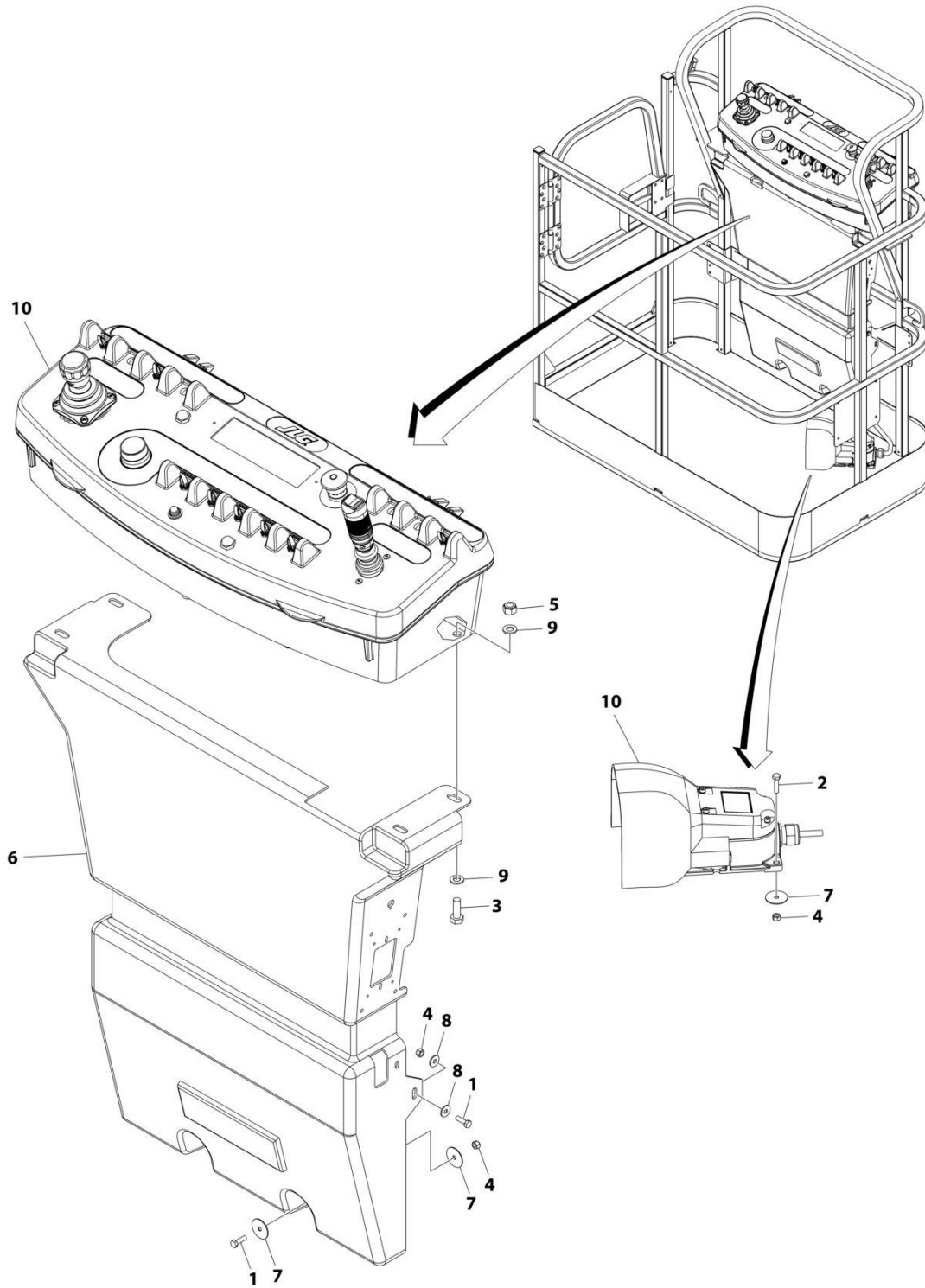
SECTION 4 - PLATFORM

FIGURE 4-2. PLATFORM ASSEMBLY - 4FT/1.22M - DROP BAR ENTRY

ITEM	PART NUMBER	QTY	DESCRIPTION	REV
	1001186375	Ref	PLATFORM ASSEMBLY	B
		Ref	Note: Platform and Mesh must be ordered separately for Platforms with Mesh. See SPECIAL OPTIONS SECTION for Mesh Installations.	
		Ref	Note: Replacement Decals Must be Ordered Separately - See DECALS SECTION.	
1	0100011	AR	Compound, Locking	
2	0641418	2	Bolt 1/4 x 2-1/4	
3	0961845	2	Bushing	
4	3290606	2	Nut M6	
5	3300151	2	Nut 1/4	
6	3520072	2	Plug	
7	3520198	2	Plug	
8	4010618	2	Screw M6 x 50	
9	4711400	4	Washer 1/4	
10	4811700	2	Washer M6	
11	1001138494	1	Bar, Drop	
12	1001138514	1	Rail - Top	
13	1001140429	1	Decal - Drop Bar	
14	See Note	1	Platform (Note: Not Available - Purchase Platform Assembly)	

SECTION 4 - PLATFORM

FIGURE 4-3. PLATFORM CONSOLE AND FOOTSWITCH INSTALLATION



ART_1001249416

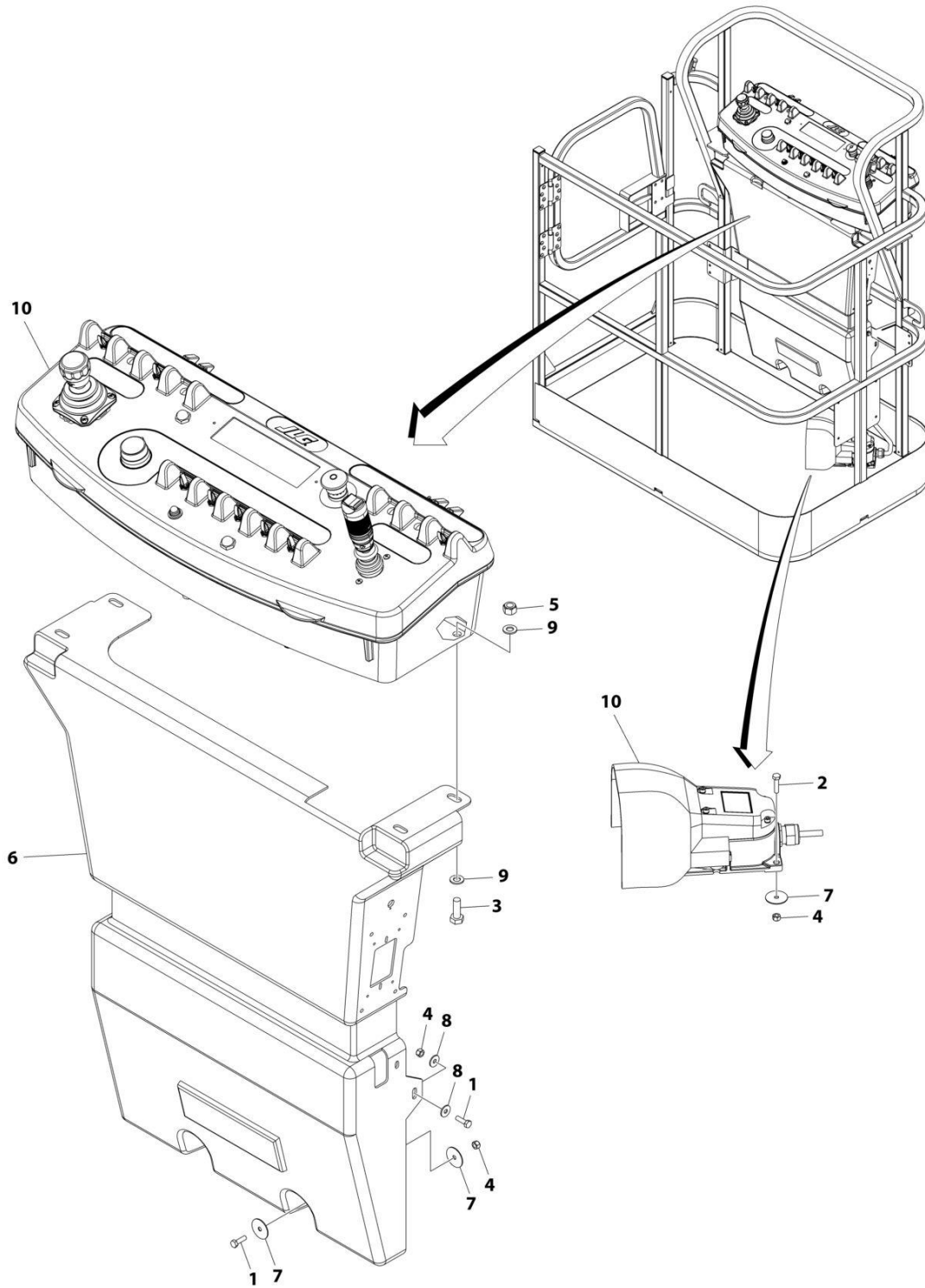
SECTION 4 - PLATFORM

FIGURE 4-3. PLATFORM CONSOLE AND FOOTSWITCH INSTALLATION

ITEM	PART NUMBER	QTY	DESCRIPTION	REV
	1001249416	Ref	PLATFORM CONSOLE AND FOOTSWITCH INSTALLATION	A
1	0641406	4	Bolt 1/4 x 3/4	
2	0641408	3	Bolt 1/4 x 1	
3	0641610	4	Bolt 3/8 x 1-1/4	
4	3311405	7	Nut 1/4	
5	3311605	4	Nut 3/8	
6	3380434	1	Panel, Pedestal	
7	4740362	7	Washer 1/4	
8	4751400	4	Washer 1/4	
9	4751600	8	Washer 3/8	
10	1001249418	1	Platform Console Assembly (See Separate Breakdown in this Section)	

SECTION 4 - PLATFORM

FIGURE 4-4. PLATFORM CONSOLE AND FOOTSWITCH INSTALLATION (UL SPECS)



ART_1001249417

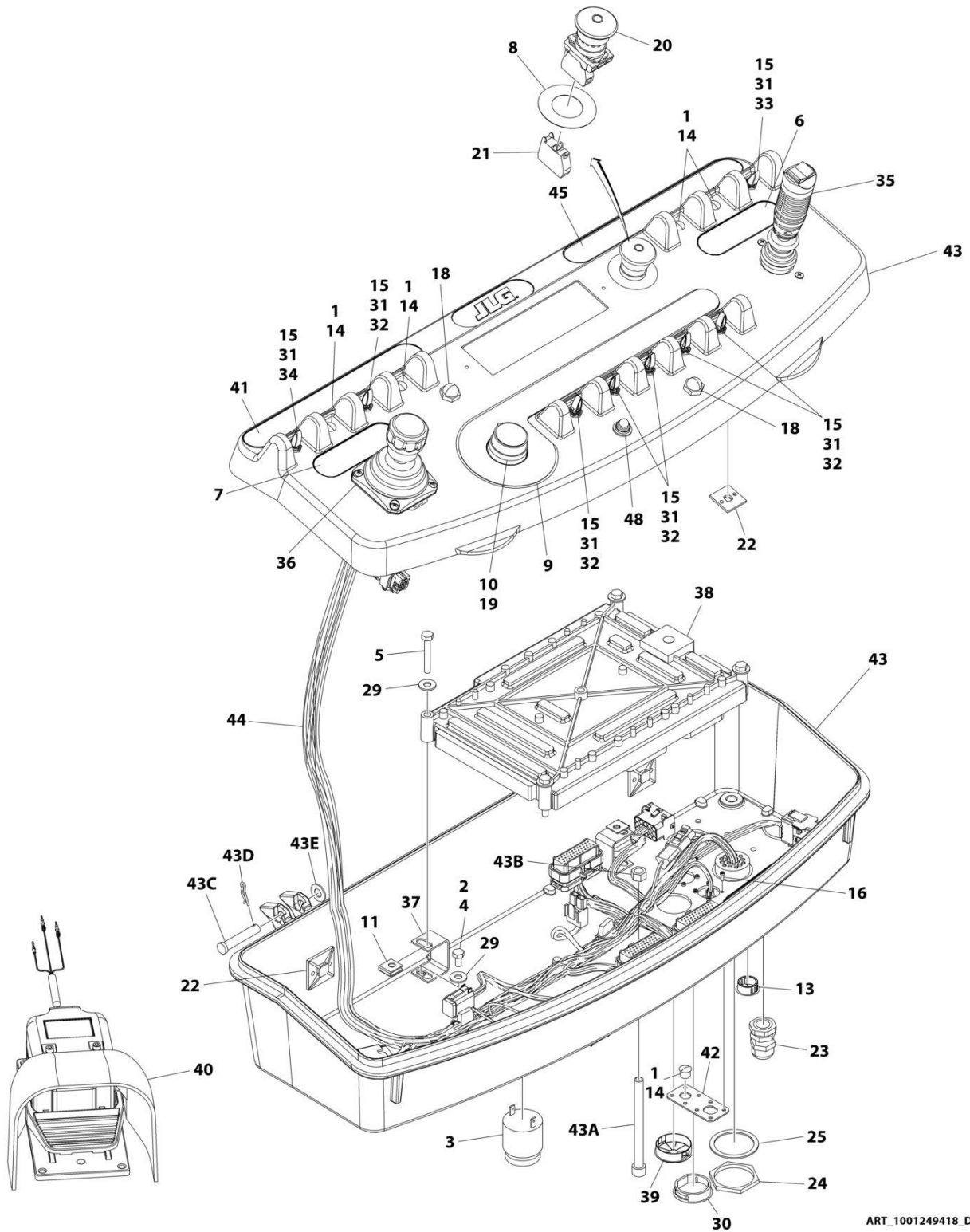
SECTION 4 - PLATFORM

FIGURE 4-4. PLATFORM CONSOLE AND FOOTSWITCH INSTALLATION (UL SPECS)

ITEM	PART NUMBER	QTY	DESCRIPTION	REV
	1001249417	Ref	PLATFORM CONSOLE AND FOOTSWITCH INSTALLATION	A
1	0641406	4	Bolt 1/4 x 3/4	
2	0641408	3	Bolt 1/4 x 1	
3	0641610	4	Bolt 3/8 x 1-1/4	
4	3311405	7	Nut 1/4	
5	3311605	4	Nut 3/8	
6	3380434	1	Panel, Pedestal	
7	4740362	7	Washer 1/4	
8	4751400	4	Washer 1/4	
9	4751600	8	Washer 3/8	
10	1001249419	1	Platform Console Assembly (See Separate Breakdown in this Section)	

SECTION 4 - PLATFORM

FIGURE 4-5. CONSOLE BOX ASSEMBLY



ART_1001249418_D

SECTION 4 - PLATFORM

FIGURE 4-5. CONSOLE BOX ASSEMBLY

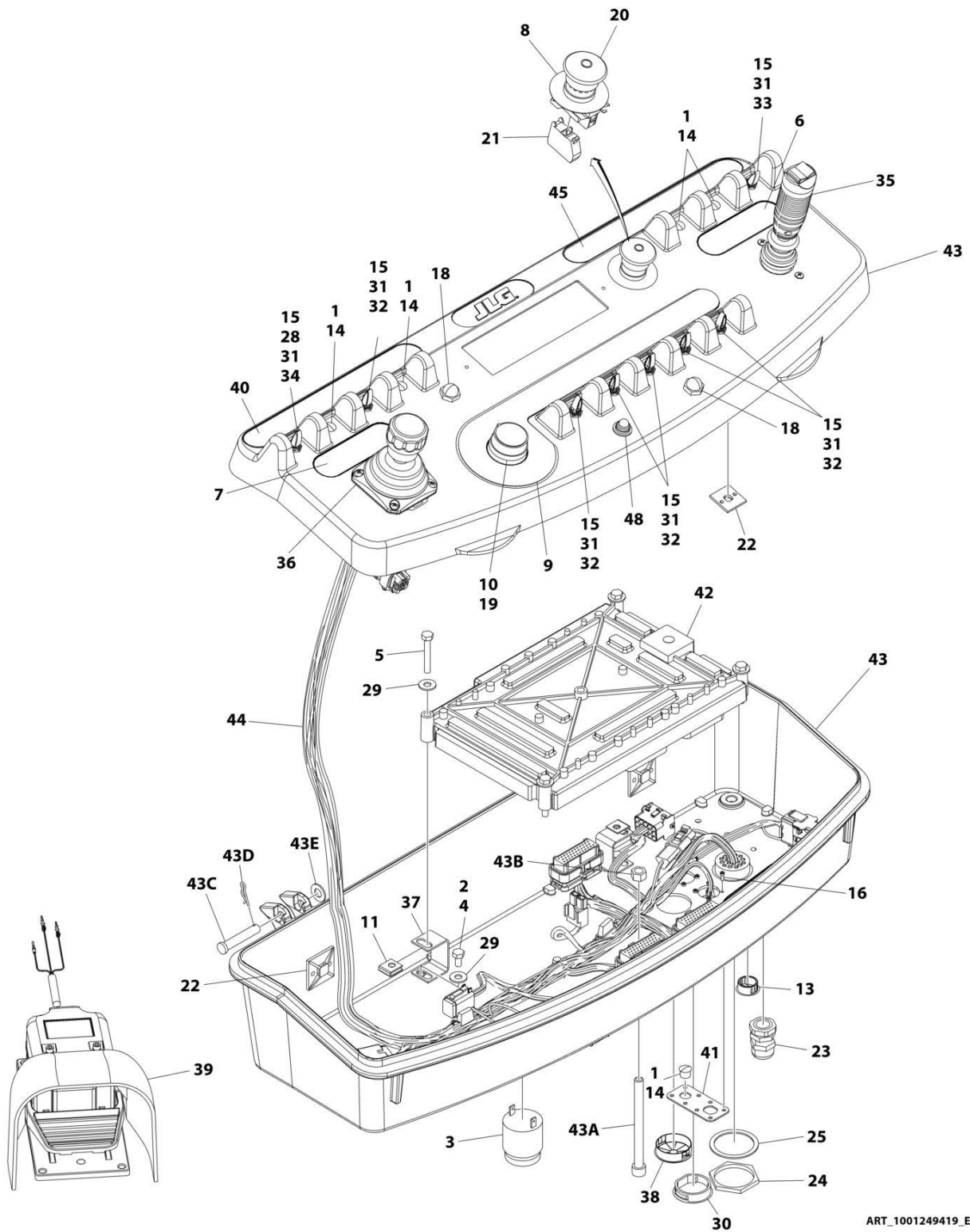
ITEM	PART NUMBER	QTY	DESCRIPTION	REV
	1001249418	Ref	PLATFORM CONSOLE ASSEMBLY	D
1	0100009	AR	Sealant	
2	0100035	AR	Compound, Locking	
3	0140011	1	Alarm	
4	0641405	4	Bolt 1/4 x 5/8	
5	0641414	4	Bolt 1/4 x 1-3/4	
6	1702565	1	Decal - Drive and Steer	
7	1702566	1	Decal - Lift and Swing	
8	1704260	1	Decal - Emergency Stop	
9	1704422	1	Decal - Function Speed	
10	2560136	1	Handle, Knob	
11	3300353	4	Nut, Tinnerman	
13	3520030	1	Plug, Hole	
14	3520054	5	Plug, Hole	
15	3790012	8	O-Ring	
16	3900349	8	Capscrew M2.5	
17	4240099	AR	Tie-Strap (Not Shown)	
18	4360387	2	Switch, Push Button	
19	4360407	1	Switch, Potentiometer	
19	70003784	1	Seal, O-Ring	
19	4460224	1	Plug, Male - 6 Position	
19	4460267	6	Pin, Male	
20	1001274559	1	Switch, Emergency Stop	
21	4360476	1	Block, Contact	
22	4460234	6	Base, Mounting	
23	4460428	1	Connector, Strain Relief	
24	4460470	1	Nut	
25	4460471	1	Washer	
29	4751400	8	Washer 1/4	
30	1001110434	1	Plug	
31	1001155044	8	Nut 15/32	
32	1001155045	6	Switch, Toggle	
33	1001159256	1	Switch, Toggle	
34	1001161710	1	Switch, Toggle	
35	1001275628	1	Controller Assembly - Drive and Steer	
36	1001275629	1	Controller Assembly - Lift and Swing	
37	1001172760	4	Bracket, Module	
38	1001182724	1	Module, Platform (Note: Recalibration Required when Replaced)	
39	1001185281	1	Plug	
40	1001117174	1	Footswitch Assembly (See Separate Breakdown in this Section)	
41	1001193987	1	Decal - Horn	
42	1001213882	1	Mount	
43	1001215228	1	Box, Console	C
43A	0630568	1	Capscrew 3/8 x 4-1/2	
43B	3311601	1	Nut 3/8	
43C	3430616	2	Pin	
43D	3470003	2	Hair Pin	
43E	4711600	2	Washer 3/8	
44	1001272279	1	Platform Console Harness (See Separate Breakdown in ELECTRICAL Section)	

SECTION 4 - PLATFORM

ITEM	PART NUMBER	QTY	DESCRIPTION	REV
45	1001247538	1	Decal - Stop/Generator	
48	1001206532	1	Light, Indicator	

SECTION 4 - PLATFORM

FIGURE 4-6. CONSOLE BOX ASSEMBLY (UL SPECS)



ART_1001249419_E

SECTION 4 - PLATFORM

FIGURE 4-6. CONSOLE BOX ASSEMBLY (UL SPECS)

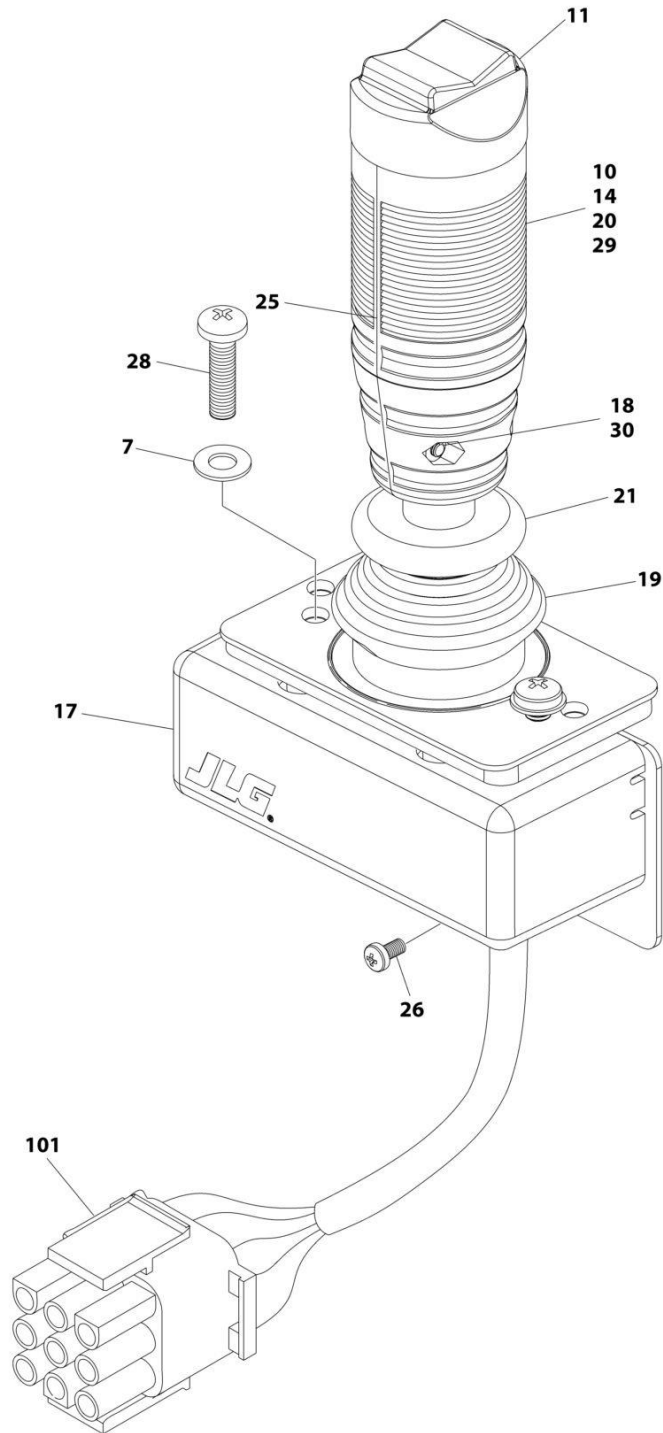
ITEM	PART NUMBER	QTY	DESCRIPTION	REV
	1001249419	Ref	PLATFORM CONSOLE ASSEMBLY	E
1	0100009	AR	Sealant	
2	0100035	AR	Compound, Locking	
3	0140011	1	Alarm	
4	0641405	1	Bolt 1/4 x 5/8	
5	0641414	4	Bolt 1/4 x 1-3/4	
6	1702565	1	Decal - Drive and Steer	
7	1702566	1	Decal - Lift and Swing	
8	1704260	1	Decal - Emergency Stop	
9	1704422	1	Decal - Function Speed	
10	2560136	1	Handle, Knob	
11	3300353	4	Nut, Tinnerman	
13	3520030	1	Plug, Hole	
14	3520054	5	Plug, Hole	
15	3790012	8	O-Ring	
16	3900349	8	Capscrew M2.5	
17	4240099	AR	Tie-Strap (Not Shown)	
18	4360387	2	Switch, Push Button	
19	4360407	1	Switch, Potentiometer	
19	70003784	1	Seal, O-Ring	
19	4460224	1	Plug, Male - 6 Position	
19	4460267	6	Pin, Male	
20	1001274559	1	Switch, Emergency Stop	
21	4360476	1	Block, Contact	
22	4460234	6	Base, Mounting	
23	4460428	1	Connector, Strain Relief	
24	4460470	1	Nut	
25	4460471	1	Washer	
29	4751400	8	Washer 1/4	
30	1001110434	1	Plug	
31	1001155044	8	Nut 15/32	
32	1001155045	6	Switch, Toggle	
33	1001159256	1	Switch, Toggle	
34	1001161710	1	Switch, Toggle	
35	1001275628	1	Controller Assembly - Drive and Steer	
36	1001275629	1	Controller Assembly - Lift and Swing	
37	1001172760	4	Bracket, Module	
38	1001185281	1	Plug	
39	1001117174	1	Footswitch Assembly (See Separate Breakdown in this Section)	
40	1001193987	1	Decal - Horn	
41	1001213882	1	Mount	
42	1001215835	1	Module, Platform (Note: Recalibration Required when Replaced.)	
43	1001215228	1	Box, Console	C
43A	0630568	1	Capscrew 3/8 x 4-1/2	
43B	3311601	1	Nut 3/8	
43C	3430616	2	Pin	
43D	3470003	2	Hair Pin	
43E	4711600	2	Washer 3/8	
44	1001272279	1	Platform Console Harness (See Separate Breakdown in ELECTRICAL Section)	

SECTION 4 - PLATFORM

ITEM	PART NUMBER	QTY	DESCRIPTION	REV
45	1001247538	1	Decal - Stop/Generator	
48	1001206532	1	Light, Indicator	

SECTION 4 - PLATFORM

FIGURE 4-7. CONTROLLER ASSEMBLY (DRIVE AND STEER)



ART_1001166538

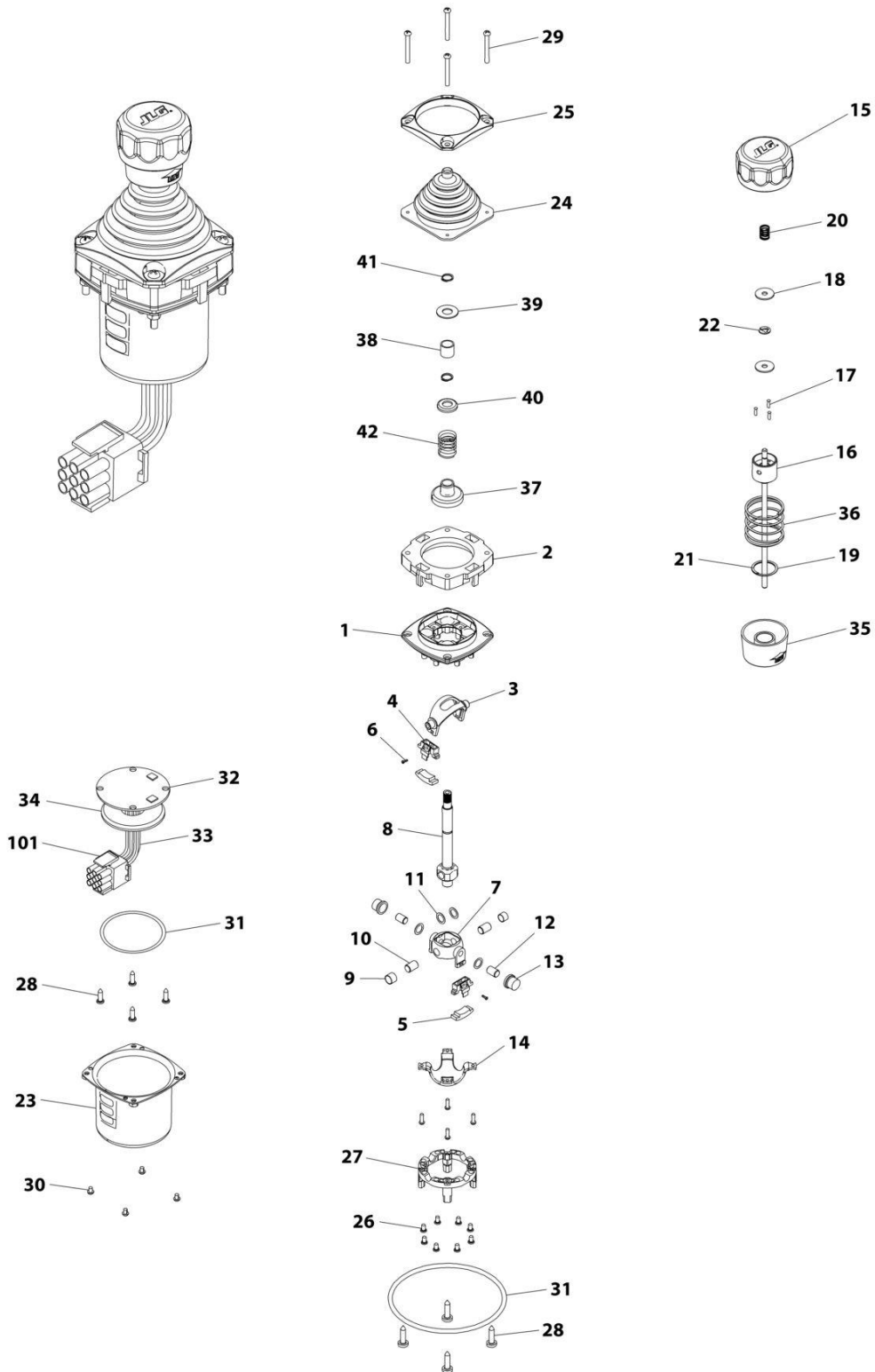
SECTION 4 - PLATFORM

FIGURE 4-7. CONTROLLER ASSEMBLY (DRIVE AND STEER)

ITEM	PART NUMBER	QTY	DESCRIPTION	REV
	1001166538	Ref	CONTROLLER ASSEMBLY - DRIVE AND STEER	G
		Ref	Note: For Replacement, Use p/n 1001212415.	
7	70004738	2	Washer	
10	70004739	1	Roller	
11	70004740	1	Boot, Switch	
14	70004741	2	Half, Handle	
17	70004742	1	Enclosure	
18	70004743	4	Nut	
19	70004744	NLA	Boot, Controller (Use p/n 70005230 Boot/Base Assembly)	
20	70004745	NLA	Tube, Locking (Use p/n 70005230 Boot/Base Assembly)	
21	70004746	NLA	Disc, Locking (Use p/n 70005230 Boot/Base Assembly)	
25	70004747	2	Seal, Rope	
26	70004748	1	Screw M3 x 6	
28	70004749	2	Screw M5 x 20	
29	70004750	1	Pin, Dowel	
30	70004751	4	Screw M3 x 16	
101	4460265	1	Connector - 9 Position	
101	4460226	7	Socket, Female	

SECTION 4 - PLATFORM

FIGURE 4-8. CONTROLLER ASSEMBLY (LIFT AND SWING)



ART_1001166539

SECTION 4 - PLATFORM

FIGURE 4-8. CONTROLLER ASSEMBLY (LIFT AND SWING)

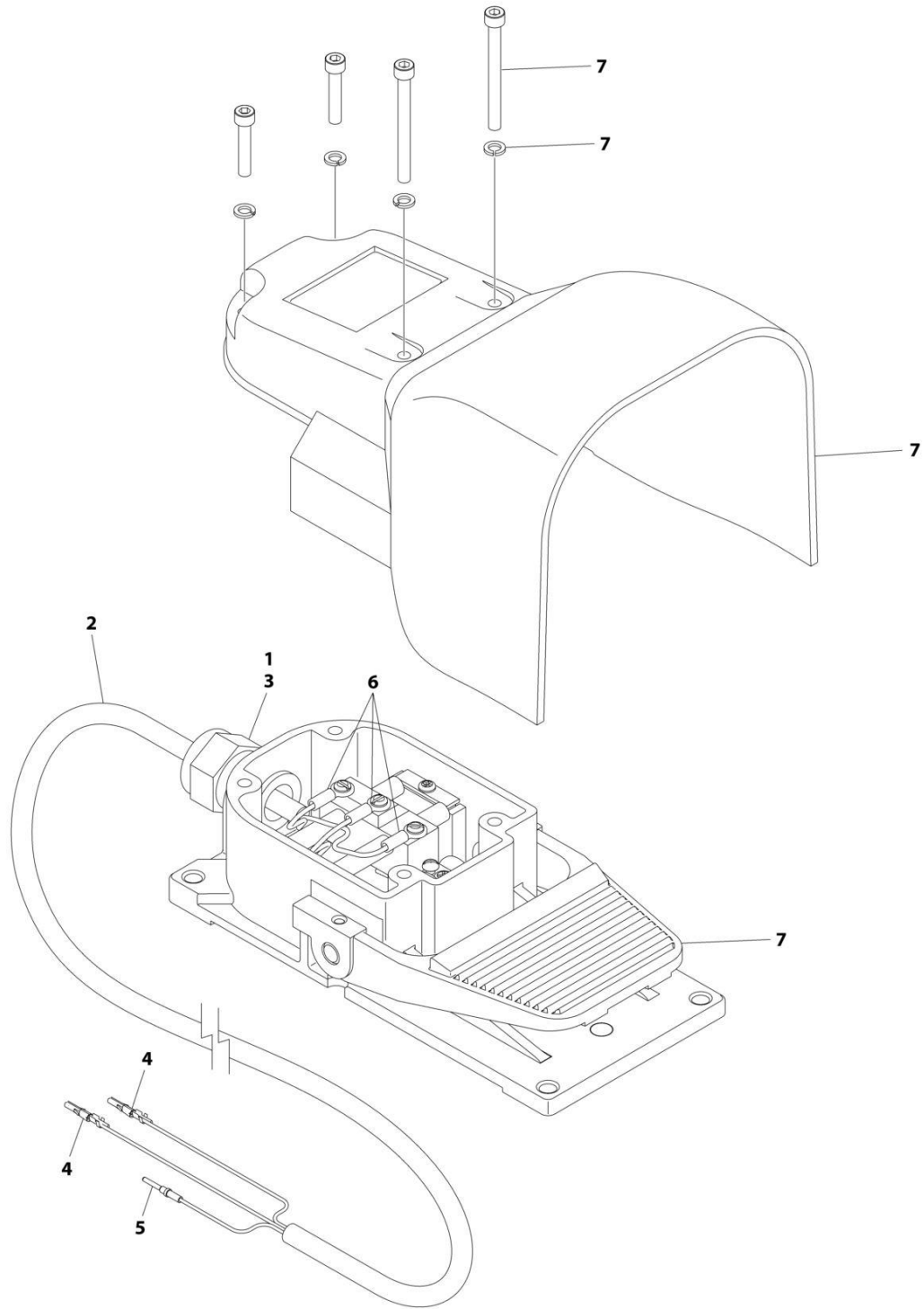
ITEM	PART NUMBER	QTY	DESCRIPTION	REV
	1001166539	Ref	CONTROLLER ASSEMBLY	E
		Ref	Note: Original Equipment Controller May Have Been Replaced with Service Replacement Controller. Visually Identify Controller Before Ordering Parts.	
		Ref	Note: For Replacement, Use p/n 1001129555	
1	See Note	NSS	Main Cast Body (Note: Not Available - Purchase Complete Assembly)	
2	70004752	1	Adapter	
3	See Note	NSS	Pivot Arm, Plastic (Note: Not Available - Purchase Complete Assembly)	
4	See Note	NSS	Holder, Magnet (Note: Not Available - Purchase Complete Assembly)	
5	See Note	NSS	Arc, Magnet (Note: Not Available - Purchase Complete Assembly)	
6	See Note	NSS	Screw (Note: Not Available for Purchase)	
7	See Note	NSS	Pivot Arm, Cast (Note: Not Available - Purchase Complete Assembly)	
8	See Note	NSS	Shaft, Main (Note: Not Available - Purchase Complete Assembly)	
9	See Note	NSS	Bearing (Note: Not Available - Purchase Complete Assembly)	
10	See Note	NSS	Pin (Note: Not Available - Purchase Complete Assembly)	
11	See Note	NSS	Shim (Note: Not Available - Purchase Complete Assembly)	
12	See Note	NSS	Pin (Note: Not Available - Purchase Complete Assembly)	
13	See Note	NSS	Bearing (Note: Not Available - Purchase Complete Assembly)	
14	See Note	NSS	Dome, Centering (Note: Not Available - Purchase Complete Assembly)	
15	70004753	1	Cap	
16	70004754	1	Insert, Cap	
17	70004755	3	Pin	
18	70004756	2	Washer	
19	70004757	1	Pin, Centering	
20	70004758	1	Spring	
21	70004759	1	Ring, Retaining	
22	70004760	1	E-Ring	
23	70004761	1	Can, Enclosure	
24	70004762	1	Boot	
25	70004763	1	Bezel	
26	See Note	NSS	Screw (Note: Not Available for Purchase)	
27	See Note	NSS	Base Mounting (Note: Not Available - Purchase Complete Assembly)	
28	See Note	NSS	Screw (Note: Not Available for Purchase)	
29	70004764	4	Screw	
30	70004765	4	Screw	
31	70004766	1	O-Ring	
32	See Note	NSS	Plate (Note: Not Available - Purchase Complete Assembly)	
33	See Note	NSS	Harness (Note: Not Available - Purchase Complete Assembly)	
34	70004767	1	Grommet, Rubber	
35	70004768	1	Housing	
36	70004769	1	Spring	
37	70004770	1	Stopper	
38	70004771	1	Spacer	
39	70004772	1	Washer	
40	70004773	1	Disc	

SECTION 4 - PLATFORM

ITEM	PART NUMBER	QTY	DESCRIPTION	REV
41	70004774	2	Ring, Retaining	
42	70004775	1	Spring	
101	4460265	1	Connector - 9 Position	
101	4460226	6	Socket, Female	

SECTION 4 - PLATFORM

FIGURE 4-9. FOOTSWITCH ASSEMBLY



ART_1001117174

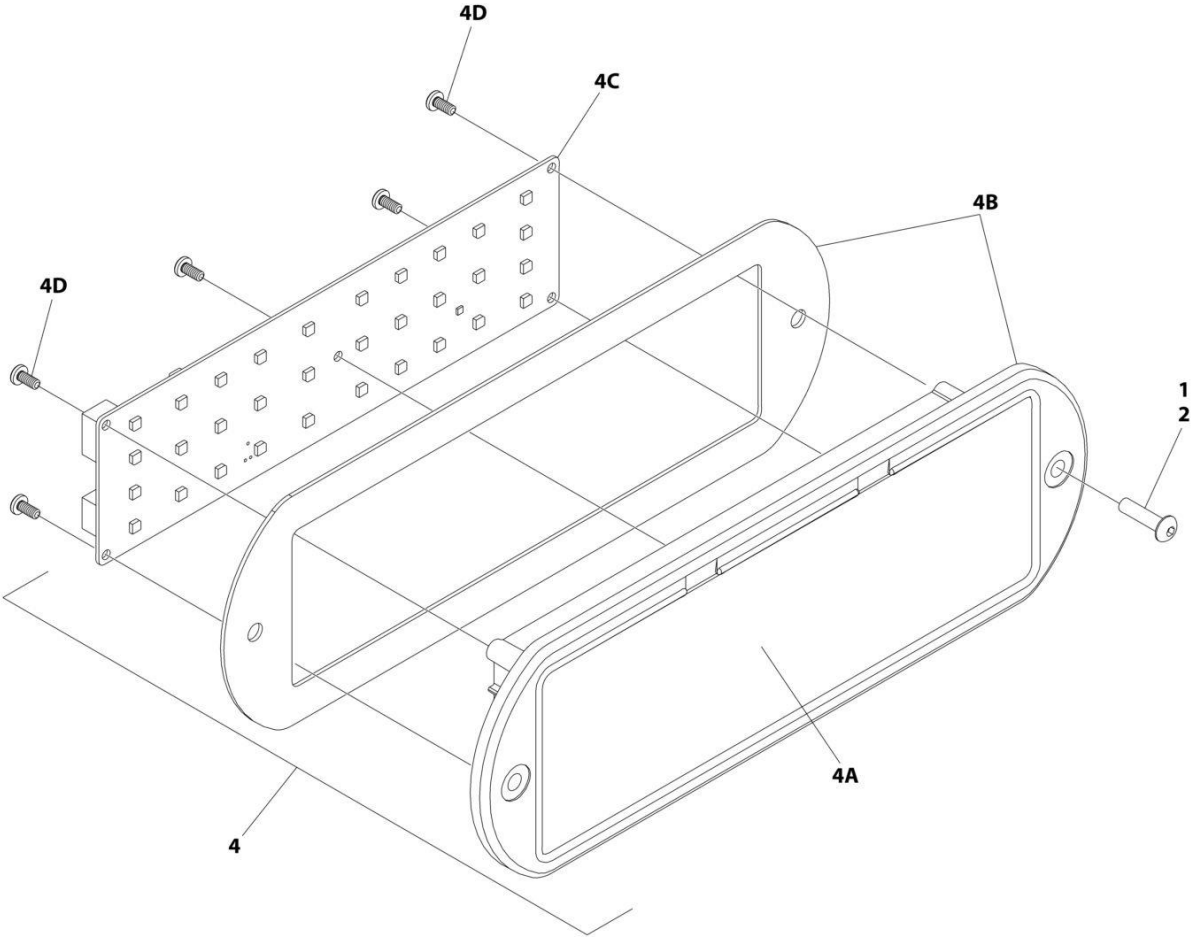
SECTION 4 - PLATFORM

FIGURE 4-9. FOOTSWITCH ASSEMBLY

ITEM	PART NUMBER	QTY	DESCRIPTION	REV
	1001117174	Ref	FOOTSWITCH ASSEMBLY	C
1	0100020	AR	Sealant	
2	1060918	7.5 ft/ 2.3m	Cable, Electrical - 18/3	
3	4460071	1	Connector, Strain Relief	
4	4460226	2	Socket, Female	
5	4460464	1	Pin, Male	
6	1001098122	3	Terminal	
7	1001117172	1	Footswitch	
7	70002902	1	Switch, 20Amp	
7	70002903	1	Gasket	
7	70002905	1	Cover	
7	70002904	1	Kit, Replacement Bolt	

SECTION 4 - PLATFORM

FIGURE 4-10. LIGHT PANEL INSTALLATION



ART_1001245179

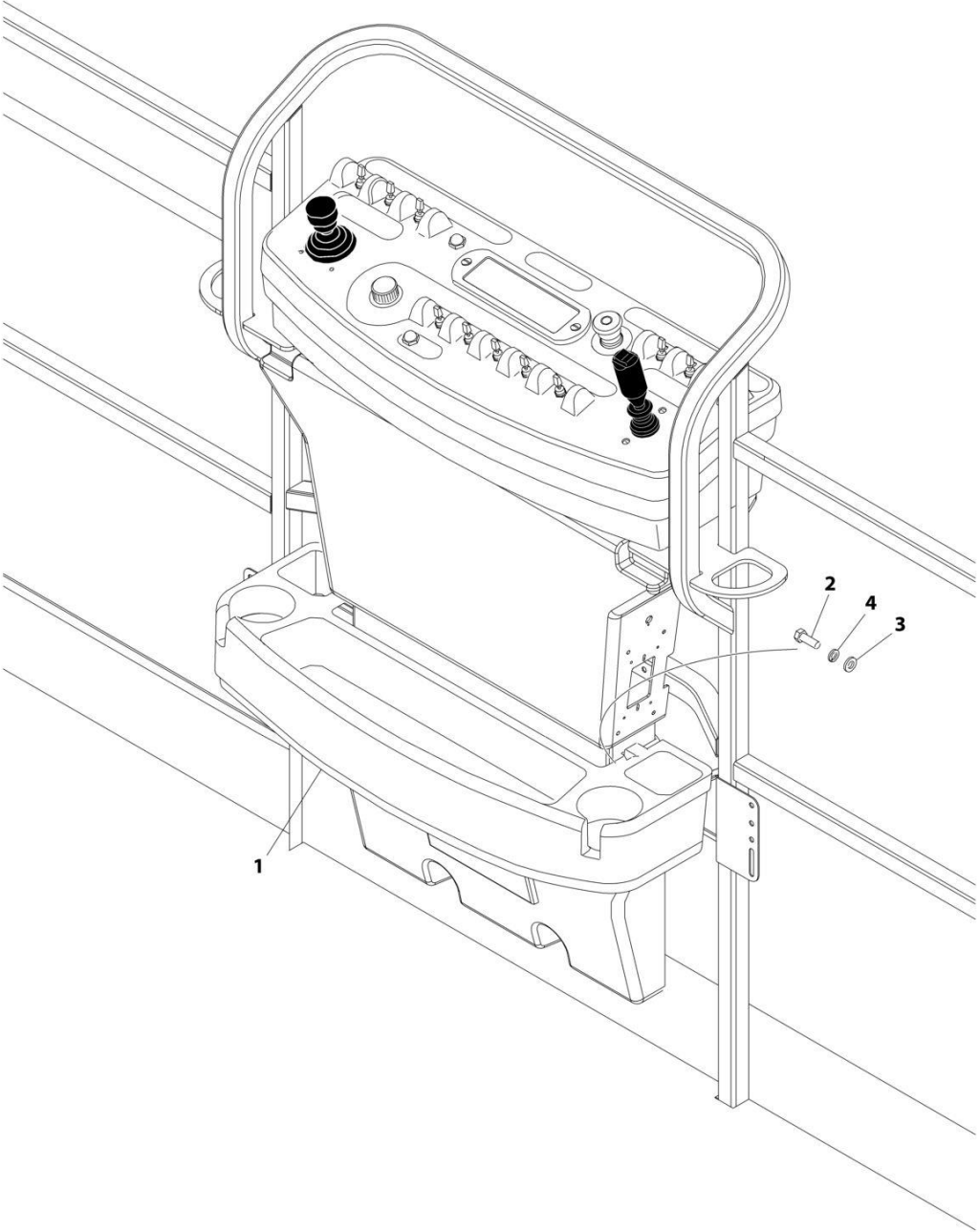
SECTION 4 - PLATFORM

FIGURE 4-10. LIGHT PANEL INSTALLATION

ITEM	PART NUMBER	QTY	DESCRIPTION	REV
	1001245179	Ref	LIGHT PANEL INSTALLATION	B
1	0100035	AR	Compound, Locking	
2	3911010	2	Screw #10 x 5/8	
4	1001245210	1	Light Panel Assembly	
4A	1001245164	1	Lens, I-Con	
4B	1001245173	1	Bezel (Includes Gasket)	
4C	1001238732	1	Panel, LED Light	
4D		Ref	Screw	

SECTION 4 - PLATFORM

FIGURE 4-11. TRAY ASSEMBLY



ART_1580012

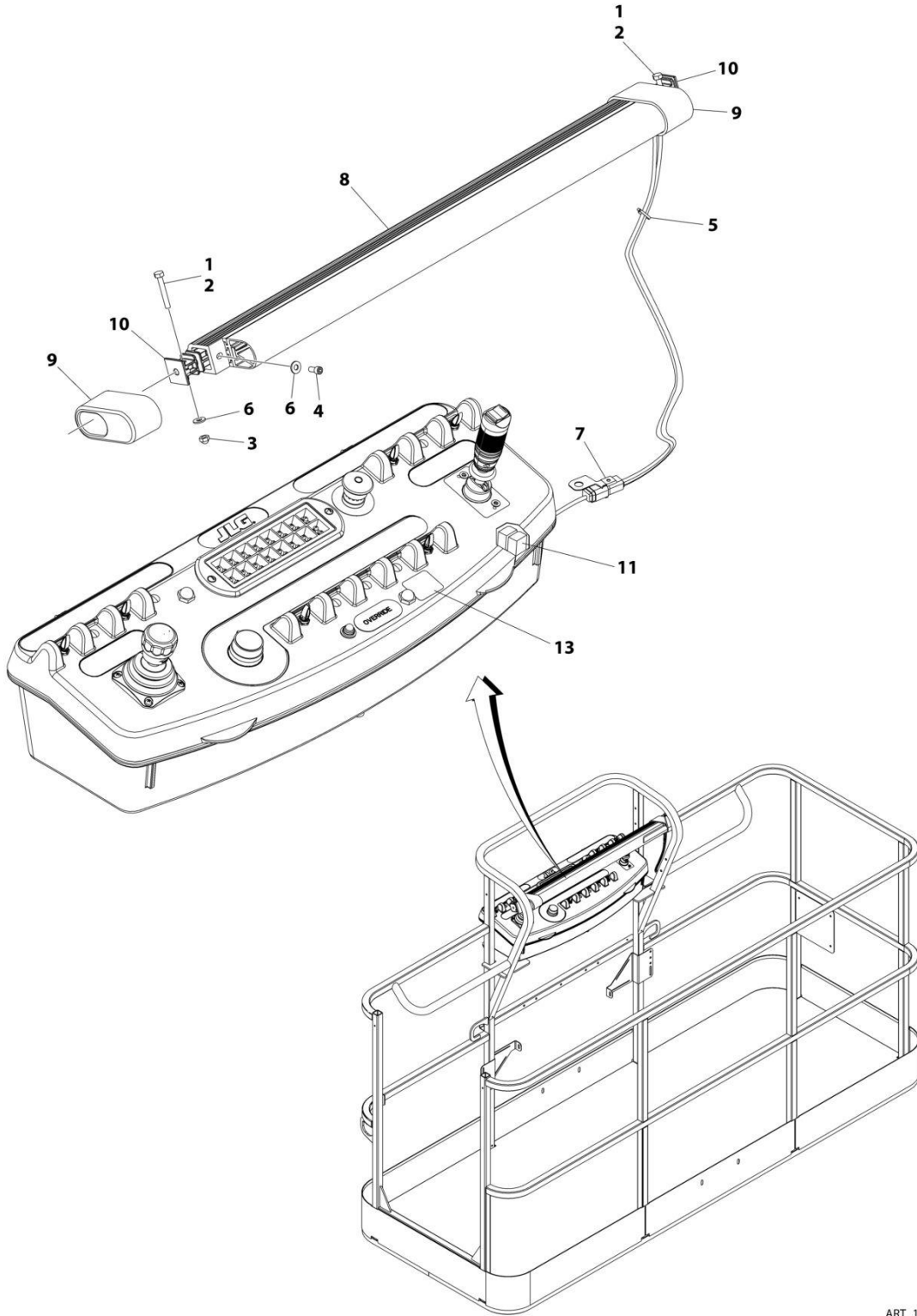
SECTION 4 - PLATFORM

FIGURE 4-11. TRAY ASSEMBLY

ITEM	PART NUMBER	QTY	DESCRIPTION	REV
	1580012	Ref	TRAY ASSEMBLY	C
1	See Note	NSS	Tray, Storage (Center) (Note: Purchase p/n 1580012)	
2	0641406	2	Bolt 1/4 x 3/4	
3	4751400	2	Washer 1/4	
4	4761400	2	Washer 1/4	

SECTION 4 - PLATFORM

FIGURE 4-12. SKYGUARD BAR INSTALLATION



ART_1001238495

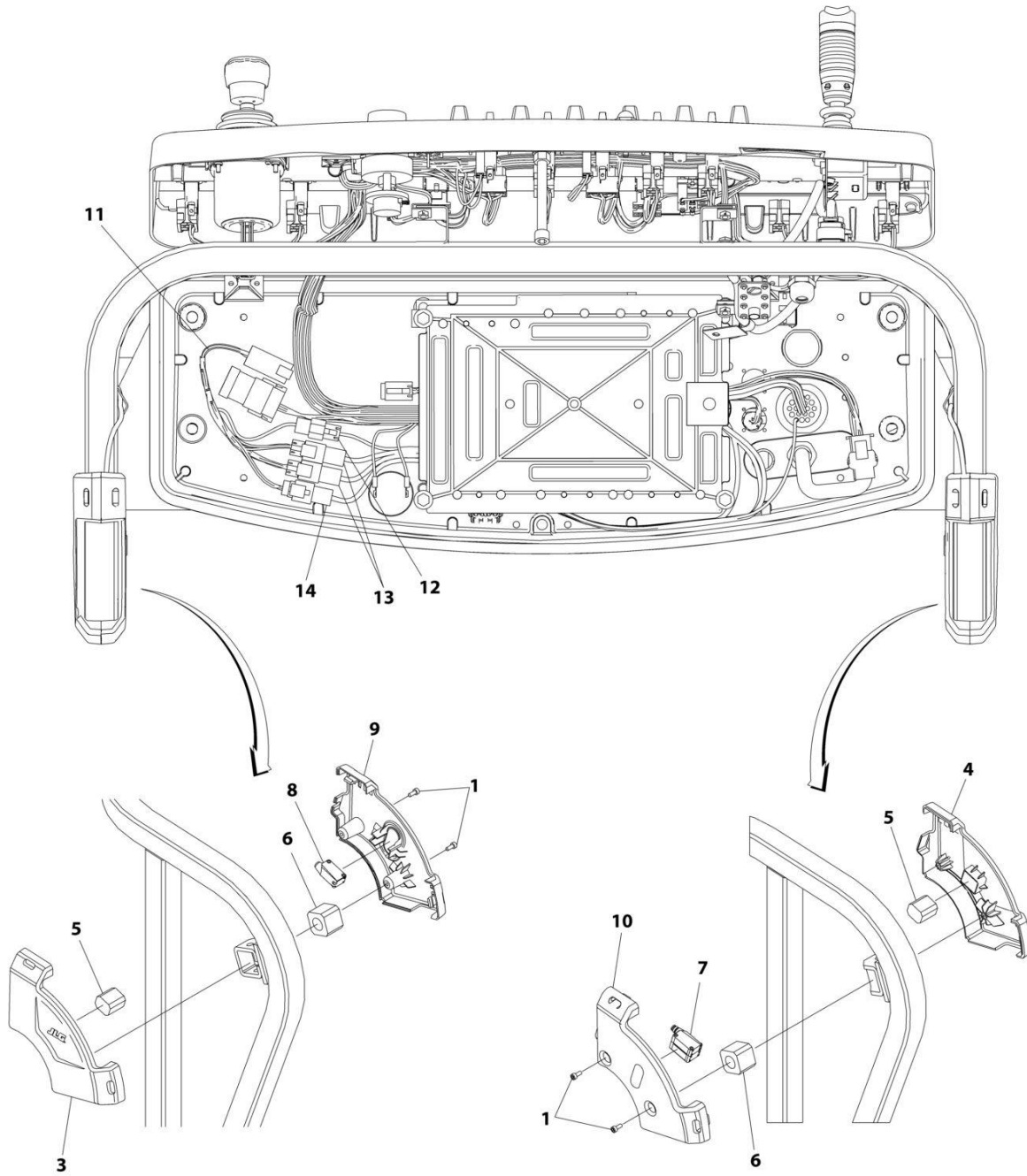
SECTION 4 - PLATFORM

FIGURE 4-12. SKYGUARD BAR INSTALLATION

ITEM	PART NUMBER	QTY	DESCRIPTION	REV
	1001238495	Ref	SKYGUARD BAR INSTALLATION	A
1	0100011	AR	Compound, Locking	
2	0641414	2	Bolt 1/4 x 1-3/4	
3	3300430	2	Nut 1/4	
4	3931408	2	Capscrew 1/4 x 1/2	
5	4240033	8	Tie-Strap	
6	4711400	6	Washer 1/4	
7	1001120328	1	Mount	
8	1001137673	1	SkyGuard Switch Assembly	
9	1001186517	2	Cover, Platform Sensor	
10	1001209664	2	Support, Block	
11	1001186431	2	Relay	
12	1001225580	1	Interface Harness Assembly (Not Shown - Located Inside Console Box) (See Separate Breakdown in ELECTRICAL Section)	
13	1001144433	1	Decal - No Weight SkyGuard	

SECTION 4 - PLATFORM

FIGURE 4-13. SKYEYE INSTALLATION



ART_1001229341

SECTION 4 - PLATFORM

FIGURE 4-13. SKYEYE INSTALLATION

ITEM	PART NUMBER	QTY	DESCRIPTION	REV
	1001229341	Ref	SKYEYE INSTALLATION	B
1	4031505	4	Bolt M4 x 10	
2	4240033	AR	Tie-Strap (Not Shown)	
3	1001227633	1	Housing, LH Outer	
4	1001227634	1	Housing, RH Outer	
5	1001227985	2	Shim	
6	1001227987	2	Shim	
7	1001228224	2	Sensor, Receiver	
8	1001228225	1	Sensor, Emitter	
9	1001232164	1	Housing, LH Inner	
10	1001232165	1	Housing, RH Inner	
11	1001237865	1	Harness, Skyeeye Intermediate (See Separate Breakdown in ELECTRICAL Section)	
12	1001238319	NLA	Harness, Skyeeye Drain Jumper	
12	1001187674	1	Plug, Male - 2 Position	
12	4460942	1	Terminal	
12	4460466	1	Plug, Terminal	
12	4460508	1	Pin, Male	
13	1001237863	2	Harness, Skyeeye Receiver (See Separate Breakdown in ELECTRICAL Section)	
14	1001237864	1	Harness, Skyeeye Emitter (See Separate Breakdown in ELECTRICAL Section)	

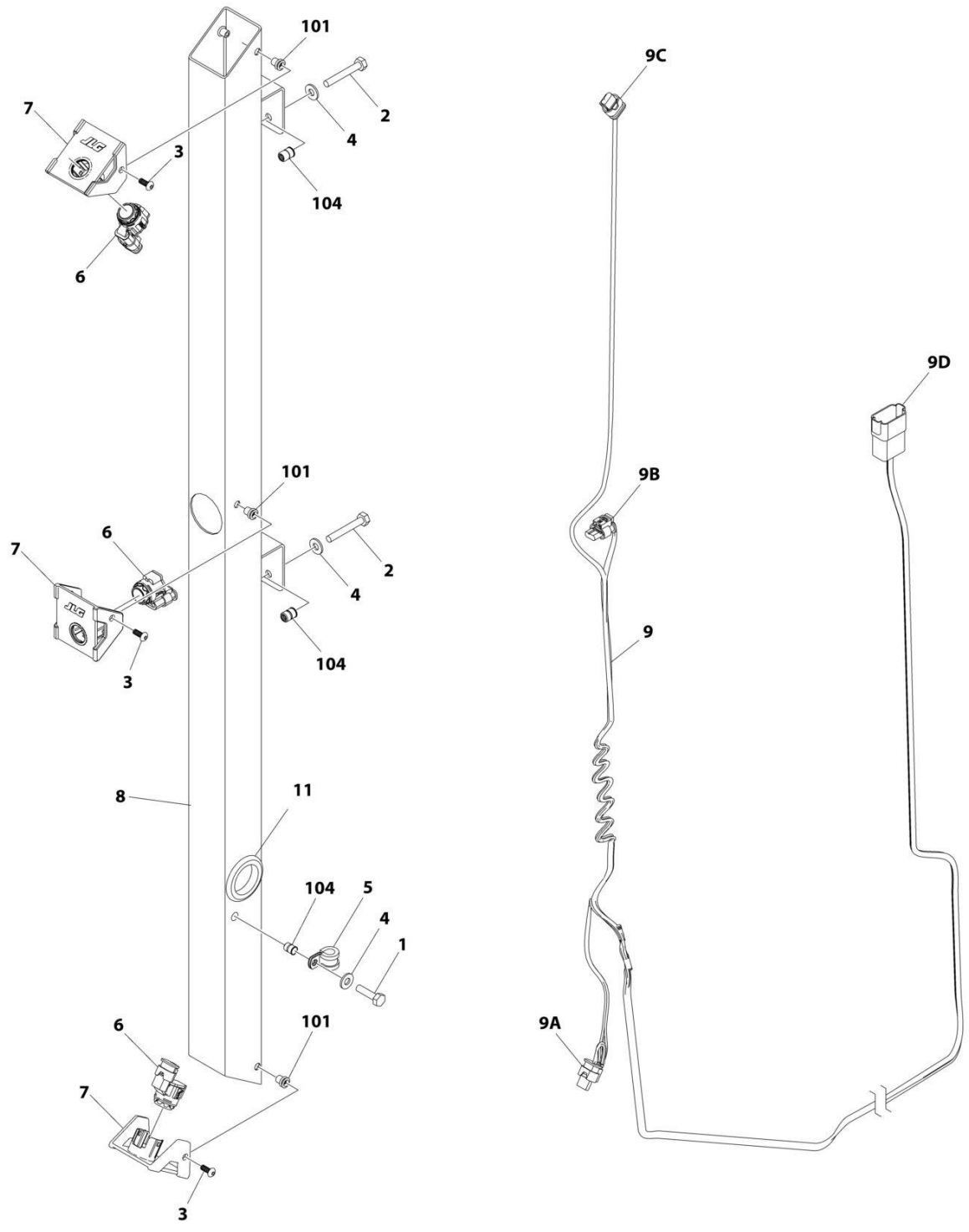
SECTION 4 - PLATFORM

FIGURE 4-14. SKYLINE INSTALLATION

ITEM	PART NUMBER	QTY	DESCRIPTION	REV
	1001238559	Ref	SKYLINE INSTALLATION	D
1	0641404	2	Bolt 1/4 x 1/2	
2	0641405	2	Bolt 1/4 x 5/8	
3	3311405	2	Nut 1/4	
4	3311601	2	Nut 3/8	
5	4031516	2	Capscrew M4 x 60	
6	4240033	AR	Tie-Strap (Not Shown)	
7	4711400	4	Washer 1/4	
8	1001120328	1	Mount	
9	1001232642	1	Bracket	
11	1001232667	1	Sensor, Proximity	
11	1001311034	1	Sensor, Proximity	
14	1001236552	1	Block	
15	1001238418	1	Harness, Skyline (See Separate Breakdown in ELECTRICAL Section)	
16	1001238472	1	Mount	
17	1001254473	1	Housing, LH	
18	1001241965	1	Housing, RH	
19	1001254472	1	Rod	
20	0100011	AR	Compound, Locking	

SECTION 4 - PLATFORM

FIGURE 4-15. SKYSENSE MID TUBE SENSOR ASSEMBLY



ART_1001243205

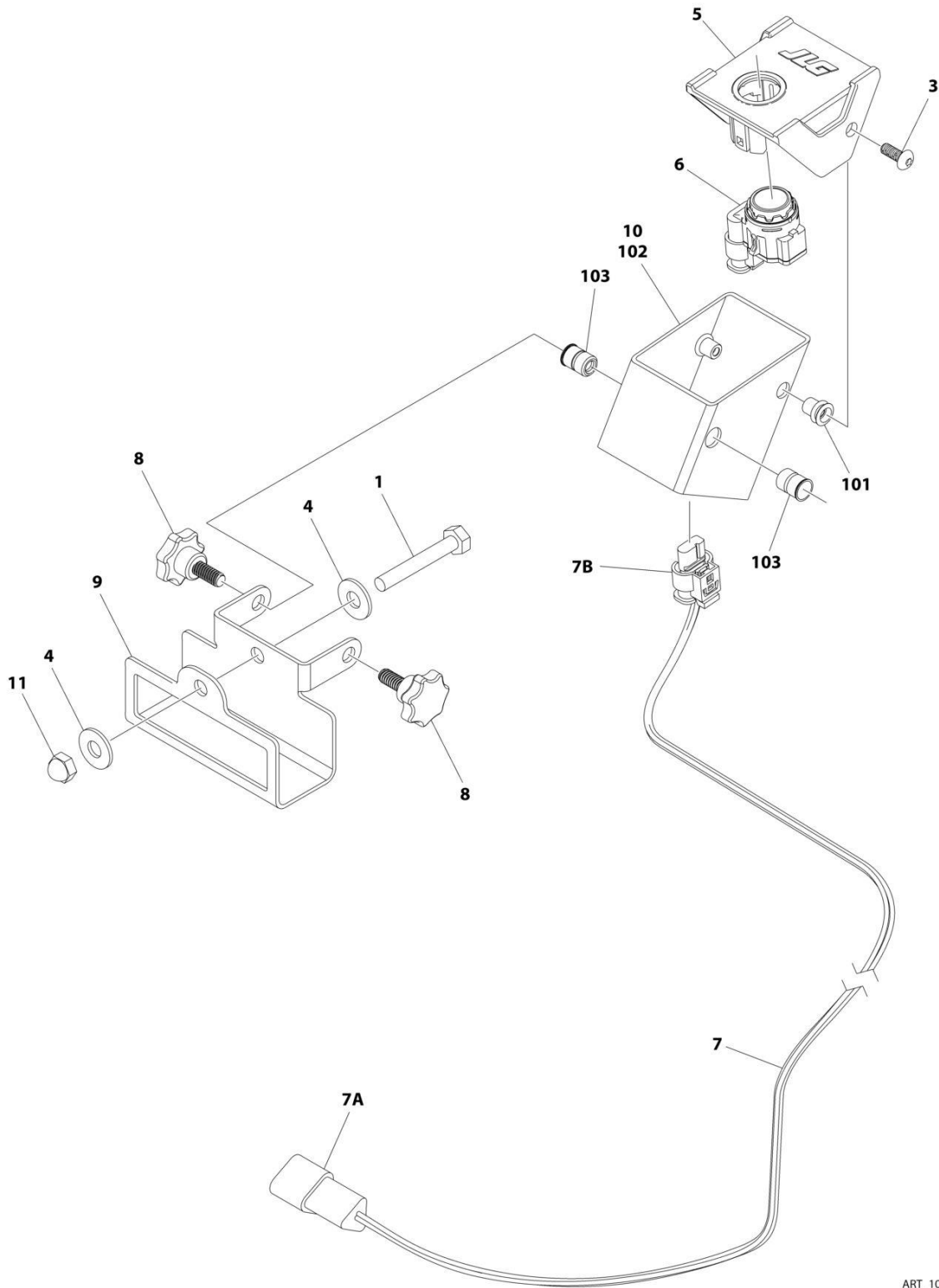
SECTION 4 - PLATFORM

FIGURE 4-15. SKYSENSE MID TUBE SENSOR ASSEMBLY

ITEM	PART NUMBER	QTY	DESCRIPTION	REV
	1001243205	Ref	SKYSENSE MID TUBE SENSOR ASSEMBLY	C
1	0641408	1	Bolt 1/4 x 1	
2	0641414	2	Bolt 1/4 x 1-3/4	
3	1001260525	6	Screw #10 x 1/2	
4	4711400	3	Washer 1/4	
5	1001260524	1	Clamp	
6	1001237902	3	Sensor, SkySense	
7	1001241162	3	Mount, Sensor	
8	1001243092	1	Tube Assembly (Includes items 101 through 104)	C
9	1001244336	1	Harness, SkySense Mid Tube	D
9A	1001237898	1	Connector	
9A	1001237888	3	Terminal	
9B	1001237898	1	Connector	
9B	1001237888	3	Terminal	
9C	1001237898	1	Connector	
9C	1001237888	3	Terminal	
9D	4460931	1	Connector	
9D	4460943	7	Pin	
9D	4460466	1	Plug	
10	1001246389	1	Decal (Not Shown)	
11	1001247252	1	Grommet	
101	2080069	6	Fastener	
104	1001258730	3	Rivnut	

SECTION 4 - PLATFORM

FIGURE 4-16. SKYSENSE OVERHEAD SENSOR ASSEMBLY



ART_1001244733

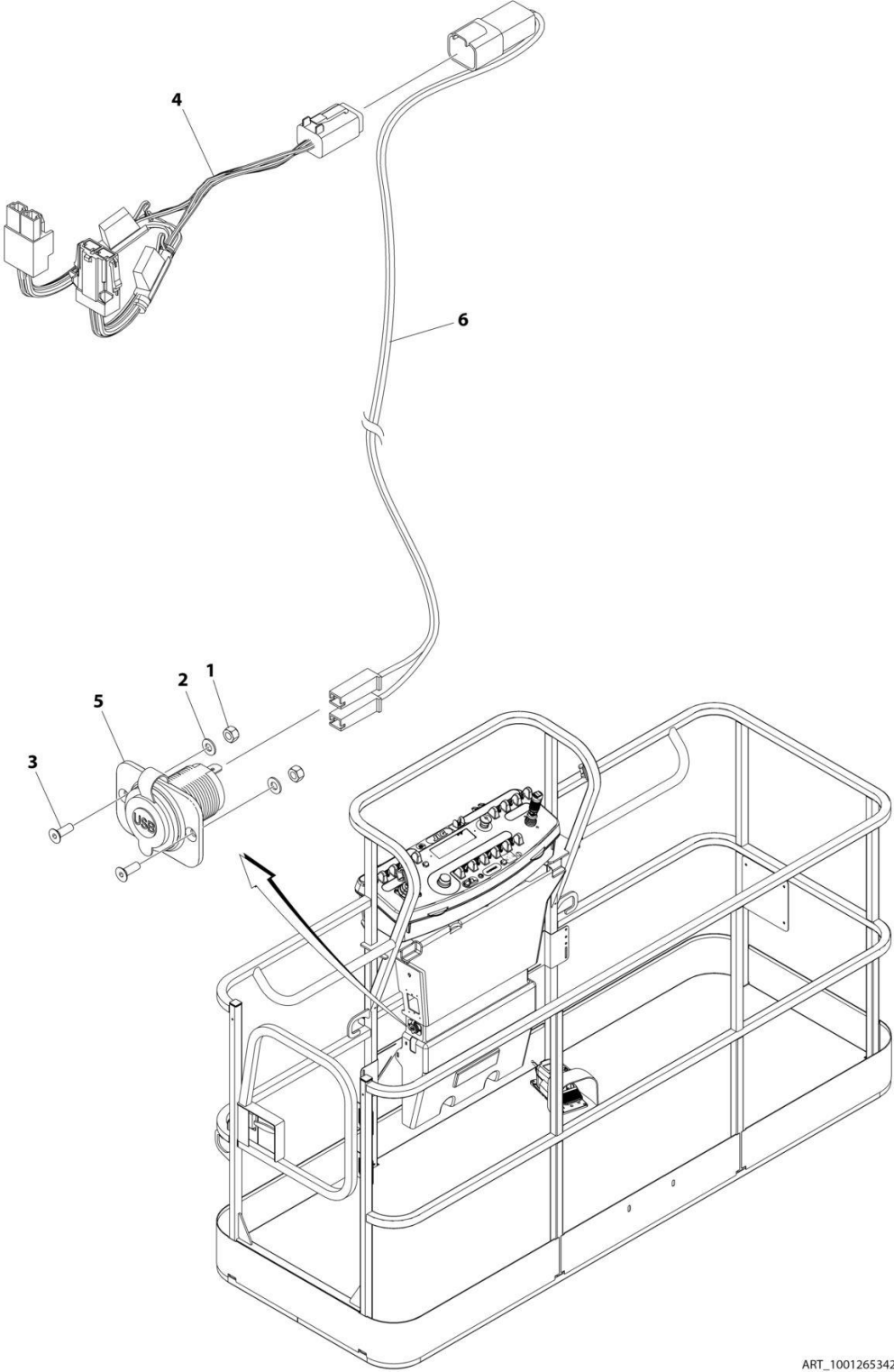
SECTION 4 - PLATFORM

FIGURE 4-16. SKYSENSE OVERHEAD SENSOR ASSEMBLY

ITEM	PART NUMBER	QTY	DESCRIPTION	REV
	1001244733	Ref	SKYSENSE OVERHEAD SENSOR ASSEMBLY	D
1	0641414	1	Bolt 1/4 x 1-3/4	
3	1001260525	2	Screw #10 x 1/2	
4	4751400	2	Washer 1/4	
5	1001237891	1	Mount, Sensor	
6	1001237902	1	Sensor, SkySense	
7	1001244335	1	Harness, SkySense Overhead	D
7A	4460536	1	Connector	
7A	4460943	3	Pin	
7B	1001237898	1	Connector	
7B	1001237888	1	Terminal	
8	1001244671	2	Knob	
9	1001244709	1	Bracket, Mounting	
10	1001244732	1	Housing Assembly (Includes items 101 through 103)	B
11	3300430	1	Nut	
101	2080069	2	Fastener	
102	1001244710	1	Housing, Sensor	
103	1001258730	2	Rivnut	

SECTION 4 - PLATFORM

FIGURE 4-17. USB CHARGER INSTALLATION



ART_1001265342

SECTION 4 - PLATFORM

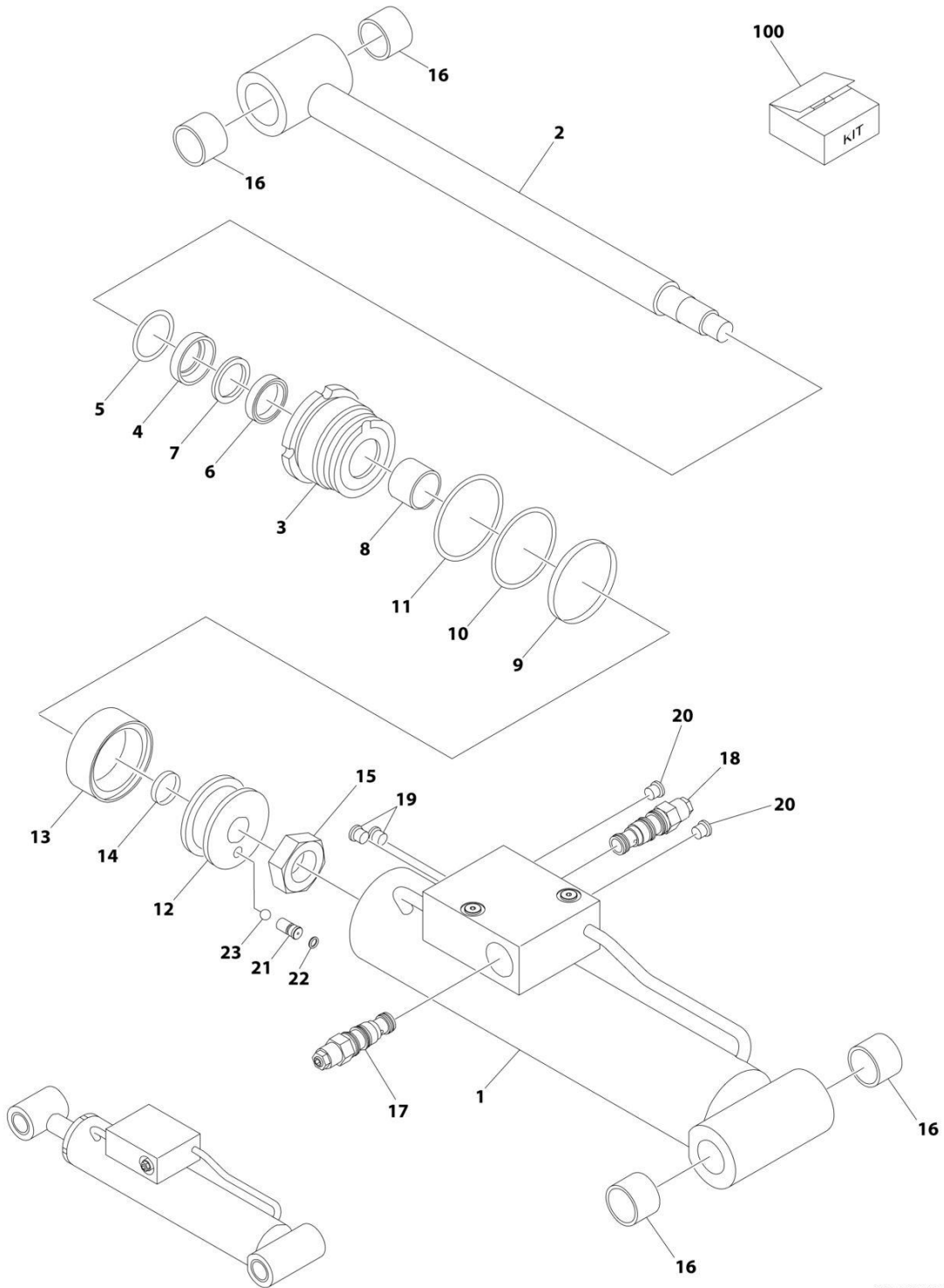
FIGURE 4-17. USB CHARGER INSTALLATION

ITEM	PART NUMBER	QTY	DESCRIPTION	REV
	1001265342	Ref	USB CHARGER INSTALLATION	A
1	3290405	2	Nut M4	
2	4811400	2	Washer M4	
3	1001097244	2	Screw M4 x 12	
4	1001120484	1	Harness, Work Lights	
4	4460879	1	Plug, Male - 2 Position	
4	4460887	2	Terminal	
4	2400060	2	Fuseholder Includes Cover	
4	8229249	2	Fuse, 3 Amp	
4	4460884	1	Connector - 4 Position	
4	4460465	4	Socket, Female	
4	1001120471	1	Connector - 2 Position	
4	1001120477	2	Terminal	
5	1001210636	1	Receptacle, USB	
6	1001265163	1	Harness, USB	A
6	4460260	2	Cover, Terminal	
6	4460259	2	Terminal	
6	4460932	1	Receptacle, Bussbar - 4 Position	
6	4460464	2	Pin, Male	
6	4460466	2	Plug, Terminal	

SECTION 5 - CYLINDER

SECTION 5 - CYLINDER

FIGURE 5-1. LEVEL (PLATFORM SLAVE) CYLINDER ASSEMBLY



ART_1001203949

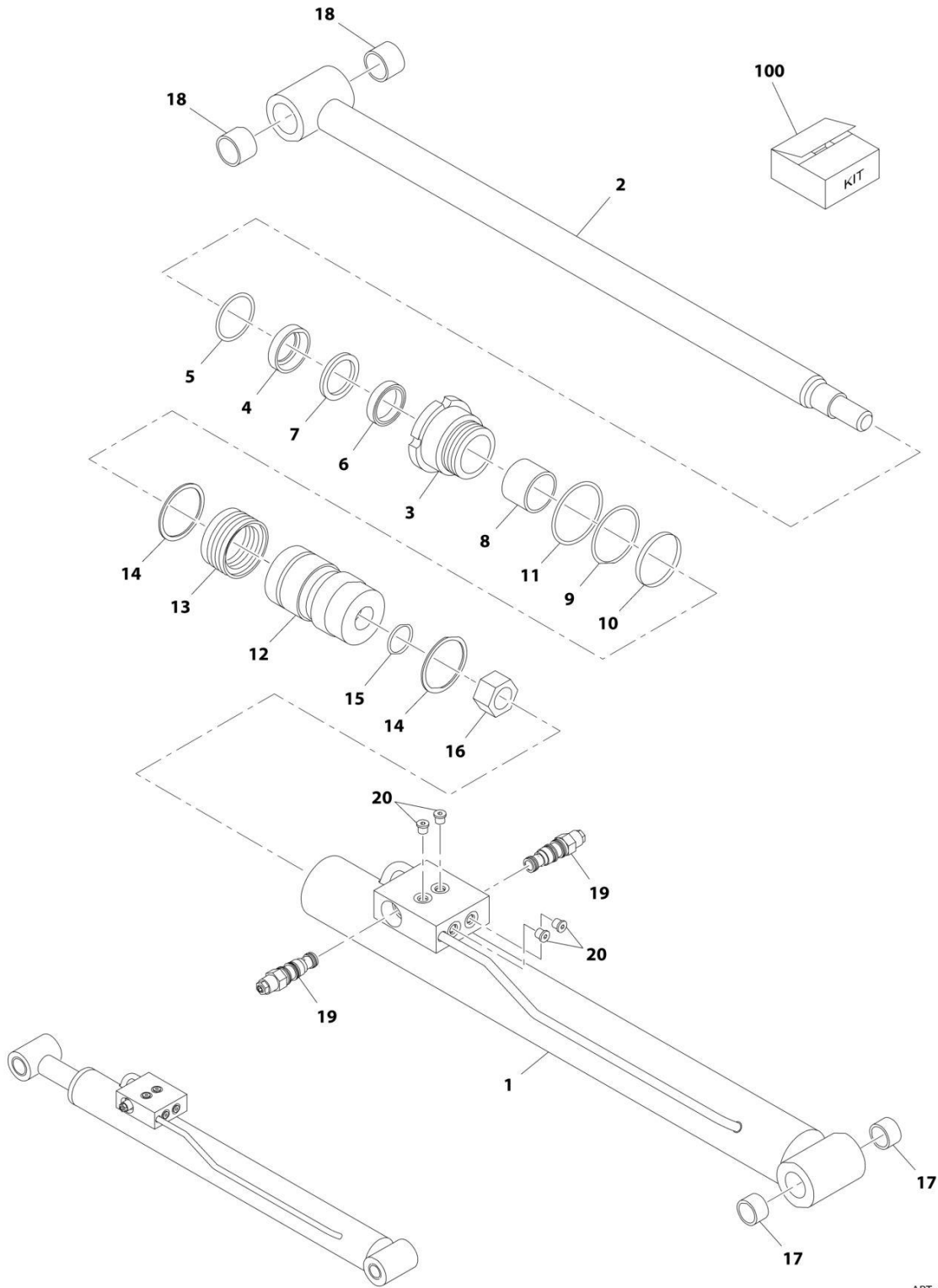
SECTION 5 - CYLINDER

FIGURE 5-1. LEVEL (PLATFORM SLAVE) CYLINDER ASSEMBLY

ITEM	PART NUMBER	QTY	DESCRIPTION	REV
	1001203949	1	LEVEL CYLINDER ASSEMBLY - PLATFORM SLAVE	B
		Ref	Note: Original Cylinder May Have Been Replaced with Service Replacement. Identify PN Stamped on Cylinder Before Ordering Parts.	
1	70003131	1	Barrel Weldment	
2	70002360	1	Rod Weldment	
3	70002359	1	Head	
4	See Note	NSS	Wiper (Note: Use Item 100)	
5	See Note	NSS	Ring, Retaining (Note: Use Item 100)	
6	See Note	NSS	Seal, Rod (Note: Use Item 100)	
7	See Note	NSS	Ring, Back-up (Note: Use Item 100)	
8	70005695	1	Ring, Wear	
9	See Note	NSS	O-Ring (Note: Use Item 100)	
10	See Note	NSS	Ring, Back-up (Note: Use Item 100)	
11	See Note	NSS	O-Ring (Note: Use Item 100)	
12	70005972	1	Piston	
13	See Note	NSS	Seal, Piston (Note: Use Item 100)	
14	See Note	NSS	O-Ring (Note: Use Item 100)	
15	70002335	1	Nut	
15	0100071	AR	Compound, Locking	
16	0961951	4	Bearing	
17	70002413	1	Cartridge, Valve (Counterbalance)	
17	2900770	1	Seal Kit - 70002413 Valve (1 Per Assembly)	
18	1001168210	1	Cartridge, Valve (Counterbalance)	
18	2900770	1	Seal Kit - 1001168210 Valve (1 Per Assembly)	
19	2220883	4	Plug, O-Ring	
20	See Note	2	Plug, O-Ring (Note: Not Available for Purchase)	
21	70005973	1	Valve	
22	70005974	1	O-Ring	
23	See Note	NSS	Ball (Note: Per the vendor - the steel ball is no longer included in the Seal Kit. The steel ball p/n is 70006353.)	
100	70002350	1	Seal Kit (Includes Items 4, 5, 6, 7, 9, 10, 11, 13, 14 & 23)	

SECTION 5 - CYLINDER

FIGURE 5-2. LIFT CYLINDER ASSEMBLY - JIB



ART_1001108429

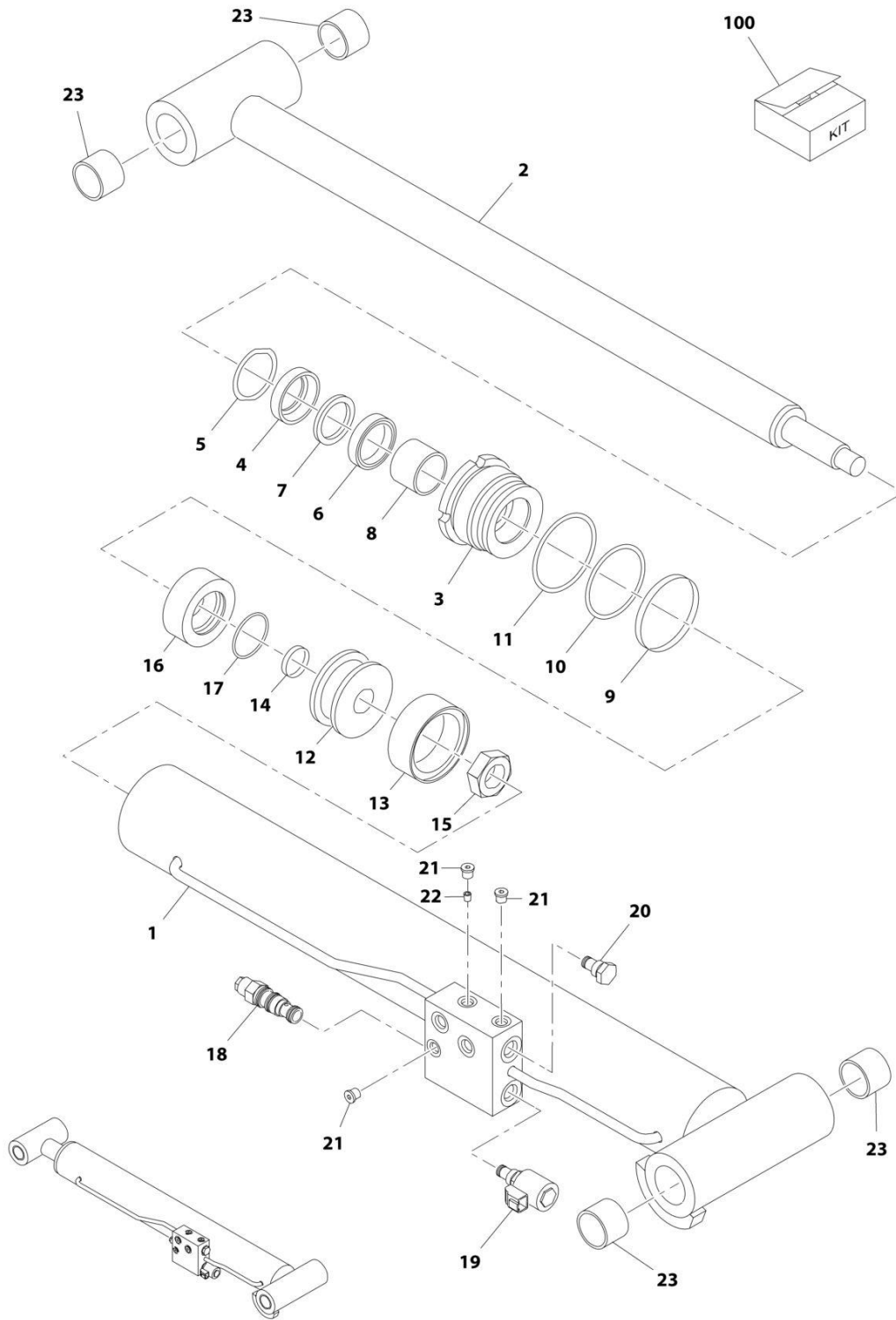
SECTION 5 - CYLINDER

FIGURE 5-2. LIFT CYLINDER ASSEMBLY - JIB

ITEM	PART NUMBER	QTY	DESCRIPTION	REV
	1001108429	Ref	LIFT CYLINDER ASSEMBLY - JIB	C
		Ref	Note: Original Cylinder may have been replaced with Service Replacement. Identify PN Stamped on Cylinder Before Ordering Parts.	
1	70002376	1	Barrel Weldment	
2	70002375	1	Rod Weldment	
3	70002374	1	Head	
4	See Note	NSS	Wiper (Note: Use Item 100)	
5	70002373	1	Ring, Retaining	
6	See Note	NSS	Seal, Rod (Note: Use Item 100)	
7	See Note	NSS	Ring, Back-up (Note: Use Item 100)	
8	70005143	1	Ring, Wear	
9	See Note	NSS	O-Ring (Note: Use Item 100)	
10	See Note	NSS	Ring, Back-up (Note: Use Item 100)	
11	See Note	NSS	O-Ring (Note: Use Item 100)	
12	70002371	1	Piston	
13	See Note	NSS	Seal, Piston (Note: Use Item 100)	
14	70006722	1	Ring, Piston	
15	See Note	NSS	O-Ring (Note: Use Item 100)	
16	70002335	1	Nut	
16	0100071	AR	Compound, Locking	
17	70005159	2	Bearing	
18	70006574	2	Bearing	
19	70002389	2	Cartridge, Valve (Counterbalance)	
19	2900770	2	Seal Kit - 70002389 Valve (1 Per Assembly)	
20	See Note	4	Plug, O-Ring (Note: Not Available for Purchase)	
100	70002370	1	Seal Kit (Includes Items 4, 6, 7, 9, 10, 11, 13, 14 & 15)	

SECTION 5 - CYLINDER

FIGURE 5-3. LIFT CYLINDER ASSEMBLY - MAIN BOOM



ART_1001106880

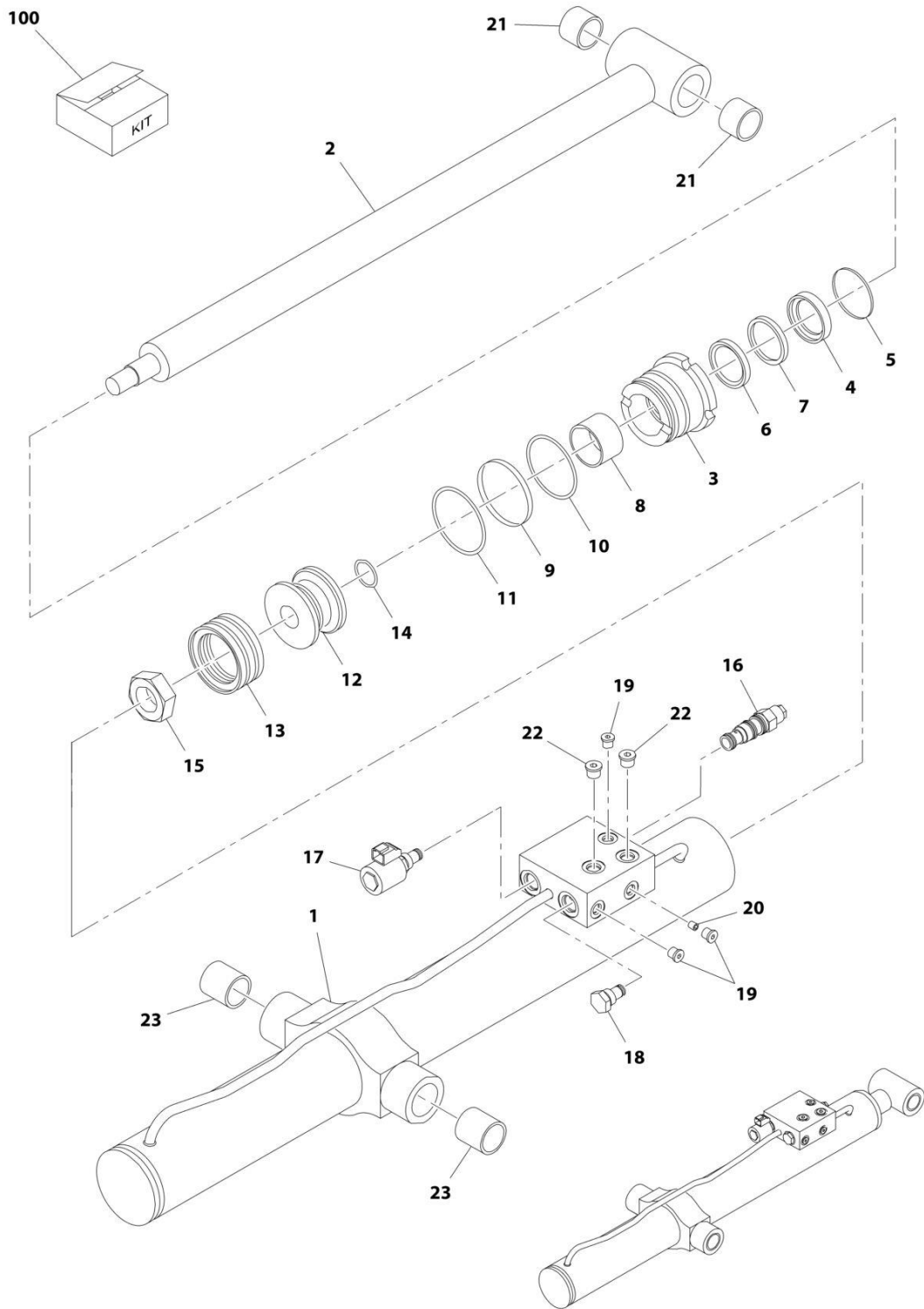
SECTION 5 - CYLINDER

FIGURE 5-3. LIFT CYLINDER ASSEMBLY - MAIN BOOM

ITEM	PART NUMBER	QTY	DESCRIPTION	REV
	1001106880	Ref	LIFT CYLINDER ASSEMBLY - MAIN BOOM	E
		Ref	Note: Original Cylinder may have been replaced with Service Replacement. Identify PN Stamped on Cylinder Before Ordering Parts.	
1	70002349	1	Barrel Weldment	
2	70002348	1	Rod Weldment	
3	70002347	1	Head	
4	See Note	NSS	Wiper (Note: Use Item 100)	
5	70002412	1	Ring, Retaining	
6	See Note	NSS	Seal, Rod (Note: Use Item 100)	
7	See Note	NSS	Ring, Back-up (Note: Use Item 100)	
8	70022593	1	Ring, Wear	
9	See Note	NSS	O-Ring (Note: Use Item 100)	
10	See Note	NSS	Ring, Back-up (Note: Use Item 100)	
11	See Note	NSS	O-Ring (Note: Use Item 100)	
12	70002346	1	Piston	
13	See Note	NSS	Seal, Piston (Note: Use Item 100)	
14	See Note	NSS	O-Ring (Note: Use Item 100)	
15	70002345	1	Nut	
15	0100071	AR	Compound, Locking	
16	70002344	1	Spacer	
17	See Note	NSS	O-Ring (Note: Use Item 100)	
18	70002387	1	Cartridge, Valve (Counterbalance)	
18	2900770	1	Seal Kit - 70002387 Valve (1 Per Assembly)	
19	7024884	1	Cartridge, Valve (2 Way Poppet)	
19	7012967	1	Seal Kit - 7024884 Valve (1 Per Assembly)	
19	70002386	1	Coil	
20	7012955	1	Cartridge, Valve (Check)	
20	7012967	1	Seal Kit - 7012955 Valve (1 Per Assembly)	
21	See Note	3	Plug, O-Ring (Note: Not Available for Purchase)	
22	70002343	1	Orifice	
23	70002342	4	Bearing	
100	70002341	1	Seal Kit (Includes Items 4, 6, 7, 9, 10, 11, 13, 14 & 17)	

SECTION 5 - CYLINDER

FIGURE 5-4. LIFT CYLINDER ASSEMBLY - TOWER BOOM



ART_1001107886

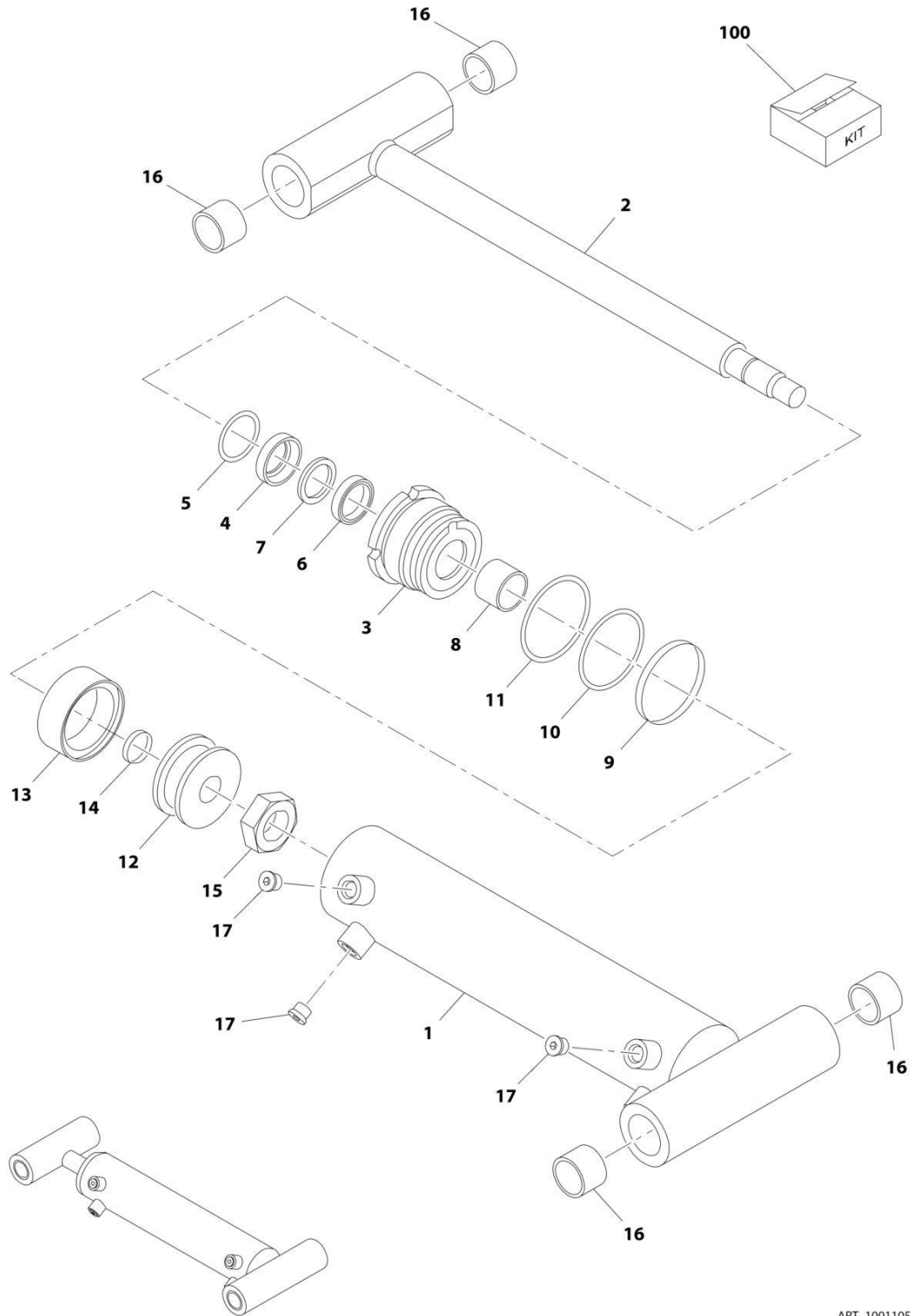
SECTION 5 - CYLINDER

FIGURE 5-4. LIFT CYLINDER ASSEMBLY - TOWER BOOM

ITEM	PART NUMBER	QTY	DESCRIPTION	REV
	1001107886	Ref	LIFT CYLINDER ASSEMBLY - TOWER BOOM	D
		Ref	Note: Original Cylinder may have been replaced with Service Replacement. Identify PN Stamped on Cylinder Before Ordering Parts.	
1	70002340	1	Barrel Weldment	
2	70002339	1	Rod Weldment	
3	70002338	1	Head	
4	See Note	NSS	Wiper (Note: Use Item 100)	
5	70002410	1	Ring, Retaining	
6	See Note	NSS	Seal, Rod (Note: Use Item 100)	
7	See Note	NSS	Ring, Back-up (Note: Use Item 100)	
8	70002337	1	Ring, Wear	
9	See Note	NSS	O-Ring (Note: Use Item 100)	
10	See Note	NSS	Ring, Back-up (Note: Use Item 100)	
11	See Note	NSS	O-Ring (Note: Use Item 100)	
12	70002336	1	Piston	
13	See Note	NSS	Seal, Piston (Note: Use Item 100)	
14	See Note	NSS	O-Ring (Note: Use Item 100)	
15	70002335	1	Nut	
15	0100071	AR	Compound, Locking	
16	70002387	1	Cartridge, Valve (Counterbalance)	
16	2900770	1	Seal Kit - 70002387 Valve (1 Per Assembly)	
17	7024884	1	Cartridge, Valve (2 Way Poppet)	
17	7012967	1	Seal Kit - 7024884 Valve (1 Per Assembly)	
17	70002386	1	Coil	
18	7012955	1	Cartridge, Valve (Check)	
18	7012967	1	Seal Kit - 7012955 Valve (1 Per Assembly)	
19	See Note	3	Plug, O-Ring (Note: Not Available for Purchase)	
20	70002334	1	Orifice	
21	70002333	2	Bearing	
22	See Note	2	Plug, O-Ring (Note: Not Available for Purchase)	
23	70002409	2	Bearing	
100	70002332	1	Seal Kit (Includes Items 4, 6, 7, 9, 10, 11, 13 & 14)	

SECTION 5 - CYLINDER

FIGURE 5-5. MASTER CYLINDER ASSEMBLY



ART_1001105989

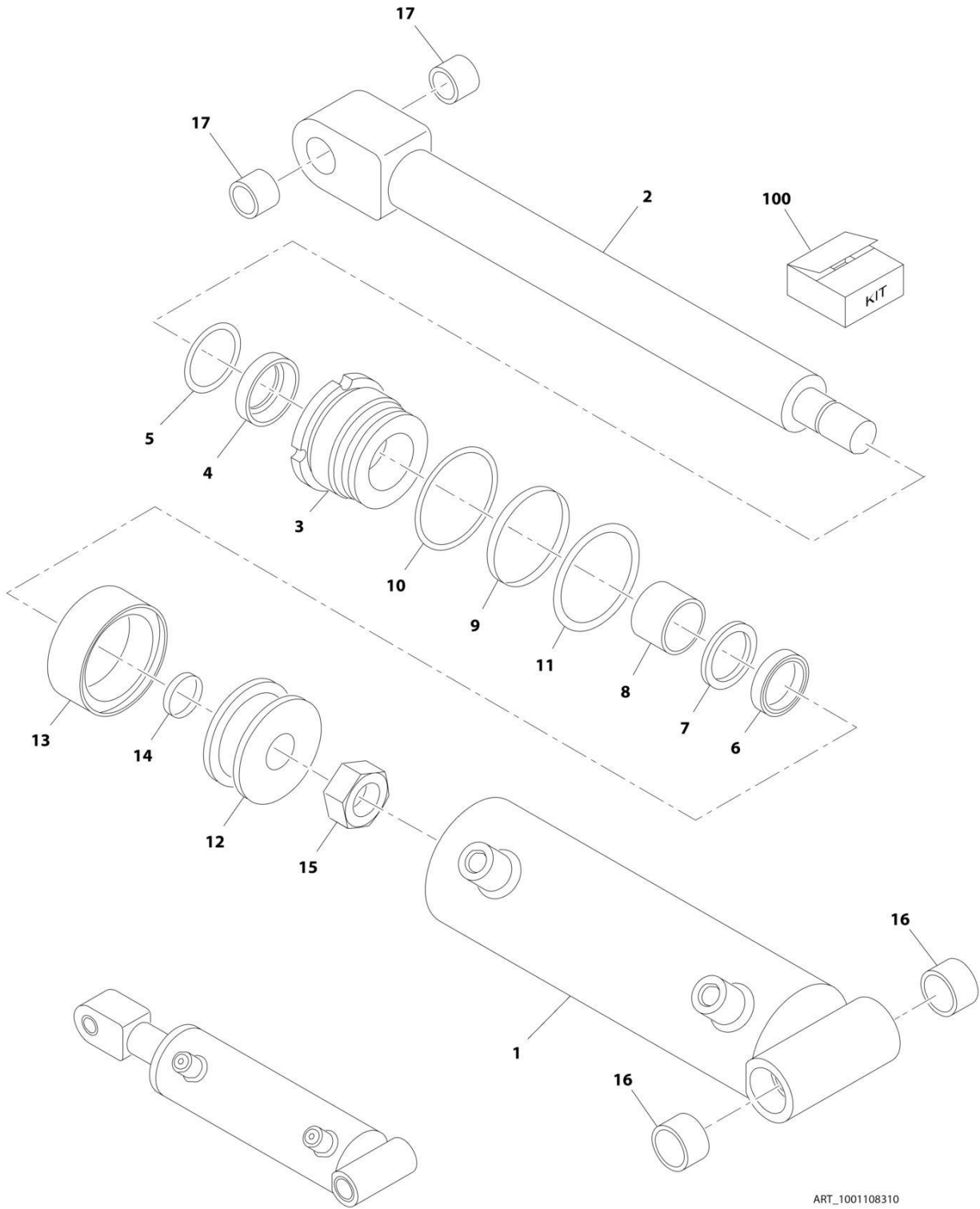
SECTION 5 - CYLINDER

FIGURE 5-5. MASTER CYLINDER ASSEMBLY

ITEM	PART NUMBER	QTY	DESCRIPTION	REV
	1001105989	Ref	MASTER CYLINDER ASSEMBLY	C
		Ref	Note: Original Cylinder May Have Been Replaced with Service Replacement. Identify PN Stamped on Cylinder Before Ordering Parts.	
1	70002355	1	Barrel Weldment	
2	70002354	1	Rod Weldment	
3	70002359	1	Head	
4	See Note	NSS	Wiper (Note: Use Item 100)	
5	70002366	1	Ring, Retaining	
6	See Note	NSS	Seal, Rod (Note: Use Item 100)	
7	See Note	NSS	Ring, Back-up (Note: Use Item 100)	
8	70002352	1	Ring, Wear	
9	See Note	NSS	O-Ring (Note: Use Item 100)	
10	See Note	NSS	Ring, Back-up (Note: Use Item 100)	
11	See Note	NSS	O-Ring (Note: Use Item 100)	
12	70002381	1	Piston	
13	See Note	NSS	Seal, Piston (Note: Use Item 100)	
14	See Note	NSS	O-Ring (Note: Use Item 100)	
15	70002335	1	Nut	
15	0100071	AR	Compound, Locking	
16	70002333	4	Bearing	
17	See Note	4	Plug, O-Ring (Note: Not Available for Purchase)	
100	70002350	1	Seal Kit (Includes Items 4, 6, 7, 9, 10, 11, 13 & 14)	

SECTION 5 - CYLINDER

FIGURE 5-6. STEER CYLINDER ASSEMBLY



ART_1001108310

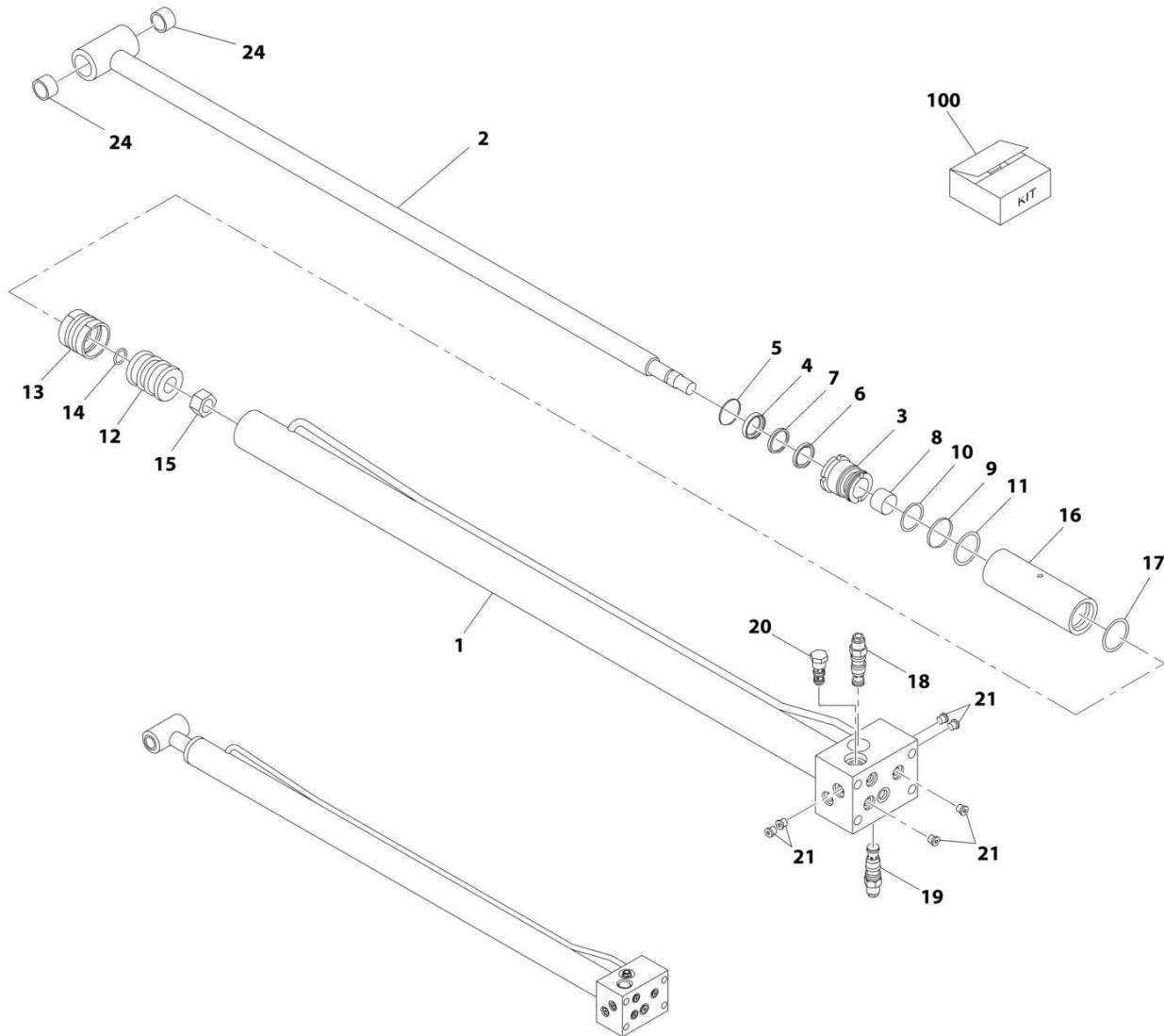
SECTION 5 - CYLINDER

FIGURE 5-6. STEER CYLINDER ASSEMBLY

ITEM	PART NUMBER	QTY	DESCRIPTION	REV
	1001108310	Ref	STEER CYLINDER ASSEMBLY	C
		Ref	Note: Original Cylinder may have been replaced with Service Replacement. Identify PN Stamped on Cylinder Before Ordering Parts.	
1	70002384	1	Barrel Weldment	
2	70002383	1	Rod Weldment	
3	70002382	1	Head	
4	See Note	NSS	Wiper (Note: Use Item 100)	
5	70002373	1	Ring, Retaining	
6	See Note	NSS	Seal, Rod (Note: Use Item 100)	
7	See Note	NSS	Ring, Back-up (Note: Use Item 100)	
8	70022586	1	Ring, Wear	
9	See Note	NSS	O-Ring (Note: Use Item 100)	
10	See Note	NSS	Ring, Back-up (Note: Use Item 100)	
11	See Note	NSS	O-Ring (Note: Use Item 100)	
12	70002381	1	Piston	
13	See Note	NSS	Seal, Piston (Note: Use Item 100)	
14	See Note	NSS	O-Ring (Note: Use Item 100)	
15	70002335	1	Nut	
15	0100071	AR	Compound, Locking	
16	70002363	2	Bearing	
17	70002380	2	Bearing	
100	70002379	1	Seal Kit (Includes Items 4, 6, 7, 9, 10, 11, 13 & 14)	

SECTION 5 - CYLINDER

FIGURE 5-7. TELESCOPE CYLINDER ASSEMBLY



ART_1001106879

SECTION 5 - CYLINDER

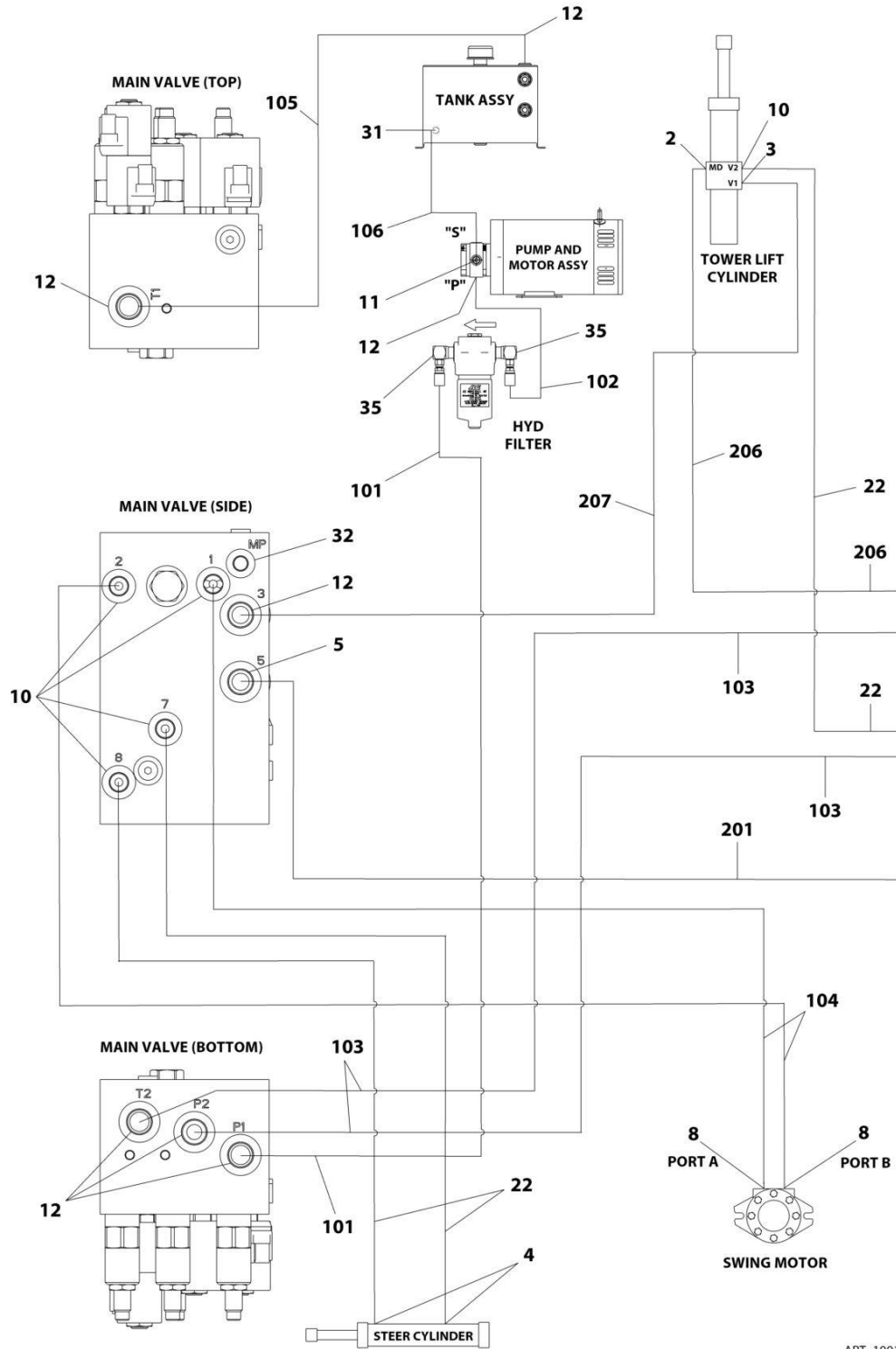
FIGURE 5-7. TELESCOPE CYLINDER ASSEMBLY

ITEM	PART NUMBER	QTY	DESCRIPTION	REV
	1001106879	Ref	TELESCOPE CYLINDER ASSEMBLY - E300AJP	D
		Ref	Note: Original Cylinder may have been replaced with Service Replacement. Identify PN Stamped on Cylinder Before Ordering Parts.	
1	70002369	1	Barrel Weldment	
2	70002368	1	Rod Weldment	
3	70002367	1	Head	
4	See Note	NSS	Wiper (Note: Use Item 100)	
5	70002366	1	Ring, Retaining	
6	See Note	NSS	Seal, Rod (Note: Use Item 100)	
7	See Note	NSS	Ring, Back-up (Note: Use Item 100)	
8	70002352	1	Ring, Wear	
9	See Note	NSS	O-Ring (Note: Use Item 100)	
10	See Note	NSS	Ring, Back-up (Note: Use Item 100)	
11	See Note	NSS	O-Ring (Note: Use Item 100)	
12	70002365	1	Piston	
13	See Note	NSS	Seal, Piston (Note: Use Item 100)	
14	See Note	NSS	O-Ring (Note: Use Item 100)	
15	70002335	1	Nut	
15	0100071	AR	Compound, Locking	
16	70002385	1	Spacer	
17	See Note	NSS	O-Ring (Note: Use Item 100)	
18	4640771	1	Cartridge, Valve (Counterbalance)	
18	2900770	1	Seal Kit - 4640771 Valve (1 Per Assembly)	
19	70002389	1	Cartridge, Valve (Counterbalance)	
19	2900770	1	Seal Kit - 70002389 Valve (1 Per Assembly)	
20	10837580	1	Cartridge, Valve (Load Shuttle) (was p/n 7010542)	
20	7010543	1	Seal Kit - 10837580 & 7010542 Valves (1 Per Assembly)	
21	70023370	6	Plug, O-Ring	
24	70002363	2	Bearing	
100	70002362	1	Seal Kit (Includes Items 4, 6, 7, 9, 10, 11, 13, 14 & 17)	

SECTION 6 - HYDRAULIC

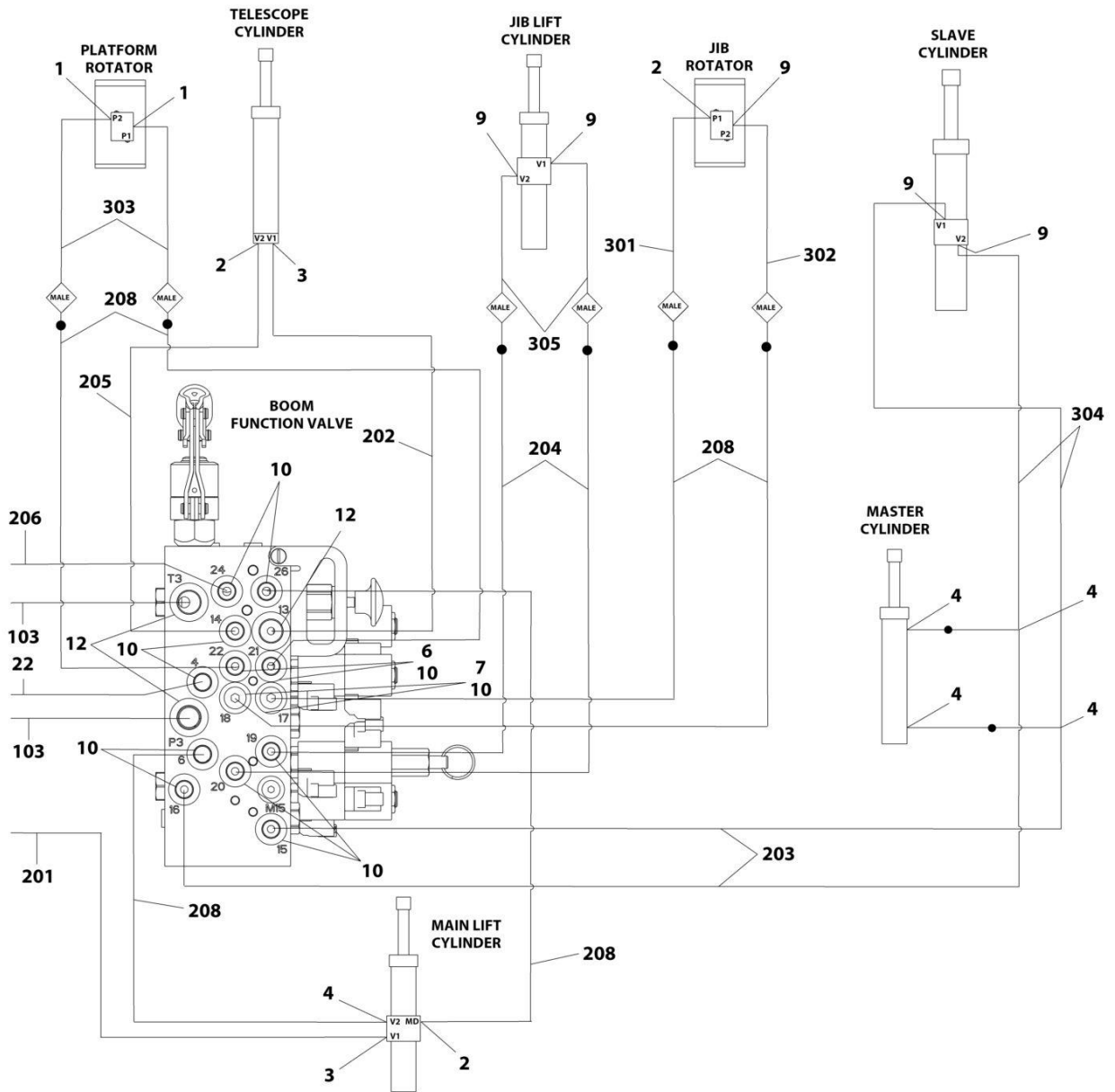
SECTION 6 - HYDRAULIC

FIGURE 6-1. HYDRAULIC DIAGRAM



ART_1001178381_D_10F2

SECTION 6 - HYDRAULIC



ART_1001178381_D_20F2

SECTION 6 - HYDRAULIC

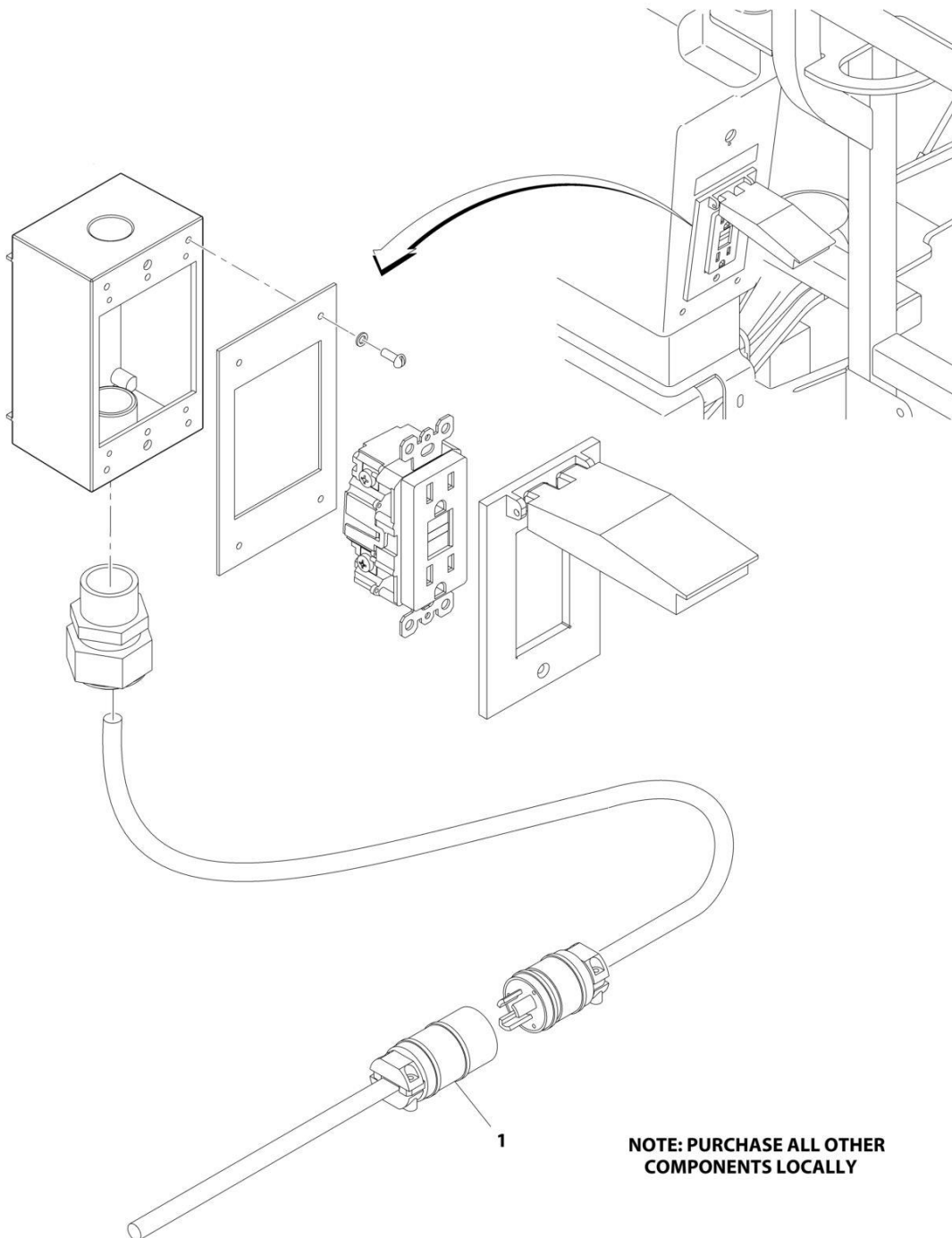
FIGURE 6-1. HYDRAULIC DIAGRAM

ITEM	PART NUMBER	QTY	DESCRIPTION	REV
	1001178381	Ref	HYDRAULIC DIAGRAM - E300AJP	D
1	2220502	2	Fitting, 45 ORB/JIC	
1	2220940	2	Fitting, 90 Long ORB/FL	
2	2220466	4	Fitting, 90 ORB/JIC	
3	2220473	3	Fitting, 90 ORB/JIC	
4	2220472	7	Fitting, 90 ORB/JIC	
5	2220628	1	Fitting, 90 ORB/JIC	
6	2220909	2	Orifice 0.015	
7	2221039	2	Orifice 0.022	
8	2221033	2	Fitting, Straight ORB/JIC	
9	2220415	5	Fitting, Straight ORB/JIC	
10	2220582	18	Fitting, Straight ORB/JIC	
11	2220408	1	Fitting, Straight ORB/JIC	
12	2220372	10	Fitting, Straight ORB/JIC	
22	2752999	3	Hose	
31	1320030	1	Clamp	
32	2221086	1	Fitting, Test	
35	2221048	2	Fitting, 90 ORB/JIC	
37	1702124	1	Hose Tags (Not shown)	
100	1001269304	1	Hose Kit - Turntable (Not Shown)	
101	2752473	1	Hose	
102	2752613	1	Hose	
103	2753812	2	Hose	
104	1001109687	2	Hose	
105	1001109690	1	Hose	
106	1001160232	1	Hose	
200	1001270237	1	Hose Kit - Boom (Tower) (Not Shown)	
201	2753136	1	Hose	
202	2753137	1	Hose	
203	2753276	2	Hose	
204	2753279	2	Hose	
205	2753364	1	Hose	
206	2754055	1	Hose	
207	1001112947	1	Hose	
208	1001112948	6	Hose	
300	1001269309	1	Hose Kit - Boom (Upper) (Not Shown)	
301	1001109682	1	Hose	
302	1001109683	1	Hose	
303	1001109686	2	Hose	
304	1001109688	2	Hose	
305	1001112946	2	Hose	

SECTION 7 - ELECTRICAL

SECTION 7 - ELECTRICAL

FIGURE 7-1. AC BOX AT PLATFORM INSTALLATION - LOCALLY SUPPLIED COMPONENTS (ANSI EXPORT, AUSTRALIAN AND CE & UK CA SPECS)



NOTE: PURCHASE ALL OTHER COMPONENTS LOCALLY

ART_1001110542

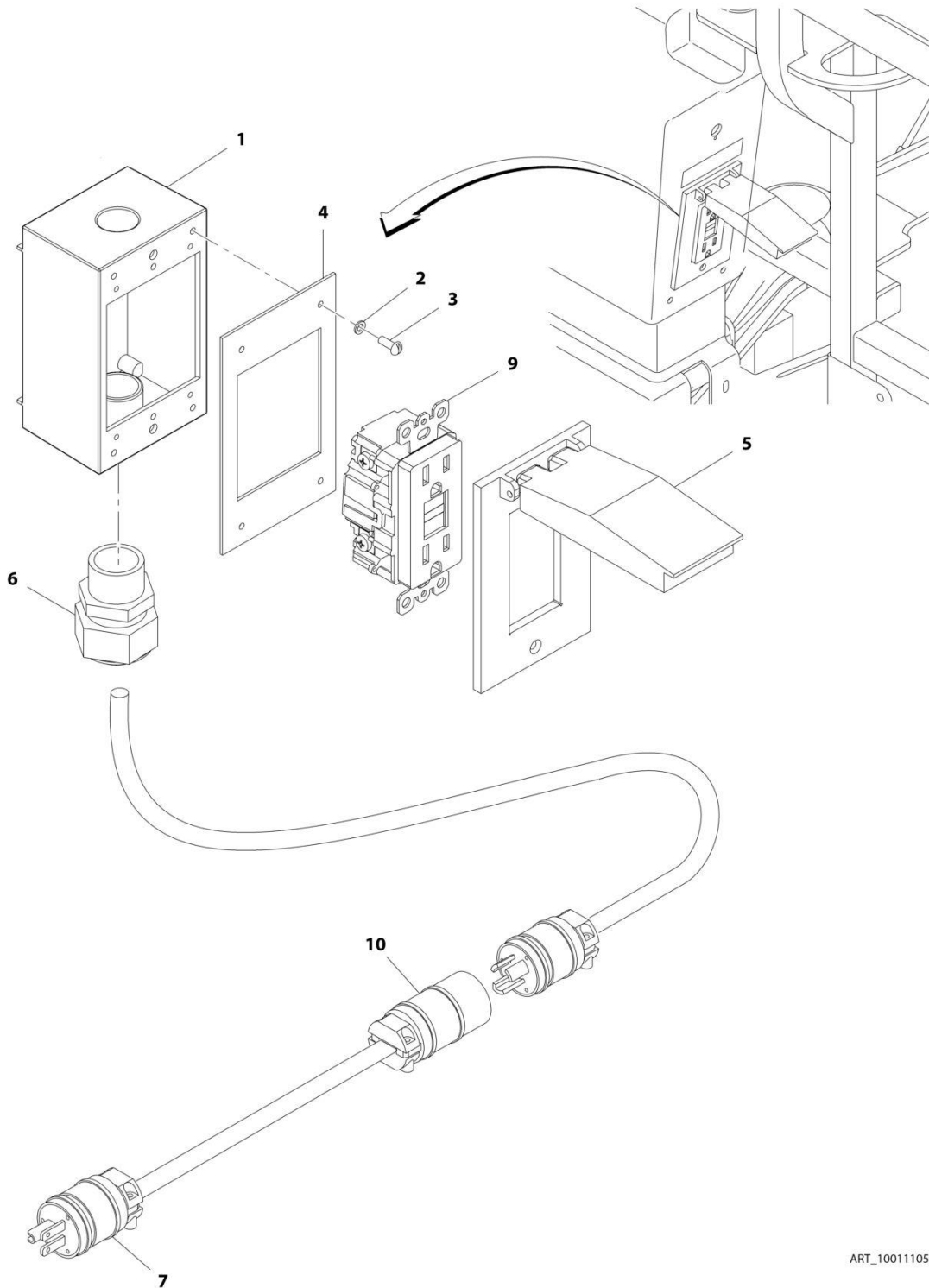
SECTION 7 - ELECTRICAL

FIGURE 7-1. AC BOX AT PLATFORM INSTALLATION - LOCALLY SUPPLIED COMPONENTS (ANSI EXPORT, AUSTRALIAN AND CE & UK CA SPECS)

ITEM	PART NUMBER	QTY	DESCRIPTION	REV
	1001110542	Ref	AC BOX AT PLATFORM INSTALLATION - LOCALLY SUPPLIED COMPONENTS	A
1	4460710	1	Receptacle, Female	

SECTION 7 - ELECTRICAL

FIGURE 7-2. AC BOX AT PLATFORM INSTALLATION - 110V (ANSI, ANSI EXPORT, CSA, JAPANESE AND UL SPECS)



ART_1001110541

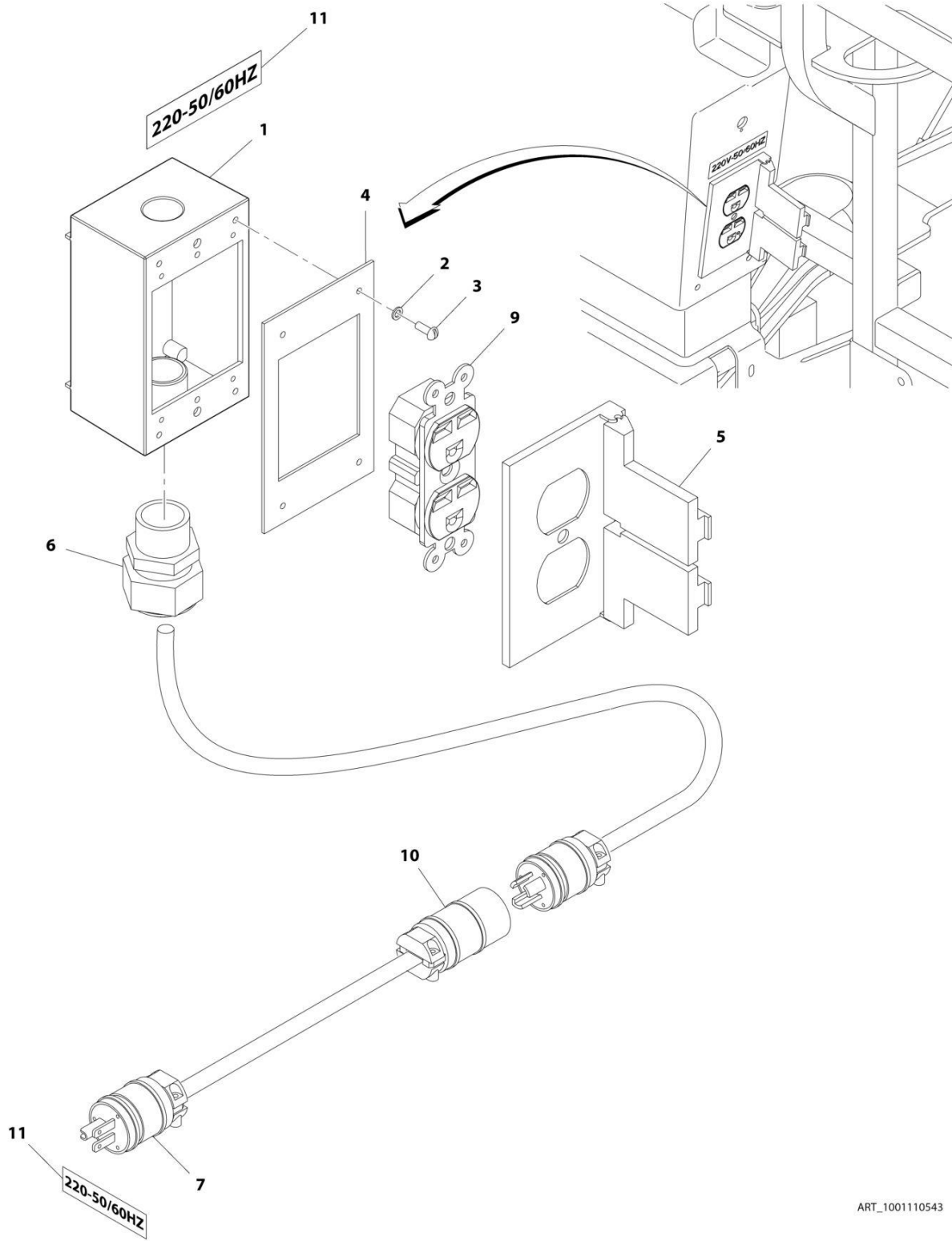
SECTION 7 - ELECTRICAL

FIGURE 7-2. AC BOX AT PLATFORM INSTALLATION - 110V (ANSI, ANSI EXPORT, CSA, JAPANESE AND UL SPECS)

ITEM	PART NUMBER	QTY	DESCRIPTION	REV
	1001110541	Ref	AC BOX AT PLATFORM INSTALLATION - 110V	B
1	0860038	1	Box, Switch	
2	4760600	4	Washer #6	
3	3910610	4	Screw #6 x 5/8	
4	3960422	1	Gasket	
5	1001110873	1	Shield, Cover	
6	4460071	1	Connector, Strain Relief	
7	4460205	1	Plug, Male	
9	4460346	1	Receptacle	
10	4460710	1	Receptacle, Female	

SECTION 7 - ELECTRICAL

FIGURE 7-3. AC BOX AT PLATFORM INSTALLATION - ANSI AND CSA SPECS



ART_1001110543

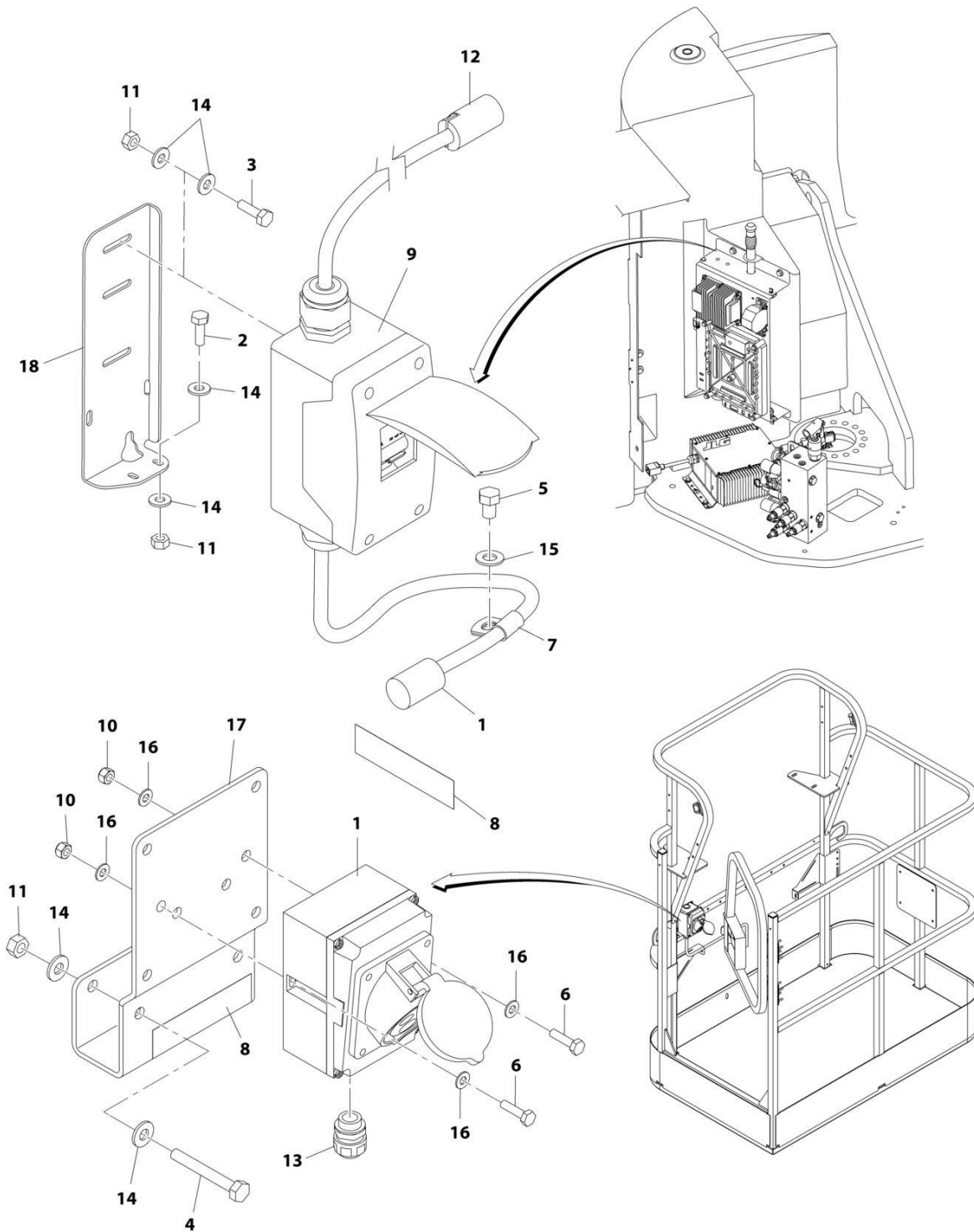
SECTION 7 - ELECTRICAL

FIGURE 7-3. AC BOX AT PLATFORM INSTALLATION - ANSI AND CSA SPECS

ITEM	PART NUMBER	QTY	DESCRIPTION	REV
	1001110543	Ref	AC BOX AT PLATFORM INSTALLATION	B
1	0860038	1	Box, Switch	
2	4760600	4	Washer #6	
3	3910610	4	Screw #6 x 5/8	
4	3960422	1	Gasket	
5	4060092	1	Shield, Cover	
6	4460071	1	Connector, Strain Relief	
7	4460233	1	Plug, Male	
9	4460125	1	Receptacle	
10	4460710	1	Receptacle, Female	
11	3252507	1	Decal - 220V-50/60Hz	

SECTION 7 - ELECTRICAL

FIGURE 7-4. AC BOX AT PLATFORM INSTALLATION - 110V IEC YELLOW (CE & UK CA SPECS)



ART_1001198374

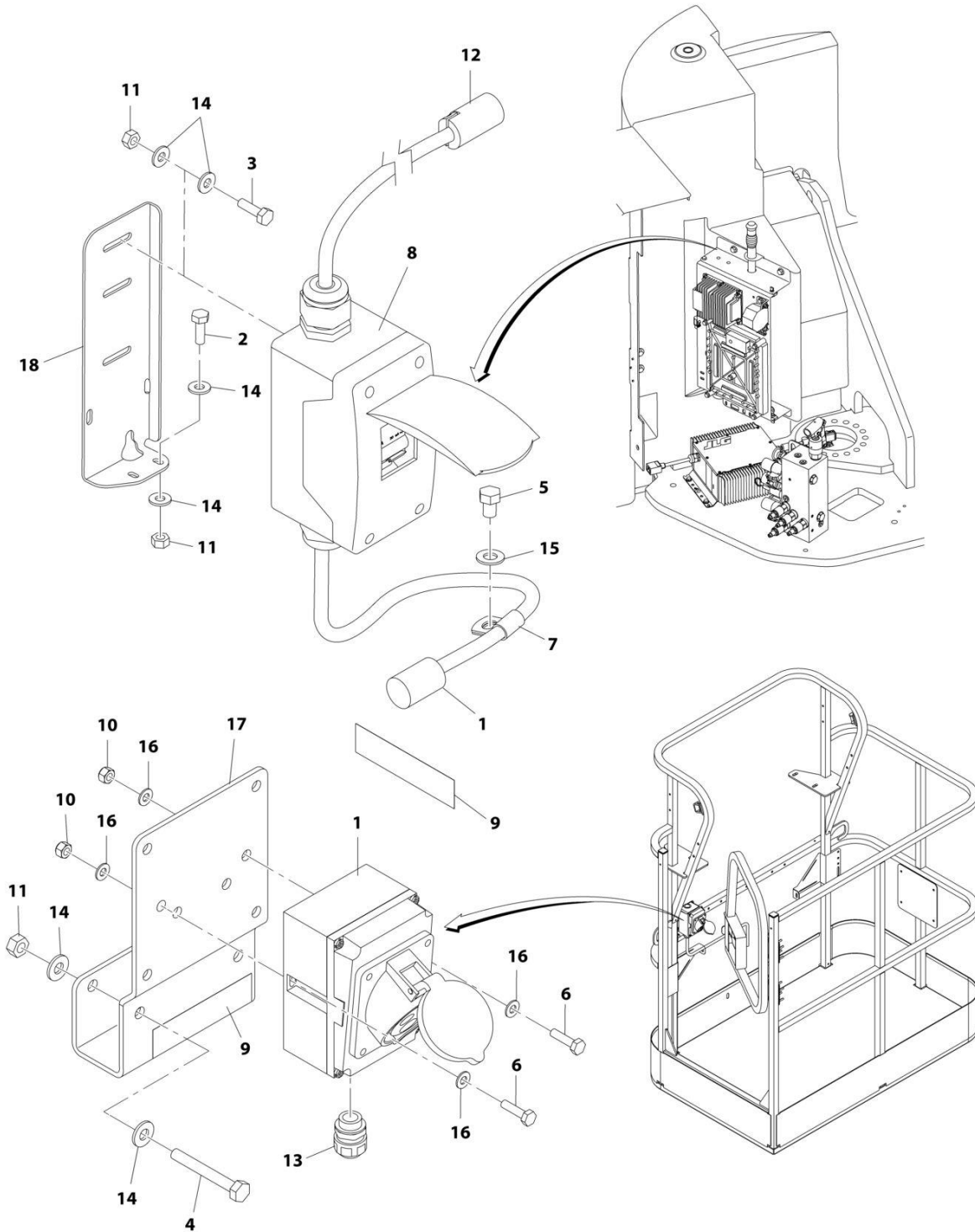
SECTION 7 - ELECTRICAL

FIGURE 7-4. AC BOX AT PLATFORM INSTALLATION - 110V IEC YELLOW (CE & UK CA SPECS)

ITEM	PART NUMBER	QTY	DESCRIPTION	REV
	1001198374	Ref	AC BOX AT PLATFORM INSTALLATION - 110V IEC YELLOW (CE & UK CA SPECS)	A
1	0275216	1	Receptacle Box Kit (See Separate Breakdown in this Section)	
2	0641406	2	Bolt 1/4 x 3/4	
3	0641407	2	Bolt 1/4 x 7/8	
4	0641416	2	Bolt 1/4 x 2	
5	0641604	1	Bolt 3/8 x 1/2	
6	0700408	2	Bolt M4 x 16	
7	1320263	1	Clamp	
8	1705325	2	Decal - 120V-50Hz	
9	2902549	1	Breaker Box Kit - CE & UK CA Specs (See Separate Breakdown in this Section)	
10	3290405	2	Nut M4	
11	3311405	6	Nut 1/4	
12	4460710	1	Receptacle, Female	
13	4460968	1	Connector, Strain Relief	
14	4711400	12	Washer	
15	4751600	1	Washer 3/8	
16	4811400	4	Washer M4	
17	1001193018	1	Bracket	
18	1001197584	1	Bracket	

SECTION 7 - ELECTRICAL

FIGURE 7-5. AC BOX AT PLATFORM INSTALLATION - 220V IEC BLUE (CE & UK CA SPECS)



ART_1001198375

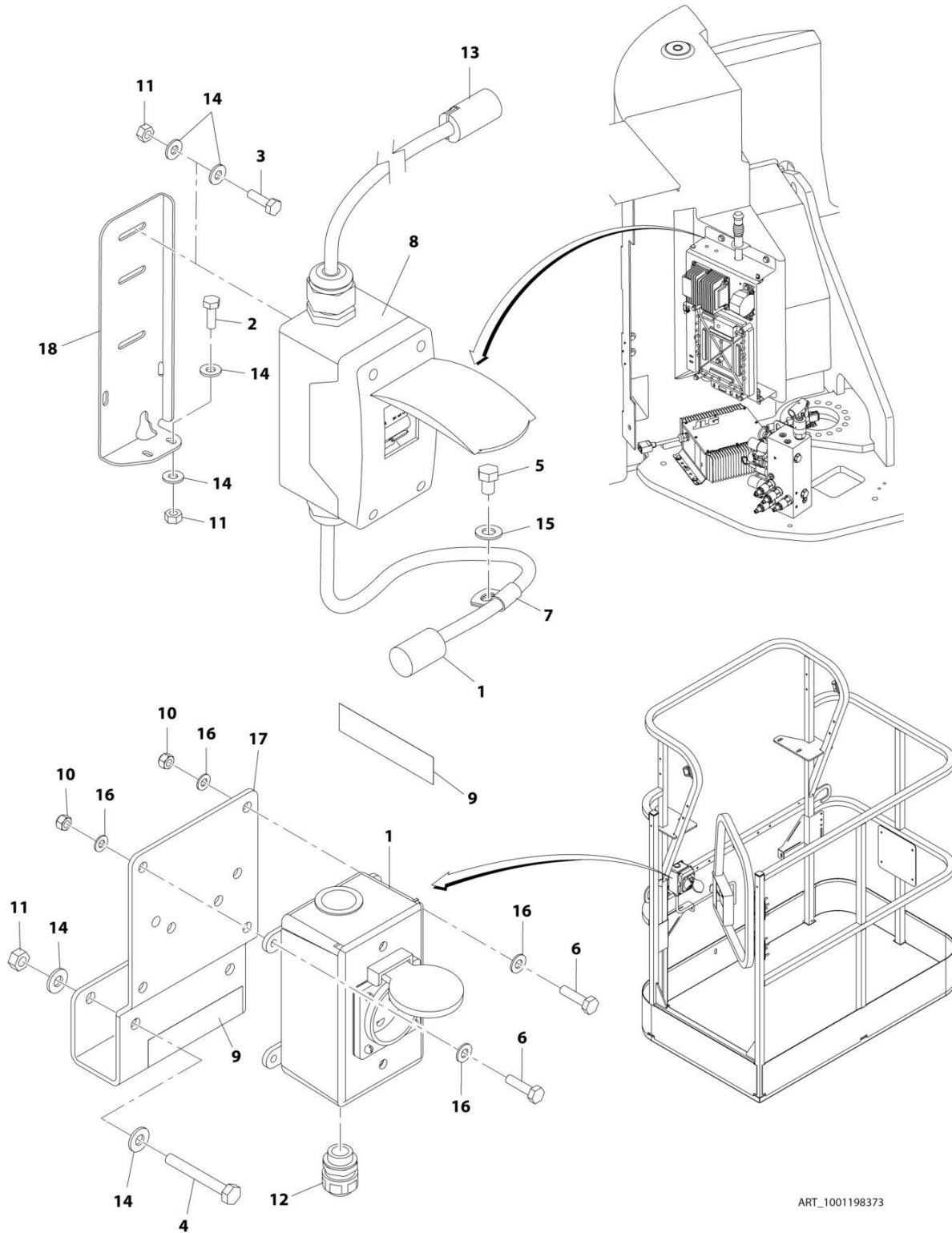
SECTION 7 - ELECTRICAL

FIGURE 7-5. AC BOX AT PLATFORM INSTALLATION - 220V IEC BLUE (CE & UK CA SPECS)

ITEM	PART NUMBER	QTY	DESCRIPTION	REV
	1001198375	Ref	AC BOX AT PLATFORM INSTALLATION - 220V IEC BLUE (CE & UK CA SPECS)	A
1	0275217	1	Receptacle Box Kit (See Separate Breakdown in this Section)	
2	0641406	2	Bolt 1/4 x 3/4	
3	0641407	2	Bolt 1/4 x 7/8	
4	0641416	2	Bolt 1/4 x 2	
5	0641604	1	Bolt 3/8 x 1/2	
6	0700408	2	Bolt M4 x 16	
7	1320263	1	Clamp	
8	2902549	1	Breaker Box Kit - CE & UK CA Specs (See Separate Breakdown in this Section)	
9	3252507	2	Decal - 220V-50/60Hz	
10	3290405	2	Nut M4	
11	3311405	6	Nut 1/4	
12	4460710	1	Receptacle, Female	
13	4460968	1	Connector, Strain Relief	
14	4711400	12	Washer	
15	4751600	1	Washer 3/8	
16	4811400	4	Washer M4	
17	1001193018	1	Bracket	
18	1001197584	1	Bracket	

SECTION 7 - ELECTRICAL

FIGURE 7-6. AC BOX AT PLATFORM INSTALLATION - 220V AFSINT107 KEYED GROUND (CE & UK CA SPECS)



ART_1001198373

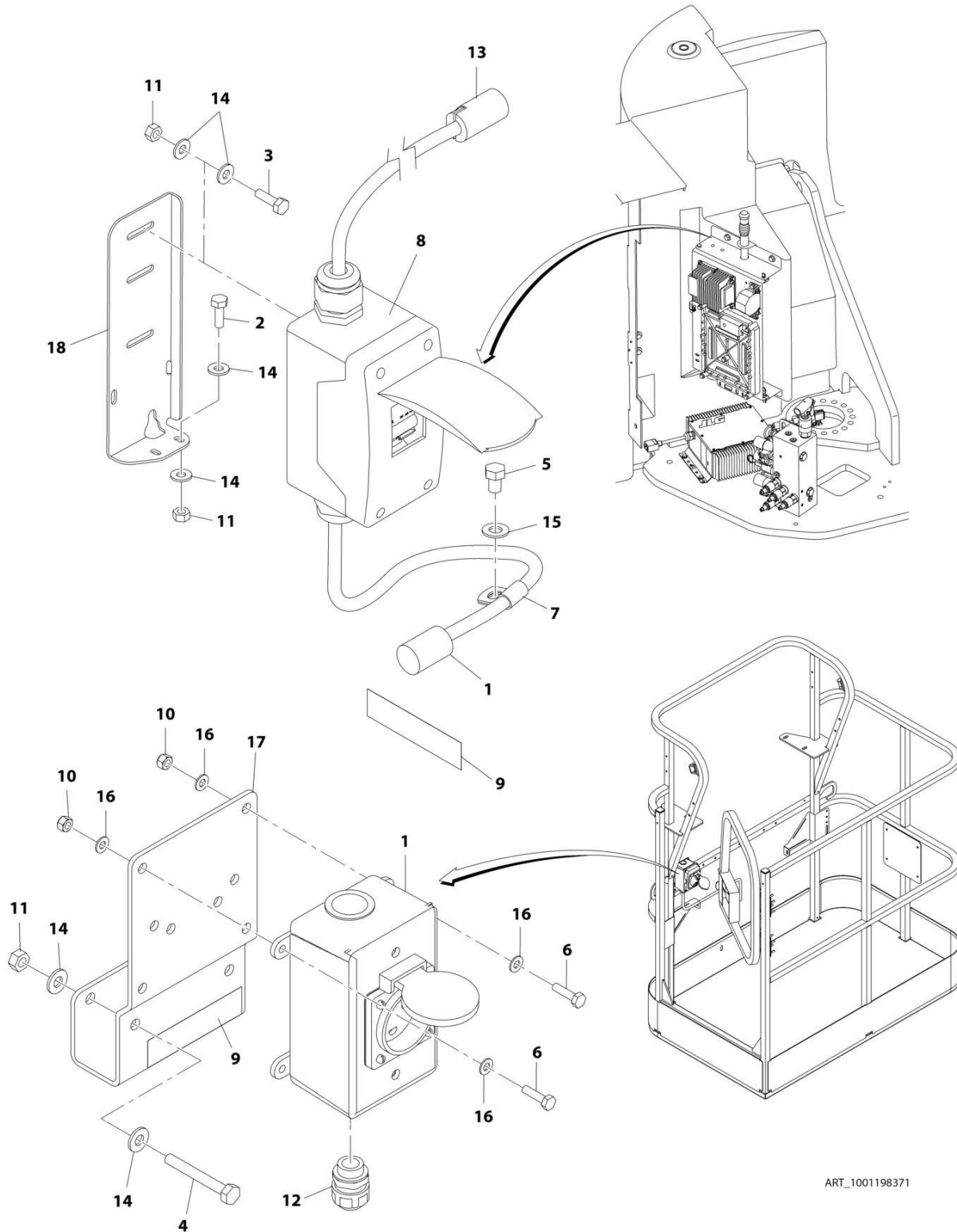
SECTION 7 - ELECTRICAL

FIGURE 7-6. AC BOX AT PLATFORM INSTALLATION - 220V AFSINT107 KEYED GROUND (CE & UK CA SPECS)

ITEM	PART NUMBER	QTY	DESCRIPTION	REV
	1001198373	Ref	AC BOX AT PLATFORM INSTALLATION - 220V AFSINT107 KEYED GROUND (CE & UK CA SPECS)	A
1	0275454	1	Receptacle Box Kit (See Separate Breakdown in this Section)	
2	0641406	2	Bolt 1/4 x 3/4	
3	0641407	2	Bolt 1/4 x 7/8	
4	0641416	2	Bolt 1/4 x 2	
5	0641604	1	Bolt 3/8 x 1/2	
6	0700408	4	Bolt M4 x 16	
7	1320263	1	Clamp	
8	2902549	1	Breaker Box Kit - CE & UK CA Specs (See Separate Breakdown in this Section)	
9	3252507	2	Decal - 220V-50/60Hz	
10	3290405	4	Nut M4	
11	3311405	6	Nut 1/4	
12	4460662	1	Connector, Strain Relief	
13	4460710	1	Receptacle, Female	
14	4711400	12	Washer	
15	4751600	1	Washer 3/8	
16	4811400	8	Washer M4	
17	1001193018	1	Bracket	
18	1001197584	1	Bracket	

SECTION 7 - ELECTRICAL

FIGURE 7-7. AC BOX AT PLATFORM INSTALLATION - 220V CEE7 POST GROUND (CE & UK CA SPECS)



ART_1001198371

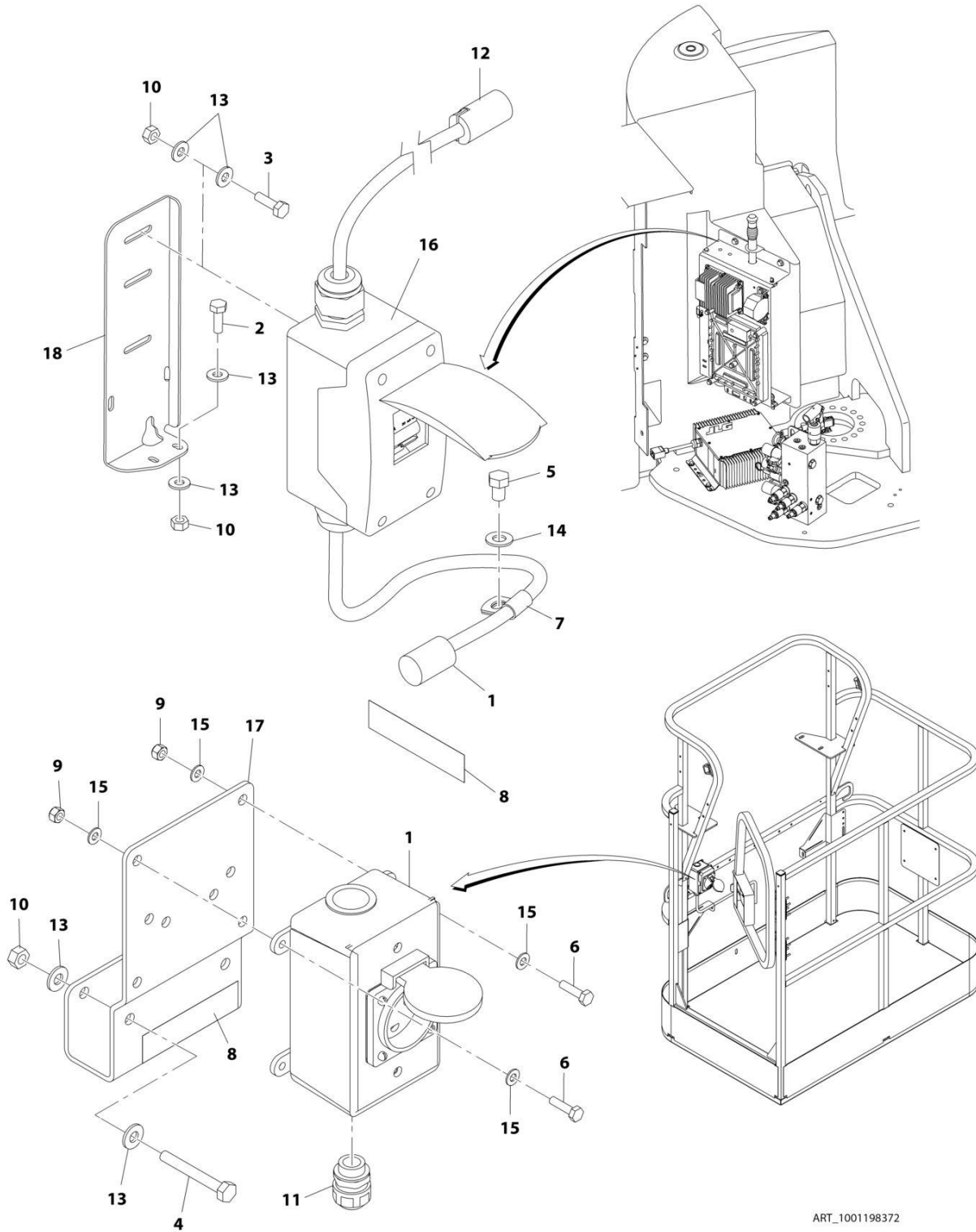
SECTION 7 - ELECTRICAL

FIGURE 7-7. AC BOX AT PLATFORM INSTALLATION - 220V CEE7 POST GROUND (CE & UK CA SPECS)

ITEM	PART NUMBER	QTY	DESCRIPTION	REV
	1001198371	Ref	AC BOX AT PLATFORM INSTALLATION - 220V CEE7 POST GROUND (CE & UK CA SPECS)	A
1	0275452	1	Receptacle Box Kit (See Separate Breakdown in this Section)	
2	0641406	2	Bolt 1/4 x 3/4	
3	0641407	2	Bolt 1/4 x 7/8	
4	0641416	2	Bolt 1/4 x 2	
5	0641604	1	Bolt 3/8 x 1/2	
6	0700408	4	Bolt M4 x 16	
7	1320263	1	Clamp	
8	2902549	1	Breaker Box Kit - CE & UK CA Specs (See Separate Breakdown in this Section)	
9	3252507	2	Decal - 220V-50/60Hz	
10	3290405	4	Nut M4	
11	3311405	6	Nut 1/4	
12	4460662	1	Connector, Strain Relief	
13	4460710	1	Receptacle, Female	
14	4711400	12	Washer	
15	4751600	1	Washer 3/8	
16	4811400	8	Washer M4	
17	1001193018	1	Bracket	
18	1001197584	1	Bracket	

SECTION 7 - ELECTRICAL

FIGURE 7-8. AC BOX AT PLATFORM INSTALLATION - 220V CEE7 SIDE GROUND (CE & UK CA SPECS)



ART_1001198372

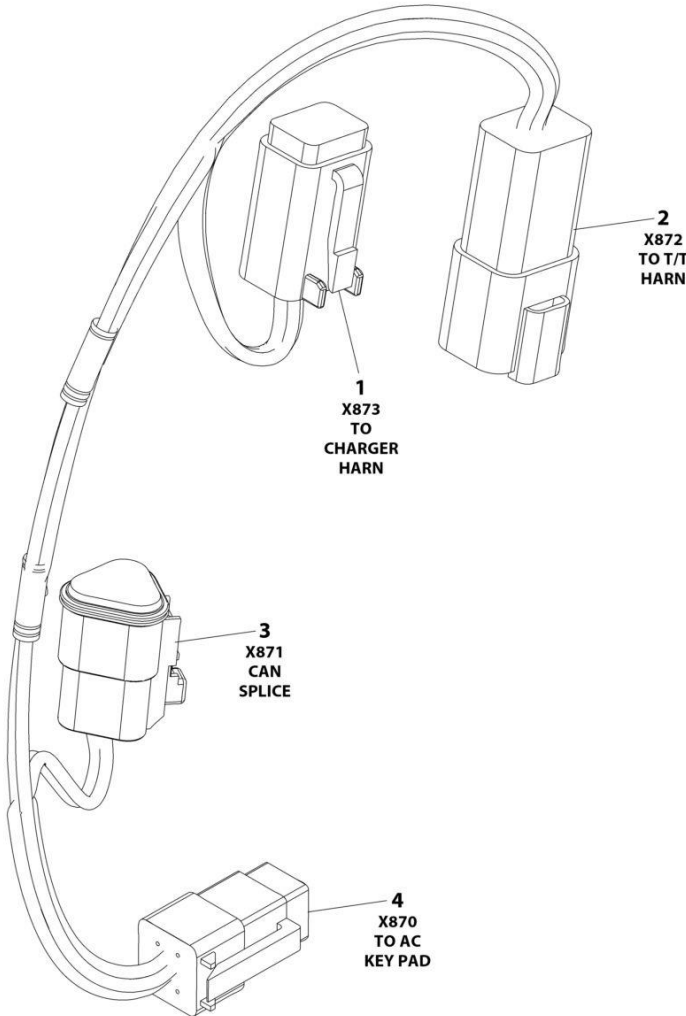
SECTION 7 - ELECTRICAL

FIGURE 7-8. AC BOX AT PLATFORM INSTALLATION - 220V CEE7 SIDE GROUND (CE & UK CA SPECS)

ITEM	PART NUMBER	QTY	DESCRIPTION	REV
	1001198372	Ref	AC BOX AT PLATFORM INSTALLATION - 220V CEE7 SIDE GROUND (CE & UK CA SPECS)	A
1	0275453	1	Receptacle Box Kit (See Separate Breakdown in this Section)	
2	0641406	2	Bolt 1/4 x 3/4	
3	0641407	2	Bolt 1/4 x 7/8	
4	0641416	2	Bolt 1/4 x 2	
5	0641604	1	Bolt 3/8 x 1/2	
6	0700408	4	Bolt M4 x 16	
7	1320263	1	Clamp	
8	3252507	2	Decal - 220V-50/60Hz	
9	3290405	4	Nut M4	
10	3311405	6	Nut 1/4	
11	4460662	1	Connector, Strain Relief	
12	4460710	1	Receptacle, Female	
13	4711400	12	Washer	
14	4751600	1	Washer 3/8	
15	4811400	8	Washer M4	
16	2902549	1	Breaker Box Kit - CE & UK CA Specs (See Separate Breakdown in this Section)	
17	1001193018	1	Bracket	
18	1001197584	1	Bracket	

SECTION 7 - ELECTRICAL

FIGURE 7-9. ACCESS CONTROL HARNESS



ART_1001260533

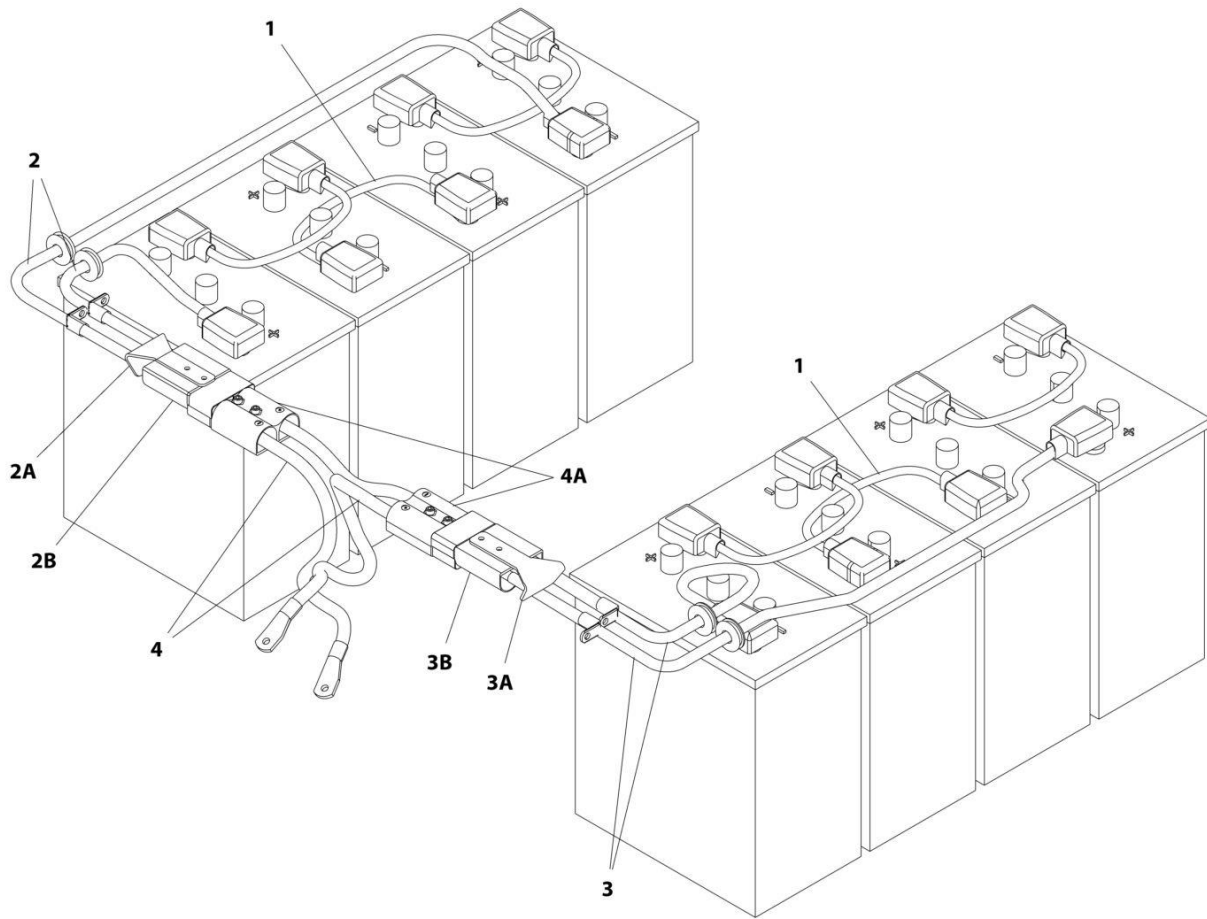
SECTION 7 - ELECTRICAL

FIGURE 7-9. ACCESS CONTROL HARNESS

ITEM	PART NUMBER	QTY	DESCRIPTION	REV
	1001260533	Ref	ACCESS CONTROL HARNESS	A
1	4460884	1	Plug, Male - 4 Position	
1	4460465	4	Socket, Female	
2	4460932	1	Receptacle, Female - 4 Position	
2	4460464	4	Pin, Male	
3	1001116812	1	Plug, Male - 3 Position	
3	4460944	2	Socket, Female	
3	4460466	1	Plug, Terminal	
4	4461077	1	Plug, Male - 4 Position	
4	4460928	4	Terminal	

SECTION 7 - ELECTRICAL

FIGURE 7-10. BATTERY CABLE KIT - 305AH BATTERIES



ART_1001194946

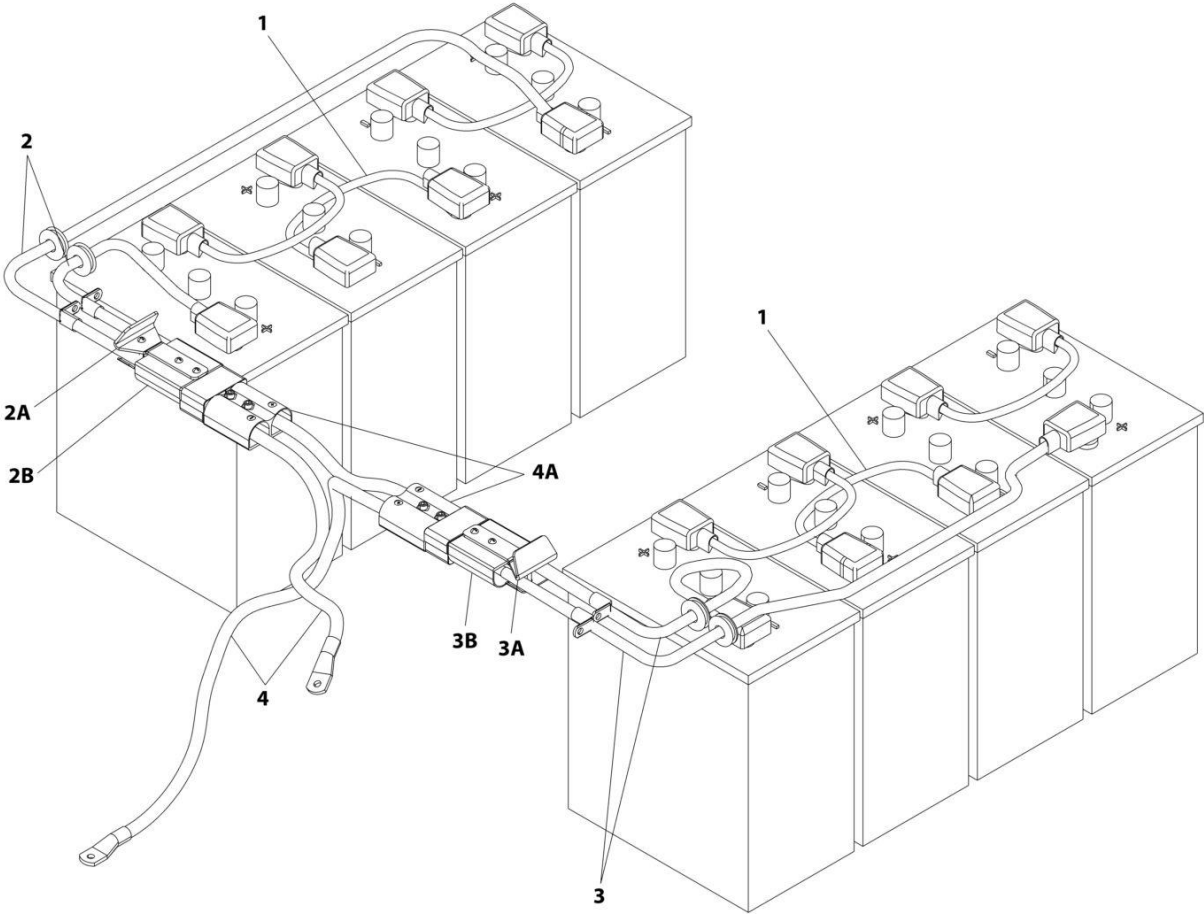
SECTION 7 - ELECTRICAL

FIGURE 7-10. BATTERY CABLE KIT - 305AH BATTERIES

ITEM	PART NUMBER	QTY	DESCRIPTION	REV
	1001194946	Ref	BATTERY CABLE KIT - 305AH BATTERIES	D
1	1001109833	6	Cable, Battery - Positive to Negative	
2	1001110030	1	Cable, Left Battery Box	
2A	1320172	1	Handle	
2B	4460025	1	Connector, Anderson	
3	1001110066	1	Cable, Right Battery Box	
3A	1320172	1	Handle	
3B	4460025	1	Connector, Anderson	
4	1001181412	1	Cable, Battery	
4A	4460025	2	Connector, Anderson	

SECTION 7 - ELECTRICAL

FIGURE 7-11. BATTERY CABLE KIT - 305AH BATTERIES (UL SPECS)



ART_1001212376

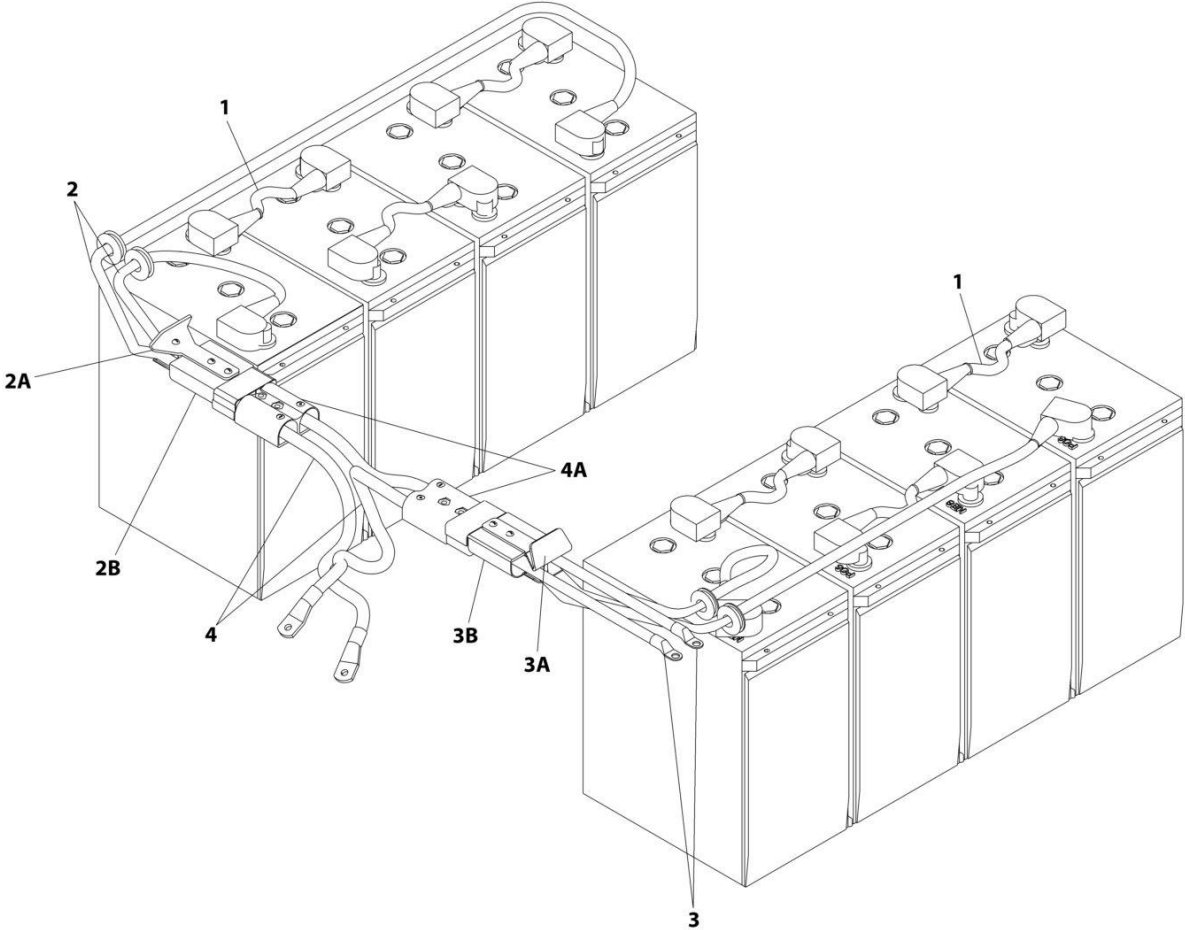
SECTION 7 - ELECTRICAL

FIGURE 7-11. BATTERY CABLE KIT - 305AH BATTERIES (UL SPECS)

ITEM	PART NUMBER	QTY	DESCRIPTION	REV
	1001212376	Ref	BATTERY CABLE KIT - 305AH BATTERIES (UL SPECS)	A
1	1001109833	6	Cable, Battery - Positive to Negative	
2	1001110030	1	Cable, Left Battery Box	
2A	1320172	1	Handle	
2B	4460025	1	Connector, Anderson	
3	1001110066	1	Cable, Right Battery Box	
3A	1320172	1	Handle	
3B	4460025	1	Connector, Anderson	
4	1001212374	1	Cable, Battery	
4A	4460025	2	Connector, Anderson	

SECTION 7 - ELECTRICAL

FIGURE 7-12. BATTERY CABLE KIT - 305AH AGM BATTERIES



ART_1001194945

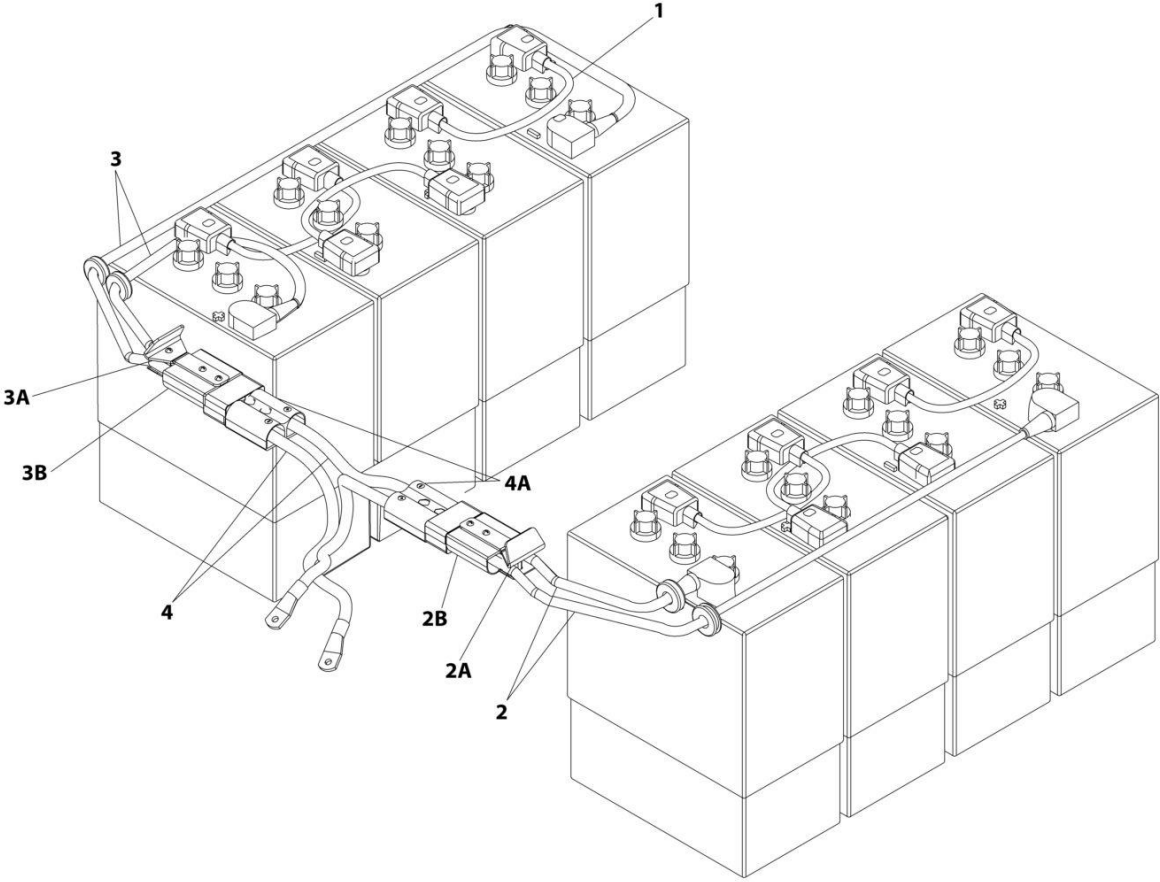
SECTION 7 - ELECTRICAL

FIGURE 7-12. BATTERY CABLE KIT - 305AH AGM BATTERIES

ITEM	PART NUMBER	QTY	DESCRIPTION	REV
	1001194945	Ref	BATTERY CABLE KIT - 305AH AGM BATTERIES	D
1	1060092	6	Cable, Battery - Positive to Negative	
2	1060743	1	Cable, Left Battery Box	
2A	1320172	1	Handle	
2B	4460025	1	Connector, Anderson	
3	1001116018	1	Cable, Right Battery Box	
3A	1320172	1	Handle	
3B	4460025	1	Connector, Anderson	
4	1001181412	1	Cable, Battery	
4A	4460025	2	Connector, Anderson	

SECTION 7 - ELECTRICAL

FIGURE 7-13. BATTERY CABLE KIT - 375AH/706HD BATTERIES



ART_1001194947_E

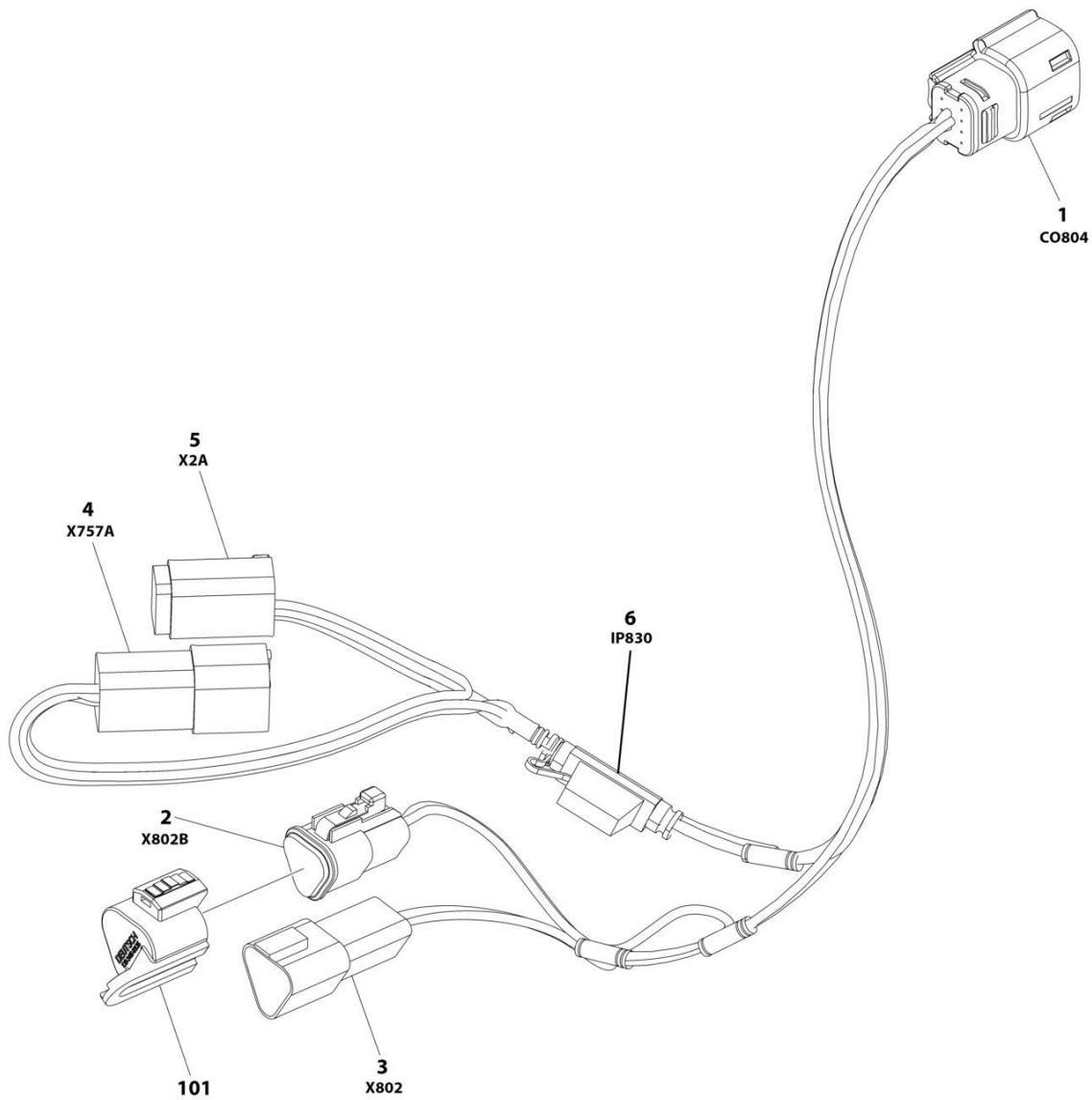
SECTION 7 - ELECTRICAL

FIGURE 7-13. BATTERY CABLE KIT - 375AH/706HD BATTERIES

ITEM	PART NUMBER	QTY	DESCRIPTION	REV
	1001194947	Ref	BATTERY CABLE KIT - 375AH/706HD BATTERIES	E
1	1001109833	6	Cable, Battery - Positive to Negative	
2	1060742	1	Cable, Right Battery Box	
2A	1320172	1	Handle	
2B	4460025	1	Connector, Anderson	
3	1060743	1	Cable, Left Battery Box	
3A	1320172	1	Handle	
3B	4460025	1	Connector, Anderson	
4	1001181412	1	Cable, Battery	
4A	4460025	2	Connector, Anderson	

SECTION 7 - ELECTRICAL

FIGURE 7-14. BLUETOOTH MODULE HARNESS



ART_1001260414

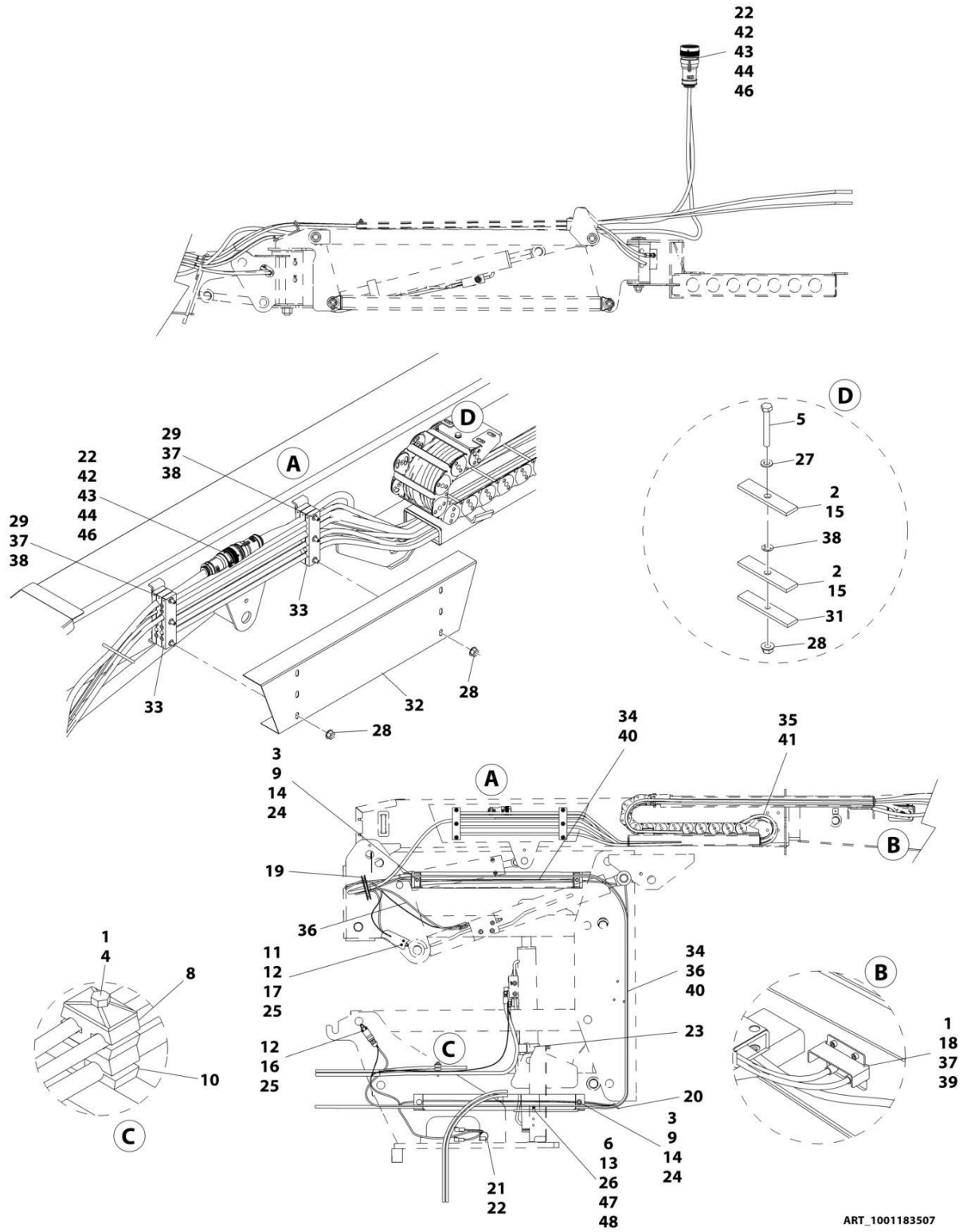
SECTION 7 - ELECTRICAL

FIGURE 7-14. BLUETOOTH MODULE HARNESS

ITEM	PART NUMBER	QTY	DESCRIPTION	REV
	1001260414	Ref	BLUETOOTH MODULE HARNESS	B
1	1001205409	1	Connector	
1	1001162887	4	Terminal	
1	1001163340	4	Plug	
2	1001116812	1	Connector	
2	4460944	2	Socket	
2	4460466	1	Plug	
3	1001144147	1	Connector	
3	4460943	2	Pin	
3	4460466	1	Plug	
4	4460932	1	Connector	
4	4460464	4	Pin	
5	4460884	1	Connector	
5	4460465	4	Socket	
6	2400060	1	Fuse Holder	
6	1001196635	1	Fuse, 3 Amp	
101	1001144296	1	Dust Cap	

SECTION 7 - ELECTRICAL

FIGURE 7-15. BOOM CABLES AND CLAMPS INSTALLATION



SECTION 7 - ELECTRICAL

FIGURE 7-15. BOOM CABLES AND CLAMPS INSTALLATION

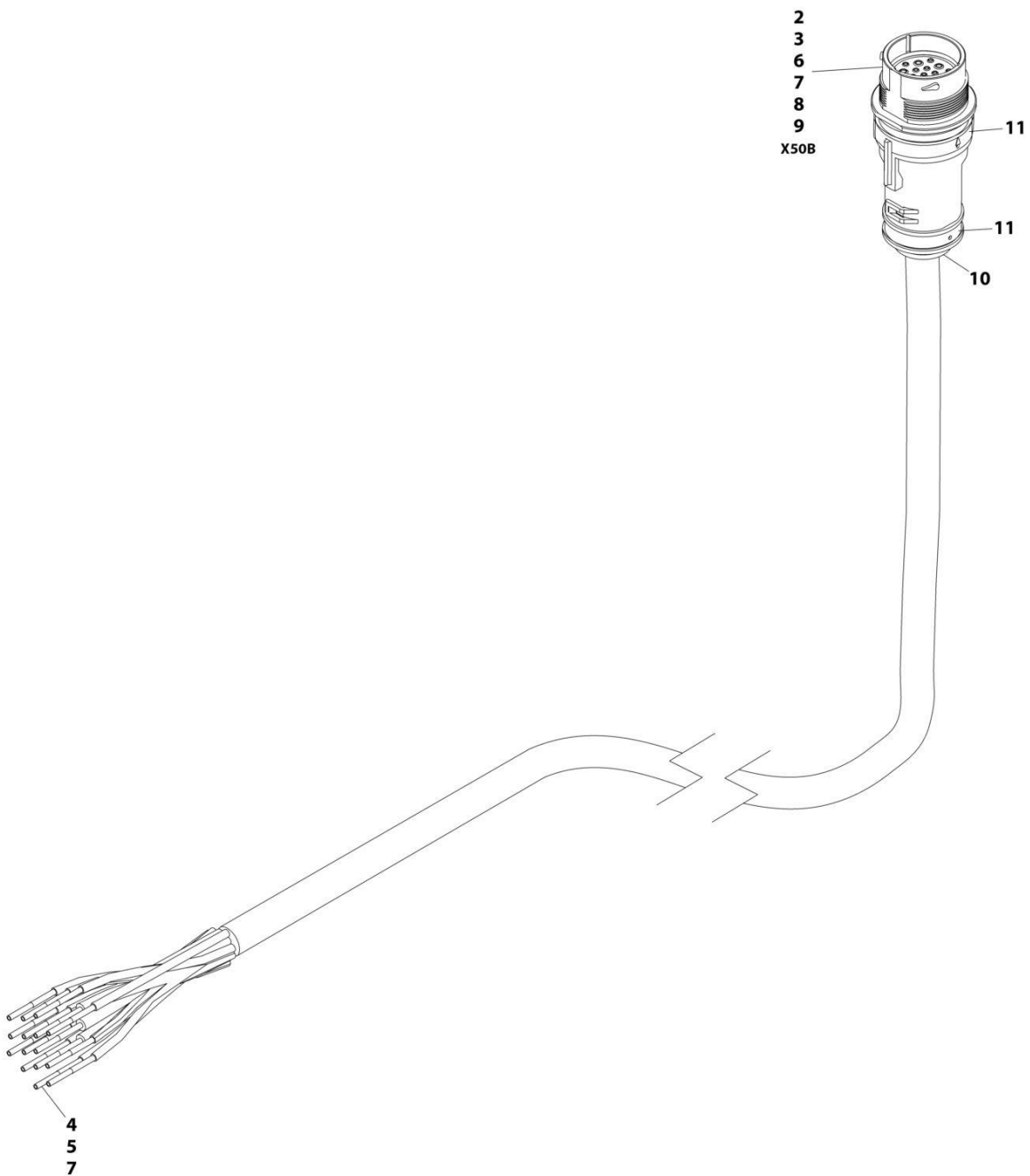
ITEM	PART NUMBER	QTY	DESCRIPTION	REV
	1001183507	Ref	BOOM CABLES AND CLAMPS INSTALLATION - E300AJP	E
1	0100011	AR	Compound, Locking	
2	0100081	AR	Adhesive	
3	0641416	6	Bolt 1/4 x 2	
3	0641418	6	Bolt 1/4 x 2-1/4	
4	0641511	1	Bolt 5/16 x 1-3/8	
4	0641520	1	Bolt 5/16 x 2-1/2	
5	0700820	2	Bolt M8 x 60	
6	0721006	1	Screw #10 x 3/4	
7	1320043	1	Clamp	
8	1320159	1	Clamp	
9	1320261	6	Clamp	
10	1320262	1	Clamp	
11	1670899	1	Cover, Switch	
12	3310805	4	Nut #8	
13	3311005	1	Nut #10	
14	3311405	6	Nut 1/4	
15	3340939	4	Pad, Rubber	
16	3930820	2	Capscrew #8 x 1-1/4	
17	3930828	2	Capscrew #8 x 1-3/4	
18	4031908	2	Capscrew M8 x 20	
19	4060808	AR	Flex-Trim	
20	4100066	2	Sleeve	
21	4240018	AR	Strap	
22	4240033	AR	Tie-Wire	
23	4240156	2	Strap, Cinch	
24	4711400	6	Washer 1/4	
25	4750800	4	Washer #8	
26	4751000	2	Washer #10	
27	4811900	2	Washer M8	
28	5260800	8	Nut M8 Grade 10.9	
29	5281920	6	Screw M8 x 80	
30	8750011	1	Bolt	
31	1001106757	2	Plate, Clamp	
32	1001107152	1	Plate, Shield	
33	1001204216	2	Clamp, Block	
34	1001109756	1	AC Cable - Tower Boom	
35	1001109757	1	AC Cable - Main Boom	
35	4460709	1	Plug, Male	
36	1001183062	1	Boom Valve and Limit Switch Harness (See Separate Breakdown in this Section)	
37	1001118274	8	Nut M8	
38	1001119228	8	Nut, Push M8	
39	1001122600	1	Plate, Cover	
40	1001183880	1	Boom Harness - Tower Boom (See Separate Breakdown in this Section)	
41	1001183881	1	Boom Harness - Main Boom (See Separate Breakdown in this Section)	
42	1001188354	2	Grommet	
43	1001188291	2	Backshell	

SECTION 7 - ELECTRICAL

ITEM	PART NUMBER	QTY	DESCRIPTION	REV
44	1001188292	2	Connector - 19 Position	
46	4460466	8	Plug, Terminal	
47	4240032	1	Tie-Strap	
48	4460234	1	Mount, Tie-Strap	

SECTION 7 - ELECTRICAL

FIGURE 7-16. BOOM HARNESS - MAIN BOOM



ART_1001183881

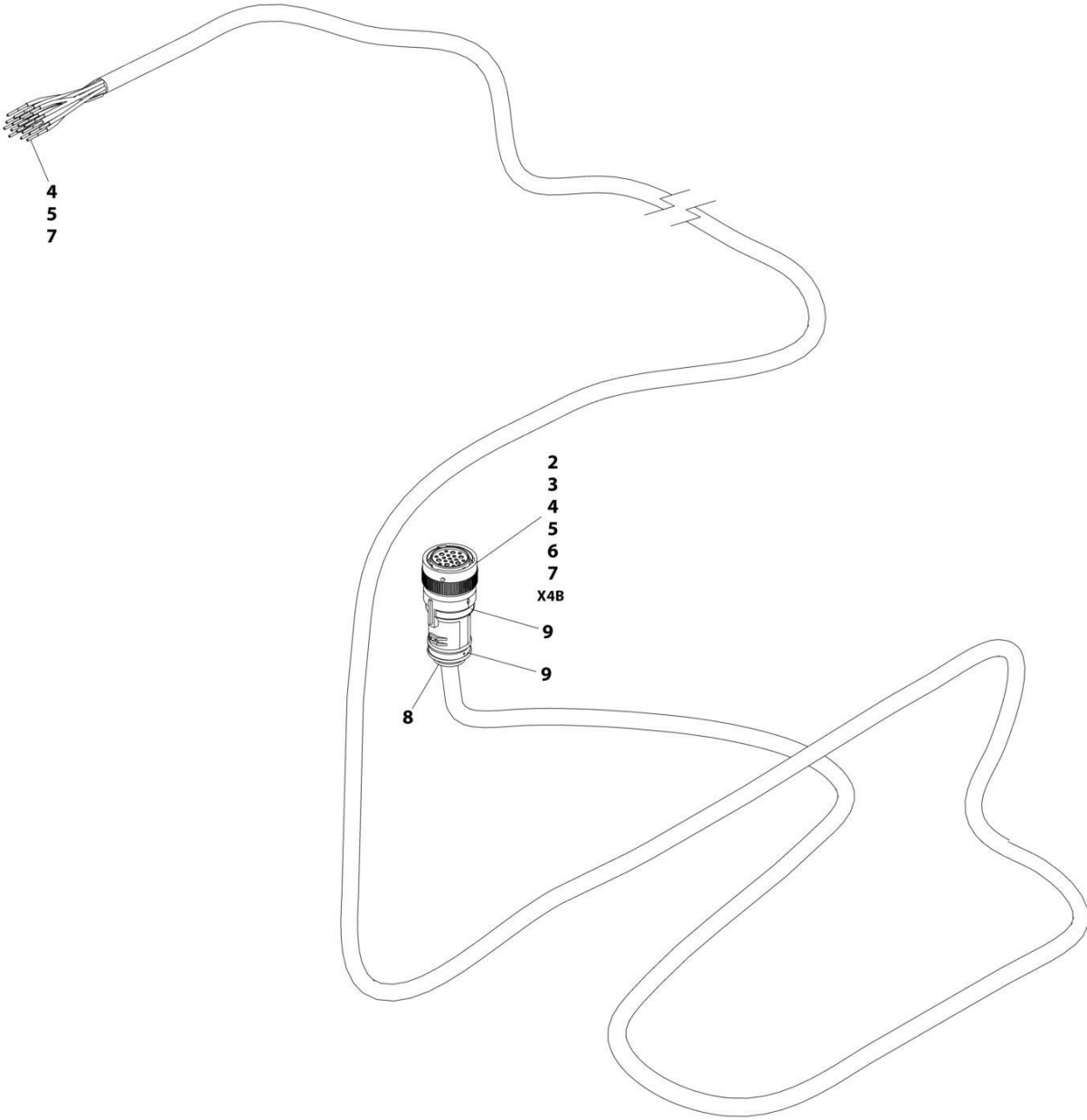
SECTION 7 - ELECTRICAL

FIGURE 7-16. BOOM HARNESS - MAIN BOOM

ITEM	PART NUMBER	QTY	DESCRIPTION	REV
	1001183881	Ref	BOOM HARNESS - MAIN BOOM	C
2	1001188293	1	Connector - 19 Position	
3	1001188291	1	Backshell	
4	4460465	11	Socket, Female	
5	4460509	4	Socket, Female	
6	4460466	4	Plug, Terminal	
7	2820118	AR	Heat Shrink	
8	4460464	11	Pin, Male	
9	4460508	4	Pin, Male	
10	1001188354	1	Grommet	
11	4240033	2	Tie-Wire	

SECTION 7 - ELECTRICAL

FIGURE 7-17. BOOM HARNESS - TOWER BOOM



ART_1001183880

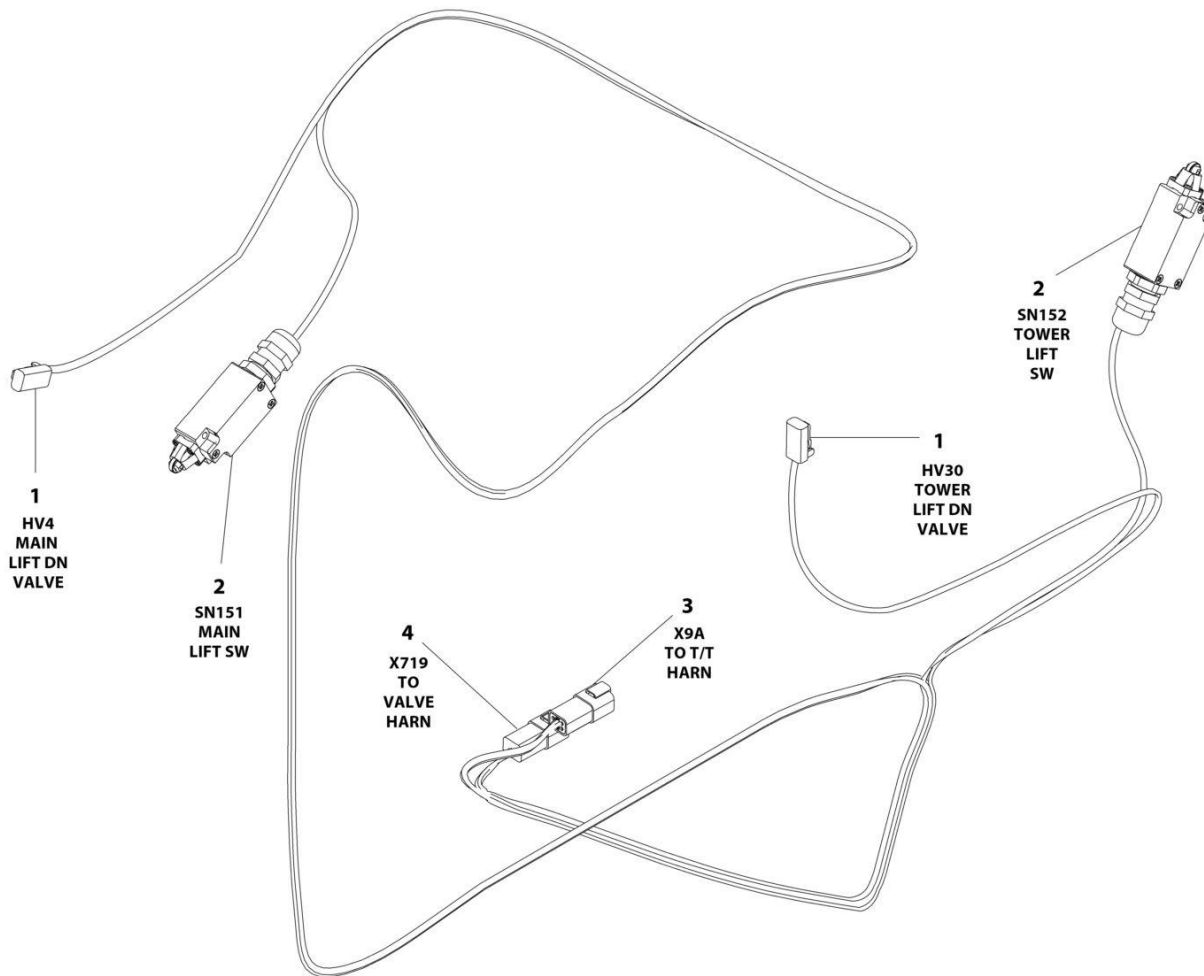
SECTION 7 - ELECTRICAL

FIGURE 7-17. BOOM HARNESS - TOWER BOOM

ITEM	PART NUMBER	QTY	DESCRIPTION	REV
	1001183880	Ref	BOOM HARNESS - TOWER BOOM	C
2	1001188292	1	Connector - 19 Position	
3	1001188291	1	Backshell	
4	4460465	22	Socket, Female	
5	4460509	8	Socket, Female	
6	4460466	4	Plug, Terminal	
7	2820118	AR	Heat Shrink	
8	1001188354	1	Grommet	
9	4240033	2	Tie-Wire	

SECTION 7 - ELECTRICAL

FIGURE 7-18. BOOM VALVE AND LIMIT SWITCH HARNESS



ART_1001183062

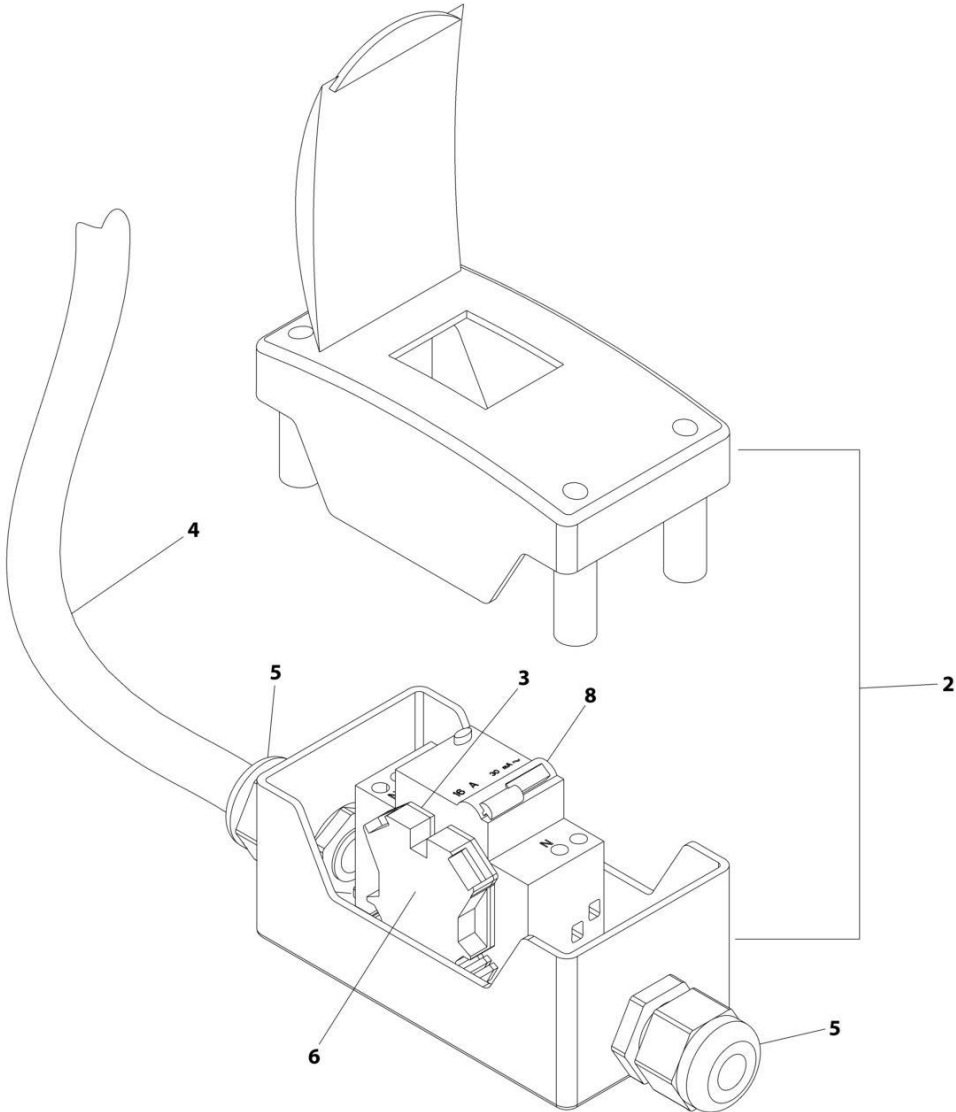
SECTION 7 - ELECTRICAL

FIGURE 7-18. BOOM VALVE AND LIMIT SWITCH HARNESS

ITEM	PART NUMBER	QTY	DESCRIPTION	REV
	1001183062	Ref	BOOM VALVE AND LIMIT SWITCH HARNESS	E
1	4460891	2	Plug, Male - 2 Position	
1	4460465	4	Socket, Female	
2	4360548	2	Switch, Limit	
2	4460968	2	Connector, Strain Relief	
2	0962449	2	Bushing	
3	4460932	1	Receptacle, Female - 4 Position	
3	4460464	4	Pin, Male	
4	1001205184	1	Receptacle, Female - 4 Position	
4	1001116693	4	Pin, Male	

SECTION 7 - ELECTRICAL

FIGURE 7-19. BREAKER BOX KIT - CE & UK CA SPECS



ART_2902549_F

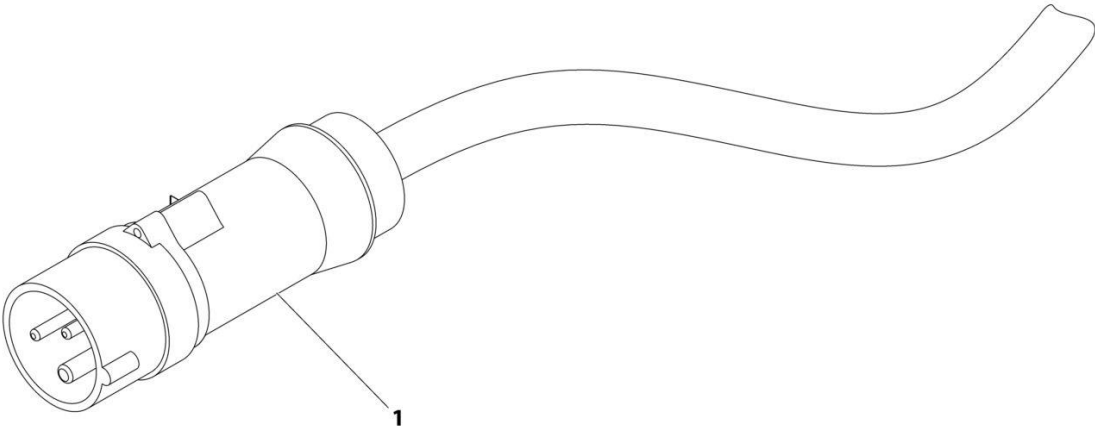
SECTION 7 - ELECTRICAL

FIGURE 7-19. BREAKER BOX KIT - CE & UK CA SPECS

ITEM	PART NUMBER	QTY	DESCRIPTION	REV
	2902549	Ref	BREAKER BOX KIT	F
2	0861880	1	Box	
3	4460956	1	Barrier, Terminal	
4	1060908	6 ft/1.8m	Cable, 12/3	
5	1001097150	2	Connector, Strain Relief	
6	4460957	1	Block, Terminal	
8	1001181045	1	Breaker, 16Amp	

SECTION 7 - ELECTRICAL

FIGURE 7-20. CHARGER CORD PLUG INSTALLATION - 110V - IEC 60309 - YELLOW (CE & UK CA SPECS)



ART_0275666

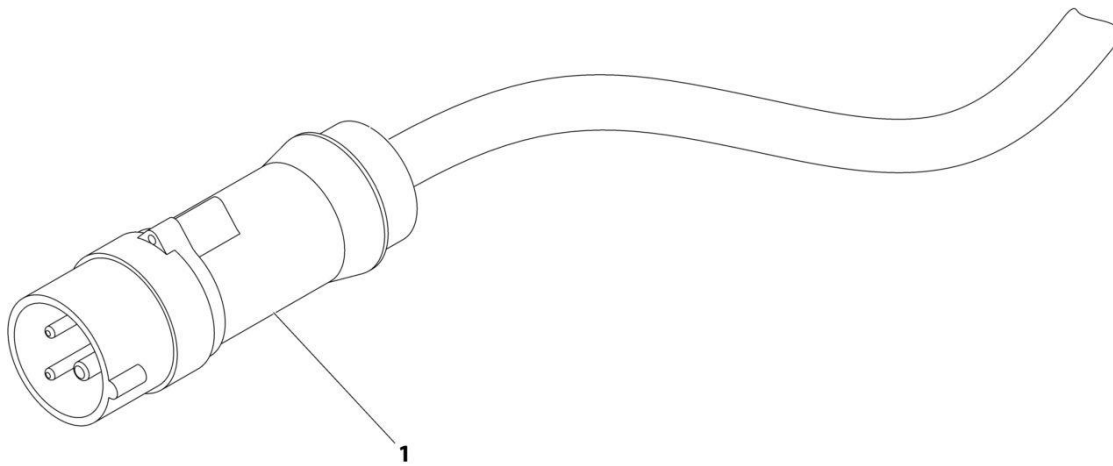
SECTION 7 - ELECTRICAL

FIGURE 7-20. CHARGER CORD PLUG INSTALLATION - 110V - IEC 60309 - YELLOW (CE & UK CA SPECS)

ITEM	PART NUMBER	QTY	DESCRIPTION	REV
	0275666	Ref	CHARGER CORD PLUG INSTALLATION - 110V IEC YELLOW PLUG	B
1	4461196	1	Plug	

SECTION 7 - ELECTRICAL

FIGURE 7-21. CHARGER CORD PLUG INSTALLATION - 220V - IEC 60309 - BLUE (CE & UK CA SPECS)



ART_0275667

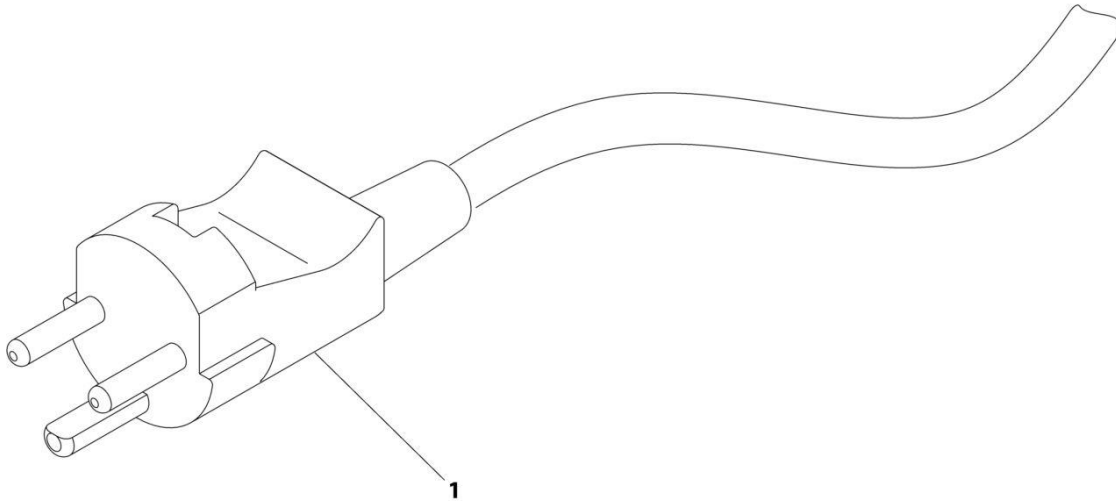
SECTION 7 - ELECTRICAL

FIGURE 7-21. CHARGER CORD PLUG INSTALLATION - 220V - IEC 60309 - BLUE (CE & UK CA SPECS)

ITEM	PART NUMBER	QTY	DESCRIPTION	REV
1	0275667 4461199	Ref 1	CHARGER CORD PLUG INSTALLATION - 220V IEC BLUE PLUG Plug	B

SECTION 7 - ELECTRICAL

FIGURE 7-22. CHARGER CORD PLUG INSTALLATION - 220V - AFSINT107 KEYED GROUND (CE & UK CA SPECS)



ART_0275665

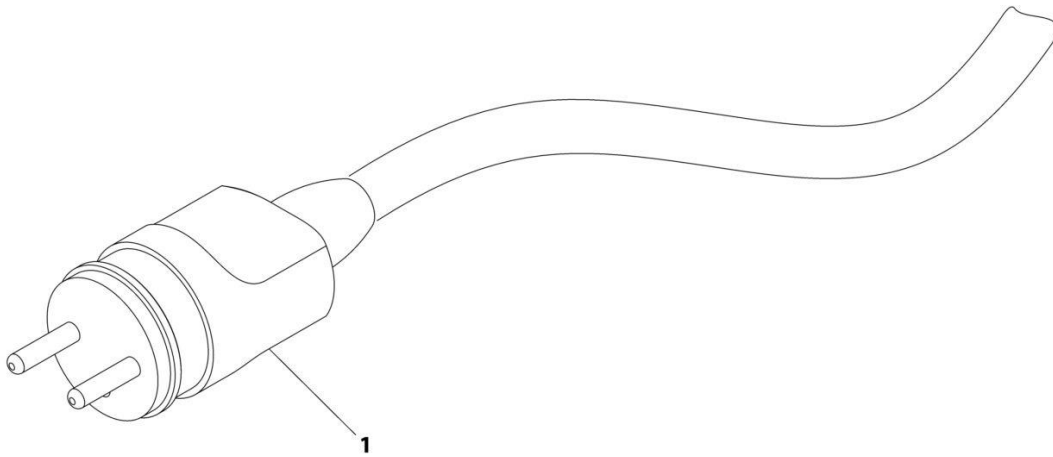
SECTION 7 - ELECTRICAL

FIGURE 7-22. CHARGER CORD PLUG INSTALLATION - 220V - AFSINT107 KEYED GROUND (CE & UK CA SPECS)

ITEM	PART NUMBER	QTY	DESCRIPTION	REV
	0275665	Ref	CHARGER CORD PLUG INSTALLATION - 220V AFSINT 107 KEYED GROUND	B
1	4461249	1	Plug	

SECTION 7 - ELECTRICAL

FIGURE 7-23. CHARGER CORD PLUG INSTALLATION - 220V - CEE7 POST GROUND (CE & UK CA SPECS)



ART_0275663-C

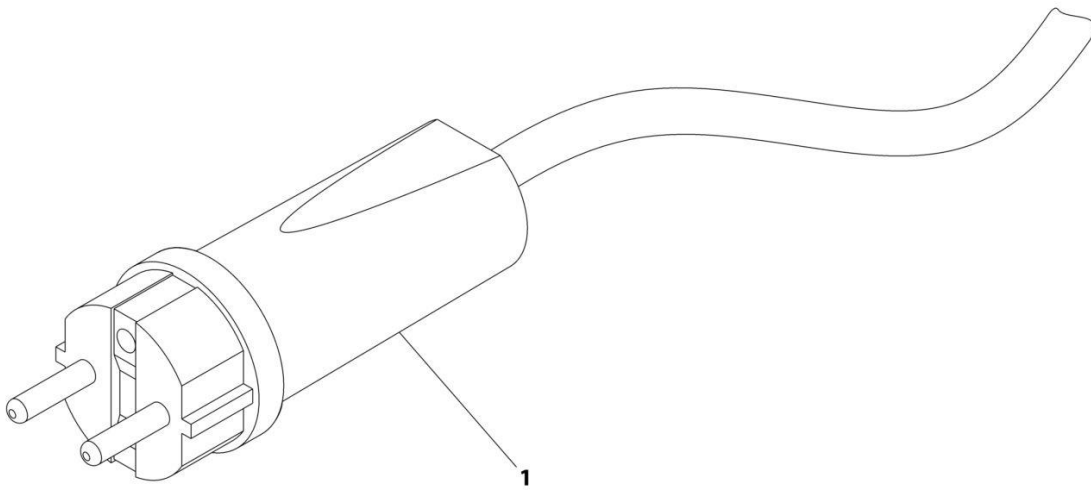
SECTION 7 - ELECTRICAL

FIGURE 7-23. CHARGER CORD PLUG INSTALLATION - 220V - CEE7 POST GROUND (CE & UK CA SPECS)

ITEM	PART NUMBER	QTY	DESCRIPTION	REV
1	0275663 4461205	Ref 1	CHARGER CORD PLUG INSTALLATION - 220V POST GROUND Plug	C

SECTION 7 - ELECTRICAL

FIGURE 7-24. CHARGER CORD PLUG INSTALLATION - 220V - CEE7 SIDE GROUND (CE & UK CA SPECS)



ART_0275664

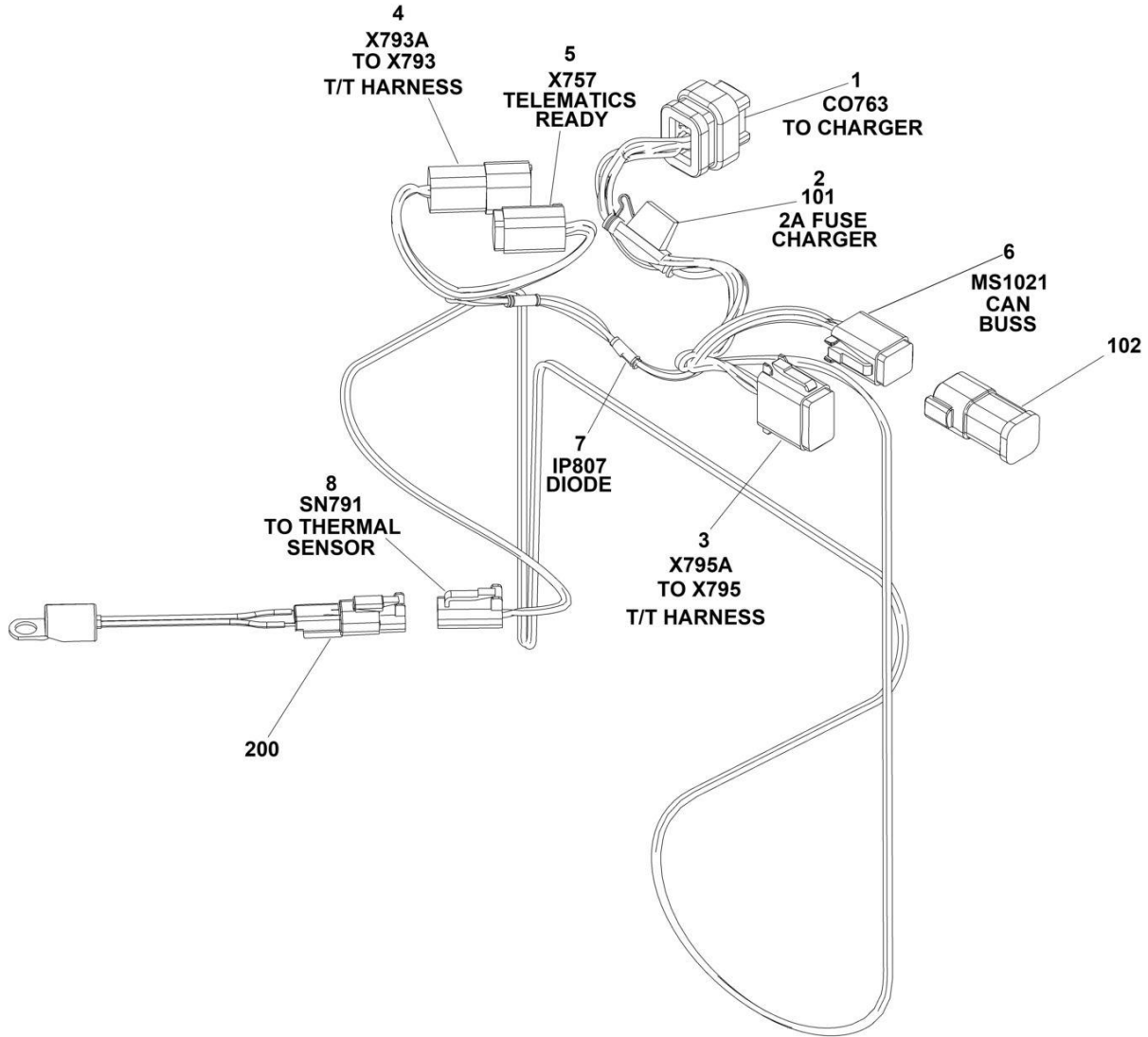
SECTION 7 - ELECTRICAL

FIGURE 7-24. CHARGER CORD PLUG INSTALLATION - 220V - CEE7 SIDE GROUND (CE & UK CA SPECS)

ITEM	PART NUMBER	QTY	DESCRIPTION	REV
	0275664	Ref	CHARGER CORD PLUG INSTALLATION - 220V CEE7 SIDE GROUND	A
1	4461205	1	Plug	

SECTION 7 - ELECTRICAL

FIGURE 7-25. CHARGER HARNESS – 48VDC



ART_1001290020

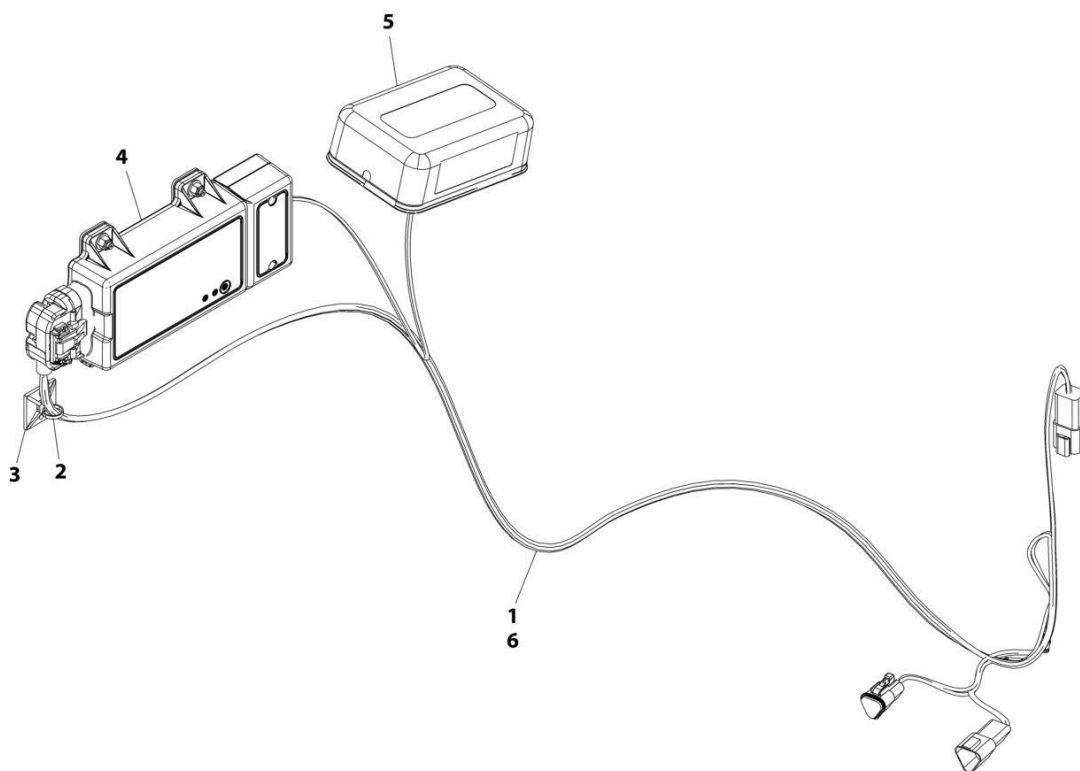
SECTION 7 - ELECTRICAL

FIGURE 7-25. CHARGER HARNESS – 48VDC

ITEM	PART NUMBER	QTY	DESCRIPTION	REV
	1001290020	Ref	CHARGER HARNESS 48VDC	B
1	4460872	1	Connector - 14 Position	
1	4460871	9	Terminal	
2	2400060	2	Holder, Fuse	
3	4460930	1	Connector - 8 Position	
3	4460465	13	Terminal	
3	4460466	1	Plug, Terminal	
4	4460932	4	Connector - 4 Position	
4	4460464	4	Terminal	
5	4460884	1	Connector - 4 Position	
5	4460465	4	Terminal	
6	4460894	1	Connector - 6 Position	
6	4460891	1	Connector - 2 Position	
6	4460465	2	Terminal	
7	3990001	1	Diode	
101	1001196634	1	Fuse -2AMP	
102	1001226541	1	Connector, Bussbar	
200	1001225131	1	Harness, Temperature Sensor	

SECTION 7 - ELECTRICAL

FIGURE 7-26. CLEARSKY INSTALLATION - 4G CANBUS CONNECTION (ALL SPECS EXCEPT CHINA SPECS)



ART_1001235649

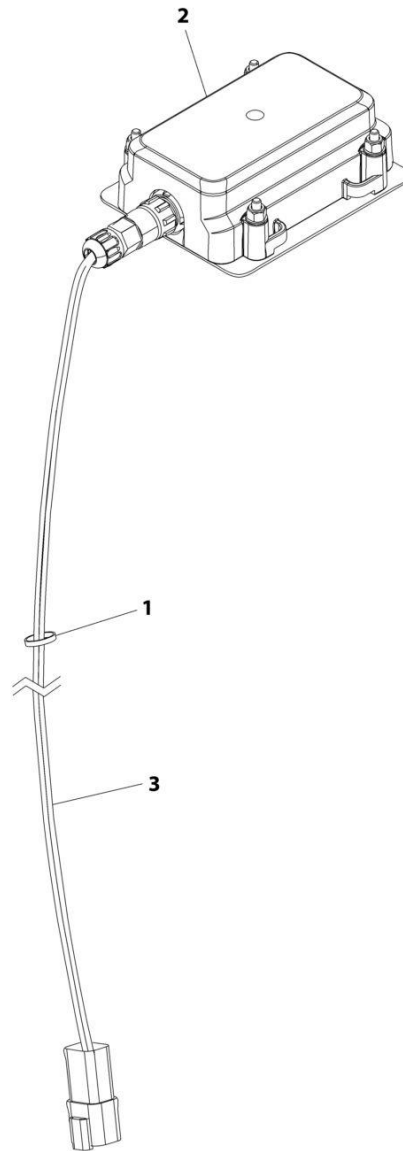
SECTION 7 - ELECTRICAL

FIGURE 7-26. CLEARSKY INSTALLATION - 4G CANBUS CONNECTION (ALL SPECS EXCEPT CHINA SPECS)

ITEM	PART NUMBER	QTY	DESCRIPTION	REV
	1001235649	Ref	CLEARSKY INSTALLATION CANBUS CONNECTION	B
1	1062255	AR	Tie, Strap	
2	4240032	AR	Tie, Strap	
3	4460234	AR	Strap, Cable Tie	
4	1001262322	1	Telematics Control Module (Note: Re-calibration Required when Replaced)	
5	1001262326	1	Antenna	
6	1001235091	1	ClearSky Harness (See Separate Breakdown in this section)	

SECTION 7 - ELECTRICAL

FIGURE 7-27. CLEARSKY INSTALLATION 3WIRE CONNECTION (ALL SPECS UL & CHINA SPECS)



ART_1001276610

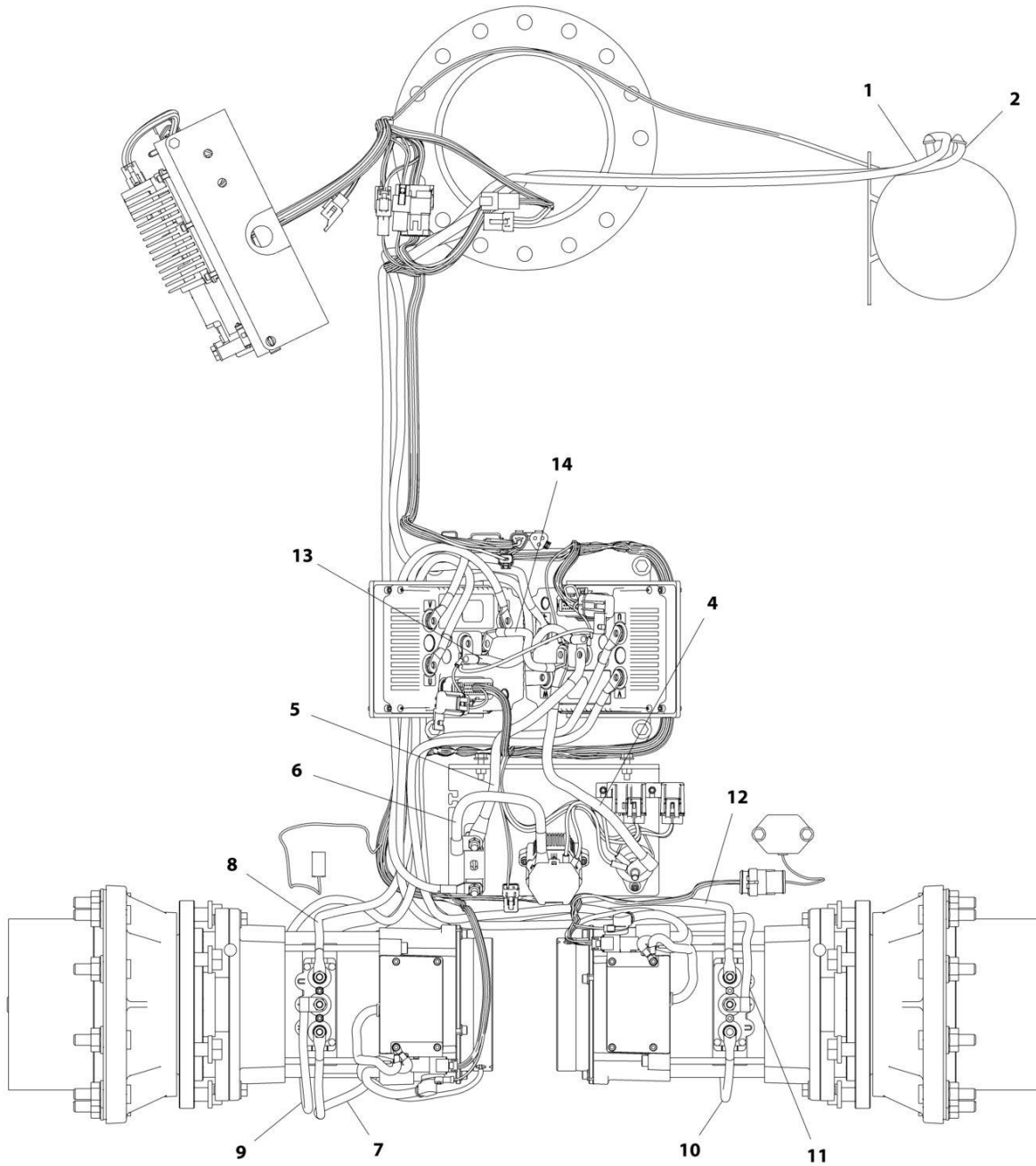
SECTION 7 - ELECTRICAL

FIGURE 7-27. CLEARSKY INSTALLATION 3WIRE CONNECTION (ALL SPECS UL & CHINA SPECS)

ITEM	PART NUMBER	QTY	DESCRIPTION	REV
	1001276610	Ref	CLEARSKY INSTALLATION 3-WIRE CONNECTION	A
1	4240032	AR	Tie-Strap	
2	1001272659	1	Telematics Control Module Assembly (Note: Re-calibration Required when Replaced)	
3	1001273012	1	ClearSky Harness (See Separate Breakdown in this Section)	

SECTION 7 - ELECTRICAL

FIGURE 7-28. DRIVE CABLE KIT



ART_1001195097

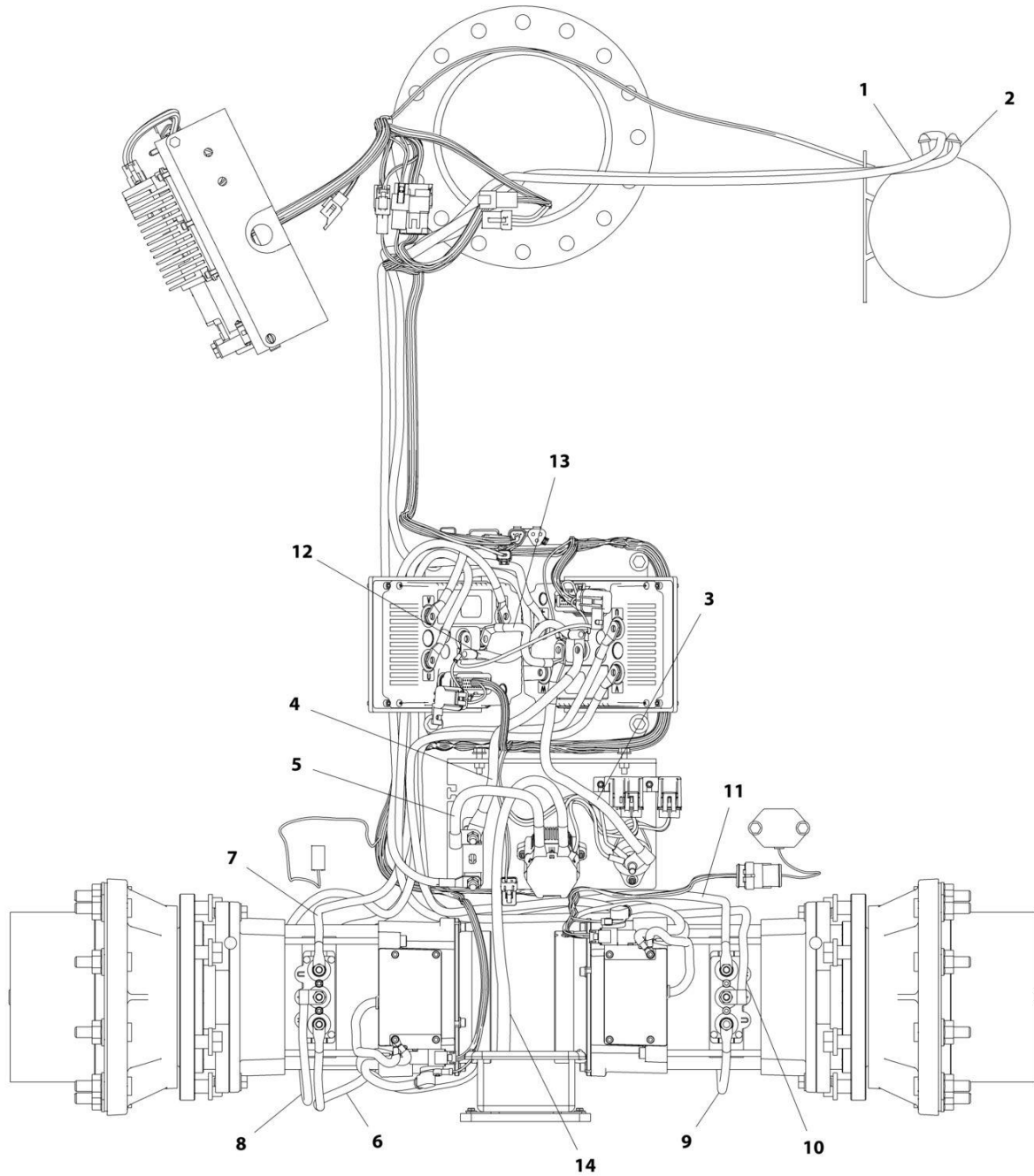
SECTION 7 - ELECTRICAL

FIGURE 7-28. DRIVE CABLE KIT

ITEM	PART NUMBER	QTY	DESCRIPTION	REV
	1001195097	Ref	DRIVE CABLE KIT (ALL SPECS EXCEPT UL SPEC)	E
1	1001179000	1	Cable - Pump Motor + to Fuse	
2	1001179001	1	Cable - Pump Motor - to LH Module P	
4	1001194283	1	Cable - Ground to LH Module P-	
5	1001194285	1	Cable - RH Module P+ to Fuse	
6	1001194288	1	Cable - Contactor to Fuse	
7	1001194654	1	Cable - LH Motor W	
8	1001194655	1	Cable - LH Motor U	
9	1001194656	1	Cable - LH Motor V	
10	1001194657	1	Cable - RH Motor U	
11	1001194658	1	Cable - RH Motor V	
12	1001194659	1	Cable - RH Motor W	
13	1001194739	1	Cable - RH Module P+ to LH Module P+	
14	1001194740	1	Cable - LH Module P- to RH Module P-	

SECTION 7 - ELECTRICAL

FIGURE 7-29. DRIVE CABLE KIT - UL SPECS



ART_1001212446

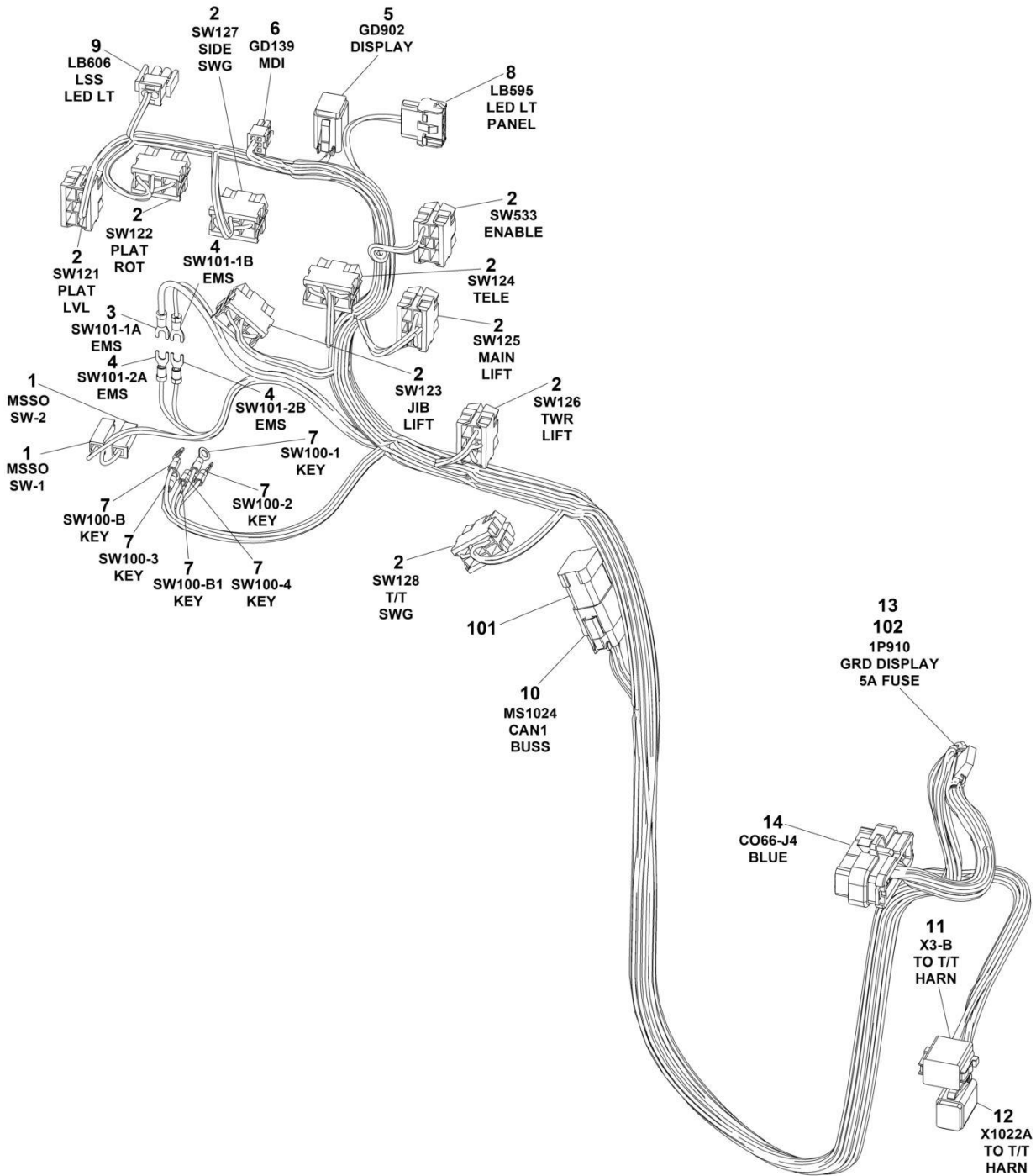
SECTION 7 - ELECTRICAL

FIGURE 7-29. DRIVE CABLE KIT - UL SPECS

ITEM	PART NUMBER	QTY	DESCRIPTION	REV
	1001212446	Ref	DRIVE CABLE KIT (UL SPECS)	A
1	1001179000	1	Cable - Pump Motor + to Fuse	
2	1001179001	1	Cable - Pump Motor - to LH Module P	
3	1001194283	1	Cable - Ground to LH Module P-	
4	1001194285	1	Cable - RH Module P+ to Fuse	
5	1001194288	1	Cable - Contactor to Fuse	
6	1001194654	1	Cable - LH Motor W	
7	1001194655	1	Cable - LH Motor U	
8	1001194656	1	Cable - LH Motor V	
9	1001194657	1	Cable - RH Motor U	
10	1001194658	1	Cable - RH Motor V	
11	1001194659	1	Cable - RH Motor W	
12	1001194739	1	Cable - RH Module P+ to LH Module P+	
13	1001194740	1	Cable - LH Module P- to RH Module P-	
14	1001212436	1	Cable, Drive Jumper	

SECTION 7 - ELECTRICAL

FIGURE 7-30. GROUND CONTROL HARNESS



ART_1001290019

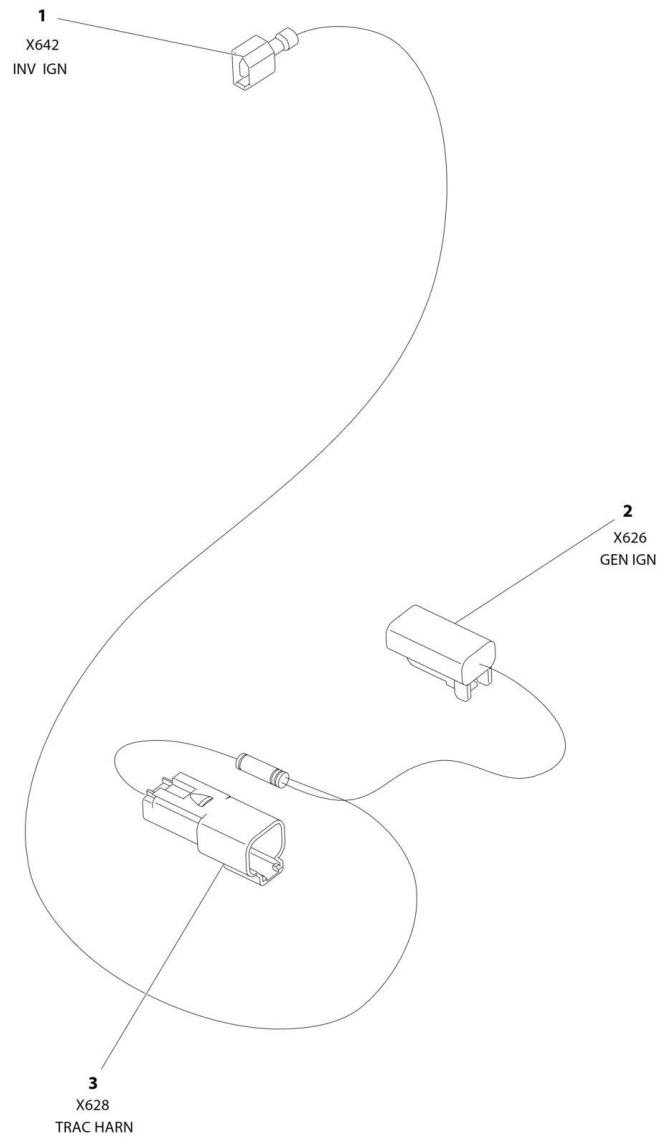
SECTION 7 - ELECTRICAL

FIGURE 7-30. GROUND CONTROL HARNESS

ITEM	PART NUMBER	QTY	DESCRIPTION	REV
	1001290019	1	HARNESS,GROUND PANEL E300	A
1	4460260	2	Cover, Terminal	
1	4460259	2	Terminal	
2	4460418	9	Connector, Switch	
2	4460419	16	Terminal	
2	1001159186	18	Terminal	
3	4460806	1	Terminal, Fork	
4	4460183	3	Terminal, Fork	
5	4460894	1	Connector	
5	4460465	10	Socket, Female	
5	4460466	2	Plug, Terminal	
6	4460868	1	Plug, Male - 6 Position	
6	4460877	4	Socket, Female	
7	4460313	6	Terminal, Ring	
8	4460761	1	Receptacle, Female - 4 Position	
8	4460226	4	Socket, Female	
9	4460320	1	Plug, Male - 2 Position	
9	4460227	1	Pin, Male	
9	4460267	2	Pin, Male	
10	4460930	1	Connector - 8 Position	
11	4460851	1	Connector - 8 Position	
11	1001116692	6	Socket, Female	
11	1001157890	1	Socket, Female	
11	4460466	1	Plug, Terminal	
12	4460884	1	Connector - 6 Position	
13	2400060	1	Fuseholder with Cover	
14	4460876	1	Connector - 35 Position	
14	4460871	22	Socket, Female	
14	4460905	13	Plug, Terminal	
16	8229242	1	Fuse - 5Amp	
101	4460984	1	Connector, Bussbar	

SECTION 7 - ELECTRICAL

FIGURE 7-31. INVERTER HARNESS



ART_1001192293

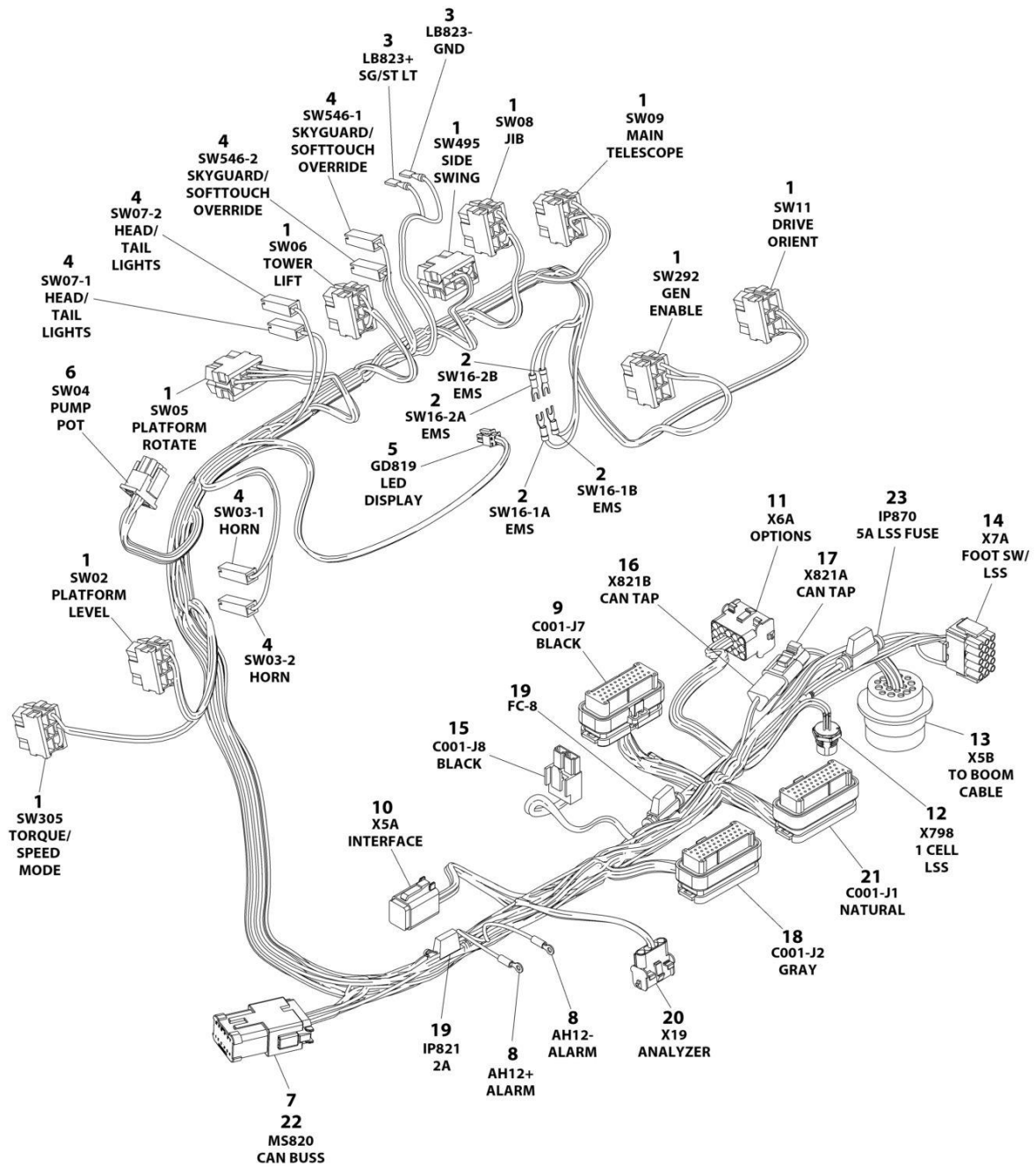
SECTION 7 - ELECTRICAL

FIGURE 7-31. INVERTER HARNESS

ITEM	PART NUMBER	QTY	DESCRIPTION	REV
	1001192293	Ref	INVERTER IGNITION HARNESS	C
1	1001193545	1	Terminal	
2	4460891	1	Plug, Male - 2 Position	
2	4460465	1	Socket, Female	
2	4460466	1	Plug, Terminal	
3	4460897	1	Receptacle, Female - 2 Position	
3	4460464	1	Pin, Male	
3	4460466	1	Plug, Seal	

SECTION 7 - ELECTRICAL

FIGURE 7-32. PLATFORM CONSOLE HARNESS



ART_1001272279

SECTION 7 - ELECTRICAL

FIGURE 7-32. PLATFORM CONSOLE HARNESS

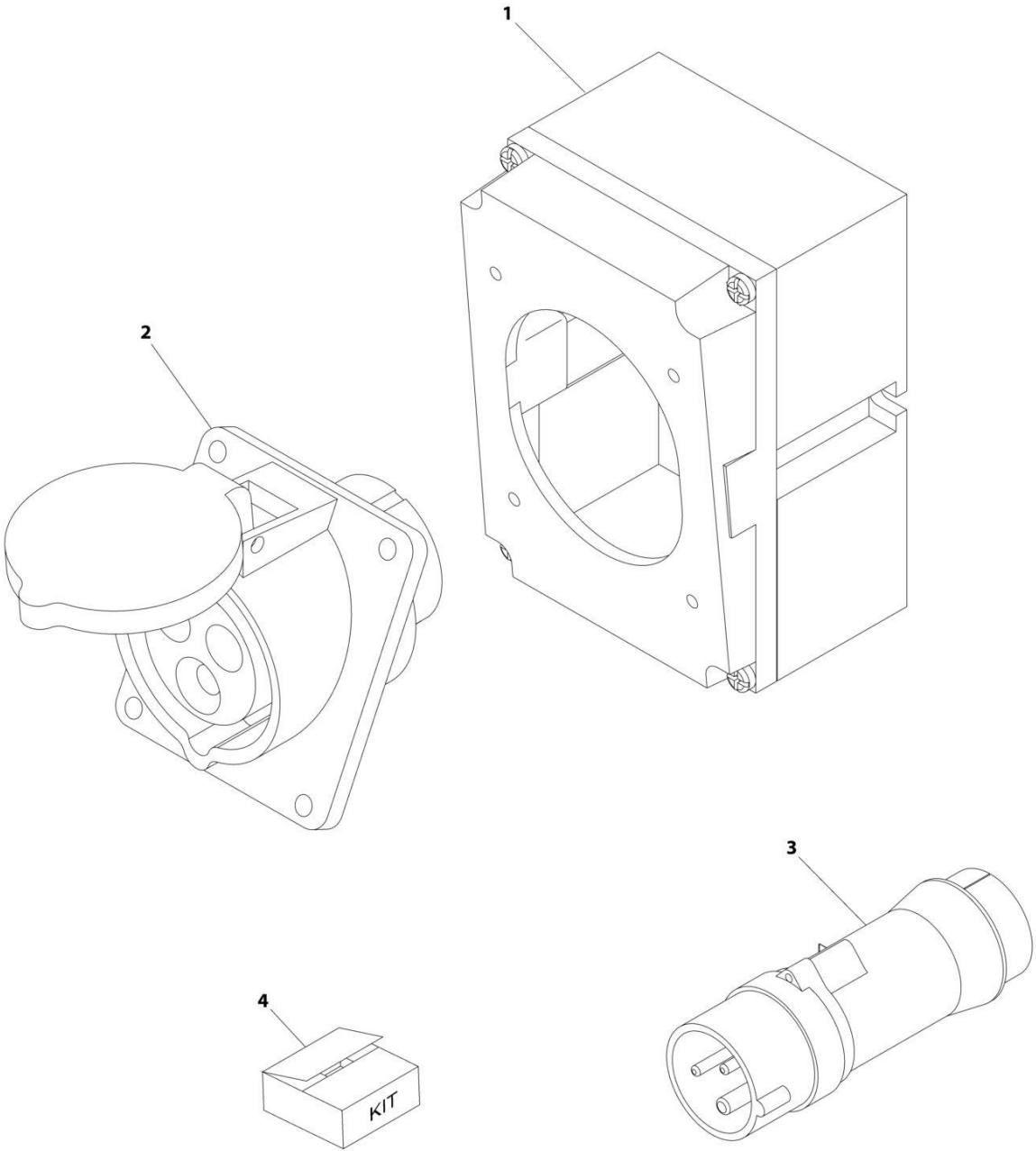
ITEM	PART NUMBER	QTY	DESCRIPTION	REV
	1001272279	Ref	PLATFORM CONSOLE HARNESS (UL SPECS)	C
1	4460418	9	Connector - 6 Position	
1	4460419	14	Terminal	
1	1001159186	17	Terminal	
2	4460888	4	Terminal, Fork	
3	1001293138	2	Terminal	
4	4460260	6	Housing, Terminal	
4	4460259	8	Terminal	
5	1001237667	1	Connector - 6 Position	
5	1001237668	4	Terminal	
6	4460225	1	Connector - 6 Position	
6	4460267	7	Socket, Female	
7	4460933	1	Plug, Male - 12 Position	
7	4460465	10	Socket, Female	
7	4460466	2	Plug, Terminal	
8	1001098122	2	Terminal, Ring	
9	4460873	1	Connector - 35 Position	
9	4460871	21	Socket, Female	
9	4460905	14	Plug, Terminal	
10	4460894	1	Plug, Male - 6 Position	
10	4460465	6	Socket, Female	
11	4460708	1	Connector - 15 Position	
11	4460268	10	Socket, Female	
12	1001213447	1	Connector, Female - 5 Position	
13	4460866	1	Connector - 19 Position	
13	4460466	7	Plug, Terminal	
13	4460464	10	Pin, Male	
13	4460508	2	Pin, Male	
14	4460434	1	Plug, Male - 15 Position	
14	4460294	9	Pin, Male	
15	4460879	1	Plug, Male - 2 Position	
15	4460887	2	Terminal	
16	4460536	1	Receptacle, Female - 3 Position	
16	4460464	2	Pin, Male	
16	4460466	1	Plug, Terminal	
17	4460539	1	Plug, Male - 3 Position	
17	4460465	2	Socket, Female	
17	4460466	1	Plug, Terminal	
18	4460875	1	Connector - 35 Position	
18	4460905	24	Plug, Terminal	
18	4460871	11	Socket, Female	
19	2400060	2	Holder, Fuse	
19	8229242	1	Fuse - 5Amp	
19	See Note	1	Fuse - 2Amp (Note: Purchase Locally)	
20	4460761	1	Receptacle, Female - 4 Position	
20	4460294	4	Pin, Male	
21	4460874	1	Connector - 35 Position	
21	4460871	24	Socket, Female	
21	4460905	11	Plug, Terminal	
22	1001125677	1	Connector, Bussbar	

SECTION 7 - ELECTRICAL

ITEM	PART NUMBER	QTY	DESCRIPTION	REV
23	2400060	1	Fuse Holder	
23	8229242	1	Fuse, 5A	

SECTION 7 - ELECTRICAL

FIGURE 7-33. RECEPTACLE BOX KIT - 110V IEC YELLOW (CE & UK CA SPECS)



ART_0275216

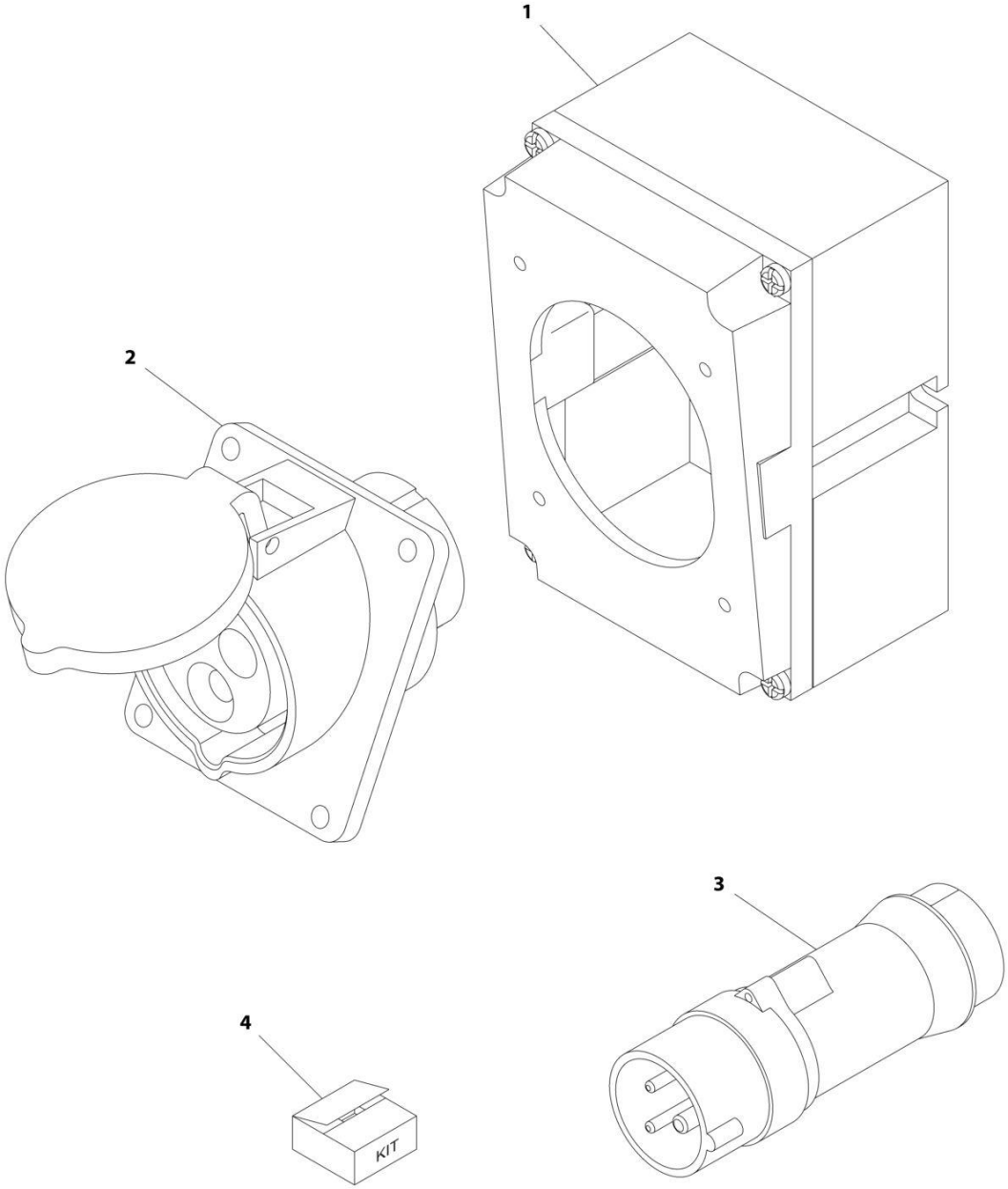
SECTION 7 - ELECTRICAL

FIGURE 7-33. RECEPTACLE BOX KIT - 110V IEC YELLOW (CE & UK CA SPECS)

ITEM	PART NUMBER	QTY	DESCRIPTION	REV
	0275216	Ref	RECEPTACLE BOX KIT - 110V IEC YELLOW	B
1	0861781	1	Box, Switch	
2	4461198	1	Receptacle	
3	4461196	1	Plug, Male	
4	1001100341	1	Plug and Socket Kit (Includes Items 1-3 and Female Plug p/n 4461197)	

SECTION 7 - ELECTRICAL

FIGURE 7-34. RECEPTACLE BOX KIT - 220V IEC BLUE (CE & UK CA SPECS)



ART_0275217

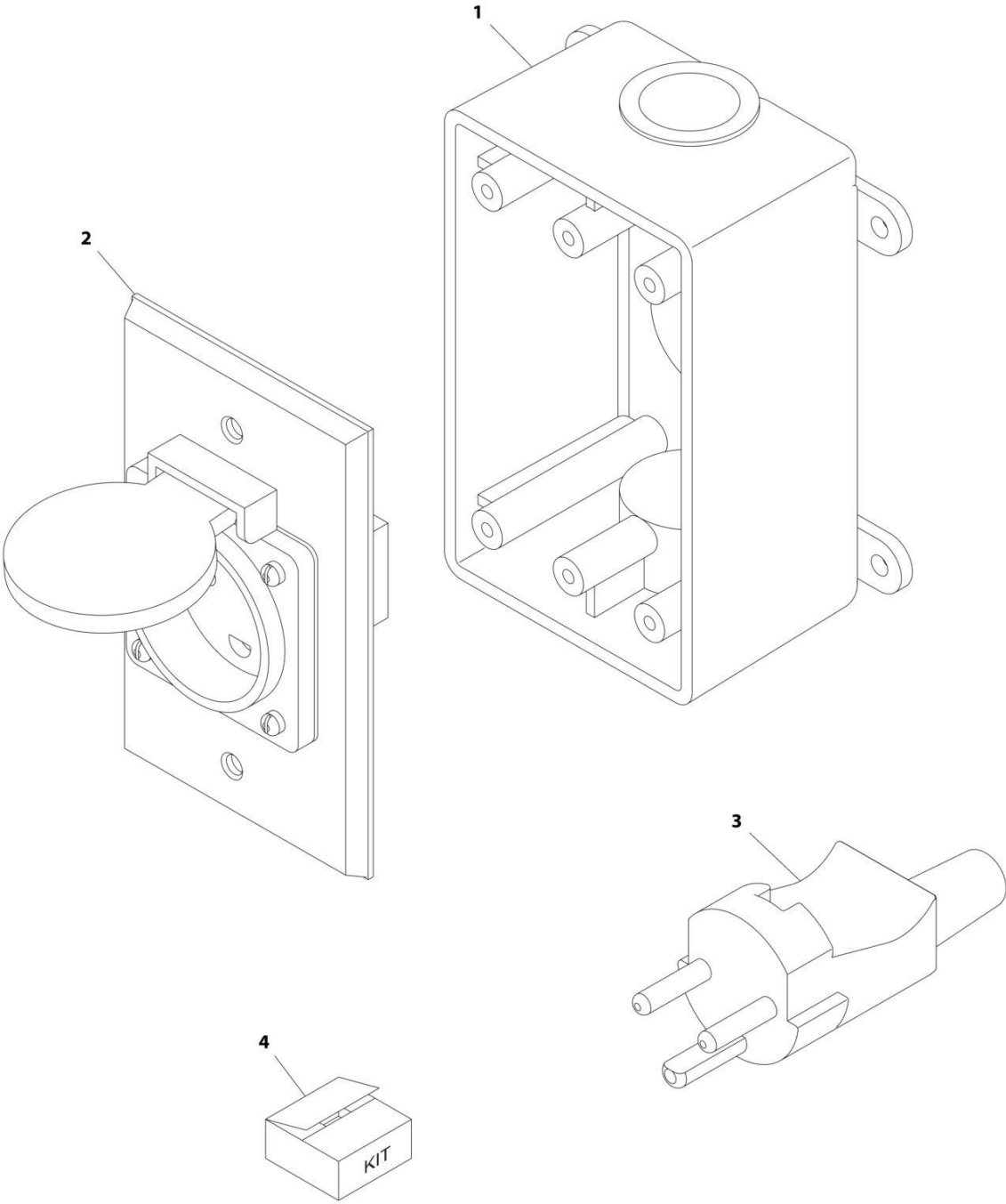
SECTION 7 - ELECTRICAL

FIGURE 7-34. RECEPTACLE BOX KIT - 220V IEC BLUE (CE & UK CA SPECS)

ITEM	PART NUMBER	QTY	DESCRIPTION	REV
	0275217	Ref	RECEPTACLE BOX KIT - 220V IEC BLUE	B
1	0861781	1	Box, Switch	
2	4461201	1	Receptacle	
3	4461199	1	Plug, Male	
4	1001100342	1	Plug and Socket Kit (Includes Items 1-3 and Female Plug p/n 4461200)	

SECTION 7 - ELECTRICAL

FIGURE 7-35. RECEPTACLE BOX KIT - 220V AFSINT107 KEYED GROUND (CE & UK CA SPECS)



ART_0275454

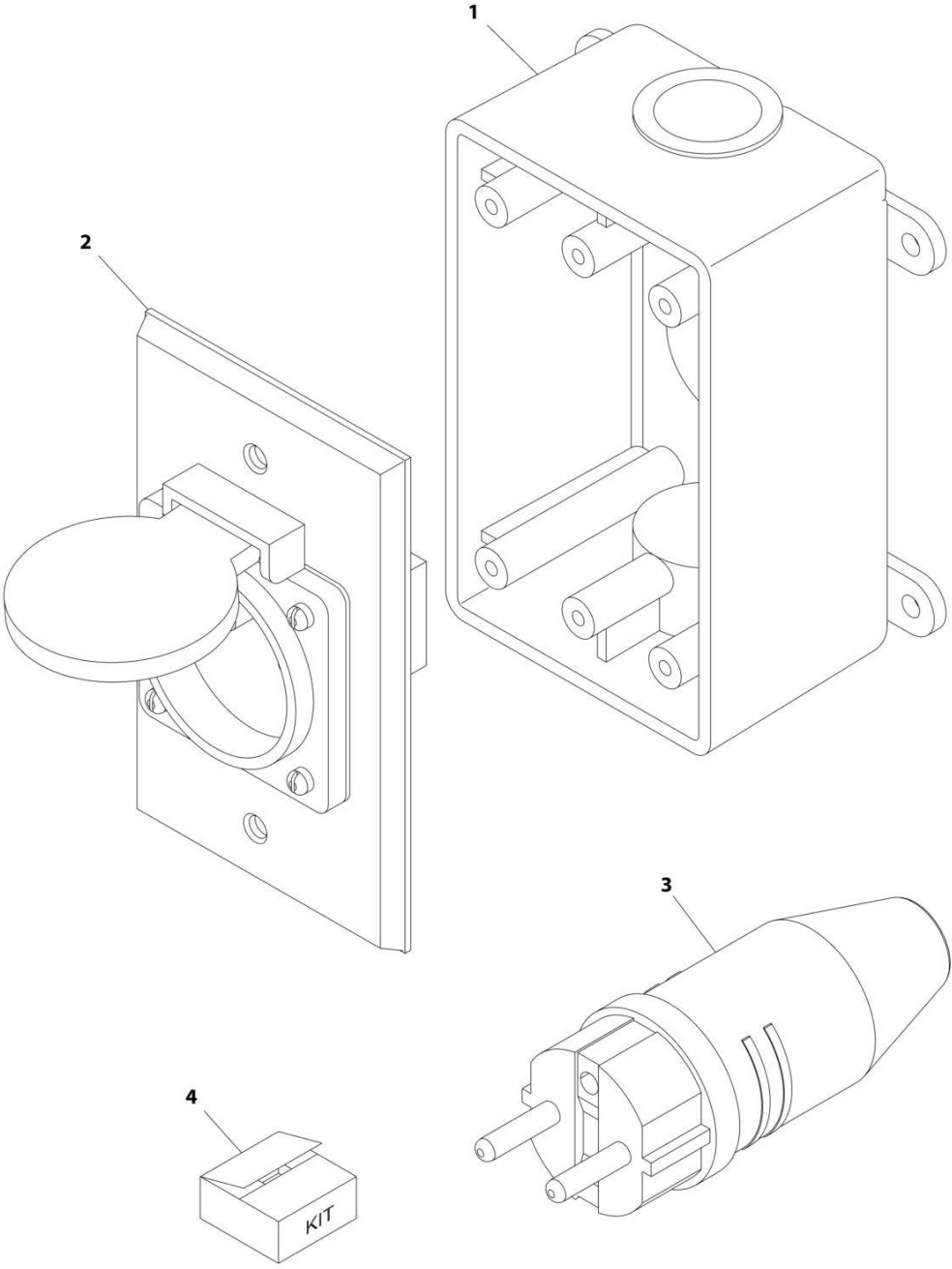
SECTION 7 - ELECTRICAL

FIGURE 7-35. RECEPTACLE BOX KIT - 220V AFSINT107 KEYED GROUND (CE & UK CA SPECS)

ITEM	PART NUMBER	QTY	DESCRIPTION	REV
	0275454	Ref	RECEPTACLE BOX KIT - 220V AFSINT 107	B
1	0861731	1	Box, Switch	
2	4461246	1	Receptacle	
3	4461249	1	Plug, Male	
4	1001100346	1	Plug and Socket Kit (Includes Items 1-3 and Female Plug p/n 4461250)	

SECTION 7 - ELECTRICAL

FIGURE 7-36. RECEPTACLE BOX KIT - 220V CEE7 POST GROUND (CE & UK CA SPECS)



ART_0275452-C

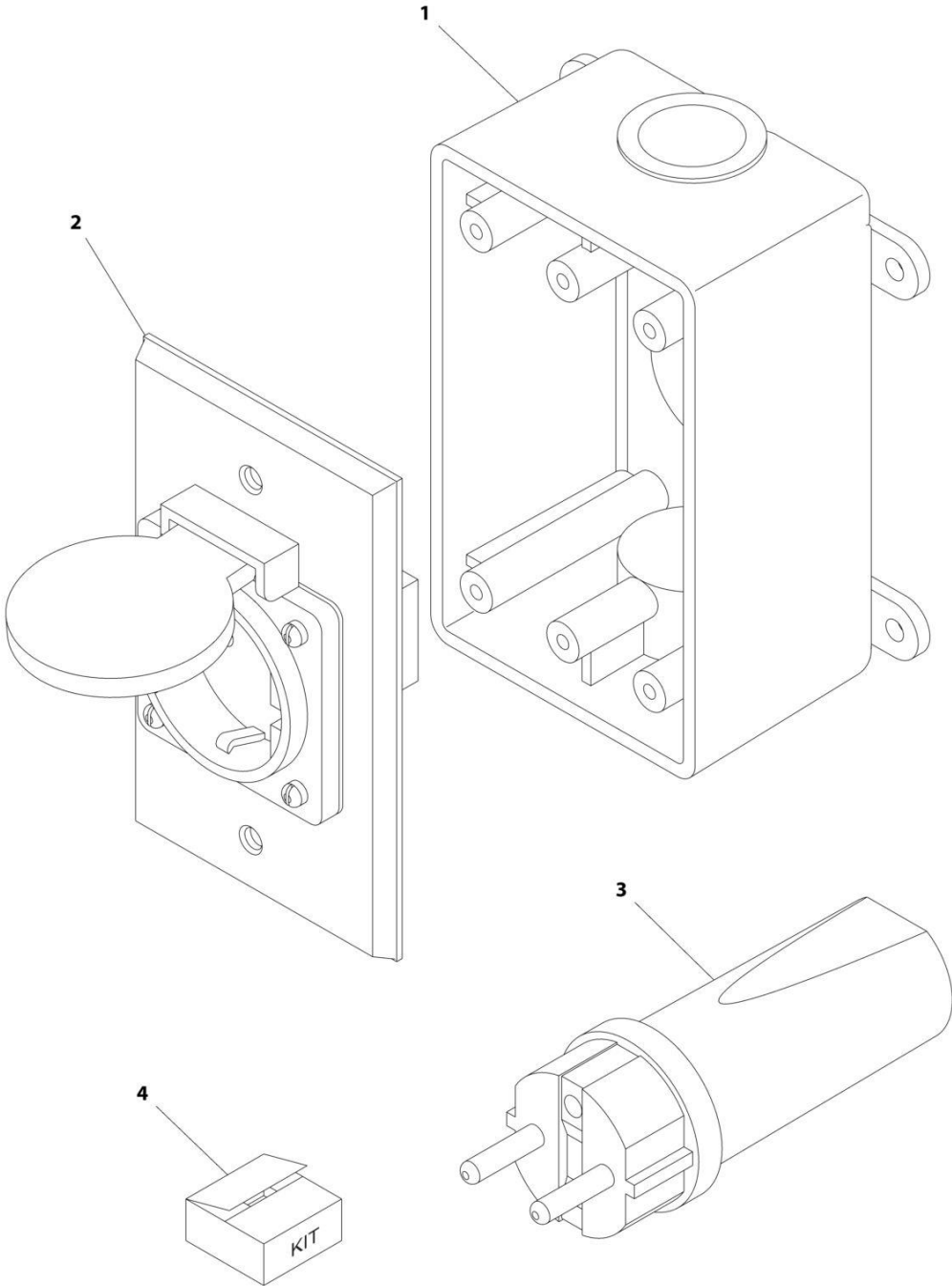
SECTION 7 - ELECTRICAL

FIGURE 7-36. RECEPTACLE BOX KIT - 220V CEE7 POST GROUND (CE & UK CA SPECS)

ITEM	PART NUMBER	QTY	DESCRIPTION	REV
	0275452	Ref	RECEPTACLE BOX KIT - 220V CEE7 POST GROUND 2IN X 4IN BOX	C
1	0861731	1	Box, Switch	
2	4461244	1	Receptacle	
3	4461205	1	Plug, Male	
4	1001100345	1	Plug and Socket Kit (Includes Items 1-3 and Female Plug p/n 4461203)	

SECTION 7 - ELECTRICAL

FIGURE 7-37. RECEPTACLE BOX KIT - 220V CEE7 SIDE GROUND (CE & UK CA SPECS)



ART_0275453

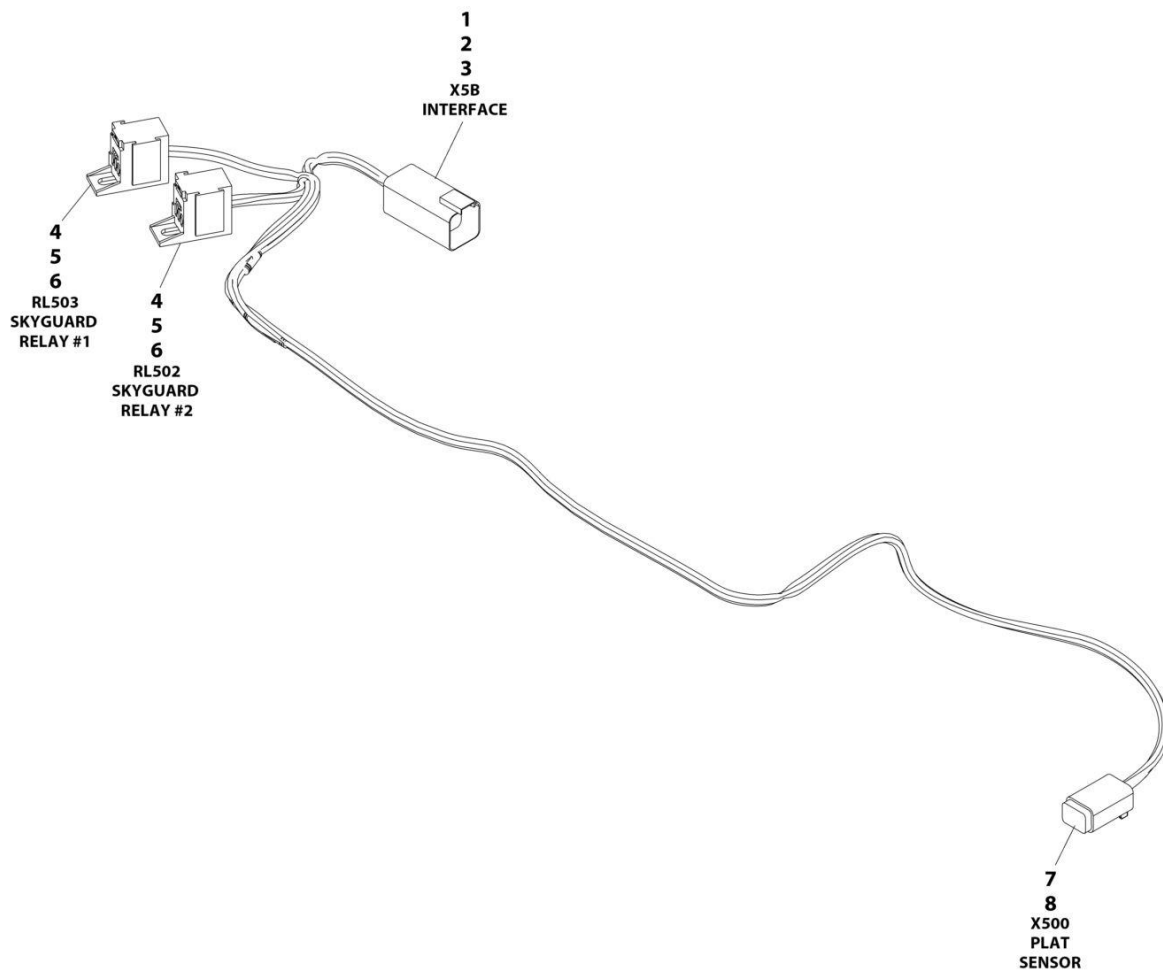
SECTION 7 - ELECTRICAL

FIGURE 7-37. RECEPTACLE BOX KIT - 220V CEE7 SIDE GROUND (CE & UK CA SPECS)

ITEM	PART NUMBER	QTY	DESCRIPTION	REV
	0275453	Ref	RECEPTACLE BOX KIT - 220V CEE7 SIDE GROUND	B
1	0861731	1	Box, Switch	
2	4461245	1	Receptacle	
3	4461205	1	Plug, Male	
4	1001100347	1	Plug and Socket Kit (Includes Items 1-3 and Female Plug p/n 4461206)	

SECTION 7 - ELECTRICAL

FIGURE 7-38. SKYGUARD INTERFACE HARNESS



ART_1001225580

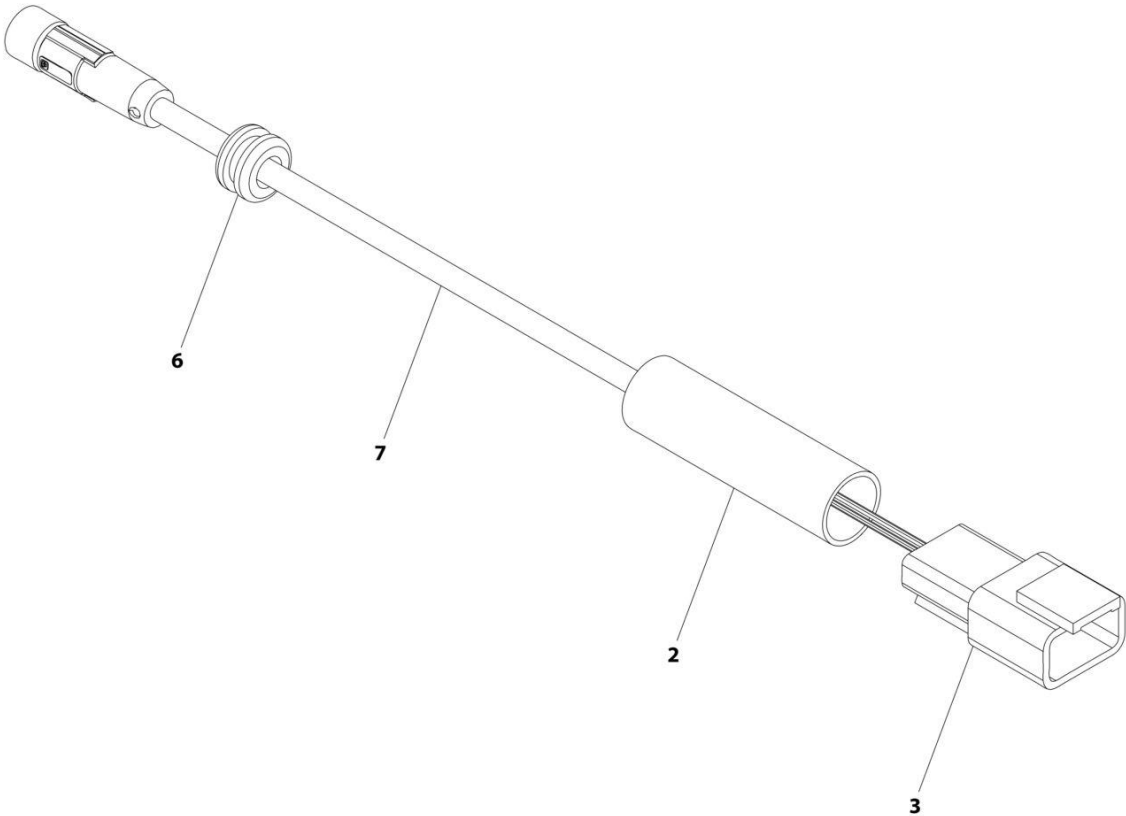
SECTION 7 - ELECTRICAL

FIGURE 7-38. SKYGUARD INTERFACE HARNESS

ITEM	PART NUMBER	QTY	DESCRIPTION	REV
	1001225580	Ref	INTERFACE HARNESS - WITH 1 CELL LSS	D
1	4460899	1	Connector	
2	4460464	4	Terminal	
3	4460466	2	Plug	
4	1001186432	2	Connector	
5	1001116720	4	Terminal	
6	1001118388	4	Terminal	
7	4460884	1	Connector	
8	4460465	4	Terminal	

SECTION 7 - ELECTRICAL

FIGURE 7-39. SKYEYE EMITTER HARNESS



ART_1001237864

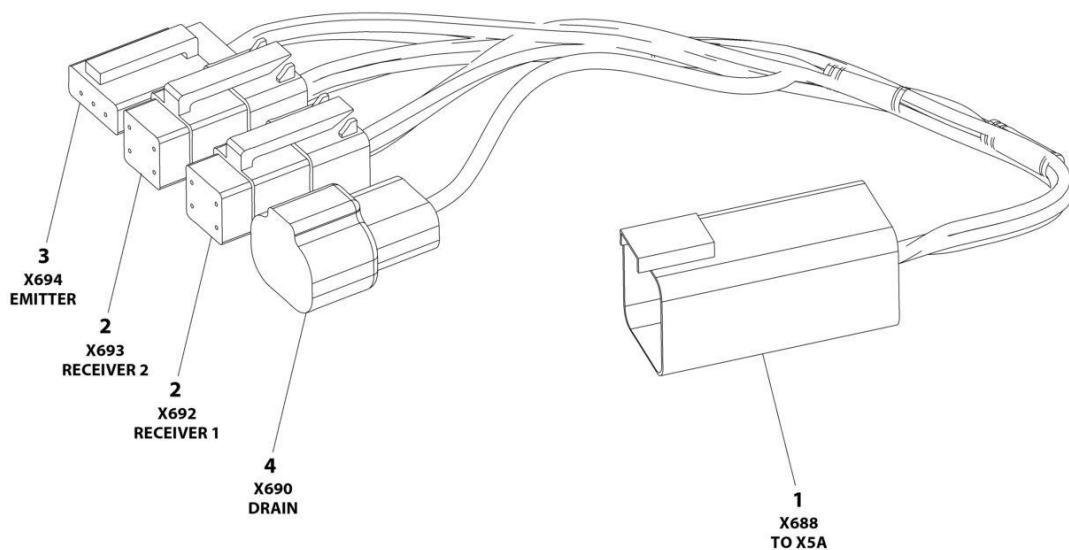
SECTION 7 - ELECTRICAL

FIGURE 7-39. SKYEYE EMITTER HARNESS

ITEM	PART NUMBER	QTY	DESCRIPTION	REV
	1001237864	Ref	SKYEYE EMITTER HARNESS	A
2	2820247	AR	Tubing, Heat Shrink	
3	4460910	1	Connector - 3 Position	
3	1001119620	3	Pin, Male	
6	1001227996	1	Grommet	
7	1001237862	1	Cable, M8 Female Cordset	

SECTION 7 - ELECTRICAL

FIGURE 7-40. SKYEYE INTERMEDIATE HARNESS



ART_1001237865

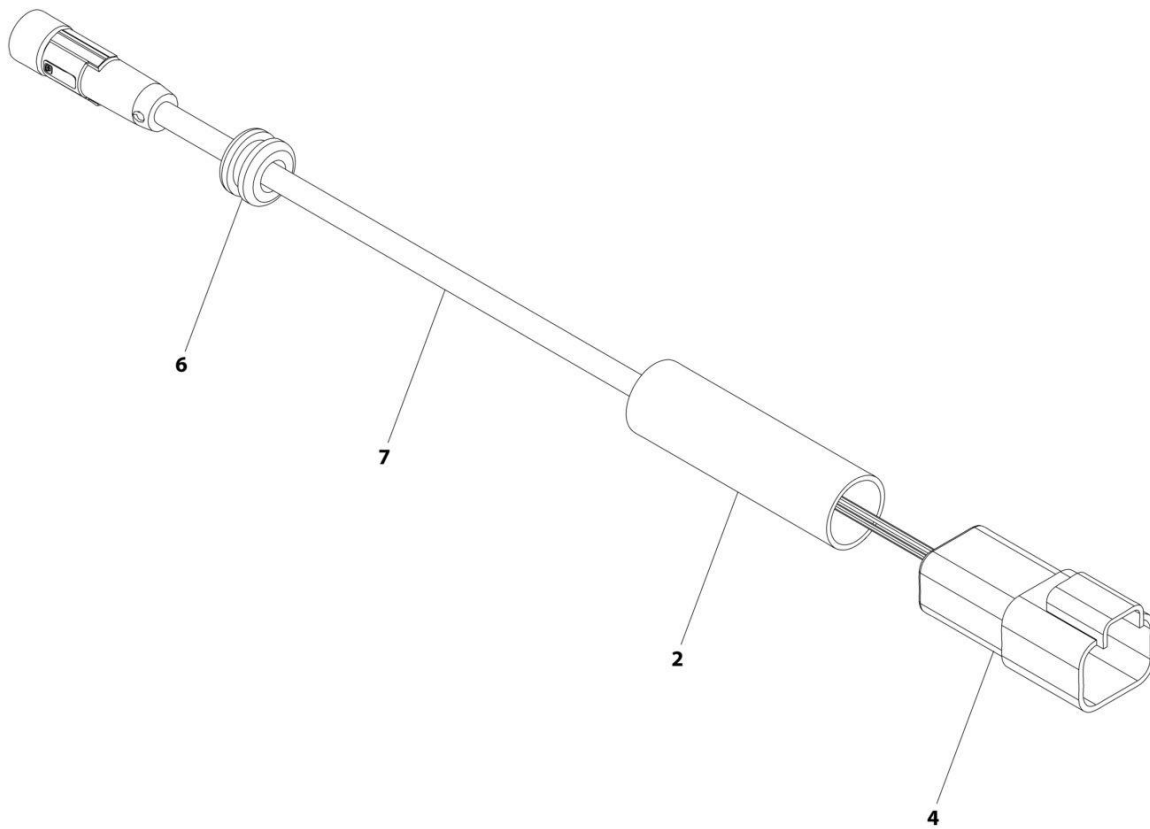
SECTION 7 - ELECTRICAL

FIGURE 7-40. SKYEYE INTERMEDIATE HARNESS

ITEM	PART NUMBER	QTY	DESCRIPTION	REV
	1001237865	Ref	SKYEYE INTERMEDIATE HARNESS	A
1	4460899	1	Connector - 6 Position	
1	4460943	4	Pin, Male	
1	4460466	2	Plug, Terminal	
2	4461077	2	Connector - 4 Position	
2	1001119619	8	Socket, Female	
3	4460911	1	Connector - 3 Position	
3	1001119619	3	Socket, Female	
4	1001187681	1	Connector - 2 Position	
4	4460941	1	Pin, Male	
4	4460466	1	Plug, Terminal	

SECTION 7 - ELECTRICAL

FIGURE 7-41. SKYEYE RECEIVER HARNESS



ART_1001237863

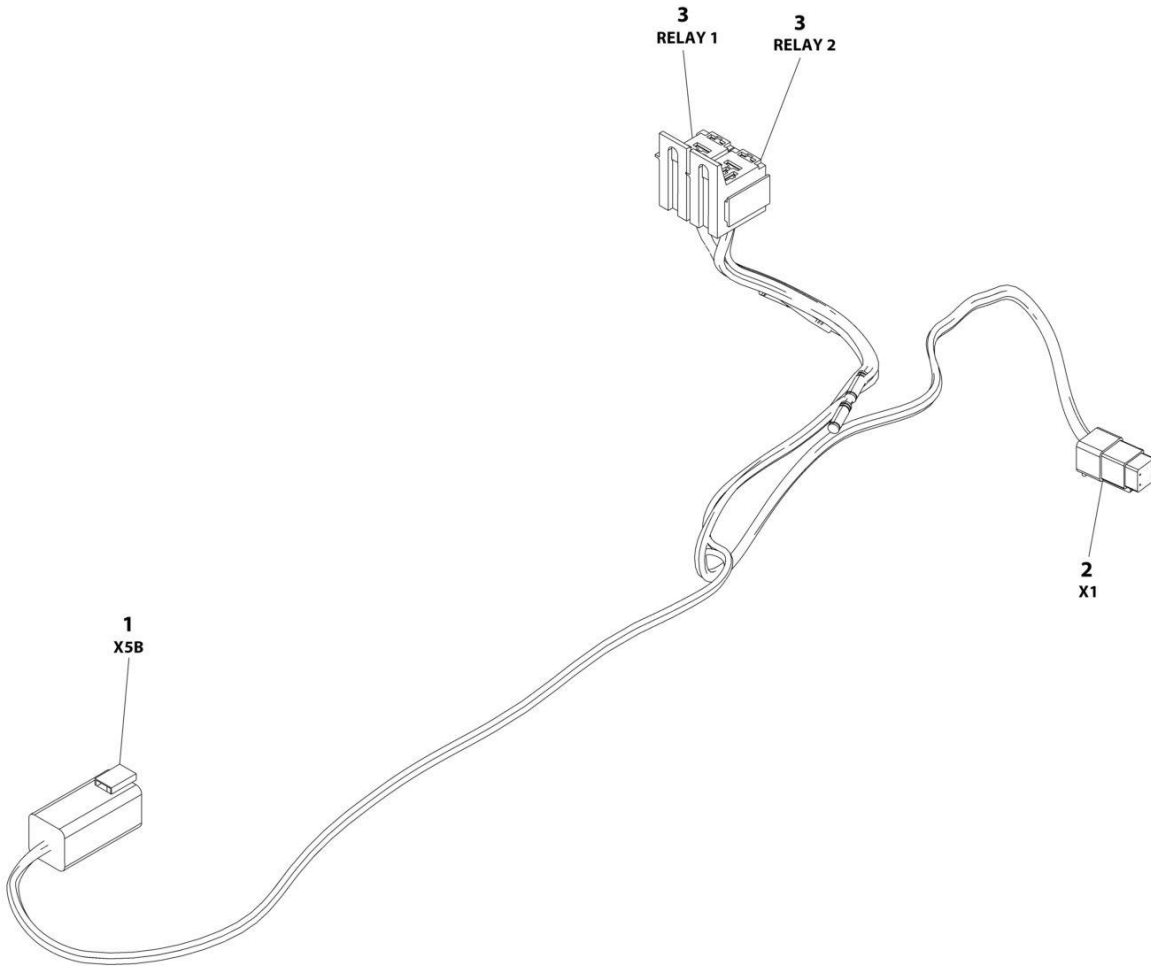
SECTION 7 - ELECTRICAL

FIGURE 7-41. SKYEYE RECEIVER HARNESS

ITEM	PART NUMBER	QTY	DESCRIPTION	REV
	1001237863	Ref	SKYEYE RECEIVER HARNESS	A
2	2820247	AR	Tubing, Heat Shrink	
4	1001097051	1	Connector - 4 Position	
4	1001119620	4	Pin, Male	
6	1001227996	1	Grommet	
7	1001237862	1	Cable, M8 Female Cordset	

SECTION 7 - ELECTRICAL

FIGURE 7-42. SKYLINE HARNESS



ART_1001238418

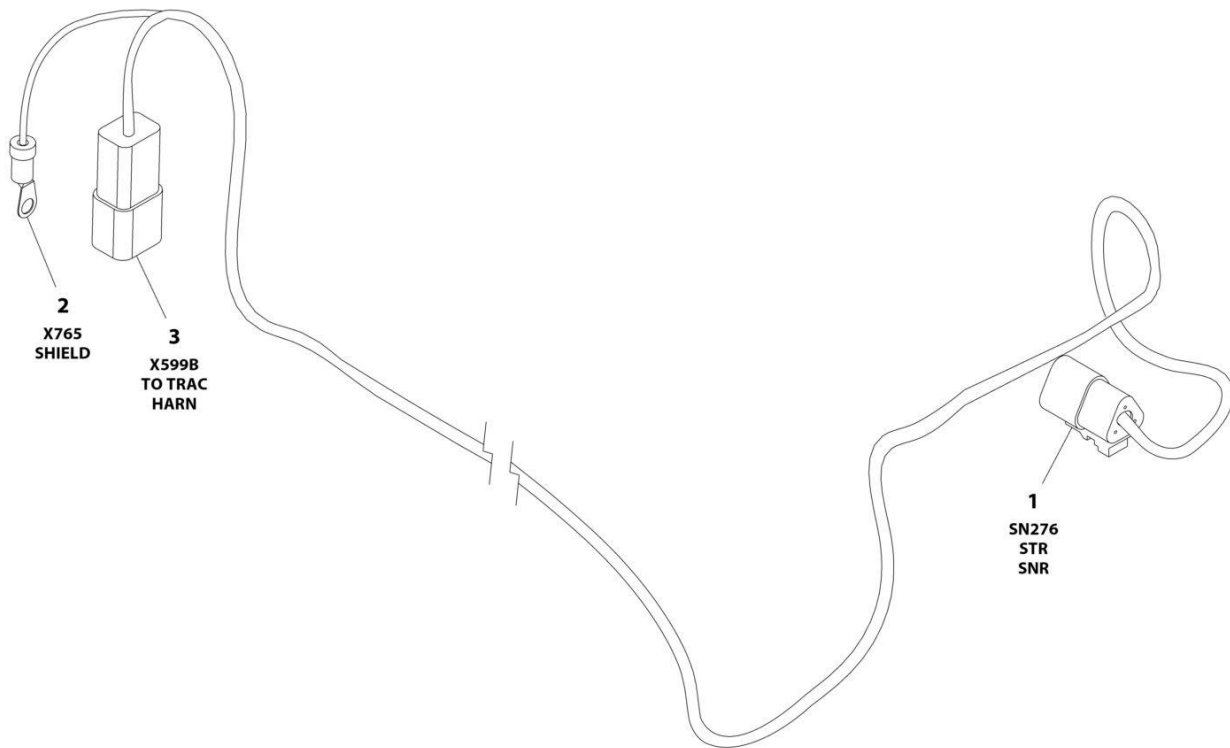
SECTION 7 - ELECTRICAL

FIGURE 7-42. SKYLINE HARNESS

ITEM	PART NUMBER	QTY	DESCRIPTION	REV
	1001238418	Ref	SKYLINE HARNESS	B
1	4460899	1	Connector - 6 Position	
1	4460464	4	Pin, Male	
1	4460466	2	Plug, Terminal	
2	4461077	1	Connector - 4 Position	
2	1001126009	4	Socket, Female	
3	1001186432	2	Plug, Relay	
3	1001118388	5	Terminal	
3	1001118384	3	Terminal	
3	3740086	2	Relay	

SECTION 7 - ELECTRICAL

FIGURE 7-43. STEER SENSOR HARNESS



ART_1001192113

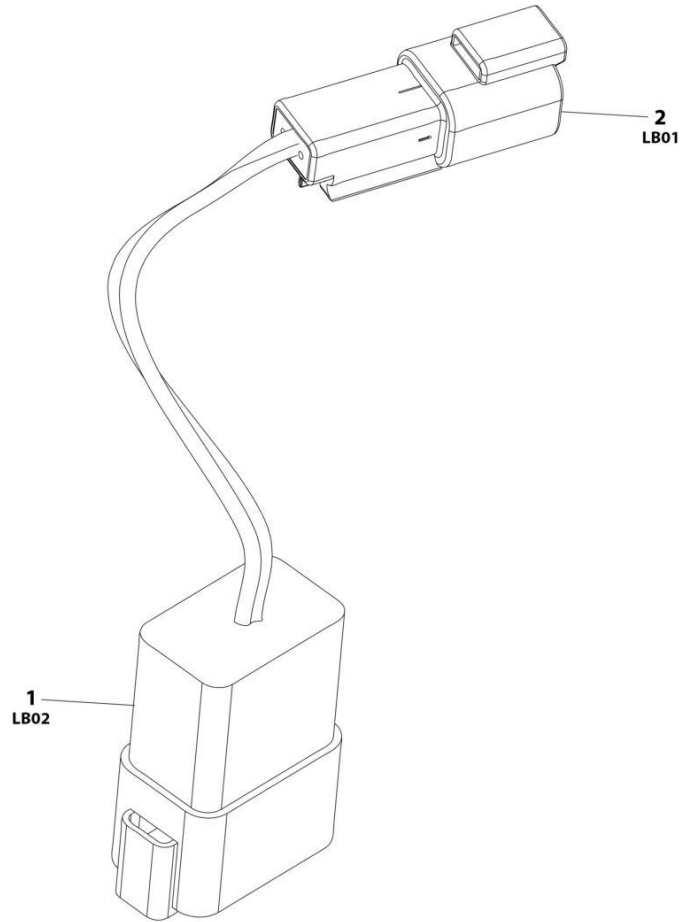
SECTION 7 - ELECTRICAL

FIGURE 7-43. STEER SENSOR HARNESS

ITEM	PART NUMBER	QTY	DESCRIPTION	REV
	1001192113	Ref	STEER SENSOR HARNESS	E
1	4460539	1	Plug, Male - 3 Position	
1	4460465	3	Socket, Female	
2	4460142	1	Terminal, Ring	
3	4460932	1	Receptacle, Female - 4 Position	
3	4460464	3	Pin, Male	
3	4460466	1	Plug, Terminal	

SECTION 7 - ELECTRICAL

FIGURE 7-44. STROBE LIGHT JUMPER HARNESS



ART_1001283776

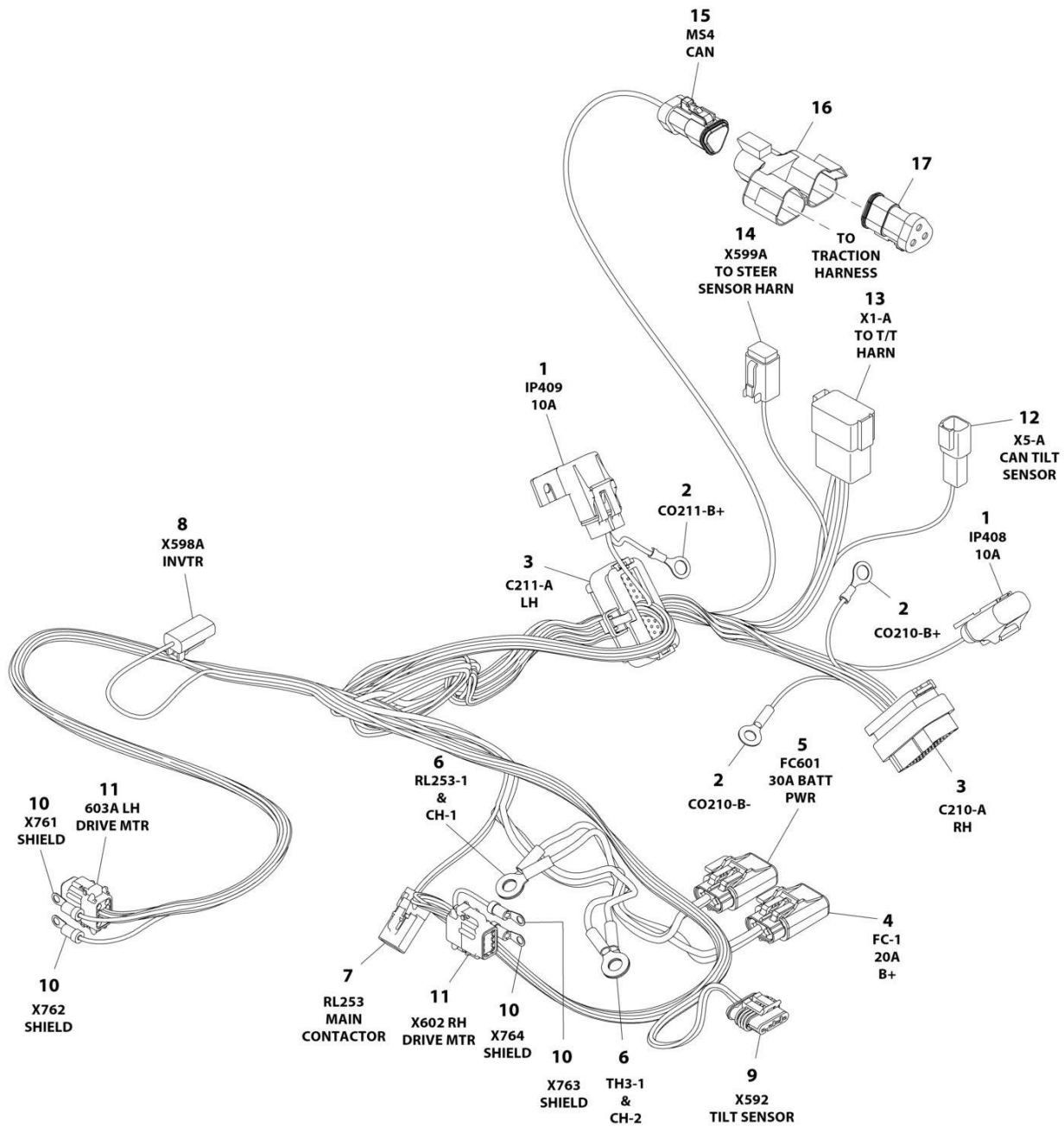
SECTION 7 - ELECTRICAL

FIGURE 7-44. STROBE LIGHT JUMPER HARNESS

ITEM	PART NUMBER	QTY	DESCRIPTION	REV
	1001283776	Ref	STROBE LIGHT HARNESS (AMBER)	A
1	4460931	1	Connector	
1	4460464	2	Pin	
1	4460466	6	Plug	
2	4460897	1	Connector	
2	4460464	2	Pin	

SECTION 7 - ELECTRICAL

FIGURE 7-45. TRACTION MODULE TO DRIVE HARNESS



ART_1001192110

SECTION 7 - ELECTRICAL

FIGURE 7-45. TRACTION MODULE TO DRIVE HARNESS

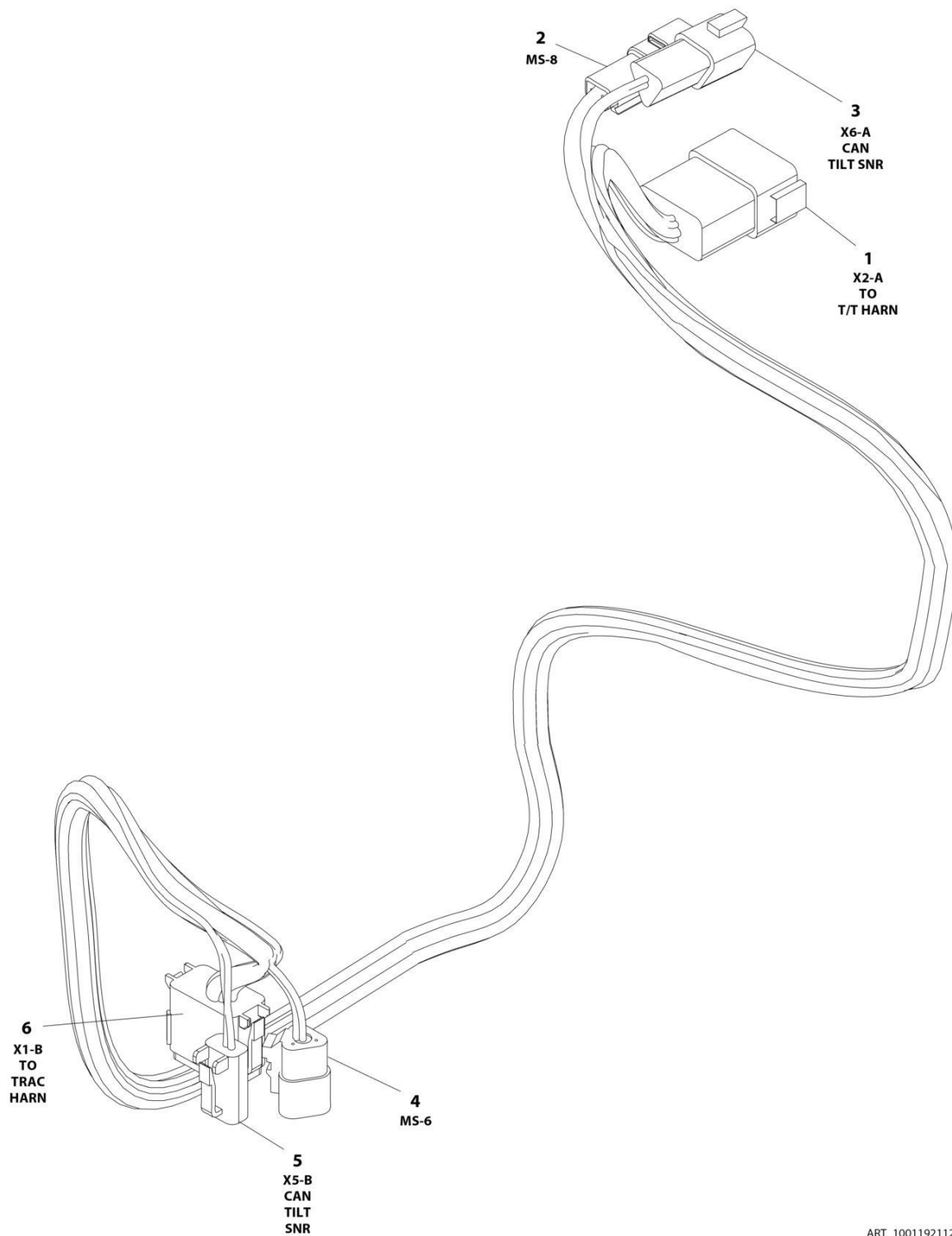
ITEM	PART NUMBER	QTY	DESCRIPTION	REV
	1001192110	Ref	TRACTION MODULE TO DRIVE HARNESS	I
1	1001201642	2	Fuse Assembly with Cap - 10Amp (Packard)	
1	1001096134	2	Cover (Packard)	
1	1001116733	4	Terminal (Packard)	
1	1001217843	2	Fuseholder (Optifuse)	
1	1001217842	2	Cover (Optifuse)	
1	8229234	2	Fuse 10Amp (Optifuse)	
1	1001116733	4	Terminal (Optifuse)	
2	4460670	3	Terminal, Ring	
3	4460873	1	Connector - 35 Position	
3	4460871	27	Socket, Female	
3	4460905	43	Plug, Terminal	
4	1001177069	1	Fuse Assembly with Cap - 20Amp	
4	1001116734	2	Terminal	
4	1001217844	1	Fuseholder	
4	1001217842	1	Cover	
4	8229235	1	Fuse 20Amp	
4	1001170761	1	Fuse 20Amp	
4	1001116734	2	Terminal	
5	1001117070	1	Fuse Assembly with Cap - 30Amp	
5	1001116734	2	Terminal	
5	1001217844	1	Fuseholder	
5	1001217842	1	Cover	
5	8229236	1	Fuse 30Amp	
5	1001170762	1	Fuse 30Amp	
5	1001116734	2	Terminal	
6	8220045	4	Terminal, Ring	
7	1001126245	1	Plug, Male - 2 Position	
7	1001126008	2	Socket, Female	
8	4460891	1	Plug, Male - 2 Position	
8	4460465	1	Socket, Female	
8	4460466	1	Plug, Terminal	
9	1001103012	1	Plug, Male - 4 Position	
9	1001107854	4	Terminal	
9	1001104498	4	Seal	
10	4460042	4	Terminal, Ring	
11	1001190577	1	Plug, Male - 8 Position	
11	1001126008	16	Socket, Female	
12	4460897	1	Receptacle, Female - 2 Position	
12	4460464	2	Pin, Male	
13	4460950	1	Receptacle, Female - 12 Position	
13	1001157891	4	Pin, Male	
13	4460464	6	Pin, Male	
13	4460466	2	Plug, Terminal	
14	4460884	1	Plug, Male - 4 Position	
14	4460465	3	Socket, Female	
14	4460466	1	Plug, Terminal	
15	1001116812	1	Plug, Male - 3 Position	
15	4460944	2	Socket, Female	
15	4460466	1	Plug, Terminal	

SECTION 7 - ELECTRICAL

ITEM	PART NUMBER	QTY	DESCRIPTION	REV
16	4460945	1	Connector - 3 Way	
17	1001116815	1	Resistor Assembly	

SECTION 7 - ELECTRICAL

FIGURE 7-46. TRACTION MODULE TO TURNTABLE HARNESS



ART_1001192112

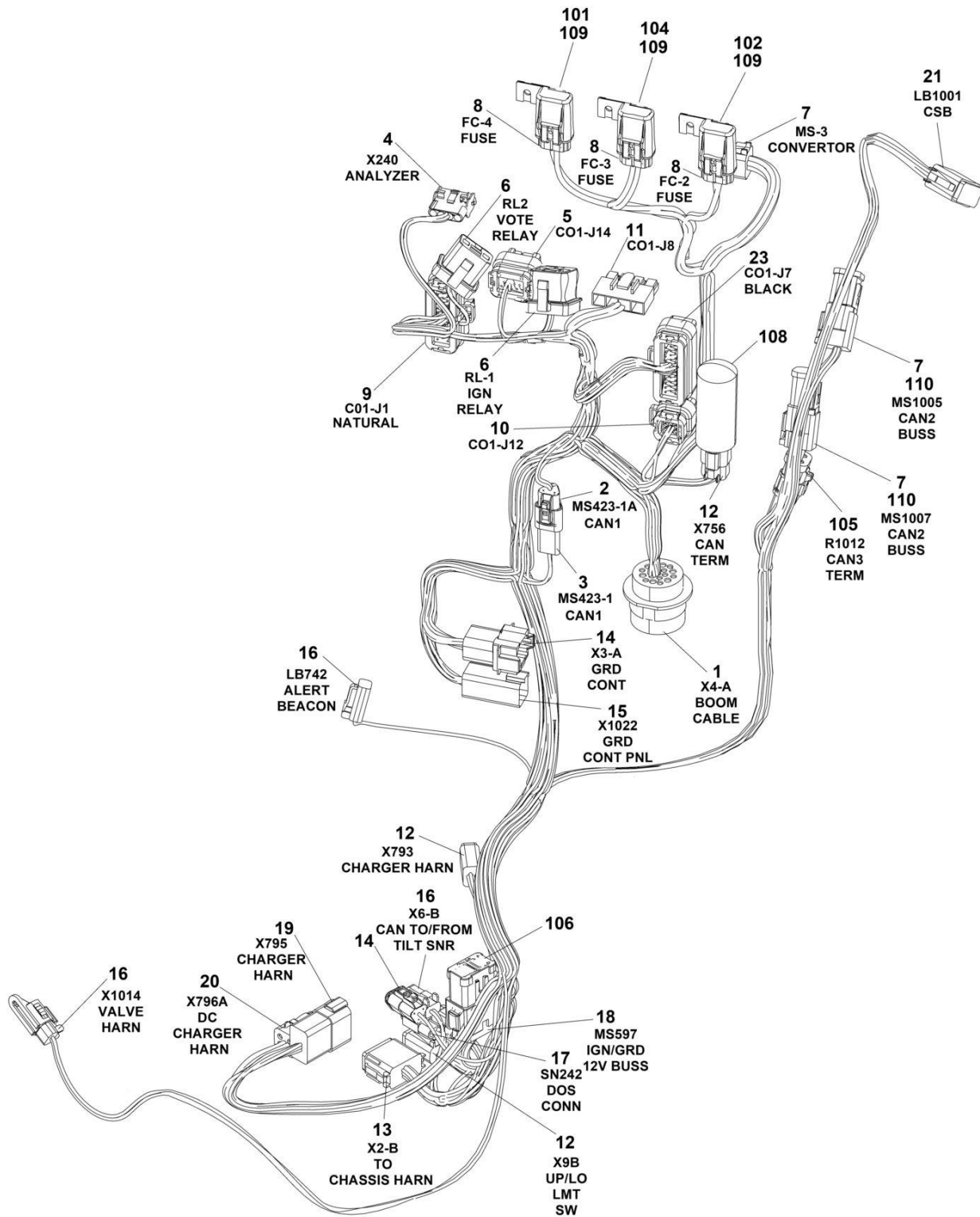
SECTION 7 - ELECTRICAL

FIGURE 7-46. TRACTION MODULE TO TURNTABLE HARNESS

ITEM	PART NUMBER	QTY	DESCRIPTION	REV
	1001192112	Ref	TRACTION MODULE TO TURNTABLE HARNESS	E
1	4460950	1	Receptacle, Female - 12 Position	
1	1001157891	4	Pin, Male	
1	4460464	6	Pin, Male	
1	4460466	2	Plug, Terminal	
2	1001144147	1	Receptacle, Female - 3 Position	
2	4460943	2	Pin, Male	
2	4460466	1	Plug, Terminal	
3	4460897	1	Receptacle, Female - 2 Position	
3	4460464	2	Pin, Male	
4	4460539	1	Plug, Male - 3 Position	
4	4460944	2	Socket, Female	
4	4460466	1	Plug, Terminal	
5	4460891	1	Plug, Male - 2 Position	
5	4460465	2	Socket, Female	
6	4460836	1	Plug, Male - 12 Position	
6	1001157890	4	Socket, Female	
6	4460465	6	Socket, Female	
6	4460466	1	Plug, Terminal	

SECTION 7 - ELECTRICAL

FIGURE 7-47. TURNTABLE HARNESS



ART_1001290029

SECTION 7 - ELECTRICAL

FIGURE 7-47. TURNTABLE HARNESS

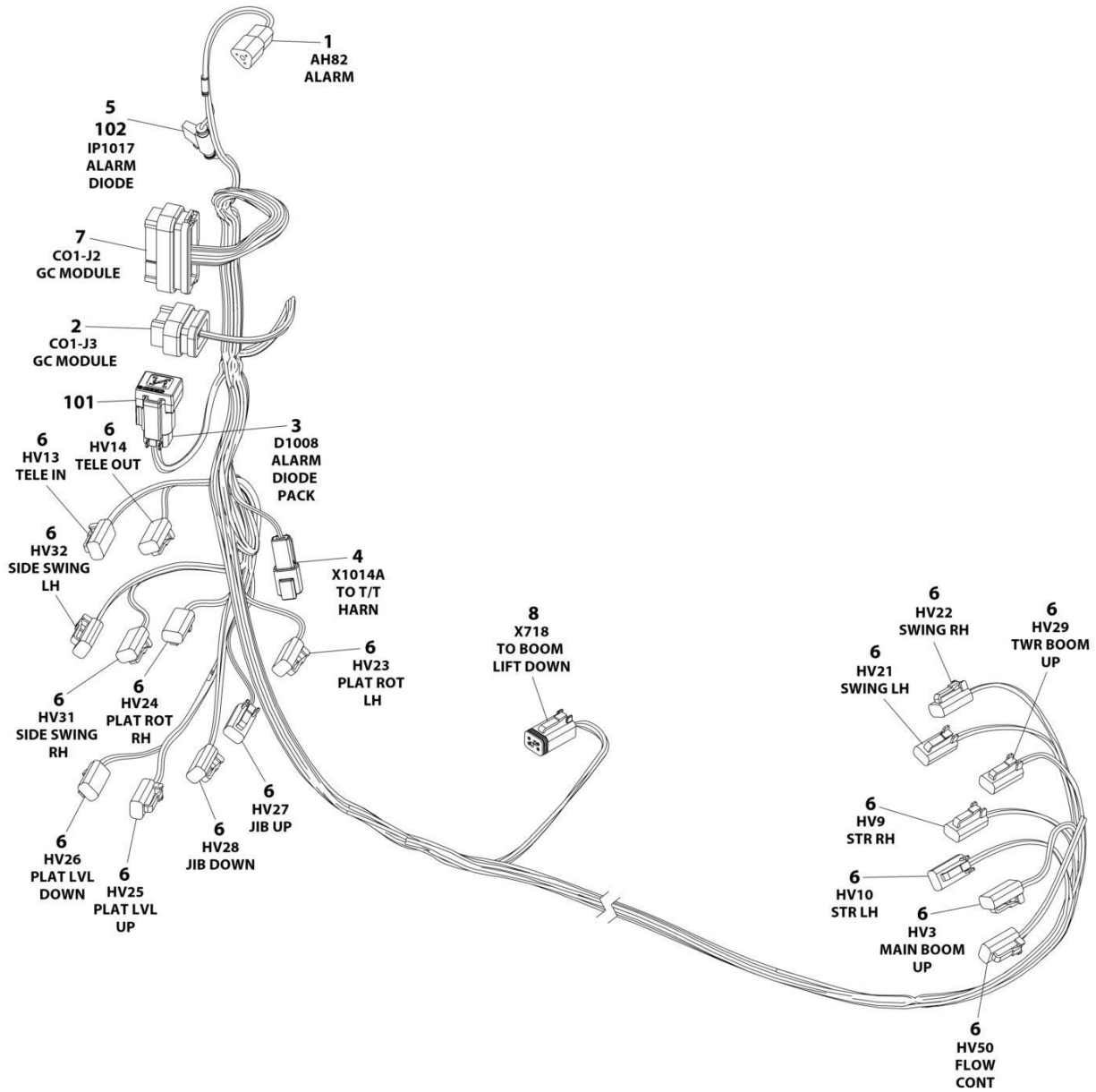
ITEM	PART NUMBER	QTY	DESCRIPTION	REV
	1001290029	Ref	TURNTABLE HARNESS	C
1	4460866	1	Connector - 19 Position	
1	4460943	2	Pin, Male	
1	4460464	6	Pin, Male	
1	4460508	4	Pin, Male	
1	4460466	7	Plug, Terminal	
2	1001116812	2	Plug, Male - 3 Position	
2	4460944	4	Socket, Female	
2	4460466	2	Plug, Terminal	
3	1001144147	1	Connector - 3 Position	
3	4460464	2	Pin, Male	
3	4460466	1	Plug, Terminal	
4	4460761	1	Receptacle, Female - 4 Position	
4	4460227	4	Pin, Male	
5	1001246859	1	Connector - 14 Position	
5	4460871	4	Terminal	
5	4460905	10	Plug, Terminal	
6	1001203734	2	Plug, Relay	
6	1001116732	6	Terminal	
6	1001116733	2	Terminal	
7	4460894	4	Plug, Male - 6 Position	
7	1001157890	5	Socket, Female	
7	4460465	19	Socket, Female	
9	4460874	1	Connector - 35 Position	
9	4460871	10	Socket, Female	
9	4460905	25	Plug, Terminal	
10	1001113961	1	Plug, Male - 8 Position	
10	4460871	3	Socket, Female	
10	4460905	5	Plug, Terminal	
11	4460878	1	Receptacle, Female - 4 Position	
11	4460887	4	Terminal	
12	4460884	4	Plug, Male - 4 Position	
12	4460465	16	Socket, Female	
13	4460836	1	Plug, Male - 12 Position	
13	1001157890	4	Socket, Female	
13	4460465	6	Socket, Female	
13	4460466	2	Plug, Terminal	
14	1001116813	1	Receptacle, Female - 8 Position	
14	4460464	5	Pin, Male	
14	1001157891	2	Pin, Male	
14	4460466	1	Plug, Terminal	
15	4460899	1	Connector - 6 Position	
15	4460464	6	Pin, Male	
16	4460891	2	Plug, Male - 2 Position	
16	4460465	4	Socket, Female	
17	4460424	1	Plug, Male - 2 Position	
17	4460226	2	Socket, Female	
18	4460933	1	Plug, Male - 12 Position	
18	1001157890	1	Socket, Female	
18	4460942	3	Socket, Female	

SECTION 7 - ELECTRICAL

ITEM	PART NUMBER	QTY	DESCRIPTION	REV
18	4460466	6	Plug, Terminal	
19	4460931	1	Receptacle, Female - 8 Position	
19	4460464	6	Pin, Male	
19	4460466	2	Plug, Terminal	
20	1001116810	1	Plug, Male - 4 Position	
20	4460905	2	Plug, Terminal	
20	4460466	2	Plug, Terminal	
21	4460930	1	Connector - 8 Position	
21	4460942	2	Socket, Female	
21	4460465	6	Socket, Female	
22	2400066	1	Fuse holder (with Cover)	
23	4460873	1	Connector - 35 Position	
23	4460871	16	Socket, Female	
23	4460905	19	Plug, Terminal	
101	8229235	1	Fuse 20 Amp	
102	8229237	1	Fuse 15Amp ATO	
103	8229242	2	Fuse 5Amp	
104	8229261	1	Fuse 5Amp	
105	1001116815	1	Connector, Resistor	
106	1001125677	1	Bussbar- Female - 12 Position	
107	1001144295	1	Cap, Dust	
108	1001186231	1	Resistor Assembly	
109	1001217842	3	Cover	
110	1001226541	3	Connector, Bussbar	

SECTION 7 - ELECTRICAL

FIGURE 7-48. VALVE HARNESS



ART_1001285663

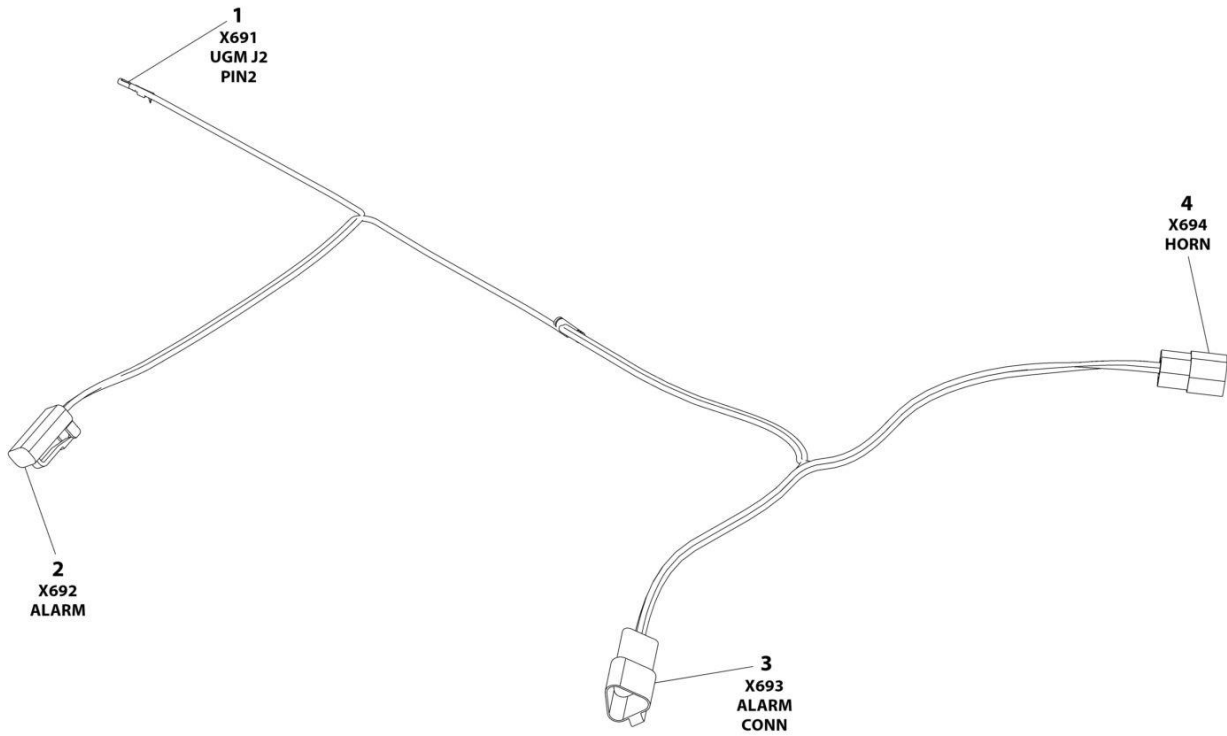
SECTION 7 - ELECTRICAL

FIGURE 7-48. VALVE HARNESS

ITEM	PART NUMBER	QTY	DESCRIPTION	REV
	1001285663	Ref	VALVE HARNESS	A
1	4460539	1	Plug, Male - 3 Position	
1	4460465	3	Socket, Female	
2	4460872	1	Connector - 14 Position	
2	4460871	5	Socket, Female	
2	4460905	9	Plug, Terminal	
3	4460884	1	Connector - 4 Position	
3	4460465	4	Socket, Female	
4	4460897	1	Connector - 2 Position	
4	4460464	1	Pin, Male	
4	4460466	1	Plug, Terminal	
5	1001170764	1	Diode	
6	4460891	17	Plug, Male - 2 Position	
6	4460465	34	Socket, Female	
7	4460875	1	Connector - 35 Position	
7	4460871	24	Socket, Female	
7	4460905	11	Plug, Terminal	
8	1001205180	1	Plug, Male - 4 Position	
8	4460465	4	Socket, Female	
101	1001152266	1	Connector, Diode	
102	1001196636	1	Connector, Diode - 1Amp	

SECTION 7 - ELECTRICAL

FIGURE 7-49. WHITE NOISE ALARM HARNESS



ART_1001231007

SECTION 7 - ELECTRICAL

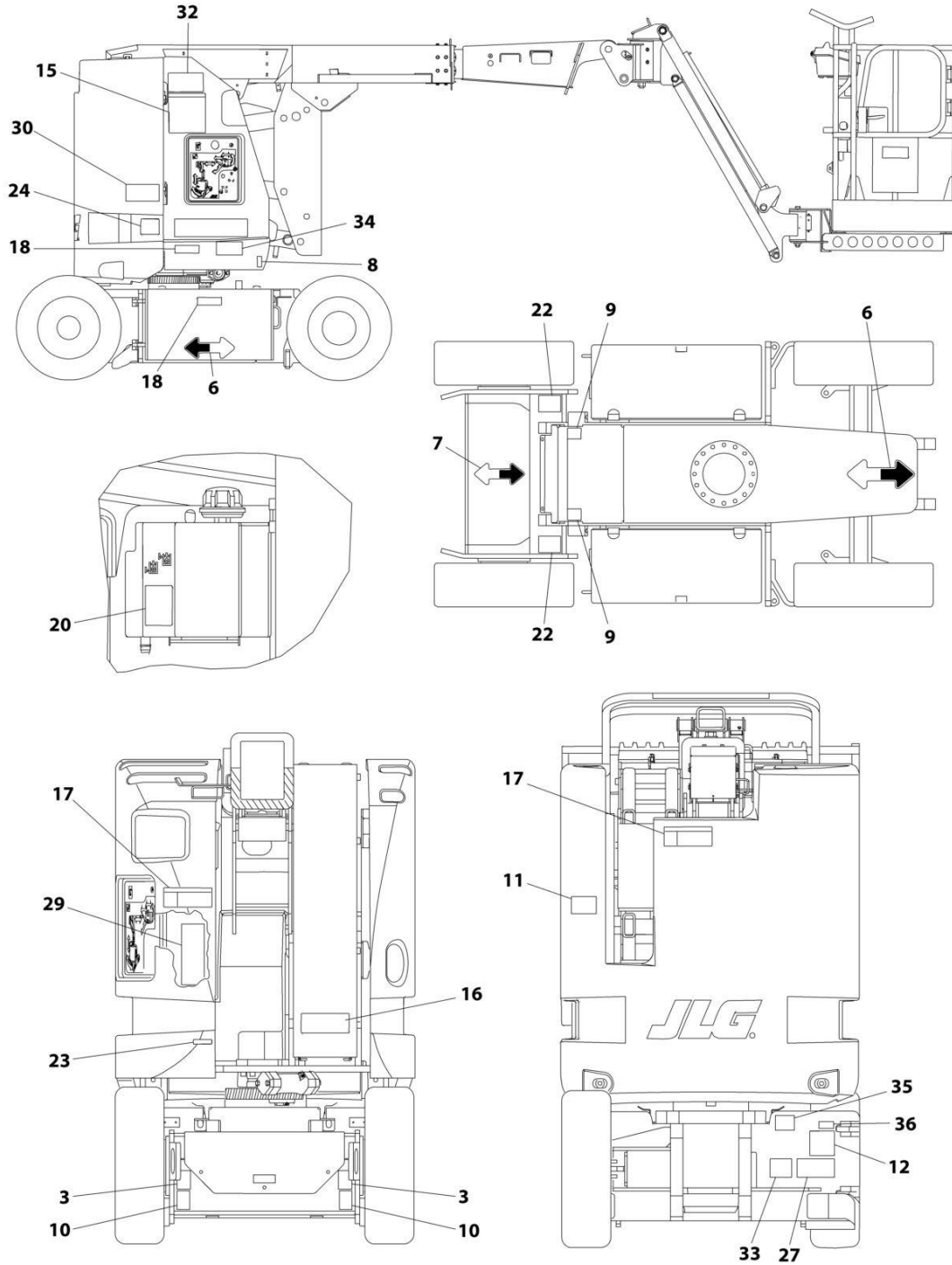
FIGURE 7-49. WHITE NOISE ALARM HARNESS

ITEM	PART NUMBER	QTY	DESCRIPTION	REV
	1001231007	Ref	WHITE NOISE ALARM INSTALLATION	B
1	4460871	1	Terminal	
2	4460891	1	Plug, Male - 2 Position	
2	4460465	2	Socket, Female	
3	4460536	1	Receptacle, Female - 3 Position	
3	4460464	3	Pin, Male	
4	4460539	1	Plug, Male - 3 Position	
4	4460465	3	Socket, Female	

SECTION 8 - DECALS

SECTION 8 - DECALS

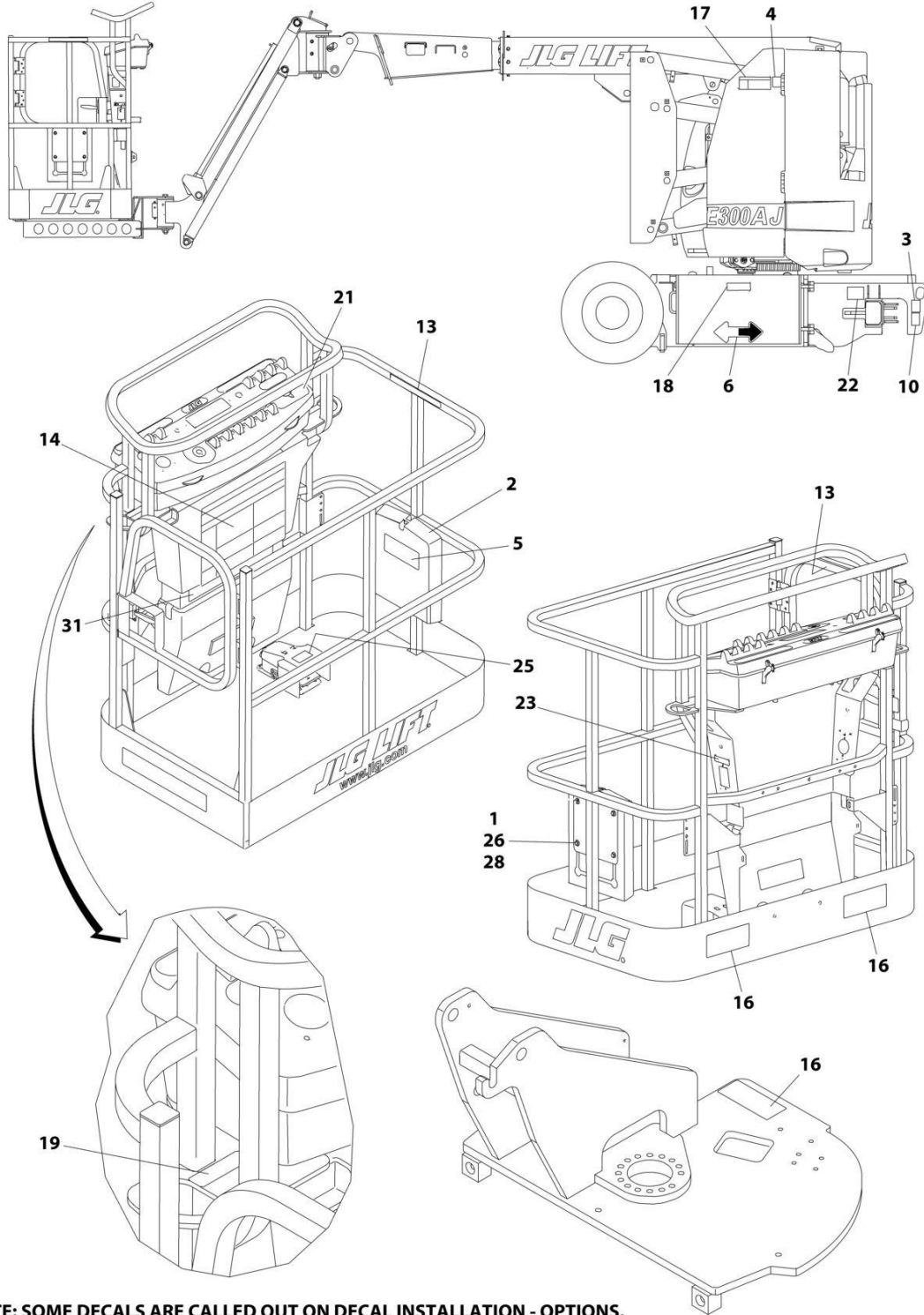
FIGURE 8-1. DECAL INSTALLATION (ANSI SPEC)



NOTE: SOME DECALS ARE CALLED OUT ON DECAL INSTALLATION - OPTIONS.

ART_1001248653_D_10F2

SECTION 8 - DECALS



NOTE: SOME DECALS ARE CALLED OUT ON DECAL INSTALLATION - OPTIONS.

ART_1001248653_D_20F2

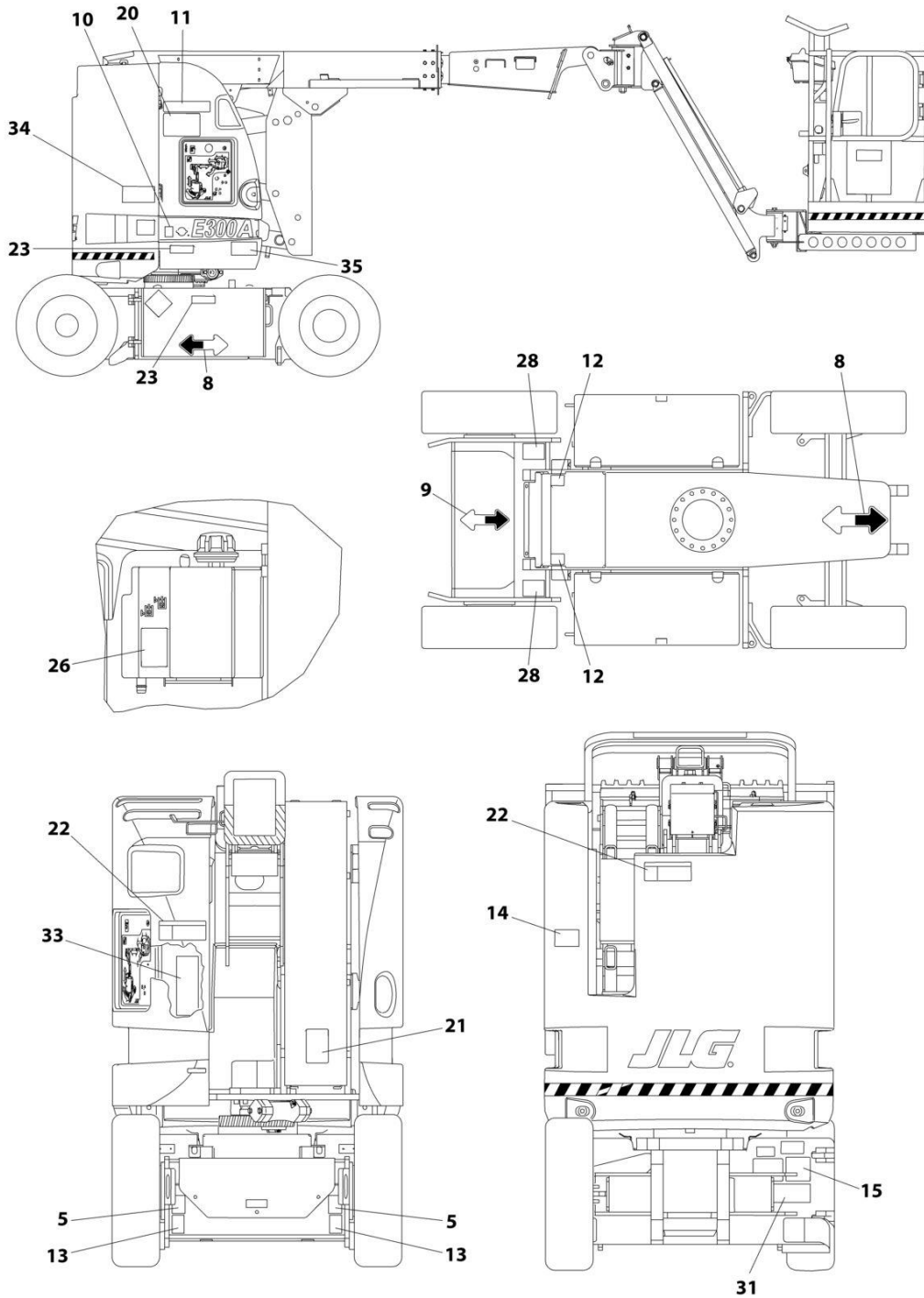
SECTION 8 - DECALS

FIGURE 8-1. DECAL INSTALLATION (ANSI SPEC)

ITEM	PART NUMBER	QTY	DESCRIPTION	REV
	1001248653	Ref	DECAL INSTALLATION (ANSI SPEC)	D
1	0641406	4	Bolt 1/4 x 3/4	
2	0860520	1	Box, Manual Storage	
3	1701500	4	Decal - Lift	
4	1701504	1	Decal - Hydraulic Oil	
5	1701509	1	Decal - Manual	
6	1701529	3	Decal - Arrow	
7	1701642	1	Decal - Arrow	
8	1701644	1	Decal - Battery Charger	
9	1702155	2	Decal - Battery Disconnect	
10	1702300	4	Decal - Tie Down	
11	1702391	1	Decal - Hand Crushing	
12	See Note	NSS	Decal - Bar Code (Note: Not Available for Purchase)	
13	1702868	2	Decal - No Hands	
14	1703797	1	Decal - Danger/Warning	
15	1703798	1	Decal - Warning/Danger	
16	1703804	4	Decal - Warning Crushing	
17	1703805	3	Decal - Electrocution	
18	1703813	3	Decal - Warning Battery Ventilation	
19	1704277	2	Decal - Lanyard Attach Graphic	
20	1704412	1	Decal - Hydraulic Oil	
21	1705351	1	Decal - Drive/Steer Instructions	
22	1706126	4	Decal - Tire Load	
23	3251243	1	Decal - 120V-60Hz	
24	3251813	1	Decal - USA	
25	3252347	1	Decal - Footswitch	
26	3311405	4	Nut 1/4	
27	3820001	2	Rivet	
28	4751400	4	Washer 1/4	
29	1001110196	1	Decal - Manual Descent	
30	1001284694	1	Decal - Lift Diagram	
31	1001253920	1	Decal - Warning/Single Capacity	
32	1001253921	1	Decal - Warning/Single Capacity	
33	1001131269	1	Decal - Patent	
34	1001212200	1	Decal - Manual Descent	
35	1001223055	1	Decal - Yearly Inspection	
36	1001228370	1	Decal - CSA ICES	

SECTION 8 - DECALS

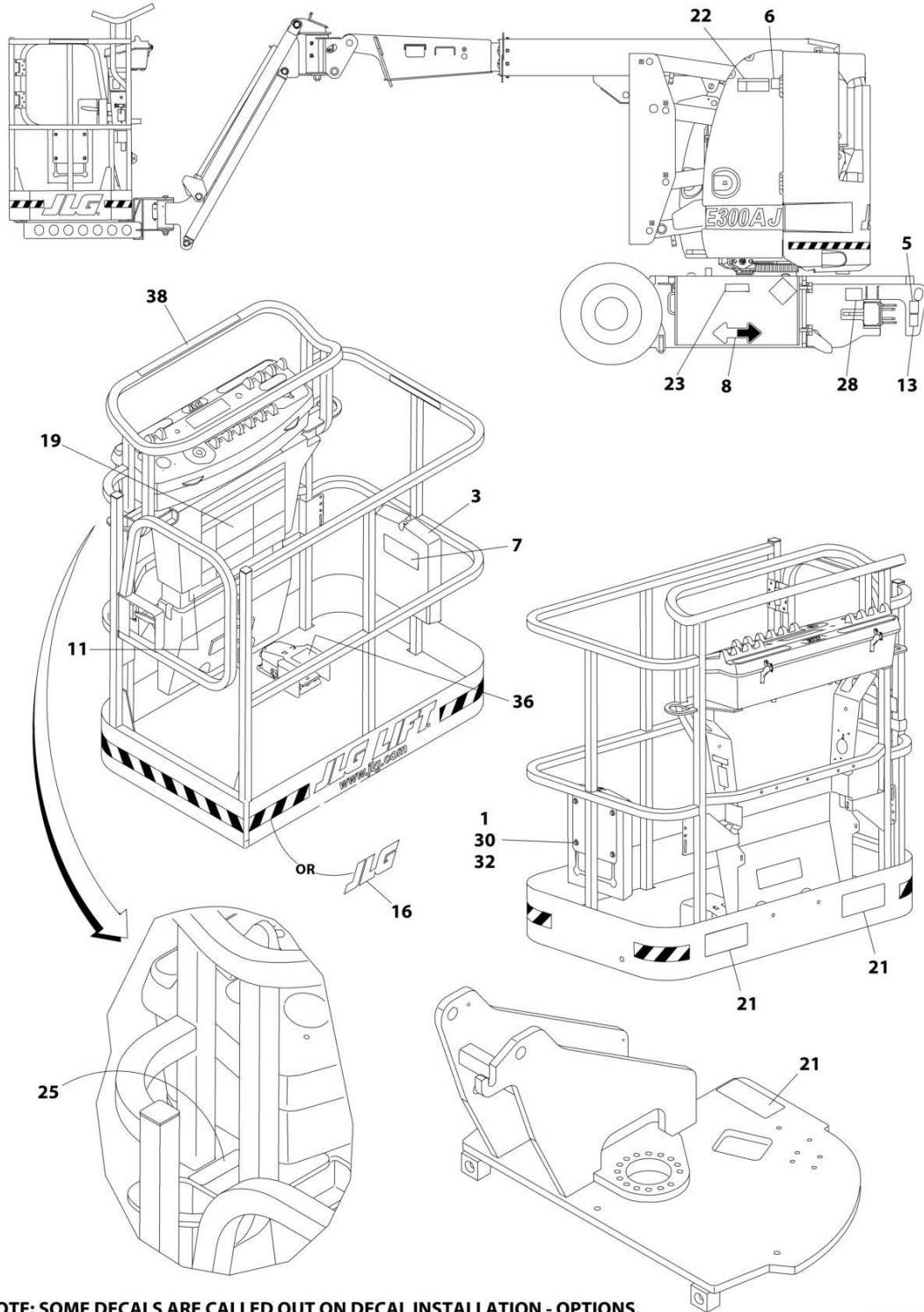
FIGURE 8-2. DECAL INSTALLATION (AUSTRALIAN, CE & UK CA SPECS)



NOTE: SOME DECALS ARE CALLED OUT ON DECAL INSTALLATION - OPTIONS.

ART_1001176391_H_10F2

SECTION 8 - DECALS



NOTE: SOME DECALS ARE CALLED OUT ON DECAL INSTALLATION - OPTIONS.

ART_1001176391_H_20F2

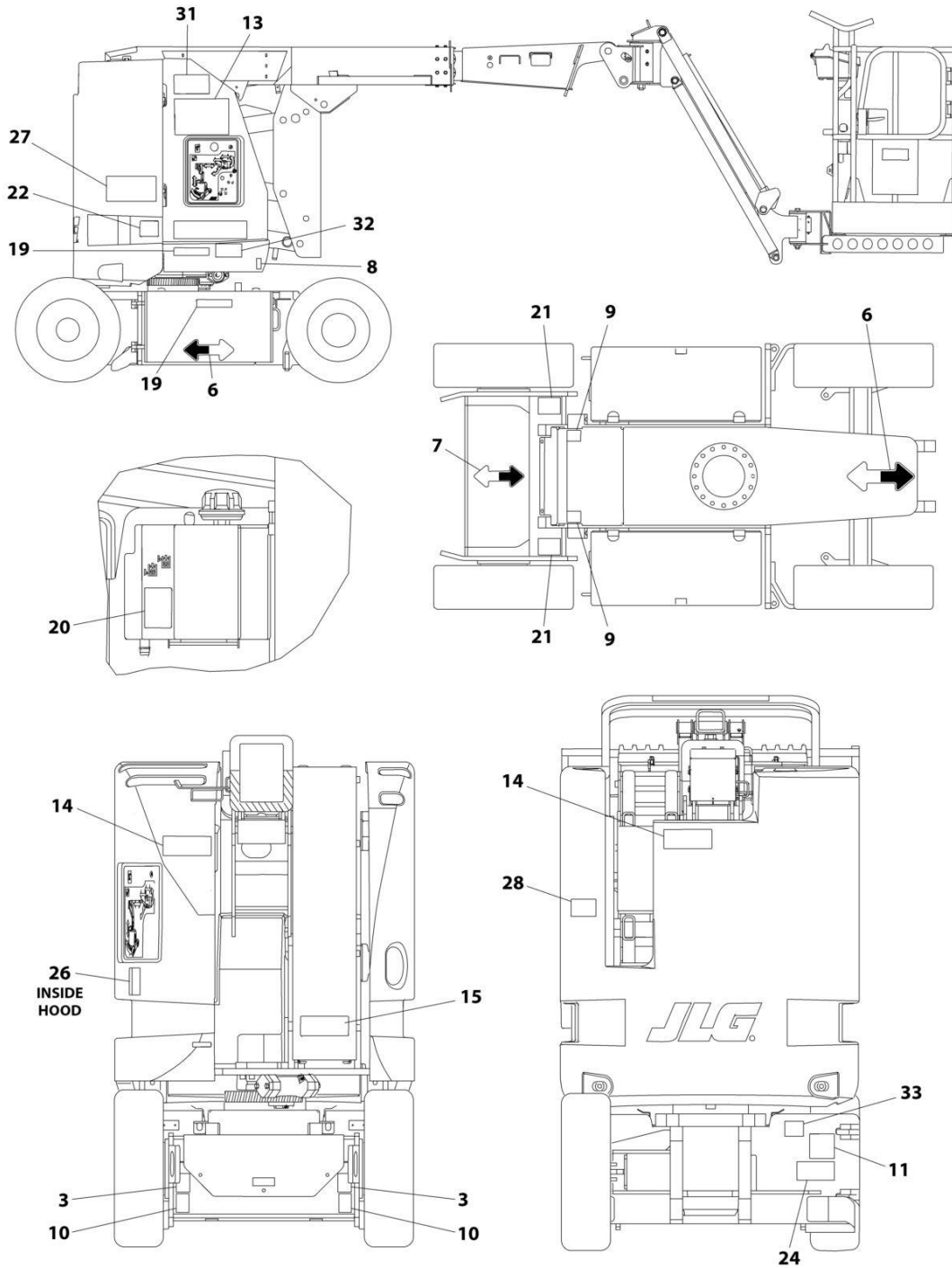
SECTION 8 - DECALS

FIGURE 8-2. DECAL INSTALLATION (AUSTRALIAN, CE & UK CA SPECS)

ITEM	PART NUMBER	QTY	DESCRIPTION	REV
	1001176391	Ref	DECAL INSTALLATION	H
1	0641406	4	Bolt 1/4 x 3/4	
3	0860520	1	Box, Manual Storage	
5	1701500	4	Decal - Lift	
6	1701504	1	Decal - Hydraulic Oil	
7	1701509	1	Decal - Manual	
8	1701529	3	Decal - Arrow	
9	1701642	1	Decal - Arrow	
10	1701644	1	Decal - Battery Charger	
11	1705978	2	Decal - Capacity	
12	1702155	2	Decal - Battery Disconnect	
13	1702300	4	Decal - Tie Down	
14	1701517	1	Decal - Hand Crushing	
15	See Note	NSS	Decal - Bar Code (Note: Not Available for Purchase)	
16	1702773	2	Decal - JLG (SN 0300221327 through 0300272206)	
19	1705921	1	Decal - Tipping/Electrocution	
20	1705822	1	Decal - Electrocution/Safety Manual	
21	1701518	4	Decal - Crushing	
22	1705961	3	Decal - Electrocution	
23	1705670	3	Decal - Fire Hazard	
25	1704277	2	Decal - Lanyard Attach Graphic	
26	1704412	1	Decal - Hydraulic Oil	
28	1706126	4	Decal - Tire Load	
30	3311405	4	Nut 1/4	
31	3820001	2	Rivet	
32	4751400	4	Washer 1/4	
33	1001110196	1	Decal - Manual Descent	
34	1001284694	1	Decal - Lift Diagram	
35	1001212200	1	Decal - Manual Descent	
36	1705828	1	Decal - Footswitch	
38	1001196811	1	Decal - Platform Legend (SN 0300211844 through 0300221326)	

SECTION 8 - DECALS

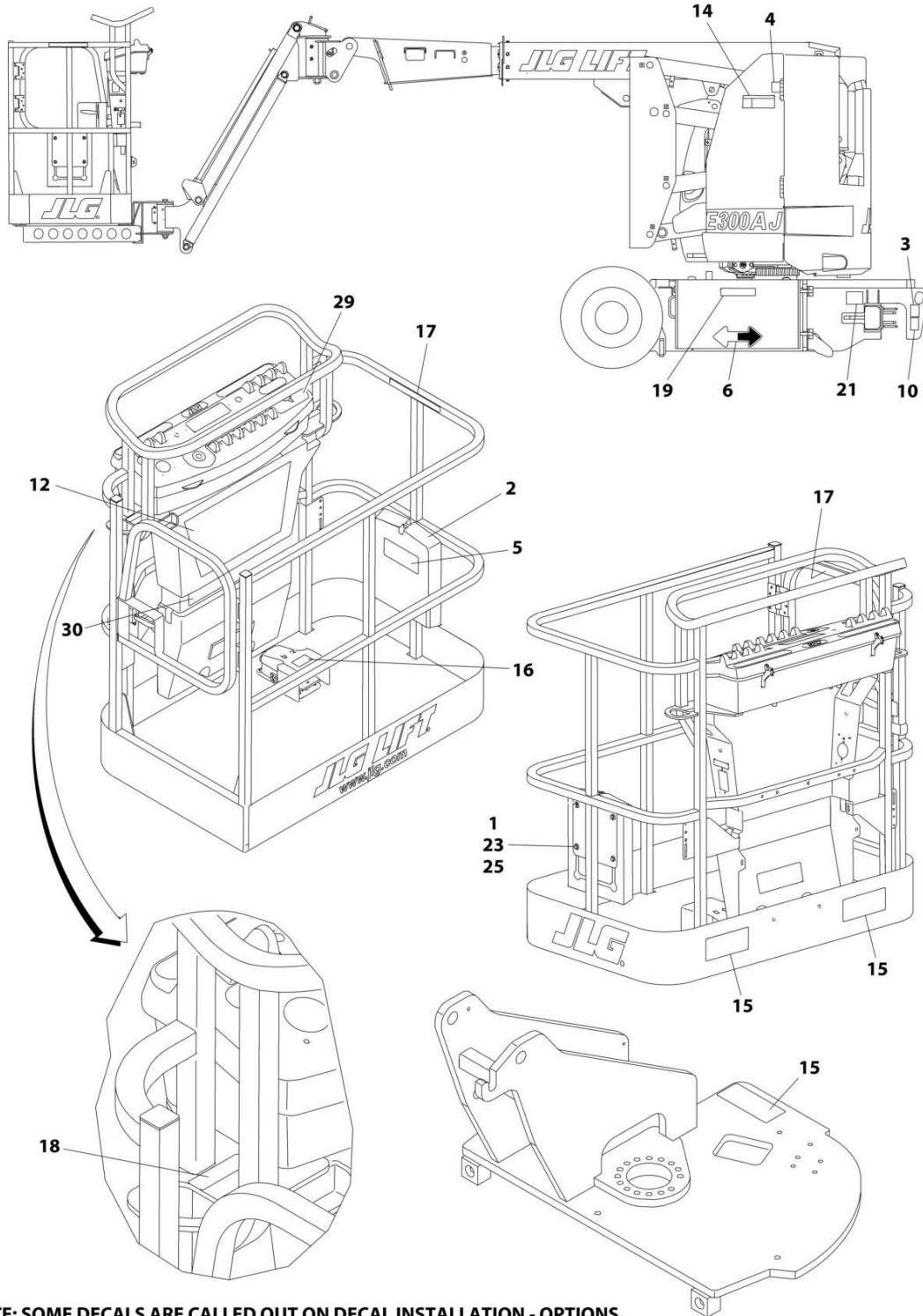
FIGURE 8-3. DECAL INSTALLATION (BRAZIL SPEC)



NOTE: SOME DECALS ARE CALLED OUT ON DECAL INSTALLATION - OPTIONS.

ART_1001248661_C_10F2

SECTION 8 - DECALS



NOTE: SOME DECALS ARE CALLED OUT ON DECAL INSTALLATION - OPTIONS.

ART_1001248661_C_2OF2

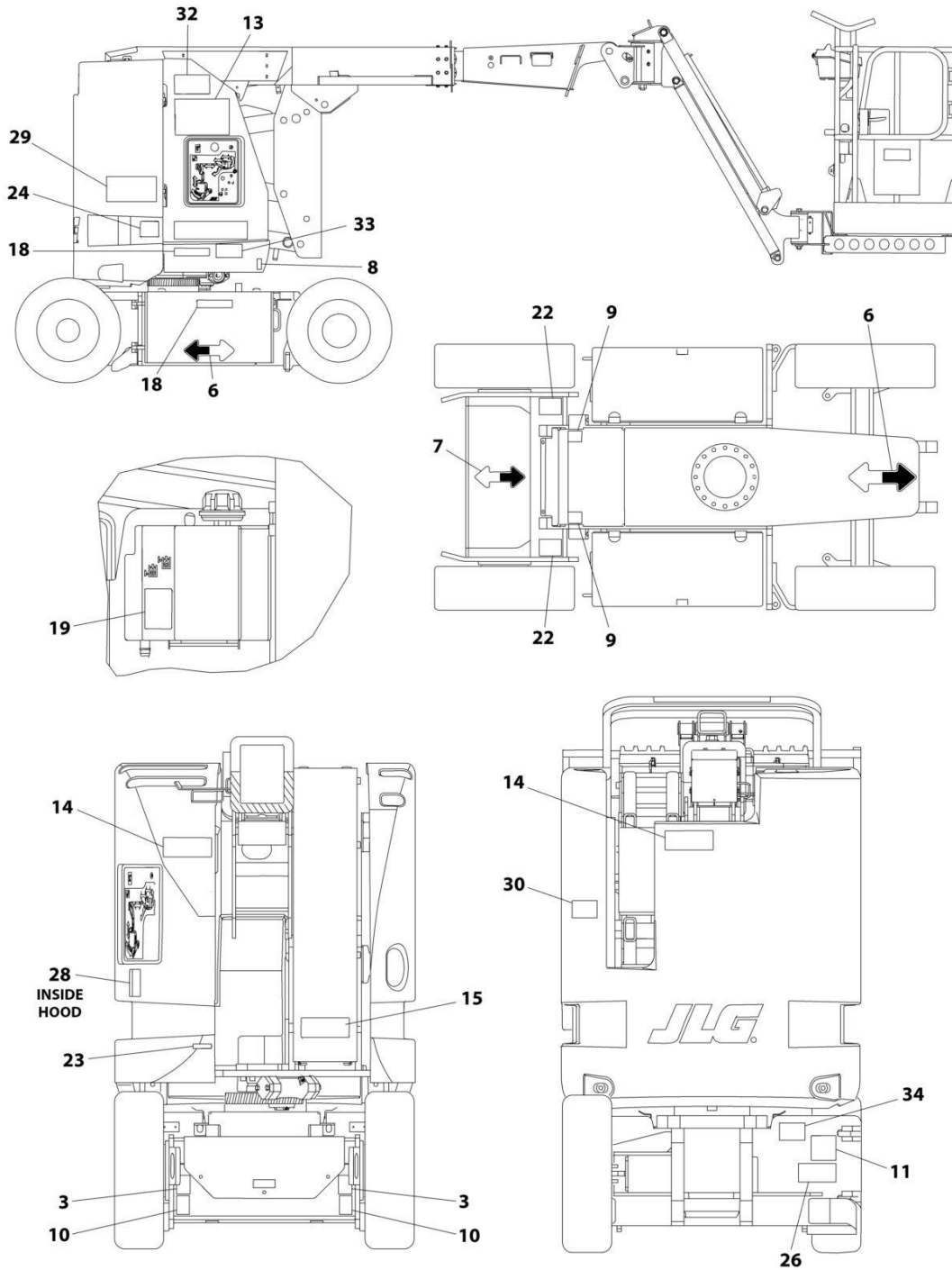
SECTION 8 - DECALS

FIGURE 8-3. DECAL INSTALLATION (BRAZIL SPEC)

ITEM	PART NUMBER	QTY	DESCRIPTION	REV
	1001248661	Ref	DECAL INSTALLATION (BRAZIL SPEC)	C
1	0641406	4	Bolt 1/4 x 3/4	
2	0860520	1	Box, Manual Storage	
3	1701500	4	Decal - Lift	
4	1701504	1	Decal - Hydraulic Oil	
5	1701509	1	Decal - Manual	
6	1701529	3	Decal - Arrow	
7	1701642	1	Decal - Arrow	
8	1701644	1	Decal - Battery Charger	
9	1702155	2	Decal - Battery Disconnect	
10	1702300	4	Decal - Tie Down	
11	See Note	NSS	Decal - Bar Code (Note: Not Available for Purchase)	
12	1703928	1	Decal - Warning/Danger	
13	1703934	1	Decal - Warning/Danger	
14	1703940	3	Decal - Danger Electrocutation	
15	1703952	4	Decal - Crushing	
16	1703985	1	Decal - Footswitch	
17	1704002	2	Decal - No Hands	
18	1704277	2	Decal - Lanyard Attach Graphic	
19	1704341	3	Decal - Battery Ventilation	
20	1704412	1	Decal - Hydraulic Oil	
21	1706126	4	Decal - Tire Load	
22	3251813	1	Decal - USA	
23	3311405	4	Nut 1/4	
24	3820001	2	Rivet	
25	4751400	4	Washer 1/4	
26	1001110196	1	Decal - Manual Descent	
27	1001284694	1	Decal - Lift Diagram	
28	1001113170	1	Decal - Hand Crushing	
29	1001113680	1	Decal - Drive/Steer Instruction	
30	1001253928	1	Decal - Warning/Single Capacity	
31	1001253929	1	Decal - Warning/Single Capacity	
32	1001212200	1	Decal - Manual Descent	
33	1001224052	1	Decal - Yearly Inspection	

SECTION 8 - DECALS

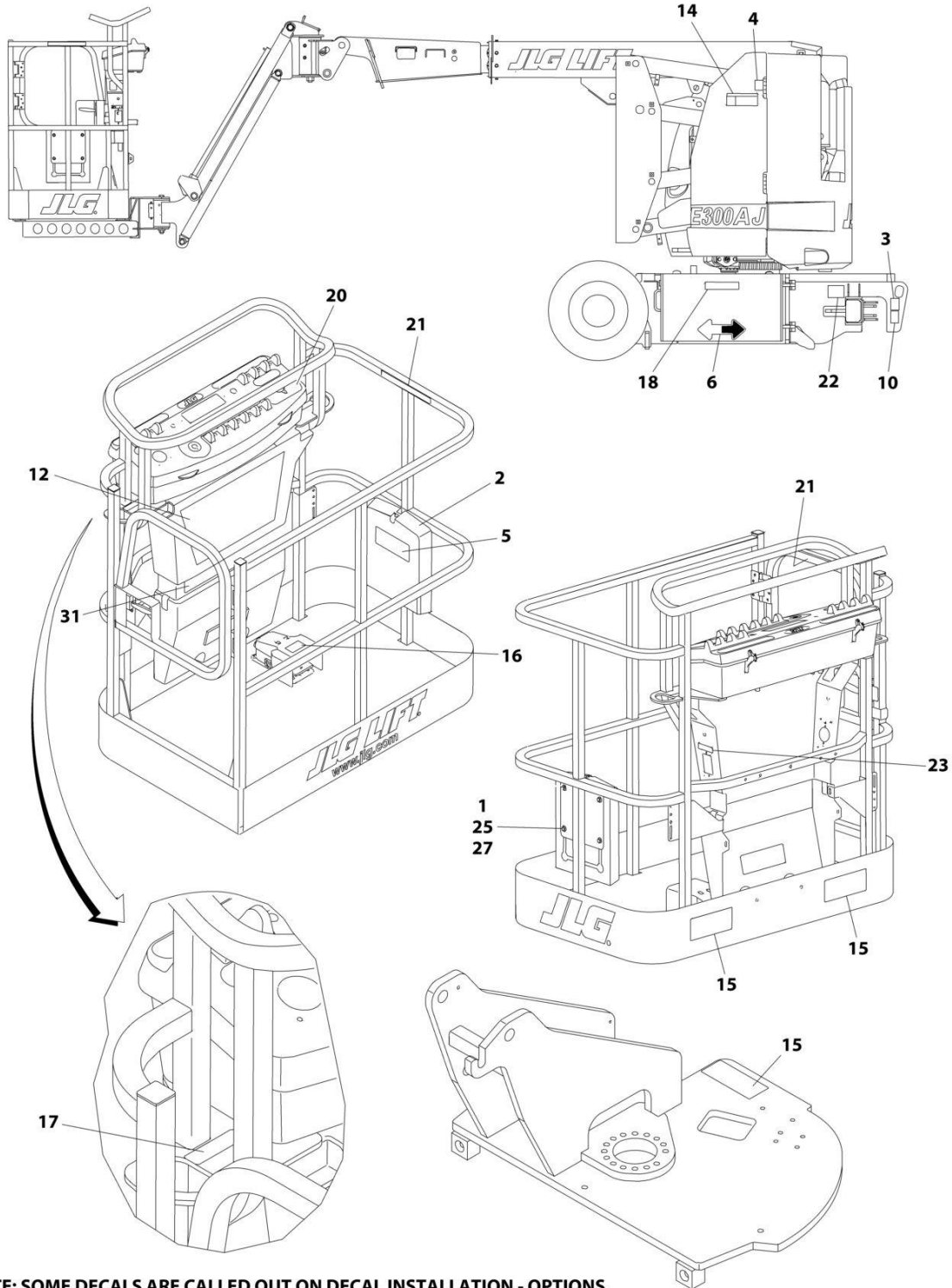
FIGURE 8-4. DECAL INSTALLATION (CHINESE SPEC)



NOTE: SOME DECALS ARE CALLED OUT ON DECAL INSTALLATION - OPTIONS.

ART_1001248660_C_10F2

SECTION 8 - DECALS



NOTE: SOME DECALS ARE CALLED OUT ON DECAL INSTALLATION - OPTIONS.

ART_1001248660_C_20F2

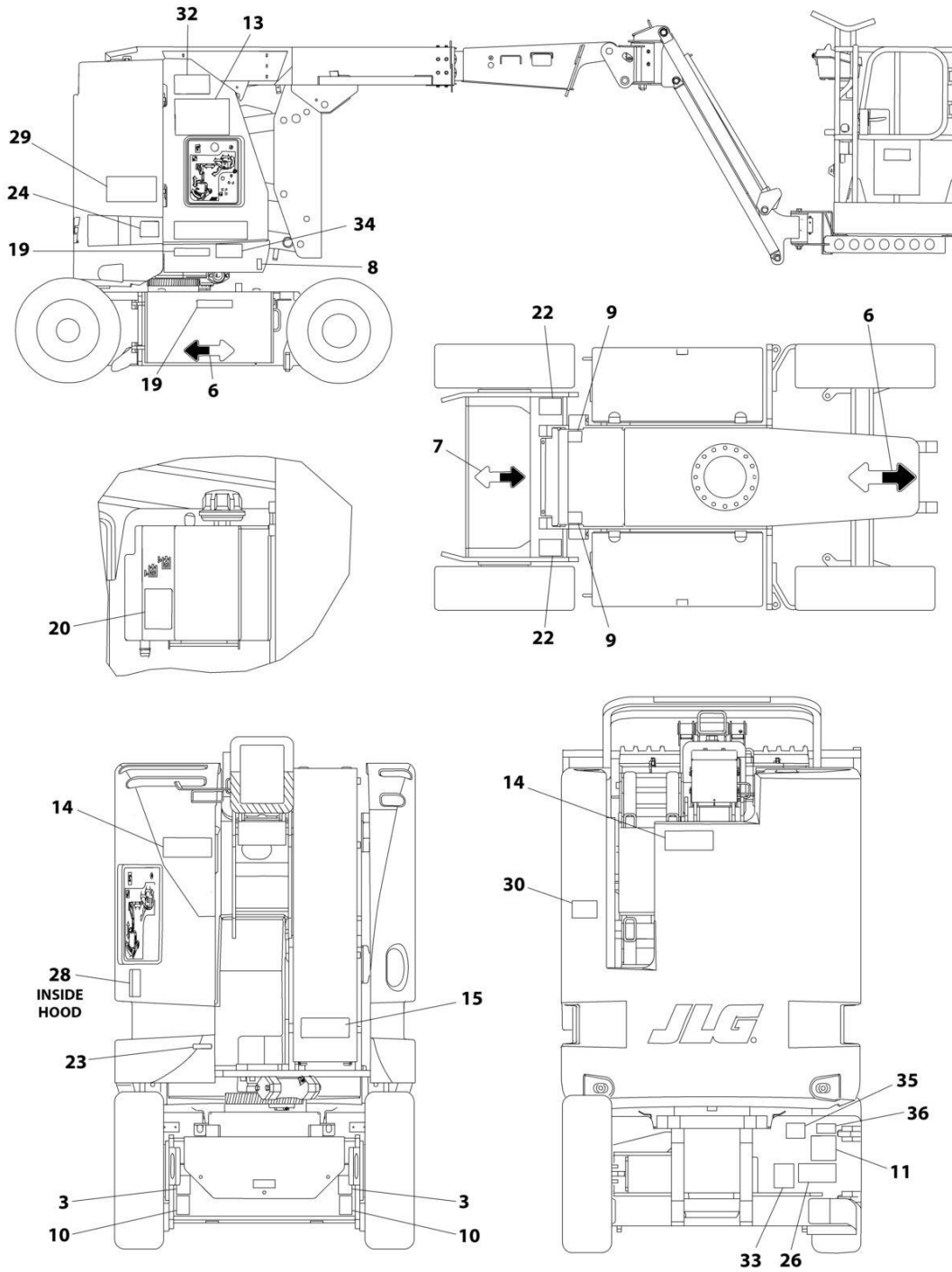
SECTION 8 - DECALS

FIGURE 8-4. DECAL INSTALLATION (CHINESE SPEC)

ITEM	PART NUMBER	QTY	DESCRIPTION	REV
	1001248660	Ref	DECAL INSTALLATION (CHINESE SPEC)	C
1	0641406	4	Bolt 1/4 x 3/4	
2	0860520	1	Box, Manual Storage	
3	1701500	4	Decal - Lift	
4	1701504	1	Decal - Hydraulic Oil	
5	1701509	1	Decal - Manual	
6	1701529	3	Decal - Arrow	
7	1701642	1	Decal - Arrow	
8	1701644	1	Decal - Battery Charger	
9	1702155	2	Decal - Battery Disconnect	
10	1702300	4	Decal - Tie Down	
11	See Note	NSS	Decal - Bar Code (Note: Not Available for Purchase)	
12	1703925	1	Decal - Warning/Danger	
13	1703931	1	Decal - Warning/Danger	
14	1703937	3	Decal - Danger Electrocution	
15	1703949	4	Decal - Crushing	
16	1703982	1	Decal - Footswitch	
17	1704277	2	Decal - Lanyard Attach Graphic	
18	1704344	3	Decal - Battery Ventilation	
19	1704412	1	Decal - Hydraulic Oil	
20	1705430	1	Decal - Drive/Steer Instruction	
21	1705968	2	Decal - No Hands	
22	1706126	4	Decal - Tire Load	
23	3251243	1	Decal - 120V-60Hz	
24	3251813	1	Decal - USA	
25	3311405	4	Nut 1/4	
26	3820001	2	Rivet	
27	4751400	4	Washer 1/4	
28	1001110196	1	Decal - Manual Descent	
29	1001284694	1	Decal - Lift Diagram	
30	1001113168	1	Decal - Hand Crushing	
31	1001253926	1	Decal - Warning/Single Capacity	
32	1001253927	1	Decal - Warning/Single Capacity	
33	1001212200	1	Decal - Manual Descent	
34	1001224050	1	Decal - Yearly Inspection	

SECTION 8 - DECALS

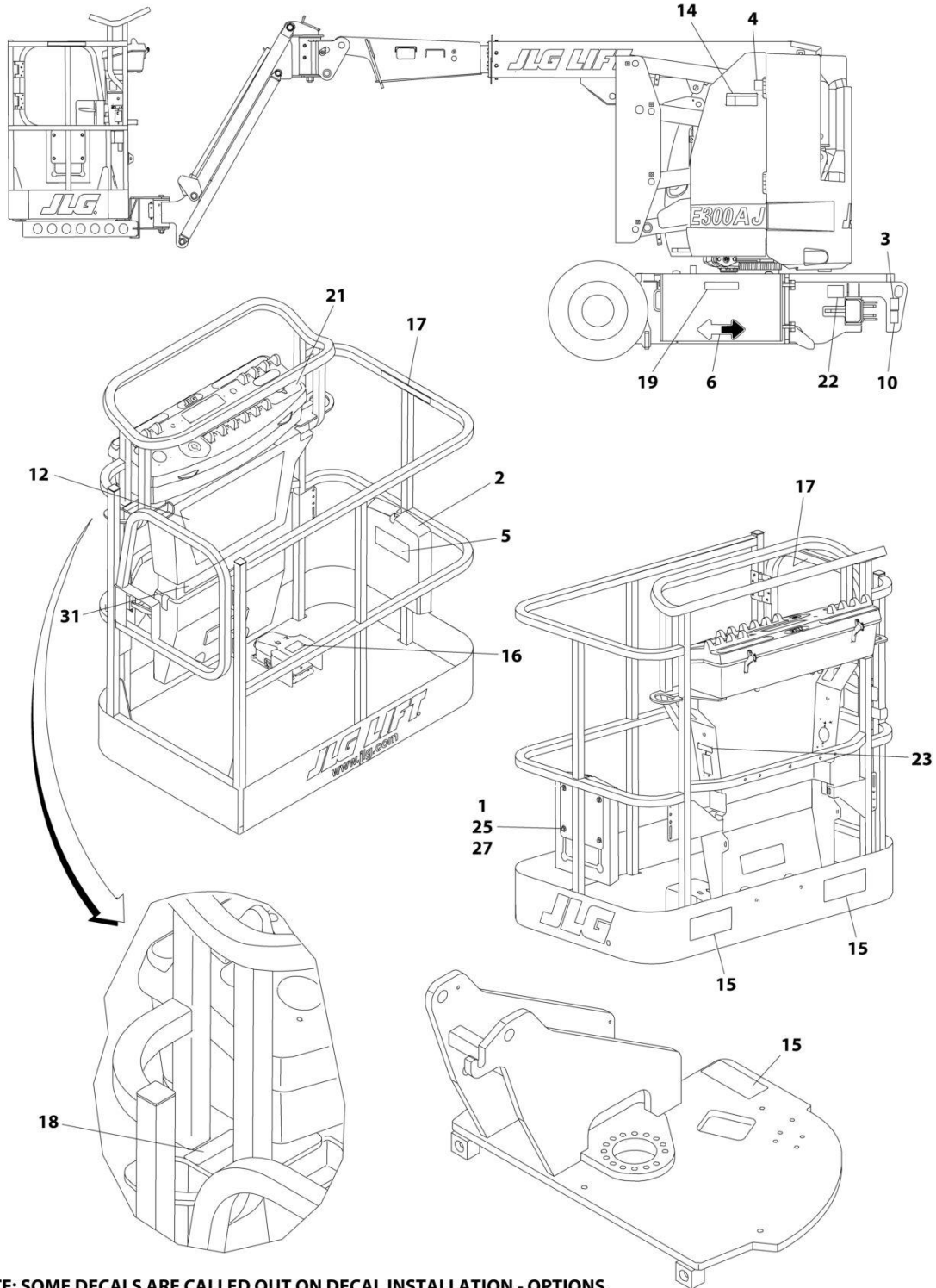
FIGURE 8-5. DECAL INSTALLATION (CSA SPEC)



NOTE: SOME DECALS ARE CALLED OUT ON DECAL INSTALLATION - OPTIONS.

ART_1001248654_C_10F2

SECTION 8 - DECALS



NOTE: SOME DECALS ARE CALLED OUT ON DECAL INSTALLATION - OPTIONS.

ART_1001248654_C_20F2

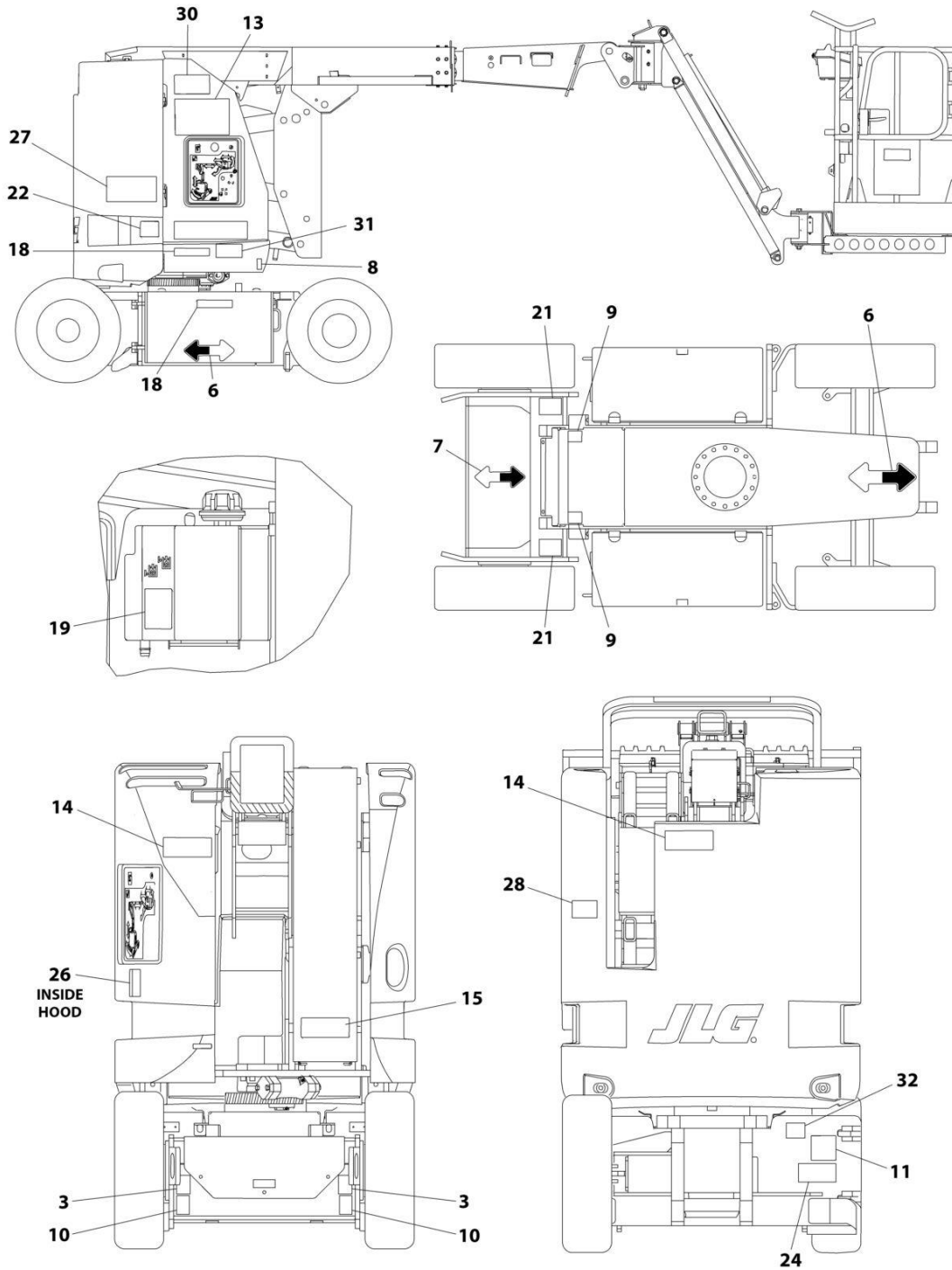
SECTION 8 - DECALS

FIGURE 8-5. DECAL INSTALLATION (CSA SPEC)

ITEM	PART NUMBER	QTY	DESCRIPTION	REV
	1001248654	Ref	DECAL INSTALLATION (CSA SPECS)	C
1	0641406	4	Bolt 1/4 x 3/4	
2	0860520	1	Box, Manual Storage	
3	1701500	4	Decal - Lift	
4	1701504	1	Decal - Hydraulic Oil	
5	1701509	1	Decal - Manual	
6	1701529	3	Decal - Arrow	
7	1701642	1	Decal - Arrow	
8	1701644	1	Decal - Battery Charger	
9	1702155	2	Decal - Battery Disconnect	
10	1702300	4	Decal - Tie Down	
11	See Note	NSS	Decal - Bar Code (Note: Not Available for Purchase)	
12	1703924	1	Decal - Danger/Warning	
13	1703930	1	Decal - Warning/Danger	
14	1703936	3	Decal - Electrocution	
15	1703948	4	Decal - Warning Crushing	
16	1703984	1	Decal - Footswitch	
17	1704000	2	Decal - No Hands	
18	1704277	2	Decal - Lanyard Attach Graphic	
19	1704340	3	Decal - Warning Battery Ventilation	
20	1704412	1	Decal - Hydraulic Oil	
21	1705429	1	Decal - Drive/Steer Instructions	
22	1706126	4	Decal - Tire Load	
23	3251243	1	Decal - 120V-60Hz	
24	3251813	1	Decal - USA	
25	3311405	4	Nut 1/4	
26	3820001	2	Rivet	
27	4751400	4	Washer 1/4	
28	1001110196	1	Decal - Manual Descent	
29	1001284694	1	Decal - Lift Diagram	
30	1001113169	1	Decal - Hand Crushing	
31	1001253922	1	Decal - Warning/Single Capacity	
32	1001253923	1	Decal - Warning/Single Capacity	
33	1001131269	1	Decal - Patent	
34	1001212200	1	Decal - Manual Descent	
35	1001223971	1	Decal - Yearly Inspection	
36	1001228370	1	Decal - CSA ICES	

SECTION 8 - DECALS

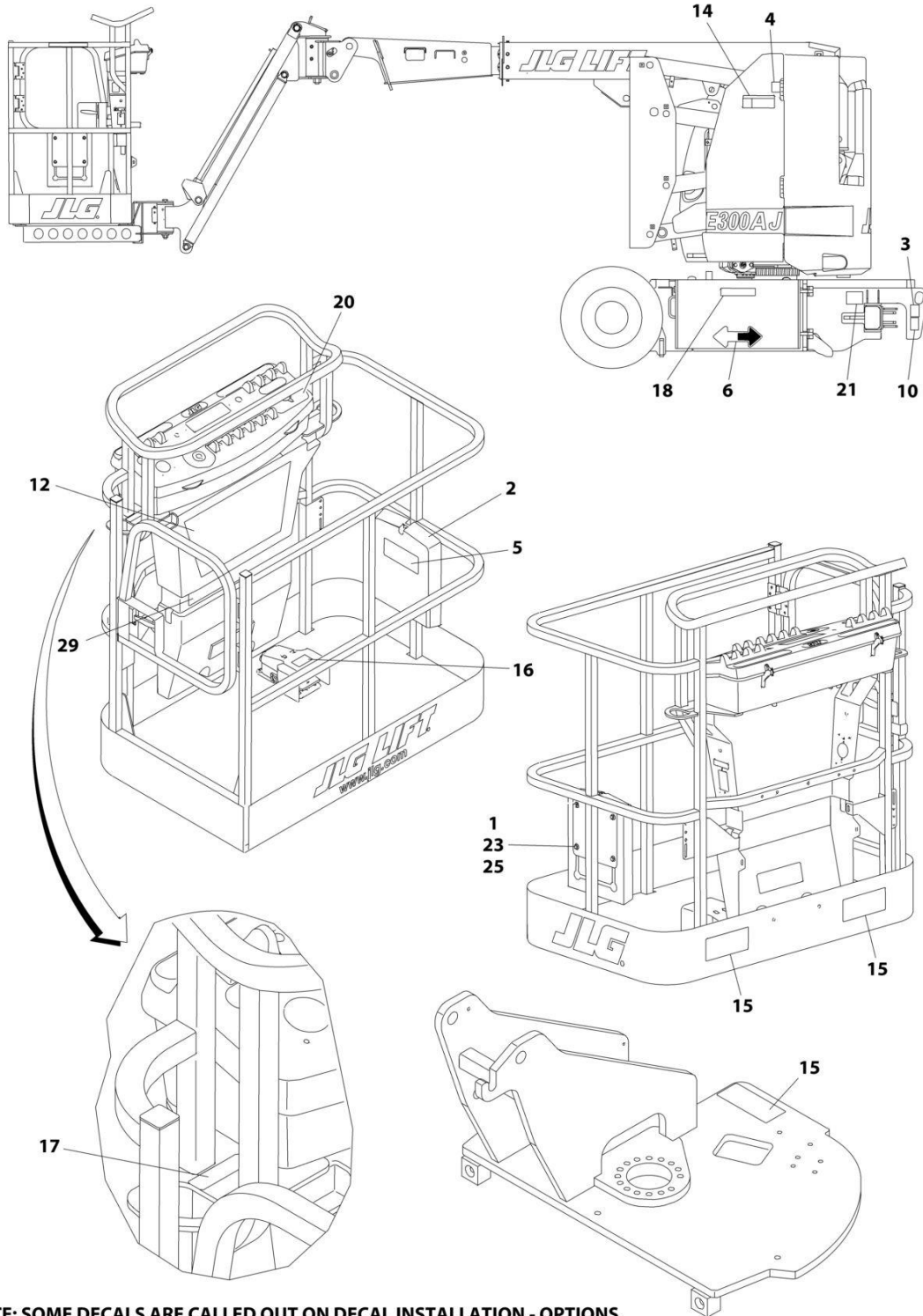
FIGURE 8-6. DECAL INSTALLATION (JAPANESE SPEC)



NOTE: SOME DECALS ARE CALLED OUT ON DECAL INSTALLATION - OPTIONS.

ART_1001248656_C_10F2

SECTION 8 - DECALS



NOTE: SOME DECALS ARE CALLED OUT ON DECAL INSTALLATION - OPTIONS.

ART_1001248656_C_20F2

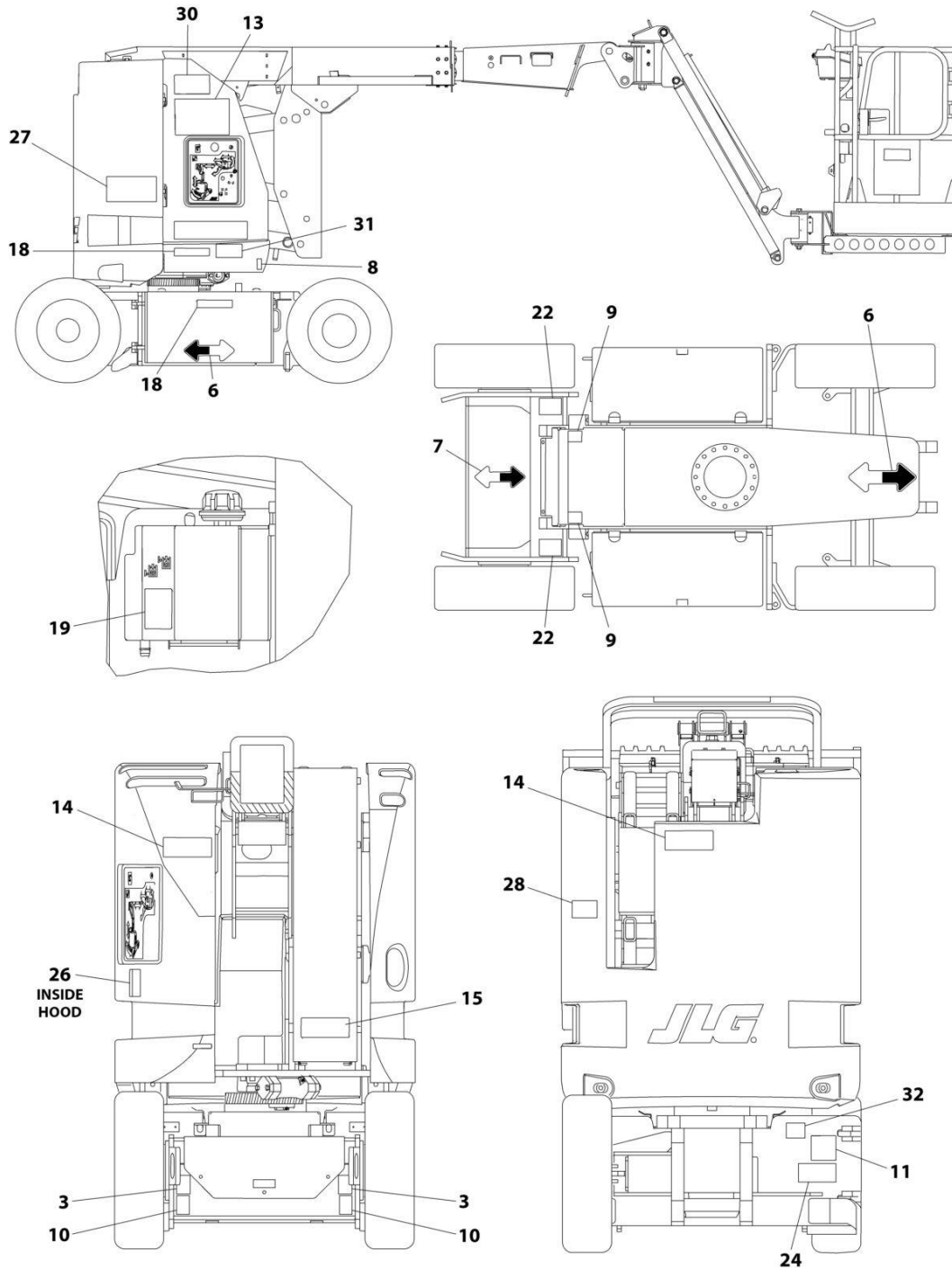
SECTION 8 - DECALS

FIGURE 8-6. DECAL INSTALLATION (JAPANESE SPEC)

ITEM	PART NUMBER	QTY	DESCRIPTION	REV
	1001248656	Ref	DECAL INSTALLATION (JAPANESE SPECS)	C
1	0641406	4	Bolt 1/4 x 3/4	
2	0860520	1	Box, Manual Storage	
3	1701500	4	Decal - Lift	
4	1701504	1	Decal - Hydraulic Oil	
5	1701509	1	Decal - Manual	
6	1701529	3	Decal - Arrow	
7	1701642	1	Decal - Arrow	
8	1701644	1	Decal - Battery Charger	
9	1702155	2	Decal - Battery Disconnect	
10	1702300	4	Decal - Tie Down	
11	See Note	NSS	Decal - Bar Code (Note: Not Available for Purchase)	
12	1703926	1	Decal - Danger/Warning	
13	1703932	1	Decal - Danger/Warning	
14	1703938	3	Decal - Battery Ventilation	
15	1703950	4	Decal - Crushing	
16	1703980	1	Decal - Footswitch	
17	1704277	2	Decal - Lanyard Attach Graphic	
18	1704342	3	Decal - Fire Hazard	
19	1704412	1	Decal - Hydraulic Oil	
20	1705426	1	Decal - Drive/Steer Instruction	
21	1706126	4	Decal - Tire Load	
22	3251813	1	Decal - USA	
23	3311405	4	Nut 1/4	
24	3820001	2	Rivet	
25	4751400	4	Washer 1/4	
26	1001110196	1	Decal - Manual Descent	
27	1001284694	1	Decal - Lift Diagram	
28	1001113166	1	Decal - Hand Crushing	
29	1001253932	1	Decal - Warning/Single Capacity	
30	1001253933	1	Decal - Warning/Single Capacity	
31	1001212200	1	Decal - Manual Descent	
32	1001224053	1	Decal - Yearly Inspection	

SECTION 8 - DECALS

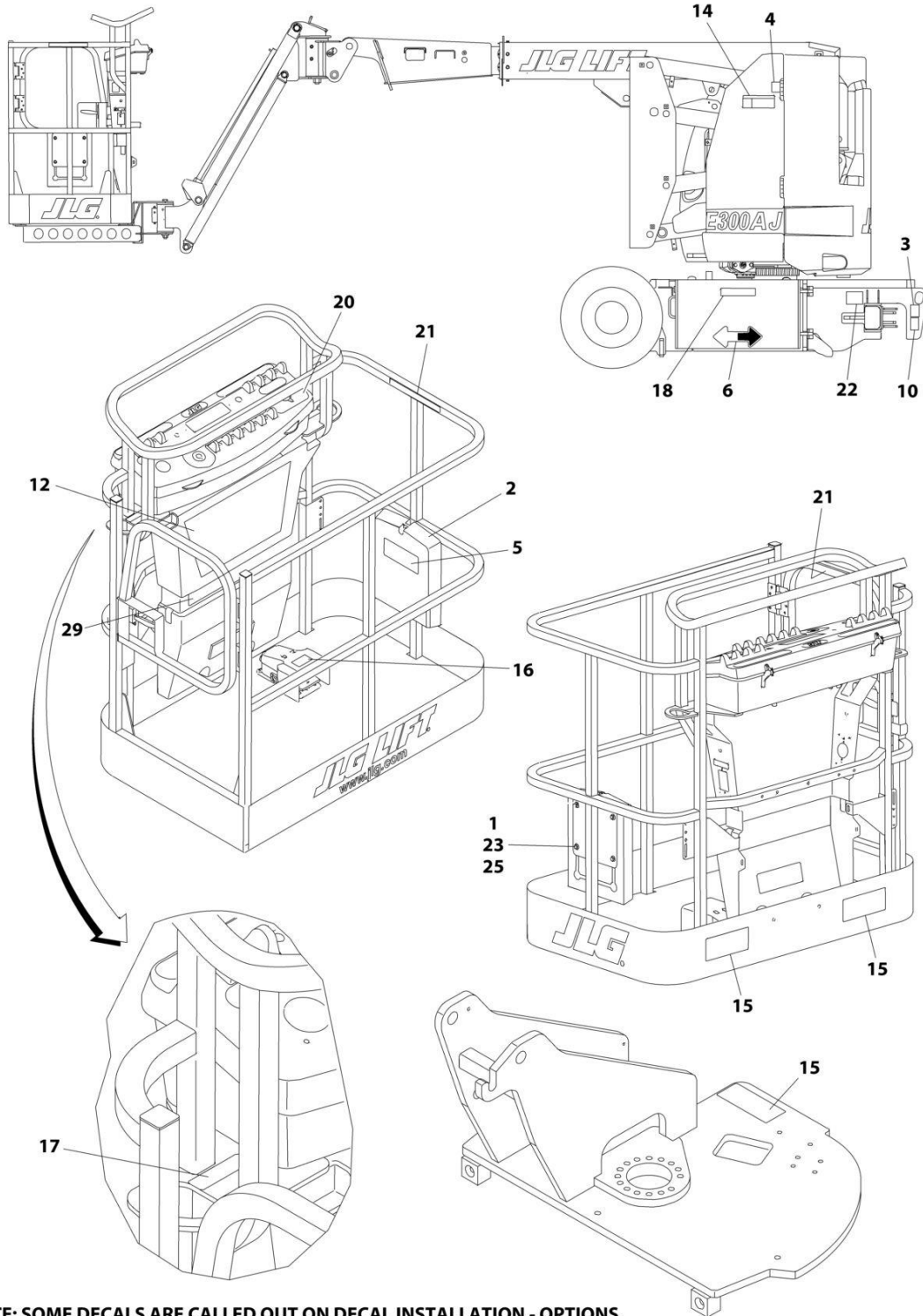
FIGURE 8-7. DECAL INSTALLATION (KOREAN SPEC)



NOTE: SOME DECALS ARE CALLED OUT ON DECAL INSTALLATION - OPTIONS.

ART_1001248657_C_10F2

SECTION 8 - DECALS



NOTE: SOME DECALS ARE CALLED OUT ON DECAL INSTALLATION - OPTIONS.

ART_1001248657_C_20F2

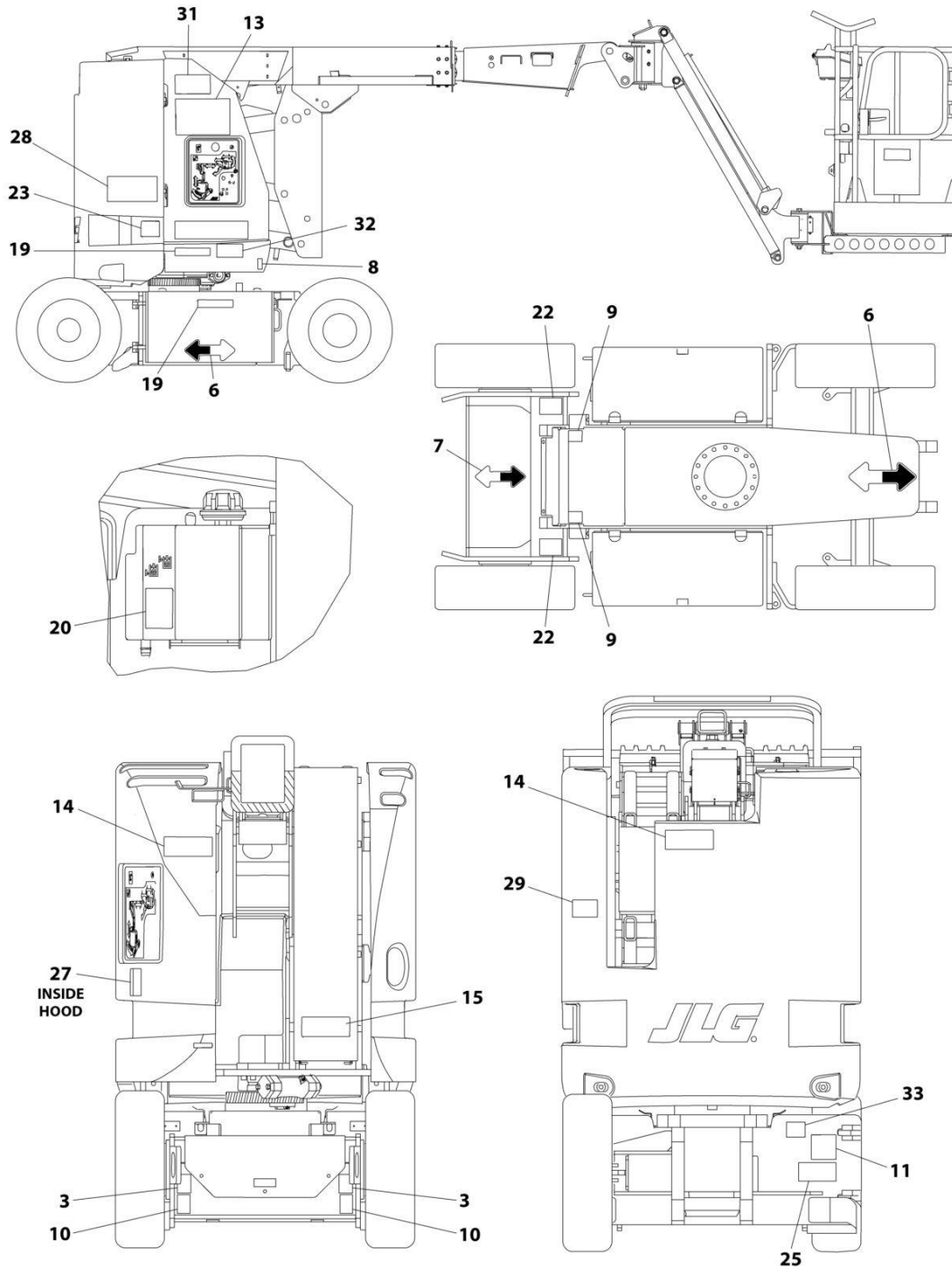
SECTION 8 - DECALS

FIGURE 8-7. DECAL INSTALLATION (KOREAN SPEC)

ITEM	PART NUMBER	QTY	DESCRIPTION	REV
	1001248657	Ref	DECAL INSTALLATION (KOREAN SPECS)	C
1	0641406	4	Bolt 1/4 x 3/4	
2	0860520	1	Box, Manual Storage	
3	1701500	4	Decal - Lift	
4	1701504	1	Decal - Hydraulic Oil	
5	1701509	1	Decal - Manual	
6	1701529	3	Decal - Arrow	
7	1701642	1	Decal - Arrow	
8	1701644	1	Decal - Battery Charger	
9	1702155	2	Decal - Battery Disconnect	
10	1702300	4	Decal - Tie Down	
11	See Note	NSS	Decal - Bar Code (Note: Not Available for Purchase)	
12	1703927	1	Decal - Warning/Danger	
13	1703933	1	Decal - Warning/Danger	
14	1703939	3	Decal - Danger Electrocuton	
15	1703951	4	Decal - Crushing	
16	1703981	1	Decal - Footswitch	
17	1704277	2	Decal - Lanyard Attach Graphic	
18	1704343	3	Decal - Battery Ventilation	
19	1704412	1	Decal - Hydraulic Oil	
20	1705427	1	Decal - Drive/Steer Instruction	
21	1705969	2	Decal - No Hands	
22	1706126	4	Decal - Tire Load	
23	3311405	4	Nut 1/4	
24	3820001	2	Rivet	
25	4751400	4	Washer 1/4	
26	1001110196	1	Decal - Manual Descent	
27	1001284694	1	Decal - Lift Diagram	
28	1001113509	1	Decal - Hand Crushing	
29	1001253924	1	Decal - Warning/Single Capacity	
30	1001253925	1	Decal - Warning/Single Capacity	
31	1001212200	1	Decal - Manual Descent	
32	1001224048	1	Decal - Yearly Inspection	

SECTION 8 - DECALS

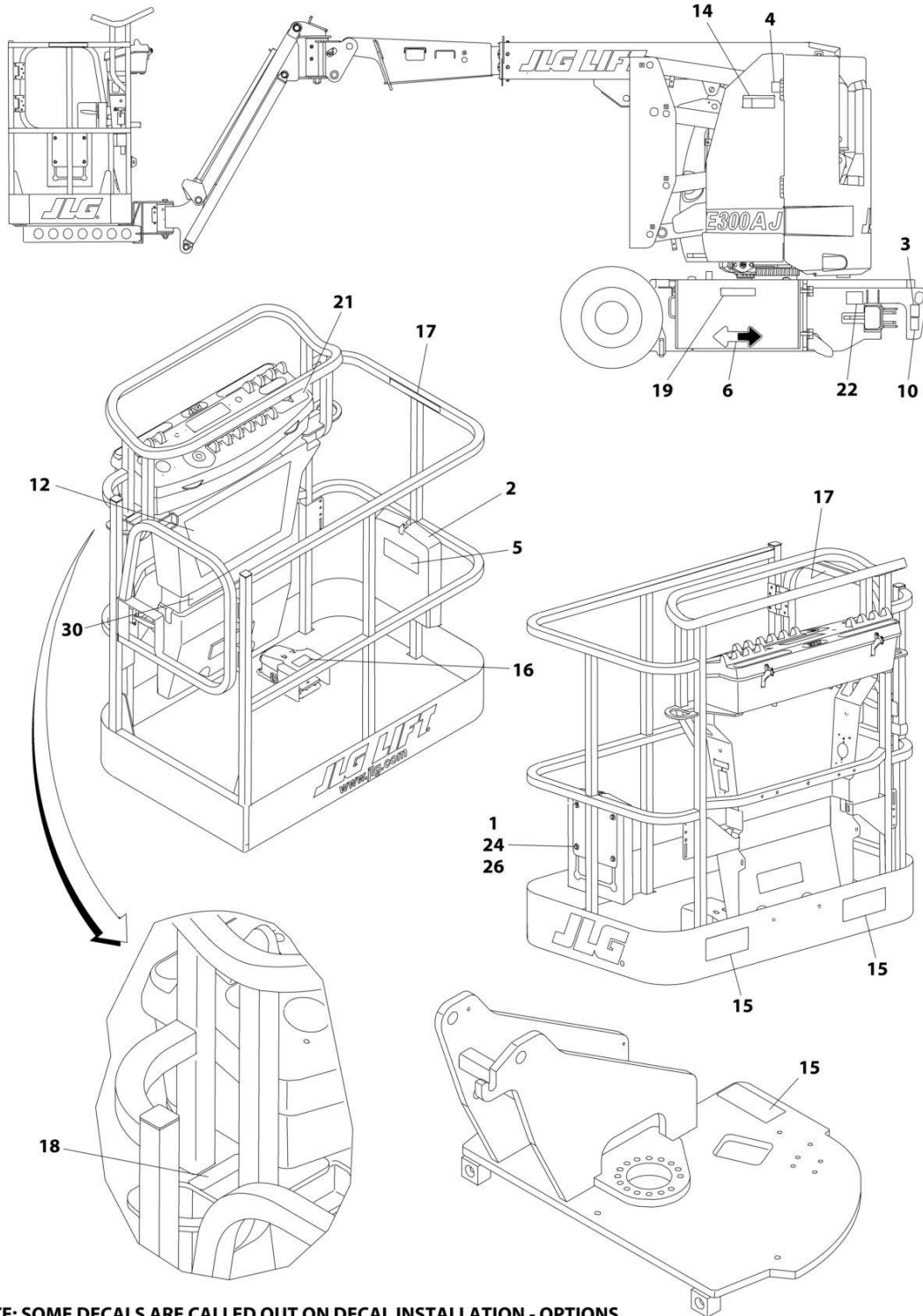
FIGURE 8-8. DECAL INSTALLATION (LATIN AMERICAN SPEC)



NOTE: SOME DECALS ARE CALLED OUT ON DECAL INSTALLATION - OPTIONS.

ART_1001248658_C_10F2

SECTION 8 - DECALS



NOTE: SOME DECALS ARE CALLED OUT ON DECAL INSTALLATION - OPTIONS.

ART_1001248658_C_20F2

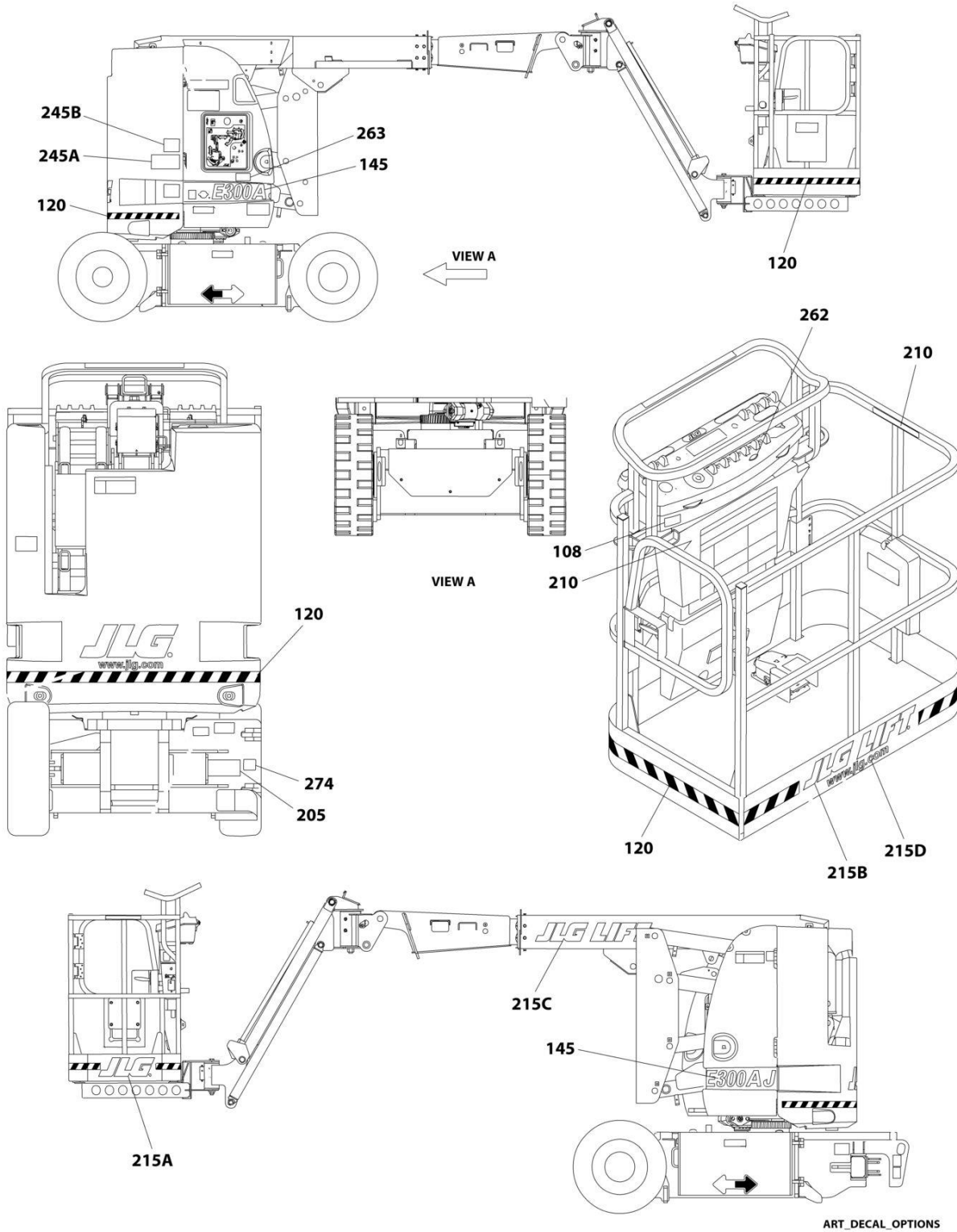
SECTION 8 - DECALS

FIGURE 8-8. DECAL INSTALLATION (LATIN AMERICAN SPEC)

ITEM	PART NUMBER	QTY	DESCRIPTION	REV
	1001248658	Ref	DECAL INSTALLATION (LATIN AMERICAN SPECS)	C
1	0641406	4	Bolt 1/4 x 3/4	
2	0860520	1	Box, Manual Storage	
3	1701500	4	Decal - Lift	
4	1701504	1	Decal - Hydraulic Oil	
5	1701509	1	Decal - Manual	
6	1701529	3	Decal - Arrow	
7	1701642	1	Decal - Arrow	
8	1701644	1	Decal - Battery Charger	
9	1702155	2	Decal - Battery Disconnect	
10	1702300	4	Decal - Tie Down	
11	See Note	NSS	Decal - Bar Code (Note: Not Available for Purchase)	
12	1703923	1	Decal - Warning/Danger	
13	1703929	1	Decal - Warning/Danger	
14	1703935	3	Decal - Danger Electrocuton	
15	1703947	4	Decal - Crushing	
16	1703983	1	Decal - Footswitch	
17	1704001	2	Decal - No Hands	
18	1704277	2	Decal - Lanyard Attach Graphic	
19	1704339	3	Decal - Battery Ventilation	
20	1704412	1	Decal - Hydraulic Oil	
21	1705910	1	Decal - Drive/Steer Instruction	
22	1706126	4	Decal - Tire Load	
23	3251813	1	Decal - USA	
24	3311405	4	Nut 1/4	
25	3820001	2	Rivet	
26	4751400	4	Washer 1/4	
27	1001110196	1	Decal - Manual Descent	
28	1001284694	1	Decal - Lift Diagram	
29	1001113171	1	Decal - Hand Crushing	
30	1001253930	1	Decal - Warning/Single Capacity	
31	1001253931	1	Decal - Warning/Single Capacity	
32	1001212200	1	Decal - Manual Descent	
33	1001224049	1	Decal - Yearly Inspection	

SECTION 8 - DECALS

FIGURE 8-9. DECAL INSTALLATION - OPTIONS



SECTION 8 - DECALS

FIGURE 8-9. DECAL INSTALLATION - OPTIONS

ITEM	PART NUMBER	QTY	DESCRIPTION	REV
		Ref	DECAL INSTALLATION- OPTIONS	
108	1001231801	1	Decal - Prop 65 Warning (ANSI Spec Only)	
120	4420051	12 ft /3.7m	Decal - Warning Stripes	
145	1001272122	1	Decal - Model Designation (E300AJP)	
205	See Note	NSS	Nameplate- Serial Number (Note: Not Available for Purchase)	
210	1702868	2	Decal - No Hands (ANSI Spec Only) (Platform with Mesh)	
210	1704000	2	Decal - No Hands (CSA Spec Only) (Platform with Mesh)	
215	1001115980	1	JLG Logo Installation (All Specs except Australian, CE & UK CA Specs)	C
215A	1702773	3	Decal - JLG (SN 0300307592 to Present)	
215A	1704200	1	Decal- JLG Plus (Prior to SN 0300306940)	
215B	1702774	1	Decal- JLG Lift (Prior to SN 0300306940)	
215C	1702860	1	Decal - JLG Lift (Prior to SN 0300306940)	
215D	1704885	1	Decal - Website (Prior to SN 0300306940)	
245	1001229689	Ref	ClearSky Decals Installation	
245A	1001116208	1	Decal - Clearsky	
245B	1001120989	1	Decal - Radio Frequency	
245	1001294758	1	Clearsky Smart Fleet Decal Installation	
245A	1001120989	1	Decal - Radio Frequency	
245B	1001294815	1	Decal - ClearSky	
262	1001141300	1	Decal - SkyGuard Override	
263	1001189882	1	Decal - MSSO	
274	1001214032	1	Decal - EAC (Russian/C.I.S. Specs Only)	

SECTION 9 - RECOMMENDED SERVICE PARTS STOCK

SECTION 9 - RECOMMENDED SERVICE PARTS STOCK

SECTION 9 - RECOMMENDED SERVICE PARTS STOCK

FIGURE 9-1. RECOMMENDED SERVICE PARTS STOCK

ITEM	PART NUMBER	QTY	DESCRIPTION	REV
		Ref	Note: The following list will service one machine (built to current production per date on the front cover) with emergency repair parts which can be installed in the field. Parts from the list should be replaced when inventory is depleted to keep service parts stock supplied. For further information, contact your JLG dealer or the JLG Industries Parts Department.	
	1001181045	1	Breaker, 16Amp (CE & UK CA Specs Machines)	
	70002526	1	Breather (Hydraulic Tank)	
	7024883	1	Coil (Main Valve)	
	7024885	1	Coil (Main & Boom Valves)	
	70002386	1	Coil (Lift Cylinders)	
	1001212415	1	Controller Assembly - Drive and Steer	
	1001129555	1	Controller Assembly - Lift and Swing	
	70004228	1	Element, Filter (High Pressure Filter)	
	70002525	1	Filter (Hydraulic Tank)	
	1001189039	1	Footswitch Assembly	
	1001170365	1	Fuse - 400Amp (Wheel Drive)	
	8229249	1	Fuse, 3 Amp (USB Charger Installation)	
	1001196635	1	Fuse, 3 Amp (Bluetooth Module Installation)	
	8229242	2	Fuse - 5Amp (Charger & Console Harnesses)	
	8229234	2	Fuse 10Amp (Tranction Module Harness)	
	8229235	2	Fuse 20Amp (Tranction Module & Turntable Harnesses)	
	1001170761	1	Fuse 20Amp (Tranction Module Harness)	
	8229237	2	Fuse 15Amp ATO (Turntable Harness)	
	8229261	2	Fuse 5Amp (Turntable Harness)	
	8229236	2	Fuse 30Amp (Tranction Module Harness)	
	2860030	1	Key, Replacement	
	2940074	1	Latch (Platform Side Entry)	
	1001178339	1	Module, Drive	
	1001192212	1	Module, Drive	
	1001182700	1	Module, Ground	
	1001245293	1	Module, Bluetooth Control	
	1001182724	1	Module, Platform	
	1001215835	1	Module, Platform - U/L	
	1001170367	1	Relay (Wheel Drive)	
	1001272006	1	Relay (U/L Wheel Drive)	
	3740080	1	Relay	
	1001214667	1	Relay	
	1001186431	1	Relay (SkyGuard)	
	3740086	1	Relay (SkyLine)	
	1001219601	1	Sensor (Wheel Drive)	
	1001228224	1	Sensor, Receiver (SkyEye)	
	1001228225	1	Sensor, Emitter (SkyEye)	
	1001311034	1	Sensor, Proximity (SkyLine)	
	1001237902	1	Sensor, SkySense (SkySense)	
	70005394	1	Sensor (Drive Motor)	
	70005407	1	Sensor, Temperature (Drive Motor)	
	1001161117	1	Switch, Sensor (Steer)	
	4360517	1	Switch, Proximity (Drive Orientation)	

SECTION 9 - RECOMMENDED SERVICE PARTS STOCK

ITEM	PART NUMBER	QTY	DESCRIPTION	REV
	4360469	1	Switch, Key (Ground Control Box)	
	4360475	1	Switch, Emergency Stop (Ground Control Box & Console Box)	
	4360476	1	Switch, Contact Block (Ground Control Box)	
	1001155045	1	Switch, Toggle (Ground Control Box & Console Box)	
	4360387	1	Switch, Push Button (Ground Control Box & Console Box)	
	4360407	1	Switch, Potentiometer (Console Box)	
	1001159256	1	Switch, Toggle (Console Box)	
	1001161710	1	Switch, Toggle (Console Box)	
	1001137673	1	Switch, Bar (SkyGuard)	
	4360548	1	Switch, Limit (Boom Valve Harness)	

SECTION 10 - SPECIAL OPTIONS/ACCESSORIES/KITS

SECTION 10 - SPECIAL OPTIONS/ACCESSORIES/KITS

SECTION 10 - SPECIAL OPTIONS/ACCESSORIES/KITS

FIGURE 10-1. SPECIAL OPTIONS/ACCESSORIES/KITS

ITEM	PART NUMBER	QTY	DESCRIPTION	REV
		Ref	SPECIAL OPTIONS/ACCESSORIES/KITS	
		Ref	Note: This list is to accommodate machines ordered with special equipment. Options may not be applicable to all models. For more specific parts information contact JLG Parts Department.	
	1001269899	Ref	Battery Charger Add-on Kit (Smart Charger) (Dealer Installed)	
	1001268350	Ref	Battery Isolator Kit	
	1001293369	Ref	Beacon Dust Cap Installation (Machines without Beacon)	
	0259384	Ref	Bellows Installations	
		Ref	Boom Wiper Installation	
	1001119962	Ref	Boom Wiper Installation	
		Ref	ClearSky Telematic Installation (Factory Installed)	
	1001290524	Ref	ClearSky Telematics Installation CS550	
	1001229107	Ref	ClearSky Telematics Installation 3 Wire Connection (ANSI and CSA Specs)	
	1001233237	Ref	ClearSky Telematics Installation 3 Wire Connection (ANSI Export and CE & UK CA Specs)	
		Ref	ClearSky Telematic Add-on Kits (Dealer Installed)	
	1001250537	Ref	Add-on Kit (ANSI and CSA Specs)	
	1001254285	Ref	Add-on Kit (ANSI Export and CE & UK CA Specs)	
	1001276923	Ref	Add-on Kit (Contact JLG for Approved Countries)	
	1001230504	Ref	3 Wire Connection Add-on Kit (ANSI and CSA Specs)	
	1001234102	Ref	3 Wire Connection Add-on Kit (ANSI Export and CE & UK CA Specs)	
	1001265360	Ref	Canbus Add-on Kit (ANSI and CSA Specs)	
	1001243183	Ref	Canbus Access Control Add-on Kit (ANSI and CSA Specs)	
	1001237110	Ref	Canbus Add-on Kit (ANSI Export and CE & UK CA Specs)	
	1001243184	Ref	Canbus Access Control (ANSI Export and CE & UK CA Specs)	
	1001247426	Ref	Canbus Add-on Kit (Australian Specs)	
	1001247427	Ref	Canbus Add-on Kit (Chinese Specs)	
	1001243575	Ref	Access Control Add-on Kit	
	1001276007	Ref	Controller Service Kit - Drive/Steer	
	1001276008	Ref	Controller Service Kit - Lift/Swing	
		Ref	Decal Installations	
	1703175	1	Decal - Lanyard Attach (GM K-1 Spec)	
		Ref	Electrical Connector Kits	
	1001148902	Ref	Amp/Tyco Electrical Connector Kit	
	1001148903	Ref	Deutsch DT Electrical Connector Kit	
	1001148904	Ref	Deutsch HD Electrical Connector Kit	
	1001148905	Ref	Packard Electrical Connector Kit	
	1001148906	Ref	Various Electrical Connectors Kit	
	1001274833	Ref	Floor Mat Add-on Kit (30x48 Platform) (Dealer Installed)	
		Ref	Footswitch Shield Installation	
	4060959	1	Shield, Footswitch	
	1001281707	Ref	Gateway Plus Installation	
		Ref	Hose Kits	
	1001270237	Ref	Hose Kit - Boom (Tower)	
	1001269309	Ref	Hose Kit - Boom (Upper)	
	1001269304	Ref	Hose Kit - Turntable	
	1001241391	Ref	Hostile Environment Add-on Kit	

SECTION 10 - SPECIAL OPTIONS/ACCESSORIES/KITS

ITEM	PART NUMBER	QTY	DESCRIPTION	REV
	1001151286	Ref	Jib Cylinder Replacement Kit	
	1001148971	Ref	Lanyard (Bolt-on) Kit Installation	
	1001272166	Ref	Pipe Rack Kit	
	1001195304	Ref	Platform Console Cover Installation	
		Ref	Platform Entry Kits	
	1001142504	Ref	Drop Bar (Replacing Swing Gate with Drop Bar)	
	1001142505	Ref	Swing Gate (Replacing Drop Bar with Swing Gate)	
		Ref	Platform Mesh Installation (Factory Installed):	
	1001272274	Ref	Platform Mesh (Steel) to Mid Rail Installation (30x48 Platform) (Factory Installed)	
	1001266969	Ref	Platform Mesh (Plastic) to Mid Rail Installation (30 x 48 Platform) (Factory Installed)	
	1001272182	Ref	Platform Mesh (Steel) to Top Rail Installation (30x48 Platform) (Factory Installed)	
	1001266807	Ref	Platform Mesh (Plastic) to Top Rail Installation (30 x 48 Platform) (Factory Installed)	
		Ref	Platform Mesh Add-on Kits (Dealer Installed)	
	1001214552	Ref	Platform Mesh to Top Rail Add-on Kit (30 x 48 Platform) (Dealer Installed)	
	1001214478	Ref	Platform Mesh to Mid Rail Add-on Kit (30 x 48 Platform) (Dealer Installed)	
	1001103617	Ref	Platform Rail Extension Installation (30 x 48 Platform)	
	1001120466	Ref	Platform Worklight Installation	
	1001282215	Ref	Platform Worklights Kit	
	31220213	1	Platform Worklights Kit Instructions	
	1001231082	Ref	Pump/Motor Service Kit	
	1001199198	Ref	Security Lock (Programmable) Installations (CE & UK CA Specs Only)	
	1001190895	Ref	Service Kits	S
	1001269762	Ref	Side Swing Jib Kit	
	1001247073	Ref	SkyEye Add-on Kit	
	1001241547	Ref	SkyEye Housing Service Kit - LH	
	1001241548	Ref	SkyEye Housing Service Kit - RH	
		Ref	SkyGuard Components	
	1001218499	Ref	SkyGuard Bar Kit	
	1001149563	Ref	SkyGuard Platform Sensor Kit (UGM Machines)	
	1001250035	Ref	SkyGuard Platform Retrofit Kit	
	1001218500	Ref	SkyGuard Blue Beacon Kit (Hood Mounted)	
	1001293790	Ref	SkyGuard Red Beacon Kit (Hood Mounted)	
	1001249052	Ref	SkyGuard Retrofit Kit	
	1001250595	Ref	Skyguard 6-Pin Retrofit Kit	
	1001262016	Ref	SkyLine Add-on Kit	
	1001250465	Ref	Skysense (Level 1 Booms)	
	1001250466	Ref	Skysense (Level 2 Booms)	
	1001289905	Ref	SkySense (EDS) Add-on Kit - Level 1 (Dealer Installad)	
	1001289906	Ref	SkySense (EDS) Add-on Kit - Level 2 (Dealer Installad)	
		Ref	Tools for Service	
	1001249695	1	Analyzer & Cable Kit	
	1001249941	1	Battery Powered Analyzer Cable Kit	
	2915230	1	Battery Charger Reprogram Controller Kit	
	1001137005	1	Cable Service Kit	
	7002828	1	Stripper, Wire	
	7002821	1	Crimper, Wire	

SECTION 10 - SPECIAL OPTIONS/ACCESSORIES/KITS

ITEM	PART NUMBER	QTY	DESCRIPTION	REV
	7002823	1	Pin Extractor - Universal (For Electrical Connectors with Pins and Deutsch Connectors)	
	4460467	1	Extractor - 16-18 Gauge (For Removal of Pin/sockets from Deutsch Connectors)	
	4460510	1	Extractor - 12-14 Gauge (For Removal of Pin/sockets from Deutsch Connectors)	
	7004275	1	Seal Tool 1in (For Cylinders)	
	7004276	1	Seal Tool 1-1/2in (For Cylinders)	
	7016654	1	Screwdriver, Magnetic	
	70004185	1	Torque Multiplier	
	7016655	1	Wire Rope Sheave Gauge	
	1001160529	Ref	Turntable Bearing Service Kit	
	1001277843	Ref	UGM2 Retrofit Kit	
	1001274249	Ref	USB Charger Add-on Kit (Dealer Installed)	
	1001262959	Ref	Voltage Regulator Location Add-on Kit (Dealer Installed)	
	1001241267	Ref	Wear Pad Kit E300AJP (E300AJP)	
		Ref	White Noise Alarm Add-on Kits	
	1001231954	Ref	White Noise Alarm Installation (Factory Installed)	
	1001235850	Ref	White Noise Alarm Kit (Dealer Installed)	
	1001235853	Ref	White Noise Ambient Alarm Kit (Dealer Installed)	

SECTION 10 - SPECIAL OPTIONS/ACCESSORIES/KITS

PART NUMBER INDEX

SECTION 10 - SPECIAL OPTIONS/ACCESSORIES/KITS

0060044.....101, 103	0641613.....47	1001102527.....59	1001116692.....235
0060065.....101, 105	0641616.....47, 59	1001103012.....267	1001116693.....211
0100009.....121, 125	0641618.....41	1001103617.....323	1001116720.....253
0100011....13, 19, 21, 33, 35, 37, 39, 43, 47, 59, 61, 63, 65, 71, 73, 75, 77, 91, 95, 97, 99, 101, 107, 109, 115, 141, 145, 203	0641622.....99	1001103646.....55	1001116732.....273
0100019.....19, 21, 53	0641806.....99	1001104498.....267	1001116733.....267, 273
0100020.....19, 22, 135	0641808.....95, 99	1001105091.....33, 35	1001116734.....267
0100035.....121, 125, 137	0641810.....99	1001105989.....95, 163	1001116810.....274
0100048.....33, 35, 37, 39	0641812.....19, 21, 95	1001106757.....203	1001116812.....191, 201, 267, 273
0100071....155, 157, 159, 161, 163, 165, 167	0642208.....21	1001106879.....97, 167	1001116813.....273
0100081.....203	0681608.....109	1001106880.....95, 159	1001116815.....268, 274
0140011.....121, 125	0682012.....19, 21	1001107152.....203	1001117070.....267
0140043.....87	0682040.....53	1001107217.....99	1001117172.....135
0258986.....31	0682048.....53	1001107567.....99	1001117174.....121, 125, 135
0259384.....322	0700408...181, 183, 185, 187, 189	1001107583.....95, 99	1001118274.....97, 203
0275216.....181, 243	0700818.....101	1001107584.....95	1001118384.....261
0275217.....183, 245	0700820.....203	1001107712.....13, 17	1001118388.....253, 261
0275452.....187, 249	0701018.....101	1001107820.....59	1001118516.....101
0275453.....189, 251	0701020.....101	1001107854.....267	1001119228...19, 21, 203
0275454.....185, 247	0711227.....97	1001107886.....99, 161	1001119504.....107
0275663.....221	0721003.....21	1001108274.....59	1001119513.....107
0275664.....223	0721006.....203	1001108290.....97	1001119527.....107
0275665.....219	0741408.....99	1001108310.....13, 165	1001119619.....257
0275666.....215	0760606.....109	1001108429.....101, 157	1001119620.....255, 259
0275667.....217	0760610.....109	1001109126.....47	1001119962.....322
0340048.....22	0760812.....97	1001109446.....47, 51	1001120328.....141, 145
0440162.....13	0761007.....107	1001109503.....67, 69	1001120466.....323
0630568.....121, 125	0761011.....95	1001109528.....95	1001120471.....151
0641403....33, 35, 37, 39, 99	0761014.....95, 109	1001109682.....172	1001120477.....151
0641404.....145	0761215.....95, 109	1001109683.....172	1001120484.....151
0641405....121, 125, 145	0811608.....47	1001109686.....172	1001120989.....315
0641406....13, 41, 59, 87, 89, 117, 119, 139, 181, 183, 185, 187, 189, 284, 288, 292, 296, 300, 304, 308, 312	0840031.....37, 39	1001109687.....172	1001122600.....203
0641407..71, 73, 75, 181, 183, 185, 187, 189	0840032.....37, 39	1001109688.....172	1001123023.....95, 97
0641408 19, 21, 117, 119, 147	0860038.....177, 179	1001109690.....172	1001123024.....95, 101
0641414....121, 125, 141, 147, 149	0860520...284, 288, 292, 296, 300, 304, 308, 312	1001109756.....203	1001123044.....97
0641416....181, 183, 185, 187, 189, 203	0861375.....21	1001109757.....203	1001123045.....97
0641418..61, 63, 65, 115, 203	0861731...247, 249, 251	1001109833.....193, 195, 199	1001125235.....95
0641505.....19, 21, 37	0861781.....243, 245	1001109892.....19, 21	1001125677.....239, 274
0641507.....47	0861880.....213	1001110030.....193, 195	1001126008.....267
0641511.....203	0903530.....47	1001110066.....193, 195	1001126009.....261
0641512.....39	0940036.....91	1001110196.....284, 288, 292, 296, 300, 304, 308, 312	1001126245.....267
0641514.....33, 35, 37	0940048.....99	1001110975.....121, 125	1001129555.....318
0641520.....203	0940049.....47	1001110434.....121, 125	1001131269.....284, 300
0641604....181, 183, 185, 187, 189	0961845.....115	1001110541.....177	1001132005.....323
0641606....33, 35, 37, 39, 43, 59, 61, 63, 65, 91, 95, 99	0961947.....103	1001110542.....175	1001137673.....141, 319
0641607.....13, 47, 95	0961948.....97, 99	1001110543.....179	1001138494.....115
0641608.....47, 95, 99	0961951.15, 17, 101, 155	1001110772.....31	1001138514.....115
0641610....13, 19, 21, 95, 117, 119	0962140.....15, 17	1001110873.....177	1001140429.....115
	0962233...33, 35, 37, 39	1001112607.....95	1001144330.....315
	0962257.....103	1001112946.....172	1001144629.....113
	0962259.....99	1001112947.....172	1001148902.....322
	0962292.....101	1001112948.....172	1001148903.....322
	0962449.....211	1001113166.....304	1001148904.....322
	1001094670.....101	1001113168.....296	1001148905.....322
	1001096134.....267	1001113169.....300	1001148906.....322
	1001097051.....259	1001113170.....292	1001148971.....323
	1001097150.....213	1001113171.....312	1001149563.....323
	1001097244.....151	1001113172.....312	1001151286.....323
	1001097487.....99	1001113509.....308	1001151393.....67, 69
	1001098122.....135, 239	1001113680.....292	
	1001098828.....109	1001113961.....273	
	1001100341.....243	1001114757.....59	
	1001100342.....245	1001114782.....37	
	1001100345.....249	1001115980.....315	
	1001100346.....247	1001116006.....37	
	1001100347.....251	1001116018.....197	
		1001116208.....315	

SECTION 10 - SPECIAL OPTIONS/ACCESSORIES/KITS

1001152266	277	1001181412.....	193, 197, 199	1001195304.....	323	1001219722	19, 21
1001153013	53, 55	1001181643.....	43	1001195457	43	1001220271	19, 21
1001155044 .	67, 69, 121, 125	1001181644.....	43	1001195501	41	1001223055	284
1001155045 .	67, 69, 121, 125, 319	1001181936.....	43	1001196634.....	225	1001223971	300
1001155743	61, 63, 65	1001182474.....	63, 65	1001196635.....	201, 318	1001224048	308
1001157890	235, 271, 273	1001182550.....	19, 21, 25	1001196636.....	277	1001224049	312
1001157891	267, 271, 273	1001182700.....	318	1001196811.....	288	1001224050	296
1001159186	235, 239	1001182724.....	121, 318	1001197583.....	81, 83	1001224052	292
1001159256	121, 125, 319	1001182806.....	89	1001197584.....	181, 183, 185, 187, 189	1001224053	304
1001160232	172	1001182960.....	19, 21	1001198371.....	187	1001224891	107
1001160529 ..	53, 55, 324	1001183062.....	203, 211	1001198372.....	189	1001225131 ...	71, 73, 75, 225
1001161117	13, 318	1001183366.....	87	1001198373.....	185	1001225580	141, 253
1001161710	121, 125, 319	1001183507.....	203	1001198374.....	181	1001226541	225, 274
1001162882	47	1001183880.....	203, 209	1001198375.....	183	1001227633	143
1001162887	201	1001183881.....	203, 207	1001199198.....	323	1001227634	143
1001163340	201	1001184852.....	19, 21	1001200491.....	109	1001227665	47
1001164238	91	1001184854.....	19, 21	1001201642.....	267	1001227985	143
1001164239	91	1001185281.....	121, 125	1001203734.....	273	1001227987	143
1001164257	91	1001186231.....	274	1001203949.....	95, 155	1001227996	255, 259
1001164280	91	1001186375.....	115	1001204216.....	203	1001228224	143, 318
1001164606	91	1001186387.....	113	1001205180.....	277	1001228225	143, 318
1001164642	47	1001186431.....	141, 318	1001205184.....	211	1001228370	284, 300
1001164643	47	1001186432.....	253, 261	1001205409.....	201	1001228627	109
1001164706	47	1001186517.....	141	1001206532.....	122, 126	1001229107	322
1001166538	129	1001186860.....	19, 21	1001207004.....	83	1001229341	143
1001166539	131	1001187674.....	143	1001209664.....	141	1001229689	315
1001168210	155	1001187681.....	257	1001210587.....	22	1001230504	322
1001169423	13	1001188291.....	203, 207, 209	1001210636.....	151	1001230634	47
1001170365	21, 318	1001188292.....	204, 209	1001212200.....	284, 288, 292, 296, 300, 304, 308, 312	1001231007	89, 279
1001170367	19, 318	1001188293.....	207	1001212359.....	19, 21	1001231082	323
1001170761	267, 318	1001188354.....	203, 207, 209	1001212371.....	35	1001231801	315
1001170762	267	1001188622.....	109	1001212374.....	195	1001231886	89
1001170764	277	1001188844.....	109	1001212376.....	35, 195	1001231954	324
1001172663	109	1001189039.....	318	1001212415.....	318	1001231958	89
1001172760	121, 125	1001189882.....	315	1001212436.....	233	1001232164	143
1001174447	61, 63, 65	1001190577.....	25, 267	1001212446.....	22, 233	1001232165	143
1001174991	47	1001190895.....	323	1001212450.....	65	1001232642	145
1001175350	47	1001190985.....	109	1001212478.....	323	1001232667	145
1001175351	288	1001192110... ..	19, 21, 267	1001213447.....	239	1001233237	322
1001176469	69	1001192112... ..	19, 22, 271	1001213626.....	22	1001234102	322
1001177069	267	1001192113.....	13, 263	1001213882.....	121, 125	1001235091	227
1001177363	47, 49	1001192212... ..	19, 21, 318	1001214032.....	315	1001235649	227
1001177590	37	1001192293.....	41, 237	1001214478.....	323	1001235850	227
1001177626	39	1001192401.....	71, 73, 75	1001214552.....	323	1001235853	324
1001177627	33	1001193018.....	181, 183, 185, 187, 189	1001214667.....	61, 63, 65, 318	1001236552	145
1001178339 ..	19, 21, 318	1001193545.....	237	1001215228.....	121, 125	1001237110	322
1001178381	172	1001193987.....	121, 125	1001215835.....	125, 318	1001237667	239
1001179000	231, 233	1001194014.....	79	1001216630.....	109	1001237668	239
1001179001	231, 233	1001194283.....	231, 233	1001217228.....	109	1001237862	255, 259
1001179774	19	1001194285.....	231, 233	1001217242.....	109	1001237863	143, 259
1001180317	19, 21	1001194288.....	231, 233	1001217243.....	109	1001237864	143, 255
1001180675	19	1001194288.....	231, 233	1001217244.....	109	1001237865	143, 257
1001180906	13	1001194654.....	231, 233	1001217249.....	109	1001237888	147, 149
1001180910	47	1001194655.....	231, 233	1001217253.....	109	1001237891	149
1001180911	13, 15	1001194656.....	231, 233	1001217254.....	109	1001237898	147, 149
1001180913	13	1001194657.....	231, 233	1001217267.....	109	1001237902	147, 149, 318
1001180914	21	1001194658.....	231, 233	1001217267.....	109	1001238319	143
1001180915	13	1001194659.....	231, 233	1001217413.....	109	1001238418	145, 261
1001181045	213, 318	1001194739.....	231, 233	1001217842.....	267, 274	1001238472	145
1001181095	63, 65	1001194740.....	231, 233	1001217843.....	267	1001238495	141
		1001194945.....	37, 197	1001217844.....	267	1001238559	145
		1001194946.....	33, 193	1001218499.....	323	1001238732	137
		1001194947.....	39, 199	1001218500.....	323	1001239662	81
		1001195097.....	19, 231	1001219016.....	109	1001239663	83
				1001219601... ..	19, 22, 318	1001241162	147

SECTION 10 - SPECIAL OPTIONS/ACCESSORIES/KITS

1001241267.....324	1001253930.....312	1001284694.....284, 288, 292, 296, 300, 304, 308, 312	1701642.....284, 288, 292, 296, 300, 304, 308, 312
1001241391.....322	1001253931.....312	1001285663...61, 63, 65, 277	1701644....284, 288, 292, 296, 300, 304, 308, 312
1001241547.....323	1001253932.....304	1001286622.....77	1702124.....172
1001241548.....323	1001253933.....304	1001286773.....79	1702155....284, 288, 292, 296, 300, 304, 308, 312
1001241965.....145	1001254285.....322	1001289648.....77	1702300....284, 288, 292, 296, 300, 304, 308, 312
1001243092.....147	1001254472.....145	1001289788...71, 73, 75	1702391.....284
1001243183.....322	1001254473.....145	1001289850.....77	1702565.....121, 125
1001243184.....322	1001258730.....147, 149	1001289905.....323	1702566.....121, 125
1001243205.....147	1001259489.....67, 69	1001289906.....323	1702773.....288, 315
1001243575.....322	1001260408...71, 73, 75	1001290019...61, 63, 65, 235	1702774.....315
1001244335.....149	1001260414.....201	1001290020...71, 73, 75, 225	1702860.....315
1001244336.....147	1001260438...71, 73, 75	1001290029...61, 63, 65, 273	1702868.....284, 315
1001244462.....85	1001260524.....147	1001290524.....322	1703175.....322
1001244671.....149	1001260525.....147, 149	1001291056.....77	1703797.....284
1001244709.....149	1001260533.....191	1001293088.....39	1703798.....284
1001244710.....149	1001260537.....71, 73	1001293138.....239	1703804.....284
1001244732.....149	1001262016.....323	1001293369.....85, 322	1703805.....284
1001244733.....149	1001262322.....227	1001293790.....323	1703813.....284
1001245164.....137	1001262326.....227	1001294632.....53, 57	1703923.....312
1001245173.....137	1001262959.....324	1001294633.....53	1703924.....300
1001245179.....137	1001265163.....151	1001294758.....315	1703925.....296
1001245210.....137	1001265342.....151	1001294815.....315	1703926.....304
1001245293.....318	1001265360.....322	1001311034.....145, 318	1703927.....308
1001245672.....63, 65	1001266294...61, 65, 67	1060092.....197	1703928.....292
1001246389.....147	1001266295.....63, 69	1060494.....41	1703929.....312
1001246859.....273	1001266300.....67	1060742.....199	1703930.....300
1001247073.....323	1001266301.....69	1060743.....197, 199	1703931.....296
1001247252.....147	1001266807.....323	1060801.....41	1703932.....304
1001247426.....322	1001266969.....323	1060802.....41	1703933.....308
1001247427.....322	1001268350.....322	1060908.....213	1703934.....292
1001247538.....122, 126	1001269304.....172, 322	1060918.....135	1703935.....312
1001248653.....284	1001269309.....172, 322	1062255.....227	1703936.....300
1001248654.....300	1001269762.....323	10837580.....167	1703937.....304
1001248656.....304	1001269899.....322	1271433.....99	1703939.....308
1001248657.....308	1001270237.....172, 322	1271463.....41	1703940.....292
1001248658.....312	1001270594.....79	1320030.....172	1703947.....312
1001248660.....296	1001271248.....97	1320041.....59	1703948.....300
1001248661.....292	1001271250.....97	1320043.....13, 203	1703949.....296
1001249052.....323	1001272006...19, 21, 318	1320136.....109	1703950.....304
1001249416.....117	1001272122.....315	1320159.....203	1703951.....308
1001249417.....119	1001272166.....323	1320172...193, 195, 197, 199	1703952.....292
1001249418.....117, 121	1001272182.....323	1320261.....203	1703980.....304
1001249419.....119, 125	1001272182.....323	1320262.....203	1703981.....308
1001249420.....61	1001272274.....323	1320263...181, 183, 185, 187, 189	1703982.....296
1001249422.....63	1001272279.....121, 125, 239	1580012.....139	1703983.....312
1001249424.....65	1001272307.....21	1670878...33, 35, 37, 39	1703984.....300
1001249695.....323	1001272659.....229	1670890...33, 35, 37, 39	1703985.....292
1001249941.....323	1001272681.....81	1670899.....203	1704000.....300, 315
1001250035.....323	1001273012.....229	1670953.....41	1704001.....312
1001250465.....323	1001274249.....324	1701500...284, 288, 292, 296, 300, 304, 308, 312	1704002.....292
1001250466.....323	1001274559.....121, 125	1701504...284, 288, 292, 296, 300, 304, 308, 312	1704200.....315
1001250537.....322	1001274833.....322	1701509...284, 288, 292, 296, 300, 304, 308, 312	1704260.....121, 125
1001250595.....323	1001275149.....77	1701517.....288	1704277....284, 288, 292, 296, 300, 304, 308, 312
1001251382...71, 73, 75	1001275628.....121, 125	1701518.....288	1704339.....312
1001251467.....71	1001275629.....121, 125	1701529...284, 288, 292, 296, 300, 304, 308, 312	1704340.....300
1001251468.....73	1001276007.....322		1704341.....292
1001251469.....75	1001276008.....322		1704342.....304
1001253920.....284	1001276610.....229		1704343.....308
1001253921.....284	1001276873...61, 63, 65		1704344.....296
1001253922.....300	1001276923.....322		1704412....284, 288, 292, 296, 300, 304, 308, 312
1001253923.....300	1001277843.....324		
1001253924.....308	1001280404.....67, 69		
1001253925.....308	1001280661.....77		
1001253926.....296	1001281707.....322		
1001253927.....296	1001282215.....323		
1001253928.....292	1001283300...61, 63, 65		
1001253929.....292	1001283776.....79, 265		

SECTION 10 - SPECIAL OPTIONS/ACCESSORIES/KITS

1704422	121, 125	2900770 ...	103, 155, 157, 159, 161, 167	3422582.....	95	4070904	33, 35, 37, 39
1704885	315	2902549 ...	181, 183, 185, 187, 189, 213	3422709.....	95	4100066	203
1705325	181	2915230	323	3422745.....	97	4240017	77
1705351	284	2920151	109	3422785.....	99	4240018	85, 203
1705426	304	2940048	41	3422786.....	99	4240032 ...	61, 63, 65, 71, 73, 75, 81, 83, 204, 227, 229
1705427	308	2940073	33, 35, 37, 39	3422787.....	95	4240033 ...	19, 21, 81, 83, 141, 143, 145, 203, 207, 209
1705429	300	2940074	113, 318	3422788.....	99	4240084	19, 21
1705430	296	2940114	33, 35, 37, 39	3422789.....	99	4240099	121, 125
1705670	288	2940117	91	3422790.....	95	4240156	203
1705822	288	3000003	33, 35, 37, 39	3422791.....	101	4240175	13
1705828	288	3020037	47	3422792.....	95	4360387	69, 121, 125, 319
1705910	312	3020043	77	3422794.....	101	4360397	69
1705921	288	31220213	323	3422814.....	95	4360407 ...	121, 125, 319
1705961	288	3251243	284, 296, 300	3430616.....	121, 125	4360469	67, 69, 319
1705968	296	3251813 ...	284, 292, 296, 300, 304, 312	3470003.....	121, 125	4360475	67, 69, 319
1705969	308	3252347	284	3520028....	19, 21, 67, 69	4360476 67, 69, 121, 125, 319	
1705978	288	3252507 ...	179, 183, 185, 187, 189	3520030.....	121, 125	4360517	59, 318
1706126 ...	284, 288, 292, 296, 300, 304, 308, 312	3290401	77	3520035.....	19, 21	4360548	211, 319
2080040	113	3290405 79, 81, 151, 181, 183, 185, 187, 189		3520054.....	121, 125	4420051	315
2080069	147, 149	3290605	109	3520072.....	113, 115	4460025 ...	193, 195, 197, 199
2220124	47	3290606	115	3520198.....	113, 115	4460042	267
2220372	172	3290805	101	3572551.....	101	4460071 ...	135, 177, 179
2220408	172	3291001	109	3740080.....	61, 63, 318	4460125	179
2220415	172	3291005	101, 109	3740086.....	261, 318	4460134	41
2220466	172	3291201	109	3760115.....	97	4460138	41, 71
2220472	172	3291205	109	3790012. 67, 69, 121, 125		4460142	263
2220473	172	3300106	31	3820001....	284, 288, 292, 296, 300, 304, 308, 312	4460183	235
2220502	172	3300151	115	3820019.....	79	4460205	177
2220582	172	3300353	41, 121, 125	3820020... 81, 83, 91, 113		4460224	121, 125
2220628	172	3300430	141, 149	3841143 ... 13, 95, 99, 109		4460225	239
2220883	155	3310805	203	3841203.....	95, 99	4460226 ...	109, 129, 132, 135, 235, 273
2220909	172	3311001	21	3900118.....	13	4460227	59, 235, 273
2220940	172	3311005 ...	59, 61, 63, 65, 83, 203	3900255.....	13	4460233	179
2221033	172	3311401 ...	19, 21, 33, 35, 37, 39, 61, 63, 65, 71, 73, 75	3900258.....	61, 63, 65	4460234 ...	61, 63, 65, 71, 73, 75, 77, 81, 83, 121, 125, 204, 227
2221039	172	3311405 ...	13, 41, 59, 61, 63, 65, 87, 89, 117, 119, 145, 181, 183, 185, 187, 189, 203, 284, 288, 292, 296, 300, 304, 308, 312	3900266....	33, 35, 37, 39	4460259	151, 235, 239
2221048	172	3311501	101	3900283.....	47	4460260	151, 235, 239
2221086	172	3311502	47	3900349.....	121, 125	4460265	129, 132
2400044	21	3311505	33, 35, 37, 47	3900349.....	121, 125	4460267 ...	121, 125, 235, 239
2400060 ...	151, 201, 225, 235, 239, 240	3311601 ...	121, 125, 145	3910610.....	177, 179	4460268	239
2400066	274	3311605 ...	13, 41, 47, 95, 99, 117, 119	3911010.....	137	4460294	239
2460037	41	3311805	95	3911012.....	83	4460313	235
2540020	33, 35, 37, 39	3312005 ...	13, 33, 35, 37, 39	3930820.....	203	4460320	59, 235
2540037	21	3312602	77	3930828.....	203	4460346	177
2560122	61, 63, 65	3340852	33, 35, 37, 39	3931010.....	59	4460418	235, 239
2560123	61, 63, 65	3340854	95	3931012.....	61, 63, 65	4460419	235, 239
2560136	121, 125	3340860	101	393102.....	61, 63, 65	4460424	109, 273
2600103	41	3340865	99	3931012.....	61, 63, 65	4460426	41
2600258	91	3340939	203	3931408.....	13, 141	4460428	121, 125
2600281	113	3380434	117, 119	3931430....	33, 35, 37, 39	4460434	239
2752473	172	3422181	13	3931816.....	101	4460464 ...	13, 81, 83, 87, 135, 151, 191, 201, 207, 211, 225, 237, 239, 253, 261, 263, 265, 267, 271, 273, 274, 277, 279
2752613	172	3422424	99	3931832.....	53		
2752999	172	3422562	13	3960422.....	177, 179		
2753136	172			3960447.....	43		
2753137	172			3990001.....	225		
2753276	172			4010618.....	115		
2753279	172			4031505.....	143		
2753364	172			4031507.....	77		
2753812	172			4031509.....	79, 81		
2754055	172			4031516.....	145		
2780282	19, 21, 27			4031707.....	19, 21		
2820118	207, 209			4031908.....	203		
2820247	255, 259			4060092.....	179		
2860030	67, 69, 318			4060804.....	109		
2900756	51			4060805.....	109		
				4060808.....	203		
				4060865.....	79		
				4060959.....	322		
				4070897.....	97		
				4070898.....	97		

SECTION 10 - SPECIAL OPTIONS/ACCESSORIES/KITS

4460465.....79, 151, 191, 201, 207, 209, 211, 225, 235, 237, 239, 253, 263, 267, 271, 273, 274, 277, 279	4460932... 151, 191, 201, 211, 225, 263	4811700 115	70002359..... 155, 163
4460466.... 143, 147, 151, 191, 201, 204, 207, 209, 225, 235, 237, 239, 253, 257, 261, 263, 265, 267, 271, 273, 274, 277	4460933 239, 273	4811702 109	70002360..... 155
4460467 324	4460941 257	4811900 203	70002362..... 167
4460470 121, 125	4460942 143, 273, 274	4811902 97, 101	70002363..... 165, 167
4460471 121, 125	4460943... 147, 149, 201, 257, 271, 273	4812000 107, 109	70002365..... 167
4460508.... 143, 207, 239, 273	4460944 ... 191, 201, 267, 271, 273	4812100 109	70002366..... 163, 167
4460509..... 207, 209	4460945 268	4831400 77	70002367..... 167
4460510..... 324	4460950 267, 271	4845923 33, 35, 37, 39	70002368..... 167
4460516..... 25	4460956 213	4845924 33, 35, 37, 39	70002369..... 167
4460536 13, 87, 149, 239, 279	4460957 213	4845940 99	70002370..... 157
4460539.... 239, 263, 271, 277, 279	4460968 181, 183, 211	4845942 99	70002371..... 157
4460662..... 185, 187, 189	4460984 235	4845943 99	70002373..... 157, 165
4460670..... 267	4461077 191, 257, 261	4846083 99	70002374..... 157
4460708..... 239	4461196 215, 243	4846278 101	70002375..... 157
4460709..... 203	4461198 243	4846502 101	70002376..... 157
4460710.... 175, 177, 179, 181, 183, 185, 187, 189	4461199 217, 245	4891600 109	70002379..... 165
4460761 235, 239, 273	4461201 245	4892000 19, 21, 53	70002380..... 165
4460805 73	4461205 ... 221, 223, 249, 251	5221000 107	70002381..... 163, 165
4460806..... 235	4461244 249	5241200 97, 109	70002382..... 165
4460836..... 271, 273	4461245 251	5251008 109	70002383..... 165
4460851 235	4461246 247	5251010 97	70002384..... 165
4460866 239, 273	4461249 219, 247	5251012 97	70002385..... 167
4460868 235	4567739 ... 33, 35, 37, 39	5251016 109	70002386... 159, 161, 318
4460871 225, 235, 239, 267, 273, 274, 277, 279	4568165 41	5260800 203	70002387 159, 161
4460872 225, 277	4640771 167	5281920 203	70002389..... 157, 167
4460873.... 239, 267, 274	4641129 51	70000340 105	70002401..... 49
4460874 239, 273	4711000 ... 59, 61, 63, 65, 83	70000341 103	70002402..... 49
4460875 239, 277	4711400 ... 13, 19, 21, 59, 61, 63, 65, 71, 73, 75, 87, 89, 99, 115, 141, 145, 147, 181, 183, 185, 187, 189, 203	70000681 55	70002403..... 49
4460876 235	4711600 ... 13, 19, 21, 33, 35, 37, 39, 43, 47, 59, 61, 63, 65, 95, 99, 121, 125	70000865 55	70002404..... 49
4460877 235	4711800 19, 21	70001366 27	70002405..... 51
4460878..... 273	4712200 21	70001367 27	70002406..... 51
4460879..... 151, 239	4740086 ... 13, 33, 35, 37, 39	70001368 28	70002409..... 161
4460884.... 151, 191, 201, 225, 235, 253, 267, 273, 277	4740120 59	70001369 27	70002410..... 161
4460887 151, 239, 273	4740171 53	70001370 27	70002412..... 159
4460888..... 239	4740308 47	70001371 27	70002413..... 155
4460891 79, 211, 225, 237, 267, 271, 273, 277, 279	4740362 117, 119	70001372 27	70002434..... 15, 17
4460894.... 225, 235, 239, 273	4740397 67	70001373 27	70002435..... 17
4460897 81, 83, 237, 265, 267, 271, 277	4750800 203	70001374 27	70002525..... 47, 318
4460899.... 253, 257, 261, 273	4751000 21, 203	70001375 27	70002526..... 47, 318
4460905.... 235, 239, 267, 273, 274, 277	4751400 ... 33, 35, 37, 39, 41, 117, 119, 121, 125, 139, 149, 284, 288, 292, 296, 300, 304, 308, 312	70001376 27	70002643..... 55
4460910 255	4751500 ... 19, 21, 33, 35, 37, 39, 47, 101	70001377 27	70002644..... 55
4460911 257	4751600 ... 19, 21, 41, 47, 91, 95, 117, 119, 181, 183, 185, 187, 189	70001378 27	70002645..... 55
4460928 191	4752200 19, 21	70001379 27	70002646..... 55
4460930.... 225, 235, 274	4760600 177, 179	70001380 28	70002647..... 55
4460931.... 147, 265, 274	4761400 139	70002332 161	70002648..... 55
	4811400 . 77, 79, 81, 151, 181, 183, 185, 187, 189	70002333 161, 163	70002649..... 55
		70002334 161	70002650..... 55
		70002335 . 155, 157, 161, 163, 165, 167	70002651..... 55
		70002336 161	70002652..... 55
		70002337 161	70002653..... 55
		70002338 161	70002654..... 55
		70002339 161	70002655..... 55
		70002340 161	70002657..... 55
		70002341 159	70002658..... 55
		70002342 159	70002659..... 55
		70002343 159	70002660..... 55
		70002344 159	70002661..... 55
		70002345 159	70002662..... 55
		70002346 159	70002663..... 55
		70002347 159	70002664..... 55
		70002348 159	70002665..... 55
		70002349 159	70002666..... 55
		70002350 155, 163	70002667..... 55
		70002352 163, 167	70002668..... 55
		70002354 163	70002669..... 55
		70002355 163	70002670..... 55
			70002671..... 55

SECTION 10 - SPECIAL OPTIONS/ACCESSORIES/KITS

7000281	27	70004772	131	70022586.....	165	7017433.....	49
70002902	135	70004773	131	70022593.....	159	7017452.....	51
70002903	135	70004774	132	70023370.....	167	7017488.....	49
70002904	135	70004775	132	7002821.....	323	7017489.....	49, 51
70002905	135	70004809	25	7002823.....	324	7017496.....	49, 51
70003131	155	70004811	25	7002828.....	323	7020036.....	15, 17
70003528	51	70004820	25	7004275.....	324	7020037.....	15, 17
70003784	121, 125	70005143	157	7004276.....	324	7020038.....	15, 17
70004019	51	70005159	157	7007640.....	27	7020039.....	15, 17
70004160	55	70005385	25	7010542.....	49	7020040.....	15, 17
70004185	324	70005386	25	7010543.....	49, 167	7020041.....	15, 17
70004228	47, 318	70005387	25	7011323.....	103	7020054.....	15, 17
70004323	103	70005388	25	7012540.....	51	7020055.....	15, 17
70004738	129	70005389	25	7012904.....	51	7020137.....	15, 17
70004739	129	70005390	25	7012914.....	51	7020140.....	15, 17
70004740	129	70005391	25	7012918.....	51	7020175.....	67, 69
70004741	129	70005392	25	7012955.....	159, 161	7020176.....	67, 69
70004742	129	70005393	25	7012959.....	51	7022391.....	51
70004743	129	70005394	25, 318	7012967.....	51, 159, 161	7024738.....	27
70004744	129	70005395	25	7012972.....	49	7024741.....	27
70004745	129	70005396	25	7012998.....	49, 51	7024883.....	49, 318
70004746	129	70005397	25	7016654.....	324	7024884.....	159, 161
70004747	129	70005398	25	7016655.....	324	7024885.....	49, 51, 318
70004748	129	70005399	25	7017007.....	28	7026048.....	55
70004749	129	70005400	25	7017009.....	27	7026049.....	55
70004750	129	70005401	25	7017022.....	27	7026052.....	55
70004751	129	70005402	25	701706.....	51	7027350.....	55
70004752	131	70005403	25	7017120.....	103	7027351.....	55
70004753	131	70005404	25	7017121.....	103	7027352.....	55
70004754	131	70005405	25	7017122.....	103	7027353.....	55
70004755	131	70005406	25	7017123.....	103	7027359.....	55
70004756	131	70005407	25, 318	7017126.....	103	7027900.....	103
70004757	131	70005408	25	7017127.....	103	7027901.....	103
70004758	131	70005409	25	7017165.....	105	8220045.....	267
70004759	131	70005410	25	7017167.....	105	8229234.....	267, 318
70004760	131	70005411	25	7017168.....	105	8229235.....	267, 274, 318
70004761	131	70005412	25	7017169.....	105	8229236.....	267, 318
70004762	131	70005415	19, 21	7017172.....	103, 105	8229237.....	274, 318
70004763	131	70005695	155	7017173.....	105	8229242.....	235, 239, 240, 274, 318
70004764	131	70005972	155	7017178.....	105	8229249.....	151, 318
70004765	131	70005973	155	7017179.....	105	8229261.....	274, 318
70004766	131	70005974	155	7017192.....	103, 105	8310668.....	107
70004767	131	70006269	107	7017196.....	103	8750011.....	203
70004768	131	70006280	107	7017402.....	49, 51	88662523.....	47
70004769	131	70006345	47	7017406.....	49		
70004770	131	70006574	157	7017418.....	51		
70004771	131	70006722	157	7017421.....	51		



**Corporate Office
JLG Industries, Inc.
1 JLG Drive
McConnellsburg, PA 17233-9533 USA
☎ (717) 485-5161 (Corporate)
☎ (877) 554-5438 (Customer Support)
📠 (717) 485-6417**

**Visit our website for JLG Worldwide Locations.
www.jlg.com**



OSHKOSH™