



Illustrated Parts Manual

Model
340AJ

PVC
2401

P/N
31223004

June 3, 2024 - Rev B

ANSI

CE



UK
CA

AS/NZS

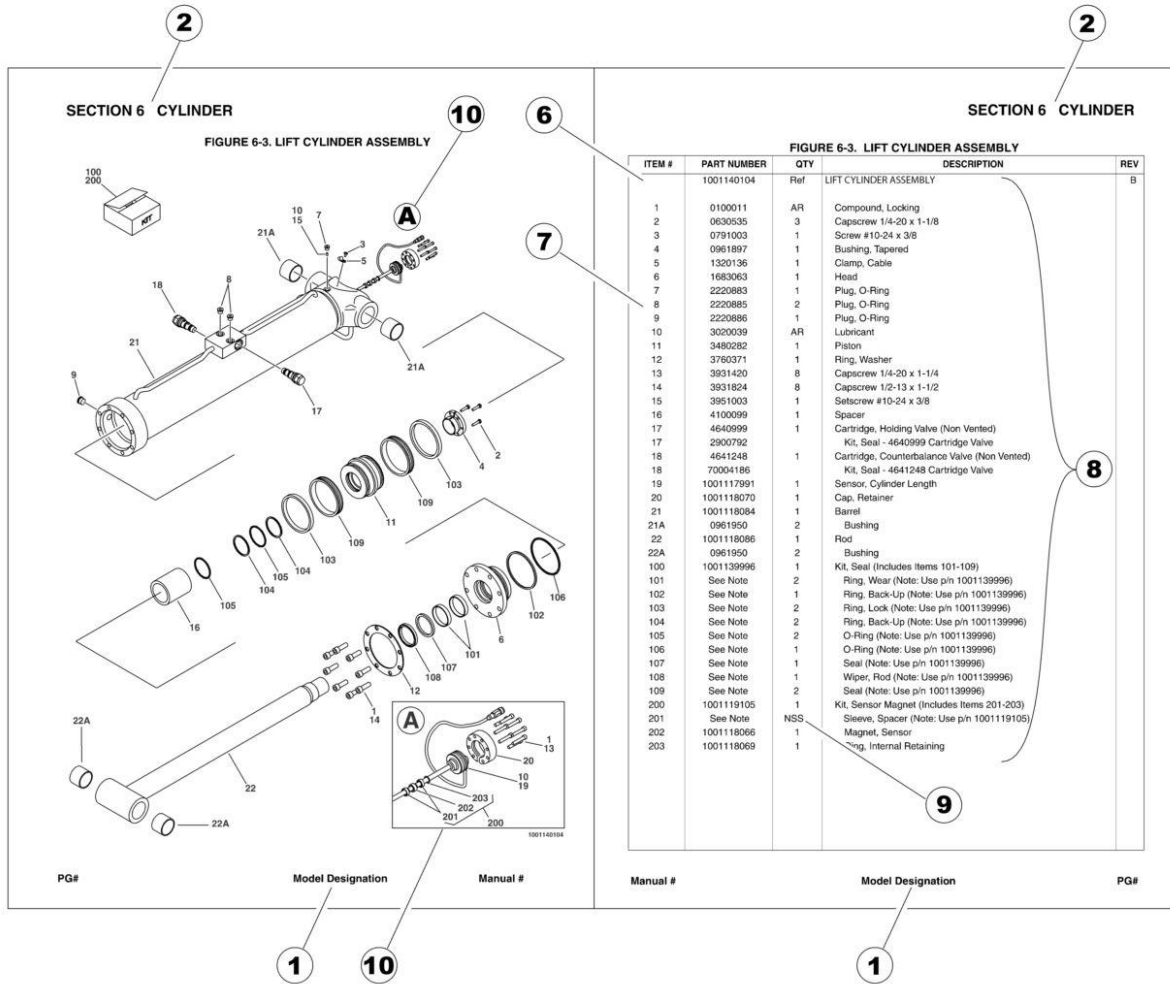


An Oshkosh Corporation Company

REVISION LOG

January 1, 2024 - A - Original Issue of Manual (Edited to B/M 1001247170 Rev M)
June 3, 2024 - B - Revised Manual (Edited to B/M 1001247170 Rev S)

GENERAL INFORMATION



1) MACHINE IDENTIFICATION

Machines are identified by model and in some cases a combination of models, serial number (SN) or regional standard (i.e ANSI, CE, CSA). Components may also be identified by SN or manufacturer. Common components that may be identified by these characteristics are engines and hydraulic components.

2) PARTS MANUAL ORGANIZATION

Product information in this manual is organized under section titles. Frame, Cylinder, Hydraulic and Electrical are a few examples. Each section is organized by figure and page number. The information within the Figure is then organized by item number, part number, description and corresponding illustration (s).

3) TABLE OF CONTENTS (NOT SHOWN)

A table of contents is found toward the beginning of the manual. Figure number, description and page number are provided for quick reference to the page containing the related information.

4) RECOMMENDED SPARE PARTS (NOT SHOWN)

The Recommended Spare Parts List, located near the end of the manual, reference most frequently used maintenance parts.

5) PART NUMBER INDEX (NOT SHOWN)

A numerical index listing all part numbers and the corresponding page number(s) appears at the back of the manual.

GENERAL INFORMATION

6) NON-SERVICED PARTS

In some instances, it is necessary to display non-serviced parts, assemblies or installations. In the case of assemblies and installations there will be a Ref in the Qty. column. In case of parts that are not available for service within assemblies or components, there will be a NSS (Not Sold Separately) or NLA (No Longer Available) listed in the Qty. column of the manual.

7) PARTS LIST ITEM NUMBERS

Numbers shown in the item# column correspond to numbers used in the associated illustration (s). Item numbers which are missing from the sequence in the parts list are not used on that page.

8) INDENTED PARTS DESCRIPTION

An indented part description is included in the item under which it is indented.

9) ABBREVIATION AND SYMBOLS

AC.....	Alternating Current	L.....	Liter
ADE.....	Advanced Design Electronics	LB(LBS).....	Pounds
AG.....	Agricultural	LCD.....	Liquid Crystal Display
ANSI.....	American National Standards Institute	LED.....	Light Emitting Diodes
AR.....	As Required	LH.....	Left Hand
ASSY.....	Assembly	LRC.....	Low Rated Countries
AUS.....	Australia	LSS.....	Load Sensing System
AUX.....	Auxiliary	M(m).....	Metric/Meter
AWG.....	American Wire Gauge	MM(mm).....	Milimeter
B/M.....	Bill of Material	mA.....	Miliamps
CAC.....	Charge Air Cooler	NLA.....	No Longer Available
CE.....	European Conformity	NPT.....	National Pipe Threads
CCW.....	Counter Clockwise	NSS.....	Not Sold Separately
CM.....	Centimeter	OD.....	Outside Diameter
CW.....	Clockwise	ORB.....	O-Ring Boss
CSA.....	Canadian Standards Association	ORFS.....	O-Ring Face Seal
CYL.....	Cylinder	OZ (oz).....	Ounces
DIA.....	Diameter	PG.....	Page
DC.....	Direct Current	PN.....	Part Number
DEF.....	Diesel Exhaust Fluid	QT(qt.).....	Quarts
EMS.....	Emergency Stop	QTY.....	Quantity
ENG.....	Engine	REF.....	Reference
FT(ft).....	Feet	REV.....	Revision Level
GA(Ga).....	Gauge	RH.....	Right Hand
HRC.....	High Rated Countries	SAE.....	Society of Automotive Engineers
HVAC.....	Heating, Ventilating, and Air Conditioning	SN.....	Serial Number
HYD.....	Hydraulic	SPEC(S).....	Specifications
Hz.....	Hertz	T/T.....	Turntable
ID.....	Inside Diameter	UGM.....	Universal Ground Module
IN.....	inches	V.....	Volts
ISO.....	International Organization for Standards	W.....	Watts
JIC.....	Joint Industry Council	#.....	Number
KG.....	Kilogram		

10) ILLUSTRATION REFERENCE LETTERS

When necessary, illustrations may contain reference letters that are intended to track information (i. e. hoses, harnesses) from one point to another or to track visual enlargement of components to show details that may be located in another area on the illustration.

Note: Due to continuous product improvements, JLG Industries, Inc. reserves the right to make specification changes without prior notification. Contact JLG Industries, Inc. for updated information.

TABLE OF CONTENTS

SECTION 1 - FRAME.....	13
FIGURE 1-1. STEERING INSTALLATION	14
FIGURE 1-2. OSCILLATING AXLE INSTALLATION.....	16
FIGURE 1-3. DRIVE VALVES INSTALLATION.....	18
FIGURE 1-4. FLOW DIVIDER VALVE ASSEMBLY	20
FIGURE 1-5. DRIVE INSTALLATION.....	22
FIGURE 1-6. DRIVE MOTOR ASSEMBLY	24
FIGURE 1-7. DRIVE HUB/BRAKE ASSEMBLY	26
FIGURE 1-8. TIRE AND WHEEL INSTALLATION - 7X18 SOLID CUSHION	30
FIGURE 1-9. TIRE AND WHEEL INSTALLATION - 7X18 SOLID CUSHION NON-MARKING.....	32
FIGURE 1-10. TIRE AND WHEEL INSTALLATION - 9X20 FOAM-FILLED	34
FIGURE 1-11. TIRE AND WHEEL INSTALLATION - 9X20 FOAM-FILLED NON-MARKING	36
FIGURE 1-12. TIRE AND WHEEL INSTALLATION - 33 X 12LL500 TURF/SAND FOAM FILLED.....	38
FIGURE 1-13. FRAME SHIELDS INSTALLATION.....	40
FIGURE 1-14. LP TANK ASSEMBLY.....	42
SECTION 2 - TURNTABLE.....	45
FIGURE 2-1. CONTROL VALVE AND CHARGE FILTER INSTALLATION	46
FIGURE 2-2. MAIN CONTROL VALVE ASSEMBLY.....	48
FIGURE 2-3. SWING DRIVE INSTALLATION	50
FIGURE 2-4. SWING MOTOR ASSEMBLY	52
FIGURE 2-5. SWING BEARING ASSEMBLY	54
FIGURE 2-6. TANK INSTALLATION (DIESEL MACHINES).....	56
FIGURE 2-7. TANK INSTALLATION (GAS MACHINES)	58
FIGURE 2-8. HYDRAULIC TANK ASSEMBLY.....	60
FIGURE 2-9. FUEL TANK ASSEMBLY (DIESEL MACHINES)	62
FIGURE 2-10. FUEL TANK ASSEMBLY (GAS MACHINES)	64
FIGURE 2-11. ELECTRICAL COMPONENTS INSTALLATION (ALL SPECS EXCEPT CE & UK CA).....	66
FIGURE 2-12. ELECTRICAL COMPONENTS INSTALLATION (CE & UK CA SPEC).....	68
FIGURE 2-13. GROUND CONTROL BOX ASSEMBLY - DISPLAY WITHOUT BUTTONS (ALL SPECS EXCEPT CE & UK CA SPECS)	70
FIGURE 2-14. GROUND CONTROL BOX ASSEMBLY - DISPLAY WITHOUT BUTTONS (CE & UK CA SPECS)	72
FIGURE 2-15. LIGHT PANEL INSTALLATION	74
FIGURE 2-16. KEY SWITCH INSTALLATION	76
FIGURE 2-17. BATTERY INSTALLATION	78
FIGURE 2-18. WHITE NOISE ALARM INSTALLATION (AMBIENT)	80
FIGURE 2-19. WHITE NOISE ALARM INSTALLATION (CONSTANT).....	82
FIGURE 2-20. STROBE LIGHT INSTALLATION (AMBER)	84
FIGURE 2-21. STROBE LIGHT INSTALLATION (BLUE) (OPTIONAL)	86
FIGURE 2-22. STROBE LIGHT INSTALLATION (RED) (OPTIONAL)	88
FIGURE 2-23. GATEWAY INSTALLATION.....	90
FIGURE 2-24. NO BEACON INSTALLATION	92
FIGURE 2-25. TELEMATICS GATEWAY HARNESS	94
FIGURE 2-26. TURNTABLE FLOODLIGHT INSTALLATION (OPTIONAL)	96
FIGURE 2-27. HEAD AND TAIL LIGHT INSTALLATION (OPTIONAL).....	98

TABLE OF CONTENTS

FIGURE 2-28. HOODS INSTALLATION (Prior to SN 0300313266, Excluding 0300311516)	100
FIGURE 2-29. HOOD INSTALLATION (GAS ENGINE) (SN 0300313266 to Present, Including 0300311516)	104
FIGURE 2-30. ENGINE SIDE HOOD ASSEMBLY.....	108
FIGURE 2-31. TANK SIDE HOOD ASSEMBLY.....	110
FIGURE 2-32. HOOD COMPONENTS - KUBOTA ENGINE (WITHOUT ARCTIC PACKAGE)	112
FIGURE 2-33. HOOD COMPONENTS - KUBOTA ENGINE (WITH ARCTIC PACKAGE).....	114
FIGURE 2-34. HOOD COMPONENTS - KUBOTA ENGINE WITH 4000W GENERATOR (WITHOUT ARCTIC PACKAGE)	116
FIGURE 2-35. HOOD COMPONENTS - KUBOTA ENGINE WITH 4000W GENERATOR (WITH ARCTIC PACKAGE).....	118
FIGURE 2-36. HOOD COMPONENTS - GM ENGINE (WITHOUT ARCTIC PACKAGE) (Prior to SN 0300313266, Excluding 0300311516)	120
FIGURE 2-37. GM ENGINE INSTALLATION (WITHOUT ARCTIC PACKAGE) (SN 0300313266 to Present, Including 0300311516)	122
FIGURE 2-38. HOOD COMPONENTS - GM ENGINE (WITH ARCTIC PACKAGE) (Prior to SN 0300313266, Excluding 0300311516)	124
FIGURE 2-39. GM ENGINE INSTALLATION (WITH ARCTIC PACKAGE) (SN 0300313266 to Present, Including 0300311516)	126
SECTION 3 - ENGINE	129
FIGURE 3-1. GM ENGINE INSTALLATION (WITHOUT ARCTIC PACKAGE) (Prior to SN 0300313266, Excluding 0300311516)	130
FIGURE 3-2. GM ENGINE INSTALLATION (WITHOUT ARCTIC PACKAGE) (SN 0300313266 to Present, Including 0300311516)	132
FIGURE 3-3. GM ENGINE INSTALLATION (WITH ARCTIC PACKAGE) (Prior to SN 0300313266, Excluding 0300311516).....	134
FIGURE 3-4. GM ENGINE INSTALLATION (WITH ARCTIC PACKAGE) (SN 0300313266 to Present, Including 0300311516) .	136
FIGURE 3-5. GM ENGINE AND PUMP SUB-ASSEMBLY	138
FIGURE 3-6. GM ENGINE ASSEMBLY	140
FIGURE 3-7. KUBOTA ENGINE INSTALLATION (WITHOUT ARCTIC PACKAGE)	144
FIGURE 3-8. KUBOTA ENGINE INSTALLATION WITH 4000W GENERATOR (WITHOUT ARCTIC PACKAGE)	148
FIGURE 3-9. KUBOTA ENGINE INSTALLATION (WITH ARCTIC PACKAGE).....	152
FIGURE 3-10. KUBOTA ENGINE INSTALLATION WITH 4000W GENERATOR (WITH ARCTIC PACKAGE).....	156
FIGURE 3-11. KUBOTA ENGINE AND PUMP SUB-ASSEMBLY	160
FIGURE 3-12. KUBOTA ENGINE WITH 4000W GENERATOR AND PUMP SUB-ASSEMBLY	162
FIGURE 3-13. KUBOTA ENGINE ASSEMBLY	164
FIGURE 3-14. KUBOTA ENGINE ASSEMBLY WITH 4000W GENERATOR.....	168
FIGURE 3-15. KUBOTA ENGINE COMPONENTS	174
FIGURE 3-16. QUICKFIT OIL DRAIN INSTALLATION (KUBOTA 2.5L DF).....	178
FIGURE 3-17. CATALYTIC MUFFLER INSTALLATION - KUBOTA ENGINE (OPTIONAL).....	180
FIGURE 3-18. FUEL/WATER SEPARATOR ASSEMBLY (KUBOTAT ENGNIES) (PVC2007)	182
FIGURE 3-19. AXIAL PUMP ASSEMBLY	184
FIGURE 3-20. GEAR PUMP ASSEMBLY	188
FIGURE 3-21. 2800W GENERATOR INSTALLATION - GM ENGINE MACHINES 220V/50HZ GENERATOR (ANSI EXPORT AND CHINA SPECS)	190
FIGURE 3-22. 2800W GENERATOR INSTALLATION - KUBOTA ENGINE MACHINES 120V/50HZ GENERATOR	194
FIGURE 3-23. 2800W GENERATOR INSTALLATION - KUBOTA ENGINE MACHINES 220V/50HZ GENERATOR (ANSI EXPORT, AUSTRALIAN, CHINA, CE & UK CA SPECS)	198
FIGURE 3-24. 3500W GENERATOR INSTALLATION - GM ENGINE MACHINES 120V/60HZ GENERATOR (ANSI, ANSI EXPORT, CHINA, CSA AND JAPANESE SPECS).....	202
FIGURE 3-25. 3500W GENERATOR INSTALLATION - GM ENGINE MACHINES 220V/60HZ GENERATOR (ANSI EXPORT, CHINA AND CSA SPECS).....	206

TABLE OF CONTENTS

FIGURE 3-26. 3500W GENERATOR INSTALLATION - KUBOTA ENGINE MACHINES 120V/60HZ GENERATOR (ANSI, ANSI EXPORT, CHINA, CSA AND JAPANESE SPECS).....	210
FIGURE 3-27. 3500W GENERATOR INSTALLATION - KUBOTA ENGINE MACHINES 220V/60HZ GENERATOR (ANSI EXPORT, CHINA AND CSA SPECS).....	214
FIGURE 3-28. 4000W GENERATOR INSTALLATION - KUBOTA ENGINE MACHINES 220V/50HZ GENERATOR (ANSI EXPORT, AUSTRALIAN, CHINA, JAPANESE, CE & UK CA SPECS).....	218
FIGURE 3-29. 4000W GENERATOR INSTALLATION - KUBOTA ENGINE MACHINES 110V/60HZ GENERATOR (ANSI, ANSI EXPORT, CHINA, CSA AND JAPANESE SPECS).....	222
SECTION 4 - BOOM.....	225
FIGURE 4-1. BOOM AND CYLINDERS INSTALLATION - WITHOUT ARCTIC PACKAGE.....	226
FIGURE 4-2. BOOM AND CYLINDERS INSTALLATION - WITH ARCTIC PACKAGE.....	228
FIGURE 4-3. TOWER BOOM ASSEMBLY.....	230
FIGURE 4-4. MAIN BOOM ASSEMBLY.....	232
FIGURE 4-5. JIB ASSEMBLY - WITHOUT ARCTIC PACKAGE.....	234
FIGURE 4-6. JIB ASSEMBLY - WITH ARCTIC PACKAGE.....	236
FIGURE 4-7. PLATFORM ROTATOR ASSEMBLY - WITHOUT ARCTIC PACKAGE.....	238
FIGURE 4-8. PLATFORM ROTATOR ASSEMBLY - WITH ARCTIC PACKAGE.....	240
FIGURE 4-9. PLATFORM SUPPORT INSTALLATION - WITH 1 CELL LSS (PVC 2007).....	242
FIGURE 4-10. POWER TRACK INSTALLATION.....	244
FIGURE 4-11. CONTROL VALVES INSTALLATION - BOOM.....	246
FIGURE 4-12. FLY BOOM VALVE ASSEMBLY.....	248
FIGURE 4-13. BOOM UPRIGHT VALVE ASSEMBLY.....	250
SECTION 5 - PLATFORM.....	253
FIGURE 5-1. PLATFORM ASSEMBLY - 30IN X 4FT (76CM X 1.22M) - GATE ENTRY.....	254
FIGURE 5-2. PLATFORM ASSEMBLY - 30IN X 5FT (76CM X 1.52M) - GATE ENTRY.....	256
FIGURE 5-3. PLATFORM ASSEMBLY - 30IN X 4FT (76CM X 1.22M) - DROP BAR ENTRY.....	258
FIGURE 5-4. PLATFORM ASSEMBLY - 30IN X 5FT (76CM X 1.52M) - DROP BAR ENTRY.....	260
FIGURE 5-5. PLATFORM ASSEMBLY - 30IN X 3FT (76CM X .91M) - DROP BAR ENTRY.....	262
FIGURE 5-6. TRAY INSTALLATION.....	264
FIGURE 5-7. CONSOLE AND FOOTSWITCH INSTALLATION - DIESEL MACHINES.....	266
FIGURE 5-8. CONSOLE AND FOOTSWITCH INSTALLATION - GAS MACHINES.....	268
FIGURE 5-9. CONSOLE ASSEMBLY.....	270
FIGURE 5-10. LIGHT PANEL INSTALLATION.....	274
FIGURE 5-11. FOOTSWITCH ASSEMBLY.....	276
FIGURE 5-12. USB CHARGER INSTALLATION.....	278
FIGURE 5-13. SKYEYE INSTALLATION.....	280
FIGURE 5-14. SKYLINE INSTALLATION.....	282
FIGURE 5-15. WORKLIGHTS INSTALLATION (OPTIONAL).....	284
SECTION 6 - CYLINDER.....	287
FIGURE 6-1. AXLE LOCKOUT CYLINDER ASSEMBLY.....	288
FIGURE 6-2. LEVEL (PLATFORM SLAVE) CYLINDER ASSEMBLY.....	290
FIGURE 6-3. LIFT (JIB) CYLINDER ASSEMBLY.....	292
FIGURE 6-4. LIFT (MAIN BOOM) CYLINDER ASSEMBLY.....	294
FIGURE 6-5. LIFT (TOWER BOOM) CYLINDER ASSEMBLY.....	296
FIGURE 6-6. MASTER CYLINDER ASSEMBLY.....	298

TABLE OF CONTENTS

FIGURE 6-7. STEER CYLINDER ASSEMBLY	300
FIGURE 6-8. TELESCOPE CYLINDER ASSEMBLY.....	302
SECTION 7 - HYDRAULIC	305
FIGURE 7-1. HYDRAULIC INSTALLATION - WITHOUT ARCTIC PACKAGE	306
FIGURE 7-2. HYDRAULIC INSTALLATION - WITH ARCTIC PACKAGE.....	316
SECTION 8 - ELECTRICAL.....	327
FIGURE 8-1. AC BOX AT PLATFORM INSTALLATION - LOCALLY SUPPLIED COMPONENTS (ANSI EXPORT, AUSTRALIAN AND CHINA SPECS)	328
FIGURE 8-2. AC BOX AT PLATFORM INSTALLATION - LOCALLY SUPPLIED (CE & UK CA SPEC)	330
FIGURE 8-3. AC BOX AT PLATFORM INSTALLATION - 110V (ANSI, ANSI EXPORT, CHINA, CSA AND JAPANESE SPECS)	332
FIGURE 8-4. AC BOX AT PLATFORM INSTALLATION - 110V IEC YELLOW WITHOUT 4000W GENERATOR (CE & UK CA SPEC)	334
FIGURE 8-5. AC BOX AT PLATFORM INSTALLATION - 110V IEC YELLOW WITH 4000W GENERATOR (CE & UK CA SPECS)	336
FIGURE 8-6. AC BOX AT PLATFORM INSTALLATION - 220V (CSA SPEC).....	338
FIGURE 8-7. AC BOX AT PLATFORM INSTALLATION - 220V IEC BLUE WITHOUT 4000W GENERATOR (CE & UK CA SPEC)	340
FIGURE 8-8. AC BOX AT PLATFORM INSTALLATION - 220V IEC BLUE WITH 4000W GENERATOR (CE & UK CA SPECS)	342
FIGURE 8-9. AC BOX AT PLATFORM INSTALLATION - 220V CEE7 POST GROUND 2 X 4 BOX WITHOUT 4000W GENERATOR (CE & UK CA SPEC)	344
FIGURE 8-10. AC BOX AT PLATFORM INSTALLATION - 220V CEE7 POST GROUND 2 X 4 BOX WITH 4000W GENERATOR (CE & UK CA SPECS)	346
FIGURE 8-11. AC BOX AT PLATFORM INSTALLATION - 220V CEE7 SIDE GROUND 2 X 4 BOX WITHOUT 4000W GENERATOR (CE & UK CA SPEC)	348
FIGURE 8-12. AC BOX AT PLATFORM INSTALLATION - 220V CEE7 SIDE GROUND 2 X 4 BOX WITH 4000W GENERATOR (CE & UK CA SPECS)	350
FIGURE 8-13. AC BOX AT PLATFORM INSTALLATION - 220V AFSINT 107 KEYED GROUND WITHOUT 4000W GENERATOR (CE & UK CA SPEC)	352
FIGURE 8-14. AC BOX AT PLATFORM INSTALLATION - 220V AFSINT 107 KEYED GROUND WITH 4000W GENERATOR (CE & UK CA SPECS).....	354
FIGURE 8-15. AC BOX AT PLATFORM INSTALLATION - BOX WITH COVER WITH 4000W GENERATOR (ANSI EXPORT, AUSTRALIAN, CHINA AND JAPANESE SPECS)	356
FIGURE 8-16. AC POWER TO PLATFORM CABLE - MAIN BOOM (WITHOUT ARCTIC PACKAGE) (50HZ)	358
FIGURE 8-17. AC POWER TO PLATFORM CABLE - MAIN BOOM (WITH ARCTIC PACKAGE) (50HZ).....	360
FIGURE 8-18. AC POWER TO PLATFORM CABLE - MAIN BOOM (60HZ).....	362
FIGURE 8-19. AC POWER TO PLATFORM CABLE - TOWER BOOM (WITHOUT ARCTIC PACKAGE) (50HZ)	364
FIGURE 8-20. AC POWER TO PLATFORM CABLE - TOWER BOOM (WITH ARCTIC PACKAGE) (50HZ)	366
FIGURE 8-21. AC POWER TO PLATFORM CABLE - TOWER BOOM (60HZ)	368
FIGURE 8-22. BATTERY DISCONNECT SWITCH	370
FIGURE 8-23. BOOM CABLES, HARNESSES AND CLAMPS INSTALLATION - WITHOUT ARCTIC PACKAGE	372
FIGURE 8-24. BOOM CABLES, HARNESSES AND CLAMPS INSTALLATION - WITH ARCTIC PACKAGE	376
FIGURE 8-25. BOOM CABLES AND CLAMPS INSTALLATION - 4000W, 50HZ - WITHOUT ARCTIC PACKAGE	380
FIGURE 8-26. BOOM CABLES AND CLAMPS INSTALLATION - 4000W, 50HZ - WITH ARCTIC PACKAGE	384
FIGURE 8-27. BOOM CABLES AND CLAMPS INSTALLATION - 4000W, 60HZ - WITHOUT ARCTIC PACKAGE	388
FIGURE 8-28. BOOM CABLES AND CLAMPS INSTALLATION - 4000W, 60HZ - WITH ARCTIC PACKAGE	392
FIGURE 8-29. BOOM HARNESS - LIMIT SWITCHES AND UPRIGHT VALVE	396

TABLE OF CONTENTS

FIGURE 8-30. BOOM HARNESS - MAIN.....	398
FIGURE 8-31. BREAKER BOX INSTALLATION.....	400
FIGURE 8-32. BREAKER BOX KIT (CE & UK CA SPEC)	402
FIGURE 8-33. CHASSIS HARNESS ASSEMBLY.....	404
FIGURE 8-34. CHASSIS LIGHT HARNESS	408
FIGURE 8-35. CLEARSKY INSTALLATION	410
FIGURE 8-36. ENGINE HARNESS - KUBOTA ENGINE	412
FIGURE 8-37. FUEL PUMP HARNESS - GM ENGINES	414
FIGURE 8-38. GENERATOR HARNESS - 2500W.....	416
FIGURE 8-39. GENERATOR HARNESS - 4000W.....	418
FIGURE 8-40. GENERATOR CONTROL HARNESS - 4000W	420
FIGURE 8-41. GENERATOR TO AC PLUG HARNESS - 2800W GENERATOR 220/50HZ (ANSI EXPORT, AUSTRALIAN, CHINA, CE & UK CA SPECS).....	422
FIGURE 8-42. GENERATOR TO AC PLUG HARNESS - 2800W GENERATOR 110/50HZ (CE & UK CA SPECS ONLY)	424
FIGURE 8-43. GENERATOR TO AC PLUG HARNESS - 2800W GENERATOR 220/50HZ (ANSI EXPORT, AUSTRALIAN, CHINA, CE & UK CA SPECS).....	426
FIGURE 8-44. GENERATOR TO AC PLUG HARNESS - 3500W GENERATOR 220/60HZ (ANSI EXPORT, CHINA AND CSA SPECS)	428
FIGURE 8-45. GENERATOR TO AC PLUG HARNESS - 3500W GENERATOR 110/60HZ (ANSI, ANSI EXPORT, CHINA, CSA AND JAPANESE SPECS).....	430
FIGURE 8-46. GENERATOR TO AC PLUG HARNESS - 3500W GENERATOR 220/60HZ (ANSI EXPORT, CHINA AND CSA SPECS)	432
FIGURE 8-47. GROUND TO PLATFORM CABLE - MAIN BOOM (WITHOUT ARCTIC PACKAGE)	434
FIGURE 8-48. GROUND TO PLATFORM CABLE - MAIN BOOM (WITH ARCTIC PACKAGE)	436
FIGURE 8-49. GROUND TO PLATFORM CABLE - TOWER BOOM (WITHOUT ARCTIC PACKAGE).....	438
FIGURE 8-50. GROUND TO PLATFORM CABLE - TOWER BOOM (WITH ARCTIC PACKAGE).....	440
FIGURE 8-51. GROUND CONTROL HARNESS	442
FIGURE 8-52. GENERATOR TO PLATFORM HARNESS.....	446
FIGURE 8-53. LIMIT SWITCH HARNESS	448
FIGURE 8-54. LSS HARNESS.....	450
FIGURE 8-55. MID ENGINE HARNESS	452
FIGURE 8-56. PLATFORM BOX HARNESS.....	456
FIGURE 8-57. RECEPTACLE BOX KIT - 110V IEC YELLOW (CE & UK CA SPEC)	458
FIGURE 8-58. RECEPTACLE BOX KIT - 220V IEC BLUE (CE & UK CA SPEC).....	460
FIGURE 8-59. RECEPTACLE BOX KIT - 220V CEE7 POST GROUND 70MM X 70MM BOX (CE & UK CA SPEC).....	462
FIGURE 8-60. RECEPTACLE BOX KIT - 220V CEE7 SIDE GROUND 70MM X 70MM BOX (CE & UK CA SPEC).....	464
FIGURE 8-61. RECEPTACLE BOX KIT - 220V CEE7 POST GROUND 2IN X 4IN BOX (CE & UK CA SPEC)	466
FIGURE 8-62. RECEPTACLE BOX KIT - 220V CEE7 SIDE GROUND 2IN X 4IN BOX (CE & UK CA SPEC).....	468
FIGURE 8-63. RECEPTACLE BOX KIT - 220V AFSINT 107 (CE & UK CA SPEC).....	470
FIGURE 8-64. RECEPTACLE INSTALLATION - 12V	472
FIGURE 8-65. SKYEYE EMITTER HARNESS.....	474
FIGURE 8-66. SKYEYE INTERMEDIATE HARNESS.....	476
FIGURE 8-67. SKYEYE RECEIVER HARNESS	478
FIGURE 8-68. SKYLINE HARNESS.....	480
FIGURE 8-69. STROBE LIGHT JUMPER HARNESS	482
FIGURE 8-70. STROBE LIGHT CONTROL (BLUE STROBE LIGHT)	484
FIGURE 8-71. STROBE LIGHT EXTENSION HARNESS (BLUE STROBE LIGHT ONLY)	486

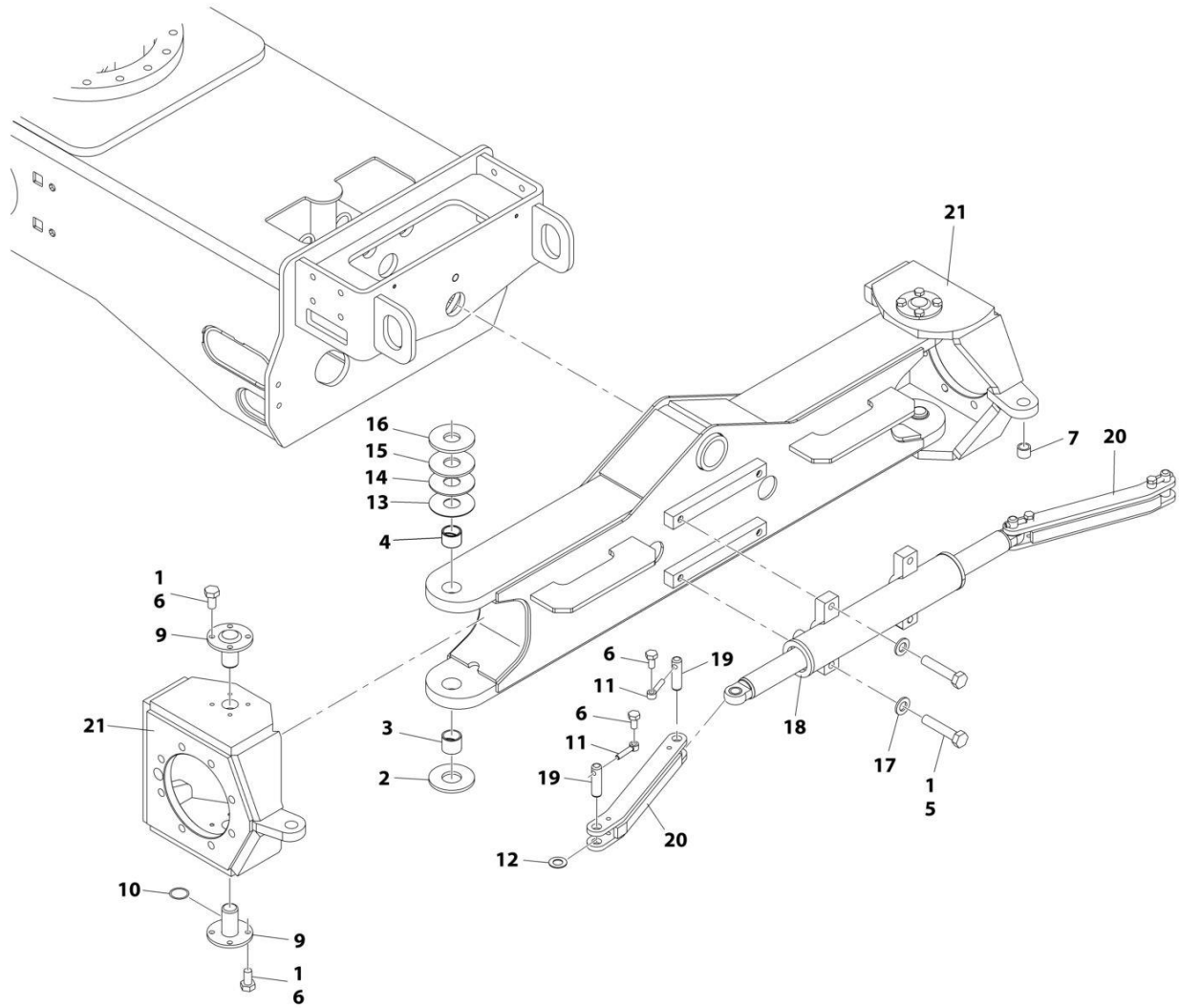
TABLE OF CONTENTS

FIGURE 8-72. VALVE HARNESS - BOOM VALVE	488
FIGURE 8-73. VALVE HARNESS.....	490
FIGURE 8-74. TILT SENSOR HARNESS.....	492
SECTION 9 - DECALS	495
FIGURE 9-1. DECALS INSTALLATION - ANSI AND ANSI EXPORT SPECS (ENGLISH).....	496
FIGURE 9-2. DECALS INSTALLATION - AUSTRALIAN SPEC (ENGLISH)	498
FIGURE 9-3. DECALS INSTALLATION - BRAZIL SPEC (PORTUGUESE/SPANISH)	500
FIGURE 9-4. DECALS INSTALLATION - CE & UK CA SPECS (ENGLISH)	502
FIGURE 9-5. DECALS INSTALLATION - CHINESE SPEC (CHINESE/ENGLISH)	504
FIGURE 9-6. DECALS INSTALLATION - CSA SPEC (FRENCH/ENGLISH).....	506
FIGURE 9-7. DECALS INSTALLATION - JAPANESE SPEC (JAPANESE)	508
FIGURE 9-8. DECALS INSTALLATION - KOREAN SPEC (KOREAN/ENGLISH).....	510
FIGURE 9-9. DECALS INSTALLATION - LATIN AMERICA SPEC (SPANISH/ENGLISH).....	512
FIGURE 9-10. OPTIONAL DECALS INSTALLATION.....	514
SECTION 10 - RECOMMENDED SERVICE PARTS STOCK.....	517
FIGURE 10-1. RECOMMEDED SERVICE PARTS STOCK	518
SECTION 11 - SPECIAL OPTIONS/ACCESSORIES/KITS.....	521
FIGURE 11-1. SPECIAL OPTIONS/ACCESSORIES/KITS.....	522
PART NUMBER INDEX.....	525

SECTION 1 - FRAME

SECTION 1 - FRAME

FIGURE 1-1. STEERING INSTALLATION



ART_1001115771

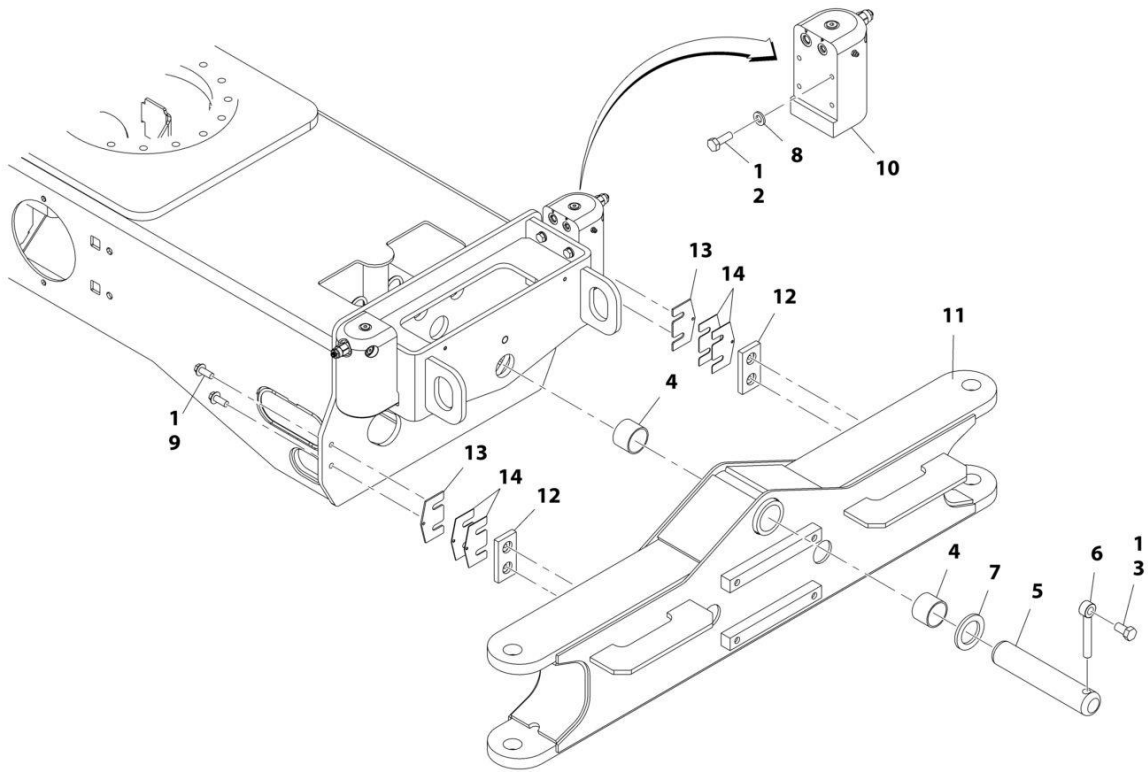
SECTION 1 - FRAME

FIGURE 1-1. STEERING INSTALLATION

ITEM	PART NUMBER	QTY	DESCRIPTION	REV
	1001115771	Ref	STEERING INSTALLATION	C
1	0100011	AR	Compound, Locking	
2	0440271	2	Thrustwasher .250	
3	0440274	2	Bearing	
4	0440291	2	Bearing	
5	0701220	4	Bolt M12 x 60	
6	0761010	20	Bolt M16 x 20	
7	0962140	2	Bushing	
9	3423081	4	Kingpin	
10	3780182	2	O-Ring	
11	3841520	4	Keeper, Pin	
12	4740086	4	Thrustwasher .0625	
13	4740537	2	Thrustwasher .625	
14	4740538	2	Thrustwasher .125	
15	4740539	2	Thrustwasher .188	
16	4740540	2	Thrustwasher .250	
17	4812100	4	Washer M12	
18	1001116788	1	Steer Cylinder Assembly (See Separate Breakdown in CYLINDER SECTION)	
19	1001116867	4	Pin, Pivot	
20	1001116871	2	Link, Tie-Rod	
21	1001117142	2	Spindle	

SECTION 1 - FRAME

FIGURE 1-2. OSCILLATING AXLE INSTALLATION



ART_1001115772

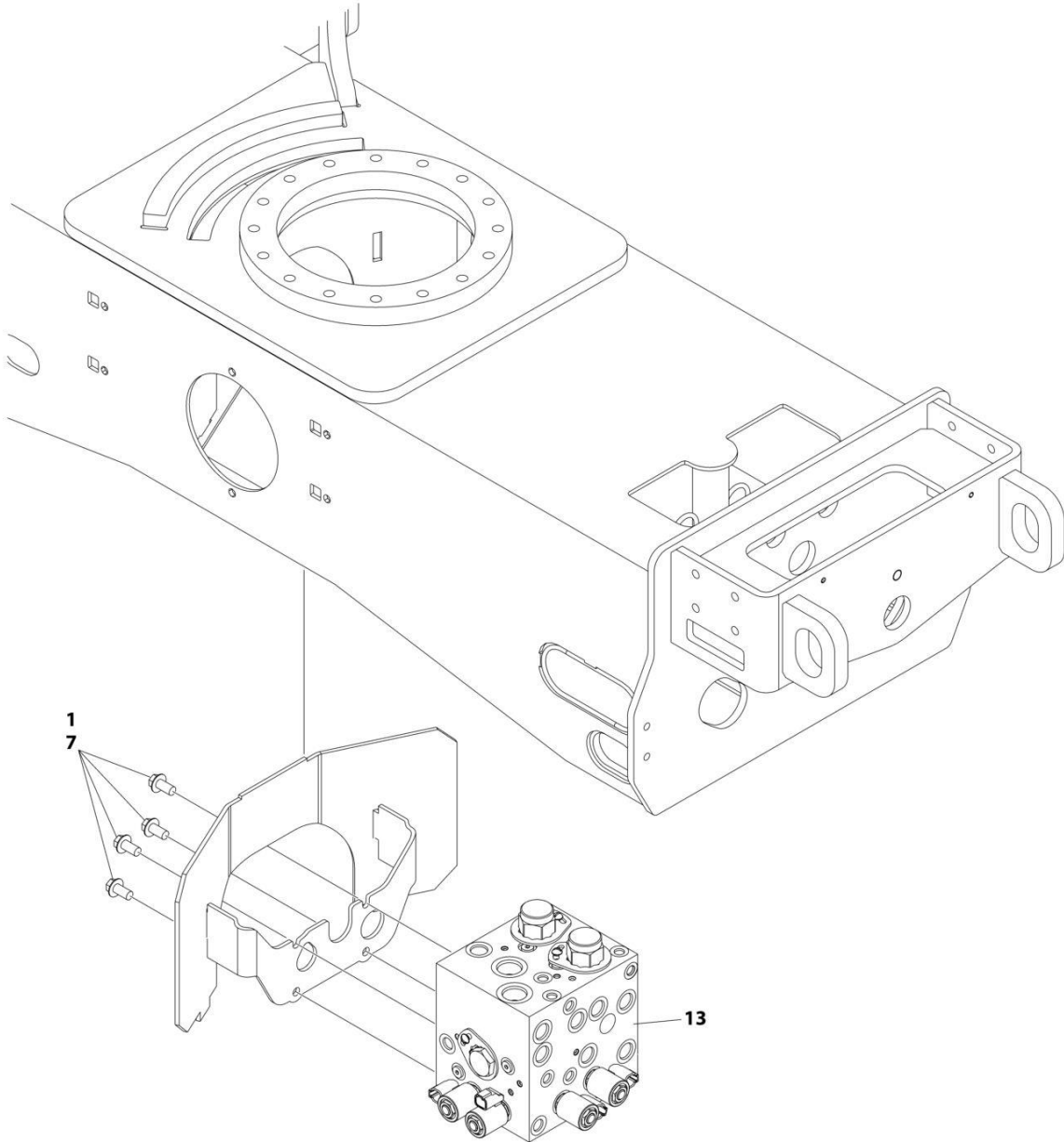
SECTION 1 - FRAME

FIGURE 1-2. OSCILLATING AXLE INSTALLATION

ITEM	PART NUMBER	QTY	DESCRIPTION	REV
	1001115772	Ref	OSCILLATING AXLE INSTALLATION	C
1	0100011	AR	Compound, Locking	
2	0761014	8	Bolt M10 x 30	
3	0761614	1	Bolt M16 x 30	
4	0961950	2	Bushing	
5	1001185030	1	Pin, Axle Pivot	
6	3841258	1	Keeper, Pin	
7	4740158	1	Thrustwasher	
8	5241000	8	Washer M10	
9	5251012	4	Bolt M10 x 25	
10	1001116361	2	Lockout Cylinder Assembly (See Separate Breakdown in CYLINDER SECTION)	
11	1001117869	1	Axle Weldment	
12	1001118511	2	Pad, Wear	
13	1001118518	2	Shim 11Ga	
14	1001118519	4	Shim 16Ga	

SECTION 1 - FRAME

FIGURE 1-3. DRIVE VALVES INSTALLATION



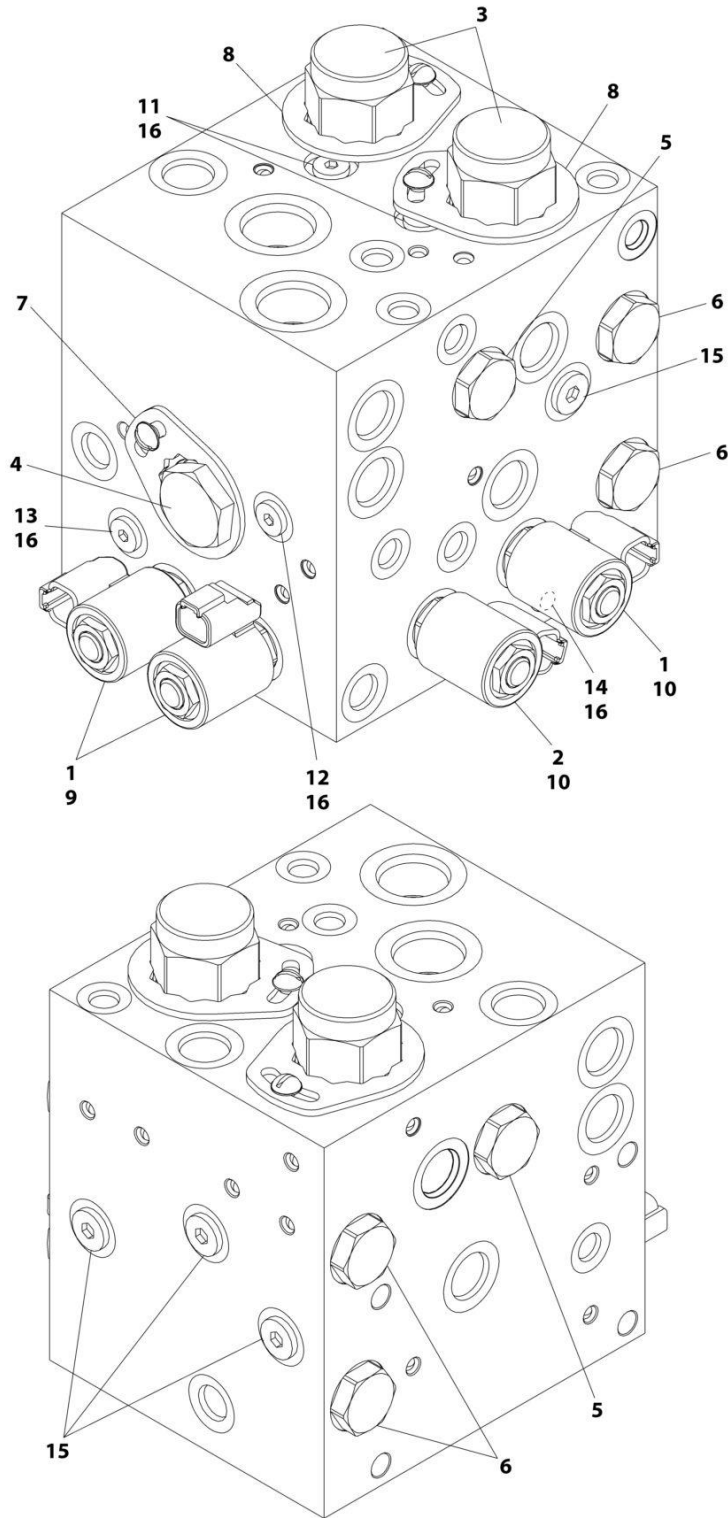
ART_1001115780_10F3

FIGURE 1-3. DRIVE VALVES INSTALLATION

ITEM	PART NUMBER	QTY	DESCRIPTION	REV
	1001115780	Ref	DRIVE VALVES INSTALLATION	G
1	0100011	AR	Compound, Locking	
7	5251010	4	Bolt M10 x 20	
13	1001118029	1	Flow Divider Valve Assembly (See Separate Breakdown in this Section)	

SECTION 1 - FRAME

FIGURE 1-4. FLOW DIVIDER VALVE ASSEMBLY



ART_1001118029

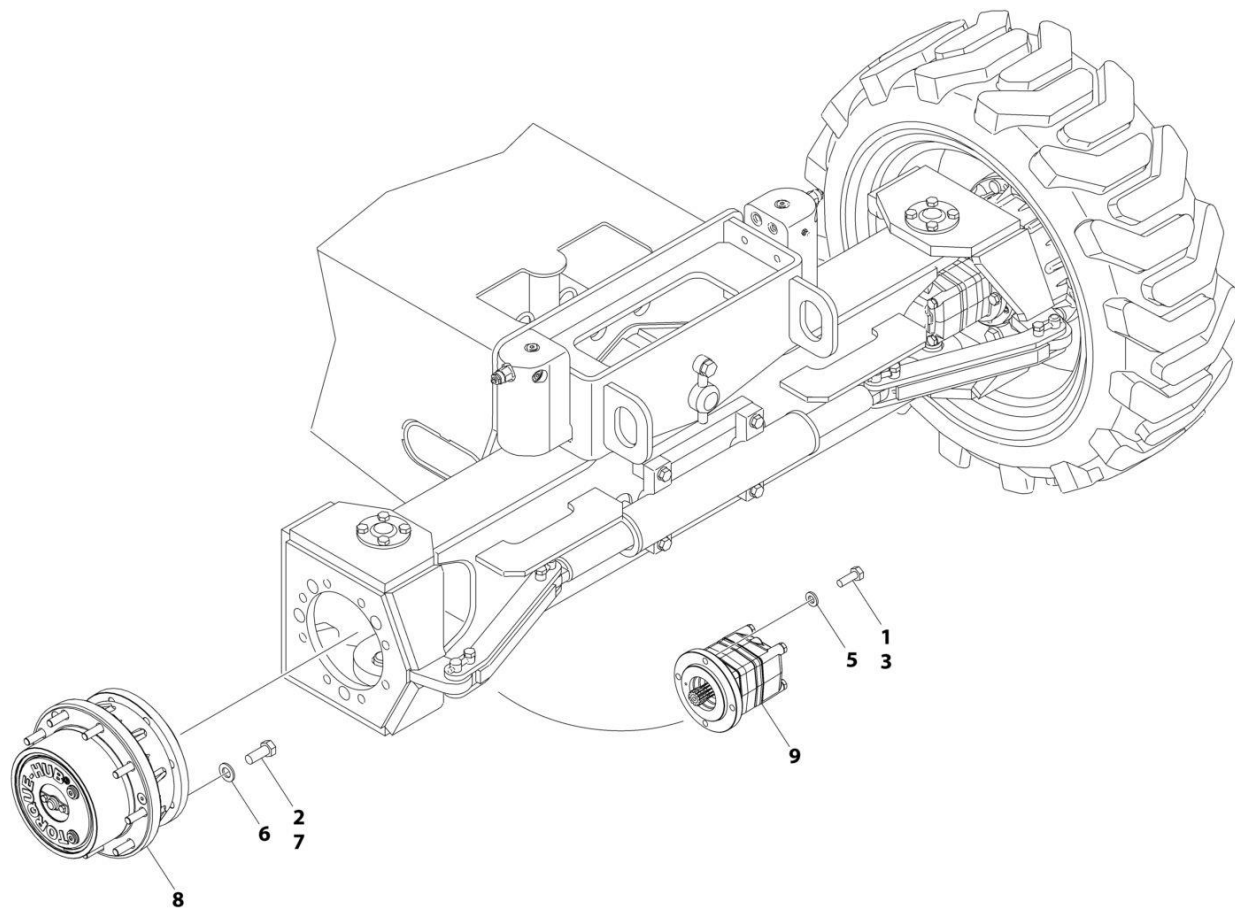
SECTION 1 - FRAME

FIGURE 1-4. FLOW DIVIDER VALVE ASSEMBLY

ITEM	PART NUMBER	QTY	DESCRIPTION	REV
	1001118029	Ref	FLOW DIVIDER VALVE ASSEMBLY	D
1	7012941	3	Valve, Solenoid Cartridge (Without Coil) (Traction, Brake and Secondary Oscillating)	
1	7010543	3	Seal Kit - 7012941 Cartridge	
2	70002955	1	Valve, Solenoid Cartridge (Without Coil) (Primary Oscillating)	
2	7012953	1	Seal Kit - 70002955 Cartridge	
3	70002956	2	Valve, Solenoid Cartridge	
3	70002957	2	Seal Kit - 70002956 Cartridge	
4	70002958	1	Valve, Flow Divider Cartridge	
4	70002959	1	Seal Kit - 70002958 Cartridge	
5	70002960	1	Valve, Flow Divider Cartridge	
5	70002978	1	Seal Kit - 70002960 Cartridge	
6	70002961	4	Valve, Check Cartridge	
6	7017496	4	Seal Kit - 70002961 Check Cartridge	
7	70002962	1	Lock Kit	
8	70000781	2	Lock Kit	
9	70002386	2	Coil	
10	70002963	2	Coil	
11	See Note	2	Orifice .031 (Note: Not Available for Purchase)	
12	See Note	1	Orifice .025 (Note: Not Available for Purchase)	
13	See Note	1	Orifice .040 (Note: Not Available for Purchase)	
14	70002063	1	Orifice .062	
15	7024844	4	Plug	
16	7017406	5	Plug	

SECTION 1 - FRAME

FIGURE 1-5. DRIVE INSTALLATION



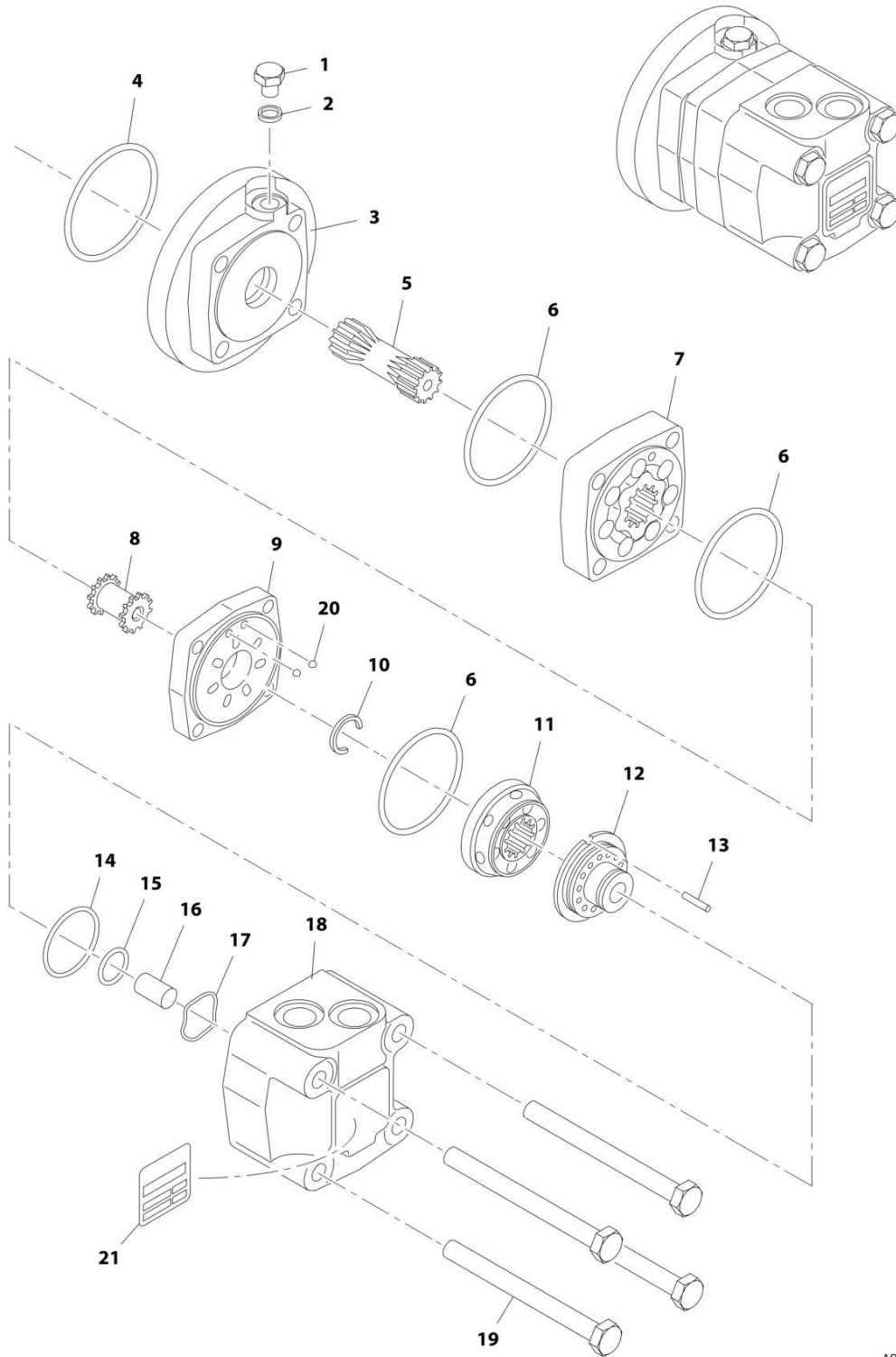
ART_1001115770

FIGURE 1-5. DRIVE INSTALLATION

ITEM	PART NUMBER	QTY	DESCRIPTION	REV
	1001115770	Ref	WHEEL DRIVE INSTALLATION	D
1	0100011	AR	Compound, Locking	
2	0100019	AR	Compound, Locking	
3	0761015	16	Bolt M10 x 35	
3	0761014	16	Bolt M10 x 30	
5	5241000	16	Washer M10	
6	5241600	32	Washer M16	
7	1001110922	32	Bolt M16 x 40 Grade 10.9	
8	1001116793	4	Drive Hub/Brake Assembly (See Separate Breakdown in this Section)	
9	1001117030	4	Drive Motor Assembly (See Separate Breakdown in this Section)	

SECTION 1 - FRAME

FIGURE 1-6. DRIVE MOTOR ASSEMBLY



ART_1001117030

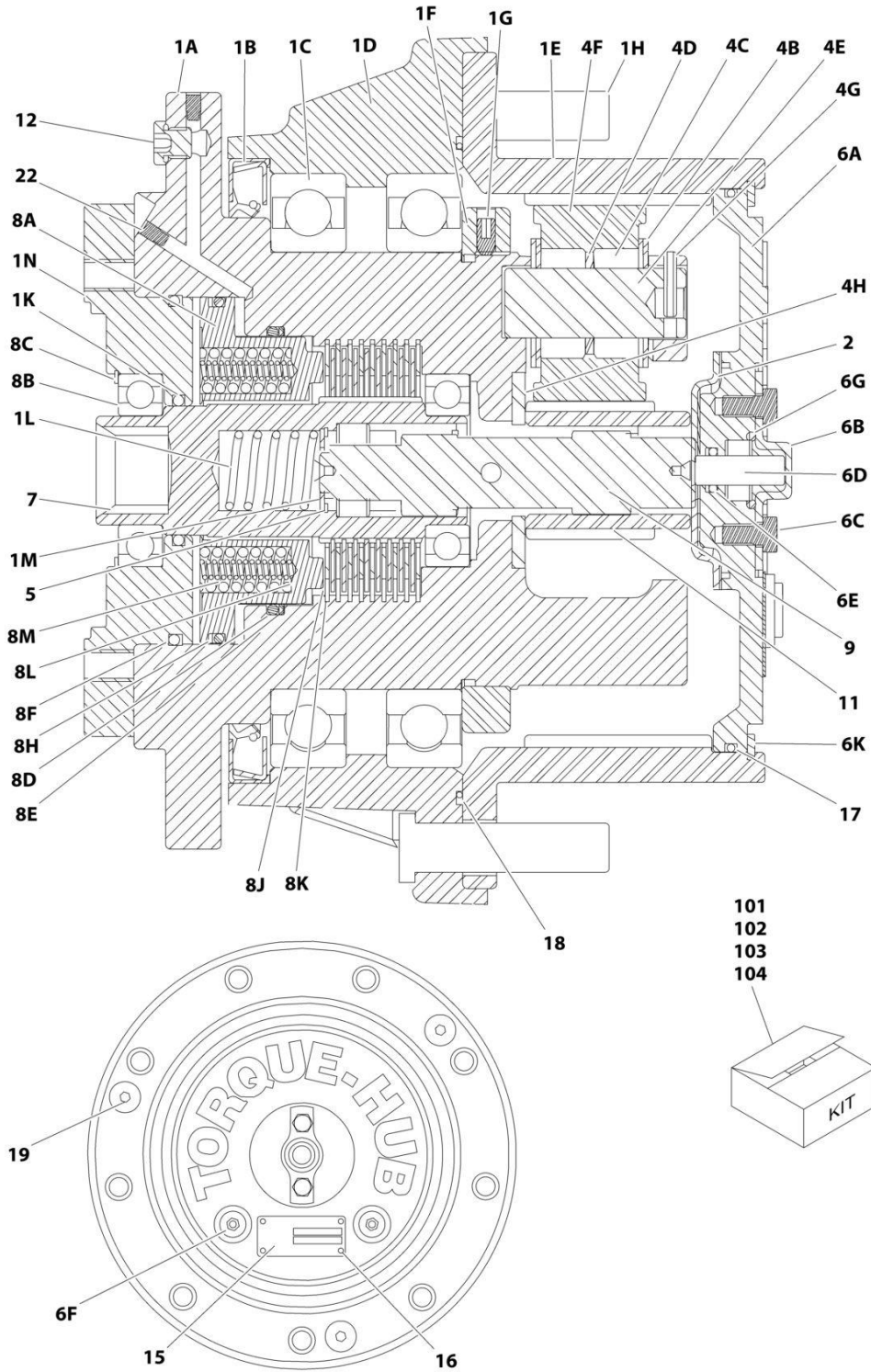
SECTION 1 - FRAME

FIGURE 1-6. DRIVE MOTOR ASSEMBLY

ITEM	PART NUMBER	QTY	DESCRIPTION	REV
	1001117030	Ref	DRIVE MOTOR ASSEMBLY	B
1	70003005	1	Plug	
2	8007941	1	Washer	
3	See Note	NSS	Flange (Note: Not Available - Purchase p/n 1001117030)	
4	70003006	1	O-Ring	
5	70003007	1	Shaft	
6	70003008	3	O-Ring	
7	70003009	1	Gear Set	
8	70003010	1	Shaft, Coupling	
9	70003011	1	Plate, Port	
10	70003012	1	Ring, Stop	
11	7027955	1	Disc, Valve	
12	7027956	1	Plate, Pressure	
13	7027957	1	Pin, Spring	
14	70003013	1	O-Ring	
15	70003014	1	O-Ring	
16	7027958	1	Spacer	
17	7027959	1	Washer, Crinkle	
18	See Note	NSS	Cover, End (Note: Not Available - Purchase p/n 1001117030)	
19	70003016	4	Screw	
20	80334555	2	Ball	
21	See Note	NSS	Nameplate (Note: Not Available for Purchase)	

SECTION 1 - FRAME

FIGURE 1-7. DRIVE HUB/BRAKE ASSEMBLY



ART_100116793

SECTION 1 - FRAME

FIGURE 1-7. DRIVE HUB/BRAKE ASSEMBLY

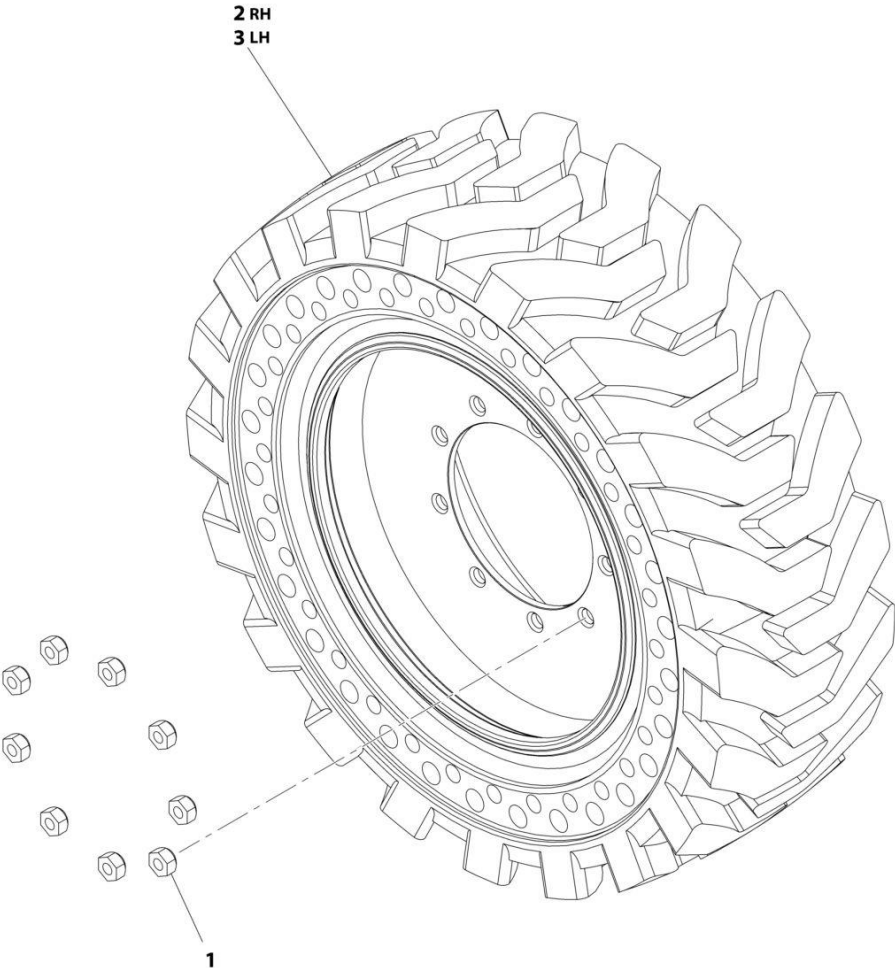
ITEM	PART NUMBER	QTY	DESCRIPTION	REV
	1001116793	Ref	DRIVE HUB/BRAKE ASSEMBLY	C
1	See Note	NLA	Spindle/Housing Assembly (Note: Not Available - Purchase Individual Components)	
1A	70002987	1	Spindle	
1B	70001119	1	Seal, Lip (Part of Item 104)	
1C	70002991	2	Bearing, Ball	
1D	See Note	NSS	Housing (Note: Use p/n 1001116793)	
1E	70002989	1	Ring Gear	
1F	70003000	1	Nut, Bearing (Part of Item 104)	
1G	70002996	2	Setscrew 1/4-28 x 1/2 (Part of Item 104)	
1H	7007640	9	Bolt, Mounting	
1K	See Note	NSS	Seal (Note: Use Item 102 or 103)	
1L	70002992	1	Spring	
1M	70002999	1	Thrustwasher	
1N	70002988	1	Adapter	
2	7024741	1	Spacer, Thrust	
4	70002983	1	Planet Gear Assembly (Includes Items 4B-4G)	
4B	See Note	NSS	Spacer, Washer (Note: Use Item 4)	
4C	See Note	NSS	Bearing (Note: Use Item 4)	
4D	See Note	NSS	Spacer (Note: Use Item 4)	
4E	See Note	NSS	Shaft, Planet (Note: Use Item 4)	
4F	See Note	NSS	Gear, Planet (Note: Use Item 4)	
4G	7001913	3	Rollpin	
4H	7024742	1	Spacer, Thrust	
5	70002995	1	Ring, Retaining	
6	70001368	1	Cover Assembly (Includes Items 6A-6G)	
6A	See Note	NSS	Cover (Note: Use Item 6)	
6B	See Note	NSS	Cap (Note: Use Item 6)	
6C	See Note	NSS	Bolt (Note: Use Item 6)	
6D	See Note	NSS	Pin (Note: Use Item 6)	
6E	See Note	NSS	Washer Seal (Note: Use Item 6)	
6F	See Note	NSS	Plug (Note: Not Available for Purchase)	
6G	See Note	NSS	Retainer (Note: Use Item 6)	
6K	7024738	1	Ring, Retaining	
7	70002985	1	Coupling	
8	See Note	NLA	Brake Assembly (Includes Items 8A-8M) (Note: Not Available - Purchase Individual Components)	
8A	70002993	1	Piston, Brake	
8B	70002990	2	Bearing, Ball	
8C	70002994	1	Ring, Retaining	
8D	See Note	NSS	O-Ring (Note: Use Item 103)	
8E	See Note	NSS	Ring, Back-up (Note: Use Item 103)	
8F	See Note	NSS	O-Ring (Note: Use Item 102 or 103)	
8H	See Note	NSS	Ring, Back-up (Note: Use Item 103)	
8J	See Note	NSS	Disc, Brake Reaction (Note: Use Item 101)	
8K	See Note	NSS	Disc, Brake Friction (Note: Use Item 101)	
8L	See Note	NSS	Spring (Note: Use Item 102)	
8M	See Note	NSS	Spring (Note: Use Item 102)	
9	70002984	1	Shaft, Input	
11	70002986	1	Gear, Sun	

SECTION 1 - FRAME

ITEM	PART NUMBER	QTY	DESCRIPTION	REV
12	70002998	1	Plug, Pipe	
15	See Note	NSS	Nameplate (Note: Not Available for Purchase)	
16	7000281	2	Drivescrew	
17	7024134	1	O-Ring (Part of Item 104)	
18	70002997	1	O-Ring (Part of Item 104)	
19	7017022	NSS	Capscrew 3/8-16 (Part of Item 104)	
21	See Note	8	Capscrew 3/8-16 x 7/8 Grade 8 (Note: Use Item 102 or 103)	
22	7024108	2	Plug, Pressure	
101	70002980	1	Brake Disc Kit (Includes Items 8J & 8K)	
102	70002982	1	Brake Spring Kit (Includes Items 1K, 8F, 8L, 8M & 21)	
103	70002981	1	Brake Seal Kit (Includes Items 1K, 8D, 8E, 8F, 8H & 21)	
104	7024744	1	Hub Seal Kit (Includes Items 1B, 1F, 1G & 17-19)	

SECTION 1 - FRAME

FIGURE 1-8. TIRE AND WHEEL INSTALLATION - 7X18 SOLID CUSHION



ART_100118641

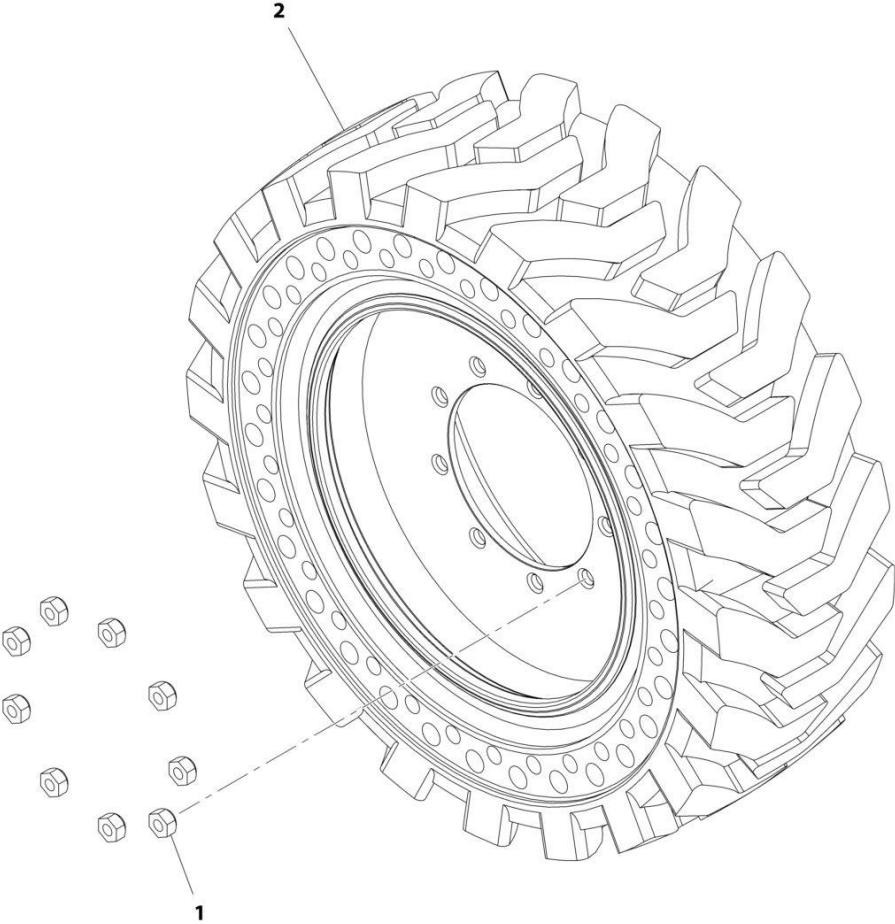
SECTION 1 - FRAME

FIGURE 1-8. TIRE AND WHEEL INSTALLATION - 7X18 SOLID CUSHION

ITEM	PART NUMBER	QTY	DESCRIPTION	REV
	1001118641	Ref	TIRE AND WHEEL INSTALLATION - 7X18 SOLID	C
		Ref	Note: Due to critical stability weights, only replace tire and wheel assemblies with like components.	
1	3300106	36	Lugnut (9 per Wheel)	
2	1001118649	2	Tire and Wheel Assembly - 7 x 18 Solid Right Side (Note: No Serviceable Parts - Replace Complete Sets per Axle)	
3	1001121678	2	Tire and Wheel Assembly - 7 x 18 Solid Left Side (Note: No Serviceable Parts - Replace Complete Sets per Axle)	

SECTION 1 - FRAME

FIGURE 1-9. TIRE AND WHEEL INSTALLATION - 7X18 SOLID CUSHION NON-MARKING



ART_100118644

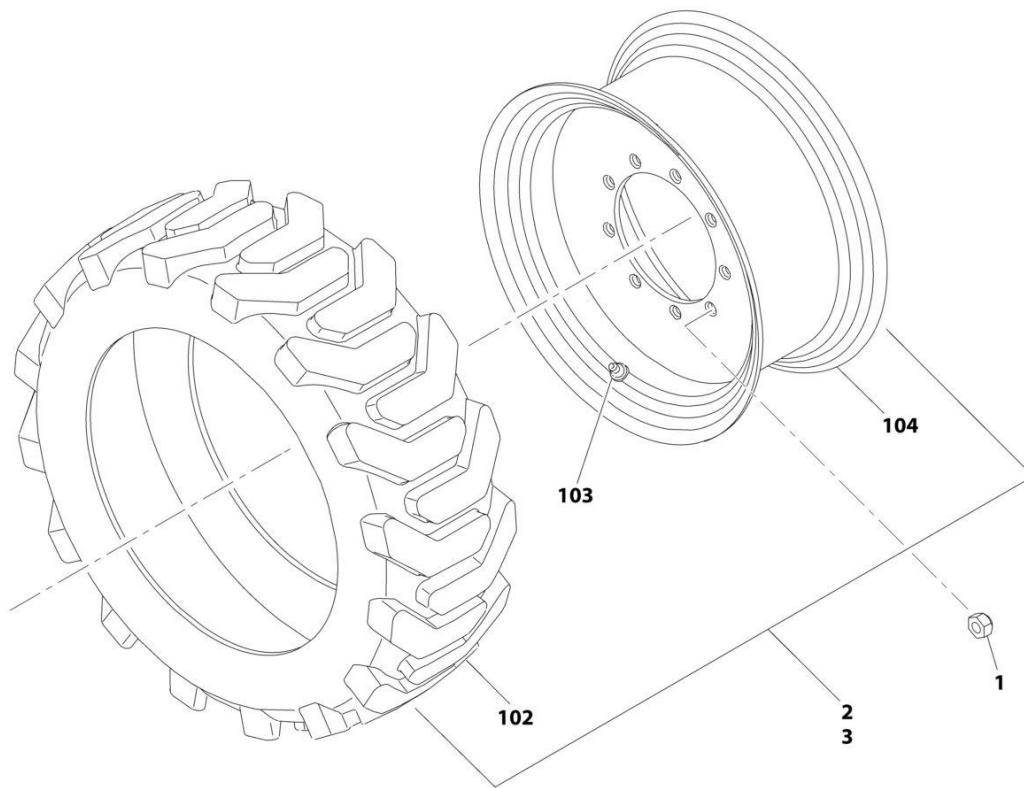
SECTION 1 - FRAME

FIGURE 1-9. TIRE AND WHEEL INSTALLATION - 7X18 SOLID CUSHION NON-MARKING

ITEM	PART NUMBER	QTY	DESCRIPTION	REV
	1001118644	Ref	TIRE AND WHEEL INSTALLATION - 7X18 SOLID NON-MARKING	C
		Ref	Note: Due to critical stability weights, only replace tire and wheel assemblies with like components.	
1	3300106	36	Lugnut (9 per Wheel)	
2	1001118654	2	Tire and Wheel Assembly - 7 x 18 Solid (RH) (Note: No Serviceable Parts - Replace Complete Sets per Axle)	
2	1001121672	2	Tire and Wheel Assembly - 7 x 18 Solid (LH) (Note: No Serviceable Parts - Replace Complete Sets per Axle)	

SECTION 1 - FRAME

FIGURE 1-10. TIRE AND WHEEL INSTALLATION - 9X20 FOAM-FILLED



ART_1001115773

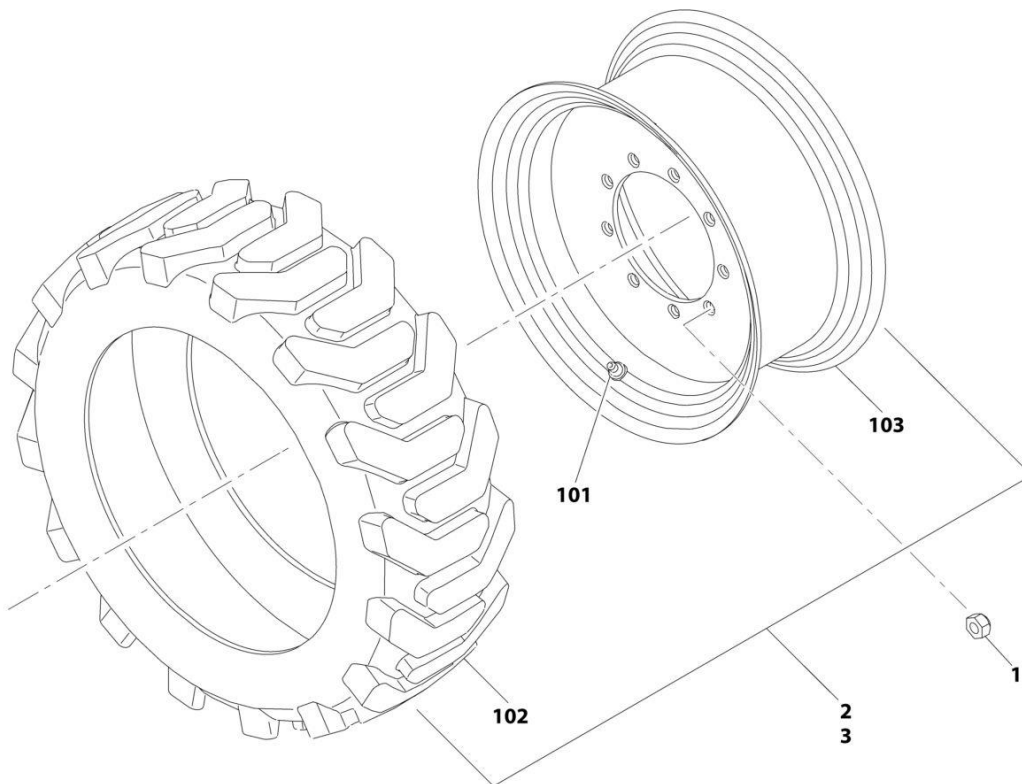
SECTION 1 - FRAME

FIGURE 1-10. TIRE AND WHEEL INSTALLATION - 9X20 FOAM-FILLED

ITEM	PART NUMBER	QTY	DESCRIPTION	REV
	1001115773	Ref	TIRE AND WHEEL INSTALLATION - 9X20 FOAM-FILLED	B
		Ref	Note: Due to critical stability weights, only replace tire and wheel assemblies with like components.	
1	3300106	36	Lugnut (9 per Wheel)	
2	1001117131	2	Tire and Wheel Assembly - 9 x 20 Foam-Filled Left Side	E
3	1001117132	2	Tire and Wheel Assembly - 9 x 20 Foam-Filled Right Side	D
		Ref	Note: Assemblies may require ballast/foam filling to manufacture's specifications prior to installing on a machine. Refer to Operation and Safety or Service and Maintenance Manuals. Purchase individual tire and/or rim only if able to foam fill tire and wheel assembly, otherwise, purchase complete assembly.	
102	4520605	4	Tire - IN265/50D20	
103	4640113	4	Valve, Air	
104	1001117129	4	Rim for 20 x 9 (Use with IN265/50D20 Tires)	

SECTION 1 - FRAME

FIGURE 1-11. TIRE AND WHEEL INSTALLATION - 9X20 FOAM-FILLED NON-MARKING



ART_100118642

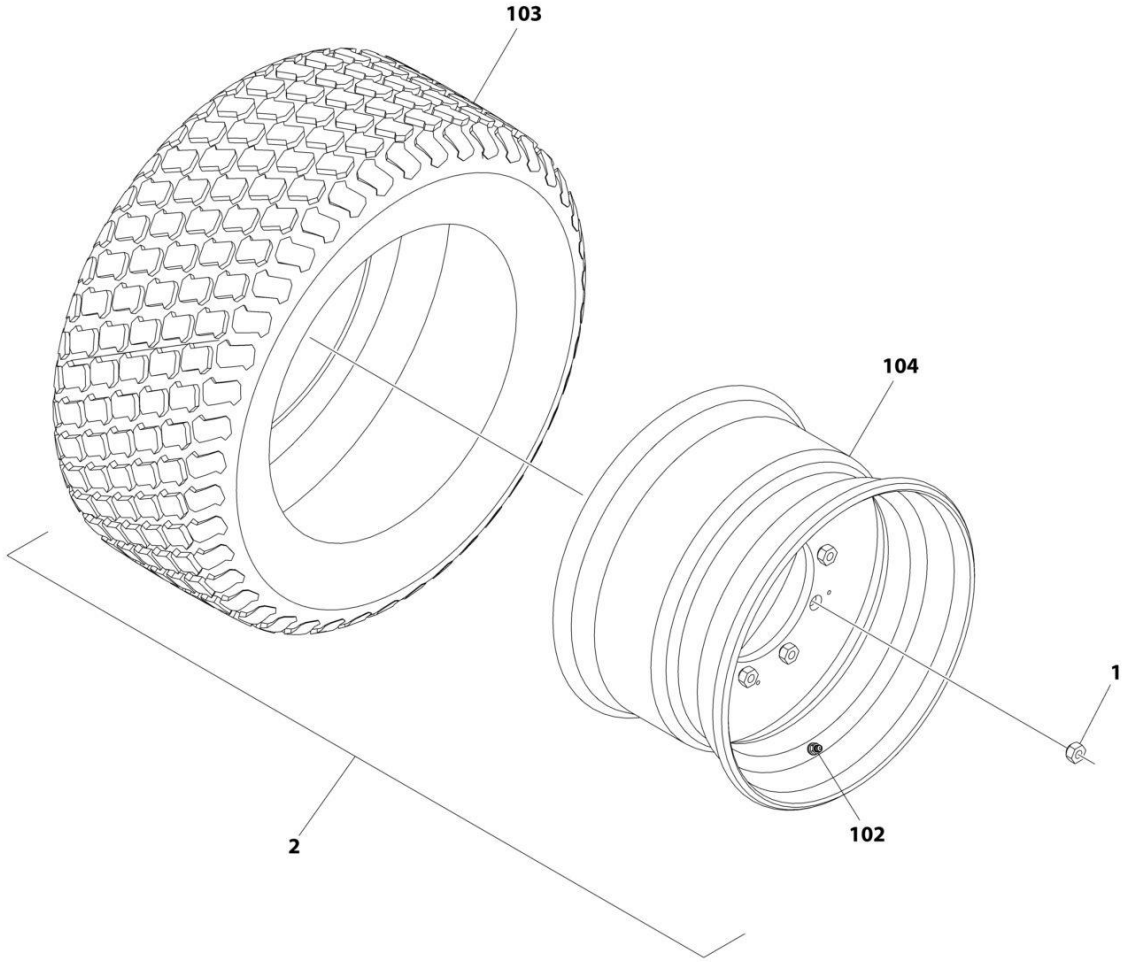
SECTION 1 - FRAME

FIGURE 1-11. TIRE AND WHEEL INSTALLATION - 9X20 FOAM-FILLED NON-MARKING

ITEM	PART NUMBER	QTY	DESCRIPTION	REV
	1001118642	Ref	TIRE AND WHEEL INSTALLATION - 9X20 FOAM-FILLED NON-MARKING	B
		Ref	Note: Due to critical stability weights, only replace tire and wheel assemblies with like components.	
1	3300106	36	Lugnut (9 per Wheel)	
2	1001118650	2	Tire and Wheel Assembly - 9 x 20 Foam-Filled Non-Marking Right Side	D
3	1001118651	2	Tire and Wheel Assembly - 9 x 20 Foam-Filled Non-Marking Left Side	D
		Ref	Note: Assemblies may require ballast/foam filling to manufacturer's specifications prior to installing on a machine. Refer to Operation and Safety or Service and Maintenance Manuals. Purchase individual tire and/or rim only if able to foam fill tire and wheel assembly, otherwise, purchase complete assembly.	
101	4640113	4	Valve, Air	
102	1001118660	4	Tire - IN265/50D20 Non-Marking	
103	1001117129	4	Rim for 20 x 9 (Use with IN265/50D20 Tires)	

SECTION 1 - FRAME

FIGURE 1-12. TIRE AND WHEEL INSTALLATION - 33 X 12LL500 TURF/SAND FOAM FILLED



ART_1001239804

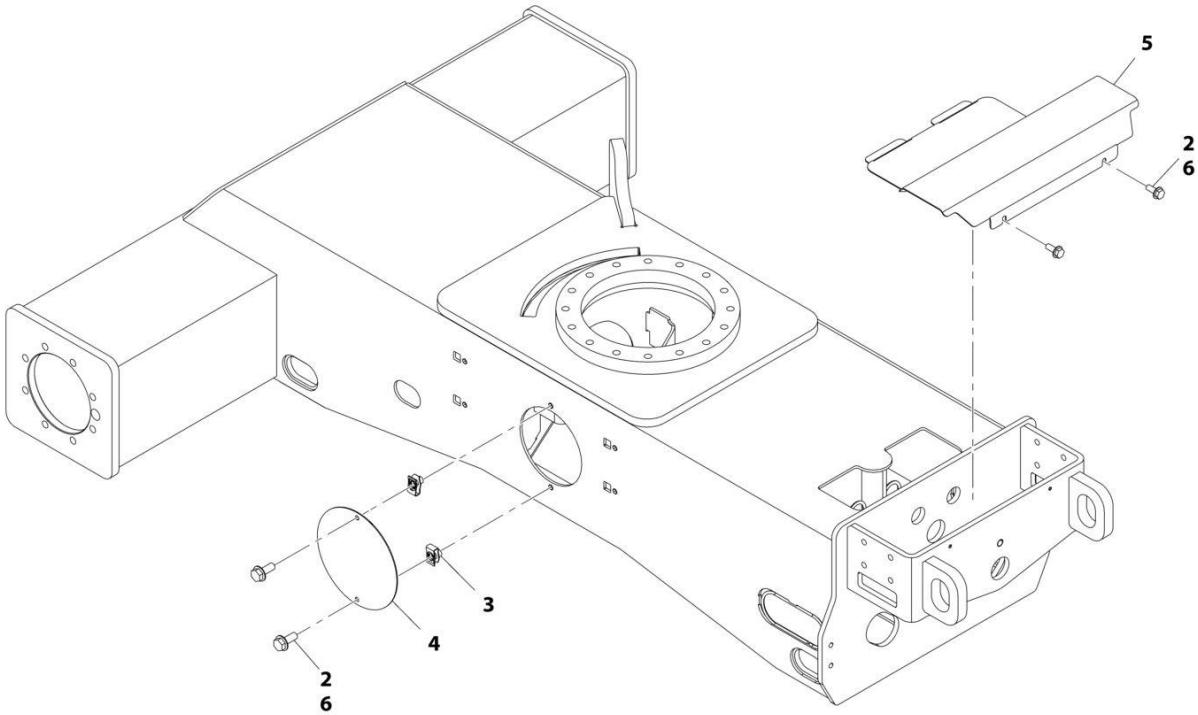
SECTION 1 - FRAME

FIGURE 1-12. TIRE AND WHEEL INSTALLATION - 33 X 12LL500 TURF/SAND FOAM FILLED

ITEM	PART NUMBER	QTY	DESCRIPTION	REV
	1001239804	Ref	TIRE AND WHEEL INSTALLATION - 33 x 12LL500 TURF/SAND FOAM FILLED	B
1	3300106	36	Nut, Wheel	
2	1001272533	4	Tire & Wheel Assembly - 33 X 12LL500 TURF/SAND	
		Ref	Note: Assemblies may require ballast/foam filling to manufacture's specifications prior to installing on a machine. Refer to Operation and Safety or Service and Maintenance Manuals. Purchase individual tire and/or rim only if able to foam fill tire and wheel assembly, otherwise, purchase complete assembly.	
102	4640113	4	Valve, Tire	
103	1001231609	1	Tire, 33 X 12LL500 TURF/SAND	
104	1001231610	1	Rim	

SECTION 1 - FRAME

FIGURE 1-13. FRAME SHIELDS INSTALLATION



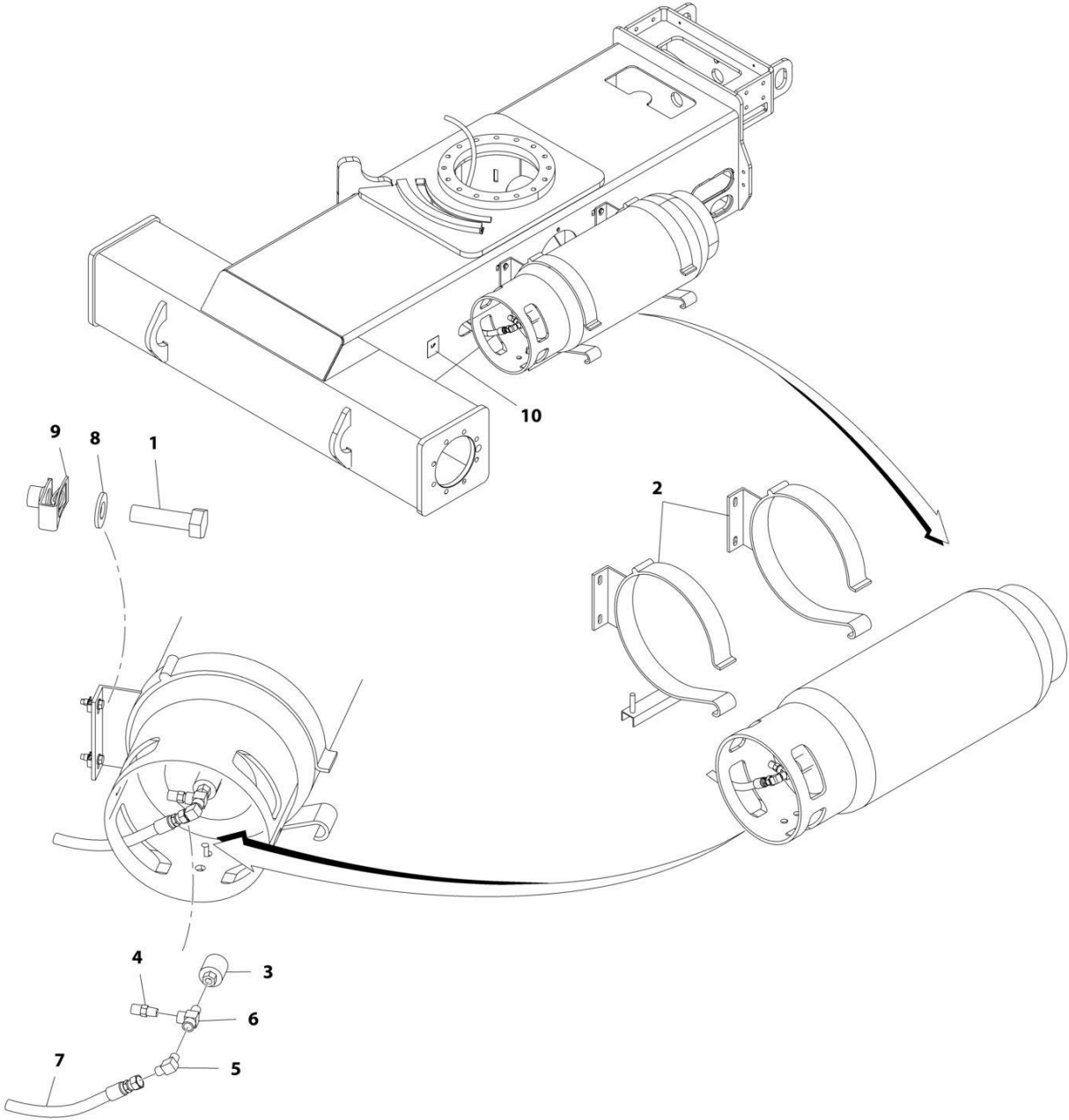
ART_1001115781

FIGURE 1-13. FRAME SHIELDS INSTALLATION

ITEM	PART NUMBER	QTY	DESCRIPTION	REV
	1001115781	Ref	FRAME SHIELDS INSTALLATION	C
2	5250810	6	Bolt M8 x 20	
3	1001118274	4	Nut, Clip M8	
4	1001118915	2	Cover, Frame (Side)	
5	1001118916	1	Cover, Frame (Top)	
6	0100011	AR	Compound, Locking	

SECTION 1 - FRAME

FIGURE 1-14. LP TANK ASSEMBLY



ART_1001118975

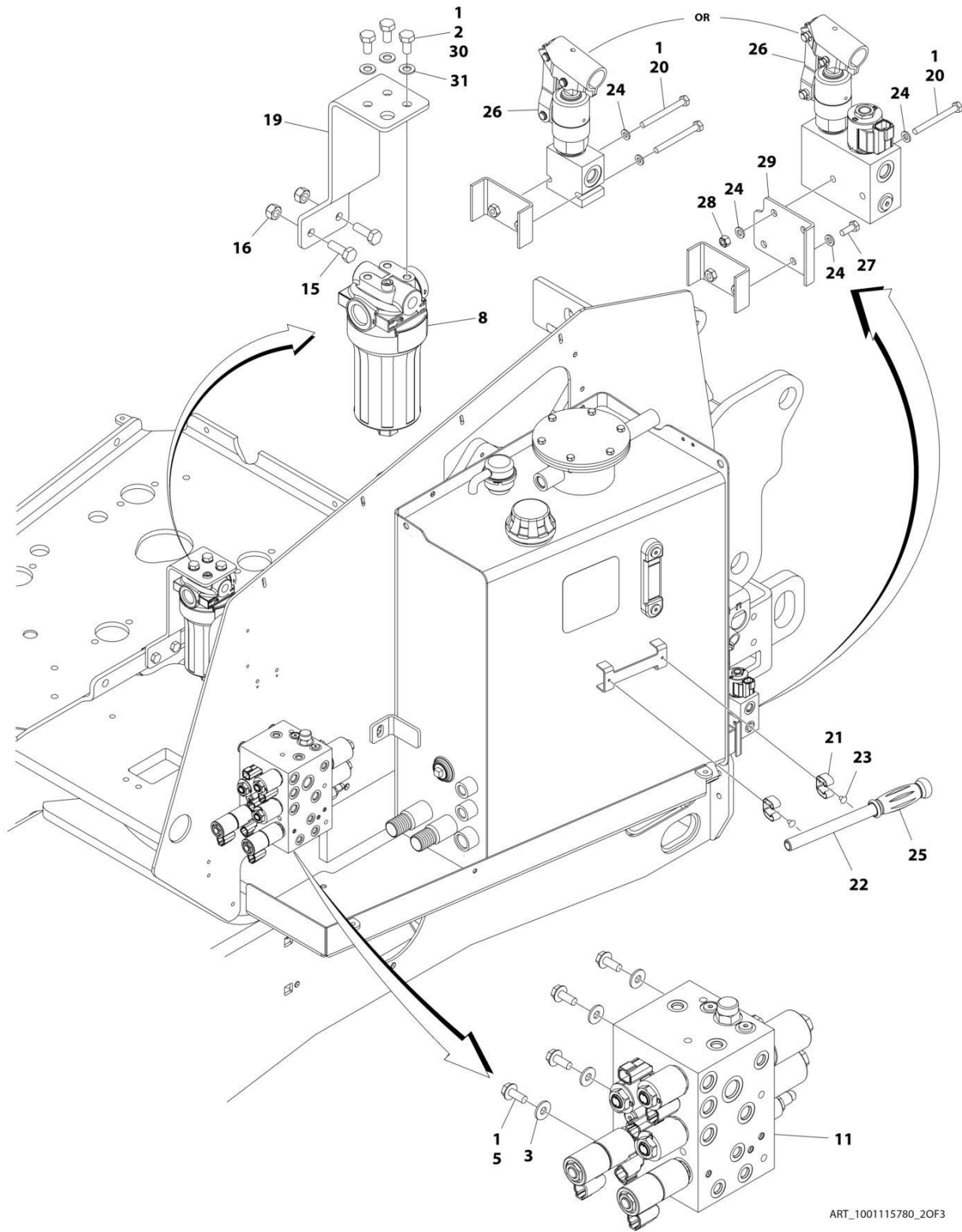
FIGURE 1-14. LP TANK ASSEMBLY

ITEM	PART NUMBER	QTY	DESCRIPTION	REV
	1001118975	Ref	LP TANK ASSEMBLY (GAS MACHINES ONLY)	C
1	0760814	4	Bolt M8 x 30	
2	1320220	1	LP Tank Clamp Kit	
3	2180387	1	Fitting, LP	
4	2180389	1	Fitting, Relief Valve	
5	2180504	1	Fitting, Elbow	
6	2220290	1	Fitting, Adapter	
7	2720175	1	Hose	
8	4811900	4	Washer M8	
9	1001118274	4	Nut, Retainer	
10	1701543	1	Decal - LP	
100	1001196242	1	Bracket Kit for Shorter Tank (Not Shown - Includes Bracket & Hardware Only)	
200	4400275	1	Tank, LP - Aluminum (Not Shown)	

SECTION 2 - TURNTABLE

SECTION 2 - TURNTABLE

FIGURE 2-1. CONTROL VALVE AND CHARGE FILTER INSTALLATION



ART_1001115780_2OF3

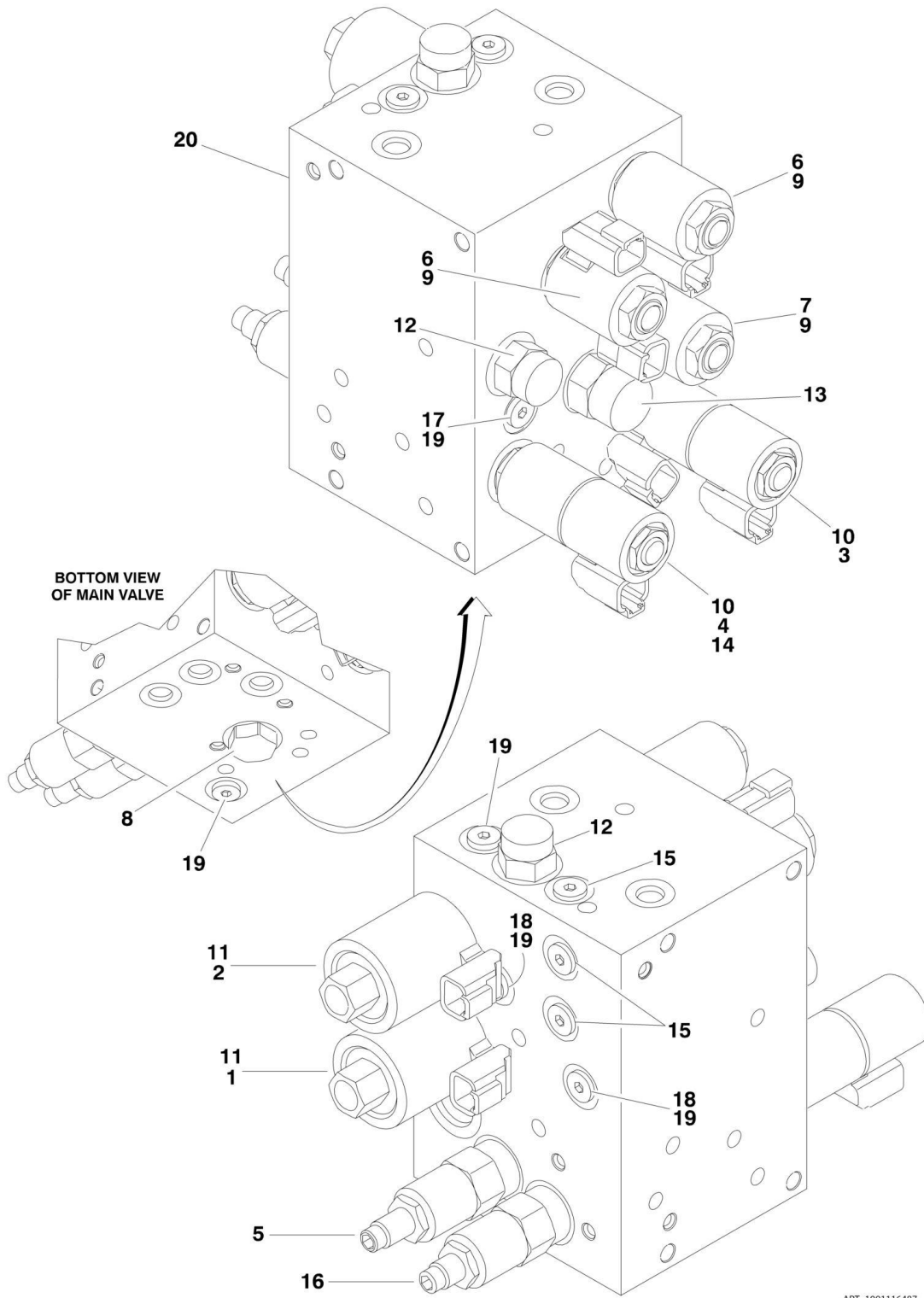
SECTION 2 - TURNTABLE

FIGURE 2-1. CONTROL VALVE AND CHARGE FILTER INSTALLATION

ITEM	PART NUMBER	QTY	DESCRIPTION	REV
	1001115780	Ref	CONTROL VALVE AND CHARGE FILTER INSTALLATION - TURNTABLE	H
1	0100011	AR	Compound, Locking	
2	0641605	4	Bolt 3/8 x 5/8	
3	4811902	4	Washer M8	
5	5250810	4	Bolt M8 x 20	
8	1001102987	1	Charge Pump Filter Assembly	C
8	1001208874	1	Charge Pump Filter Assembly	
8	70010383	1	Element, Filter (Includes O-Ring)	
8	See Note	1	Indicator (Note: Not Available for Purchase)	
11	1001116487	1	Main Control Valve Assembly (See Separate Breakdown in this Section)	
15	0761014	2	Bolt M10 x 30	
16	3291005	2	Nut M10	
19	1001118751	1	Bracket, Filter	
20	0700620	2	Bolt M6 x 60	
21	1380136	2	Clip	
22	2560122	1	Handle	
23	3820019	2	Rivet	
24	4811700	6	Washer M6	
25	1001114761	1	Grip, Handle	
26	1001127115	1	Manual Pump Assembly	C
26	7017496	1	Seal Kit - 1001127115 Pump	
26	1001210829	1	Manual Pump Assembly	
26	70005722	1	Cartridge, Hand Pump	
26	7017496	1	Seal Kit - Hand Pump	
26	7017467	1	Cartridge, Solenoid Valve Less Coil	
26	7012967	1	Seal Kit - Cartridge	
26	70002386	1	Coil	
27	0700608	2	Bolt M6 x 16	
28	3290605	2	Nut M6	
29	1001200472	1	Bracket	
30	0761010	AR	Bolt M10 x 20	
31	4812000	AR	Washer M10	

SECTION 2 - TURNTABLE

FIGURE 2-2. MAIN CONTROL VALVE ASSEMBLY



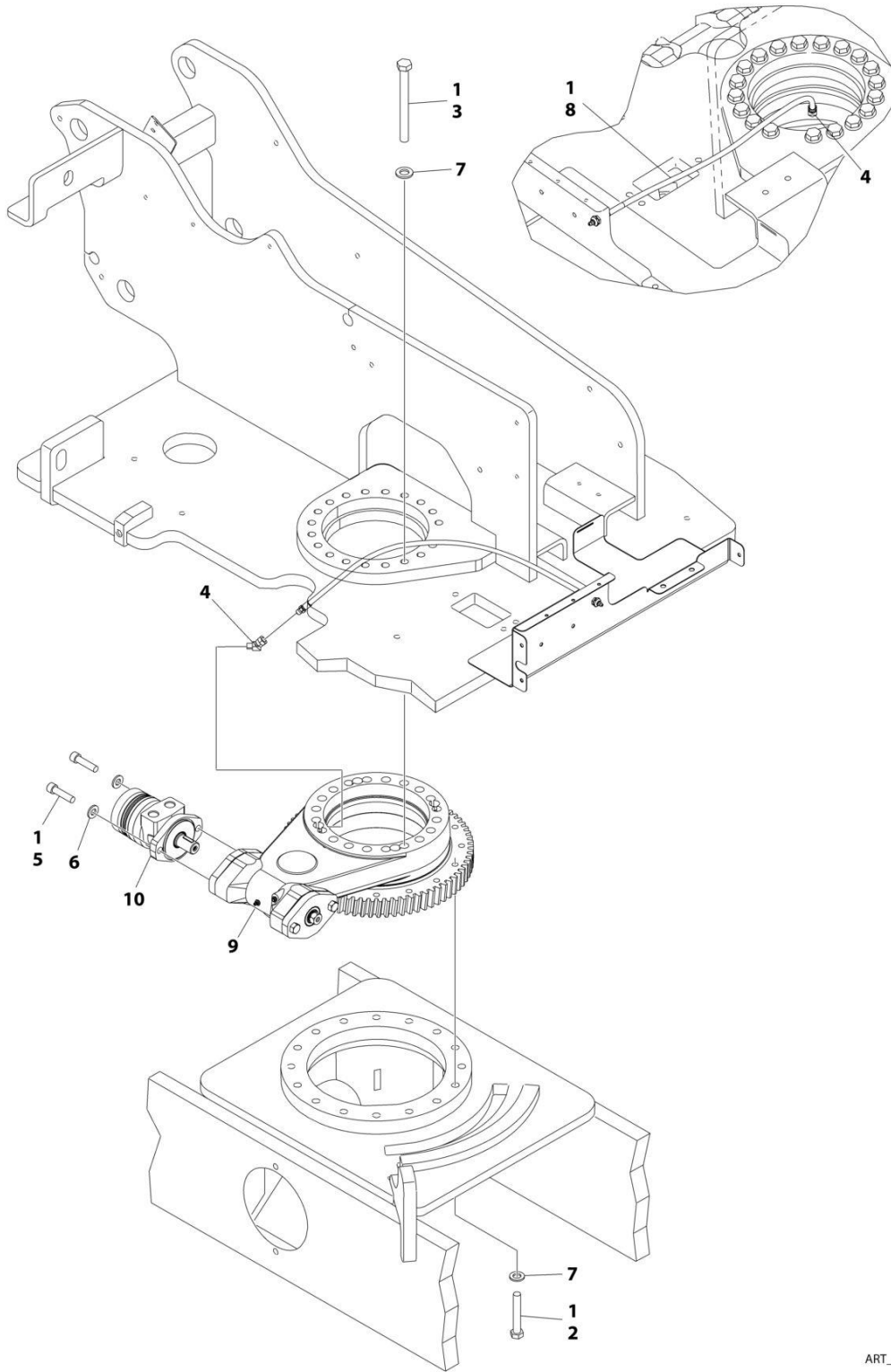
SECTION 2 - TURNTABLE

FIGURE 2-2. MAIN CONTROL VALVE ASSEMBLY

ITEM	PART NUMBER	QTY	DESCRIPTION	REV
	1001116487	Ref	MAIN VALVE ASSEMBLY	I
1	70002964	1	Cartridge, Solenoid Valve with Relief (without Coil)	
1	7017496	1	Seal Kit - 70002964 Cartridge	
2	70002965	1	Cartridge, Solenoid Valve with Relief (without Coil)	
2	7017496	1	Seal Kit - 70002965 Cartridge	
3	70002966	1	Cartridge, Solenoid Valve (without Coil) (Swing)	
3	70002967	1	Seal Kit - 70002966 Cartridge	
4	70002966	1	Cartridge, Solenoid Valve (without Coil) (Steer)	
4	70002967	1	Seal Kit - 70002966 Cartridge	
5	70002968	1	Cartridge, Relief Valve	
5	7012998	1	Seal Kit - 70002968 Cartridge	
6	70002969	2	Cartridge, Solenoid Valve (without Coil) (Upper and Lower Lift)	
6	7010543	2	Seal Kit - Cartridge	
7	70002970	1	Cartridge, Solenoid Valve (without Coil) (Flow Control)	
7	7010543	1	Seal Kit - 70002970 Cartridge	
8	10837580	1	Cartridge, Shuttle Valve	
8	7010543	1	Seal Kit - 108377580 Cartridge	
9	70002971	3	Coil	
10	70002386	4	Coil	
11	70003788	2	Coil	
12	70002972	2	Cartridge, Pressure Compensator Valve	
12	7010543	2	Seal Kit - 70002972 Cartridge	
13	70002973	1	Cartridge, Pressure Compensator Valve	
13	7010543	1	Seal Kit - 70002973 Cartridge	
14	70002974	1	Disc, Check Valve	
15	70003757	3	Cartridge, Check Valve	
15	70002976	3	Seal Kit - 70003757 Cartridges	
16	70002977	1	Cartridge, Crossover Relief	
16	7021653	1	Seal Kit - 70002977 Cartridge	
17	See Note	1	Orifice .060 (Note: Not Available for Purchase)	
18	See Note	2	Orifice .100 (Note: Not Available for Purchase)	
19	7017406	5	Plug	
20	See Note	1	Block (Note: Not Available for Purchase)	

SECTION 2 - TURNTABLE

FIGURE 2-3. SWING DRIVE INSTALLATION



ART_1001296395

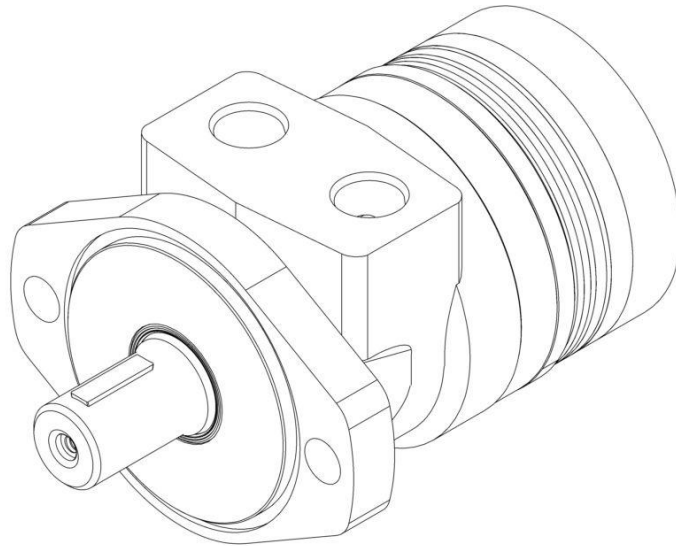
SECTION 2 - TURNTABLE

FIGURE 2-3. SWING DRIVE INSTALLATION

ITEM	PART NUMBER	QTY	DESCRIPTION	REV
	1001296395	Ref	SWING DRIVE INSTALLATION	A
1	0100019	AR	Compound, Locking	
2	0711426	16	Bolt M14 x 90	
3	0711432	19	Bolt M14 x 150	
4	2220124	1	Fitting, Adapter NPT	
5	3931832	2	Capscrew 1/2 x 2	
6	4740171	2	Washer 1/2	
7	5241400	35	Washer M14	
8	1001118961	1	Hose, Grease Line (Includes Grease Fitting)	
9	1001153015	1	Swing Bearing and Rotation Box Assembly (See Separate Breakdown in this Section)	
10	1001294632	1	Swing Motor Assembly (See Separate Breakdown in this Section)	

SECTION 2 - TURNTABLE

FIGURE 2-4. SWING MOTOR ASSEMBLY



ART_1001294632

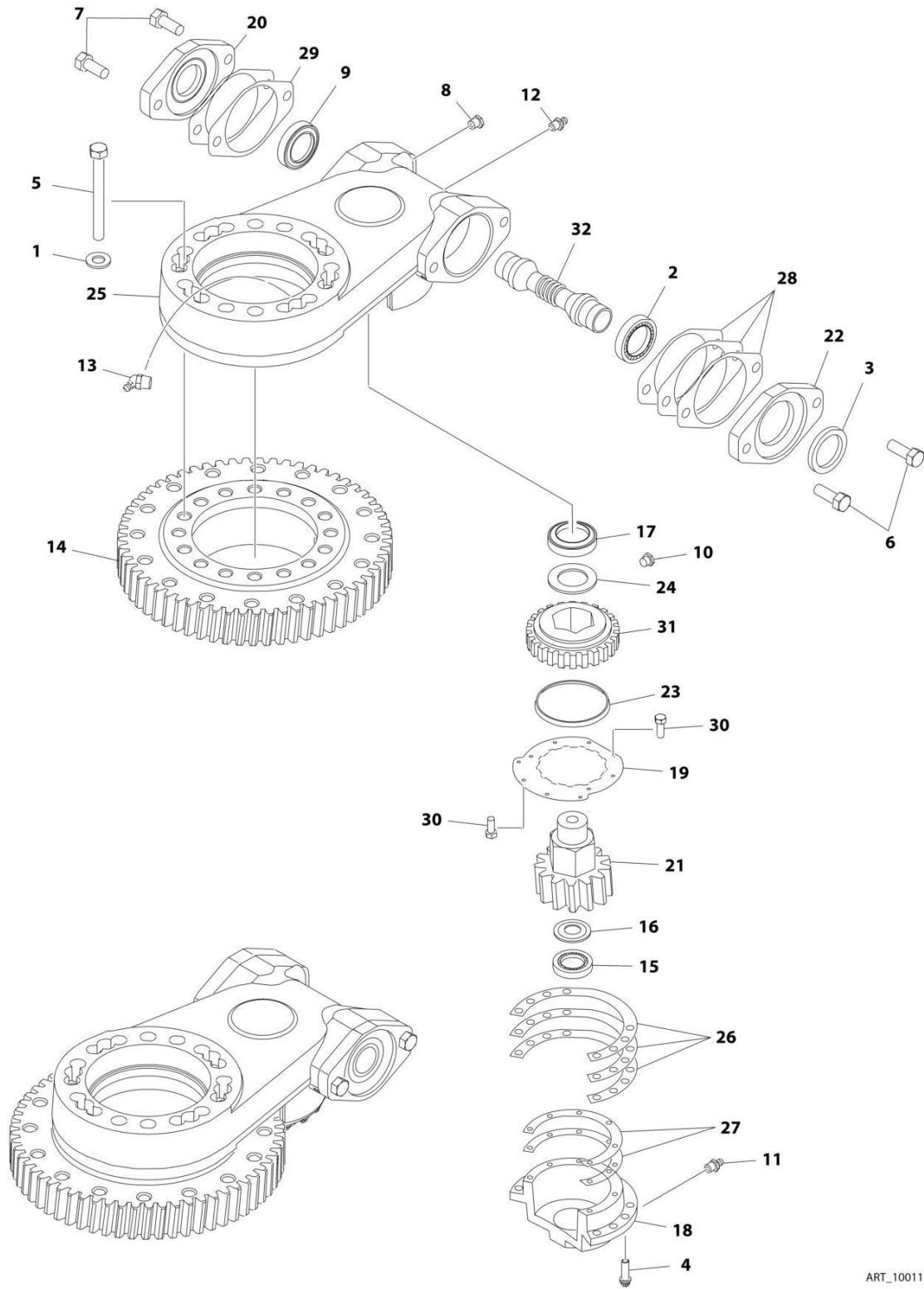
SECTION 2 - TURNTABLE

FIGURE 2-4. SWING MOTOR ASSEMBLY

ITEM	PART NUMBER	QTY	DESCRIPTION	REV
	1001294632 See Note	Ref Ref	SWING MOTOR ASSEMBLY (JING WEI/ZJ) Note: No Service Parts Available at Time of Printing	C

SECTION 2 - TURNTABLE

FIGURE 2-5. SWING BEARING ASSEMBLY



ART_1001153015

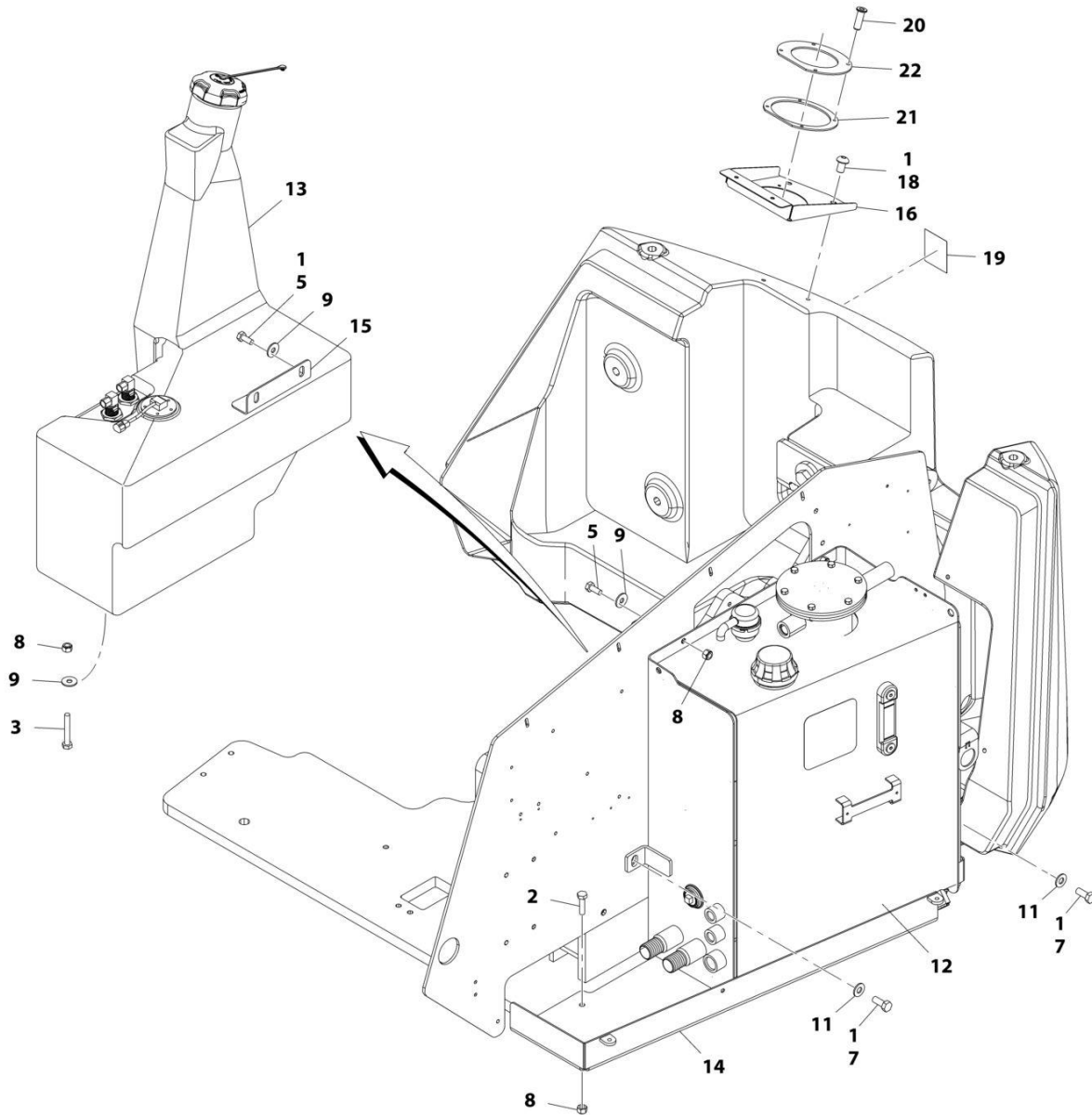
SECTION 2 - TURNTABLE

FIGURE 2-5. SWING BEARING ASSEMBLY

ITEM	PART NUMBER	QTY	DESCRIPTION	REV
	1001153015	Ref	SWING BEARING ASSEMBLY	B
1	7026041	2	Washer 5/16	
2	70002643	2	Cup, Bearing	
2	70002644	2	Cone, Bearing	
3	70002645	1	Seal	
4	70002646	8	Bolt 5/16 x 7/8	
5	70003138	2	Bolt 5/16 x 2-1/2	
6	70002647	2	Bolt 1/2 x 1	
7	70002648	2	Bolt 1/2 x 1-1/4	
8	70002649	1	Vent, Pressure	
9	70002650	1	Seal	
10	70003139	1	Plug 1/4	
11	70002651	1	Fitting, Grease 1/4	
12	70002652	1	Fitting, Grease 1/8 Straight	
13	7027359	1	Fitting, Grease 1/8 90	
14	1001160531	1	Turntable Bearing Kit (Includes Bearing and Hardware (was p/n 1001143932 & 70003140)	
15	70002656	1	Cup, Bearing	
15	70002657	1	Cone, Bearing	
16	70002658	1	Ring, Grease	
17	7026048	1	Cup, Bearing	
17	7026049	1	Cone, Bearing	
18	70002659	1	Cap, Gear	
19	70003141	1	Plate, Cover	
20	70002661	1	Cap, Worm	
21	70003142	1	Pinion, Output	
22	70002663	1	Adapter, Motor	
23	70002664	1	Seal, Face	
24	7026052	1	Spacer, Washer	
25	See Note	1	Housing (Note: Not Available - Purchase Complete Assembly)	
26	70002665	1	Shim .0075 Natural	
26	70002666	1	Shim .005 Blue	
26	70002667	1	Shim .003 Green	
27	70002668	1	Shim .005 Blue	
27	70002669	1	Shim .020 Yellow	
28	7027352	1	Gasket .010 Brown	
28	7027351	1	Gasket .0075 Clear	
28	7027350	1	Gasket .005 Blue	
29	7027353	1	Gasket .020 Yellow	
30	70000681	10	Bolt #6 x 3/8	
31	70002670	1	Gear, Worm	
32	70002671	1	Shaft, Worm	

SECTION 2 - TURNTABLE

FIGURE 2-6. TANK INSTALLATION (DIESEL MACHINES)



ART_1001115769

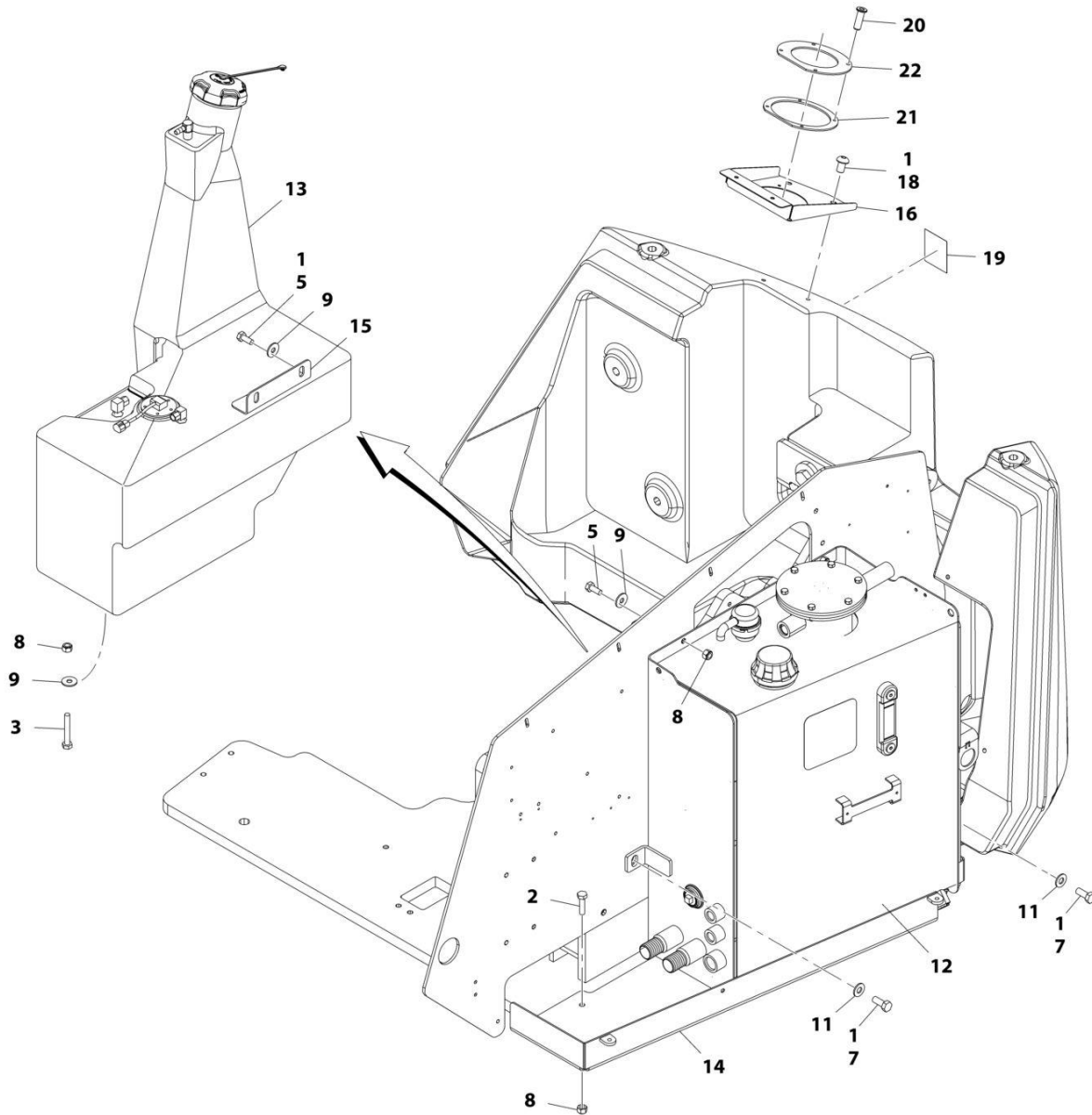
SECTION 2 - TURNTABLE

FIGURE 2-6. TANK INSTALLATION (DIESEL MACHINES)

ITEM	PART NUMBER	QTY	DESCRIPTION	REV
	1001115769	Ref	TANK INSTALLATION (DIESEL MACHINES)	E
1	0100011	AR	Compound, Locking	
2	0701016	2	Bolt M10 x 40	
3	0701022	1	Bolt M10 x 70	
5	0761012	4	Bolt M10 x 25	
7	0761214	2	Bolt M12 x 30	
8	3291005	5	Nut M10	
9	4812002	5	Washer M10	
11	4812102	2	Washer M12	
12	1001116339	1	Hydraulic Tank Assembly (See Separate Breakdown in this Section)	
13	1001117897	1	Fuel Tank Assembly (See Separate Breakdown in this Section)	
14	1001118502	1	Shield, Bottom Tank	
15	1001118509	1	Support, Tank	
16	1001118510	1	Shield, Tank Neck	
18	1001119527	2	Screw M10 x 16	
19	1701505	1	Decal - Diesel Fuel	
20	3820032	4	Rivet	
21	1001128781	1	Seal, Neck	
22	1001128782	1	Ring, Neck	

SECTION 2 - TURNTABLE

FIGURE 2-7. TANK INSTALLATION (GAS MACHINES)



ART_1001119102

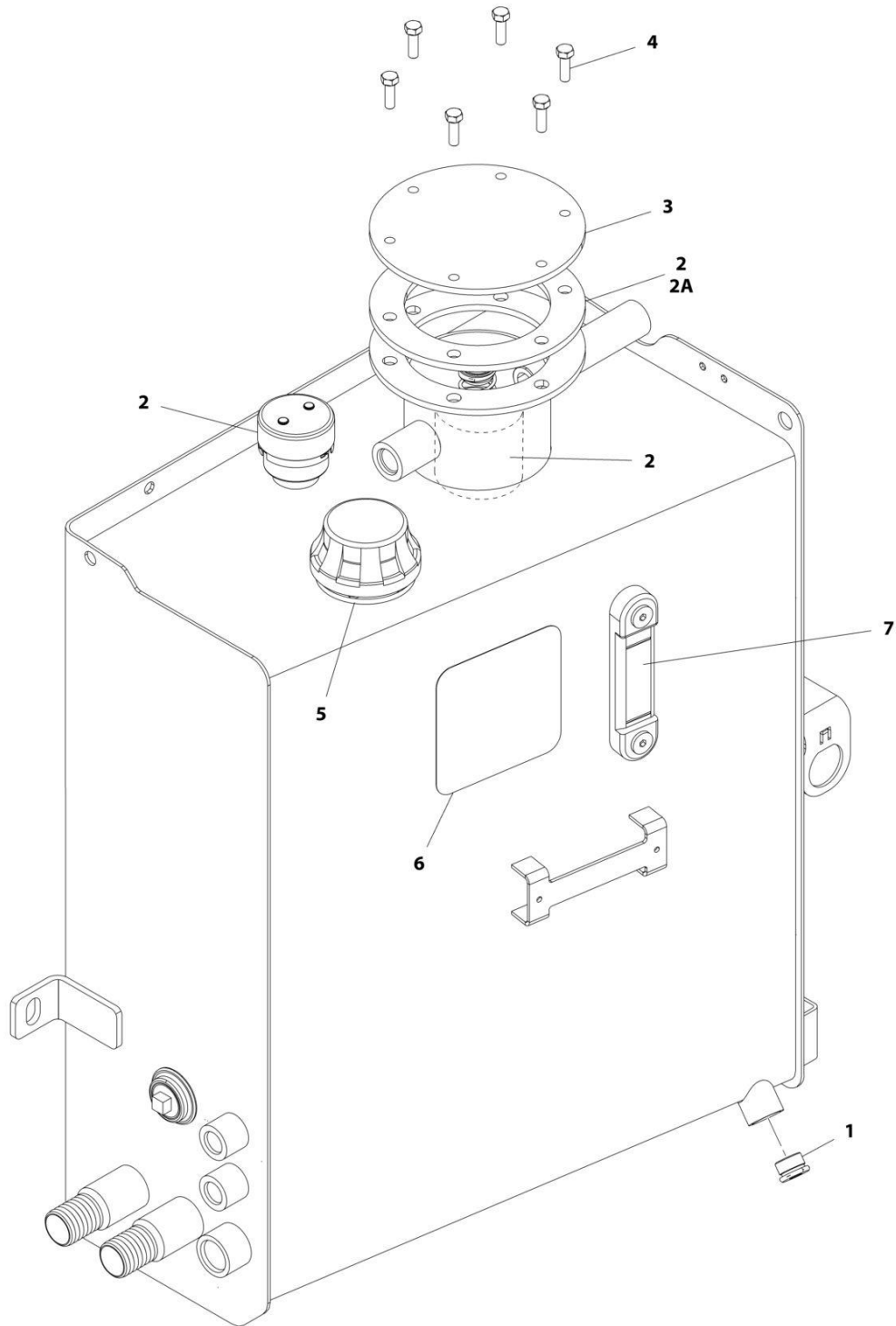
SECTION 2 - TURNTABLE

FIGURE 2-7. TANK INSTALLATION (GAS MACHINES)

ITEM	PART NUMBER	QTY	DESCRIPTION	REV
	1001119102	Ref	TANK INSTALLATION (GAS MACHINES)	F
1	0100011	AR	Compound, Locking	
2	0701016	2	Bolt M10 x 40	
3	0701022	1	Bolt M10 x 70	
5	0761012	4	Bolt M10 x 25	
7	0761214	2	Bolt M12 x 30	
8	3291005	5	Nut M10	
9	4812002	5	Washer M10	
11	4812102	2	Washer M12	
12	1001116339	1	Hydraulic Tank Assembly (See Separate Breakdown in this Section)	
13	1001211509	1	Fuel Tank Assembly (See Separate Breakdown in this Section)	
14	1001118502	1	Shield, Bottom Tank	
15	1001118509	1	Support, Tank	
16	1001118510	1	Shield, Tank Neck	
18	1001119527	2	Screw M10 x 16	
19	1701542	1	Decal - Gas Fuel	
20	3820032	4	Rivet	
21	1001128781	1	Seal, Neck	
22	1001128782	1	Ring, Neck	

SECTION 2 - TURNTABLE

FIGURE 2-8. HYDRAULIC TANK ASSEMBLY



ART_1001116339

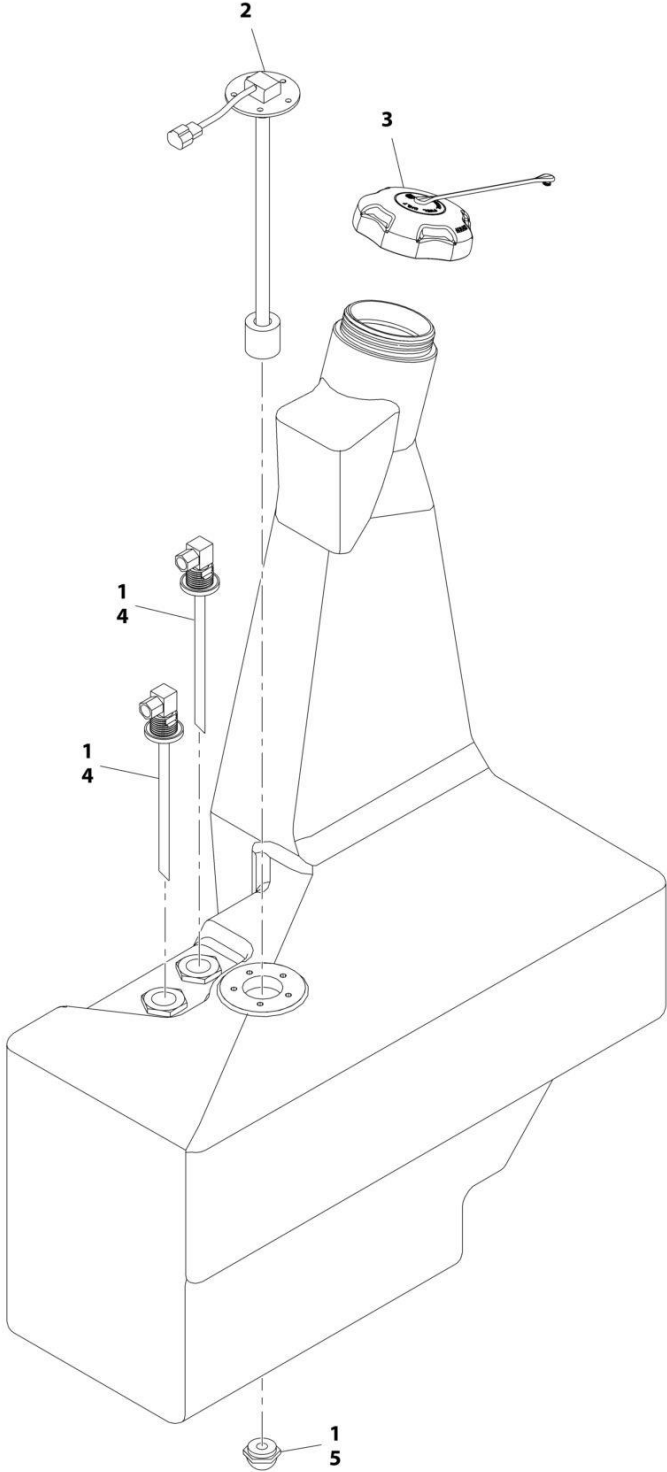
SECTION 2 - TURNTABLE

FIGURE 2-8. HYDRAULIC TANK ASSEMBLY

ITEM	PART NUMBER	QTY	DESCRIPTION	REV
	1001116339	Ref	HYDRAULIC TANK ASSEMBLY	F
1	70002112	1	Plug, Magnetic	
2	70002812	1	Hydraulic Breather/Filter Kit	
2A	70002839	1	Gasket	
3	See Note	NSS	Cover (Note: Use p/n 1001116339)	
4	See Note	NSS	Bolt (Note: Not Available - Purchase Locally)	
5	70002838	1	Cap, Fill	
6	70002840	1	Decal - Filter Replacement	
7	7024441	1	Gauge, Sight	

SECTION 2 - TURNTABLE

FIGURE 2-9. FUEL TANK ASSEMBLY (DIESEL MACHINES)



ART_1001117897

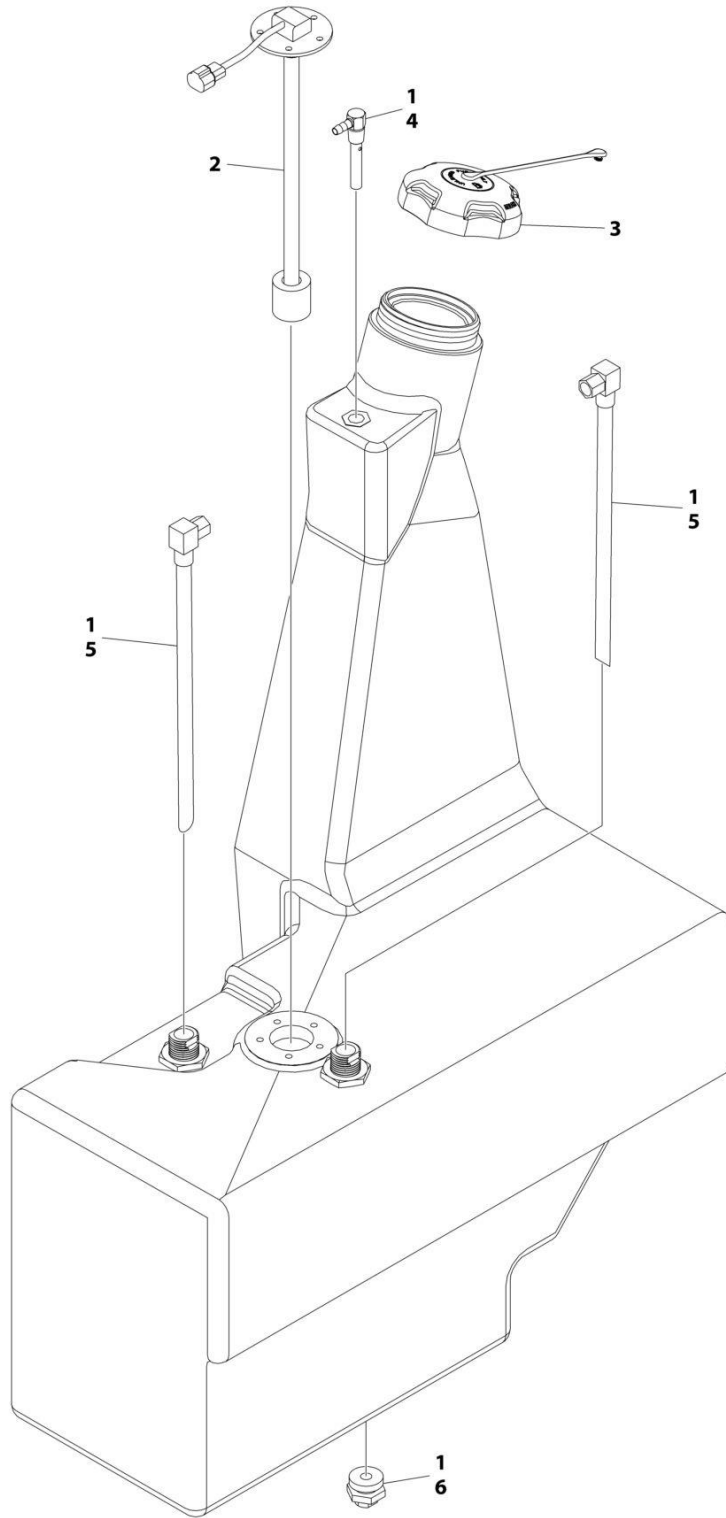
SECTION 2 - TURNTABLE

FIGURE 2-9. FUEL TANK ASSEMBLY (DIESEL MACHINES)

ITEM	PART NUMBER	QTY	DESCRIPTION	REV
	1001117897	Ref	FUEL TANK ASSEMBLY (DIESEL MACHINES)	G
1	0100020	AR	Sealant	
2	1001118262	1	Sender	
2	See Note	NSS	Seal, Sender (Note: Use p/n 1001118262)	
2	0721004	5	Screw #10 x 1/2	
3	1001128798	1	Cap, Fuel - Diesel	
4	See Note	NSS	Tube, Steel with Elbow Fitting (Note: Use p/n 1001117897)	
5	See Note	NSS	Plug (Note: Not Available - Purchase Locally)	

SECTION 2 - TURNTABLE

FIGURE 2-10. FUEL TANK ASSEMBLY (GAS MACHINES)



ART_1001211509

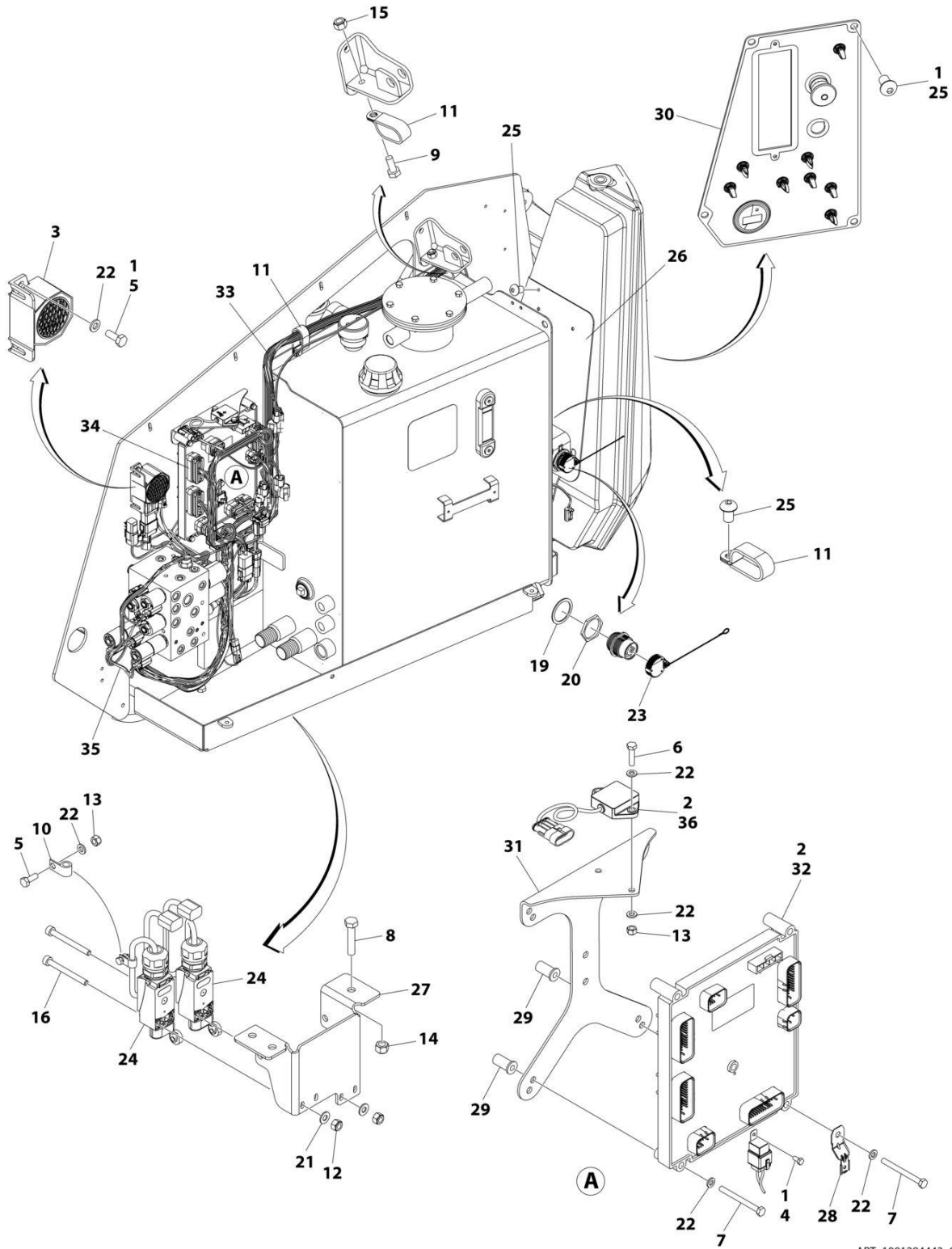
SECTION 2 - TURNTABLE

FIGURE 2-10. FUEL TANK ASSEMBLY (GAS MACHINES)

ITEM	PART NUMBER	QTY	DESCRIPTION	REV
	1001211509	Ref	FUEL TANK ASSEMBLY (GAS MACHINES)	A
1	0100020	AR	Sealant	
2	1001118262	1	Sender	
2	0721004	5	Screw #10 x 1/2	
3	1001128799	1	Cap, Fuel - Gas	
4	1001129043	1	Valve, Fuel Vent	

SECTION 2 - TURNTABLE

FIGURE 2-11. ELECTRICAL COMPONENTS INSTALLATION (ALL SPECS EXCEPT CE & UK CA)



ART_1001284443_C

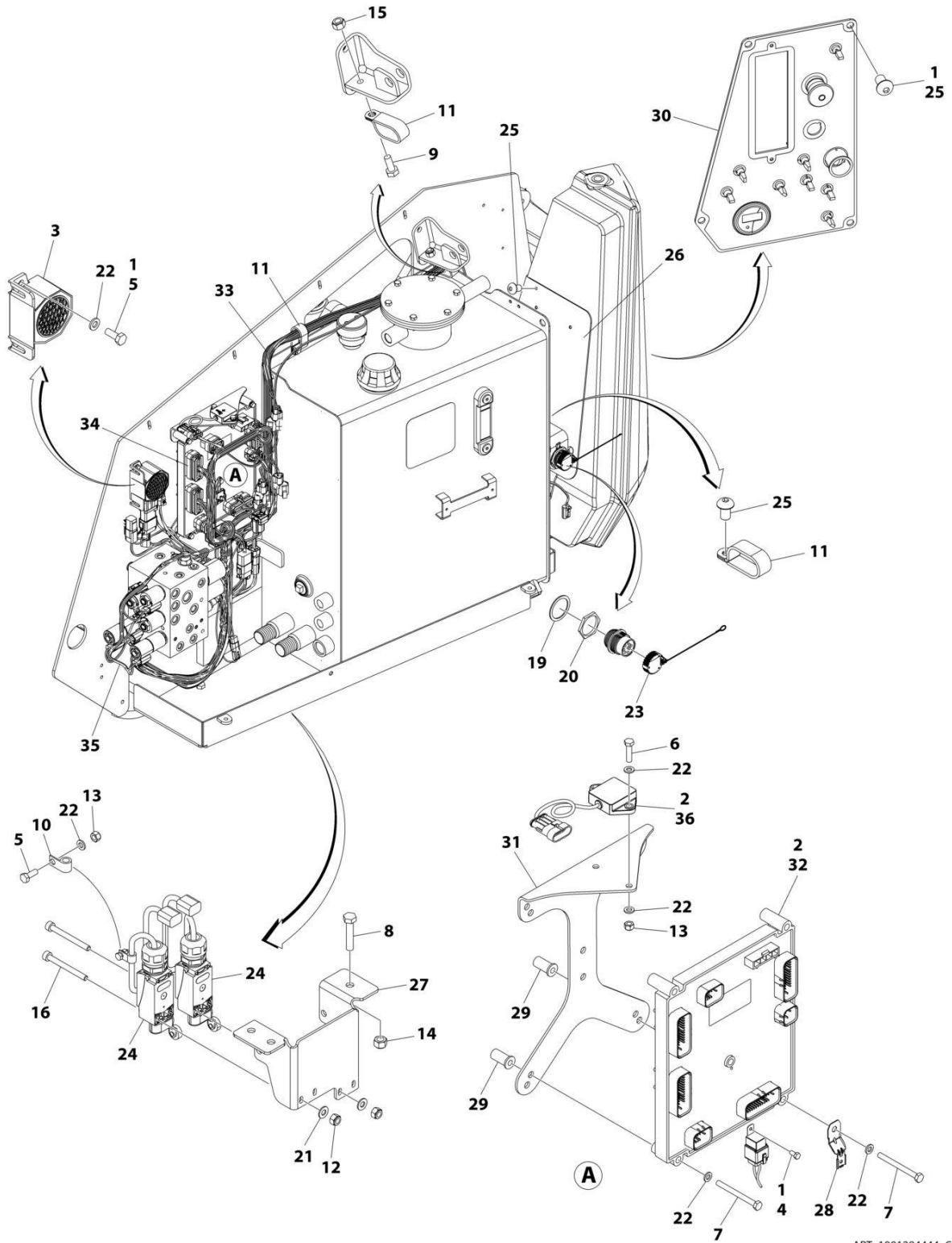
SECTION 2 - TURNTABLE

FIGURE 2-11. ELECTRICAL COMPONENTS INSTALLATION (ALL SPECS EXCEPT CE & UK CA)

ITEM	PART NUMBER	QTY	DESCRIPTION	REV
	1001284443	Ref	ELECTRICAL COMPONENTS INSTALLATION	C
1	0100011	AR	Compound, Locking	
2	0100048	AR	Sealant, Silicone	
3	0140043	1	Alarm	
4	0760505	1	Bolt M5 x 10	
5	0760608	4	Bolt M6 x 16	
6	0760612	2	Bolt M6 x 25	
7	0760621	5	Bolt M6 x 65	
8	0760816	3	Bolt M8 x 40	
9	0761012	1	Bolt M10 x 25	
10	1321293	2	Clamp	
11	1321716	3	P-Clamp	
12	3290405	4	Nut M4	
13	3290605	4	Nut M6	
14	3290805	3	Nut M8	
15	3291005	1	Nut M10	
16	4031512	4	Capscrew M4 x 40	
17	4240032	AR	Tie-Strap (Not Shown)	
18	4460234	AR	Mount, Tie-Strap (Not Shown)	
19	4460496	1	Washer	
20	4460497	1	Nut	
21	4811400	4	Washer M4	
22	4811700	13	Washer M6	
23	1001106736	1	Cap, Dust	
24	1001119176	2	Limit Switch and Harness Assembly (See Separate Breakdown in ELECTRICAL Section)	
24	1001119170	2	Switch, Limit (1 per Assembly)	
25	1001119527	7	Screw, Button Head M10 x 16	
26	1001125291	1	Shield, Ground Controls	
27	1001141710	1	Bracket, Switch	
28	1001155743	1	Mount, Connector	
29	1001203719	5	Nut M6	
30	1001266044	1	Ground Control Assembly (See Separate Breakdown in this Section)	
31	1001271794	1	Bracket, Tilt Sensor	
32	1001280340	1	Module, Ground Control (Note: Re-calibration Required when Replaced)	
33	1001299513	1	Harness, Ground Control (See Separate Breakdown in ELECTRICAL Section)	
34	1001286171	1	Mid-Engine Harness (See Separate Breakdown in ELECTRICAL Section)	
35	1001291530	1	Valve Harness (See Separate Breakdown in ELECTRICAL Section)	
36	1001219601	1	Sensor, Tilt Dual Axis CAN	

SECTION 2 - TURNTABLE

FIGURE 2-12. ELECTRICAL COMPONENTS INSTALLATION (CE & UK CA SPEC)



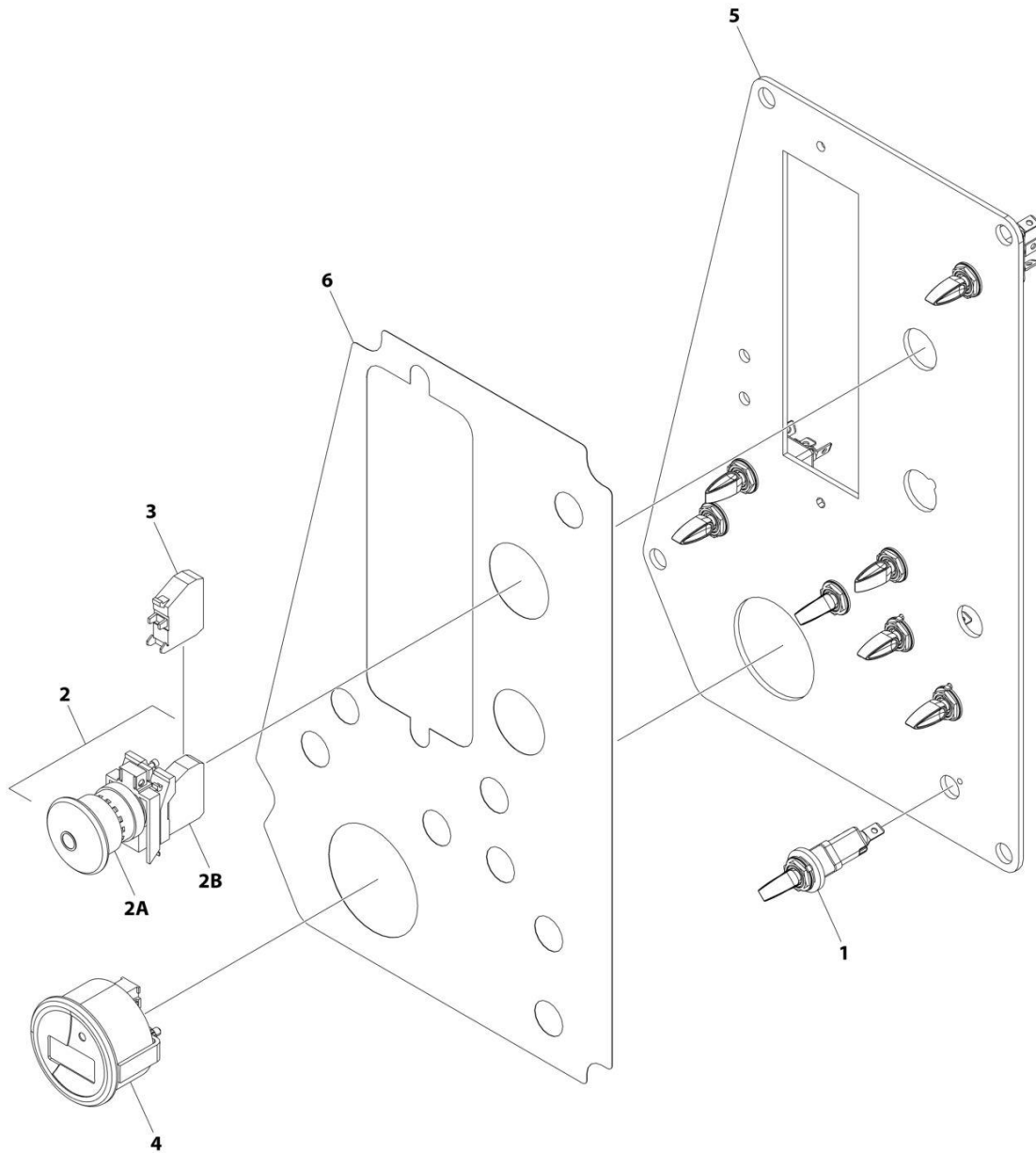
SECTION 2 - TURNTABLE

FIGURE 2-12. ELECTRICAL COMPONENTS INSTALLATION (CE & UK CA SPEC)

ITEM	PART NUMBER	QTY	DESCRIPTION	REV
	1001284444	Ref	ELECTRICAL COMPONENTS INSTALLATION	C
1	0100011	AR	Compound, Locking	
2	0100048	AR	Sealant, Silicone	
3	0140043	1	Alarm	
4	0760505	1	Bolt M5 x 10	
5	0760608	4	Bolt M6 x 16	
6	0760612	2	Bolt M6 x 25	
7	0760621	5	Bolt M6 x 65	
8	0760816	3	Bolt M8 x 40	
9	0761012	1	Bolt M10 x 25	
10	1321293	2	Clamp	
11	1321716	3	P-Clamp	
12	3290405	4	Nut M4	
13	3290605	4	Nut M6	
14	3290805	3	Nut M8	
15	3291005	1	Nut M10	
16	4031512	4	Capscrew M4 x 40	
17	4240032	AR	Tie-Strap (Not Shown)	
18	4460234	AR	Mount, Tie-Strap (Not Shown)	
19	4460496	1	Washer, Terminal	
20	4460497	1	Nut, Terminal	
21	4811400	4	Washer M4	
22	4811700	13	Washer M6	
23	1001106736	1	Cap, Dust	
24	1001119176	2	Limit Switch and Harness Assembly (See Separate Breakdown in ELECTRICAL Section)	
24	1001119170	2	Switch, Limit (1 per Assembly)	
25	1001119527	7	Screw, Button Head M10 x 16	
26	1001125291	1	Shield, Ground Controls	
27	1001141710	1	Bracket, Switch	
28	1001155743	1	Mount, Connector	
29	1001203719	5	Nut M6	
30	1001266045	1	Ground Control Assembly (See Separate Breakdown in this Section)	
31	1001271794	1	Bracket, Tilt Sensor	
32	1001280340	1	Module, Ground Control (Note: Re-calibration Required when Replaced)	
33	1001299513	1	Harness, Ground Control (See Separate Breakdown in ELECTRICAL Section)	
34	1001286171	1	Mid-Engine Harness Assembly (See Separate Breakdown in ELECTRICAL Section)	
35	1001291530	1	Valve Harness (See Separate Breakdown in ELECTRICAL Section)	
36	1001219601	1	Sensor, Tilt Dual Axis CAN	

SECTION 2 - TURNTABLE

FIGURE 2-13. GROUND CONTROL BOX ASSEMBLY - DISPLAY WITHOUT BUTTONS (ALL SPECS EXCEPT CE & UK CA SPECS)



ART_1001266044_B

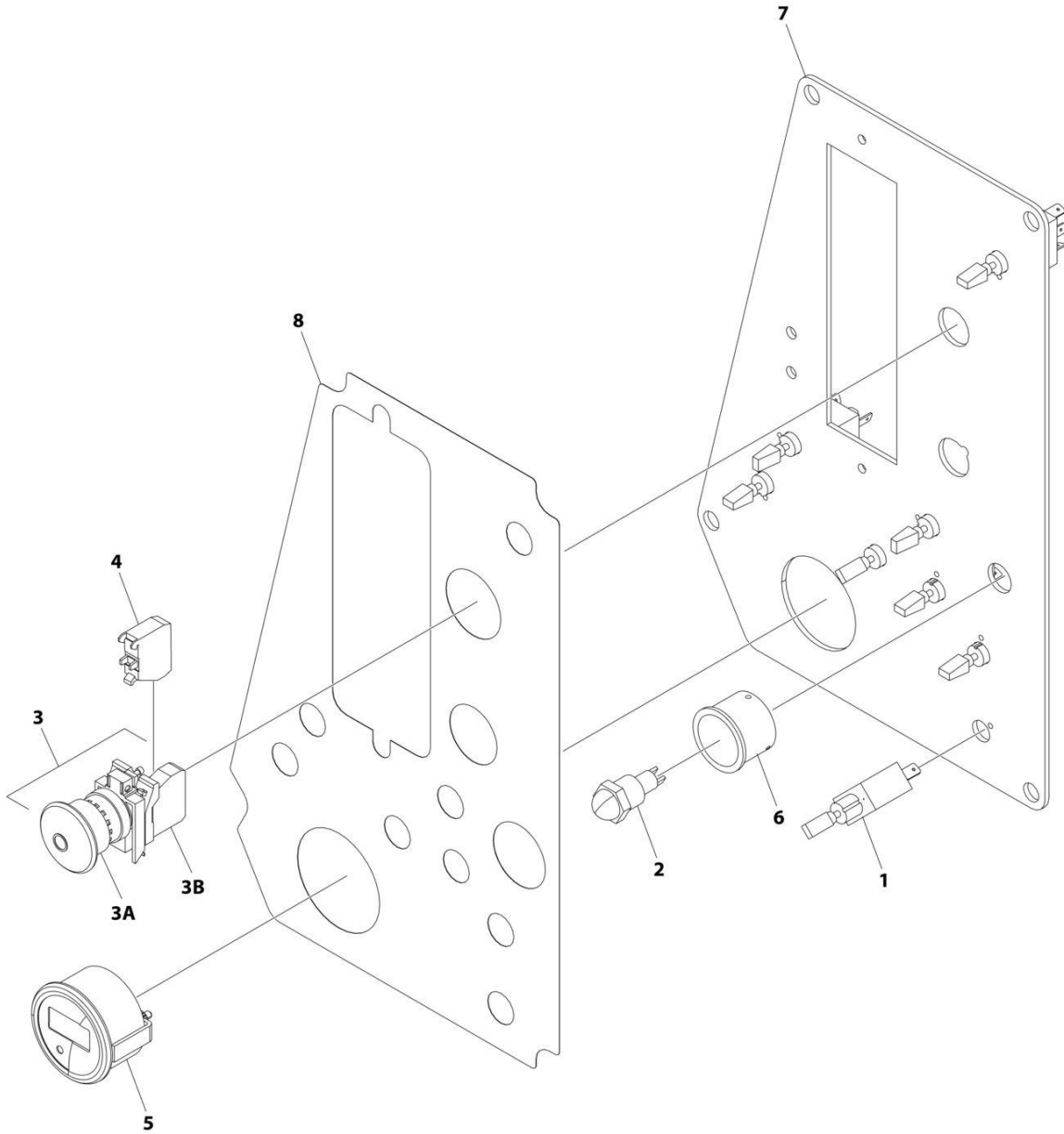
SECTION 2 - TURNTABLE

FIGURE 2-13. GROUND CONTROL BOX ASSEMBLY - DISPLAY WITHOUT BUTTONS (ALL SPECS EXCEPT CE & UK CA SPECS)

ITEM	PART NUMBER	QTY	DESCRIPTION	REV
	1001266044	Ref	GROUND CONTROL ASSEMBLY	B
1	4360328	8	Switch, Toggle	
2	4360475	1	Switch, Emergency Stop	
2A	7020175	1	Cap, Mushroom Head	
2B	7020176	1	Block, Contact	
3	4360476	1	Switch, Contact	
4	1001109503	1	Display	
5	1001280406	1	Panel	
6	1001266041	1	Decal - Ground Control	

SECTION 2 - TURNTABLE

FIGURE 2-14. GROUND CONTROL BOX ASSEMBLY - DISPLAY WITHOUT BUTTONS (CE & UK CA SPECS)



ART_1001266045_B

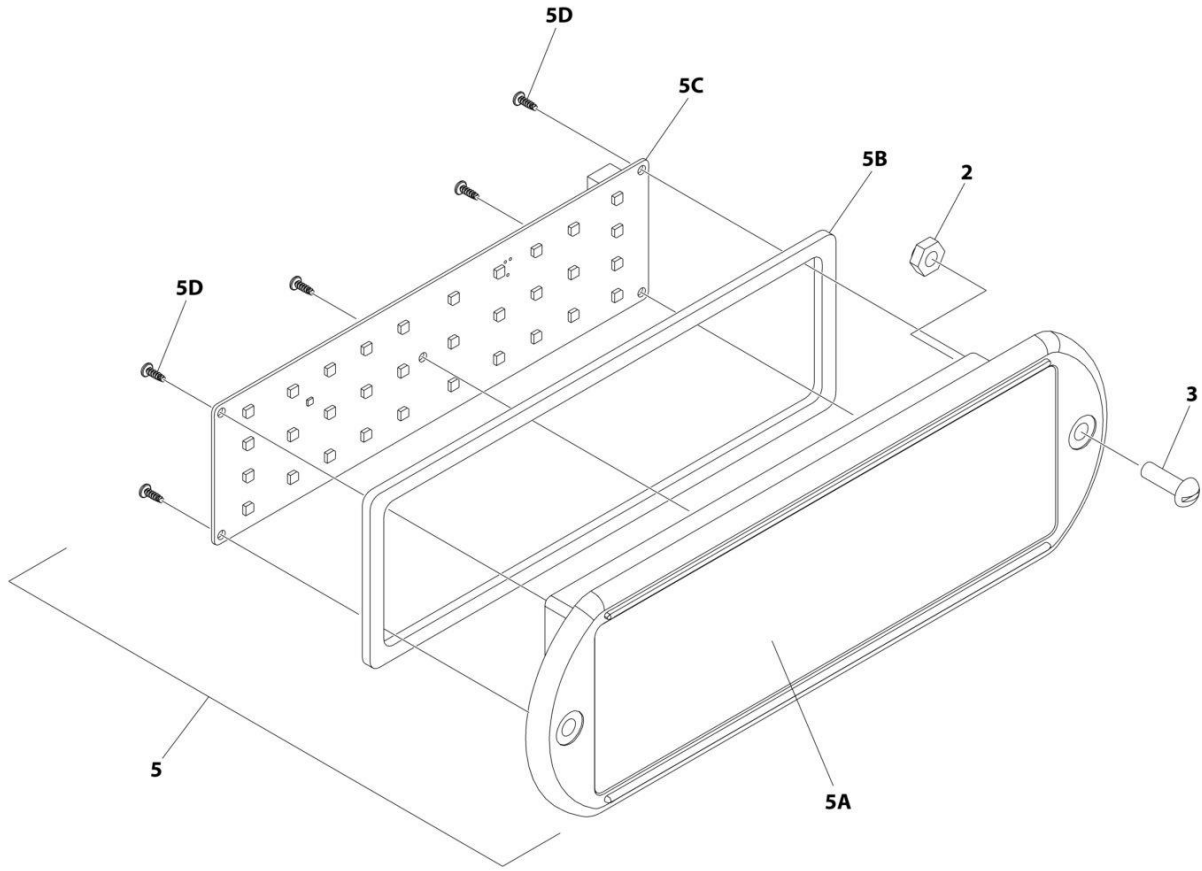
SECTION 2 - TURNTABLE

FIGURE 2-14. GROUND CONTROL BOX ASSEMBLY - DISPLAY WITHOUT BUTTONS (CE & UK CA SPECS)

ITEM	PART NUMBER	QTY	DESCRIPTION	REV
	1001266045	Ref	GROUND CONTROL ASSEMBLY	B
1	4360328	8	Switch, Toggle	
2	4360387	1	Switch, Push Button	
3	4360475	1	Switch, Emergency Stop	
3A	7020175	1	Cap, Mushroom Head	
3B	7020176	1	Block, Contact	
4	4360476	1	Switch, Contact	
5	1001109503	1	Display	
6	1001176469	1	Shroud	
7	1001280406	1	Panel	
8	1001266043	1	Decal - Ground Control	

SECTION 2 - TURNTABLE

FIGURE 2-15. LIGHT PANEL INSTALLATION



ART_1001241400_C_10F2

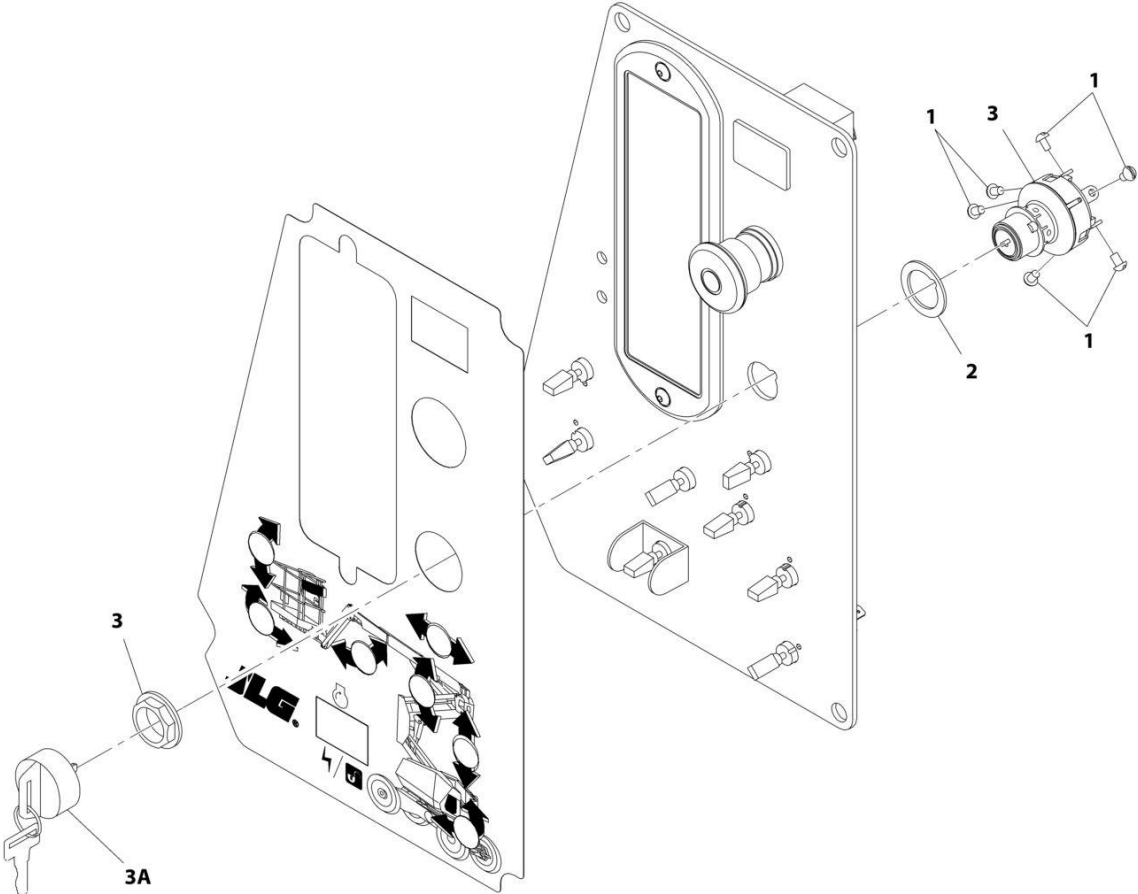
SECTION 2 - TURNTABLE

FIGURE 2-15. LIGHT PANEL INSTALLATION

ITEM	PART NUMBER	QTY	DESCRIPTION	REV
	1001241400	Ref	LIGHT PANEL INSTALLATION	C
2	3300408	2	Nut, Nylon Insert	
3	0630518	2	Screw #10 x 3/4	
5	1001236433	1	Light Panel Assembly	
5A	1001236093	1	Lens, I-Con	
5B	1001238749	1	Bezel (Includes Gasket)	
5C	1001187807	1	Panel, LED Light	
5D		Ref	Screw	

SECTION 2 - TURNTABLE

FIGURE 2-16. KEY SWITCH INSTALLATION



ART_1001119399

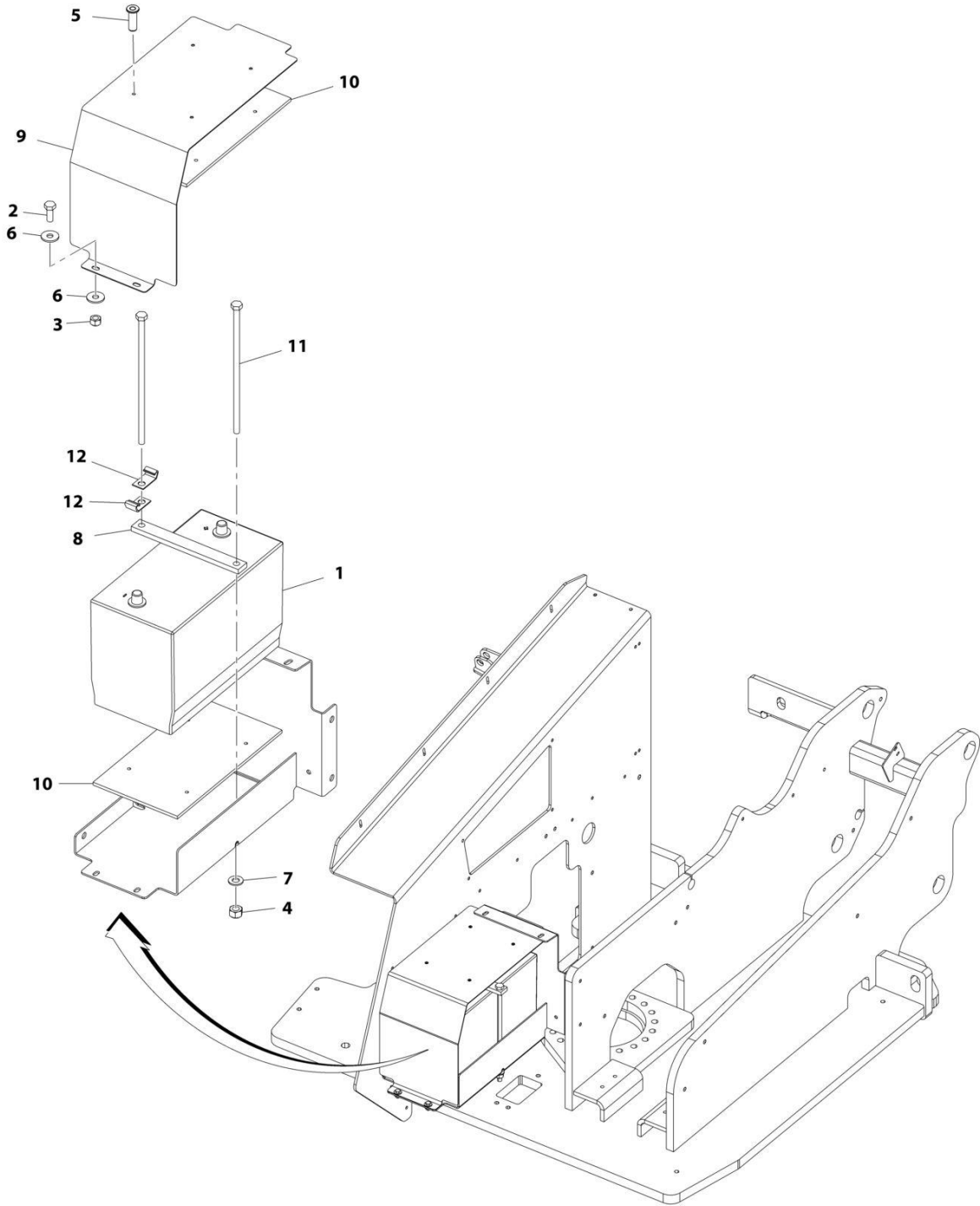
SECTION 2 - TURNTABLE

FIGURE 2-16. KEY SWITCH INSTALLATION

ITEM	PART NUMBER	QTY	DESCRIPTION	REV
	1001119399	Ref	KEY SWITCH INSTALLATION	C
1	3910804	6	Screw 8 x 1/4	
2	1001151393	1	Shim	
3	4360469	1	Switch, Key	
3A	2860030	1	Key, Replacement	

SECTION 2 - TURNTABLE

FIGURE 2-17. BATTERY INSTALLATION



ART_1001119277

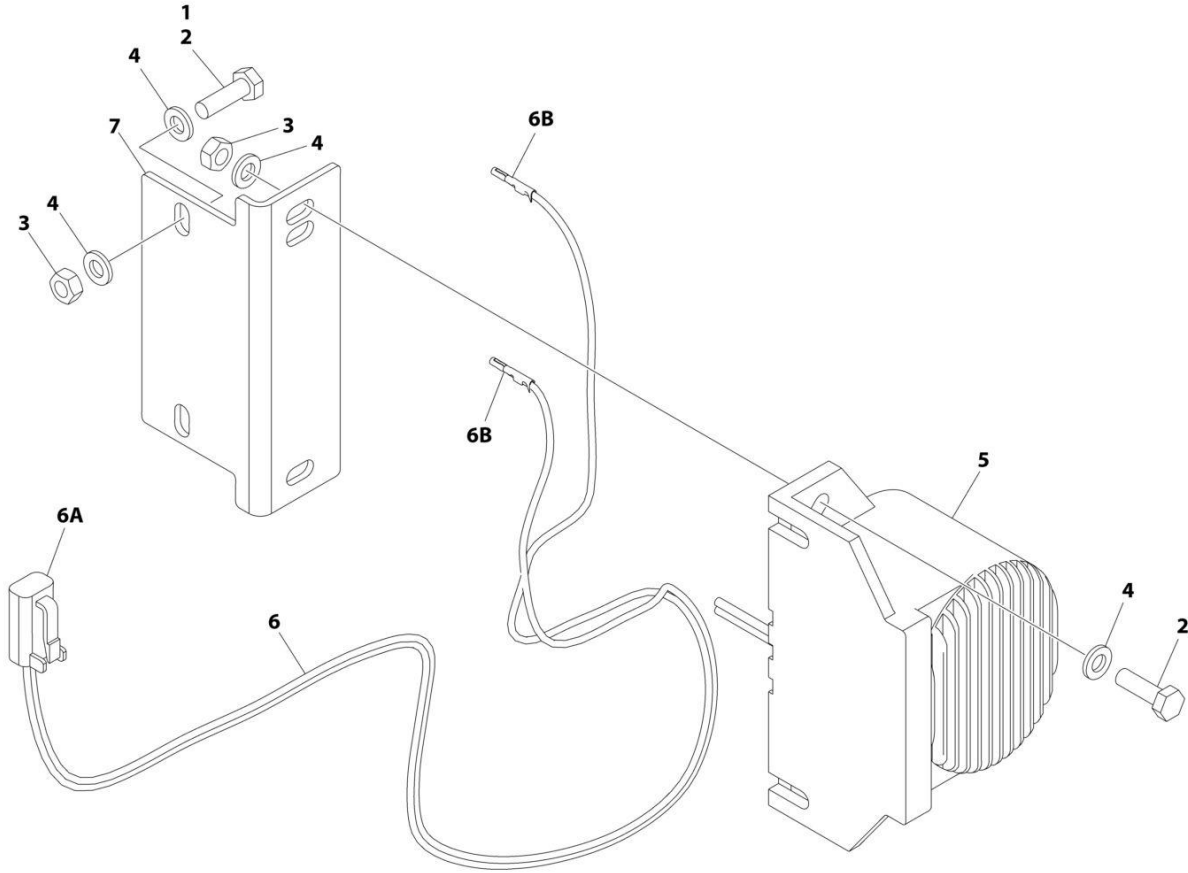
SECTION 2 - TURNTABLE

FIGURE 2-17. BATTERY INSTALLATION

ITEM	PART NUMBER	QTY	DESCRIPTION	REV
	1001119277	Ref	BATTERY INSTALLATION	D
1	0400075	1	Battery	
2	0760610	2	Bolt M6 x 20	
3	3290605	2	Nut M6	
4	3291005	2	Nut M10	
5	3820032	4	Rivet	
6	4811702	4	Washer M6	
7	4812000	2	Washer M10	
8	0361810	1	Bar, Hold-down	
9	1001117240	1	Cover	
10	1001119278	2	Insulate	
11	1001119280	2	Bolt M10 x 260	
12	1320223	2	J-Clip	

SECTION 2 - TURNTABLE

FIGURE 2-18. WHITE NOISE ALARM INSTALLATION (AMBIENT)



ART_1001206737

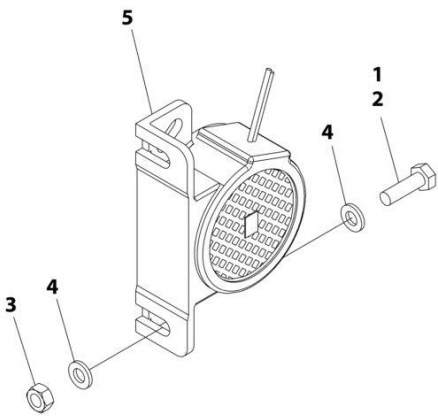
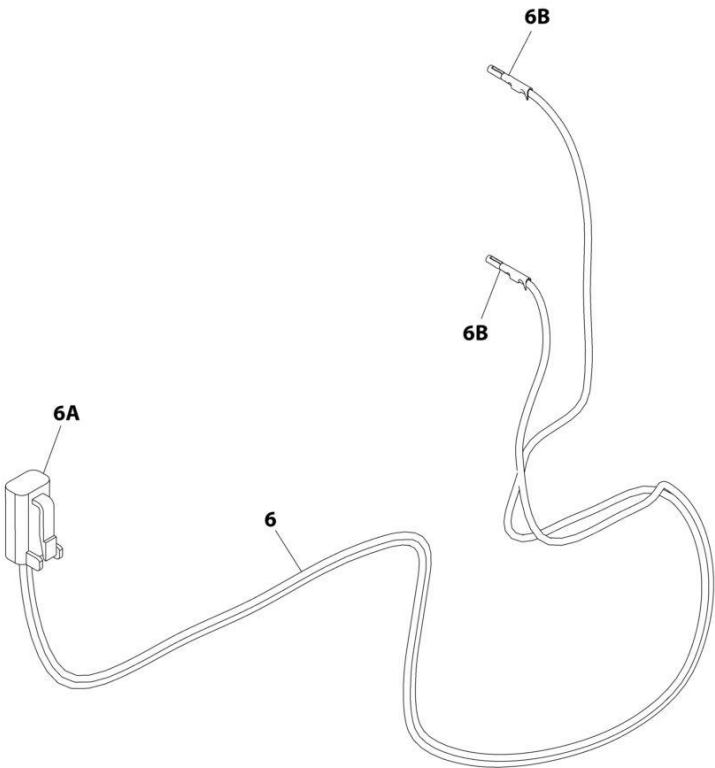
SECTION 2 - TURNTABLE

FIGURE 2-18. WHITE NOISE ALARM INSTALLATION (AMBIENT)

ITEM	PART NUMBER	QTY	DESCRIPTION	REV
	1001206737	Ref	WHITE NOISE ALARM INSTALLATION	C
1	0100011	AR	Compound, Locking	
2	0760610	4	Bolt M6 x 20	
3	3290601	4	Nut M6	
4	4811700	8	Washer M6	
5	1001182806	1	Alarm	
6	1001190663	1	White Noise Motion Alarm Harness	
6A	4460891	1	Plug, Male - 2 Position	
6A	4460465	1	Socket, Female	
6B	4460871	2	Socket, Female	
7	1001231886	1	Plate	

SECTION 2 - TURNTABLE

FIGURE 2-19. WHITE NOISE ALARM INSTALLATION (CONSTANT)



ART_1001263178

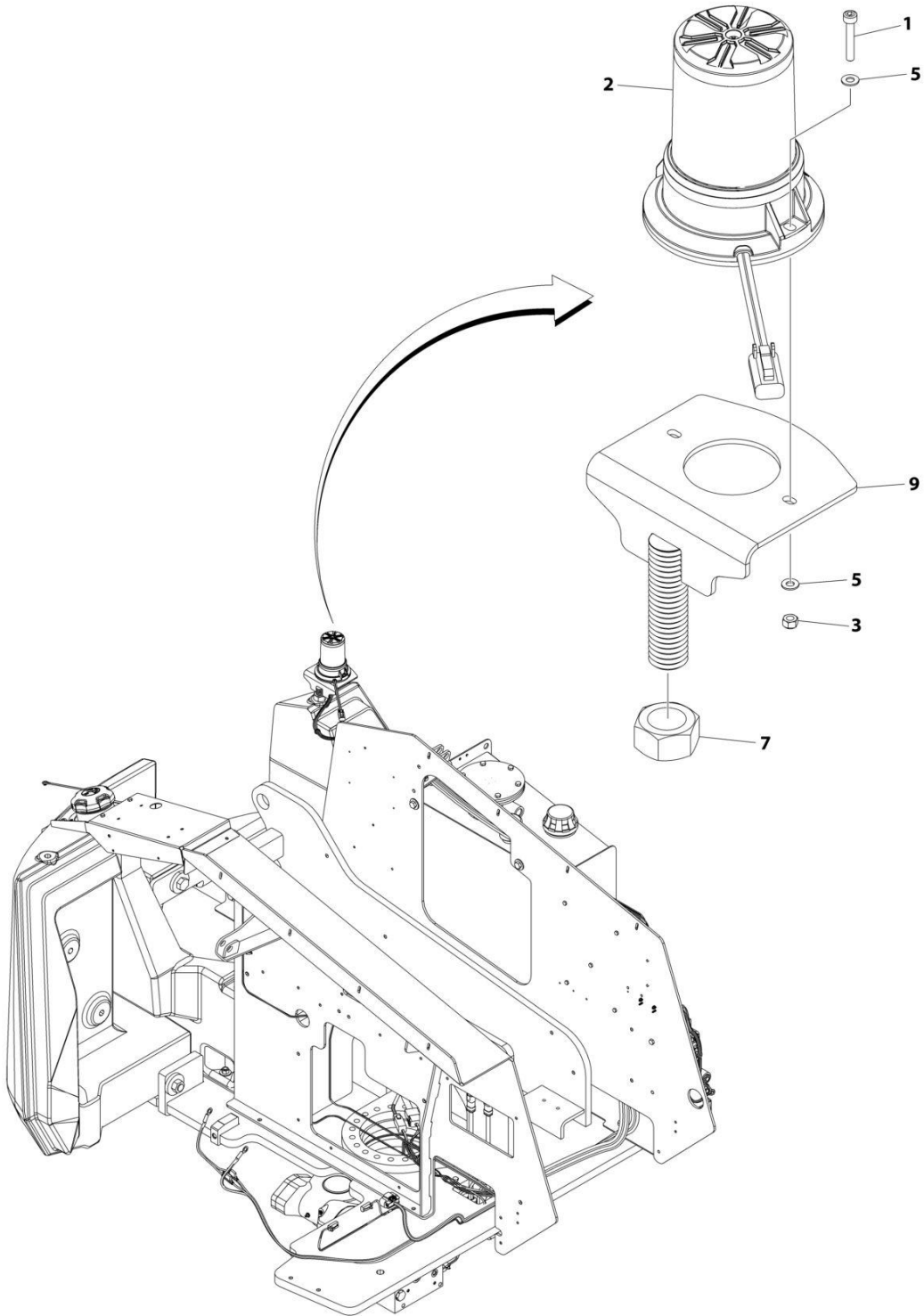
SECTION 2 - TURNTABLE

FIGURE 2-19. WHITE NOISE ALARM INSTALLATION (CONSTANT)

ITEM	PART NUMBER	QTY	DESCRIPTION	REV
	1001263178	Ref	WHITE NOISE ALARM INSTALLATION (CONSTANT)	A
1	0100011	AR	Compound, Locking	
2	0760610	2	Bolt M6 x 20	
3	3290601	2	Nut M6	
4	4811700	4	Washer M6	
5	1001184682	1	Alarm	
6	1001190663	1	White Noise Motion Alarm Harness	
6A	4460891	1	Plug, Male - 2 Position	
6A	4460465	1	Socket, Female	
6B	4460871	2	Socket, Female	

SECTION 2 - TURNTABLE

FIGURE 2-20. STROBE LIGHT INSTALLATION (AMBER)



ART_1001119268_E

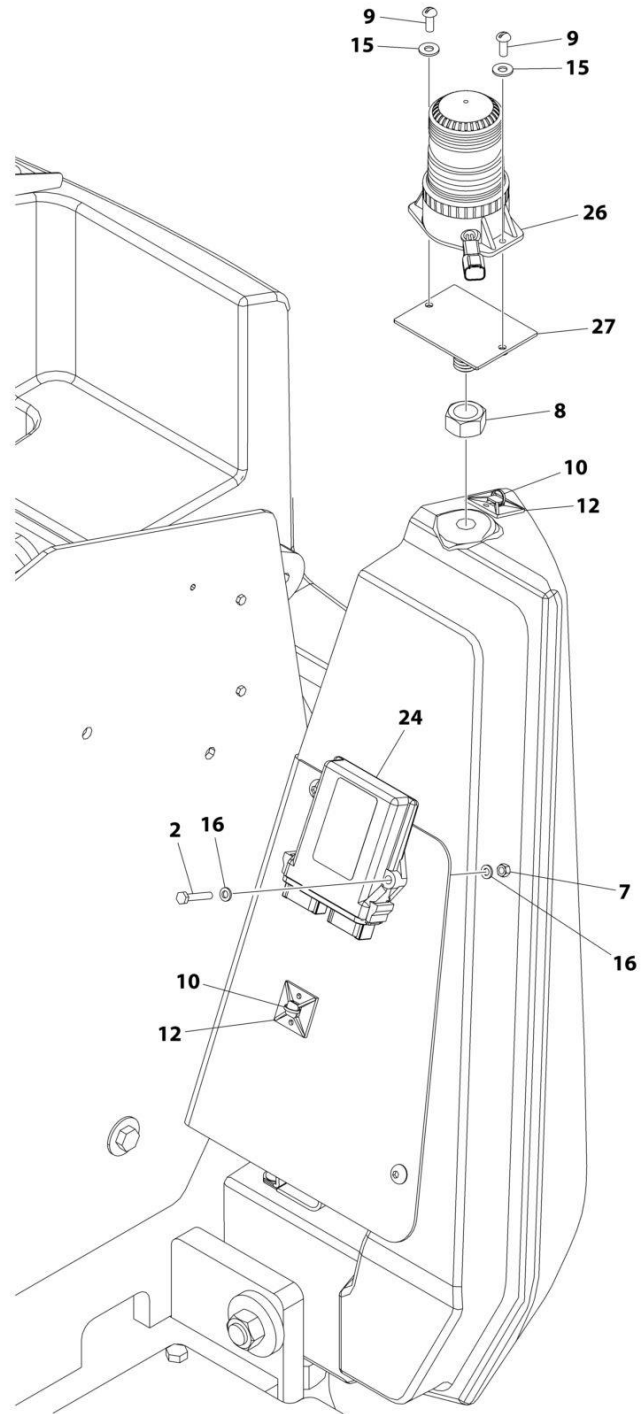
SECTION 2 - TURNTABLE

FIGURE 2-20. STROBE LIGHT INSTALLATION (AMBER)

ITEM	PART NUMBER	QTY	DESCRIPTION	REV
	1001119268	Ref	STROBE LIGHT INSTALLATION (AMBER)	E
1	4031509	2	Bolt M4 x 25	
2	1001270594	1	Strobe Light Assembly	
2	7016319	1	Bulb	
2	7016372	1	Lens	
2	4460891	1	Plug, Male - 2 Position	
2	4460465	1	Socket, Female	
3	3290405	2	Nut M4	
5	4811400	4	Washer M4	
6	4240032	AR	Tie-Strap (Not Shown)	
7	3292001	1	Nut M20	
8	1001283776	1	Harness, Strobe Light Jumper (Not Shown - See Separate Breakdown in ELECTRICAL Section)	
9	1001286584	1	Mount	

SECTION 2 - TURNTABLE

FIGURE 2-21. STROBE LIGHT INSTALLATION (BLUE) (OPTIONAL)



ART_1001242849

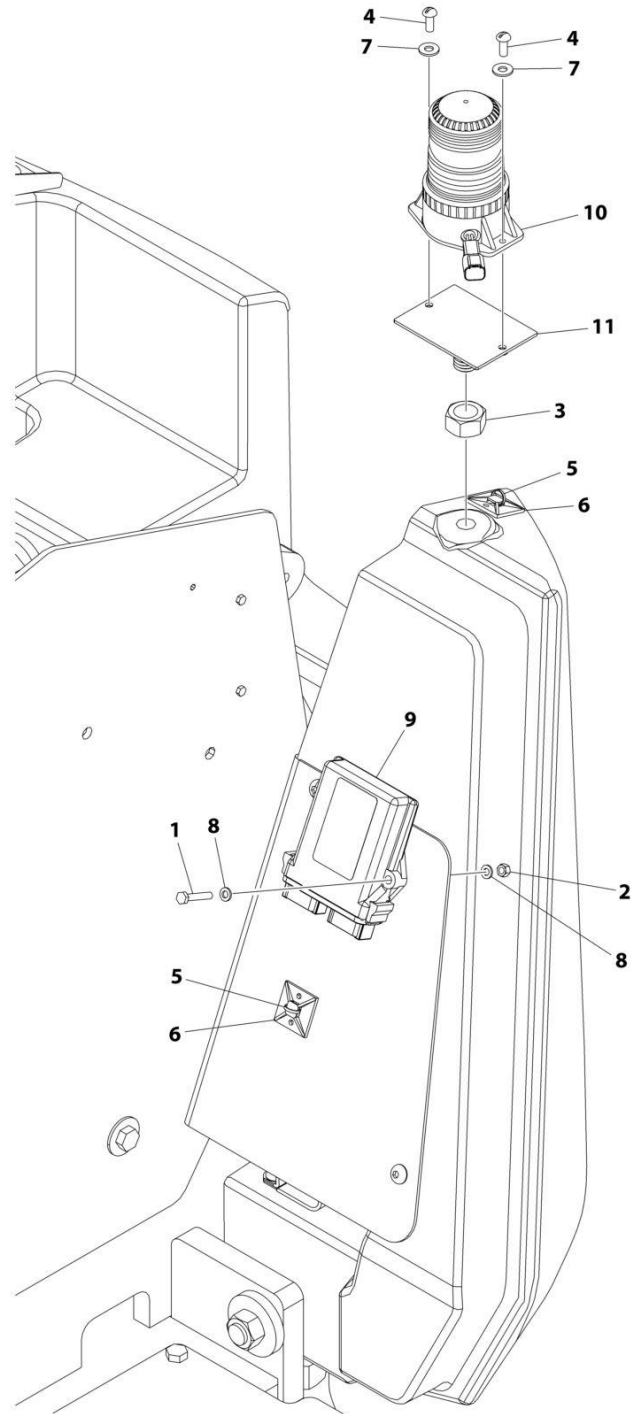
SECTION 2 - TURNTABLE

FIGURE 2-21. STROBE LIGHT INSTALLATION (BLUE) (OPTIONAL)

ITEM	PART NUMBER	QTY	DESCRIPTION	REV
	1001242849	Ref	BEACON LIGHT INSTALLATION - BLUE	D
2	0700615	2	Bolt M6 x 35	
7	3290607	2	Nut M6	
9	4031509	2	Bolt M4 x 25	
10	4240032	2	Tie-Strap	
12	4460488	2	Base, Mounting	
15	4811400	4	Washer M4	
16	4811700	4	Washer M6	
24	1001142683	1	Module, Beacon Control	
26	1001272681	1	Light, Strobe	
26	7028909	1	Connector - 2 Position	
26	4460943	2	Pin, Male	
28	1001142736	1	Strobe Light Control Harness (Not Shown - See Separate Breakdown in ELECTRICAL Section)	
29	3290405	1	Nut M4	
30	1001285733	1	Alert Beacon Jumper Harness	
31	2540020	1	Grommet	

SECTION 2 - TURNTABLE

FIGURE 2-22. STROBE LIGHT INSTALLATION (RED) (OPTIONAL)



ART_1001242850

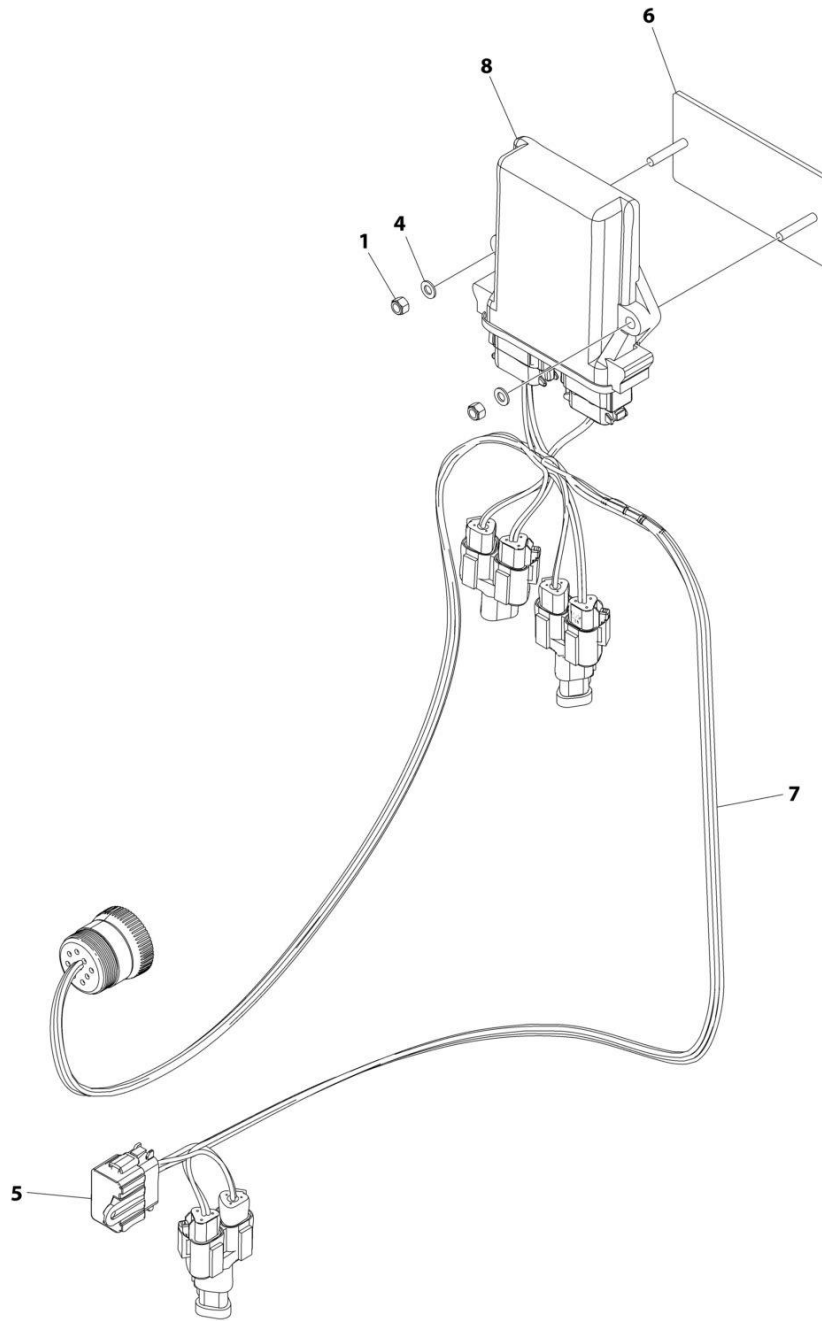
SECTION 2 - TURNTABLE

FIGURE 2-22. STROBE LIGHT INSTALLATION (RED) (OPTIONAL)

ITEM	PART NUMBER	QTY	DESCRIPTION	REV
	1001242850	Ref	BEACON LIGHT INSTALLATION - RED	B
1	0700615	2	Bolt M6 x 35	
2	3290607	2	Nut M6	
13	3290405	2	Nut M4	
4	4031509	1	Screw #10 x 1/2	
5	4240032	2	Tie-Strap	
6	4460488	2	Base, Mounting	
7	4811400	2	Washer #10	
8	4811700	4	Washer M6	
9	1001142683	1	Module, Beacon Control	
10	1001272682	1	Light, Strobe	
10	7028909	1	Connector - 2 Position	
10	4460943	2	Pin, Male	
12	1001142736	1	Strobe Light Control Harness (Not Shown - See Separate Breakdown in ELECTRICAL Section)	
14	1001285733	1	Beacon Jumper Harness	
15	2540020	1	Grommet	

SECTION 2 - TURNTABLE

FIGURE 2-23. GATEWAY INSTALLATION



ART_1001284514

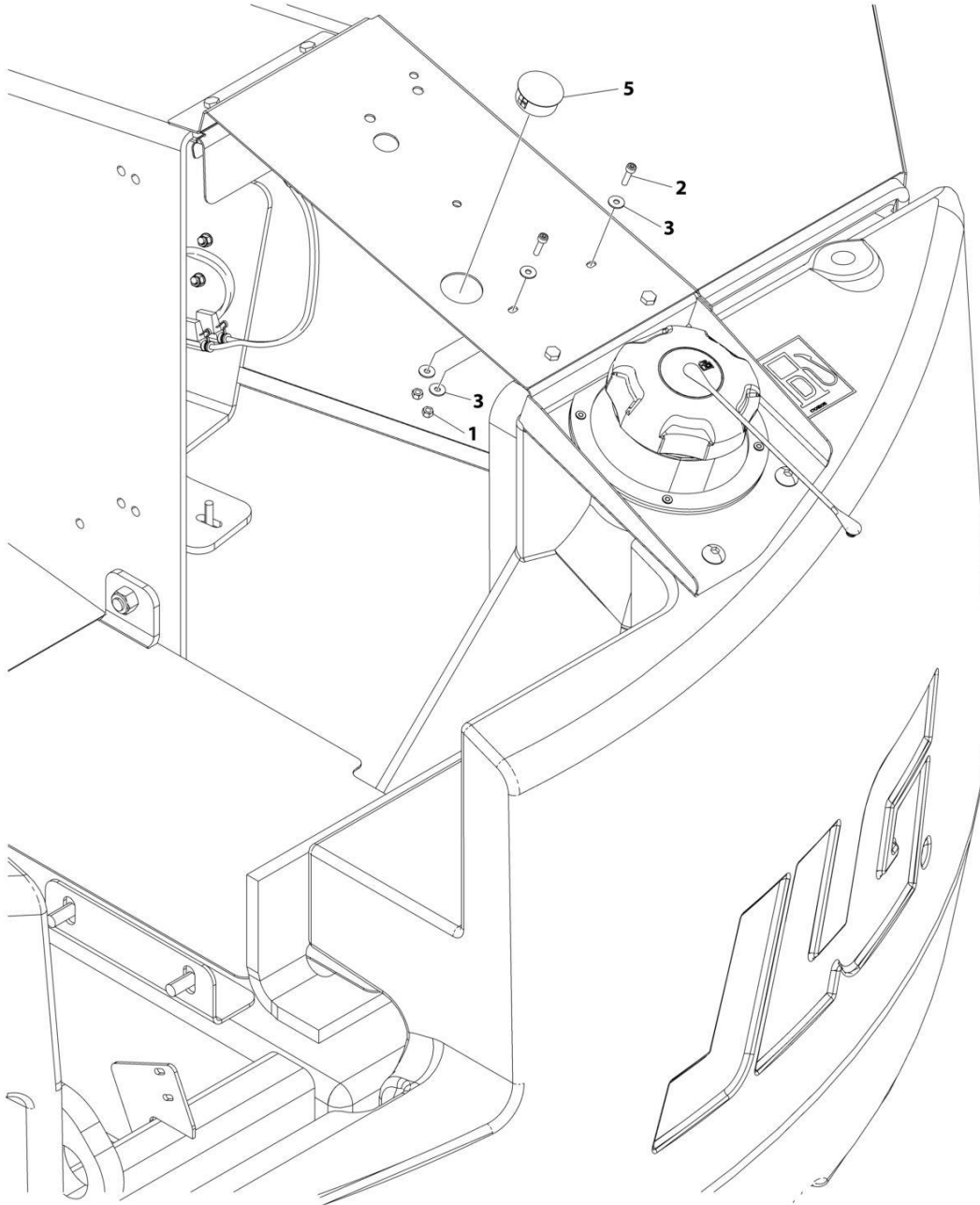
SECTION 2 - TURNTABLE

FIGURE 2-23. GATEWAY INSTALLATION

ITEM	PART NUMBER	QTY	DESCRIPTION	REV
	1001284514	Ref	GATEWAY PLUS INSTALLATION	A
1	3290505	2	Nut M5	
2	4240032	AR	Tie-Strap	
3	4460234	AR	Mount, Tie-Strap	
4	4811600	2	Washer M5	
5	1001215898	1	Connector, Dust Cap	
6	1001219082	1	Bracket	
7	1001226831	1	Telematics Gateway Harness (See Separate Breakdown in this Section)	
8	1001282260	1	Gateway Controller	

SECTION 2 - TURNTABLE

FIGURE 2-24. NO BEACON INSTALLATION



ART_1001287192

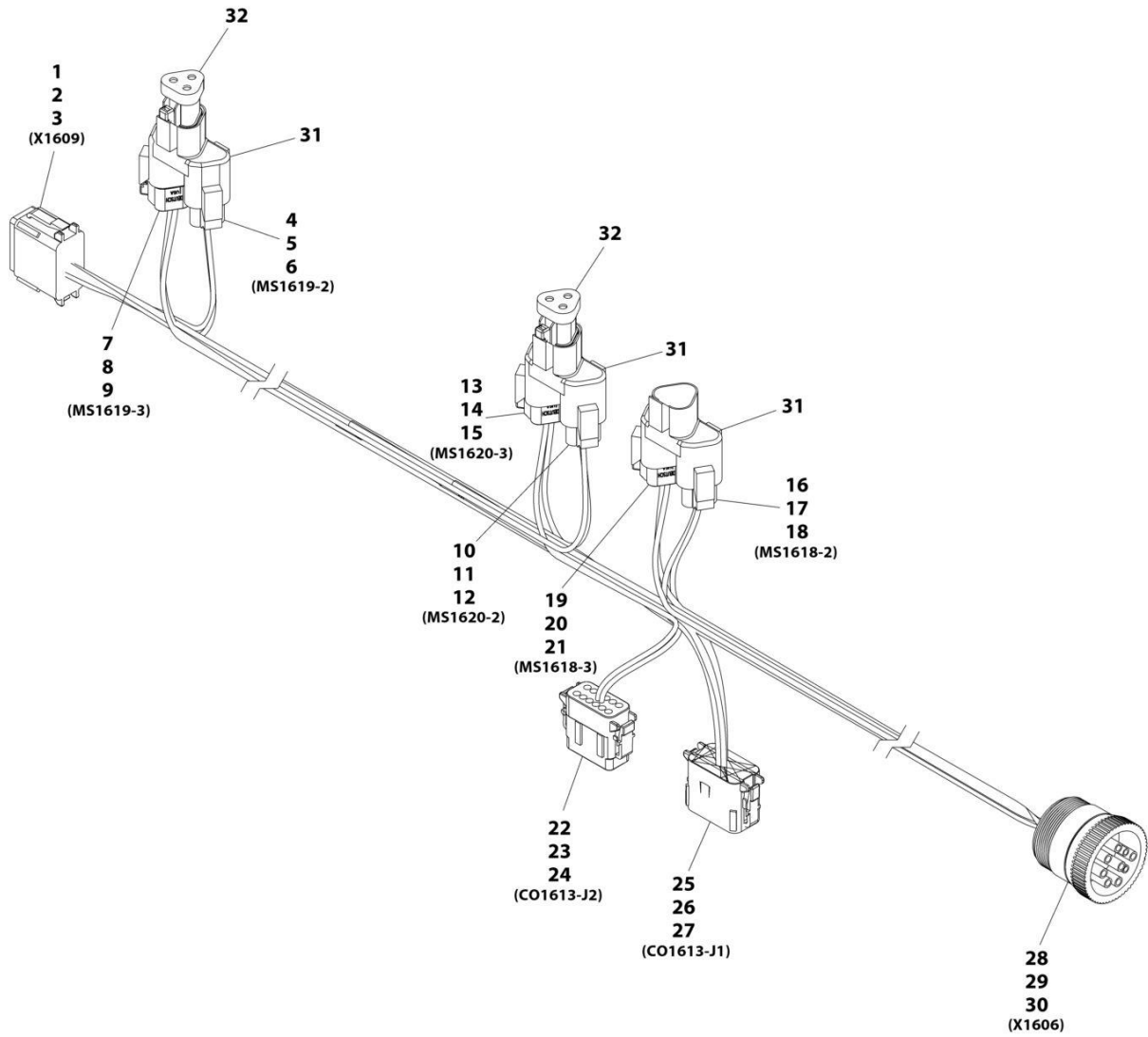
SECTION 2 - TURNTABLE

FIGURE 2-24. NO BEACON INSTALLATION

ITEM	PART NUMBER	QTY	DESCRIPTION	REV
	1001287192	Ref	NO BECON INSTALLATION	A
1	3290405	2	Nut M4	
2	4031507	2	Bolt M4 x 16	
3	1001091102	4	Washer M4	
4	1001244462	1	Connector, Dust Cap (Not Shown) (Note: Use for Beacon Harness Connector)	
5	1001285892	1	Plug	

SECTION 2 - TURNTABLE

FIGURE 2-25. TELEMATICS GATEWAY HARNESS



ART_1001226831-A

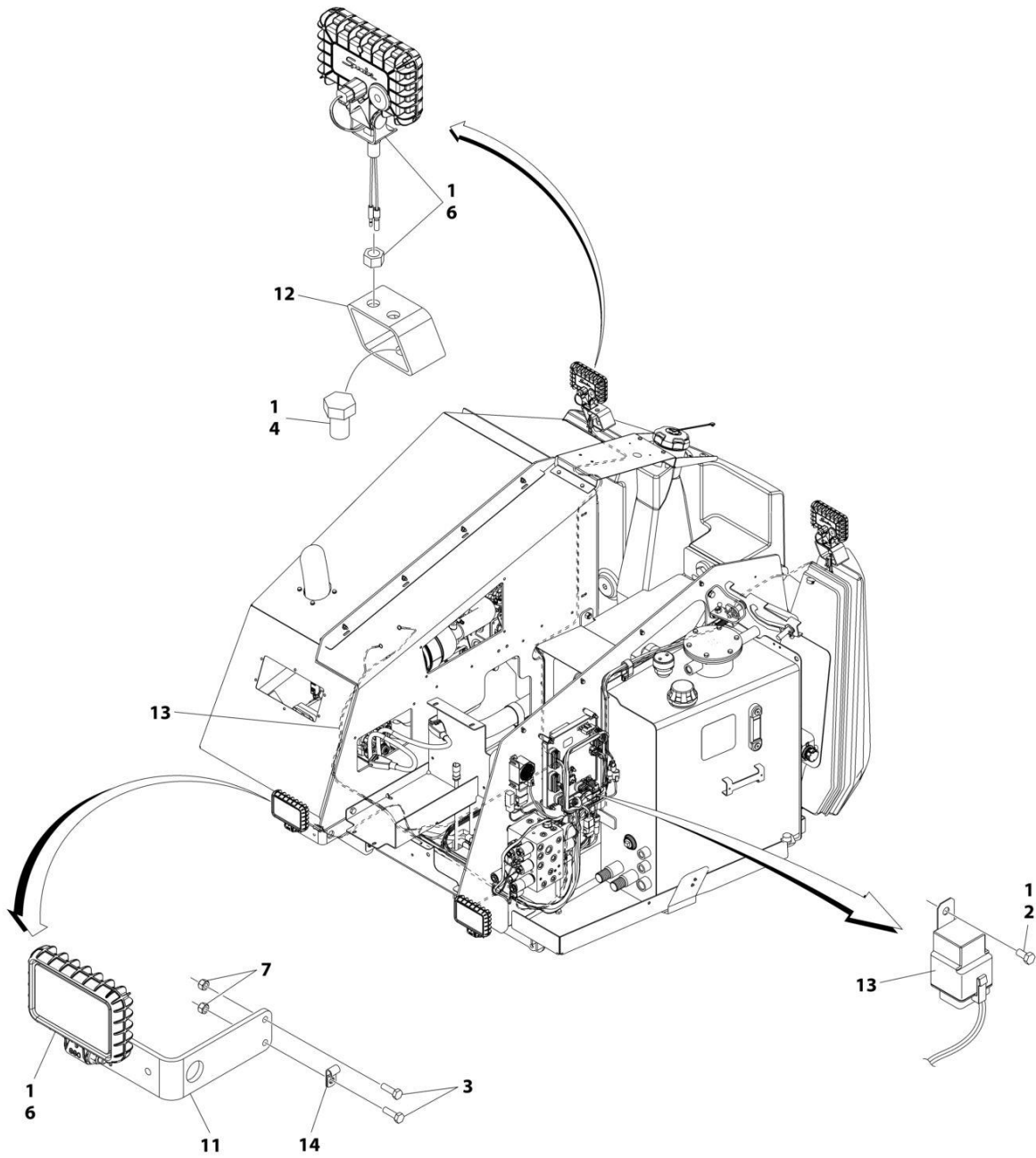
SECTION 2 - TURNTABLE

FIGURE 2-25. TELEMATICS GATEWAY HARNESS

ITEM	PART NUMBER	QTY	DESCRIPTION	REV
	1001226831	Ref	Telematics Gateway Harness	A
1	4460933	1	Connector	
2	1001116692	5	Terminal	
3	4460466	7	Plug	
4	4460539	1	Connector	
5	4460465	2	Terminal	
6	4460466	1	Plug	
7	1001116812	1	Connector	
8	4460465	2	Terminal	
9	4460466	1	Plug	
10	4460539	1	Connector	
11	4460465	2	Terminal	
12	4460466	1	Plug	
13	1001116812	1	Connector	
14	4460465	2	Terminal	
15	4460466	1	Plug	
16	4460539	1	Connector	
17	4460465	2	Terminal	
18	4460466	1	Plug	
19	1001116812	1	Connector	
20	4460465	2	Terminal	
21	4460466	1	Plug	
22	1001116808	1	Connector	
23	1001116694	2	Terminal	
24	4460518	10	Plug	
25	1001116774	1	Connector	
26	1001116694	4	Terminal	
27	4460518	8	Plug	
28	1001112796	1	Connector	
29	1001116692	5	Terminal	
30	4460466	3	Plug	
31	4460945	3	Terminal, 3 Way "T" Receptacle	
32	1001116815	2	Connector, Plug 3-Pin	

SECTION 2 - TURNTABLE

FIGURE 2-26. TURNTABLE FLOODLIGHT INSTALLATION (OPTIONAL)



ART_1001120232_C

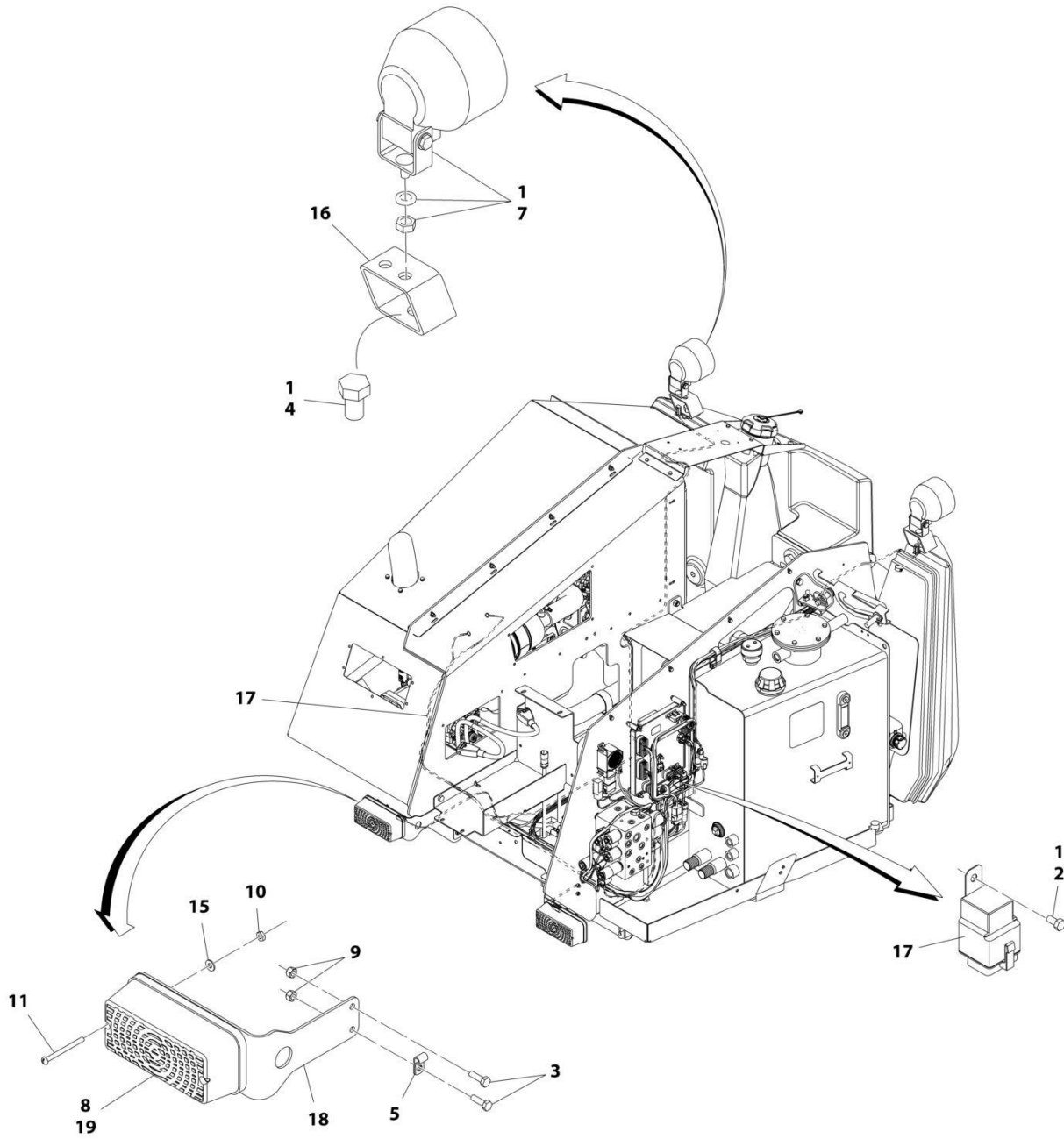
SECTION 2 - TURNTABLE

FIGURE 2-26. TURNTABLE FLOODLIGHT INSTALLATION (OPTIONAL)

ITEM	PART NUMBER	QTY	DESCRIPTION	REV
	1001120232	Ref	TURNTABLE FLOODLIGHT INSTALLATION (OPTIONAL)	C
1	0100011	AR	Compound, Locking	
2	0760505	1	Bolt M5 x 10	
3	0760610	4	Bolt M6 x 20	
4	0762014	2	Bolt M20 x 30	
5	1705170	1	Decal - Light (Not Shown - Located on Platform Console Box)	
6	1001236816	4	Floodlight	
7	3290605	4	Nut M6	
8	4240032	2	Tie-Strap (Not Shown)	
9	4240033	4	Tie-Strap (Not Shown)	
10	4360522	1	Switch, Push Button (Not Shown - Located on Platform Console Box)	
11	1001120287	2	Mount, Light	
12	1001120288	2	Mount, Light	
13	1001120299	1	Chassis Light Harness (See Separate Breakdown in ELECTRICAL Section)	
13	3740080	1	Relay	
14	1320136	2	Clamp, Cable	

SECTION 2 - TURNTABLE

FIGURE 2-27. HEAD AND TAIL LIGHT INSTALLATION (OPTIONAL)



ART_1001149144

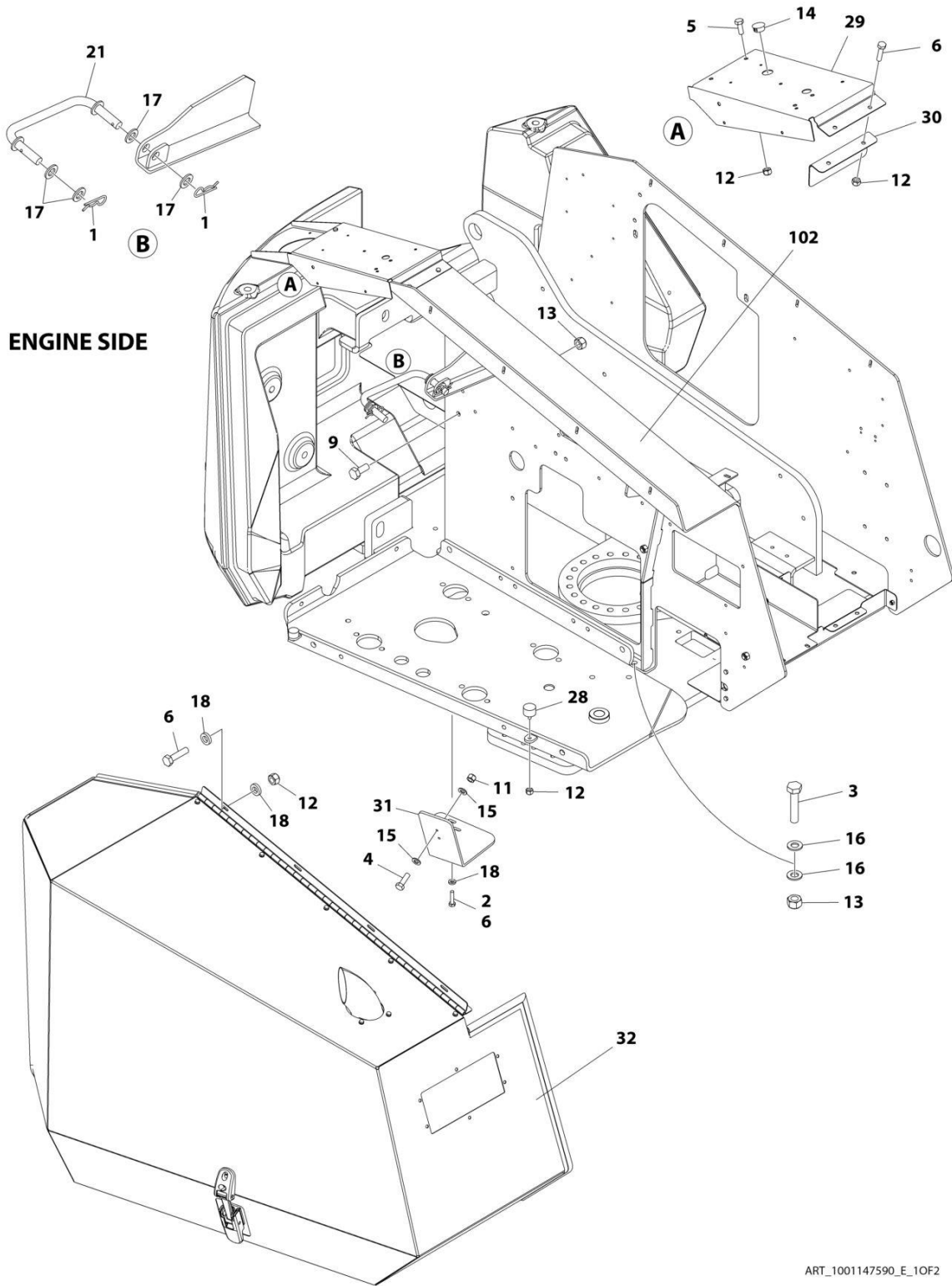
SECTION 2 - TURNTABLE

FIGURE 2-27. HEAD AND TAIL LIGHT INSTALLATION (OPTIONAL)

ITEM	PART NUMBER	QTY	DESCRIPTION	REV
	1001149144	Ref	HEAD AND TAIL LIGHT INSTALLATION (OPTIONAL)	A
1	0100011	AR	Compound, Locking	
2	0760505	1	Bolt M5 x 10	
3	0760610	4	Bolt M6 x 20	
4	0762014	2	Bolt M20 x 30	
5	1320136	2	Clamp, Cable	
6	1705170	1	Decal - Light (Not Shown - Located on Platform Console Box)	
7	2920110	2	Light, Head	
7	7016628	2	Bulb, Replacement (1 Per Assembly)	
8	2920113	2	Light, Tail	
9	3290605	4	Nut M6	
10	3311005	4	Nut M10	
11	3911036	4	Bolt M10 x 2-1/4	
12	4240032	2	Tie-Strap (Not Shown)	
13	4240033	4	Tie-Strap (Not Shown)	
14	4360522	1	Switch, Push Button (Not Shown - Located on Platform Console Box)	
15	4751000	4	Washer M10	
16	1001120288	2	Mount, Light	
17	1001120299	1	Chassis Light Harness (See Separate Breakdown in ELECTRICAL Section)	
17	3740080	1	Relay	
18	1001149147	2	Mount, Light	
19	4460121	2	Cap, Wire	

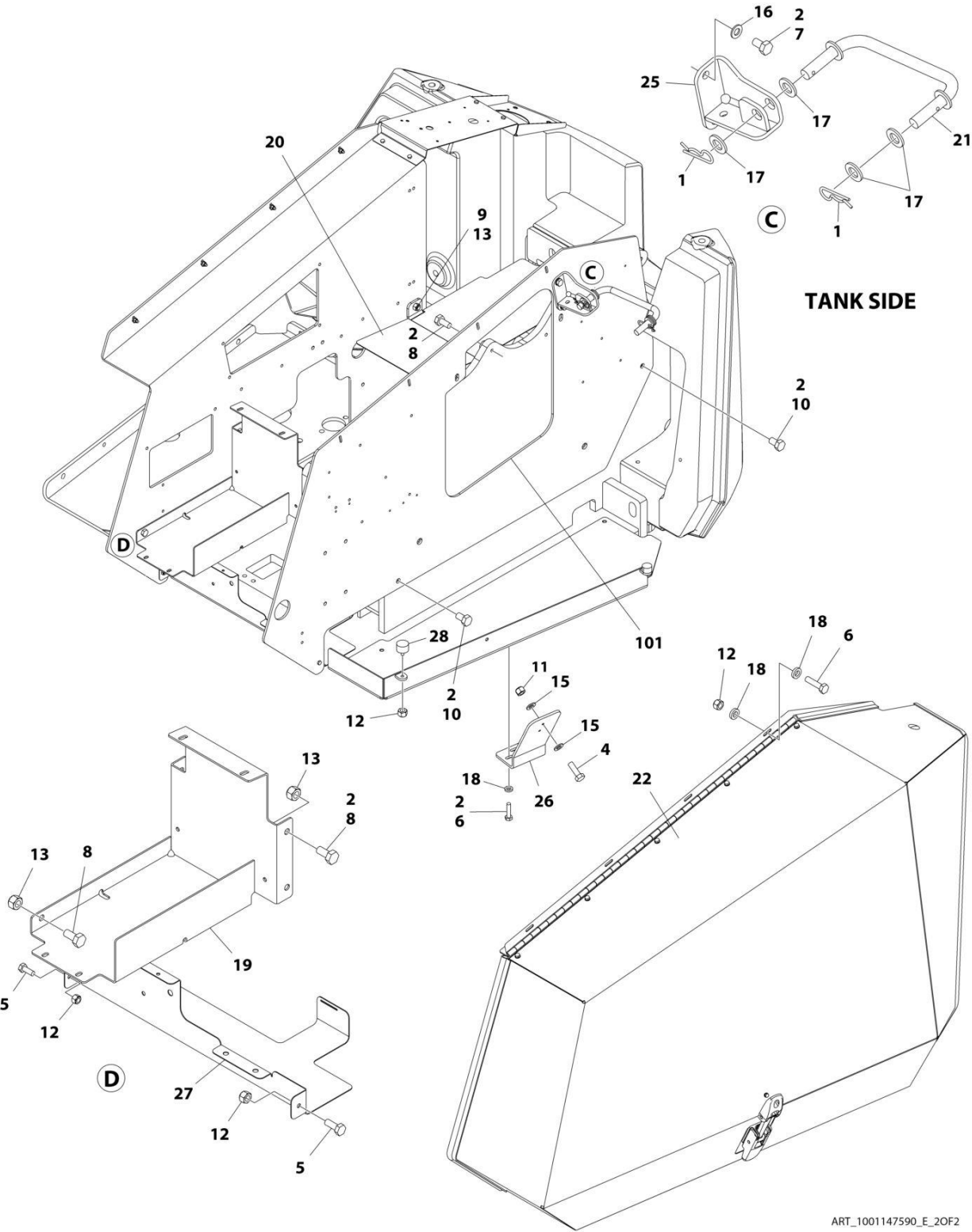
SECTION 2 - TURNTABLE

FIGURE 2-28. HOODS INSTALLATION (Prior to SN 0300313266, Excluding 0300311516)



ART_1001147590_E_10F2

SECTION 2 - TURNTABLE



ART_1001147590_E_20F2

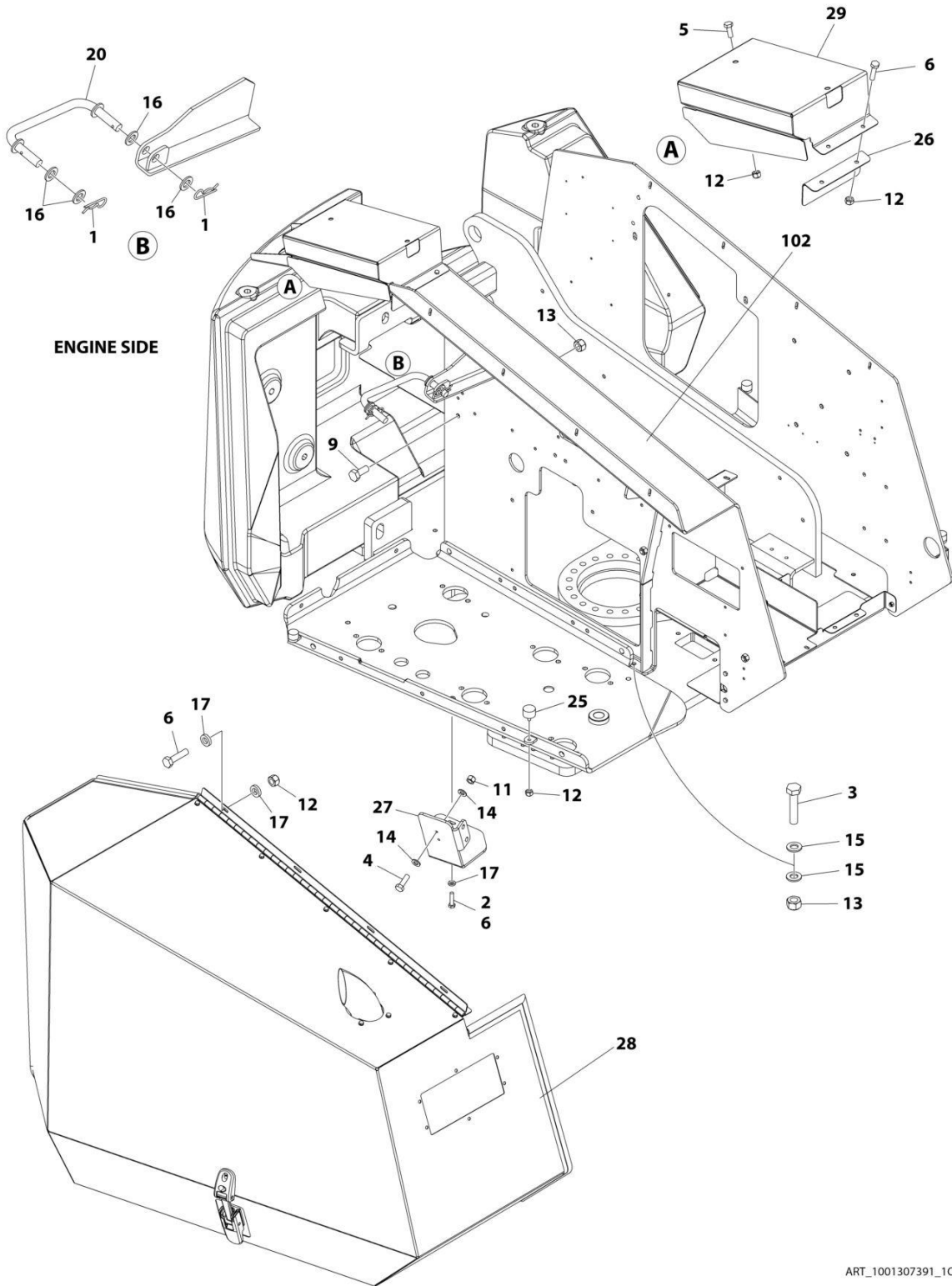
SECTION 2 - TURNTABLE

FIGURE 2-28. HOODS INSTALLATION (Prior to SN 0300313266, Excluding 0300311516)

ITEM	PART NUMBER	QTY	DESCRIPTION	REV
	1001147590	Ref	HOODS INSTALLATION	E
1	80325	4	Hairpin, Cotter	
2	0100011	AR	Compound, Locking	
3	0701018	2	Bolt M10 x 50	
4	0760508	4	Bolt M5 x 16	
5	0760608	5	Bolt M6 x 16	
6	0760612	16	Bolt M6 x 25	
7	0761009	2	Bolt M10 x 18	
8	0761011	6	Bolt M10 x 22	
9	0761012	1	Bolt M10 x 25	
10	0761210	2	Bolt M12 x 20	
11	3290505	4	Nut M5	
12	3290605	19	Nut M6	
13	3291005	6	Nut M10	
15	4811600	8	Washer M5	
16	4812000	6	Washer M10	
17	4812300	8	Washer M16	
18	5240600	22	Washer M6	
19	1001117239	1	Box, Battery	
20	1001117243	1	Cover, Turntable Center	
21	1001117282	2	Rod, Prop	
22	1001118361	1	Tank Side Hood Assembly (See Separate Breakdown in this Section)	
25	1001119080	1	Bracket	
26	1001119083	1	Mount, Latch	
27	1001119085	1	Tray	
28	1001119092	4	Bumper	
29	1001286749	1	Panel, Filler	
30	1001119104	1	Panel, Filler	
31	1001146824	1	Mount, Latch	
32	1001147441	1	Engine Side Hood Assembly (See Separate Breakdown in this Section)	
100	1001220187	1	Side Sheet Support Kit (Not Shown)	
101	1001118459	1	Plate, Hood Mount	
102	1001119072	1	Plate, Engine Side	

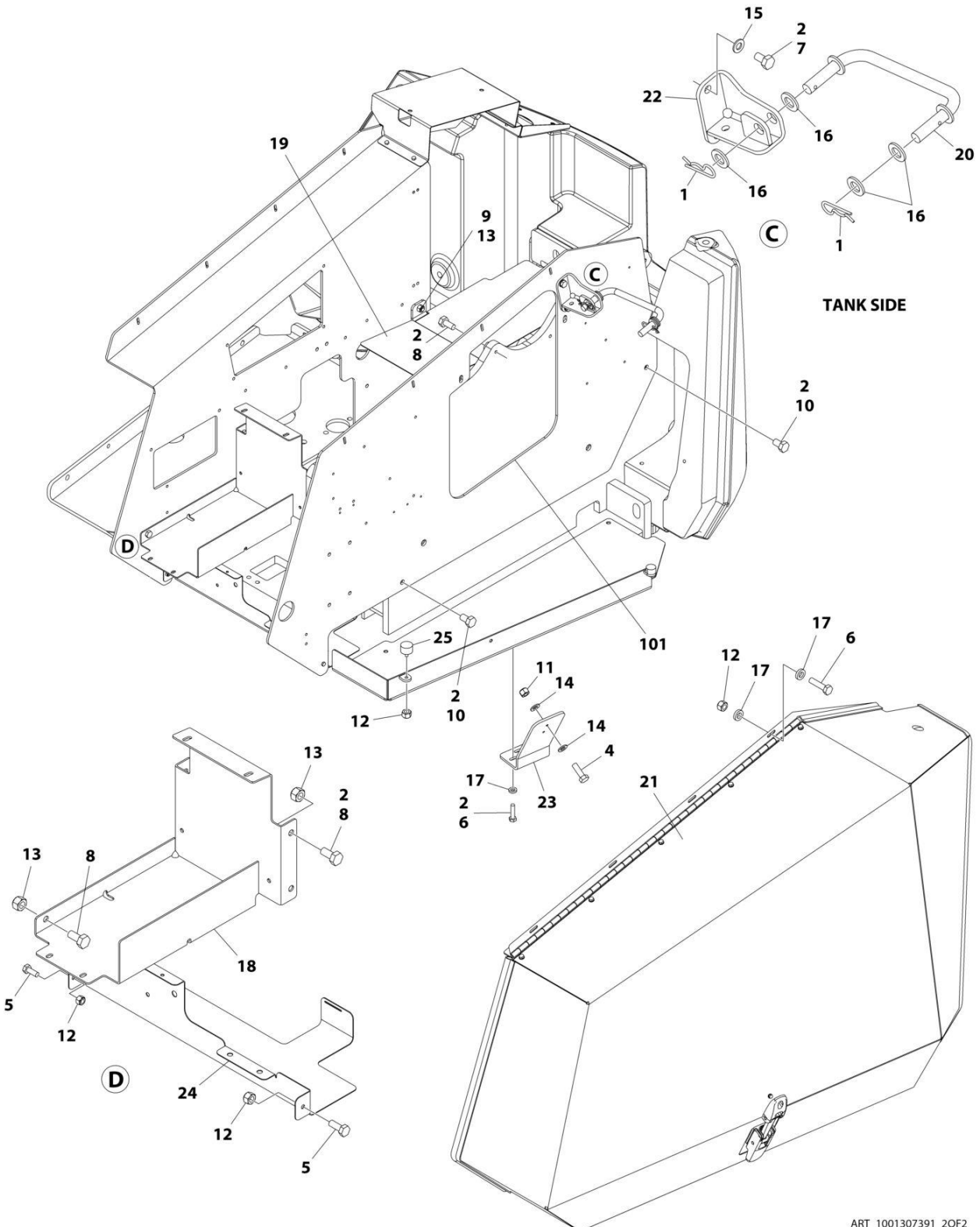
SECTION 2 - TURNTABLE

FIGURE 2-29. HOOD INSTALLATION (GAS ENGINE) (SN 0300313266 to Present, Including 0300311516)



ART_1001307391_10F2

SECTION 2 - TURNTABLE



ART_1001307391_2OF2

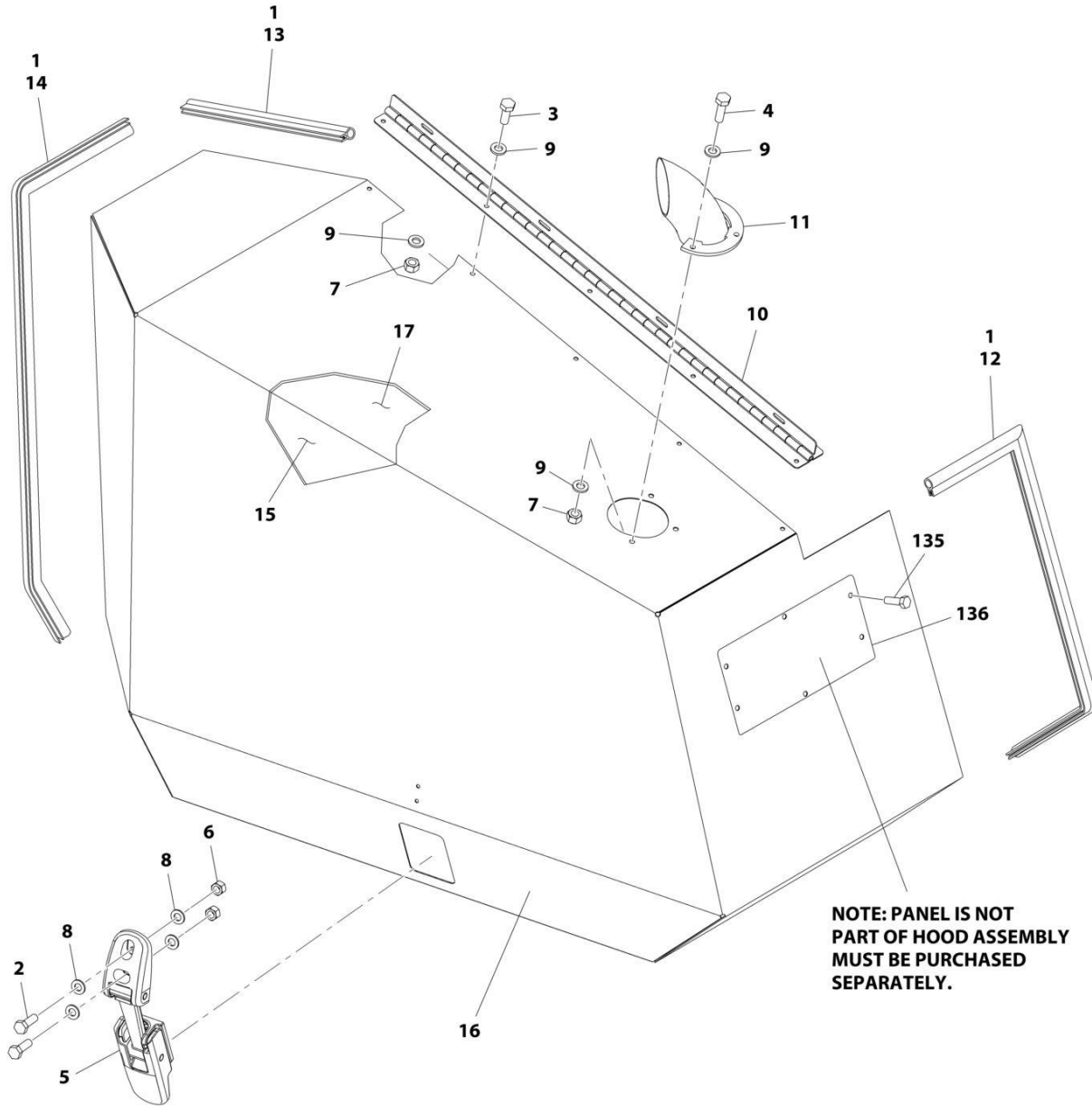
SECTION 2 - TURNTABLE

FIGURE 2-29. HOOD INSTALLATION (GAS ENGINE) (SN 0300313266 to Present, Including 0300311516)

ITEM	PART NUMBER	QTY	DESCRIPTION	REV
	1001307391	Ref	HOOD INSTALLATION (GAS ENGINE)	A
1	80325	4	Hairpin, Cotter	
2	0100011	AR	Compound, Locking	
3	0701018	2	Bolt M10 x 50	
4	0760508	4	Bolt M5 x 16	
5	0760608	5	Bolt M6 x 16	
6	0760612	16	Bolt M6 x 25	
7	0761009	2	Bolt M10 x 18	
8	0761011	6	Bolt M10 x 22	
9	0761012	1	Bolt M10 x 25	
10	0761210	2	Bolt M12 x 20	
11	3290505	4	Nut M5	
12	3290605	19	Nut M6	
13	3291005	6	Nut M10	
14	4811600	8	Washer M5	
15	4812000	6	Washer M10	
16	4812300	8	Washer M16	
17	5240600	22	Washer M6	
18	1001117239	1	Box, Battery	
19	1001117243	1	Cover, Turntable Center	
20	1001117282	2	Rod, Prop	
21	1001118361	1	Tank Side Hood Assembly (See Separate Breakdown in this Section)	
22	1001119080	1	Bracket	
23	1001119083	1	Mount, Latch	
24	1001119085	1	Tray	
25	1001119092	4	Bumper	
26	1001119104	1	Panel, Filler	
27	1001146824	1	Mount, Latch	
28	1001147441	1	Engine Side Hood Assembly (See Separate Breakdown in this Section)	
29	1001306128	1	Bracket	
100	1001220187	1	Side Sheet Support Kit (Not Shown)	
101	1001118459	1	Plate, Hood Mount	
102	1001119072	1	Plate, Engine Side	

SECTION 2 - TURNTABLE

FIGURE 2-30. ENGINE SIDE HOOD ASSEMBLY



NOTE: PANEL IS NOT PART OF HOOD ASSEMBLY MUST BE PURCHASED SEPARATELY.

NOTE: REPLACEMENT DECALS MUST BE ORDERED SEPERATELY - SEE DECALS SECTION FOR BREAKDOWN

ART_1001147441

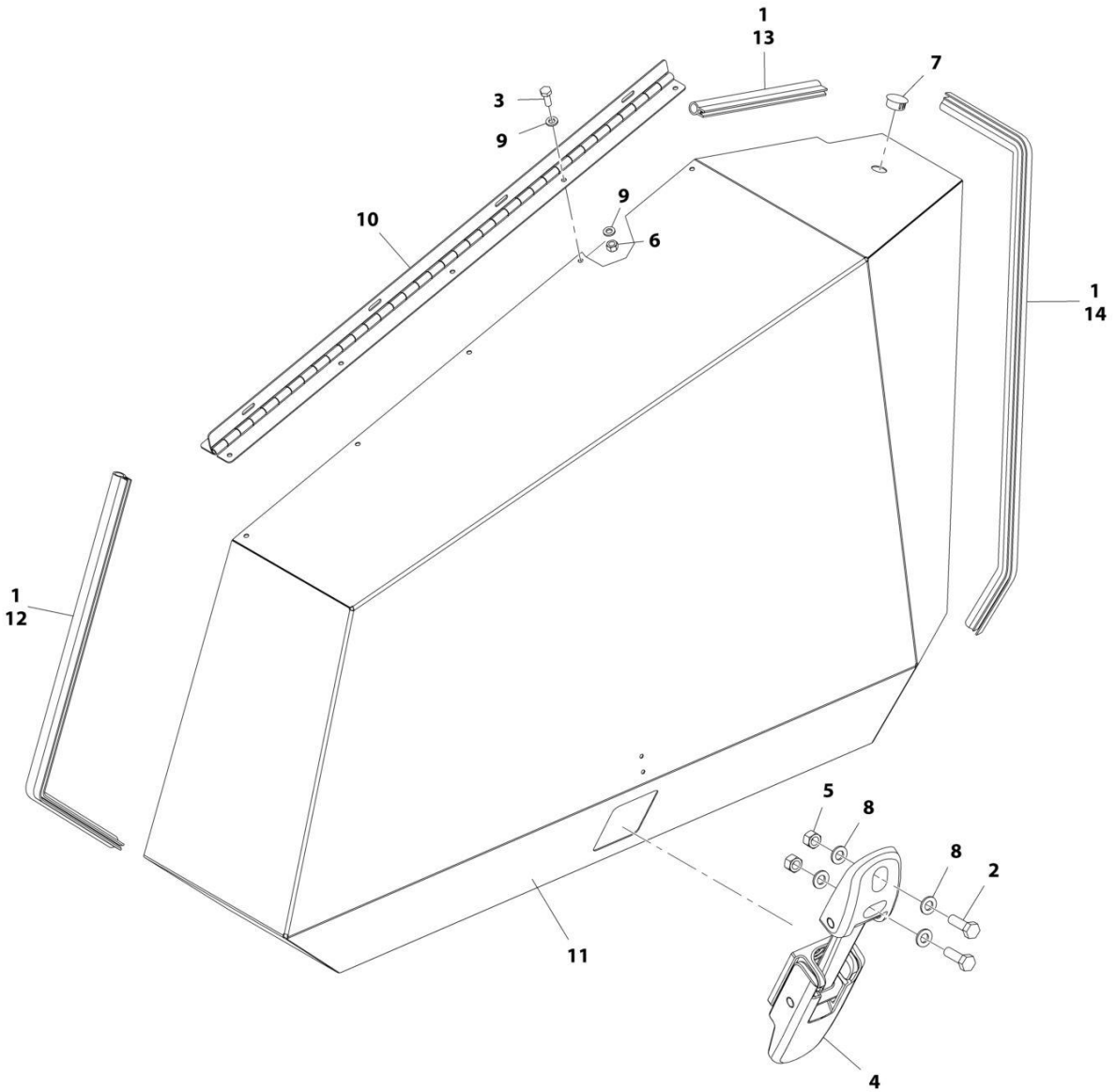
SECTION 2 - TURNTABLE

FIGURE 2-30. ENGINE SIDE HOOD ASSEMBLY

ITEM	PART NUMBER	QTY	DESCRIPTION	REV
	1001147441	Ref	HOOD ASSEMBLY - ENGINE SIDE	A
1	0100081	AR	Adhesive	
2	0760508	2	Bolt M5 x 16	
3	0760608	5	Bolt M6 x 16	
4	0760610	3	Bolt M6 x 20	
5	2940109	1	Latch	
6	3290505	2	Nut M5	
7	3290605	8	Nut M6	
8	4811600	4	Washer M5	
9	4811700	16	Washer M6	
10	1001117281	1	Hinge	
11	1001119077	1	Pipe, Exhaust	
12	1001119086	1	Seal	
13	1001119087	1	Seal	
14	1001119088	1	Seal	
15	1001120749	1	Insulate, Heat Shield	
16	See Note	1	Hood, Replacement (Note: Use p/n 1001147441)	
17	1001147440	1	Insulate, Heat Shield	
135	2080040	10	Fastener, Huck	
136	1001137451	1	Panel (Note: Not Part of Hood Assembly. Must be Purchased separately)	

SECTION 2 - TURNTABLE

FIGURE 2-31. TANK SIDE HOOD ASSEMBLY



NOTE: REPLACEMENT DECALS MUST BE ORDERED SEPERATELY - SEE DECALS SECTION FOR BREAKDOWN

ART_1001118361

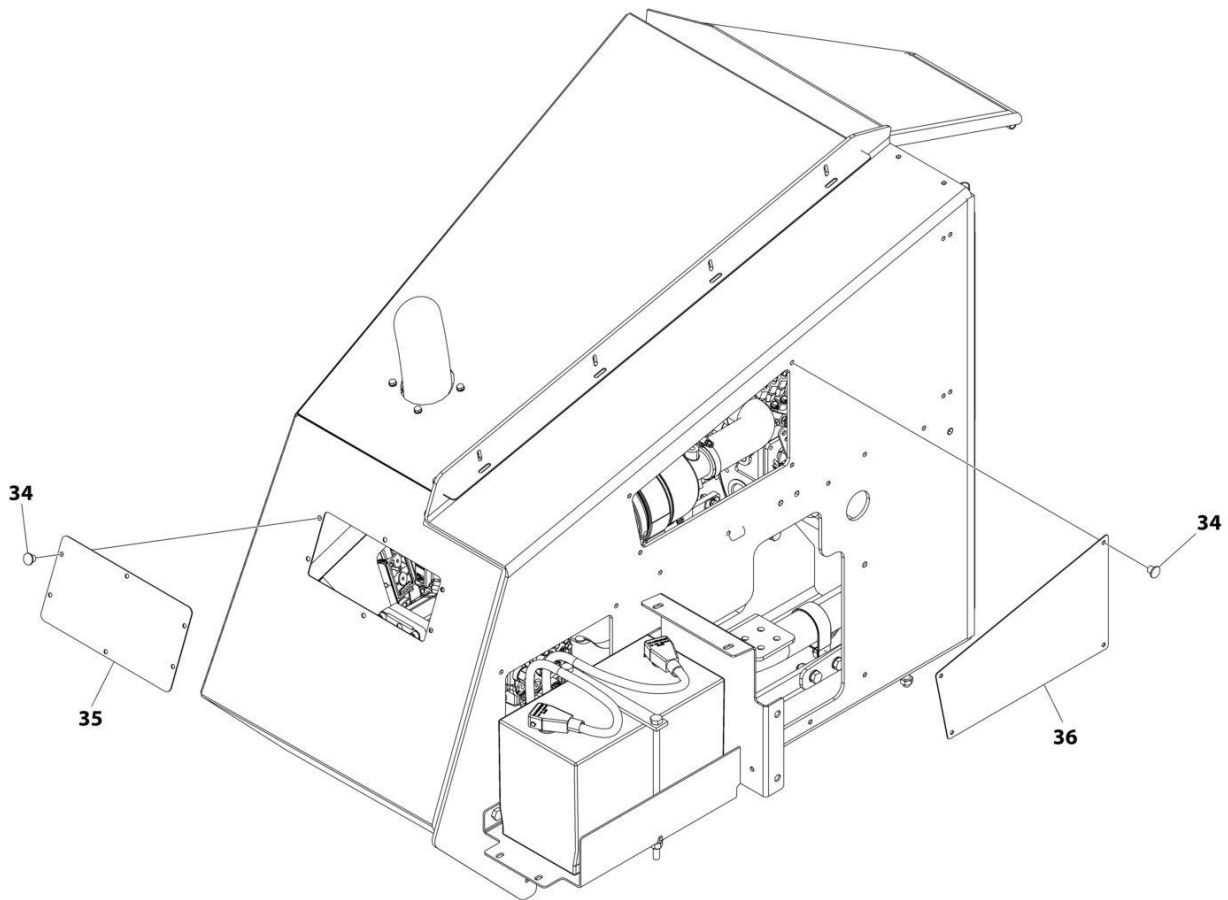
SECTION 2 - TURNTABLE

FIGURE 2-31. TANK SIDE HOOD ASSEMBLY

ITEM	PART NUMBER	QTY	DESCRIPTION	REV
	1001118361	Ref	HOOD ASSEMBLY - TANK SIDE	B
1	0100081	AR	Adhesive	
2	0760508	2	Bolt M5 x 16	
3	0760608	5	Bolt M6 x 16	
4	2940109	1	Latch	
5	3290505	2	Nut M5	
6	3290605	5	Nut M6	
7	3520030	1	Plug, Hole	
8	4811600	4	Washer M5	
9	4811700	10	Washer M6	
10	1001117281	1	Hinge	
11	See Note	NSS	Hood, Replacement (Note: Use p/n 1001118361)	
12	1001119089	1	Seal	
13	1001119090	1	Seal	
14	1001119091	1	Seal	

SECTION 2 - TURNTABLE

FIGURE 2-32. HOOD COMPONENTS - KUBOTA ENGINE (WITHOUT ARCTIC PACKAGE)



ART_1001161433_I_10F3

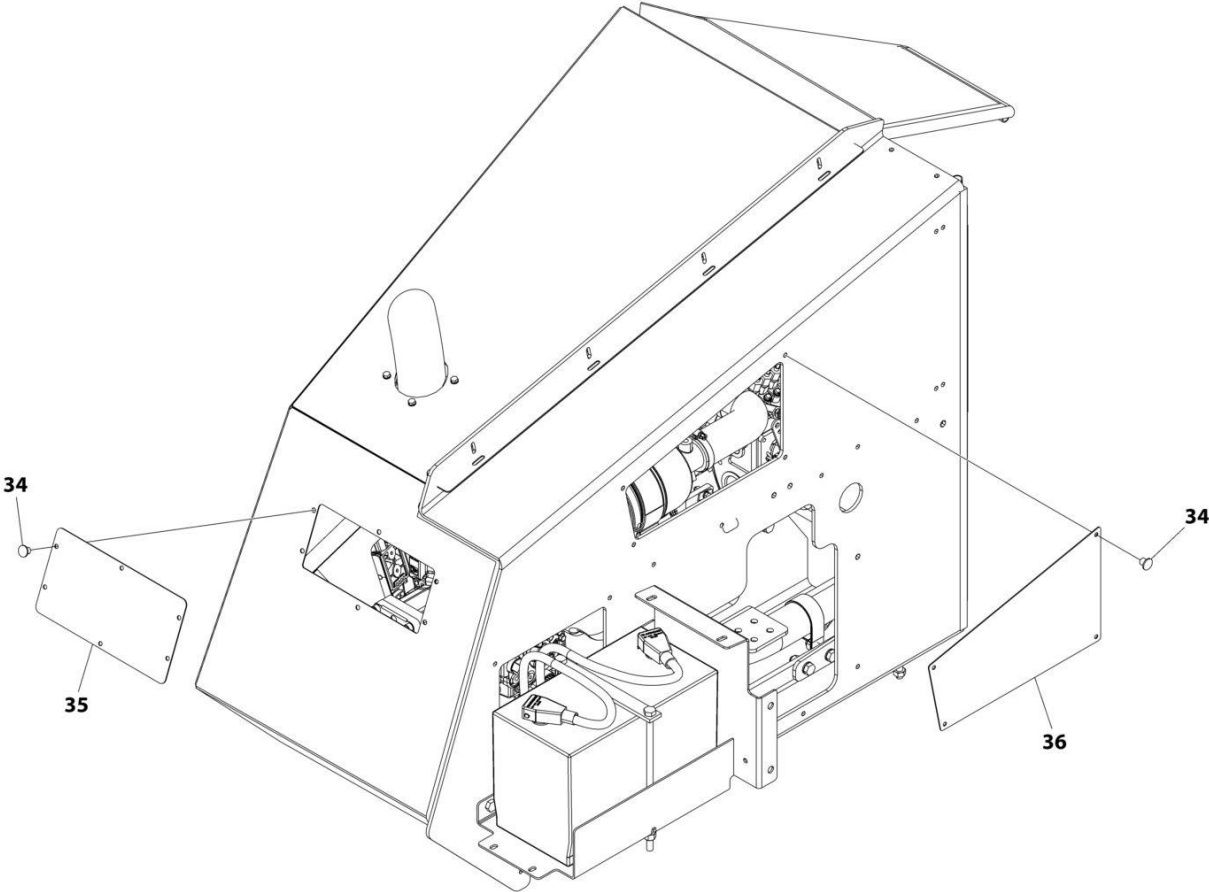
SECTION 2 - TURNTABLE

FIGURE 2-32. HOOD COMPONENTS - KUBOTA ENGINE (WITHOUT ARCTIC PACKAGE)

ITEM	PART NUMBER	QTY	DESCRIPTION	REV
	1001161433	Ref	KUBOTA ENGINE HOOD COMPONENTS (WITHOUT ARCTIC PACKAGE)	I
34	2080040	10	Blind Fastener	
35	1001137451	1	Panel, Engine Hood	
36	1001137452	1	Panel, Engine Hood Mount	

SECTION 2 - TURNTABLE

FIGURE 2-33. HOOD COMPONENTS - KUBOTA ENGINE (WITH ARCTIC PACKAGE)



ART_1001161434_L_10F3

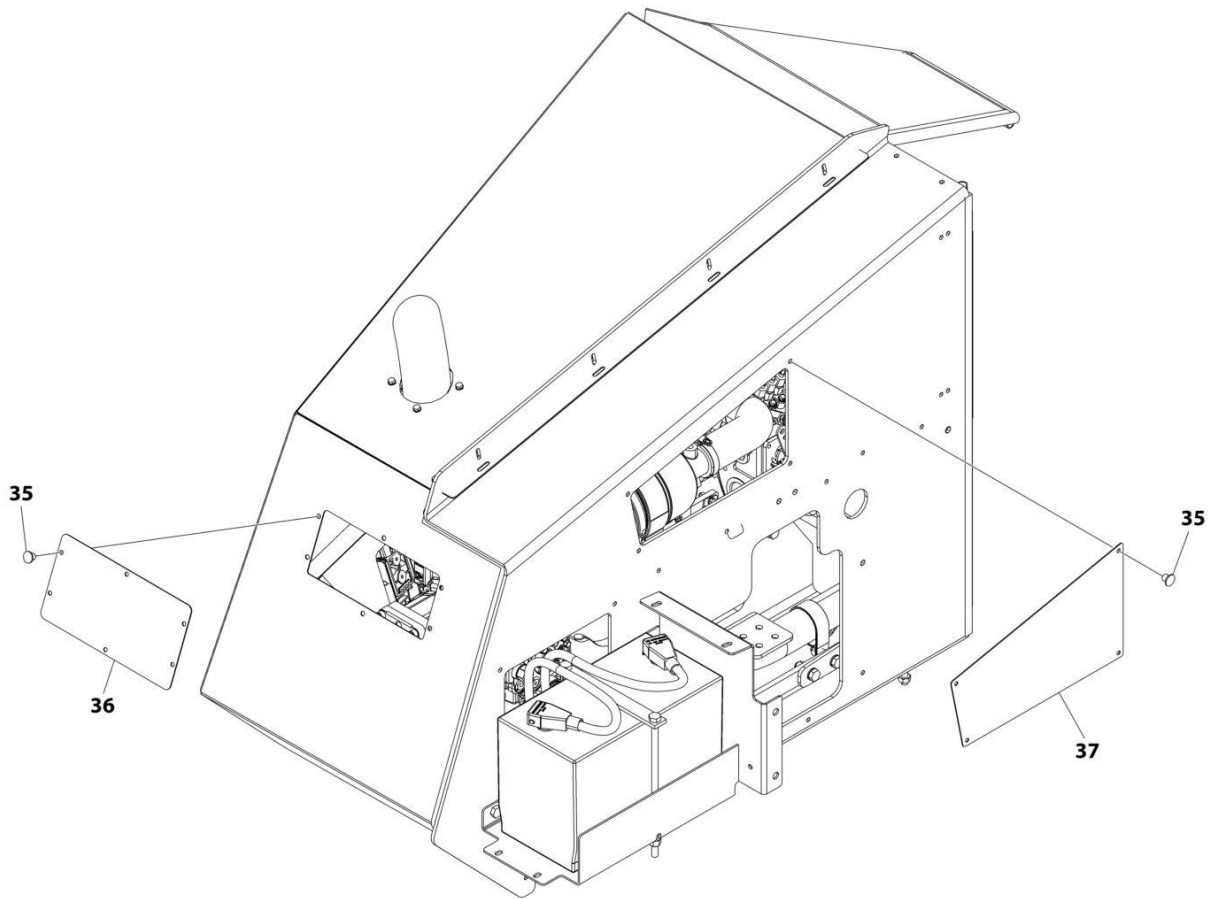
SECTION 2 - TURNTABLE

FIGURE 2-33. HOOD COMPONENTS - KUBOTA ENGINE (WITH ARCTIC PACKAGE)

ITEM	PART NUMBER	QTY	DESCRIPTION	REV
	1001161434	Ref	KUBOTA ENGINE HOOD COMPONENTS (WITH ARCTIC PACKAGE)	I
34	2080040	10	Blind Fastener	
35	1001137451	1	Panel, Engine Hood	
36	1001137452	1	Panel, Engine Hood Mount	

SECTION 2 - TURNTABLE

FIGURE 2-34. HOOD COMPONENTS - KUBOTA ENGINE WITH 4000W GENERATOR (WITHOUT ARCTIC PACKAGE)



ART_1001147470_H_10F3

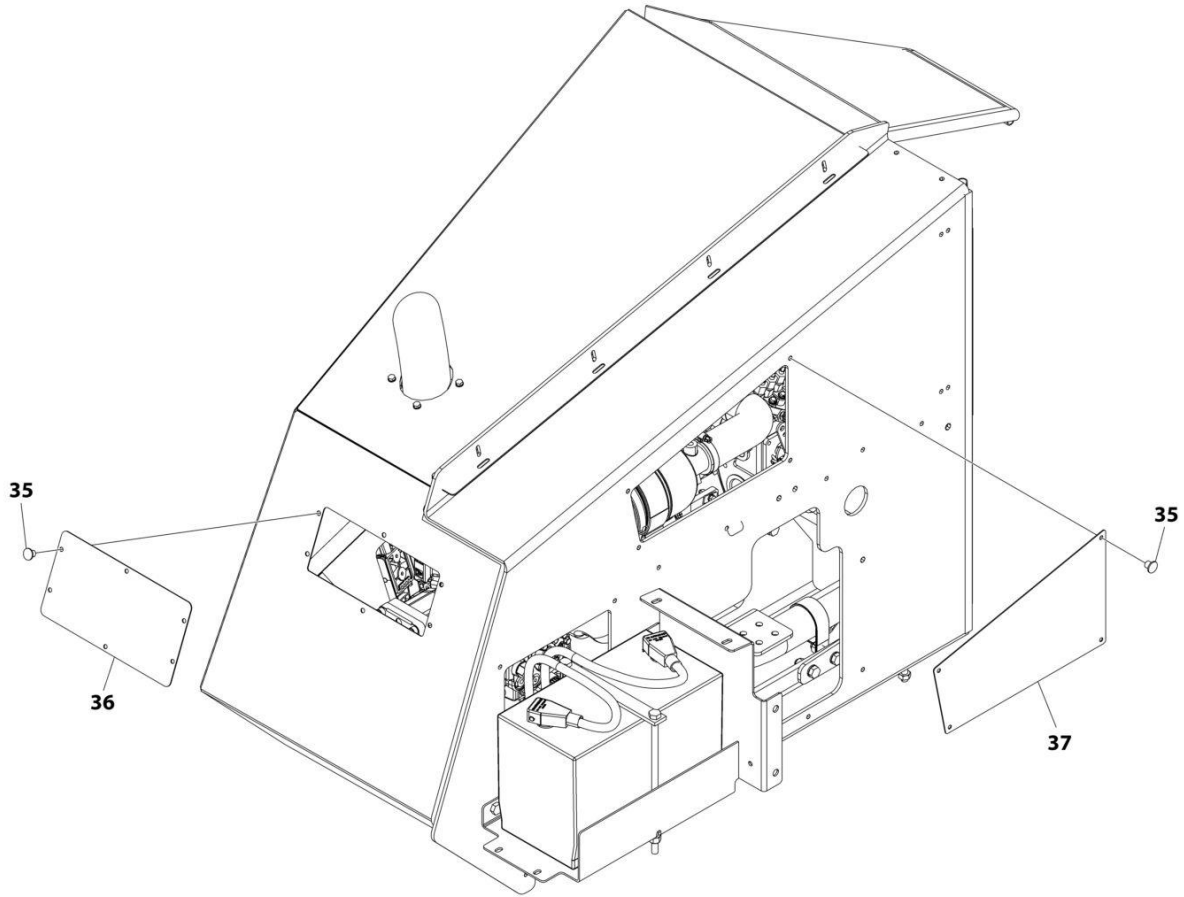
SECTION 2 - TURNTABLE

FIGURE 2-34. HOOD COMPONENTS - KUBOTA ENGINE WITH 4000W GENERATOR (WITHOUT ARCTIC PACKAGE)

ITEM	PART NUMBER	QTY	DESCRIPTION	REV
	1001147470	Ref	KUBOTA ENGINE WITH 4000W GENERATOR HOOD COMPONENTS (WITHOUT ARCTIC PACKAGE)	H
35	2080040	10	Blind Fastener	
36	1001137451	1	Panel, Engine Hood	
37	1001137452	1	Panel, Engine Hood Mount	

SECTION 2 - TURNTABLE

FIGURE 2-35. HOOD COMPONENTS - KUBOTA ENGINE WITH 4000W GENERATOR (WITH ARCTIC PACKAGE)



ART_1001147471_H_10F3

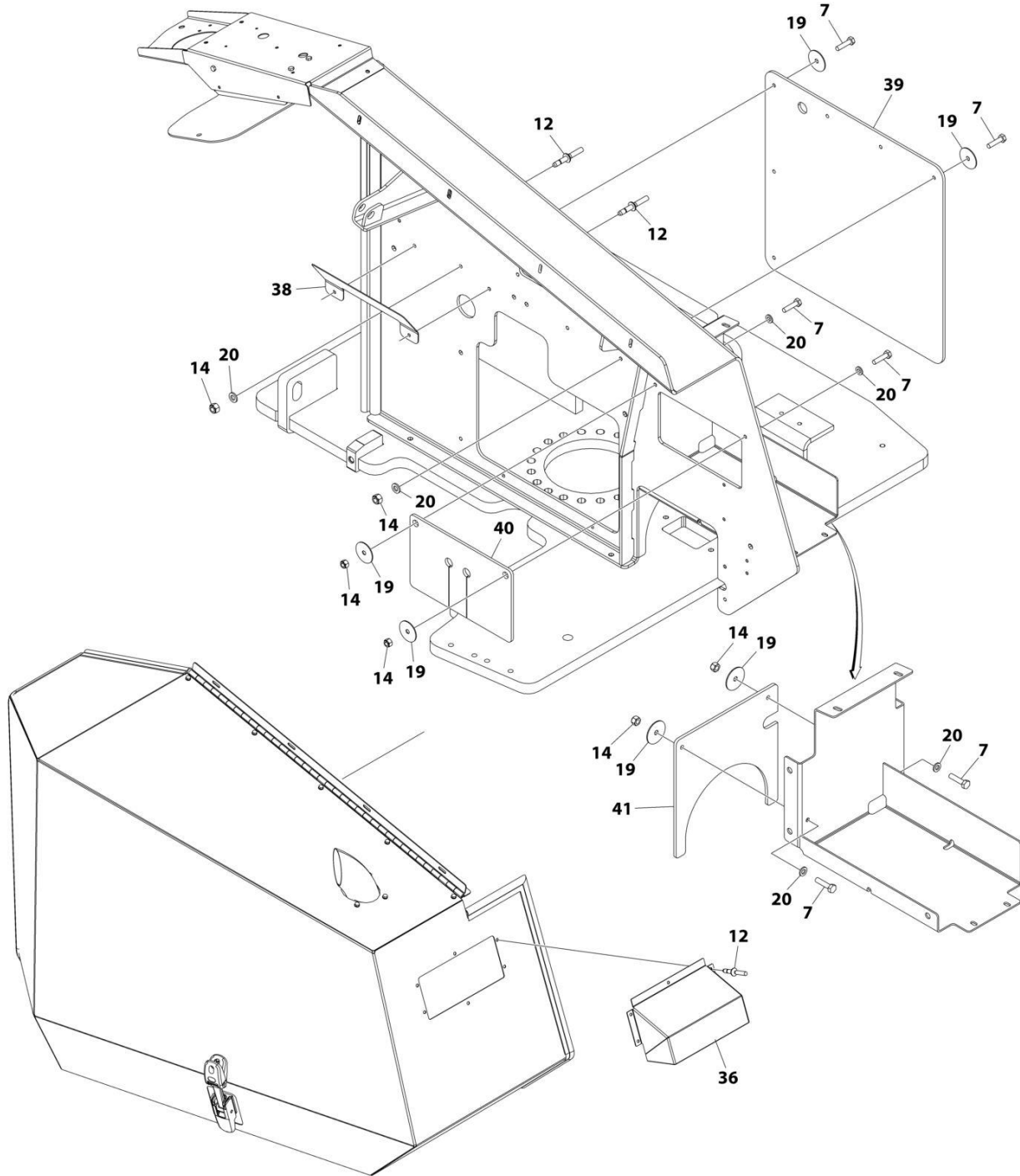
SECTION 2 - TURNTABLE

FIGURE 2-35. HOOD COMPONENTS - KUBOTA ENGINE WITH 4000W GENERATOR (WITH ARCTIC PACKAGE)

ITEM	PART NUMBER	QTY	DESCRIPTION	REV
	1001147471	Ref	KUBOTA ENGINE WITH 4000W GENERATOR HOOD COMPONENTS (WITH ARCTIC PACKAGE)	H
35	2080040	10	Blind Fastener	
36	1001137451	1	Panel, Engine Hood	
37	1001137452	1	Panel, Engine Hood Mount	

SECTION 2 - TURNTABLE

FIGURE 2-36. HOOD COMPONENTS - GM ENGINE (WITHOUT ARCTIC PACKAGE) (Prior to SN 0300313266, Excluding 0300311516)



ART_1001300764_10F2

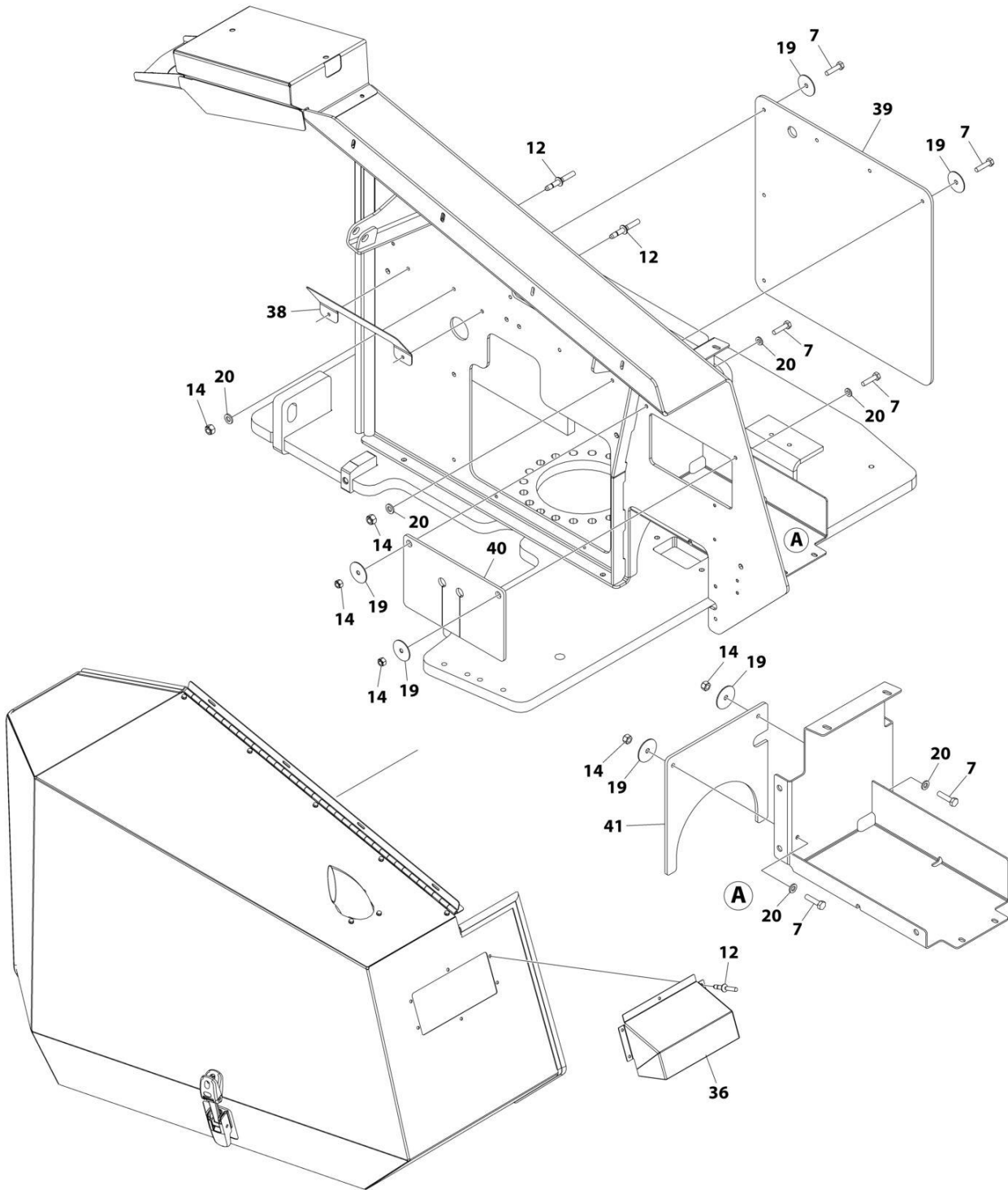
SECTION 2 - TURNTABLE

FIGURE 2-36. HOOD COMPONENTS - GM ENGINE (WITHOUT ARCTIC PACKAGE) (Prior to SN 0300313266, Excluding 0300311516)

ITEM	PART NUMBER	QTY	DESCRIPTION	REV
	1001300764	Ref	GM ENGINE HOOD COMPONENTS (WITHOUT ARCTIC PACKAGE)	A
7	0760612	10	Bolt M6 x 25	
12	2080040	7	Fastener, Huck	
14	3290605	6	Nut M6	
19	4740362	10	Washer, Fender	
20	4811700	10	Washer M6	
36	1001137337	1	Vent	
38	1001137369	1	Plate	
39	1001137397	1	Shield, Rubber	
40	1001137401	1	Shield, Rubber	
41	1001137402	1	Shield, Rubber	

SECTION 2 - TURNTABLE

FIGURE 2-37. GM ENGINE INSTALLATION (WITHOUT ARCTIC PACKAGE) (SN 0300313266 to Present, Including 0300311516)



ART_1001300764_C_10F2

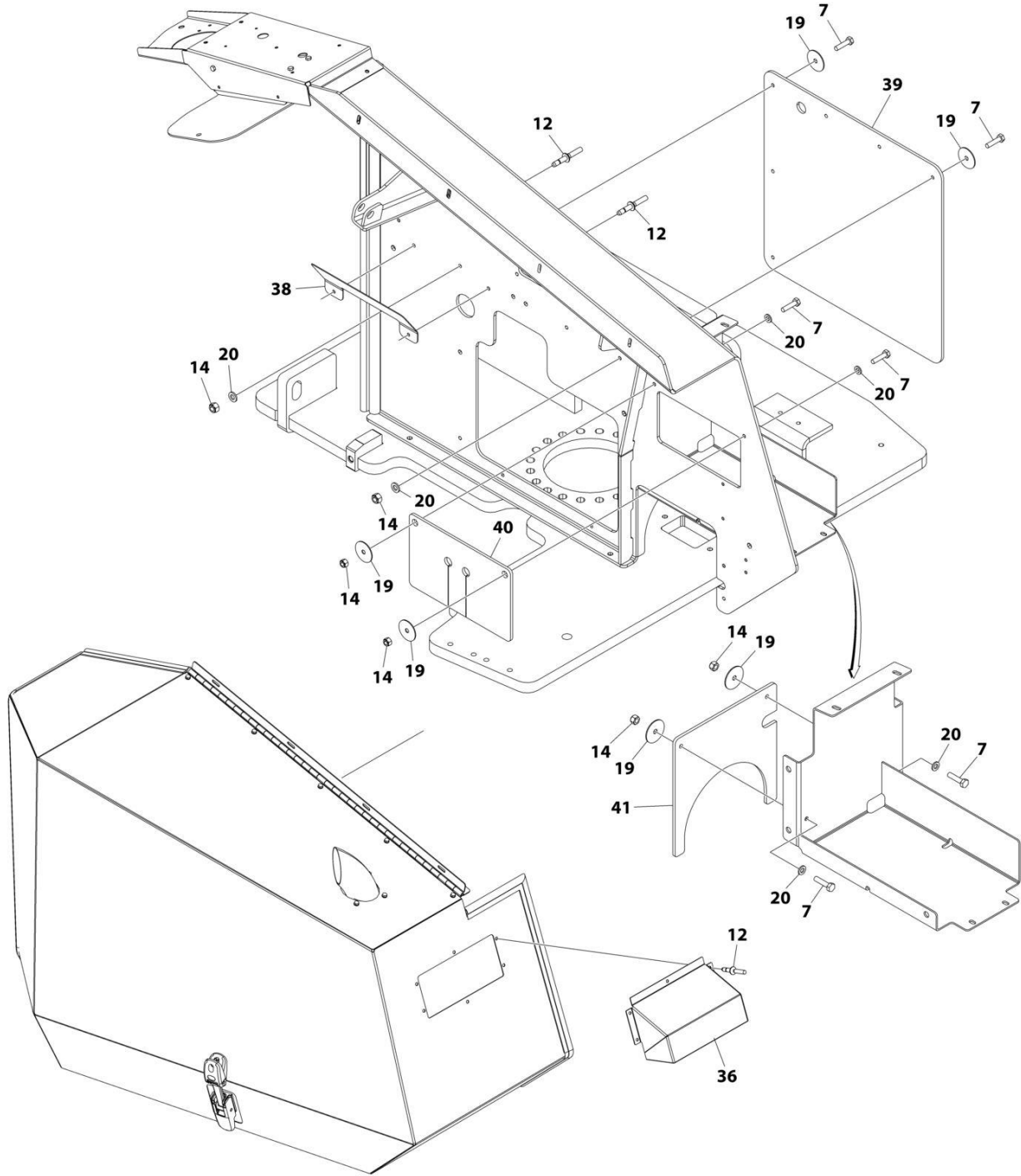
SECTION 2 - TURNTABLE

FIGURE 2-37. GM ENGINE INSTALLATION (WITHOUT ARCTIC PACKAGE) (SN 0300313266 to Present, Including 0300311516)

ITEM	PART NUMBER	QTY	DESCRIPTION	REV
	1001300764	Ref	GM ENGINE INSTALLATION (WITHOUT ARCTIC PACKAGE)	C
7	0760612	10	Bolt M6 x 25	
12	2080040	7	Fastener, Huck	
14	3290605	10	Nut M6	
19	4740362	10	Washer, Fender	
20	4811700	10	Washer M6	
36	1001137337	1	Vent	
38	1001137369	1	Plate	
39	1001137397	1	Shield, Rubber	
40	1001137401	1	Shield, Rubber	
41	1001137402	1	Shield, Rubber	

SECTION 2 - TURNTABLE

FIGURE 2-38. HOOD COMPONENTS - GM ENGINE (WITH ARCTIC PACKAGE) (Prior to SN 0300313266, Excluding 0300311516)



ART_1001301503_10F2

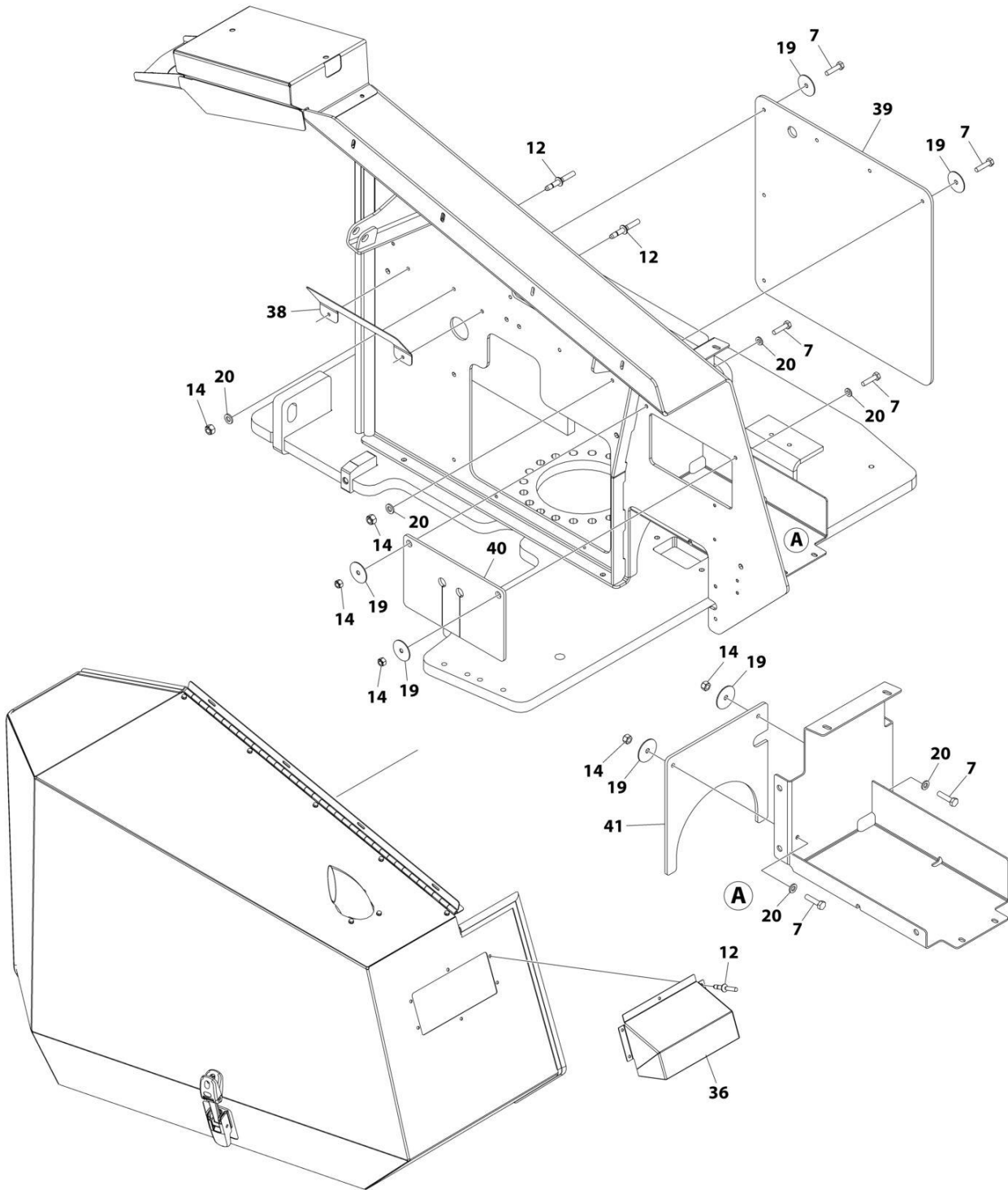
SECTION 2 - TURNTABLE

FIGURE 2-38. HOOD COMPONENTS - GM ENGINE (WITH ARCTIC PACKAGE) (Prior to SN 0300313266, Excluding 0300311516)

ITEM	PART NUMBER	QTY	DESCRIPTION	REV
	1001301503	Ref	GM ENGINE HOOD COMPONENTS (WITH ARCTIC PACKAGE)	A
7	0760612	10	Bolt M6 x 25	
12	2080040	7	Fastener, Huck	
14	3290605	6	Nut M6	
19	4740362	10	Washer, Fender	
20	4811700	10	Washer M6	
36	1001137337	1	Vent	
38	1001137369	1	Plate	
39	1001137397	1	Shield, Rubber	
40	1001137401	1	Shield, Rubber	
41	1001137402	1	Shield, Rubber	

SECTION 2 - TURNTABLE

FIGURE 2-39. GM ENGINE INSTALLATION (WITH ARCTIC PACKAGE) (SN 0300313266 to Present, Including 0300311516)



ART_1001301503_C_10F2

SECTION 2 - TURNTABLE

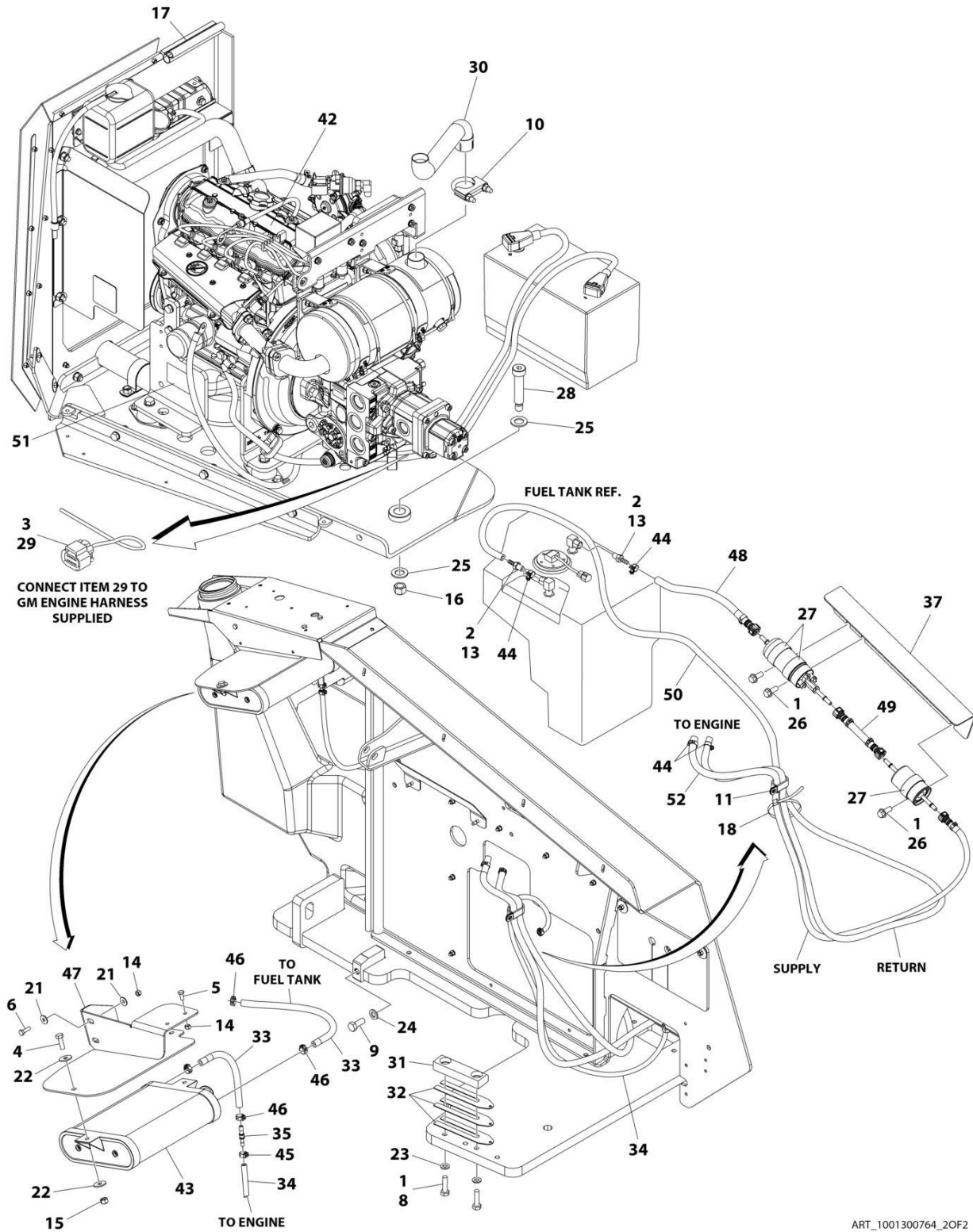
FIGURE 2-39. GM ENGINE INSTALLATION (WITH ARCTIC PACKAGE) (SN 0300313266 to Present, Including 0300311516)

ITEM	PART NUMBER	QTY	DESCRIPTION	REV
	1001301503	Ref	GM ENGINE INSTALLATION (WITH ARCTIC PACKAGE)	C
7	0760612	10	Bolt M6 x 25	
12	2080040	7	Fastener, Huck	
14	3290605	10	Nut M6	
19	4740362	10	Washer, Fender	
20	4811700	10	Washer M6	
36	1001137337	1	Vent	
38	1001137369	1	Plate	
39	1001137397	1	Shield, Rubber	
40	1001137401	1	Shield, Rubber	
41	1001137402	1	Shield, Rubber	

SECTION 3 - ENGINE

SECTION 3 - ENGINE

FIGURE 3-1. GM ENGINE INSTALLATION (WITHOUT ARCTIC PACKAGE) (Prior to SN 0300313266, Excluding 0300311516)



ART_1001300764_2OF2

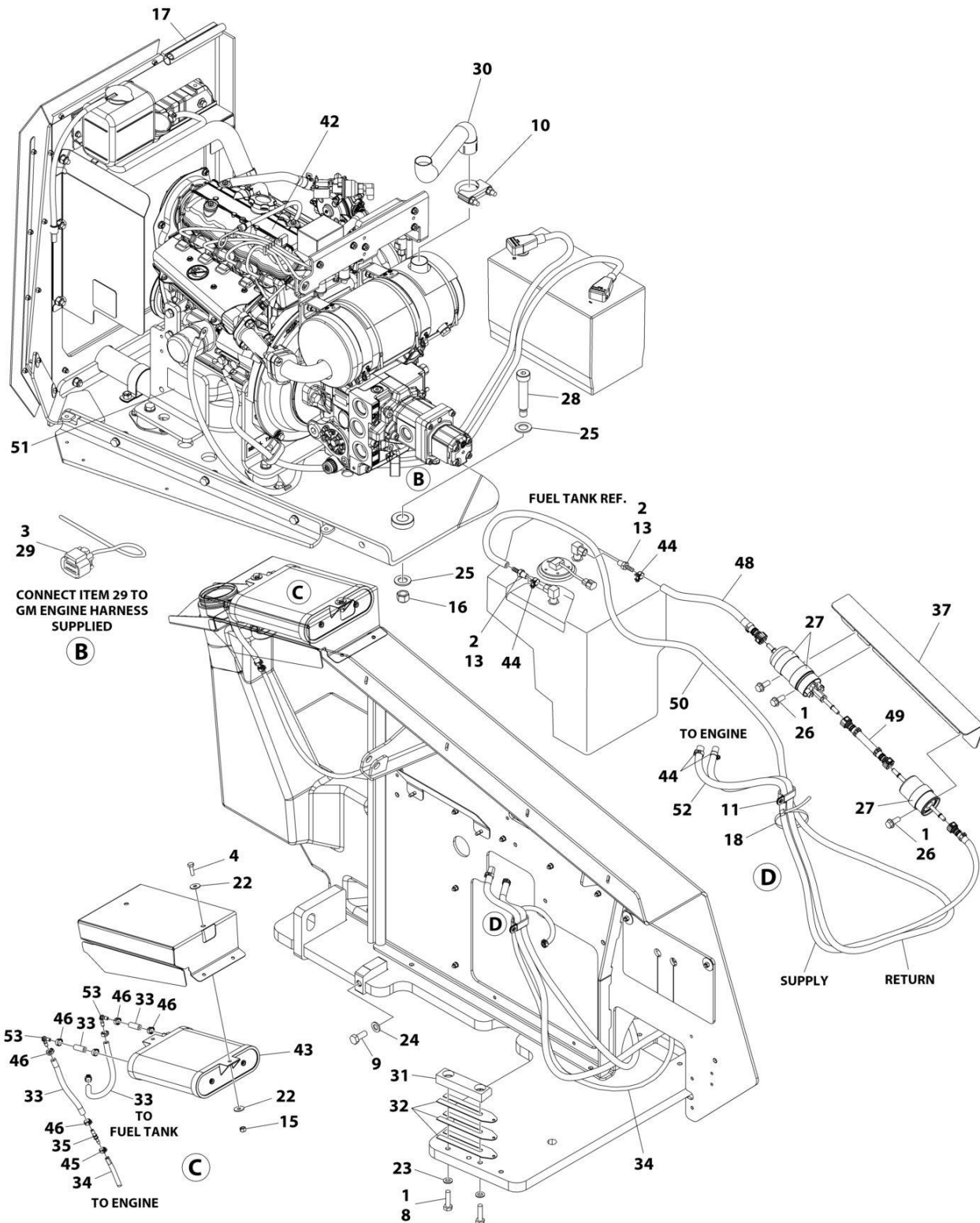
SECTION 3 - ENGINE

**FIGURE 3-1. GM ENGINE INSTALLATION (WITHOUT ARCTIC PACKAGE) (Prior to SN 0300313266,
Excluding 0300311516)**

ITEM	PART NUMBER	QTY	DESCRIPTION	REV
	1001300764	Ref	GM ENGINE INSTALLATION (WITHOUT ARCTIC PACKAGE)	A
1	0100011	AR	Compound, Locking	
2	0100020	AR	Sealant, Pipe	
3	0100048	AR	Grease, Dielectric	
4	0700812	2	Bolt M8 x 25	
5	0760607	2	Bolt M6 x 14	
6	0760610	1	Bolt M6 x 20	
8	0761016	2	Bolt M10 x 40	
9	0761217	1	Bolt M12 x 45	
10	1320026	1	Clamp	
11	1321283	1	Clamp	
13	2180348	2	Fitting, NPT/Barbed	
14	3290605	13	Nut M6	
15	3290805	2	Nut M8	
16	3291605	1	Nut M16	
17	3960464	3 ft /0.9 m	Seal	
18	4240033	AR	Tie-Strap	
21	4811702	2	Washer M6	
22	4811902	4	Washer M8	
23	4812000	2	Washer M10	
24	4812102	1	Washer M12	
25	4812500	2	Washer M20	
26	5251012	3	Bolt M10 x 25	
27	1001097588	3	Clip	
28	1001118646	1	Bolt M20 x 80	
29	1001119778	1	Harness, Fuel Pump (See Separate Breakdown in ELECTRICAL Section)	
30	1001119902	1	Pipe, Exhaust	
31	1001120087	1	Pad, Wear	
32	1001120090	3	Shim	
33	1001129255	7 in/17 cm	Hose	
34	1001129256	9 ft /3 m	Hose	
35	1001131391	1	Coupling	
37	1001137367	1	Shield, Fuel Line	
42	1001148254	1	Engine and Pump Sub-Assembly (See Separate Breakdown in this Section)	
43	1001225420	1	Filter, Carbon Canister	
44	1001263657	4	Clamp	
45	1001263658	2	Clamp	
46	1001263659	4	Clamp	
47	1001299953	1	Bracket	
48	1001300355	1	Hose	
49	1001300356	1	Hose	
50	1001300357	5 ft /1.5 m	Hose	
51	1001300538	1	Decal - EPA	
52	1001301848	1	Hose	

SECTION 3 - ENGINE

FIGURE 3-2. GM ENGINE INSTALLATION (WITHOUT ARCTIC PACKAGE) (SN 0300313266 to Present, Including 0300311516)



ART_1001300764_C_2OF2

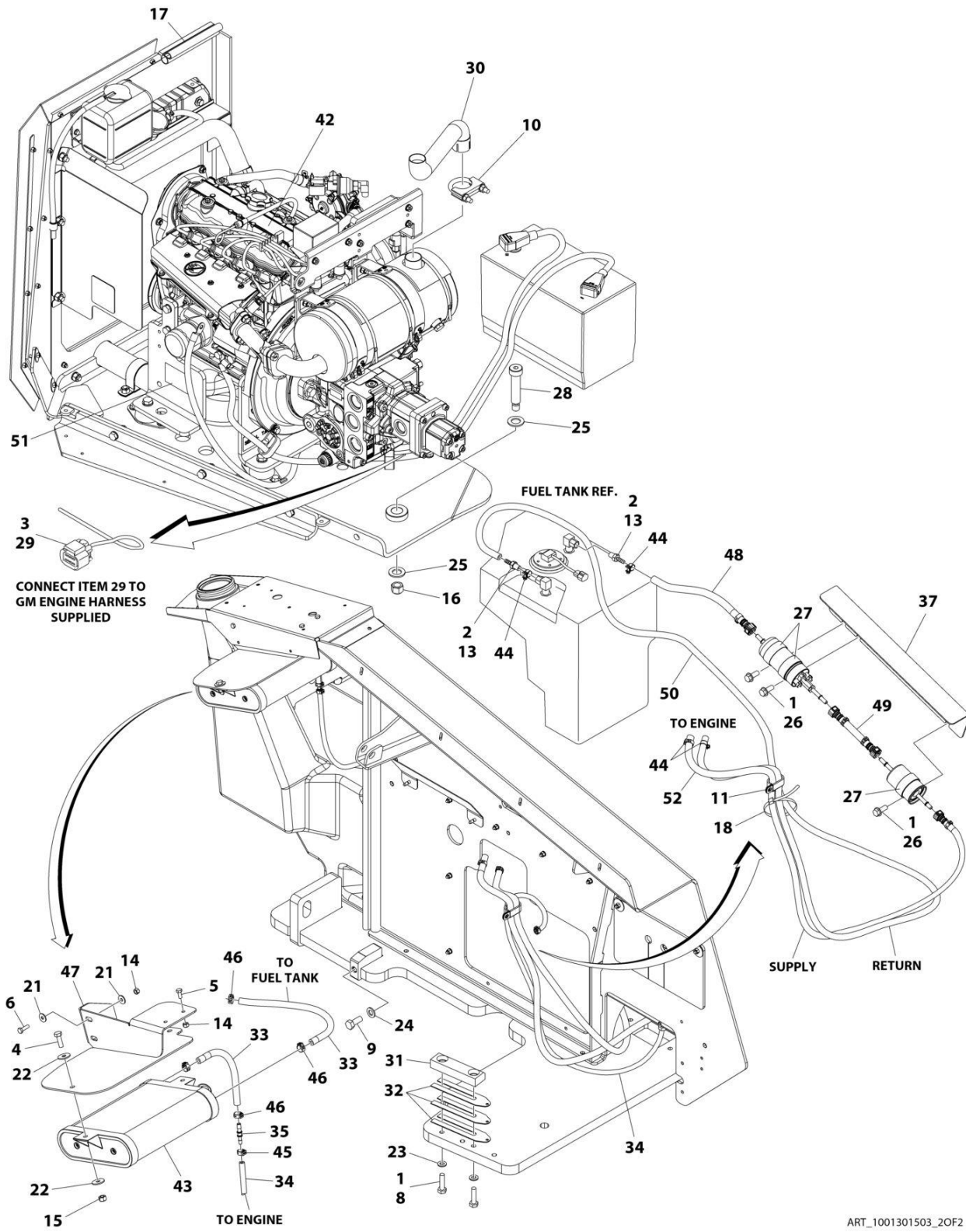
SECTION 3 - ENGINE

FIGURE 3-2. GM ENGINE INSTALLATION (WITHOUT ARCTIC PACKAGE) (SN 0300313266 to Present, Including 0300311516)

ITEM	PART NUMBER	QTY	DESCRIPTION	REV
	1001300764	Ref	GM ENGINE INSTALLATION (WITHOUT ARCTIC PACKAGE)	C
1	0100011	AR	Compound, Locking	
2	0100020	AR	Sealant, Pipe	
3	0100048	AR	Grease, Dielectric	
4	0700812	2	Bolt M8 x 25	
8	0761016	2	Bolt M10 x 40	
9	0761217	1	Bolt M12 x 45	
10	1320026	1	Clamp	
11	1321283	1	Clamp	
13	2180348	2	Fitting, NPT/Barbed	
15	3290805	2	Nut M8	
16	3291605	1	Nut M16	
17	3960464	3 ft /0.9 m	Seal	
18	4240033	AR	Tie-Strap	
22	4811902	4	Washer M8	
23	4812000	2	Washer M10	
24	4812102	1	Washer M12	
25	4812500	2	Washer M20	
26	5251012	3	Bolt M10 x 25	
27	1001097588	3	Clip	
28	1001118646	1	Bolt M20 x 80	
29	1001119778	1	Harness, Fuel Pump (See Separate Breakdown in ELECTRICAL Section)	
30	1001119902	1	Pipe, Exhaust	
31	1001120087	1	Pad, Wear	
32	1001120090	3	Shim	
33	1001129255	20 in /52 cm	Hose	
34	1001129256	9 ft /2.75 m	Hose	
35	1001131391	1	Coupling	
37	1001137367	1	Shield, Fuel Line	
42	1001148254	1	Engine and Pump Sub-Assembly (See Separate Breakdown in this Section)	
43	1001225420	1	Filter, Carbon Canister	
44	1001263657	4	Clamp	
45	1001263658	2	Clamp	
46	1001263659	8	Clamp	
48	1001300355	1	Hose	
49	1001300356	1	Hose	
50	1001300357	5 ft /1.5 m	Hose	
51	1001312158	1	Decal - EPA	
52	1001301848	1	Hose	
53	1001306165	2	Fitting, Carbon Canister	

SECTION 3 - ENGINE

FIGURE 3-3. GM ENGINE INSTALLATION (WITH ARCTIC PACKAGE) (Prior to SN 0300313266, Excluding 0300311516)



ART_1001301503_2OF2

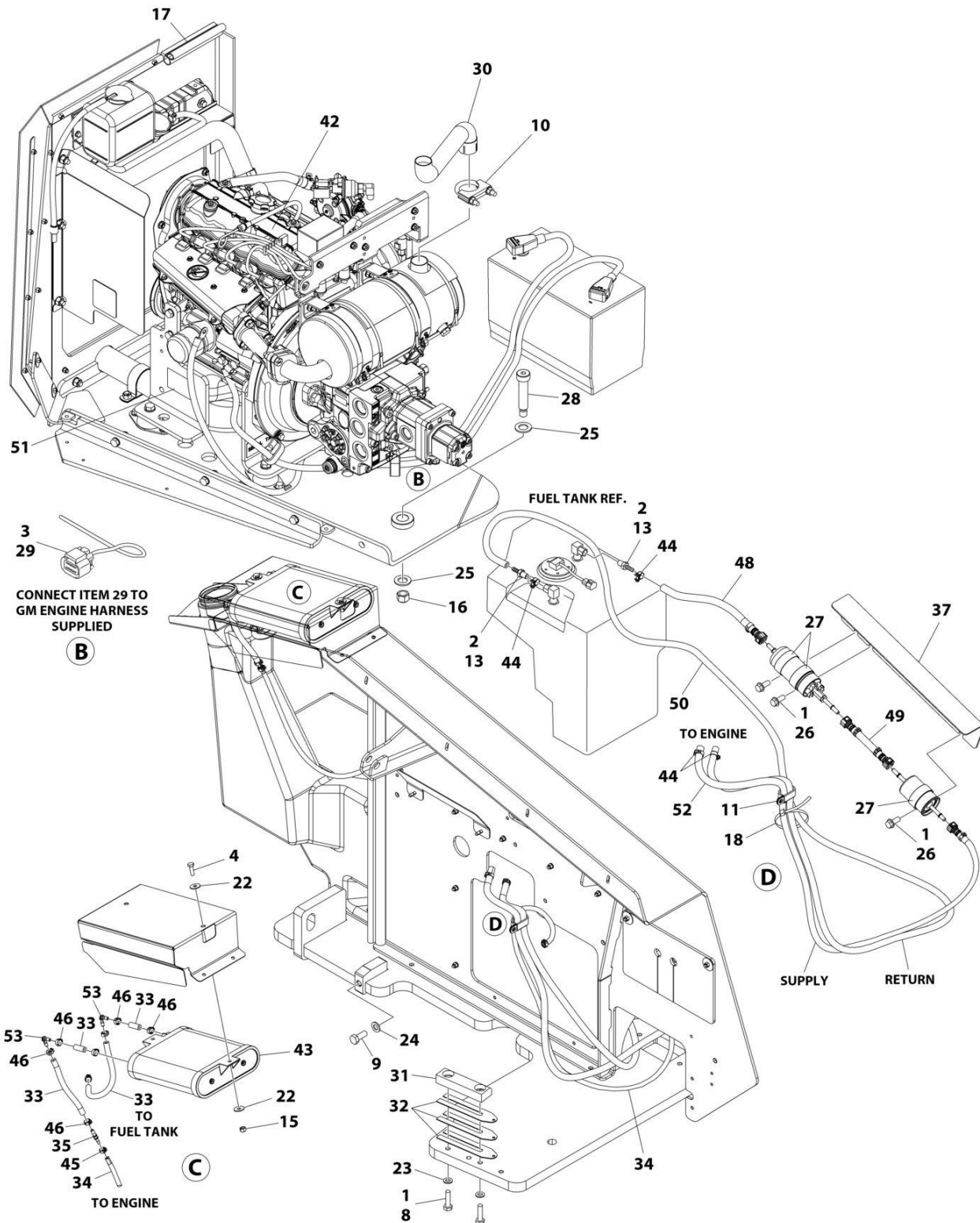
SECTION 3 - ENGINE

**FIGURE 3-3. GM ENGINE INSTALLATION (WITH ARCTIC PACKAGE) (Prior to SN 0300313266,
Excluding 0300311516)**

ITEM	PART NUMBER	QTY	DESCRIPTION	REV
	1001301503	Ref	GM ENGINE INSTALLATION (WITH ARCTIC PACKAGE)	A
1	0100011	AR	Compound, Locking	
2	0100020	AR	Sealant, Pipe	
3	0100048	AR	Grease, Dielectric	
4	0700812	2	Bolt M8 x 25	
5	0760607	2	Bolt M6 x 14	
6	0760610	1	Bolt M6 x 20	
8	0761016	2	Bolt M10 x 40	
9	0761217	1	Bolt M12 x 45	
10	1320026	1	Clamp	
11	1321283	1	Clamp	
13	2180348	2	Fitting, NPT/Barbed	
14	3290605	13	Nut M6	
15	3290805	2	Nut M8	
16	3291605	1	Nut M16	
17	3960464	8 ft /3 m	Seal	
18	4240033	AR	Tie-Strap	
21	4811702	2	Washer M6	
22	4811902	4	Washer M8	
23	4812000	2	Washer M10	
24	4812102	1	Washer M12	
25	4812500	2	Washer M20	
26	5251012	3	Bolt M10 x 25	
27	1001097588	3	Clip	
28	1001118646	1	Bolt M20 x 80	
29	1001119778	1	Harness, Fuel Pump (See Separate Breakdown in ELECTRICAL Section)	
30	1001119902	1	Pipe, Exhaust	
31	1001120087	1	Pad, Wear	
32	1001120090	3	Shim	
33	1001129255	7 in/17 cm	Hose	
34	1001129256	9 ft /3 m	Hose	
35	1001131391	1	Coupling	
37	1001137367	1	Shield, Fuel Line	
42	1001148254	1	Engine and Pump Sub-Assembly (See Separate Breakdown in this Section)	
43	1001225420	1	Filter, Carbon Canister	
44	1001263657	4	Clamp	
45	1001263658	2	Clamp	
46	1001263659	4	Clamp	
47	1001299953	1	Bracket	
48	1001300355	1	Hose	
49	1001300356	1	Hose	
50	1001300357	5 ft /1.5 m	Hose	
51	1001300538	1	Decal - EPA	
52	1001301848	1	Hose	

SECTION 3 - ENGINE

FIGURE 3-4. GM ENGINE INSTALLATION (WITH ARCTIC PACKAGE) (SN 0300313266 to Present, Including 0300311516)



ART_1001301503_C_20F2

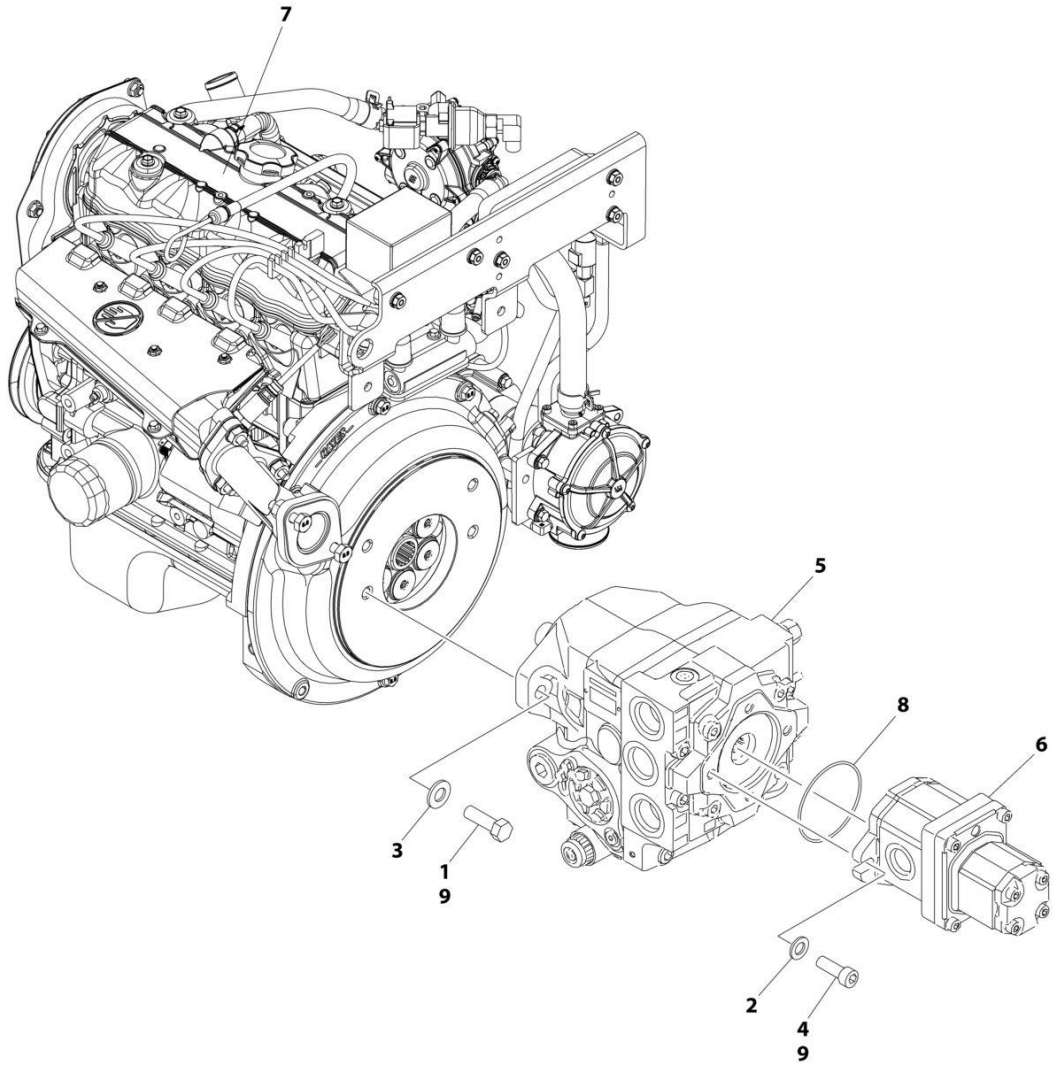
SECTION 3 - ENGINE

FIGURE 3-4. GM ENGINE INSTALLATION (WITH ARCTIC PACKAGE) (SN 0300313266 to Present, Including 0300311516)

ITEM	PART NUMBER	QTY	DESCRIPTION	REV
	1001301503	Ref	GM ENGINE INSTALLATION (WITH ARCTIC PACKAGE)	C
1	0100011	AR	Compound, Locking	
2	0100020	AR	Sealant, Pipe	
3	0100048	AR	Grease, Dielectric	
4	0700812	2	Bolt M8 x 25	
8	0761016	2	Bolt M10 x 40	
9	0761217	1	Bolt M12 x 45	
10	1320026	1	Clamp	
11	1321283	1	Clamp	
13	2180348	2	Fitting, NPT/Barbed	
15	3290805	2	Nut M8	
16	3291605	1	Nut M16	
17	3960464	8 ft /3 m	Seal	
18	4240033	AR	Tie-Strap	
22	4811902	4	Washer M8	
23	4812000	2	Washer M10	
24	4812102	1	Washer M12	
25	4812500	2	Washer M20	
26	5251012	3	Bolt M10 x 25	
27	1001097588	3	Clip	
28	1001118646	1	Bolt M20 x 80	
29	1001119778	1	Harness, Fuel Pump (See Separate Breakdown in ELECTRICAL Section)	
30	1001119902	1	Pipe, Exhaust	
31	1001120087	1	Pad, Wear	
32	1001120090	3	Shim	
33	1001129255	20 in /52 cm	Hose	
34	1001129256	9 ft /2.75 m	Hose	
35	1001131391	1	Coupling	
37	1001137367	1	Shield, Fuel Line	
42	1001148254	1	Engine and Pump Sub-Assembly (See Separate Breakdown in this Section)	
43	1001225420	1	Filter, Carbon Canister	
44	1001263657	4	Clamp	
45	1001263658	2	Clamp	
46	1001263659	8	Clamp	
48	1001300355	1	Hose	
49	1001300356	1	Hose	
50	1001300357	5 ft /1.5 m	Hose	
51	1001312158	1	Decal - EPA	
52	1001301848	1	Hose	
53	1001306165	2	Fitting, Carbon Canister	

SECTION 3 - ENGINE

FIGURE 3-5. GM ENGINE AND PUMP SUB-ASSEMBLY



ART_1001148254

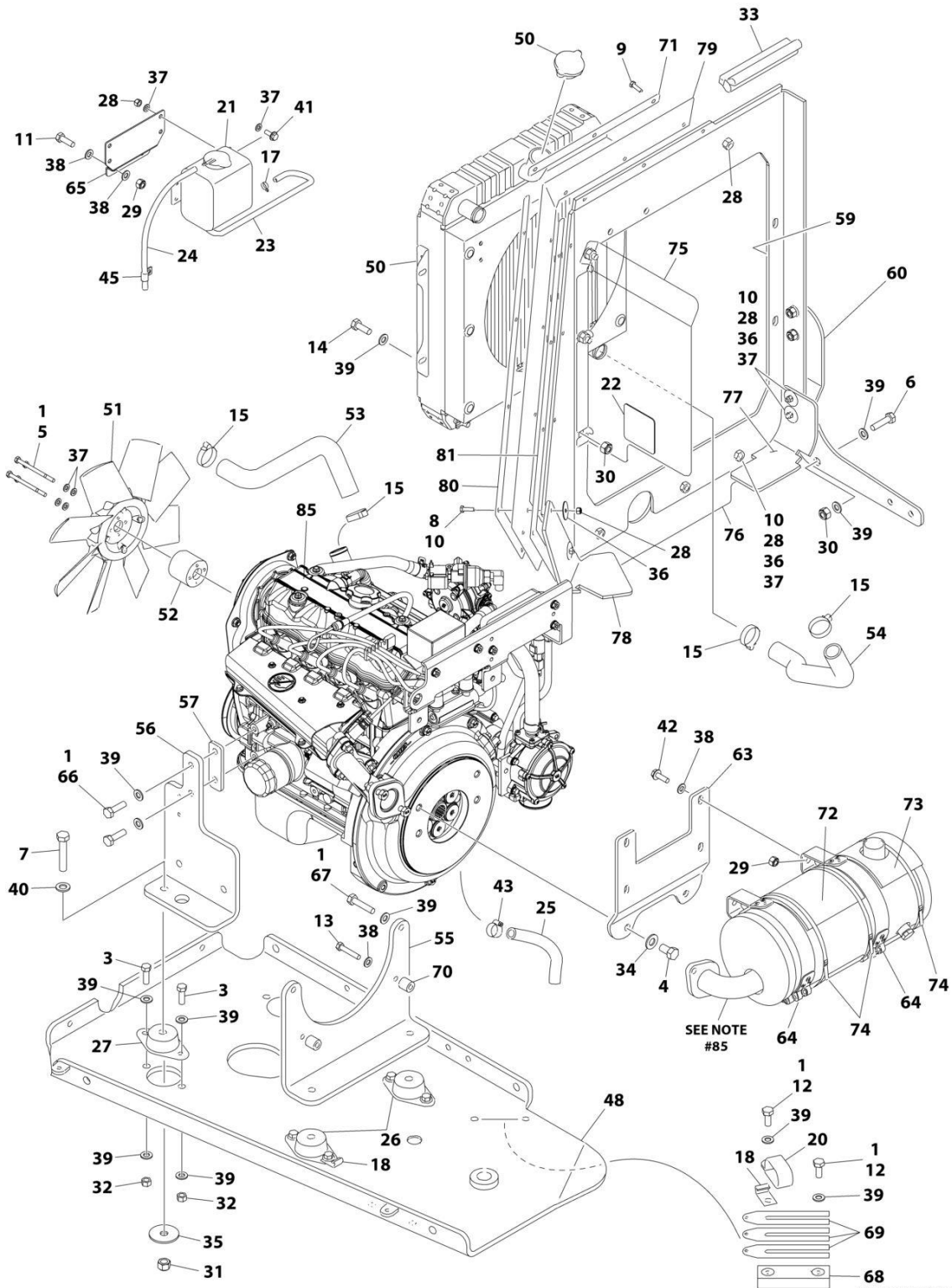
SECTION 3 - ENGINE

FIGURE 3-5. GM ENGINE AND PUMP SUB-ASSEMBLY

ITEM	PART NUMBER	QTY	DESCRIPTION	REV
	1001148254	Ref	GM ENGINE AND PUMP SUB-ASSEMBLY	F
1	0641813	2	Bolt 1/2 x 1-5/8	
2	4891600	2	Washer 3/8	
3	4891800	2	Washer 1/2	
4	83191040	2	Capscrew M10 x 30	
5	1001117028	1	Axial Pump Assembly (See Separate Breakdown in this Section)	
6	1001117029	1	Gear Pump Assembly (See Separate Breakdown in this Section)	
7	1001195234	1	GM Engine Assembly (See Separate Breakdown in this Section)	
8	3790152	1	O-Ring	
9	0100011	AR	Compound, Locking	

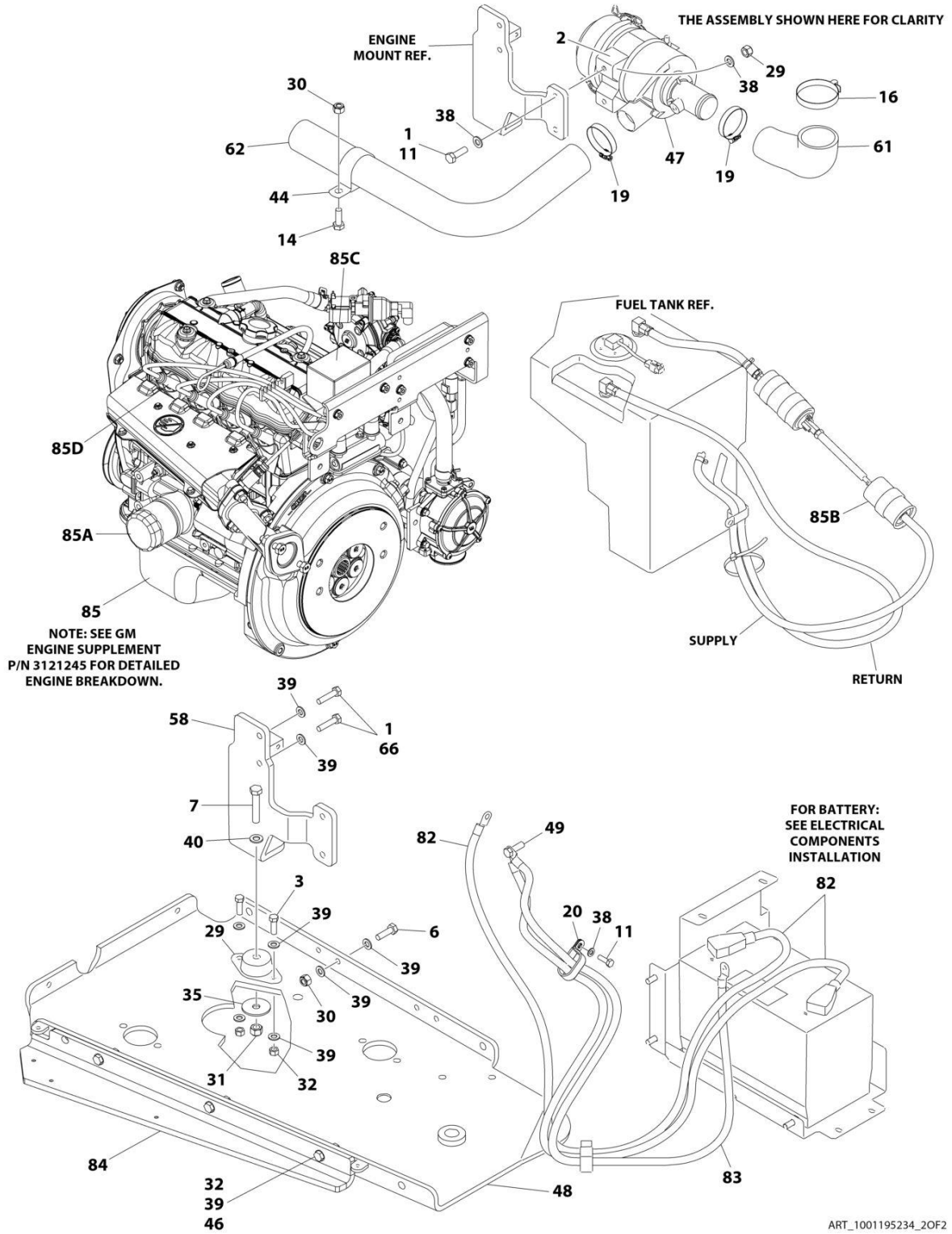
SECTION 3 - ENGINE

FIGURE 3-6. GM ENGINE ASSEMBLY



ART_1001195234_10F2

SECTION 3 - ENGINE



SECTION 3 - ENGINE

FIGURE 3-6. GM ENGINE ASSEMBLY

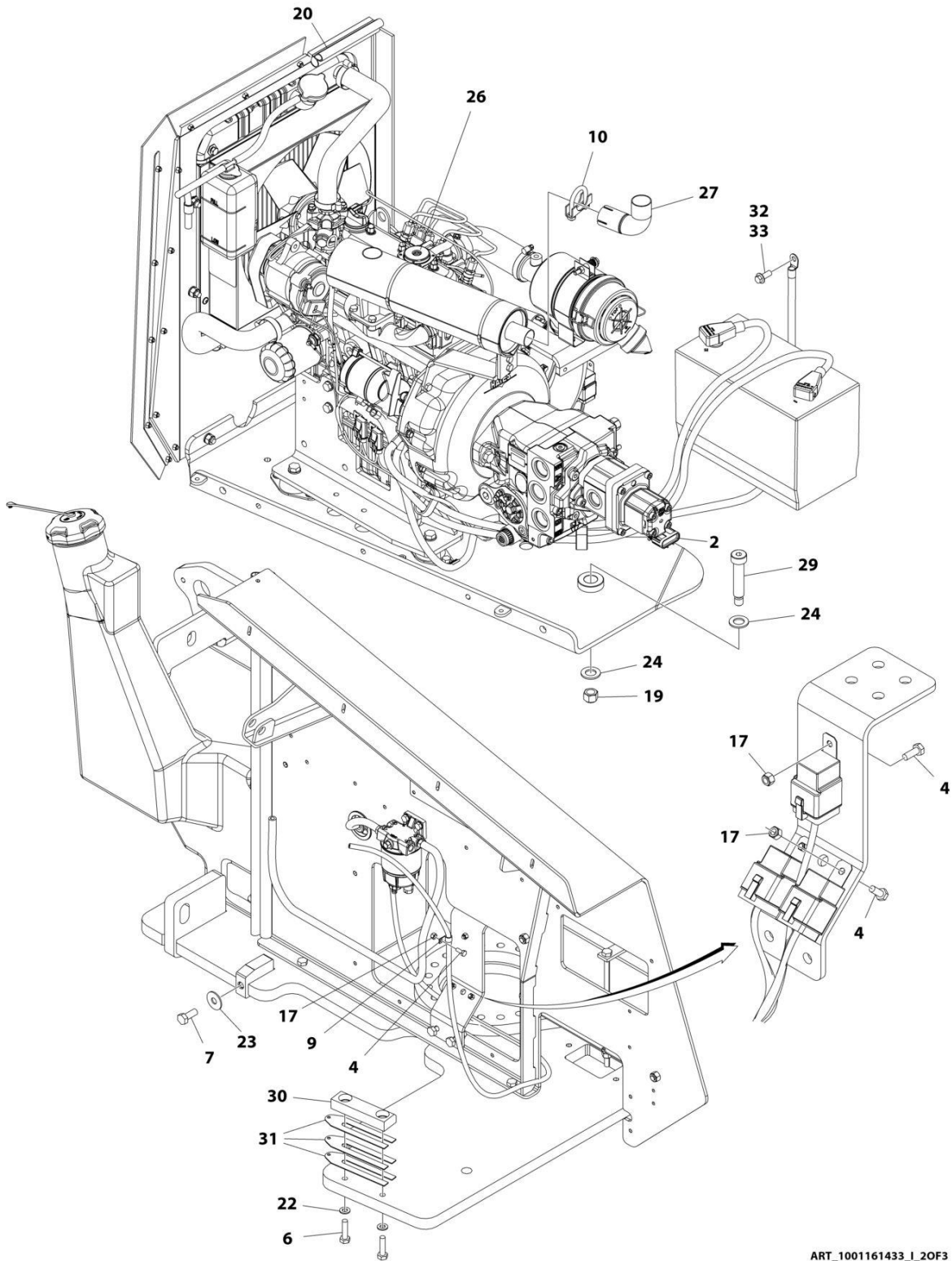
ITEM	PART NUMBER	QTY	DESCRIPTION	REV
	1001195234	Ref	GM ENGINE ASSEMBLY	E
1	0100011	AR	Compound, Locking	
2	0340045	2	Band, Mounting	
3	0641609	8	Bolt 3/8 x 1-1/8	
4	0641807	2	Bolt 1/2 x 7/8	
5	0700621	4	Bolt M6 x 65	
6	0701015	7	Bolt M10 x 35	
7	0701221	4	Bolt M12 x 65	
8	0760608	5	Bolt M6 x 16	
9	0760610	6	Bolt M6 x 20	
10	0760612	7	Bolt M6 x 25	
11	0760812	6	Bolt M8 x 25	
12	0760814	2	Bolt M8 x 30	
13	0760817	2	Bolt M8 x 45	
14	0761014	8	Bolt M10 x 30	
15	1320012	4	Clamp	
16	1320016	1	Clamp	
17	1320022	3	Clamp	
18	1320223	2	J-Clip	
19	1321682	2	Clamp	
20	1321716	2	Clamp	
21	1580011	1	Container, Coolant Overflow	
22	1703162	2	Decal - Fan Blade	
23	2720058	18 in /46cm	Hose	
24	2720271	19 in /47cm	Hose	
25	2720615	6.5 in /17cm	Hose	
26	3200378	2	Mount, Motor	
27	3200425	2	Mount, Engine	
28	3290605	22	Nut M6	
29	3290805	8	Nut M8	
30	3291005	16	Nut M10	
31	3291205	4	Nut M12	
32	3311605	8	Nut 3/8	
33	3960464	6.5 in /17cm	Seal	
34	4711800	2	Washer 1/2	
35	4740274	4	Washer	
36	4740362	7	Washer	
37	4811700	13	Washer M6	
38	4811900	18	Washer M8	
39	4812000	54	Washer M10	
40	4812100	4	Washer M12	
41	5250608	4	Bolt M6 x 16	
42	5250812	4	Bolt M8 x 25	
43	8405006	1	Clamp	
44	80673025	1	P-Clamp	
45	85941016	1	Clamp	

SECTION 3 - ENGINE

ITEM	PART NUMBER	QTY	DESCRIPTION	REV
46	0761016	3	Bolt M10 x 40	
47	1001118280	1	Air Filter Assembly	A
47	7015004	1	Element, Air Filter	
47	1340069	1	Valve, Vacuum	
47	7015005	1	Cover	
48	1001118453	1	Tray, Engine	
49	1001118746	1	Bolt M10 x 25	
50	1001119494	1	Radiator	
50	70002899	1	Cap, Radiator	
51	1001119495	1	Fan	
52	1001119496	1	Spacer, Fan	
53	1001119635	1	Hose, Upper Radiator	
54	1001119636	1	Hose, Lower Radiator	
55	1001119640	1	Plate, Rear Engine	
56	1001119641	1	Plate, LH Front Engine	
57	1001119643	1	Spacer, Mounting	
58	1001119644	1	Plate, RH Front Engine	
59	1001119649	1	Mount, Radiator	
60	1001119698	1	Gusset, Radiator	
61	1001119699	1	Elbow, Air Intake	
62	1001119700	1	Hose, Air Intake	
63	1001119701	1	Bracket, Muffler Mounting	
64	1001119727	2	Clamp, Muffler	
65	1001119730	1	Bracket, Coolant Overflow Tank	
66	1001119929	4	Bolt M10 x 35	
67	1001119930	2	Bolt M10 x 50	
68	1001120087	1	Pad, Wear	
69	1001120090	3	Shim	
70	1001120454	2	Housing, Spacer	
71	1001123018	1	Plate, Seal Support	
72	1001137326	1	Insulate, Muffler	
73	1001137327	1	Insulate, Muffler	
74	1001137336	3	Strap	
75	1001137371	1	Deflector	
76	1001137398	1	Shield, Rubber	
77	1001137399	1	Shield, Rubber	
78	1001137400	1	Shield, Rubber	
79	1001147365	1	Seal, Radiator Hood	
80	1001147642	1	Plate, Seal Support	
81	1001147643	1	Plate, Seal Support	
82	1001118594	1	Battery Cable Kit	B
82	4461231	1	Battery Terminal and Red Cover Only (No Cable)	
82	4461232	1	Battery Terminal and Black Cover Only (No Cable)	
83	1001120450	1	Cable, Ground	
84	1001148975	1	Plate, Engine Tray	
85	1001194741	1	Engine, GM (See GM Engine Supplement P/N 3121245 for Breakdown of Additional Components)	
85A	70002979	1	Filter, Oil	
85B	7027972	1	Filter, Fuel	
85C	70003178	1	Module, Control	
85D	70003179	4	Plug, Spark	

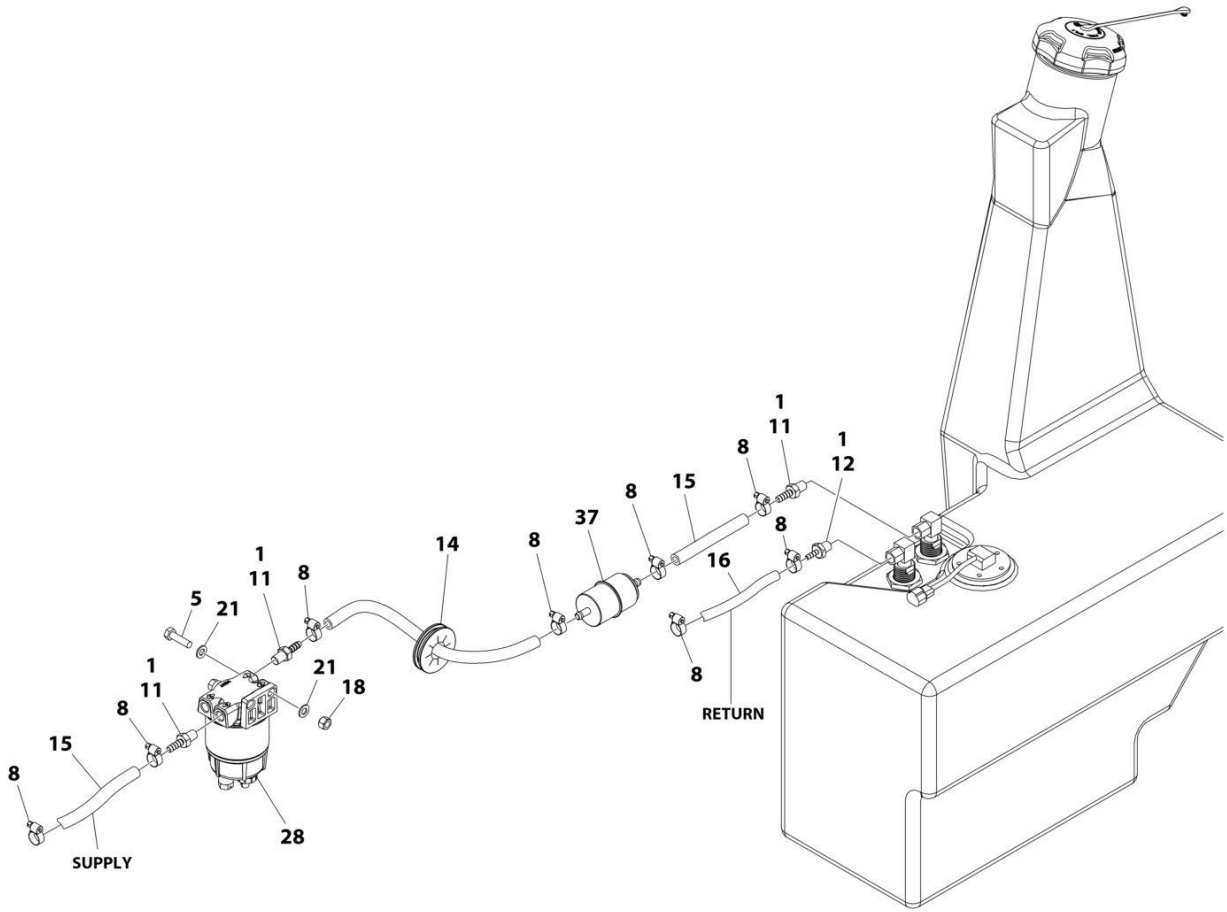
SECTION 3 - ENGINE

FIGURE 3-7. KUBOTA ENGINE INSTALLATION (WITHOUT ARCTIC PACKAGE)



ART_1001161433_I_20F3

SECTION 3 - ENGINE



ART_1001161433_I_30F3

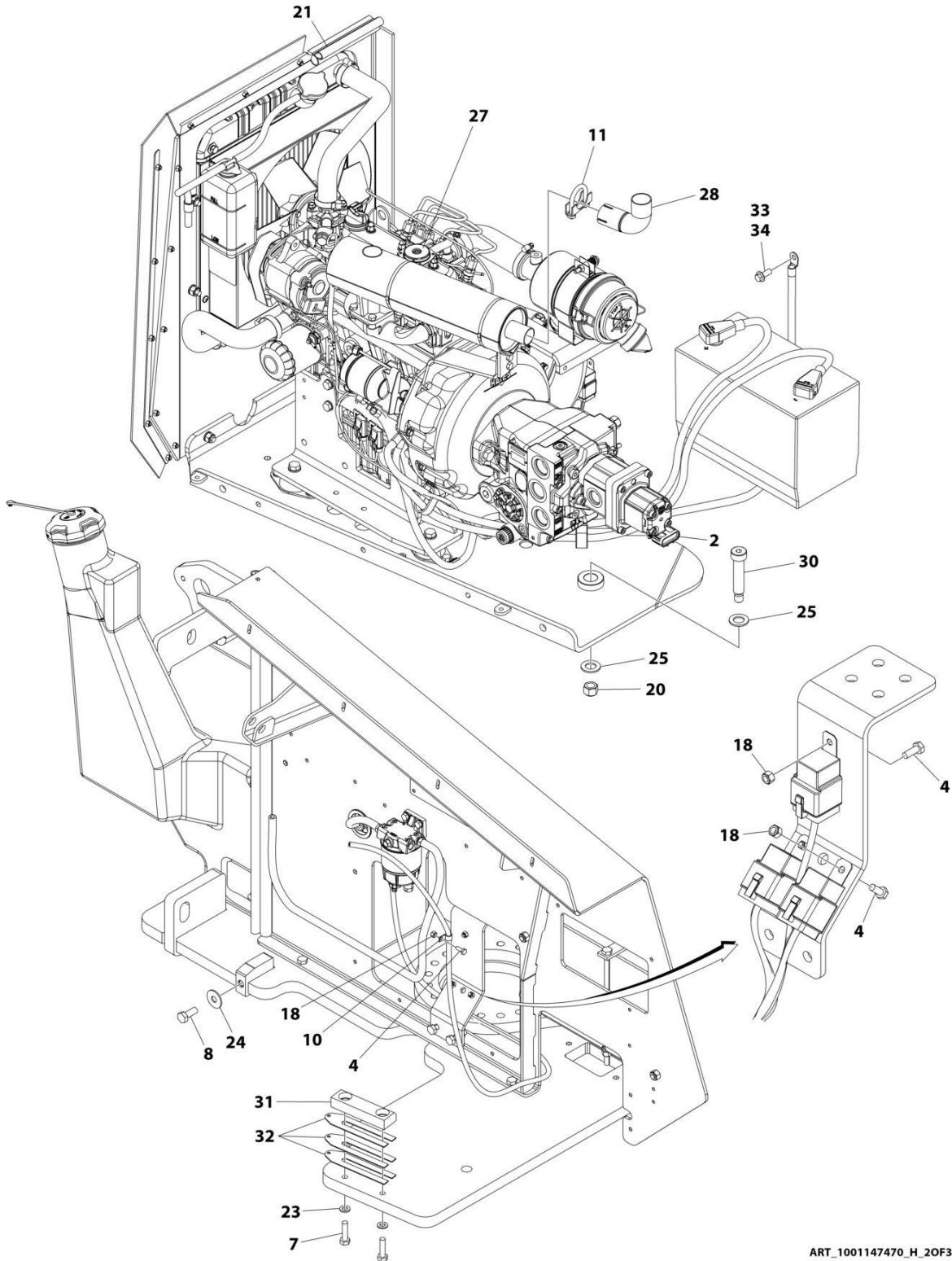
SECTION 3 - ENGINE

FIGURE 3-7. KUBOTA ENGINE INSTALLATION (WITHOUT ARCTIC PACKAGE)

ITEM	PART NUMBER	QTY	DESCRIPTION	REV
	1001161433	Ref	KUBOTA ENGINE INSTALLATION (WITHOUT ARCTIC PACKAGE)	I
1	0100020	AR	Sealant, Pipe	
2	0100048	AR	Grease, Dielectric	
4	0760608	4	Bolt M6 x 16	
5	0760814	2	Bolt M8 x 30	
6	0761016	2	Bolt M10 x 40	
7	0761214	1	Bolt M12 x 30	
7	0761217	1	Bolt M12 x 45	
8	1320022	8	Clamp, Fuel Line	
9	1320043	1	Clamp, Cable	
10	1320274	1	Clamp, Muffler	
11	2180348	3	Fitting, Barbed	
12	2180666	1	Fitting, Barbed	
14	2540045	1	Grommet	
15	2720058	6.6 ft/2.0m	Hose	
16	2720271	6.5 ft /2m	Hose	
17	3290605	4	Nut M6	
18	3290805	2	Nut M8	
19	3291605	1	Nut M16	
20	3960464	33 in /84cm	Seal	
21	4811900	4	Washer M8	
22	4812000	2	Washer M10	
23	4812102	1	Washer M12	
24	4812500	2	Washer M20	
26	1001238004	1	Kubota Engine and Pump Sub-Assembly (See Separate Breakdown in this Section)	
27	1001118548	1	Tube, Exhaust	
28	1001190609	1	Fuel Filter/Water Separator Assembly (See Separate Breakdown in this Section)	
29	1001118646	1	Bolt M20 x 80	
30	1001120087	1	Pad, Wear	
31	1001120090	3	Shim 1.5	
32	0100011	AR	Compound, Locking	
33	5251012	1	Bolt M10 x 25	
37	1001190545	1	Filter, Fuel	

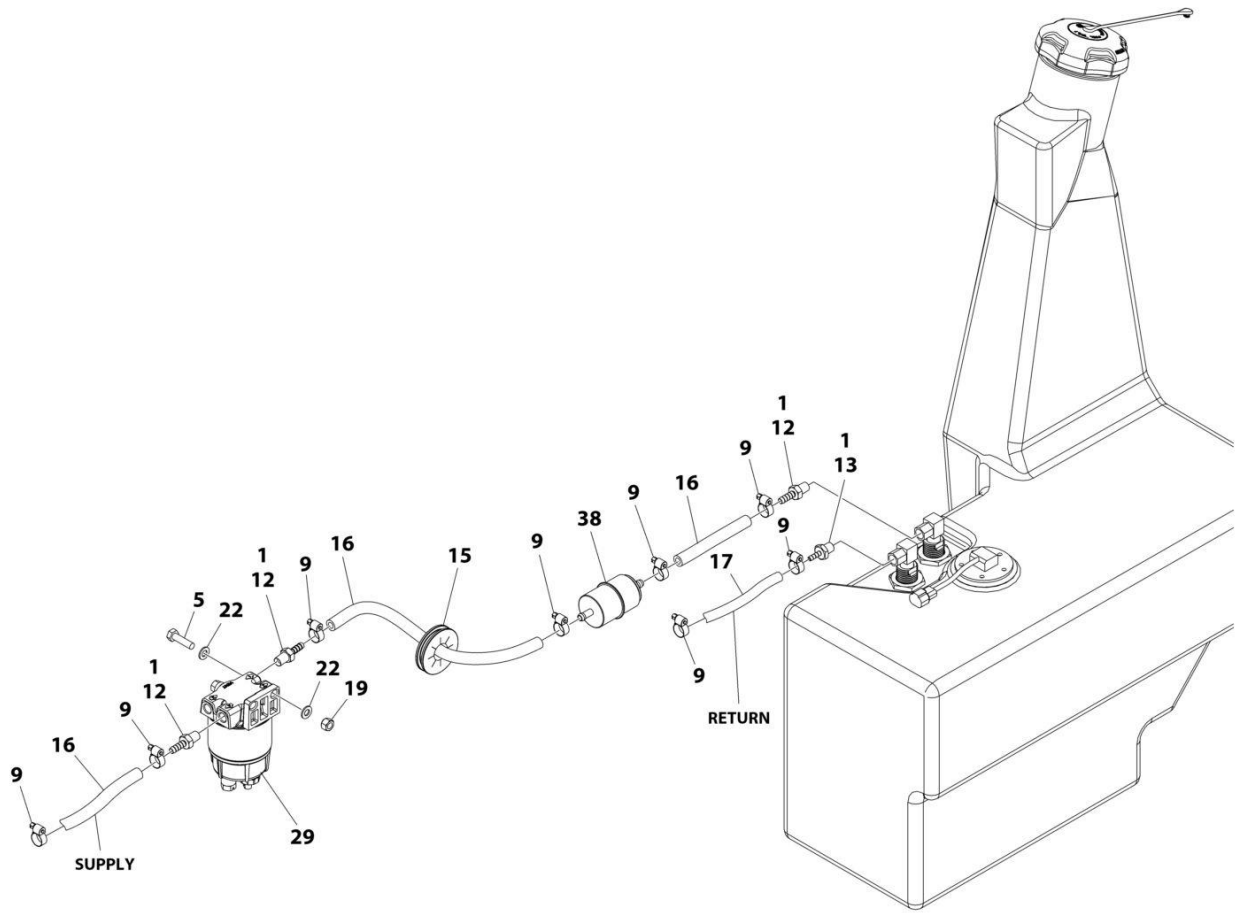
SECTION 3 - ENGINE

FIGURE 3-8. KUBOTA ENGINE INSTALLATION WITH 4000W GENERATOR (WITHOUT ARCTIC PACKAGE)



ART_1001147470_H_20F3

SECTION 3 - ENGINE



ART_1001147470_H_30F3

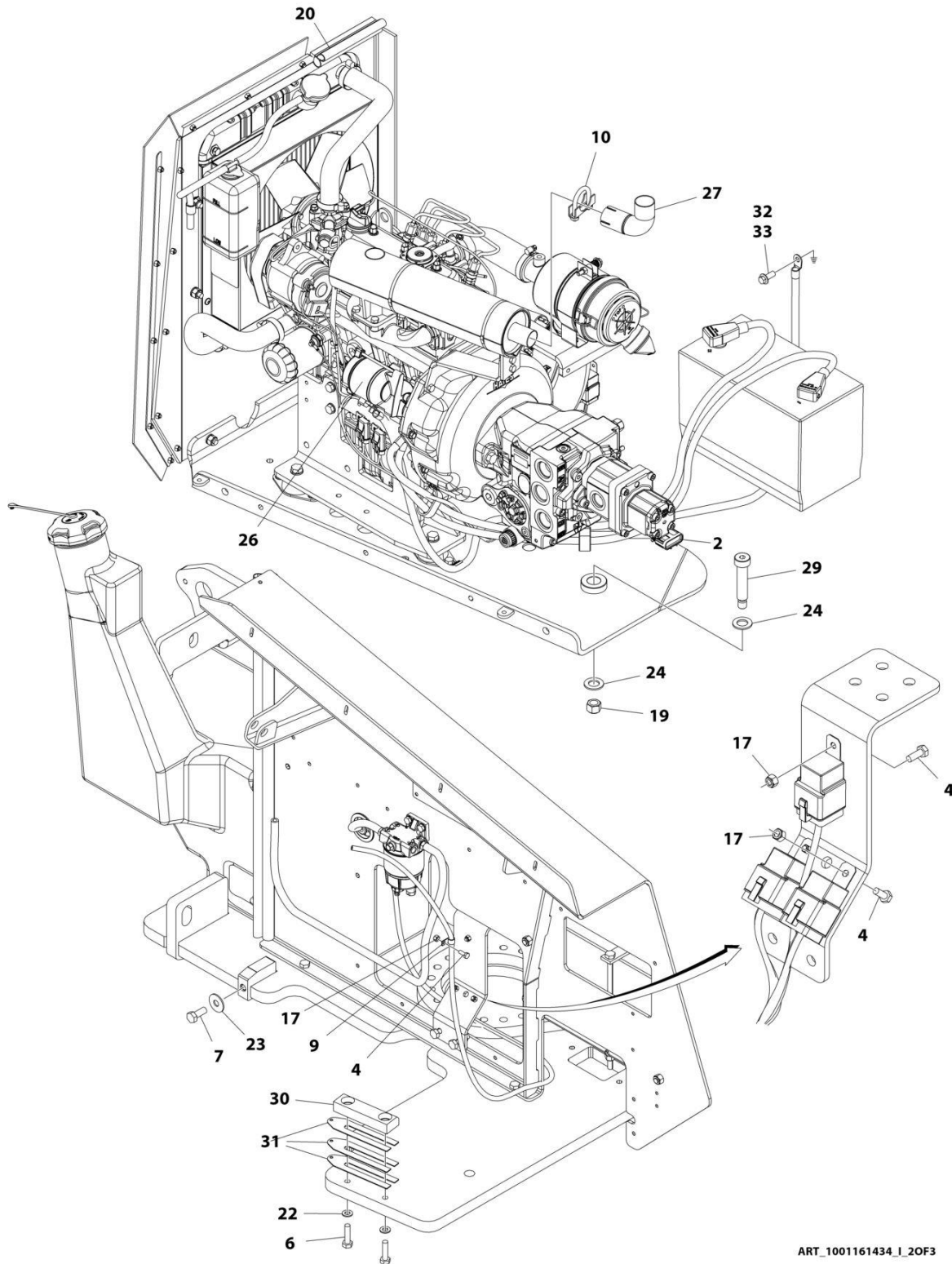
SECTION 3 - ENGINE

FIGURE 3-8. KUBOTA ENGINE INSTALLATION WITH 4000W GENERATOR (WITHOUT ARCTIC PACKAGE)

ITEM	PART NUMBER	QTY	DESCRIPTION	REV
	1001147470	Ref	KUBOTA ENGINE INSTALLATION WITH 4000W GENERATOR (WITHOUT ARCTIC PACKAGE)	H
1	0100020	AR	Sealant, Pipe	
2	0100048	AR	Grease, Dielectric	
4	0760608	4	Bolt M6 x 16	
6	0760814	2	Bolt M8 x 30	
7	0761016	2	Bolt M10 x 40	
8	0761214	1	Bolt M12 x 30	
9	1320022	8	Clamp, Fuel Line	
10	1320043	1	Clamp, Cable	
11	1320274	1	Clamp, Muffler	
12	2180348	3	Fitting, Barbed	
13	2180666	1	Fitting, Barbed	
15	2540045	1	Grommet	
16	2720058	6.6 ft/2.0m	Hose	
17	2720271	6.5 ft/2m	Hose	
18	3290605	4	Nut M6	
19	3290805	2	Nut M8	
20	3291605	1	Nut M16	
21	3960464	33 in /84cm	Seal	
22	4811900	4	Washer M8	
23	4812000	2	Washer M10	
24	4812102	1	Washer M12	
25	4812500	2	Washer M20	
27	1001238005	1	Kubota Engine and Pump Sub-Assembly (See Separate Breakdown in this Section)	
28	1001118548	1	Tube, Exhaust	
29	1001190609	1	Fuel Filter/Water Separator Assembly (See Separate Breakdown in this Section)	
30	1001118646	1	Bolt M20 x 80	
31	1001120087	1	Pad, Wear	
32	1001120090	3	Shim 1.5	
33	0100011	AR	Compound, Locking	
34	5251012	1	Bolt M10 x 25	
38	1001190545	1	Filter, Fuel	

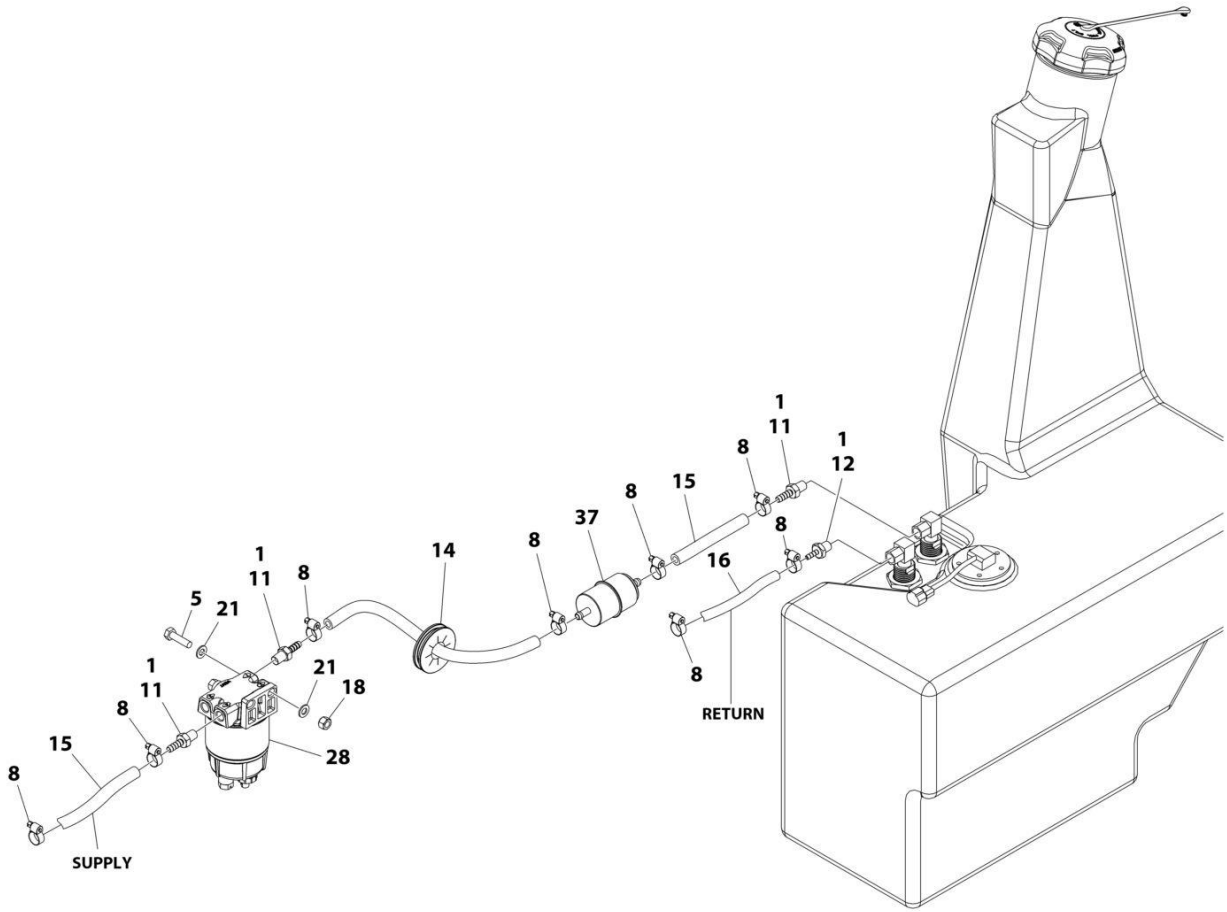
SECTION 3 - ENGINE

FIGURE 3-9. KUBOTA ENGINE INSTALLATION (WITH ARCTIC PACKAGE)



ART_1001161434_I_20F3

SECTION 3 - ENGINE



ART_1001161434_I_30F3

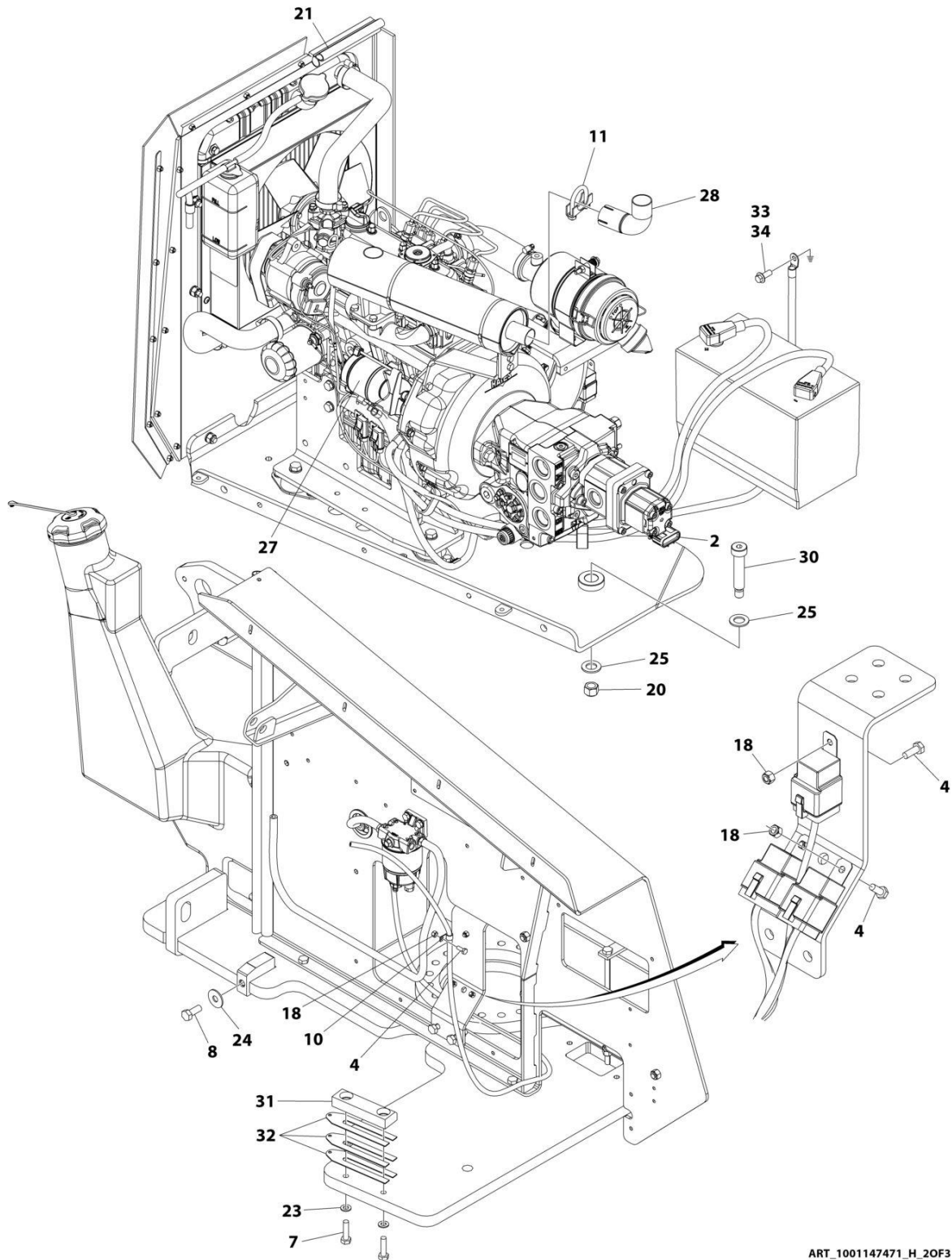
SECTION 3 - ENGINE

FIGURE 3-9. KUBOTA ENGINE INSTALLATION (WITH ARCTIC PACKAGE)

ITEM	PART NUMBER	QTY	DESCRIPTION	REV
	1001161434	Ref	KUBOTA ENGINE INSTALLATION (WITH ARCTIC PACKAGE)	I
1	0100020	AR	Sealant, Pipe	
2	0100048	AR	Grease, Dielectric	
4	0760608	4	Bolt M6 x 16	
5	0760814	2	Bolt M8 x 30	
6	0761016	2	Bolt M10 x 40	
7	0761214	1	Bolt M12 x 30	
7	0761217	1	Bolt M12 x 45	
8	1320022	8	Clamp, Fuel Line	
9	1320043	1	Clamp, Cable	
10	1320274	1	Clamp, Muffler	
11	2180348	3	Fitting, Barbed	
12	2180666	1	Fitting, Barbed	
14	2540045	1	Grommet	
15	2720058	6.6 ft/2.0m	Hose	
16	2720271	6.5 ft/2m	Hose	
17	3290605	4	Nut M6	
18	3290805	2	Nut M8	
19	3291605	1	Nut M16	
20	3960464	33 in /84cm	Seal	
21	4811900	4	Washer M8	
22	4812000	2	Washer M10	
23	4812102	1	Washer M12	
24	4812500	2	Washer M20	
26	1001238004	1	Kubota Engine and Pump Sub-Assembly (See Separate Breakdown in this Section)	
27	1001118548	1	Tube, Exhaust	
28	1001190609	1	Fuel Filter/Water Separator Assembly (See Separate Breakdown in this Section)	
29	1001118646	1	Bolt M20 x 80	
30	1001120087	1	Pad, Wear	
31	1001120090	3	Shim 1.5	
32	0100011	AR	Compound, Locking	
33	5251012	1	Bolt M10 x 25	
37	1001190545	1	Filter, Fuel	

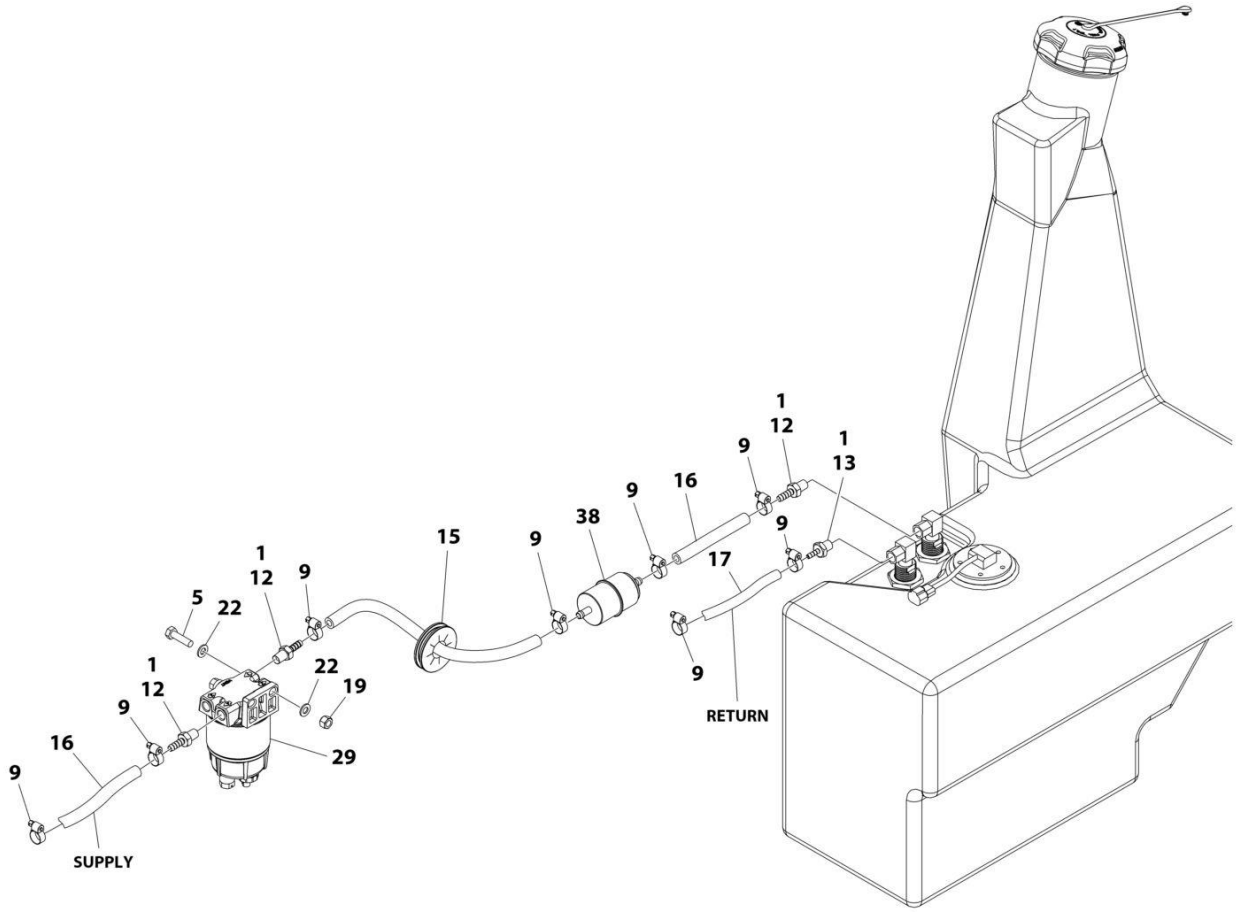
SECTION 3 - ENGINE

FIGURE 3-10. KUBOTA ENGINE INSTALLATION WITH 4000W GENERATOR (WITH ARCTIC PACKAGE)



ART_1001147471_H_20F3

SECTION 3 - ENGINE



ART_1001147471_H_30F3

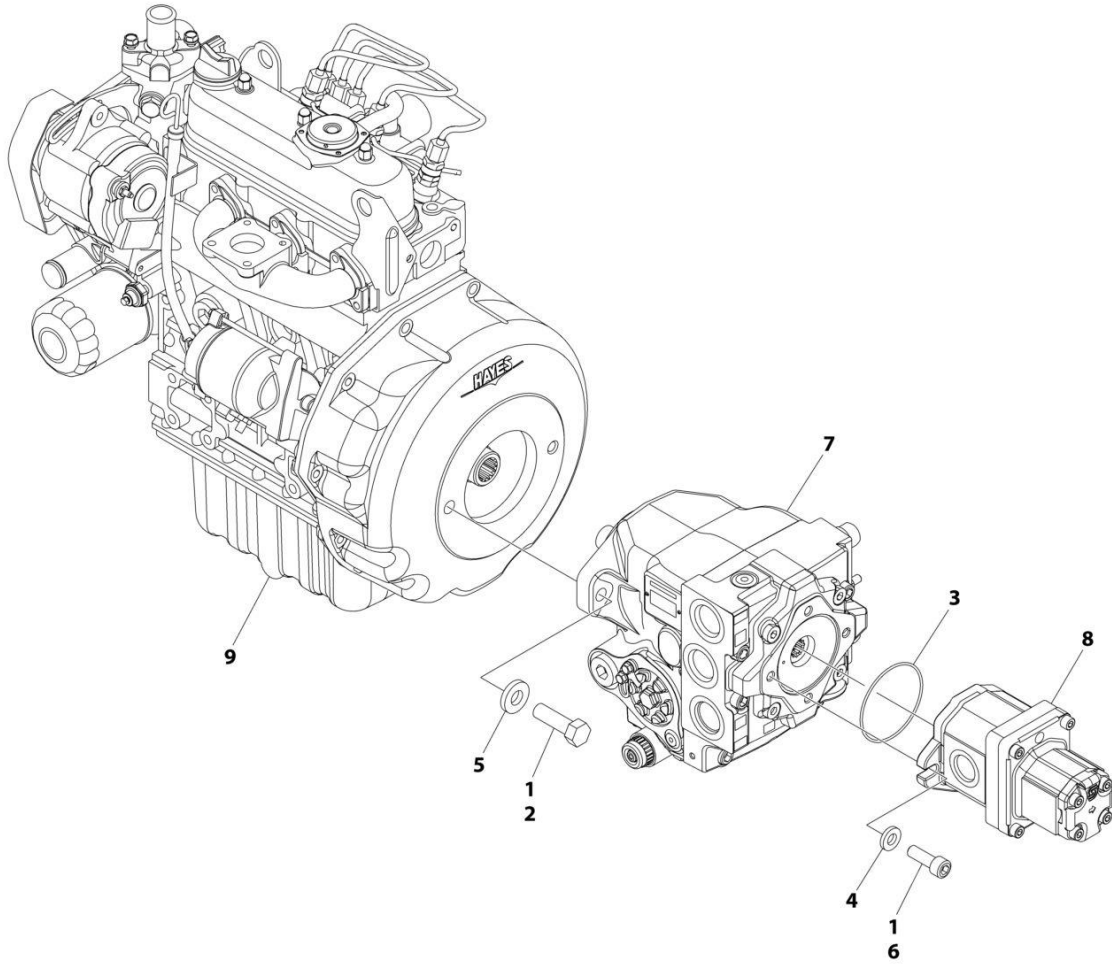
SECTION 3 - ENGINE

FIGURE 3-10. KUBOTA ENGINE INSTALLATION WITH 4000W GENERATOR (WITH ARCTIC PACKAGE)

ITEM	PART NUMBER	QTY	DESCRIPTION	REV
	1001147471	Ref	KUBOTA ENGINE INSTALLATION WITH 4000W GENERATOR (WITH ARCTIC PACKAGE)	H
1	0100020	AR	Sealant, Pipe	
2	0100048	AR	Grease, Dielectric	
4	0760608	4	Bolt M6 x 16	
5	0760814	2	Bolt M8 x 30	
7	0761016	2	Bolt M10 x 40	
8	0761214	1	Bolt M12 x 30	
9	1320022	8	Clamp, Fuel Line	
10	1320043	1	Clamp, Cable	
11	1320274	1	Clamp, Muffler	
12	2180348	3	Fitting, Barbed	
13	2180666	1	Fitting, Barbed	
15	2540045	1	Grommet	
16	2720058	6.6 ft/2.0m	Hose	
17	2720271	6.5 ft/2m	Hose	
18	3290605	4	Nut M6	
19	3290805	2	Nut M8	
20	3291605	1	Nut M16	
21	3960464	33 in /84cm	Seal	
22	4811900	4	Washer M8	
23	4812000	2	Washer M10	
24	4812102	1	Washer M12	
25	4812500	2	Washer M20	
27	1001238005	1	Kubota Engine and Pump Sub-Assembly (See Separate Breakdown in this Section)	
28	1001118548	1	Tube, Exhaust	
29	1001190609	1	Fuel Filter/Water Separator Assembly (See Separate Breakdown in this Section)	
30	1001118646	1	Bolt M20 x 80	
31	1001120087	1	Pad, Wear	
32	1001120090	3	Shim 1.5	
33	0100011	AR	Compound, Locking	
34	5251012	1	Bolt M10 x 25	
38	1001190545	1	Filter, Fuel	

SECTION 3 - ENGINE

FIGURE 3-11. KUBOTA ENGINE AND PUMP SUB-ASSEMBLY



ART_1001238004

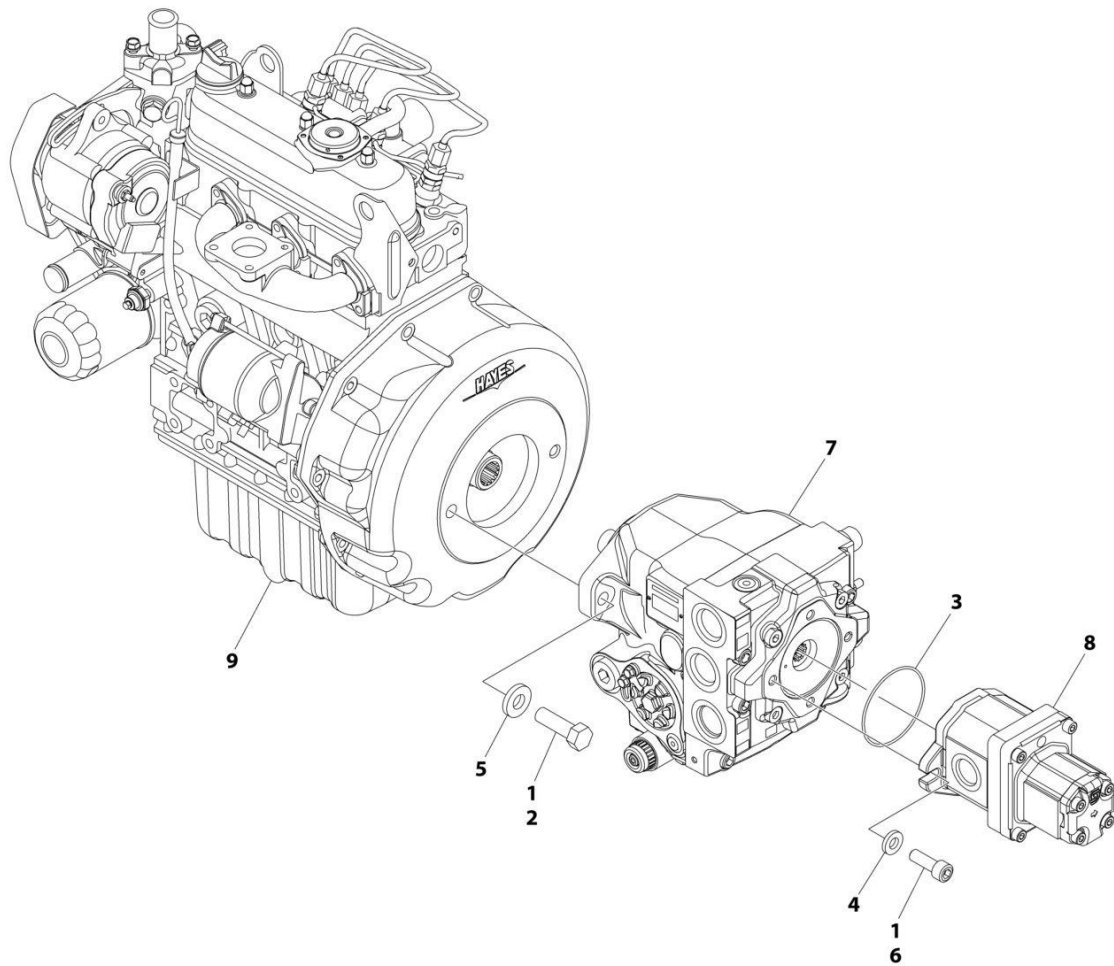
SECTION 3 - ENGINE

FIGURE 3-11. KUBOTA ENGINE AND PUMP SUB-ASSEMBLY

ITEM	PART NUMBER	QTY	DESCRIPTION	REV
	1001238004	Ref	KUBOTA ENGINE AND PUMP SUB-ASSEMBLY	B
1	0100011	AR	Compound, Locking	
2	0641813	2	Bolt 1/2 x 1-5/8	
3	3790152	1	O-Ring	
4	4891600	2	Washer 3/8	
5	4891800	2	Washer 1/2	
6	83191040	2	Capscrew M10 x 30	
7	1001117028	1	Axial Pump Assembly (See Separate Breakdown in this Section)	
8	1001117029	1	Gear Pump Assembly (See Separate Breakdown in this Section)	
9	1001238001	1	Kubota Engine Assembly (Use p/n 1001238001) (See Separate Breakdown in this Section)	

SECTION 3 - ENGINE

FIGURE 3-12. KUBOTA ENGINE WITH 4000W GENERATOR AND PUMP SUB-ASSEMBLY



ART_1001238005

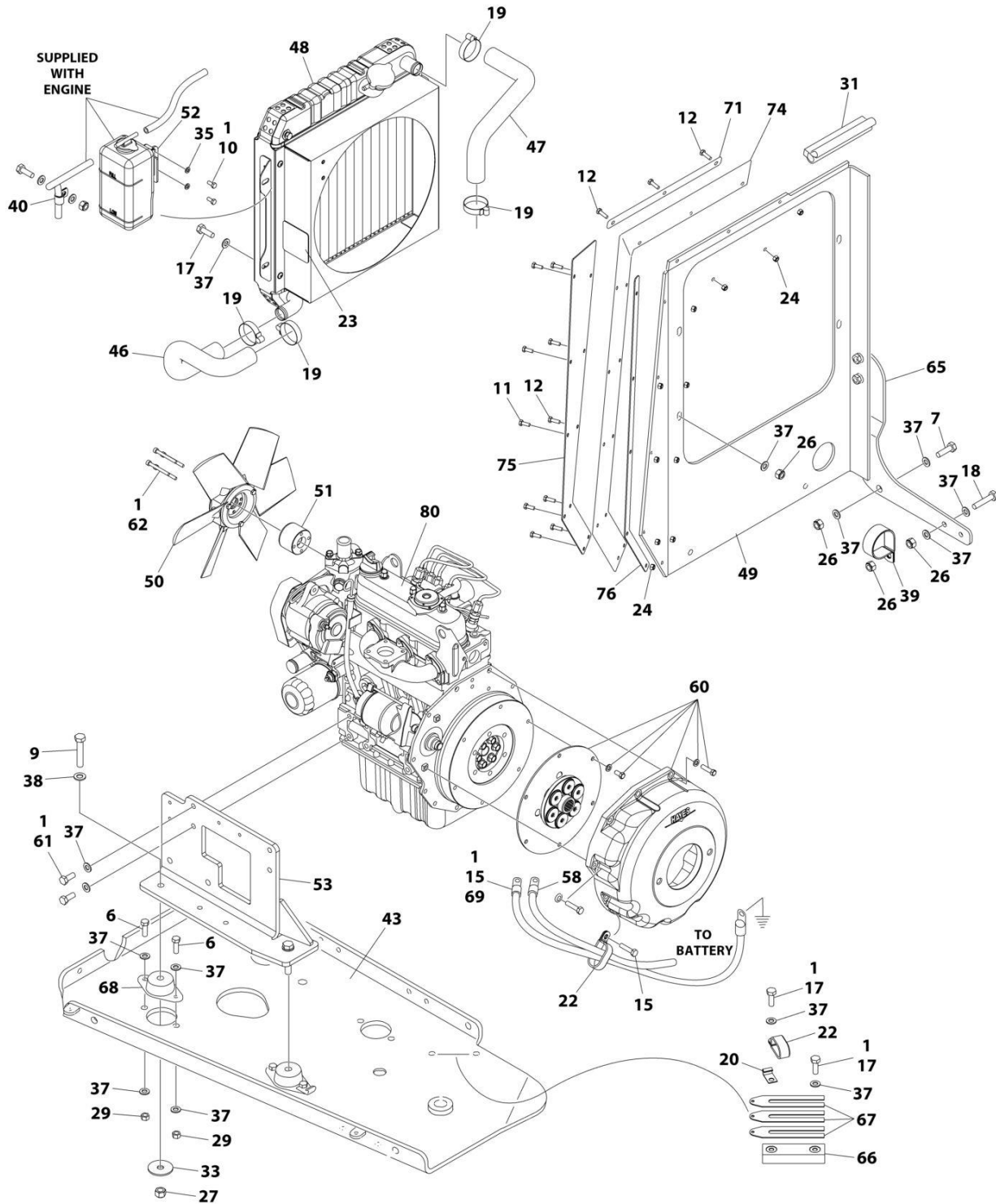
SECTION 3 - ENGINE

FIGURE 3-12. KUBOTA ENGINE WITH 4000W GENERATOR AND PUMP SUB-ASSEMBLY

ITEM	PART NUMBER	QTY	DESCRIPTION	REV
	1001238005	Ref	KUBOTA ENGINE WITH 4000W GENERATOR AND PUMP SUB-ASSEMBLY	B
1	0100011	AR	Compound, Locking	
2	0641813	2	Bolt 1/2 x 1-5/8	
3	3790152	1	O-Ring	
4	4891600	2	Washer 3/8	
5	4891800	2	Washer 1/2	
6	83191040	2	Capscrew M10 x 30	
7	1001117028	1	Axial Pump Assembly (See Separate Breakdown in this Section)	
8	1001117029	1	Gear Pump Assembly (See Separate Breakdown in this Section)	
9	1001238002	1	Kubota Engine Assembly with 4000W Generator (Use p/n 1001238002) (See Separate Breakdown in this Section)	

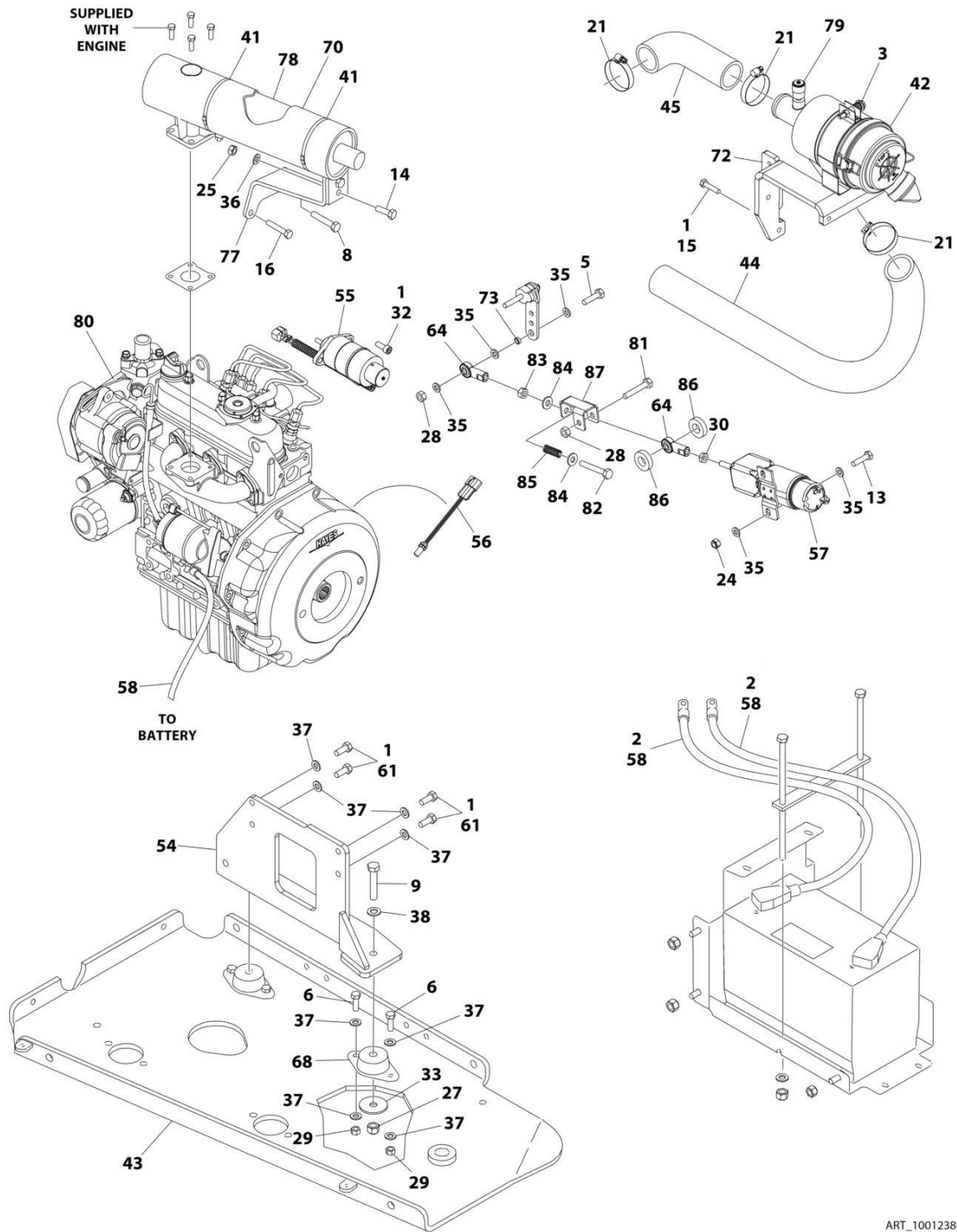
SECTION 3 - ENGINE

FIGURE 3-13. KUBOTA ENGINE ASSEMBLY



ART_1001238001_C_10F2

SECTION 3 - ENGINE



ART_1001238001_C_2OF2

SECTION 3 - ENGINE

FIGURE 3-13. KUBOTA ENGINE ASSEMBLY

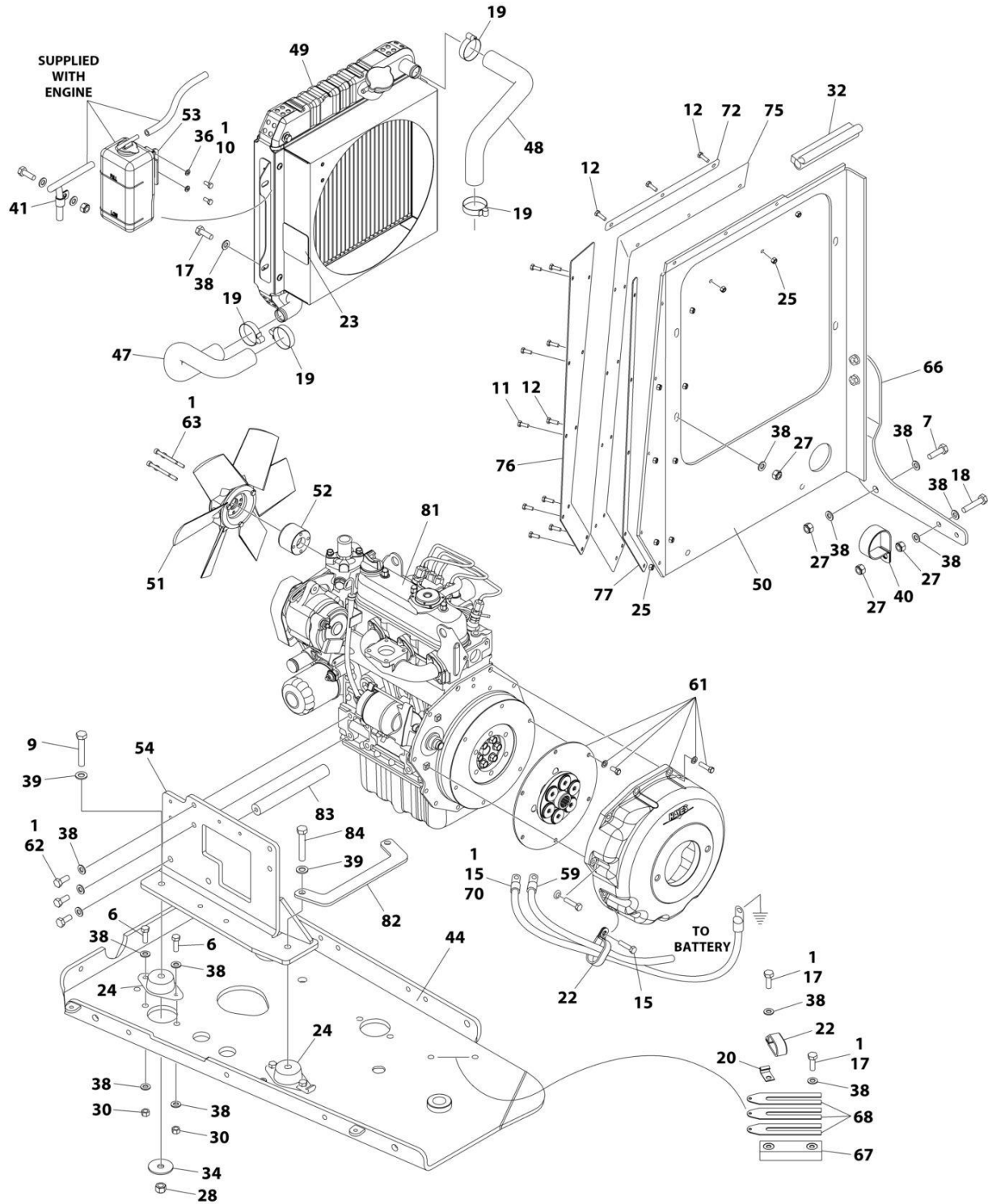
ITEM	PART NUMBER	QTY	DESCRIPTION	REV
	1001238001	Ref	KUBOTA ENGINE ASSEMBLY	C
1	0100011	AR	Compound, Locking	
2	0100048	AR	Grease, Dielectric	
3	0340045	1	Band, Mounting	
5	0641408	1	Bolt 1/4 x 1	
6	0641609	8	Bolt 3/8 x 1-1/8	
7	0701015	6	Bolt M10 x 35	
8	0701017	1	Bolt M10 x 45	
9	0701221	4	Bolt M12 x 65	
10	0760607	2	Bolt M6 x 14	
11	0760608	5	Bolt M6 x 1.25	
12	0760610	8	Bolt M6 x 20	
13	0760612	4	Bolt M6 x 25	
14	0760812	2	Bolt M8 x 25	
15	0760815	4	Bolt M8 x 35	
16	0760817	1	Bolt M8 x 45	
17	0761014	6	Bolt M10 x 30	
18	0761018	1	Bolt M10 x 50	
19	1320012	4	Clamp	
20	1320223	2	J-Clip	
21	1321682	3	Clamp	
22	1321716	2	Clamp	
23	1703162	2	Decal - Fan Blade	
24	3290605	17	Nut M6	
25	3290807	2	Nut M8 x 1.25	
26	3291005	12	Nut M10	
27	3291205	4	Nut M12	
28	3311405	2	Nut 1/4	
29	3311605	8	Nut 3/8	
30	3321402	1	Nut 1/4	
31	3960464	6.5 in /17cm	Seal	
32	4031707	2	Capscrew M6 x 16	
33	4740274	4	Washer	
35	4811700	13	Washer M6	
36	4811900	2	Washer M8	
37	4812000	48	Washer M10	
38	4812100	4	Washer M12	
39	80673025	1	P-Clamp	
40	85941016	1	Clamp	
41	1001100825	2	Strap	
42	1001118280	1	Air Filter Assembly	A
42	7015004	1	Element, Air Filter	
42	1340069	1	Valve, Vacuum	
42	7015005	1	Cover	
43	1001118453	1	Tray, Engine	
44	1001118527	1	Hose, Air Intake	
45	1001118528	1	Hose, Air Intake	
46	1001118529	1	Hose, Lower Radiator	
47	1001118530	1	Hose, Upper Radiator	

SECTION 3 - ENGINE

ITEM	PART NUMBER	QTY	DESCRIPTION	REV
48	1001118531	1	Radiator	
48	70002899	1	Cap, Radiator	
49	1001118532	1	Mount, Radiator	
50	1001118538	1	Fan	
51	1001118539	1	Spacer, Fan	
52	1001118540	1	Bracket, Coolant Overflow Tank	
53	1001118542	1	Plate, LH Front Engine	
54	1001118543	1	Plate, RH Front Engine	
55	1001118579	1	Actuator, Kubota Governor	
55	7023134	1	Gasket, Mounting	
56	1001118580	1	Sensor, Speed	
57	1001274140	1	Actuator, Kubota Throttle	
58	1001118594	1	Battery Cable Kit	
58	4461231	1	Battery Terminal and Red Cover Only (No Cable)	
58	4461232	1	Battery Terminal and Black Cover Only (No Cable)	
59	1001118638	1	Harness, Engine (Not Shown - See Separate Breakdown in ELECTRICAL Section)	
60	1001118675	1	Flywheel Housing/Coupling Kit	
60	See Note	NSS	Coupling Assembly (Note: Use p/n 1001118675)	
60	See Note	NSS	Housing (Note: Use p/n 1001118675)	
60	See Note	NSS	Bolt Kit (Note: Use p/n 1001118675)	
61	1001118746	8	Bolt M10 x 25	
62	1001118878	4	Bolt M6 x 55	
64	1001118925	2	End, Rod with Bearing	
65	1001119698	1	Gusset, Radiator	
66	1001120087	1	Pad, Wear	
67	1001120090	3	Shim	
68	1001120307	4	Mount, Motor	
69	1001120450	1	Cable, Ground	
70	1001121531	1	Insulation, Muffler	
71	1001123018	1	Plate, Seal Support	
72	1001272666	1	Bracket, Air Filter	
73	1001128888	1	Spacer	
74	1001147365	1	Seal, Radiator Hood	
75	1001147642	1	Plate, Seal Support	
76	1001147643	1	Plate, Seal Support	
77	1001149379	1	Bracket	
78		Ref	Muffler Options:	
78	1001118547	NLA	Standard (Use p/n 1001151187)	
78	1001120007	NLA	Catalytic (Use p/n 1001151188)	
79	1001170981	1	Indicator, Air Intake Restriction	
80	1001237999	1	Kubota Engine Components (See Separate Breakdown in this Section)	
81	0641412	1	Bolt 1/4 x 1-1/2	
82	0651414	1	Bolt 1/4 x 1-3/4	
83	3321401	1	Nut 1/4	
84	4711400	2	Washer 1/4	
85	1001272948	1	Spring	
86	1001272950	2	Washer	
87	1001273101	1	Link	

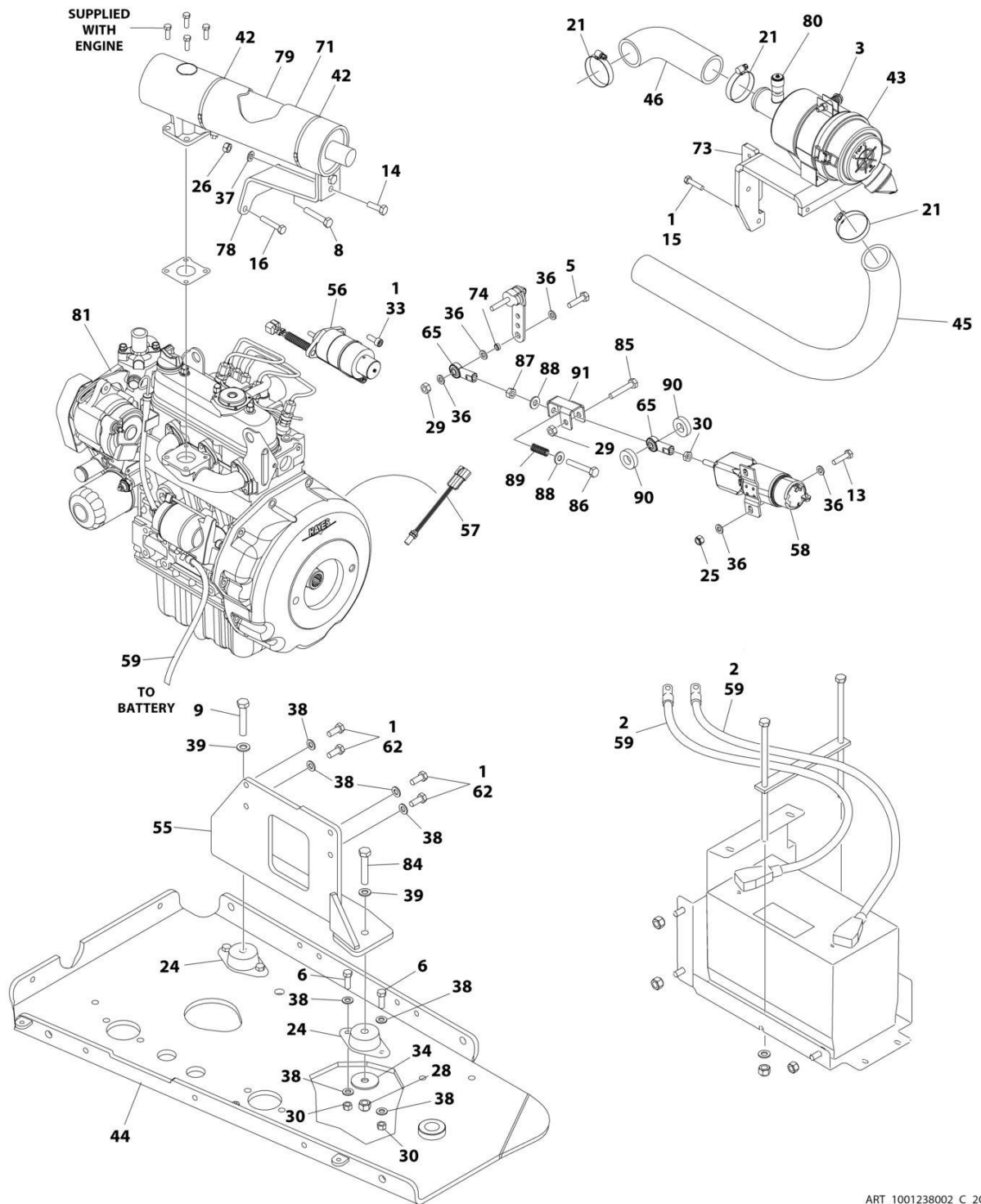
SECTION 3 - ENGINE

FIGURE 3-14. KUBOTA ENGINE ASSEMBLY WITH 4000W GENERATOR



ART_1001238002_C_10F2

SECTION 3 - ENGINE



ART_1001238002_C_20F2

SECTION 3 - ENGINE

FIGURE 3-14. KUBOTA ENGINE ASSEMBLY WITH 4000W GENERATOR

ITEM	PART NUMBER	QTY	DESCRIPTION	REV
	1001238002	Ref	KUBOTA ENGINE ASSEMBLY WITH 4000W GENERATOR	C
1	0100011	AR	Compound, Locking	
2	0100048	AR	Grease, Dielectric	
3	0340045	1	Band, Mounting	
5	0641408	1	Bolt 1/4 x 1	
6	0641609	8	Bolt 3/8 x 1-1/8	
7	0701015	6	Bolt M10 x 35	
8	0701017	1	Bolt M10 x 45	
9	0701221	2	Bolt M12 x 65	
10	0760607	2	Bolt M6 x 14	
11	0760608	5	Bolt M6 x 1.25	
12	0760610	8	Bolt M6 x 20	
13	0760612	4	Bolt M6 x 25	
14	0760812	2	Bolt M8 x 25	
15	0760815	4	Bolt M8 x 35	
16	0760817	1	Bolt M8 x 45	
17	0761014	6	Bolt M10 x 30	
18	0761018	1	Bolt M10 x 50	
19	1320012	4	Clamp	
20	1320223	2	J-Clip	
21	1321682	3	Clamp	
22	1321716	2	Clamp	
23	1703162	2	Decal - Fan Blade	
24	3200378	4	Mount, Motor	
25	3290605	17	Nut M6	
26	3290807	2	Nut M8 x 1.25	
27	3291005	12	Nut M10	
28	3291205	4	Nut M12	
29	3311405	2	Nut 1/4	
30	3311605	8	Nut 3/8	
31	3321402	1	Nut 1/4	
32	3960464	6.5 in /17cm	Seal	
33	4031707	2	Capscrew M6 x 16	
34	4740274	4	Washer	
36	4811700	13	Washer M6	
37	4811900	2	Washer M8	
38	4812000	50	Washer M10	
39	4812100	4	Washer M12	
40	80673025	1	P-Clamp	
41	85941016	1	Clamp	
42	1001100825	2	Strap	
43	1001118280	1	Air Filter Assembly	A
43	7015004	1	Element, Air Filter	
43	1340069	1	Valve, Vacuum	
43	7015005	1	Cover	
44	1001118453	1	Tray, Engine	
45	1001118527	1	Hose, Air Intake	
46	1001118528	1	Hose, Air Intake	
47	1001118529	1	Hose, Lower Radiator	

SECTION 3 - ENGINE

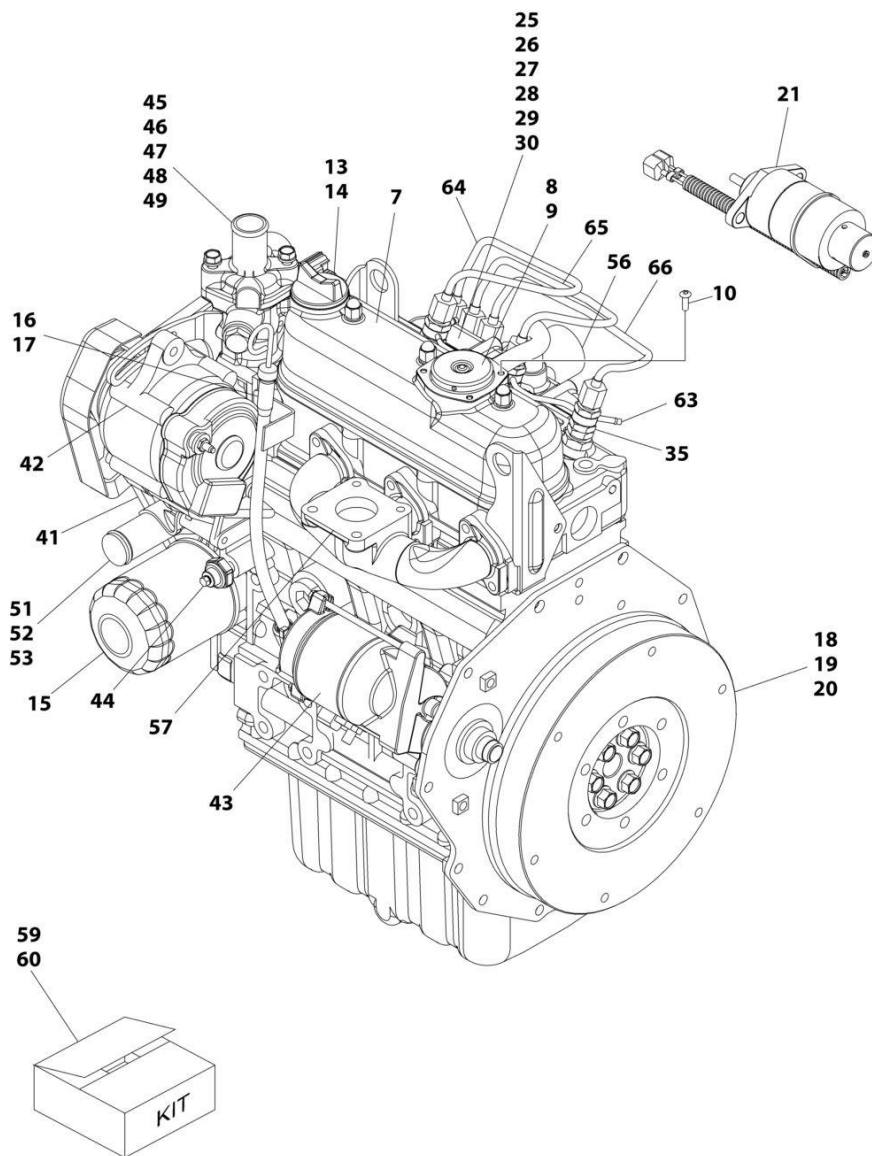
ITEM	PART NUMBER	QTY	DESCRIPTION	REV
48	1001118530	1	Hose, Upper Radiator	
49	1001118531	1	Radiator	
49	70002899	1	Cap, Radiator	
50	1001118532	1	Mount, Radiator	
51	1001118538	1	Fan	
52	1001118539	1	Spacer, Fan	
53	1001118540	1	Bracket, Coolant Overflow Tank	
54	1001118542	1	Plate, LH Front Engine	
55	1001118543	1	Plate, RH Front Engine	
56	1001118579	1	Actuator, Kubota Governor	
56	7023134	1	Gasket, Mounting	
57	1001118580	1	Sensor, Speed	
58	1001274140	1	Actuator, Kubota Throttle	
59	1001118594	1	Battery Cable Kit	
59	4461231	1	Battery Terminal and Red Cover Only (No Cable)	
59	4461232	1	Battery Terminal and Black Cover Only (No Cable)	
60	1001118638	1	Harness, Engine (Not Shown - See Separate Breakdown in ELECTRICAL Section)	
61	1001118675	1	Flywheel Housing/Coupling Kit	
61	See Note	NSS	Coupling Assembly (Note: Use p/n 1001118675)	
61	See Note	NSS	Housing (Note: Use p/n 1001118675)	
61	See Note	NSS	Bolt Kit (Note: Use p/n 1001118675)	
62	1001118746	10	Bolt M10 x 25	
63	1001118878	4	Bolt M6 x 55	
65	1001118925	2	End, Rod with Bearing	
66	1001119698	1	Gusset, Radiator	
67	1001120087	1	Pad, Wear	
68	1001120090	3	Shim	
70	1001120450	1	Cable, Ground	
71	1001121531	1	Insulation, Muffler	
72	1001123018	1	Plate, Seal Support	
73	1001272666	1	Bracket, Air Filter	
74	1001128888	1	Spacer	
75	1001147365	1	Seal, Radiator Hood	
76	1001147642	1	Plate, Seal Support	
77	1001147643	1	Plate, Seal Support	
78	1001149379	1	Bracket	
79		Ref	Muffler Options:	
79	1001118547	NLA	Standard (Use p/n 1001151187)	
79	1001120007	NLA	Catalytic (Use p/n 1001151188)	
80	1001170981	1	Indicator, Air Intake Restriction	
81	1001237999	1	Kubota Engine Components (See Separate Breakdown in this Section)	
82	1001243034	1	Brace	
83	1001243035	1	Brace	
84	0701222	2	Bolt M12 x 70	
85	0641412	1	Bolt 1/4 x 1-1/2	
86	0651414	1	Bolt 1/4 x 1-3/4	
87	3321401	1	Nut 1/4	
88	4711400	2	Washer 1/4	
89	1001272948	1	Spring	
90	1001272950	2	Washer	

SECTION 3 - ENGINE

ITEM	PART NUMBER	QTY	DESCRIPTION	REV
91	1001273101	1	Link	

SECTION 3 - ENGINE

FIGURE 3-15. KUBOTA ENGINE COMPONENTS



ART_1001237999

SECTION 3 - ENGINE

FIGURE 3-15. KUBOTA ENGINE COMPONENTS

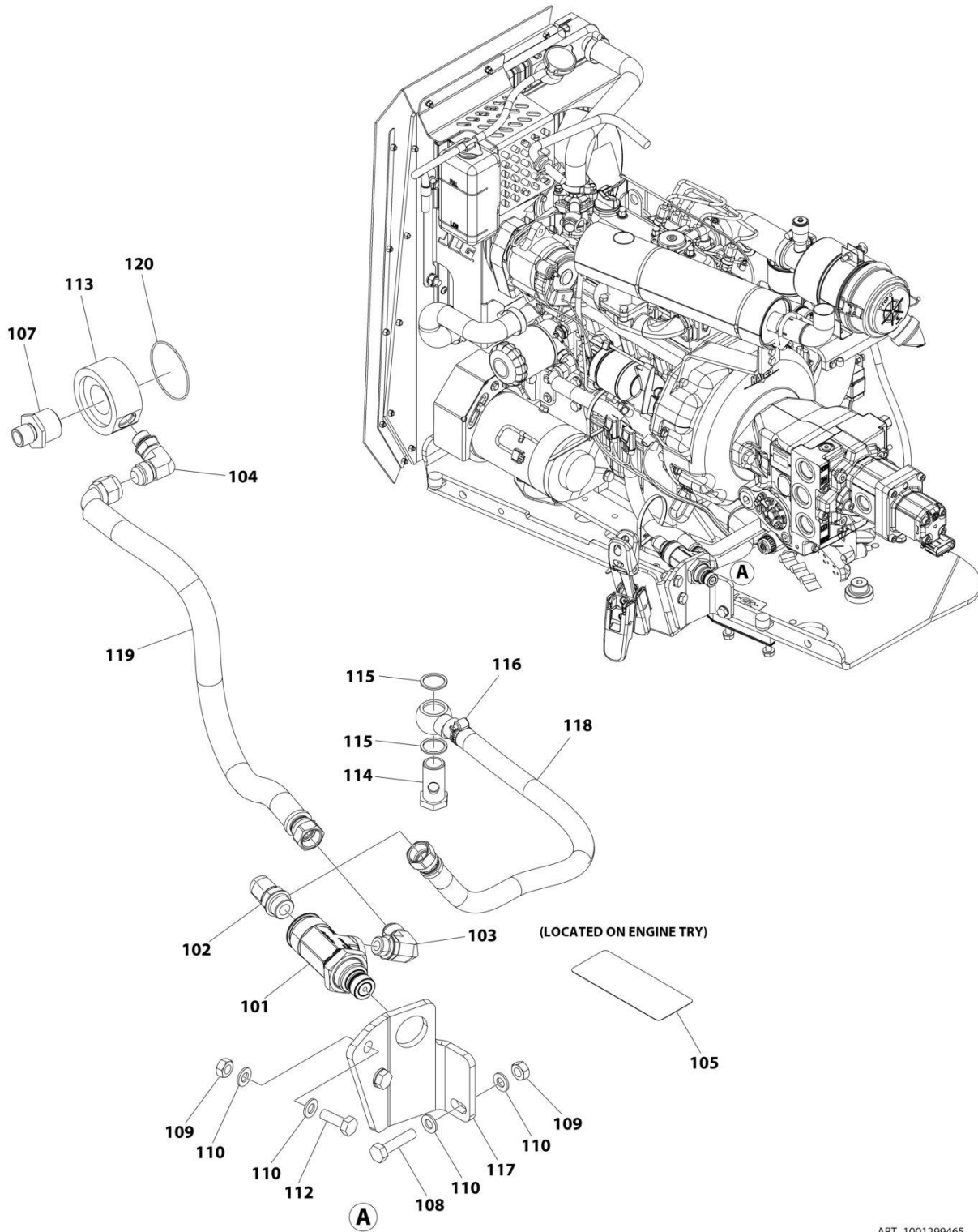
ITEM	PART NUMBER	QTY	DESCRIPTION	REV
	1001237999	Ref	KUBOTA ENGINE COMPONENTS	A
1	7017954	22	Bolt, Oil Pan (Not Shown)	
2	7023154	1	Plug, Drain (Not Shown)	
3	70002315	1	Gasket, Oil Pan (Not Shown)	
4	7017911	14	Bolt, Cylinder Head (Not Shown)	
5	7023156	1	Gasket, Gear Case (Not Shown)	
6	7023157	1	Seal, Oil (Not Shown)	
7	7023132	1	Gasket, Valve Cover	
8	70003060	1	Breather, Comp Valve	
9	70003061	1	Cover, Breather	
10	7017934	4	Screw, Pan Head	
11	70002316	1	Pipe, Water Return (Not Shown)	
12	70002317	1	Tube, Breather (Not Shown)	
13	70002318	1	Plug, Oil Fill	
14	70004311	1	O-Ring, Oil Fill Plug	
15	70004395	1	Filter, Oil	
16	7023160	1	Dipstick	
17	70003062	1	Tube, Dipstick	
18	70001934	1	Flywheel Assembly	
19	70001140	1	Gear, Ring	
20	70001935	6	Bolt, Flywheel	
21	7025479	NLA	Solenoid, Stop (Use p/n 1001118579)	
22	7017945	1	Joint, Eye (Not Shown)	
23	7023162	1	Tube, Fuel Assembly (Not Shown)	
24	7023163	1	Tube, Fuel (Not Shown)	
25	7023164	1	Pump, Fuel Injection	
26	70002319	1	Shim .175mm	
27	70002320	1	Shim .200mm	
28	70002321	1	Shim .250mm	
29	70002322	1	Shim .300mm	
30	70002323	1	Shim .350mm	
31	7023136	1	Spring, Governor (Not Shown)	
32	7023165	1	Gasket, Governor (Not Shown)	
33	70004396	1	Plate Assembly, Control (Not Shown)	
34	70004397	6	Gasket, Speed Control Plate (Not Shown)	
35	70004399	3	Nozzle Holder Kit	
35	7023167	3	Gasket, Glow Plug	
35	7023168	3	Seal	
37	70004398	3	Plug, Glow (Not Shown)	
37	70004544	3	Cord, Glow Plug (Not Shown)	
38	70004399	1	Kit, Nozzle Holder	
39	7023139	1	Fuel Pump Assembly	
40	70004400	1	Gasket, Fuel Pump	
41	7023141	1	V-Belt	
42	7017955	1	Alternator	
43	7023144	1	Starter	
44	7017901	1	Switch, Oil	
45	70003064	1	Sensor, Water Temperature	
46	70003063	1	Seal, Water Temperature Sensor	
47	7023145	1	Gasket, Water Flange	

SECTION 3 - ENGINE

ITEM	PART NUMBER	QTY	DESCRIPTION	REV
48	7023170	1	Thermostat	
49	7022326	1	Gasket, Thermostat Housing to Engine Block	
50	70002327	1	Pump, Water (Not Shown)	
51	70002328	1	Gasket, Water Pump	
52	7017963	1	Pipe, Water (Lower)	
53	70002330	1	Pipe, Water (Upper)	
54	4400498	1	Reserve Tank (Not Shown)	
55	70004401	1	Decal - Caution (Not Shown)	
56	7023149	1	Gasket, Air Intake Manifold	
57	7023148	1	Gasket, Exhaust Manifold to Engine Block	
58	7023124	1	Gasket, Exhaust Manifold to Muffler (Not Shown)	
59	70003066	1	Upper Gasket Kit (Includes Qty 1 Each of Cylinder Head, Valve Cover, Intake Manifold to Block, Exhaust Manifold to Block, Exhaust Manifold Gasket to Muffler, Thermostat Housing to Block, Thermostat Housing to Neck Gaskets and Fuel System Seals and O-Rings and Qty 6 Valve Stem Seals.)	
60	70003067	1	Lower Gasket Kit (Includes Qty 1 Each of Gear Case, Brg. Case, Gasket, Fuel Pump Gasket, Water Pump Gasket, Oil Pan Gasket, Oil Seal, O-Rings and Qty 6 Valve Stem Seals.)	
61	70004524	1	Valve, Drain (Not Shown)	
62	70005220	1	Gasket, Cylinder Head (Not Shown)	
63	70004536	1	Pipe, Over Flow	
63	70004537	1	Screw (Air Bleeder)	
63	70004538	1	Seal	
63	70004539	1	Pipe, Over Flow (Injector to Rail)	
64	70004541	1	Pipe, Injection	
65	70004542	1	Pipe, Injection	
66	70004543	1	Pipe, Injection	

SECTION 3 - ENGINE

FIGURE 3-16. QUICKFIT OIL DRAIN INSTALLATION (KUBOTA 2.5L DF)



ART_1001299465

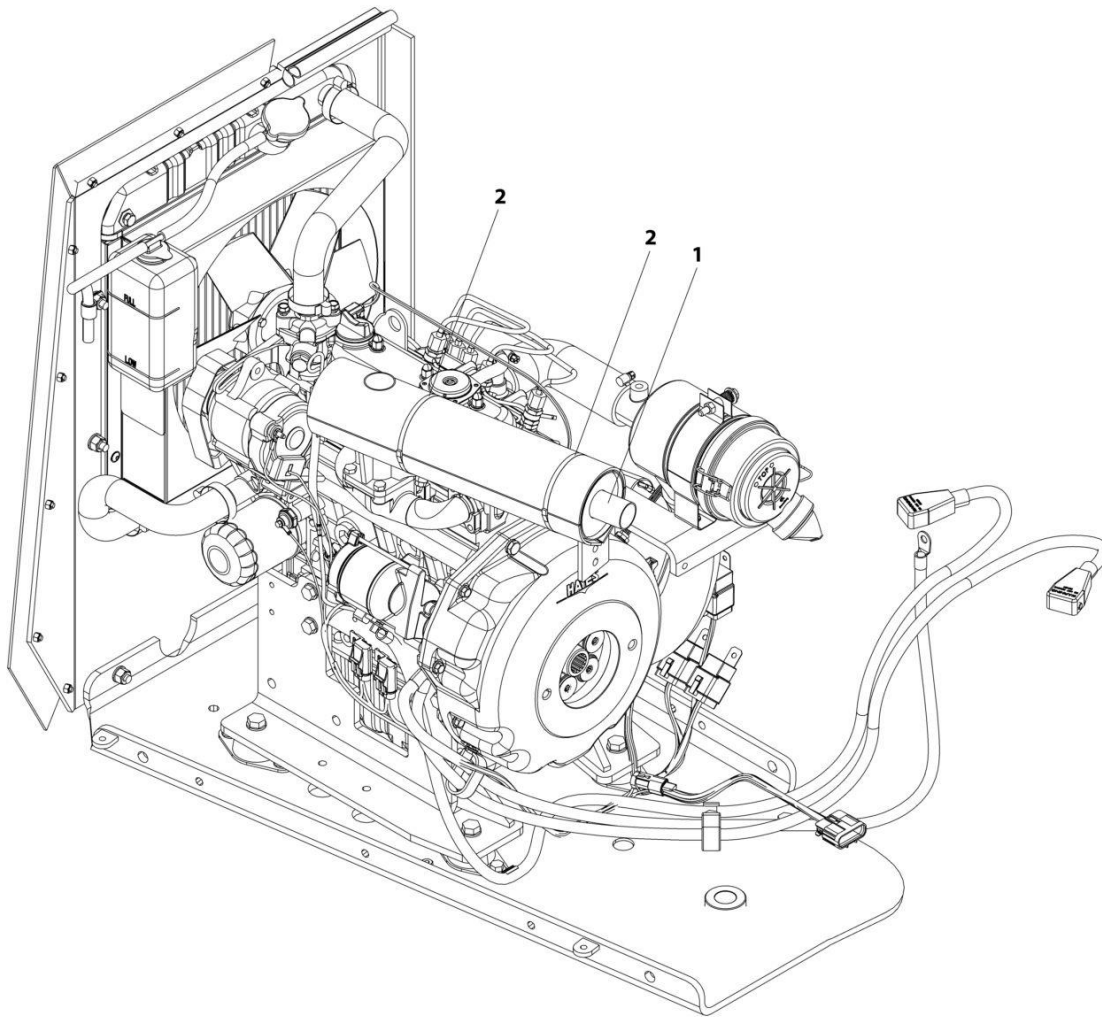
SECTION 3 - ENGINE

FIGURE 3-16. QUICKFIT OIL DRAIN INSTALLATION (KUBOTA 2.5L DF)

ITEM	PART NUMBER	QTY	DESCRIPTION	REV
	1001299465	Ref	QUICKFIT OIL DRAIN INSTALLATION (KUBOTA)	B
1	1001299466	1	Valve, Quickfit (Kubota 1.1L DL) (Not Shown)	
101	1001281298	1	Valve, Small Quickfit	
102	1001281301	1	Fitting, 90	
103	1001281307	1	Fitting, 90	
104	1001281359	1	Valve, Check Valve	
105	1001281360	1	Decal - Quickfit	
106	1001281656	AR	Tie-Strap (Not Shown)	
107	1001290257	1	Fitting, Nipple Filter	
108	1001290378	1	Bolt M10 x 45	
109	1001290381	3	Nut M10	
110	1001290384	6	Washer M10	
111	1001290385	5	Mount, Tie-Strap (Not Shown)	
112	1001291852	2	Bolt M10 x 30	
113	1001295066	1	Filter	
114	1001297092	1	Bolt M22 x 1.5	
115	1001297093	2	Washer	
116	1001297094	1	Clamp	
117	1001299467	1	Bracket	
118	1001299468	1	Hose	
119	1001299470	1	Hose	
120	1001299890	1	O-Ring	

SECTION 3 - ENGINE

FIGURE 3-17. CATALYTIC MUFFLER INSTALLATION - KUBOTA ENGINE (OPTIONAL)



ART_1001120013

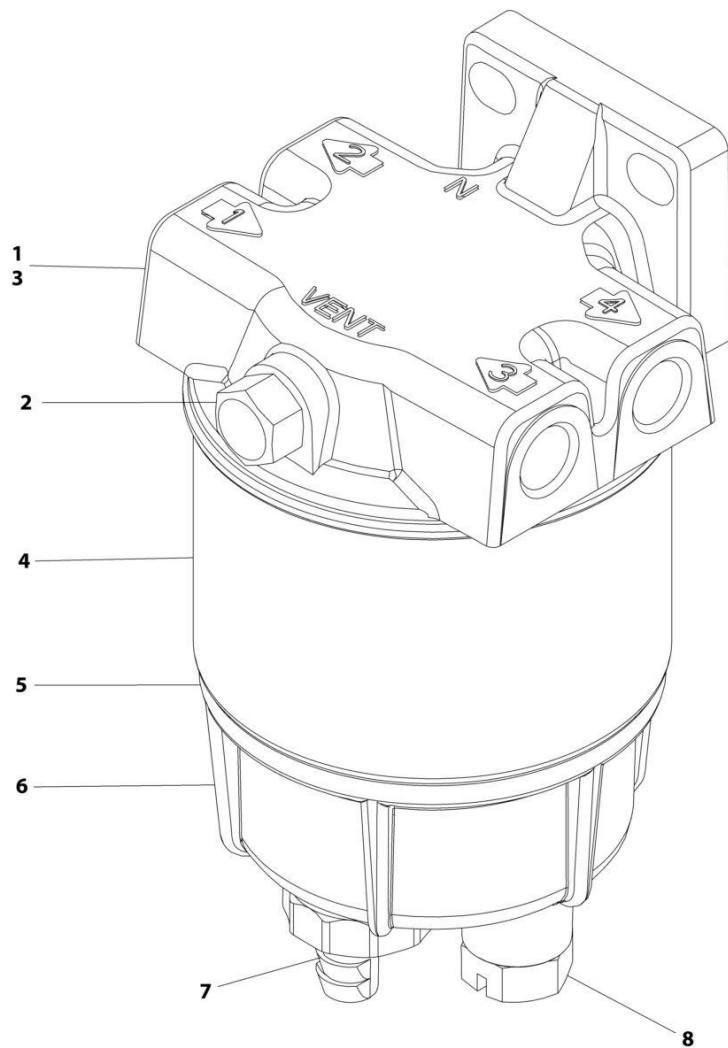
SECTION 3 - ENGINE

FIGURE 3-17. CATALYTIC MUFFLER INSTALLATION - KUBOTA ENGINE (OPTIONAL)

ITEM	PART NUMBER	QTY	DESCRIPTION	REV
	1001120013	Ref	CATALYTIC MUFFLER INSTALLATION - KUBOTA ENGINES (OPTIONAL)	C
1	1001151188	1	Muffler, Catalytic	
2	1001100825	2	Strap, Ball-Lok Tie	

SECTION 3 - ENGINE

FIGURE 3-18. FUEL/WATER SEPARATOR ASSEMBLY (KUBOTA ENGINES) (PVC2007)



ART_1001190609

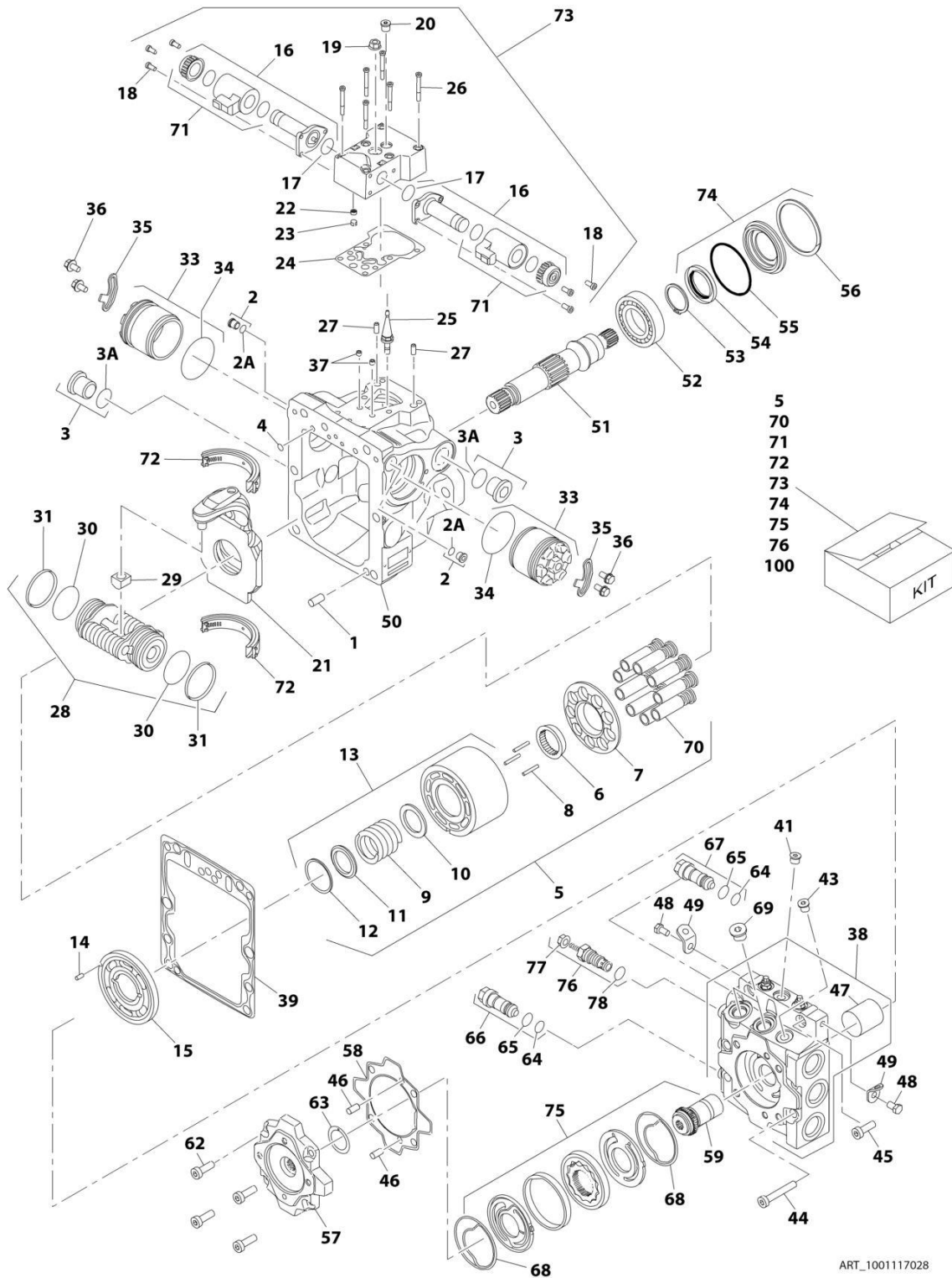
SECTION 3 - ENGINE

FIGURE 3-18. FUEL/WATER SEPARATOR ASSEMBLY (KUBOTAT ENGINES) (PVC2007)

ITEM	PART NUMBER	QTY	DESCRIPTION	REV
	1001190609	Ref	FUEL/WATER SEPARATOR ASSEMBLY - DIESEL ENGINES	B
1	70005293	1	Head, Mounting	
2	70005294	1	Plug	
3	70005295	1	Gasket, Head	
4	70005296	1	Element	
5	70005297	1	O-Ring	
6	70002901	1	Bowl	
7	70004070	1	Drain, Self Venting	
8	70004069	1	Plug	

SECTION 3 - ENGINE

FIGURE 3-19. AXIAL PUMP ASSEMBLY



ART_1001117028

SECTION 3 - ENGINE

FIGURE 3-19. AXIAL PUMP ASSEMBLY

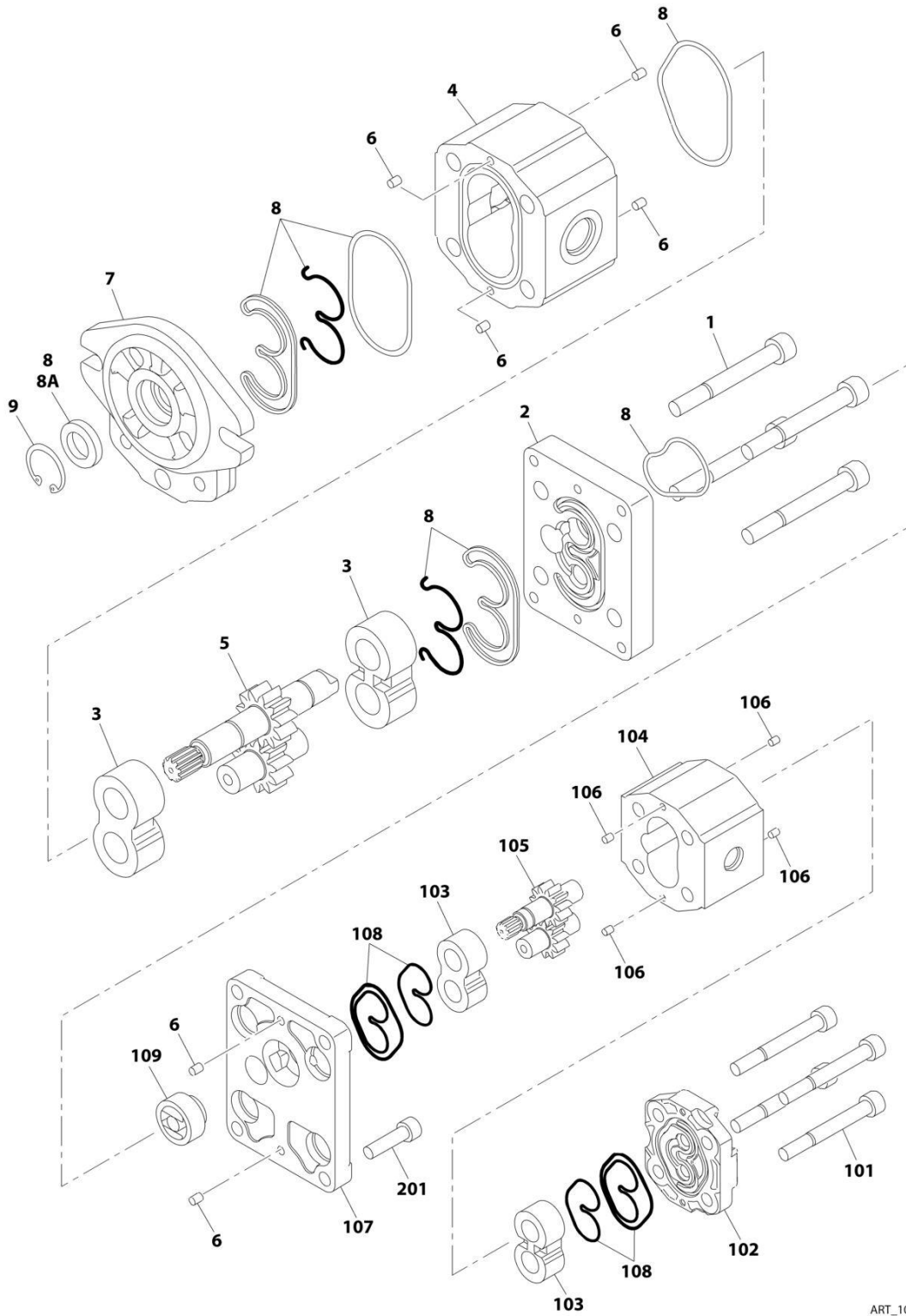
ITEM	PART NUMBER	QTY	DESCRIPTION	REV
	1001117028	Ref	AXIAL PUMP ASSEMBLY	F
1	70002132	2	Pin	
2	70002133	2	Plug	
2A	See Note	NSS	O-Ring (Note: Use Item 2)	
3	7007439	2	Plug	
3A	See Note	NSS	O-Ring (Note: Use Item 3)	
4	70002134	2	Screen	
5	70002135	1	Cylinder Block and Piston Kit (Includes Items 6-9 & 70)	
6	70002137	1	Guide	
7	70002138	1	Retainer	
8	7021275	3	Pin	
9	See Note	NSS	Cylinder Block Assembly (Includes Items 10-13) (Note: Use Item 5)	
10	70002140	1	Washer	
11	70002141	1	Washer	
12	70002142	1	Ring, Retaining	
13	70002139	1	Spring	
14	7007446	1	Pin	
15	70002601	1	Plate, Valve	
16	70002147	2	Solenoid Valve Assembly (Includes Items 17, 18 & 71)	
17	70002148	2	O-Ring (Part of Item 16)	
18	70002150	6	Screw (Part of Item 73)	
19	7022301	1	Nut, Seal (Part of Item 73)	
20	70002151	1	Plug (Part of Item 73)	
21	70002152	1	Swash Plate	
22	70002134	1	Screen (Part of Item 73)	
23	70002153	1	Ring, Locking (Part of Item 73)	
24	70002154	1	Gasket (Part of Item 73)	
25	70002155	1	Link	
26	70002156	6	Screw	
27	70002157	2	Pin	
28	70002158	1	Servo Piston Assembly (Includes Items 29-31)	
29	70002159	1	Block, Slider (Part of Item 28)	
30	70002160	2	O-Ring (Part of Item 28)	
31	70002161	2	Ring, Piston (Part of Item 28)	
33	70002603	2	Servo Cylinder Assembly (Includes Item 34)	
34	70002163	2	O-Ring (Part of Item 33)	
35	70002164	2	Plate, Locking	
36	70002165	4	Screw	
37	70002166	2	Orifice	
38	70002863	1	Cap, End (Includes Item 47)	
39	70002168	1	Gasket	
40	70001958	1	Plug (Not Shown)	
41	70001958	1	Plug	
42	70001958	1	Plug (Not Shown)	
43	70001958	2	Plug	
44	70002169	4	Screw	
45	70002170	2	Screw	
46	70002132	2	Pin	
47	70002172	1	Bearing, Journal (Part of Item 38)	

SECTION 3 - ENGINE

ITEM	PART NUMBER	QTY	DESCRIPTION	REV
48	70002165	2	Screw	
49	7022340	2	Bracket, Lifting	
50	See Note	NSS	Housing (Note: Not Available - Purchase Complete Assembly)	
51	70002175	1	Shaft	
52	70002176	1	Bearing	
53	7007439	1	Ring, Retaining	
54	70002177	1	Seal, Lip (Part of Item 74)	
55	70002178	1	O-Ring (Part of Item 74)	
56	70002179	1	Ring, Retaining (Part of Item 74)	
57	70002180	1	Adapter, Pump	
58	70002181	1	Seal	
59	70002864	1	Coupling	
62	70002185	4	Screw	
63	70002186	1	Plate, Thrust	
64	70002187	2	O-Ring (Part of Items 66 & 67)	
65	70002865	2	O-Ring (Part of Items 66 & 67)	
66	70002866	1	Valve, Relief	
67	70002866	1	Valve, Relief	
68	70002867	2	Ring, Seal (Part of Item 68)	
69	7023964	2	Plug	
70	70002136	1	Piston Kit (Includes Qty 9 Pistons) (Part of Item 5)	
71	70002149	2	Coil Kit (Part of Items 16 & 73)	
72	70002145	1	Bearing Kit	
73	70002146	1	EDC Kit (Includes Items 16-20, 22-24, 26 & 71)	
74	70002174	1	Shaft Seal Kit (Includes Items 54, 55 & 56) (Note: This is a universal kit and will contain extra pieces that are not used on this pump assembly)	
75	70002868	1	Charge Pump Kit (Includes Item 68)	
76	70002191	1	Charge Relief Valve Kit (Includes Items 77 & 78)	
77	70222301	1	Nut, Seal (Part of Item 76)	
78	7007415	1	O-Ring (Part of Item 76)	
100	70002192	1	Seal Kit (Includes Items 24, 30, 31, 34, 39, 54, 55, 58, 64, 65, 68, 77 & 78)	

SECTION 3 - ENGINE

FIGURE 3-20. GEAR PUMP ASSEMBLY



ART_1001117029

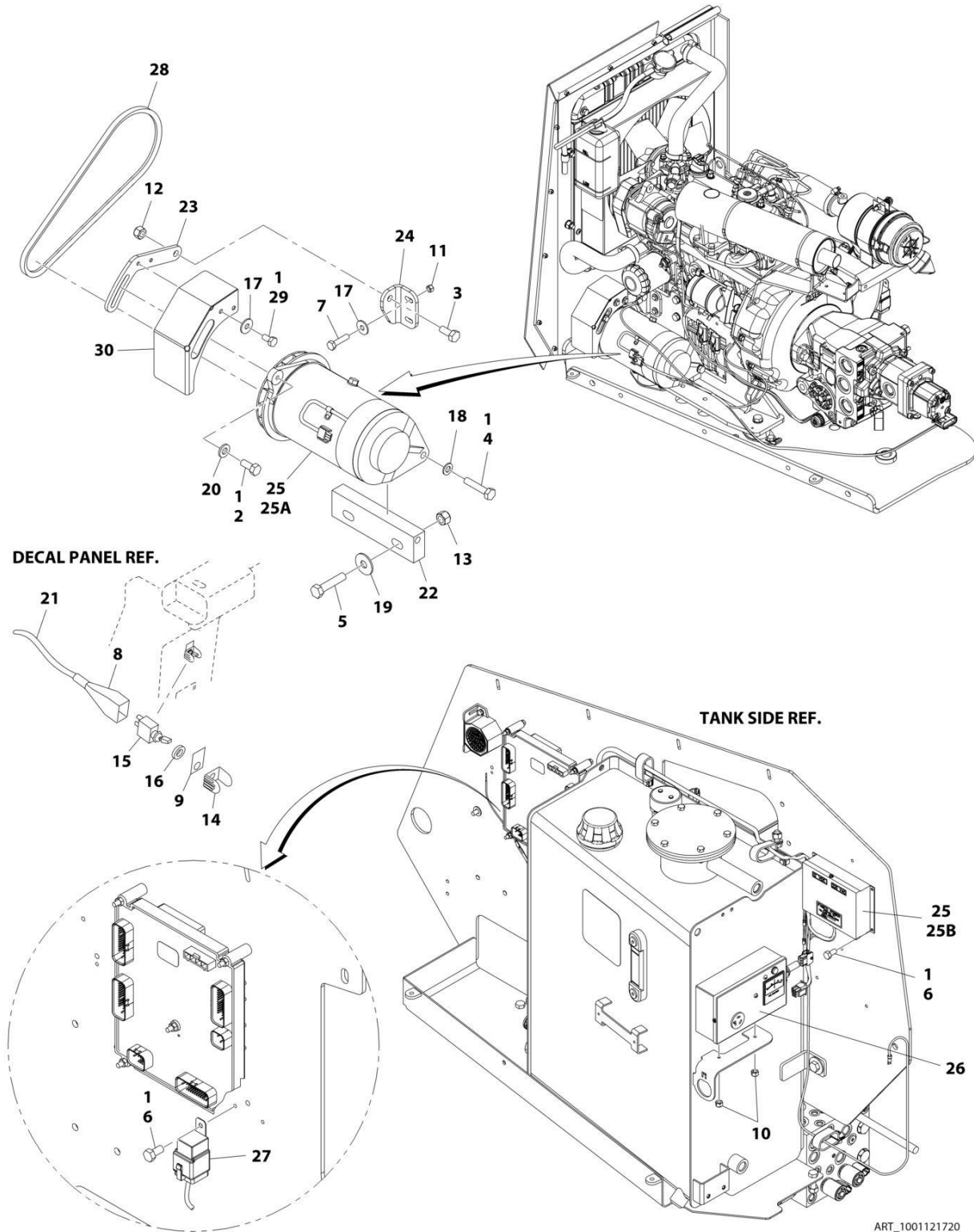
SECTION 3 - ENGINE

FIGURE 3-20. GEAR PUMP ASSEMBLY

ITEM	PART NUMBER	QTY	DESCRIPTION	REV
	1001117029	Ref	GEAR PUMP ASSEMBLY	A
		Ref	Note: For Items without P/Ns, replace complete pump.	
		Ref	Front Section Components	
1	See Note	4	Bolt	
2	See Note	1	Plate, End	
3	See Note	2	Bearing	
4	See Note	1	Housing	
5	See Note	1	Drive Shaft Set	
6	See Note	6	Pin, Dowel	
7	See Note	1	Plate, Front	
8	70002860	1	Seal Kit	
8A	70002577	NLA	Seal, Lip (Use Item 8)	
9	70002862	1	Ring, Retaining	
		Ref	Rear Section Components	
101	See Note	4	Bolt	
102	See Note	1	Plate, End	
103	See Note	2	Bearing	
104	See Note	1	Housing	
105	See Note	1	Drive Shaft Set	
106	See Note	4	Pin, Dowel	
107	See Note	1	Plate, Front	
108	70002861	1	Seal Kit	
109	See Note	1	Coupling	
201	See Note	4	Bolt	

SECTION 3 - ENGINE

FIGURE 3-21. 2800W GENERATOR INSTALLATION - GM ENGINE MACHINES 220V/50HZ GENERATOR (ANSI EXPORT AND CHINA SPECS)



SECTION 3 - ENGINE

**FIGURE 3-21. 2800W GENERATOR INSTALLATION - GM ENGINE MACHINES 220V/50HZ
GENERATOR (ANSI EXPORT AND CHINA SPECS)**

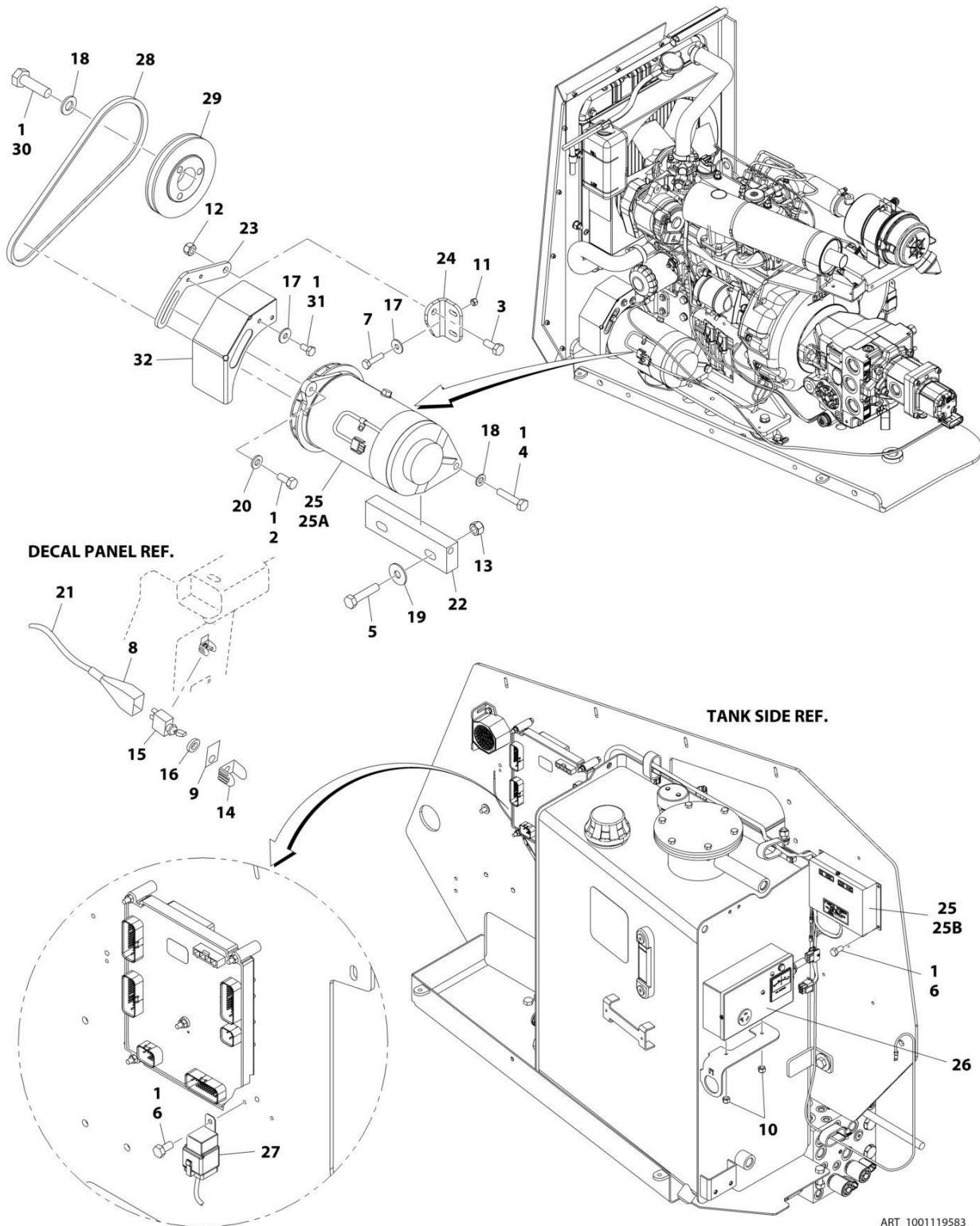
ITEM	PART NUMBER	QTY	DESCRIPTION	REV
	1001121720	Ref	2800W GENERATOR INSTALLATION - GM ENGINE MACHINES 220V/50HZ GENERATOR	D
1	0100011	AR	Compound, Locking	
2	0641506	1	Bolt 5/16-18 x 3/4	
3	0701012	1	Bolt M10 x 25	
4	0701018	2	Bolt M10 x 50	
5	0701219	2	Bolt M12 x 55	
6	0760505	5	Bolt M5 x 10	
7	0760612	2	Bolt M6 x 25	
8	2820031	AR	Heat Shrink	
9	3251102	1	Nameplate - Generator	
10	3290505	2	Nut M5	
11	3290605	2	Nut M6	
12	3291005	1	Nut M10	
13	3291205	2	Nut M12	
14	4060802	1	Guard, Switch	
15	4360336	1	Switch, Toggle	
16	4740397	1	Washer	
17	4811702	4	Washer M6	
18	4812000	2	Washer M10	
19	4812102	2	Washer M12	
20	4891500	1	Washer 5/16	
21	4922641	1	Harness, On/Off Switch	
22	1001119551	1	Mount, Generator	
23	1001119553	1	Arm, Adjustment	
24	1001119554	1	Support, Arm	
25	1001119589	1	Generator and Voltage Regulator Assembly	C
25A	1001100321	1	Generator	
25A	70000123	1	Armature with Slip Rings	
25A	7020109	4	Holder, Brush	
25A	7020108	4	Brush	
25A	7012513	4	Cap, Brush Holder	
25A	7012514	1	Fan	
25A	7020190	2	Bearing	
25A	7020110	1	End Bell, Front	
25A	7020111	1	End Bell, Rear	
25A	70003069	1	Cord, Power	
25A	70003070	1	Pulley	
25A	7027887	1	Key, Woodruff	
25B	70002238	1	Regulator, Voltage	
26	1001119634	1	Control Box Assembly	B
26	70000126	1	Circuit Breaker	
26	7020192	1	Voltmeter	
26	70000124	1	Receptacle, Double	
26	70000125	1	Receptacle, Single Twist Lock	
26	2920162	1	Lamp	
26	70002237	1	Diode	
26	3520028	1	Plug, Hole	

SECTION 3 - ENGINE

ITEM	PART NUMBER	QTY	DESCRIPTION	REV
27	1001119773	1	Harness, Generator (See Separate Breakdown in ELECTRICAL SECTION)	
28	1001119882	1	V-Belt	
29	0760606	2	Bolt M6 x 12	
30	1001125118	1	Shield, Pulley	

SECTION 3 - ENGINE

FIGURE 3-22. 2800W GENERATOR INSTALLATION - KUBOTA ENGINE MACHINES 120V/50HZ GENERATOR



SECTION 3 - ENGINE

FIGURE 3-22. 2800W GENERATOR INSTALLATION - KUBOTA ENGINE MACHINES 120V/50HZ GENERATOR

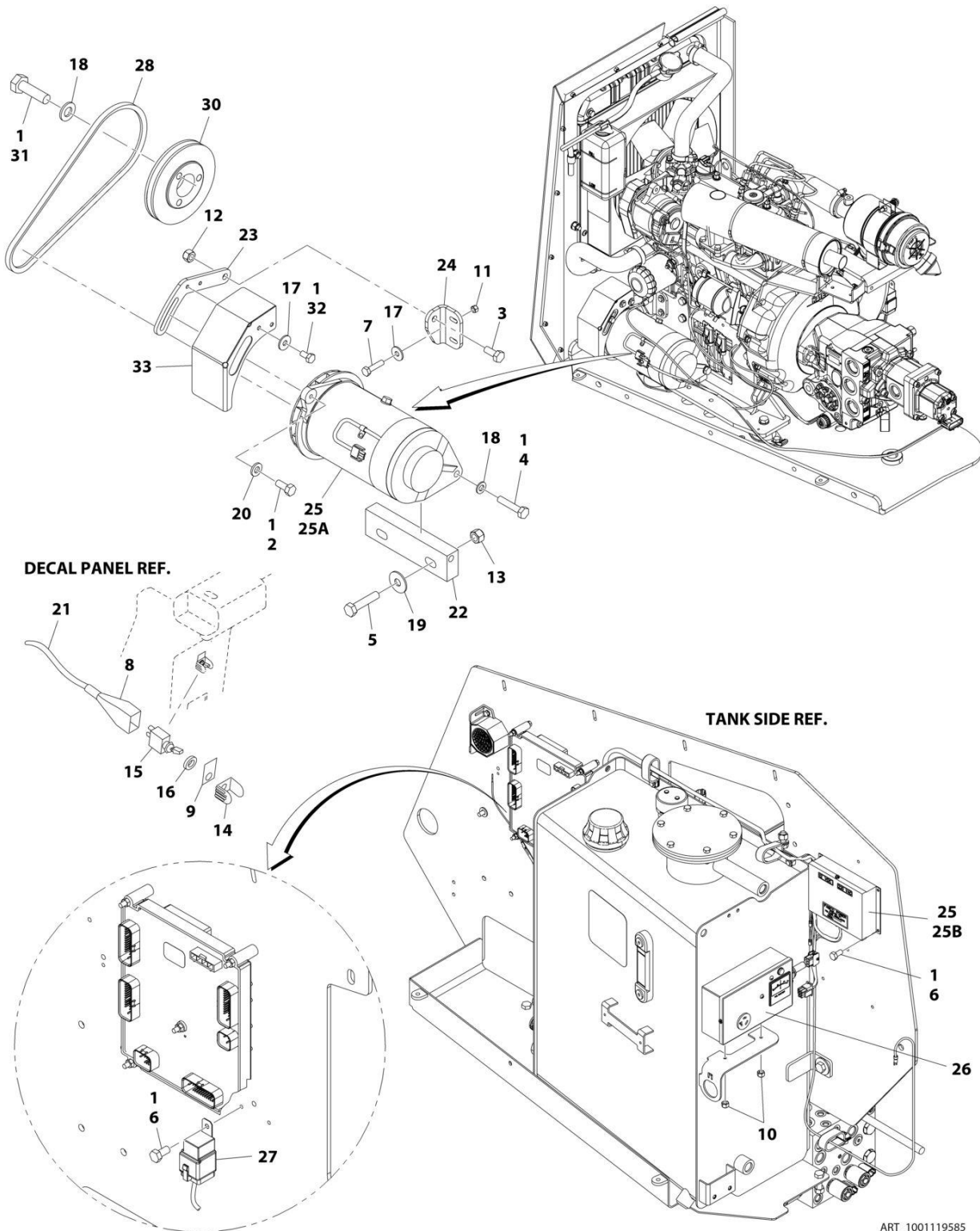
ITEM	PART NUMBER	QTY	DESCRIPTION	REV
	1001119583	Ref	2800W GENERATOR INSTALLATION - KUBOTA ENGINE MACHINES 120V/50HZ GENERATOR	E
1	0100011	AR	Compound, Locking	
2	0641506	1	Bolt 5/16-18 x 3/4	
3	0701012	1	Bolt M10 x 25	
4	0701018	2	Bolt M10 x 50	
5	0701219	2	Bolt M12 x 55	
6	0760505	5	Bolt M5 x 10	
7	0760612	2	Bolt M6 x 25	
8	2820031	AR	Heat Shrink	
9	3251102	1	Nameplate - Generator	
10	3290505	2	Nut M5	
11	3290605	2	Nut M6	
12	3291005	1	Nut M10	
13	3291205	2	Nut M12	
14	4060802	1	Guard, Switch	
15	4360336	1	Switch, Toggle	
16	4740397	1	Washer	
17	4811702	4	Washer M6	
18	4812000	5	Washer M10	
19	4812102	2	Washer M12	
20	4891500	1	Washer 5/16	
21	4922641	1	Harness, On/Off Switch	
22	1001119551	1	Mount, Generator	
23	1001119553	1	Arm, Adjustment	
24	1001119554	1	Support, Arm	
25	1001119587	1	Generator Assembly	C
25A	2460049	1	Generator	
25A	70000122	1	Armature with Slip Rings	
25A	7020109	4	Holder, Brush	
25A	7020108	4	Brush	
25A	7012513	4	Cap, Brush Holder	
25A	7012514	1	Fan	
25A	7020190	2	Bearing	
25A	7020110	1	End Bell, Front	
25A	7020111	1	End Bell, Rear	
25A	70003069	1	Cord, Power	
25A	70003070	1	Pulley	
25A	7027887	1	Key, Woodruff	
25B	7026525	1	Regulator, Voltage	
26	1001119633	1	Control Box Assembly	B
26	70002240	1	Circuit Breaker	
26	2420203	1	Voltmeter	
26	7020152	1	Receptacle, Double	
26	70003137	1	Receptacle, Single Twist Lock	
26	2920162	1	Lamp	
26	70002237	1	Diode	
26	3520028	1	Plug, Hole	

SECTION 3 - ENGINE

ITEM	PART NUMBER	QTY	DESCRIPTION	REV
27	1001119773	1	Harness, Generator (See Separate Breakdown in ELECTRICAL SECTION)	
28	1001119882	1	V-Belt	
29	1001118720	1	Pulley	
30	1001119929	3	Bolt M10 x 35	
31	0760606	2	Bolt M6 x 12	
32	1001125118	1	Shield, Pulley	

SECTION 3 - ENGINE

FIGURE 3-23. 2800W GENERATOR INSTALLATION - KUBOTA ENGINE MACHINES 220V/50HZ GENERATOR (ANSI EXPORT, AUSTRALIAN, CHINA, CE & UK CA SPECS)



SECTION 3 - ENGINE

**FIGURE 3-23. 2800W GENERATOR INSTALLATION - KUBOTA ENGINE MACHINES 220V/50HZ
GENERATOR (ANSI EXPORT, AUSTRALIAN, CHINA, CE & UK CA SPECS)**

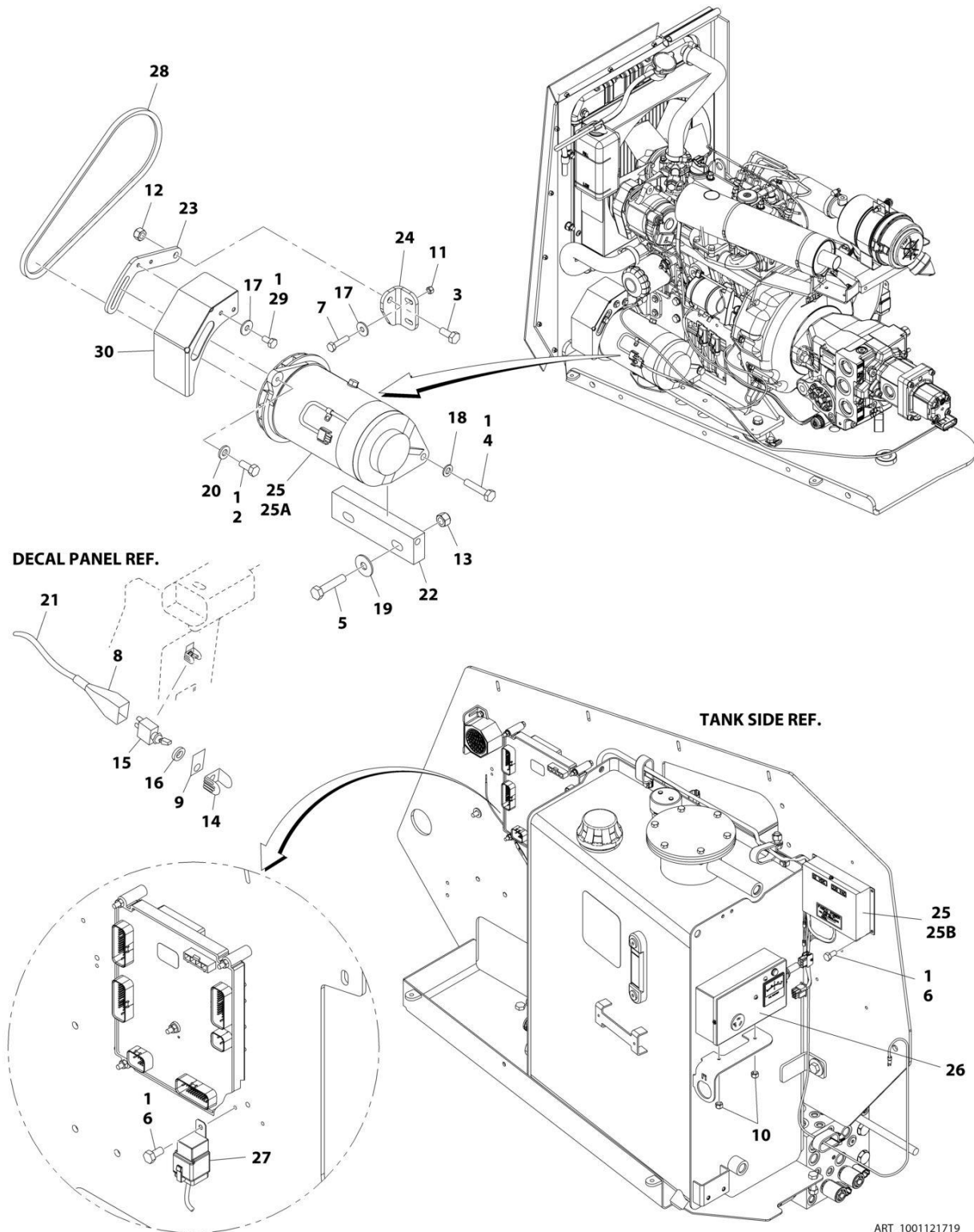
ITEM	PART NUMBER	QTY	DESCRIPTION	REV
	1001119585	Ref	2800W GENERATOR INSTALLATION - KUBOTA ENGINE MACHINES 220V/50HZ GENERATOR	E
1	0100011	AR	Compound, Locking	
2	0641506	1	Bolt 5/16 x 3/4	
3	0701012	1	Bolt M10 x 25	
4	0701018	2	Bolt M10 x 50	
5	0701219	2	Bolt M12 x 55	
6	0760505	5	Bolt M5 x 10	
7	0760612	2	Bolt M6 x 25	
8	2820031	AR	Heat Shrink	
9	3251102	1	Nameplate - Generator	
10	3290505	2	Nut M5	
11	3290605	2	Nut M6	
12	3291005	1	Nut M10	
13	3291205	2	Nut M12	
14	4060802	1	Guard, Switch	
15	4360336	1	Switch, Toggle	
16	4740397	1	Washer	
17	4811702	4	Washer M6	
18	4812000	5	Washer M10	
19	4812102	2	Washer M12	
20	4891500	1	Washer 5/16	
21	4922641	1	Harness, On/Off Switch	
22	1001119551	1	Mount, Generator	
23	1001119553	1	Arm, Adjustment	
24	1001119554	1	Support, Arm	
25	1001119589	1	Generator Assembly	C
25A	1001100321	1	Generator	
25A	70000123	1	Armature with Slip Rings	
25A	7020109	4	Holder, Brush	
25A	7020108	4	Brush	
25A	7012513	4	Cap, Brush Holder	
25A	7012514	1	Fan	
25A	7020190	2	Bearing	
25A	7020110	1	End Bell, Front	
25A	7020111	1	End Bell, Rear	
25A	70003069	1	Cord, Power	
25A	70003070	1	Pulley	
25A	7027887	1	Key, Woodruff	
25B	70002238	1	Regulator, Voltage	
26	1001119634	1	Control Box Assembly	B
26	70000126	1	Circuit Breaker	
26	7020192	1	Voltmeter	
26	70000124	1	Receptacle, Double	
26	70000125	1	Receptacle, Single Twist Lock	
26	2920162	1	Lamp	
26	70002237	1	Diode	
26	3520028	1	Plug, Hole	

SECTION 3 - ENGINE

ITEM	PART NUMBER	QTY	DESCRIPTION	REV
27	1001119773	1	Harness, Generator (See Separate Breakdown in ELECTRICAL SECTION)	
28	1001119882	1	V-Belt	
30	1001118720	1	Pulley	
31	1001119929	3	Bolt M10 x 35	
32	0760606	2	Bolt M6 x 12	
33	1001125118	1	Shield, Pulley	

SECTION 3 - ENGINE

FIGURE 3-24. 3500W GENERATOR INSTALLATION - GM ENGINE MACHINES 120V/60HZ GENERATOR (ANSI, ANSI EXPORT, CHINA, CSA AND JAPANESE SPECS)



SECTION 3 - ENGINE

**FIGURE 3-24. 3500W GENERATOR INSTALLATION - GM ENGINE MACHINES 120V/60HZ
GENERATOR (ANSI, ANSI EXPORT, CHINA, CSA AND JAPANESE SPECS)**

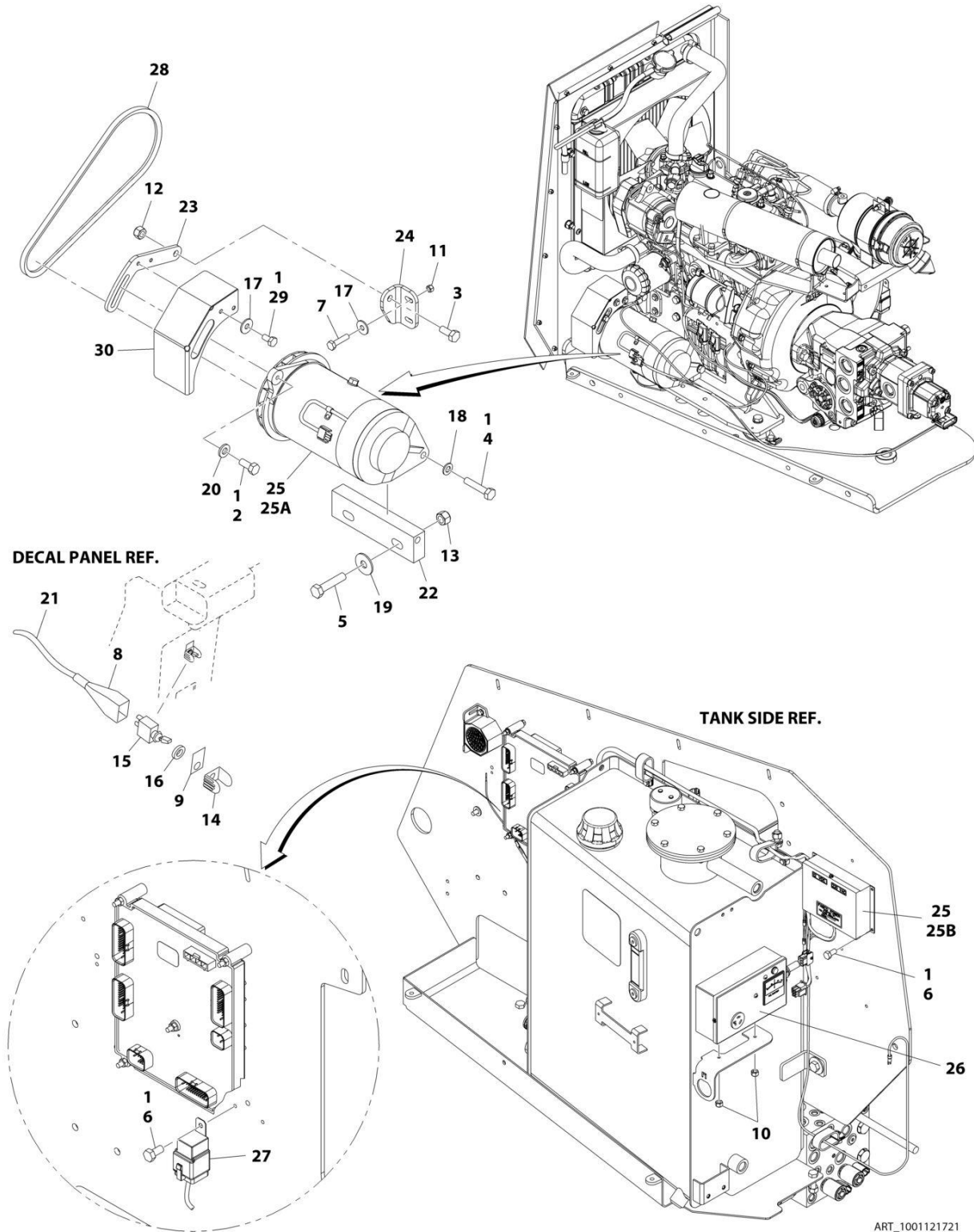
ITEM	PART NUMBER	QTY	DESCRIPTION	REV
	1001121719	Ref	3500W GENERATOR INSTALLATION - GM ENGINE MACHINES 120V/60HZ GENERATOR	D
1	0100011	AR	Compound, Locking	
2	0641506	1	Bolt 5/16 x 3/4	
3	0701012	1	Bolt M10 x 25	
4	0701018	2	Bolt M10 x 50	
5	0701219	2	Bolt M12 x 55	
6	0760505	5	Bolt M5 x 10	
7	0760612	2	Bolt M6 x 25	
8	2820031	AR	Heat Shrink	
9	3251102	1	Nameplate - Generator	
10	3290505	2	Nut M5	
11	3290605	2	Nut M6	
12	3291005	1	Nut M10	
13	3291205	2	Nut M12	
14	4060802	1	Guard, Switch	
15	4360336	1	Switch, Toggle	
16	4740397	1	Washer	
17	4811702	4	Washer M6	
18	4812000	2	Washer M10	
19	4812102	2	Washer M12	
20	4891500	1	Washer 5/16	
21	4922641	1	Harness, On/Off Switch	
22	1001119551	1	Mount, Generator	
23	1001119553	1	Arm, Adjustment	
24	1001119554	1	Support, Arm	
25	1001119586	1	Generator and Voltage Regulator Assembly	C
25A	2460049	1	Generator	
25A	70000122	1	Armature with Slip Rings	
25A	7020109	4	Holder, Brush	
25A	7020108	4	Brush	
25A	7012513	4	Cap, Brush Holder	
25A	7012514	1	Fan	
25A	7020190	2	Bearing	
25A	7020110	1	End Bell, Front	
25A	7020111	1	End Bell, Rear	
25A	70003069	1	Cord, Power	
25A	70003068	1	Pulley	
25A	7027887	1	Key, Woodruff	
25B	7026525	1	Regulator, Voltage	
26	1001119633	1	Control Box Assembly	B
26	70002240	1	Circuit Breaker	
26	2420203	1	Voltmeter	
26	7020152	1	Receptacle, Double	
26	70003137	1	Receptacle, Single Twist Lock	
26	2920162	1	Lamp	
26	70002237	1	Diode	
26	3520028	1	Plug, Hole	

SECTION 3 - ENGINE

ITEM	PART NUMBER	QTY	DESCRIPTION	REV
27	1001119773	1	Harness, Generator (See Separate Breakdown in ELECTRICAL SECTION)	
28	1001119881	1	V-Belt	
29	0760606	2	Bolt M6 x 12	
30	1001125118	1	Shield, Pulley	

SECTION 3 - ENGINE

FIGURE 3-25. 3500W GENERATOR INSTALLATION - GM ENGINE MACHINES 220V/60HZ GENERATOR (ANSI EXPORT, CHINA AND CSA SPECS)



SECTION 3 - ENGINE

**FIGURE 3-25. 3500W GENERATOR INSTALLATION - GM ENGINE MACHINES 220V/60HZ
GENERATOR (ANSI EXPORT, CHINA AND CSA SPECS)**

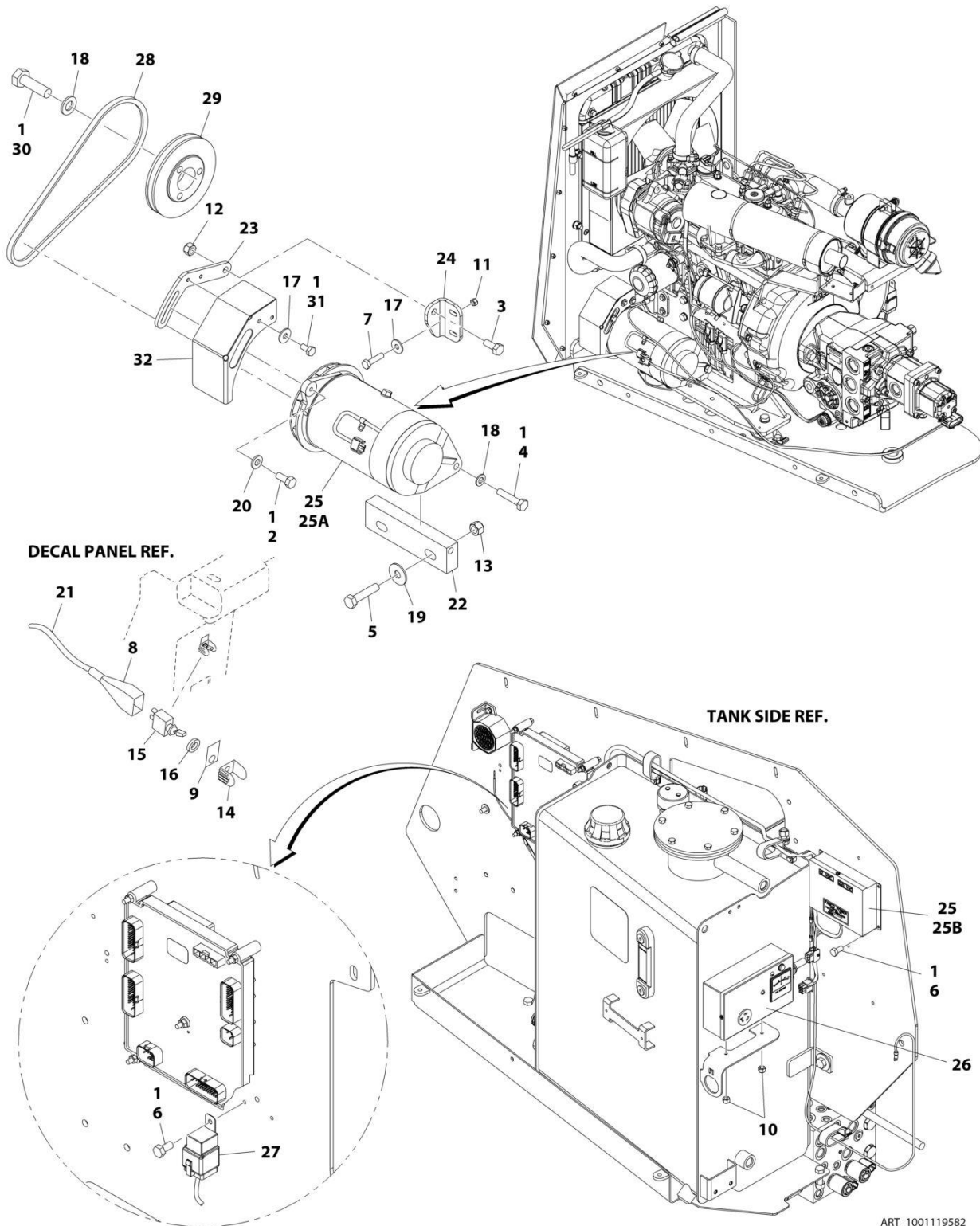
ITEM	PART NUMBER	QTY	DESCRIPTION	REV
	1001121721	Ref	3500W GENERATOR INSTALLATION - GM ENGINE MACHINES 220V/60HZ GENERATOR	D
1	0100011	AR	Compound, Locking	
2	0641506	1	Bolt 5/16 x 3/4	
3	0701012	1	Bolt M10 x 25	
4	0701018	2	Bolt M10 x 50	
5	0701219	2	Bolt M12 x 55	
6	0760505	5	Bolt M5 x 10	
7	0760612	2	Bolt M6 x 25	
8	2820031	AR	Heat Shrink	
9	3251102	1	Nameplate - Generator	
10	3290505	2	Nut M5	
11	3290605	2	Nut M6	
12	3291005	1	Nut M10	
13	3291205	2	Nut M12	
14	4060802	1	Guard, Switch	
15	4360336	1	Switch, Toggle	
16	4740397	1	Washer	
17	4811702	4	Washer M6	
18	4812000	2	Washer M10	
19	4812102	2	Washer M12	
20	4891500	1	Washer 5/16	
21	4922641	1	Harness, On/Off Switch	
22	1001119551	1	Mount, Generator	
23	1001119553	1	Arm, Adjustment	
24	1001119554	1	Support, Arm	
25	1001119588	1	Generator and Voltage Regulator Assembly	C
25A	1001100321	1	Generator	
25A	70000123	1	Armature with Slip Rings	
25A	7020109	4	Holder, Brush	
25A	7020108	4	Brush	
25A	7012513	4	Cap, Brush Holder	
25A	7012514	1	Fan	
25A	7020190	2	Bearing	
25A	7020110	1	End Bell, Front	
25A	7020111	1	End Bell, Rear	
25A	70003069	1	Cord, Power	
25A	70003068	1	Pulley	
25A	7027887	1	Key, Woodruff	
25B	70002238	1	Regulator, Voltage	
26	1001119634	1	Control Box Assembly	B
26	70000126	1	Circuit Breaker	
26	7020192	1	Voltmeter	
26	70000124	1	Receptacle, Double	
26	70000125	1	Receptacle, Single Twist Lock	
26	2920162	1	Lamp	
26	70002237	1	Diode	
26	3520028	1	Plug, Hole	

SECTION 3 - ENGINE

ITEM	PART NUMBER	QTY	DESCRIPTION	REV
27	1001119773	1	Harness, Generator (See Separate Breakdown in ELECTRICAL SECTION)	
28	1001119881	1	V-Belt	
29	0760606	2	Bolt M6 x 12	
30	1001125118	1	Shield, Pulley	

SECTION 3 - ENGINE

FIGURE 3-26. 3500W GENERATOR INSTALLATION - KUBOTA ENGINE MACHINES 120V/60HZ GENERATOR (ANSI, ANSI EXPORT, CHINA, CSA AND JAPANESE SPECS)



SECTION 3 - ENGINE

FIGURE 3-26. 3500W GENERATOR INSTALLATION - KUBOTA ENGINE MACHINES 120V/60HZ GENERATOR (ANSI, ANSI EXPORT, CHINA, CSA AND JAPANESE SPECS)

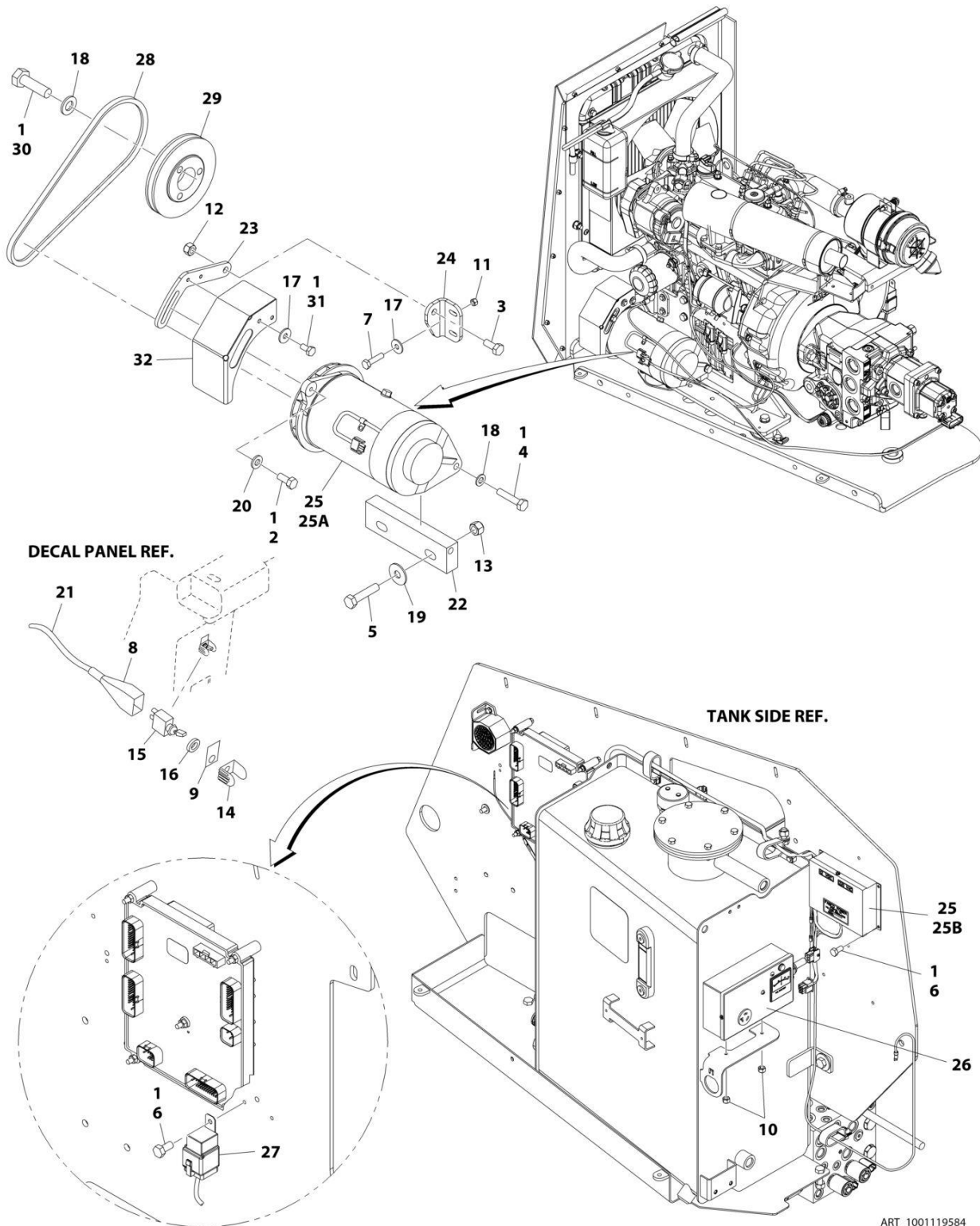
ITEM	PART NUMBER	QTY	DESCRIPTION	REV
	1001119582	Ref	3500W GENERATOR INSTALLATION - KUBOTA ENGINE MACHINES 120V/60HZ GENERATOR	E
1	0100011	AR	Compound, Locking	
2	0641506	1	Bolt 5/16 x 3/4	
3	0701012	1	Bolt M10 x 25	
4	0701018	2	Bolt M10 x 50	
5	0701219	2	Bolt M12 x 55	
6	0760505	5	Bolt M5 x 10	
7	0760612	2	Bolt M6 x 25	
8	2820031	AR	Heat Shrink	
9	3251102	1	Nameplate - Generator	
10	3290505	2	Nut M5	
11	3290605	2	Nut M6	
12	3291005	1	Nut M10	
13	3291205	2	Nut M12	
14	4060802	1	Guard, Switch	
15	4360336	1	Switch, Toggle	
16	4740397	1	Washer	
17	4811702	4	Washer M6	
18	4812000	5	Washer M10	
19	4812102	2	Washer M12	
20	4891500	1	Washer 5/16	
21	4922641	1	Harness, On/Off Switch	
22	1001119551	1	Mount, Generator	
23	1001119553	1	Arm, Adjustment	
24	1001119554	1	Support, Arm	
25	1001119586	1	Generator Assembly	C
25A	2460049	1	Generator	
25A	70000122	1	Armature with Slip Rings	
25A	7020109	4	Holder, Brush	
25A	7020108	4	Brush	
25A	7012513	4	Cap, Brush Holder	
25A	7012514	1	Fan	
25A	7020190	2	Bearing	
25A	7020110	1	End Bell, Front	
25A	7020111	1	End Bell, Rear	
25A	70003069	1	Cord, Power	
25A	70003068	1	Pulley	
25A	7027887	1	Key, Woodruff	
25B	7026525	1	Regulator, Voltage	
26	1001119633	1	Control Box Assembly	B
26	70002240	1	Circuit Breaker	
26	2420203	1	Voltmeter	
26	7020152	1	Receptacle, Double	
26	70003137	1	Receptacle, Single Twist Lock	
26	2920162	1	Lamp	
26	70002237	1	Diode	
26	3520028	1	Plug, Hole	

SECTION 3 - ENGINE

ITEM	PART NUMBER	QTY	DESCRIPTION	REV
27	1001119773	1	Harness, Generator (See Separate Breakdown in ELECTRICAL SECTION)	
28	1001119881	1	V-Belt	
29	1001118720	1	Pulley	
30	1001119929	3	Bolt M10 x 35	
31	0760606	2	Bolt M6 x 12	
32	1001125118	1	Shield, Pulley	

SECTION 3 - ENGINE

FIGURE 3-27. 3500W GENERATOR INSTALLATION - KUBOTA ENGINE MACHINES 220V/60HZ GENERATOR (ANSI EXPORT, CHINA AND CSA SPECS)



SECTION 3 - ENGINE

**FIGURE 3-27. 3500W GENERATOR INSTALLATION - KUBOTA ENGINE MACHINES 220V/60HZ
GENERATOR (ANSI EXPORT, CHINA AND CSA SPECS)**

ITEM	PART NUMBER	QTY	DESCRIPTION	REV
	1001119584	Ref	3500W GENERATOR INSTALLATION - KUBOTA ENGINE MACHINES 220V/60HZ GENERATOR	E
1	0100011	AR	Compound, Locking	
2	0641506	1	Bolt 5/16 x 3/4	
3	0701012	1	Bolt M10 x 25	
4	0701018	2	Bolt M10 x 50	
5	0701219	2	Bolt M12 x 55	
6	0760505	5	Bolt M5 x 10	
7	0760612	2	Bolt M6 x 25	
8	2820031	AR	Heat Shrink	
9	3251102	1	Nameplate - Generator	
10	3290505	2	Nut M5	
11	3290605	2	Nut M6	
12	3291005	1	Nut M10	
13	3291205	2	Nut M12	
14	4060802	1	Guard, Switch	
15	4360336	1	Switch, Toggle	
16	4740397	1	Washer	
17	4811702	4	Washer M6	
18	4812000	5	Washer M10	
19	4812102	2	Washer M12	
20	4891500	1	Washer 5/16	
21	4922641	1	Harness, On/Off Switch	
22	1001119551	1	Mount, Generator	
23	1001119553	1	Arm, Adjustment	
24	1001119554	1	Support, Arm	
25	1001119588	1	Generator Assembly	C
25A	1001100321	1	Generator	
25A	70000123	1	Armature with Slip Rings	
25A	7020109	4	Holder, Brush	
25A	7020108	4	Brush	
25A	7012513	4	Cap, Brush Holder	
25A	7012514	1	Fan	
25A	7020190	2	Bearing	
25A	7020110	1	End Bell, Front	
25A	7020111	1	End Bell, Rear	
25A	70003069	1	Cord, Power	
25A	70003068	1	Pulley	
25A	7027887	1	Key, Woodruff	
25B	70002238	1	Regulator, Voltage	
26	1001119634	1	Control Box Assembly	B
26	70000126	1	Circuit Breaker	
26	7020192	1	Voltmeter	
26	70000124	1	Receptacle, Double	
26	70000125	1	Receptacle, Single Twist Lock	
26	2920162	1	Lamp	
26	70002237	1	Diode	
26	3520028	1	Plug, Hole	

SECTION 3 - ENGINE

ITEM	PART NUMBER	QTY	DESCRIPTION	REV
27	1001119773	1	Harness, Generator (See Separate Breakdown in ELECTRICAL SECTION)	
28	1001119881	1	V-Belt	
29	1001118720	1	Pulley	
30	1001119929	3	Bolt M10 x 35	
31	0760606	2	Bolt M6 x 12	
32	1001125118	1	Shield, Pulley	

SECTION 3 - ENGINE

FIGURE 3-28. 4000W GENERATOR INSTALLATION - KUBOTA ENGINE MACHINES 220V/50HZ GENERATOR (ANSI EXPORT, AUSTRALIAN, CHINA, JAPANESE, CE & UK CA SPECS)

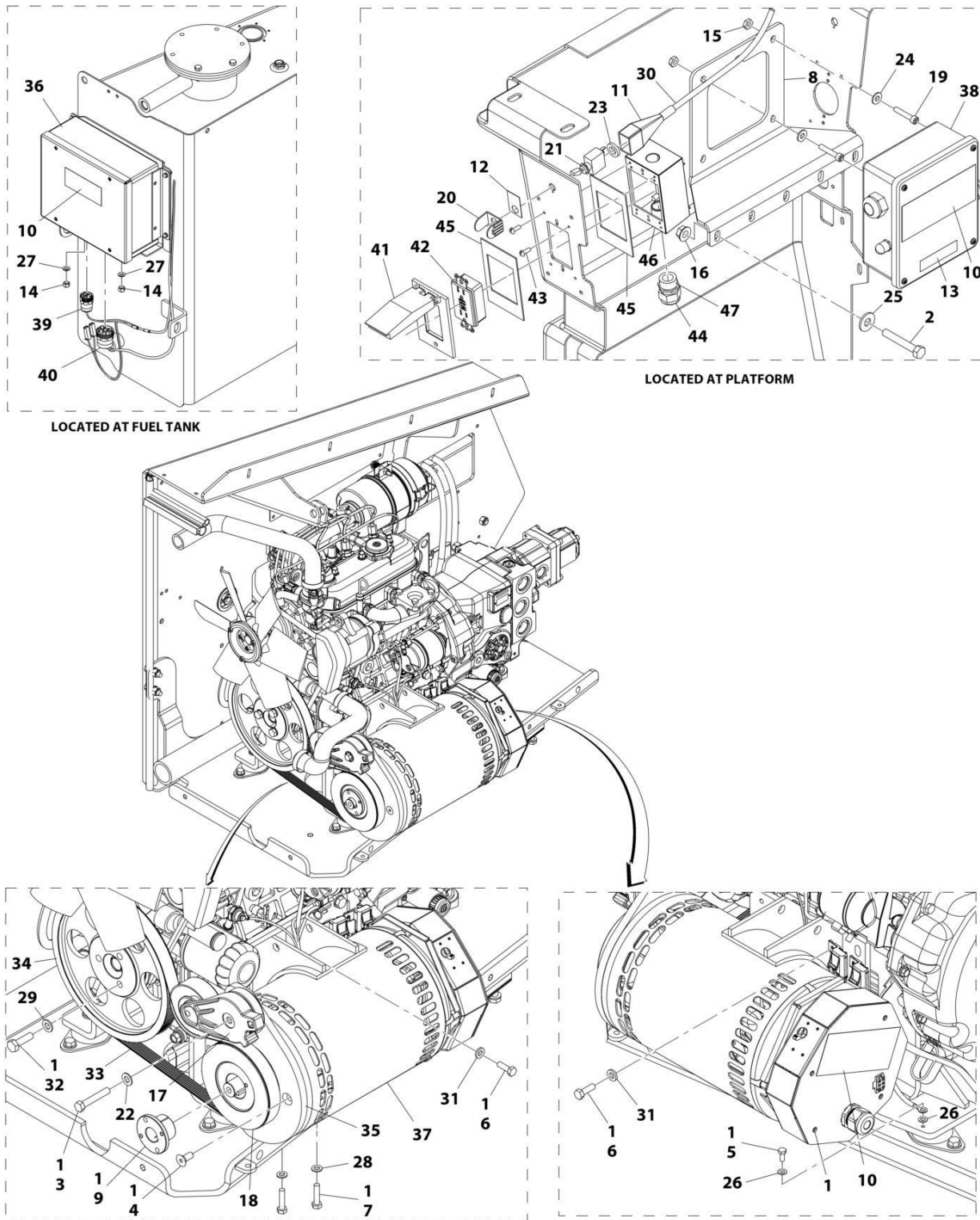
ITEM	PART NUMBER	QTY	DESCRIPTION	REV
	1001148660	Ref	4000W GENERATOR INSTALLATION - KUBOTA ENGINE MACHINES 220V/50HZ GENERATOR	D
1	0100011	AR	Compound, Locking	
3	0641618	1	Bolt 3/8 x 2-1/4	
4	0741607	3	Bolt 3/8 x 0.88	
5	0760607	1	Bolt M6 x 14	
6	0760812	2	Bolt M8 x 25	
7	0760815	2	Bolt M8 x 35	
9	0962520	1	Bushing, Split Taper	
10	1705489	AR	Decal - Hazardous Voltage	
11	2820031	AR	Heat Shrink	
12	3251102	1	Nameplate, Generator	
14	3290505	2	Nut M5	
17	3580317	1	Pulley, Belt Tensioner	
18	3580319	1	Pulley, Generator - 50Hz	
20	4060802	1	Guard, Switch	
21	4360336	1	Switch, Toggle	
22	4711600	1	Washer 3/8	
23	4740397	1	Washer	
26	4791400	2	Washer 1/4	
27	4811600	2	Washer M5	
28	4811900	2	Washer M8	
29	4812000	3	Washer M10	
30	4922641	1	Harness, On/Off Switch	
31	5240800	2	Washer M8	
32	1001119929	3	Bolt M10 x 35	
33	1001147141	1	Belt, 4000W - 50Hz	
34	1001147233	1	Pulley	
35	1001147234	1	Mount, Generator Tensioner	
36	1001147431	1	4000W Control Box Installation	
37	1001150619	1	Generator, 4000W - 50Hz	
37	70003709	1	Ring, Retaining - External (Shaft End)	
37	70003708	1	Ring, Retaining - Internal (Shaft End)	
37	70001966	1	Bearing (Shaft End)	
37	70004092	1	Endbell (Shaft End)	
37	70004099	1	Key, Shaft	
37	70004676	1	Rottor/Shaft Assembly	
37	70004688	1	Stator	
37	70004678	1	Endbell (Enclosure End)	
37	70004679	1	Cover, Endbell (Enclosure End)	
37	70004689	1	Enclosure, Wiring	
37	70004690	1	Cover, Enclosure	
37	70004682	1	Switch, On/Off/Reset	
37	70004683	1	Connector, Strain Relief	
39	1001157915	1	Harness, 4000W Generator Control (See Separate Breakdown in ELECTRICAL Section)	
40	1001157916	1	Harness, Generator (See Separate Breakdown in ELECTRICAL SECTION)	
41	1001096070	1	Kit, Box and Bracket	

SECTION 3 - ENGINE

ITEM	PART NUMBER	QTY	DESCRIPTION	REV
42	0641408	2	Bolt 1/4 x 1	
43	3311405	2	Nut 1/4	
44	4711400	4	Washer 1/4	

SECTION 3 - ENGINE

FIGURE 3-29. 4000W GENERATOR INSTALLATION - KUBOTA ENGINE MACHINES 110V/60HZ GENERATOR (ANSI, ANSI EXPORT, CHINA, CSA AND JAPANESE SPECS)



ART_1001148663

SECTION 3 - ENGINE

**FIGURE 3-29. 4000W GENERATOR INSTALLATION - KUBOTA ENGINE MACHINES 110V/60HZ
GENERATOR (ANSI, ANSI EXPORT, CHINA, CSA AND JAPANESE SPECS)**

ITEM	PART NUMBER	QTY	DESCRIPTION	REV
	1001148663	Ref	4000W GENERATOR INSTALLATION - KUBOTA ENGINE MACHINES 110V/60HZ GENERATOR	C
1	0100011	AR	Compound, Locking	
2	0641516	3	Bolt 5/16 x 2	
3	0641618	1	Bolt 3/8 x 2-1/4	
4	0741607	3	Bolt 3/8 x 0.88	
5	0760607	1	Bolt M6 x 14	
6	0760812	2	Bolt M8 x 25	
7	0760815	2	Bolt M8 x 35	
8	0902888	1	Bracket, Generator Junction Box	
9	0962520	1	Bushing, Split Taper	
10	1705387	3	Decal - Hazardous Voltage	
11	2820031	AR	Heat Shrink	
12	3251102	1	Nameplate, Generator	
13	3251243	1	Decal - 120V/60Hz	
14	3290505	2	Nut M5	
15	3311005	4	Nut #10	
16	3311508	3	Nut #5/16	
17	3580317	1	Pulley, Belt Tensioner	
18	3580318	1	Pulley, Generator - 60Hz	
19	3931016	4	Bolt #10 x 1	
20	4060802	1	Guard, Switch	
21	4360336	1	Switch, Toggle	
22	4711600	1	Washer 3/8	
23	4740397	1	Washer	
24	4751000	4	Washer #10	
25	4751500	3	Washer #5/16	
26	4791400	2	Washer 1/4	
27	4811600	2	Washer M5	
28	4811900	2	Washer M8	
29	4812000	3	Washer M10	
30	4922641	1	Harness, On/Off Switch	
31	5240800	2	Washer M8	
32	1001119929	3	Bolt M10 x 35	
33	1001153814	1	Belt, 4000W - 60Hz	
34	1001147233	1	Pulley	
35	1001147234	1	Mount, Generator Tensioner	
36	1001147431	1	4000W Control Box Installation	
37	1001147436	1	Generator 4000W - 60Hz	
37	70003709	1	Ring, Retaining - External (Shaft End)	
37	70003708	1	Ring, Retaining - Internal (Shaft End)	
37	70001966	1	Bearing (Shaft End)	
37	70004092	1	Endbell (Shaft End)	
37	70004099	1	Key, Shaft	
37	70004676	1	Rottor/Shaft Assembly	
37	70004691	1	Stator	
37	70004678	1	Endbell (Enclosure End)	
37	70004679	1	Cover, Endbell (Enclosure End)	
37	70004689	1	Enclosure, Wiring	

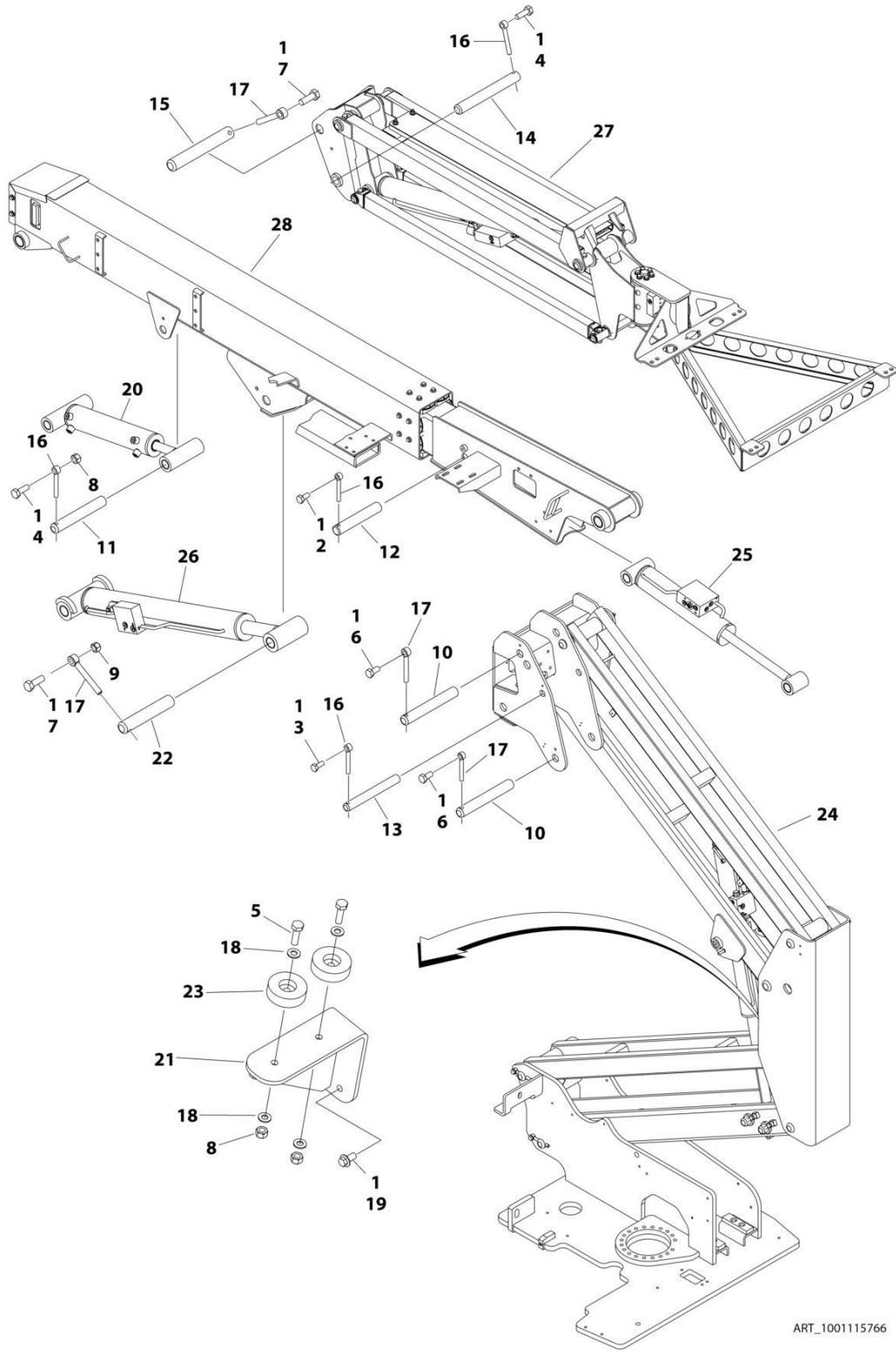
SECTION 3 - ENGINE

ITEM	PART NUMBER	QTY	DESCRIPTION	REV
37	70004692	1	Cover, Enclosure	
37	70004682	1	Switch, On/Off/Reset	
37	70004098	1	Connector, Strain Relief	
38	1001152457	1	Box, Junction Assembly	
39	1001157915	1	Harness, 4000W Generator Control (See Separate Breakdown in ELECTRICAL Section)	
40	1001157916	1	Harness, Generator (See Separate Breakdown in ELECTRICAL Section)	
41	1001110873	1	Cover	
42	4460346	1	Receptacle	
43	3910606	4	Bolt 6 x 3/8	
44	4460071	1	Connector	
45	3960422	1	Gasket	
46	0860038	1	Box, Switch-Weatherhead	
47	0100020	AR	Sealant, Pipe	

SECTION 4 - BOOM

SECTION 4 - BOOM

FIGURE 4-1. BOOM AND CYLINDERS INSTALLATION - WITHOUT ARCTIC PACKAGE



ART_1001115766

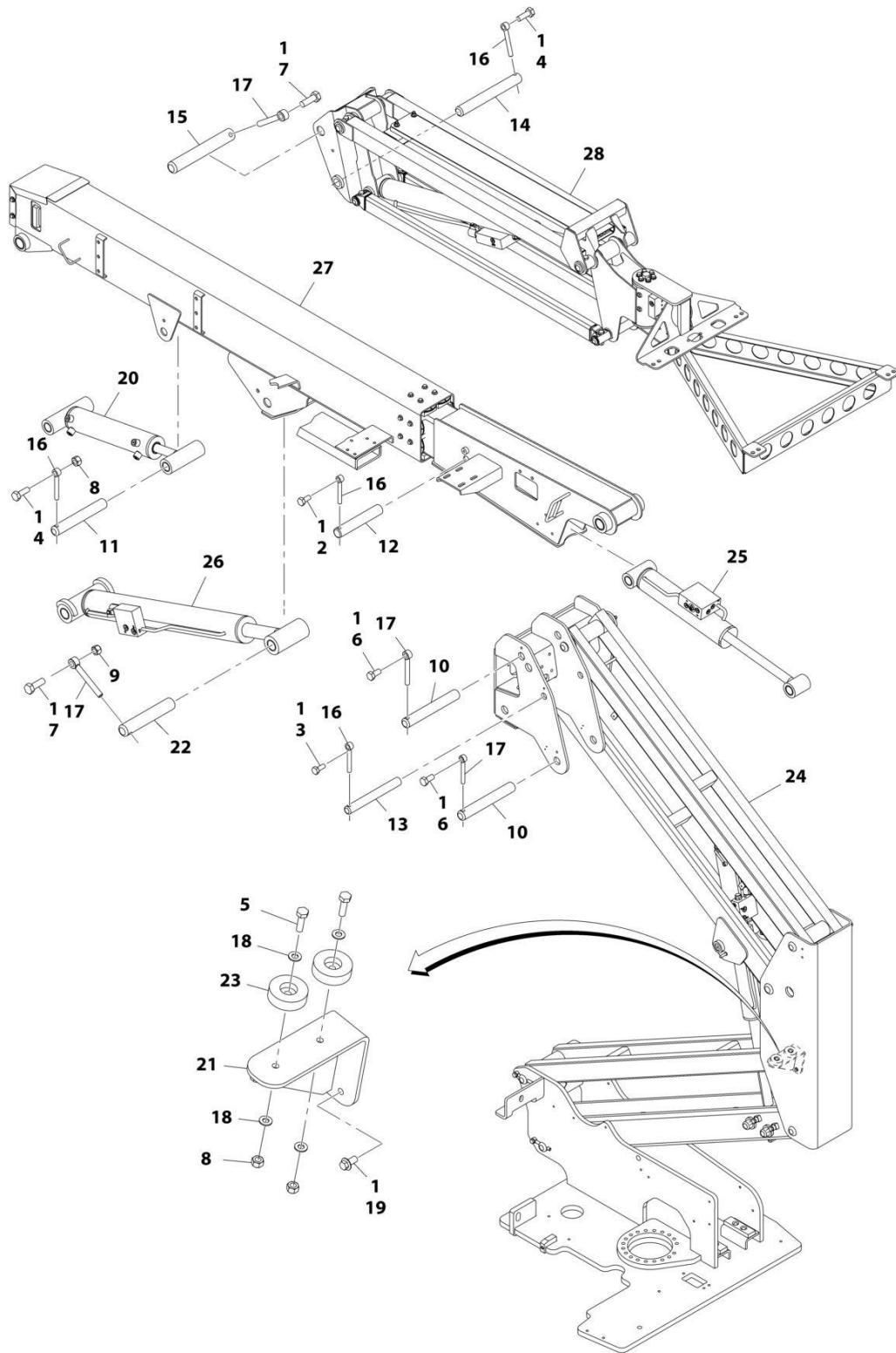
SECTION 4 - BOOM

FIGURE 4-1. BOOM AND CYLINDERS INSTALLATION - WITHOUT ARCTIC PACKAGE

ITEM	PART NUMBER	QTY	DESCRIPTION	REV
	1001115766	Ref	BOOM AND CYLINDERS INSTALLATION - WITHOUT ARCTIC PACKAGE	D
1	0100011	AR	Compound, Locking	
2	0761011	1	Bolt M10 x 22	
3	0761012	1	Bolt M10 x 25	
4	0761014	2	Bolt M10 x 30	
5	0761015	2	Bolt M10 x 35	
6	0761212	2	Bolt M12 x 25	
7	0761215	2	Bolt M12 x 35	
8	3291005	3	Nut M10	
9	3291205	1	Nut M12	
10	3422576	2	Pin	
11	3422582	1	Pin	
12	3422709	1	Pin	
13	3422790	1	Pin	
14	3422792	1	Pin	
15	3422814	1	Pin	
16	3841143	4	Keeper, Pin	
17	3841203	4	Keeper, Pin	
18	4812000	4	Washer M10	
19	5251010	3	Bolt M10 x 20	
20	1001120976	1	Master Cylinder Assembly (See Separate Breakdown in CYLINDER Section)	
21	1001125235	1	Rest, Boom	
22	1001109528	1	Pin	
23	1001112607	2	Pad, Boom Rest	
24	1001115672	1	Tower Boom Assembly (See Separate Breakdown in this Section)	
25	1001225990	1	Level Cylinder Assembly - Platform (Slave) (See Separate Breakdown in CYLINDER Section)	
26	1001117640	1	Lift Cylinder Assembly - Main Boom (See Separate Breakdown in CYLINDER Section)	
27	1001117884	1	Jib Assembly (See Separate Breakdown in this Section)	
28	1001117885	1	Main Boom Assembly (See Separate Breakdown in this Section)	

SECTION 4 - BOOM

FIGURE 4-2. BOOM AND CYLINDERS INSTALLATION - WITH ARCTIC PACKAGE



ART_1001119371

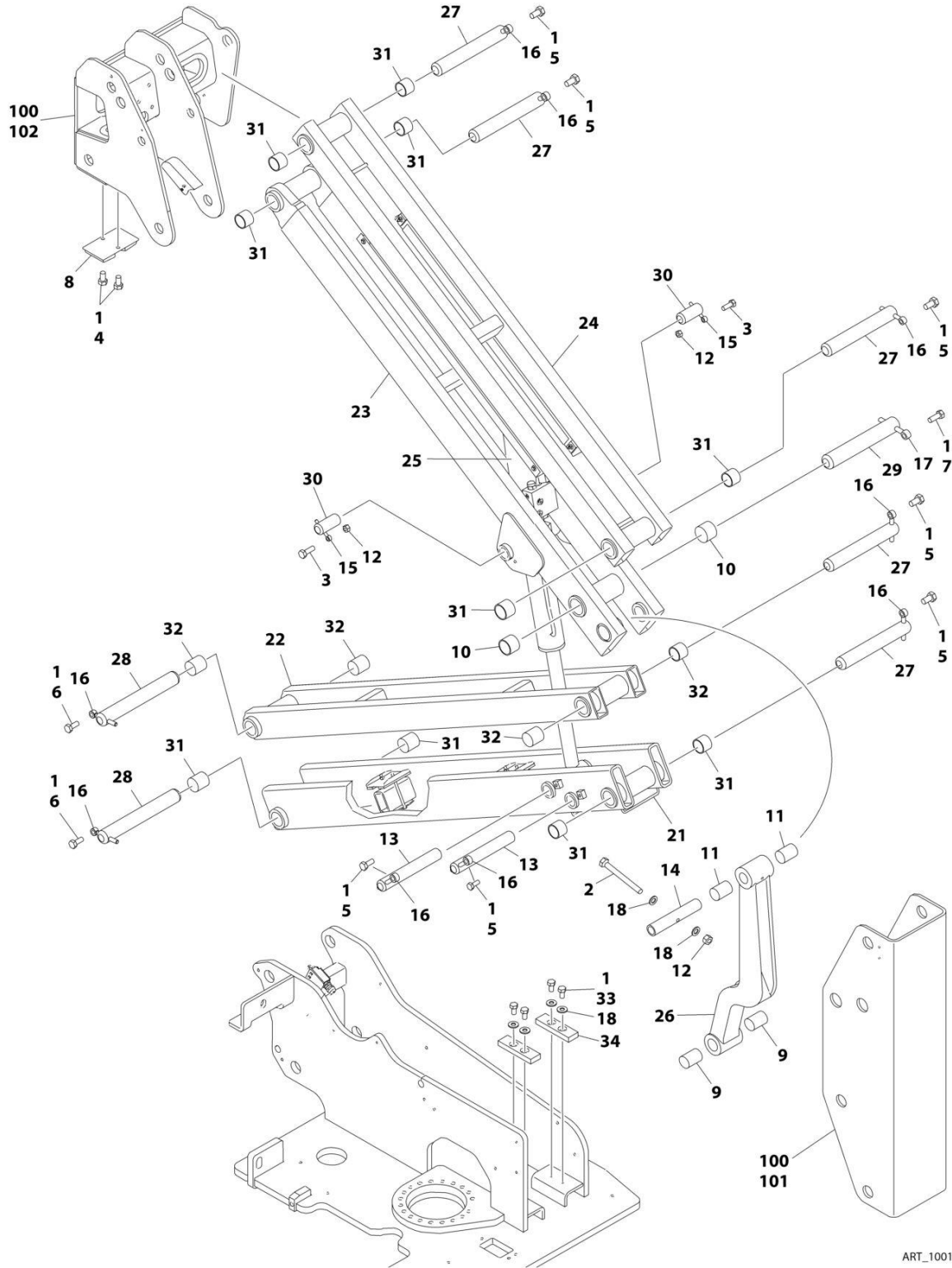
SECTION 4 - BOOM

FIGURE 4-2. BOOM AND CYLINDERS INSTALLATION - WITH ARCTIC PACKAGE

ITEM	PART NUMBER	QTY	DESCRIPTION	REV
	1001119371	Ref	BOOM AND CYLINDERS INSTALLATION - WITH ARCTIC PACKAGE	D
1	0100011	AR	Compound, Locking	
2	0761011	1	Bolt M10 x 22	
3	0761012	1	Bolt M10 x 25	
4	0761014	2	Bolt M10 x 30	
5	0761015	2	Bolt M10 x 35	
6	0761212	2	Bolt M12 x 25	
7	0761215	2	Bolt M12 x 35	
8	3291005	3	Nut M10	
9	3291205	1	Nut M12	
10	3422576	2	Pin	
11	3422582	1	Pin	
12	3422709	1	Pin	
13	3422790	1	Pin	
14	3422792	1	Pin	
15	3422814	1	Pin	
16	3841143	4	Keeper, Pin	
17	3841203	4	Keeper, Pin	
18	4812000	4	Washer M10	
19	5251010	3	Bolt M10 x 20	
20	1001120976	1	Master Cylinder Assembly (See Separate Breakdown in CYLINDER Section)	
21	1001125235	1	Rest, Boom	
22	1001109528	1	Pin	
23	1001112607	2	Pad, Boom Rest	
24	1001115672	1	Tower Boom Assembly (See Separate Breakdown in this Section)	
25	1001225990	1	Level Cylinder Assembly - Platform (Slave) (See Separate Breakdown in CYLINDER Section)	
26	1001117640	1	Lift Cylinder Assembly - Main Boom (See Separate Breakdown in CYLINDER Section)	
27	1001117885	1	Main Boom Assembly Options (See Separate Breakdown in this Section)	
28	1001119370	1	Jib Assembly (See Separate Breakdown in this Section)	

SECTION 4 - BOOM

FIGURE 4-3. TOWER BOOM ASSEMBLY



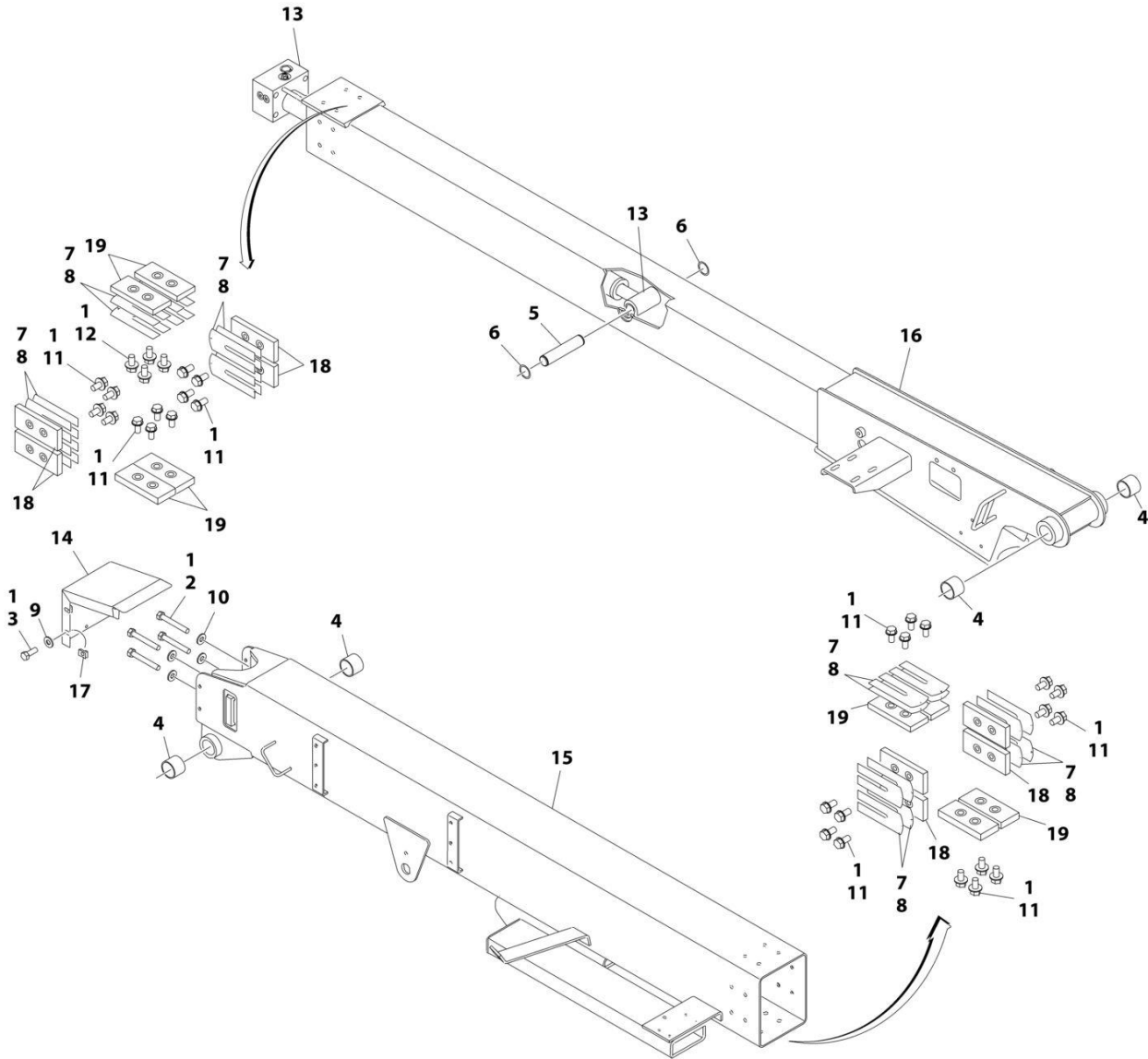
ART_1001115672

FIGURE 4-3. TOWER BOOM ASSEMBLY

ITEM	PART NUMBER	QTY	DESCRIPTION	REV
	1001115672	Ref	TOWER BOOM ASSEMBLY	D
1	0100011	AR	Compound, Locking	
2	0701027	1	Bolt M10 x 100	
3	0761015	2	Bolt M10 x 35	
4	0761210	2	Bolt M12 x 20	
5	0761212	7	Bolt M12 x 25	
6	0761214	2	Bolt M12 x 30	
7	0761615	2	Bolt M16 x 35	
8	0940048	1	Bumper	
9	0961948	2	Bearing	
10	0962224	2	Bearing	
11	0962259	2	Bearing	
12	3291005	3	Nut M10	
13	3422787	2	Pin	
14	3422788	1	Pin	
15	3841143	2	Keeper, Pin	
16	3841203	9	Keeper, Pin	
17	3841258	1	Keeper, Pin	
18	4812000	6	Washer M10	
21	1001115657	1	Link, Lower Boom (Bottom)	
22	1001115661	1	Link, Lower Boom (Top)	
23	1001115663	1	Link, Mid Boom (Bottom)	
24	1001115669	1	Link, Mid Boom (Top)	
25	1001122527	1	Lift Cylinder Assembly - Tower Boom (See Separate Breakdown in CYLINDER Section)	
26	1001115870	1	Link, Timing	
27	1001116546	5	Pin	
28	1001116547	2	Pin	
29	1001116548	1	Pin	
30	1001116549	2	Pin	
31	1001118665	10	Bearing	
32	1001118666	4	Bearing	
33	0761010	4	Bolt M10 x 20	
34	3340758	2	Pad, Wear	
100	1001231153	1	Lower Upright Boom Kit	
101	1001115649	1	Upright, Lower	
102	1001115650	1	Upright, Upper	

SECTION 4 - BOOM

FIGURE 4-4. MAIN BOOM ASSEMBLY



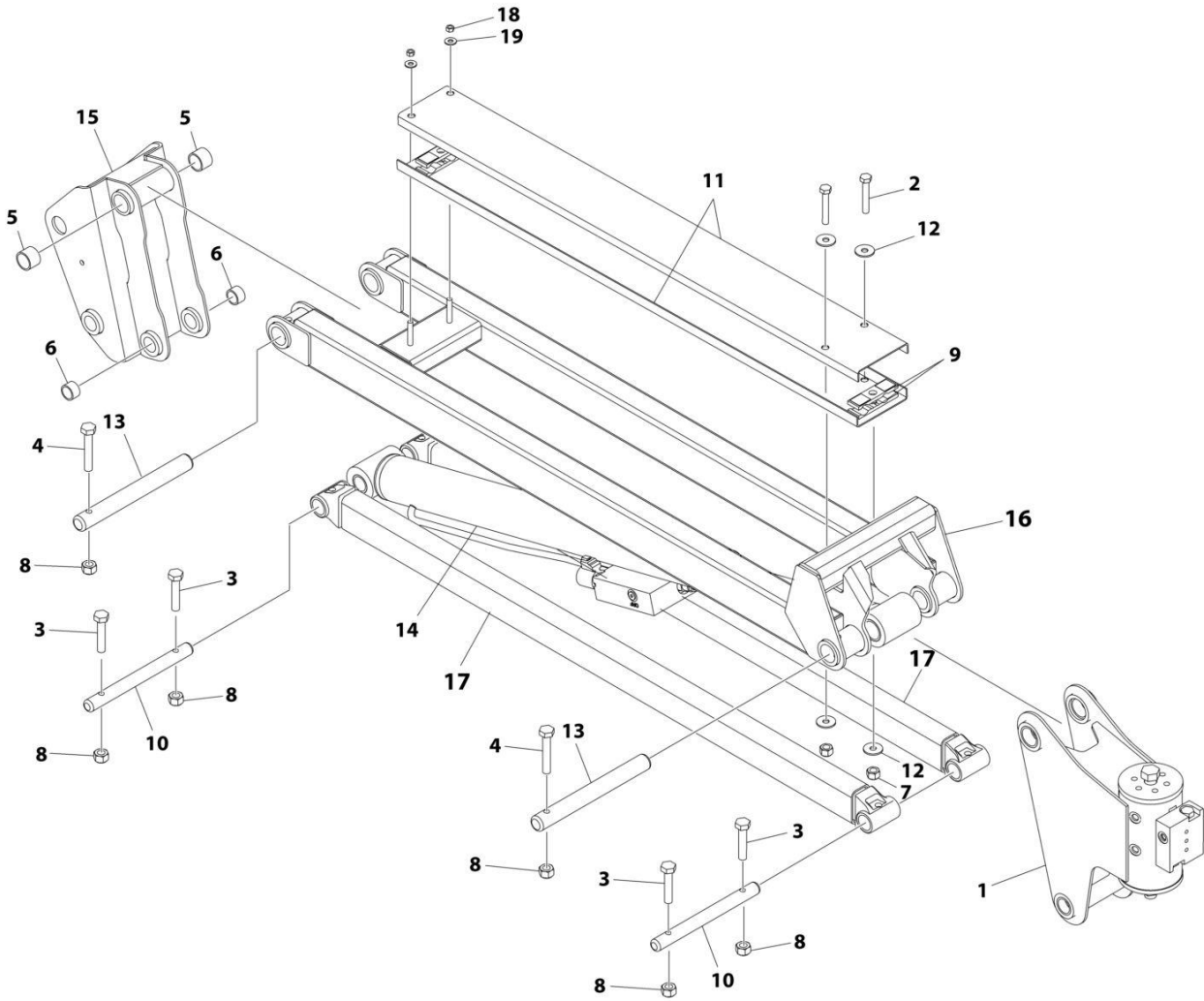
ART_1001117885_D

FIGURE 4-4. MAIN BOOM ASSEMBLY

ITEM	PART NUMBER	QTY	DESCRIPTION	REV
	1001117885	Ref	MAIN BOOM ASSEMBLY	D
1	0100011	AR	Compound, Locking	
2	0711227	4	Bolt M12 x 100 Grade 10.9	
3	0760812	4	Bolt M8 x 25	
4	0961948	4	Bushing	
5	3422745	1	Pin	
6	3760115	2	Ring, Retaining	
7	4070897	16	Shim 18Ga	
8	4070898	12	Shim 11Ga	
9	4811902	4	Washer M8	
10	5241200	4	Washer M12	
11	5251010	28	Bolt M10 x 20	
12	5251012	4	Bolt M10 x 25	
13	1001120974	1	Telescope Cylinder Assembly (See Separate Breakdown in CYLINDER Section)	
14	1001108290	1	Cover, Boom End	
15	1001271212	1	Boom, Base	
16	1001271234	1	Boom, Fly	
17	1001118274	4	Nut, Retainer M8	
18	1001118287	8	Pad, Wear	
19	1001118288	8	Pad, Wear	

SECTION 4 - BOOM

FIGURE 4-5. JIB ASSEMBLY - WITHOUT ARCTIC PACKAGE



ART_1001117884_D

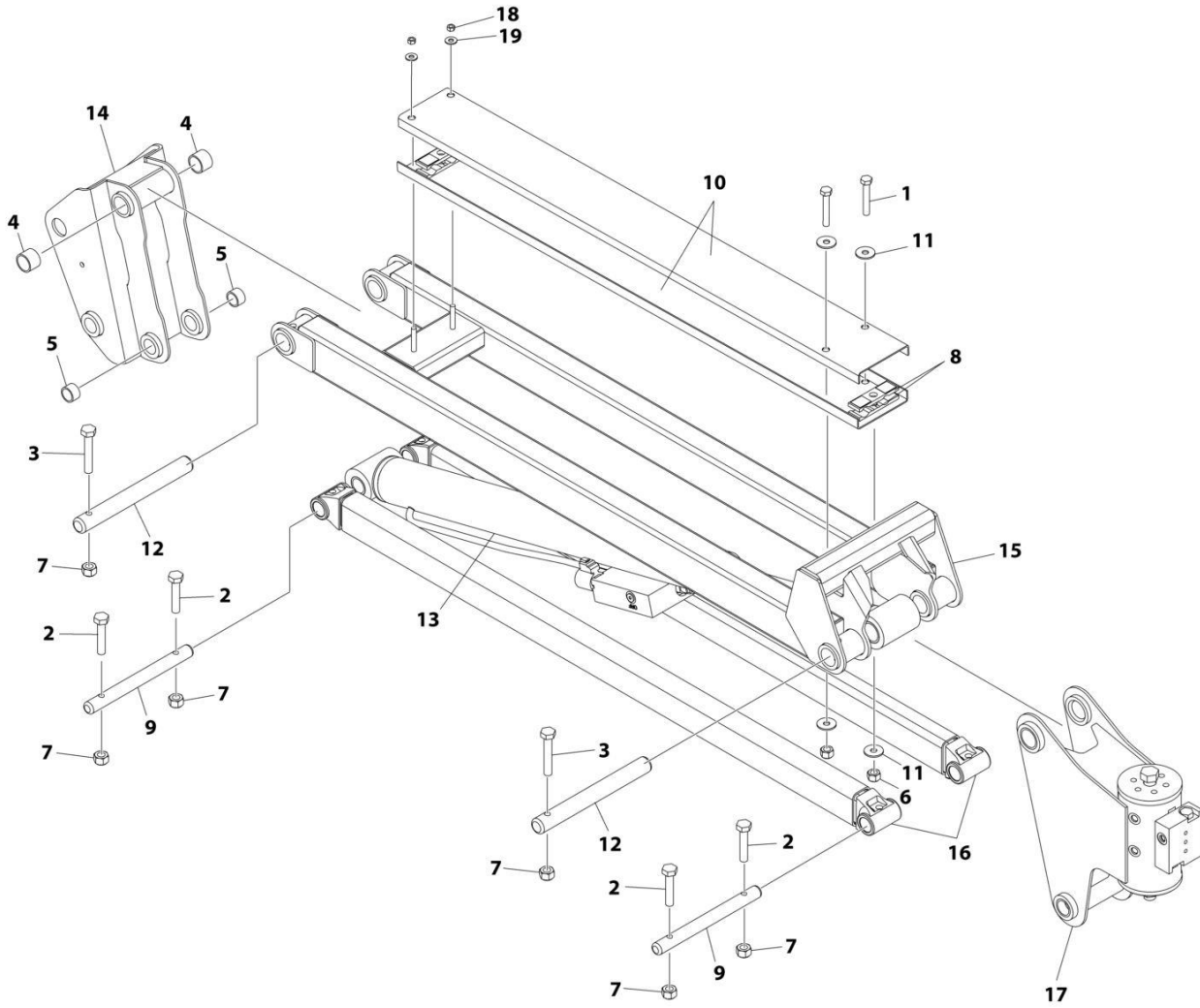
SECTION 4 - BOOM

FIGURE 4-5. JIB ASSEMBLY - WITHOUT ARCTIC PACKAGE

ITEM	PART NUMBER	QTY	DESCRIPTION	REV
	1001117884	Ref	JIB ASSEMBLY - WITHOUT ARCTIC PACKAGE	D
1	0060044	1	Platform Rotator Assembly (See Separate Breakdown in this Section)	
2	0700818	2	Bolt M8 x 50	
3	0701018	4	Bolt M10 x 50	
4	0701020	2	Bolt M10 x 60	
5	0961951	2	Bushing	
6	0962292	2	Bushing	
7	3290805	2	Nut M8	
8	3291005	6	Nut M10	
9	3340860	4	Pad, Rubber	
10	3422791	2	Pin	
11	3572551	2	Channel, Hose Carrier	
12	4811902	4	Washer M8	
13	3422794	2	Pin	
14	1001123004	1	Lift Cylinder Assembly - Jib (See Separate Breakdown in CYLINDER Section)	
15	1001118394	1	Pivot, Jib	
16	4846278	1	Link, Jib (Top)	
17	1001094670	2	Link, Jib (Bottom)	
18	3311501	2	Nut 5/16	
19	4751500	2	Washer 5/16	

SECTION 4 - BOOM

FIGURE 4-6. JIB ASSEMBLY - WITH ARCTIC PACKAGE



ART_1001119370_D

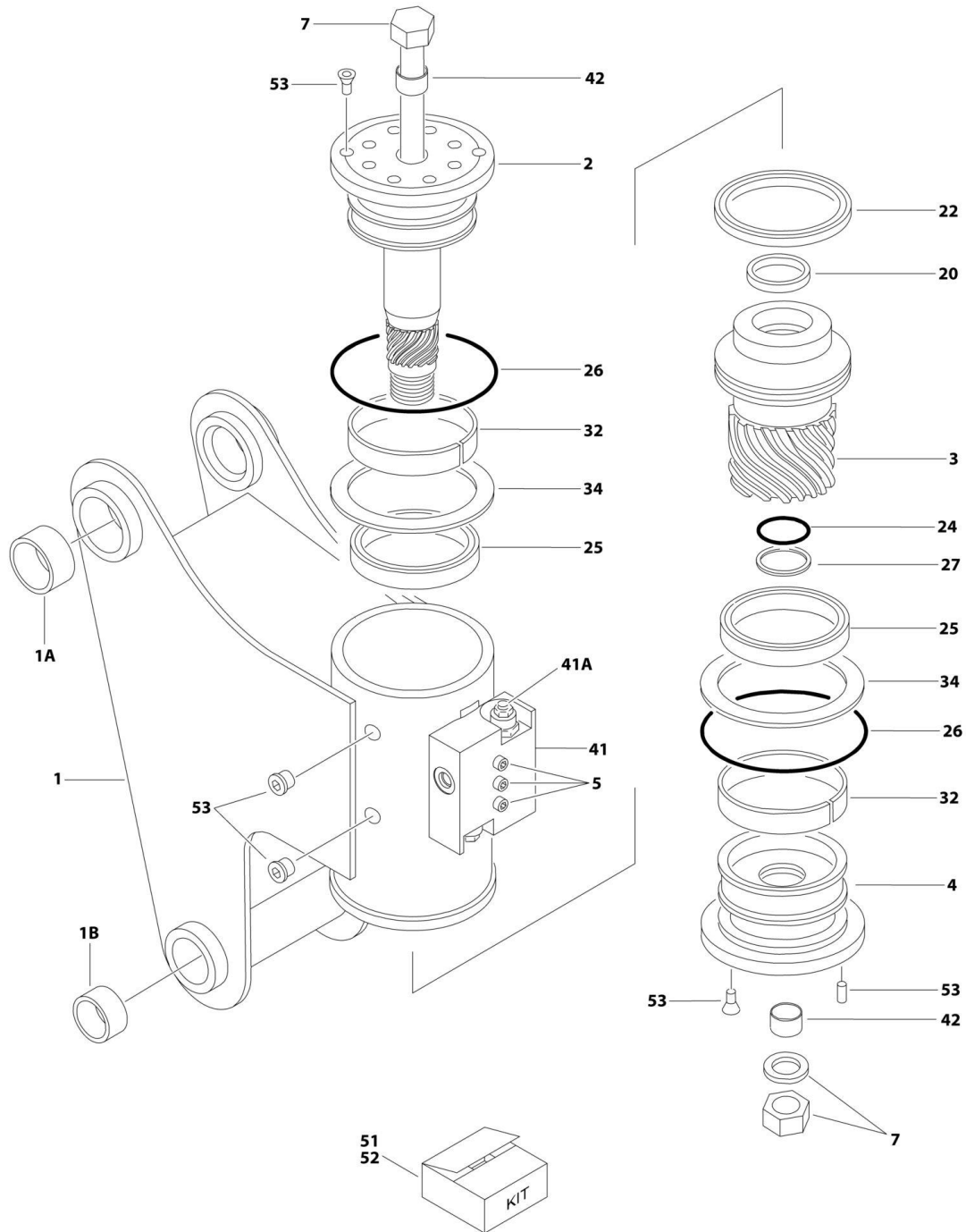
SECTION 4 - BOOM

FIGURE 4-6. JIB ASSEMBLY - WITH ARCTIC PACKAGE

ITEM	PART NUMBER	QTY	DESCRIPTION	REV
	1001119370	Ref	JIB ASSEMBLY - WITH ARCTIC PACKAGE	D
1	0700818	2	Bolt M8 x 50	
2	0701018	4	Bolt M10 x 50	
3	0701020	2	Bolt M10 x 60	
4	0961951	2	Bushing	
5	0962292	2	Bushing	
6	3290805	2	Nut M8	
7	3291005	6	Nut M10	
8	3340860	4	Pad, Rubber	
9	3422791	2	Pin	
10	3572551	2	Channel, Hose Carrier	
11	4811902	4	Washer M8	
12	3422794	2	Pin	
13	1001123004	1	Lift Cylinder Assembly - Jib (See Separate Breakdown in CYLINDER Section)	
14	1001118394	1	Pivot, Jib	
15	4846278	1	Link, Jib (Top)	
16	1001094670	2	Link, Jib (Bottom)	
17	1001119369	1	Platform Rotator Assembly (See Separate Breakdown in this Section)	
18	3311501	2	Nut 5/16	
19	4751500	2	Washer 5/16	

SECTION 4 - BOOM

FIGURE 4-7. PLATFORM ROTATOR ASSEMBLY - WITHOUT ARCTIC PACKAGE



ART_0060044

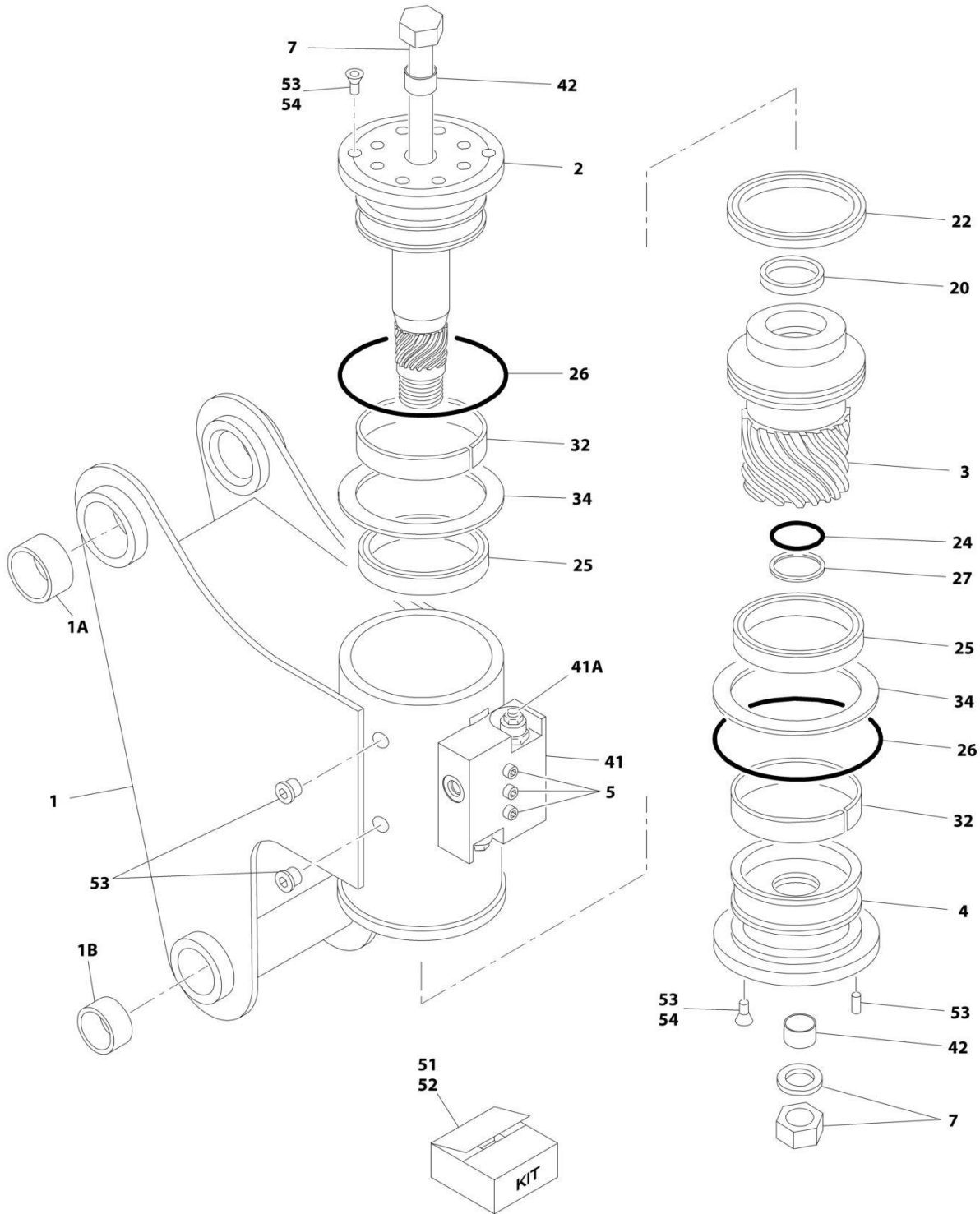
SECTION 4 - BOOM

FIGURE 4-7. PLATFORM ROTATOR ASSEMBLY - WITHOUT ARCTIC PACKAGE

ITEM	PART NUMBER	QTY	DESCRIPTION	REV
	0060044	Ref	ROTATOR ASSEMBLY	D
1	See Note	1	Case/Bracket Weldment (Note: Not Available - Purchase Complete Assembly)	
1A	0962257	2	Bushing	
1B	0961947	2	Bushing	
2	7017120	1	Shaft (Rotator with Helac Control #25928)	
2	7017196	1	Shaft (Rotator with Helac Control #26962)	
3	7017121	1	Piston Sleeve (Rotator with Helac Control #25928)	
3	7027900	1	Piston Sleeve (Rotator with Helac Control #26962)	
4	See Note	1	Cap, End (Rotator with Helac Control #25928) (Note: Use p/n 0060044)	
4	7027901	1	Cap, End (Rotator with Helac Control #26962)	
5	See Note	3	Capscrew 1/4 x 1-1/2, Grade 8 (Note: Not Available - Purchase Locally)	
7	7017126	1	Tie Rod Assembly	
20	See Note	NSS	Seal, Rod (Note: Use Item 52)	
22	See Note	NSS	Seal, Piston (Note: Use Item 52)	
24	See Note	NSS	Seal, Cap (Note: Use Item 52)	
25	See Note	NSS	Packing, Bearing (Note: Use Item 52)	
26	See Note	NSS	Seal (Note: Use Item 52)	
27	See Note	NSS	Ring, Back-Up Cap (Note: Use Item 52)	
32	See Note	NSS	Bearing, Shaft (Note: Use Item 51)	
34	See Note	2	Washer, Thrust (Note: Use Item 51)	
41	7017172	1	Counterbalance Valve Assembly (Helac p/n 24327, 26553 or 26554 Stamped Beside Mounting Screws)	
41A	7011323	2	Valve, Cartridge (Helac p/n 24327 Valve)	
41A	2900770	2	Seal Kit - 7011323 Cartridge (1 Per Assembly)	
41A	7017192	2	Valve Cartridge (Helac p/n 26553 or 26554) (No Seal Kit Available)	
42	70004323	1	Bushing, Shaft	
51	7017122	1	Bearing Kit (Includes Items 32-34)	
52	7017127	1	Seal Kit - Standard (Includes Items 20,22,24,25,26 & 27)	
52	70000341	1	Seal Kit - Low Temperature (Includes Items 20,22,24,25,26 & 27)	
53	7017123	1	Hardware Kit	

SECTION 4 - BOOM

FIGURE 4-8. PLATFORM ROTATOR ASSEMBLY - WITH ARCTIC PACKAGE



ART_1001119369

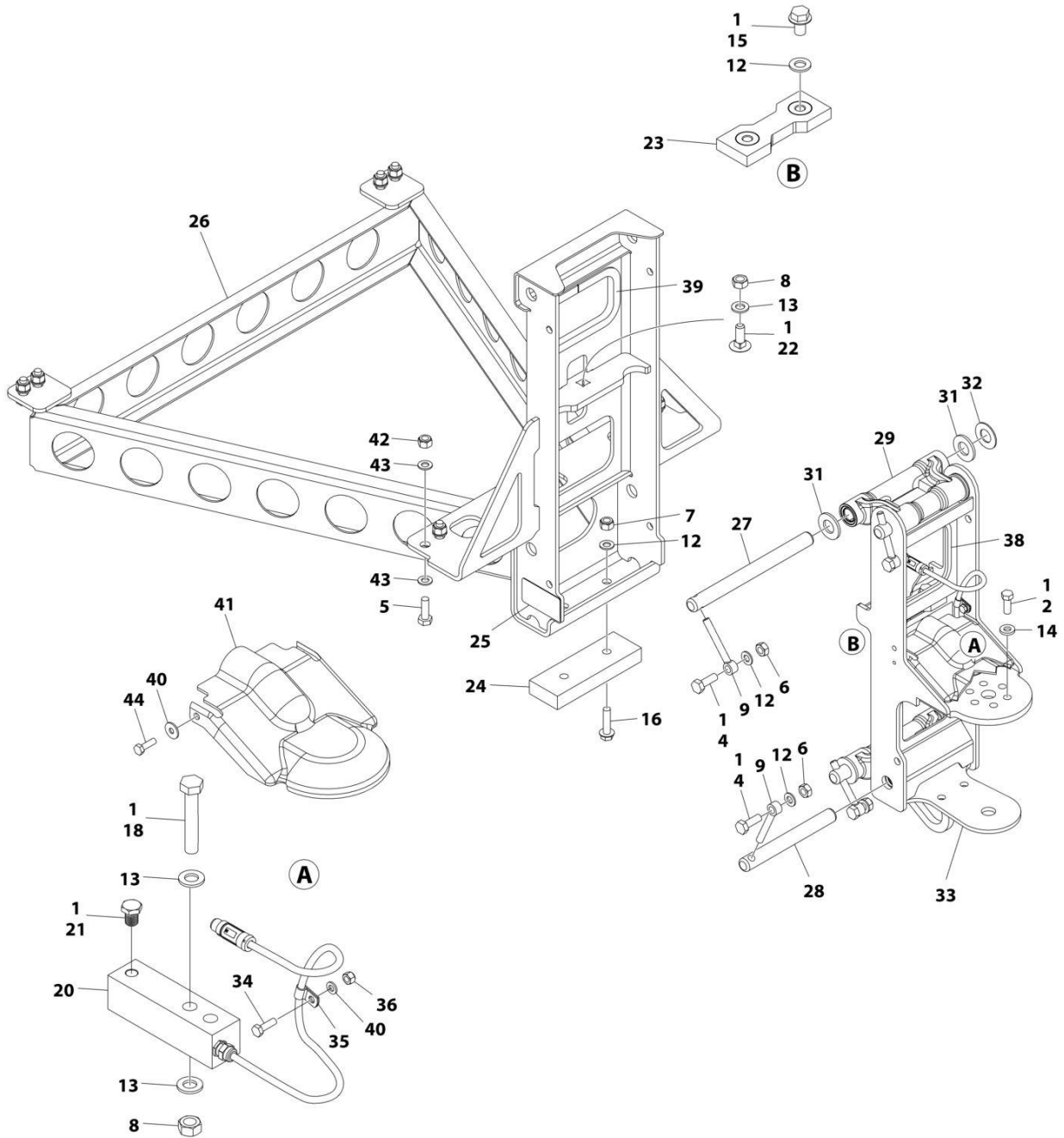
SECTION 4 - BOOM

FIGURE 4-8. PLATFORM ROTATOR ASSEMBLY - WITH ARCTIC PACKAGE

ITEM	PART NUMBER	QTY	DESCRIPTION	REV
	1001119369	Ref	PLATFORM ROTATOR ASSEMBLY - WITH ARCTIC PACKAGE	B
1	See Note	1	Case/Bracket Weldment (Note: Not Available - Purchase Complete Assembly)	
1A	0962257	2	Bushing	
1B	0961947	2	Bushing	
2	7017196	1	Shaft	
3	7027900	1	Piston Sleeve	
4	7027901	1	Cap, End	
5	See Note	3	Capscrew, 1/4 x 1-1/2 Grade 8 (Note: Not Available - Purchase Locally)	
7	7017126	1	Tie Rod Assembly	
20	See Note	1	Seal, Rod (Note: Use Item 52)	
22	See Note	1	Seal, Piston (Note: Use Item 52)	
24	See Note	1	Seal, Cap (Note: Use Item 52)	
25	See Note	2	Packing, Bearing (Note: Use Item 52)	
26	See Note	2	Seal (Note: Use Item 52)	
27	See Note	1	Ring, Back-up Cap (Note: Use Item 52)	
32	See Note	2	Bearing, Shaft (Note: Use Item 51)	
34	See Note	2	Washer, Thrust (Note: Use Item 51)	
41	7017172	1	Counterbalance Valve Assembly	
41A	7017192	2	Valve Cartridge (No Seal Kit Available)	
42	70004323	2	Bushing, Shaft	
51	7017122	1	Bearing Kit (Includes Items 32-34)	
52	70004322	1	Seal Kit (Includes Items 20, 22, 24, 25, 26 & 27)	
53	7017123	1	Hardware Kit	
54	70001697	4	Screw 1/4 x 3/8 Grade 8	

SECTION 4 - BOOM

FIGURE 4-9. PLATFORM SUPPORT INSTALLATION - WITH 1 CELL LSS (PVC 2007)



ART_1001217227_F

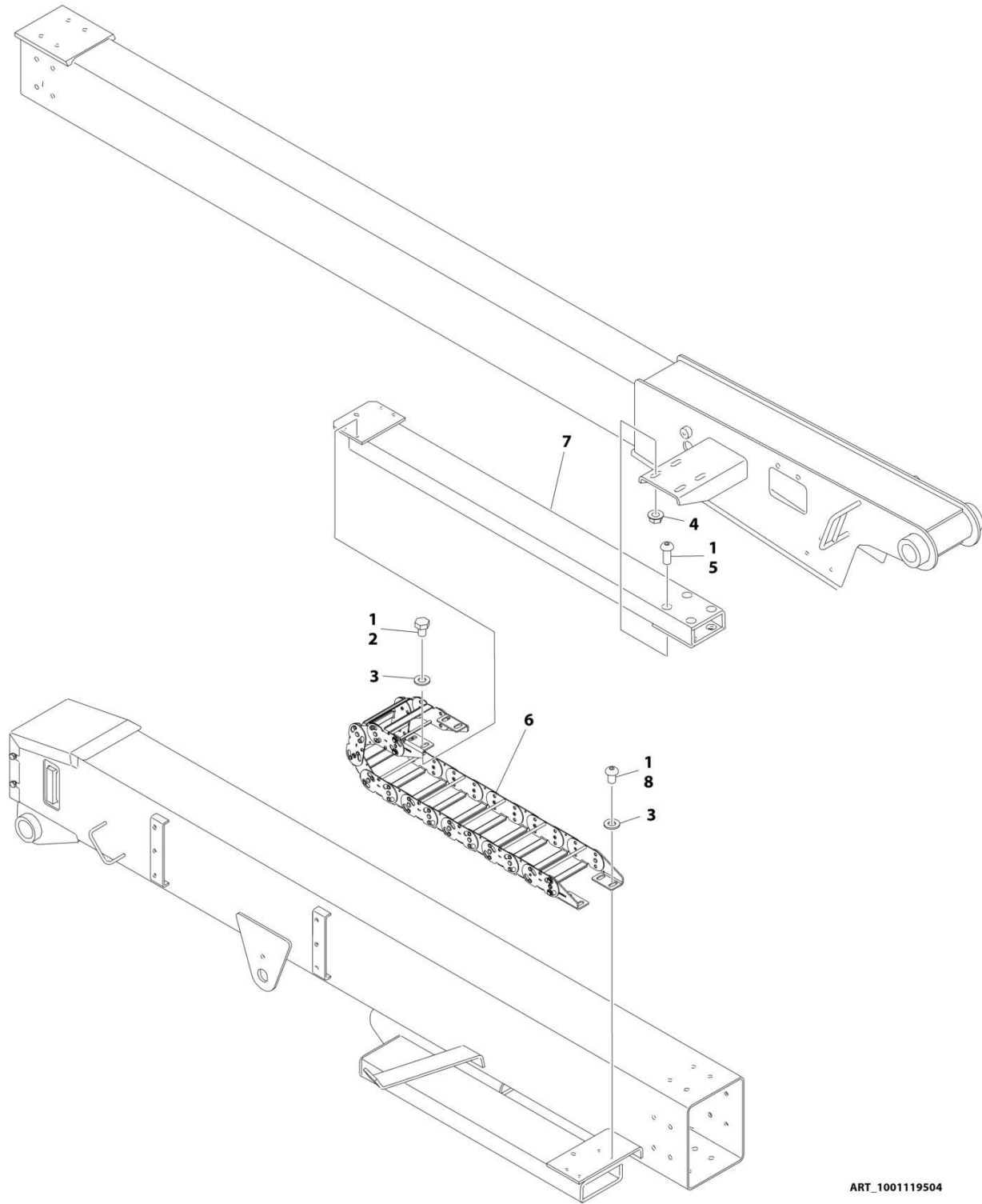
SECTION 4 - BOOM

FIGURE 4-9. PLATFORM SUPPORT INSTALLATION - WITH 1 CELL LSS (PVC 2007)

ITEM	PART NUMBER	QTY	DESCRIPTION	REV
	1001217227	Ref	PLATFORM SUPPORT INSTALLATION - WITH 1 CELL LSS	F
1	0100011	AR	Compound, Locking	
2	0681608	6	Bolt 3/8 x 1	
4	0761014	4	Bolt M10 x 30	
5	0761215	8	Bolt M12 x 35	
6	3291001	4	Nut M10	
7	3291005	2	Nut M10	
8	3291201	3	Nut M12	
9	3841143	4	Keeper, Pin	
12	4812000	8	Washer M10	
13	4812100	5	Washer M12	
14	4891600	6	Washer 3/8	
15	5251008	2	Bolt M10 x 16	
16	5251016	2	Bolt M10 x 40	
18	1001098828	2	Bolt M12 x 70 Grade 10.9	
20	1001247468	1	Gauge, Load Sensing	
21	1001188622	1	Screw	
22	1001188844	1	Bolt M12 x 35	
23	1001190985	1	Pad, Wear	
24	1001200491	1	Pad, Wear	
25	1001216630	2	Decal - Tie Down/No Lift	
26	1001217228	1	Platform Support	
27	1001217242	2	Pin	
28	1001217243	2	Pin	
29	1001217244	2	Link	
31	1001217253	8	Bearing, Thrust	
32	1001217254	4	Bearing, Thrust	
33	1001217267	1	Support	
34	0760610	1	Bolt M6 x 20	
35	1320136	1	Clamp	
36	3290605	1	Nut M6	
38	4060804	14.4 in/ 36.5cm	Shield	
39	4060805	15.9 in/ 40.5 cm	Shield	
40	4811702	3	Washer M6	
41	1001228627	1	Cover	
42	3291205	8	Nut M12	
43	5241200	16	Washer M12	
44	0760606	2	Bolt M6 x 12	

SECTION 4 - BOOM

FIGURE 4-10. POWER TRACK INSTALLATION



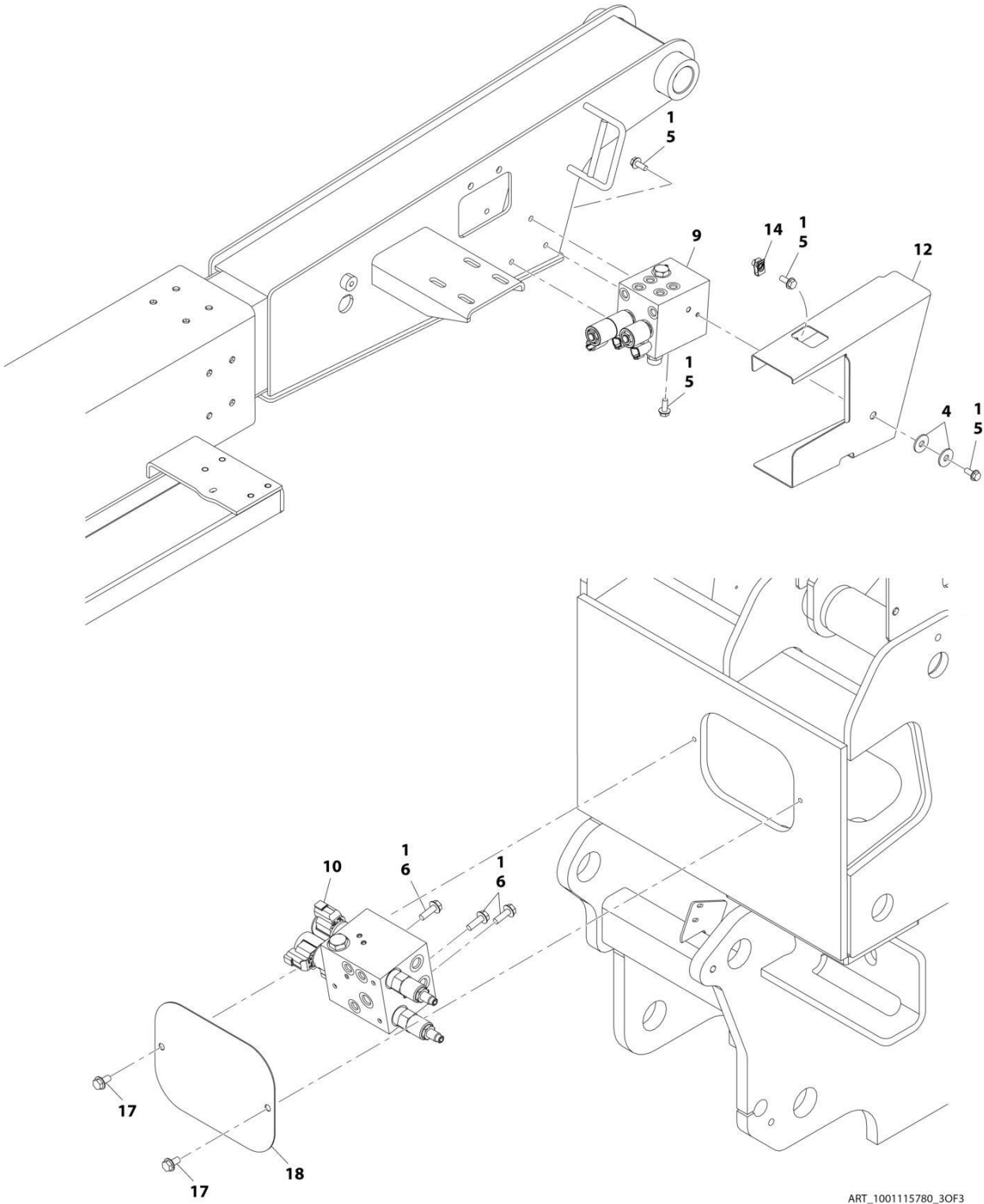
ART_1001119504

FIGURE 4-10. POWER TRACK INSTALLATION

ITEM	PART NUMBER	QTY	DESCRIPTION	REV
	1001119504	Ref	POWER TRACK INSTALLATION	C
1	0100011	AR	Compound, Locking	
2	0761007	4	Bolt M10 x 14	
3	4812000	8	Washer M10	
4	5221000	4	Nut M10 Grade 10.9	
5	8310668	4	Screw M10 x 25 Grade 10.9	
6	1001224891	1	Carrier, Power Track	
6	70006269	1	Repair Kit (Includes 10 Link Section of Track)	
6	70006280	1	Bracket Kit (Includes 4 Mounting Feet and Hardware to Attach to Track)	
7	1001119513	1	Tube, Support	
8	1001119527	4	Screw M10 x 16	

SECTION 4 - BOOM

FIGURE 4-11. CONTROL VALVES INSTALLATION - BOOM



ART_1001115780_30F3

SECTION 4 - BOOM**FIGURE 4-11. CONTROL VALVES INSTALLATION - BOOM**

ITEM	PART NUMBER	QTY	DESCRIPTION	REV
	1001115780	Ref	CONTROL VALVES INSTALLATION - BOOM	G
1	0100011	AR	Compound, Locking	
4	4812002	2	Washer M10	
5	5250810	10	Bolt M8 x 20	
6	5250812	3	Bolt M8 x 25	
9	1001116228	1	Fly Boom Valve Assembly (See Separate Breakdown in this Section)	
10	1001136244	1	Boom Upright Valve Assembly (See Separate Breakdown in this Section)	
12	1001116835	1	Shield	
14	1001118274	1	Nut M8	
17	5250808	2	Bolt M8 x 16	
18	1001118595	1	Cover	

SECTION 4 - BOOM

FIGURE 4-12. FLY BOOM VALVE ASSEMBLY

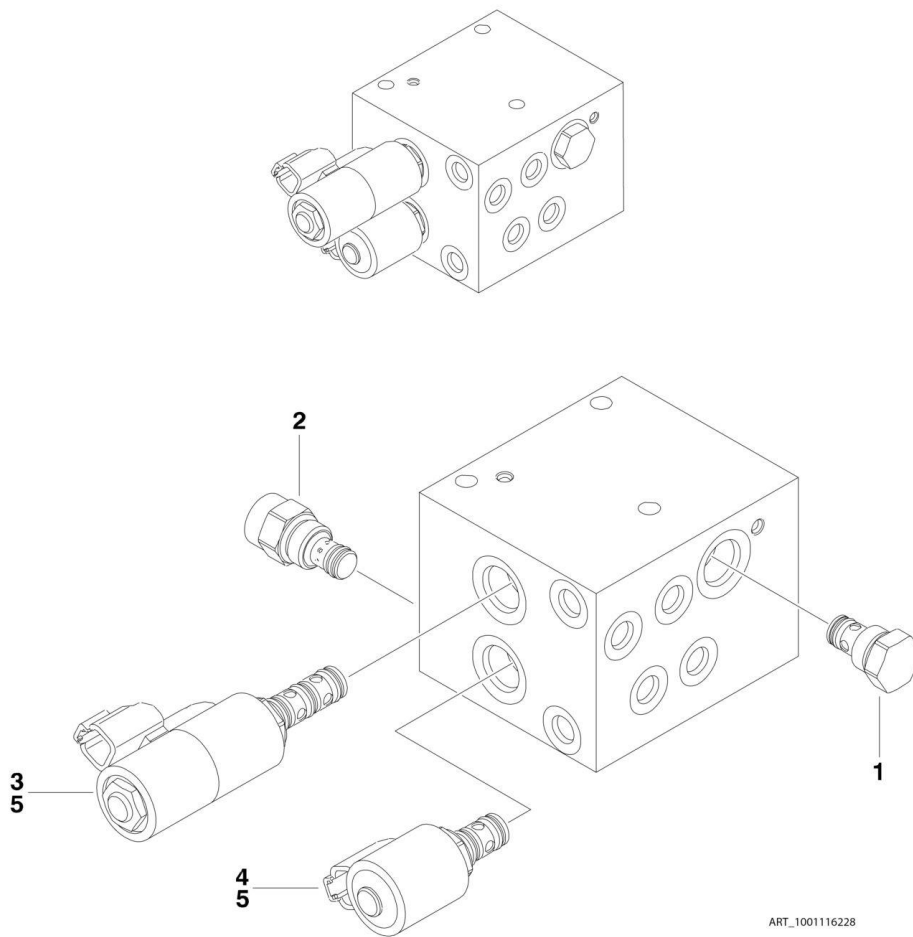
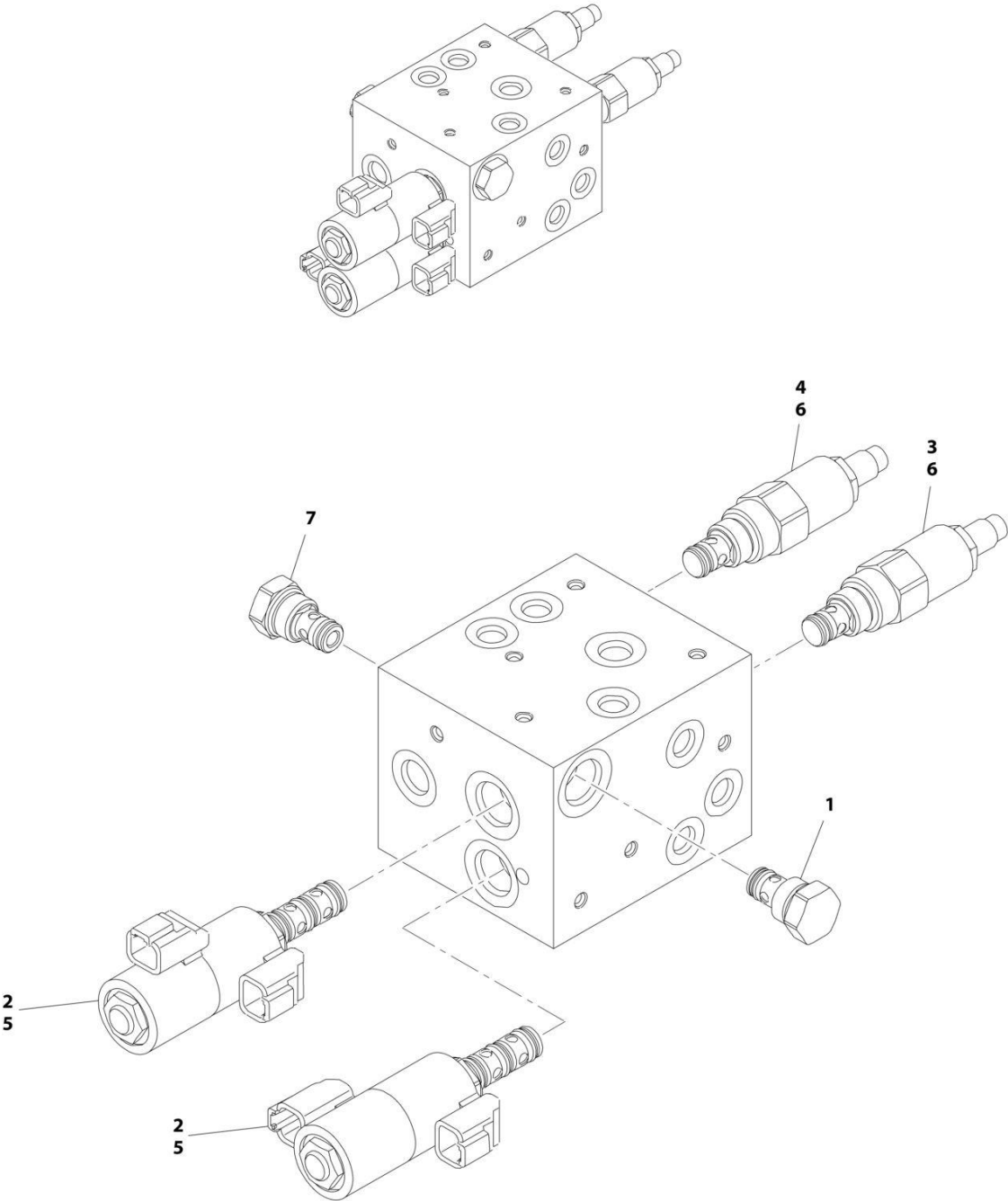


FIGURE 4-12. FLY BOOM VALVE ASSEMBLY

ITEM	PART NUMBER	QTY	DESCRIPTION	REV
	1001116228	Ref	FLY BOOM VALVE ASSEMBLY	D
1	7012955	1	Cartridge, Check Valve	
1	7012967	1	Seal Kit - 7012955 Cartridge	
2	7023970	1	Cartridge, Flow Regulator	
2	7012953	1	Seal Kit - 7023970 Cartridge	
3	7017452	1	Cartridge, Solenoid Valve (without Coil) (Rotate)	
3	7017402	1	Seal Kit - 7017452 Cartridge	
4	7012941	1	Cartridge, Solenoid Valve (without Coil) (Jib)	
4	7010543	1	Seal Kit - 7012941 Cartridge	
5	70002386	3	Coil	

SECTION 4 - BOOM

FIGURE 4-13. BOOM UPRIGHT VALVE ASSEMBLY



ART_1001136244

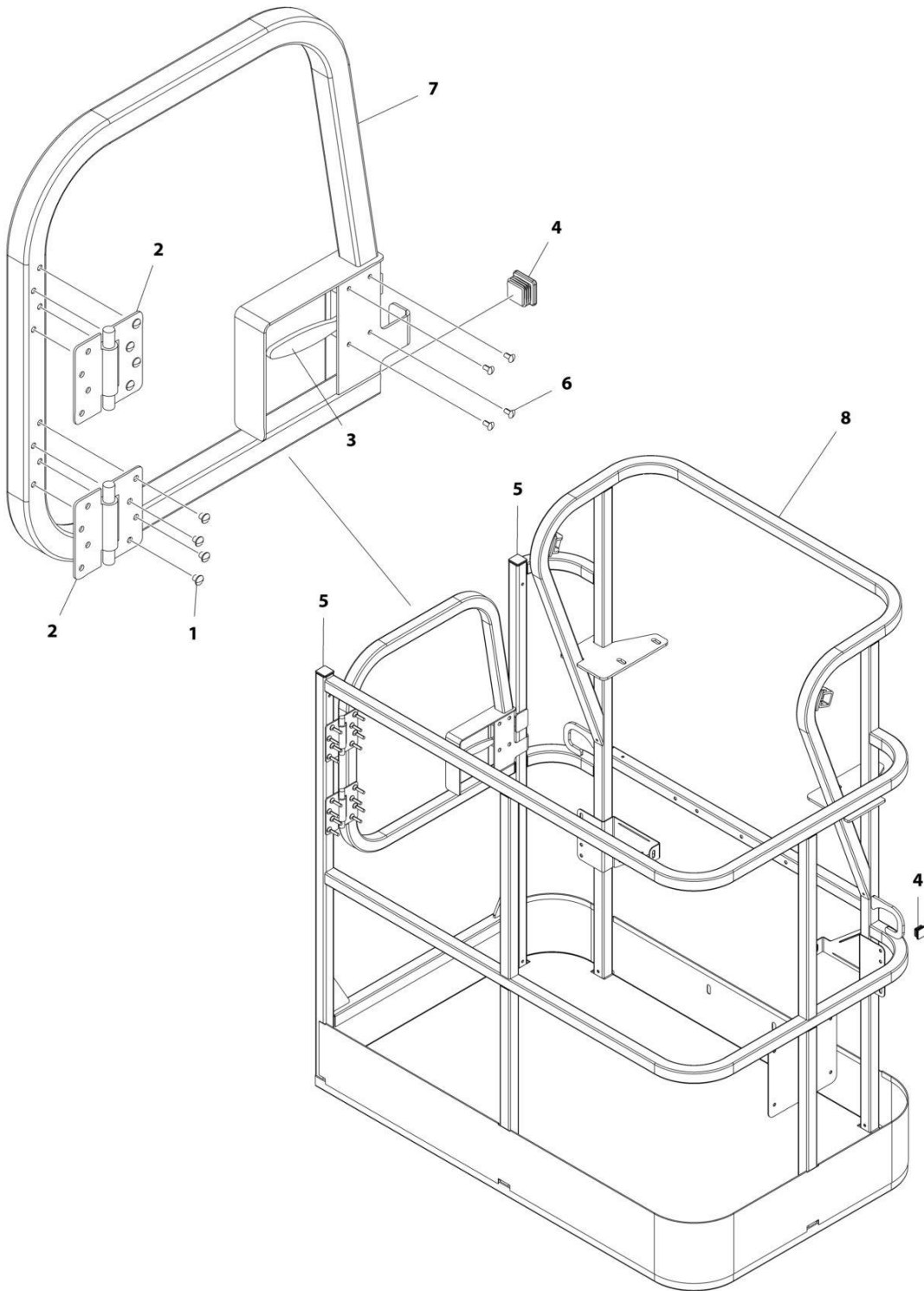
FIGURE 4-13. BOOM UPRIGHT VALVE ASSEMBLY

ITEM	PART NUMBER	QTY	DESCRIPTION	REV
	1001136244	Ref	BOOM UPRIGHT VALVE ASSEMBLY	C
1	7012955	2	Cartridge, Check Valve	
1	7012967	2	Seal Kit - 7012955 Cartridge	
2	7017452	2	Cartridge, Solenoid Valve (without Coil) (Telescope/Platform Level)	
2	7017402	2	Seal Kit - 7017452 Cartridge	
3	7017427	1	Cartridge, Relief	
3	7012998	1	Seal Kit - 7017427 Cartridge	
4	70002954	1	Cartridge, Relief	
4	7012998	1	Seal Kit - 70002954 Cartridge	
5	70002963	4	Coil	
6	See Note	2	Orifice (Note: Not Available for Purchase)	
7	7017498	1	Piston, Pilot	

SECTION 5 - PLATFORM

SECTION 5 - PLATFORM

FIGURE 5-1. PLATFORM ASSEMBLY - 30IN X 4FT (76CM X 1.22M) - GATE ENTRY



ART_1001186387

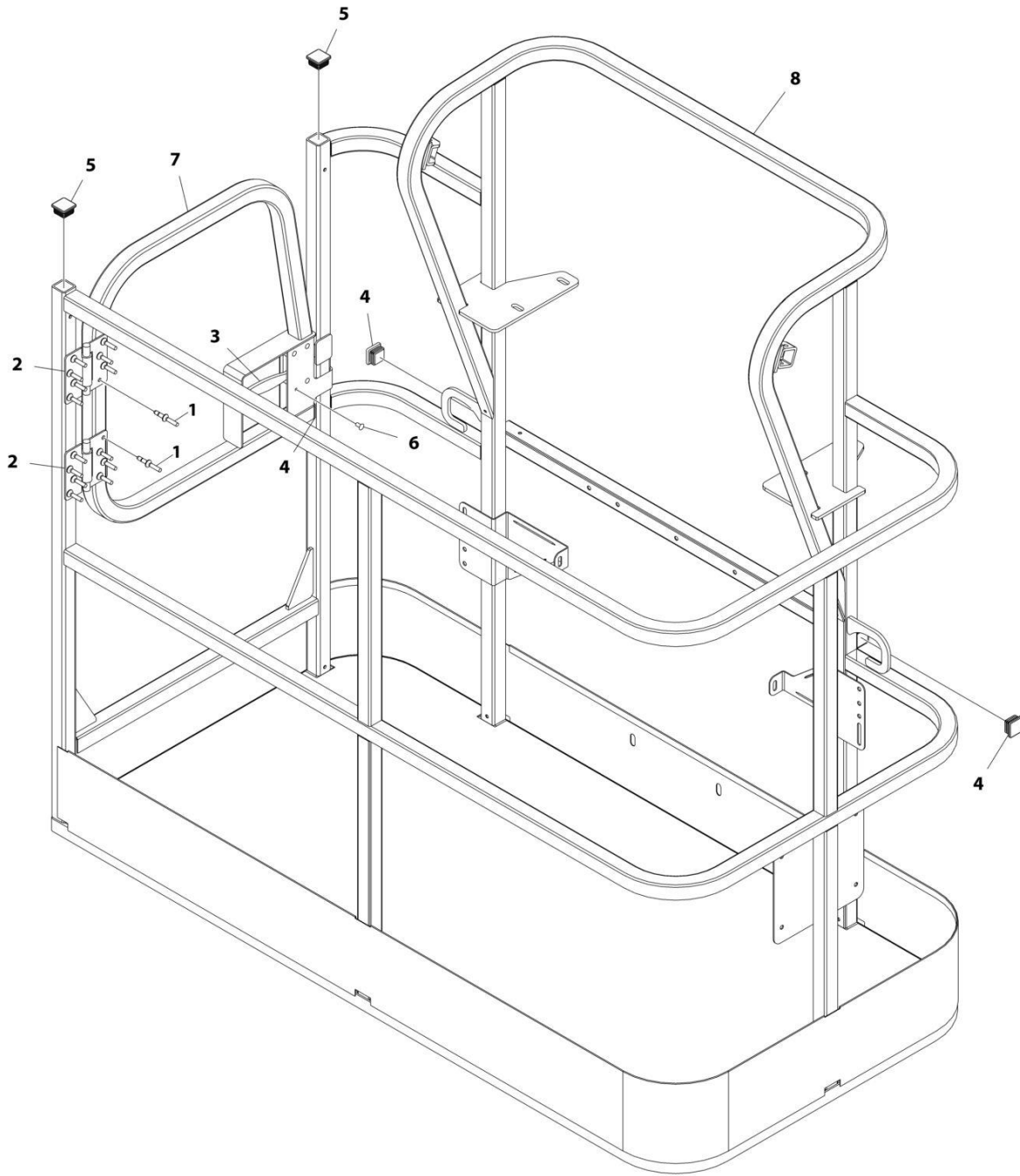
SECTION 5 - PLATFORM

FIGURE 5-1. PLATFORM ASSEMBLY - 30IN X 4FT (76CM X 1.22M) - GATE ENTRY

ITEM	PART NUMBER	QTY	DESCRIPTION	REV
	1001186387	Ref	PLATFORM ASSEMBLY	C
		Ref	Note: Platform and Mesh must be ordered separately for Platforms with Mesh. See SPECIAL OPTIONS SECTION for Mesh Installations.	
		Ref	Note: Replacement Decals Must be Ordered Separately - See DECALS SECTION.	
1	2080040	16	Fastener, Huck	
2	2600281	2	Hinge, Self-Closing	
3	2940074	1	Latch	
4	3520072	3	Plug	
5	3520198	2	Plug	
6	3820020	4	Rivet	
7	1001144629	1	Gate	
8	See Note	1	Platform (Note: Not Available - Purchase Platform Assembly)	

SECTION 5 - PLATFORM

FIGURE 5-2. PLATFORM ASSEMBLY - 30IN X 5FT (76CM X 1.52M) - GATE ENTRY



ART_1001186386

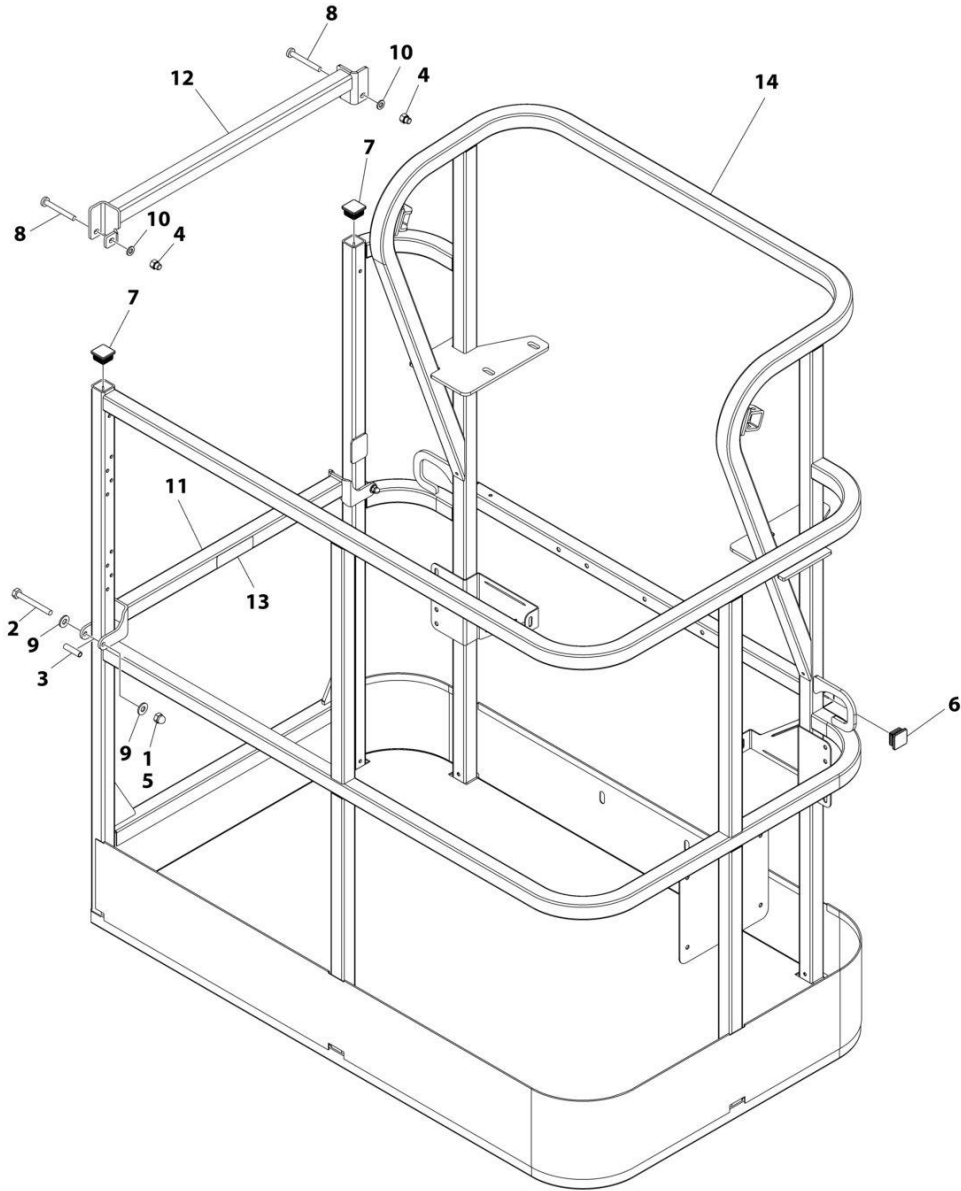
SECTION 5 - PLATFORM

FIGURE 5-2. PLATFORM ASSEMBLY - 30IN X 5FT (76CM X 1.52M) - GATE ENTRY

ITEM	PART NUMBER	QTY	DESCRIPTION	REV
	1001186386	Ref	PLATFORM ASSEMBLY	C
		Ref	Note: Platform and Mesh must be ordered separately for Platforms with Mesh. See SPECIAL OPTIONS SECTION for Mesh Installations.	
		Ref	Note: Replacement Decals Must be Ordered Separately - See DECALS SECTION.	
1	2080040	16	Fastener, Huck	
2	2600281	2	Hinge, Self-Closing	
3	2940074	1	Latch	
4	3520072	3	Plug	
5	3520198	2	Plug	
6	3820020	4	Rivet	
7	1001144629	1	Gate	
8	See Note	NSS	Platform (Note: Not Available - Purchase Platform Assembly)	

SECTION 5 - PLATFORM

FIGURE 5-3. PLATFORM ASSEMBLY - 30IN X 4FT (76CM X 1.22M) - DROP BAR ENTRY



ART_1001186375

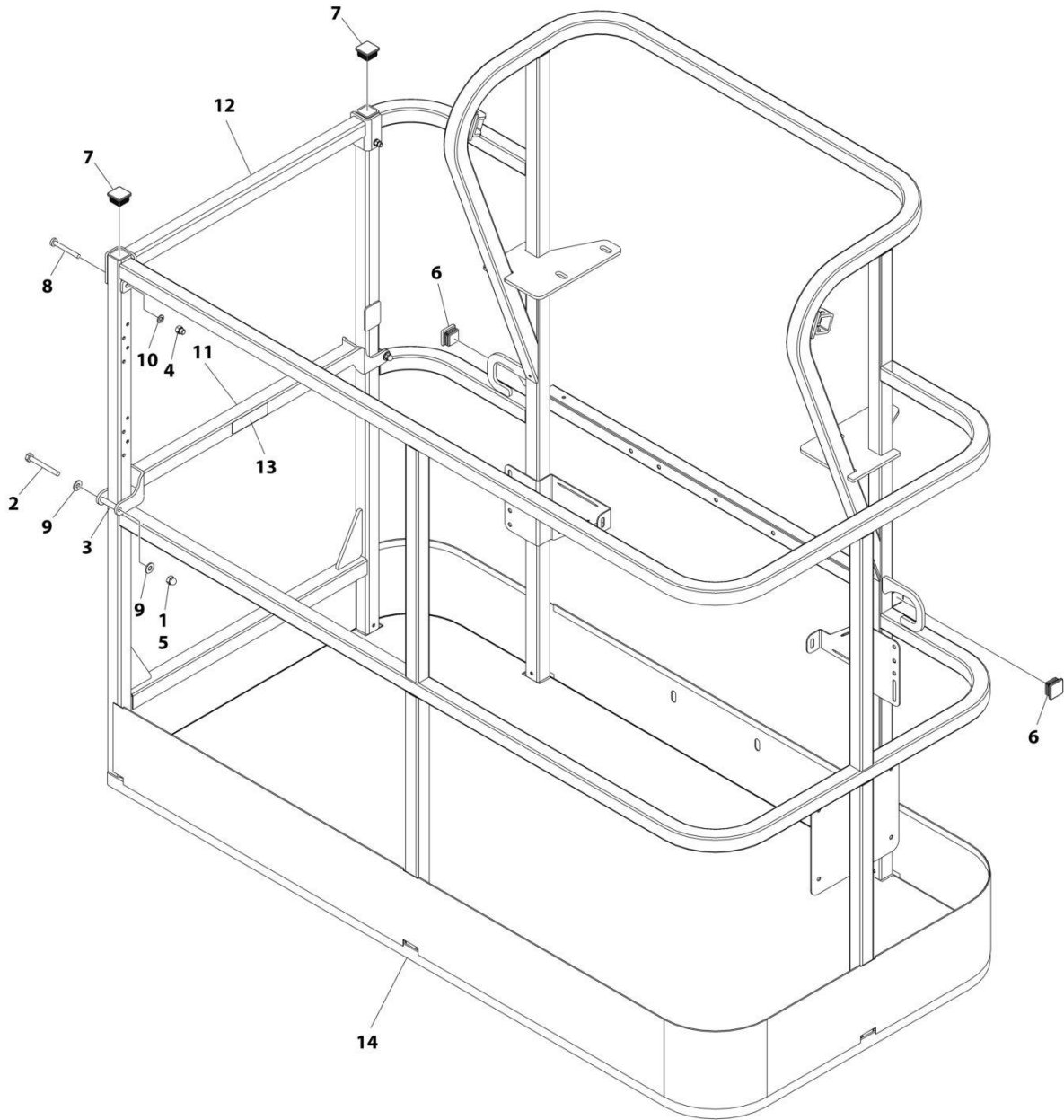
SECTION 5 - PLATFORM

FIGURE 5-3. PLATFORM ASSEMBLY - 30IN X 4FT (76CM X 1.22M) - DROP BAR ENTRY

ITEM	PART NUMBER	QTY	DESCRIPTION	REV
	1001186375	Ref	PLATFORM ASSEMBLY	B
		Ref	Note: Platform and Mesh must be ordered separately for Platforms with Mesh. See SPECIAL OPTIONS SECTION for Mesh Installations.	
		Ref	Note: Replacement Decals Must be Ordered Separately - See DECALS SECTION.	
1	0100011	AR	Compound, Locking	
2	0641418	2	Bolt 1/4 x 2-1/4	
3	0961845	2	Bushing	
4	3290606	2	Nut M6	
5	3300151	2	Nut 1/4	
6	3520072	2	Plug	
7	3520198	2	Plug	
8	4010618	2	Screw M6 x 50	
9	4711400	4	Washer 1/4	
10	4811700	2	Washer M6	
11	1001138494	1	Bar, Drop	
12	1001138514	1	Rail - Top	
13	1001140429	1	Decal - Drop Bar	
14	See Note	1	Platform (Note: Not Available - Purchase Platform Assembly)	

SECTION 5 - PLATFORM

FIGURE 5-4. PLATFORM ASSEMBLY - 30IN X 5FT (76CM X 1.52M) - DROP BAR ENTRY



ART_1001186377

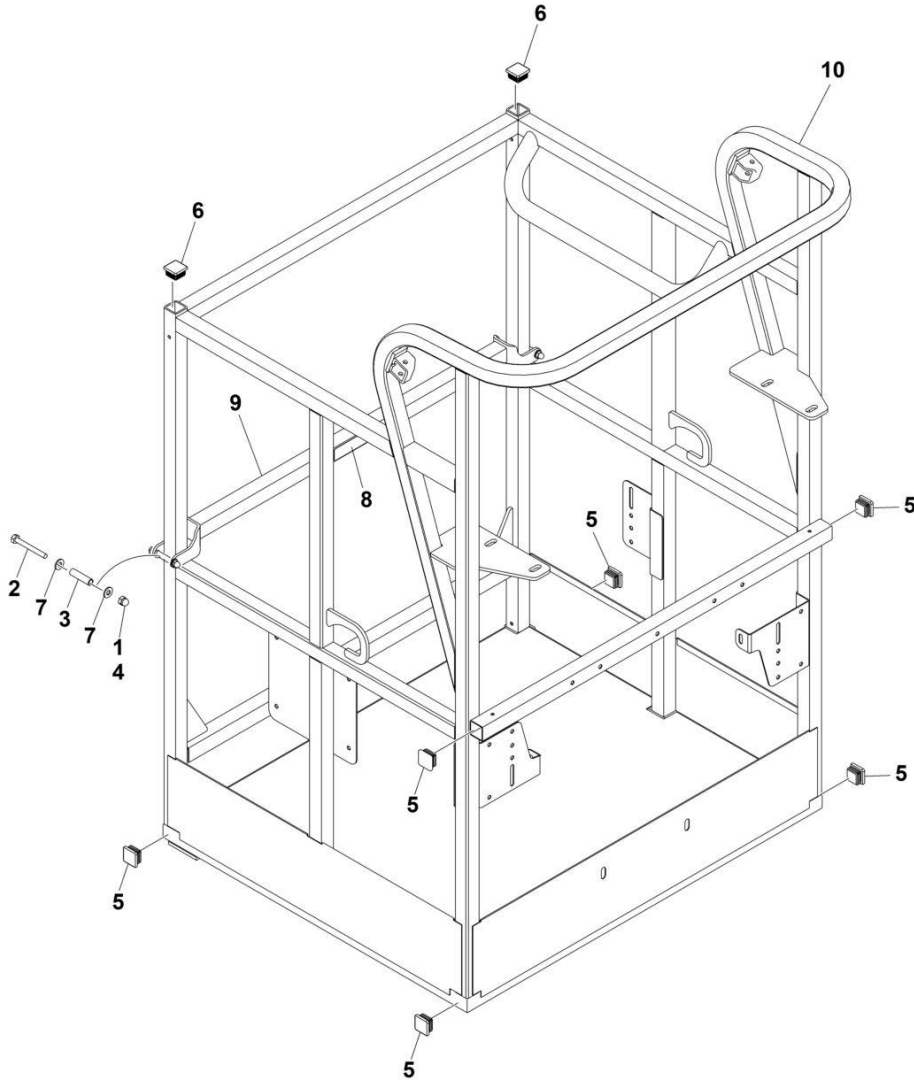
SECTION 5 - PLATFORM

FIGURE 5-4. PLATFORM ASSEMBLY - 30IN X 5FT (76CM X 1.52M) - DROP BAR ENTRY

ITEM	PART NUMBER	QTY	DESCRIPTION	REV
	1001186377	Ref	PLATFORM ASSEMBLY	C
		Ref	Note: Platform and Mesh must be ordered separately for Platforms with Mesh. See SPECIAL OPTIONS SECTION for Mesh Installations.	
		Ref	Note: Replacement Decals Must be Ordered Separately - See DECALS SECTION.	
1	0100011	AR	Compound, Locking	
2	0641420	2	Bolt 1/4 x 2-1/2	
3	0961845	2	Bushing	
4	3290606	2	Nut M6	
5	3300151	2	Nut 1/4	
6	3520072	2	Plug	
7	3520198	2	Plug	
8	4010618	2	Screw M6 x 50	
9	4711400	4	Washer 1/4	
10	4811700	2	Washer M6	
11	1001138494	1	Bar, Drop	
12	1001138514	1	Rail (Top)	
13	1001140429	1	Decal - Drop Bar	
14	See Note	NSS	Platform (Note: Not Available - Purchase Platform Assembly)	

SECTION 5 - PLATFORM

FIGURE 5-5. PLATFORM ASSEMBLY - 30IN X 3FT (76CM X .91M) - DROP BAR ENTRY



ART_1001228215

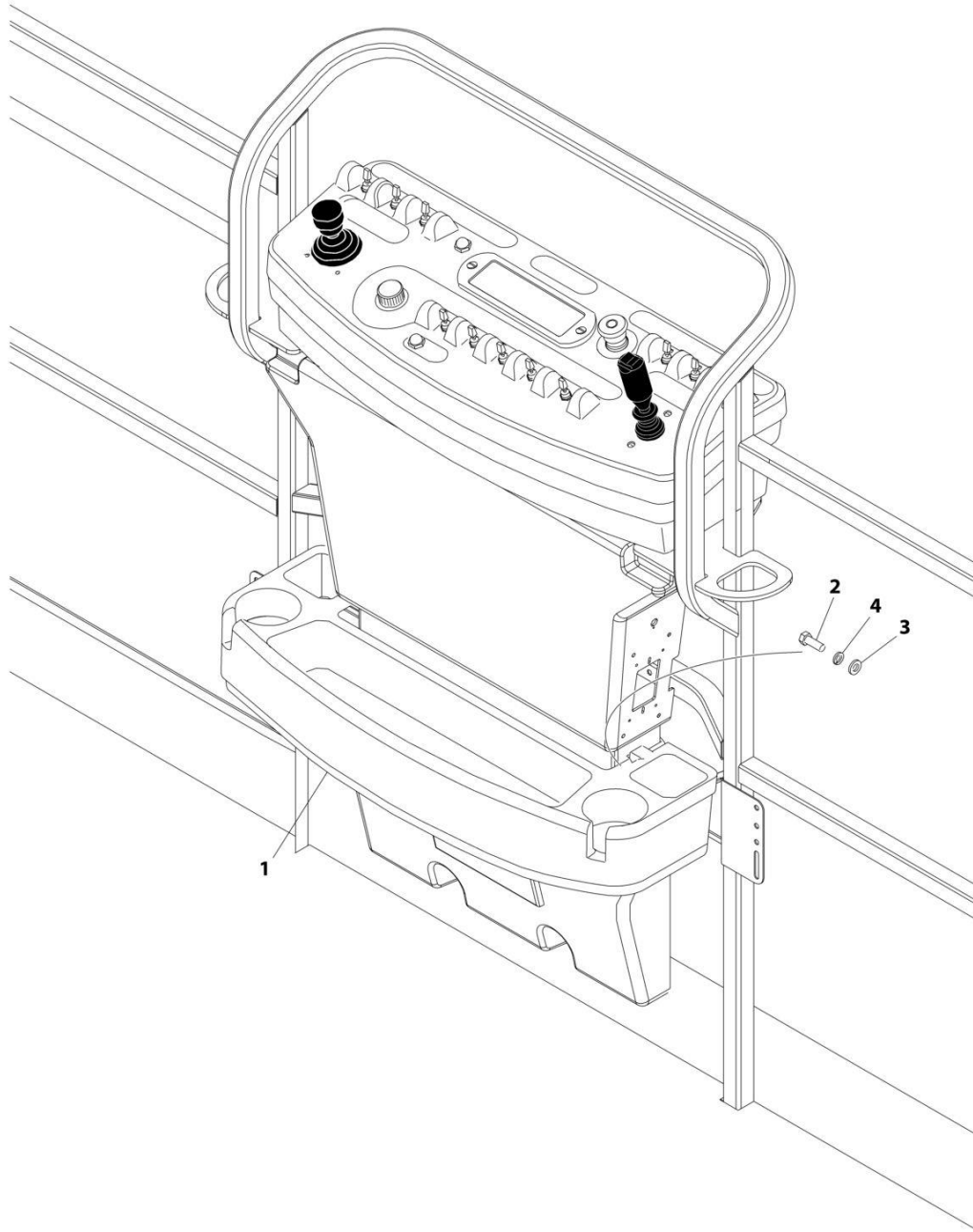
SECTION 5 - PLATFORM

FIGURE 5-5. PLATFORM ASSEMBLY - 30IN X 3FT (76CM X .91M) - DROP BAR ENTRY

ITEM	PART NUMBER	QTY	DESCRIPTION	REV
	1001228215	Ref	PLATFORM ASSEMBLY	A
	See Note	Ref	Note: Platform and Mesh must be ordered separately for Platforms with Mesh. See SPECIAL OPTIONS SECTION for Mesh Installations.	
	See Note	Ref	Note: Replacement Decals Must be Ordered Separately - See DECAL SECTION.	
1	0100011	AR	Compound, Locking	
2	0641418	2	Bolt 1/4 x 2-1/4	
3	0961845	2	Bushing	
4	3300151	2	Nut 1/4	
5	3520072	6	Cap, Plug	
6	3520198	2	Cap, Plug	
7	4711400	4	Washer 1/4	
8	1001140429	1	Decal - Drop Bar	
9	1001226872	1	Bar, Drop	
10	See Note	NSS	Platform (Note: Not Available - Purchase Platform Assembly)	

SECTION 5 - PLATFORM

FIGURE 5-6. TRAY INSTALLATION



ART_1580012

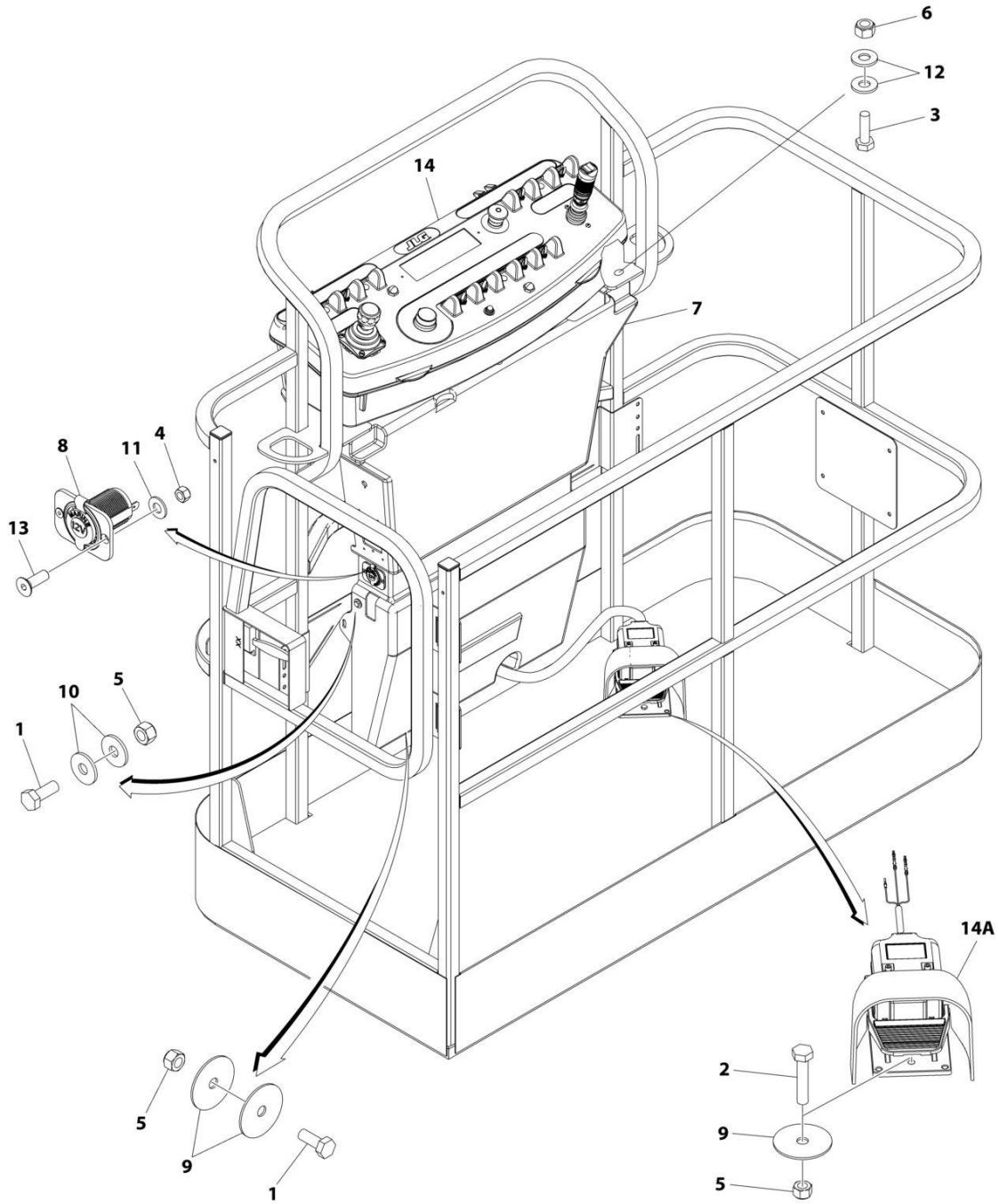
SECTION 5 - PLATFORM

FIGURE 5-6. TRAY INSTALLATION

ITEM	PART NUMBER	QTY	DESCRIPTION	REV
	1580012	Ref	TRAY ASSEMBLY	C
1	See Note	NSS	Tray, Storage (Center) (Note: Purchase p/n 1580012)	
2	0641406	2	Bolt 1/4 x 3/4	
3	4751400	2	Washer 1/4	
4	4761400	2	Washer 1/4	

SECTION 5 - PLATFORM

FIGURE 5-7. CONSOLE AND FOOTSWITCH INSTALLATION - DIESEL MACHINES



ART_1001245407

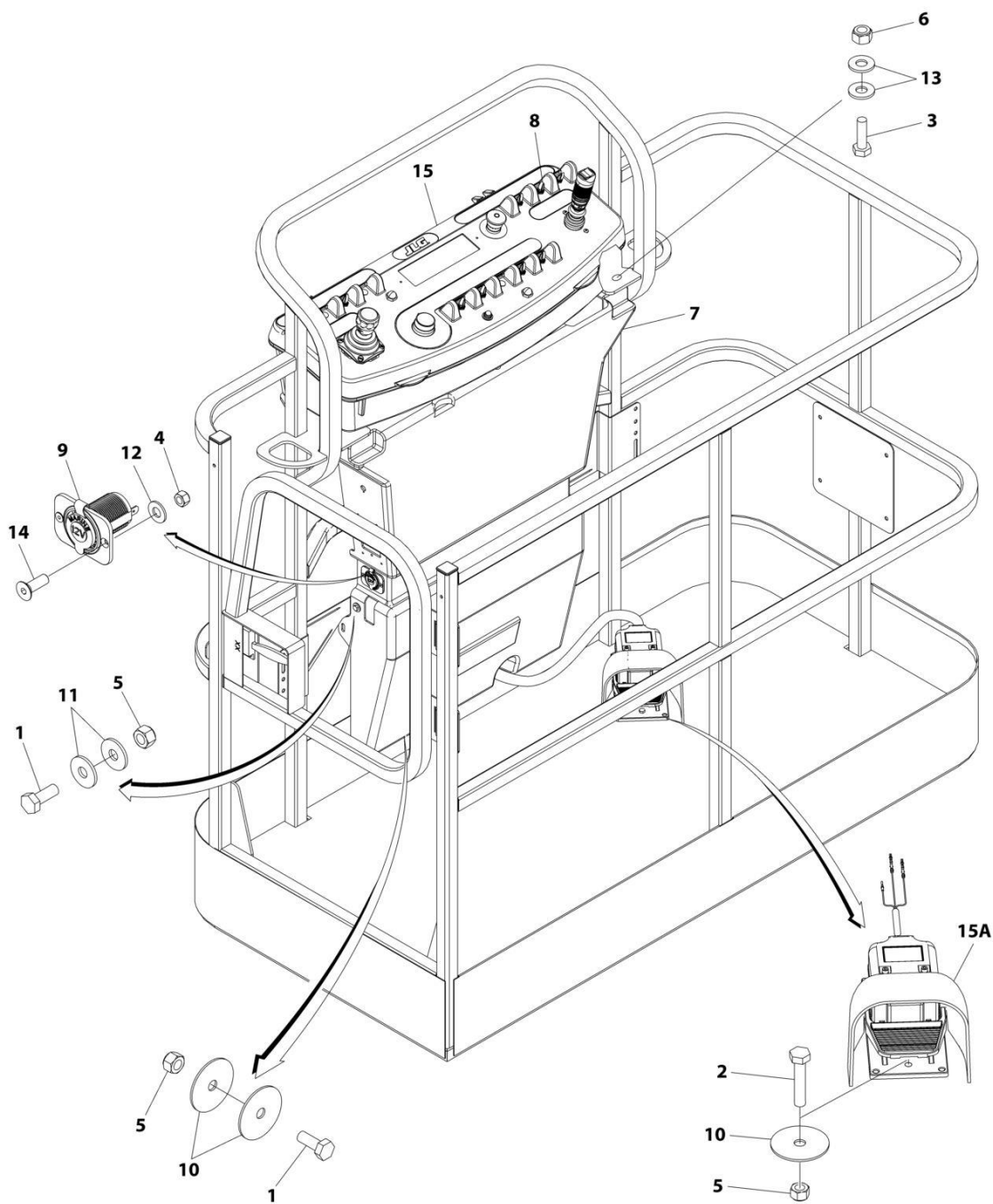
SECTION 5 - PLATFORM

FIGURE 5-7. CONSOLE AND FOOTSWITCH INSTALLATION - DIESEL MACHINES

ITEM	PART NUMBER	QTY	DESCRIPTION	REV
	1001245407	Ref	CONSOLE AND FOOTSWITCH INSTALLATION - DIESEL MACHINES WITHOUT SKYGUARD	C
1	0760610	4	Bolt M6 x 16	
2	0760614	3	Bolt M6 x 30	
3	0761015	4	Bolt M10 x 35	
4	3290405	AR	Nut M4	
5	3290605	7	Nut M6	
6	3291005	4	Nut M10	
7	3380434	1	Panel, Pedestal	
8	4461012	AR	Receptacle, 12V	
9	4740362	7	Washer 1/4	
10	4751400	2	Washer M4	
11	4811400	AR	Washer M4	
12	4812000	8	Washer M10	
13	1001097244	AR	Capscrew M4 x 12	
14	1001245389	2	Console Box Assembly (See Separate Breakdown in this Section)	
14A	1001117174	1	Footswitch Assembly	B
14A	1001117172	1	Footswitch Less Cable	
14A	70002902	1	Block, Contact	
14A	70002903	1	Gasket	
14A	70002905	1	Cover	
14A	70002904	1	Bolt Replacement Kit	
14A	1060918	7.5 ft /2.3m	Cable, Electrical - 18/3	
14A	4460071	1	Connector, Strain Relief	
14A	4460226	2	Socket, Female	
14A	4460464	1	Pin, Male	

SECTION 5 - PLATFORM

FIGURE 5-8. CONSOLE AND FOOTSWITCH INSTALLATION - GAS MACHINES



ART_1001245427

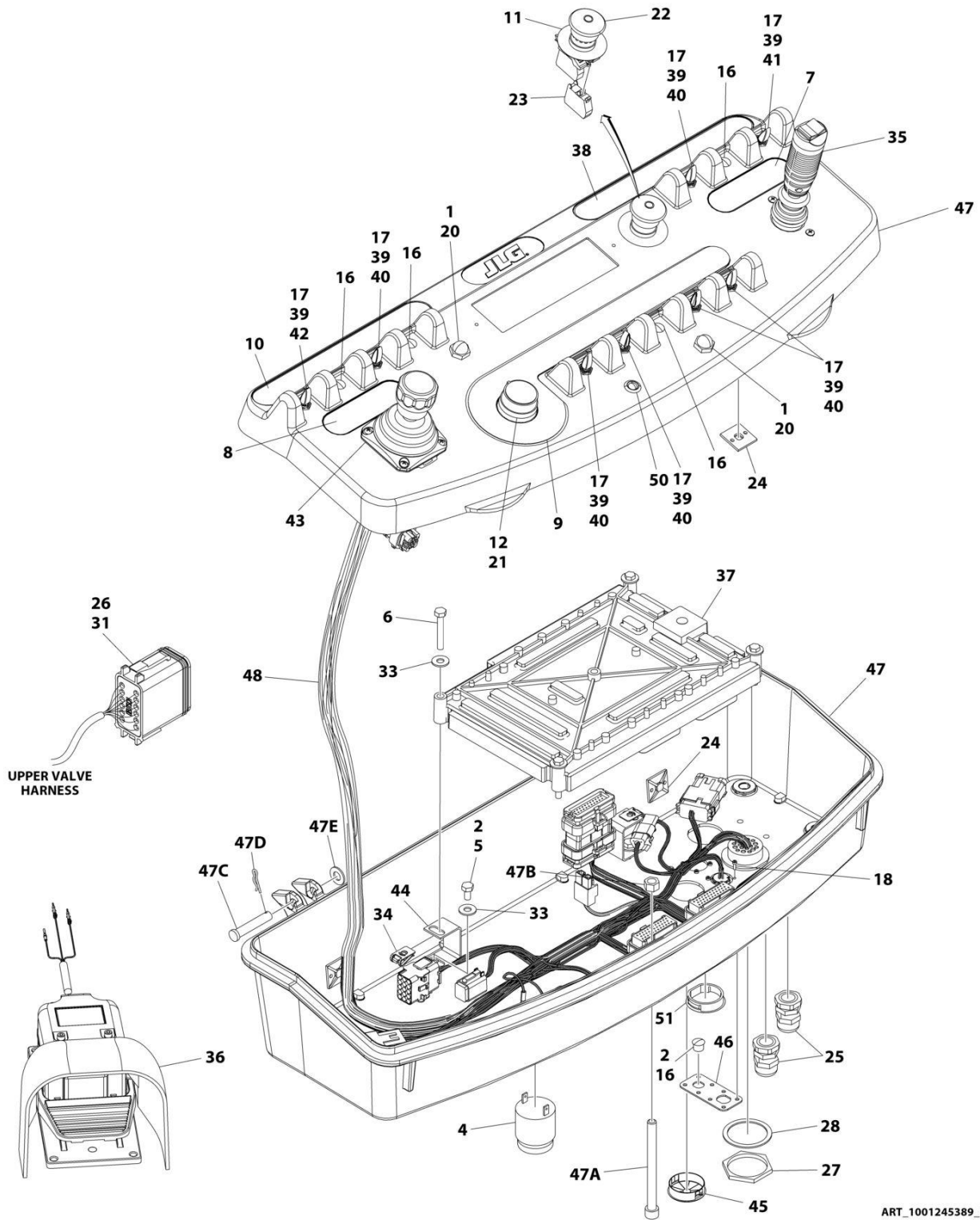
SECTION 5 - PLATFORM

FIGURE 5-8. CONSOLE AND FOOTSWITCH INSTALLATION - GAS MACHINES

ITEM	PART NUMBER	QTY	DESCRIPTION	REV
	1001245427	Ref	CONSOLE AND FOOTSWITCH INSTALLATION - GAS MACHINES WITHOUT SKYGUARD	B
1	0700610	4	Bolt M6 x 16	
2	0760614	3	Bolt M6 x 30	
3	0761015	4	Bolt M10 x 35	
4	3290405	2	Nut M4	
5	3290605	7	Nut M6	
6	3291005	4	Nut M10	
7	3380434	1	Panel, Pedestal	
8	4360336	1	Switch, Toggle	
9	4461012	1	Receptacle, 12V	
10	4740362	7	Washer 1/4	
11	4751400	2	Washer M4	
12	4811400	4	Washer M4	
13	4812000	8	Washer M10	
14	1001097244	1	Capscrew M4 x 12	
15	1001245389	2	Console Box Assembly (See Separate Breakdown in this Section)	
15A	1001117174	1	Footswitch Assembly	B
15A	1001117172	1	Footswitch Less Cable	
15A	70002902	1	Block, Contact	
15A	70002903	1	Gasket	
15A	70002905	1	Cover	
15A	70002904	1	Bolt Replacement Kit	
15A	1060918	7.5 ft /2.3m	Cable, Electrical - 18/3	
15A	4460071	1	Connector, Strain Relief	
15A	4460226	2	Socket, Female	
15A	4460464	1	Pin, Male	

SECTION 5 - PLATFORM

FIGURE 5-9. CONSOLE ASSEMBLY



ART_1001245389_E

SECTION 5 - PLATFORM

FIGURE 5-9. CONSOLE ASSEMBLY

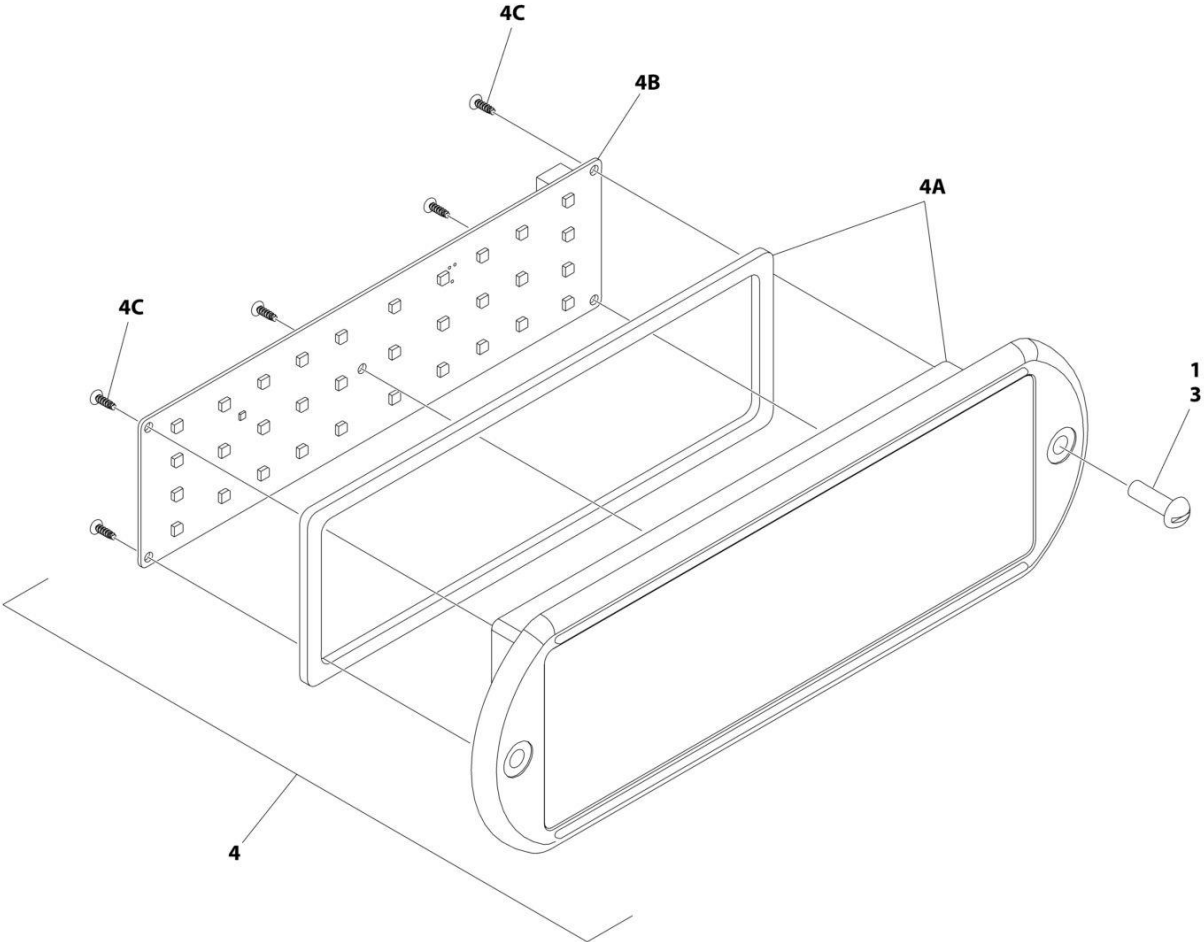
ITEM	PART NUMBER	QTY	DESCRIPTION	REV
	1001245389	Ref	CONSOLE ASSEMBLY - WITHOUT SKYGUARD	D
1	0100009	AR	Sealant	
2	0100035	AR	Compound, Locking	
4	0140011	1	Alarm	
5	0641405	4	Bolt 1/4 x 5/8	
6	0641414	4	Bolt 1/4 x 3/4	
7	1702565	1	Decal - Drive and Steer	
8	1702566	1	Decal - Lift and Swing	
9	1702567	1	Decal - Function Speed	
10	1001184626	1	Decal - Horn	
11	1704260	1	Decal - EMS	
12	2560136	1	Handle, Knob	
16	3520054	5	Plug, Hole	
17	3790012	8	O-Ring	
18	3900349	8	Capscrew M2.5	
19	4240099	AR	Tie-Strap (Not-Shown)	
20	4360387	2	Switch, Push-button	
21	4360407	1	Switch, Potentiometer	
22	1001274559	1	Switch, Emergency	
23	4360476	1	Block, Contact	
24	4460234	6	Mount, Tie-strap	
25	4460428	2	Connector, Strain Relief	
26	4460466	7	Plug, Terminal	
27	4460470	1	Nut, Terminal	
28	4460471	1	Washer, Terminal	
31	4460933	1	Plug, Male - 12 Position	
33	4751400	8	Washer 1/4	
34	3300353	4	Nut Tinnerman	
35	1001275628	1	Drive/Steer Controller Assembly	
36	1001117174	1	Footswitch Assembly (See Separate Breakdown in this Section)	
37	1001118412	1	Module, Platform (Note: Re-calibration Required when Replaced)	
38	1001184618	1	Decal - Stop	
39	1001155044	8	Nut 15/32	
40	1001155045	6	Switch, Toggle	
41	1001159256	1	Switch, Toggle	
42	1001161709	1	Switch, Toggle	
43	1001275629	1	Lift/Swing Controller Assembly	
44	1001172760	4	Bracket	
45	1001185281	1	Plug	
46	1001213882	1	Mount, Connector	
47	1001215228	1	Platform Console Box	
47A	0630568	1	Capscrew 3/8 x 4-1/2	
47B	3311601	1	Nut 3/8	
47C	3430616	2	Pin	
47D	3470003	2	Hairpin	
47E	4711600	2	Washer 3/8	
48	1001244528	1	Platform Console Harness (See Separate Breakdown in ELECTRICAL Section)	
49	1001140525	1	Valve Harness - Platform to Boom Valves (Not Shown - See Separate Breakdown in ELECTRICAL Section)	

SECTION 5 - PLATFORM

ITEM	PART NUMBER	QTY	DESCRIPTION	REV
50	1001110434	1	Plug	
51	1001206532	1	Lamp, LED Indicator Yellow	

SECTION 5 - PLATFORM

FIGURE 5-10. LIGHT PANEL INSTALLATION



ART_1001241400_C_2OF2

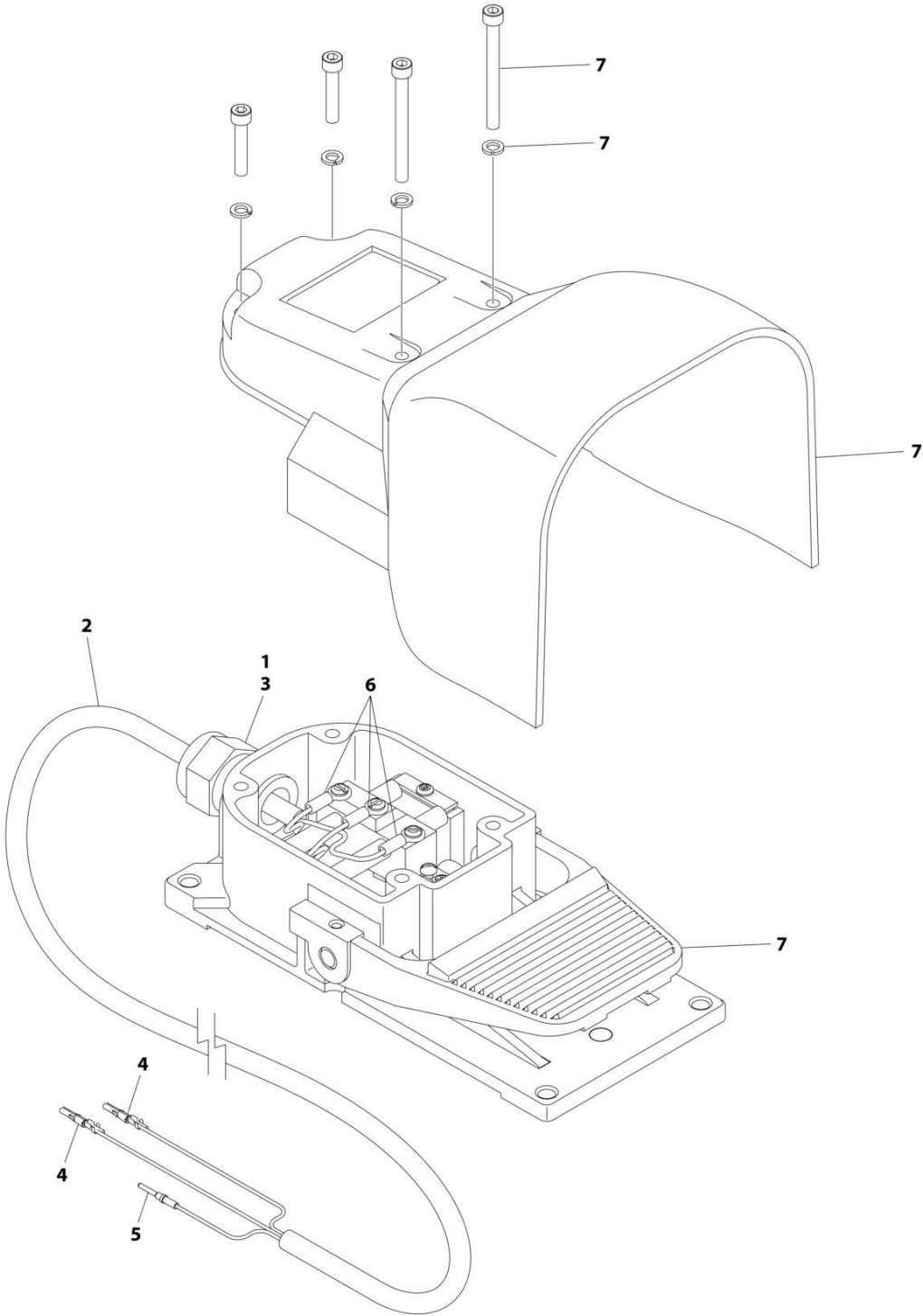
SECTION 5 - PLATFORM

FIGURE 5-10. LIGHT PANEL INSTALLATION

ITEM	PART NUMBER	QTY	DESCRIPTION	REV
	1001241400	Ref	LIGHT PANEL INSTALLATION - PLATFORM CONSOLE	C
1	0100035	AR	Compound, Locking	
3	0630518	2	Screw #10 x 3/4	
4	1001284583	1	Light Panel Assembly	
4A	1001284582	1	Lens, I-Con (Includes Gasket)	
4B	1001187807	1	Panel, LED Light	
4C		Ref	Screw #10 x 3/4	

SECTION 5 - PLATFORM

FIGURE 5-11. FOOTSWITCH ASSEMBLY



ART_100117174

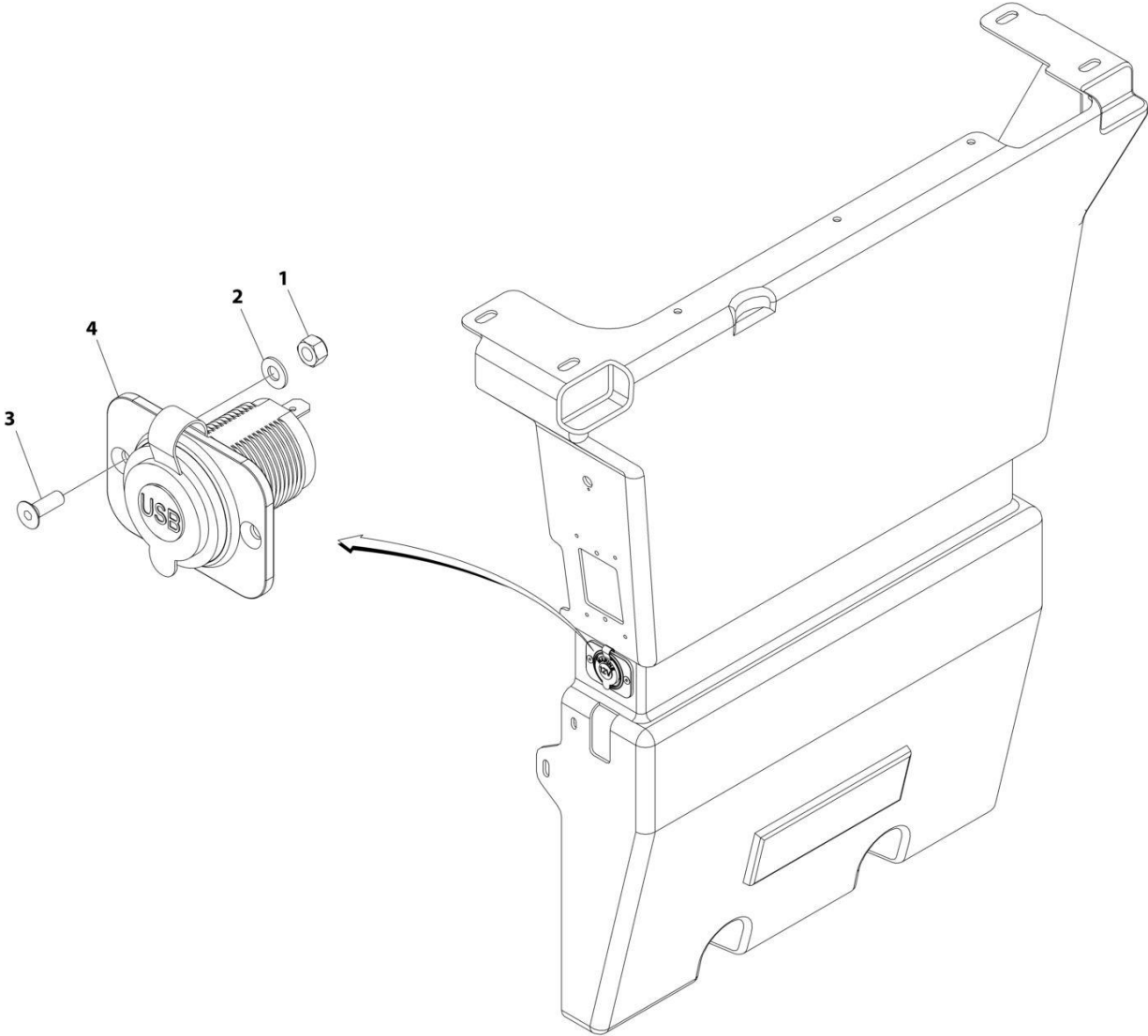
SECTION 5 - PLATFORM

FIGURE 5-11. FOOTSWITCH ASSEMBLY

ITEM	PART NUMBER	QTY	DESCRIPTION	REV
	1001117174	Ref	FOOTSWITCH ASSEMBLY	C
1	0100020	AR	Sealant	
2	1060918	7.5 ft/ 2.3m	Cable, Electrical - 18/3	
3	4460071	1	Connector, Strain Relief	
4	4460226	2	Socket, Female	
5	4460464	1	Pin, Male	
6	1001098122	3	Terminal	
7	1001117172	1	Footswitch	
7	70002902	1	Switch, 20Amp	
7	70002903	1	Gasket	
7	70002905	1	Cover	
7	70002904	1	Kit, Replacement Bolt	

SECTION 5 - PLATFORM

FIGURE 5-12. USB CHARGER INSTALLATION



ART_1001274828

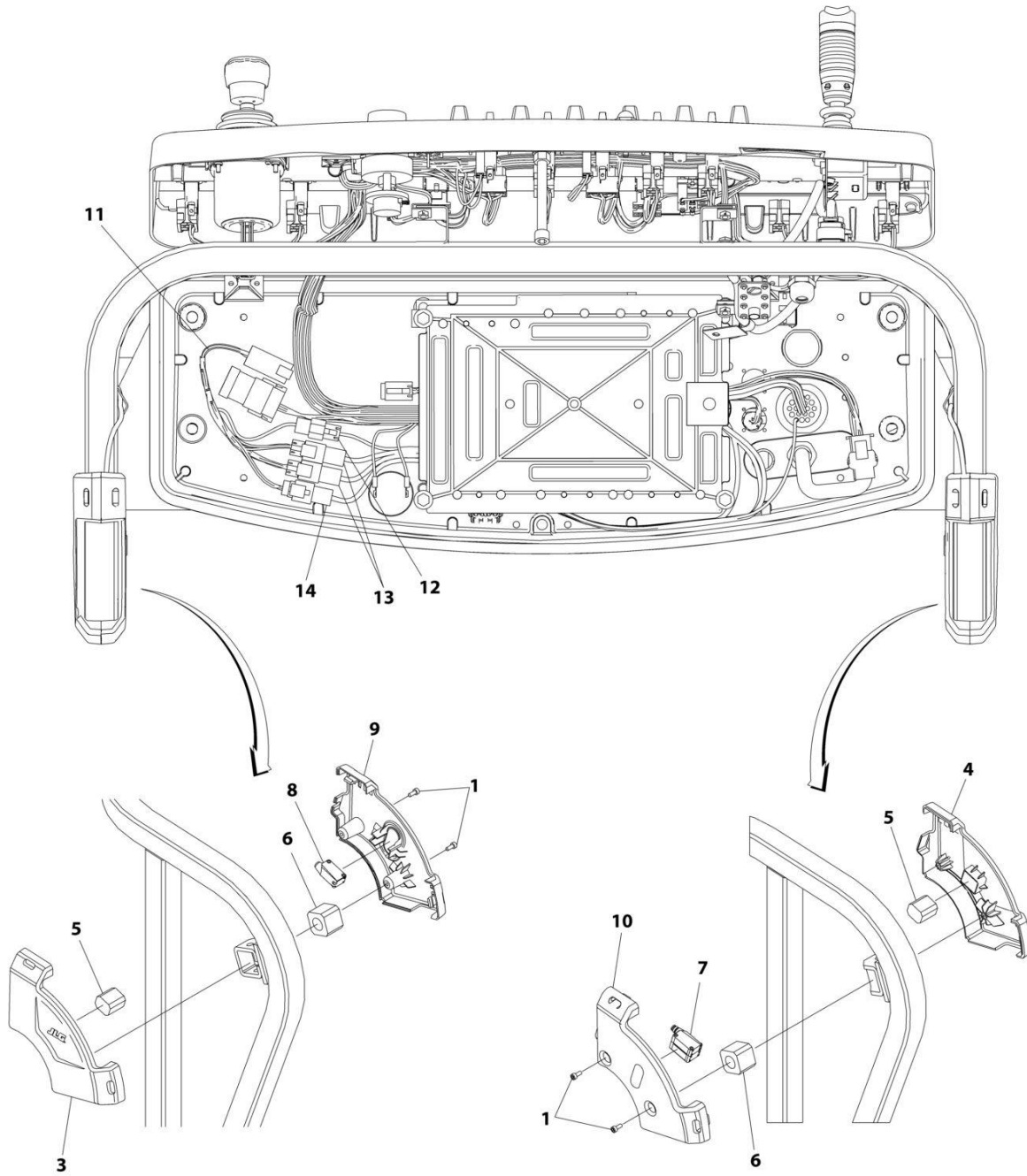
SECTION 5 - PLATFORM

FIGURE 5-12. USB CHARGER INSTALLATION

ITEM	PART NUMBER	QTY	DESCRIPTION	REV
	1001274828	Ref	USB CHARGER INSTALLATION	B
1	3290405	2	Nut M4	
2	4811400	2	Washer M4	
3	1001097244	2	Screw M4 x 12	
4	1001210636	1	Receptacle, USB	

SECTION 5 - PLATFORM

FIGURE 5-13. SKYEYE INSTALLATION



ART_1001229341

SECTION 5 - PLATFORM

FIGURE 5-13. SKYEYE INSTALLATION

ITEM	PART NUMBER	QTY	DESCRIPTION	REV
	1001229341	Ref	SKYEYE INSTALLATION	B
1	4031505	4	Bolt M4 x 10	
2	4240033	AR	Tie-Strap (Not Shown)	
3	1001227633	1	Housing, LH Outer	
4	1001227634	1	Housing, RH Outer	
5	1001227985	2	Shim	
6	1001227987	2	Shim	
7	1001228224	2	Sensor, Receiver	
8	1001228225	1	Sensor, Emitter	
9	1001232164	1	Housing, LH Inner	
10	1001232165	1	Housing, RH Inner	
11	1001237865	1	Harness, Skyeeye Intermediate (See Separate Breakdown in ELECTRICAL Section)	
12	1001238319	NLA	Harness, Skyeeye Drain Jumper	
12	1001187674	1	Plug, Male - 2 Position	
12	4460942	1	Terminal	
12	4460466	1	Plug, Terminal	
12	4460508	1	Pin, Male	
13	1001237863	2	Harness, Skyeeye Receiver (See Separate Breakdown in ELECTRICAL Section)	
14	1001237864	1	Harness, Skyeeye Emitter (See Separate Breakdown in ELECTRICAL Section)	

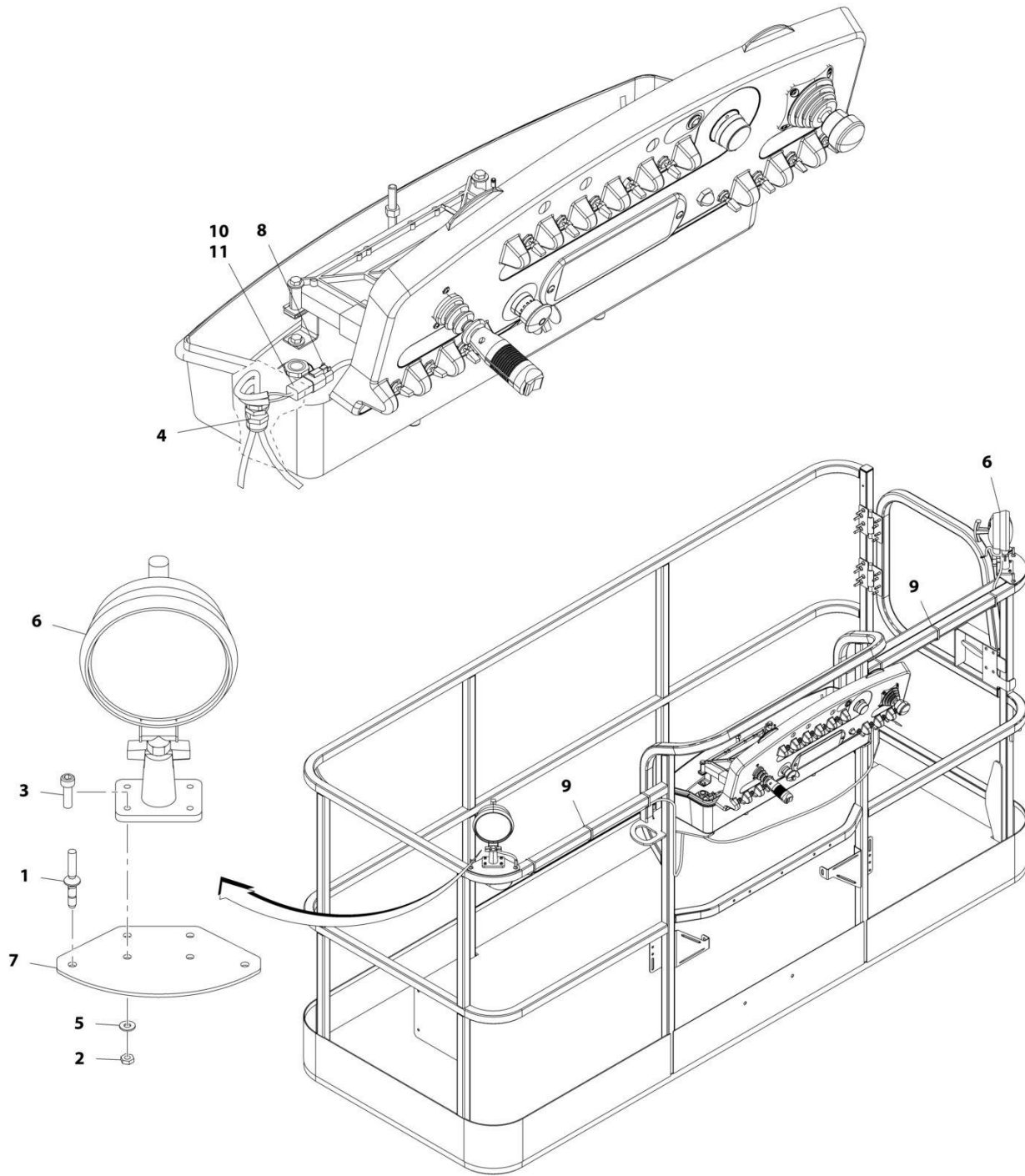
SECTION 5 - PLATFORM

FIGURE 5-14. SKYLINE INSTALLATION

ITEM	PART NUMBER	QTY	DESCRIPTION	REV
	1001238559	Ref	SKYLINE INSTALLATION	D
1	0641404	2	Bolt 1/4 x 1/2	
2	0641405	2	Bolt 1/4 x 5/8	
3	3311405	2	Nut 1/4	
4	3311601	2	Nut 3/8	
5	4031516	2	Capscrew M4 x 60	
6	4240033	AR	Tie-Strap (Not Shown)	
7	4711400	4	Washer 1/4	
8	1001120328	1	Mount	
9	1001232642	1	Bracket	
11	1001232667	1	Sensor, Proximity	
11	1001311034	1	Sensor, Proximity	
14	1001236552	1	Block	
15	1001238418	1	Harness, Skyline (See Separate Breakdown in ELECTRICAL Section)	
16	1001238472	1	Mount	
17	1001254473	1	Housing, LH	
18	1001241965	1	Housing, RH	
19	1001254472	1	Rod	
20	0100011	AR	Compound, Locking	

SECTION 5 - PLATFORM

FIGURE 5-15. WORKLIGHTS INSTALLATION (OPTIONAL)



ART_1001120466

SECTION 5 - PLATFORM

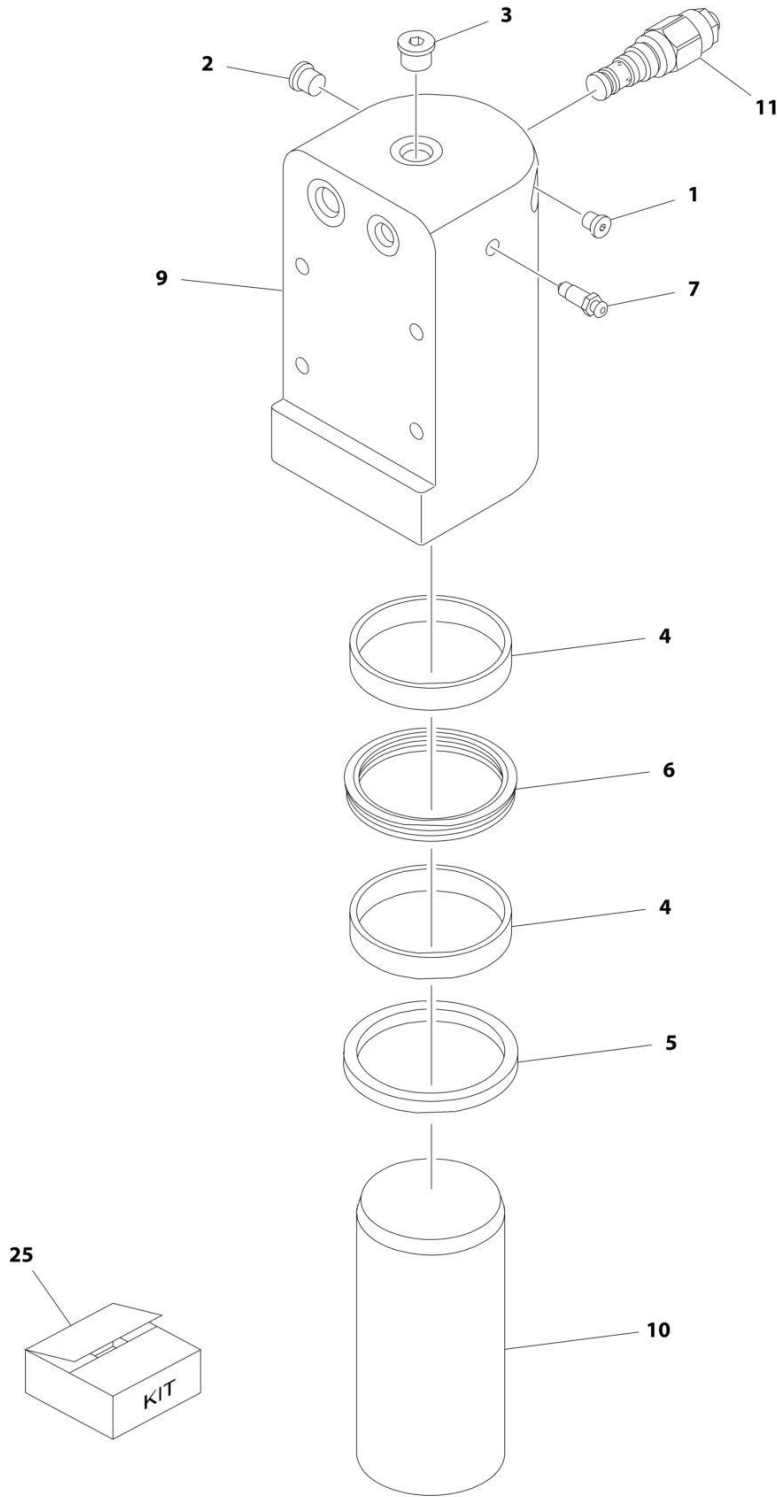
FIGURE 5-15. WORKLIGHTS INSTALLATION (OPTIONAL)

ITEM	PART NUMBER	QTY	DESCRIPTION	REV
	1001120466	Ref	WORKLIGHTS INSTALLATION (OPTIONAL)	A
1	2080040	4	Fastener, Huck	
2	3311005	8	Nut #10	
3	3931010	8	Capscrew #10 x 5/8	
4	4460428	1	Connector, Strain Relief	
5	4751000	8	Washer #10	
6	1001120474	2	Worklight Assembly	
7	1001120476	2	Plate, Mounting	
8	1001120484	1	Harness, Worklight	
9	4240099	AR	Tie-Strap	
10	4460464	4	Pin, Male Deutsch 16Ga	
11	4460932	1	Receptacle, Female - 4 Position	

SECTION 6 - CYLINDER

SECTION 6 - CYLINDER

FIGURE 6-1. AXLE LOCKOUT CYLINDER ASSEMBLY



ART_1001116361

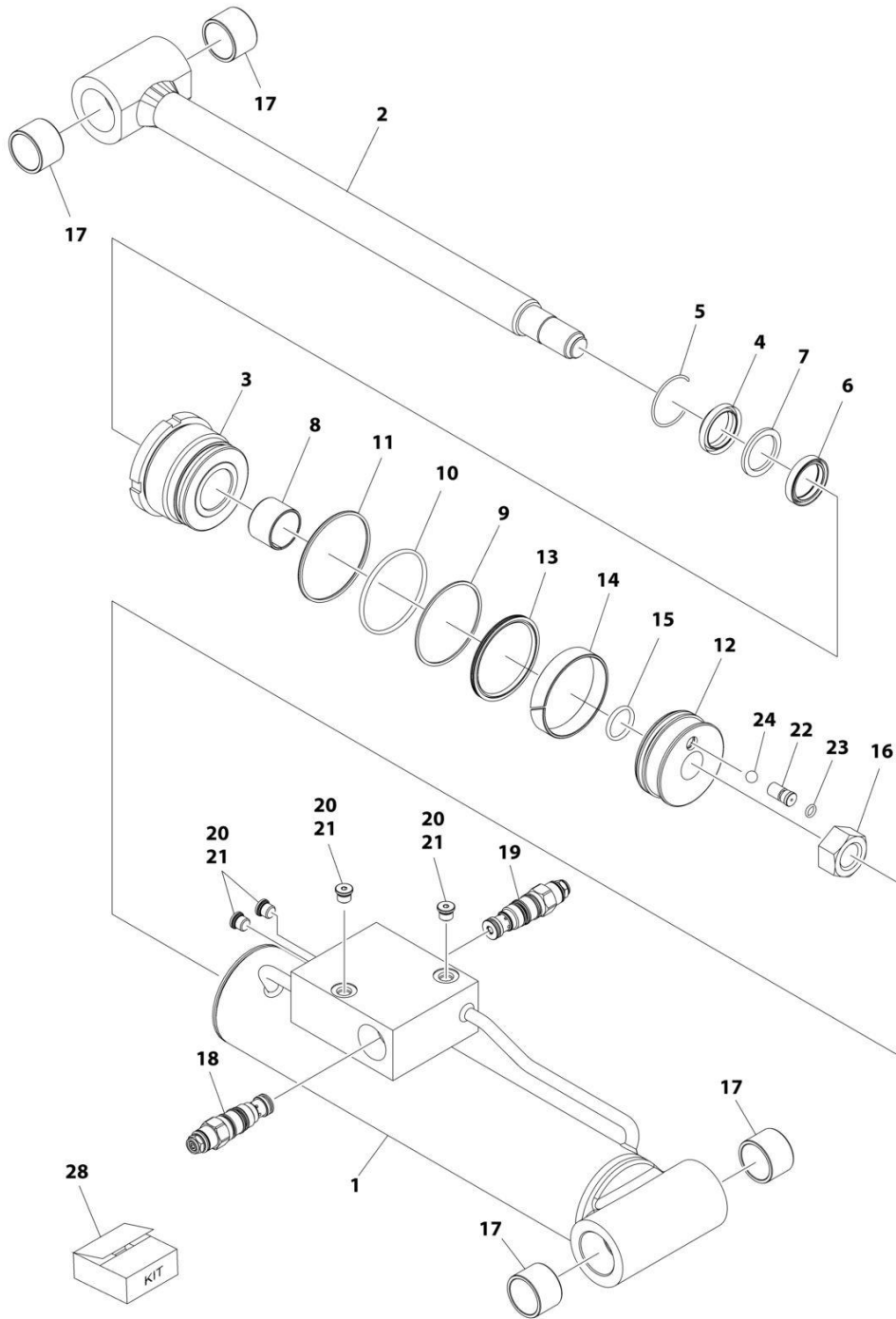
SECTION 6 - CYLINDER

FIGURE 6-1. AXLE LOCKOUT CYLINDER ASSEMBLY

ITEM	PART NUMBER	QTY	DESCRIPTION	REV
	1001116361	Ref	AXLE LOCKOUT CYLINDER ASSEMBLY	G
		Ref	Note: Original Cylinder May Have Been Replaced with Service Replacement. Identify PN Stamped on Cylinder Before Ordering Parts.	
1	2220881	1	Plug, O-Ring	
2	2220883	1	Plug, O-Ring	
3	2220885	1	Plug, O-Ring	
4	See Note	NSS	Ring, Wear (Note: Use Item 25)	
5	See Note	NSS	Wiper (Note: Use Item 25)	
6	See Note	NSS	Seal, Rod (Note: Use Item 25)	
7	4640858	1	Bleeder	
9	1001117365	1	Barrel	
10	1001117366	1	Rod	
11	1001117372	1	Cartridge, Valve	
11	70002842	1	Seal Kit - 1001117372 Valve	
25	1001116378	1	Seal Kit (Includes Items 4-6)	

SECTION 6 - CYLINDER

FIGURE 6-2. LEVEL (PLATFORM SLAVE) CYLINDER ASSEMBLY



ART_1001225990

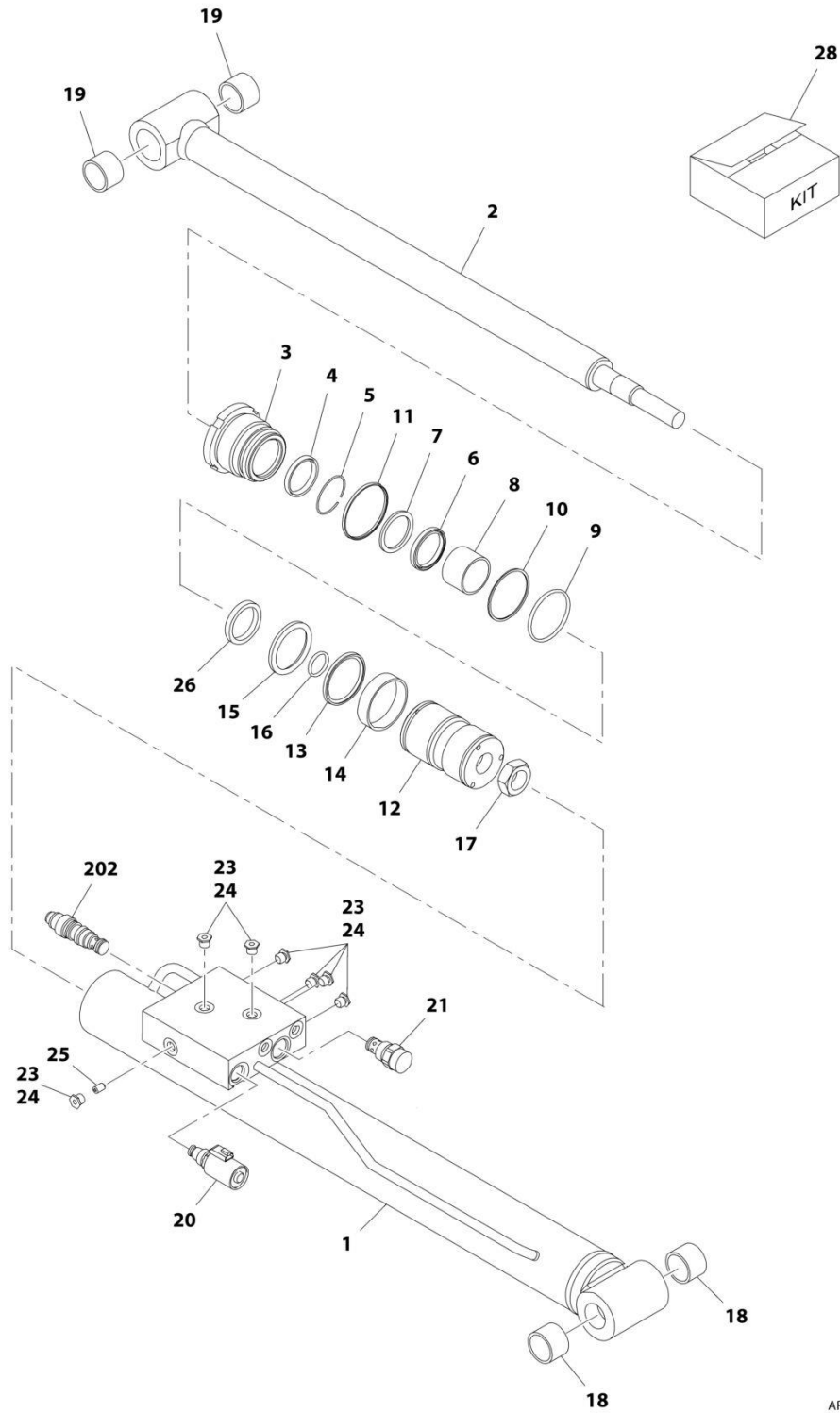
SECTION 6 - CYLINDER

FIGURE 6-2. LEVEL (PLATFORM SLAVE) CYLINDER ASSEMBLY

ITEM	PART NUMBER	QTY	DESCRIPTION	REV
	1001225990	Ref	LEVEL (PLATFORM SLAVE) CYLINDER ASSEMBLY	B
		Ref	Note: Original Cylinder may have been replaced with Service Replacement. Identify PN Stamped on Cylinder Before Ordering Parts.	
1	70003131	1	Barrel	
2	70003132	1	Rod	
3	70003085	1	Head	
4	See Note	NSS	Wiper (Note: Use Item 28)	
5	70002366	1	Ring, Retaining	
6	See Note	NSS	Seal, Rod (Note: Use Item 28)	
7	See Note	NSS	Ring, Back-up (Note: Use Item 28)	
8	70005695	1	Bearing	
9	See Note	NSS	O-Ring (Note: Use Item 28)	
10	See Note	NSS	Ring, Back-up (Note: Use Item 28)	
11	See Note	NSS	O-Ring (Note: Use Item 28)	
12	70003133	1	Piston	
13	See Note	NSS	Seal, Piston (Note: Use Item 28)	
14	See Note	NSS	Ring, Wear (Note: Use Item 28)	
15	See Note	NSS	Ring, Wear (Note: Use Item 28)	
16	70002335	1	Nut	
17	0961951	4	Bushing, Garmax	
18	70002413	1	Cartridge, Valve	
18	2900770	1	Seal Kit - 70002413 Valve	
19	1001168210	1	Cartridge, Valve	
19	2900770	1	Seal Kit - 1001168210 Valve	
20	2220883	4	Plug	
21	See Note	NSS	O-Ring (Note: Not Available - Purchase Locally)	
22	70005973	1	Valve Seat	
23	70005974	1	O-Ring	
24	70006353	1	Steel Ball	
28	70003134	1	Seal Kit (Includes Items 4, 6, 7, 9, 10, 11, 13, 14 & 15)	
100		Ref	REPAIR TOOLS (NOT SHOWN)	
100	70003089	1	Press, Wiper	
100	70003090	1	Press, Bushing (Use with Rod Bearing)	
100	70003091	1	Tool, Bushing Removal (Use with Rod Bearing)	
100	70003092	1	Tool, Head Seal Protection	
100	70003081	1	Tool, Piston Seal Protection	
100	70003093	1	Press, Bushing (Use with Pin Mounting Bushings)	
100	70003094	1	Tool, Bushing Removal (Use with Pin Mounting Bushings)	

SECTION 6 - CYLINDER

FIGURE 6-3. LIFT (JIB) CYLINDER ASSEMBLY



ART_1001123004

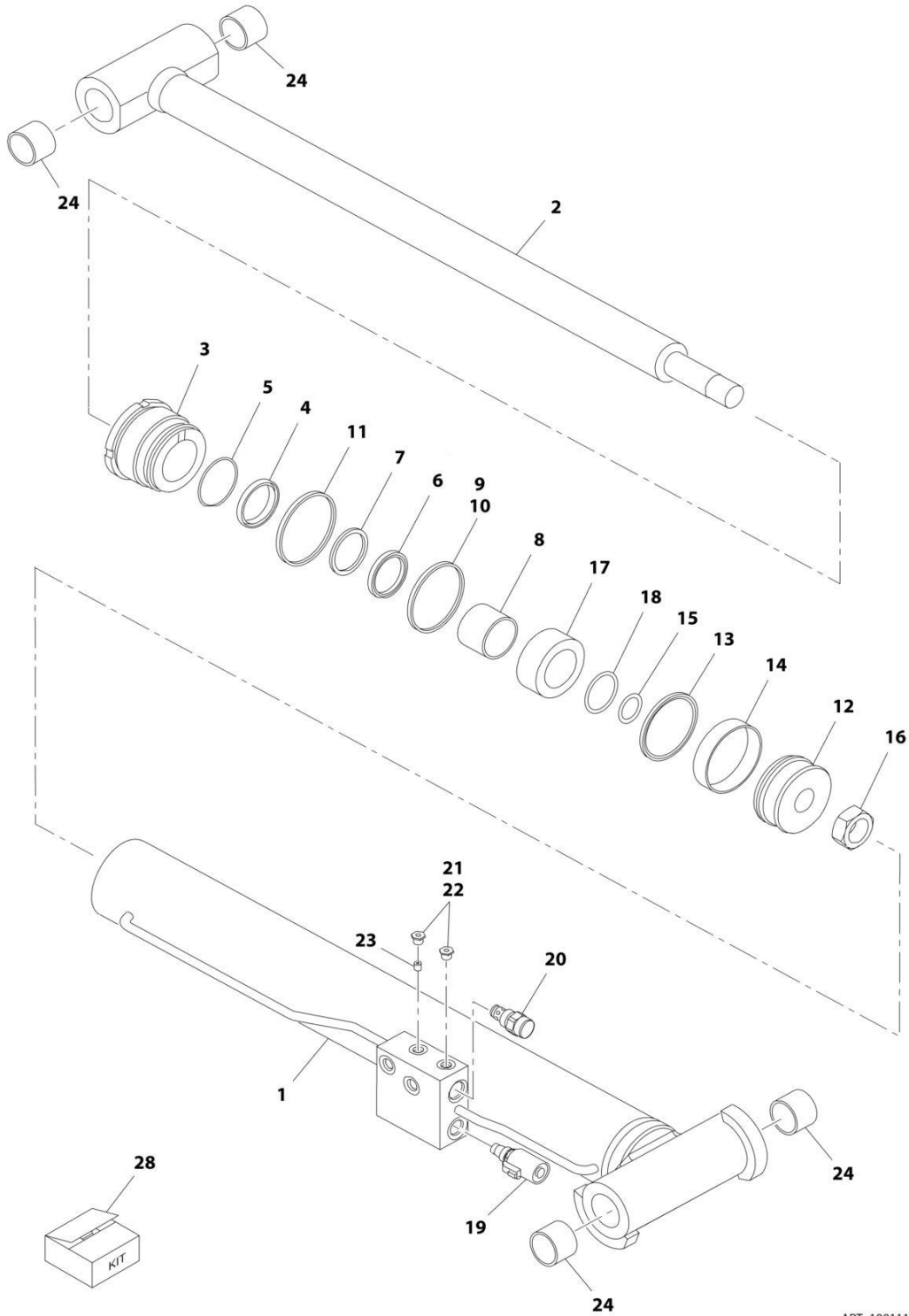
SECTION 6 - CYLINDER

FIGURE 6-3. LIFT (JIB) CYLINDER ASSEMBLY

ITEM	PART NUMBER	QTY	DESCRIPTION	REV
	1001123004	Ref	LIFT (JIB) CYLINDER ASSEMBLY	D
		Ref	Note: Original Cylinder may have been replaced with Service Replacement. Identify PN Stamped on Cylinder Before Ordering Parts.	
1	70003122	1	Barrel	
2	70002375	1	Rod	
3	70003123	1	Head	
4	See Note	NSS	Wiper (Note: Use Item 28)	
5	70002373	1	Ring, Retaining	
6	See Note	NSS	Seal, Rod (Note: Use Item 28)	
7	See Note	NSS	Ring, Back-up (Note: Use Item 28)	
8	70002372	1	Bearing	
9	See Note	NSS	O-Ring (Note: Use Item 28)	
10	See Note	NSS	Ring, Back-up (Note: Use Item 28)	
11	See Note	NSS	O-Ring (Note: Use Item 28)	
12	70003124	1	Piston	
13	70003125	1	Seal, Piston	
14	See Note	NSS	Ring, Wear (Note: Use Item 28)	
15	See Note	NSS	O-Ring (Note: Use Item 28)	
16	See Note	NSS	Ring, Piston (Note: Use Item 28)	
17	70002335	1	Nut	
18	70003118	2	Bushing	
19	0961951	2	Bushing, Garmax (was p/n 70003087)	
20	7024884	1	Cartridge, Solenoid Valve	
20	7012967	1	Seal Kit - 7024884 Valve	
20	70002386	1	Coil	
21	70003076	1	Cartridge, Check Valve	
21	7017496	1	Seal Kit - 70003076 Valve	
23	70023370	7	Plug	
24	See Note	7	O-Ring (Note: Not Available - Purchase Locally)	
25	70002334	1	Orifice	
26	70003453	1	Spacer	
28	70003125	1	Seal Kit (Includes Items 4, 6, 7, 9, 10, 11, 13, 14, 15 & 16)	
100		Ref	REPAIR TOOLS (NOT SHOWN)	
100	70003126	1	Press, Wiper	
100	70003127	1	Press, Bushing (Use with Rod Bearing)	
100	70003128	1	Tool, Bushing Removal (Use with Rod Bearing)	
100	70003129	1	Tool, Head Seal Protection	
100	70003130	1	Tool, Piston Seal Protection	
100	70003093	1	Press, Bushing (Use with Pin Mounting Bushings)	
100	70003094	1	Tool, Bushing Removal (Use with Pin Mounting Bushings)	
	1001199460	Ref	JIB LIFT CYLINDER ASSEMBLY	A
202	1001199306	1	Cartridge, Counter Balance Valve	
202	2900770	1	Seal Kit - 1001199306 Valve	

SECTION 6 - CYLINDER

FIGURE 6-4. LIFT (MAIN BOOM) CYLINDER ASSEMBLY



ART_1001117640

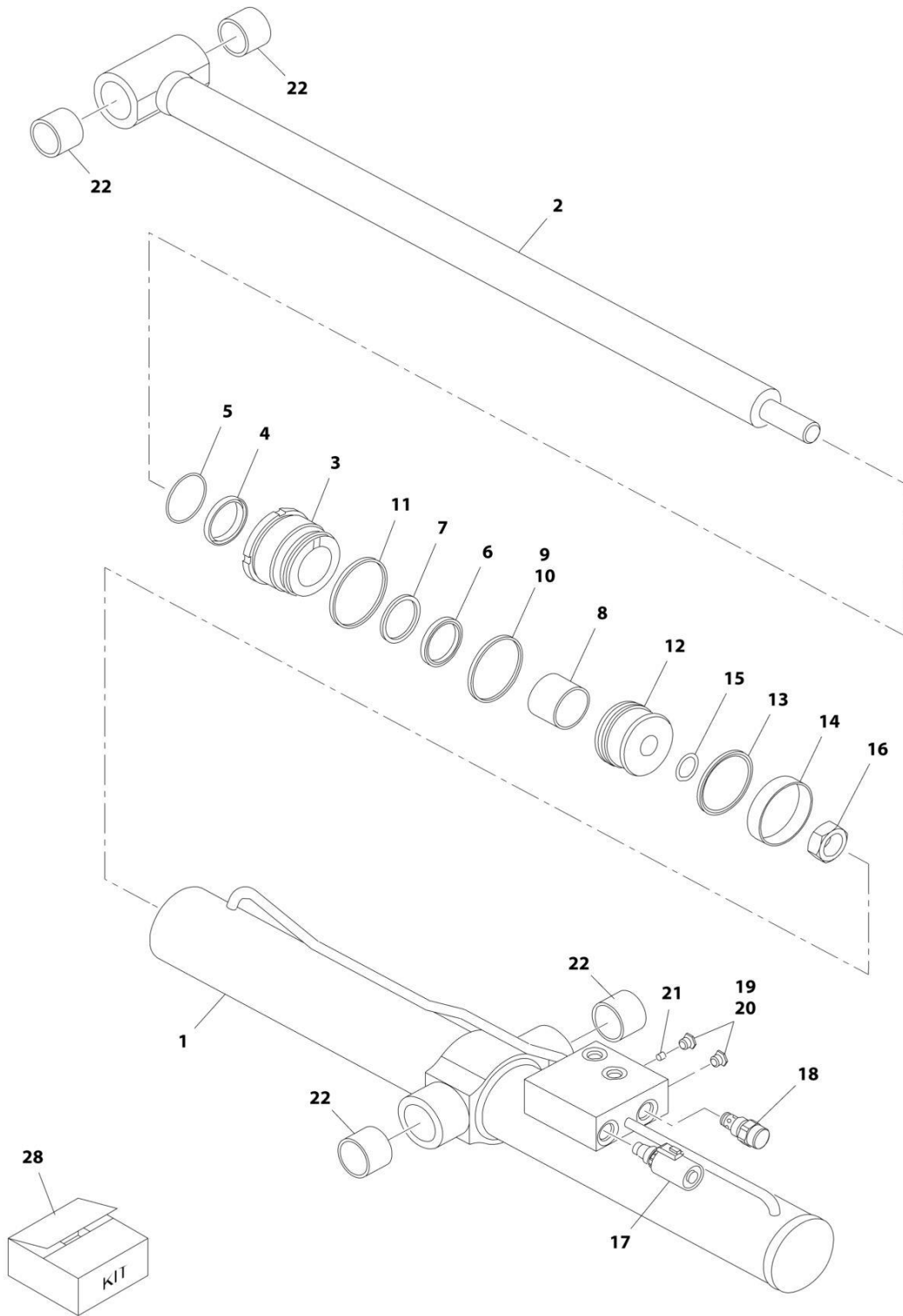
SECTION 6 - CYLINDER

FIGURE 6-4. LIFT (MAIN BOOM) CYLINDER ASSEMBLY

ITEM	PART NUMBER	QTY	DESCRIPTION	REV
	1001117640	Ref	MAIN BOOM LIFT CYLINDER ASSEMBLY	H
		Ref	Note: Original Cylinder May Have Been Replaced with Service Replacement. Identify PN Stamped on Cylinder Before Ordering Parts.	
1	70003103	1	Barrel	
2	70003104	1	Rod	
3	70003105	1	Head	
4	See Note	NSS	Wiper (Note: Use Item 28)	
5	70002412	1	Ring, Retaining	
6	See Note	NSS	Seal, Rod (Note: Use Item 28)	
7	See Note	NSS	Ring, Back-up (Note: Use Item 28)	
8	70022565	1	Bearing	
9	See Note	NSS	O-Ring (Note: Use Item 28)	
10	See Note	NSS	Ring, Back-up (Note: Use Item 28)	
11	See Note	NSS	O-Ring (Note: Use Item 28)	
12	70003106	1	Piston	
13	See Note	NSS	Seal, Piston (Note: Use Item 28)	
14	See Note	NSS	Ring, Wear (Note: Use Item 28)	
15	See Note	NSS	O-Ring (Note: Use Item 28)	
16	70002335	1	Nut	
17	70002344	1	Spacer	
18	See Note	NSS	O-Ring (Note: Use Item 28)	
19	7024884	1	Cartridge, Solenoid Valve	
19	7012967	1	Seal Kit - 7024884 Valve	
19	70002386	1	Coil	
20	70003076	1	Cartridge, Check Valve	
20	7017496	1	Seal Kit - 70003076 Valve	
21	70023370	7	Plug	
22	See Note	7	O-Ring (Note: Not Available - Purchase Locally)	
23	70002334	1	Orifice	
24	0961948	2	Bushing, Garmax (was p/n 70003107)	
28	70003108	1	Seal Kit (Includes Items 4, 6, 7, 9, 10, 11, 13, 14, 15 & 18)	
100		Ref	REPAIR TOOLS (NOT SHOWN)	
100	70003109	1	Press, Wiper	
100	70003110	1	Press, Bushing (Use with Rod Bearing)	
100	70003111	1	Tool, Bushing Removal (Use with Rod Bearing)	
100	70003112	1	Tool, Head Seal Protection	
100	70003113	1	Tool, Piston Seal Protection	
100	70003082	1	Press, Bushing (Use with Pin Mounting Bushings)	
100	70003083	1	Tool, Bushing Removal (Use with Pin Mounting Bushings)	

SECTION 6 - CYLINDER

FIGURE 6-5. LIFT (TOWER BOOM) CYLINDER ASSEMBLY



ART_1001122527

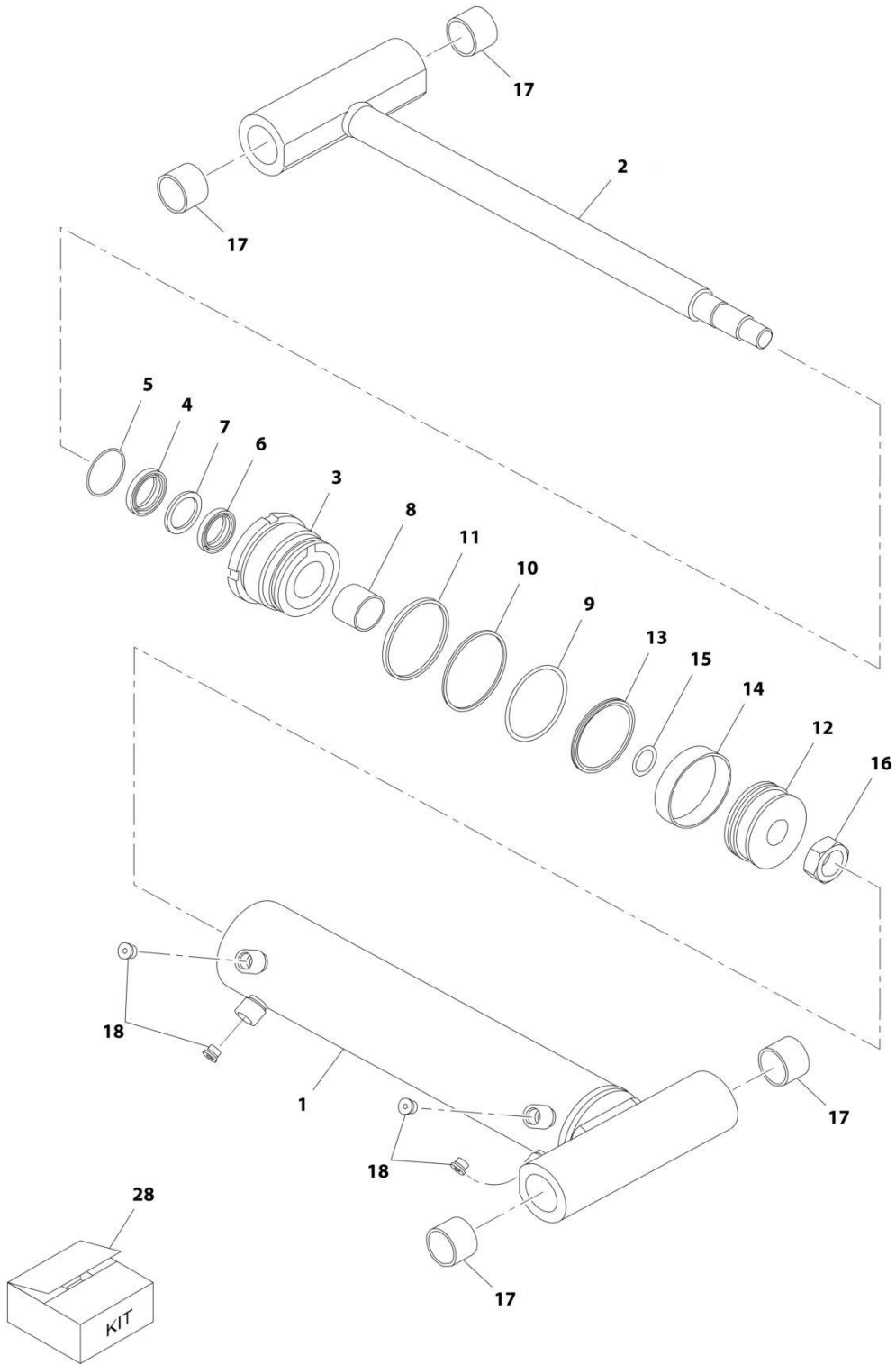
SECTION 6 - CYLINDER

FIGURE 6-5. LIFT (TOWER BOOM) CYLINDER ASSEMBLY

ITEM	PART NUMBER	QTY	DESCRIPTION	REV
	1001122527	Ref	LIFT (TOWER BOOM) CYLINDER ASSEMBLY	D
		Ref	Note: Original Cylinder may have been replaced with Service Replacement. Identify PN Stamped on Cylinder Before Ordering Parts.	
1	70003071	1	Barrel	
2	70003072	1	Rod	
3	70003073	1	Head	
4	See Note	NSS	Wiper (Note: Use Item 28)	
5	70002410	1	Ring, Retaining	
6	See Note	NSS	Seal, Rod (Note: Use Item 28)	
7	See Note	NSS	Ring, Back-up (Note: Use Item 28)	
8	70002337	1	Bearing	
9	See Note	NSS	O-Ring (Note: Use Item 28)	
10	See Note	NSS	Ring, Back-up (Note: Use Item 28)	
11	See Note	NSS	O-Ring (Note: Use Item 28)	
12	70003074	1	Piston	
13	See Note	NSS	Seal, Piston (Note: Use Item 28)	
14	See Note	NSS	Ring, Wear (Note: Use Item 28)	
15	See Note	NSS	O-Ring (Note: Use Item 28)	
16	70002335	1	Nut	
17	7024884	1	Cartridge, Solenoid Valve	
17	7012967	1	Seal Kit - 7024884 Valve	
17	70002386	1	Coil	
18	70003076	1	Cartridge, Check Valve	
18	7017496	1	Seal Kit - 70003076 Valve	
19	70023370	2	Plug	
20	See Note	2	O-Ring (Note: Not Available - Purchase Locally)	
21	70002334	1	Orifice	
22	0961948	4	Bushing, Garmax (was p/n 70003107)	
28	70003075	1	Seal Kit (Includes Items 4, 6, 7, 9, 10, 11, 13, 14 & 15)	
100		Ref	REPAIR TOOLS (NOT SHOWN)	
100	70003077	1	Press, Wiper	
100	70003078	1	Press, Bushing (Use with Rod Bearing)	
100	70003079	1	Tool, Bushing Removal (Use with Rod Bearing)	
100	70003080	1	Tool, Head Seal Protection	
100	70003081	1	Tool, Piston Seal Protection	
100	70003082	1	Press, Bushing (Use with Pin Mounting Bushings)	
100	70003083	1	Tool, Bushing Removal (Use with Pin Mounting Bushings)	

SECTION 6 - CYLINDER

FIGURE 6-6. MASTER CYLINDER ASSEMBLY



ART_1001120976

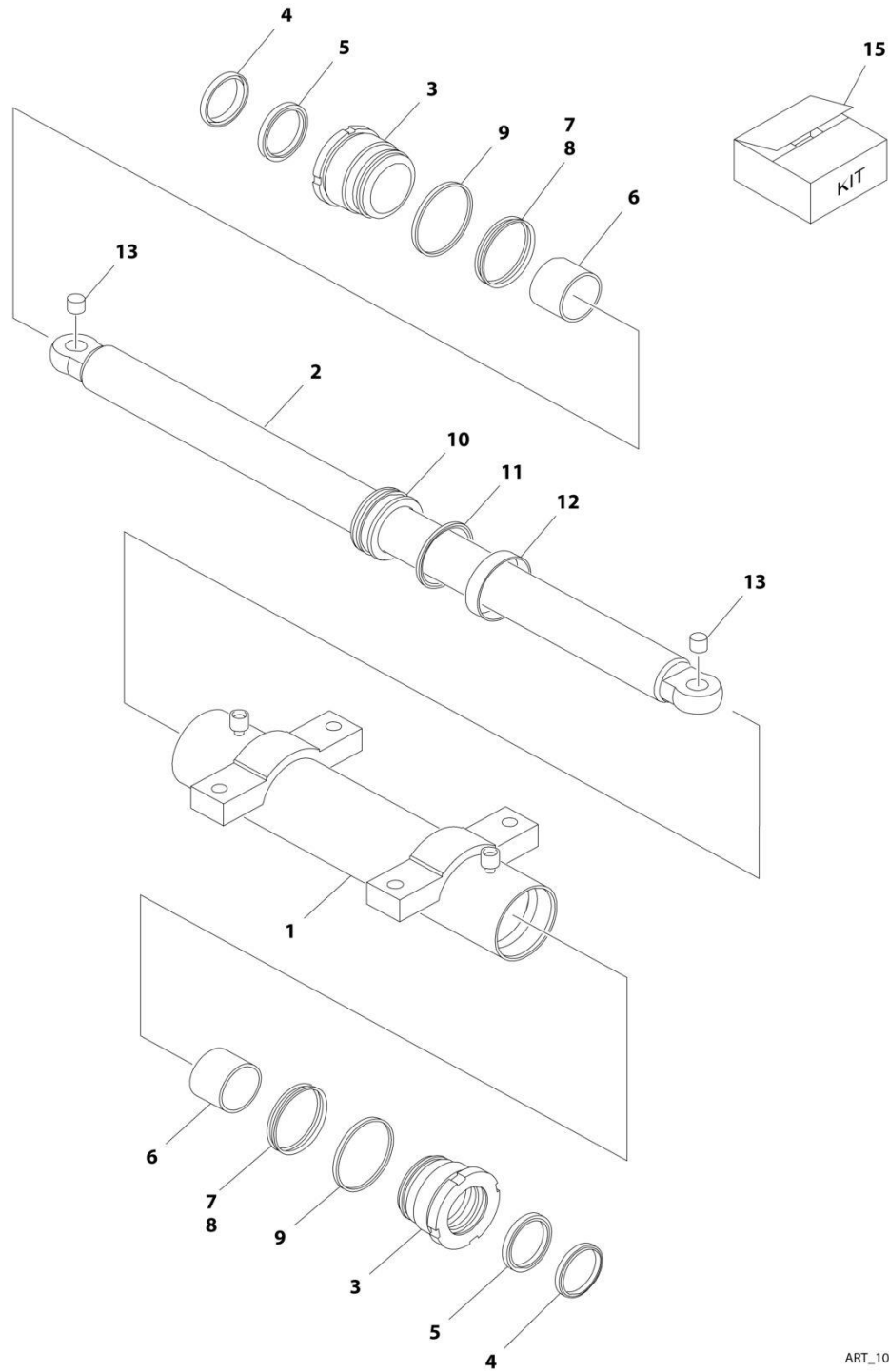
SECTION 6 - CYLINDER

FIGURE 6-6. MASTER CYLINDER ASSEMBLY

ITEM	PART NUMBER	QTY	DESCRIPTION	REV
	1001120976	Ref	MASTER CYLINDER ASSEMBLY	B
		Ref	Note: Original Cylinder may have been replaced with Service Replacement. Identify PN Stamped on Cylinder Before Ordering Parts.	
1	70003084	1	Barrel	
2	70002354	1	Rod	
3	70003085	1	Head	
4	See Note	NSS	Wiper (Note: Use Item 28)	
5	70002366	1	Ring, Retaining	
6	See Note	NSS	Seal, Rod (Note: Use Item 28)	
7	See Note	NSS	Ring, Back-up (Note: Use Item 28)	
8	70002352	1	Bearing	
9	See Note	NSS	O-Ring (Note: Use Item 28)	
10	See Note	NSS	Ring, Back-up (Note: Use Item 28)	
11	See Note	NSS	O-Ring (Note: Use Item 28)	
12	70003086	1	Piston	
13	See Note	NSS	Seal, Piston (Note: Use Item 28)	
14	See Note	NSS	Ring, Wear (Note: Use Item 28)	
15	See Note	NSS	O-Ring (Note: Use Item 28)	
16	70002335	1	Nut	
17	0961951	4	Bushing, Garmax (was p/n 70003087)	
18	70023371	4	Plug	
28	70003088	1	Seal Kit (Includes Items 4, 6, 7, 9, 10, 11, 13, 14 & 15)	
100		Ref	REPAIR TOOLS (NOT SHOWN)	
100	70003089	1	Press, Wiper	
100	70003090	1	Press, Bushing (Use with Rod Bearing)	
100	70003091	1	Tool, Bushing Removal (Use with Rod Bearing)	
100	70003092	1	Tool, Head Seal Protection	
100	70003081	1	Tool, Piston Seal Protection	
100	70003093	1	Press, Bushing (Use with Pin Mounting Bushings)	
100	70003094	1	Tool, Bushing Removal (Use with Pin Mounting Bushings)	

SECTION 6 - CYLINDER

FIGURE 6-7. STEER CYLINDER ASSEMBLY



ART_1001116788

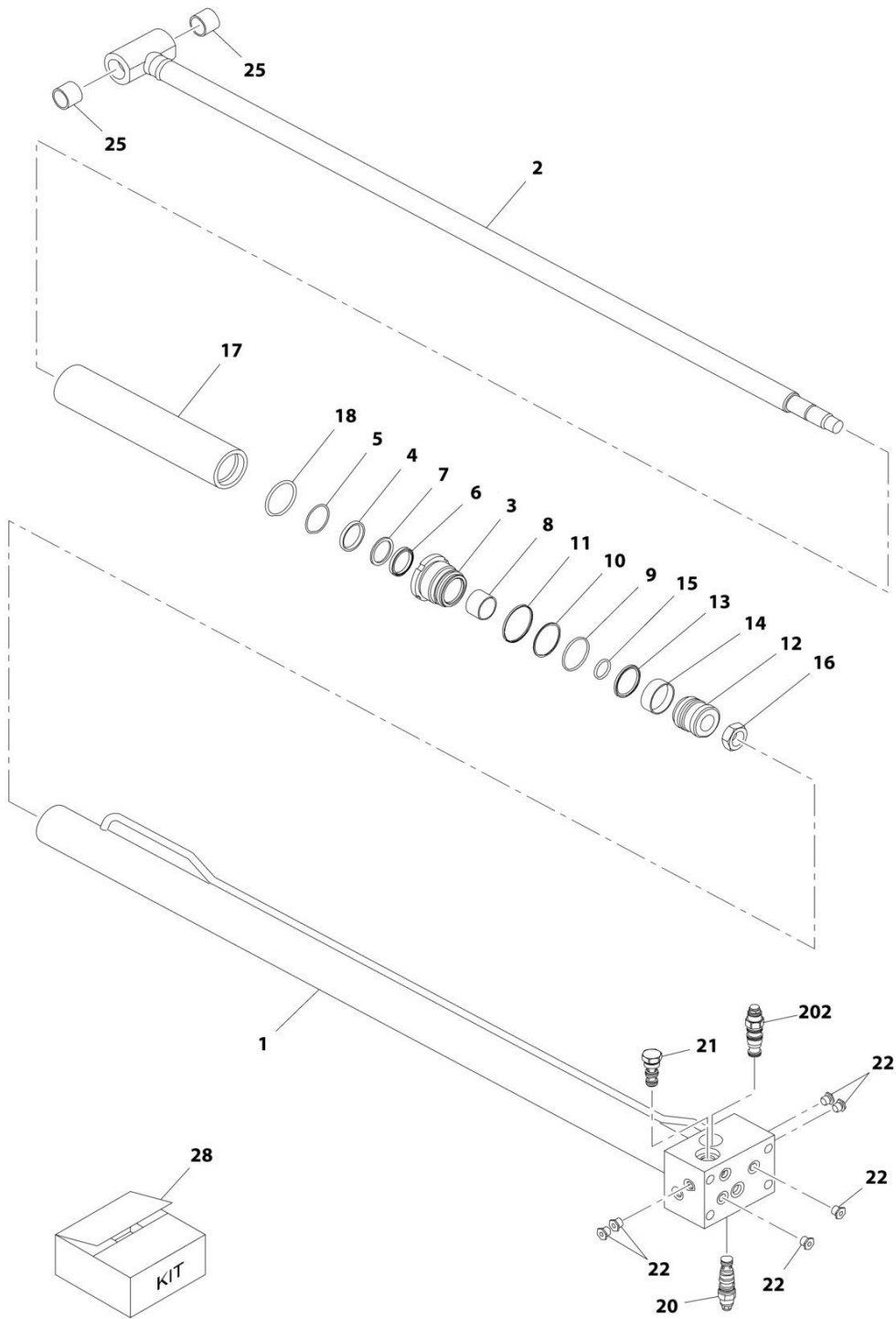
SECTION 6 - CYLINDER

FIGURE 6-7. STEER CYLINDER ASSEMBLY

ITEM	PART NUMBER	QTY	DESCRIPTION	REV
	1001116788	Ref	STEER CYLINDER ASSEMBLY	C
		Ref	Note: Original Cylinder may have been replaced with Service Replacement. Identify PN Stamped on Cylinder Before Ordering Parts.	
1	70003095	1	Barrel	
2	70003096	1	Rod	
3	70003098	2	Head	
4	See Note	NSS	Wiper (Note: Use Item 15)	
5	See Note	NSS	Seal, Rod (Note: Use Item 15)	
6	70002337	2	Bearing	
7	See Note	NSS	O-Ring (Note: Use Item 15)	
8	See Note	NSS	Ring, Back-up (Note: Use Item 15)	
9	See Note	NSS	O-Ring (Note: Use Item 15)	
10	70003097	1	Piston	
11	See Note	NSS	Seal, Piston (Note: Use Item 15)	
12	See Note	NSS	Ring, Wear (Note: Use Item 15)	
13	70002380	4	Bushing, Garmax	
15	70003099	1	Seal Kit (Includes Items 4, 5, 7, 8, 9, 11 & 12)	
100		Ref	REPAIR TOOLS (NOT SHOWN)	
100	70003077	1	Press, Wiper	
100	70003078	1	Press, Bushing (Use with Rod Bearing)	
100	70003079	1	Tool, Bushing Removal (Use with Rod Bearing)	
100	70003080	1	Tool, Head Seal Protection	
100	70003100	1	Tool, Piston Seal Protection	
100	70003101	1	Press, Bushing (Use with Pin Mounting Bushings)	
100	70003102	1	Tool, Bushing Removal (Use with Pin Mounting Bushings)	

SECTION 6 - CYLINDER

FIGURE 6-8. TELESCOPE CYLINDER ASSEMBLY



ART_1001120974

SECTION 6 - CYLINDER

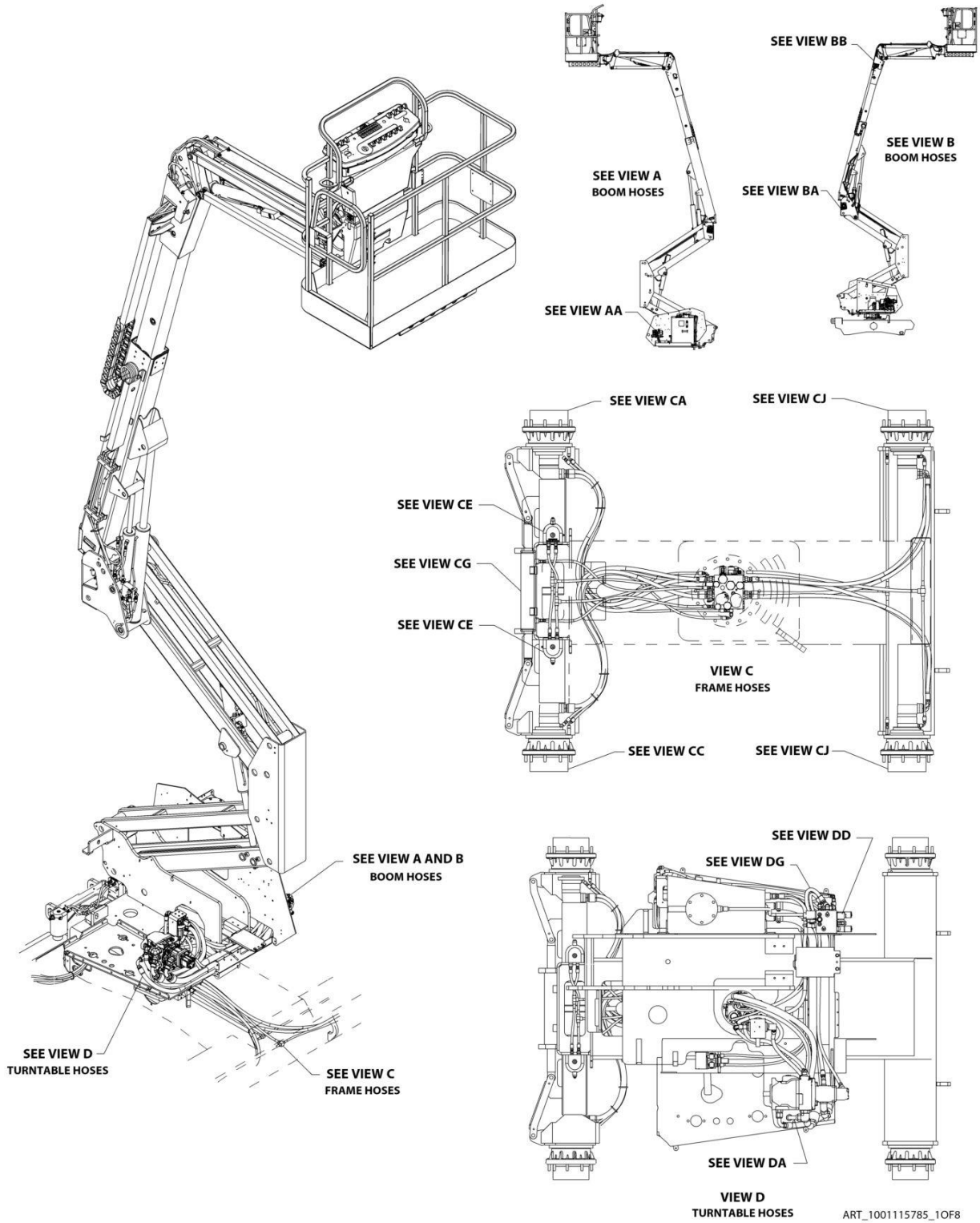
FIGURE 6-8. TELESCOPE CYLINDER ASSEMBLY

ITEM	PART NUMBER	QTY	DESCRIPTION	REV
	1001120974	Ref	TELESCOPE CYLINDER ASSEMBLY	C
		Ref	Note: Original Cylinder may have been replaced with Service Replacement. Identify PN Stamped on Cylinder Before Ordering Parts.	
1	70003114	1	Barrel	
2	70003115	1	Rod	
3	70003116	1	Head	
4	See Note	NSS	Wiper (Note: Use Item 28)	
5	70002366	1	Ring, Retaining	
6	See Note	NSS	Seal, Rod (Note: Use Item 28)	
7	See Note	NSS	Ring, Back-up (Note: Use Item 28)	
8	70002352	1	Bearing	
9	See Note	NSS	O-Ring (Note: Use Item 28)	
10	See Note	NSS	Ring, Back-up (Note: Use Item 28)	
11	See Note	NSS	O-Ring (Note: Use Item 28)	
12	70003117	1	Piston	
13	See Note	NSS	Seal, Piston (Note: Use Item 28)	
14	See Note	NSS	Ring, Wear (Note: Use Item 28)	
15	See Note	NSS	O-Ring (Note: Use Item 28)	
16	70002335	1	Nut	
17	70002364	1	Spacer	
18	See Note	NSS	O-Ring (Note: Use Item 28)	
20	70002389	1	Cartridge, Counterbalance Valve	
20	2900770	1	Seal Kit - 70002389 Valve	
21	10837580	1	Cartridge, Load Shuttle Valve	
21	7010543	1	Seal Kit - 10837580 Valve	
22	70023370	6	Plug	
25	70003118	2	Bushing	
28	70003119	1	Seal Kit (Includes Items 4, 6, 7, 9, 10, 11, 13, 14, 15 & 18)	
100		Ref	REPAIR TOOLS (NOT SHOWN)	
100	70003089	1	Press, Wiper	
100	70003090	1	Press, Bushing (Use with Rod Bearing)	
100	70003091	1	Tool, Bushing Removal (Use with Rod Bearing)	
100	70003092	1	Tool, Head Seal Protection	
100	70003120	1	Press, Bushing (Use with Pin Mounting Bushings)	
100	70003121	1	Tool, Bushing Removal (Use with Pin Mounting Bushings)	
	1001199461	Ref	TELESCOPE CYLINDER ASSEMBLY	A
202	1001199306	1	Cartridge, Counter Balance Valve	
202	2900770	1	Seal Kit - 1001199306 Valve	

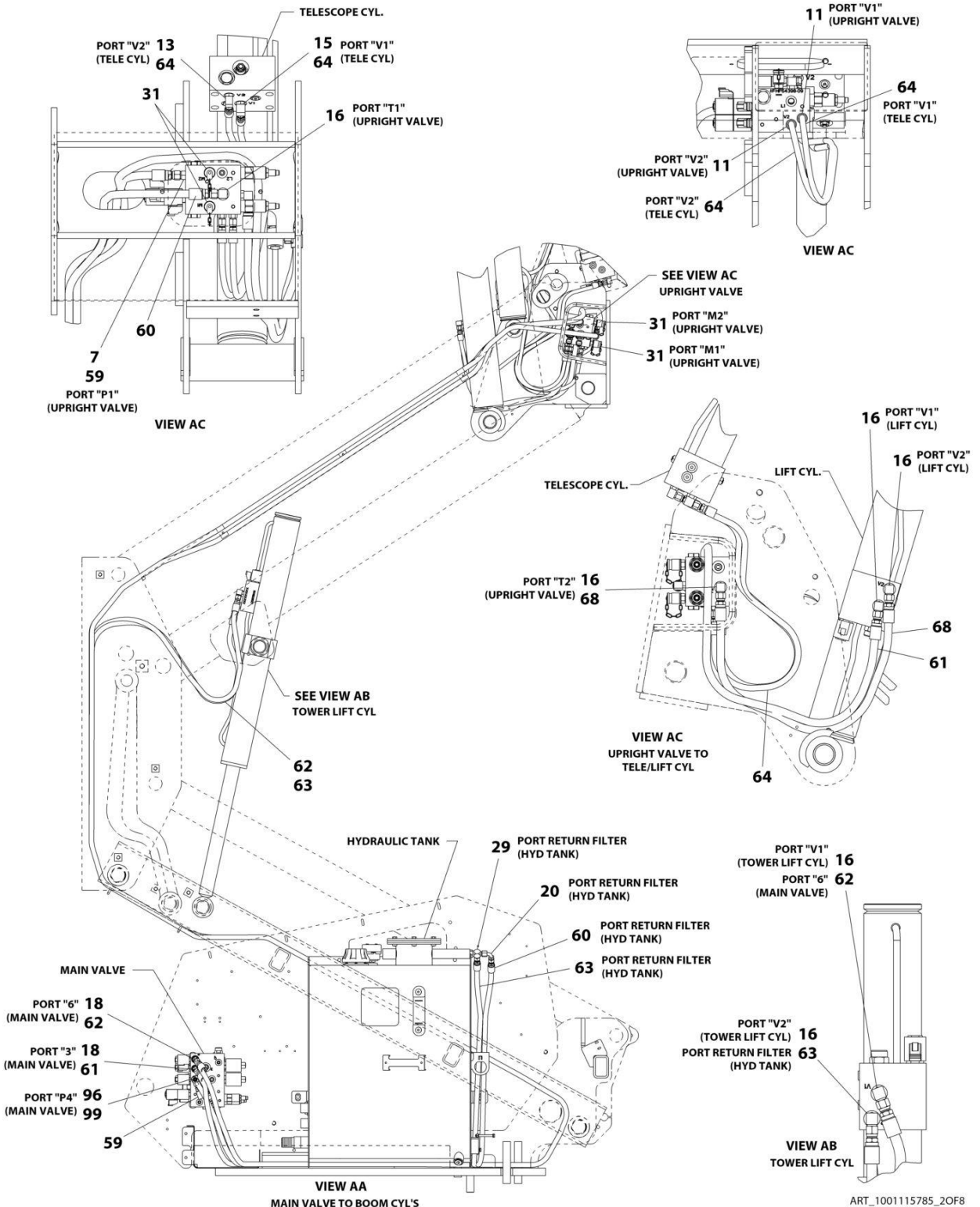
SECTION 7 - HYDRAULIC

SECTION 7 - HYDRAULIC

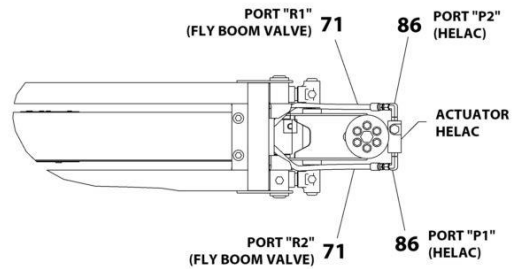
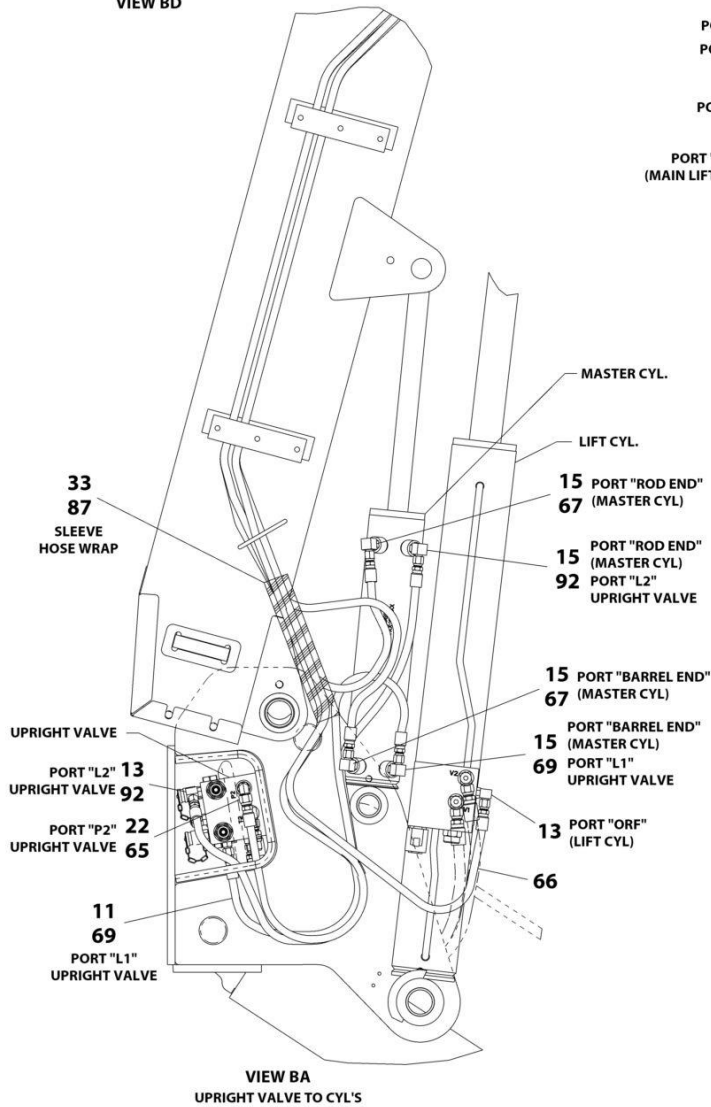
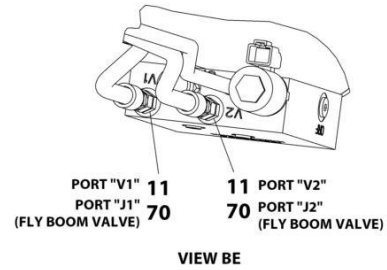
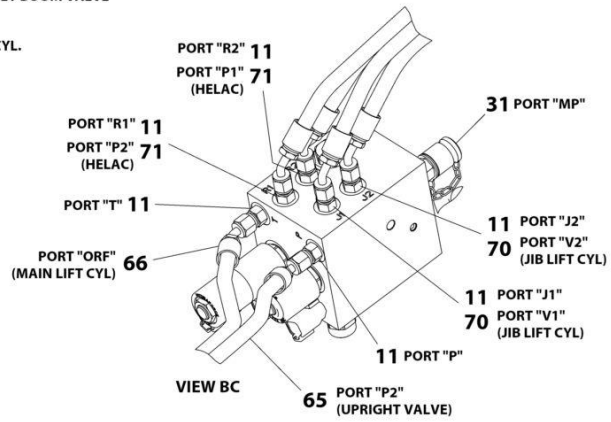
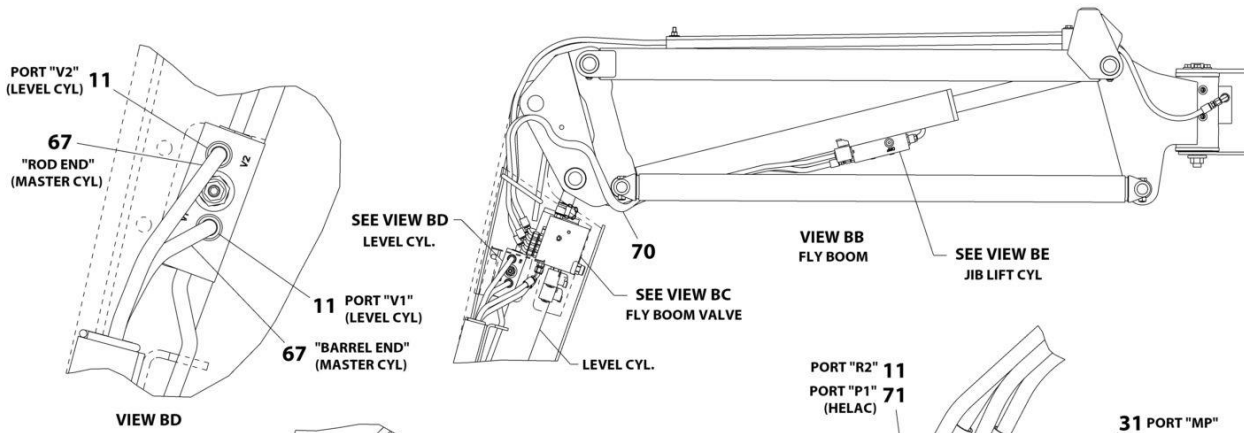
FIGURE 7-1. HYDRAULIC INSTALLATION - WITHOUT ARCTIC PACKAGE



SECTION 7 - HYDRAULIC

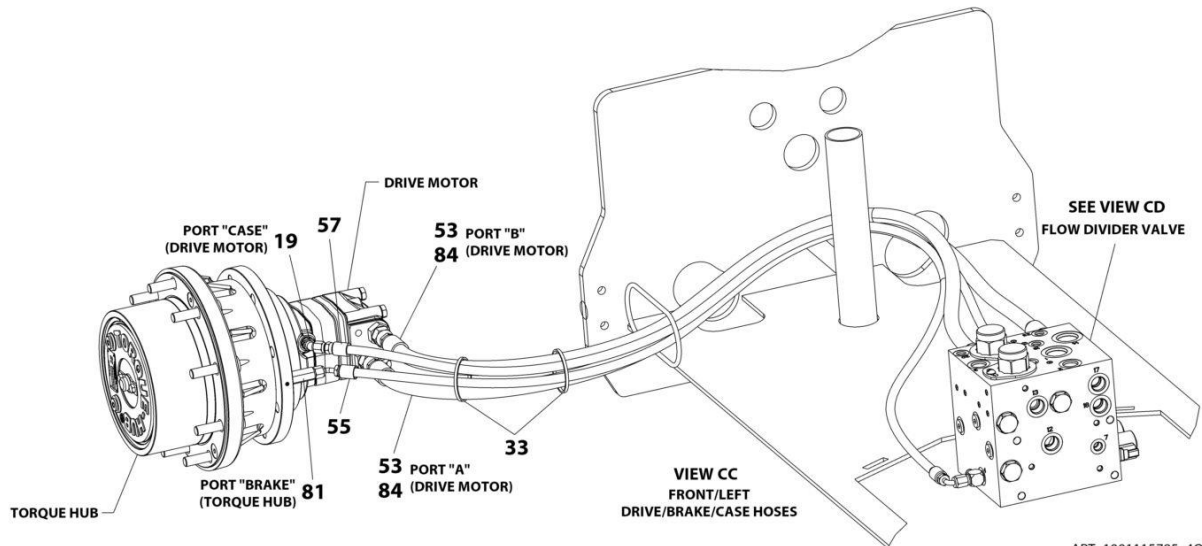
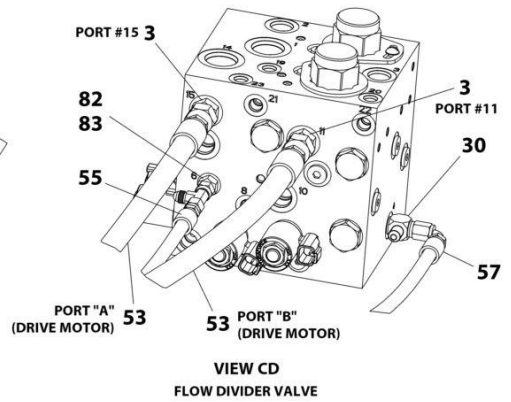
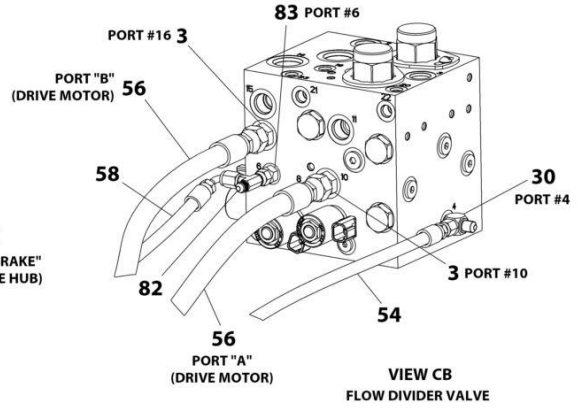
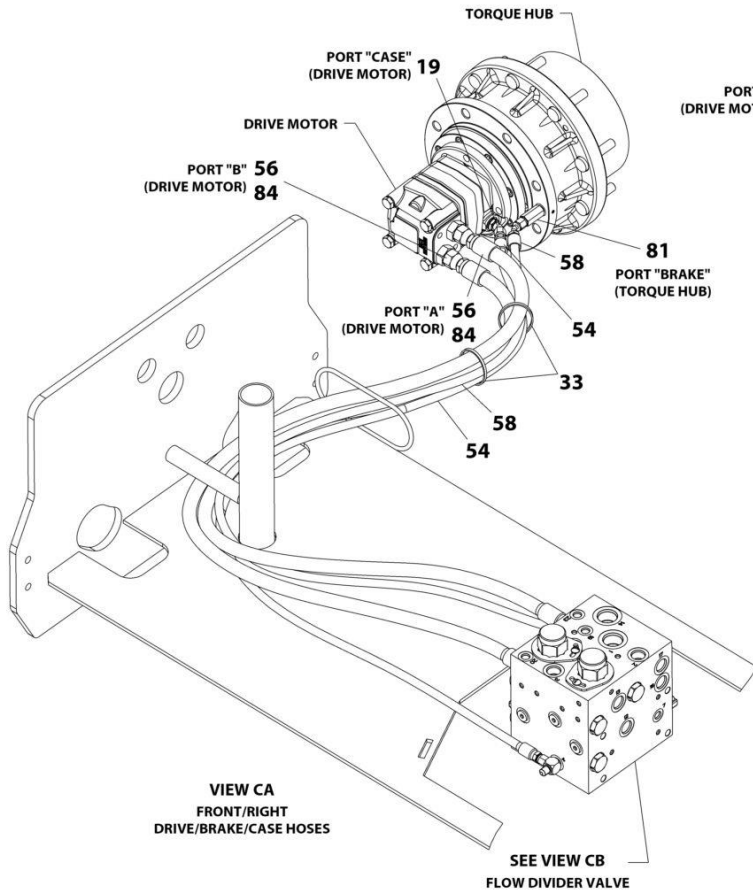


SECTION 7 - HYDRAULIC



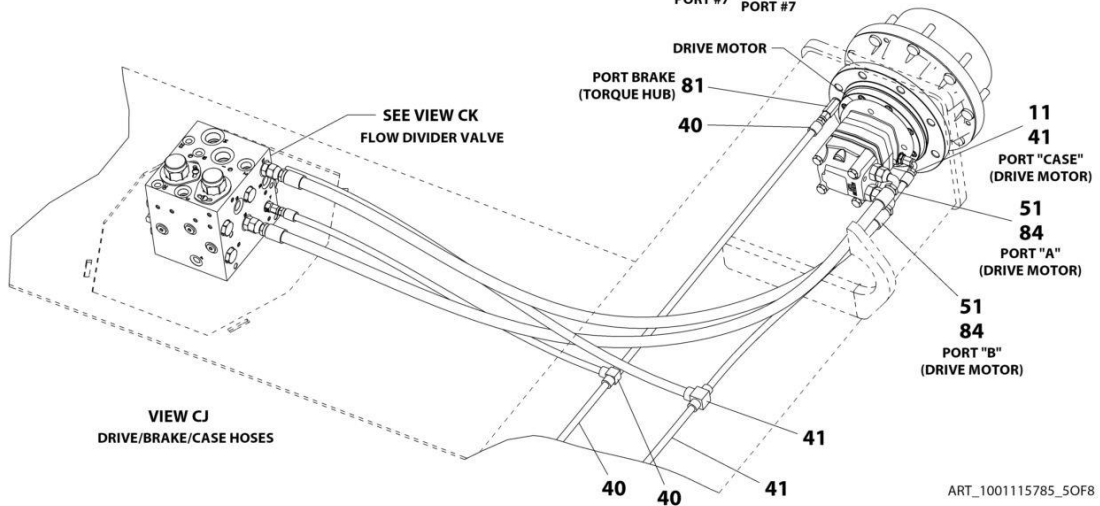
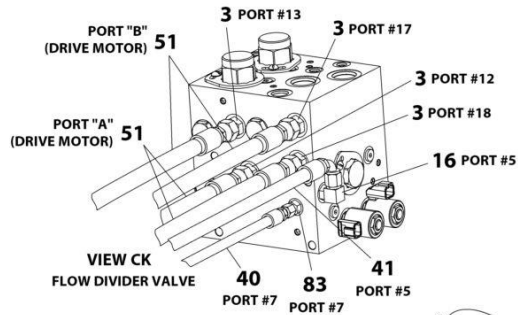
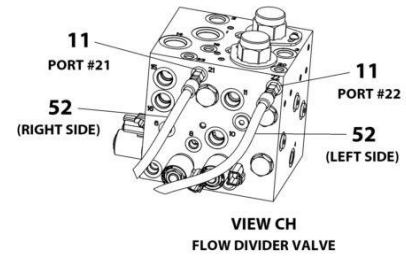
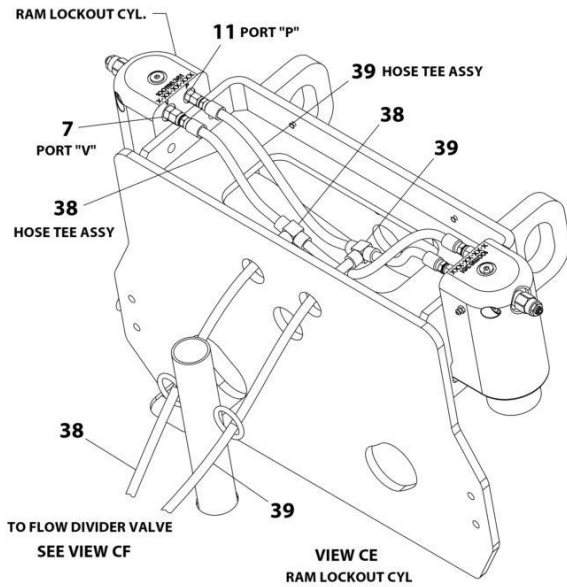
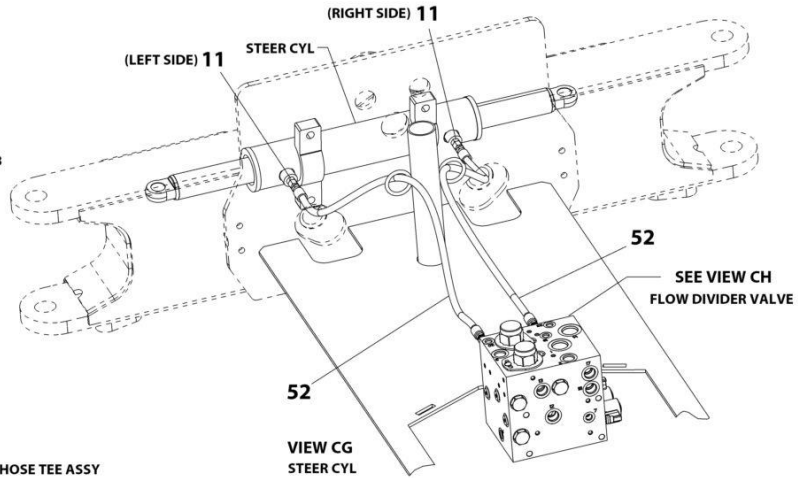
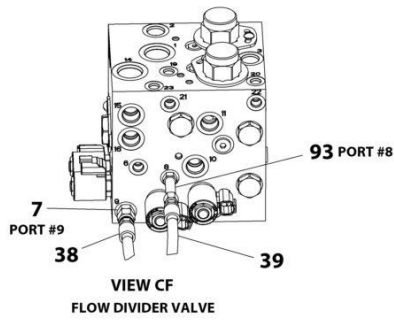
ART_100115785_30F8

SECTION 7 - HYDRAULIC



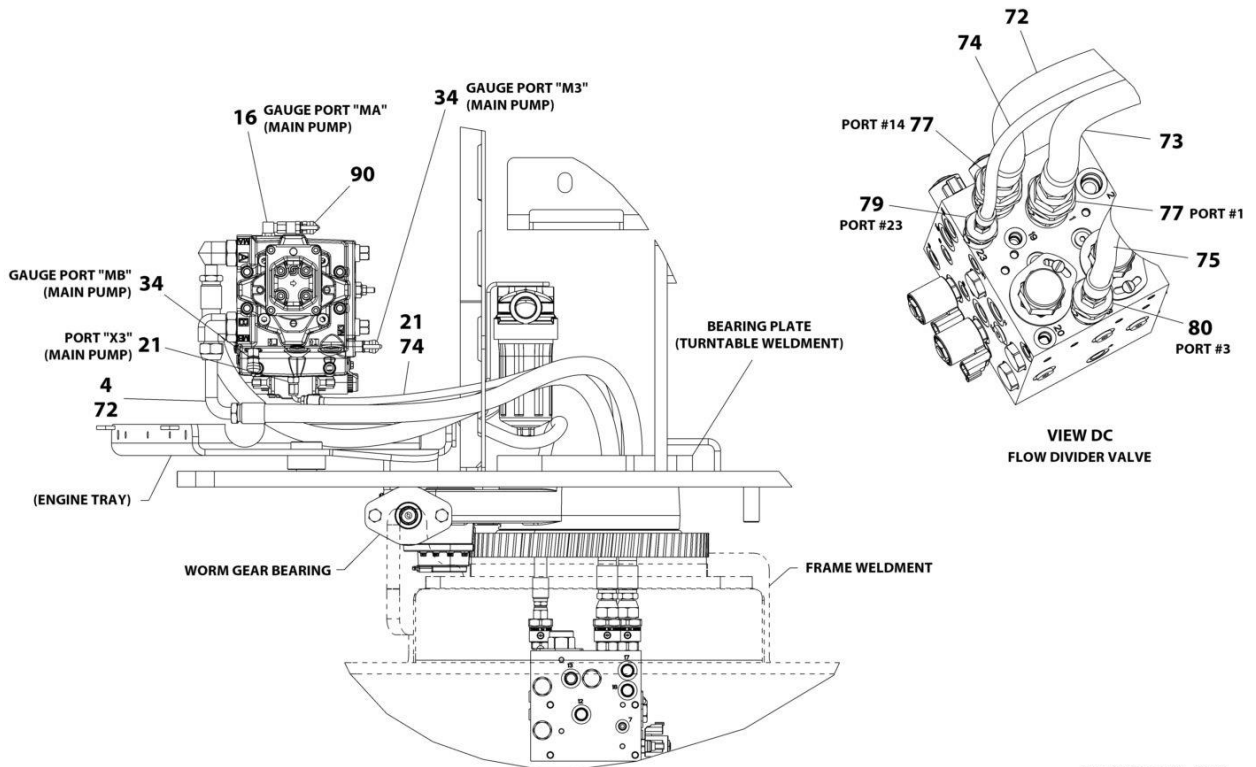
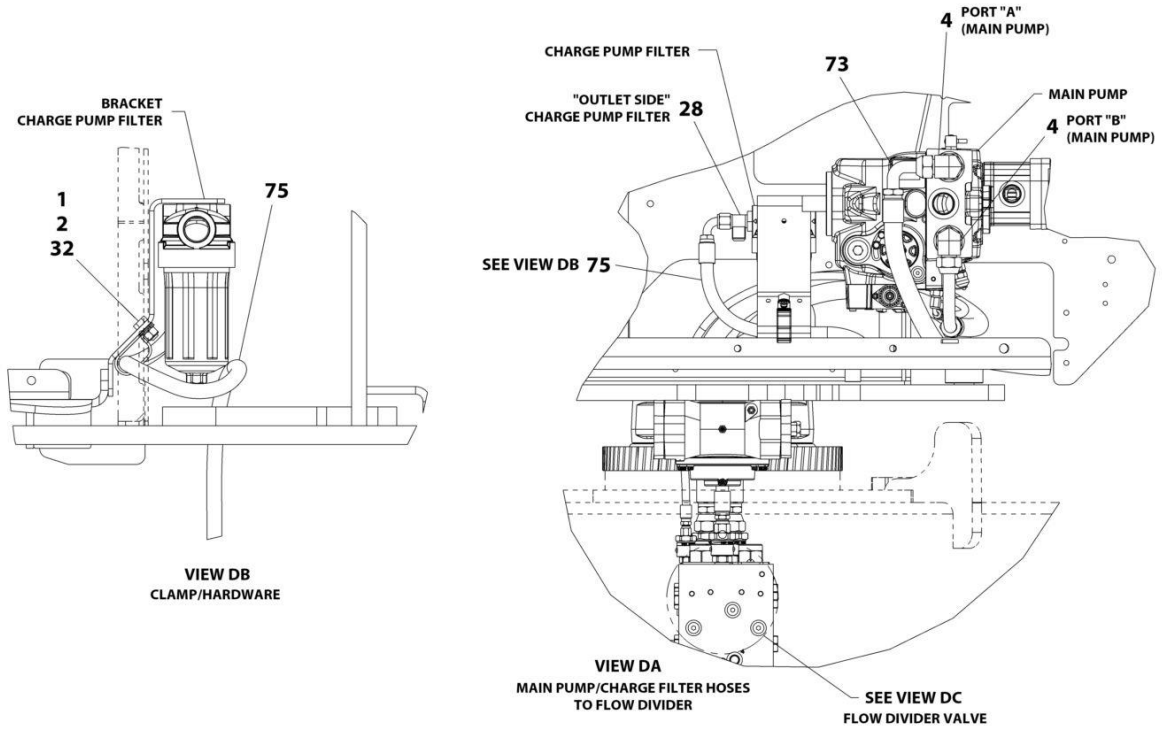
ART_1001115785_40F8

SECTION 7 - HYDRAULIC



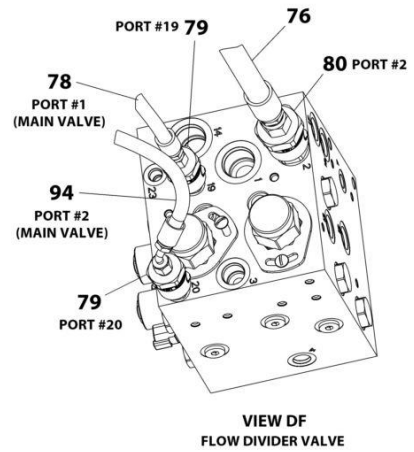
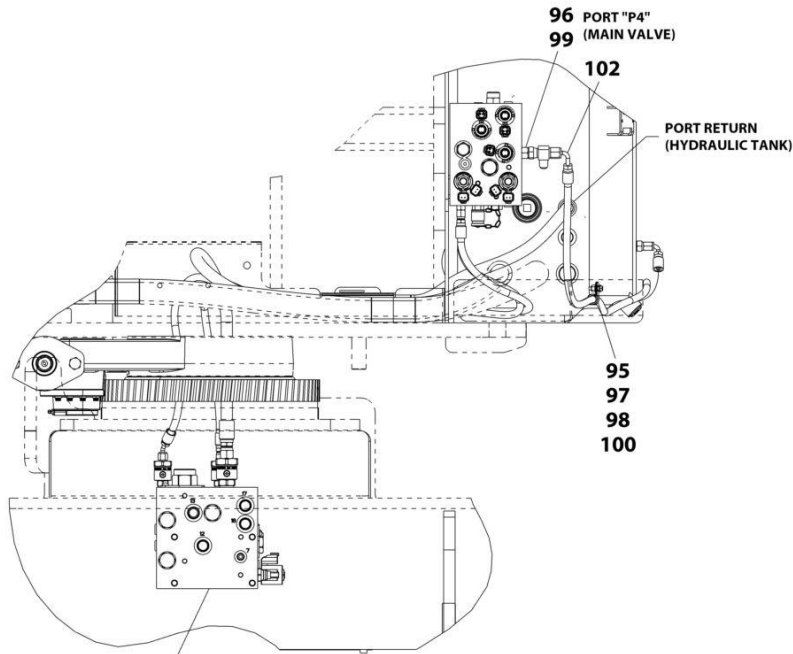
ART_1001115785_SOF8

SECTION 7 - HYDRAULIC

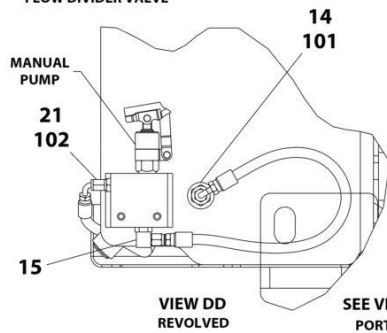


ART_100115785_60F8

SECTION 7 - HYDRAULIC



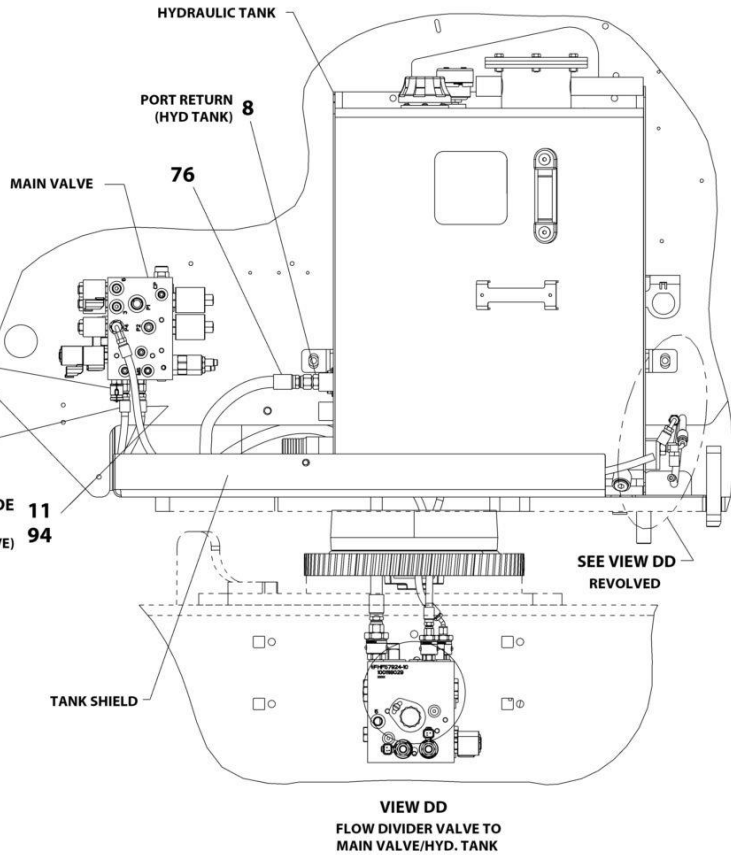
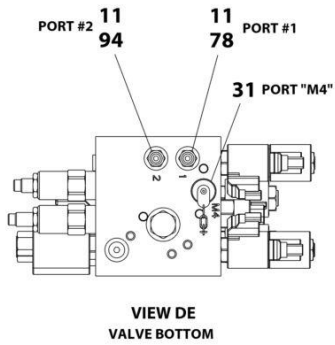
SEE VIEW DF
FLOW DIVIDER VALVE



SEE VIEW DE
PORT "M4"
(MAIN VALVE)

SEE VIEW DE
PORT #1
(MAIN VALVE)

SEE VIEW DE
PORT #2
(MAIN VALVE)



ART_1001115785_70F8

SECTION 7 - HYDRAULIC

FIGURE 7-1. HYDRAULIC INSTALLATION - WITHOUT ARCTIC PACKAGE

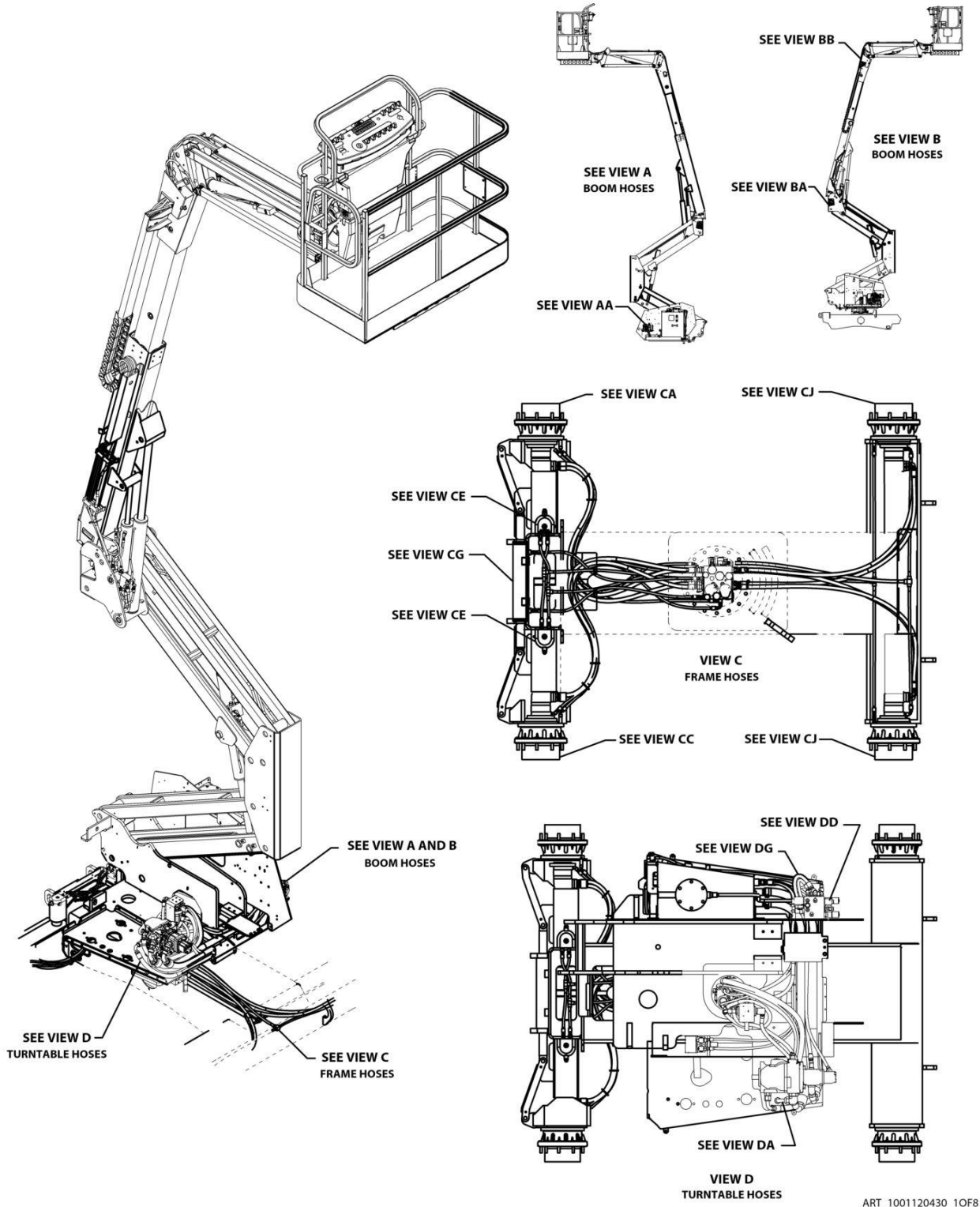
ITEM	PART NUMBER	QTY	DESCRIPTION	REV
	1001115785	Ref	HYDRAULIC INSTALLATION - WITHOUT ARCTIC PACKAGE	I
1	0761012	1	Bolt M10 x 25	
2	1321716	1	Clamp	
3	2110808	8	Fitting, Straight ORFS/ORB	
4	2131216	2	Fitting, 90 ORFS/ORB	
5	2220365	2	Fitting, 45 JIC/ORB	
6	2220366	1	Fitting, 90 JIC/ORB	
7	2220371	4	Fitting, Straight JIC/ORB	
8	2220373	1	Fitting, Straight JIC/ORB	
9	2220374	2	Fitting, Straight JIC/ORB	
11	2220415	23	Fitting, Straight JIC/ORB	
12	2220451	2	Fitting, Straight JIC/ORB	
13	2220466	6	Fitting, 90 JIC/ORB	
14	2220468	2	Fitting, Straight JIC/ORB	
15	2220472	6	Fitting, 90 JIC/ORB	
16	2220473	8	Fitting, 90 JIC/ORB	
17	2220499	1	Fitting, 45 JIC/ORB	
18	2220501	4	Fitting, 45 JIC/ORB	
19	2220502	2	Fitting, 45 JIC/ORB	
20	2220507	1	Fitting, 90 JIC/FSJIC	
21	2220582	2	Fitting, Straight JIC/ORB	
22	2220819	1	Fitting, 90 JIC/ORB	
23	2220828	2	Fitting, 90 JIC/ORB	
25	2220947	2	Fitting, Straight JIC/ORB	
28	2221041	1	Fitting, Tee	
29	2221053	1	Fitting, Run Tee	
30	2221060	1	Fitting, Run Tee JIC	
31	2221086	7	Fitting, Test Port	
32	3291005	1	Nut M10	
33	4240018	7	Tie-Strap	
34	77133089	2	Mini Check	
35	80633030	2	Clamp, Hose	
36	1001116905	1	Tube, Steel	
37	1001119035	1	Hose	
38	1001119068	1	Hose	
39	1001119069	1	Hose	
40	1001119070	1	Hose	
41	1001119071	1	Hose	
42	1001119143	1	Hose	
43	1001119237	1	Hose	
44	1001119324	1	Hose	
45	1001119365	1	Hose	
46	1001119404	1	Hose	
47	1001119449	1	Hose	
48	1001119455	1	Valve, Oil Sampling	
49	1001119489	1	Hose	
50	1001119525	2	Hose	
51	1001119546	4	Hose	
52	1001119547	2	Hose	
53	1001119548	2	Hose	

SECTION 7 - HYDRAULIC

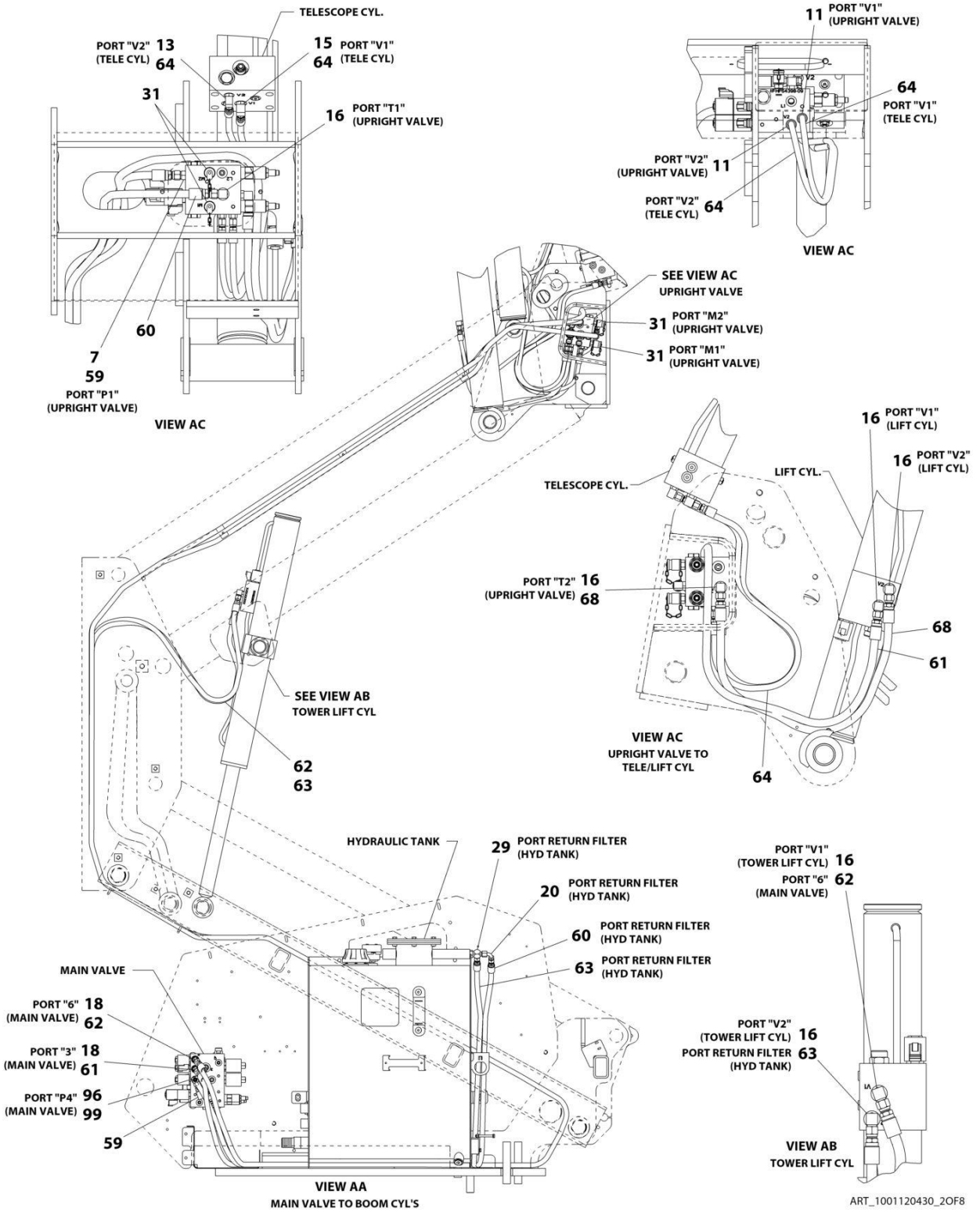
ITEM	PART NUMBER	QTY	DESCRIPTION	REV
54	1001119550	1	Hose	
55	1001119552	1	Hose	
56	1001119568	2	Hose	
57	1001119569	1	Hose	
58	1001119570	1	Hose	
59	1001119572	1	Hose	
60	1001119577	1	Hose	
61	1001119593	1	Hose	
62	1001119594	1	Hose	
63	1001119595	1	Hose	
64	1001119596	2	Hose	
65	1001119597	1	Hose	
66	1001119598	1	Hose	
67	1001119600	2	Hose	
68	1001119602	1	Hose	
69	1001119603	1	Hose	
70	1001119604	2	Hose	
71	1001119605	2	Hose	
72	1001119606	1	Hose	
73	1001119607	1	Hose	
74	1001119608	1	Hose	
75	1001119610	1	Hose	
76	1001119611	1	Hose	
77	1001119612	2	Fitting, Straight ORB/ORFS	
78	1001119613	1	Hose	
79	1001119626	3	Fitting, Straight JIC/ORB	
80	1001119627	2	Fitting, Straight JIC/ORB	
81	1001119630	4	Fitting, Straight JIC/MPP	
82	2220605	1	Fitting, Tee JIC/FSJIC/JIC	
83	4641284	2	Valve, Orifice Check	
84	2110810	8	Fitting, Straight ORFS/ORB	
85	2220500	1	Fitting, 45 JIC/ORB	
86	2220940	2	Fitting, 90 JIC/ORB	
87	4100066	1	Sleeve, Hose Wrap	
88	5250810	2	Bolt M8 x 20	
89	8310686	2	Retainer M8	
90	91143172	1	Coupling	
91	1001121221	1	Cover, Tray	
92	1001121966	1	Hose	
93	1001125108	1	Fitting, Straight JIC/ORB	
94	1001125249	1	Hose	
95	0700510	1	Bolt M5 x 20	
95	0700610	1	Bolt M6 x 20	
96	2220635	1	Fitting, Tee JIC/FSJIC/JIC	
97	3290605	1	Nut M6	
98	4811700	2	Washer M6	
99	80233041	1	Fitting, Check	
100	85941016	1	Clamp	
101	1001127703	1	Hose	
102	1001127705	1	Hose	

SECTION 7 - HYDRAULIC

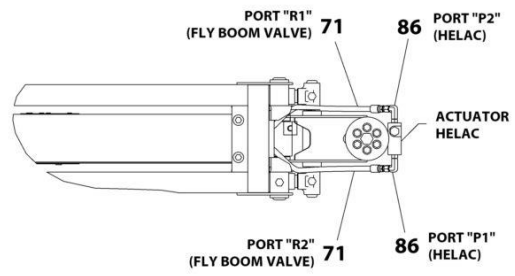
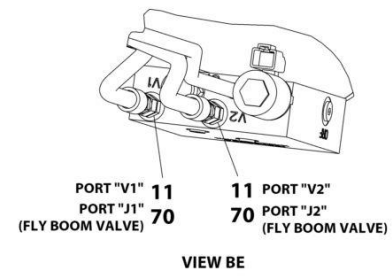
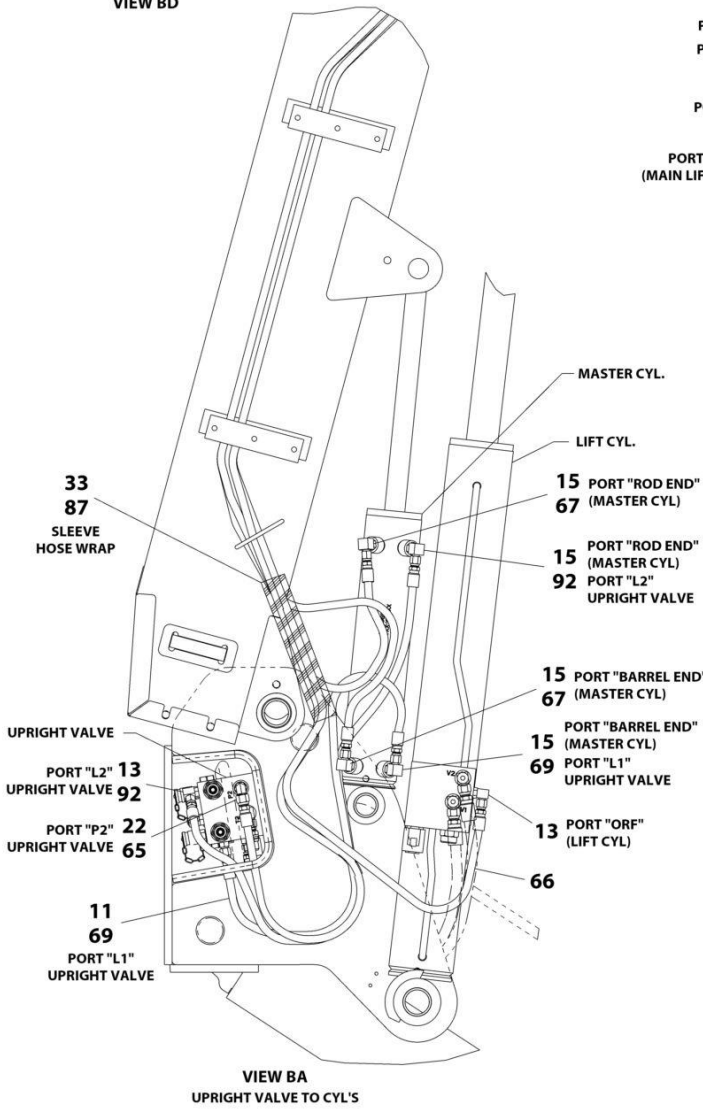
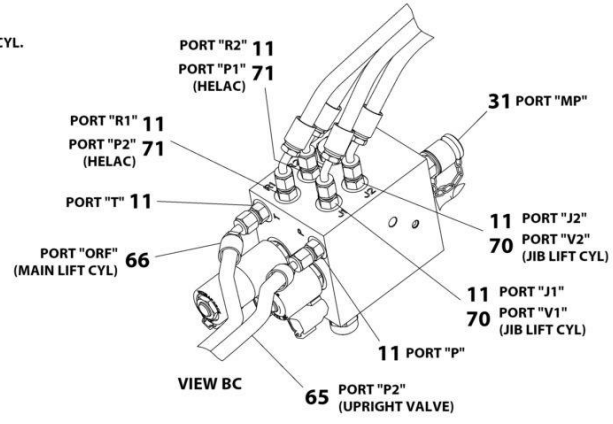
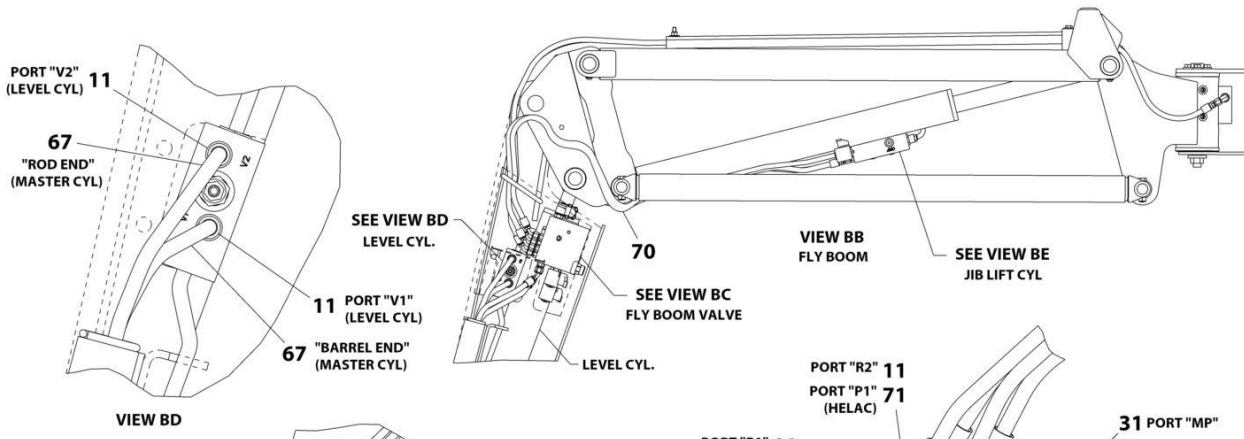
FIGURE 7-2. HYDRAULIC INSTALLATION - WITH ARCTIC PACKAGE



SECTION 7 - HYDRAULIC

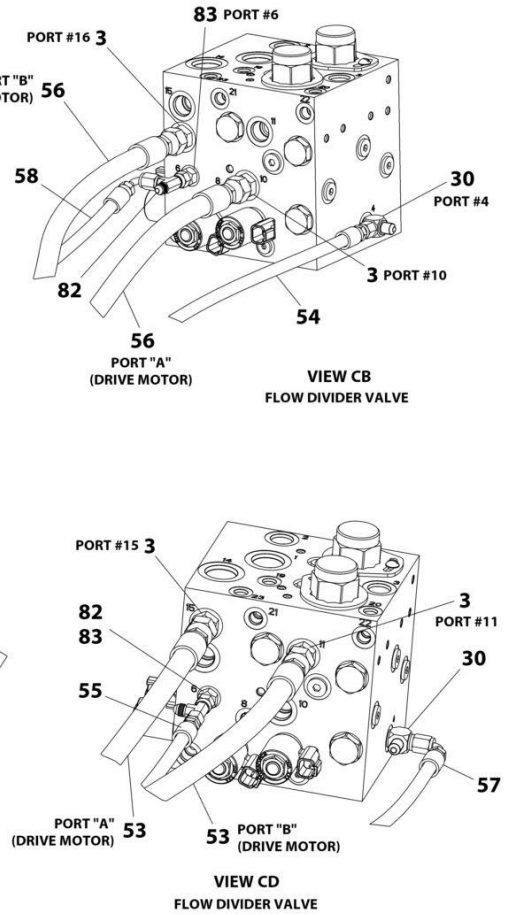
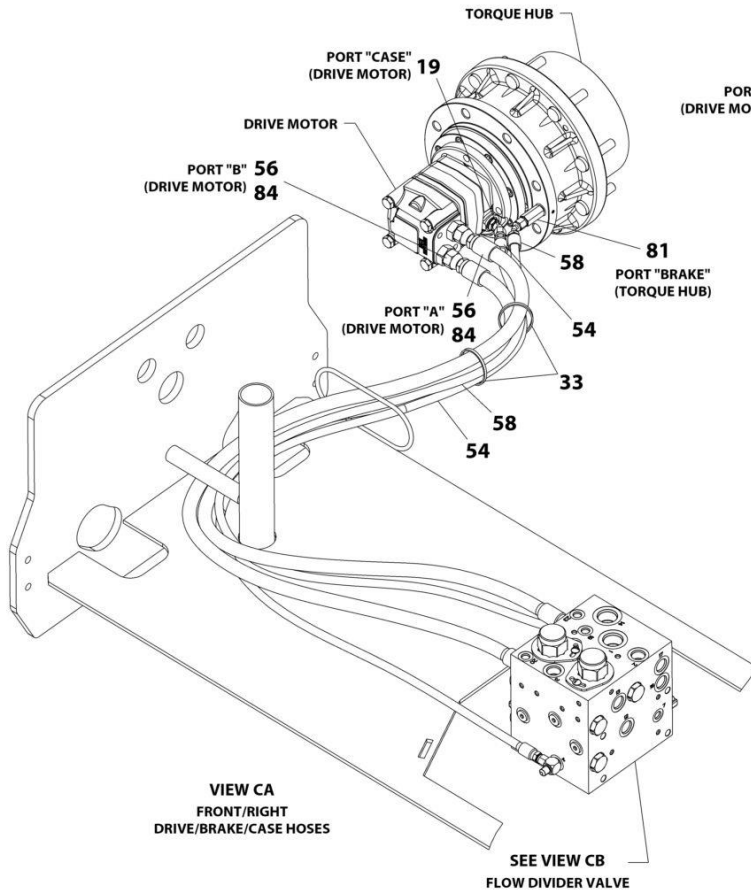


SECTION 7 - HYDRAULIC



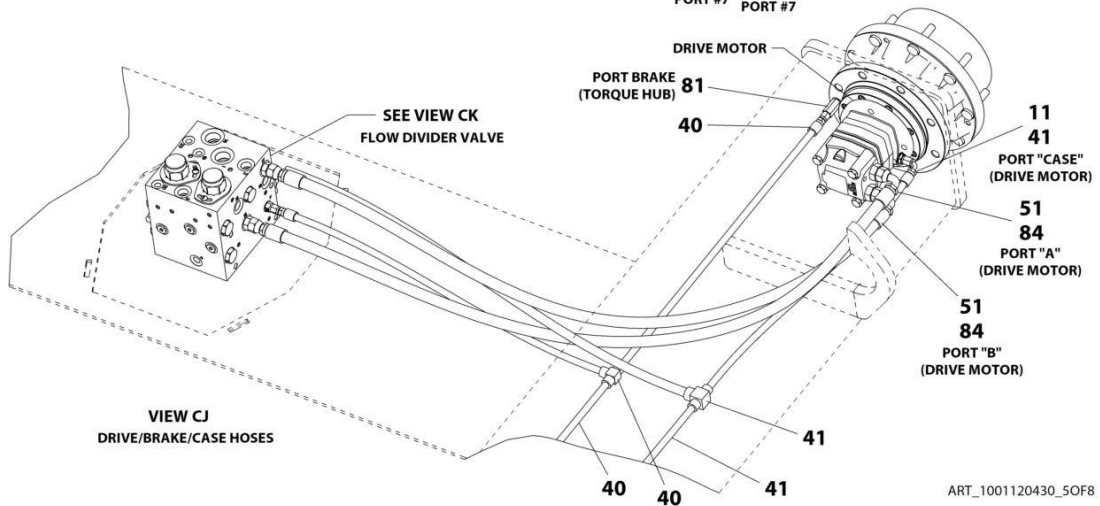
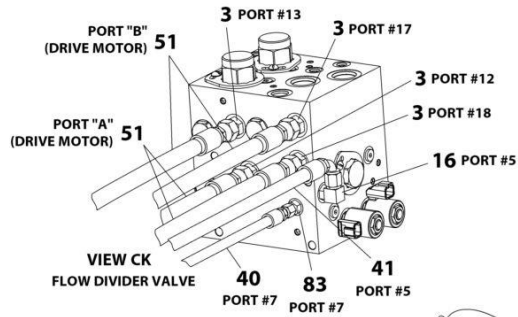
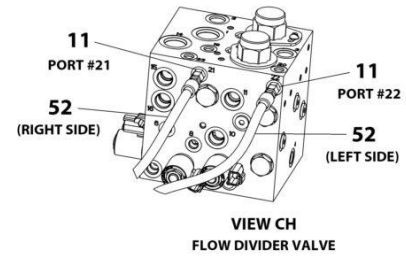
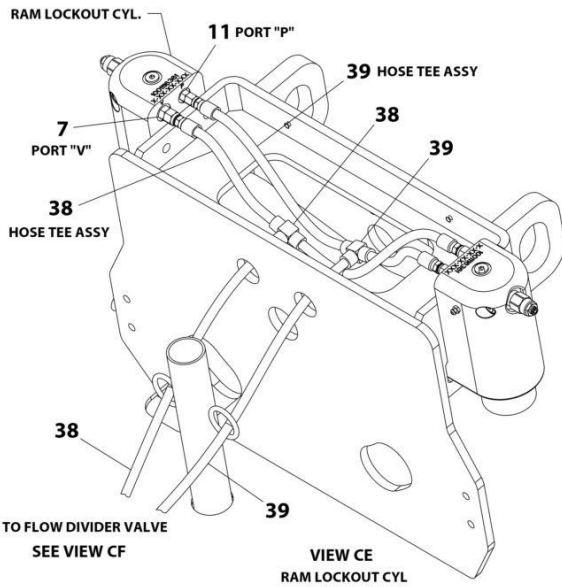
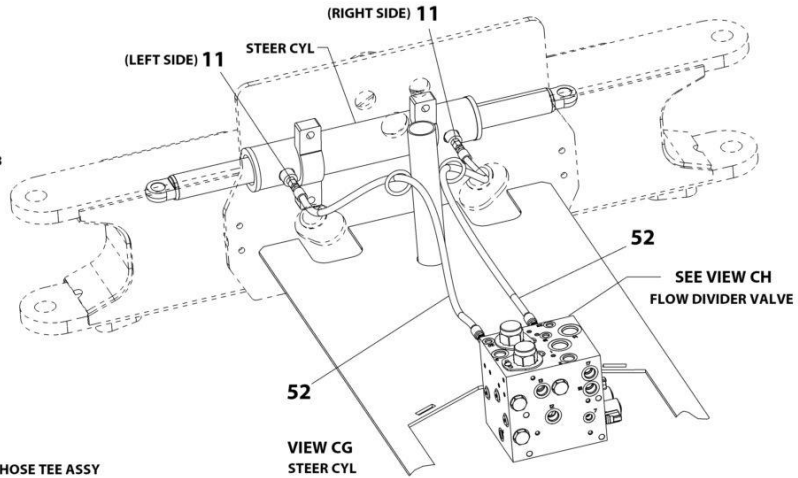
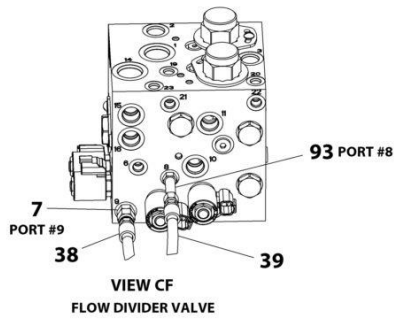
ART_1001120430_30F8

SECTION 7 - HYDRAULIC



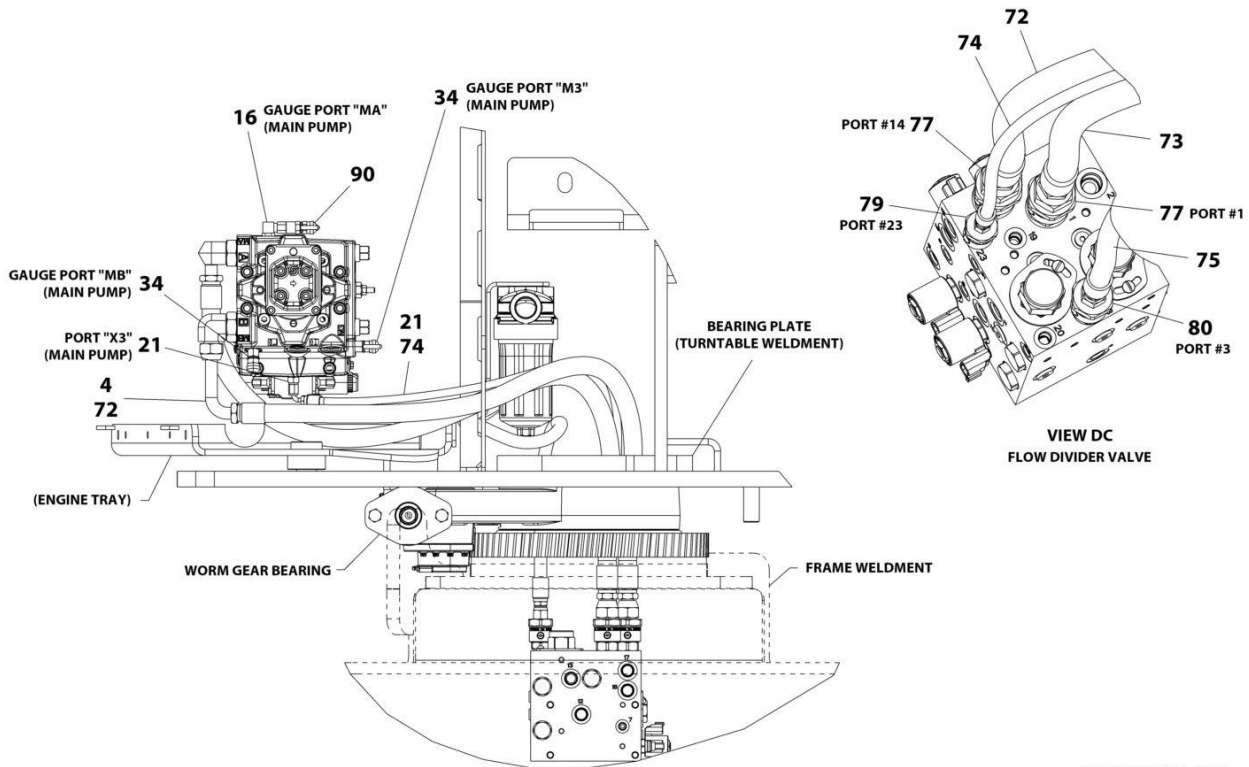
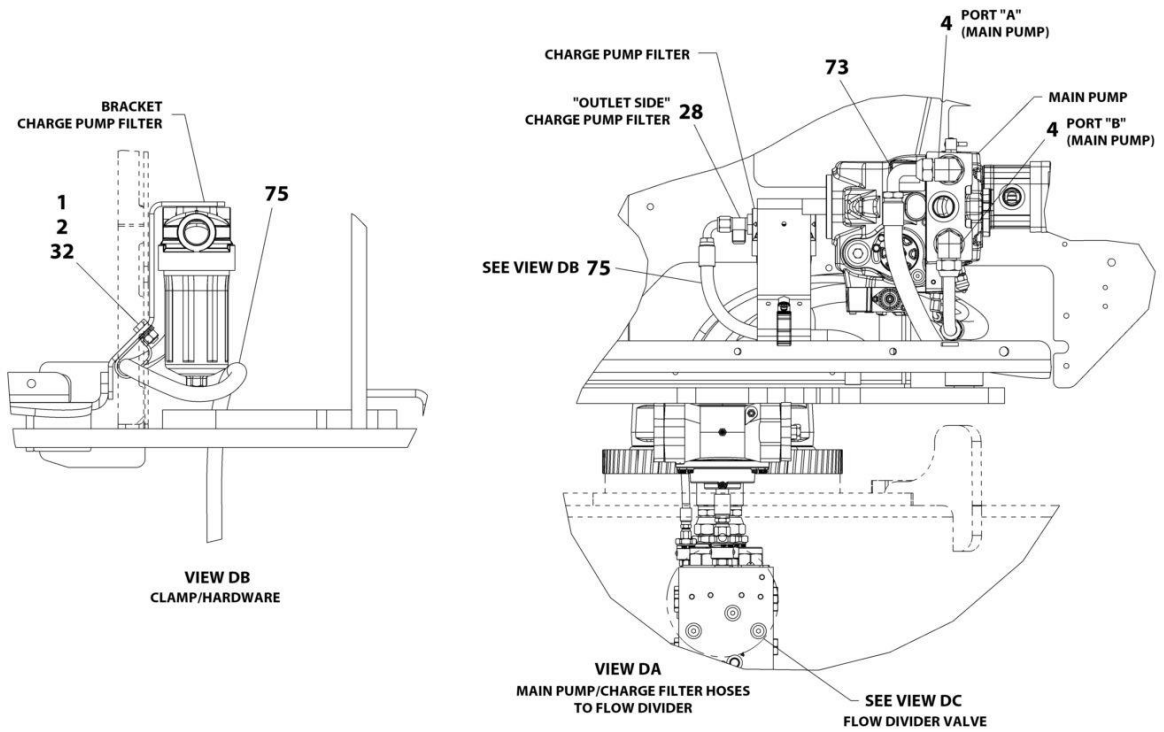
ART_1001120430_40F8

SECTION 7 - HYDRAULIC



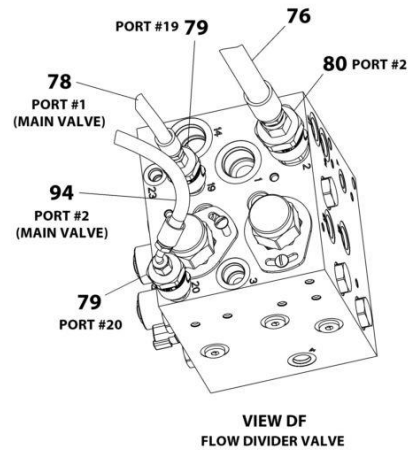
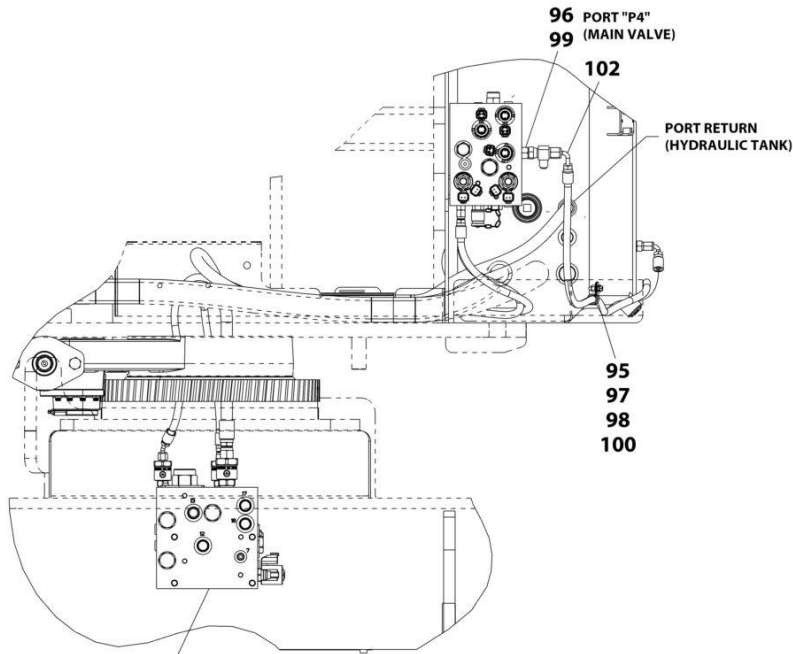
ART_1001120430_SOF8

SECTION 7 - HYDRAULIC

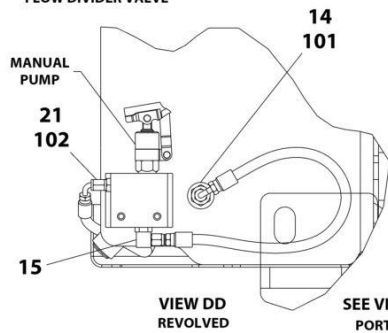


ART_1001120430_60F8

SECTION 7 - HYDRAULIC



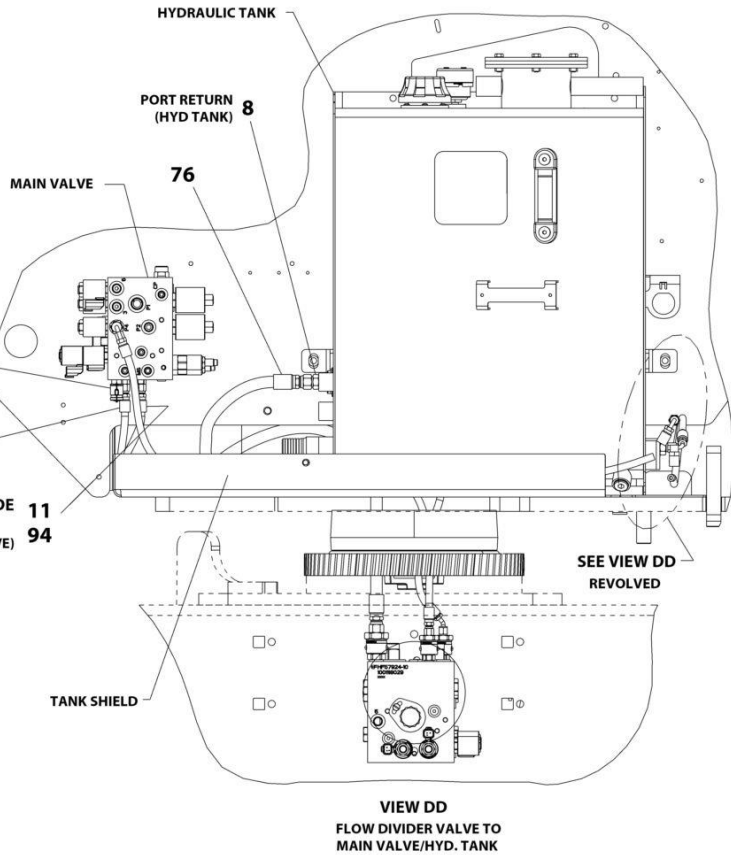
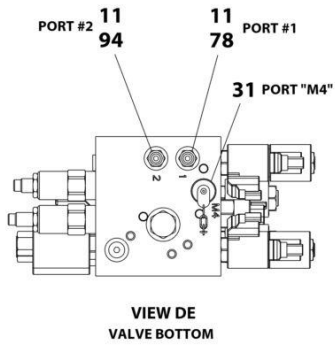
SEE VIEW DF
FLOW DIVIDER VALVE



SEE VIEW DE
PORT "M4"
(MAIN VALVE)
31

SEE VIEW DE
PORT #1
(MAIN VALVE)
78

SEE VIEW DE
PORT #2
(MAIN VALVE)
94



ART_1001120430_70F8

SECTION 7 - HYDRAULIC

FIGURE 7-2. HYDRAULIC INSTALLATION - WITH ARCTIC PACKAGE

ITEM	PART NUMBER	QTY	DESCRIPTION	REV
	1001120430	Ref	HYDRAULIC INSTALLATION - WITH ARCTIC PACKAGE	G
1	0761012	1	Bolt M10 x 25	
2	1321716	1	P-Clamp	
3	2110808	8	Fitting, Straight ORFS/ORB	
4	2131216	2	Fitting, 90 ORFS/ORB	
5	2220365	2	Fitting, 45 JIC/ORB	
6	2220366	1	Fitting, 90 JIC/ORB	
7	2220371	4	Fitting, Straight JIC/ORB	
8	2220373	1	Fitting, Straight JIC/ORB	
9	2220374	2	Fitting, Straight JIC/ORB	
11	2220415	23	Fitting, Straight JIC/ORB	
12	2220451	2	Fitting, Straight JIC/ORB	
13	2220466	6	Fitting, 90 JIC/ORB	
14	2220468	2	Fitting, Straight JIC/ORB	
15	2220472	6	Fitting, 90 JIC/ORB	
16	2220473	8	Fitting, 90 JIC/ORB	
17	2220499	1	Fitting, 45 JIC/ORB	
18	2220501	4	Fitting, 45 JIC/ORB	
19	2220502	2	Fitting, 45 JIC/ORB	
20	2220507	1	Fitting, 90 JIC/FSJIC	
21	2220582	2	Fitting, Straight JIC/ORB	
22	2220819	1	Fitting, 90 JIC/ORB	
23	2220828	2	Fitting, 90 JIC/ORB	
25	2220947	2	Fitting, Straight JIC/ORB	
28	2221041	1	Fitting, Tee	
29	2221053	1	Fitting, Run Tee	
30	2221060	1	Fitting, Run Tee JIC	
31	2221086	7	Fitting, Test Port	
32	3291005	1	Nut M10	
33	4240018	7	Tie-Strap	
34	77133089	2	Mini Check	
35	80633030	2	Clamp, Hose	
36	1001116905	1	Tube, Steel	
37	1001119035	1	Hose	
38	1001119068	1	Hose	
39	1001119069	1	Hose	
40	1001119070	1	Hose	
41	1001119071	1	Hose	
42	1001119143	1	Hose	
43	1001119237	1	Hose	
44	1001119324	1	Hose	
45	1001119365	1	Hose	
46	1001119404	1	Hose	
47	1001119449	1	Hose	
48	1001119455	1	Valve, Oil Sampling	
49	1001119489	1	Hose	
50	1001119525	2	Hose	
51	1001119546	4	Hose	
52	1001119547	2	Hose	
53	1001120424	2	Hose	

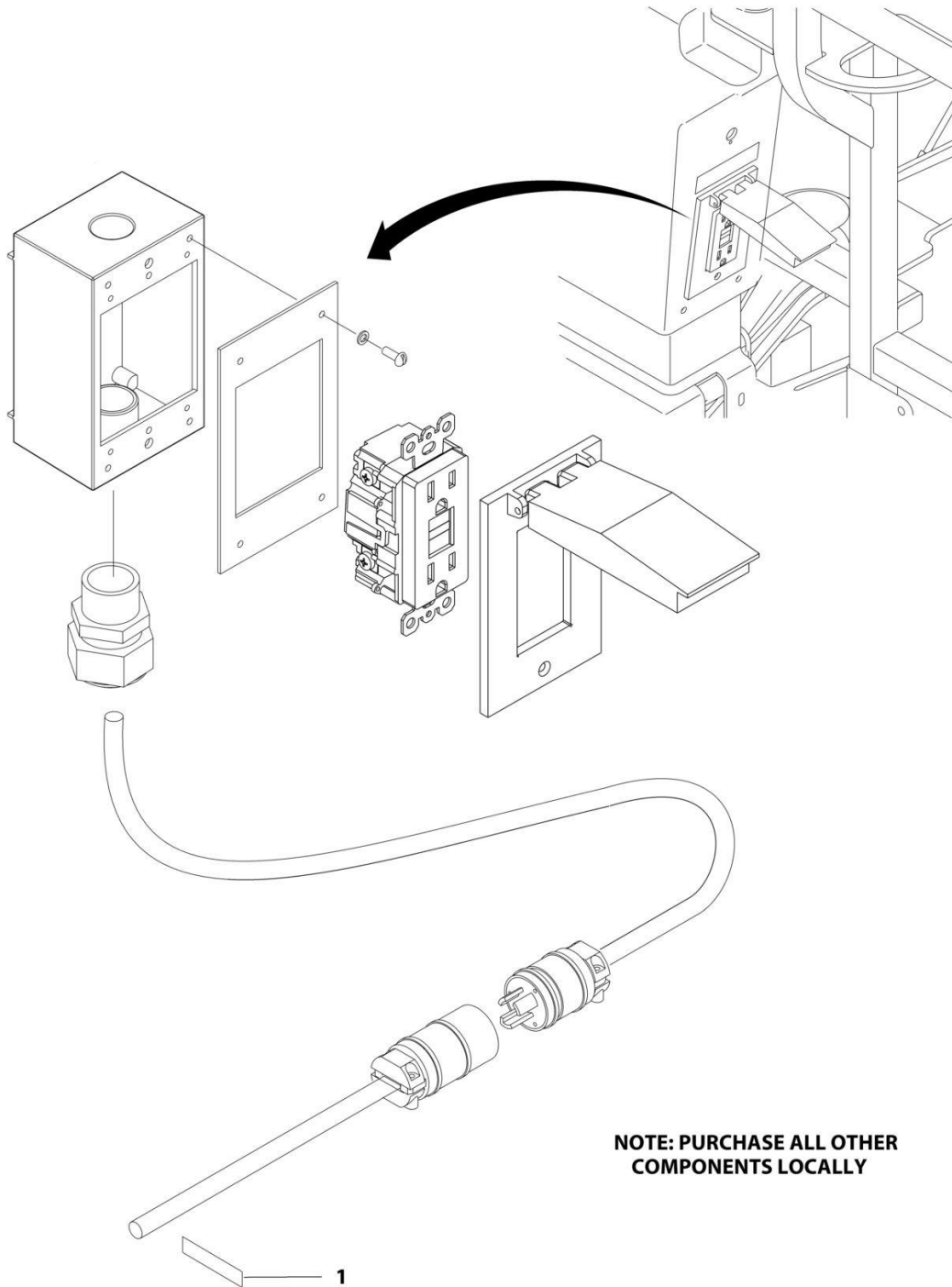
SECTION 7 - HYDRAULIC

ITEM	PART NUMBER	QTY	DESCRIPTION	REV
54	1001120425	1	Hose	
55	1001120426	1	Hose	
56	1001120427	2	Hose	
57	1001120428	1	Hose	
58	1001120429	1	Hose	
59	1001119572	1	Hose	
60	1001119577	1	Hose	
61	1001119593	1	Hose	
62	1001119594	1	Hose	
63	1001119595	1	Hose	
64	1001119596	2	Hose	
65	1001119597	1	Hose	
66	1001119598	1	Hose	
67	1001119600	2	Hose	
68	1001119602	1	Hose	
69	1001119603	1	Hose	
70	1001119604	2	Hose	
71	1001119605	2	Hose	
72	1001119606	1	Hose	
73	1001119607	1	Hose	
74	1001119608	1	Hose	
75	1001119610	1	Hose	
76	1001119611	1	Hose	
77	1001119612	2	Fitting, Straight ORB/ORFS	
78	1001119613	1	Hose	
79	1001119626	3	Fitting, Straight JIC/ORB	
80	1001119627	2	Fitting, Straight JIC/ORB	
81	1001119630	4	Fitting, Straight JIC/MPP	
82	2220605	1	Fitting, Tee JIC/FSJIC/JIC	
83	4641284	2	Valve, Orifice Check	
84	2110810	8	Fitting, Straight ORFS/ORB	
85	2220500	1	Fitting, 45 JIC/ORB	
86	2220940	2	Fitting, 90 JIC/ORB	
87	4100066	1	Sleeve, Hose Wrap	
88	5250810	2	Bolt M8 x 20	
89	8310686	2	Retainer M8	
90	91143172	1	Coupling	
91	1001121221	1	Cover, Tray	
92	1001121966	1	Hose	
93	1001125108	1	Fitting, Straight JIC/ORB	
94	1001125249	1	Hose	
95	0700510	1	Bolt M5 x 20	
95	0700610	1	Bolt M6 x 20	
96	2220635	1	Fitting, Tee JIC/FSJIC/JIC	
97	3290605	1	Nut M6	
98	4811700	2	Washer M6	
99	80233041	1	Fitting, Check	
100	85941016	1	Clamp	
101	1001127703	1	Hose	
102	1001127705	1	Hose	

SECTION 8 - ELECTRICAL

SECTION 8 - ELECTRICAL

FIGURE 8-1. AC BOX AT PLATFORM INSTALLATION - LOCALLY SUPPLIED COMPONENTS (ANSI EXPORT, AUSTRALIAN AND CHINA SPECS)



**NOTE: PURCHASE ALL OTHER
COMPONENTS LOCALLY**

ART_1001119870

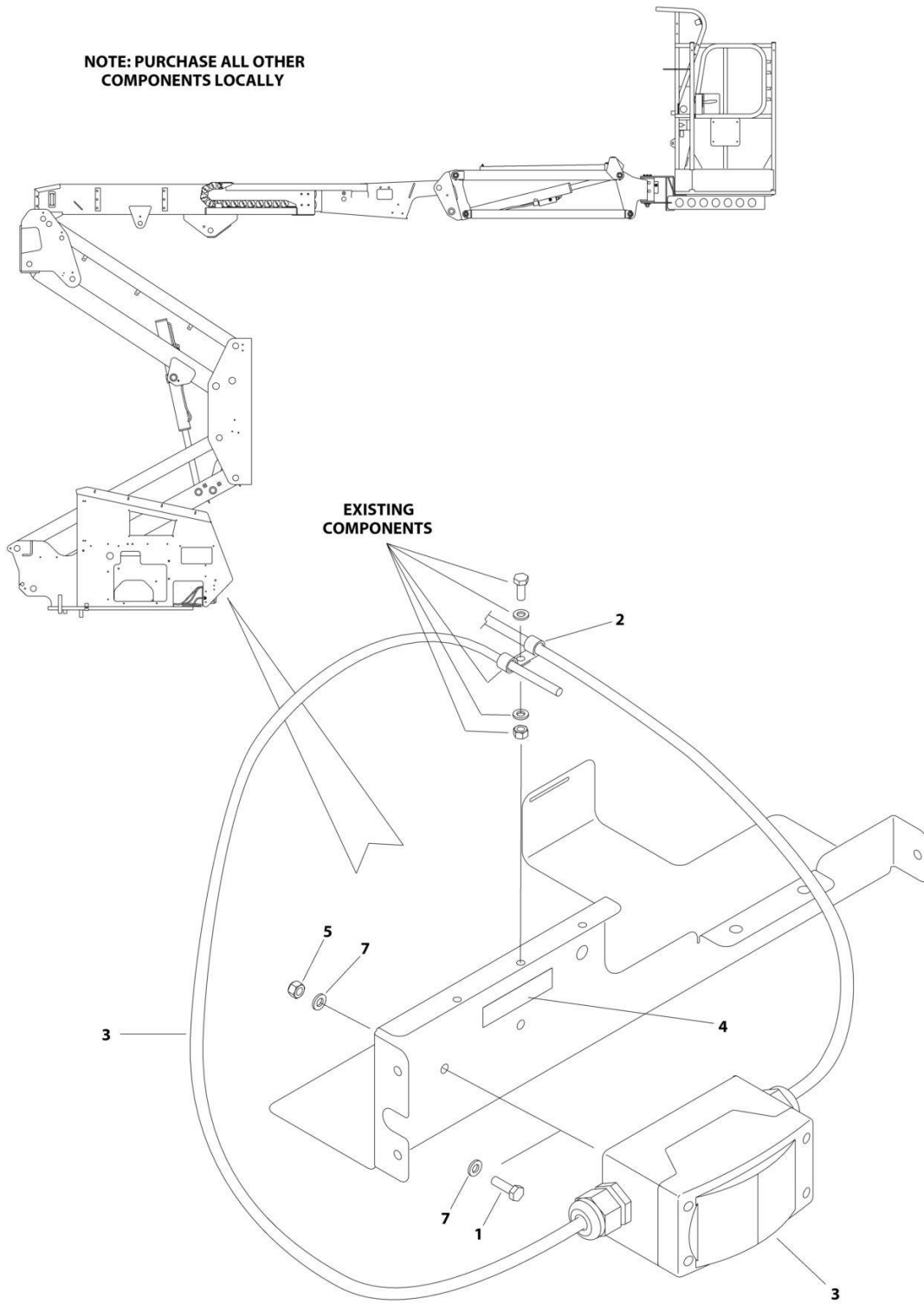
SECTION 8 - ELECTRICAL

FIGURE 8-1. AC BOX AT PLATFORM INSTALLATION - LOCALLY SUPPLIED COMPONENTS (ANSI EXPORT, AUSTRALIAN AND CHINA SPECS)

ITEM	PART NUMBER	QTY	DESCRIPTION	REV
	1001119870	Ref	AC BOX AT PLATFORM INSTALLATION - LOCALLY SUPPLIED COMPONENTS	A
1	3251243	1	Decal - 120V-60Hz	

SECTION 8 - ELECTRICAL

FIGURE 8-2. AC BOX AT PLATFORM INSTALLATION - LOCALLY SUPPLIED (CE & UK CA SPEC)



ART_1001130588

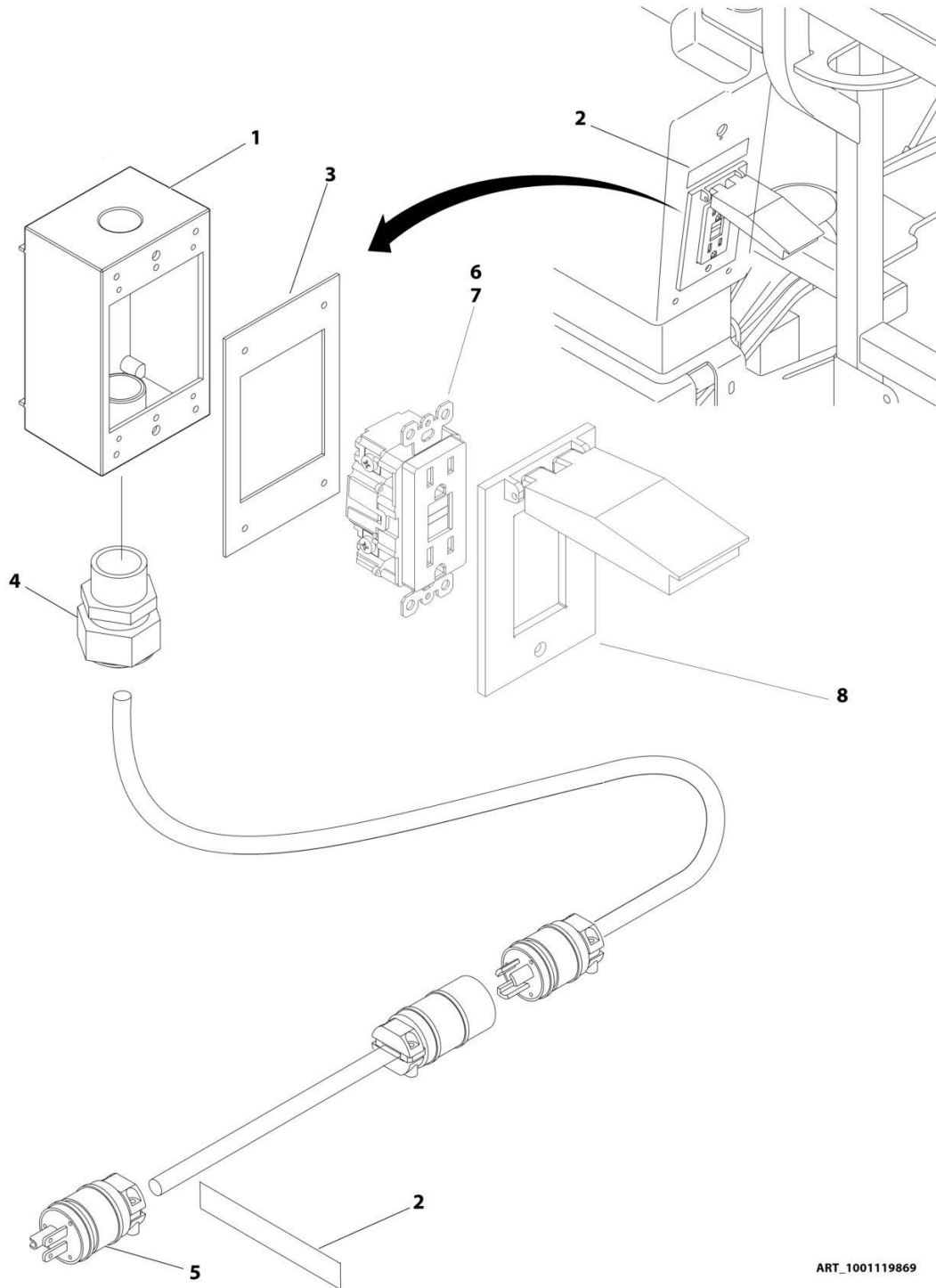
SECTION 8 - ELECTRICAL

FIGURE 8-2. AC BOX AT PLATFORM INSTALLATION - LOCALLY SUPPLIED (CE & UK CA SPEC)

ITEM	PART NUMBER	QTY	DESCRIPTION	REV
	1001130588	Ref	AC BOX AT PLATFORM INSTALLATION - LOCALLY SUPPLIED COMPONENTS	A
1	0760610	2	Bolt M6 x 20	
2	1320043	1	Clamp	
3	2902549	1	Breaker Box Kit (See Separate Breakdown in this Section)	
4	3252507	1	Decal - 220V - 50/60Hz	
5	3290605	2	Nut M6	
6	4460121	3	Cap, Wire (Not Shown - Located inside Receptacle Box)	
7	4811700	4	Washer M6	

SECTION 8 - ELECTRICAL

FIGURE 8-3. AC BOX AT PLATFORM INSTALLATION - 110V (ANSI, ANSI EXPORT, CHINA, CSA AND JAPANESE SPECS)



ART_100119869

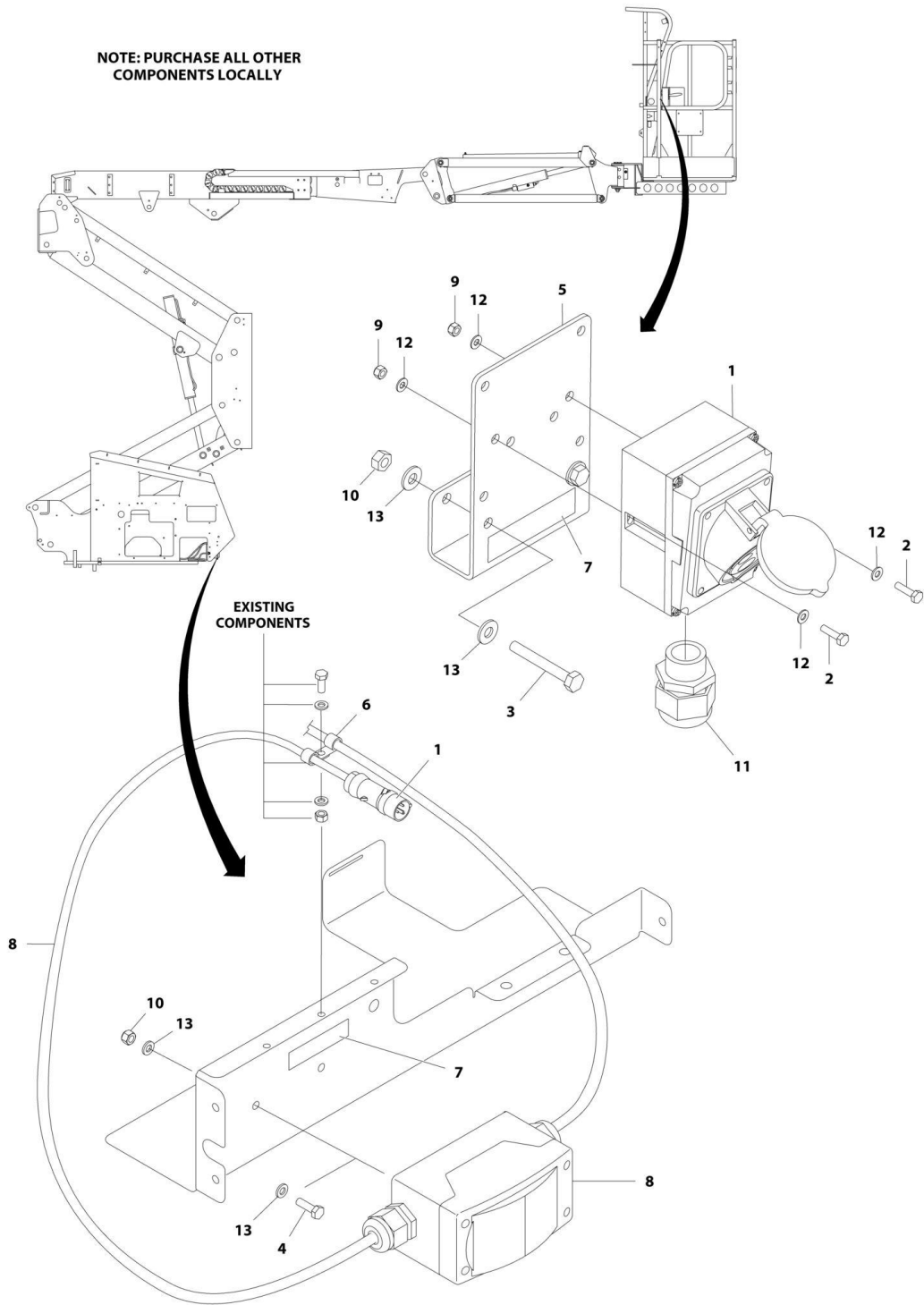
SECTION 8 - ELECTRICAL

FIGURE 8-3. AC BOX AT PLATFORM INSTALLATION - 110V (ANSI, ANSI EXPORT, CHINA, CSA AND JAPANESE SPECS)

ITEM	PART NUMBER	QTY	DESCRIPTION	REV
	1001119869	Ref	AC BOX AT PLATFORM INSTALLATION - 110V	A
1	0860038	1	Box, Switch	
2	3251243	2	Decal - 120V - 60Hz	
3	3960422	1	Gasket	
4	4460071	1	Connector, Strain Relief	
5	4460205	1	Plug, Male	
6	4460315	3	Terminal, Spade	
7	4460346	1	Receptacle	
8	1001110873	1	Shield, Cover	

SECTION 8 - ELECTRICAL

FIGURE 8-4. AC BOX AT PLATFORM INSTALLATION - 110V IEC YELLOW WITHOUT 4000W GENERATOR (CE & UK CA SPEC)



ART_1001119875

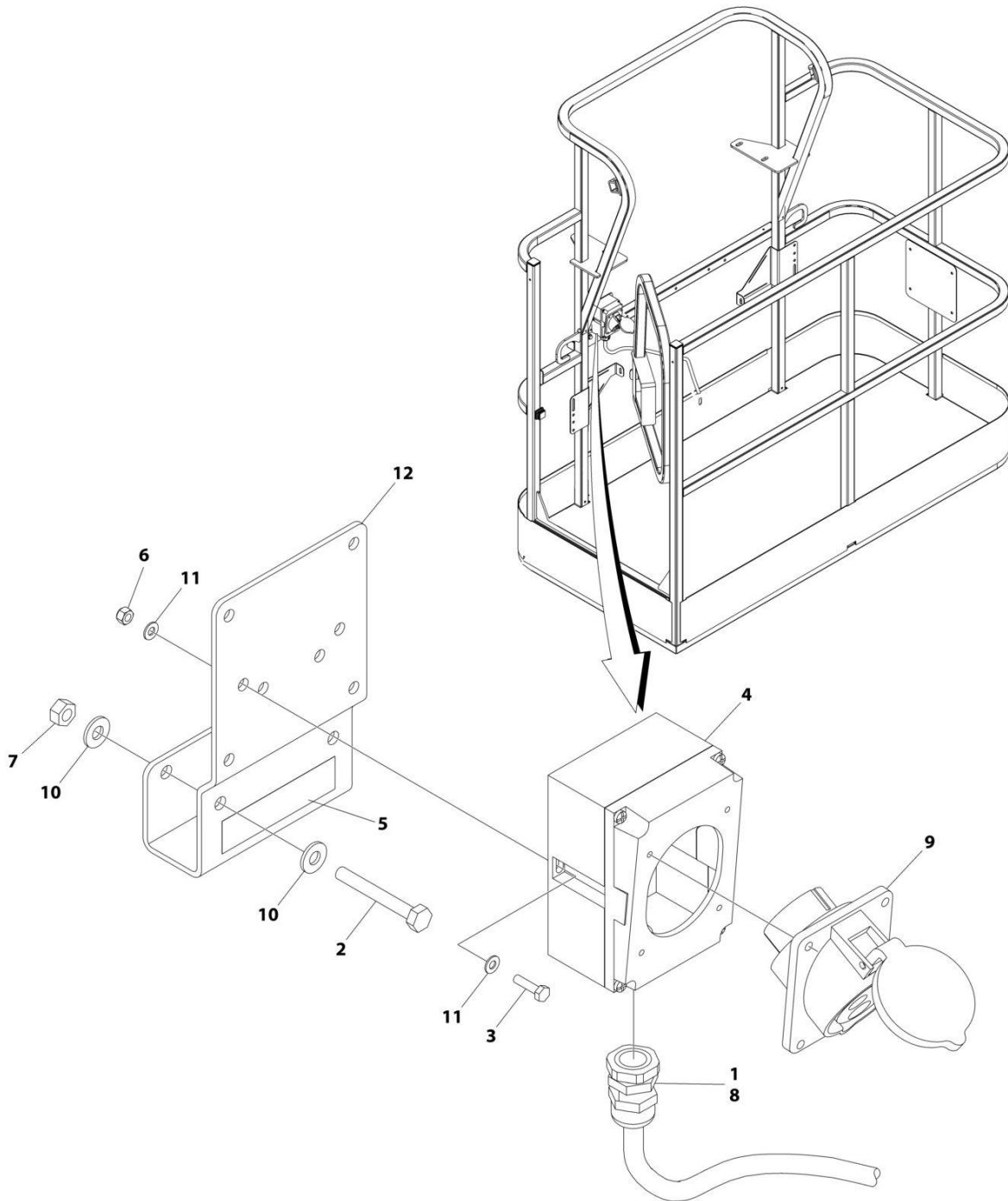
SECTION 8 - ELECTRICAL

FIGURE 8-4. AC BOX AT PLATFORM INSTALLATION - 110V IEC YELLOW WITHOUT 4000W GENERATOR (CE & UK CA SPEC)

ITEM	PART NUMBER	QTY	DESCRIPTION	REV
	1001119875	Ref	AC BOX AT PLATFORM INSTALLATION - 110V IEC YELLOW	B
1	0275216	1	Receptacle Box Kit (See Separate Breakdown in this Section)	
2	0700408	2	Bolt M4 x 16	
3	0700618	2	Bolt M6 x 50	
4	0760610	2	Bolt M6 x 20	
5	1001193018	1	Bracket	
6	1320043	1	Clamp	
7	1705325	2	Decal - 120V - 50Hz	
8	2902549	1	Breaker Box Kit (See Separate Breakdown in this Section)	
9	3290405	2	Nut M4	
10	3290605	4	Nut M6	
11	4460968	1	Connector, Strain Relief	
12	4811400	4	Washer M4	
13	4811700	8	Washer M6	

SECTION 8 - ELECTRICAL

FIGURE 8-5. AC BOX AT PLATFORM INSTALLATION - 110V IEC YELLOW WITH 4000W GENERATOR
(CE & UK CA SPECS)



ART_1001194203

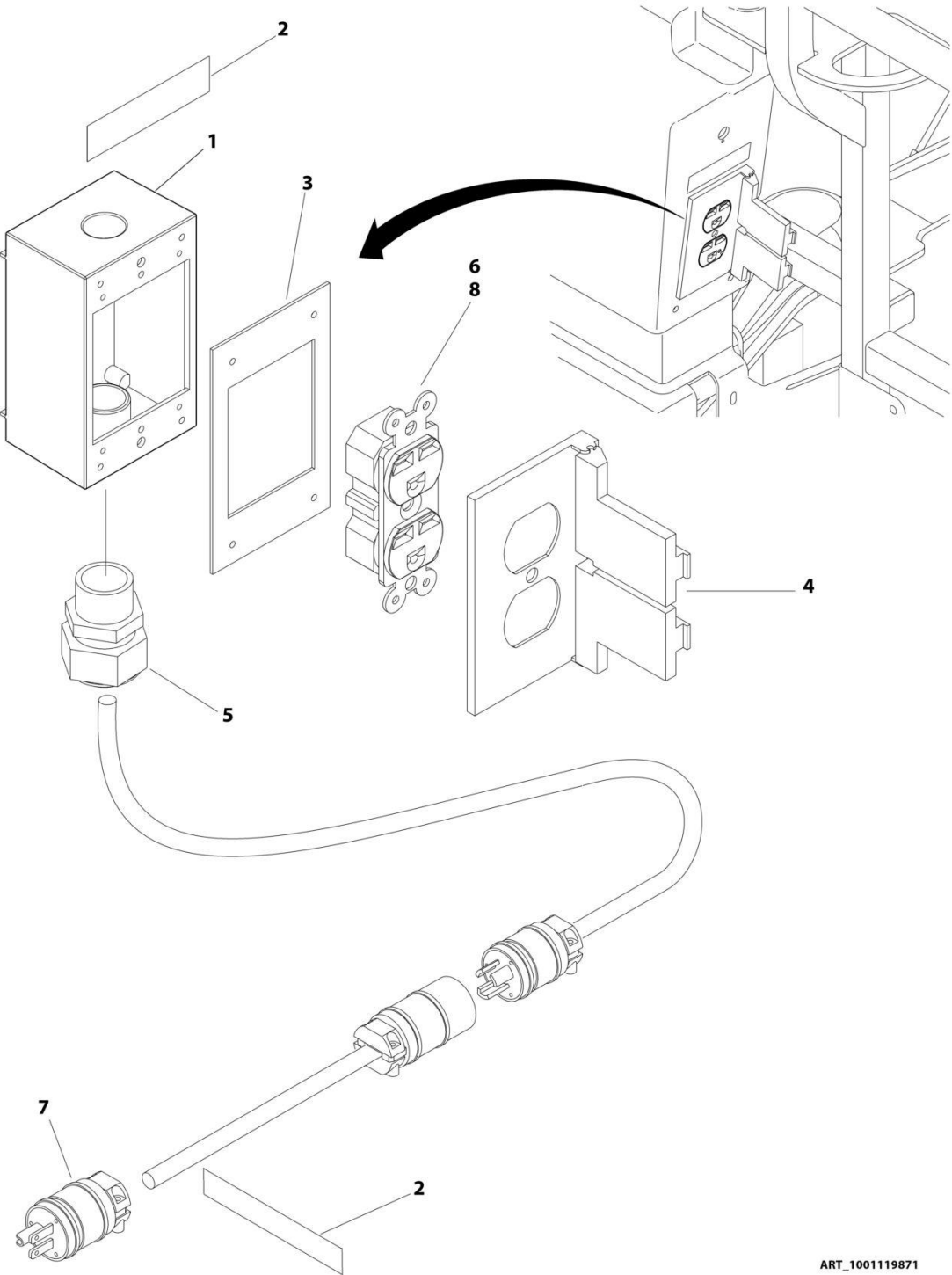
SECTION 8 - ELECTRICAL

**FIGURE 8-5. AC BOX AT PLATFORM INSTALLATION - 110V IEC YELLOW WITH 4000W GENERATOR
(CE & UK CA SPECS)**

ITEM	PART NUMBER	QTY	DESCRIPTION	REV
	1001194203	Ref	AC BOX AT PLATFORM INSTALLATION	B
1	0100020	AR	Sealant, Pipe	
2	0641416	2	Bolt 1/4 x 2	
3	0700408	2	Bolt M4 x 16	
4	0861781	1	Box, Switch	
5	1705325	1	Decal - 110V	
6	3290405	2	Nut M4	
7	3311405	2	Nut 1/4	
8	4460968	1	Connector, Strain Relief	
9	4461198	1	Receptacle	
10	4711400	4	Washer 1/4	
11	4811400	4	Washer M4	
12	1001193018	1	Bracket, AC Receptacle	

SECTION 8 - ELECTRICAL

FIGURE 8-6. AC BOX AT PLATFORM INSTALLATION - 220V (CSA SPEC)



ART_100119871

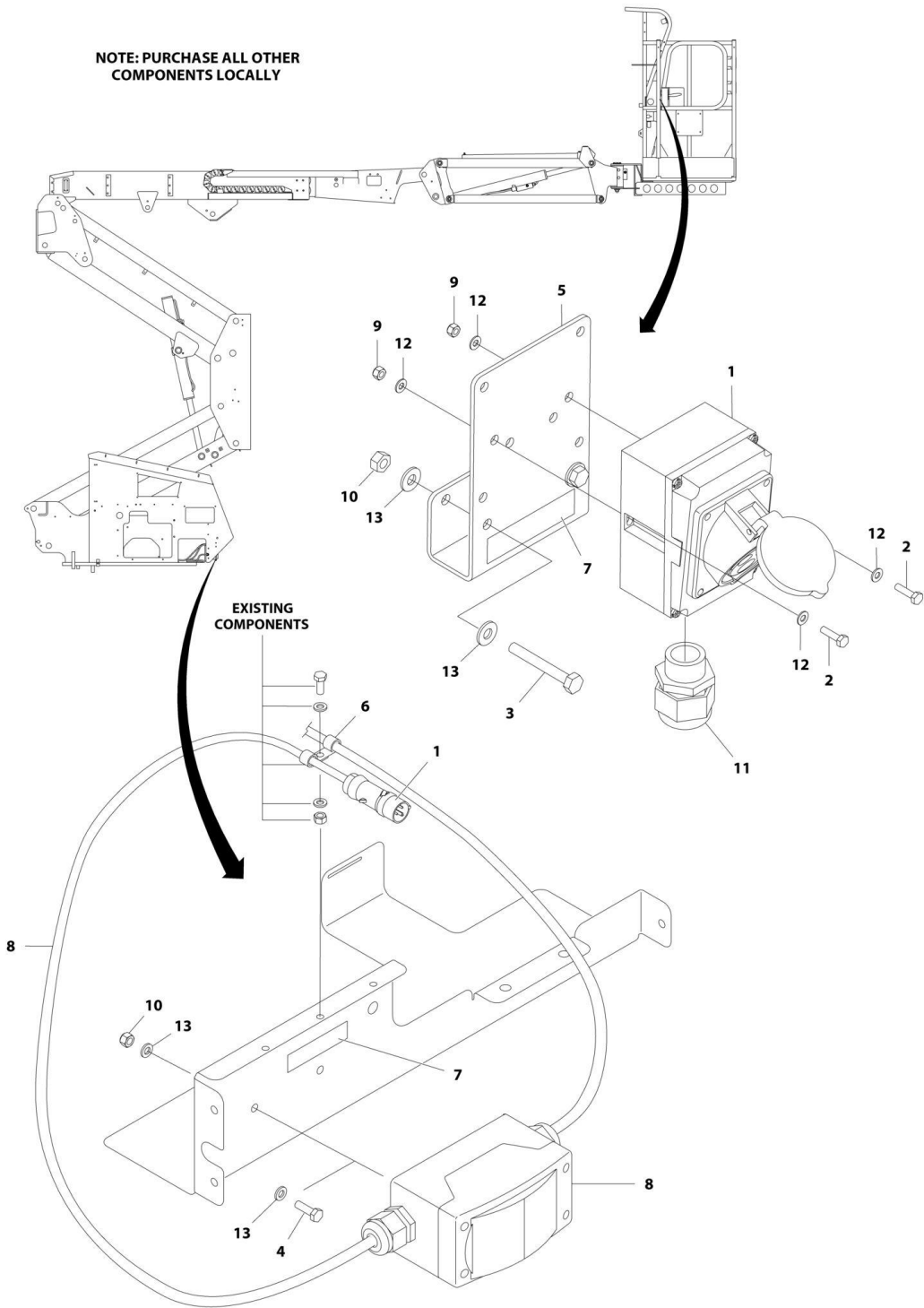
SECTION 8 - ELECTRICAL

FIGURE 8-6. AC BOX AT PLATFORM INSTALLATION - 220V (CSA SPEC)

ITEM	PART NUMBER	QTY	DESCRIPTION	REV
	1001119871	Ref	AC BOX AT PLATFORM INSTALLATION - 220V	A
1	0860038	1	Box, Switch	
2	3252507	2	Decal - 220V - 50/60Hz	
3	3960422	1	Gasket	
4	4060092	1	Shield, Weather	
5	4460071	1	Connector, Strain Relief	
6	4460125	1	Receptacle	
7	4460233	1	Plug, Male	
8	4460315	3	Terminal, Spade	

SECTION 8 - ELECTRICAL

FIGURE 8-7. AC BOX AT PLATFORM INSTALLATION - 220V IEC BLUE WITHOUT 4000W GENERATOR (CE & UK CA SPEC)



ART_1001119876

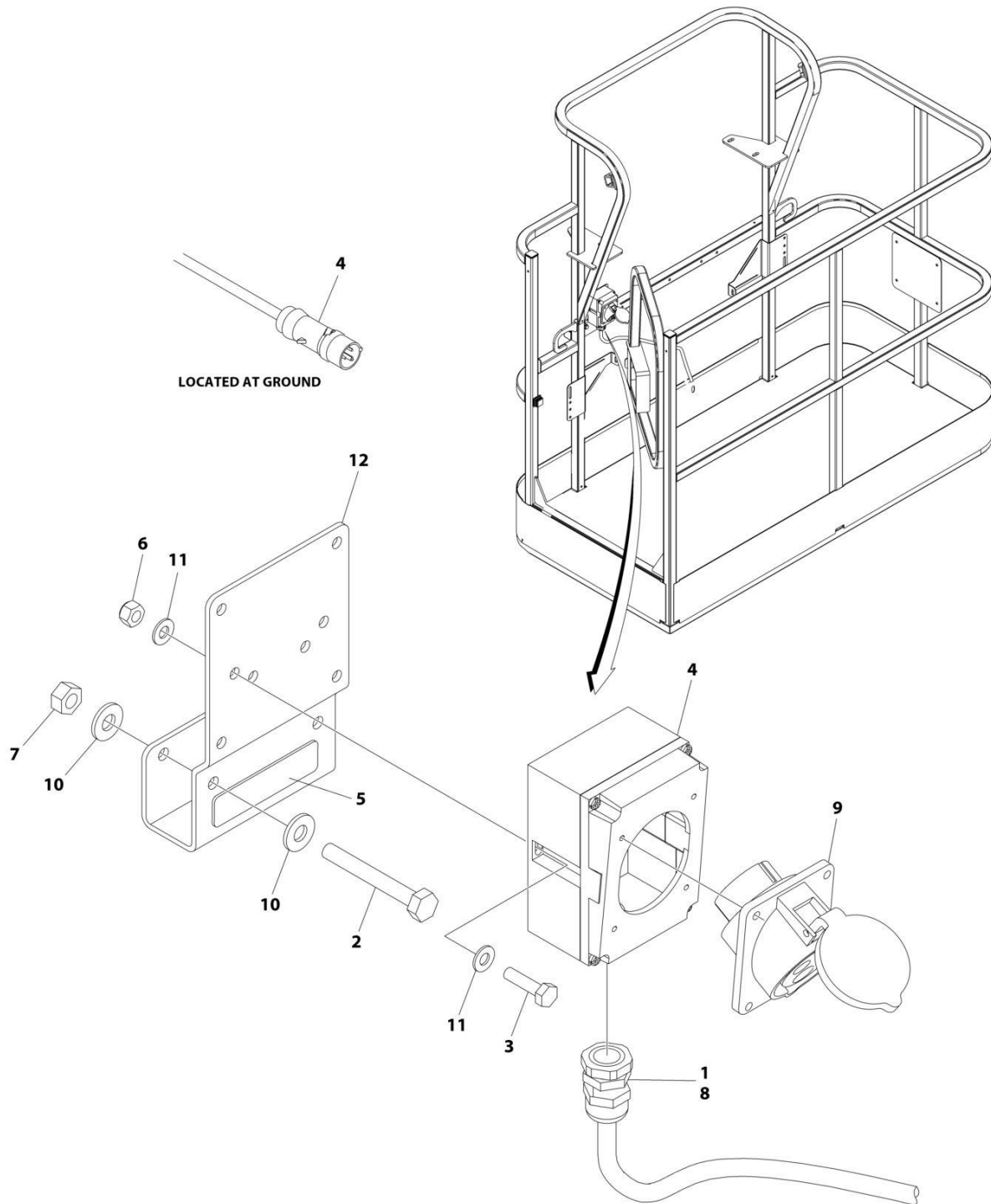
SECTION 8 - ELECTRICAL

FIGURE 8-7. AC BOX AT PLATFORM INSTALLATION - 220V IEC BLUE WITHOUT 4000W GENERATOR (CE & UK CA SPEC)

ITEM	PART NUMBER	QTY	DESCRIPTION	REV
	1001119876	Ref	AC BOX AT PLATFORM INSTALLATION - 220V IEC BLUE	B
1	0275217	1	Receptacle Box Kit (See Separate Breakdown in this Section)	
2	0700408	2	Bolt M4 x 16	
3	0700618	2	Bolt M6 x 50	
4	0760610	2	Bolt M6 x 20	
5	1001193018	1	Bracket	
6	1320043	1	Clamp	
7	3252507	2	Decal - 220V - 50/60Hz	
8	2902549	1	Breaker Box Kit (See Separate Breakdown in this Section)	
9	3290405	2	Nut M4	
10	3290605	4	Nut M6	
11	4460968	1	Connector, Strain Relief	
12	4811400	4	Washer M4	
13	4811700	8	Washer M6	

SECTION 8 - ELECTRICAL

FIGURE 8-8. AC BOX AT PLATFORM INSTALLATION - 220V IEC BLUE WITH 4000W GENERATOR (CE & UK CA SPECS)



ART_1001194204

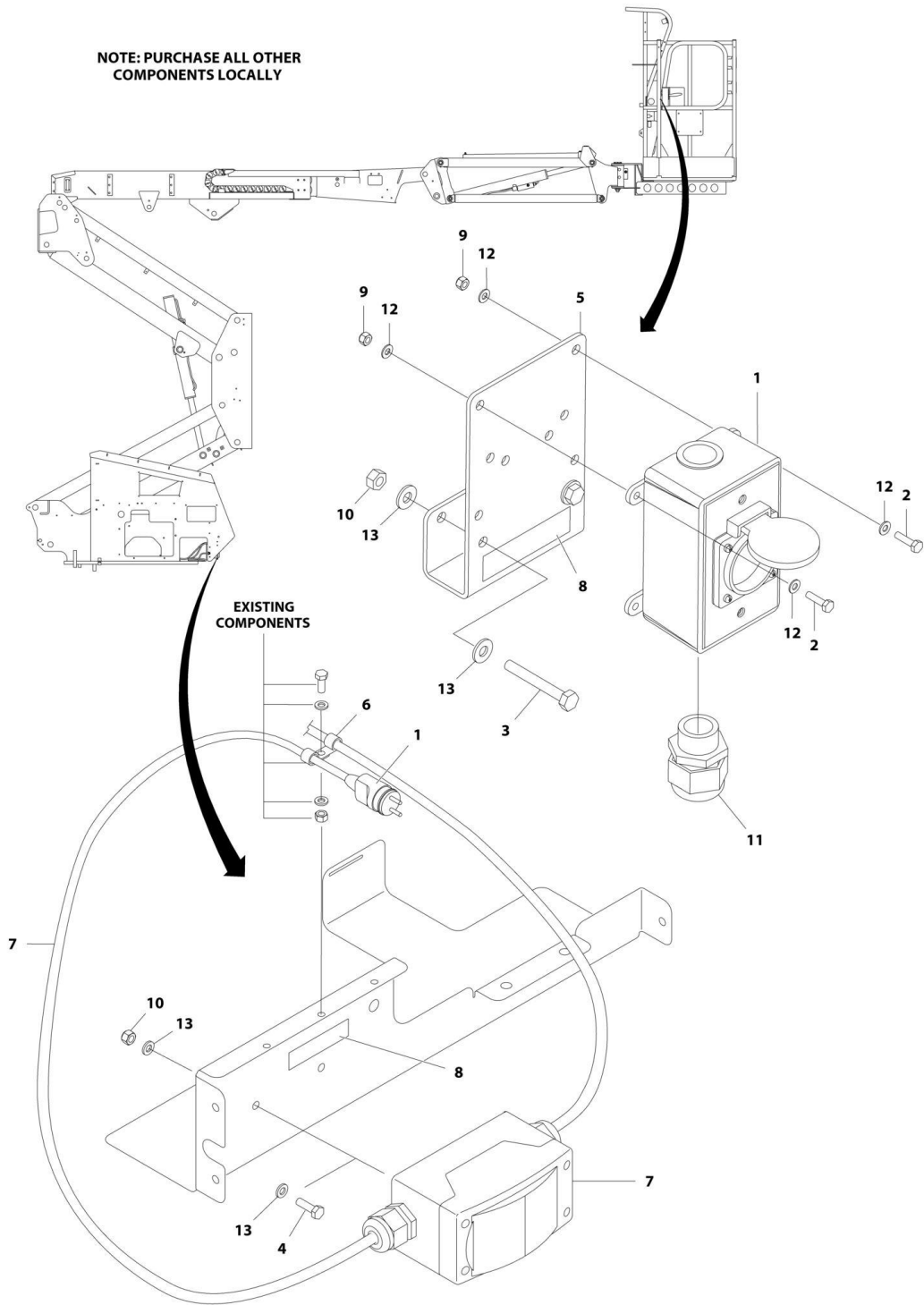
SECTION 8 - ELECTRICAL

**FIGURE 8-8. AC BOX AT PLATFORM INSTALLATION - 220V IEC BLUE WITH 4000W GENERATOR
(CE & UK CA SPECS)**

ITEM	PART NUMBER	QTY	DESCRIPTION	REV
	1001194204	Ref	AC BOX AT PLATFORM INSTALLATION	B
1	0100020	AR	Sealant, Pipe	
2	0641416	2	Bolt 1/4 x 2	
3	0700408	2	Bolt M4 x 16	
4	0861781	1	Box, Switch	
5	3251242	1	Decal - 240V/50Hz	
6	3290405	2	Nut M4	
7	3311405	2	Nut 1/4	
8	4460968	1	Connector, Strain Relief	
9	4461201	1	Receptacle	
10	4711400	4	Washer 1/4	
11	4811400	4	Washer M4	
12	1001193018	1	Bracket, AC Receptacle	

SECTION 8 - ELECTRICAL

FIGURE 8-9. AC BOX AT PLATFORM INSTALLATION - 220V CEE7 POST GROUND 2 X 4 BOX WITHOUT 4000W GENERATOR (CE & UK CA SPEC)



ART_100119872

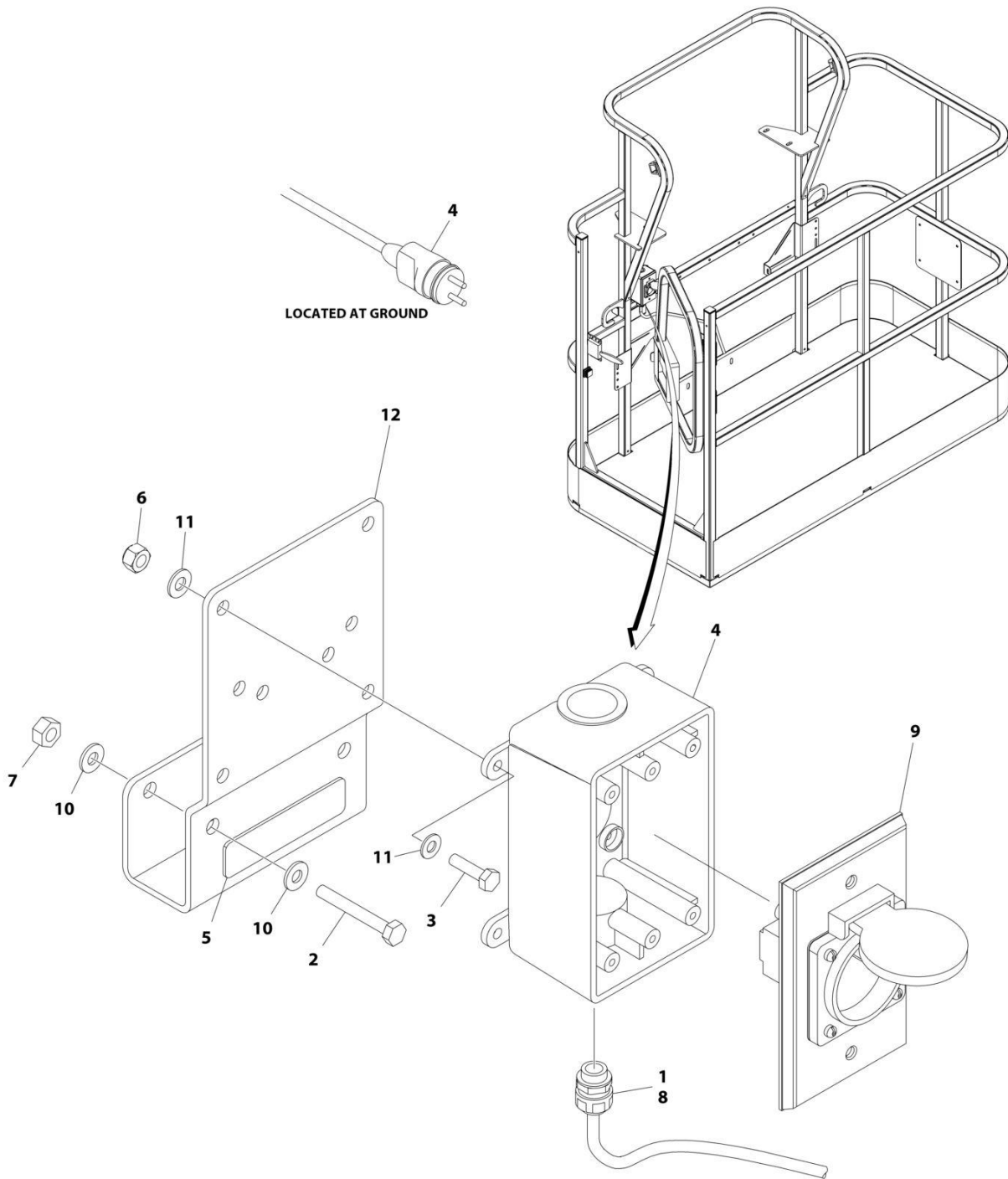
SECTION 8 - ELECTRICAL

FIGURE 8-9. AC BOX AT PLATFORM INSTALLATION - 220V CEE7 POST GROUND 2 X 4 BOX WITHOUT 4000W GENERATOR (CE & UK CA SPEC)

ITEM	PART NUMBER	QTY	DESCRIPTION	REV
	1001119872	Ref	AC BOX AT PLATFORM INSTALLATION - 220V CEE7 POST GROUND WITH 2IN X 4IN BOX	C
1	0275452	1	Receptacle Box Kit (See Separate Breakdown in this Section)	
2	0700408	4	Bolt M4 x 16	
3	0700618	2	Bolt M6 x 50	
4	0760610	2	Bolt M6 x 20	
5	1001193018	1	Bracket	
6	1320043	1	Clamp	
7	2902549	1	Breaker Box Kit (See Separate Breakdown in this Section)	
8	3252507	2	Decal - 220V - 50/60Hz	
9	3290405	4	Nut M4	
10	3290605	4	Nut M6	
11	4460662	1	Connector, Strain Relief	
12	4811400	8	Washer M4	
13	4811700	8	Washer M6	

SECTION 8 - ELECTRICAL

FIGURE 8-10. AC BOX AT PLATFORM INSTALLATION - 220V CEE7 POST GROUND 2 X 4 BOX WITH 4000W GENERATOR (CE & UK CA SPECS)



ART_1001194197

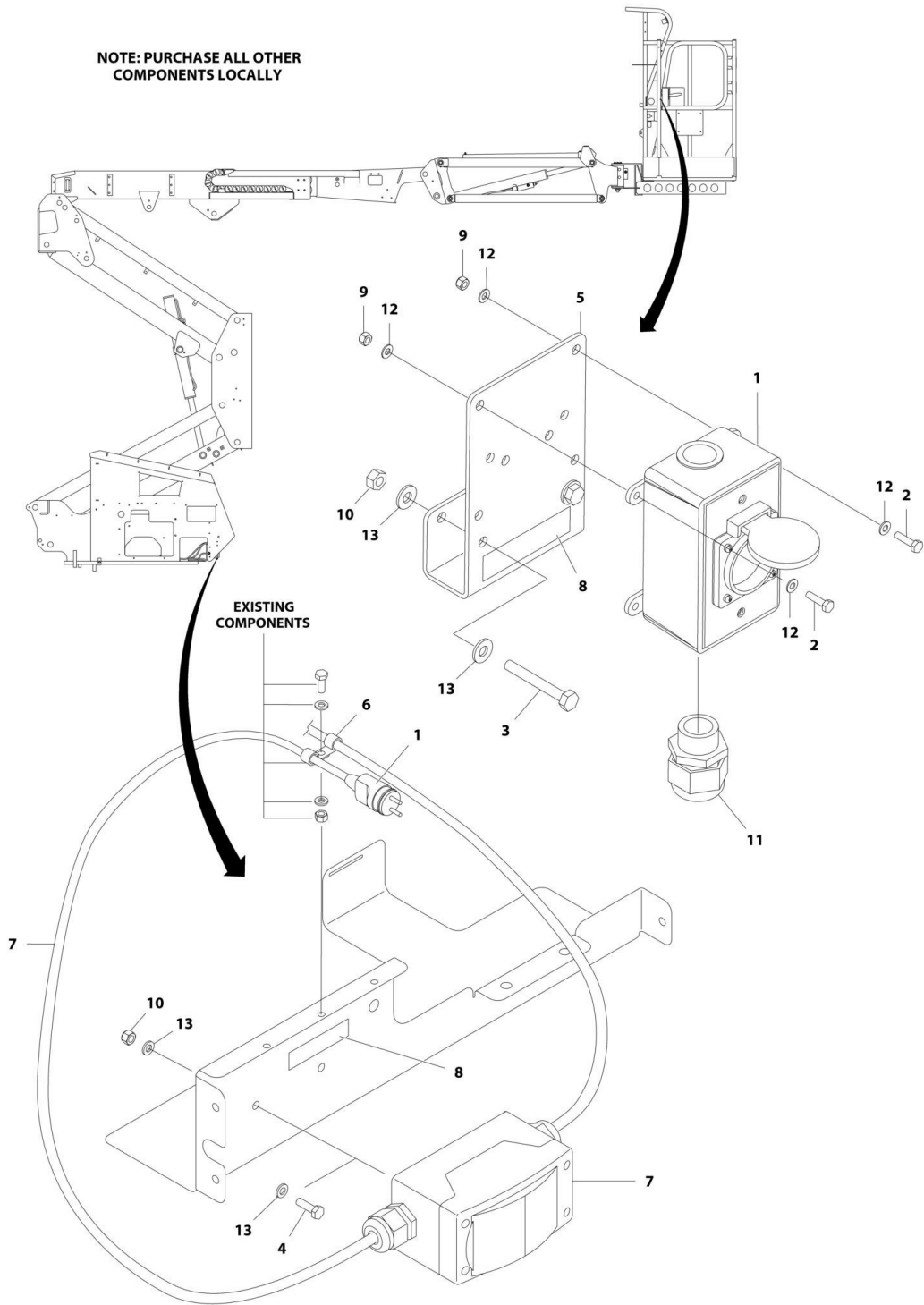
SECTION 8 - ELECTRICAL

FIGURE 8-10. AC BOX AT PLATFORM INSTALLATION - 220V CEE7 POST GROUND 2 X 4 BOX WITH 4000W GENERATOR (CE & UK CA SPECS)

ITEM	PART NUMBER	QTY	DESCRIPTION	REV
	1001194197	Ref	AC BOX AT PLATFORM INSTALLATION	B
1	0100020	AR	Sealant, Pipe	
2	0641416	2	Bolt 1/4 x 2	
3	0700408	4	Bolt M4 x 16	
4	0861731	1	Box, Switch	
5	3251242	1	Decal - 240V/50Hz	
6	3290405	4	Nut M4	
7	3311405	2	Nut 1/4	
8	4460662	1	Connector, Strain Relief	
9	4461244	1	Receptacle	
10	4711400	4	Washer 1/4	
11	4811400	8	Washer M4	
12	1001193018	1	Bracket, AC Receptacle	
13	4460806	2	Terminal, Fork (Not Shown)	
14	1001205958	1	Terminal (Not Shown)	

SECTION 8 - ELECTRICAL

FIGURE 8-11. AC BOX AT PLATFORM INSTALLATION - 220V CEE7 SIDE GROUND 2 X 4 BOX WITHOUT 4000W GENERATOR (CE & UK CA SPEC)



ART_1001119873

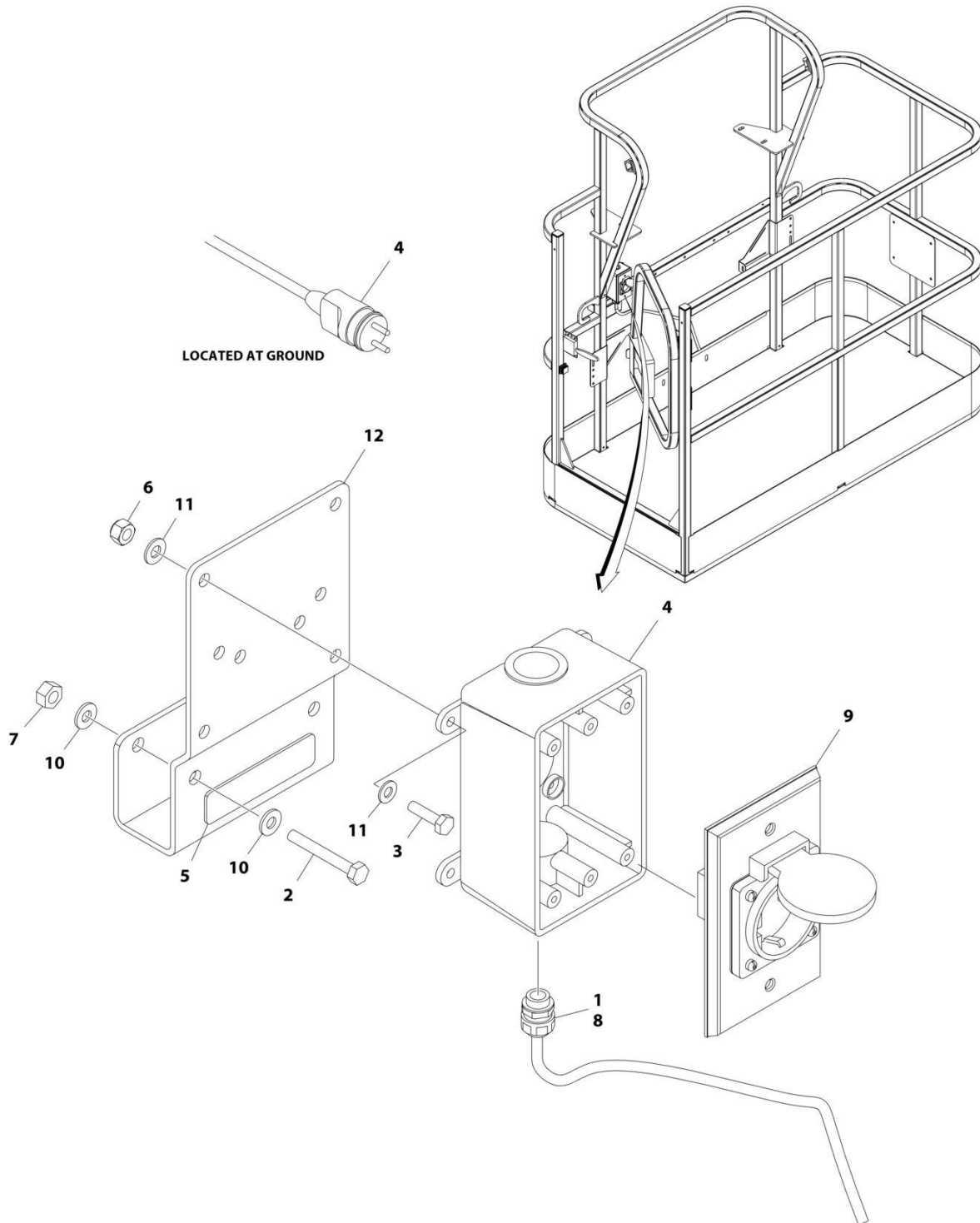
SECTION 8 - ELECTRICAL

**FIGURE 8-11. AC BOX AT PLATFORM INSTALLATION - 220V CEE7 SIDE GROUND 2 X 4 BOX
WITHOUT 4000W GENERATOR (CE & UK CA SPEC)**

ITEM	PART NUMBER	QTY	DESCRIPTION	REV
	1001119873	Ref	AC BOX AT PLATFORM INSTALLATION - 220V CEE7 SIDE GROUND WITH 2IN X 4IN BOX	B
1	0275453	1	Receptacle Box Kit (See Separate Breakdown in this Section)	
2	0700408	4	Bolt, M4 x 16	
3	0700618	2	Bolt M6 x 50	
4	0760610	2	Bolt M6 x 20	
5	1001193018	1	Bracket	
6	1320043	1	Clamp	
7	2902549	1	Breaker Box Kit (See Separate Breakdown in this Section)	
8	3252507	2	Decal - 220V - 50/60Hz	
9	3290405	4	Nut M4	
10	3290605	4	Nut M6	
11	4460968	1	Connector, Strain Relief	
12	4811400	8	Washer M4	
13	4811700	8	Washer M6	

SECTION 8 - ELECTRICAL

FIGURE 8-12. AC BOX AT PLATFORM INSTALLATION - 220V CEE7 SIDE GROUND 2 X 4 BOX WITH 4000W GENERATOR (CE & UK CA SPECS)



ART_1001194198

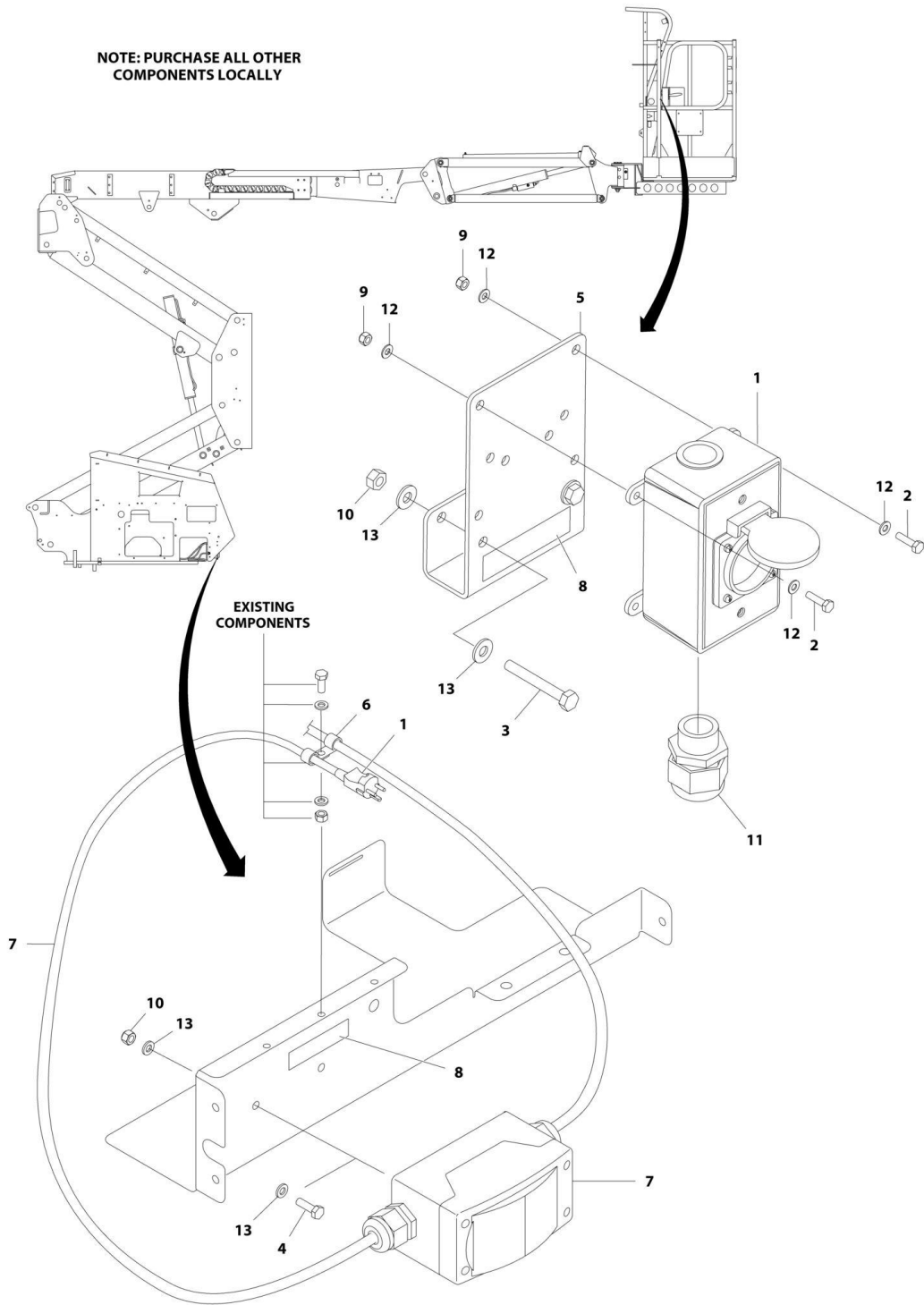
SECTION 8 - ELECTRICAL

FIGURE 8-12. AC BOX AT PLATFORM INSTALLATION - 220V CEE7 SIDE GROUND 2 X 4 BOX WITH 4000W GENERATOR (CE & UK CA SPECS)

ITEM	PART NUMBER	QTY	DESCRIPTION	REV
	1001194198	Ref	AC BOX AT PLATFORM INSTALLATION	B
1	0100020	AR	Sealant, Pipe	
2	0641416	2	Bolt 1/4 x 2	
3	0700408	4	Bolt M4 x 16	
4	0861731	1	Box, Switch	
5	3251242	1	Decal - 240V/50Hz	
6	3290405	4	Nut M4	
7	3311405	2	Nut 1/4	
8	4460662	1	Connector, Strain Relief	
9	4461245	1	Receptacle	
10	4711400	4	Washer 1/4	
11	4811400	8	Washer M4	
12	1001193018	1	Bracket, AC Receptacle	
13	4460806	2	Terminal, Fork (Not Shown)	
14	1001205958	1	Terminal (Not Shown)	

SECTION 8 - ELECTRICAL

FIGURE 8-13. AC BOX AT PLATFORM INSTALLATION - 220V AFSINT 107 KEYED GROUND WITHOUT 4000W GENERATOR (CE & UK CA SPEC)



ART_1001119874

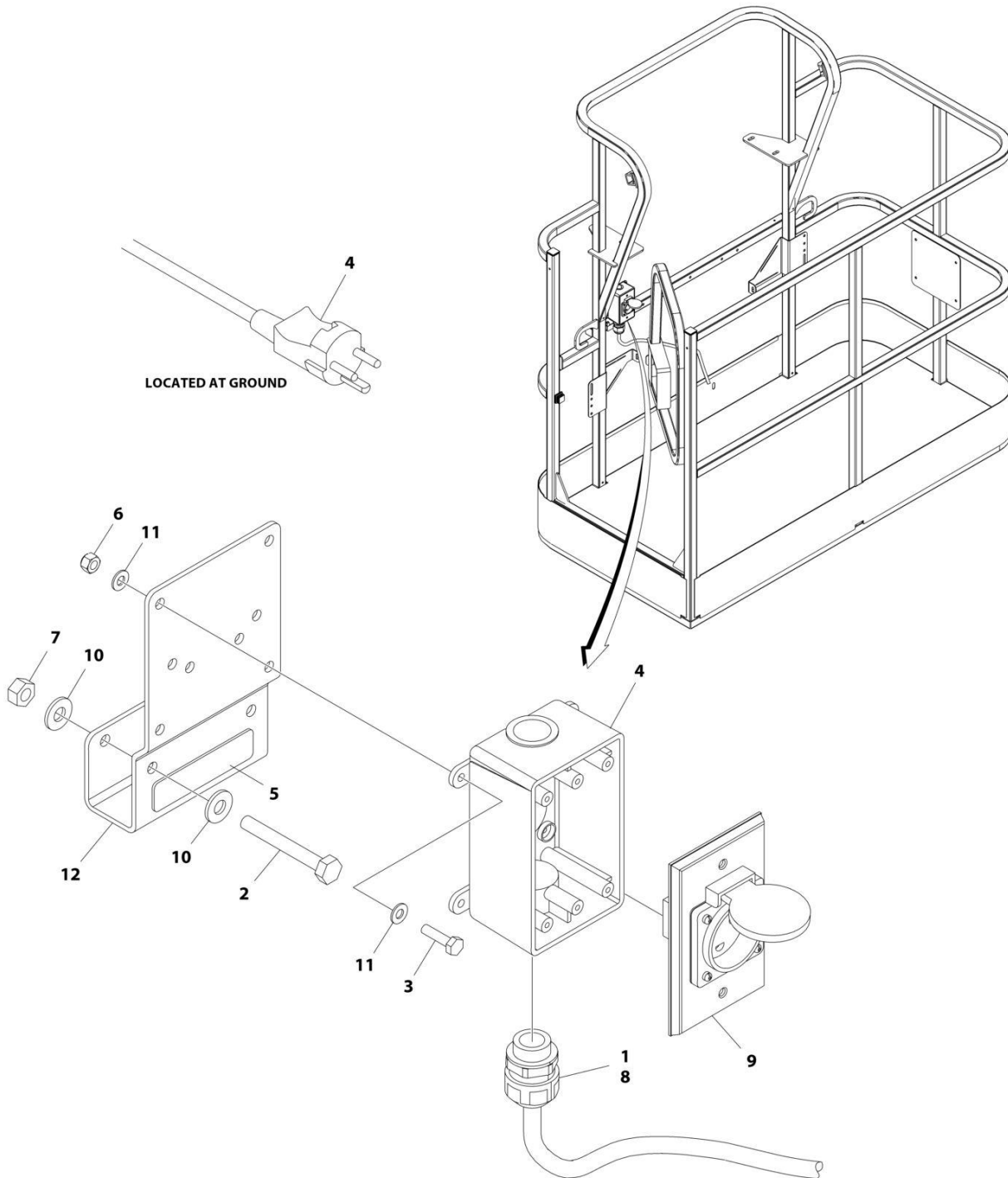
SECTION 8 - ELECTRICAL

**FIGURE 8-13. AC BOX AT PLATFORM INSTALLATION - 220V AFSINT 107 KEYED GROUND
WITHOUT 4000W GENERATOR (CE & UK CA SPEC)**

ITEM	PART NUMBER	QTY	DESCRIPTION	REV
	1001119874	Ref	AC BOX AT PLATFORM INSTALLATION - 220V AFSINT 107 KEYED GROUND WITH 2IN X 4IN BOX	C
1	0275454	1	Receptacle Box Kit (See Separate Breakdown in this Section)	
2	0700408	4	Bolt M4 x 16	
3	0700618	2	Bolt M6 x 50	
4	0760610	2	Bolt M6 x 20	
5	1001193018	1	Bracket	
6	1320043	1	Clamp	
7	2902549	1	Breaker Box Kit (See Separate Breakdown in this Section)	
8	3252507	2	Decal - 220V - 50/60Hz	
9	3290405	4	Nut M4	
10	3290605	4	Nut M6	
11	4460662	1	Connector, Strain Relief	
12	4811400	8	Washer M4	
13	4811700	8	Washer M6	

SECTION 8 - ELECTRICAL

FIGURE 8-14. AC BOX AT PLATFORM INSTALLATION - 220V AFSINT 107 KEYED GROUND WITH 4000W GENERATOR (CE & UK CA SPECS)



ART_1001194200

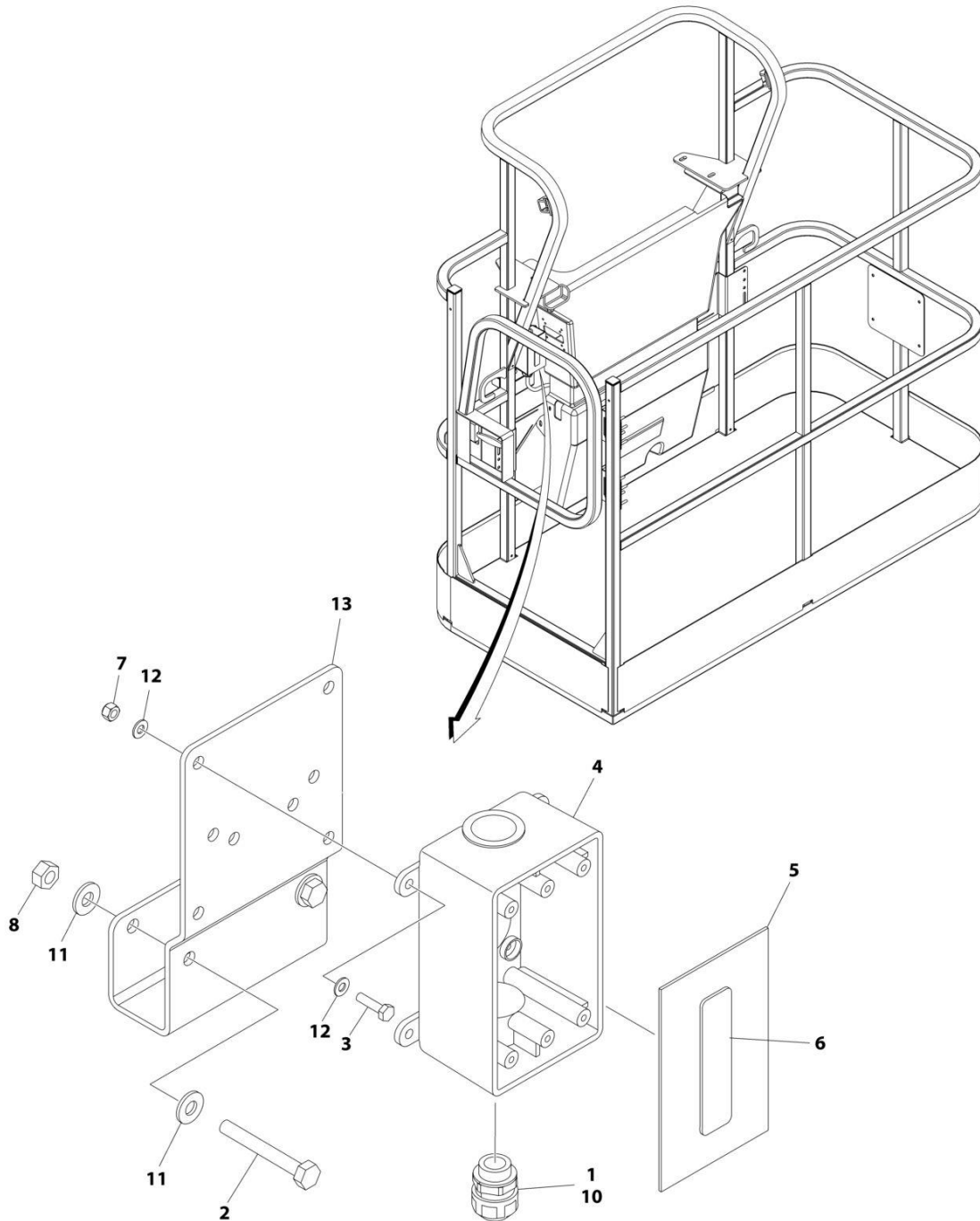
SECTION 8 - ELECTRICAL

FIGURE 8-14. AC BOX AT PLATFORM INSTALLATION - 220V AFSINT 107 KEYED GROUND WITH 4000W GENERATOR (CE & UK CA SPECS)

ITEM	PART NUMBER	QTY	DESCRIPTION	REV
	1001194200	Ref	AC BOX AT PLATFORM INSTALLATION	B
1	0100020	AR	Sealant, Pipe	
2	0641416	2	Bolt 1/4 x 2	
3	0700408	4	Bolt M4 x 16	
4	0861731	1	Box, Switch	
5	3251242	1	Decal - 240V/50Hz	
6	3290405	4	Nut M4	
7	3311405	2	Nut 1/4	
8	4460662	1	Connector, Strain Relief	
9	4461246	1	Receptacle	
10	4711400	4	Washer 1/4	
11	4811400	8	Washer M4	
12	1001193018	1	Bracket, AC Receptacle	
13	1001205958	1	Terminal (Not Shown)	

SECTION 8 - ELECTRICAL

FIGURE 8-15. AC BOX AT PLATFORM INSTALLATION - BOX WITH COVER WITH 4000W GENERATOR (ANSI EXPORT, AUSTRALIAN, CHINA AND JAPANESE SPECS)



ART_1001194365

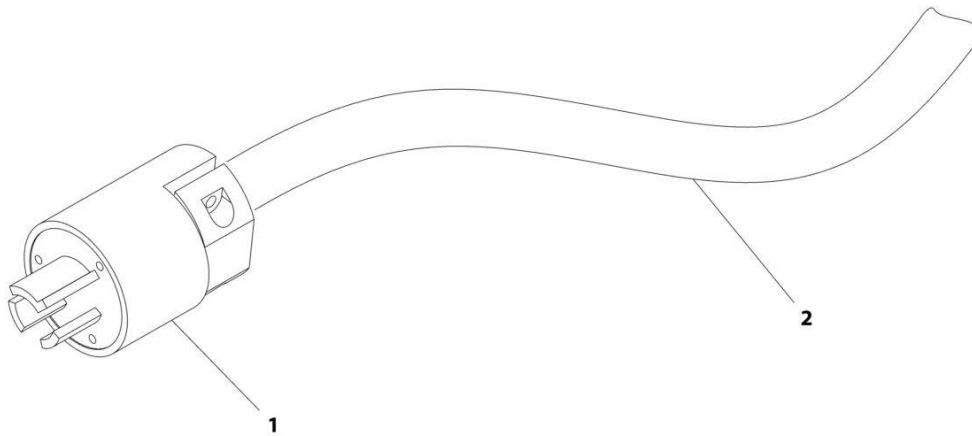
SECTION 8 - ELECTRICAL

FIGURE 8-15. AC BOX AT PLATFORM INSTALLATION - BOX WITH COVER WITH 4000W GENERATOR (ANSI EXPORT, AUSTRALIAN, CHINA AND JAPANESE SPECS)

ITEM	PART NUMBER	QTY	DESCRIPTION	REV
	1001194365	Ref	AC BOX AT PLATFORM INSTALLATION - BOX WITH COVER (2X4 BOX)	A
1	0100020	AR	Sealant	
2	0641416	2	Bolt 1/4 x 2	
3	0700408	4	Bolt M4 x 16	
4	0861731	1	Box, Switch	
5	1670603	1	Cover	
6	3251242	1	Decal - 240V/50Hz	
7	3290405	4	Nut M4	
8	3311405	2	Nut 1/4	
9	4460384	3	Terminal (Not Shown)	
10	4460662	1	Connector, Strain Relief	
11	4711400	4	Washer 1/4	
12	4811400	8	Washer M4	
13	1001193018	1	Bracket, AC Receptacle	

SECTION 8 - ELECTRICAL

FIGURE 8-16. AC POWER TO PLATFORM CABLE - MAIN BOOM (WITHOUT ARCTIC PACKAGE)
(50HZ)



ART_1001119140

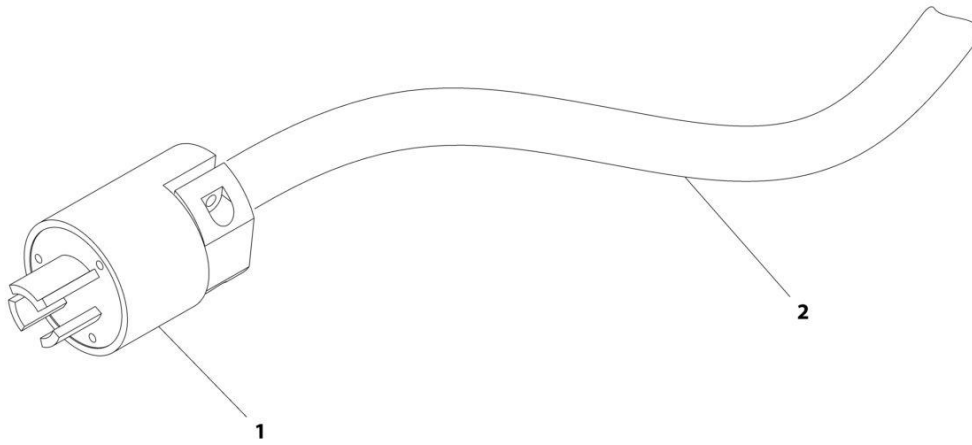
SECTION 8 - ELECTRICAL

**FIGURE 8-16. AC POWER TO PLATFORM CABLE - MAIN BOOM (WITHOUT ARCTIC PACKAGE)
(50HZ)**

ITEM	PART NUMBER	QTY	DESCRIPTION	REV
	1001119140	Ref	AC POWER TO PLATFORM CABLE - MAIN BOOM (WITHOUT ARCTIC PACKAGE)	C
1	1001120204	1	Plug, Male	
2	4923505	1	Cable, 14/3	

SECTION 8 - ELECTRICAL

FIGURE 8-17. AC POWER TO PLATFORM CABLE - MAIN BOOM (WITH ARCTIC PACKAGE) (50HZ)



ART_1001119955

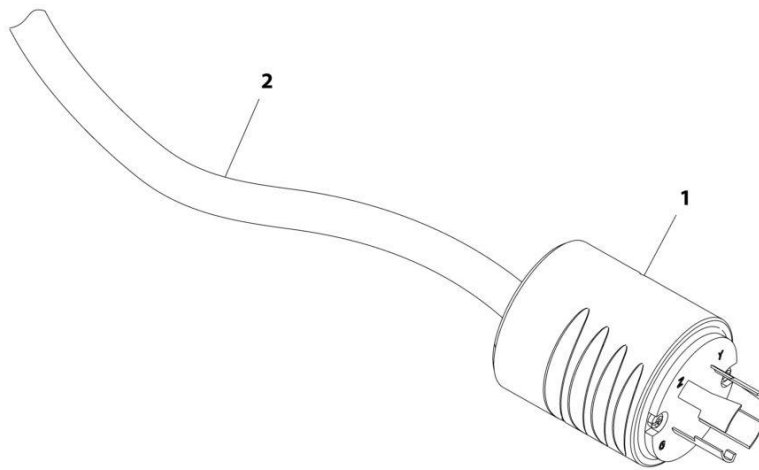
SECTION 8 - ELECTRICAL

FIGURE 8-17. AC POWER TO PLATFORM CABLE - MAIN BOOM (WITH ARCTIC PACKAGE) (50HZ)

ITEM	PART NUMBER	QTY	DESCRIPTION	REV
	1001119955	Ref	AC POWER TO PLATFORM CABLE - MAIN BOOM (WITH ARCTIC PACKAGE)	B
1	1001120204	1	Plug, Male	
2	4923463	1	Cable, 12/3	

SECTION 8 - ELECTRICAL

FIGURE 8-18. AC POWER TO PLATFORM CABLE - MAIN BOOM (60HZ)



ART_1001157311

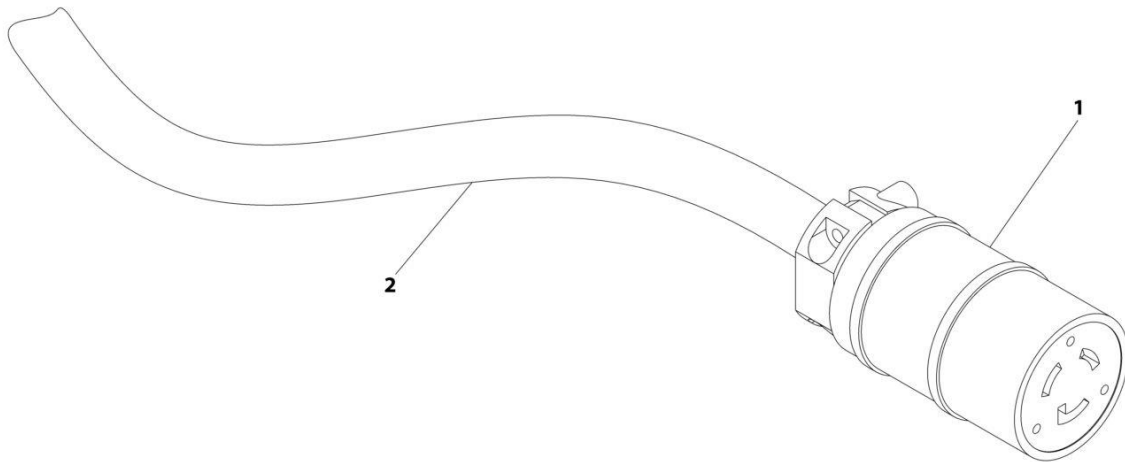
SECTION 8 - ELECTRICAL

FIGURE 8-18. AC POWER TO PLATFORM CABLE - MAIN BOOM (60HZ)

ITEM	PART NUMBER	QTY	DESCRIPTION	REV
1	1001157311 4460962	Ref 1	AC POWER TO PLATFORM CABLE - MAIN BOOM (60Hz) Terminal	A
2	1001131968	22.2 ft /6.8m	Cable, 10/4	

SECTION 8 - ELECTRICAL

FIGURE 8-19. AC POWER TO PLATFORM CABLE - TOWER BOOM (WITHOUT ARCTIC PACKAGE)
(50HZ)



ART_1001119139

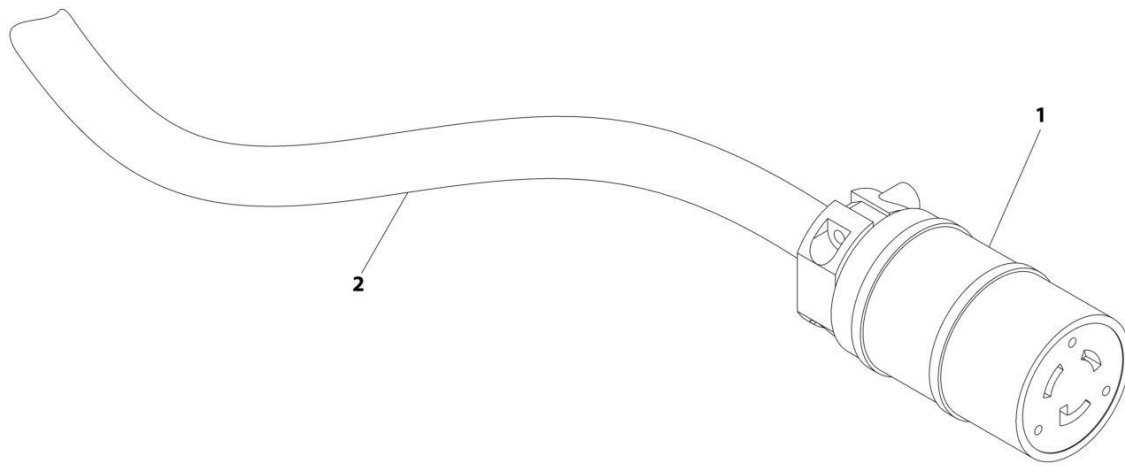
SECTION 8 - ELECTRICAL

**FIGURE 8-19. AC POWER TO PLATFORM CABLE - TOWER BOOM (WITHOUT ARCTIC PACKAGE)
(50HZ)**

ITEM	PART NUMBER	QTY	DESCRIPTION	REV
	1001119139	Ref	AC POWER TO PLATFORM CABLE - TOWER BOOM (WITHOUT ARCTIC PACKAGE)	B
1	1001120205	1	Connector, Female	
2	4923505	1	Cable, 14/3	

SECTION 8 - ELECTRICAL

FIGURE 8-20. AC POWER TO PLATFORM CABLE - TOWER BOOM (WITH ARCTIC PACKAGE) (50HZ)



ART_1001119956

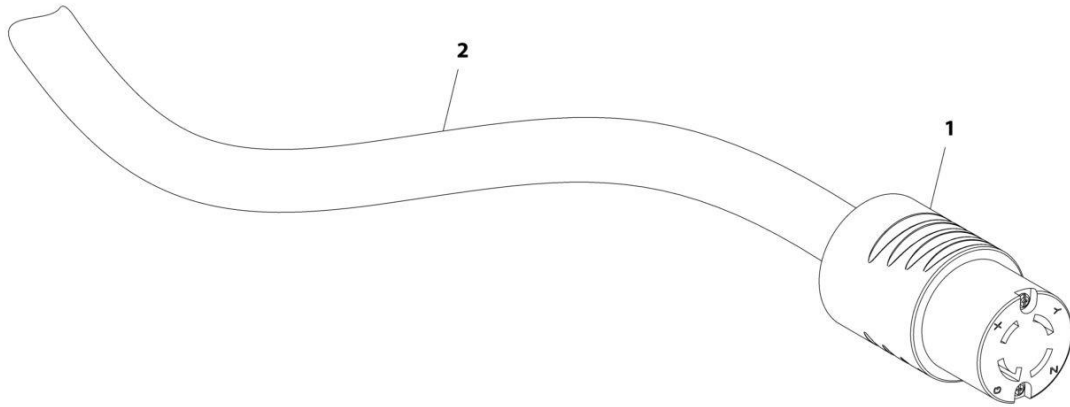
SECTION 8 - ELECTRICAL

FIGURE 8-20. AC POWER TO PLATFORM CABLE - TOWER BOOM (WITH ARCTIC PACKAGE) (50HZ)

ITEM	PART NUMBER	QTY	DESCRIPTION	REV
	1001119956	Ref	AC POWER TO PLATFORM CABLE - TOWER BOOM (WITH ARCTIC PACKAGE)	A
1	1001120205	1	Connector, Female	
2	4923463	1	Cable, 12/3	

SECTION 8 - ELECTRICAL

FIGURE 8-21. AC POWER TO PLATFORM CABLE - TOWER BOOM (60HZ)



ART_1001157310

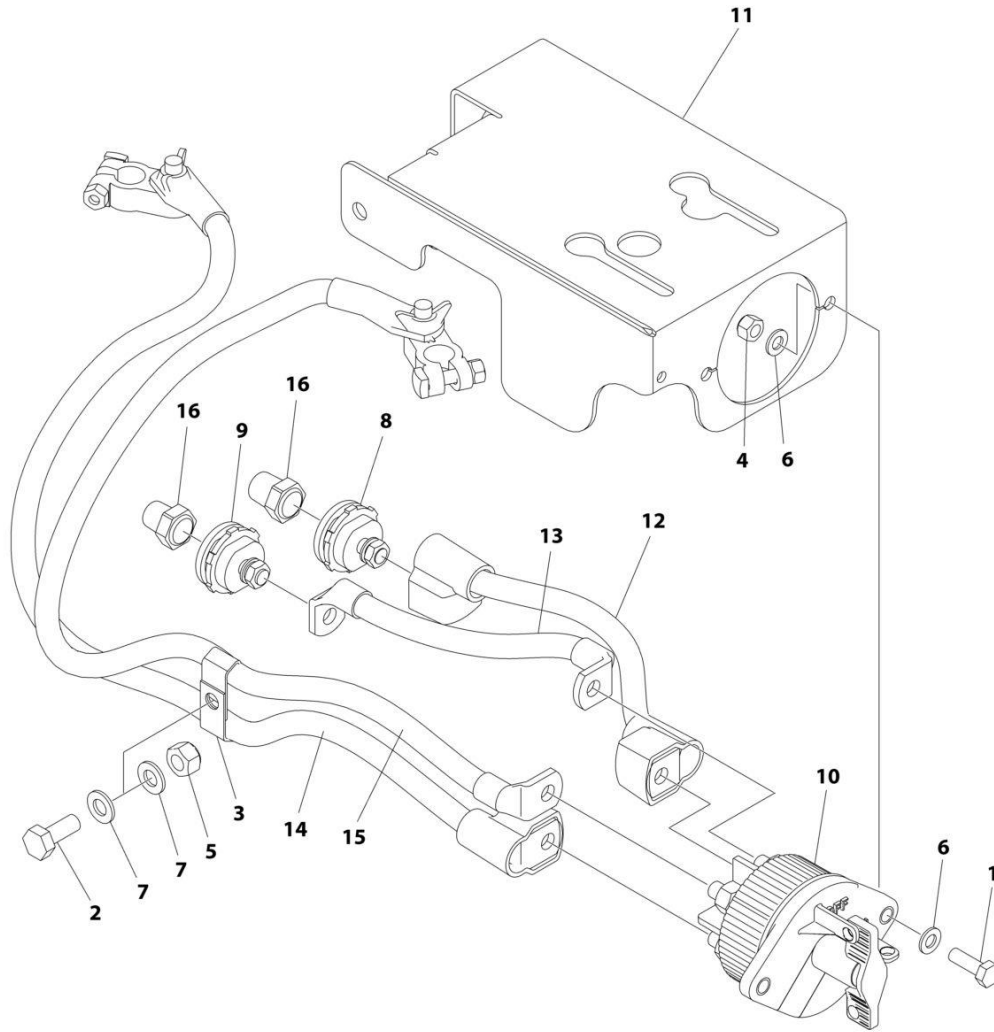
SECTION 8 - ELECTRICAL

FIGURE 8-21. AC POWER TO PLATFORM CABLE - TOWER BOOM (60HZ)

ITEM	PART NUMBER	QTY	DESCRIPTION	REV
1	1001157310 4460963	Ref 1	AC POWER TO PLATFORM CABLE - TOWER BOOM (60Hz) Terminal	A
2	1001131968	29.1 ft /8.9m	Cable, 10/4	

SECTION 8 - ELECTRICAL

FIGURE 8-22. BATTERY DISCONNECT SWITCH



ART_1001214397

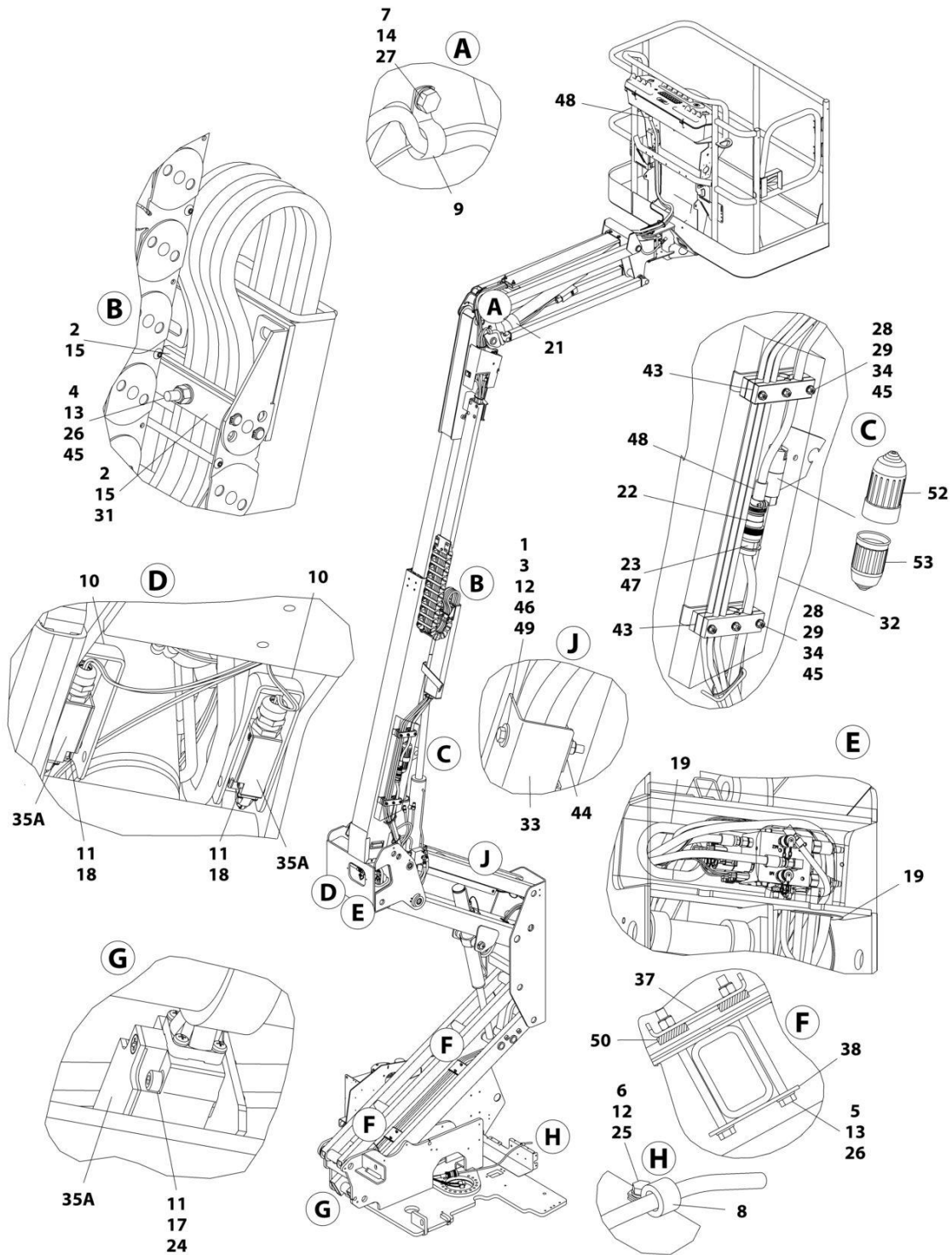
SECTION 8 - ELECTRICAL

FIGURE 8-22. BATTERY DISCONNECT SWITCH

ITEM	PART NUMBER	QTY	DESCRIPTION	REV
	1001214397	Ref	BATTERY DISCONNECT SWITCH	A
1	0760812	2	Bolt M8 x 25	
2	0761012	1	Bolt M10 x 25	
3	1320223	2	Clamp	
4	3290805	2	Nut M8	
5	3291005	1	Nut M10	
6	4811900	4	Washer M8	
7	4812000	2	Washer M10	
8	1001214570	1	Connector (Red)	
9	1001214571	1	Connector (Black)	
10	1001225346	1	Switch	
11	1001226530	1	Mount	
12	1001237878	1	Cable, Battery Disconnect (Positive)	
13	1001237879	1	Cable, Battery Disconnect (Negative)	
14	1001237880	1	Cable (Positive)	
15	1001237881	1	Cable (Negative)	
16	1001206476	1	Connector	

SECTION 8 - ELECTRICAL

FIGURE 8-23. BOOM CABLES, HARNESSES AND CLAMPS INSTALLATION - WITHOUT ARCTIC PACKAGE



ART_1001115784

SECTION 8 - ELECTRICAL

FIGURE 8-23. BOOM CABLES, HARNESSSES AND CLAMPS INSTALLATION - WITHOUT ARCTIC PACKAGE

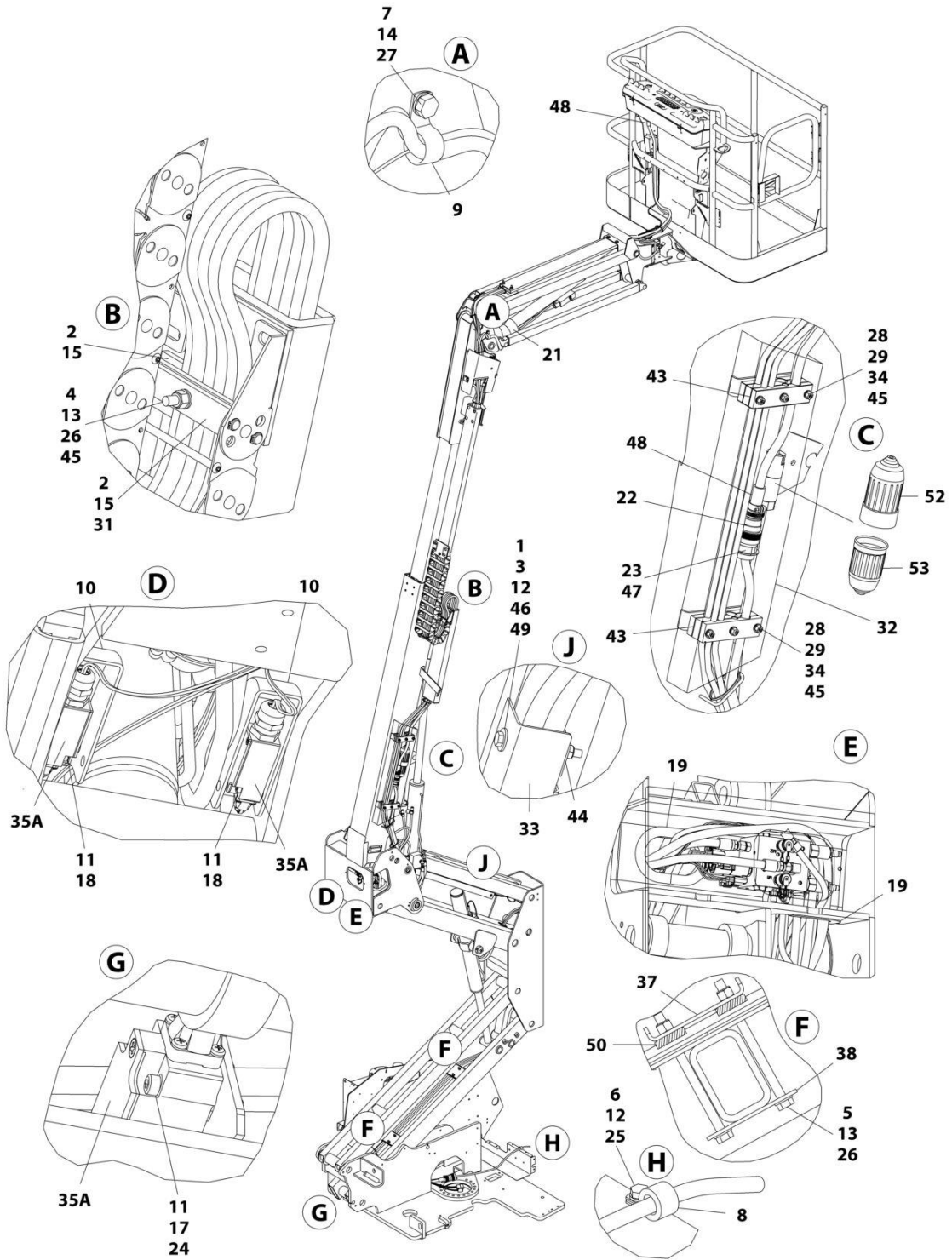
ITEM	PART NUMBER	QTY	DESCRIPTION	REV
	1001115784	Ref	BOOM CABLES, HARNESSSES AND CLAMPS INSTALLATION - WITHOUT ARCTIC PACKAGE	G
1	0100011	AR	Compound, Locking	
2	0100081	1	Adhesive	
3	0760621	4	Bolt M6 x 65	
4	0700820	2	Bolt M8 x 60	
5	0700829	4	Bolt M8 x 120	
6	0760608	1	Bolt M6 x 16 (Not Shown - Use with Item 8)	
7	0761012	1	Bolt M10 x 25	
8	1320043	1	Clamp (Not Shown - Located at Rear of T/T)	
9	1320130	1	Clamp	
10	1670899	2	Cover, Switch	
11	3290405	6	Nut M4	
12	3290605	5	Nut M6	
13	3290805	6	Nut M8	
14	3291005	1	Nut M10	
15	3340939	4	Pad, Rubber	
17	4031510	2	Capscrew M4 x 30	
18	4031512	4	Capscrew M4 x 40	
19	4060808	1.8 ft /55cm	Flex-Trim	
20	4240018	AR	Tie-Strap (Not Shown)	
21	4240156	1	Strap, Cinch	
22	4460865	1	Connector - 19 Position	
23	4460866	1	Connector - 19 Position	
24	4811400	2	Washer M4	
25	4811700	2	Washer M6 (Not Shown - Use with Item 8)	
26	4811900	8	Washer M8	
27	4812000	2	Washer M10	
28	5260800	6	Nut M8	
29	5281920	6	Screw M8 x 80	
31	1001106757	2	Plate	
32	1001107152	1	Plate	
33	1001116433	2	Guard, Hose	
34	1001118274	6	Nut M8	
35	1001118292	1	Tower Boom Harness Assembly (Not Shown - See Separate Breakdown in this Section)	
35A	4360548	3	Switch, Limit	
37	1001118592	2	Plate, Hose Clamp	
38	1001118593	2	Plate, Hose Clamp	
39	1001119018	1	Ground to Platform Cable - Main (Not Shown - See Separate Breakdown in this Section)	
40	1001119019	1	Ground to Platform Cable - Tower (Not Shown - See Separate Breakdown in this Section)	
41	1001119139	1	AC Power to Platform Cable - Tower Boom (Not Shown - See Separate Breakdown in this Section)	
42	1001119140	1	AC Power to Platform Cable - Main Boom (Not Shown - See Separate Breakdown in this Section)	
43	1001119194	2	Clamp	
44	1001119197	4	Clamp	

SECTION 8 - ELECTRICAL

ITEM	PART NUMBER	QTY	DESCRIPTION	REV
45	1001119228	8	Nut M8	
46	0760605	2	Bolt M6 x 10	
47	2820031	AR	Heat Shrink	
48	4460473	1	Clamp, Cable	
49	4811702	10	Washer M6	
50	3340901	4	Pad, Rubber	
51	1001140524	1	Main Boom Harness Assembly (Not Shown - See Separate Breakdown in this Section)	
52	1671092	1	Cover, Connection	
53	1671093	1	Cover, Plug	

SECTION 8 - ELECTRICAL

FIGURE 8-24. BOOM CABLES, HARNESSES AND CLAMPS INSTALLATION - WITH ARCTIC PACKAGE



ART_1001119937

SECTION 8 - ELECTRICAL

FIGURE 8-24. BOOM CABLES, HARNESSSES AND CLAMPS INSTALLATION - WITH ARCTIC PACKAGE

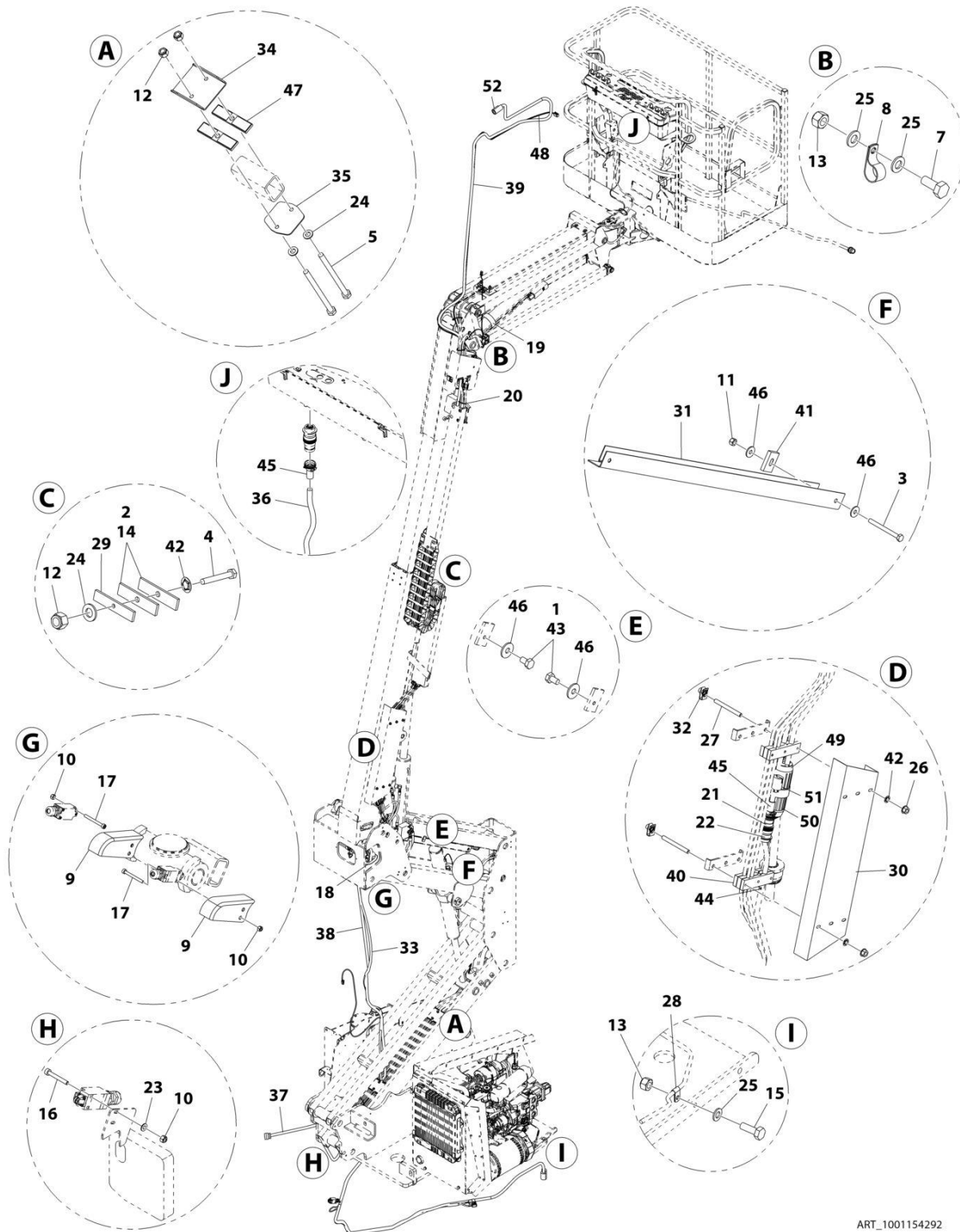
ITEM	PART NUMBER	QTY	DESCRIPTION	REV
	1001119937	Ref	BOOM CABLES, HARNESSSES AND CLAMPS INSTALLATION - WITH ARCTIC PACKAGE	G
1	0100011	AR	Compound, Locking	
2	0100081	1	Adhesive	
3	0760621	4	Bolt M6 x 65	
4	0700820	2	Bolt M8 x 60	
5	0700829	4	Bolt M8 x 120	
6	0760608	1	Bolt M6 x 16 (Not Shown - Use with Item 8)	
7	0761012	1	Bolt M10 x 25	
8	1320041	1	Clamp	
9	1320130	1	Clamp	
10	1670899	2	Cover, Switch	
11	3290405	6	Nut M4	
12	3290605	5	Nut M6	
13	3290805	6	Nut M8	
14	3291005	1	Nut M10	
15	3340939	4	Pad, Rubber	
17	4031510	2	Capscrew M4 x 30	
18	4031512	4	Capscrew M4 x 40	
19	4060808	1.8 ft /55cm	Flex-Trim	
20	4240018	AR	Tie-Strap (Not Shown)	
21	4240156	1	Strap, Cinch	
22	4460865	1	Connector - 19 Position	
23	4460866	1	Connector - 19 Position	
24	4811400	2	Washer M4	
25	4811700	2	Washer M6 (Not Shown - Use with Item 8)	
26	4811900	8	Washer M8	
27	4812000	2	Washer M10	
28	5260800	6	Nut M8	
29	5281920	6	Screw M8 x 80	
31	1001106757	2	Plate	
32	1001107152	1	Plate	
33	1001116433	2	Guard, Hose	
34	1001118274	6	Nut M8	
35	1001118292	1	Tower Boom Harness Assembly (Not Shown - See Separate Breakdown in this Section)	
35A	4360548	3	Switch, Limit	
37	1001118592	2	Plate, Hose Clamp	
38	1001118593	2	Plate, Hose Clamp	
39	1001119953	1	Ground to Platform Cable - Main (Not Shown - See Separate Breakdown in this Section)	
40	1001119954	1	Ground to Platform Cable - Tower (Not Shown - See Separate Breakdown in this Section)	
41	1001119955	1	AC Power to Platform Cable - Main Boom (Not Shown - See Separate Breakdown in this Section)	
42	1001119956	1	AC Power to Platform Cable - Tower Boom (Not Shown - See Separate Breakdown in this Section)	
43	1001119195	2	Clamp	
44	1001119197	4	Clamp	

SECTION 8 - ELECTRICAL

ITEM	PART NUMBER	QTY	DESCRIPTION	REV
45	1001119228	8	Nut M8	
46	0760605	2	Bolt M6 x 10	
47	2820031	AR	Heat Shrink	
48	4460473	1	Clamp, Cable	
49	4811702	10	Washer M6	
50	3340901	4	Pad, Rubber	
51	1001140524	1	Main Boom Harness Assembly (Not Shown - See Separate Breakdown in this Section)	
52	1671092	1	Cover, Connection	
53	1671093	1	Cover, Plug	

SECTION 8 - ELECTRICAL

FIGURE 8-25. BOOM CABLES AND CLAMPS INSTALLATION - 4000W, 50HZ - WITHOUT ARCTIC PACKAGE



ART_1001154292

SECTION 8 - ELECTRICAL

FIGURE 8-25. BOOM CABLES AND CLAMPS INSTALLATION - 4000W, 50HZ - WITHOUT ARCTIC PACKAGE

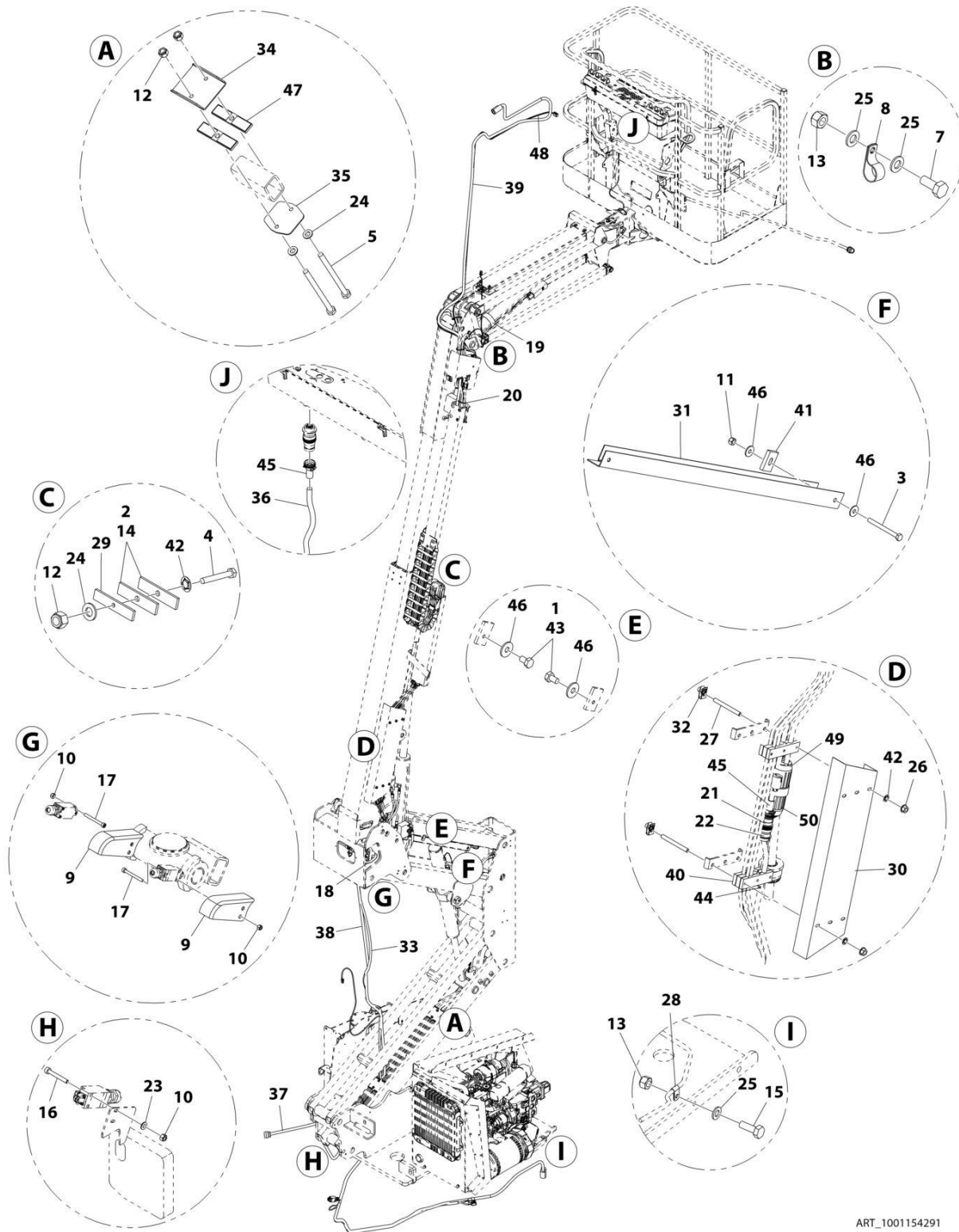
ITEM	PART NUMBER	QTY	DESCRIPTION	REV
	1001154292	Ref	BOOM CABLES AND CLAMPS INSTALLATION - 4000W, 50HZ - WITHOUT ARCTIC PACKAGE	B
1	0100011	AR	Compound, Locking	
2	0100081	AR	Adhesive	
3	0760621	4	Bolt M6 x 65	
4	0700820	2	Bolt M8 x 60	
5	0700829	4	Bolt M8 x 120	
7	0761012	1	Bolt M10 x 25	
8	1320130	1	Clamp	
9	1670899	2	Cover, Switch	
10	3290405	6	Nut M4	
11	3290605	4	Nut M6	
12	3290805	6	Nut M8	
13	3291005	2	Nut M10	
14	3340939	4	Pad, Rubber	
15	0761014	1	Bolt M10 x 30	
16	4031510	2	Capscrew M4 x 30	
17	4031512	4	Capscrew M4 x 40	
18	4060808	1.8 ft /55cm	Flex-Trim	
19	4240156	1	Strap, Cinch	
20	4240018	AR	Tie-Strap	
21	4460865	1	Connector - 19 Position	
22	4460866	1	Connector - 19 Position	
23	4811400	2	Washer M4	
24	4811900	8	Washer M8	
25	4812000	4	Washer M10	
26	5260800	6	Nut M8 Class 10	
27	5281920	6	Capscrew, Cup Point M8 x 80	
28	1320263	1	Clamp	
29	1001106757	2	Plate, Clamp	
30	1001107152	1	Plate, Shield	
31	1001116433	2	Guard, Hose	
32	1001118274	6	Nut M8	
33	1001118292	1	Harness, Tower Boom (See Separate Breakdown in this Section)	
34	1001118592	2	Plate, Hose Clamp	
35	1001118593	2	Plate, Hose Clamp	
36	1001119018	1	Harness Assembly - Main Boom (See Separate Breakdown in this Section)	
37	1001119019	1	Harness Assembly - Tower Boom (See Separate Breakdown in this Section)	
38	1001119139	1	Cable, AC Tower Boom (See Separate Breakdown in this Section)	
39	1001119140	1	Cable, AC Main Boom (See Separate Breakdown in this Section)	
40	1001119194	2	Plate, Hose Clamp	
41	1001119197	4	Clamp, Hose	
42	1001119228	8	Pushnut M8	
43	0760605	2	Bolt M6 x 10	
44	2820031	AR	Heat Shrink	
45	4460473	1	Clamp, Cable	
46	4811702	10	Washer M6	

SECTION 8 - ELECTRICAL

ITEM	PART NUMBER	QTY	DESCRIPTION	REV
47	3340901	4	Pad, Rubber	
48	1001140524	1	Main Boom Harness Assembly (Not Shown - See Separate Breakdown in this Section)	
49	1671092	1	Cover, Connector	
50	1671093	1	Cover, Plug	
51	4460709	1	Plug, Male - 250V	
52	4460710	1	Receptacle, Female - 250V	

SECTION 8 - ELECTRICAL

FIGURE 8-26. BOOM CABLES AND CLAMPS INSTALLATION - 4000W, 50HZ - WITH ARCTIC PACKAGE



ART_1001154291

SECTION 8 - ELECTRICAL

FIGURE 8-26. BOOM CABLES AND CLAMPS INSTALLATION - 4000W, 50HZ - WITH ARCTIC PACKAGE

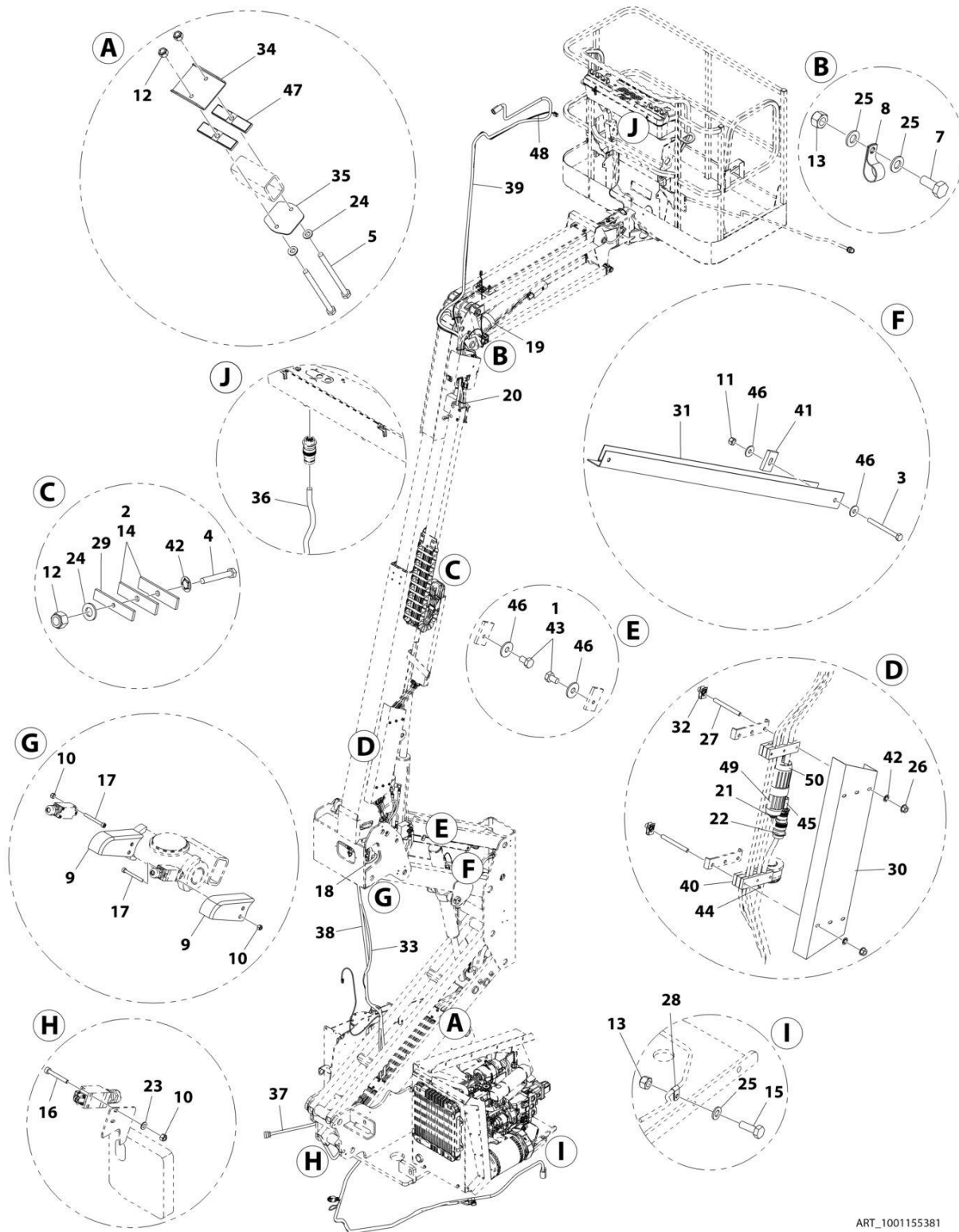
ITEM	PART NUMBER	QTY	DESCRIPTION	REV
	1001154291	Ref	BOOM CABLES AND CLAMPS INSTALLATION - 4000W, 50HZ - WITH ARCTIC PACKAGE	B
1	0100011	AR	Compound, Locking	
2	0100081	AR	Adhesive	
3	0760621	4	Bolt M6 x 65	
4	0700820	2	Bolt M8 x 60	
5	0700829	4	Bolt M8 x 120	
7	0761012	1	Bolt M10 x 25	
8	1320130	1	Clamp	
9	1670899	2	Cover, Switch	
10	3290405	6	Nut M4	
11	3290605	4	Nut M6	
12	3290805	6	Nut M8	
13	3291005	2	Nut M10	
14	3340939	4	Pad, Rubber	
15	0761014	1	Bolt M10 x 30	
16	4031510	2	Capscrew M4 x 30	
17	4031512	4	Capscrew M4 x 40	
18	4060808	1.8 ft /55cm	Flex-Trim	
19	4240156	1	Strap, Cinch	
20	4240018	AR	Tie-Strap	
21	4460865	1	Connector - 19 Position	
22	4460866	1	Connector - 19 Position	
23	4811400	2	Washer M4	
24	4811900	8	Washer M8	
25	4812000	4	Washer M10	
26	5260800	6	Nut M8 Class 10	
27	5281920	6	Capscrew, Cup Point M8 x 80	
28	1320263	1	Clamp	
29	1001106757	2	Plate, Clamp	
30	1001107152	1	Plate, Shield	
31	1001116433	2	Guard, Hose	
32	1001118274	6	Nut M8	
33	1001118292	1	Harness, Tower Boom (See Separate Breakdown in this Section)	
34	1001118592	2	Plate, Hose Clamp	
35	1001118593	2	Plate, Hose Clamp	
36	1001119953	1	Harness Assembly - Main Boom (See Separate Breakdown in this Section)	
37	1001119954	1	Harness Assembly - Tower Boom (See Separate Breakdown in this Section)	
38	1001119956	1	Cable, AC Tower Boom (See Separate Breakdown in this Section)	
39	1001119955	1	Cable, AC Main Boom (See Separate Breakdown in this Section)	
40	1001119195	2	Plate, Hose Clamp	
41	1001119197	4	Clamp, Hose	
42	1001119228	8	Pushnut M8	
43	0760605	2	Bolt M6 x 10	
44	2820031	AR	Heat Shrink	
45	4460473	1	Clamp, Cable	
46	4811702	10	Washer M6	

SECTION 8 - ELECTRICAL

ITEM	PART NUMBER	QTY	DESCRIPTION	REV
47	3340901	4	Pad, Rubber	
48	1001140524	1	Main Boom Harness Assembly (Not Shown - See Separate Breakdown in this Section)	
49	1001156351	1	Cover, Connector	
50	1001156352	1	Cover, Plug	

SECTION 8 - ELECTRICAL

FIGURE 8-27. BOOM CABLES AND CLAMPS INSTALLATION - 4000W, 60HZ - WITHOUT ARCTIC PACKAGE



ART_1001155381

SECTION 8 - ELECTRICAL

FIGURE 8-27. BOOM CABLES AND CLAMPS INSTALLATION - 4000W, 60HZ - WITHOUT ARCTIC PACKAGE

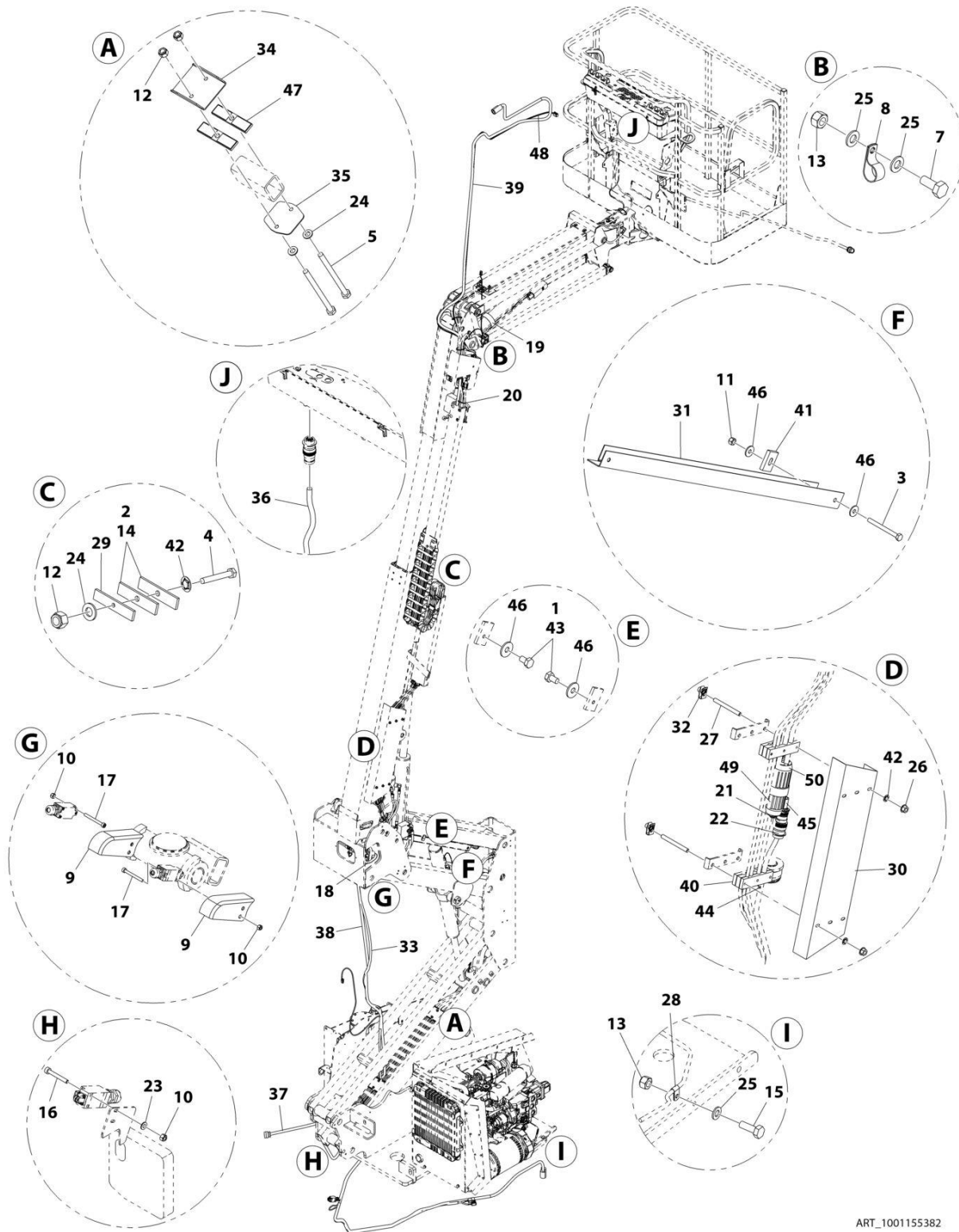
ITEM	PART NUMBER	QTY	DESCRIPTION	REV
	1001155381	Ref	BOOM CABLES AND CLAMPS INSTALLATION - 4000W, 60HZ - WITHOUT ARCTIC PACKAGE	B
1	0100011	AR	Compound, Locking	
2	0100081	AR	Adhesive	
3	0760621	4	Bolt M6 x 65	
4	0700820	2	Bolt M8 x 60	
5	0700829	4	Bolt M8 x 120	
7	0761012	1	Bolt M10 x 25	
8	1320130	1	Clamp	
9	1670899	2	Cover, Switch	
10	3290405	6	Nut M4	
11	3290605	4	Nut M6	
12	3290805	6	Nut M8	
13	3291005	2	Nut M10	
14	3340939	4	Pad, Rubber	
15	0761014	1	Bolt M10 x 30	
16	4031510	2	Capscrew M4 x 30	
17	4031512	4	Capscrew M4 x 40	
18	4060808	1.8 ft /55cm	Flex-Trim	
19	4240156	1	Strap, Cinch	
20	4240018	AR	Tie-Strap	
21	4460865	1	Connector - 19 Position	
22	4460866	1	Connector - 19 Position	
23	4811400	2	Washer M4	
24	4811900	8	Washer M8	
25	4812000	4	Washer M10	
26	5260800	6	Nut M8 Class 10	
27	5281920	6	Capscrew, Cup Point M8 x 80	
28	8406110	1	Clamp	
29	1001106757	2	Plate, Clamp	
30	1001107152	1	Plate, Shield	
31	1001116433	2	Guard, Hose	
32	1001118274	6	Nut M8	
33	1001118292	1	Harness, Tower Boom (See Separate Breakdown in this Section)	
34	1001118592	2	Plate, Hose Clamp	
35	1001118593	2	Plate, Hose Clamp	
36	1001119018	1	Harness Assembly - Main Boom (See Separate Breakdown in this Section)	
37	1001119019	1	Harness Assembly - Tower Boom (See Separate Breakdown in this Section)	
38	1001157310	1	Cable, AC Tower Boom	
39	1001157311	1	Cable, AC Main Boom	
40	1001119194	2	Plate, Hose Clamp	
41	1001119197	4	Clamp, Hose	
42	1001119228	8	Pushnut M8	
43	0760605	2	Bolt M6 x 10	
44	2820031	AR	Heat Shrink	
45	4460473	1	Clamp, Cable	
46	4811702	10	Washer M6	

SECTION 8 - ELECTRICAL

ITEM	PART NUMBER	QTY	DESCRIPTION	REV
47	3340901	4	Pad, Rubber	
48	1001140524	1	Main Boom Harness Assembly (Not Shown - See Separate Breakdown in this Section)	
49	1671092	1	Cover, Connector	
50	1671093	1	Cover, Plug	

SECTION 8 - ELECTRICAL

FIGURE 8-28. BOOM CABLES AND CLAMPS INSTALLATION - 4000W, 60HZ - WITH ARCTIC PACKAGE



ART_1001155382

SECTION 8 - ELECTRICAL

FIGURE 8-28. BOOM CABLES AND CLAMPS INSTALLATION - 4000W, 60HZ - WITH ARCTIC PACKAGE

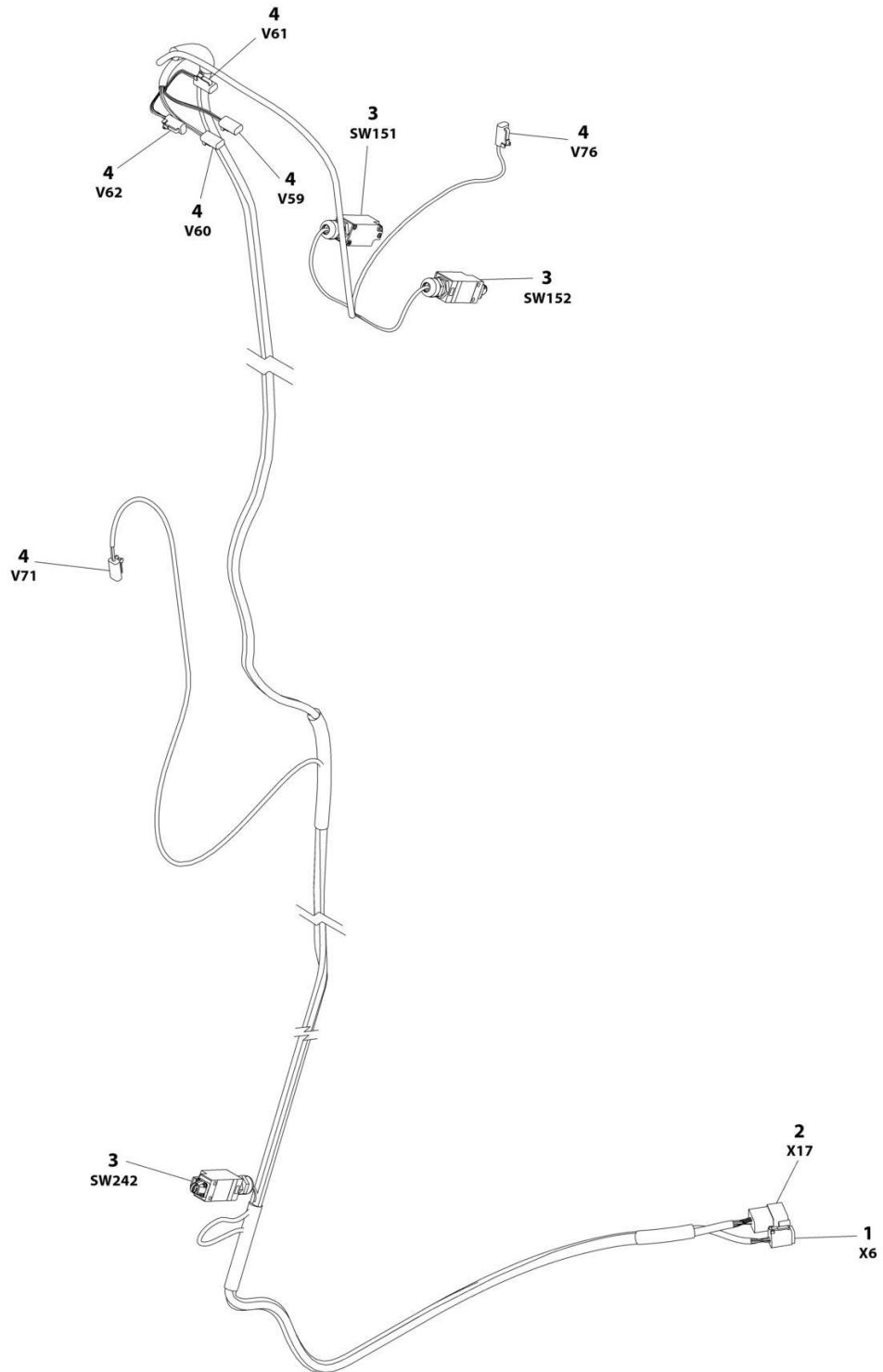
ITEM	PART NUMBER	QTY	DESCRIPTION	REV
	1001155382	Ref	BOOM CABLES AND CLAMPS INSTALLATION - 4000W, 60HZ - WITH ARCTIC PACKAGE	B
1	0100011	AR	Compound, Locking	
2	0100081	AR	Adhesive	
3	0760621	4	Bolt M6 x 65	
4	0700820	2	Bolt M8 x 60	
5	0700829	4	Bolt M8 x 120	
7	0761012	1	Bolt M10 x 25	
8	1320130	1	Clamp	
9	1670899	2	Cover, Switch	
10	3290405	6	Nut M4	
11	3290605	4	Nut M6	
12	3290805	6	Nut M8	
13	3291005	2	Nut M10	
14	3340939	4	Pad, Rubber	
15	0761014	1	Bolt M10 x 30	
16	4031510	2	Capscrew M4 x 30	
17	4031512	4	Capscrew M4 x 40	
18	4060808	1.8 ft /55cm	Flex-Trim	
19	4240156	1	Strap, Cinch	
20	4240018	AR	Tie-Strap	
21	4460865	1	Connector - 19 Position	
22	4460866	1	Connector - 19 Position	
23	4811400	2	Washer M4	
24	4811900	8	Washer M8	
25	4812000	4	Washer M10	
26	5260800	6	Nut M8 Class 10	
27	5281920	6	Capscrew, Cup Point M8 x 80	
28	8406110	1	Clamp	
29	1001106757	2	Plate, Clamp	
30	1001107152	1	Plate, Shield	
31	1001116433	2	Guard, Hose	
32	1001118274	6	Nut M8	
33	1001118292	1	Harness, Tower Boom (See Separate Breakdown in this Section)	
34	1001118592	2	Plate, Hose Clamp	
35	1001118593	2	Plate, Hose Clamp	
36	1001119953	1	Harness Assembly - Main Boom (See Separate Breakdown in this Section)	
37	1001119954	1	Harness Assembly - Tower Boom (See Separate Breakdown in this Section)	
38	1001157310	1	Cable, AC Tower Boom	
39	1001157311	1	Cable, AC Main Boom	
40	1001119195	2	Plate, Hose Clamp	
41	1001119197	4	Clamp, Hose	
42	1001119228	8	Pushnut M8	
43	0760605	2	Bolt M6 x 10	
44	2820031	AR	Heat Shrink	
45	4460473	1	Clamp, Cable	
46	4811702	10	Washer M6	

SECTION 8 - ELECTRICAL

ITEM	PART NUMBER	QTY	DESCRIPTION	REV
47	3340901	4	Pad, Rubber	
48	1001140524	1	Main Boom Harness Assembly (See Separate Breakdown in this Section)	
49	1671092	1	Cover, Connector	
50	1671093	1	Cover, Plug	

SECTION 8 - ELECTRICAL

FIGURE 8-29. BOOM HARNESS - LIMIT SWITCHES AND UPRIGHT VALVE



ART_1001118292

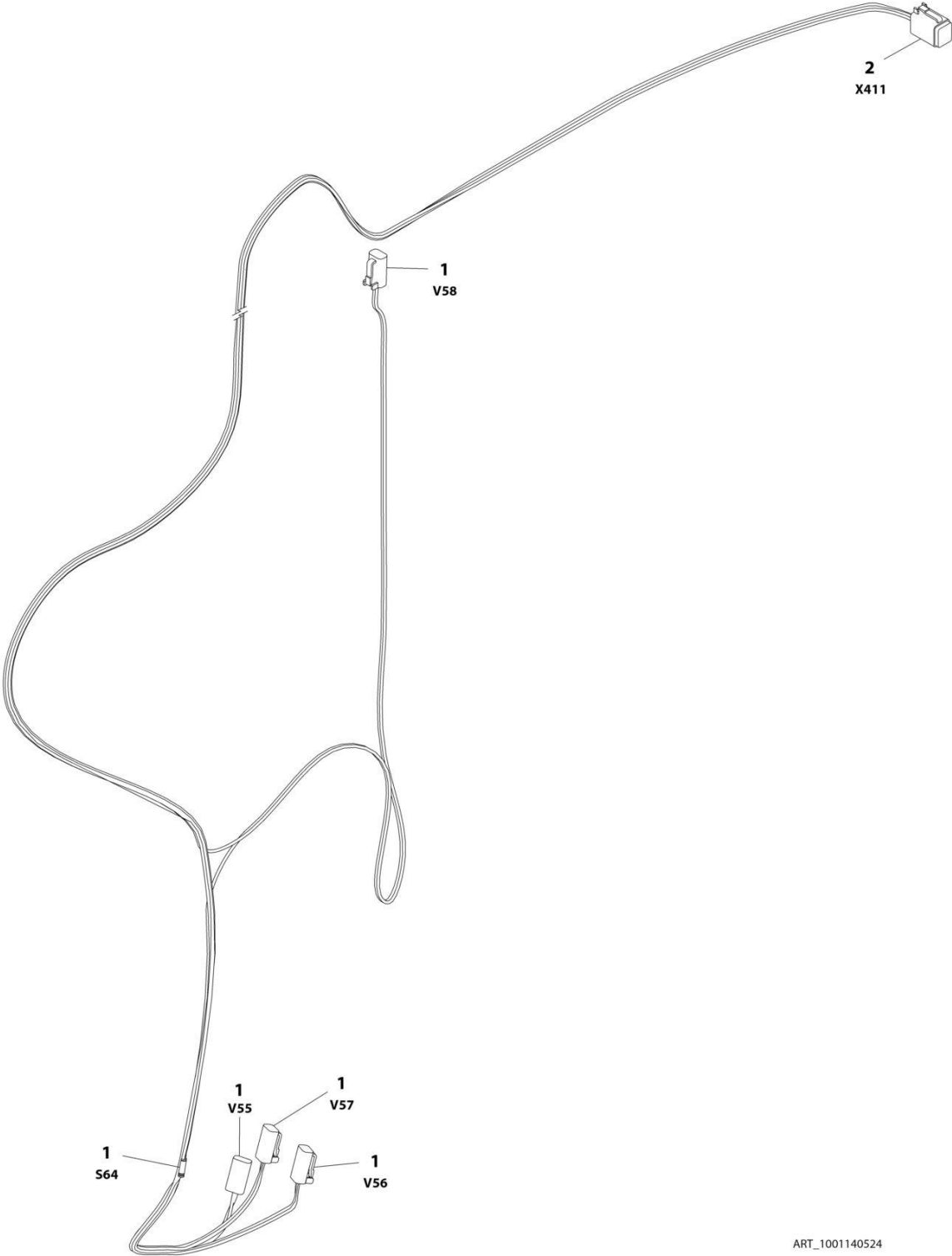
SECTION 8 - ELECTRICAL

FIGURE 8-29. BOOM HARNESS - LIMIT SWITCHES AND UPRIGHT VALVE

ITEM	PART NUMBER	QTY	DESCRIPTION	REV
	1001118292	Ref	BOOM HARNESS - LIMIT SWITCHES AND UPRIGHT VALVE	D
1	4460894	1	Plug, Male - 6 Position	
1	4460465	6	Socket, Female	
2	4460970	1	Receptacle, Female - 12 Position	
2	4460464	9	Pin, Male	
2	4460466	3	Plug, Terminal	
3	4360548	3	Switch, Limit	
3	4460968	3	Connector, Strain Relief	
3	0962449	3	Bushing	
4	4460891	6	Plug, Male - 2 Position	
4	4460465	12	Socket, Female	
5	1001257690	1	Connector, Strain Relief 90 (Not Shown)	

SECTION 8 - ELECTRICAL

FIGURE 8-30. BOOM HARNESS - MAIN



ART_1001140524

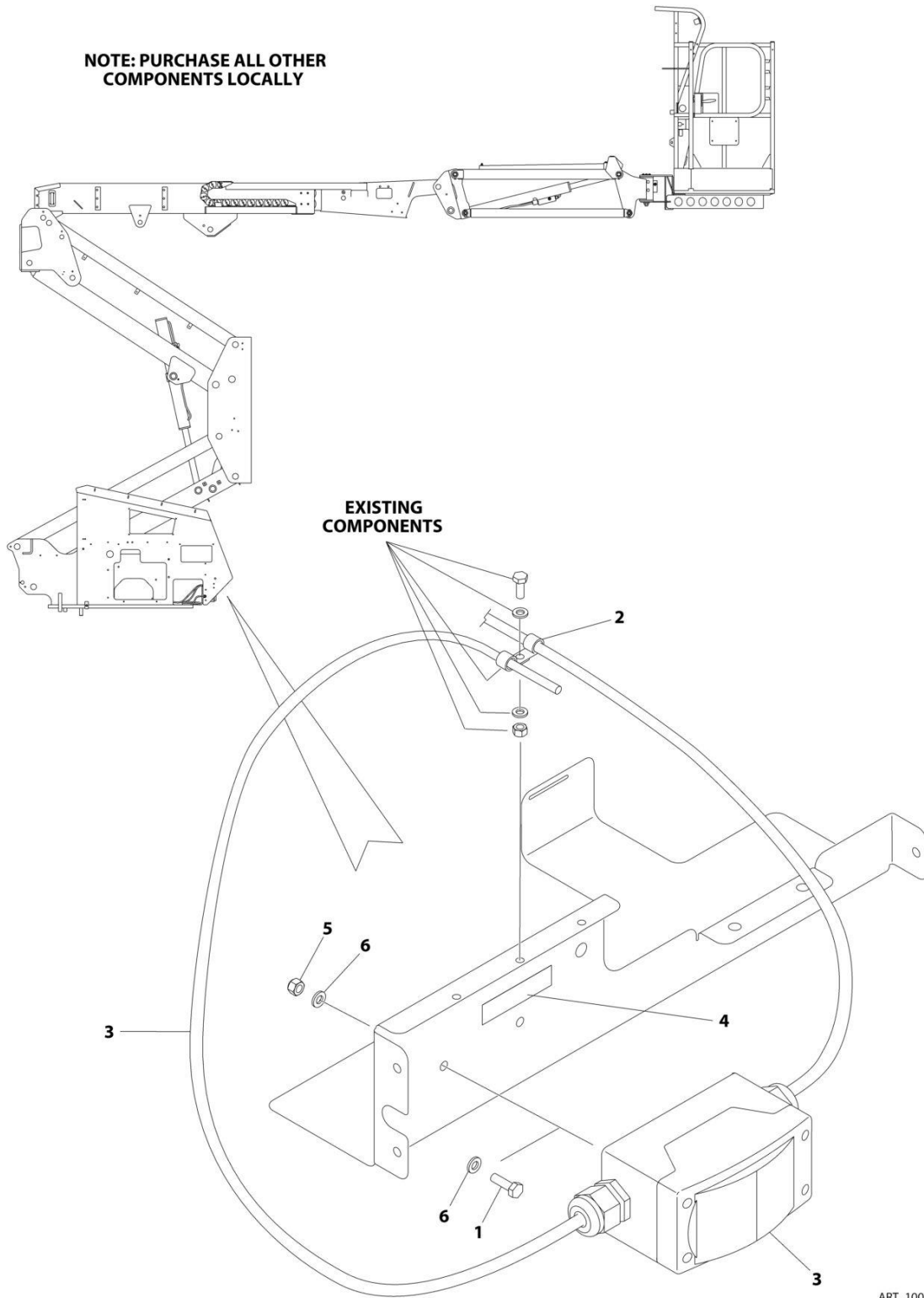
SECTION 8 - ELECTRICAL

FIGURE 8-30. BOOM HARNESS - MAIN

ITEM	PART NUMBER	QTY	DESCRIPTION	REV
	1001140524	Ref	BOOM HARNESS - MAIN	A
1	4460891	4	Plug, Male - 2 Position	
1	4460465	8	Socket, Female	
2	4460894	1	Plug, Male - 6 Position	
2	4460465	5	Socket, Female	
2	4460466	1	Plug, Terminal	

SECTION 8 - ELECTRICAL

FIGURE 8-31. BREAKER BOX INSTALLATION



ART_1001188322

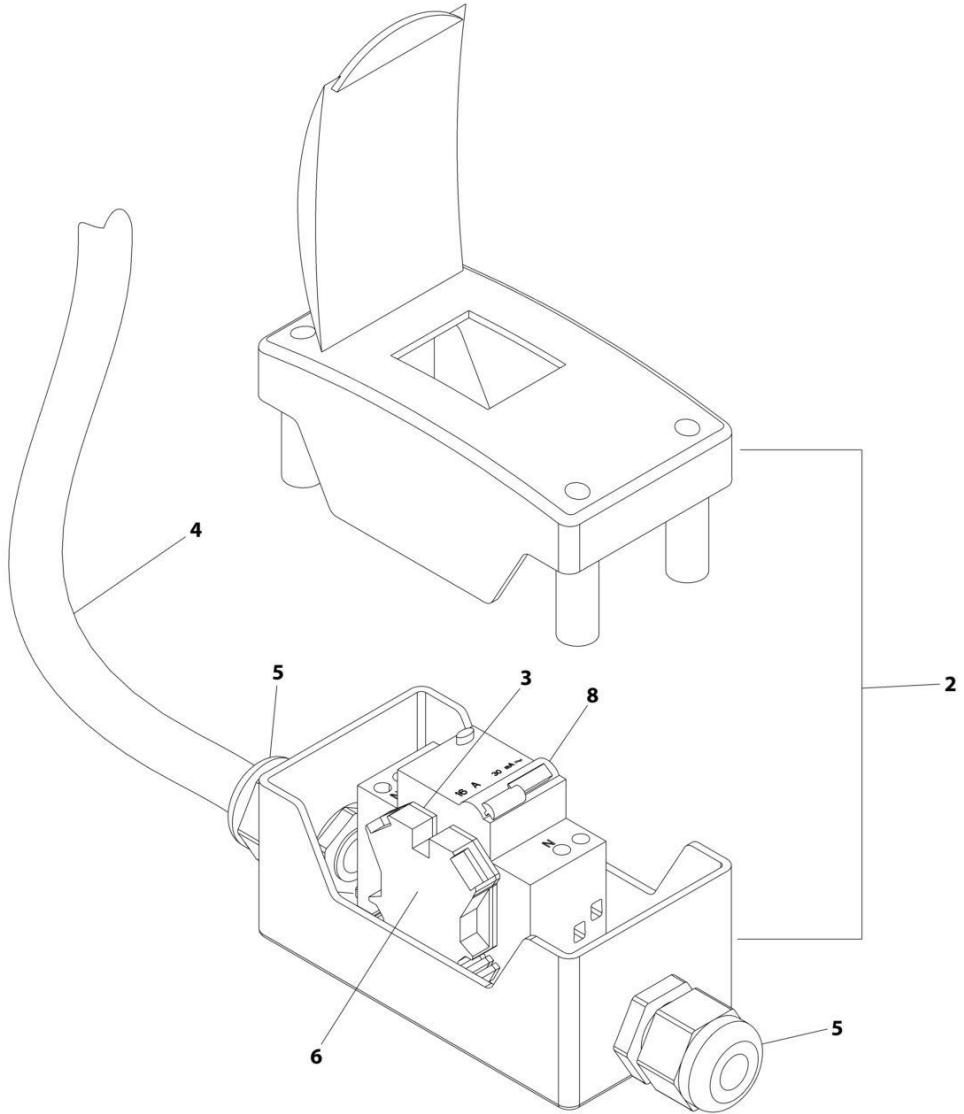
SECTION 8 - ELECTRICAL

FIGURE 8-31. BREAKER BOX INSTALLATION

ITEM	PART NUMBER	QTY	DESCRIPTION	REV
	1001188322	Ref	AC CIRCUIT BREAKER INSTALLATION	A
1	0760610	2	Bolt M6 x 20	
2	1320043	1	Clamp	
3	2902549	1	Breaker Box Kit (See Separate Breakdown in this Section)	
4	3252507	1	Decal - 220V-50/60Hz	
5	3290605	2	Nut M6	
6	4811700	4	Washer M6	

SECTION 8 - ELECTRICAL

FIGURE 8-32. BREAKER BOX KIT (CE & UK CA SPEC)



ART_2902549

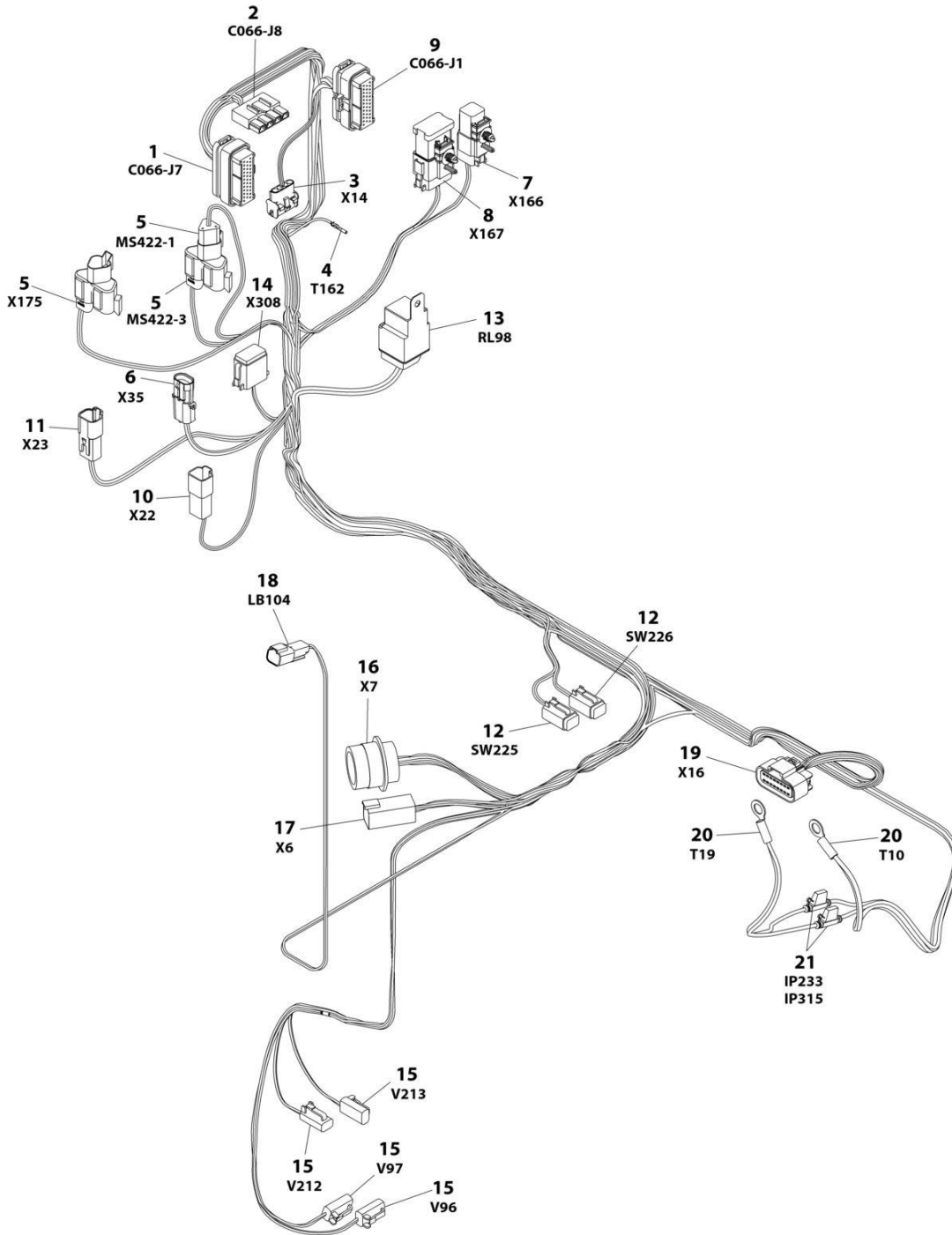
SECTION 8 - ELECTRICAL

FIGURE 8-32. BREAKER BOX KIT (CE & UK CA SPEC)

ITEM	PART NUMBER	QTY	DESCRIPTION	REV
	2902549	Ref	BREAKER BOX KIT - 110/220V 16AMP BREAKER	F
2	0861880	1	Box	
3	4460956	1	Barrier, Terminal	
4	1060908	6 ft/1.8m	Cable, 12/3	
5	1001097150	2	Connector, Strain Relief	
6	4460957	1	Block, Terminal	
8	1001181045	1	Breaker, Combination 16Amp/30mAmp	

SECTION 8 - ELECTRICAL

FIGURE 8-33. CHASSIS HARNESS ASSEMBLY



ART_1001188093

SECTION 8 - ELECTRICAL

FIGURE 8-33. CHASSIS HARNESS ASSEMBLY

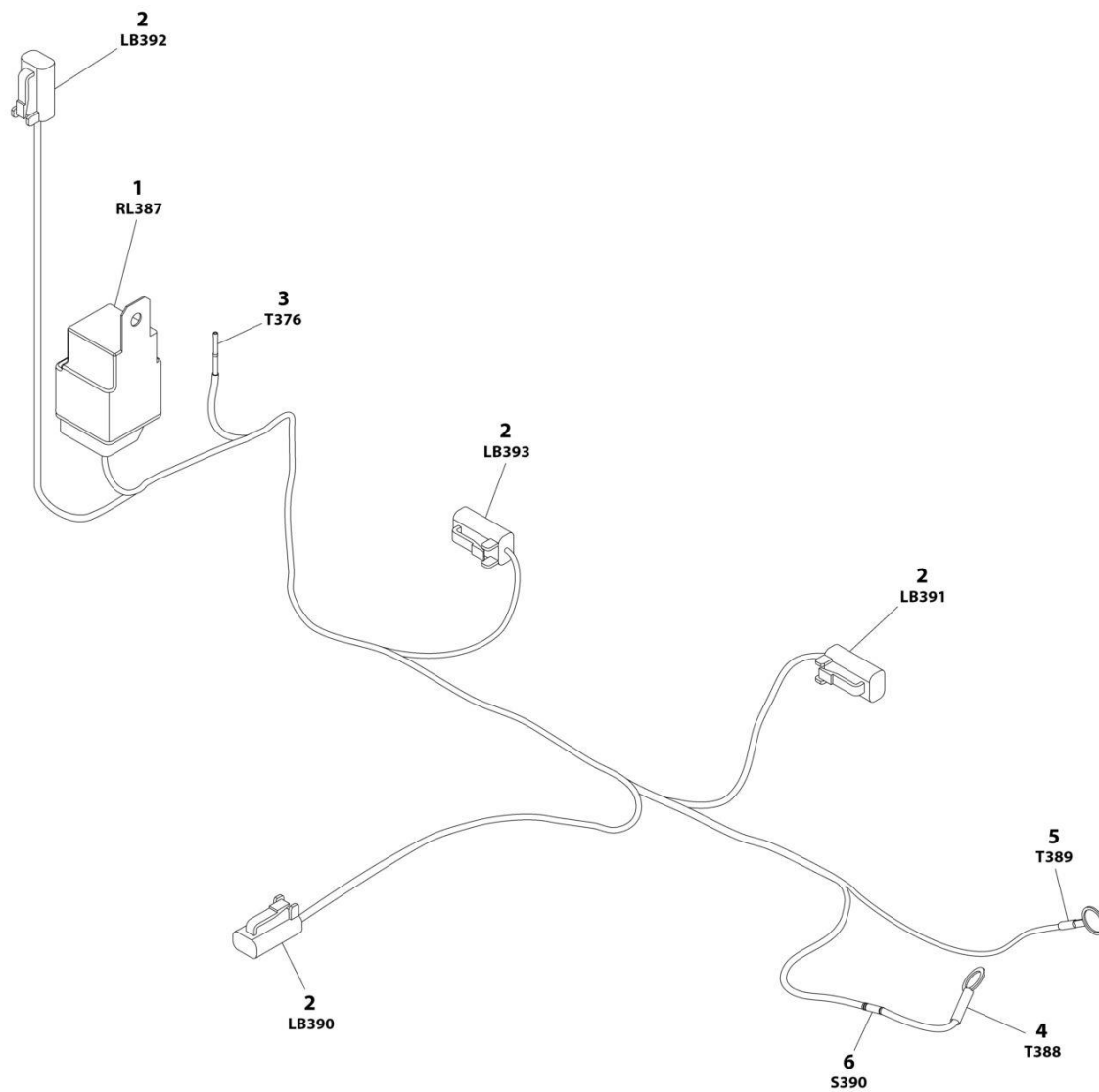
ITEM	PART NUMBER	QTY	DESCRIPTION	REV
	1001188093	Ref	CHASSIS HARNESS ASSEMBLY	D
1	4460873	1	Connector - 35 Position	
1	4460871	19	Socket, Female	
1	4460905	16	Seal, Plug	
2	4460878	1	Connector - 4 Position	
2	4460887	6	Terminal	
3	4460761	1	Connector - 4 Position	
3	4460227	4	Pin, Male	
4	4460871	1	Socket, Female	
5	1001116812	3	Plug, Male - 3 Position	
5	4460944	9	Socket, Female	
5	4460945	1	Receptacle, 3 Way	
6	4461157	1	Receptacle, Female - 2 Position	
6	4460979	1	Pin, Male	
6	1001116727	1	Seal, Plug	
7	4460894	1	Connector - 6 Position	
7	4460465	2	Socket, Female	
7	4460466	4	Plug, Terminal	
7	4460892	1	Connector - 6 Position Bussbar	
7	1001121172	1	Mount, Terminal	
8	4460836	1	Connector - 12 Position	
8	4460465	3	Socket, Female	
8	4460466	7	Plug, Terminal	
8	4460837	1	Connector	
8	1001121172	1	Mount, Terminal	
9	4460874	1	Connector - 35 Position	
9	4460871	21	Socket, Female	
9	4460905	14	Seal, Plug	
10	4460932	1	Receptacle, Female - 4 Position	
10	4460464	3	Pin, Female	
10	4460466	1	Plug, Terminal	
11	1001116811	1	Receptacle, Female - 4 Position	
11	4460508	3	Pin, Male	
11	4460466	1	Plug, Terminal	
12	4460884	2	Plug, Male - 4 Position	
12	4460465	6	Socket, Female	
12	4460466	2	Plug, Terminal	
13	1001117025	1	Relay and Connector Assembly	
13	1001116734	2	Terminal	
13	1001116732	2	Terminal	
14	4460930	1	Plug, Male - 8 Position	
14	4460465	2	Socket, Female	
14	4460466	6	Plug, Terminal	
15	4460891	4	Connector - 2 Position	
15	4460465	8	Socket, Female	
16	4460866	1	Connector - 19 Position	
16	4460943	3	Pin, Male	
16	4460464	6	Pin, Male	
16	4460508	4	Pin, Male	
16	4460466	6	Plug, Terminal	

SECTION 8 - ELECTRICAL

ITEM	PART NUMBER	QTY	DESCRIPTION	REV
17	4460899	1	Connector - 6 Position	
17	4460464	6	Pin, Male	
18	4460897	1	Connector - 2 Position	
18	4460464	2	Pin, Male	
19	4461110	1	Receptacle Female - 16 Position	
19	1001136231	1	Lock, Connector	
19	1001136232	1	Lock, Connector	
19	4461112	15	Terminal, Female	
19	4461113	15	Seal	
19	4461222	1	Plug	
20	8220164	2	Ring, Terminal	
21	2400066	2	Fuse Holder with Leads	

SECTION 8 - ELECTRICAL

FIGURE 8-34. CHASSIS LIGHT HARNESS



ART_1001120299

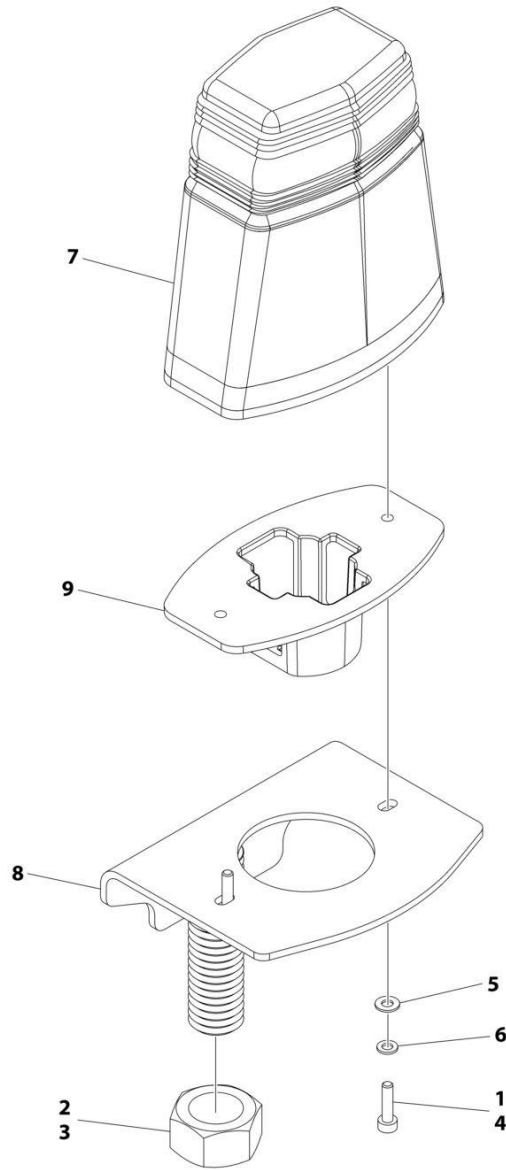
SECTION 8 - ELECTRICAL

FIGURE 8-34. CHASSIS LIGHT HARNESS

ITEM	PART NUMBER	QTY	DESCRIPTION	REV
	1001120299	Ref	CHASSIS LIGHT HARNESS	B
1	1001117025	1	Relay and Connector Assembly	
1	1001116734	2	Terminal	
1	1001116732	2	Terminal	
2	4460891	4	Plug, Male - 2 Position	
2	4460465	8	Socket, Female	
3	4460465	1	Socket, Female	
4	4460256	1	Ring, Terminal	
5	4460019	1	Ring, Terminal	
6	4460474	1	Terminal	

SECTION 8 - ELECTRICAL

FIGURE 8-35. CLEARSKY INSTALLATION



ART_1001289851

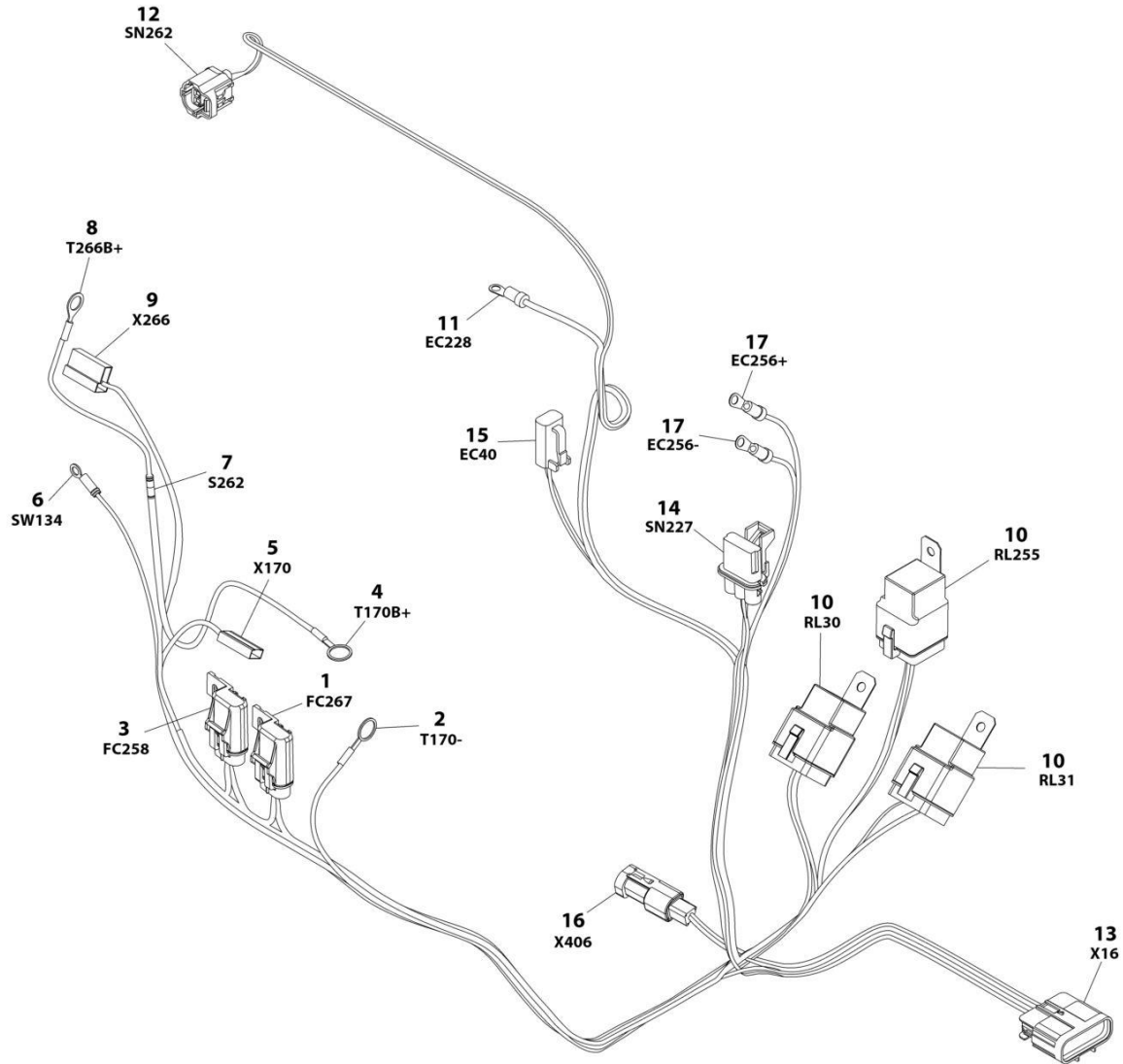
SECTION 8 - ELECTRICAL

FIGURE 8-35. CLEARSKY INSTALLATION

ITEM	PART NUMBER	QTY	DESCRIPTION	REV
	1001289851	Ref	CLEARSKY INSTALLATION	A
1	0100011	AR	Compound, Locking	
2	3020043	AR	Lube, Anti-Seize	
3	3292001	1	Nut M20	
4	4031507	2	Capscrew M4 x 16	
5	4811400	2	Washer M4	
6	4831400	2	Washer M4	
7	1001280661	1	Module, ClearSky	
8	1001286584	1	Bracket, ClearSky Mounting	
9	1001289648	1	Plate, Anti-Tamper	

SECTION 8 - ELECTRICAL

FIGURE 8-36. ENGINE HARNESS - KUBOTA ENGINE



ART_1001118638

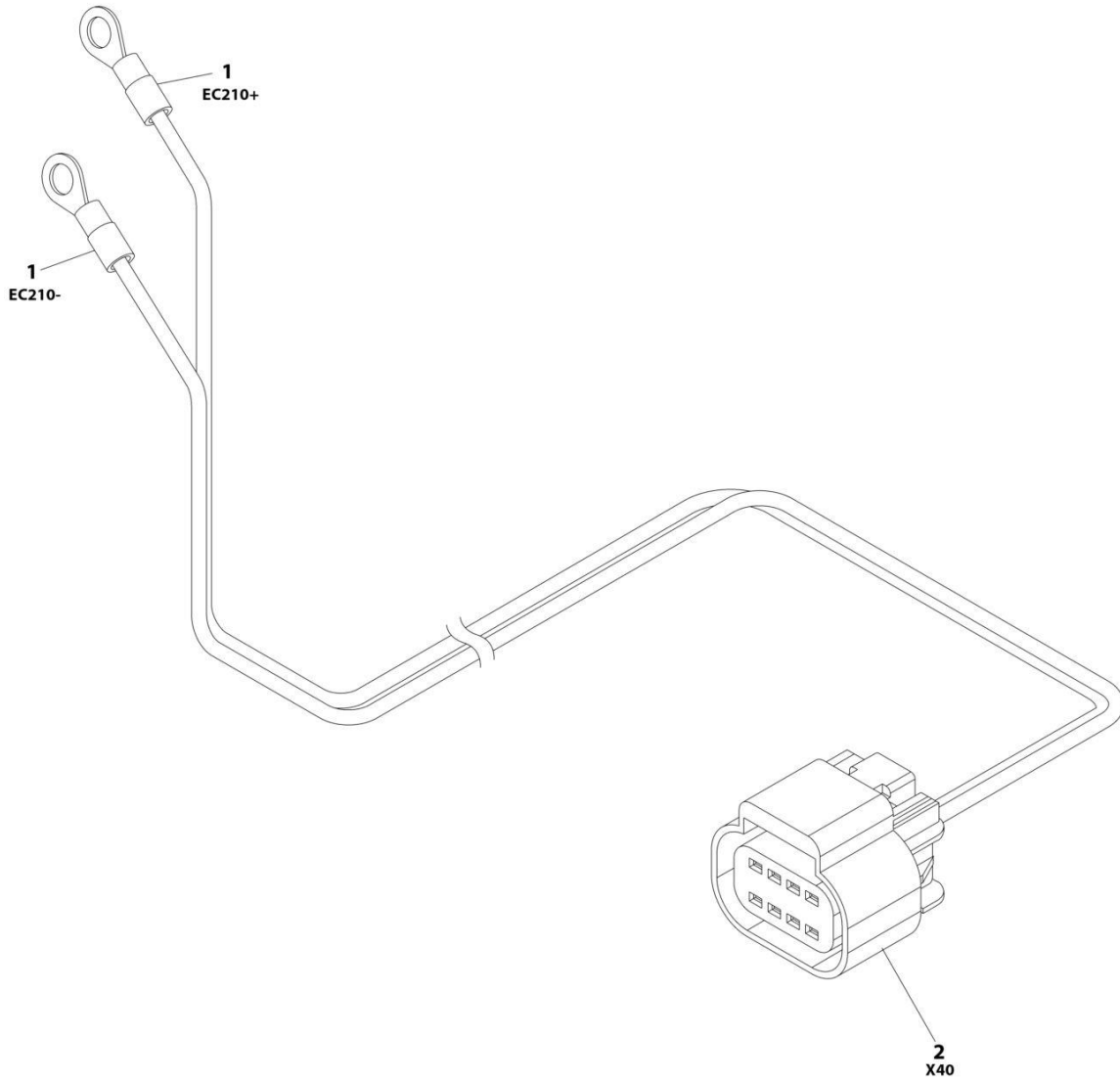
SECTION 8 - ELECTRICAL

FIGURE 8-36. ENGINE HARNESS - KUBOTA ENGINE

ITEM	PART NUMBER	QTY	DESCRIPTION	REV
	1001118638	Ref	KUBOTA ENGINE HARNESS	G
1	1001117070	1	Connector, Fuseholder (Includes Fuse and Cap)	
1	1001116752	2	Terminal, Female	
2	4460256	1	Terminal	
3	1001118938	1	Connector, Fuseholder (Includes Fuse and Cap)	
3	1001116752	2	Terminal, Female	
4	8220164	1	Terminal	
5	1001118743	1	Connector, Receptacle	
5	1001118748	1	Terminal	
6	4460247	1	Terminal, Ring	
7	4460474	1	Terminal	
8	4460043	1	Terminal, Ring	
8	1001121574	1	Lock, Connector	
9	1001118744	1	Receptacle, Female - 2 Position	
9	1001118745	1	Terminal	
10	1001117025	3	Relay and Connector Assembly	
10	1001116734	6	Terminal	
10	1001116732	6	Terminal	
11	4460142	1	Terminal, Ring	
12	1001118657	1	Plug, Male - 2 Position (Green)	
12	1001118658	2	Socket, Female	
13	4461109	1	Plug, Male - 16 Position	
13	1001136232	1	Lock, Connector	
13	4461111	14	Terminal, Male	
13	4461113	14	Seal	
13	4461222	2	Plug	
14	1001117055	1	Plug, Male - 3 Position	
14	4460746	3	Socket, Female	
15	4460891	1	Plug, Male - 2 Position (Gray)	
15	4460465	2	Socket, Female	
16	4461095	1	Plug, Male - 3 Position	
16	4460944	2	Terminal , Gold	
16	4460466	1	Plug, Terminal	
17	4460042	2	Terminal, Ring	

SECTION 8 - ELECTRICAL

FIGURE 8-37. FUEL PUMP HARNESS - GM ENGINES



ART_1001119778

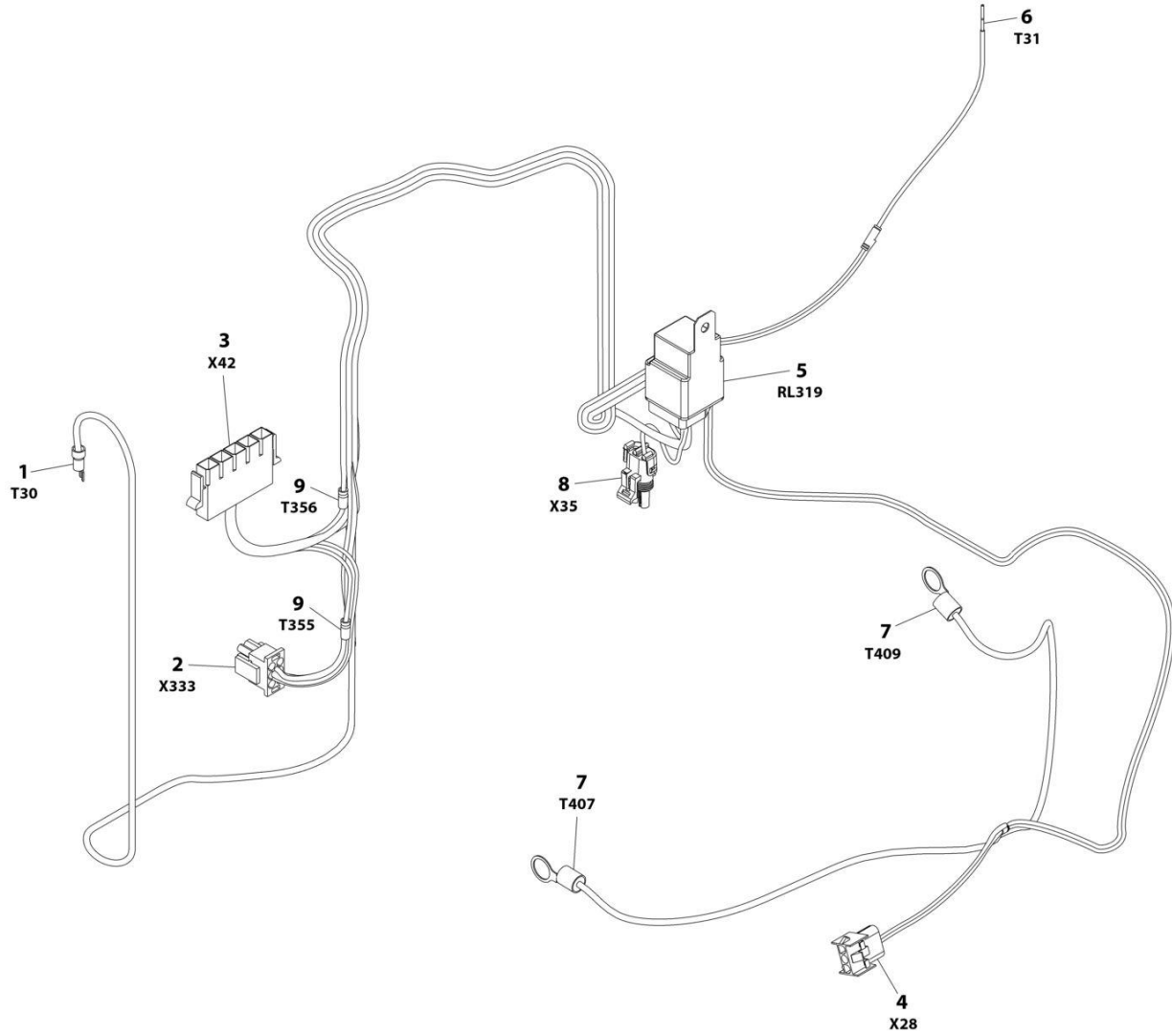
SECTION 8 - ELECTRICAL

FIGURE 8-37. FUEL PUMP HARNESS - GM ENGINES

ITEM	PART NUMBER	QTY	DESCRIPTION	REV
	1001119778	Ref	GM FUEL PUMP HARNESS	A
1	4460313	2	Terminal, Ring	
2	1001119799	1	Receptacle, Female - 8 Position	
2	4461112	2	Terminal, Female	
2	4461113	2	Seal	
2	4461222	6	Plug	

SECTION 8 - ELECTRICAL

FIGURE 8-38. GENERATOR HARNESS - 2500W



ART_1001119773

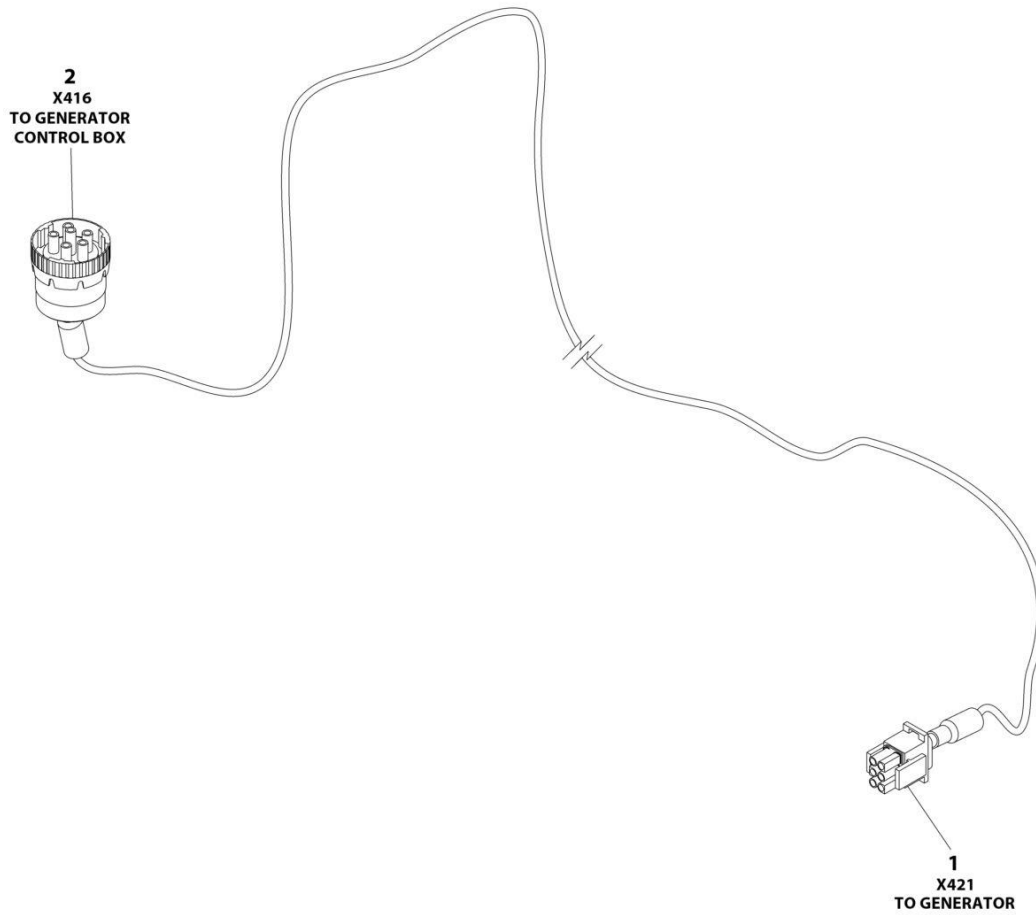
SECTION 8 - ELECTRICAL

FIGURE 8-38. GENERATOR HARNESS - 2500W

ITEM	PART NUMBER	QTY	DESCRIPTION	REV
	1001119773	Ref	GENERATOR HARNESS - 2500W	C
1	4460806	1	Terminal	
2	4460225	1	Plug, Male - 6 Position	
2	4460705	1	Pin, Male	
2	4460267	3	Pin, Male	
2	4460268	2	Socket, Female	
3	4460972	1	Plug, Male - 5 Position	
3	4460973	1	Terminal 12Ga	
3	4460974	4	Terminal 16Ga	
4	4460445	1	Receptacle, Female - 3 Position	
4	4460268	3	Socket, Female	
5	1001117025	1	Relay and Connector Assembly	
5	1001116734	2	Terminal	
5	1001116732	2	Terminal	
6	4460465	1	Socket, Female Deutsch 16Ga	
7	8220029	2	Terminal	
8	4460742	1	Plug, Male - 2 Position	
8	4460743	1	Socket, Female	
8	1001116727	1	Seal, Plug	
9	4460121	2	Cap, Wire	

SECTION 8 - ELECTRICAL

FIGURE 8-39. GENERATOR HARNESS - 4000W



ART_1001157916

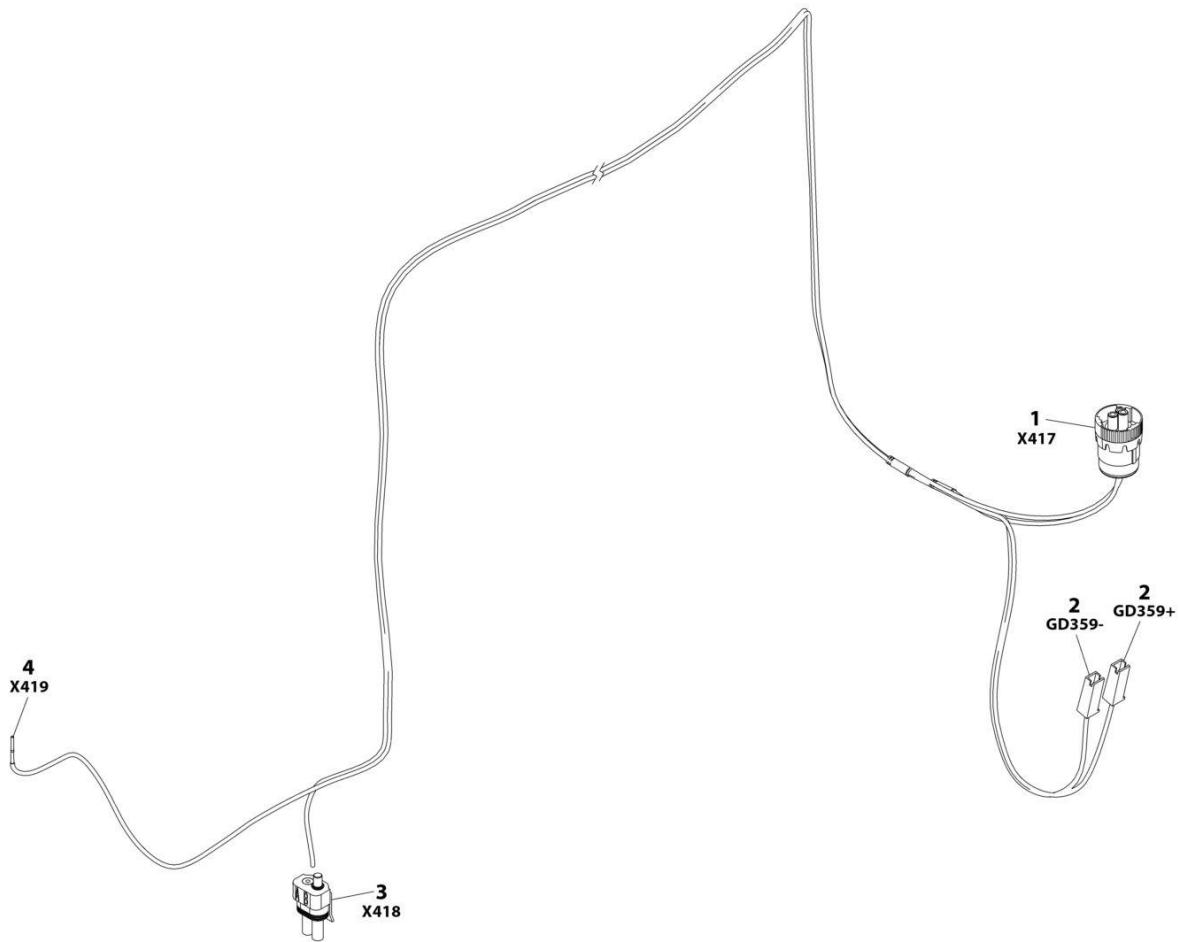
SECTION 8 - ELECTRICAL

FIGURE 8-39. GENERATOR HARNESS - 4000W

ITEM	PART NUMBER	QTY	DESCRIPTION	REV
	1001157916	Ref	GENERATOR HARNESS - 4000W	B
1	4460225	1	Plug, Male - 6 Position	
1	4460268	2	Socket, Female	
2	77363233	1	Connector	
2	4460465	2	Socket, Female	
2	4460466	4	Plug, Terminal	

SECTION 8 - ELECTRICAL

FIGURE 8-40. GENERATOR CONTROL HARNESS - 4000W



ART_1001157915

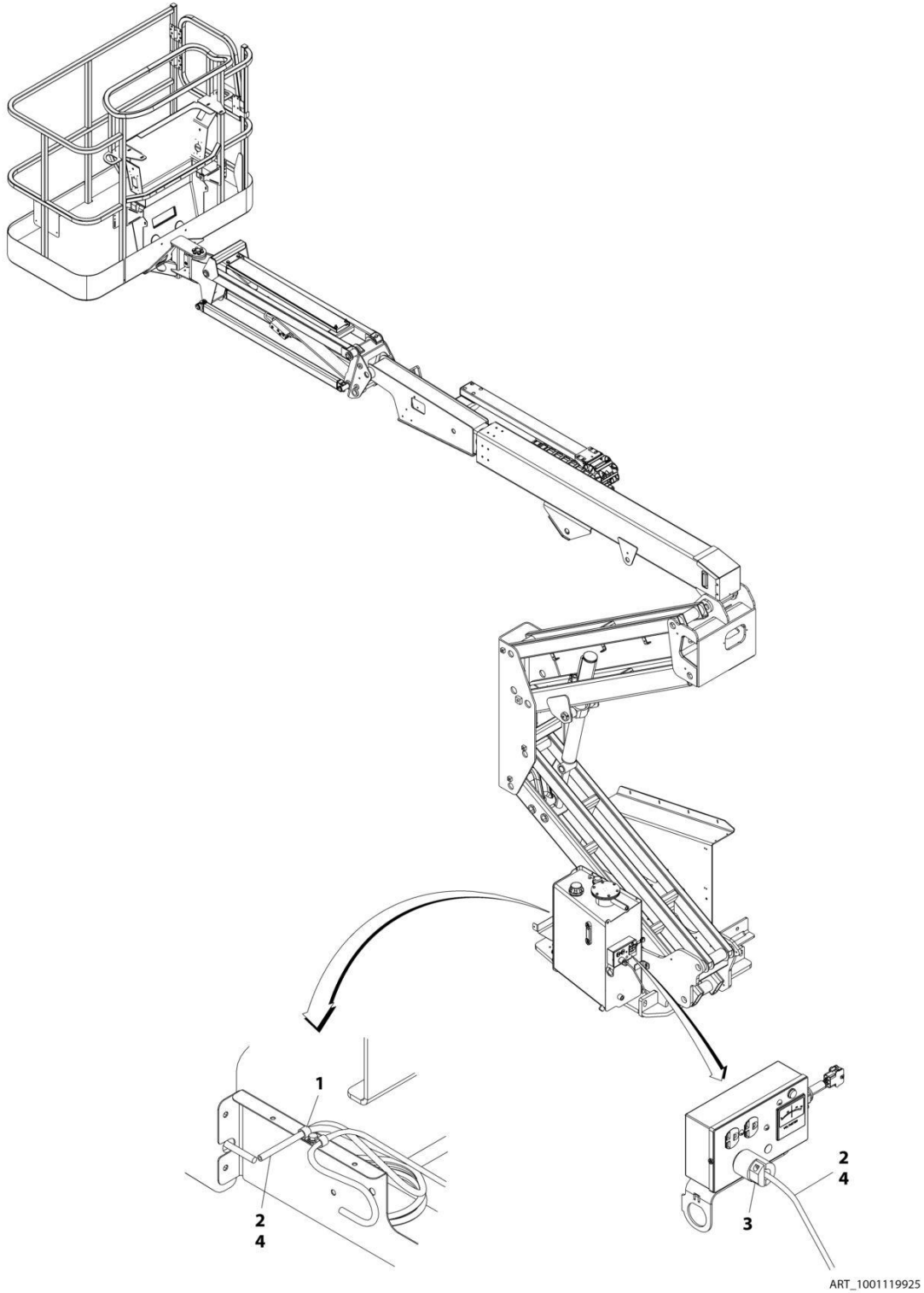
SECTION 8 - ELECTRICAL

FIGURE 8-40. GENERATOR CONTROL HARNESS - 4000W

ITEM	PART NUMBER	QTY	DESCRIPTION	REV
	1001157915	Ref	GENERATOR CONTROL HARNESS - 4000W	A
1	4460967	1	Connector	
1	4460466	1	Plug	
1	4460465	1	Socket	
2	4460260	2	Connector	
2	4460259	2	Terminal	
3	4460742	1	Connector	
3	4460457	1	Terminal	
3	1001116727	1	Plug	
4	4460465	1	Socket	

SECTION 8 - ELECTRICAL

FIGURE 8-41. GENERATOR TO AC PLUG HARNESS - 2800W GENERATOR 220/50HZ (ANSI EXPORT, AUSTRALIAN, CHINA, CE & UK CA SPECS)



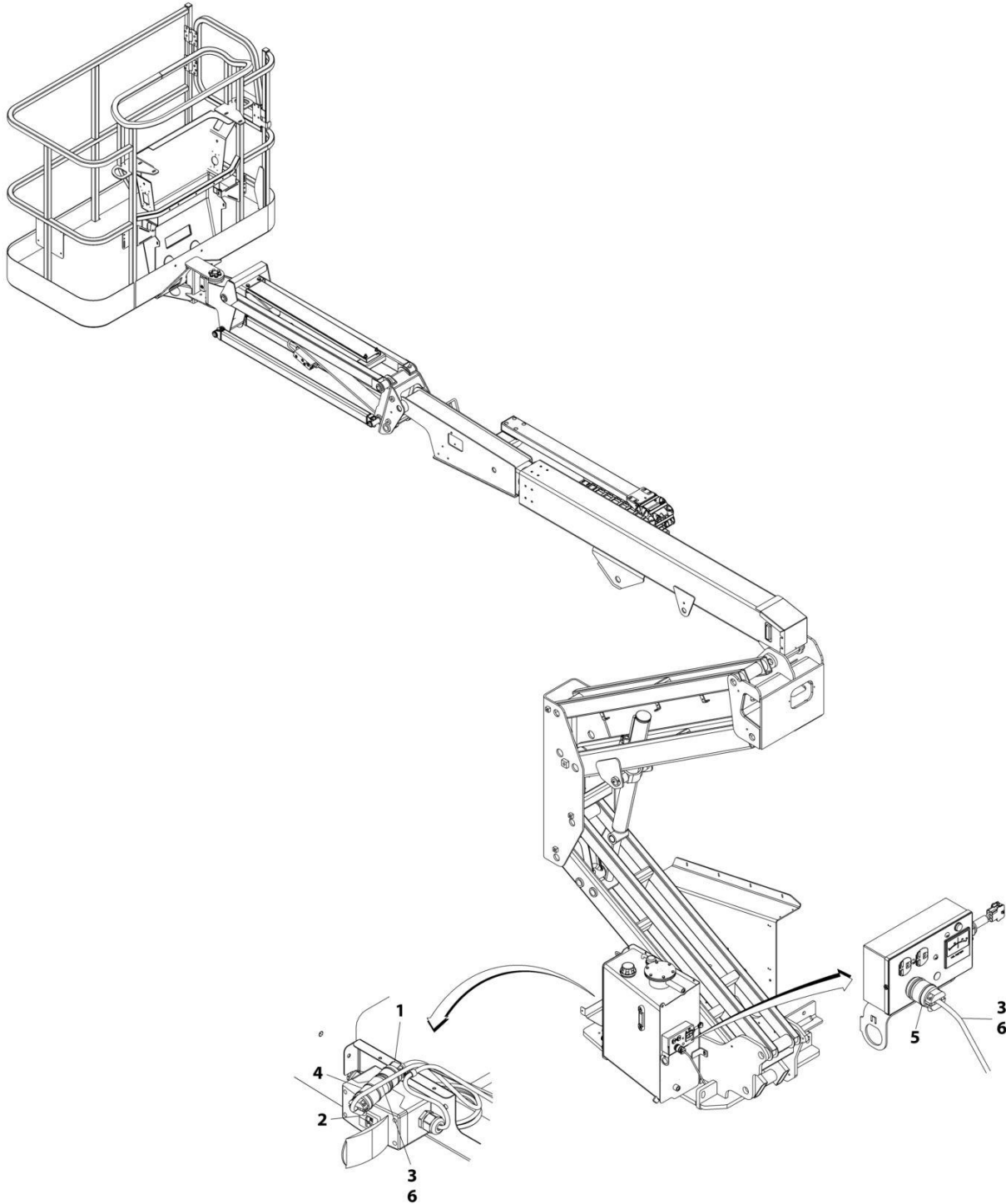
SECTION 8 - ELECTRICAL

FIGURE 8-41. GENERATOR TO AC PLUG HARNESS - 2800W GENERATOR 220/50HZ (ANSI EXPORT, AUSTRALIAN, CHINA, CE & UK CA SPECS)

ITEM	PART NUMBER	QTY	DESCRIPTION	REV
	1001119925	Ref	GENERATOR TO AC PLUG HARNESS - 2800W GENERATOR 220/50HZ	A
1	1320043	1	Clamp	
2	1001119922	1	Harness, Generator to AC Plug	B
3	4460709	1	Plug, Male	
4	4923505	7 ft/2.13m	Cable, 14/3	

SECTION 8 - ELECTRICAL

FIGURE 8-42. GENERATOR TO AC PLUG HARNESS - 2800W GENERATOR 110/50HZ (CE & UK CA SPECS ONLY)



ART_1001119927

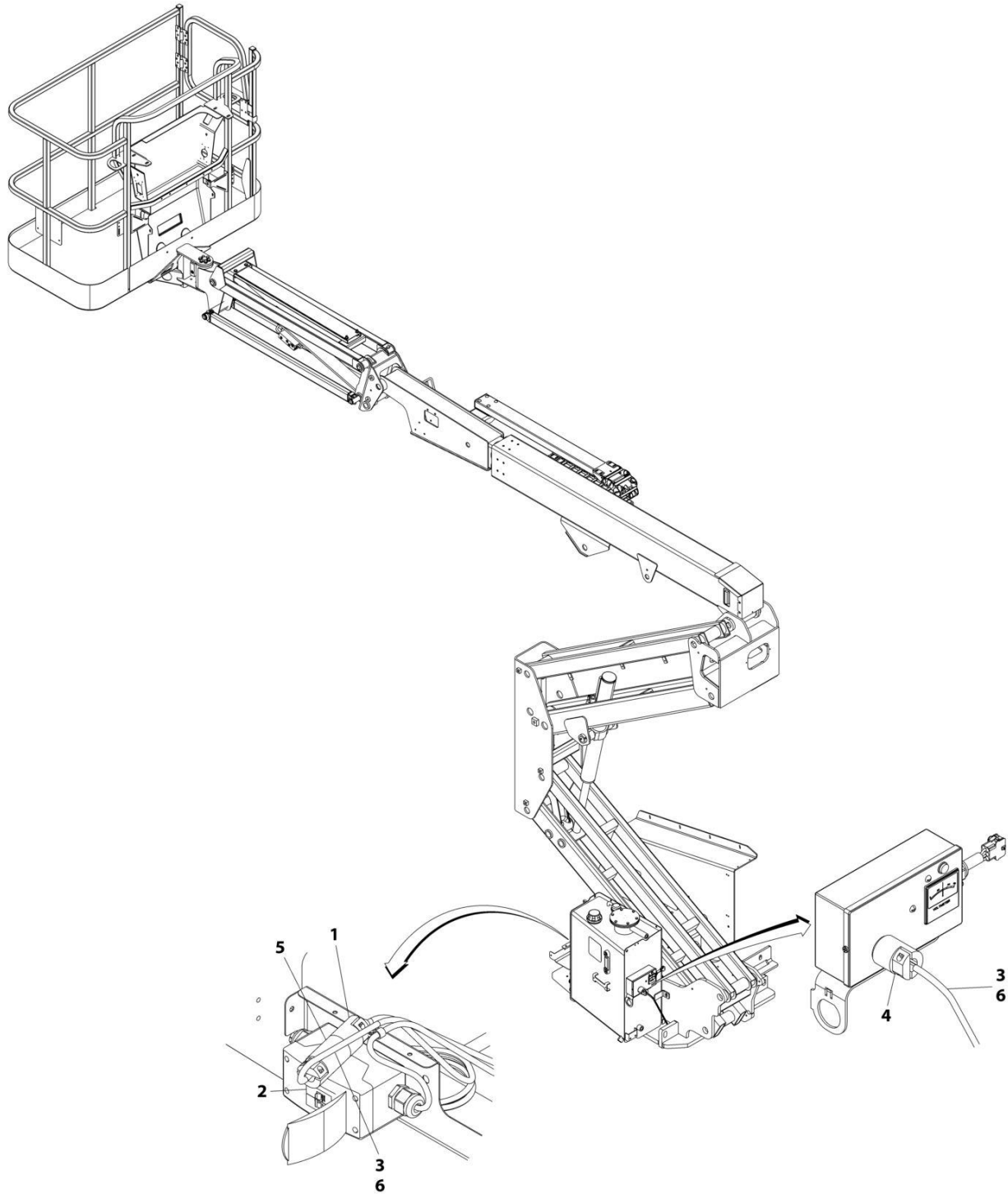
SECTION 8 - ELECTRICAL

FIGURE 8-42. GENERATOR TO AC PLUG HARNESS - 2800W GENERATOR 110/50HZ (CE & UK CA SPECS ONLY)

ITEM	PART NUMBER	QTY	DESCRIPTION	REV
	1001119927	Ref	GENERATOR TO AC PLUG HARNESS - 2800W GENERATOR 110/50HZ	A
1	4460205	1	Plug, Male	
2	1001109477	1	Breaker 10Amp	
3	1001119919	1	Harness, Generator to AC Plug	B
4	4460134	1	Plug, Female	
5	4460205	1	Plug, Male	
6	4923505	7 ft/2.13m	Cable, 14/3	

SECTION 8 - ELECTRICAL

FIGURE 8-43. GENERATOR TO AC PLUG HARNESS - 2800W GENERATOR 220/50HZ (ANSI EXPORT, AUSTRALIAN, CHINA, CE & UK CA SPECS)



ART_1001119928

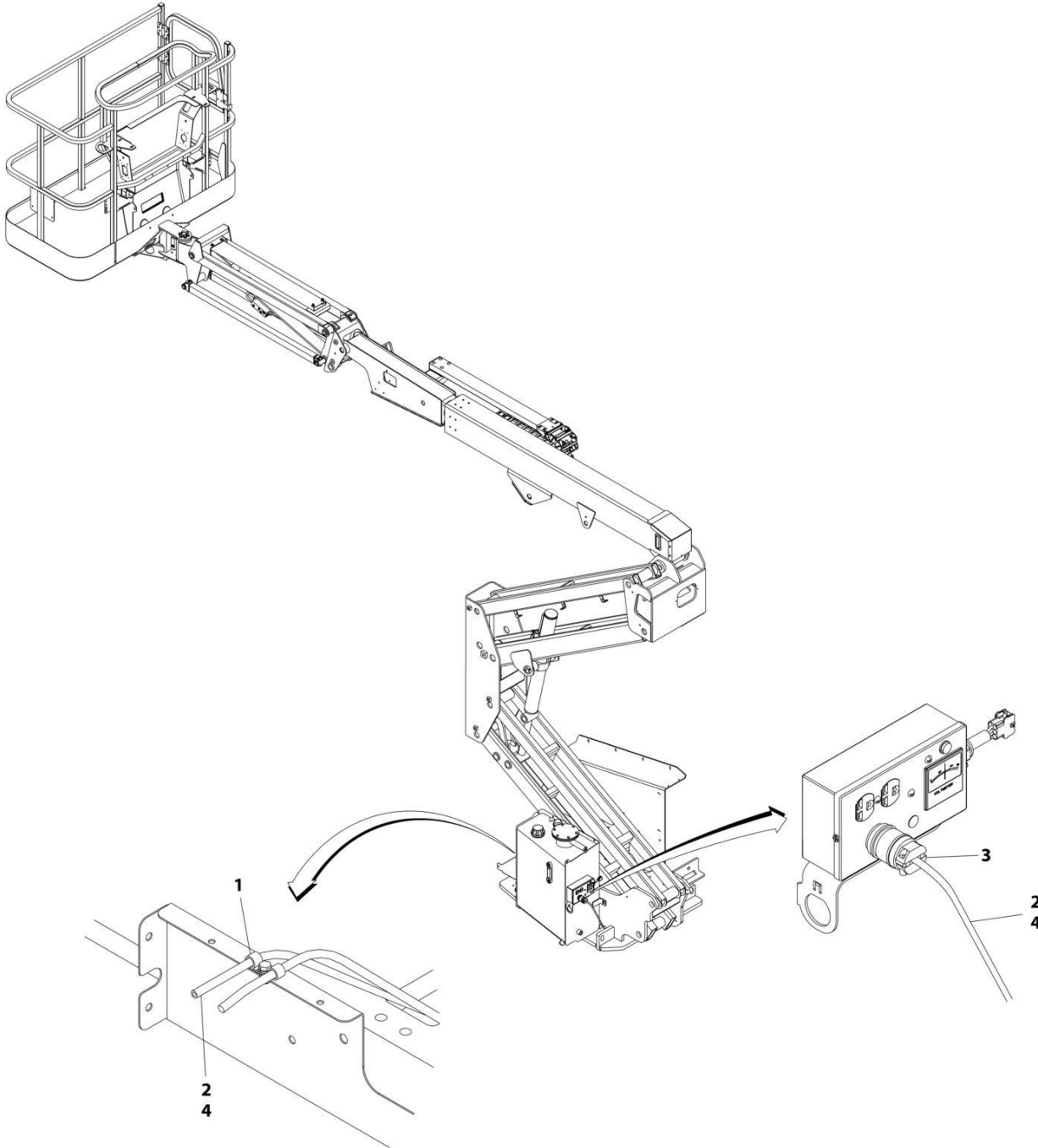
SECTION 8 - ELECTRICAL

FIGURE 8-43. GENERATOR TO AC PLUG HARNESS - 2800W GENERATOR 220/50HZ (ANSI EXPORT, AUSTRALIAN, CHINA, CE & UK CA SPECS)

ITEM	PART NUMBER	QTY	DESCRIPTION	REV
	1001119928	Ref	GENERATOR TO AC PLUG HARNESS - 2800W GENERATOR 220/50HZ	B
1	4460709	1	Plug, Male	
2	1001109477	1	Breaker 10 Amp	
3	1001119920	1	Harness, Generator to AC Plug	A
4	4460709	1	Plug, Male	
5	4460710	1	Plug, Female	
6	4923505	6.8 ft/ 2.0m	Cable, 14/3	

SECTION 8 - ELECTRICAL

FIGURE 8-44. GENERATOR TO AC PLUG HARNESS - 3500W GENERATOR 220/60HZ (ANSI EXPORT, CHINA AND CSA SPECS)



ART_1001119924

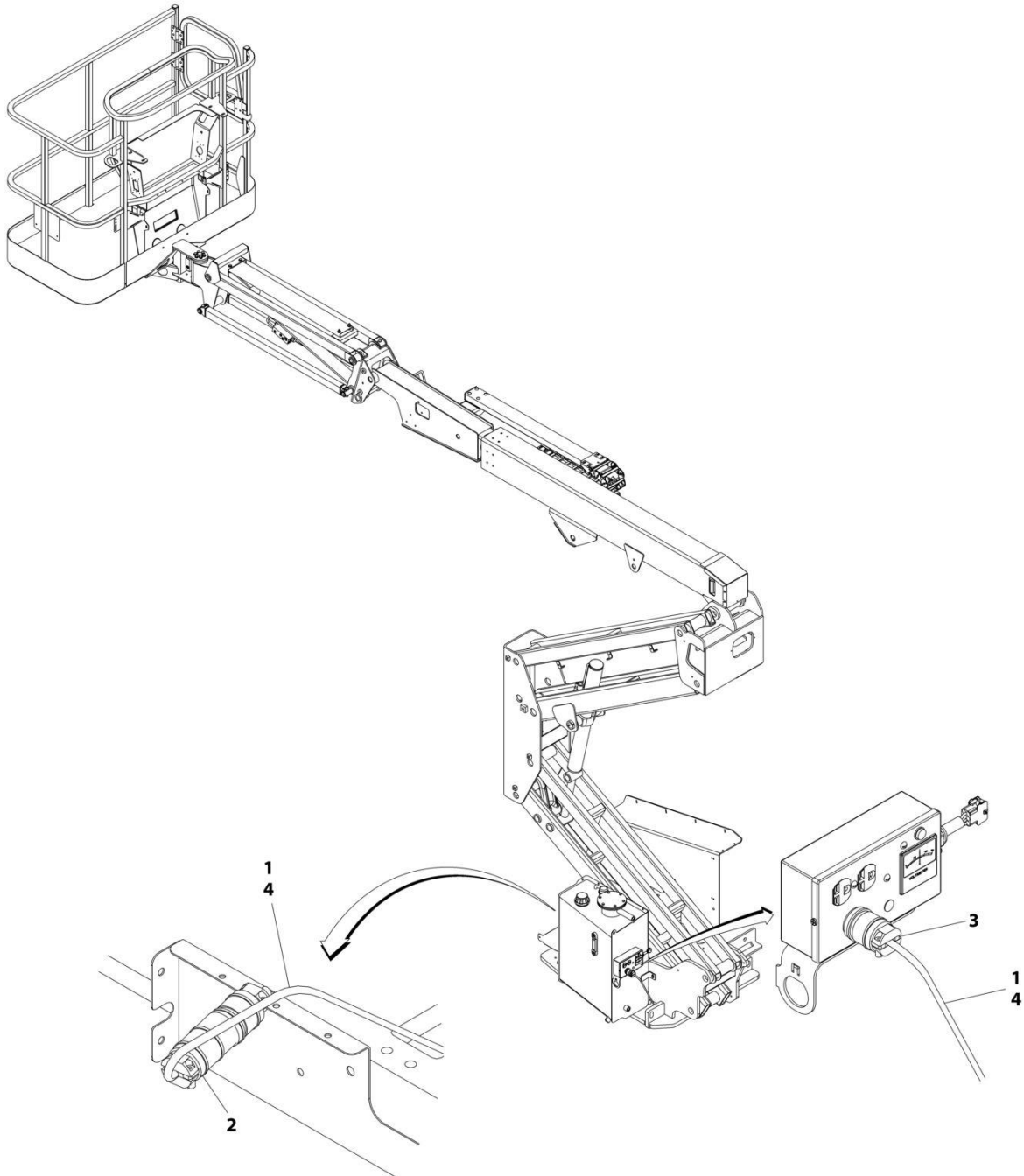
SECTION 8 - ELECTRICAL

FIGURE 8-44. GENERATOR TO AC PLUG HARNESS - 3500W GENERATOR 220/60HZ (ANSI EXPORT, CHINA AND CSA SPECS)

ITEM	PART NUMBER	QTY	DESCRIPTION	REV
	1001119924	Ref	GENERATOR TO AC PLUG HARNESS - 3500W GENERATOR 220/60HZ	A
1	1320043	1	Clamp	
2	1001119921	1	Harness, Generator to AC Plug	A
3	4460205	1	Plug, Male	
4	4923505	7 ft/2.13m	Cable, 14/3	

SECTION 8 - ELECTRICAL

FIGURE 8-45. GENERATOR TO AC PLUG HARNESS - 3500W GENERATOR 110/60HZ (ANSI, ANSI EXPORT, CHINA, CSA AND JAPANESE SPECS)



ART_1001119923

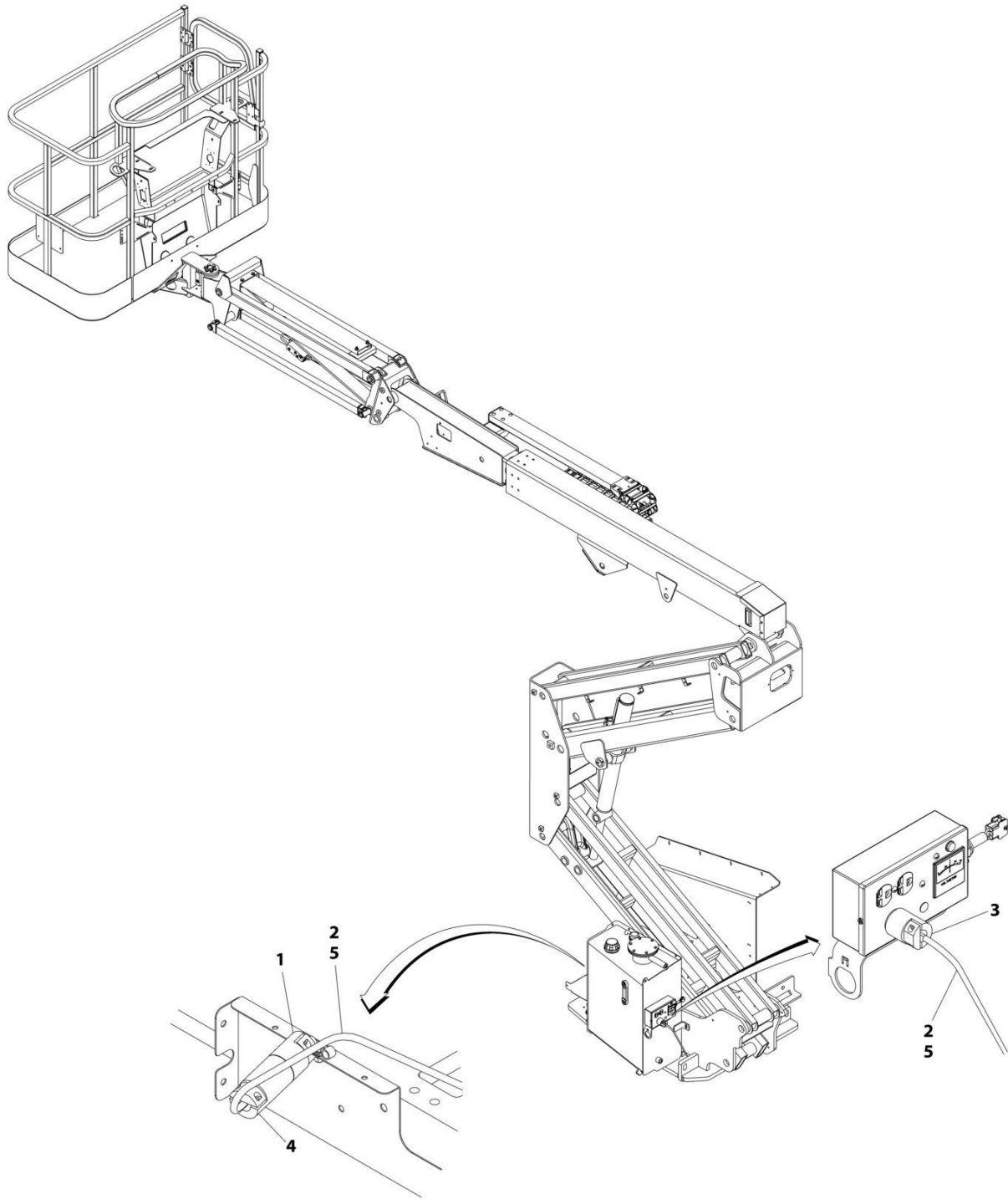
SECTION 8 - ELECTRICAL

FIGURE 8-45. GENERATOR TO AC PLUG HARNESS - 3500W GENERATOR 110/60HZ (ANSI, ANSI EXPORT, CHINA, CSA AND JAPANESE SPECS)

ITEM	PART NUMBER	QTY	DESCRIPTION	REV
	1001119923	Ref	GENERATOR TO AC PLUG HARNESS - 3500W GENERATOR 110/60HZ	A
1	1001119919	1	Harness, Generator to AC Plug	B
2	4460134	1	Plug, Female	
3	4460205	1	Plug, Male	
4	4923505	7 ft/2.13m	Cable, 14/3	

SECTION 8 - ELECTRICAL

FIGURE 8-46. GENERATOR TO AC PLUG HARNESS - 3500W GENERATOR 220/60HZ (ANSI EXPORT, CHINA AND CSA SPECS)



ART_1001119926

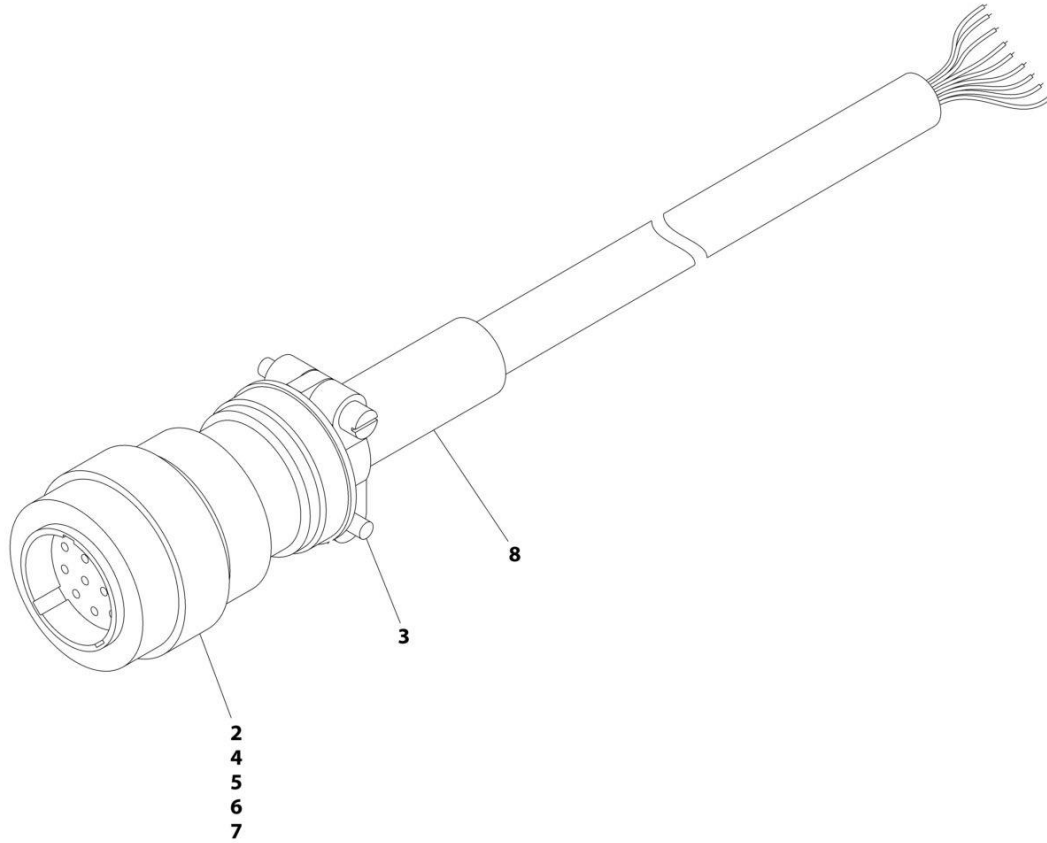
SECTION 8 - ELECTRICAL

FIGURE 8-46. GENERATOR TO AC PLUG HARNESS - 3500W GENERATOR 220/60HZ (ANSI EXPORT, CHINA AND CSA SPECS)

ITEM	PART NUMBER	QTY	DESCRIPTION	REV
	1001119926	Ref	GENERATOR TO AC PLUG HARNESS - 3500W GENERATOR 220/60HZ	A
1	4460709	1	Plug, Male	
2	1001119920	1	Harness, Generator to AC Plug	A
3	4460709	1	Plug, Male	
4	4460710	1	Plug, Female	
5	4923505	6.8 ft/ 2.06m	Cable, 14/3	

SECTION 8 - ELECTRICAL

FIGURE 8-47. GROUND TO PLATFORM CABLE - MAIN BOOM (WITHOUT ARCTIC PACKAGE)



ART_1001119018

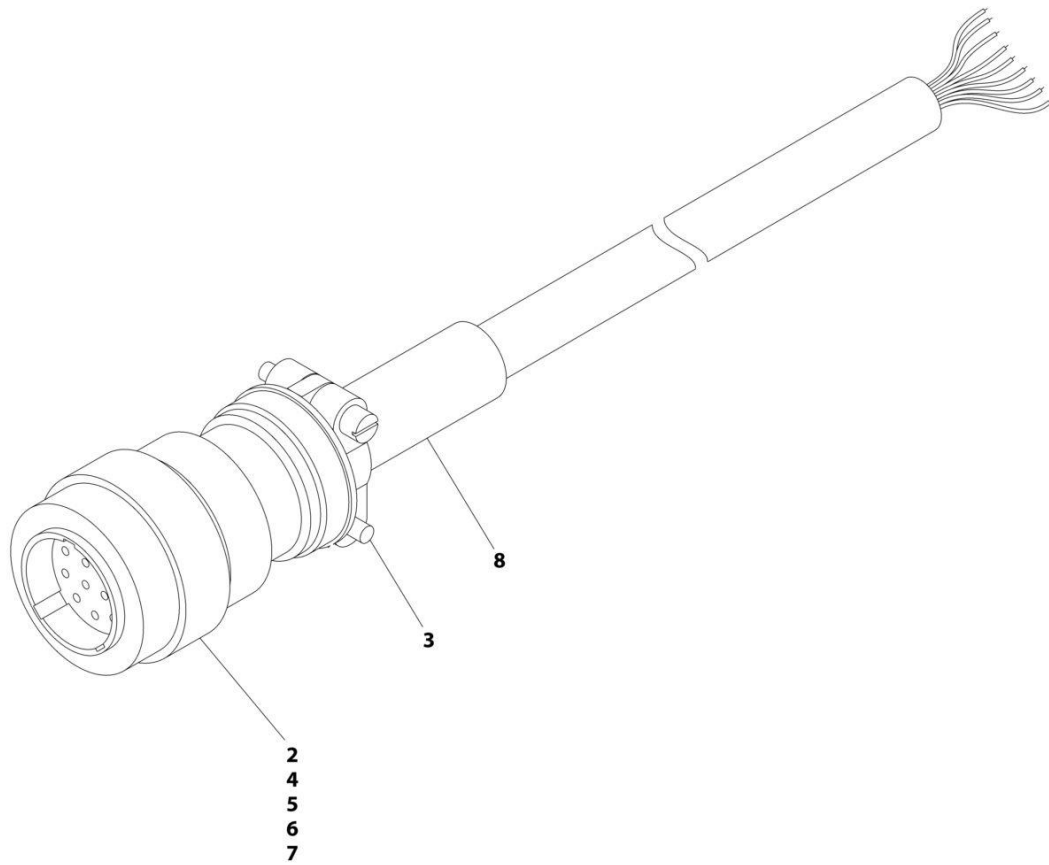
SECTION 8 - ELECTRICAL

FIGURE 8-47. GROUND TO PLATFORM CABLE - MAIN BOOM (WITHOUT ARCTIC PACKAGE)

ITEM	PART NUMBER	QTY	DESCRIPTION	REV
	1001119018	Ref	GROUND TO PLATFORM CABLE - MAIN BOOM (WITHOUT ARCTIC PACKAGE)	C
2	4460865	1	Connector - 19 Position	
3	4460473	1	Clamp, Cable	
4	4460465	22	Socket, Female	
5	4460509	8	Socket, Female	
6	4460466	4	Plug, Terminal	
7	2820118	AR	Heat Shrink	
8	1001226400	1	Heat Shrink	

SECTION 8 - ELECTRICAL

FIGURE 8-48. GROUND TO PLATFORM CABLE - MAIN BOOM (WITH ARCTIC PACKAGE)



ART_100119953

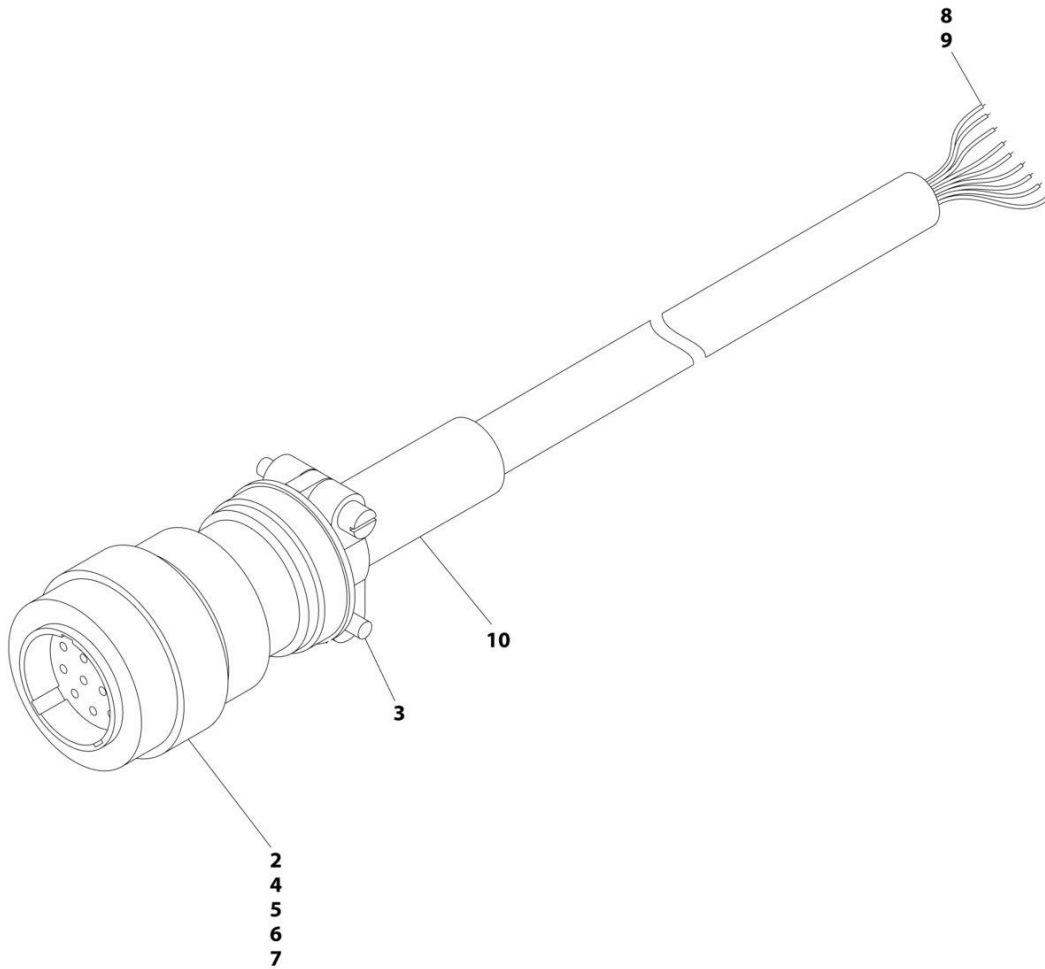
SECTION 8 - ELECTRICAL

FIGURE 8-48. GROUND TO PLATFORM CABLE - MAIN BOOM (WITH ARCTIC PACKAGE)

ITEM	PART NUMBER	QTY	DESCRIPTION	REV
	1001119953	Ref	GROUND TO PLATFORM CABLE - MAIN BOOM (WITH ARCTIC PACKAGE)	D
2	4460865	1	Connector - 19 Position	
3	4460473	1	Clamp, Cable	
4	4460465	22	Socket, Female	
5	4460509	8	Socket, Female	
6	4460466	4	Plug, Terminal	
7	2820118	AR	Heat Shrink	
8	1001226400	1	Heat Shrink	

SECTION 8 - ELECTRICAL

FIGURE 8-49. GROUND TO PLATFORM CABLE - TOWER BOOM (WITHOUT ARCTIC PACKAGE)



ART_1001119019

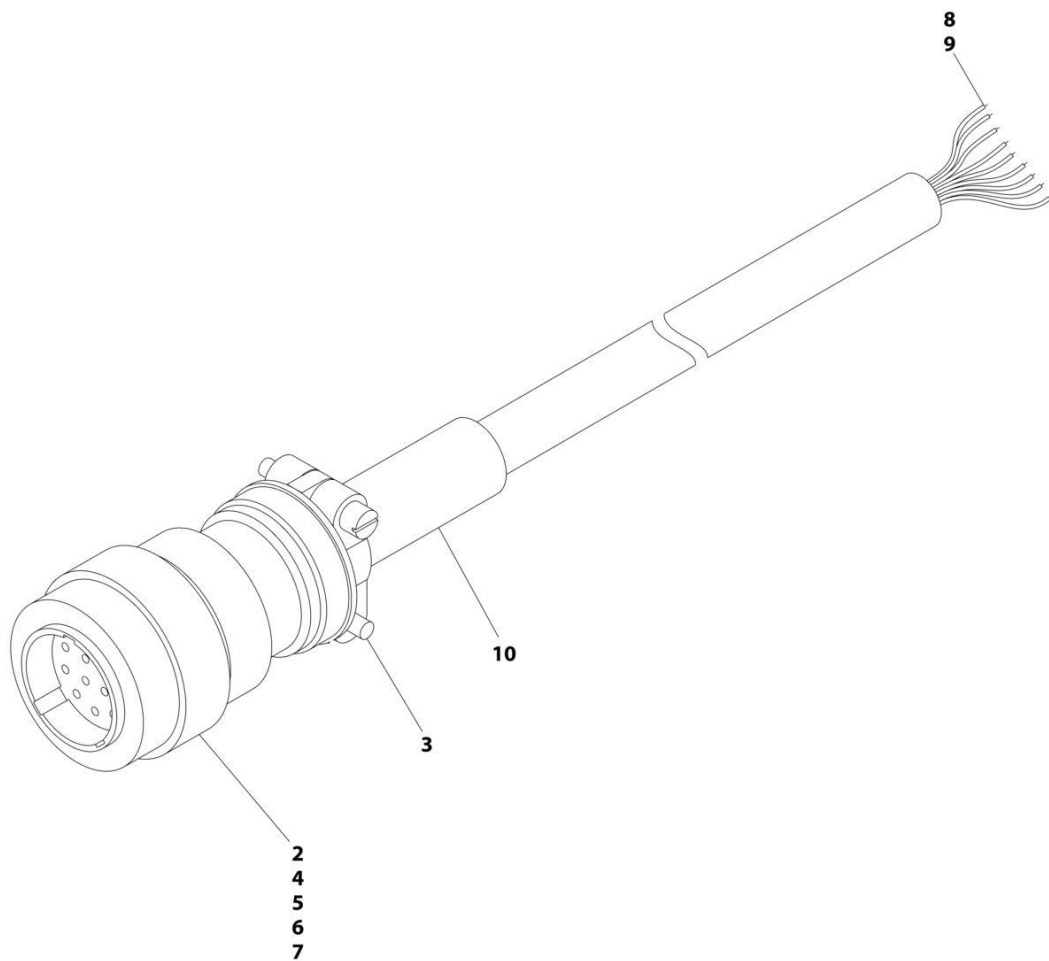
SECTION 8 - ELECTRICAL

FIGURE 8-49. GROUND TO PLATFORM CABLE - TOWER BOOM (WITHOUT ARCTIC PACKAGE)

ITEM	PART NUMBER	QTY	DESCRIPTION	REV
	1001119019	Ref	GROUND TO PLATFORM CABLE - TOWER BOOM (WITHOUT ARCTIC PACKAGE)	B
2	4460865	1	Connector - 19 Position	
3	4460473	1	Clamp, Cable	
4	4460465	11	Socket, Female	
5	4460509	4	Socket, Female	
6	4460466	4	Plug, Terminal	
7	2820118	AR	Heat Shrink	
8	4460464	11	Pin, Male	
9	4460508	4	Pin, Male	
10	1001226400	1	Heat Shrink	

SECTION 8 - ELECTRICAL

FIGURE 8-50. GROUND TO PLATFORM CABLE - TOWER BOOM (WITH ARCTIC PACKAGE)



ART_1001119954

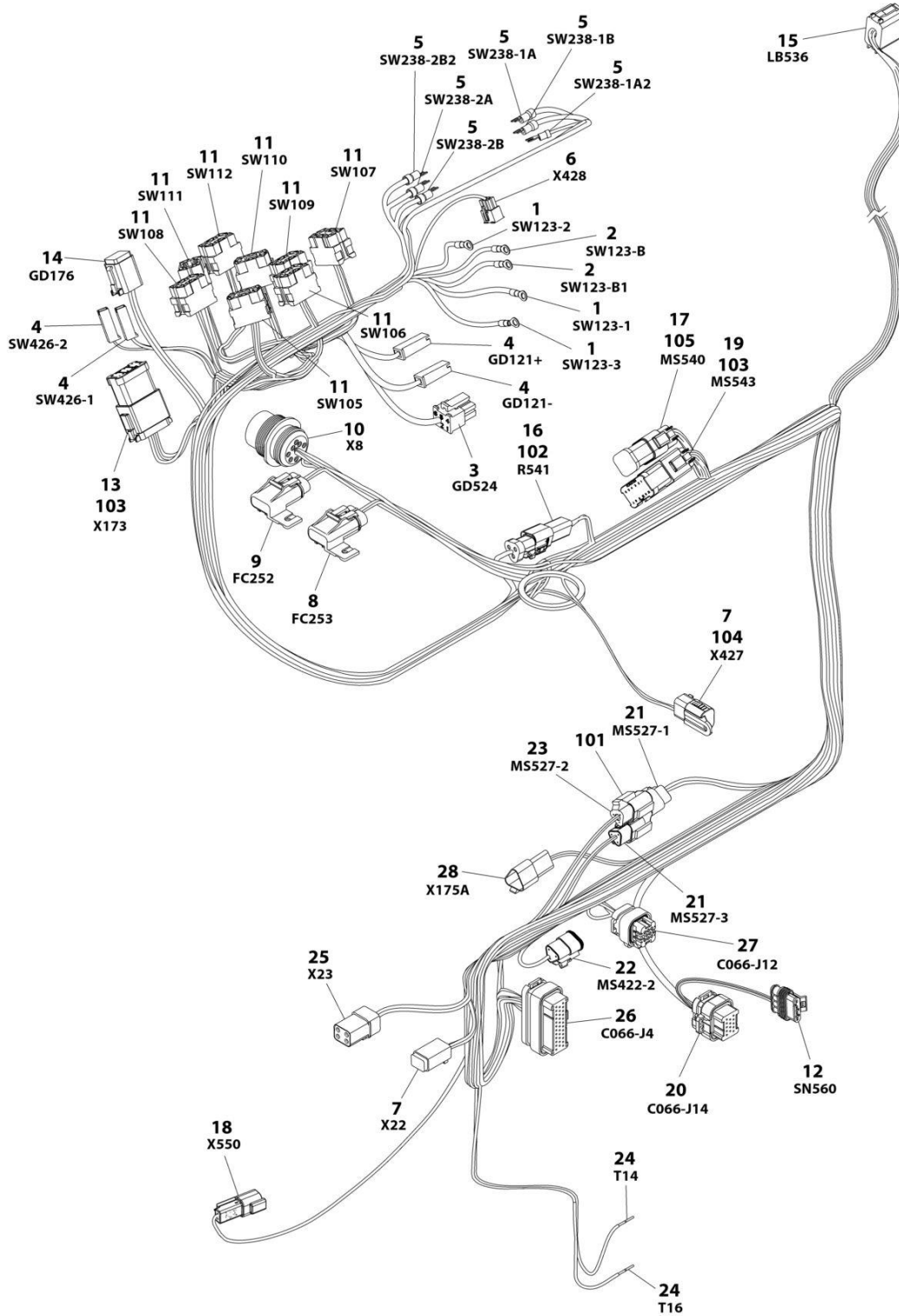
SECTION 8 - ELECTRICAL

FIGURE 8-50. GROUND TO PLATFORM CABLE - TOWER BOOM (WITH ARCTIC PACKAGE)

ITEM	PART NUMBER	QTY	DESCRIPTION	REV
	1001119954	Ref	GROUND TO PLATFORM CABLE - TOWER BOOM (WITH ARCTIC PACKAGE)	C
2	4460865	1	Connector - 19 Position	
3	4460473	1	Clamp, Cable	
4	4460465	11	Socket, Female	
5	4460509	4	Socket, Female	
6	4460466	4	Plug, Terminal	
7	2820118	AR	Heat Shrink	
8	4460464	11	Pin, Male	
9	4460508	4	Pin, Male	
10	1001226400	1	Heat Shrink	

SECTION 8 - ELECTRICAL

FIGURE 8-51. GROUND CONTROL HARNESS



ART_1001299513

SECTION 8 - ELECTRICAL

FIGURE 8-51. GROUND CONTROL HARNESS

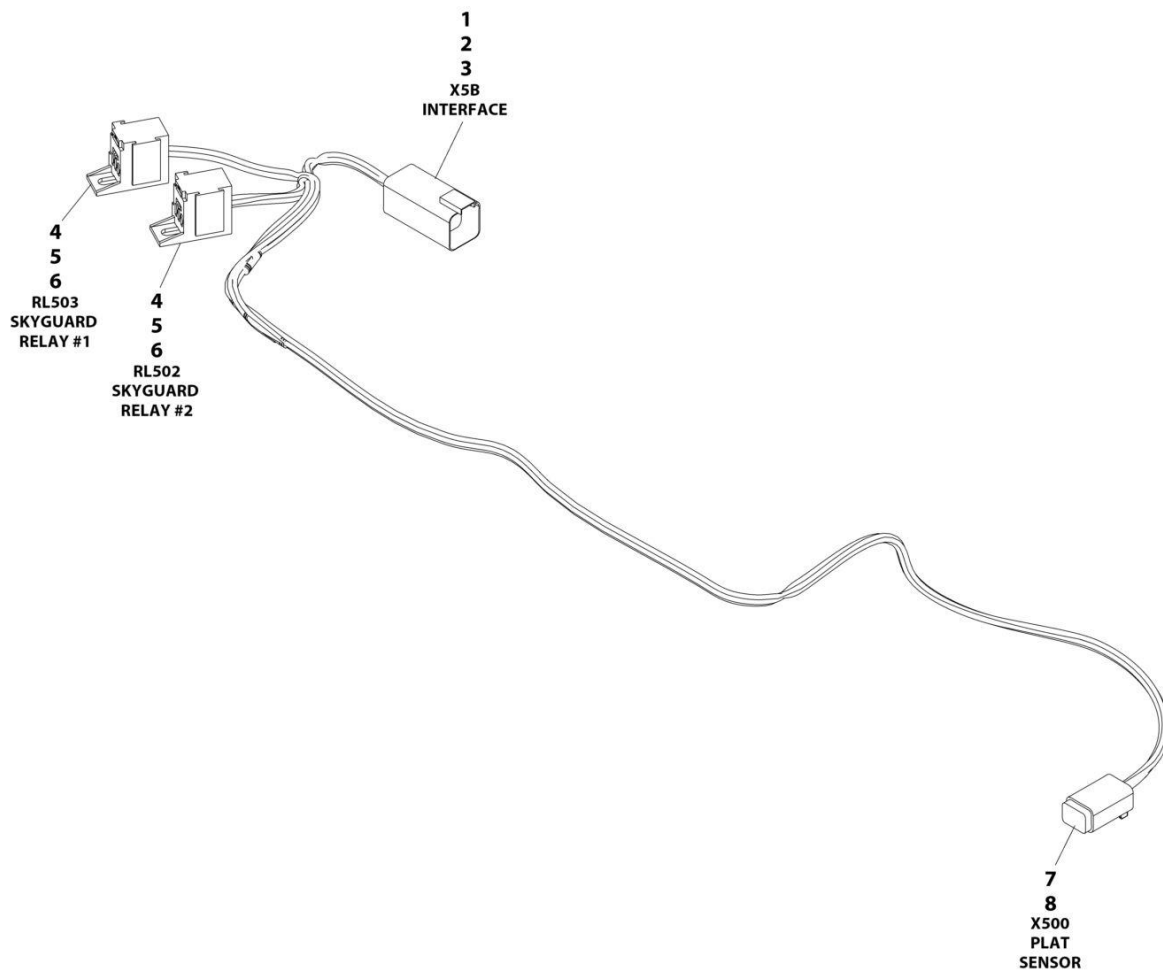
ITEM	PART NUMBER	QTY	DESCRIPTION	REV
	1001299513	Ref	GROUND CONTROL HARNESS	A
1	4460313	3	Terminal, Ring	
2	4460142	2	Terminal, Ring	
3	1001237667	1	Connector	
3	1001237668	5	Socket	
4	4460260	4	Connector	
4	4460259	4	Socket	
5	4460806	6	Terminal, Fork	
6	4460868	1	Connector	
6	4460877	4	Socket	
7	4460884	2	Connector	
7	4460465	8	Socket	
8	1001117078	1	Fuse Assembly with Cover	
8	1001116732	1	Socket (18AWG)	
8	1001116733	1	Socket (16AWG)	
9	1001117078	1	Fuse Assembly with Cover	
9	1001116734	1	Socket (12AWG)	
9	1001116732	1	Socket (18AWG)	
10	1001112612	1	Connector	
10	4460464	6	Pin	
10	4460466	3	Plug	
11	4460418	8	Connector	
11	4460419	24	Socket	
12	1001103012	1	Connector	
12	1001107854	4	Socket	
12	1001104498	4	Seal	
13	4460933	1	Connector	
13	4460465	9	Socket	
14	4460894	1	Connector	
14	4460465	4	Socket	
15	4460930	1	Connector	
15	4460465	9	Socket	
16	1001144147	1	Connector	
16	4460943	2	Pin	
16	4460466	1	Plug	
17	4460894	1	Connector	
17	4460465	6	Socket	
18	4460897	1	Connector	
18	4460464	1	Pin	
18	4460466	1	Plug	
19	4460933	1	Connector	
19	4460465	12	Socket	
20	1001246859	1	Connector	
20	4460871	8	Socket	
20	4460905	6	Plug	
21	1001116812	2	Connector	
21	4460944	6	Socket	
22	4460539	1	Connector	
22	4460944	3	Socket	
23	4460539	1	Connector	

SECTION 8 - ELECTRICAL

ITEM	PART NUMBER	QTY	DESCRIPTION	REV
23	4460944	2	Socket	
23	4460466	1	Plug	
24	4460465	2	Socket	
25	1001116810	1	Connector	
25	4460509	3	Socket	
25	4460466	1	Plug	
26	4460876	1	Connector	
26	4460871	21	Socket	
26	4460905	14	Plug	
27	1001113961	1	Connector	
27	4460871	6	Socket	
27	4460905	2	Plug	
28	1001144147	1	Connector	
28	4460943	3	Pin	
101	4460945	1	Connector, Plug 3-Way	
102	1001116815	1	Connector, Plug	
103	1001119020	2	Connector, Buss Bar	
104	1001192401	1	Cap, Dust	
105	1001226541	1	Connector, Buss Bar	

SECTION 8 - ELECTRICAL

FIGURE 8-52. GENERATOR TO PLATFORM HARNESS



ART_1001225580

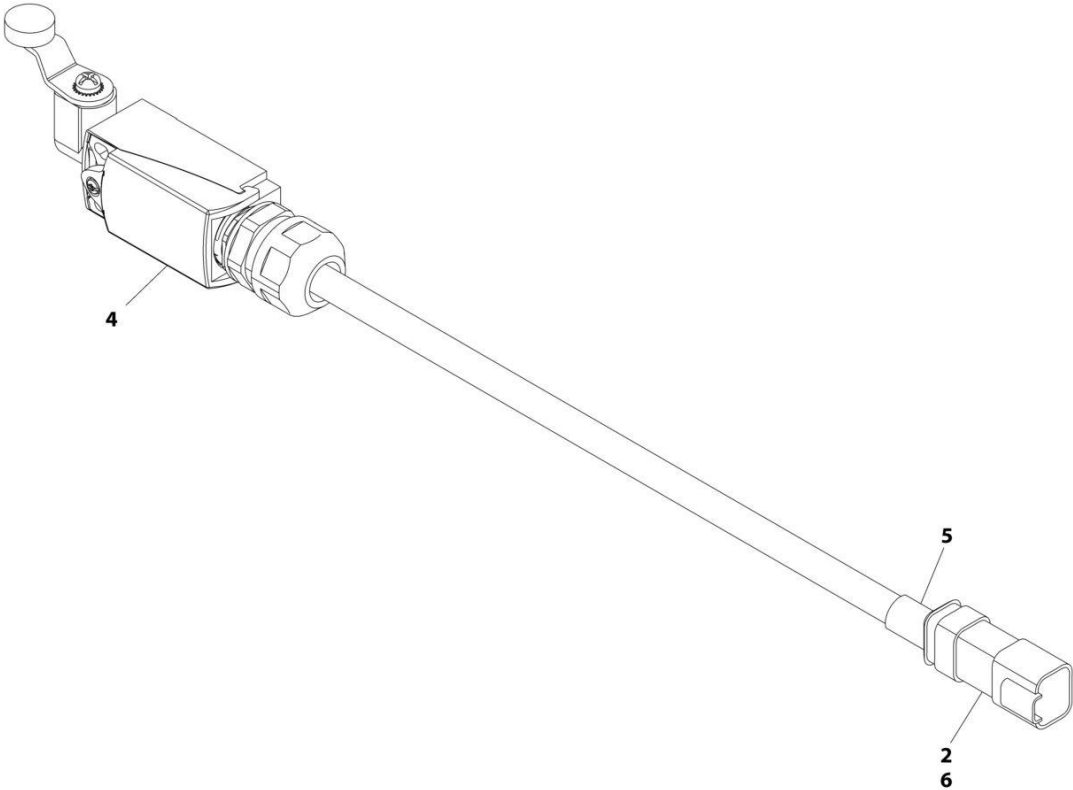
SECTION 8 - ELECTRICAL

FIGURE 8-52. GENERATOR TO PLATFORM HARNESS

ITEM	PART NUMBER	QTY	DESCRIPTION	REV
	1001225580	Ref	INTERFACE HARNESS - WITH 1 CELL LSS	D
1	4460899	1	Connector	
2	4460464	4	Terminal	
3	4460466	2	Plug	
4	1001186432	2	Connector	
5	1001116720	4	Terminal	
6	1001118388	4	Terminal	
7	4460884	1	Connector	
8	4460465	4	Terminal	

SECTION 8 - ELECTRICAL

FIGURE 8-53. LIMIT SWITCH HARNESS



ART_1001119176

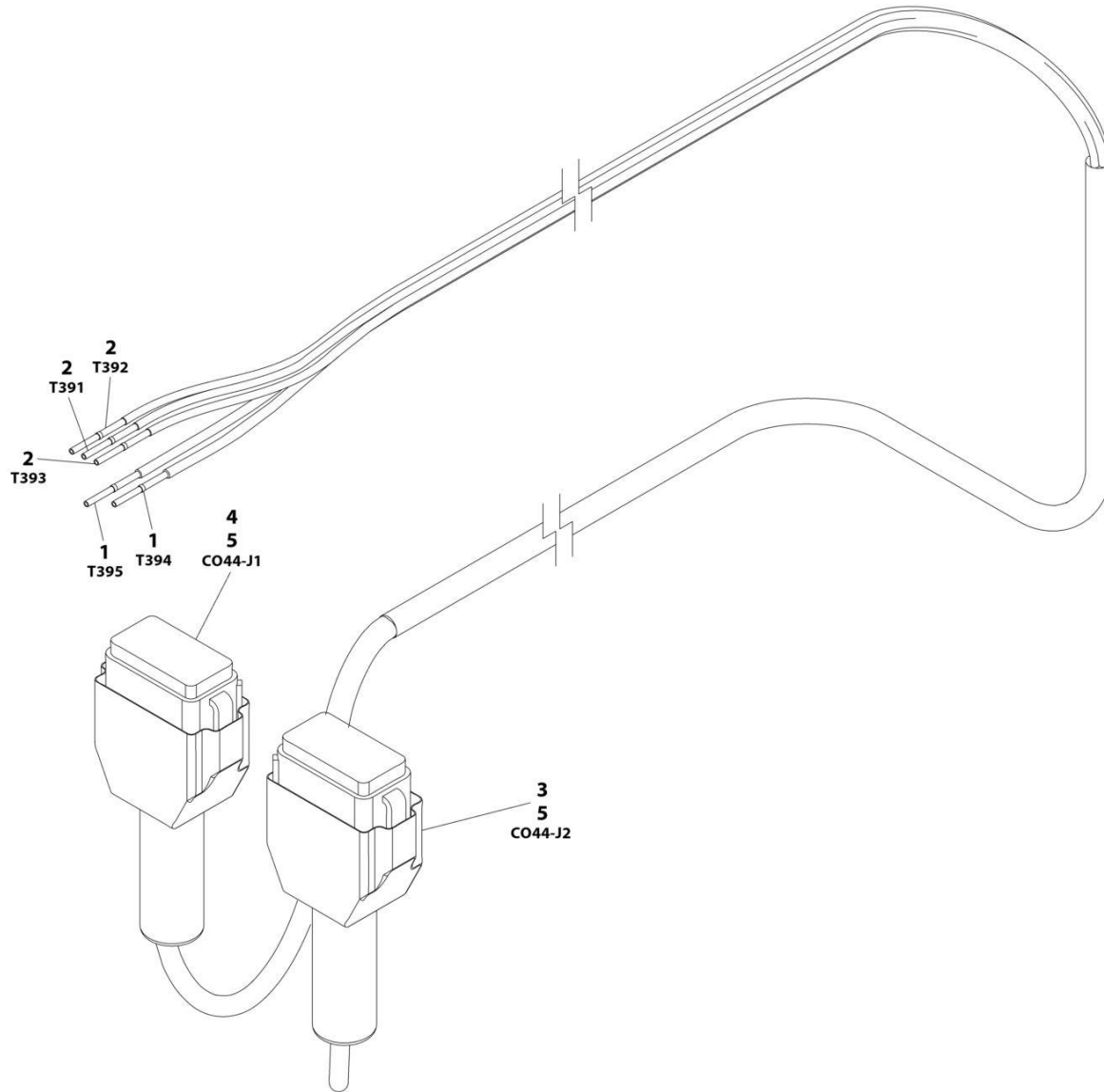
SECTION 8 - ELECTRICAL

FIGURE 8-53. LIMIT SWITCH HARNESS

ITEM	PART NUMBER	QTY	DESCRIPTION	REV
	1001119176	Ref	LIMIT SWITCH HARNESS	E
2	4460464	4	Pin, Male Deutsch 16Ga	
4	1001119170	1	Switch, Limit	
5	2820030	AR	Heat Shrink	
6	1001129407	1	Receptacle, Female - 4 Position	

SECTION 8 - ELECTRICAL

FIGURE 8-54. LSS HARNESS



ART_1001120371

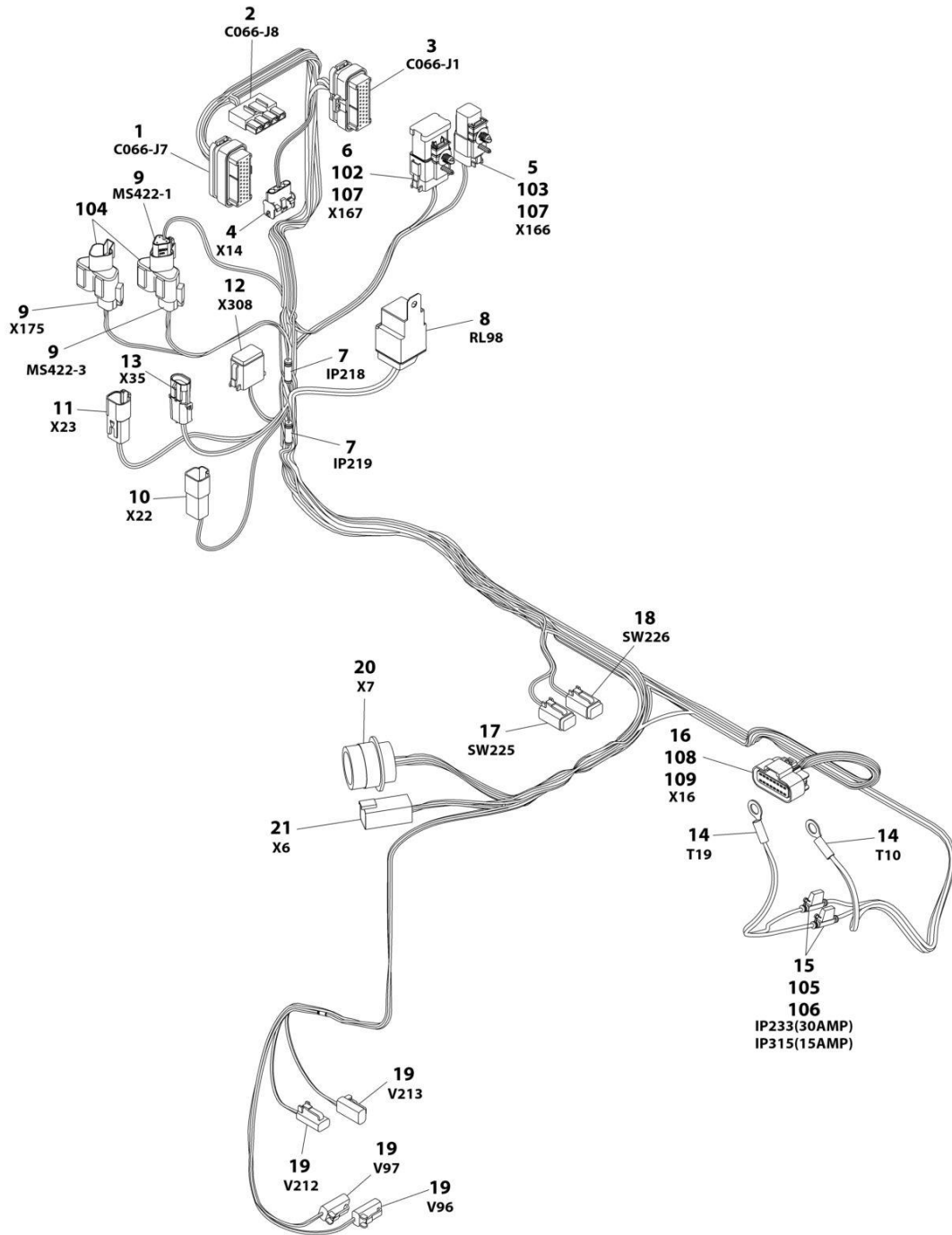
SECTION 8 - ELECTRICAL

FIGURE 8-54. LSS HARNESS

ITEM	PART NUMBER	QTY	DESCRIPTION	REV
	1001120371	Ref	LSS HARNESS	B
1	4460465	2	Socket, Female	
2	4460944	3	Socket, Female	
3	4460836	1	Connector - 12 Position	
3	4460944	3	Socket, Female	
3	4460466	9	Plug, Terminal	
3	0840055	1	Boot	
4	4460933	1	Connector - 12 Position	
4	4460465	2	Socket, Female	
4	4460466	10	Plug, Terminal	
4	0840055	1	Boot	
5	2820030	AR	Heat Shrink	

SECTION 8 - ELECTRICAL

FIGURE 8-55. MID ENGINE HARNESS



ART_1001286171

SECTION 8 - ELECTRICAL

FIGURE 8-55. MID ENGINE HARNESS

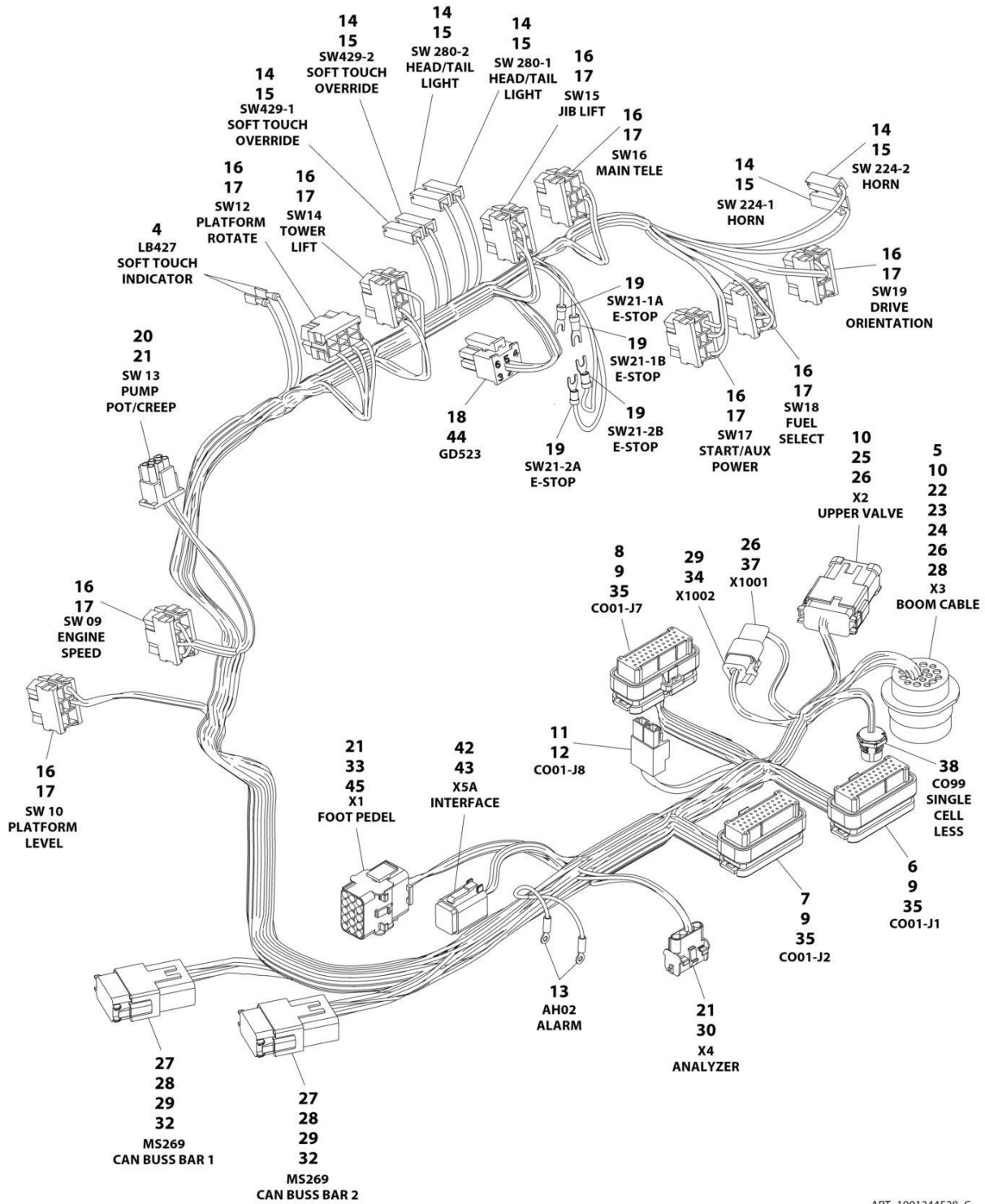
ITEM	PART NUMBER	QTY	DESCRIPTION	REV
	1001286171	Ref	MID ENGINE HARNESS	A
1	4460873	1	Connector	
1	4460871	19	Socket	
1	4460905	16	Plug	
2	4460878	1	Connector	
2	4460887	4	Socket	
3	4460874	1	Connector	
3	4460871	22	Socket	
3	4460905	13	Plug	
4	4460761	1	Connector	
4	4460227	4	Pin	
5	4460894	1	Connector	
5	4460465	2	Socket	
5	4460466	4	Plug	
6	4460836	1	Connector	
6	4460465	2	Socket	
6	4460466	10	Plug	
7	3990010	2	Diode	
8	1001117025	1	Connector	
8	1001116734	2	Socket (12AWG)	
8	1001116732	2	Socket (20-18AWG)	
9	1001116812	3	Connector	
9	4460944	9	Socket	
10	4460932	1	Connector	
10	4460464	4	Pin	
11	1001116811	1	Connector	
11	4460508	3	Pin	
11	4460466	1	Plug	
12	4460930	1	Connector	
12	4460465	3	Socket	
12	4460466	5	Plug	
13	4461157	1	Connector	
13	4460979	1	Pin	
13	4460458	1	Seal	
13	1001116727	1	Plug	
14	8220164	4	Terminal, Ring	
15	2400066	2	Fuse Holder	
16	4461110	1	Connector	
16	4461112	15	Socket	
16	4461113	15	Seal	
16	4461222	1	Plug	
17	4460884	1	Connector	
17	4460465	4	Socket	
18	4460884	1	Connector	
18	4460465	2	Socket	
18	4460466	2	Plug	
19	4460891	4	Connector	
19	4460465	8	Socket	
20	4460866	1	Connector	
20	4460943	3	Pin (20-16AWG, Gold)	

SECTION 8 - ELECTRICAL

ITEM	PART NUMBER	QTY	DESCRIPTION	REV
20	4460464	5	Pin (20-16AWG, Nickel)	
20	4460508	4	Pin (14-12AWG, Nickel)	
20	4460466	7	Plug	
21	4460899	1	Connector	
21	4460464	1	Pin	
102	4460837	1	Connector, Buss Bar	
103	4460892	1	Connector, Buss Bar	
104	4460945	2	Connector, 3 Way	
105	8229244	1	Fuse, 15AMP	
106	8229245	1	Fuse, 30AMP	
107	1001121172	2	Bracket, Mounting	
108	1001136231	1	Connector, Lock	
109	1001136232	1	Connector, Lock	

SECTION 8 - ELECTRICAL

FIGURE 8-56. PLATFORM BOX HARNESS



ART_1001244528_C

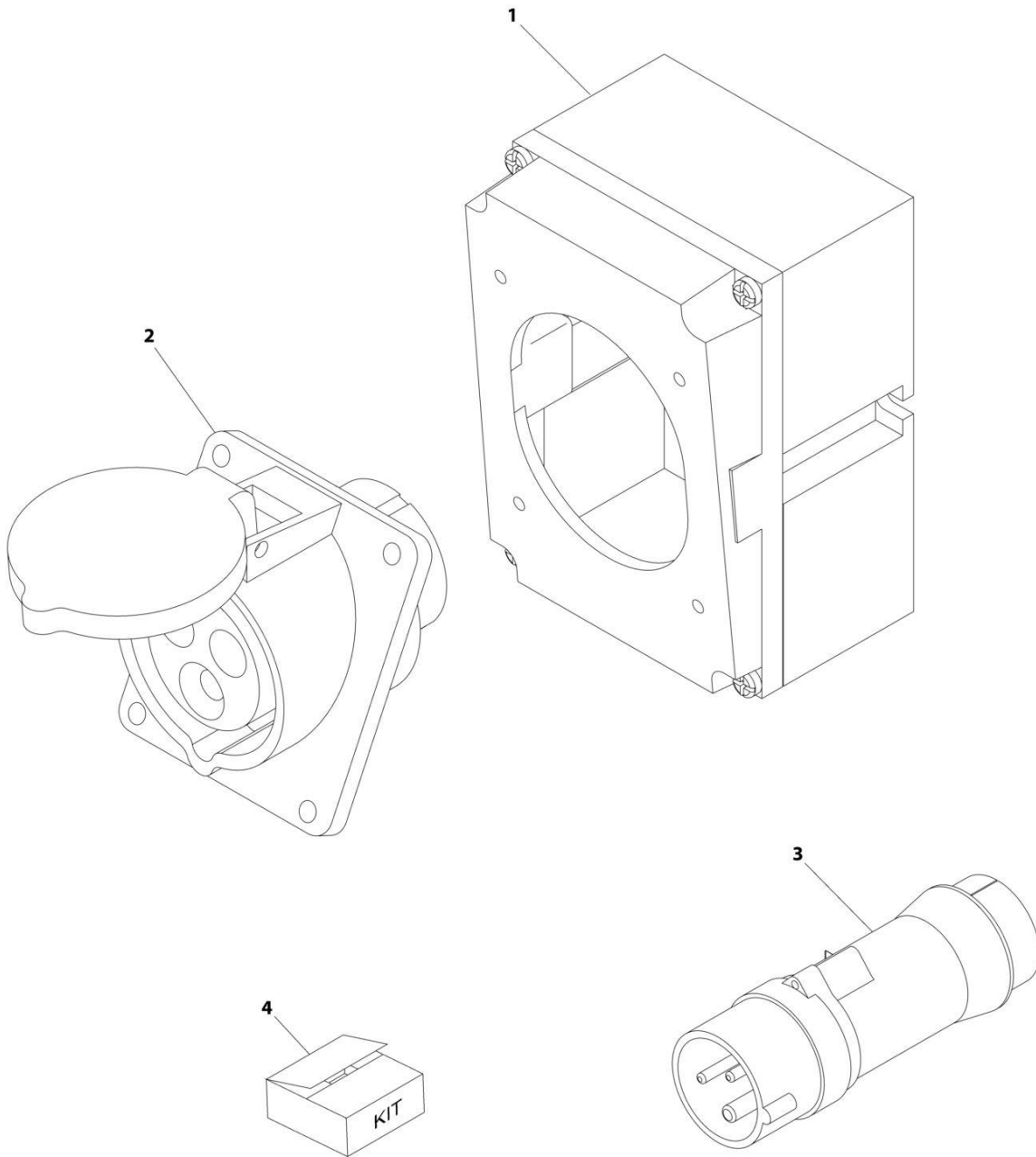
SECTION 8 - ELECTRICAL

FIGURE 8-56. PLATFORM BOX HARNESS

ITEM	PART NUMBER	QTY	DESCRIPTION	REV
	1001244528	Ref	PLATFORM BOX HARNESS	C
4	1001271497	2	Socket	
5	4460866	1	Connector - 19 Position	
6	4460874	1	Connector - 35 Position (Natural)	
7	4460875	1	Connector - 35 Position (Gray)	
8	4460873	1	Connector - 35 Position (Black)	
9	4460871	58	Socket, Female	
10	4460464	14	Pin, Male	
11	4460879	1	Connector - 2 Position	
12	4460887	2	Terminal	
13	1001098122	2	Terminal	
14	4460260	6	Connector - 1 Position	
15	4460259	6	Terminal	
16	4460418	9	Connector - 6 Position	
17	4460419	25	Terminal	
18	1001237667	15	Connector - 6 Position	
19	4460888	4	Terminal, Fork	
20	4460225	1	Connector - 6 Position	
21	4460227	15	Pin, Male	
22	2820118	AR	Heat Shrink	
23	2820019	AR	Heat Shrink	
24	4460508	2	Pin, Male	
25	4460970	1	Connector - 12 Position	
26	4460943	9	Pin, Male	
27	4460933	2	Connector - 12 Position	
28	4460466	14	Plug, Terminal	
29	4460944	22	Socket, Female	
30	4460761	1	Connector - 4 Position	
32	1001119020	2	Connector - 12 Position Bussbar	
33	4460434	1	Connector - 15 Position	
34	4460539	1	Plug, Male - 3 Position	
35	4460905	49	Plug, Terminal	
37	4460536	1	Receptacle, Female - 3 Position	
38	1001213447	1	Receptacle, Female - 5 Position	
42	4460894	1	Receptacle, Female - 6 Position	
43	4460465	6	Socket, Female	
44	1001237668	4	Socket, Female	
45	4460708	1	Connector, Female	

SECTION 8 - ELECTRICAL

FIGURE 8-57. RECEPTACLE BOX KIT - 110V IEC YELLOW (CE & UK CA SPEC)



ART_0275216

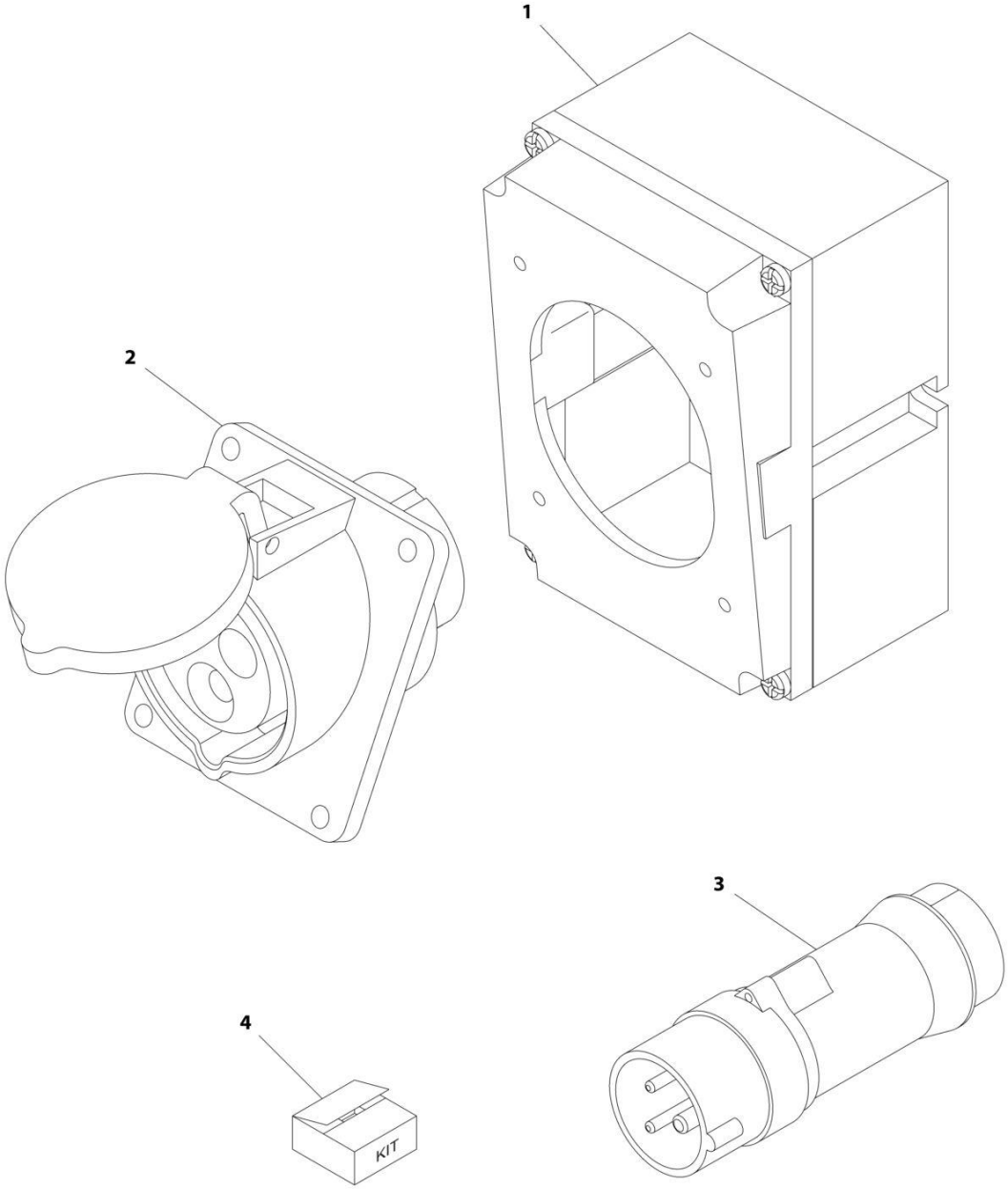
SECTION 8 - ELECTRICAL

FIGURE 8-57. RECEPTACLE BOX KIT - 110V IEC YELLOW (CE & UK CA SPEC)

ITEM	PART NUMBER	QTY	DESCRIPTION	REV
	0275216	Ref	RECEPTACLE BOX KIT - 110V IEC YELLOW	B
1	0861781	1	Box, Switch	
2	4461198	1	Receptacle	
3	4461196	1	Plug, Male	
4	1001100341	1	Plug and Socket Kit (Includes Items 1-3 and Female Plug p/n 4461197)	

SECTION 8 - ELECTRICAL

FIGURE 8-58. RECEPTACLE BOX KIT - 220V IEC BLUE (CE & UK CA SPEC)



ART_0275217

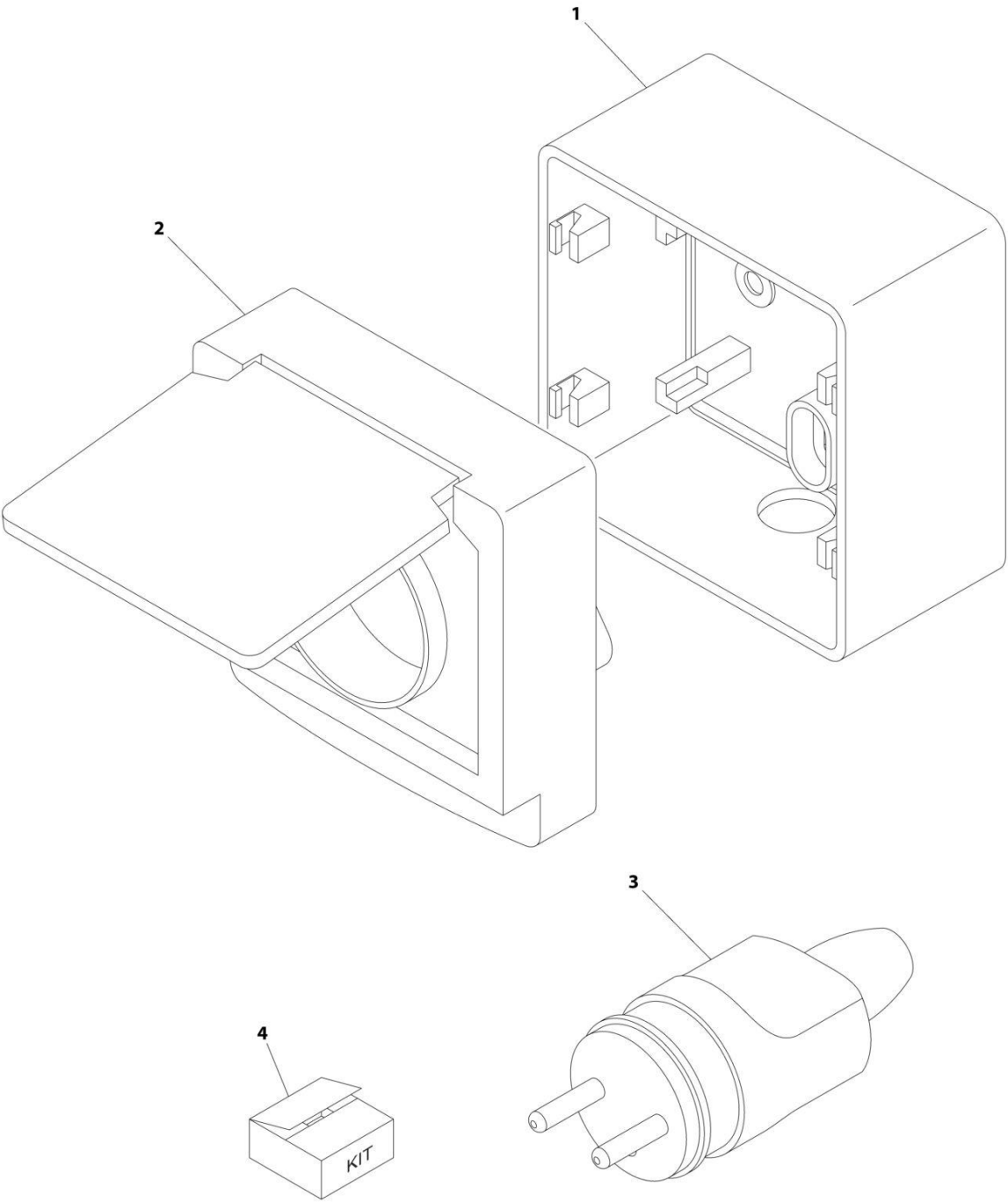
SECTION 8 - ELECTRICAL

FIGURE 8-58. RECEPTACLE BOX KIT - 220V IEC BLUE (CE & UK CA SPEC)

ITEM	PART NUMBER	QTY	DESCRIPTION	REV
	0275217	Ref	RECEPTACLE BOX KIT - 220V IEC BLUE	B
1	0861781	1	Box, Switch	
2	4461201	1	Receptacle	
3	4461199	1	Plug, Male	
4	1001100342	1	Plug and Socket Kit (Includes Items 1-3 and Female Plug p/n 4461200)	

SECTION 8 - ELECTRICAL

FIGURE 8-59. RECEPTACLE BOX KIT - 220V CEE7 POST GROUND 70MM X 70MM BOX (CE & UK CA SPEC)



ART_0275218

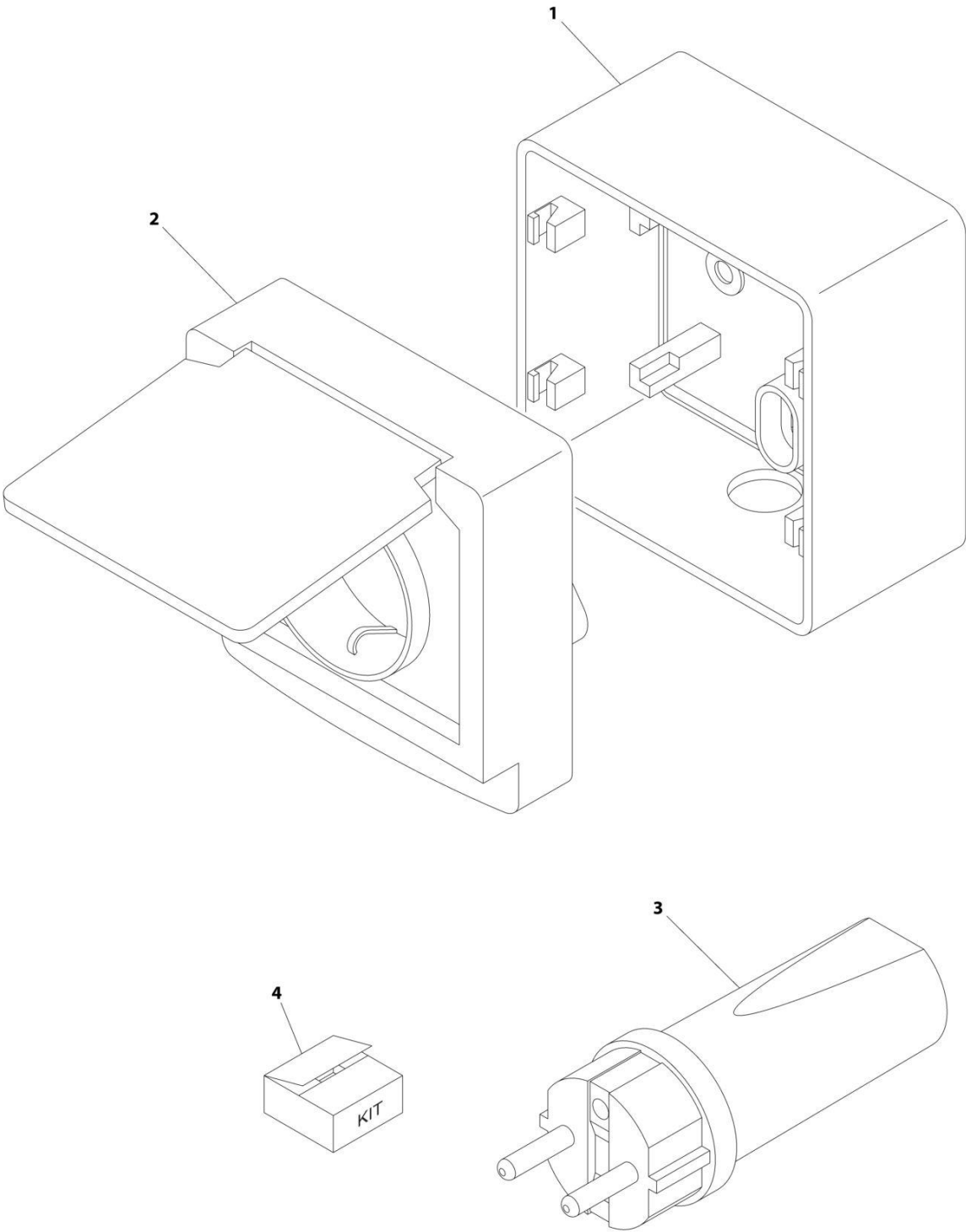
SECTION 8 - ELECTRICAL

FIGURE 8-59. RECEPTACLE BOX KIT - 220V CEE7 POST GROUND 70MM X 70MM BOX (CE & UK CA SPEC)

ITEM	PART NUMBER	QTY	DESCRIPTION	REV
	0275218	Ref	RECEPTACLE BOX KIT - 220V CEE7 POST GROUND 70X70 BOX	C
1	1001141967	1	Box, Switch	
2	1001141968	1	Receptacle	
3	4461205	1	Plug, Male	
4	1001141971	1	Plug and Socket Kit (Includes Items 1-3 and Female Plug p/n 4461206)	

SECTION 8 - ELECTRICAL

FIGURE 8-60. RECEPTACLE BOX KIT - 220V CEE7 SIDE GROUND 70MM X 70MM BOX (CE & UK CA SPEC)



ART_0275219

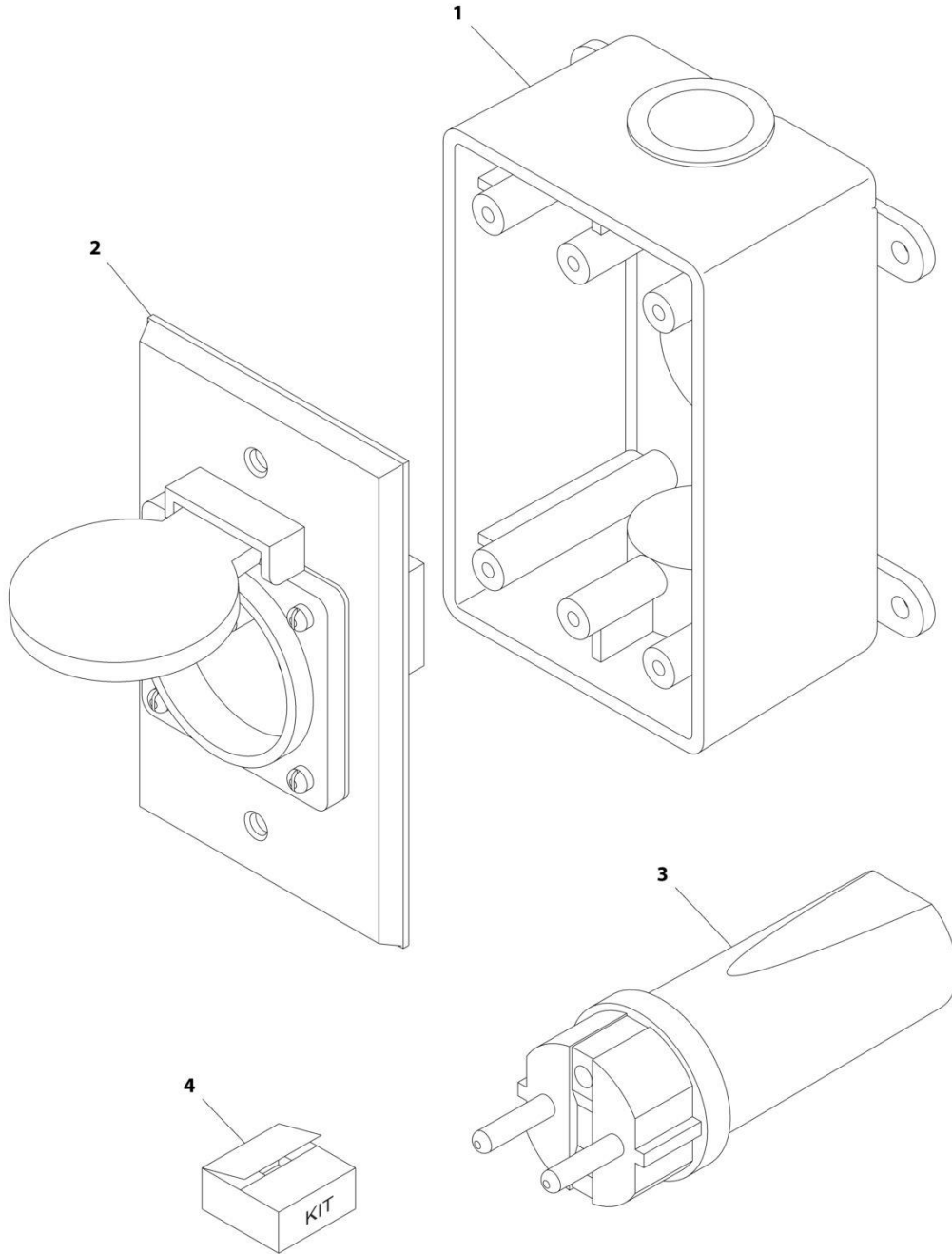
SECTION 8 - ELECTRICAL

FIGURE 8-60. RECEPTACLE BOX KIT - 220V CEE7 SIDE GROUND 70MM X 70MM BOX (CE & UK CA SPEC)

ITEM	PART NUMBER	QTY	DESCRIPTION	REV
	0275219	Ref	RECEPTACLE BOX KIT - 220V CEE7 SIDE GROUND 70MM X 70MM BOX	B
1	1001141967	1	Box, Switch	
2	1001141969	1	Receptacle	
3	4461205	1	Plug, Male	
4	1001141970	1	Plug and Socket Kit (Includes Items 1-3 and Female Plug p/n 4461206)	

SECTION 8 - ELECTRICAL

FIGURE 8-61. RECEPTACLE BOX KIT - 220V CEE7 POST GROUND 2IN X 4IN BOX (CE & UK CA SPEC)



ART_0275452

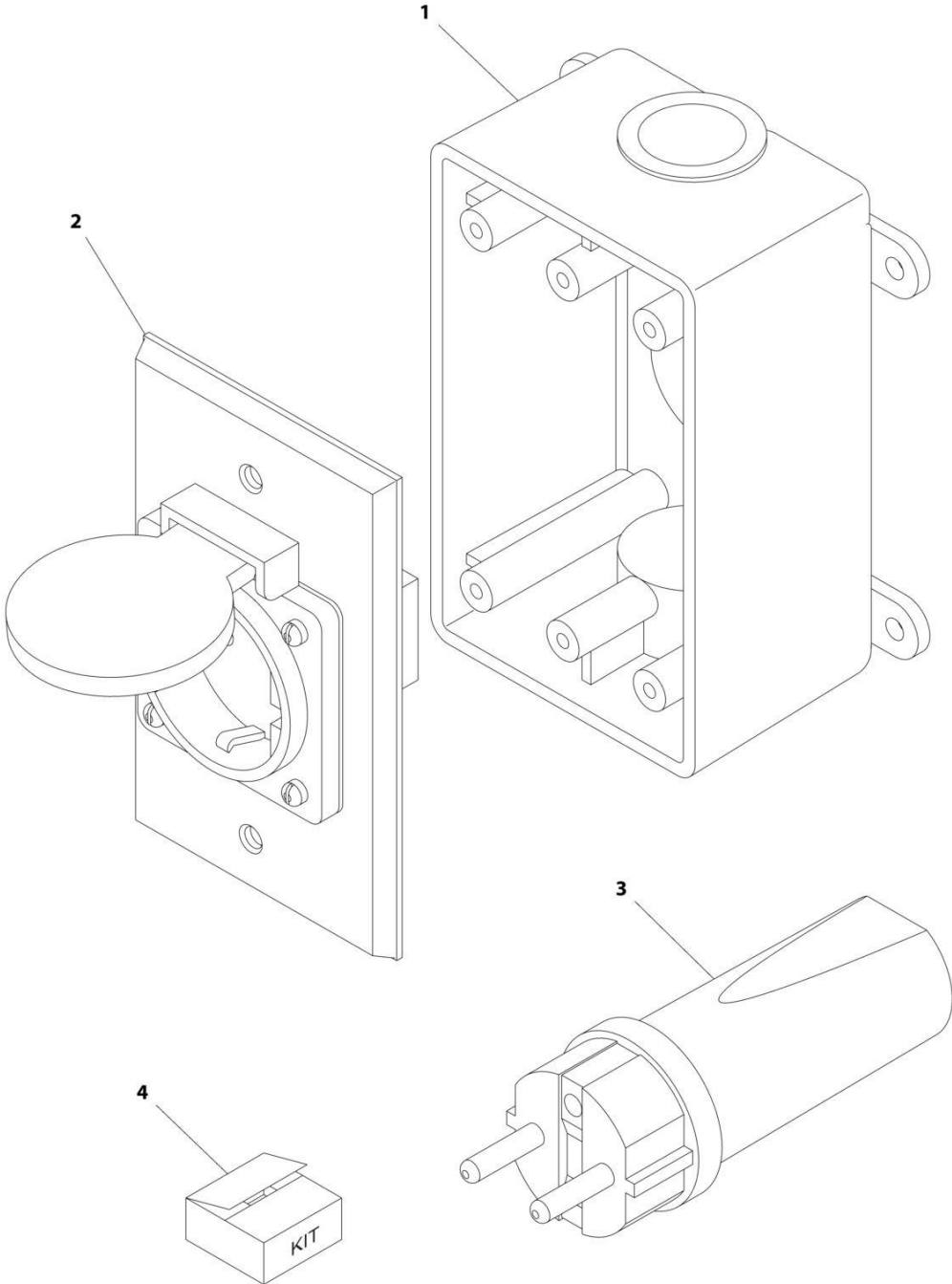
SECTION 8 - ELECTRICAL

FIGURE 8-61. RECEPTACLE BOX KIT - 220V CEE7 POST GROUND 2IN X 4IN BOX (CE & UK CA SPEC)

ITEM	PART NUMBER	QTY	DESCRIPTION	REV
	0275452	Ref	RECEPTACLE BOX KIT - 220V CEE7 POST GROUND	C
1	0861731	1	Box, Switch	
2	4461244	1	Receptacle	
3	4461205	1	Plug, Male	
4	1001100345	1	Plug and Socket Kit (Includes Items 1-3 and Female Plug p/n 4461206)	

SECTION 8 - ELECTRICAL

FIGURE 8-62. RECEPTACLE BOX KIT - 220V CEE7 SIDE GROUND 2IN X 4IN BOX (CE & UK CA SPEC)



ART_0275453

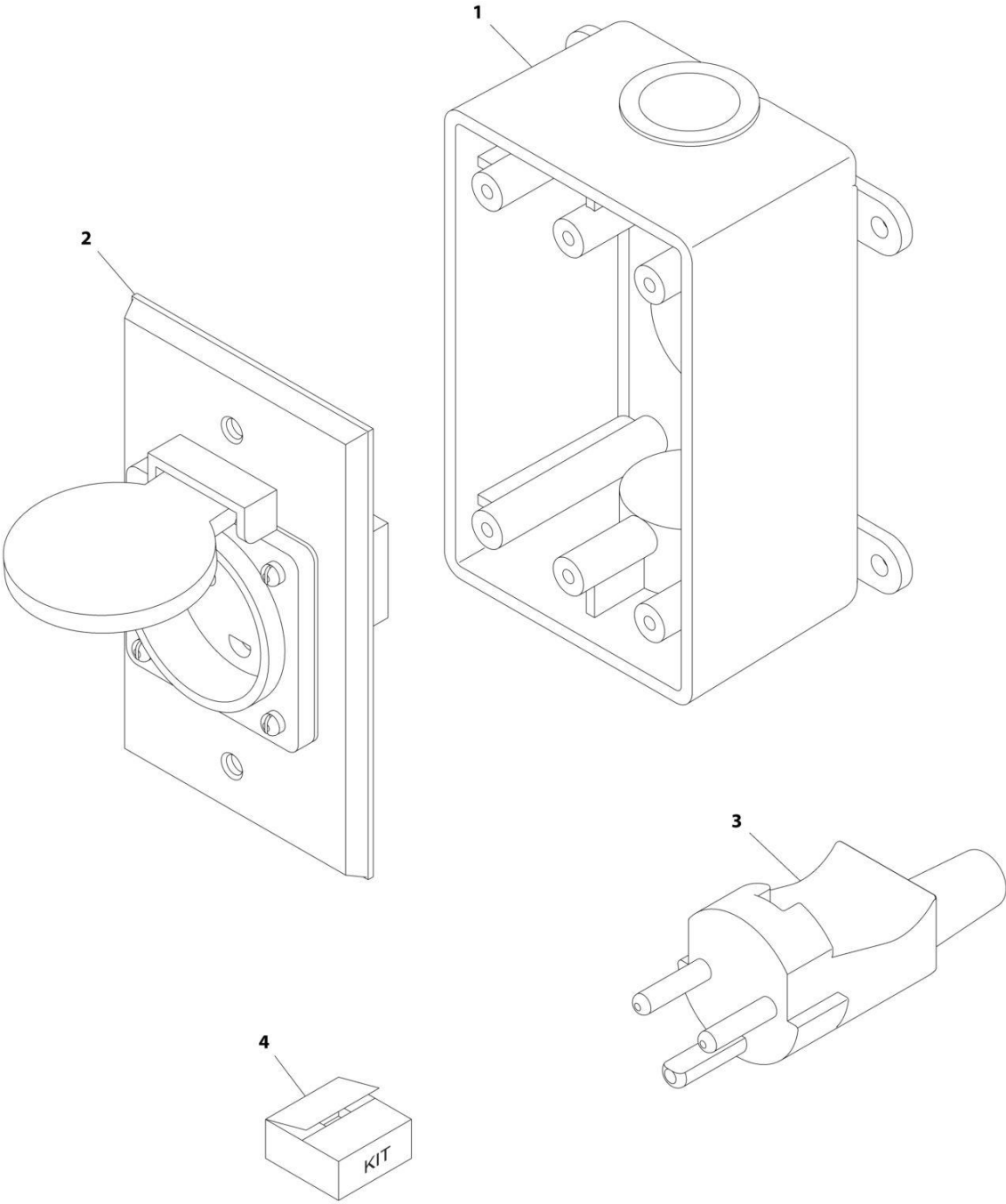
SECTION 8 - ELECTRICAL

FIGURE 8-62. RECEPTACLE BOX KIT - 220V CEE7 SIDE GROUND 2IN X 4IN BOX (CE & UK CA SPEC)

ITEM	PART NUMBER	QTY	DESCRIPTION	REV
	0275453	Ref	RECEPTACLE BOX KIT - 220V CEE7 SIDE GROUND	B
1	0861731	1	Box, Switch	
2	4461245	1	Receptacle	
3	4461205	1	Plug, Male	
4	1001100347	1	Plug and Socket Kit (Includes Items 1-3 and Female Plug p/n 4461206)	

SECTION 8 - ELECTRICAL

FIGURE 8-63. RECEPTACLE BOX KIT - 220V AFSINT 107 (CE & UK CA SPEC)



ART_0275454

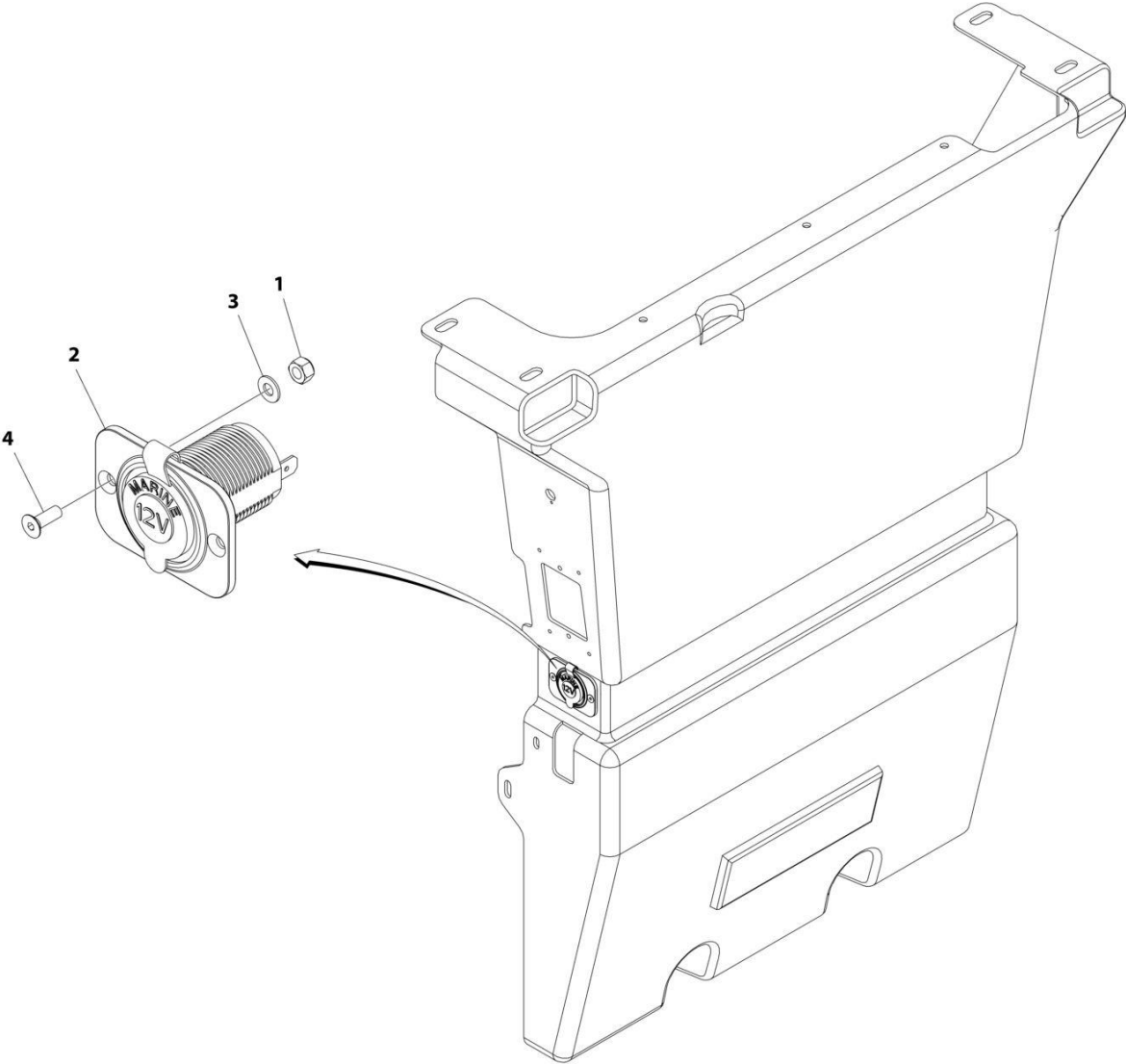
SECTION 8 - ELECTRICAL

FIGURE 8-63. RECEPTACLE BOX KIT - 220V AFSINT 107 (CE & UK CA SPEC)

ITEM	PART NUMBER	QTY	DESCRIPTION	REV
	0275454	Ref	RECEPTACLE BOX KIT - 220V AFSINT 107	B
1	0861731	1	Box, Switch	
2	4461246	1	Receptacle	
3	4461249	1	Plug, Male	
4	1001100346	1	Plug and Socket Kit (Includes Items 1-3 and Female Plug p/n 4461250)	

SECTION 8 - ELECTRICAL

FIGURE 8-64. RECEPTACLE INSTALLATION - 12V



ART_1001274814

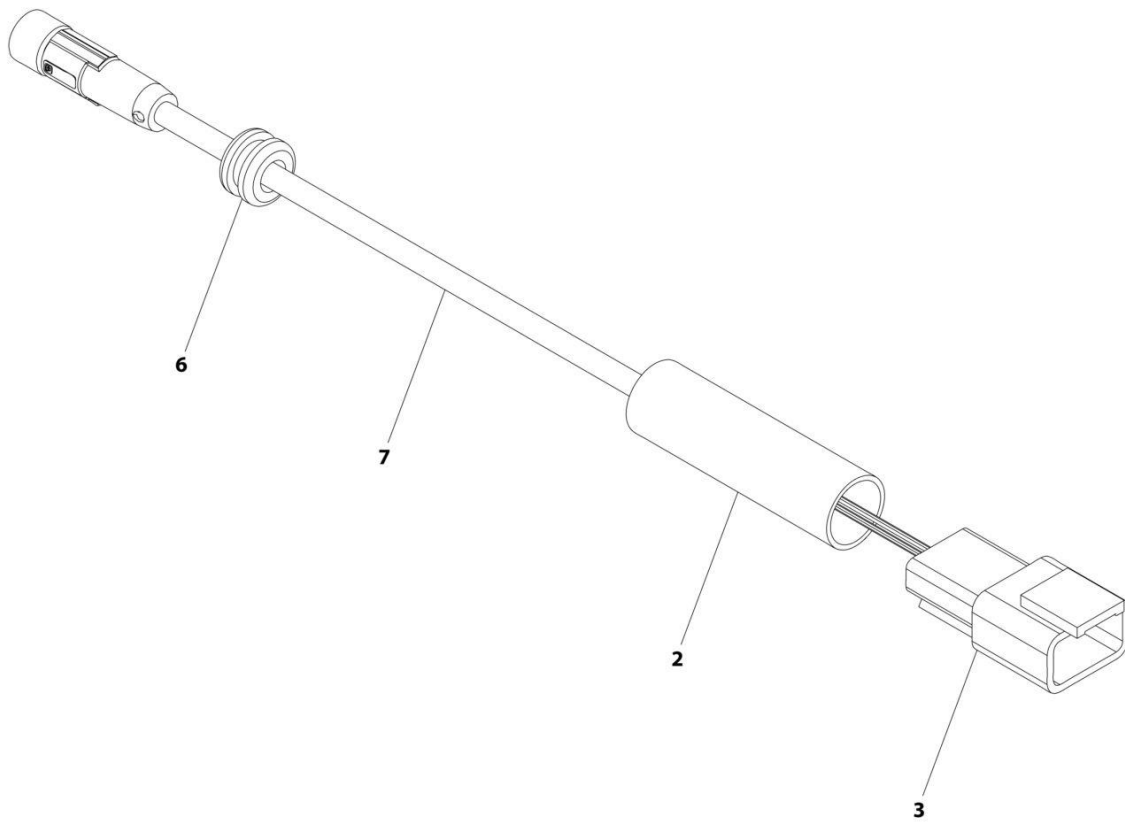
SECTION 8 - ELECTRICAL

FIGURE 8-64. RECEPTACLE INSTALLATION - 12V

ITEM	PART NUMBER	QTY	DESCRIPTION	REV
	1001274814	Ref	RECEPTACLE INSTALLATION - 12V	A
1	3290405	2	Nut M4	
2	4461012	1	Receptacle - 12V	
3	4811400	2	Washer M4	
4	1001097244	2	Screw M4 x 12	

SECTION 8 - ELECTRICAL

FIGURE 8-65. SKYEYE EMITTER HARNESS



ART_1001237864

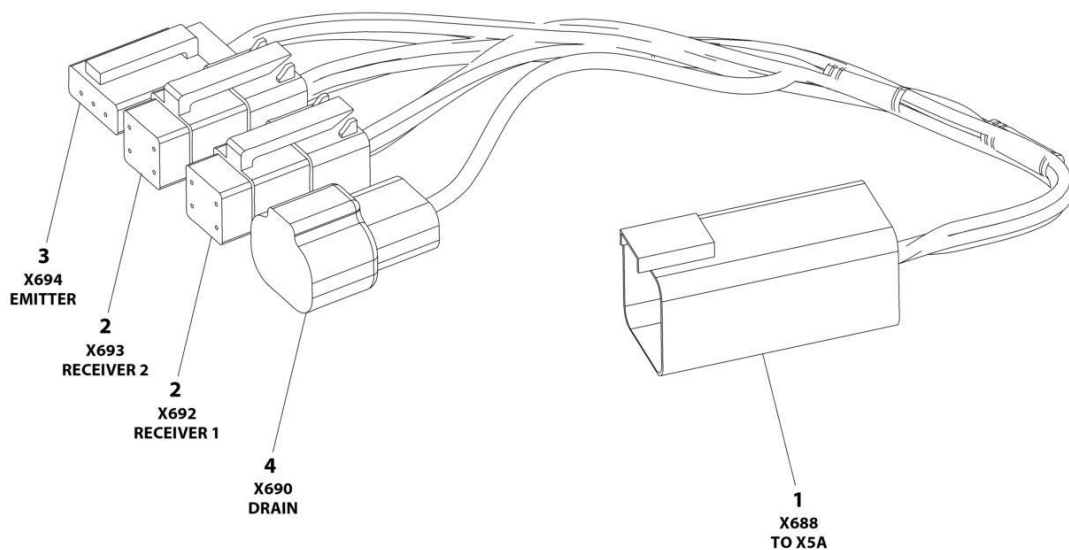
SECTION 8 - ELECTRICAL

FIGURE 8-65. SKYEYE EMITTER HARNESS

ITEM	PART NUMBER	QTY	DESCRIPTION	REV
	1001237864	Ref	SKYEYE EMITTER HARNESS	A
2	2820247	AR	Tubing, Heat Shrink	
3	4460910	1	Connector - 3 Position	
3	1001119620	3	Pin, Male	
6	1001227996	1	Grommet	
7	1001237862	1	Cable, M8 Female Cordset	

SECTION 8 - ELECTRICAL

FIGURE 8-66. SKYEYE INTERMEDIATE HARNESS



ART_1001237865

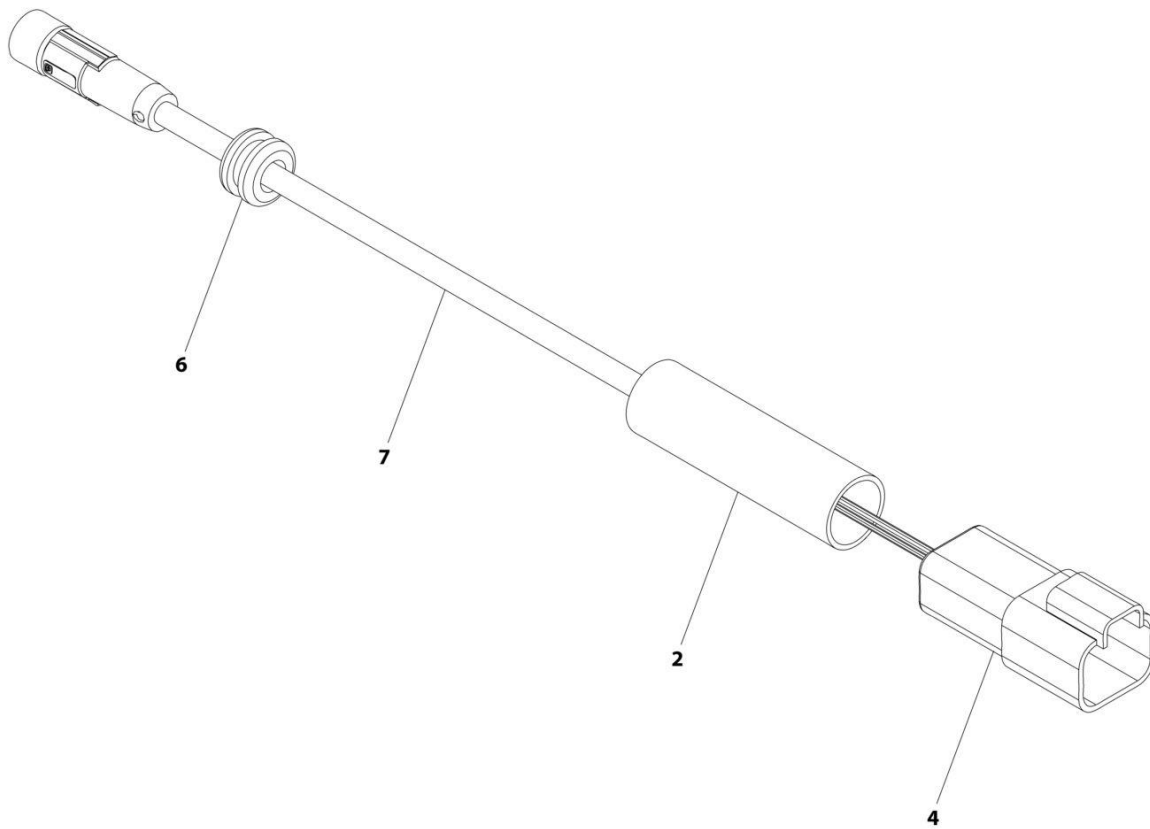
SECTION 8 - ELECTRICAL

FIGURE 8-66. SKYEYE INTERMEDIATE HARNESS

ITEM	PART NUMBER	QTY	DESCRIPTION	REV
	1001237865	Ref	SKYEYE INTERMEDIATE HARNESS	A
1	4460899	1	Connector - 6 Position	
1	4460943	4	Pin, Male	
1	4460466	2	Plug, Terminal	
2	4461077	2	Connector - 4 Position	
2	1001119619	8	Socket, Female	
3	4460911	1	Connector - 3 Position	
3	1001119619	3	Socket, Female	
4	1001187681	1	Connector - 2 Position	
4	4460941	1	Pin, Male	
4	4460466	1	Plug, Terminal	

SECTION 8 - ELECTRICAL

FIGURE 8-67. SKYEYE RECEIVER HARNESS



ART_1001237863

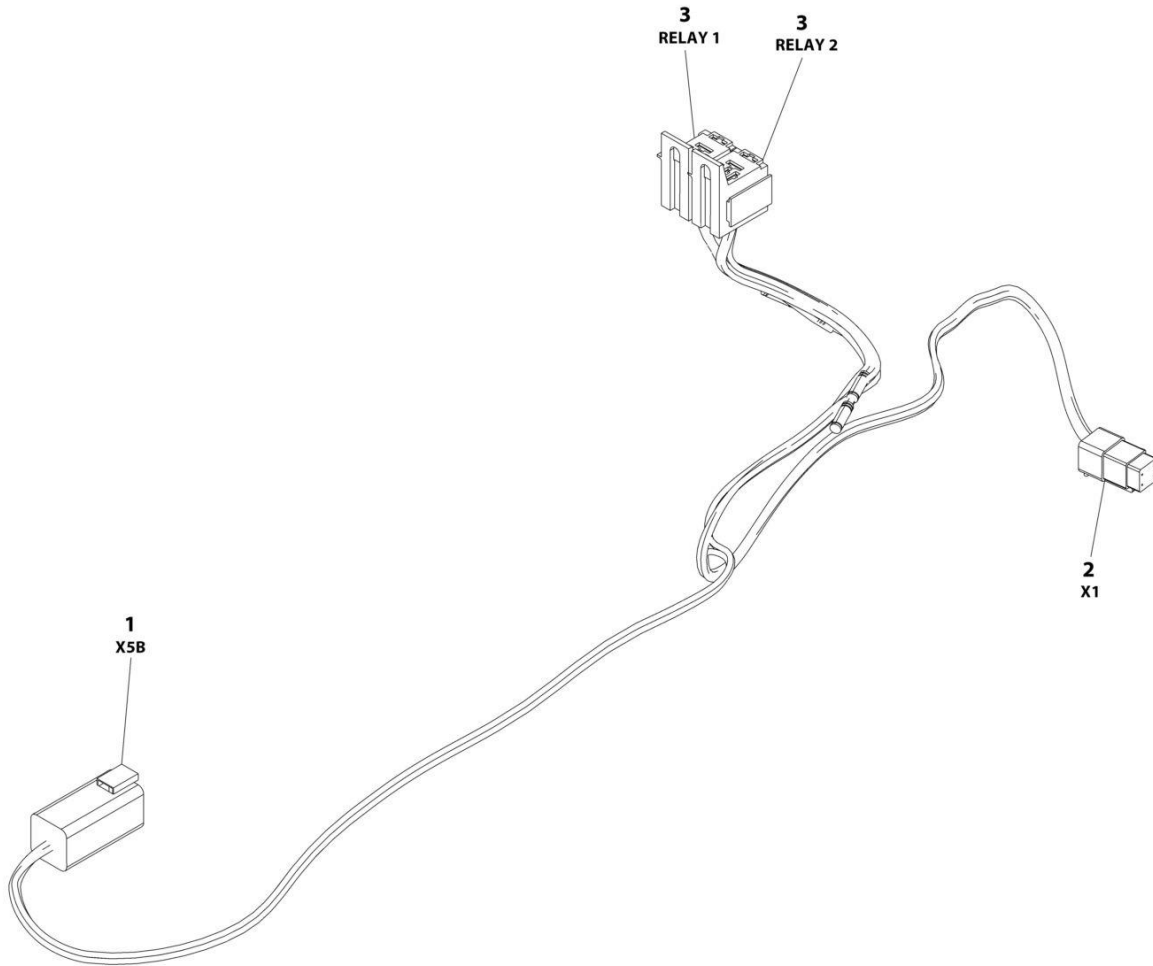
SECTION 8 - ELECTRICAL

FIGURE 8-67. SKYEYE RECEIVER HARNESS

ITEM	PART NUMBER	QTY	DESCRIPTION	REV
	1001237863	Ref	SKYEYE RECEIVER HARNESS	A
2	2820247	AR	Tubing, Heat Shrink	
4	1001097051	1	Connector - 4 Position	
4	1001119620	4	Pin, Male	
6	1001227996	1	Grommet	
7	1001237862	1	Cable, M8 Female Cordset	

SECTION 8 - ELECTRICAL

FIGURE 8-68. SKYLINE HARNESS



ART_1001238418

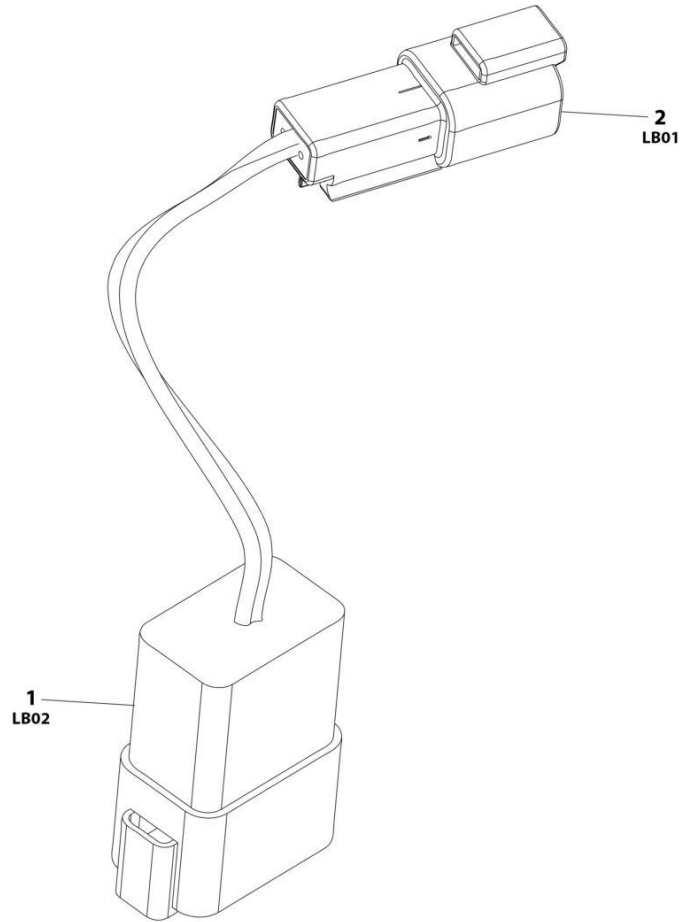
SECTION 8 - ELECTRICAL

FIGURE 8-68. SKYLINE HARNESS

ITEM	PART NUMBER	QTY	DESCRIPTION	REV
	1001238418	Ref	SKYLINE HARNESS	B
1	4460899	1	Connector - 6 Position	
1	4460464	4	Pin, Male	
1	4460466	2	Plug, Terminal	
2	4461077	1	Connector - 4 Position	
2	1001126009	4	Socket, Female	
3	1001186432	2	Plug, Relay	
3	1001118388	5	Terminal	
3	1001118384	3	Terminal	
3	3740086	2	Relay	

SECTION 8 - ELECTRICAL

FIGURE 8-69. STOBE LIGHT JUMPER HARNESS



ART_1001283776

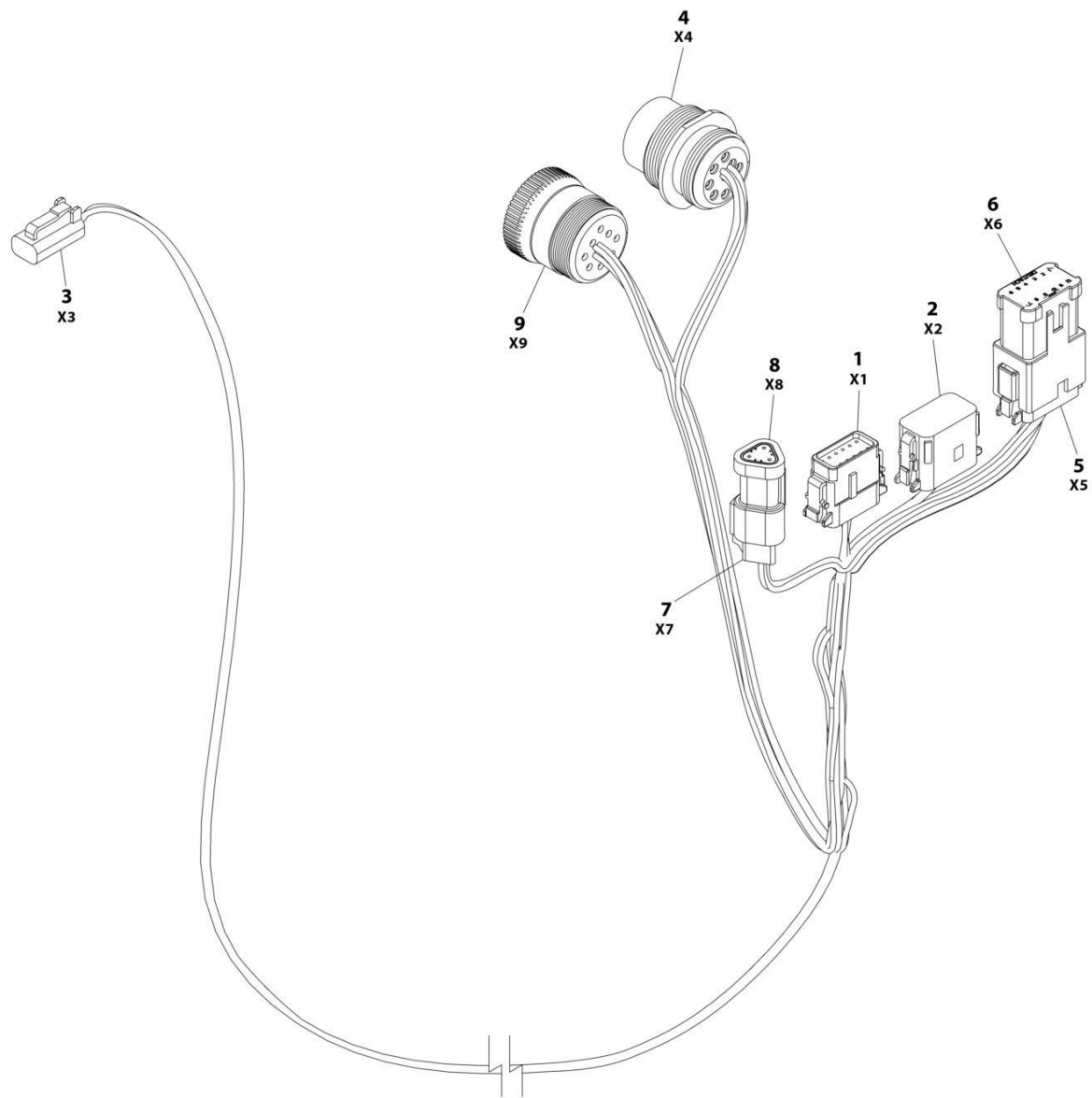
SECTION 8 - ELECTRICAL

FIGURE 8-69. STROBE LIGHT JUMPER HARNESS

ITEM	PART NUMBER	QTY	DESCRIPTION	REV
	1001283776	Ref	STROBE LIGHT HARNESS (AMBER)	A
1	4460931	1	Connector	
1	4460464	2	Pin	
1	4460466	6	Plug	
2	4460897	1	Connector	
2	4460464	2	Pin	

SECTION 8 - ELECTRICAL

FIGURE 8-70. STROBE LIGHT CONTROL (BLUE STROBE LIGHT)



ART_1001142736

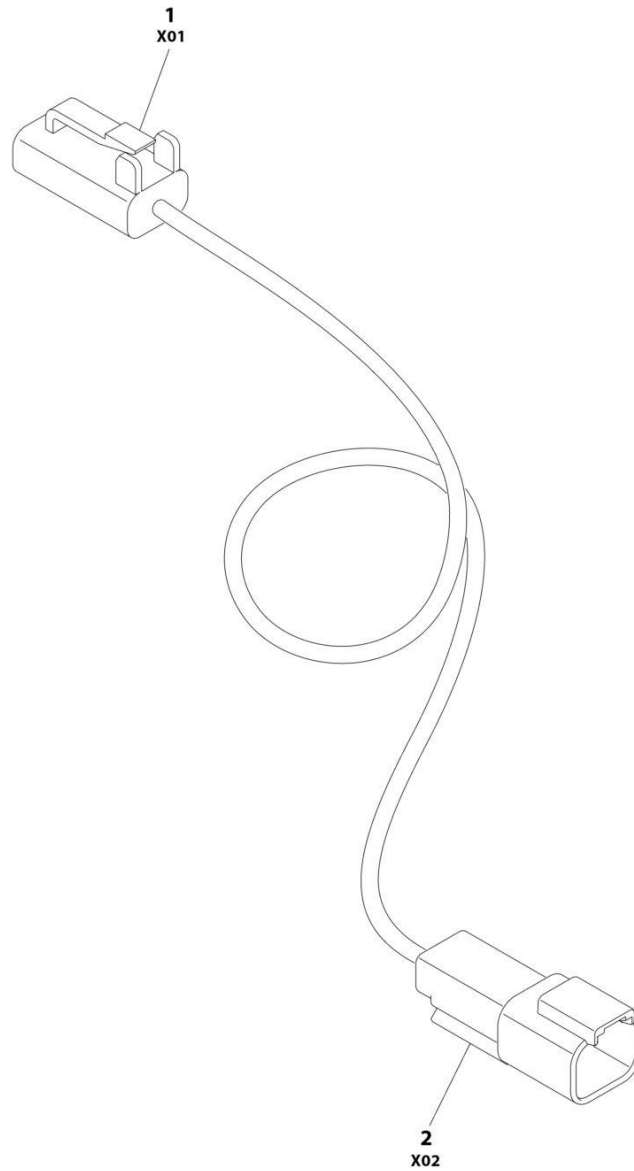
SECTION 8 - ELECTRICAL

FIGURE 8-70. STROBE LIGHT CONTROL (BLUE STROBE LIGHT)

ITEM	PART NUMBER	QTY	DESCRIPTION	REV
	1001142736	Ref	STROBE LIGHT HARNESS	F
1	1001116808	1	Plug, Male - 12 Position	
1	4460928	3	Socket, Female	
1	4460518	9	Plug, Terminal	
2	1001116774	1	Plug, Male - 12 Position	
2	4460928	3	Socket, Female	
2	4460518	9	Plug, Terminal	
3	4460891	1	Plug, Male - 2 Position	
3	4460465	2	Socket, Female	
4	1001112612	1	Connector - 9 Position	
4	4460464	6	Pin, Male	
4	4460466	3	Plug, Terminal	
5	4460933	1	Plug, Male - 12 Position	
5	4460465	12	Socket, Female	
6	1001119020	1	Bussbar - 12 Position	
7	4461095	1	Plug, Male - 3 Position	
7	4460465	3	Socket, Female	
8	4461070	1	Bussbar - 3 Position	
9	1001112796	1	Connector - 9 Position	
9	4460465	6	Socket, Female	
9	4460466	3	Plug, Terminal	

SECTION 8 - ELECTRICAL

FIGURE 8-71. STROBE LIGHT EXTENSION HARNESS (BLUE STROBE LIGHT ONLY)



ART_1001159027

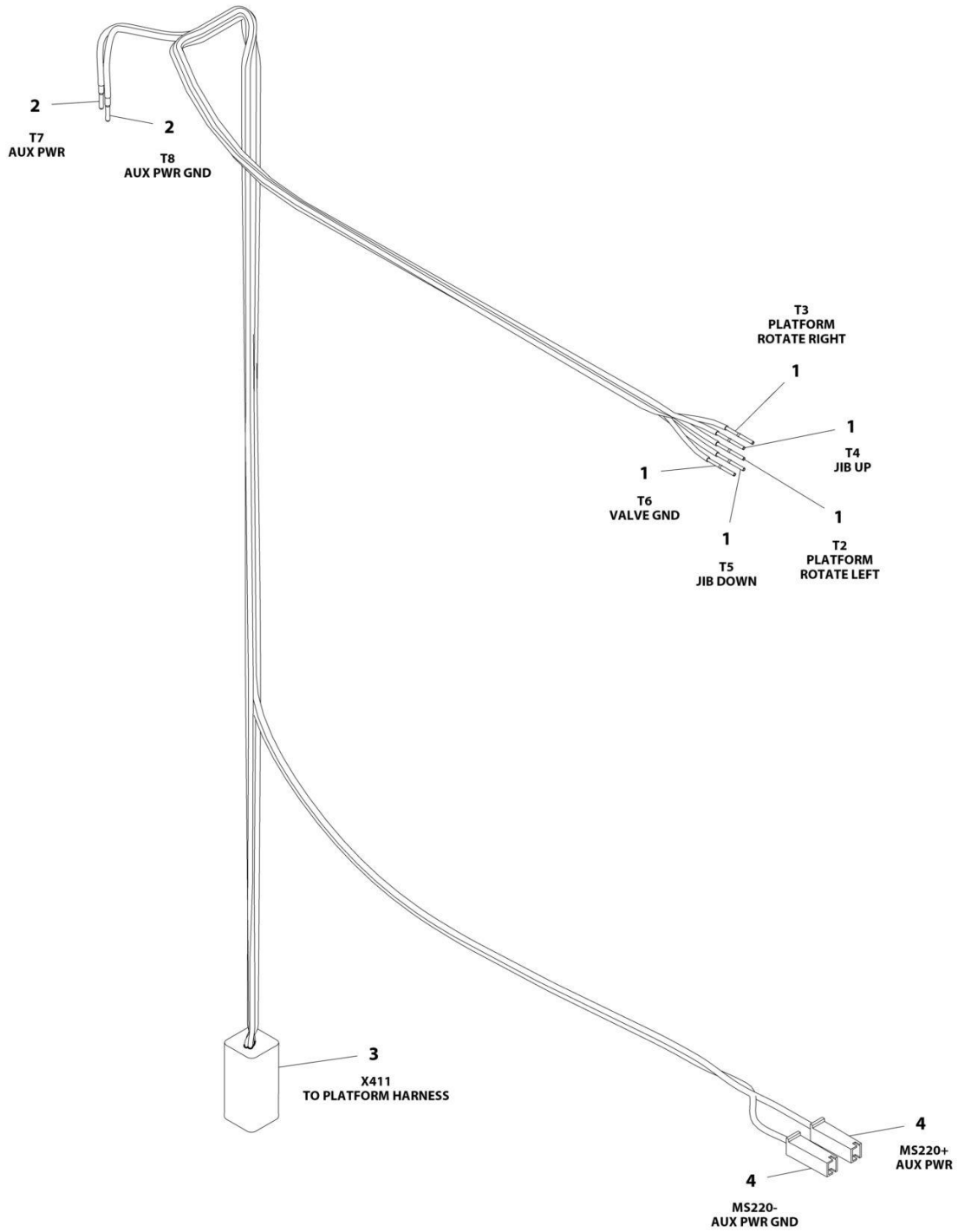
SECTION 8 - ELECTRICAL

FIGURE 8-71. STROBE LIGHT EXTENSION HARNESS (BLUE STROBE LIGHT ONLY)

ITEM	PART NUMBER	QTY	DESCRIPTION	REV
	1001159027	Ref	STROBE LIGHT EXTENSION HARNESS (BLUE STROBE LIGHT ONLY)	B
1	4460891	1	Plug, Male - 2 Position	
1	4460465	2	Socket, Female	
2	4460897	1	Receptacle, Female	
2	4460464	2	Pin, Male	

SECTION 8 - ELECTRICAL

FIGURE 8-72. VALVE HARNESS - BOOM VALVE



ART_1001140525

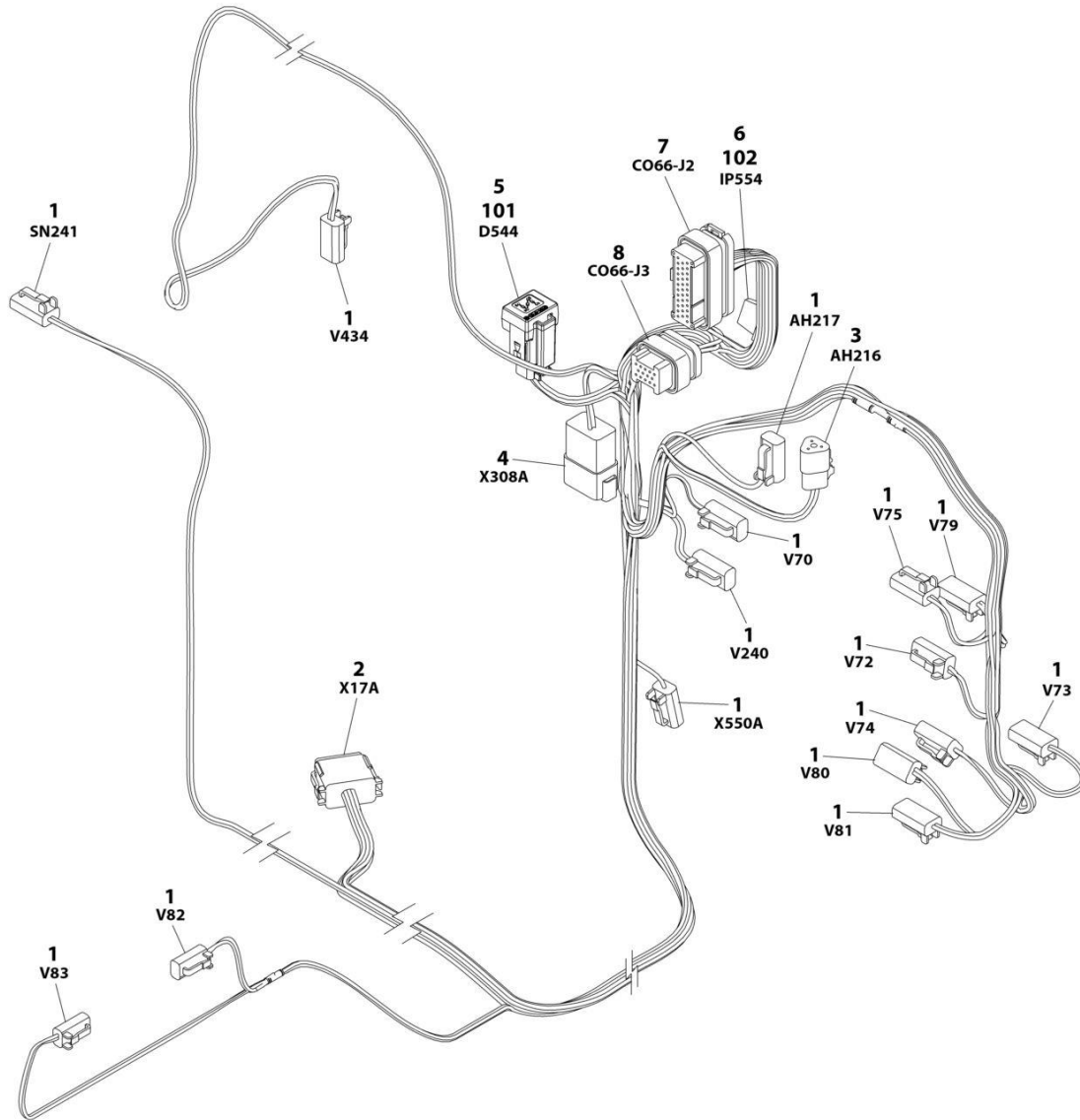
SECTION 8 - ELECTRICAL

FIGURE 8-72. VALVE HARNESS - BOOM VALVE

ITEM	PART NUMBER	QTY	DESCRIPTION	REV
	1001140525	Ref	BOOM HARNESS - UPPER BOOM VALVE	A
1	4460465	5	Socket, Female	
2	4460508	2	Pin, Male	
3	4460899	1	Connector - 6 Position	
3	4460464	5	Pin, Male	
3	4460466	1	Plug, Terminal	
4	4460260	2	Connector - 1 Position	
4	4460259	2	Terminal	

SECTION 8 - ELECTRICAL

FIGURE 8-73. VALVE HARNESS



ART_1001291530

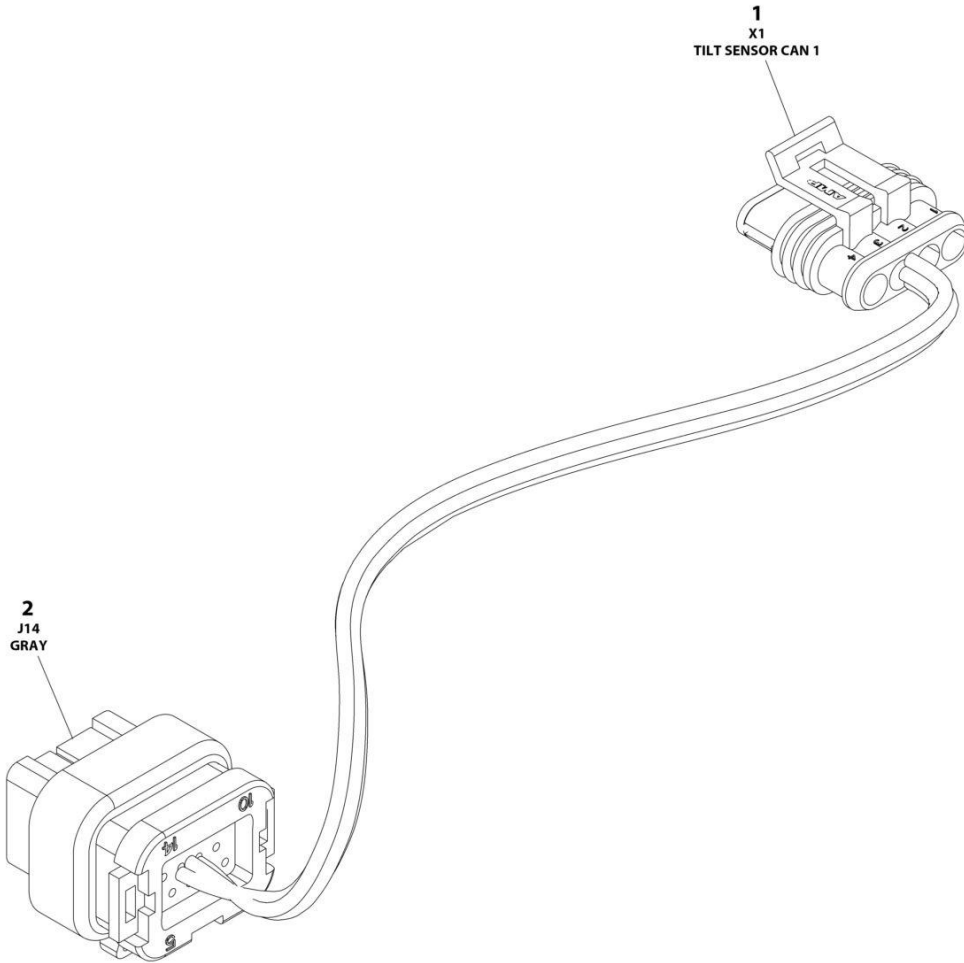
SECTION 8 - ELECTRICAL

FIGURE 8-73. VALVE HARNESS

ITEM	PART NUMBER	QTY	DESCRIPTION	REV
	1001291530	Ref	VALVE HARNESS	A
1	4460891	15	Connector	
1	4460465	29	Socket	
1	4460466	1	Plug	
2	4460933	1	Connector	
2	4460465	9	Socket	
2	4460466	3	Plug	
3	4460539	1	Connector	
3	4460465	3	Socket	
4	4460931	1	Connector	
4	4460464	5	Pin	
4	4460466	3	Plug	
5	4460884	1	Connector	
5	4460465	4	Socket	
6	1001170764	1	Holder, Fuse	
7	4460875	1	Connector	
7	4460871	28	Socket	
7	4460905	7	Plug	
8	4460872	1	Connector	
8	4460871	9	Socket	
8	4460905	5	Plug	
101	1001152266	1	Connector (with Diode)	
102	1001196636	1	Fuse, 1AMP	

SECTION 8 - ELECTRICAL

FIGURE 8-74. TILT SENSOR HARNESS



ART_1001276143

SECTION 8 - ELECTRICAL

FIGURE 8-74. TILT SENSOR HARNESS

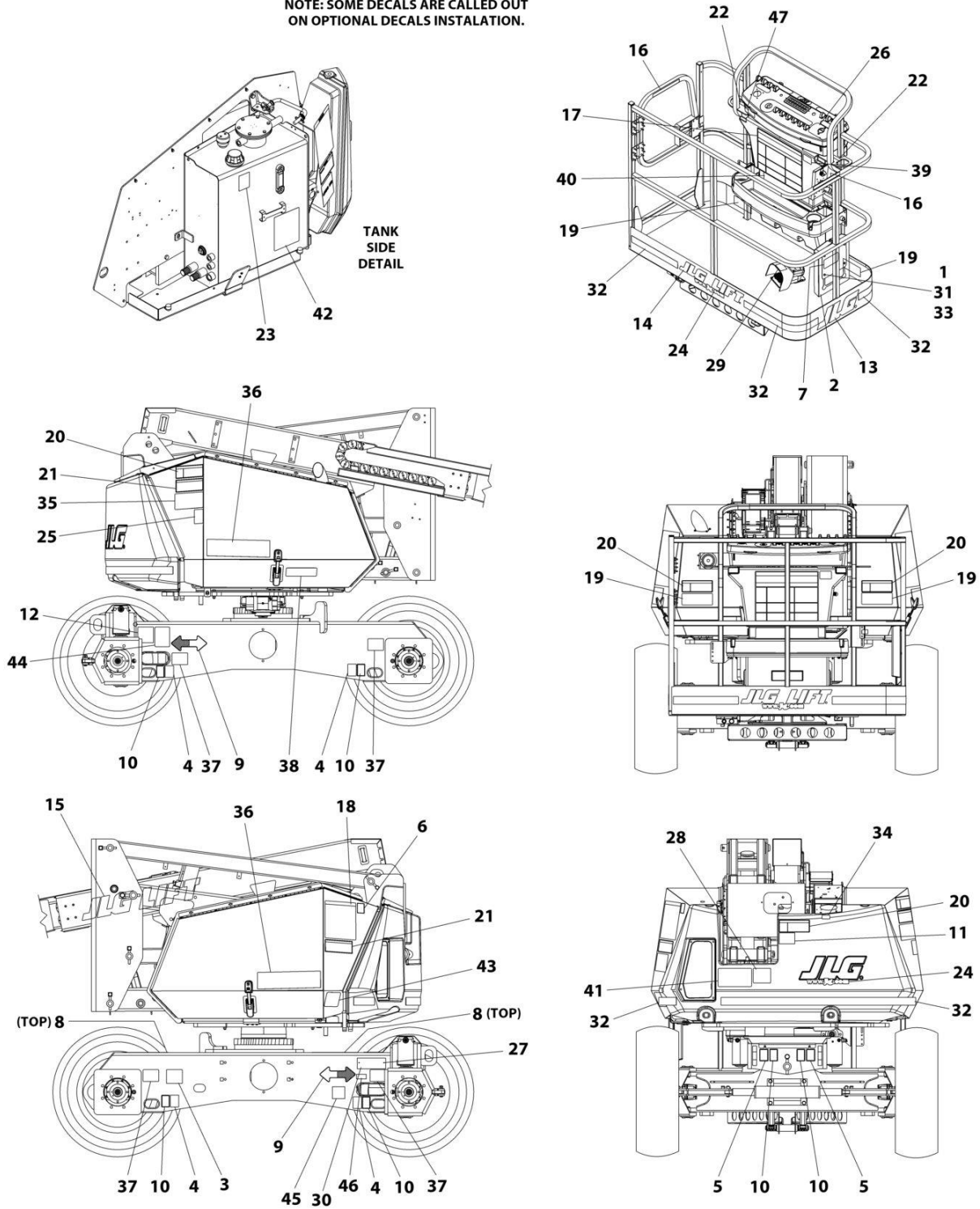
ITEM	PART NUMBER	QTY	DESCRIPTION	REV
	1001276143	Ref	TILT SENSOR HARNESS	B
1	1001103012	1	Connector - 4 Position	
1	1001107854	4	Terminal, Male	
1	1001104498	4	Terminal, Seal	
2	1001246859	1	Connector - 14 Position	
2	4460871	4	Socekt, Female	
2	4460905	10	Plug, Terminal	

SECTION 9 - DECALS

SECTION 9 - DECALS

FIGURE 9-1. DECALS INSTALLATION - ANSI AND ANSI EXPORT SPECS (ENGLISH)

NOTE: SOME DECALS ARE CALLED OUT ON OPTIONAL DECALS INSTALLATION.



ART_1001245868_G

SECTION 9 - DECALS

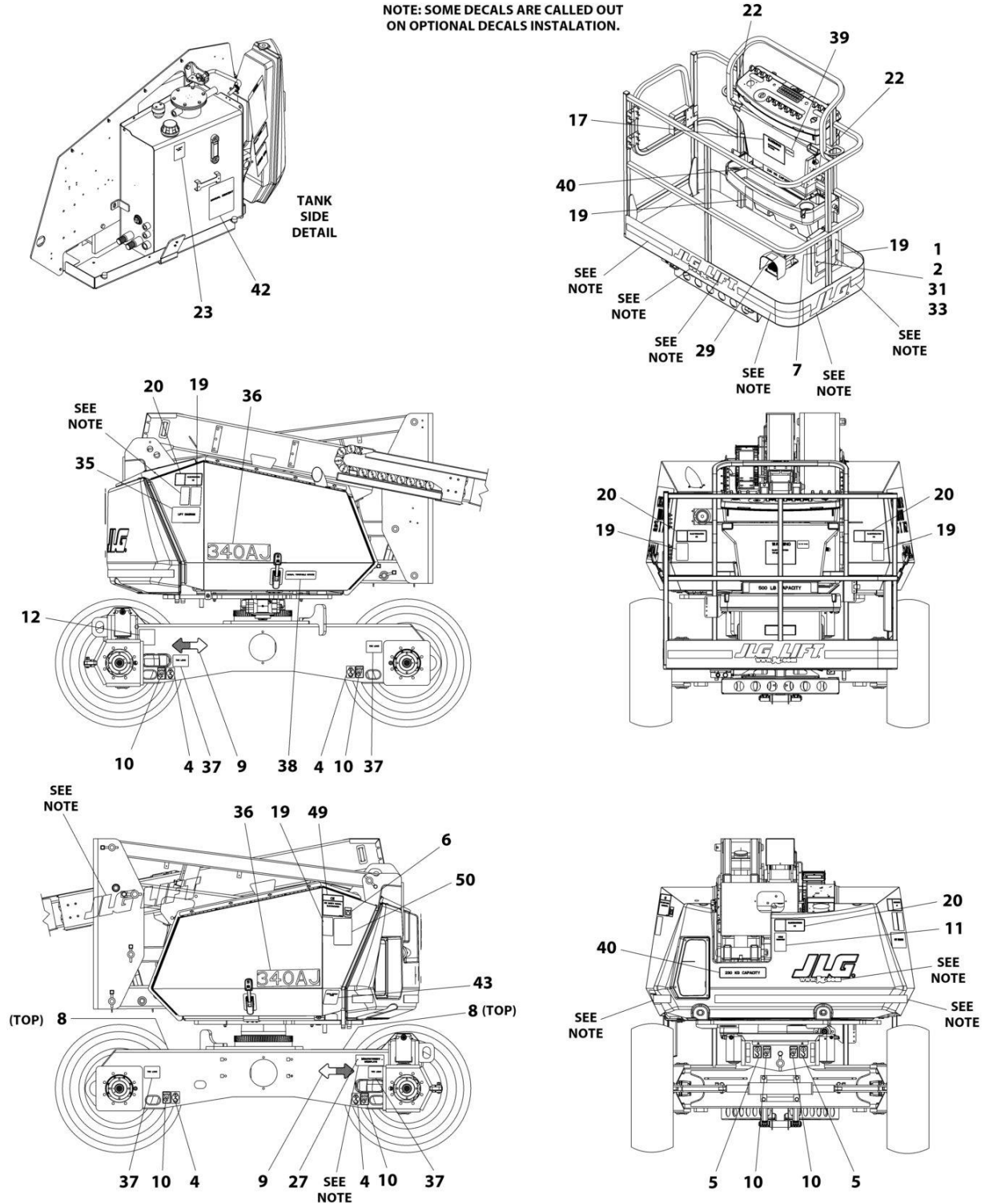
FIGURE 9-1. DECALS INSTALLATION - ANSI AND ANSI EXPORT SPECS (ENGLISH)

ITEM	PART NUMBER	QTY	DESCRIPTION	REV
	1001289742	Ref	DECAL INSTALLATION - REFERENCE CHART	A
	1001245868	Ref	DECALS INSTALLATION	G
1	0760610	4	Bolt M6 x 20	
2	0860520	1	Box, Manual Storage	
4	1701499	4	Decal - No Tie-Down/No Lift	
5	1701500	4	Decal - Lift	
6	1701504	1	Decal - Hydraulic Oil	
7	1701509	1	Decal - Manual	
8	1701529	2	Decal - Arrow	
9	1701642	2	Decal - Arrow	
10	1702300	8	Decal - Tie-Down	
11	1702391	1	Decal - Crushing	
12	See Note	1	Decal - Bar Code (Note: Not Available for Purchase)	
16	1702868	2	Decal - No Hands	
17	1703797	1	Decal - Danger/Warning	
18	1703798	1	Decal - Danger/Warning	
19	1703804	4	Decal - Warning Crushing	
20	1703805	4	Decal - Electrocution	
21	1703953	2	Decal - Warning Crushing	
22	1704277	2	Decal - Lanyard Attach	
23	1704412	1	Decal - Hydraulic Oil	
26	1705351	1	Decal - Drive/Steer Instructions	
27	2080057	2	Fastener	
29	3252347	1	Nameplate - Footswitch	
31	3290605	4	Nut M6	
33	4811700	8	Washer M6	
35	1001284677	1	Decal - Lift Diagram	
36	1001119578	2	Decal - 340AJ (Prior to SN 0300280427)	
36	1001267323	2	Decal - 340AJ (SN 0300280427 to Present)	
37	1001307236	4	Decal - Tire Load	
38	1001119981	1	Decal - Manual Turntable Rotate	
39	1001120002	1	Decal - No Pipe Racks	
40	1001253920	1	Decal - Warning Single Capacity	
41	1001253921	1	Decal - Warning Single Capacity	
42	1001127549	1	Decal - Manual Descent	
43	1001127588	1	Decal - Manual Descent	
44	1001131269	1	Decal - Patent	
45	1001223055	1	Decal - Yearly Inspection	
46	1001223453	1	Decal - ICES	

SECTION 9 - DECALS

FIGURE 9-2. DECALS INSTALLATION - AUSTRALIAN SPEC (ENGLISH)

NOTE: SOME DECALS ARE CALLED OUT ON OPTIONAL DECALS INSTALLATION.



ART_1001119733_K

SECTION 9 - DECALS

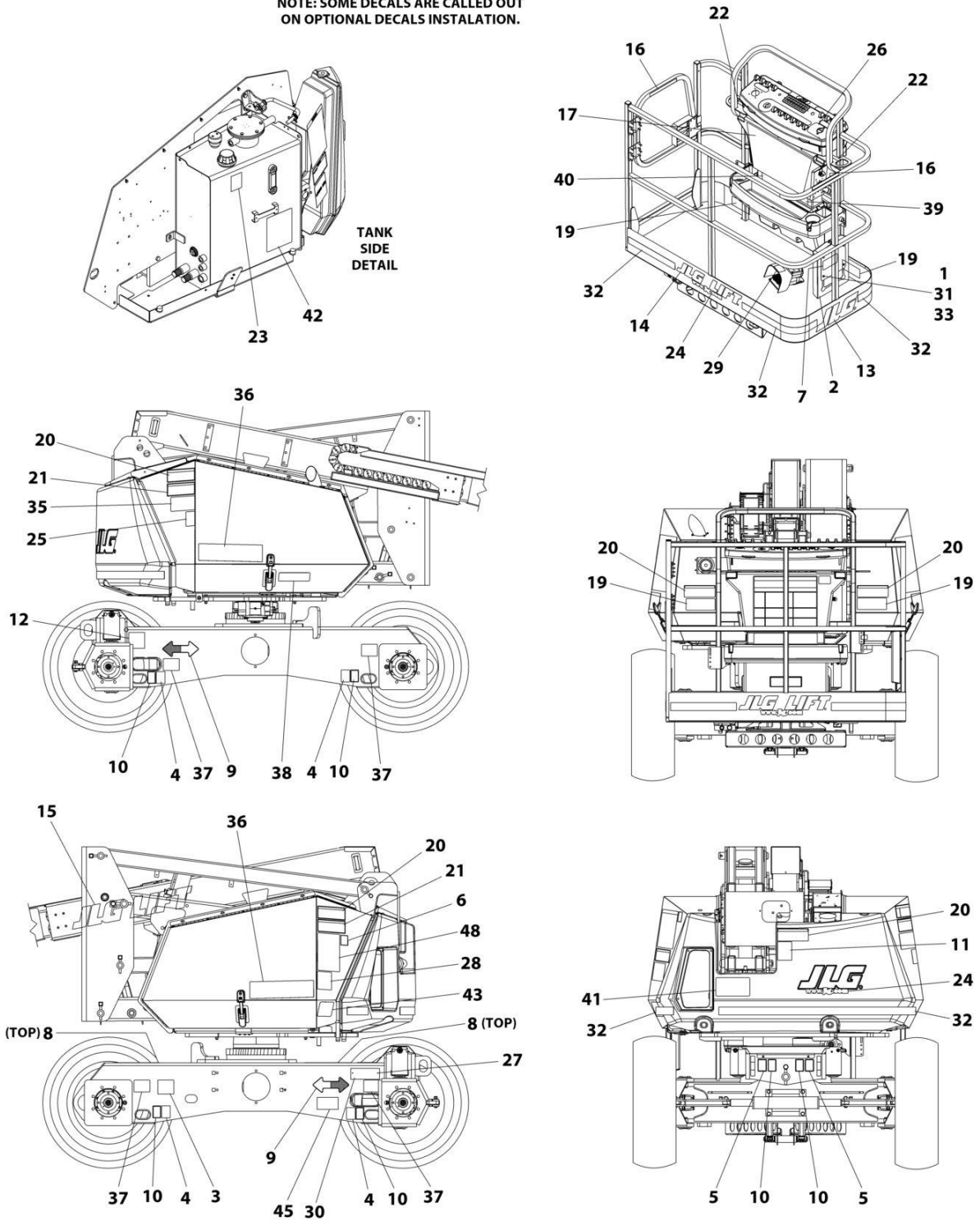
FIGURE 9-2. DECALS INSTALLATION - AUSTRALIAN SPEC (ENGLISH)

ITEM	PART NUMBER	QTY	DESCRIPTION	REV
	1001289742	Ref	DECAL INSTALLATION - REFERENCE CHART	A
	1001119733	Ref	DECALS INSTALLATION	K
1	0760610	4	Bolt M6 x 20	
2	0860520	1	Box, Manual Storage	
4	1701499	4	Decal - No Tie-Down/No Lift	
5	1701500	4	Decal - Lift	
6	1701504	1	Decal - Hydraulic Oil	
7	1701509	1	Decal - Manual	
8	1701529	2	Decal - Arrow	
9	1701642	2	Decal - Arrow	
10	1702300	8	Decal - Tie-Down	
11	1701517	1	Decal - Crushing	
12	See Note	1	Decal - Bar Code (Note: Not Available for Purchase)	
17	1705921	1	Decal - Tipping/Electrocution	
19	1701518	6	Decal - Crushing	
20	1705961	4	Decal - Electrocution	
22	1704277	2	Decal - Lanyard Attach	
23	1704412	1	Decal - Hydraulic Oil	
27	2080057	2	Fastener	
29	1705828	1	Decal - Footswitch	
31	3290605	4	Nut M6	
33	4811700	8	Washer M6	
35	1001284677	1	Decal - Lift Diagram	
36	1001119578	2	Decal - 340AJ (Prior to SN 0300280427)	
36	1001267323	2	Decal - 340AJ (SN 0300280427 to Present)	
37	1001307236	4	Decal - Tire Load	
38	1001119981	1	Decal - Manual Turntable Rotate	
39	1001120003	1	Decal - No Pipe Racks	
40	1705978	2	Decal - Capacity 230KG	
42	1001127549	1	Decal - Manual Descent	
43	1001127588	1	Decal - Manual Descent	
49	1705822	1	Decal - Electrocution/Safety Manual	
50	1001112551	1	Decal - Emergency Controls	

SECTION 9 - DECALS

FIGURE 9-3. DECALS INSTALLATION - BRAZIL SPEC (PORTUGUESE/SPANISH)

NOTE: SOME DECALS ARE CALLED OUT ON OPTIONAL DECALS INSTALLATION.



ART_1001246463_H

SECTION 9 - DECALS

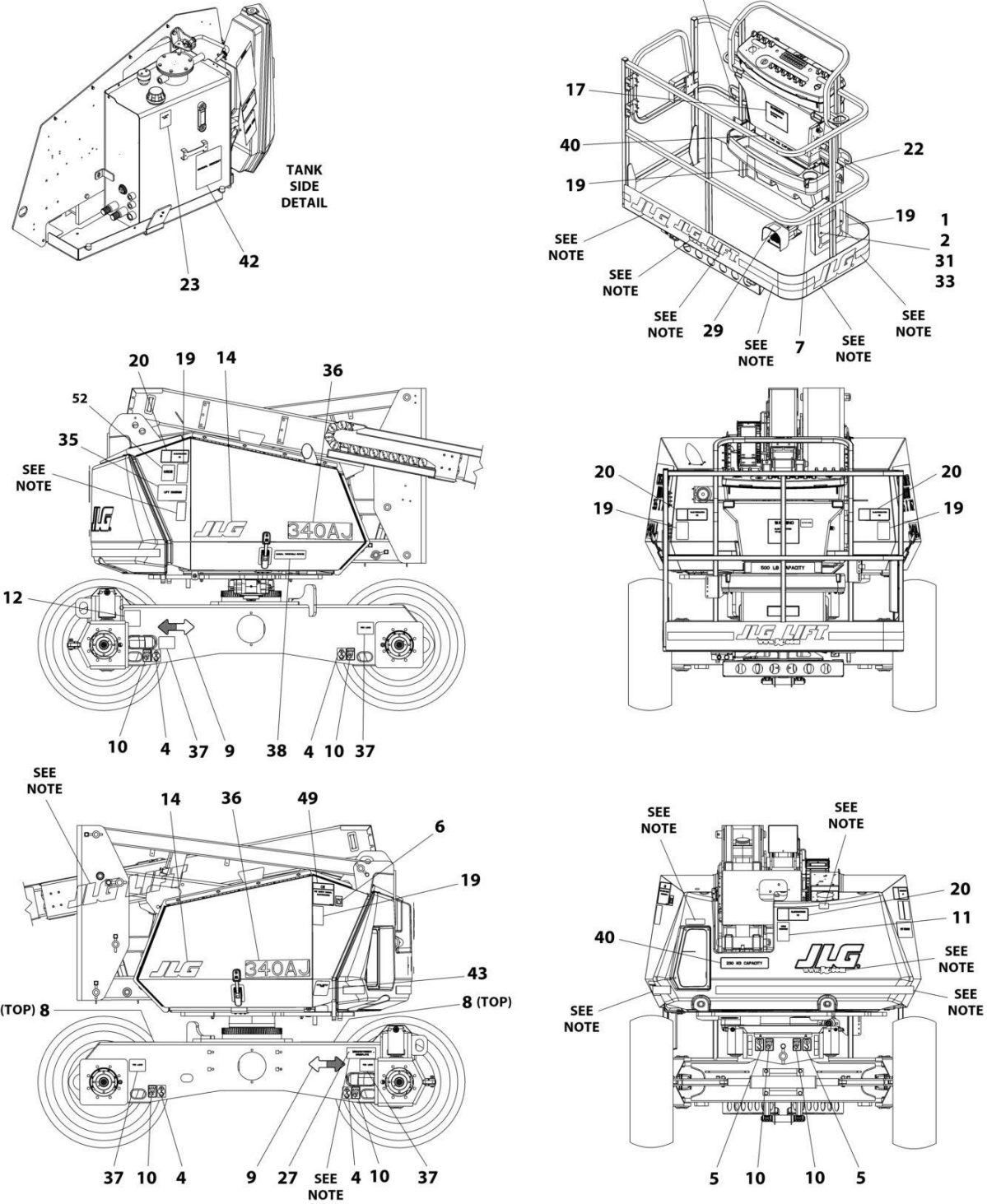
FIGURE 9-3. DECALS INSTALLATION - BRAZIL SPEC (PORTUGUESE/SPANISH)

ITEM	PART NUMBER	QTY	DESCRIPTION	REV
	1001289742	Ref	DECAL INSTALLATION - REFERENCE CHART	A
	1001246463	Ref	DECALS INSTALLATION	H
1	0760610	4	Bolt M6 x 20	
2	0860520	1	Box, Manual Storage	
4	1701499	4	Decal - No Tie-Down/No Lift	
5	1701500	4	Decal - Lift	
6	1701504	1	Decal - Hydraulic Oil	
7	1701509	1	Decal - Manual	
8	1701529	2	Decal - Arrow	
9	1701642	2	Decal - Arrow	
10	1702300	8	Decal - Tie-Down	
11	1001113170	1	Decal - Crushing	
12	See Note	NSS	Decal - Bar Code (Note: Not Available for Purchase)	
16	1704002	2	Decal - No Hands	
17	1703928	1	Decal - Danger/Warning	
19	1703952	4	Decal - Warning Crushing	
20	1703940	5	Decal - Electrocution	
21	1703946	2	Decal - Warning Crushing (Portuguese/Spanish)	
22	1704277	2	Decal - Lanyard Attach	
23	1704412	1	Decal - Hydraulic Oil	
26	1001113680	1	Decal - Drive/Steer Instructions	
27	2080057	2	Fastener	
29	1703985	1	Nameplate - Footswitch	
31	3290605	4	Nut M6	
33	4811700	8	Washer M6	
35	1001284677	1	Decal - Lift Diagram	
36	1001119578	2	Decal - 340AJ (Prior to SN 0300280427)	
36	1001267323	2	Decal - 340AJ (SN 0300280427 to Present)	
37	1001307236	4	Decal - Tire Load	
38	1001119981	1	Decal - Manual Turntable Rotate	
39	1001120282	1	Decal - No Pipe Racks	
40	1001253928	1	Decal - Warning Single Capacity	
41	1001253929	1	Decal - Warning Single Capacity	
42	1001127549	1	Decal - Manual Descent	
43	1001127588	1	Decal - Manual Descent	
45	1001224052	1	Decal - Yearly Inspection	
48	1705349	1	Decal - Warning Inspection	

SECTION 9 - DECALS

FIGURE 9-4. DECALS INSTALLATION - CE & UK CA SPECS (ENGLISH)

NOTE: SOME DECALS ARE CALLED OUT ON OPTIONAL DECALS INSTALLATION.



ART_1001115783_P

SECTION 9 - DECALS

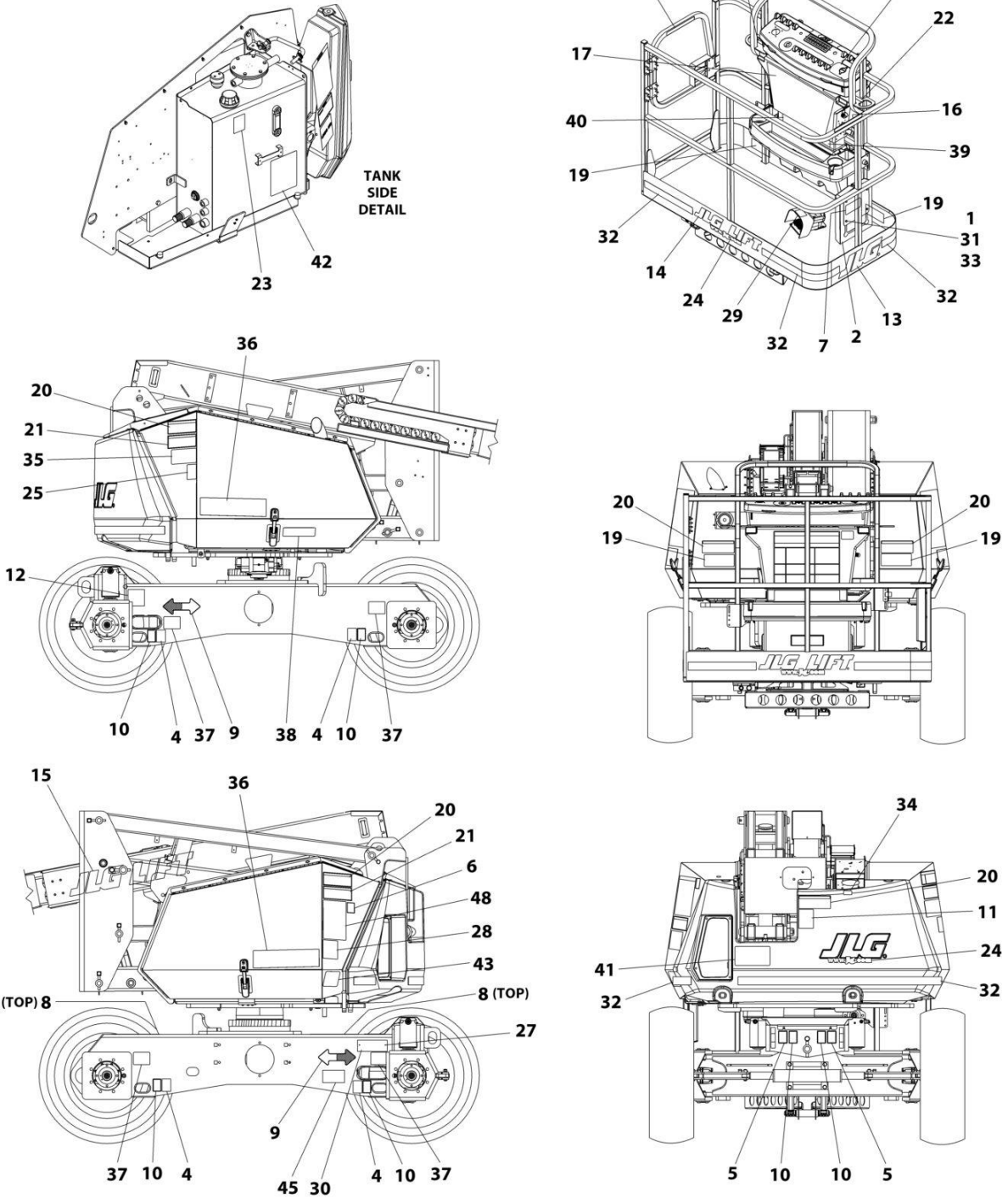
FIGURE 9-4. DECALS INSTALLATION - CE & UK CA SPECS (ENGLISH)

ITEM	PART NUMBER	QTY	DESCRIPTION	REV
	1001289742	Ref	DECAL INSTALLATION - REFERENCE CHART	A
	1001115783	Ref	DECALS INSTALLATION	P
1	0760610	4	Bolt M6 x 20	
2	0860520	1	Box, Manual Storage	
4	1701499	4	Decal - No Tie-Down/No Lift	
5	1701500	4	Decal - Lift	
6	1701504	1	Decal - Hydraulic Oil	
7	1701509	1	Decal - Manual	
8	1701529	2	Decal - Arrow	
9	1701642	2	Decal - Arrow	
10	1702300	8	Decal - Tie-Down	
11	1701517	1	Decal - Crushing	
12	See Note	1	Decal - Bar Code (Note: Not Available for Purchase)	
17	1705921	1	Decal - Tipping/Electrocution	
19	1701518	6	Decal - Crushing	
20	1705961	4	Decal - Electrocution	
22	1704277	2	Decal - Lanyard Attach	
23	1704412	1	Decal - Hydraulic Oil	
27	2080057	2	Fastener	
29	1705828	1	Decal - Footswitch	
31	3290605	4	Nut M6	
33	4811700	8	Washer M6	
35	1001284677	1	Decal - Lift Diagram	
36	1001119578	2	Decal - 340AJ (Prior to SN 0300280427)	
36	1001267323	2	Decal - 340AJ (SN 0300280427 to Present)	
37	1001307236	4	Decal - Tire Load	
38	1001119981	1	Decal - Manual Turntable Rotate	
40	1705978	2	Decal - Capacity 230KG	
42	1001127549	1	Decal - Manual Descent	
43	1001127588	1	Decal - Manual Descent	
49	1705822	1	Decal - Electrocution/Safety Manual	

SECTION 9 - DECALS

FIGURE 9-5. DECALS INSTALLATION - CHINESE SPEC (CHINESE/ENGLISH)

NOTE: SOME DECALS ARE CALLED OUT ON OPTIONAL DECALS INSTALLATION.



ART_1001246462_G

SECTION 9 - DECALS

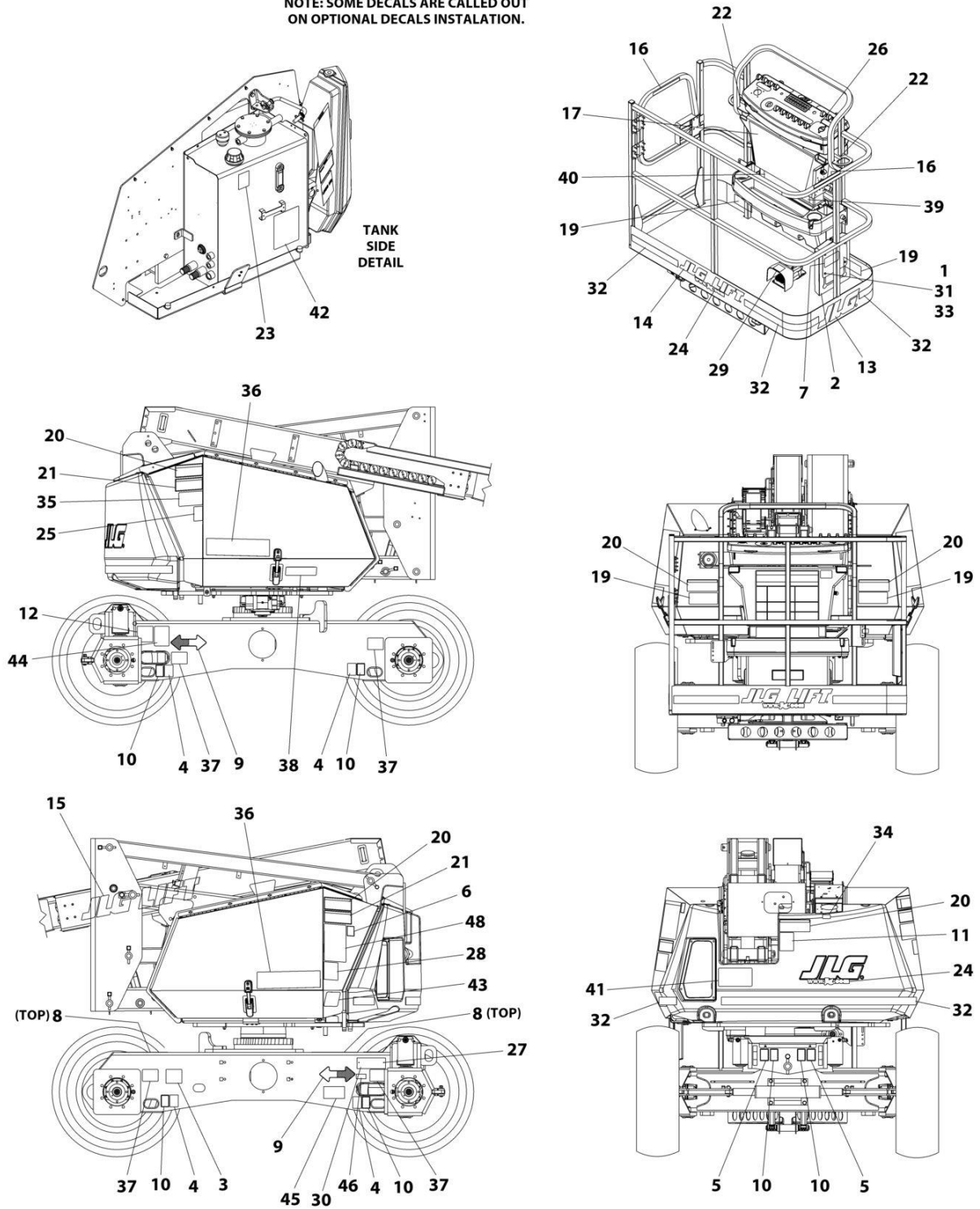
FIGURE 9-5. DECALS INSTALLATION - CHINESE SPEC (CHINESE/ENGLISH)

ITEM	PART NUMBER	QTY	DESCRIPTION	REV
	1001289742	Ref	DECAL INSTALLATION - REFERENCE CHART	A
	1001246462	Ref	DECALS INSTALLATION	G
1	0760610	4	Bolt M6 x 20	
2	0860520	1	Box, Manual Storage	
4	1701499	4	Decal - No Tie-Down/No Lift	
5	1701500	4	Decal - Lift	
6	1701504	1	Decal - Hydraulic Oil	
7	1701509	1	Decal - Manual	
8	1701529	2	Decal - Arrow	
9	1701642	2	Decal - Arrow	
10	1702300	8	Decal - Tie-Down	
11	1001113168	1	Decal - Crushing	
12	See Note	NSS	Decal - Bar Code (Note: Not Available for Purchase)	
16	1705968	2	Decal - No Hands	
17	1703925	1	Decal - Warning/Danger	
19	1703949	4	Decal - Warning Crushing	
20	1703937	5	Decal - Electrocutation	
21	1703943	2	Decal - Warning Crushing	
22	1704277	2	Decal - Lanyard Attach	
23	1704412	1	Decal - Hydraulic Oil	
26	1705430	1	Decal - Drive/Steer Instructions	
27	2080057	2	Fastener	
29	1703982	1	Nameplate - Footswitch	
31	3290605	4	Nut M6	
33	4811700	8	Washer M6	
35	1001284677	1	Decal - Lift Diagram	
36	1001119578	2	Decal - 340AJ (Prior to SN 0300280427)	
36	1001267323	2	Decal - 340AJ (SN 0300280427 to Present)	
37	1001307236	4	Decal - Tire Load	
38	1001119981	1	Decal - Manual Turntable Rotate	
39	1001120281	1	Decal - No Pipe Racks	
40	1001253926	1	Decal - Warning Single Capacity	
41	1001253927	1	Decal - Warning Single Capacity	
42	1001127549	1	Decal - Manual Descent	
43	1001127588	1	Decal - Manual Descent	
45	1001224050	1	Decal - Yearly Inspection	
48	1705348	1	Decal - Warning Inspection	

SECTION 9 - DECALS

FIGURE 9-6. DECALS INSTALLATION - CSA SPEC (FRENCH/ENGLISH)

NOTE: SOME DECALS ARE CALLED OUT ON OPTIONAL DECALS INSTALLATION.



ART_1001245869_G

SECTION 9 - DECALS

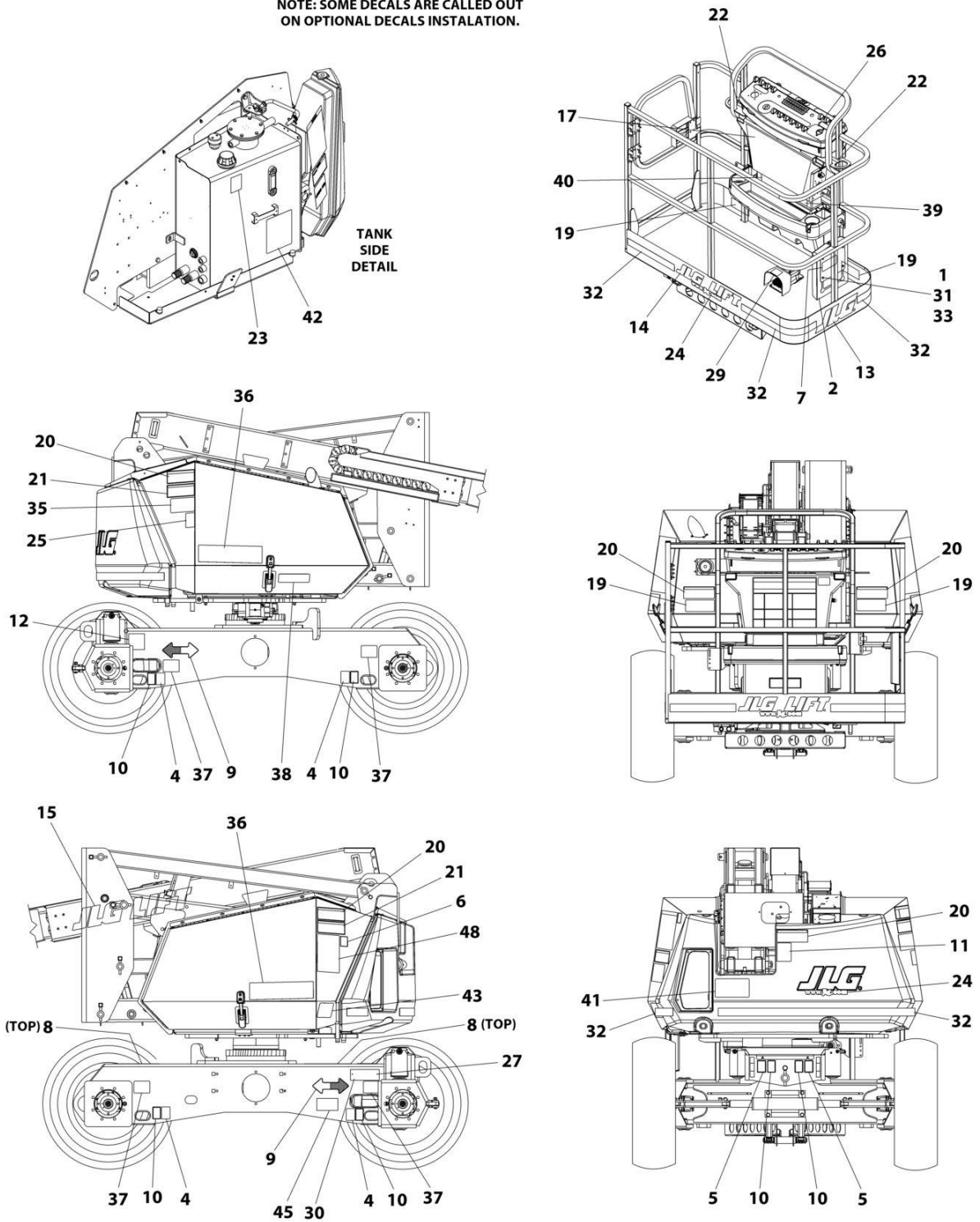
FIGURE 9-6. DECALS INSTALLATION - CSA SPEC (FRENCH/ENGLISH)

ITEM	PART NUMBER	QTY	DESCRIPTION	REV
	1001289742	Ref	DECAL INSTALLATION - REFERENCE CHART	A
	1001245869	Ref	DECALS INSTALLATION	G
1	0760610	4	Bolt M6 x 20	
2	0860520	1	Box, Manual Storage	
4	1701499	4	Decal - No Tie-Down/No Lift	
5	1701500	4	Decal - Lift	
6	1701504	1	Decal - Hydraulic Oil	
7	1701509	1	Decal - Manual	
8	1701529	2	Decal - Arrow	
9	1701642	2	Decal - Arrow	
10	1702300	8	Decal - Tie-Down	
11	1001113169	1	Decal - Crushing	
12	See Note	NSS	Decal - Bar Code (Note: Not Available for Purchase)	
16	1704000	2	Decal - No Hands	
17	1703924	1	Decal - Warning/Danger	
19	1703948	4	Decal - Warning Crushing	
20	1703936	5	Decal - Electrocution	
21	1703942	2	Decal - Warning Crushing	
22	1704277	2	Decal - Lanyard Attach	
23	1704412	1	Decal - Hydraulic Oil	
26	1705429	1	Decal - Drive/Steer Instructions	
27	2080057	2	Fastener	
29	1703984	1	Nameplate - Footswitch	
31	3290605	4	Nut M6	
33	4811700	8	Washer M6	
35	1001284677	1	Decal - Lift Diagram	
36	1001119578	2	Decal - 340AJ (Prior to SN 0300280427)	
36	1001267323	2	Decal - 340AJ (SN 0300280427 to Present)	
37	1001307236	4	Decal - Tire Load	
38	1001119981	1	Decal - Manual Turntable Rotate	
39	1001120004	1	Decal - No Pipe Racks	
40	1001253922	1	Decal - Warning Single Capacity	
41	1001253923	1	Decal - Warning Single Capacity	
42	1001127549	1	Decal - Manual Descent	
43	1001127588	1	Decal - Manual Descent	
44	1001131269	1	Decal - Patent	
45	1001223971	1	Decal - Yearly Inspection	
46	1001223453	1	Decal - ICES	
48	1705347	1	Decal - Warning Inspection	

SECTION 9 - DECALS

FIGURE 9-7. DECALS INSTALLATION - JAPANESE SPEC (JAPANESE)

NOTE: SOME DECALS ARE CALLED OUT ON OPTIONAL DECALS INSTALLATION.



ART_1001246460_H

SECTION 9 - DECALS

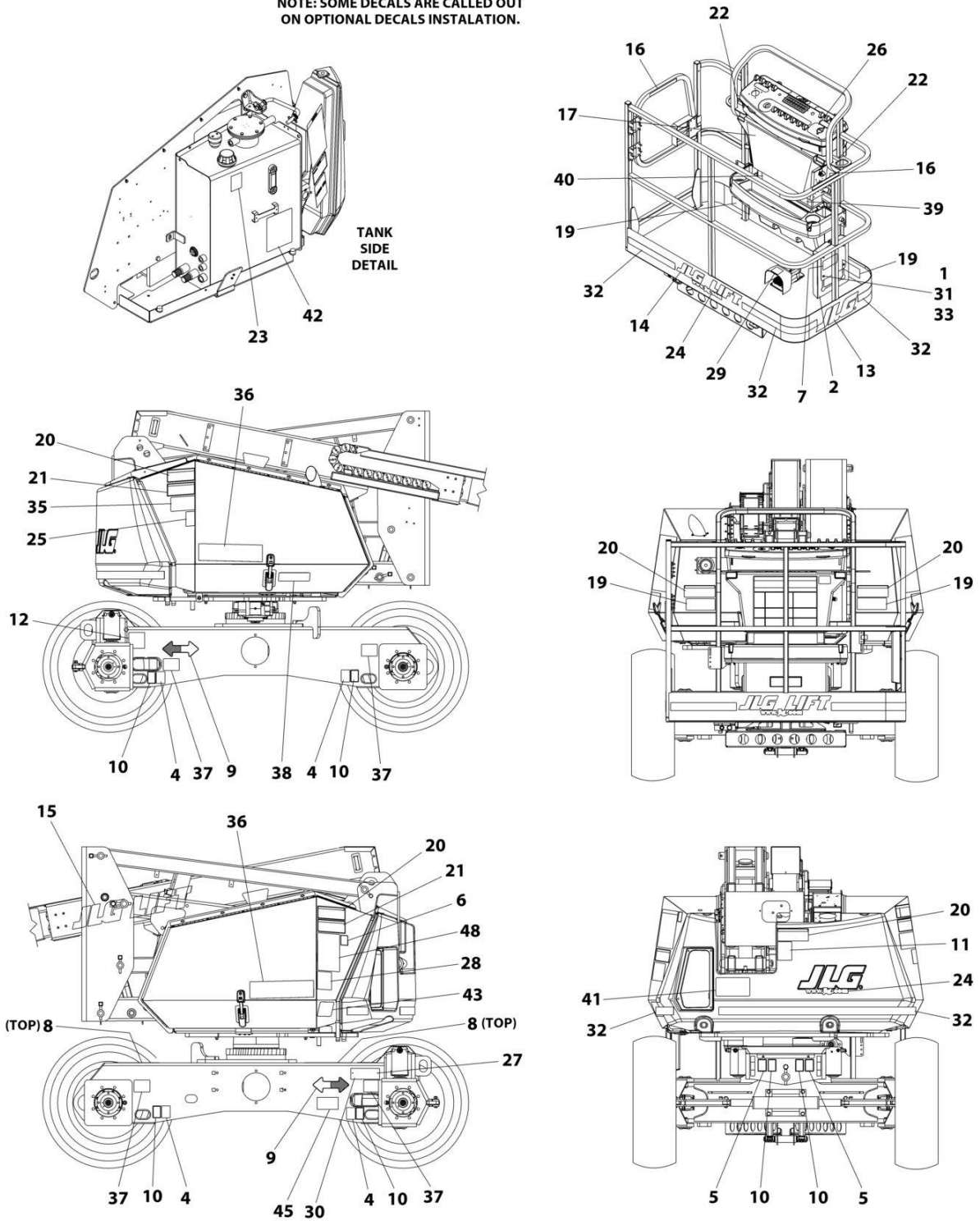
FIGURE 9-7. DECALS INSTALLATION - JAPANESE SPEC (JAPANESE)

ITEM	PART NUMBER	QTY	DESCRIPTION	REV
	1001289742	Ref	DECAL INSTALLATION - REFERENCE CHART	A
	1001246460	Ref	DECALS INSTALLATION	H
1	0760610	4	Bolt M6 x 20	
2	0860520	1	Box, Manual Storage	
4	1701499	4	Decal - No Tie-Down/No Lift	
5	1701500	4	Decal - Lift	
6	1701504	1	Decal - Hydraulic Oil	
7	1701509	1	Decal - Manual	
8	1701529	2	Decal - Arrow	
9	1701642	2	Decal - Arrow	
10	1702300	8	Decal - Tie-Down	
11	1001113166	1	Decal - Crushing	
12	See Note	NSS	Decal - Bar Code (Note: Not Available for Purchase)	
17	1703926	1	Decal - Danger/Warning	
19	1703950	4	Decal - Warning Crushing	
20	1703938	5	Decal - Electrocution	
21	1703944	2	Decal - Warning Crushing	
22	1704277	2	Decal - Lanyard Attach	
23	1704412	1	Decal - Hydraulic Oil	
26	1705426	1	Decal - Drive/Steer Instructions	
27	2080057	2	Fastener	
29	1703980	1	Nameplate - Footswitch	
31	3290605	4	Nut M6	
33	4811700	8	Washer M6	
35	1001284677	1	Decal - Lift Diagram	
36	1001119578	2	Decal - 340AJ (Prior to SN 0300280427)	
36	1001267323	2	Decal - 340AJ (SN 0300280427 to Present)	
37	1001307236	4	Decal - Tire Load	
38	1001119981	1	Decal - Manual Turntable Rotate	
39	1001120279	1	Decal - No Pipe Racks	
40	1001253932	1	Decal - Warning Single Capacity	
41	1001253933	1	Decal - Warning Single Capacity	
42	1001127549	1	Decal - Manual Descent	
43	1001127588	1	Decal - Manual Descent	
45	1001224053	1	Decal - Yearly Inspection	
48	1705344	1	Decal - Warning Inspection	

SECTION 9 - DECALS

FIGURE 9-8. DECALS INSTALLATION - KOREAN SPEC (KOREAN/ENGLISH)

NOTE: SOME DECALS ARE CALLED OUT ON OPTIONAL DECALS INSTALLATION.



ART_1001246461_H

SECTION 9 - DECALS

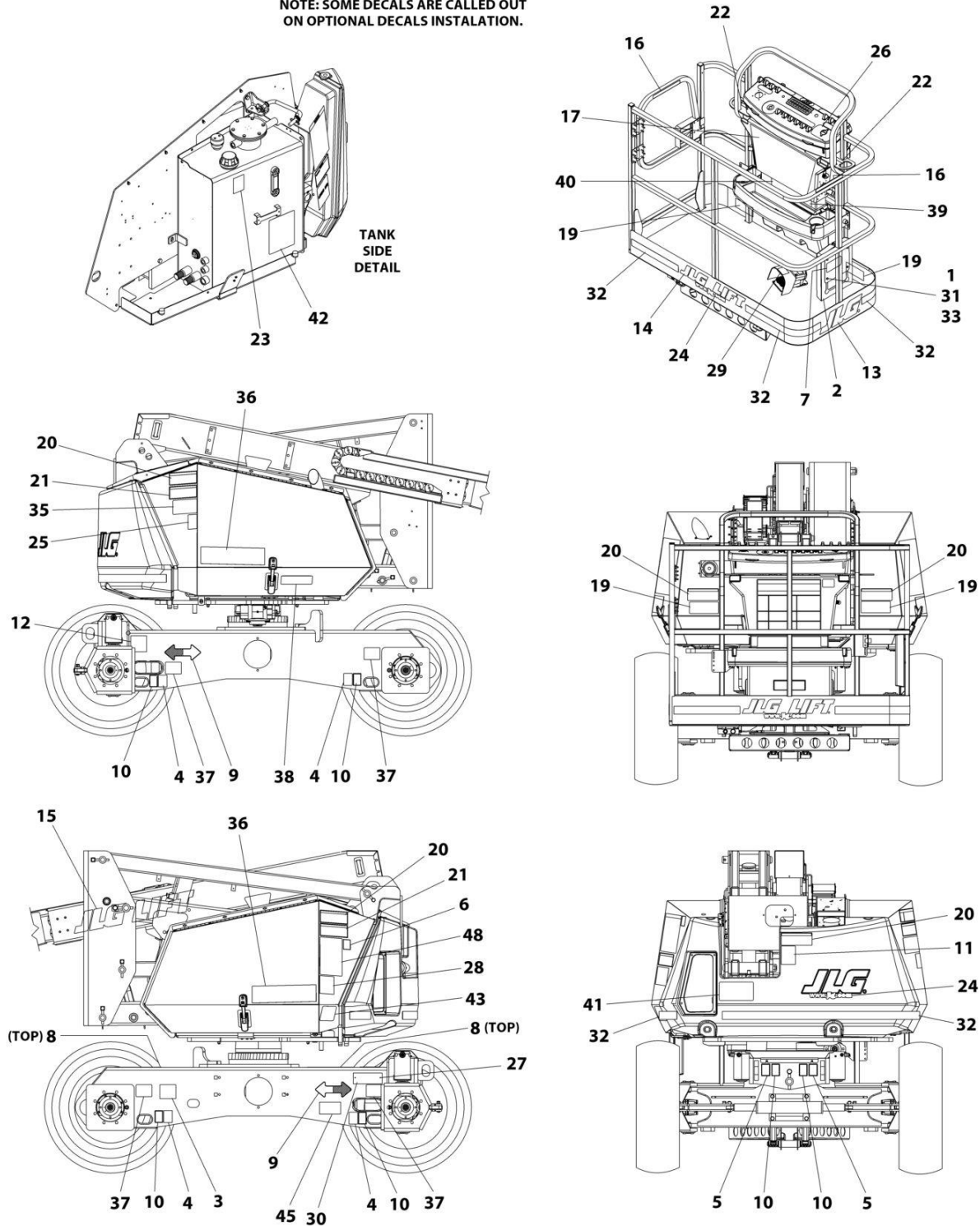
FIGURE 9-8. DECALS INSTALLATION - KOREAN SPEC (KOREAN/ENGLISH)

ITEM	PART NUMBER	QTY	DESCRIPTION	REV
	1001289742	Ref	DECAL INSTALLATION - REFERENCE CHART	A
	1001246461	Ref	DECALS INSTALLATION	H
1	0760610	4	Bolt M6 x 20	
2	0860520	1	Box, Manual Storage	
4	1701499	4	Decal - No Tie-Down/No Lift	
5	1701500	4	Decal - Lift	
6	1701504	1	Decal - Hydraulic Oil	
7	1701509	1	Decal - Manual	
8	1701529	2	Decal - Arrow	
9	1701642	2	Decal - Arrow	
10	1702300	8	Decal - Tie-Down	
11	1001113509	1	Decal - Crushing	
12	See Note	NSS	Decal - Bar Code (Note: Not Available for Purchase)	
16	1705969	2	Decal - No Hands	
17	1703927	1	Decal - Danger/Warning	
19	1703951	4	Decal - Warning Crushing	
20	1703939	5	Decal - Electrocutation	
21	1703945	2	Decal - Warning Crushing	
22	1704277	2	Decal - Lanyard Attach	
23	1704412	1	Decal - Hydraulic Oil	
26	1705427	1	Decal - Drive/Steer Instructions	
27	2080057	2	Fastener	
29	1703981	1	Nameplate - Footswitch	
31	3290605	4	Nut M6	
33	4811700	8	Washer M6	
35	1001284677	1	Decal - Lift Diagram	
36	1001119578	2	Decal - 340AJ (Prior to SN 0300280427)	
36	1001267323	2	Decal - 340AJ (SN 0300280427 to Present)	
37	1001307236	4	Decal - Tire Load	
38	1001119981	1	Decal - Manual Turntable Rotate	
39	1001120280	1	Decal - No Pipe Racks	
40	1001253924	1	Decal - Warning Single Capacity	
41	1001253925	1	Decal - Warning Single Capacity	
42	1001127549	1	Decal - Manual Descent	
43	1001127588	1	Decal - Manual Descent	
45	1001224048	1	Decal - Yearly Inspection	
48	1705345	1	Decal - Warning Inspection	

SECTION 9 - DECALS

FIGURE 9-9. DECALS INSTALLATION - LATIN AMERICA SPEC (SPANISH/ENGLISH)

NOTE: SOME DECALS ARE CALLED OUT ON OPTIONAL DECALS INSTALLATION.



ART_1001246464_G

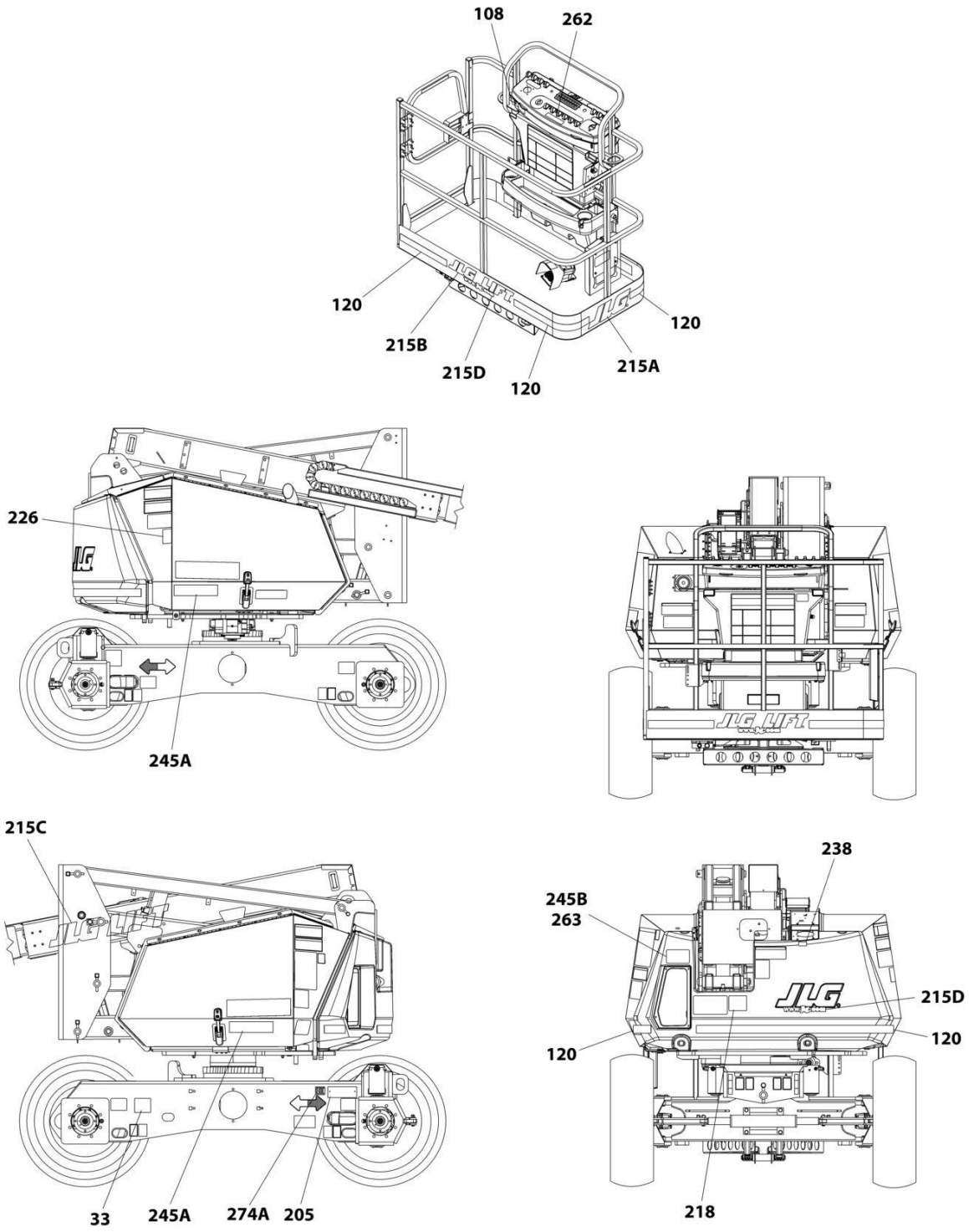
SECTION 9 - DECALS

FIGURE 9-9. DECALS INSTALLATION - LATIN AMERICA SPEC (SPANISH/ENGLISH)

ITEM	PART NUMBER	QTY	DESCRIPTION	REV
	1001289742	Ref	DECAL INSTALLATION - REFERENCE CHART	A
	1001246464	Ref	DECALS INSTALLATION	G
1	0760610	4	Bolt M6 x 20	
2	0860520	1	Box, Manual Storage	
4	1701499	4	Decal - No Tie-Down/No Lift	
5	1701500	4	Decal - Lift	
6	1701504	1	Decal - Hydraulic Oil	
7	1701509	1	Decal - Manual	
8	1701529	2	Decal - Arrow	
9	1701642	2	Decal - Arrow	
10	1702300	8	Decal - Tie-Down	
11	1001113171	1	Decal - Crushing	
12	See Note	NSS	Decal - Bar Code (Note: Not Available for Purchase)	
16	1704001	2	Decal - No Hands	
17	1703923	1	Decal - Danger/Warning	
19	1703947	4	Decal - Warning Crushing	
20	1703935	5	Decal - Electrocution	
21	1703941	2	Decal - Warning Crushing	
22	1704277	2	Decal - Lanyard Attach	
23	1704412	1	Decal - Hydraulic Oil	
26	1705910	1	Decal - Drive/Steer Instructions	
27	2080057	2	Fastener	
29	1703983	1	Nameplate - Footswitch	
31	3290605	4	Nut M6	
33	4811700	8	Washer M6	
35	1001284677	1	Decal - Lift Diagram	
36	1001119578	2	Decal - 340AJ (Prior to SN 0300280427)	
36	1001267323	2	Decal - 340AJ (SN 0300280427 to Present)	
37	1001307236	4	Decal - Tire Load	
38	1001119981	1	Decal - Manual Turntable Rotate	
39	1001120283	1	Decal - No Pipe Racks	
40	1001253930	1	Decal - Warning Single Capacity	
41	1001253931	1	Decal - Warning Single Capacity	
42	1001127549	1	Decal - Manual Descent	
43	1001127588	1	Decal - Manual Descent	
45	1001224049	1	Decal - Yearly Inspection	
48	1705917	1	Decal - Warning Inspection	

SECTION 9 - DECALS

FIGURE 9-10. OPTIONAL DECALS INSTALLATION



ART_DECAL_OPTIONS

SECTION 9 - DECALS

FIGURE 9-10. OPTIONAL DECALS INSTALLATION

ITEM	PART NUMBER	QTY	DESCRIPTION	REV
		Ref	OPTIONAL DECALS INSTALLATION	
33	1700818	2	Decal - Fuel (LP Gas Machines) (English Language) (ANSI, ANSI Export and CSA Specs)	
33	1704271	2	Decal - Fuel (LP Gas Machines) (English/French Languages) (CSA Specs)	
	1001119661	1	Decal - Fuel (LP Gas Machines) (English/Spanish Languages) (ANSI Export and China Specs)	
52	1001130492	1	Decal - Sound Power Level	
108	1001231801	1	Decal - Warning Proposition 65	
120	4420051	AR	Tape, Safety	
205	See Note	1	Nameplate - Manufacturers Serial Number (Note: Not Available for Purchase)	
215	1001110613	Ref	JLG Logo Installation	B
215A	1702773	1	Decal - JLG	
215B	1702774	1	Decal - JLG Lift	
215C	1702860	1	Decal - JLG Lift	
215D	1704885	2	Decal - Website	
218	3251813	1	Decal - USA (ANSI, ANSI Export and CSA Specs)	
226	1704972	1	Decal - Warning Explosion/Fire (ANSI Spec)	
226	1706098	1	Decal - Warning Explosion/Fire (Australian, CE & UK CA Spec)	
226	1706059	1	Decal - Warning Explosion/Fire (Brazil Spec)	
226	1706064	1	Decal - Warning Explosion/Fire (CSA Spec)	
226	1706060	1	Decal - Warning Explosion/Fire (Chinese Spec)	
226	1706062	1	Decal - Warning Explosion/Fire (Japanese Spec)	
226	1706061	1	Decal - Warning Explosion/Fire (Korean Spec)	
226	1706063	1	Decal - Warning Explosion/Fire (Latin America Spec)	
238	1001108923	1	Decal - Low Sulfur Fuel Spec (ANSI and CSA Specs Only)	
238	1001139654	1	Decal - Ultra Low Sulfur Fuel Spec (Japanese, CE & UK CA Specs Only)	
245	1001119459	Ref	Decal Installation - ClearSky (Machines with ClearSky Option)	
245A	1001116208	2	Decal - ClearSky	
245B	1001120989	1	Decal - Radio Frequency	
245	1001294762	Ref	Clearsky Smart Fleet Decal Installation	
245A	1001120989	1	Decal - Radio Frequency	
245B	1001294815	1	Decal - ClearSky	
262	1001141300	1	Decal - SkyGuard Override	
263	1001197408	1	Decal - MSSO	
274	1001214030	1	Decal - EAC Installation (CIS and Russia Specs)	
274A	1001173703	1	Decal - EAC	

SECTION 10 - RECOMMENDED SERVICE PARTS STOCK

SECTION 10 - RECOMMENDED SERVICE PARTS STOCK

SECTION 10 - RECOMMENDED SERVICE PARTS STOCK

FIGURE 10-1. RECOMMEDED SERVICE PARTS STOCK

ITEM	PART NUMBER	QTY	DESCRIPTION	REV
		Ref	Note: The following list will service one machine (built to current production per date on the front cover) with emergency repair parts which can be installed in the field. Parts from the list should be replaced when inventory is depleted to keep service parts stock supplied. For further information, contact your JLG dealer or the JLG Industries Parts Department.	
	70000126	1	Circuit Breaker (220V/50HZ Generators)	
	70002240	1	Circuit Breaker (120V/50HZ Generators)	
	1001181045	1	Breaker, Combination 16Amp/30mAmp (CE & UK CA Specs)	
	1001109477	1	Breaker, 10Amp (100119927 and 100119928 Generator Harness)	
	70002386	1	Coil (Boom, Flow Divider, Main Control & Manual Valves/Lift Cylinders)	
	70002963	1	Coil (Boom & Main Control Valves)	
	70002971	1	Coil (Flow Divider & Main Control Valves)	
	70002149	1	Coil Kit (Pump Assembly)	
	70003788	1	Coil (Main Control Valve)	
	1001212415	1	Drive/Steer Controller Assembly	
	1001129555	1	Lift/Swing Controller Assembly	
	70002237	2	Diode (Generators)	
	3990010	2	Diode 10 Amp (Mid Engine Harness)	
	70010383	1	Element, Filter (Includes O-Ring) (Charge Pump)	
		Ref	ENGINE COMPONENTS - GM	
	7015004	12	Element, Air Cleaner (GM Engines)	
	7027972	12	Filter, Fuel (GM Engines)	
	70002979	12	Filter, Oil (GM Engines)	
	70003178	1	Module, Control (GM Engines)	
		Ref	ENGINE COMPONENTS - KUBOTA	
	70005296	12	Element (Kubota Engines - Fuel/Water Separator)	
	7015004	12	Element, Air Cleaner (Kubota Engines)	
	1001190545	12	Filter, Fuel (Kubota Engines)	
	70004395	12	Filter, Oil (Kubota Engines)	
	70002812	12	Hydraulic Breather/Filter Kit	
	2860030	1	Key, Replacement	
	2940074	1	Latch (Machines with Platform Gate)	
	1001120431	1	Module, Ground Control	
	1001142683	1	Module, Beacon Control Blue & Red Beacons)	
	1001118412	1	Module, Platform	
	3740080	1	Relay (Head/Tail Lights and Turntable Floodlights)	
	1001186431	1	Relay (SkyGuard)	
	1001117025	1	Relay and Connector Assembly (Chassis & Engine & Generator Harnesses)	
	3740086	1	Relay (SkyLine)	
	1001219601	1	Sensor (Tilt Dual Axis CAN)	
	1001228225	1	Sensor, Emitter (SkyEye)	
	1001228224	1	Sensor, Receiver (SkyEye)	
	1001232667	1	Sensor, Proximity (SkyLine)	
	1001311034	1	Sensor, Proximity (SkyLine)	
	1001119170	1	Switch, Limit (Ground Components)	
	4360548	1	Switch, Limit (Boom)	
	4360328	1	Switch, Toggle (Ground Controls)	

SECTION 10 - RECOMMENDED SERVICE PARTS STOCK

ITEM	PART NUMBER	QTY	DESCRIPTION	REV
	4360475	1	Switch, Emergency Stop (Ground Controls)	
	1001274559	1	Switch, Emergency Stop (Platform Controls)	
	4360476	1	Switch, Contact Block, (Ground & Platform Controls)	
	4360387	1	Switch, Push Button (Ground & Platform Controls)	
	4360469	1	Switch, Key (Ground Controls)	
	4360522	1	Switch, Push Button (Head/Tail Lights and Turntable Floodlights) (Ground Controls)	
	4360336	1	Switch, Toggle (Machines with Generator & All Gas Powered Machines)	
	1001117174	1	Footswitch Assembly (Platform)	
	1001155045	1	Switch, Toggle (Platform Controls)	
	1001159256	1	Switch, Toggle (Platform Controls)	
	1001161709	1	Switch, Toggle (Platform Controls)	
	4360407	1	Switch, Potentiometer (Platform Controls)	
	1001137673	1	Switch, SkyGuard Bar (Platform Controls)	
	70004682	1	Switch, On/Off/Reset (4000W Generator)	

SECTION 11 - SPECIAL OPTIONS/ACCESSORIES/KITS

SECTION 11 - SPECIAL OPTIONS/ACCESSORIES/KITS

SECTION 11 - SPECIAL OPTIONS/ACCESSORIES/KITS

FIGURE 11-1. SPECIAL OPTIONS/ACCESSORIES/KITS

ITEM	PART NUMBER	QTY	DESCRIPTION	REV
		Ref	Note: This list is to accommodate machines ordered with special equipment. Options may not be applicable to all models. For more specific parts information contact JLG Parts Department.	
		Ref	MISCELLANEOUS SPECIAL OPTIONS	
		Ref	Air Line at Platform Installations	
	1001119028	Ref	Machines without Arctic Package	
	1001119378	Ref	Machines with Arctic Package	
	1001119803	Ref	Bellows Installations	
	1001148971	Ref	Bolt-on Lanyard Kit (Platform)	
	1001119962	Ref	Boom Wiper Installation	
	1001172045	Ref	Cable/Ladder Rack Installation	
		Ref	ClearSky Telematic Add-on Kits (Dealer Installed)	
	1001144010	Ref	ClearSky Add-on Kit - Gold (With UGM) (USA and Canada Specs Only)	
	1001118234	Ref	ClearSky Add-on Kit - Bronze (Without Non-ADE/UGM) (USA Specs Only)	
	1001118235	Ref	ClearSky Add-on Kit - Bronze (Without Non-ADE/UGM) (Canada Specs Only)	
	1001276923	Ref	ClearSky GT1030 Add-on Kit (Dealer Installed)	
	1001242192	Ref	ClearSky (Telematics) Access Control Add-on Kit (Dealer Installed) (ANSI, ANSI Export and CSA Specs)	
	1001243183	Ref	ClearSky (Telematics) Added-on Kit (Dealer Installed) (ANSI, ANSI Export and CSA Specs)	
	1001243184	Ref	ClearSky (Telematics) Added-on Kit (Dealer Installed) (CE & UK CA Specs)	
	1001246142	Ref	ClearSky (Telematics) Added-on Kit (Dealer Installed) (Australian Specs)	
		Ref	ClearSky Telematic Installation (Factory Installed)	
	1001227454	Ref	ClearSky (Telematics) Installation (Factory Installed) - Canbus Connection (ANSI and CSA Specs)	
	1001228956	Ref	ClearSky (Telematics) Installation (Factory Installed) - Canbus Connection (ANSI Export, CE & UK CA Specs)	
	1001276610	Ref	ClearSky (Telematics) Installation (Factory Installed) - 3 Wire Connection (All Specs except Australian & China Specs)	
	1001246486	Ref	ClearSky (Telematics) Installation (Factory Installed) - 3 Wire Connection (Australian Specs)	
	1001246487	Ref	ClearSky (Telematics) Installation (Factory Installed) - 3 Wire Connection (China Specs)	
	1001294762	1	Decal - ClearSky	
	1001262959	Ref	ClearSky Voltage Regulator Installation Kit	
		Ref	Cold Weather Start Kits (Not Available on Australian, CE & UK CA Spec Machines)	
	1001119989	Ref	Diesel Engine Machines	
	1001119987	Ref	Gas Engine Machines	
	1001276007	Ref	Controller Service Kit - Drive/Steer	
	1001276008	Ref	Controller Service Kit - Lift/Swing	
	1001119397	Ref	Cribbing Switch Installation	
		Ref	Decal Kit Options:	
	1001270523	Ref	Decal Kit - Machine	
	1001241332	Ref	Decal Kit - (Service) Platform	
	1001241338	Ref	Decal Kit - (Service) Platform Console Kit	
	1001138005	Ref	Engine Air Flow Improvement Kit - GM Engines	

SECTION 11 - SPECIAL OPTIONS/ACCESSORIES/KITS

ITEM	PART NUMBER	QTY	DESCRIPTION	REV
	1001119988	Ref	Engine Block Heater Installation (Gas Engine Machines)	
	1001186578	Ref	Fan Guard (Kubota Engines)	
		Ref	Filter Kits:	
		Ref	Combined Filter Kit (Hydraulic/Air and Fuel/Engine Oil)	
	1001133070	1	Kubota Engines	
	1001151649	1	GM Engines	
	1001117294	Ref	Foot Switch Shield	
	1001209659	Ref	Fuel Cap Cover (Lockable) (Black)	
	1001209658	Ref	Fuel Cap Cover (Lockable) (Green)	
	1001205441	Ref	Fuel Cap Cover (Lockable) (Red)	
	1001120103	Ref	Ground Control Cover Installation	
	1001120197	Ref	Hourmeter for Generator Installation	
	1001157918	Ref	Hourmeter for Generator Installation (Kubota Engines Only)	
		Ref	Hose Kits	
	1001239566	Ref	Hose Kits - Platform Valve	
	1001239565	Ref	Hose Kits - Power-Track (Upper)	
	1001241392	Ref	Hostile Environment Kit	
	1001236951	Ref	Low Temperature Cutout Installation (Russian Specs)	
	1001272166	Ref	Pipe Rack Add-on Kit (Dealer Installed)	
	1001195304	Ref	Platform Console Cover Installation	
	1580013	Ref	Platform Corner Storage Tray	
	1001274833	Ref	Platform Floor Matt Add-on Kit (30IN x 48IN Platform) (Dealer Installed)	
	1001274832	Ref	Platform Floor Matt Add-on Kit (30IN x 60IN Platform) (Dealer Installed)	
		Ref	Platform Mesh to Top Rail Installations (Side Entry Platforms) (ANSI, ANSI Export and China Specs)	
	0273147	Ref	30in x 4ft (76cm x 1.22m)	
	0273146	Ref	30in x 5ft (76cm x 1.52m)	
		Ref	Platform Plastic Mesh to Top Rail Installations (Side Entry Platforms) (ANSI, ANSI Export and CSA Specs)	
	1001266807	Ref	30in x 4ft (76cm x 1.22m)	
	1001266801	Ref	30in x 5ft (76cm x 1.52m)	
		Ref	Platform Mesh to Mid Rail Installations (Side Entry Platforms) (ANSI, ANSI Export, Australian and China Specs)	
	1001140318	Ref	30in x 4ft (76cm x 1.22m)	
	1001140315	Ref	30in x 5ft (76cm x 1.52m)	
		Ref	Platform Plastic Mesh to Mid Rail Installations (Side Entry Platforms) (ANSI, ANSI Export, and Australian Specs)	
	1001266969	Ref	30in x 4ft (76cm x 1.22m)	
	1001266799	Ref	30in x 5ft (76cm x 1.52m)	
	1001281456	Ref	30in X 4ft Mesh Top Rail Kit	
	1001281455	Ref	30in X 5ft Mesh Top Rail Kit	
	1001281461	Ref	30in X 4ft Mesh Mid Rail Kit	
	1001281460	Ref	30in X 5ft Mesh Mid Rail Kit	
	1001103558	Ref	Platform Rail Extension Installation (30in x 60in Platforms)	
	1001103617	Ref	Platform Rail Extension Installation (30in x 48in Platforms)	
	1001250035	Ref	Platform Sensor Retrofit Kit	
	1001209059	Ref	Platform Work Surface	
	1001282215	Ref	Platform Worklight Kit	
	1001120176	Ref	Security Lock (Programmable) (ANSI, CE & UK CA Specs)	
	1001190900	Ref	Service Kits/ Tools	S
	1001241547	Ref	SkyEye Housing Kit (Left Side)	

SECTION 11 - SPECIAL OPTIONS/ACCESSORIES/KITS

ITEM	PART NUMBER	QTY	DESCRIPTION	REV
	1001241548	Ref	SkyEye Housing Kit (Right Side)	
	1001247073	Ref	SkyEye Retrofit kit	
		Ref	SkyGuard Components Options:	
	1001207138	Ref	SkyGuard Complete Add-on Kit (Blue Strobe Light)	
	1001210035	Ref	SkyGuard Complete Add-on Kit (Red Strobe Light)	
	1001219694	Ref	SkyGuard Platform System Kit	
	1001149565	Ref	SkyGuard Platform Sensor Kit	
	1001207140	Ref	SkyGuard Strobe Light Kit (Blue)	
	1001294067	Ref	Blue Beacon Kit	
	1001210034	Ref	SkyGuard Strobe Light Kit (Red)	
	1001293863	Ref	Red Beacon Kit	
	1001250595	Ref	SkyGuard 6-Pin Retrofit Installation Kit	
	1001292409	Ref	Amber Beacon Kit	
	1001249052	Ref	SkyGuard Retrofit Kit (Dealer Installed)	
	1001232643	Ref	SkyLine Add-on Kit (Dealer Installed)	
	1001289831	Ref	SkySense Level 1 Installation	
	1001289832	Ref	SkySense Level 2 Installation	
	1001289905	Ref	SkySense Level 1 Kit	
	1001289906	Ref	SkySense Level 2 Kit	
	1001228588	1	Telematics (Customer Supplied) Gateway	
	1001284514	1	Telematics (Customer Supplied) Gateway+	
	1001283290	Ref	Throttle Actuator Kit	
		Ref	Tools for Service	
		Ref	Note: For cylinder repair tools, see individual cylinder assemblies.	
	1001249695	Ref	Analyzer and Cable Kit	
	1001249941	Ref	Analyzer and Cable Kit (Battery Powered)	
	1001160531	Ref	Turntable Bearing Kit	
	1001274249	Ref	USB Charger Add-on Kit (Dealer Installed)	
	1001188446	Ref	Wear Pad kit - Boom	
	1001270755	Ref	White Noise Alarm (Ambient) Add-on Kit (Dealer Installed)	
	1001270716	Ref	White Noise Alarm (Constant) Add-on Kit (Dealer Installed)	
	1001277838	Ref	UGM2 Retrofit Kit	

SECTION 11 - SPECIAL OPTIONS/ACCESSORIES/KITS

PART NUMBER INDEX

SECTION 11 - SPECIAL OPTIONS/ACCESSORIES/KITS

0060044.....235, 239	0700408 ... 335, 337, 341, 343, 345, 347, 349, 351, 353, 355, 357	0760621 67, 69, 373, 377, 381, 385, 389, 393	1001097051.....479
0100009.....271	0700510 315, 325	0760812 ... 142, 166, 170, 219, 223, 233, 371	1001097150.....403
0100011....15, 17, 19, 23, 41, 47, 57, 59, 67, 69, 81, 83, 97, 99, 102, 106, 131, 133, 135, 137, 139, 142, 146, 150, 154, 158, 161, 163, 166, 170, 191, 195, 199, 203, 207, 211, 215, 219, 223, 227, 229, 231, 233, 243, 245, 247, 259, 261, 263, 283, 373, 377, 381, 385,389, 393, 411	0700608 47	0760814 43, 142, 146, 150, 154, 158	1001097244.....267, 269, 279, 473
0100019.....23, 51	0700610.... 269, 315, 325	0760815 ... 166, 170, 219, 223	1001097588.....131, 133, 135, 137
0100020 63, 65, 131, 133, 135, 137, 146, 150, 154, 158, 224, 277, 337, 343, 347, 351, 355, 357	0700615 87, 89	0760816 67, 69	1001098122.....277, 457
0100035.....271, 275	0700618 ... 335, 341, 345, 349, 353	0760817 142, 166, 170	1001098828.....243
0100048 67, 69, 131, 133, 135, 137, 146, 150, 154, 158, 166, 170	0700620 47	0761007 245	1001100321.....191, 199, 207, 215
0100081....109, 111, 373, 377, 381, 385, 389, 393	0700621 142	0761009 102, 106	1001100341.....459
0140011.....271	0700812 ... 131, 133, 135, 137	0761010 15, 47, 231	1001100342.....461
0140043.....67, 69	0700818 235, 237	0761011 ... 102, 106, 227, 229	1001100345.....467
0273146.....523	0700820 ... 373, 377, 381, 385, 389, 393	0761012 ... 57, 59, 67, 69, 102, 106, 227, 229, 314, 324, 371, 373, 377, 381, 385, 389, 393	1001100346.....471
0273147.....523	0700829 ... 373, 377, 381, 385, 389, 393	0761014 . 17, 23, 47, 142, 166, 170, 227, 229, 243, 381, 385, 389, 393	1001100347.....469
0275216.....335, 459	0701012 ... 191, 195, 199, 203, 207, 211, 215	0761015 23, 227, 229, 231, 267, 269	1001100825.....166, 170, 181
0275217341, 461	0701015 142, 166, 170	0761016 ... 131, 133, 135, 137, 143, 146, 150, 154, 158	1001102987.....47
0275218.....463	0701016 57, 59	0761018 166, 170	1001103012.....443, 493
0275219.....465	0701017 166, 170	0761210 102, 106, 231	1001103558.....523
0275452.....345, 467	0701018 ... 102, 106, 191, 195, 199, 203, 207, 211, 215, 235, 237	0761212 227, 229, 231	1001103617.....523
0275453.....349, 469	0701020 235, 237	0761214 57, 59, 146, 150, 154, 158, 231	1001104498.....443, 493
0275454.....353, 471	0701022 57, 59	0761215 227, 229, 243	1001106736.....67, 69
0340045....142, 166, 170	0701027 231	0761217 ... 131, 133, 135, 137, 146, 154	1001106757.....373, 377, 381, 385, 389, 393
0361810.....79	0701219 ... 191, 195, 199, 203, 207, 211, 215	0761614 17	1001107152.....373, 377, 381, 385, 389, 393
0400075.....79	0701220 15	0761615 231	1001107854.....443, 493
0440271.....15	0701221 142, 166, 170	0762014 97, 99	1001108290.....233
0440274.....15	0701222 171	0840055 451	1001108923.....515
0440291.....15	0711227 233	0860038 224, 333, 339	1001109477.....425, 427, 518
0630518.....75, 275	0711426 51	0860520 ... 497, 499, 501, 503, 505, 507, 509, 511, 513	1001109503.....71, 73
0630568.....271	0711432 51	0861731 ... 347, 351, 355, 357, 467, 469, 471	1001109528.....227, 229
0641404.....283	0721004 63, 65	0861781 ... 337, 343, 459, 461	1001110434.....272
0641405.....271, 283	0741607 219, 223	0861880 403	1001110613.....515
0641406.....265	0760505 ... 67, 69, 97, 99, 191, 195, 199, 203, 207, 211, 215	0902888 223	1001110873.....224, 333
0641408....166, 170, 220	0760508 ... 102, 106, 109, 111	0940048 231	1001110922.....23
0641412.....167, 171	0760605 ... 374, 378, 381, 385, 389, 393	0961845 259, 261, 263	1001112551.....499
0641414.....271	0760606 ... 192, 196, 200, 204, 208, 212, 216, 243	0961947 239, 241	1001112607.....227, 229
0641416....337, 343, 347, 351, 355, 357	0760607 ... 131, 135, 166, 170, 219, 223	0961948 ... 231, 233, 295, 297	1001112612.....443, 485
0641418.....259, 263	0760608 67, 69, 102, 106, 109, 111, 142, 146, 150, 154, 158, 166, 170, 373, 377	0961950 17	1001112796.....95, 485
0641420.....261	0760610 ... 79, 81, 83, 97, 99, 109, 131, 135, 142, 166, 170, 243, 267, 331, 335, 341, 345, 349, 353, 401, 497, 499, 501, 503, 505, 507, 509, 511, 513	0961951 ... 235, 237, 291, 293, 299	1001113166.....509
0641506....191, 195, 199, 203, 207, 211, 215	0760612 67, 69, 102, 106, 121, 123, 125, 127, 142, 166, 170, 191, 195, 199, 203, 207, 211, 215	0962140 15	1001113168.....505
0641516.....223	0760614 267, 269	0962224 231	1001113169.....507
0641605.....47		0962257 239, 241	1001113170.....501
0641609....142, 166, 170		0962259 231	1001113171.....513
0641618.....219, 223		0962292 235, 237	1001113509.....511
0641807.....142		0962449 397	1001113680.....501
0641813....139, 161, 163		0962520 219, 223	1001113961.....444
0651414.....167, 171		1001091102 93	1001114761.....47
0681608.....243		1001094670 235, 237	1001115649.....231
		1001096070 219	1001115650.....231
			1001115657.....231
			1001115661.....231
			1001115663.....231
			1001115669.....231
			1001115672.....227, 229, 231
			1001115766.....227
			1001115769.....57
			1001115770.....23
			1001115771.....15
			1001115772.....17
			1001115773.....35
			1001115780...19, 47, 247
			1001115781.....41

SECTION 11 - SPECIAL OPTIONS/ACCESSORIES/KITS

1001115783..... 503	1001117640..... 227, 229, 295	1001118650.....37	1001119237 314, 324
1001115784 373	1001117869..... 17	1001118651.....37	1001119268 85
1001115785 314	1001117884..... 227, 235	1001118654.....33	1001119277 79
1001115870 231	1001117885..... 227, 229, 233	1001118657.....413	1001119278 79
1001116208 515	1001117897..... 57, 63	1001118658.....413	1001119280 79
1001116228 247, 249	1001118029..... 19, 21	1001118660.....37	1001119324 314, 324
1001116339 57, 59, 61	1001118234..... 522	1001118665.....231	1001119365 314, 324
1001116361 17, 289	1001118235..... 522	1001118666.....231	1001119369 237, 241
1001116378 289	1001118262..... 63, 65	1001118675 167, 171	1001119370 229, 237
1001116433 373, 377, 381, 385, 389, 393	1001118274.. 41, 43, 233, 247, 373, 377, 381, 385, 389, 393	1001118720..... 196, 200, 212, 216	1001119371 229
1001116487 47, 49	1001118280..... 143, 166, 170	1001118743.....413	1001119378 522
1001116546 231	1001118287..... 233	1001118744.....413	1001119397 522
1001116547 231	1001118288..... 233	1001118745.....413	1001119399 77
1001116548 231	1001118292..... 373, 377, 381, 385, 389, 393, 397	1001118746..... 143, 167, 171	1001119404 314, 324
1001116692 95	1001118361..... 102, 106, 111	1001118748.....413	1001119449 314, 324
1001116694 95	1001118384..... 481	1001118751.....47	1001119455 314, 324
1001116720 447	1001118388..... 447, 481	1001118751.....47	1001119459 515
1001116727 405, 417, 421, 453	1001118394..... 235, 237	1001118878..... 167, 171	1001119489 314, 324
1001116732 405, 409, 413, 417, 443, 453	1001118412..... 271, 518	1001118915.....41	1001119494 143
1001116733 443	1001118453..... 143, 166, 170	1001118916.....41	1001119495 143
1001116734 405, 409, 413, 417, 443, 453	1001118459..... 102, 106	1001118925..... 167, 171	1001119496 143
1001116752 413	1001118502..... 57, 59	1001118938.....413	1001119504 245
1001116774 95, 485	1001118509..... 57, 59	1001118961.....51	1001119513 245
1001116788 15, 301	1001118510..... 57, 59	1001118975.....43	1001119525 314, 324
1001116793 23, 27	1001118511..... 17	1001119018.....373, 381, 389, 435	1001119527 ... 57, 59, 67, 69, 245
1001116808 95, 485	1001118518..... 17	1001119019.....373, 381, 389, 439	1001119546 314, 324
1001116810 444	1001118519..... 17	1001119020..... 444, 457, 485	1001119547 314, 324
1001116811 405, 453	1001118527..... 166, 170	1001119028.....522	1001119548 314
1001116812 95, 405, 443, 453	1001118528..... 166, 170	1001119035..... 314, 324	1001119550 315
1001116815 95, 444	1001118529..... 166, 170	1001119068..... 314, 324	1001119551 191, 195, 199, 203, 207, 211, 215
1001116835 247	1001118530..... 166, 171	1001119069..... 314, 324	1001119552 315
1001116867 15	1001118531..... 167, 171	1001119070..... 314, 324	1001119553 191, 195, 199, 203, 207, 211, 215
1001116905 314, 324	1001118532..... 167, 171	1001119071..... 314, 324	1001119554 191, 195, 199, 203, 207, 211, 215
1001117025 405, 409, 413, 417, 453, 518	1001118533..... 167, 171	1001119072..... 102, 106	1001119568 315
1001117028 139, 161, 163, 185	1001118538..... 167, 171	1001119077.....109	1001119569 315
1001117029 139, 161, 163, 189	1001118539..... 167, 171	1001119080..... 102, 106	1001119570 315
1001117030 23, 25	1001118540..... 167, 171	1001119083..... 102, 106	1001119572 315, 325
1001117055 413	1001118542..... 167, 171	1001119085..... 102, 106	1001119577 315, 325
1001117070 413	1001118543..... 167, 171	1001119086..... 109	1001119578 497, 499, 501, 503, 505, 507, 509, 511, 513
1001117078 443	1001118544..... 167, 171	1001119087..... 109	1001119582 211
1001117129 35, 37	1001118547..... 167, 171	1001119088..... 109	1001119583 195
1001117131 35	1001118548..... 146, 150, 154, 158	1001119089.....111	1001119584 215
1001117132 35	1001118579..... 167, 171	1001119090.....111	1001119585 199
1001117142 15	1001118580..... 167, 171	1001119091..... 111	1001119586 203, 211
1001117172 267, 269, 277	1001118582..... 373, 377, 381, 385, 389, 393	1001119092..... 102, 106	1001119587 195
1001117174 267, 269, 271, 277, 519	1001118593..... 373, 377, 381, 385, 389, 393	1001119102.....59	1001119588 207, 215
1001117239 102, 106	1001118594..... 143, 167, 171	1001119104..... 102, 106	1001119589 191, 199
1001117240 79	1001118595..... 247	1001119139..... 365, 373, 381	1001119593 315, 325
1001117243 102, 106	1001118638..... 167, 171, 413	1001119140..... 359, 373, 381	1001119594 315, 325
1001117281 109, 111	1001118641..... 31	1001119143..... 314, 324	1001119595 315, 325
1001117282 102, 106	1001118642..... 37	1001119170..67, 69, 449, 518	1001119596 315, 325
1001117294 523	1001118644..... 33	1001119176...67, 69, 449	1001119597 315, 325
1001117365 289	1001118646..... 131, 133, 135, 137, 146, 150, 154, 158	1001119194..... 373, 381, 389	1001119598 315, 325
1001117366 289	1001118649..... 31	1001119195..... 377, 385, 393	1001119600 315, 325
1001117372 289		1001119197..... 373, 377, 381, 385, 389, 393	1001119602 315, 325
		1001119228..... 374, 378, 381, 385, 389, 393	1001119603 315, 325
			1001119604 315, 325
			1001119605 315, 325
			1001119606 315, 325
			1001119607 315, 325
			1001119608 315, 325

SECTION 11 - SPECIAL OPTIONS/ACCESSORIES/KITS

1001119610.....315, 325	1001119954 377, 385, 393, 441	1001121719203	1001137451.....109, 113, 115, 117, 119
1001119611.....315, 325	1001119955 361, 377, 385	1001121720 191	1001137452.....113, 115, 117, 119
1001119612.....315, 325	1001119956 367, 377, 385	1001121721 207	1001137673.....519
1001119613.....315, 325	1001119962 522	1001121966 315, 325	1001138005.....522
1001119619.....477	1001119981 497, 499, 501, 503, 505, 507, 509, 511, 513	1001122527 231, 297	1001138494.....259, 261
1001119620.....475, 479	1001119987 522	1001123004 235, 237, 293	1001138514.....259, 261
1001119626.....315, 325	1001119988 523	1001123018 143, 167, 171	1001139654.....515
1001119627.....315, 325	1001119989 522	1001125108 315, 325	1001140315.....523
1001119630.....315, 325	1001120002 497	1001125118 192, 196, 200, 204, 208, 212, 216	1001140318.....523
1001119633.....195, 203, 211	1001120003 499	1001125235 227, 229	1001140429.....259, 261, 263
1001119634.....191, 199, 207, 215	1001120004 507	1001125249 315, 325	1001140524.....374, 378, 382, 386, 390, 394, 399
1001119635.....143	1001120007 167, 171	1001125291 67, 69	1001140525.....271, 489
1001119636.....143	1001120013 181	1001126009 481	1001141300.....515
1001119640.....143	1001120087 131, 133, 135, 137, 143, 146, 150, 154, 158, 167, 171	1001127115 47	1001141710.....67, 69
1001119641.....143	1001120090 131, 133, 135, 137, 143, 146, 150, 154, 158, 167, 171	1001127549 497, 499, 501, 503, 505, 507, 509, 511, 513	1001141967.....463, 465
1001119643.....143	1001120103 523	1001127588 497, 499, 501, 503, 505, 507, 509, 511, 513	1001141968.....463
1001119644.....143	1001120176 523	1001127703 315, 325	1001141969.....465
1001119649.....143	1001120197 523	1001127705 315, 325	1001141970.....465
1001119661.....515	1001120204 359, 361	1001128781 57, 59	1001141971.....463
1001119698.....143, 167, 171	1001120205 365, 367	1001128782 57, 59	1001142683...87, 89, 518
1001119699.....143	1001120232 97	1001128798 63	1001142736...87, 89, 485
1001119700.....143	1001120279 509	1001128799 65	1001144010.....522
1001119701.....143	1001120280 511	1001128888 167, 171	1001144147.....443, 444
1001119727.....143	1001120281 505	1001129043 65	1001144629.....255, 257
1001119730.....143	1001120282 501	1001129255 131, 133, 135, 137	1001146824.....102, 106
1001119733.....499	1001120283 513	1001129256 131, 133, 135, 137	1001147121.....219
1001119773.....192, 196, 200, 204, 208, 212, 216, 417	1001120287 97	1001129407 449	1001147233.....219, 223
1001119778.....131, 133, 135, 137, 415	1001120288 97, 99	1001129555 518	1001147234.....219, 223
1001119799.....415	1001120299 .. 97, 99, 409	1001130492 515	1001147365.....143, 167, 171
1001119803.....522	1001120307 167	1001130588 331	1001147431.....219, 223
1001119869.....333	1001120328 283	1001131269 497, 507	1001147436.....223
1001119870.....329	1001120371 451	1001131391 131, 133, 135, 137	1001147440.....109
1001119871.....339	1001120424 324	1001131968 363, 369	1001147441.....102, 106, 109
1001119872.....345	1001120425 325	1001133070 523	1001147470.....117, 150
1001119873.....349	1001120426 325	1001136231 406, 454	1001147471.....119, 158
1001119874.....353	1001120427 325	1001136232 406, 413, 454	1001147590.....102
1001119875.....335	1001120428 325	1001136244 247, 251	1001147642.....143, 167, 171
1001119876.....341	1001120429 325	1001137326 143	1001147643.....143, 167, 171
1001119881.....204, 208, 212, 216	1001120430 324	1001137327 143	1001148254.....131, 133, 135, 137, 139
1001119882.....192, 196, 200	1001120431 518	1001137336 143	1001148660.....219
1001119892.....131, 133, 135, 137	1001120450 143, 167, 171	1001137337 143	1001148663.....223
1001119919.....425, 431	1001120454 143	1001137367 121, 123, 125, 127	1001148971.....522
1001119920.....427, 433	1001120466 285	1001137369 131, 133, 135, 137	1001148975.....143
1001119921.....429	1001120474 285	1001137397 121, 123, 125, 127	1001149144.....99
1001119922.....423	1001120484 285	1001137398 143	1001149147.....99
1001119923.....431	1001120749 109	1001137399 143	1001149379.....167, 171
1001119924.....429	1001120974 233, 303	1001137400 143	1001149565.....524
1001119925.....423	1001120976 227, 229, 299	1001137401 121, 123, 125, 127	1001150619.....219
1001119926.....433	1001120989 515	1001137402 121, 123, 125, 127	1001151188.....181
1001119927.....425	1001121172 405, 454		1001151393.....77
1001119928.....427	1001121221 315, 325		1001151649.....523
1001119929.....143, 196, 200, 212, 216, 219, 223	1001121531 167, 171		1001152266.....491
1001119930.....143	1001121574 413		1001152457.....224
1001119937.....377	1001121672 33		1001153015.....51, 55
1001119953.....377, 385, 393, 437	1001121678 31		1001153814.....223

SECTION 11 - SPECIAL OPTIONS/ACCESSORIES/KITS

1001155045 271, 519	1001194741..... 143	1001226400..... 435, 437, 439, 441	1001242192 522
1001155381 389	1001195234..... 139, 142	1001226530..... 371	1001242849 87
1001155382 393	1001195304..... 523	1001226541 444	1001242850 89
1001155743 67, 69	1001196242..... 43	1001226831 91, 95	1001243034 171
1001156351 386	1001196636..... 491	1001226872 263	1001243035 171
1001156352 386	1001197408..... 515	1001227454 522	1001243183 522
1001157310 369, 389, 393	1001199306..... 293, 303	1001227633 281	1001243184 522
1001157311 363, 389, 393	1001199461..... 303	1001227634 281	1001244462 93
1001157915 219, 224, 421	1001200472..... 47	1001227985 281	1001244528 271, 457
1001157916 219, 224, 419	1001200491..... 243	1001227987 281	1001245389 267, 269, 271
1001157918 523	1001203719..... 67, 69	1001227996 475, 479	1001245407 267
1001159027 487	1001205441..... 523	1001228215 263	1001245427 269
1001159256 271, 519	1001205958..... 347, 351, 355	1001228224 281, 518	1001245868 497
1001160531 55, 524	1001206476..... 371	1001228225 281, 518	1001245869 507
1001161433 113, 146	1001206532..... 272	1001228588 524	1001246142 522
1001161434 115, 154	1001206737..... 81	1001228627 243	1001246460 509
1001161709 271, 519	1001207138..... 524	1001228956 522	1001246461 511
1001168210 291	1001207140..... 524	1001229341 281	1001246462 505
1001170764 491	1001208874..... 47	1001231153 231	1001246463 501
1001170981 167, 171	1001209059..... 523	1001231609 39	1001246464 513
1001172045 522	1001209658..... 523	1001231610 39	1001246486 522
1001172760 271	1001209659..... 523	1001231801 515	1001246487 522
1001173703 515	1001210034..... 524	1001231886 81	1001246859 443, 493
1001176469 73	1001210035..... 524	1001232164 281	1001247073 524
1001181045 403, 518	1001210636..... 279	1001232165 281	1001247468 243
1001182806 81	1001210829..... 47	1001232642 283	1001249052 524
1001184618 271	1001211509..... 59, 65	1001232643 524	1001249695 524
1001184626 271	1001212415..... 518	1001232667 283, 518	1001249941 524
1001184682 83	1001213447..... 457	1001236093 75	1001250035 523
1001185030 17	1001213882..... 271	1001236433 75	1001250595 524
1001185281 271	1001214030..... 515	1001236552 283	1001253920 497
1001186375 259	1001214397..... 371	1001236816 97	1001253921 497
1001186377 261	1001214570..... 371	1001236951 523	1001253922 507
1001186386 257	1001214571..... 371	1001237667 443, 457	1001253923 507
1001186387 255	1001215228..... 271	1001237668 443, 457	1001253924 511
1001186431 518	1001215898..... 91	1001237862 475, 479	1001253925 511
1001186432 447, 481	1001216630..... 243	1001237863 281, 479	1001253926 505
1001186578 523	1001217227..... 243	1001237864 281, 475	1001253927 505
1001187674 281	1001217228..... 243	1001237865 281, 477	1001253928 501
1001187681 477	1001217242..... 243	1001237878 371	1001253929 501
1001187807 75, 275	1001217243..... 243	1001237879 371	1001253930 513
1001188093 405	1001217244..... 243	1001237880 371	1001253931 513
1001188322 401	1001217253..... 243	1001237881 371	1001253932 509
1001188446 524	1001217254..... 243	1001237999 167, 171, 175	1001253933 509
1001188622 243	1001217267..... 243	1001238001 161, 166	1001254472 283
1001188844 243	1001219082..... 91	1001238002 163, 170	1001254473 283
1001190545 146, 150, 154, 158, 518	1001219601... 67, 69, 518	1001238004 146, 154, 161	1001257690 397
1001190609 146, 150, 154, 158, 183	1001219694..... 524	1001238005 150, 158, 163	1001262959 522
1001190663 81, 83	1001220187..... 102, 106	1001238319 281	1001263178 83
1001190900 523	1001223055..... 497	1001238418 283, 481	1001263657 131, 133, 135, 137
1001190985 243	1001223453..... 497, 507	1001238472 283	1001263658 131, 133, 135, 137
1001192401 444	1001223971 507	1001238559 283	1001263659 131, 133, 135, 137
1001193018 335, 337, 341, 343, 345, 347, 349, 351, 353, 355, 357	1001224048..... 511	1001238749 75	1001266041 71
1001194197 347	1001224049..... 513	1001239565 523	1001266043 73
1001194198 351	1001224050..... 505	1001239566 523	1001266044 67, 71
1001194200 355	1001224052..... 501	1001239804 39	1001266045 69, 73
1001194203 337	1001224053..... 509	1001241332 522	1001266799 523
1001194204 343	1001224891..... 245	1001241338 522	1001266801 523
1001194365 357	1001225346..... 371	1001241392 523	1001266807 523
	1001225420..... 131, 133, 135, 137	1001241400 75, 275	1001266969 523
	1001225580..... 447	1001241547 523	1001267323 497, 499, 501, 503, 505, 507, 509, 511, 513
	1001225990..... 227, 229, 291	1001241548 524	
		1001241965 283	

SECTION 11 - SPECIAL OPTIONS/ACCESSORIES/KITS

1001270523.....522	1001289832.....524	1320136.....97, 99, 243	1703925.....505
1001270594.....85	1001289851.....411	1320220.....43	1703926.....509
1001270716.....524	1001289905.....524	1320223.....79, 142, 166,	1703927.....511
1001270755.....524	1001289906.....524	170, 371	1703928.....501
1001271212.....233	1001290257.....179	1320263.....381, 385	1703935.....513
1001271234.....233	1001290378.....179	1320274...146, 150, 154,	1703936.....507
1001271497.....457	1001290381.....179	158	1703937.....505
1001271794.....67, 69	1001290384.....179	1321283...131, 133, 135,	1703938.....509
1001272166.....523	1001290385.....179	137	1703939.....511
1001272533.....39	1001291530..67, 69, 491	1321293.....67, 69	1703940.....501
1001272666.....167, 171	1001291852.....179	1321682....142, 166, 170	1703941.....513
1001272681.....87	1001292409.....524	132171667, 69, 142, 166,	1703942.....507
1001272682.....89	1001293863.....524	170, 314, 324	1703943.....505
1001272948.....167, 171	1001294067.....524	1340069....143, 166, 170	1703944.....509
1001272950.....167, 171	1001294632.....51, 53	1380136.....47	1703945.....511
1001273101.....167, 172	1001294762.....515, 522	1580011.....142	1703946.....501
1001274140.....167, 171	1001294815.....515	1580012.....265	1703947.....513
1001274249.....524	1001295066.....179	1580013.....523	1703948.....507
1001274559.....271, 519	1001296395.....51	1670603.....357	1703949.....505
1001274814.....473	1001297092.....179	1670899...373, 377, 381,	1703950.....509
1001274828.....279	1001297093.....179	385, 389, 393	1703951.....511
1001274832.....523	1001297094.....179	1671092...374, 378, 382,	1703952.....501
1001274833.....523	1001299465.....179	390, 394	1703953.....497
1001275628.....271	1001299466.....179	1671093...374, 378, 382,	1703980.....509
1001275629.....271	1001299467.....179	390, 394	1703981.....511
1001276007.....522	1001299468.....179	1700818.....515	1703982.....505
1001276008.....522	1001299470.....179	1701499...497, 499, 501,	1703983.....513
1001276143.....493	1001299513..67, 69, 443	503, 505, 507, 509,	1703984.....507
1001276610.....522	1001299890.....179	511, 513	1703985.....501
1001276923.....522	1001299953.....131, 135	1701500...497, 499, 501,	1704000.....507
1001277838.....524	1001300355.....131, 133,	503, 505, 507, 509,	1704001.....513
1001280340.....67, 69	135, 137	511, 513	1704002.....501
1001280406.....71, 73	1001300356.....131, 133,	1701504...497, 499, 501,	1704260.....271
1001280661.....411	135, 137	503, 505, 507, 509,	1704271.....515
1001281298.....179	1001300357.....131, 133,	511, 513	1704277...497, 499, 501,
1001281301.....179	135, 137	1701505.....57	503, 505, 507, 509,
1001281307.....179	1001300538.....131, 135	1701509...497, 499, 501,	511, 513
1001281359.....179	1001300764.....121, 123,	503, 505, 507, 509,	1704412...497, 499, 501,
1001281360.....179	131, 133	511, 513	503, 505, 507, 509,
1001281455.....523	1001301503.....125, 127,	1701517.....499, 503	511, 513
1001281456.....523	135, 137	1701518.....499, 503	1704885.....515
1001281460.....523	1001301848.....131, 133,	1701529...497, 499, 501,	1704972.....515
1001281461.....523	135, 137	503, 505, 507, 509,	1705170.....97, 99
1001281656.....179	1001306128.....106	511, 513	1705325.....335, 337
1001282215.....523	1001306165.....133, 137	1701542.....59	1705344.....509
1001282260.....91	1001307236.....497, 499,	1701543.....43	1705345.....511
1001283290.....524	501, 503, 505, 507,	1701642...497, 499, 501,	1705347.....507
1001283776.....85, 483	509, 511, 513	503, 505, 507, 509,	1705348.....505
1001284443.....67	1001307391.....106	511, 513	1705349.....501
1001284444.....69	1001311034.....283, 518	1702300...497, 499, 501,	1705351.....497
1001284514.....91, 524	1001312158.....133, 137	503, 505, 507, 509,	1705387.....223
1001284582.....275	1060908.....403	511, 513	1705426.....509
1001284583.....275	1060918...267, 269, 277	1702391.....497	1705427.....511
1001284677.....497, 499,	10837580.....49, 303	1702565.....271	1705429.....507
501, 503, 505, 507,	1320012...142, 166, 170	1702566.....271	1705430.....505
509, 511, 513	1320016.....142	1702567.....271	1705489.....219
1001285733.....87, 89	1320022...142, 146, 150,	1702773.....515	1705822.....499, 503
1001285892.....93	154, 158	1702774.....515	1705828.....499, 503
1001286171...67, 69, 453	1320026...131, 133, 135,	1702860.....515	1705910.....513
1001286584.....85, 411	137	1702868.....497	1705917.....513
1001286749.....102	1320041.....377	1703162...142, 166, 170	1705921.....499, 503
1001287192.....93	1320043...146, 150, 154,	1703797.....497	1705961.....499, 503
1001289648.....411	158, 331, 335, 341,	1703798.....497	1705968.....505
1001289742.....497, 499,	345, 349, 353, 373,	1703804.....497	1705969.....511
501, 503, 505, 507,	401, 423, 429	1703805.....497	1705978.....499, 503
509, 511, 513	1320130...373, 377, 381,	1703923.....513	1706059.....515
1001289831.....524	385, 389, 393	1703924.....507	1706060.....515

SECTION 11 - SPECIAL OPTIONS/ACCESSORIES/KITS

1706061 515	2720615 142	3290807 166, 170	3740080 97, 99, 518
1706062 515	2820019 457	3291001 243	3740086 481, 518
1706063 515	2820030 449, 451	3291005 47, 57, 59, 67,	3760115 233
1706064 515	2820031 ... 191, 195, 199,	69, 79, 102, 106, 142,	3780182 15
1706098 515	203, 207, 211, 215,	166, 170, 191, 195,	3790012 271
2080040 ... 109, 113, 115,	219, 223, 374, 378,	199, 203, 207, 211,	3790152 139, 161, 163
117, 119, 121, 123,	381, 385, 389, 393	215, 227, 229, 231,	3820019 47
125, 127, 255, 257, 285	2820118 ... 435, 437, 439,	235, 237, 243, 267,	3820020 255, 257
2080057 ... 497, 499, 501,	441, 457	269, 314, 324, 371,	3820032 57, 59, 79
503, 505, 507, 509,	2820247 475, 479	373, 377, 381, 385,	3841143 ... 227, 229, 231,
511, 513	2860030 77, 518	389, 393	243
2110808 314, 324	2900770 ... 239, 291, 293,	3291201 243	3841203 227, 229, 231
2110810 315, 325	303	3291205 142, 166, 170,	3841258 17, 231
2131216 314, 324	2902549 ... 331, 335, 341,	191, 195, 199, 203,	3841520 15
2180348 ... 131, 133, 135,	345, 349, 353, 401, 403	207, 211, 215, 227,	3900349 271
137, 146, 150, 154, 158	2920110 99	229, 243	3910606 224
2180387 43	2920113 99	3291605 ... 131, 133, 135,	3910804 77
2180389 43	2920162 ... 191, 195, 199,	137, 146, 150, 154, 158	3911036 99
2180504 43	203, 207, 211, 215	3292001 85, 411	3931010 285
2180666 ... 146, 150, 154,	2940074 255, 257, 518	3300106 31, 33, 35, 37,	3931016 223
158	2940109 109, 111	39	3931832 51
2220124 51	3020043 411	3300151 259, 261, 263	3960422 ... 224, 333, 339
2220290 43	3200378 142, 170	3300353 271	3960464 ... 131, 133, 135,
2220365 314, 324	3200425 142	3300408 75	137, 142, 146, 150,
2220366 314, 324	3251102 ... 191, 195, 199,	3311005 99, 223, 285	154, 158, 166, 170
2220371 314, 324	203, 207, 211, 215,	3311405 166, 170, 220,	3990010 453, 518
2220373 314, 324	219, 223	283, 337, 343, 347,	4010618 259, 261
2220374 314, 324	3251242 ... 343, 347, 351,	351, 355, 357	4031505 281
2220415 314, 324	355, 357	3311501 235, 237	4031507 93, 411
2220451 314, 324	3251243 223, 329, 333	3311508 223	4031509 85, 87, 89
2220466 314, 324	3251813 515	3311601 271, 283	4031510 ... 373, 377, 381,
2220468 314, 324	3252347 497	3311605 142, 166, 170	385, 389, 393
2220472 314, 324	3252507 ... 331, 339, 341,	3321401 167, 171	4031512 67, 69, 373, 377,
2220473 314, 324	345, 349, 353, 401	3321402 166, 170	381, 385, 389, 393
2220499 314, 324	3290405 ... 67, 69, 85, 87,	3340758 231	4031516 283
2220500 315, 325	89, 93, 267, 269, 279,	3340860 235, 237	4031707 166, 170
2220501 314, 324	335, 337, 341, 343,	3340901 374, 378, 382,	4060092 339
2220502 314, 324	345, 347, 349, 351,	386, 390, 394	4060802 ... 191, 195, 199,
2220507 314, 324	353, 355, 357, 373,	3340939 ... 373, 377, 381,	203, 207, 211, 215,
2220582 314, 324	377, 381, 385, 389,	385, 389, 393	219, 223
2220605 315, 325	393, 473	3380434 267, 269	4060804 243
2220635 315, 325	3290505 91, 102, 106,	3422576 227, 229	4060805 243
2220819 314, 324	109, 111, 191, 195,	3422582 227, 229	4060808 ... 373, 377, 381,
2220828 314, 324	199, 203, 207, 211,	3422709 227, 229	385, 389, 393
2220881 289	215, 219, 223	3422745 233	4070897 233
2220883 289, 291	3290601 81, 83	3422787 231	4070898 233
2220885 289	3290605 ... 47, 67, 69, 79,	3422788 231	4100066 315, 325
2220940 315, 325	97, 99, 102, 106, 109,	3422790 227, 229	4240018 ... 314, 324, 373,
2220947 314, 324	111, 121, 123, 125,	3422791 235, 237	377, 381, 385, 389, 393
2221041 314, 324	127, 131, 135, 142,	3422792 227, 229	4240032 ... 67, 69, 85, 87,
2221053 314, 324	146, 150, 154, 158,	3422794 235, 237	89, 91, 97, 99
2221060 314, 324	166, 170, 191, 195,	3422814 227, 229	4240033 97, 99, 131, 133,
2221086 314, 324	199, 203, 207, 211,	3423081 15	135, 137, 281, 283
2400066 406, 453	215, 243, 267, 269,	3430616 271	4240099 271, 285
2420203 195, 203, 211	315, 325, 331, 335,	3470003 271	4240156 ... 373, 377, 381,
2460049 195, 203, 211	341, 345, 349, 353,	3520028 191, 195, 199,	385, 389, 393
2540020 87, 89	373, 377, 381, 385,	203, 207, 211, 215	4360328 71, 73, 518
2540045 ... 146, 150, 154,	389, 393, 401, 497,	3520030 111	4360336 ... 191, 195, 199,
158	499, 501, 503, 505,	3520054 271	203, 207, 211, 215,
2560122 47	507, 509, 511, 513	3520072 255, 257, 259,	219, 223, 269, 519
2560136 271	3290606 259, 261	261, 263	4360387 73, 271, 519
2600281 255, 257	3290607 87, 89	3520198 255, 257, 259,	4360407 271, 519
2720058 ... 142, 146, 150,	3290805 67, 69, 131, 133,	261, 263	4360469 77, 519
154, 158	135, 137, 142, 146,	3572551 235, 237	4360475 71, 73, 519
2720175 43	150, 154, 158, 235,	3580317 219, 223	4360476 71, 73, 271, 519
2720271 ... 142, 146, 150,	237, 371, 373, 377,	3580318 223	4360522 97, 99, 519
154, 158	381, 385, 389, 393	3580319 219	

SECTION 11 - SPECIAL OPTIONS/ACCESSORIES/KITS

4360548.....373, 377, 397, 518	4460496.....67, 69	4460942.....281	4751000.....99, 223, 285
4400275.....43	4460497.....67, 69	4460943 87, 89, 405, 443, 444, 453, 457, 477	4751400.....265, 267, 269, 271
4400498.....176	4460508... 281, 405, 439, 441, 453, 454, 457, 489	4460944 ... 405, 413, 443, 444, 451, 453, 457	4751500.....223, 235, 237
4420051.....515	4460509 ... 435, 437, 439, 441, 444	4460945 95, 405, 444, 454	4761400.....265
4460019.....409	4460518 95, 485	4460956 403	4791400.....219, 223
4460042.....413	4460536 457	4460957 403	4811400.....67, 69, 85, 87, 89, 267, 269, 279, 335, 337, 341, 343, 345, 347, 349, 351, 353, 355, 357, 373, 377, 381, 385, 389, 393, 411, 473
4460043.....413	4460539 95, 443, 457, 491	4460962 363	4811600.....91, 102, 106, 109, 111, 219, 223
4460071....224, 267, 269, 277, 333, 339	4460662 ... 345, 347, 351, 353, 355, 357	4460963 369	4811700....47, 67, 69, 81, 83, 87, 89, 109, 111, 121, 123, 125, 127, 142, 166, 170, 259, 261, 315, 325, 331, 335, 341, 345, 349, 353, 373, 377, 401, 497, 499, 501, 503, 505, 507, 509, 511, 513
4460121.....99, 331, 417	4460705 417	4460967 421	4811702.....79, 131, 135, 191, 195, 199, 203, 207, 211, 215, 243, 374, 378, 381, 385, 389, 393
4460125.....339	4460708 457	4460968 ... 335, 337, 341, 343, 349, 397	4811900.....43, 142, 146, 150, 154, 158, 166, 170, 219, 223, 371, 373, 377, 381, 385, 389, 393
4460134.....425, 431	4460709 ... 382, 423, 427, 433	4460970 397, 457	4811902.....47, 131, 133, 135, 137, 233, 235, 237
4460142.....413, 443	4460710 382, 427, 433	4460972 417	4812000 47, 79, 102, 106, 131, 133, 135, 137, 142, 146, 150, 154, 158, 166, 170, 191, 195, 199, 203, 207, 211, 215, 219, 223, 227, 229, 231, 243, 245, 267, 269, 371, 373, 377, 381, 385, 389, 393
4460205....333, 425, 429, 431	4460742 417, 421	4460973 417	4812002.....57, 59, 247
4460225....417, 419, 457	4460743 417	4460974 417	4812100.....15, 142, 166, 170, 243
4460226....267, 269, 277	4460746 413	4460979 405, 453	4812102 57, 59, 131, 133, 135, 137, 146, 150, 154, 158, 191, 195, 199, 203, 207, 211, 215
4460227405, 453, 457	4460761 405, 453, 457	4461012 267, 269, 473	4812300.....102, 106
4460233.....339	4460806 ... 347, 351, 417, 443	4461070 485	4812500....131, 133, 135, 137, 146, 150, 154, 158
4460234...67, 69, 91, 271	4460836 405, 451, 453	4461077 477, 481	4831400.....411
4460247413	4460837 405, 454	4461095 413, 485	4846278.....235, 237
4460256.....409, 413	4460865 ... 373, 377, 381, 385, 389, 393, 435, 437, 439, 441	4461109 413	4891500....191, 195, 199, 203, 207, 211, 215
4460259....421, 443, 457, 489	4460866 ... 373, 377, 381, 385, 389, 393, 405, 453, 457	4461110 406, 453	4891600....139, 161, 163, 243
4460260....421, 443, 457, 489	4460868 443	4461111 413	4891800....139, 161, 163
4460267417	4460871 81, 83, 405, 443, 444, 453, 457, 491, 493	4461112 406, 415, 453	4922641....191, 195, 199, 203, 207, 211, 215,
4460268.....417, 419	4460872 491	4461113 ... 406, 413, 415, 453	4923463.....361, 367
4460313.....415, 443	4460873 405, 453, 457	4461157 405, 453	
4460315.....333, 339	4460874 405, 453, 457	4461196 459	
4460346.....224, 333	4460875 457, 491	4461198 337, 459	
4460384.....357	4460876 444	4461199 461	
4460418.....443, 457	4460877 443	4461201 343, 461	
4460419.....443, 457	4460878 405, 453	4461205 ... 463, 465, 467, 469	
4460428.....271, 285	4460879 457	4461222 ... 406, 413, 415, 453	
4460434.....457	4460884 ... 405, 443, 447, 453, 491	4461231 143, 167, 171	
4460445.....417	4460887 405, 453, 457	4461232 143, 167, 171	
4460457421	4460888 457	4461244 347, 467	
4460458.....453	4460891 . 81, 83, 85, 397, 399, 405, 409, 413, 453, 485, 487, 491	4461245 351, 469	
4460464....267, 269, 277, 285, 397, 405, 406, 439, 441, 443, 447, 449, 453, 454, 457, 481, 483, 485, 487, 489, 491	4460892 405, 454	4461246 355, 471	
4460465....81, 83, 85, 95, 397, 399, 405, 409, 413, 417, 419, 421, 435, 437, 439, 441, 443, 444, 447, 451, 453, 457, 485, 487, 489, 491	4460894... 397, 399, 405, 443, 453, 457	4461249 471	
4460466.....95, 271, 281, 397, 399, 405, 413, 419, 421, 435, 437, 439, 441, 443, 444, 447, 451, 453, 454, 457, 477, 481, 483, 485, 489, 491	4460897 ... 406, 443, 483, 487	4520605 35	
4460470.....271	4460899 ... 406, 447, 454, 477, 481, 489	4640113 35, 37, 39	
4460471.....271	4460905... 405, 443, 444, 453, 457, 491, 493	4640858 289	
4460473....374, 378, 381, 385, 389, 393, 435, 437, 439, 441	4460910 475	4641284 315, 325	
4460474.....409, 413	4460911 477	4711400 ... 167, 171, 220, 259, 261, 263, 283, 337, 343, 347, 351, 355, 357	
4460488.....87, 89	4460928 485	4711600 219, 223, 271	
	4460930 405, 443, 453	4711800 142	
	4460931 483, 491	4740086 15	
	4460932 285, 405, 453	4740158 17	
	4460933 95, 271, 443, 451, 457, 485, 491	4740171 51	
	4460941 477	4740274 142, 166, 170	
		4740362 ... 121, 123, 125, 127, 142, 267, 269	
		4740397 ... 191, 195, 199, 203, 207, 211, 215, 219, 223	
		4740537 15	
		4740538 15	
		4740539 15	
		4740540 15	

SECTION 11 - SPECIAL OPTIONS/ACCESSORIES/KITS

4923505 ... 359, 365, 423, 425, 427, 429, 431, 433	70002154 185	70002601 185	70002974 49
5221000 245	70002155 185	70002603 185	70002976 49
5240600 102, 106	70002156 185	70002643 55	70002977 49
5240800 219, 223	70002157 185	70002644 55	70002978 21
5241000 17, 23	70002158 185	70002645 55	70002979 143, 518
5241200 233, 243	70002159 185	70002646 55	70002980 28
5241400 51	70002160 185	70002647 55	70002981 28
5241600 23	70002161 185	70002648 55	70002982 28
5250608 142	70002163 185	70002649 55	70002983 27
5250808 247	70002164 185	70002650 55	70002984 27
525081041, 47, 247, 315, 325	70002165 185, 186	70002651 55	70002985 27
5250812 142, 247	70002166 185	70002652 55	70002986 27
5251008 243	70002168 185	70002656 55	70002987 27
5251010 19, 227, 229, 233	70002169 185	70002657 55	70002988 27
5251012 17, 131, 133, 135, 137, 146, 150, 154, 158, 233	70002170 185	70002658 55	70002989 27
5251016 243	70002172 185	70002659 55	70002990 27
5260800 ... 373, 377, 381, 385, 389, 393	70002174 186	70002661 55	70002991 27
5281920 ... 373, 377, 381, 385, 389, 393	70002175 186	70002663 55	70002992 27
70000122 .. 195, 203, 211	70002176 186	70002664 55	70002993 27
70000123 . 191, 199, 207, 215	70002177 186	70002665 55	70002994 27
70000124 . 191, 199, 207, 215	70002178 186	70002666 55	70002995 27
70000125 . 191, 199, 207, 215	70002179 186	70002667 55	70002996 27
70000126 . 191, 199, 207, 215, 518	70002180 186	70002668 55	70002997 28
70000341 239	70002181 186	70002669 55	70002998 28
70000681 55	70002185 186	70002670 55	70002999 27
70000781 21	70002186 186	70002671 55	70003000 27
70001119 27	70002187 186	7000281 28	70003005 25
70001140 175	70002191 186	70002812 61, 518	70003006 25
70001368 27	70002192 186	70002838 61	70003007 25
70001697 241	70002237 . 191, 195, 199, 203, 207, 211, 215, 518	70002839 61	70003008 25
70001934 175	70002238 . 191, 199, 207, 215	70002840 61	70003009 25
70001935 175	70002240 . 195, 203, 211, 518	70002842 289	70003010 25
70001958 185	70002315 175	70002860 189	70003011 25
70001966 219, 223	70002316 175	70002861 189	70003012 25
70002063 21	70002317 175	70002862 189	70003013 25
70002112 61	70002318 175	70002863 185	70003014 25
70002132 185	70002319 175	70002864 186	70003016 25
70002133 185	70002320 175	70002865 186	70003060 175
70002134 185	70002321 175	70002866 186	70003061 175
70002135 185	70002322 175	70002867 186	70003062 175
70002136 186	70002323 175	70002868 186	70003063 175
70002137 185	70002327 176	70002899 ... 143, 167, 171	70003064 175
70002138 185	70002328 176	70002901 183	70003066 176
70002139 185	70002330 176	70002902 ... 267, 269, 277	70003067 176
70002140 185	70002334 .. 293, 295, 297	70002903 ... 267, 269, 277	70003068 . 203, 207, 211, 215
70002141 185	70002335 . 291, 293, 295, 297, 299, 303	70002904 ... 267, 269, 277	70003069 . 191, 195, 199, 203, 207, 211, 215
70002142 185	70002337 297, 301	70002905 ... 267, 269, 277	70003070 .. 191, 195, 199
70002145 186	70002344 295	70002954 251	70003071 297
70002146 186	70002352 299, 303	70002955 21	70003072 297
70002147 185	70002354 299	70002956 21	70003073 297
70002148 185	70002364 303	70002957 21	70003074 297
70002149 186, 518	70002366 .. 291, 299, 303	70002958 21	70003075 297
70002150 185	70002372 293	70002959 21	70003076 .. 293, 295, 297
70002151 185	70002373 293	70002960 21	70003077 297, 301
70002152 185	70002375 293	70002961 21	70003078 297, 301
70002153 185	70002380 301	70002962 21	70003079 297, 301
	70002386 21, 47, 49, 249, 293, 295, 297, 518	70002963 ... 21, 251, 518	70003080 297, 301
	70002389 303	70002964 49	70003081 .. 291, 297, 299
	70002410 297	70002965 49	70003082 295, 297
	70002412 295	70002966 49	70003083 295, 297
	70002413 291	70002967 49	70003084 299
	70002577 189	70002968 49	70003085 291, 299
		70002969 49	70003086 299
		70002970 49	70003088 299
		70002971 49, 518	70003089 .. 291, 299, 303
		70002972 49	
		70002973 49	

SECTION 11 - SPECIAL OPTIONS/ACCESSORIES/KITS

70003090...291, 299, 303	70004323..... 239, 241	7015004 ... 143, 166, 170, 518	7023156.....175
70003091...291, 299, 303	70004395..... 175, 518	7015005 143, 166, 170	7023157.....175
70003092...291, 299, 303	70004396..... 175	7016319 85	7023160.....175
70003093...291, 293, 299	70004397..... 175	7016372 85	7023162.....175
70003094...291, 293, 299	70004398..... 175	7016628 99	7023163.....175
70003095.....301	70004399..... 175	7017022 28	7023164.....175
70003096.....301	70004400..... 175	7017120 239	7023165.....175
70003097.....301	70004401..... 176	7017121 239	7023167.....175
70003098.....301	70004524..... 176	7017122 239, 241	7023170.....176
70003099.....301	70004536..... 176	7017123 239, 241	7023964.....186
70003100.....301	70004537..... 176	7017126 239, 241	7023970.....249
70003101.....301	70004538..... 176	7017127 239	7024108.....28
70003102.....301	70004539..... 176	7017172 239, 241	7024134.....28
70003103.....295	70004541..... 176	7017192 239, 241	7024441.....61
70003104.....295	70004542..... 176	7017196 239, 241	7024738.....27
70003105.....295	70004543..... 176	7017402 249, 251	7024741.....27
70003106.....295	70004544..... 175	7017406 21, 49	7024742.....27
70003108.....295	70004676..... 219, 223	7017427 251	7024744.....28
70003109.....295	70004678..... 219, 223	7017452 249, 251	7024844.....21
70003110.....295	70004679..... 219, 223	7017467 47	7024884.... 293, 295, 297
70003111.....295	70004682 .. 219, 224, 519	7017496 . 21, 47, 49, 293, 295, 297	7025479.....175
70003112.....295	70004683..... 219	7017498 251	7026041.....55
70003113.....295	70004688..... 219	7017901 175	7026048.....55
70003114.....303	70004689..... 219, 223	7017911 175	7026049.....55
70003115.....303	70004690..... 219	7017911 175	7026052.....55
70003116.....303	70004691..... 223	7017934 175	7026525.... 195, 203, 211
70003117.....303	70004692..... 224	7017945 175	7027350.....55
70003118.....293, 303	70005220 176	7017954 175	7027351.....55
70003119.....303	70005293 183	7017955 175	7027352.....55
70003120.....303	70005294 183	7017963 176	7027353.....55
70003121.....303	70005295 183	7020108 ... 191, 195, 199, 203, 207, 211, 215	7027359.....55
70003122.....293	70005296 183, 518	7020109 ... 191, 195, 199, 203, 207, 211, 215	7027887.... 191, 195, 199, 203, 207, 211, 215
70003123.....293	70005297 183	7020110 ... 191, 195, 199, 203, 207, 211, 215	7027900.....239, 241
70003124.....293	70005695 291	7020111 ... 191, 195, 199, 203, 207, 211, 215	7027901.....239, 241
70003125.....293	70005722 47	7020111 ... 191, 195, 199, 203, 207, 211, 215	7027956.....25
70003126.....293	70005973 291	7020152 195, 203, 211	7027957.....25
70003127.....293	70005974 291	7020175 71, 73	7027958.....25
70003128.....293	70006269 245	7020176 71, 73	7027959.....25
70003129.....293	70006280 245	7020190 ... 191, 195, 199, 203, 207, 211, 215	7027972..... 143, 518
70003130.....293	70006353 291	7020192 .. 191, 199, 207, 215	7028909.....87, 89
70003131.....291	70010383..... 47, 518	7021275 185	77133089..... 314, 324
70003132.....291	7001913 27	7021653 49	77363233.....419
70003133.....291	70022565 295	70222301 186	8007941.....25
70003134.....291	70023370 . 293, 295, 297, 303	7022301 185	80233041..... 315, 325
70003137...195, 203, 211	70023371 299	7022326 176	80325..... 102, 106
70003138.....55	7007415 186	7022340 186	80334555.....25
70003139.....55	7007439 185, 186	7023124 176	80633030..... 314, 324
70003141.....55	7007446 185	7023132 175	80673025... 142, 166, 170
70003142.....55	7007640 27	7023134 167, 171	8220029.....417
70003178..... 143, 518	7010543 .21, 49, 249, 303	7023136 175	8220164.... 406, 413, 453
70003179..... 143	7011323 239	7023139 175	8229244.....454
70003453.....293	7012513 ... 191, 195, 199, 203, 207, 211, 215	7023141 175	8229245.....454
70003708..... 219, 223	7012514 ... 191, 195, 199, 203, 207, 211, 215	7023144 175	8310668.....245
70003709..... 219, 223	7012941 21, 249	7023145 175	8310686.....315, 325
70003757.....49	7012953 21, 249	7023148 176	83191040... 139, 161, 163
70003788.....49, 518	7012955 249, 251	7023149 176	8405006.....142
70004069.....183	7012967 47, 249, 251, 293, 295, 297	7023154 175	8406110..... 389, 393
70004070.....183	7012998 49, 251		85941016..142, 166, 170, 315, 325
70004092..... 219, 223			91143172.....315, 325
70004098.....224			
70004099..... 219, 223			
70004311.....175			
70004322.....241			



**Corporate Office
JLG Industries, Inc.
1 JLG Drive
McConnellsburg, PA 17233-9533 USA
☎ (717) 485-5161 (Corporate)
☎ (877) 554-5438 (Customer Support)
📠 (717) 485-6417**

**Visit our website for JLG Worldwide Locations.
www.jlg.com**



OSHKOSH™