



Illustrated Parts Manual

Models
450A
450AJ

PVC
2401

P/N
31223013

June 3, 2024 - Rev B

ANSI

CE

EAC



UK
CA

AS/NZS



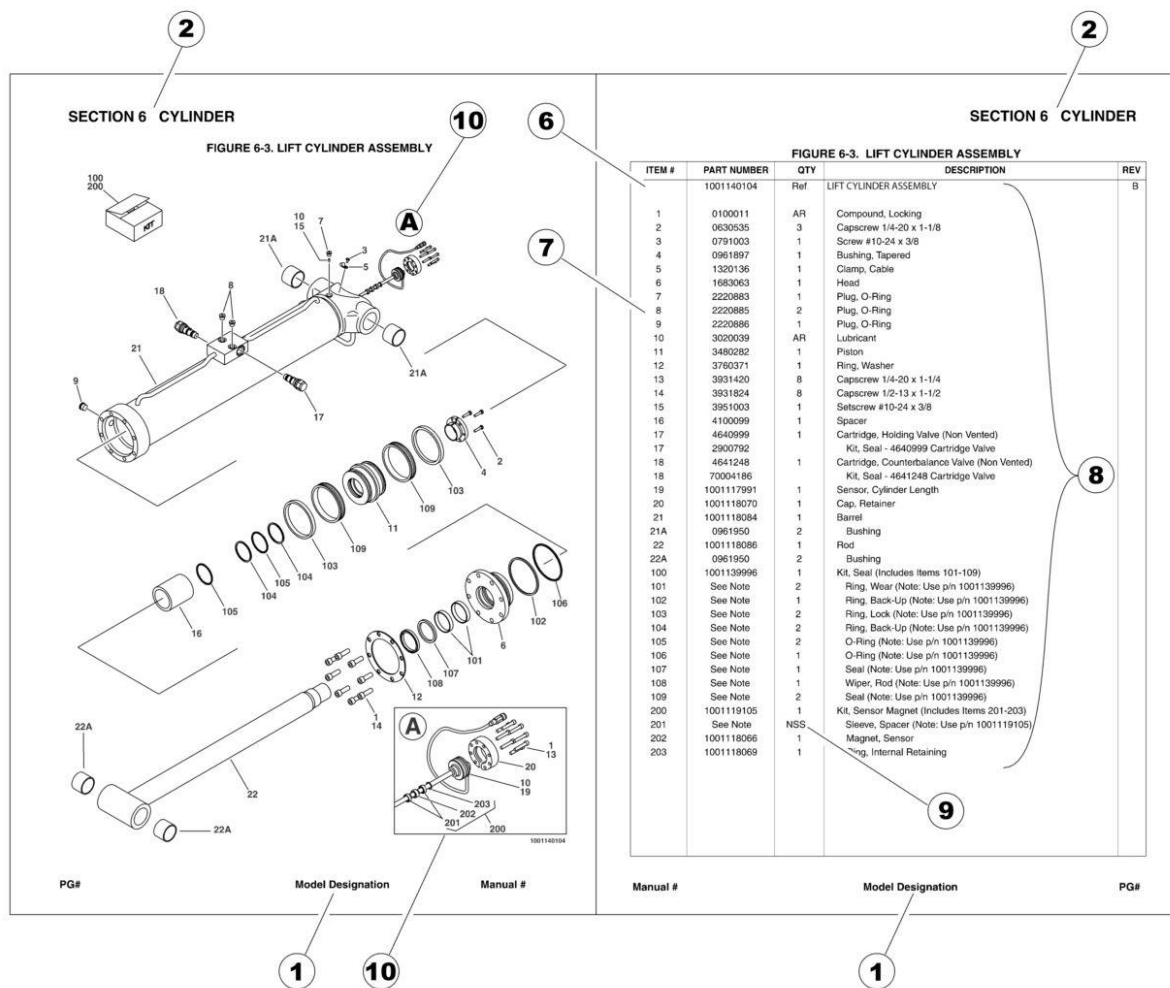
An Oshkosh Corporation Company

REVISION LOG

January 1, 2024 - A - Original Issue of Manual (Edited to B/M 1001247248 Revision AU)

June 3, 2024 - B - Revised Manual (Edited to B/M 1001247248 Revision AV)

GENERAL INFORMATION



1) MACHINE IDENTIFICATION

Machines are identified by model and in some cases a combination of models, serial number (SN) or regional standard (i.e ANSI, CE, CSA). Components may also be identified by SN or manufacturer. Common components that may be identified by these characteristics are engines and hydraulic components.

2) PARTS MANUAL ORGANIZATION

Product information in this manual is organized under section titles. Frame, Cylinder, Hydraulic and Electrical are a few examples. Each section is organized by figure and page number. The information within the Figure is then organized by item number, part number, description and corresponding illustration (s).

3) TABLE OF CONTENTS (NOT SHOWN)

A table of contents is found toward the beginning of the manual. Figure number, description and page number are provided for quick reference to the page containing the related information.

4) RECOMMENDED SPARE PARTS (NOT SHOWN)

The Recommended Spare Parts List, located near the end of the manual, reference most frequently used maintenance parts.

5) PART NUMBER INDEX (NOT SHOWN)

A numerical index listing all part numbers and the corresponding page number(s) appears at the back of the manual.

GENERAL INFORMATION

6) NON-SERVICED PARTS

In some instances, it is necessary to display non-serviced parts, assemblies or installations. In the case of assemblies and installations there will be a Ref in the Qty. column. In case of parts that are not available for service within assemblies or components, there will be a NSS (Not Sold Separately) or NLA (No Longer Available) listed in the Qty. column of the manual.

7) PARTS LIST ITEM NUMBERS

Numbers shown in the item# column correspond to numbers used in the associated illustration (s). Item numbers which are missing from the sequence in the parts list are not used on that page.

8) INDENTED PARTS DESCRIPTION

An indented part description is included in the item under which it is indented.

9) ABBREVIATION AND SYMBOLS

AC.....	Alternating Current	L.....	Liter
ADE.....	Advanced Design Electronics	LB(LBS).....	Pounds
AG.....	Agricultural	LCD.....	Liquid Crystal Display
ANSI.....	American National Standards Institute	LED.....	Light Emitting Diodes
AR.....	As Required	LH.....	Left Hand
ASSY.....	Assembly	LRC.....	Low Rated Countries
AUS.....	Australia	LSS.....	Load Sensing System
AUX.....	Auxiliary	M(m).....	Metric/Meter
AWG.....	American Wire Gauge	MM(mm).....	Milimeter
B/M.....	Bill of Material	mA.....	Miliamps
CAC.....	Charge Air Cooler	NLA.....	No Longer Available
CE.....	European Conformity	NPT.....	National Pipe Threads
CCW.....	Counter Clockwise	NSS.....	Not Sold Separately
CM.....	Centimeter	OD.....	Outside Diameter
CW.....	Clockwise	ORB.....	O-Ring Boss
CSA.....	Canadian Standards Association	ORFS.....	O-Ring Face Seal
CYL.....	Cylinder	OZ (oz).....	Ounces
DIA.....	Diameter	PG.....	Page
DC.....	Direct Current	PN.....	Part Number
DEF.....	Diesel Exhaust Fluid	QT(qt.).....	Quarts
EMS.....	Emergency Stop	QTY.....	Quantity
ENG.....	Engine	REF.....	Reference
FT(ft).....	Feet	REV.....	Revision Level
GA(Ga).....	Gauge	RH.....	Right Hand
HRC.....	High Rated Countries	SAE.....	Society of Automotive Engineers
HVAC.....	Heating, Ventilating, and Air Conditioning	SN.....	Serial Number
HYD.....	Hydraulic	SPEC(S).....	Specifications
Hz.....	Hertz	T/T.....	Turntable
ID.....	Inside Diameter	UGM.....	Universal Ground Module
IN.....	inches	V.....	Volts
ISO.....	International Organization for Standards	W.....	Watts
JIC.....	Joint Industry Council	#.....	Number
KG.....	Kilogram		

10) ILLUSTRATION REFERENCE LETTERS

When necessary, illustrations may contain reference letters that are intended to track information (i. e. hoses, harnesses) from one point to another or to track visual enlargement of components to show details that may be located in another area on the illustration.

Note: Due to continuous product improvements, JLG Industries, Inc. reserves the right to make specification changes without prior notification. Contact JLG Industries, Inc. for updated information.

TABLE OF CONTENTS

SECTION 1 - FRAME.....	17
FIGURE 1-1. AXLE INSTALLATION (MACHINES WITH SN STARTING WITH 03).....	18
FIGURE 1-2. AXLE INSTALLATION (MACHINES WITH SN STARTING WITH B3).....	20
FIGURE 1-3. STEER INSTALLATION WITHOUT TOW PACKAGE	22
FIGURE 1-4. STEER INSTALLATION WITH TOW PACKAGE	24
FIGURE 1-5. WHEEL DRIVE INSTALLATION (2WD).....	26
FIGURE 1-6. WHEEL DRIVE INSTALLATION (4WD) (DANFOSS MOTOR).....	28
FIGURE 1-7. WHEEL DRIVE INSTALLATION (4WD) (HENGLI MOTOR).....	30
FIGURE 1-8. HUB - SPINDLE ASSEMBLY.....	32
FIGURE 1-9. DRIVE HUB AND BRAKE ASSEMBLY - REAR	34
FIGURE 1-10. DRIVE HUB ASSEMBLY - FRONT.....	38
FIGURE 1-11. DRIVE MOTOR ASSEMBLY (2WD)	40
FIGURE 1-12. DRIVE MOTOR ASSEMBLY (4WD) (DANFOSS MOTOR)	42
FIGURE 1-13. DRIVE MOTOR ASSEMBLY (4WD) (HENGLI MOTOR)	44
FIGURE 1-14. FRAME SHIELD INSTALLATION	46
FIGURE 1-15. TIRE AND WHEEL INSTALLATION - 12 X 16.5 FOAM FILLED (AVAILABLE ON ANSI, ANSI EXPORT, CSA AND JAPANESE SPECS).....	48
FIGURE 1-16. TIRE AND WHEEL INSTALLATION - 12 X 16.5 FOAM FILLED NON MARKING (AVAILABLE ON ANSI, ANSI EXPORT, CSA AND JAPANESE SPECS).....	50
FIGURE 1-17. TIRE AND WHEEL INSTALLATION - 33 X 12-20 SOLID NON-MARKING (AVAILABLE ON ANSI EXPORT, AUSTRALIAN, CE AND RUSSIA SPECS).....	52
FIGURE 1-18. TIRE AND WHEEL INSTALLATION - 33 X 16L500 TURF AND SAND FOAM-FILLED (AVAILABLE ON ANSI, ANSI EXPORT & CSA SPECS).....	54
FIGURE 1-19. TIRE AND WHEEL INSTALLATION - 33/1550 X 16.5 FOAM-FILLED (AVAILABLE ON ALL SPECS).....	56
FIGURE 1-20. TIRE AND WHEEL INSTALLATION - 315/55 D20 FOAM FILLED (AVAILABLE ON ANSI EXPORT, AUSTRALIAN, CE, CHINA AND RUSSIA SPECS)	58
FIGURE 1-21. TIRE AND WHEEL INSTALLATION - 315/55 D20 FOAM FILLED NON-MARKING (AVAILABLE ON ANSI EXPORT, AUSTRALIAN, CE, CHINA AND RUSSIA SPECS)	60
FIGURE 1-22. TIRE AND WHEEL INSTALLATION - 33 X 12 FOAM FILLED (ALL SPECS)	62
FIGURE 1-23. 2WD VALVES INSTALLATION - FRAME MOUNTED (450A)	64
FIGURE 1-24. 2WD VALVES INSTALLATION - FRAME MOUNTED (450AJ)	66
FIGURE 1-25. 4WD VALVES INSTALLATION - FRAME MOUNTED (450A)	68
FIGURE 1-26. 4WD VALVES INSTALLATION - FRAME MOUNTED (MACHINES WITH SN STARTING WITH 03) (450AJ)	70
FIGURE 1-27. 4WD VALVES INSTALLATION - FRAME MOUNTED (MACHINES WITH SN STARTING WITH B3) (450AJ).....	72
FIGURE 1-28. TRACTION VALVE ASSEMBLY - 2WD.....	74
FIGURE 1-29. TRACTION VALVE ASSEMBLY - 4WD.....	76
FIGURE 1-30. TOW PACKAGE INSTALLATION (OPTIONAL)	78
FIGURE 1-31. TOW BAR ASSEMBLY.....	80
SECTION 2 - TURNTABLE.....	83
FIGURE 2-1. 2WD VALVES INSTALLATION - TURNTABLE MOUNTED (450A).....	84
FIGURE 2-2. 2WD VALVES INSTALLATION - TURNTABLE MOUNTED (450AJ).....	86
FIGURE 2-3. 4WD VALVES INSTALLATION - TURNTABLE MOUNTED (450A).....	88
FIGURE 2-4. 4WD VALVES INSTALLATION - TURNTABLE MOUNTED (MACHINES WITH SN STARTING WITH 03) (450AJ)	90
FIGURE 2-5. 4WD VALVES INSTALLATION - TURNTABLE MOUNTED (MACHINES WITH SN STARTING WITH B3) (450AJ)	92

TABLE OF CONTENTS

FIGURE 2-6. MAIN VALVE ASSEMBLY	94
FIGURE 2-7. AUXILIARY PUMP ASSEMBLY (MACHINES WITH SN STARTING WITH 03)	96
FIGURE 2-8. AUXILIARY PUMP ASSEMBLY (MACHINES WITH SN STARTING WITH B3)	98
FIGURE 2-9. SWING DRIVE AND TURNTABLE BEARING INSTALLATION (MACHINES WITH SN STARTING WITH 03)	100
FIGURE 2-10. SWING DRIVE AND TURNTABLE BEARING INSTALLATION (MACHINES WITH SN STARTING WITH B3)	102
FIGURE 2-11. SWING MOTOR ASSEMBLY (MACHINES WITH SN STARTING WITH 03)	104
FIGURE 2-12. SWING MOTOR ASSEMBLY (MACHINES WITH SN STARTING WITH B3)	106
FIGURE 2-13. TURNTABLE BEARING ASSEMBLY (MACHINES WITH SN STARTING WITH 03)	108
FIGURE 2-14. TURNTABLE BEARING ASSEMBLY (MACHINES WITH SN STARTING WITH B3)	110
FIGURE 2-15. TURNTABLE COVERS INSTALLATION	112
FIGURE 2-16. TURNTABLE LOCK INSTALLATION	114
FIGURE 2-17. TANKS INSTALLATION - DIESEL MACHINES (17 GAL HYDRAULIC TANK WITH 4 INCH BREATHER)	116
FIGURE 2-18. TANKS INSTALLATION - DIESEL MACHINES (17 GAL HYDRAULIC TANK WITH 6 INCH BREATHER)	118
FIGURE 2-19. TANKS INSTALLATION - DIESEL MACHINES (36 GAL HYDRAULIC TANK)	120
FIGURE 2-20. TANKS INSTALLATION - GAS MACHINES	122
FIGURE 2-21. HYDRAULIC TANK ASSEMBLY - 17 GAL WITH 4 INCH BREATHER (DIESEL MACHINES)	124
FIGURE 2-22. DRIVE ORIENTATION INSTALLATION	126
FIGURE 2-23. GROUND CONTROL ASSEMBLY - (ANSI SPECS) (450A)	128
FIGURE 2-24. GROUND CONTROL ASSEMBLY - (ALL SPECS EXCEPT CE, RUSSIAN & UK CA SPECS) (450AJ)	130
FIGURE 2-25. GROUND CONTROL ASSEMBLY - (CE, RUSSIA & UK CA SPECS) (450AJ)	132
FIGURE 2-26. GROUND CONTROL ASSEMBLY - (DEUTZ STAGE V) (CE & UK CA SPECS) (450AJ)	134
FIGURE 2-27. LIGHT PANEL INSTALLATION – GROUND CONTROLS	136
FIGURE 2-28. ELECTRICAL SYSTEM INSTALLATION	138
FIGURE 2-29. WHITE NOISE ALARM AMBIENT INSTALLATION	142
FIGURE 2-30. WHITE NOISE ALARM INSTALLATION	144
FIGURE 2-31. BEACON LIGHT INSTALLATION - AMBER	146
FIGURE 2-32. BEACON LIGHT INSTALLATION - ORANGE	148
FIGURE 2-33. BEACON LIGHT INSTALLATION - BLUE	150
FIGURE 2-34. BEACON LIGHT INSTALLATION - RED	152
FIGURE 2-35. BATTERY AND CABLE INSTALLATION	154
FIGURE 2-36. HOODS INSTALLATION (ABS) - WITH DEUTZ ENGINES (450A)	156
FIGURE 2-37. HOODS INSTALLATION (ABS) - WITH KUBOTA ENGINE (450A)	160
FIGURE 2-38. HOODS INSTALLATION (ABS) - WITH DEUTZ ENGINES (ALL MACHINES WITH SN STARTING WITH 03) (MACHINES WITH SN STARTING WITH B3, JAPANESE & RUSSIA SPECS) (450AJ)	164
FIGURE 2-39. HOODS INSTALLATION (ABS) - WITH DEUTZ ENGINE (MACHINES WITH SN STARTING WITH B3, ALL SPECS EXCEPT JAPANESE & RUSSIA SPECS) (450AJ)	168
FIGURE 2-40. HOODS INSTALLATION (STEEL) - WITH DEUTZ ENGINES (MACHINES WITH SN STARTING WITH B3) (450AJ)	172
FIGURE 2-41. HOODS INSTALLATION (ABS) - WITH KUBOTA ENGINE (450AJ)	176
FIGURE 2-42. HOOD ASSEMBLY (ABS) - TANK SIDE (MACHINES WITH SN STARTING WITH 03)	180
FIGURE 2-43. HOOD ASSEMBLY (ABS) - TANK SIDE (MACHINES WITH SN STARTING WITH B3)	182
FIGURE 2-44. HOOD ASSEMBLY (STEEL) - ENGINE SIDE (MACHINES WITH SN STARTING WITH B3)	184
FIGURE 2-45. HOOD ASSEMBLY (ABS) - ENGINE SIDE (MACHINES WITH SN STARTING WITH 03)	186
FIGURE 2-46. HOOD ASSEMBLY (ABS) - ENGINE SIDE (MACHINES WITH SN STARTING WITH B3)	188
FIGURE 2-47. HOOD ASSEMBLY (STEEL) - TANK SIDE (MACHINES WITH SN STARTING WITH B3)	190
SECTION 3 - ENGINE	193

TABLE OF CONTENTS

FIGURE 3-1. ENGINE INSTALLATION - DEUTZ D2.9L4 ERM5 ENGINE (WITHOUT ARCTIC PACKAGE) (ANSI, ANSI EXPORT, CSA AND JAPANESE SPECS).....	194
FIGURE 3-2. ENGINE AND PUMP SUB-ASSEMBLY - DEUTZ D2.9L4 ERM5 ENGINE (WITHOUT ARCTIC PACKAGE) (ANSI, ANSI EXPORT AND CSA SPECS)	198
FIGURE 3-3. ENGINE INSTALLATION - DEUTZ D2.9L4 ENGINE (WITHOUT ARCTIC PACKAGE) (WITH PMP PUMP)	200
FIGURE 3-4. ENGINE AND PUMP SUB-ASSEMBLY - DEUTZ D2.9L4 ENGINE (WITHOUT ARCTIC PACKAGE) (WITH PMP PUMP)	204
FIGURE 3-5. ENGINE ASSEMBLY - DEUTZ D2.9L4 ERM4 ENGINE (WITHOUT ARCTIC PACKAGE)	206
FIGURE 3-6. ENGINE ASSEMBLY - DEUTZ D2.9L4 ERM5 ENGINE (WITHOUT ARCTIC PACKAGE) (ANSI, ANSI EXPORT AND CSA SPECS)	212
FIGURE 3-7. ENGINE ASSEMBLY - DEUTZ D2.9L4 ERM5 ENGINE (WITH ARCTIC PACKAGE) (ANSI AND CSA SPECS) ..	218
FIGURE 3-8. ENGINE INSTALLATION - DEUTZ D2.9L4 ERM5 ENGINE (WITH ARCTIC PACKAGE) (ANSI AND CSA SPECS)	224
FIGURE 3-9. ENGINE INSTALLATION - DEUTZ D2.9L4 ENGINE (WITH ARCTIC PACKAGE) (WITH PMP PUMP).....	230
FIGURE 3-10. ENGINE AND PUMP SUB-ASSEMBLY - DEUTZ D2.9L4 ENGINE (WITH ARCTIC PACKAGE) (WITH PMP PUMP)	236
FIGURE 3-11. ENGINE ASSEMBLY - DEUTZ D2.9L4 ERM4 ENGINE (WITH ARCTIC PACKAGE).....	238
FIGURE 3-12. DEUTZ D2.9L4 - EMR4 (49HP) ENGINE COMPONENTS.....	244
FIGURE 3-13. ENGINE AND PUMP SUB-ASSEMBLY - DEUTZ D2.9L4 ERM5 ENGINE (WITH ARCTIC PACKAGE) (ANSI AND CSA SPECS).....	248
FIGURE 3-14. ENGINE COMPONENTS - DEUTZ D2.9L4 ERM5 ENGINE (ANSI, ANSI EXPORT AND CSA SPECS).....	250
FIGURE 3-15. ENGINE INSTALLATION - DEUTZ D2.9L4 ENGINE (STAGE V) (CE & UK CA SPECS)	254
FIGURE 3-16. ENGINE AND PUMP SUB-ASSEMBLY - DEUTZ D2.9L4 ENGINE (STAGE V) (CE & UK CA SPECS).....	260
FIGURE 3-17. ENGINE INSTALLATION - DEUTZ D2.9L4 ENGINE (STAGE V) (WITH PMP PUMP)	262
FIGURE 3-18. ENGINE AND PUMP SUB-ASSEMBLY - DEUTZ D2011 ENGINE (STAGE V)	268
FIGURE 3-19. ENGINE ASSEMBLY - DEUTZ D2.9L4 ENGINE (STAGE V) (CE & UK CA SPECS)	270
FIGURE 3-20. ENGINE COMPONENTS - DEUTZ D2.9L4 ENGINE (STAGE V) (CE & UK CA SPECS).....	276
FIGURE 3-21. BRACKET ASSEMBLY - FUEL PUMP AND FILTER (DEUTZ D2.9L4 ENGINE).....	280
FIGURE 3-22. BRACKET ASSEMBLY - FUEL PUMP AND FILTER (DEUTZ D2.9L4 ENGINE) (STAGE V)	282
FIGURE 3-23. BREATHER HEATER INSTALLATION - DEUTZ D2.9L4 ENGINE WITH ARCTIC PACKAGE.....	284
FIGURE 3-24. ENGINE MOUNT INSTALLATION - DEUTZ D2.9L4 WITHOUT GENERATOR.....	286
FIGURE 3-25. ENGINE MOUNT INSTALLATION - DEUTZ D2.9L4 WITH GENERATOR	288
FIGURE 3-26. ENGINE INSTALLATION - DEUTZ D2.9L4 ENGINE (CHINA IV).....	290
FIGURE 3-27. ENGINE AND PUMP SUB-ASSEMBLY - DEUTZ D2.9L4 ENGINE (CHINA IV)	296
FIGURE 3-28. ENGINE INSTALLATION - DEUTZ D2.9L4 ENGINE (CHINA IV) (WITH PMP PUMP)	298
FIGURE 3-29. ENGINE AND PUMP SUB-ASSEMBLY - DEUTZ D2.9L4 ENGINE (CHINA IV)	304
FIGURE 3-30. ENGINE ASSEMBLY - DEUTZ D2.9L4 ENGINE (CHINA IV).....	306
FIGURE 3-31. ENGINE COMPONENTS - DEUTZ D2.9L4 (CHINA IV)	312
FIGURE 3-32. BRACKET ASSEMBLY - FUEL PUMP AND FILTER (DEUTZ D2.9L4 CHINA IV ENGINE)	314
FIGURE 3-33. ENGINE INSTALLATION - DEUTZ D2011 ENGINE (WITHOUT ARCTIC PACKAGE) (ANSI EXPORT, AUSTRALIAN, CE (LRC), CHINA, RUSSIA & UK CA SPECS).....	316
FIGURE 3-34. ENGINE AND PUMP SUB-ASSEMBLY - DEUTZ D2011 (WITHOUT ARCTIC PACKAGE) (ANSI EXPORT, AUSTRALIAN, CE (LRC), CHINA, RUSSIA & UK CA SPECS).....	320
FIGURE 3-35. ENGINE ASSEMBLY - DEUTZ D2011 ENGINE (WITHOUT ARCTIC PACKAGE) (ANSI EXPORT, AUSTRALIAN, CE (LRC), CHINA, RUSSIA & UK CA SPECS)	322
FIGURE 3-36. ENGINE INSTALLATION - DEUTZ D2011 ENGINE (WITHOUT ARCTIC PACKAGE) (WITH PMP PUMP)	326
FIGURE 3-37. ENGINE AND PUMP SUB-ASSEMBLY - DEUTZ D2011 ENGINE (WITHOUT ARCTIC PACKAGE) (WITH PMP PUMP).....	330

TABLE OF CONTENTS

FIGURE 3-38. ENGINE INSTALLATION - DEUTZ D2011 ENGINE (WITH 17GAL HYDRAULIC TANK & ARCTIC PACKAGE) (ANSI EXPORT, CHINA & RUSSIA SPECS).....	332
FIGURE 3-39. ENGINE INSTALLATION - DEUTZ D2011 ENGINE (WITH 36GAL HYDRAULIC TANK & ARCTIC PACKAGE) (ANSI EXPORT & RUSSIA SPECS).....	336
FIGURE 3-40. ENGINE AND PUMP SUB-ASSEMBLY - DEUTZ D2011 (WITH ARCTIC PACKAGE) (ANSI EXPORT, CHINA, RUSSIA & UK CA SPECS)	340
FIGURE 3-41. ENGINE INSTALLATION - DEUTZ D2011 ENGINE (WITH ARCTIC PACKAGE) (WITH PMP PUMP).....	342
FIGURE 3-42. ENGINE AND PUMP SUB-ASSEMBLY - DEUTZ D2011 ENGINE (WITH ARCTIC PACKAGE) (WITH PMP PUMP)	346
FIGURE 3-43. ENGINE ASSEMBLY - DEUTZ D2011 ENGINE (WITH ARCTIC PACKAGE) (ANSI EXPORT, CHINA, RUSSIA & UK CA SPECS).....	348
FIGURE 3-44. ENGINE COMPONENTS - DEUTZ D2011.....	352
FIGURE 3-45. PUMP COUPLING KIT - DEUTZ ENGINES.....	356
FIGURE 3-46. ENGINE INSTALLATION - KUBOTA ENGINE (WITHOUT ARCTIC PACKAGE)	358
FIGURE 3-47. ENGINE AND PUMP SUB-ASSEMBLY - KUBOTA ENGINE (WITHOUT ARCTIC PACKAGE)	364
FIGURE 3-48. ENGINE ASSEMBLY - KUBOTA ENGINE (WITHOUT ARCTIC PACKAGE)	366
FIGURE 3-49. ENGINE INSTALLATION - KUBOTA ENGINE (WITH ARCTIC PACKAGE).....	372
FIGURE 3-50. ENGINE AND PUMP SUB-ASSEMBLY - KUBOTA ENGINE (WITH ARCTIC PACKAGE).....	378
FIGURE 3-51. ENGINE ASSEMBLY - KUBOTA ENGINE (WITH ARCTIC PACKAGE).....	380
FIGURE 3-52. ENGINE COMPONENTS - KUBOTA	386
FIGURE 3-53. PUMP COUPLING KIT - KUBOTA ENGINE	390
FIGURE 3-54. PISTON PUMP ASSEMBLY.....	392
FIGURE 3-55. CLOSED PUMP LOOP ASSEMBLY	396
FIGURE 3-56. SPARK ARRESTOR INSTALLATION - DEUTZ D2011 ENGINE	398
FIGURE 3-57. ENGINE BAFFLE INSTALLATION - WITH DEUTZ ENGINES.....	400
FIGURE 3-58. ENGINE BAFFLE INSTALLATION - WITH KUBOTA ENGINE	402
FIGURE 3-59. FUEL/WATER SEPARATOR ASSEMBLY (DEUTZ D2.9L4 CHINA IV ENGINE)	404
FIGURE 3-60. GENERATOR INSTALLATION - 2500W/50HZ (DEUTZ D2011 ENGINE).....	406
FIGURE 3-61. GENERATOR INSTALLATION - 2500W/60HZ (DEUTZ D2011 ENGINE).....	410
FIGURE 3-62. GENERATOR INSTALLATION - 2500W/60HZ (DEUTZ D2.9L4 ENGINE).....	414
FIGURE 3-63. GENERATOR INSTALLATION - 2500W/60HZ (KUBOTA ENGINE)	418
FIGURE 3-64. GENERATOR INSTALLATION - 4000W/50HZ (DEUTZ D2011 ENGINE).....	422
FIGURE 3-65. GENERATOR INSTALLATION - 4000W/60HZ (DEUTZ D2011 ENGINE).....	426
FIGURE 3-66. GENERATOR INSTALLATION - 4000W/60HZ (DEUTZ D2.9L4 ENGINE).....	430
FIGURE 3-67. GENERATOR INSTALLATION - 4000W/50HZ (DEUTZ ENGINE) (STAGE V)	434
FIGURE 3-68. GENERATOR INSTALLATION - 7500W/50HZ (DEUTZ D2011 ENGINE).....	438
FIGURE 3-69. GENERATOR INSTALLATION - 7500W/60HZ (DEUTZ D2011 ENGINE).....	442
FIGURE 3-70. GENERATOR INSTALLATION - 7500W/60HZ (DEUTZ D2.9L4 ENGINE).....	446
FIGURE 3-71. GENERATOR INSTALLATION - 7500W/60HZ (KUBOTA ENGINE)	450
FIGURE 3-72. QUICKFIT OIL DRAIN INSTALLATION (DEUTZ ENGINES)	454
FIGURE 3-73. QUICKFIT OIL DRAIN INSTALLATION (KUBOTA ENGINES)	456
SECTION 4 - BOOM.....	459
FIGURE 4-1. CYLINDERS INSTALLATION (450A).....	460
FIGURE 4-2. CYLINDERS INSTALLATION – (MACHINES WITH SN STARTING WITH 03) (450AJ).....	462
FIGURE 4-3. CYLINDERS INSTALLATION – (MACHINES WITH SN STARTING WITH B3) (450AJ)	464
FIGURE 4-4. BOOM INSTALLATION (450A)	466

TABLE OF CONTENTS

FIGURE 4-5. BOOM INSTALLATION (WITH AIRLINE) (450A)	468
FIGURE 4-6. BOOM INSTALLATION (WITH SKYPOWER AND AIRLINE) (450A)	470
FIGURE 4-7. BOOM INSTALLATION (WITH SKYPOWER) (450A).....	472
FIGURE 4-8. BOOM INSTALLATION KIT (450A)	474
FIGURE 4-9. BOOM INSTALLATION (450AJ)	476
FIGURE 4-10. BOOM INSTALLATION - (MACHINES WITH SN STARTING WITH B3) (SN B300025420 to Present, SN B300025365 through B300025366, Including B300025149, B300025186, B300025200, B300025351 and B300025380)	478
FIGURE 4-11. BOOM INSTALLATION - (MACHINES WITH SN STARTING WITH B3) (CHINEESE SPEC) (SN B300025420 to Present, SN B300025365 through B300025366, Including B300025149, B300025186, B300025200, B300025351 and B300025380)	480
FIGURE 4-12. JIB INSTALLATION - (MACHINES WITH SN STARTING WITH 03) (450AJ)	482
FIGURE 4-13. JIB INSTALLATION - (MACHINES WITH SN STARTING WITH B3)	484
FIGURE 4-14. MAIN BOOM ASSEMBLY (450A)	486
FIGURE 4-15. MAIN BOOM ASSEMBLY (450AJ)	488
FIGURE 4-16. MAIN BOOM ASSEMBLY - (MACHINES WITH SN STARTING WITH B3) (CHINEESE SPEC) (SN B300025420 to Present, SN B300025365 through B300025366, Including B300025149, B300025186, B300025200, B300025351 and B300025380)	490
FIGURE 4-17. TOWER BOOM ASSEMBLY (450A).....	492
FIGURE 4-18. TOWER BOOM ASSEMBLY (450AJ).....	494
FIGURE 4-19. ROTATOR ASSEMBLY	496
FIGURE 4-20. PLATFORM ROTATE ACTUATOR - (MACHINES WITH SN STARTING WITH B3) (CHINEESE SPEC) (SN B300025420 to Present, SN B300025365 through B300025366, Including B300025149, B300025186, B300025200, B300025351 and B300025380)	498
FIGURE 4-21. PLATFORM SUPPORT INSTALLATION.....	500
FIGURE 4-22. 2WD VALVES INSTALLATION - BOOM MOUNTED (450A).....	502
FIGURE 4-23. 2WD VALVES INSTALLATION - BOOM MOUNTED (450AJ).....	504
FIGURE 4-24. 4WD VALVES INSTALLATION - BOOM MOUNTED (450A).....	506
FIGURE 4-25. 4WD VALVES INSTALLATION - BOOM MOUNTED (MACHINES WITH SN STARTING WITH 03) (450AJ).....	508
FIGURE 4-26. 4WD VALVES INSTALLATION - BOOM MOUNTED (MACHINES WITH SN STARTING WITH B3) (450AJ)	510
FIGURE 4-27. UPRIGHT VALVE ASSEMBLY	512
FIGURE 4-28. BOOM VALVE ASSEMBLY (450A).....	514
FIGURE 4-29. BOOM VALVE ASSEMBLY (450AJ).....	516
SECTION 5 - PLATFORM.....	519
FIGURE 5-1. PLATFORM ASSEMBLY - 30IN X 4FT (76CM X 1.22M) - SIDE GATE ENTRY	520
FIGURE 5-2. PLATFORM ASSEMBLY - 30IN X 5FT (76CM X 1.52M) - SIDE GATE ENTRY	522
FIGURE 5-3. PLATFORM ASSEMBLY - 30IN X 6FT (76CM X 1.83M) - SIDE GATE ENTRY	524
FIGURE 5-4. PLATFORM ASSEMBLY - 30IN X 3FT (76CM X .91M) - DROP BAR ENTRY.....	526
FIGURE 5-5. PLATFORM ASSEMBLY - 30IN X 4FT (76CM X 1.22M) - WITH DROP BAR.....	528
FIGURE 5-6. PLATFORM ASSEMBLY - 30IN X 5FT (76CM X 1.52M) - WITH DROP BAR.....	530
FIGURE 5-7. PLATFORM ASSEMBLY - 30IN X 6FT (76CM X 1.83M) - WITH DROP BAR.....	532
FIGURE 5-8. PLATFORM ASSEMBLY - 30IN X 5FT (76CM X 1.52M - FALL ARREST (ANSI, ANSI EXPORT AND CSA SPECS)	534
FIGURE 5-9. CONSOLE BOX INSTALLATION (450A).....	536
FIGURE 5-10. CONSOLE BOX INSTALLATION (450AJ).....	538
FIGURE 5-11. PLATFORM CONSOLE BOX ASSEMBLY (450A).....	540
FIGURE 5-12. PLATFORM CONSOLE BOX ASSEMBLY (450AJ).....	542
FIGURE 5-13. LIGHT PANEL INSTALLATION – PLATFORM CONSOLE	544

TABLE OF CONTENTS

FIGURE 5-14. FOOTSWITCH ASSEMBLY	546
FIGURE 5-15. TRAY ASSEMBLY	548
FIGURE 5-16. SKYEYE INSTALLATION.....	550
FIGURE 5-17. SKYGUARD BAR INSTALLATION.....	552
FIGURE 5-18. SKYLINE INSTALLATION.....	554
FIGURE 5-19. USB CHARGER INSTALLATION.....	556
FIGURE 5-20. SKYGLAZIER INSTALLATION.....	558
FIGURE 5-21. SKYWELDER INSTALLATION (50HZ).....	560
FIGURE 5-22. SKYWELDER INSTALLATION (60HZ).....	562
FIGURE 5-23. SKYWELDER PREP PACKAGE INSTALLATION.....	564
FIGURE 5-24. WELDER ASSEMBLY	566
FIGURE 5-25. FALL ARREST INSTALLATION (BOLT-ON) (4FT/1.22M PLATFORM).....	568
FIGURE 5-26. FALL ARREST INSTALLATION (BOLT-ON) (5FT/1.52M PLATFORM).....	570
FIGURE 5-27. SOFT-TOUCH INSTALLATION (30X60).....	572
FIGURE 5-28. SOFT-TOUCH INSTALLATION (30X72).....	574
SECTION 6 - CYLINDER.....	577
FIGURE 6-1. AXLE LOCKOUT CYLINDER ASSEMBLY (MACHINES WITH SN STARTING WITH 03)	578
FIGURE 6-2. AXLE LOCKOUT CYLINDER ASSEMBLY (MACHINES WITH SN STARTING WITH B3).....	580
FIGURE 6-3. LEVEL (PLATFORM SLAVE) CYLINDER ASSEMBLY (MACHINES WITH SN STARTING WITH 03)	582
FIGURE 6-4. LEVEL (PLATFORM SLAVE) CYLINDER ASSEMBLY (MACHINES WITH SN STARTING WITH B3) (450AJ) ...	584
FIGURE 6-5. LIFT CYLINDER ASSEMBLY - JIB (MACHINES WITH SN STARTING WITH 03) (450AJ).....	586
FIGURE 6-6. LIFT CYLINDER ASSEMBLY - JIB (MACHINES WITH SN STARTING WITH B3) (450AJ)	588
FIGURE 6-7. LIFT CYLINDER ASSEMBLY - MAIN BOOM (450A)	590
FIGURE 6-8. LIFT CYLINDER ASSEMBLY - MAIN BOOM (450AJ)	592
FIGURE 6-9. LIFT CYLINDER ASSEMBLY - TOWER BOOM	594
FIGURE 6-10. MASTER CYLINDER ASSEMBLY (MACHINES WITH SN STARTING WITH 03).....	596
FIGURE 6-11. MASTER CYLINDER ASSEMBLY - (MACHINES WITH SN STARTING WITH B3) (450AJ).....	598
FIGURE 6-12. STEER CYLINDER ASSEMBLY	600
FIGURE 6-13. TELESCOPE CYLINDER ASSEMBLY (450A).....	602
FIGURE 6-14. TELESCOPE CYLINDER ASSEMBLY (450AJ).....	604
SECTION 7 - HYDRAULIC.....	607
FIGURE 7-1. 2WD HYDRAULIC SYSTEM INSTALLATION -(WITH 17GAL HYDRAULIC TANK) (450A)	608
FIGURE 7-2. 2WD HYDRAULIC SYSTEM INSTALLATION - (WITH 36GAL HYDRAULIC TANK) (450A).....	614
FIGURE 7-3. 2WD HYDRAULIC SYSTEM INSTALLATION - (WITH 17GAL HYDRAULIC TANK) (450AJ)	620
FIGURE 7-4. 2WD HYDRAULIC SYSTEM INSTALLATION - (WITH PMP PUMP) (450AJ).....	626
FIGURE 7-5. 2WD HYDRAULIC SYSTEM INSTALLATION - (WITH 36GAL HYDRAULIC TANK) (450AJ)	632
FIGURE 7-6. 4WD HYDRAULIC SYSTEM INSTALLATION - (WITH 17GAL HYDRAULIC TANK) (450A).....	638
FIGURE 7-7. 4WD HYDRAULIC SYSTEM INSTALLATION - (WITH 36GAL HYDRAULIC TANK) (450A)	644
FIGURE 7-8. 4WD HYDRAULIC SYSTEM INSTALLATION - (WITH 17GAL HYDRAULIC TANK) (MACHINES WITH SN STARTING WITH 03) (450AJ)	650
FIGURE 7-9. 4WD HYDRAULIC SYSTEM INSTALLATION - (WITH 36GAL HYDRAULIC TANK) (MACHINES WITH SN STARTING WITH 03) (450AJ)	656
FIGURE 7-10. 4WD HYDRAULIC SYSTEM INSTALLATION - (WITH 17GAL HYDRAULIC TANK) (MACHINES WITH SN STARTING WITH B3) (450AJ).....	662
FIGURE 7-11. 4WD HYDRAULIC SYSTEM INSTALLATION - (WITH PMP PUMP) (450AJ).....	668

TABLE OF CONTENTS

SECTION 8 - ELECTRICAL	675
FIGURE 8-1. AC BOX AT PLATFORM INSTALLATION - 110V - ANSI, ANSI EXPORT, CHINA, CSA AND JAPANESE SPECS	676
FIGURE 8-2. AC BOX AT PLATFORM INSTALLATION - 110V IEC YELLOW (CE, RUSSIA & UK CA SPECS WITH 4000W/50HZ GENERATOR).....	678
FIGURE 8-3. AC BOX AT PLATFORM INSTALLATION - 110V IEC 60309 YELLOW WITHOUT 2500W GENERATOR (CE, RUSSIA & UK CA SPECS).....	680
FIGURE 8-4. AC BOX AT PLATFORM INSTALLATION - 220V IEC BLUE (CE, RUSSIA & UK CA WITH 4000W/50HZ GENERATOR).....	682
FIGURE 8-5. AC BOX AT PLATFORM INSTALLATION - 220V IEC 60309 BLUE WITHOUT 2500W GENERATOR (CE, RUSSIA & UK CA SPECS).....	684
FIGURE 8-6. AC BOX AT PLATFORM INSTALLATION - 220V CEE7 POST GROUND (2X4 BOX) WITHOUT 2500W GENERATOR (CE, RUSSIA & UK CA SPECS).....	686
FIGURE 8-7. AC BOX AT PLATFORM INSTALLATION - 220V CEE7 SIDE GROUND (2X4 BOX) WITHOUT 2500W GENERATOR (CE, RUSSIA & UK CA SPECS).....	688
FIGURE 8-8. AC BOX AT PLATFORM INSTALLATION - 220V CEE7 2IN X 4IN POST GROUND (CE, RUSSIA & UK CA SPECS WITH 4000W/50HZ GENERATOR).....	690
FIGURE 8-9. AC BOX AT PLATFORM INSTALLATION - 220V CEE7 2IN X 4IN SIDE GROUND (CCE, RUSSIA & UK CA SPECS WITH 4000W/50HZ GENERATOR)	692
FIGURE 8-10. AC BOX AT PLATFORM INSTALLATION - 220V AFSINT107 (CE, RUSSIA & UK CA SPECS WITH 4000W/50HZ GENERATOR).....	694
FIGURE 8-11. AC BOX AT PLATFORM INSTALLATION - 220V AFSINT 107 KEYED GROUND (2X4 BOX) WITHOUT 2500W GENERATOR (CE, RUSSIA & UK CA SPECS).....	696
FIGURE 8-12. AC BOX AT PLATFORM INSTALLATION - 220V CUSTOMER SUPPLIED COMPONENTS (AUSTRALIAN, CE & UK CA SPECS)	698
FIGURE 8-13. AC BOX AT PLATFORM INSTALLATION - 240V (WITH 4000W GENERATOR) (ANSI, ANSI EXPORT, CSA AND JAPANESE SPECS).....	700
FIGURE 8-14. AC BOX AT PLATFORM INSTALLATION - 240V (WITH 7500W SKYPOWER GENERATOR) (ANSI, ANSI EXPORT, CSA AND JAPANESE SPECS).....	702
FIGURE 8-15. AC CABLE INSTALLATION - WITH TWO BREAKERS (CE, RUSSIA & UK CA SPECS).....	704
FIGURE 8-16. AC CABLE INSTALLATION - WITH TWO BREAKERS (MACHINES WITH SN STARTING WITH B3).....	706
FIGURE 8-17. AC CABLE INSTALLATION - WITH THREE BREAKERS (CE, RUSSIA & UK CA SPECS).....	708
FIGURE 8-18. AC CABLE AND PLUG INSTALLATION (MACHINES WITH SN STARTING WITH B3).....	710
FIGURE 8-19. BATTERY DISCONNECT SWITCH.....	712
FIGURE 8-20. BEACON LIGHT HARNESS (BLUE AND RED BEACON LIGHT).....	714
FIGURE 8-21. BEACON JUMPER HARNESS.....	716
FIGURE 8-22. BOOM CABLES AND CLAMPS INSTALLATION - (WITHOUT ARCTIC PACKAGE) (450A).....	718
FIGURE 8-23. BOOM CABLES AND CLAMPS INSTALLATION - (WITHOUT ARCTIC PACKAGE) (450AJ).....	722
FIGURE 8-24. BOOM CABLES AND CLAMPS INSTALLATION - (WITHOUT ARCTIC PACKAGE AND AC CABLES) (MACHINES WITH SN STARTING WITH B3) (450AJ).....	726
FIGURE 8-25. BOOM CABLES AND CLAMPS INSTALLATION - (WITH ARCTIC PACKAGE) (450A)	730
FIGURE 8-26. BOOM CABLES AND CLAMPS INSTALLATION - (WITH ARCTIC PACKAGE) (450AJ).....	734
FIGURE 8-27. BOOM CABLES AND CLAMPS INSTALLATION - (MACHINES WITH 50HZ 4000W GENERATORS) (450AJ) .	738
FIGURE 8-28. BOOM CABLES AND CLAMPS INSTALLATION - (MACHINES WITH 60HZ 4000W GENERATORS) (450AJ) .	742
FIGURE 8-29. BOOM CABLES AND CLAMPS INSTALLATION - (MACHINES WITH 7500W GENERATOR AND WITHOUT ARCTIC PACKAGE) (450A)	746
FIGURE 8-30. BOOM CABLES AND CLAMPS INSTALLATION - (MACHINES WITH 7500W GENERATORS AND WITHOUT ARCTIC PACKAGE) (450AJ)	750
FIGURE 8-31. BOOM CABLES AND CLAMPS INSTALLATION - (MACHINES WITH 7500W GENERATOR AND WITH ARCTIC PACKAGE) (450A)	754

TABLE OF CONTENTS

FIGURE 8-32. BOOM CABLES AND CLAMPS INSTALLATION - (MACHINES WITH 7500W GENERATORS AND WITH ARCTIC PACKAGE) (450AJ)	758
FIGURE 8-33. BOOM HARNESS - (MAIN BOOM) (WITHOUT ARCTIC PACKAGE) (450A).....	762
FIGURE 8-34. BOOM HARNESS - (MAIN BOOM) (WITHOUT ARCTIC PACKAGE) (450AJ).....	764
FIGURE 8-35. BOOM HARNESS - (MAIN BOOM) (WITH ARCTIC PACKAGE) (450A)	766
FIGURE 8-36. BOOM HARNESS - (MAIN BOOM) (WITH ARCTIC PACKAGE) (450AJ)	768
FIGURE 8-37. BOOM HARNESS - (MAIN BOOM AC CABLE) (WITHOUT ARCTIC PACKAGE) (450A).....	770
FIGURE 8-38. BOOM HARNESS - (MAIN BOOM AC CABLE) (WITHOUT ARCTIC PACKAGE) (450AJ).....	772
FIGURE 8-39. BOOM HARNESS - (MAIN BOOM AC CABLE) (WITH ARCTIC PACKAGE) (450A)	774
FIGURE 8-40. BOOM HARNESS - (MAIN BOOM AC CABLE) (WITH ARCTIC PACKAGE) (450AJ).....	776
FIGURE 8-41. BOOM HARNESS - TOWER BOOM (WITHOUT ARCTIC PACKAGE)	778
FIGURE 8-42. BOOM HARNESS - TOWER BOOM (WITH ARCTIC PACKAGE).....	780
FIGURE 8-43. BOOM HARNESS - TOWER BOOM AC CABLE (WITHOUT ARCTIC PACKAGE).....	782
FIGURE 8-44. BOOM HARNESS - TOWER BOOM AC CABLE (WITH ARCTIC PACKAGE)	784
FIGURE 8-45. BOOM VALVE HARNESS.....	786
FIGURE 8-46. BREAKER BOX KIT WITH SINGLE DOUBLE POLE BREAKER - CE, RUSSIA & UK CA SPECS.....	788
FIGURE 8-47. BREAKER BOX KIT	790
FIGURE 8-48. BREAKER BOX KIT WITH THREE BREAKERS - CE, RUSSIA & UK CA SPECS.....	792
FIGURE 8-49. BREAKER BOX KIT - 30MA/16 AMP	794
FIGURE 8-50. CHASSIS SOLENOID HARNESS	796
FIGURE 8-51. ENGINE HARNESS - DEUTZ D2011.....	798
FIGURE 8-52. ENGINE HARNESS - DEUTZ D2.9L4.....	800
FIGURE 8-53. ENGINE HARNESS - DEUTZ D2.9L4 ENGINE (STAGE V)	804
FIGURE 8-54. ENGINE HARNESS - DEUTZ D2.9L4 ENGINE (CHINA IV)	808
FIGURE 8-55. ENGINE HARNESS - KUBOTA.....	812
FIGURE 8-56. FUEL HARNESS - DEUTZ D2.9L4 ENGINE.....	814
FIGURE 8-57. GENERATOR HARNESS - 2500W GENERATOR (60HZ)	816
FIGURE 8-58. GENERATOR HARNESS - 2500W GENERATOR (50HZ)	818
FIGURE 8-59. GENERATOR HARNESS - 4000W GENERATOR	820
FIGURE 8-60. GROUND CONTROL PANEL HARNESS	822
FIGURE 8-61. HOUR METER JUMPER HARNESS.....	824
FIGURE 8-62. KUBOTA D/F POWER HARNESS	826
FIGURE 8-63. PLATFORM CONSOLE BOX HARNESS.....	828
FIGURE 8-64. PLATFORM INTERFACE HARNESS.....	830
FIGURE 8-65. RECEPTACLE BOX KIT - 110V IEC YELLOW (CE, RUSSIA & UK CA SPECS)	832
FIGURE 8-66. RECEPTACLE BOX KIT - 220V IEC BLUE (CE, RUSSIA & UK CA SPECS).....	834
FIGURE 8-67. RECEPTACLE BOX KIT - 220V CEE7 POST GROUND 2IN X 4IN BOX (CE, RUSSIA & UK CA SPECS)	836
FIGURE 8-68. RECEPTACLE BOX KIT - 220V CEE7 SIDE GROUND 2IN X 4IN BOX (CE, RUSSIA & UK CA SPECS).....	838
FIGURE 8-69. RECEPTACLE BOX KIT - 220V AFSINT 107 (CE, RUSSIA & UK CA SPECS)	840
FIGURE 8-70. SKYEYE INTERMEDIATE HARNESS	842
FIGURE 8-71. SKYEYE RECEIVER HARNESS.....	844
FIGURE 8-72. SKYEYE EMITTER HARNESS	846
FIGURE 8-73. SKYLINE HARNESS	848
FIGURE 8-74. TURNTABLE HARNESS (Prior to SN 0300298591, Prior to SN B300017677, SN B300017715 through B300017717, Including B300017690, B300017705 and B300017709).....	850

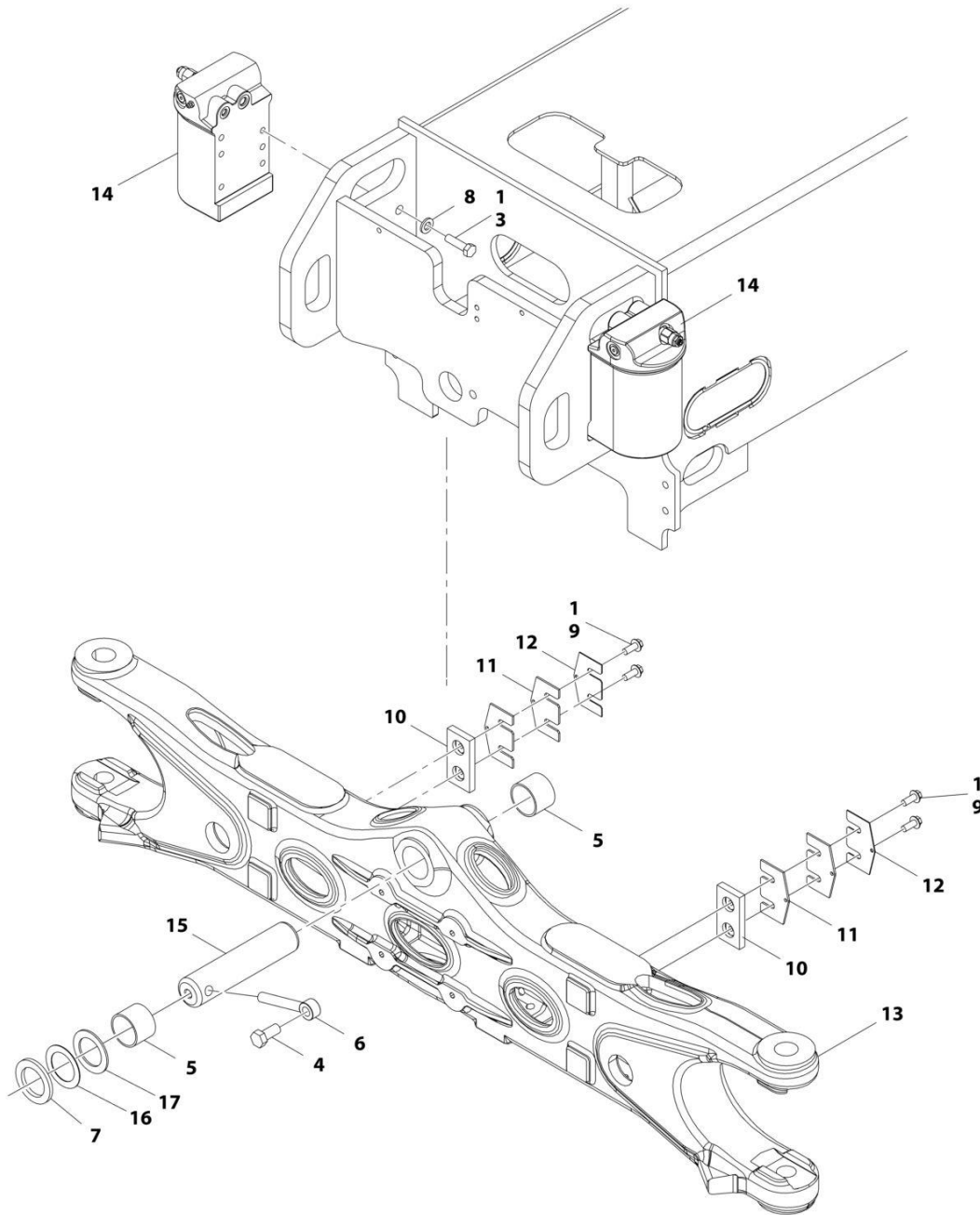
TABLE OF CONTENTS

FIGURE 8-75. TURNTABLE HARNESS (SN 0300298591 to Present, SN B300017677 to Present, Except SN B300017715 through B300017717, Excluding B300017690, B300017705 and B300017709).....	854
FIGURE 8-76. VALVE HARNESS - MAIN VALVE (Prior to SN 0300298591, Prior to SN B300017677, SN B300017715 through B300017717, Including B300017690, B300017705 and B300017709).....	858
FIGURE 8-77. VALVE HARNESS - MAIN VALVE (SN 0300298591 to Present, SN B300017677 to Present, Except SN B300017715 through B300017717, Excluding B300017690, B300017705 and B300017709).....	860
FIGURE 8-78. VALVE HARNESS - PLATFORM VALVE.....	862
SECTION 9 - DECALS.....	865
FIGURE 9-1. DECAL INSTALLATION – ANSI, ANSI EXPORT AND CSA SPECS WITH DEUTZ ENGINES (ENGLISH)	866
FIGURE 9-2. DECAL INSTALLATION – ANSI AND ANSI EXPORT SPECS WITH KUBOTA ENGINES (ENGLISH).....	868
FIGURE 9-3. DECAL INSTALLATION - AUSTRALIAN SPEC (ENGLISH)	870
FIGURE 9-4. DECAL INSTALLATION - BRAZIL SPEC (ENGLISH)	872
FIGURE 9-5. DECAL INSTALLATION - CE & UK CA SPEC (ENGLISH)	874
FIGURE 9-6. DECAL INSTALLATION - CSA SPEC WITH DEUTZ ENGINES (FRENCH/ENGLISH)	876
FIGURE 9-7. DECAL INSTALLATION - CSA SPEC WITH KUBOTA ENGINES (FRENCH/ENGLISH).....	878
FIGURE 9-8. DECAL INSTALLATION - CHINESE SPEC (CHINESE/ENGLISH).....	880
FIGURE 9-9. DECAL INSTALLATION - JAPANESE SPEC (JAPANESE/ENGLISH)	882
FIGURE 9-10. DECAL INSTALLATION - KOREAN SPEC (KOREAN/ENGLISH)	884
FIGURE 9-11. DECAL INSTALLATION - LATIN AMERICA SPEC (SPANISH/ENGLISH).....	886
FIGURE 9-12. DECAL INSTALLATION - OPTIONS	888
FIGURE 9-13. TOW BAR DECAL INSTALLATION - ENGLISH LANGUAGE (ANSI, ANSI EXPORT, CE, CHINA, JAPANESE AND RUSSIA SPECS)	892
FIGURE 9-14. TOW BAR DECAL INSTALLATION - ENGLISH/SPANISH LANGUAGE (ANSI EXPORT SPECS)	894
FIGURE 9-15. TOW BAR DECAL INSTALLATION - SPANISH LANGUAGE (ANSI EXPORT, CE AND RUSSIA SPECS)	896
FIGURE 9-16. SKYWELDER DECAL INSTALLATION – 50HZ (ANSI EXPORT SPECS).....	898
FIGURE 9-17. SKYWELDER DECAL INSTALLATION - 60HZ (ANSI EXPORT SPECS).....	900
SECTION 10 - RECOMMENDED SERVICE PARTS STOCK	903
FIGURE 10-1. RECOMMENDED SERVICE PARTS STOCK	904
SECTION 11 - SPECIAL OPTIONS/ACCESSORIES/KITS	907
FIGURE 11-1. SPECIAL OPTIONS/ACCESSORIES/KITS	908
PART NUMBER INDEX	913

SECTION 1 - FRAME

SECTION 1 - FRAME

FIGURE 1-1. AXLE INSTALLATION (MACHINES WITH SN STARTING WITH 03)



ART_1001164093

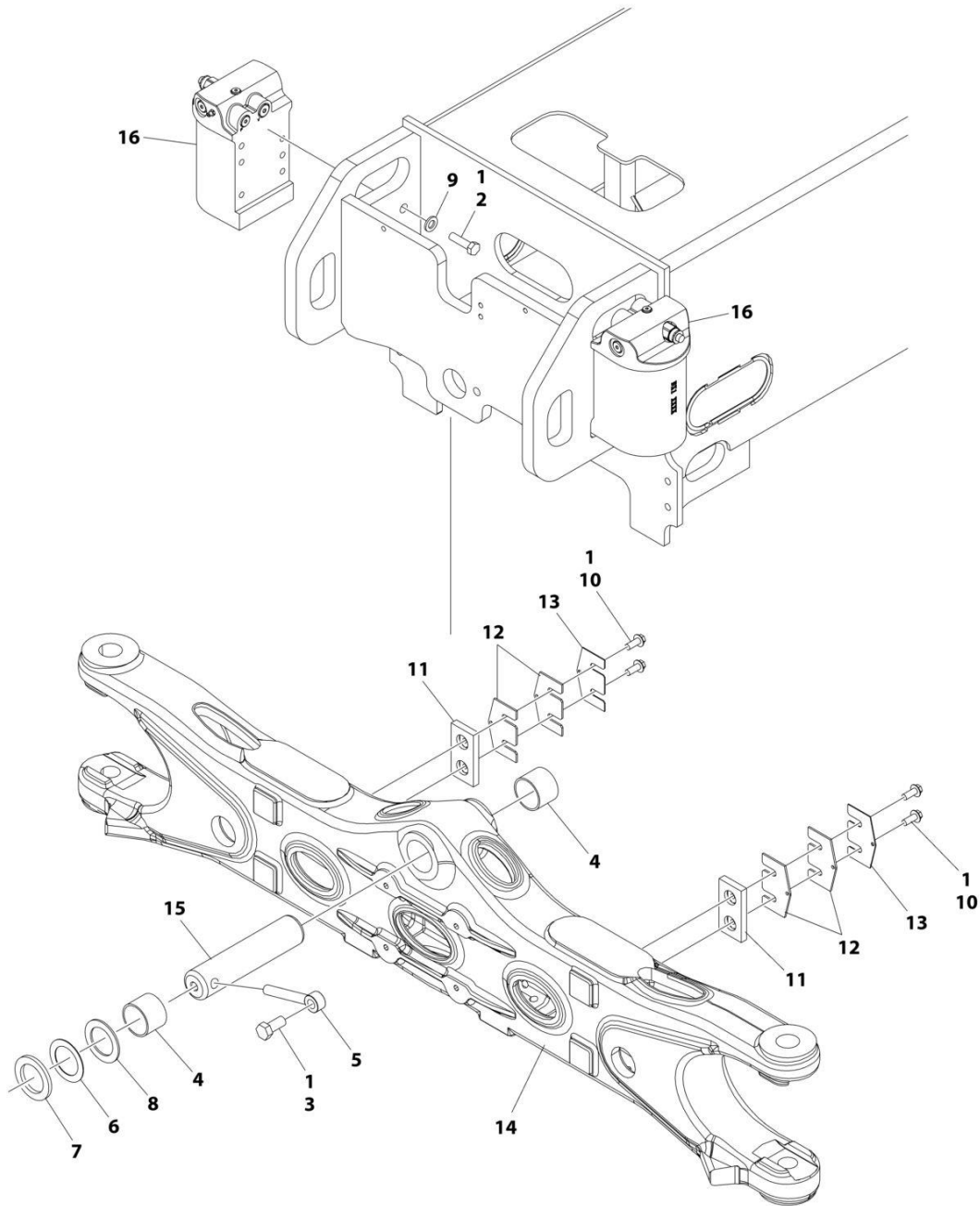
SECTION 1 - FRAME

FIGURE 1-1. AXLE INSTALLATION (MACHINES WITH SN STARTING WITH 03)

ITEM	PART NUMBER	QTY	DESCRIPTION	REV
	1001164093	Ref	AXLE INSTALLATION	D
1	0100011	AR	Compound, Locking	
3	0701217	8	Bolt M12 x 45	
4	0761615	1	Bolt M16 x 35	
5	0961950	2	Bearing	
6	3841258	1	Keeper, Pin	
7	4740158	AR	Washer	
8	5241200	8	Washer M12	
9	5251012	4	Bolt M10 x 25	
10	1001118511	2	Pad, Wear	
11	1001118518	4	Shim 11Ga	
12	1001118519	2	Shim 16Ga	
13	1001162995	1	Axle	
14	1001163580	2	Axle Lockout Cylinder Assembly (See Separate Breakdown in CYLINDER SECTION)	
15	1001185030	1	Pin	
16	4071101	AR	Shim	
17	4740229	AR	Washer	

SECTION 1 - FRAME

FIGURE 1-2. AXLE INSTALLATION (MACHINES WITH SN STARTING WITH B3)



ART_1001264981

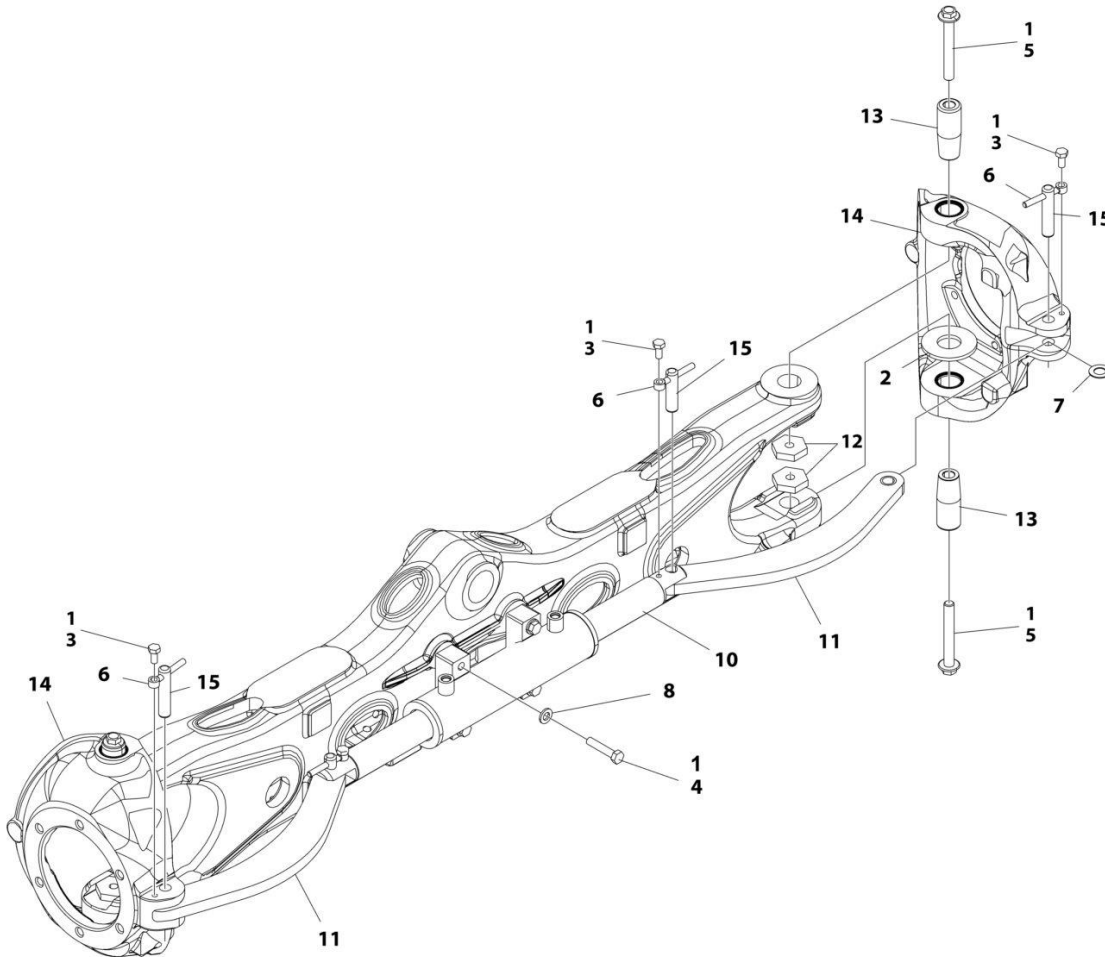
SECTION 1 - FRAME

FIGURE 1-2. AXLE INSTALLATION (MACHINES WITH SN STARTING WITH B3)

ITEM	PART NUMBER	QTY	DESCRIPTION	REV
	1001264981	Ref	AXLE INSTALLATION	B
1	0100011	AR	Compound, Locking	
2	0701217	8	Bolt M12 x 45	
3	0761615	1	Bolt M16 x 35	
4	0961950	2	Bearing	
5	3841258	1	Keeper, Pin	
6	4071101	AR	Shim	
7	4740158	AR	Washer	
8	4740229	AR	Washer	
9	5241200	8	Washer M12	
10	5251012	4	Bolt M10 x 25	
11	1001118511	2	Pad, Wear	
12	1001118518	AR	Shim 11Ga	
13	1001118519	AR	Shim 16Ga	
14	1001162995	1	Axle	
15	1001185030	1	Pin	
16	1001256179	2	Axle Lockout Cylinder Assembly (See Separate Breakdown in CYLINDER Section)	

SECTION 1 - FRAME

FIGURE 1-3. STEER INSTALLATION WITHOUT TOW PACKAGE



ART_1001164092

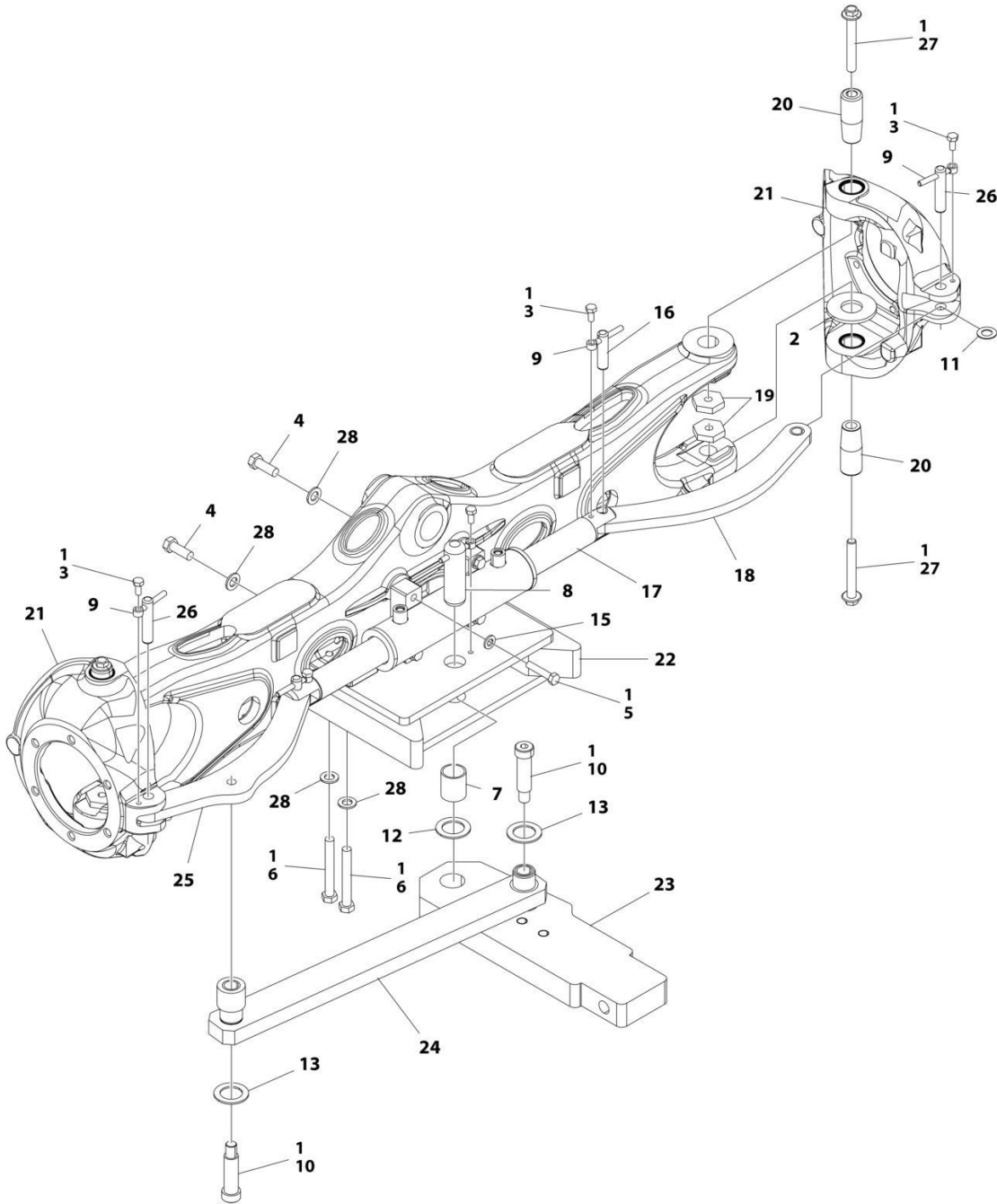
SECTION 1 - FRAME

FIGURE 1-3. STEER INSTALLATION WITHOUT TOW PACKAGE

ITEM	PART NUMBER	QTY	DESCRIPTION	REV
	1001164092	Ref	STEER INSTALLATION WITHOUT TOW PACKAGE	F
1	0100011	AR	Compound, Locking	
2	1001233139	2	Bearing, Thrust	
3	0761011	4	Bolt M10 x 22	
4	0711220	4	Bolt M12 x 60 Grade 10.9	
5	1001190368	4	Bolt M16 x 120	
6	3841143	4	Keeper, Pin	
7	4740086	4	Washer	
8	5241200	4	Washer M12	
10	1001163178	1	Steer Cylinder Assembly (See Separate Breakdown in CYLINDER SECTION)	
11	1001163179	2	Link	
11	1001164209	4	Bearing (2 Per Link)	
12	1001176848	4	Nut M16	
13	1001163405	4	Kingpin	
14	1001163715	2	Spindle	
14	0961948	4	Bearing (2 Per Spindle)	
14	1001163716	8	Seal (4 Per Spindle)	
15	3423304	4	Pin	

SECTION 1 - FRAME

FIGURE 1-4. STEER INSTALLATION WITH TOW PACKAGE



ART_1001164095

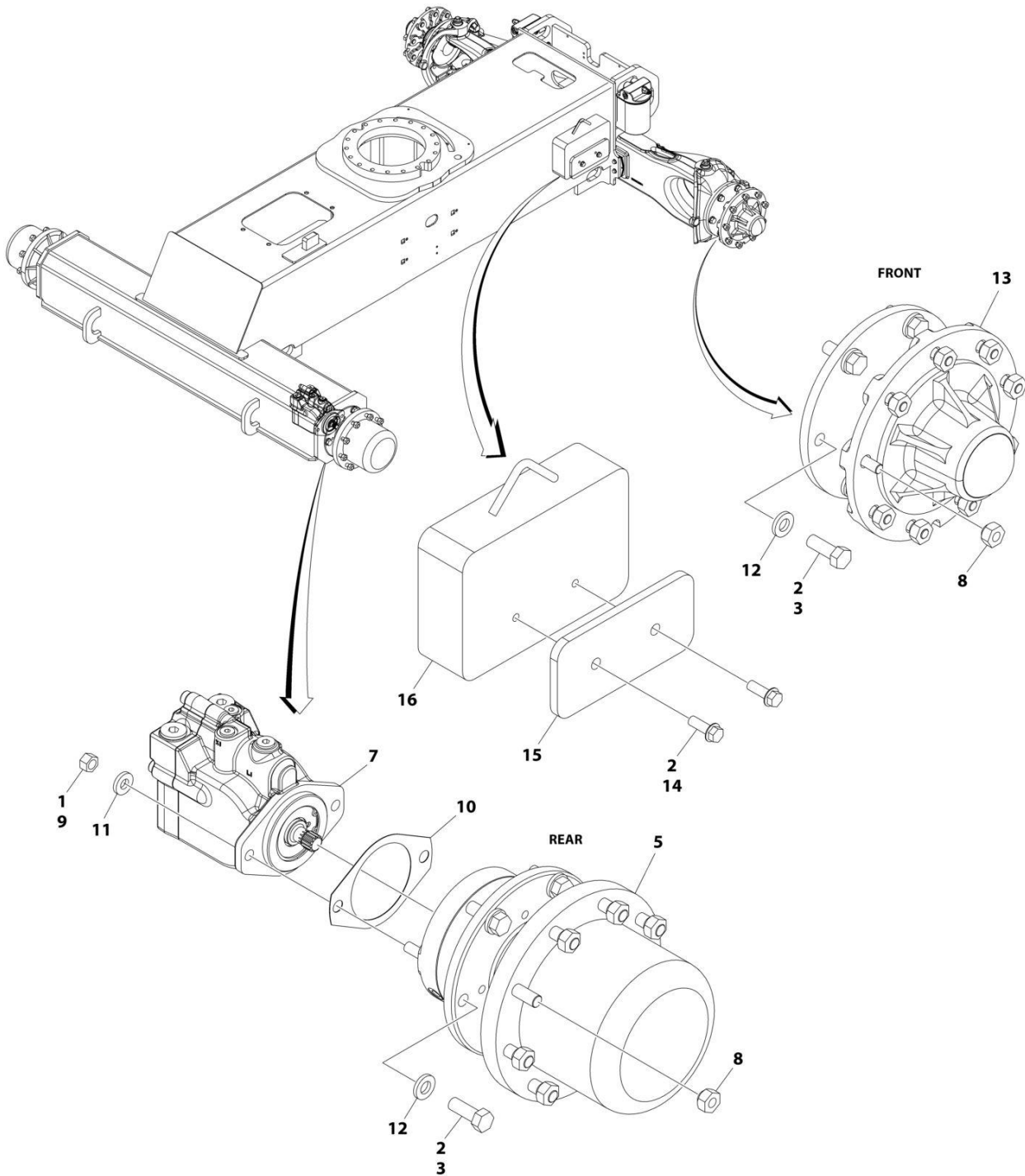
SECTION 1 - FRAME

FIGURE 1-4. STEER INSTALLATION WITH TOW PACKAGE

ITEM	PART NUMBER	QTY	DESCRIPTION	REV
	1001164095	Ref	STEER INSTALLATION WITH TOW PACKAGE	D
1	0100011	AR	Compound, Locking	
2	0440271	2	Bearing, Thrust	
3	0761011	5	Bolt M10 x 22	
4	0701617	2	Bolt M16 x 45	
5	0711220	4	Bolt M12 x 60 Grade 10.9	
6	0711629	4	Bolt M16 x 120	
7	0962348	1	Bearing	
8	3422848	1	Pin	
9	3841143	5	Keeper, Pin	
10	3900295	2	Bolt 1 X 3	
11	4740086	4	Washer	
12	4740155	1	Washer	
13	4740491	2	Washer	
15	5241200	4	Washer M12	
16	1001139586	2	Pin	
17	1001163178	1	Steer Cylinder Assembly (See Separate Breakdown in CYLINDER SECTION)	
18	1001163179	1	Link	
18	1001164209	2	Bearing	
19	1001176848	4	Nut M16	
20	1001163405	4	Kingpin	
21	1001163715	2	Spindle	
21	0961948	4	Bearing (2 per Spindle)	
21	1001163716	8	Seal (4 per Spindle)	
22	1001163717	1	Bracket, Tow	
23	1001163722	1	Plate	
24	1001163724	1	Link	
24	0962292	4	Bearing	
25	1001163726	1	Link	
25	1001164209	2	Bearing	
26	3423304	2	Pin	
27	1001190368	4	Bolt M16 x 120	
28	5241600	6	Washer M16	

SECTION 1 - FRAME

FIGURE 1-5. WHEEL DRIVE INSTALLATION (2WD)



ART_1001214159

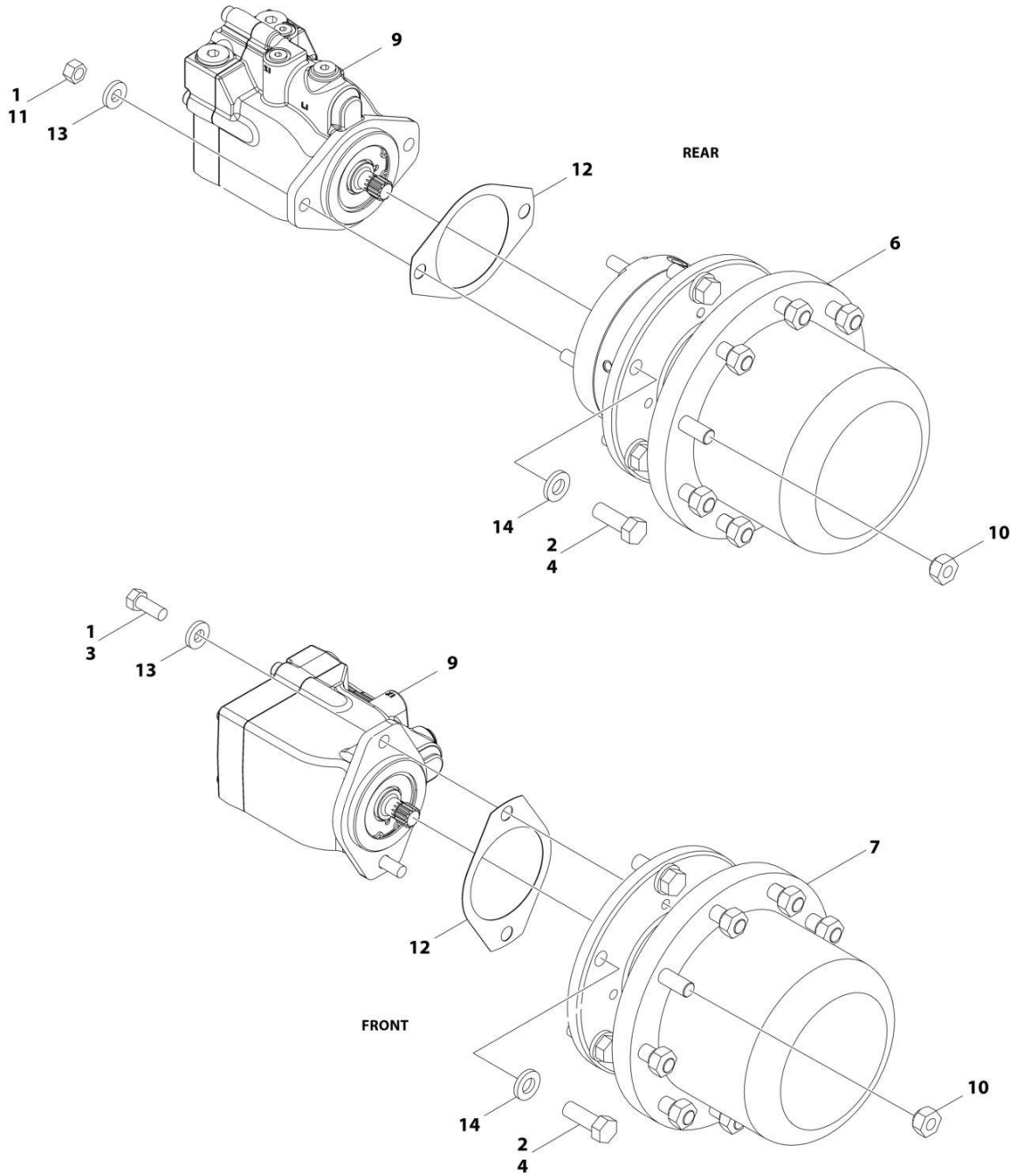
SECTION 1 - FRAME

FIGURE 1-5. WHEEL DRIVE INSTALLATION (2WD)

ITEM	PART NUMBER	QTY	DESCRIPTION	REV
	1001214159	Ref	WHEEL DRIVE INSTALLATION (2WD)	E
1	0100011	AR	Compound, Locking	
2	0100019	AR	Compound, Locking	
3	0682014	24	Bolt 5/8 x 1-3/4 Grade 8	
5	2780267	2	Drive Hub Assembly - Rear (See Separate Breakdown in this Section)	
7	3160351	2	Drive Motor Assembly (See Separate Breakdown in this Section)	
8	3300106	36	Lugnut	
9	3311801	4	Nut 1/2	
10	3960526	2	Gasket, Brake	
11	4891800	4	Washer 1/2	
12	4892000	24	Washer 5/8	
13	1001214174	2	Hub - Spindle Assembly (See Separate Breakdown in this Section)	
14	5251215	4	Bolt M12 x 35	
15	1001215503	2	Plate, Mounting	
16	1001215504	2	Weight, Counter	

SECTION 1 - FRAME

FIGURE 1-6. WHEEL DRIVE INSTALLATION (4WD) (DANFOSS MOTOR)



ART_1001166239

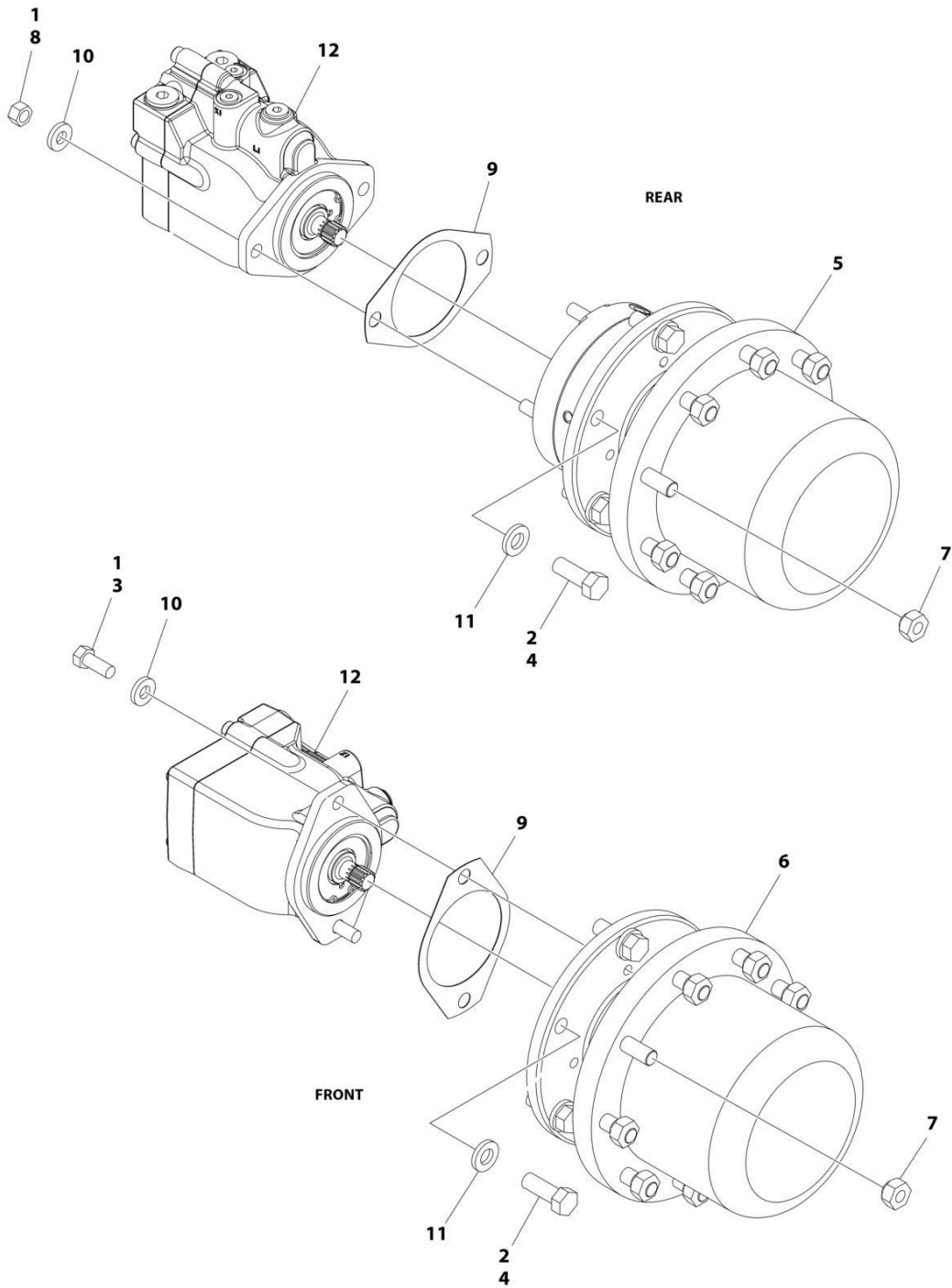
SECTION 1 - FRAME

FIGURE 1-6. WHEEL DRIVE INSTALLATION (4WD) (DANFOSS MOTOR)

ITEM	PART NUMBER	QTY	DESCRIPTION	REV
	1001166239	Ref	WHEEL DRIVE INSTALLATION (4WD)	E
1	0100011	AR	Compound, Locking	
2	0100019	AR	Compound, Locking	
3	0681810	4	Bolt 1/2 x 1-1/4 Grade 8	
4	0682014	24	Bolt 5/8 x 1-3/4 Grade 8	
6	2780267	2	Drive Hub Assembly - Rear (See Separate Breakdown in this Section)	
7	2780268	2	Drive Hub Assembly - Front (See Separate Breakdown in this Section)	
9	3160348	4	Drive Motor Assembly (See Separate Breakdown in this Section)	
10	3300106	36	Lugnut	
11	3311801	4	Nut 1/2	
12	3960526	4	Gasket, Brake	
13	4891800	8	Washer 1/2	
14	4892000	24	Washer 5/8	

SECTION 1 - FRAME

FIGURE 1-7. WHEEL DRIVE INSTALLATION (4WD) (HENGLI MOTOR)



ART_1001285012

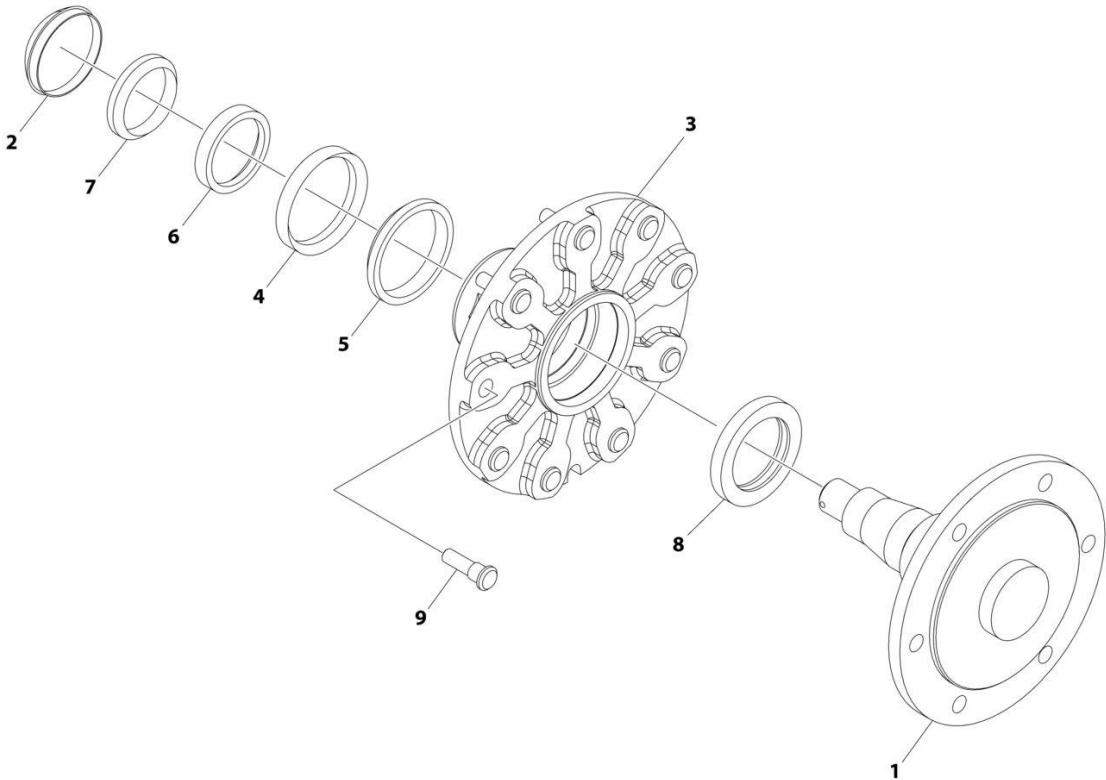
SECTION 1 - FRAME

FIGURE 1-7. WHEEL DRIVE INSTALLATION (4WD) (HENGLI MOTOR)

ITEM	PART NUMBER	QTY	DESCRIPTION	REV
	1001285012	Ref	WHEEL DRIVE INSTALLATION (4WD)	B
1	0100011	AR	Compound, Locking	
2	0100019	AR	Compound, Locking	
3	0681810	4	Bolt 1/2 x 1-1/4 Grade 8	
4	0682014	24	Bolt 5/8 x 1-3/4 Grade 8	
5	2780267	2	Drive Hub Assembly - Rear (See Separate Breakdown in this Section)	
6	2780268	2	Drive Hub Assembly - Front (See Separate Breakdown in this Section)	
7	3300106	36	Lugnut	
8	3311801	4	Nut 1/2	
9	3960526	4	Gasket, Brake	
10	4891800	8	Washer 1/2	
11	4892000	24	Washer 5/8	
12	1001278022	4	Drive Motor Assembly (See Separate Breakdown in this Section)	

SECTION 1 - FRAME

FIGURE 1-8. HUB - SPINDLE ASSEMBLY



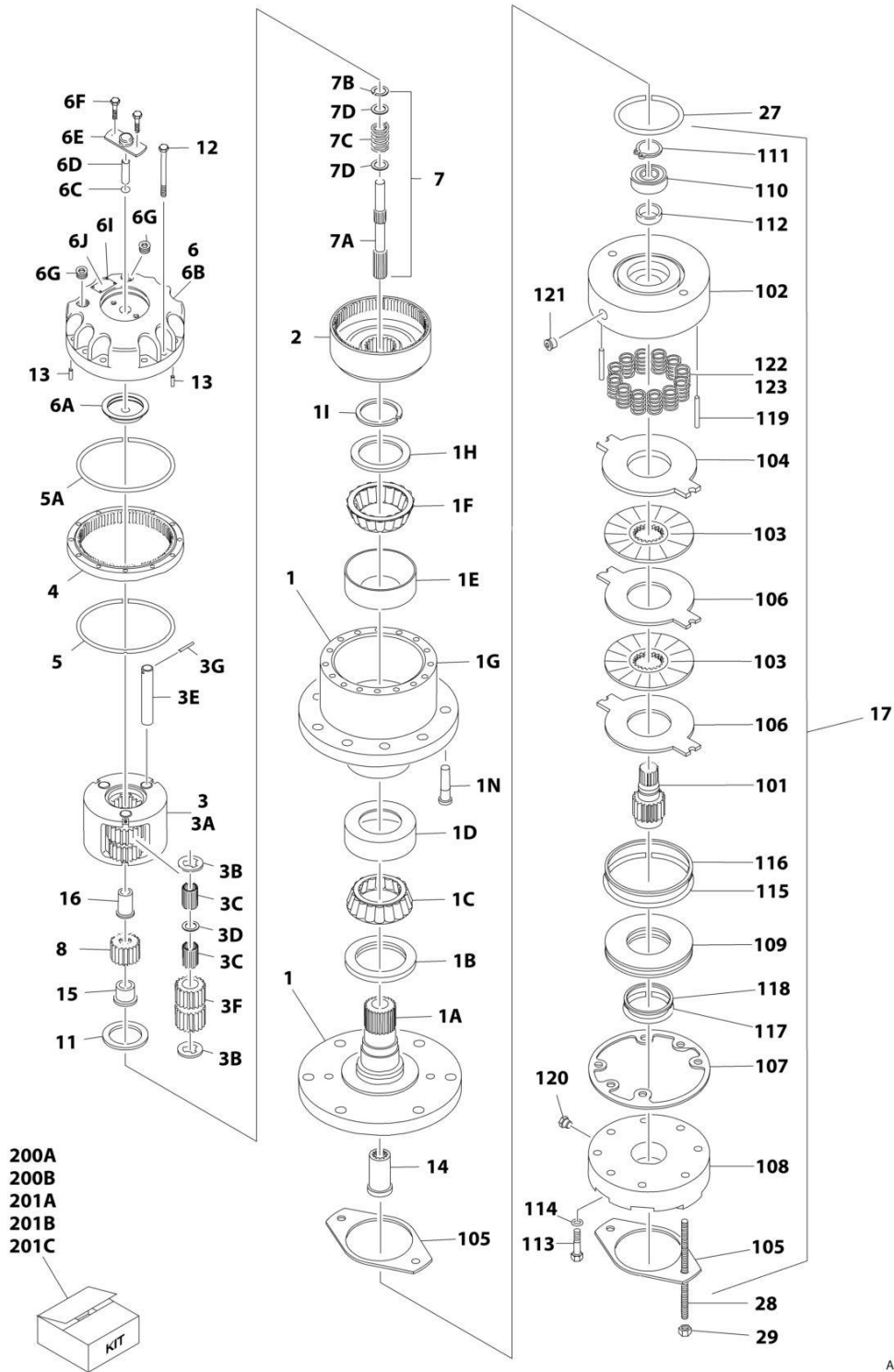
ART_1001214174

FIGURE 1-8. HUB - SPINDLE ASSEMBLY

ITEM	PART NUMBER	QTY	DESCRIPTION	REV
	1001214174	Ref	HUB - SPINDLE ASSEMBLY (2WD)	C
1	See Note	NSS	Spindle, Adapter (Note: Not Available for Purchase)	
2	7020033	1	Cap, Dust	
3	7020035	1	Hub, Casting	
4	7020036	1	Cup, Bearing	
5	7020037	1	Cone, Bearing	
6	7020038	1	Cup, Bearing	
7	7020039	1	Cone, Bearing	
8	7020040	1	Seal	
9	7020041	9	Stud	

SECTION 1 - FRAME

FIGURE 1-9. DRIVE HUB AND BRAKE ASSEMBLY - REAR



ART_2780267

SECTION 1 - FRAME

FIGURE 1-9. DRIVE HUB AND BRAKE ASSEMBLY - REAR

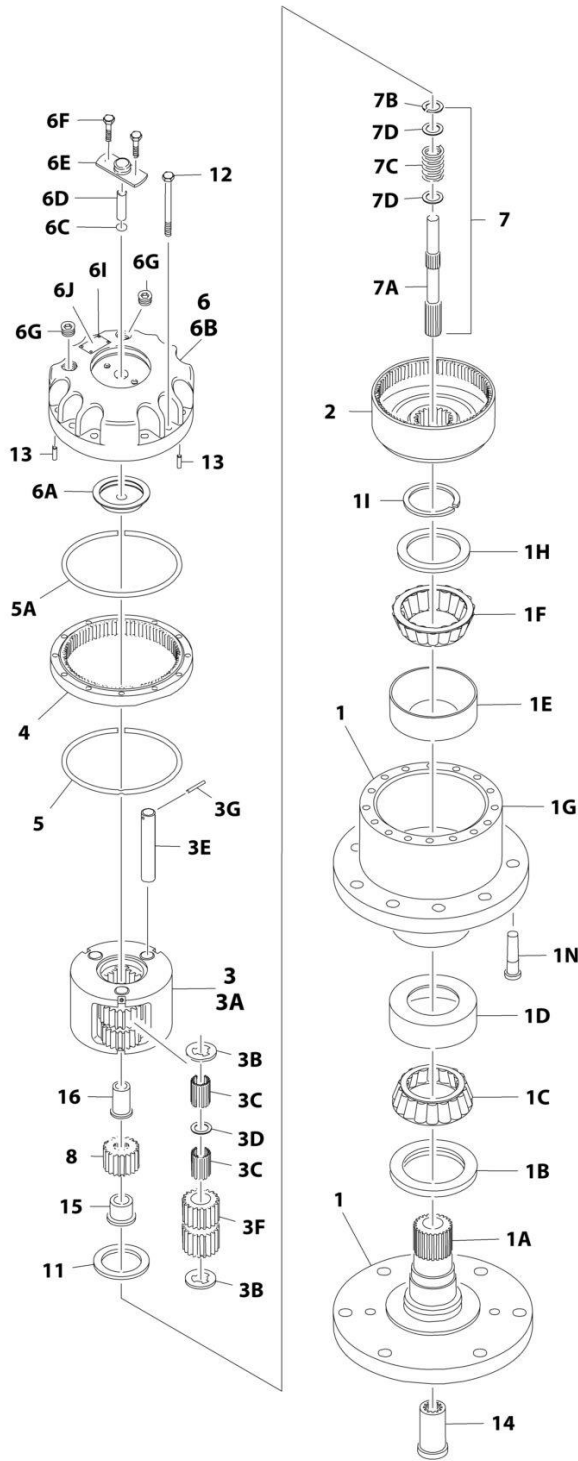
ITEM	PART NUMBER	QTY	DESCRIPTION	REV
	2780267	Ref	DRIVE HUB AND BRAKE ASSEMBLY - REAR	I
1	See Note	1	Spindle/Housing Assembly (Note: Purchase Individual Components)	
1A	7017059	1	Spindle	
1B	7001998	1	Seal	
1C	7010429	1	Cone, Bearing (Includes Item 1D)	
1D	7010429	1	Cup, Bearing (Includes Item 1C)	
1E	7000257	1	Cup, Bearing	
1F	7000258	1	Cone, Bearing	
1G	7007601	1	Housing/Ring Gear	
1H	7000232	1	Washer, Thrust	
1I	7000229	1	Ring, Retaining	
1N	7007640	9	Stud, Wheel	
2	7000246	1	Gear, Internal	
3	7024712	1	Carrier Assembly	
3A	See Note	1	Carrier (Note: Use Item 3)	
3B	See Note	6	Ring, Retaining (Note: Use Item 3)	
3C	See Note	AR	Bearing, Needle (Note: Use Item 3)	
3D	See Note	3	Washer, Thrust (Note: Use Item 3)	
3E	See Note	3	Shaft, Planet (Note: Use Item 3)	
3F	See Note	3	Gear, Planet (Note: Use Item 3)	
3G	See Note	3	Roll Pin (Note: Use Item 3)	
4	7000248	1	Ring Gear	
5	7000230	1	O-Ring	
5A	7017070	1	O-Ring	
6	70001349	1	Cover Assembly Kit	
6A	See Note	1	Spacer, Thrust (Note: Use Item 6)	
6B	See Note	1	Plate, Cover (Note: Use Item 6)	
6C	See Note	1	O-Ring (Note: Use Item 6)	
6D	See Note	1	Rod, Disconnect (Note: Use Item 6)	
6E	See Note	1	Cap, Disengage (Note: Use Item 6)	
6F	See Note	2	Bolt (Note: Use Item 6)	
6G	See Note	1	Plug, Pipe (Note: Use Item 6)	
6I	See Note	4	Rivet (Note: Not Available for Purchase)	
6J	See Note	1	Plate, ID (Note: Not Available for Purchase)	
7		Ref	Input Shaft Assembly	
7A	7024714	1	Shaft	
7B	7000261	1	Ring, Retaining	
7C	7000262	1	Spring	
7D	7000263	2	Spacer, Thrust	
8	7024713	1	Gear, Sun	
11	7000253	1	Washer, Thrust	
12	7017067	12	Bolt	
13	7017080	4	Pin, Dowel	
14	7000206	1	Coupling	
15	7024715	1	Spacer, Input	
16	7024716	1	Spacer, Input	
17	7024182	1	Brake Assembly (See Items 101-123 for Breakdown)	
27	7024705	1	O-Ring	
28	7024717	2	Rod, Threaded	

SECTION 1 - FRAME

ITEM	PART NUMBER	QTY	DESCRIPTION	REV
29	7024718	2	Nut 1/2in-13NC	
	7024182	Ref	BRAKE ASSEMBLY	
101	7024189	1	Shaft	
102	See Note	1	Housing (Note: Use Item 17)	
103	See Note	2	Plate, Friction (Note: Use Item 201B)	
104	See Note	1	Plate, Pressure (Note: Use Item 201B)	
105	7000731	2	Gasket	
106	See Note	2	Plate, Outer (Note: Use Item 201B)	
107	See Note	1	Gasket (Note: Use Item 200A, 201B or 201C)	
108	7024191	1	Cylinder	
109	7024192	1	Piston	
110	See Note	1	Bearing, Ball (Note: Use Item 201C)	
111	See Note	1	Ring, Retaining (Note: Use Item 201C)	
112	See Note	1	Seal, Shaft (Note: Use Item 201C)	
113	See Note	6	Capscrew (Note: Use Item 17)	
114	See Note	6	Lockwasher (Note: Use Item 17)	
115	See Note	1	O-Ring (Note: Use Item 200B)	
116	See Note	1	Ring, Back-up (Note: Use Item 200B)	
117	See Note	1	O-Ring (Note: Use Item 200B)	
118	See Note	1	Ring, Back-up (Note: Use Item 200B)	
119	7024190	2	Pin, Dowel	
120	See Note	1	Plug (Note: Use Item 17)	
121	See Note	2	Plug (Note: Use Item 17)	
122	See Note	12	Spring Kit (Natural) (Note: Use Item 201A)	
123	See Note	2	Spring Kit (Blue) (Note: Use Item 201A)	
		Ref	Kit Options	
200		Ref	Seal Kit Options:	
200A	See Note	1	Hub Seal Kit (Note: Purchase Individual Components)	
200B	7024194	1	Brake Seal Kit (Includes Items 105, 107 & 115-118)	
201		Ref	Repair Kit Options:	
201A	7024196	1	Brake Spring Kit (Includes 12 Natural Colored and 2 Blue Colored Springs Items 122 & 123)	
201B	7024193	1	Brake Friction Disc Kit (Includes Items 103, 104, 106 & 107)	
201C	7024197	1	Brake Bearing Kit (Includes Items 107 & 110-112)	

SECTION 1 - FRAME

FIGURE 1-10. DRIVE HUB ASSEMBLY - FRONT



ART_2780268

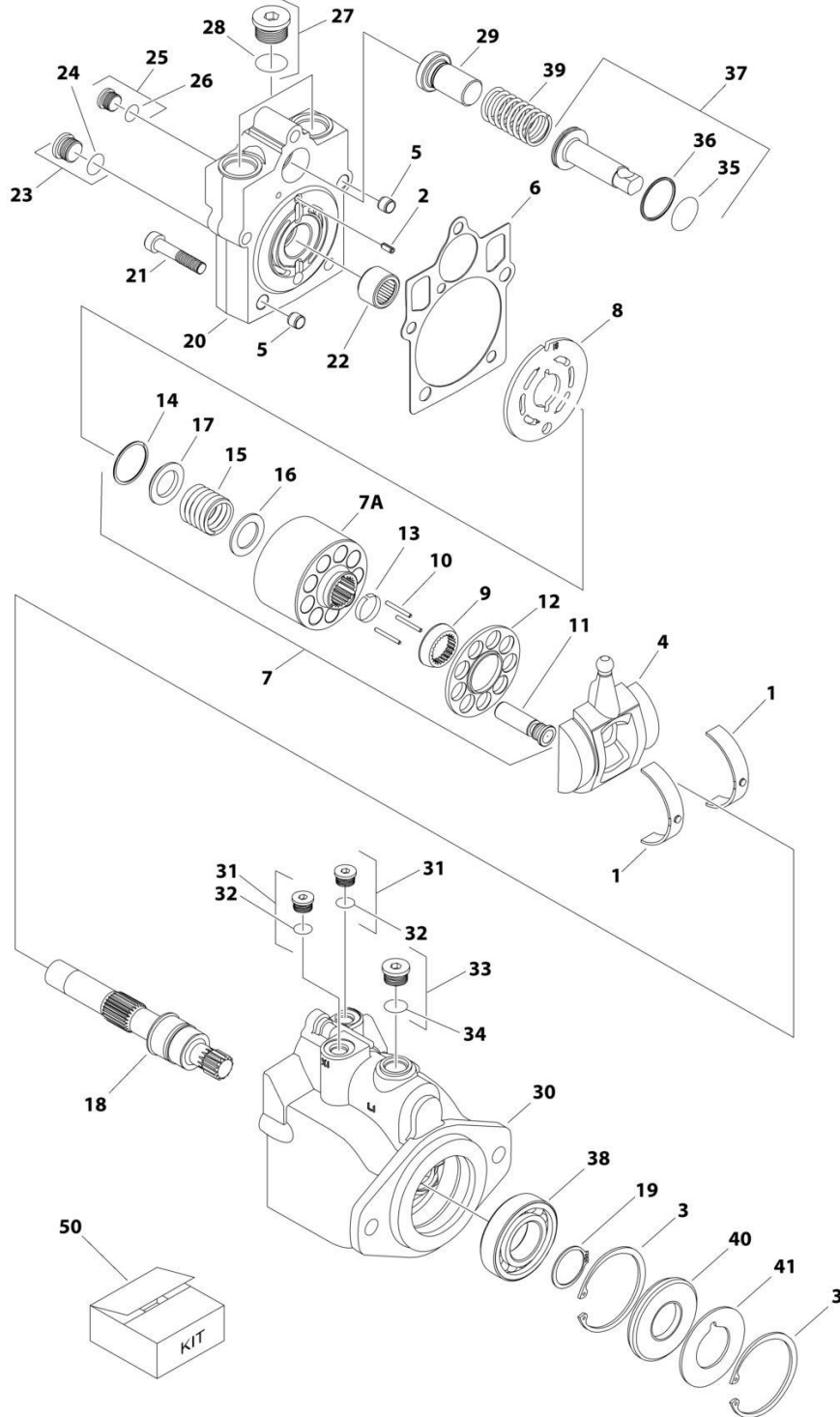
SECTION 1 - FRAME

FIGURE 1-10. DRIVE HUB ASSEMBLY - FRONT

ITEM	PART NUMBER	QTY	DESCRIPTION	REV
	2780268	Ref	DRIVE HUB ASSEMBLY - FRONT	F
1	See Note	1	Spindle/Housing Assembly (Note: Purchase Individual Components)	
1A	7017059	1	Spindle	
1B	7001998	1	Seal	
1C	7010429	1	Cone, Bearing (Includes Item 1D)	
1D	7010429	1	Cup, Bearing (Includes Item 1C)	
1E	7000257	1	Cup, Bearing	
1F	7000258	1	Cone, Bearing	
1G	7007601	1	Housing/Ring Gear	
1H	7000232	1	Washer, Thrust	
1I	7000229	1	Ring, Retaining	
1N	7007640	9	Stud, Wheel	
2	7000246	1	Gear, Internal	
3	7024712	1	Carrier Assembly	
3A	See Note	1	Carrier (Note: Use Item 3)	
3B	See Note	6	Ring, Retaining (Note: Use Item 3)	
3C	See Note	AR	Bearing, Needle (Note: Use Item 3)	
3D	See Note	3	Washer, Thrust (Note: Use Item 3)	
3E	See Note	3	Shaft, Planet (Note: Use Item 3)	
3F	See Note	3	Gear, Planet (Note: Use Item 3)	
3G	See Note	3	Roll Pin (Note: Use Item 3)	
4	7000248	1	Ring Gear	
5	7000230	1	O-Ring	
5A	7017070	1	O-Ring	
6	70001349	1	Cover Assembly Kit	
6A	See Note	1	Spacer, Thrust (Note: Use Item 6)	
6B	See Note	1	Plate, Cover (Note: Use Item 6)	
6C	See Note	1	O-Ring (Note: Use Item 6)	
6D	See Note	1	Rod, Disconnect (Note: Use Item 6)	
6E	See Note	1	Cap, Disengage (Note: Use Item 6)	
6F	See Note	2	Bolt (Note: Use Item 6)	
6G	See Note	1	Plug, Pipe (Note: Use Item 6)	
6I	See Note	4	Rivet (Note: Not Available for Purchase)	
6J	See Note	1	Plate, ID (Note: Not Available for Purchase)	
7		Ref	Input Shaft Assembly	
7A	7024714	1	Shaft	
7B	7000261	1	Ring, Retaining	
7C	7000262	1	Spring	
7D	7000263	2	Spacer, Thrust	
8	7024713	1	Gear, Sun	
11	7000253	1	Washer, Thrust	
12	7017067	12	Bolt	
13	7017080	4	Pin, Dowel	
14	7000206	1	Coupling	
15	7024715	1	Spacer, Input	
16	7024716	1	Spacer, Input	

SECTION 1 - FRAME

FIGURE 1-11. DRIVE MOTOR ASSEMBLY (2WD)



ART_3160351

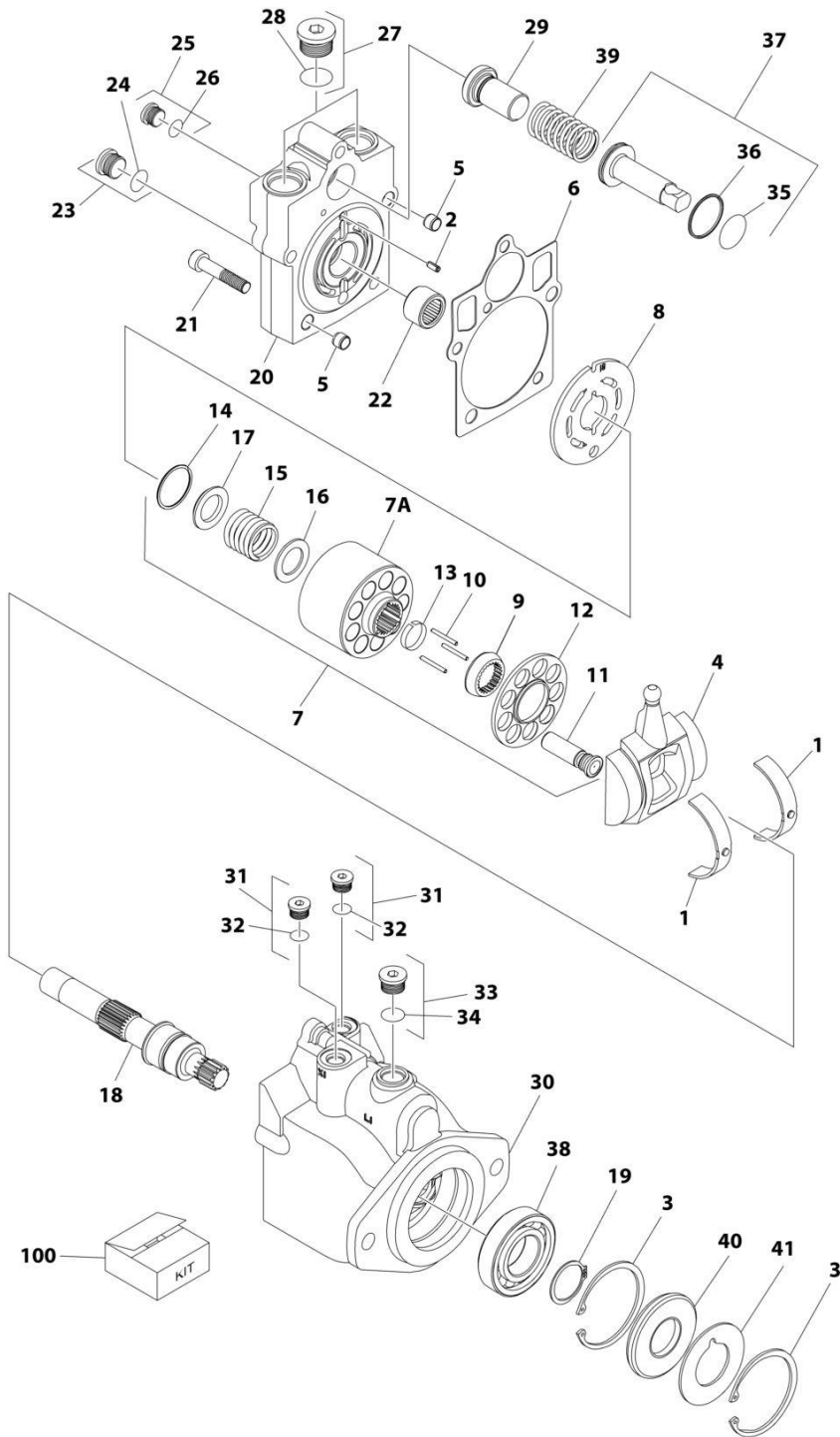
SECTION 1 - FRAME

FIGURE 1-11. DRIVE MOTOR ASSEMBLY (2WD)

ITEM	PART NUMBER	QTY	DESCRIPTION	REV
	3160351	Ref	DRIVE MOTOR ASSEMBLY (2WD)	D
1	7022302	2	Bearing, Journal	
2	7007446	1	Pin	
3	7007438	2	Ring, Retaining	
4	7022305	1	Swashplate	
5	See Note	2	Pin (Note: Not Available for Purchase)	
6	7022328	1	Gasket	
7	7023907	1	Cylinder Block Kit (Includes Items 7A & 9-17)	
7A	7023907	1	Block, Cylinder	
8	7023908	1	Plate, Valve	
9	7021277	1	Guide, Slipper Retainer	
10	7021275	3	Pin, Slipper Hold Down	
11	7023907	9	Piston Assembly	
12	7021276	1	Retainer, Hold Down Pin	
13	7023907	1	Retainer, Slipper	
14	7022311	1	Ring, Retaining	
15	7022312	1	Spring	
16	7024868	1	Washer	
17	7022314	1	Retainer, Spring	
18	7023910	1	Shaft	
19	7007439	1	Ring, Retaining	
20	70000797	1	Cap, End - Axial	
21	7022368	5	Screw	
22	7021249	1	Bearing, Needle	
23	2220886	1	Plug (Includes Item 24)	
24	7022328	1	O-Ring	
25	2220883	1	Plug (Includes Item 26)	
26	7022328	1	O-Ring	
27	7027419	2	Plug (Includes Item 28)	
28	7022328	2	O-Ring	
29	7024853	1	Seat, Spring	
30	See Note	NSS	Housing (Note: Not Available for Purchase – Purchase complete motor)	
31	2220883	2	Plug (Includes Item 32)	
32	7022328	2	O-Ring	
33	2220886	1	Plug (Includes Item 34)	
34	7022328	1	O-Ring	
35	7022328	1	O-Ring	
36	7022328	1	Ring, Seal	
37	7024854	1	Piston, Servo (Includes Items 35 & 36)	
38	7007437	1	Bearing	
39	7022326	1	Spring	
40	7022328	1	Seal, Lip	
41	7022371	1	Washer, Support	
50	7022328	1	Seal Kit (Includes Items 6, 24, 26, 28, 32, 34, 35, 36 & 40)	

SECTION 1 - FRAME

FIGURE 1-12. DRIVE MOTOR ASSEMBLY (4WD) (DANFOSS MOTOR)



ART_3160348

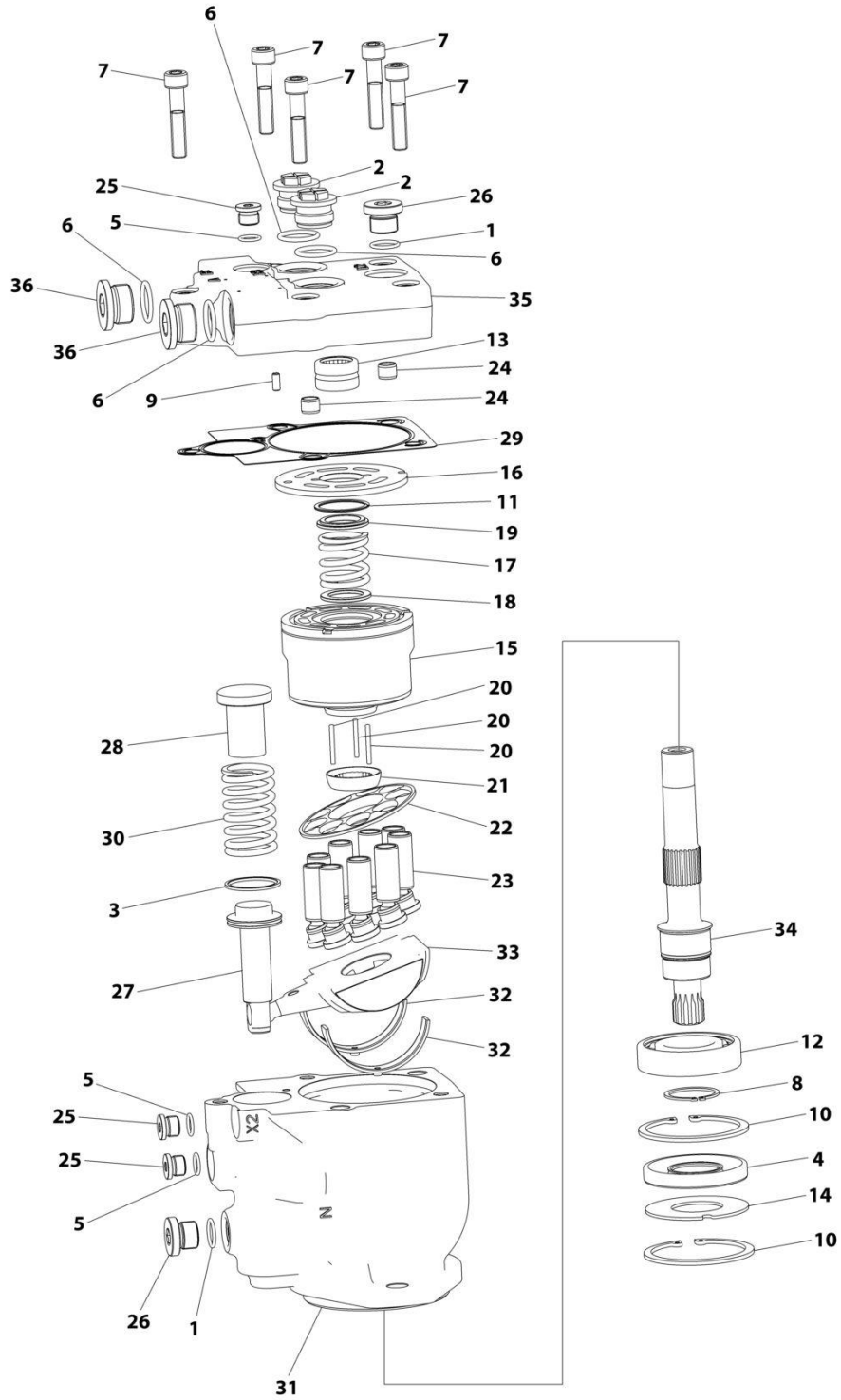
SECTION 1 - FRAME

FIGURE 1-12. DRIVE MOTOR ASSEMBLY (4WD) (DANFOSS MOTOR)

ITEM	PART NUMBER	QTY	DESCRIPTION	REV
	3160348	Ref	DRIVE MOTOR ASSEMBLY	D
1	7022302	2	Bearing, Journal	
2	7007446	1	Pin	
3	7007438	2	Ring, Retaining	
4	7022305	1	Swash Plate	
5	See Note	2	Pin (Note: Not Available for Purchase)	
6	See Note	NSS	Gasket (Note: Use Item 100)	
7	7023907	1	Cylinder Block Kit (Includes Items 7A & 9-17)	
7A	See Note	NSS	Block, Cylinder (Note: Use Item 7)	
8	7023908	1	Plate, Valve	
9	7021277	1	Guide, Slipper Retainer	
10	7021275	3	Pin, Slipper Hold Down	
11	See Note	NSS	Piston Assembly (Note: Use Item 7)	
12	7022310	1	Retainer, Slipper	
13	7021276	1	Retainer, Hold Down Pin	
14	7022311	1	Ring, Retaining	
15	7022312	1	Spring	
16	7024868	1	Washer	
17	7022314	1	Retainer, Spring	
18	7023910	1	Shaft	
19	7007439	1	Ring, Retaining	
20	70000797	1	Cap, End - Axial	
21	7022368	5	Screw	
22	7021249	1	Bearing, Needle	
23	2220886	1	Plug (Includes Item 24)	
24	See Note	1	O-Ring (Note: Use Item 23 or 100)	
25	2220883	1	Plug (Includes Item 26)	
26	See Note	NSS	O-Ring (Note: Use Item 25 or 100)	
27	2220888	2	Plug (Includes Item 28)	
28	See Note	NSS	O-Ring (Note: Use Item 27 or 100)	
29	7022372	1	Seat, Spring	
30	See Note	NSS	Housing (Note: Not Available - Purchase Complete Assembly)	
31	2220883	2	Plug (Includes Item 32)	
32	See Note	NSS	O-Ring (Note: Use Item 31 or 100)	
33	2220886	1	Plug (Includes Item 34)	
34	See Note	NSS	O-Ring (Note: Use Item 33 or 100)	
35	See Note	NSS	O-Ring (Note: Use Item 100)	
36	See Note	NSS	Ring, Seal (Note: Use Item 100)	
37	7024854	1	Piston, Servo (Includes Items 35 & 36)	
38	7007437	1	Bearing	
39	7022326	1	Spring	
40	See Note	1	Seal, Lip (Note: Use Item 100)	
41	7022371	1	Washer, Support	
		Ref	KIT OPTIONS:	
100	7022328	1	Seal Kit (Includes Items 6, 24, 26, 28, 32, 34, 35, 36 & 40)	

SECTION 1 - FRAME

FIGURE 1-13. DRIVE MOTOR ASSEMBLY (4WD) (HENGLI MOTOR)



ART_1001278022

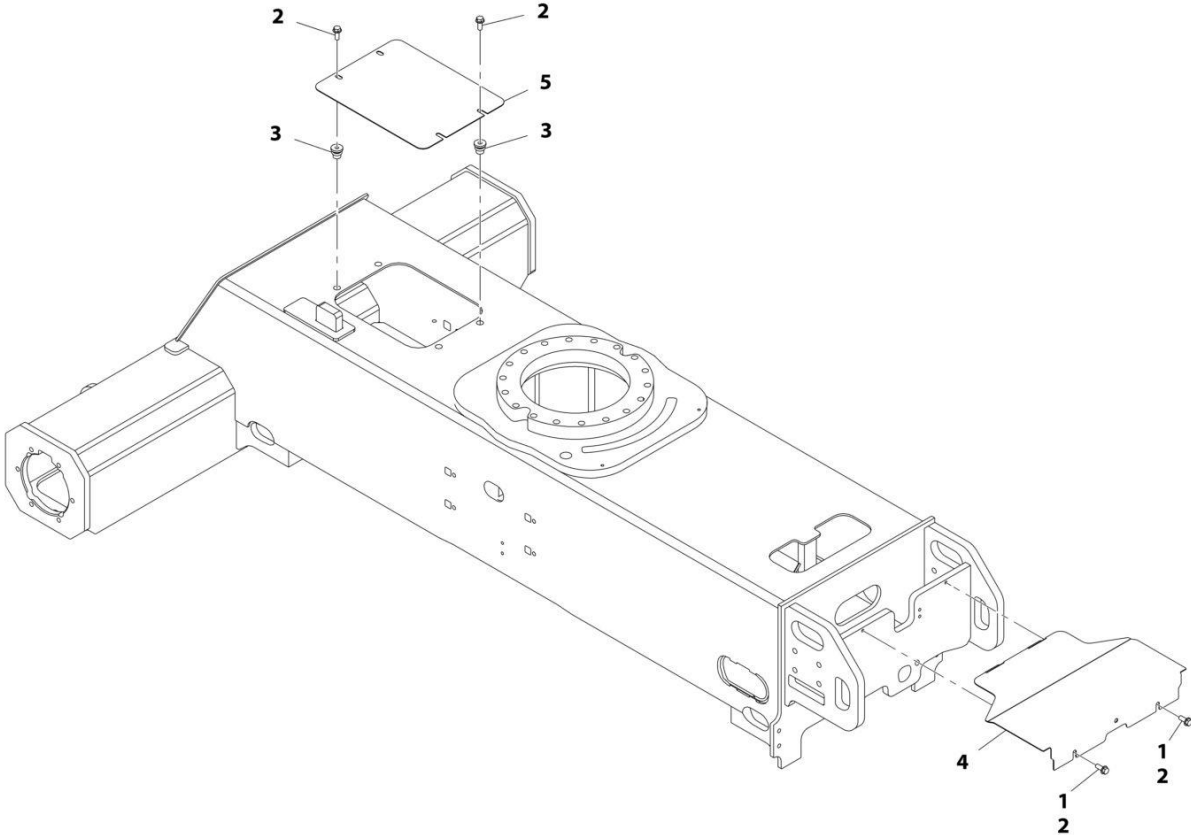
SECTION 1 - FRAME

FIGURE 1-13. DRIVE MOTOR ASSEMBLY (4WD) (HENGLI MOTOR)

ITEM	PART NUMBER	QTY	DESCRIPTION	REV
	1001278022	Ref	DRIVE MOTOR ASSEMBLY	B
1	70007847	2	O-Ring	
2	70007848	2	Plug	
3	70007849	1	Ring, Sealing	
4	70007850	1	Bearing	
5	70007851	3	O-Ring	
6	70007852	4	O-Ring	
7	70007853	5	Capscrew M10 x 50	
8	70007854	1	Circlip	
9	70007855	1	Pin	
10		Ref	Circlip	
11	70007856	1	Ring, Retaining	
12	70007857	1	Bearing	
13	70007858	1	Bearing	
14	70007859	1	Gasket	
15	70007860	1	Cylinder	
16	70007861	1	Plate, Valve	
17	70007862	1	Spring	
18	70007863	1	Gasket	
19	70007864	1	Gasket	
20	70007865	3	Pin	
21	70007866	1	Bushing	
22	70007867	1	Retainer	
23	70007868	9	Piston	
24	70007869	2	Pin	
25	70007870	3	Plug	
26	70007871	2	Plug	
27	70007872	1	Piston	
28	70007873	1	Seat, Spring	
29	70007874	1	Gasket	
30	70007875	1	Spring	
31	See Note	NSS	Housing (Note: Purchase Complete Assembly)	
32	70007876	2	Bushing	
33	70007877	1	Plate, Swash	
34	70007878	1	Shaft	
35	See Note	NSS	Cover (Note: Purchase Complete Assembly)	
36	See Note	Ref	Plug (Note: Shipping Use Only)	

SECTION 1 - FRAME

FIGURE 1-14. FRAME SHIELD INSTALLATION



ART_1001162105

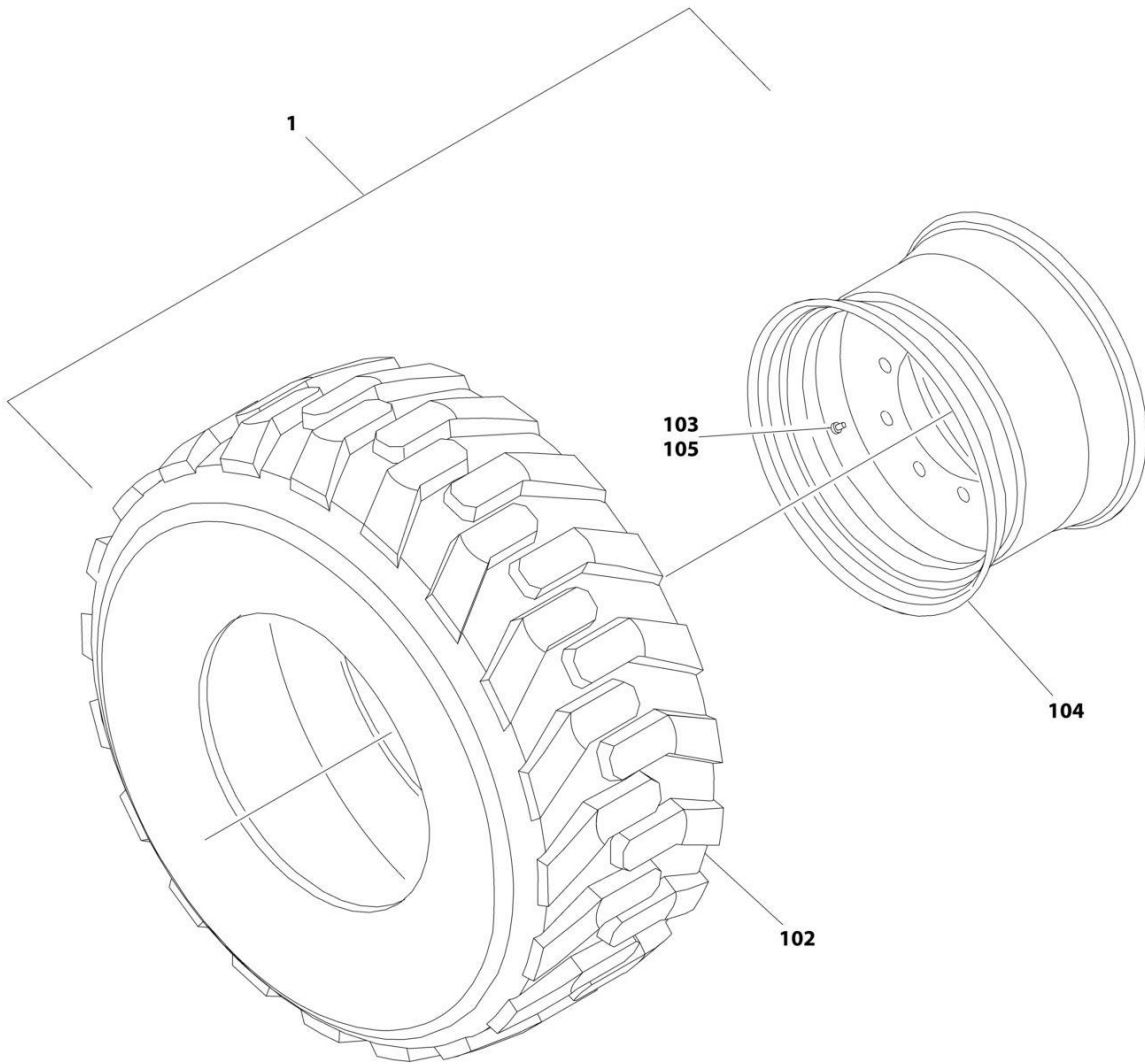
SECTION 1 - FRAME

FIGURE 1-14. FRAME SHIELD INSTALLATION

ITEM	PART NUMBER	QTY	DESCRIPTION	REV
	1001162105	Ref	FRAME SHIELD INSTALLATION	B
1	0100011	AR	Compound, Locking	
2	5251012	6	Bolt, M10 x 25	
3	1001180916	4	Nut	
4	1001162107	1	Plate, Valve Cover	
5	1001165968	1	Plate, Cover	

SECTION 1 - FRAME

FIGURE 1-15. TIRE AND WHEEL INSTALLATION - 12 X 16.5 FOAM FILLED (AVAILABLE ON ANSI, ANSI EXPORT, CSA AND JAPANESE SPECS)



ART_0270092

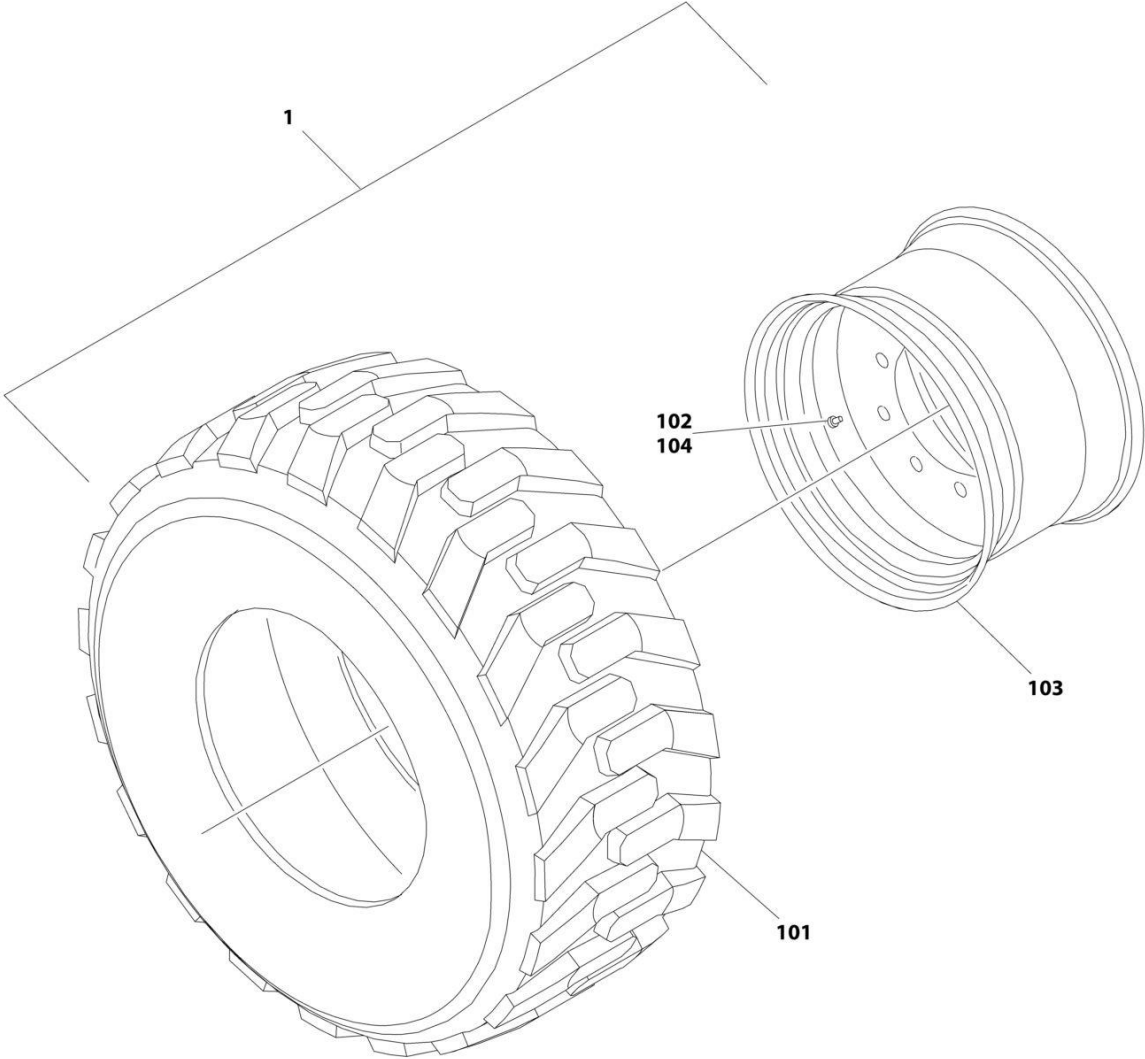
SECTION 1 - FRAME

FIGURE 1-15. TIRE AND WHEEL INSTALLATION - 12 X 16.5 FOAM FILLED (AVAILABLE ON ANSI, ANSI EXPORT, CSA AND JAPANESE SPECS)

ITEM	PART NUMBER	QTY	DESCRIPTION	REV
	0270092	Ref	TIRE AND WHEEL INSTALLATION - 12 X 16.5 FOAM FILLED Note: Assemblies may require ballast/foam filling to manufacturer's specifications prior to installing on a machine. Refer to Operation and Safety or Service and Maintenance Manuals. Purchase individual tire and/or rim only if able to foam fill tire and wheel assembly, otherwise, purchase complete assembly.	C
		Ref		
1	1001148865	2	Tire and Wheel Assembly - 12 x 16.5 (RH Side)	H
1	1001148866	2	Tire and Wheel Assembly - 12 x 16.5 (LH Side)	H
102	4520216	4	Tire - 12 x 16.5	
103	4641122	4	Valve	
104	1001147274	4	Rim, Wheel	
105	1001149953	4	Cap, Valve Stem	

SECTION 1 - FRAME

**FIGURE 1-16. TIRE AND WHEEL INSTALLATION - 12 X 16.5 FOAM FILLED NON MARKING
(AVAILABLE ON ANSI, ANSI EXPORT, CSA AND JAPANESE SPECS)**



ART_0270653

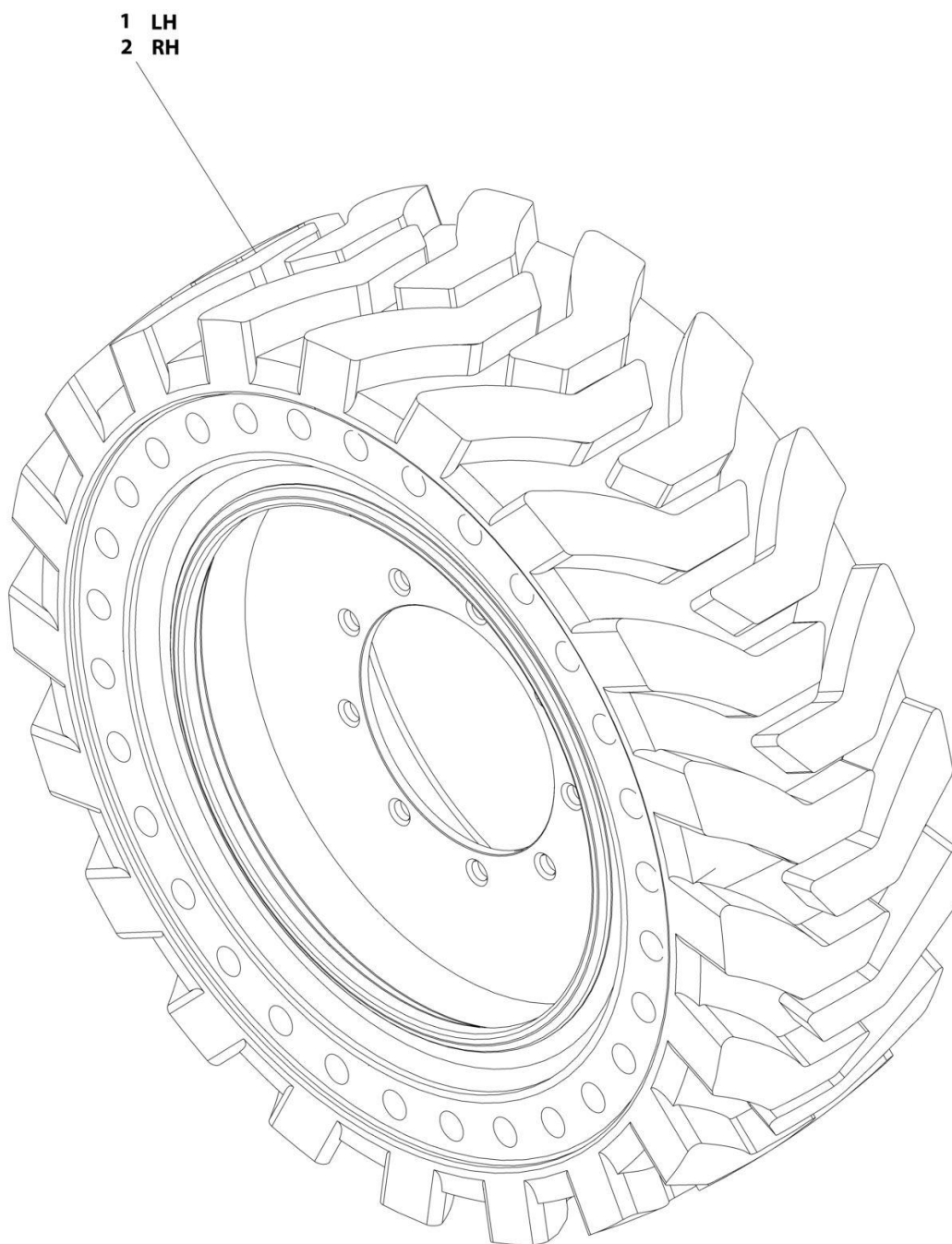
SECTION 1 - FRAME

**FIGURE 1-16. TIRE AND WHEEL INSTALLATION - 12 X 16.5 FOAM FILLED NON MARKING
(AVAILABLE ON ANSI, ANSI EXPORT, CSA AND JAPANESE SPECS)**

ITEM	PART NUMBER	QTY	DESCRIPTION	REV
	0270653	Ref Ref	TIRE AND WHEEL INSTALLATION - 12 X 16.5 FOAM FILLED Note: Assemblies may require ballast/foam filling to manufacturer's specifications prior to installing on a machine. Refer to Operation and Safety or Service and Maintenance Manuals. Purchase individual tire and/or rim only if able to foam fill tire and wheel assembly, otherwise, purchase complete assembly.	B
1	1001148869	1	Tire and Wheel Assembly - Right Side	H
1	1001148870	1	Tire and Wheel Assembly - Left Side	H
101	4520240	1	Tire 12 x 16.5 Non-Marking	
102	4641122	1	Valve	
103	1001147274	1	Rim, Wheel	
104	1001149953	1	Cap, Valve Stem	

SECTION 1 - FRAME

FIGURE 1-17. TIRE AND WHEEL INSTALLATION - 33 X 12-20 SOLID NON-MARKING (AVAILABLE ON ANSI EXPORT, AUSTRALIAN, CE AND RUSSIA SPECS)



ART_1001169062

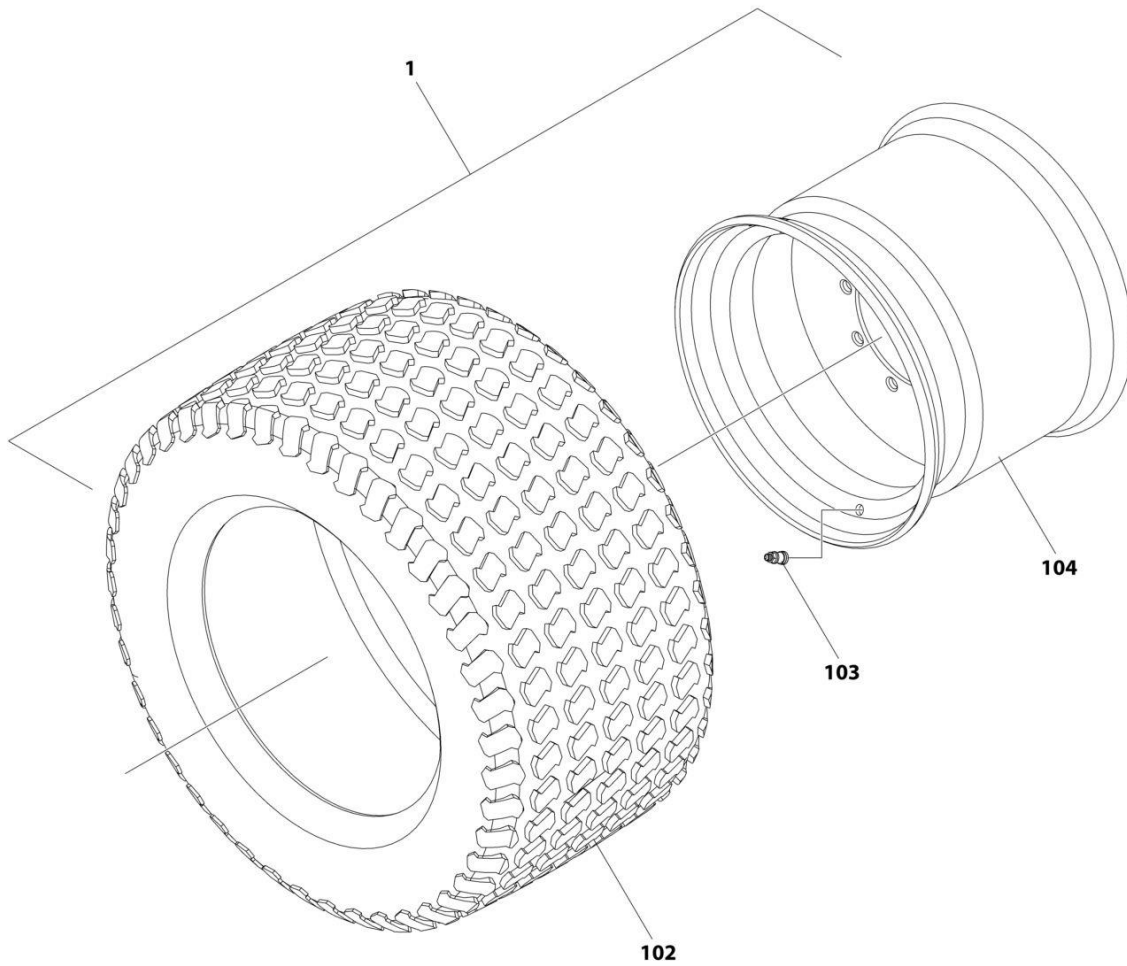
SECTION 1 - FRAME

FIGURE 1-17. TIRE AND WHEEL INSTALLATION - 33 X 12-20 SOLID NON-MARKING (AVAILABLE ON ANSI EXPORT, AUSTRALIAN, CE AND RUSSIA SPECS)

ITEM	PART NUMBER	QTY	DESCRIPTION	REV
	1001169062	Ref	TIRE AND WHEEL INSTALLATION - 33 X 12-20 SOLID NON-MARKING	A
		Ref	Note: Due to critical stable weights, only replace tire and wheel assemblies with like components.	
1	1001170098	2	Tire and Wheel Assembly - 33 x 12-20 Solid Non-Marking (LH Side)	
2	1001170099	2	Tire and Wheel Assembly - 33 x 12-20 Solid Non-Marking (RH Side)	

SECTION 1 - FRAME

FIGURE 1-18. TIRE AND WHEEL INSTALLATION - 33 X 16L500 TURF AND SAND FOAM-FILLED
(AVAILABLE ON ANSI, ANSI EXPORT & CSA SPECS)



ART_1001272447

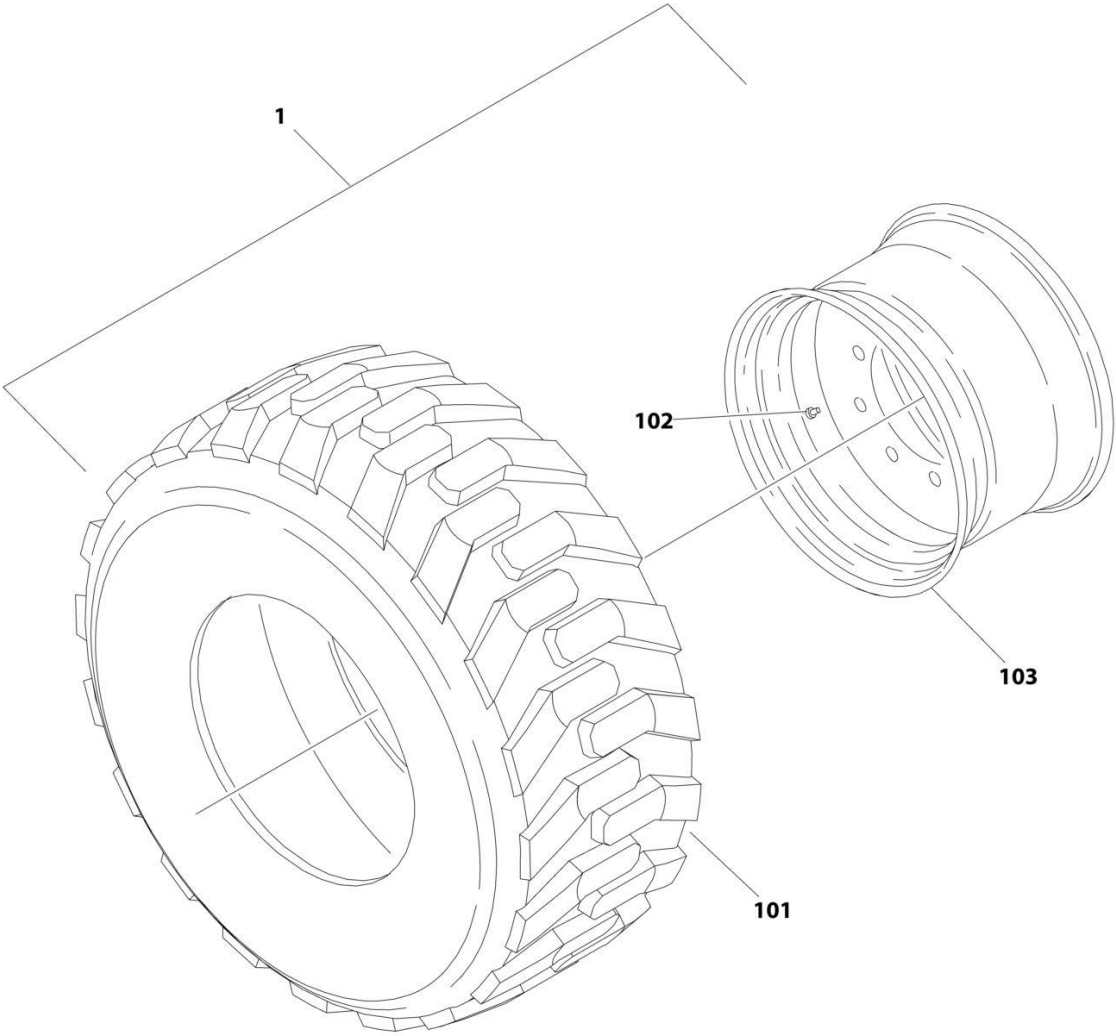
SECTION 1 - FRAME

**FIGURE 1-18. TIRE AND WHEEL INSTALLATION - 33 X 16L500 TURF AND SAND FOAM-FILLED
(AVAILABLE ON ANSI, ANSI EXPORT & CSA SPECS)**

ITEM	PART NUMBER	QTY	DESCRIPTION	REV
	1001272447	Ref	TIRE AND WHEEL INSTALLATION - 33 X 16L500 TURF AND SAND FOAM-FILLED (AVAILABLE ON ANSI, ANSI EXPORT & CSA SPECS)	A
		Ref	Note: Assemblies may require ballast/foam filling to manufacturer's specifications prior to installing on a machine. Refer to Operation and Safety or Service and Maintenance Manuals. Purchase individual tire and/or rim only if able to foam fill tire and wheel assembly, otherwise, purchase complete assembly.	
1	1001272446	4	Tire and Wheel Assembly	A
102	4520262	4	Tire, 33 x 16L500	
103	4640113	4	Valve, Stem	
104	4860237	4	Rim, Wheel	

SECTION 1 - FRAME

FIGURE 1-19. TIRE AND WHEEL INSTALLATION - 33/1550 X 16.5 FOAM-FILLED (AVAILABLE ON ALL SPECS)



ART_1001169075

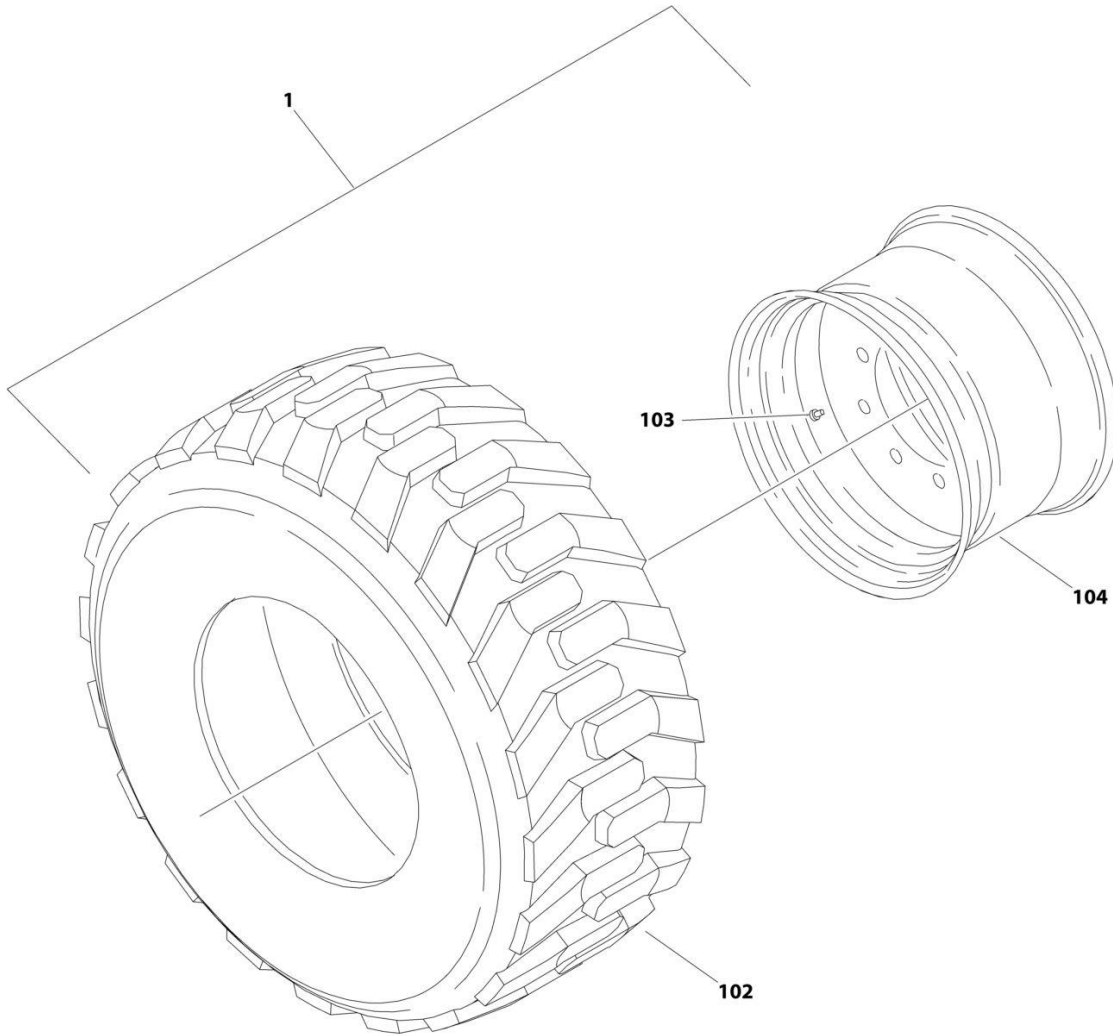
SECTION 1 - FRAME

FIGURE 1-19. TIRE AND WHEEL INSTALLATION - 33/1550 X 16.5 FOAM-FILLED (AVAILABLE ON ALL SPECS)

ITEM	PART NUMBER	QTY	DESCRIPTION	REV
	1001169075	Ref	TIRE AND WHEEL INSTALLATION - 33/1550 X 16.5 FOAM-FILLED	A
		Ref	Note: Assemblies may require ballast/foam filling to manufacturer's specifications prior to installing on a machine. Refer to Operation and Safety or Service and Maintenance Manuals. Purchase individual tire and/or rim only if able to foam fill tire and wheel assembly, otherwise, purchase complete assembly.	
1	0258011	2	Tire and Wheel Assembly (RH Side)	I
1	0258012	2	Tire and Wheel Assembly (LH Side)	I
101	4520217	4	Tire, 33/1550 x 16.5	
102	8786514	4	Valve, Stem	
103	4860179	4	Rim, Wheel	

SECTION 1 - FRAME

FIGURE 1-20. TIRE AND WHEEL INSTALLATION - 315/55 D20 FOAM FILLED (AVAILABLE ON ANSI EXPORT, AUSTRALIAN, CE, CHINA AND RUSSIA SPECS)



ART_1001166157

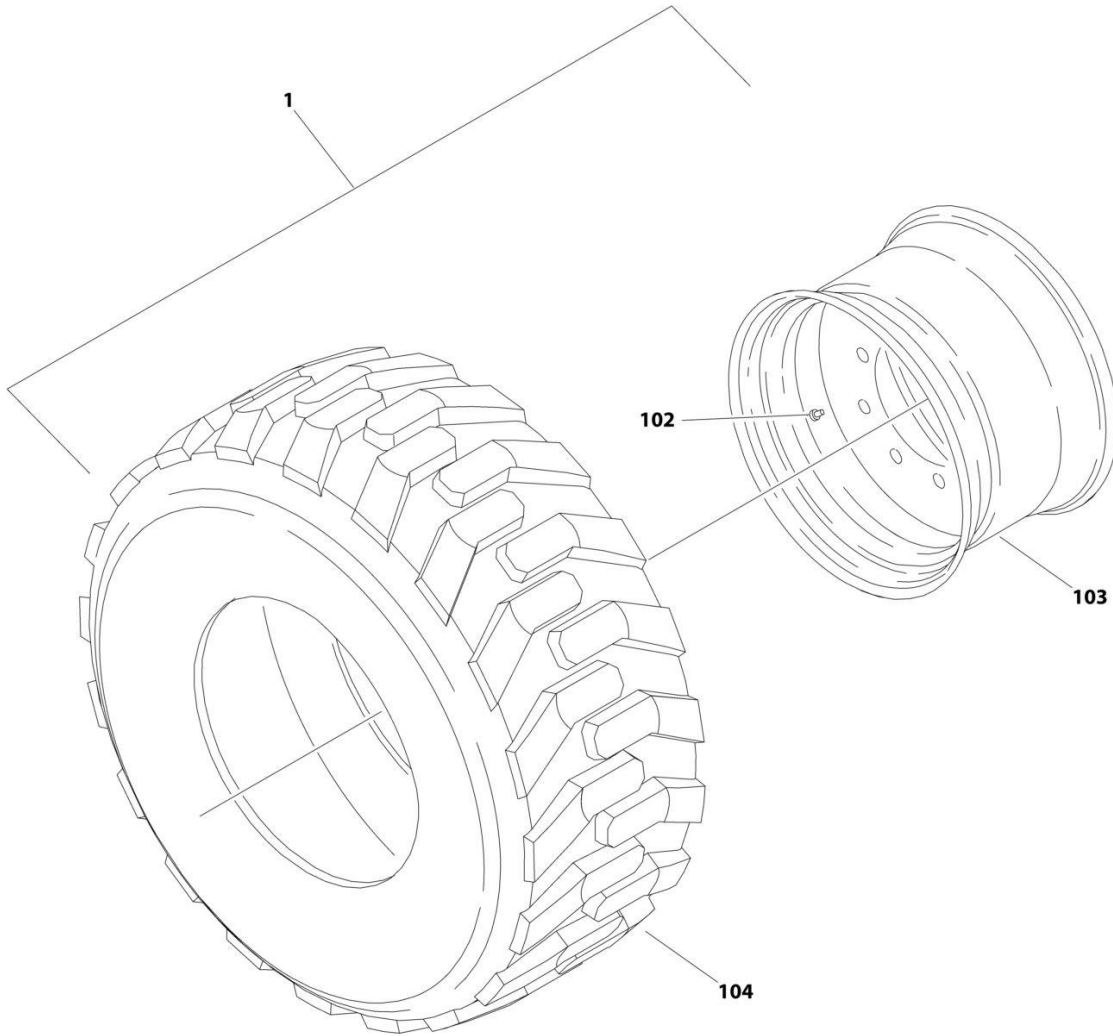
SECTION 1 - FRAME

FIGURE 1-20. TIRE AND WHEEL INSTALLATION - 315/55 D20 FOAM FILLED (AVAILABLE ON ANSI EXPORT, AUSTRALIAN, CE, CHINA AND RUSSIA SPECS)

ITEM	PART NUMBER	QTY	DESCRIPTION	REV
	1001166157	Ref Ref	TIRE AND WHEEL INSTALLATION - 315/55 D20 FOAM FILLED Note: Assemblies may require ballast/foam filling to manufacturer's specifications prior to installing on a machine. Refer to Operation and Safety or Service and Maintenance Manuals. Purchase individual tire and/or rim only if able to foam fill tire and wheel assembly, otherwise, purchase complete assembly.	A
1	1001166155	2	Tire and Wheel Assembly (LH Side)	I
1	1001166156	2	Tire and Wheel Assembly (RH Side)	I
102	4520608	4	Tire IN315/55/D20	
103	4641122	4	Valve, Stem	
104	1001166153	4	Rim, Wheel	

SECTION 1 - FRAME

FIGURE 1-21. TIRE AND WHEEL INSTALLATION - 315/55 D20 FOAM FILLED NON-MARKING
(AVAILABLE ON ANSI EXPORT, AUSTRALIAN, CE, CHINA AND RUSSIA SPECS)



ART_1001169058

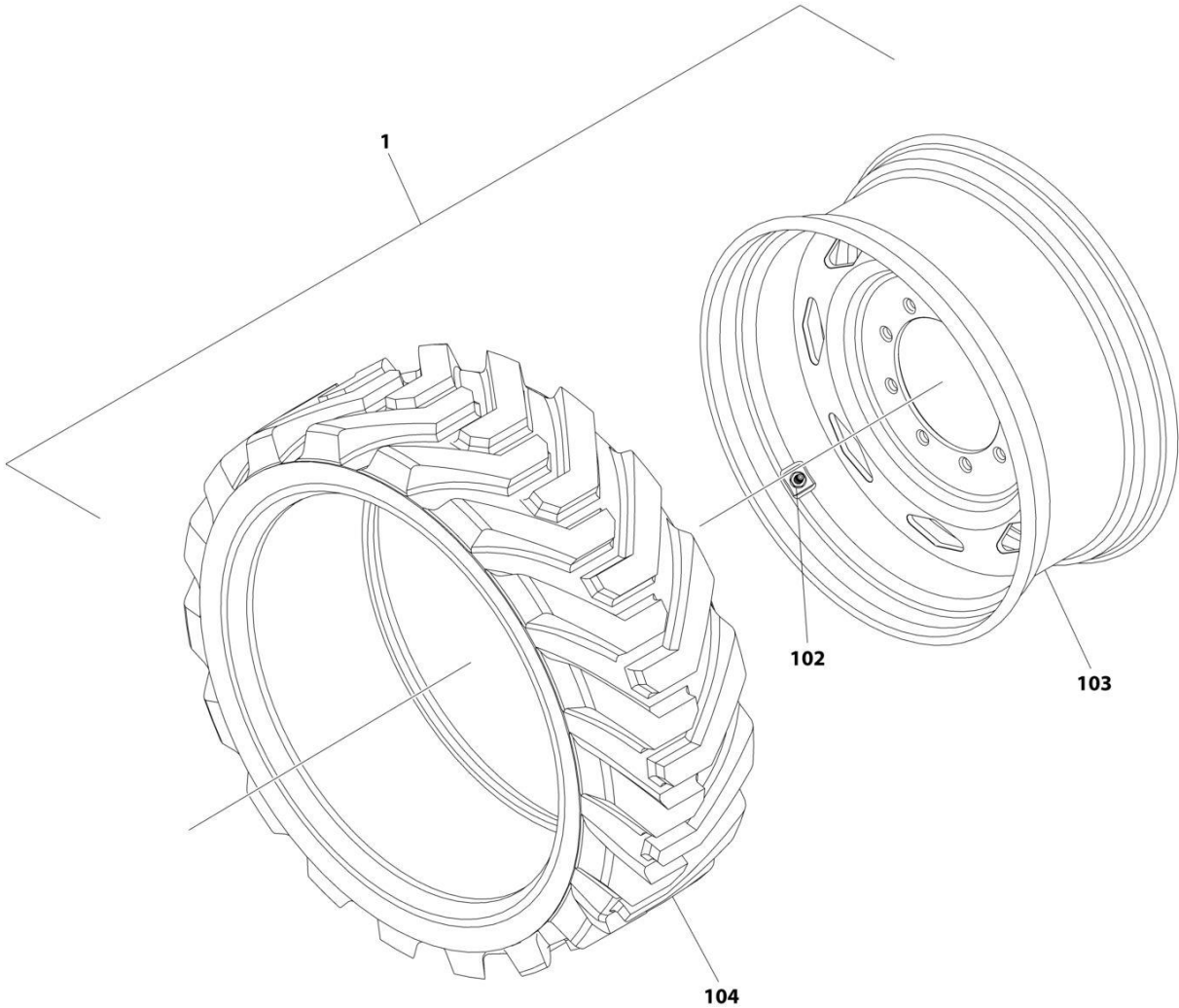
SECTION 1 - FRAME

**FIGURE 1-21. TIRE AND WHEEL INSTALLATION - 315/55 D20 FOAM FILLED NON-MARKING
(AVAILABLE ON ANSI EXPORT, AUSTRALIAN, CE, CHINA AND RUSSIA SPECS)**

ITEM	PART NUMBER	QTY	DESCRIPTION	REV
	1001169058	Ref	TIRE AND WHEEL INSTALLATION - 315/55 D20 FOAM FILLED NON-MARKING	A
		Ref	Note: Assemblies may require ballast/foam filling to manufacturer's specifications prior to installing on a machine. Refer to Operation and Safety or Service and Maintenance Manuals. Purchase individual tire and/or rim only if able to foam fill tire and wheel assembly, otherwise, purchase complete assembly.	
1	1001170459	2	Tire and Wheel Assembly (RH Side)	F
1	1001170460	2	Tire and Wheel Assembly (LH Side)	F
102	4641122	4	Valve, Stem	
103	1001166153	4	Rim, Wheel	
104	1001170458	4	Tire 315/55 D20 Non Marking	

SECTION 1 - FRAME

FIGURE 1-22. TIRE AND WHEEL INSTALLATION - 33 X 12 FOAM FILLED (ALL SPECS)



ART_1001245211

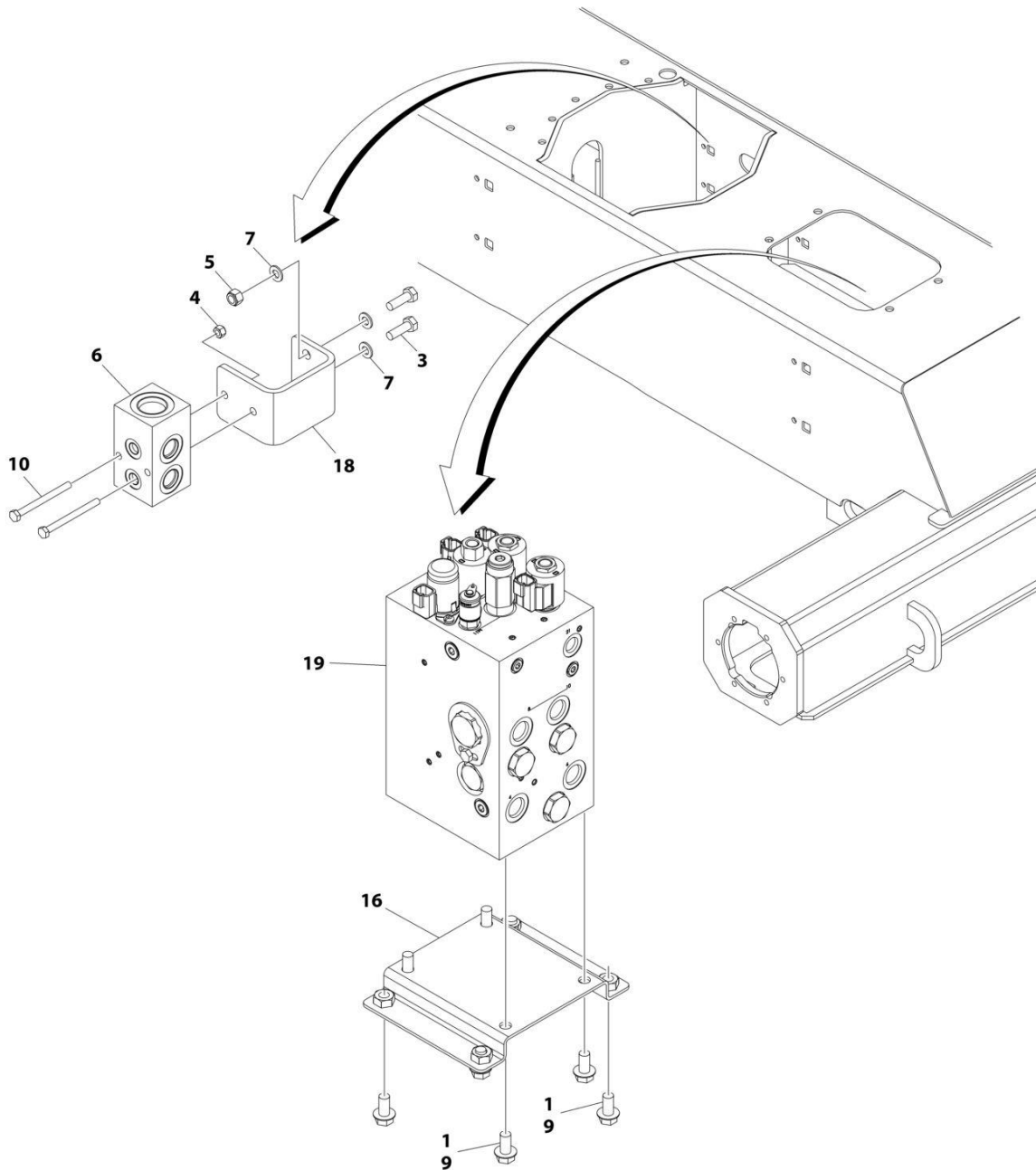
SECTION 1 - FRAME

FIGURE 1-22. TIRE AND WHEEL INSTALLATION - 33 X 12 FOAM FILLED (ALL SPECS)

ITEM	PART NUMBER	QTY	DESCRIPTION	REV
	1001245211	Ref	TIRE AND WHEEL INSTALLATION - 33 x 12D610 FOAM-FILLED	A
		Ref	Note: Assemblies may require ballast/foam filling to manufacturer's specifications prior to installing on a machine. Refer to Operation and Safety or Service and Maintenance Manuals.	
		Ref	Note: Purchase individual tire and/or rim only if able to foam fill tire and wheel assembly, otherwise, purchase complete assembly.	
1	1001245197	2	Tire and Wheel Assembly - 33 x 12 (RH Side)	
1	1001245198	2	Tire and Wheel Assembly - 33 x 12 (LH Side)	
102	4641122	1	Valve	
103	1001245195	1	Wheel	
104	1001245196	1	Tire - 33 x 12	

SECTION 1 - FRAME

FIGURE 1-23. 2WD VALVES INSTALLATION - FRAME MOUNTED (450A)



ART_1001215659_10F3

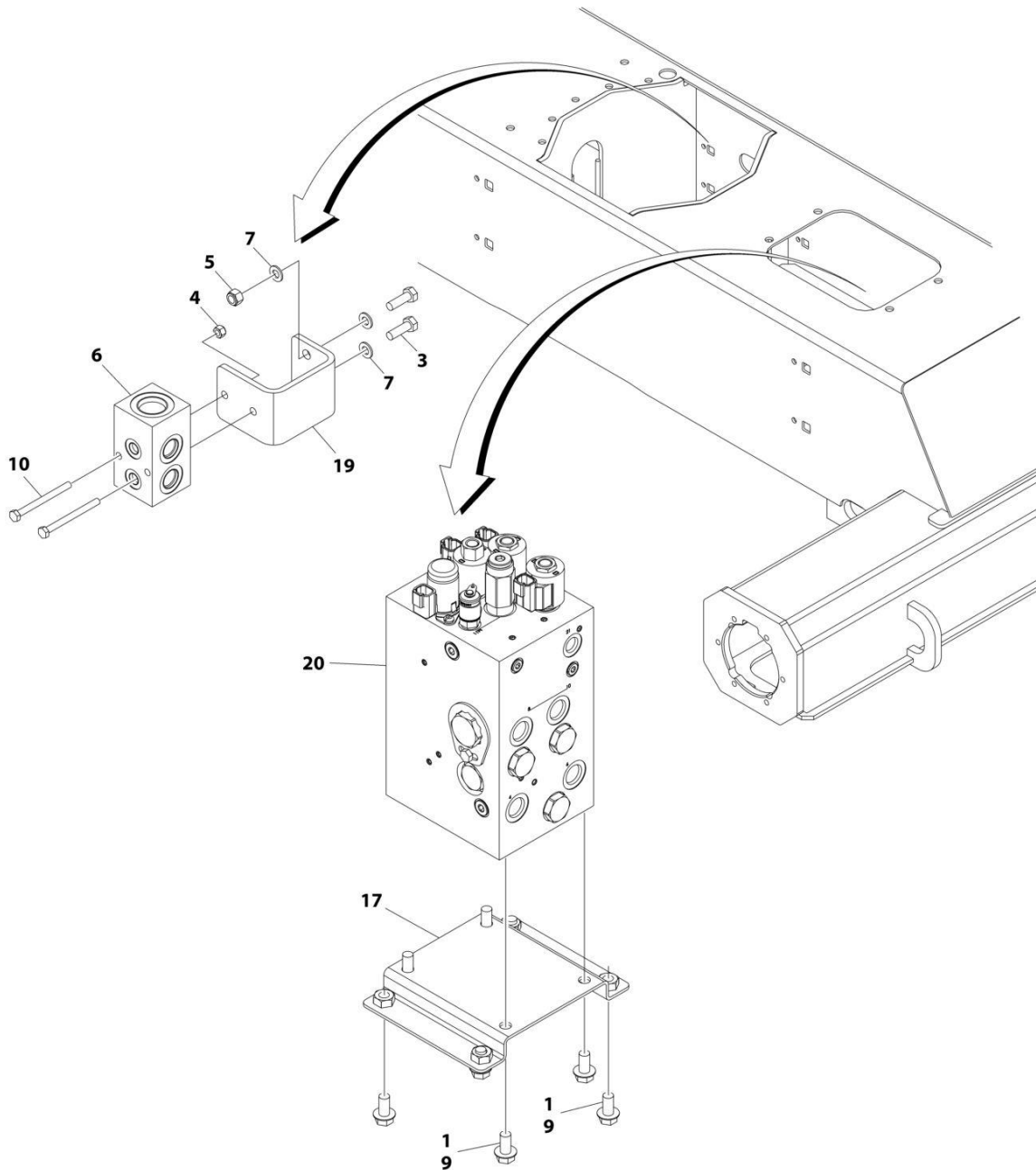
SECTION 1 - FRAME

FIGURE 1-23. 2WD VALVES INSTALLATION - FRAME MOUNTED (450A)

ITEM	PART NUMBER	QTY	DESCRIPTION	REV
	1001215659	Ref	2WD VALVES INSTALLATION - 450A FRAME MOUNTED	D
1	0100011	AR	Compound, Locking	
3	0760812	2	Bolt M8 x 25	
4	3290605	2	Nut M6	
5	3290805	2	Nut M8	
6	4641155	1	Junction Valve Assembly	
7	4811900	4	Washer M8	
9	5251010	8	Bolt M10 x 20	
10	1001096653	2	Bolt M6 x 70	
16	1001179517	1	Bracket	
18	1001197221	1	Bracket	
19	1001214316	1	Traction Valve Assembly (See Separate Breakdown in this Section)	

SECTION 1 - FRAME

FIGURE 1-24. 2WD VALVES INSTALLATION - FRAME MOUNTED (450AJ)



ART_1001214163_10F3

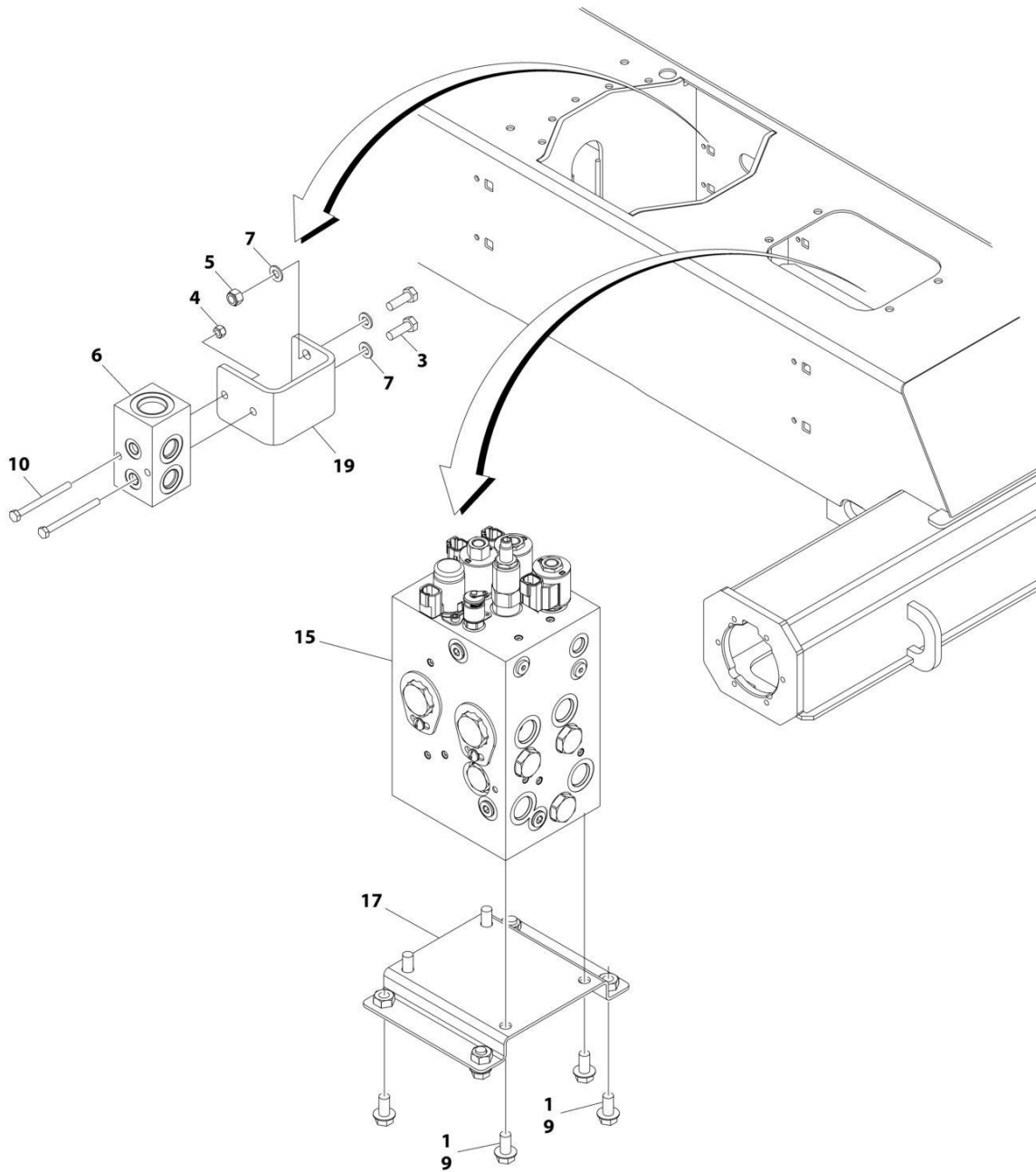
SECTION 1 - FRAME

FIGURE 1-24. 2WD VALVES INSTALLATION - FRAME MOUNTED (450AJ)

ITEM	PART NUMBER	QTY	DESCRIPTION	REV
	1001214163	Ref	2WD VALVES INSTALLATION - 450AJ FRAME MOUNTED (450AJ)	C
1	0100011	AR	Compound, Locking	
3	0760812	2	Bolt M8 x 25	
4	3290605	2	Nut M6	
5	3290805	2	Nut M8	
6	4641155	1	Junction Valve Assembly	
7	4811900	4	Washer M8	
9	5251010	8	Bolt M10 x 20	
10	1001096653	2	Bolt M6 x 70	
17	1001179517	1	Bracket	
19	1001197221	1	Bracket	
20	1001214316	1	Traction Valve Assembly (See Separate Breakdown in this Section)	

SECTION 1 - FRAME

FIGURE 1-25. 4WD VALVES INSTALLATION - FRAME MOUNTED (450A)



ART_1001215378_10F3

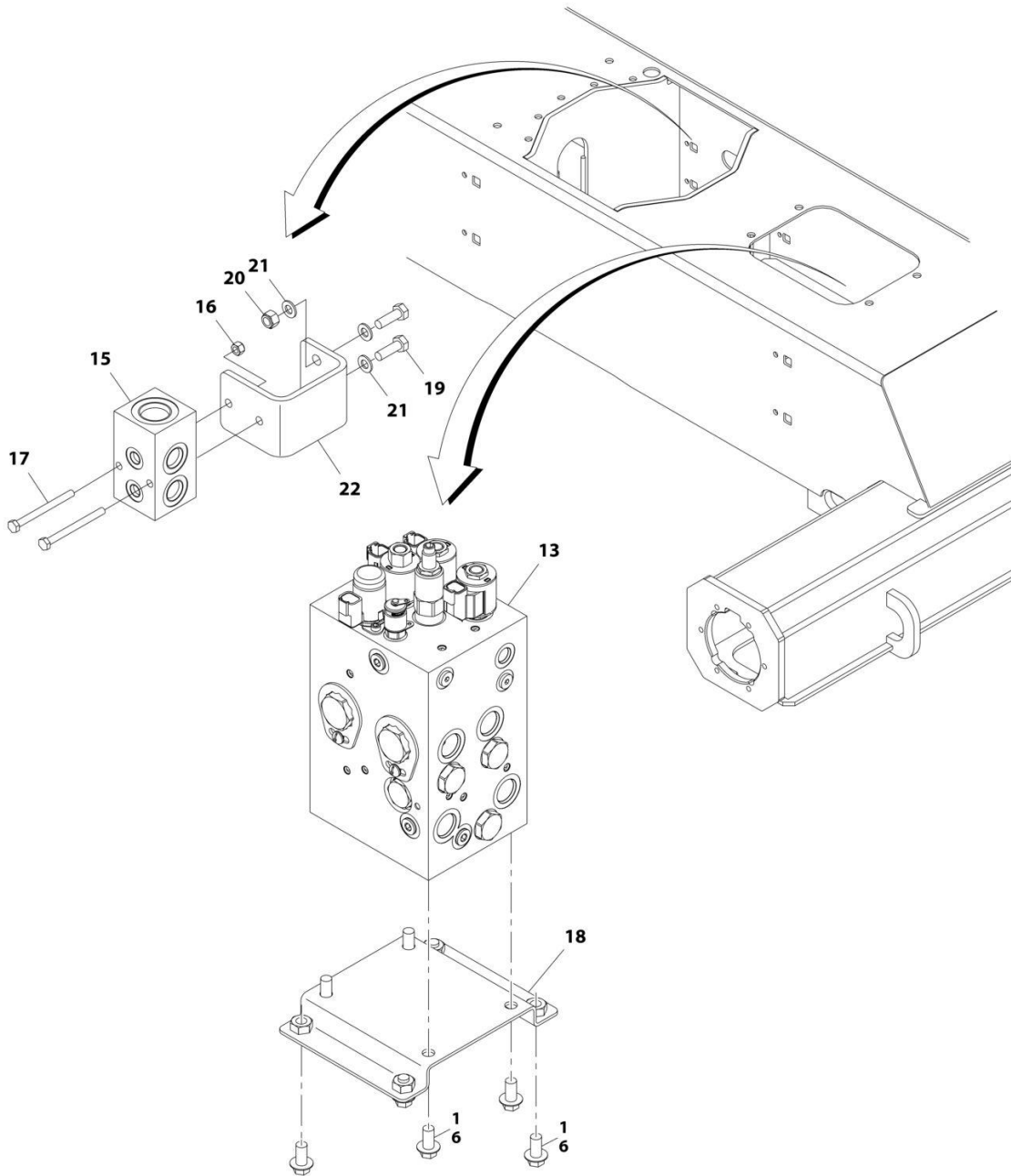
SECTION 1 - FRAME

FIGURE 1-25. 4WD VALVES INSTALLATION - FRAME MOUNTED (450A)

ITEM	PART NUMBER	QTY	DESCRIPTION	REV
	1001215378	Ref	4WD VALVES INSTALLATION - 450A FRAME MOUNTED	D
1	0100011	AR	Compound, Locking	
3	0760812	2	Bolt M8 x 25	
4	3290605	2	Nut M6	
5	3290805	2	Nut M8	
6	4641155	1	Junction Valve Assembly	
7	4811900	4	Washer M8	
9	5251010	8	Bolt M10 x 20	
10	1001096653	2	Bolt M6 x 70	
15	1001162539	1	Traction Valve Assembly (See Separate Breakdown in this Section)	
17	1001179517	1	Bracket	
19	1001197221	1	Bracket	

SECTION 1 - FRAME

FIGURE 1-26. 4WD VALVES INSTALLATION - FRAME MOUNTED (MACHINES WITH SN STARTING WITH 03) (450AJ)



ART_1001165948_1OF3

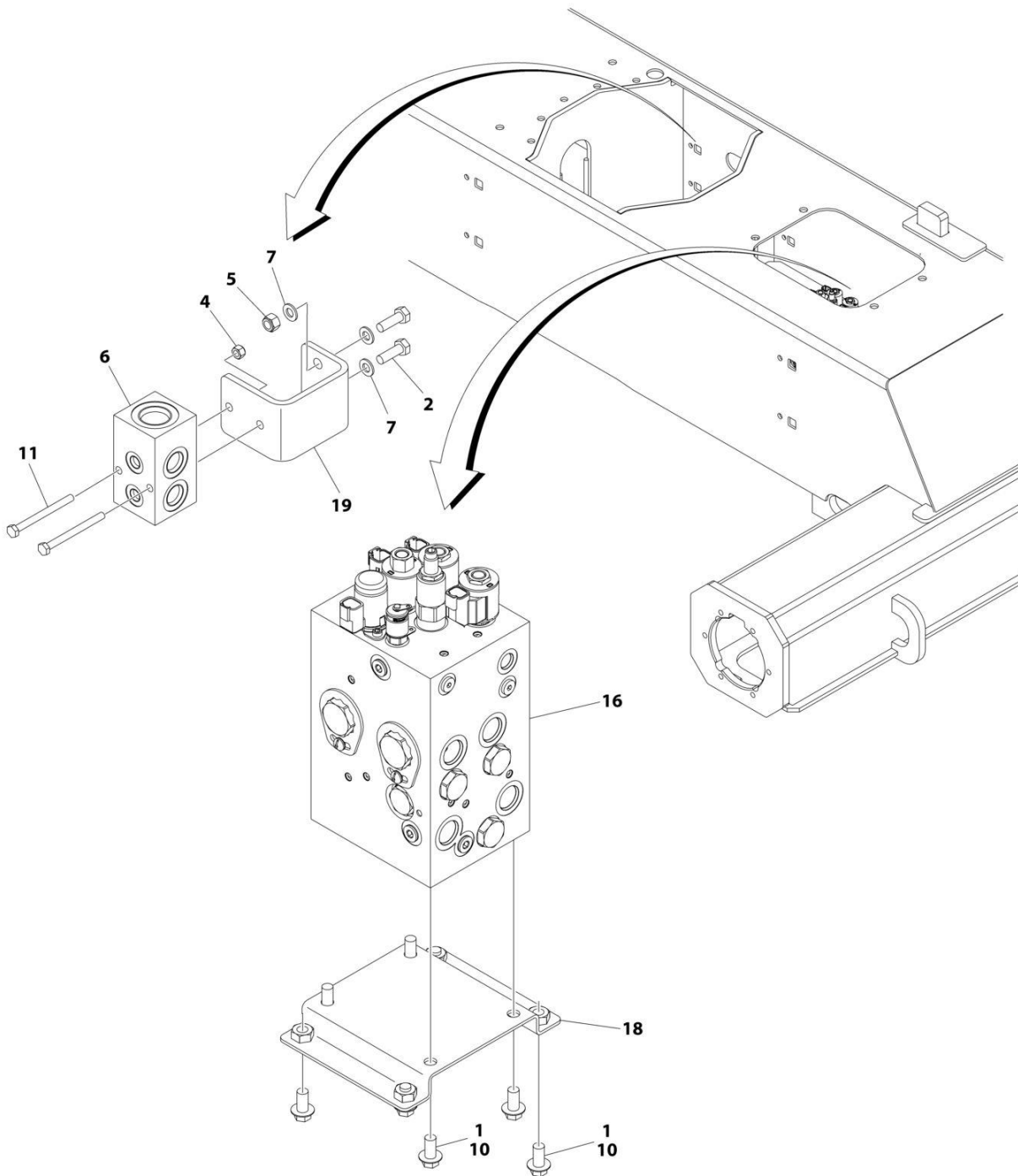
SECTION 1 - FRAME

FIGURE 1-26. 4WD VALVES INSTALLATION - FRAME MOUNTED (MACHINES WITH SN STARTING WITH 03) (450AJ)

ITEM	PART NUMBER	QTY	DESCRIPTION	REV
	1001165948	Ref	4WD VALVES INSTALLATION - FRAME MOUNTED	J
1	0100011	AR	Compound, Locking	
3	0760812	1	Bolt M8 x 25	
6	5251010	4	Bolt M10 x 20 Class 10.9	
13	1001162539	1	Traction Valve Assembly (See Separate Breakdown in this Section)	
15	4641155	1	Junction Valve Assembly	
16	3290605	2	Nut, M6	
17	1001096653	2	Bolt M6 x 70	
18	1001179517	1	Bracket	
19	0760812	1	Bolt M8 x 25	
20	3290805	1	Nut M8	
21	4811900	1	Washer M8	
22	1001197221	1	Bracket	

SECTION 1 - FRAME

FIGURE 1-27. 4WD VALVES INSTALLATION - FRAME MOUNTED (MACHINES WITH SN STARTING WITH B3) (450AJ)



ART_1001271413_B_10F3

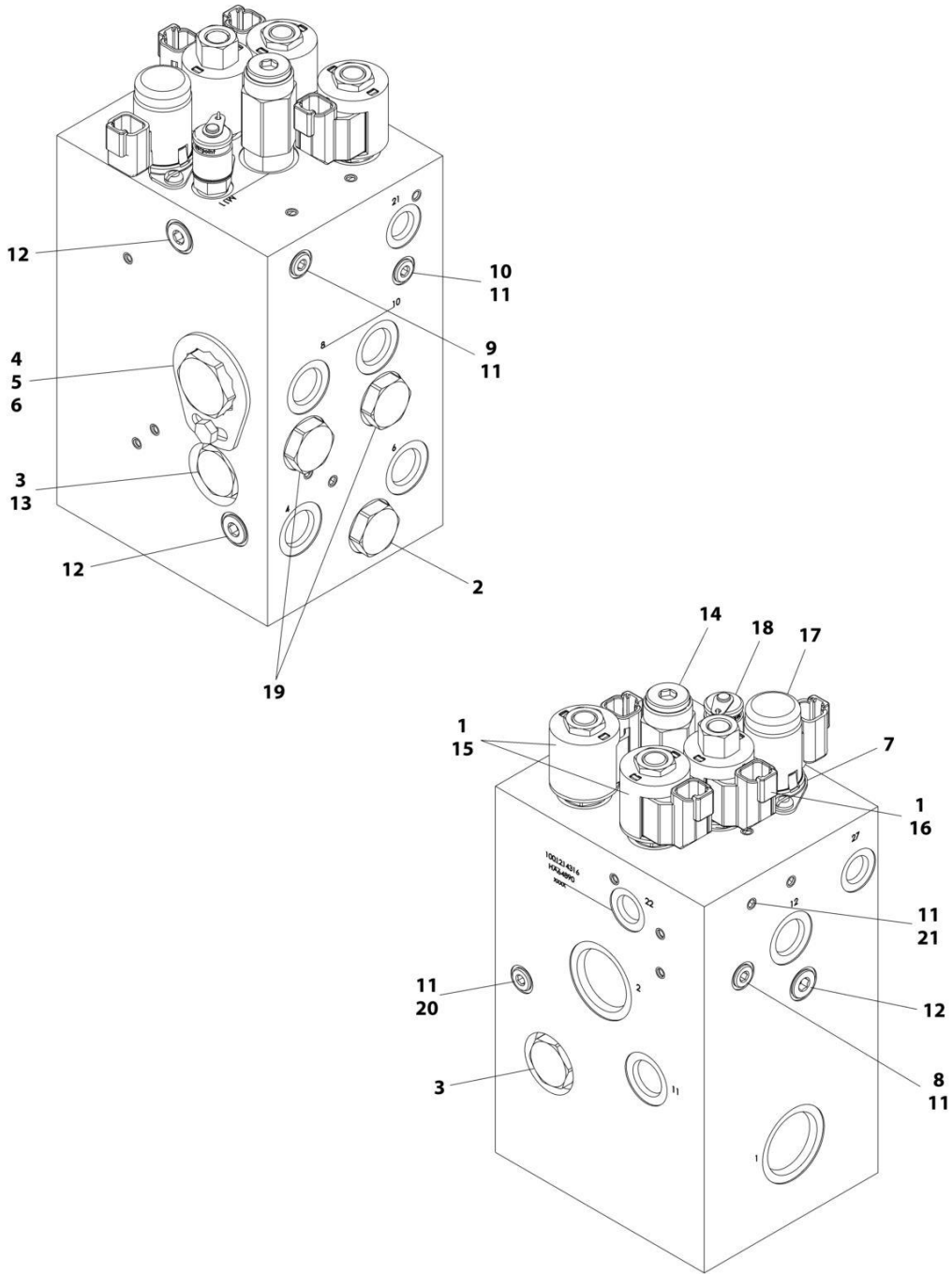
SECTION 1 - FRAME

FIGURE 1-27. 4WD VALVES INSTALLATION - FRAME MOUNTED (MACHINES WITH SN STARTING WITH B3) (450AJ)

ITEM	PART NUMBER	QTY	DESCRIPTION	REV
	1001271413	Ref	4WD VALVES INSTALLATION - FRAME MOUNTED	B
1	0100011	AR	Compound, Locking	
2	0760812	2	Bolt M8 x 25	
4	3290605	2	Nut, Lock M6	
5	3290805	2	Nut, Lock M8	
6	4641155	1	Junction Valve Assembly	
7	4811900	4	Washer M8	
10	5251010	15	Bolt M10 x 20 Class 10.9	
11	1001096653	2	Bolt M6 x 70	
16	1001162539	1	Traction Valve Assembly (See Separate Breakdown in this Section)	
18	1001179517	1	Bracket	
19	1001197221	1	Bracket	

SECTION 1 - FRAME

FIGURE 1-28. TRACTION VALVE ASSEMBLY - 2WD



ART_1001214316

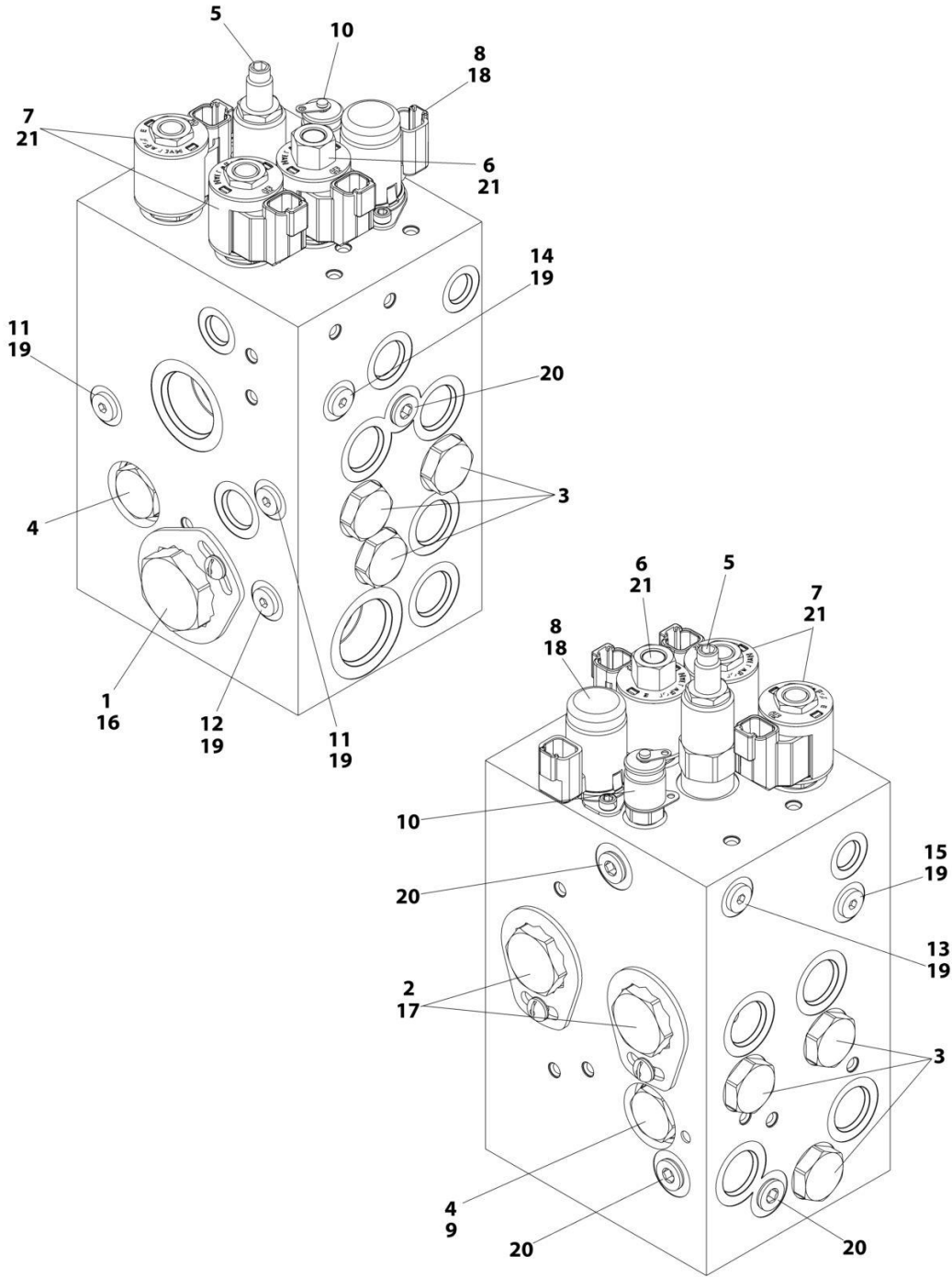
SECTION 1 - FRAME

FIGURE 1-28. TRACTION VALVE ASSEMBLY - 2WD

ITEM	PART NUMBER	QTY	DESCRIPTION	REV
	1001214316	Ref	TRACTION VALVE ASSEMBLY - 2WD	D
1	70002386	3	Coil	
2	7022397	1	Cartridge	
2	7022399	1	Seal Kit - 7022397 Valve	
3	70002390	2	Cartridge, Check Valve	
3	7022399	2	Seal Kit - 70002390 Valve	
4	70006000	1	Cartridge, Flow Divider	
4	70004577	1	Seal Kit - 70006000 Valve	
5	70000781	1	Locking Kit	
6	70005827	1	Screw	
7	70004888	2	Screw	
8	7024810	1	Orifice	
9	70005828	1	Orifice	
10	70005829	1	Orifice	
11	2220883	5	Plug #4	
12	70005830	3	Plug #6	
13	7024881	1	Piston, Pilot	
14	70005831	1	Cartridge, Relief Valve	
14	7017496	1	Seal Kit - 70005831 Valve	
15	7012941	2	Cartridge, Solenoid Less Coil	
15	7010543	2	Seal Kit - 7012941 Valve	
15	7022390	2	Nut, Coil	
16	7017410	1	Cartridge, Solenoid Less Coil	
16	7012967	1	Seal Kit - 7017410 Valve	
16	70003978	1	Nut, Coil	
17	70004887	1	Cartridge, Solenoid Less Coil	
17	70023606	1	Seal Kit - 70004887 Valve	
17	7024885	1	Coil	
18	70005832	1	Fitting, Diagnostic	
19	70026444	2	Cartridge	
19	7022399	2	Seal Kit - 70026444 Valve	
20	70006001	1	Orifice	
21	70006002	1	Orifice	

SECTION 1 - FRAME

FIGURE 1-29. TRACTION VALVE ASSEMBLY - 4WD



ART_1001162539

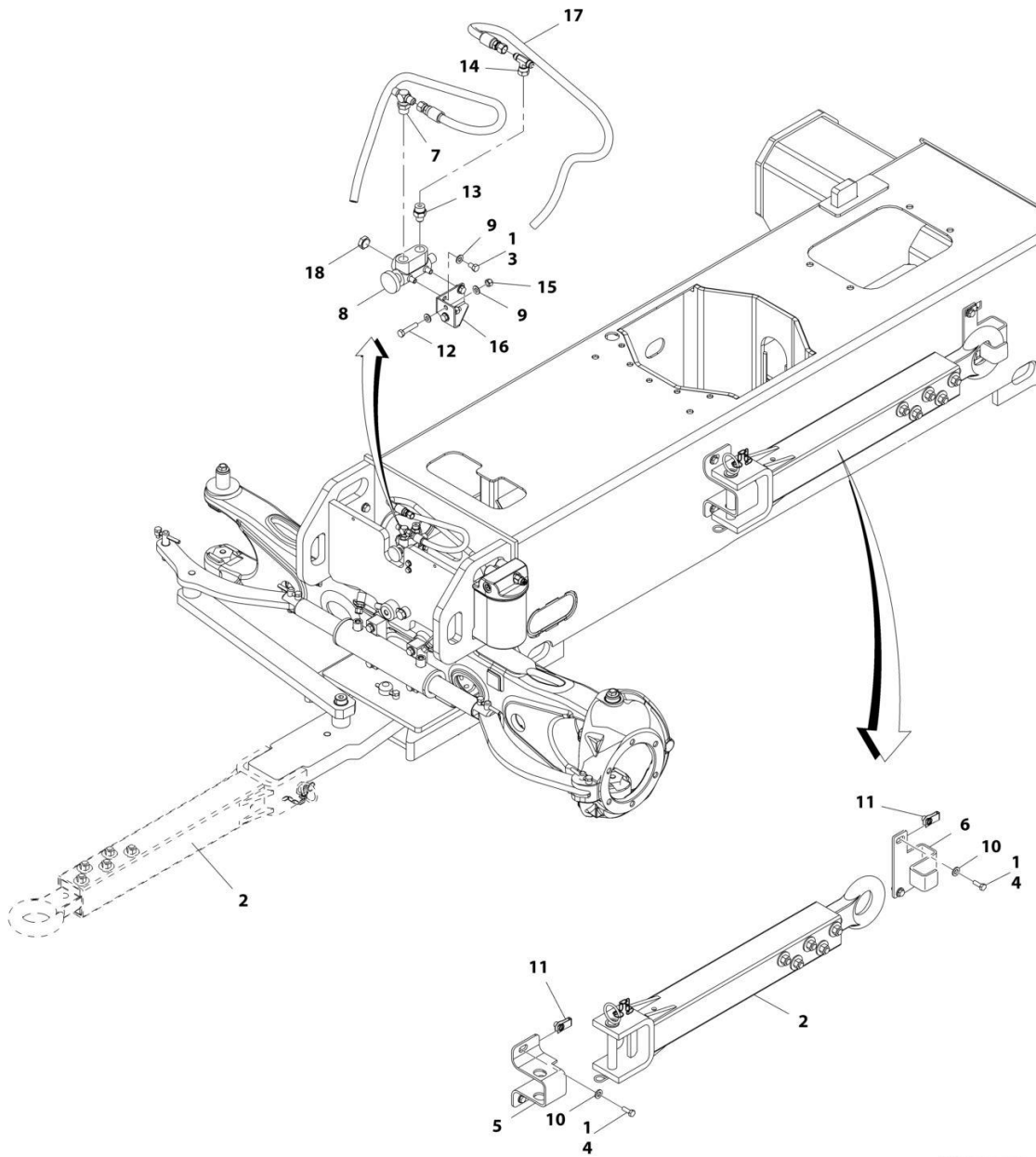
SECTION 1 - FRAME

FIGURE 1-29. TRACTION VALVE ASSEMBLY - 4WD

ITEM	PART NUMBER	QTY	DESCRIPTION	REV
	1001162539	Ref	TRACTION VALVE ASSEMBLY - 4WD	D
1	70004017	1	Cartridge, Flow Divider	
1	7021625	1	Seal Kit - 70004017 Valve	
2	70004885	2	Cartridge, Flow Divider	
2	70004577	2	Seal Kit - 70004885 Valve	
3	7022397	6	Cartridge, Check Valve	
3	7022399	6	Seal Kit - 7022397 Valve	
4	7021639	2	Cartridge, Check Valve	
4	2900756	2	Seal Kit - 7021639 Valve	
5	70004886	1	Cartridge, Relief Valve	
5	7017496	1	Seal Kit - 70004886 Valve	
6	7017410	1	Cartridge, Solenoid Less Coil	
6	7012967	1	Seal Kit - 7017410 Valve	
7	7012974	2	Cartridge, Solenoid Less Coil	
7	7010543	2	Seal Kit - 7012974 Valve	
8	70004887	1	Cartridge, Solenoid Less Coil	
8	70023606	1	Seal Kit - 70004887 Valve	
8	7024885	1	Coil	
9	7024881	1	Piston, Pilot	
10	2221086	1	Fitting, Diagnostic	
11	70003975	2	Orifice	
12	70002209	1	Orifice	
13	70002063	1	Orifice	
14	70004884	1	Orifice	
15	70004883	1	Orifice	
16	70000781	1	Locking Kit	
17	70002962	2	Locking Kit	
18	70004888	2	Screw	
19	2220883	6	Plug #4	
20	2220885	5	Plug #6	
21	70002386	3	Coil	

SECTION 1 - FRAME

FIGURE 1-30. TOW PACKAGE INSTALLATION (OPTIONAL)



ART_1001166232

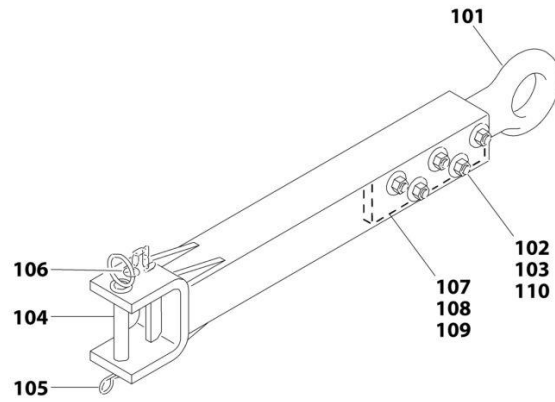
SECTION 1 - FRAME

FIGURE 1-30. TOW PACKAGE INSTALLATION (OPTIONAL)

ITEM	PART NUMBER	QTY	DESCRIPTION	REV
	1001166232	Ref	TOW PACKAGE INSTALLATION (OPTIONAL)	D
1	0100011	AR	Compound, Locking	
2	0363019	1	Tow Bar Assembly (See Separate Breakdown in this Section)	
3	0641504	2	Bolt 5/16 x 1/2	
4	0701014	4	Bolt M10 x 30	
5	0902733	1	Bracket	
6	0902734	1	Bracket	
7	2221052	1	Fitting, Tee JIC/ORB/JIC	
8	4640261	1	Steer/Tow Select Valve Assembly	
9	4711500	6	Washer 5/16	
10	5241200	4	Washer M12	
11	1001118972	4	Nut M10	
12	0700816	2	Bolt M8 x 40	
13	2220372	1	Fitting, Straight JIC/ORB	
14	2220579	1	Fitting, Tee JIC/FSJIC/JIC	
15	3290805	2	Nut M8	
16	1001181527	1	Bracket	
17	1001181913	2	Hose	
18	2220238	1	Plug	

SECTION 1 - FRAME

FIGURE 1-31. TOW BAR ASSEMBLY



ART_0363019

SECTION 1 - FRAME

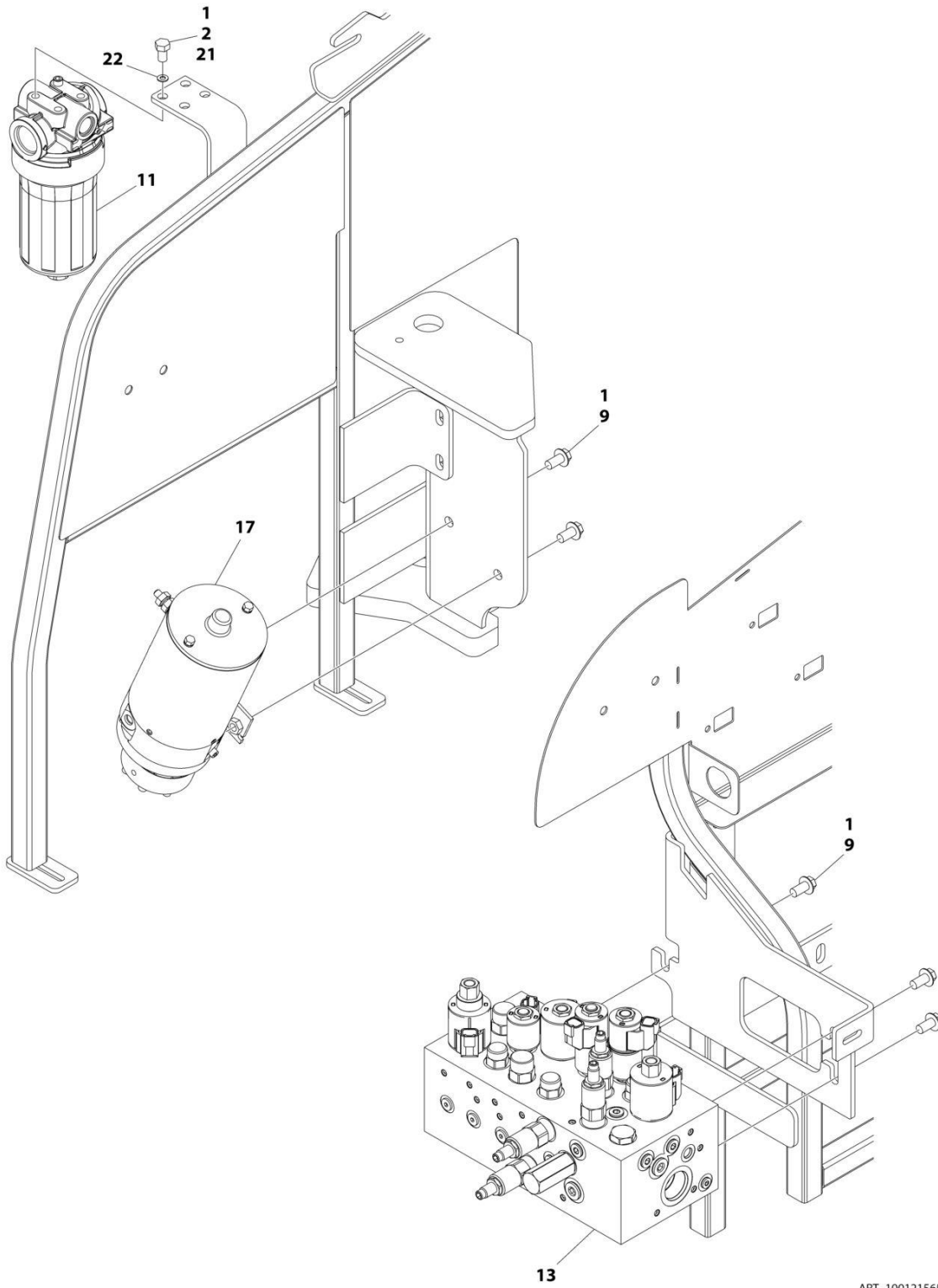
FIGURE 1-31. TOW BAR ASSEMBLY

ITEM	PART NUMBER	QTY	DESCRIPTION	REV
	0363019	Ref	TOW BAR ASSEMBLY	B
101	0360406	1	Pintle, Draw Eye	
102	0682040	5	Bolt 5/8 x 5	
103	3312005	5	Nut 5/8	
104	3420352	1	Pin, Towing	
105	3420372	1	Hairpin	
106	3760170	1	Ring, Split	
107	4070450	2	Shim (.07)	
108	4070560	2	Shim (.88)	
109	4070561	2	Shim (.12)	
110	4752000	10	Washer 5/8	

SECTION 2 - TURNTABLE

SECTION 2 - TURNTABLE

FIGURE 2-1. 2WD VALVES INSTALLATION - TURNTABLE MOUNTED (450A)



ART_1001215659_20F3

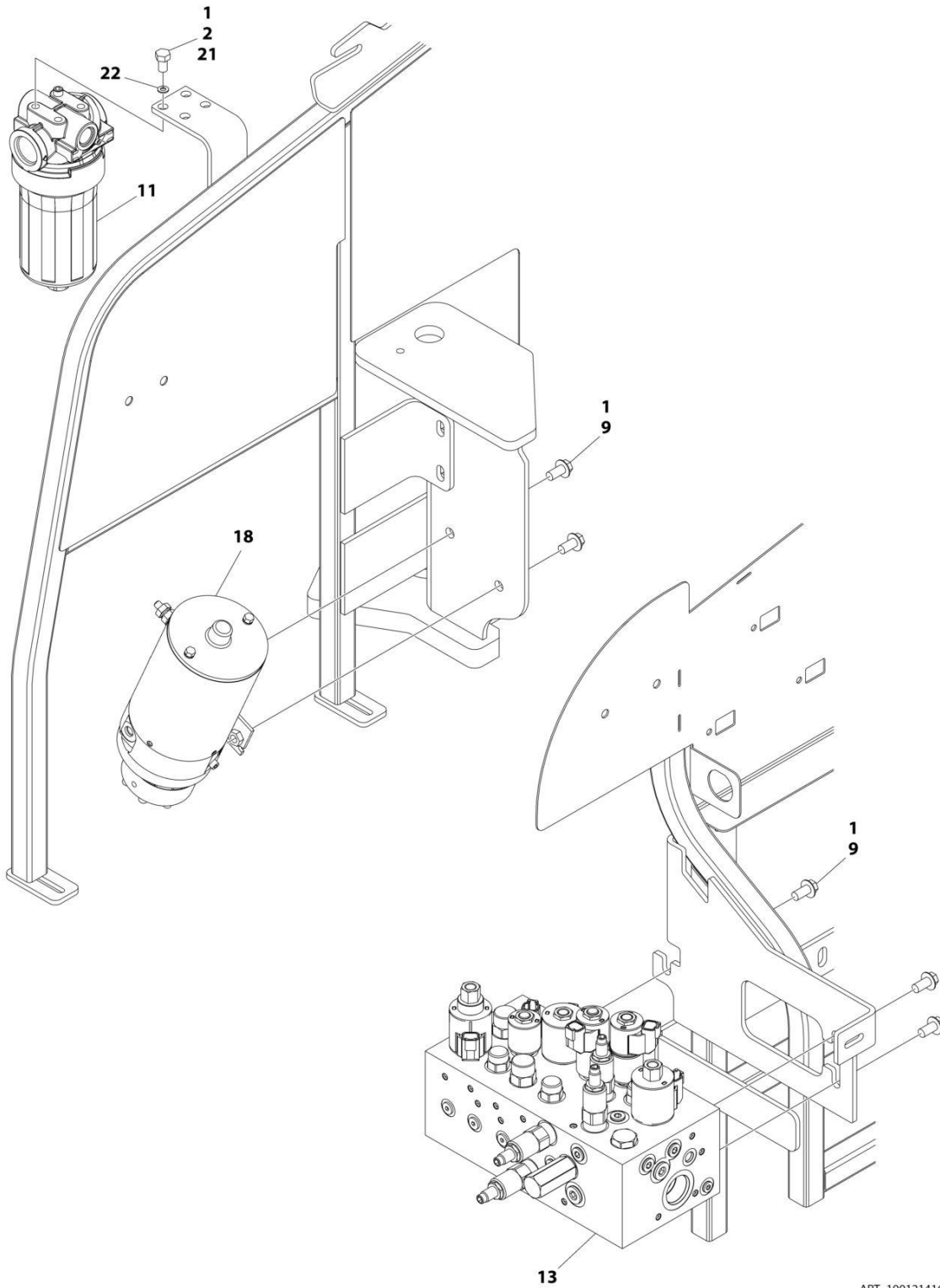
SECTION 2 - TURNTABLE

FIGURE 2-1. 2WD VALVES INSTALLATION - TURNTABLE MOUNTED (450A)

ITEM	PART NUMBER	QTY	DESCRIPTION	REV
	1001215659	Ref	2WD VALVES INSTALLATION - 450A TURNTABLE MOUNTED	C
1	0100011	AR	Compound, Locking	
2	0641605	AR	Bolt 3/8 x 5/8	
9	5251010	5	Bolt M10 x 20	
11	1001208874	1	Filter, Charge Pump	
11	70010383	1	Element, Filter (Includes O-Ring)	
13	1001162534	1	Main Valve Assembly (See Separate Breakdown in this Section)	
17	1001185821	1	Auxiliary Pump Assembly (See Separate Breakdown in this Section)	
21	0761010	3	Bolt M10 x 20	
22	4812000	3	Washer M10	

SECTION 2 - TURNTABLE

FIGURE 2-2. 2WD VALVES INSTALLATION - TURNTABLE MOUNTED (450AJ)



ART_1001214163_2OF3

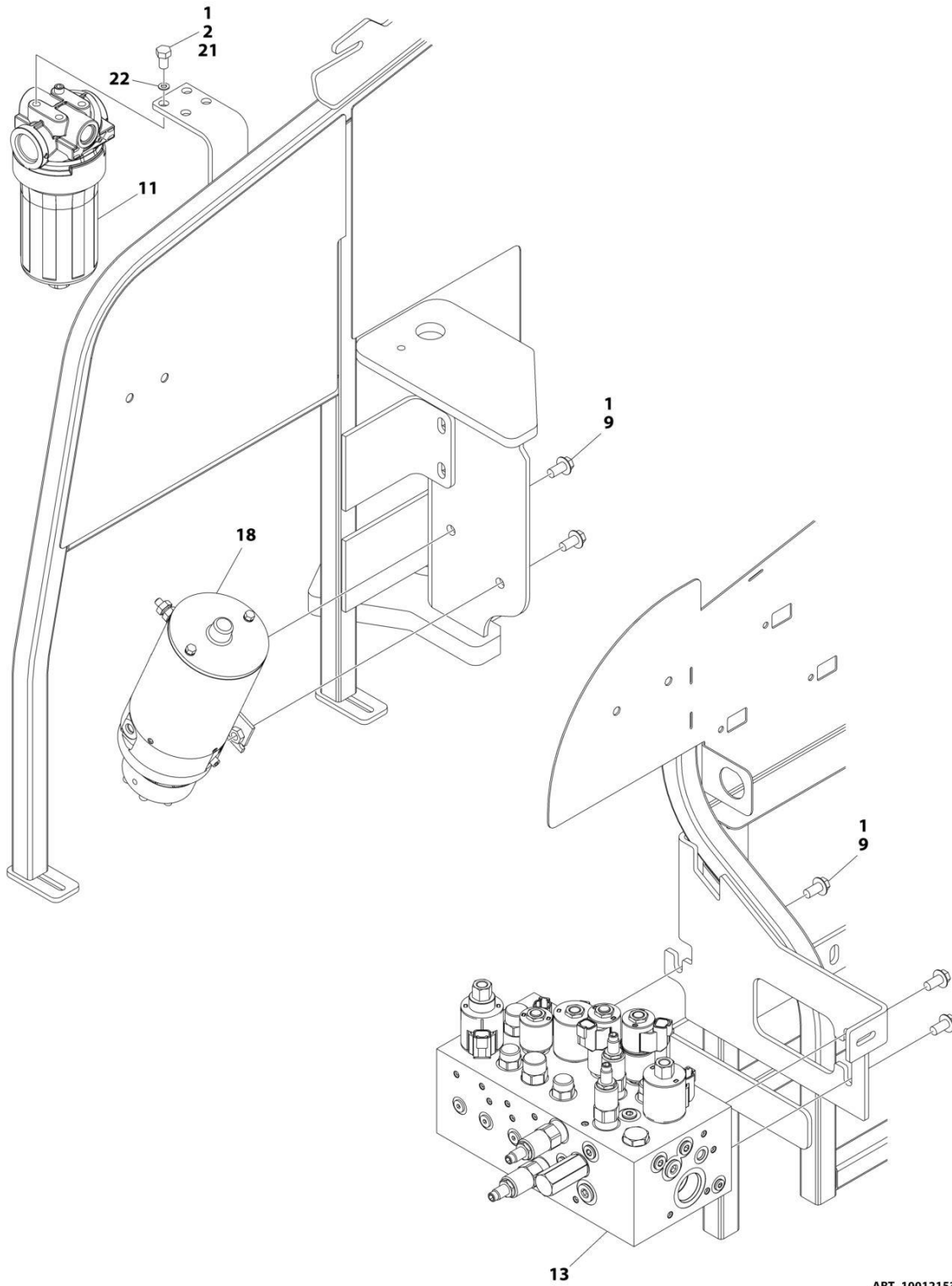
SECTION 2 - TURNTABLE

FIGURE 2-2. 2WD VALVES INSTALLATION - TURNTABLE MOUNTED (450AJ)

ITEM	PART NUMBER	QTY	DESCRIPTION	REV
	1001214163	Ref	2WD VALVES INSTALLATION – 450AJ TURNTABLE MOUNTED	C
1	0100011	AR	Compound, Locking	
2	0641605	AR	Bolt 3/8 x 5/8	
9	5251010	5	Bolt M10 x 20	
11	1001208874	1	Filter, Charge Pump	
11	70010383	1	Element, Filter (Includes O-Ring)	
13	1001162534	1	Main Valve Assembly (See Separate Breakdown in this Section)	
18	1001185821	1	Auxiliary Pump Assembly (See Separate Breakdown in this Section)	
21	0761010	3	Bolt M10 x 20	
22	4812000	3	Washer M10	

SECTION 2 - TURNTABLE

FIGURE 2-3. 4WD VALVES INSTALLATION - TURNTABLE MOUNTED (450A)



ART_1001215378_20F3

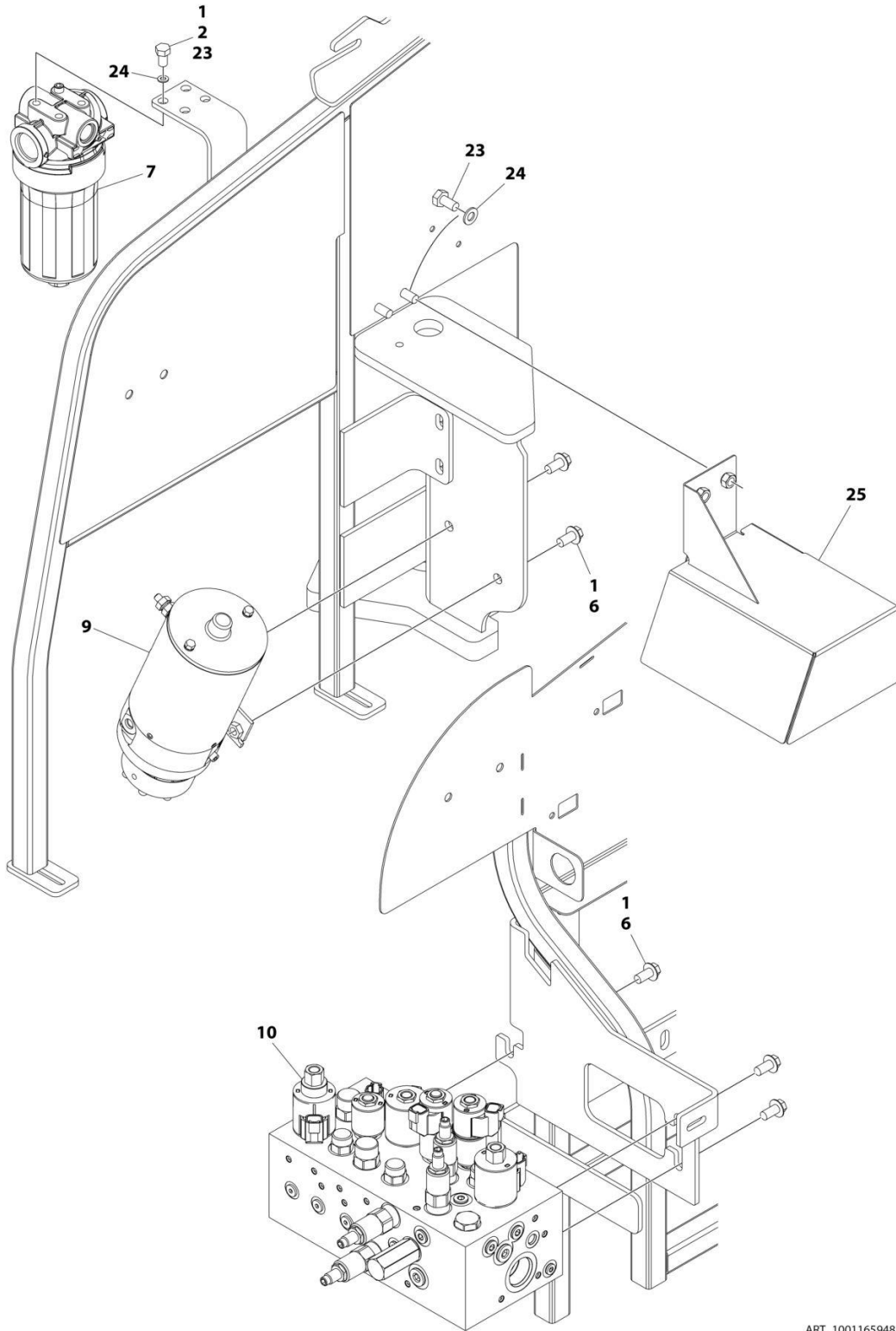
SECTION 2 - TURNTABLE

FIGURE 2-3. 4WD VALVES INSTALLATION - TURNTABLE MOUNTED (450A)

ITEM	PART NUMBER	QTY	DESCRIPTION	REV
	1001215378	Ref	4WD VALVES INSTALLATION - 450A TURNTABLE MOUNTED (450A)	D
1	0100011	AR	Compound, Locking	
2	0641605	AR	Bolt 3/8 x 5/8	
9	5251010	5	Bolt M10 x 20	
11	1001208874	1	Filter, Charge Pump	
11	70010383	1	Element, Filter (Includes O-Ring)	
13	1001162534	1	Main Valve Assembly (See Separate Breakdown in this Section)	
18	1001185821	1	Auxiliary Pump Assembly (See Separate Breakdown in this Section)	
21	0761010	3	Bolt M10 x 20	
22	4812000	3	Washer M10	

SECTION 2 - TURNTABLE

FIGURE 2-4. 4WD VALVES INSTALLATION - TURNTABLE MOUNTED (MACHINES WITH SN STARTING WITH 03) (450AJ)



ART_1001165948_2OF3

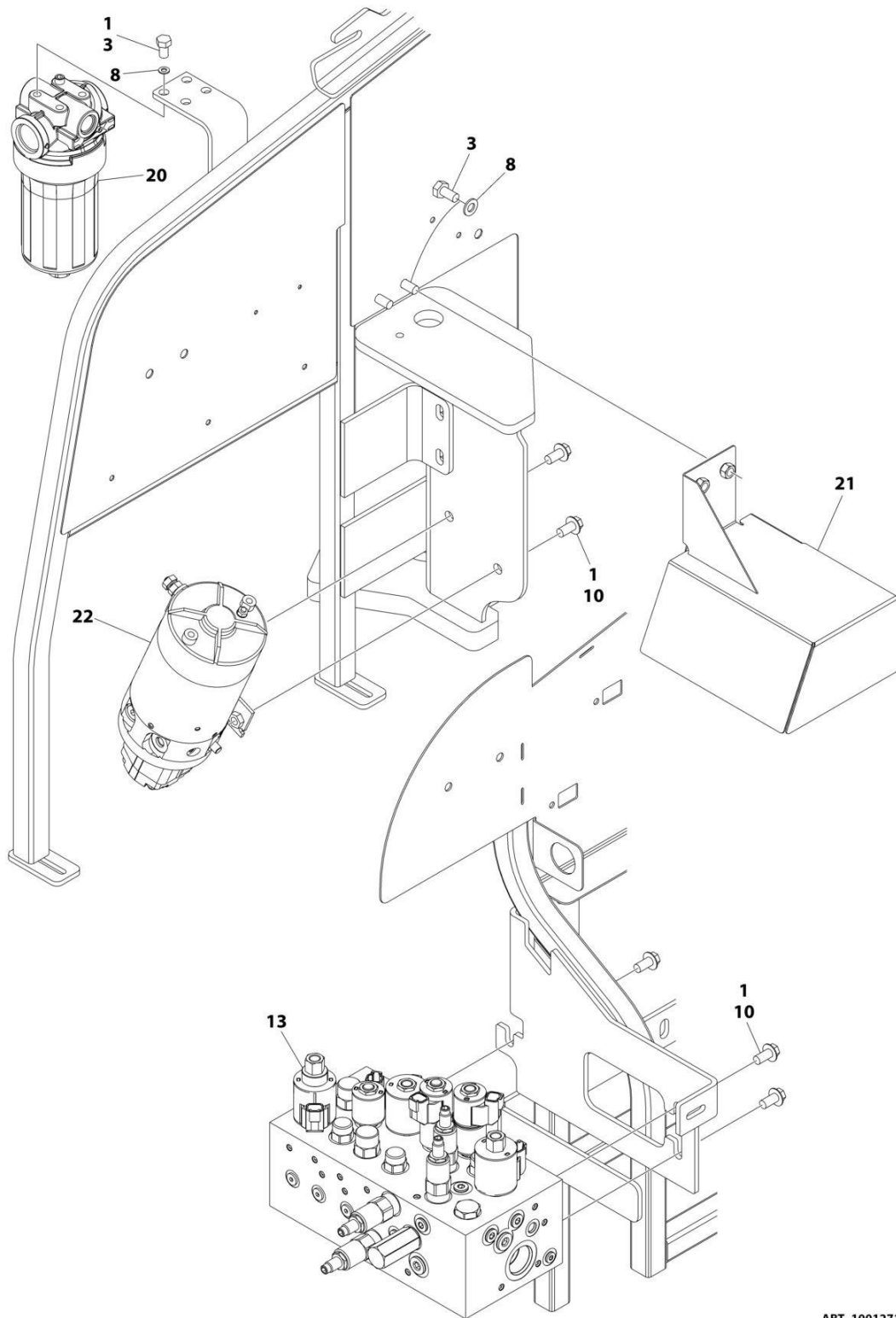
SECTION 2 - TURNTABLE

FIGURE 2-4. 4WD VALVES INSTALLATION - TURNTABLE MOUNTED (MACHINES WITH SN STARTING WITH 03) (450AJ)

ITEM	PART NUMBER	QTY	DESCRIPTION	REV
	1001165948	Ref	4WD VALVES INSTALLATION - TURNTABLE MOUNTED	J
1	0100011	AR	Compound, Locking	
2	0641605	AR	Bolt 3/8 x 5/8	
6	5251010	15	Bolt M10 x 20 Class 10.9	
7	1001208874	1	Filter, Charge Pump	
7	70010383	1	Element, Filter (Includes O-Ring)	
9	1001185821	1	Auxiliary Pump Assembly (See Separate Breakdown in this Section)	
10	1001162534	1	Main Valve Assembly (See Separate Breakdown in this Section)	
23	0761010	AR	Bolt M10 x 20	
24	4812000	AR	Washer M10	
25	1001234295	1	Cover	

SECTION 2 - TURNTABLE

FIGURE 2-5. 4WD VALVES INSTALLATION - TURNTABLE MOUNTED (MACHINES WITH SN STARTING WITH B3) (450AJ)



ART_1001271413_B_20F3

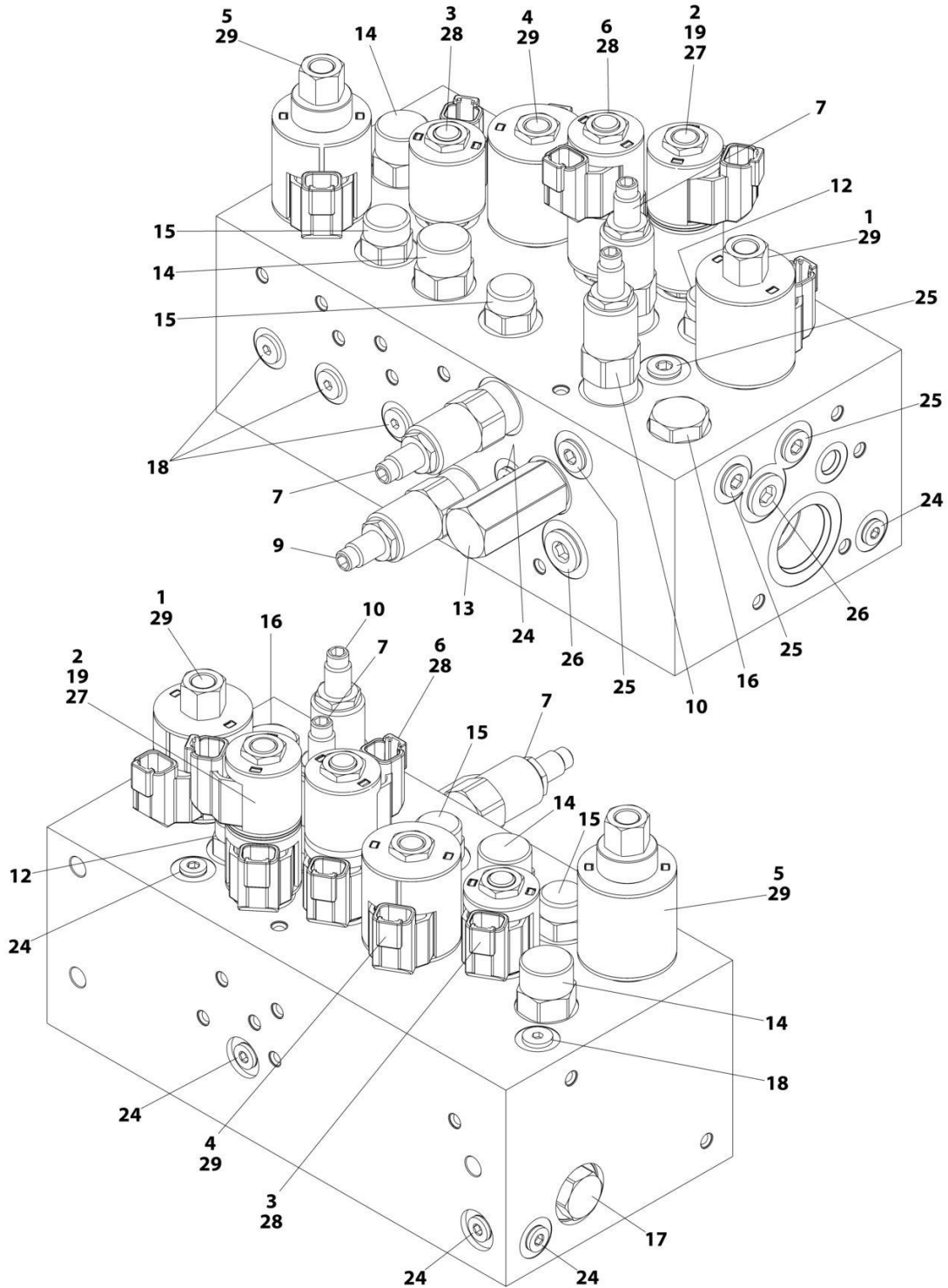
SECTION 2 - TURNTABLE

FIGURE 2-5. 4WD VALVES INSTALLATION - TURNTABLE MOUNTED (MACHINES WITH SN STARTING WITH B3) (450AJ)

ITEM	PART NUMBER	QTY	DESCRIPTION	REV
	1001271413	Ref	4WD VALVES INSTALLATION - TURNTABLE MOUNTED	B
1	0100011	AR	Compound, Locking	
3	0761010	AR	Bolt M10 x 20	
8	4812000	AR	Washer M10	
10	5251010	15	Bolt M10 x 20 CLass 10.9	
13	1001162534	1	Main Valve Assembly (See Separate Breakdown in this Section)	
20	1001208874	1	Filter, Charge Pump	
20	70010383	1	Element, Filter (Includes O-Ring)	
21	1001234295	1	Cover	
22	1001271414	1	Auxiliary Pump Assemly (See Separate Breakdown in this Section)	

SECTION 2 - TURNTABLE

FIGURE 2-6. MAIN VALVE ASSEMBLY



ART_1001162534

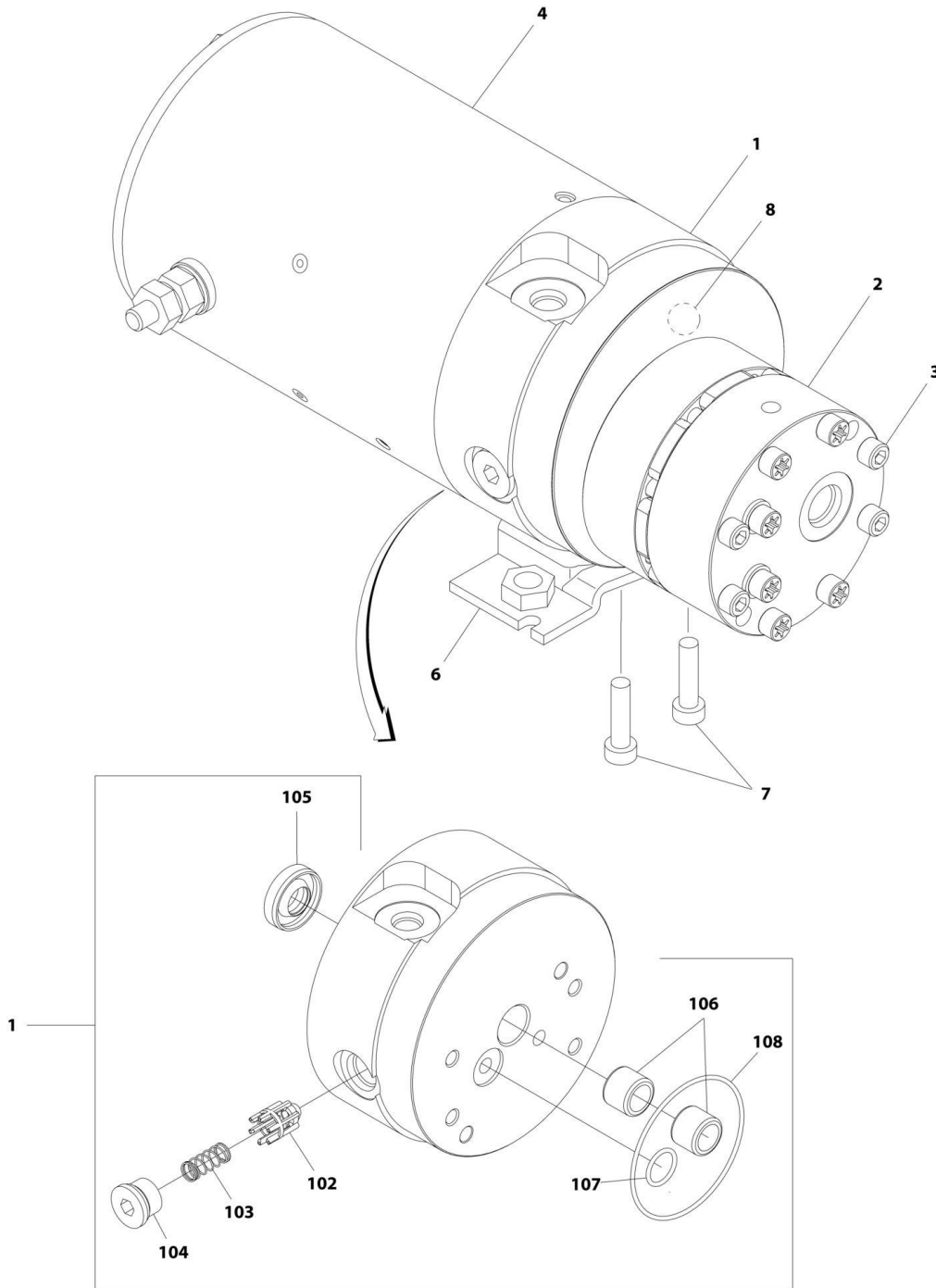
SECTION 2 - TURNTABLE

FIGURE 2-6. MAIN VALVE ASSEMBLY

ITEM	PART NUMBER	QTY	DESCRIPTION	REV
	1001162534	Ref	MAIN VALVE ASSEMBLY	F
1	70005069	1	Cartridge, Solenoid Less Coil (Main Dump)	
1	7022399	1	Seal Kit - 70005069 Valve	
1	70003977	1	Nut, Coil	
2	70005217	1	Cartridge, Solenoid Less Coil (Steer)	
2	70005071	1	Seal Kit - 70005217 Valve	
2	7022390	1	Nut, Coil	
3	70005094	1	Cartridge, Solenoid Less Coil (Main Lift Up)	
3	7023936	1	Seal Kit - 70005094 Valve	
3	7022390	1	Nut, Coil	
4	70005076	1	Cartridge, Solenoid Less Coil (Tower Lift Up)	
4	7022399	1	Seal Kit - 70005076 Valve	
4	7022390	1	Nut, Coil	
5	70005095	1	Cartridge, Solenoid Less Coil (Flow Control)	
5	7022399	1	Seal Kit - 70005095 Valve	
5	70003977	1	Nut, Coil	
6	70005096	1	Cartridge, Solenoid Less Coil (Swing)	
6	70005071	1	Seal Kit - 70005096 Valve	
7	70005097	1	Cartridge, Solenoid Less Coil	
7	70005082	2	Seal Kit - 70005097 Valve	
9	70005098	1	Cartridge, Relief Valve	
9	7023936	1	Seal Kit - 70005098 Valve	
10	70005080	1	Cartridge, Relief Valve	
10	7022399	1	Seal Kit - 70005080 Valve	
12	70005218	1	Cartridge, Valve	
12	70005082	1	Seal Kit - 70005218 Valve	
13	70005084	1	Cartridge, Valve	
13	70005085	1	Seal Kit - 70005084 Valve	
14	70005099	2	Cartridge, Valve	
14	70005087	2	Seal Kit - 70005099 Valve	
15	70005088	2	Cartridge, Valve	
15	7023900	2	Seal Kit - 70005088 Valve	
16	70005100	1	Cartridge, Check Valve	
16	7022399	1	Seal Kit - 70005100 Valve	
17	70005089	1	Cartridge, Check Valve	
17	7023936	1	Seal Kit - 70005089 Valve	
18	70005090	5	Cartridge, Check Valve	
18	70005092	5	Seal Kit - 70005092 Valve	
19	See Note	1	Disc, Check Valve (Note: Not Available for Purchase)	
24	91164059	7	Plug	
25	91164079	4	Plug	
26	91164057	2	Plug	
27	70005219	2	Coil	
28	70002386	3	Coil	
29	70003788	3	Coil	

SECTION 2 - TURNTABLE

FIGURE 2-7. AUXILIARY PUMP ASSEMBLY (MACHINES WITH SN STARTING WITH 03)



ART_1001185821

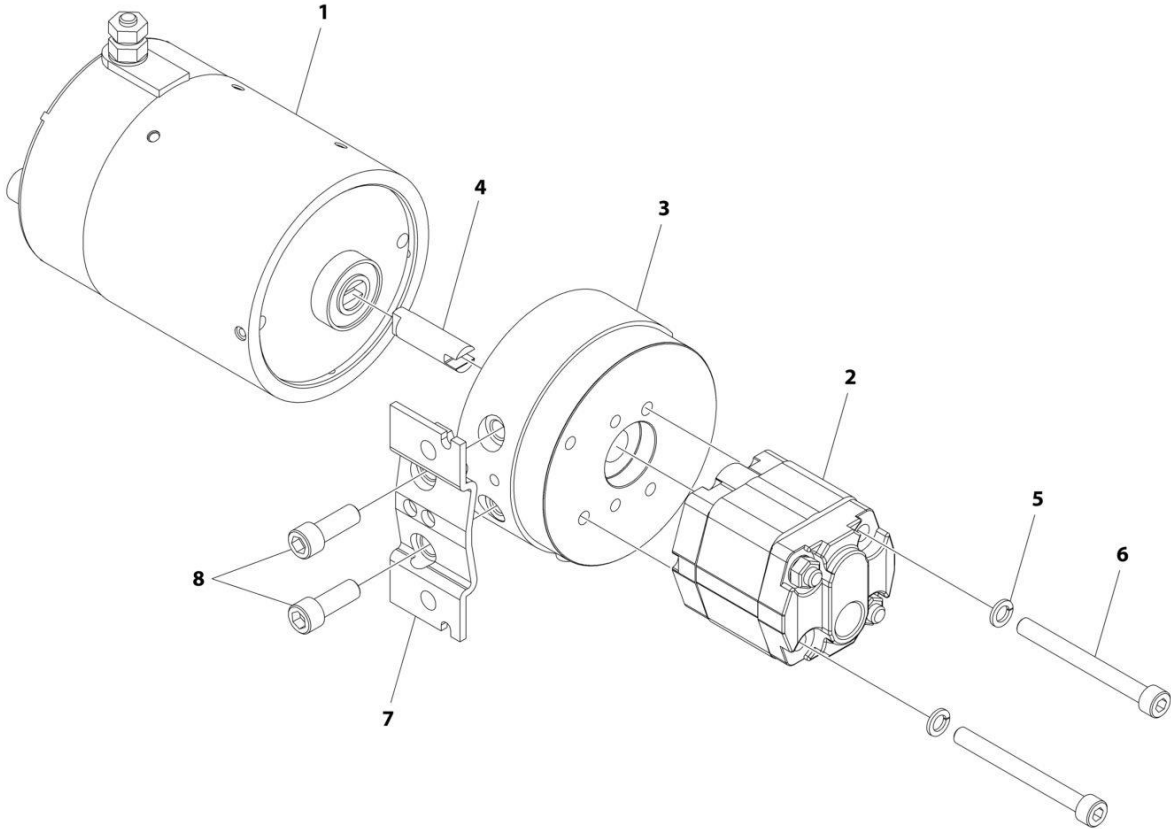
SECTION 2 - TURNTABLE

FIGURE 2-7. AUXILIARY PUMP ASSEMBLY (MACHINES WITH SN STARTING WITH 03)

ITEM	PART NUMBER	QTY	DESCRIPTION	REV
	1001185821	Ref	AUXILIARY PUMP ASSEMBLY	B
1	70005065	1	Base Assembly (See Items 102-108 for Breakdown)	
2	70005066	1	Pump Assembly (Note: No Seal Kit or Internal Components are Available - Purchase Complete Pump Assembly)	
3	70005067	4	Capscrew 1/4 x 2-3/4	
4	70004013	1	Motor Assembly (Note: No Internal Components are Available - Purchase Complete Motor Assembly)	
6	70004014	1	Bracket	
7	70004000	2	Capscrew 3/8 x 1	
8	70005068	1	Relief Valve Assembly	
	70005065	Ref	BASE ASSEMBLY	
102	See Note	NSS	Poppet, Check (Note: Use p/n 70005065)	
103	See Note	NSS	Spring (Note: Use p/n 70005065)	
104	See Note	NSS	Plug (Note: Use p/n 70005065)	
105	7026330	1	Seal, Shaft	
106	70005139	2	Bearing	
107	70003612	1	O-Ring	
108	70004267	1	O-Ring	

SECTION 2 - TURNTABLE

FIGURE 2-8. AUXILIARY PUMP ASSEMBLY (MACHINES WITH SN STARTING WITH B3)



ART_1001271414

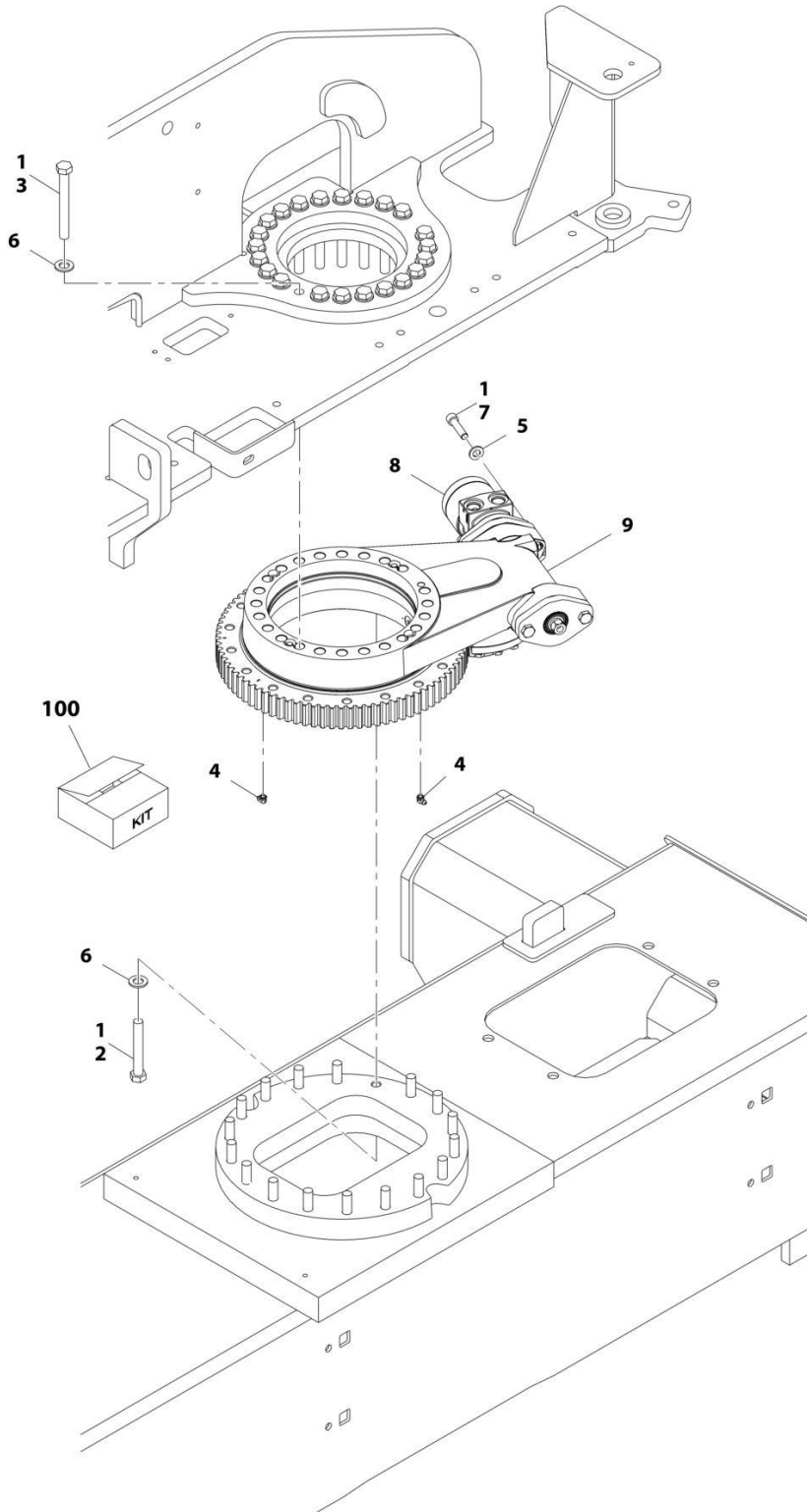
SECTION 2 - TURNTABLE

FIGURE 2-8. AUXILIARY PUMP ASSEMBLY (MACHINES WITH SN STARTING WITH B3)

ITEM	PART NUMBER	QTY	DESCRIPTION	REV
	1001271414	Ref	AUXILIARY MOTOR/PUMP ASSEMBLY	A
1	70008403	1	Motor	
2	70008404	1	Pump	
3	70008405	1	Block, Valve	
4	70008397	1	Shaft, Connecting	
5	70008400	2	Washer M8	
6	70008406	2	Capscrew M8 x 80	
7	70008407	1	Bracket	
8	70008408	2	Capscrew 3/8 x 1	

SECTION 2 - TURNTABLE

FIGURE 2-9. SWING DRIVE AND TURNTABLE BEARING INSTALLATION (MACHINES WITH SN STARTING WITH 03)



ART_1001165946

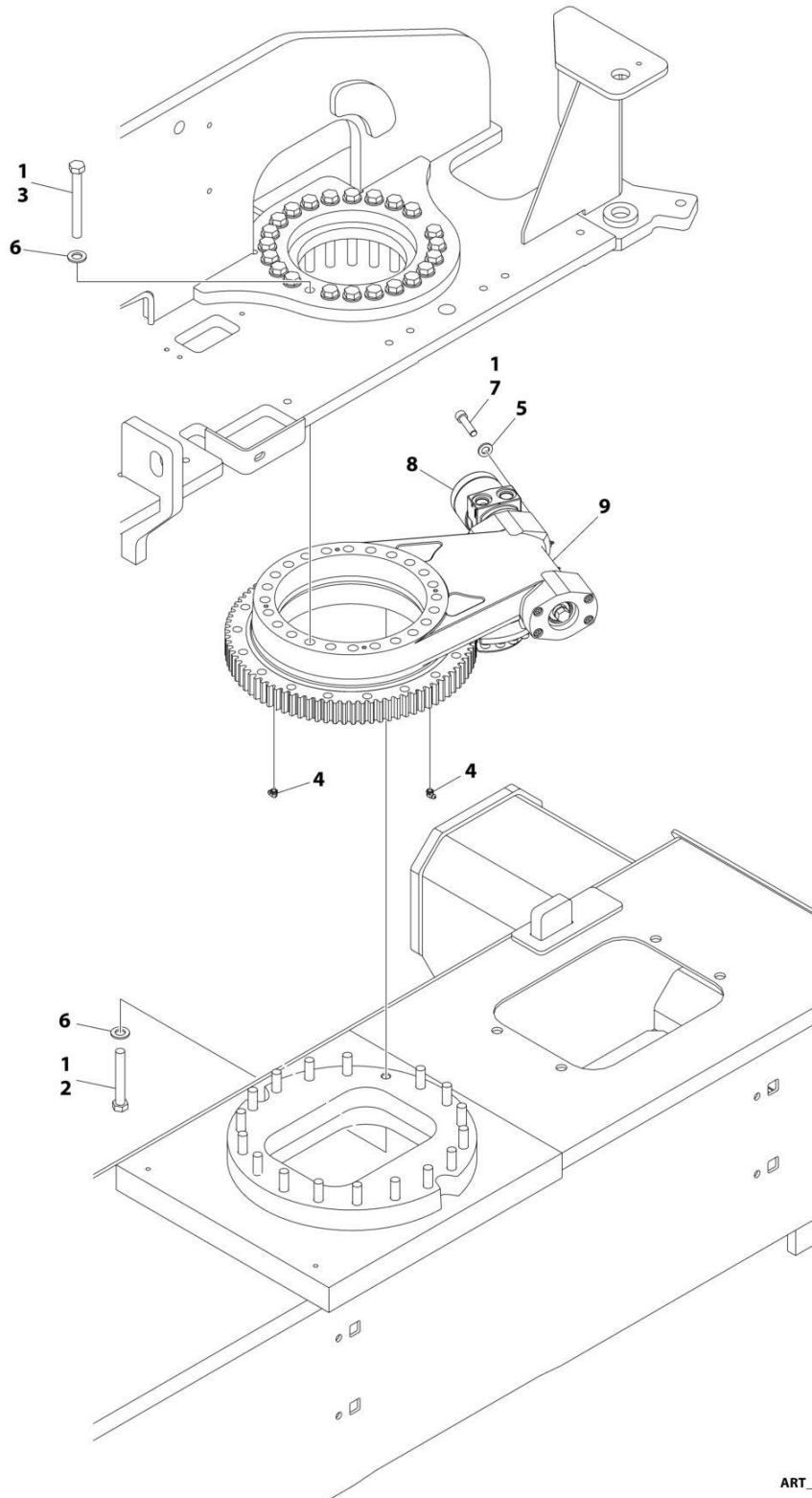
SECTION 2 - TURNTABLE

FIGURE 2-9. SWING DRIVE AND TURNTABLE BEARING INSTALLATION (MACHINES WITH SN STARTING WITH 03)

ITEM	PART NUMBER	QTY	DESCRIPTION	REV
	1001165946	Ref	SWING DRIVE AND TURNTABLE BEARING INSTALLATION	B
1	0100019	AR	Compound, Locking	
2	0711628	18	Bolt M16 x 110 Grade 10.9	
3	0711631	23	Bolt M16 x 140	
4	2160001	2	Fitting, Grease 90	
5	5241200	2	Washer M12	
6	5241600	41	Washer M16	
7	5272114	2	Capscrew M12 x 50 Grade 12.9	
8	1001104850	1	Swing Motor Assembly (See Separate Breakdown in this Section)	
9	1001133972	1	Turntable Bearing Assembly (See Separate Breakdown in this Section)	
100	1001206436	1	Turntable Bearing Kit (Includes Items 2-7 & 9)	

SECTION 2 - TURNTABLE

FIGURE 2-10. SWING DRIVE AND TURNTABLE BEARING INSTALLATION (MACHINES WITH SN STARTING WITH B3)



ART_1001277273_B

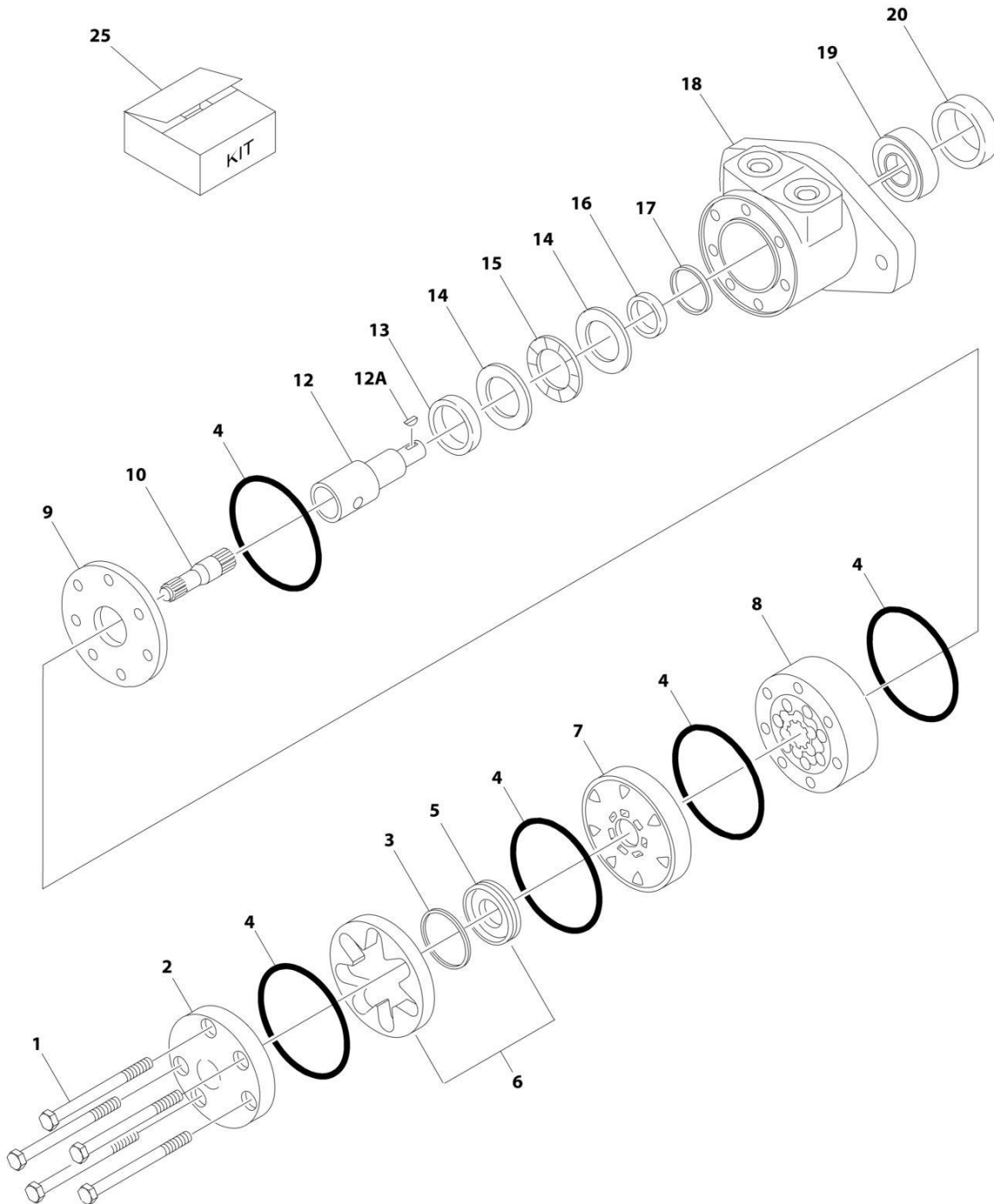
SECTION 2 - TURNTABLE

FIGURE 2-10. SWING DRIVE AND TURNTABLE BEARING INSTALLATION (MACHINES WITH SN STARTING WITH B3)

ITEM	PART NUMBER	QTY	DESCRIPTION	REV
	1001277273	Ref	SWING DRIVE AND TURNTABLE BEARING INSTALLATION	B
1	0100019	AR	Compound, Locking	
2	0711628	18	Bolt M16 x 110 Grade 10.9	
3	0711631	23	Bolt M16 x 140	
4	2160001	2	Fitting, Grease 90	
5	5241200	2	Washer M12	
6	5241600	41	Washer M16	
7	5272114	2	Capscrew M12 x 50 Grade 12.9	
8	1001286019	1	Swing Motor Assembly (See Separate Breakdown in this Section)	
9	1001277009	1	Turntable Bearing Assembly (See Separate Breakdown in this Section)	

SECTION 2 - TURNTABLE

FIGURE 2-11. SWING MOTOR ASSEMBLY (MACHINES WITH SN STARTING WITH 03)



ART_1001104850

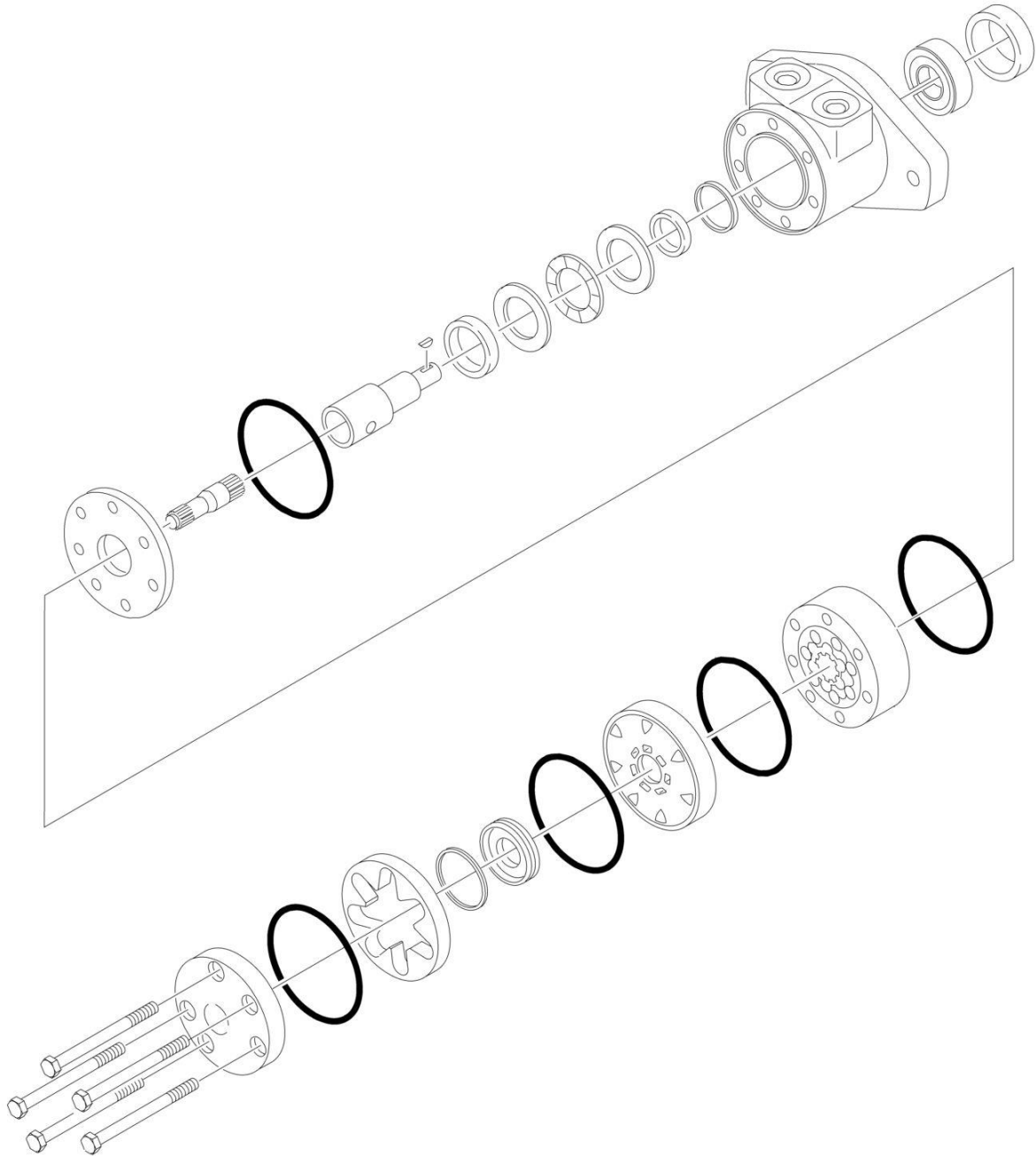
SECTION 2 - TURNTABLE

FIGURE 2-11. SWING MOTOR ASSEMBLY (MACHINES WITH SN STARTING WITH 03)

ITEM	PART NUMBER	QTY	DESCRIPTION	REV
	1001104850	Ref	SWING MOTOR ASSEMBLY	A
1	See Note	5	Bolt (Note: Not Available for Purchase)	
2	7004035	1	Cover, End	
3	7023318	1	Seal, Commutator	
4	7004036	5	O-Ring	
5	See Note	NSS	Commutator (Note: Use Item 6)	
6	7024453	1	Commutator and Ring Assembly (Includes Item 5)	
7	7024379	1	Manifold	
8	70002206	1	Rotor Set	
9	7024380	1	Plate, Wear	
10	70002207	1	Link, Drive	
12	70000088	1	Shaft, Coupling	
12A	70000089	1	Key	
13	7024381	1	Bushing, Inner	
14	7004043	1	Thrustwasher	
15	7004044	1	Bearing, Thrust	
16	7004049	1	Seal, Inner Shaft	
17	7004045	1	Ring, Back-up	
18	See Note	NSS	Housing (Note: Not Available - Purchase Complete Motor)	
19	7024390	1	Bearing	
20	7004047	1	Seal, Outer Shaft	
25	7024389	1	Seal Kit (Includes Items 3, 4, 16, 17 & 20)	

SECTION 2 - TURNTABLE

FIGURE 2-12. SWING MOTOR ASSEMBLY (MACHINES WITH SN STARTING WITH B3)



ART_1001286019

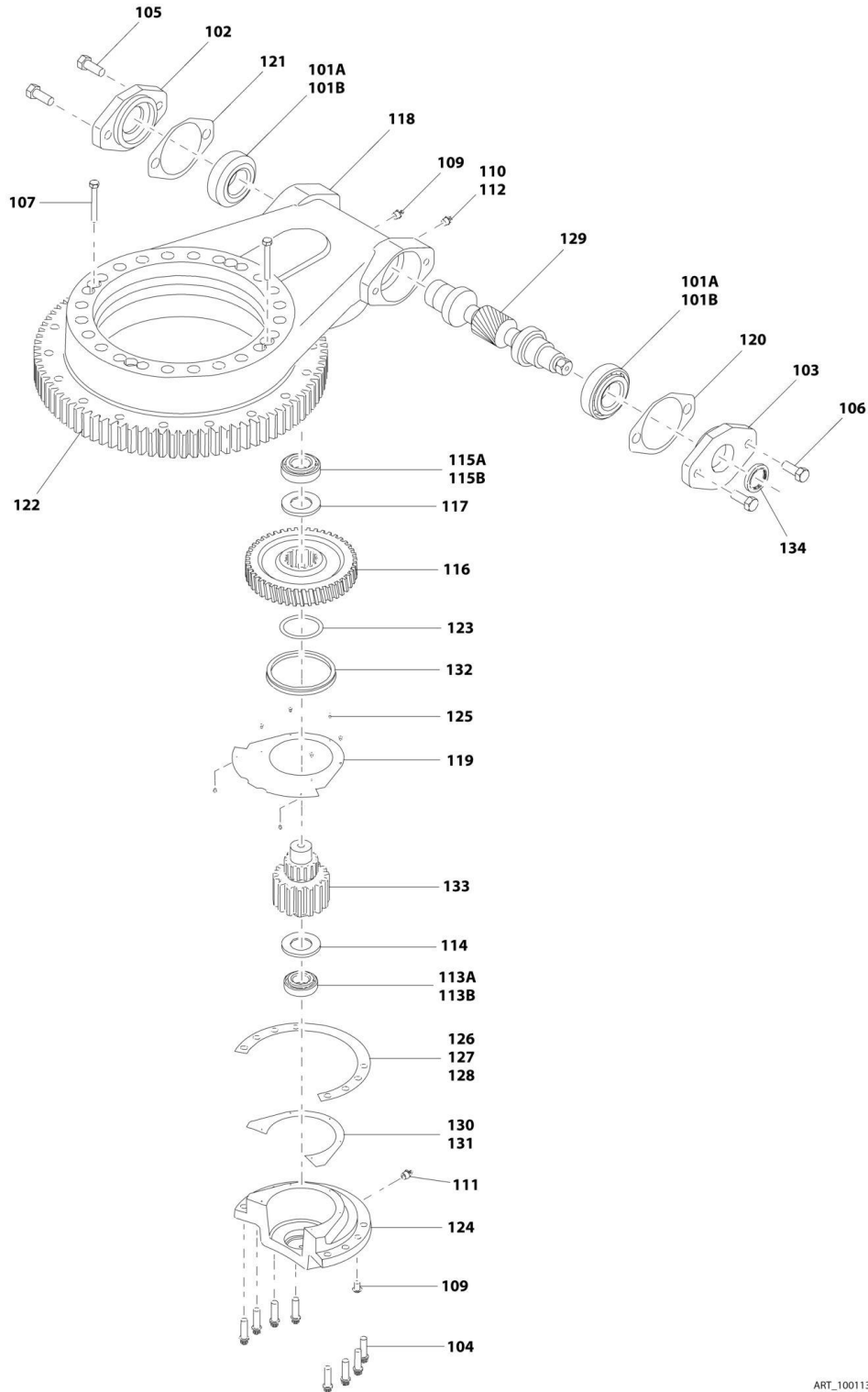
SECTION 2 - TURNTABLE

FIGURE 2-12. SWING MOTOR ASSEMBLY (MACHINES WITH SN STARTING WITH B3)

ITEM	PART NUMBER	QTY	DESCRIPTION	REV
1	1001286019 See Note	Ref Ref	SWING MOTOR ASSEMBLY Note: No Service Parts Available at Time of Printing	B

SECTION 2 - TURNTABLE

FIGURE 2-13. TURNTABLE BEARING ASSEMBLY (MACHINES WITH SN STARTING WITH 03)



ART_1001133972

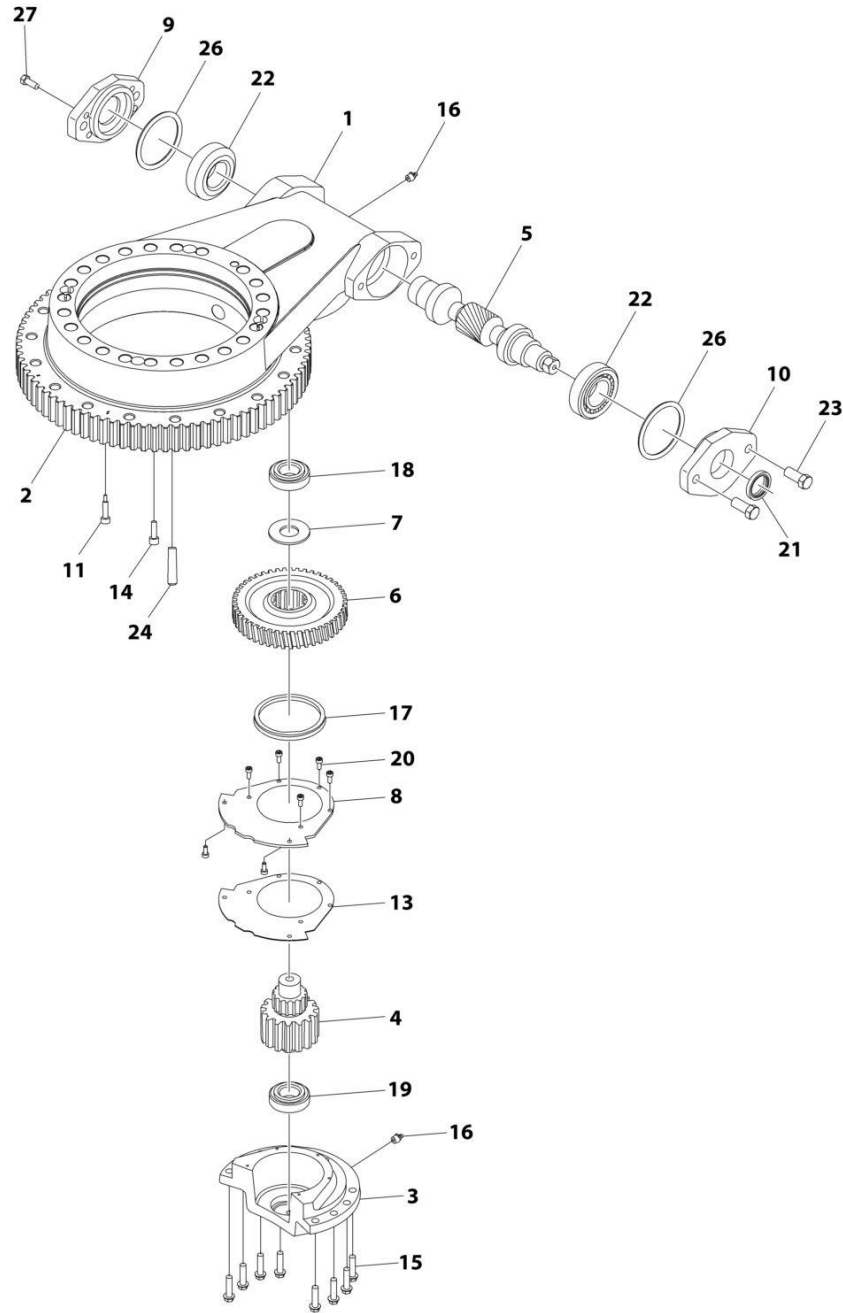
SECTION 2 - TURNTABLE

FIGURE 2-13. TURNTABLE BEARING ASSEMBLY (MACHINES WITH SN STARTING WITH 03)

ITEM	PART NUMBER	QTY	DESCRIPTION	REV
	1001133972	Ref	TURNTABLE BEARING ASSEMBLY	D
101A	7026042	2	Cup, Bearing	
101B	7026043	2	Cone, Bearing	
102	7027356	1	Adapter, Motor	
103	7027354	1	Cap, Worm	
104	70004249	8	Bolt M10 x 35 Grade 10.9	
105	70004250	2	Bolt M12 x 30 Grade 10.9	
106	70004251	2	Bolt M12 x 40 Grade 10.9	
107	70004252	2	Bolt M8 x 65mm	
109	70000865	1	Plug	
110	70002649	1	Vent, Pressure	
111	70002651	1	Fitting, Grease	
112	7026044	1	Bushing, Reducer	
113A	7026045	1	Cup, Bearing	
113B	7026047	1	Cone, Bearing	
114	7026046	1	Ring, Grease	
115A	7026048	1	Cup, Bearing	
115B	7026049	1	Cone, Bearing	
116	7026050	1	Worm-Gear	
117	7026052	1	Spacer, Washer	
118	See Note	1	Housing (Note: Not Available - Purchase Complete Assembly)	
119	7026053	1	Cover, Gear	
120	7027350	AR	Shim, Blue (.005in)	
120	7027351	AR	Shim, Clear (.0075in)	
120	7027352	AR	Shim, Brown (.010in)	
121	7027353		Shim, Yellow (.020in)	
122	70004253	1	Bearing, Turntable	
123	70004254	1	O-Ring	
124	70004255	1	Cap, Gear	
125	70004256	8	Bolt M4 x 8	
126	70004257	AR	Shim, Green (.003)	
127	70004258	AR	Shim, Blue (.005)	
128	70004259	AR	Shim, Natural (.0075)	
129	7026057	1	Gear, Worm	
130	70004260	AR	Shim, Blue (.005)	
131	70004261	AR	Shim, Yellow (.020)	
132	70004262	1	Seal, Oil	
133	7026051	1	Pinion, Output	
134	70004263	1	Seal, Oil	

SECTION 2 - TURNTABLE

FIGURE 2-14. TURNTABLE BEARING ASSEMBLY (MACHINES WITH SN STARTING WITH B3)



ART_1001277009

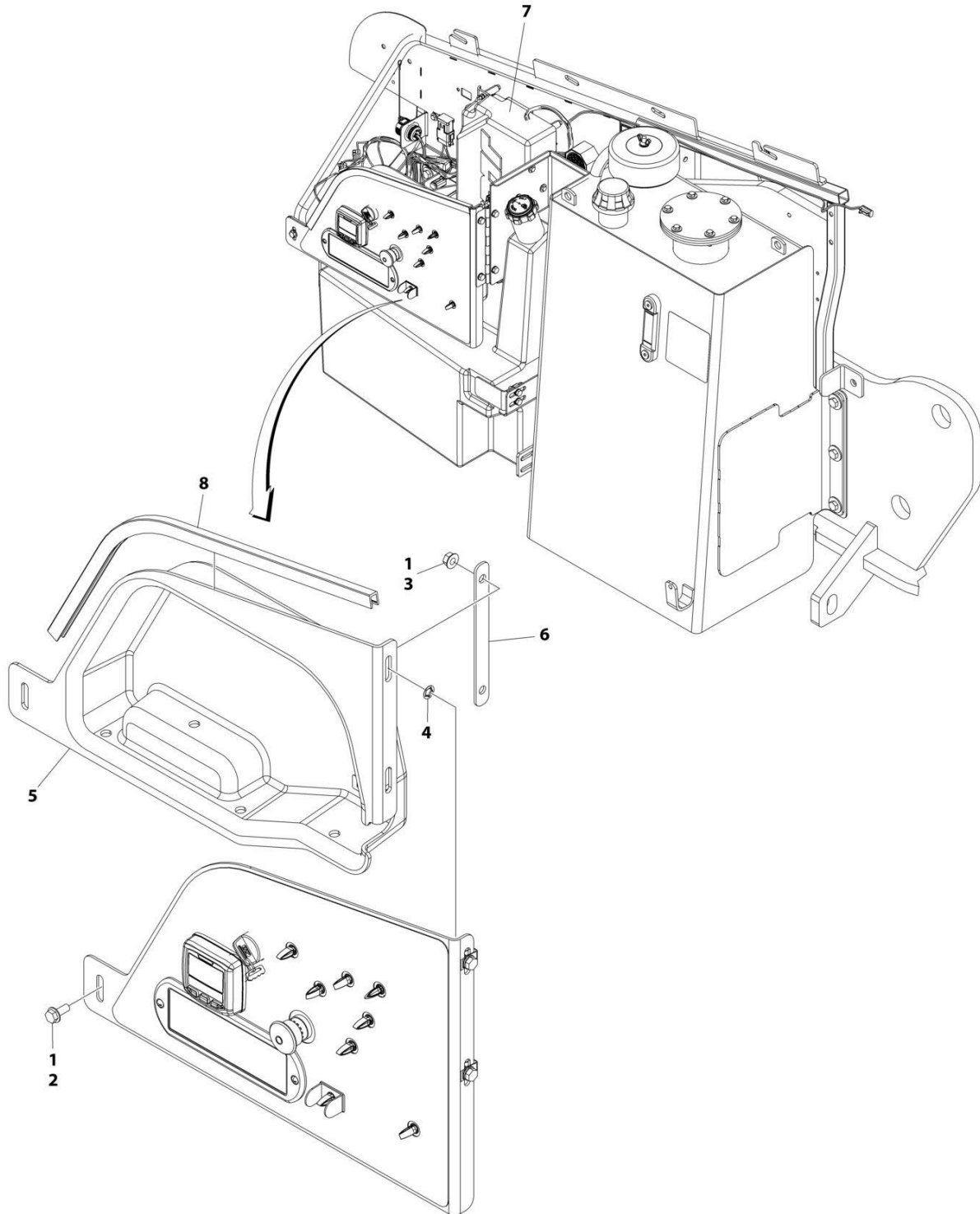
SECTION 2 - TURNTABLE

FIGURE 2-14. TURNTABLE BEARING ASSEMBLY (MACHINES WITH SN STARTING WITH B3)

ITEM	PART NUMBER	QTY	DESCRIPTION	REV
	1001277009	Ref	TURNTABLE BEARING ASSEMBLY	B
1	See Note	NSS	Housing (Note: Not Sold Separately)	
2	70008371	1	Ring, Slewing	
3	70008372	1	Cap, Gear	
4	70008373	1	Gear, Pinion	
5	70008374	1	Gear, Worm	
6	70008375	1	Gear, Worm Wheel	
7	70008376	1	Adapter, Worm Wheel Gear	
8	70008377	1	Cover, Gear	
9	70008378	1	Adapter, Motor	
10	70008379	1	Cover	
11	70008380	2	Bolt, Positioning	
12	See Note	NSS	Plate, Serial Number (Not Shown) (Note: Not Sold Separately)	
13	70008381	AR	Shim	
14	70008382	4	Bolt M8 x 40 Class 12.9	
15	70008383	8	Bolt M10 x 30 Class 12.9	
16	70008384	2	Fitting, Grease	
17	70008385	1	Seal	
18	70008386	1	Bearing	
19	70008387	1	Bearing	
20	70008388	7	Bolt M4 x 8	
21	70008389	1	Seal	
22	70008390	2	Bearing	
23	70008391	4	Bolt M12 x 35	
24	70008392	2	Cotter, Tapered	
25	See Note	NSS	Rivet (Not Shown) (Note: Not Sold Separately)	
26	70008393	AR	Shim	
27	4031707	4	Bolt M5 x 16	

SECTION 2 - TURNTABLE

FIGURE 2-15. TURNTABLE COVERS INSTALLATION



ART_1001219129

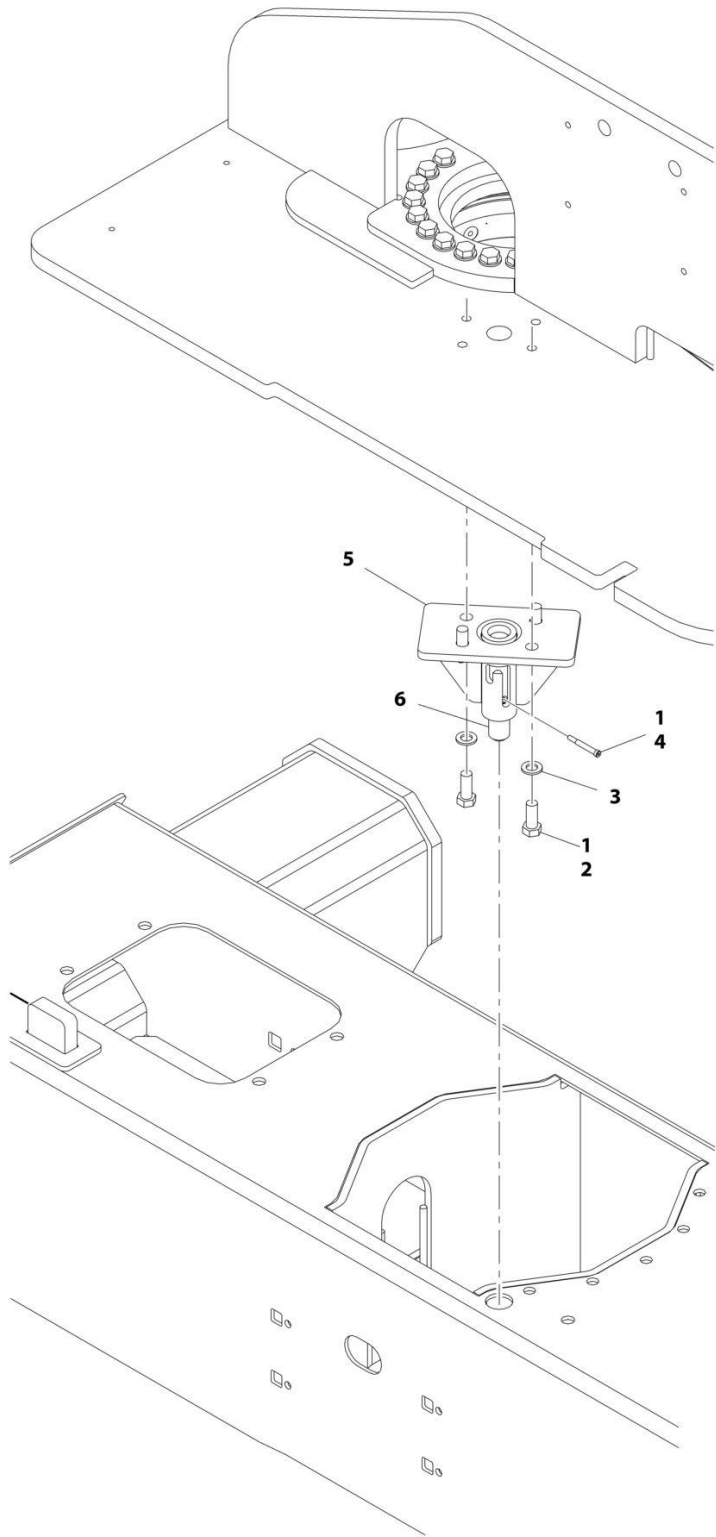
SECTION 2 - TURNTABLE

FIGURE 2-15. TURNTABLE COVERS INSTALLATION

ITEM	PART NUMBER	QTY	DESCRIPTION	REV
	1001219129	Ref	TURNTABLE COVERS INSTALLATION	A
1	0100011	AR	Compound, Locking	
2	5250812	1	Bolt M8 x 25	
3	5260800	2	Nut M8	
4	1001119228	2	Nut M8	
5	1001218533	1	Cover	
6	1001218535	1	Plate, Mounting	
7	1001218537	1	Cover	
8	4060806	2 ft/0.6m	Shield, Flex	

SECTION 2 - TURNTABLE

FIGURE 2-16. TURNTABLE LOCK INSTALLATION



ART_1001177820

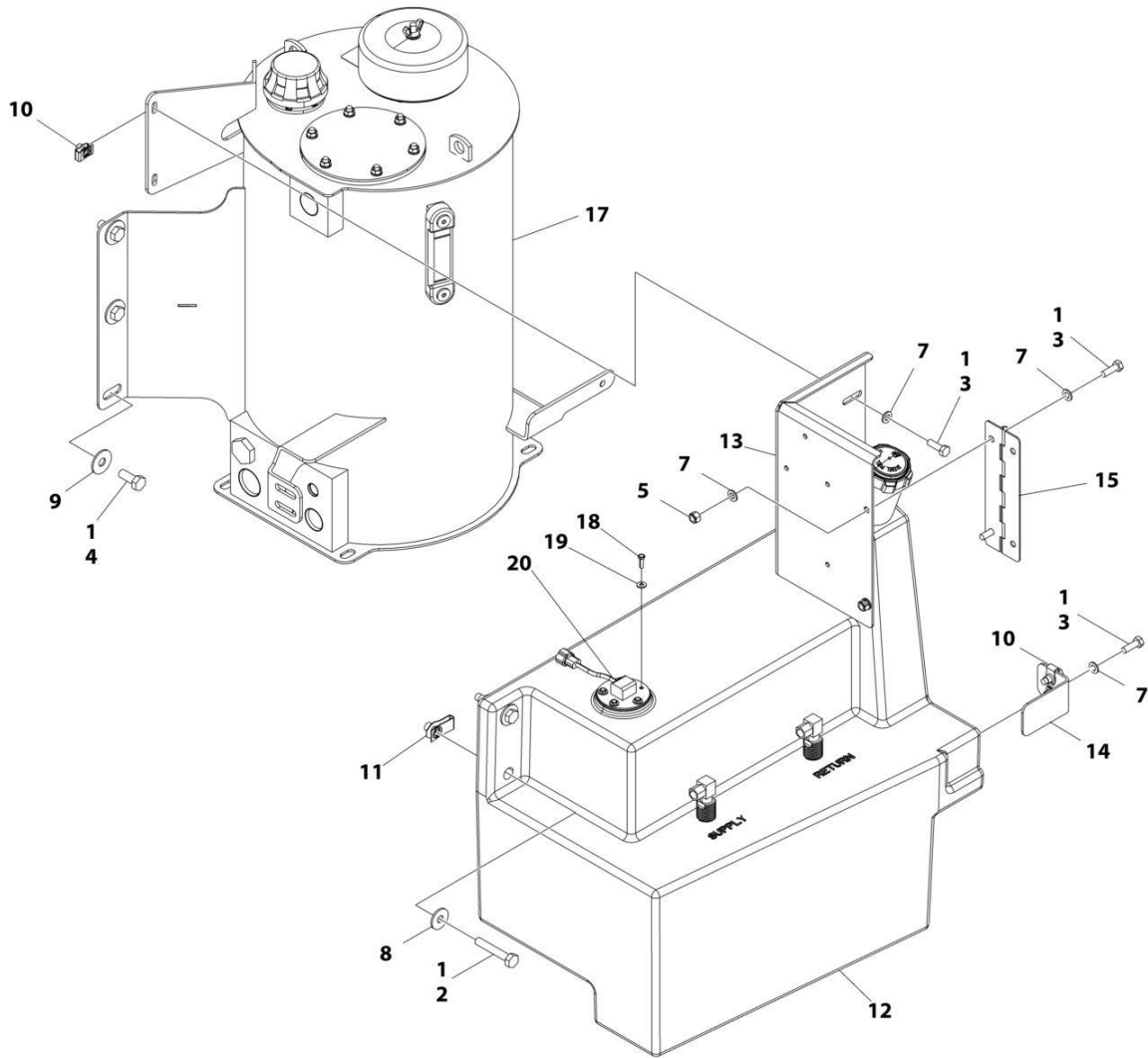
SECTION 2 - TURNTABLE

FIGURE 2-16. TURNTABLE LOCK INSTALLATION

ITEM	PART NUMBER	QTY	DESCRIPTION	REV
	1001177820	Ref	TURNTABLE LOCK INSTALLATION	B
1	0100011	AR	Compound, Locking	
2	0701616	4	Bolt M16 x 40	
3	4812300	4	Washer M16	
4	1001157466	1	Bolt M10 x 30	
5	1001177821	1	Support, Lock	
6	1001177834	1	Pin, Lock	
7	1001223118	1	Decal – Lift Diagram (Not Shown)	

SECTION 2 - TURNTABLE

FIGURE 2-17. TANKS INSTALLATION - DIESEL MACHINES (17 GAL HYDRAULIC TANK WITH 4 INCH BREATHER)



ART_1001282831_B

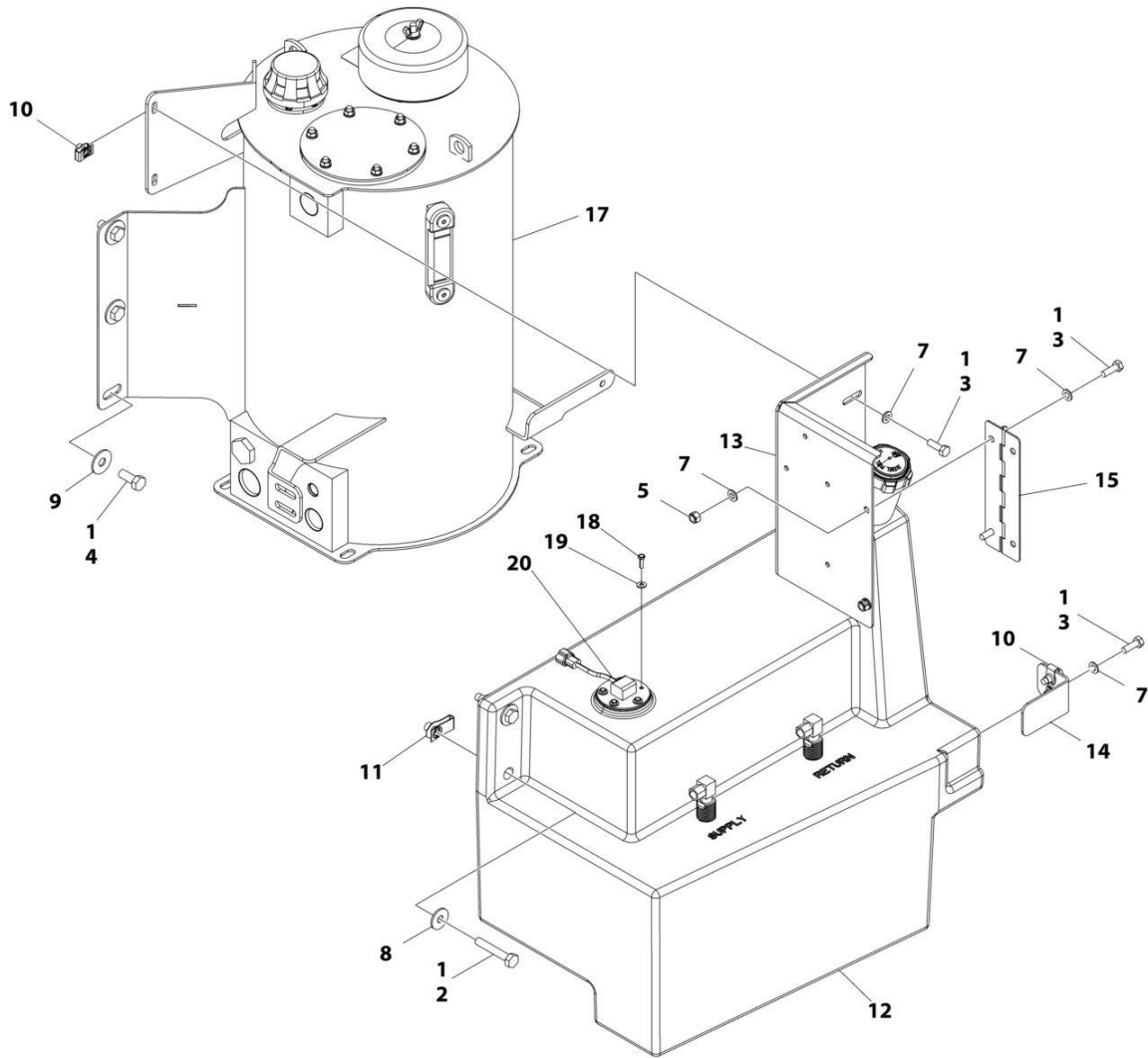
SECTION 2 - TURNTABLE

FIGURE 2-17. TANKS INSTALLATION - DIESEL MACHINES (17 GAL HYDRAULIC TANK WITH 4 INCH BREATHER)

ITEM	PART NUMBER	QTY	DESCRIPTION	REV
	1001282831	Ref	TANKS INSTALLATION - DIESEL MACHINES	B
1	0100011	AR	Compound, Locking	
2	0701020	2	Bolt M10 x 60	
3	0760812	6	Bolt M8 x 25	
4	0761214	6	Bolt M12 x 30	
5	3290805	2	Nut, Lock M8	
7	4811900	8	Washer M8	
8	4812002	2	Washer M10	
9	4812102	6	Washer M12	
10	1001118274	4	Nut M8	
11	1001118972	2	Nut M10	
12	1001284957	1	Fuel Tank Assembly	
12	0100020	AR	Compound, Locking	
12	1001193336	1	Cap, Fuel	
13	1001169898	1	Support, Ground Control	
14	1001170480	1	Support, Tank	
15	1001179339	1	Hinge	
17	1001274525	1	Hydraulic Tank Assembly (See Separate Breakdown in this Section)	
18	0731005	5	Bolt #10 x 5/8	
19	4751000	5	Washer #10	
20	1001274217	1	Gauge, Fuel Level	
20	4460897	1	Connector	
20	1001116693	2	Pin	

SECTION 2 - TURNTABLE

FIGURE 2-18. TANKS INSTALLATION - DIESEL MACHINES (17 GAL HYDRAULIC TANK WITH 6 INCH BREATHER)



ART_1001207347_C

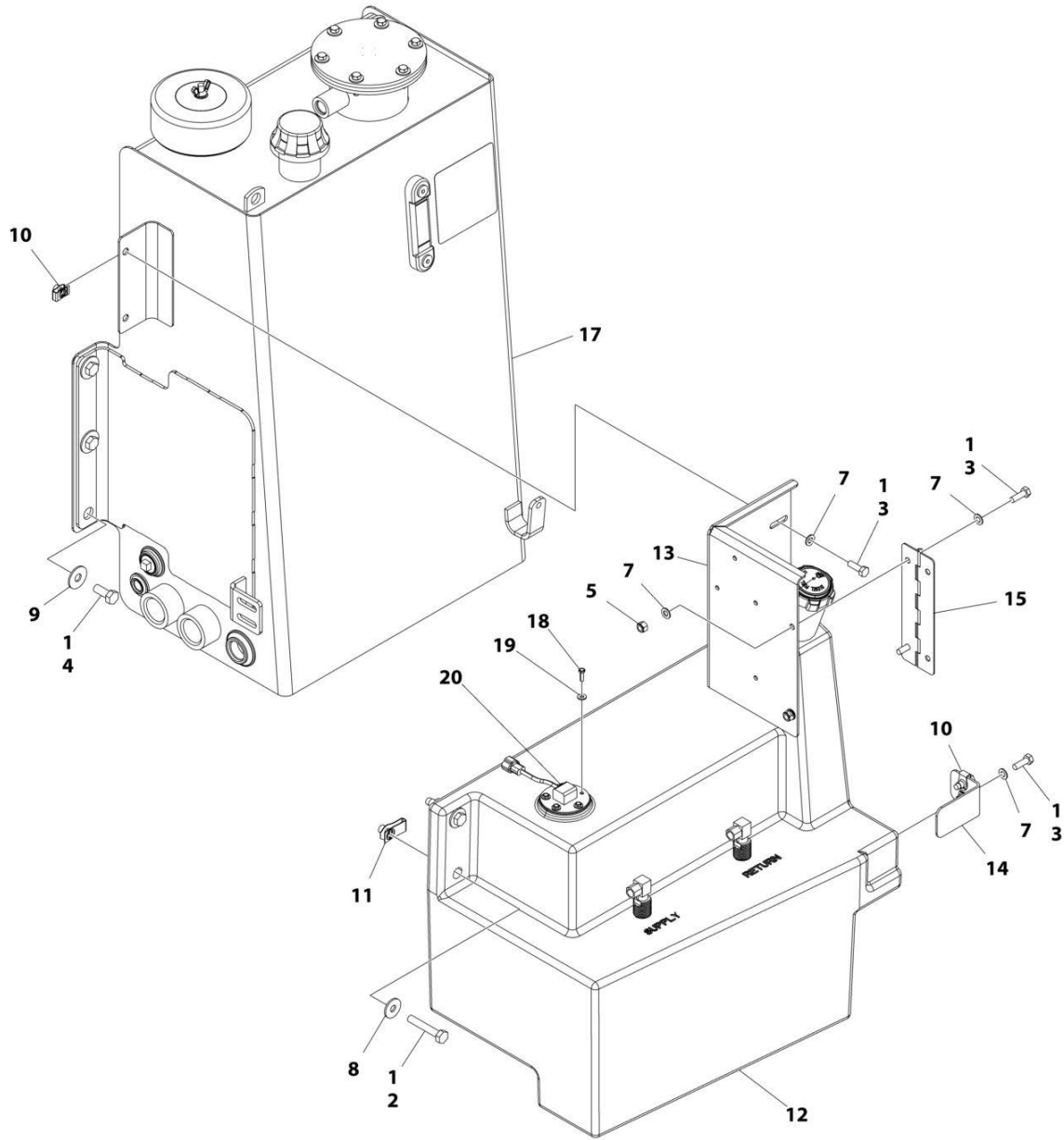
SECTION 2 - TURNTABLE

FIGURE 2-18. TANKS INSTALLATION - DIESEL MACHINES (17 GAL HYDRAULIC TANK WITH 6 INCH BREATHER)

ITEM	PART NUMBER	QTY	DESCRIPTION	REV
	1001207347	Ref	TANKS INSTALLATION - DIESEL MACHINES	C
1	0100011	AR	Compound, Locking	
2	0701020	2	Bolt M10 x 60	
3	0760812	6	Bolt M8 x 25	
4	0761214	6	Bolt M12 x 30	
5	3290805	2	Nut, Lock M8	
7	4811900	8	Washer M8	
8	4812002	2	Washer M10	
9	4812102	6	Washer M12	
10	1001118274	4	Nut M8	
11	1001118972	2	Nut M10	
12	1001284957	1	Fuel Tank Assembly	
12	0100020	AR	Compound, Locking	
12	1001193336	1	Cap, Fuel	
13	1001169898	1	Support, Ground Control	
14	1001170480	1	Support, Tank	
15	1001179339	1	Hinge	
16	1001182997	AR	Adhesive	
17	1001206916	1	Hydraulic Tank Assembly	
17	70003614	1	Filter Kit (Includes Hydraulic Element, Breather Element and Gasket)	
17	70002838	1	Fill Cap Assembly (Includes Cap, Chain and Fill Basket)	
17	7024441	1	Gauge, Sight	
17	70002112	1	Plug, Drain	
18	0731005	5	Bolt #10 x 5/8	
19	4751000	5	Washer #10	
20	1001274217	1	Gauge, Fuel Level	
20	4460897	1	Connector	
20	1001116693	2	Pin	

SECTION 2 - TURNTABLE

FIGURE 2-19. TANKS INSTALLATION - DIESEL MACHINES (36 GAL HYDRAULIC TANK)



ART_10012866501_B

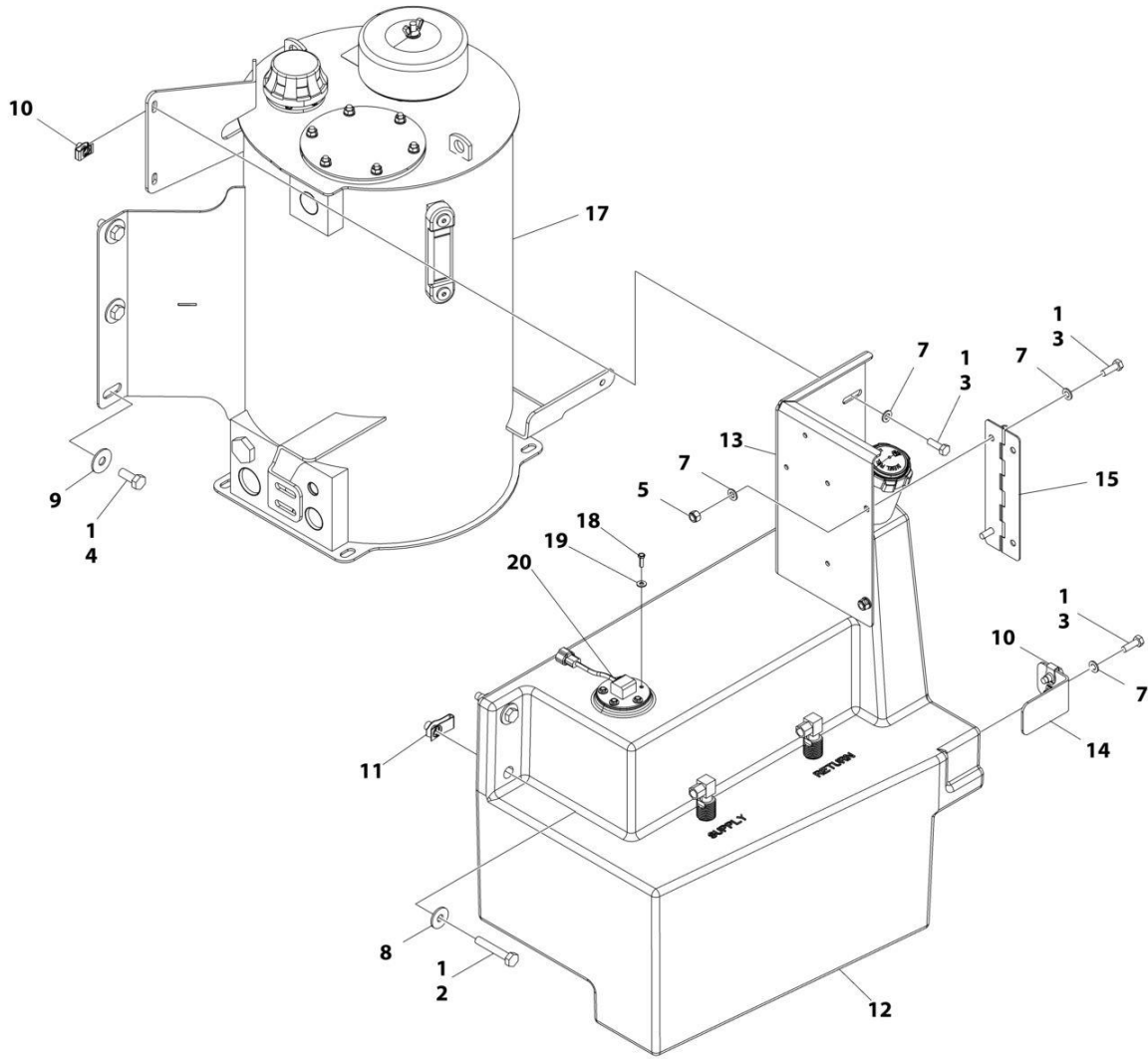
SECTION 2 - TURNTABLE

FIGURE 2-19. TANKS INSTALLATION - DIESEL MACHINES (36 GAL HYDRAULIC TANK)

ITEM	PART NUMBER	QTY	DESCRIPTION	REV
	1001286651	Ref	TANKS INSTALLATION - DIESEL MACHINES	B
1	0100011	AR	Compound, Locking	
2	0701020	2	Bolt M10 x 60	
3	0760812	6	Bolt M8 x 25	
4	0761214	6	Bolt M12 x 30	
5	3290805	2	Nut, Lock M8	
7	4811900	8	Washer M8	
8	4812002	2	Washer M10	
9	4812102	6	Washer M12	
10	1001118274	4	Nut M8	
11	1001118972	2	Nut M10	
12	1001284957	1	Fuel Tank Assembly	
12	0100020	AR	Compound, Locking	
12	1001193336	1	Cap, Fuel	
13	1001169898	1	Support, Ground Control	
14	1001170480	1	Support, Tank	
15	1001179339	1	Hinge	
17	1001286650	1	Hydraulic Tank Assembly	
17	70003614	1	Filter Kit (Includes Hydraulic Element, Breather Element and Gasket)	
18	0731005	5	Bolt #10 x 5/8	
19	4751000	5	Washer #10	
20	1001274217	1	Gauge, Fuel Level	
20	4460897	1	Connector	
20	1001116693	2	Pin	

SECTION 2 - TURNTABLE

FIGURE 2-20. TANKS INSTALLATION - GAS MACHINES



ART_1001207348_C

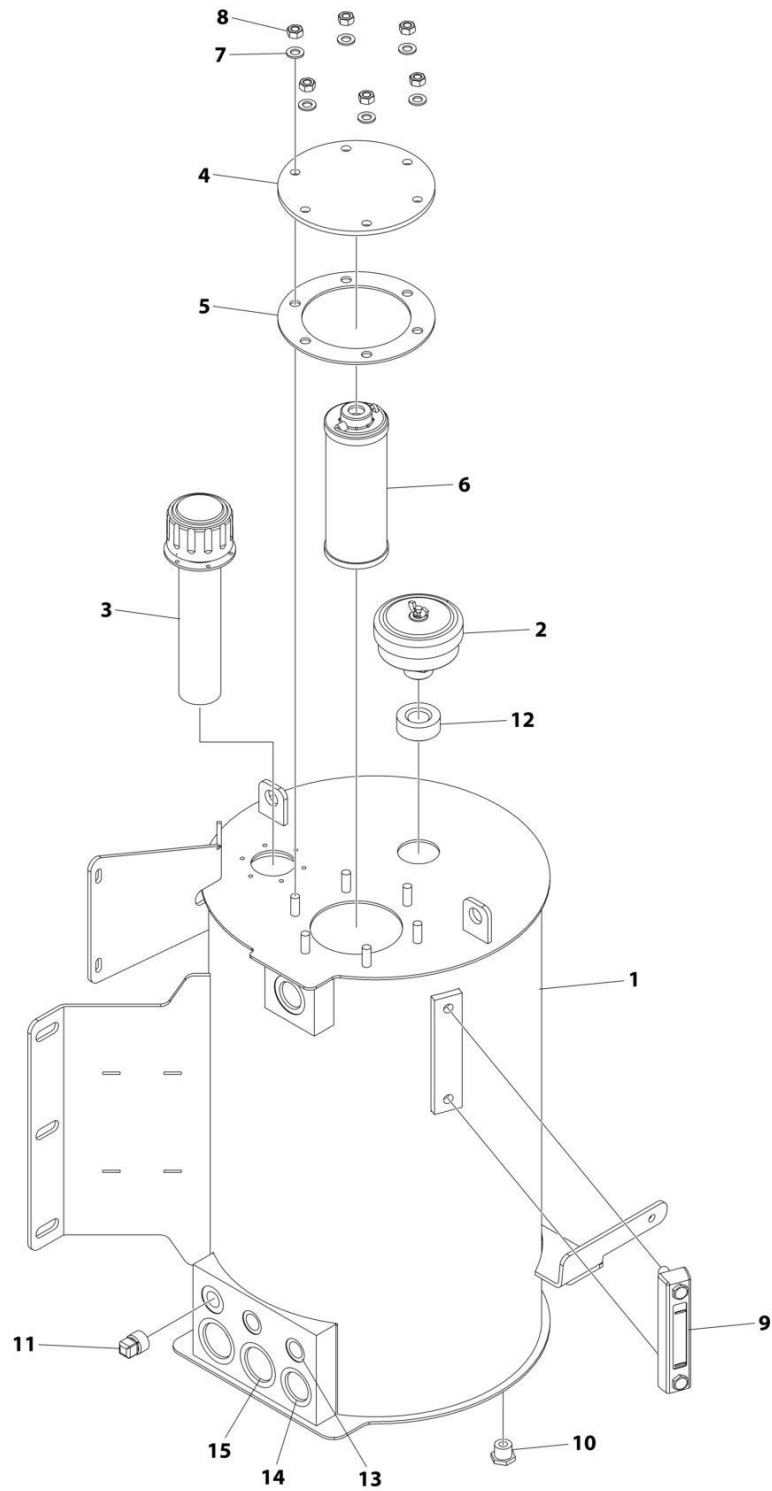
SECTION 2 - TURNTABLE

FIGURE 2-20. TANKS INSTALLATION - GAS MACHINES

ITEM	PART NUMBER	QTY	DESCRIPTION	REV
	1001207348	Ref	TANKS INSTALLATION - GAS MACHINES	C
1	0100011	AR	Compound, Locking	
2	0701020	2	Bolt M10 x 60	
3	0760812	6	Bolt M8 x 25	
4	0761214	6	Bolt M12 x 30	
5	3290805	2	Nut, Lock M8	
7	4811900	8	Washer M8	
8	4812002	2	Washer M10	
9	4812102	6	Washer M12	
10	1001118274	4	Nut M8	
11	1001118972	2	Nut M10	
12	1001284958	1	Fuel Tank Assembly	
12	0100020	AR	Compound, Locking	
12	1001211336	1	Cap, Fuel	
13	1001169898	1	Support, Ground Control	
14	1001170480	1	Support, Tank	
15	1001179339	1	Hinge	
16	1001182997	AR	Adhesive	
17	1001206916	1	Hydraulic Tank Assembly	
17	70003614	1	Filter Kit (Includes Hydraulic Element, Breather Element and Gasket)	
17	70002838	1	Fill Cap Assembly (Includes Cap, Chain and Fill Basket)	
17	7024441	1	Gauge, Sight	
17	70002112	1	Plug, Drain	
18	0731005	5	Bolt #10 x 5/8	
19	4751000	5	Washer #10	
20	1001274217	1	Gauge, Fuel Level	
20	4460897	1	Connector	
20	1001116693	2	Pin	

SECTION 2 - TURNTABLE

FIGURE 2-21. HYDRAULIC TANK ASSEMBLY - 17 GAL WITH 4 INCH BREATHER (DIESEL MACHINES)



ART_1001274525

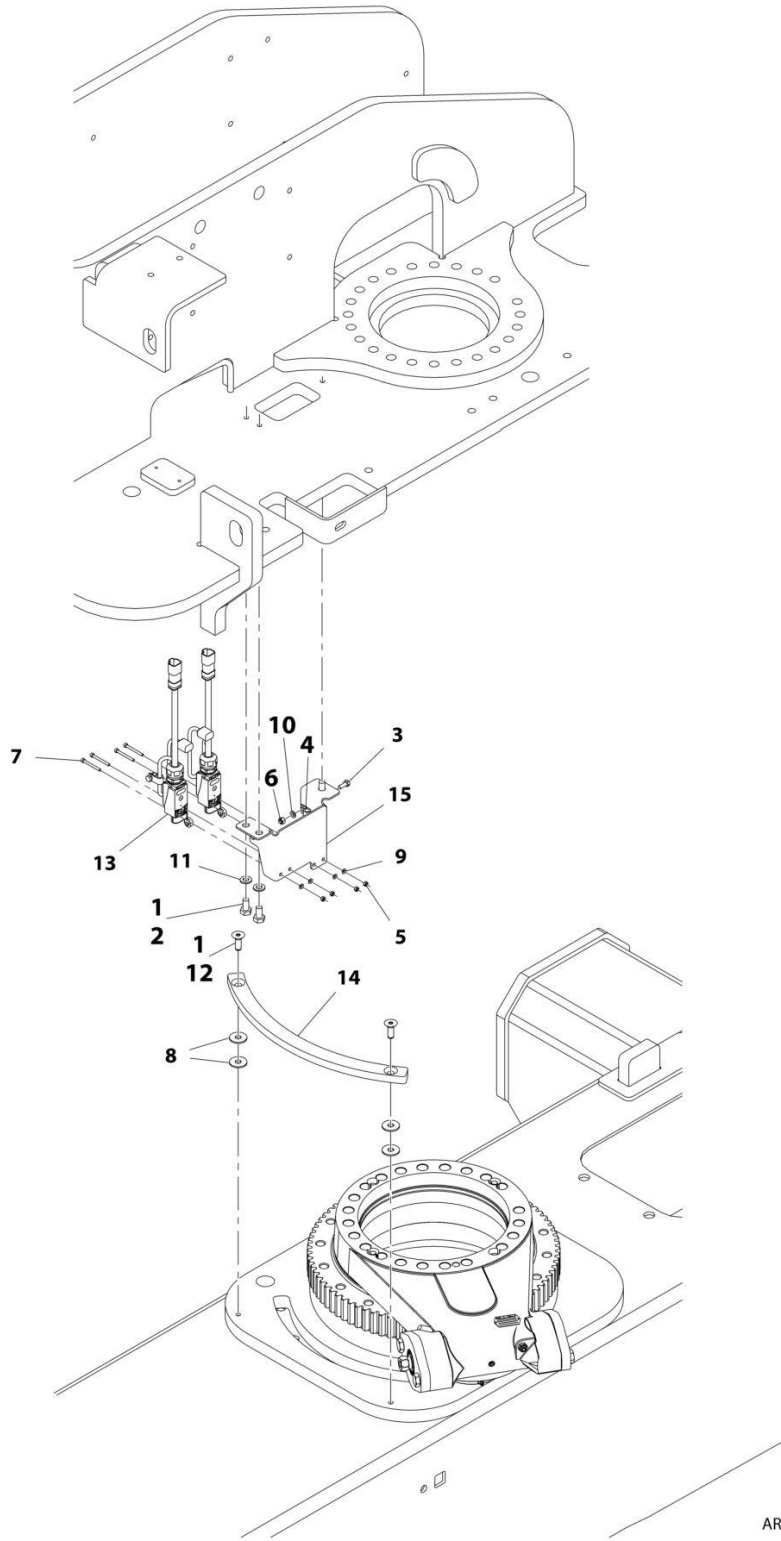
SECTION 2 - TURNTABLE

FIGURE 2-21. HYDRAULIC TANK ASSEMBLY - 17 GAL WITH 4 INCH BREATHER (DIESEL MACHINES)

ITEM	PART NUMBER	QTY	DESCRIPTION	REV
	1001274525	Ref	HYDRAULIC TANK ASSEMBLY	A
1	See Note	NSS	Tank (Note: Not Available for Purchase)	
2	70008258	1	Breather	
3	70008253	1	Cap, Fill	
4	70008259	1	Cover	
5	70008260	1	Gasket	
6	70008261	1	Filter	
7	70008262	6	Washer	
8	70008263	6	Nut M10	
9	70008264	1	Gauge, Level	
10	70008254	1	Plug 7/8	
11	70008265	1	Plug	
12	70008266	1	O-Ring	
13	70008256	2	Cover 3/4	
14	70008267	2	Cover 1-5/16	
15	70008268	2	Cover 1-5/8	

SECTION 2 - TURNTABLE

FIGURE 2-22. DRIVE ORIENTATION INSTALLATION



ART_1001166767

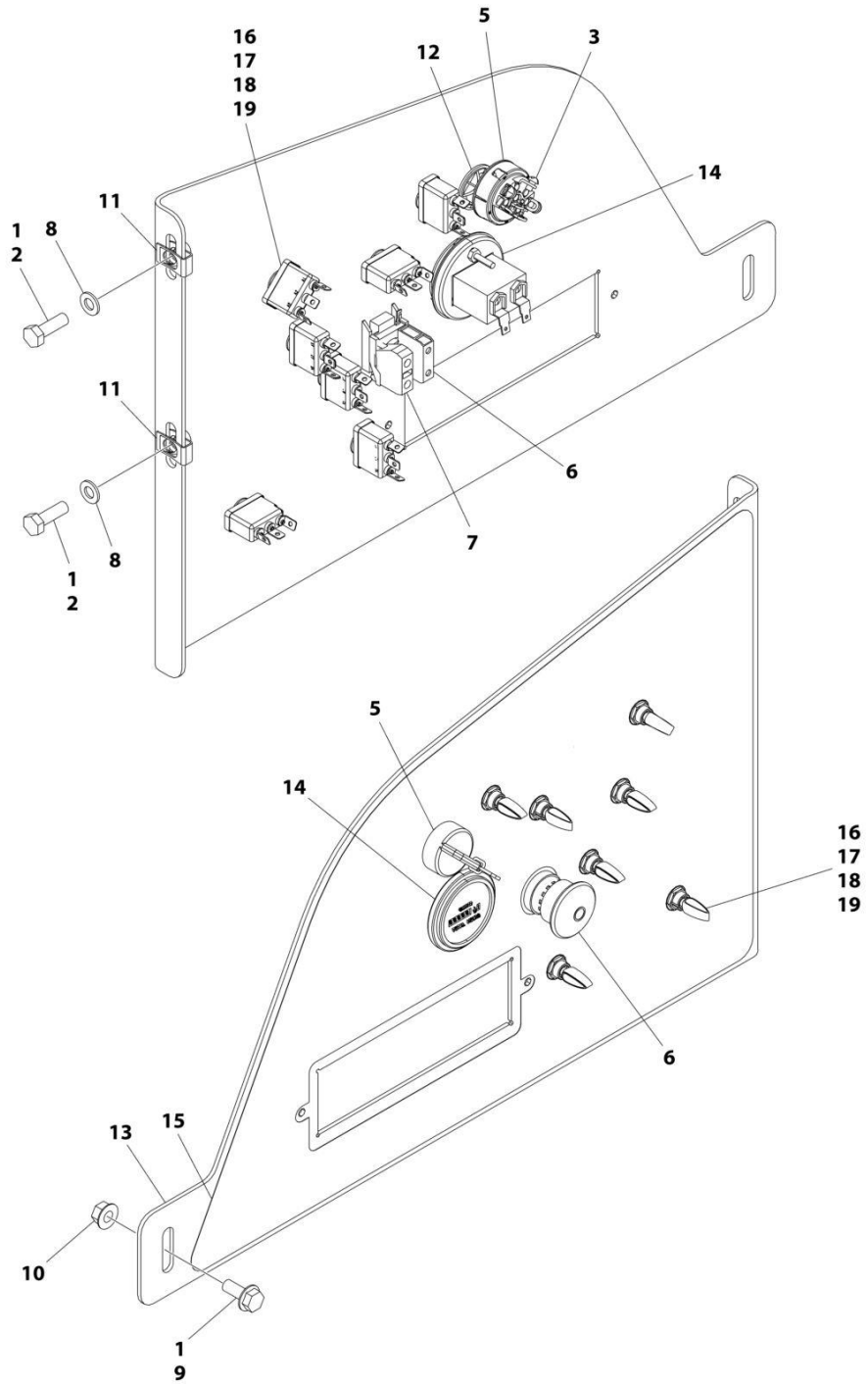
SECTION 2 - TURNTABLE

FIGURE 2-22. DRIVE ORIENTATION INSTALLATION

ITEM	PART NUMBER	QTY	DESCRIPTION	REV
	1001166767	Ref	DRIVE ORIENTATION INSTALLATION	F
1	0100011	AR	Compound, Locking	
2	0761010	3	Bolt M10 x 20	
3	0760608	2	Bolt M6 x 16	
4	1321293	2	Clamp, Cable	
5	3290405	4	Nut M4	
6	3290605	2	Nut M6	
7	4031512	4	Capscrew M4 x 40	
8	4812002	4	Washer M10	
9	4811400	4	Washer M4	
10	4811700	2	Washer M6	
11	4812000	3	Washer M10	
12	8310614	2	Screw M10 x 30	
13	1001119176	2	Switch, Limit	
13	1001129407	1	Receptacle, Female - 4 Position	
13	4460464	4	Pin, Male	
14	1001162106	1	Cam	
15	1001166768	1	Bracket	
16	8881800	AR	Tie-Strap (Not Shown)	

SECTION 2 - TURNTABLE

FIGURE 2-23. GROUND CONTROL ASSEMBLY - (ANSI SPECS) (450A)



ART_1001246446_D

SECTION 2 - TURNTABLE

FIGURE 2-23. GROUND CONTROL ASSEMBLY - (ANSI SPECS) (450A)

ITEM	PART NUMBER	QTY	DESCRIPTION	REV
	1001246446	Ref	GROUND CONTROL ASSEMBLY	D
1	0100011	AR	Compound, Locking	
2	0760812	2	Bolt M8 x 25	
3	3910804	3	Screw M8 x 1/4	
5	4360469	1	Switch, Key	
5	2860030	1	Key, Replacement	
6	1001274559	1	Switch, Emergency	
7	4360476	1	Block, Contact	
8	4811900	2	Washer M8	
9	5250810	1	Bolt M8 x 20	
10	5260800	1	Nut M8	
11	1001118274	2	Nut M8	
12	1001151393	1	Shim .063	
13	1001297389	1	Panel, Ground Control	
14	10836804	1	Gauge, Display	
15	1001264734	1	Decal - Ground Control	
16	1001155043	7	Washer	
17	1001155044	7	Spacer	
18	1001155045	7	Switch, Toggle	
19	1001162807	7	Washer	

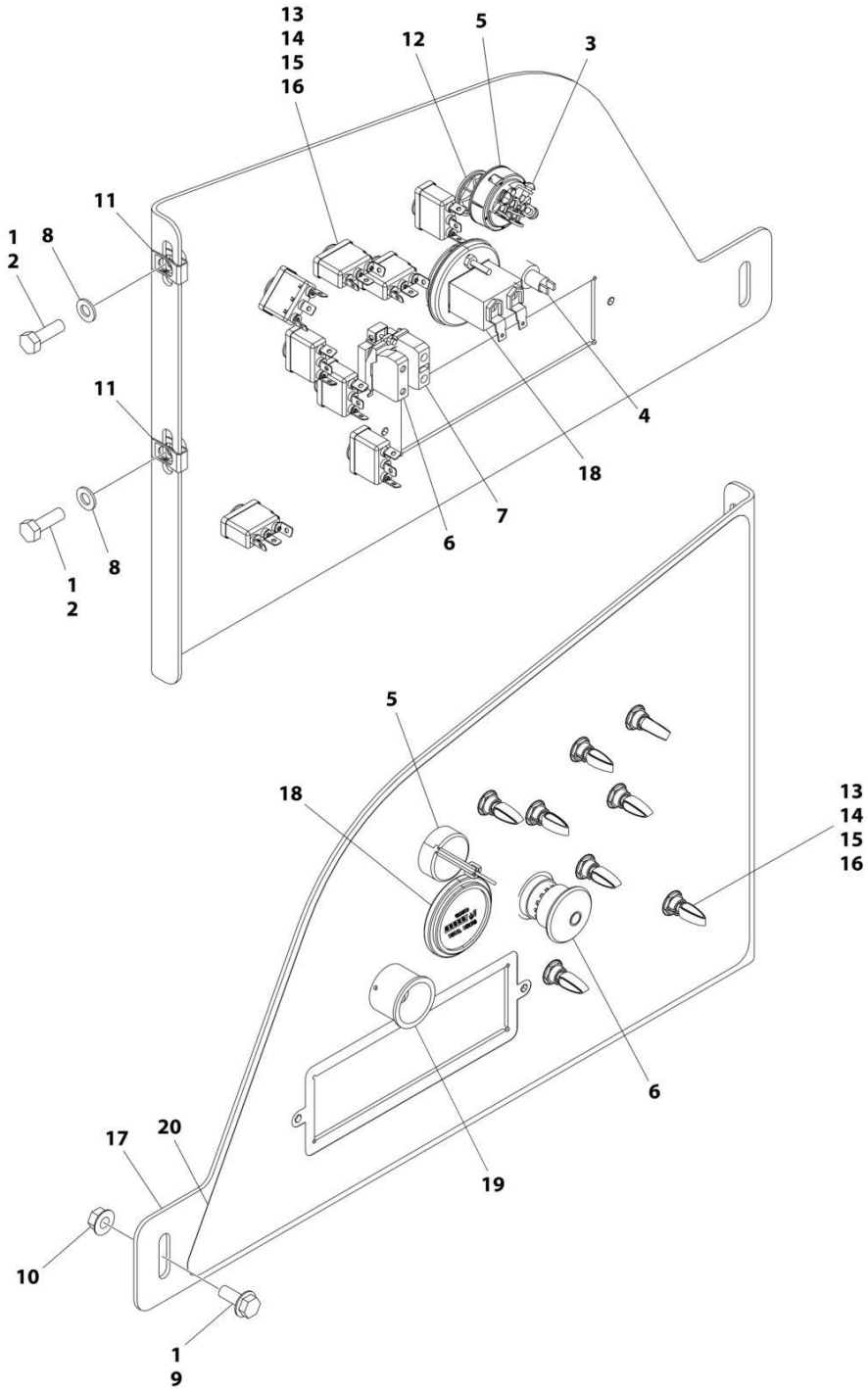
SECTION 2 - TURNTABLE

FIGURE 2-24. GROUND CONTROL ASSEMBLY - (ALL SPECS EXCEPT CE, RUSSIAN & UK CA SPECS) (450AJ)

ITEM	PART NUMBER	QTY	DESCRIPTION	REV
	1001246450	Ref	GROUND CONTROL ASSEMBLY	D
1	0100011	AR	Compound, Locking	
2	0760812	2	Bolt M8 x 25	
3	3910804	3	Screw M8 x 1/4	
4	4360469	1	Switch, Key	
4	2860030	1	Key, Replacement	
5	1001274559	1	Switch, Emergency	
6	4360476	1	Block, Contact	
7	4811900	2	Washer M8	
8	5250810	1	Bolt M8 x 20	
9	5260800	1	Nut M8	
10	1001118274	2	Nut M8	
11	1001151393	1	Shim .063	
12	1001155043	8	Washer	
13	1001155044	8	Nut, Special 15/32-32	
14	1001155045	8	Switch, Toggle	
15	1001162807	8	Washer	
16	1001297389	1	Panel, Ground Control	
17	10836804	1	Gauge, Display	
18	1001264733	1	Decal - Ground Control	

SECTION 2 - TURNTABLE

FIGURE 2-25. GROUND CONTROL ASSEMBLY - (CE, RUSSIA & UK CA SPECS) (450AJ)



ART_1001246451_D

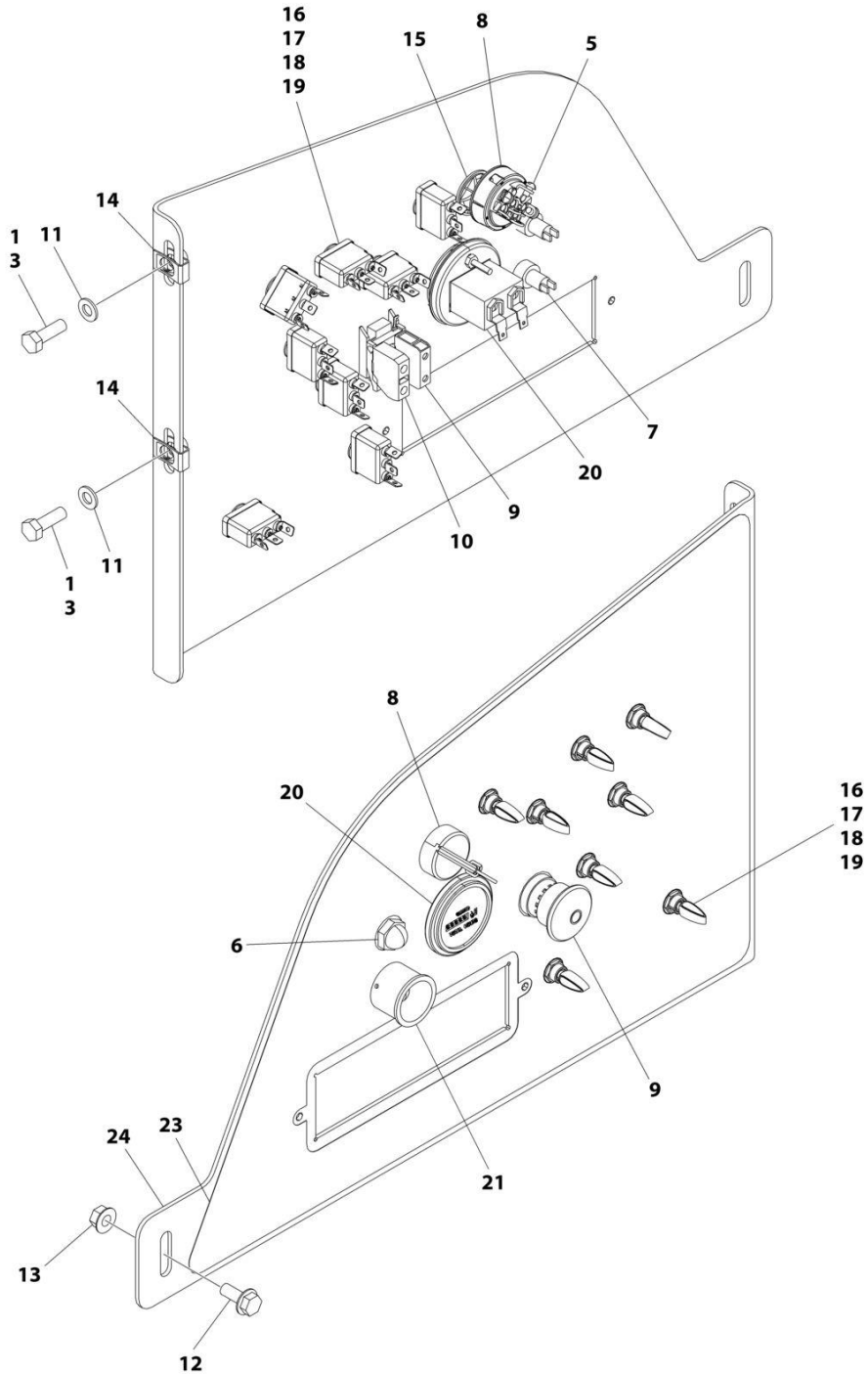
SECTION 2 - TURNTABLE

FIGURE 2-25. GROUND CONTROL ASSEMBLY - (CE, RUSSIA & UK CA SPECS) (450AJ)

ITEM	PART NUMBER	QTY	DESCRIPTION	REV
	1001246451	Ref	GROUND CONTROL ASSEMBLY	D
1	0100011	AR	Compound, Locking	
2	0760812	2	Bolt M8 x 25	
3	3910804	3	Screw M8 x 1/4	
4	4360387	1	Switch, Push Button	
5	4360469	1	Switch, Key	
5	2860030	1	Key, Replacement	
6	1001274559	1	Switch, Emergency	
7	4360476	1	Block, Contact	
8	4811900	2	Washer M8	
9	5250810	1	Bolt M8 x 20	
10	5260800	1	Nut M8	
11	1001118274	2	Nut M8	
12	1001151393	1	Shim .063	
13	1001155043	8	Washer	
14	1001155044	8	Nut, Special 15/32-32	
15	1001155045	8	Switch, Toggle	
16	1001162807	8	Washer	
17	1001297389	1	Panel, Ground Control	
18	10836804	1	Gauge, Display	
19	1001176469	1	Shroud, Switch	
20	1001264732	1	Decal - Ground Control	

SECTION 2 - TURNTABLE

FIGURE 2-26. GROUND CONTROL ASSEMBLY - (DEUTZ STAGE V) (CE & UK CA SPECS) (450AJ)



ART_1001245656_E

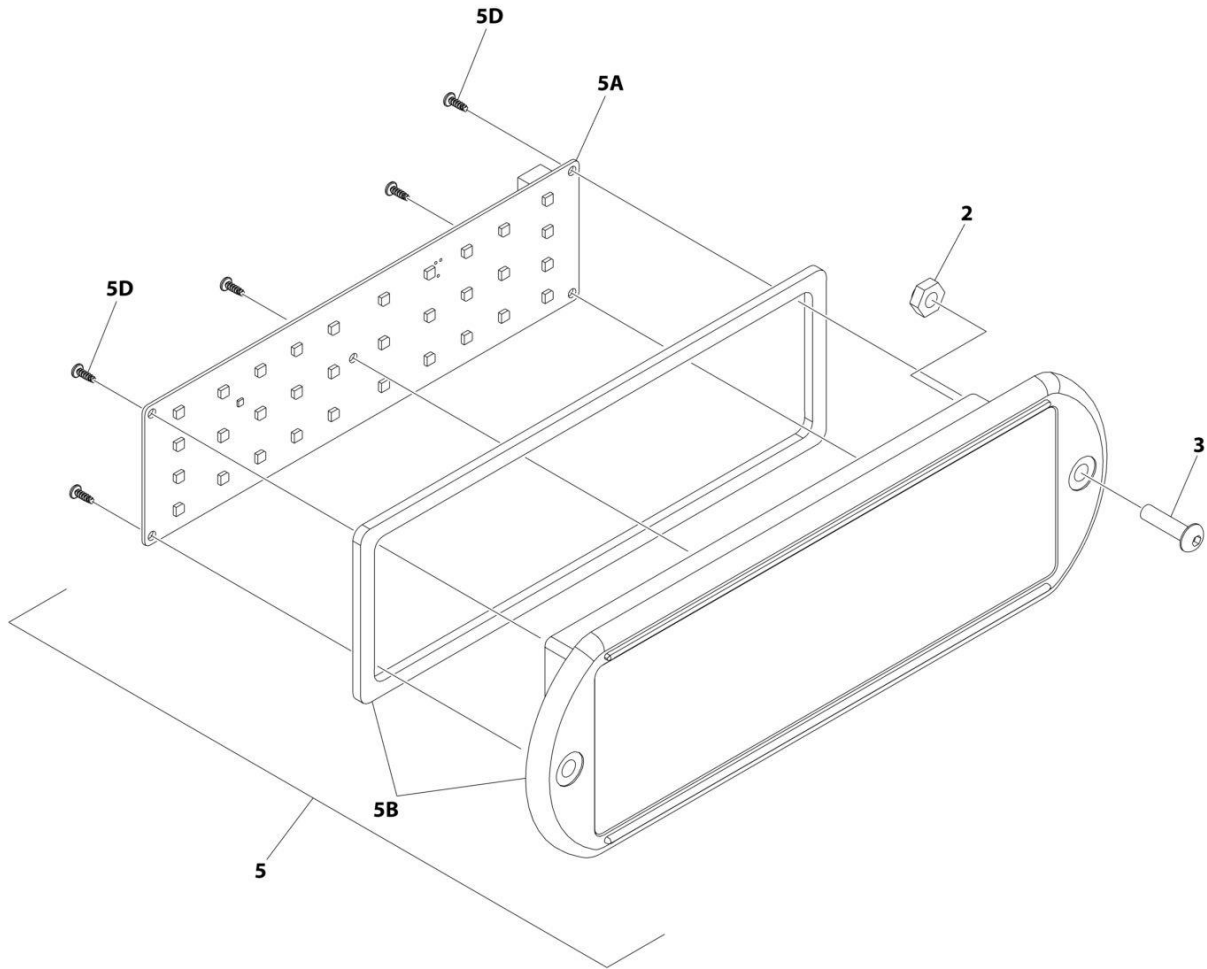
SECTION 2 - TURNTABLE

FIGURE 2-26. GROUND CONTROL ASSEMBLY - (DEUTZ STAGE V) (CE & UK CA SPECS) (450AJ)

ITEM	PART NUMBER	QTY	DESCRIPTION	REV
	1001245656	Ref	GROUND CONTROL ASSEMBLY	E
1	0100011	AR	Compound, Locking	
3	0760812	2	Bolt M8 x 25	
5	3910804	3	Screw M8 x 1/4	
6	4360274	1	Switch, Push Button	
7	4360387	1	Switch, Push Button	
8	4360469	1	Switch, Key	
9	1001274559	1	Switch, Emergency	
10	4360476	1	Block, Contact	
11	4811900	2	Washer M8	
12	5250810	1	Bolt M8 x 20	
13	5260800	1	Nut M8	
14	1001118274	2	Nut M8	
15	1001151393	1	Shim .063	
16	1001155043	8	Washer	
17	1001155044	8	Nut, Special 15/32-32	
18	1001155045	8	Switch, Toggle	
19	1001162807	8	Washer	
20	10836804	1	Gauge, Display	
21	1001176469	1	Shroud, Switch	
23	1001264731	1	Decal - Ground Control	
24	1001297389	1	Panel, Ground Control	

SECTION 2 - TURNTABLE

FIGURE 2-27. LIGHT PANEL INSTALLATION – GROUND CONTROLS



ART_1001233959_D_10F2

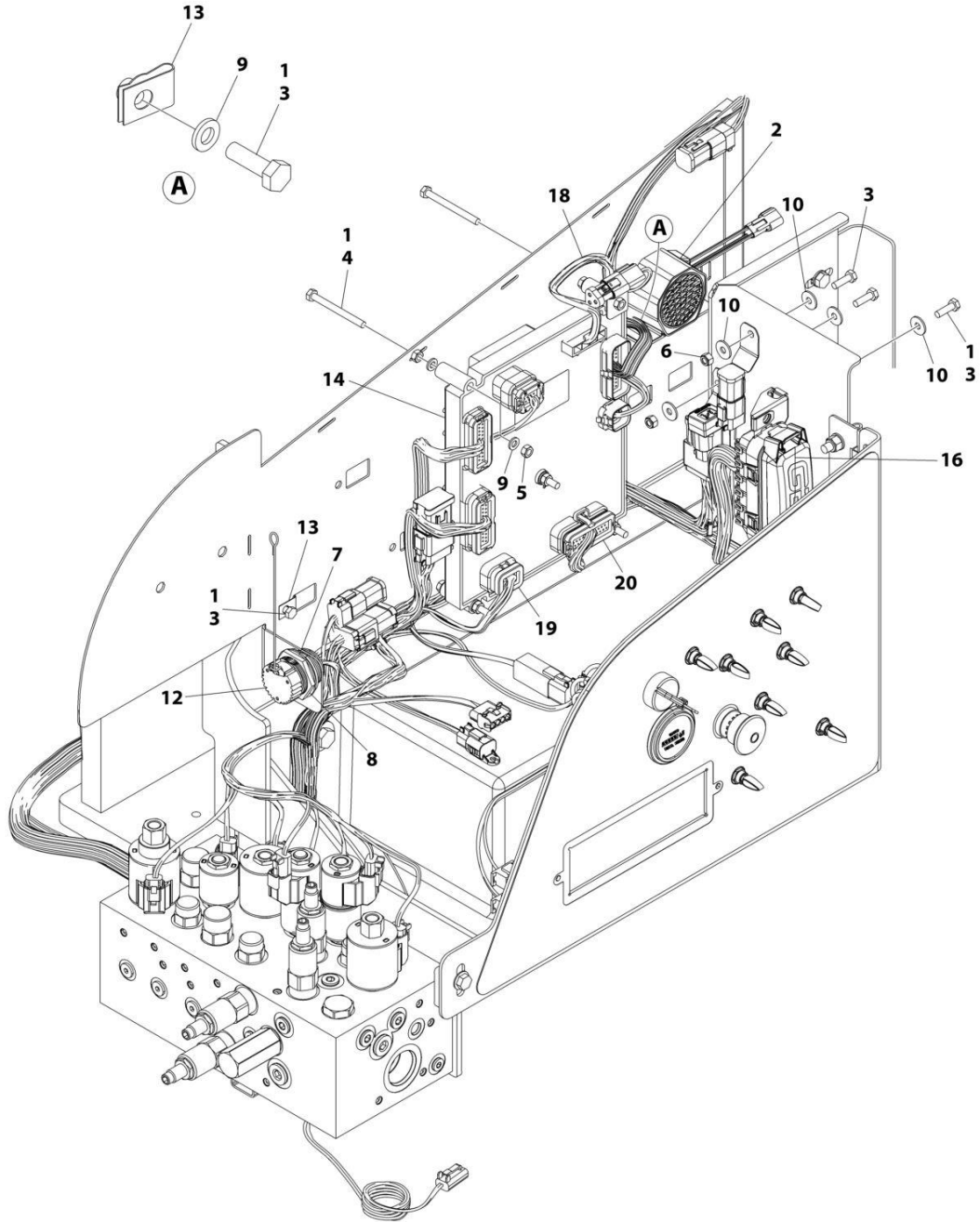
SECTION 2 - TURNTABLE

FIGURE 2-27. LIGHT PANEL INSTALLATION – GROUND CONTROLS

ITEM	PART NUMBER	QTY	DESCRIPTION	REV
	1001233959	Ref	LIGHT PANEL INSTALLATION	D
2	3300408	2	Nut, Nylon Insert	
3	0630518	2	Screw #10 x 3/4	
5	1001237546	1	Light Panel Assembly	J
5A	1001282106	1	Panel, LED Light	
5B	1001236091	1	Lens, Icon (Includes Gasket)	
5D		Ref	Screw	

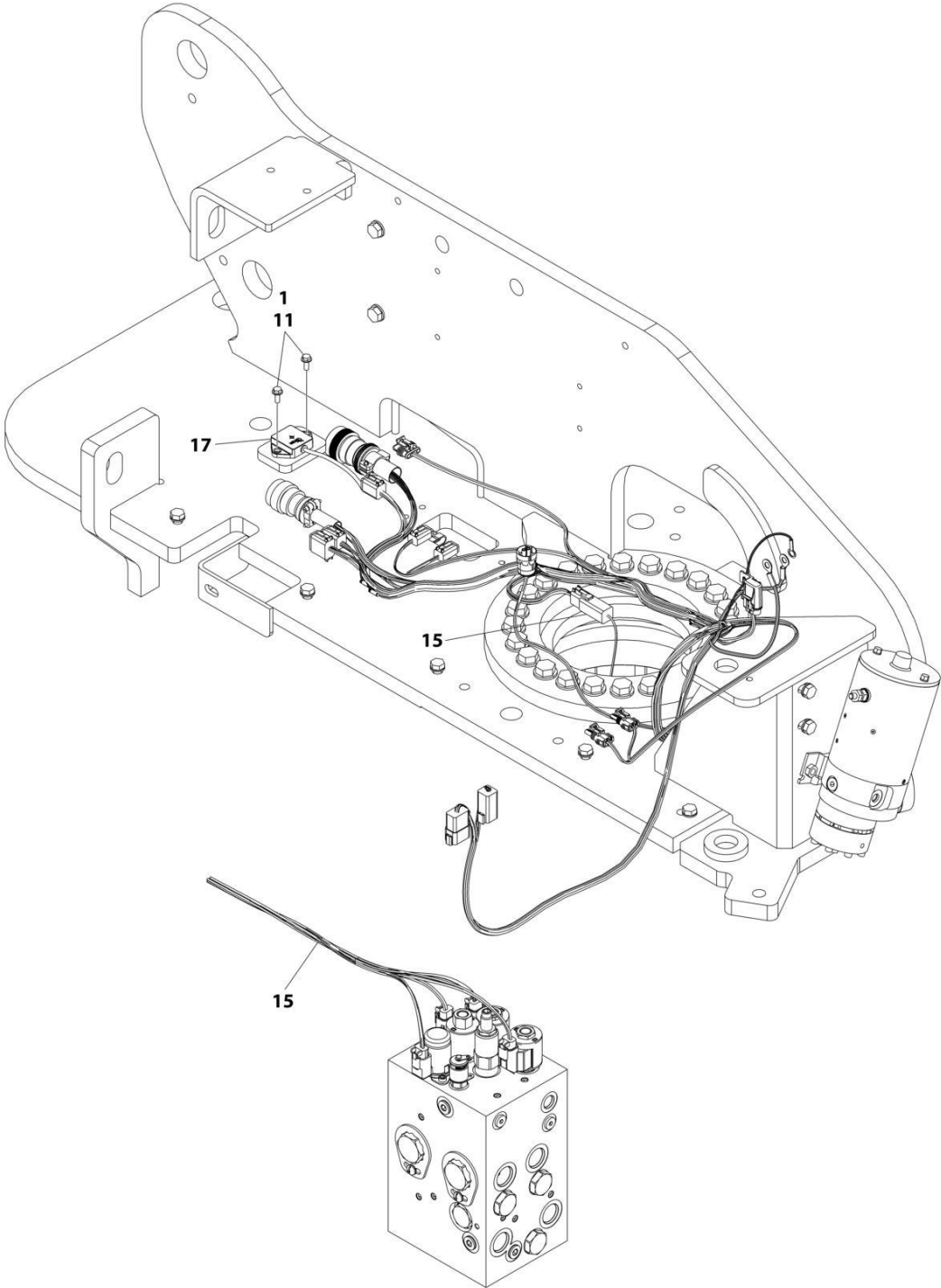
SECTION 2 - TURNTABLE

FIGURE 2-28. ELECTRICAL SYSTEM INSTALLATION



ART_1001246369_E_10F2

SECTION 2 - TURNTABLE



DETAIL OF TRACTION VALVE

ART_1001246369_E_2OF2

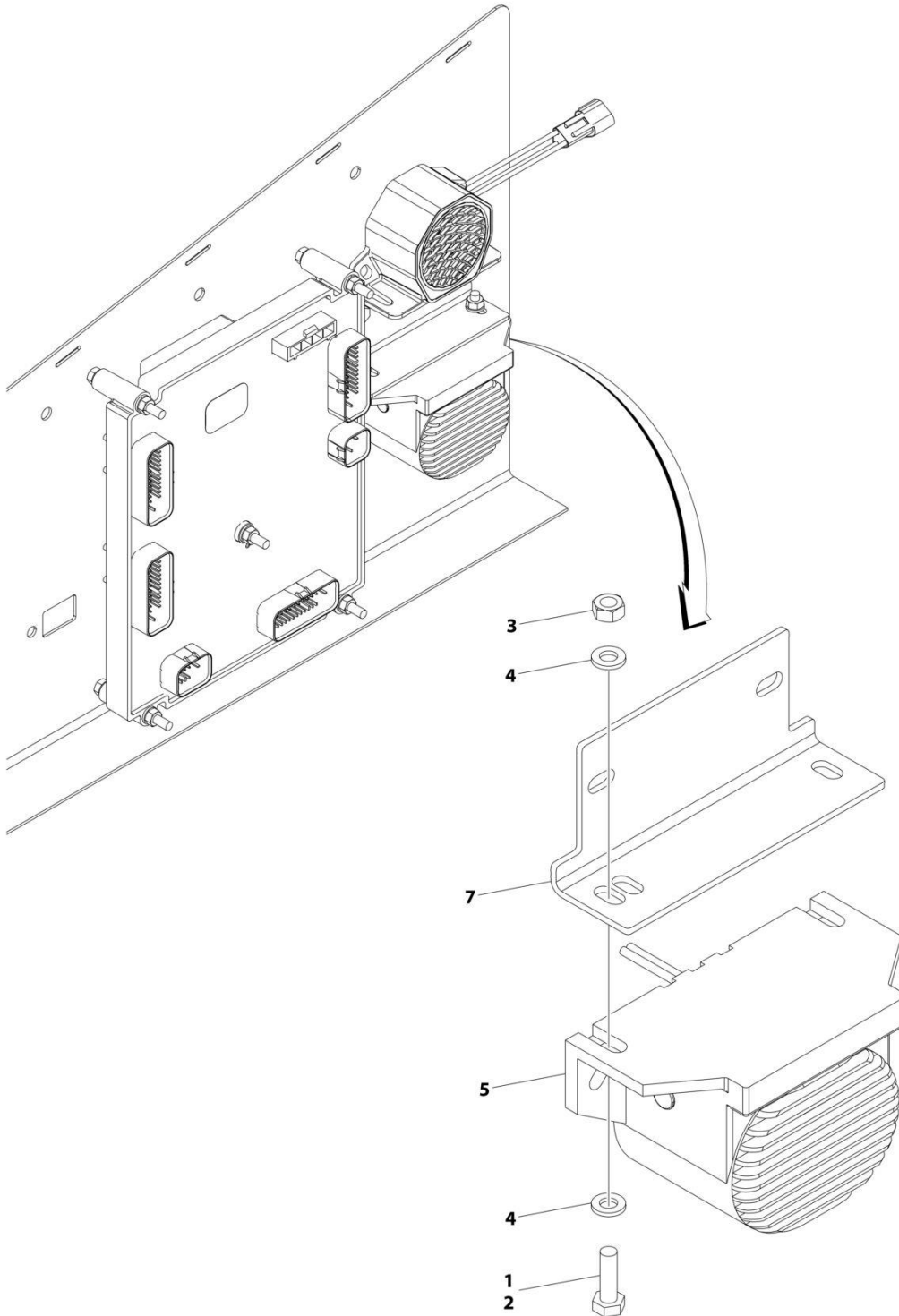
SECTION 2 - TURNTABLE

FIGURE 2-28. ELECTRICAL SYSTEM INSTALLATION

ITEM	PART NUMBER	QTY	DESCRIPTION	REV
	1001246369	Ref	ELECTRICAL SYSTEM INSTALLATION	E
1	0100011	AR	Compound, Locking	
2	0140043	1	Alarm	
3	0760610	7	Bolt M6 x 20	
4	0760621	5	Bolt M6 x 65	
5	3290601	10	Nut M6	
6	3290605	2	Nut M6	
7	4460496	1	Washer, Terminal	
8	4460497	1	Nut, Terminal	
9	4811700	12	Washer M6	
10	4811702	7	Washer M6	
11	5250608	2	Bolt M6 x 16	
12	1001106736	1	Cap, Dust	
13	1001130220	3	Nut, Tinnerman M6	
14	1001280340	1	Module, Ground Control (Note: Re-calibration Required when Replaced)	
15	1001179236	1	Chassis Solenoid Harness (See Separate Breakdown in ELECTRICAL Section)	
16	1001196637	1	Decal - Fuse Box	
17	1001219601	1	Sensor	
17	1001103013	1	Connector	
18	1001282492	1	Turntable Harness (See Separate Breakdown in ELECTRICAL Section)	
19	1001282533	1	Valve Harness - Main Valve (See Separate Breakdown in ELECTRICAL Section)	
20	1001299782	1	Ground Control Panel Harness (See Separate Breakdown in ELECTRICAL Section)	
22	4240032	AR	Tie-Strap (Not Shown)	
23	4460234	AR	Mount, Tie-Strap (Not Shown)	
25	1001213448	1	Cap, Dust (Not Shown)	

SECTION 2 - TURNTABLE

FIGURE 2-29. WHITE NOISE ALARM AMBIENT INSTALLATION



ART_1001209617

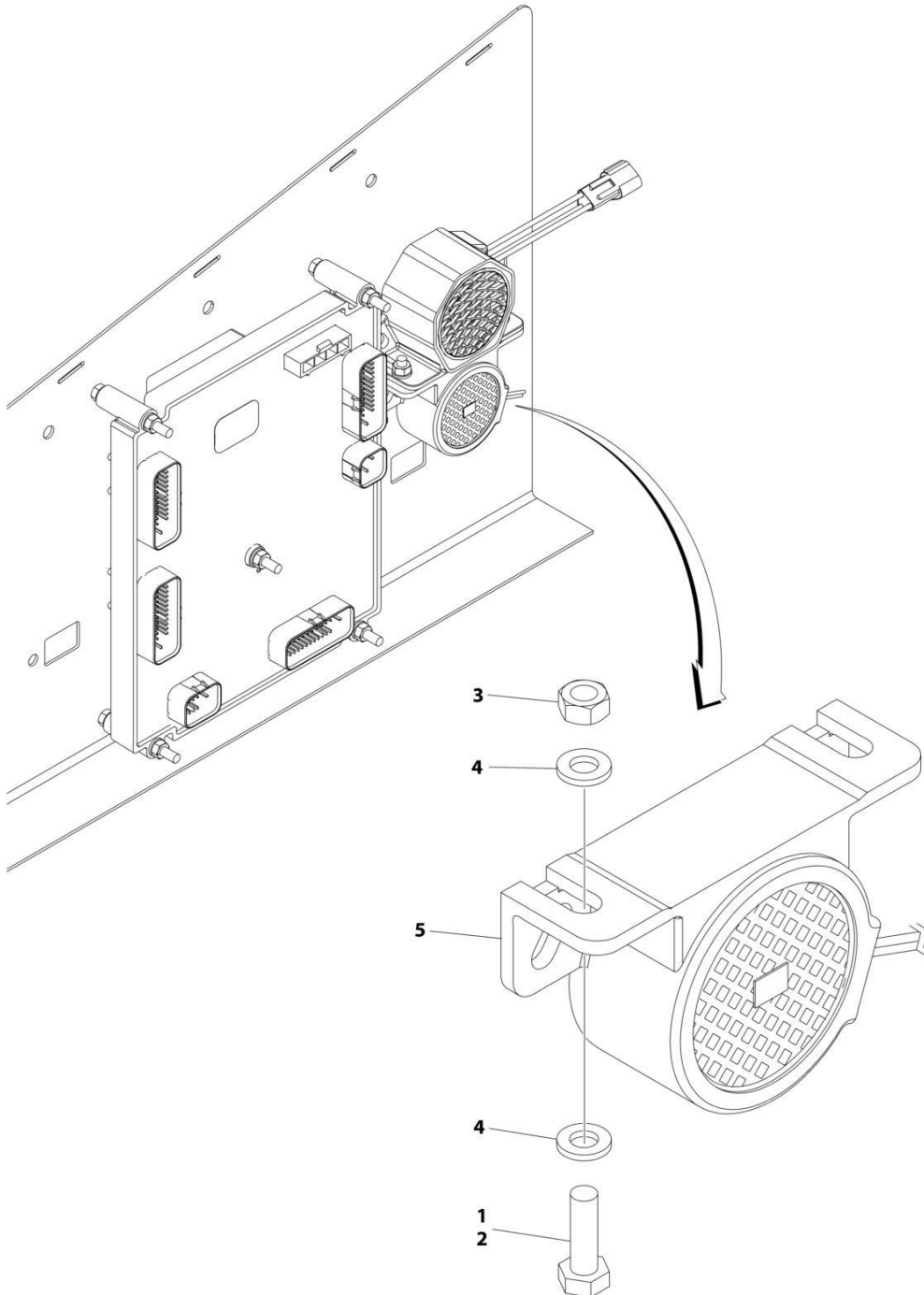
SECTION 2 - TURNTABLE

FIGURE 2-29. WHITE NOISE ALARM AMBIENT INSTALLATION

ITEM	PART NUMBER	QTY	DESCRIPTION	REV
	1001209617	Ref	WHITE NOISE AMBIENT ALARM INSTALLATION	C
1	0100011	AR	Compound, Locking	
2	0760610	2	Bolt M6 x 20	
3	3290601	2	Nut M6	
4	4811700	4	Washer M6	
5	1001182806	1	Alarm	
6	1001190663	1	Harness, Jumper (Not Shown)	
6	4460891	1	Connector – 2 Position	
6	4460465	2	Socket, Female	
6	4460871	2	Socket, Female	
7	1001231886	1	Plate	

SECTION 2 - TURNTABLE

FIGURE 2-30. WHITE NOISE ALARM INSTALLATION



ART_1001263174

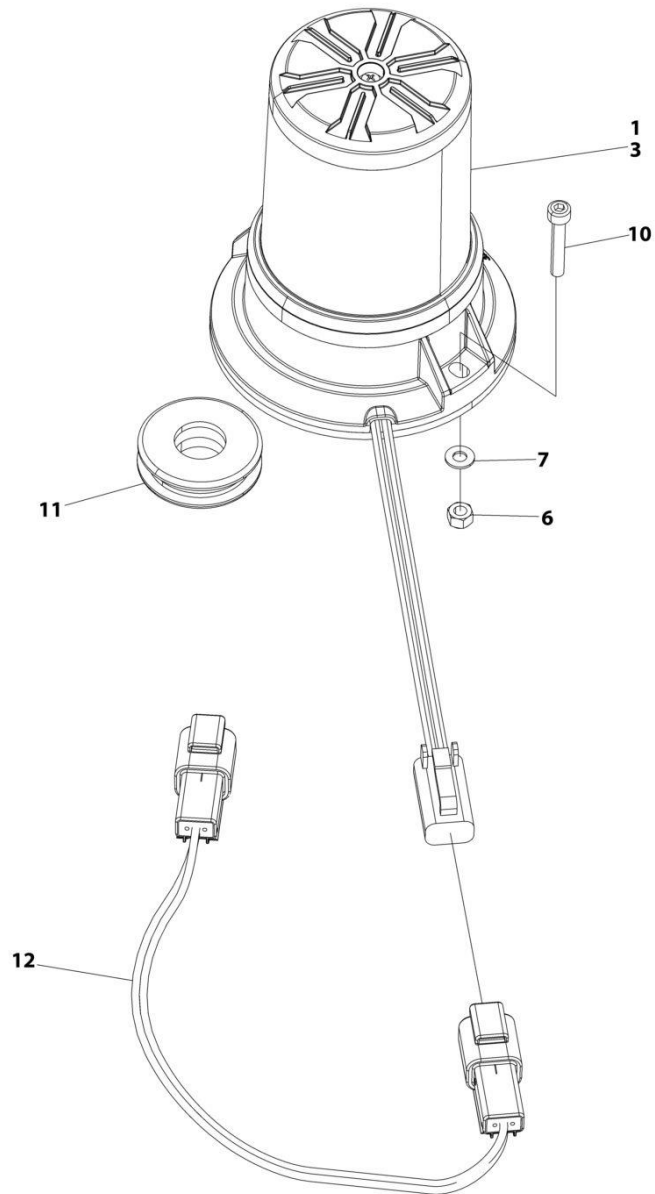
SECTION 2 - TURNTABLE

FIGURE 2-30. WHITE NOISE ALARM INSTALLATION

ITEM	PART NUMBER	QTY	DESCRIPTION	REV
	1001263174	Ref	WHITE NOISE ALARM INSTALLATION	A
1	0100011	AR	Compound, Locking	
2	0760610	2	Bolt M6 x 20	
3	3290601	2	Nut M6	
4	4811700	4	Washer M6	
5	1001184682	1	Alarm	
6	1001190663	1	Harness, Jumper (Not Shown)	
6	4460891	1	Connector – 2 Position	
6	4460465	2	Socket, Female	
6	4460871	2	Socket, Female	

SECTION 2 - TURNTABLE

FIGURE 2-31. BEACON LIGHT INSTALLATION - AMBER



ART_1001174976_F

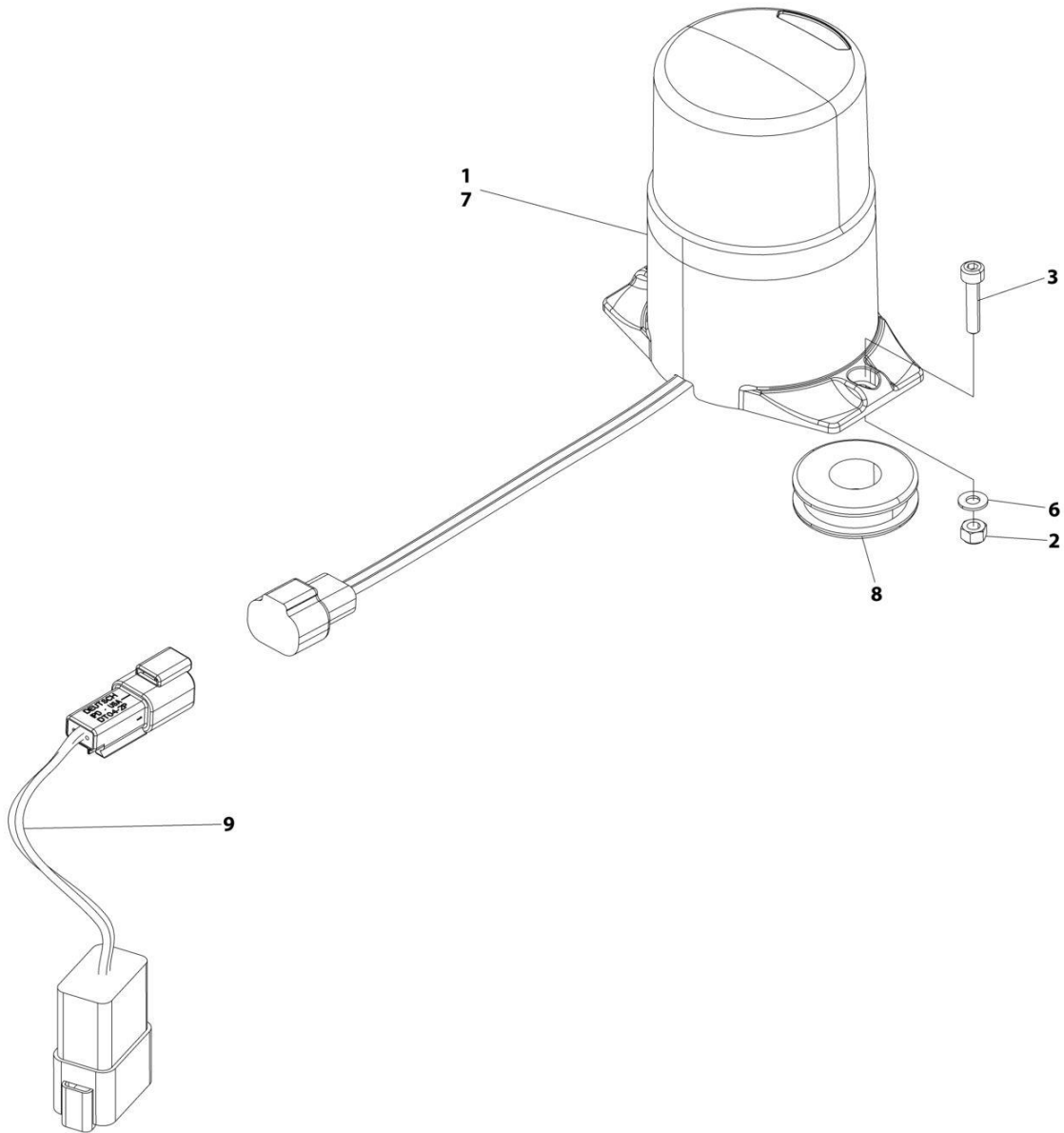
SECTION 2 - TURNTABLE

FIGURE 2-31. BEACON LIGHT INSTALLATION - AMBER

ITEM	PART NUMBER	QTY	DESCRIPTION	REV
	1001174976	Ref	BEACON LIGHT INSTALLATION - AMBER	F
1	0100048	AR	Compound, Silicone	
3	1001270594	1	Lamp, Strobe	
3	4460891	1	Connector	
3	4460465	2	Socket	
6	3290405	2	Nut, Lock M4	
7	4811400	2	Washer M4	
8	4240032	AR	Tie-Strap (Not Shown)	
9	4460234	AR	Mount, Tie-Strap (Noth Shown)	
10	4031509	1	Capscrew M4 x25	
11	2540020	1	Grommet	
12	1001283776	1	Harness, Beacon Jumper (See Separate Breakdown in ELECTRICAL Section)	

SECTION 2 - TURNTABLE

FIGURE 2-32. BEACON LIGHT INSTALLATION - ORANGE



ART_1001266664

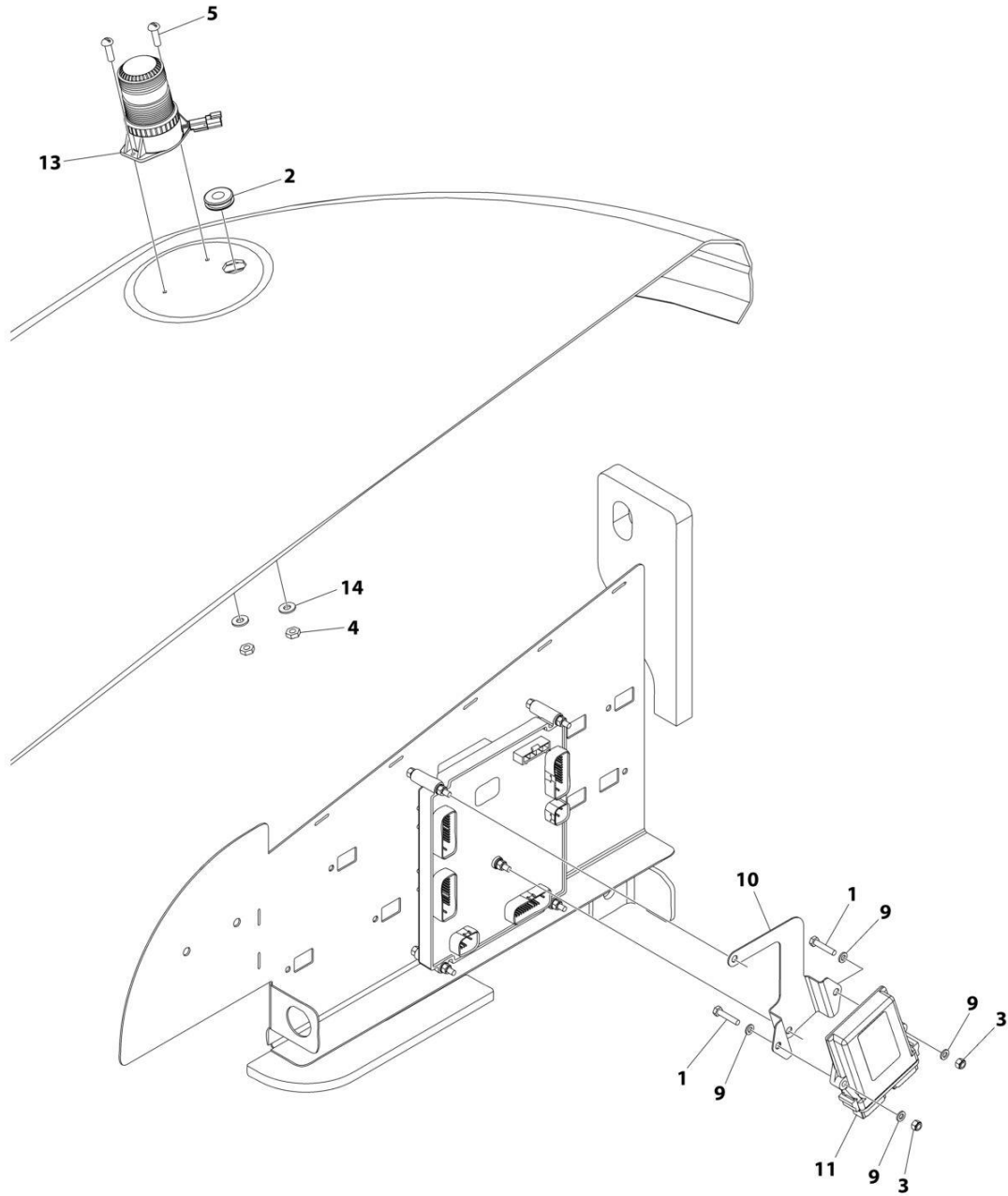
SECTION 2 - TURNTABLE

FIGURE 2-32. BEACON LIGHT INSTALLATION - ORANGE

ITEM	PART NUMBER	QTY	DESCRIPTION	REV
	1001266664	Ref	BEACON LIGHT INSTALLATION - AMBER	C
1	0100048	AR	Compound, Silicone	
2	3290405	2	Nut, Lock M4	
3	4031508	2	Capscrew M4 x 20	
4	4240032	AR	Tie-Strap (Not Shown)	
5	4460234	AR	Mount, Tie-Strap (Not Shown)	
6	4811400	2	Washer M4	
7	1001233479	1	Lamp, Strobe	
7	4460891	1	Connector	
7	4460465	2	Socket	
8	2540020	1	Grommet	
9	1001283776	1	Harness, Beacon Jumper (See Separate Breakdown in ELECTRICAL Section)	

SECTION 2 - TURNTABLE

FIGURE 2-33. BEACON LIGHT INSTALLATION - BLUE



ART_1001242855_C

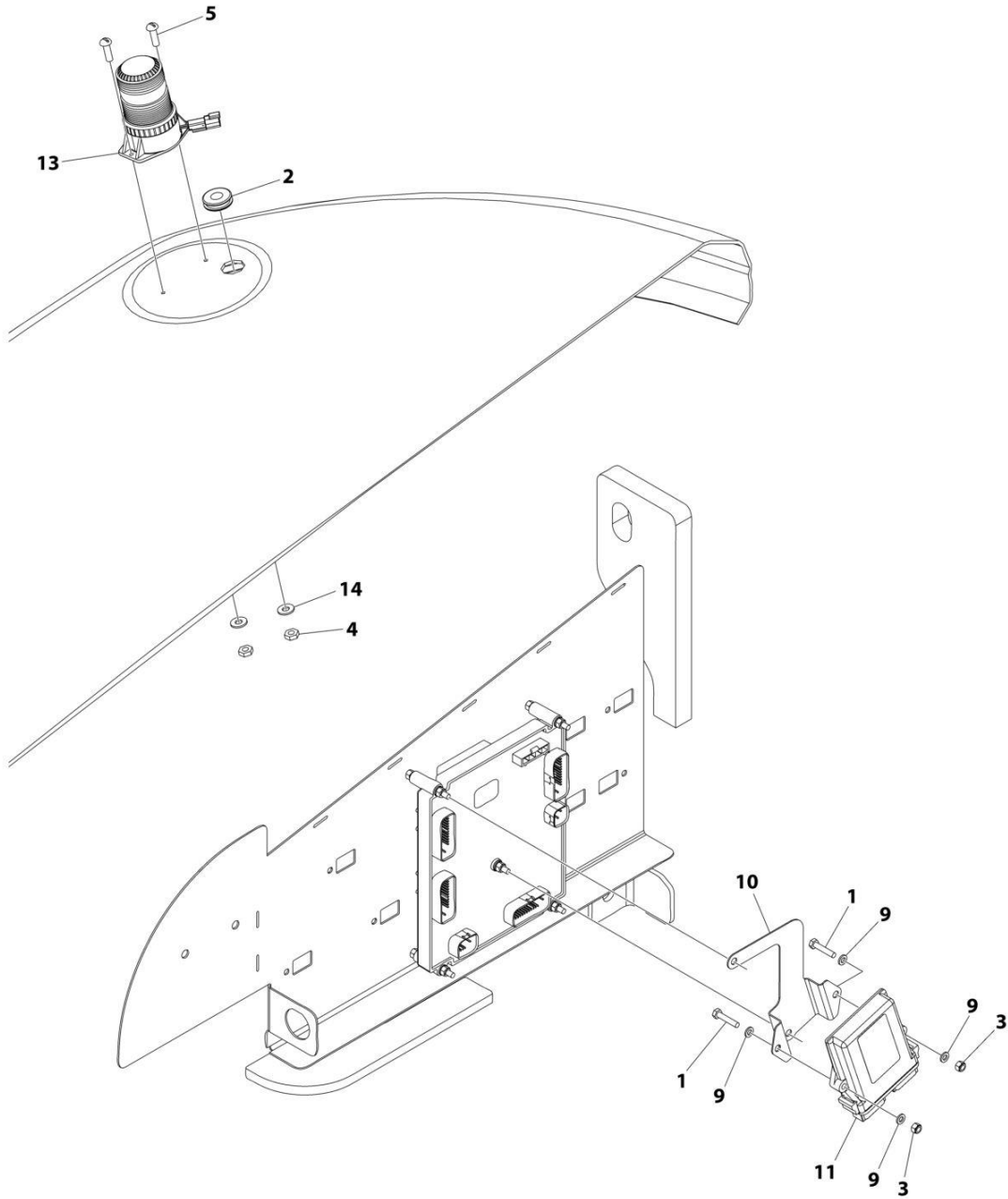
SECTION 2 - TURNTABLE

FIGURE 2-33. BEACON LIGHT INSTALLATION - BLUE

ITEM	PART NUMBER	QTY	DESCRIPTION	REV
	1001242855	Ref	BEACON LIGHT INSTALLATION - BLUE	C
1	0760614	2	Bolt M6 x 30	
2	2540020	1	Grommet	
3	3290605	2	Nut, Lock M6	
4	3290405	2	Nut, Lock M4	
5	4031509	2	Capscrew M4 x 25	
6	4240032	AR	Tie-Strap (Not Shown)	
7	4460488	AR	Mount, Tie-Strap (Not Shown)	
9	4811700	4	Washer M6	
10	1001276626	1	Mount, Module	
11	1001142683	1	Module, Control	
12	1001142736	1	Harness, Beacon (Not Shown - See Separate Breakdown in ELECTRICAL Section)	
13	1001272681	1	Lamp, Strobe	
13	4460897	1	Connector	
13	4460464	2	Pin	
14	4811400	2	Washer M4	

SECTION 2 - TURNTABLE

FIGURE 2-34. BEACON LIGHT INSTALLATION - RED



ART_1001242856_C

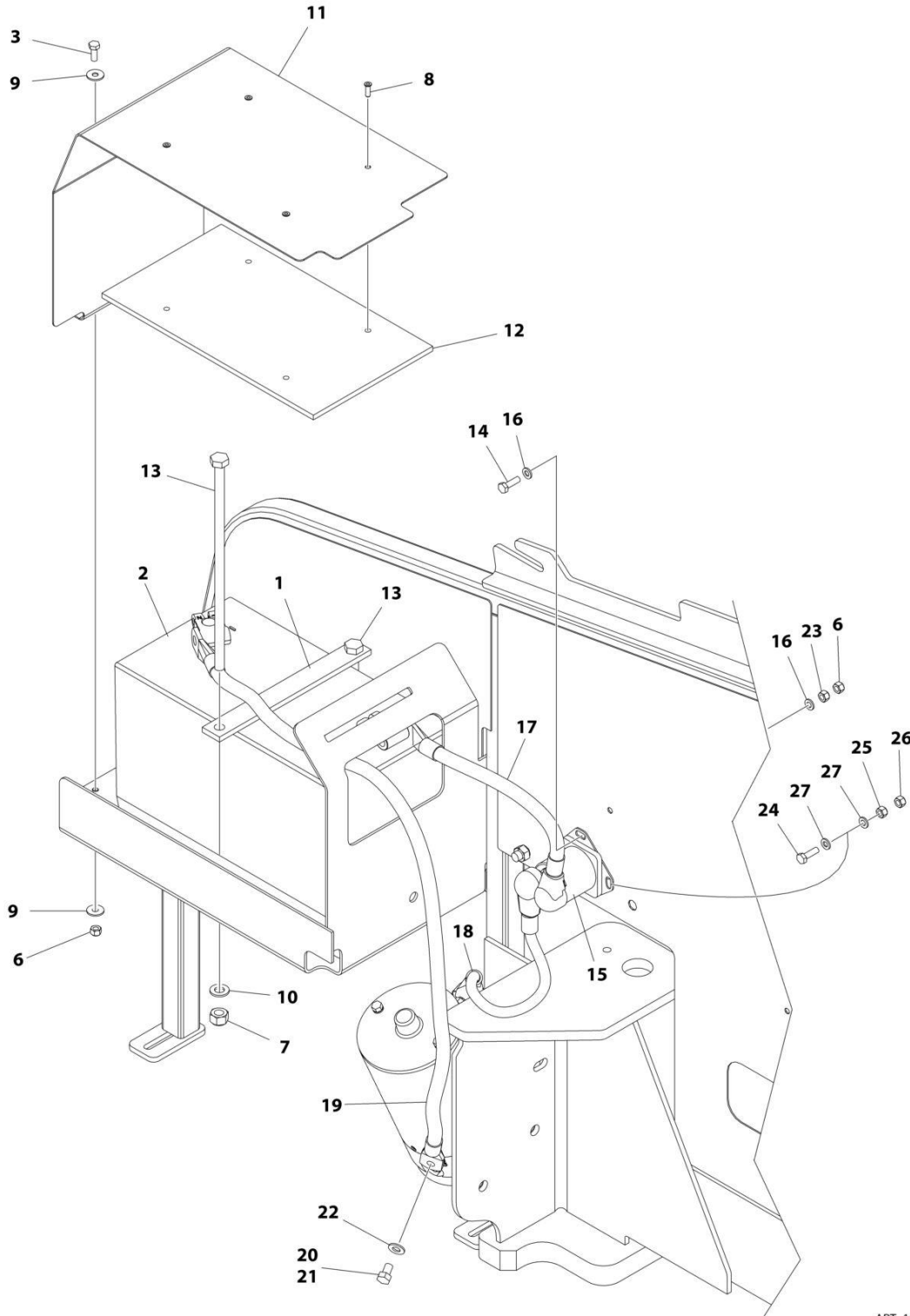
SECTION 2 - TURNTABLE

FIGURE 2-34. BEACON LIGHT INSTALLATION - RED

ITEM	PART NUMBER	QTY	DESCRIPTION	REV
	1001242856	Ref	BEACON LIGHT INSTALLATION - RED	C
1	0760614	2	Bolt M6 x 30	
2	2540020	1	Grommet	
3	3290605	2	Nut, Lock M6	
4	3290405	2	Nut, Lock M4	
5	4031509	2	Capscrew M4 x 25	
6	4240032	AR	Tie-Strap (Not Shown)	
7	4460488	AR	Mount, Tie-Strap (Not Shown)	
9	4811700	4	Washer M6	
10	1001276626	1	Mount, Module	
11	1001142683	1	Module, Control	
12	1001142736	1	Harness, Beacon (Not Shown - See Separate Breakdown in ELECTRICAL Section)	
13	1001272682	1	Lamp, Strobe	
13	4460897	1	Connector	
13	4460464	2	Pin	
14	4811400	2	Washer M4	

SECTION 2 - TURNTABLE

FIGURE 2-35. BATTERY AND CABLE INSTALLATION



ART_1001166316_H

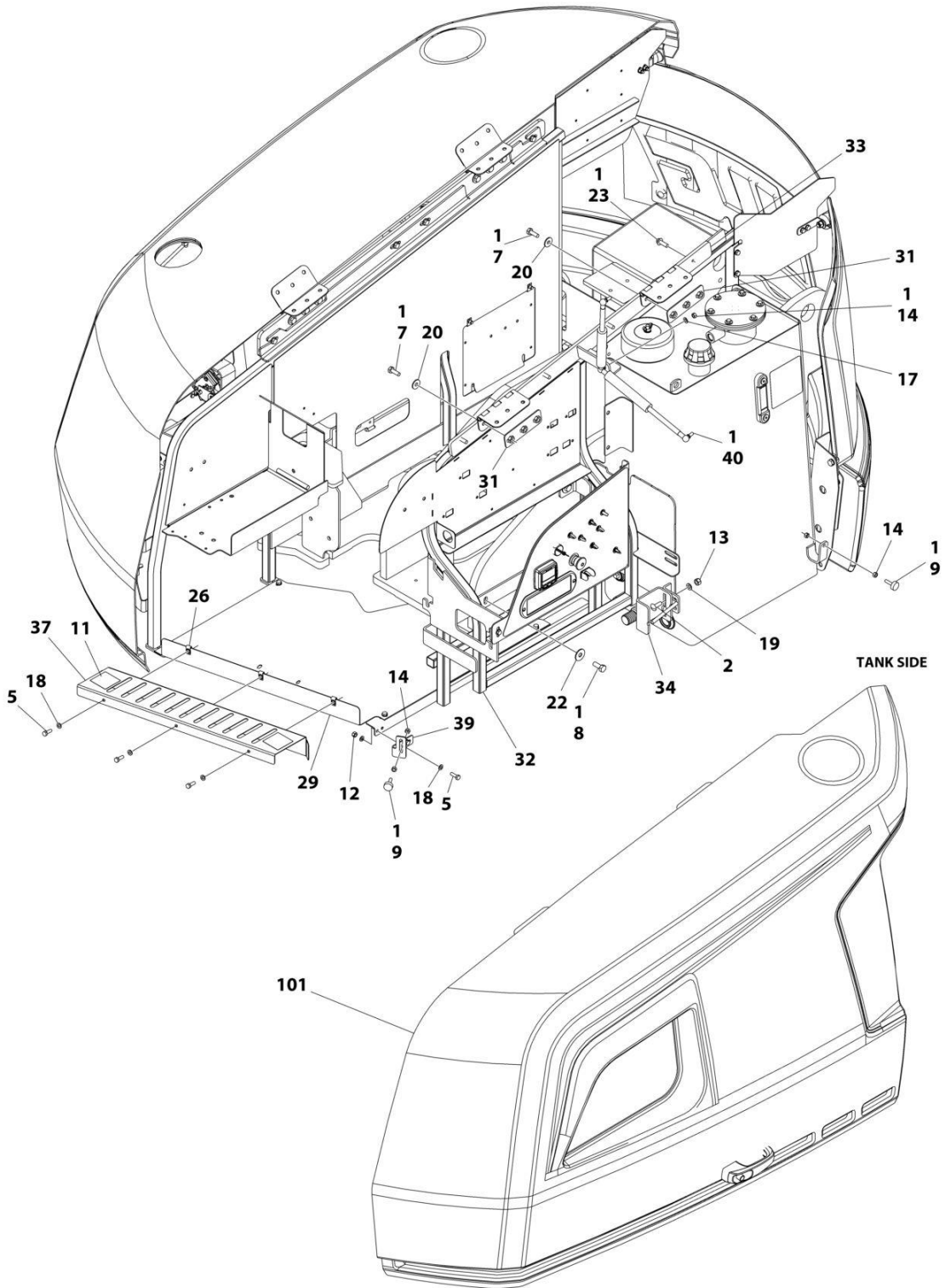
SECTION 2 - TURNTABLE

FIGURE 2-35. BATTERY AND CABLE INSTALLATION

ITEM	PART NUMBER	QTY	DESCRIPTION	REV
	1001166316	Ref	BATTERY AND CABLE INSTALLATION	H
1	0361810	1	Bar, Hold-down	
2	0400075	1	Battery	
3	0760610	2	Bolt M6 x 20	
6	3290605	3	Nut M6	
7	3291005	2	Nut M10	
8	3820032	4	Rivet	
9	4811702	4	Washer M6	
10	4812000	2	Washer M10	
11	1001117240	1	Cover	
12	1001119278	1	Insulation	
13	1001119280	2	Bolt M16 x 260	
14	0760612	1	Bolt M6 x 25	
15	3740067	1	Relay	
15	3300220	2	Nut 3/8	
15	1001111424	2	Washer 3/8	
15	3321001	1	Nut #10	
15	4761000	1	Washer #10	
16	4811700	2	Washer M6	
17	1001171678	1	Cable, Battery (Positive + to Aux Relay)	
18	1001171679	1	Cable, Battery (Aux Relay to Aux Pump)	
19	1001171680	1	Cable, Battery (Negative – to Aux Pump)	
20	0100011	AR	Compound, Locking	
21	0641504	1	Bolt 5/16 x 1/2	
22	4711500	1	Washer 5/16	
23	3290601	2	Nut M6	
24	0760512	1	Bolt M5 x 25	
25	3290501	1	Nut M5	
26	3290505	1	Nut M5	
27	4811600	2	Washer M5	

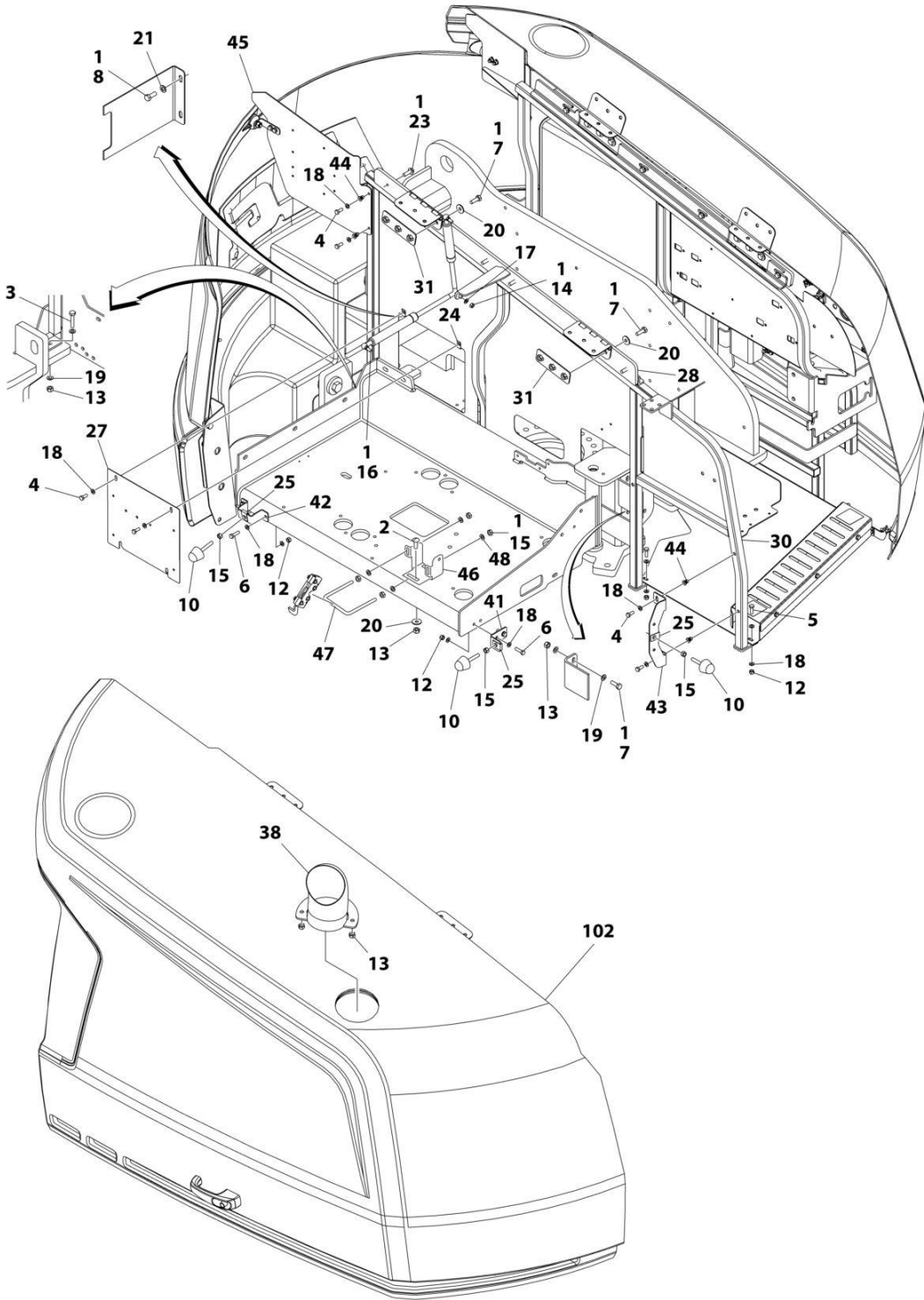
SECTION 2 - TURNTABLE

FIGURE 2-36. HOODS INSTALLATION (ABS) - WITH DEUTZ ENGINES (450A)



ART_1001219201_F_10F2

SECTION 2 - TURNTABLE



ART_1001219201_F_20F2

SECTION 2 - TURNTABLE

FIGURE 2-36. HOODS INSTALLATION (ABS) - WITH DEUTZ ENGINES (450A)

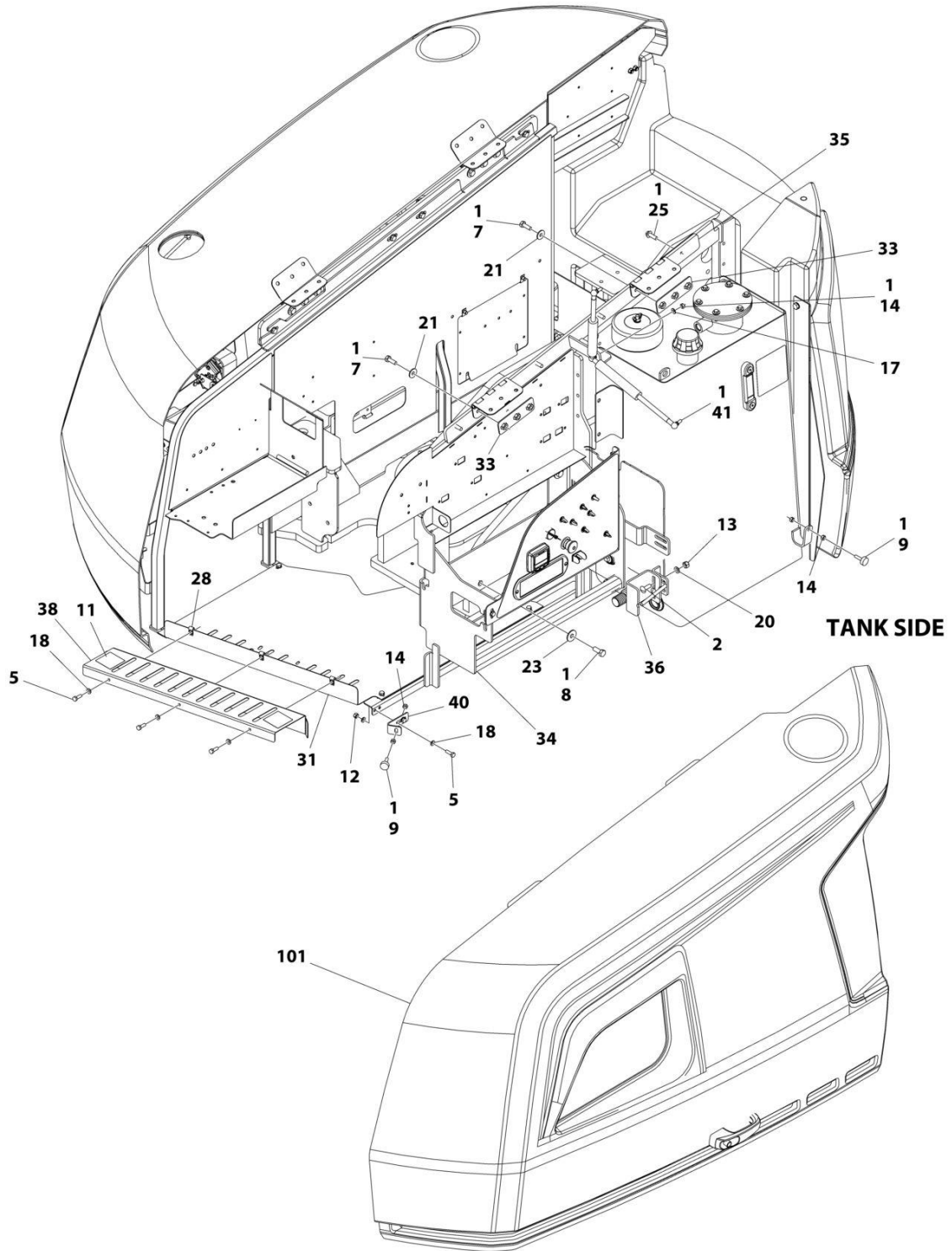
ITEM	PART NUMBER	QTY	DESCRIPTION	REV
	1001219201	Ref	HOODS INSTALLATION	F
1	0100011	AR	Compound, Locking	
2	0630613	4	Bolt M10 x 30	
3	0701018	5	Bolt M10 x 50	
4	0760810	4	Bolt M8 x 20	
5	0760812	11	Bolt M8 x 25	
6	0760814	4	Bolt M8 x 30	
7	0761014	14	Bolt M10 x 30	
8	0761214	6	Bolt M12 x 30	
9	0940049	2	Bumper	
10	0940071	3	Bumper	
11	1701691	2	Decal - No Step	
12	3290805	10	Nut M8	
13	3291005	14	Nut M10	
14	3311501	6	Nut 5/16	
15	3311601	7	Nut 3/8	
16	4160182	1	Spring, Gas	
17	4711500	2	Washer 5/16	
18	4811900	29	Washer M8	
19	4812000	16	Washer M10	
20	4812002	14	Washer M10	
21	4812100	2	Washer M12	
22	4812102	4	Washer M12	
23	5251014	8	Bolt M10 x 30	
24	8310686	2	Nut, Retainer M8	
25	88662523	3	Nut, Tinnerman	
26	1001118274	3	Nut M8	
27	1001167149	1	Panel, Filler	
28	1001167159	1	Mount	
29	1001167163	1	Tray	
30	1001167169	1	Mount	
31	1001169046	4	Nut	
32	1001211716	1	Support, Hood	
33	1001170018	1	Mount	
34	1001170022	1	Mount	
37	1001171216	1	Cover	
38	1001174098	1	Pipe, Exhaust	
39	1001179904	1	Mount	
40	1001182169	1	Spring, Gas	
41	1001182875	1	Mount	
42	1001182877	1	Mount	
43	1001182879	1	Mount	
44	1001191832	4	Rivnut M8	
45	1001211717	1	Support	
46	1001250291	1	Bracket	
47	1001243414	1	U-Bolt	
48	4891600	1	Washer 3/8	
100	1001285598	1	Hood Kit (Includes Items 101-102)	D
101	1001285597	1	Hood Assembly - Tank Side (See Separate Breakdown in this Section)	

SECTION 2 - TURNTABLE

ITEM	PART NUMBER	QTY	DESCRIPTION	REV
102	1001172833	1	Hood Assembly - Engine Side (See Separate Breakdown in this Section)	

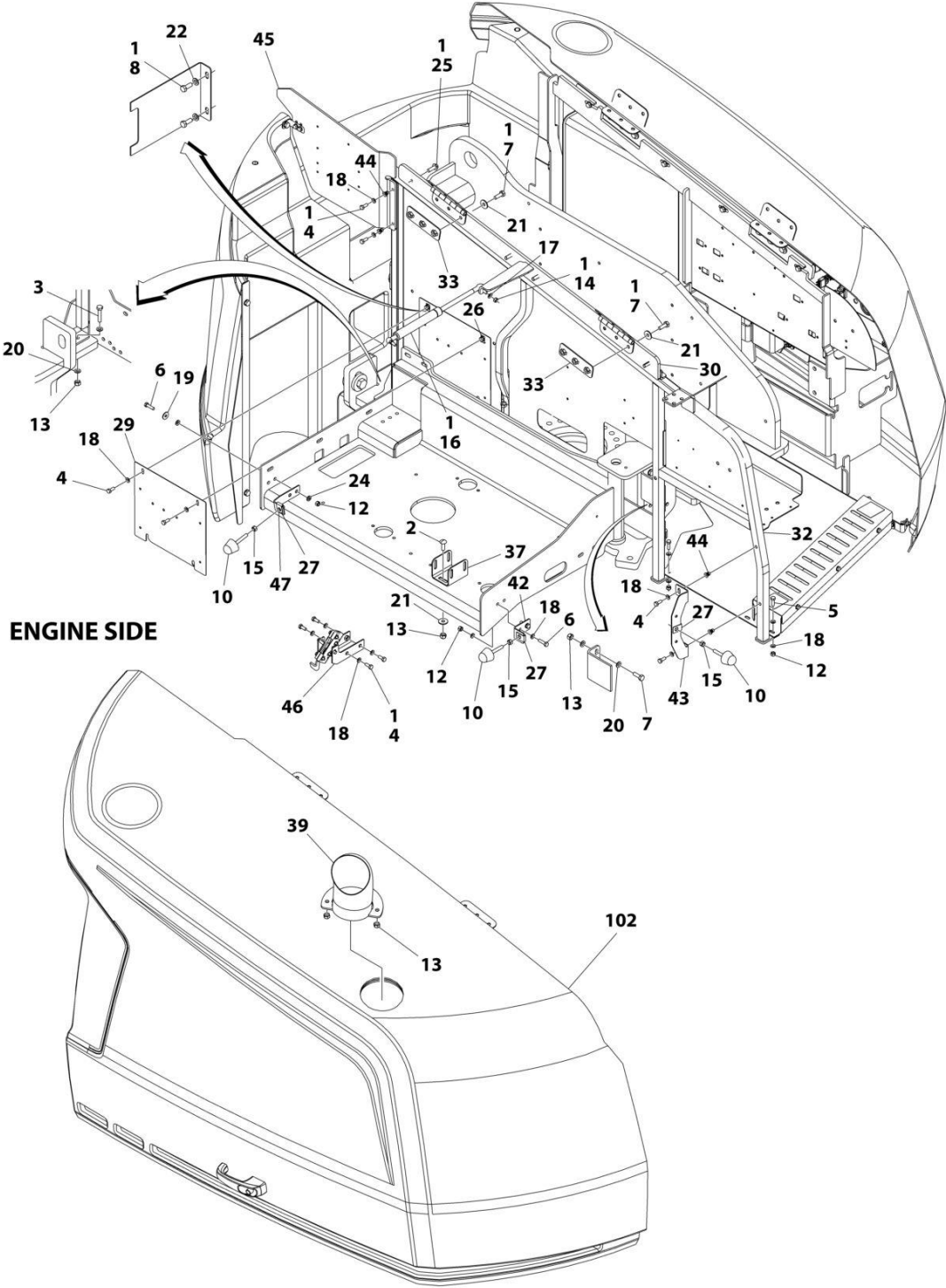
SECTION 2 - TURNTABLE

FIGURE 2-37. HOODS INSTALLATION (ABS) - WITH KUBOTA ENGINE (450A)



ART_1001219202_10F2

SECTION 2 - TURNTABLE



ART_1001219202_20F2

SECTION 2 - TURNTABLE

FIGURE 2-37. HOODS INSTALLATION (ABS) - WITH KUBOTA ENGINE (450A)

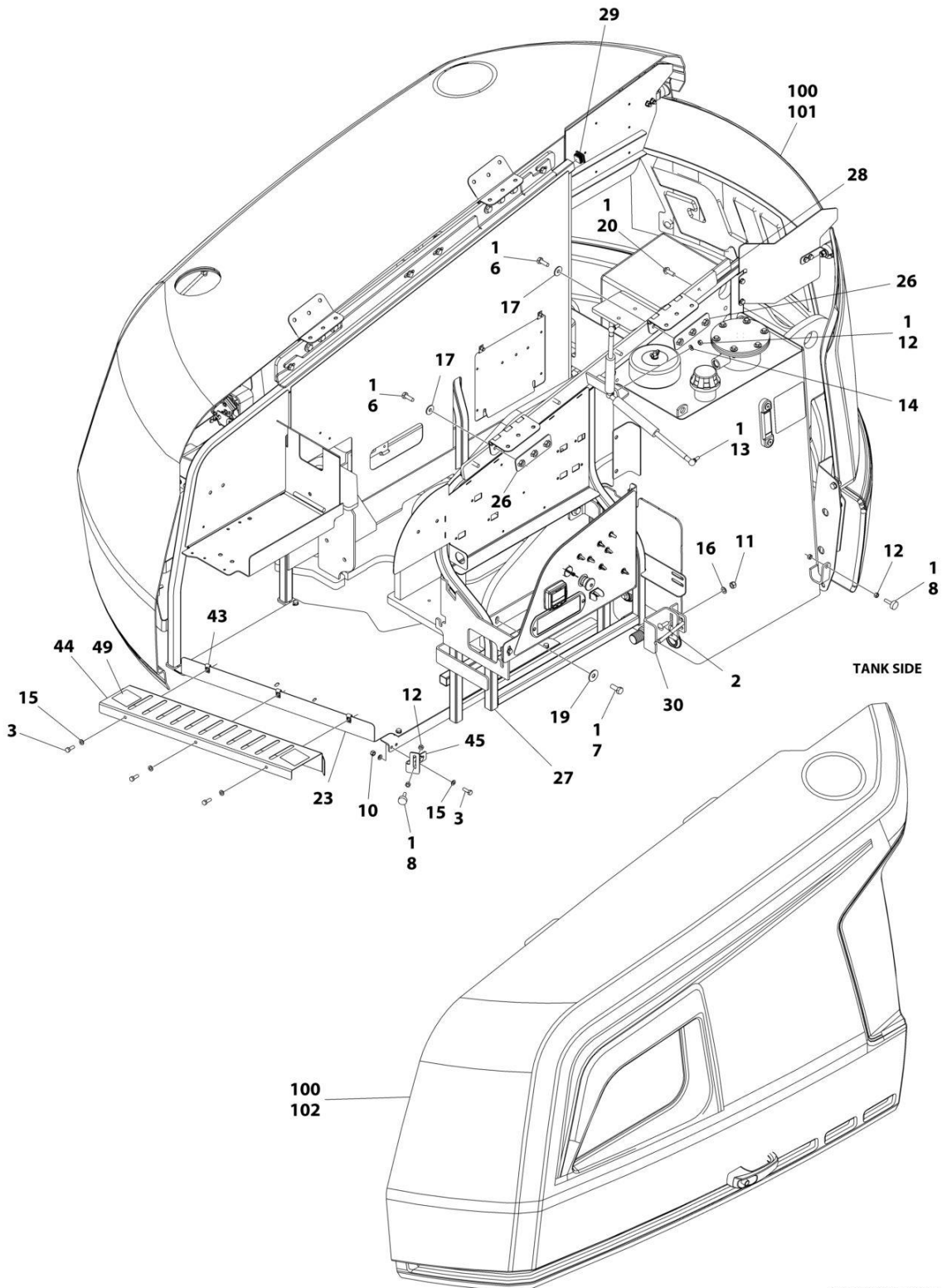
ITEM	PART NUMBER	QTY	DESCRIPTION	REV
	1001219202	Ref	HOODS INSTALLATION – 450A WITH KUBOTA ENGINE	G
1	0100011	AR	Compound, Locking	
2	0630613	4	Bolt M10 x 30	
3	0701018	5	Bolt M10 x 50	
4	0760810	10	Bolt M8 x 20	
5	0760812	11	Bolt M8 x 25	
6	0760814	4	Bolt M8 x 30	
7	0761014	14	Bolt M10 x 30	
8	0761214	6	Bolt M12 x 30	
9	0940049	2	Bumper	
10	0940071	3	Bumper	
11	1701691	2	Decal - No Step	
12	3290805	10	Nut M8	
13	3291005	14	Nut M10	
14	3311501	6	Nut 5/16	
15	3311601	3	Nut 3/8	
16	4160182	1	Spring, Gas	
17	4711500	2	Washer 5/16	
18	4811900	29	Washer M8	
19	4811902	2	Washer M8	
20	4812000	16	Washer M10	
21	4812002	14	Washer M10	
22	4812100	2	Washer M12	
23	4812102	4	Washer M12	
24	5240800	4	Washer M8	
25	5251014	8	Bolt M10 x 30	
26	8310686	2	Nut, Retainer M8	
27	88662523	3	Nut, Tinnerman	
28	1001118274	3	Nut M8	
29	1001167149	1	Panel, Filler	
30	1001167159	1	Mount	
31	1001167163	1	Tray	
32	1001167169	1	Mount	
33	1001169046	4	Nut	
34	1001211716	1	Support, Hood	
35	1001170018	1	Mount	
36	1001170022	1	Mount	
37	1001170859	1	Mount	
38	1001171216	1	Cover	
39	1001174098	1	Pipe, Exhaust	
40	1001179904	1	Mount	
41	1001182169	1	Spring, Gas	
42	1001182875	1	Mount	
43	1001182879	1	Mount	
44	1001191832	4	Rivnut M8	
45	1001211717	1	Support	
46	1001215394	1	Support	
47	1001216677	1	Bracket	
100	1001285598	1	Hood Kit (Includes Items 101-102)	D

SECTION 2 - TURNTABLE

ITEM	PART NUMBER	QTY	DESCRIPTION	REV
101	1001285597	1	Hood Assembly - Tank Side (See Separate Breakdown in this Section)	
102	1001172833	1	Hood Assembly - Engine Side (See Separate Breakdown in this Section)	

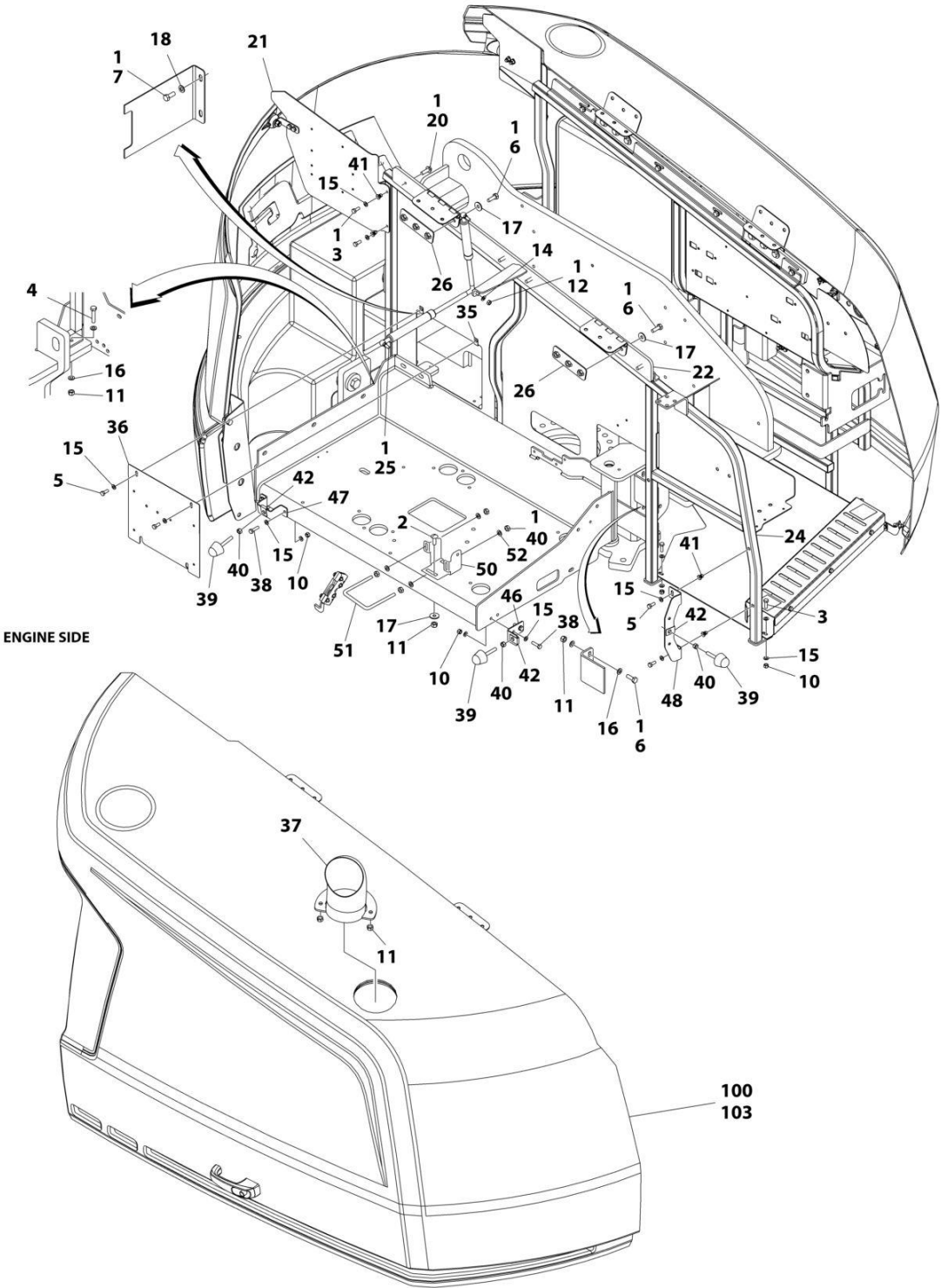
SECTION 2 - TURNTABLE

FIGURE 2-38. HOODS INSTALLATION (ABS) - WITH DEUTZ ENGINES (ALL MACHINES WITH SN STARTING WITH 03) (MACHINES WITH SN STARTING WITH B3, JAPANESE & RUSSIA SPECS) (450AJ)



ART_1001165622_P_10F2

SECTION 2 - TURNTABLE



ART_1001165622_P_20F2

SECTION 2 - TURNTABLE

FIGURE 2-38. HOODS INSTALLATION (ABS) - WITH DEUTZ ENGINES (ALL MACHINES WITH SN STARTING WITH 03) (MACHINES WITH SN STARTING WITH B3, JAPANESE & RUSSIA SPECS) (450AJ)

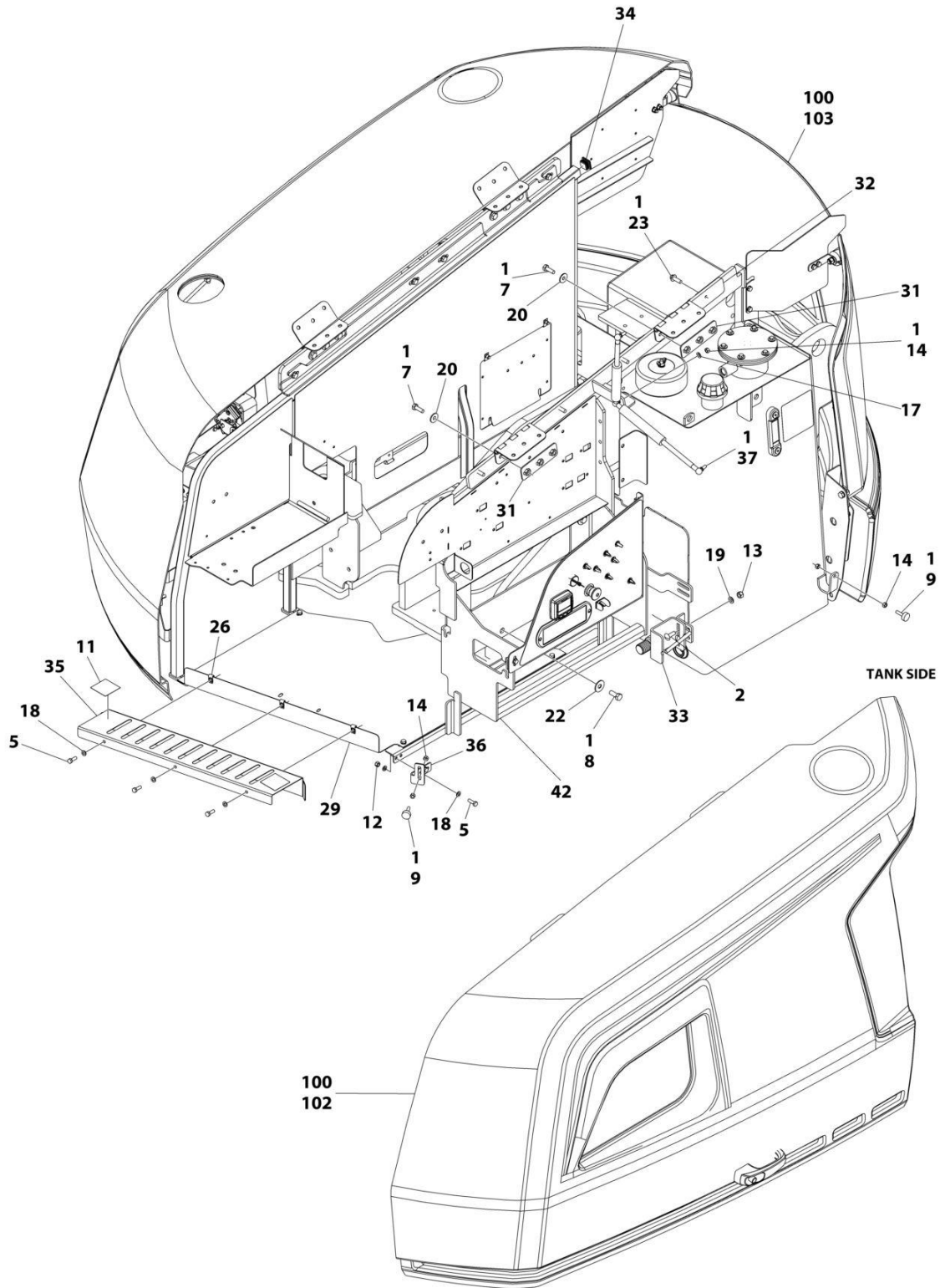
ITEM	PART NUMBER	QTY	DESCRIPTION	REV
	1001165622	Ref	HOODS INSTALLATION	P
1	0100011	AR	Compound, Locking	
2	0630613	4	Bolt M10 x 30	
3	0760812	11	Bolt M8 x 25	
4	0701018	5	Bolt M10 x 50	
5	0760810	4	Bolt M8 x 20	
6	0761014	14	Bolt M10 x 30	
7	0761214	6	Bolt M12 x 30	
8	0940049	2	Bumper	
10	3290805	10	Nut M8	
11	3291005	14	Nut M10	
12	3311501	6	Nut 5/16	
13	1001182169	1	Spring, Gas	
14	4711500	2	Washer 5/16	
15	4811900	29	Washer M8	
16	4812000	16	Washer M10	
17	4812002	14	Washer M10	
18	4812100	2	Washer M12	
19	4812102	4	Washer M12	
20	5251014	8	Bolt M10 x 30	
21	1001211717	1	Panel, Filler	
22	1001167159	1	Mount	
23	1001167163	1	Tray	
24	1001167169	1	Mount	
25	4160182	1	Spring, Gas	
26	1001169046	4	Nut	
27	1001211716	1	Support, Hood	
28	1001170018	1	Mount	
29	3520072	1	Plug	
30	1001170022	1	Mount	
35	8310686	2	Nut, Retainer M8	
36	1001167149	1	Panel, Filler	
37	1001233899	1	Pipe, Exhaust	
38	0760814	4	Bolt M8 x 30	
39	0940071	3	Bumper	
40	3311601	7	Nut 3/8	
41	1001191832	4	Rivnut M8	
42	88662523	3	Nut, Tinnerman	
43	1001118274	3	Nut M8	
44	1001171216	1	Cover	
45	1001179904	1	Mount	
46	1001182875	1	Mount	
47	1001182877	1	Mount	
48	1001182879	1	Mount	
49	1701691	2	Decal - No Step	
50	1001250291	1	Bracket	
51	1001243414	1	U-Bolt	
52	4891600	4	Washer 3/8	

SECTION 2 - TURNTABLE

ITEM	PART NUMBER	QTY	DESCRIPTION	REV
100	1001285691	1	Hood Kit (Includes Items 33, 34 & 101)	D
101	1001169183	1	Hood, Front	
102	1001285597	1	Hood Assembly - Tank Side (See Separate Breakdown in this Section)	
103	1001172833	1	Hood Assembly - Engine Side (See Separate Breakdown in this Section)	

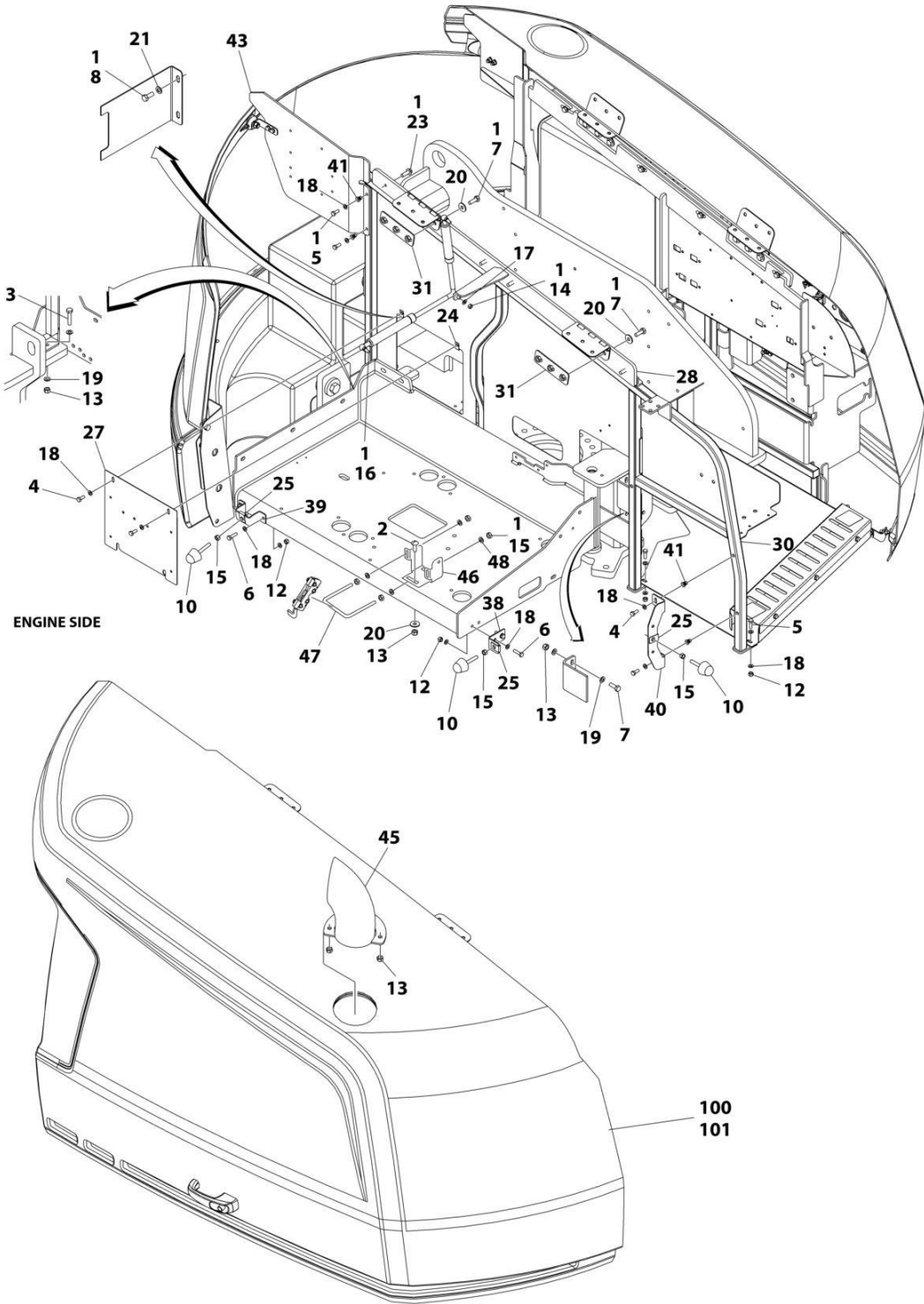
SECTION 2 - TURNTABLE

FIGURE 2-39. HOODS INSTALLATION (ABS) - WITH DEUTZ ENGINE (MACHINES WITH SN STARTING WITH B3, ALL SPECS EXCEPT JAPANESE & RUSSIA SPECS) (450AJ)



ART_1001241284_E_10F2

SECTION 2 - TURNTABLE



ART_1001241284_E_20F2

SECTION 2 - TURNTABLE

FIGURE 2-39. HOODS INSTALLATION (ABS) - WITH DEUTZ ENGINE (MACHINES WITH SN STARTING WITH B3, ALL SPECS EXCEPT JAPANESE & RUSSIA SPECS) (450AJ)

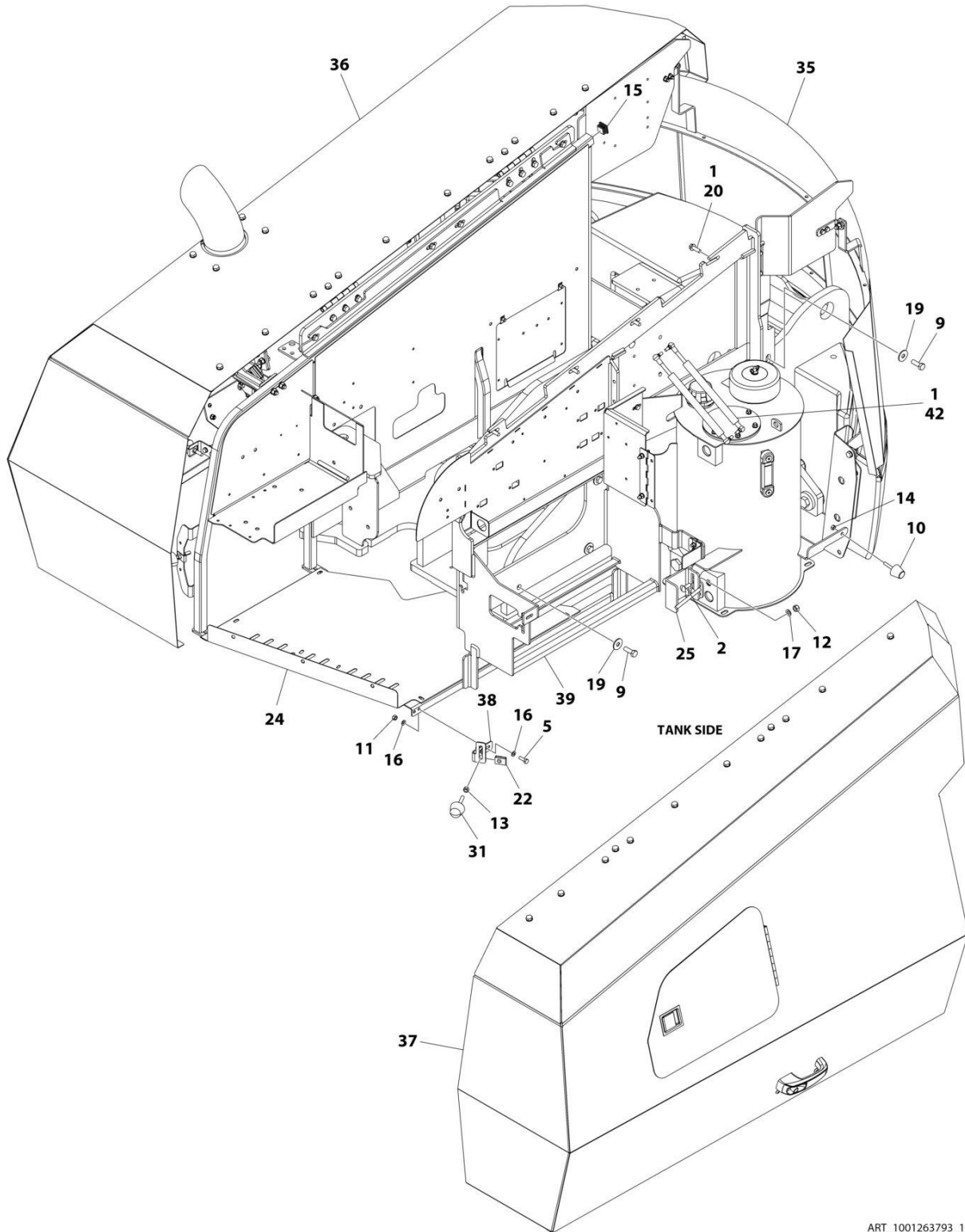
ITEM	PART NUMBER	QTY	DESCRIPTION	REV
	1001241284	Ref	HOODS INSTALLATION	E
1	0100011	AR	Compound, Locking	
2	0630613	4	Bolt M10 x 30	
3	0701018	5	Bolt M10 x 50	
4	0760810	4	Bolt M8 x 20	
5	0760812	11	Bolt M8 x 25	
6	0760814	4	Bolt M8 x 30	
7	0761014	14	Bolt M10 x 30	
8	0761214	6	Bolt M12 x 30	
9	0940049	2	Bumper	
10	0940071	3	Bumper	
11	1701691	2	Decal - No Step	
12	3290805	10	Nut M8	
13	3291005	14	Nut M10	
14	3311501	6	Nut 5/16	
15	3311601	7	Nut 3/8	
16	4160182	1	Spring, Gas	
17	4711500	2	Washer 5/16	
18	4811900	29	Washer M8	
19	4812000	16	Washer M10	
20	4812002	14	Washer M10	
21	4812100	2	Washer M12	
22	4812102	4	Washer M12	
23	5251014	8	Bolt M10 x 30	
24	8310686	2	Nut, Retainer M8	
25	88662523	3	Nut, Tinnerman	
26	1001118274	3	Nut M8	
27	1001167149	1	Panel, Filler	
28	1001167159	1	Mount	
29	1001167163	1	Tray	
30	1001167169	1	Mount	
31	1001169046	4	Nut	
32	1001170018	1	Mount	
33	1001170022	1	Mount	
34	3520072	1	Plug	
35	1001171216	1	Cover	
36	1001179904	1	Mount	
37	1001182169	1	Spring, Gas	
38	1001182875	1	Mount	
39	1001182877	1	Mount	
40	1001182879	1	Mount	
41	1001191832	4	Rivnut M8	
42	1001211716	1	Support, Hood	
43	1001211717	1	Panel, Filler	
45	1001233899	1	Pipe, Exhaust	
46	1001250291	1	Bracket	
47	1001243414	1	U-Bolt	
48	4891600	4	Washer 3/8	
100	1001285790	1	Hood Kit (Includes Items 101-103)	C

SECTION 2 - TURNTABLE

ITEM	PART NUMBER	QTY	DESCRIPTION	REV
101	1001241295	1	Hood Assembly - Engine Side (See Separate Breakdown in this Section)	
102	1001285788	1	Hood Assembly - Tank Side (See Separate Breakdown in this Section)	
103	1001241299	1	Hood Assembly - Front	

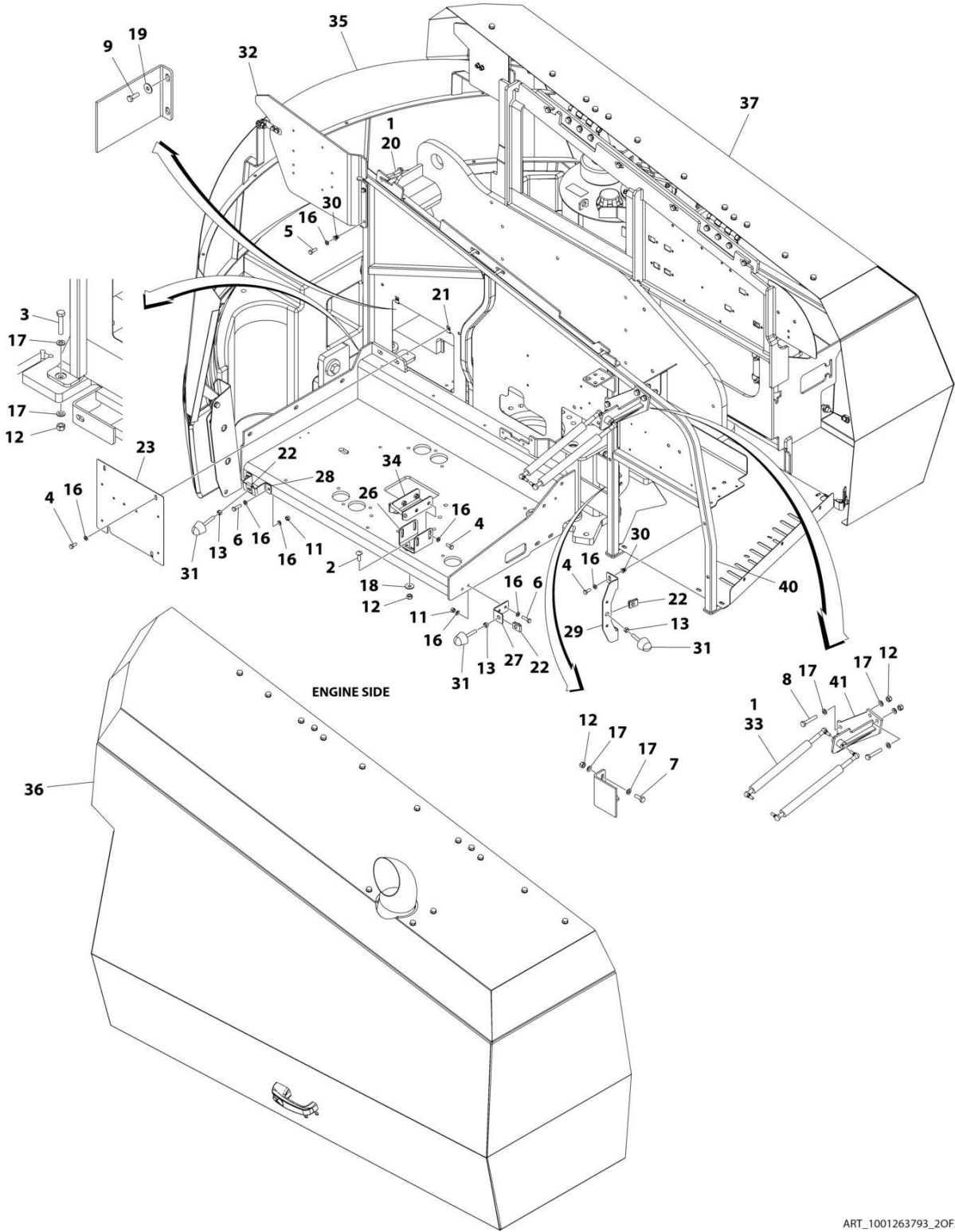
SECTION 2 - TURNTABLE

FIGURE 2-40. HOODS INSTALLATION (STEEL) - WITH DEUTZ ENGINES (MACHINES WITH SN STARTING WITH B3) (450AJ)



ART_1001263793_1OF2

SECTION 2 - TURNTABLE



ART_1001263793_20F2

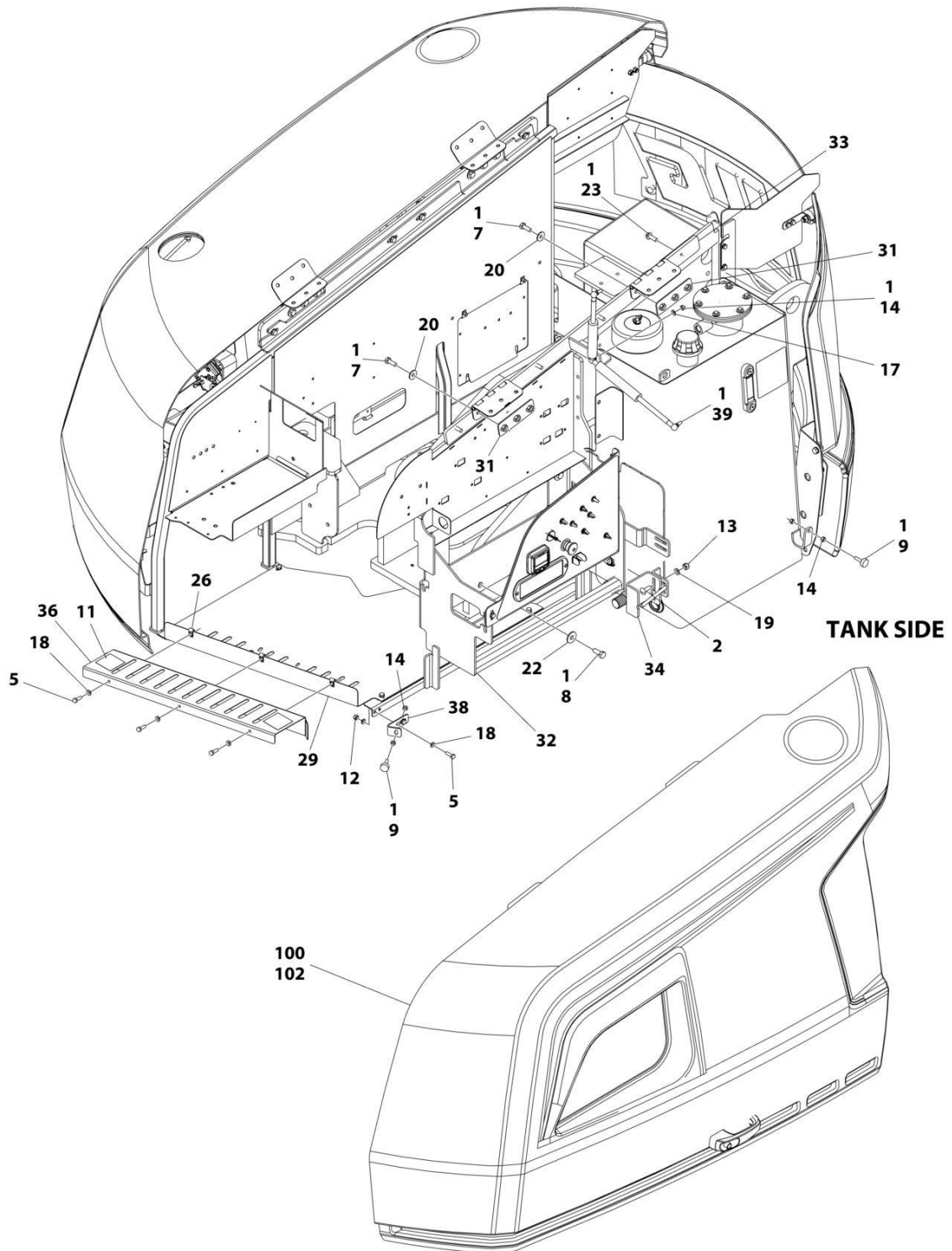
SECTION 2 - TURNTABLE

FIGURE 2-40. HOODS INSTALLATION (STEEL) - WITH DEUTZ ENGINES (MACHINES WITH SN STARTING WITH B3) (450AJ)

ITEM	PART NUMBER	QTY	DESCRIPTION	REV
	1001263793	Ref	HOODS INSTALLATION (STEEL)	D
1	0100011	AR	Compound, Locking	
2	0630613	4	Bolt M10 x 30	
3	0701018	5	Bolt M10 x 50	
4	0760810	8	Bolt M8 x 20	
5	0760812	4	Bolt M8 x 25	
6	0760814	4	Bolt M8 x 30	
7	0761014	2	Bolt M10 x 30	
8	0761020	4	Bolt M12 x 60	
9	0761215	6	Bolt M12 x 35	
10	0940088	1	Bumper	
11	3290805	6	Nut M8	
12	3291005	15	Nut M10	
13	3311601	4	Nut 3/8	
14	3321501	1	Nut 5/16	
15	3520072	1	Plug	
16	4811900	22	Washer M8	
17	4812000	24	Washer M10	
18	4812002	2	Washer M10	
19	4812102	6	Washer M12	
20	5251014	8	Bolt M10 x 30	
21	8310686	2	Nut, Retainer M8	
22	88662523	4	Nut, Tinnerman	
23	1001167149	1	Panel, Filler	
24	1001167163	1	Tray	
25	1001170022	1	Mount	
26	1001170859	1	Mount	
27	1001182875	1	Mount	
28	1001182877	1	Mount	
29	1001182879	1	Mount	
31	1001206314	4	Bumper	
32	1001211717	1	Panel, Filler	
33	1001213794	2	Spring, Gas	
34	1001223777	1	Support, Striker	
35	1001263696	1	Hood Assembly - Front	
36	1001263699	1	Hood Assembly - Engine Side (See Separate Breakdown in this Section)	
37	1001285641	1	Hood Assembly - Tank Side (See Separate Breakdown in this Section)	
38	1001269476	1	Mount	
39	1001279651	1	Support, Hood	
40	1001280240	1	Mount	
41	1001280242	1	Mount	
42	1001280549	2	Spring, Gas	

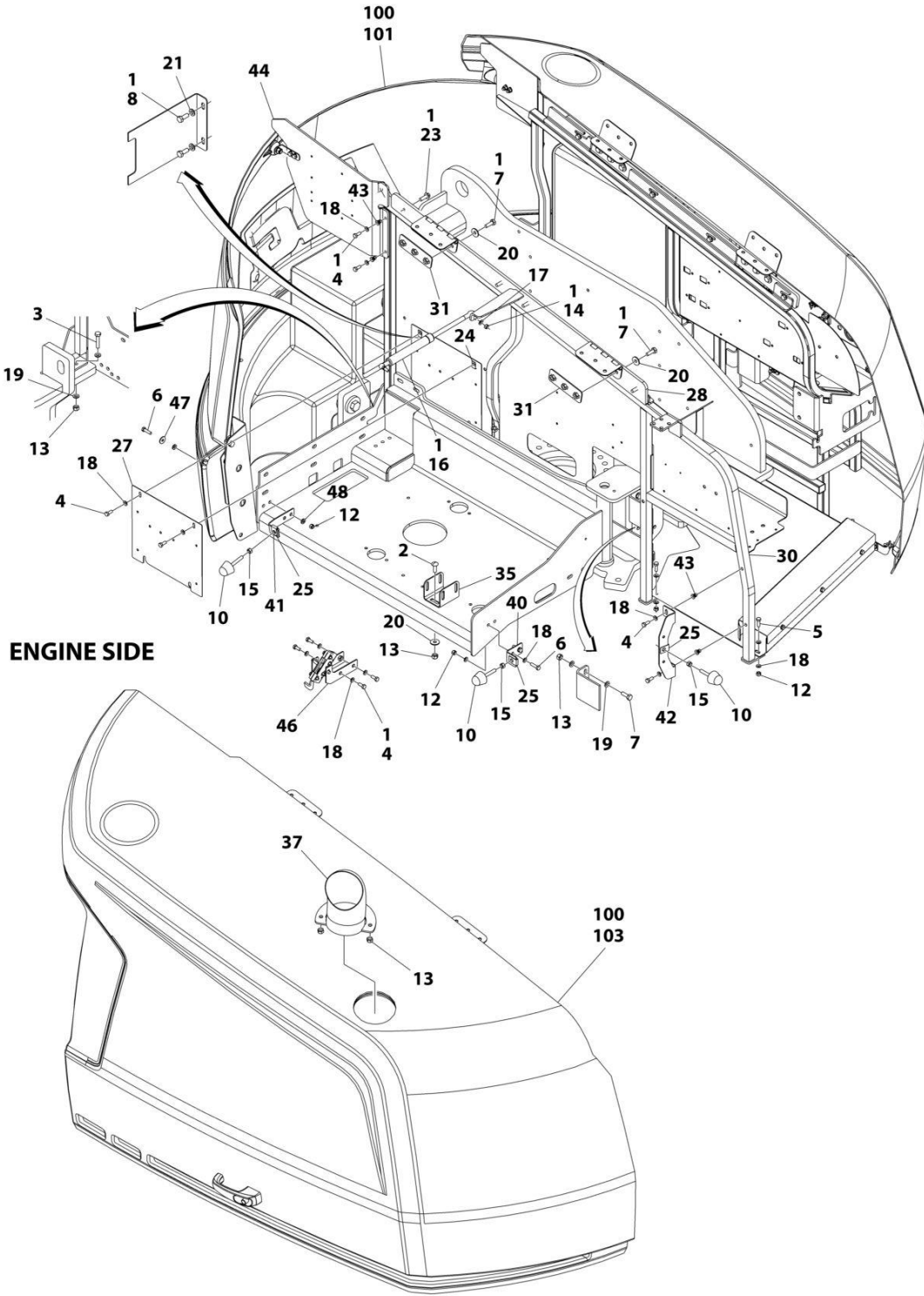
SECTION 2 - TURNTABLE

FIGURE 2-41. HOODS INSTALLATION (ABS) - WITH KUBOTA ENGINE (450AJ)



ART_1001216599_10F2

SECTION 2 - TURNTABLE



ART_1001216599_20F2

SECTION 2 - TURNTABLE

FIGURE 2-41. HOODS INSTALLATION (ABS) - WITH KUBOTA ENGINE (450AJ)

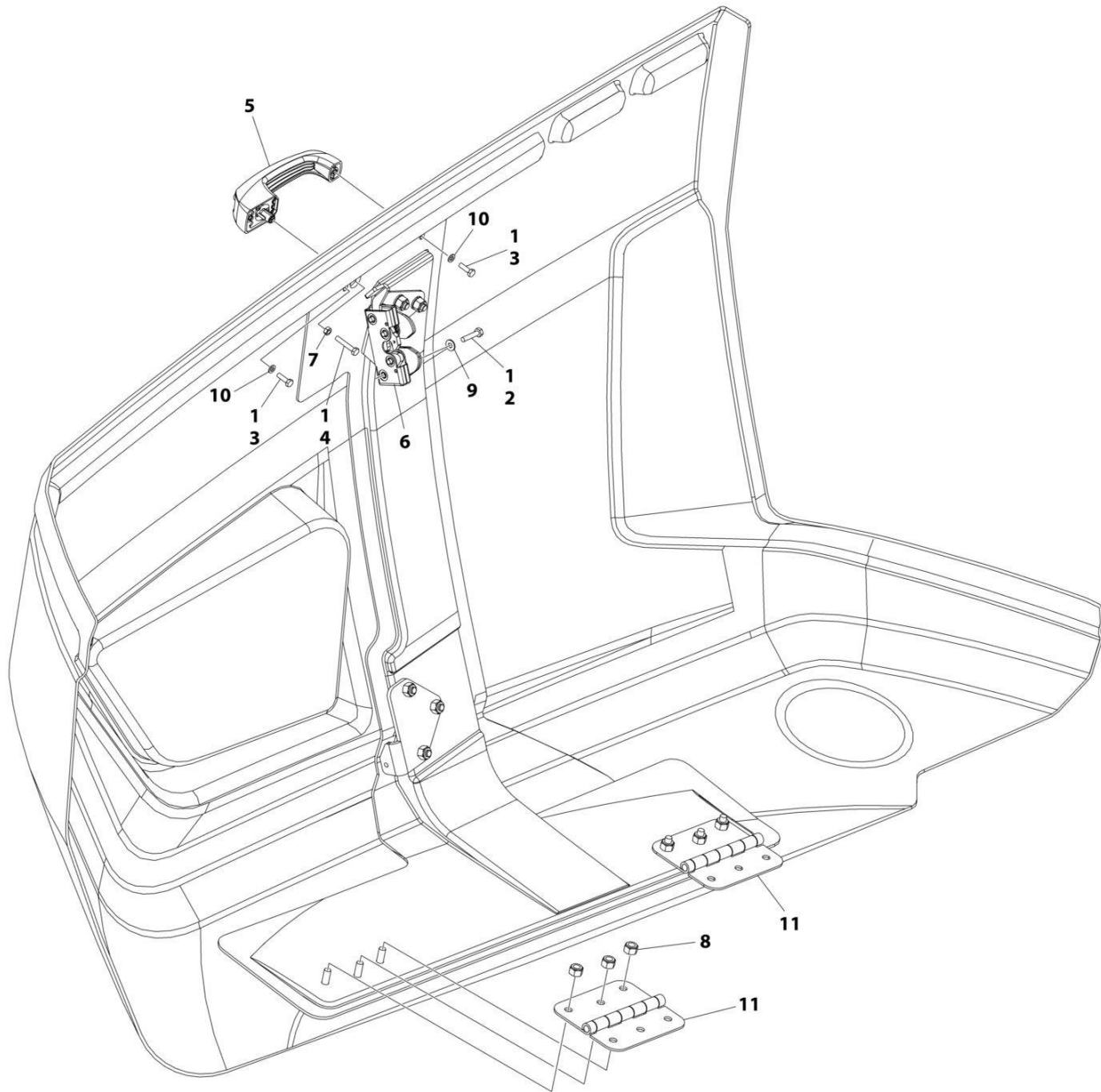
ITEM	PART NUMBER	QTY	DESCRIPTION	REV
	1001216599	Ref	HOODS INSTALLATION - KUBOTA ENGINE	H
1	0100011	AR	Compound, Locking	
2	0630613	4	Bolt M10 x 30	
3	0701018	5	Bolt M10 x 50	
4	0760810	8	Bolt M8 x 20	
5	0760812	11	Bolt M8 x 25	
6	0760814	4	Bolt M8 x 30	
7	0761014	14	Bolt M10 x 30	
8	0761214	6	Bolt M12 x 30	
9	0940049	2	Bumper	
10	0940071	6	Bumper	
11	1701691	2	Decal - No Step	
12	3290805	10	Nut M8	
13	3291005	14	Nut M10	
14	3311501	6	Nut 5/16	
15	3311601	3	Nut 3/8	
16	4160182	1	Spring, Gas	
17	4711500	2	Washer 5/16	
18	4811900	29	Washer M8	
19	4812000	19	Washer M10	
20	4812002	14	Washer M10	
21	4812100	2	Washer M12	
22	4812102	4	Washer M12	
23	5251014	8	Bolt M10 x 30	
24	8310686	2	Nut, Retainer M8	
25	88662523	3	Nut, Tinnerman	
26	1001118274	3	Nut M8	
27	1001167149	1	Panel, Filler	
28	1001167159	1	Mount	
29	1001167163	1	Tray	
30	1001167169	1	Mount	
31	1001169046	4	Nut	
32	1001211716	1	Support, Hood	
33	1001170018	1	Mount	
34	1001170022	1	Mount	
35	1001170859	1	Mount	
36	1001171216	1	Cover	
37	1001174098	1	Pipe, Exhaust	
38	1001179904	1	Mount	
39	1001182169	1	Spring, Gas	
40	1001182875	1	Mount	
41	1001216677	1	Bracket	
42	1001182879	1	Mount	
43	1001191832	4	Rivnut M8	
44	1001211717	1	Support	
46	1001215394	1	Support	
47	4811702	2	Washer M6	
48	5240800	4	Washer M8	
100	1001285691	1	Hood Kit (Includes Items 101-103)	D
101	1001169183	1	Hood, Front	

SECTION 2 - TURNTABLE

ITEM	PART NUMBER	QTY	DESCRIPTION	REV
102	1001285597	1	Hood Assembly - Tank Side (See Separate Breakdown in this Section)	
103	1001172833	1	Hood Assembly - Engine Side (See Separate Breakdown in this Section)	

SECTION 2 - TURNTABLE

FIGURE 2-42. HOOD ASSEMBLY (ABS) - TANK SIDE (MACHINES WITH SN STARTING WITH 03)



NOTE: REPLACEMENT DECALS MUST BE ORDERED SEPARATELY - SEE DECAL SECTION.

ART_1001285597

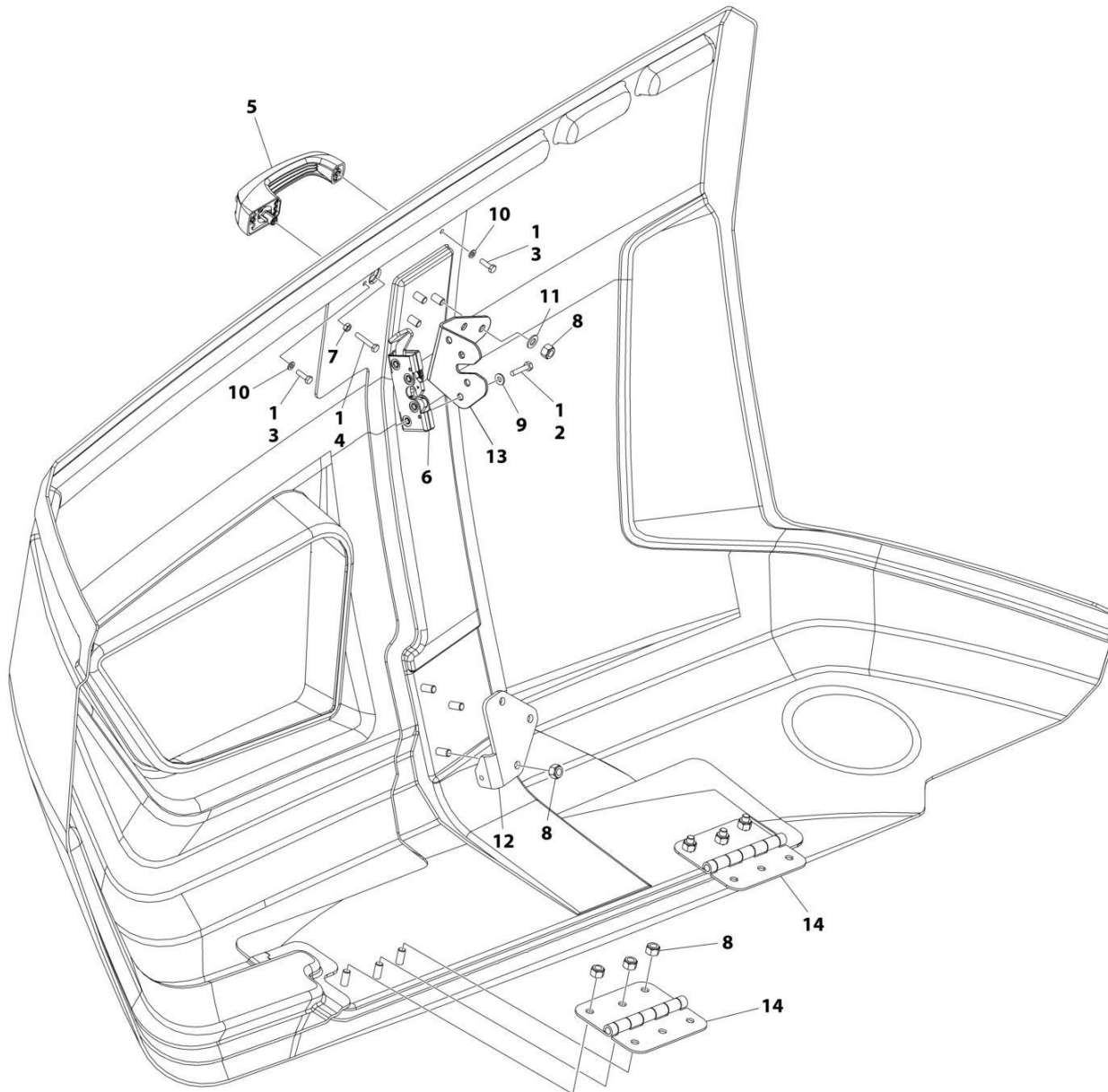
SECTION 2 - TURNTABLE

FIGURE 2-42. HOOD ASSEMBLY (ABS) - TANK SIDE (MACHINES WITH SN STARTING WITH 03)

ITEM	PART NUMBER	QTY	DESCRIPTION	REV
	1001285597	Ref	HOOD ASSEMBLY - TANK SIDE	D
1	0100011	AR	Compound, Locking	
2	0641410	4	Bolt 1/4 x 1-1/4	
3	0760610	2	Bolt M6 x 20	
4	0760615	1	Bolt M6 x 35	
5	2560187	1	Handle	
6	2940173	1	Latch	
7	3290601	1	Nut M6	
8	3291005	6	Nut, Lock M10	
9	4711400	4	Washer 1/4	
10	4811700	2	Washer M6	
11	1001139384	2	Hinge	

SECTION 2 - TURNTABLE

FIGURE 2-43. HOOD ASSEMBLY (ABS) - TANK SIDE (MACHINES WITH SN STARTING WITH B3)



NOTE: REPLACEMENT DECALS MUST BE ORDERED SEPARATELY - SEE DECAL SECTION.

ART_1001285788

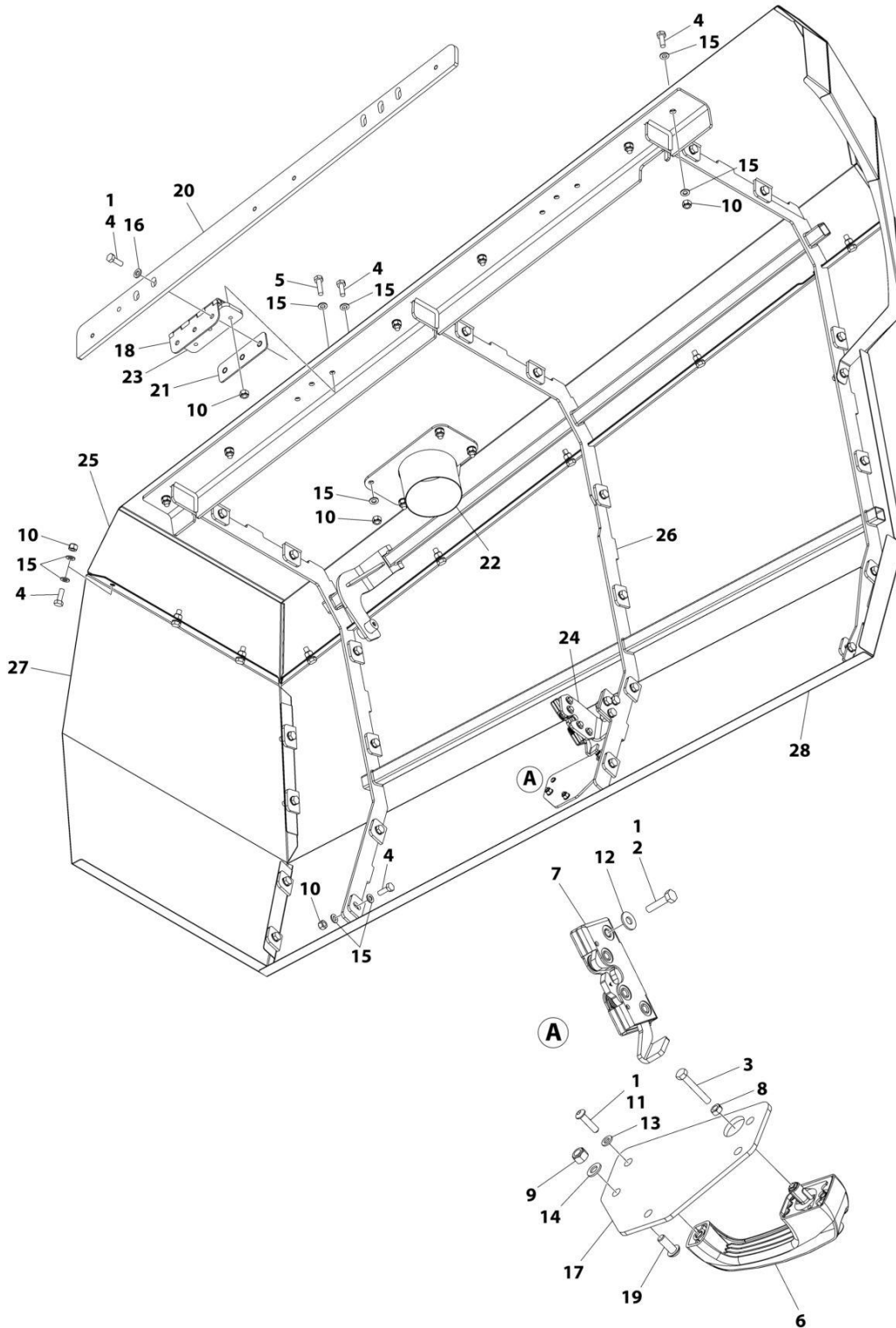
SECTION 2 - TURNTABLE

FIGURE 2-43. HOOD ASSEMBLY (ABS) - TANK SIDE (MACHINES WITH SN STARTING WITH B3)

ITEM	PART NUMBER	QTY	DESCRIPTION	REV
	1001285788	Ref	HOOD ASSEMBLY - TANK SIDE	D
1	0100011	AR	Compound, Locking	
2	0641410	4	Bolt 1/4 x 1-1/4	
3	0760610	2	Bolt M6 x 20	
4	0760615	1	Bolt M6 x 35	
5	2560187	1	Handle	
6	2940173	1	Latch	
7	3290601	1	Nut M6	
8	3291005	12	Nut, Lock M10	
9	4711400	4	Washer 1/4	
10	4811700	2	Washer M6	
11	4812000	3	Washer M10	
12	1001170475	1	Bracket	
13	1001203322	1	Support	
13	1001308137	1	SUPPORT,HOOD LATCH	
14	1001259230	2	Hinge	

SECTION 2 - TURNTABLE

FIGURE 2-44. HOOD ASSEMBLY (STEEL) - ENGINE SIDE (MACHINES WITH SN STARTING WITH B3)



ART_1001263699

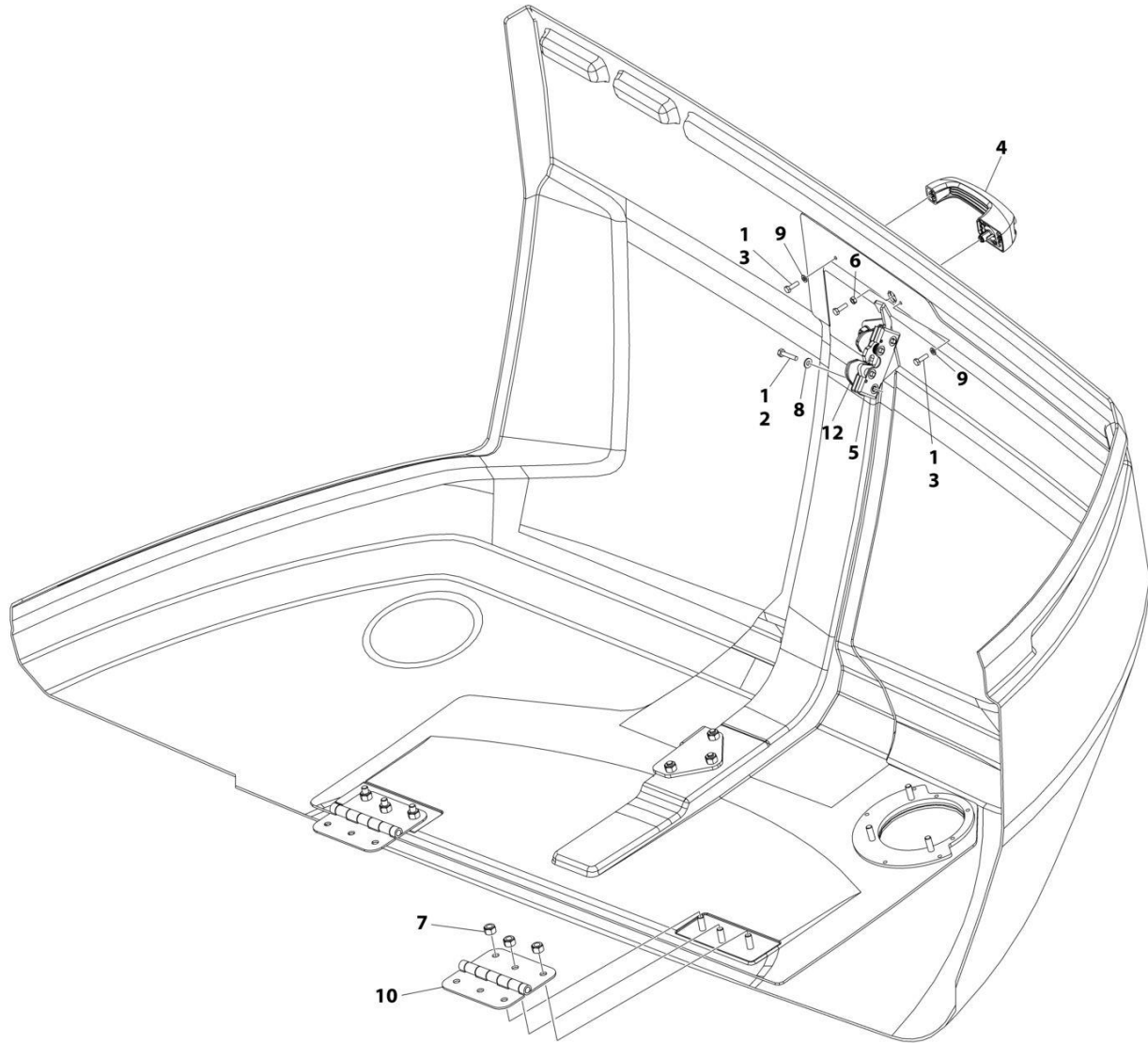
SECTION 2 - TURNTABLE

FIGURE 2-44. HOOD ASSEMBLY (STEEL) - ENGINE SIDE (MACHINES WITH SN STARTING WITH B3)

ITEM	PART NUMBER	QTY	DESCRIPTION	REV
	1001263699	Ref	HOOD ASSEMBLY (STEEL) - ENGINE SIDE	B
1	0100011	AR	Compound, Locking	
2	0641409	4	Bolt 1/4 x 1/8	
3	0700616	1	Bolt M6 x 40	
4	0761014	50	Bolt M10 x 30	
5	0761016	6	Bolt M10 x 40	
6	2560187	1	Handle	
7	2940173	1	Latch	
8	3290601	1	Nut M6	
9	3290805	3	Nut M8 x 1-1/4	
10	3291005	50	Nut M10 x 1-1/2	
11	3900363	2	Screw M6 x 25	
12	4751400	4	Washer 1/4	
13	4811700	2	Washer M6	
14	4811900	3	Washer M8	
15	4812000	94	Washer M10	
16	5241000	6	Washer M10	
17	1001116290	1	Plate	
18	1001139384	2	Hinge	
19	1001164726	3	Screw M8 x 20	
20	1001167157	1	Mount, Hood	
21	1001169046	2	Nut	
22	1001194888	1	Pipe, Exhaust	
23	1001202333	2	Plate, Nut	
24	1001263664	1	Bracket	
25	1001263669	1	Panel (Top)	
26	1001263677	1	Bracket	
27	1001263693	1	Panel (End)	
28	1001265389	1	Panel (Side)	

SECTION 2 - TURNTABLE

FIGURE 2-45. HOOD ASSEMBLY (ABS) - ENGINE SIDE (MACHINES WITH SN STARTING WITH 03)



NOTE: REPLACEMENT DECALS MUST BE ORDERED SEPARATELY - SEE DECAL SECTION.

ART_1001172833

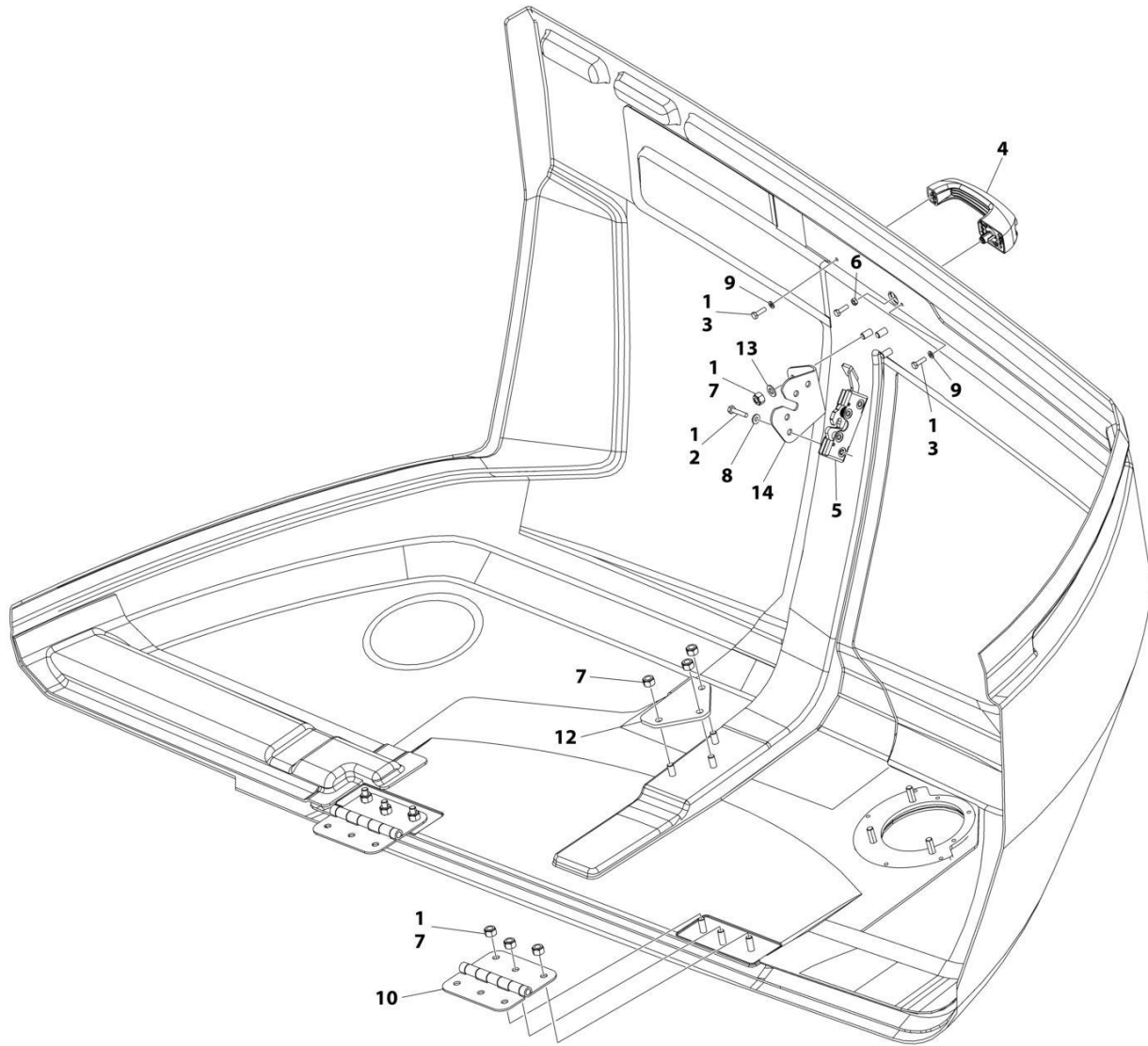
SECTION 2 - TURNTABLE

FIGURE 2-45. HOOD ASSEMBLY (ABS) - ENGINE SIDE (MACHINES WITH SN STARTING WITH 03)

ITEM	PART NUMBER	QTY	DESCRIPTION	REV
	1001172833	Ref	HOOD ASSEMBLY - ENGINE SIDE	C
1	0100011	AR	Compound, Locking	
2	0641410	4	Bolt 1/4 x 1-1/4	
3	0760610	3	Bolt M6 x 20	
4	2560187	1	Handle	
5	2940173	1	Latch	
6	3290601	1	Nut M6	
7	3291005	6	Nut M10	
8	4711400	4	Washer 1/4	
9	4811700	2	Washer M6	
10	1001139384	2	Hinge	
12	1001200458	1	Plate, Latch Guide	

SECTION 2 - TURNTABLE

FIGURE 2-46. HOOD ASSEMBLY (ABS) - ENGINE SIDE (MACHINES WITH SN STARTING WITH B3)



NOTE: REPLACEMENT DECALS MUST BE ORDERED SEPARATELY - SEE DECAL SECTION.

ART_1001241295

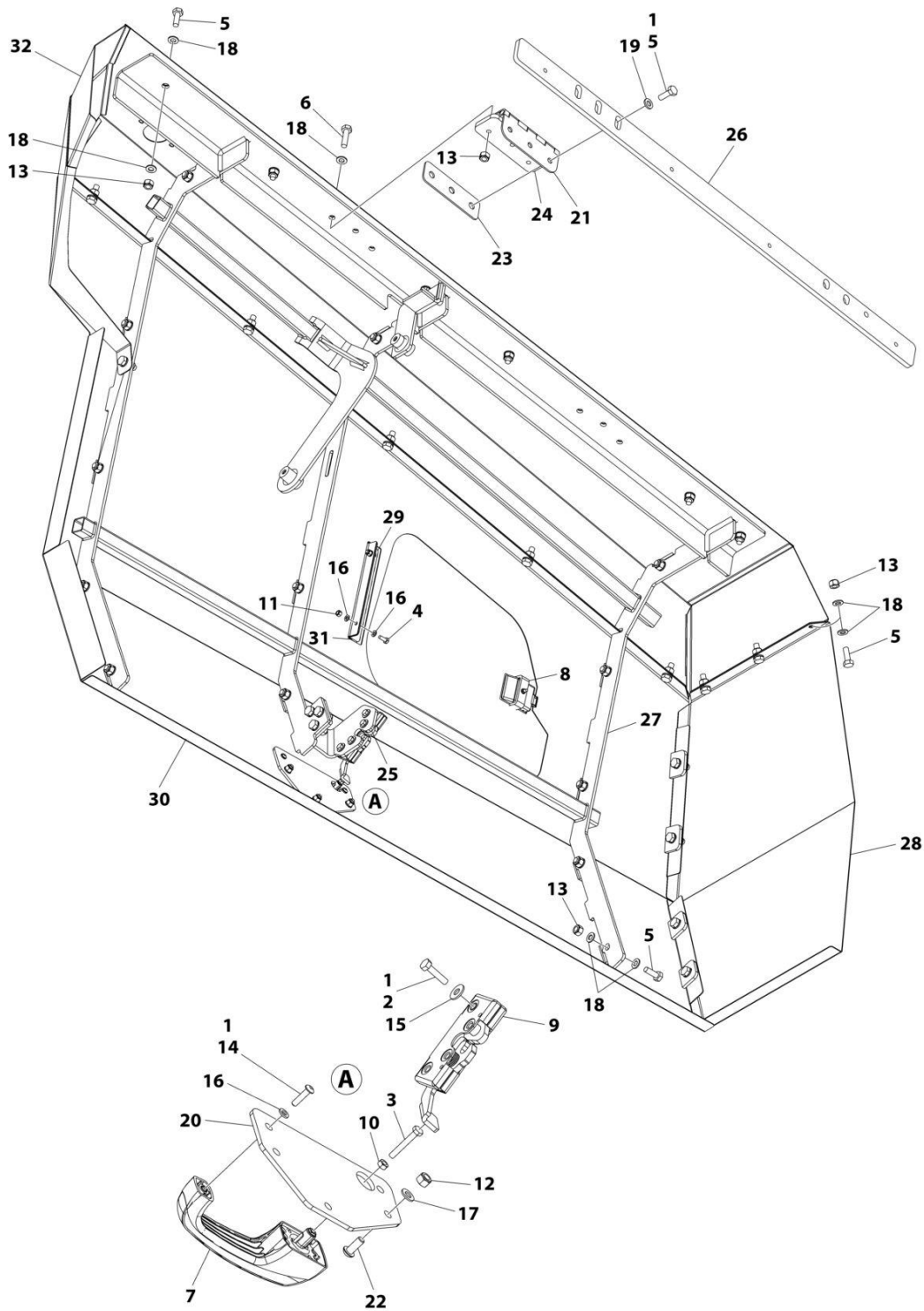
SECTION 2 - TURNTABLE

FIGURE 2-46. HOOD ASSEMBLY (ABS) - ENGINE SIDE (MACHINES WITH SN STARTING WITH B3)

ITEM	PART NUMBER	QTY	DESCRIPTION	REV
	1001241295	Ref	HOOD ASSEMBLY - ENGINE SIDE	C
1	0100011	AR	Compound, Locking	
2	0641410	4	Bolt 1/4 x 1-1/4	
3	0760610	3	Bolt M6 x 20	
4	2560187	1	Handle	
5	2940173	1	Latch	
6	3290601	1	Nut M6	
7	3291005	12	Nut M10	
8	4711400	4	Washer 1/4	
9	4811700	2	Washer M6	
10	1001259230	2	Hinge	
12	1001178228	1	Bracket	
13	4812000	3	Washer M10	
14	1001202830	1	Support	

SECTION 2 - TURNTABLE

FIGURE 2-47. HOOD ASSEMBLY (STEEL) - TANK SIDE (MACHINES WITH SN STARTING WITH B3)



ART_1001285641

SECTION 2 - TURNTABLE

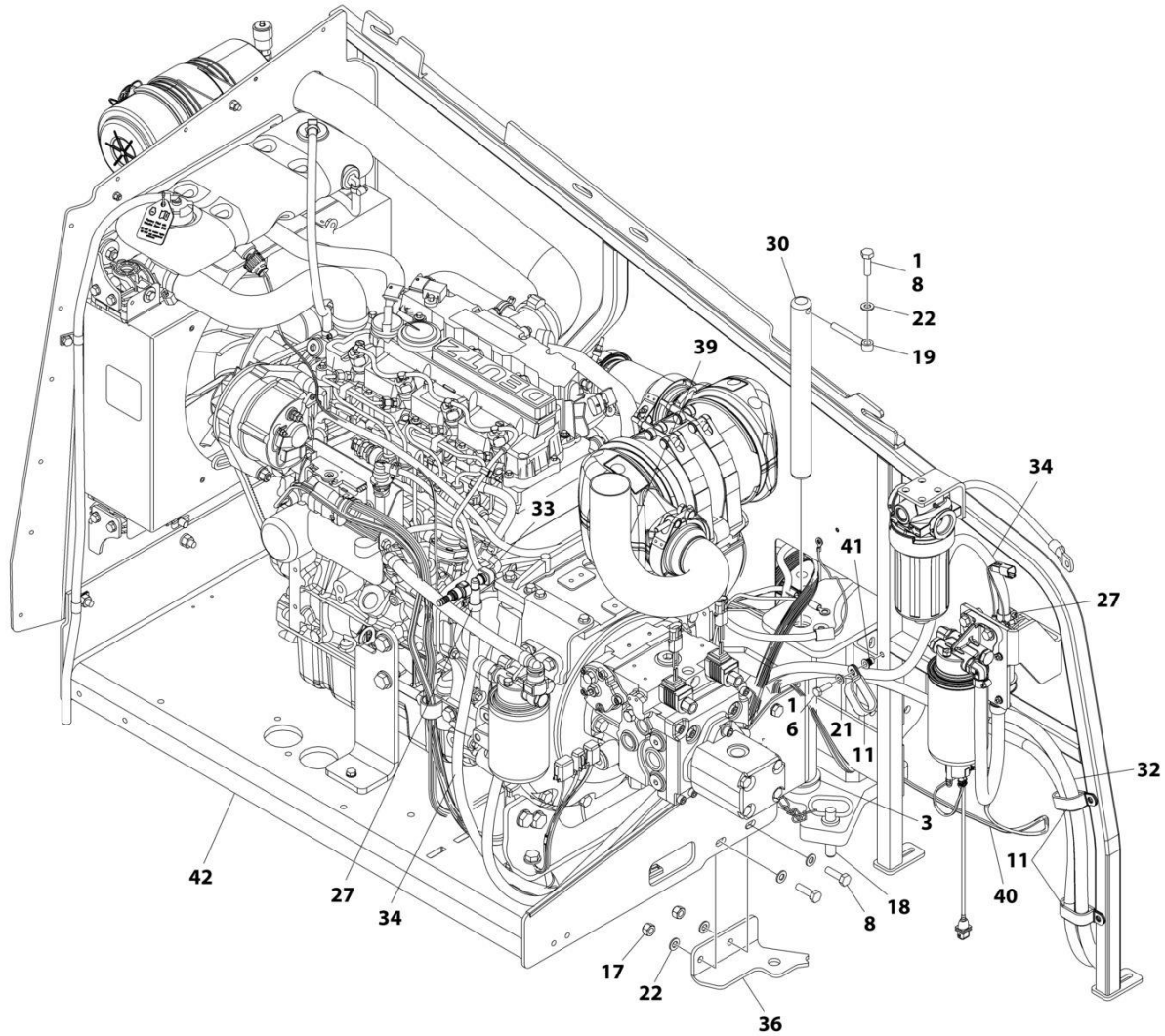
FIGURE 2-47. HOOD ASSEMBLY (STEEL) - TANK SIDE (MACHINES WITH SN STARTING WITH B3)

ITEM	PART NUMBER	QTY	DESCRIPTION	REV
	1001285641	Ref	HOOD ASSEMBLY (STEEL) - TANK SIDE	B
1	0100011	AR	Compound, Locking	
2	0641409	4	Bolt 1/4 x 1/8	
3	0700616	1	Bolt M6 x 40	
4	0760608	2	Bolt M6 x 16	
5	0761014	42	Bolt M10 x 30	
6	0761016	6	Bolt M10 x 40	
7	2560187	1	Handle	
8	2940045	1	Latch	
9	2940173	1	Latch	
10	3290601	1	Nut M6	
11	3290605	2	Nut M6	
12	3290805	3	Nut M8 x 1-1/4	
13	3291005	42	Nut M10 x 1-1/2	
14	3900363	2	Screw M6 x 25	
15	4751400	4	Washer 1/4	
16	4811700	6	Washer M6	
17	4811900	3	Washer M8	
18	4812000	78	Washer M10	
19	5241000	6	Washer M10	
20	1001116290	1	Plate	
21	1001139384	2	Hinge	
22	1001164726	3	Screw M8 x 20	
23	1001169046	2	Nut	
24	1001202333	2	Plate, Nut	
25	1001263663	1	Bracket	
26	1001263668	1	Plate, Hinge	
27	1001263678	1	Bracket	
28	1001263694	1	Panel (End)	
29	1001263787	1	Door	
30	1001265390	1	Panel (Side)	
31	1001281623	4.88 ft/1.49m	Seal	
32	1001285640	1	Panel (Top)	

SECTION 3 - ENGINE

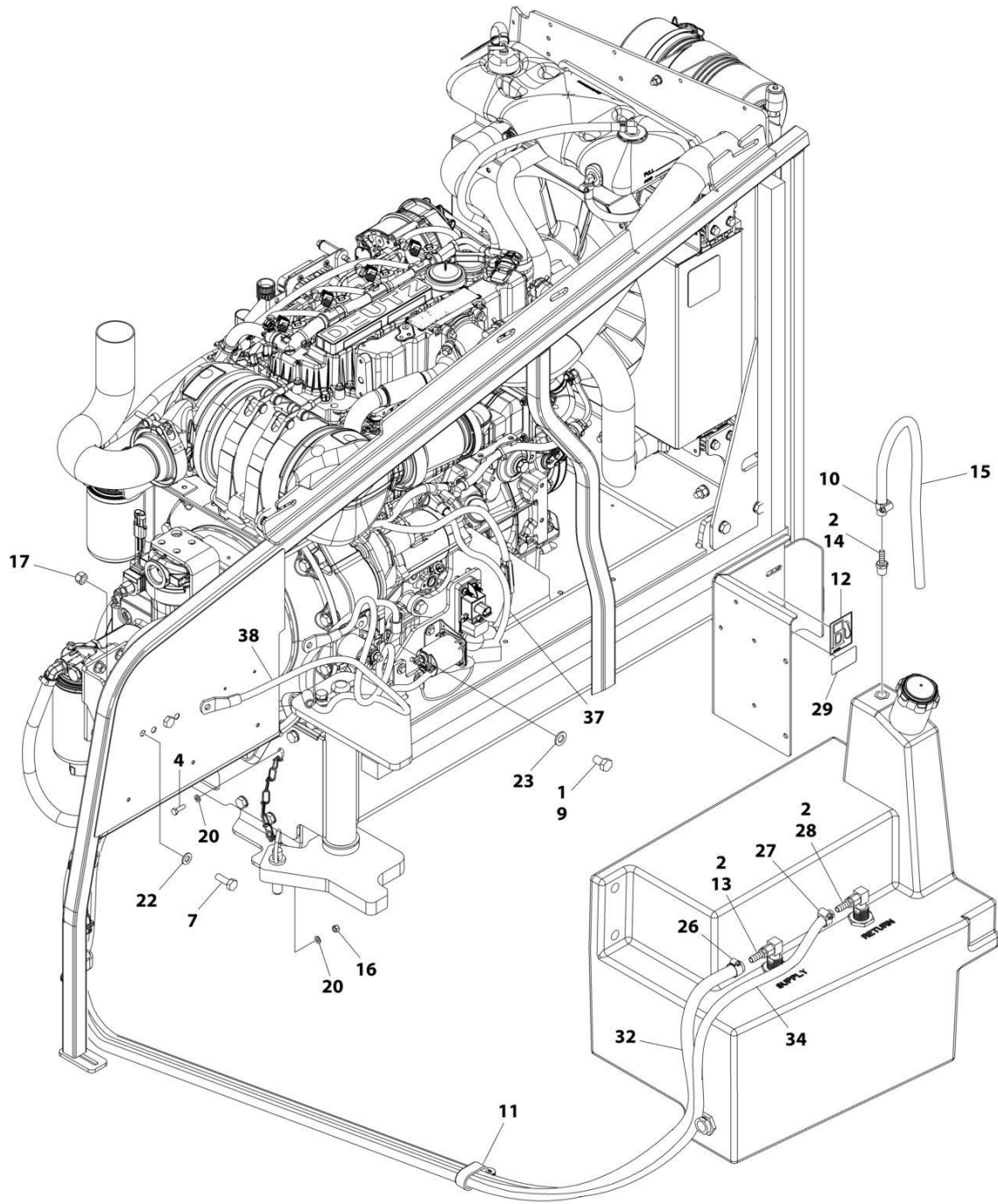
SECTION 3 - ENGINE

FIGURE 3-1. ENGINE INSTALLATION - DEUTZ D2.9L4 ERM5 ENGINE (WITHOUT ARCTIC PACKAGE)
(ANSI, ANSI EXPORT, CSA AND JAPANESE SPECS)



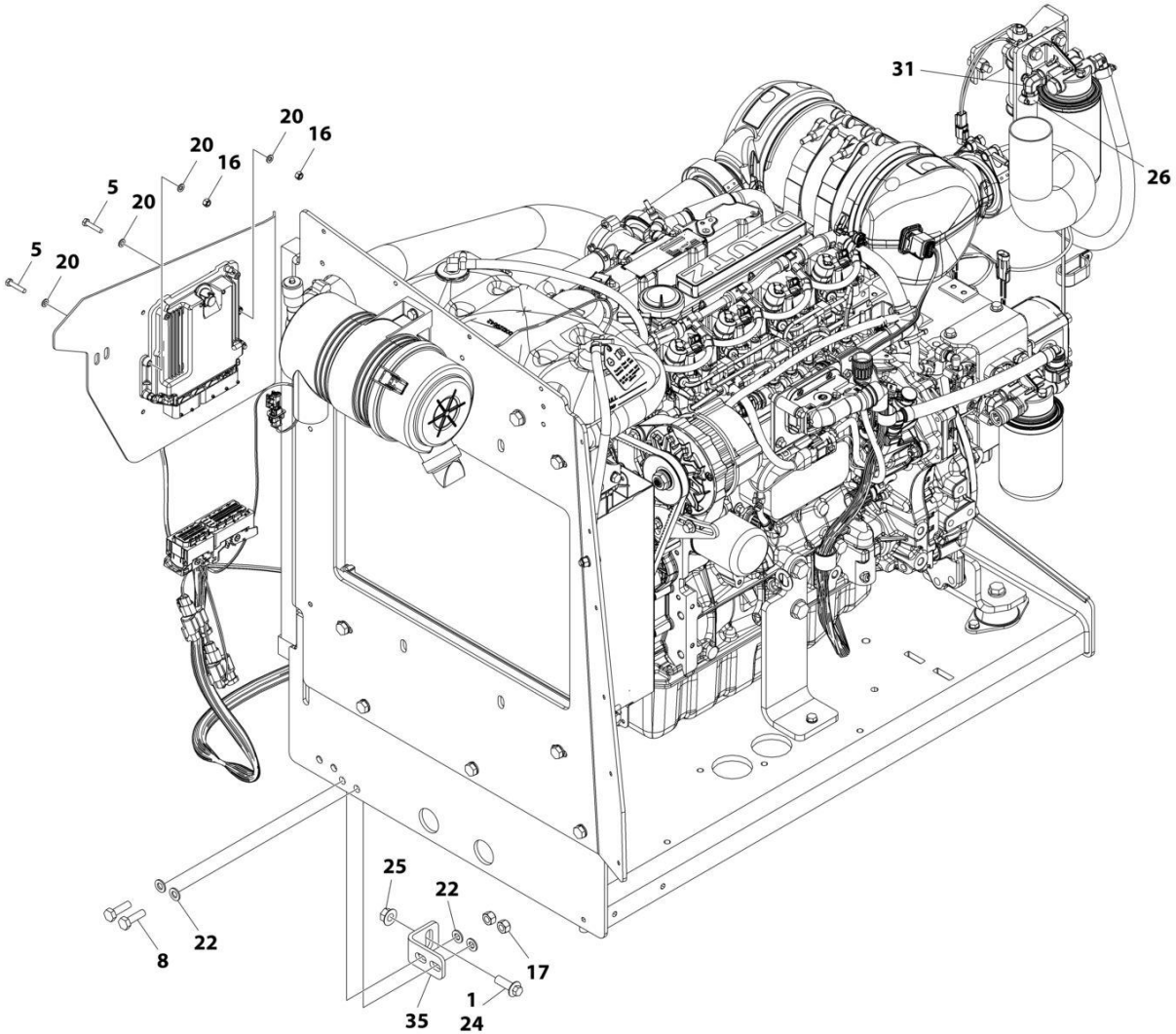
ART_1001302970_10F3

SECTION 3 - ENGINE



ART_1001302970_20F3

SECTION 3 - ENGINE



ART_1001302970_3OF3

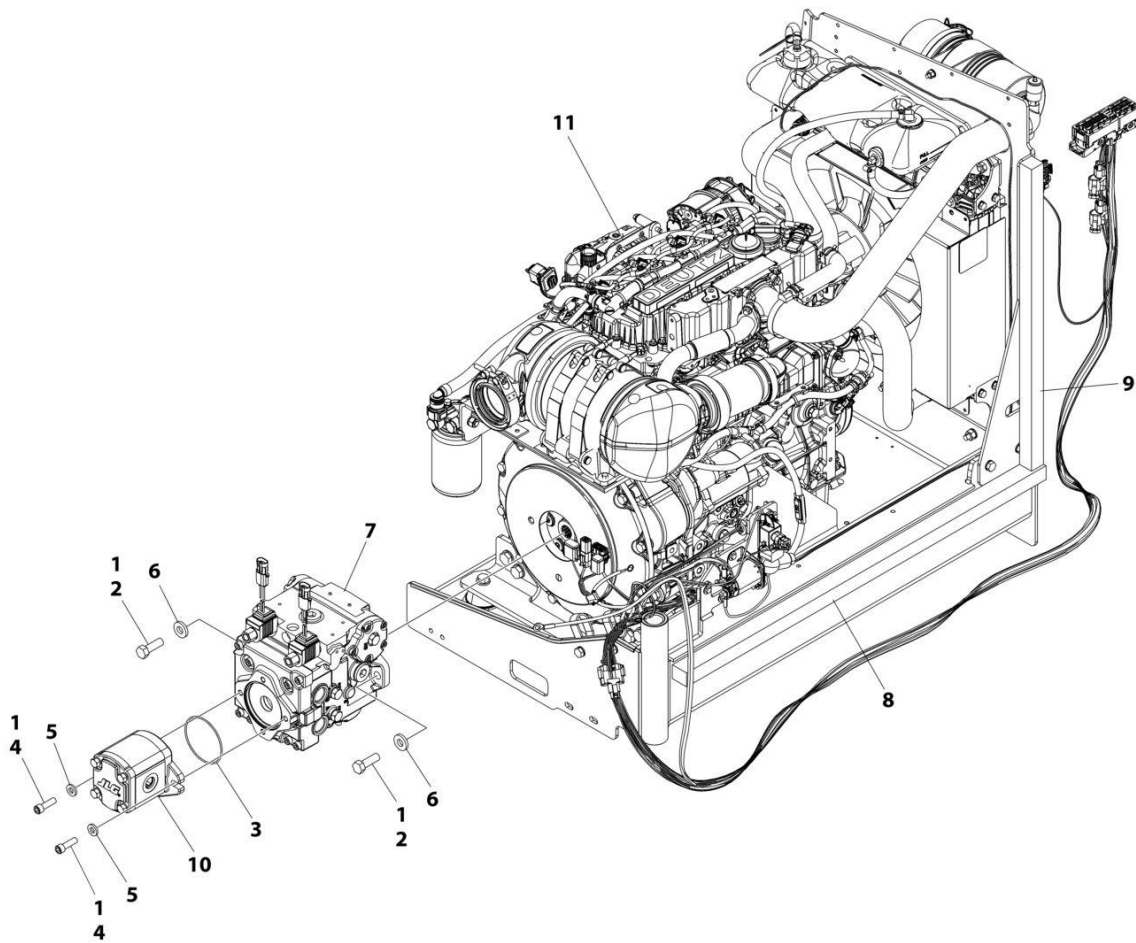
SECTION 3 - ENGINE

**FIGURE 3-1. ENGINE INSTALLATION - DEUTZ D2.9L4 ERM5 ENGINE (WITHOUT ARCTIC PACKAGE)
(ANSI, ANSI EXPORT, CSA AND JAPANESE SPECS)**

ITEM	PART NUMBER	QTY	DESCRIPTION	REV
	1001302970	Ref	ENGINE ASSEMBLY - DEUTZ D2.9L4 ERM5 ENGINE	A
1	0100011	AR	Compound, Locking	
2	0100020	AR	Sealant, Pipe	
3	0440162	1	Bearing	
4	0760610	1	Bolt M6 x 20	
5	0760614	4	Bolt M6 x 30	
6	0760812	1	Bolt M8 x 25	
7	0761014	2	Bolt M10 x 30	
8	0761015	5	Bolt M10 x 35	
9	0761210	1	Bolt M12 x 20	
10	1320022	1	Clamp	
11	1321716	4	Clamp	
12	1701505	1	Decal - Diesel	
13	2180832	1	Fitting, Barbed	
14	2180876	1	Fitting, Barbed	
15	2720058	2 ft/0.6 m	Hose	
16	3290605	5	Nut M6	
17	3291005	6	Nut M10	
18	3422532	1	Pin	
19	3841143	1	Keeper, Pin	
20	4811700	10	Washer M6	
21	4811900	1	Washer M8	
22	4812000	11	Washer M10	
23	4812100	1	Washer M12	
24	5251215	1	Bolt M12 x 35	
25	5261200	1	Nut M12	
26	8405006	2	Clamp	
27	8410013	4	Clamp	
28	8430007	1	Coupling	
29	1001125387	1	Decal - Ultra Low Sulfur Diesel	
30	1001135196	1	Pin	
31	1001142501	1	Fitting, Barbed 90	
32	1001154405	7 ft /2 m	Hose	
33	1001155823	1	Plate	
34	1001165035	17 ft /6 m	Hose	
35	1001167512	1	Bracket	
36	1001169823	1	Plate	
37	1001171683	1	Cable, Battery (Red) (Battery Positive to Auxiliary Power Relay)	
38	1001171684	1	Cable, Battery (Black) (Battery Negative to Auxiliary Power Pump)	
39	1001172736	1	Pipe, Exhaust	
40	1001181358	1	Harness, Fuel Pump (See Separate Breakdown in ELECTRICAL Section)	
41	1001191832	1	Rivet	
42	1001302961	1	Engine and Pump Assembly - Deutz D2.9L4 (Without Arctic Package) (See Separate Breakdown in this Section)	

SECTION 3 - ENGINE

FIGURE 3-2. ENGINE AND PUMP SUB-ASSEMBLY - DEUTZ D2.9L4 ERM5 ENGINE (WITHOUT ARCTIC PACKAGE) (ANSI, ANSI EXPORT AND CSA SPECS)



ART_1001302961

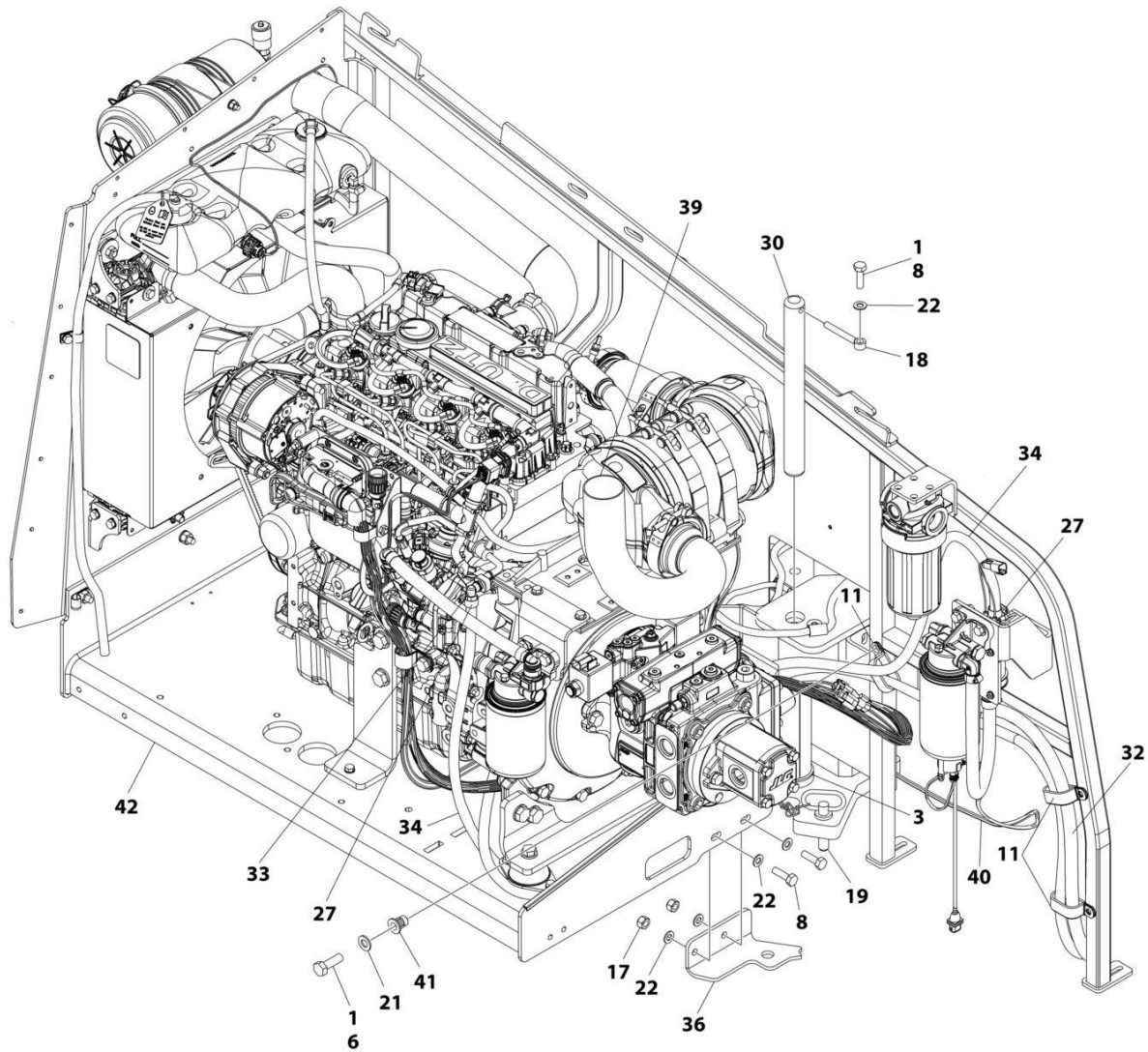
SECTION 3 - ENGINE

FIGURE 3-2. ENGINE AND PUMP SUB-ASSEMBLY - DEUTZ D2.9L4 ERM5 ENGINE (WITHOUT ARCTIC PACKAGE) (ANSI, ANSI EXPORT AND CSA SPECS)

ITEM	PART NUMBER	QTY	DESCRIPTION	REV
	1001302961	Ref	ENGINE AND PUMP SUB-ASSEMBLY - DEUTZ D2.9L4 ERM5	A
1	0100011	AR	Compound, Locking	
2	0641812	2	Bolt 1/2 x 1-1/2	
3	3790152	1	O-Ring	
4	3931618	2	Capscrew 3/8 x 1-1/8	
5	4891600	2	Washer 3/8	
6	4891800	2	Washer 1/2	
7	1001167036	1	Piston Pump Assembly (See Separate Breakdow in this Section)	
8	1001171953	1	Seal	
9	1001171954	1	Seal	
10	1001214207	1	Gear Pump Assembly	
10	70006356	1	Seal Kit - 1001214207 Pump	
11	1001302955	1	Engine Assembly - Deutz D2.9L4 ERM5 Engine (Without Arctic Package) (See Separate Breakdown in this Section)	

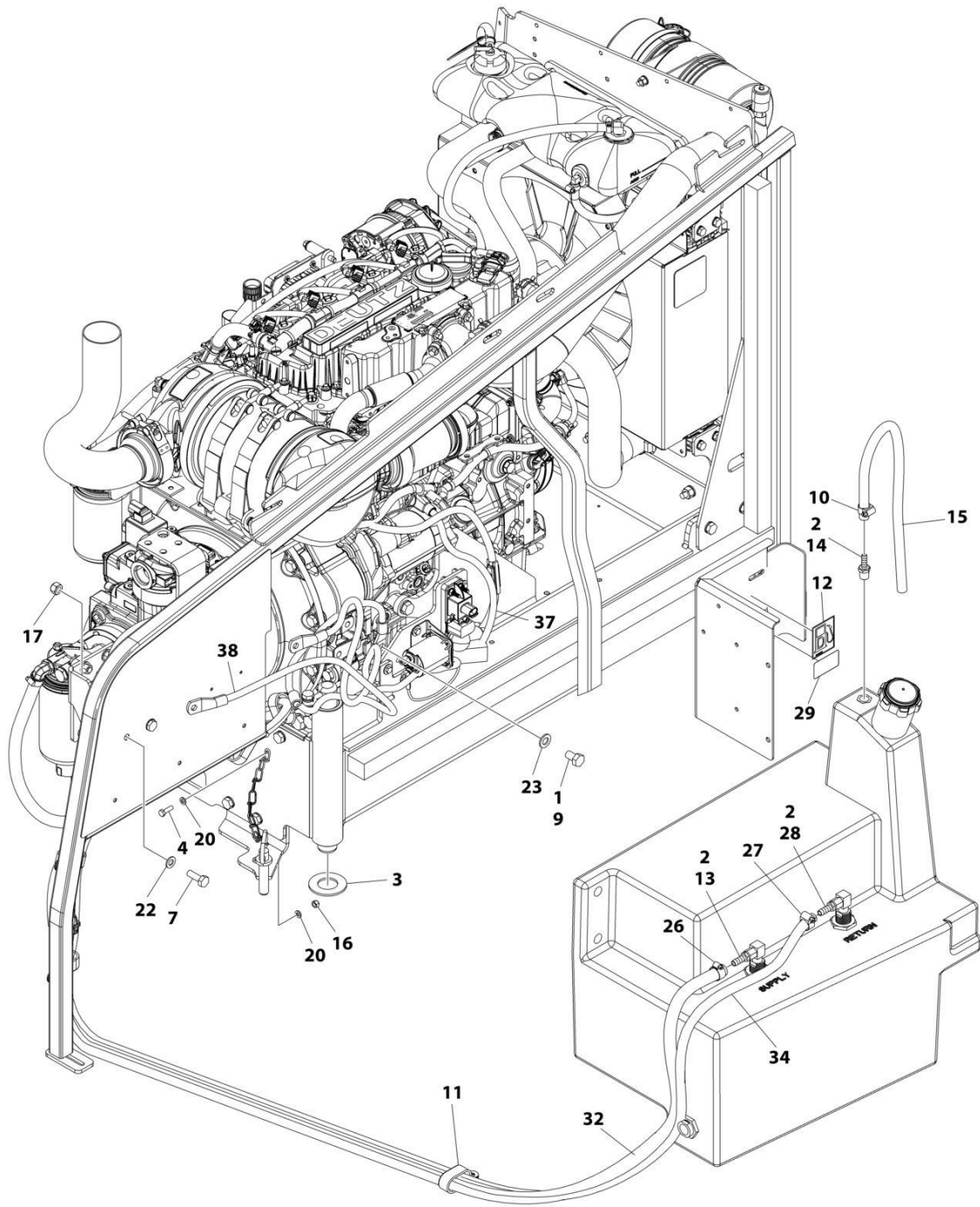
SECTION 3 - ENGINE

FIGURE 3-3. ENGINE INSTALLATION - DEUTZ D2.9L4 ENGINE (WITHOUT ARCTIC PACKAGE) (WITH PMP PUMP)



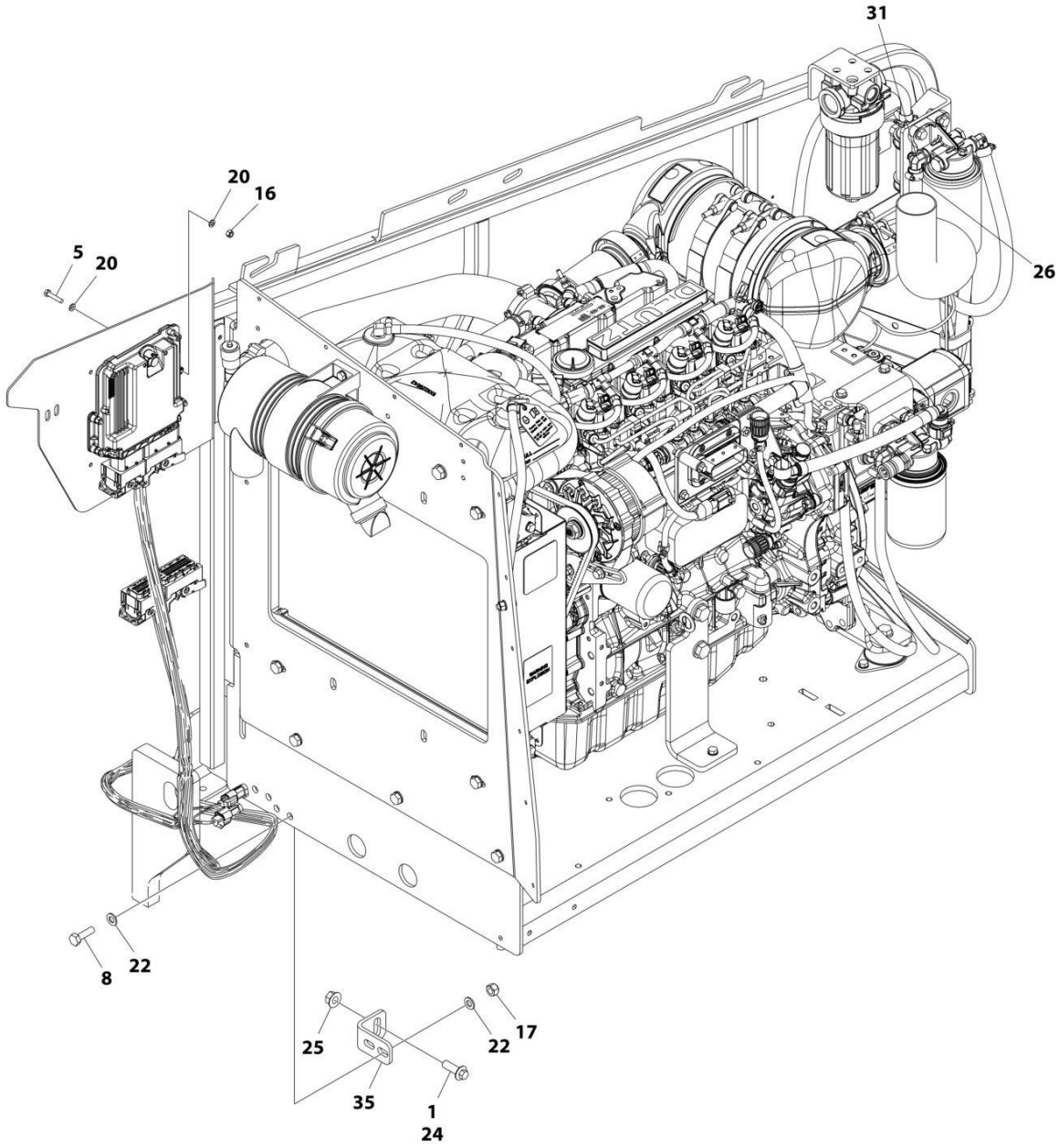
ART_1001300727_10F3

SECTION 3 - ENGINE



ART_1001300727_20F3

SECTION 3 - ENGINE



ART_1001300727_3OF3

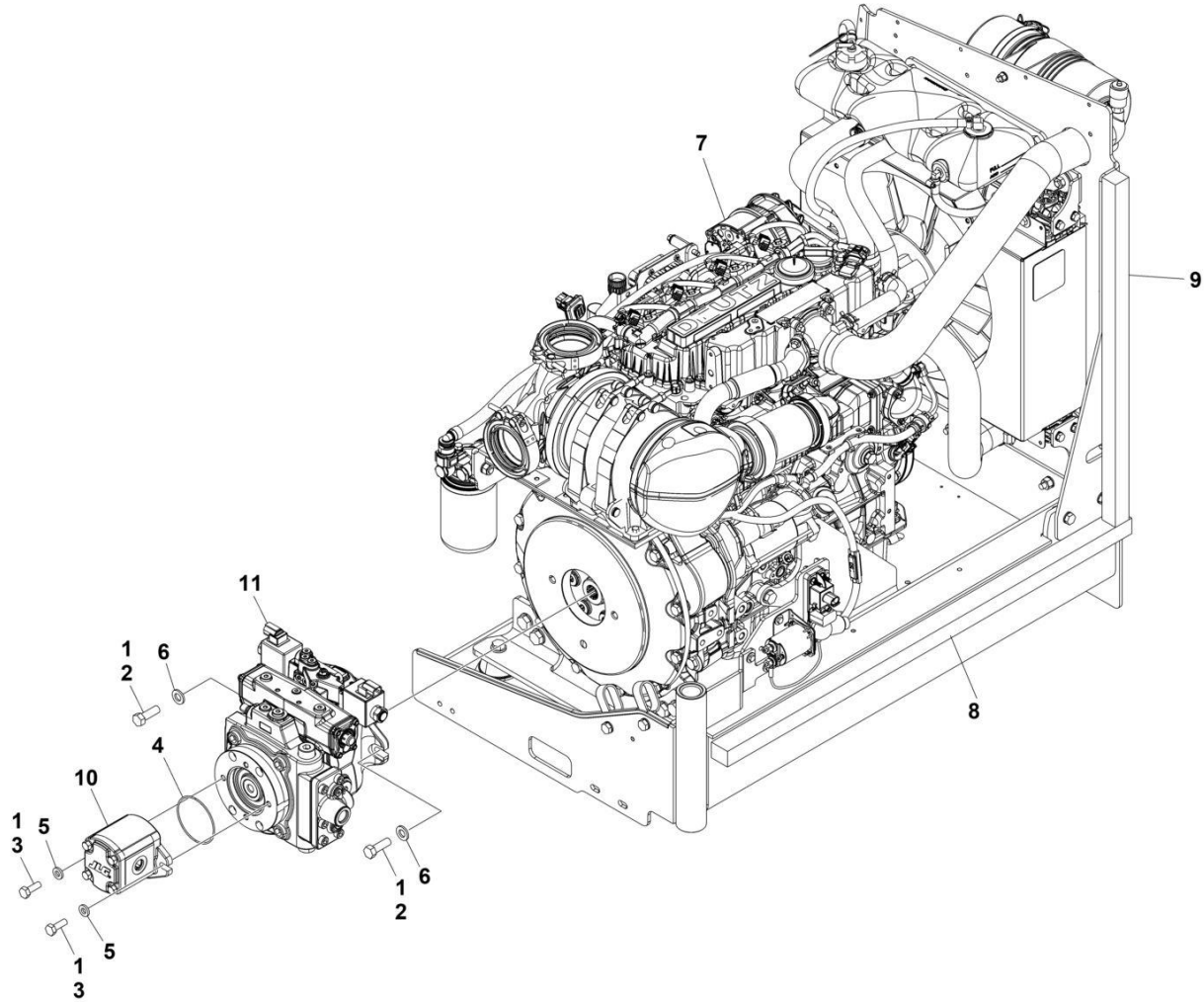
SECTION 3 - ENGINE

FIGURE 3-3. ENGINE INSTALLATION - DEUTZ D2.9L4 ENGINE (WITHOUT ARCTIC PACKAGE) (WITH PMP PUMP)

ITEM	PART NUMBER	QTY	DESCRIPTION	REV
	1001300727	Ref	ENGINE INSTALLATION - DEUTZ D2.9L4 ENGINE (WITHOUT ARCTIC PACKAGE)(WITH PMP PUMP)	A
1	0100011	AR	Compound, Locking	
2	0100020	AR	Sealant, Pipe	
3	0440162	1	Bearing	
4	0760610	1	Bolt M6 x 20	
5	0760614	4	Bolt M6 x 30	
6	0760812	1	Bolt M8 x 25	
7	0761014	2	Bolt M10 x 30	
8	0761015	5	Bolt M10 x 35	
9	0761210	1	Bolt M12 x 20	
10	1320022	1	Clamp	
11	1321716	4	Clamp	
12	1701505	1	Decal - Diesel	
13	2180832	1	Fitting, Barbed	
14	2180876	1	Fitting, Barbed	
15	2720058	22 in/ 56 cm	Hose	
16	3290605	5	Nut M6	
17	3291005	6	Nut M10	
18	3841143	1	Keeper, Pin	
19	3422532	1	Pin	
20	4811700	10	Washer M6	
21	4811900	1	Washer M8	
22	4812000	11	Washer M10	
23	4812100	1	Washer M12	
24	5251215	1	Bolt M12 x 35	
25	5261200	1	Nut M12	
26	8405006	2	Clamp	
27	8410013	4	Clamp	
28	8430007	1	Coupling	
29	1001125387	1	Decal - Ultra Low Sulfur Diesel	
30	1001135196	1	Pin	
31	1001142501	1	Fitting, 90 Barbed	
32	1001154405	7.2 ft/ 2.2 m	Hose	
33	1001155823	1	Coupling, Quick Disconnect 90	
34	1001165035	17 ft/ 5.2 m	Hose	
35	1001167512	1	Bracket	
36	1001169823	1	Plate	
37	1001171683	1	Cable, Battery (Red) (Battery Positive to Auxiliary Power Relay)	
38	1001171684	1	Cable, Battery (Black) (Battery Negative to Auxiliary Power Pump)	
39	1001172736	1	Pipe, Exhaust	
40	1001181358	1	Harness, Fuel Pump (See Separate Breakdown in ELECTRICAL Section)	
41	1001191832	1	Nut, Rivet M8	
42	1001300726	1	Engine and Pump Sub-Assembly (Without Arctic Package) (See Separate Breakdown in this Section)	

SECTION 3 - ENGINE

FIGURE 3-4. ENGINE AND PUMP SUB-ASSEMBLY - DEUTZ D2.9L4 ENGINE (WITHOUT ARCTIC PACKAGE) (WITH PMP PUMP)



ART_1001300726

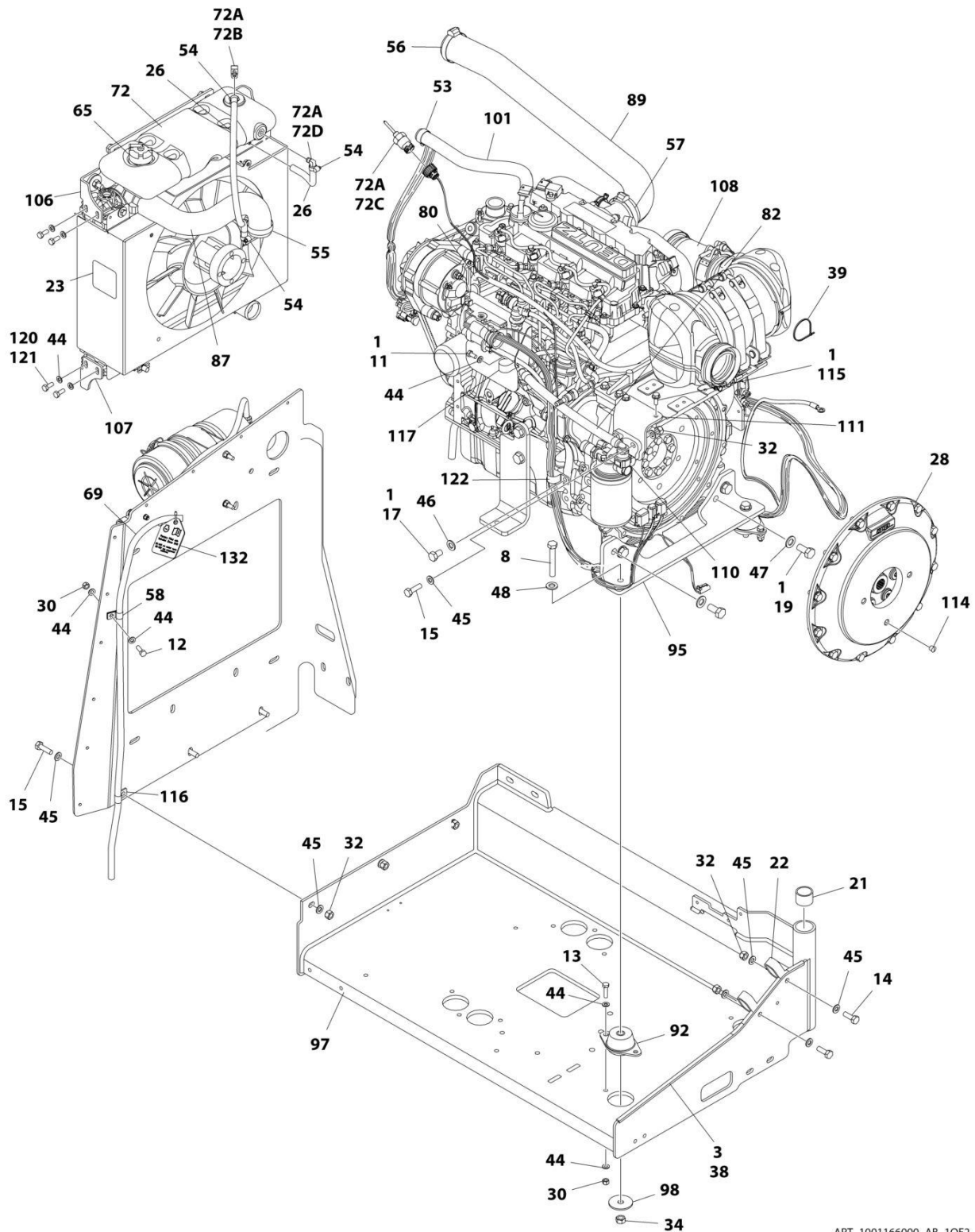
SECTION 3 - ENGINE

FIGURE 3-4. ENGINE AND PUMP SUB-ASSEMBLY - DEUTZ D2.9L4 ENGINE (WITHOUT ARCTIC PACKAGE) (WITH PMP PUMP)

ITEM	PART NUMBER	QTY	DESCRIPTION	REV
	1001300726	Ref	ENGINE AND PUMP SUB-ASSEMBLY - DEUTZ D2.9L4 (WITHOUT ARCTIC PACKAGE) (WITH PMP PUMP)	A
1	0100011	AR	Compound, Locking	
2	0641812	2	Bolt 1/2 x 1-1/2	
3	0761014	2	Bolt M10 x 30	
4	3790152	1	O-Ring	
5	4891600	2	Washer 3/8	
6	5241200	2	Washer M12	
7	1001166000	1	Engine Assembly (Without Arctic Package) (See Separate Breakdown in this Section)	
8	1001171953	1	Seal	
9	1001171954	1	Seal	
10	1001214207	1	Gear Pump Assembly	
10	70006356	1	Seal Kit - 1001214207 Pump	
11	1001285632	1	Closed Pump Loop Assembly (See Separate Breakdown in this Section)	

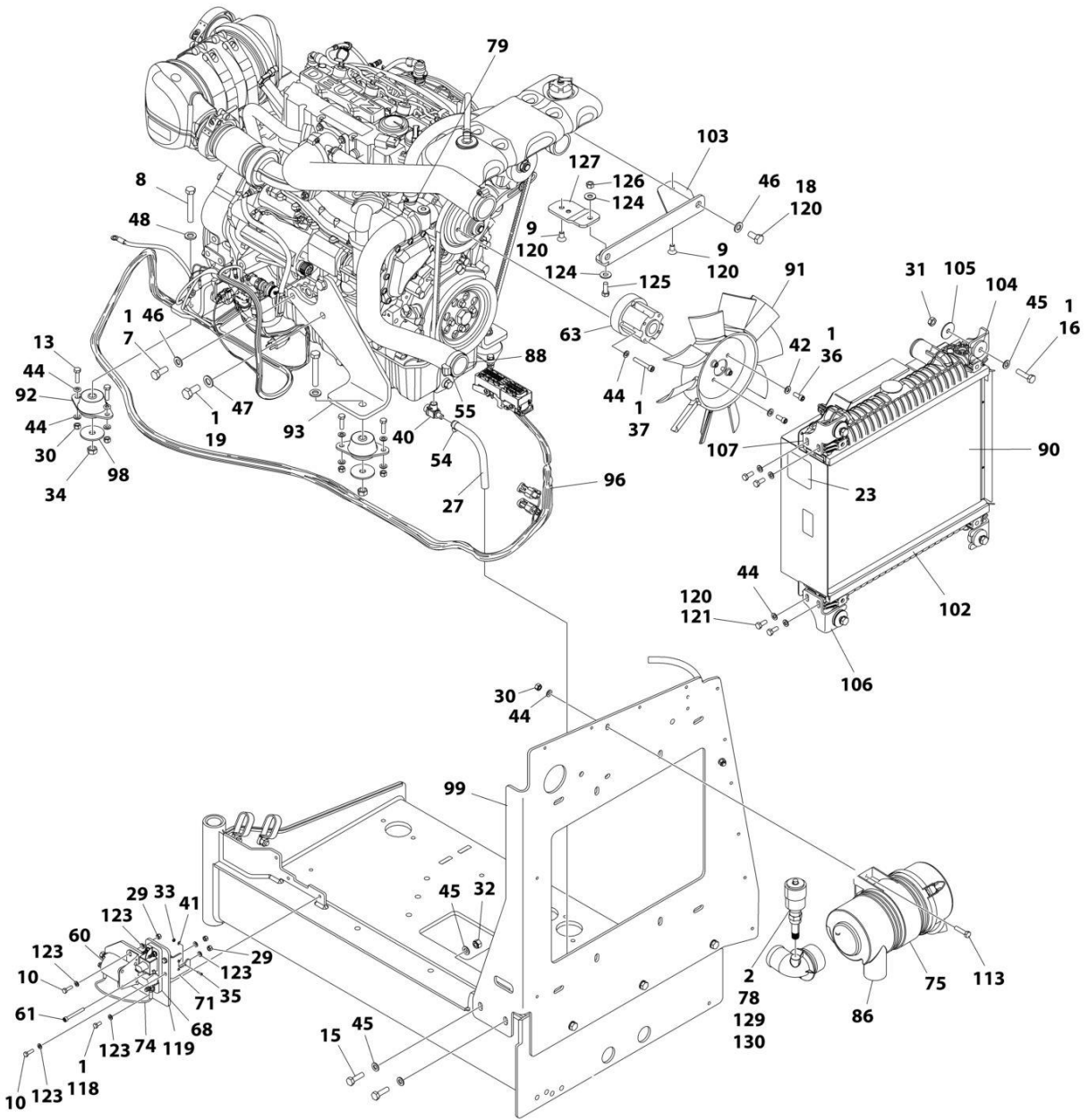
SECTION 3 - ENGINE

FIGURE 3-5. ENGINE ASSEMBLY - DEUTZ D2.9L4 ERM4 ENGINE (WITHOUT ARCTIC PACKAGE)



ART_1001166000_AB_10F2

SECTION 3 - ENGINE



ART_1001166000_AB_2OF2

SECTION 3 - ENGINE

FIGURE 3-5. ENGINE ASSEMBLY - DEUTZ D2.9L4 ERM4 ENGINE (WITHOUT ARCTIC PACKAGE)

ITEM	PART NUMBER	QTY	DESCRIPTION	REV
	1001166000	Ref	ENGINE ASSEMBLY - DEUTZ D2.9L4 ENGINE (WITHOUT ARCTIC PACKAGE)	AB
1	0100011	AR	Compound, Locking	
2	0100020	AR	Sealant, Pipe	
3	0100081	AR	Adhesive	
7	0711214	1	Bolt M12 x 30 Class 10.9	
8	0711224	3	Bolt M12 x 80 Class 10.9	
9	0741606	2	Screw 3/8 x 3/4	
10	0760610	4	Bolt M6 x 20	
11	0760808	1	Bolt M8 x 16	
12	0760812	1	Bolt M8 x 25	
13	0760814	6	Bolt M8 x 30	
14	0761014	2	Bolt M10 x 30	
15	0761015	7	Bolt M10 x 35	
16	0761016	4	Bolt M10 x 40	
17	0761210	1	Bolt M12 x 20	
18	0761212	2	Bolt M12 x 25	
19	0771414	6	Bolt M14 x 30 Class 10.9	
21	0961951	2	Bushing	
22	1321716	2	Clamp	
23	1703162	2	Decal - Caution Fan	
26	2720015	2 ft/1 m	Hose	
27	2720340	8 in/1 m	Hose	
28	2902065	1	Pump Coupling Kit (See Separate Breakdown in this Section)	
29	3290605	5	Nut M6	
30	3290805	9	Nut M8	
31	3291001	4	Nut M10	
32	3291005	9	Nut M10	
33	3310401	3	Nut #4	
34	3331215	3	Nut M12	
35	3910408	3	Screw #4- x 1/2	
36	3931512	4	Capscrew, 5/16 x 3/4	
37	4031914	4	Bolt M8 x 50	
38	4060805	3 ft/1 m	Flex-Trim	
39	4240099	AR	Tie-Strap	
40	4640751	1	Valve, Oil Drain	
41	4710400	3	Washer #4	
42	4711500	4	Washer 5/16	
44	4811900	31	Washer M8	
45	4812000	22	Washer M10	
46	4812100	4	Washer M12	
47	4812200	6	Washer M14	
48	5241200	3	Washer M12 Hardened	
53	8405007	2	Clamp	
54	8405009	5	Clamp	
55	8405104	4	Clamp	
56	8405202	1	Clamp	
57	8405204	1	Clamp	
58	8406109	1	Clip	
60	1001117308	1	Relay, 200Amp	

SECTION 3 - ENGINE

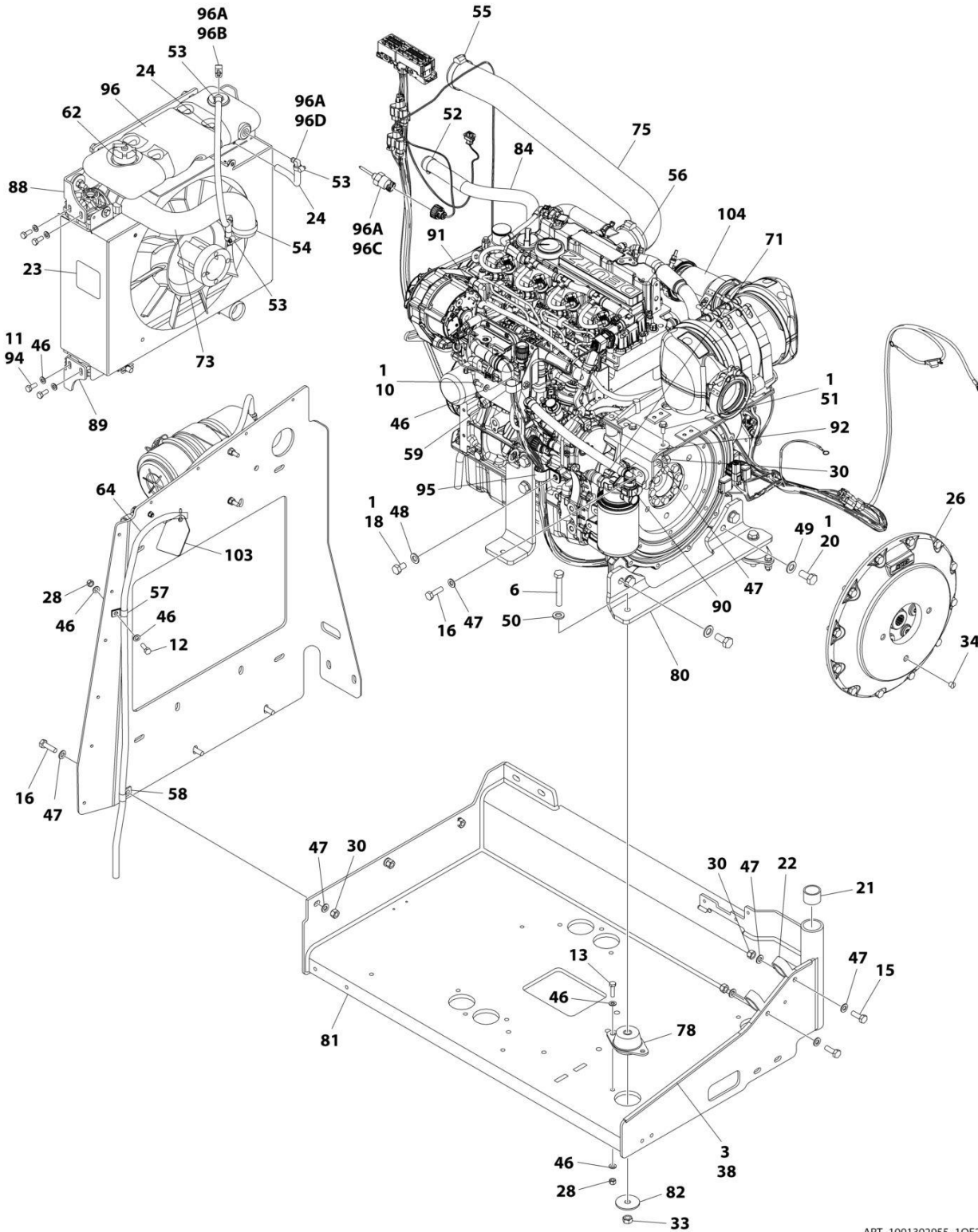
ITEM	PART NUMBER	QTY	DESCRIPTION	REV
60	3300220	2	Nut	
60	3321001	2	Nut #10	
60	4761000	2	Washer #10	
60	1001111424	2	Washer	
61	1001118878	1	Bolt M6 x 55	
63	1001144116	1	Spacer, Fan	
65	1001136834	1	Cap, Tank	
68	1001138228	1	Relay, Power Module	
68	70023592	1	Fuse 20Amp	
68	70023593	1	Fuse 30Amp	
69	1001138248	4 ft/1 m	Tube	
71	1001139240	1	Bracket	
72	1001230635	1	Tank, Surge (Includes Items 72A-72D)	
72A	0100020	AR	Sealant, Pipe	
72B	1001134488	1	Fitting, Barbed	
72C	1001138827	1	Sensor, Coolant Level	
72D	1001140564	1	Fitting, Barbed 90	
74	1001141304	1	Harness, Glow Plug	
75	1001141694	1	Clamp, Air Cleaner	
78	1001143390	1	Indicator	
79	1001143797	1	Fitting, Barbed	
80	1001178788	1	Cable, Alternator	
82	1001152489	1	Fitting, Barbed 90	
86	1001165388	1	Air Cleaner Assembly	
86	70003783	1	Element, Air Cleaner	
87	1001165405	1	Hose, Upper Radiator	
88	1001165406	1	Hose, Lower Radiator	
89	1001165721	1	Hose, Air Intake	
90	1001165722	1	Radiator	
91	1001165849	1	Fan	
92	1001166718	3	Mount, Motor	
93	1001166921	1	Plate, Engine Mount	
95	1001166924	1	Plate, Engine Mount	
96	1001167108	1	Harness Engine - Deutz D2.9L4 (See Separate Breakdown in ELECTRICAL Section)	
97	1001167520	1	Tray, Engine	
98	1001168018	3	Washer, Special	
99	1001168026	1	Plate, Radiator Mounting	
101	1001168099	1	Hose	
102	1001168166	2	Seal	
103	1001260420	1	Bracket	
104	1001169054	4	Isolator	
105	1001169138	4	Washer, Snubbing	
106	1001169967	2	Bracket	
107	1001170035	2	Bracket	
108	1001249965	1	Engine, Deutz D2.9L4 (See Separate Breakdown in this Section)	
110	1001177359	1	Hose	
111	1001178876	1	Mount, Fuel Filter	
113	0760815	2	Bolt M8 x 35	
114	3520054	1	Plug	
115	5250810	2	Bolt M8 x 20	
116	8406110	1	Clip	

SECTION 3 - ENGINE

ITEM	PART NUMBER	QTY	DESCRIPTION	REV
117	8406201	1	Clip	
118	0760607	3	Bolt M6 x 14	
119	1001179903	1	Bracket	
120	1001180620	AR	Adhesive	
121	0760810	8	Bolt M8 x 20	
122	1001191620	1	Clamp	
123	4811702	12	Washer M6	
124	4751600	2	Washer 3/8	
125	0681608	1	Bolt 3/8 x 1	
126	3311605	1	Nut 3/8	
127	1001260412	1	Bracket	
128	1001162335	1	Bracket Assembly - Fuel Pump/Filter (Not Shown - See Separate Breakdown in this Section)	
129	2200261	1	Fitting	
130	1001277432	1	Spacer	
131	4240032	1	Tie-Strap (Not Shown)	
132	1001291401	1	Tag, Coolant	

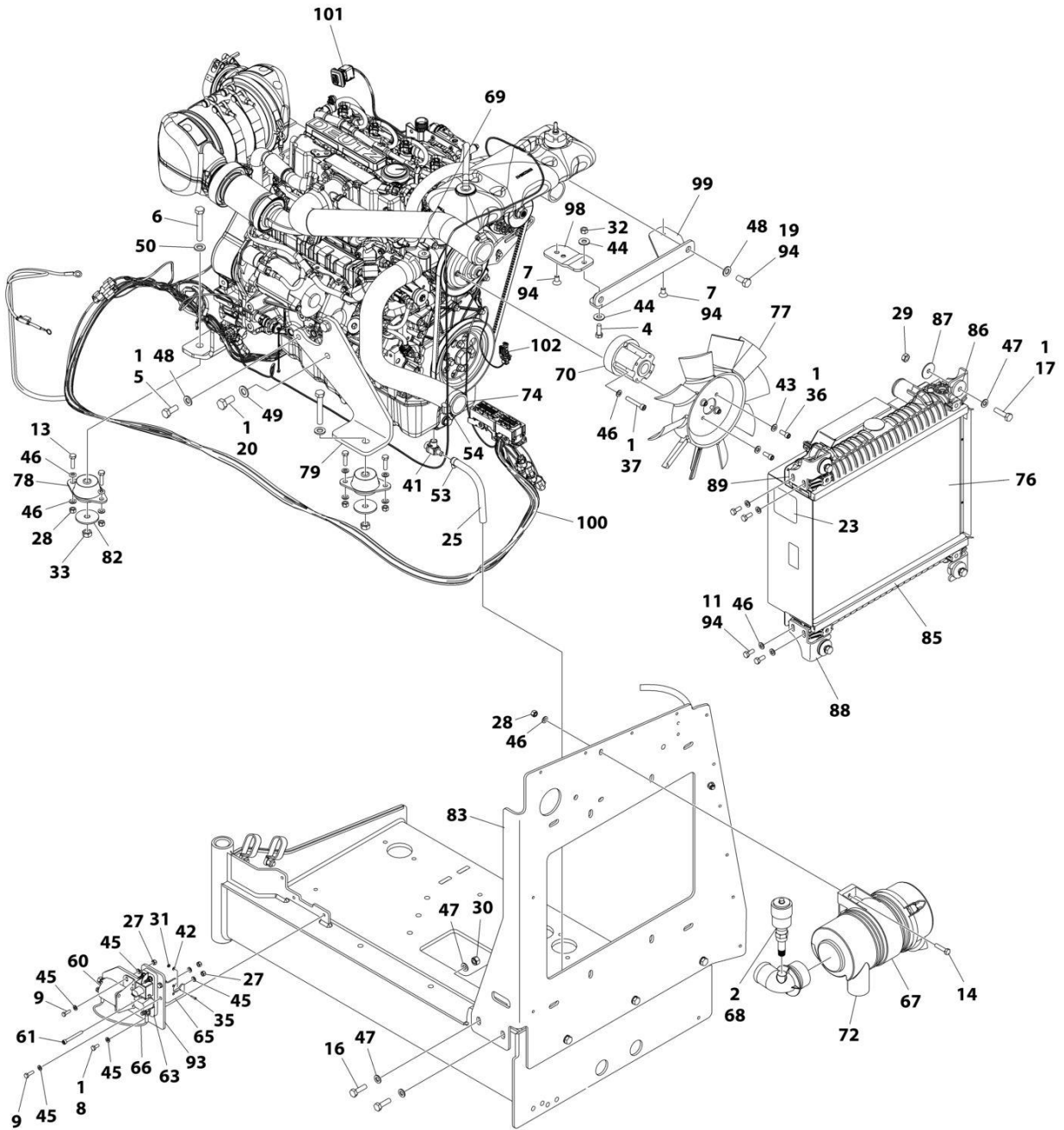
SECTION 3 - ENGINE

FIGURE 3-6. ENGINE ASSEMBLY - DEUTZ D2.9L4 ERM5 ENGINE (WITHOUT ARCTIC PACKAGE) (ANSI, ANSI EXPORT AND CSA SPECS)



ART_1001302955_10F2

SECTION 3 - ENGINE



ART_1001302955_20F2

SECTION 3 - ENGINE

**FIGURE 3-6. ENGINE ASSEMBLY - DEUTZ D2.9L4 ERM5 ENGINE (WITHOUT ARCTIC PACKAGE)
(ANSI, ANSI EXPORT AND CSA SPECS)**

ITEM	PART NUMBER	QTY	DESCRIPTION	REV
	1001302955	Ref	ENGINE ASSEMBLY - DEUTZ D2.9L4 ERM5 ENGINE	A
1	0100011	AR	Compound, Locking	
2	0100020	AR	Sealant, Pipe	
3	0100081	AR	Adhesive	
4	0681608	1	Bolt 3/8 x 1	
5	0711214	1	Bolt M12 x 30	
6	0711224	3	Bolt M12 x 80	
7	0741606	2	Screw 3/8 x 3/4	
8	0760607	3	Bolt M6 x 14	
9	0760610	4	Bolt M6 x 20	
10	0760808	1	Bolt M8 x 16	
11	0760810	8	Bolt M8 x 20	
12	0760812	1	Bolt M8 x 25	
13	0760814	6	Bolt M8 x 30	
14	0760815	2	Bolt M8 x 35	
15	0761014	2	Bolt M10 x 30	
16	0761015	7	Bolt M10 x 35	
17	0761016	4	Bolt M10 x 40	
18	0761210	1	Bolt M12 x 20	
19	0761212	2	Bolt M12 x 25	
20	0771414	6	Bolt M14 x 30	
21	0961951	2	Bushing	
22	1321716	2	Clamp	
23	1703162	2	Decal - Caution Fan	
24	2720015	2 ft/1 m	Hose	
25	2720340	8 in/20 cm	Hose	
26	2902065	1	Pump Coupling Kit (See Separate Breakdown in this Section)	
27	3290605	5	Nut M6	
28	3290805	9	Nut M8	
29	3291001	4	Nut M10	
30	3291005	9	Nut M10	
31	3310401	3	Nut #4	
32	3311605	1	Nut 3/8	
33	3331215	3	Nut M12	
34	3520054	1	Plug	
35	3910408	3	Screw #4 x 1/2	
36	3931512	4	Capscrew 5/16 x 3/4	
37	4031914	4	Bolt M8 x 50	
38	4060805	2 ft/1 m	Flex-Trim	
39	4240032	AR	Tie-Strap (Not Shown)	
40	4240099	AR	Tie-Strap (Not Shown)	
41	4640751	1	Valve, Oil Drain	
42	4710400	3	Washer #4	
43	4711500	4	Washer 5/16	
44	4751600	2	Washer 3/8	
45	4811702	12	Washer M6	
46	4811900	31	Washer M8	
47	4812000	22	Washer M10	
48	4812100	4	Washer M12	

SECTION 3 - ENGINE

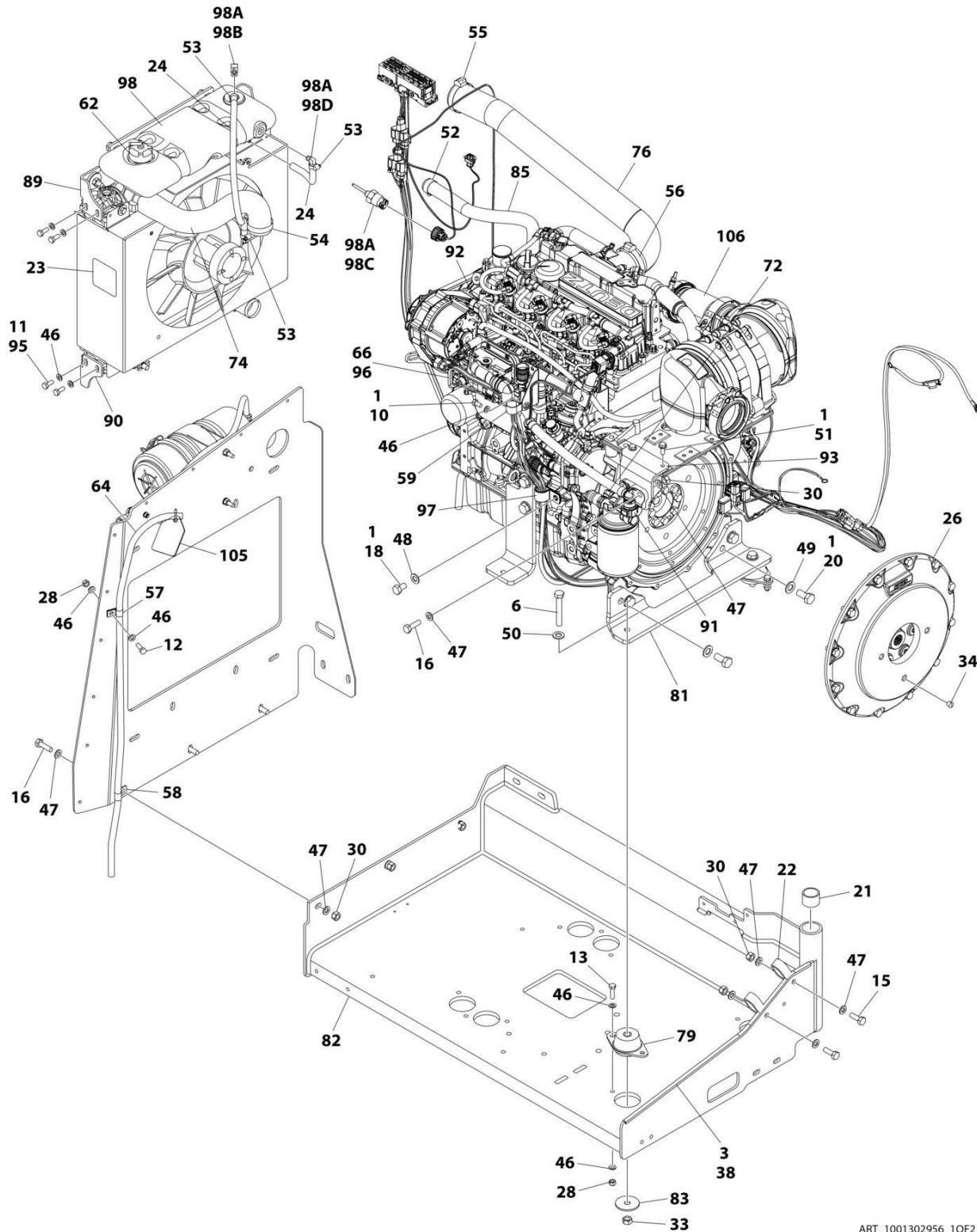
ITEM	PART NUMBER	QTY	DESCRIPTION	REV
49	4812200	6	Washer M14	
50	5241200	3	Washer M12	
51	5250810	2	Bolt M8 x 20	
52	8405007	2	Clamp	
53	8405009	5	Clamp	
54	8405104	4	Clamp	
55	8405202	1	Clamp	
56	8405204	1	Clamp	
57	8406109	1	Clip	
58	8406110	1	Clip	
59	8406201	1	Clip	
60	1001117308	1	Relay, 200Amp	
60	3300220	2	Nut	
60	3321001	2	Nut #10	
60	4761000	2	Washer #10	
60	100111424	2	Washer	
61	1001118878	1	Bolt M6 x 55	
62	1001136834	1	Cap, Tank	
63	1001138228	1	Relay, Power Module	
63	70023592	1	Fuse 20AMP	
63	70023593	1	Fuse 30AMP	
64	1001138248	4 ft/1 m	Hose	
65	1001139240	1	Bracket	
66	1001141304	1	Harness, Glow Fuse	
67	1001141694	1	Clamp	
68	1001143390	1	Indicator	
69	1001143797	1	Fitting, Pipe Straight	
70	1001144116	1	Spacer, Fan	
71	1001152489	1	Fitting, Pipe 90	
72	1001165388	1	Filter, Air Cleaner	
73	1001165405	1	Hose	
74	1001165406	1	Hose	
75	1001165721	1	Hose	
76	1001165722	1	Radiator	
77	1001165849	1	Fan	
78	1001166718	3	Isolator	
79	1001166921	1	Plate	
80	1001166924	1	Plate	
81	1001167520	1	Support	
82	1001168018	3	Washer, Special	
83	1001168026	1	Plate	
84	1001168099	1	Hose	
85	1001168166	2	Seal	
86	1001169054	4	Isolator, Radiator	
87	1001169138	4	Pad	
88	1001169967	2	Bracket	
89	1001170035	2	Bracket	
90	1001177359	1	Hose	
91	1001178788	1	Cable, Alternator	
92	1001178876	1	Mount	
93	1001179903	1	Bracket	

SECTION 3 - ENGINE

ITEM	PART NUMBER	QTY	DESCRIPTION	REV
94	1001180620	AR	Adhesive	
95	1001191620	1	Clamp	
96	1001230635	1	Tank, Surge Assembly (Includes Items 96A-96D)	
96A	0100020	AR	Sealant, Pipe	
96B	1001134488	1	Fitting, Barbed	
96C	1001138827	1	Sensor, Coolant Level	
96D	1001140564	1	Fitting, Barbed 90	
97	1001235949	1	Bracket Assembly Fuel Pump/Filter (Not Shown - See Separate Breakdown in this Section)	
98	1001260412	1	Bracket	
99	1001260420	1	Bracket	
100	1001276643	1	Engine Harness (See Separate Breakdown in ELECTRICAL Section)	
101	1001281985	1	Connector	
102	1001281986	1	Connector	
103	1001291401	1	Tag, Coolant	
104	1001302954	1	Engine, Deutz D2.9L4 ERM5 (See Separate Breakdown in this Section)	

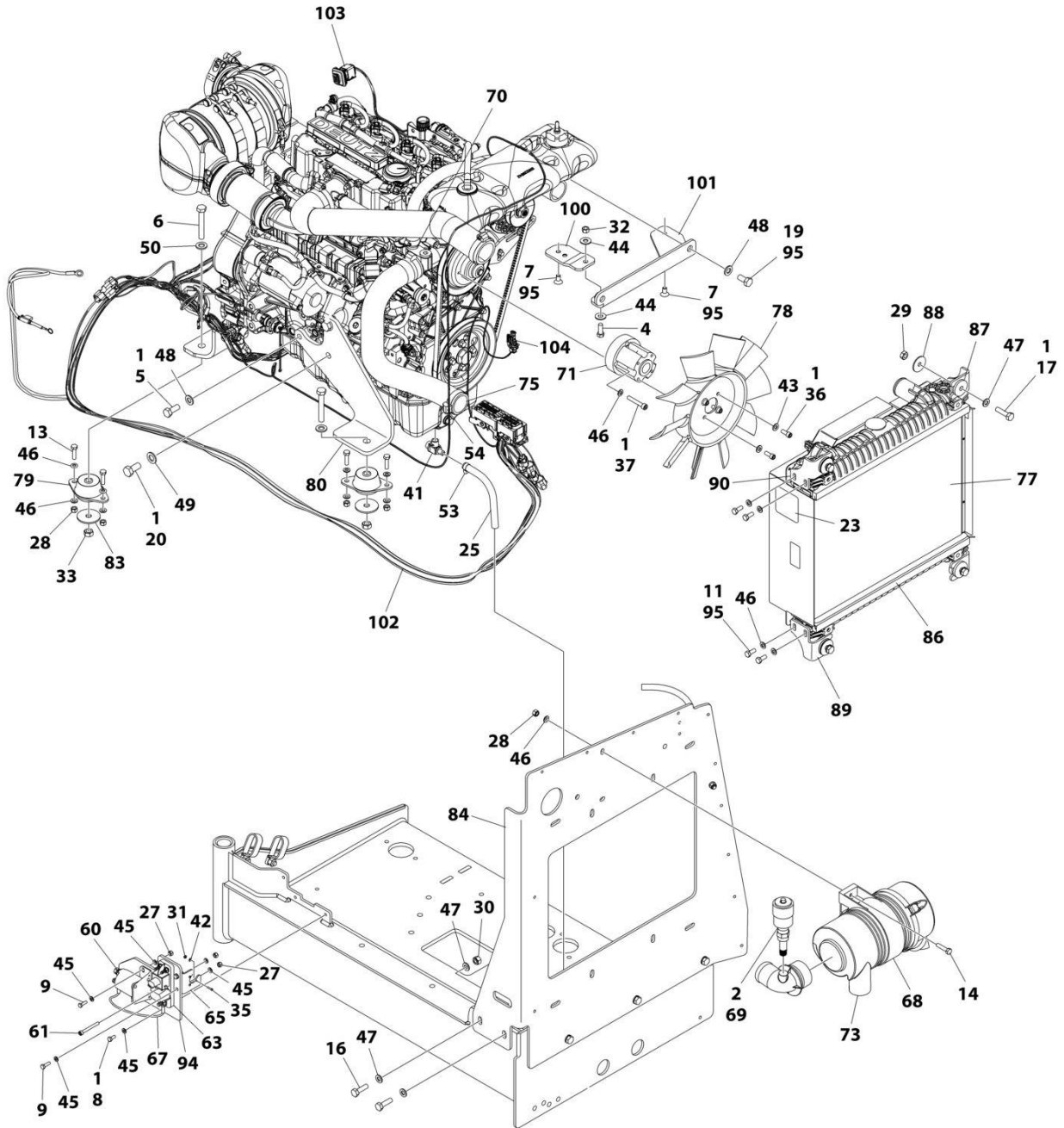
SECTION 3 - ENGINE

FIGURE 3-7. ENGINE ASSEMBLY - DEUTZ D2.9L4 ERM5 ENGINE (WITH ARCTIC PACKAGE) (ANSI AND CSA SPECS)



ART_1001302956_10F2

SECTION 3 - ENGINE



ART_1001302956_20F2

SECTION 3 - ENGINE

FIGURE 3-7. ENGINE ASSEMBLY - DEUTZ D2.9L4 ERM5 ENGINE (WITH ARCTIC PACKAGE) (ANSI AND CSA SPECS)

ITEM	PART NUMBER	QTY	DESCRIPTION	REV
	1001302956	Ref	ENGINE ASSEMBLY - DEUTZ D2.9L4 ERM5 ENGINE	A
1	0100011	AR	Compound, Locking	
2	0100020	AR	Sealant, Pipe	
3	0100081	AR	Adhesive	
4	0681608	1	Bolt 3/8 x 1	
5	0711214	1	Bolt M12 x 30	
6	0711224	3	Bolt M12 x 80	
7	0741606	2	Screw 3/8 x 3/4	
8	0760607	3	Bolt M6 x 14	
9	0760610	4	Bolt M6 x 20	
10	0760808	1	Bolt M8 x 16	
11	0760810	8	Bolt M8 x 20	
12	0760812	1	Bolt M8 x 25	
13	0760814	6	Bolt M8 x 30	
14	0760815	2	Bolt M8 x 35	
15	0761014	2	Bolt M10 x 30	
16	0761015	7	Bolt M10 x 35	
17	0761016	4	Bolt M10 x 40	
18	0761210	1	Bolt M12 x 20	
19	0761212	2	Bolt M12 x 25	
20	0771414	6	Bolt M14 x 30	
21	0961951	2	Bushing	
22	1321716	2	Clamp	
23	1703162	2	Decal - Caution Fan	
24	2720015	2 ft/1 m	Hose	
25	2720340	8 in/20 cm	Hose	
26	2902065	1	Pump Coupling Kit (See Separate Breakdown in this Section)	
27	3290605	5	Nut M6	
28	3290805	9	Nut M8	
29	3291001	4	Nut M10	
30	3291005	9	Nut M10	
31	3310401	3	Nut #4	
32	3311605	1	Nut 3/8	
33	3331215	3	Nut M12	
34	3520054	1	Plug	
35	3910408	3	Screw #4 x 1/2	
36	3931512	4	Capscrew 5/16 x 3/4	
37	4031914	4	Bolt M8 x 50	
38	4060805	3 ft/1 m	Flex-Trim	
39	4240032	AR	Tie-Strap (Not Shown)	
40	4240099	AR	Tie-Strap (Not Shown)	
41	4640751	1	Valve, Oil Drain	
42	4710400	3	Washer #4	
43	4711500	4	Washer 5/16	
44	4751600	2	Washer 3/8	
45	4811702	12	Washer M6	
46	4811900	31	Washer M8	
47	4812000	22	Washer M10	
48	4812100	4	Washer M12	

SECTION 3 - ENGINE

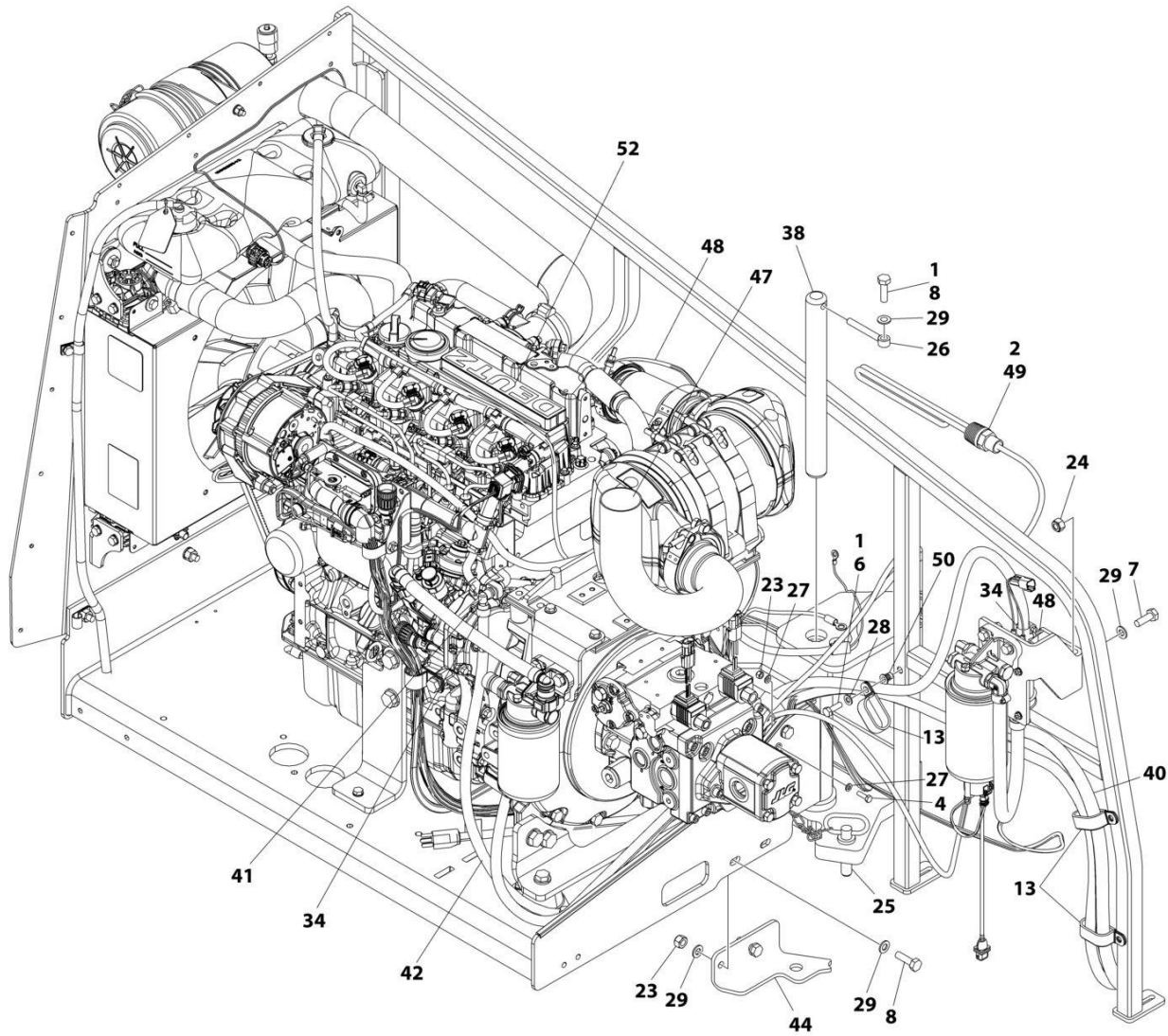
ITEM	PART NUMBER	QTY	DESCRIPTION	REV
49	4812200	6	Washer M14	
50	5241200	3	Washer M12	
51	5250810	2	Bolt M8 x 20	
52	8405007	2	Clamp	
53	8405009	5	Clamp	
54	8405104	4	Clamp	
55	8405202	1	Clamp	
56	8405204	1	Clamp	
57	8406109	1	Clip	
58	8406110	1	Clip	
59	8406201	1	Clip	
60	1001117308	1	Relay, 200Amp	
60	3300220	2	Nut	
60	3321001	2	Nut #10	
60	4761000	2	Washer #10	
60	100111424	2	Washer	
61	1001118878	1	Bolt M6 x 55	
62	1001136834	1	Cap, Tank	
63	1001138228	1	Relay, Power Module	
63	70023592	1	Fuse 20AMP	
63	70023593	1	Fuse 30AMP	
64	1001138248	4 ft/1 m	Hose	
65	1001139240	1	Bracket	
66	1001140312	1	Heater, Engine Block	
67	1001141304	1	Wire, Glow Fuse	
68	1001141694	1	Clamp	
69	1001143390	1	Indicator	
70	1001143797	1	Fitting, Pipe Straight	
71	1001144116	1	Spacer, Fan	
72	1001152489	1	Fitting, Pipe 90	
73	1001165388	1	Filter, Air Cleaner	
74	1001165405	1	Hose	
75	1001165406	1	Hose	
76	1001165721	1	Hose	
77	1001165722	1	Radiator	
78	1001165849	1	Fan	
79	1001166718	3	Isolator	
80	1001166921	1	Plate	
81	1001166924	1	Plate	
82	1001167520	1	Support	
83	1001168018	3	Washer, Special	
84	1001168026	1	Plate	
85	1001168099	1	Hose	
86	1001168166	2	Seal	
87	1001169054	4	Isolator, Radiator	
88	1001169138	4	Pad	
89	1001169967	2	Bracket	
90	1001170035	2	Bracket	
91	1001177359	1	Hose	
92	1001178788	1	Cable, Alternator	
93	1001178876	1	Mount	

SECTION 3 - ENGINE

ITEM	PART NUMBER	QTY	DESCRIPTION	REV
94	1001179903	1	Bracket	
95	1001180620	AR	Adhesive	
96	1001181895	AR	Adhesive	
97	1001191620	1	Clamp	
98	1001230635	1	Tank, Surge Assembly (Includes Items 96A-96D)	
98A	0100020	AR	Sealant, Pipe	
98B	1001134488	1	Fitting, Barbed	
98C	1001138827	1	Sensor, Coolant Level	
98D	1001140564	1	Fitting, Barbed 90	
99	1001235949	1	Bracket Assembly Fuel Pump/Filter (Not Shown - See Separate Breakdown in this Section)	
100	1001260412	1	Bracket	
101	1001260420	1	Bracket	
102	1001276643	1	Engine Harness (See Separate Breakdown in ELECTRICAL Section)	
103	1001281985	1	Connector	
104	1001281986	1	Connector	
105	1001291401	1	Tag, Coolant	
106	1001302954	1	Engine, Deutz D2.9L4 ERM5 (See Separate Breakdown in this Section)	

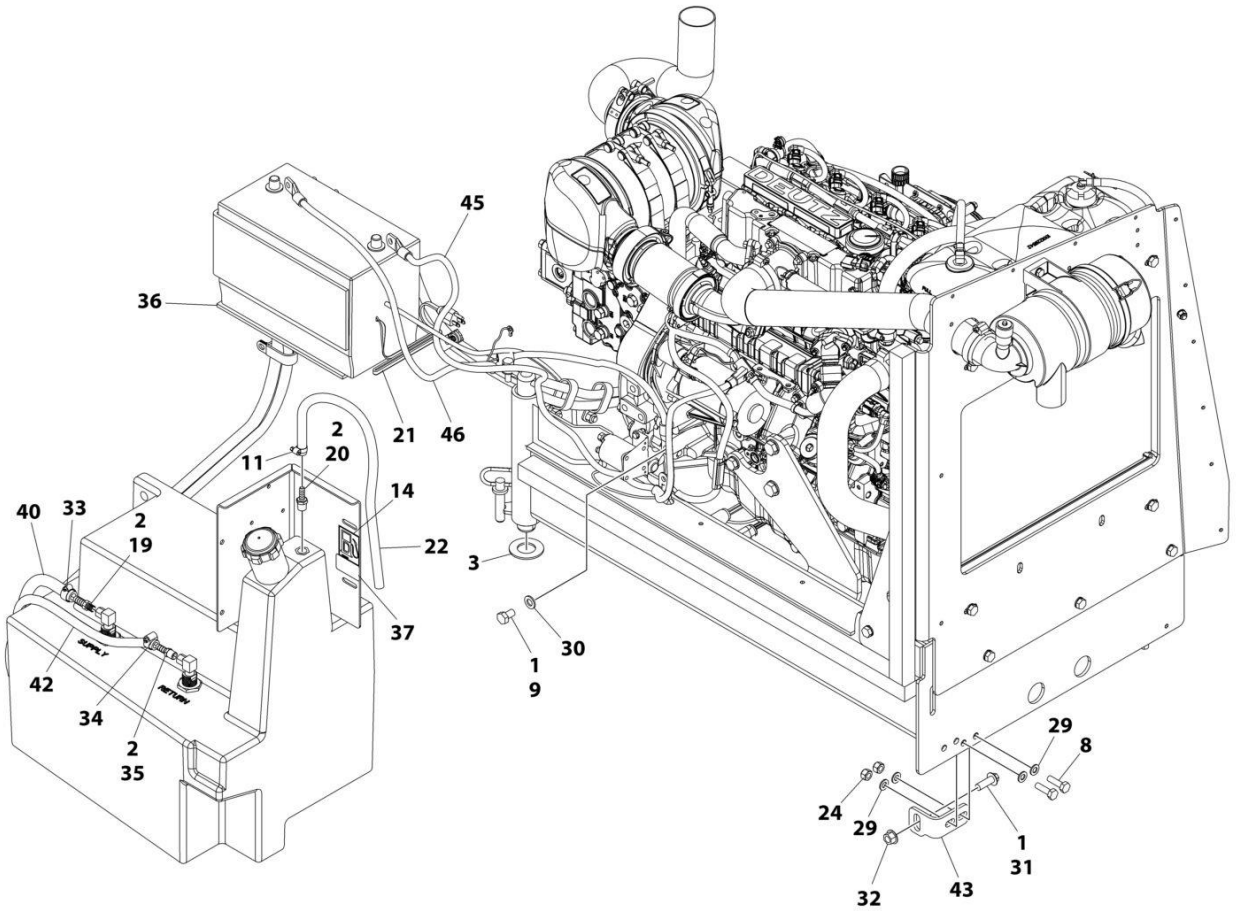
SECTION 3 - ENGINE

FIGURE 3-8. ENGINE INSTALLATION - DEUTZ D2.9L4 ERM5 ENGINE (WITH ARCTIC PACKAGE)
(ANSI AND CSA SPECS)



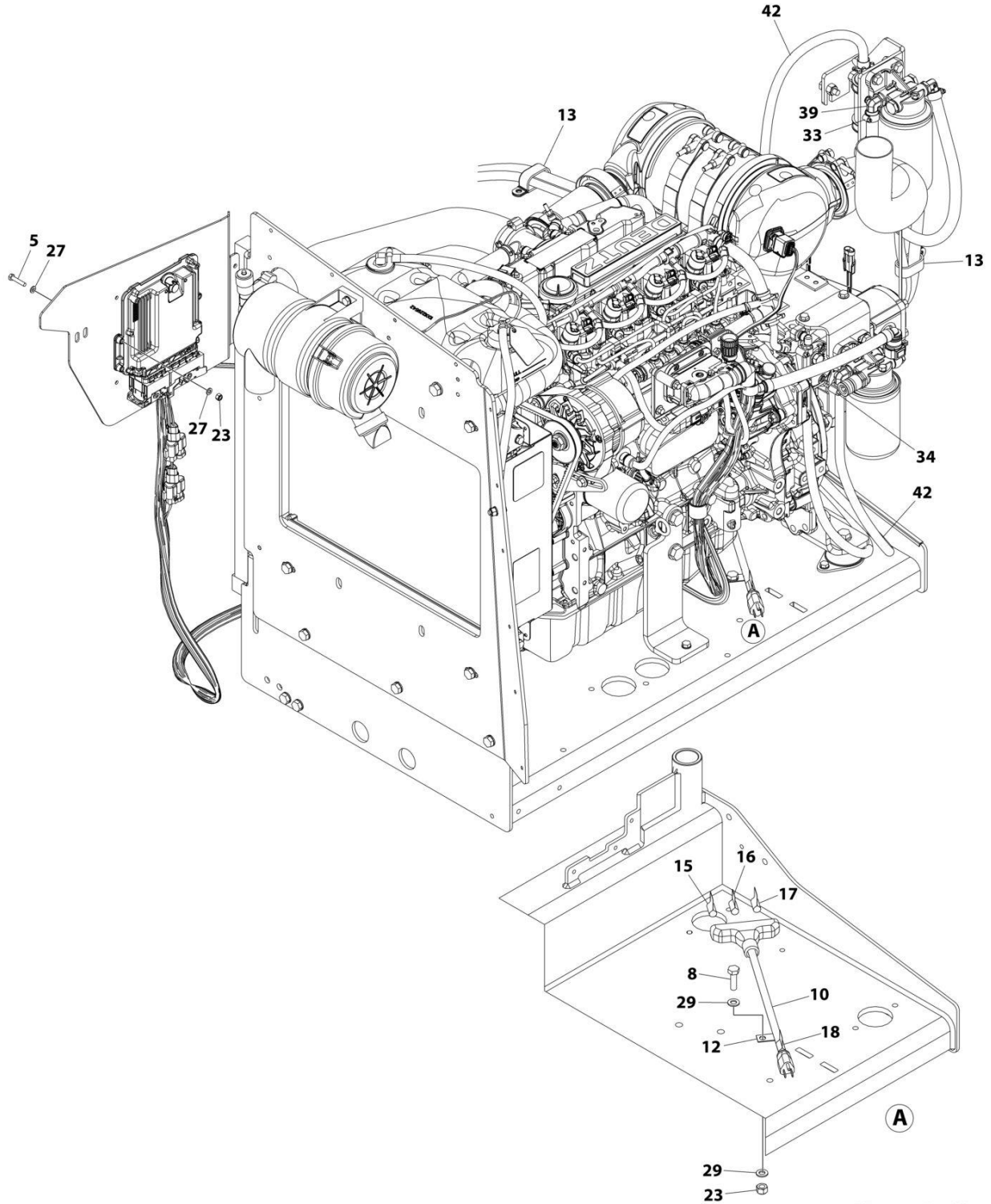
ART_1001302972_1OF3

SECTION 3 - ENGINE



ART_1001302972_2OF3

SECTION 3 - ENGINE



ART_1001302972_30F3

SECTION 3 - ENGINE

**FIGURE 3-8. ENGINE INSTALLATION - DEUTZ D2.9L4 ERM5 ENGINE (WITH ARCTIC PACKAGE)
(ANSI AND CSA SPECS)**

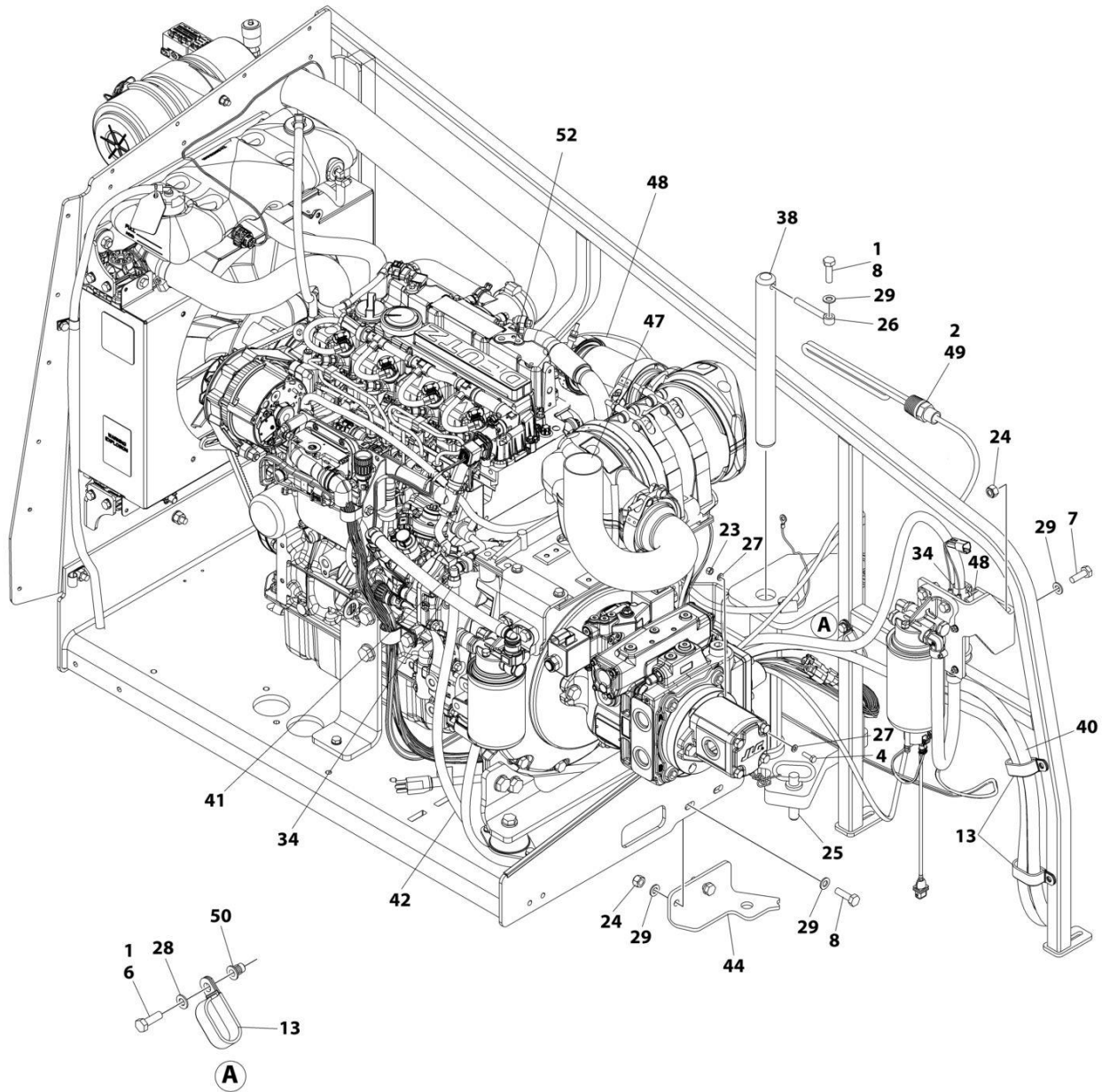
ITEM	PART NUMBER	QTY	DESCRIPTION	REV
	1001302972	Ref	ENGINE ASSEMBLY - DEUTZ D2.9L4 ERM5 ENGINE	A
1	0100011	AR	Compound, Locking	
2	0100020	AR	Sealant, Pipe	
3	0440162	1	Bearing	
4	0760610	1	Bolt M6 x 20	
5	0760614	4	Bolt M6 x 30	
6	0760812	1	Bolt M8 x 25	
7	0761014	2	Bolt M10 x 30	
8	0761015	6	Bolt M10 x 35	
9	0761210	1	Bolt M12 x 20	
10	1060626	1	Plug, 3-Way	
11	1320022	1	Clamp	
12	1320223	1	Clamp	
13	1321716	4	Clamp	
14	1701505	1	Decal - Diesel	
15	1702941	1	Decal - Battery Heater	
16	1702942	1	Decal - Engine Block Heater	
17	1702943	1	Decal - Hydraulic Tank Heater	
18	1702944	1	Decal - Heater Cord	
19	2180832	1	Fitting, Barbed	
20	2180876	1	Fitting, Barbed	
21	2580024	1	Heater, Battery	
22	2720058	2 ft /0.6 m	Hose	
23	3290605	5	Nut M6	
24	3291005	7	Nut M10	
25	3422532	1	Pin	
26	3841143	1	Keeper, Pin	
27	4811700	10	Washer M6	
28	4811900	1	Washer M8	
29	4812000	13	Washer M10	
30	4812100	1	Washer M12	
31	5251215	1	Bolt M12 x 35	
32	5261200	1	Nut M12	
33	8405006	2	Clamp	
34	8410013	4	Clamp	
35	8430007	1	Coupling	
36	1001119278	1	Insulate	
37	1001125387	1	Decal - Ultra Low Sulfur Diesel	
38	1001135196	1	Pin	
39	1001142501	1	Fitting, Barbed 90	
40	1001154405	7 ft /2 m	Hose	
41	1001155823	1	Coupling, Quick Disconnect 90	
42	1001165035	17 ft /6 m	Hose	
43	1001167512	1	Bracket	
44	1001169823	1	Plate	
45	1001171683	1	Cable, Battery (Red) (Battery Positive to Auxiliary Power Relay)	
46	1001171684	1	Cable, Battery (Black) (Battery Negative to Auxiliary Power Pump)	
47	1001172736	1	Pipe, Exhaust	

SECTION 3 - ENGINE

ITEM	PART NUMBER	QTY	DESCRIPTION	REV
48	1001181358	1	Harness, Fuel Pump (See Separate Breakdown in ELECTRICAL Section)	
49	1001188972	1	Heater, Immersion	
50	1001191832	1	Rivet	
51	1001233763	1	Breather Heater Installation (Not Shown - See Separate Breakdown in this Section)	
52	1001302963	1	Engine and Pump Assembly - Deutz D2.9L4 (Without Arctic Package) (See Separate Breakdown in this Section)	

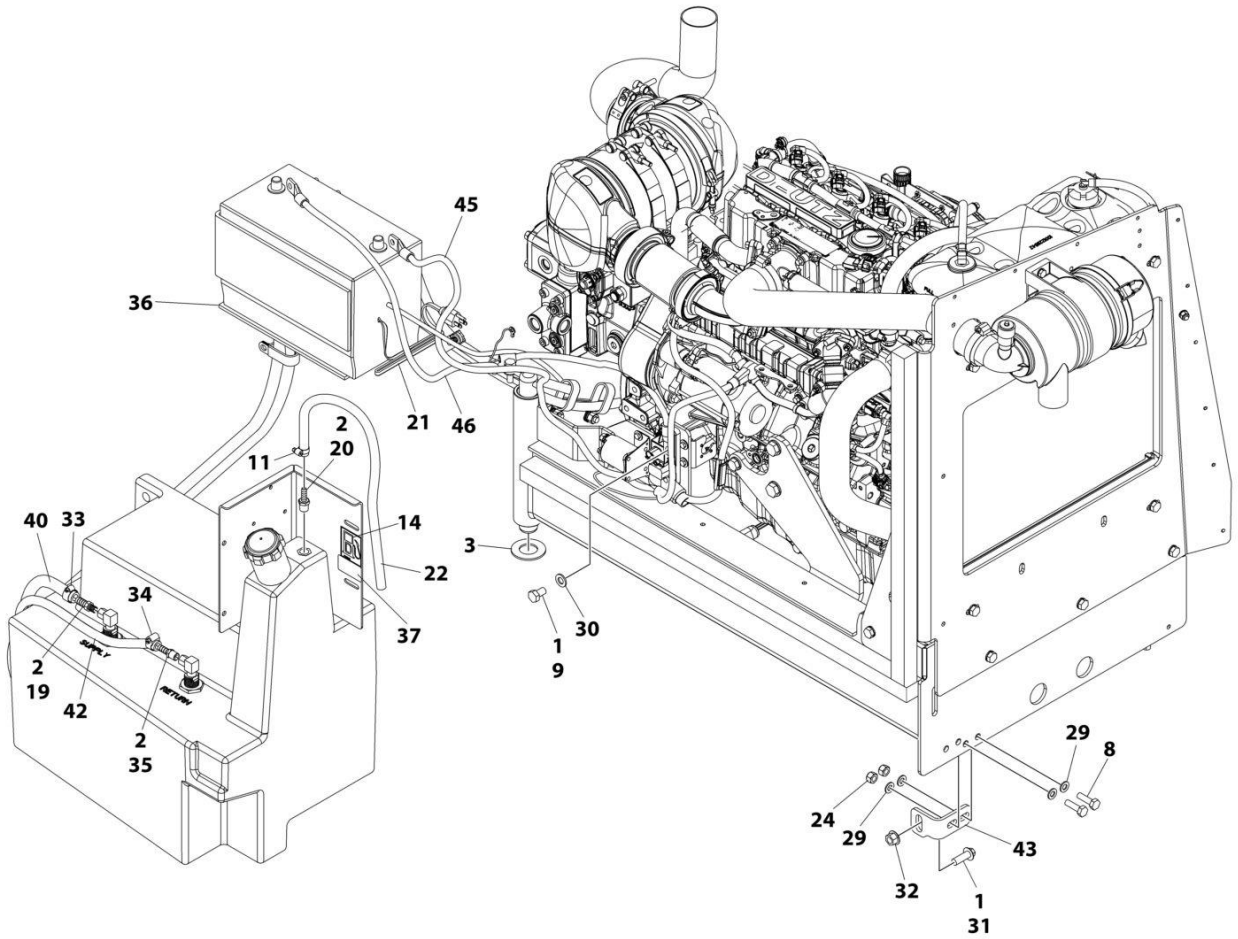
SECTION 3 - ENGINE

FIGURE 3-9. ENGINE INSTALLATION - DEUTZ D2.9L4 ENGINE (WITH ARCTIC PACKAGE) (WITH PMP PUMP)



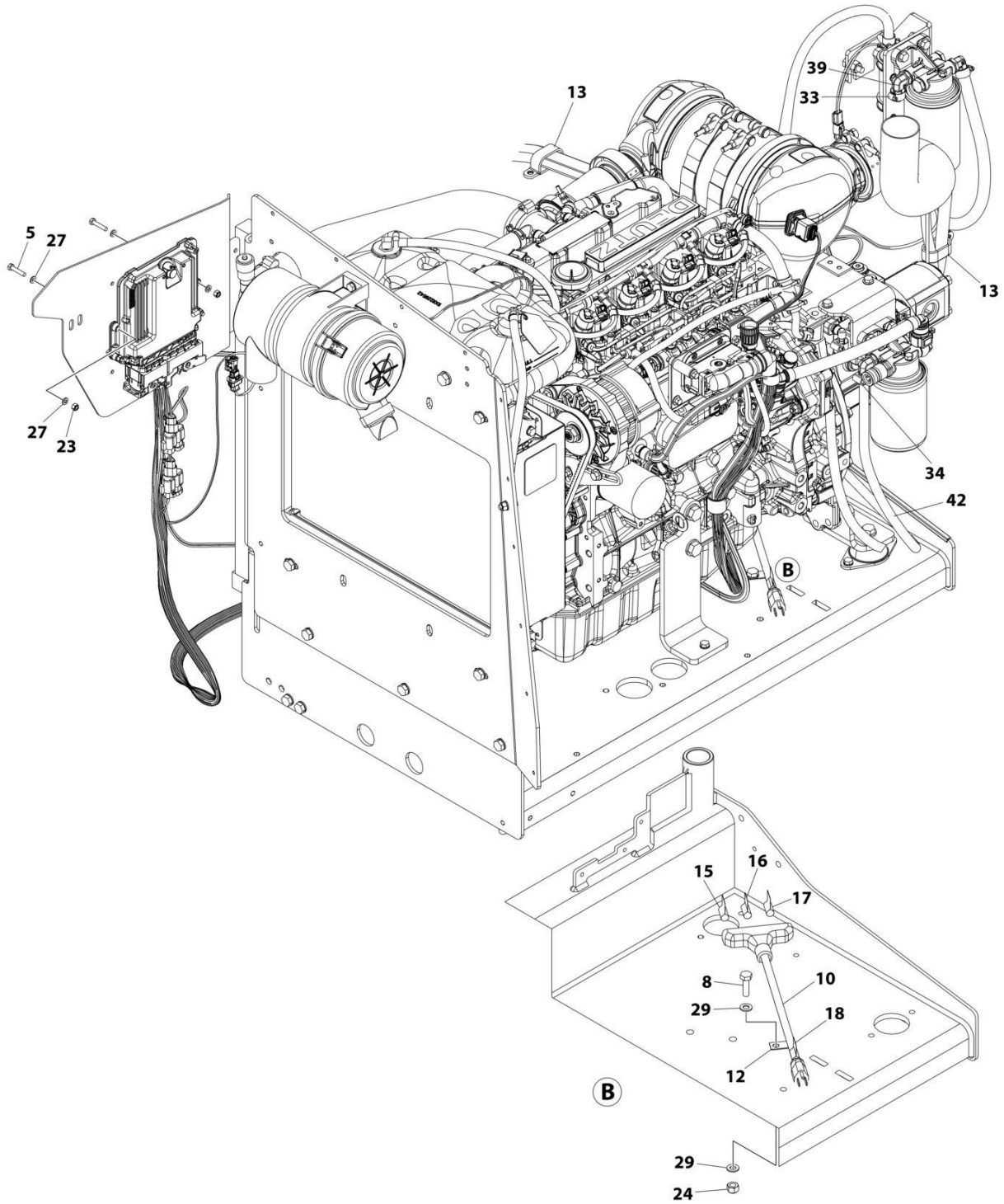
ART_1001300783_1OF3

SECTION 3 - ENGINE



ART_1001300783_2OF3

SECTION 3 - ENGINE



ART_1001300783_3OF3

SECTION 3 - ENGINE

FIGURE 3-9. ENGINE INSTALLATION - DEUTZ D2.9L4 ENGINE (WITH ARCTIC PACKAGE) (WITH PMP PUMP)

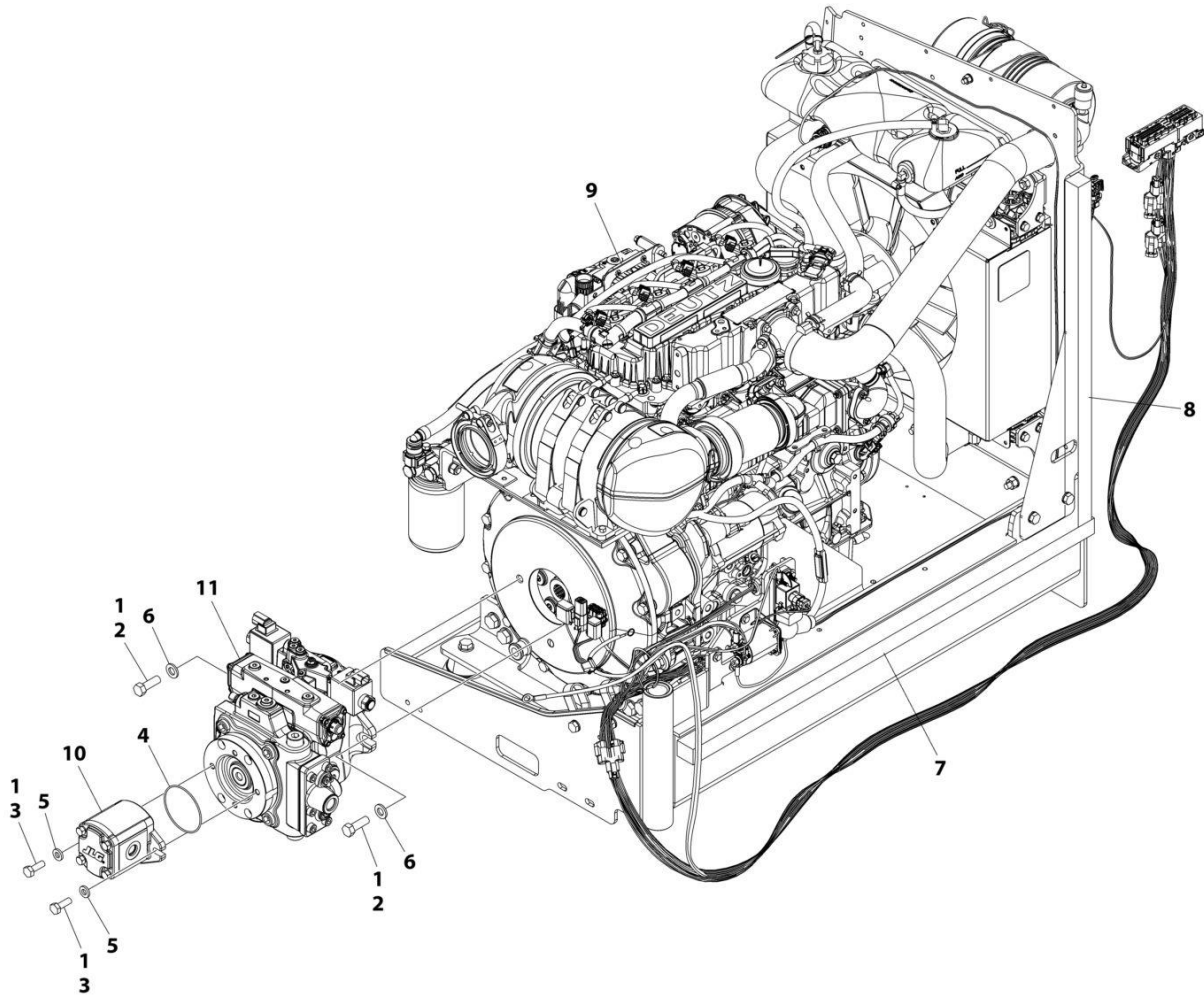
ITEM	PART NUMBER	QTY	DESCRIPTION	REV
	1001300783	Ref	ENGINE INSTALLATION - DEUTZ D2.9L4 ENGINE (WITH ARCTIC PACKAGE) (WITH PMP PUMP)	A
1	0100011	AR	Compound, Locking	
2	0100020	AR	Sealant, Pipe	
3	0440162	1	Bearing	
4	0760610	1	Bolt M6 x 20	
5	0760614	4	Bolt M6 x 30	
6	0760812	1	Bolt M8 x 25	
7	0761014	2	Bolt M10 x 30	
8	0761015	6	Bolt M10 x 35	
9	0761210	1	Bolt M12 x 20	
10	1060626	1	Plug, 3 Way	
11	1320022	1	Clamp	
12	1320223	1	Clamp	
13	1321716	4	Clamp	
14	1701505	1	Decal - Diesel	
15	1702941	1	Decal - Battery Heater	
16	1702942	1	Decal - Engine Block Heater	
17	1702943	1	Decal - Hydraulic Tank Heater	
18	1702944	1	Decal - Heater Cord	
19	2180832	1	Fitting, Barbed	
20	2180876	1	Fitting, NPT/Barbed	
21	2580024	1	Heater, Battery	
22	2720058	22 in/ 56 cm	Hose	
23	3290605	5	Nut M6	
24	3291005	7	Nut M10	
25	3422532	1	Pin	
26	3841143	1	Keeper, Pin	
27	4811700	10	Washer M6	
28	4811900	1	Washer M8	
29	4812000	13	Washer M10	
30	4812100	1	Washer M12	
31	5251215	1	Bolt M12 x 35	
32	5261200	1	Nut M12	
33	8405006	2	Clamp	
34	8410013	4	Clamp	
35	8430007	1	Coupling	
36	1001119278	1	Insulate	
37	1001125387	1	Decal - Ultra Low Sulfur Fuel	
38	1001135196	1	Pin	
39	1001142501	1	Fitting, 90 Barbed	
40	1001154405	7.2 ft/ 2.2 m	Hose	
41	1001155823	1	Coupling, Quick Disconnect 90	
42	1001165035	17 ft/ 5.2 m	Hose	
43	1001167512	1	Bracket, Engine Tray	
44	1001169823	1	Plate	
45	1001171683	1	Cable, Battery (Red) (Battery Positive to Auxiliary Power Relay)	

SECTION 3 - ENGINE

ITEM	PART NUMBER	QTY	DESCRIPTION	REV
46	1001171684	1	Cable, Battery (Black) (Battery Negative to Auxiliary Power Pump)	
47	1001172736	1	Pipe, Exhaust	
48	1001181358	1	Harness, Fuel Pump (See Separate Breakdown in ELECTRICAL Section)	
49	1001188972	1	Heater, Hydraulic Tank	
50	1001191832	1	Nut, Rivet M8	
51	1001233763	1	Breather Heater Installation (Not Shown - See Separate Breakdown in this Section)	
52	1001300784	1	Engine and Pump Sub-Assembly (with Arctic Package) (See Separate Breakdown in this Section)	

SECTION 3 - ENGINE

FIGURE 3-10. ENGINE AND PUMP SUB-ASSEMBLY - DEUTZ D2.9L4 ENGINE (WITH ARCTIC PACKAGE) (WITH PMP PUMP)



ART_1001300784

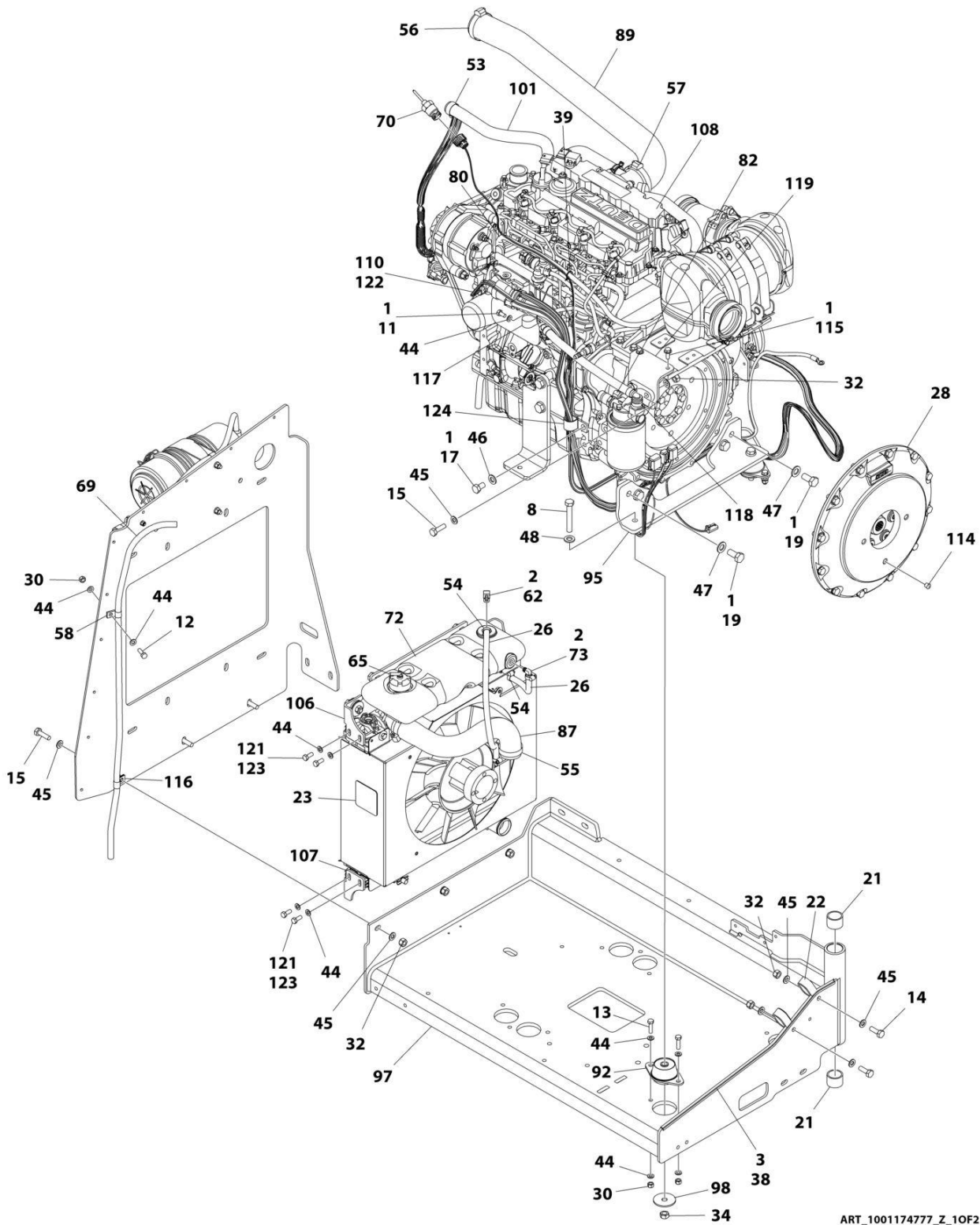
SECTION 3 - ENGINE

FIGURE 3-10. ENGINE AND PUMP SUB-ASSEMBLY - DEUTZ D2.9L4 ENGINE (WITH ARCTIC PACKAGE) (WITH PMP PUMP)

ITEM	PART NUMBER	QTY	DESCRIPTION	REV
	1001300784	Ref	ENGINE AND PUMP SUB-ASSEMBLY - DEUTZ D2.9L4 ENGINE (WITH ARCTIC PACKAGE) (WITH PMP PUMP)	A
1	0100011	AR	Compound, Locking	
2	0641812	2	Bolt 1/2 x 1-1/2	
3	0761014	2	Bolt M10 x 30	
4	3790152	1	O-Ring	
5	4891600	2	Washer 3/8	
6	5241200	2	Washer M12	
7	1001171953	1	Seal	
8	1001171954	1	Seal	
9	1001174777	1	Engine Assembly (With Arctic Package) (See Separate Breakdown in this Section)	
10	1001214207	1	Gear Pump Assembly	
10	70006356	1	Seal Kit - 1001214207 Pump	
11	1001285632	1	Closed Pump Loop Assembly (See Separate Breakdown in this Section)	

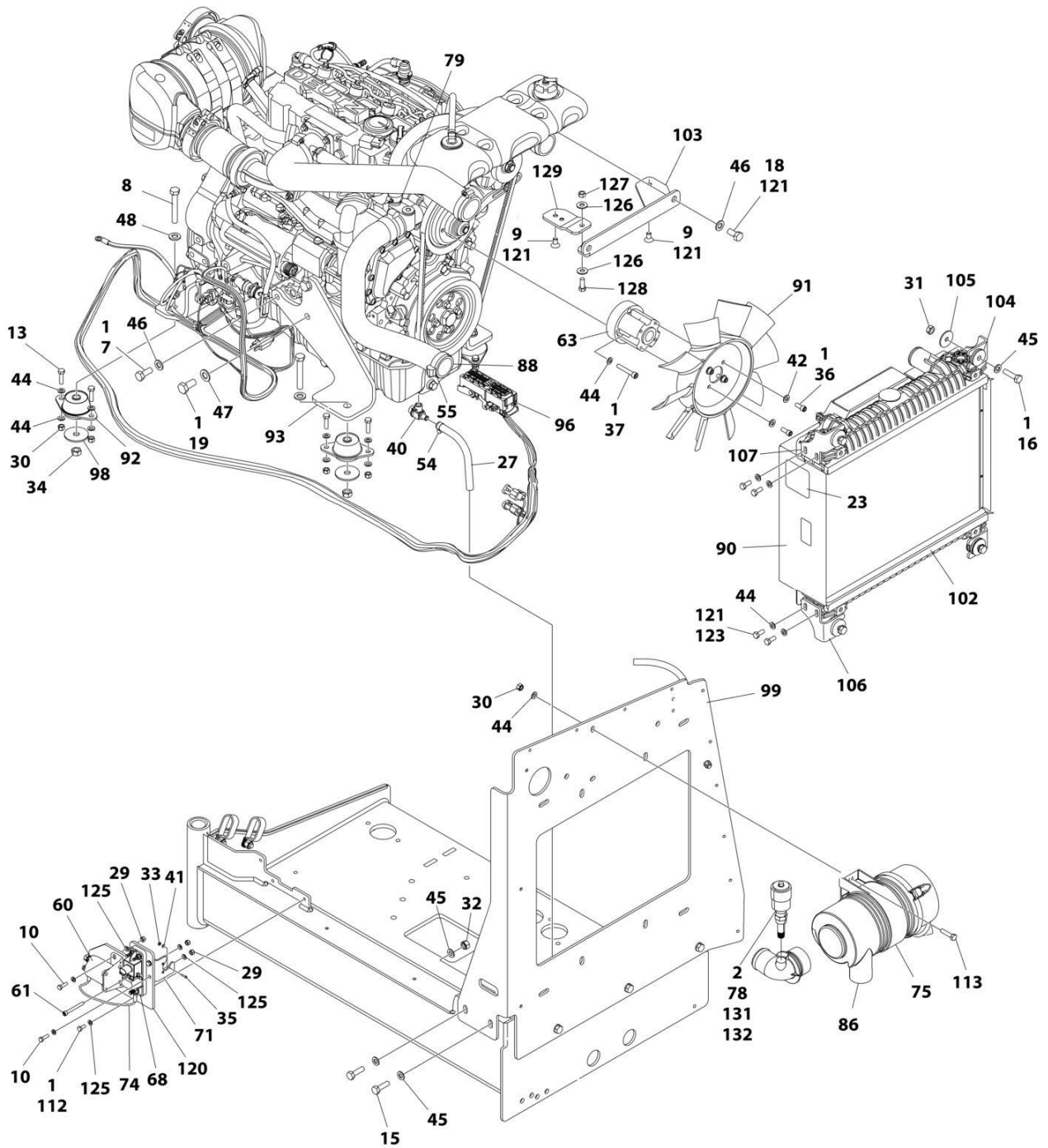
SECTION 3 - ENGINE

FIGURE 3-11. ENGINE ASSEMBLY - DEUTZ D2.9L4 ERM4 ENGINE (WITH ARCTIC PACKAGE)



ART_1001174777_Z_10F2

SECTION 3 - ENGINE



ART_1001174777_Z_20F2

SECTION 3 - ENGINE

FIGURE 3-11. ENGINE ASSEMBLY - DEUTZ D2.9L4 ERM4 ENGINE (WITH ARCTIC PACKAGE)

ITEM	PART NUMBER	QTY	DESCRIPTION	REV
	1001174777	Ref	ENGINE ASSEMBLY - DEUTZ D2.9L4 ENGINE (WITH ARCTIC PACKAGE)	Z
1	0100011	AR	Compound, Locking	
2	0100020	AR	Sealant, Pipe	
3	0100081	AR	Adhesive	
7	0711214	1	Bolt M12 x 30 Class 10.9	
8	0711224	3	Bolt M12 x 80 Class 10.9	
9	0741606	2	Screw 3/8 x 3/4	
10	0760610	4	Bolt M6 x 20	
11	0760808	1	Bolt M8 x 16	
12	0760812	1	Bolt M8 x 25	
13	0760814	6	Bolt M8 x 30	
14	0761014	2	Bolt M10 x 30	
15	0761015	7	Bolt M10 x 35	
16	0761016	4	Bolt M10 x 40	
17	0761210	1	Bolt M12 x 20	
18	0761212	2	Bolt M12 x 25	
19	0771414	6	Bolt M14 x 30 Class 10.9	
21	0961951	2	Bushing	
22	1321716	2	Clamp	
23	1703162	2	Decal - Caution Fan	
26	2720015	2 ft/0.61m	Hose	
27	2720340	8 in /0.2m	Hose	
28	2902065	1	Pump Coupling Kit (See Separate Breakdown in this Section)	
29	3290605	5	Nut M6	
30	3290805	9	Nut M8	
31	3291001	4	Nut M10	
32	3291005	9	Nut M10	
33	3310401	3	Nut #4	
34	3331215	3	Nut M12 x 1.75	
35	3910408	3	Screw #4- x 1/2	
36	3931512	4	Capscrew 5/16 x 3/4	
37	4031914	4	Bolt M8 x 50	
38	4060805	2.25 ft/ 0.69m	Flex-Trim	
39	4240099	AR	Tie-Strap	
40	4640751	1	Valve, Oil Drain	
41	4710400	3	Washer #4	
42	4711500	4	Washer 5/16	
44	4811900	31	Washer M8	
45	4812000	22	Washer M10	
46	4812100	4	Washer M12	
47	4812200	6	Washer M14	
48	5241200	3	Washer M12	
53	8405007	2	Clamp	
54	8405009	5	Clamp	
55	8405104	4	Clamp	
56	8405202	1	Clamp	
57	8405204	1	Clamp	
58	8406109	1	Clip	

SECTION 3 - ENGINE

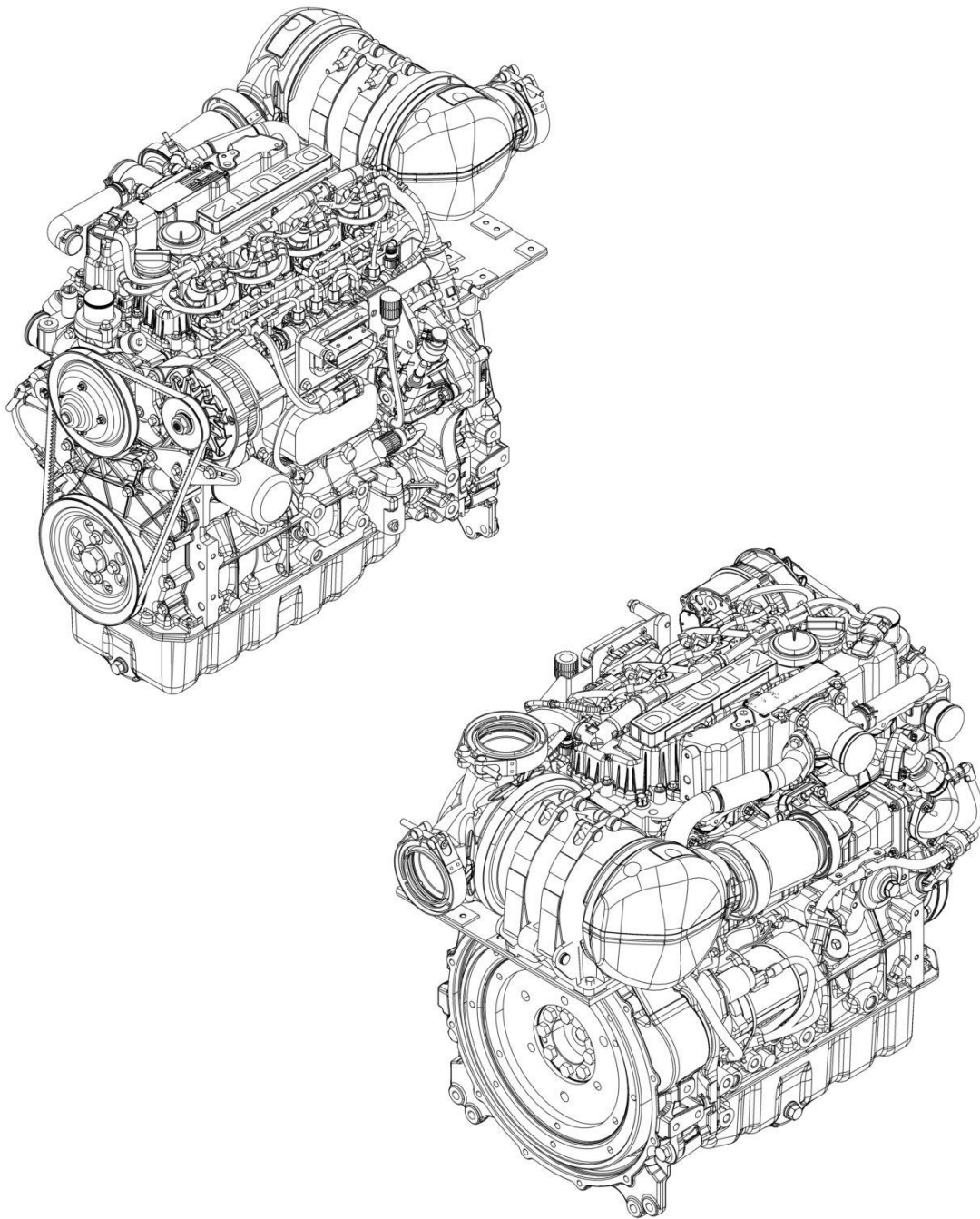
ITEM	PART NUMBER	QTY	DESCRIPTION	REV
60	1001117308	1	Relay, 200Amp	
60	3300220	2	Nut	
60	3321001	2	Nut #10	
60	4761000	2	Washer #10	
60	1001111424	2	Washer	
61	1001118878	1	Bolt M6 x 55	
62	1001134488	1	Fitting, Barbed 90	
63	1001144116	1	Spacer, Fan	
65	1001136834	1	Cap, Tank	
68	1001138228	1	Relay, Power Module	
68	70023592	1	Fuse 20Amp	
68	70023593	1	Fuse 30Amp	
69	1001138248	41 in/ 1041mm	Tube	
70	1001138827	1	Sensor, Coolant Level	
71	1001139240	1	Bracket	
72	1001230635	1	Tank, Surge (Includes Items 62, 70 & 73)	
73	1001140564	1	Fitting, Barbed 90	
74	1001141304	1	Harness, Glow Plug	
75	1001141694	1	Clamp, Air Cleaner	
78	1001143390	1	Indicator	
79	1001143797	1	Fitting, Barbed	
80	1001178788	1	Cable, Alternator	
82	1001152489	1	Fitting, Barbed 90	
86	1001165388	1	Air Cleaner Assembly	
86	70003783	1	Element, Air Cleaner	
87	1001165405	1	Hose, Upper Radiator	
88	1001165406	1	Hose, Lower Radiator	
89	1001165721	1	Hose, Air Intake	
90	1001165722	1	Radiator	
91	1001165849	1	Fan	
92	1001166718	3	Mount, Motor	
93	1001166921	1	Plate, Engine Mount	
95	1001166924	1	Plate, Engine Mount	
96	1001167108	1	Harness Engine - Deutz D2.9L4 (See Separate Breakdown in ELECTRICAL Section)	
97	1001167520	1	Tray, Engine	
98	1001168018	3	Washer, Special	
99	1001168026	1	Plate, Radiator Mounting	
101	1001168099	1	Hose	
102	1001168166	2	Seal	
103	1001260420	1	Bracket	
104	1001169054	4	Isolator	
105	1001169138	4	Washer, Snubbing	
106	1001169967	2	Bracket	
107	1001170035	2	Bracket	
108	1001249965	1	Engine, Deutz D2.9L4 (See Separate Breakdown in this Section)	
110	1001140312	1	Heater, Engine Block	
112	0760607	3	Bolt M6 x 14	
113	0760815	2	Bolt M8 x 35	
114	3520054	1	Plug	
115	5250810	2	Bolt M8 x 20	

SECTION 3 - ENGINE

ITEM	PART NUMBER	QTY	DESCRIPTION	REV
116	8406110	1	Clip	
117	8406201	1	Clip	
118	1001177359	1	Hose	
119	1001178876	1	Mount, Fuel Filter	
120	1001179903	1	Bracket	
121	1001180620	AR	Adhesive	
122	1001181895	AR	Adhesive	
123	0760810	8	Bolt M8 x 20	
124	1001191620	1	Clamp	
125	4811702	12	Washer M6	
126	4751600	2	Washer 3/8	
127	3311605	1	Nut 3/8	
128	0681608	1	Bolt 3/8 x 1	
129	1001260412	1	Bracket	
130	1001162335	1	Bracket Assembly - Fuel Pump/Filter (Not Shown) (See Separate Breakdown in this Section)	
131	2200261	1	Fitting	
132	1001277432	1	Spacer	

SECTION 3 - ENGINE

FIGURE 3-12. DEUTZ D2.9L4 - EMR4 (49HP) ENGINE COMPONENTS



ART_1001249965

SECTION 3 - ENGINE

FIGURE 3-12. DEUTZ D2.9L4 - EMR4 (49HP) ENGINE COMPONENTS

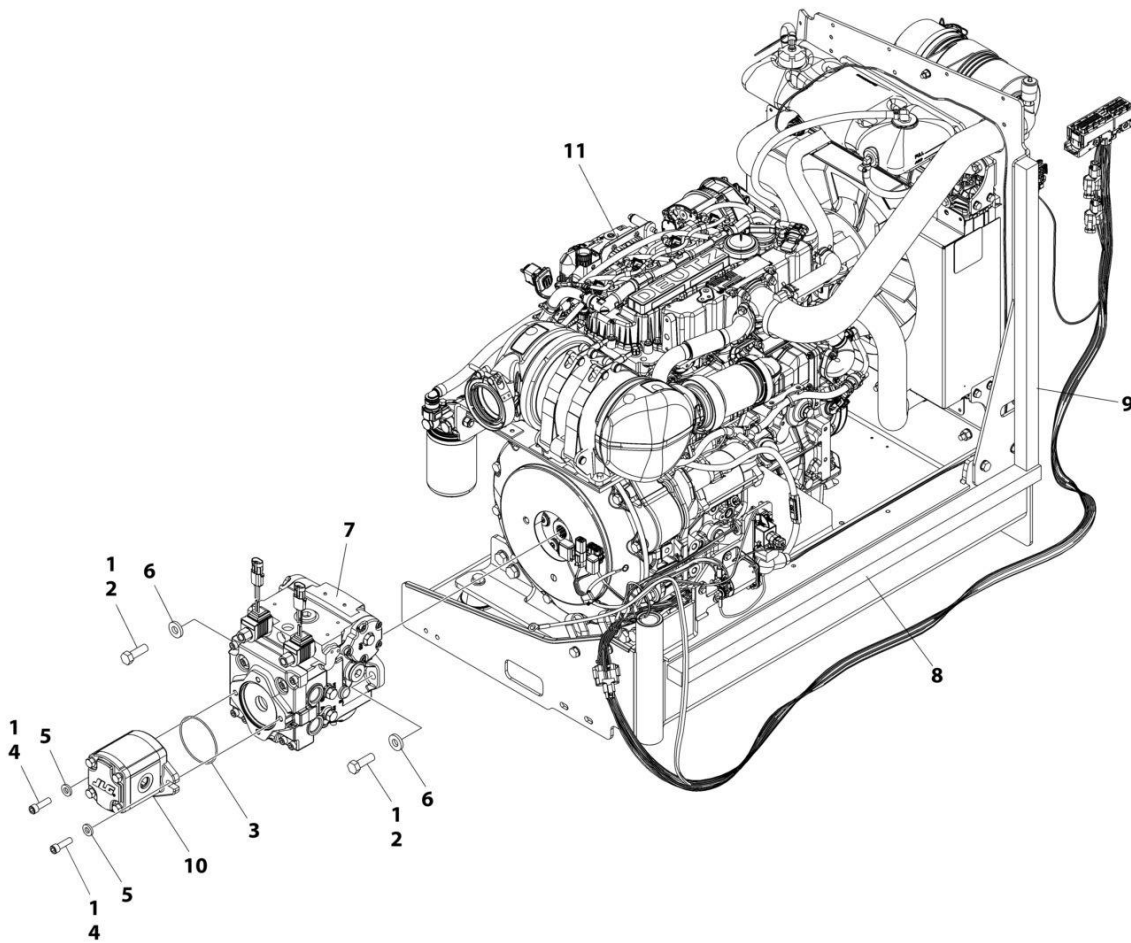
ITEM	PART NUMBER	QTY	DESCRIPTION	REV
	1001249965	Ref	DEUTZ D2.9L4 - EMR4 (49HP) ENGINE COMPONENTS	B
	See Note	Ref	Note: Contact JLG Customer Service for Availability of Additional Components.	
		Ref	Air Intake System	
	70005182	1	Charge Air Elbow	
	70005183	1	Breather Line	
		Ref	Cooling System Components	
	70030360	1	Pump, Coolant	
	70007603	1	Thermostat	
		Ref	Electrical Components	
	70025210	1	Module, Engine Control (ECM/ECU)	
	70024513	1	Harness, Fuel Filter Sensor	
	70024504	1	Sensor, Fuel Pressure	
	70006652	1	Generator	
	70024915	1	Starter	
	70025231	1	Harness, Glow Plug	
	70028540	1	Sensor, Temperature	
	70026210	1	Sensor, Speed	
	70024507	1	Sensor, Pressure (Air Intake)	
	70031145	4	Plug, Glow	
		Ref	Exhaust Components	
	70031136	1	Pipe, Exhaust	
	70004282	1	Exhaust Manifold	
		Ref	Fuel System Components	
	70030381	1	Pump, High Pressure	
	700004508	1	Valve, Volume Control	
	70004281	1	Injector, Fuel	
	70006144	1	Pump, Fuel Supply (Includes Qty 2 Mounting Clamps)	
	1001225430	1	Filter, Fuel (Pre-Filter) Assembly	
	70024961	1	Filter, Fuel	
	70025239	1	Seal	
	70024513	1	Cable, Sensor	
	70029451	1	Filter, Fuel	
		Ref	Gasket & Seal Components	
	70024905	1	Seal, Dipstick	
	70005942	2	Seal, Oil Plug	
	70024906	1	Gasket, Head	
	70005171	1	Gasket, Valve Cover	
	70002718	1	Seal, Rear Main	
	70025135	1	O-Ring, Oil Lube Pump	
	70005173	1	Gasket, Oil Lube Pump	
	70024925	1	Seal, Oil Cooler	
	70005177	1	Gasket, Charge Air Housing	
	70025200	1	O-Ring, Coolant Pump	
	70007325	1	Seal, Coolant Pump	
	70005184	1	O-Ring, Thermostat	
	70005931	1	Seal, Thermostat	
	70025164	1	Gasket, Exhaust Manifold to Head	
	70007354	1	Gasket, Short Exhaust Pipe to JLG supplied Exhaust	
	70007326	1	Gasket EGR Valve	

SECTION 3 - ENGINE

ITEM	PART NUMBER	QTY	DESCRIPTION	REV
	70031095	1	Gasket, Exhaust Return Pipe (to Air Intake Housing)	
		Ref	Other Components	
	70001870	1	Flywheel	
	7024579	1	Gear, Ring	
		Ref	Oil Lube System	
	7020465	1	Cap, Oil Fill	
	70024904	1	Dipstick	
	70005941	2	Plug, Oil (Includes Seal)	
	70005172	1	Pump, Oil Lube (Includes O-Ring & Gasket)	
	70024494	1	Oil Cooler	
	7016331	1	Filter, Oil	

SECTION 3 - ENGINE

FIGURE 3-13. ENGINE AND PUMP SUB-ASSEMBLY - DEUTZ D2.9L4 ERM5 ENGINE (WITH ARCTIC PACKAGE) (ANSI AND CSA SPECS)



ART_1001302963

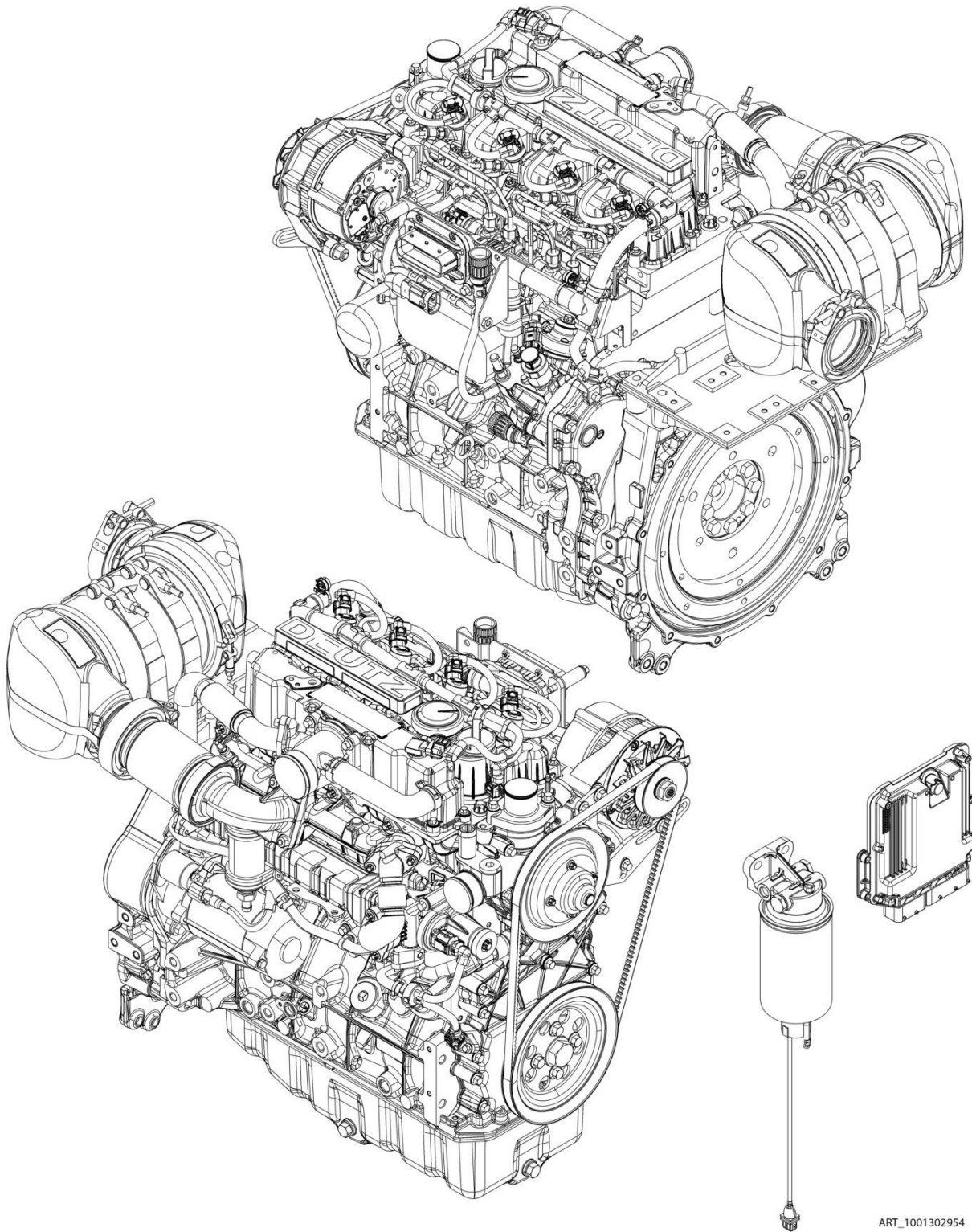
SECTION 3 - ENGINE

FIGURE 3-13. ENGINE AND PUMP SUB-ASSEMBLY - DEUTZ D2.9L4 ERM5 ENGINE (WITH ARCTIC PACKAGE) (ANSI AND CSA SPECS)

ITEM	PART NUMBER	QTY	DESCRIPTION	REV
	1001302963	Ref	ENGINE AND PUMP SUB-ASSEMBLY - DEUTZ D2.9L4 ERM5	A
1	0100011	AR	Compound, Locking	
2	0641812	2	Bolt 1/2 x 1-1/2	
3	3790152	1	O-Ring	
4	3931618	2	Capscrew 3/8 x 1-1/8	
5	4891600	2	Washer 3/8	
6	4891800	2	Washer 1/2	
7	1001167036	1	Piston Pump Assembly (See Separate Breakdown in this Section)	
8	1001171953	1	Seal	
9	1001171954	1	Seal	
10	1001214207	1	Gear Pump Assembly	
10	70006356	1	Seal Kit - 1001214207 Pump	
11	1001302956	1	Engine Assembly - Deutz D2.9L4 ERM5 Engine (With Arctic Package) (See Separate Breakdown in this Section)	

SECTION 3 - ENGINE

FIGURE 3-14. ENGINE COMPONENTS - DEUTZ D2.9L4 ERM5 ENGINE (ANSI, ANSI EXPORT AND CSA SPECS)



ART_1001302954

SECTION 3 - ENGINE

FIGURE 3-14. ENGINE COMPONENTS - DEUTZ D2.9L4 ERM5 ENGINE (ANSI, ANSI EXPORT AND CSA SPECS)

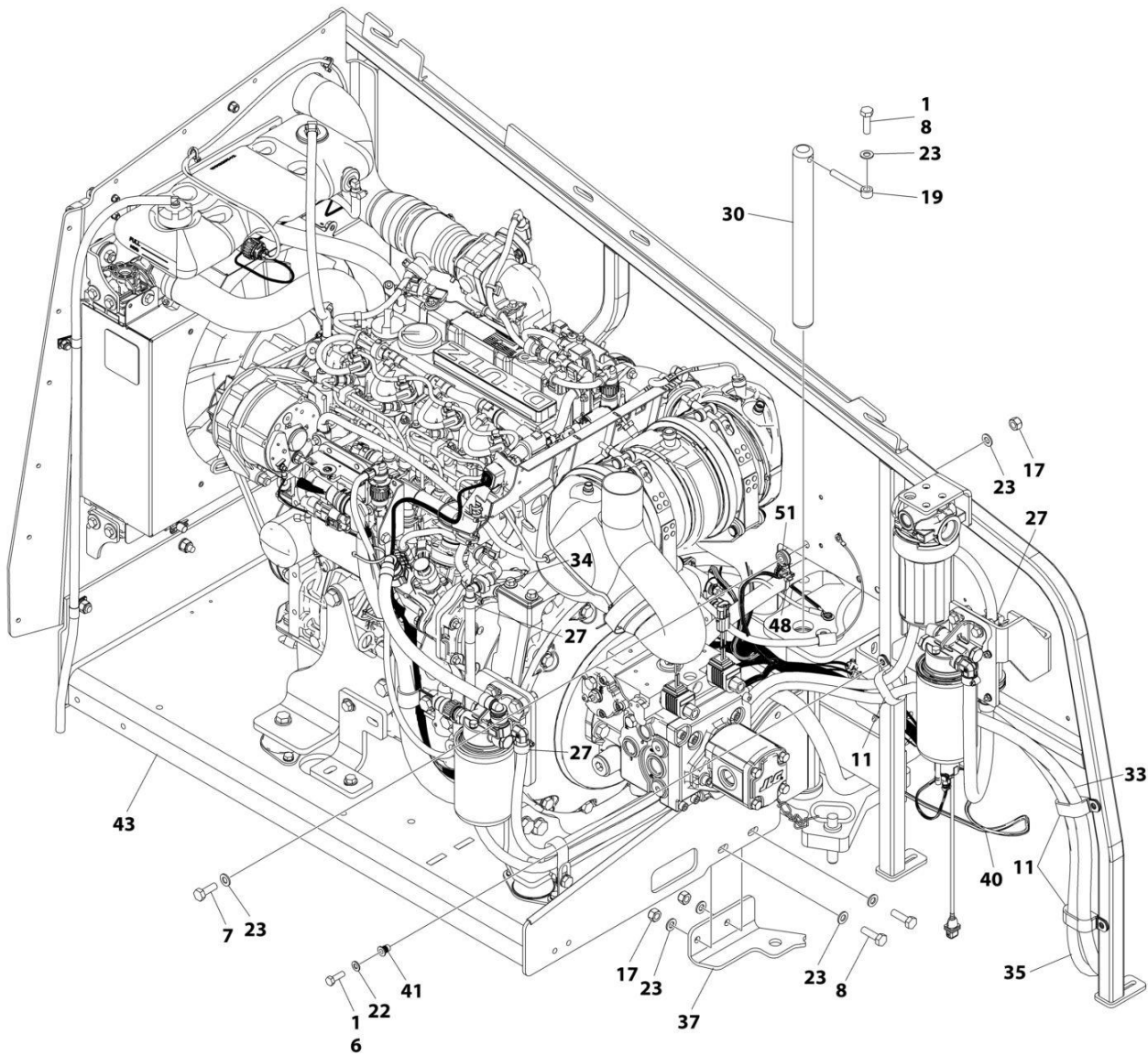
ITEM	PART NUMBER	QTY	DESCRIPTION	REV
	1001302954	Ref	ENGINE COMPONENTS - DEUTZ D2.9L4 ERM5 ENGINE	A
	See Note	Ref	Note: Contact JLG Customer Service for availability for addition components.	
		Ref	AIR INTAKE SYSTEM	
	70005180	1	Breather Line	
	70005182	1	Charge Air Elbow	
		Ref	COOLING SYSTEM COMPONENTS	
	70030360	1	Pump, Coolant	
	70007603	1	Thermostat	
		Ref	ELECTRICAL COMPONENT	
	70031144	1	Starter	
	NPN	1	Generator	
	70024507	1	Sensor, Pressure (Air Intake)	
	70026210	1	Sensor, Speed	
	70025231	1	Harness, Glow Plug	
	70024919	1	Sensor, Fuel Filter	
	70024504	1	Sensor, Pressure	
	70028540	1	Transmitter, Temperature	
	70029512	1	Module, Engine Control	
	70031143	1	Regulator, Voltage	
		Ref	EXHAUST COMPONENT	
	70004282	1	Exhaust Manifold	
	70031136	1	Pipe, Exhaust	
	70012257	1	Valve, Exhaust	
	70004508	1	Valve, Volume Control	
		Ref	FUEL SYSTEM COMPONENT	
	70030381	1	Pump, High Pressure	
	70004281	1	Injector, Fuel	
	NPN	1	Pump, Fuel Supply (Includes qty 2 Clamps)	
	70024961	1	Filter, Fuel	
	1001225430	1	Filter, Fuel (Pre-Filter)	
	70024513	1	Cable, Sensor	
	70025239	1	Seal	
	70029451	1	Filter, Fuel	
	1001225431	1	Filter, Fuel (Spin-On)	
	70024502	1	Pipe, Fuel	
		Ref	GASKET AND SEAL COMPONENT	
	70024905	2	Seal, Dipstick	
	70005942	1	Seal, Oil Plug	
	70005171	1	Gasket, Valve Cover	
	70024906	1	Gasket, Head	
	70002718	1	Seal, Rear Main	
	70005177	1	Gasket, Charge Air Housing	
	70005184	1	O-Ring, Thermostat	
	70005931	1	Seal, Thermostat	
	70025164	1	Gasket, Exhaust Manifold to Head	
	70007326	1	Gasket, EGR Valve	
	70031095	1	Gasket, Exhaust Return Pipe	
	70007354	1	Gasket, Short Exhaust Pipe	

SECTION 3 - ENGINE

ITEM	PART NUMBER	QTY	DESCRIPTION	REV
		Ref	OTHER COMPONENT	
	70001870	1	Flywheel (Includes Ring Gear)	
	7024579	1	Gear, Ring	
		Ref	OIL LUBE SYSTEM	
	70024904	1	Dipstick	
	70024905	1	Cap, Oil Fill	
	70005941	1	Plug, Oil	
	70005172	1	Pump, Oil Lube	
	7016331	1	Filter, Oil	
	70024494	1	Oil Cooler	

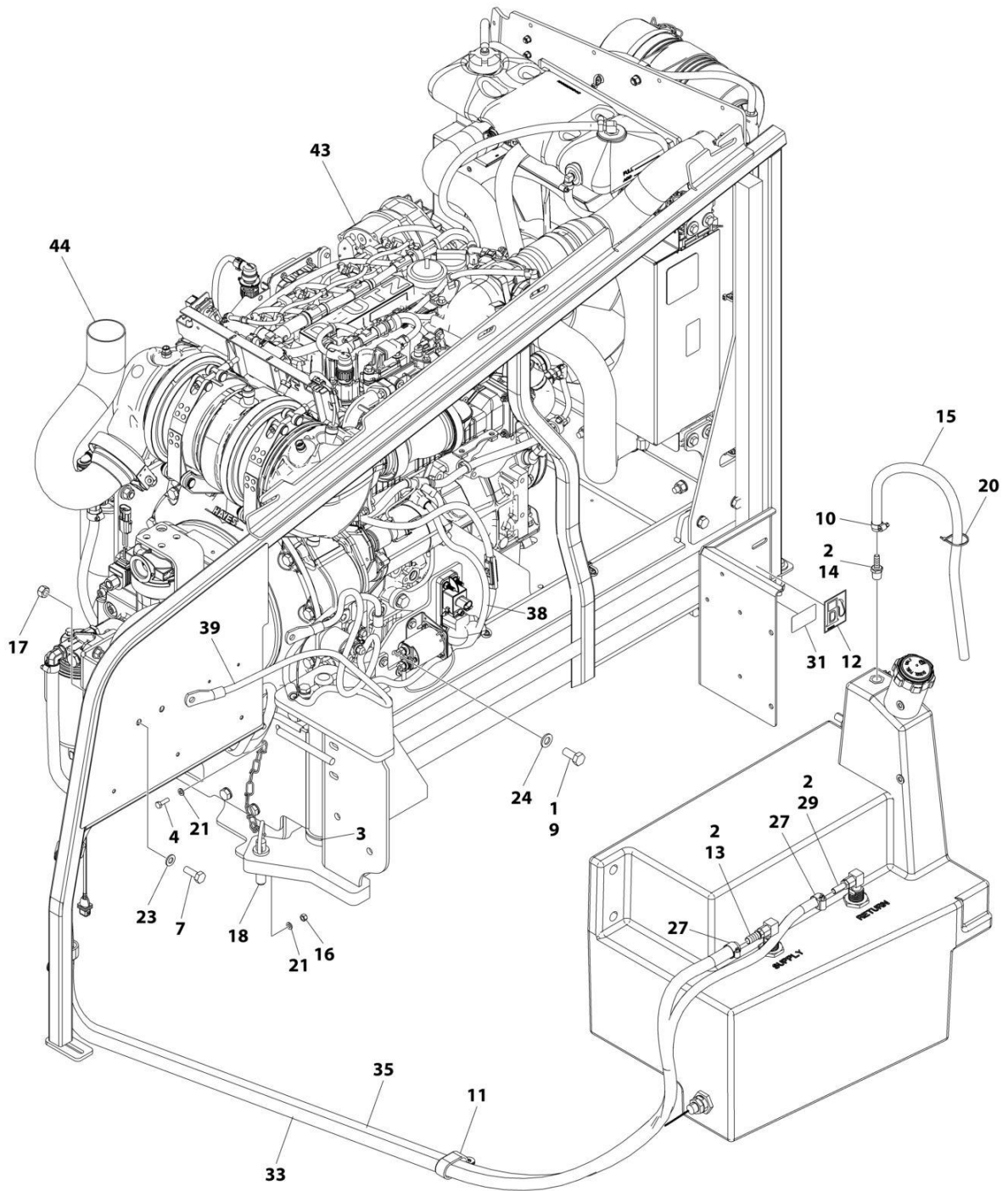
SECTION 3 - ENGINE

FIGURE 3-15. ENGINE INSTALLATION - DEUTZ D2.9L4 ENGINE (STAGE V) (CE & UK CA SPECS)



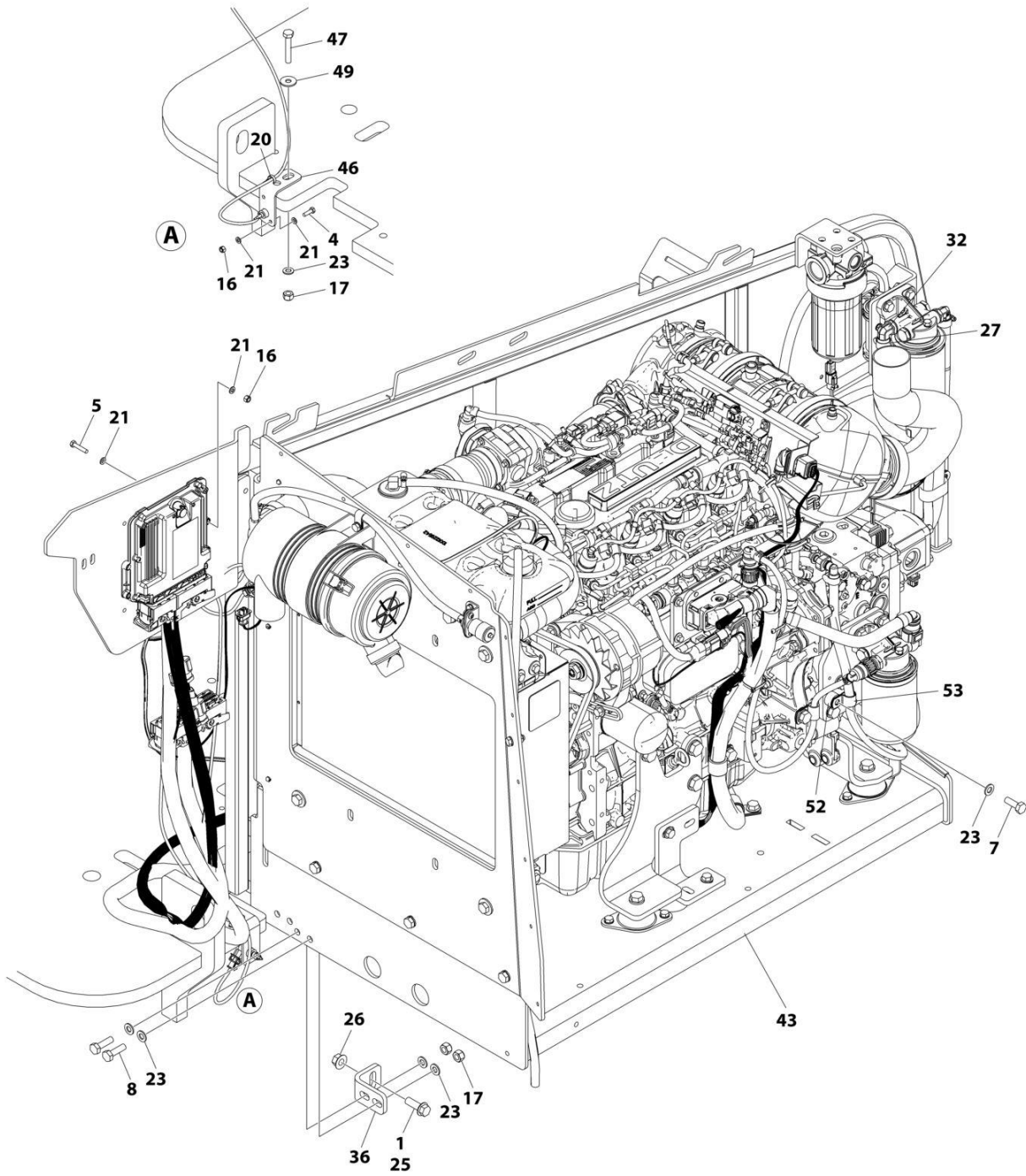
ART_1001244287_H_10F3

SECTION 3 - ENGINE



ART_1001244287_H_20F3

SECTION 3 - ENGINE



ART_1001244287_H_30F3

SECTION 3 - ENGINE

FIGURE 3-15. ENGINE INSTALLATION - DEUTZ D2.9L4 ENGINE (STAGE V) (CE & UK CA SPECS)

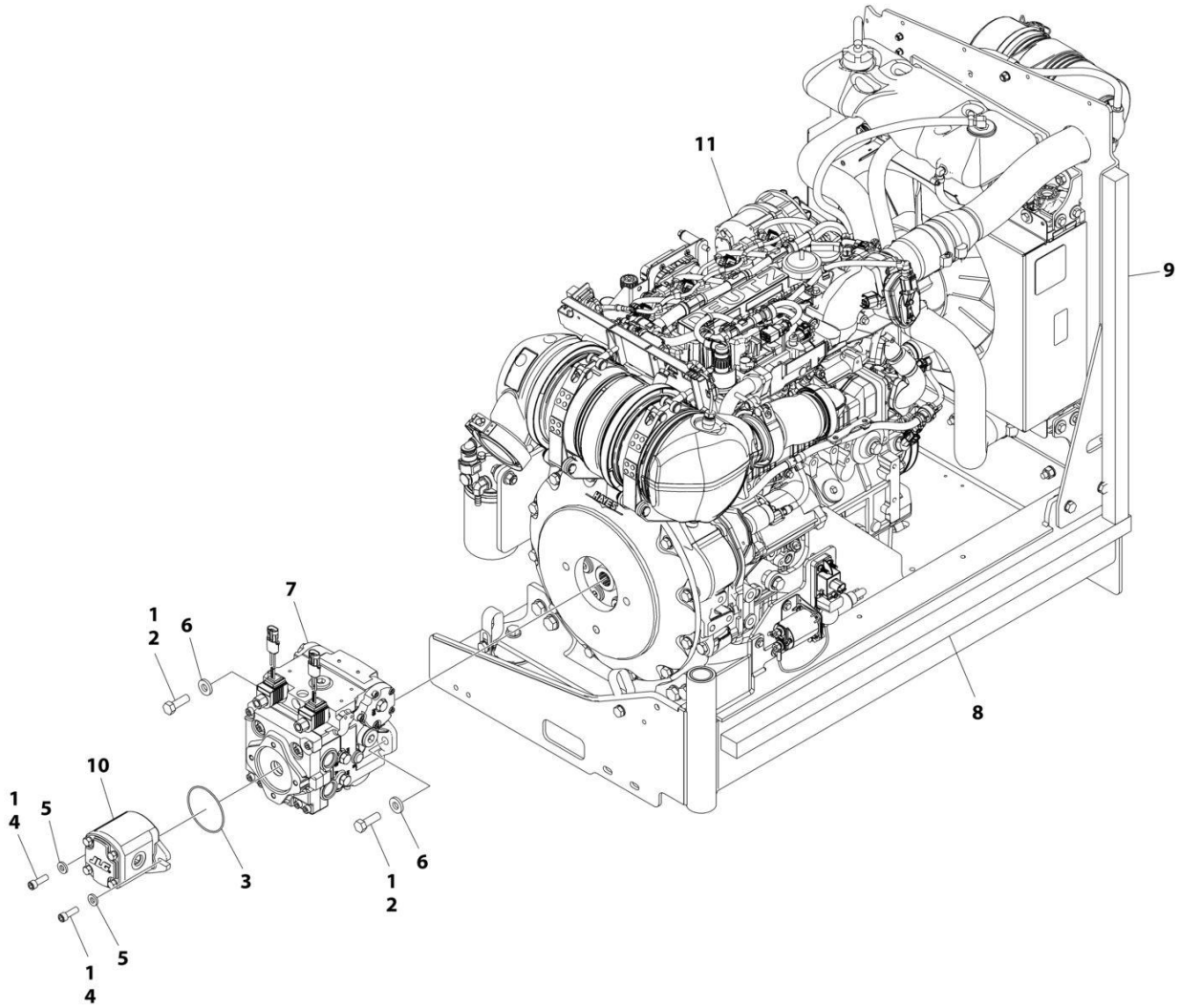
ITEM	PART NUMBER	QTY	DESCRIPTION	REV
	1001244287	Ref	ENGINE INSTALLATION - DEUTZ D2.9L4 ENGINE (STAGE V)	H
1	0100011	AR	Compound, Locking	
2	0100020	AR	Sealant, Pipe	
3	0440162	1	Bearing	
4	0760610	2	Bolt M6 x 20	
5	0760614	4	Bolt M6 x 30	
6	0760812	1	Bolt M8 x 25	
7	0761014	4	Bolt M10 x 30	
8	0761015	5	Bolt M10 x 35	
9	0771212	1	Bolt M12 x 25	
10	1320022	1	Clamp	
11	1321716	4	Clamp	
12	1701505	1	Decal - Diesel Fuel	
13	2180832	1	Fitting, Barbed	
14	2180876	1	Fitting, Barbed	
15	2720058	2 ft /0.6m	Hose	
16	3290605	6	Nut M6	
17	3291005	8	Nut M10	
18	3422532	1	Pin	
19	3841143	1	Keeper, Pin	
20	4240099	AR	Tie-Strap	
21	4811700	12	Washer M6	
22	4811900	1	Washer M8	
23	4812000	15	Washer M10	
24	4812100	1	Washer M12	
25	5251215	1	Bolt M12 x 35	
26	5261200	1	Nut, Flange M12 Grade 10.9	
27	8405006	6	Clamp	
29	2220767	AR	Fitting, Barbed 90	
29	8430007	AR	Fitting, Barbed	
30	1001135196	1	Pin	
31	1001139654	1	Decal - Ultra Low Sulfur Diesel	
32	1001142501	1	Fitting, Barbed 90	
33	1001154405	7.25 ft /2.21m	Hose	
34	1001155823	1	Coupling, Quick Disconnect 90	
35	1001165035	17.25 ft /5.26m	Hose	
36	1001167512	1	Bracket	
37	1001169823	1	Plate, Engine Lock	
38	1001171683	1	Cable, Battery (Red) (Battery Positive to Auxiliary Power Relay)	
39	1001171684	1	Cable, Battery (Black) (Battery Negative to Auxiliary Power Pump)	
40	1001181358	1	Harness, Fuel Pump (See Separate Breakdown in ELECTRICAL SECTION)	
41	1001191832	1	Nut, Rivet M8	
43	1001277600	1	Engine and Pump Sub-Assembly - Deutz D2.9L4 (Without Arctic Package) (See Separate Breakdown in this Section)	
44	1001247440	1	Pipe, Exhaust	
46	1001256879	1	Bracket	
47	0701020	1	Bolt M10 x 60	

SECTION 3 - ENGINE

ITEM	PART NUMBER	QTY	DESCRIPTION	REV
48	1062255	1	Tie-Strap	
49	4812002	1	Washer M10	
51	1001156107	1	Holder	
52	1001220266	1	Spacer	
53	1320061	1	Clamp	

SECTION 3 - ENGINE

FIGURE 3-16. ENGINE AND PUMP SUB-ASSEMBLY - DEUTZ D2.9L4 ENGINE (STAGE V) (CE & UK CA SPECS)



ART_1001277600

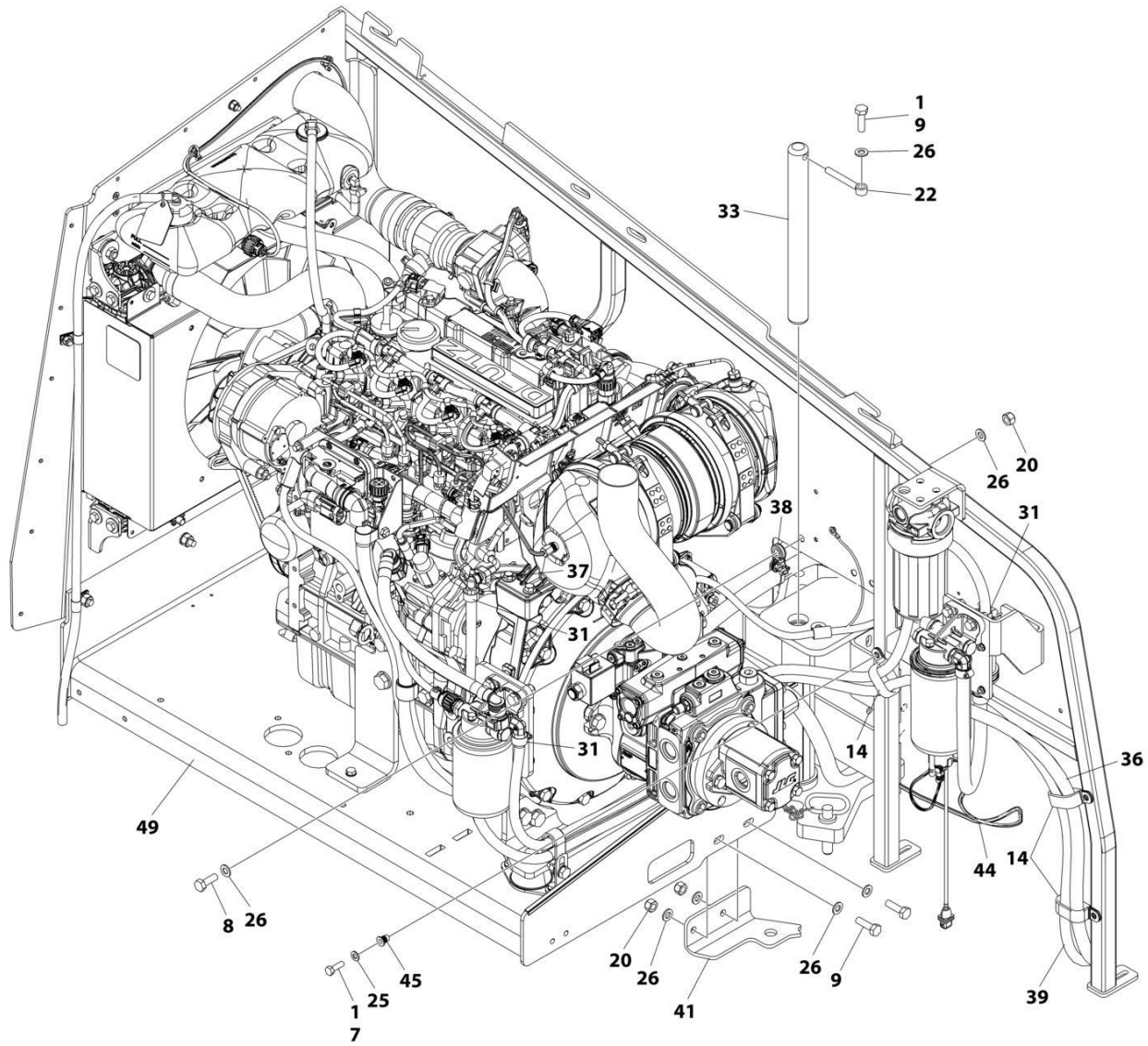
SECTION 3 - ENGINE

FIGURE 3-16. ENGINE AND PUMP SUB-ASSEMBLY - DEUTZ D2.9L4 ENGINE (STAGE V) (CE & UK CA SPECS)

ITEM	PART NUMBER	QTY	DESCRIPTION	REV
	1001277600	Ref	ENGINE AND PUMP SUB-ASSEMBLY - DEUTZ (STAGE V) ENGINE	B
1	0100011	AR	Compound, Locking	
2	0641812	2	Bolt 1/2 x 1-1/2	
3	3790152	1	O-Ring	
4	3931618	2	Capscrew 3/8 x 1-1/8	
5	4891600	2	Washer 3/8 Hardened	
6	4891800	2	Washer 1/2 Hardened	
7	1001167036	1	Piston Pump Assembly (See Separate Breakdown in this Section)	
8	1001171953	1	Seal	
9	1001171954	1	Seal	
10	1001214207	1	Gear Pump Assembly	
10	70006356	1	Seal Kit - 1001214207 Pump	
11	1001277594	1	Engine Assembly, Deutz (Stage V) Engine (See Separate Breakdown in this Section)	

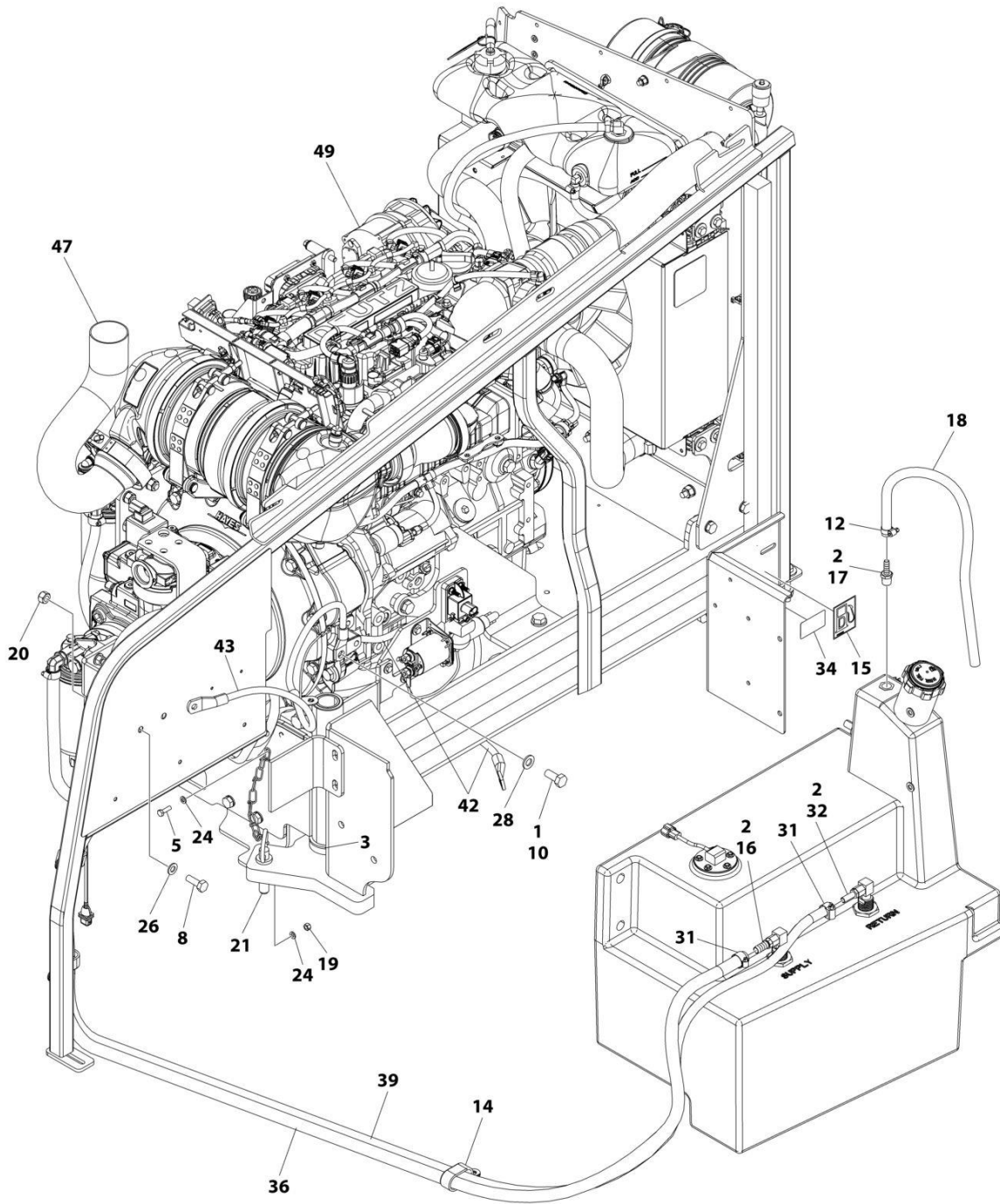
SECTION 3 - ENGINE

FIGURE 3-17. ENGINE INSTALLATION - DEUTZ D2.9L4 ENGINE (STAGE V) (WITH PMP PUMP)



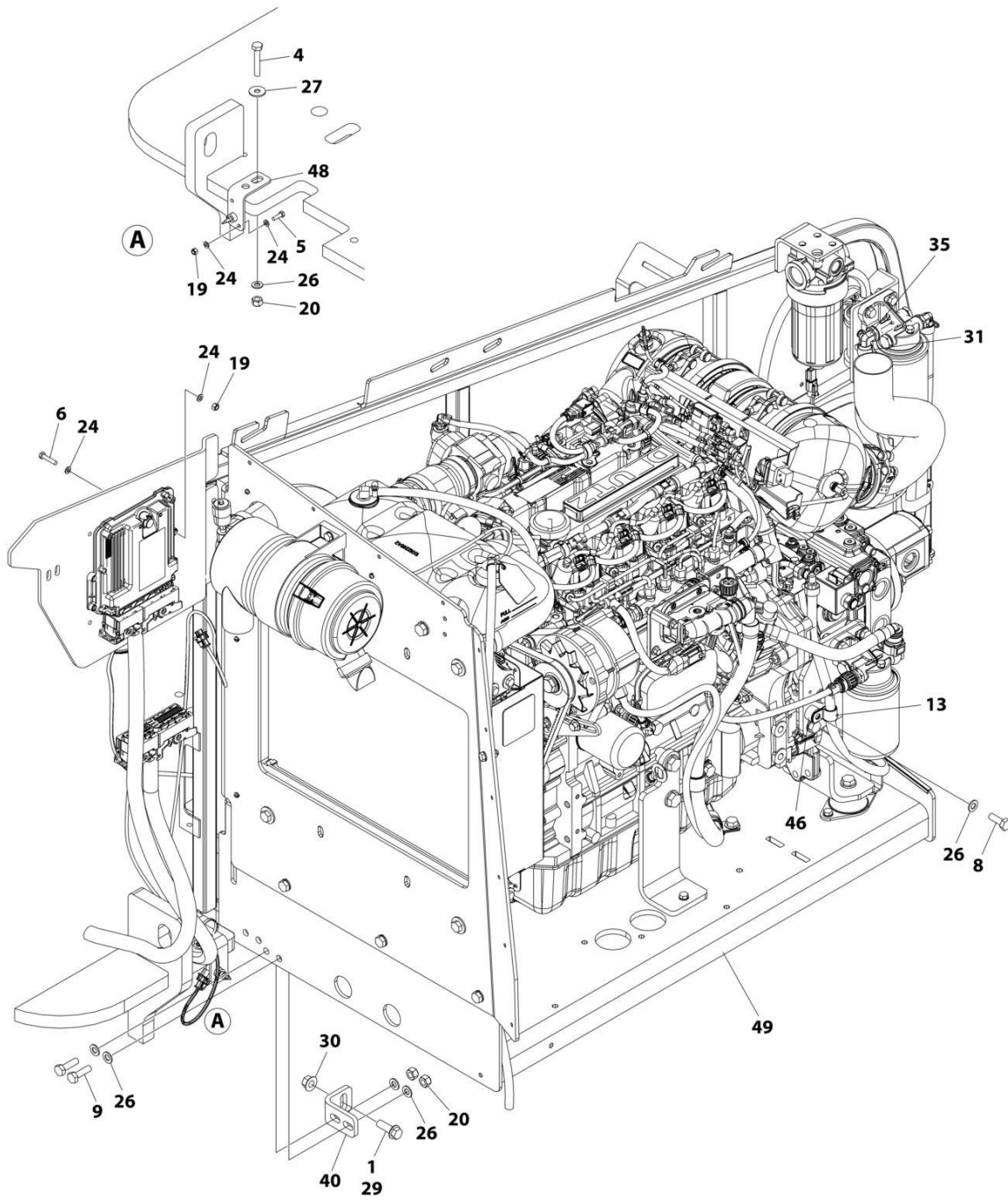
ART_1001300787_1OF3

SECTION 3 - ENGINE



ART_1001300787_2OF3

SECTION 3 - ENGINE



ART_1001300787_30F3

SECTION 3 - ENGINE

FIGURE 3-17. ENGINE INSTALLATION - DEUTZ D2.9L4 ENGINE (STAGE V) (WITH PMP PUMP)

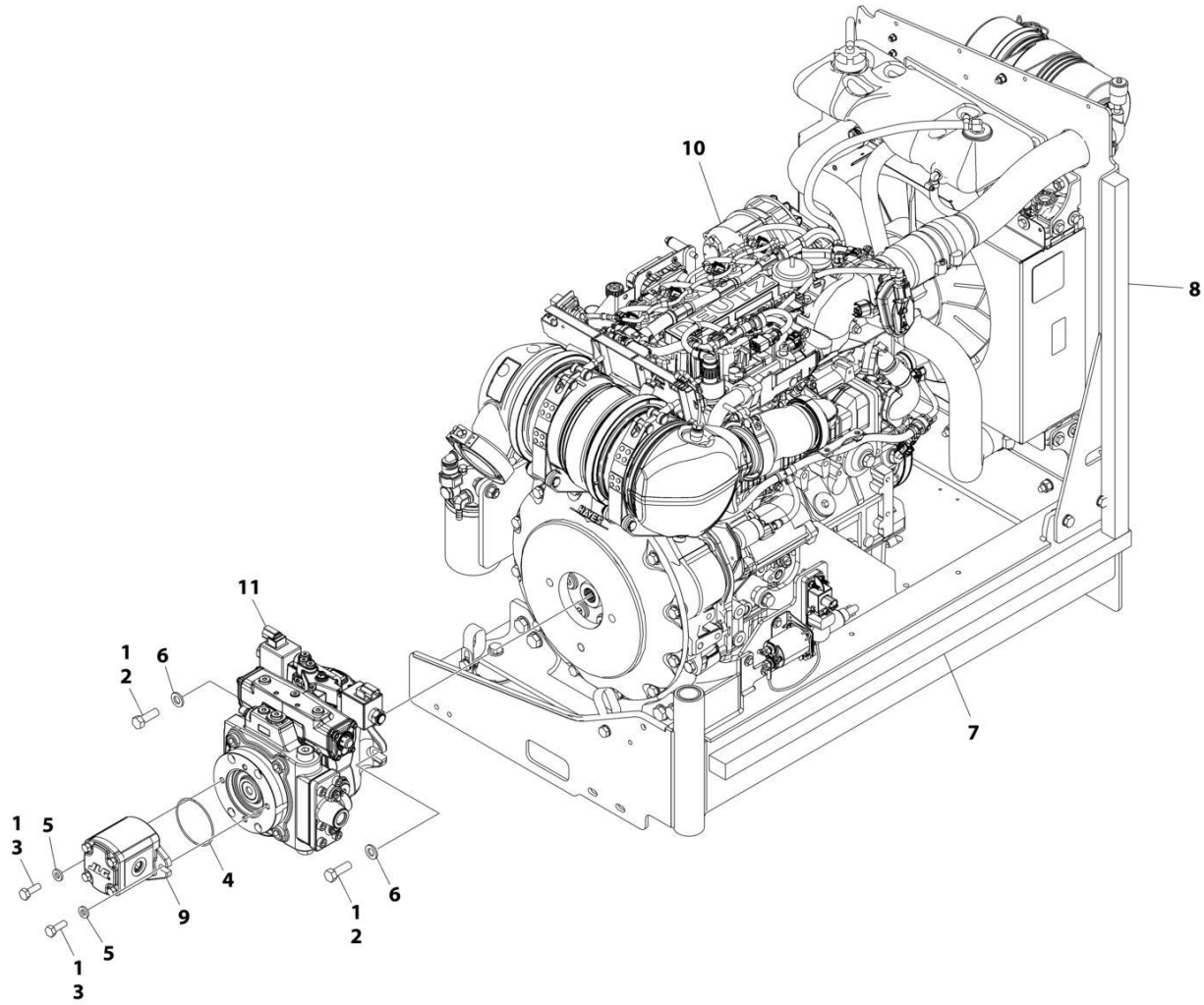
ITEM	PART NUMBER	QTY	DESCRIPTION	REV
	1001300787	Ref	ENGINE INSTALLATION - DEUTZ D2.9L4 ENGINE (STAGE V) (WITH PMP PUMP)	A
1	0100011	AR	Compound, Locking	
2	0100020	AR	Sealant, Pipe	
3	0440162	1	Bearing	
4	0701020	1	Bolt M10 x 60	
5	0760610	2	Bolt M6 x 20	
6	0760614	4	Bolt M6 x 30	
7	0760812	1	Bolt M8 x 25	
8	0761014	4	Bolt M10 x 30	
9	0761015	5	Bolt M10 x 35	
10	0771212	1	Bolt M12 x 25	
11	1062255	AR	Tie-Strap (Not Shown)	
12	1320022	1	Clamp	
13	1320061	1	Clamp	
14	1321716	4	Clamp	
15	1701505	1	Decal - Diesel	
16	2180832	1	Fitting, Barbed	
17	2180876	1	Fitting, NPT/Barbed	
18	2720058	22 in/ 56 cm	Hose	
19	3290605	6	Nut M6	
20	3291005	8	Nut M10	
21	3422532	1	Pin	
22	3841143	1	Keeper, Pin	
23	4240099	AR	Tie-Strap (Not Shown)	
24	4811700	12	Washer M6	
25	4811900	1	Washer M8	
26	4812000	15	Washer M10	
27	4812002	1	Washer M10	
28	4812100	1	Washer M12	
29	5251215	1	Bolt M12 x 35	
30	5261200	1	Nut M12	
31	8405006	6	Clamp	
32	8430007	AR	Fitting, Barbed	
33	1001135196	1	Pin	
34	1001139654	1	Decal - Ultra Low Sulfur Diesel	
35	1001142501	1	Fitting, 90 Barbed	
36	1001154405	7.2 ft/ 2.2 m	Hose	
37	1001155823	1	Coupling, Quick Disconnect 90	
38	1001156107	1	Holder	
39	1001165035	17 ft/ 5.2 m	Hose	
40	1001167512	1	Bracket	
41	1001169823	1	Plate	
42	1001171683	1	Cable, Battery (Red) (Battery Positive to Auxiliary Power Relay)	
43	1001171684	1	Cable, Battery (Black) (Battery Negative to Auxiliary Power Pump)	
44	1001181358	1	Harness, Fuel Pump (See Separate Breakdown in ELECTRICAL Section)	
45	1001191832	1	Nut, Rivet M8	

SECTION 3 - ENGINE

ITEM	PART NUMBER	QTY	DESCRIPTION	REV
46	1001220266	1	Spacer	
47	1001247440	1	Pipe, Exhaust	
48	1001256879	1	Bracket	
49	1001300788	1	Engine and Pump Sub-Assembly (See Separate Breakdown in this Section)	

SECTION 3 - ENGINE

FIGURE 3-18. ENGINE AND PUMP SUB-ASSEMBLY - DEUTZ D2011 ENGINE (STAGE V)



ART_1001300788

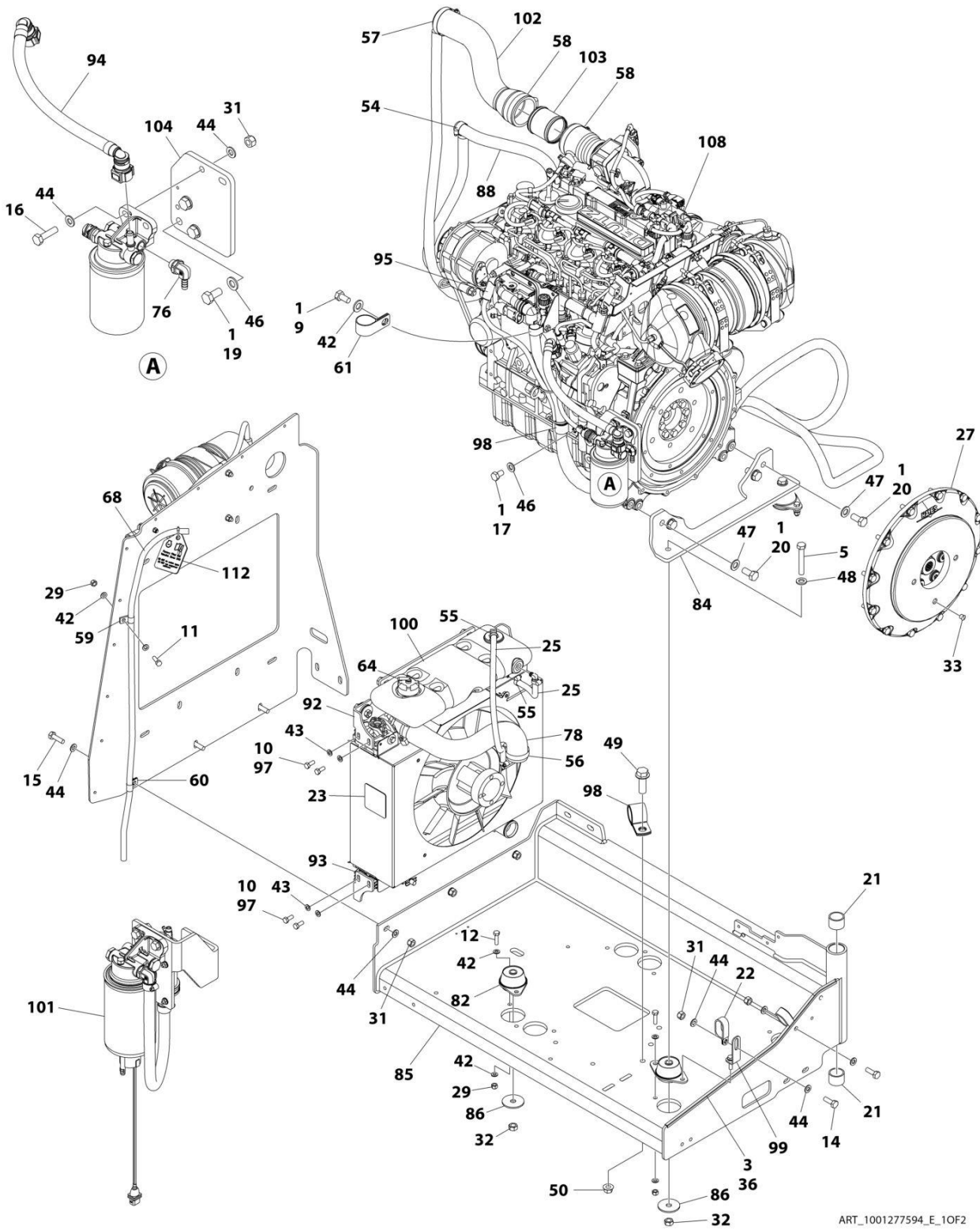
SECTION 3 - ENGINE

FIGURE 3-18. ENGINE AND PUMP SUB-ASSEMBLY - DEUTZ D2011 ENGINE (STAGE V)

ITEM	PART NUMBER	QTY	DESCRIPTION	REV
	1001300788	Ref	ENGINE AND PUMP SUB-ASSEMBLY - DEUTZ D2011 ENGINE (STAGE V)	A
1	0100011	AR	Compound, Locking	
2	0641812	2	Bolt 1/2 x 1-1/2	
3	0761014	2	Bolt M10 x 30	
4	3790152	1	O-Ring	
5	4891600	2	Washer 3/8	
6	5241200	2	Washer M12	
7	1001171953	1	Seal	
8	1001171954	1	Seal	
9	1001214207	1	Gear Pump Assembly	
9	70006356	1	Seal Kit - 1001214207 Pump	
10	1001277594	1	Engine Assembly (STAGE V) Engine (See Separate Breakdown in this Section)	
11	1001285632	1	Closed Pump Loop Assembly (See Separate Breakdown in this Section)	

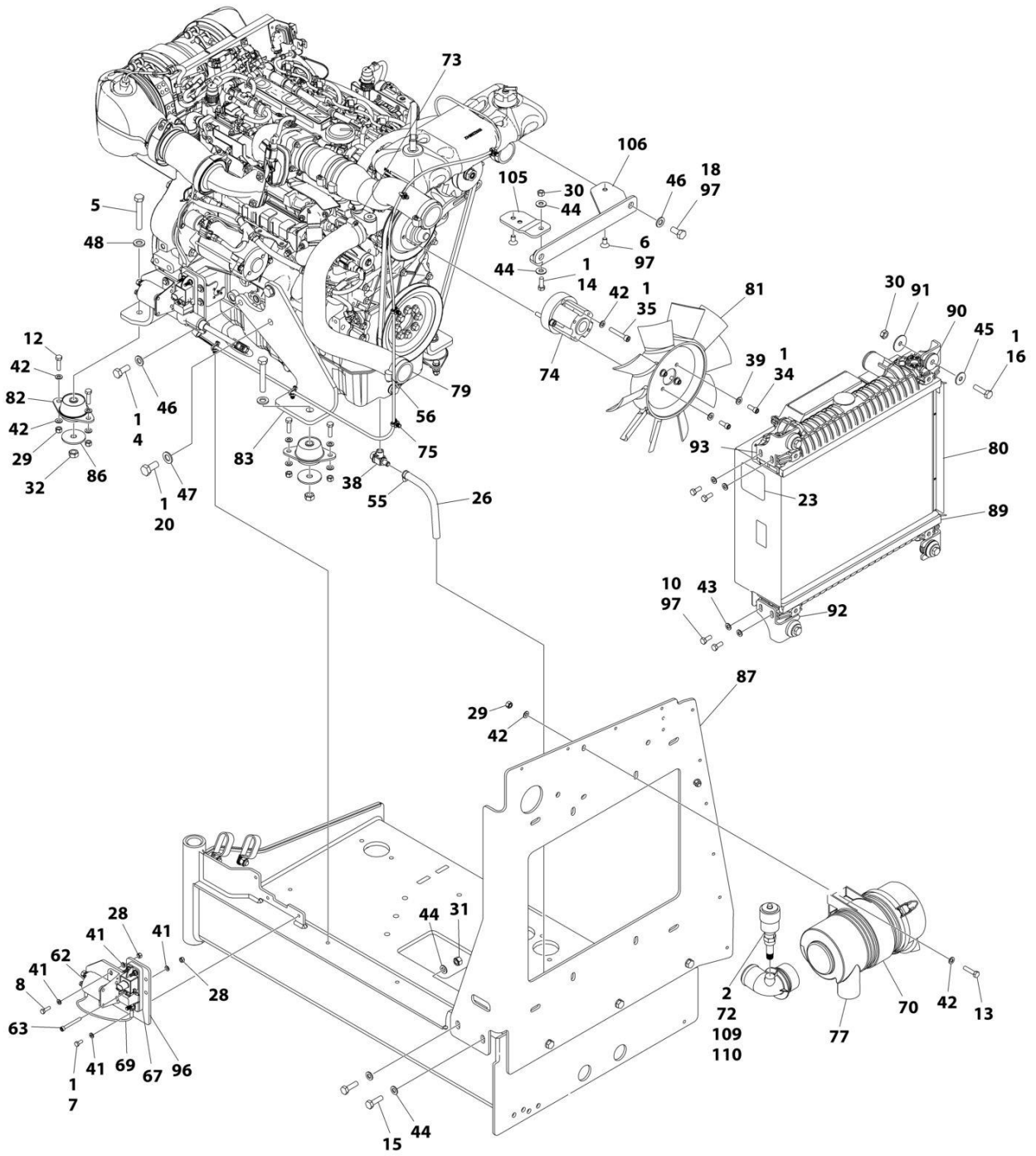
SECTION 3 - ENGINE

FIGURE 3-19. ENGINE ASSEMBLY - DEUTZ D2.9L4 ENGINE (STAGE V) (CE & UK CA SPECS)



ART_1001277594_E_10F2

SECTION 3 - ENGINE



ART_1001277594_E_20F2

SECTION 3 - ENGINE

FIGURE 3-19. ENGINE ASSEMBLY - DEUTZ D2.9L4 ENGINE (STAGE V) (CE & UK CA SPECS)

ITEM	PART NUMBER	QTY	DESCRIPTION	REV
	1001277594	Ref	ENGINE ASSEMBLY - DEUTZ D2.9L4 (STAGE V)	E
1	0100011	AR	Compound, Locking	
2	0100020	AR	Sealant, Pipe	
3	0100081	AR	Adhesive	
4	0711214	1	Bolt M12 x 30 Class 10.9	
5	0711224	3	Bolt M12 x 80 Class 10.9	
6	0741606	2	Screw 3/8 x 3/4	
7	0760607	3	Bolt M6 x 14	
8	0760610	2	Bolt M6 x 20	
9	0760808	1	Bolt M8 x 16	
10	0760810	8	Bolt M8 x 20	
11	0760812	1	Bolt M8 x 25	
12	0760814	6	Bolt M8 x 30	
13	0760815	2	Bolt M8 x 35	
14	0761014	3	Bolt M10 x 30	
15	0761015	5	Bolt M8 x 35	
16	0761016	6	Bolt M10 x 40	
17	0761210	1	Bolt M12 x 20	
18	0761212	2	Bolt M12 x 25	
19	0771212	3	Bolt M12 x 25	
20	0771414	6	Bolt M14 x 30 Class 10.9	
21	0961951	2	Bushing	
22	1321716	2	Clamp	
23	1703162	2	Decal - Caution Fan	
25	2720015	2 ft /1 m	Hose	
26	2720340	1 ft/1 m	Hose	
27	2902065	1	Pump Coupling Kit (See Separate Breakdown in this Section)	
28	3290605	3	Nut M6	
29	3290805	9	Nut M8	
30	3291001	5	Nut M10	
31	3291005	9	Nut M10	
32	3331215	3	Nut M12 x 1.75	
33	3520054	1	Plug	
34	3931512	4	Capscrew, 5/16 x 3/4	
35	4031914	4	Bolt M8 x 50	
36	4060805	3 ft /1 m	Flex-Trim	
37	4240099	AR	Tie-Strap (Not Shown)	
38	4640751	1	Valve, Oil Drain	
39	4711500	4	Washer 5/16	
40	4811700	2	Washer M6	
41	4811702	8	Washer M6	
42	4811900	23	Washer M8	
43	4811902	8	Washer M8	
44	4812000	20	Washer M10	
45	4812002	4	Washer M10	
46	4812100	7	Washer M12	
47	4812200	6	Washer M14	
48	5241200	3	Washer M12	
49	5251215	1	Bolt M12 x 35	
50	5261200	1	Nut, Flange M12 Class10	

SECTION 3 - ENGINE

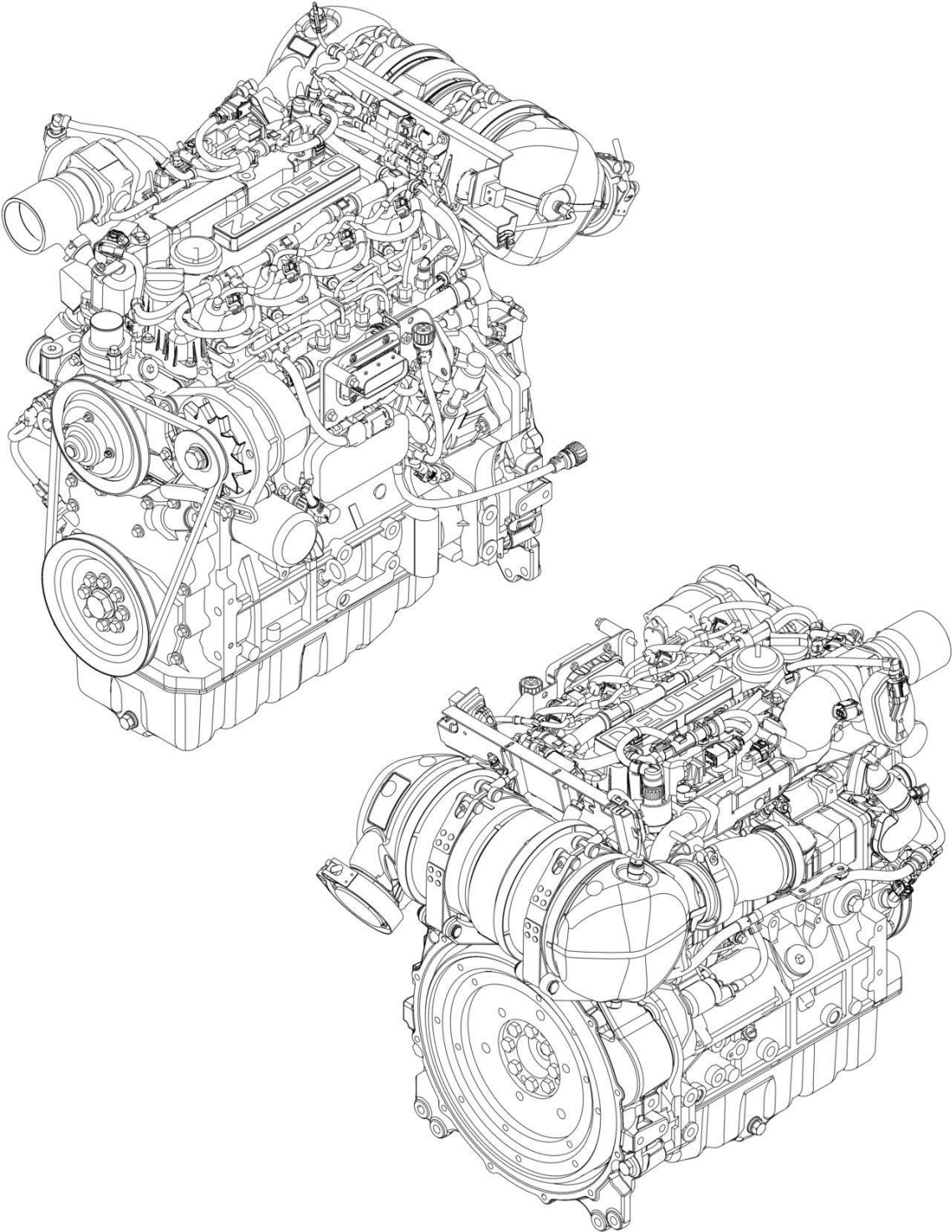
ITEM	PART NUMBER	QTY	DESCRIPTION	REV
54	8405007	2	Clamp	
55	8405009	5	Clamp	
56	8405104	4	Clamp	
57	8405202	1	Clamp	
58	8405204	2	Clamp	
59	8406109	1	Clip	
60	8406110	1	Clip	
61	8406201	1	Clip	
62	1001117308	1	Relay, 200Amp	
63	1001118878	1	Bolt M6 x 55	
64	1001136834	1	Cap, Tank	
67	1001138228	1	Relay, Power Module	
68	1001138248	4 ft/1 m	Tube	
69	1001141304	1	Harness, Glow Plug	
70	1001141694	1	Clamp, Air Cleaner	
72	1001143390	1	Indicator	
73	1001143797	1	Fitting, Barbed	
74	1001144116	1	Spacer, Fan	
75	1001146588	AR	Tie-Strap (Not Shown)	
76	1001152489	1	Fitting, Barbed 90	
77	1001165388	1	Air Cleaner Assembly	
78	1001165405	1	Hose, Upper Radiator	
79	1001165406	1	Hose, Lower Radiator	
80	1001165722	1	Radiator	
81	1001165849	1	Fan	
82	1001166718	3	Mount, Motor	
83	1001166921	1	Plate, Engine Mount	
84	1001166924	1	Plate, Engine Mount	
85	1001167520	1	Tray, Engine	
86	1001168018	3	Washer, Special	
87	1001168026	1	Plate, Radiator Mounting	
88	1001168099	1	Hose	
89	1001168166	2	Seal	
90	1001169054	4	Isolator	
91	1001169138	4	Washer, Snubbing	
92	1001169967	2	Bracket	
93	1001170035	2	Bracket	
94	1001177359	1	Hose	
95	1001178788	1	Cable, Alternator	
96	1001179903	1	Bracket	
97	1001180620	AR	Adhesive	
98	1001191620	2	Clamp	
99	1001223122	1	Support	
100	1001230635	1	Tank, Surge (Includes Items 62, 70, & 73)	
101	1001235949	1	Bracket (See Separate Breakdown in this Section)	
102	1001236780	1	Hose, Air Intake	
103	1001238911	1	Pipe, Air Intake	
104	1001258804	1	Mount, Fuel Filter	
105	1001260412	1	Bracket	
106	1001260420	1	Bracket (note: may require P/N 1001260412)	
107	1001276643	1	Harness, Engine (Not Shown - See Separate Breakdown in ELECTRICAL Section)	

SECTION 3 - ENGINE

ITEM	PART NUMBER	QTY	DESCRIPTION	REV
108	1001277589	1	Engine, Deutz 2.9L4 (Stage V) (See Separate Breakdown in this Section)	
109	2200261	1	Fitting	
110	1001277432	1	Spacer	
111	4240032	1	Tie-Strap (Not Shown)	
112	1001291401	1	Tag, Coolant	

SECTION 3 - ENGINE

FIGURE 3-20. ENGINE COMPONENTS - DEUTZ D2.9L4 ENGINE (STAGE V) (CE & UK CA SPECS)



ART_1001277589

SECTION 3 - ENGINE

FIGURE 3-20. ENGINE COMPONENTS - DEUTZ D2.9L4 ENGINE (STAGE V) (CE & UK CA SPECS)

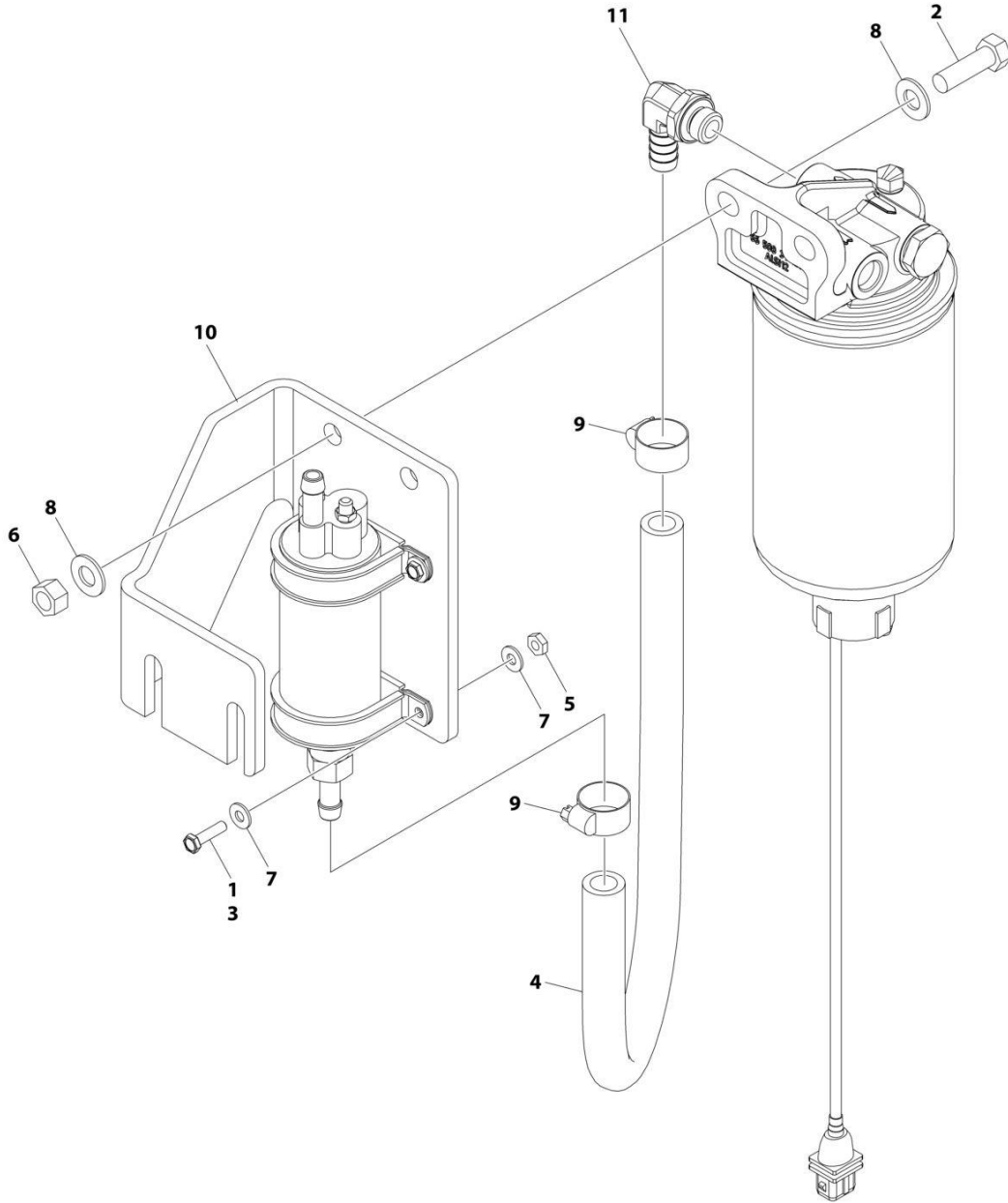
ITEM	PART NUMBER	QTY	DESCRIPTION	REV
	1001277589	Ref	DEUTZ ENGINE COMPONENTS	B
	SEE NOTE	1	Note: Additional components may be available. Contact JLG Customer Service for more details.	
		Ref	COOLING SYSTEM COMPONENTS	
	70031474	1	Cooler, Oil	
	70031388	1	Seal, Oil Cooler	
	70030360	1	Pump, Coolant (Includes Gaskets & Seals)	
	70031055	1	O-Ring, Coolant Pump	
	70007325	1	Gasket	
	70007603	1	Thermostat	
	70005184	1	O-Ring, Thermostat	
	70005931	1	Gasket, Thermostat	
		Ref	ELECTRICAL SYSTEM COMPONENTS	
	70024513	1	Cable, Primary Fuel Filter Sensor (Includes Seal)	
	70025239	1	Seal	
	70028538	1	Sensor, Fuel Pressure (at Filter) (Includes Seal)	
	70024920	1	Seal	
	70029512	1	Module, ECU/ECM	
	70027405	1	Senor, Exhaust Temperature	
	70031144	1	Starter	
	70008435	1	Generator (includes Regulator)	
	70031143	1	Regulator	
	70000345	4	Plug, Glow	
	70025231	1	Harness, Glow Pug	
	70008553	1	Cable, Interconnect	
	70008558	1	Harness, Engine	
	1001211556	1	Sensor, Temperature (Includes O-Seal)	
	70005507	1	O-Seal	
	70028540	1	Sensor, Temperature (in Cylinder Head)	
	70024504	1	Sensor, Oil Pressure (Side of Block) (Includes Seal)	
	70024920	1	Seal	
	70026210	2	Sensor, Speed (Includes O-Ring/Seal)	
	70005191	1	O-Ring	
	70024917	1	Seal	
	70008559	1	Sensor, Air Pressure (Air Exchange Manifold) (Includes O-Ring)	
	70008561	1	Sensor, Air Pressure (Air Exchange Manifold) (Includes O-Ring)	
	70024505	1	Sender, Exhaust Temperature	
	70029409	1	Sender, Exhaust Temperature	
	70008431	1	Sensor, Exhaust Pressure	
		Ref	EXHAUST SYSTEM COMPONENTS	
	70025130	8	Bolt, Exhaust Manifold	
	70025164	1	Gasket, Exhaust Manifold to Head	
	70005505	2	O-Seal	
	70008543	1	Pipe, Exhaust	
	70008544	1	O-Seal, Exhaust (Venturi Tube to Exhaust Pipe)	
	70008545	1	Gasket, Square Exhaust	
	70005504	1	Sensor, Exhaust Pressure (Includes O-Seals)	
	70031136	1	Gasket, Exhaust (Upper)	
	70007354	1	Gasket, Exhaust (Lower)	
	70008547	1	Module, EGR (Includes Gasket)	

SECTION 3 - ENGINE

ITEM	PART NUMBER	QTY	DESCRIPTION	REV
	70007326	1	Gasket	
	70025242	2	Gasket, Compensator	
	70004504	1	Compensator	
	70008564	1	Catalyst	
		Ref	FUEL SYSTEM COMPONENTS	
	1001225430	1	Filter, Primary Fuel	
	1001225431	1	Filter, Fuel	
	70030381	1	Pump, High Pressure	
	70025152	1	O-Ring (Between Pump AND Spacer)	
	70004505	1	Valve, Overflow (Includes O-Rings)	
	70004506	1	O-Ring	
	70004507	1	O-Ring	
	70004508	1	Valve, Volume Control (Includes O-Ring & Gasket)	
	70004509	1	O-Ring	
	70004510	1	Gasket	
	70004281	4	Injector, Fuel (Includes Sealing Washer & O-Ring)	
	70025140	1	Washer, Sealing	
	70025145	1	O-Rin	
	70008422	1	Pump, Fuel Supply (Includes Clamps)	
	70025144	2	Clamp	
	70008537	1	Valve, Throttle (Includes Gasket)	
	70008538	1	Gasket	
		Ref	GASKETS & SEAL & KITS	
	70024906	1	Gasket, Head	
	70005171	1	Gasket, Valve Cover	
	70002718	1	Seal, Rear Main	
	70028185	1	Gasket, Front Cover	
	70008296	1	Seal, Front Main	
	70025235	1	Kit, Repair - Fuel Rail	
	70005176	1	O-Ring, Charge Exchange Manifold	
	70005177	1	Gasket, Charge Exchange Manifold	
	70005938	1	Gasket Kit	
		Ref	LUBRICATION SYSTEM COMPONENTS	
	7016331	1	Filter, Oil	
	70024904	1	Dipstick (Includes O-Ring)	
	70024905	1	O-Ring, Dipstick	
	7020465	2	Cap, Oil Fill	
	70005941	1	Plug, Oil Drain	
	70005942	1	Washer, Oil Drain Plug	
	70005172	1	Pump, Oil Lube (Includes Gasket & O-Ring)	
		Ref	MECHANICAL COMPONENTS	
	70001870	1	Flywheel (Includes Ring Gear)	
	7024579	1	Gear, Ring	
	70024913	1	V-Belt	

SECTION 3 - ENGINE

FIGURE 3-21. BRACKET ASSEMBLY - FUEL PUMP AND FILTER (DEUTZ D2.9L4 ENGINE)



ART_1001162335

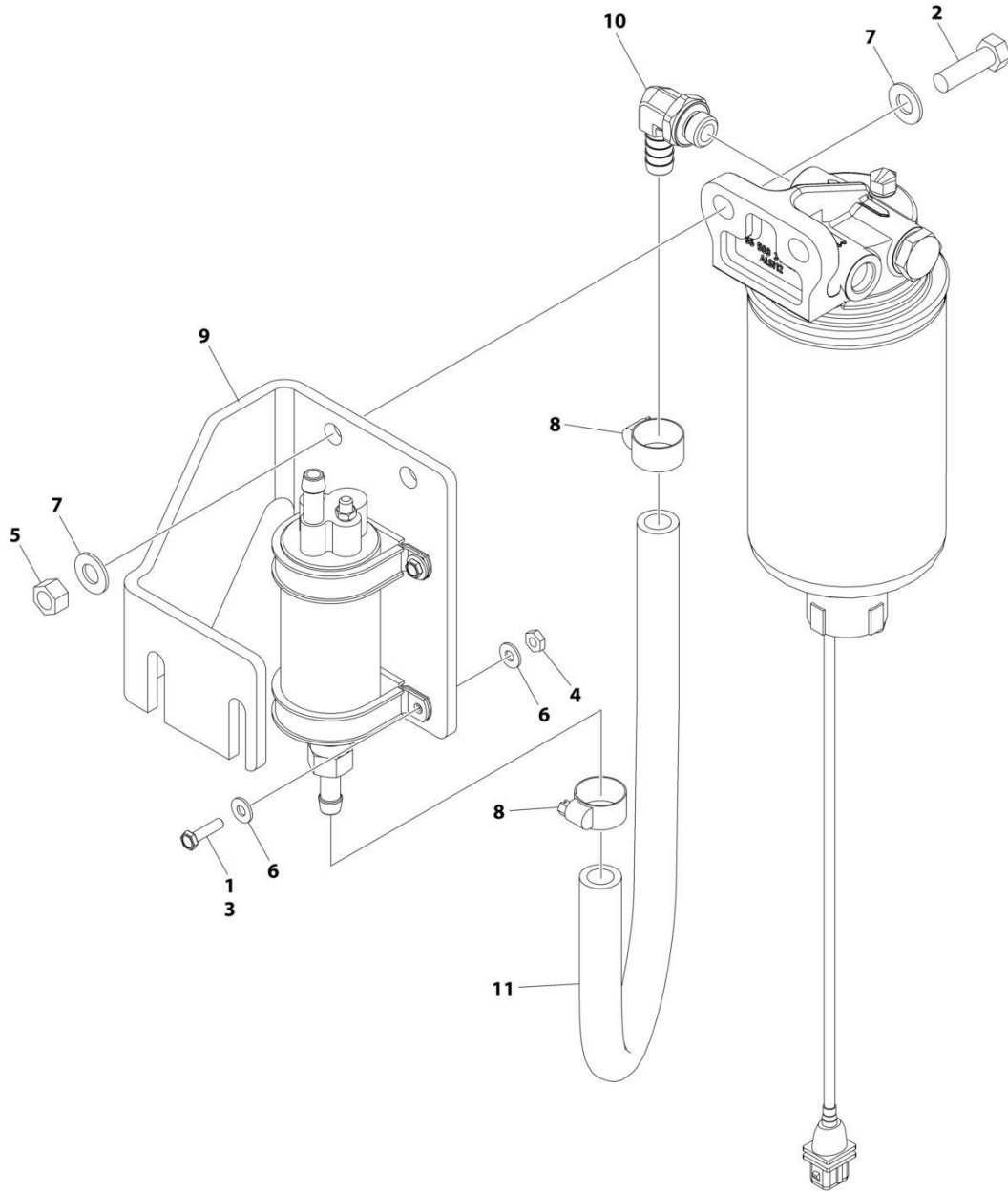
SECTION 3 - ENGINE

FIGURE 3-21. BRACKET ASSEMBLY - FUEL PUMP AND FILTER (DEUTZ D2.9L4 ENGINE)

ITEM	PART NUMBER	QTY	DESCRIPTION	REV
	1001162335	Ref	BRACKET ASSEMBLY - FUEL PUMP AND FILTER (DEUTZ D2.9L4 ENGINE)	E
1	0100011	AR	Compound, Locking	
2	0641610	2	Bolt 3/8 x 1-1/4	
3	0721006	4	Bolt #10 x 3/4	
4	1001154405	AR	Hose	
5	3311001	4	Nut #10	
6	3311605	2	Nut 3/8	
7	4711000	8	Washer #10	
8	4711600	4	Washer 3/8	
9	8405006	2	Clamp	
10	1001141870	1	Plate, Fuel Pump Mount	
11	1001142501	1	Fitting, Elbow Barbed	

SECTION 3 - ENGINE

FIGURE 3-22. BRACKET ASSEMBLY - FUEL PUMP AND FILTER (DEUTZ D2.9L4 ENGINE) (STAGE V)



ART_1001235949

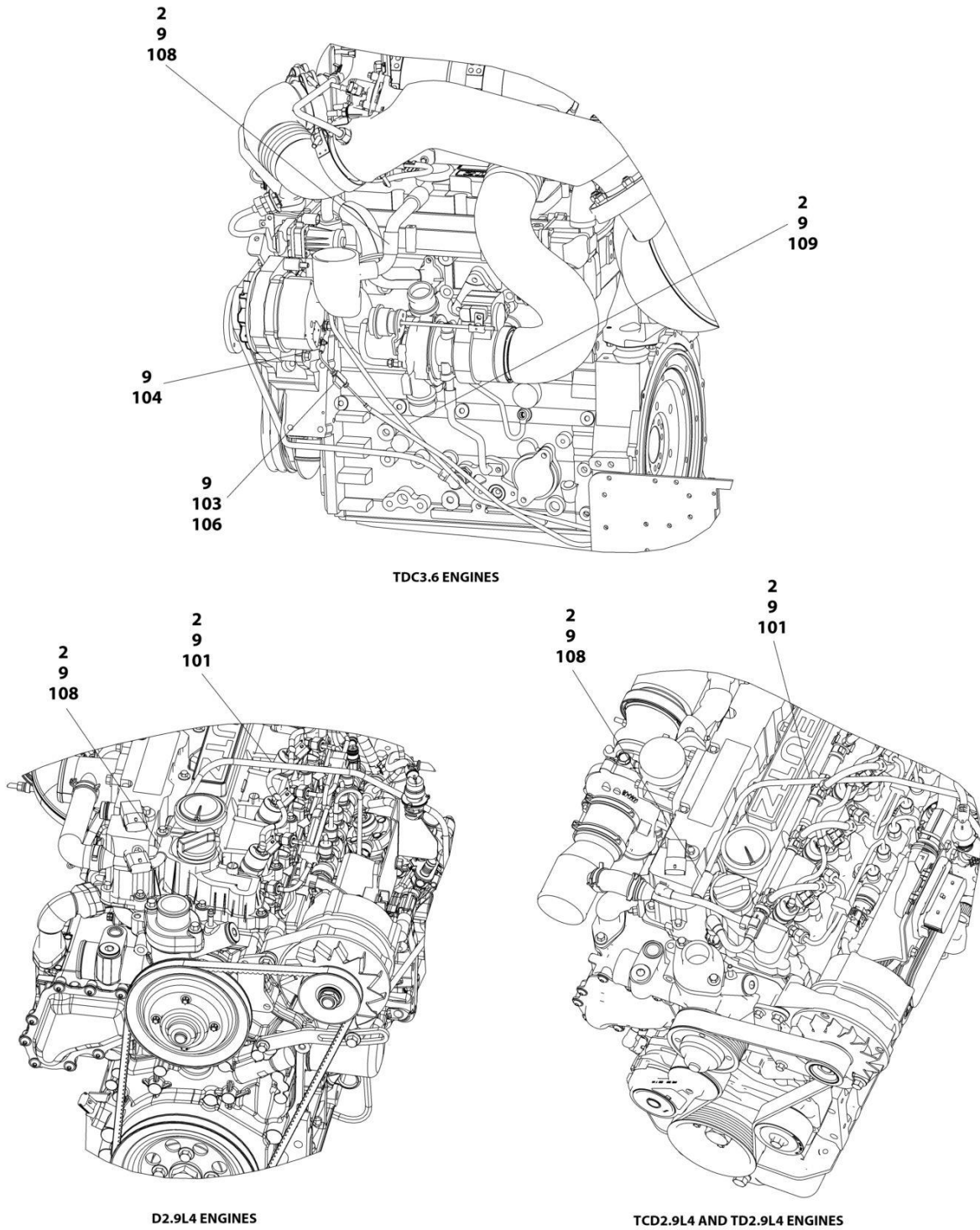
SECTION 3 - ENGINE

FIGURE 3-22. BRACKET ASSEMBLY - FUEL PUMP AND FILTER (DEUTZ D2.9L4 ENGINE) (STAGE V)

ITEM	PART NUMBER	QTY	DESCRIPTION	REV
	1001235949	Ref	BRACKET ASSEMBLY - FUEL PUMP AND FILTER (DEUTZ D2.9L4 (STAGE V) ENGINE)	A
1	0100035	AR	Compound, Locking	
2	0641610	2	Bolt 3/8 x 1-1/4	
3	0721006	4	Bolt #10 x 3/4	
4	3311001	4	Nut #10	
5	3311605	2	Nut 3/8	
6	4711000	8	Washer #10	
7	4711600	4	Washer 3/8	
8	8405006	2	Clamp	
9	1001141870	1	Plate, Fuel Pump Mount	
10	1001142501	1	Fitting, Elbow Barbed	
11	1001154405	1.5 ft /0.4m	Hose	

SECTION 3 - ENGINE

FIGURE 3-23. BREATHER HEATER INSTALLATION - DEUTZ D2.9L4 ENGINE WITH ARCTIC PACKAGE



ART_1001233763

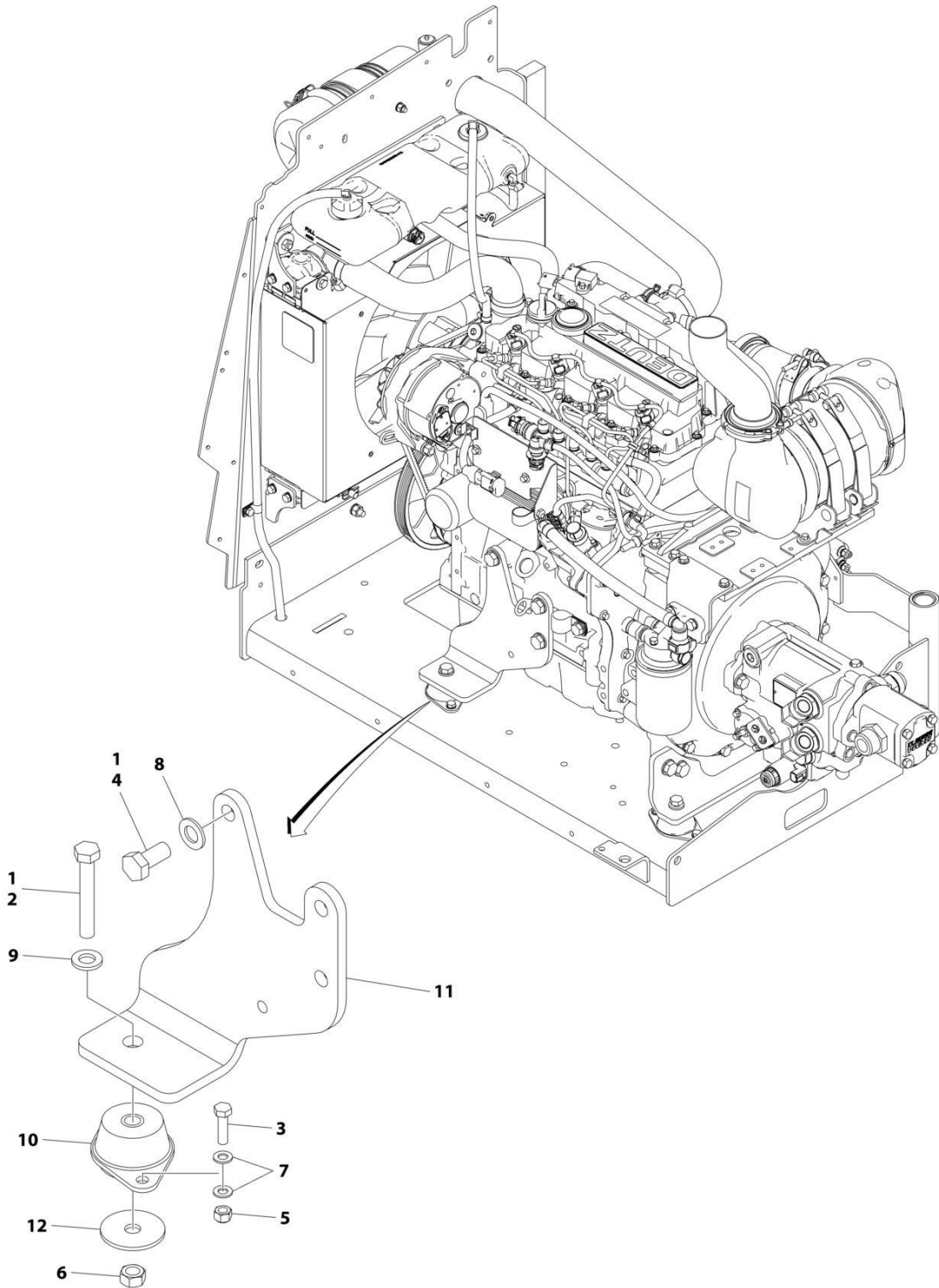
SECTION 3 - ENGINE

FIGURE 3-23. BREATHER HEATER INSTALLATION - DEUTZ D2.9L4 ENGINE WITH ARCTIC PACKAGE

ITEM	PART NUMBER	QTY	DESCRIPTION	REV
	1001233763	Ref	BREATHER HEATER INSTALLATION - DEUTZ ENGINES	D
2	4240099	AR	Tie-Strap	
9	1001243895	1	Breather Heater Harness	C
101	2820035	AR	Insulation	
103	2400060	1	Fuseholder with Cover	
104	4460043	1	Terminal, Ring	
105	4460722	1	Terminal, Ring (Not Shown)	
106	1001196634	1	Fuse - 2 Amp	
108	1001232842	1	Breather Heater Kit	

SECTION 3 - ENGINE

FIGURE 3-24. ENGINE MOUNT INSTALLATION - DEUTZ D2.9L4 WITHOUT GENERATOR



ART_1001244024

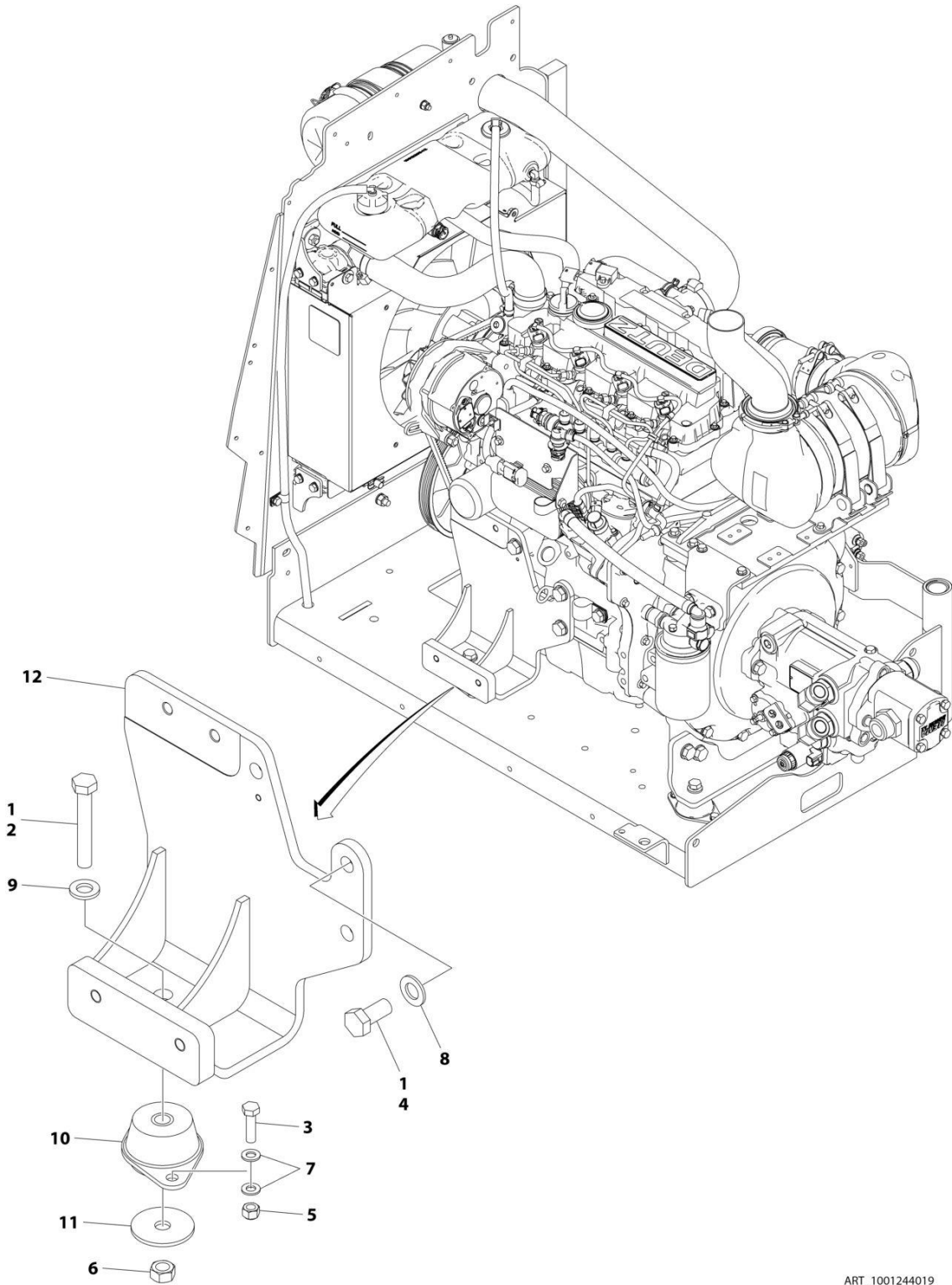
SECTION 3 - ENGINE

FIGURE 3-24. ENGINE MOUNT INSTALLATION - DEUTZ D2.9L4 WITHOUT GENERATOR

ITEM	PART NUMBER	QTY	DESCRIPTION	REV
	1001244024	Ref	MOTOR MOUNT INSTALLATION	A
1	0100011	AR	Compound, Locking	
2	0711224	1	Bolt M12 x 80	
3	0760814	2	Bolt M8 x 30	
4	0771414	3	Bolt M14 x 30	
5	3290805	2	Nut M8	
6	3331211	1	Nut M12	
7	4811900	4	Washer M8	
8	4812200	3	Washer M14	
9	5241200	1	Washer M12	
10	1001166718	1	Mount, Motor	
11	1001166922	1	Mount	
12	1001168018	1	Washer	

SECTION 3 - ENGINE

FIGURE 3-25. ENGINE MOUNT INSTALLATION - DEUTZ D2.9L4 WITH GENERATOR



ART_1001244019

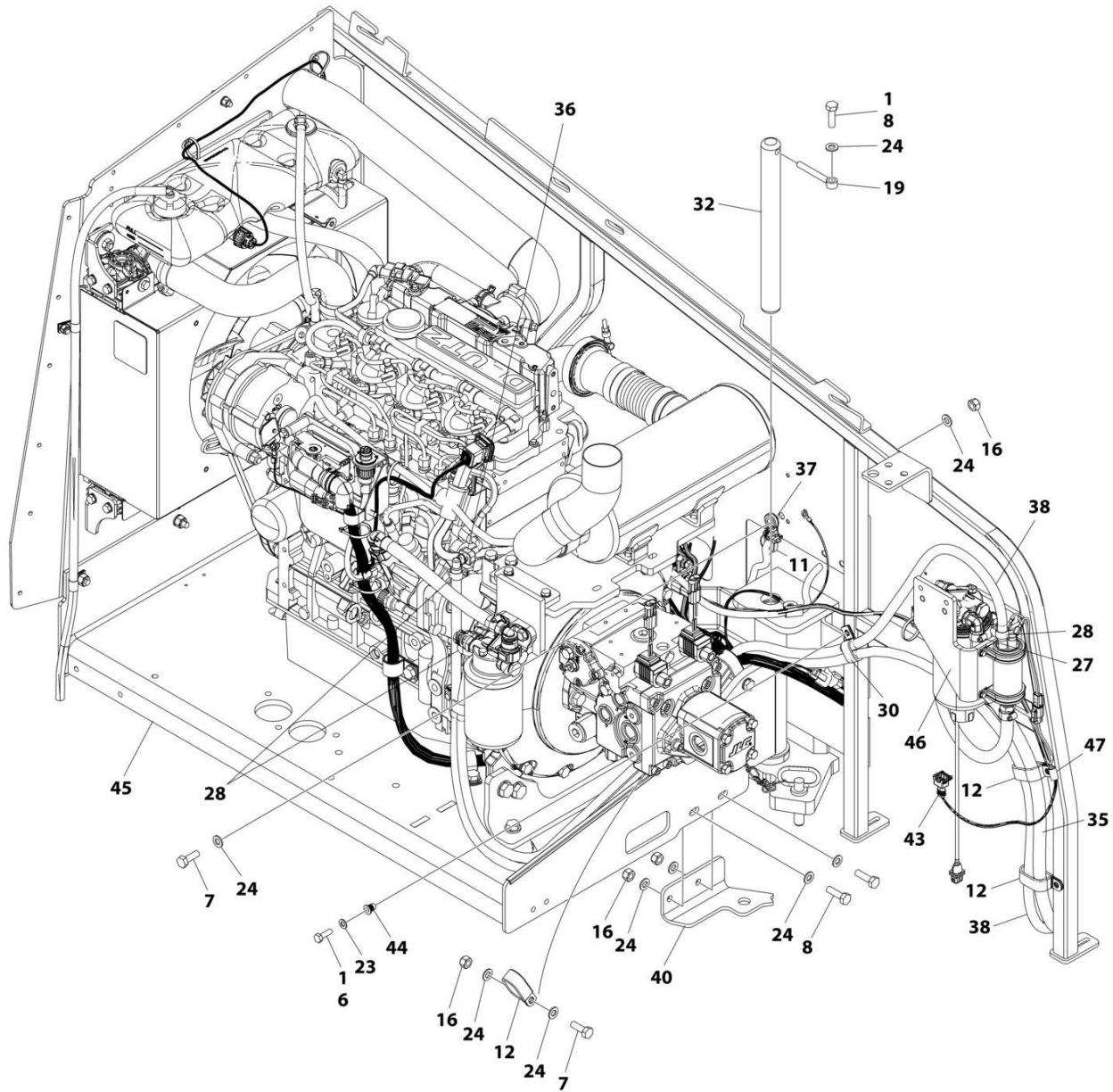
SECTION 3 - ENGINE

FIGURE 3-25. ENGINE MOUNT INSTALLATION - DEUTZ D2.9L4 WITH GENERATOR

ITEM	PART NUMBER	QTY	DESCRIPTION	REV
	1001244019	Ref	MOTOR MOUNT INSTALLATION	A
1	0100011	AR	Compound, Locking	
2	0711224	1	Bolt M12 x 80	
3	0760814	2	Bolt M8 x 30	
4	0771414	3	Bolt M14 x 30	
5	3290805	2	Nut M8	
6	3331211	1	Nut M12	
7	4811900	4	Washer M8	
8	4812200	3	Washer M14	
9	5241200	1	Washer M12	
10	1001166718	1	Mount, Motor	
11	1001168018	1	Washer	
12	1001168207	1	Mount	

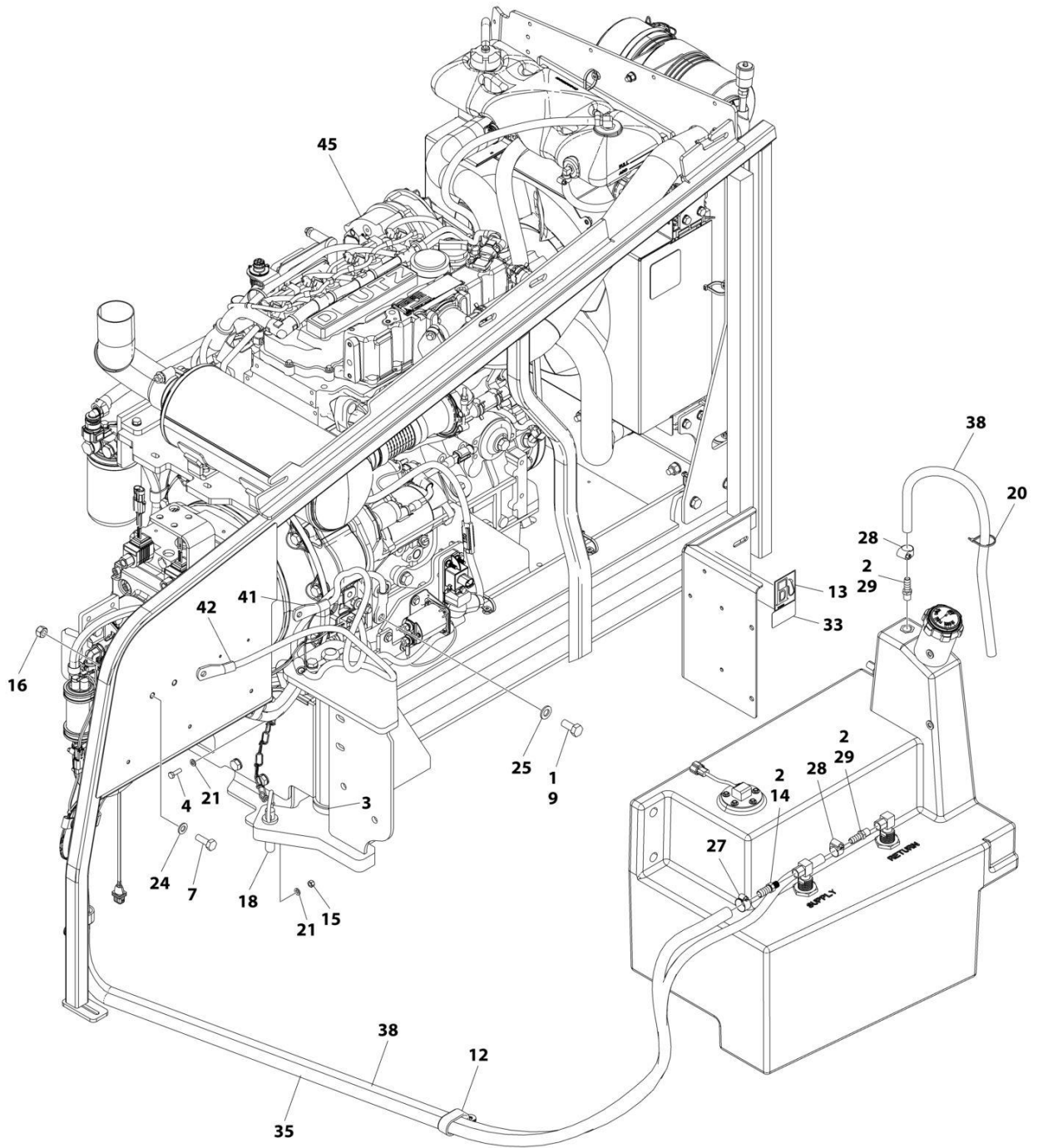
SECTION 3 - ENGINE

FIGURE 3-26. ENGINE INSTALLATION - DEUTZ D2.9L4 ENGINE (CHINA IV)



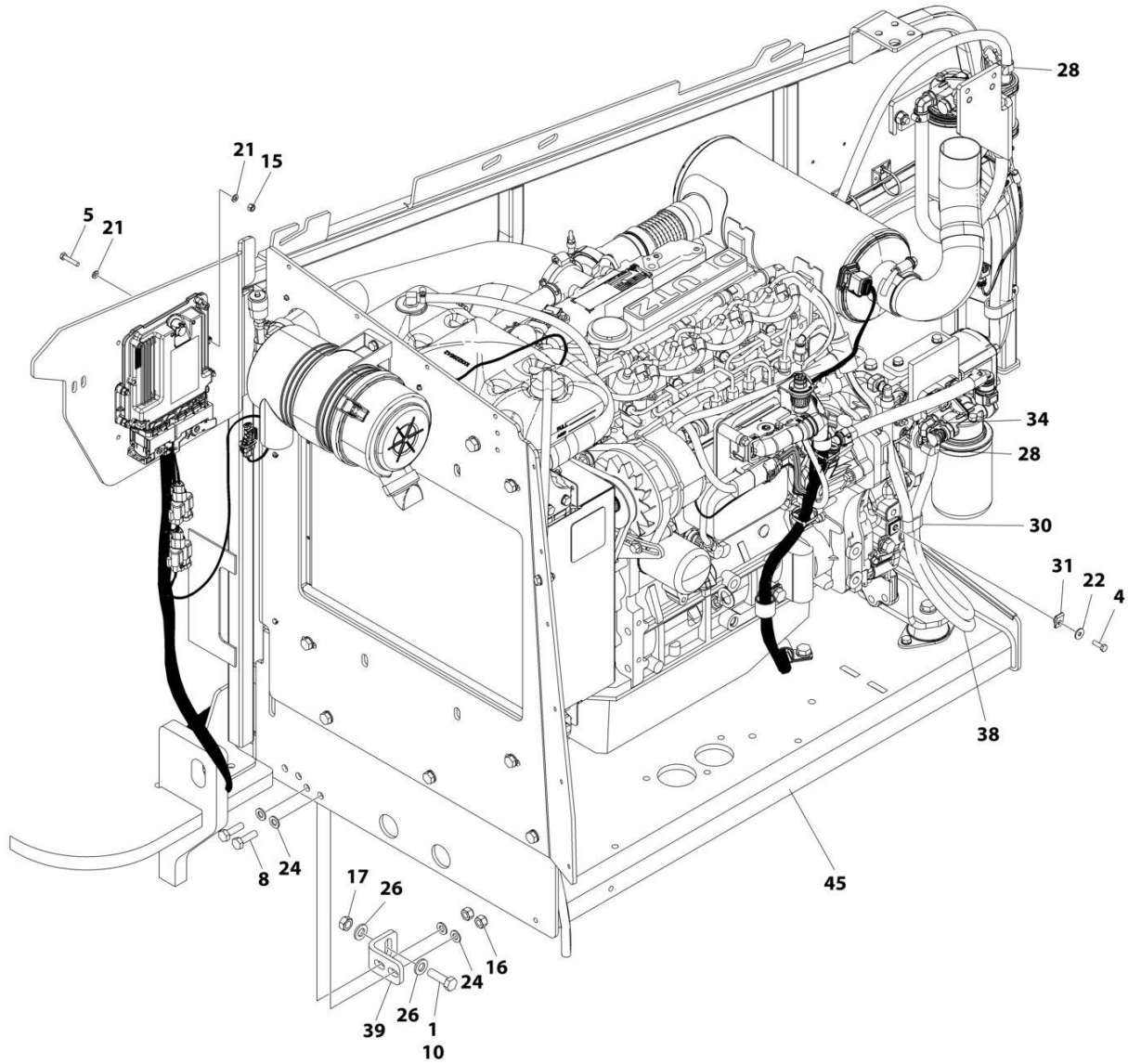
ART_1001258339_10F3

SECTION 3 - ENGINE



ART_1001258339_2OF3

SECTION 3 - ENGINE



ART_1001258339_3OF3

SECTION 3 - ENGINE

FIGURE 3-26. ENGINE INSTALLATION - DEUTZ D2.9L4 ENGINE (CHINA IV)

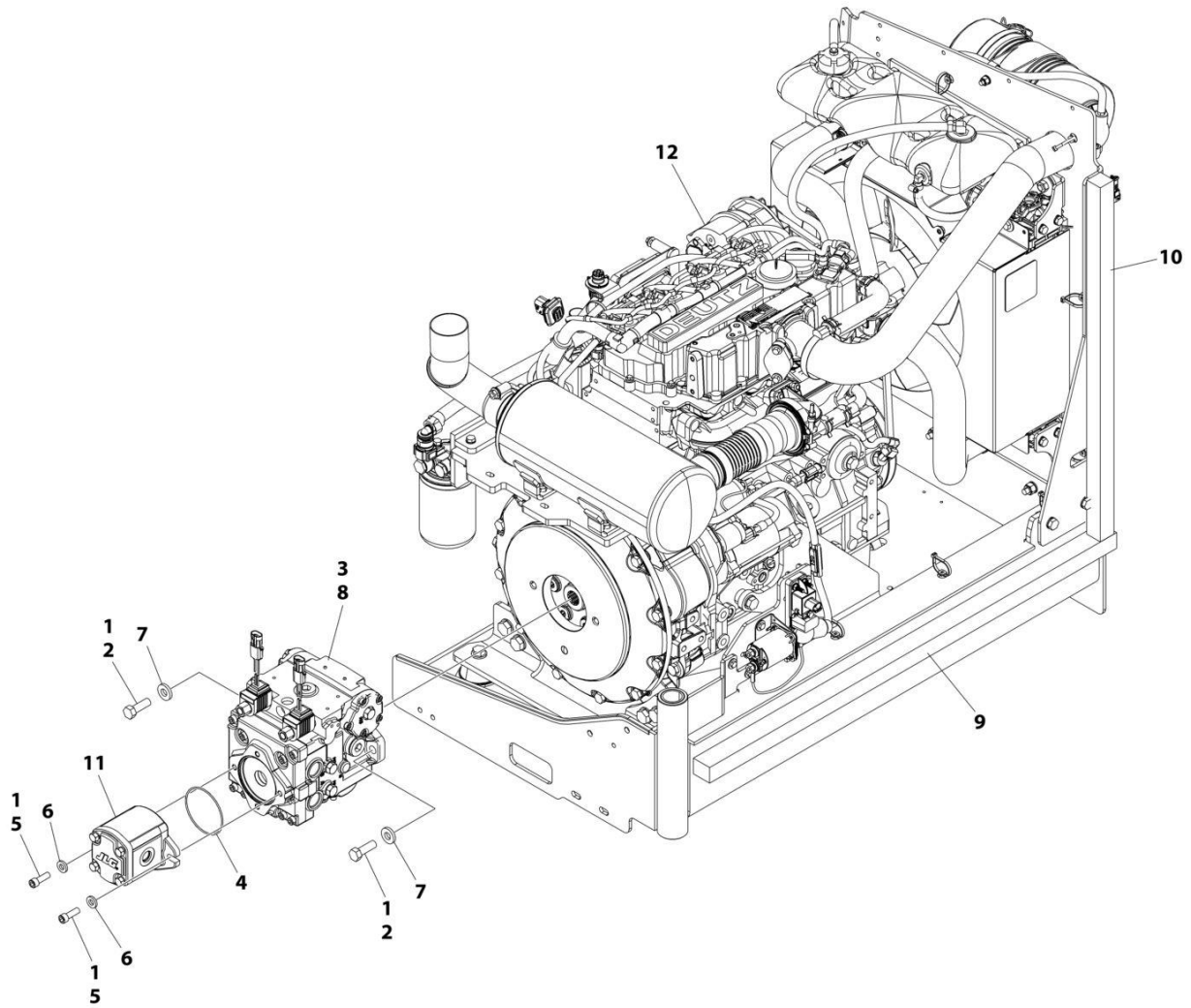
ITEM	PART NUMBER	QTY	DESCRIPTION	REV
	1001258339	Ref	ENGINE INSTALLATION - DEUTZ D2.9L4 ENGINE (CHINA IV)	A
1	0100011	AR	Compound, Locking	
2	0100020	AR	Sealant, Pipe	
3	0440162	1	Bearing	
4	0760610	2	Bolt M6 x 20	
5	0760614	4	Bolt M6 x 30	
6	0760812	1	Bolt M8 x 25	
7	0761014	5	Bolt M10 x 30	
8	0761015	5	Bolt M10 x 35	
9	0761210	1	Bolt M12 x 20	
10	0761216	1	Bolt M12 x 40	
11	1062255	AR	Tie-Strap	
12	1321716	5	Clamp	
13	1701505	1	Decal - Diesel Fuel	
14	2180832	1	Fitting, Barbed	
15	3290605	5	Nut M6	
16	3291005	9	Nut M10	
17	3331215	1	Nut M12	
18	3422532	1	Pin	
19	3841143	1	Keeper, Pin	
20	4240099	AR	Tie-Strap	
21	4811700	10	Washer M6	
22	4811702	1	Washer M6	
23	4811900	1	Washer M8	
24	4812000	19	Washer M10	
25	4812100	1	Washer M12	
26	5241200	2	Washer M12	
27	8405006	2	Clamp	
28	8410013	5	Clamp	
29	8430007	2	Fitting, Barbed	
30	1001026127	2	Clamp	
31	1001130220	1	Nut M6	
32	1001135196	1	Pin	
33	1001139654	1	Decal	
34	1001152489	1	Fitting, Barbed	
35	1001154405	7.25 ft /2.21m	Hose	
36	1001155823	1	Coupling, Quick Disconnect 90	
37	1001156107	1	Holder, Cable	
38	1001165035	17.25 ft /5.26m	Hose	
39	1001167512	1	Bracket	
40	1001169823	1	Plate, Engine Lock	
41	1001171683	1	Cable, Battery (Red) (Battery Positive to Auxiliary Power Relay)	
42	1001171684	1	Cable, Battery (Black) (Battery Negative to Auxiliary Power Pump)	
43	1001181358	1	Harness, Fuel Pump (See Separate Breakdown in ELECTRICAL Section)	
44	1001191832	1	Nut, Rivet M8	
45	1001258338	1	Engine and Pump Sub-Assembly - Deutz D2.9L4 China IV (See Separate Breakdown in this Section)	

SECTION 3 - ENGINE

ITEM	PART NUMBER	QTY	DESCRIPTION	REV
46	1001258385	1	Fuel Filter (See Separate Breakdown in this section)	
47	1320263	1	Clamp	
48	4460488	2	Terminal (Not shown)	

SECTION 3 - ENGINE

FIGURE 3-27. ENGINE AND PUMP SUB-ASSEMBLY - DEUTZ D2.9L4 ENGINE (CHINA IV)



ART_1001258338

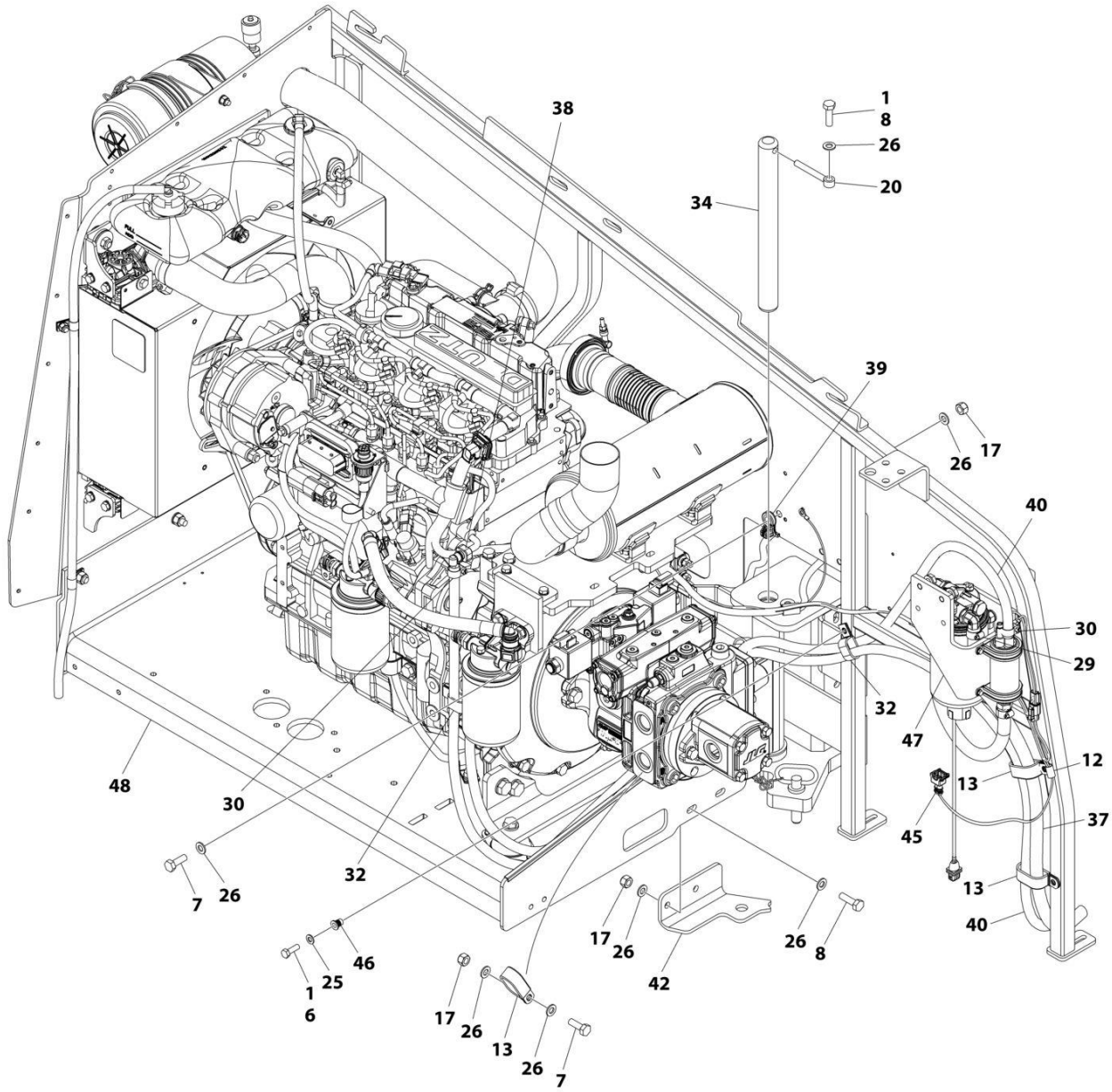
SECTION 3 - ENGINE

FIGURE 3-27. ENGINE AND PUMP SUB-ASSEMBLY - DEUTZ D2.9L4 ENGINE (CHINA IV)

ITEM	PART NUMBER	QTY	DESCRIPTION	REV
	1001258338	Ref	ENGINE AND PUMP SUB-ASSEMBLY - DEUTZ D2.9L4 ENGINE (CHINA IV)	A
1	0100011	AR	Compound, Locking	
2	0641812	2	Bolt 1/2 x 1-1/2	
3	3020037	AR	Grease	
4	3790152	1	O-Ring	
5	3931618	2	Capscrew 3/8 x 1-1/8	
6	4891600	2	Washer 3/8 Hardened	
7	4891800	2	Washer 1/2 Hardened	
8	1001167036	1	Piston Pump Assembly (See Separate Breakdown in this Section)	
9	1001171953	1	Seal	
10	1001171954	1	Seal	
11	1001214207	1	Gear Pump Assembly	
11	70006356	1	Seal Kit - 1001214207 Pump	
13	1001258337	1	Engine Assembly, Deutz D2.9L4 (China IV) Engine (See Separate Breakdown in this Section)	

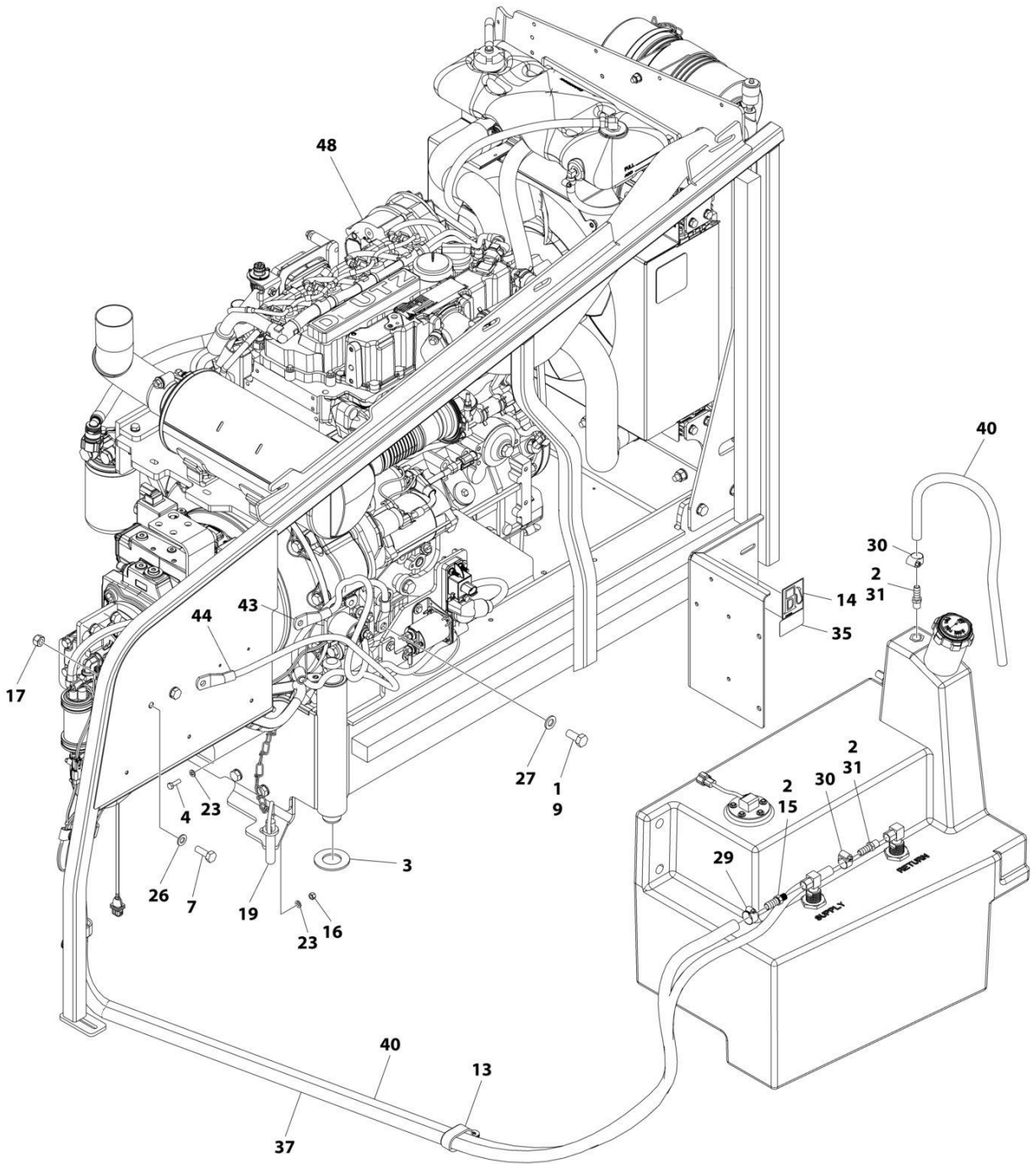
SECTION 3 - ENGINE

FIGURE 3-28. ENGINE INSTALLATION - DEUTZ D2.9L4 ENGINE (CHINA IV) (WITH PMP PUMP)



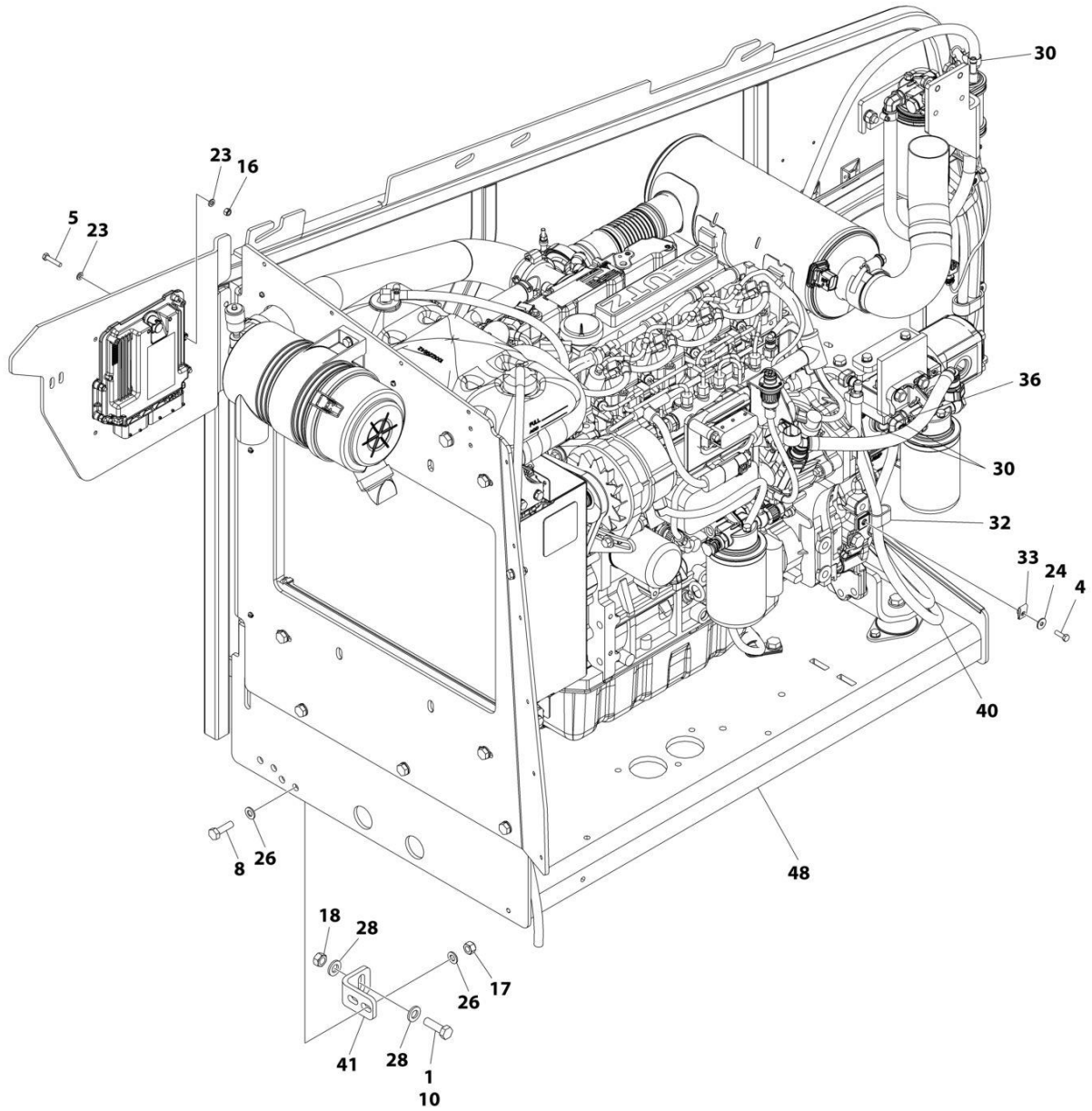
ART_1001300789_10F3

SECTION 3 - ENGINE



ART_1001300789_20F3

SECTION 3 - ENGINE



ART_1001300789_3OF3

SECTION 3 - ENGINE

FIGURE 3-28. ENGINE INSTALLATION - DEUTZ D2.9L4 ENGINE (CHINA IV) (WITH PMP PUMP)

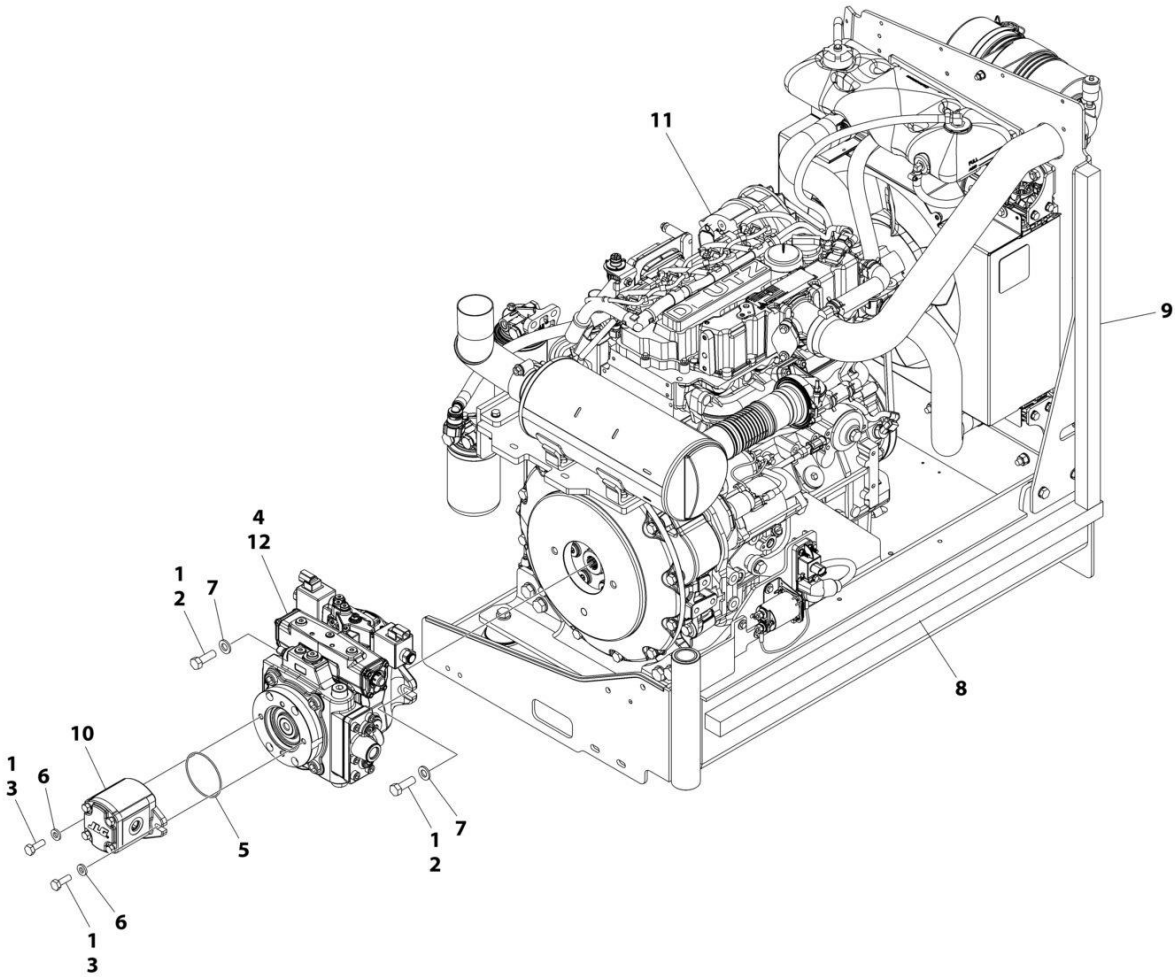
ITEM	PART NUMBER	QTY	DESCRIPTION	REV
	1001300789	Ref	ENGINE INSTALLATION - DEUTZ D2.9L4 ENGINE (CHINA IV) (WITH PMP PUMP)	A
1	0100011	AR	Compound, Locking	
2	0100020	AR	Sealant, Pipe	
3	0440162	1	Bearing	
4	0760610	2	Bolt M6 x 20	
5	0760614	4	Bolt M6 x 30	
6	0760812	1	Bolt M8 x 25	
7	0761014	5	Bolt M10 x 30	
8	0761015	5	Bolt M10 x 35	
9	0761210	1	Bolt M12 x 20	
10	0761216	1	Bolt M12 x 40	
11	1062255	AR	Tie-Strap (Not Shown)	
12	1320263	1	Clamp	
13	1321716	5	Clamp	
14	1701505	1	Decal - Diesel	
15	2180832	1	Fitting, Barbed	
16	3290605	5	Nut M6	
17	3291005	9	Nut M10	
18	3331215	1	Nut M12	
19	3422532	1	Pin	
20	3841143	1	Keeper, Pin	
21	4240099	AR	Tie-Strap (Not Shown)	
22	4460488	2	Terminal (Not shown)	
23	4811700	10	Washer M6	
24	4811702	1	Washer M6	
25	4811900	1	Washer M8	
26	4812000	19	Washer M10	
27	4812100	1	Washer M12	
28	5241200	2	Washer M12	
29	8405006	2	Clamp	
30	8410013	5	Clamp	
31	8430007	2	Fitting, Barbed	
32	1001026127	2	Clamp	
33	1001130220	1	Nut, Tinnerman M6	
34	1001135196	1	Pin	
35	1001139654	1	Decal - Ultra Low Sulphur Fuel	
36	1001152489	1	Fitting, 90 Barbed	
37	1001154405	7.4 ft/ 2.3 m	Hose	
38	1001155823	1	Coupling, Quick Disconnect 90	
39	1001156107	1	Holder, Cable	
40	1001165035	20.5 ft/ 6.3 m	Hose	
41	1001167512	1	Bracket	
42	1001169823	1	Plate	
43	1001171683	1	Cable, Battery (Red) (Battery Positive to Auxiliary Power Relay)	
44	1001171684	1	Cable, Battery (Black) (Battery Negative to Auxiliary Power Pump)	
45	1001181358	1	Harness, Fuel Pump (See Separate Breakdown in ELECTRICAL Section)	

SECTION 3 - ENGINE

ITEM	PART NUMBER	QTY	DESCRIPTION	REV
46	1001191832	1	Nut, Rivet M8	
47	1001258385	1	Fuel Filter (See Separate Breakdown in this section)	
48	1001300790	1	Engine and Pump Sub-Assembly (See Separate Breakdown in this Section)	

SECTION 3 - ENGINE

FIGURE 3-29. ENGINE AND PUMP SUB-ASSEMBLY - DEUTZ D2.9L4 ENGINE (CHINA IV)



ART_1001300790

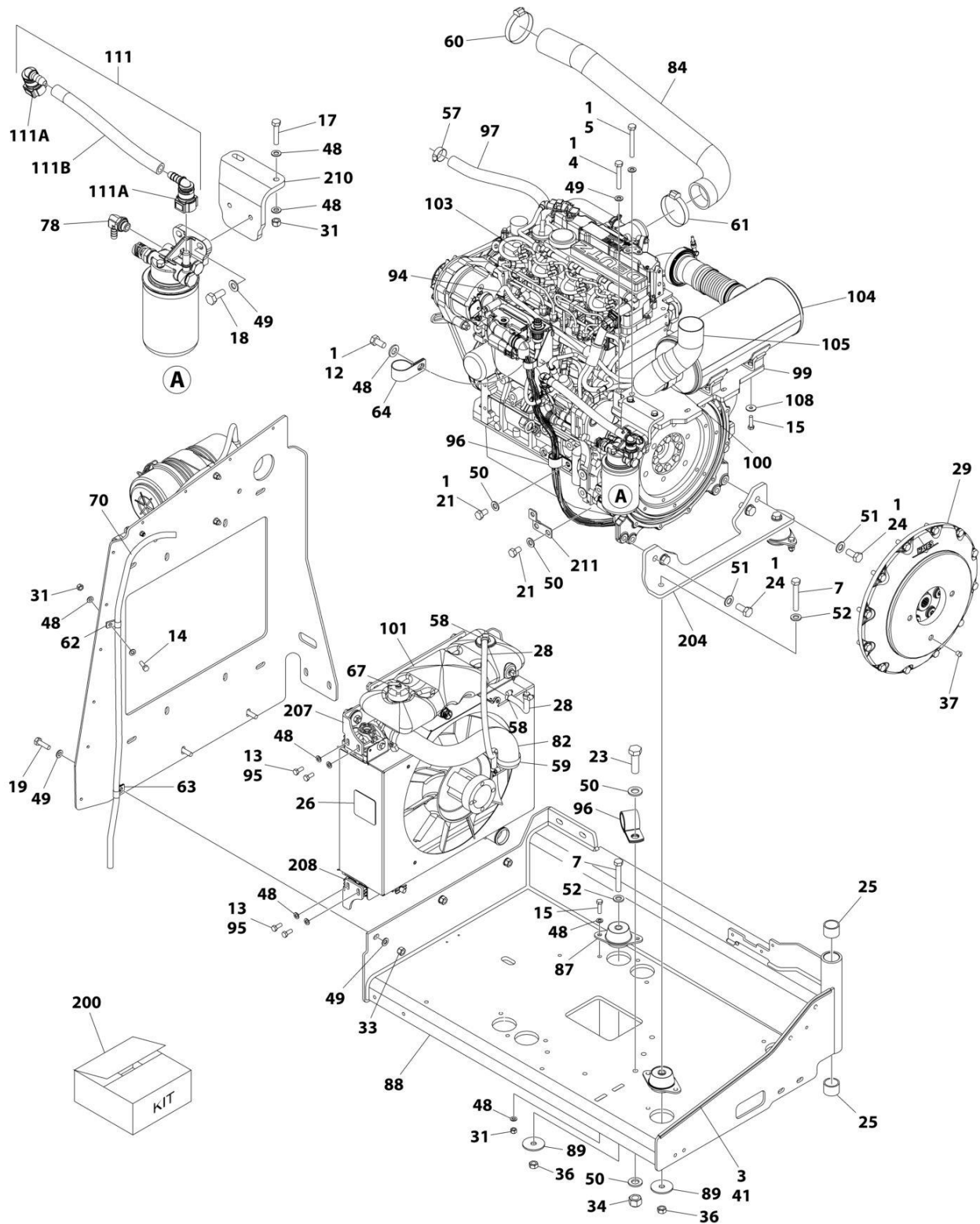
SECTION 3 - ENGINE

FIGURE 3-29. ENGINE AND PUMP SUB-ASSEMBLY - DEUTZ D2.9L4 ENGINE (CHINA IV)

ITEM	PART NUMBER	QTY	DESCRIPTION	REV
	1001300790	Ref	ENGINE AND PUMP SUB-ASSEMBLY - DEUTZ D2.9L4 ENGINE (CHINA IV)	A
1	0100011	AR	Compound, Locking	
2	0641812	2	Bolt 1/2 x 1-1/2	
3	0761014	2	Bolt M10 x 30	
4	3020037	AR	Grease	
5	3790152	1	O-Ring	
6	4891600	2	Washer 3/8	
7	5241200	2	Washer M12	
8	1001171953	1	Seal	
9	1001171954	1	Seal	
10	1001214207	1	Gear Pump Assembly	
10	70006356	1	Seal Kit - 1001214207 Pump	
11	1001258337	1	Engine Assembly (China IV) Engine (See Separate Breakdown in this Section)	
12	1001285632	1	Closed Pump Loop Assembly (See Separate Breakdown in this Section)	

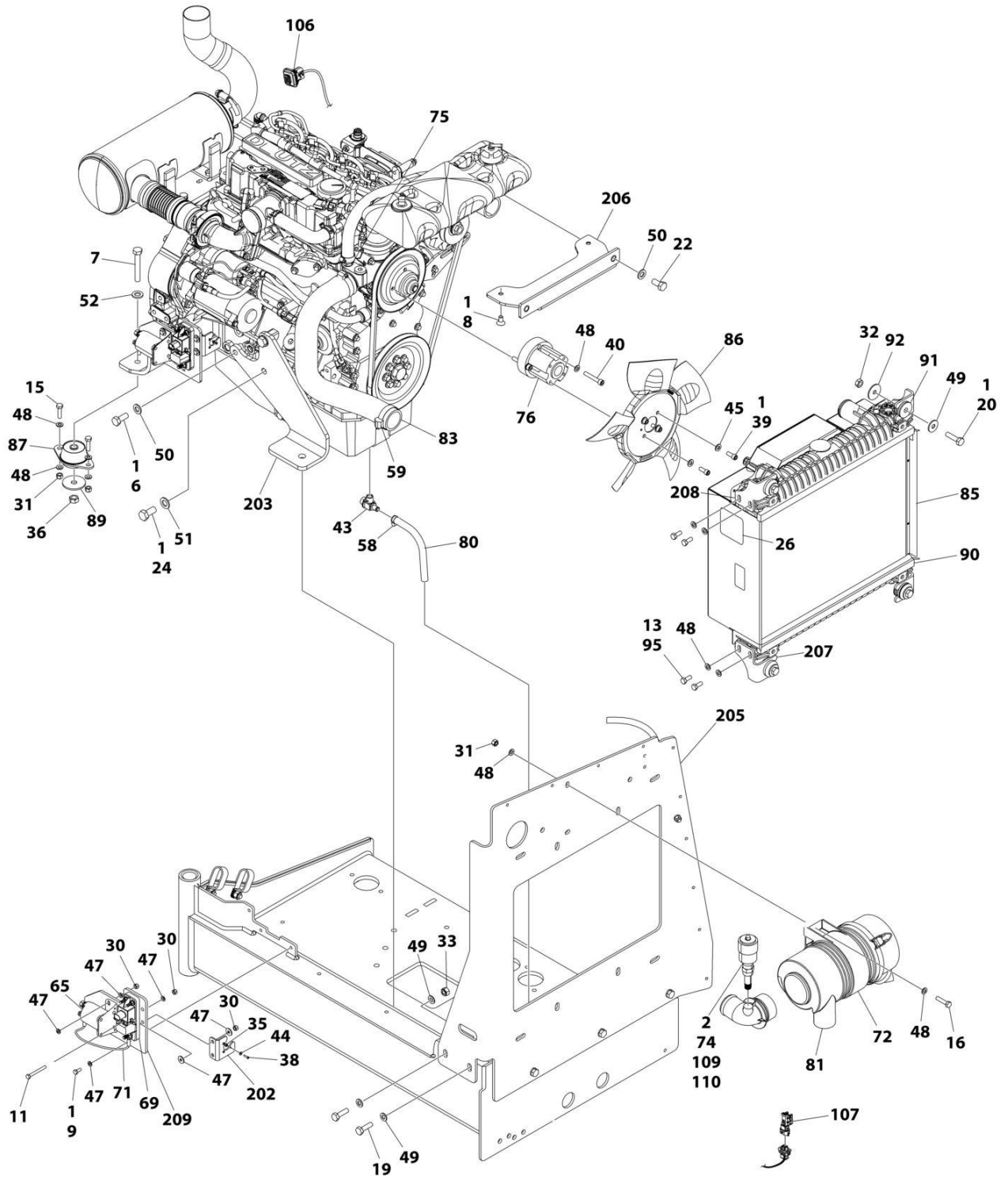
SECTION 3 - ENGINE

FIGURE 3-30. ENGINE ASSEMBLY - DEUTZ D2.9L4 ENGINE (CHINA IV)



ART_1001258337_F_10F2

SECTION 3 - ENGINE



ART_1001258337_F_20F2

SECTION 3 - ENGINE

FIGURE 3-30. ENGINE ASSEMBLY - DEUTZ D2.9L4 ENGINE (CHINA IV)

ITEM	PART NUMBER	QTY	DESCRIPTION	REV
	1001258337	Ref	ENGINE ASSEMBLY - DEUTZ D2.9L4 (CHINA IV)	F
1	0100011	AR	Compound, Locking	
2	0100020	AR	Sealant, Pipe	
3	0100081	AR	Adhesive	
4	0701022	2	Bolt M10 x 70	
5	0701025	2	Bolt M10 x 85	
6	0711214	1	Bolt M12 x 30 Class 10.9	
7	0711224	3	Bolt M12 x 80 Class 10.9	
8	0741606	2	Screw 3/8 x 3/4	
9	0760607	3	Bolt M6 x 14	
10	0760610	4	Bolt M6 x 20	
11	0760619	1	Bolt M6 x 55	
12	0760808	1	Bolt M8 x 16	
13	0760810	8	Bolt M8 x 20	
14	0760812	1	Bolt M8 x 25	
15	0760814	10	Bolt M8 x 30	
16	0760815	2	Bolt M8 x 35	
17	0760816	2	Bolt M8 x 40	
18	0761012	2	Bolt M10 x 25	
19	0761015	5	Bolt M8 x 35	
20	0761016	4	Bolt M10 x 40	
21	0761210	3	Bolt M12 x 20	
22	0761212	2	Bolt M12 x 25	
23	0761216	1	Bolt M12 x 40	
24	0771414	6	Bolt M14 x 30 Class 10.9	
25	0961951	2	Bushing	
26	1703162	2	Decal - Caution Fan	
28	2720015	2.17 ft /0.64m	Hose	
29	2902065	1	Pump Coupling Kit (See Separate Breakdown in this Section)	
30	3290605	5	Nut, Lock M6	
31	3290805	11	Nut, Lock M8	
32	3291001	4	Nut M10	
33	3291005	5	Nut, Lock M10	
34	3291205	1	Nut, Lock M12	
35	3310401	4	Nut #4	
36	3331215	3	Nut M12 x 1.75	
37	3520054	1	Plug	
38	3910408	3	Screw #4 x 1/2	
39	3931512	4	Capscrew 5/16 x 3/4	
40	4031914	4	Bolt M8 x 50	
41	4060805	2.02 ft /0.62m	Flex-Trim	
42	4240099	AR	Tie-Strap (Not Shown)	
43	4640751	1	Valve, Oil Drain	
44	4710400	3	Washer #4	
45	4711500	4	Washer 5/16	
46	4811700	1	Washer M6	
47	4811702	12	Washer M6	
48	4811900	35	Washer M8	

SECTION 3 - ENGINE

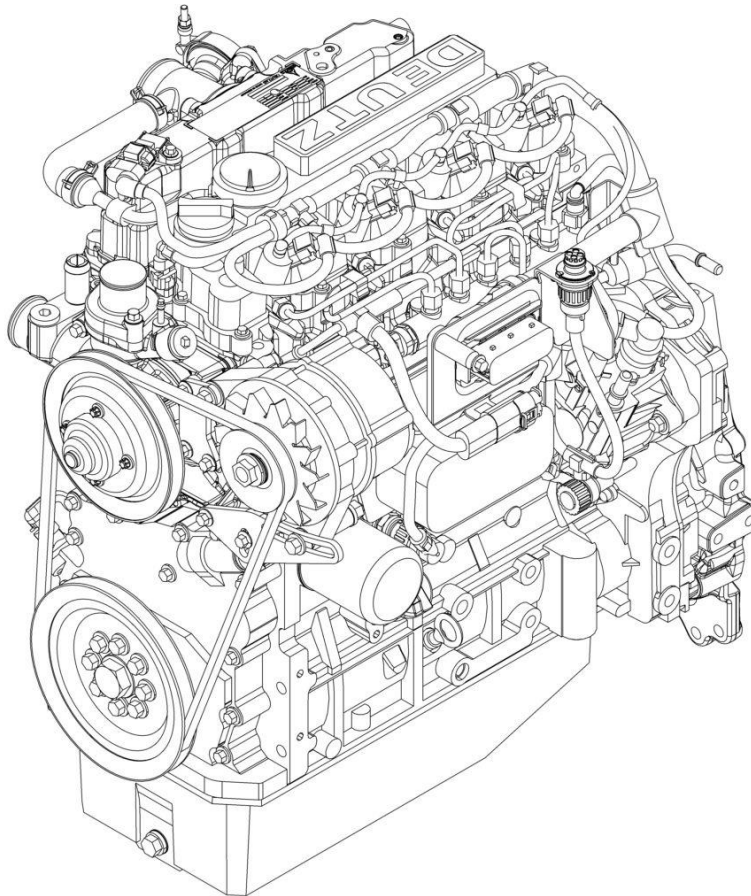
ITEM	PART NUMBER	QTY	DESCRIPTION	REV
49	4812000	20	Washer M10	
50	4812100	8	Washer M12	
51	4812200	6	Washer M14	
52	5241200	3	Washer M12	
57	8405007	2	Clamp	
58	8405009	5	Clamp	
59	8405104	4	Clamp	
60	8405202	1	Clamp	
61	8405204	1	Clamp	
62	8406109	1	Clip	
63	8406110	1	Clip	
64	8406201	1	Clip	
65	1001117308	1	Relay, 200Amp	
67	1001136834	1	Cap, Tank	
69	1001138228	1	Relay, Power Module	
70	1001138248	3.5 ft /1.1m	Tube	
71	1001141304	1	Harness, Glow Plug	
72	1001141694	1	Clamp, Air Cleaner	
74	1001143390	1	Indicator	
75	1001143797	1	Fitting, Barbed	
76	1001286568	1	Spacer Fan	
77	1001146588	AR	Tie-Strap (Not Shown)	
78	1001152489	1	Fitting, Barbed 90	
80	1001165035	7.09 in /18cm	Hose, Fuel	
81	1001165388	1	Air Cleaner Assembly	
81	70003783	1	Element, Air Cleaner	
82	1001165405	1	Hose, Upper Radiator	
83	1001165406	1	Hose, Lower Radiator	
84	1001165721	1	Hose, Air Intake	
85	1001287643	1	Radiator	
86	1001288266	1	Fan	
87	1001166718	3	Mount, Motor	
88	1001167520	1	Tray, Engine	
89	1001168018	3	Washer, Special	
90	1001168166	2	Seal	
91	1001169054	4	Isolator	
92	1001169138	4	Washer, Snubbing	
94	1001178788	1	Cable, Alternator	
95	1001180620	AR	Adhesive	
96	1001191620	2	Clamp	
97	1001193049	1.31 ft /.40m	Hose, Coolant	
99	1001221203	1	Bracket	
100	1001221212	1	Clamp	
101	1001230635	1	Tank, Surge	
102	1001290660	1	Harness, Engine (Not Shown - See Separate Breakdown in ELECTRICAL Section)	
103	1001258112	1	Engine, Deutz 2.9L4 (China IV) (See Separate Breakdown in this Section)	
104	1001280270	1	Muffler	

SECTION 3 - ENGINE

ITEM	PART NUMBER	QTY	DESCRIPTION	REV
104	1001299212	1	Muffler	
105	1001260575	1	Pipe, Exhaust	
106	1001281985	1	Connector	
107	1001281986	1	Connector	
108	4811902	4	Washer M8	
109	2200261	1	Fitting	
110	1001277432	1	Spacer	
111	1001177359	1	Fuel Hose Assembly	
111A	1001170982	1	Adapter	
111B	1001192294	1	Hose, Fuel	
200	1001258629	1	Kit, Engine Parts	
202	1001139240	1	Bracket	
203	1001166921	1	Plate	
204	1001166924	1	Plate	
205	1001168026	1	Plate	
206	1001168950	1	Bracket	
207	1001169967	2	Bracket	
208	1001170035	2	Bracket	
209	1001179903	1	Bracket	
210	1001288366	1	Bracket	
211	1001258502	1	Bracket	

SECTION 3 - ENGINE

FIGURE 3-31. ENGINE COMPONENTS - DEUTZ D2.9L4 (CHINA IV)



ART_1001258112

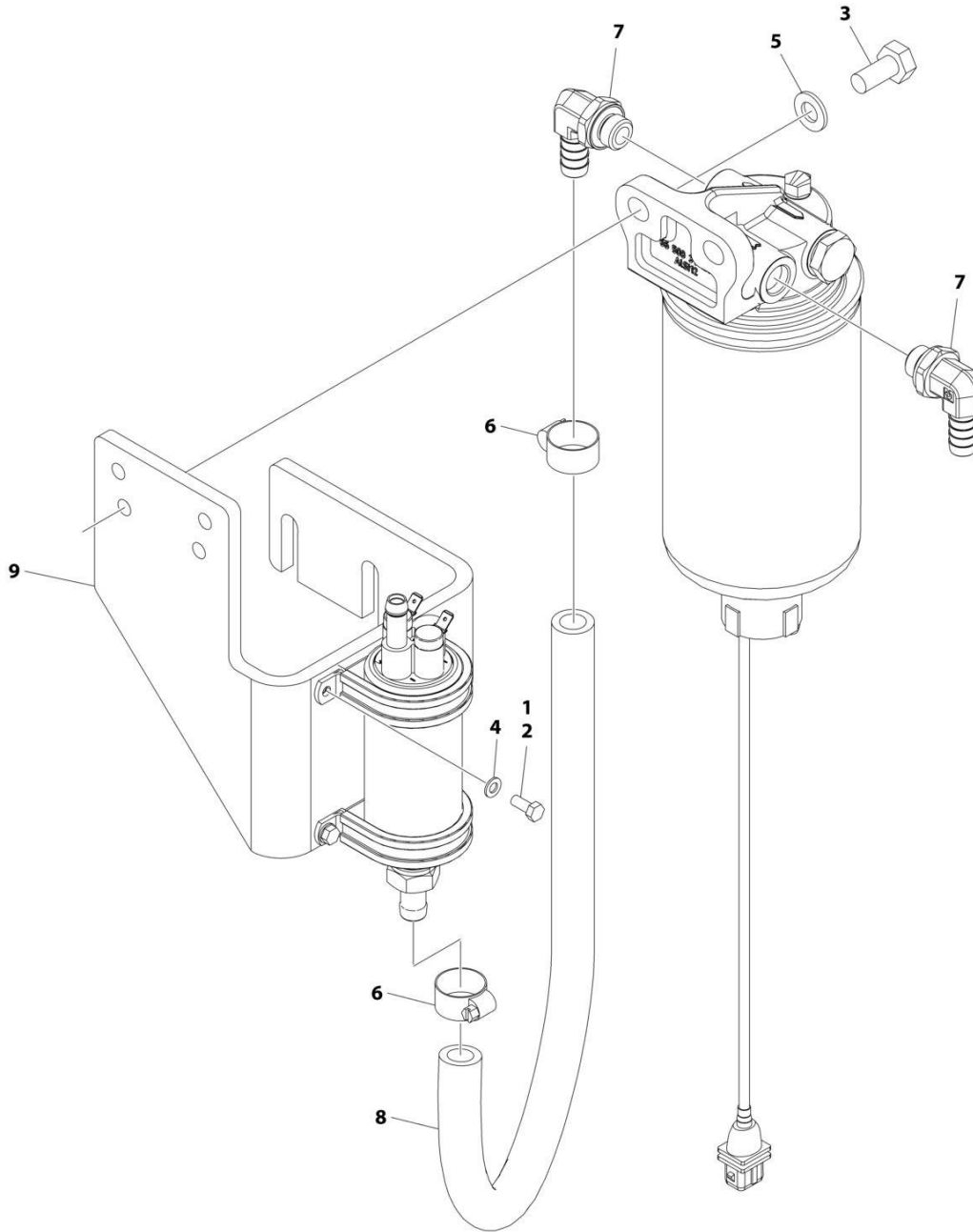
SECTION 3 - ENGINE

FIGURE 3-31. ENGINE COMPONENTS - DEUTZ D2.9L4 (CHINA IV)

ITEM	PART NUMBER	QTY	DESCRIPTION	REV
	1001258112	Ref	DEUTZ D2.9L4 ENGINE COMPONENTS	B
	See Note	Ref	Note: No Service Parts Available at Time of Printing.	

SECTION 3 - ENGINE

FIGURE 3-32. BRACKET ASSEMBLY - FUEL PUMP AND FILTER (DEUTZ D2.9L4 CHINA IV ENGINE)



ART_1001258385

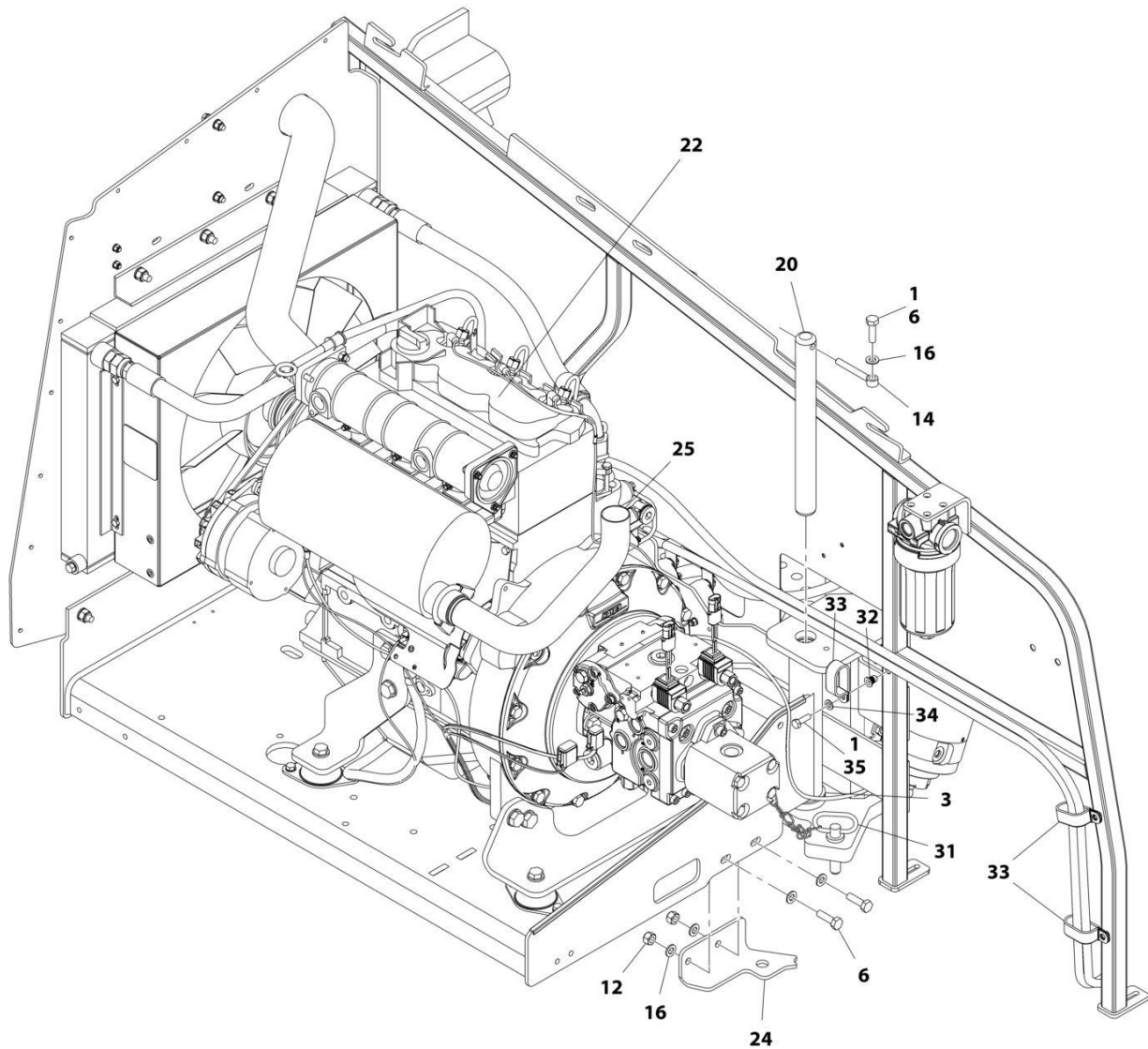
SECTION 3 - ENGINE

FIGURE 3-32. BRACKET ASSEMBLY - FUEL PUMP AND FILTER (DEUTZ D2.9L4 CHINA IV ENGINE)

ITEM	PART NUMBER	QTY	DESCRIPTION	REV
	1001258385	Ref	BRACKET ASSEMBLY - FUEL PUMP AND FILTER (DEUTZ D2.9L4 CHINA IV ENGINE)	B
1	0100011	AR	Compound, Locking	
2	0760506	4	Bolt M5 x 12	
3	0761011	2	Bolt M10 x 22	
4	4811600	4	Washer M5	
5	4812000	2	Washer M10	
6	8405006	2	Clamp	
7	1001142501	2	Fitting, Elbow Barbed	
8	1001154405	1.64 ft /.50m	Hose	
9	1001298141	1	Bracket	

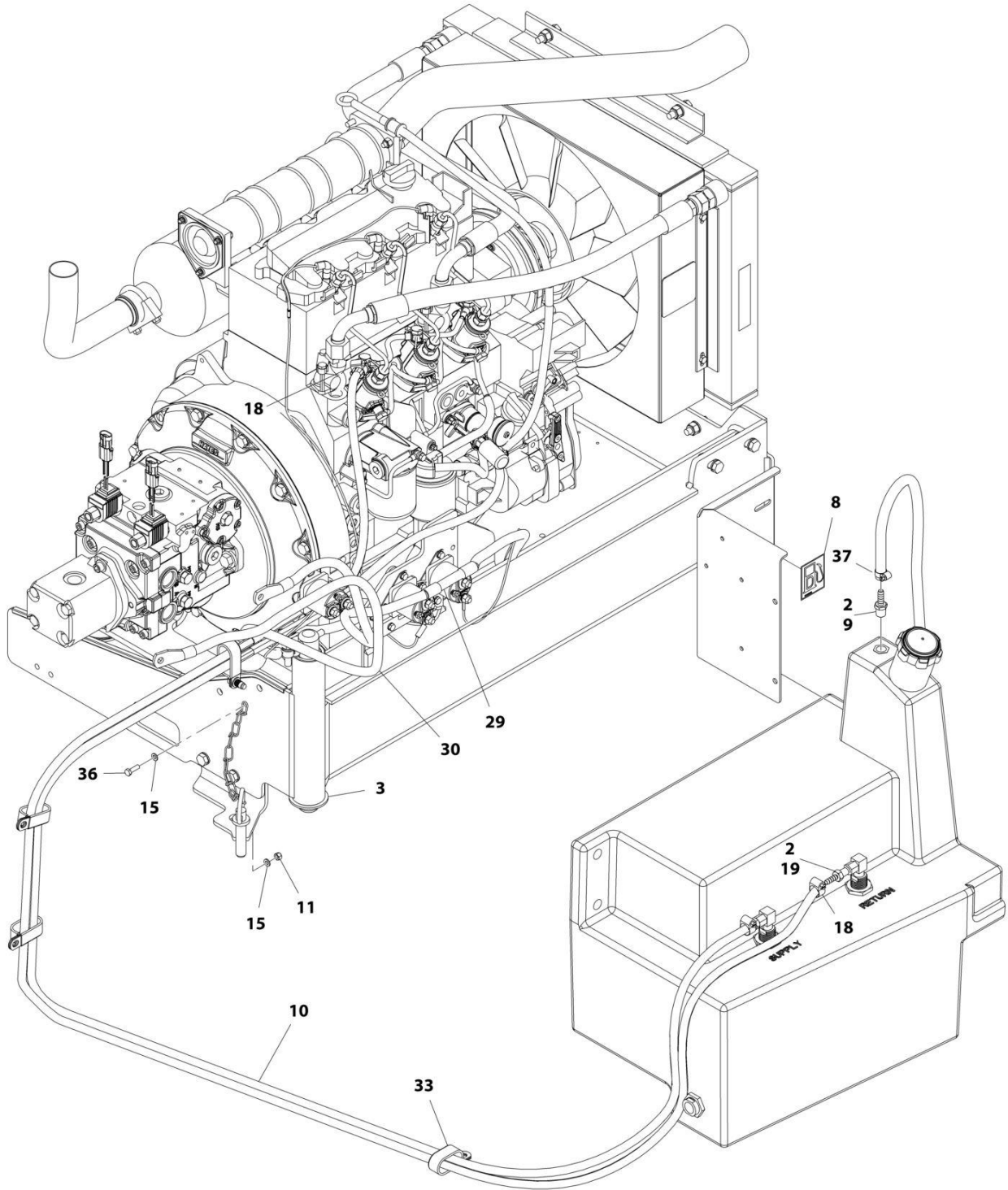
SECTION 3 - ENGINE

FIGURE 3-33. ENGINE INSTALLATION - DEUTZ D2011 ENGINE (WITHOUT ARCTIC PACKAGE) (ANSI EXPORT, AUSTRALIAN, CE (LRC), CHINA, RUSSIA & UK CA SPECS)



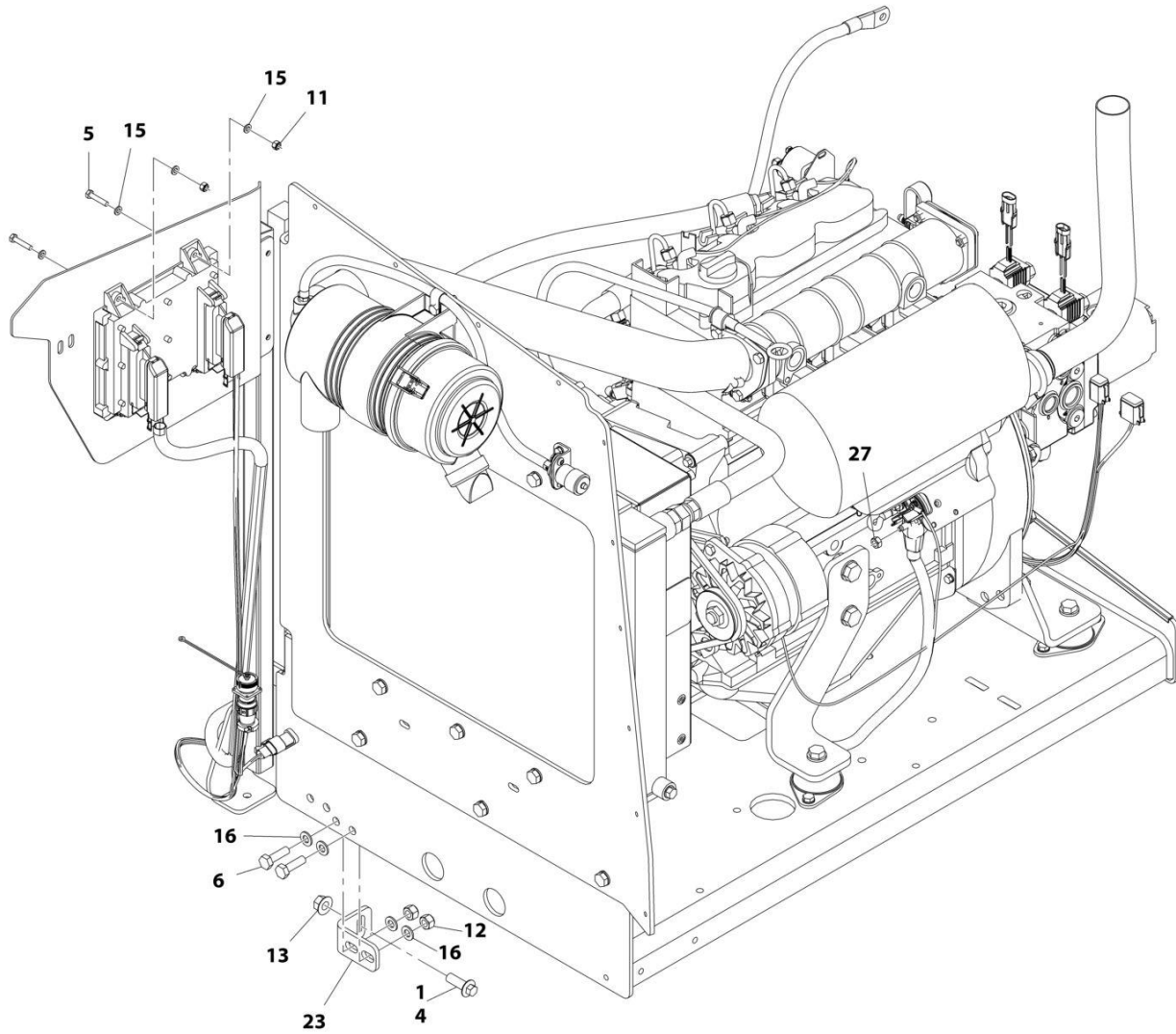
ART_1001166305_1OF3

SECTION 3 - ENGINE



ART_1001166305_2OF3

SECTION 3 - ENGINE



ART_1001166305_3OF3

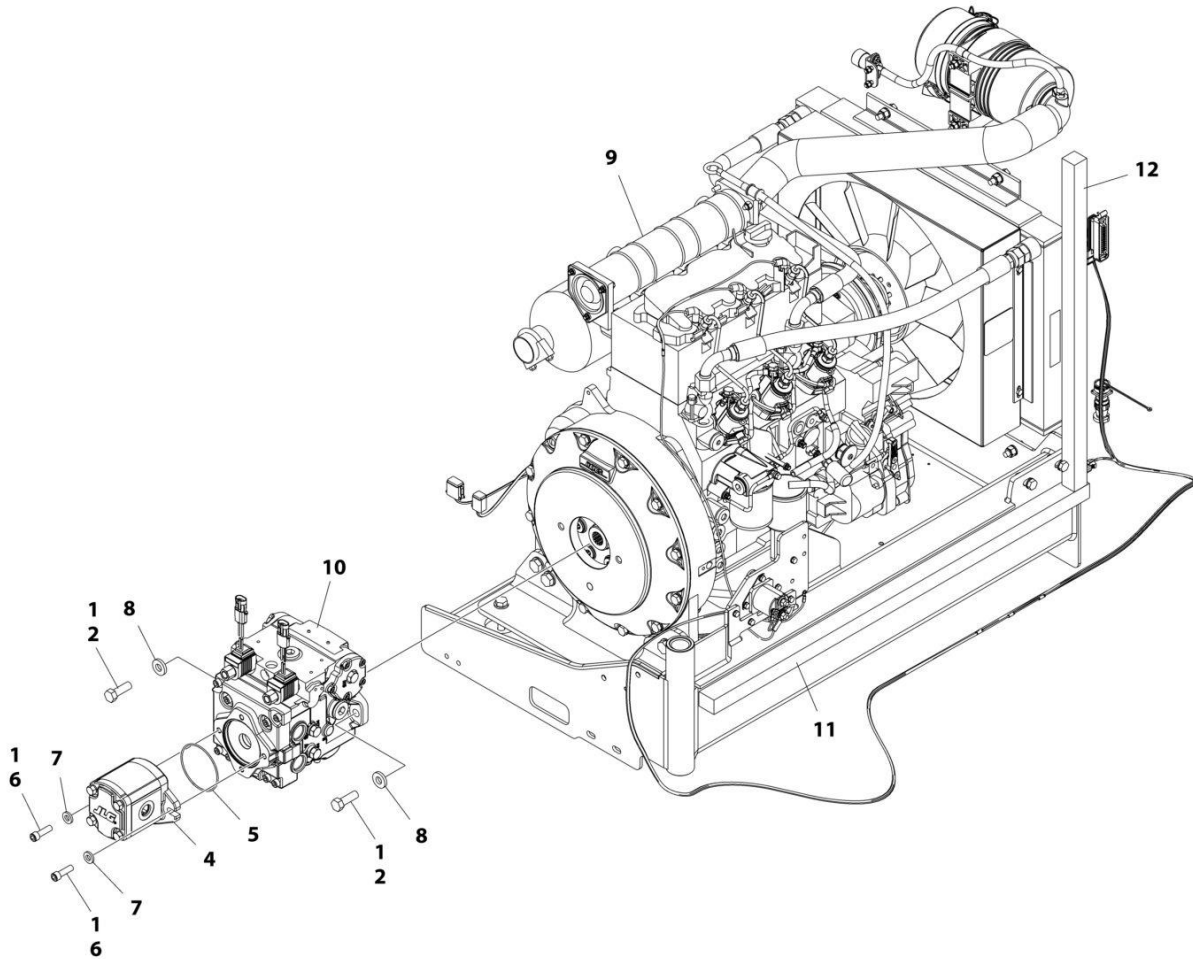
SECTION 3 - ENGINE

FIGURE 3-33. ENGINE INSTALLATION - DEUTZ D2011 ENGINE (WITHOUT ARCTIC PACKAGE) (ANSI EXPORT, AUSTRALIAN, CE (LRC), CHINA, RUSSIA & UK CA SPECS)

ITEM	PART NUMBER	QTY	DESCRIPTION	REV
	1001166305	Ref	ENGINE INSTALLATION - DEUTZ D2011 ENGINE (WITHOUT ARCTIC PACKAGE)	F
1	0100011	AR	Compound, Locking	
2	0100020	AR	Sealant, Pipe	
3	0440162	1	Bearing	
4	5251215	1	Bolt M12 x 35	
5	0760614	4	Bolt M6 x 30	
6	0761015	5	Bolt M10 x 35	
7	1704972	1	Decal - Warning Explosion/Fire	
8	1701505	1	Decal - Diesel Fuel	
9	2180876	1	Fitting, Barbed	
10	2720058	22 ft /6.7m	Hose	
11	3290605	5	Nut M6	
12	3291005	4	Nut M10	
13	5261200	1	Nut, Flange M12 Grade 10.9	
14	3841143	1	Keeper, Pin	
15	4811700	10	Washer M6	
16	4812000	9	Washer M10	
18	8410013	4	Clamp	
19	2180348	2	Fitting, Barbed	
20	1001135196	1	Pin	
22	1001166021	1	Engine and Pump Sub-Assembly - Deutz D2011 (Without Arctic Package) (See Separate Breakdown in this Section)	
23	1001167512	1	Bracket, Engine	
24	1001169823	1	Bracket, Engine	
25	1001172202	1	Pipe, Exhaust	
27	3290801	1	Nut M8	
29	1001171681	1	Cable, Battery (Red) (Battery Positive to Auxiliary Power Relay)	
30	1001171682	1	Cable, Battery (Black) (Battery Negative to Auxiliary Power Pump)	
31	3422532	1	Pin	
32	1001191832	1	Nut, Rivet, M8	
33	1321716	4	Clamp	
34	4811900	1	Washer M8	
35	0760812	1	Bolt M8 x 25	
36	0760610	1	Bolt M6 x 20	
37	1320022	1	Clamp	

SECTION 3 - ENGINE

FIGURE 3-34. ENGINE AND PUMP SUB-ASSEMBLY - DEUTZ D2011 (WITHOUT ARCTIC PACKAGE)
(ANSI EXPORT, AUSTRALIAN, CE (LRC), CHINA, RUSSIA & UK CA SPECS)



ART_1001166021_G

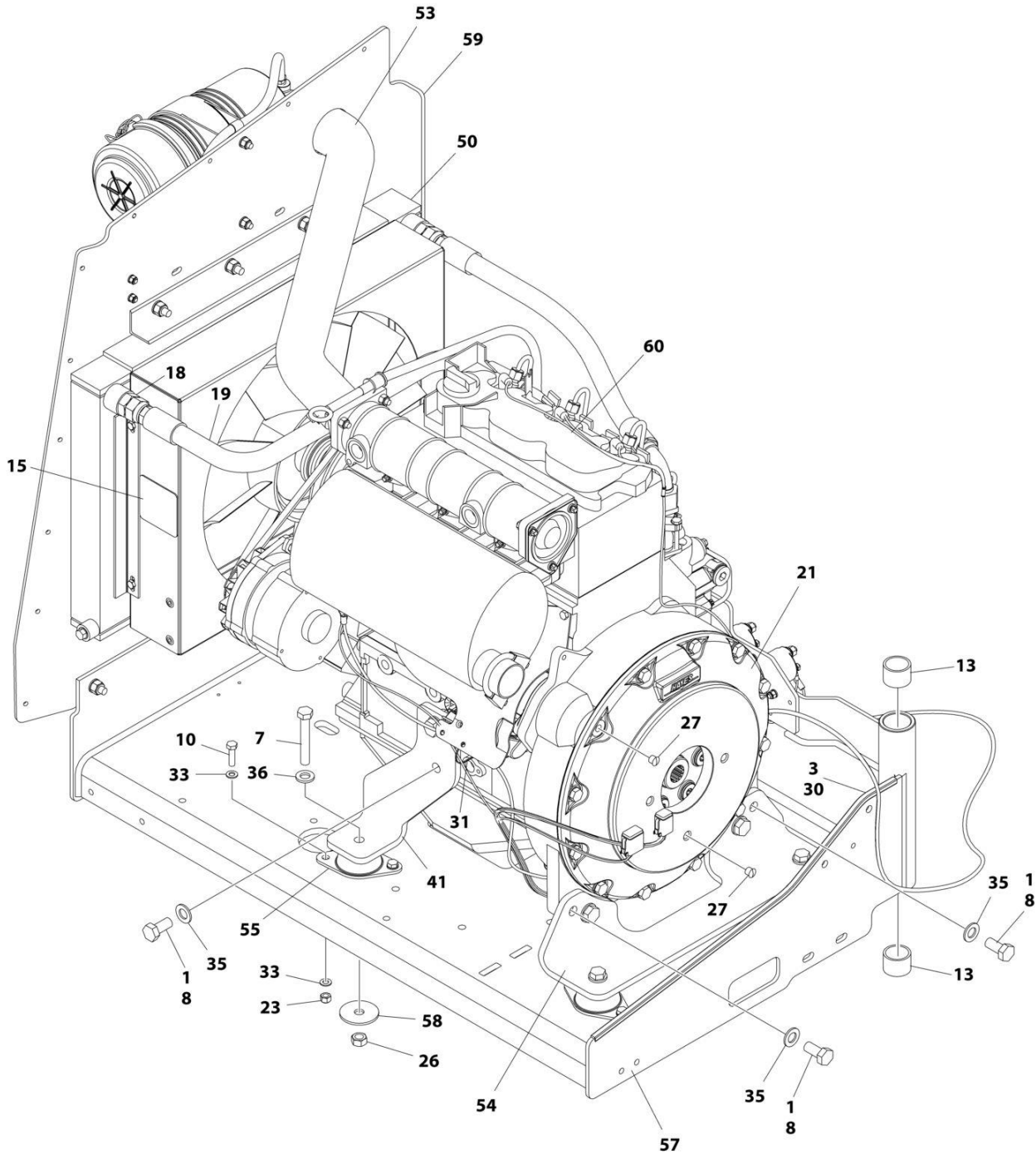
SECTION 3 - ENGINE

**FIGURE 3-34. ENGINE AND PUMP SUB-ASSEMBLY - DEUTZ D2011 (WITHOUT ARCTIC PACKAGE)
(ANSI EXPORT, AUSTRALIAN, CE (LRC), CHINA, RUSSIA & UK CA SPECS)**

ITEM	PART NUMBER	QTY	DESCRIPTION	REV
	1001166021	Ref	ENGINE AND PUMP SUB-ASSEMBLY - DEUTZ D2011 (WITHOUT ARCTIC PACKAGE)	G
1	0100011	AR	Compound, Locking	
2	0641812	2	Bolt 1/2 x 1-1/2	
4	1001214207	1	Gear Pump Assembly	
4	70006356	1	Seal Kit	
5	3790152	1	O-Ring	
6	3931618	2	Capscrew 3/8 x 1-1/8	
7	4891600	2	Washer 3/8 Hardened	
8	4891800	2	Washer 1/2 Hardened	
9	1001166020	1	Engine Assembly - Deutz D2011 Engine (Without Arctic Package) (See Separate Breakdown in this Section)	
10	1001167036	1	Piston Pump Assembly (See Separate Breakdown in this Section)	
11	1001171953	1	Seal	
12	1001171954	1	Seal	

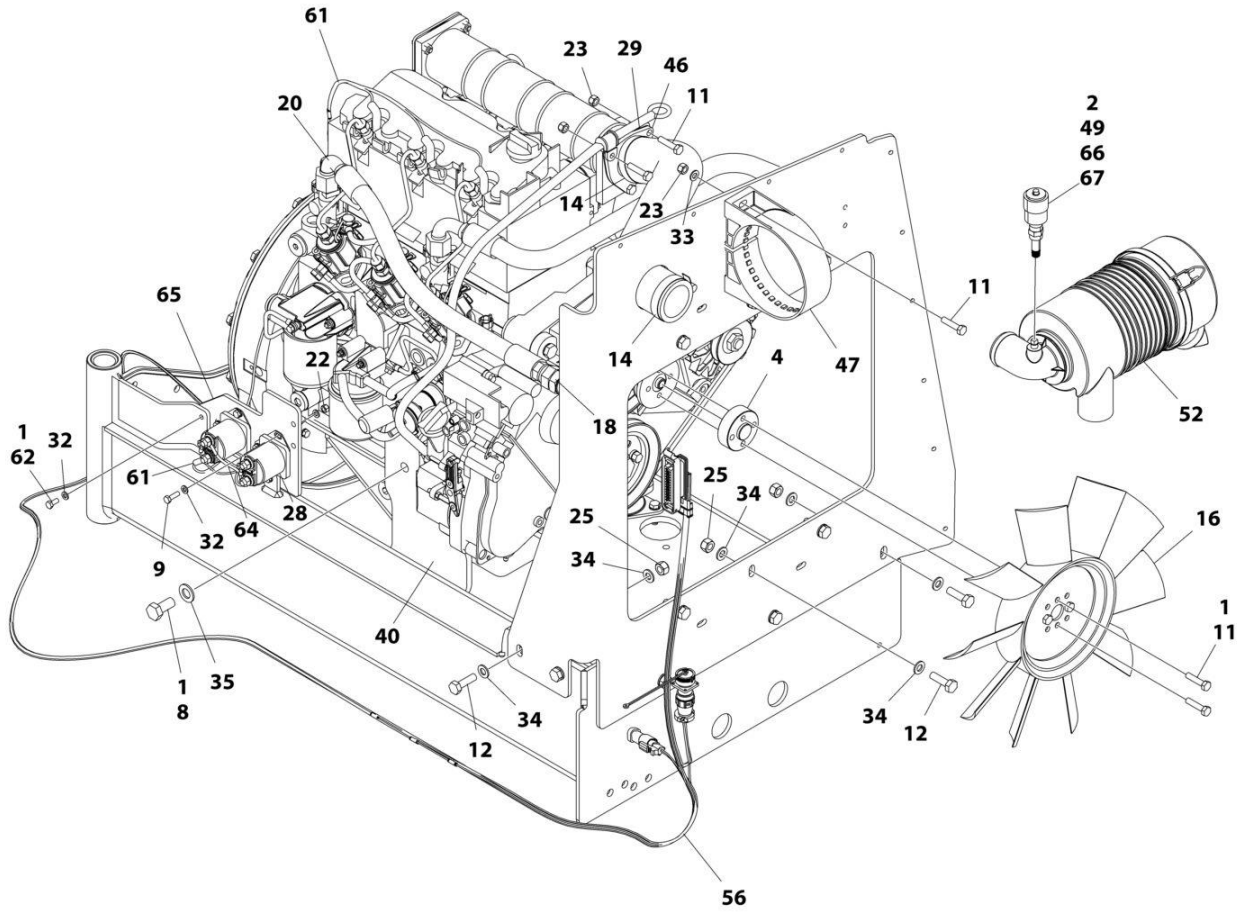
SECTION 3 - ENGINE

FIGURE 3-35. ENGINE ASSEMBLY - DEUTZ D2011 ENGINE (WITHOUT ARCTIC PACKAGE) (ANSI EXPORT, AUSTRALIAN, CE (LRC), CHINA, RUSSIA & UK CA SPECS)



ART_1001166020_P_10F2

SECTION 3 - ENGINE



ART_1001166020_P_20F2

SECTION 3 - ENGINE

FIGURE 3-35. ENGINE ASSEMBLY - DEUTZ D2011 ENGINE (WITHOUT ARCTIC PACKAGE) (ANSI EXPORT, AUSTRALIAN, CE (LRC), CHINA, RUSSIA & UK CA SPECS)

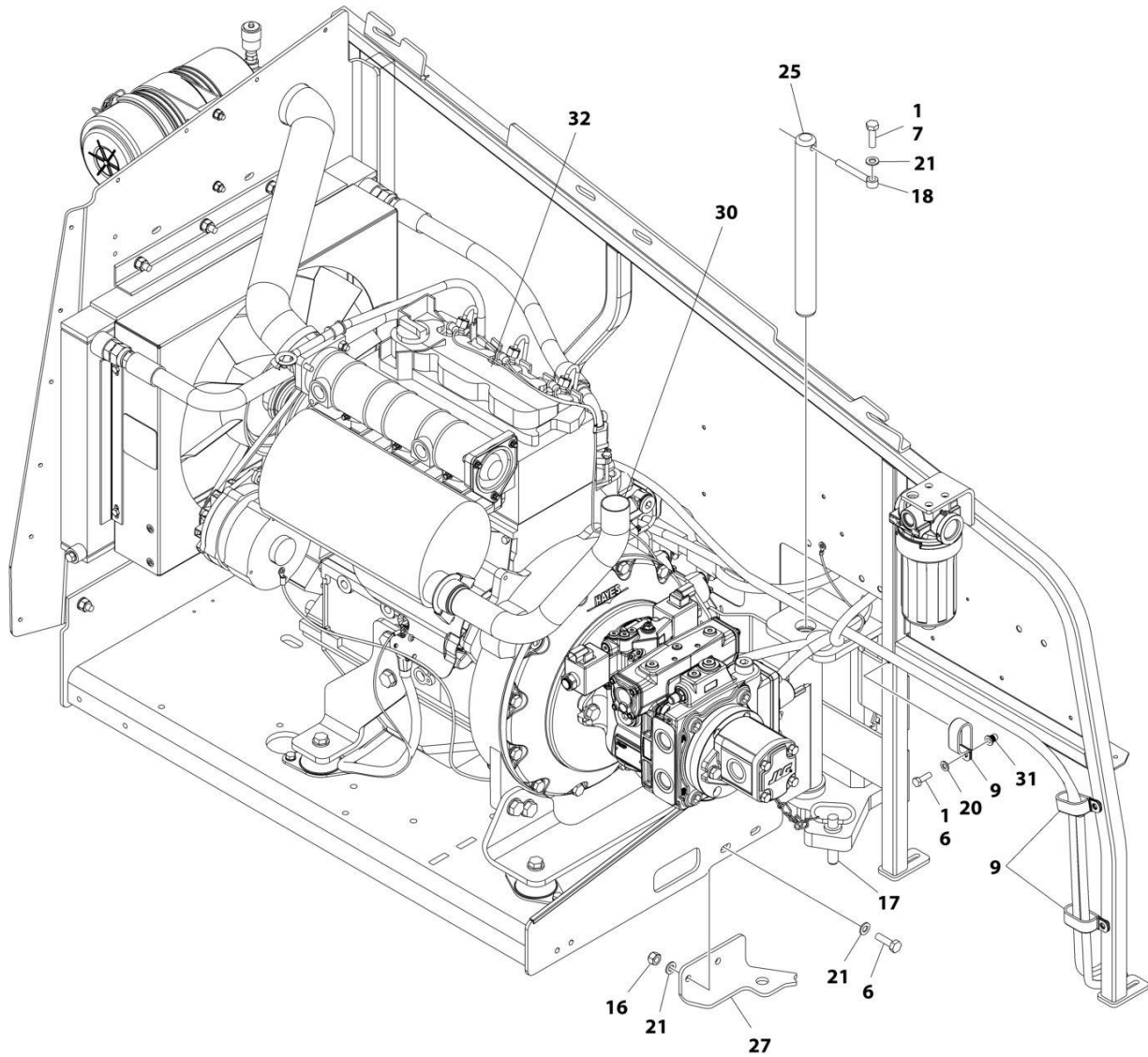
ITEM	PART NUMBER	QTY	DESCRIPTION	REV
	1001166020	Ref	ENGINE ASSEMBLY - DEUTZ D2011 ENGINE (WITHOUT ARCTIC PACKAGE)	P
1	0100011	AR	Compound, Locking	
2	0100020	AR	Sealant, Pipe	
3	0100081	AR	Adhesive	
4	0080231	1	Spacer, Fan	
7	0711224	4	Bolt M12 x 80 Class 10.9	
8	0771414	8	Bolt M14 x 30 Class 10.9	
9	0760610	4	Bolt M6 x 20	
10	0760814	8	Bolt M8 x 30	
11	0760815	9	Bolt M8 x 35	
12	0761015	11	Bolt M10 x 35	
13	0961951	2	Bushing	
14	1320016	2	Clamp	
15	1703162	2	Decal - Caution Fan	
16	2060025	1	Fan	
18	2220451	2	Fitting, Straight JIC/ORB	
19	2720398	1	Hose	
20	2720447	1	Hose	
21	2902065	1	Pump Coupling Kit (See Separate Breakdown in this Section)	
22	3290605	4	Nut M6 x 1	
23	3290805	13	Nut M8 x 1-1/4	
25	3291005	11	Nut M10 x 1-1/2	
26	3331215	4	Nut M12 x 1-3/4	
27	3520054	2	Plug	
28	3740067	2	Relay Assembly	
28	3300220	2	Nut	
28	3321001	1	Nut #10	
28	3740140	1	Relay	
28	4761000	1	Washer #10	
28	1001111424	2	Washer	
29	3960407	1	Gasket	
30	4060805	2.25 ft/ 0.69m	Trim-Flex	
31	4240099	AR	Tie-Strap	
32	4811700	11	Washer M6	
33	4811900	20	Washer M8	
34	4812000	22	Washer M10	
35	4812200	8	Washer M14	
36	5241200	4	Washer M12	
40	1001132195	1	Bracket, Engine Mount	
41	1001132196	1	Bracket, Engine Mount	
46	1001139819	1	Adapter, Air Intake	
47	1001141694	1	Clamp, Air Cleaner	
49	1001143390	1	Indicator	
50	1001150998	1	Radiator	
52	1001165388	1	Air Cleaner Assembly	
52	70003783	1	Element, Air Cleaner	
53	1001165389	1	Hose	

SECTION 3 - ENGINE

ITEM	PART NUMBER	QTY	DESCRIPTION	REV
54	1001166717	1	Bracket, Engine Mount	
55	1001166718	4	Isolator, Engine Mount	
56	1001167111	1	Harness Engine - Deutz D2011 (See Separate Breakdown in ELECTRICAL Section)	
57	1001167520	1	Tray, Engine	
58	1001168018	4	Washer, Snubbing	
59	1001168059	1	Plate, Radiator Mounting	
60	1001170693	1	Engine, Deutz D2011 (See Separate Breakdown in this Section)	
61	4923451	1	Harness, Glow Plugs	
62	0760614	3	Bolt M6 x 30	
64	1001178859	1	Cable, Alternator	
65	1001214975	1	Bracket	
66	2200261	1	Fitting	
67	1001277432	1	Spacer	

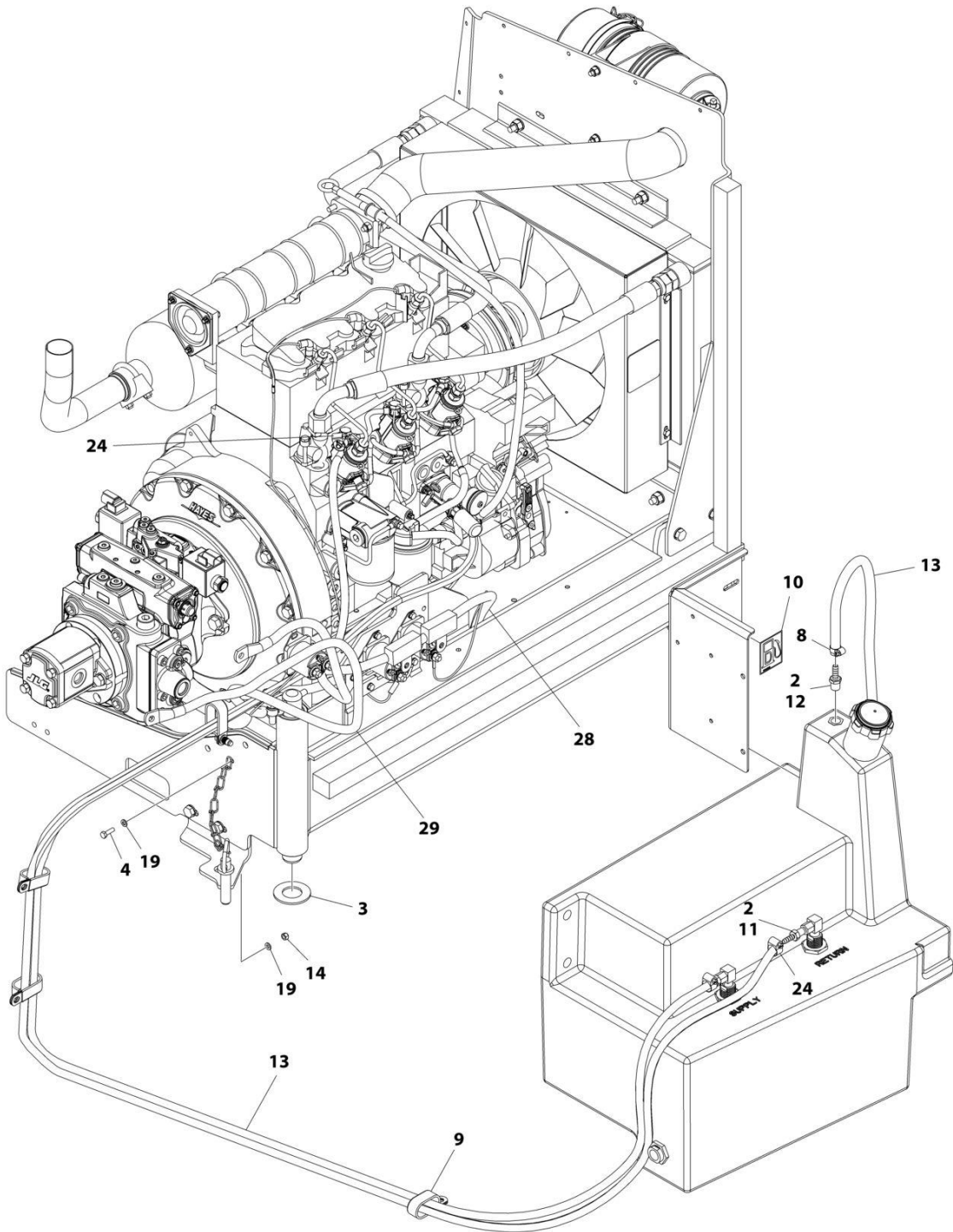
SECTION 3 - ENGINE

FIGURE 3-36. ENGINE INSTALLATION - DEUTZ D2011 ENGINE (WITHOUT ARCTIC PACKAGE) (WITH PMP PUMP)



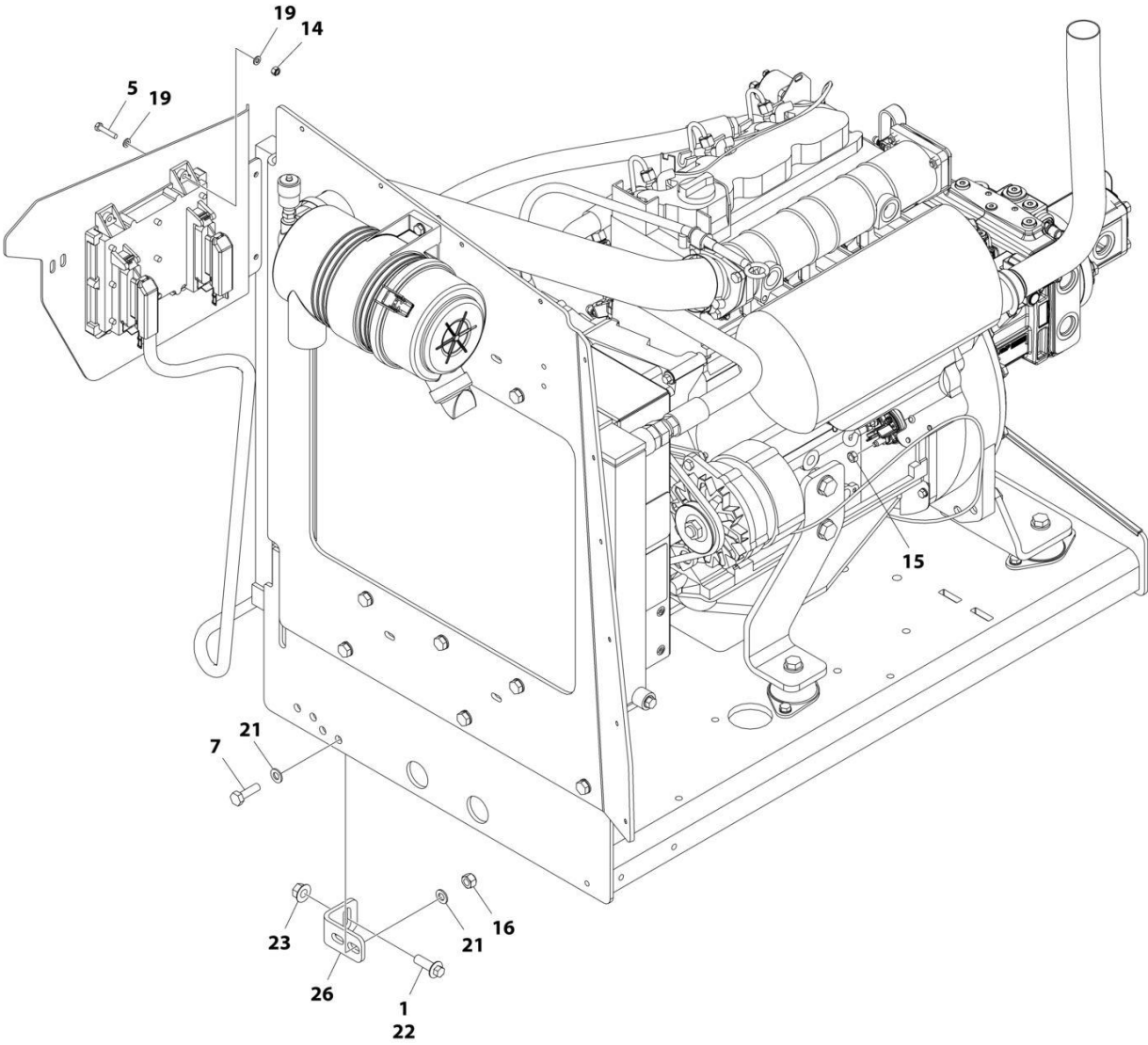
ART_1001301505_1OF3

SECTION 3 - ENGINE



ART_1001301505_2OF3

SECTION 3 - ENGINE



ART_1001301505_3OF3

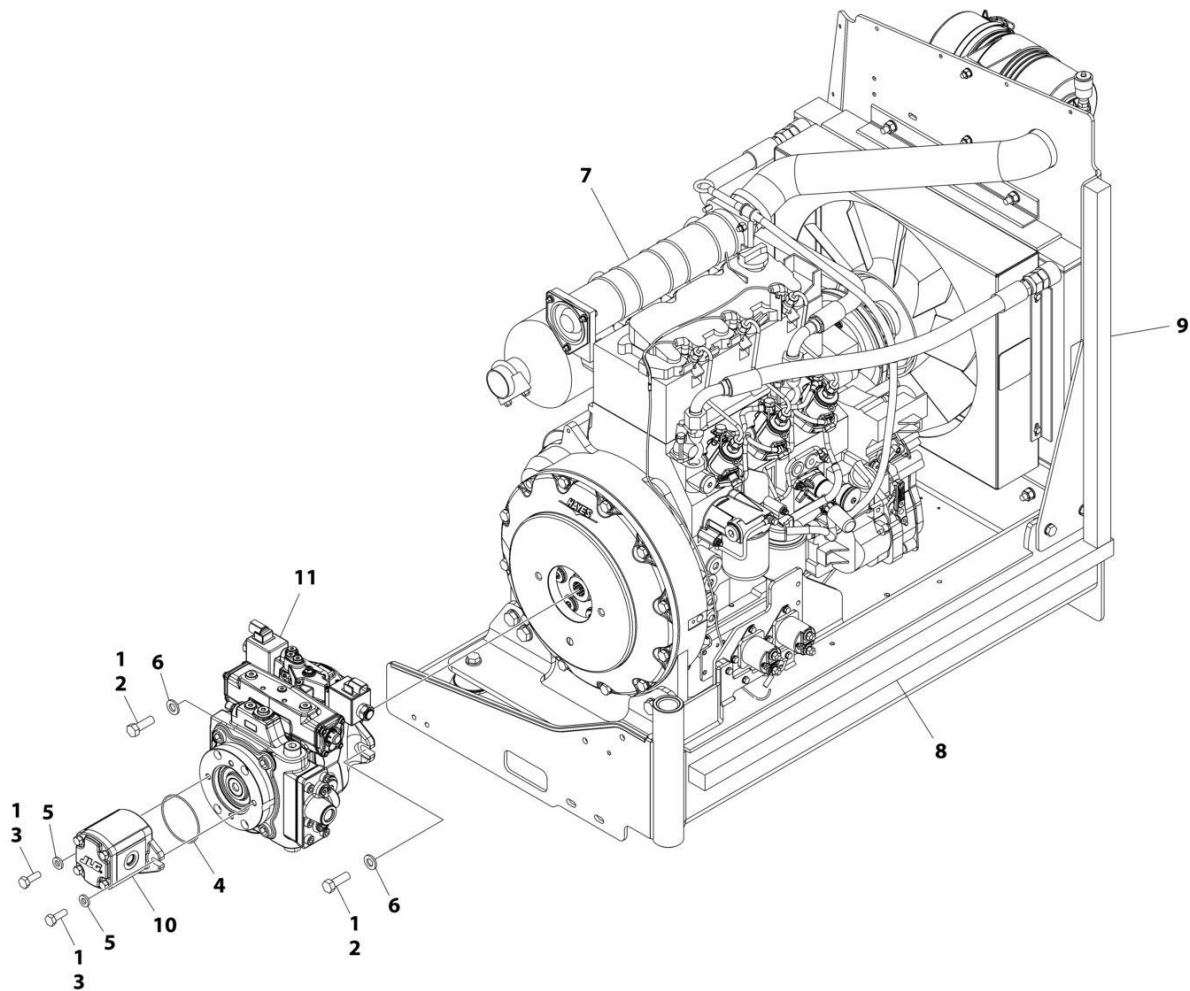
SECTION 3 - ENGINE

FIGURE 3-36. ENGINE INSTALLATION - DEUTZ D2011 ENGINE (WITHOUT ARCTIC PACKAGE) (WITH PMP PUMP)

ITEM	PART NUMBER	QTY	DESCRIPTION	REV
	1001301505	Ref	ENGINE INSTALLATION - DEUTZ D2011 ENGINE (WITHOUT ARCTIC PACKAGE) (WITH PMP PUMP)	A
1	0100011	AR	Compound, Locking	
2	0100020	AR	Sealant, Pipe	
3	0440162	1	Bearing	
4	0760610	1	Bolt M6 x 20	
5	0760614	4	Bolt M6 x 30	
6	0760812	1	Bolt M8 x 25	
7	0761015	5	Bolt M10 x 35	
8	1320022	1	Clamp	
9	1321716	4	Clamp	
10	1701505	1	Decal - Diesel	
11	2180348	2	Fitting, Barbed	
12	2180876	1	Fitting, Barbed	
13	2720058	22 ft/ 6.7 m	Hose	
14	3290605	5	Nut M6	
15	3290801	1	Nut M8	
16	3291005	4	Nut M10	
17	3422532	1	Pin	
18	3841143	1	Keeper, Pin	
19	4811700	10	Washer M6	
20	4811900	1	Washer M8	
21	4812000	9	Washer M10	
22	5251215	1	Bolt M12 x 35	
23	5261200	1	Nut M12	
24	8410013	4	Clamp	
25	1001135196	1	Pin	
26	1001167512	1	Bracket, Engine	
27	1001169823	1	Plate	
28	1001171681	1	Cable, Battery (Red) (Battery Positive to Auxiliary Power Relay)	
29	1001171682	1	Cable, Battery (Black) (Battery Negative to Auxiliary Power Pump)	
30	1001172202	1	Pipe, Exhaust	
31	1001191832	1	Nut, Rivet M8	
32	1001301504	1	Engine and Pump Sub-Assembly (See Separate Breakdown in this Section)	

SECTION 3 - ENGINE

FIGURE 3-37. ENGINE AND PUMP SUB-ASSEMBLY - DEUTZ D2011 ENGINE (WITHOUT ARCTIC PACKAGE) (WITH PMP PUMP)



ART_1001301504

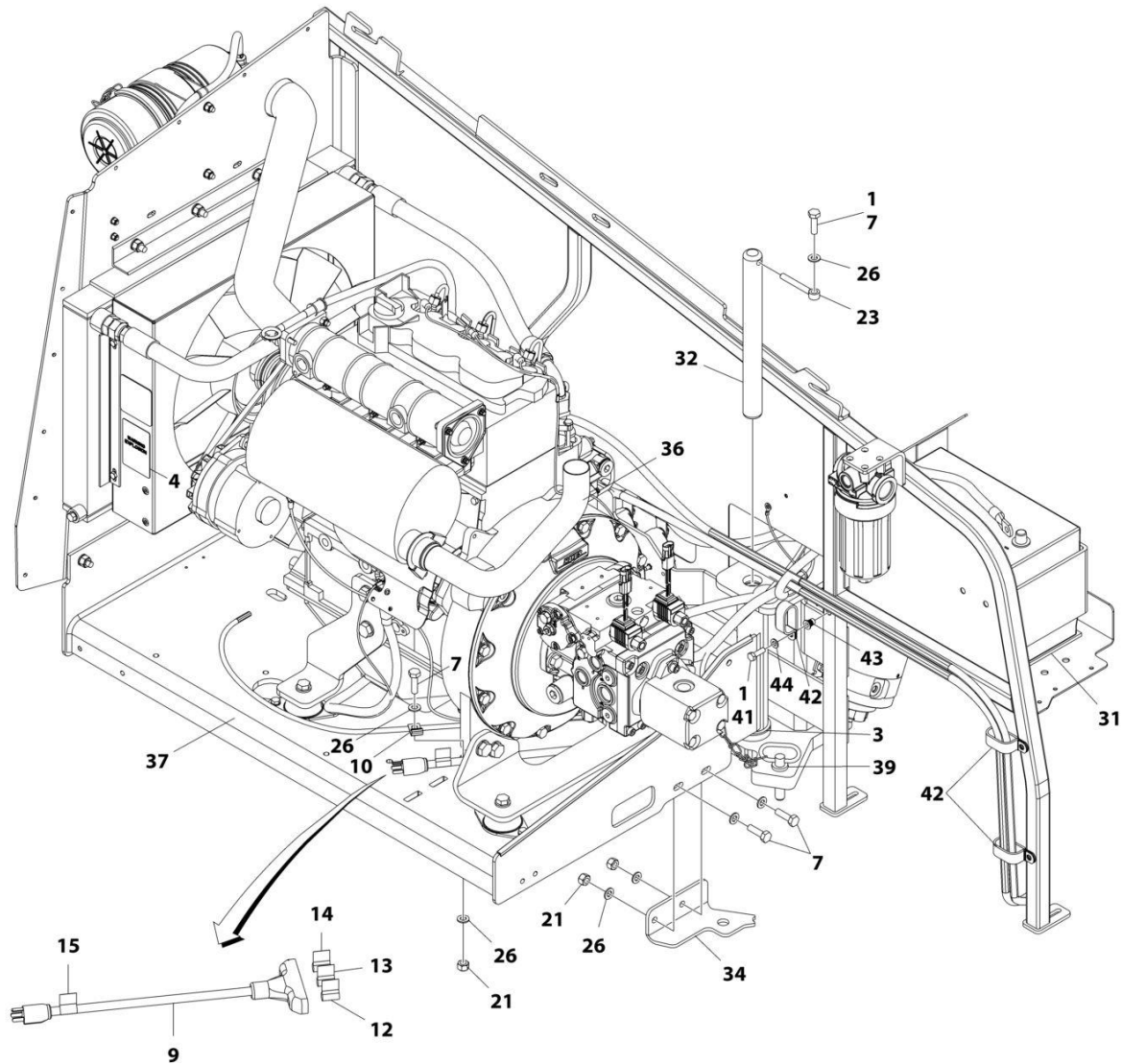
SECTION 3 - ENGINE

FIGURE 3-37. ENGINE AND PUMP SUB-ASSEMBLY - DEUTZ D2011 ENGINE (WITHOUT ARCTIC PACKAGE) (WITH PMP PUMP)

ITEM	PART NUMBER	QTY	DESCRIPTION	REV
	1001301504	Ref	ENGINE AND PUMP SUB-ASSEMBLY - DEUTZ D2011 (WITHOUT ARCTIC PACKAGE) (WITH PMP PUMP)	A
1	0100011	AR	Compound, Locking	
2	0641812	2	Bolt 1/2 x 1-1/2	
3	0761014	2	Bolt M10 x 30	
4	3790152	1	O-Ring	
5	4891600	2	Washer 3/8	
6	5241200	2	Washer M12	
7	1001166020	1	Engine Assembly (See Separate Breakdown in this Section)	
8	1001171953	1	Seal	
9	1001171954	1	Seal	
10	1001214207	1	Gear Pump Assembly	
10	70006356	1	Seal Kit - 1001214207 Pump	
11	1001285632	1	Closed Pump Loop Assembly (See Separate Breakdown in this Section)	

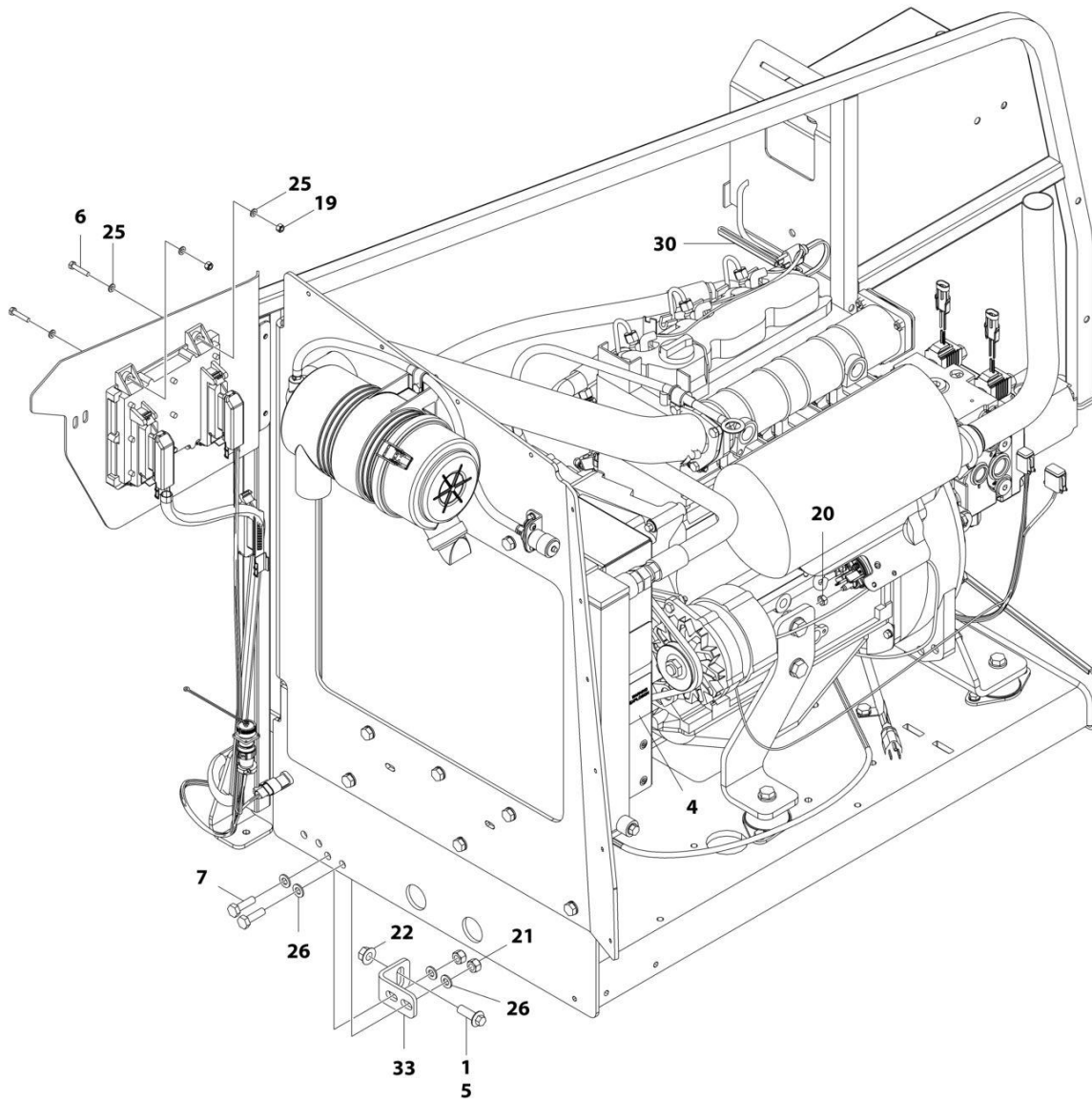
SECTION 3 - ENGINE

FIGURE 3-38. ENGINE INSTALLATION - DEUTZ D2011 ENGINE (WITH 17GAL HYDRAULIC TANK & ARCTIC PACKAGE) (ANSI EXPORT, CHINA & RUSSIA SPECS)



ART_1001174785_10F3

SECTION 3 - ENGINE



ART_1001174785_30F3

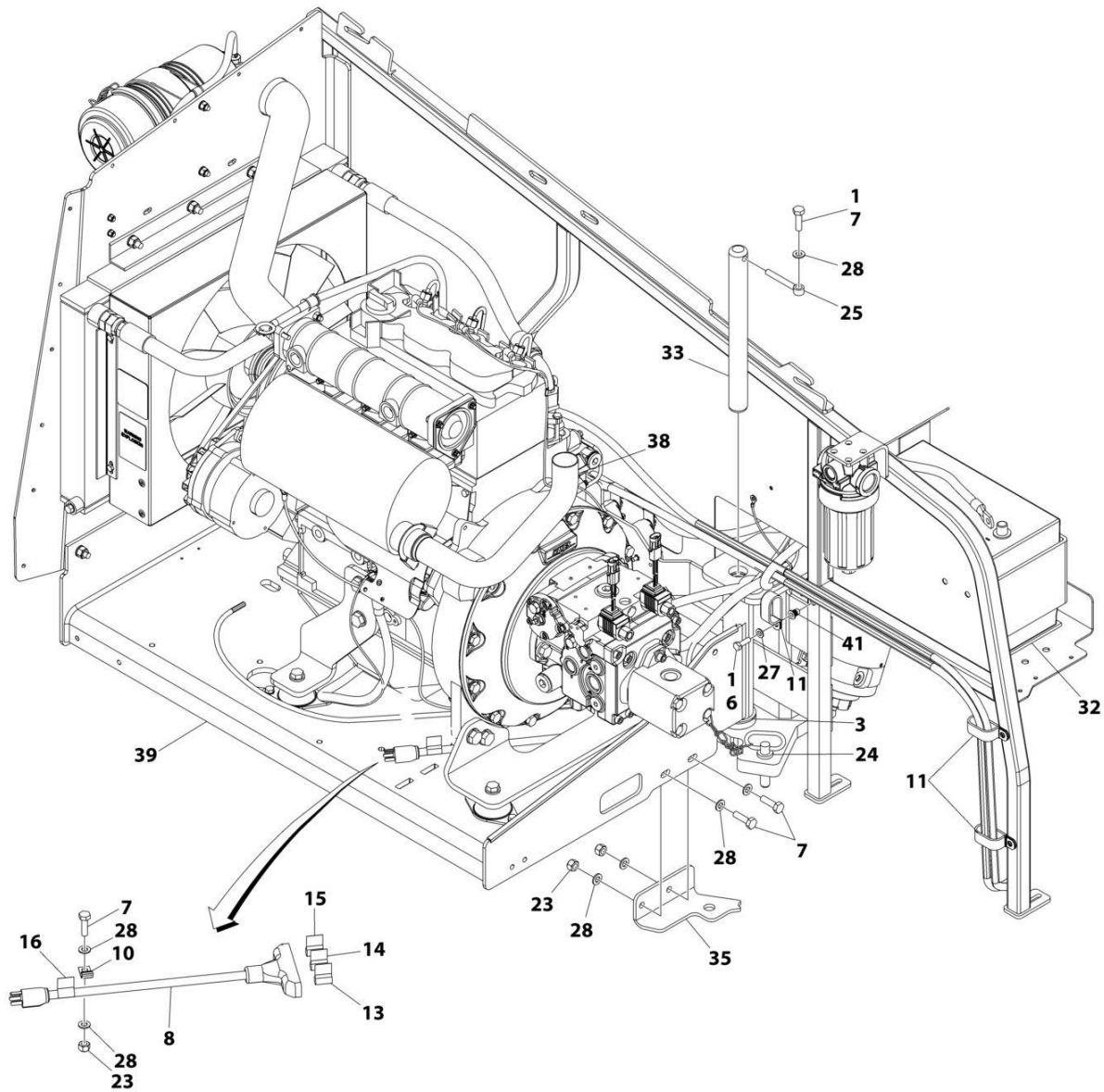
SECTION 3 - ENGINE

FIGURE 3-38. ENGINE INSTALLATION - DEUTZ D2011 ENGINE (WITH 17GAL HYDRAULIC TANK & ARCTIC PACKAGE) (ANSI EXPORT, CHINA & RUSSIA SPECS)

ITEM	PART NUMBER	QTY	DESCRIPTION	REV
	1001174785	Ref	ENGINE INSTALLATION - DEUTZ D2011 ENGINE (WITH ARCTIC PACKAGE)	F
1	0100011	AR	Compound, Locking	
2	0100020	AR	Sealant, Pipe	
3	0440162	1	Bearing	
4	1704972	1	Decal - Warning Explosion/Fire	
5	5251215	1	Bolt M12 x 35	
6	0760614	4	Bolt M6 x 30	
7	0761015	6	Bolt M10 x 35	
9	1060626	1	Plug, 3 Way	
10	1320223	1	Clamp	
11	1701505	1	Decal - Diesel Fuel	
12	1702941	1	Decal - Battery Heater	
13	1702942	1	Decal - Engine Block Heater	
14	1702943	1	Decal - Hydraulic Tank Heater	
15	1702944	1	Decal - Heater Cord	
16	2180876	1	Fitting, Barbed	
17	1001188972	1	Heater, Hydraulic Tank	
18	2720058	22 ft /6.7m	Hose	
19	3290605	5	Nut M6	
20	3290801	1	Nut M8	
21	3291005	5	Nut M10	
22	5261200	1	Nut, Flange M12 Grade 10.9	
23	3841143	1	Keeper, Pin	
25	4811700	10	Washer M6	
26	4812000	11	Washer M10	
28	8410013	4	Clamp	
29	2180348	2	Fitting, Barbed	
30	2580024	1	Heater, Battery	
31	1001119278	1	Insulate	
32	1001135196	1	Pin	
33	1001167512	1	Bracket, Engine	
34	1001169823	1	Plate, Engine Lock	
35	1001171681	1	Cable, Battery (Red) (Battery Positive to Auxiliary Power Relay)	
36	1001172202	1	Pipe, Exhaust	
37	1001174784	1	Engine and Pump Sub-Assembly - Deutz D2011 (With Arctic Package) (See Separate Breakdown in this Section)	
38	1001171682	1	Cable, Battery (Black) (Battery Negative to Auxiliary Power Pump)	
39	3422532	1	Pin	
40	0760610	1	Bolt M6 x 20	
41	0760812	1	Bolt M8 x 25	
42	1321716	4	Clamp	
43	1001191832	1	Nut, Rivet M8	
44	4811900	1	Washer M8	
45	1320022	1	Clamp	

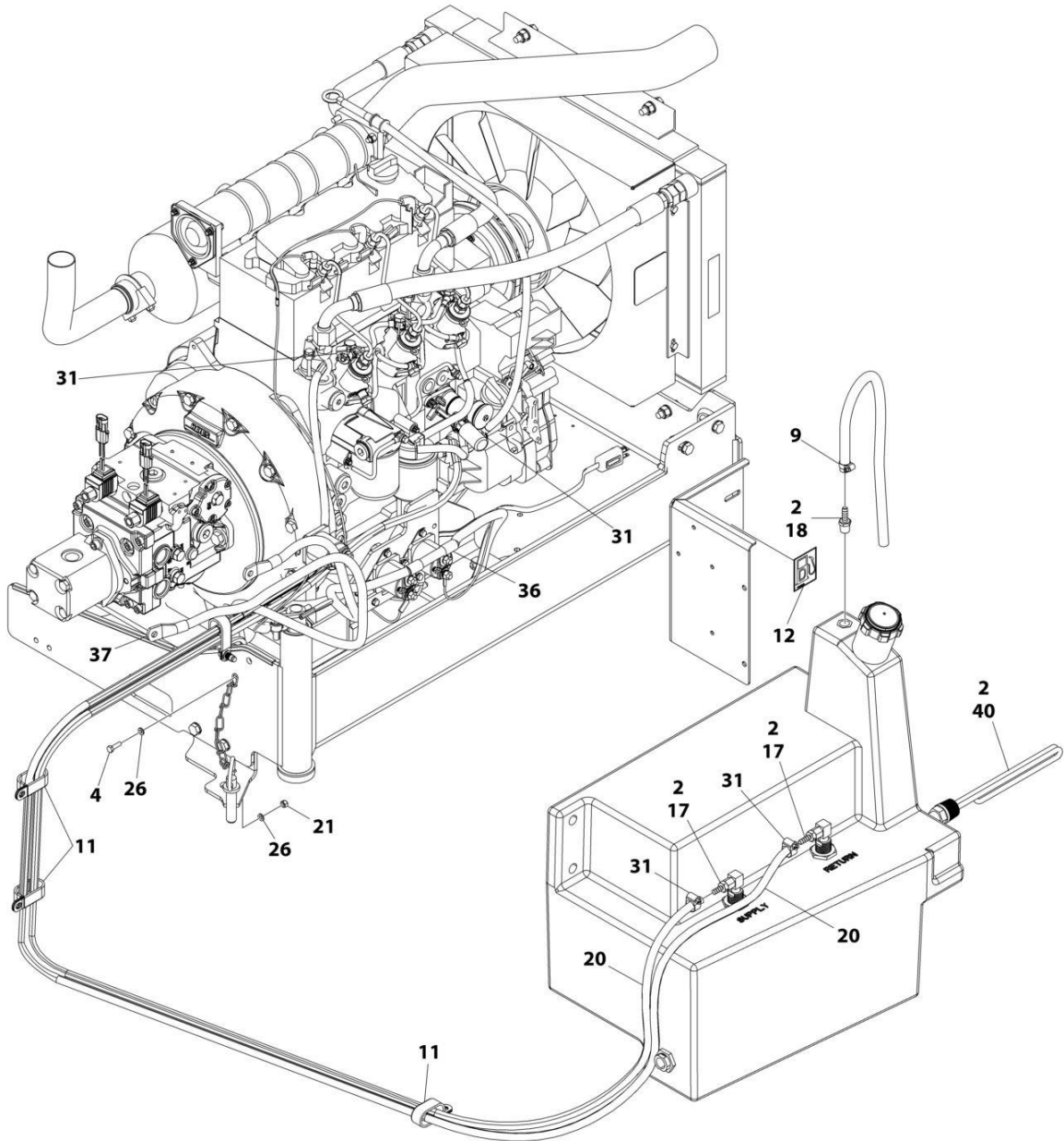
SECTION 3 - ENGINE

FIGURE 3-39. ENGINE INSTALLATION - DEUTZ D2011 ENGINE (WITH 36GAL HYDRAULIC TANK & ARCTIC PACKAGE) (ANSI EXPORT & RUSSIA SPECS)



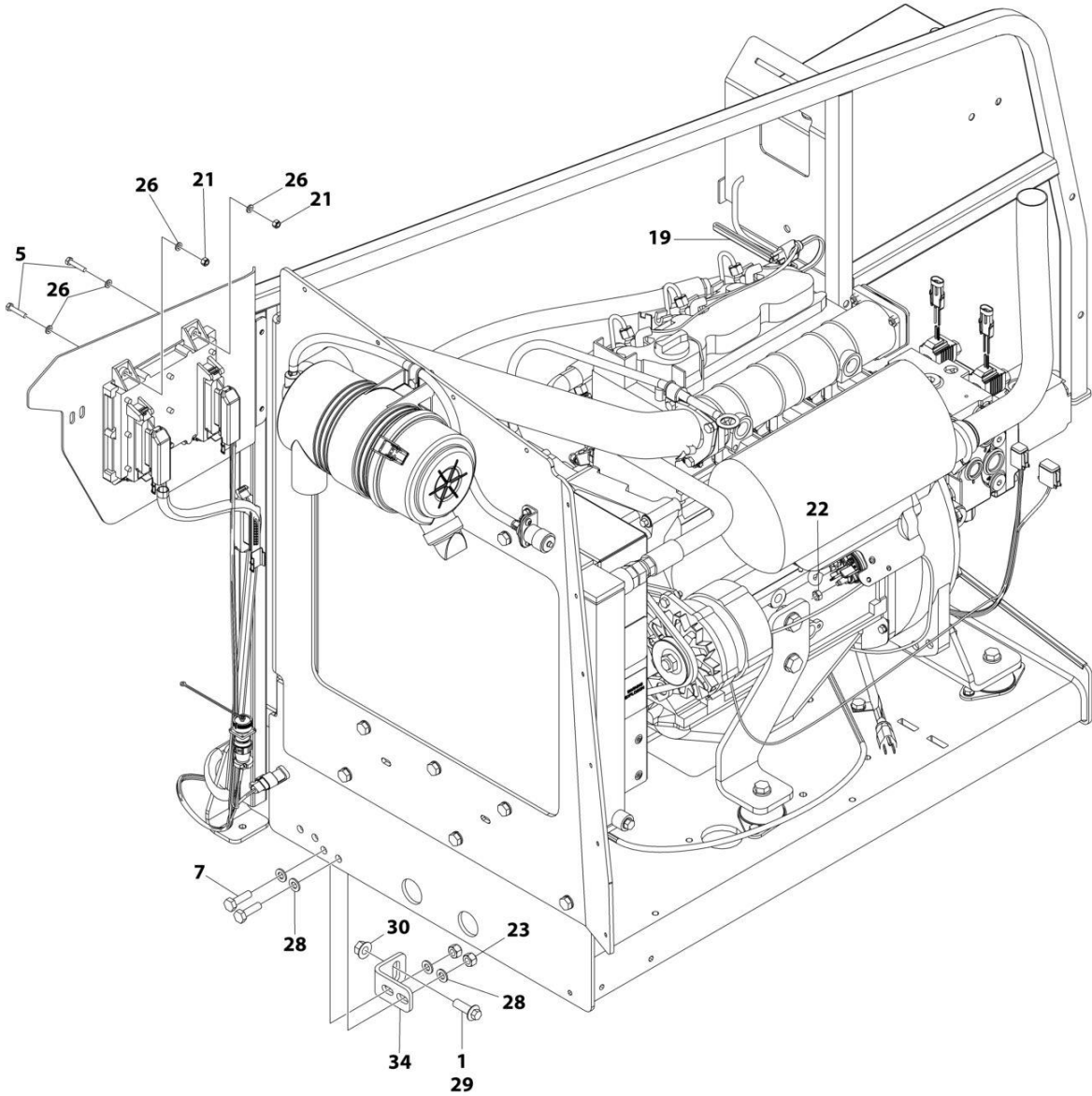
ART_1001287816_10F3

SECTION 3 - ENGINE



ART_1001287816_20F3

SECTION 3 - ENGINE



ART_1001287816_30F3

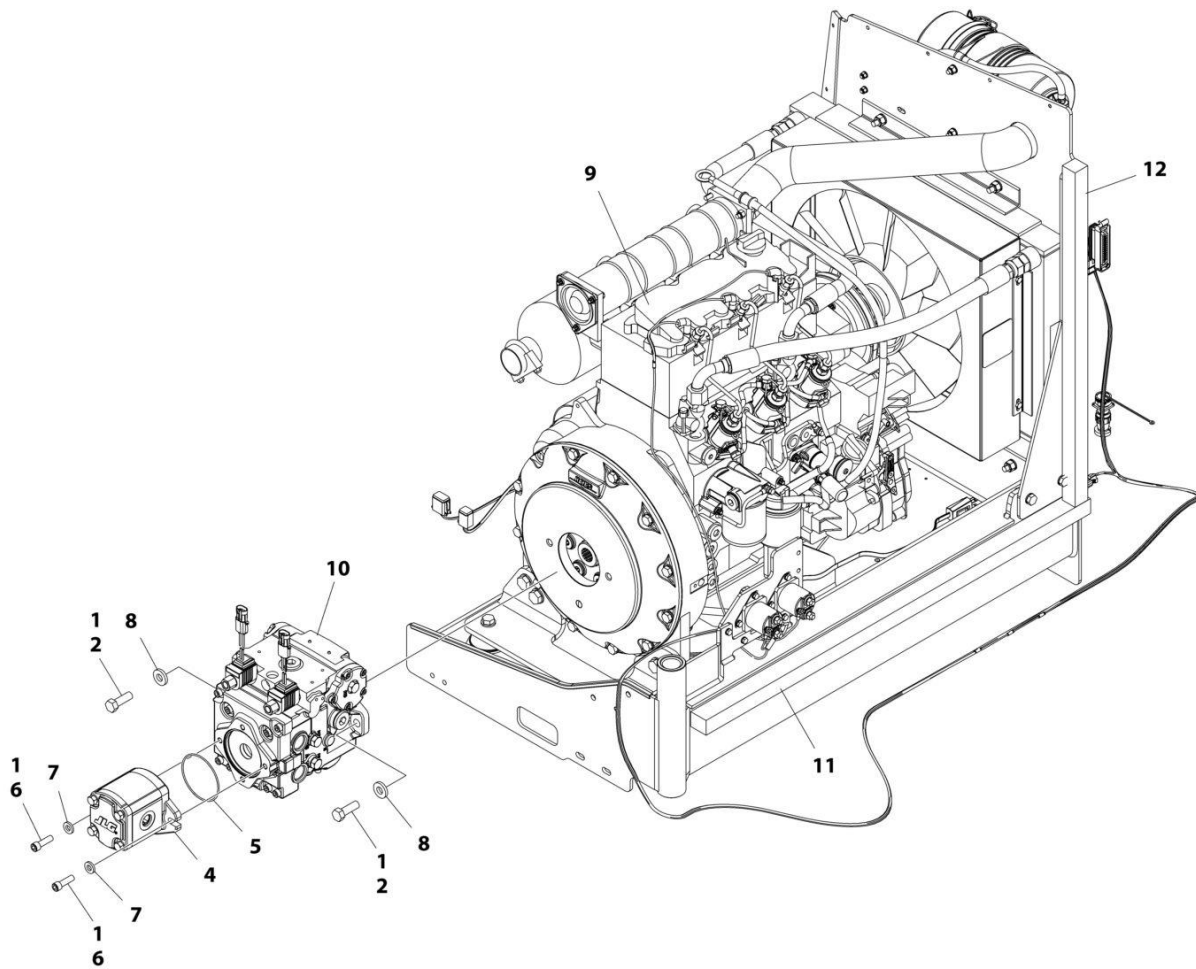
SECTION 3 - ENGINE

FIGURE 3-39. ENGINE INSTALLATION - DEUTZ D2011 ENGINE (WITH 36GAL HYDRAULIC TANK & ARCTIC PACKAGE) (ANSI EXPORT & RUSSIA SPECS)

ITEM	PART NUMBER	QTY	DESCRIPTION	REV
	1001287816	Ref	ENGINE INSTALLATION - DEUTZ D2011	A
1	0100011	AR	Compound, Locking	
2	0100020	AR	Sealant, Pipe	
3	0440162	1	Bearing	
4	0760610	1	Bolt M6 x 20	
5	0760614	4	Bolt M6 x 30	
6	0760812	1	Bolt M8 x 25	
7	0761015	6	Bolt M10 x 35	
8	1060626	1	Plug, 3 Way	
9	1320022	1	Clamp	
10	1320223	1	Clamp	
11	1321716	4	Clamp	
12	1701505	1	Decal - Diesel Fuel	
13	1702941	1	Decal - Battery Heater	
14	1702942	1	Decal - Engine Block Heater	
15	1702943	1	Decal - Hydraulic Tank Heater	
16	1702944	1	Decal - Heater Cord	
17	2180348	2	Fitting, Barbed	
18	2180876	1	Fitting, Barbed	
19	2580024	1	Heater, Battery	
20	2720058	22 ft /6.7m	Hose	
21	3290605	5	Nut, Lock M6	
22	3290801	1	Nut M8	
23	3291005	5	Nut, Lock M10	
24	3422532	1	Pin	
25	3841143	1	Keeper, Pin	
26	4811700	10	Washer M6	
27	4811900	1	Washer M8	
28	4812000	11	Washer M10	
29	5251215	1	Bolt M12 x 35 Class 10.9	
30	5261200	1	Nut, Flange M12 Class 10	
31	8410013	4	Clamp	
32	1001119278	1	Insulate	
33	1001135196	1	Pin	
34	1001167512	1	Bracket, Engine	
35	1001169823	1	Plate, Engine Lock	
36	1001171681	1	Cable, Battery (Red) (Battery Positive to Auxiliary Power Relay)	
37	1001171682	1	Cable, Battery (Black) (Battery Negative to Auxiliary Power Pump)	
38	1001172202	1	Pipe, Exhaust	
39	1001174784	1	Engine and Pump Sub-Assembly - Deutz D2011 (With Arctic Package) (See Separate Breakdown in this Section)	
40	1001188972	1	Heater, Hydraulic Tank	
41	1001191832	1	Nut, Rivet M8	

SECTION 3 - ENGINE

FIGURE 3-40. ENGINE AND PUMP SUB-ASSEMBLY - DEUTZ D2011 (WITH ARCTIC PACKAGE) (ANSI EXPORT, CHINA, RUSSIA & UK CA SPECS)



ART_1001174784_G

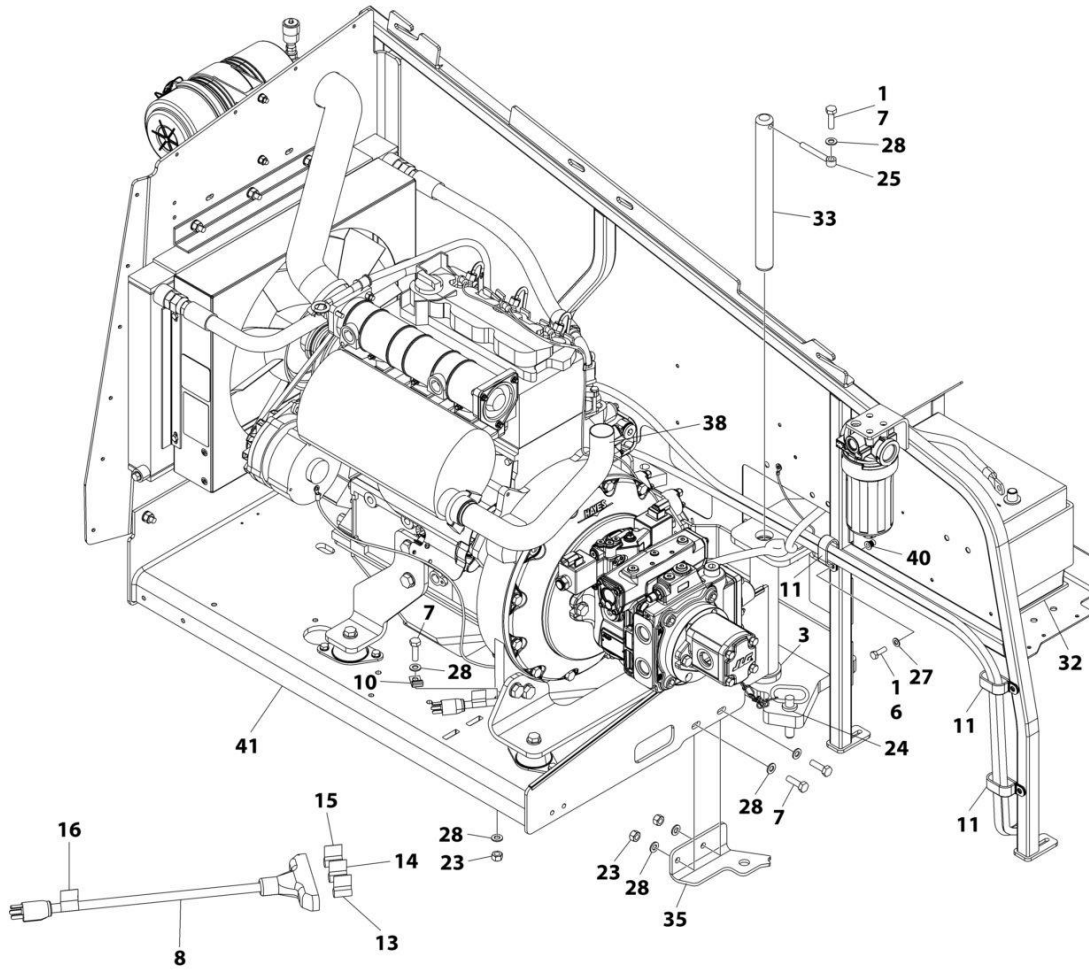
SECTION 3 - ENGINE

FIGURE 3-40. ENGINE AND PUMP SUB-ASSEMBLY - DEUTZ D2011 (WITH ARCTIC PACKAGE) (ANSI EXPORT, CHINA, RUSSIA & UK CA SPECS)

ITEM	PART NUMBER	QTY	DESCRIPTION	REV
	1001174784	Ref	ENGINE AND PUMP SUB-ASSEMBLY - DEUTZ D2011 (WITH ARCTIC PACKAGE)	G
1	0100011	AR	Compound, Locking	
2	0641812	2	Bolt 1/2 x 1-1/2	
4	1001214207	1	Gear Pump Assembly	
4	70006356	1	Seal Kit - 1001214207 Pump	
5	3790152	1	O-Ring	
6	3931618	2	Capscrew 3/8 x 1 1/8	
7	4891600	2	Washer 3/8 Hardened	
8	4891800	2	Washer 1/2 Hardened	
9	1001174783	1	Engine Assembly - Deutz D2011 Engine (With Arctic Package) (See Separate Breakdown in this Section)	
10	1001167036	1	Piston Pump Assembly (See Separate Breakdown in this Section)	
11	1001171953	1	Seal	
12	1001171954	1	Seal	

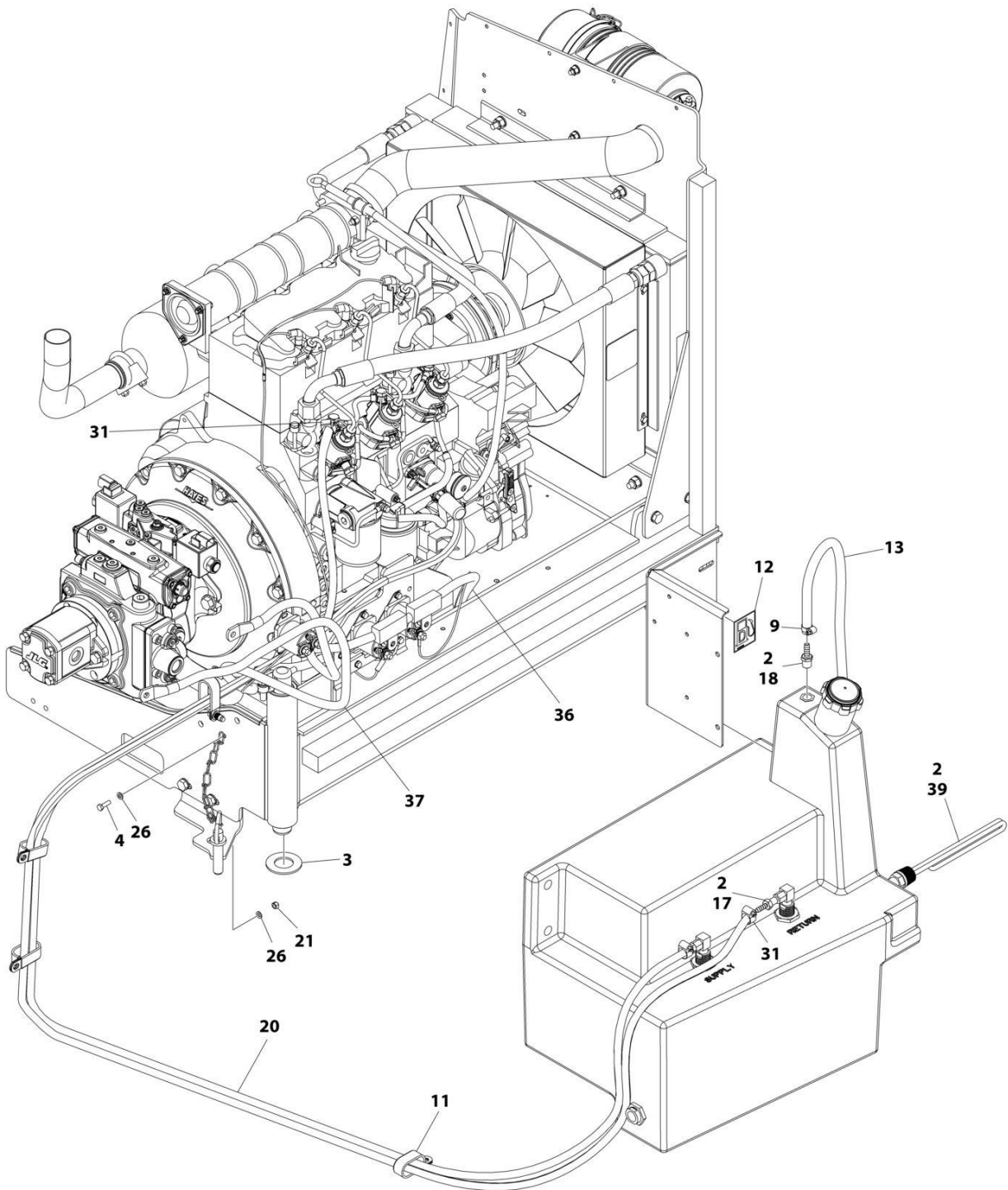
SECTION 3 - ENGINE

FIGURE 3-41. ENGINE INSTALLATION - DEUTZ D2011 ENGINE (WITH ARCTIC PACKAGE) (WITH PMP PUMP)



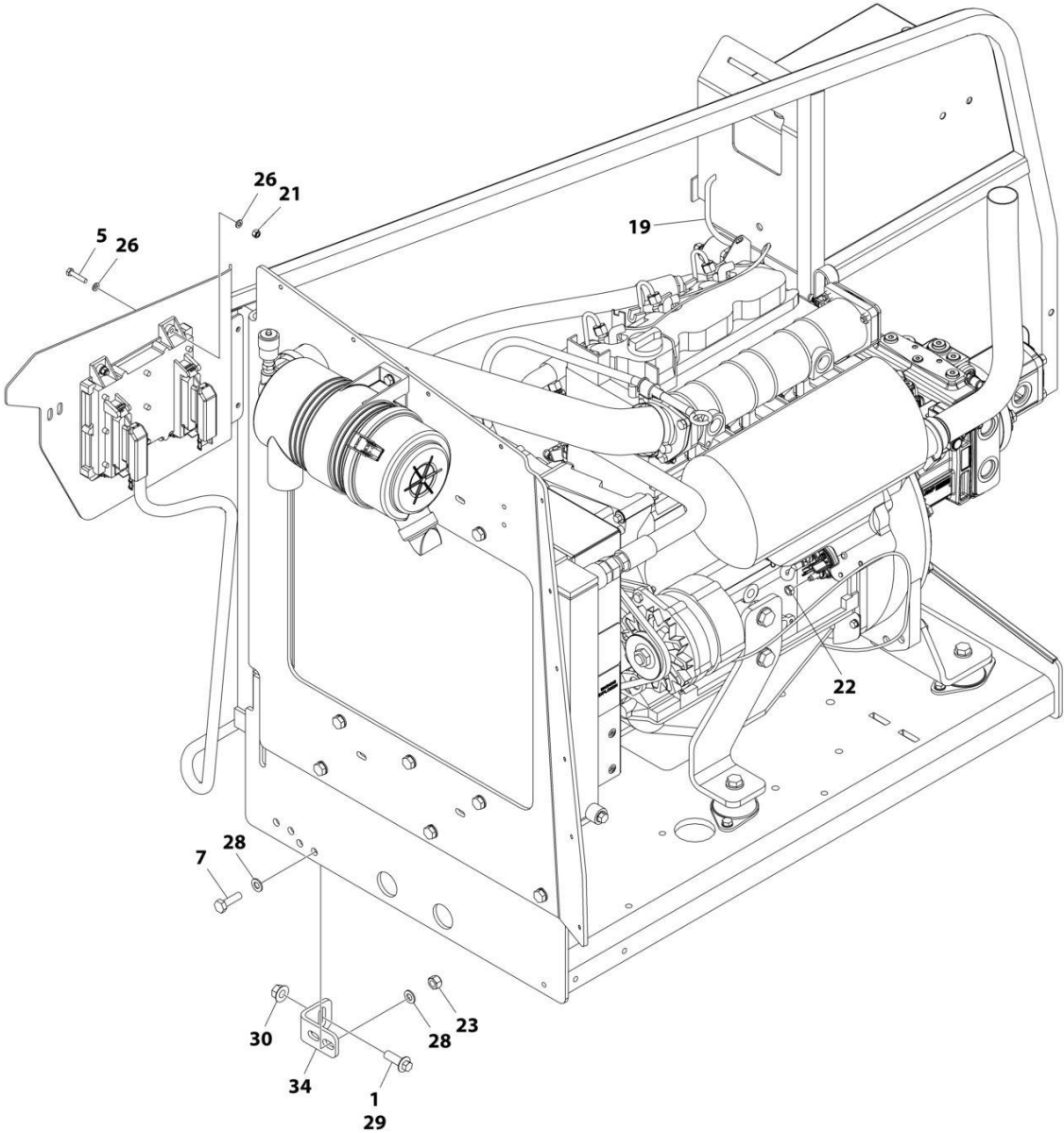
ART_1001300785_10F3

SECTION 3 - ENGINE



ART_1001300785_2OF3

SECTION 3 - ENGINE



ART_1001300785_3OF3

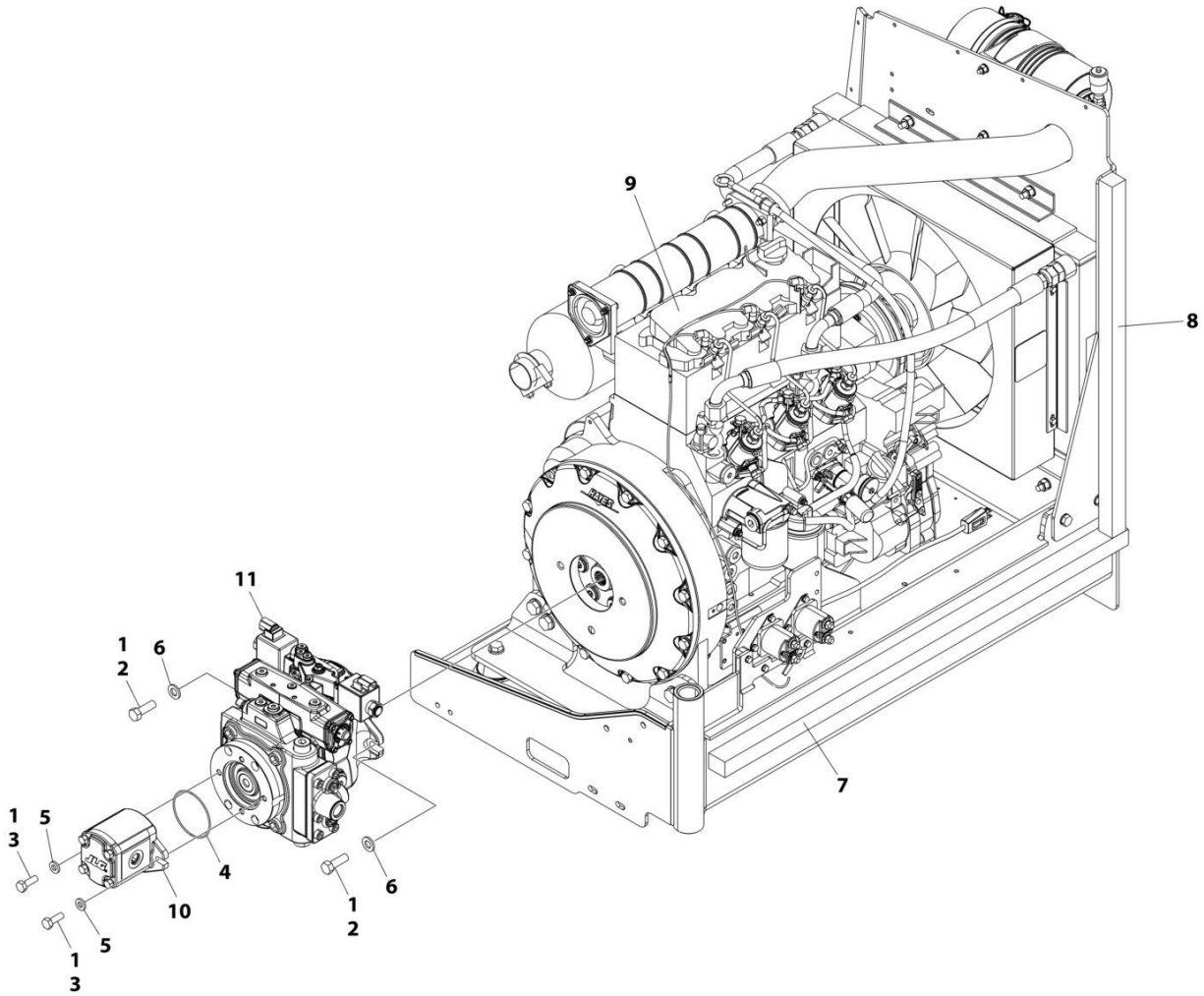
SECTION 3 - ENGINE

FIGURE 3-41. ENGINE INSTALLATION - DEUTZ D2011 ENGINE (WITH ARCTIC PACKAGE) (WITH PMP PUMP)

ITEM	PART NUMBER	QTY	DESCRIPTION	REV
	1001300785	Ref	ENGINE INSTALLATION - DEUTZ D2011 ENGINE (WITH ARCTIC PACKAGE) (WITH PMP PUMP)	A
1	0100011	AR	Compound, Locking	
2	0100020	AR	Sealant, Pipe	
3	0440162	1	Bearing	
4	0760610	1	Bolt M6 x 20	
5	0760614	4	Bolt M6 x 30	
6	0760812	1	Bolt M8 x 25	
7	0761015	6	Bolt M10 x 35	
8	1060626	1	Plug, 3 Way	
9	1320022	1	Clamp	
10	1320223	1	Clamp	
11	1321716	4	Clamp	
12	1701505	1	Decal - Diesel	
13	1702941	1	Decal - Battery Heater	
14	1702942	1	Decal - Engine Block Heater	
15	1702943	1	Decal - Hydraulic Tank Heater	
16	1702944	1	Decal - Heater Cord	
17	2180348	2	Fitting, NPT/Barbed	
18	2180876	1	Fitting, NPT/Barbed	
19	2580024	1	Heater, Battery	
20	2720058	22 ft/ 6.7 m	Hose	
21	3290605	5	Nut M6	
22	3290801	1	Nut M8	
23	3291005	5	Nut M10	
24	3422532	1	Pin	
25	3841143	1	Keeper, Pin	
26	4811700	10	Washer M6	
27	4811900	1	Washer M8	
28	4812000	11	Washer M10	
29	5251215	1	Bolt M12 x 35	
30	5261200	1	Nut M12	
31	8410013	4	Clamp	
32	1001119278	1	Insulate	
33	1001135196	1	Pin	
34	1001167512	1	Bracket, Engine	
35	1001169823	1	Plate	
36	1001171681	1	Cable, Battery (Red) (Battery Positive to Auxiliary Power Relay)	
37	1001171682	1	Cable, Battery (Black) (Battery Negative to Auxiliary Power Pump)	
38	1001172202	1	Pipe, Exhaust	
39	1001188972	1	Heater, Hydraulic Tank	
40	1001191832	1	Nut, Rivet M8	
41	1001300786	1	Engine and Pump Sub-Assembly (With Arctic Package) (See Separate Breakdown in this Section)	

SECTION 3 - ENGINE

FIGURE 3-42. ENGINE AND PUMP SUB-ASSEMBLY - DEUTZ D2011 ENGINE (WITH ARCTIC PACKAGE) (WITH PMP PUMP)



ART_1001300786

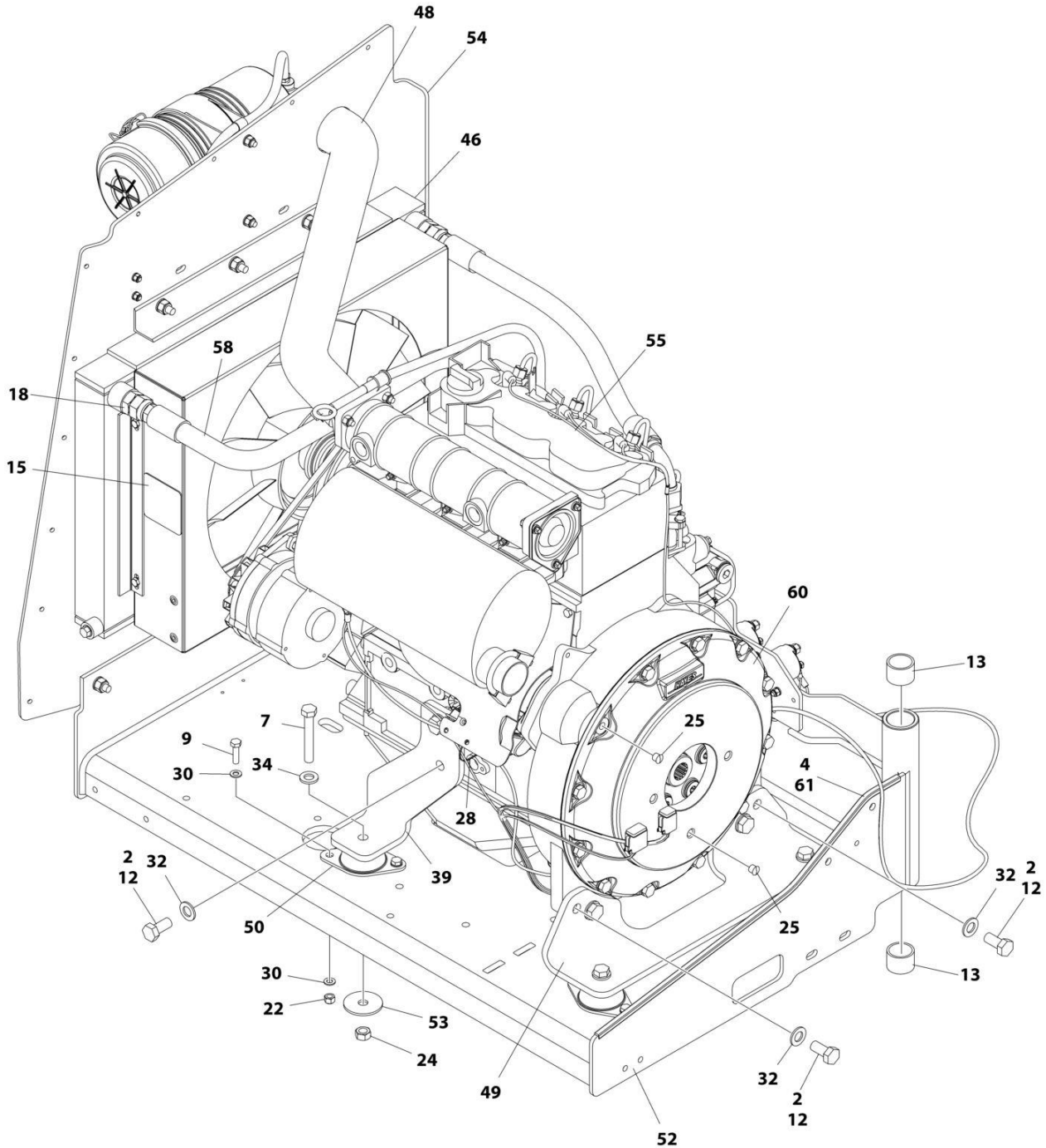
SECTION 3 - ENGINE

FIGURE 3-42. ENGINE AND PUMP SUB-ASSEMBLY - DEUTZ D2011 ENGINE (WITH ARCTIC PACKAGE) (WITH PMP PUMP)

ITEM	PART NUMBER	QTY	DESCRIPTION	REV
	1001300786	Ref	ENGINE AND PUMP SUB-ASSEMBLY - DEUTZ D2011 ENGINE (WITH ARCTIC PACKAGE) (WITH PMP PUMP)	A
1	0100011	AR	Compound, Locking	
2	0641812	2	Bolt 1/2 x 1-1/2	
3	0761014	2	Bolt M10 x 30	
4	3790152	1	O-Ring	
5	4891600	2	Washer 3/8	
6	5241200	2	Washer M12	
7	1001171953	1	Seal	
8	1001171954	1	Seal	
9	1001174783	1	Engine Assembly (With Arctic Package) (See Separate Breakdown in this Section)	
10	1001214207	1	Gear Pump Assembly	
10	70006356	1	Seal Kit - 1001214207 Pump	
11	1001285632	1	Closed Pump Loop Assembly (See Separate Breakdown in this Section)	

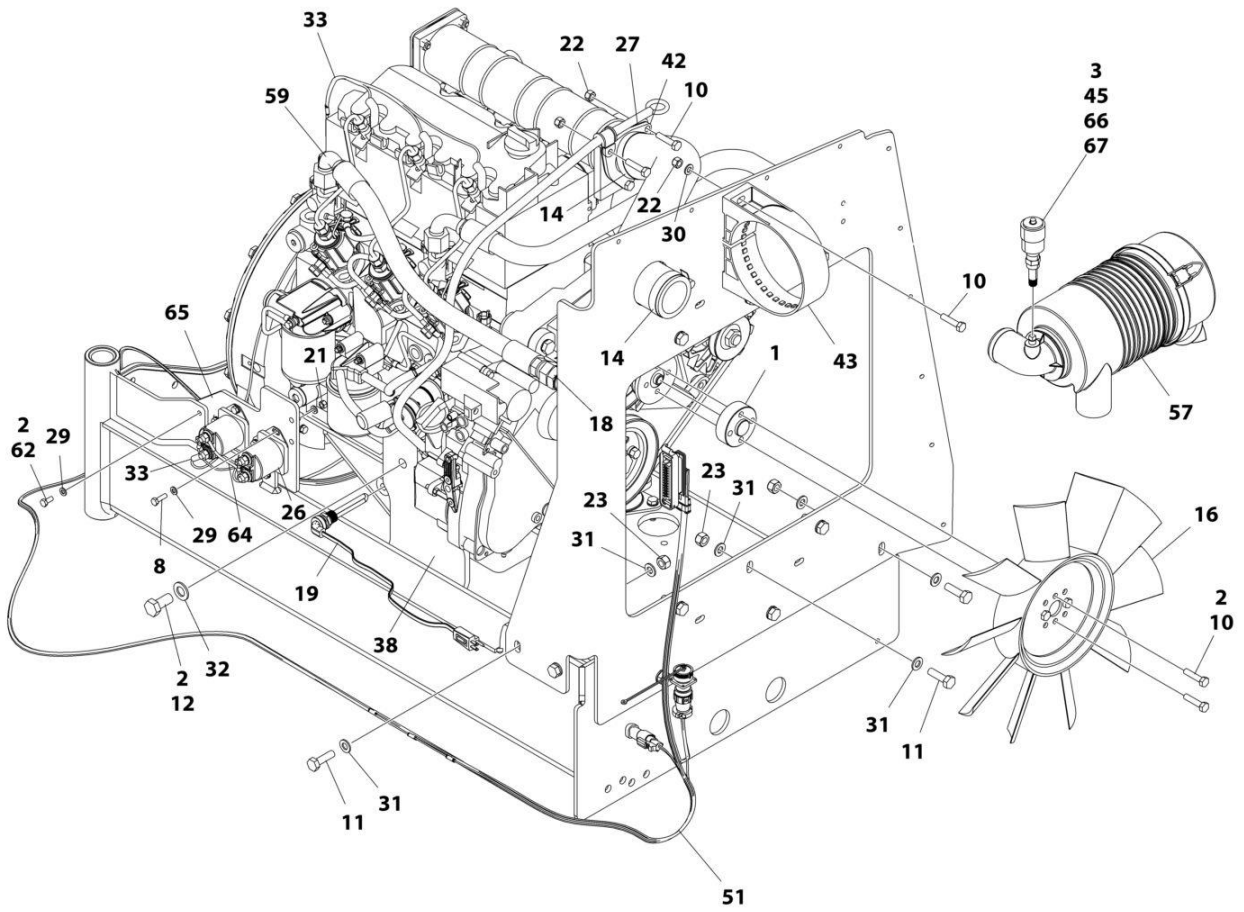
SECTION 3 - ENGINE

FIGURE 3-43. ENGINE ASSEMBLY - DEUTZ D2011 ENGINE (WITH ARCTIC PACKAGE) (ANSI EXPORT, CHINA, RUSSIA & UK CA SPECS)



ART_1001174783_O_10F2

SECTION 3 - ENGINE



ART_1001174783_O_20F2

SECTION 3 - ENGINE

FIGURE 3-43. ENGINE ASSEMBLY - DEUTZ D2011 ENGINE (WITH ARCTIC PACKAGE) (ANSI EXPORT, CHINA, RUSSIA & UK CA SPECS)

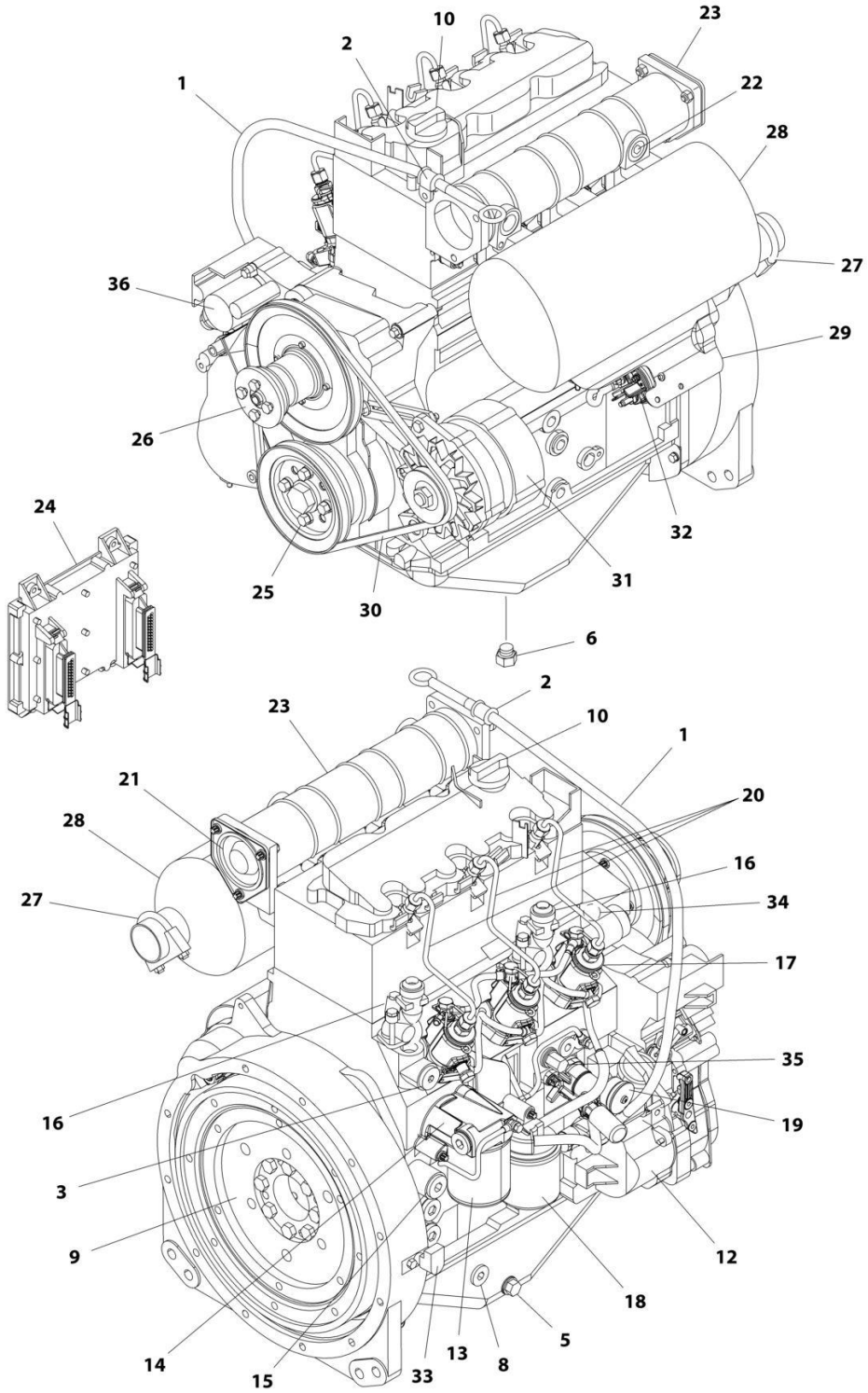
ITEM	PART NUMBER	QTY	DESCRIPTION	REV
	1001174783	Ref	ENGINE ASSEMBLY - DEUTZ D2011 (WITH ARCTIC PACKAGE)	O
1	0080231	1	Spacer, Fan	
2	0100011	AR	Compound, Locking	
3	0100020	AR	Sealant, Pipe	
4	0100081	AR	Adhesive	
7	0711224	4	Bolt M12 x 80 Class10.9	
8	0760610	4	Bolt M6 x 20	
9	0760814	8	Bolt M8 x 30	
10	0760815	9	Bolt M8 x 35	
11	0761015	11	Bolt M10 x 35	
12	0771414	8	Bolt M14 x 30 Class 10.9	
13	0961951	2	Bushing	
14	1320016	2	Clamp	
15	1703162	2	Decal - Caution Fan	
16	2060025	1	Fan	
18	2220451	2	Fitting, Straight JIC/ORB	
19	2580062	1	Heater, Engine Block	
21	3290605	4	Nut M6	
22	3290805	13	Nut M8	
23	3291005	11	Nut M10	
24	3331215	4	Nut M12	
25	3520054	2	Plug	
26	3740067	2	Relay Assembly	
26	3300220	2	Nut	
26	3321001	1	Nut #10	
26	3740140	1	Relay	
26	4761000	1	Washer #10	
26	1001111424	2	Washer	
27	3960407	1	Gasket	
28	4240099	AR	Tie-Strap (Not Shown)	
29	4811700	11	Washer M6	
30	4811900	20	Washer M8	
31	4812000	22	Washer M10	
32	4812200	8	Washer M14	
33	4923451	1	Harness, Glow Plugs	
34	5241200	4	Washer M12	
38	1001132195	1	Bracket, Engine Mount	
39	1001132196	1	Bracket, Engine Mount	
42	1001139819	1	Adapter, Air Intake	
43	1001141694	1	Clamp, Air Cleaner	
45	1001143390	1	Indicator	
46	1001150998	1	Radiator	
48	1001165389	1	Hose	
49	1001166717	1	Bracket, Engine Mount	
50	1001166718	4	Isolator, Engine Mount	
51	1001167111	1	Harness Engine - Deutz D2011 (See Separate Breakdown in ELECTRICAL Section)	
52	1001167520	1	Tray, Engine	
53	1001168018	4	Washer, Snubbing	

SECTION 3 - ENGINE

ITEM	PART NUMBER	QTY	DESCRIPTION	REV
54	1001168059	1	Plate, Radiator Mounting	
55	1001170693	1	Engine, Deutz D2011 (See Separate Breakdown in this Section)	
57	1001165388	1	Air Cleaner Assembly	
57	70003783	1	Element, Air Cleaner	
58	2720398	1	Hose	
59	2720447	1	Hose	
60	2902065	1	Pump Coupling Kit (See Separate Breakdown in this Section)	
61	4060805	2.25 ft/ 0.69m	Flex-Trim	
62	0760614	3	Bolt M6 x 30	
64	1001178859	1	Cable, Alternator	
65	1001214975	1	Bracket	
66	2200261	1	Fitting	
67	1001277432	1	Spacer	

SECTION 3 - ENGINE

FIGURE 3-44. ENGINE COMPONENTS - DEUTZ D2011



ART_1001170693

SECTION 3 - ENGINE

FIGURE 3-44. ENGINE COMPONENTS - DEUTZ D2011

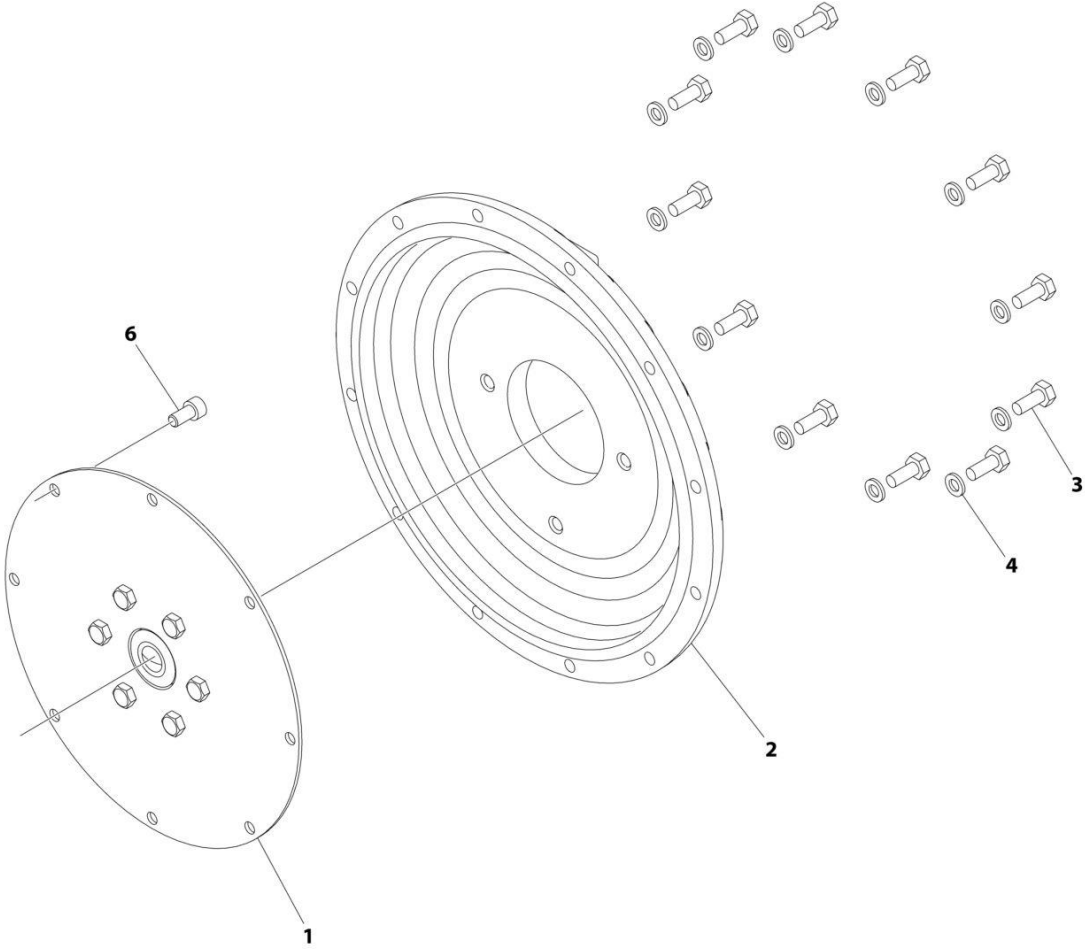
ITEM	PART NUMBER	QTY	DESCRIPTION	REV
	1001170693	Ref	ENGINE COMPONENTS - DEUTZ D2011	C
1	70001002	1	Tube, Dipstick	
1	7020403	1	Seal, Tube	
1	7020026	1	Dipstick	
2	70001654	1	Clamp	
2	70001655	1	Bolt	
3	70003475	1	Thermostat	
3	7020460	1	Spring	
4		Ref	Seal and Gasket Options (Not Shown):	
4	70002718	1	Seal, Rear Main	
4	7020430	1	Gasket, Valve Cover	
4	70003479	1	Gasket, Head - 1 Notch	
4	70003480	1	Gasket, Head - 2 Notch	
4	70003481	1	Gasket, Head - 3 Notch	
5	70025088	1	Plug	
6	70025667	1	Plug	
7	70025123	22	Bolt, Torx (Oil Pan Bolts) (Not Shown)	
8	7020492	1	Seal	
8	70025084	1	Plug	
9	70001870	1	Flywheel	
9	7024579	1	Ring Gear (Part of Flywheel)	
9	70025139	8	Bolt	
10	7020465	1	Cap, Oil Fill	
11	70000800	1	Timing Belt/Idler Kit (Includes Timing Belt, Tensioner and Tensioner Bolt) (Not Shown)	
12	70001850	1	Pump, Lubricating	
12	7020468	1	Seal, Pump to Engine Block (Not Shown)	
13	7016331	1	Filter, Oil	
14	70003472	1	Bracket, Oil Filter (Includes Plug with Seal, Temperature Sensor, Control Valve and Compression Spring)	
14	7027236	1	Sensor, Temperature	
14	70025082	1	Seal, Plug	
14	70025091	1	Plug	
14	70003473	1	Gasket, Bracket to Engine Block (Not Shown)	
15	70001181	1	Valve	
15	70025091	1	Plug	
15	70025082	1	Seal, Plug	
16	70004268	2	Connector, Radiator Neck	
16	70004269	2	Seal, Radiator Neck to Engine Block	
17	70000912	3	Pump, Fuel Injector - A Spec	
17	70000913	3	Pump, Fuel Injector - B Spec	
17	70000914	3	Pump, Fuel Injector - C Spec	
17	70000915	3	Pump, Fuel Injector - D Spec	
17	70003464	3	O-Ring, Pump to Engine Block	
18	7020023	1	Filter, Fuel	
18	70003463	1	Filter, Fuel - RME Resistant	
18	70001423	1	Bracket, Fuel Filter	
19	70000916	1	Pump Fuel Supply	
19	70000917	1	O-Seal Between Fuel Pump and Engine Block	
19	70000918	1	Sealing Ring Between Hand Pump and Supply Pump	

SECTION 3 - ENGINE

ITEM	PART NUMBER	QTY	DESCRIPTION	REV
19	70000919	1	Pump, Hand	
19	70001435	1	Repair Kit	
19	70025694	2	Bolt, Torx	
20	70000931	3	Pipe, High Pressure	
21	70003469	1	Flange, Intake	
21	70003468	1	Seal	
22	70025084	1	Plug	
22	7020492	1	Seal, Plug	
23	7027903	1	Manifold, Air Intake	
23	70001871	3	Gasket Between Manifold and Engine Block	
24	See Note	1	Module, Engine Control (Note: Not Currently Available)	
24	7027796	1	Cable, Electrical Between Module and Engine Harness (Not Shown)	
24	70001872	1	Harness, Engine (Connects to p/n 70004060) (Not Shown)	
24	70004060	1	Plug, Connector Located on Cable Near Module (Not Shown)	
24	70004059	1	Plug, Analyzer (Not Shown)	
25	70025123	4	Bolt, Torx	
26	70000787	1	Support, Fan (Includes Support, Internal Shaft, Bearings and Circlip)	
27	70001844	1	Clamp	
28	See Note	1	Muffler (Note: See Separate Breakdown in this Section)	
28	7020471	3	Gasket, Exhaust Between Muffler and Engine Block	
28	70004270	6	Stud, Muffler	
29	70001498	1	Shield, Starter	
29	70025693	3	Bolt	
30	70004102	1	V-Belt	
31	70004056	1	Alternator (Includes Voltage Regulator and Gaskets, Fan and Fan Mounting Hardware)	
31	70001868	1	Regulator, Voltage	
31	70001866	1	Gasket Set, Voltage Regulator	
31	70025131	1	Fan	
31	70025086	1	Nut, Fan	
31	70000851	1	Bracket, Alternator Mounting	
31	70002234	1	Bracket, Alternator Adjustment	
31	70004103	1	Harness, Alternator (Not Shown)	
32	7020479	1	Starter	
32	70025121	2	Bolt, Starter Mounting	
32	70004058	1	Relay	
32	70004062	1	Harness, Starter (Not Shown)	
33	7024565	1	Sensor, Speed	
33	70003931	1	Bolt	
33	70003932	1	Spacer, Sleeve	
34	7027791	1	Sensor, Temperature	
35	7027790	1	Sensor, Oil Pressure	
36	7027792	1	Actuator	
37	70000345	3	Plug, Glow (Not Shown)	

SECTION 3 - ENGINE

FIGURE 3-45. PUMP COUPLING KIT - DEUTZ ENGINES



ART_2902065

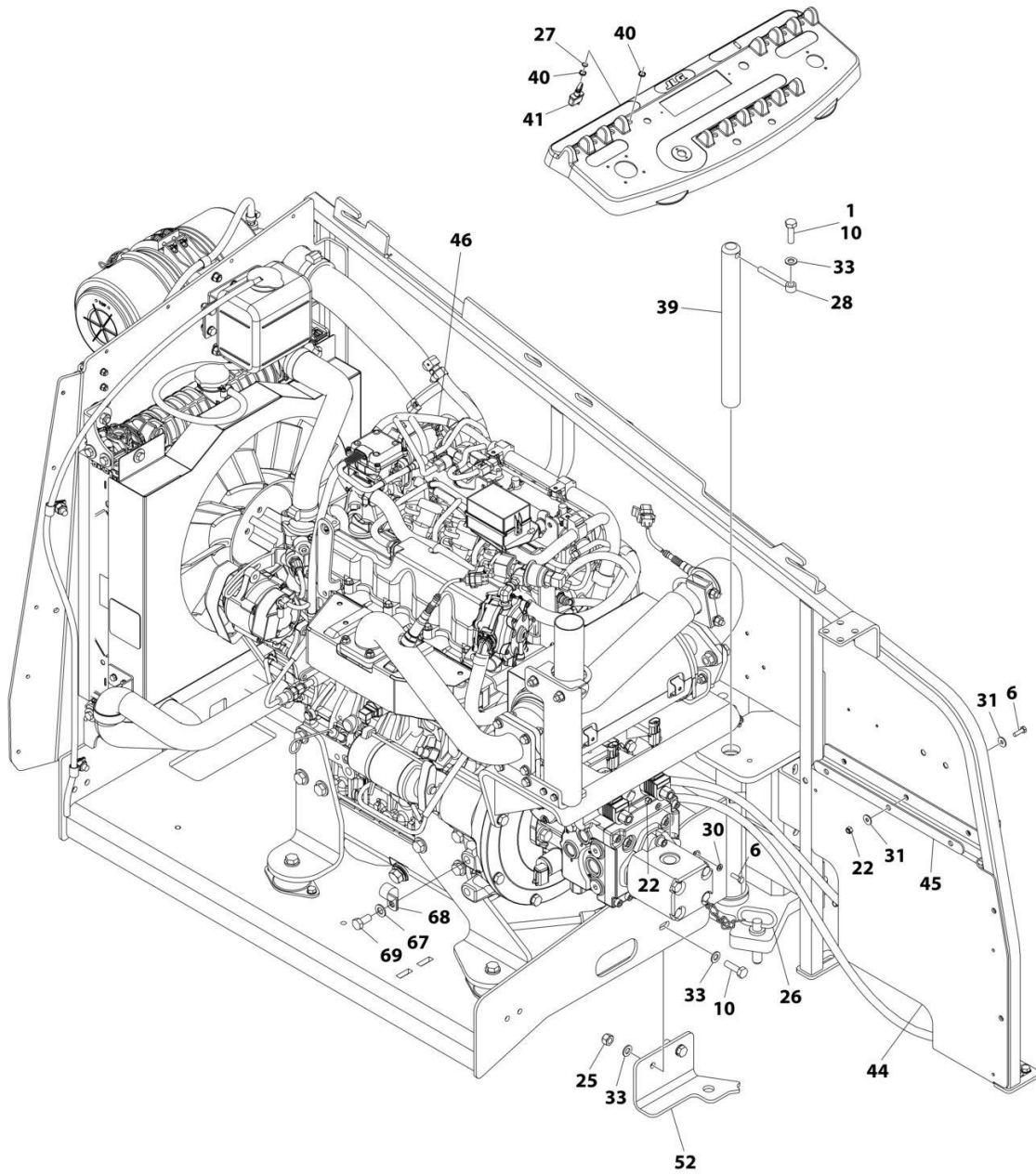
SECTION 3 - ENGINE

FIGURE 3-45. PUMP COUPLING KIT - DEUTZ ENGINES

ITEM	PART NUMBER	QTY	DESCRIPTION	REV
	2902065	Ref	PUMP COUPLING KIT	L
1	70000793	1	Coupling, Hayes	
2	See Note	NSS	Plate, Pump Adapter (Note: Use p/n 2902065)	
3	See Note	NSS	Bolt M10 x 30 Grade 10.9 (Note: Use p/n 2902065)	
4	See Note	NSS	Washer M10 (Note: Use p/n 2902065)	
6	See Note	NSS	Bolt M10 x 20 Grade 10.9 (Note: Use p/n 2902065)	

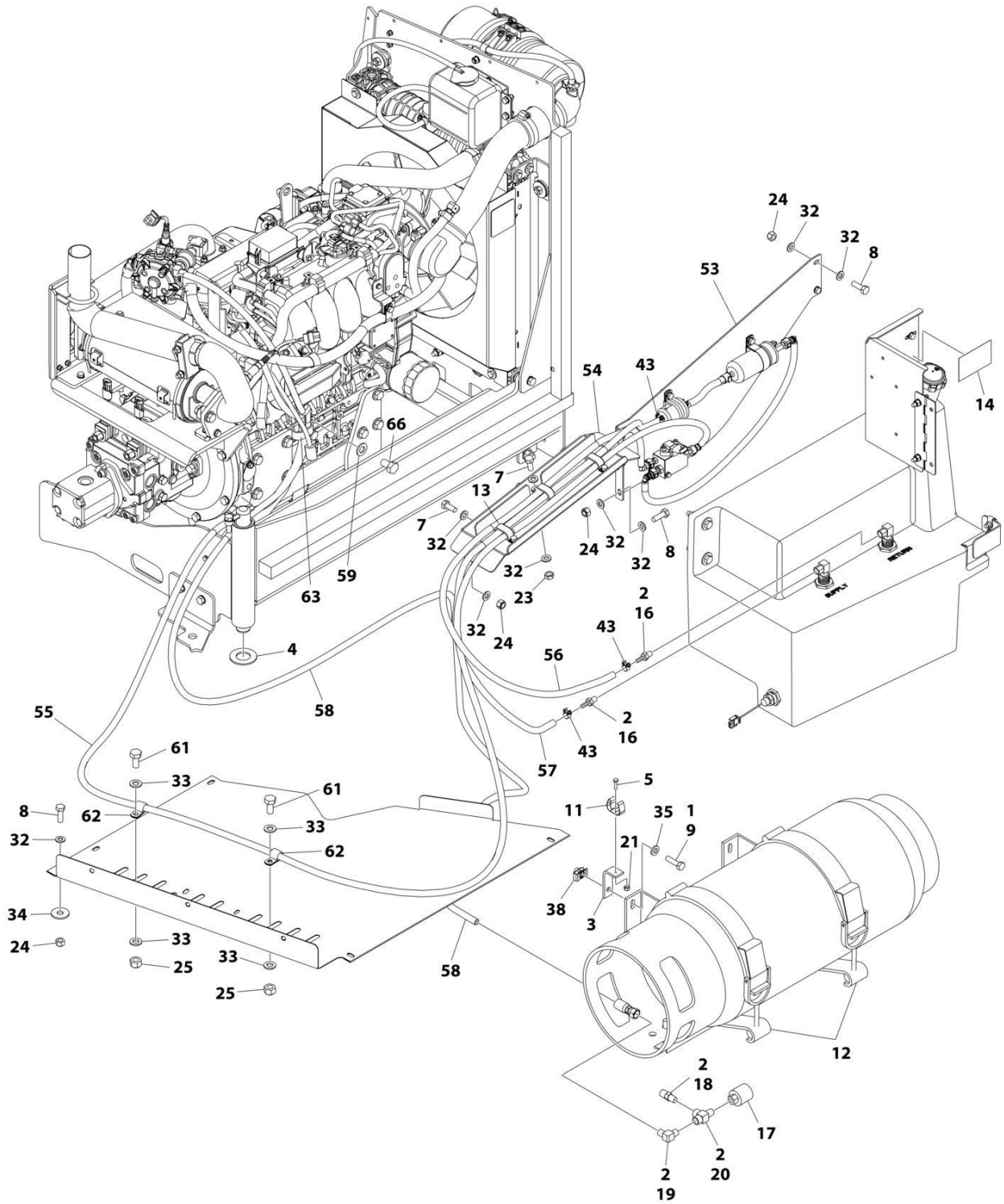
SECTION 3 - ENGINE

FIGURE 3-46. ENGINE INSTALLATION - KUBOTA ENGINE (WITHOUT ARCTIC PACKAGE)



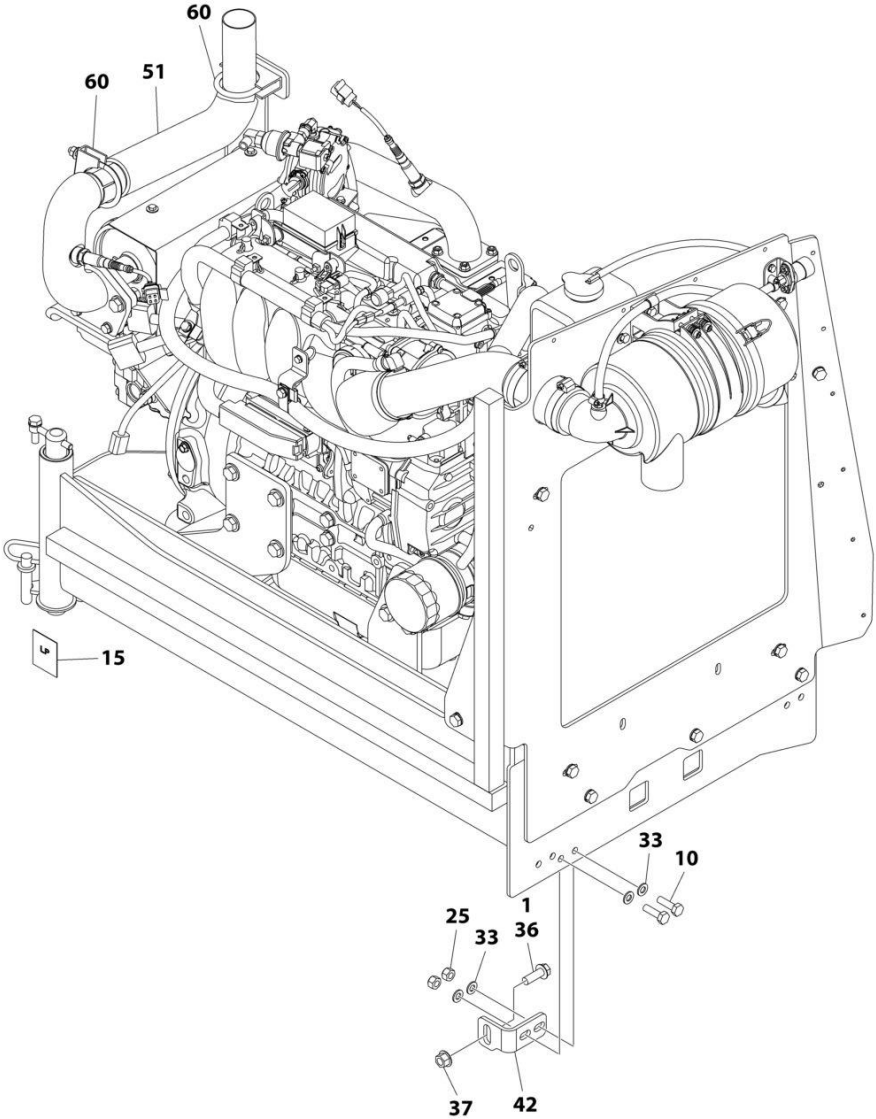
ART_1001236251_10F3

SECTION 3 - ENGINE



ART_1001236251_20F3

SECTION 3 - ENGINE



ART_1001236251_30F3

SECTION 3 - ENGINE

FIGURE 3-46. ENGINE INSTALLATION - KUBOTA ENGINE (WITHOUT ARCTIC PACKAGE)

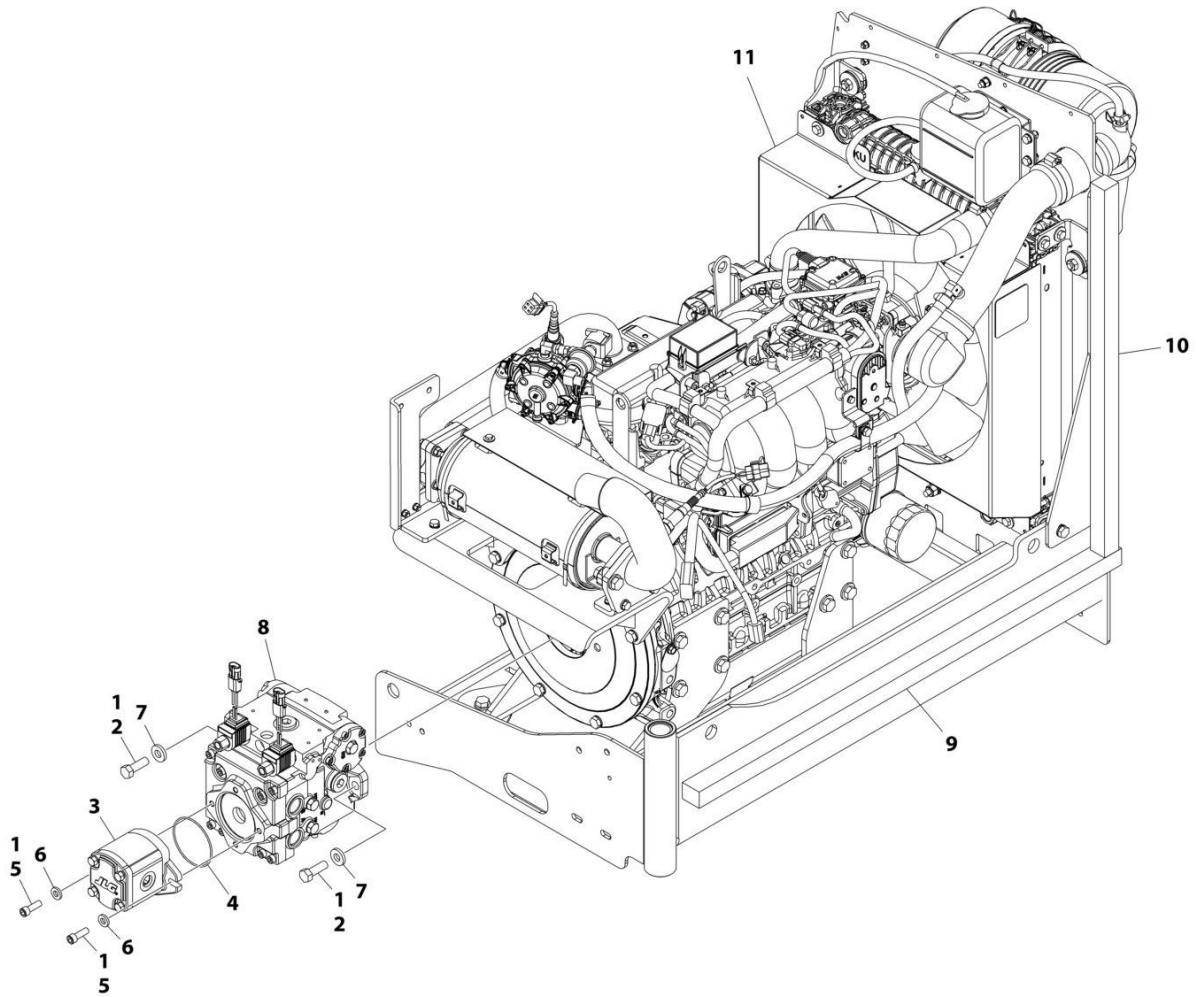
ITEM	PART NUMBER	QTY	DESCRIPTION	REV
	1001236251	Ref	ENGINE INSTALLATION - KUBOTA ENGINE (WITHOUT ARCTIC PACKAGE)	A
1	0100011	AR	Compound, Locking	
2	0100020	AR	Sealant, Pipe	
3	0181949	1	Angle	
4	0440162	1	Bearing	
5	0760408	1	Bolt M4 x 16	
6	0760610	4	Bolt M6 x 20	
7	0760810	6	Bolt M8 x 20	
8	0760812	4	Bolt M8 x 25	
9	0760814	4	Bolt M8 x 30	
10	0761015	5	Bolt M10 x 35	
11	1320218	1	Clamp	
12	1320220	1	Clamp Kit - LP	
13	1321283	3	Clamp	
14	1701542	1	Decal - Gas	
15	1701543	1	Decal - LPG	
16	2180348	2	Fitting, Barbed	
17	2180387	1	Fitting, LP	
18	2180389	1	Fitting	
19	2180504	1	Fitting, Barbed	
20	2220290	1	Fitting, Tee FNPTF/NPTF/FNPTF	
21	3290405	1	Nut Lock M4	
22	3290605	4	Nut Lock M6	
23	3290801	3	Nut M8	
24	3290805	7	Nut Lock M8	
25	3291005	8	Nut Lock M10	
26	3422532	1	Pin	
27	3790012	1	O-Ring	
28	3841143	1	Keeper, Pin	
29	4240099	AR	Tie-Strap (Not Shown)	
30	4811700	2	Washer M6	
31	4811702	6	Washer M6	
32	4811900	19	Washer M8	
33	4812000	17	Washer M10	
34	4812002	1	Washer M10	
35	5240800	4	Washer M8 Hardened	
36	5251215	1	Bolt M12 x 35	
37	5261200	1	Nut M12 Grade 10.9	
38	1001118274	4	Nut Special M8	
39	1001135196	1	Pin	
40	1001155044	2	Nut Special 15/32	
41	1001161710	1	Switch, Toggle	
42	1001167512	1	Bracket, Engine Tray Stow	
43	1001174486	3	Clamp	
44	1001196376	1	Seal, Rubber	
45	1001204123	1	Plate, Support	
46	1001236254	1	Engine and Pump Sub-Assembly - Kubota Engine (Without Arctic Package) (See Separate Breakdown in this Section)	
47	1001212257	1	Cable, Battery (Red) (Alternator Positive to Starter) (Not Shown)	

SECTION 3 - ENGINE

ITEM	PART NUMBER	QTY	DESCRIPTION	REV
48	1001213060	1	Cable, Battery (Red) (Battery Positive to Auxiliary Power Relay) (Not Shown)	
49	1001213061	1	Cable, Battery (Black) (Battery Negative to Pivot Pin to Engine Ground) (Not Shown)	
50	1001213706	1	Harness Engine - Kubota Engine (Not Shown - See Separate Breakdown in ELECTRICAL SECTION)	
51	1001214503	1	Pipe, Tail Pipe	
52	1001215259	1	Plate, Engine Lock	
53	1001215813	1	Mount, Fuel System	
54	1001216308	1	Support, Fuel Lines	
55	1001216400	1	Hose	
56	1001216401	1	Hose	
57	1001156819	4.5 ft/ 1.3m	Hose	
58	1001216405	1	Hose	
59	4812100	2	Washer M12	
60	1001217785	2	Clamp	
61	0761011	2	Bolt M10 x 22	
62	85841094	6	Clamp	
63	1001195039	1	Clamp	
64	4460466	8	Terminal, Sealing Plug (Not Shown)	
65	4460930	1	Plug (Not Shown)	
66	1001217494	2	Bolt M12 x 20	
67	4812200	1	Washer M14	
68	24431386	1	Clamp	
69	1001217345	1	Bolt M14 x 30	
70	1001229797	1	Harness, Kubota D/F Power (Not Shown - See Separate Breakdown in ELECTRICAL SECTION)	

SECTION 3 - ENGINE

FIGURE 3-47. ENGINE AND PUMP SUB-ASSEMBLY - KUBOTA ENGINE (WITHOUT ARCTIC PACKAGE)



ART_1001236254

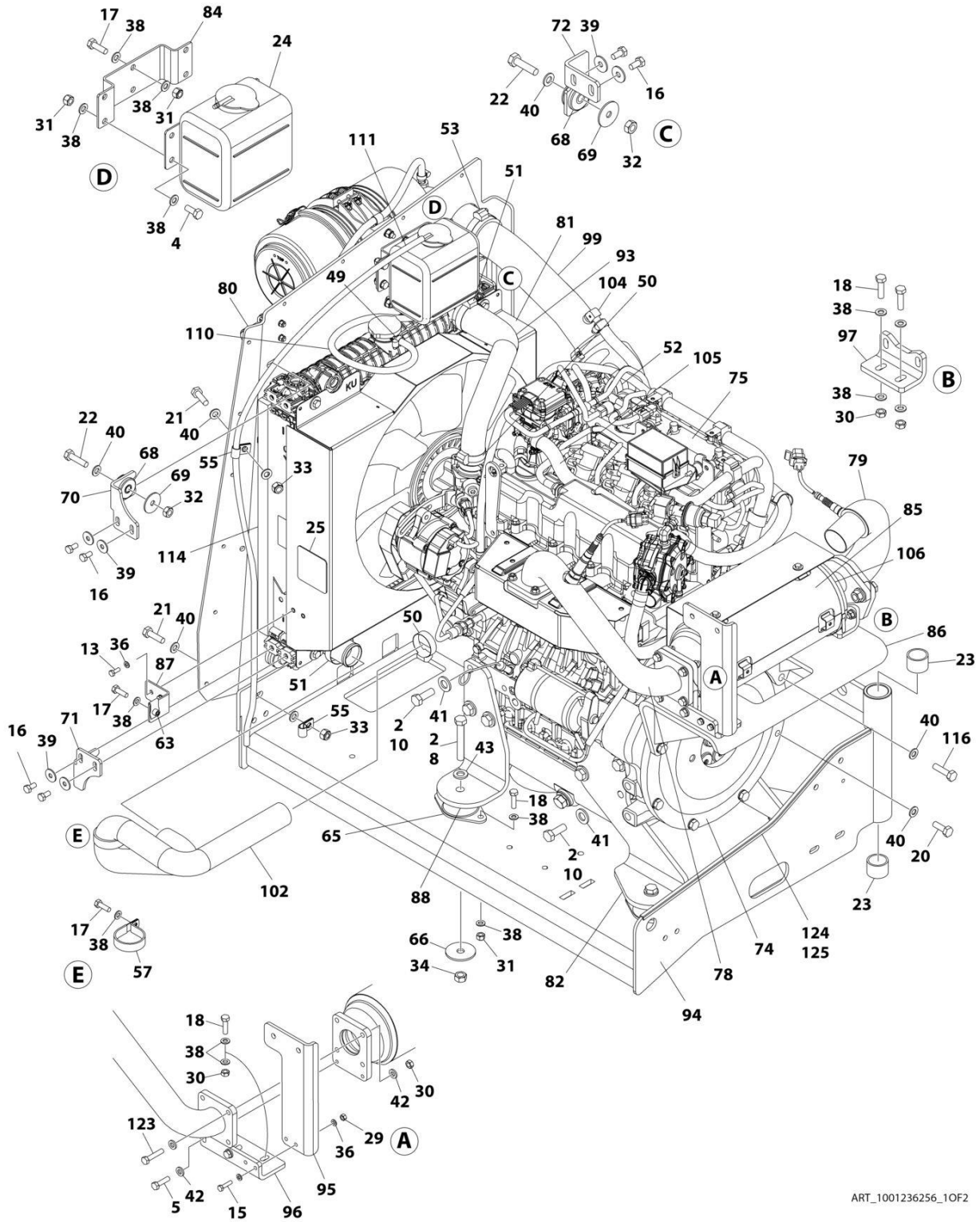
SECTION 3 - ENGINE

FIGURE 3-47. ENGINE AND PUMP SUB-ASSEMBLY - KUBOTA ENGINE (WITHOUT ARCTIC PACKAGE)

ITEM	PART NUMBER	QTY	DESCRIPTION	REV
	1001236254	Ref	ENGINE AND PUMP SUB-ASSEMBLY - KUBOTA ENGINE (WITHOUT ARCTIC PACKAGE)	A
1	0100011	AR	Compound, Locking	
2	0641812	2	Bolt 1/2 x 1-1/2	
3	1001214207	1	Pump, Gear	
3	70006356	1	Seal Kit - 1001214207 Pump	
4	3790152	1	O-Ring	
5	3931618	2	Bolt 3/8 x 1-1/8	
6	4891600	2	Washer 3/8	
7	4891800	2	Washer 1/2	
8	1001167036	1	Piston Pump Assembly (See Separate Breakdown in this Section)	
9	1001171953	1	Seal, Gasket	
10	1001171954	1	Seal, Gasket	
11	1001236256	1	Engine Assembly - Kubota Engine (Without Arctic Package) (See Separate Breakdown in this Section)	

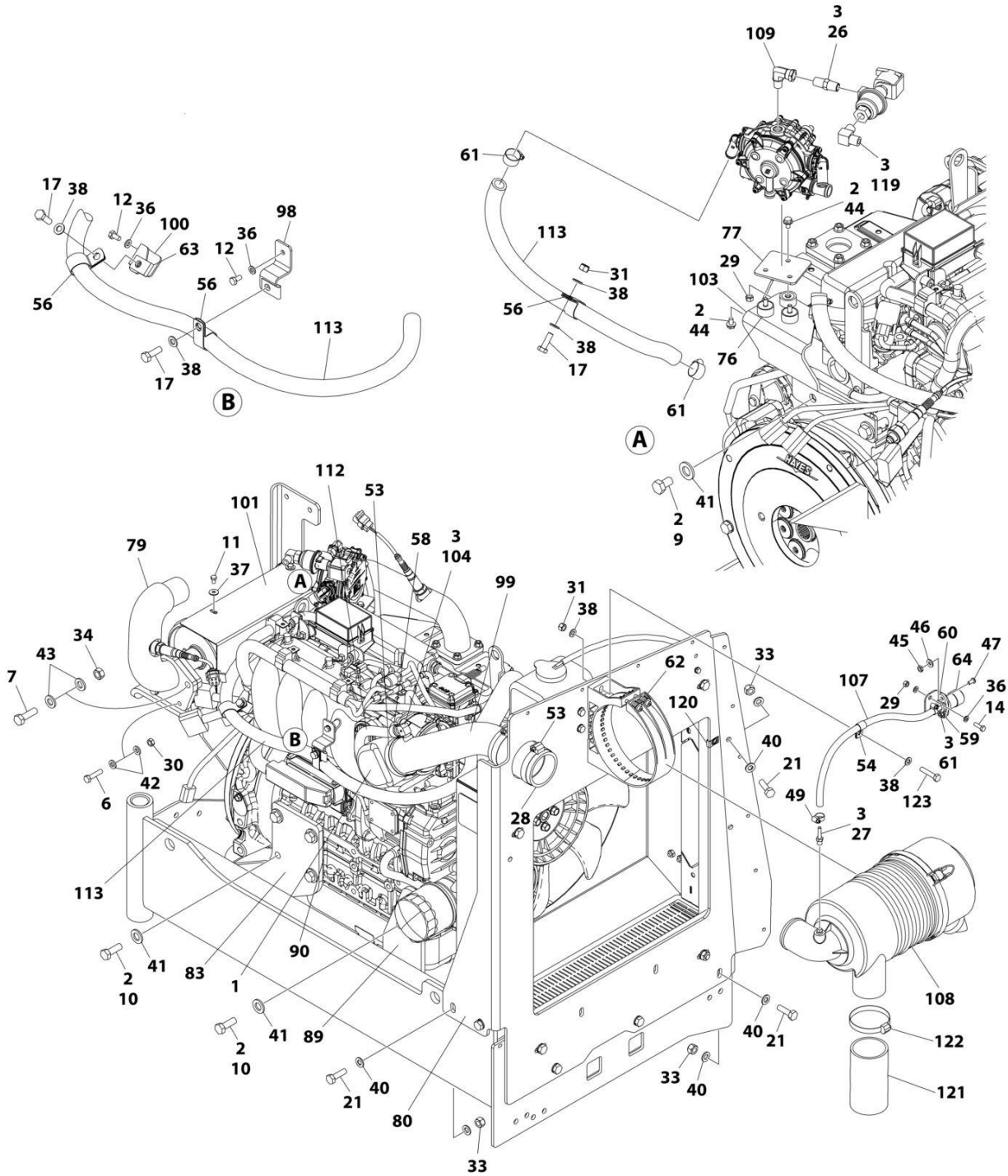
SECTION 3 - ENGINE

FIGURE 3-48. ENGINE ASSEMBLY - KUBOTA ENGINE (WITHOUT ARCTIC PACKAGE)



ART_1001236256_10F2

SECTION 3 - ENGINE



ART_1001236256_20F2

SECTION 3 - ENGINE

FIGURE 3-48. ENGINE ASSEMBLY - KUBOTA ENGINE (WITHOUT ARCTIC PACKAGE)

ITEM	PART NUMBER	QTY	DESCRIPTION	REV
	1001236256	Ref	ENGINE ASSEMBLY - KUBOTA ENGINE (WITHOUT ARCTIC PACKAGE)	E
1	0080201	1	Adapter, 90	
2	0100011	AR	Compound, Locking	
3	0100020	AR	Sealant, Pipe	
4	0700810	4	Bolt M8 x 20	
5	0700814	2	Bolt M8 x 30	
6	0700815	2	Bolt M8 x 35	
7	0701216	2	Bolt M12 x 40	
8	0701224	4	Bolt M12 x 80	
9	1001217494	2	Bolt M12 x 20	
10	1001217343	14	Bolt M12 x 35	
11	0760605	4	Bolt M6 x 10	
12	0760606	2	Bolt M6 x 12	
13	0760608	2	Bolt M6 x 16	
14	0760610	2	Bolt M6 x 20	
15	0760612	2	Bolt M6 x 25	
16	0760808	8	Bolt M8 x 16	
17	0760812	6	Bolt M8 x 25	
18	0760814	12	Bolt M8 x 30	
19	0760815	1	Bolt M8 x 35	
20	0761014	4	Bolt M10 x 30	
21	0761015	6	Bolt M10 x 35	
22	0761016	4	Bolt M10 x 40	
23	0961951	2	Bushing	
24	1580011	1	Container, Coolant Overflow	
25	1703162	2	Decal - Caution Fan	
26	2220261	1	Fitting, Nipple NPTF/NPTF	
27	2220315	1	Fitting, Barbed	
28	2720644	1	Hose	
29	3290607	5	Nut M6	
30	3290801	10	Nut M8	
31	3290805	17	Nut M8	
32	3291001	4	Nut M10	
33	3291005	6	Nut M10	
34	3291201	6	Nut M12	
35	4240099	AR	Tie-Strap (Not Shown)	
36	4811700	12	Washer M6	
37	4811702	4	Washer M6	
38	4811900	45	Washer M8	
39	4811902	8	Washer M8	
40	4812000	24	Washer M10	
41	5241400	16	Washer M14	
42	5240800	14	Washer M8	
43	5241200	8	Washer M12	
44	5250605	3	Bolt M6 x 10	
45	8305401	2	Nut 1/4	
46	8307109	2	Washer 1/4	
47	8310548	2	Screw 1/4 NC x 1/2	
48	1001173535	2	Clamp	

SECTION 3 - ENGINE

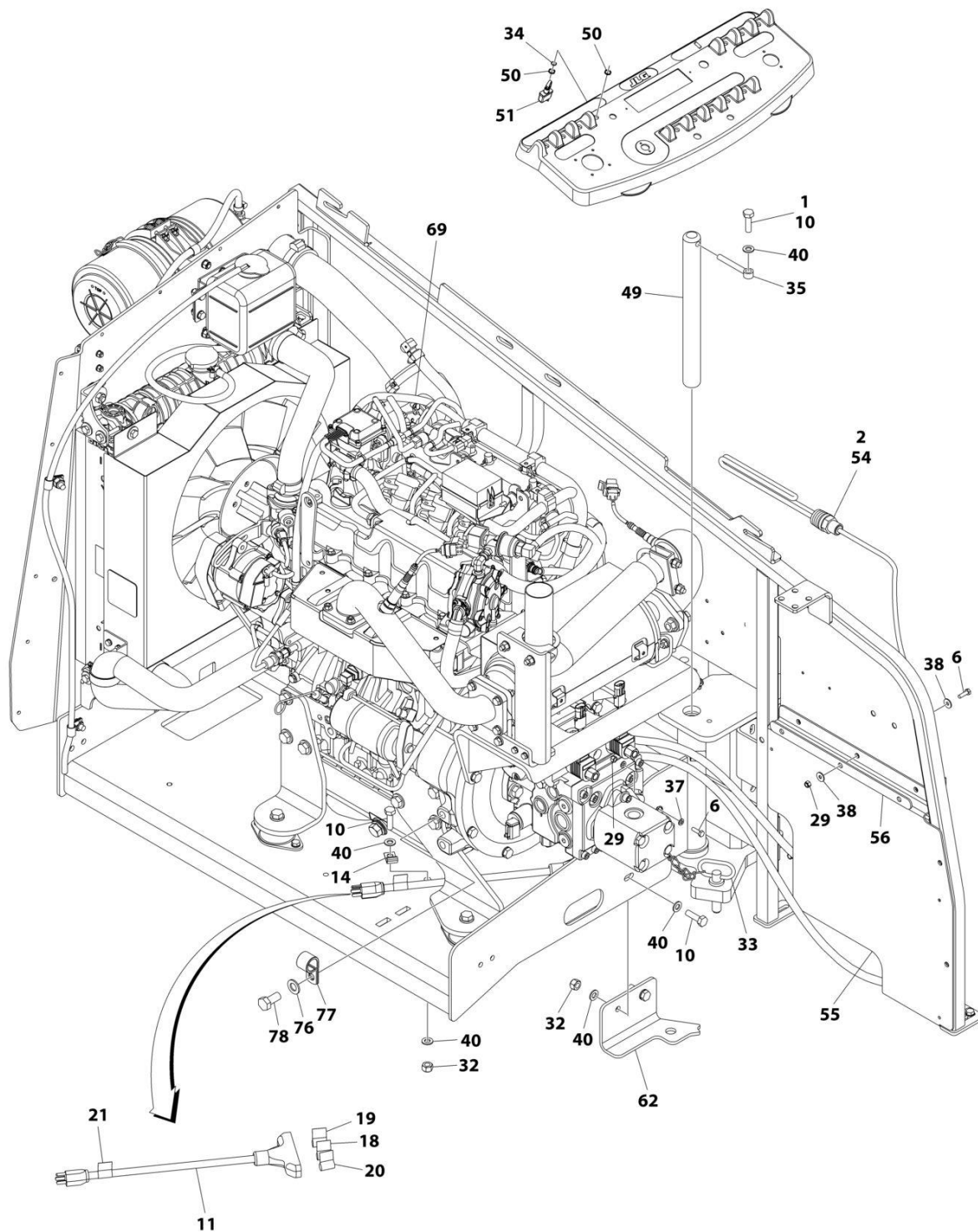
ITEM	PART NUMBER	QTY	DESCRIPTION	REV
49	8405009	4	Clamp	
50	8405102	2	Clamp	
51	8405104	2	Clamp	
52	8405202	1	Clamp	
53	8405203	3	Clamp	
54	8406109	1	Clip	
55	8406110	2	Clip	
56	8406201	3	Clip	
57	8410001	1	Clamp	
58	8410009	6	Clamp	
59	1001138173	1	Support, Service Indicator	
60	1001138175	1	Bracket, Service Indicator	
61	1001141995	1	Fitting, Barbed	
62	1001147812	1	Clamp, Air Cleaner	
63	1001149160	3	Nut M8	
64	1001149639	1	Indicator, Air Intake	
65	1001166718	4	Isolator, Engine Mount	
66	1001168018	4	Washer, Snubbing	
67	1001168166	2	Seal	
68	1001169054	4	Isolator, Radiator	
69	1001169138	4	Washer, Snubbing	
70	1001169967	2	Bracket	
71	1001170035	1	Bracket	
72	1001176330	1	Bracket	
73	1001180620	AR	Adhesive	
74	1001209844	1	Pump Coupling Kit (See Separate Breakdown in this Section)	
75	1001236393	1	Engine, Kubota (See Separate Breakdown in this Section)	
76	1001211794	3	Mount	
77	1001211797	1	Mount	
78	1001212989	1	Pipe, Exhaust (Inlet)	
79	1001212993	1	Pipe Exhaust (Outlet)	
80	1001213305	1	Plate, Mounting	
81	1001236257	1	Radiator	
82	1001213425	1	Plate, Engine Mount (Left Rear)	
83	1001213426	1	Plate, Engine Mount (Right Rear)	
84	1001213482	1	Bracket	
85	1001213824	1	Insulation	
86	1001214138	1	Bracket	
87	1001214205	1	Support	
88	1001214233	1	Plate (Front Left)	
89	1001214234	1	Plate (Front Right)	
90	1001214276	1	Shim	
91	1001214277	1	Shim	
92	1001214278	2	Shim	
93	1001214307	1	Hose	
94	1001214508	1	Support	
95	1001214553	1	Support	
96	1001214555	1	Bracket	
97	1001214556	1	Bracket	
98	1001214558	1	Bracket	
99	1001214598	1	Tube	

SECTION 3 - ENGINE

ITEM	PART NUMBER	QTY	DESCRIPTION	REV
100	1001214599	1	Bracket	
101	1001214664	1	Cover	
102	1001214694	1	Hose	
103	1001214841	1	Bracket	
104	1001215125	1	Fitting, 90	
105	1001215869	1	Hose	
106	1001137336	2	Strap	
107	1001138248	2 ft/ 0.61m	Tube	
108	1001147813	1	Air Cleaner Assembly Including Filter Element	
108	70004020	1	Element, Air Filter	
109	1001247359	1	Fitting, 90	
110	2720058	1.75 ft/ 0.53m	Hose	
111	2720271	4 ft/ 1.22m	Hose	
112	2720615	1.25 ft/ 0.38m	Hose	
113	82033995	5.5 ft/ 1.68m	Hose	
114	1001216825	2	Seal	
115	0700816	4	Bolt M8 x 40	
116	0701016	4	Bolt M10 x 40	
119	2180504	1	Fitting, Barbed	
120	1001118274	1	Nut, Special M8	
121	1001001939	1	Tube, Flex	
122	8410011	1	Clamp	
123	0760816	1	Bolt M8 x 40	
124	4060805	1.94 ft/ 0.59m	Flex-Trim	
125	0100081	AR	Adhesive	

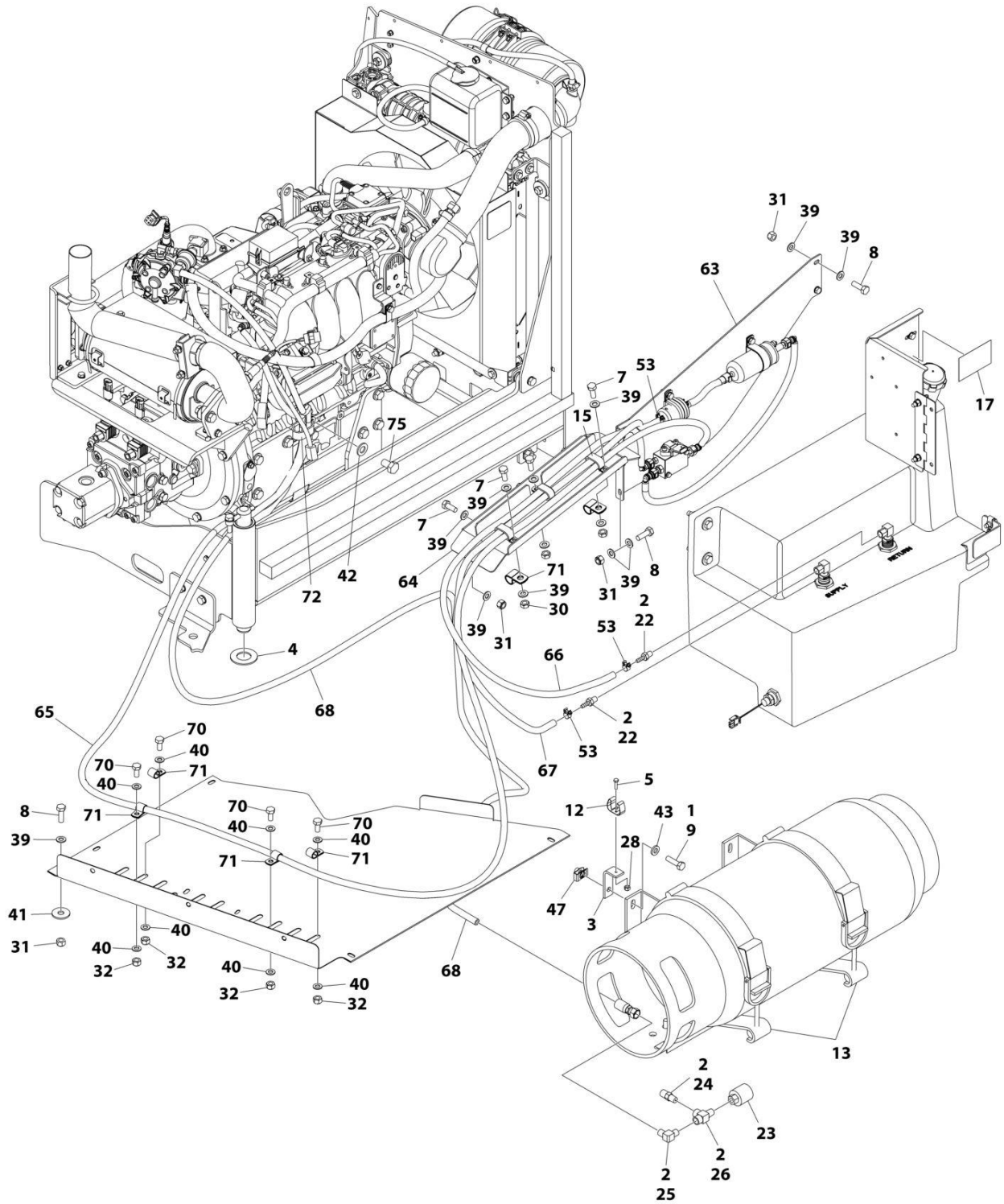
SECTION 3 - ENGINE

FIGURE 3-49. ENGINE INSTALLATION - KUBOTA ENGINE (WITH ARCTIC PACKAGE)



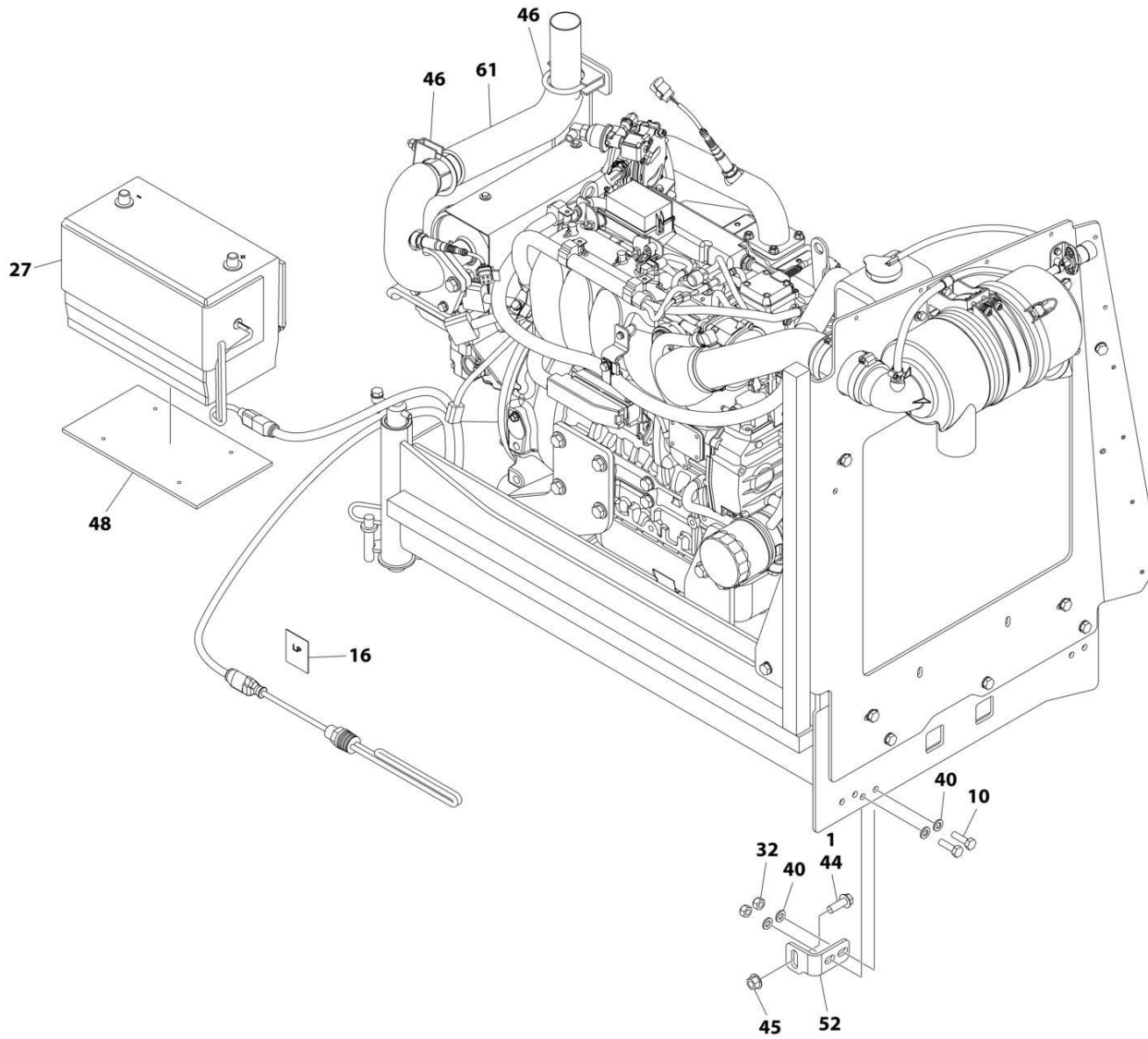
ART_1001236253_10F3

SECTION 3 - ENGINE



ART_1001236253_20F3

SECTION 3 - ENGINE



ART_1001236253_30F3

SECTION 3 - ENGINE

FIGURE 3-49. ENGINE INSTALLATION - KUBOTA ENGINE (WITH ARCTIC PACKAGE)

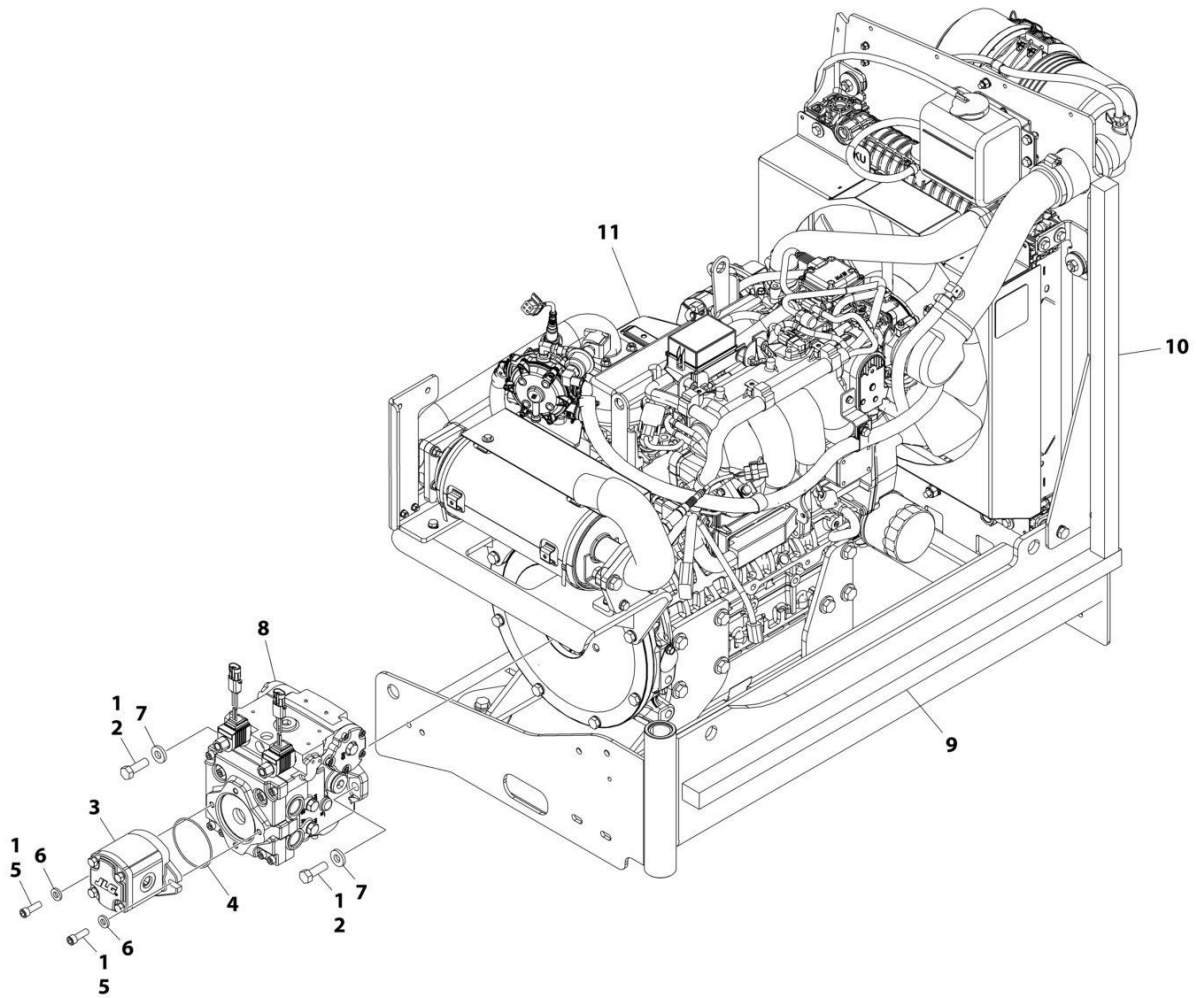
ITEM	PART NUMBER	QTY	DESCRIPTION	REV
	1001236253	Ref	ENGINE INSTALLATION - KUBOTA ENGINE (WITH ARCTIC PACKAGE)	A
1	0100011	AR	Compound, Locking	
2	0100020	AR	Sealant, Pipe	
3	0181949	1	Angle	
4	0440162	1	Bearing	
5	0760408	1	Bolt M4 x 16	
6	0760610	4	Bolt M6 x 20	
7	0760810	6	Bolt M8 x 20	
8	0760812	4	Bolt M8 x 25	
9	0760814	4	Bolt M8 x 30	
10	0761015	6	Bolt M10 x 35	
11	1060626	1	Cord, 3 Way Extension	
12	1320218	1	Clamp	
13	1320220	1	Clamp Kit - LP	
14	1320223	1	Clamp	
15	1321283	3	Clamp	
16	1701543	1	Decal - LPG	
17	1701542	1	Decal - Gas	
18	1702941	1	Decal - Battery Heater	
19	1702942	1	Decal - Engine Block Heater	
20	1702943	1	Decal - Hydraulic Tank Heater	
21	1702944	1	Decal - Heater Cord	
22	2180348	2	Fitting, Barbed	
23	2180387	1	Fitting, LP	
24	2180389	1	Fitting	
25	2180504	1	Fitting, Barbed	
26	2220290	1	Fitting, Tee FNPTF/NPTF/FNPTF	
27	2580024	1	Heater, Battery	
28	3290405	1	Nut M4	
29	3290605	4	Nut M6	
30	3290801	3	Nut M8	
31	3290805	7	Nut M8	
32	3291005	9	Nut M10	
33	3422532	1	Pin	
34	3790012	1	O-Ring	
35	3841143	1	Keeper, Pin	
36	4240099	AR	Tie-Strap (Not Shown)	
37	4811700	2	Washer M6	
38	4811702	6	Washer M6	
39	4811900	19	Washer M8	
40	4812000	19	Washer M10	
41	4812002	1	Washer M10	
42	4812100	2	Washer M12	
43	5240800	4	Washer M8	
44	5251215	1	Bolt M12 x 35	
45	5261200	1	Nut M12 Grade 10.9	
46	1001217785	2	Clamp	
47	1001118274	4	Nut Special M8	
48	1001119278	1	Insulate	

SECTION 3 - ENGINE

ITEM	PART NUMBER	QTY	DESCRIPTION	REV
49	1001135196	1	Pin	
50	1001155044	2	Nut, Special 15/32	
51	1001161710	1	Switch, Toggle	
52	1001167512	1	Bracket, Engine Tray Stow	
53	1001174486	3	Clamp	
54	1001188972	1	Heater, Hydraulic Tank	
55	1001196376	1	Seal, Rubber	
56	1001204123	1	Plate, Support	
57	1001212257	1	Cable, Battery (Red) (Alternator Positive to Starter) (Not Shown)	
58	1001213060	1	Cable, Battery (Red) (Battery Positive to Auxiliary Power Relay) (Not Shown)	
59	1001213061	1	Cable, Battery (Black) (Battery Negative to Pivot Pin to Engine Ground) (Not Shown)	
60	1001213706	1	Harness Engine - Kubota Engine (Not Shown - See Separate Breakdown in ELECTRICAL SECTION)	
61	1001214503	1	Pipe, Tail Pipe	
62	1001215259	1	Plate, Engine Lock	
63	1001215813	1	Mount, Fuel System	
64	1001216308	1	Support, Fuel Lines	
65	1001216400	1	Hose	
66	1001216401	1	Hose	
67	1001156819	4.5 ft/ 1.4m	Hose	
68	1001216405	1	Hose	
69	1001236258	1	Engine and Pump Sub-Assembly - Kubota Engine (With Arctic Package) (See Separate Breakdown in this Section)	
70	0761011	4	Bolt M10 x 22	
71	85841094	6	Clamp	
72	1001195039	1	Clamp	
73	4460466	8	Seal, Terminal (Not Shown)	
74	4460930	1	Plug (Not Shown)	
75	1001217494	2	Bolt M12 x 20	
76	4812200	1	Washer M14	
77	24431386	1	Clamp	
78	1001217345	1	Bolt M14 x 30	
79	1001229797	1	Harness, Kubota D/F Power (Not Shown - See Separate Breakdown in ELECTRICAL SECTION)	

SECTION 3 - ENGINE

FIGURE 3-50. ENGINE AND PUMP SUB-ASSEMBLY - KUBOTA ENGINE (WITH ARCTIC PACKAGE)



ART_1001236258

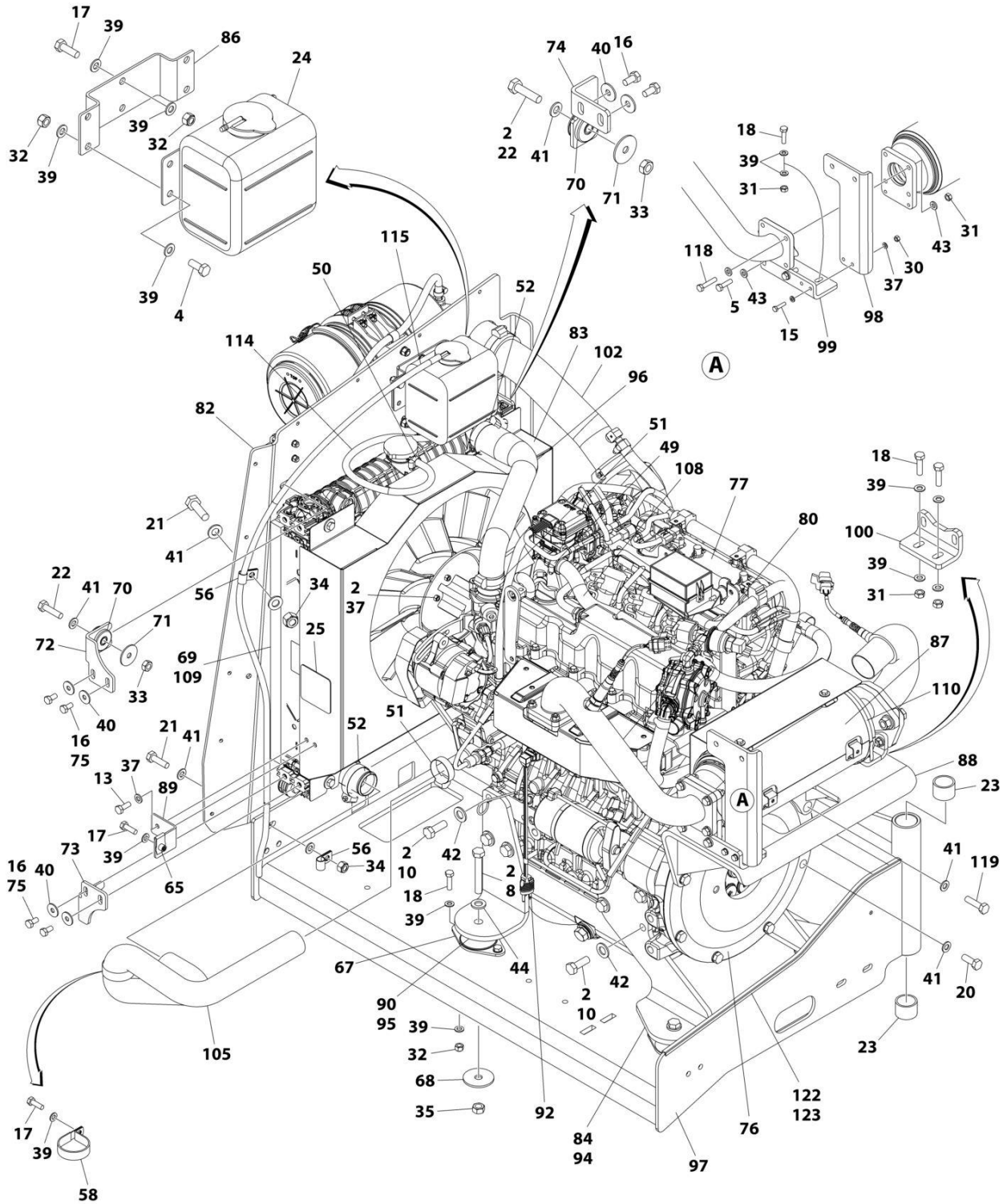
SECTION 3 - ENGINE

FIGURE 3-50. ENGINE AND PUMP SUB-ASSEMBLY - KUBOTA ENGINE (WITH ARCTIC PACKAGE)

ITEM	PART NUMBER	QTY	DESCRIPTION	REV
	1001236258	Ref	ENGINE AND PUMP SUB-ASSEMBLY - KUBOTA ENGINE (WITH ARCTIC PACKAGE)	A
1	0100011	AR	Compound, Locking	
2	0641812	2	Bolt 1/2 x 1-1/2	
3	1001214207	1	Gear Pump Assembly	
3	70006356	1	Seal Kit - 1001214207 Pump	
4	3790152	1	O-Ring	
5	3931618	2	Capscrew 3/8 x 1-1/8	
6	4891600	2	Washer 3/8	
7	4891800	2	Washer 1/2	
8	1001167036	1	Piston Pump Assembly (See Separate Breakdown in this Section)	
9	1001171953	1	Seal	
10	1001171954	1	Seal	
11	1001236259	1	Engine Assembly - Kubota Engine (With Arctic Package) (See Separate Breakdown in this Section)	

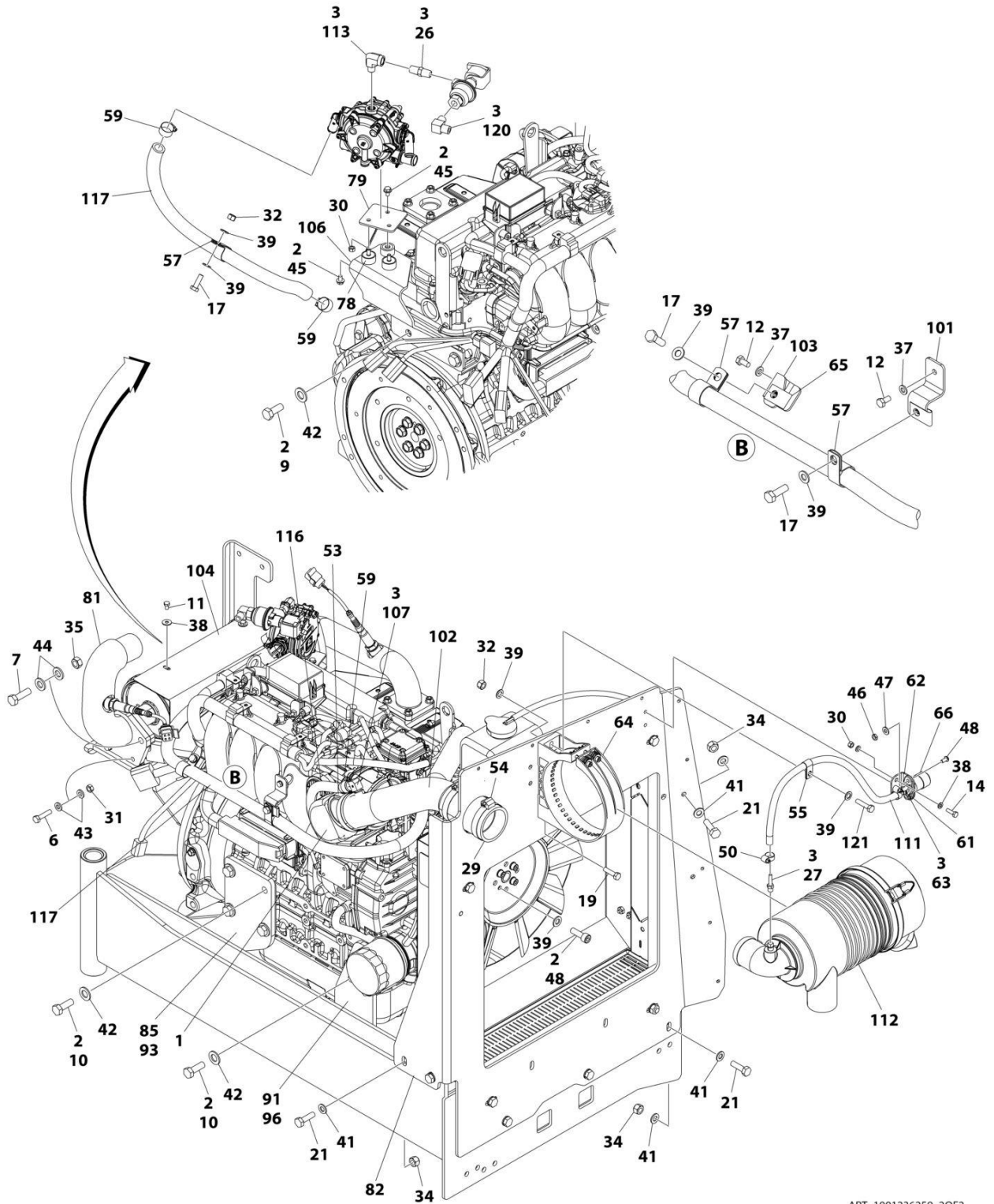
SECTION 3 - ENGINE

FIGURE 3-51. ENGINE ASSEMBLY - KUBOTA ENGINE (WITH ARCTIC PACKAGE)



ART_1001236259_10F2

SECTION 3 - ENGINE



ART_1001236259_2OF2

SECTION 3 - ENGINE

FIGURE 3-51. ENGINE ASSEMBLY - KUBOTA ENGINE (WITH ARCTIC PACKAGE)

ITEM	PART NUMBER	QTY	DESCRIPTION	REV
	1001236259	Ref	ENGINE ASSEMBLY - KUBOTA ENGINE (WITH ARCTIC PACKAGE)	E
1	0080201	1	Adapter, 90	
2	0100011	AR	Compound, Locking	
3	0100020	AR	Sealant, Pipe	
4	0700810	4	Bolt M8 x 20	
5	0700814	2	Bolt M8 x 30	
6	0700815	2	Bolt M8 x 35	
7	0701216	2	Bolt M12 x 40	
8	0701224	4	Bolt M12 x 80	
9	1001217494	2	Bolt M12 x 20	
10	1001217343	14	Bolt M12 x 35	
11	0760605	4	Bolt M6 x 10	
12	0760606	2	Bolt M6 x 12	
13	0760608	2	Bolt M6 x 16	
14	0760610	2	Bolt M6 x 20	
15	0760612	2	Bolt M6 x 25	
16	0760808	8	Bolt M8 x 16	
17	0760812	6	Bolt M8 x 25	
18	0760814	12	Bolt M8 x 30	
19	0760815	1	Bolt M8 x 35	
20	0761014	4	Bolt M10 x 30	
21	0761015	6	Bolt M10 x 35	
22	0761016	4	Bolt M10 x 40	
23	0961951	2	Bushing	
24	1580011	1	Container, Coolant Overflow	
25	1703162	2	Decal - Caution Fan	
26	2220261	1	Fitting, Nipple NPTF/NPTF	
27	2220315	1	Fitting, Barbed	
29	2720644	1	Hose	
30	3290607	5	Nut M6	
31	3290801	10	Nut M8	
32	3290805	17	Nut M8	
33	3291001	4	Nut M10	
34	3291005	6	Nut M10	
35	3291201	6	Nut M12	
36	4240099	AR	Tie-Strap (Not Shown)	
37	4811700	16	Washer M6	
38	4811702	4	Washer M6	
39	4811900	45	Washer M8	
40	4811902	8	Washer M8	
41	4812000	24	Washer M10	
42	5241400	16	Washer M14	
43	5240800	14	Washer M8	
44	5241200	8	Washer M12	
45	5250605	3	Bolt M6 x 10	
46	8305401	2	Nut 1/4	
47	8307109	2	Washer 1/4	
48	8310548	2	Screw 1/4 x 1/2	
49	1001173535	2	Clamp	

SECTION 3 - ENGINE

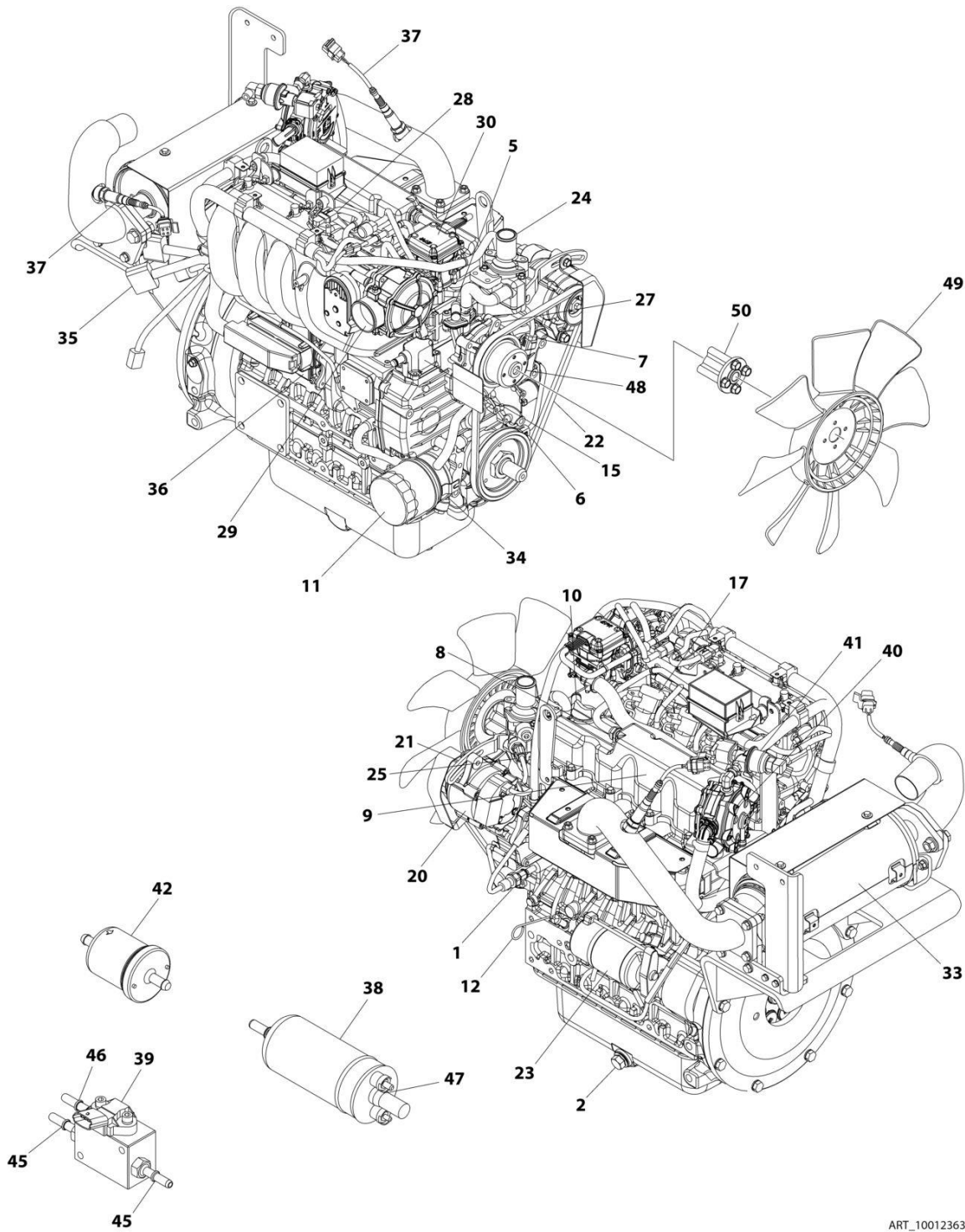
ITEM	PART NUMBER	QTY	DESCRIPTION	REV
50	8405009	4	Clamp	
51	8405102	2	Clamp	
52	8405104	2	Clamp	
53	8405202	1	Clamp	
54	8405203	3	Clamp	
55	8406109	1	Clip	
56	8406110	2	Clip	
57	8406201	3	Clip	
58	8410001	1	Clamp	
59	8410009	6	Clamp	
61	1001138173	1	Support, Service Indicator	
62	1001138175	1	Bracket, Service Indicator	
63	1001141995	1	Fitting, Barbed	
64	1001147812	1	Clamp, Air Cleaner	
65	1001149160	3	Nut M8	
66	1001149639	1	Indicator, Air Intake	
67	1001166718	4	Isolator, Engine Mount	
68	1001168018	4	Washer, Snubbing	
69	1001168166	2	Seal	
70	1001169054	4	Isolator, Radiator	
71	1001169138	4	Washer, Snubbing	
72	1001169967	2	Bracket	
73	1001170035	1	Bracket	
74	1001176330	1	Bracket	
75	1001180620	AR	Adhesive	
76	1001209844	1	Pump Coupling Kit (See Separate Breakdown in this Section)	
77	1001236393	1	Engine, Kubota (See Separate Breakdown in this Section)	
78	1001211794	3	Mount	
79	1001211797	1	Mount	
80	1001212989	1	Pipe, Exhaust (Inlet)	
81	1001212993	1	Pipe, Exhaust (Outlet)	
82	1001213305	1	Plate, Mounting	
83	1001236257	1	Radiator	
84	1001213425	1	Plate, Engine Mount (Left Rear)	
85	1001213426	1	Plate, Engine Mount (Right Rear)	
86	1001213482	1	Bracket	
87	1001213824	1	Insulation	
88	1001214138	1	Bracket	
89	1001214205	1	Support	
90	1001214233	1	Plate (Front Left)	
91	1001214234	1	Plate (Front Right)	
92	1001214269	1	Heater, Block	
93	1001214276	1	Shim	
94	1001214277	1	Shim	
95	1001214278	2	Shim	
96	1001214307	1	Hose	
97	1001214508	1	Support	
98	1001214553	1	Support	
99	1001214555	1	Bracket	
100	1001214556	1	Bracket	
101	1001214558	1	Bracket	

SECTION 3 - ENGINE

ITEM	PART NUMBER	QTY	DESCRIPTION	REV
102	1001214598	1	Tube	
103	1001214599	1	Bracket	
104	1001214664	1	Cover	
105	1001214694	1	Hose	
106	1001214841	1	Bracket	
107	1001215125	1	Fitting, 90	
108	1001215869	1	Hose	
109	1001216825	2	Seal	
110	1001137336	2	Strap	
111	1001138248	2 ft/ 0.6m	Tube	
112	1001147813	1	Air Cleaner Assembly Including Filter Element	
112	70004020	1	Element, Filter (Not Shown)	
113	1001247359	1	Fitting, Street Elbow	
114	2720058	1.8 ft/ 0.5m	Hose	
115	2720271	4 ft/ 1.2m	Hose	
116	2720615	1.2 ft/ 0.4m	Hose	
117	82033995	5.5 ft/ 1.7m	Hose	
118	0700816	4	Bolt M8 x 40	
119	0701016	4	Bolt M10 x 40	
120	2180504	1	Fitting, Barbed	
121	0760816	1	Bolt M8 x 40	
122	4060805	1.94 ft/ 59m	Flex-Trim	
123	0100081	AR	Adhesive	

SECTION 3 - ENGINE

FIGURE 3-52. ENGINE COMPONENTS - KUBOTA



ART_1001236393

SECTION 3 - ENGINE

FIGURE 3-52. ENGINE COMPONENTS - KUBOTA

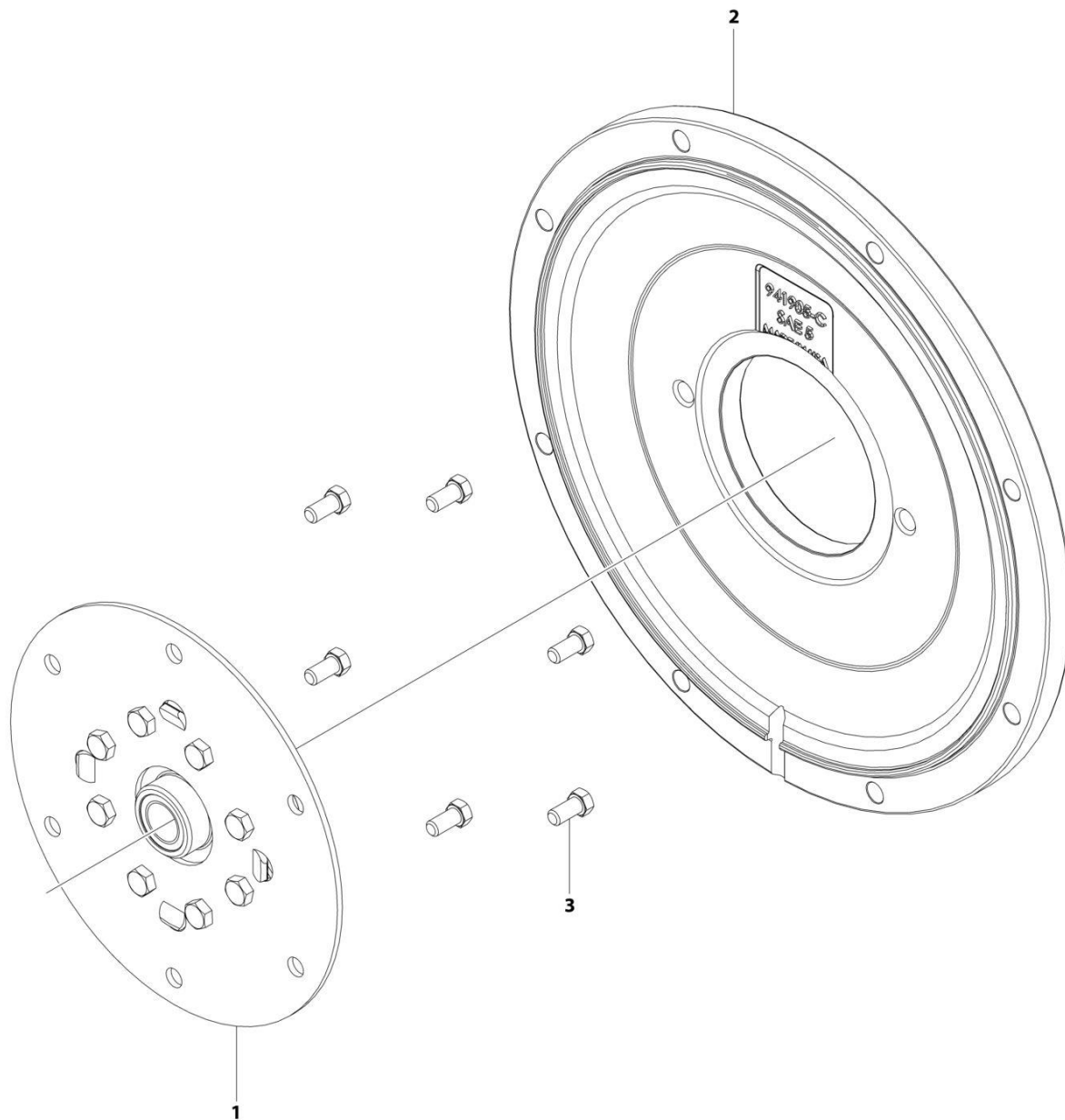
ITEM	PART NUMBER	QTY	DESCRIPTION	REV
	1001236393	Ref	ENGINE COMPONENTS - KUBOTA	D
1	70005745	1	Switch, Oil	
1	70006013	1	Adapter	
2	7023154	1	Plug, Drain	
2	7017904	1	Gasket, Oil Pan Drain	
3	70006014	1	Gasket, Cylinder Head (Not Shown)	
4	70006015	1	Sensor (Knock) (Not Shown - Located on Left Side of Engine)	
5	70006016	1	Flange Assembly (Water Return)	
5	70002316	1	Pipe	
5	70006017	1	Gasket	
6	70005737	1	Sensor Stick Assembly	
7	70006018	1	Sensor	
8	70006019	1	Valve (PCV)	
8	70006020	1	Seal	
9	7017932	3	Element, Breather	
9	70006021	1	Gasket	
10	70002318	1	Oil Filler Cap	
10	70006022	1	O-Ring	
11	70006023	1	Filter, Oil	
12	70006024	1	Dipstick	
13	70006025	1	Pump Assembly, Oil (Not Shown - Located Under Front Cover)	
13	70006026	1	Gasket	
13	70006027	1	Key	
14	70006028	1	Flywheel (Not Shown - Located Behind Coupling Plate)	
14	70006029	1	Ring Gear (Part of Flywheel)	
15	70006030	1	Flange Assembly (Breather)	
15	70002316	1	Pipe	
15	70006031	1	Gasket	
16	70006035	1	Pipe Assembly (Not Shown)	
16	70005727	1	Gasket	
17	70006034	4	Coil	
17	70006033	4	Spark Plug	
18	70006032	1	Gasket (Not Shown)	
19	70005751	4	Injector (Not Shown)	
20	70006036	1	Alternator (Includes Voltage Regulator and Gaskets, Fan and Fan Mounting Hardware)	
21	70006037	1	Bracket	
22	70006038	1	Belt	
23	70006039	1	Starter	
24	70006041	1	Thermostat	
24	70002326	1	Gasket	
25	70005726	1	Sensor	
25	70006042	1	O-Ring	
26	70006040	1	Gasket (Not Shown - Located Between Engine Head and Water Flange)	
27	70006043	1	Water Pump Assembly	
27	70004829	1	Pipe	
27	70006044	1	Gasket	
28	70005746	1	Sensor (TMAP)	
28	70005747	1	O-Ring	

SECTION 3 - ENGINE

ITEM	PART NUMBER	QTY	DESCRIPTION	REV
29	70006049	1	Mixer Assembly	
29	70006050	1	Seal, Rubber	
29	70006045	1	Throttle Body	
29	70006046	1	Gasket	
29	70006047	1	Adapter	
29	70006048	1	O-Ring	
30	70006051	1	Regulator Assembly	
30	70006052	1	Seal, Rubber	
30	70006053	1	Seal, Rubber	
30	70006054	1	Seal, Rubber	
31	70006055	1	Gasket (Not Shown - Located Between Intake Manifold and Engine Head)	
32	70006056	1	Gasket (Not Shown - Located Between Exhaust Manifold and Engine Head)	
33	70006057	1	Muffler	
33	70006065	1	Gasket	
33	70006066	1	Gasket	
33	70006072	1	Gasket	
34	70006058	1	Oil Cooler Assembly	
34	70006059	1	Seal	
34	7017959	2	Clamp	
35	70006060	1	Engine Harness	
36	70006061	1	Module, Engine Control	
37	70006062	2	Sensor (O2)	
38	70006063	1	Pump, Fuel	
39	70006064	1	Manifold (FPM)	
40	70006067	1	Regulator Assembly	
40	70006068	1	Connector	
40	70006069	3	Clip	
40	70006070	2	Connector	
41	70006071	1	Valve, Lockoff	
41	70006078	1	Valve, Lockoff Kit	
42	7017992	1	Filter, Fuel	
43	70006079	1	Gasket Kit (Upper) (Not Shown)	
44	70006080	1	Gasket Kit (Lower) (Not Shown)	
45	70006074	2	Joint (Includes O-Ring)	
46	70006075	1	Joint (Includes O-Ring)	
47	70006076	1	Joint (Includes O-Ring)	
47	70006077	1	Gasket	
48	70006379	1	Pulley	
49	70006639	1	Fan	
50	70006640	1	Collar, Fan	

SECTION 3 - ENGINE

FIGURE 3-53. PUMP COUPLING KIT - KUBOTA ENGINE



ART_1001209844

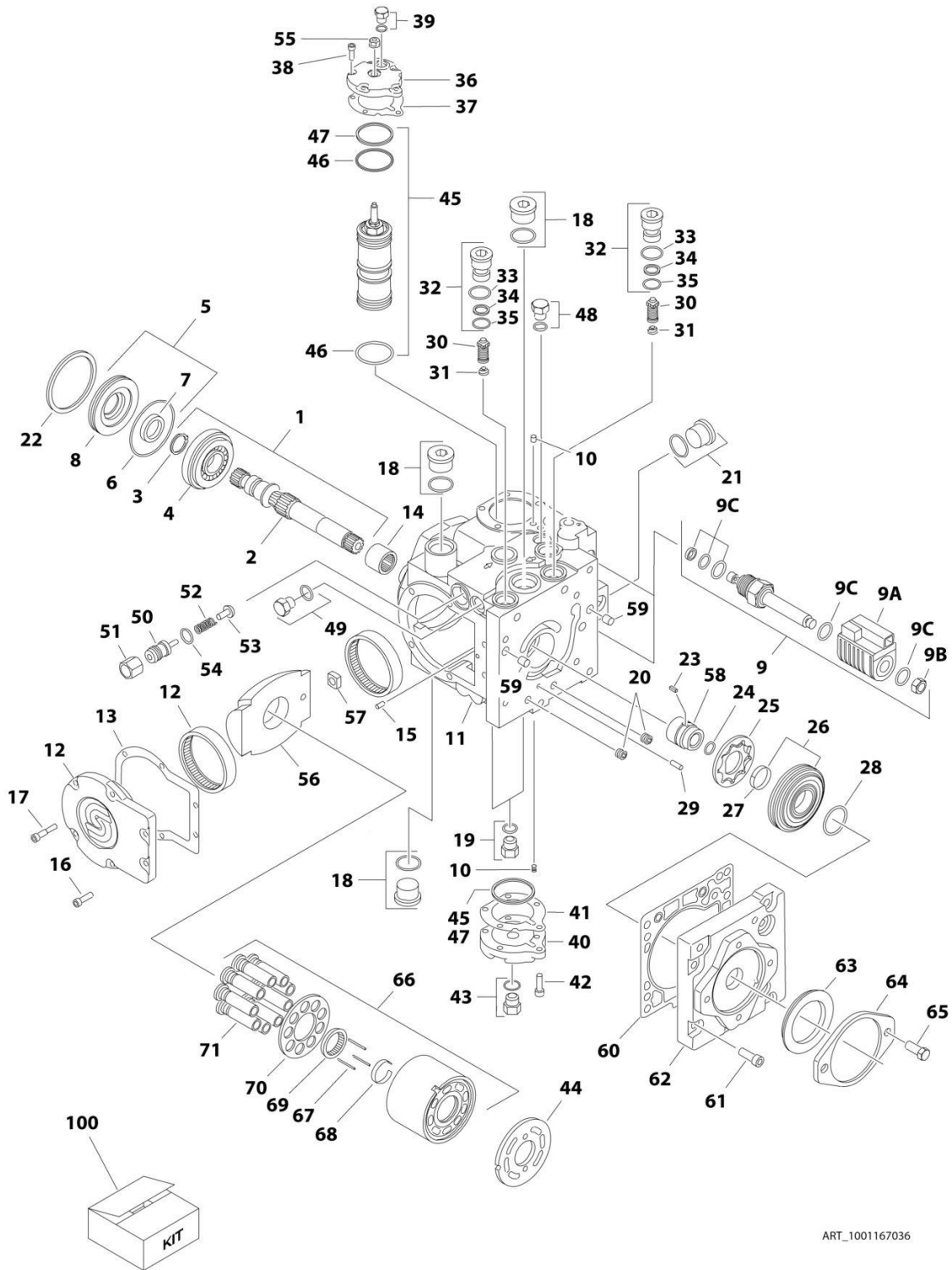
SECTION 3 - ENGINE

FIGURE 3-53. PUMP COUPLING KIT - KUBOTA ENGINE

ITEM	PART NUMBER	QTY	DESCRIPTION	REV
	1001209844	Ref	PUMP COUPLING KIT - KUBOTA ENGINE	C
1	70006010	1	Coupling Assembly, Hayes	
2	70006011	1	Plate, Pump Adapter	
3	70006012	1	Bolt Kit	

SECTION 3 - ENGINE

FIGURE 3-54. PISTON PUMP ASSEMBLY



ART_1001167036

SECTION 3 - ENGINE

FIGURE 3-54. PISTON PUMP ASSEMBLY

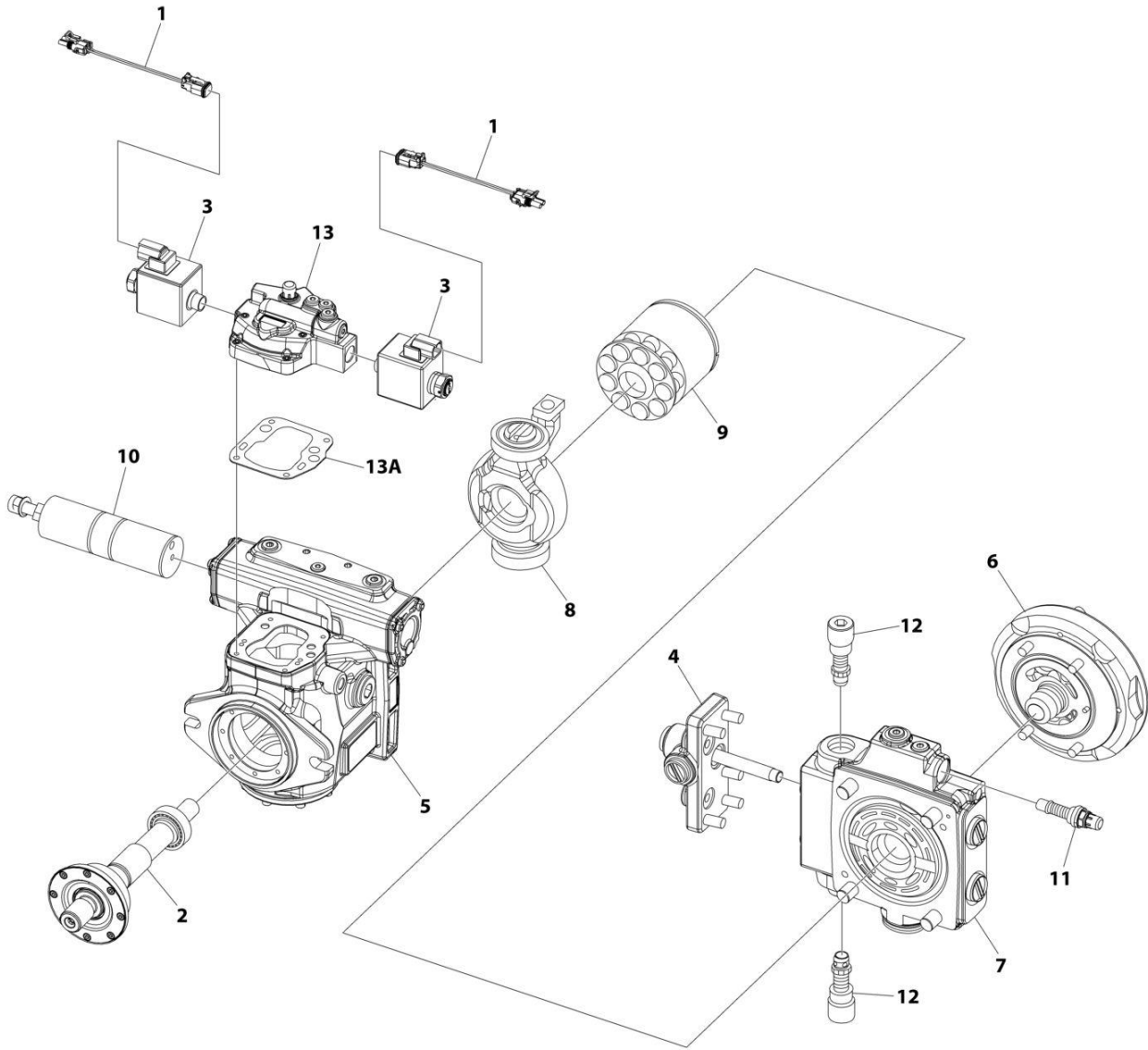
ITEM	PART NUMBER	QTY	DESCRIPTION	REV
	1001167036	Ref	PISTON PUMP ASSEMBLY	B
1	7021240	1	Shaft Assembly (Includes Items 2-4)	
2	7021237	1	Shaft	
3	7021238	1	Ring, Retaining	
4	7021239	1	Bearing, Roller	
5	70004896	1	Shaft Seal Kit (Includes Items 6-8)	
6	7021241	1	O-Ring	
7	7021242	1	Seal, Lip	
8	7021243	1	Carrier, Seal Shaft	
9	7024855	2	Solenoid Assembly	
9A	70004897	2	Coil (1 Per Assembly)	
9B	7024857	2	Nut (1 Per Assembly)	
9C	7024858	2	Seal Kit - 7024855 Cartridge (1 Per Assembly)	
10	70004889	2	Orifice	
11	See Note	NSS	Housing Assembly (Note: Not Available for Purchase)	
12	7021248	1	Side Cover Assembly (Includes Item 13)	
13	70004891	1	Gasket	
14	7021249	1	Bearing, Needle	
15	See Note	NSS	Pin (Note: Not Available for Purchase)	
16	70004890	2	Screw	
17	70004892	4	Screw	
18	7007419	2	Plug Assembly (Includes O-Ring)	
19	7007420	2	Plug Assembly (Includes O-Ring)	
20	See Note	NSS	Plug (Note: Not Available for Purchase)	
21	7007419	1	Plug Assembly (Includes O-Ring)	
22	7021257	1	Ring, Retaining	
23	70004893	1	Key	
24	7022341	1	Ring, Retaining	
25	7021258	1	Gerotor	
26	70004894	1	Gerotor Cover Assembly (Includes Item 27)	
27	7021259	1	Bearing, Journal	
28	7021262	1	O-Ring	
29	See Note	NSS	Pin (Note: Not Available for Purchase)	
30	7021263	2	Bypass Valve Assembly	
31	7024800	2	Spring	
32	7021265	2	Bypass Valve Assembly (Includes Items 32-34)	
33	7007415	2	O-Ring	
34	7021293	2	Ring, Back-up	
35	7022300	2	O-Ring	
36	70004895	1	Cover, Servo	
37	7021253	1	Gasket	
38	70004892	5	Screw	
39	7007420	1	Plug Assembly (Includes O-Ring)	
40	7021268	1	Cover, Servo	
41	7021253	1	Gasket	
42	70004892	5	Screw	
43	7007420	1	Plug Assembly (Includes O-Ring)	
44	7021281	1	Plate, Valve	
45	70004898	1	Servo Piston Kit (Includes Items 46 & 47)	
46	7007495	2	O-Ring	

SECTION 3 - ENGINE

ITEM	PART NUMBER	QTY	DESCRIPTION	REV
47	7007493	2	O-Ring	
48	7007420	1	Plug Assembly (Includes O-Ring)	
49	70004900	1	Plug Assembly (Includes O-Ring)	
50	7022346	1	Adjuster	
51	7021290	1	Nut	
52	7022347	1	Spring	
53	70004901	1	Poppet	
54	7007415	1	O-Ring	
55	70004902	1	Nut, Seal	
56	70004903	1	Swash Plate	
57	70004904	1	Bearing Assembly	
58	70004905	1	Coupling	
59	7001481	2	Pin	
60	70002257	1	Gasket	
61	70004906	8	Screw	
62	70004907	1	Cover, Charge Pump	
63	70004908	1	Seal	
64	7021299	1	Plate, Cover	
65	7007289	2	Screw	
66	70004909	1	Cylinder Block Assembly (Includes Items 67-71)	
67	70004910	3	Pin, Slipper Hold Down	
68	7021276	1	Retainer, Hold Down Pin	
69	7021277	1	Guide, Slipper Retainer	
70	7021278	1	Retainer, Slipper	
71	70004911	1	Piston Assembly	
100	70004899	1	Seal Kit (Includes Items 5-8, 33-35, 37, 41, 46, 47 & 54)	

SECTION 3 - ENGINE

FIGURE 3-55. CLOSED PUMP LOOP ASSEMBLY



ART_1001285632

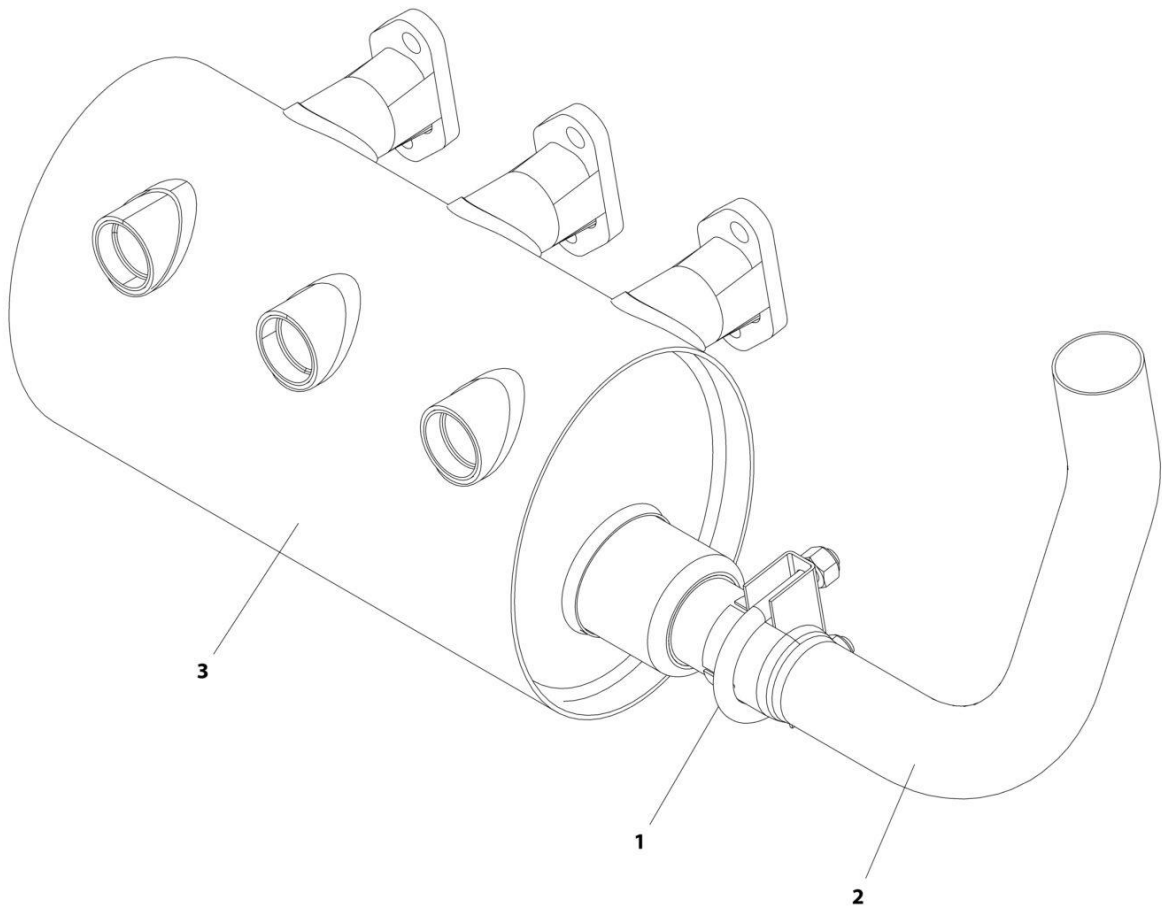
SECTION 3 - ENGINE

FIGURE 3-55. CLOSED PUMP LOOP ASSEMBLY

ITEM	PART NUMBER	QTY	DESCRIPTION	REV
	1001285632	Ref	PUMP ASSEMBLY	A
1	70008628	2	Harness	
2	70008627	1	Shaft Assembly (Sold as assembly only)	
3	70008498	2	Coil	
4	See Note	NSS	Body, Fitting (Note: Use PN 1001285632)	
5	See Note	NSS	Body, Pump (Note: Use PN 1001285632)	
6	70008626	1	Gerolator Assembly (Sold as assembly only)	
7	70008625	1	Distributor Assembly (Sold as assembly only)	
8	70008624	1	Swashplate Assembly (Sold as assembly only)	
9	70008623	1	Rotor Assembly (Sold as assembly only)	
10	70008502	1	Servo Assembly (Sold as assembly only)	
11	70008622	1	Valve, Cartridge - Relief	
12	70008600	2	Valve, Cartridge - Relief	
13	70008504	1	Valve, Control (Sold as assembly only)	
13A	70008507	1	Gasket	

SECTION 3 - ENGINE

FIGURE 3-56. SPARK ARRESTOR INSTALLATION - DEUTZ D2011 ENGINE



ART_1001174378

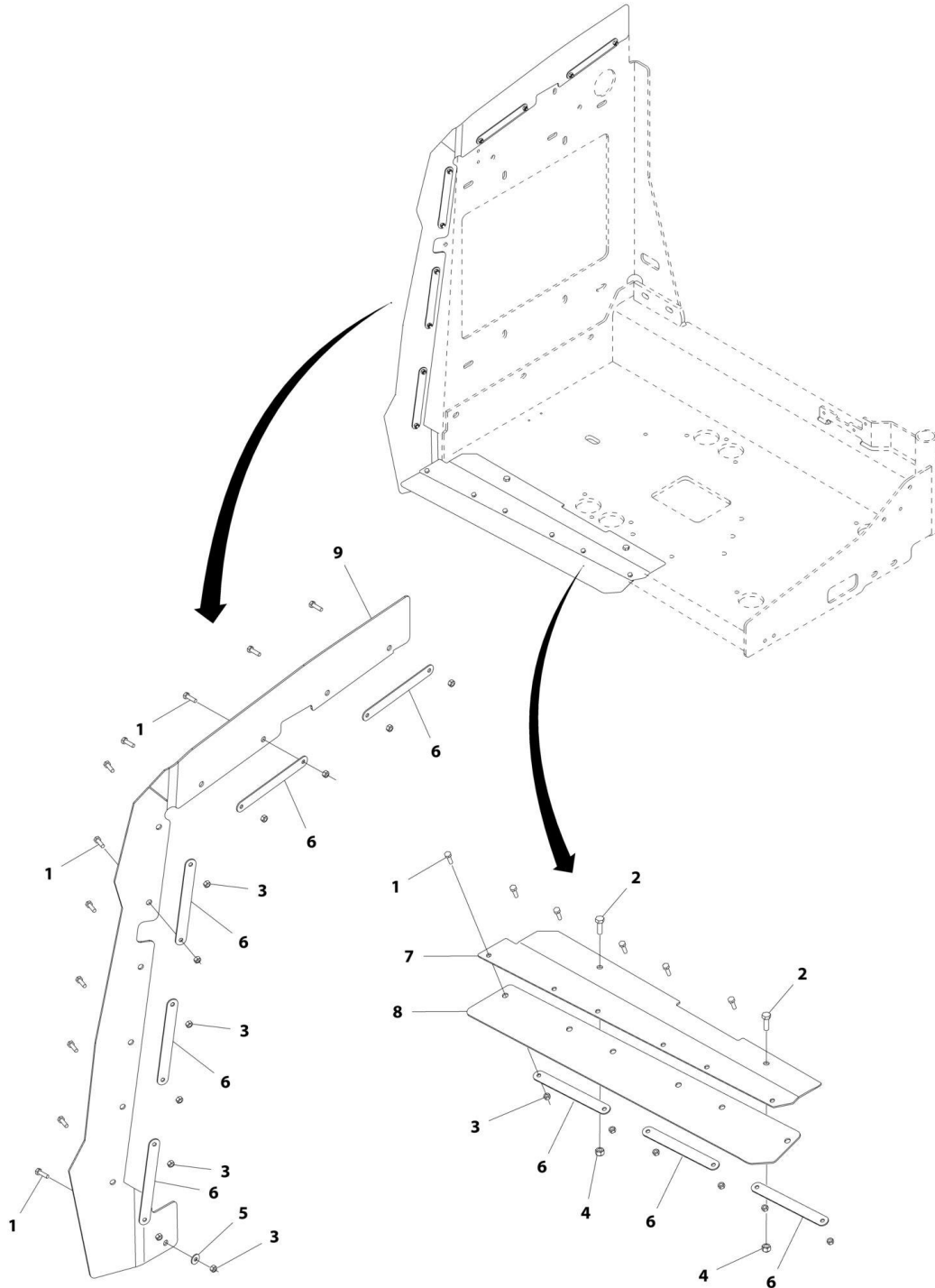
SECTION 3 - ENGINE

FIGURE 3-56. SPARK ARRESTOR INSTALLATION - DEUTZ D2011 ENGINE

ITEM	PART NUMBER	QTY	DESCRIPTION	REV
	1001174378	Ref	SPARK ARRESTOR INSTALLATION - DEUTZ D2011 ENGINE	A
1	1320176	1	Clamp	
2	1001169525	1	Pipe, Exhaust	
3	1001170224	1	Muffler, Spark Arresting	

SECTION 3 - ENGINE

FIGURE 3-57. ENGINE Baffle INSTALLATION - WITH DEUTZ ENGINES



ART_1001172265

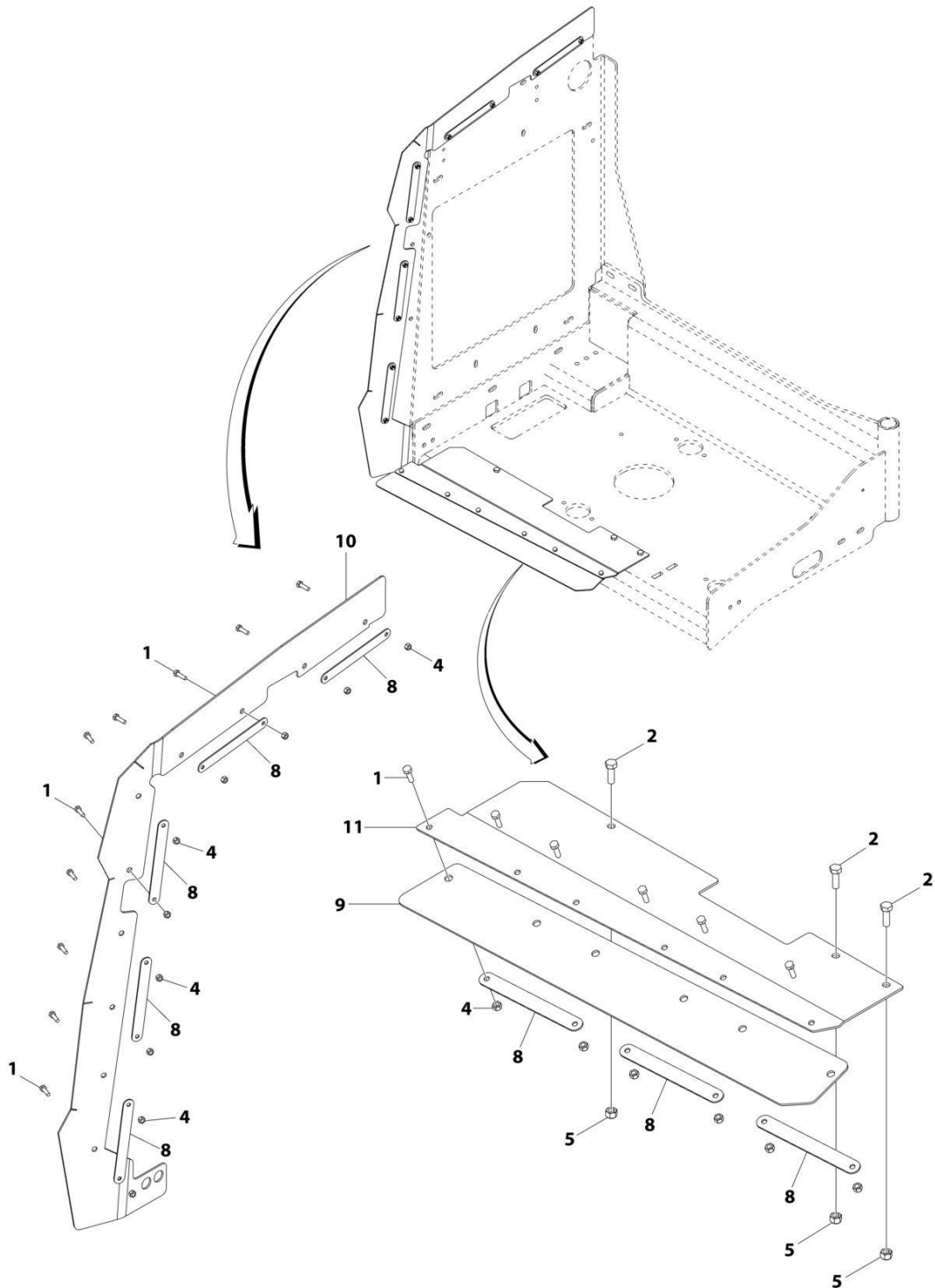
SECTION 3 - ENGINE

FIGURE 3-57. ENGINE BAFFLE INSTALLATION - WITH DEUTZ ENGINES

ITEM	PART NUMBER	QTY	DESCRIPTION	REV
	1001172265	Ref	ENGINE BAFFLE INSTALLATION - WITH DEUTZ/GM ENGINES	B
1	0760610	17	Bolt M6 x 20	
2	0760812	2	Bolt M8 x 25	
3	3290605	17	Nut M6	
4	3290805	2	Nut M8	
5	4811702	1	Washer M6	
6	1001167164	8	Plate, Support	
7	1001170663	1	Bracket	
8	1001170664	1	Seal	
9	1001172264	1	Seal	

SECTION 3 - ENGINE

FIGURE 3-58. ENGINE Baffle INSTALLATION - WITH KUBOTA ENGINE



ART_1001216415

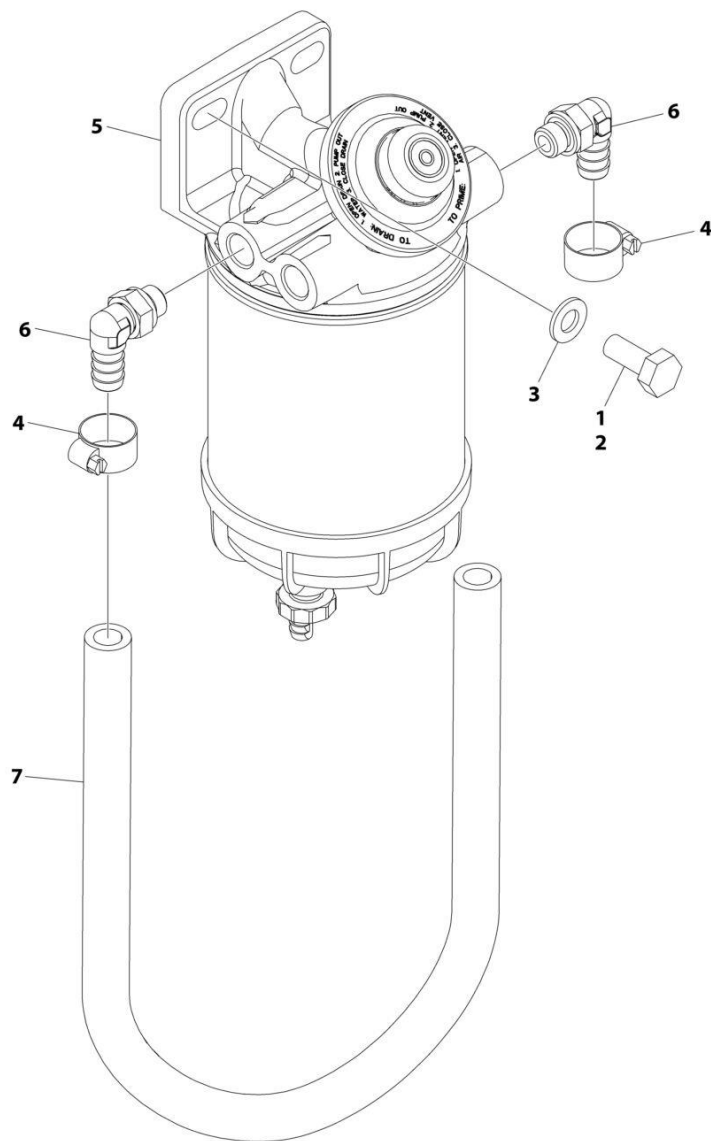
SECTION 3 - ENGINE

FIGURE 3-58. ENGINE BAFFLE INSTALLATION - WITH KUBOTA ENGINE

ITEM	PART NUMBER	QTY	DESCRIPTION	REV
	1001216415	Ref	ENGINE BAFFLE INSTALLATION – WITH KUBOTA ENGINE	C
1	0760610	16	Bolt M6 x 20	
2	0760812	3	Bolt M8 x 25	
4	3290605	16	Nut M6	
5	3290805	3	Nut M8	
8	1001167164	8	Plate, Support	
9	1001170664	1	Seal	
10	1001216416	1	Seal	
11	1001216512	1	Bracket	

SECTION 3 - ENGINE

FIGURE 3-59. FUEL/WATER SEPARATOR ASSEMBLY (DEUTZ D2.9L4 CHINA IV ENGINE)



ART_1001258406

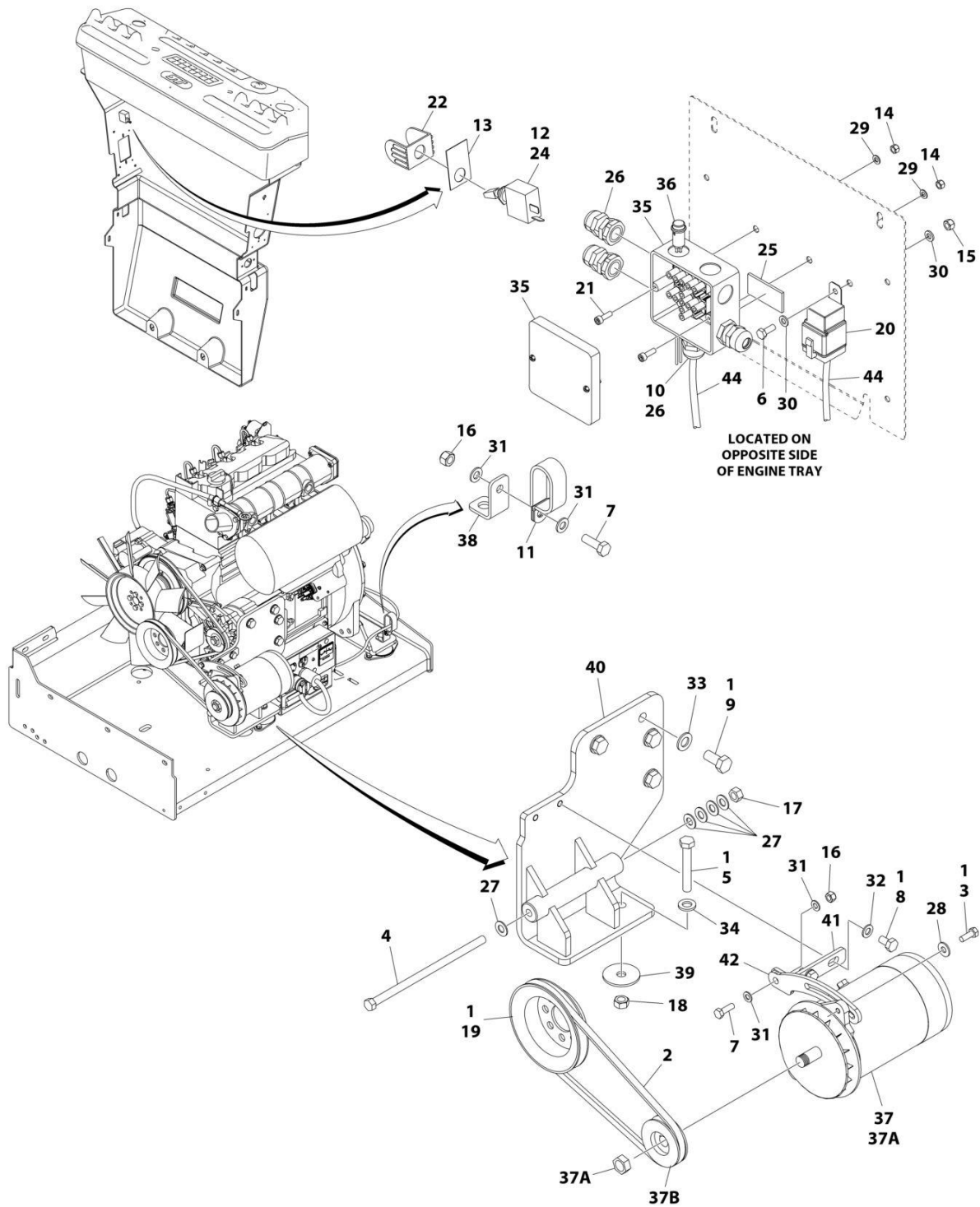
SECTION 3 - ENGINE

FIGURE 3-59. FUEL/WATER SEPARATOR ASSEMBLY (DEUTZ D2.9L4 CHINA IV ENGINE)

ITEM	PART NUMBER	QTY	DESCRIPTION	REV
	1001258406	Ref	FUEL/WATER SEPARATOR ASSEMBLY	A
1	0100011	AR	Compound, Locking	
2	0761012	2	Bolt M10 x 25	
3	4812000	2	Washer M10	
4	8405006	2	Clamp	
5	1001149452	1	Filter, Water Separator	
6	1001258505	2	Fitting, Barbed	
7	1001154405	2.13 ft/.65m	Hose	

SECTION 3 - ENGINE

FIGURE 3-60. GENERATOR INSTALLATION - 2500W/50HZ (DEUTZ D2011 ENGINE)



ART_1001185025

SECTION 3 - ENGINE

FIGURE 3-60. GENERATOR INSTALLATION - 2500W/50HZ (DEUTZ D2011 ENGINE)

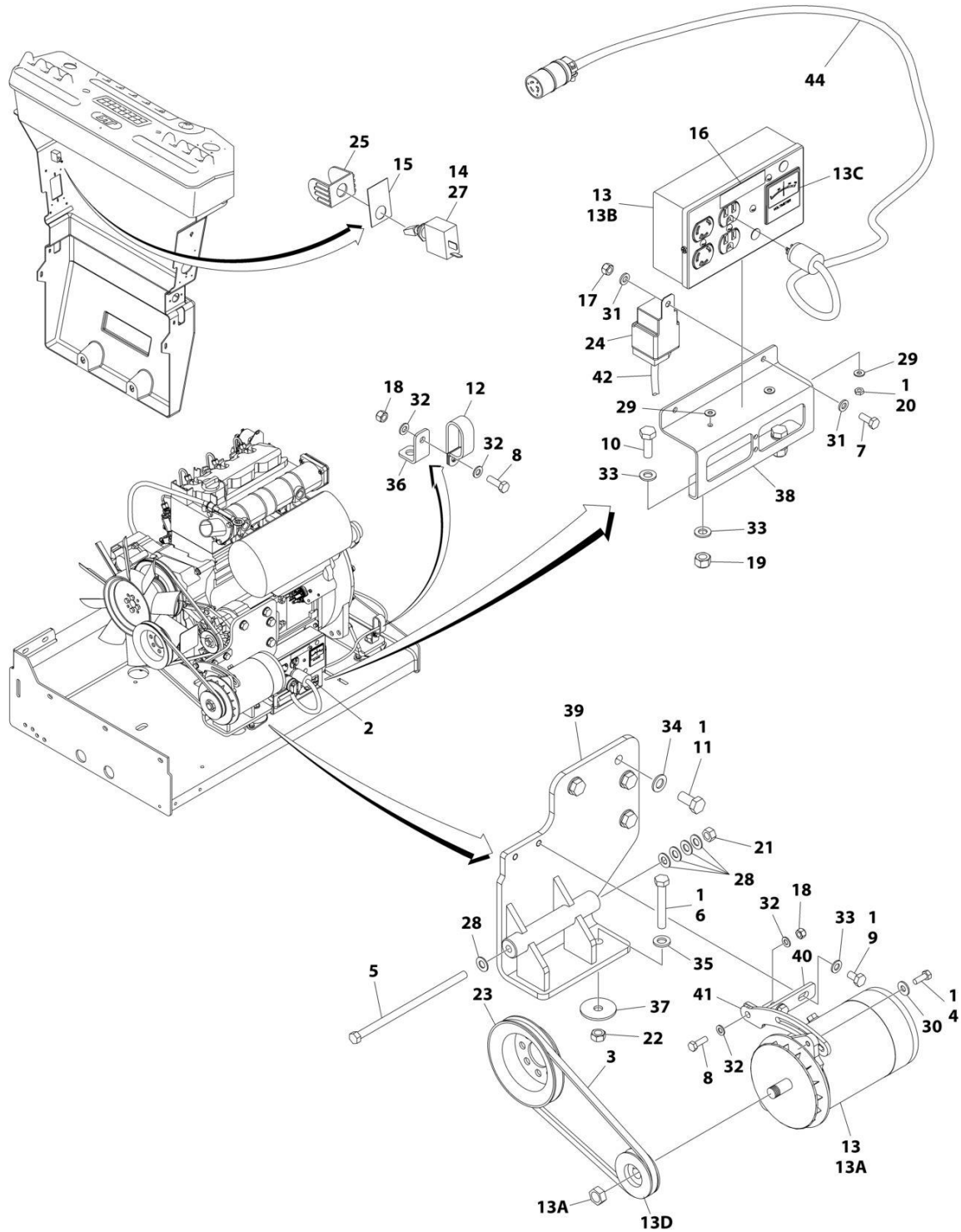
ITEM	PART NUMBER	QTY	DESCRIPTION	REV
	1001185025	Ref	GENERATOR INSTALLATION - 2500W/50Hz (DEUTZ D2011 ENGINE)	C
1	0100011	AR	Compound, Locking	
2	0480120	1	Belt	
3	0641507	1	Bolt 5/16 x 7/8	
4	0641772	1	Bolt 7/16 x 9	
5	0711224	1	Bolt M12 x 80 Grade 10.9	
6	0760608	1	Bolt M6 x 16	
7	0760812	2	Bolt M8 x 25	
8	0761009	2	Bolt M10 x 18	
9	0771414	4	Bolt M14 x 30 Grade 10.9	
10	0962449	1	Bushing	
11	1321716	1	Clamp	
12	2820031	AR	Heat Shrink	
13	See Note	1	Nameplate (Note: Not Available for Purchase)	
14	3290505	2	Nut M5	
15	3290605	1	Nut M6	
16	3290805	2	Nut M8	
17	3311705	1	Nut 7/16	
18	3331211	1	Nut M12	
19	3580158	1	Pulley	
20	3740080	1	Relay	
21	4031607	2	Bolt M5 x 16	
22	4060802	1	Guard, Switch	
23	4240099	AR	Tie-Strap (Not Shown)	
24	4360336	1	Switch, Toggle	
25	4420060	AR	Tape, Double Sided	
26	4460968	3	Connector, Strain Relief	
27	4711700	5	Washer 7/16	
28	4751500	1	Washer 5/16	
29	4811600	2	Washer M5	
30	4811700	2	Washer M6	
31	4811900	4	Washer M8	
32	4812000	2	Washer M10	
33	4812200	4	Washer M14	
34	5241200	1	Washer M12 Hardened	
35	1001099869	1	Box, Junction	
36	1001100233	1	Light Red	
37	1001100321	1	Generator and Control Box Assembly	
	See Note	Ref	Note: Replacement Generators come standard with p/n 3580134 pulley. This pulley may not be correct for all applications. Refer to pulley options below.	
37A	70000123	1	Armature with Slip Rings	
37A	7012513	4	Cap, Brush Holder	
37A	7020108	4	Brush	
37A	7020109	4	Holder, Brush	
37A	7012514	1	Fan	
37A	7020110	1	Bell, Front	
37A	7020111	1	Bell, Rear	
37A	7020190	2	Bearing	

SECTION 3 - ENGINE

ITEM	PART NUMBER	QTY	DESCRIPTION	REV
37B	7027887	1	Key, Woodruff	
38	1001148641	1	Bracket	
39	1001168018	1	Washer, Snubbing	
40	1001184637	1	Mount, Engine	
41	1001184644	1	Support	
42	1001184645	1	Bracket	
43	1001188732	1	Wiring Diagram (Not Shown)	
44	1001187352	1	Harness, Generator (See Separate Breakdown in ELECTRICAL SECTION)	

SECTION 3 - ENGINE

FIGURE 3-61. GENERATOR INSTALLATION - 2500W/60HZ (DEUTZ D2011 ENGINE)



ART_1001180798

SECTION 3 - ENGINE

FIGURE 3-61. GENERATOR INSTALLATION - 2500W/60HZ (DEUTZ D2011 ENGINE)

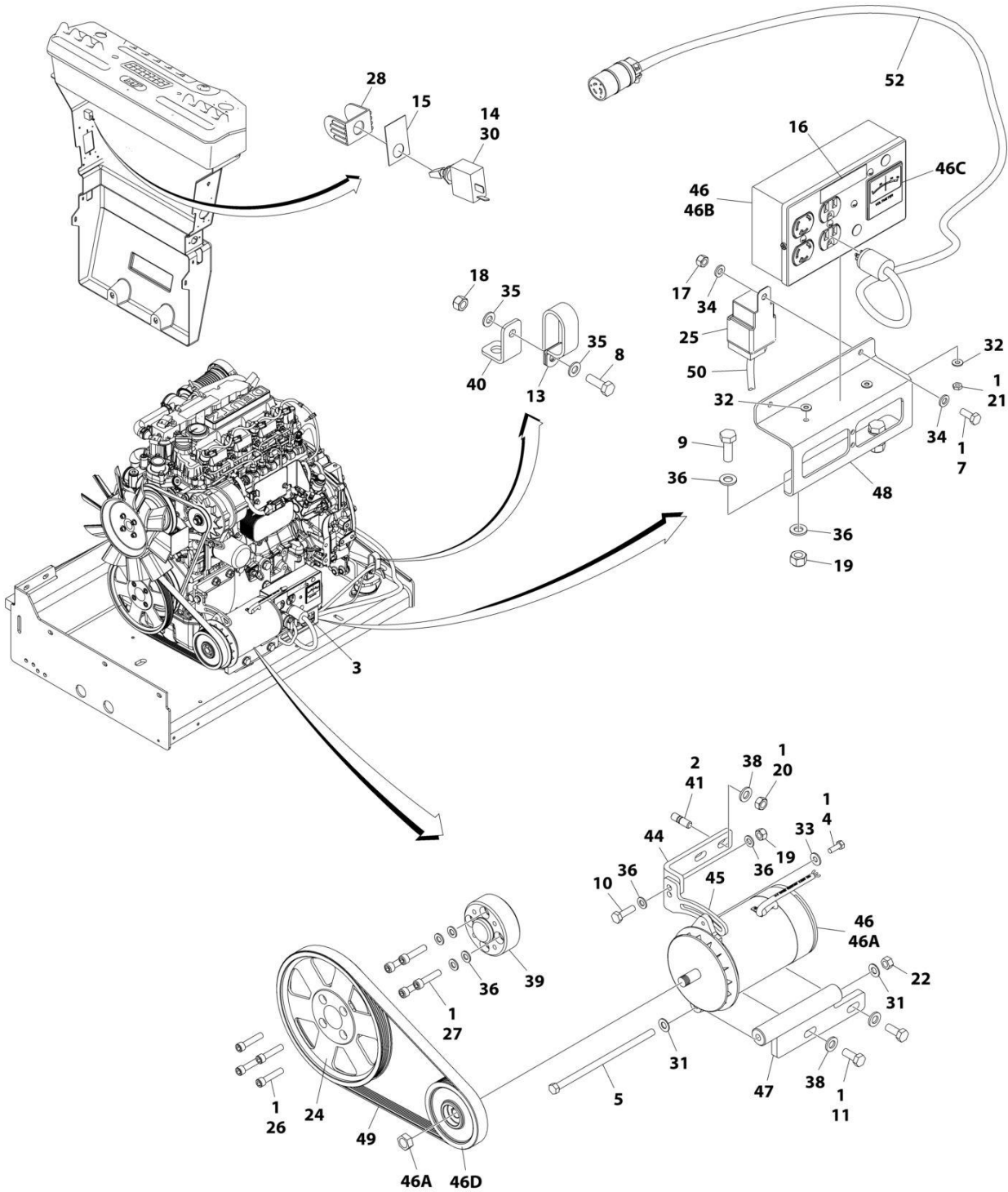
ITEM	PART NUMBER	QTY	DESCRIPTION	REV
	1001180798	Ref	GENERATOR INSTALLATION - 2500W/60HZ (DEUTZ D2011 ENGINE)	B
1	0100011	AR	Compound, Locking	
2	0100048	AR	Grease, Dielectric	
3	0480122	1	Belt	
4	0641507	1	Bolt 5/16 x 7/8	
5	0641772	1	Bolt 7/16 x 9	
6	0711224	1	Bolt M12 x 80 Grade 10.9	
7	0760608	1	Bolt M6 x 16	
8	0760812	2	Bolt M8 x 25	
9	0761009	2	Bolt M10 x 18	
10	0761014	2	Bolt M10 x 30	
11	0771414	4	Bolt M14 x 30 Grade 10.9	
12	1321716	1	Clamp	
13	2460055	1	Generator and Control Box Assembly	
13A	7012558	1	Generator	
	See Note	Ref	Note: Replacement Generators come standard with p/n 3580134 pulley. This pulley may not be correct for all applications. Refer to pulley options below.	
13A	7026199	1	Armature with Slip Rings	
13A	7012513	3	Cap, Brush Holder	
13A	7020108	4	Brush	
13A	7020109	4	Holder, Brush	
13A	7012514	1	Fan	
13A	7020110	1	Bell, Front	
13A	7020111	1	Bell, Rear	
13A	7020190	1	Bearing	
13B	7019680	1	Box, Control	
13B	4460190	1	Receptacle, Standard	
13B	4460027	1	Receptacle, Twistlock	
13B	4360542	1	Breaker, Circuit	
13B	3520028	1	Plug, Hole	
13B	4460961	1	Connector - 4 Position	
13B	4460705	4	Pin, Male	
13B	4460321	1	Connector - 4 Position (Note: Mate to p/n 4460961 Purchase Separately)	
13B	4460268	3	Socket, Female (Note: Mate to p/n 4460705 Purchase Separately)	
13C	2420203	1	Voltmeter	
13D	3580276	1	Pulley	
13D	7027887	1	Key, Woodruff	
14	2820031	AR	Heat Shrink	
15	See Note	1	Nameplate (Note: Not Available for Purchase)	
16	3251243	1	Nameplate 120V-60Hz	
17	3290605	1	Nut M6	
18	3290805	2	Nut M8	
19	3291005	2	Nut M10	
20	3311001	2	Nut #10	
21	3311705	1	Nut 7/16	
22	3331211	1	Nut M12	
23	3580158	1	Pulley	

SECTION 3 - ENGINE

ITEM	PART NUMBER	QTY	DESCRIPTION	REV
24	3740080	1	Relay	
25	4060802	1	Guard, Switch	
26	4240099	AR	Tie-Strap (Not Shown)	
27	4360336	1	Switch, Toggle	
28	4711700	5	Washer 7/16	
29	4751000	4	Washer #10	
30	4751500	1	Washer 5/16	
31	4811700	2	Washer M6	
32	4811900	4	Washer M8	
33	4812000	6	Washer M10	
34	4812200	4	Washer M14	
35	5241200	1	Washer M12 Hardened	
36	1001148641	1	Bracket	
37	1001168018	1	Washer, Snubbing	
38	1001183477	1	Support	
39	1001184637	1	Mount, Engine	
40	1001184644	1	Support	
41	1001184645	1	Bracket	
42	1001187522	1	Harness, Generator (See Separate Breakdown in ELECTRICAL SECTION)	
43	1001188731	1	Wiring Diagram (Not Shown)	
43	4922641	1	Harness, On/Off Switch (Not Shown - Located at Platform)	
44	1001182296	1	Harness, Inverter	
44	1060494	10 ft/3.5m	Cable, Electrical - 12/3	
44	4460134	1	Receptacle, Female	
44	4460138	1	Plug, Male	

SECTION 3 - ENGINE

FIGURE 3-62. GENERATOR INSTALLATION - 2500W/60HZ (DEUTZ D2.9L4 ENGINE)



ART_1001180797_F

SECTION 3 - ENGINE

FIGURE 3-62. GENERATOR INSTALLATION - 2500W/60HZ (DEUTZ D2.9L4 ENGINE)

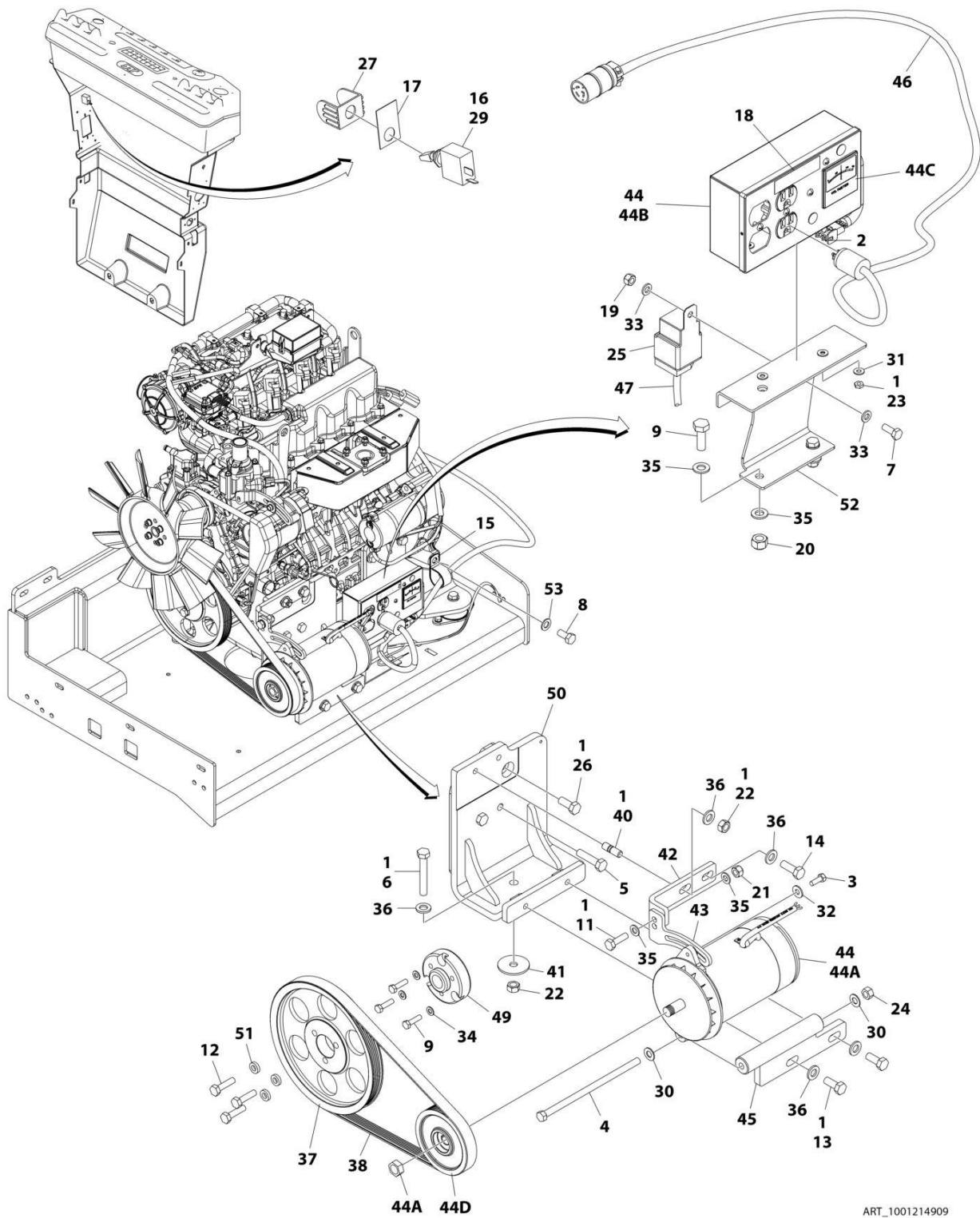
ITEM	PART NUMBER	QTY	DESCRIPTION	REV
	1001180797	Ref	GENERATOR INSTALLATION - 2500W/60HZ (DEUTZ D2.9L4 ENGINE)	F
1	0100011	AR	Compound, Locking	
2	0100019	AR	Compound, Locking	
3	0100048	AR	Grease, Dielectric	
4	0641507	1	Bolt 5/16 x 7/8	
5	0641772	1	Bolt 7/16 x 9	
7	0760608	1	Bolt M6 x 16	
8	0760812	1	Bolt M8 x 25	
9	0761014	2	Bolt M10 x 30	
10	0761015	1	Bolt M10 x 35	
11	0761214	2	Bolt M12 x 30	
13	1321716	1	Clamp	
14	2820031	AR	Heat Shrink	
15	See Note	1	Nameplate (Note: Not Available for Purchase)	
16	3251243	1	Nameplate 120V-60Hz	
17	3290605	1	Nut M6	
18	3290805	1	Nut M8	
19	3291005	3	Nut M10	
20	3291201	2	Nut M12	
21	3311001	2	Nut #10	
22	3311705	1	Nut 7/16	
24	3580320	1	Pulley	
25	3740080	1	Relay	
26	3931628	4	Capscrew 3/8 x 1-3/4	
27	4032014	4	Bolt M10 x 50	
28	4060802	1	Guard, Switch	
29	4240099	AR	Tie-Strap (Not Shown)	
30	4360336	1	Switch, Toggle	
31	4711700	2	Washer 7/16	
32	4751000	4	Washer #10	
33	4751500	1	Washer 5/16	
34	4811700	2	Washer M6	
35	4811900	2	Washer M8	
36	4812000	AR	Washer M10	
38	5241200	4	Washer M12 Hardened	
39	1001135679	1	Adapter	
40	1001148641	1	Bracket	
41	1001155041	2	Stud	
44	1001179836	1	Mount, Upper Generator	
45	1001179837	1	Arm Adjustment	
46	1001180001	1	Generator	
46A	7026199	1	Armature with Slip Rings	
46A	7012513	3	Cap, Brush Holder	
46A	7020108	4	Brush	
46A	7020109	4	Holder, Brush	
46A	7012514	1	Fan	
46A	7020110	1	Bell, Front	
46A	7020111	1	Bell, Rear	
46A	7020190	1	Bearing	

SECTION 3 - ENGINE

ITEM	PART NUMBER	QTY	DESCRIPTION	REV
46B	7019680	1	Box, Control	
46B	4460190	1	Receptacle, Standard	
46B	4460027	1	Receptacle, Twistlock	
46B	4360542	1	Breaker, Circuit	
46B	3520028	1	Plug, Hole	
46B	4460961	1	Connector - 4 Position	
46B	4460705	4	Pin, Male	
46B	4460321	1	Connector - 4 Position (Note: Mate to p/n 4460961 Purchase Separately)	
46B	4460268	3	Socket, Female (Note: Mate to p/n 4460705 Purchase Separately)	
46C	2420203	1	Voltmeter	
46D	1001179893	1	Pulley	
46D	7027887	1	Key, Woodruff	
47	1001181243	1	Mount, Lower Generator	
48	1001183477	1	Support	
49	1001148138	1	Belt	
50	1001187522	1	Harness, Generator (See Separate Breakdown in ELECTRICAL SECTION)	
51	1001188731	1	Wiring Diagram (Not Shown)	
51	4922641	1	Harness, On/Off Switch (Not Shown - Located at Platform)	
52	1001182296	1	Harness, Inverter	
52	1060494	10 ft/3.5m	Cable, Electrical - 12/3	
52	4460134	1	Receptacle, Female	
52	4460138	1	Plug, Male	

SECTION 3 - ENGINE

FIGURE 3-63. GENERATOR INSTALLATION - 2500W/60HZ (KUBOTA ENGINE)



ART_1001214909

SECTION 3 - ENGINE

FIGURE 3-63. GENERATOR INSTALLATION - 2500W/60HZ (KUBOTA ENGINE)

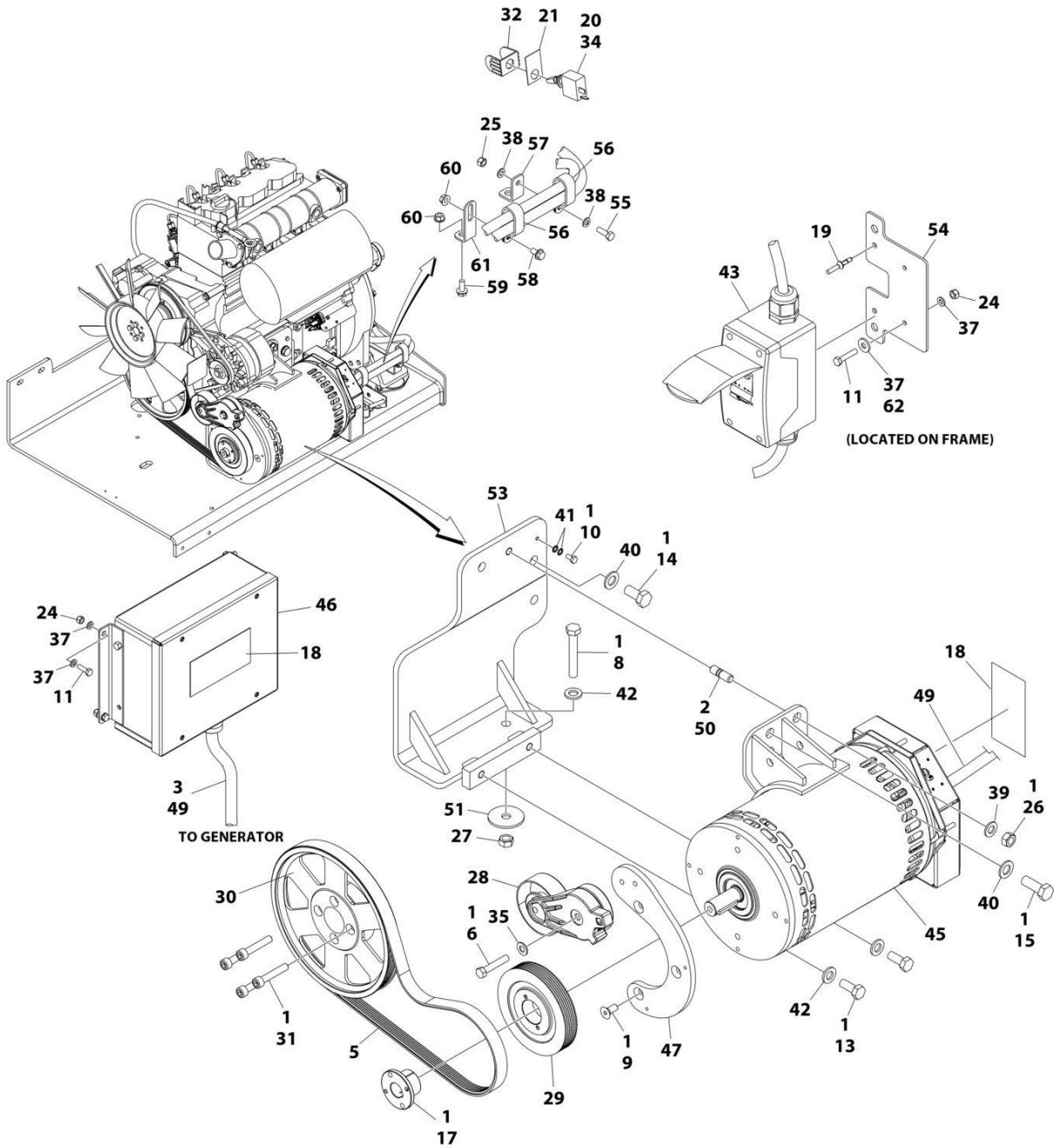
ITEM	PART NUMBER	QTY	DESCRIPTION	REV
	1001214909	Ref	GENERATOR INSTALLATION - 2500W/60Hz (KUBOTA ENGINE)	E
1	0100011	AR	Compound, Locking	
2	0100048	AR	Grease, Dielectric	
3	0641507	1	Bolt 5/16 x 7/8	
4	0641772	1	Bolt 7/16 x 9	
5	1001217344	2	Bolt M12 x 50	
6	0711224	AR	Bolt M12 x 80 Grade 10.9	
6	0701224	AR	Bolt M12 x 80	
7	0760608	1	Bolt M6 x 16	
8	1001217345	1	Bolt M14 x 30	
9	0760814	5	Bolt M8 x 30	
11	0761015	1	Bolt M10 x 35	
12	0761016	3	Bolt M10 x 40	
13	0761214	2	Bolt M12 x 30	
14	0761215	1	Bolt M12 x 35	
15	84521061	1	Clamp	
16	2820031	AR	Heat Shrink	
17	See Note	1	Nameplate (Note: Not Available for Purchase)	
18	3251243	1	Nameplate 120V-60Hz	
19	3290605	1	Nut M6	
20	3290805	2	Nut M8	
21	3291005	1	Nut M10	
22	3291201	2	Nut M12	
23	3311001	2	Nut #10	
24	3311705	1	Nut 7/16	
25	3740080	1	Relay	
26	1001217342	1	Bolt M12 x 30	
27	4060802	1	Guard, Switch	
28	4240099	AR	Tie-Strap (Not Shown)	
29	4360336	1	Switch, Toggle	
30	4711700	2	Washer 7/16	
31	4751000	4	Washer #10	
32	4751500	1	Washer 5/16	
33	4811700	2	Washer M6	
34	4811900	5	Washer M8	
35	4812000	4	Washer M10	
36	5241200	1	Washer M12 Hardened	
37	1001147233	1	Pulley	
38	1001148138	1	Belt	
40	1001155041	1	Stud	
41	1001168018	1	Washer, Snubbing	
42	1001179836	1	Mount, Upper Generator	
43	1001179837	1	Arm Adjustment	
44	1001180001	1	Generator	
44A	7026199	1	Armature with Slip Rings	
44A	7012513	3	Cap, Brush Holder	
44A	7020108	4	Brush	
44A	7020109	4	Holder, Brush	
44A	7012514	1	Fan	
44A	7020110	1	Bell, Front	

SECTION 3 - ENGINE

ITEM	PART NUMBER	QTY	DESCRIPTION	REV
44A	7020111	1	Bell, Rear	
44A	7020190	1	Bearing	
44B	7019680	1	Box, Control	
44B	4460190	1	Receptacle, Standard	
44B	4460027	1	Receptacle, Twistlock	
44B	4360542	1	Breaker, Circuit	
44B	3520028	1	Plug, Hole	
44B	4460961	1	Connector - 4 Position	
44B	4460705	4	Pin, Male	
44B	4460321	1	Connector - 4 Position (Note: Mate to p/n 4460961 Purchase Separately)	
44B	4460268	3	Socket, Female (Note: Mate to p/n 4460705 Purchase Separately)	
44C	2420203	1	Voltmeter	
44D	1001179893	1	Pulley	
44D	7027887	1	Key, Woodruff	
45	1001181243	1	Mount, Lower Generator	
46	1001182296	1	Harness, Inverter	
46	1060494	10 ft/ 3.5m	Cable, Electrical - 12/3	
46	4460134	1	Receptacle, Female	
46	4460138	1	Plug, Male	
47	1001187522	1	Harness, Generator (See Separate Breakdown in ELECTRICAL SECTION)	
48	1001188731	1	Wiring Diagram (Not Shown)	
48	4922641	1	Harness, On/Off Switch (Not Shown - Located at Platform)	
49	1001213029	1	Adapter, Pulley	
50	1001214546	1	Support	
51	1001216805	1	Spacer	
52	1001216840	1	Support	
53	4812200	1	Washer M14	

SECTION 3 - ENGINE

FIGURE 3-64. GENERATOR INSTALLATION - 4000W/50HZ (DEUTZ D2011 ENGINE)



ART_1001173984

SECTION 3 - ENGINE

FIGURE 3-64. GENERATOR INSTALLATION - 4000W/50HZ (DEUTZ D2011 ENGINE)

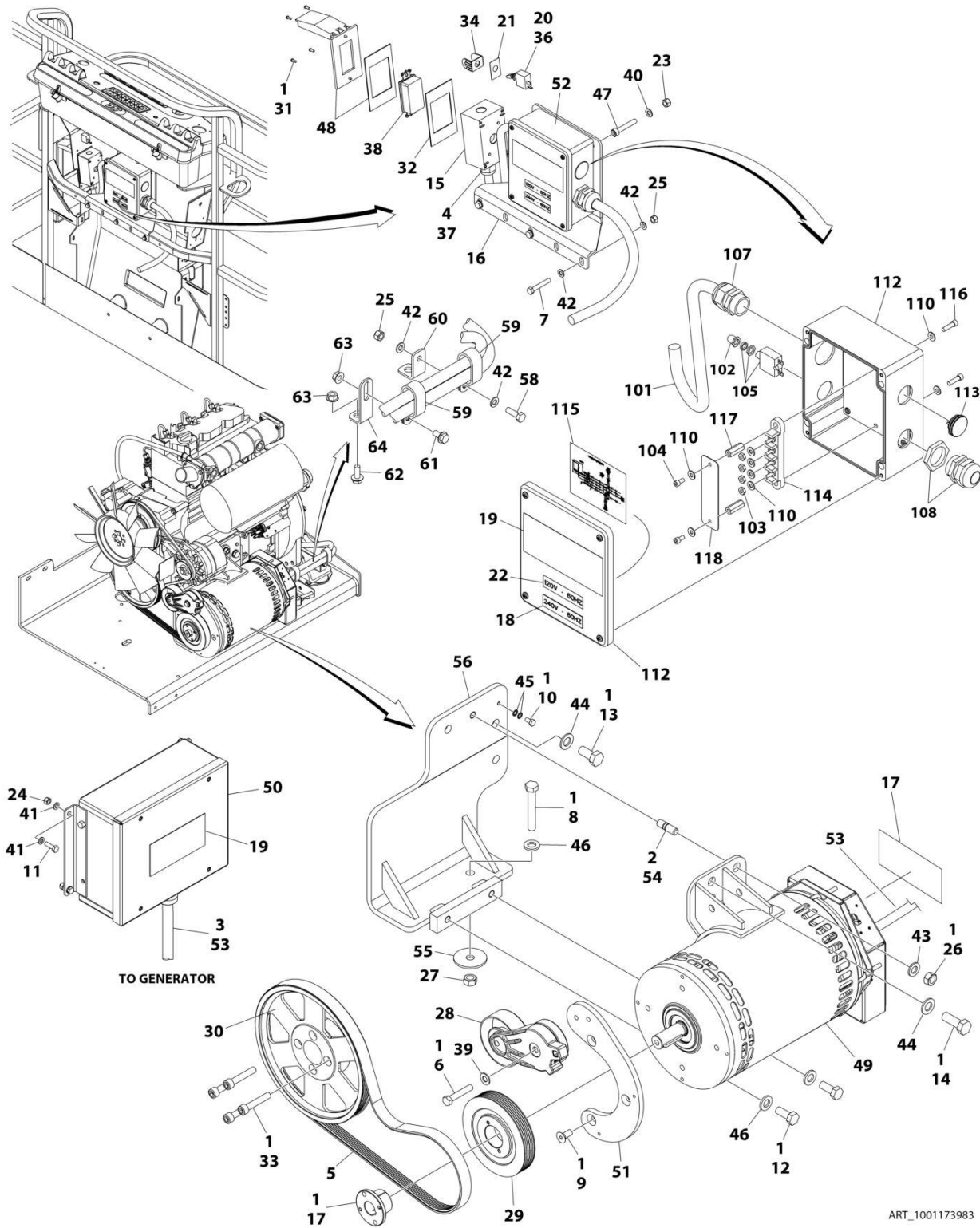
ITEM	PART NUMBER	QTY	DESCRIPTION	REV
	1001173984	Ref	GENERATOR INSTALLATION - 4000W/50HZ (DEUTZ D2011 ENGINE)	J
1	0100011	AR	Compound, Locking	
2	0100019	AR	Compound, Locking	
3	0100048	AR	Grease, Dielectric	
4	0100079	AR	Sealant (Not Shown)	
5	0480126	1	Belt	
6	0641616	1	Bolt 3/8 x 2	
8	0711224	1	Bolt M12 x 80 Grade 10.9	
9	0741607	3	Screw 3/8 x 7/8	
10	0760606	1	Bolt M6 x 12	
11	0760610	AR	Bolt M6 x 20	
11	0760614	AR	Bolt M6 x 30	
13	0761214	2	Bolt M12 x 30	
14	0771414	2	Bolt M14 x 30 Grade 10.9	
15	0771416	1	Bolt M14 x 40	
17	0962520	1	Bushing	
18	1705489	AR	Decal - Hazardous Voltage	
19	2080040	2	Fastener, Huck	
20	2820031	AR	Heat Shrink	
21	See Note	1	Nameplate (Note: Not Available for Purchase)	
24	3290605	6	Nut M6	
25	3290805	1	Nut M8	
26	3291201	1	Nut M12	
27	3331211	1	Nut M12	
28	3580317	1	Pulley	
29	3580319	1	Pulley	
30	3580320	1	Pulley	
31	4032015	4	Bolt M10 x 55	
32	4060802	1	Guard, Switch	
33	4240099	AR	Tie-Strap (Not Shown)	
34	4360336	1	Switch, Toggle	
35	4711600	1	Washer 3/8	
37	4811700	AR	Washer M6	
38	4811900	1	Washer M8	
39	4812100	1	Washer M12	
40	4812200	3	Washer M14	
41	4871700	2	Washer M6	
42	5241200	3	Washer M12 Hardened	
43	1001096070	1	Breaker Box Kit (50Hz) (See Separate Breakdown in ELECTRICAL Section)	
45	1001138565	1	Generator Assembly	
45	70003709	1	Ring, Retaining (External)	
45	70003708	1	Ring, Retaining (Internal)	
45	70001966	1	Bearing	
45	70004092	1	Endbell (Shaft End)	
45	70004171	1	Key	
45	70004676	1	Rotor	
45	70004677	1	Stator	
45	70004678	1	Endbell (Rear)	

SECTION 3 - ENGINE

ITEM	PART NUMBER	QTY	DESCRIPTION	REV
45	70004679	1	Cover, Endbell (Rear)	
45	70004680	1	Enclosure, Wiring	
45	70004681	1	Cover, Enclosure	
45	70004682	1	Switch, Reset (Located on Enclosure Cover)	
45	70004683	1	Connector, Strain Relief (Located on Enclosure Cover)	
46	1001138566	1	Box, Control	
46	70006552	1	Capacitor	
46	70006553	1	Relay	
47	1001139357	1	Mount, Tensioner	
49	1001152532	1	Harness, Generator (See Separate Breakdown in ELECTRICAL Section)	
50	1001196382	1	Stud	
51	1001168018	1	Washer, Snubbing	
53	1001173925	1	Mount	
54	1001174158	1	Mount	
55	0760812	1	Bolt M8 x 25	
56	1321716	2	Clamp	
57	1001148641	1	Bracket	
58	5250808	1	Bolt M8 x 16	
59	5250810	1	Bolt M8 x 20	
60	5260800	2	Nut M8	
61	1001223122	1	Support	
62	4811702	AR	Washer M6	

SECTION 3 - ENGINE

FIGURE 3-65. GENERATOR INSTALLATION - 4000W/60HZ (DEUTZ D2011 ENGINE)



ART_1001173983

SECTION 3 - ENGINE

FIGURE 3-65. GENERATOR INSTALLATION - 4000W/60HZ (DEUTZ D2011 ENGINE)

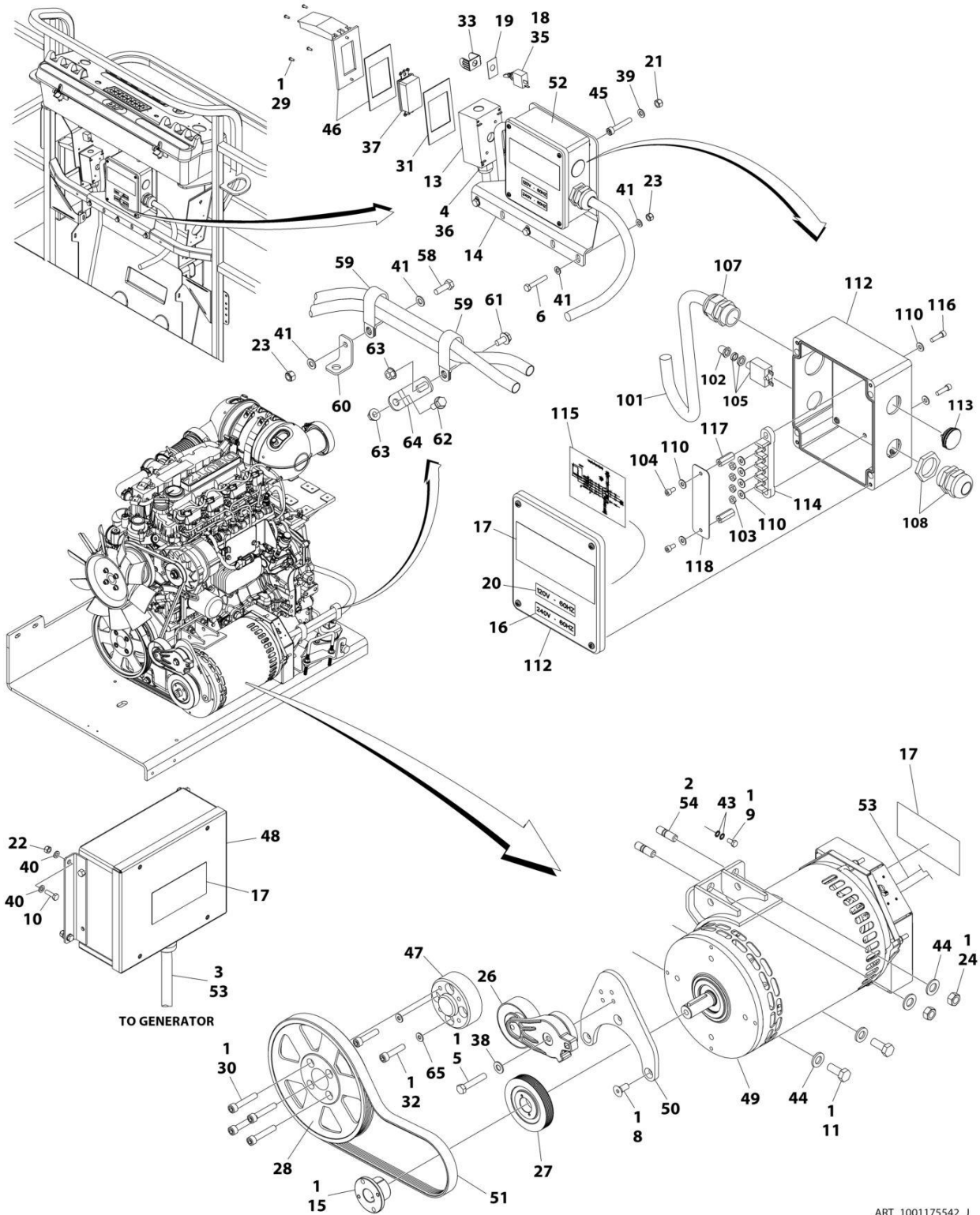
ITEM	PART NUMBER	QTY	DESCRIPTION	REV
	1001173983	Ref	GENERATOR INSTALLATION - 4000W/60HZ (DEUTZ D2011 ENGINE)	F
1	0100011	AR	Compound, Locking	
2	0100019	AR	Compound, Locking	
3	0100048	AR	Grease, Dielectric	
4	0100079	AR	Sealant	
5	0480128	1	Belt	
6	0641616	1	Bolt 3/8 x 2	
7	0700818	3	Bolt M8 x 50	
8	0711224	1	Bolt M12 x 80 Grade 10.9	
9	0741607	3	Screw 3/8 x 7/8	
10	0760606	1	Bolt M6 x 12	
11	0760610	4	Bolt M6 x 20	
12	0761214	2	Bolt M12 x 30	
13	0771414	2	Bolt M14 x 30 Grade 10.9	
14	0771416	1	Bolt M14 x 40	
15	0860038	1	Box, Switch	
16	0902888	1	Bracket	
17	0962520	1	Bushing	
18	1705374	1	Decal - 240V-60Hz	
19	1705387	3	Decal - Hazardous Voltage	
20	2820031	AR	Heat Shrink	
21	See Note	1	Nameplate (Note: Not Available for Purchase)	
22	3251243	1	Nameplate 120V-60Hz	
23	3290505	4	Nut M5	
24	3290605	4	Nut M6	
25	3290805	4	Nut M8	
26	3291201	2	Nut M12	
27	3331211	1	Nut M12	
28	3580317	1	Pulley	
29	3580318	1	Pulley	
30	3580320	1	Pulley	
31	3910606	4	Screw #6 x 3/8	
32	3960422	1	Gasket	
33	4032015	4	Bolt M10 x 55	
34	4060802	1	Guard, Switch	
35	4240099	AR	Tie-Strap (Not Shown)	
36	4360336	1	Switch, Toggle	
37	4460071	1	Connector, Strain Relief	
38	4460346	1	Receptacle	
39	4711600	1	Washer 3/8	
40	4811600	4	Washer M5	
41	4811700	8	Washer M6	
42	4811900	8	Washer M8	
43	4812100	1	Washer M12	
44	4812200	3	Washer M14	
45	4871700	2	Washer M6	
46	5241200	3	Washer M12 Hardened	
47	1001104029	4	Screw M5 x 30	
48	1001110873	1	Shield, Cover	

SECTION 3 - ENGINE

ITEM	PART NUMBER	QTY	DESCRIPTION	REV
49	1001129858	1	Generator	
49	70003709	1	Ring, Retaining (External)	
49	70003708	1	Ring, Retaining (Internal)	
49	70001966	1	Bearing	
49	70004092	1	Endbell (Shaft End)	
49	70004171	1	Key	
49	70004676	1	Rotor	
49	70004684	1	Stator	
49	70004678	1	Endbell (Rear)	
49	70004679	1	Cover, Endbell (Rear)	
49	70004680	1	Enclosure, Wiring	
49	70004685	1	Cover, Enclosure	
49	70004682	1	Switch, Reset (Located on Enclosure Cover)	
49	70004098	1	Connector, Strain Relief (Located on Enclosure Cover)	
50	1001138566	1	Box, Control	
50	70006552	1	Capacitor	
50	70006553	1	Relay	
51	1001139357	1	Mount, Tensioner	
52	1001152457	1	Generator Junction Box Assembly (See Items 101-118 for Breakdown)	
53	1001152532	1	Harness, Generator (See Separate Breakdown in ELECTRICAL SECTION)	
54	1001196382	1	Stud	
55	1001168018	1	Washer, Snubbing	
56	1001173925	1	Mount	
57	1001175631	1	Wiring Diagram (Not Shown)	
57	4922641	1	Harness, On/Off Switch (Not Shown - Located at Platform)	
58	0760812	1	Bolt M8 x 25	
59	1321716	2	Clamp	
60	1001148641	1	Bracket	
61	5250808	1	Bolt M8 x 16	
62	5250810	1	Bolt M8 x 20	
63	5260800	2	Nut M8	
64	1001223122	1	Support	
	1001152457	Ref	GENERATOR JUNCTION BOX COMPONENTS	
101	1001179154	2.5 ft/ 0.8m	Cable, Electrical - 12/3	
102	3300396	1	Cover, Breaker	
103	3311001	4	Nut #10	
104	3900300	2	Screw	
105	4360070	1	Breaker, Circuit - 15Amp	
107	4460425	1	Connector, Strain Relief (LH Side)	
108	4460426	1	Connector, Strain Relief (RH Side)	
110	4711000	8	Washer #10	
112	1001152456	1	Box, Junction	
113	1001152525	1	Plug	
114	1001152530	1	Terminal, Block	
115	1001153260	1	Decal - Wiring Diagram	
116	3900267	2	Screw	
117	1001158008	2	Stand-Off	
118	1001158363	1	Cover, Terminal Block	

SECTION 3 - ENGINE

FIGURE 3-66. GENERATOR INSTALLATION - 4000W/60HZ (DEUTZ D2.9L4 ENGINE)



ART_1001175542_J

SECTION 3 - ENGINE

FIGURE 3-66. GENERATOR INSTALLATION - 4000W/60HZ (DEUTZ D2.9L4 ENGINE)

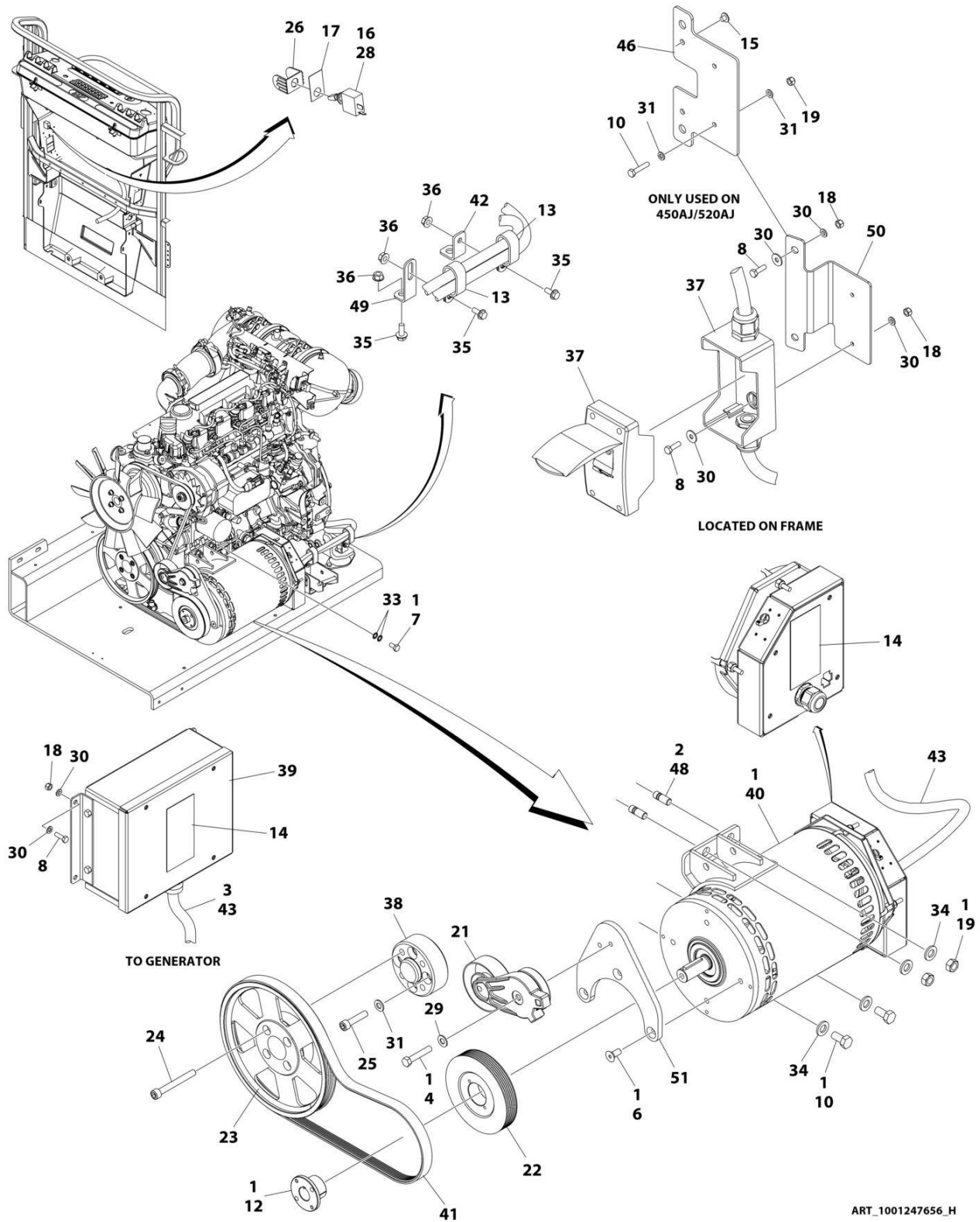
ITEM	PART NUMBER	QTY	DESCRIPTION	REV
	1001175542	Ref	GENERATOR INSTALLATION - 4000W/60HZ (DEUTZ D2.9L4 ENGINE)	J
1	0100011	AR	Compound, Locking	
2	0100019	AR	Compound, Locking	
3	0100048	AR	Grease, Dielectric	
4	0100079	AR	Sealant	
5	0641616	1	Bolt 3/8 x 2	
6	0700818	3	Bolt M8 x 50	
8	0741607	3	Screw 3/8 x 7/8	
9	0760606	1	Bolt M6 x 12	
10	0760610	4	Bolt M6 x 20	
11	0761212	2	Bolt M12 x 25	
13	0860038	1	Box, Switch	
14	0902888	1	Bracket	
15	0962520	1	Bushing	
16	1705374	1	Decal - 240V-60Hz	
17	1705387	3	Decal - Hazardous Voltage	
18	2820031	AR	Heat Shrink	
19	See Note	1	Nameplate (Note: Not Available for Purchase)	
20	3251243	1	Nameplate 120V-60Hz	
21	3290505	4	Nut M5	
22	3290605	4	Nut M6	
23	3290805	4	Nut M8	
24	3291201	2	Nut M12	
26	3580317	1	Pulley	
27	3580318	1	Pulley	
28	3580320	1	Pulley	
29	3910606	4	Screw #6 x 3/8	
30	3931628	4	Capscrew 3/8 x 1-3/4	
31	3960422	1	Gasket	
32	4032014	4	Capscrew M10 x 50	
33	4060802	1	Guard, Switch	
34	4240099	AR	Tie-Strap (Not Shown)	
35	4360336	1	Switch, Toggle	
36	4460071	1	Connector, Strain Relief	
37	4460346	1	Receptacle	
38	4711600	1	Washer 3/8	
39	4811600	4	Washer M5	
40	4811700	8	Washer M6	
41	4811900	8	Washer M8	
43	4871700	2	Washer M6	
44	5241200	4	Washer M12 Hardened	
45	1001104029	4	Screw M5 x 30	
46	1001110873	1	Shield, Cover	
47	1001135679	1	Adapter	
48	1001138566	1	Box, Control	
49	1001140346	1	Generator Assembly	
49	70003709	1	Ring, Retaining (External)	
49	70003708	1	Ring, Retaining (Internal)	
49	70001966	1	Bearing	

SECTION 3 - ENGINE

ITEM	PART NUMBER	QTY	DESCRIPTION	REV
49	70004092	1	Endbell (Shaft End)	
49	70004099	1	Key	
49	70004676	1	Rotor	
49	70004687	1	Stator	
49	70004678	1	Endbell (Rear)	
49	70004679	1	Cover, Endbell (Rear)	
49	70004680	1	Enclosure, Wiring	
49	70004685	1	Cover, Enclosure	
49	70004682	1	Switch, Reset (Located on Enclosure Cover)	
49	70004098	1	Connector, Strain Relief (Located on Enclosure Cover)	
50	1001142643	1	Support	
51	1001142646	1	Belt	
52	1001152457	1	Generator Junction Box Assembly (See Items 101-118 for Breakdown)	
53	1001152532	1	Harness, Generator (See Separate Breakdown in ELECTRICAL SECTION)	
54	1001196382	2	Stud	
57	1001175631	1	Wiring Diagram (Not Shown)	
57	4922641	1	Harness, On/Off Switch (Not Shown - Located at Platform)	
58	0760812	1	Bolt M8 x 25	
59	1321716	2	Clamp	
60	1001148641	1	Bracket	
61	5250808	1	Bolt M8 x 16	
62	5250810	1	Bolt M8 x 20	
63	5260800	2	Nut M8	
64	1001223122	1	Support	
65	4812000	4	Washer M10	
	1001152457	Ref	GENERATOR JUNCTION BOX COMPONENTS	
101	1001179154	2.5 ft/ 0.8m	Cable, Electrical - 12/3	
102	3300396	1	Cover, Breaker	
103	3311001	4	Nut #10	
104	3900300	2	Screw	
105	4360070	1	Breaker, Circuit - 15Amp	
107	4460425	1	Connector, Strain Relief (LH Side)	
108	4460426	1	Connector, Strain Relief (RH Side)	
110	4711000	8	Washer #10	
112	1001152456	1	Box, Junction	
113	1001152525	1	Plug	
114	1001152530	1	Terminal, Block	
115	1001153260	1	Decal - Wiring Diagram	
116	3900267	2	Screw	
117	1001158008	2	Stand-Off	
118	1001158363	1	Cover, Terminal Block	

SECTION 3 - ENGINE

FIGURE 3-67. GENERATOR INSTALLATION - 4000W/50HZ (DEUTZ ENGINE) (STAGE V)



ART_1001247656_H

SECTION 3 - ENGINE

FIGURE 3-67. GENERATOR INSTALLATION - 4000W/50HZ (DEUTZ ENGINE) (STAGE V)

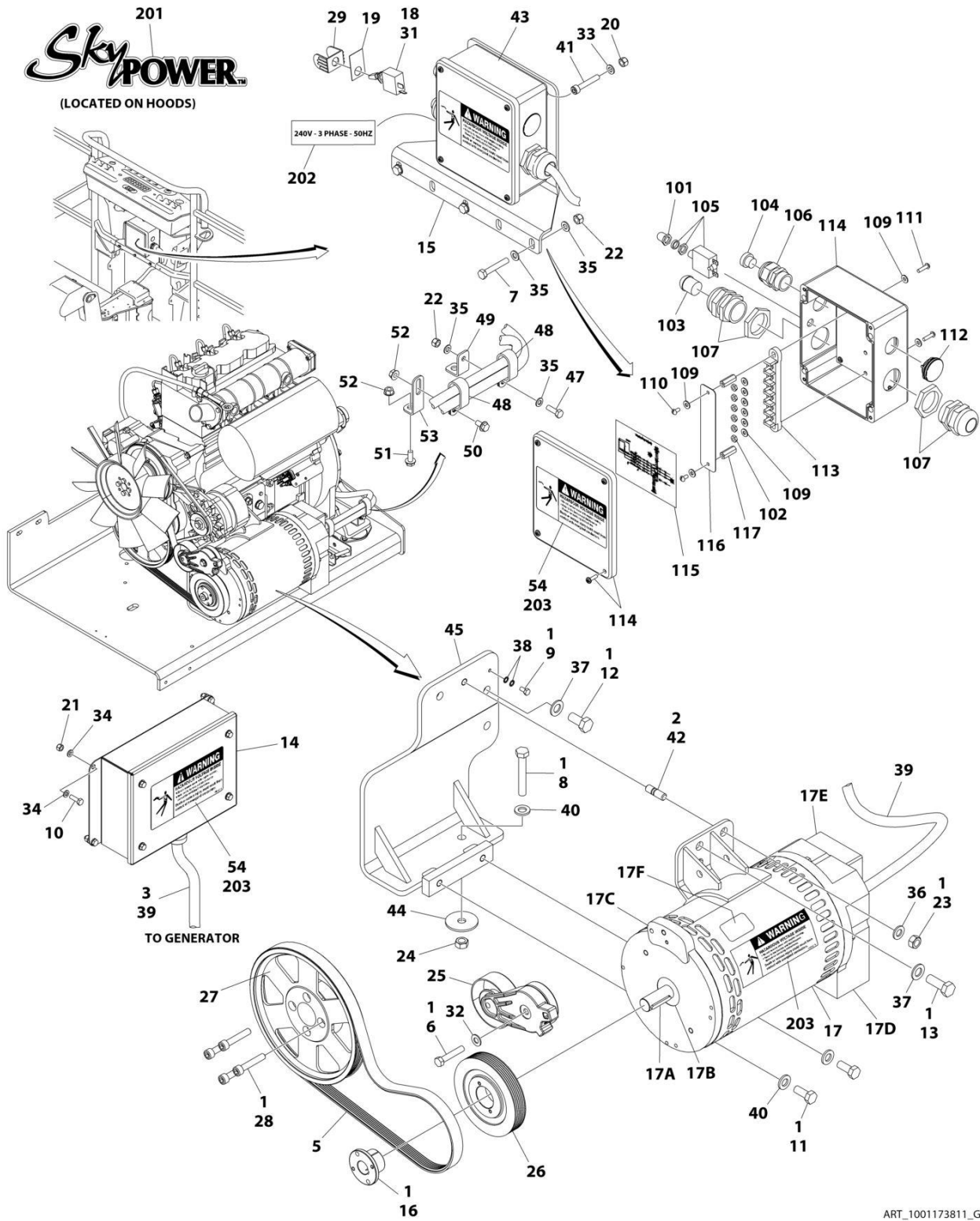
ITEM	PART NUMBER	QTY	DESCRIPTION	REV
	1001247656	Ref	GENERATOR INSTALLATION - 4000W/50HZ	H
1	0100011	AR	Compound, Locking	
2	0100019	AR	Compound, Locking	
3	0100048	AR	Grease, Dielectric	
4	0641616	1	Bolt 3/8 x 2	
6	0741607	3	Screw 3/8 x 7/8	
7	0760606	1	Bolt M6 x 12	
8	0760610	10	Bolt M6 x 20	
10	0761212	2	Bolt M12 x 25	
12	0962520	1	Bushing	
13	1321716	2	Clamp	
14	1705489	2	Decal - Hazardous Voltage	
15	2080040	2	Fastener, Huck	
16	2820031	0.33 ft /0.10m	Heat Shrink	
17	3251102	1	Nameplate, Generator	
18	3290605	10	Nut M6	
19	3291201	2	Nut M12	
21	3580317	1	Pulley	
22	3580319	1	Pulley	
23	1001281192	1	Pulley	
24	1001261085	4	Capscrew M10 x 85	
25	1001261045	4	Capscrew M10 x 45	
26	4060802	1	Guard, Switch	
27	4240099	AR	Tie-Strap (Not Shown)	
28	4360336	1	Switch, Toggle	
29	4711600	1	Washer 3/8	
30	4811700	18	Washer M6	
31	4812000	4	Washer M14	
33	4871700	2	Washer M6	
34	5241200	4	Washer M12 Hardened	
35	5250810	3	Bolt M8 x 20	
36	5260800	3	Nut M8	
37	1001096070	1	Breaker Box Kit (50Hz) (See Separate Breakdown in ELECTRICAL Section)	
38	1001258800	1	Adapter	
39	1001138566	1	Box, Control	
40	1001140347	1	Generator, 4000W/ 50HZ - Deutz Engine	
40	70003709	1	Ring, Retaining (External)	
40	70003708	1	Ring, Retaining (Internal)	
40	70001966	1	Bearing	
40	70004092	1	Endbell (Shaft End)	
40	70004099	1	Key	
40	70004676	1	Rotor	
40	70004686	1	Stator	
40	70004678	1	Endbell (Rear)	
40	70004679	1	Cover, Endbell (Rear)	
40	70004680	1	Enclosure, Wiring	
40	70004681	1	Cover, Enclosure	
40	70004682	1	Switch, Reset (Located on Enclosure Cover)	

SECTION 3 - ENGINE

ITEM	PART NUMBER	QTY	DESCRIPTION	REV
40	70004683	1	Connector, Strain Relief (Located on Enclosure Cover)	
41	1001148059	1	Belt, Generator	
42	1001148641	1	Bracket	
43	1001152532	1	Harness, Generator (See Separate Breakdown in ELECTRICAL Section)	
46	1001174158	1	Mount	
47	1001174675	1	Wiring Diagram (Not Shown)	
48	1001196382	2	Stud	
49	1001223122	1	Support	
50	1001293086	1	Bracket	
51	1001248190	1	Support	
52	4811702	2	Washer M6	
		Ref	ELECTRICAL DIAGRAM COMPONENTS	
101	4922641	1	Generator Switch Harness (Not Shown)	

SECTION 3 - ENGINE

FIGURE 3-68. GENERATOR INSTALLATION - 7500W/50HZ (DEUTZ D2011 ENGINE)



ART_1001173811_G

SECTION 3 - ENGINE

FIGURE 3-68. GENERATOR INSTALLATION - 7500W/50HZ (DEUTZ D2011 ENGINE)

ITEM	PART NUMBER	QTY	DESCRIPTION	REV
	1001173811	Ref	GENERATOR INSTALLATION - 7500W/50HZ (DEUTZ D2011 ENGINE)	G
1	0100011	AR	Compound, Locking	
2	0100019	AR	Compound, Locking	
3	0100048	AR	Grease, Dielectric	
4	0100079	AR	Sealant (Not Shown)	
5	0480126	1	Belt	
6	0641616	1	Bolt 3/8 x 2	
7	0700818	3	Bolt M8 x 50	
8	0711224	1	Bolt M12 x 80 Grade 10.9	
9	0760606	1	Bolt M6 x 12	
10	0760610	4	Bolt M6 x 20	
11	0761214	2	Bolt M12 x 30	
12	0771414	2	Bolt M14 x 30 Grade 10.9	
13	0771416	1	Bolt M14 x 40	
14	0861572	1	Control Box Assembly	
14	7024488	1	Card, Circuit - Generator Power	
14	See Note	NSS	Fuse (Note: Not Available - Purchase Locally)	
14	7024489	1	Card, Circuit - Control	
14	70000619	1	Harness, Control Box (Internal)	
15	0902888	1	Bracket	
16	0962520	1	Bushing	
17	2460048	1	Generator Assembly	
17	70001100	1	Rotor (Includes p/n 70001384 & 70000863) (Not Shown)	
17	70001384	1	Bearing, Ball Radial (Not Shown)	
17	70000863	1	Fan (Not Shown)	
17	70002088	1	Stator (Not Shown)	
17	70002297	1	Stud	
17	70003631	1	Brushholder Assembly (Not Shown)	
17A	70004171	1	Key	
17B	70001966	1	Bearing, Ball Radial (Located in Belt Tensioner Endbell)	
17B	70003708	1	Ring, Internal Retaining (Located in Belt Tensioner Endbell)	
17B	70003709	1	Ring, External Retaining (Located in Belt Tensioner Endbell)	
17C	70001953	1	Endbell, Belt Tensioner	
17D	70004169	1	Endbell, Brush Block	
17E	70004169	1	Shroud	
17E	See Note	NSS	Insulator, Endbell (Note: Not Available for Purchase)	
17E	7027799	1	Block, Connector 6 Position (Not Shown)	
17E	70002460	1	Nut, Brass (Attaches p/n 7027799 to Cover) (Not Shown)	
17E	7024485	1	Breaker, Circuit 30Amp (Not Shown)	
17E	70001696	1	Boot, Breaker (Not Shown)	
17E	7026626	1	Connector, 6 Position (Includes Seal) (Not Shown - Plugs into Item 39)	
17E	7026597	1	Connector, with Leads (Not Shown)	
17E	7026188	1	Clamp, Cable Options (Not Shown)	
17E	70004169	1	Plate, End Panel	
17E	70001974	1	Decal - Terminal Connections	
17F	70001973	1	Decal - Warning Moving Parts	
18	2820031	AR	Heat Shrink	
19	3252764	1	Nameplate	

SECTION 3 - ENGINE

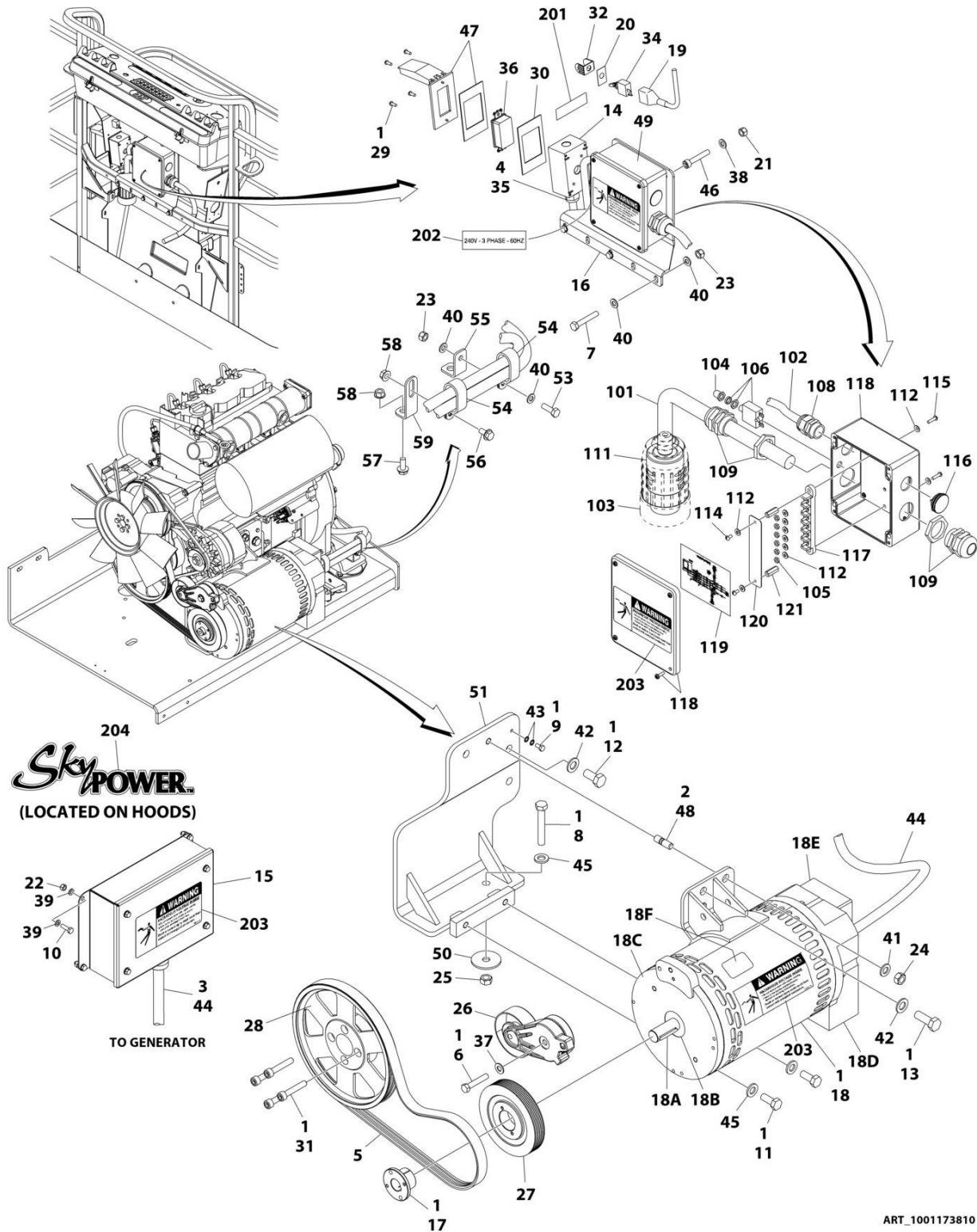
ITEM	PART NUMBER	QTY	DESCRIPTION	REV
20	3290505	4	Nut M5	
21	3290605	4	Nut M6	
22	3290805	4	Nut M8	
23	3291201	1	Nut M12	
24	3331211	1	Nut M12	
25	3580317	1	Pulley	
26	3580319	1	Pulley	
27	3580320	1	Pulley	
28	4032015	4	Bolt M10 x 55	
29	4060802	1	Guard, Switch	
30	4240099	AR	Tie-Strap (Not Shown)	
31	4360336	1	Switch, Toggle	
32	4711600	1	Washer 3/8	
33	4811600	4	Washer M5	
34	4811700	8	Washer M6	
35	4811900	8	Washer M8	
36	4812100	1	Washer M12	
37	4812200	3	Washer M14	
38	4871700	2	Washer M6	
39	4922925	1	Harness, Generator	
39	4460225	1	Plug, Male 6 Position (Plugs into Generator)	
39	See Note	NSS	Socket, Female (Use with 4460225)	
39	See Note	NSS	Seal, Plug (Use with 4460225)	
39	See Note	NSS	Seal, Interface (Use with 4460225)	
40	5241200	3	Washer M12 Hardened	
41	1001104029	4	Screw M5 x 30	
42	1001196382	1	Stud	
43	1001157525	1	Junction Box Assembly (See Items 101-117 for Breakdown)	
44	1001168018	1	Washer, Snubbing	
45	1001173925	1	Mount	
46	1001174675	1	Wiring Diagram (Not Shown)	
46	4922641	1	Harness, On/Off Switch (Not Shown - Located at Platform)	
47	0760812	1	Bolt M8 x 25	
48	1321716	2	Clamp	
49	1001148641	1	Bracket	
50	5250808	1	Bolt M8 x 16	
51	5250810	1	Bolt M8 x 20	
52	5260800	2	Nut M8	
53	1001223122	1	Support	
54	1705489	2	Decal - Hazardous Voltage	
	1001157525	Ref	JUNCTION BOX ASSEMBLY	B
101	3300396	1	Cover, Fuse	
102	3311001	6	Nut #10	
103	3520189	1	Plug	
104	3520192	1	Plug	
105	4360070	1	Circuit Breaker - 15Amp	
106	4460425	1	Connector, Strain Relief	
107	4460426	2	Connector, Strain Relief	
109	4711000	10	Flatwasher #10	
110	10702077	2	Screw #10 x 3/8	
111	10702082	2	Screw #10 x 3/4	

SECTION 3 - ENGINE

ITEM	PART NUMBER	QTY	DESCRIPTION	REV
112	1001152525	1	Plug	
113	1001157520	1	Block, Terminal	
114	1001157521	1	Box, Junction	
115	1001157528	1	Decal - Wiring Schematic	
116	1001158007	1	Cover, PVC	
117	1001158008	2	Stand-Off	
	0272589	Ref	DECAL INSTALLATION	A
201	1705460	2	Decal - SkyPower	
202	1705461	1	Decal - 240V - 3 Phase - 50Hz	
203	1705489	3	Decal - Hazardous Voltage	

SECTION 3 - ENGINE

FIGURE 3-69. GENERATOR INSTALLATION - 7500W/60HZ (DEUTZ D2011 ENGINE)



ART_1001173810

SECTION 3 - ENGINE

FIGURE 3-69. GENERATOR INSTALLATION - 7500W/60HZ (DEUTZ D2011 ENGINE)

ITEM	PART NUMBER	QTY	DESCRIPTION	REV
	1001173810	Ref	GENERATOR INSTALLATION - 7500W/60Hz (DEUTZ D2011 ENGINE)	F
1	0100011	AR	Compound, Locking	
2	0100019	AR	Compound, Locking	
3	0100048	AR	Grease, Dielectric	
4	0100079	AR	Sealant	
5	0480128	1	Belt	
6	0641616	1	Bolt 3/8 x 2	
7	0700818	3	Bolt M8 x 50	
8	0711224	1	Bolt M12 x 80 Grade 10.9	
9	0760606	1	Bolt M6 x 12	
10	0760610	4	Bolt M6 x 20	
11	0761214	2	Bolt M12 x 30	
12	0771414	2	Bolt M14 x 30 Grade 10.9	
13	0771416	1	Bolt M14 x 40	
14	0860038	1	Box, Switch	
15	0861538	1	Control Box Assembly	
15	7024488	1	Card, Circuit - Generator Power	
15	See Note	NSS	Fuse (Note: Not Available - Purchase Locally)	
15	7024489	1	Card, Circuit - Control	
15	70000619	1	Harness, Control Box (Internal)	
16	0902888	1	Bracket	
17	0962520	1	Bushing	
18	2460048	1	Generator Assembly	
18	70001100	1	Rotor (Includes p/n 70001384 & 70000863) (Not Shown)	
18	70001384	1	Bearing, Ball Radial (Not Shown)	
18	70000863	1	Fan (Not Shown)	
18	70002088	1	Stator (Not Shown)	
18	70002297	1	Stud	
18	70003631	1	Brushholder Assembly (Not Shown)	
18A	70004171	1	Key	
18B	70001966	1	Bearing, Ball Radial (Located in Belt Tensioner Endbell)	
18B	70003708	1	Ring, Internal Retaining (Located in Belt Tensioner Endbell)	
18B	70003709	1	Ring, External Retaining (Located in Belt Tensioner Endbell)	
18C	70001953	1	Endbell, Belt Tensioner	
18D	70004169	1	Endbell, Brush Block	
18E	70004169	1	Shroud	
18E	See Note	NSS	Insulator, Endbell (Note: Not Available for Purchase)	
18E	7027799	1	Block, Connector 6 Position (Not Shown)	
18E	70002460	1	Nut, Brass (Attaches p/n 7027799 to Cover) (Not Shown)	
18E	7024485	1	Breaker, Circuit 30Amp (Not Shown)	
18E	70001696	1	Boot, Breaker (Not Shown)	
18E	7026626	1	Connector, 6 Position (Includes Seal) (Not Shown - Plugs into Item 39)	
18E	7026597	1	Connector, with Leads (Not Shown)	
18E	7026188	1	Clamp, Cable Options (Not Shown)	
18E	70004169	1	Plate, End Panel	
18E	70001974	1	Decal - Terminal Connections	
18F	70001973	1	Decal - Warning Moving Parts	
19	2820031	AR	Heat Shrink	

SECTION 3 - ENGINE

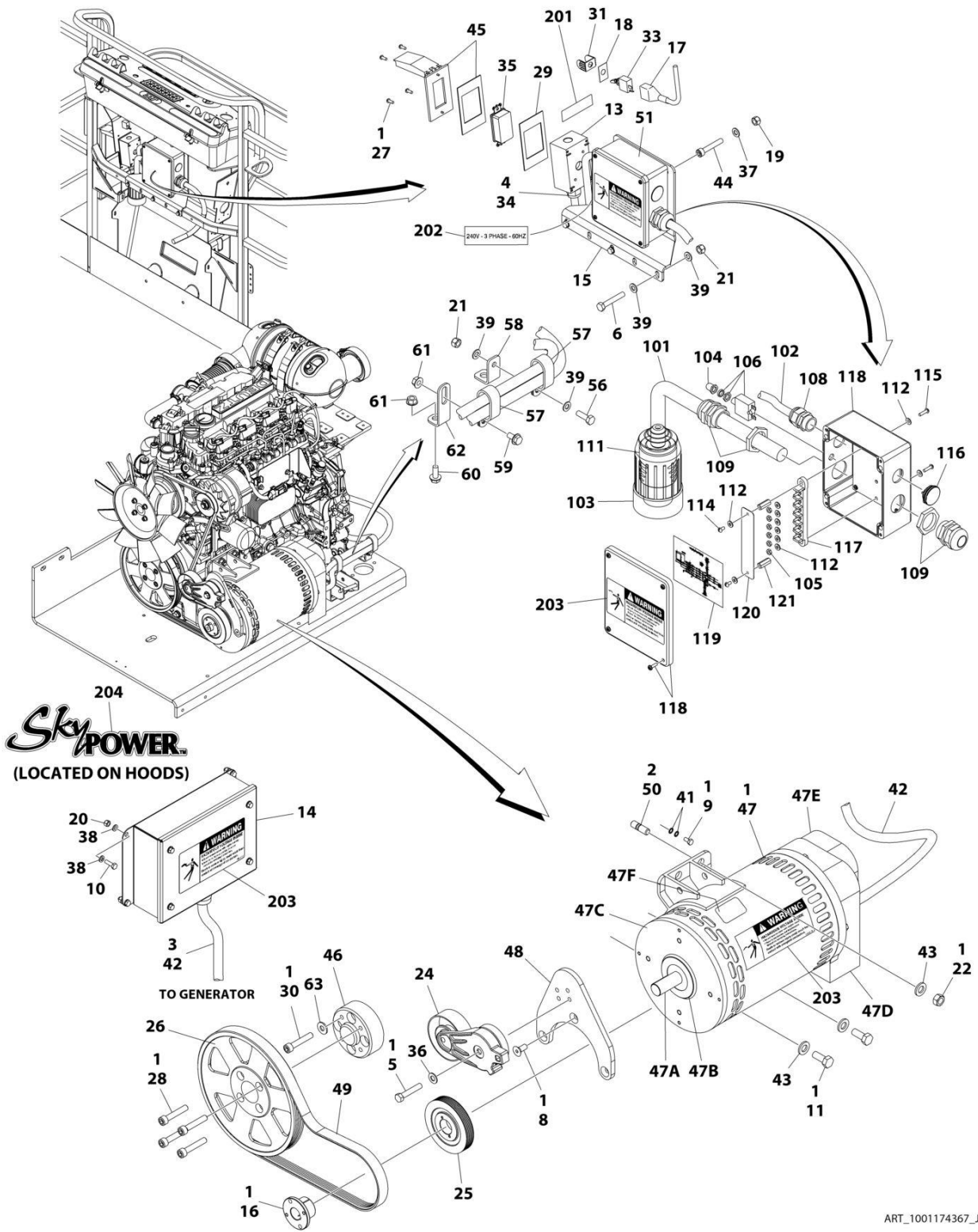
ITEM	PART NUMBER	QTY	DESCRIPTION	REV
20	3252764	1	Nameplate	
21	3290505	4	Nut M5	
22	3290605	4	Nut M6	
23	3290805	4	Nut M8	
24	3291201	1	Nut M12	
25	3331211	1	Nut M12	
26	3580317	1	Pulley	
27	3580318	1	Pulley	
28	3580320	1	Pulley	
29	3910606	4	Screw #6 x 3/8	
30	3960422	1	Gasket	
31	4032015	4	Bolt M10 x 55	
32	4060802	1	Guard, Switch	
33	4240099	AR	Tie-Strap (Not Shown)	
34	4360336	1	Switch, Toggle	
35	4460071	1	Connector, Strain Relief	
36	4460346	1	Receptacle	
37	4711600	1	Washer 3/8	
38	4811600	4	Washer M5	
39	4811700	8	Washer M6	
40	4811900	8	Washer M8	
41	4812100	1	Washer M12	
42	4812200	3	Washer M14	
43	4871700	2	Washer M6	
44	4922925	1	Harness, Generator	
44	4460225	1	Plug, Male 6 Position (Plugs into Generator)	
44	See Note	NSS	Socket, Female (Use with 4460225)	
44	See Note	NSS	Seal, Plug (Use with 4460225)	
44	See Note	NSS	Seal, Interface (Use with 4460225)	
45	5241200	3	Washer M12 Hardened	
46	1001104029	4	Screw M5 x 30	
47	1001110873	1	Shield, Cover	
48	1001196382	1	Stud	
49	1001157592	1	Junction Box Assembly Options (See Items 101-121 for Breakdown)	
50	1001168018	1	Washer, Snubbing	
51	1001173925	1	Mount	
52	1001174675	1	Wiring Diagram (Not Shown)	
52	4922641	1	Harness, On/Off Switch (Not Shown - Located at Platform)	
53	0760812	1	Bolt M8 x 25	
54	1321716	2	Clamp	
55	1001148641	1	Bracket	
56	5250808	1	Bolt M8 x 16	
57	5250810	1	Bolt M8 x 20	
58	5260800	2	Nut M8	
59	1001223122	1	Support	
	1001157592	Ref	JUNCTION BOX ASSEMBLY	C
101	1060343	1.5 ft /0.5m	Cable, Electrical 10/4	
102	1001179154	2.5 ft /0.8m	Cable, Electrical 12/3	
103	1671092	1	Cover	

SECTION 3 - ENGINE

ITEM	PART NUMBER	QTY	DESCRIPTION	REV
104	3300396	1	Cover, Fuse	
105	3311001	6	Nut #10	
106	4360070	1	Circuit Breaker - 15Amp	
108	4460425	1	Connector, Strain Relief	
109	4460426	2	Connector, Strain Relief	
111	4460963	1	Connector	
112	4711000	10	Flatwasher #10	
114	10702077	2	Screw #10 x 3/8	
115	10702082	2	Screw #10 x 3/4	
116	1001152525	1	Plug	
117	1001157520	1	Block, Terminal	
118	1001157521	1	Box, Junction	
119	1001157528	1	Decal - Wiring Schematic	
120	1001158007	1	Cover, PVC	
121	1001158008	2	Stand-Off	
	0272435	Ref	DECAL INSTALLATION	D
	0273380	Ref	DECAL INSTALLATION	B
201	3251243	1	Decal - 120V - 60Hz	
202	1705375	1	Decal - 240V - 3 Phase - 60Hz	
203	1705387	3	Decal - Hazardous Voltage	
204	1705460	2	Decal - SkyPower	

SECTION 3 - ENGINE

FIGURE 3-70. GENERATOR INSTALLATION - 7500W/60HZ (DEUTZ D2.9L4 ENGINE)



SECTION 3 - ENGINE

FIGURE 3-70. GENERATOR INSTALLATION - 7500W/60HZ (DEUTZ D2.9L4 ENGINE)

ITEM	PART NUMBER	QTY	DESCRIPTION	REV
	1001174367	Ref	GENERATOR INSTALLATION - 7500W/60Hz (DEUTZ D2.9L4 ENGINE)	J
1	0100011	AR	Compound, Locking	
2	0100019	AR	Compound, Locking	
3	0100048	AR	Grease, Dielectric	
4	0100079	AR	Sealant	
5	0641616	1	Bolt 3/8 x 2	
6	0700818	3	Bolt M8 x 50	
8	0741607	3	Screw 3/8 x 7/8	
9	0760606	1	Bolt M6 x 12	
10	0760610	4	Bolt M6 x 20	
11	0761212	2	Bolt M12 x 25	
13	0860038	1	Box, Switch	
14	0861538	1	Control Box Assembly	
14	7024488	1	Card, Circuit - Generator Power	
14	See Note	NSS	Fuse (Note: Not Available - Purchase Locally)	
14	7024489	1	Card, Circuit - Control	
14	70000619	1	Harness, Control Box (Internal)	
15	0902888	1	Bracket	
16	0962520	1	Bushing	
17	2820031	AR	Heat Shrink	
18	3252764	1	Nameplate	
19	3290505	4	Nut M5	
20	3290605	4	Nut M6	
21	3290805	4	Nut M8	
22	3291201	2	Nut M12	
24	3580317	1	Pulley	
25	3580318	1	Pulley	
26	3580320	1	Pulley	
27	3910606	4	Screw #6 x 3/8	
28	3931628	4	Capscrew 3/8 x 1-3/4	
29	3960422	1	Gasket	
30	4032014	4	Bolt M10 x 50	
31	4060802	1	Guard, Switch	
32	4240099	AR	Tie-Strap (Not Shown)	
33	4360336	1	Switch, Toggle	
34	4460071	1	Connector, Strain Relief	
35	4460346	1	Receptacle	
36	4711600	1	Washer 3/8	
37	4811600	4	Washer M5	
38	4811700	8	Washer M6	
39	4811900	8	Washer M8	
41	4871700	2	Washer M6	
42	4922925	1	Harness, Generator	
42	4460225	1	Plug, Male 6 Position (Plugs into Generator)	
42	See Note	NSS	Socket, Female (Use with 4460225)	
42	See Note	NSS	Seal, Plug (Use with 4460225)	
42	See Note	NSS	Seal, Interface (Use with 4460225)	
43	5241200	4	Washer M12 Hardened	
44	1001104029	4	Screw M5 x 30	

SECTION 3 - ENGINE

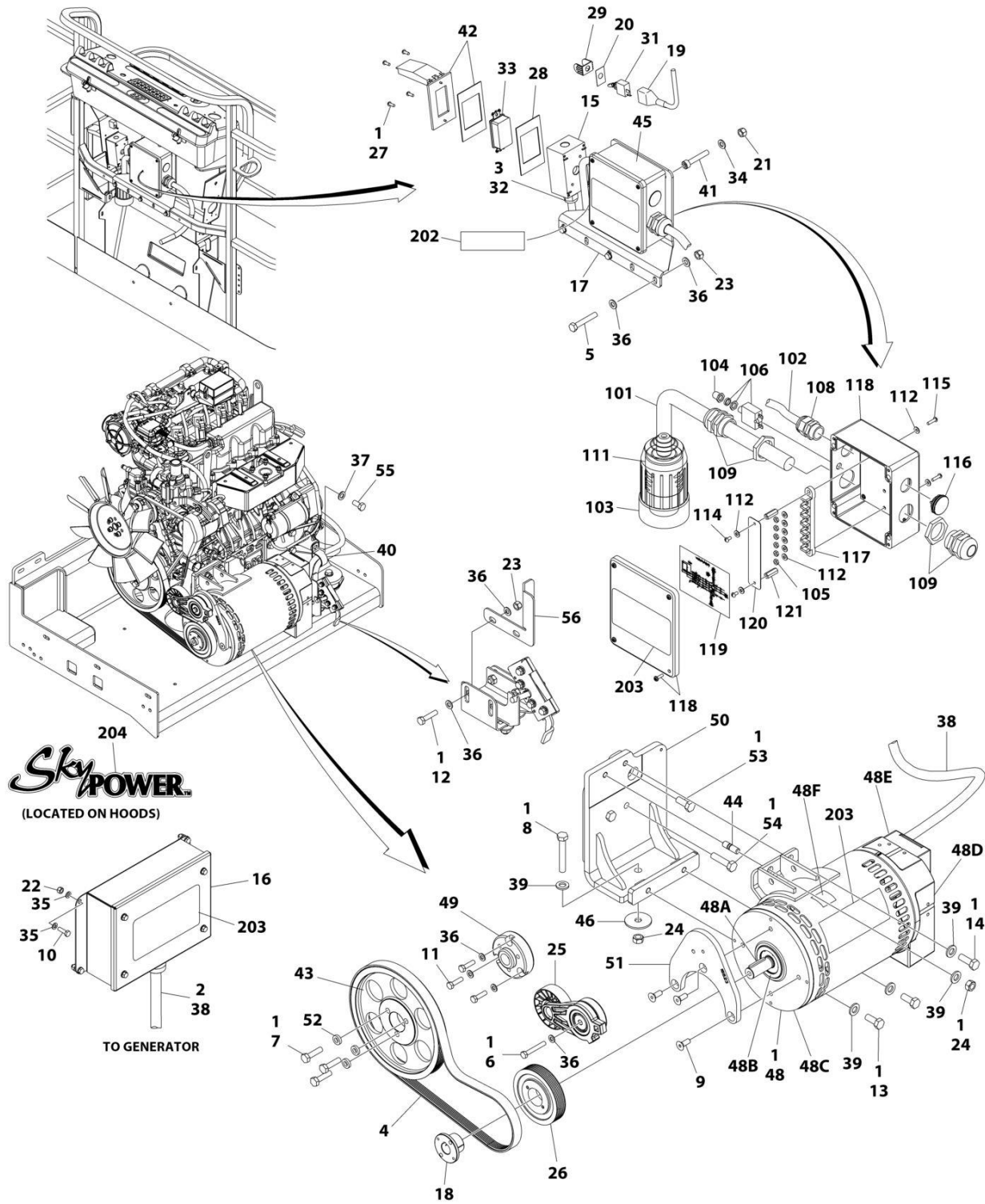
ITEM	PART NUMBER	QTY	DESCRIPTION	REV
45	1001110873	1	Shield, Cover	
46	1001135679	1	Adapter	
47	1001212223	1	Generator Assembly	
47	70001100	1	Rotor (Includes p/n 70001384 & 70000863) (Not Shown)	
47	70001384	1	Bearing, Ball Radial (Not Shown)	
47	70000863	1	Fan (Not Shown)	
47	70006093	1	Stator (Not Shown)	
47	70002297	1	Stud	
47	70003631	1	Brushholder Assembly (Not Shown)	
47A	70004099	1	Key	
47B	70001966	1	Bearing, Ball Radial (Located in Belt Tensioner Endbell)	
47B	70003708	1	Ring, Internal Retaining (Located in Belt Tensioner Endbell)	
47B	70003709	1	Ring, External Retaining (Located in Belt Tensioner Endbell)	
47C	70004092	1	Endbell, Belt Tensioner	
47D	70004094	1	Endbell, Brush Block	
47E	70006094	1	Shroud	
47E	70002291	1	Insulator, Endbell	
47E	7027799	1	Block, Connector 6 Position (Not Shown)	
47E	70002460	1	Nut, Brass (Attaches p/n 7027799 to Cover) (Not Shown)	
47E	70006095	1	Breaker, Circuit 30Amp (Not Shown)	
47E	70006096	1	Guard, Breaker (Not Shown)	
47E	7026626	1	Connector, 6 Position (Includes Seal) (Not Shown - Plugs into Item 36)	
47E	7026597	1	Connector, with Leads (Not Shown)	
47E	70004098	1	Clamp, Cable (Not Shown)	
47E	70006097	1	Plate, End Panel	
47E	70001974	1	Decal - Terminal Connections	
47F	70001973	1	Decal - Warning Moving Parts	
48	1001142643	1	Support	
49	1001142646	1	Belt	
50	1001196382	2	Stud	
51	1001157592	1	Junction Box Assembly Options (See Items 101-121 for Breakdown)	
55	1001174675	1	Wiring Diagram (Not Shown)	
55	4922641	1	Harness, On/Off Switch (Not Shown - Located at Platform)	
56	0760812	1	Bolt M8 x 25	
57	1321716	2	Clamp	
58	1001148641	1	Bracket	
59	5250808	1	Bolt M8 x 16	
60	5250810	1	Bolt M8 x 20	
61	5260800	2	Nut M8	
62	1001223122	1	Support	
63	4812000	4	Washer M10	
	1001157592	Ref	JUNCTION BOX ASSEMBLY	C
101	1060343	1.5 ft/ 0.5m	Cable, Electrical 10/4	
102	1001179154	2.5 ft/ 0.8m	Cable, Electrical 12/3	
103	1671092	1	Cover	
104	3300396	1	Cover, Fuse	
105	3311001	6	Nut #10	
106	4360070	1	Circuit Breaker - 15Amp	

SECTION 3 - ENGINE

ITEM	PART NUMBER	QTY	DESCRIPTION	REV
108	4460425	1	Connector, Strain Relief	
109	4460426	2	Connector, Strain Relief	
111	4460963	1	Connector	
112	4711000	10	Flatwasher #10	
114	10702077	2	Screw #10 x 3/8	
115	10702082	2	Screw #10 x 3/4	
116	1001152525	1	Plug	
117	1001157520	1	Block, Terminal	
118	1001157521	1	Box, Junction	
119	1001157528	1	Decal - Wiring Schematic	
120	1001158007	1	Cover, PVC	
121	1001158008	2	Stand-Off	
	0272435	Ref	DECAL INSTALLATION	D
	0273380	Ref	DECAL INSTALLATION	B
201	3251243	1	Decal - 120V - 60Hz	
202	1705375	1	Decal - 240V - 3 Phase - 60Hz	
203	1705387	3	Decal - Hazardous Voltage	
204	1705460	2	Decal - SkyPower	

SECTION 3 - ENGINE

FIGURE 3-71. GENERATOR INSTALLATION - 7500W/60HZ (KUBOTA ENGINE)



ART_1001272123

SECTION 3 - ENGINE

FIGURE 3-71. GENERATOR INSTALLATION - 7500W/60HZ (KUBOTA ENGINE)

ITEM	PART NUMBER	QTY	DESCRIPTION	REV
	1001272123	Ref	GENERATOR INSTALLATION - 7500W/60HZ (KUBOTA ENGINE)	A
1	0100011	AR	Compound, Locking	
2	0100048	AR	Grease, Dielectric	
3	0100079	AR	Sealant	
4	0480129	1	Belt	
5	0700818	3	Bolt M8 x 50	
6	0700819	1	Bolt M8 x 55	
7	0701016	3	Bolt M10 x 40	
8	0701224	1	Bolt M12 x 80	
9	0741608	3	Screw 3/8 x 1	
10	0760610	4	Bolt M6 x 20	
11	0760814	3	Bolt M8 x 30	
12	0760815	2	Bolt M8 x 35	
13	0761214	2	Bolt M12 x 30	
14	0761215	1	Bolt M12 x 35	
15	0860038	1	Box, Switch	
16	0861538	1	Control Box Assembly	
16	7024488	1	Card, Circuit - Generator Power	
16	See Note	NSS	Fuse (Note: Not Available - Purchase Locally)	
16	7024489	1	Card, Circuit - Control	
16	70000619	1	Harness, Control Box (Internal)	
17	0902888	1	Bracket	
18	0962520	1	Bushing	
19	2820031	AR	Heat Shrink	
20	3252764	1	Nameplate	
21	3290505	4	Nut M5	
22	3290605	4	Nut M6	
23	3290805	5	Nut M8	
24	3291201	2	Nut M12	
25	3580317	1	Pulley	
26	3580318	1	Pulley	
27	3910606	4	Screw #6 x 3/8	
28	3960422	1	Gasket	
29	4060802	1	Guard, Switch	
30	4240099	AR	Tie-Strap (Not Shown)	
31	4360336	1	Switch, Toggle	
32	4460071	1	Connector, Strain Relief	
33	4460346	1	Receptacle	
34	4811600	4	Washer M5	
35	4811700	8	Washer M6	
36	4811900	12	Washer M8	
37	4812200	1	Washer M14	
38	4922925	1	Harness, Generator	
38	4460225	1	Plug, Male - 6 Position (Plugs into Generator)	
38	See Note	NSS	Socket, Female (Use with 4460225)	
38	See Note	NSS	Seal, Plug (Use with 4460225)	
38	See Note	NSS	Seal, Interface (Use with 4460225)	
39	5241200	5	Washer M12 Hardened	
40	84521062	1	Clamp	
41	1001104029	4	Screw M5 x 30	

SECTION 3 - ENGINE

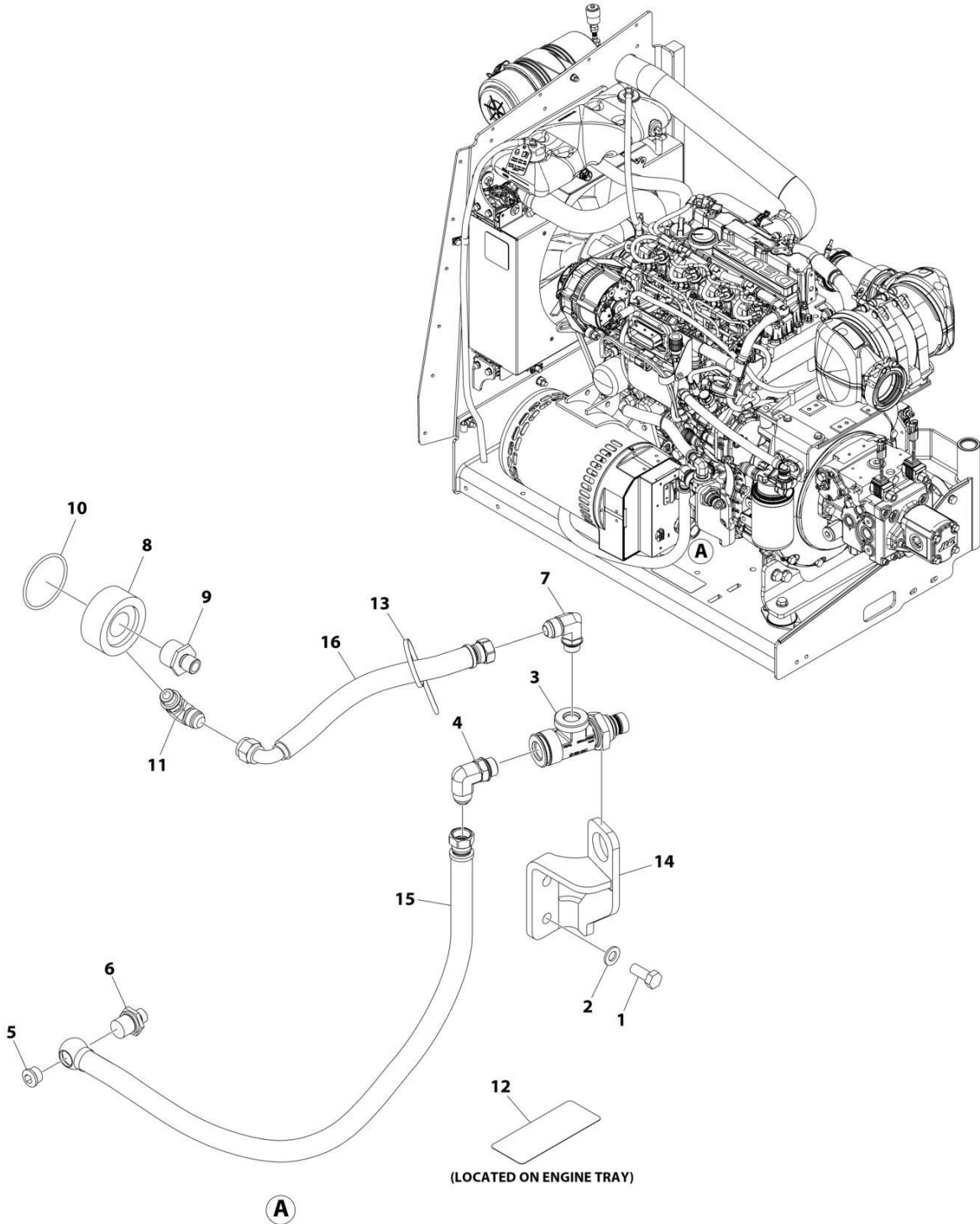
ITEM	PART NUMBER	QTY	DESCRIPTION	REV
42	1001110873	1	Shield, Cover	
43	1001147233	1	Pulley	
44	1001155041	1	Stud	
45	1001157592	1	Junction Box Assembly (See Items 101-121 for Breakdown)	
46	1001168018	1	Washer, Snubbing	
47	1001174675	1	Wiring Diagram (Not Shown)	
47	4922641	1	Harness, On/Off Switch (Not Shown - Located at Platform)	
48	1001212223	1	Generator Assembly	
48	70001100	1	Rotor (Includes p/n 70001384 & 70000863) (Not Shown)	
48	70001384	1	Bearing, Ball Radial (Not Shown)	
48	70000863	1	Fan (Not Shown)	
48	70006093	1	Stator (Not Shown)	
48	70002297	1	Stud	
48	70003631	1	Brushholder Assembly (Not Shown)	
48A	70004099	1	Key	
48B	70001966	1	Bearing, Ball Radial (Located in Belt Tensioner Endbell)	
48B	70003708	1	Ring, Internal Retaining (Located in Belt Tensioner Endbell)	
48B	70003709	1	Ring, External Retaining (Located in Belt Tensioner Endbell)	
48C	70004092	1	Endbell, Belt Tensioner	
48D	70004094	1	Endbell, Brush Block	
48E	70006094	1	Shroud	
48E	70002291	1	Insulator, Endbell	
48E	7027799	1	Block, Connector 6 Position (Not Shown)	
48E	70002460	1	Nut, Brass (Attaches p/n 7027799 to Cover) (Not Shown)	
48E	70006095	1	Breaker, Circuit 30Amp (Not Shown)	
48E	70006096	1	Guard, Breaker (Not Shown)	
48E	7026626	1	Connector, 6 Position (Includes Seal) (Not Shown - Plugs into Item 36)	
48E	70004098	1	Clamp, Cable (Not Shown)	
48E	70006097	1	Plate, End Panel	
48E	70001974	1	Decal - Terminal Connections	
48F	70001973	1	Decal - Warning Moving Parts	
49	1001213029	1	Adapter, Pulley	
50	1001214546	1	Support	
51	1001215523	1	Support	
52	1001216805	3	Spacer	
53	1001217342	1	Bolt M12 x 30	
54	1001217344	2	Bolt M12 x 50	
55	1001217345	1	Bolt M14 x 30	
56	1001271649	1	Bracket	
	1001157592	Ref	JUNCTION BOX ASSEMBLY	C
101	1060343	1.5 ft/ 0.5m	Cable, Electrical 10/4	
102	1001179154	2.5 ft/ 0.8m	Cable, Electrical 12/3	
103	1671092	1	Cover	
104	3300396	1	Cover, Fuse	
105	3311001	6	Nut #10	
106	4360070	1	Circuit Breaker - 15Amp	
108	4460425	1	Connector, Strain Relief	
109	4460426	2	Connector, Strain Relief	
111	4460963	1	Connector	

SECTION 3 - ENGINE

ITEM	PART NUMBER	QTY	DESCRIPTION	REV
112	4711000	10	Washer #10	
114	10702077	2	Screw #10 x 3/8	
115	10702082	2	Screw #10 x 3/4	
116	1001152525	1	Plug	
117	1001157520	1	Block, Terminal	
118	1001157521	1	Box, Junction	
119	1001157528	1	Decal - Wiring Schematic	
120	1001158007	1	Cover, PVC	
121	1001158008	2	Stand-Off	
	0273380	Ref	DECAL INSTALLATION	B
202	1705375	1	Decal - 240V-3 Phase-60Hz	
203	1705387	3	Decal - Hazardous Voltage	
204	1705460	2	Decal - SkyPower	

SECTION 3 - ENGINE

FIGURE 3-72. QUICKFIT OIL DRAIN INSTALLATION (DEUTZ ENGINES)



ART_1001285636

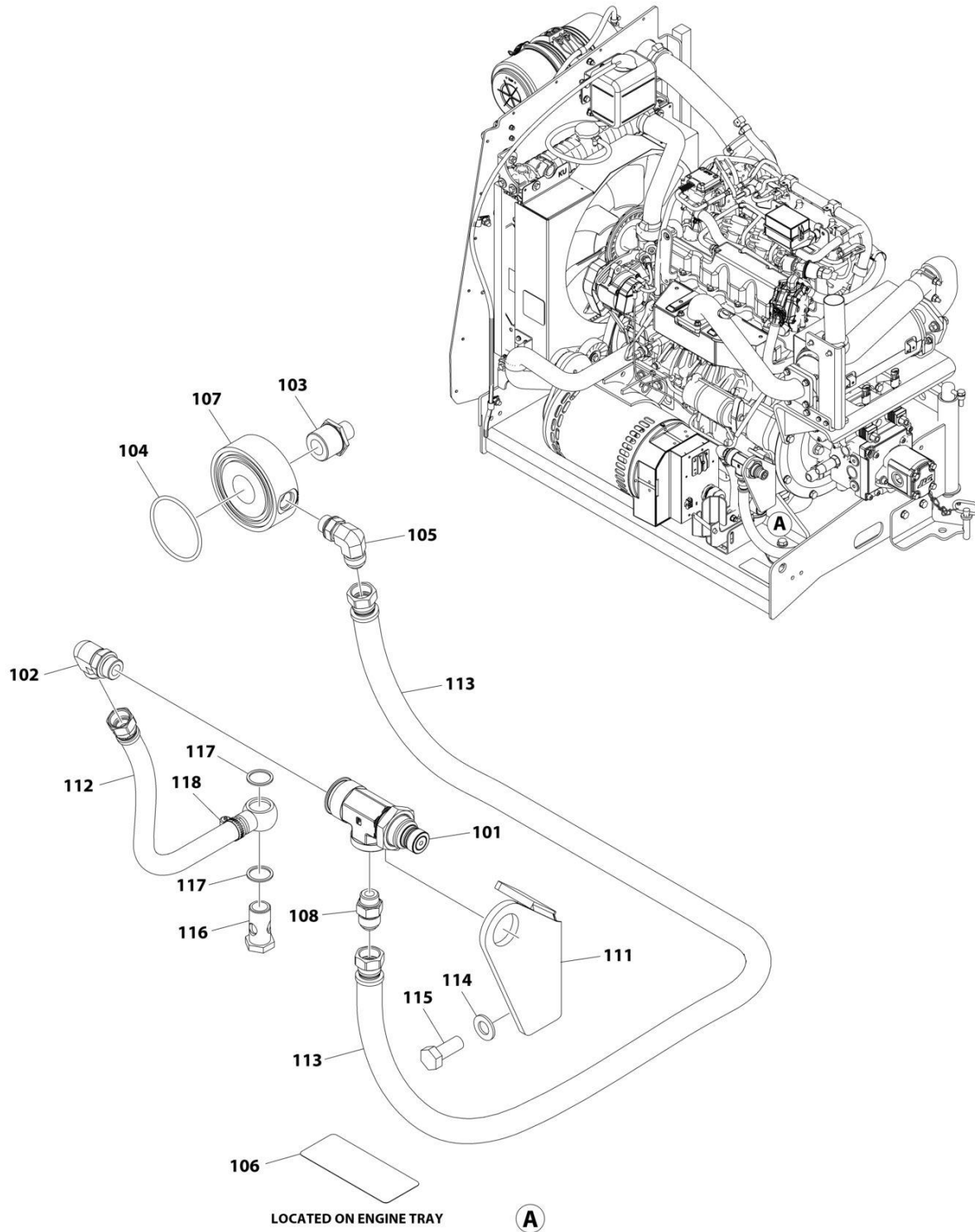
SECTION 3 - ENGINE

FIGURE 3-72. QUICKFIT OIL DRAIN INSTALLATION (DEUTZ ENGINES)

ITEM	PART NUMBER	QTY	DESCRIPTION	REV
	1001285636	Ref	QUICKFIT OIL DRAIN INSTALLATION	A
1	0761214	2	Bolt M12 x 30	
2	4812100	2	Washer M12	
3	1001281298	1	Valve, Quickfit	
4	1001281301	1	Fitting, 90	
5	1001281304	1	Plug	
6	1001281305	1	Fitting, Banjo	
7	1001281307	1	Fitting, 90	
8	1001281309	1	Filter, Ring	
9	1001281310	1	Fitting, Straight	
10	1001281311	1	O-Ring	
11	1001281359	1	Valve, Check	
12	1001281360	1	Decal - RPM Quickfit	
13	1001281656	1	Tie-Strap	
14	1001287536	1	Bracket	
15	1001287552	1	Hose	
16	1001288113	1	Hose	

SECTION 3 - ENGINE

FIGURE 3-73. QUICKFIT OIL DRAIN INSTALLATION (KUBOTA ENGINES)



ART_1001295060

SECTION 3 - ENGINE

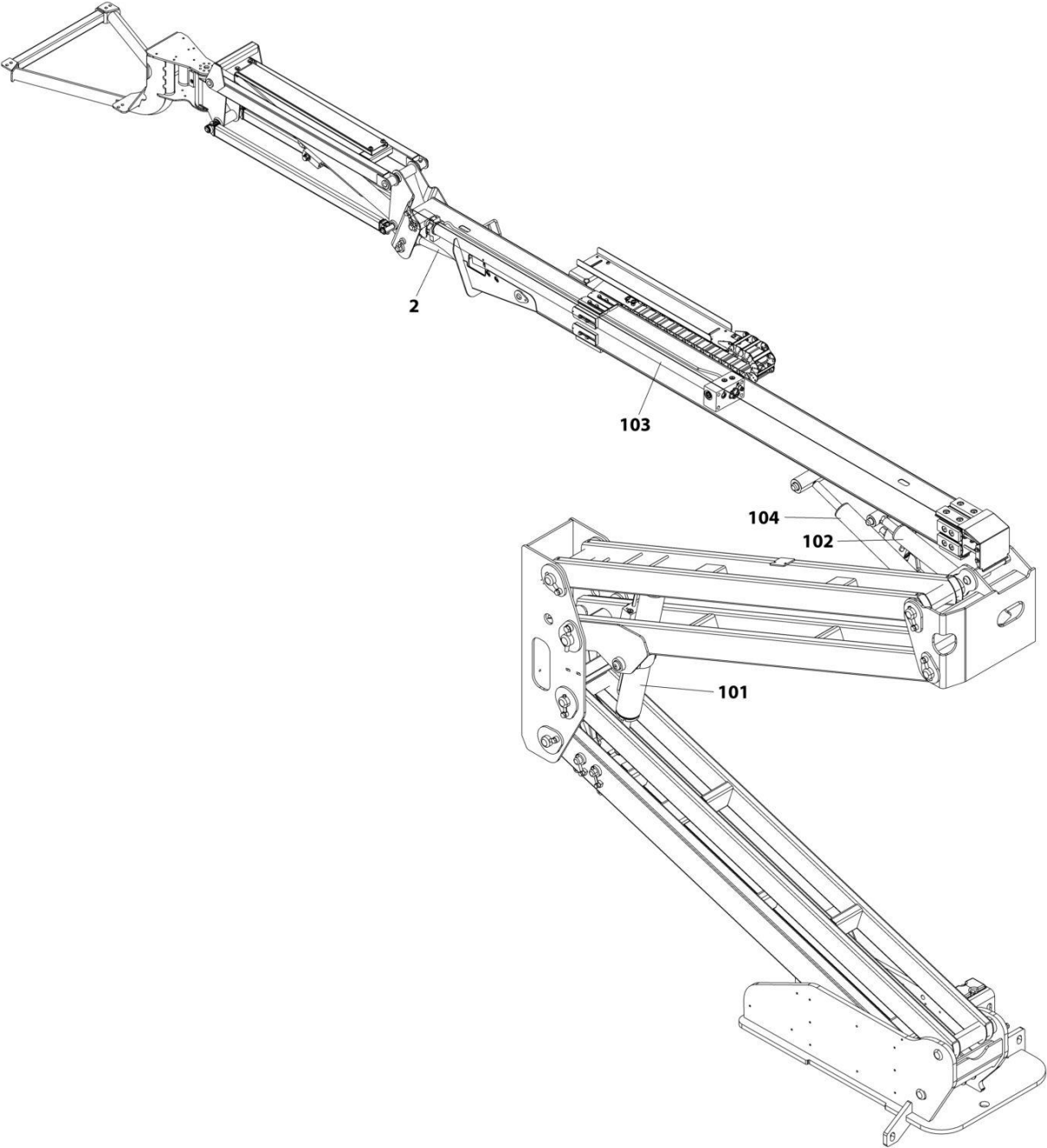
FIGURE 3-73. QUICKFIT OIL DRAIN INSTALLATION (KUBOTA ENGINES)

ITEM	PART NUMBER	QTY	DESCRIPTION	REV
	1001295060	Ref	QUICKFIT OIL DRAIN INSTALLATION (KUBOTA)	B
1	1001295061	1	Valve, Quickfit (Kubota 2.5L DF) (Not Shown)	
101	1001281298	1	Valve, Small Quickfit	
102	1001281301	1	Fitting, 90	
103	1001281310	1	Fitting, Nipple Filter Ring	
104	1001281311	1	O-Ring	
105	1001281359	1	Valve, Check Valve	
106	1001281360	1	Decal - Quickfit	
107	1001281380	1	Filter	
108	1001281302	1	Fitting, Quickfit	
109	1001281656	AR	Tie-Strap (Not Shown)	
110	1001290385	AR	Cable Mount (Not Shown)	
111	1001295062	1	Bracket	
112	1001295063	1	Hose	
113	1001295064	1	Hose	
114	1001295067	2	Washer M14	
115	1001295068	2	Bolt M14 x 35	
116	1001297092	1	Bolt M22 x 1.5	
117	1001297093	2	Washer	
118	1001297094	1	Clamp	

SECTION 4 - BOOM

SECTION 4 - BOOM

FIGURE 4-1. CYLINDERS INSTALLATION (450A)



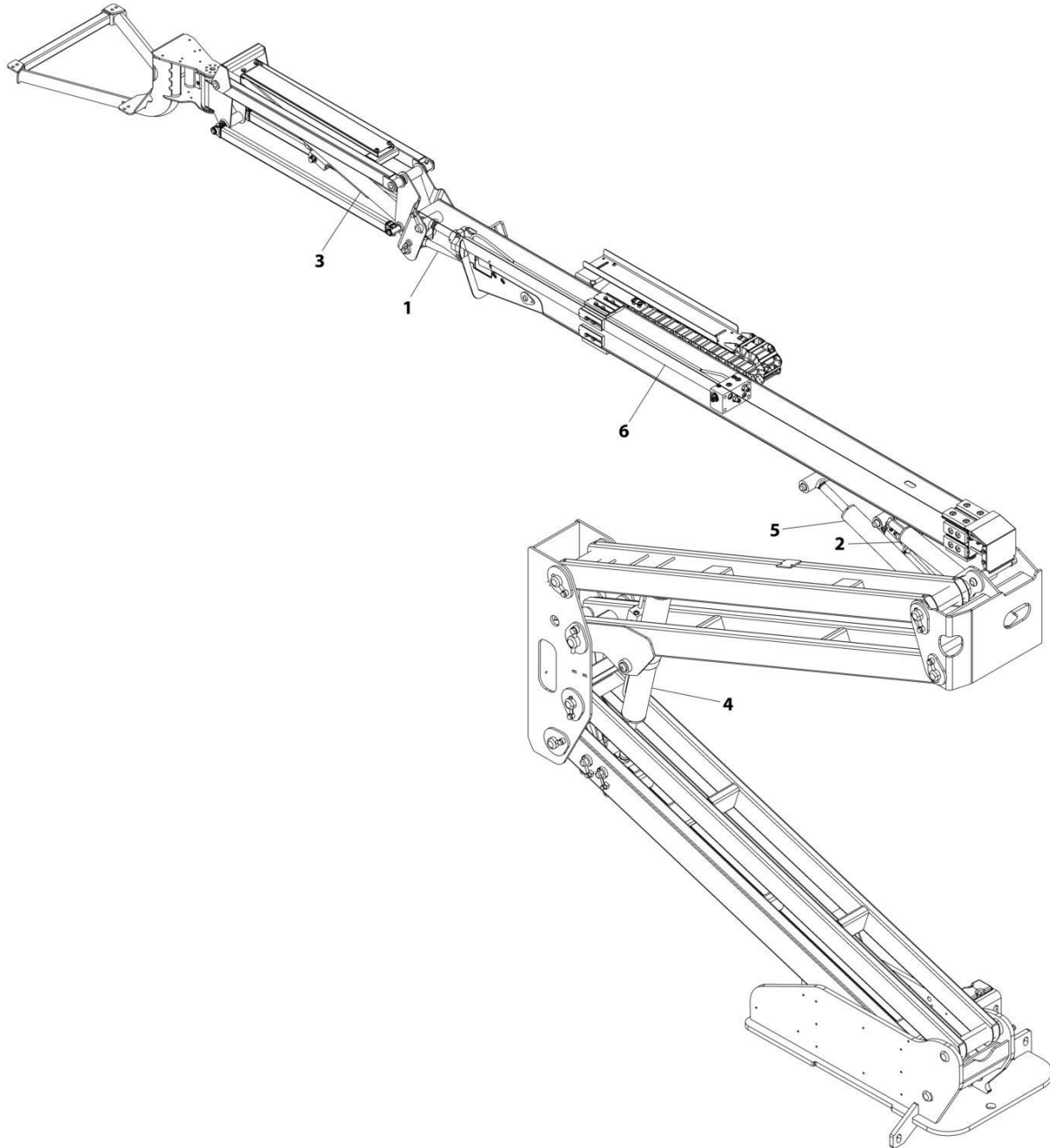
ART_1001215225_D

SECTION 4 - BOOM**FIGURE 4-1. CYLINDERS INSTALLATION (450A)**

ITEM	PART NUMBER	QTY	DESCRIPTION	REV
	1001215225	Ref	CYLINDERS INSTALLATION - 450A	D
2	1001161716	1	Level (Platform Slave) Cylinder Assembly (See Separate Breakdown in CYLINDER SECTION)	
100	1001219004	Ref	CYLINDER KIT INSTALLATION	C
101	1001254716	1	Lift Cylinder Assembly - Tower Boom (See Separate Breakdown in CYLINDER Section)	
102	1001161717	1	Master Cylinder Assembly (See Separate Breakdown in CYLINDER Section)	
103	1001266711	1	Telescope Cylinder Assembly (See Separate Breakdown in CYLINDER Section)	
104	1001266738	1	Lift Cylinder Assembly - Main Boom (See Separate Breakdown in CYLINDER Section)	

SECTION 4 - BOOM

FIGURE 4-2. CYLINDERS INSTALLATION – (MACHINES WITH SN STARTING WITH 03) (450AJ)



ART_1001273650_B

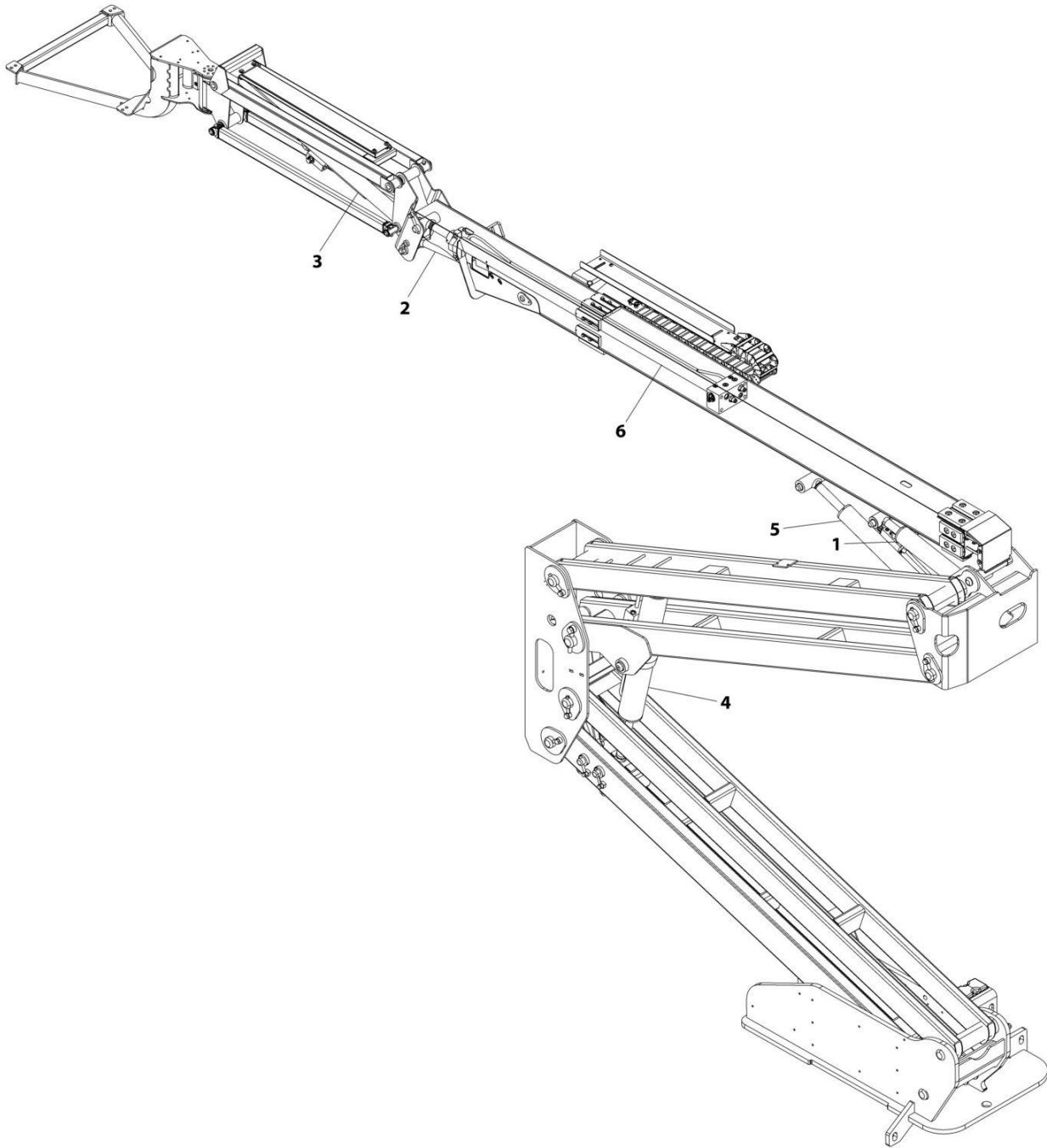
SECTION 4 - BOOM

FIGURE 4-2. CYLINDERS INSTALLATION – (MACHINES WITH SN STARTING WITH 03) (450AJ)

ITEM	PART NUMBER	QTY	DESCRIPTION	REV
	1001273650	Ref	CYLINDERS INSTALLATION	B
1	1001161716	1	Level (Platform Slave) Cylinder Assembly (See Separate Breakdown in CYLINDER Section)	
2	1001161717	1	Master Cylinder Assembly (See Separate Breakdown in CYLINDER Section)	
3	1001163767	1	Lift Cylinder Assembly - Jib (See Separate Breakdown in CYLINDER Section)	
4	1001254716	1	Lift Cylinder Assembly - Tower Boom (See Separate Breakdown in CYLINDER Section)	
5	1001254742	1	Lift Cylinder Assembly - Main Boom (See Separate Breakdown in CYLINDER Section)	
6	1001272671	1	Telescope Cylinder Assembly (See Separate Breakdown in CYLINDER Section)	

SECTION 4 - BOOM

FIGURE 4-3. CYLINDERS INSTALLATION – (MACHINES WITH SN STARTING WITH B3) (450AJ)



ART_1001280826_B

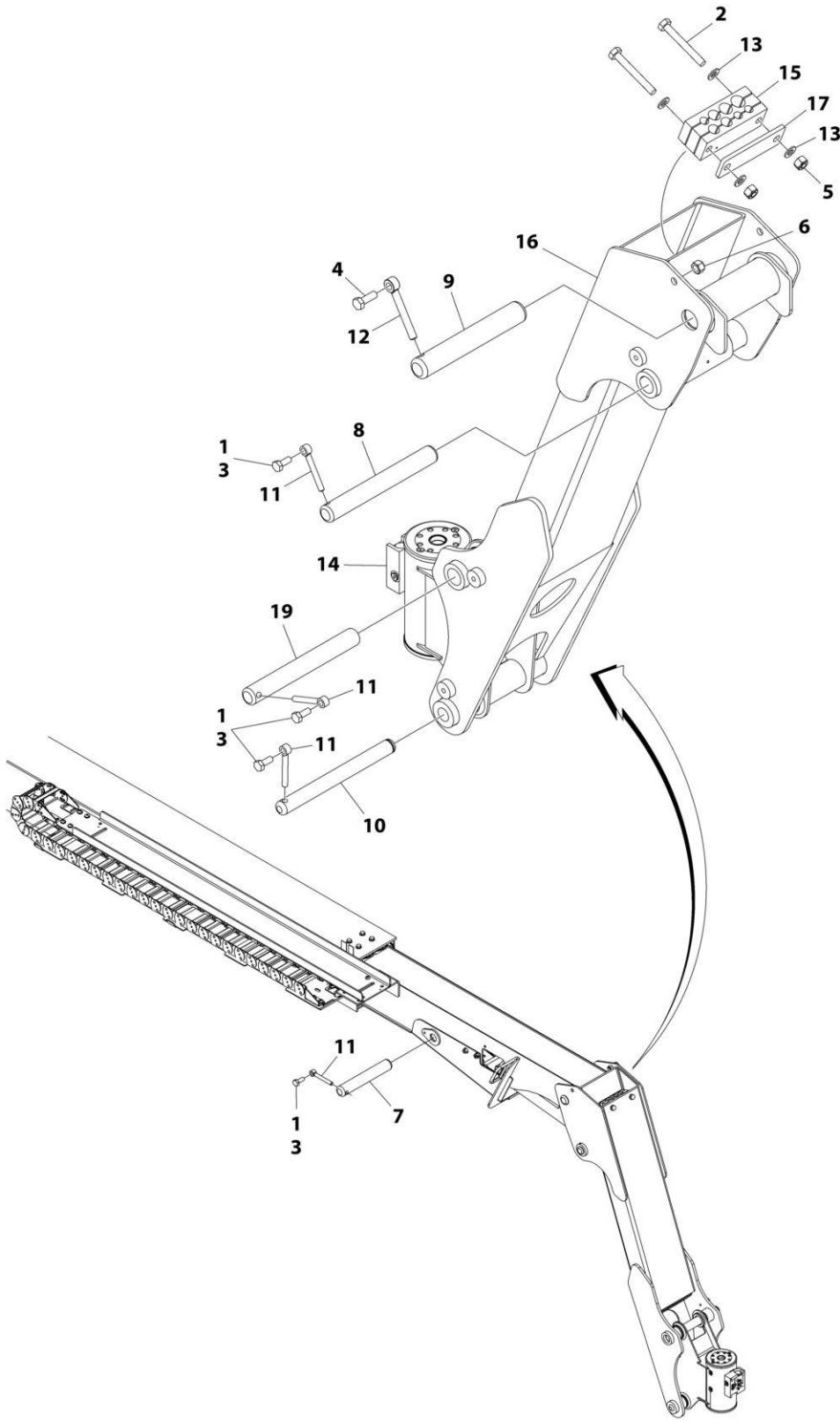
SECTION 4 - BOOM

FIGURE 4-3. CYLINDERS INSTALLATION – (MACHINES WITH SN STARTING WITH B3) (450AJ)

ITEM	PART NUMBER	QTY	DESCRIPTION	REV
	1001280826	Ref	CYLINDERS INSTALLATION	B
1	1001253628	1	Master Cylinder Assembly (See Separate Breakdown in CYLINDER Section)	
2	1001253629	1	Level (Platform Slave) Cylinder Assembly (See Separate Breakdown in CYLINDER Section)	
3	1001285271	1	Lift Cylinder Assembly - Jib (See Separate Breakdown in CYLINDER Section)	
4	1001254716	1	Lift Cylinder Assembly - Tower Boom (See Separate Breakdown in CYLINDER Section)	
5	1001254742	1	Lift Cylinder Assembly - Main Boom (See Separate Breakdown in CYLINDER Section)	
6	1001272671	1	Telescope Cylinder Assembly (See Separate Breakdown in CYLINDER Section)	

SECTION 4 - BOOM

FIGURE 4-4. BOOM INSTALLATION (450A)



ART_1001218940

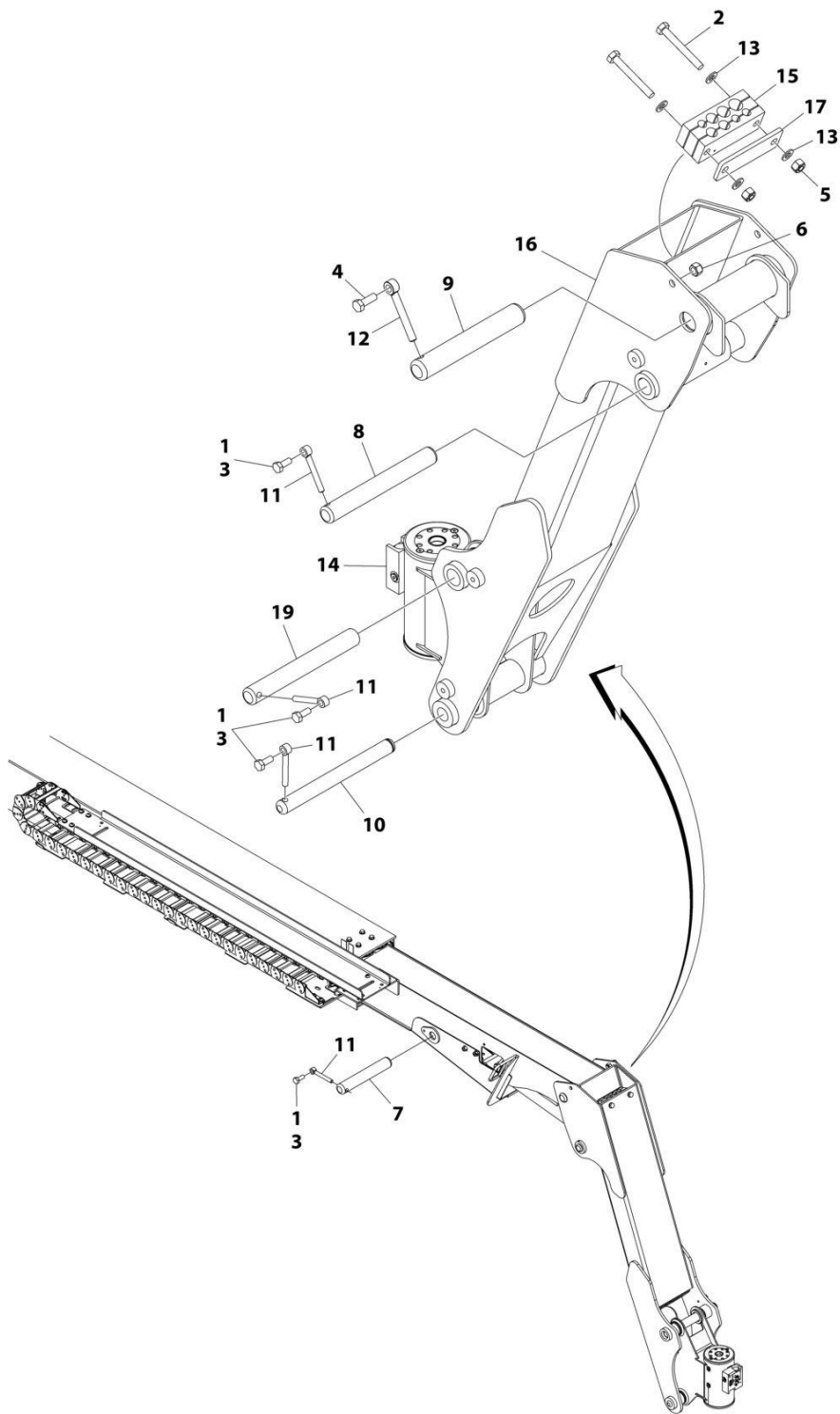
SECTION 4 - BOOM

FIGURE 4-4. BOOM INSTALLATION (450A)

ITEM	PART NUMBER	QTY	DESCRIPTION	REV
	1001218940	Ref	BOOM INSTALLATION - 450A	D
1	0100011	AR	Compound, Locking	
2	0761024	2	Bolt M10 x 80	
3	0761012	4	Bolt M10 x 25	
4	0761015	1	Bolt M10 x 35	
5	3291005	2	Nut M10 (Grade8)	
6	3291205	1	Nut M12 (Grade8)	
7	3422755	1	Pin	
8	3422792	1	Pin	
9	3422793	1	Pin	
10	3423105	1	Pin	
11	3841143	4	Keeper, Pin	
12	3841203	1	Keeper, Pin	
13	4812000	4	Washer M10	
14	1001217779	1	Rotator Assembly (See Separate Breakdown in this Section)	
15	1001273302	1	Block, Clamping	
16	1001215058	1	Link, Fixed Jib	
17	1001216639	1	Clamp	
19	3422790	1	Pin	
100	1001218943	Ref	BOOM INSTALLATION (Not Shown)	A
101	1001219001	1	Cables and Clamps Installation (Not Shown - See Separate Breakdown in ELECTRICAL Section)	
102	1001219003	1	Boom Installation Kit (Not Shown - See Separate Breakdown in this Section)	

SECTION 4 - BOOM

FIGURE 4-5. BOOM INSTALLATION (WITH AIRLINE) (450A)



ART_1001218941

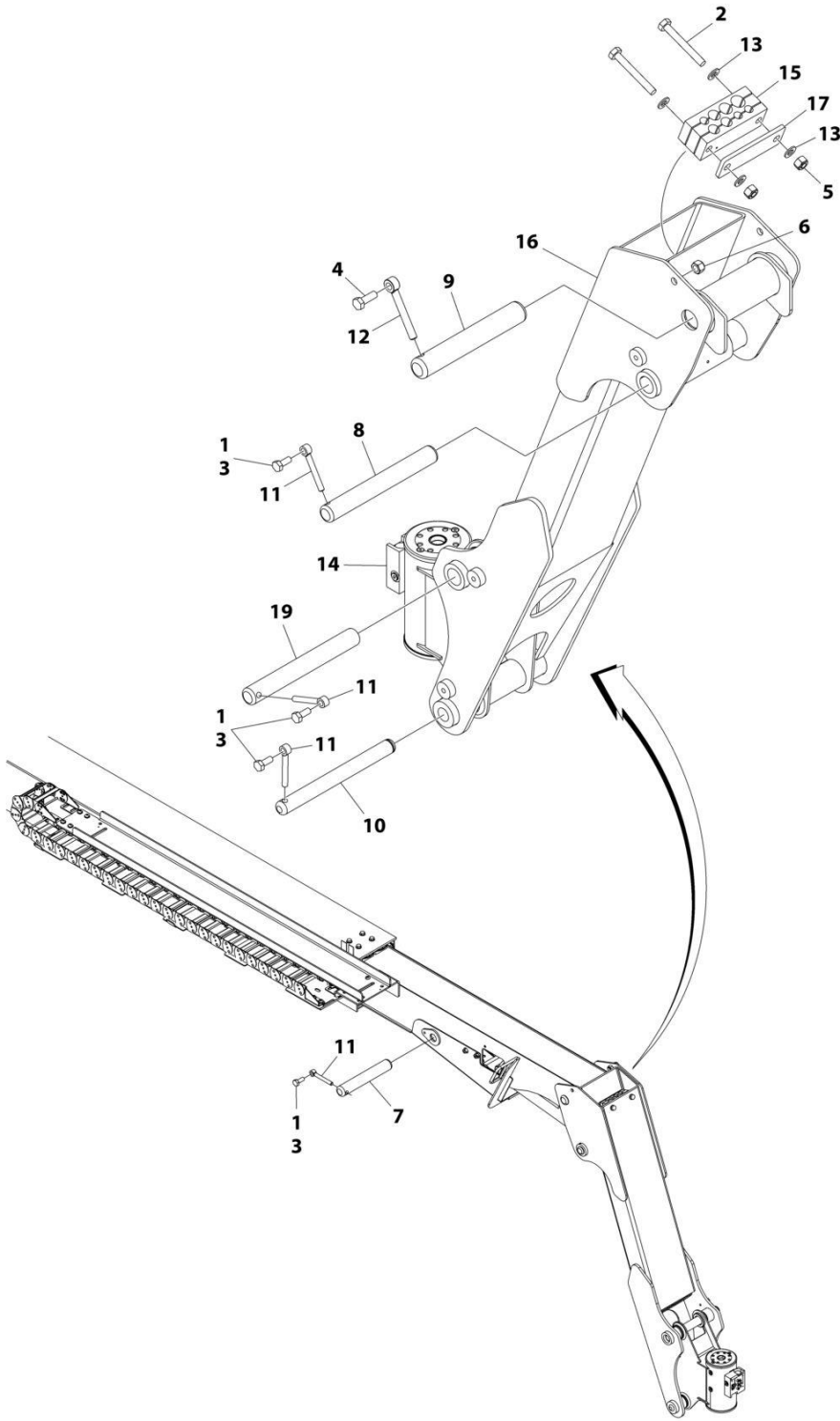
SECTION 4 - BOOM

FIGURE 4-5. BOOM INSTALLATION (WITH AIRLINE) (450A)

ITEM	PART NUMBER	QTY	DESCRIPTION	REV
	1001218941	Ref	BOOM INSTALLATION WITH AIRLINE- 450A	D
1	0100011	AR	Compound, Locking	
2	0761024	2	Bolt M10 x 80	
3	0761012	4	Bolt M10 x 25	
4	0761015	1	Bolt M10 x 35	
5	3291005	2	Nut M10 (Grade8)	
6	3291205	1	Nut M12 (Grade8)	
7	3422755	1	Pin	
8	3422792	1	Pin	
9	3422793	1	Pin	
10	3423105	1	Pin	
11	3841143	4	Keeper, Pin	
12	3841203	1	Keeper, Pin	
13	4812000	4	Washer M10	
14	1001217779	1	Rotator Assembly (See Separate Breakdown in this Section)	
15	1001273302	1	Block, Clamping	
16	1001215058	1	Link, Fixed Jib	
17	1001216639	1	Clamp	
19	3422790	1	Pin	
100	1001218946	Ref	BOOM INSTALLATION WITH AIRLINE (Not Shown)	A
101	1001219000	1	Airline Installation Kit (Not Shown - See SPECIAL OPTIONS)	
102	1001219001	1	Cables and Clamps Installation (Not Shown - See Separate Breakdown in ELECTRICAL Section)	
103	1001219003	1	Boom Installation Kit (Not Shown - See Separate Breakdown in this Section)	

SECTION 4 - BOOM

FIGURE 4-6. BOOM INSTALLATION (WITH SKYPOWER AND AIRLINE) (450A)



ART_1001218942

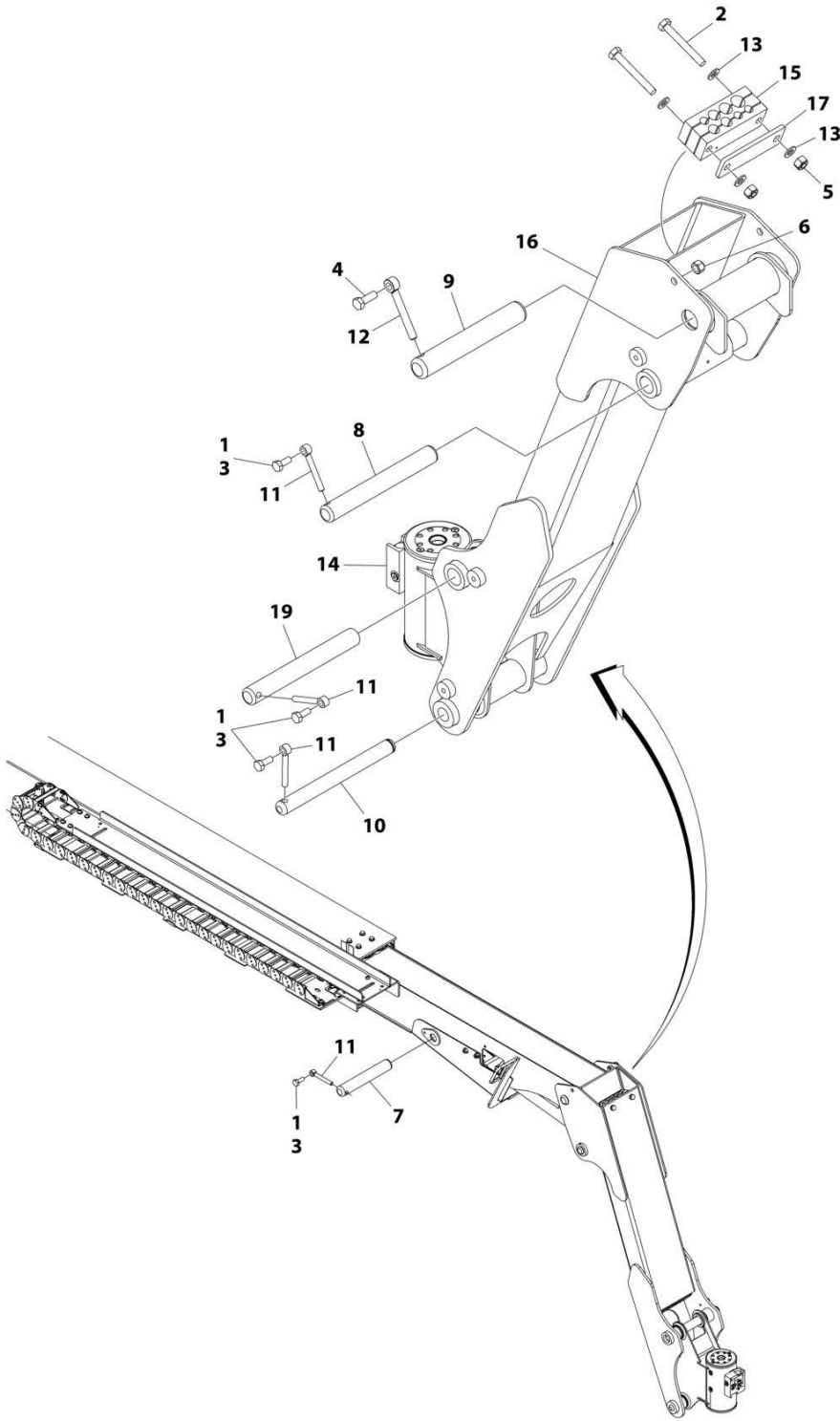
SECTION 4 - BOOM

FIGURE 4-6. BOOM INSTALLATION (WITH SKYPOWER AND AIRLINE) (450A)

ITEM	PART NUMBER	QTY	DESCRIPTION	REV
	1001218942	Ref	BOOM INSTALLATION WITH SKYPOWER AND AIRLINE- 450A	D
1	0100011	AR	Compound, Locking	
2	0761024	2	Bolt M10 x 80	
3	0761012	4	Bolt M10 x 25	
4	0761015	1	Bolt M10 x 35	
5	3291005	2	Nut M10 (Grade8)	
6	3291205	1	Nut M12 (Grade8)	
7	3422755	1	Pin	
8	3422792	1	Pin	
9	3422793	1	Pin	
10	3423105	1	Pin	
11	3841143	4	Keeper, Pin	
12	3841203	1	Keeper, Pin	
13	4812000	4	Washer M10	
14	1001217779	1	Rotator Assembly (See Separate Breakdown in this Section)	
15	1001273302	1	Block, Clamping	
16	1001215058	1	Link, Fixed Jib	
17	1001216639	1	Clamp	
19	3422790	1	Pin	
100	1001218947	Ref	BOOM INSTALLATION WITH AIRLINE (Not Shown)	A
101	1001219000	1	Airline Installation Kit (Not Shown - See SPECIAL OPTIONS)	
102	1001219002	1	Boom Installation Kit (Not Shown - See Separate Breakdown in this Section)	
103	1001219003	1	Boom Installation Kit (Not Shown - See Separate Breakdown in this Section)	

SECTION 4 - BOOM

FIGURE 4-7. BOOM INSTALLATION (WITH SKYPOWER) (450A)



ART_1001235055

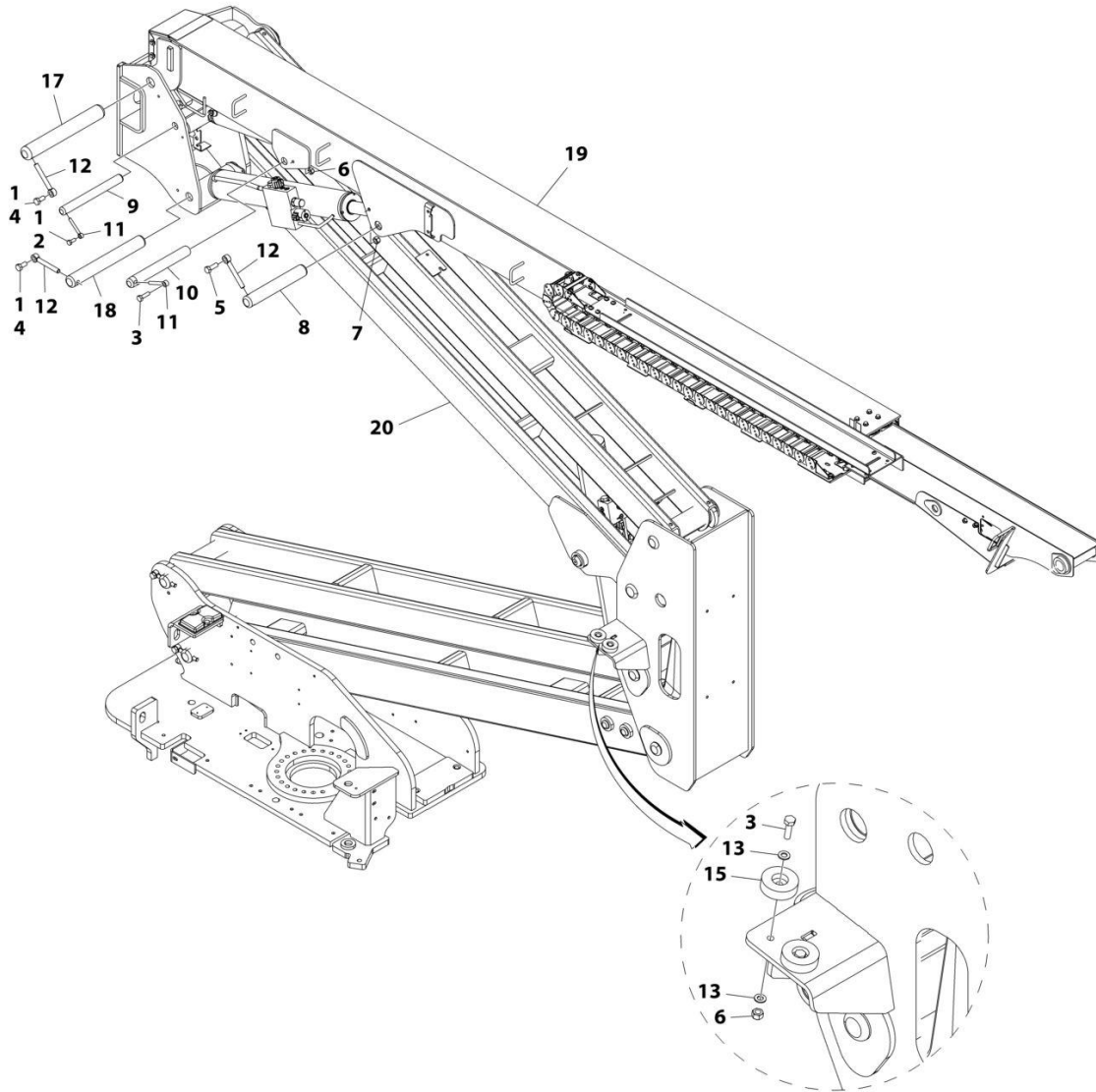
SECTION 4 - BOOM

FIGURE 4-7. BOOM INSTALLATION (WITH SKYPOWER) (450A)

ITEM	PART NUMBER	QTY	DESCRIPTION	REV
	1001235055	Ref	BOOM INSTALLATION WITH SKYPOWER	B
1	0100011	AR	Compound, Locking	
2	0761024	2	Bolt M10 x 80	
3	0761012	4	Bolt M10 x 25	
4	0761015	1	Bolt M10 x 35	
5	3291005	2	Nut M10 (Grade8)	
6	3291205	1	Nut M12 (Grade8)	
7	3422755	1	Pin	
8	3422792	1	Pin	
9	3422793	1	Pin	
10	3423105	1	Pin	
11	3841143	4	Keeper, Pin	
12	3841203	1	Keeper, Pin	
13	4812000	4	Washer M10	
14	1001217779	1	Rotator Assembly (See Separate Breakdown in this Section)	
15	1001273302	1	Block, Clamping	
16	1001215058	1	Link, Fixed Jib	
17	1001216639	1	Clamp	
19	3422790	1	Pin	
100	1001235053	Ref	BOOM INSTALLATION WITH AIRLINE (Not Shown)	A
101	1001219002	1	Cables and Clamps Installation (Not Shown - See Separate Breakdown in ELECTRICAL Section)	
102	1001219003	1	Boom Installation Kit (Not Shown - See Separate Breakdown in this Section)	

SECTION 4 - BOOM

FIGURE 4-8. BOOM INSTALLATION KIT (450A)



ART_1001219003

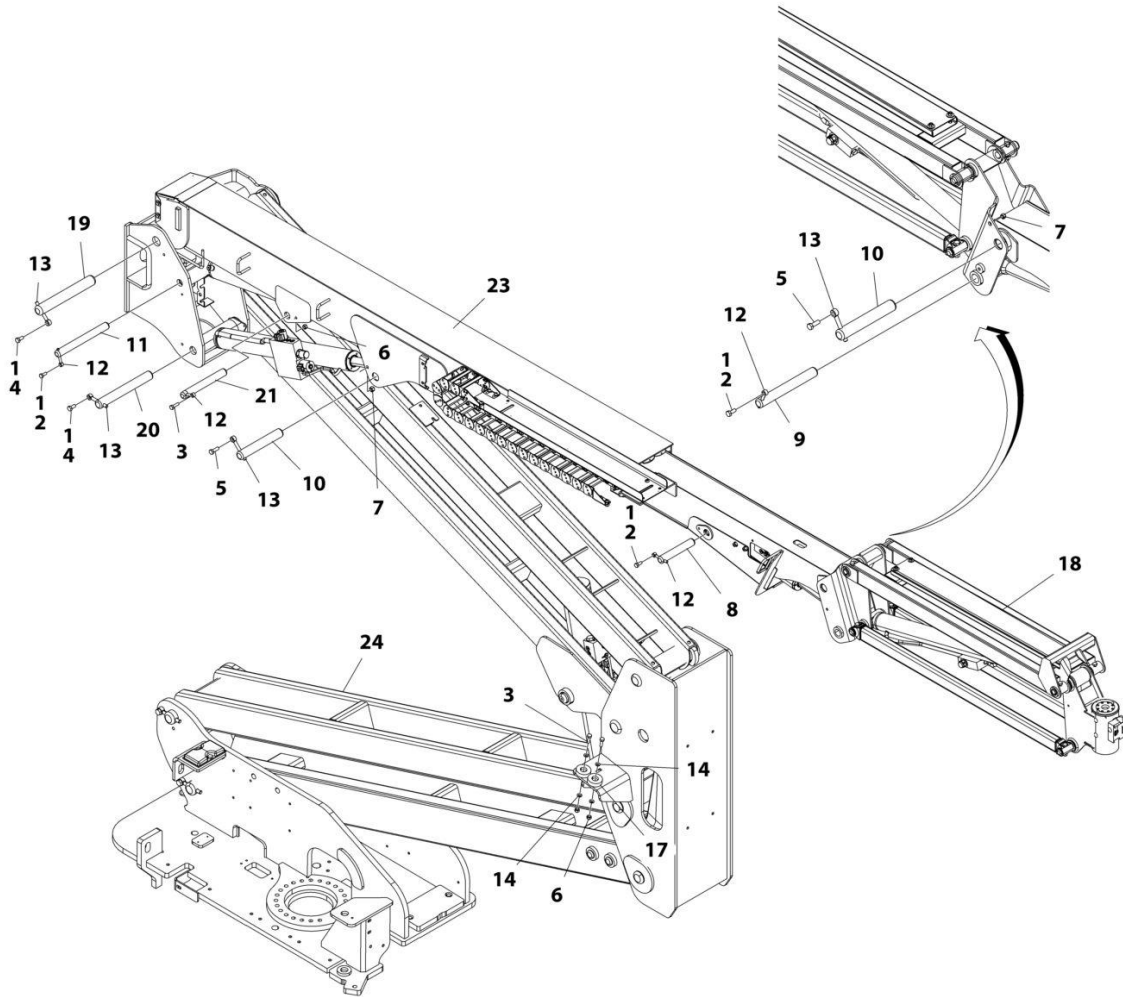
SECTION 4 - BOOM

FIGURE 4-8. BOOM INSTALLATION KIT (450A)

ITEM	PART NUMBER	QTY	DESCRIPTION	REV
	1001219003	Ref	BOOM INSTALLATION KIT - 450A	C
1	0100011	AR	Compound, Locking	
2	0761012	1	Bolt M10 x 25	
3	0761015	3	Bolt M10 x 35	
4	0761212	2	Bolt M12 x 25	
5	0761215	1	Bolt M12 x 35	
6	3291005	3	Nut M10 (Grade8)	
7	3291205	2	Nut M12 (Grade8)	
8	3422793	2	Pin	
9	3422806	1	Pin	
10	3423038	1	Pin	
11	3841143	2	Keeper, Pin	
12	3841203	3	Keeper, Pin	
13	4812000	4	Washer M10	
14	5251010	2	Bolt M10 x 25	
15	1001112607	2	Block, Boom Rest	
16	1001162535	1	Upright Valve Assembly (Not Shown - See Separate Breakdown in this Section)	
17	1001169246	1	Pin	
18	1001169247	1	Pin	
19	1001179626	1	Main Boom Assembly (See Separate Breakdown in this Section)	
20	1001180006	1	Tower Boom Assembly (See Separate Breakdown in this Section)	
200	1001219004	1	Cylinder Installation (Not Shown - See 450A Cylinders Installation in this Section)	

SECTION 4 - BOOM

FIGURE 4-9. BOOM INSTALLATION (450AJ)



ART_1001180872

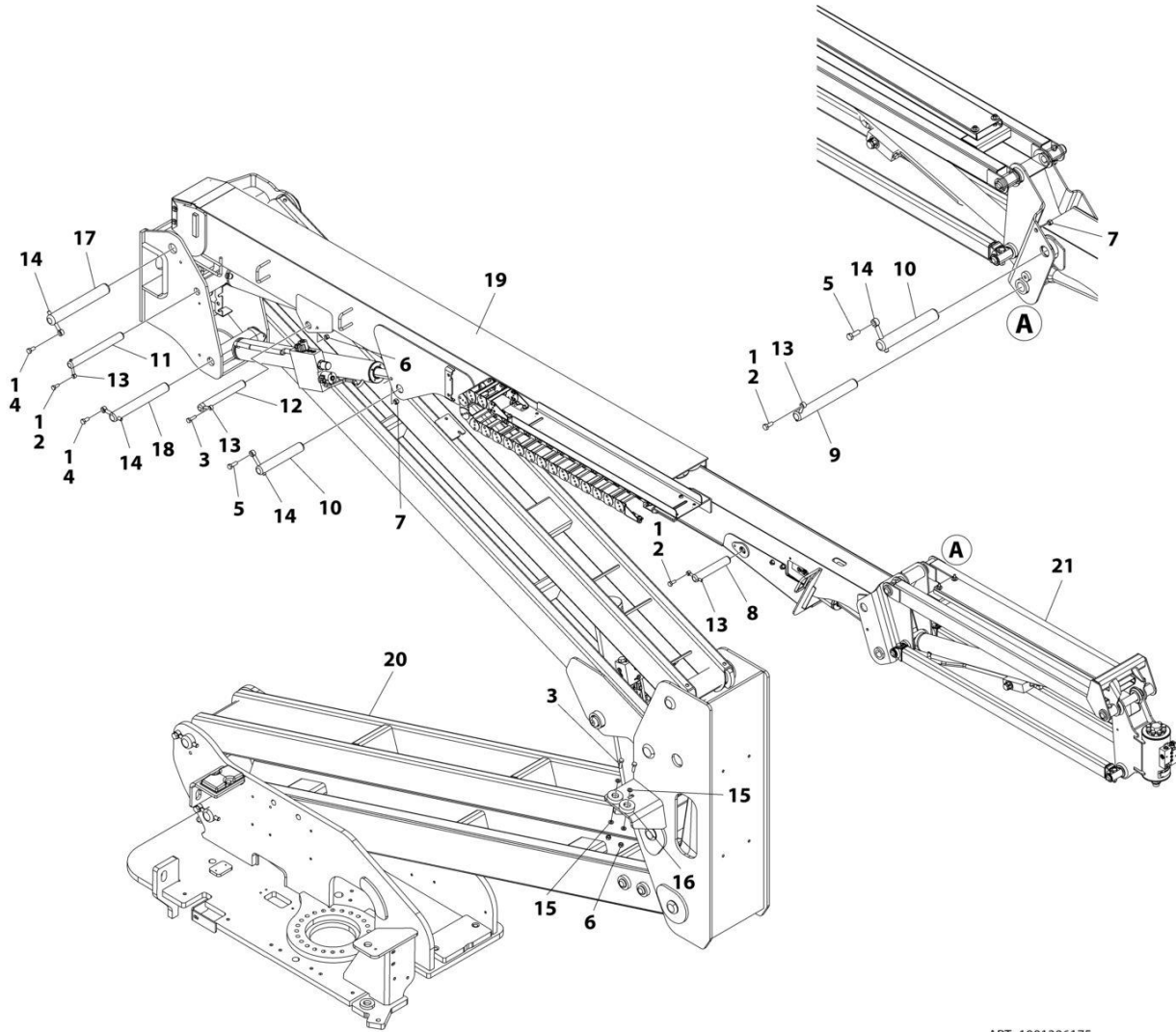
SECTION 4 - BOOM

FIGURE 4-9. BOOM INSTALLATION (450AJ)

ITEM	PART NUMBER	QTY	DESCRIPTION	REV
	1001180872	Ref	BOOM INSTALLATION - 450AJ	D
1	0100011	AR	Compound, Locking	
2	0761012	3	Bolt M10 x 25	
3	0761015	3	Bolt M10 x 35	
4	0761212	2	Bolt M12 x 25	
5	0761215	2	Bolt M12 x 35	
6	3291005	3	Nut M10 (Grade8)	
7	3291205	2	Nut M12 (Grade8)	
8	3422755	1	Pin	
9	3422792	1	Pin	
10	3422793	2	Pin	
11	3422806	1	Pin	
12	3841143	4	Keeper, Pin	
13	3841203	4	Keeper, Pin	
14	4812000	4	Washer M10	
17	1001112607	2	Block, Boom Rest	
18	1001164016	1	Jib Installation (See Separate Breakdown in this Section)	
19	1001169246	1	Pin	
20	1001169247	1	Pin	
21	3423038	1	Pin	
23	1001178636	1	Main Boom Assembly (See Separate Breakdown in this Section)	
24	1001180004	1	Tower Boom Assembly (See Separate Breakdown in this Section)	

SECTION 4 - BOOM

FIGURE 4-10. BOOM INSTALLATION - (MACHINES WITH SN STARTING WITH B3) (SN B300025420 to Present, SN B300025365 through B300025366, Including B300025149, B300025186, B300025200, B300025351 and B300025380)



ART_1001306175

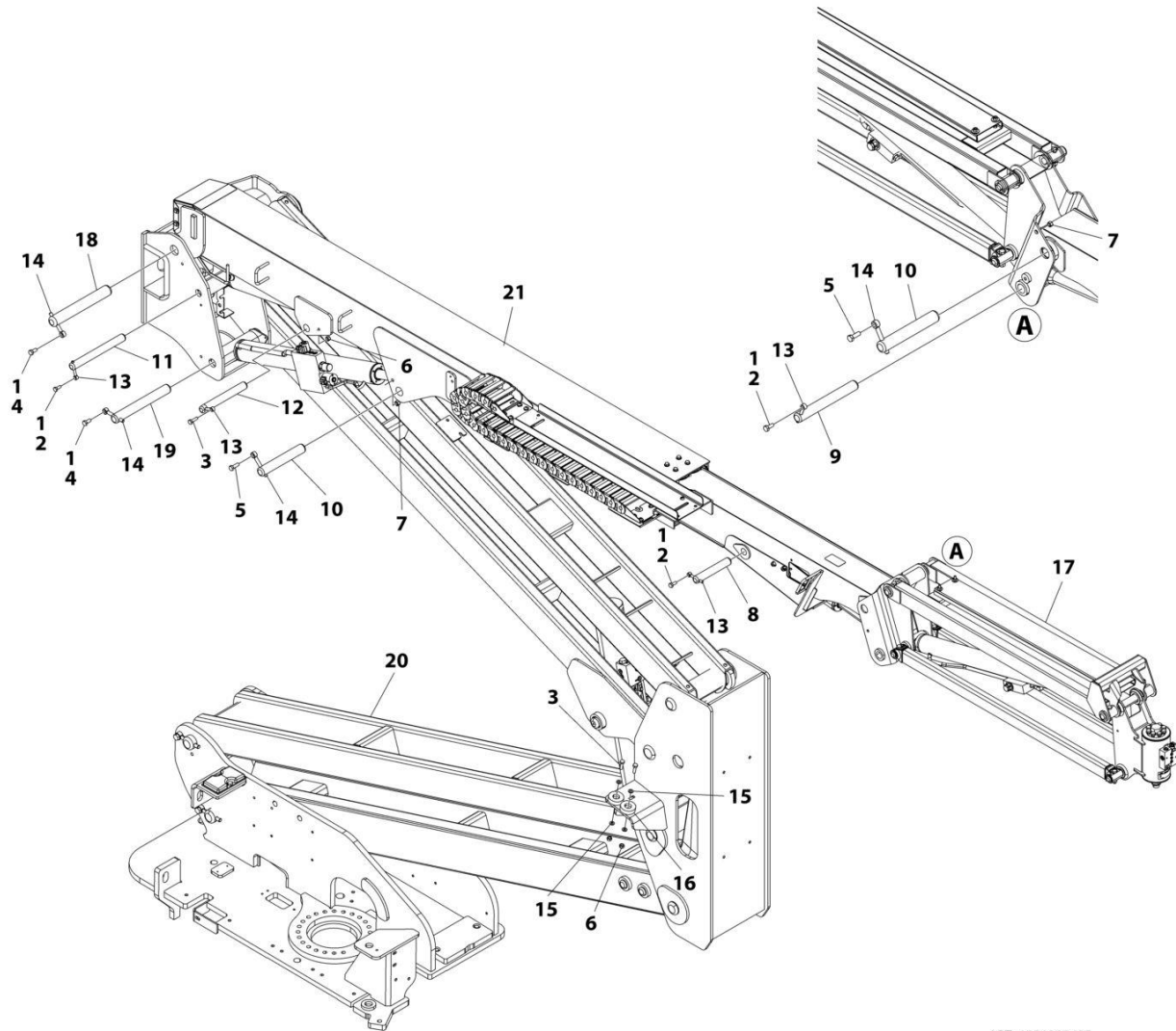
SECTION 4 - BOOM

FIGURE 4-10. BOOM INSTALLATION - (MACHINES WITH SN STARTING WITH B3) (SN B300025420 to Present, SN B300025365 through B300025366, Including B300025149, B300025186, B300025200, B300025351 and B300025380)

ITEM	PART NUMBER	QTY	DESCRIPTION	REV
	1001306175	Ref	BOOM INSTALLATION	A
1	0100011	AR	Compound, Locking	
2	0761012	3	Bolt M10 x 25	
3	0761015	3	Bolt M10 x 35	
4	0761212	2	Bolt M12 x 25	
5	0761215	2	Bolt M12 x 35	
6	3291005	3	Nut M10	
7	3291205	2	Nut M12	
8	3422755	1	Pin	
9	3422792	1	Pin	
10	3422793	2	Pin	
11	3422806	1	Pin	
12	3423038	1	Pin	
13	3841143	4	Keeper, Pin	
14	3841203	4	Keeper, Pin	
15	4812000	4	Washer M10	
16	1001112607	2	Block, Boom Rest	
17	1001169246	1	Pin	
18	1001169247	1	Pin	
19	1001178636	1	Main Boom Assembly (See Separate Breakdown in this Section)	
20	1001180004	1	Tower Boom Assembly (See Separate Breakdown in this Section)	
21	1001306174	1	Jib Installation (See Separate Breakdown in this Section)	

SECTION 4 - BOOM

**FIGURE 4-11. BOOM INSTALLATION - (MACHINES WITH SN STARTING WITH B3) (CHINEESE SPEC)
(SN B300025420 to Present, SN B300025365 through B300025366, Including B300025149,
B300025186, B300025200, B300025351 and B300025380)**



ART_1001302435

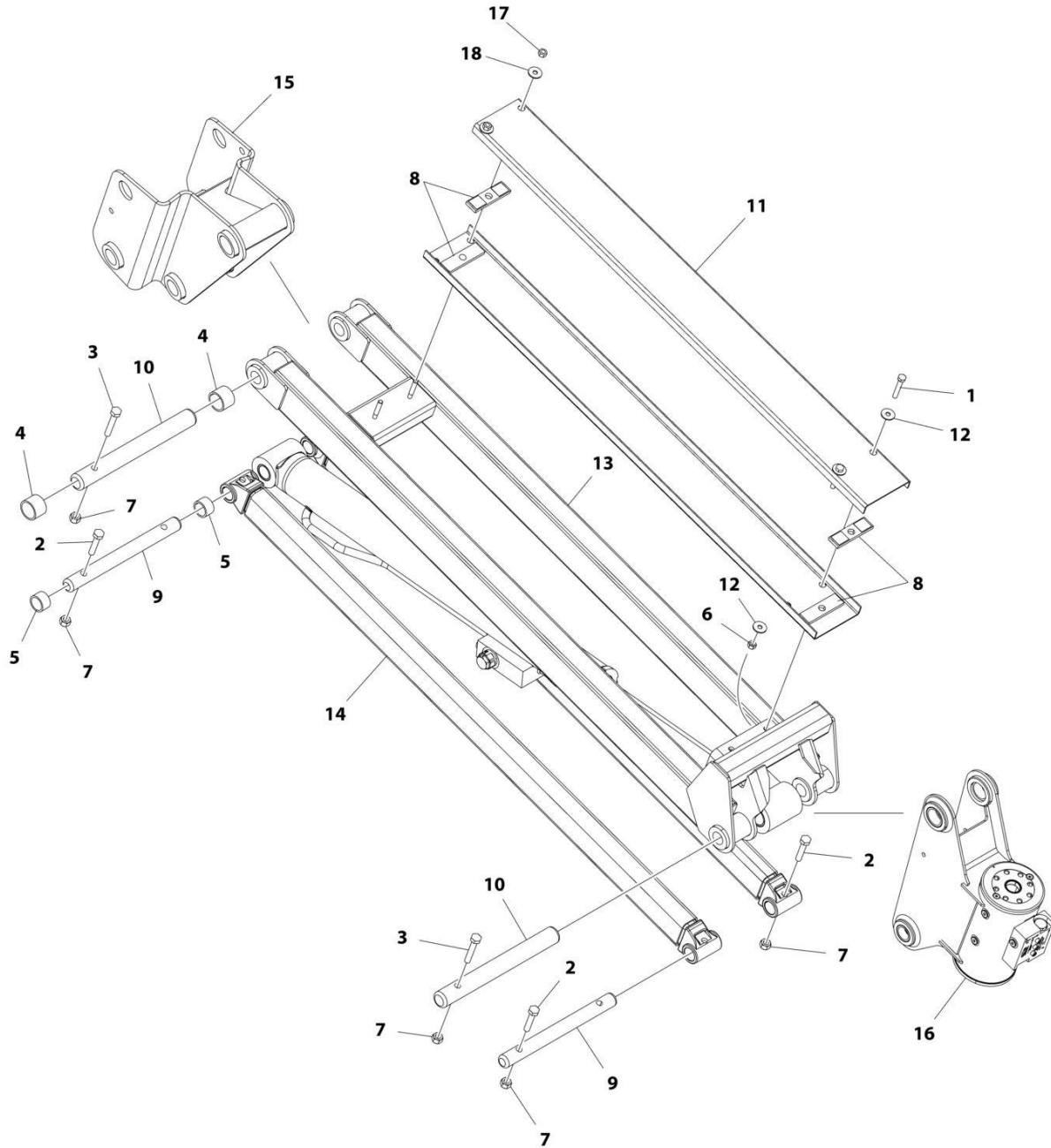
SECTION 4 - BOOM

**FIGURE 4-11. BOOM INSTALLATION - (MACHINES WITH SN STARTING WITH B3) (CHINEESE SPEC)
(SN B300025420 to Present, SN B300025365 through B300025366, Including B300025149,
B300025186, B300025200, B300025351 and B300025380)**

ITEM	PART NUMBER	QTY	DESCRIPTION	REV
	1001302435	Ref	BOOM INSTALLATION	B
1	0100011	AR	Compound, Locking	
2	0761012	3	Bolt M10 x 25	
3	0761015	3	Bolt M10 x 35	
4	0761212	2	Bolt M12 x 25	
5	0761215	2	Bolt M12 x 35	
6	3291005	3	Nut M10	
7	3291205	2	Nut M12	
8	3422755	1	Pin	
9	3422792	1	Pin	
10	3422793	2	Pin	
11	3422806	1	Pin	
12	3423038	1	Pin	
13	3841143	4	Keeper, Pin	
14	3841203	4	Keeper, Pin	
15	4812000	4	Washer M10	
16	1001112607	2	Block, Boom Rest	
17	1001306174	1	Jib Installation (See Separate Breakdown in this Section)	
18	1001169246	1	Pin	
19	1001169247	1	Pin	
20	1001180004	1	Tower Boom Assembly (See Separate Breakdown in this Section)	
21	1001302763	1	Main Boom Assembly (See Separate Breakdown in this Section)	

SECTION 4 - BOOM

FIGURE 4-12. JIB INSTALLATION - (MACHINES WITH SN STARTING WITH 03) (450AJ)



ART_1001164016_E

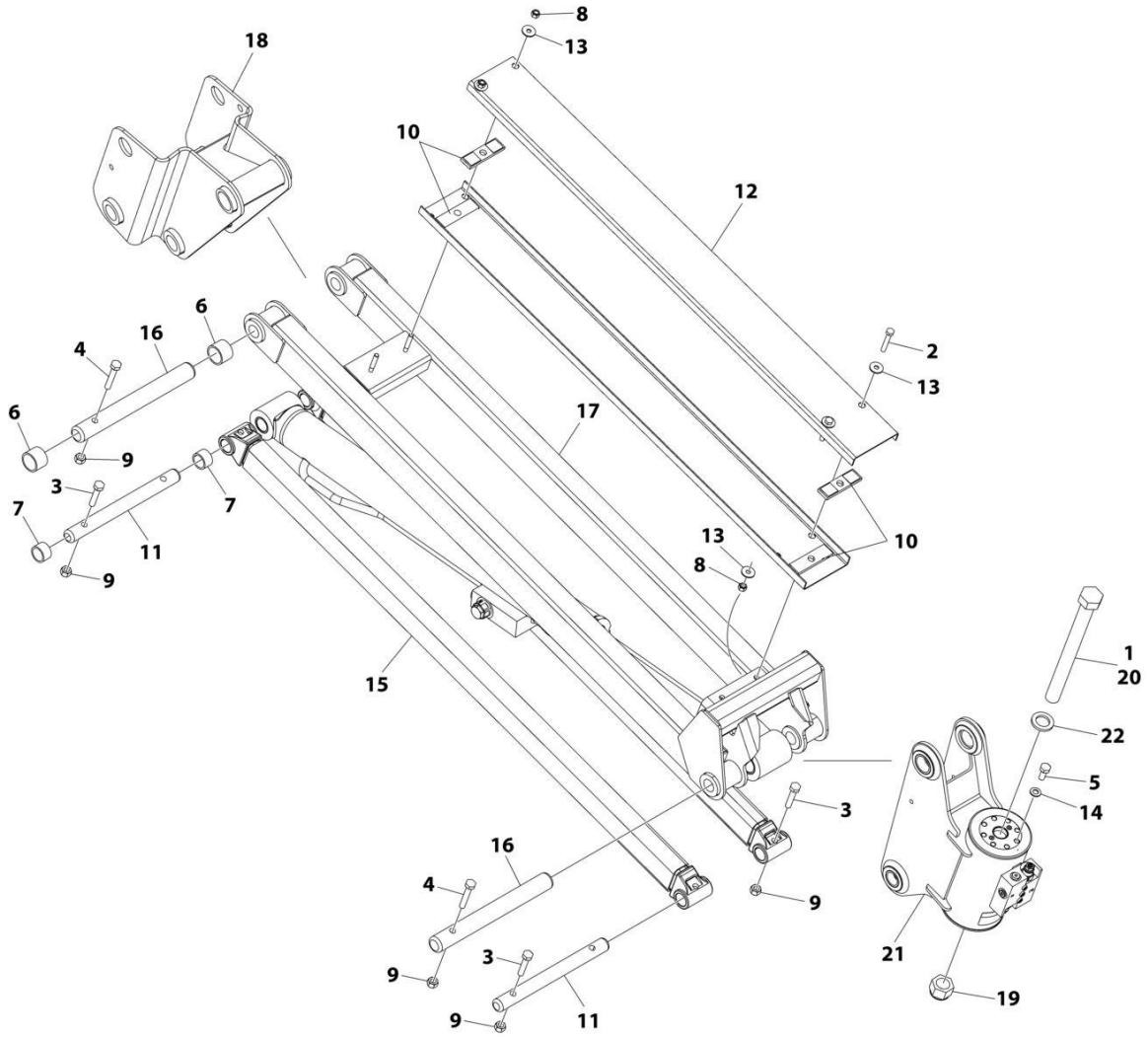
SECTION 4 - BOOM

FIGURE 4-12. JIB INSTALLATION - (MACHINES WITH SN STARTING WITH 03) (450AJ)

ITEM	PART NUMBER	QTY	DESCRIPTION	REV
	1001164016	Ref	JIB INSTALLATION	E
1	0700820	2	Bolt M8 x 60	
2	0701019	4	Bolt M10 x 55	
3	0701020	2	Bolt M10 x 60	
4	0961951	2	Bushing	
5	0962292	2	Bearing	
6	3290805	2	Nut M8	
7	3291005	6	Nut M10	
8	3340860	4	Pad, Rubber	
9	3422791	2	Pin	
10	3422794	2	Pin	
11	3572551	2	Channel	
12	4811902	4	Washer M8	
13	4846278	1	Link (Upper)	
14	1001094670	2	Link (Lower)	
15	1001163937	1	Pivot	
16	1001217779	1	Rotator Assembly (See Separate Breakdown in this Section)	
17	3311501	2	Nut 5/16	
18	4751500	2	Washer 5/16	

SECTION 4 - BOOM

FIGURE 4-13. JIB INSTALLATION - (MACHINES WITH SN STARTING WITH B3)



ART_1001306174

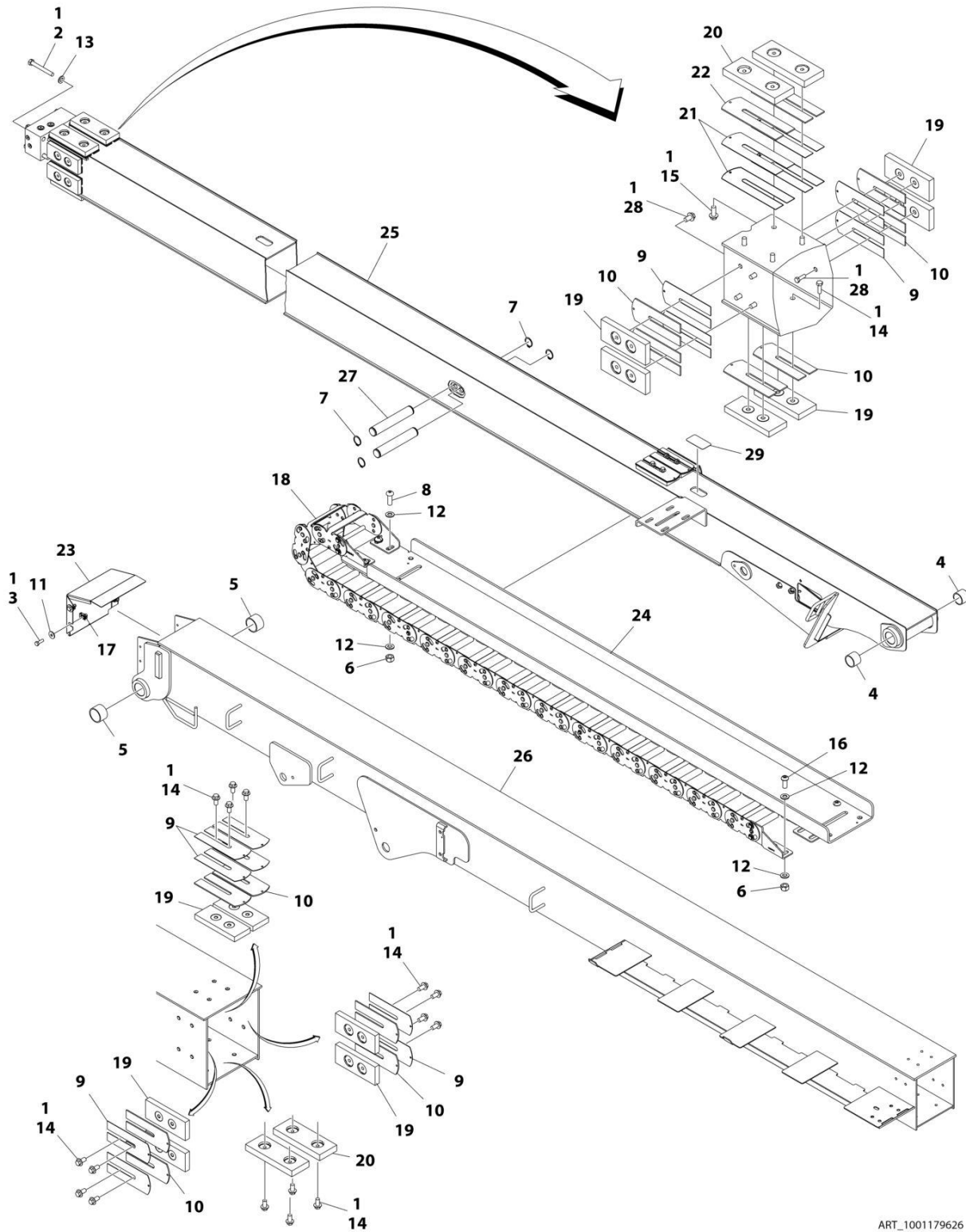
SECTION 4 - BOOM

FIGURE 4-13. JIB INSTALLATION - (MACHINES WITH SN STARTING WITH B3)

ITEM	PART NUMBER	QTY	DESCRIPTION	REV
	1001306174	Ref	JIB INSTALLATION	A
1	0100011	AR	Compound, Locking	
2	0700820	2	Bolt M8 x 60	
3	0701019	4	Bolt M10 x 55	
4	0701020	2	Bolt M10 x 60	
5	0771012	8	Bolt M10 x 25	
6	0961951	2	Bushing	
7	0962292	2	Bearing	
8	3290805	4	Nut M8	
9	3291005	6	Nut M10	
10	3340860	4	Pad	
11	3422791	2	Pin	
12	3572551	2	Channel	
13	4811902	6	Washer M8	
14	4812000	8	Washer M10	
15	1001094670	2	Link (Lower)	
16	1001116550	2	Pin	
17	1001118482	1	Link (Upper)	
18	1001163937	1	Pivot	
19	1001174040	1	Nut	
20	1001255133	1	Bolt	
21	1001289219	1	Actuator (See Separate Breakdown in this Section)	
22	4892600001	1	Washer	

SECTION 4 - BOOM

FIGURE 4-14. MAIN BOOM ASSEMBLY (450A)



ART_1001179626

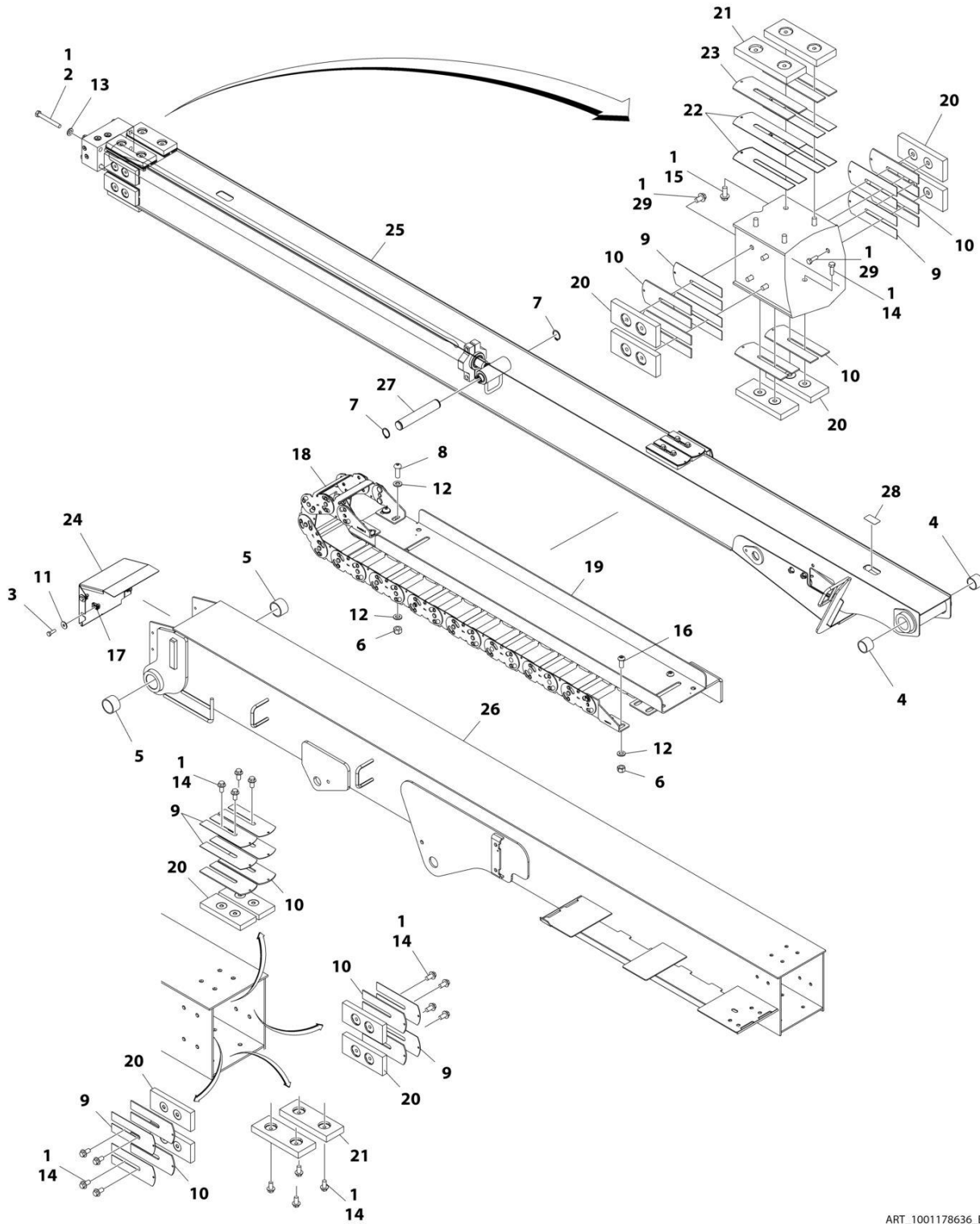
SECTION 4 - BOOM

FIGURE 4-14. MAIN BOOM ASSEMBLY (450A)

ITEM	PART NUMBER	QTY	DESCRIPTION	REV
	1001179626	Ref	MAIN BOOM ASSEMBLY	D
1	0100011	AR	Compound, Locking	
2	0711227	4	Bolt M12 x 100	
3	0760812	4	Bolt M8 x 25	
4	0961948	2	Bearing	
5	0961949	2	Bearing	
6	3291005	10	Nut M10	
7	3760351	4	Ring, Retaining	
8	3900351	4	Screw M10 x 30	
9	4070897	12	Shim	
10	4070898	12	Shim	
11	4811902	4	Washer M8	
12	4812000	18	Washer M10	
13	5241200	4	Washer M12 Hardened	
14	5251010	20	Bolt M10 x 20	
15	5251012	4	Bolt M10 x 25	
16	8310668	6	Screw M10 x 25 Grade 10.9	
17	1001118274	4	Nut M8	
18	1001224894	1	Powertrack Assembly	
18	70006256	1	Link, Repair	
18	70006272	1	Feet, Mounting	
19	1001169304	12	Pad, Wear	
20	1001169305	4	Pad, Wear	
21	1001169402	4	Shim	
22	1001169403	2	Shim	
23	1001170226	1	Cover, Boom End	
24	1001170334	1	Tube, Carrier	
25	1001178554	1	Fly, Boom	
26	1001178555	1	Base, Boom	
27	1001180541	2	Pin	
28	5251009	8	Bolt M10 x 18	
29	1670836	1	Cover	

SECTION 4 - BOOM

FIGURE 4-15. MAIN BOOM ASSEMBLY (450AJ)



ART_1001178636_E

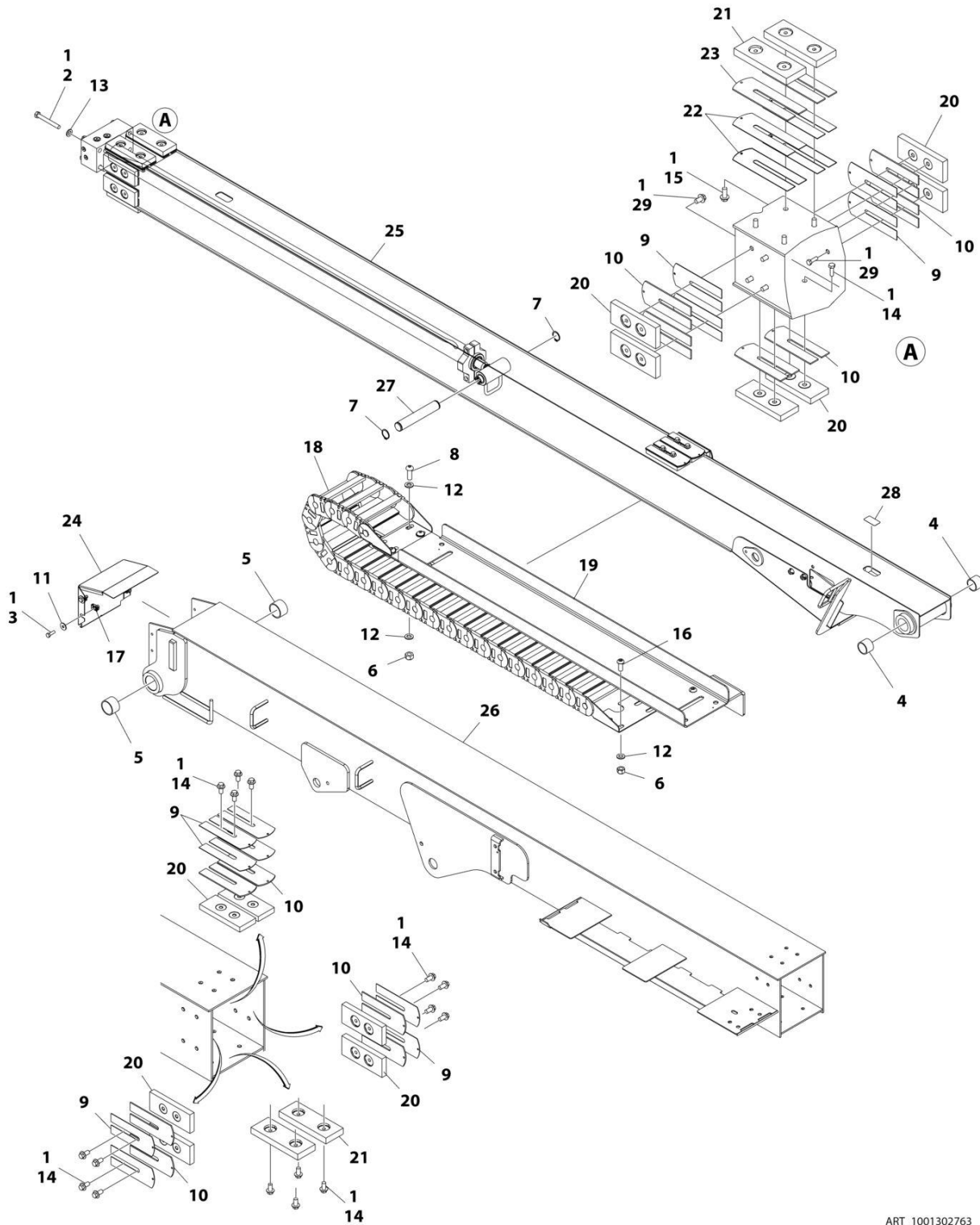
SECTION 4 - BOOM

FIGURE 4-15. MAIN BOOM ASSEMBLY (450AJ)

ITEM	PART NUMBER	QTY	DESCRIPTION	REV
	1001178636	Ref	MAIN BOOM ASSEMBLY	E
1	0100011	AR	Compound, Locking	
2	0711227	4	Bolt M12 x 100	
3	0760812	4	Bolt M8 x 25	
4	0961948	2	Bearing	
5	0961949	2	Bearing	
6	3291005	10	Nut M10	
7	3760115	2	Ring, Retaining	
8	3900351	4	Screw M10 x 30	
9	4070897	12	Shim	
10	4070898	12	Shim	
11	4811902	4	Washer M8	
12	4812000	18	Washer M10	
13	5241200	4	Washer M12	
14	5251010	20	Bolt M10 x 20	
15	5251012	4	Bolt M10 x 25	
16	8310668	6	Screw M10 x 25	
17	1001118274	4	Nut M8	
18	1001224889	1	Powertrack Assembly	
18	70006256	1	Link, Repair	
18	70006271	1	Feet, Mounting	
19	1001166651	1	Tube, Carrier	
20	1001169304	12	Pad, Wear	
21	1001169305	4	Pad, Wear	
22	1001169402	4	Shim	
23	1001169403	2	Shim	
24	1001170226	1	Cover, Boom End	
25	1001177896	1	Fly, Boom	
26	1001177897	1	Base, Boom	
27	1001180540	1	Pin	
28	1670836	1	Cover	
29	5251009	8	Bolt M10 x 18	

SECTION 4 - BOOM

FIGURE 4-16. MAIN BOOM ASSEMBLY - (MACHINES WITH SN STARTING WITH B3) (CHINEESE SPEC) (SN B300025420 to Present, SN B300025365 through B300025366, Including B300025149, B300025186, B300025200, B300025351 and B300025380)



ART_1001302763

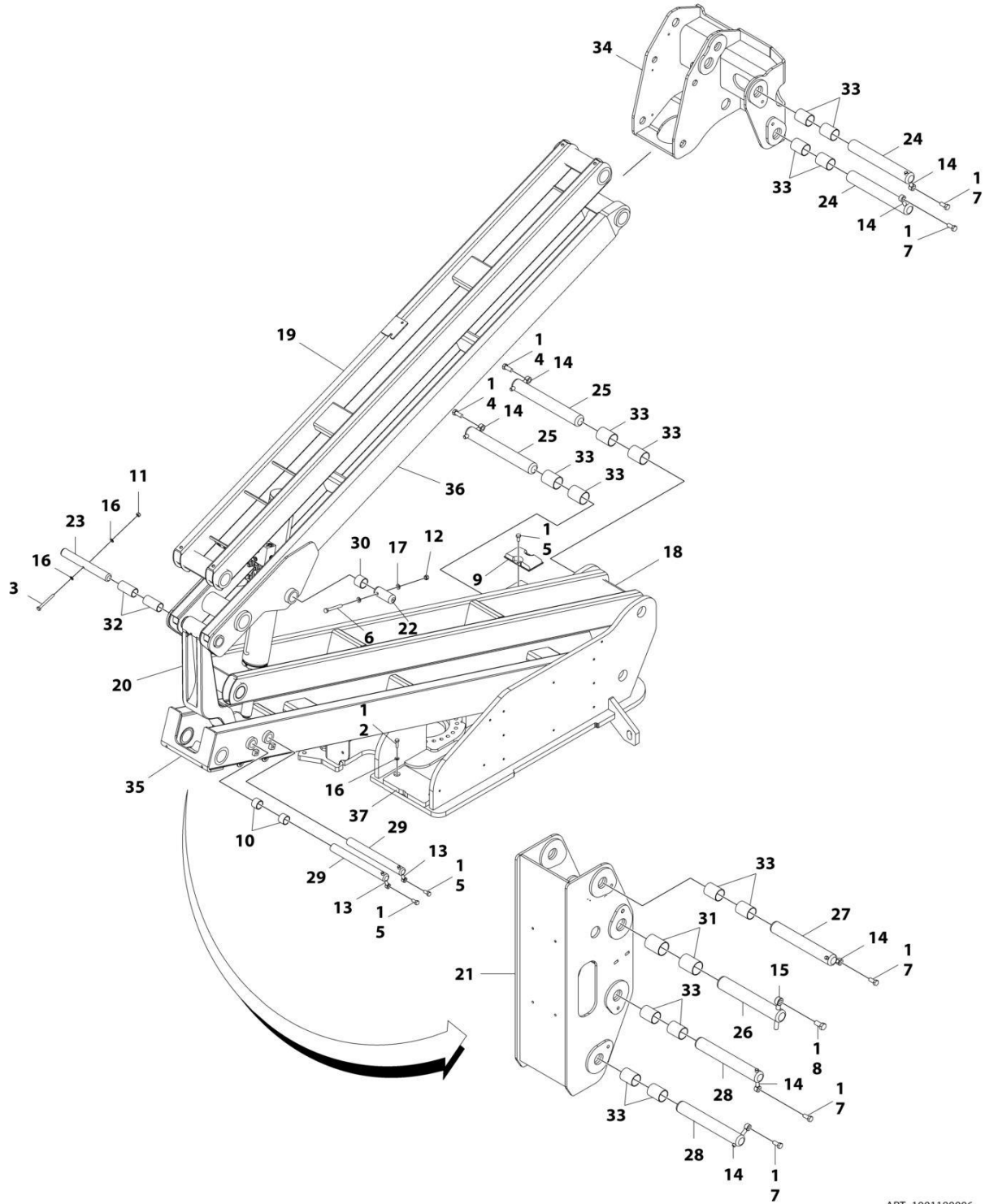
SECTION 4 - BOOM

FIGURE 4-16. MAIN BOOM ASSEMBLY - (MACHINES WITH SN STARTING WITH B3) (CHINEESE SPEC) (SN B300025420 to Present, SN B300025365 through B300025366, Including B300025149, B300025186, B300025200, B300025351 and B300025380)

ITEM	PART NUMBER	QTY	DESCRIPTION	REV
	1001302763	Ref	MAIN BOOM ASSEMBLY	A
1	0100011	AR	Compound, Locking	
2	0711227	4	Bolt M12 x 100	
3	0760812	4	Bolt M8 x 25	
4	0961948	2	Bearing	
5	0961949	2	Bearing	
6	3291005	10	Nut M10	
7	3760115	2	Ring, Retaining	
8	3900351	4	Screw M10 x 30	
9	4070897	12	Shim	
10	4070898	12	Shim	
11	4811902	4	Washer M8	
12	4812000	18	Washer M10	
13	5241200	4	Washer M12	
14	5251010	20	Bolt M10 x 20	
15	5251012	4	Bolt M10 x 25	
16	8310668	6	Screw M10 x 25	
17	1001118274	4	Nut M8	
18	1001301928	1	Powertrack	
19	1001166651	1	Tube, Carrier	
20	1001169304	12	Pad, Wear	
21	1001169305	4	Pad, Wear	
22	1001169402	4	Shim	
23	1001169403	2	Shim	
24	1001170226	1	Cover, Boom End	
25	1001177896	1	Fly, Boom	
26	1001177897	1	Base, Boom	
27	1001180540	1	Pin	
28	1670836	1	Cover	
29	5251009	8	Bolt M10 x 18	

SECTION 4 - BOOM

FIGURE 4-17. TOWER BOOM ASSEMBLY (450A)



ART_1001180006

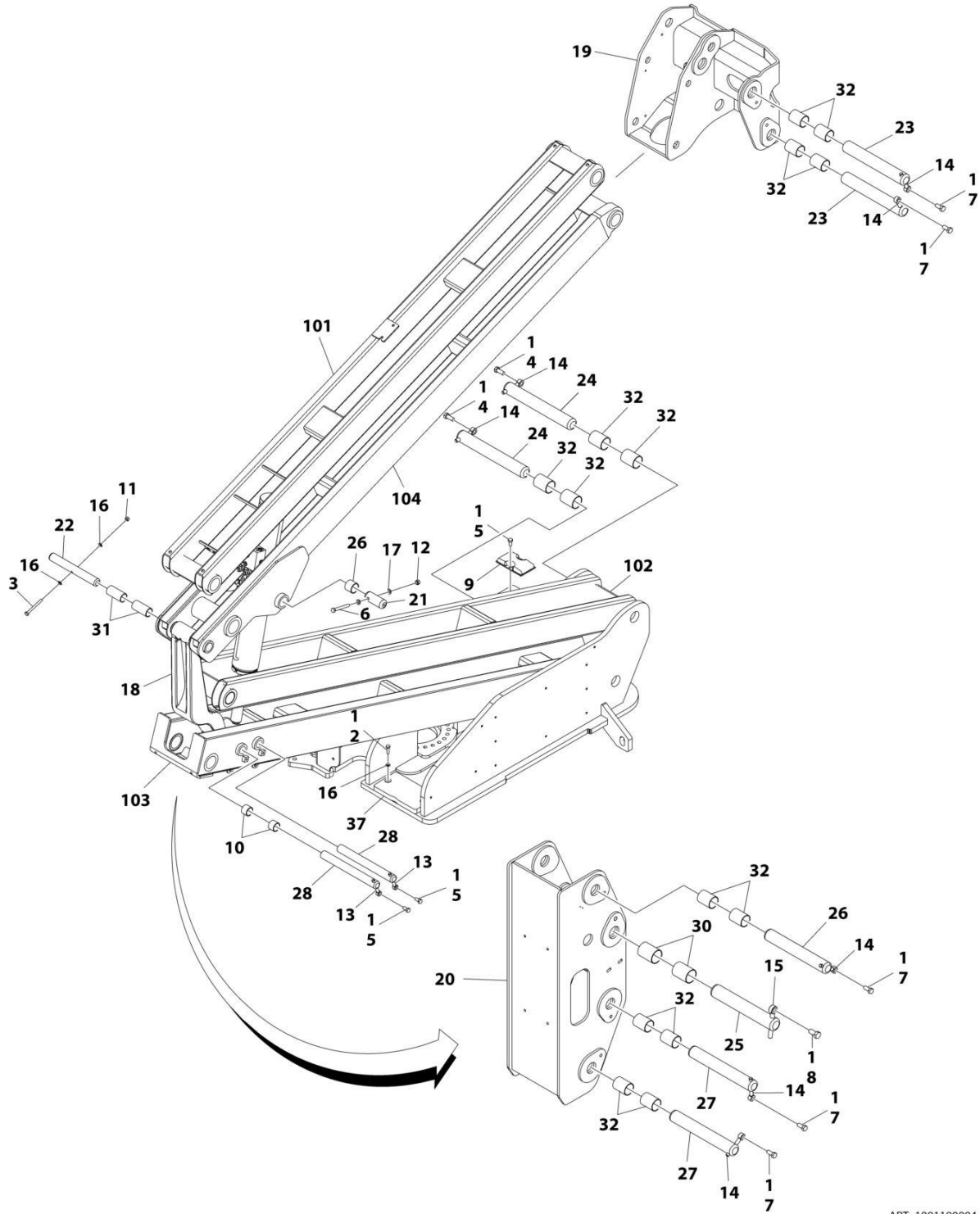
SECTION 4 - BOOM

FIGURE 4-17. TOWER BOOM ASSEMBLY (450A)

ITEM	PART NUMBER	QTY	DESCRIPTION	REV
	1001180006	Ref	TOWER BOOM ASSEMBLY - 450A	B
1	0100011	AR	Compound, Locking	
2	0701015	2	Bolt M10 x 35	
3	0701027	1	Bolt M10 x 100	
4	0701616	2	Bolt M16 x 40	
5	0761212	4	Bolt M12 x 25	
6	0761227	2	Bolt M12 x 100	
7	0761615	5	Bolt M16 x 35	
8	0762016	1	Bolt M20 x 40	
9	0940048	1	Bumper	
10	0961948	2	Bearing	
11	3291005	1	Nut M10	
12	3291205	2	Nut M12	
13	3841203	2	Keeper, Pin	
14	3841258	7	Keeper, Pin	
15	3841287	1	Keeper, Pin	
16	4812000	4	Washer M10	
17	4812100	4	Washer M12	
18	1001160859	1	Link, Lower Tower Boom	
19	1001160872	1	Link, Upper Tower Boom	
20	1001166096	1	Link, Timing	
21	1001166853	1	Upright, Lower	
22	1001169240	2	Pin	
23	1001169241	1	Pin	
24	1001169242	2	Pin	
25	1001169249	2	Pin	
26	1001169295	1	Pin	
27	1001169296	1	Pin	
28	1001169297	2	Pin	
29	1001169298	2	Pin	
30	1001169299	2	Bearing	
31	1001169300	2	Bearing	
32	1001169301	2	Bearing	
33	1001169302	14	Bearing	
34	1001174065	1	Upright, Upper	
35	1001178133	1	Tower Boom (Lower)	
36	1001178135	1	Tower, Boom (Upper)	
37	1001180056	1	Pad, Wear	
38	1001227993	1	Tower Boom Kit (Not Shown – Includes Items 18, 19, 35 & 36)	

SECTION 4 - BOOM

FIGURE 4-18. TOWER BOOM ASSEMBLY (450AJ)



ART_1001180004_E

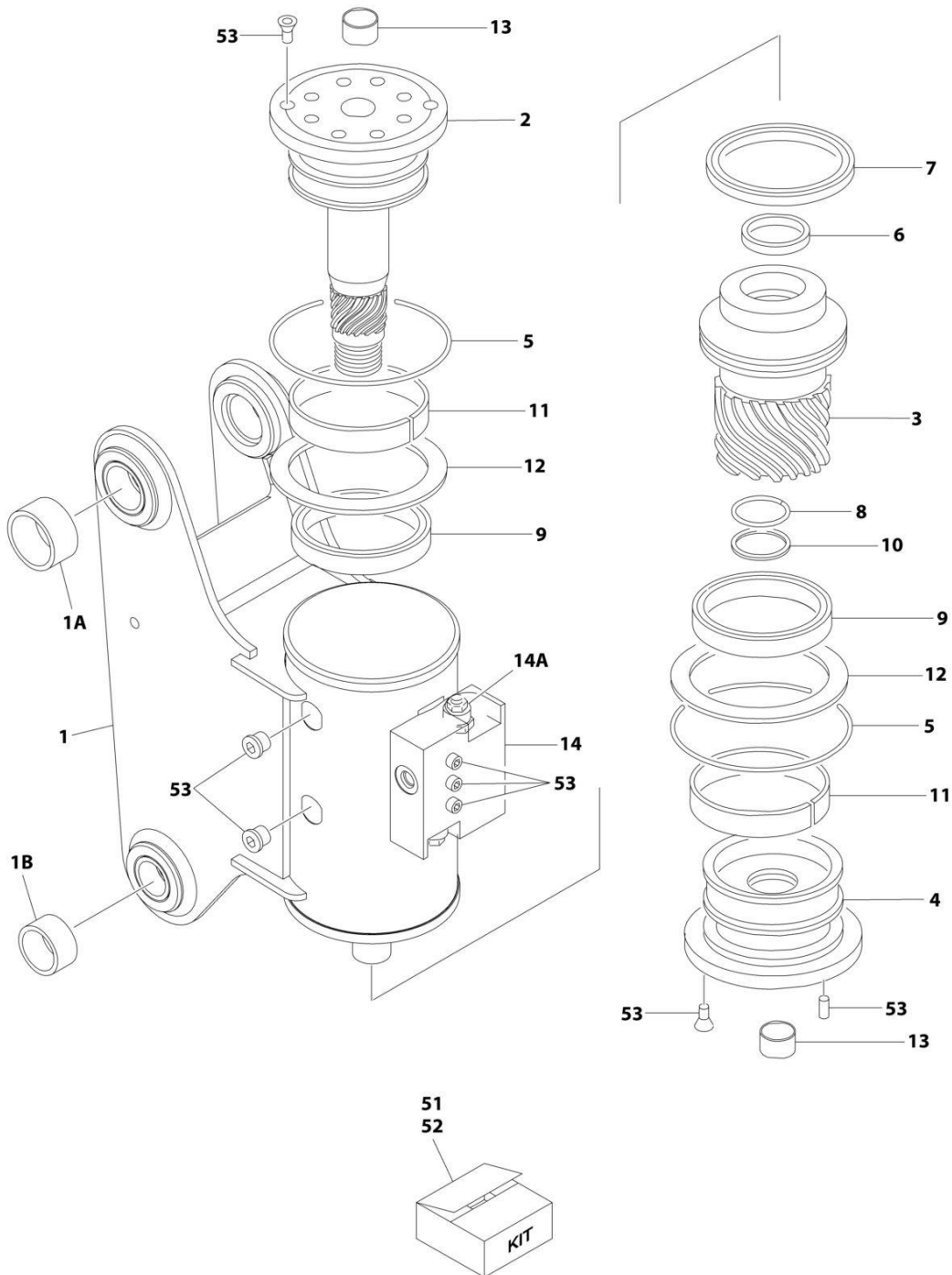
SECTION 4 - BOOM

FIGURE 4-18. TOWER BOOM ASSEMBLY (450AJ)

ITEM	PART NUMBER	QTY	DESCRIPTION	REV
	1001180004	Ref	TOWER BOOM ASSEMBLY - 450AJ	E
1	0100011	AR	Compound, Locking	
2	0701015	2	Bolt M10 x 35	
3	0701027	1	Bolt M10 x 100	
4	0701616	2	Bolt M16 x 40	
5	0761212	4	Bolt M12 x 25	
6	0761227	2	Bolt M12 x 100	
7	0761615	5	Bolt M16 x 35	
8	0762016	1	Bolt M20 x 40	
9	0940048	1	Bumper	
10	0961948	2	Bearing	
11	3291005	1	Nut Lock M10	
12	3291205	2	Nut Lock M12	
13	3841203	2	Keeper, Pin	
14	3841258	7	Keeper, Pin	
15	3841287	1	Keeper, Pin	
16	4812000	4	Washer M10	
17	4812100	4	Washer M12	
18	1001166096	1	Link, Timing	
19	1001166852	1	Upright, Upper	
20	1001166853	1	Upright, Lower	
21	1001169240	2	Pin	
22	1001169241	1	Pin	
23	1001169242	2	Pin	
24	1001169249	2	Pin	
25	1001169295	1	Pin	
26	1001169296	1	Pin	
27	1001169297	2	Pin	
28	1001169298	2	Pin	
29	1001169299	2	Bearing	
30	1001169300	2	Bearing	
31	1001169301	2	Bearing	
32	1001169302	14	Bearing	
37	1001180056	1	Pad, Wear	
100	1001190633	Ref	Tower Boom Kit (Not Shown - Includes Items 101-104)	
101	1001174536	1	Link, Upper Tower Boom	
102	1001174537	1	Link, Lower Tower Boom	
103	1001178133	1	Tower Boom (Lower)	
104	1001178135	1	Tower, Boom (Upper)	

SECTION 4 - BOOM

FIGURE 4-19. ROTATOR ASSEMBLY



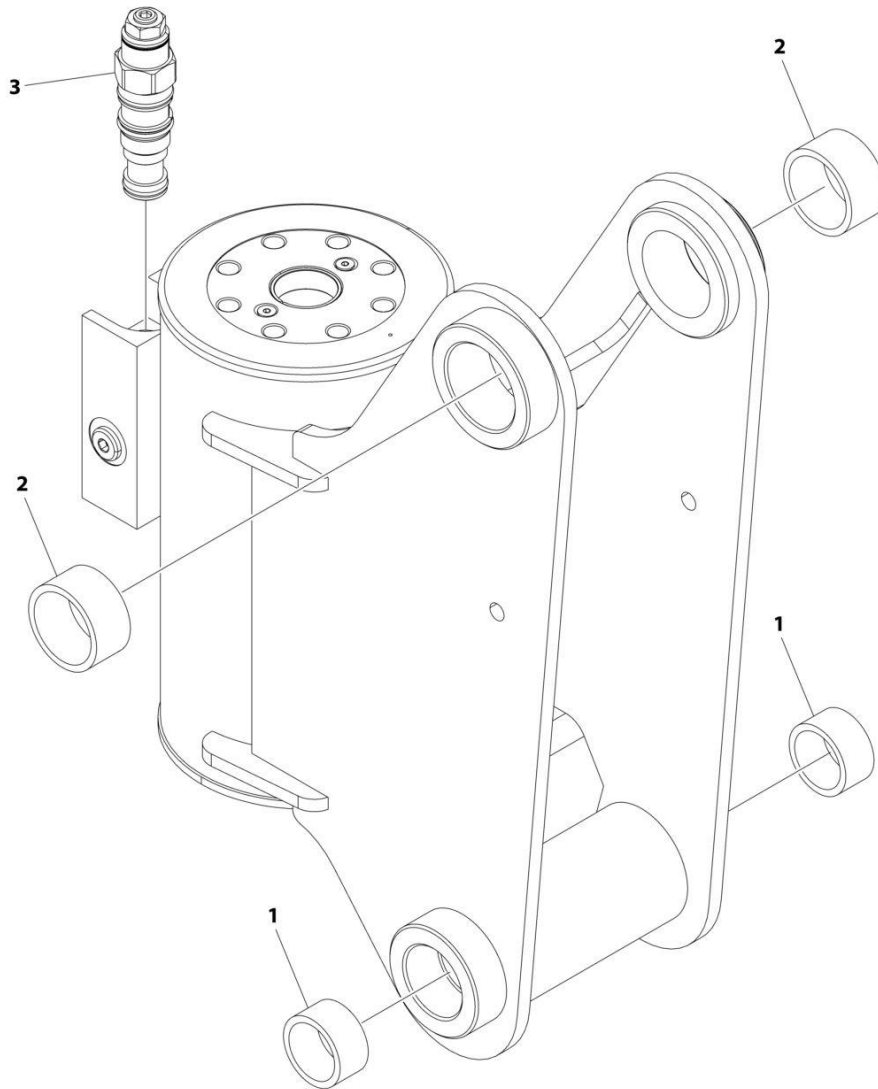
ART_1001217779

FIGURE 4-19. ROTATOR ASSEMBLY

ITEM	PART NUMBER	QTY	DESCRIPTION	REV
	1001217779	Ref	ROTATOR ASSEMBLY	B
1	See Note	NSS	Housing (Note: Purchase Complete Assembly)	
1A	0962257	2	Bushing	
1B	0961947	2	Bushing	
2	7017162	1	Shaft	
3	7017163	1	Piston	
4	7017164	1	Cap, End	
5	See Note	NSS	O-Ring (Note: Use p/n 70000342)	
6	See Note	NSS	Seal, Rod (Note: Purchase p/n 70000342)	
7	See Note	NSS	Seal, Piston (Note: Purchase p/n 70000342)	
8	See Note	NSS	Seal, Cap (Note: Purchase p/n 70000342)	
9	See Note	NSS	Packing, Bearing (Note: Purchase p/n 70000342)	
10	See Note	NSS	Ring, Back-up (Note: Purchase p/n 70000342)	
11	See Note	NSS	Bearing, Shaft (Note: Purchase p/n 7017159)	
12	See Note	NSS	Washer, Thrust (Note: Purchase p/n 7017159)	
13	7017195	2	Bushing	
14	7017172	1	Counterbalance Valve Assembly	
14A	7017192	2	Valve Cartridge (No Seal Kit Available)	
51	70000342	1	Seal Kit (Includes Items 5-10)	
52	7017159	1	Bearing Kit (Includes Items 11 & 12)	
53	7017142	1	Hardware Kit	

SECTION 4 - BOOM

**FIGURE 4-20. PLATFORM ROTATE ACTUATOR - (MACHINES WITH SN STARTING WITH B3)
(CHINEESE SPEC) (SN B300025420 to Present, SN B300025365 through B300025366, Including
B300025149, B300025186, B300025200, B300025351 and B300025380)**



ART_1001289219

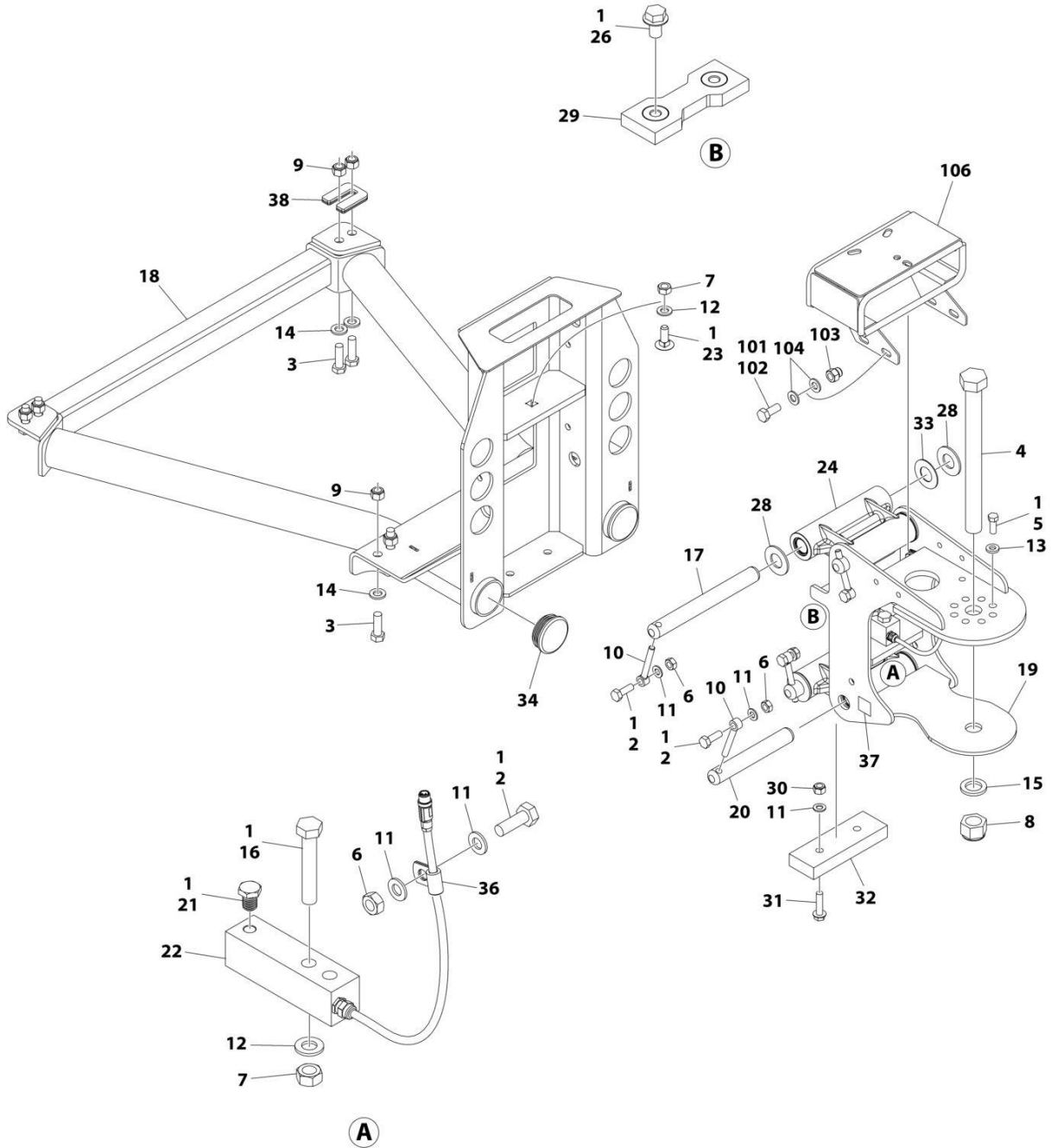
SECTION 4 - BOOM

**FIGURE 4-20. PLATFORM ROTATE ACTUATOR - (MACHINES WITH SN STARTING WITH B3)
(CHINEESE SPEC) (SN B300025420 to Present, SN B300025365 through B300025366, Including
B300025149, B300025186, B300025200, B300025351 and B300025380)**

ITEM	PART NUMBER	QTY	DESCRIPTION	REV
	1001289219	Ref	PLATFORM ROTATE ACTUATOR	A
1	0961947	2	Bearing	
2	0962257	2	Bushing	
3	1001297748	2	Valve, Counterbalance	

SECTION 4 - BOOM

FIGURE 4-21. PLATFORM SUPPORT INSTALLATION



ART_1001167596_N

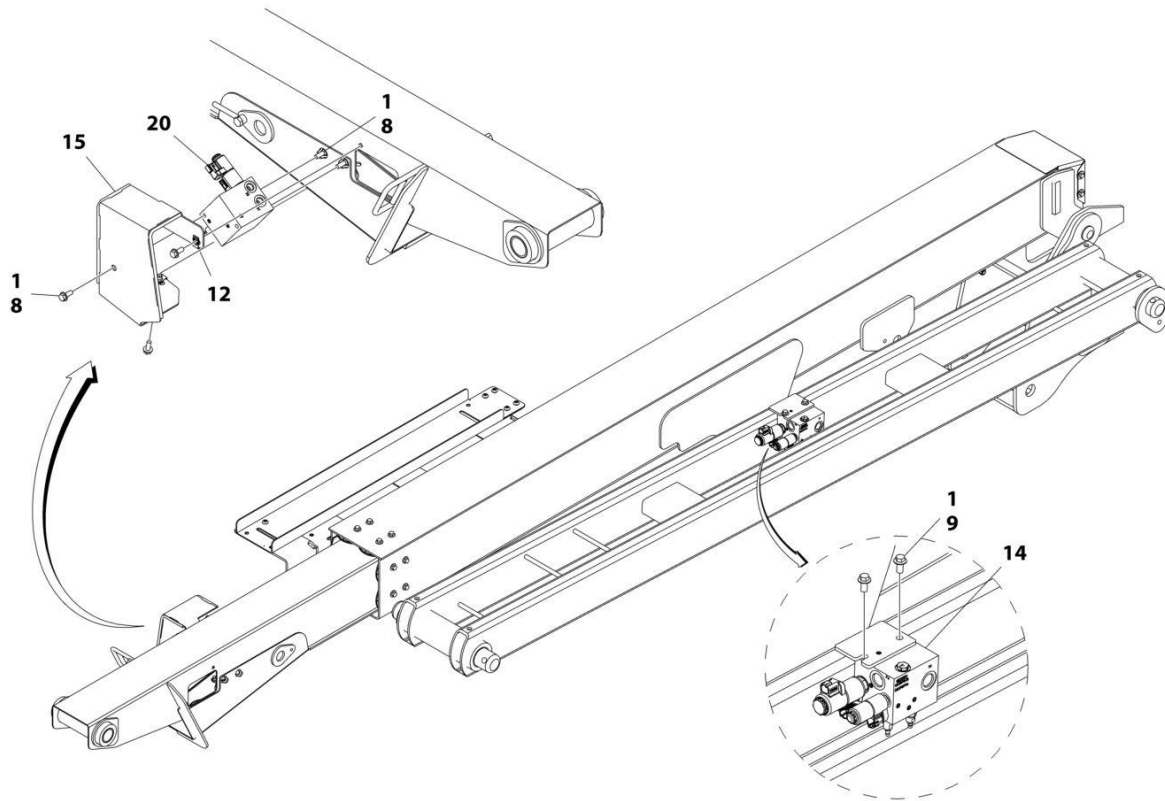
SECTION 4 - BOOM

FIGURE 4-21. PLATFORM SUPPORT INSTALLATION

ITEM	PART NUMBER	QTY	DESCRIPTION	REV
	1001167596	Ref	PLATFORM SUPPORT INSTALLATION	N
1	0100011	AR	Compound, Locking	
2	0761014	5	Bolt M10 x 30	
3	0761216	8	Bolt M12 x 40	
4	1001255133	1	Bolt 1 x 11 GRD8	
5	0681608	8	Bolt 3/8 x 1 GRD8	
6	3291001	5	Nut M10	
7	3291201	3	Nut M12	
8	1001174040	1	Nut 1	
9	3291205	8	Nut M12	
10	3841143	4	Keeper, Pin	
11	4812000	8	Washer M10	
12	4812100	3	Washer M12	
13	4891600	8	Washer 3/8	
14	5241200	8	Washer M12	
15	4892600001	1	Washer 1	
16	1001098828	2	Bolt M12 x 70 CL10.9	
17	1001167565	2	Pin	
18	1001200494	1	Support, Platform	
19	1001167567	1	Support, Rotator	
20	1001168402	2	Pin	
21	1001188622	1	Screw	
22	1001247468	1	Loadcell	
23	1001188844	1	Bolt M12 x 35	
24	1001201351	2	Link	
24	1001187382	4	Bearing	
24	1001187383	4	Seal	
26	5251008	2	Bolt M10 x 16 CL10.9	
28	1001189002	8	Bearing	
29	1001190985	1	Pad, Wear	
30	3291005	2	Nut M10	
31	5251016	2	Bolt M10 x 40 CL10.9	
32	1001200491	1	Pad, Wear	
33	1001189001	4	Bearing	
34	1001204725	2	Plug	
36	91203039	1	Clamp	
37	1001216630	2	Decal - Tie Down/No Lift	
38	1001238421	Ref	Kit, Platform Leveling (Not Shown)	
	1001202687	Ref	VALVE MOUNT INSTALLATION	B
101	0100011	AR	Compound, Locking	
102	0760810	4	Bolt M8 x 20	
103	3290806	4	Nut M8	
104	4811900	8	Washer M8	
106	1001208994	1	Mount, Valve	

SECTION 4 - BOOM

FIGURE 4-22. 2WD VALVES INSTALLATION - BOOM MOUNTED (450A)



ART_1001215659_30F3

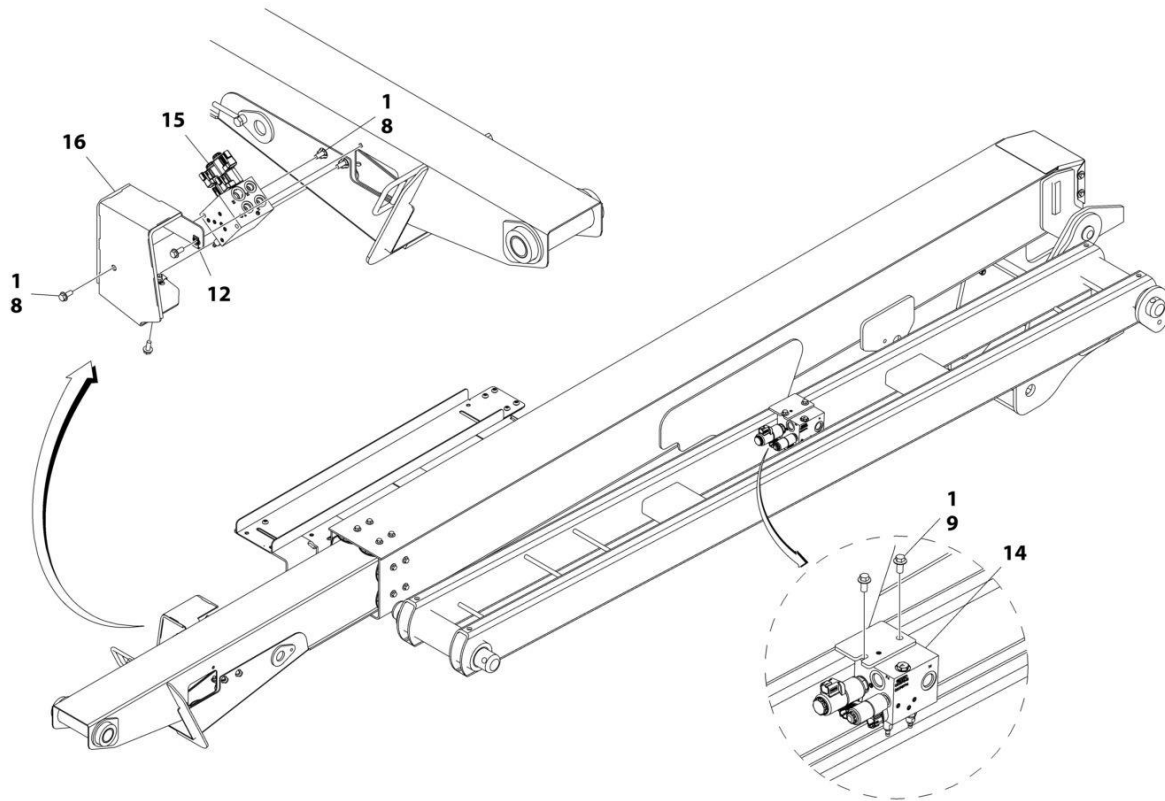
SECTION 4 - BOOM

FIGURE 4-22. 2WD VALVES INSTALLATION - BOOM MOUNTED (450A)

ITEM	PART NUMBER	QTY	DESCRIPTION	REV
	1001215659	Ref	2WD VALVES INSTALLATION - 450A BOOM MOUNTED	D
1	0100011	AR	Compound, Locking	
8	5250810	5	Bolt M8 x 20	
9	5251010	2	Bolt M10 x 20	
12	1001118274	2	Nut M8	
14	1001162535	1	Upright Valve Assembly (See Separate Breakdown in this Section)	
15	1001170375	1	Shield (Prior to SN 0300280962, Prior to SN B300011406, Prior to SN E300008862)	
15	1001265186	1	Shield (SN 0300280962 to Present, SN B300011406 to Present, SN E300008862 to Present)	
20	1001215105	1	Boom Valve Assembly - Fixed Jib (See Separate Breakdown in this Section)	

SECTION 4 - BOOM

FIGURE 4-23. 2WD VALVES INSTALLATION - BOOM MOUNTED (450AJ)



ART_1001214163_3OF3

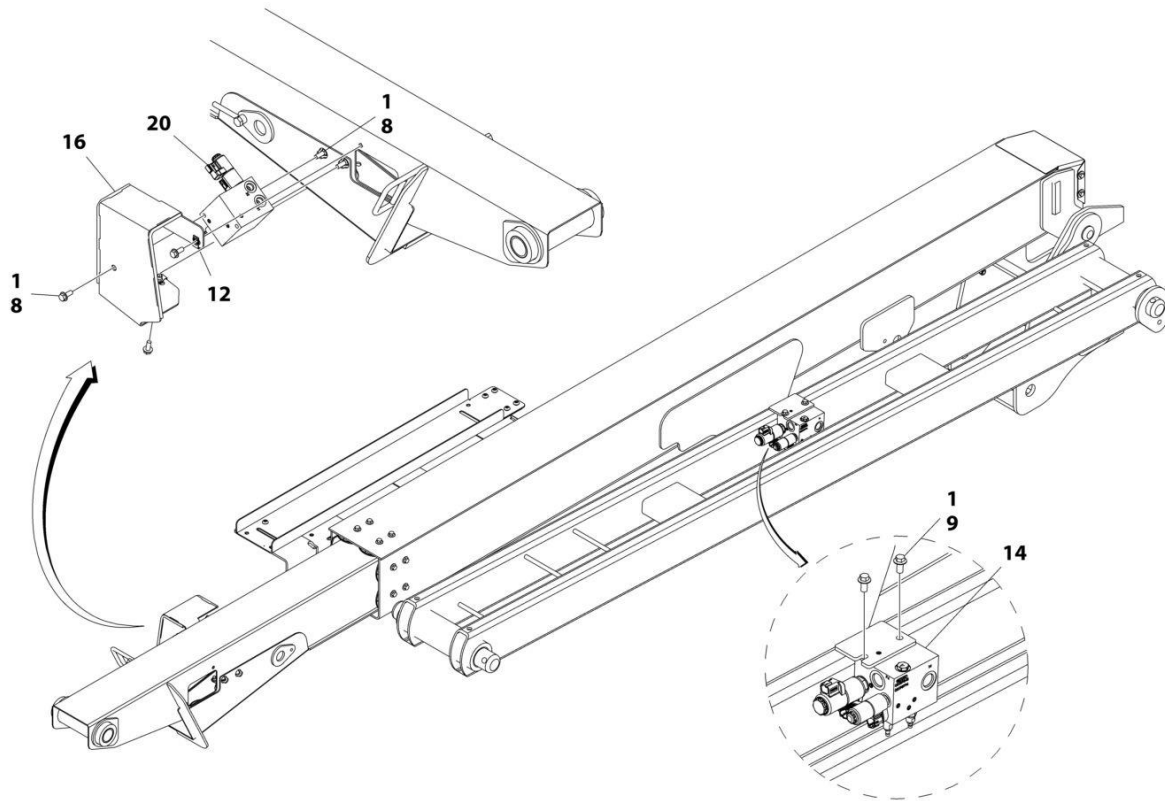
SECTION 4 - BOOM

FIGURE 4-23. 2WD VALVES INSTALLATION - BOOM MOUNTED (450AJ)

ITEM	PART NUMBER	QTY	DESCRIPTION	REV
	1001214163	Ref	2WD VALVES INSTALLATION - 450AJ BOOM MOUNTED	C
1	0100011	AR	Compound, Locking	
8	5250810	3	Bolt M8 x 20	
9	5251010	2	Bolt M10 x 20	
12	1001118274	2	Nut M8	
14	1001162535	1	Upright Valve Assembly (See Separate Breakdown in this Section)	
15	1001162536	1	Boom Valve Assembly (See Separate Breakdown in this Section)	
16	1001170375	1	Shield (Prior to SN 0300280962, Prior to SN B300011406)	
16	1001265186	1	Shield (SN 0300280962 to Present, SN B300011406 to Present)	

SECTION 4 - BOOM

FIGURE 4-24. 4WD VALVES INSTALLATION - BOOM MOUNTED (450A)



ART_1001215378_3OF3

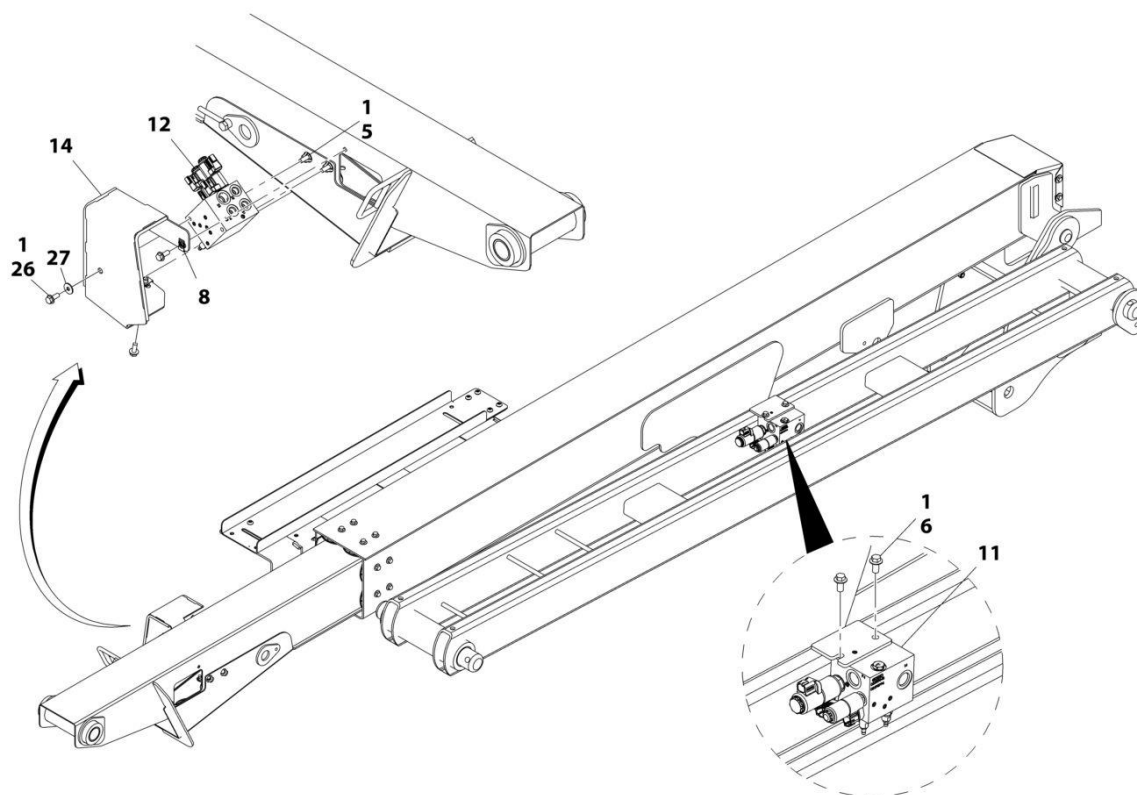
SECTION 4 - BOOM

FIGURE 4-24. 4WD VALVES INSTALLATION - BOOM MOUNTED (450A)

ITEM	PART NUMBER	QTY	DESCRIPTION	REV
	1001215378	Ref	4WD VALVES INSTALLATION - 450A BOOM MOUNTED	D
1	0100011	AR	Compound, Locking	
8	5250810	5	Bolt M8 x 20	
9	5251010	2	Bolt M10 x 20	
12	1001118274	2	Nut M8	
14	1001162535	1	Upright Valve Assembly (See Separate Breakdown in this Section)	
16	1001170375	1	Shield (Prior to SN 0300280962, Prior to SN B300011406)	
16	1001265186	1	Shield (SN 0300280962 to Present, SN B300011406 to Present)	
20	1001215105	1	Boom Valve Assembly - Fixed Jib (See Separate Breakdown in this Section)	

SECTION 4 - BOOM

FIGURE 4-25. 4WD VALVES INSTALLATION - BOOM MOUNTED (MACHINES WITH SN STARTING WITH 03) (450AJ)



ART_1001165948_30F3

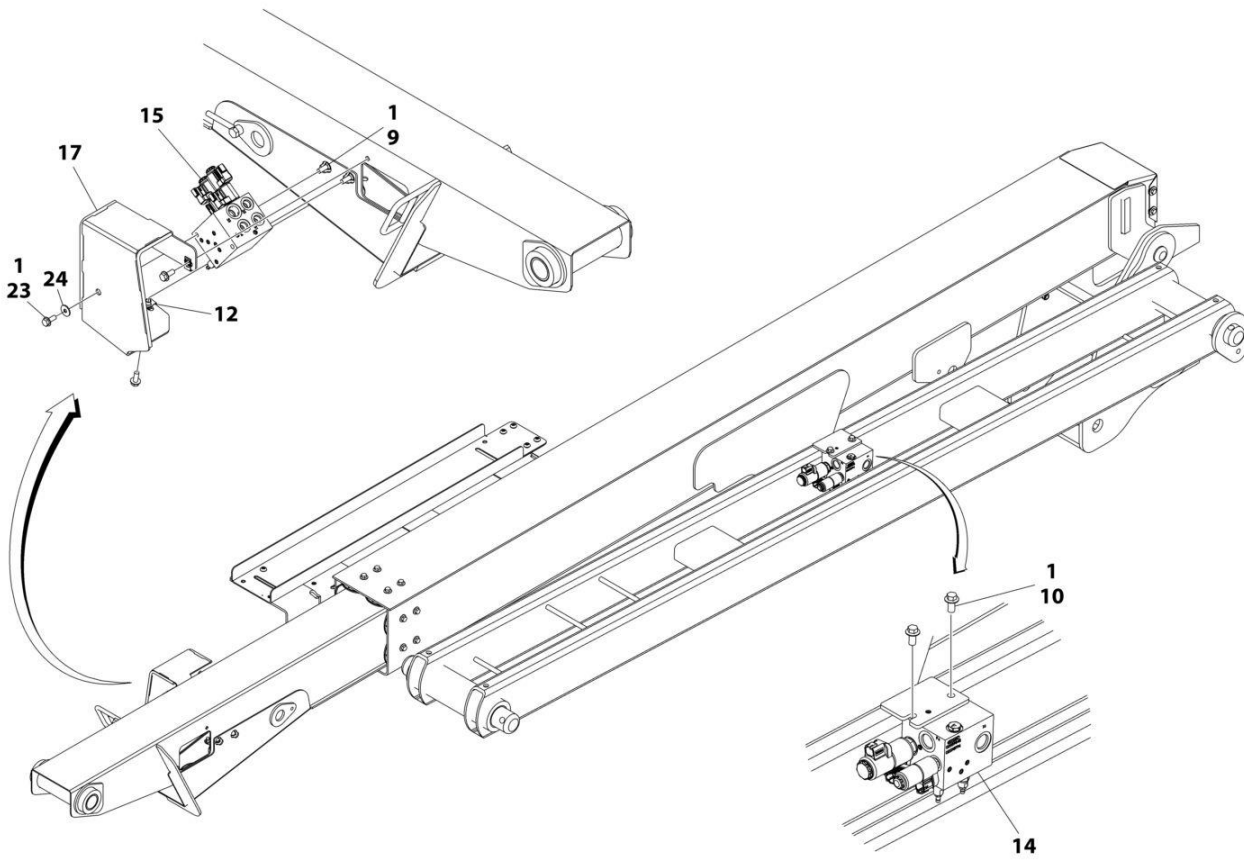
SECTION 4 - BOOM

FIGURE 4-25. 4WD VALVES INSTALLATION - BOOM MOUNTED (MACHINES WITH SN STARTING WITH 03) (450AJ)

ITEM	PART NUMBER	QTY	DESCRIPTION	REV
	1001165948	Ref	4WD VALVES INSTALLATION - 450AJ BOOM MOUNTED	J
1	0100011	AR	Compound, Locking	
5	5250810	4	Bolt M8 x 20 Class 10.9	
6	5251010	2	Bolt M10 x 20 Class 10.9	
8	1001118274	2	Nut, Tinnerman M8	
11	1001162535	1	Upright Valve Assembly (See Separate Breakdown in this Section)	
12	1001162536	1	Boom Valve Assembly (See Separate Breakdown in this Section)	
14	1001170375	1	Shield (Prior to SN 0300280962, Prior to SN B300011406, Prior to SN E300008862)	
14	1001265186	1	Shield (SN 0300280962 to Present, SN E300008862 to Present, Including B300011406)	
26	0770810	1	Bolt M8 x 20 Class 10.9	
27	4811902	1	Washer M8	

SECTION 4 - BOOM

FIGURE 4-26. 4WD VALVES INSTALLATION - BOOM MOUNTED (MACHINES WITH SN STARTING WITH B3) (450AJ)



ART_1001271413_B_30F3

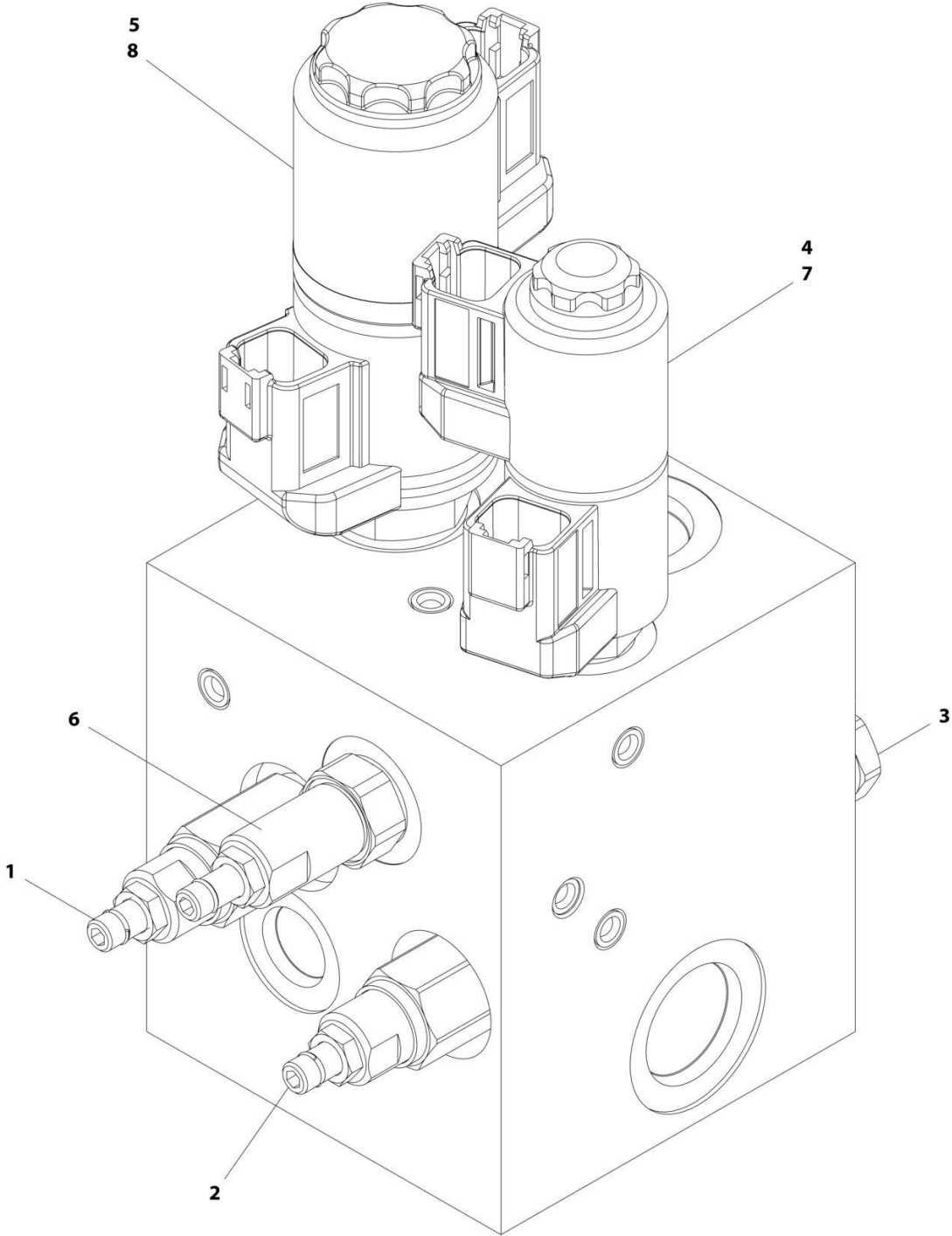
SECTION 4 - BOOM

FIGURE 4-26. 4WD VALVES INSTALLATION - BOOM MOUNTED (MACHINES WITH SN STARTING WITH B3) (450AJ)

ITEM	PART NUMBER	QTY	DESCRIPTION	REV
	1001271413	Ref	4WD VALVES INSTALLATION - BOOM MOUNTED	B
1	0100011	AR	Compound, Locking	
9	5250810	4	Bolt M8 x 20 Class 10.9	
10	5251010	2	Bolt M10 x 20 Class 10.9	
12	1001118274	2	Nut, Tinnerman M8	
14	1001162535	1	Upright Valve Assembly (See Separate Breakdown in this Section)	
15	1001162536	1	Boom Valve Assembly (See Separate Breakdown in this Section)	
17	1001265186	1	Shield	
23	0770810	1	Bolt M8 x 20 Class 10.9	
24	4811902	1	Washer M8	

SECTION 4 - BOOM

FIGURE 4-27. UPRIGHT VALVE ASSEMBLY



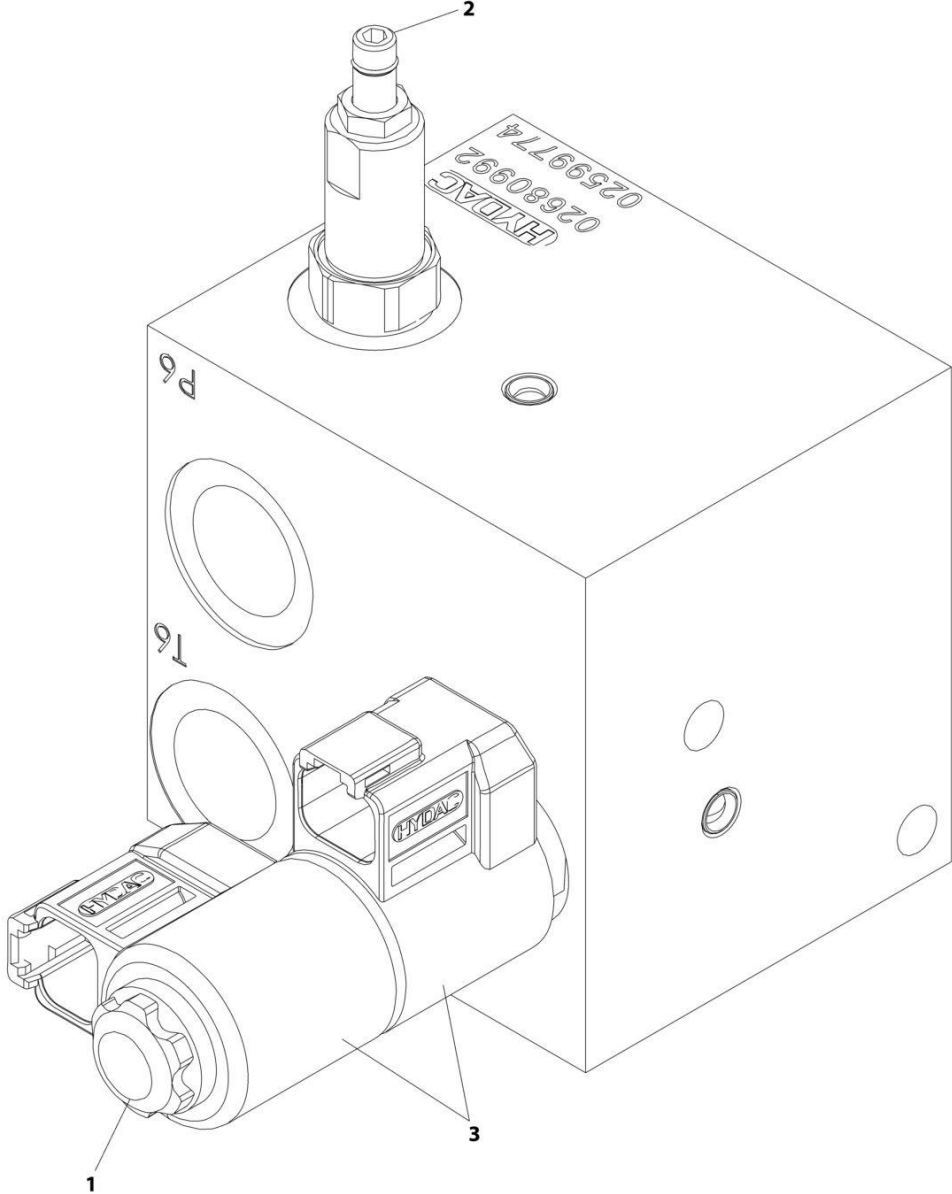
ART_1001162535

FIGURE 4-27. UPRIGHT VALVE ASSEMBLY

ITEM	PART NUMBER	QTY	DESCRIPTION	REV
	1001162535	Ref	UPRIGHT VALVE ASSEMBLY	D
1	70004864	1	Cartridge, Valve	
1	70004875	1	Seal Kit - 70004864 Valve	
2	70004865	1	Cartridge, Valve	
2	70004875	1	Seal Kit - 70004865 Valve	
3	70004866	1	Cartridge, Relief Valve	
3	70004867	1	Seal Kit - 70004866 Valve	
4	70004868	1	Cartridge, Solenoid Valve Less Coil	
4	70004869	1	Seal Kit - 70004868 Valve	
5	7027625	1	Cartridge, Solenoid Valve Less Coil	
5	70000100	1	Seal Kit - 7027625 Valve	
6	70006660	1	Cartridge, Valve	
6	70004867	1	Seal Kit - 70006660 Valve	
7	70004871	2	Coil	
8	7027628	2	Coil	

SECTION 4 - BOOM

FIGURE 4-28. BOOM VALVE ASSEMBLY (450A)



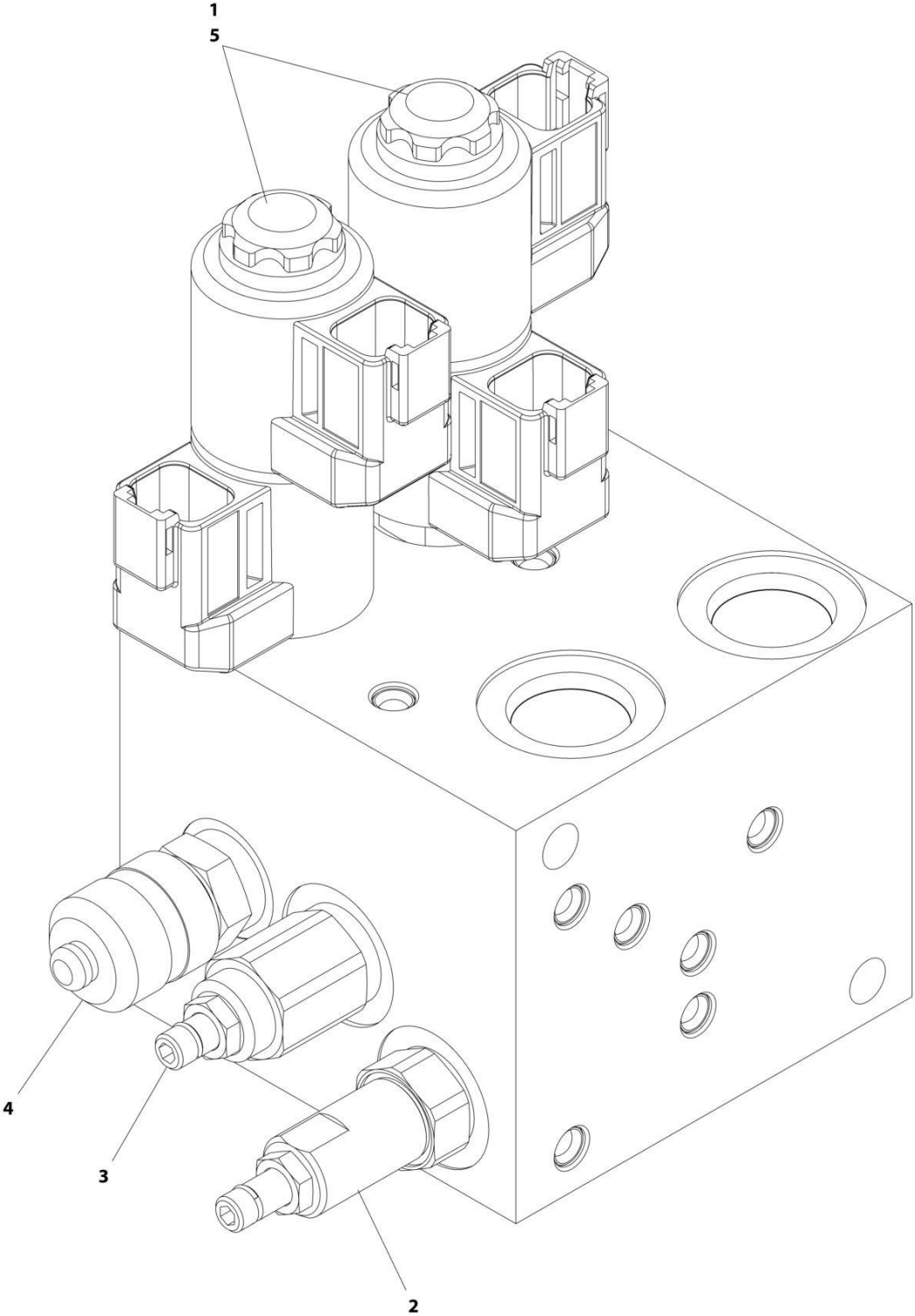
ART_1001215105

FIGURE 4-28. BOOM VALVE ASSEMBLY (450A)

ITEM	PART NUMBER	QTY	DESCRIPTION	REV
	1001215105	Ref	BOOM VALVE ASSEMBLY - 450A	A
1	70005243	1	Cartridge, Solenoid Valve Less Coil	
1	70004869	1	Seal Kit - 70005243 Valve	
2	70004873	1	Cartridge, Valve	
2	70004867	1	Seal Kit - 70004873 Valve	
3	70004871	2	Coil	

SECTION 4 - BOOM

FIGURE 4-29. BOOM VALVE ASSEMBLY (450AJ)



ART_1001162536_G

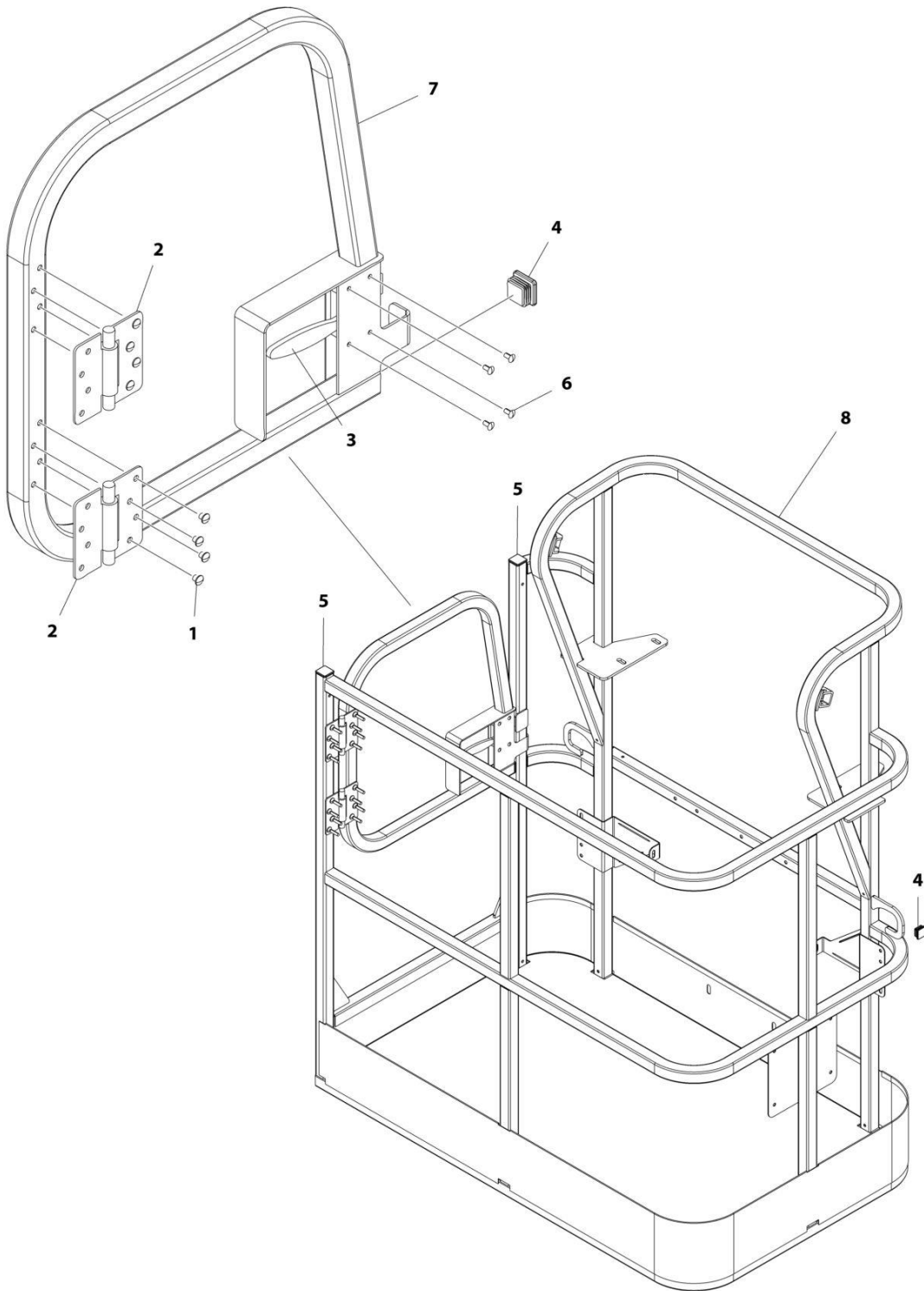
FIGURE 4-29. BOOM VALVE ASSEMBLY (450AJ)

ITEM	PART NUMBER	QTY	DESCRIPTION	REV
	1001162536	Ref	BOOM VALVE ASSEMBLY	G
1	70005243	2	Cartridge, Solenoid Valve Less Coil	
1	70004869	2	Seal Kit - 70005243 Valve	
2	70004873	1	Cartridge, Valve	
2	70004867	1	Seal Kit - 70004873 Valve	
3	70007556	1	Cartridge, Valve	
3	70004867	1	Seal Kit - 70006970 Valve	
4	2221086	1	Fitting, Test	
5	70004871	4	Coil	

SECTION 5 - PLATFORM

SECTION 5 - PLATFORM

FIGURE 5-1. PLATFORM ASSEMBLY - 30IN X 4FT (76CM X 1.22M) - SIDE GATE ENTRY



ART_1001186387

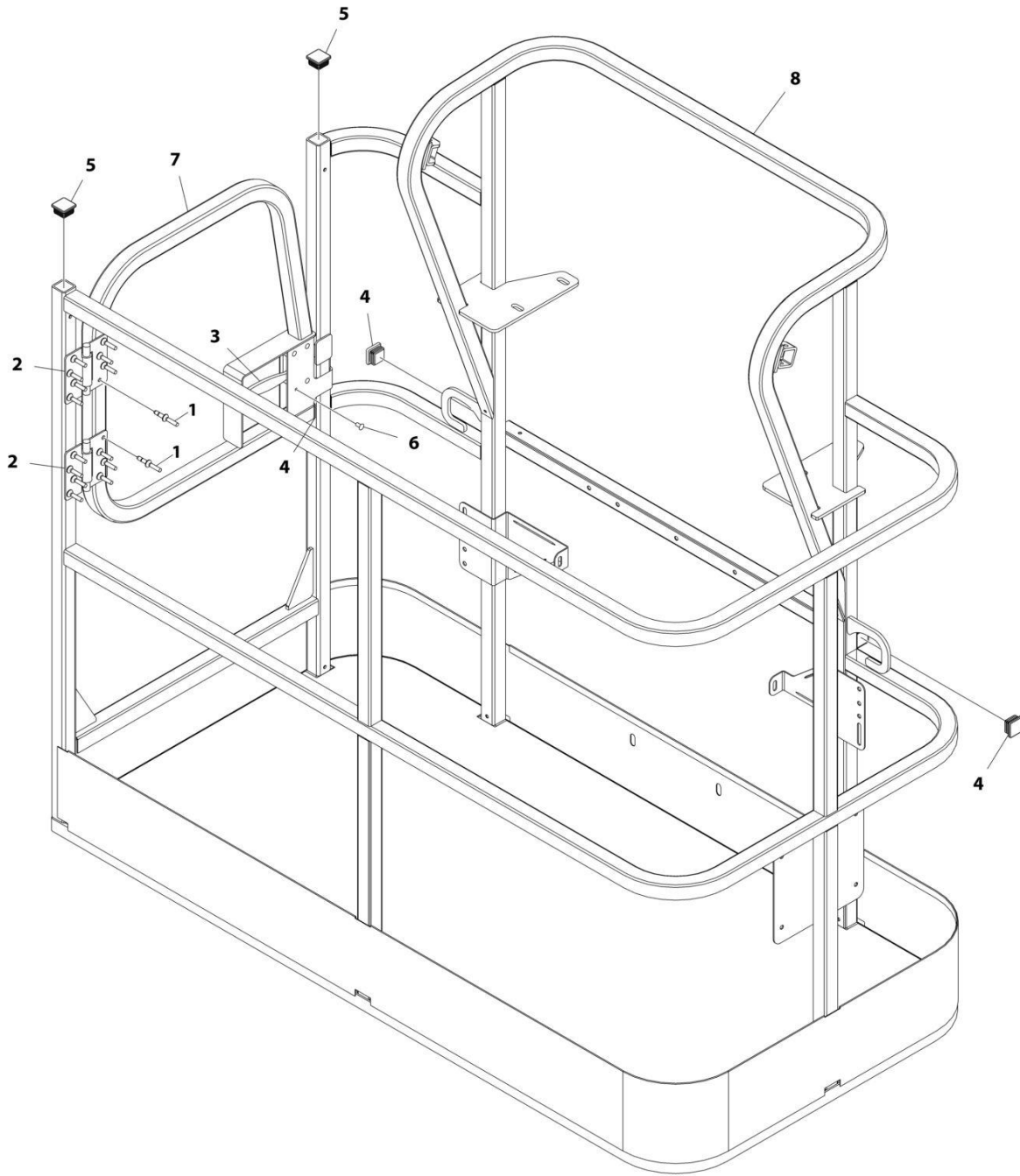
SECTION 5 - PLATFORM

FIGURE 5-1. PLATFORM ASSEMBLY - 30IN X 4FT (76CM X 1.22M) - SIDE GATE ENTRY

ITEM	PART NUMBER	QTY	DESCRIPTION	REV
	1001186387	Ref	PLATFORM ASSEMBLY	C
		Ref	Note: Platform and Mesh must be ordered separately for Platforms with Mesh. See SPECIAL OPTIONS SECTION for Mesh Installations.	
		Ref	Note: Replacement Decals Must be Ordered Separately - See DECALS SECTION.	
1	2080040	16	Fastener, Huck	
2	2600281	2	Hinge, Self-Closing	
3	2940074	1	Latch	
4	3520072	3	Plug	
5	3520198	2	Plug	
6	3820020	4	Rivet	
7	1001144629	1	Gate	
8	See Note	1	Platform (Note: Not Available - Purchase Platform Assembly)	

SECTION 5 - PLATFORM

FIGURE 5-2. PLATFORM ASSEMBLY - 30IN X 5FT (76CM X 1.52M) - SIDE GATE ENTRY



ART_1001186386

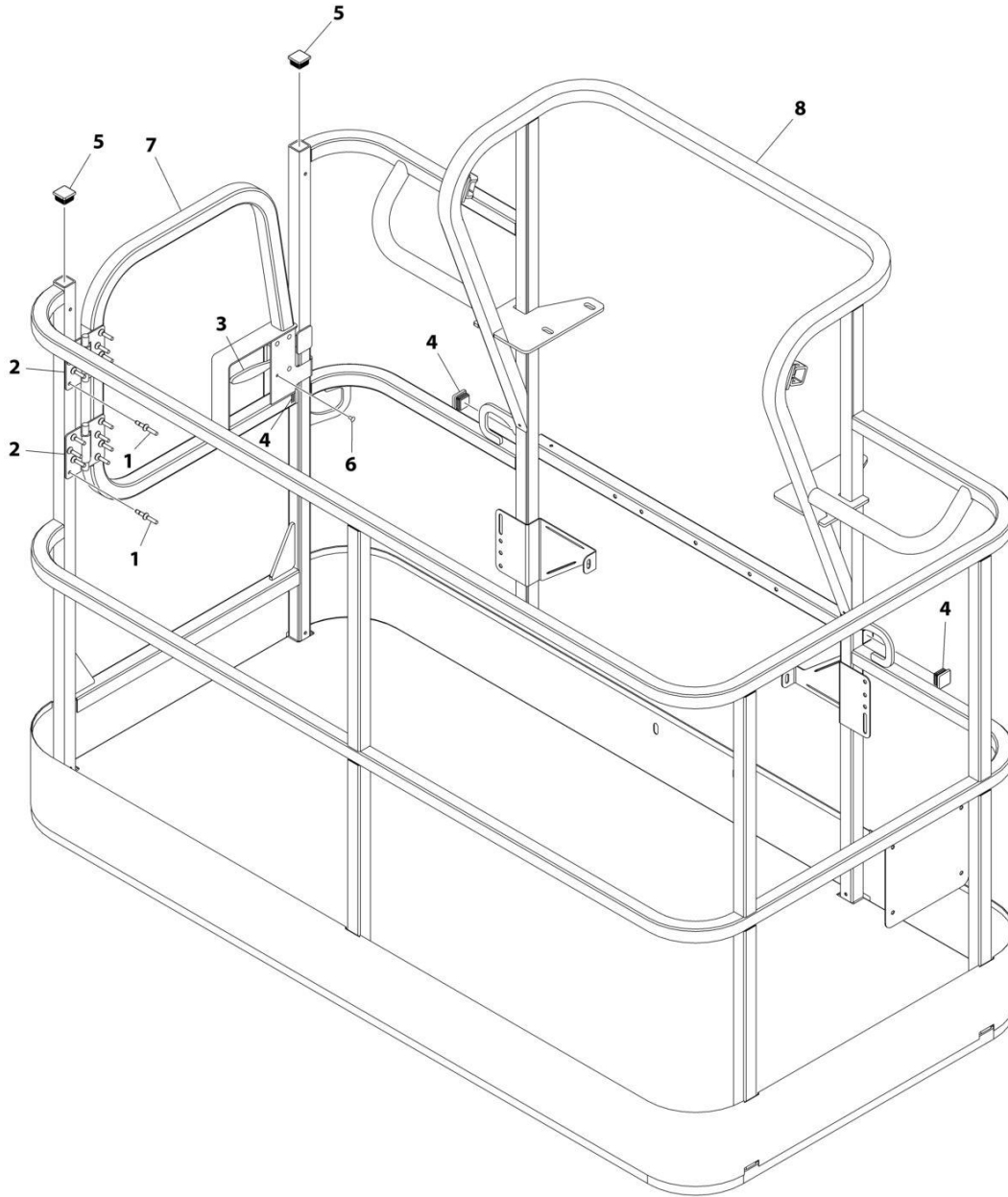
SECTION 5 - PLATFORM

FIGURE 5-2. PLATFORM ASSEMBLY - 30IN X 5FT (76CM X 1.52M) - SIDE GATE ENTRY

ITEM	PART NUMBER	QTY	DESCRIPTION	REV
	1001186386	Ref	PLATFORM ASSEMBLY	C
		Ref	Note: Platform and Mesh must be ordered separately for Platforms with Mesh. See SPECIAL OPTIONS SECTION for Mesh Installations.	
		Ref	Note: Replacement Decals Must be Ordered Separately - See DECALS SECTION.	
1	2080040	16	Fastener, Huck	
2	2600281	2	Hinge, Self-Closing	
3	2940074	1	Latch	
4	3520072	3	Plug	
5	3520198	2	Plug	
6	3820020	4	Rivet	
7	1001144629	1	Gate	
8	See Note	NSS	Platform (Note: Not Available - Purchase Platform Assembly)	

SECTION 5 - PLATFORM

FIGURE 5-3. PLATFORM ASSEMBLY - 30IN X 6FT (76CM X 1.83M) - SIDE GATE ENTRY



ART_1001186385

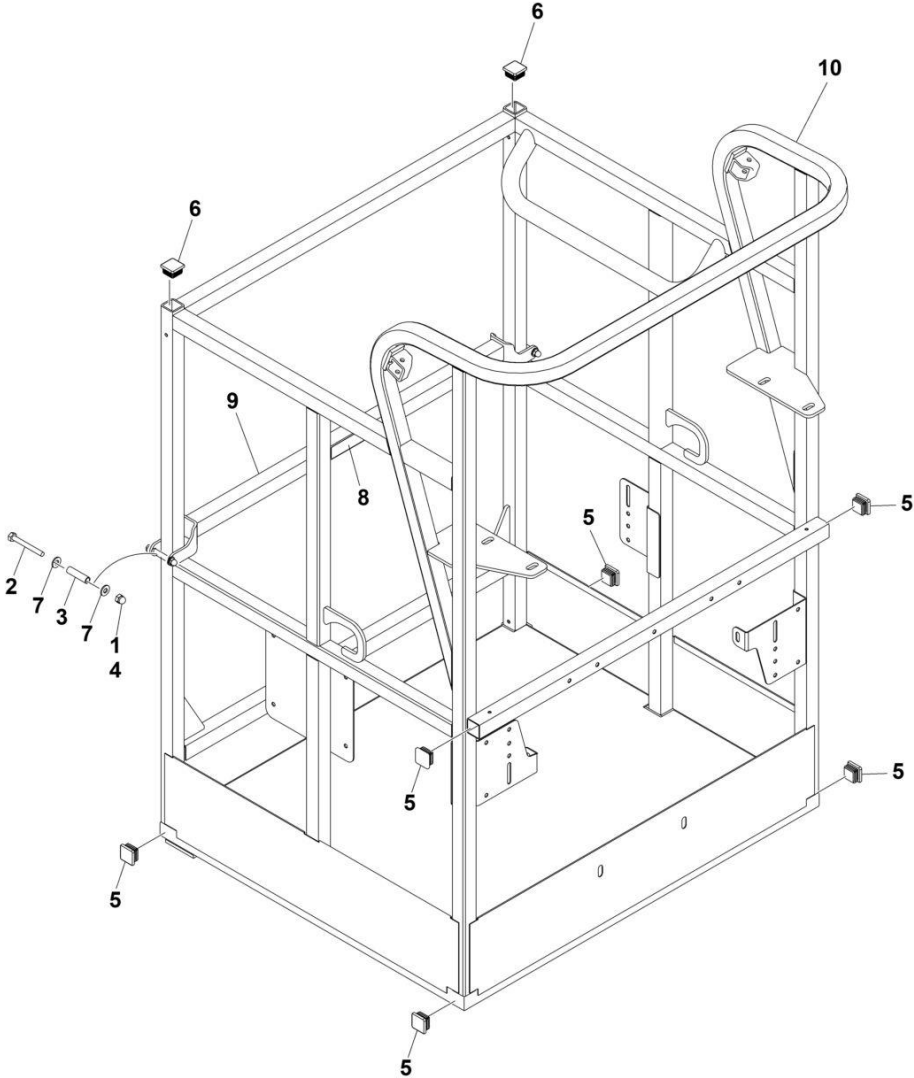
SECTION 5 - PLATFORM

FIGURE 5-3. PLATFORM ASSEMBLY - 30IN X 6FT (76CM X 1.83M) - SIDE GATE ENTRY

ITEM	PART NUMBER	QTY	DESCRIPTION	REV
	1001186385	Ref	PLATFORM ASSEMBLY	D
		Ref	Note: Platform and Mesh must be ordered separately for Platforms with Mesh. See SPECIAL OPTIONS SECTION for Mesh Installations.	
		Ref	Note: Replacement Decals Must be Ordered Separately - See DECALS SECTION.	
1	2080040	16	Fastener, Huck	
2	2600281	2	Hinge	
3	2940074	1	Latch	
4	3520072	3	Plug	
5	3520198	2	Plug	
6	3820020	4	Rivet	
7	1001144629	1	Gate	
8	See Note	NSS	Platform (Note: Not Available - Purchase Platform Assembly)	

SECTION 5 - PLATFORM

FIGURE 5-4. PLATFORM ASSEMBLY - 30IN X 3FT (76CM X .91M) - DROP BAR ENTRY



ART_1001228215

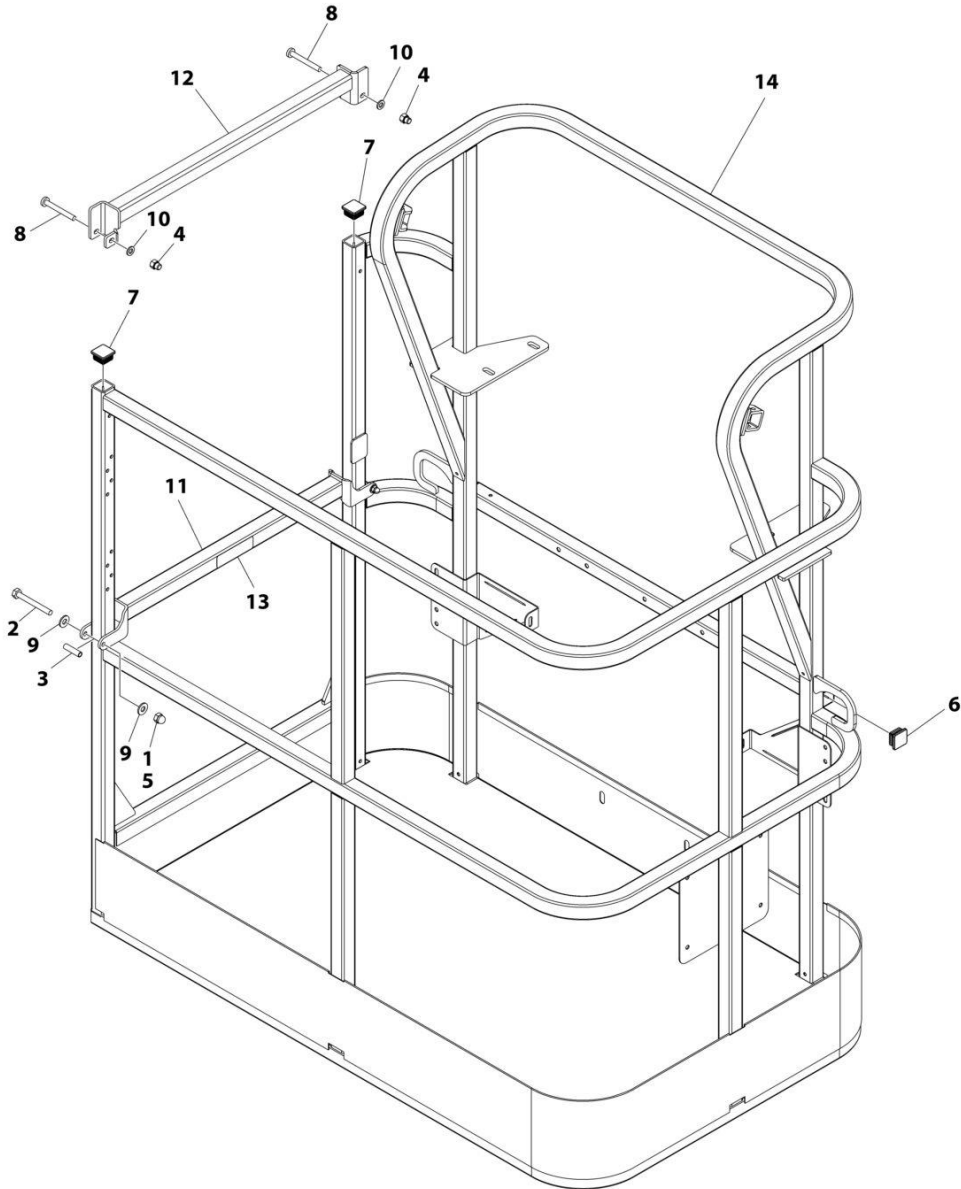
SECTION 5 - PLATFORM

FIGURE 5-4. PLATFORM ASSEMBLY - 30IN X 3FT (76CM X .91M) - DROP BAR ENTRY

ITEM	PART NUMBER	QTY	DESCRIPTION	REV
	1001228215	Ref	PLATFORM ASSEMBLY	A
	See Note	Ref	Note: Platform and Mesh must be ordered separately for Platforms with Mesh. See SPECIAL OPTIONS SECTION for Mesh Installations.	
	See Note	Ref	Note: Replacement Decals Must be Ordered Separately - See DECAL SECTION.	
1	0100011	AR	Compound, Locking	
2	0641418	2	Bolt 1/4 x 2-1/4	
3	0961845	2	Bushing	
4	3300151	2	Nut 1/4	
5	3520072	6	Cap, Plug	
6	3520198	2	Cap, Plug	
7	4711400	4	Washer 1/4	
8	1001140429	1	Decal - Drop Bar	
9	1001226872	1	Bar, Drop	
10	See Note	NSS	Platform (Note: Not Available - Purchase Platform Assembly)	

SECTION 5 - PLATFORM

FIGURE 5-5. PLATFORM ASSEMBLY - 30IN X 4FT (76CM X 1.22M) - WITH DROP BAR



ART_1001186375

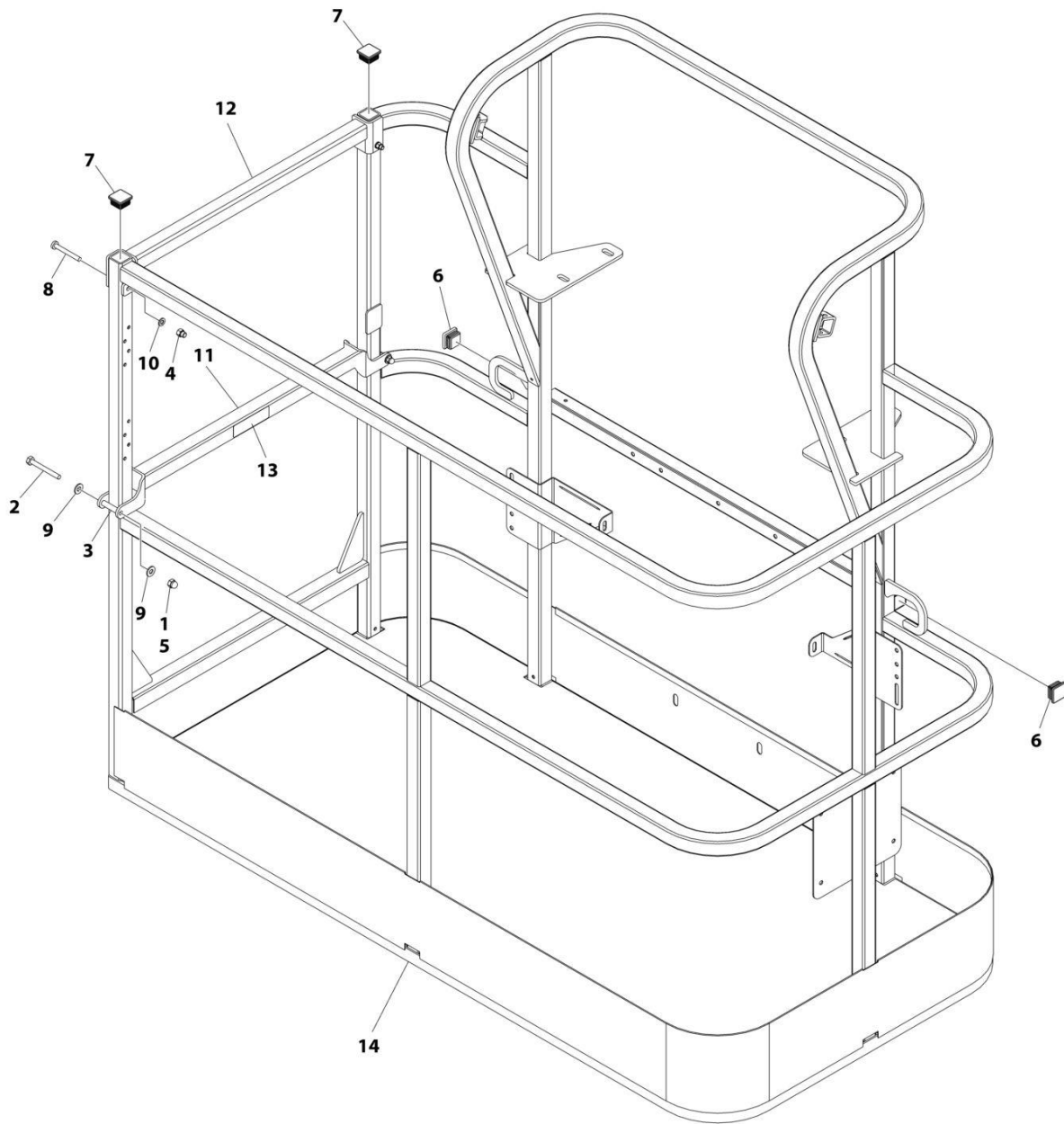
SECTION 5 - PLATFORM

FIGURE 5-5. PLATFORM ASSEMBLY - 30IN X 4FT (76CM X 1.22M) - WITH DROP BAR

ITEM	PART NUMBER	QTY	DESCRIPTION	REV
	1001186375	Ref	PLATFORM ASSEMBLY	B
		Ref	Note: Platform and Mesh must be ordered separately for Platforms with Mesh. See SPECIAL OPTIONS SECTION for Mesh Installations.	
		Ref	Note: Replacement Decals Must be Ordered Separately - See DECALS SECTION.	
1	0100011	AR	Compound, Locking	
2	0641418	2	Bolt 1/4 x 2-1/4	
3	0961845	2	Bushing	
4	3290606	2	Nut M6	
5	3300151	2	Nut 1/4	
6	3520072	2	Plug	
7	3520198	2	Plug	
8	4010618	2	Screw M6 x 50	
9	4711400	4	Washer 1/4	
10	4811700	2	Washer M6	
11	1001138494	1	Bar, Drop	
12	1001138514	1	Rail - Top	
13	1001140429	1	Decal - Drop Bar	
14	See Note	1	Platform (Note: Not Available - Purchase Platform Assembly)	

SECTION 5 - PLATFORM

FIGURE 5-6. PLATFORM ASSEMBLY - 30IN X 5FT (76CM X 1.52M) - WITH DROP BAR



ART_1001186377

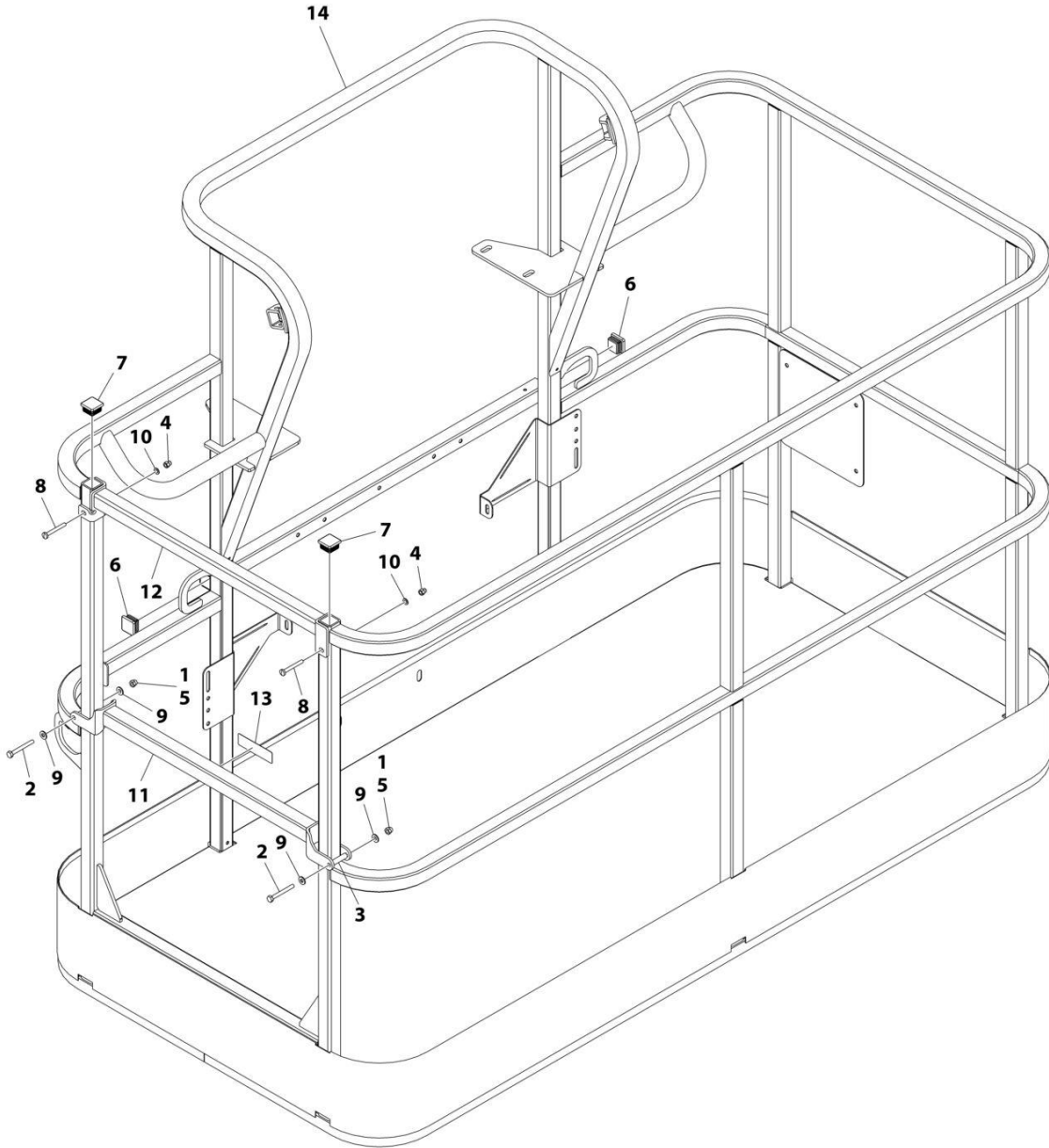
SECTION 5 - PLATFORM

FIGURE 5-6. PLATFORM ASSEMBLY - 30IN X 5FT (76CM X 1.52M) - WITH DROP BAR

ITEM	PART NUMBER	QTY	DESCRIPTION	REV
	1001186377	Ref	PLATFORM ASSEMBLY	C
		Ref	Note: Platform and Mesh must be ordered separately for Platforms with Mesh. See SPECIAL OPTIONS SECTION for Mesh Installations.	
		Ref	Note: Replacement Decals Must be Ordered Separately - See DECALS SECTION.	
1	0100011	AR	Compound, Locking	
2	0641420	2	Bolt 1/4 x 2-1/2	
3	0961845	2	Bushing	
4	3290606	2	Nut M6	
5	3300151	2	Nut 1/4	
6	3520072	2	Plug	
7	3520198	2	Plug	
8	4010618	2	Screw M6 x 50	
9	4711400	4	Washer 1/4	
10	4811700	2	Washer M6	
11	1001138494	1	Bar, Drop	
12	1001138514	1	Rail (Top)	
13	1001140429	1	Decal - Drop Bar	
14	See Note	NSS	Platform (Note: Not Available - Purchase Platform Assembly)	

SECTION 5 - PLATFORM

FIGURE 5-7. PLATFORM ASSEMBLY - 30IN X 6FT (76CM X 1.83M) - WITH DROP BAR



ART_1001186378

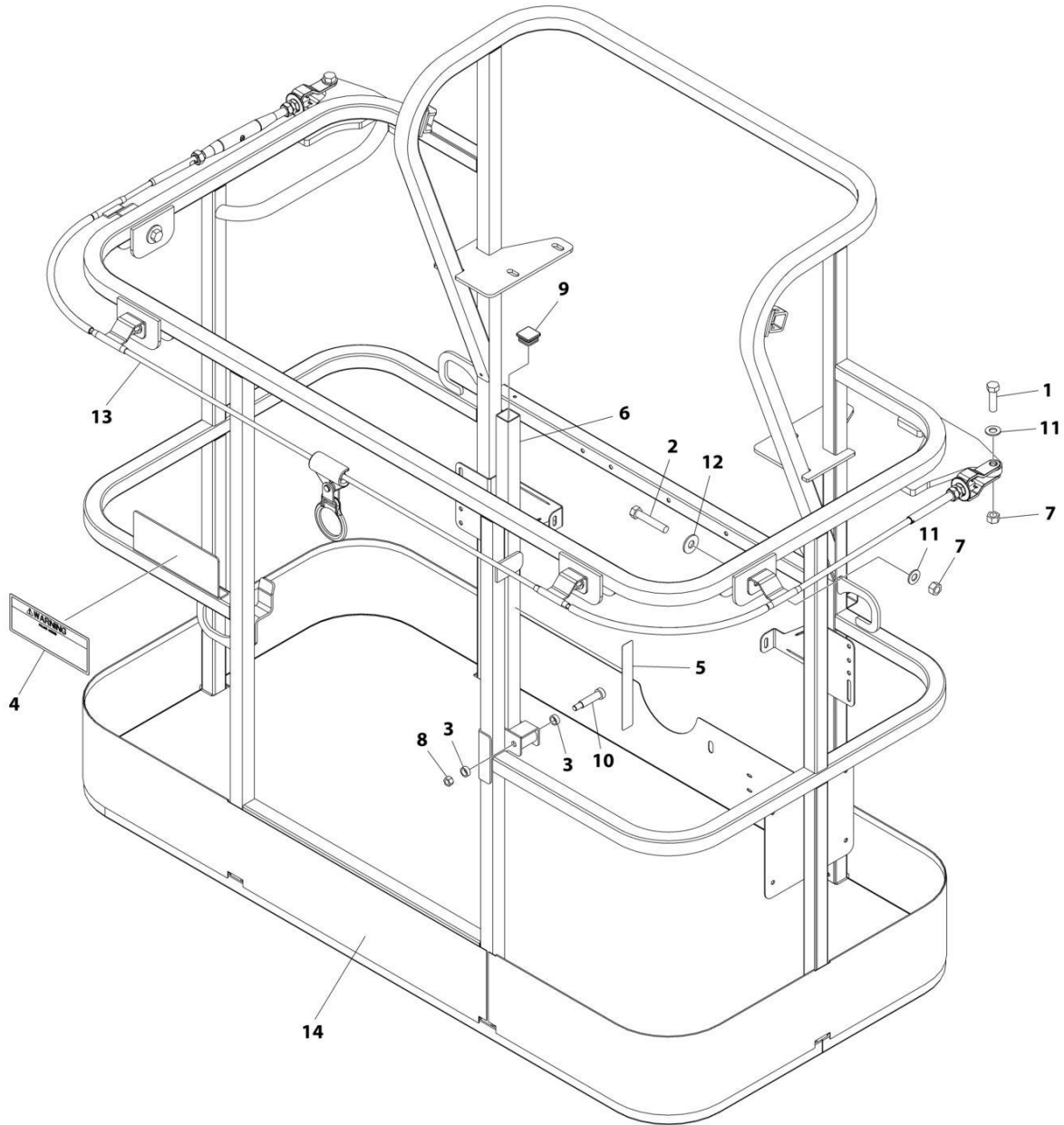
SECTION 5 - PLATFORM

FIGURE 5-7. PLATFORM ASSEMBLY - 30IN X 6FT (76CM X 1.83M) - WITH DROP BAR

ITEM	PART NUMBER	QTY	DESCRIPTION	REV
	1001186378	Ref	PLATFORM ASSEMBLY	C
		Ref	Note: Platform and Mesh must be ordered separately for Platforms with Mesh. See SPECIAL OPTIONS SECTION for Mesh Installations.	
		Ref	Note: Replacement Decals Must be Ordered Separately - See DECALS SECTION.	
1	0100011	AR	Compound, Locking	
2	0641418	2	Bolt 1/4 x 2-1/4	
3	0961845	2	Bushing	
4	3290606	2	Nut M6	
5	3300151	2	Nut 1/4	
6	3520072	2	Plug	
7	3520198	2	Plug	
8	4010618	2	Screw M6 x 50	
9	4711400	4	Washer 1/4	
10	4811700	2	Washer M6	
11	1001138494	1	Bar, Drop	
12	1001138514	1	Rail (Top)	
13	1001140429	1	Decal - Drop Bar	
14	See Note	NSS	Platform (Note: Not Available - Purchase Platform Assembly)	

SECTION 5 - PLATFORM

FIGURE 5-8. PLATFORM ASSEMBLY - 30IN X 5FT (76CM X 1.52M - FALL ARREST (ANSI, ANSI EXPORT AND CSA SPECS)



ART_1001186388

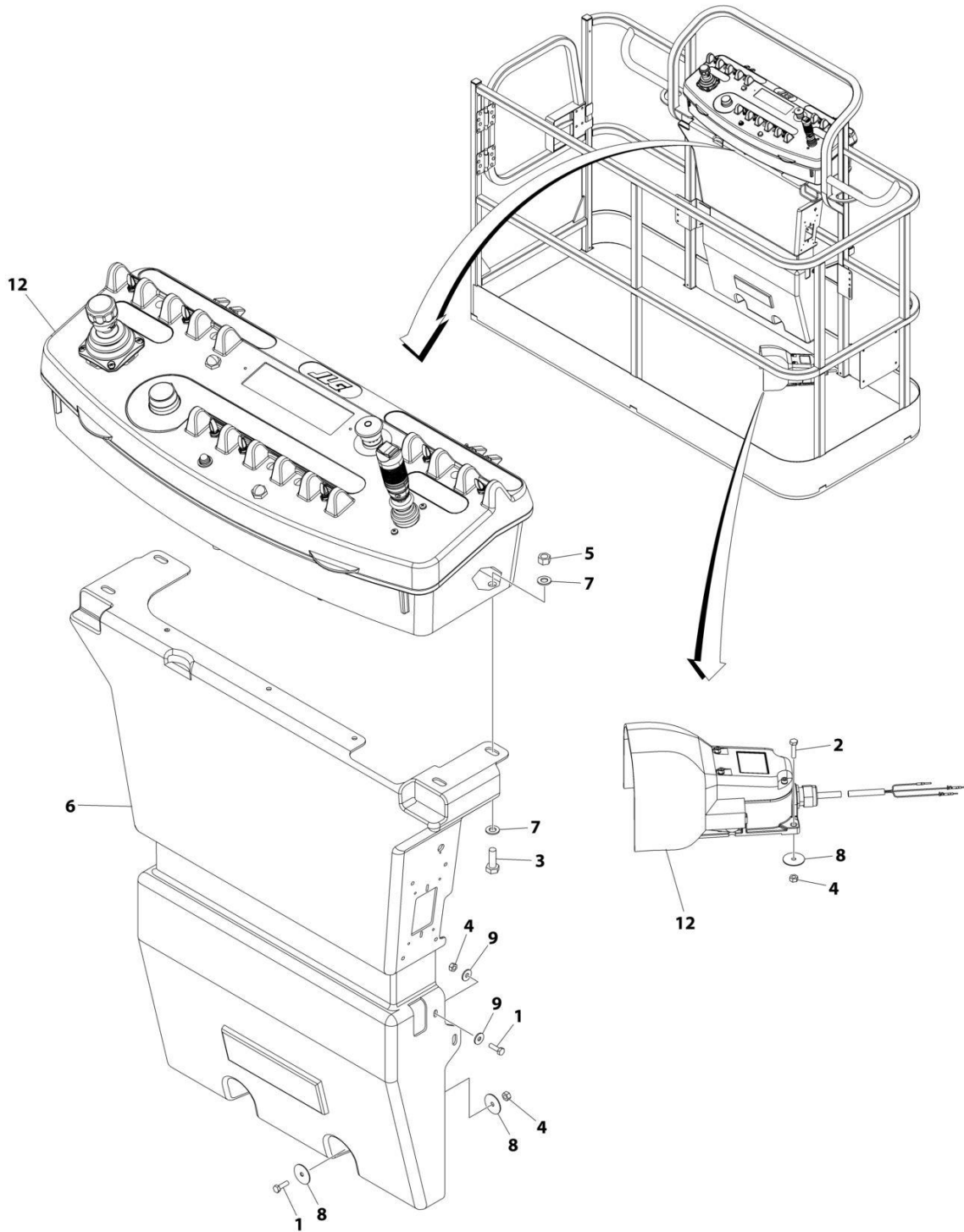
SECTION 5 - PLATFORM

FIGURE 5-8. PLATFORM ASSEMBLY - 30IN X 5FT (76CM X 1.52M - FALL ARREST (ANSI, ANSI EXPORT AND CSA SPECS)

ITEM	PART NUMBER	QTY	DESCRIPTION	REV
	1001186388	Ref	PLATFORM ASSEMBLY	C
	See Note	Ref	Note: Replacement Decals Must be Ordered Separately - See DECALS SECTION.	
1	0681814	2	Bolt 1/2 x 1-3/4 (Grade 8)	
2	0681822	4	Bolt 1/2 x 2-3/4 (Grade 8)	
3	0962270	2	Bearing	
4	1705014	1	Decal - Safety	
5	1706385	1	Decal - Drop Bar	
6	2410014	1	Gate, Weldment	
7	3271805	6	Nut 1/2	
8	3311605	1	Nut 3/8	
9	3520072	1	Cap, Plug	
10	3900054	1	Bolt 1/2 x 1-3/4	
11	4711800	6	Washer 1/2	
12	4751800	4	Washer 1/2	
13	1001203654	1	Lanyard	
14	See Note	NSS	Platform (Note: Not Available - Purchase Platform Assembly)	

SECTION 5 - PLATFORM

FIGURE 5-9. CONSOLE BOX INSTALLATION (450A)



ART_1001246297

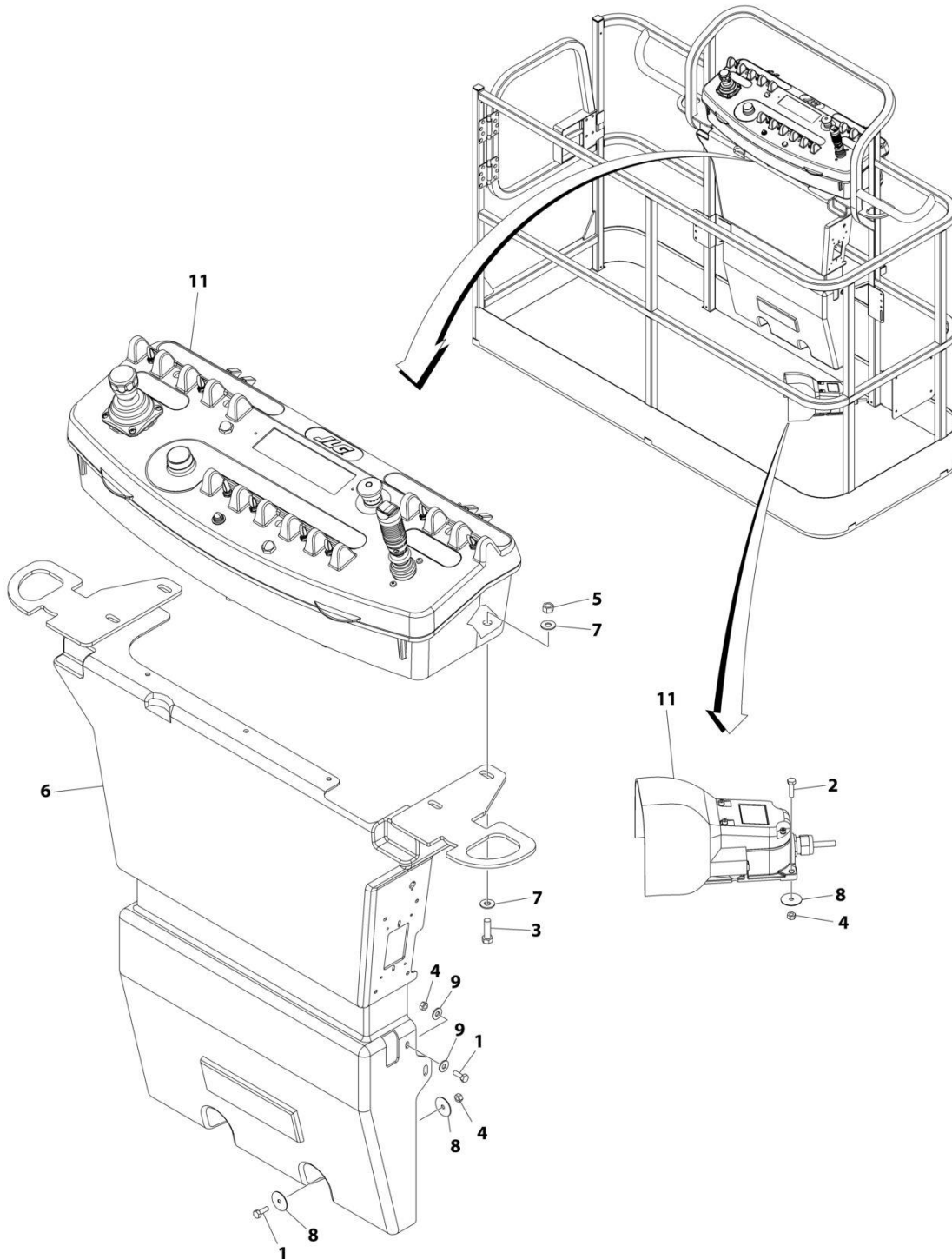
SECTION 5 - PLATFORM

FIGURE 5-9. CONSOLE BOX INSTALLATION (450A)

ITEM	PART NUMBER	QTY	DESCRIPTION	REV
	1001246297	Ref	CONSOLE BOX INSTALLATION	A
1	0641406	4	Bolt 1/4 x 3/4	
2	0641408	3	Bolt 1/4 x 1	
3	0641610	4	Bolt 3/8 x 1-1/4	
4	3311405	7	Nut Lock 1/4	
5	3311605	4	Nut Lock 3/8	
6	3380434	1	Panel, Decal Mount	
7	4751600	8	Washer 3/8	
8	4740362	7	Washer 1/4	
9	4751400	4	Washer 1/4	
10	1001144295	2	Cap, Connector (Not Shown)	
11	1001164728	1	Harness, Platform Valve (Not Shown - See Separate Breakdown in ELECTRICAL SECTION)	
12	1001246286	1	Platform Console Box Assembly (See Separate Breakdown in this Section)	

SECTION 5 - PLATFORM

FIGURE 5-10. CONSOLE BOX INSTALLATION (450AJ)



ART_1001246436

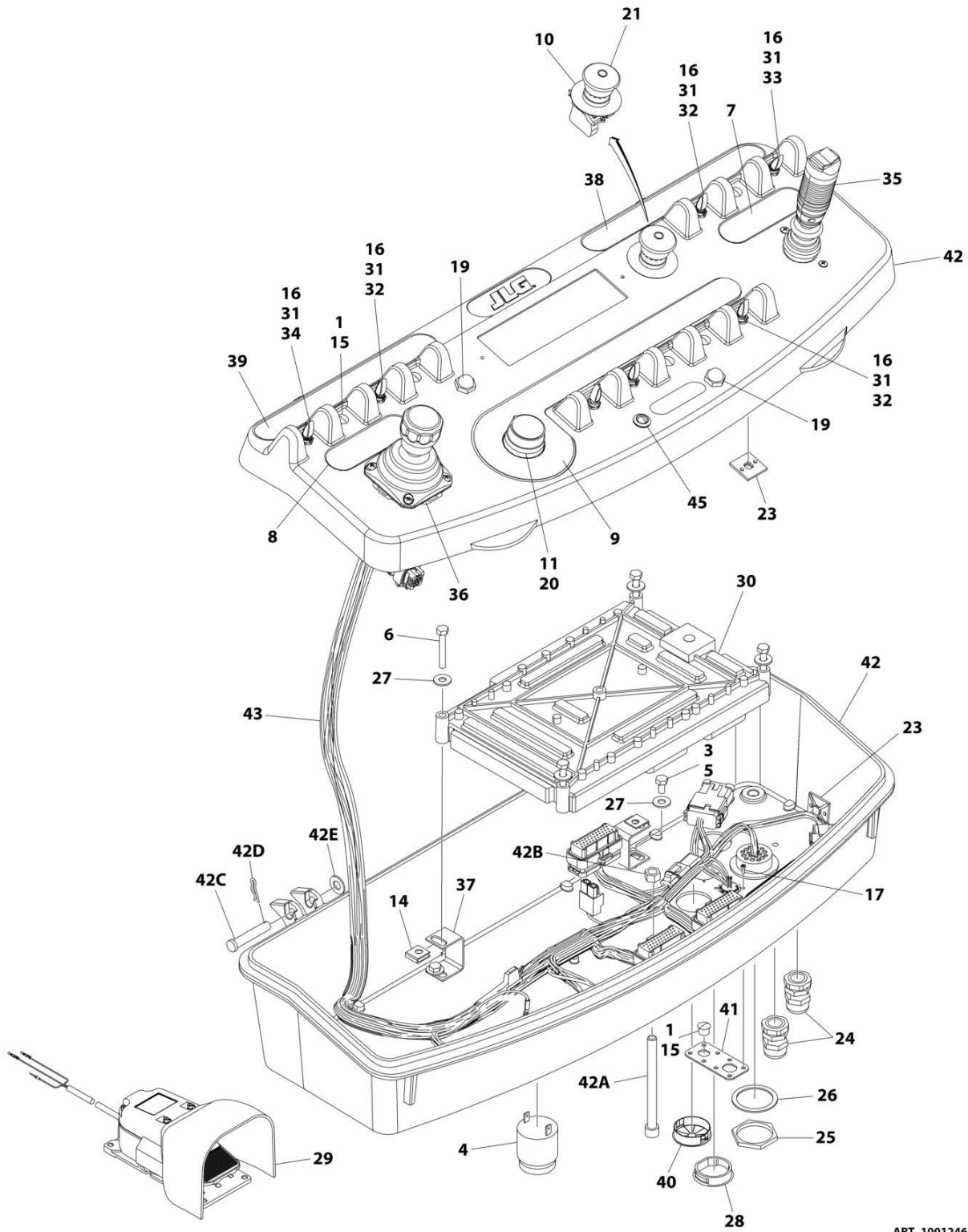
SECTION 5 - PLATFORM

FIGURE 5-10. CONSOLE BOX INSTALLATION (450AJ)

ITEM	PART NUMBER	QTY	DESCRIPTION	REV
	1001246436	Ref	CONSOLE BOX INSTALLATION	A
1	0641406	4	Bolt 1/4 x 3/4	
2	0641408	3	Bolt 1/4 x 1	
3	0641610	4	Bolt 3/8 x 1-1/4	
4	3311405	7	Nut Lock 1/4	
5	3311605	4	Nut Lock 3/8	
6	3380434	1	Panel, Decal Mount	
7	4751600	8	Washer 3/8	
8	4740362	7	Washer 1/4	
9	4751400	4	Washer 1/4	
10	1001164728	1	Harness, Platform Valve (Not Shown - See Separate Breakdown in ELECTRICAL SECTION)	
11	1001246435	1	Platform Console Box Assembly (See Separate Breakdown in this Section)	

SECTION 5 - PLATFORM

FIGURE 5-11. PLATFORM CONSOLE BOX ASSEMBLY (450A)



ART_1001246286_D

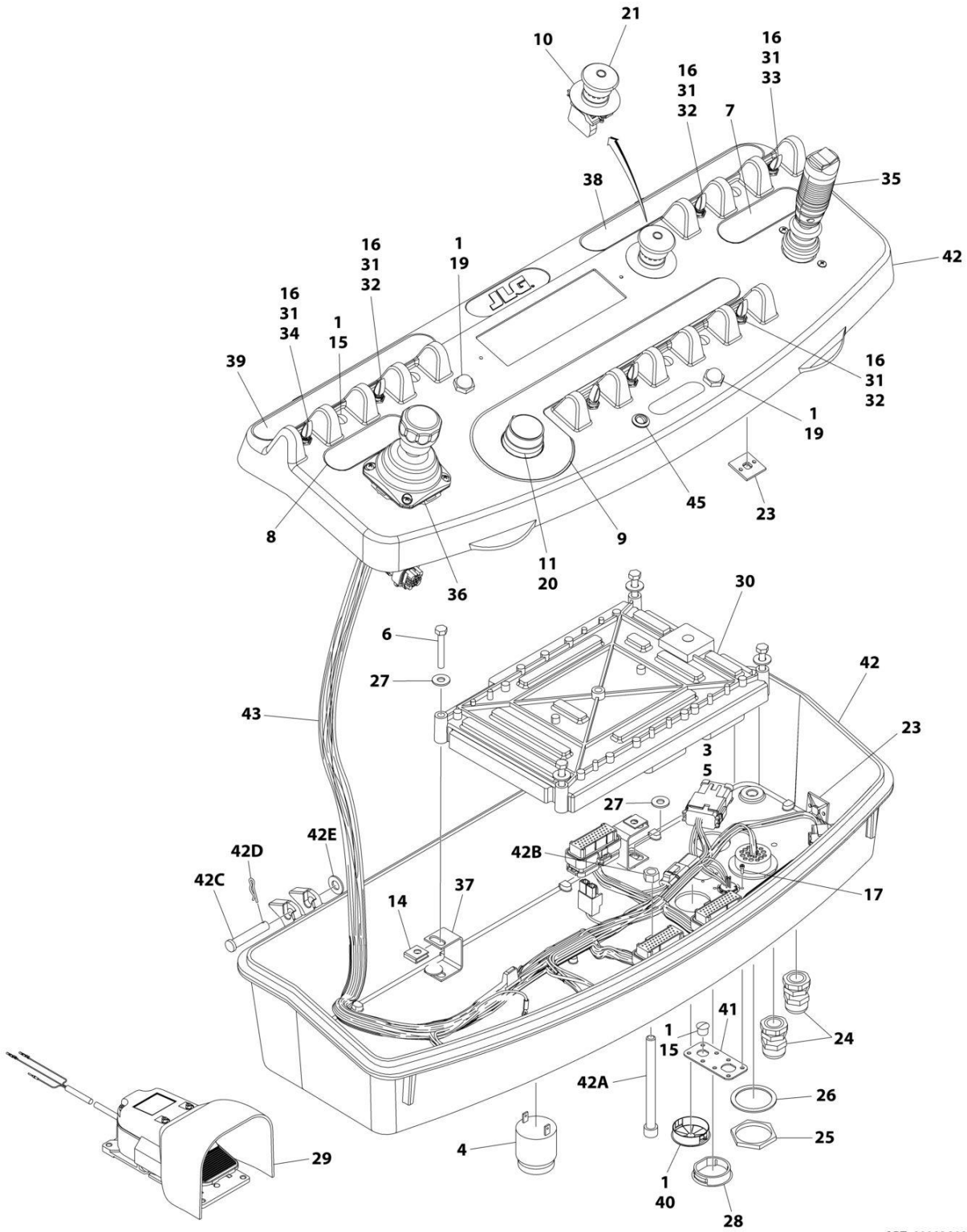
SECTION 5 - PLATFORM

FIGURE 5-11. PLATFORM CONSOLE BOX ASSEMBLY (450A)

ITEM	PART NUMBER	QTY	DESCRIPTION	REV
	1001246286	Ref	PLATFORM CONSOLE BOX ASSEMBLY	D
1	0100009	AR	Sealant	
3	0100035	AR	Compound, Locking	
4	0140011	1	Alarm	
5	0641405	4	Bolt 1/4 x 5/8	
6	0641414	4	Bolt 1/4 x 1-3/4	
7	1702565	1	Decal - Drive and Steer	
8	1702566	1	Decal - Lift and Swing	
9	1702567	1	Decal - Function Speed	
10	1704260	1	Decal - EMS	
11	2560136	1	Handle, Knob	
14	3300353	4	Nut	
15	3520054	6	Plug	
16	3790012	7	O-Ring	
17	3900349	8	Screw	
18	4240099	AR	Tie-Strap (Not Shown)	
19	4360387	2	Switch, Pushbutton	
20	4360407	1	Switch, Potentiometer	
21	1001274559	1	Switch, Emergency	
23	4460234	6	Mount, Tie-Strap	
24	4460428	2	Connector, Strain Relief	
25	4460470	1	Nut	
26	4460471	1	Washer	
27	4751400	8	Washer 1/4	
28	1001110434	1	Plug	
29	1001117174	1	Footswitch Assembly (See Separate Breakdown in this Section)	
30	1001118412	1	Module, Control	
31	1001155044	7	Nut 15/32	
32	1001155045	5	Switch, Toggle	
33	1001159256	1	Switch, Toggle	
34	1001161709	1	Switch, Toggle	
35	1001275628	1	Controller Assembly (Drive and Steer)	
36	1001275629	1	Controller Assembly (Lift and Swing)	
37	1001172760	4	Bracket	
38	1001184618	1	Decal - Stop	
39	1001184626	1	Decal - Horn	
40	1001185281	1	Plug	
41	1001213882	1	Connector, Mounting	
42	1001215228	1	Platform Console Box	
42A	0630568	1	Capscrew 3/8 x 4-1/2	
42B	3311601	1	Nut 3/8	
42C	3430616	2	Pin, Clevis	
42D	3470003	2	Hairpin	
42E	4711600	2	Washer 3/8	
43	1001238254	1	Harness, Platform Console Box (See Separate Breakdown in ELECTRICAL SECTION)	
45	1001206532	1	Lamp, Indicator	

SECTION 5 - PLATFORM

FIGURE 5-12. PLATFORM CONSOLE BOX ASSEMBLY (450AJ)



ART_1001246435_D

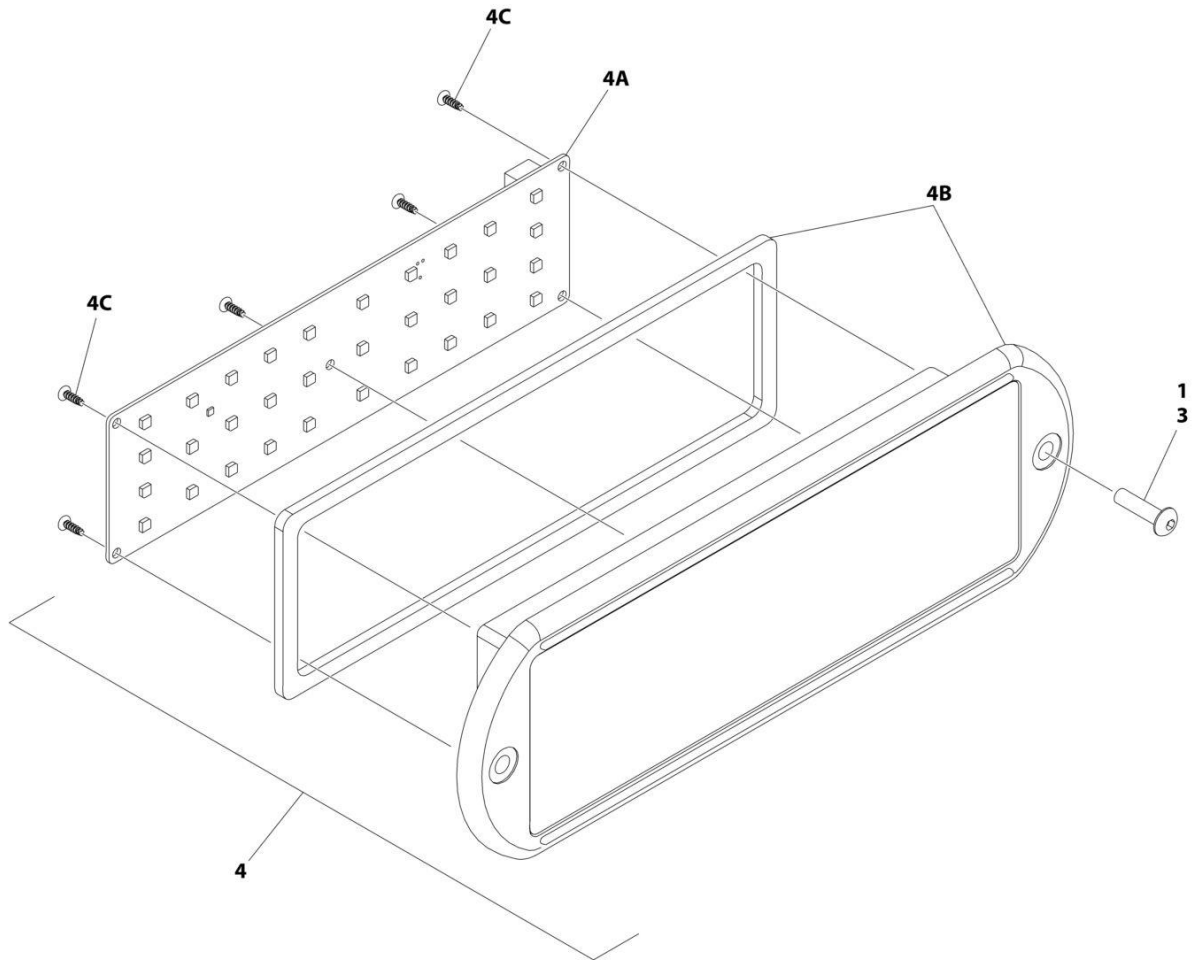
SECTION 5 - PLATFORM

FIGURE 5-12. PLATFORM CONSOLE BOX ASSEMBLY (450AJ)

ITEM	PART NUMBER	QTY	DESCRIPTION	REV
	1001246435	Ref	PLATFORM CONSOLE BOX ASSEMBLY	D
1	0100009	AR	Sealant	
3	0100035	AR	Compound, Locking	
4	0140011	1	Alarm	
5	0641405	4	Bolt 1/4 x 5/8	
6	0641414	4	Bolt 1/4 x 1-3/4	
7	1702565	1	Decal - Drive and Steer	
8	1702566	1	Decal - Lift and Swing	
9	1702567	1	Decal - Function Speed	
10	1704260	1	Decal - EMS	
11	2560136	1	Handle, Knob	
14	3300353	4	Nut	
15	3520054	5	Plug	
16	3790012	8	O-Ring	
17	3900349	8	Screw	
18	4240099	AR	Tie-Strap (Not Shown)	
19	4360387	2	Switch, Pushbutton	
20	4360407	1	Switch, Potentiometer	
21	1001274559	1	Switch, Emergency	
23	4460234	6	Mount, Tie-Strap	
24	4460428	2	Connector, Strain Relief	
25	4460470	1	Nut	
26	4460471	1	Washer	
27	4751400	8	Washer 1/4	
28	1001110434	1	Plug	
29	1001117174	1	Footswitch Assembly (See Separate Breakdown in this Section)	
30	1001118412	1	Module, Control	
31	1001155044	8	Nut 15/32	
32	1001155045	6	Switch, Toggle	
33	1001159256	1	Switch, Toggle	
34	1001161709	1	Switch, Toggle	
35	1001275628	1	Controller Assembly (Drive and Steer)	
36	1001275629	1	Controller Assembly (Lift and Swing)	
37	1001172760	4	Bracket	
38	1001184618	1	Decal - Stop	
39	1001184626	1	Decal - Horn	
40	1001185281	1	Plug	
41	1001213882	1	Connector, Mounting	
42	1001215228	1	Platform Console Box	
42A	0630568	1	Capscrew 3/8 x 4-1/2	
42B	3311601	1	Nut 3/8	
42C	3430616	2	Pin, Clevis	
42D	3470003	2	Hairpin	
42E	4711600	2	Washer 3/8	
43	1001238254	1	Harness, Platform Console Box (See Separate Breakdown in ELECTRICAL Section)	
45	1001206532	1	Lamp, Indicator	

SECTION 5 - PLATFORM

FIGURE 5-13. LIGHT PANEL INSTALLATION – PLATFORM CONSOLE



ART_1001233959_D_20F2

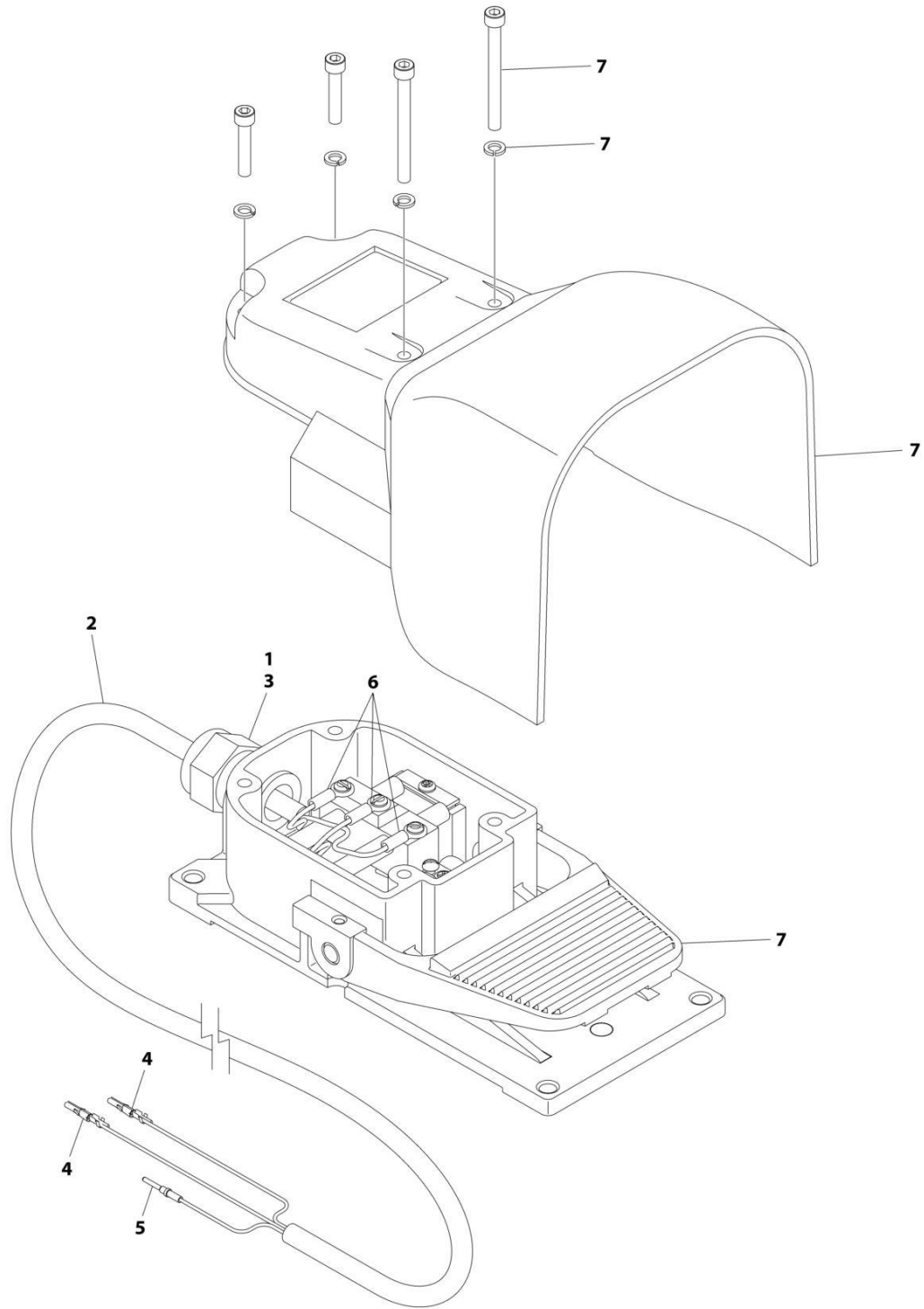
SECTION 5 - PLATFORM

FIGURE 5-13. LIGHT PANEL INSTALLATION – PLATFORM CONSOLE

ITEM	PART NUMBER	QTY	DESCRIPTION	REV
	1001233959	Ref	LIGHT PANEL INSTALLATION - PLATFORM CONSOLE	D
1	0100035	AR	Compound, Locking	
3	0630518	2	Screw #10 x 3/4	
4	1001284583	1	Light Panel Assembly	A
4A	1001282106	1	Panel, LED Light	
4B	1001284582	1	Lens, Icon (Includes Gasket)	
4C		Ref	Screw	

SECTION 5 - PLATFORM

FIGURE 5-14. FOOTSWITCH ASSEMBLY



ART_100117174

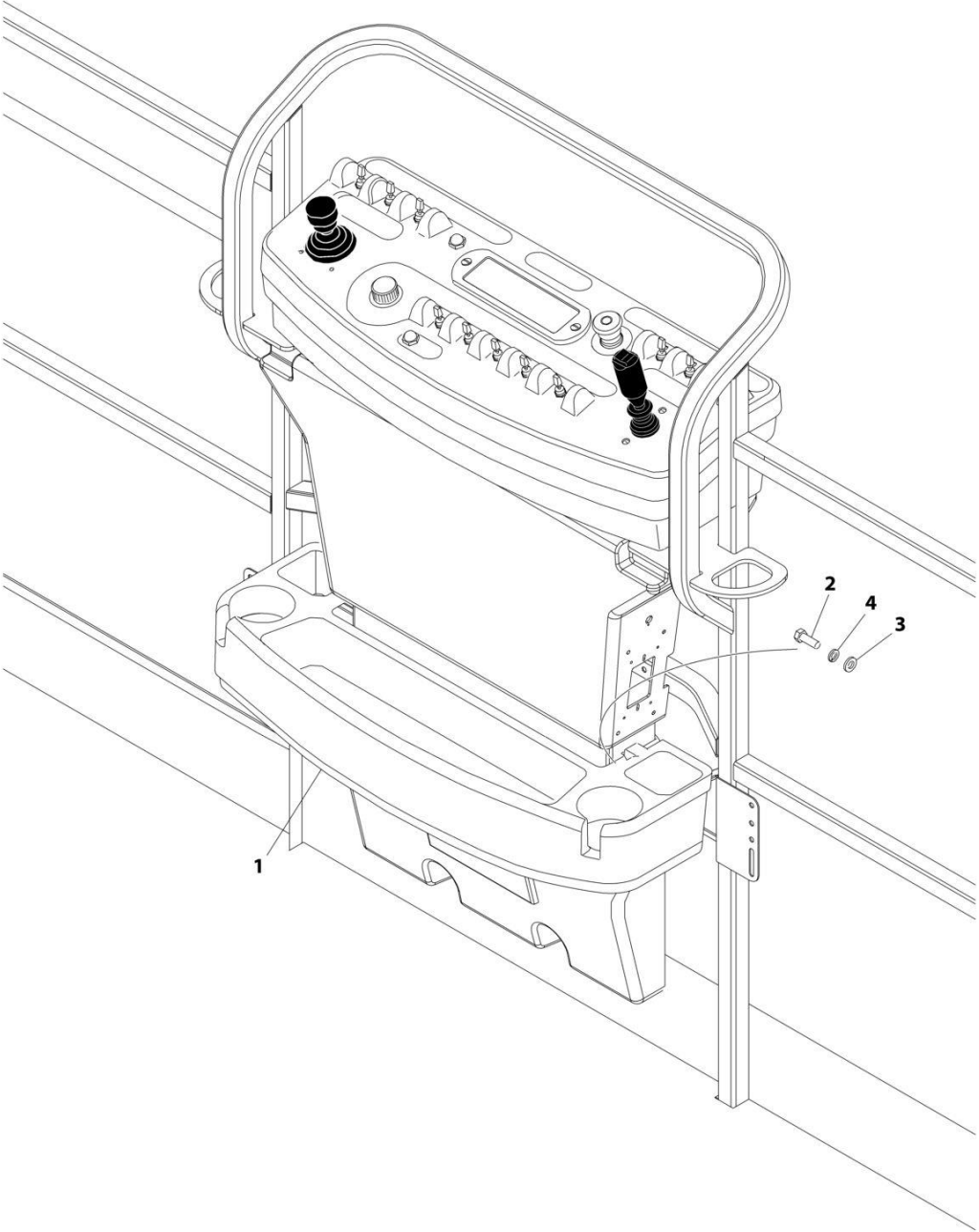
SECTION 5 - PLATFORM

FIGURE 5-14. FOOTSWITCH ASSEMBLY

ITEM	PART NUMBER	QTY	DESCRIPTION	REV
	1001117174	Ref	FOOTSWITCH ASSEMBLY	C
1	0100020	AR	Sealant	
2	1060918	7.5 ft/ 2.3m	Cable, Electrical - 18/3	
3	4460071	1	Connector, Strain Relief	
4	4460226	2	Socket, Female	
5	4460464	1	Pin, Male	
6	1001098122	3	Terminal	
7	1001117172	1	Footswitch	
7	70002902	1	Switch, 20Amp	
7	70002903	1	Gasket	
7	70002905	1	Cover	
7	70002904	1	Kit, Replacement Bolt	

SECTION 5 - PLATFORM

FIGURE 5-15. TRAY ASSEMBLY



ART_1580012

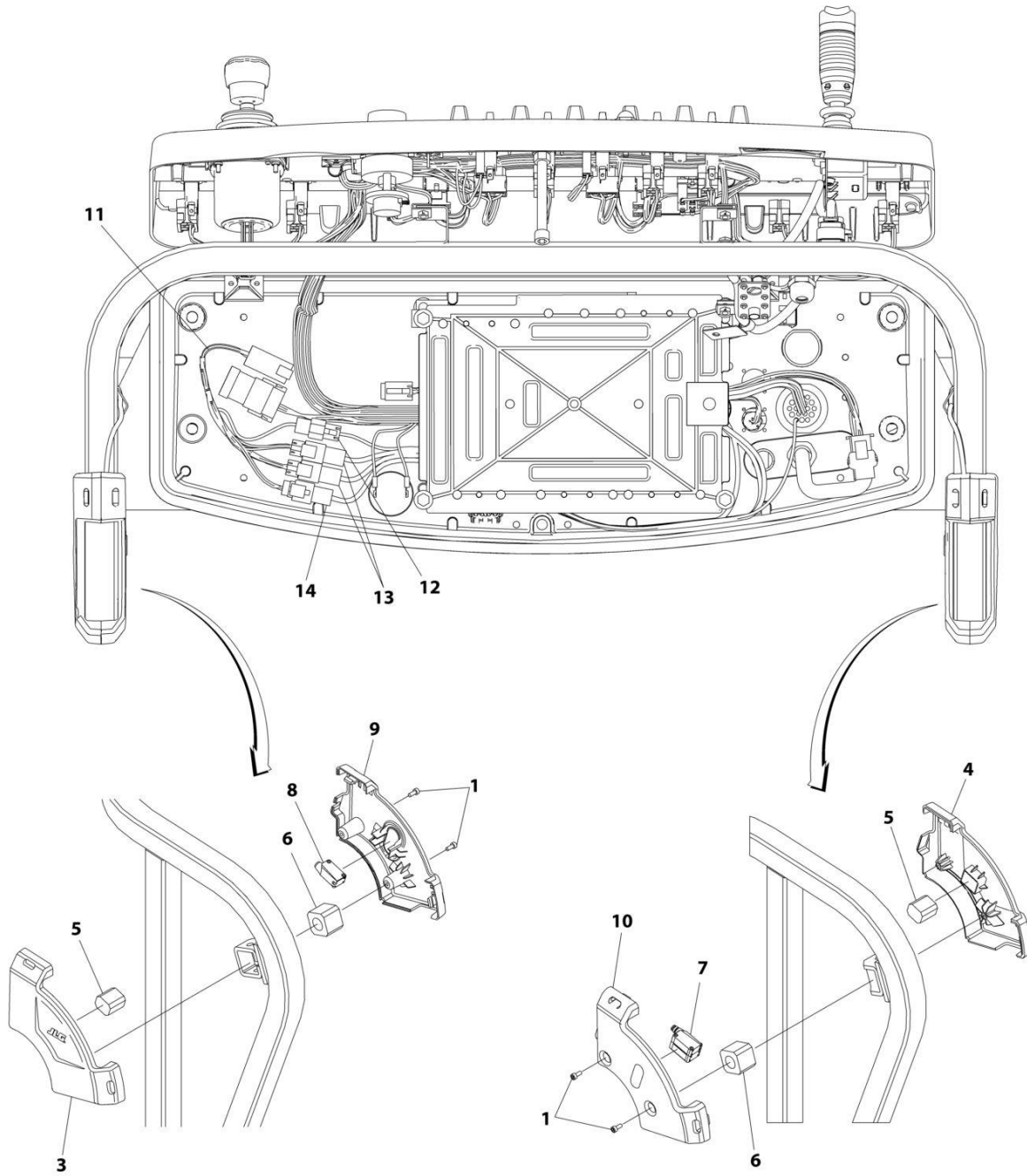
SECTION 5 - PLATFORM

FIGURE 5-15. TRAY ASSEMBLY

ITEM	PART NUMBER	QTY	DESCRIPTION	REV
	1580012	Ref	TRAY ASSEMBLY	C
1	See Note	NSS	Tray, Storage (Center) (Note: Purchase p/n 1580012)	
2	0641406	2	Bolt 1/4 x 3/4	
3	4751400	2	Washer 1/4	
4	4761400	2	Washer 1/4	

SECTION 5 - PLATFORM

FIGURE 5-16. SKYEYE INSTALLATION



ART_1001229341

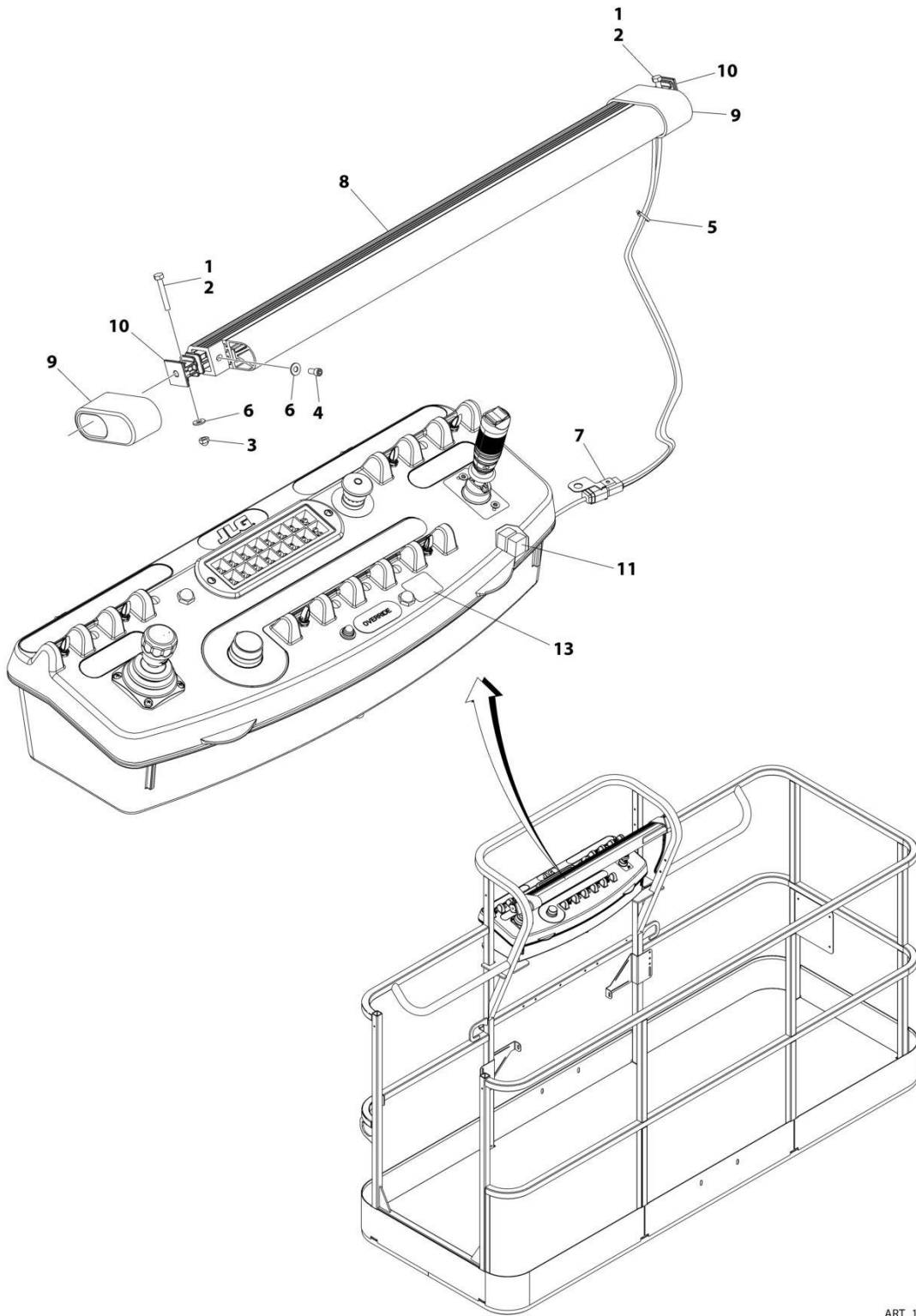
SECTION 5 - PLATFORM

FIGURE 5-16. SKYEYE INSTALLATION

ITEM	PART NUMBER	QTY	DESCRIPTION	REV
	1001229341	Ref	SKYEYE INSTALLATION	B
1	4031505	4	Bolt M4 x 10	
2	4240033	AR	Tie-Strap (Not Shown)	
3	1001227633	1	Housing, LH Outer	
4	1001227634	1	Housing, RH Outer	
5	1001227985	2	Shim	
6	1001227987	2	Shim	
7	1001228224	2	Sensor, Receiver	
8	1001228225	1	Sensor, Emitter	
9	1001232164	1	Housing, LH Inner	
10	1001232165	1	Housing, RH Inner	
11	1001237865	1	Harness, Skyeeye Intermediate (See Separate Breakdown in ELECTRICAL Section)	
12	1001238319	NLA	Harness, Skyeeye Drain Jumper	
12	1001187674	1	Plug, Male - 2 Position	
12	4460942	1	Terminal	
12	4460466	1	Plug, Terminal	
12	4460508	1	Pin, Male	
13	1001237863	2	Harness, Skyeeye Receiver (See Separate Breakdown in ELECTRICAL Section)	
14	1001237864	1	Harness, Skyeeye Emitter (See Separate Breakdown in ELECTRICAL Section)	

SECTION 5 - PLATFORM

FIGURE 5-17. SKYGUARD BAR INSTALLATION



ART_1001238495

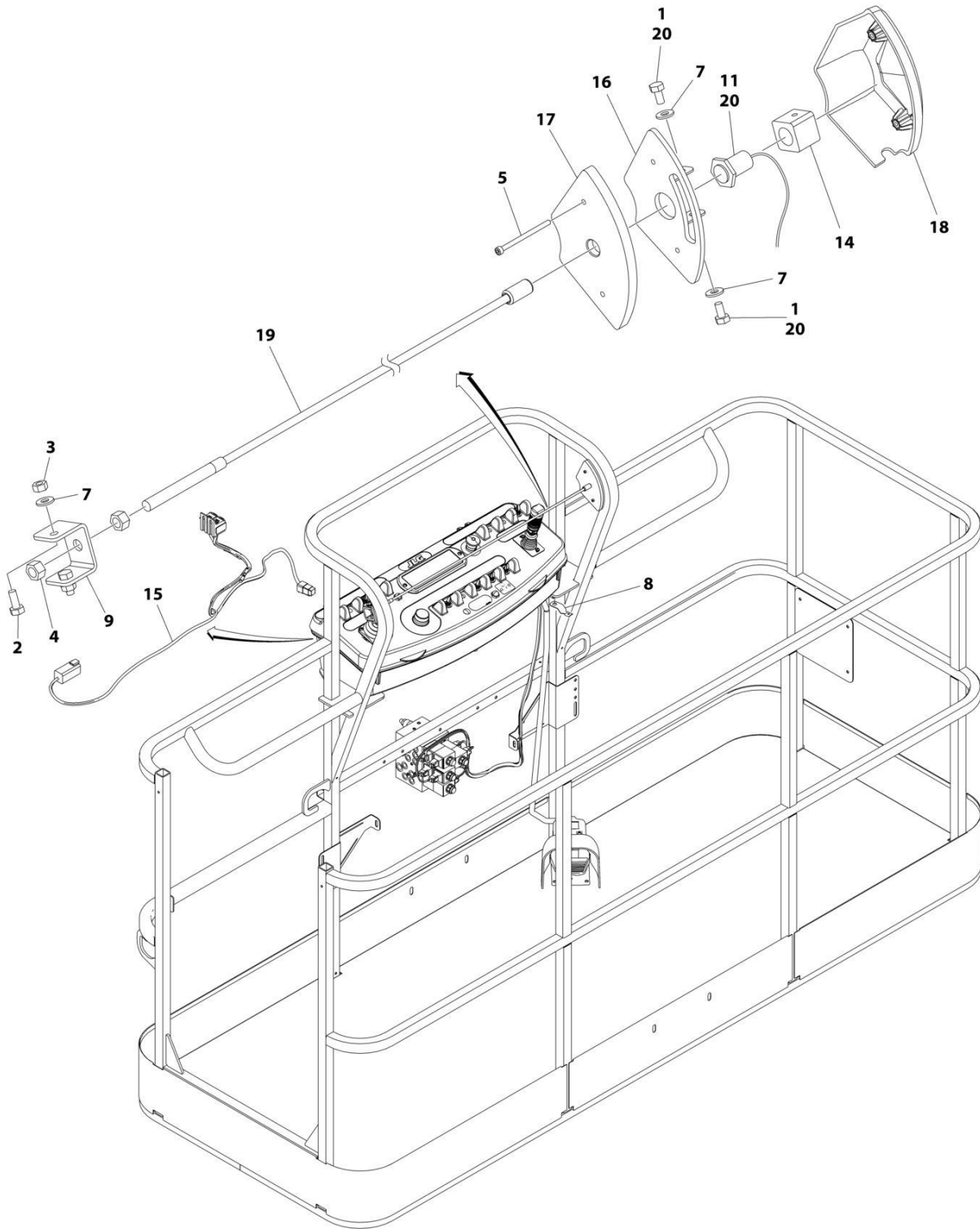
SECTION 5 - PLATFORM

FIGURE 5-17. SKYGUARD BAR INSTALLATION

ITEM	PART NUMBER	QTY	DESCRIPTION	REV
	1001238495	Ref	SKYGUARD BAR INSTALLATION	A
1	0100011	AR	Compound, Locking	
2	0641414	2	Bolt 1/4 x 1-3/4	
3	3300430	2	Nut 1/4	
4	3931408	2	Capscrew 1/4 x 1/2	
5	4240033	8	Tie-Strap	
6	4711400	6	Washer 1/4	
7	1001120328	1	Mount	
8	1001137673	1	SkyGuard Switch Assembly	
9	1001186517	2	Cover, Platform Sensor	
10	1001209664	2	Support, Block	
11	1001186431	2	Relay	
12	1001225580	1	Interface Harness Assembly (Not Shown - Located Inside Console Box) (See Separate Breakdown in ELECTRICAL Section)	
13	1001144433	1	Decal - No Weight SkyGuard	

SECTION 5 - PLATFORM

FIGURE 5-18. SKYLINE INSTALLATION



ART_1001238559_D

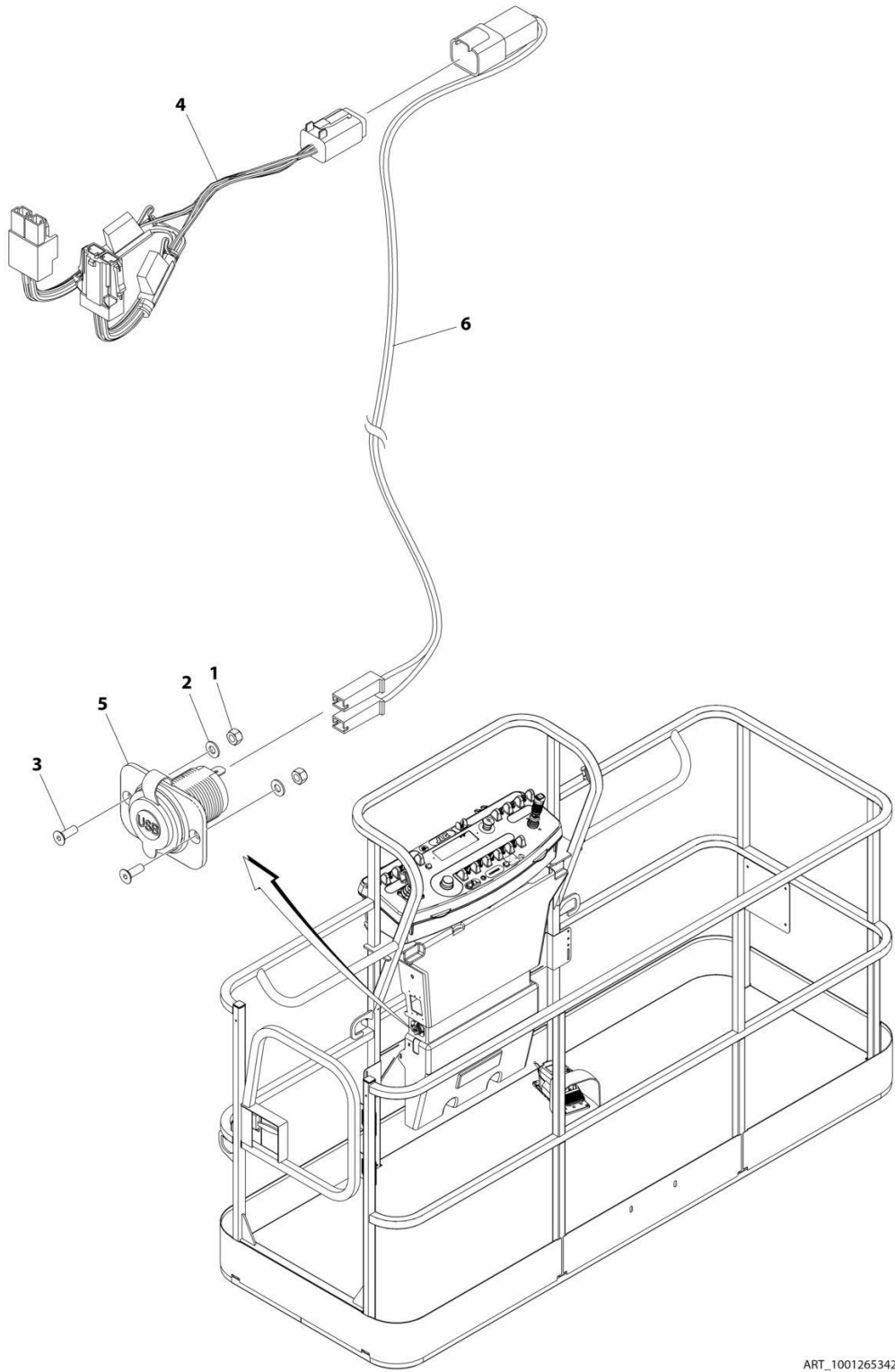
SECTION 5 - PLATFORM

FIGURE 5-18. SKYLINE INSTALLATION

ITEM	PART NUMBER	QTY	DESCRIPTION	REV
	1001238559	Ref	SKYLINE INSTALLATION	D
1	0641404	2	Bolt 1/4 x 1/2	
2	0641405	2	Bolt 1/4 x 5/8	
3	3311405	2	Nut 1/4	
4	3311601	2	Nut 3/8	
5	4031516	2	Capscrew M4 x 60	
6	4240033	AR	Tie-Strap (Not Shown)	
7	4711400	4	Washer 1/4	
8	1001120328	1	Mount	
9	1001232642	1	Bracket	
11	1001232667	1	Sensor, Proximity	
11	1001311034	1	Sensor, Proximity	
14	1001236552	1	Block	
15	1001238418	1	Harness, Skyline (See Separate Breakdown in ELECTRICAL Section)	
16	1001238472	1	Mount	
17	1001254473	1	Housing, LH	
18	1001241965	1	Housing, RH	
19	1001254472	1	Rod	
20	0100011	AR	Compound, Locking	

SECTION 5 - PLATFORM

FIGURE 5-19. USB CHARGER INSTALLATION



ART_1001265342

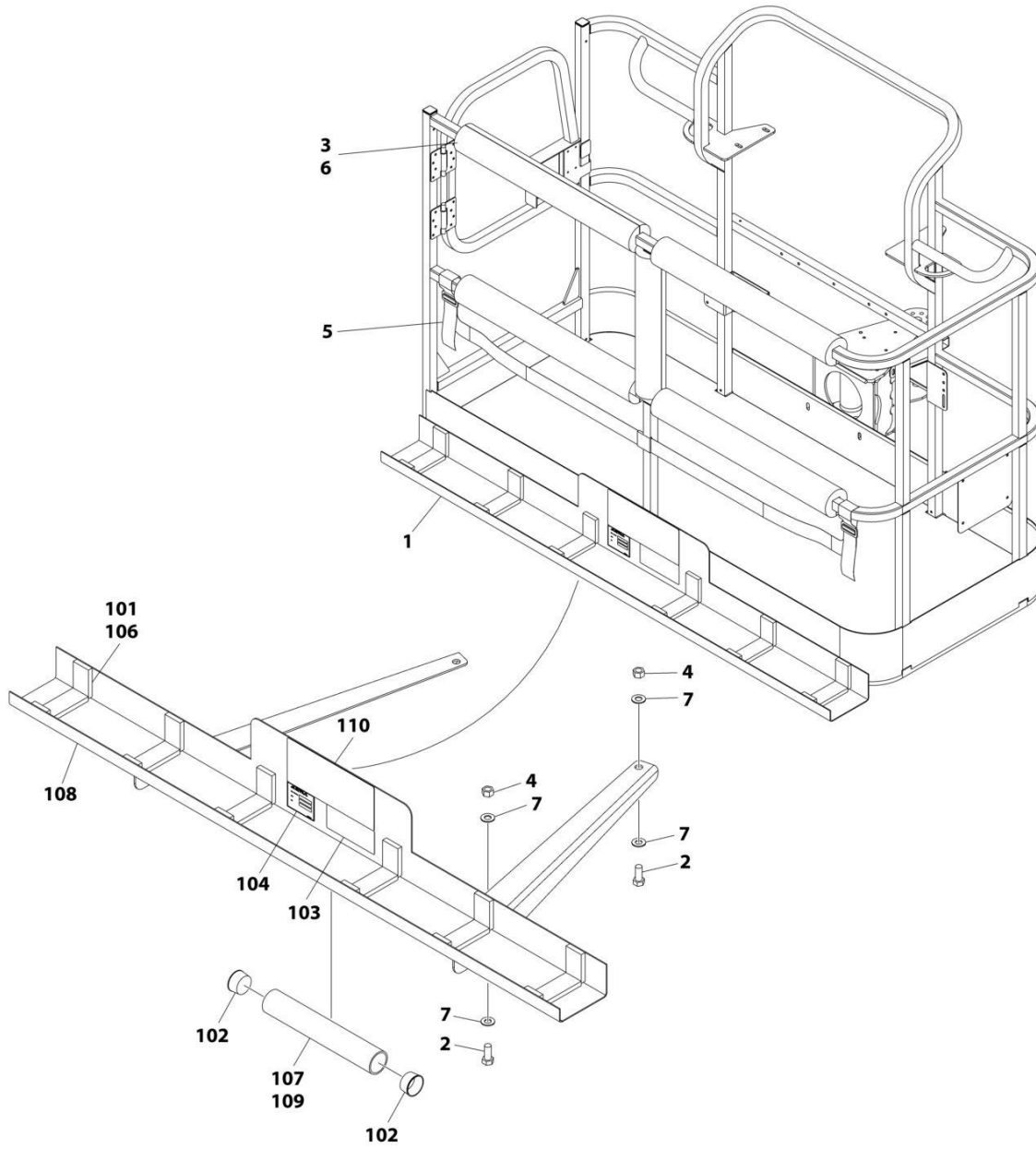
SECTION 5 - PLATFORM

FIGURE 5-19. USB CHARGER INSTALLATION

ITEM	PART NUMBER	QTY	DESCRIPTION	REV
	1001265342	Ref	USB CHARGER INSTALLATION	A
1	3290405	2	Nut M4	
2	4811400	2	Washer M4	
3	1001097244	2	Screw M4 x 12	
4	1001120484	1	Harness, Work Lights	
4	4460879	1	Plug, Male - 2 Position	
4	4460887	2	Terminal	
4	2400060	2	Fuseholder Includes Cover	
4	8229249	2	Fuse, 3 Amp	
4	4460884	1	Connector - 4 Position	
4	4460465	4	Socket, Female	
4	1001120471	1	Connector - 2 Position	
4	1001120477	2	Terminal	
5	1001210636	1	Receptacle, USB	
6	1001265163	1	Harness, USB	A
6	4460260	2	Cover, Terminal	
6	4460259	2	Terminal	
6	4460932	1	Receptacle, Bussbar - 4 Position	
6	4460464	2	Pin, Male	
6	4460466	2	Plug, Terminal	

SECTION 5 - PLATFORM

FIGURE 5-20. SKYGLAZIER INSTALLATION



ART_1001173975

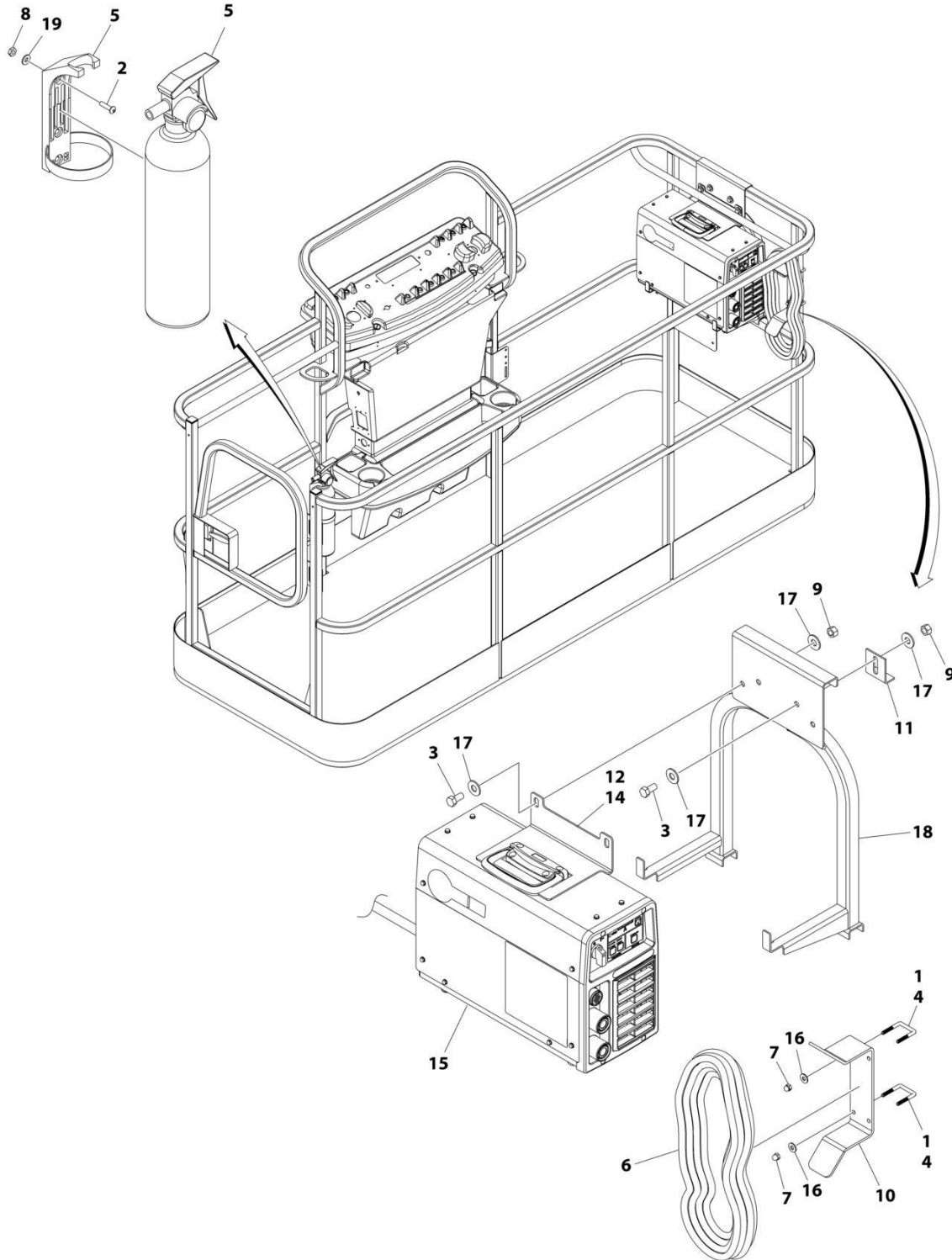
SECTION 5 - PLATFORM

FIGURE 5-20. SKYGLAZIER INSTALLATION

ITEM	PART NUMBER	QTY	DESCRIPTION	REV
	1001173975	Ref	SKYGLAZIER INSTALLATION	B
1	1001173973	1	Tray Assembly (See Items 101-110 for Breakdown)	
2	0642012	4	Bolt 5/8 x 1-1/2	
3	0940199	1	Bumper Kit	
4	3312005	4	Nut 5/8	
5	4240149	1	Strap Kit	
6	4420014	AR	Tape	
7	4712000	8	Washer 5/8	
	1001173973	Ref	TRAY ASSEMBLY	C
101	0100081	AR	Adhesive	
102	1120555	2	Cap, Tube	
103	1701509	1	Decal - Manual	
104	See Note	NSS	Nameplate - Serial Number (Note: Not Available for Purchase)	
106	3340956	1	Pad Kit	
107	3460334	1	Tube	
108	4341415	1	Support	
109	4420066	AR	Tape, Double Sided	
110	1001229138	1	Decal - Glazier Capacity	

SECTION 5 - PLATFORM

FIGURE 5-21. SKYWELDER INSTALLATION (50HZ)



ART_0272521_G

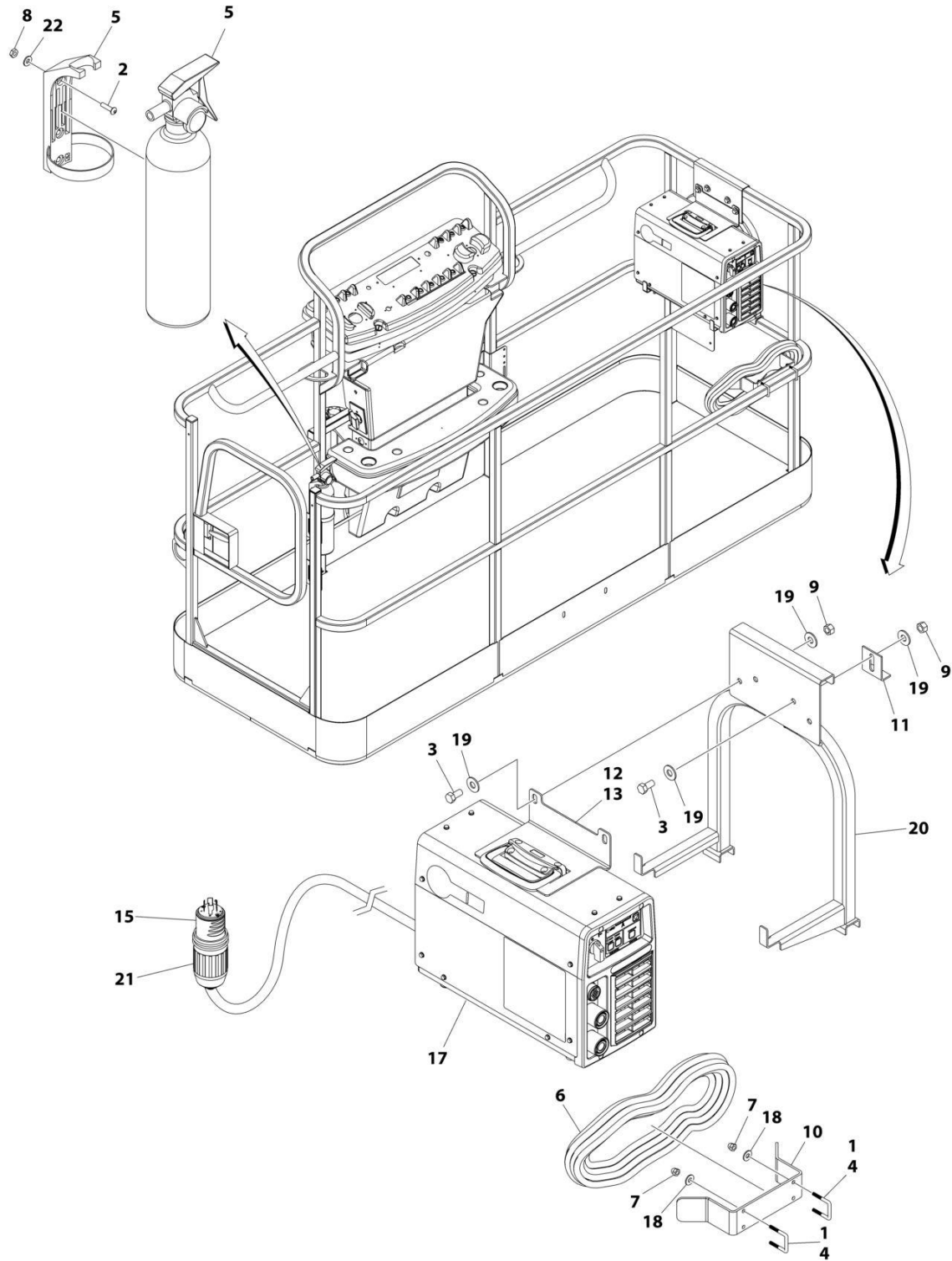
SECTION 5 - PLATFORM

FIGURE 5-21. SKYWELDER INSTALLATION (50HZ)

ITEM	PART NUMBER	QTY	DESCRIPTION	REV
	0272521	Ref	SKYWELDER INSTALLATION	G
1	0100011	AR	Compound, Locking	
2	0630518	2	Screw #10 x 3/4	
3	0641606	4	Bolt 3/8 x 3/4	
4	1320302	2	U-Clamp	
5	2030010	1	Extinguisher, Fire	
6	2902217	1	Weld Leads Kit	
7	3300151	4	Nut 1/4	
8	3311005	2	Nut #10	
9	3311605	4	Nut 3/8	
10	3573400	1	Bracket	
11	3577121	2	Angle	
12	1001269573	1	Plate	
13	4240099	AR	Tie-Strap (Not Shown)	
14	4420037	AR	Tape	
15	1001268820	1	Welder Assembly (See Separate Breakdown in this Section)	
16	4751400	4	Washer 1/4	
17	4751600	8	Washer 3/8	
18	1001269322	1	Support	
19	4751000	2	Washer #10	

SECTION 5 - PLATFORM

FIGURE 5-22. SKYWELDER INSTALLATION (60HZ)



ART_0272254_J

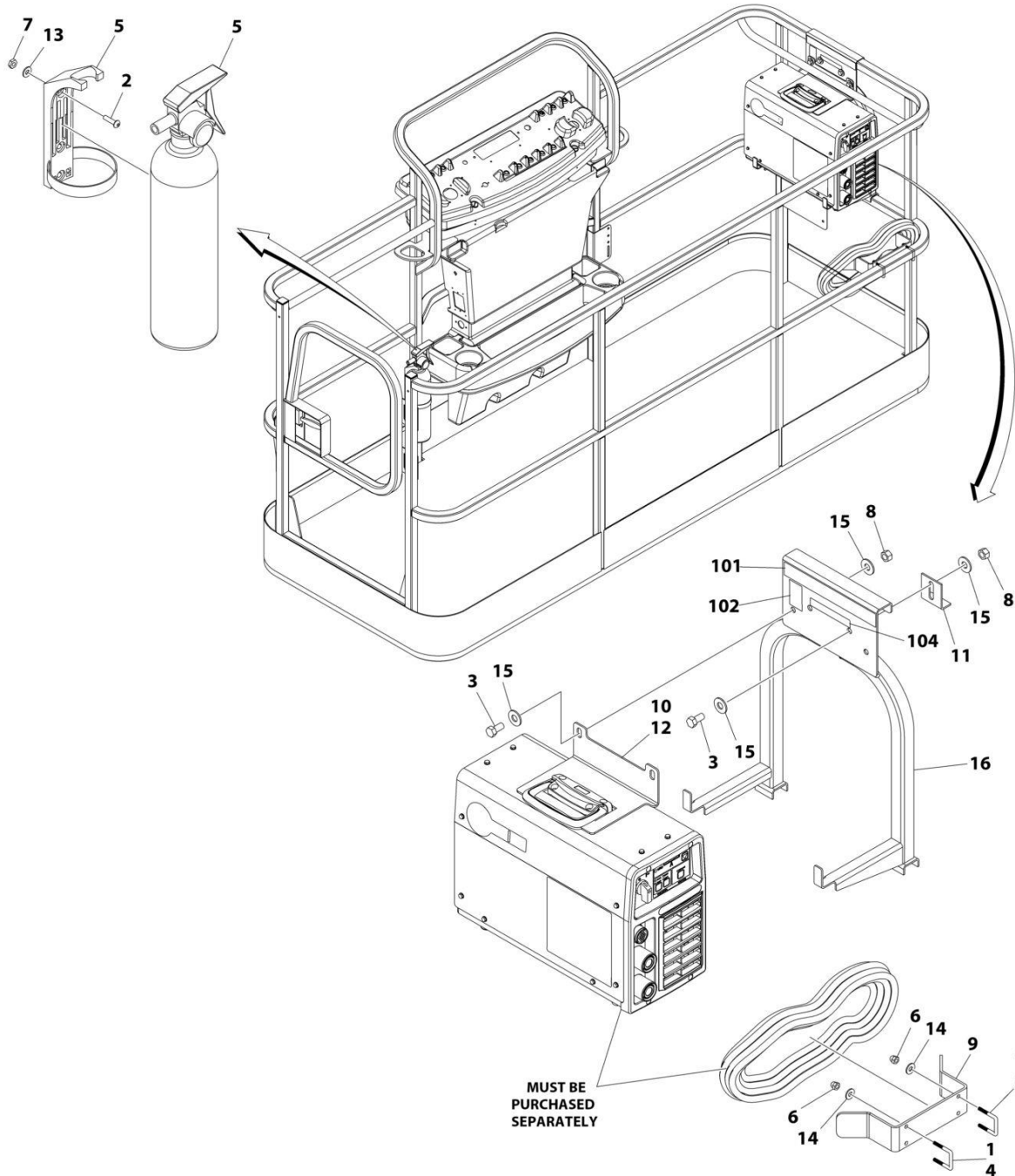
SECTION 5 - PLATFORM

FIGURE 5-22. SKYWELDER INSTALLATION (60HZ)

ITEM	PART NUMBER	QTY	DESCRIPTION	REV
	0272254	Ref	SKYWELDER INSTALLATION	J
1	0100011	AR	Compound, Locking	
2	0630518	2	Screw #10 x 3/4	
3	0641606	4	Bolt 3/8 x 3/4	
4	1320302	2	U-Clamp	
5	2030010	1	Extinguisher, Fire	
6	2902217	1	Weld Leads Kit	
7	3300151	4	Nut 1/4	
8	3311005	2	Nut #10	
9	3311605	4	Nut 3/8	
10	3573400	1	Bracket	
11	3577121	2	Angle	
12	1001269573	1	Plate	
13	4420037	AR	Tape	
14	4240099	AR	Tie-Strap (Not Shown)	
15	4460962	1	Plug, Male Twistlock	
17	1001268820	1	Welder Assembly (See Separate Breakdown in this Section)	
18	4751400	4	Washer 1/4	
19	4751600	8	Washer 3/8	
20	1001269322	1	Support	
21	1671093	1	Cover, Plug	
22	4751000	2	Washer #10	

SECTION 5 - PLATFORM

FIGURE 5-23. SKYWELDER PREP PACKAGE INSTALLATION



ART_1001128527_C

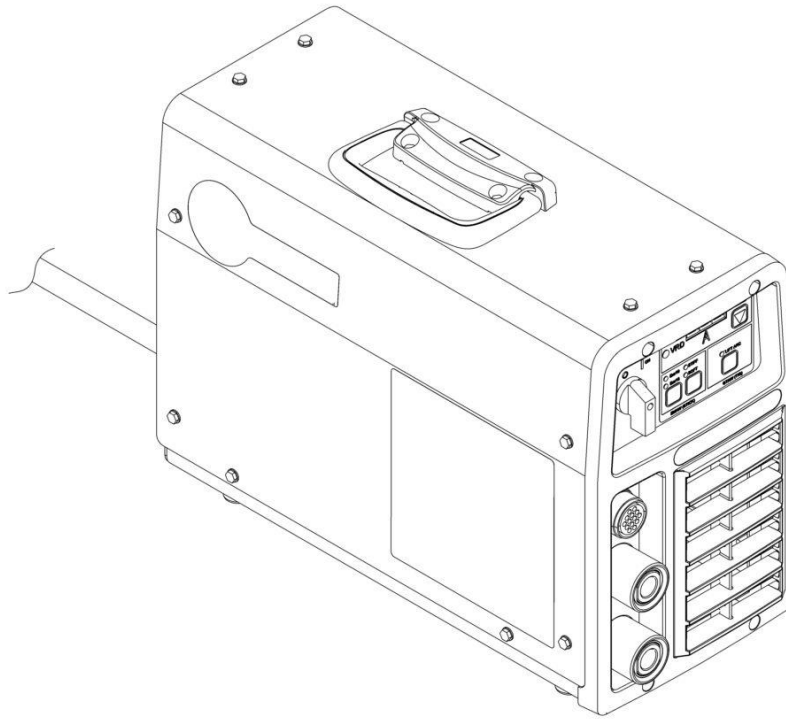
SECTION 5 - PLATFORM

FIGURE 5-23. SKYWELDER PREP PACKAGE INSTALLATION

ITEM	PART NUMBER	QTY	DESCRIPTION	REV
	1001128527	Ref	SKYWELDER PREP PACKAGE	C
1	0100011	AR	Compound, Locking	
2	0630518	2	Screw #10 x 3/4	
3	0641606	4	Bolt 3/8 x 3/4	
4	1320302	2	U-Clamp	
5	2030010	1	Extinguisher, Fire	
6	3300151	4	Nut 1/4	
7	3311005	2	Nut #10	
8	3311605	4	Nut 3/8	
9	3573400	1	Bracket	
10	1001269573	1	Plate	
11	3577121	2	Angle	
12	4420037	AR	Tape	
13	4751000	2	Washer #10	
14	4751400	4	Washer 1/4	
15	4751600	8	Washer 3/8	
16	1001269322	1	Support	
	1001128556	Ref	SKYWELDER DECAL INSTALLATION	D
101	1702868	1	Decal - No Hands	
102	1705305	1	Decal - Weld Lead	
104	1001228988	1	Decal - Weight	

SECTION 5 - PLATFORM

FIGURE 5-24. WELDER ASSEMBLY



ART_1001268820

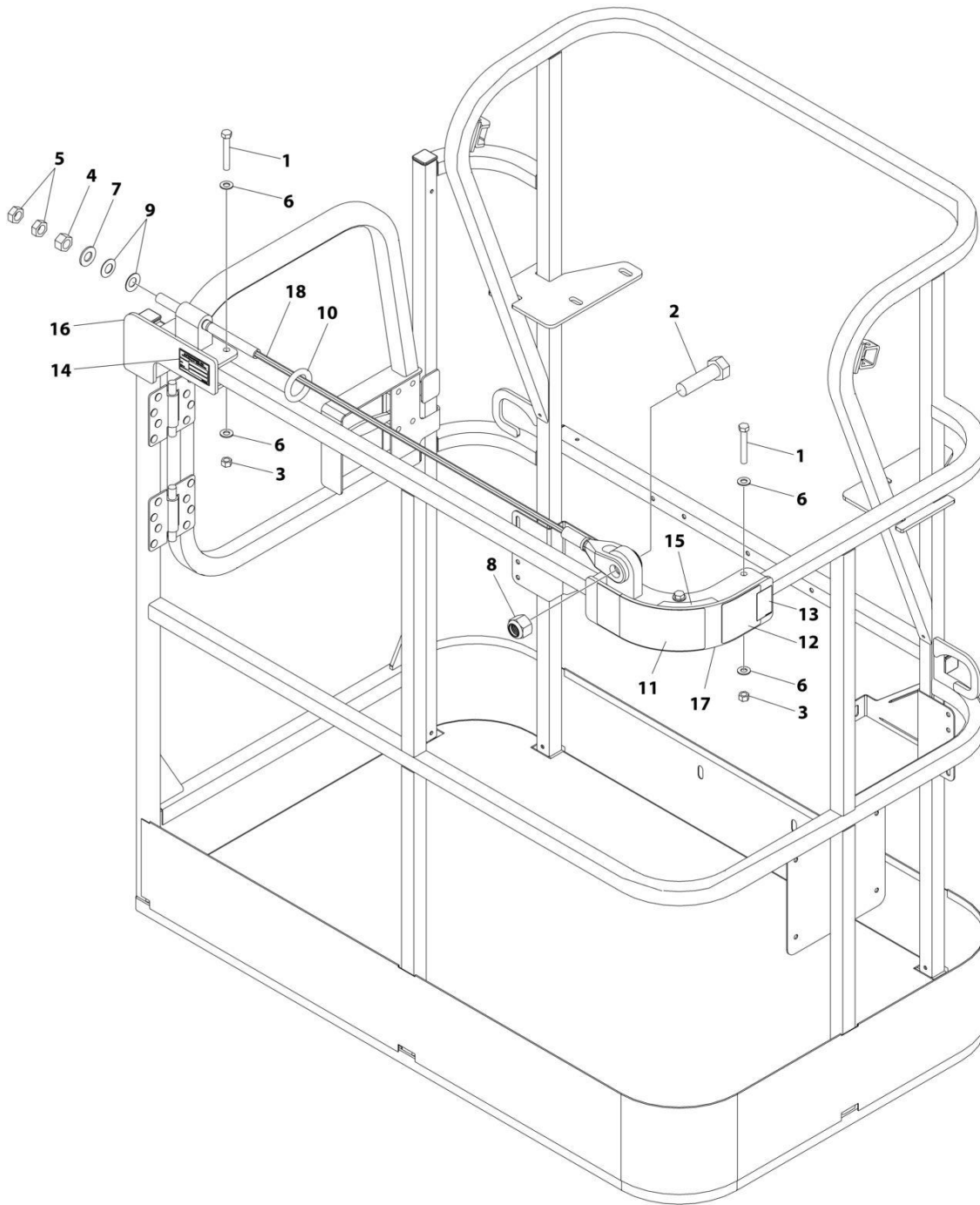
SECTION 5 - PLATFORM

FIGURE 5-24. WELDER ASSEMBLY

ITEM	PART NUMBER	QTY	DESCRIPTION	REV
	1001268820	1 Ref	WELDER ASSEMBLY Note: No Service Parts available at time of Printing.	B

SECTION 5 - PLATFORM

FIGURE 5-25. FALL ARREST INSTALLATION (BOLT-ON) (4FT/1.22M PLATFORM)



ART_1001261338

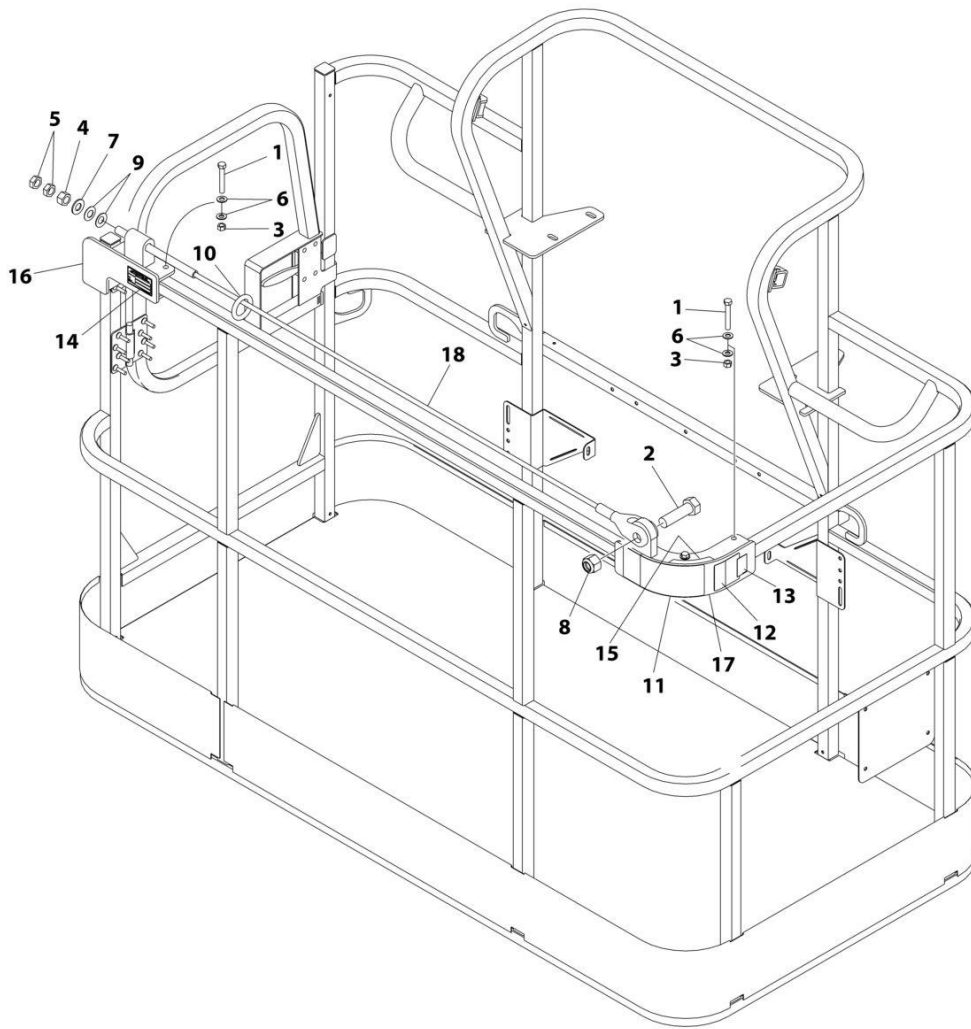
SECTION 5 - PLATFORM

FIGURE 5-25. FALL ARREST INSTALLATION (BOLT-ON) (4FT/1.22M PLATFORM)

ITEM	PART NUMBER	QTY	DESCRIPTION	REV
	1001261338	Ref	FALL ARREST INSTALLATION	A
1	0681620	6	Bolt 3/8 x 2-1/2	
2	0682424	1	Bolt 7/8 x 3	
3	3271605	6	Nut 3/8	
4	3272001	1	Nut 5/8	
5	3312002	2	Nut 5/8	
6	4711600	12	Washer 3/8	
7	4712000	1	Washer 5/8	
8	88521214	1	Nut 7/8	
9	1001236891	2	Washer	
10	1001236895	1	Ring	
11	1001238263	1	Decal - Warning Falling Hazard	
12	1001248140	1	Decal - Bolt Fall Arrest Re-Cert	
13	1001248141	1	Decal - Incription	
14	See Note	NSS	Nameplate - Manufacturers Serial Number (Note: Not Available for Purchase)	
15	1001252629	1	Decal - Weight	
16	1001257271	1	Bracket (RH)	
17	1001257274	1	Bracket (LH)	
18	1001261335	1	Rope	

SECTION 5 - PLATFORM

FIGURE 5-26. FALL ARREST INSTALLATION (BOLT-ON) (5FT/1.52M PLATFORM)



ART_1001257275

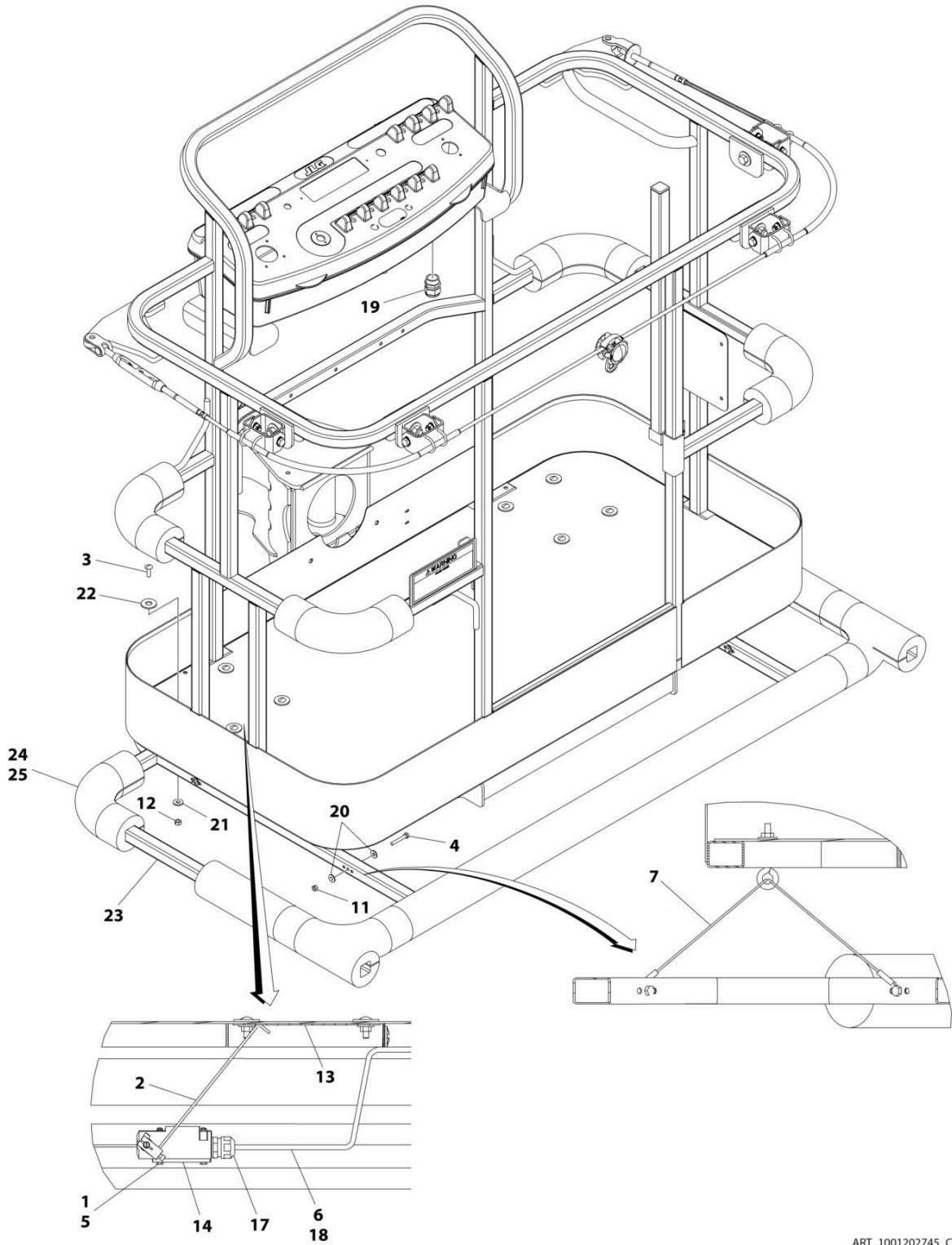
SECTION 5 - PLATFORM

FIGURE 5-26. FALL ARREST INSTALLATION (BOLT-ON) (5FT/1.52M PLATFORM)

ITEM	PART NUMBER	QTY	DESCRIPTION	REV
	1001257275	Ref	FALL ARREST INSTALLATION (BOLT - ON) 6FT/1.82M PLATFORM	A
1	0681620	6	Bolt 3/8 x 2-1/2	
2	0682424	1	Bolt 7/8 x 3	
3	3271605	6	Nut 3/8	
4	3272001	1	Nut 5/8	
5	3312002	2	Nut 5/8	
6	4711600	12	Washer 3/8	
7	4712000	1	Washer 5/8	
8	88521214	1	Nut 7/8	
9	1001236891	2	Washer	
10	1001236895	1	Ring	
11	1001238263	1	Decal - Warning Falling Hazard	
12	1001248140	1	Decal - Bolt Fall Arrest Re-Cert	
13	1001248141	1	Decal - Incription	
14	See Note	NSS	Nameplate - Manufacturers Serial Number (Note: Not Available for Purchase)	
15	1001252629	1	Decal - Weight	
16	1001257271	1	Bracket (RH)	
17	1001257274	1	Bracket (LH)	
18	1001258005	1	Rope	

SECTION 5 - PLATFORM

FIGURE 5-27. SOFT-TOUCH INSTALLATION (30X60)



ART_1001202745_C

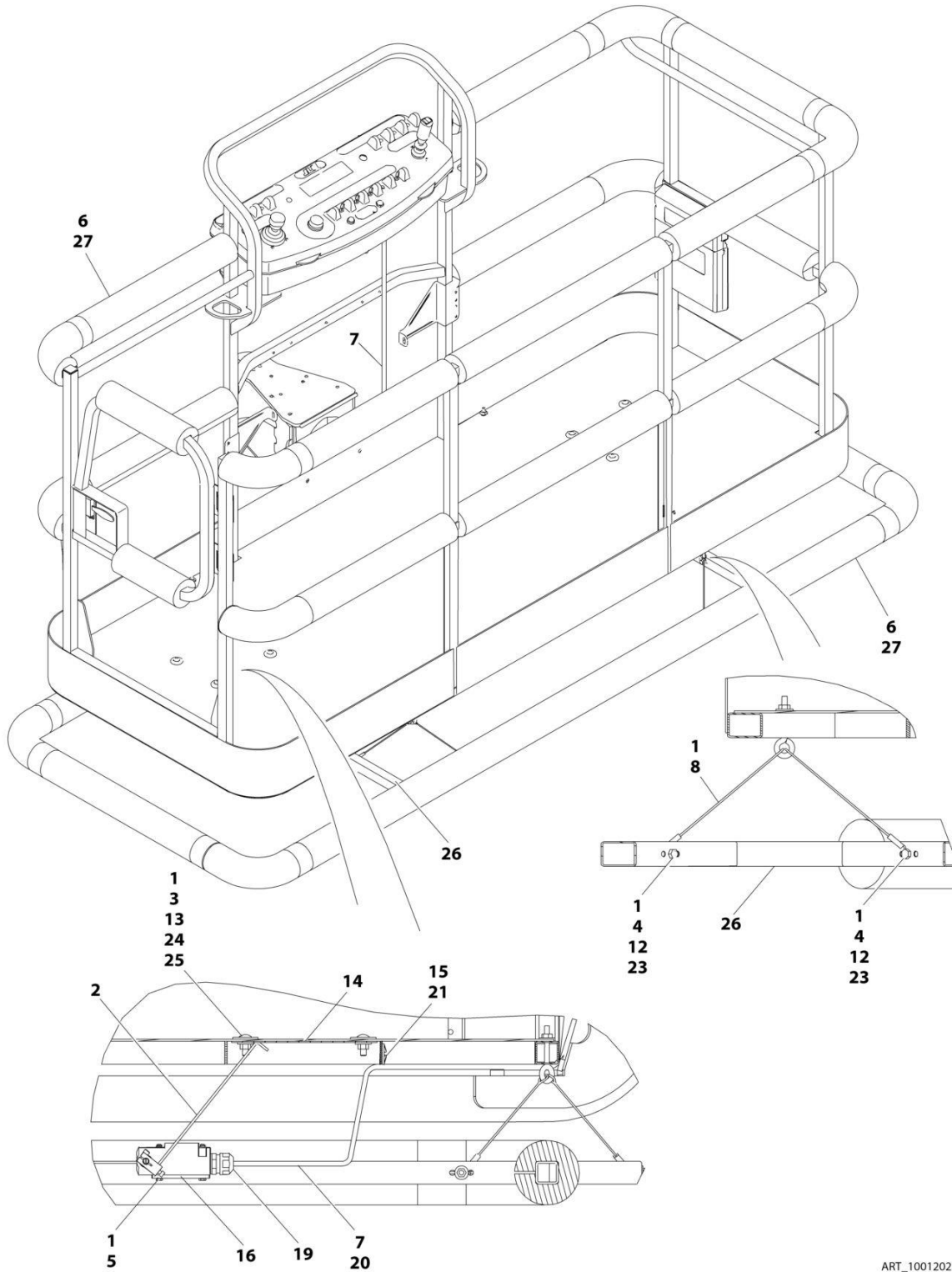
SECTION 5 - PLATFORM

FIGURE 5-27. SOFT-TOUCH INSTALLATION (30X60)

ITEM	PART NUMBER	QTY	DESCRIPTION	REV
	1001202745	Ref	SOFT TOUCH INSTALLATION - 5FT/1.52M PLATFORM WITH FALL ARREST	C
1	0100011	AR	Compound, Locking	
2	0200048	2	Arm, Switch	
3	0630462	8	Bolt, Carriage	
4	0641414	8	Bolt 1/4 x 1-3/4	
5	0721005	4	Bolt #10 x 5/8	
6	1060341	15 ft /4.57m	Cable, Electrical - 16/2	
7	1060903	4	Wire Rope and Eyebolt Assembly	
11	3311405	8	Nut 1/4	
12	3311501	8	Nut 5/16	
13	3575705	2	Plate, Switch Strike	
14	4360057	2	Switch, Limit	
17	4460049	2	Connector, Strain Relief	
18	4460226	4	Socket, Female	
19	4460425	1	Connector, Strain Relief	
20	4751400	16	Washer 1/4	
21	4751500	8	Washer 5/16	
22	4751800	8	Washer 1/2	
23	1001115641	1	Rail, Soft Touch	
24	1001115848	1	Bumper Kits (Includes Corners and Enough Straight Material for One Platform)	
25	1001197017	AR	Tie-Strap	

SECTION 5 - PLATFORM

FIGURE 5-28. SOFT-TOUCH INSTALLATION (30X72)



ART_1001202744_C

SECTION 5 - PLATFORM

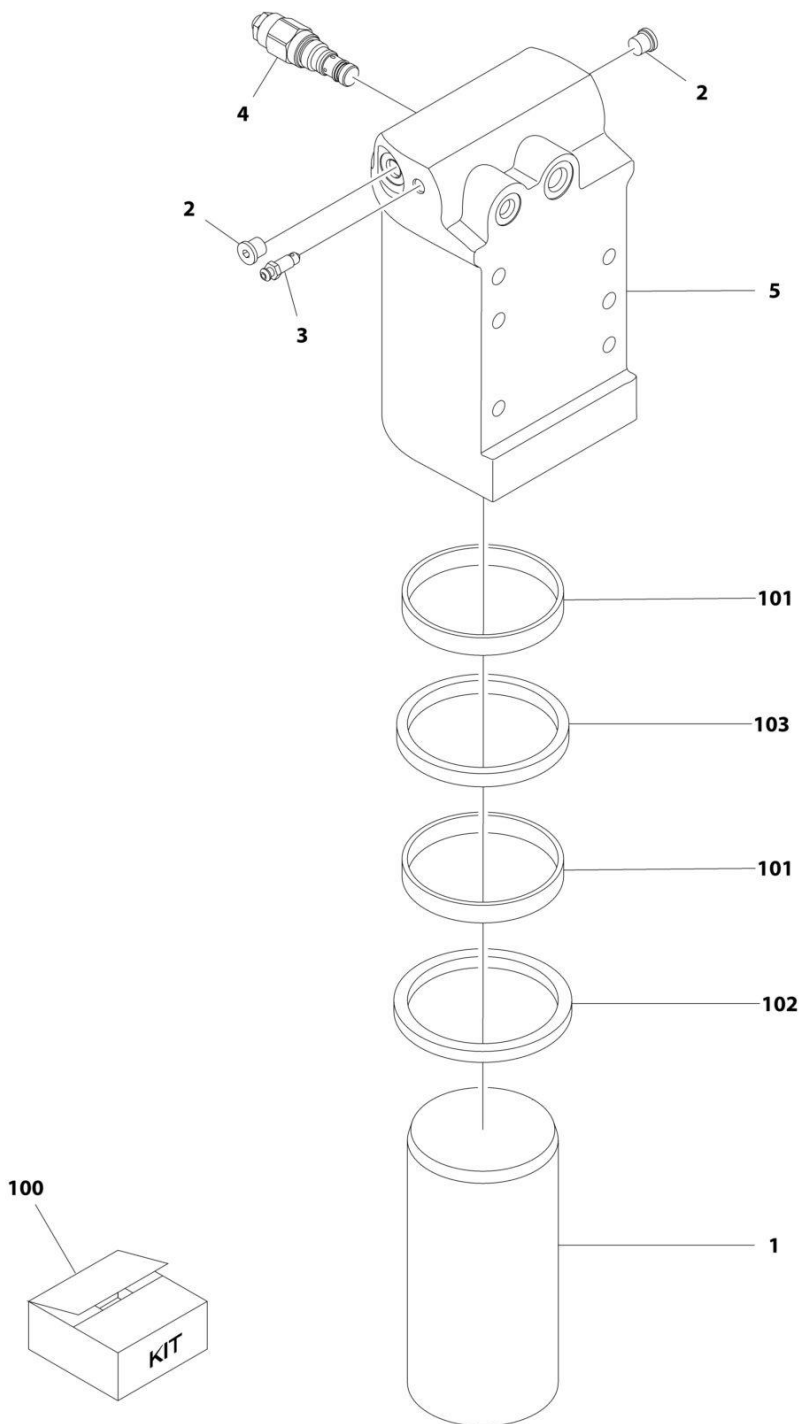
FIGURE 5-28. SOFT-TOUCH INSTALLATION (30X72)

ITEM	PART NUMBER	QTY	DESCRIPTION	REV
	1001202744	Ref	SOFT TOUCH INSTALLATION - 6FT/1.8M PLATFORM	C
1	0100011	AR	Compound, Locking	
2	0200048	2	Arm, Switch	
3	0630462	8	Bolt, Carriage	
4	0641414	8	Bolt 1/4 x 1-3/4	
5	0721005	4	Bolt #10 x 5/8	
6	0940167	1	Bumper Kits (Includes Corners and Enough Straight Material for One Platform)	
7	1060341	15 ft /4.57m	Cable, Electrical - 16/2	
8	1060903	4	Wire Rope and Eyebolt Assembly	
12	3311401	8	Nut 1/4	
13	3311501	8	Nut 5/16	
14	3575705	2	Plate, Switch Strike	
15	4240099	AR	Tie-Strap	
16	4360057	2	Switch, Limit	
19	4460049	2	Connector, Strain Relief	
20	4460226	4	Socket, Female	
21	4460234	2	Tie-Strap Mount	
22	4460425	1	Connector, Strain Relief (Not Shown - Located on bottom of console box)	
23	4751400	16	Washer 1/4	
24	4751500	8	Washer 5/16	
25	4751800	8	Washer 1/2	
26	4846370	1	Rail, Soft Touch	
27	1001197017	AR	Tie-Strap	

SECTION 6 - CYLINDER

SECTION 6 - CYLINDER

FIGURE 6-1. AXLE LOCKOUT CYLINDER ASSEMBLY (MACHINES WITH SN STARTING WITH 03)



ART_1001163580

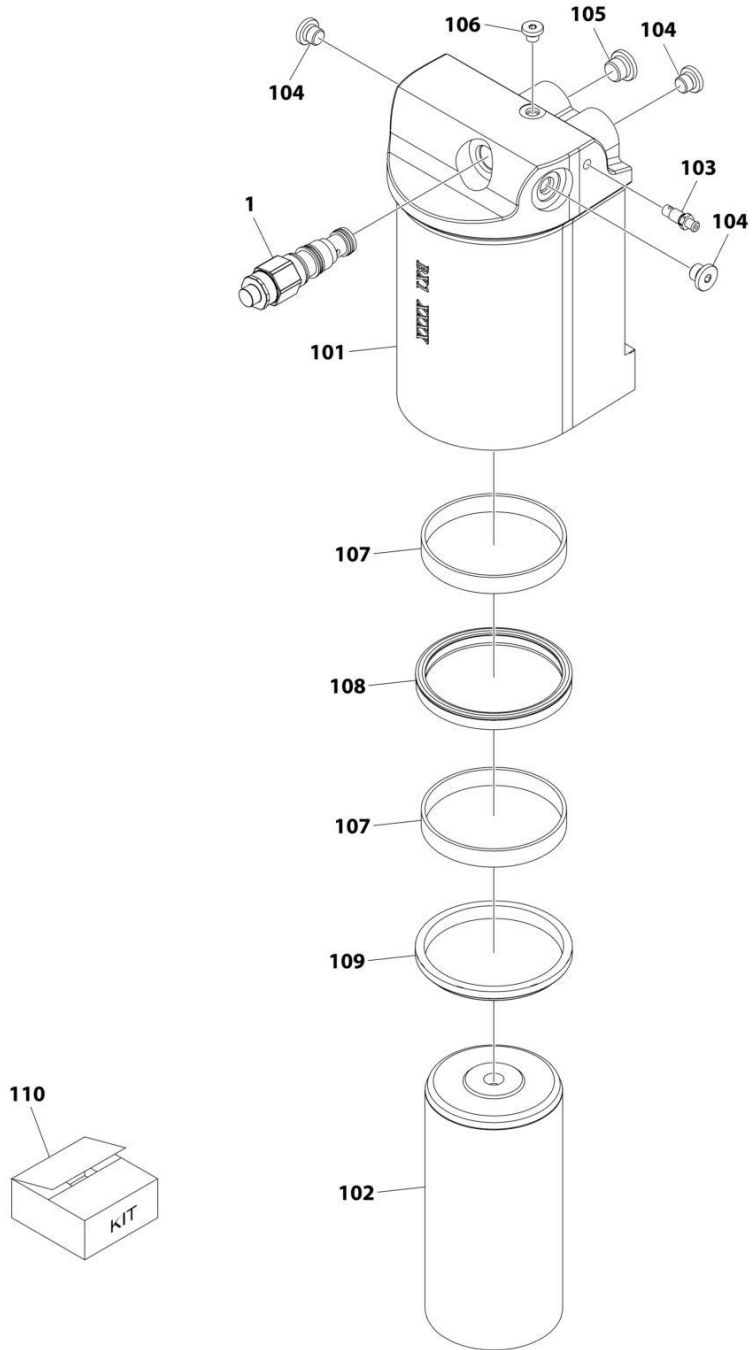
SECTION 6 - CYLINDER

FIGURE 6-1. AXLE LOCKOUT CYLINDER ASSEMBLY (MACHINES WITH SN STARTING WITH 03)

ITEM	PART NUMBER	QTY	DESCRIPTION	REV
	1001163580	Ref	AXLE LOCKOUT CYLINDER ASSEMBLY	I
		Ref	Note: Original Cylinder May Have Been Replaced with Service Replacement. Identify PN Stamped on Cylinder Before Ordering Parts.	
1	1684290	1	Rod	
2	2220883	2	Plug #4	
3	4640858	1	Valve, Bleeder	
4	1001117372	1	Cartridge, Valve	
4	70002842	1	Seal Kit - 1001117372 Valve	
5	1001164817	1	Barrel	
100	2902266	NLA	Seal Kit - 1001163590 Cylinder (Includes Items 101-103)	
101	See Note	NSS	Ring, Wear (Note: Use Item 100)	
102	See Note	NSS	Seal (Note: Use Item 100)	
103	See Note	NSS	Wiper (Note: Use Item 100)	

SECTION 6 - CYLINDER

FIGURE 6-2. AXLE LOCKOUT CYLINDER ASSEMBLY (MACHINES WITH SN STARTING WITH B3)



ART_1001256179

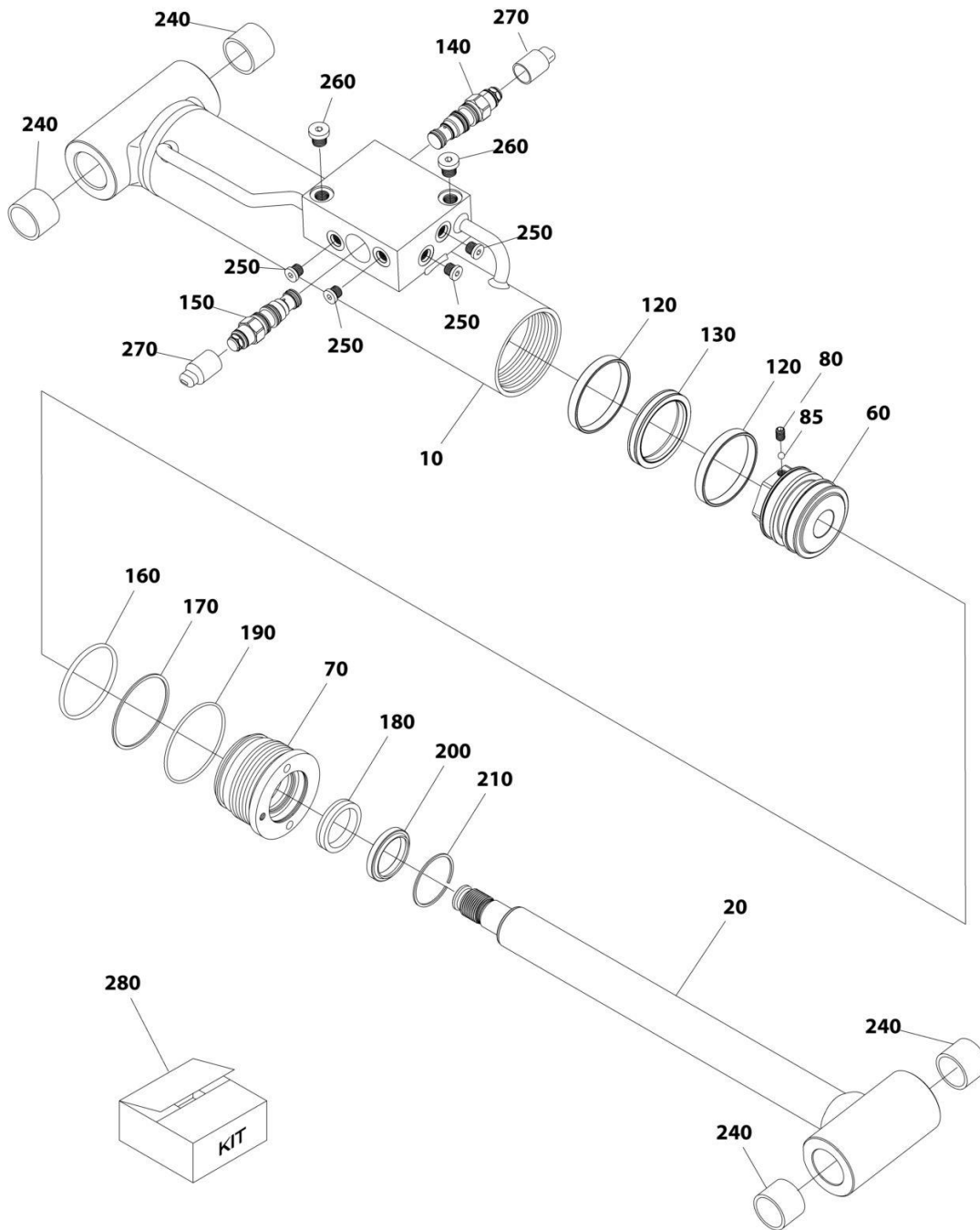
SECTION 6 - CYLINDER

FIGURE 6-2. AXLE LOCKOUT CYLINDER ASSEMBLY (MACHINES WITH SN STARTING WITH B3)

ITEM	PART NUMBER	QTY	DESCRIPTION	REV
	1001256179	Ref	MASTER CYLINDER ASSEMBLY Note: Original Cylinder May Have Been Replaced with Service Replacement. Identify PN Stamped on Cylinder Before Ordering Parts.	A
		Ref		
1	1001117372	1	Cartridge, Valve	
1	70002842	1	Seal Kit - 1001117372	
101	See Note	NSS	Tube (Note: Not Available for Purchase)	
102	70008244	1	Rod	
103	70008246	1	Plug, Bleeder	
104	2220883	3	Plug 7/16	
105	2220885	1	Plug 9/16	
106	2220881	1	Plug 5/16	
107	See Note	NSS	Ring, Wear (Note: Use Item 110)	
108	See Note	NSS	Seal, Rod (Note: Use Item 110)	
109	See Note	NSS	Wiper, Rod (Note: Use Item 110)	
110	70008247	1	Seal Kit (Includes Items 107-109)	

SECTION 6 - CYLINDER

FIGURE 6-3. LEVEL (PLATFORM SLAVE) CYLINDER ASSEMBLY (MACHINES WITH SN STARTING WITH 03)



ART_1001161716

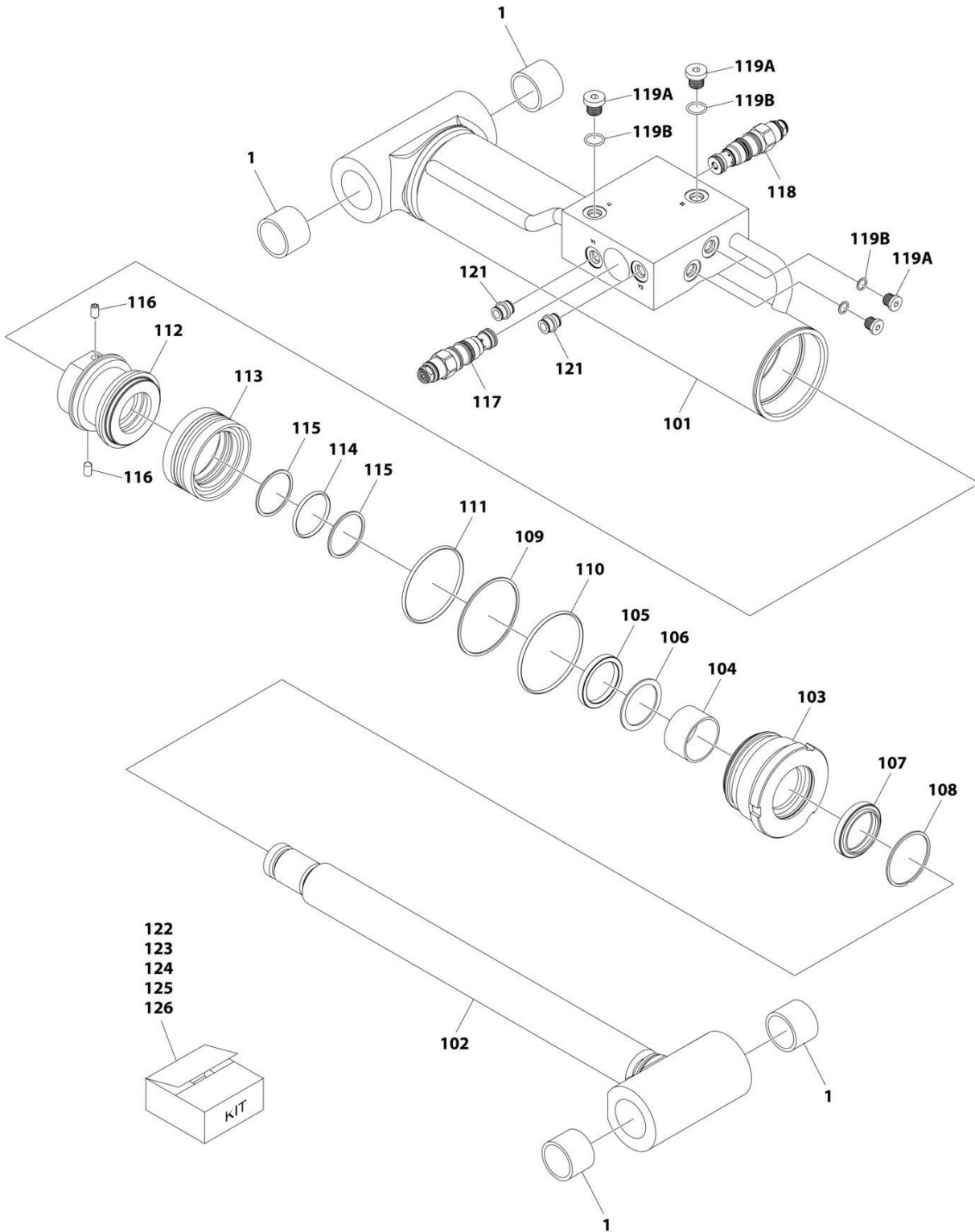
SECTION 6 - CYLINDER

FIGURE 6-3. LEVEL (PLATFORM SLAVE) CYLINDER ASSEMBLY (MACHINES WITH SN STARTING WITH 03)

ITEM	PART NUMBER	QTY	DESCRIPTION	REV
	1001161716	Ref	LEVEL (PLATFORM SLAVE) CYLINDER ASSEMBLY	D
		Ref	Note: Original Cylinder May Have Been Replaced with Service Replacement. Identify PN Stamped on Cylinder Before Ordering Parts.	
10	70005010	1	Barrel	
20	70005011	1	Rod	
60	70005012	1	Piston	
70	70003837	1	Head	
80	70005013	1	Setscrew	
85	70005014	1	Ball	
120	See Note	NSS	Ring, Bearing (Note: Use Item 280)	
130	See Note	NSS	Seal, Piston (Note: Use Item 280)	
140	70002413	1	Cartridge, Valve	
140	2900770	1	Seal Kit - 70002413 Valve	
150	1001168210	1	Cartridge, Valve	
150	2900770	1	Seal Kit - 1001168210 Valve	
160	See Note	NSS	O-Ring (Note: Use Item 280)	
170	See Note	NSS	Seal (Note: Use Item 280)	
180	See Note	NSS	Seal (Note: Use Item 280)	
190	See Note	NSS	O-Ring (Note: Use Item 280)	
200	See Note	NSS	Wiper (Note: Use Item 280)	
210	70003838	1	Ring, Retaining	
240	0961951	4	Bushing	
250	70025619	4	Plug 7/16	
260	70024262	2	Plug 1/4	
270	See Note	2	Plug, Shipping (Note: Not Available for Purchase)	
280	70005016	1	Seal Kit - 1001161716 Cylinder (Includes Items 120 ,130 & 160-200)	

SECTION 6 - CYLINDER

FIGURE 6-4. LEVEL (PLATFORM SLAVE) CYLINDER ASSEMBLY (MACHINES WITH SN STARTING WITH B3) (450AJ)



ART_1001253629

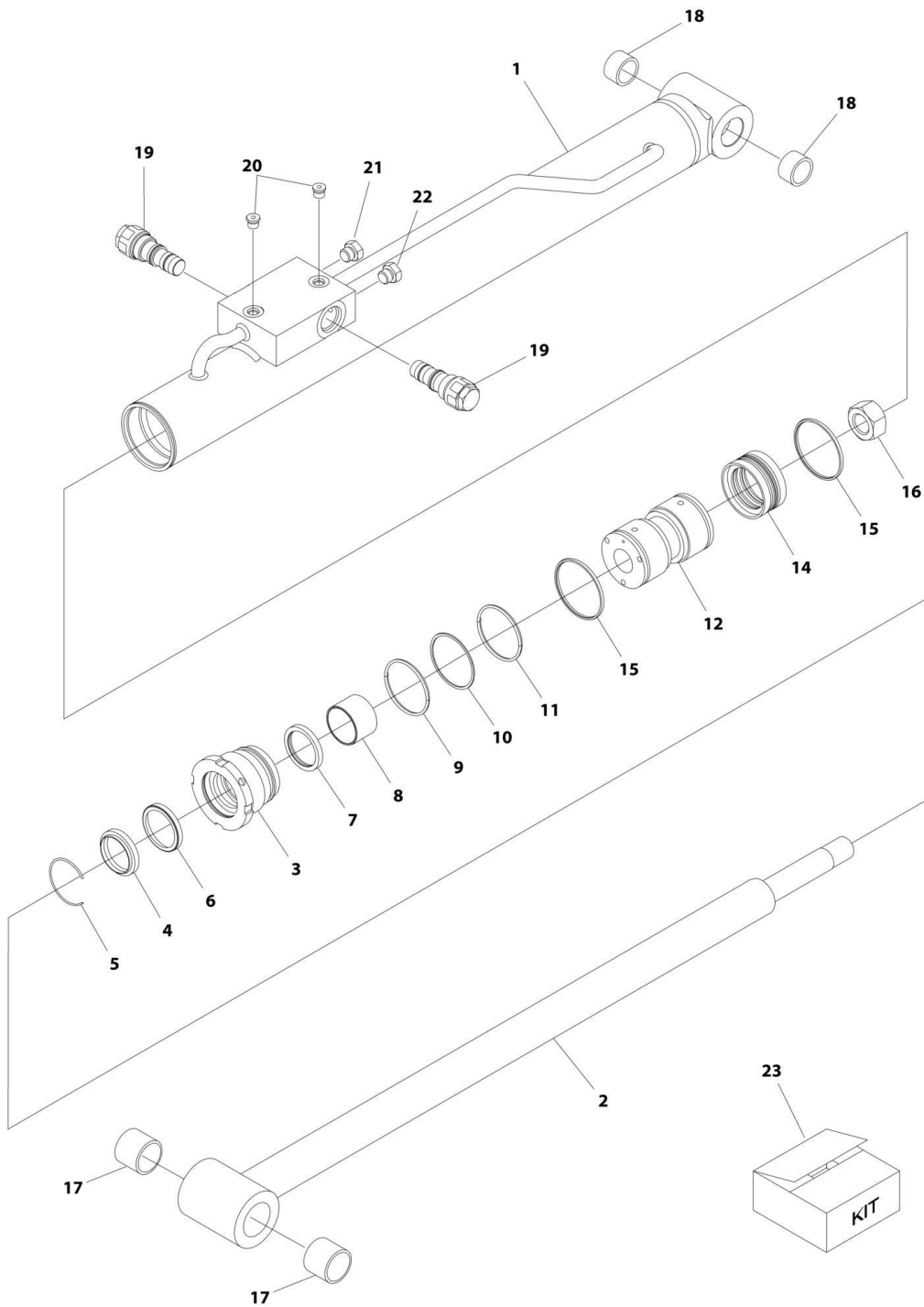
SECTION 6 - CYLINDER

FIGURE 6-4. LEVEL (PLATFORM SLAVE) CYLINDER ASSEMBLY (MACHINES WITH SN STARTING WITH B3) (450AJ)

ITEM	PART NUMBER	QTY	DESCRIPTION	REV
	1001253629	Ref	LEVEL (PLATFORM SLAVE) CYLINDER ASSEMBLY	A
		Ref	Note: Original Cylinder May Have Been Replaced with Service Replacement. Identify PN Stamped on Cylinder Before Ordering Parts.	
1	0961951	4	Bushing	
101	See Note	NSS	Tube (Note: Not Available for Purchase)	
102	See Note	NSS	Rod (Note: Use Item 122)	
103	See Note	NSS	Cover, Rod (Note: Use Item 123)	
104	See Note	NSS	Bushing, Rod (Note: Use Item 123)	
105	See Note	NSS	U-Packing (Note: Use Item 124)	
106	See Note	NSS	Ring, Backup (Note: Use Item 124)	
107	See Note	NSS	Wiper, Dust (Note: Use Item 124)	
108	See Note	NSS	Ring, Retaining (Note: Use Item 124)	
109	See Note	NSS	O-Ring (Note: Use Item 124)	
110	See Note	NSS	Ring, Backup (Note: Use Item 124)	
111	See Note	NSS	O-Ring (Note: Use Item 124)	
112	See Note	NSS	Piston (Note: Use Item 125)	
113	See Note	NSS	Seal, Compact (Note: Use Item 124)	
114	See Note	NSS	O-Ring (Note: Use Item 124)	
115	See Note	NSS	Ring, Backup (Note: Use Item 124)	
116	See Note	NSS	Setscrew (Note: Use Item 125)	
117	1001168210	1	Valve, Counterbalance (1500PSI)	
118	70002413	1	Valve, Counterbalance (3200PSI)	
119A	See Note	NSS	Plug (Note: Use Item 126)	
119B	See Note	NSS	O-Ring (Note: Use Item 126)	
120	See Note	NSS	Cap, Dust (Note: Not Available for Purchase) (Not Shown)	
121	See Note	NSS	Pin Bush (Note: Use Item 122)	
122	70008242	1	Rod Kit (Includes Items 102 & 121)	
123	70008238	1	Rod Cover Kit (Includes Items 103 & 104)	
124	70008239	1	Seal Kit (Includes Items 105-111 & 113-115)	
125	70008240	1	Piston Kit (Includes Items 112 & 116)	
126	70008243	1	Plug Kit (Includes Items 119A & 119B)	

SECTION 6 - CYLINDER

FIGURE 6-5. LIFT CYLINDER ASSEMBLY - JIB (MACHINES WITH SN STARTING WITH 03) (450AJ)



ART_1001163767

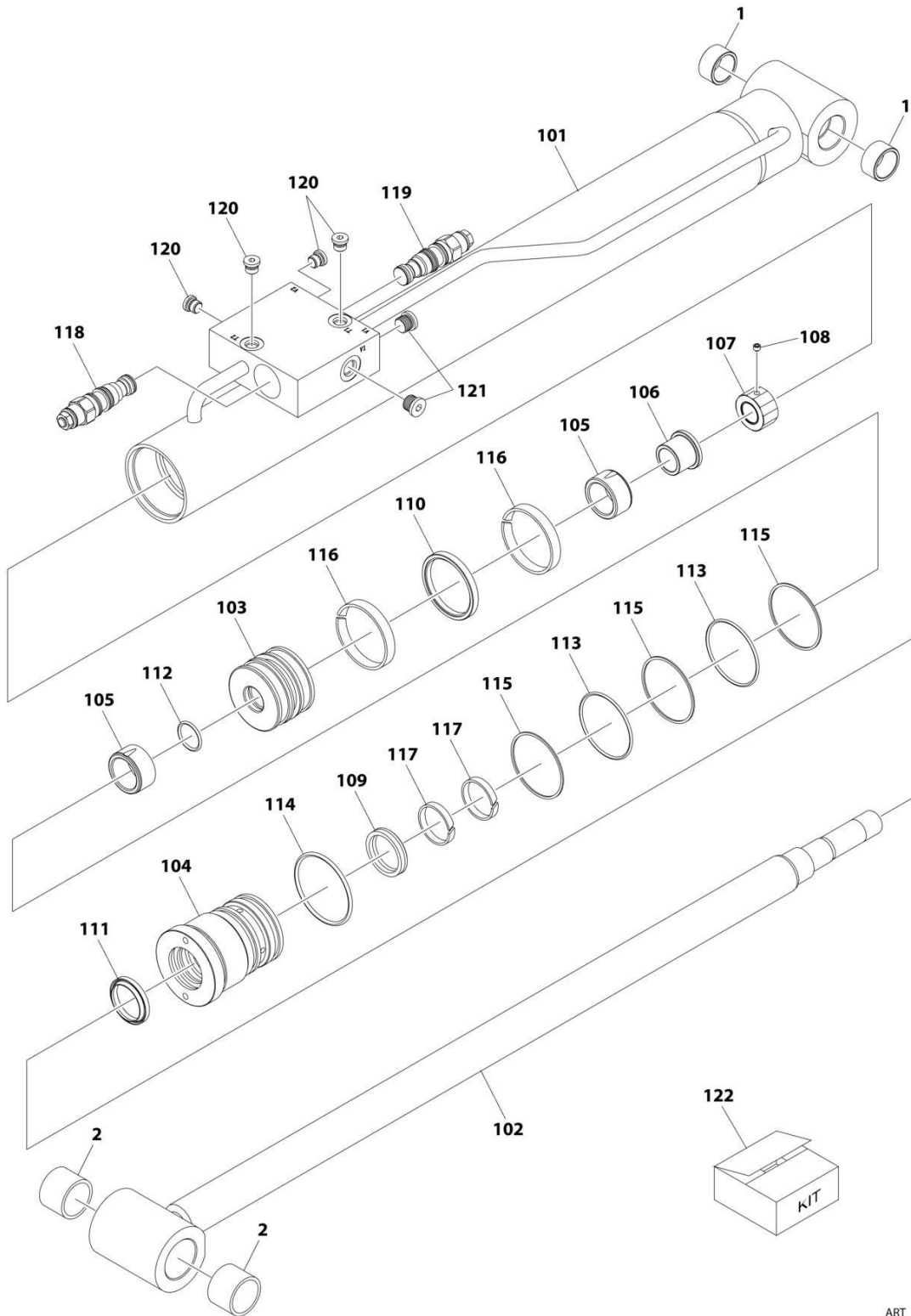
SECTION 6 - CYLINDER

FIGURE 6-5. LIFT CYLINDER ASSEMBLY - JIB (MACHINES WITH SN STARTING WITH 03) (450AJ)

ITEM	PART NUMBER	QTY	DESCRIPTION	REV
	1001163767	Ref	LIFT CYLINDER ASSEMBLY - JIB	B
		Ref	Note: Original Cylinder May Have Been Replaced with Service Replacement. Identify PN Stamped on Cylinder Before Ordering Parts.	
1	70005155	1	Barrel	
2	70005156	1	Rod	
3	70005157	1	Head	
4	See Note	NSS	Wiper (Note: Use Item 23)	
5	70002373	1	Ring, Retaining	
6	See Note	NSS	Seal, Rod (Note: Use Item 23)	
7	See Note	NSS	Ring, Back-up (Note: Use Item 23)	
8	70005143	1	Bearing, Dry	
9	See Note	NSS	O-Ring (Note: Use Item 23)	
10	See Note	NSS	Ring, Back-up (Note: Use Item 23)	
11	See Note	NSS	O-Ring (Note: Use Item 23)	
12	70002371	1	Piston	
13	See Note	NSS	O-Ring (Note: Use Item 23)	
14	See Note	NSS	Seal, Piston (Note: Use Item 23)	
15	See Note	NSS	Ring, Piston (Note: Use Item 23)	
16	70002335	2	Nut	
17	70005158	2	Bushing	
18	70005159	2	Bushing	
19	4640509	2	Cartridge, Valve	
19	2900792	2	Seal Kit - 4640509 Valve	
20	70023370	2	Plug 7/16	
21	See Note	1	Plug 7/16 (Note: Not Available for Purchase)	
22	See Note	1	Plug 9/16 (Note: Not Available for Purchase)	
23	70005160	1	Seal Kit - 1001163767 Cylinder (Includes Items 4, 6, 7, 9-11 & 13-15)	

SECTION 6 - CYLINDER

FIGURE 6-6. LIFT CYLINDER ASSEMBLY - JIB (MACHINES WITH SN STARTING WITH B3) (450AJ)



ART_1001285271

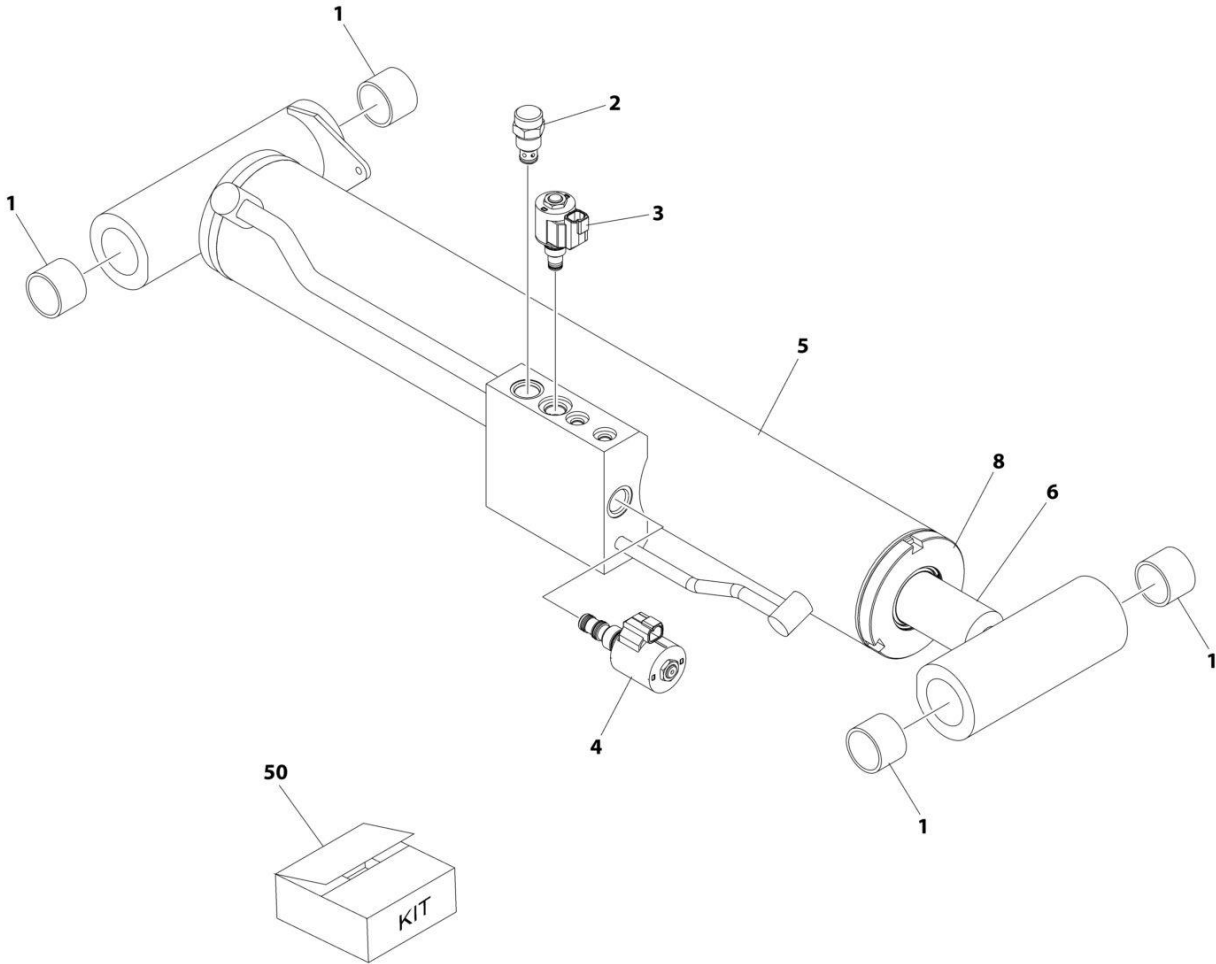
SECTION 6 - CYLINDER

FIGURE 6-6. LIFT CYLINDER ASSEMBLY - JIB (MACHINES WITH SN STARTING WITH B3) (450AJ)

ITEM	PART NUMBER	QTY	DESCRIPTION	REV
	1001285271	Ref	LIFT CYLINDER ASSEMBLY - JIB	B
		Ref	Note: Original Cylinder May Have Been Replaced with Service Replacement. Identify PN Stamped on Cylinder Before Ordering Parts.	
1	0961947	2	Bushing	
2	0961951	2	Bushing	
101	See Note	NSS	Tube (Note: Not Available for Purchase)	
102	70006914	1	Rod	
103	70006915	1	Piston	
104	70006916	1	Head	
105	70006917	2	Bushing	
106	70006918	1	Tube, Guide	
107	70006919	1	Nut	
108	70008292	1	Setscrew	
109	See Note	NSS	Seal, Rod (Note: Use Item 122)	
110	See Note	NSS	Seal, Piston (Note: Use Item 122)	
111	See Note	NSS	Wiper (Note: Use Item 122)	
112	See Note	NSS	O-Ring (Note: Use Item 122)	
113	See Note	NSS	O-Ring (Note: Use Item 122)	
114	See Note	NSS	O-Ring (Note: Use Item 122)	
115	See Note	NSS	Ring, Backup (Note: Use Item 122)	
116	See Note	NSS	Ring, Wear (Note: Use Item 122)	
117	See Note	NSS	Ring, Wear (Note: Use Item 122)	
118	70026441	1	Valve, Counterbalance	
118	2900770	1	Seal Kit - 70026441 Valve	
119	70008294	1	Valve, Counterbalance	
119	2900770	1	Seal Kit - 70008294 Valve	
120	2220883	4	Plug 7/16	
121	2220885	2	Plug 9/16	
122	70008293	1	Seal Kit (Includes Items 109-117)	

SECTION 6 - CYLINDER

FIGURE 6-7. LIFT CYLINDER ASSEMBLY - MAIN BOOM (450A)



ART_1001266738

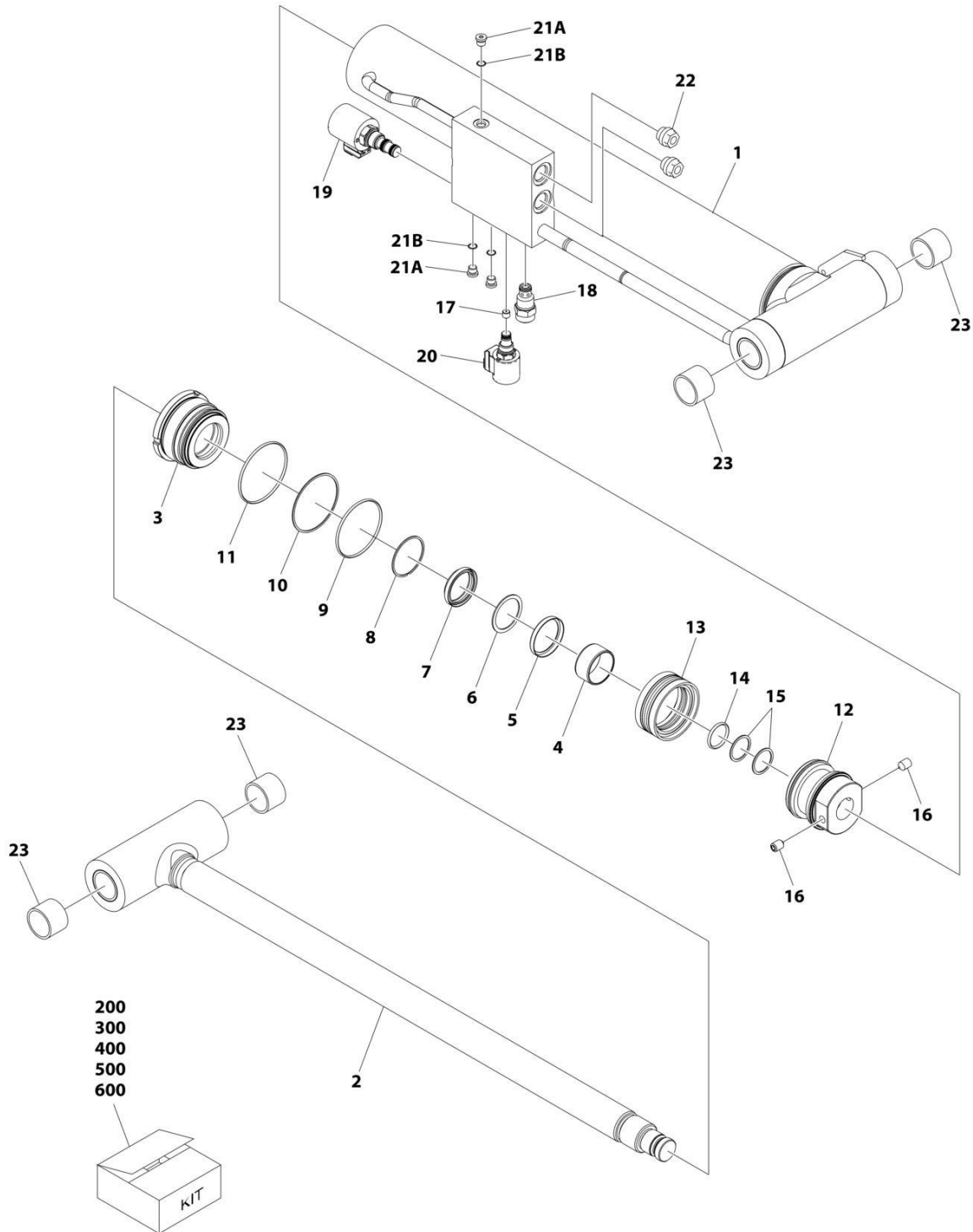
SECTION 6 - CYLINDER

FIGURE 6-7. LIFT CYLINDER ASSEMBLY - MAIN BOOM (450A)

ITEM	PART NUMBER	QTY	DESCRIPTION	REV
	1001266738	Ref	LIFT CYLINDER ASSEMBLY - MAIN BOOM	B
		Ref	Note: Original Cylinder May Have Been Replaced with Service Replacement. Identify PN Stamped on Cylinder Before Ordering Parts.	
1	0961948	4	Bushing	
2	4641390	1	Cartridge, Valve - Check	
2	7017496	1	Seal Kit - 4641390 Valve	
3	1001164709	1	Cartridge, Valve - ON/OFF	
3	7017467	1	Cartridge, Valve Less Coil	
3	7012998	1	Seal Kit - 1001164709 & 7017467 Valves	
3	70002386	1	Coil	
4	1001206625	1	Cartridge, Valve - Proportional	
4	70006104	1	Cartridge, Valve Less Coil	
4	70006105	1	Seal Kit - 1001206625 & 70006104 Valves	
4	70003788	1	Coil	
4	7022390	1	Nut, Coil	
5	See Note	NSS	Barrel (Note: Use PN 1001266738)	
6	See Note	NSS	Rod (Note: Use PN 1001266738)	
7	See Note	NSS	Piston (Not Shown) (Note: Use PN 1001266738)	
8	See Note	NSS	Head (Note: Use PN 1001266738)	
50	70007901	1	Seal Kit - 1001266738 Cylinder	

SECTION 6 - CYLINDER

FIGURE 6-8. LIFT CYLINDER ASSEMBLY - MAIN BOOM (450AJ)



ART_1001254742

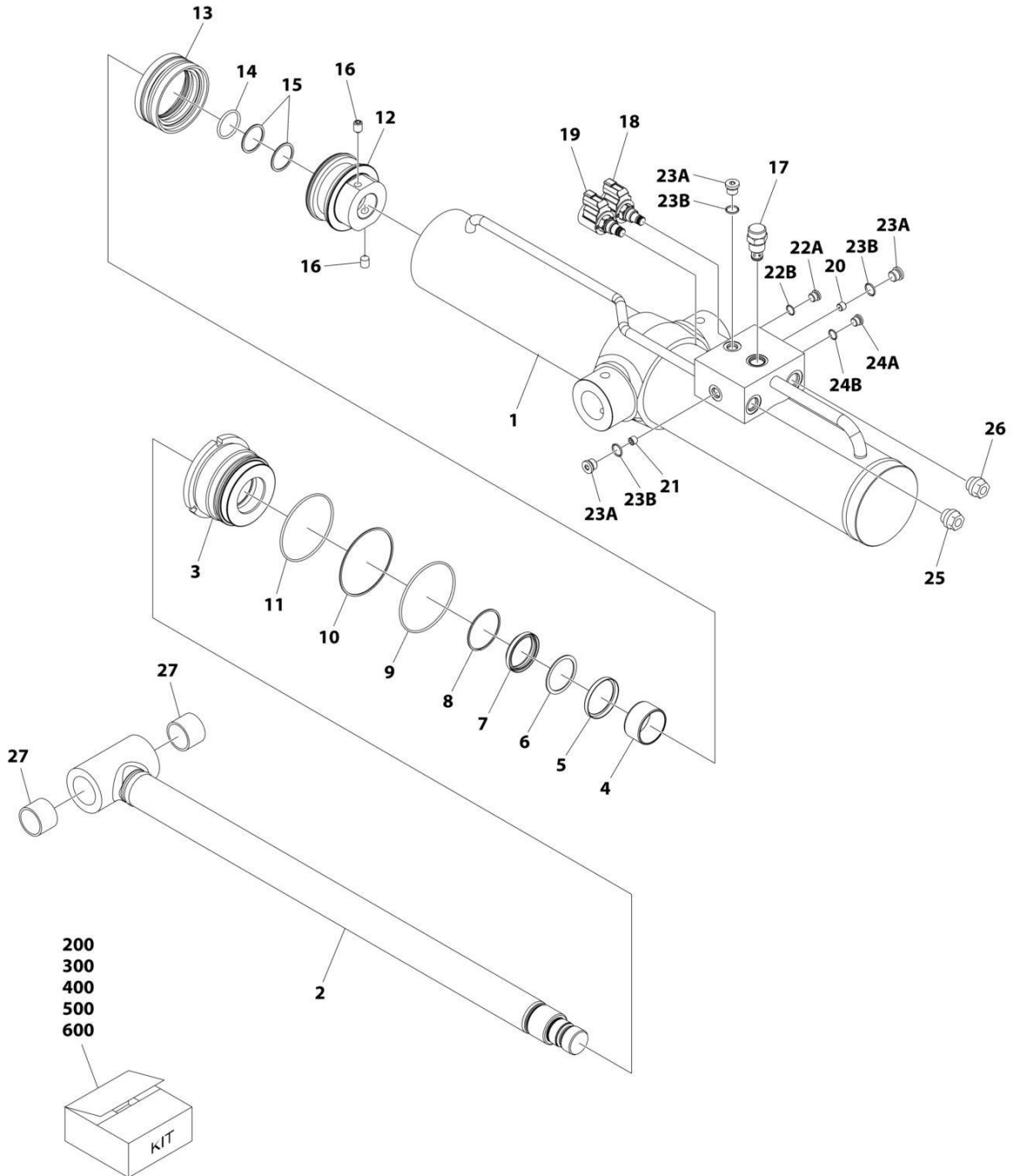
SECTION 6 - CYLINDER

FIGURE 6-8. LIFT CYLINDER ASSEMBLY - MAIN BOOM (450AJ)

ITEM	PART NUMBER	QTY	DESCRIPTION	REV
	1001254742	Ref	LIFT CYLINDER ASSEMBLY	B
		Ref	Note: Original Cylinder May Have Been Replaced with Service Replacement. Identify PN Stamped on Cylinder Before Ordering Parts.	
1	See Note	NSS	Barrel (Note: Use PN 1001254742)	
2	See Note	NSS	Rod (Note: Use Item 200)	
3	See Note	NSS	Head (Note: Use Item 300)	
4	See Note	NSS	Ring, Wear (Note: Use Item 300)	
5	See Note	NSS	Seal (Note: Use Item 400)	
6	See Note	NSS	Ring, Back-up (Note: Use Item 400)	
7	See Note	NSS	Wiper (Note: Use Item 400)	
8	See Note	NSS	Ring, Retaining (Note: Use Item 400)	
9	See Note	NSS	O-Ring (Note: Use Item 400)	
10	See Note	NSS	Ring, Back-up (Note: Use Item 400)	
11	See Note	NSS	O-Ring (Note: Use Item 400)	
12	See Note	NSS	Piston (Note: Use Item 500)	
13	See Note	NSS	Seal (Note: Use Item 400)	
14	See Note	NSS	O-Ring (Note: Use Item 400)	
15	See Note	NSS	Ring, Back-up (Note: Use Item 400)	
16	See Note	NSS	Set Screw (Note: Use Item 500)	
17	See Note	NSS	Orifice (Note: Use PN 1001254742)	
18	4641390	1	Cartridge, Check Valve	
18	7017496	1	Seal Kit - 4641390 Valve	
19	1001206625	1	Cartridge, Solenoid Valve (Includes Coil)	
19	70006104	1	Cartridge, Solenoid Valve Less Coil	
19	70006105	1	Seal Kit - 1001206625 & 70006104 Valves	
19	70003788	1	Coil	
19	7022390	1	Nut, Coil	
20	1001164709	1	Cartridge, Solenoid Valve (Includes Coil)	
20	7017467	1	Cartridge, Solenoid Valve Less Coil	
20	7012998	1	Seal Kit - 1001164709 & 7017467 Valve	
20	70002386	1	Coil	
21A	See Note	NSS	Plug (Note: Use Item 600)	
21B	See Note	NSS	O-Ring (Note: Use Item 600)	
22	See Note	NSS	Dust Cap (Note: Shipping Use Only)	
23	0961948	4	Bushing	
200	70007891	1	Rod Kit (Includes Items 2 & 23)	
300	70007892	1	Head Kit (Includes Items 3 & 4)	
400	70007893	1	Seal Kit (Includes Items 5-11 & 13-15)	
500	70007894	1	Piston Kit (Includes Items 12 & 16)	
600	70007895	1	Plug Kit (Includes Items 21A & 21B)	

SECTION 6 - CYLINDER

FIGURE 6-9. LIFT CYLINDER ASSEMBLY - TOWER BOOM



ART_1001254716

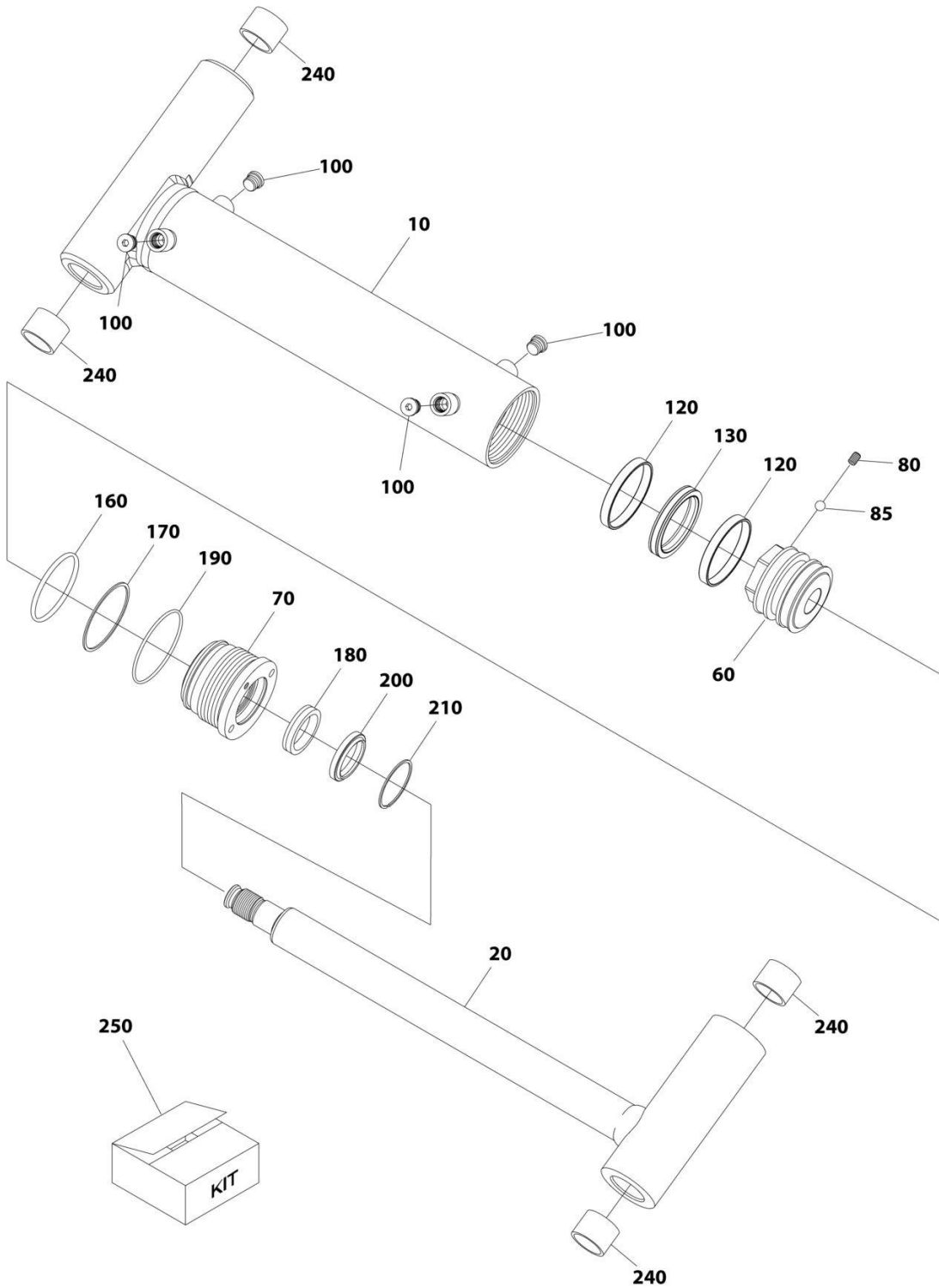
SECTION 6 - CYLINDER

FIGURE 6-9. LIFT CYLINDER ASSEMBLY - TOWER BOOM

ITEM	PART NUMBER	QTY	DESCRIPTION	REV
	1001254716	Ref	LIFT CYLINDER ASSEMBLY - TOWER BOOM	B
		Ref	Note: Original Cylinder May Have Been Replaced with Service Replacement. Identify PN Stamped on Cylinder Before Ordering Parts.	
1	See Note	NSS	Barrel (Note: Use PN 1001254716)	
2	See Note	NSS	Rod (Note: Use Item 200)	
3	See Note	NSS	Head (Note: Use Item 300)	
4	See Note	NSS	Ring, Wear (Note: Use Item 300)	
5	See Note	NSS	Seal (Note: Use Item 400)	
6	See Note	NSS	Ring, Back-up (Note: Use Item 400)	
7	See Note	NSS	Wiper (Note: Use Item 400)	
8	See Note	NSS	Ring, Retaining (Note: Use Item 400)	
9	See Note	NSS	O-Ring (Note: Use Item 400)	
10	See Note	NSS	Ring, Back-up (Note: Use Item 400)	
11	See Note	NSS	O-Ring (Note: Use Item 400)	
12	See Note	NSS	Piston (Note: Use Item 500)	
13	See Note	NSS	Seal (Note: Use Item 400)	
14	See Note	NSS	O-Ring (Note: Use Item 400)	
15	See Note	NSS	Ring, Back-up (Note: Use Item 400)	
16	See Note	NSS	Set Screw (Note: Use Item 500)	
17	4641390	1	Cartridge, Counterbalance Valve	
17	7017496	1	Seal Kit - 4641390 Valve	
18	1001164709	1	Cartridge, Solenoid Valve	
18	7012967	1	Seal Kit - 1001164709 Valve	
18	70002386	1	Coil	
19	1001166208	1	Cartridge, Solenoid Valve	
19	7012967	1	Seal Kit - 1001166208 Valve	
19	70002386	1	Coil	
20	See Note	NSS	Orifice (Note: Use PN 1001254716)	
21	See Note	NSS	Orifice (Note: Use PN 1001254716)	
22A	See Note	NSS	Plug (Note: Use Item 600)	
22B	See Note	NSS	O-Ring (Note: Use Item 600)	
23A	See Note	NSS	Plug (Note: Use Item 600)	
23B	See Note	NSS	O-Ring (Note: Use Item 600)	
24A	See Note	NSS	Plug (Note: Use Item 600)	
24B	See Note	NSS	O-Ring (Note: Use Item 600)	
25	See Note	NSS	Dust Cap (Note: Shipping Use Only)	
26	See Note	NSS	Dust Cap (Note: Shipping Use Only)	
27	0961948	2	Bushing (Note: Use Item 200)	
200	70007886	1	Rod Kit (Includes Items 2 & 27)	
300	70007887	1	Head Kit (Includes Items 3 & 4)	
400	70007888	1	Seal Kit (Includes Items 5-11 & 13-15)	
500	70007889	1	Piston Kit (Includes Items 12 & 16)	
600	70007890	1	Plug Kit (Includes Items 22A-24B)	

SECTION 6 - CYLINDER

FIGURE 6-10. MASTER CYLINDER ASSEMBLY (MACHINES WITH SN STARTING WITH 03)



ART_1001161717

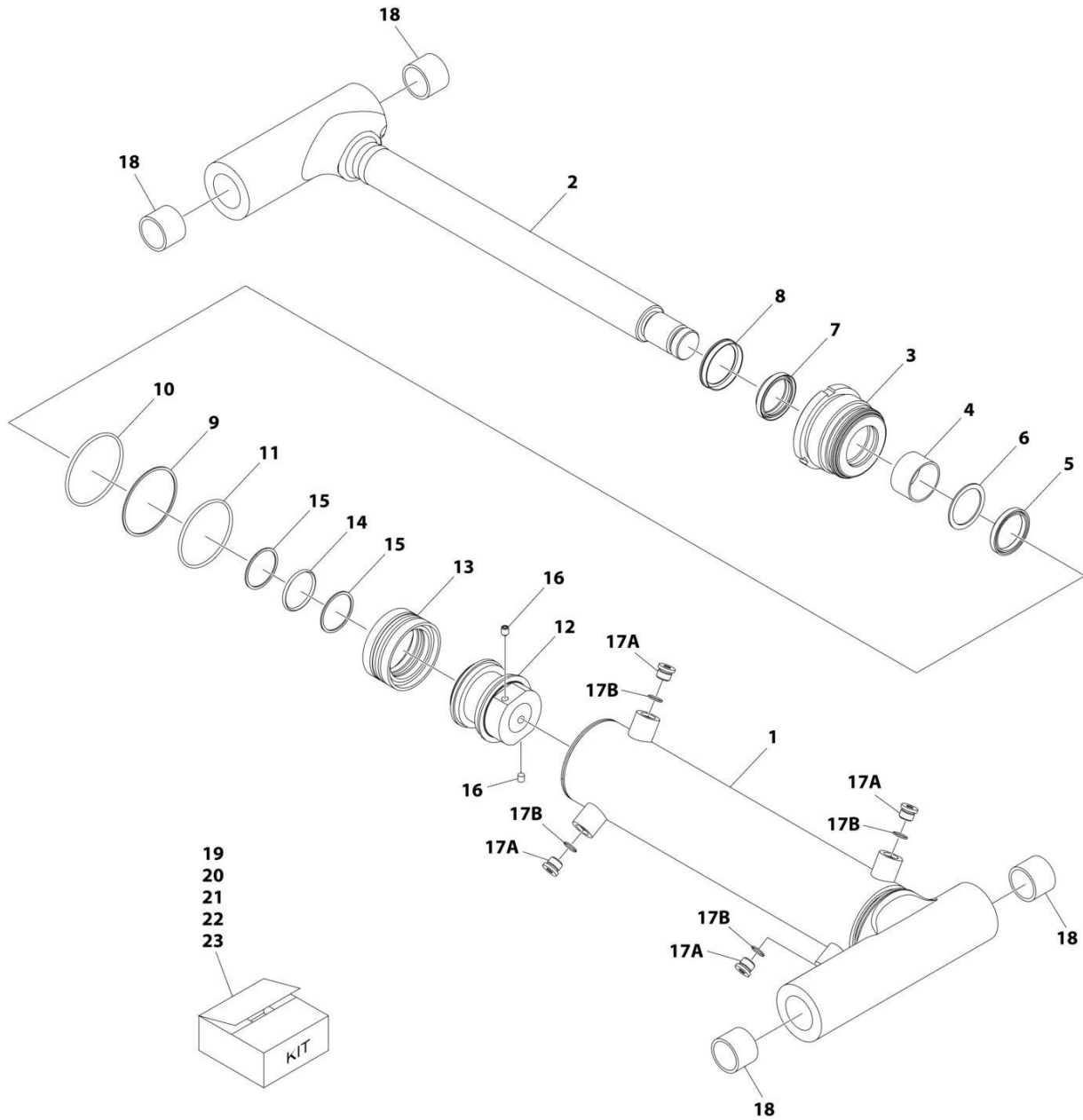
SECTION 6 - CYLINDER

FIGURE 6-10. MASTER CYLINDER ASSEMBLY (MACHINES WITH SN STARTING WITH 03)

ITEM	PART NUMBER	QTY	DESCRIPTION	REV
	1001161717	Ref	MASTER CYLINDER ASSEMBLY	D
		Ref	Note: Original Cylinder May Have Been Replaced with Service Replacement. Identify PN Stamped on Cylinder Before Ordering Parts.	
10	70005017	1	Barrel	
20	70005018	1	Rod	
60	70005012	1	Piston	
70	70003837	1	Head	
80	70005013	1	Setscrew	
85	70005014	1	Ball	
100	70025959	4	Plug 9/16	
120	See Note	NSS	Ring, Piston (Note: Use Item 250)	
130	See Note	NSS	Seal (Note: Use Item 250)	
160	See Note	NSS	O-Ring (Note: Use Item 250)	
170	See Note	NSS	Ring (Note: Use Item 250)	
180	See Note	NSS	Seal (Note: Use Item 250)	
190	See Note	NSS	O-Ring (Note: Use Item 250)	
200	See Note	NSS	Wiper (Note: Use Item 250)	
210	70003838	1	Ring, Retaining	
240	0961951	4	Bushing	
250	70005016	1	Seal Kit - 1001161717 Cylinder (Includes Items 120-200)	

SECTION 6 - CYLINDER

FIGURE 6-11. MASTER CYLINDER ASSEMBLY - (MACHINES WITH SN STARTING WITH B3) (450AJ)



ART_1001253628

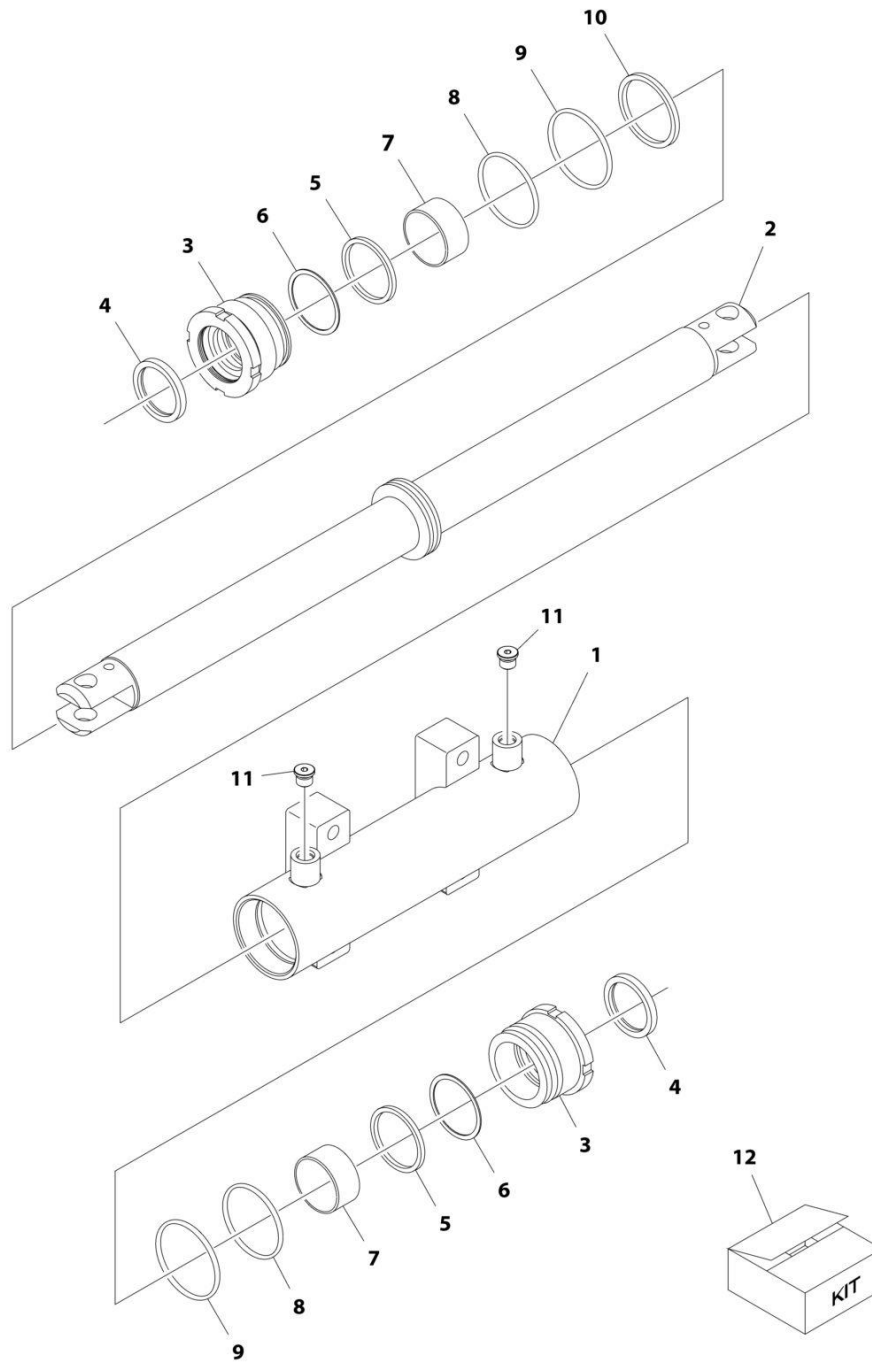
SECTION 6 - CYLINDER

FIGURE 6-11. MASTER CYLINDER ASSEMBLY - (MACHINES WITH SN STARTING WITH B3) (450AJ)

ITEM	PART NUMBER	QTY	DESCRIPTION	REV
	1001253628	Ref	MASTER CYLINDER ASSEMBLY	A
		Ref	Note: Original Cylinder May Have Been Replaced with Service Replacement. Identify PN Stamped on Cylinder Before Ordering Parts.	
1	See Note	NSS	Tube (Note: Not Available for Purchase)	
2	See Note	NSS	Rod (Note: Use Item 19)	
3	See Note	NSS	Cover, Rod (Note: Use Item 19)	
4	See Note	NSS	Bushing, Rod (Note: Use Item 20)	
5	See Note	NSS	U-Packing (Note: Use Item 21)	
6	See Note	NSS	Ring, Backup (Note: Use Item 21)	
7	See Note	NSS	Wiper, Dust (Note: Use Item 21)	
8	See Note	NSS	Ring, Retaining (Note: Use Item 21)	
9	See Note	NSS	O-Ring (Note: Use Item 21)	
10	See Note	NSS	Ring, Backup (Note: Use Item 21)	
11	See Note	NSS	O-Ring (Note: Use Item 21)	
12	See Note	NSS	Piston (Note: Use Item 22)	
13	See Note	NSS	Seal, Compact (Note: Use Item 21)	
14	See Note	NSS	O-Ring (Note: Use Item 21)	
15	See Note	NSS	Ring, Backup (Note: Use Item 21)	
16	See Note	NSS	Setscrew (Note: Use Item 22)	
17A	See Note	NSS	Plug (Note: Use Item 23)	
17B	See Note	NSS	O-Ring (Note: Use Item 23)	
18	See Note	NSS	Bushing (Note: Use Item 19)	
19	70008237	1	Rod Assembly Kit (Includes Items 2 & 18)	
20	70008238	1	Rod Cover Kit (Includes Items 3 & 4)	
21	70008239	1	Seal Kit (Includes Items 5-11 & 13-15)	
22	70008240	1	Piston Kit (Includes Items 12 & 16)	
23	70008241	1	Plug Kit (Includes Items 17A & 17B)	

SECTION 6 - CYLINDER

FIGURE 6-12. STEER CYLINDER ASSEMBLY



ART_1001163178

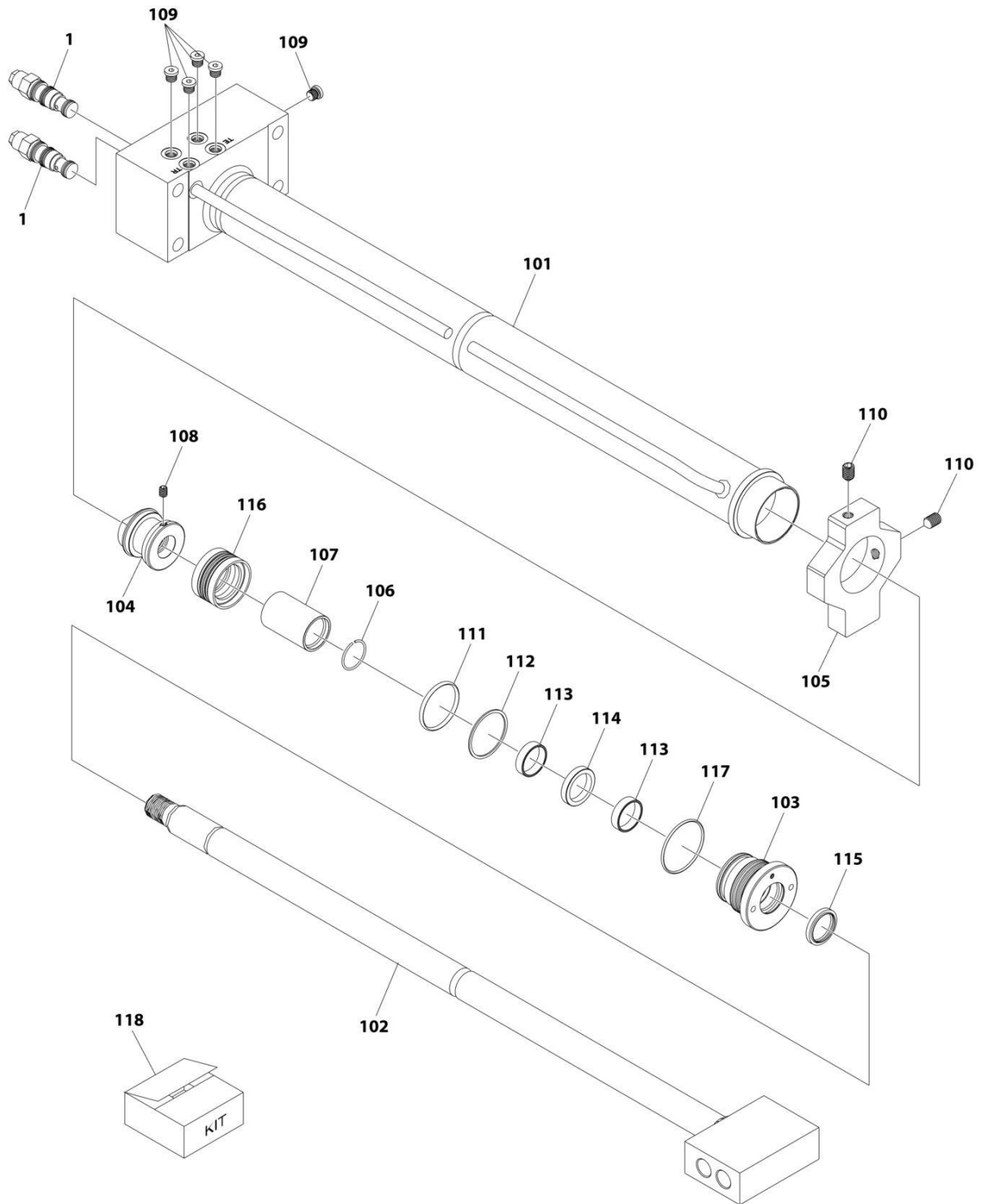
SECTION 6 - CYLINDER

FIGURE 6-12. STEER CYLINDER ASSEMBLY

ITEM	PART NUMBER	QTY	DESCRIPTION	REV
	1001163178	Ref	STEER CYLINDER ASSEMBLY	E
		Ref	Note: Original Cylinder May Have Been Replaced with Service Replacement. Identify PN Stamped on Cylinder Before Ordering Parts.	
1	70005150	1	Barrel	
2	70005151	1	Rod	
3	70005152	2	Head	
4	See Note	NSS	Wiper (Note: Use Item 12)	
5	See Note	NSS	Seal, Rod (Note: Use Item 12)	
6	See Note	NSS	Ring, Back-up (Note: Use Item 12)	
7	70005153	2	Bearing, Dry	
8	See Note	NSS	O-Ring (Note: Use Item 12)	
9	See Note	NSS	O-Ring (Note: Use Item 12)	
10	See Note	NSS	Seal, Piston (Note: Use Item 12)	
11	See Note	2	Plug 9/16 (Note: Not Available for Purchase)	
12	70005154	1	Seal Kit - 1001163178 Cylinder (Includes Items 4-6 & 8-10)	

SECTION 6 - CYLINDER

FIGURE 6-13. TELESCOPE CYLINDER ASSEMBLY (450A)



ART_1001266711

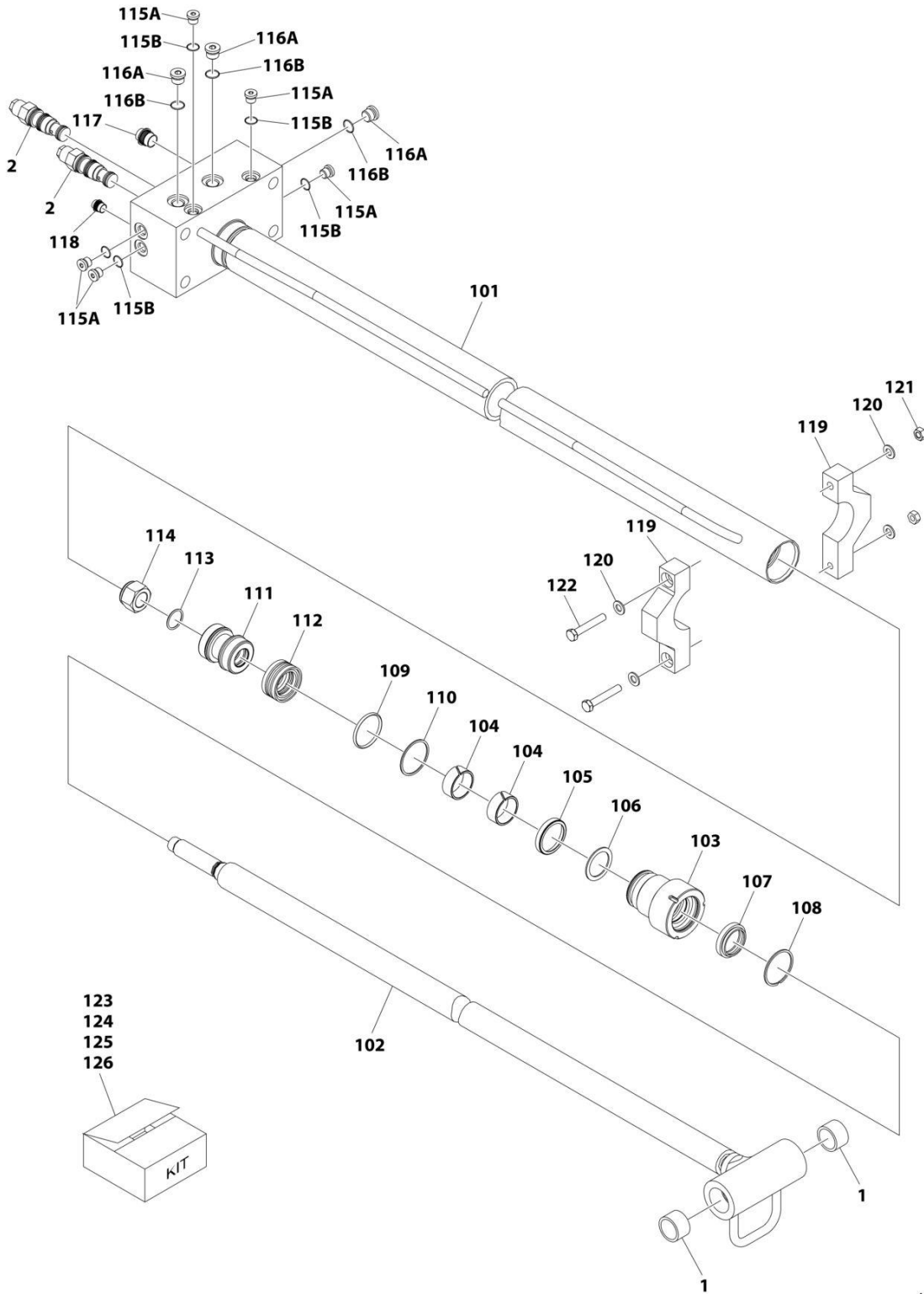
SECTION 6 - CYLINDER

FIGURE 6-13. TELESCOPE CYLINDER ASSEMBLY (450A)

ITEM	PART NUMBER	QTY	DESCRIPTION	REV
	1001266711	Ref	TELESCOPE CYLINDER ASSEMBLY	B
		Ref	Note: Original Cylinder May Have Been Replaced with Service Replacement. Identify PN Stamped on Cylinder Before Ordering Parts.	
1	4640771	2	Valve, Motor Control	
1	2900770	2	Seal Kit - 4640771 Valve	
101	See Note	NSS	Barrel (Note: Not Available for Purchase)	
102	See Note	NSS	Rod (Note: Not Available for Purchase)	
103	70008135	1	Head	
104	70008136	1	Piston	
105	70008137	1	Mount	
106	70008138	1	Ring, Wire	
107	70008139	1	Spacer	
108	70027088	1	Setscrew	
109	70025619	5	Plug	
110	70008140	2	Setscrew	
111	See Note	NSS	O-Ring (Note: Use Item 118)	
112	See Note	NSS	Ring, Backup (Note: Use Item 118)	
113	See Note	NSS	Ring (Note: Use Item 118)	
114	See Note	NSS	Seal, Head (Note: Use Item 118)	
115	See Note	NSS	Seal, Wiper (Note: Use Item 118)	
116	See Note	NSS	Seal (Note: Use Item 118)	
117	See Note	NSS	O-Ring (Note: Use Item 118)	
118	70008141	1	Seal Kit (Includes Items 111-117)	

SECTION 6 - CYLINDER

FIGURE 6-14. TELESCOPE CYLINDER ASSEMBLY (450AJ)



ART_1001272671

SECTION 6 - CYLINDER

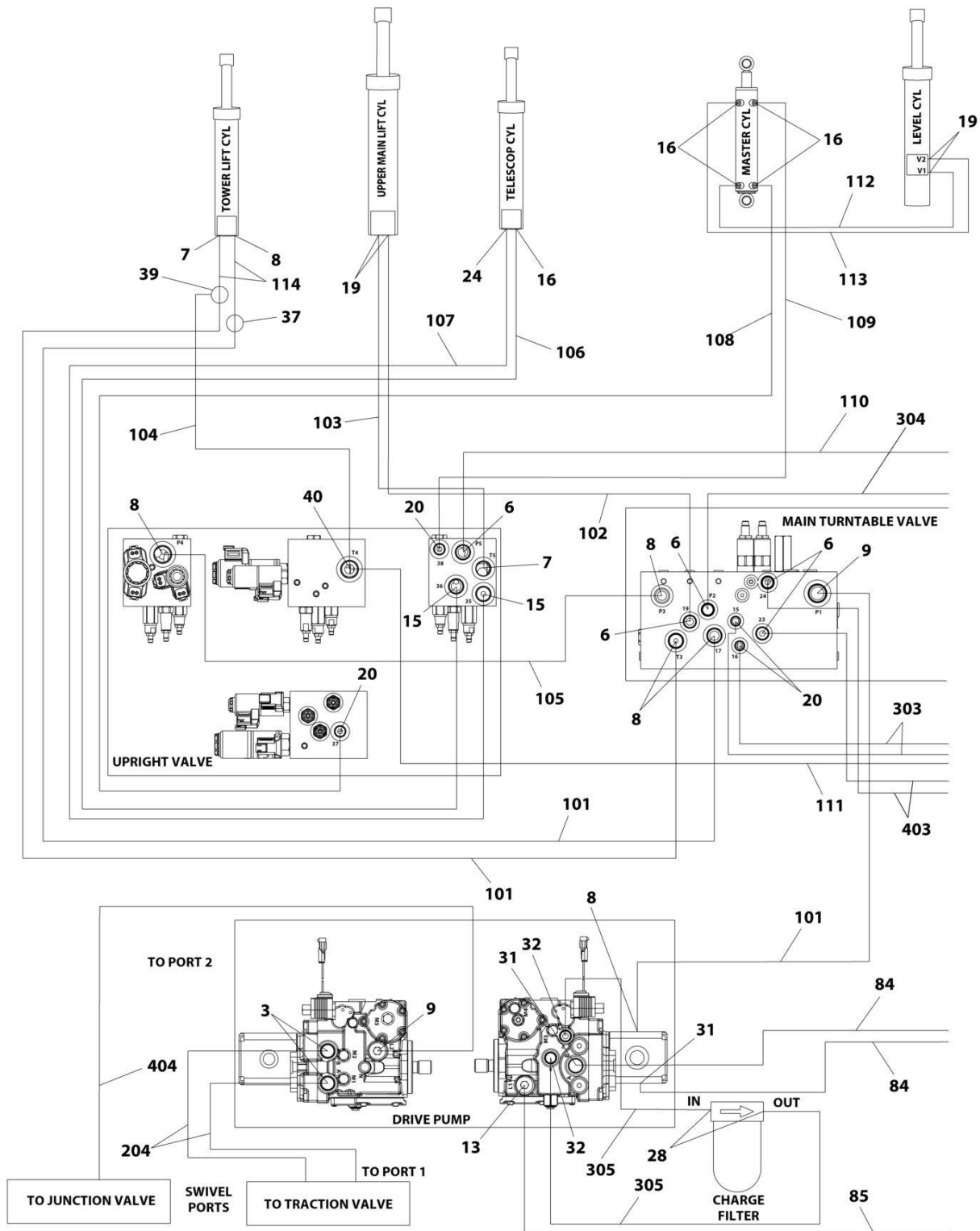
FIGURE 6-14. TELESCOPE CYLINDER ASSEMBLY (450AJ)

ITEM	PART NUMBER	QTY	DESCRIPTION	REV
	1001272671	Ref	TELESCOPE CYLINDER ASSEMBLY	B
		Ref	Note: Original Cylinder May Have Been Replaced with Service Replacement. Identify PN Stamped on Cylinder Before Ordering Parts.	
1	0962292	2	Bushing	
2	4640771	2	Cartridge, Valve	
2	2900770	2	Seal Kit - 4640771 Valve	
101	See Note	NSS	Tube (Note: Not Available for Purchase)	
102	See Note	NSS	Rod (Note: Use Item 123)	
103	70007896	1	Cover, Rod	
104	See Note	NSS	U-Packing (Note: Use Item 124)	
105	See Note	NSS	Ring, Backup (Note: Use Item 124)	
106	See Note	NSS	Ring, Wear (Note: Use Item 124)	
107	See Note	NSS	Wiper, Dust (Note: Use Item 124)	
108	See Note	NSS	Ring, Retaining Ring (Note: Use Item 124)	
109	See Note	NSS	O-Ring (Note: Use Item 124)	
110	See Note	NSS	Ring, Backup (Note: Use Item 124)	
111	70007897	1	Piston	
112	See Note	NSS	Seal (Note: Use Item 124)	
113	See Note	NSS	O-Ring (Note: Use Item 124)	
114	70007360	1	Nut	
115A	See Note	NSS	Plug 7/16 (Note: Use Item 125)	
115B	See Note	NSS	O-Ring (Note: Use Item 125)	
116A	See Note	NSS	Plug 9/16 (Note: Use Item 125)	
116B	See Note	NSS	O-Ring (Note: Use Item 125)	
117	See Note	NSS	Cap, Dust (Note: Not Available for Purchase)	
118	See Note	NSS	Cap, Dust (Note: Not Available for Purchase)	
119	See Note	NSS	Bracket (Note: Use Item 126)	
120	See Note	NSS	Washer (Note: Use Item 126)	
121	See Note	NSS	Nut (Note: Use Item 126)	
122	See Note	NSS	Bolt (Note: Use Item 126)	
123	70007898	1	Rod Kit (Includes Items 102)	
124	70007899	1	Seal Kit (Includes Items 104-110 & 112-113)	
125	70007900	1	Plug Kit (Includes Items 115A-116B)	
126	70008280	1	Wear Pad Kit (Includes Items 119-122)	

SECTION 7 - HYDRAULIC

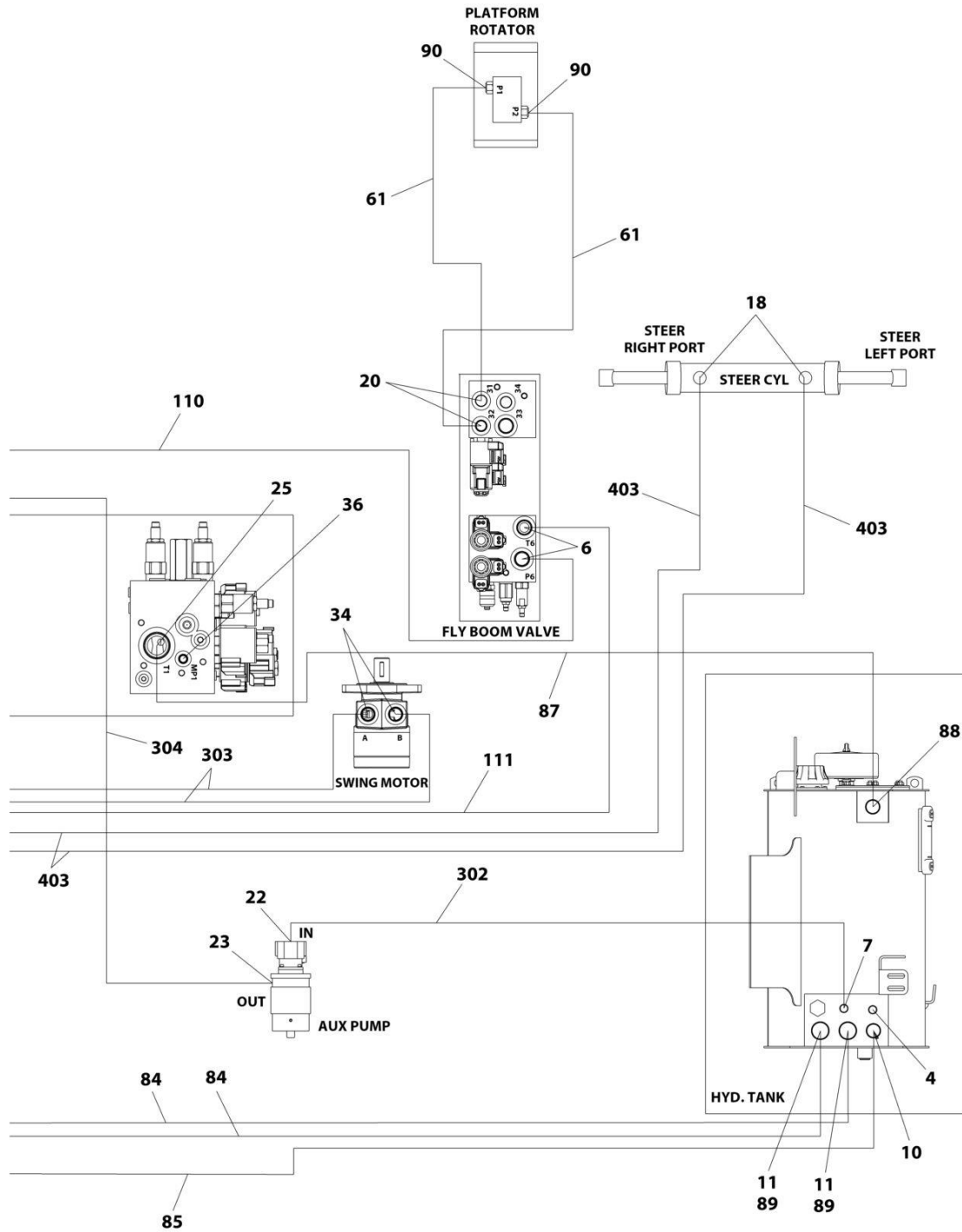
SECTION 7 - HYDRAULIC

FIGURE 7-1. 2WD HYDRAULIC SYSTEM INSTALLATION -(WITH 17GAL HYDRAULIC TANK) (450A)



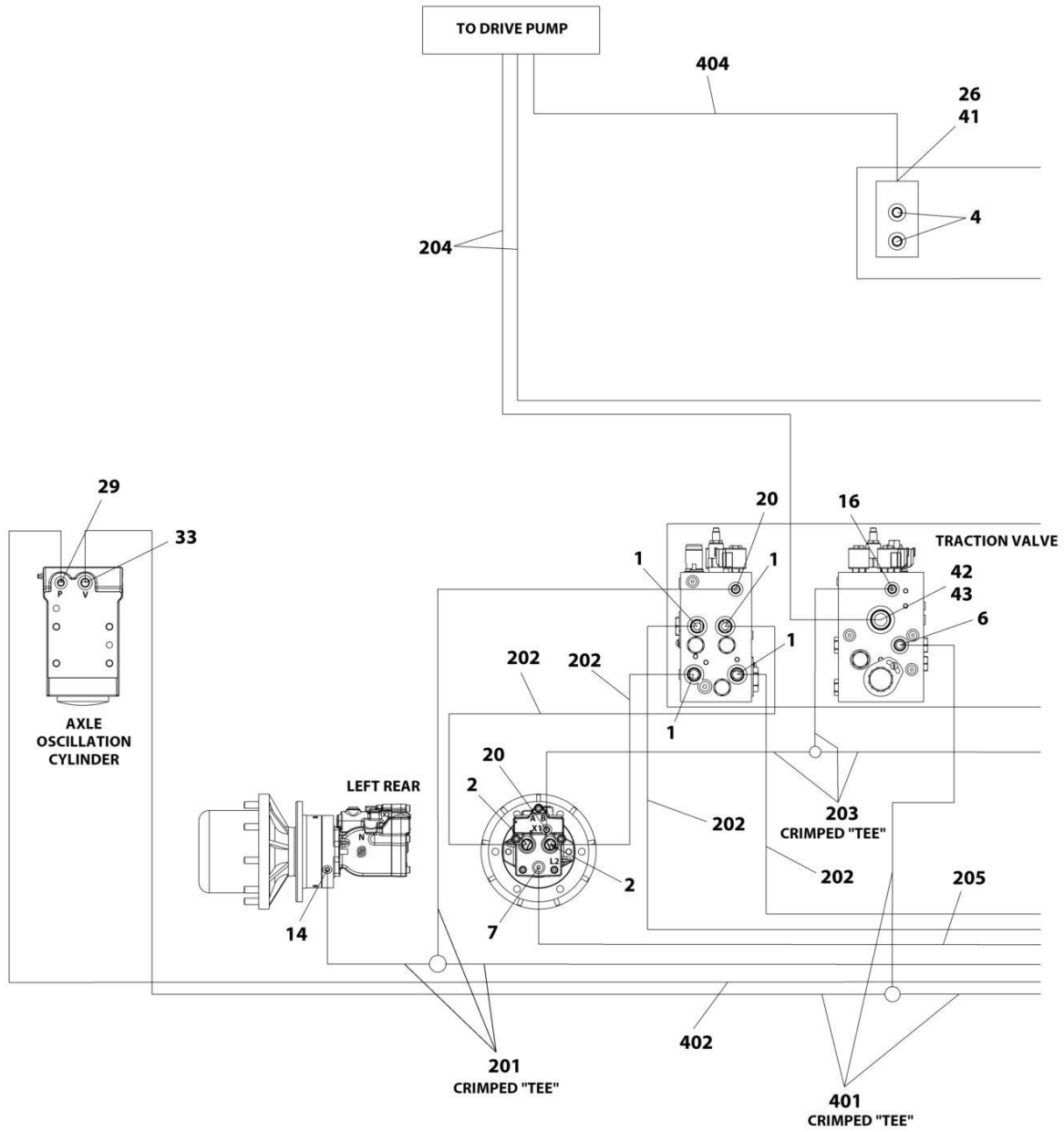
ART_1001217936_10F4

SECTION 7 - HYDRAULIC



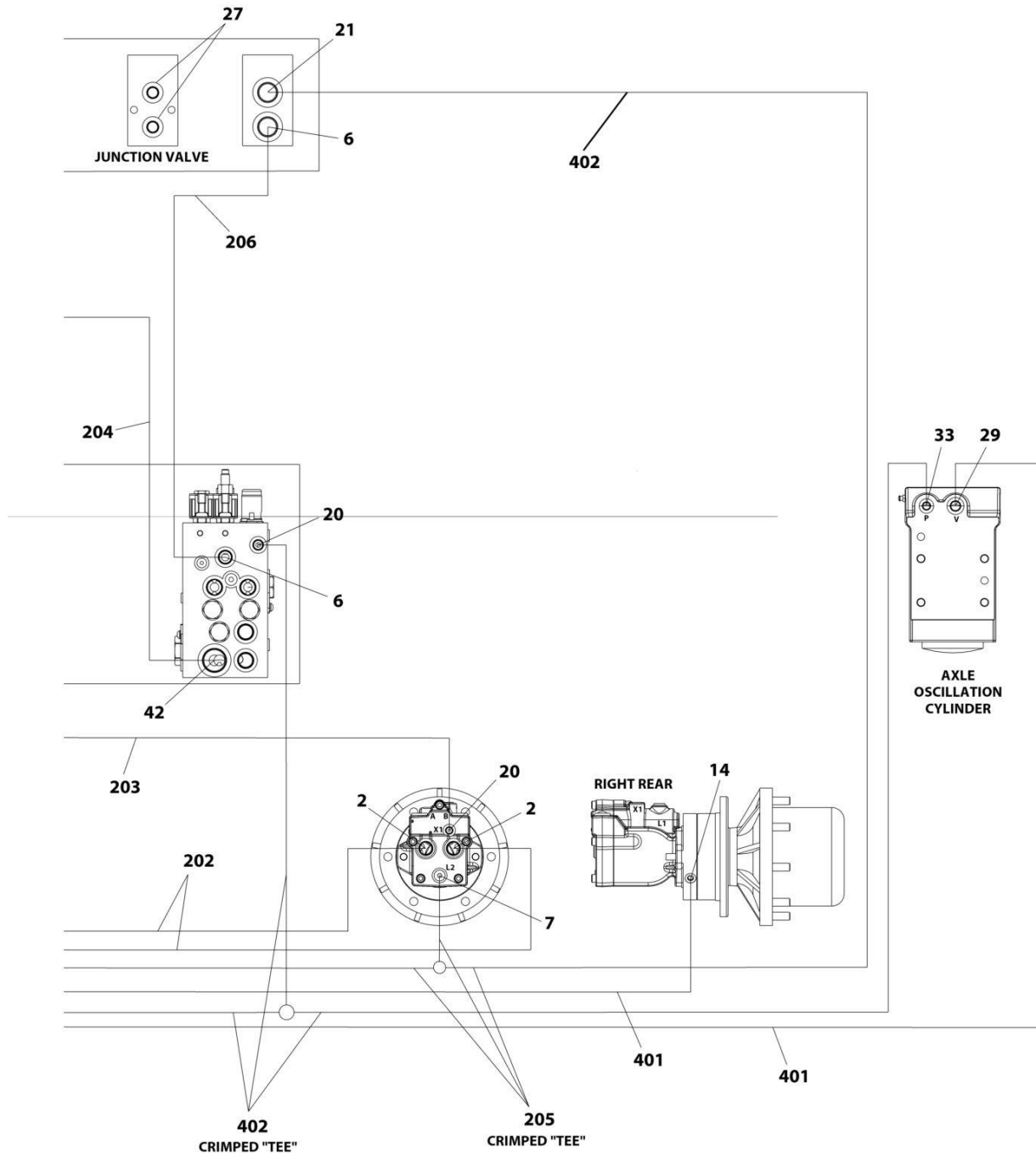
ART_1001217936_20F4

SECTION 7 - HYDRAULIC



ART_1001217936_30F4

SECTION 7 - HYDRAULIC



ART_1001217936_40F4

SECTION 7 - HYDRAULIC

FIGURE 7-1. 2WD HYDRAULIC SYSTEM INSTALLATION - (WITH 17GAL HYDRAULIC TANK) (450A)

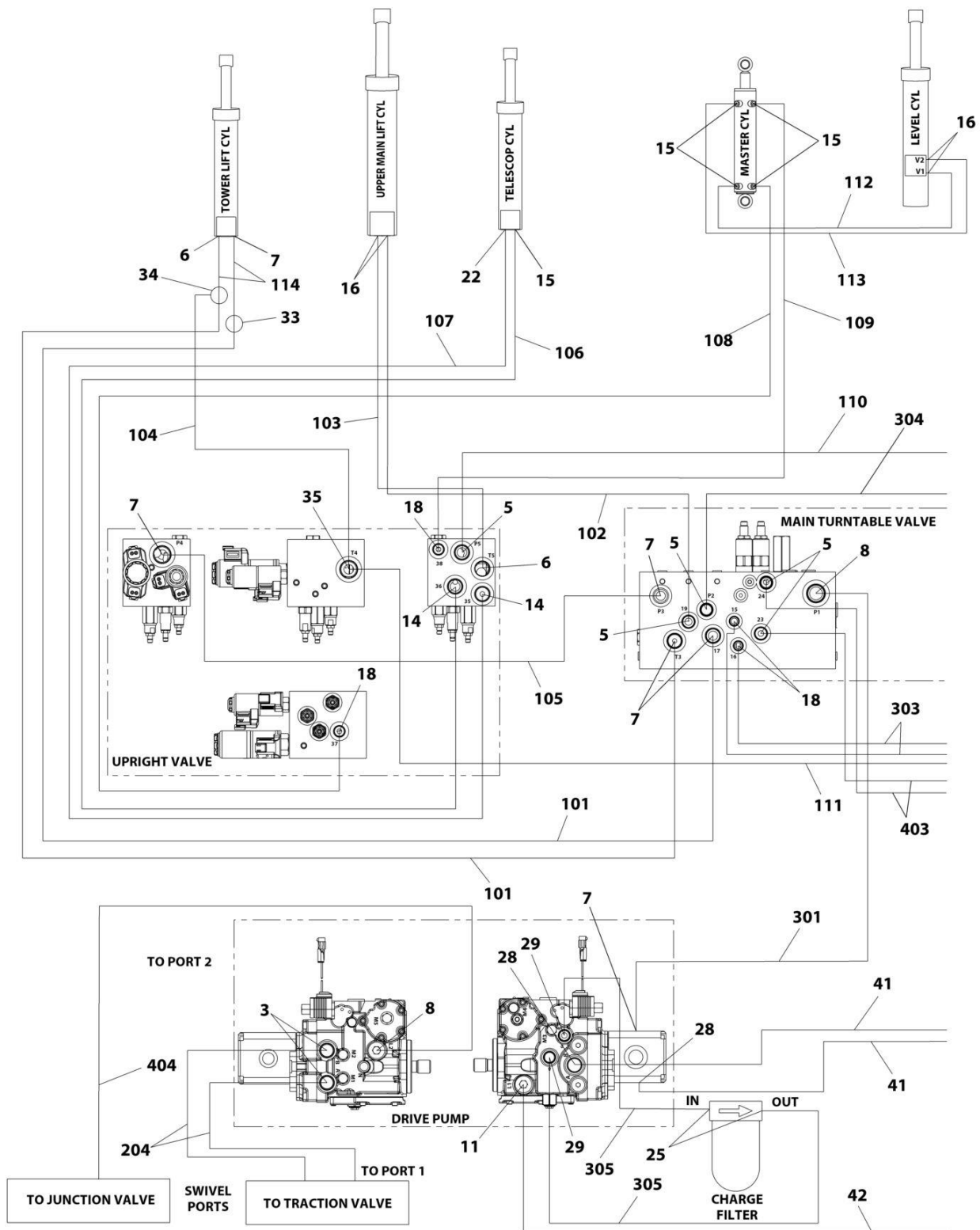
ITEM	PART NUMBER	QTY	DESCRIPTION	REV
	1001217936	Ref	2WD HYDRAULIC SYSTEM INSTALLATION	H
1	2110810	4	Fitting, Straight ORFS/ORB	
2	2110812	4	Fitting, Straight ORFS/ORB	
3	2151212	2	Fitting, 45 ORFS/ORB	
4	2220238	3	Plug	
6	2220372	9	Fitting, Straight JIC/ORB	
7	2220373	3	Fitting, Straight JIC/ORB	
8	2220374	4	Fitting, Straight JIC/ORB	
9	2220375	2	Fitting, Straight JIC/ORB	
10	2220377	1	Fitting, Straight JIC/ORB	
11	1001202910	2	Fitting, Straight MORB	
13	2220451	1	Fitting, Straight JIC/ORB	
14	2220466	2	Fitting, 90 JIC/ORB	
15	2220468	2	Fitting, Straight JIC/ORB	
16	2220472	5	Fitting, 90 JIC/ORB	
18	2220501	2	Fitting, 45 JIC/ORB	
19	2220497	2	Fitting, Straight JIC/ORB	
20	2220582	8	Fitting, Straight JIC/ORB	
21	2220596	1	Fitting, 90 JIC/ORB	
22	2220600	1	Fitting, Straight JIC/ORB	
23	2220603	1	Fitting, Straight JIC/ORB	
24	2220628	1	Fitting, 90 JIC/ORB	
25	2220465	1	Fitting, 90 JIC/ORB	
26	2220811	1	Fitting, Straight FORB/ORB	
27	2220883	2	Plug #4	
28	2220906	2	Fitting, 90 JIC/ORB	
29	2220923	2	Fitting, Straight JIC/ORB	
31	2220946	2	Fitting, Straight JIC/ORB	
32	2220947	2	Fitting, Straight JIC/ORB	
33	2220998	2	Fitting, Straight JIC/ORB	
34	2221033	2	Fitting, Straight JIC/ORB	
36	2221086	1	Fitting, Diagnostic	
37	2230025	1	Fitting, Straight JIC/JIC	
39	8760477	1	Fitting, Tee JIC/JIC/JIC	
40	8770289	1	Fitting, Tee JIC/ORB/JIC	
41	1001119627	1	Fitting, Straight JIC/ORB	
42	1001142679	2	Fitting, Straight ORFS/ORB	
43	1001143936	1	Fitting, 90 FORB/ORB	
61	1001215227	2	Hose	
84	1001207335	1	Hose	
85	1001207336	1	Hose	
87	1001210356	1	Hose	
88	2220435	1	Fitting, Straight JIC/ORB	
89	1001275635	2	Clamp, Hose	
90	2220940	2	Fitting, 90 JIC/ORB	
100	1001218999	1	Hose Kit (Not Shown)	
101	1001173006	2	Hose	
102	1001173034	1	Hose	
103	1001173035	1	Hose	
104	1001173036	1	Hose	

SECTION 7 - HYDRAULIC

ITEM	PART NUMBER	QTY	DESCRIPTION	REV
105	1001173037	1	Hose	
106	1001173038	1	Hose	
107	1001173039	1	Hose	
108	1001173042	1	Hose	
109	1001173043	1	Hose	
110	1001176299	1	Hose	
111	1001176300	1	Hose	
112	1001176301	1	Hose	
113	1001176302	1	Hose	
114	1001180035	2	Hose	
200	1001194428	1	Hose Kit - Rear (Not Shown)	
201	1001173052	1	Hose	
202	1001173059	1	Hose	
203	1001173061	1	Hose	
204	1001173062	1	Hose	
205	1001173063	1	Hose	
206	1001197039	1	Hose	
300	1001252926	1	Hose Kit - Turntable (Not Shown)	
301	2752504	1	Hose	
302	2752519	1	Hose	
303	1001173027	1	Hose	
304	1001173028	1	Hose	
305	1001173029	1	Hose	
400	1001214616	1	Hose Kit - Front (Not Shown)	
401	1001173053	1	Hose	
402	1001173054	1	Hose	
403	1001173058	1	Hose	
404	1001173066	1	Hose	

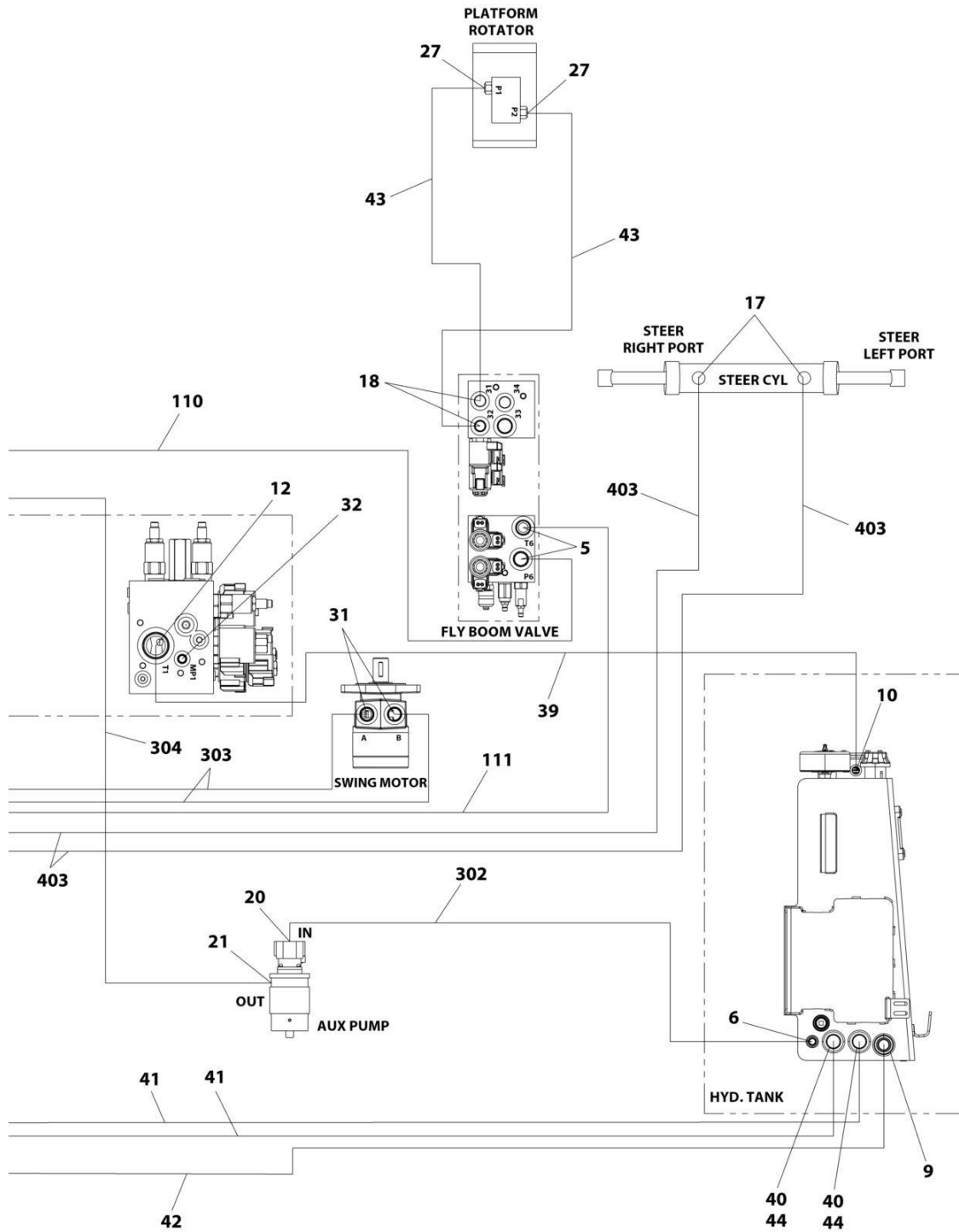
SECTION 7 - HYDRAULIC

FIGURE 7-2. 2WD HYDRAULIC SYSTEM INSTALLATION - (WITH 36GAL HYDRAULIC TANK) (450A)



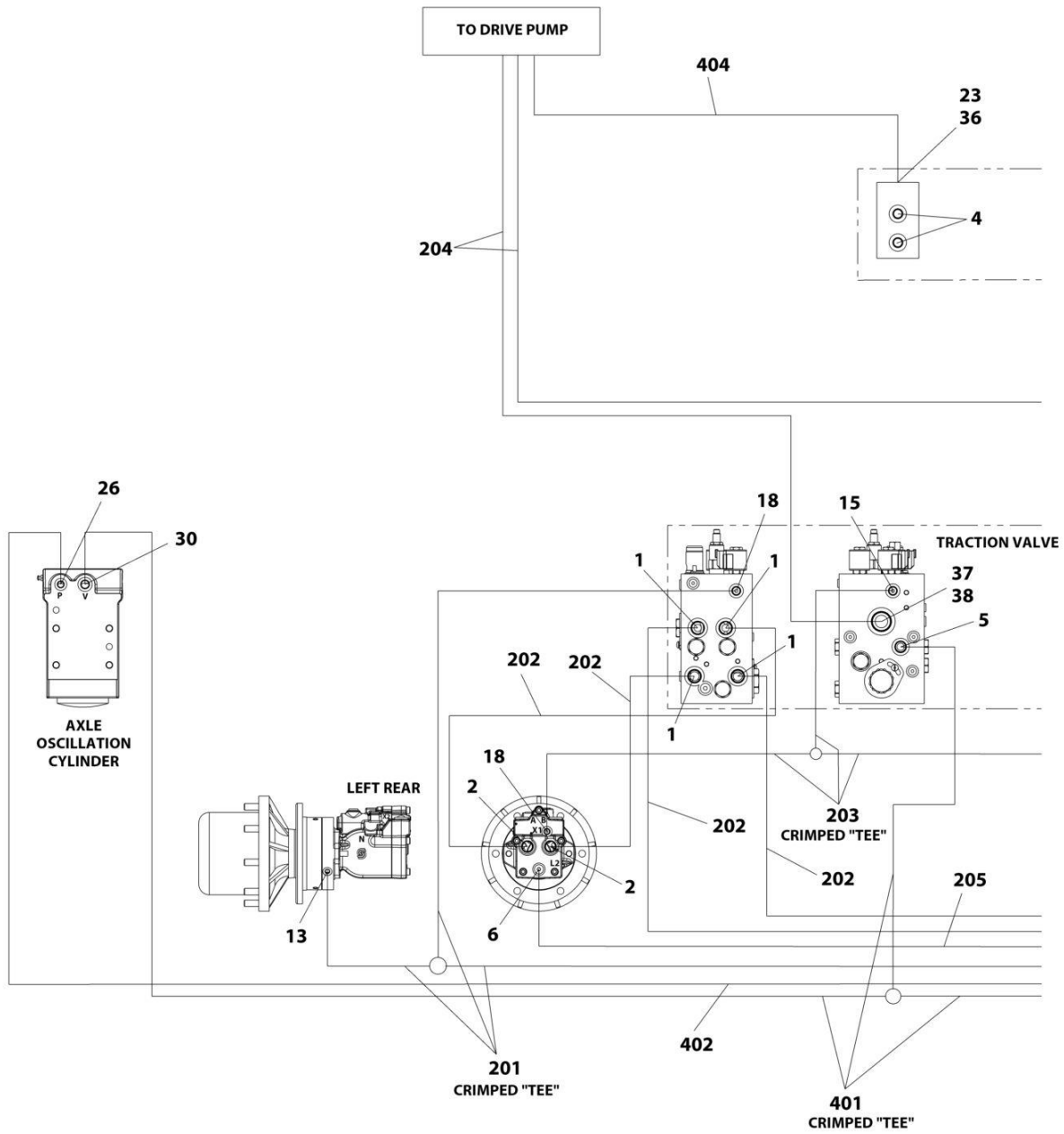
ART_1001287819_10F4

SECTION 7 - HYDRAULIC



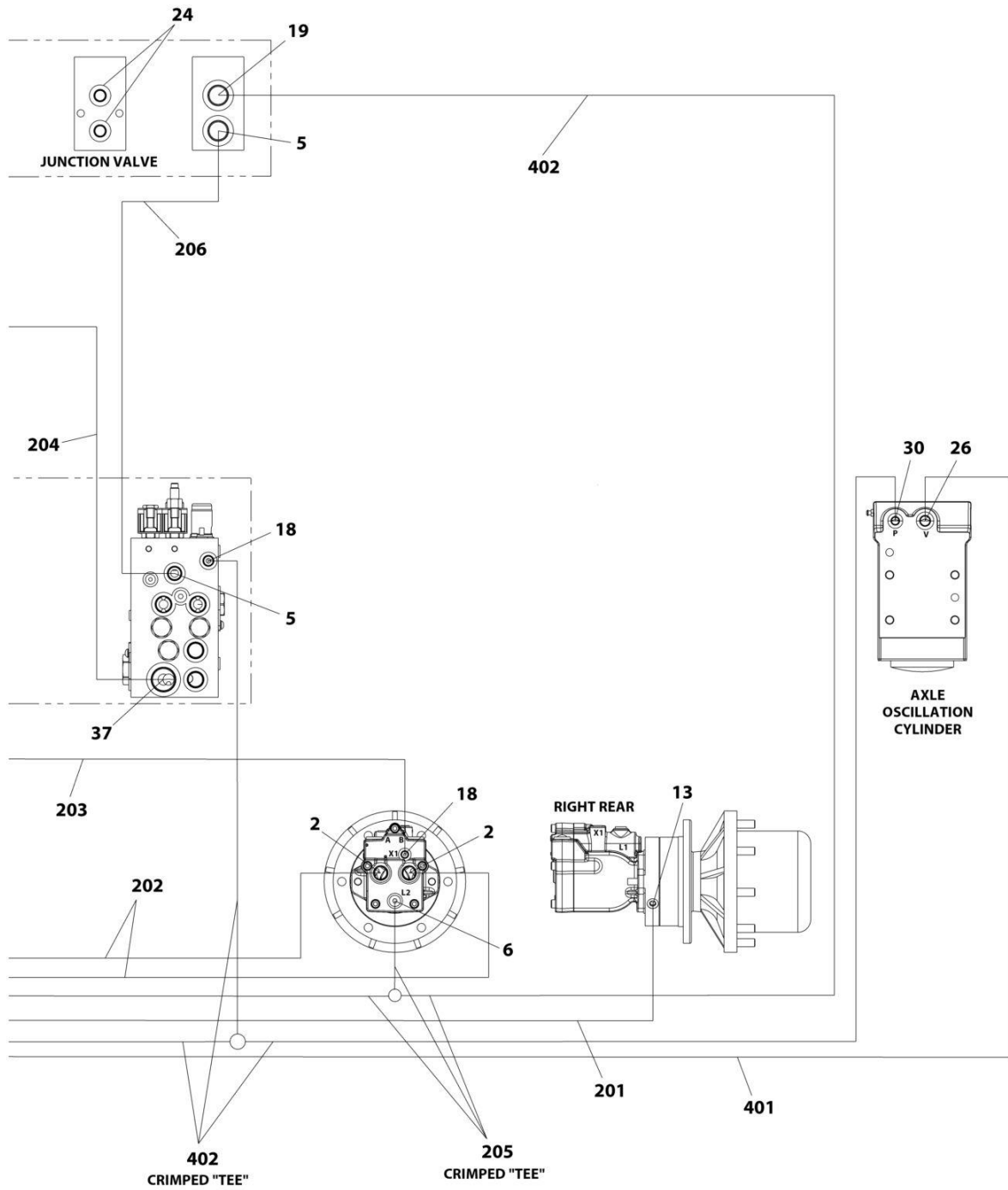
ART_1001287819_20F4

SECTION 7 - HYDRAULIC



ART_1001287819_30F4

SECTION 7 - HYDRAULIC



ART_1001287819_40F4

SECTION 7 - HYDRAULIC

FIGURE 7-2. 2WD HYDRAULIC SYSTEM INSTALLATION - (WITH 36GAL HYDRAULIC TANK) (450A)

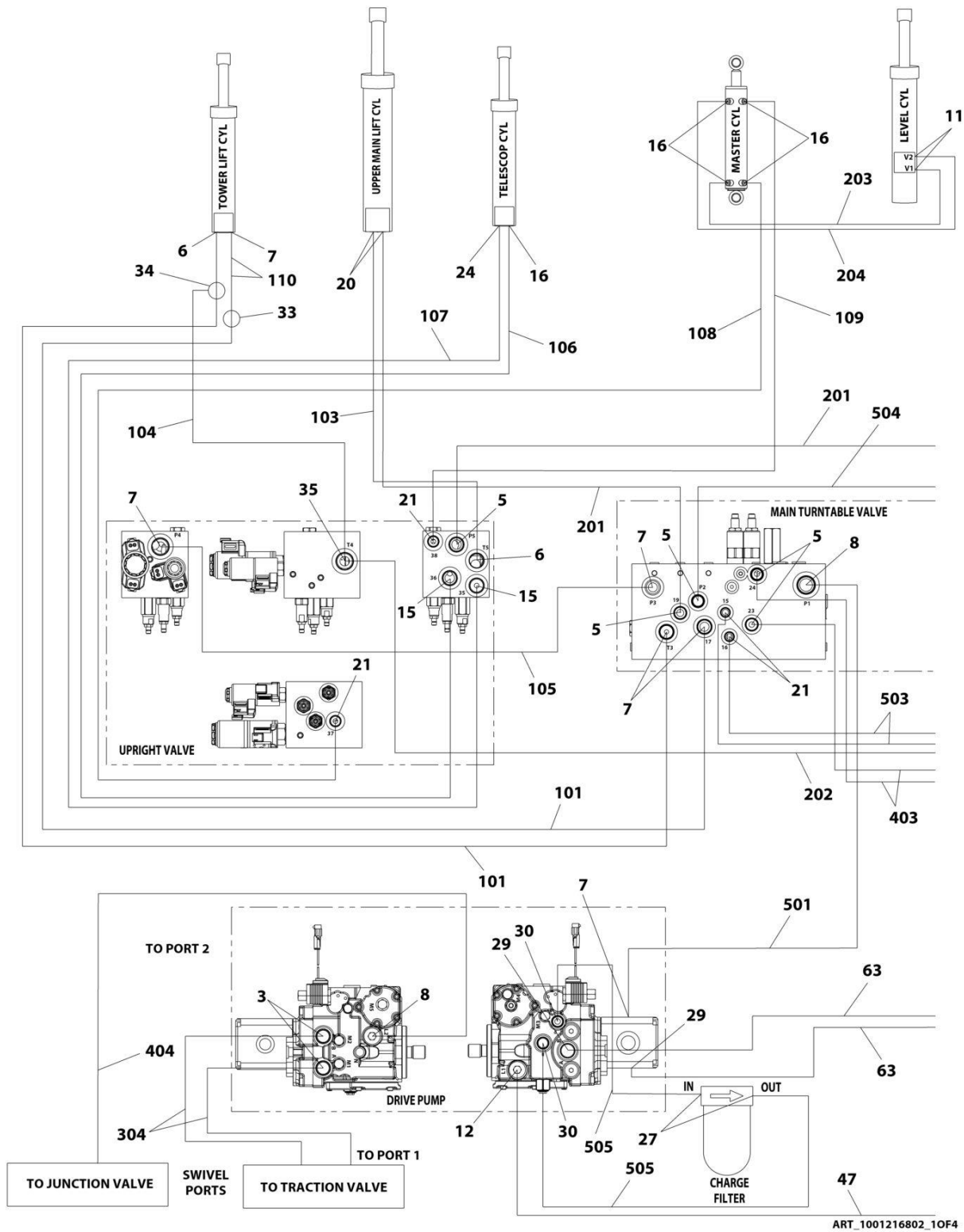
ITEM	PART NUMBER	QTY	DESCRIPTION	REV
	1001287819	Ref	2WD HYDRAULIC SYSTEM INSTALLATION	A
1	2110810	4	Fitting, Straight ORFS/ORB	
2	2110812	4	Fitting, Straight ORFS/ORB	
3	2151212	2	Fitting, 45 ORFS/ORB	
4	2220238	2	Plug	
5	2220372	9	Fitting, Straight JIC/ORB	
6	2220373	3	Fitting, Straight JIC/ORB	
7	2220374	4	Fitting, Straight JIC/ORB	
8	2220375	2	Fitting, Straight JIC/ORB	
9	2220377	1	Fitting, Straight JIC/ORB	
10	2220408	1	Fitting, Straight JIC/ORB	
11	2220451	1	Fitting, Straight JIC/ORB	
12	2220465	1	Fitting, 90 JIC/ORB	
13	2220466	2	Fitting, 90 JIC/ORB	
14	2220468	2	Fitting, Straight JIC/ORB	
15	2220472	6	Fitting, 90 JIC/ORB	
16	2220497	2	Fitting, Straight JIC/ORB	
17	2220501	2	Fitting, 45 JIC/ORB	
18	2220582	8	Fitting, Straight JIC/ORB	
19	2220596	1	Fitting, 90 JIC/ORB	
20	2220600	1	Fitting, Straight JIC/ORB	
21	2220603	1	Fitting, Straight JIC/ORB	
22	2220628	1	Fitting, 90 JIC/ORB	
23	2220811	1	Fitting, Straight FORB/ORB	
24	2220883	2	Plug #4	
25	2220906	2	Fitting, 90 JIC/ORB	
26	2220923	2	Fitting, Straight JIC/ORB	
27	2220940	2	Fitting, 90 JIC/ORB	
28	2220946	2	Fitting, Straight JIC/ORB	
29	2220947	2	Fitting, Straight JIC/ORB	
30	2220998	2	Fitting, Straight JIC/ORB	
31	2221033	2	Fitting, Straight JIC/ORB	
32	2221086	1	Fitting, Diagnostic	
33	2230025	1	Fitting, Straight JIC/JIC	
34	8760477	1	Fitting, Tee JIC/JIC/JIC	
35	8770289	1	Fitting, Tee JIC/ORB/JIC	
36	1001119627	1	Fitting, Straight JIC/ORB	
37	1001142679	2	Fitting, Straight ORFS/ORB	
38	1001143936	1	Fitting, 90 FORB/ORB	
39	1001173631	1	Tube	
40	1001202910	2	Fitting, Straight MORB	
41	1001207335	2	Hose	
42	1001207336	1	Hose	
43	1001215227	2	Hose	
44	1001275635	2	Clamp, Hose	
100	1001218999	1	Hose Kit (Not Shown)	
101	1001173006	2	Hose	
102	1001173034	1	Hose	
103	1001173035	1	Hose	
104	1001173036	1	Hose	

SECTION 7 - HYDRAULIC

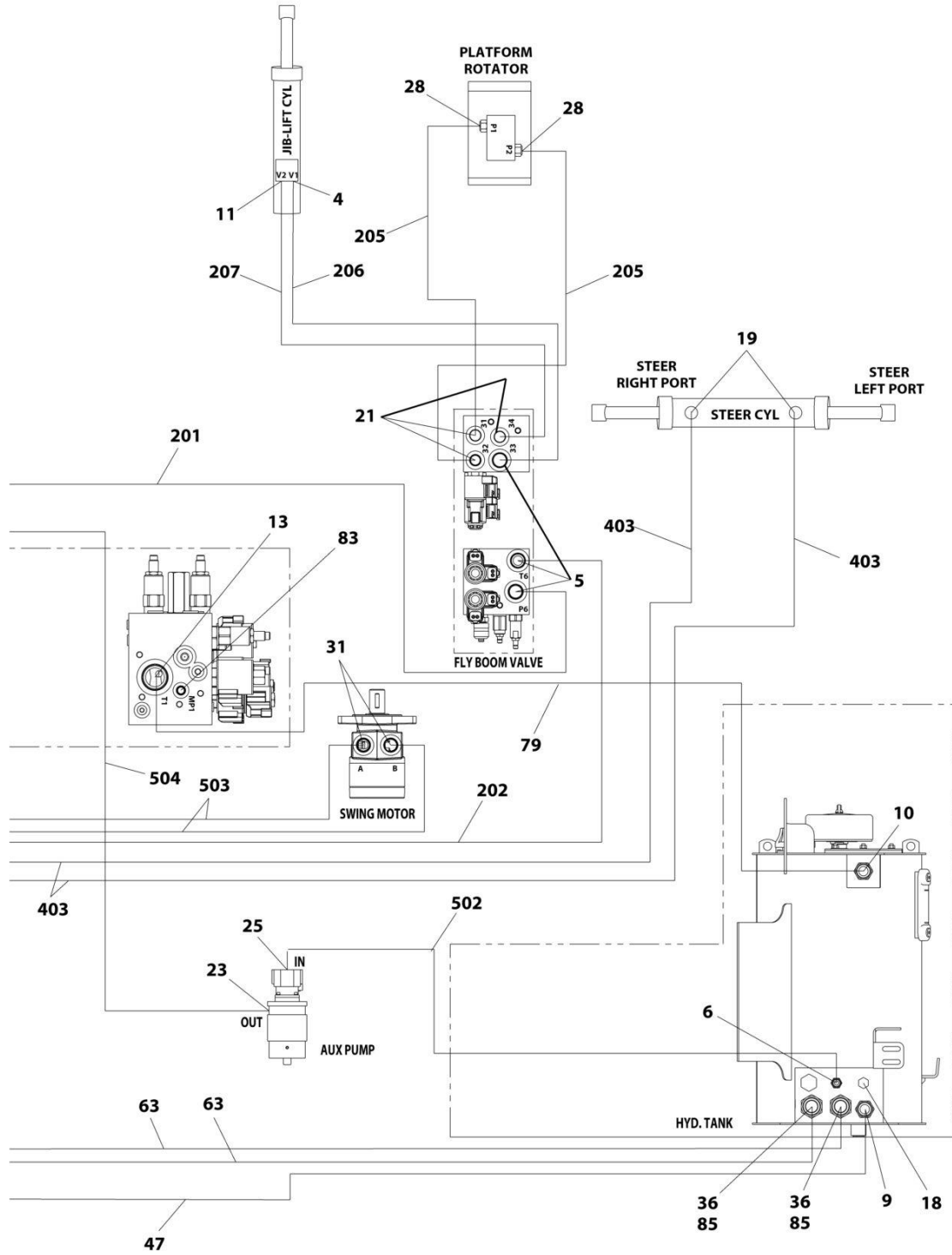
ITEM	PART NUMBER	QTY	DESCRIPTION	REV
105	1001173037	1	Hose	
106	1001173038	1	Hose	
107	1001173039	1	Hose	
108	1001173042	1	Hose	
109	1001173043	1	Hose	
110	1001176299	1	Hose	
111	1001176300	1	Hose	
112	1001176301	1	Hose	
113	1001176302	1	Hose	
114	1001180035	2	Hose	
200	1001194428	1	Hose Kit - Rear (Not Shown)	
201	1001173052	1	Hose	
202	1001173059	1	Hose	
203	1001173061	1	Hose	
204	1001173062	1	Hose	
205	1001173063	1	Hose	
206	1001197039	1	Hose	
300	1001252926	1	Hose Kit - Turntable (Not Shown)	
301	2752504	1	Hose	
302	2752519	1	Hose	
303	1001173027	1	Hose	
304	1001173028	1	Hose	
305	1001173029	1	Hose	
400	1001214616	1	Hose Kit - Front (Not Shown)	
401	1001173053	1	Hose	
402	1001173054	1	Hose	
403	1001173058	1	Hose	
404	1001173066	1	Hose	

SECTION 7 - HYDRAULIC

FIGURE 7-3. 2WD HYDRAULIC SYSTEM INSTALLATION - (WITH 17GAL HYDRAULIC TANK) (450AJ)

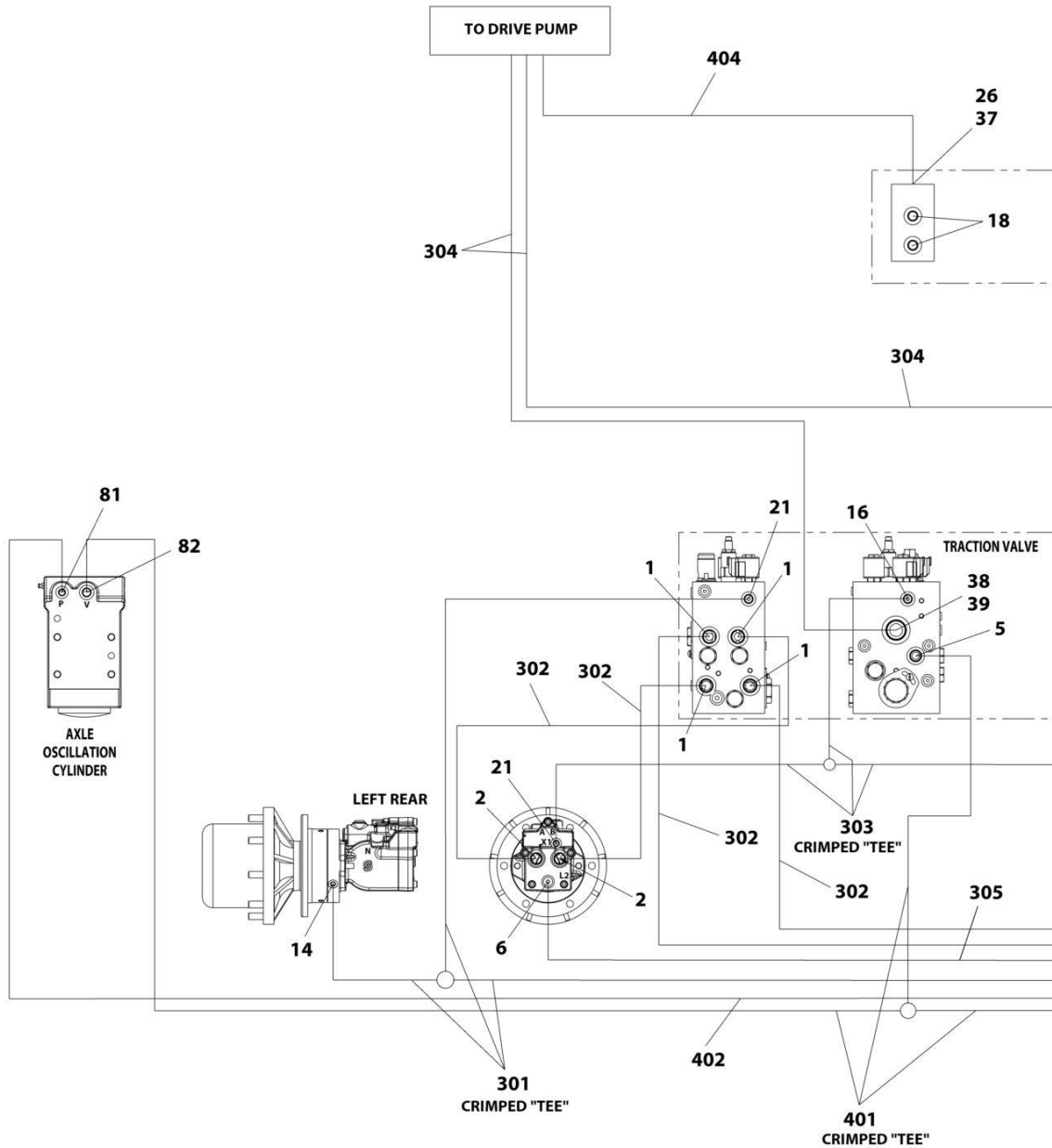


SECTION 7 - HYDRAULIC



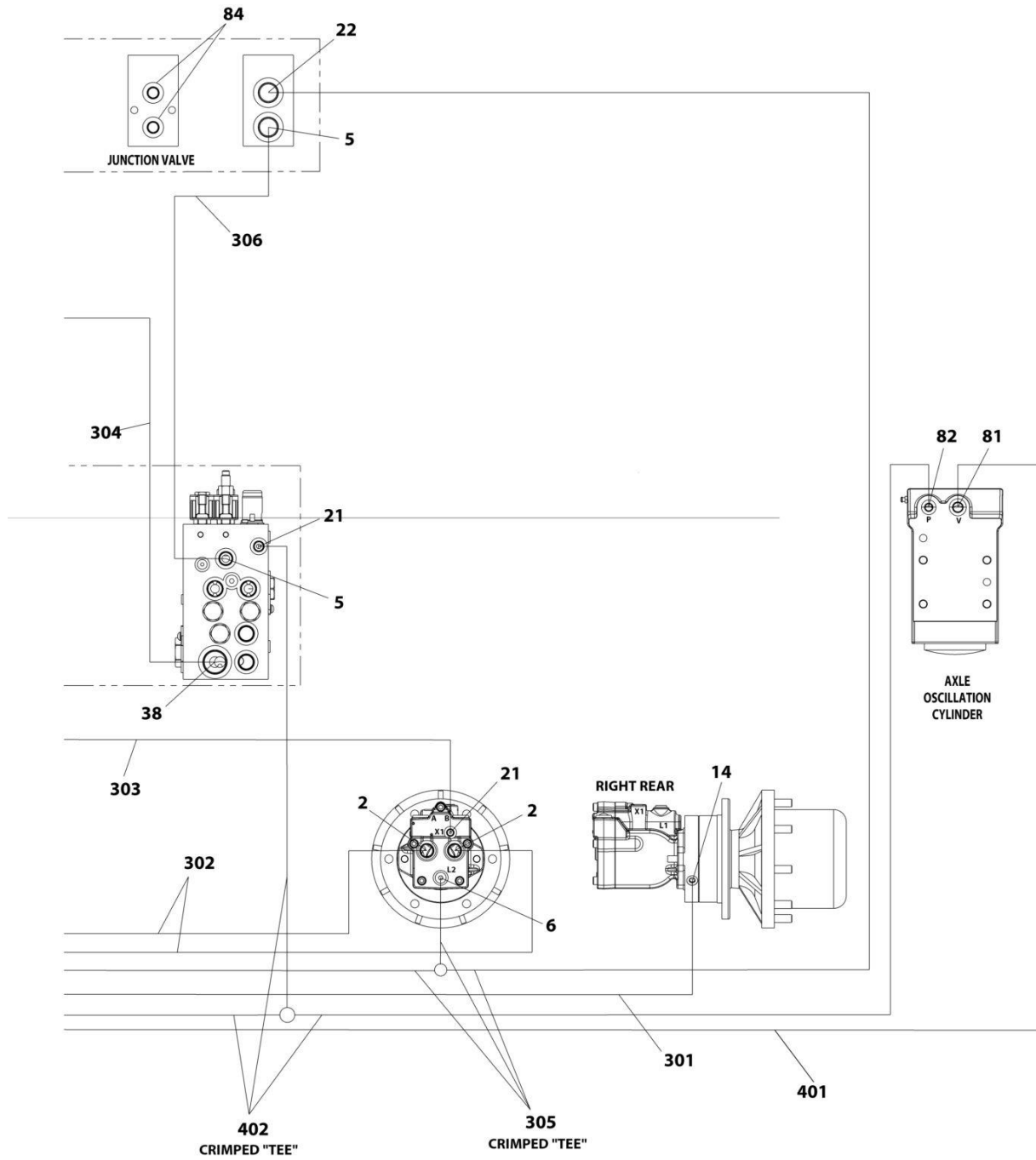
ART_1001216802_20F4

SECTION 7 - HYDRAULIC



ART_1001216802_30F4

SECTION 7 - HYDRAULIC



ART_1001216802_40F4

SECTION 7 - HYDRAULIC

FIGURE 7-3. 2WD HYDRAULIC SYSTEM INSTALLATION - (WITH 17GAL HYDRAULIC TANK) (450AJ)

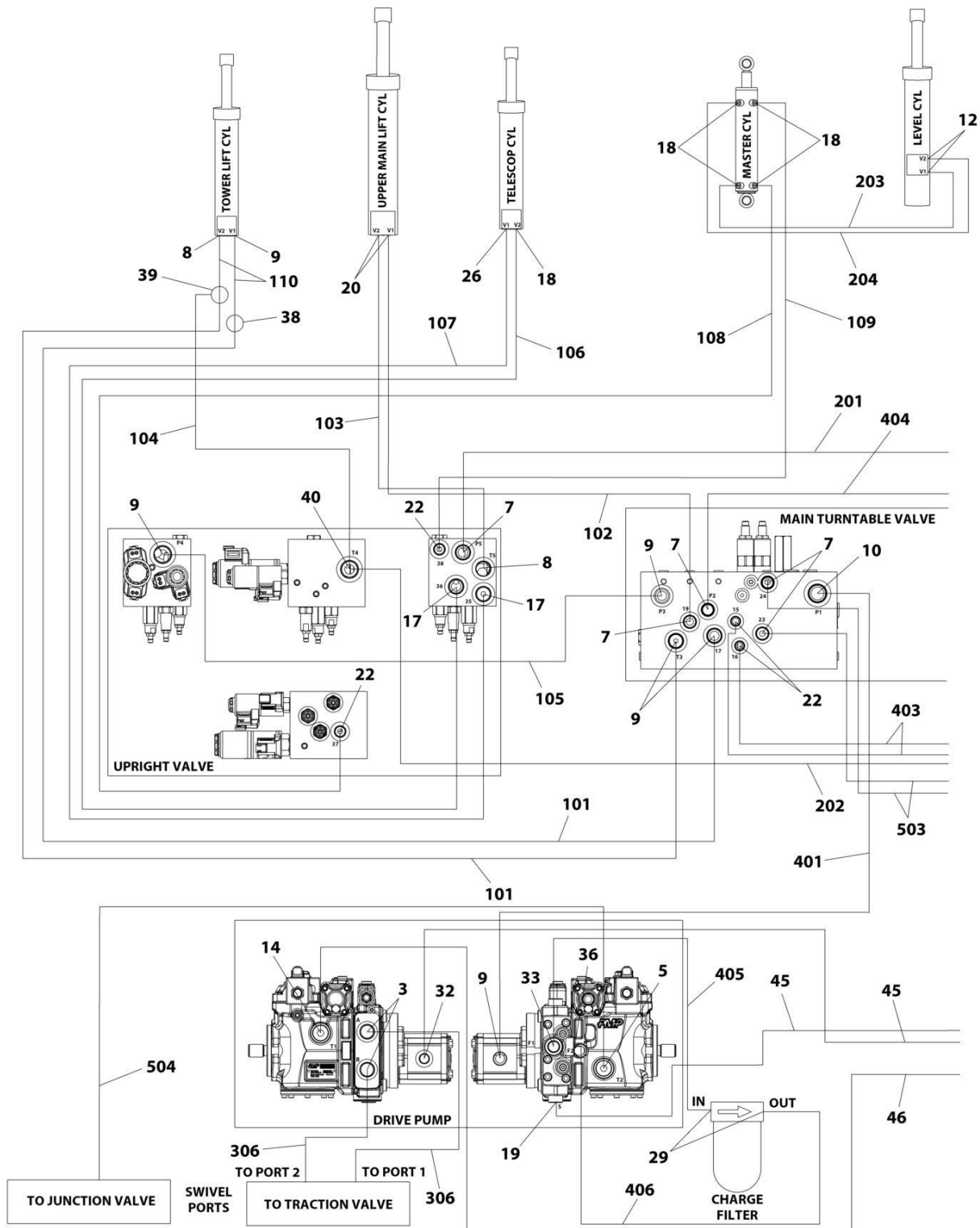
ITEM	PART NUMBER	QTY	DESCRIPTION	REV
	1001216802	Ref	2WD HYDRAULIC SYSTEM INSTALLATION (450AJ)	E
1	2110810	4	Fitting, Straight ORFS/ORB	
2	2110812	4	Fitting, Straight ORFS/ORB	
3	2151212	2	Fitting, 45 ORFS/ORB	
4	2220371	1	Fitting, Straight JIC/ORB	
5	2220372	11	Fitting, Straight JIC/ORB	
6	2220373	5	Fitting, Straight JIC/ORB	
7	2220374	6	Fitting, Straight JIC/ORB	
8	2220375	2	Fitting, Straight JIC/ORB	
9	2220377	1	Fitting, Straight JIC/ORB	
10	2220435	1	Fitting, Straight JIC/ORB	
11	2220415	3	Fitting, Straight JIC/ORB	
12	2220451	1	Fitting, Straight JIC/ORB	
13	2220465	1	Fitting, 90 JIC/ORB	
14	2220466	2	Fitting, 90 JIC/ORB	
15	2220468	2	Fitting, Straight JIC/ORB	
16	2220472	6	Fitting, 90 JIC/ORB	
18	2220238	3	Plug	
19	2220501	2	Fitting, 45 JIC/ORB	
20	2220497	2	Fitting, Straight JIC/ORB	
21	2220582	11	Fitting, Straight JIC/ORB	
22	2220596	1	Fitting, 90 JIC/ORB	
23	2220603	1	Fitting, Straight JIC/ORB	
24	2220628	1	Fitting, 90 JIC/ORB	
25	2220600	1	Fitting, Straight JIC/ORB	
26	2220811	1	Fitting, Straight FORB/ORB	
27	2220906	2	Fitting, 90 JIC/ORB	
28	2220940	2	Fitting, Elbow	
29	2220946	2	Fitting, Straight JIC/ORB	
30	2220947	2	Fitting, Straight JIC/ORB	
31	2221033	2	Fitting, Straight JIC/ORB	
33	2230025	1	Fitting, Straight JIC/JIC	
34	8760477	1	Fitting, Tee JIC/JIC/JIC	
35	8770289	1	Fitting, Tee JIC/ORB/JIC	
36	1001275635	2	Clamp, Hose	
37	1001119627	1	Fitting, Straight JIC/ORB	
38	1001142679	2	Fitting, Straight ORFS/ORB	
39	1001143936	1	Fitting, 90 FORB/ORB	
47	1001207336	1	Hose	
63	1001207335	2	Hose	
79	1001210356	1	Tube	
81	2220923	2	Fitting, Straight JIC/ORB	
82	2220998	2	Fitting, Straight JIC/ORB	
83	2221086	1	Fitting, Diagnostic	
84	2220883	2	Plug #4	
85	1001202910	2	Fitting, Straight MORB	
100	1001194424	1	Hose Kit - Lower Boom (Not Shown)	
101	1001173006	2	Hose	
102	1001173034	1	Hose	
103	1001173035	1	Hose	

SECTION 7 - HYDRAULIC

ITEM	PART NUMBER	QTY	DESCRIPTION	REV
104	1001173036	1	Hose	
105	1001173037	1	Hose	
106	1001173038	1	Hose	
107	1001173039	1	Hose	
108	1001173042	1	Hose	
109	1001173043	1	Hose	
110	1001180035	2	Hose	
200	1001194425	1	Hose Kit - Upper Boom (Not Shown)	
201	1001173040	1	Hose	
202	1001173041	1	Hose	
203	1001173044	1	Hose	
204	1001173045	1	Hose	
205	1001173046	2	Hose	
206	1001173048	1	Hose	
207	1001173049	1	Hose	
300	1001194428	1	Hose Kit - Rear (Not Shown)	
301	1001173052	1	Hose	
302	1001173059	4	Hose	
303	1001173061	1	Hose	
304	1001173062	2	Hose	
305	1001173063	1	Hose	
306	1001197039	1	Hose	
400	1001214616	1	Hose Kit - Front (Not Shown)	
401	1001173053	1	Hose	
402	1001173054	1	Hose	
403	1001173058	2	Hose	
404	1001173066	1	Hose	
500	1001252926	1	Hose Kit - Turntable (Not Shown)	
501	2752504	1	Hose	
502	2752519	1	Hose	
503	1001173027	2	Hose	
504	1001173028	1	Hose	
505	1001173029	2	Hose	

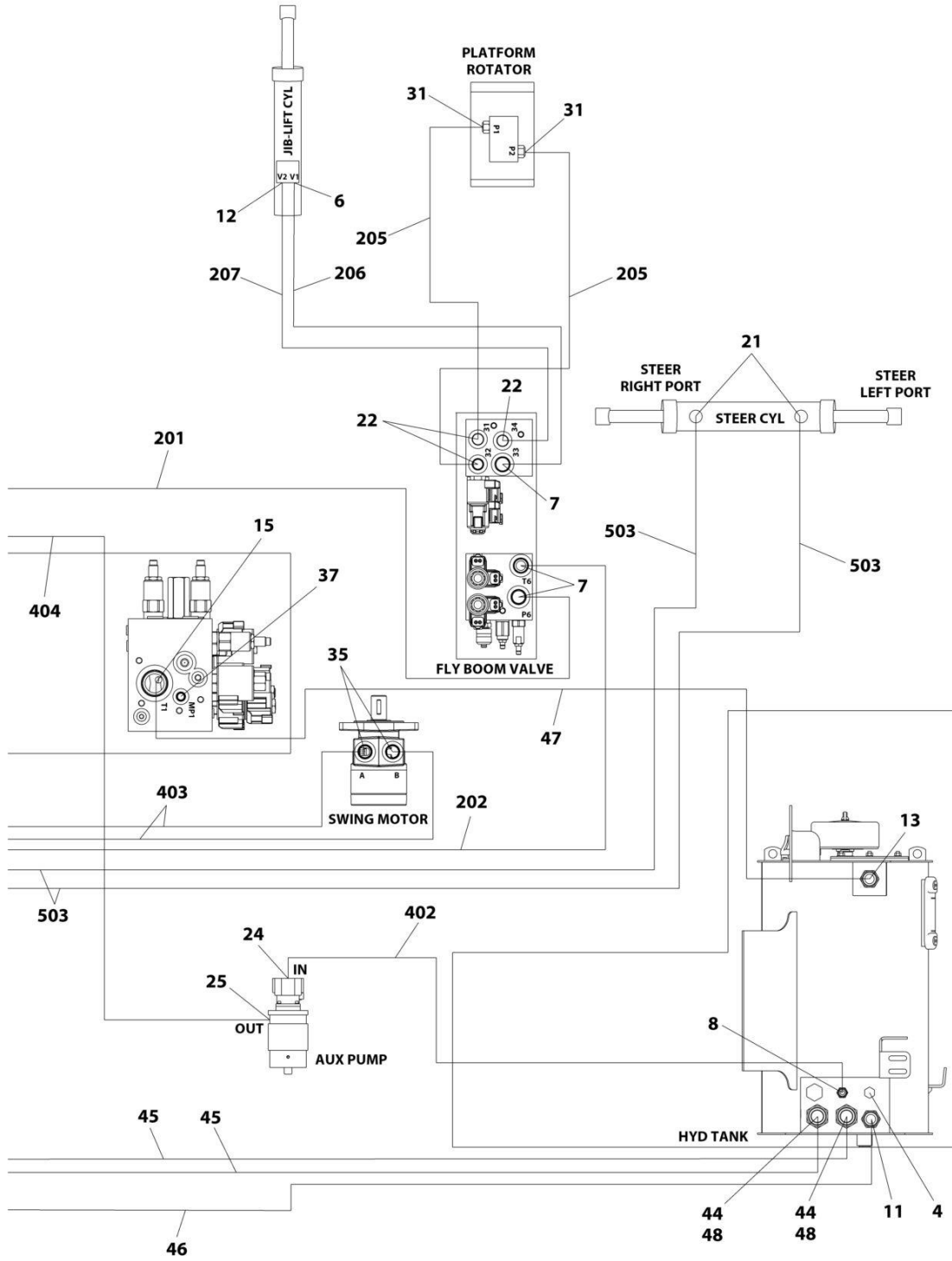
SECTION 7 - HYDRAULIC

FIGURE 7-4. 2WD HYDRAULIC SYSTEM INSTALLATION - (WITH PMP PUMP) (450AJ)



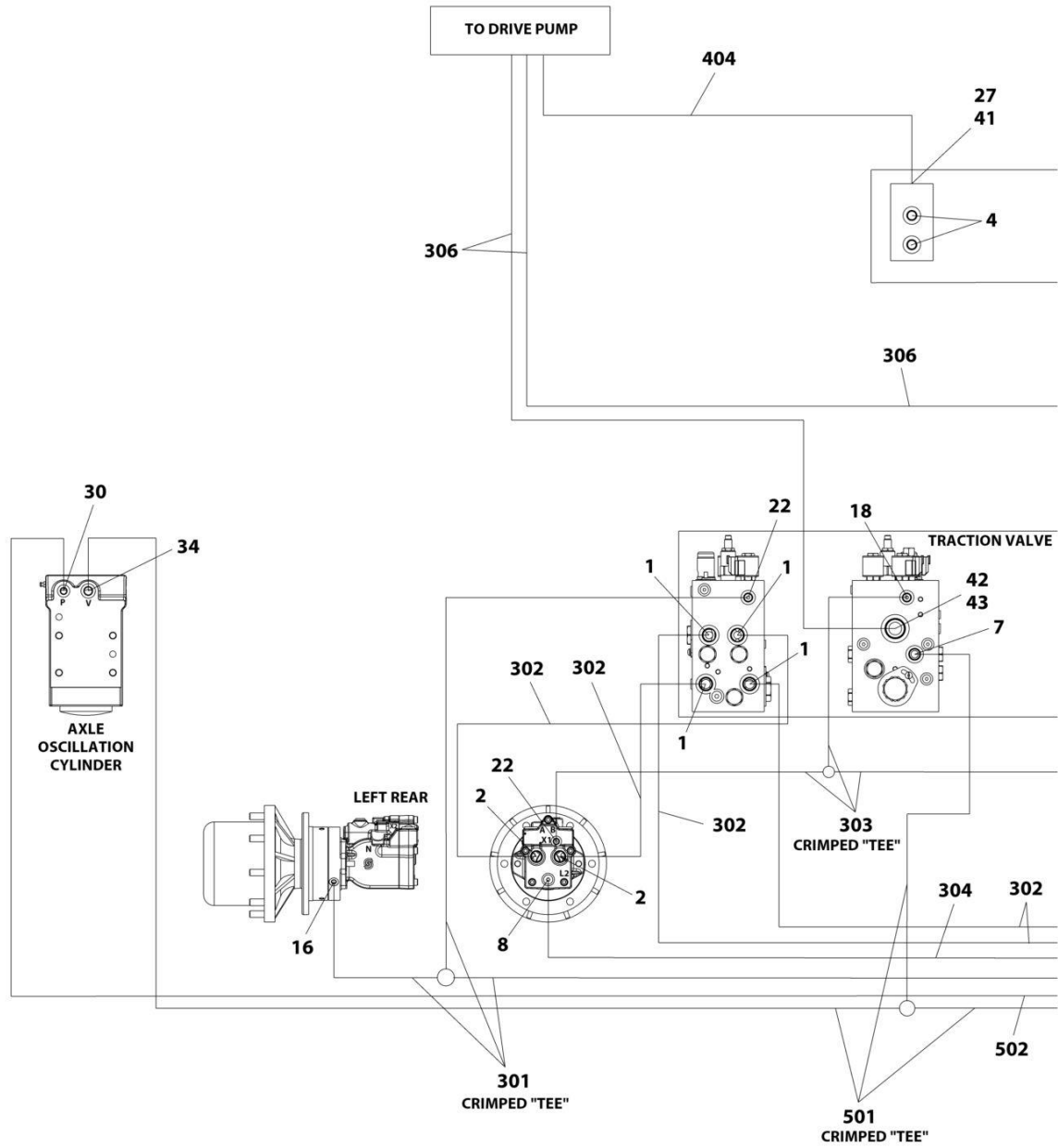
ART_1001301018_10F4

SECTION 7 - HYDRAULIC



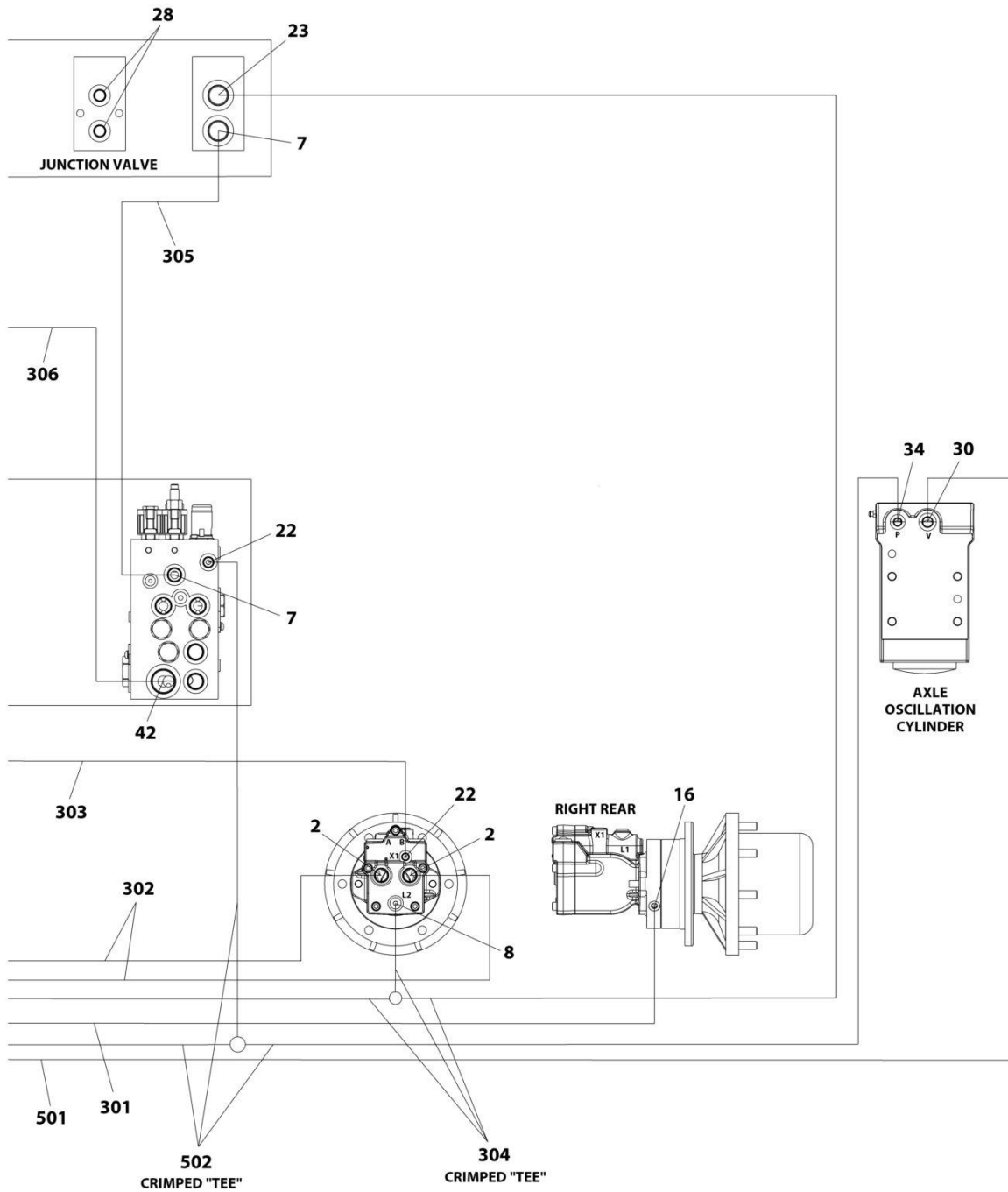
ART_1001301018_2OF4

SECTION 7 - HYDRAULIC



ART_1001301018_30F4

SECTION 7 - HYDRAULIC



ART_1001301018_40F4

SECTION 7 - HYDRAULIC

FIGURE 7-4. 2WD HYDRAULIC SYSTEM INSTALLATION - (WITH PMP PUMP) (450AJ)

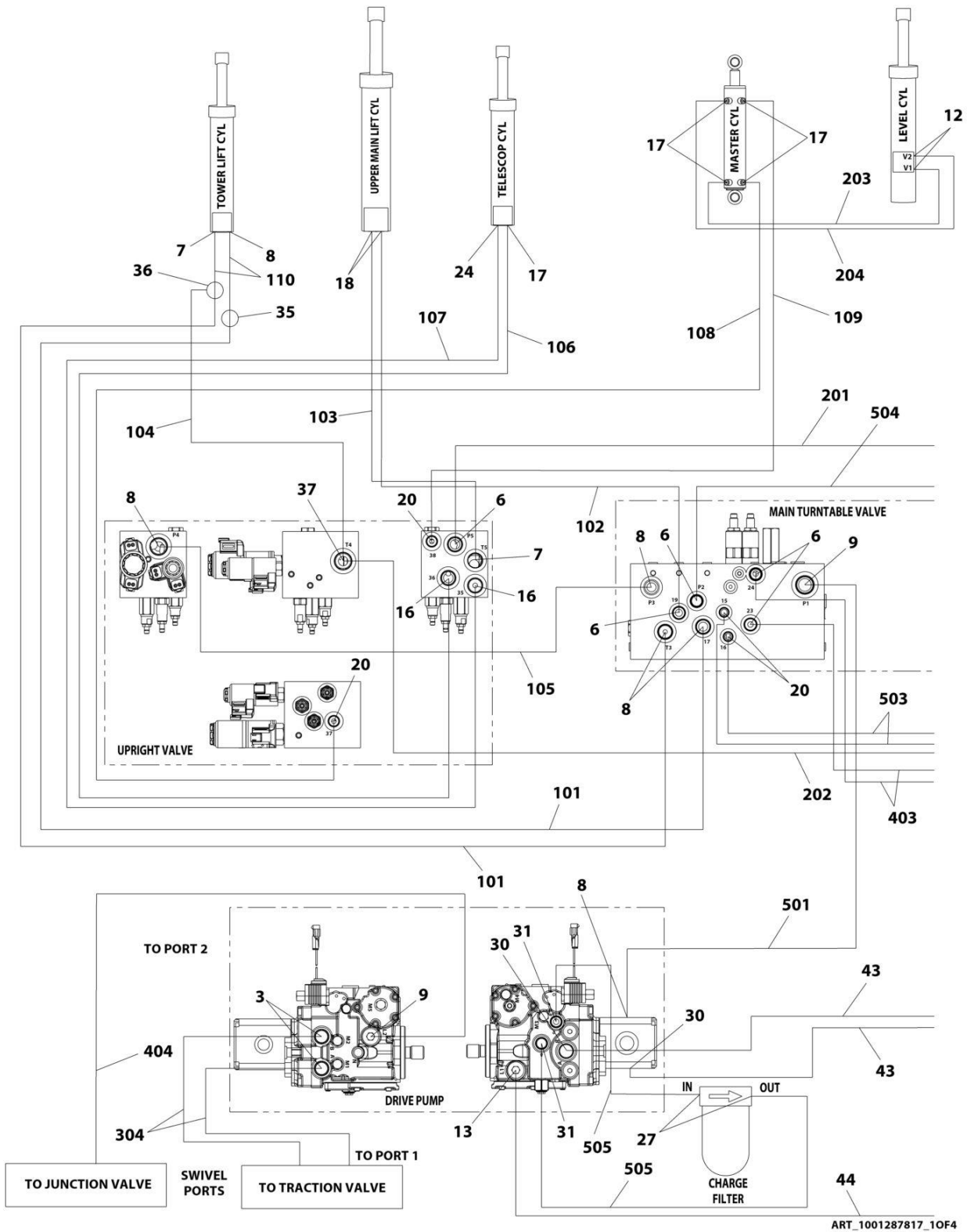
ITEM	PART NUMBER	QTY	DESCRIPTION	REV
	1001301018	Ref	2WD HYDRAULIC SYSTEM INSTALLATION - 450AJ (WITH PMP PUMP)	A
1	2110810	4	Fitting, Straight ORFS/ORB	
2	2110812	4	Fitting, Straight ORFS/ORB	
3	2131212	2	Fitting, 90 ORFS/ORB	
4	2220238	3	Fitting, Plug ORB	
5	2220366	1	Fitting, 90 JIC/ORB	
6	2220371	1	Fitting, Straight JIC/ORB	
7	2220372	11	Fitting, Straight JIC/ORB	
8	2220373	5	Fitting, Straight JIC/ORB	
9	2220374	6	Fitting, Straight JIC/ORB	
10	2220375	1	Fitting, Straight JIC/ORB	
11	2220377	1	Fitting, Straight JIC/ORB	
12	2220415	3	Fitting, Straight JIC/ORB	
13	2220435	1	Fitting, Straight JIC/ORB	
14	2220451	1	Fitting, Straight JIC/ORB	
15	2220465	1	Fitting, 90 JIC/ORB	
16	2220466	2	Fitting, 90 JIC/ORB	
17	2220468	2	Fitting, Straight JIC/ORB	
18	2220472	6	Fitting, 90 JIC/ORB	
19	2220479	1	Fitting, Straight JIC/ORB	
20	2220497	2	Fitting, Straight JIC/ORB	
21	2220501	2	Fitting, 45 JIC/ORB	
22	2220582	11	Fitting, Straight JIC/ORB	
23	2220596	1	Fitting, 90 JIC/ORB	
24	2220600	1	Fitting, Straight JIC/ORB	
25	2220603	1	Fitting, Straight JIC/ORB	
26	2220628	1	Fitting, 90 JIC/ORB	
27	2220811	1	Fitting, Straight FORB/ORB	
28	2220883	2	O-Ring	
29	2220906	2	Fitting, 90 JIC/ORB	
30	2220923	2	Fitting, Straight JIC/ORB	
31	2220940	2	Fitting, 90 JIC/ORB	
32	2220946	1	Fitting, Straight JIC/ORB	
33	2220947	1	Fitting, Straight JIC/ORB	
34	2220998	2	Fitting, Straight JIC/ORB	
35	2221033	2	Fitting, Straight JIC/ORB	
36	2221036	1	Fitting, 90 JIC/ORB	
37	2221086	1	Fitting, Diagnostic	
38	2230025	1	Fitting, Straight JIC/JIC	
39	8760477	1	Fitting, Tee JIC/JIC/JIC	
40	8770289	1	Fitting, Tee JIC/ORB/JIC	
41	1001119627	1	Fitting, Straight JIC/ORB	
42	1001142679	2	Fitting, Straight ORFS/ORB	
43	1001143936	1	Fitting, 90 FORB/ORB	
44	1001202910	2	Fitting, Straight MORB	
45	1001207335	2	Hose	
46	1001207336	1	Hose	
47	1001210356	1	Hose	
48	1001275635	2	Clamp	

SECTION 7 - HYDRAULIC

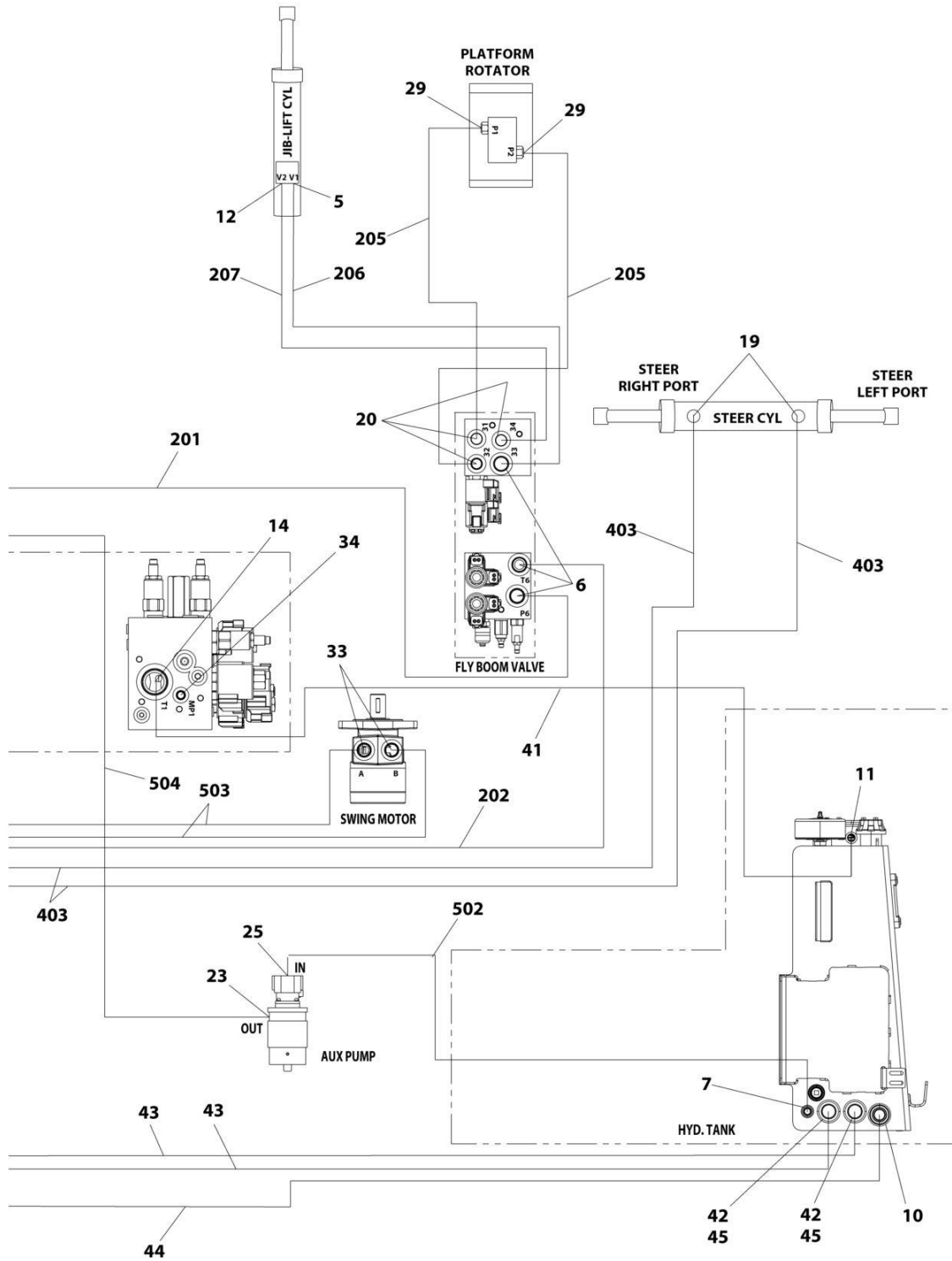
ITEM	PART NUMBER	QTY	DESCRIPTION	REV
100	1001194424	1	Hose Kit - Lower Boom (Not Shown)	
101	1001173006	2	Hose	
102	1001173034	1	Hose	
103	1001173035	1	Hose	
104	1001173036	1	Hose	
105	1001173037	1	Hose	
106	1001173038	1	Hose	
107	1001173039	1	Hose	
108	1001173042	1	Hose	
109	1001173043	1	Hose	
110	1001180035	2	Hose	
200	1001194425	1	Hose Kit - Upper Boom (Not Shown)	
201	1001173040	1	Hose	
202	1001173041	1	Hose	
203	1001173044	1	Hose	
204	1001173045	1	Hose	
205	1001173046	2	Hose	
206	1001173048	1	Hose	
207	1001173049	1	Hose	
300	1001300961	1	Hose Kit - Rear (Not Shown)	
301	1001173052	1	Hose	
302	1001173059	4	Hose	
303	1001173061	1	Hose	
304	1001173063	1	Hose	
305	1001197039	1	Hose	
306	1001300956	2	Hose	
400	1001300963	1	Hose Kit - Turntable (Not Shown)	
401	2752504	1	Hose	
402	2752519	1	Hose	
403	1001173027	2	Hose	
404	1001173028	1	Hose	
405	1001300958	1	Hose	
406	1001300959	1	Hose	
500	1001301085	1	Hose Kit - Front (Not Shown)	
501	1001173053	1	Hose	
502	1001173054	1	Hose	
503	1001173058	2	Hose	
504	1001300957	1	Hose	

SECTION 7 - HYDRAULIC

FIGURE 7-5. 2WD HYDRAULIC SYSTEM INSTALLATION - (WITH 36GAL HYDRAULIC TANK) (450AJ)

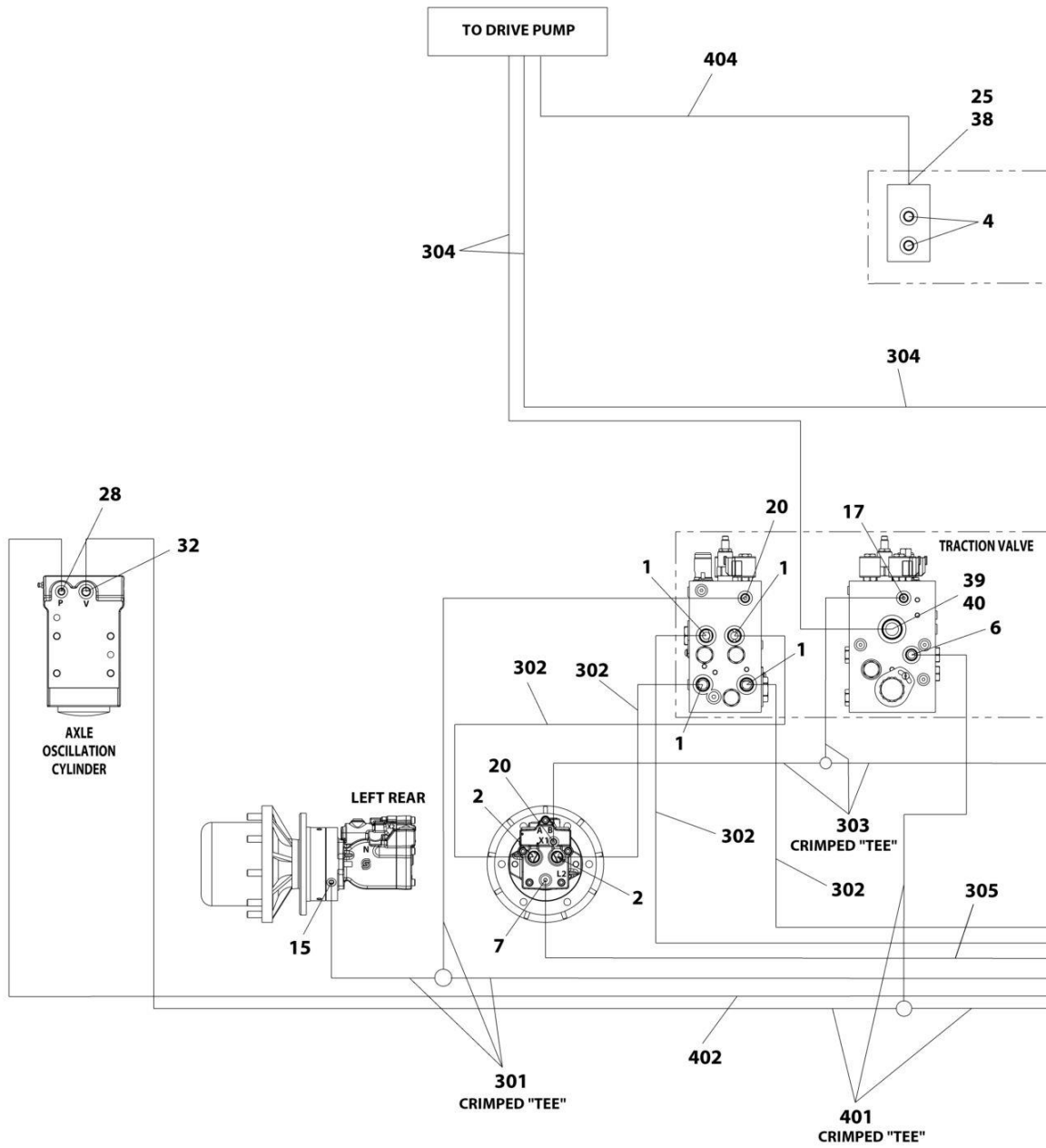


SECTION 7 - HYDRAULIC



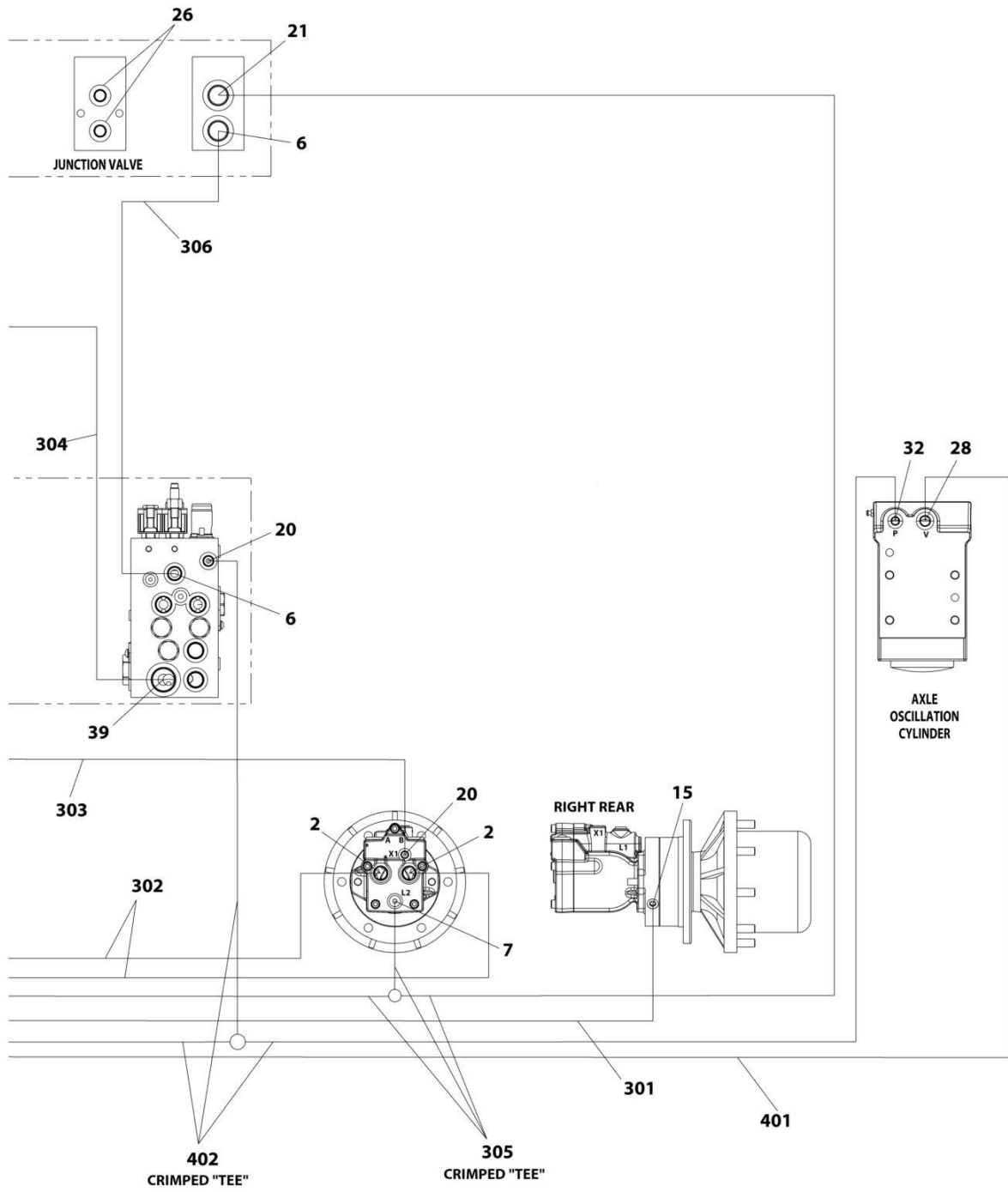
ART_1001287817_20F4

SECTION 7 - HYDRAULIC



ART_1001287817_30F4

SECTION 7 - HYDRAULIC



ART_1001216802_40F4

SECTION 7 - HYDRAULIC

FIGURE 7-5. 2WD HYDRAULIC SYSTEM INSTALLATION - (WITH 36GAL HYDRAULIC TANK) (450AJ)

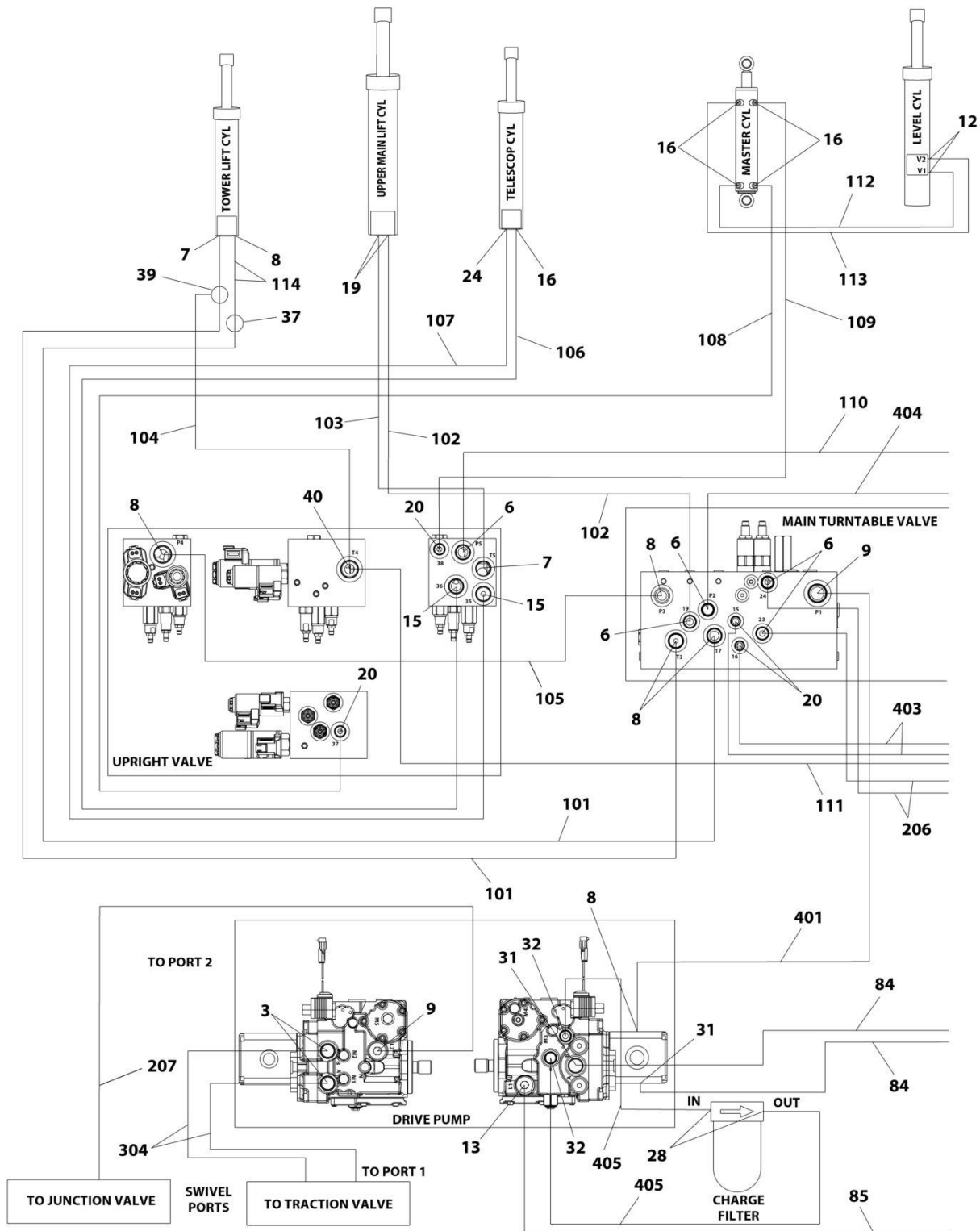
ITEM	PART NUMBER	QTY	DESCRIPTION	REV
	1001287817	Ref	2WD HYDRAULIC SYSTEM INSTALLATION	A
1	2110810	4	Fitting, Straight ORFS/ORB	
2	2110812	4	Fitting, Straight ORFS/ORB	
3	2151212	2	Fitting, 45 ORFS/ORB	
4	2220238	2	Plug	
5	2220371	1	Fitting, Straight JIC/ORB	
6	2220372	11	Fitting, Straight JIC/ORB	
7	2220373	5	Fitting, Straight JIC/ORB	
8	2220374	6	Fitting, Straight JIC/ORB	
9	2220375	2	Fitting, Straight JIC/ORB	
10	2220377	1	Fitting, Straight JIC/ORB	
11	2220408	1	Fitting, Straight JIC/ORB	
12	2220415	3	Fitting, Straight JIC/ORB	
13	2220451	1	Fitting, Straight JIC/ORB	
14	2220465	1	Fitting, 90 JIC/ORB	
15	2220466	2	Fitting, 90 JIC/ORB	
16	2220468	2	Fitting, Straight JIC/ORB	
17	2220472	6	Fitting, 90 JIC/ORB	
18	2220497	2	Fitting, Straight JIC/ORB	
19	2220501	2	Fitting, 45 JIC/ORB	
20	2220582	11	Fitting, Straight JIC/ORB	
21	2220596	1	Fitting, 90 JIC/ORB	
22	2220600	1	Fitting, Straight JIC/ORB	
23	2220603	1	Fitting, Straight JIC/ORB	
24	2220628	1	Fitting, 90 JIC/ORB	
25	2220811	1	Fitting, Straight FORB/ORB	
26	2220883	2	Plug	
27	2220906	2	Fitting, 90 JIC/ORB	
28	2220923	2	Fitting, Straight JIC/ORB	
29	2220940	2	Fitting, Elbow	
30	2220946	2	Fitting, Straight JIC/ORB	
31	2220947	2	Fitting, Straight JIC/ORB	
32	2220998	2	Fitting, Straight JIC/ORB	
33	2221033	2	Fitting, Straight JIC/ORB	
34	2221086	1	Fitting, Diagnostic	
35	2230025	1	Fitting, Straight JIC/JIC	
36	8760477	1	Fitting, Tee JIC/JIC/JIC	
37	8770289	1	Fitting, Tee JIC/ORB/JIC	
38	1001119627	1	Fitting, Straight JIC/ORB	
39	1001142679	2	Fitting, Straight ORFS/ORB	
40	1001143936	1	Fitting, 90 FORB/ORB	
41	1001173631	1	Tube	
42	1001202910	2	Fitting, Straight MORB	
43	1001207335	2	Hose	
44	1001207336	1	Hose	
45	1001275635	2	Clamp, Hose	
100	1001194424	1	Hose Kit - Lower Boom (Not Shown)	
101	1001173006	2	Hose	
102	1001173034	1	Hose	
103	1001173035	1	Hose	

SECTION 7 - HYDRAULIC

ITEM	PART NUMBER	QTY	DESCRIPTION	REV
104	1001173036	1	Hose	
105	1001173037	1	Hose	
106	1001173038	1	Hose	
107	1001173039	1	Hose	
108	1001173042	1	Hose	
109	1001173043	1	Hose	
110	1001180035	2	Hose	
200	1001194425	1	Hose Kit - Upper Boom (Not Shown)	
201	1001173040	1	Hose	
202	1001173041	1	Hose	
203	1001173044	1	Hose	
204	1001173045	1	Hose	
205	1001173046	2	Hose	
206	1001173048	1	Hose	
207	1001173049	1	Hose	
300	1001194428	1	Hose Kit - Rear (Not Shown)	
301	1001173052	1	Hose	
302	1001173059	4	Hose	
303	1001173061	1	Hose	
304	1001173062	2	Hose	
305	1001173063	1	Hose	
306	1001197039	1	Hose	
400	1001214616	1	Hose Kit - Front (Not Shown)	
401	1001173053	1	Hose	
402	1001173054	1	Hose	
403	1001173058	2	Hose	
404	1001173066	1	Hose	
500	1001252926	1	Hose Kit - Turntable (Not Shown)	
501	2752504	1	Hose	
502	2752519	1	Hose	
503	1001173027	2	Hose	
504	1001173028	1	Hose	
505	1001173029	2	Hose	

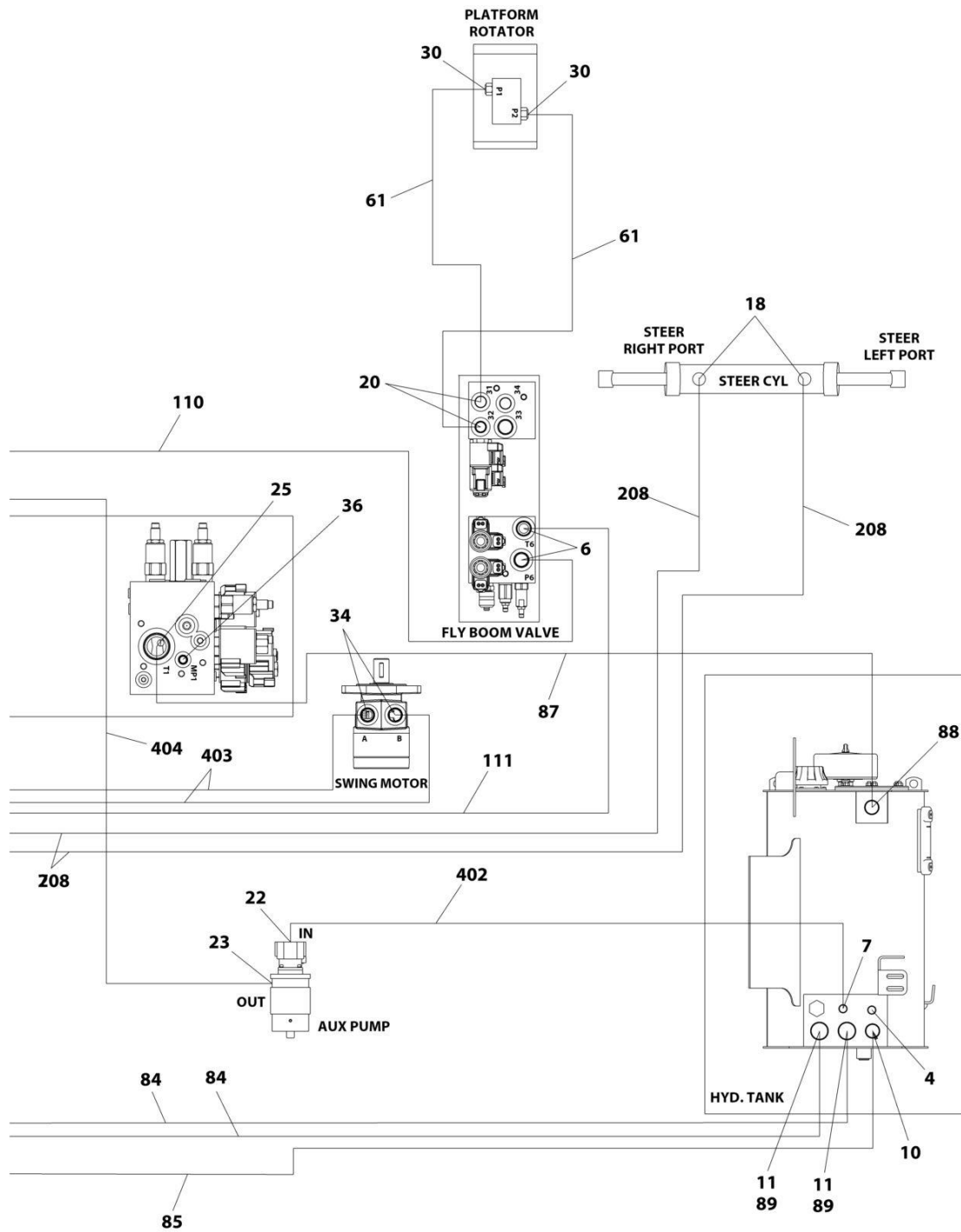
SECTION 7 - HYDRAULIC

FIGURE 7-6. 4WD HYDRAULIC SYSTEM INSTALLATION - (WITH 17GAL HYDRAULIC TANK) (450A)



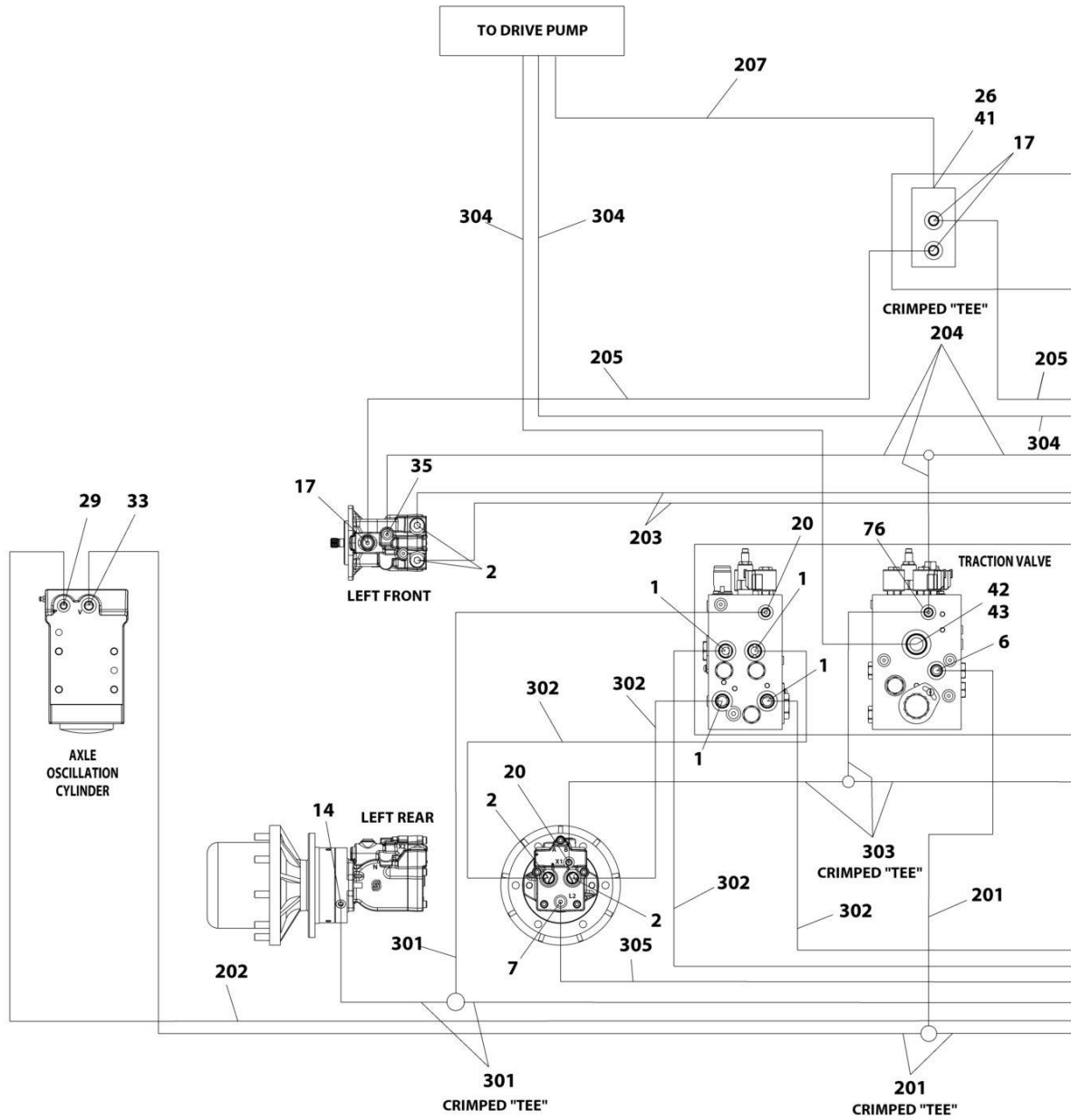
ART_1001217935_10F4

SECTION 7 - HYDRAULIC



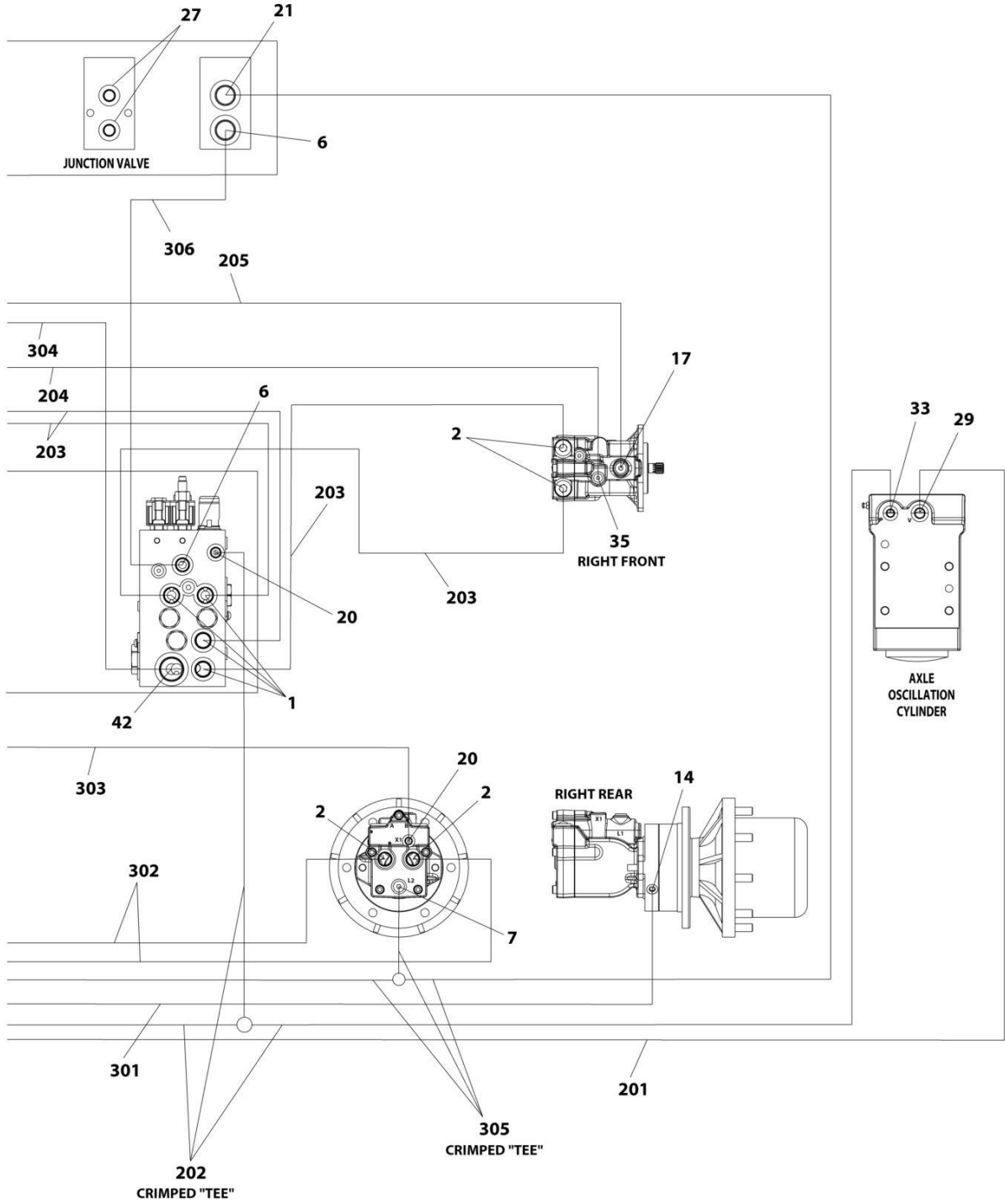
ART_1001217935_20F4

SECTION 7 - HYDRAULIC



ART_1001217935_30F4

SECTION 7 - HYDRAULIC



ART_1001217935_40F4

SECTION 7 - HYDRAULIC

FIGURE 7-6. 4WD HYDRAULIC SYSTEM INSTALLATION - (WITH 17GAL HYDRAULIC TANK) (450A)

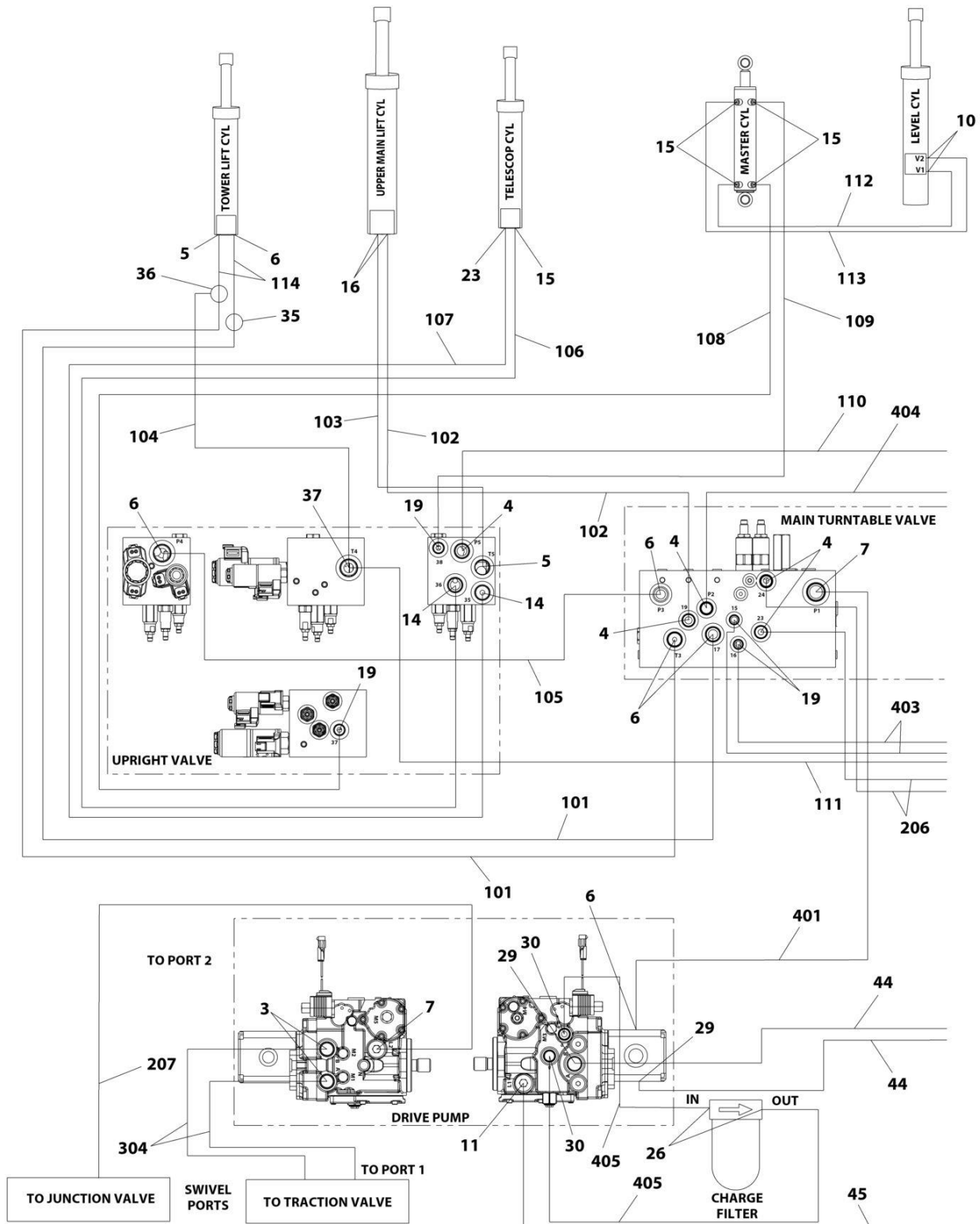
ITEM	PART NUMBER	QTY	DESCRIPTION	REV
	1001217935	Ref	4WD HYDRAULIC SYSTEM INSTALLATION (450A)	H
1	2110810	8	Fitting, Straight ORFS/ORB	
2	2110812	8	Fitting, Straight ORFS/ORB	
3	2151212	2	Fitting, 45 ORFS/ORB	
4	2220238	1	Plug	
6	2220372	9	Fitting, Straight JIC/ORB	
7	2220373	3	Fitting, Straight JIC/ORB	
8	2220374	4	Fitting, Straight JIC/ORB	
9	2220375	2	Fitting, Straight JIC/ORB	
10	2220377	1	Fitting, Straight JIC/ORB	
11	1001202910	2	Fitting, Straight MORB	
12	2220415	2	Fitting, Straight JIC/ORB	
13	2220451	1	Fitting, Straight JIC/ORB	
14	2220466	2	Fitting, 90 JIC/ORB	
15	2220468	2	Fitting, Straight JIC/ORB	
16	2220472	5	Fitting, 90 JIC/ORB	
17	2220500	4	Fitting, 45 JIC/ORB	
18	2220501	2	Fitting, 45 JIC/ORB	
19	2220497	2	Fitting, Straight JIC/ORB	
20	2220582	8	Fitting, Straight JIC/ORB	
21	2220596	1	Fitting, 90 JIC/ORB	
22	2220600	1	Fitting, Straight JIC/ORB	
23	2220603	1	Fitting, Straight JIC/ORB	
24	2220628	1	Fitting, 90 JIC/ORB	
25	2220465	1	Fitting, 90 JIC/ORB	
26	2220811	1	Fitting, Straight FORB/ORB	
27	2220883	2	Plug #4	
28	2220906	2	Fitting, 90 JIC/ORB	
29	2220923	2	Fitting, Straight JIC/ORB	
30	2220940	2	Fitting, Elbow	
31	2220946	2	Fitting, Straight JIC/ORB	
32	2220947	2	Fitting, Straight JIC/ORB	
33	2220998	2	Fitting, Straight JIC/ORB	
34	2221033	2	Fitting, Straight JIC/ORB	
35	2221040	2	Fitting, 45 JIC/ORB	
36	2221086	1	Fitting, Diagnostic	
37	2230025	1	Fitting, Straight JIC/JIC	
39	8760477	1	Fitting, Tee JIC/JIC/JIC	
40	8770289	1	Fitting, Tee JIC/ORB/JIC	
41	1001119627	1	Fitting, Straight JIC/ORB	
42	1001142679	2	Fitting, Straight ORFS/ORB	
43	1001143936	1	Fitting, 90 FORB/ORB	
61	1001215227	2	Hose	
76	1001175024	1	Fitting, Tee JIC/JIC/ORB	
84	1001207335	2	Hose	
85	1001207336	1	Hose	
87	1001210356	1	Tube Assembly	
88	2220435	1	Fitting, Straight JIC/ORB	
89	1001275635	2	Clamp, Hose	
100	1001218999	1	Hose Kit (Not Shown)	

SECTION 7 - HYDRAULIC

ITEM	PART NUMBER	QTY	DESCRIPTION	REV
101	1001173006	2	Hose	
102	1001173034	1	Hose	
103	1001173035	1	Hose	
104	1001173036	1	Hose	
105	1001173037	1	Hose	
106	1001173038	1	Hose	
107	1001173039	1	Hose	
108	1001173042	1	Hose	
109	1001173043	1	Hose	
110	1001176299	1	Hose	
111	1001176300	1	Hose	
112	1001176301	1	Hose	
113	1001176302	1	Hose	
114	1001180035	2	Hose	
200	1001194427	1	Hose Kit - Front (Not Shown)	
201	1001173053	1	Hose	
202	1001173054	1	Hose	
203	1001173055	4	Hose	
204	1001173056	1	Hose	
205	1001173057	2	Hose	
206	1001173058	2	Hose	
207	1001173066	1	Hose	
300	1001194428	1	Hose Kit - Rear (Not Shown)	
301	1001173052	1	Hose	
302	1001173059	4	Hose	
303	1001173061	1	Hose	
304	1001173062	2	Hose	
305	1001173063	1	Hose	
306	1001197039	1	Hose	
400	1001252926	1	Hose Kit - Turntable (Not Shown)	
401	2752504	1	Hose	
402	2752519	1	Hose	
403	1001173027	2	Hose	
404	1001173028	1	Hose	
405	1001173029	2	Hose	

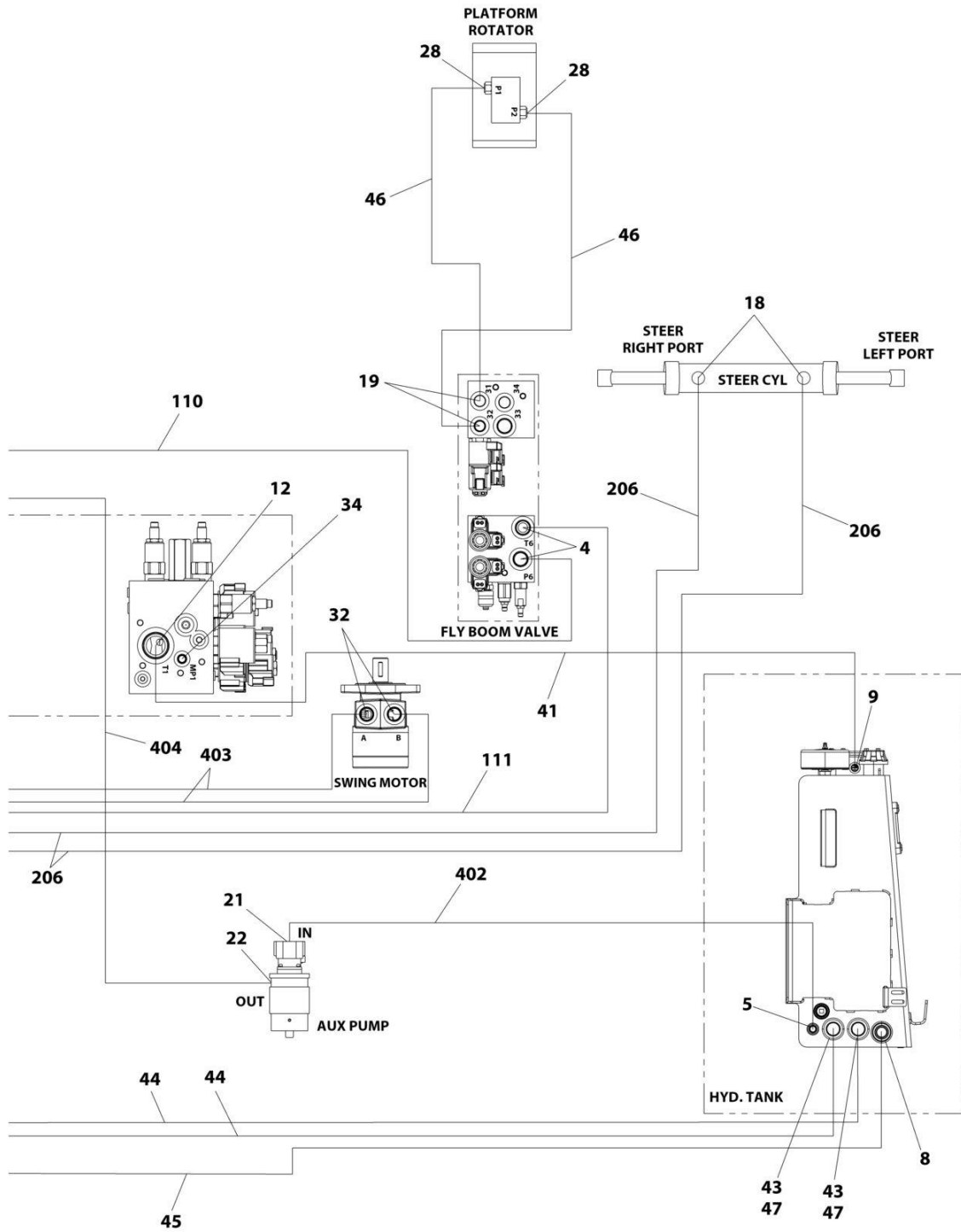
SECTION 7 - HYDRAULIC

FIGURE 7-7. 4WD HYDRAULIC SYSTEM INSTALLATION - (WITH 36GAL HYDRAULIC TANK) (450A)



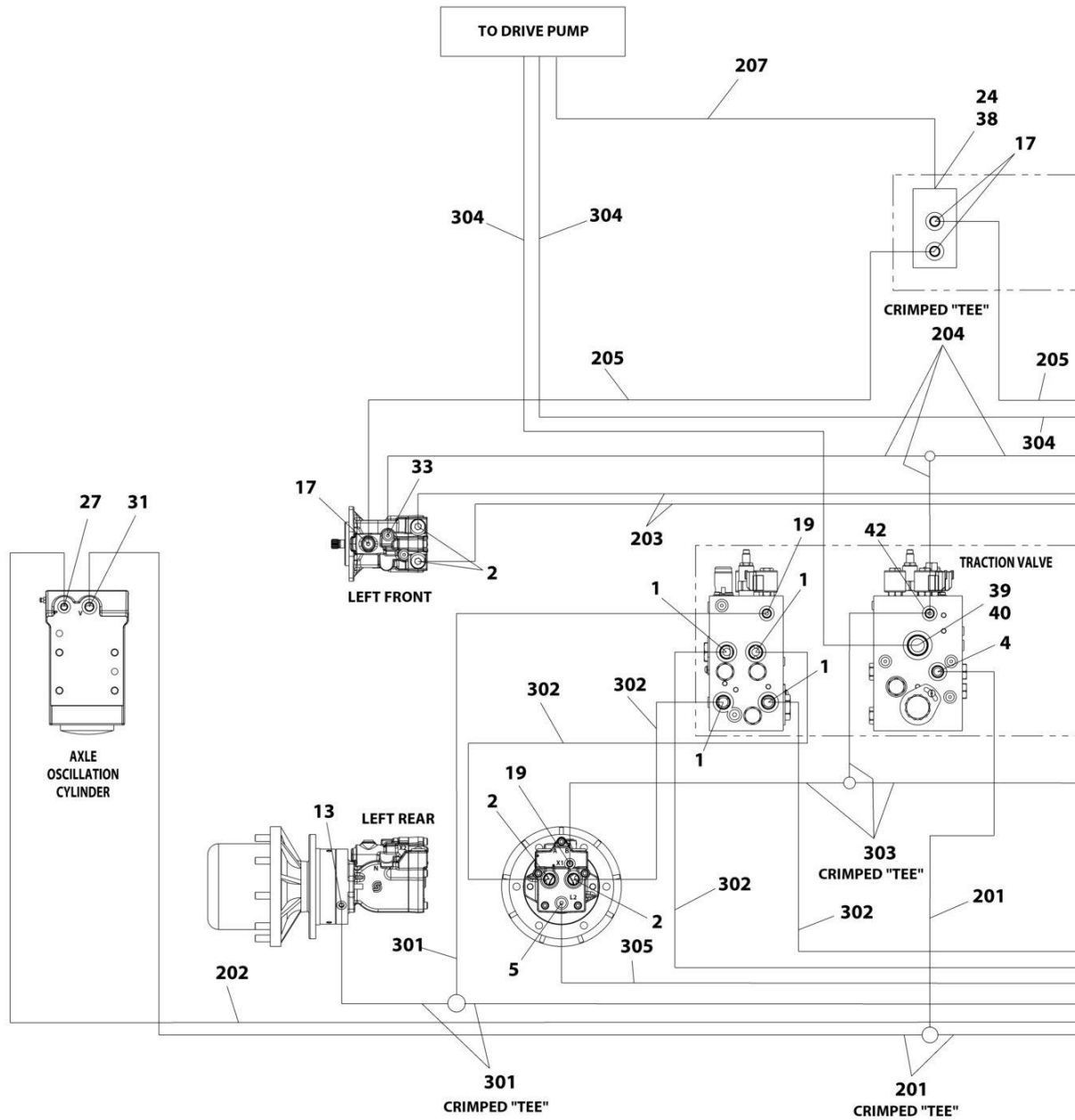
ART_1001287818_10F4

SECTION 7 - HYDRAULIC



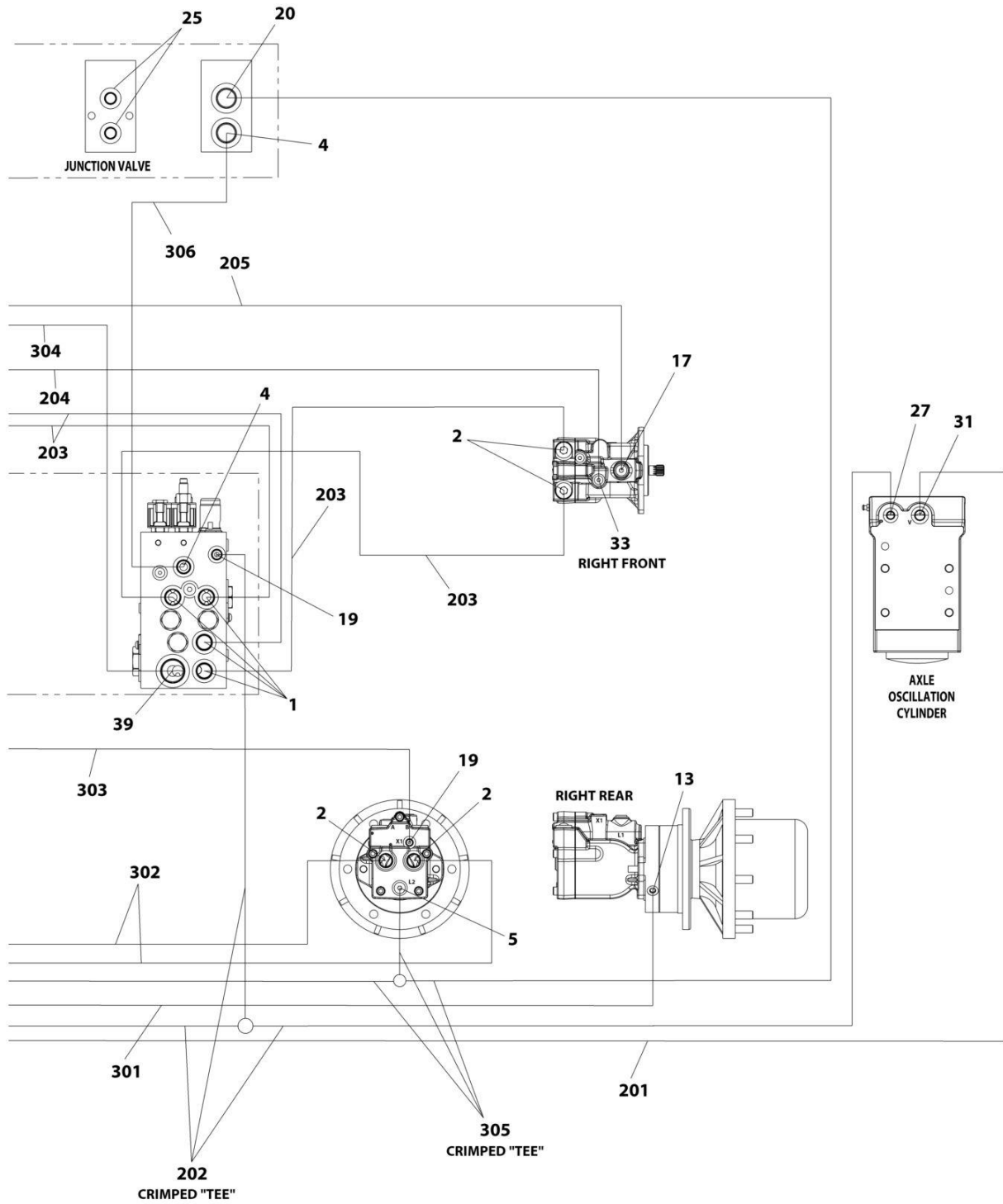
ART_1001287818_20F4

SECTION 7 - HYDRAULIC



ART_1001287818_30F4

SECTION 7 - HYDRAULIC



ART_1001287818_40F4

SECTION 7 - HYDRAULIC

FIGURE 7-7. 4WD HYDRAULIC SYSTEM INSTALLATION - (WITH 36GAL HYDRAULIC TANK) (450A)

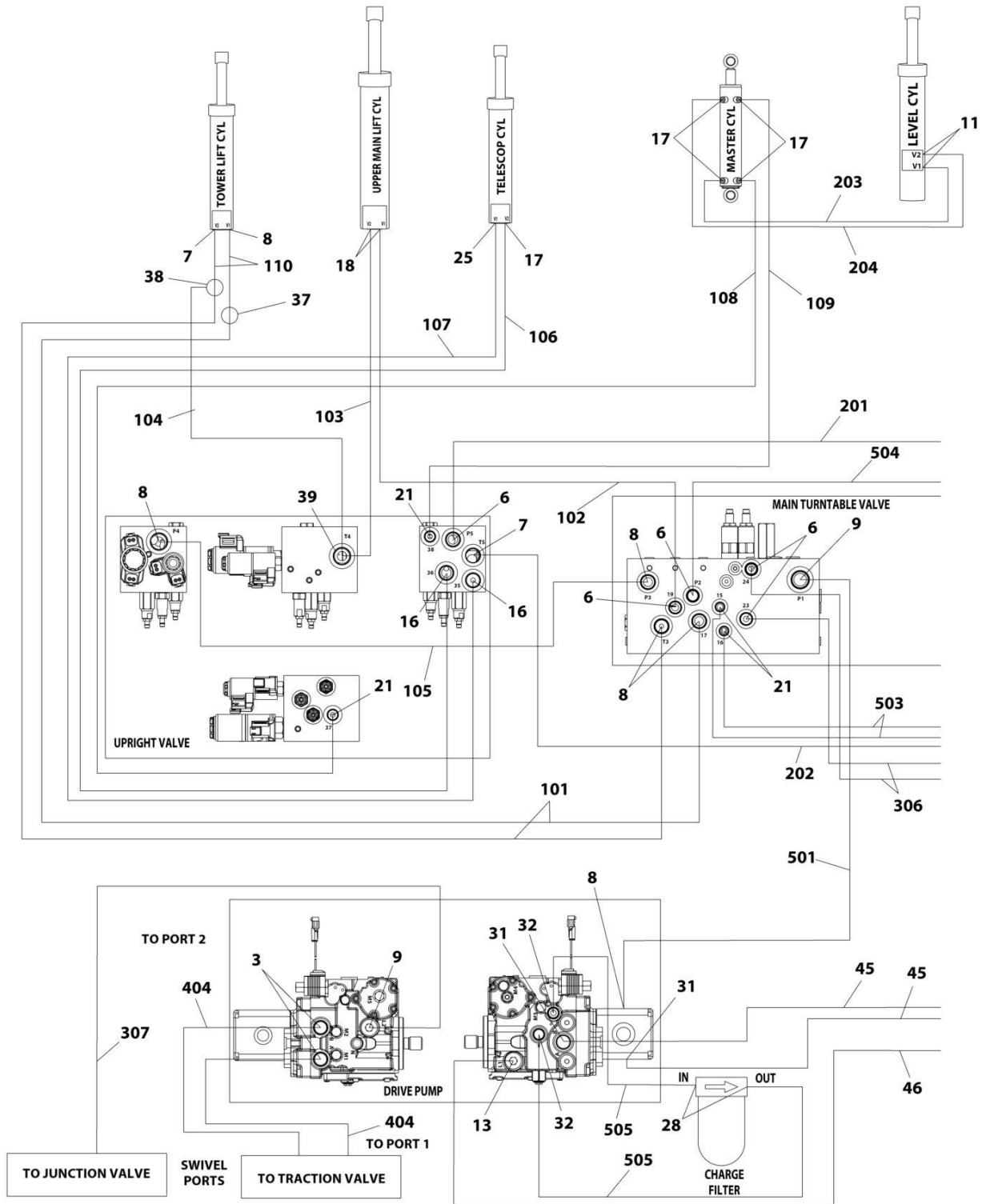
ITEM	PART NUMBER	QTY	DESCRIPTION	REV
	1001287818	Ref	4WD HYDRAULIC SYSTEM INSTALLATION	A
1	2110810	8	Fitting, Straight ORFS/ORB	
2	2110812	8	Fitting, Straight ORFS/ORB	
3	2151212	2	Fitting, 45 ORFS/ORB	
4	2220372	9	Fitting, Straight JIC/ORB	
5	2220373	3	Fitting, Straight JIC/ORB	
6	2220374	4	Fitting, Straight JIC/ORB	
7	2220375	2	Fitting, Straight JIC/ORB	
8	2220377	1	Fitting, Straight JIC/ORB	
9	2220408	1	Fitting, Straight JIC/ORB	
10	2220415	2	Fitting, Straight JIC/ORB	
11	2220451	1	Fitting, Straight JIC/ORB	
12	2220465	1	Fitting, 90 JIC/ORB	
13	2220466	2	Fitting, 90 JIC/ORB	
14	2220468	2	Fitting, Straight JIC/ORB	
15	2220472	5	Fitting, 90 JIC/ORB	
16	2220497	2	Fitting, Straight JIC/ORB	
17	2220500	4	Fitting, 45 JIC/ORB	
18	2220501	2	Fitting, 45 JIC/ORB	
19	2220582	8	Fitting, Straight JIC/ORB	
20	2220596	1	Fitting, 90 JIC/ORB	
21	2220600	1	Fitting, Straight JIC/ORB	
22	2220603	1	Fitting, Straight JIC/ORB	
23	2220628	1	Fitting, 90 JIC/ORB	
24	2220811	1	Fitting, Straight FORB/ORB	
25	2220883	2	Plug #4	
26	2220906	2	Fitting, 90 JIC/ORB	
27	2220923	2	Fitting, Straight JIC/ORB	
28	2220940	2	Fitting, Elbow	
29	2220946	2	Fitting, Straight JIC/ORB	
30	2220947	2	Fitting, Straight JIC/ORB	
31	2220998	2	Fitting, Straight JIC/ORB	
32	2221033	2	Fitting, Straight JIC/ORB	
33	2221040	2	Fitting, 45 JIC/ORB	
34	2221086	1	Fitting, Diagnostic	
35	2230025	1	Fitting, Straight JIC/JIC	
36	8760477	1	Fitting, Tee JIC/JIC/JIC	
37	8770289	1	Fitting, Tee JIC/ORB/JIC	
38	1001119627	1	Fitting, Straight JIC/ORB	
39	1001142679	2	Fitting, Straight ORFS/ORB	
40	1001143936	1	Fitting, 90 FORB/ORB	
41	1001173631	1	Tube	
42	1001175024	1	Fitting, Tee JIC/JIC/ORB	
43	1001202910	2	Fitting, Straight MORB	
44	1001207335	2	Hose	
45	1001207336	1	Hose	
46	1001215227	2	Hose	
47	1001275635	2	Clamp, Hose	
100	1001218999	1	Hose Kit (Not Shown)	
101	1001173006	2	Hose	

SECTION 7 - HYDRAULIC

ITEM	PART NUMBER	QTY	DESCRIPTION	REV
102	1001173034	1	Hose	
103	1001173035	1	Hose	
104	1001173036	1	Hose	
105	1001173037	1	Hose	
106	1001173038	1	Hose	
107	1001173039	1	Hose	
108	1001173042	1	Hose	
109	1001173043	1	Hose	
110	1001176299	1	Hose	
111	1001176300	1	Hose	
112	1001176301	1	Hose	
113	1001176302	1	Hose	
114	1001180035	2	Hose	
200	1001194427	1	Hose Kit - Front (Not Shown)	
201	1001173053	1	Hose	
202	1001173054	1	Hose	
203	1001173055	4	Hose	
204	1001173056	1	Hose	
205	1001173057	2	Hose	
206	1001173058	2	Hose	
207	1001173066	1	Hose	
300	1001194428	1	Hose Kit - Rear (Not Shown)	
301	1001173052	1	Hose	
302	1001173059	4	Hose	
303	1001173061	1	Hose	
304	1001173062	2	Hose	
305	1001173063	1	Hose	
306	1001197039	1	Hose	
400	1001252926	1	Hose Kit - Turntable (Not Shown)	
401	2752504	1	Hose	
402	2752519	1	Hose	
403	1001173027	2	Hose	
404	1001173028	1	Hose	
405	1001173029	2	Hose	

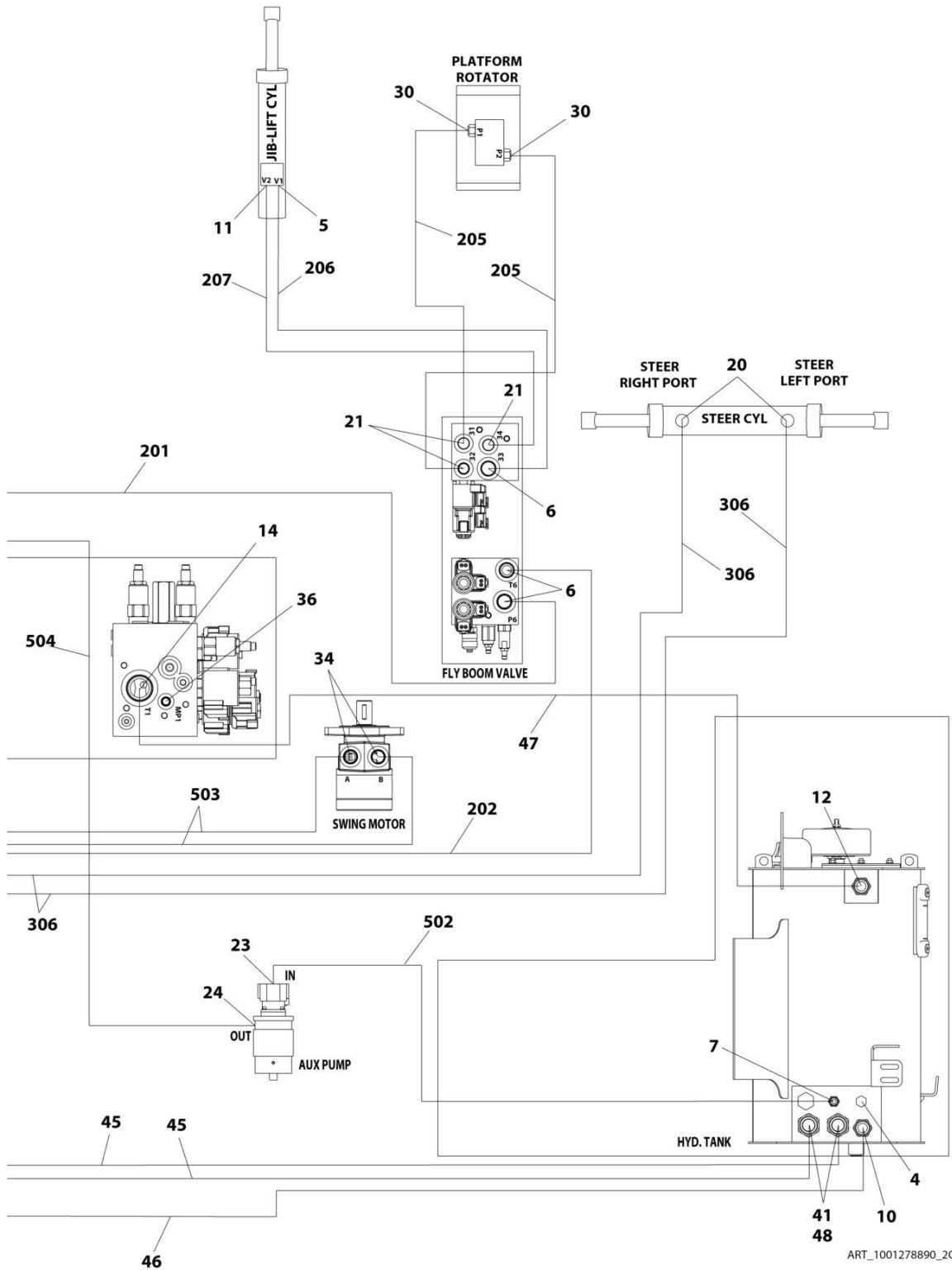
SECTION 7 - HYDRAULIC

**FIGURE 7-8. 4WD HYDRAULIC SYSTEM INSTALLATION - (WITH 17GAL HYDRAULIC TANK)
(MACHINES WITH SN STARTING WITH 03) (450AJ)**



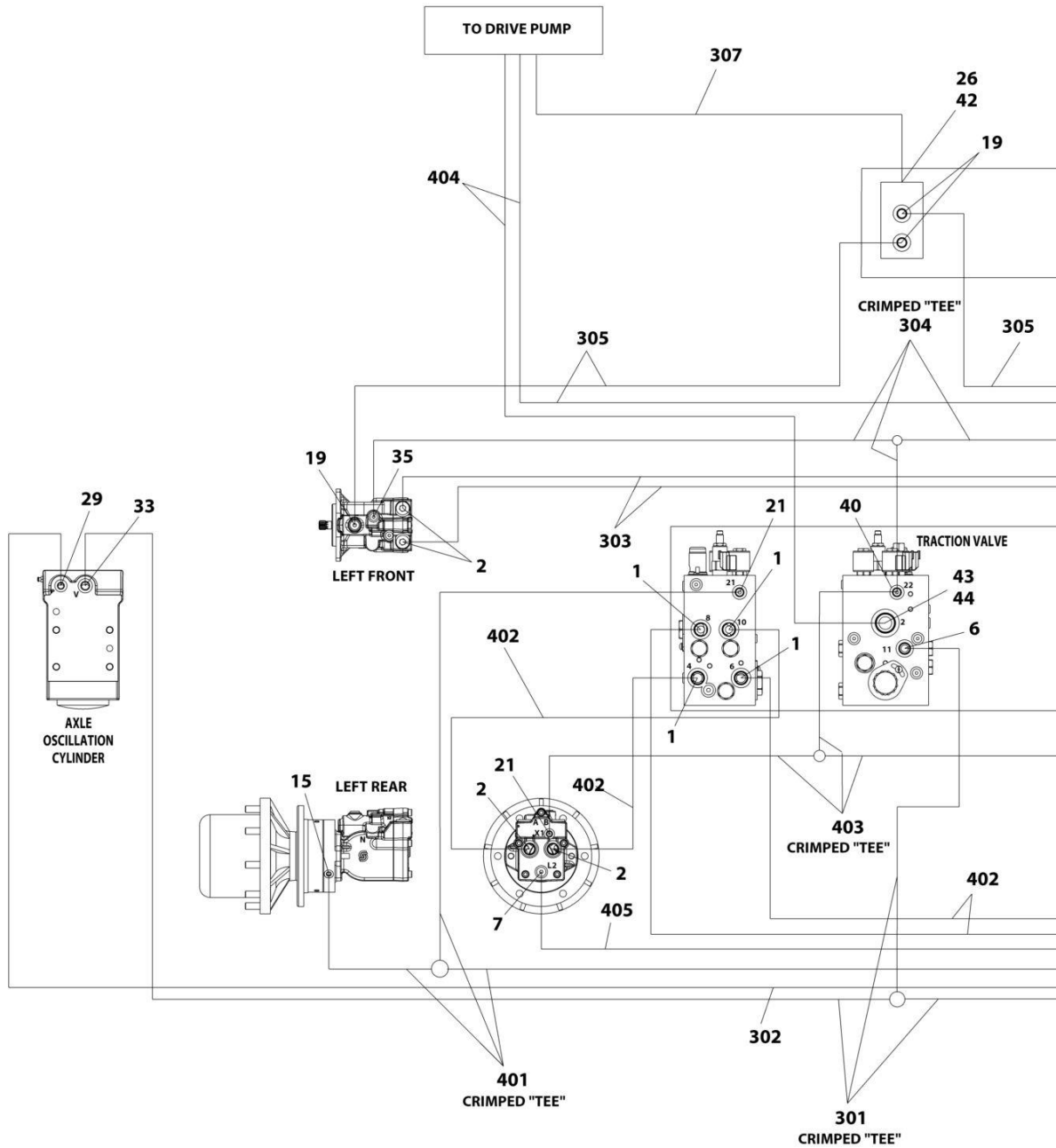
ART_1001278890_10F4

SECTION 7 - HYDRAULIC



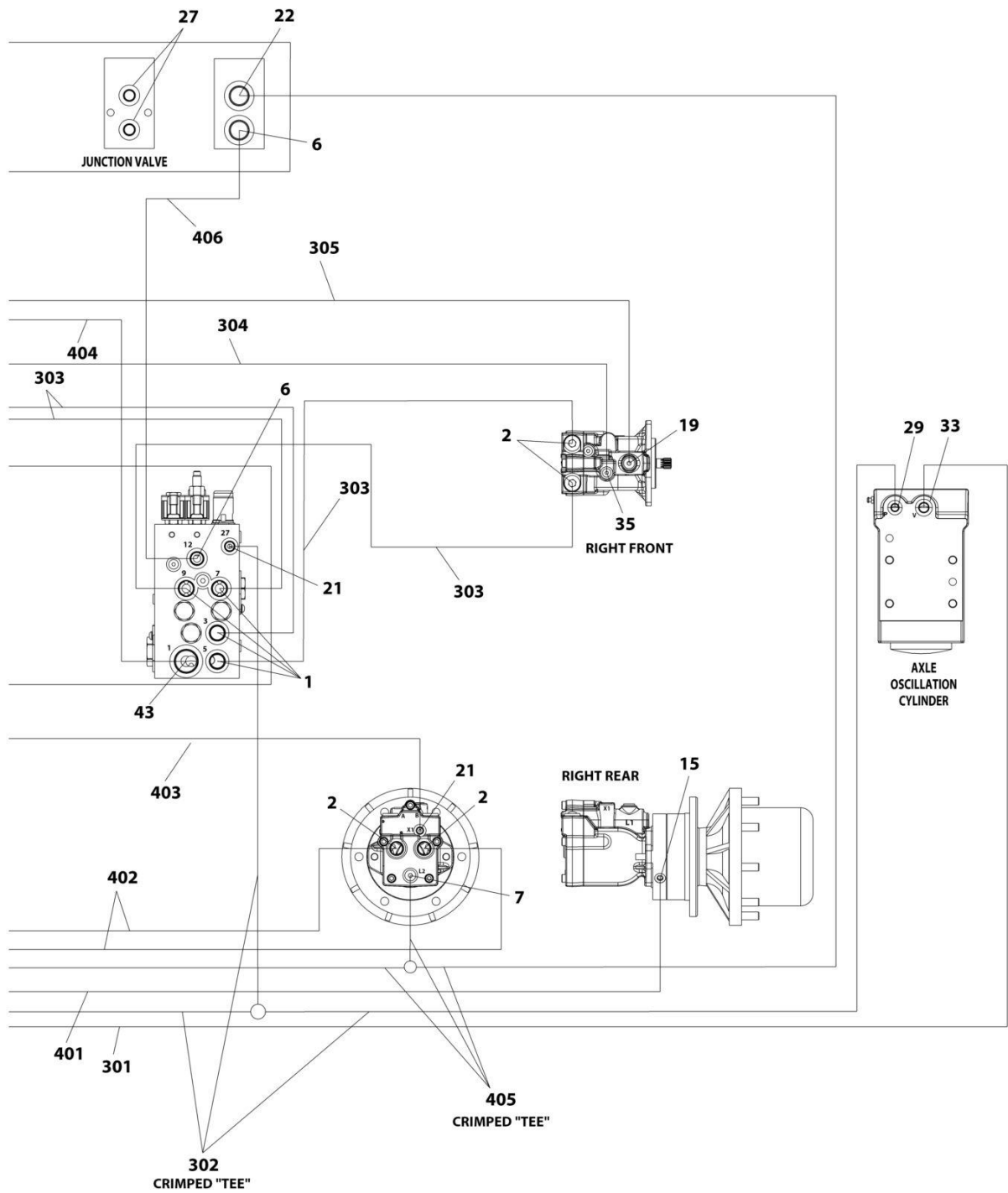
ART_1001278890_20F4

SECTION 7 - HYDRAULIC



ART_1001278890_3OF4

SECTION 7 - HYDRAULIC



ART_1001278890_4OF4

SECTION 7 - HYDRAULIC

**FIGURE 7-8. 4WD HYDRAULIC SYSTEM INSTALLATION - (WITH 17GAL HYDRAULIC TANK)
(MACHINES WITH SN STARTING WITH 03) (450AJ)**

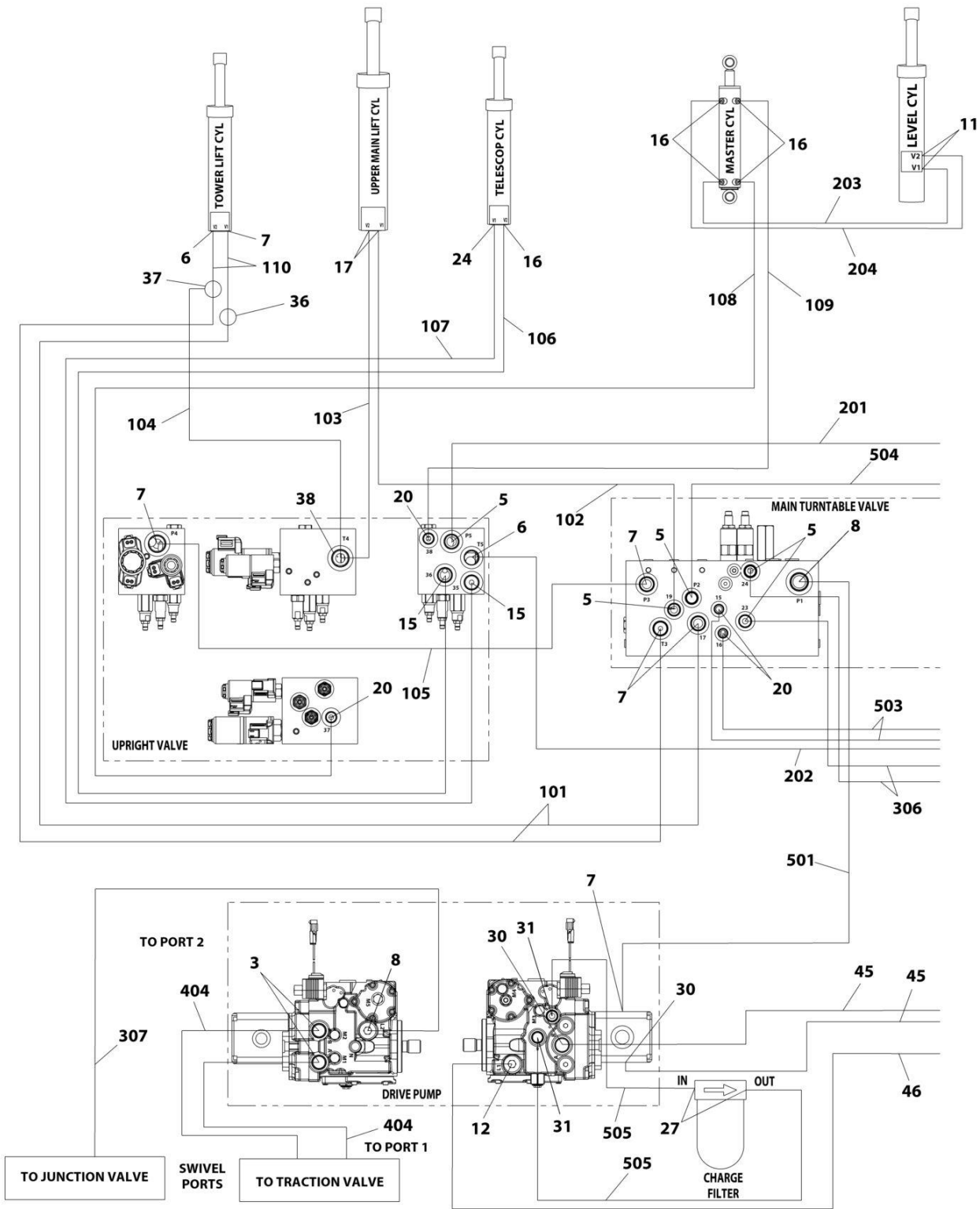
ITEM	PART NUMBER	QTY	DESCRIPTION	REV
	1001278890	Ref	4WD HYDRAULIC SYSTEM INSTALLATION	A
1	2110810	8	Fitting, Straight ORFS/ORB	
2	2110812	8	Fitting, Straight ORFS/ORB	
3	2151212	2	Fitting, 45 ORFS/ORB	
4	2220238	1	Plug	
5	2220371	1	Fitting, Straight JIC/ORB	
6	2220372	11	Fitting, Straight JIC/ORB	
7	2220373	5	Fitting, Straight JIC/ORB	
8	2220374	6	Fitting, Straight JIC/ORB	
9	2220375	2	Fitting, Straight JIC/ORB	
10	2220377	1	Fitting, Straight JIC/ORB	
11	2220415	3	Fitting, Straight JIC/ORB	
12	2220435	1	Fitting, Straight JIC/ORB	
13	2220451	1	Fitting, Straight JIC/ORB	
14	2220465	1	Fitting, 90 JIC/ORB	
15	2220466	2	Fitting, 90 JIC/ORB	
16	2220468	2	Fitting, Straight JIC/ORB	
17	2220472	5	Fitting, 90 JIC/ORB	
18	2220497	2	Fitting, Straight JIC/ORB	
19	2220500	4	Fitting, 45 JIC/ORB	
20	2220501	2	Fitting, 45 JIC/ORB	
21	2220582	11	Fitting, Straight JIC/ORB	
22	2220596	1	Fitting, 90 JIC/ORB	
23	2220600	1	Fitting, Straight JIC/ORB	
24	2220603	1	Fitting, Straight JIC/ORB	
25	2220628	1	Fitting, 90 JIC/ORB	
26	2220811	1	Fitting, Straight FORB/ORB	
27	2220883	2	Plug #4	
28	2220906	2	Fitting, 90 JIC/ORB	
29	2220923	2	Fitting, Straight JIC/ORB	
30	2220940	2	Fitting, Elbow	
31	2220946	2	Fitting, Straight JIC/ORB	
32	2220947	2	Fitting, Straight JIC/ORB	
33	2220998	2	Fitting, Straight JIC/ORB	
34	2221033	2	Fitting, Straight JIC/ORB	
35	2221040	2	Fitting, 45 JIC/ORB	
36	2221086	1	Fitting, Diagnostic	
37	2230025	1	Fitting, Straight JIC/JIC	
38	8760477	1	Fitting, Tee JIC/JIC/JIC	
39	8770289	1	Fitting, Tee JIC/ORB/JIC	
40	1001175024	1	Fitting, Tee JIC/JIC/ORB	
41	1001202910	2	Fitting, Straight MORB	
42	1001119627	1	Fitting, Straight JIC/ORB	
43	1001142679	2	Fitting, Straight ORFS/ORB	
44	1001143936	1	Fitting, 90 FORB/ORB	
45	1001207335	2	Hose	
46	1001207336	1	Hose	
47	1001210356	1	Tube	
48	1001275635	2	Clamp, Hose	

SECTION 7 - HYDRAULIC

ITEM	PART NUMBER	QTY	DESCRIPTION	REV
100	1001194424	1	Hose Kit - Lower Boom (Not Shown)	
101	1001173006	2	Hose	
102	1001173034	1	Hose	
103	1001173035	1	Hose	
104	1001173036	1	Hose	
105	1001173037	1	Hose	
106	1001173038	1	Hose	
107	1001173039	1	Hose	
108	1001173042	1	Hose	
109	1001173043	1	Hose	
110	1001180035	2	Hose	
200	1001194425	1	Hose Kit - Upper Boom (Not Shown)	
201	1001173040	1	Hose	
202	1001173041	1	Hose	
203	1001173044	1	Hose	
204	1001173045	1	Hose	
205	1001173046	2	Hose	
206	1001173048	1	Hose	
207	1001173049	1	Hose	
300	1001194427	1	Hose Kit - Front (Not Shown)	
301	1001173053	1	Hose	
302	1001173054	1	Hose	
303	1001173055	4	Hose	
304	1001173056	1	Hose	
305	1001173057	2	Hose	
306	1001173058	2	Hose	
307	1001173066	1	Hose	
400	1001194428	1	Hose Kit - Rear (Not Shown)	
401	1001173052	1	Hose	
402	1001173059	4	Hose	
403	1001173061	1	Hose	
404	1001173062	2	Hose	
405	1001173063	1	Hose	
406	1001197039	1	Hose	
500	1001252926	1	Hose Kit - Turntable (Not Shown)	
501	2752504	1	Hose	
502	2752519	1	Hose	
503	1001173027	2	Hose	
504	1001173028	1	Hose	
505	1001173029	2	Hose	

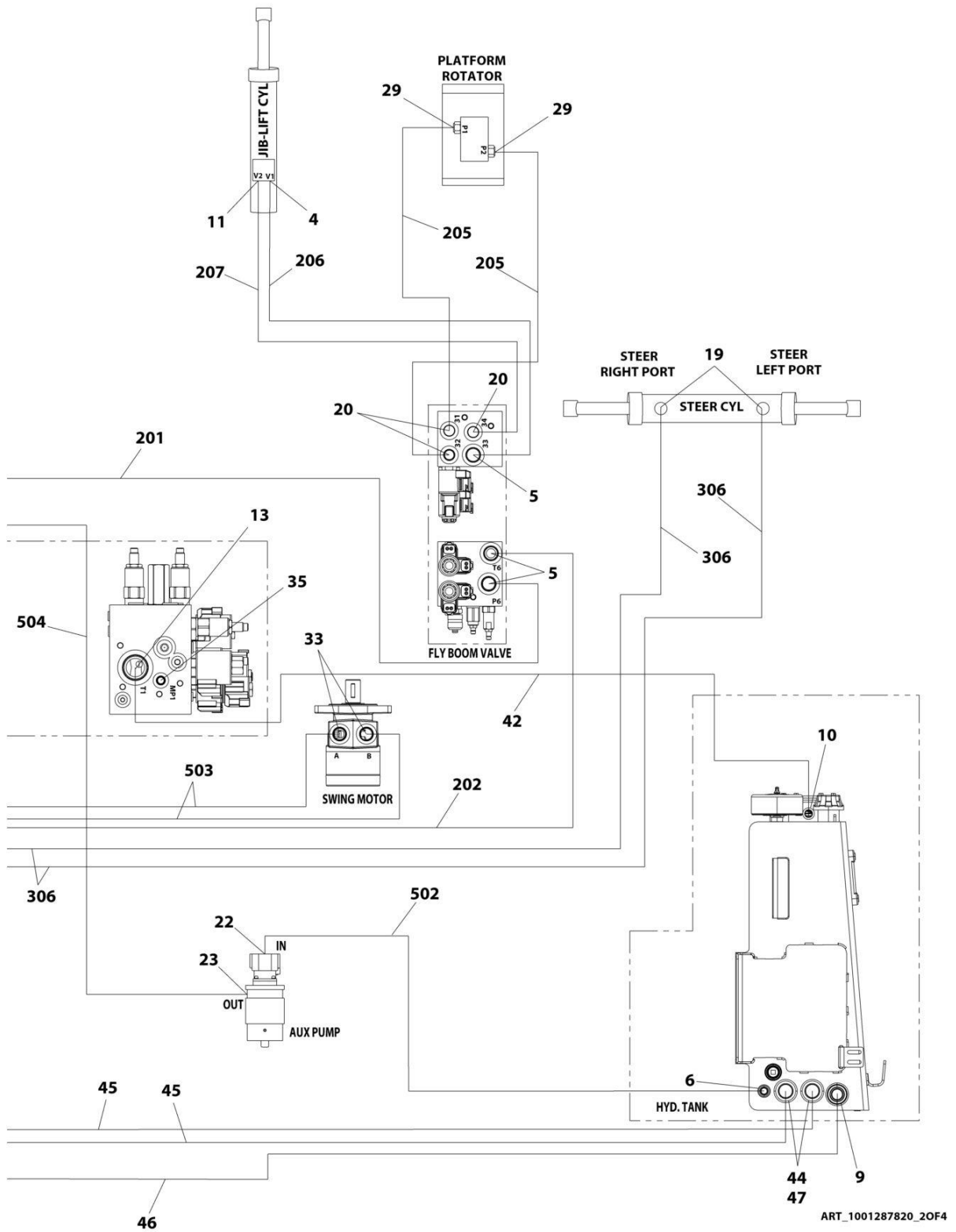
SECTION 7 - HYDRAULIC

**FIGURE 7-9. 4WD HYDRAULIC SYSTEM INSTALLATION - (WITH 36GAL HYDRAULIC TANK)
(MACHINES WITH SN STARTING WITH 03) (450AJ)**

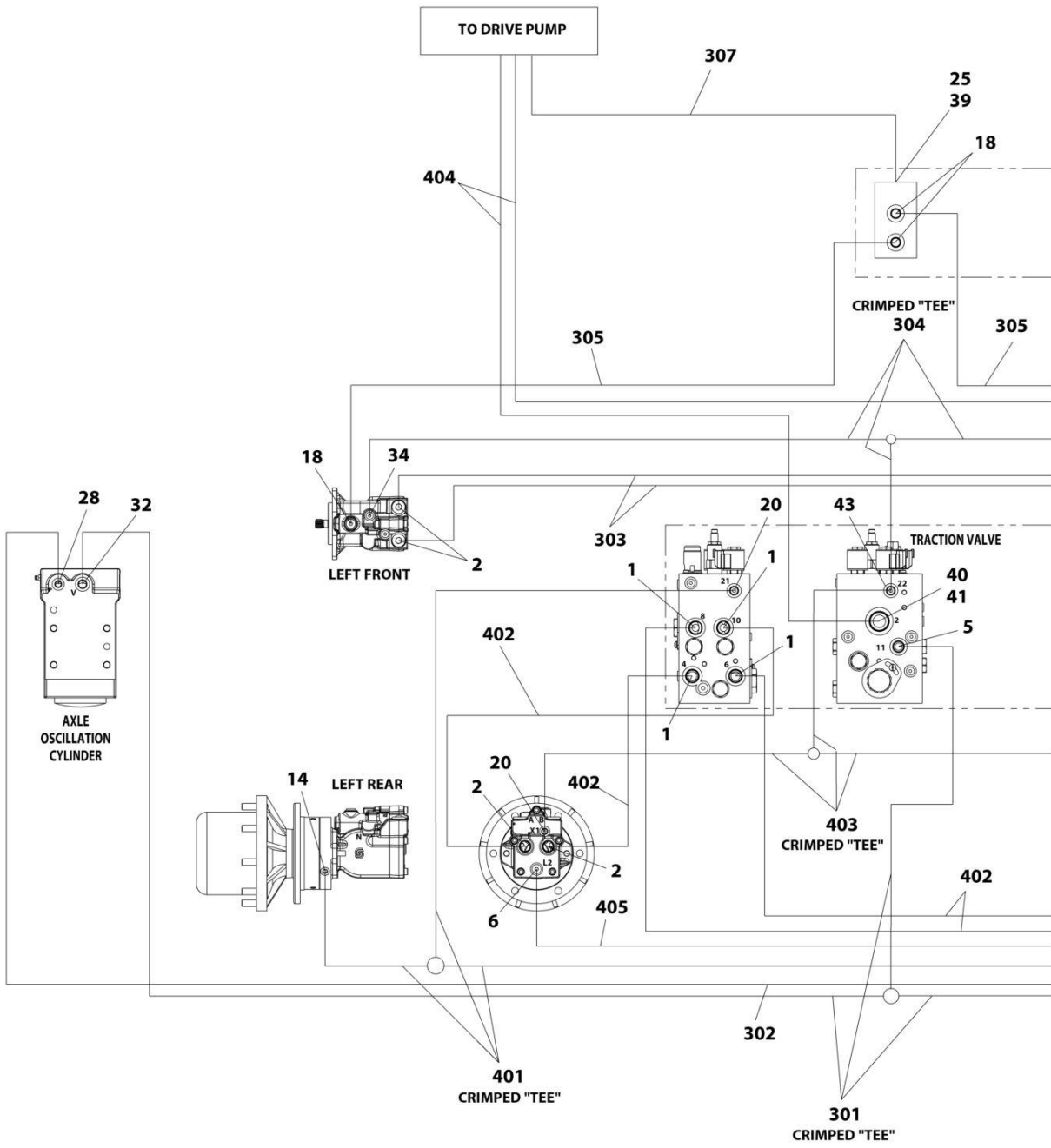


ART_1001287820_10F4

SECTION 7 - HYDRAULIC

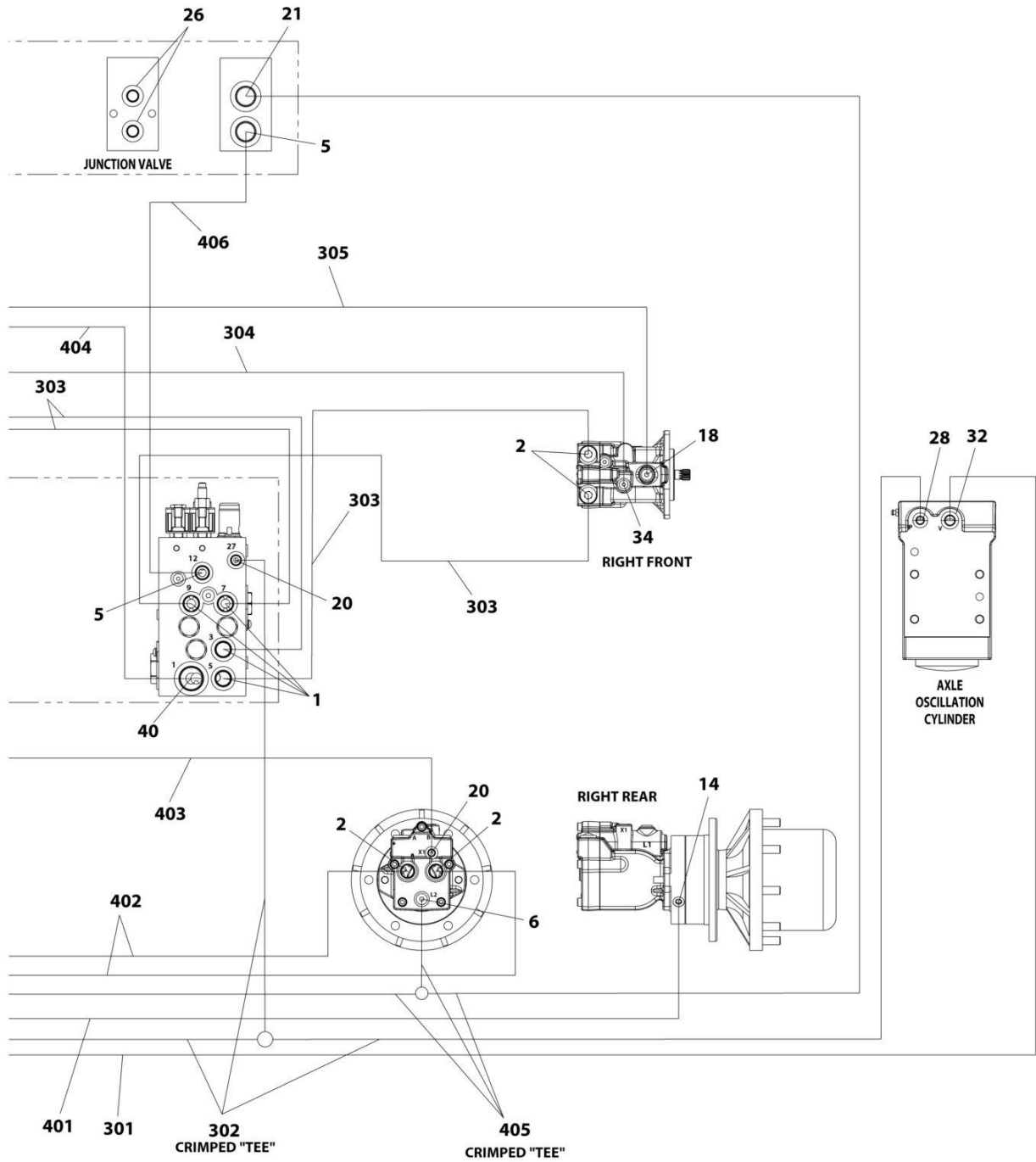


SECTION 7 - HYDRAULIC



ART_1001287820_30F4

SECTION 7 - HYDRAULIC



ART_1001287820_40F4

SECTION 7 - HYDRAULIC

**FIGURE 7-9. 4WD HYDRAULIC SYSTEM INSTALLATION - (WITH 36GAL HYDRAULIC TANK)
(MACHINES WITH SN STARTING WITH 03) (450AJ)**

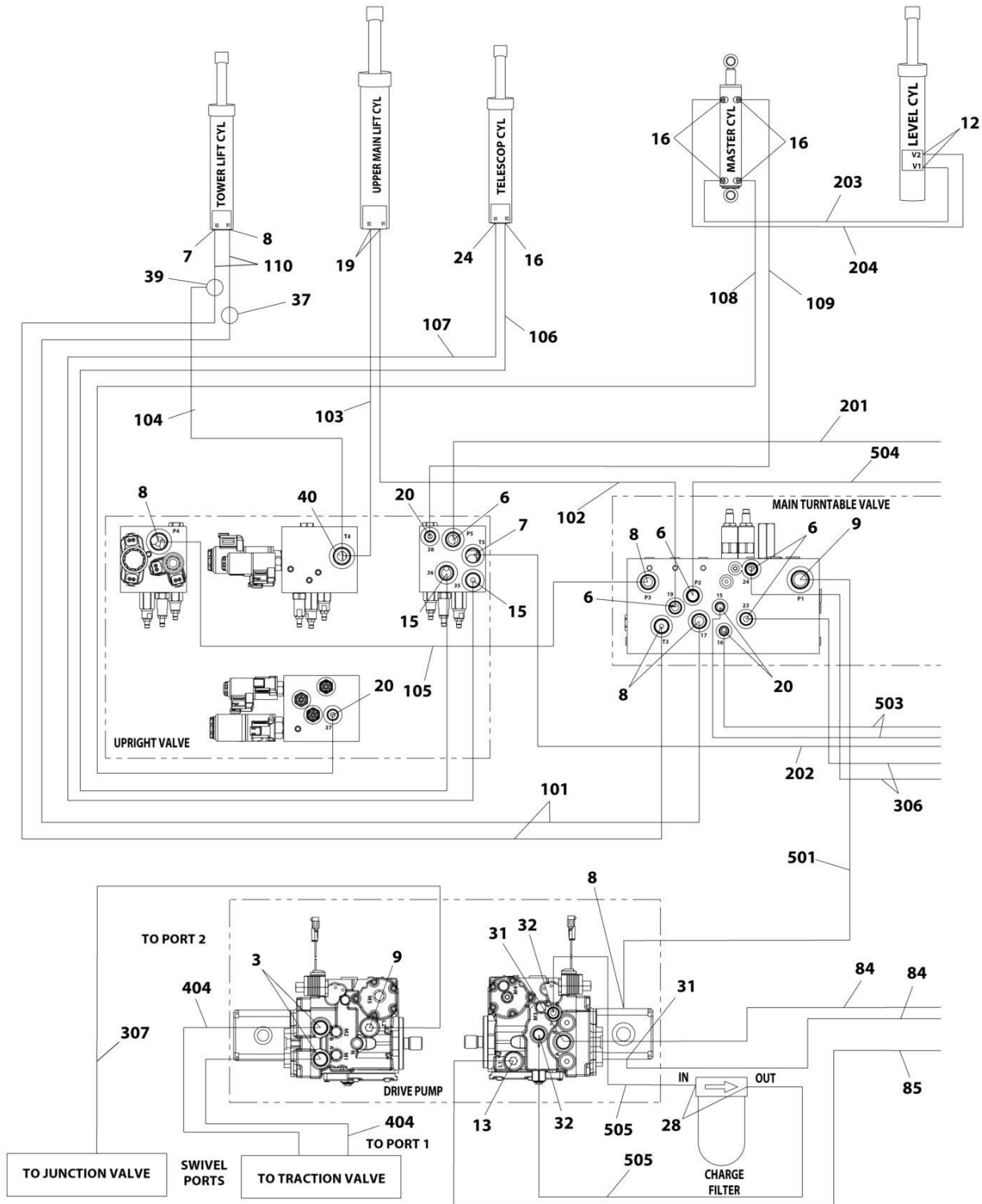
ITEM	PART NUMBER	QTY	DESCRIPTION	REV
	1001287820	Ref	4WD HYDRAULIC SYSTEM INSTALLATION	A
1	2110810	8	Fitting, Straight ORFS/ORB	
2	2110812	8	Fitting, Straight ORFS/ORB	
3	2151212	2	Fitting, 45 ORFS/ORB	
4	2220371	1	Fitting, Straight JIC/ORB	
5	2220372	11	Fitting, Straight JIC/ORB	
6	2220373	5	Fitting, Straight JIC/ORB	
7	2220374	6	Fitting, Straight JIC/ORB	
8	2220375	2	Fitting, Straight JIC/ORB	
9	2220377	1	Fitting, Straight JIC/ORB	
10	2220408	1	Fitting, Straight JIC/ORB	
11	2220415	3	Fitting, Straight JIC/ORB	
12	2220451	1	Fitting, Straight JIC/ORB	
13	2220465	1	Fitting, 90 JIC/ORB	
14	2220466	2	Fitting, 90 JIC/ORB	
15	2220468	2	Fitting, Straight JIC/ORB	
16	2220472	5	Fitting, 90 JIC/ORB	
17	2220497	2	Fitting, Straight JIC/ORB	
18	2220500	4	Fitting, 45 JIC/ORB	
19	2220501	2	Fitting, 45 JIC/ORB	
20	2220582	11	Fitting, Straight JIC/ORB	
21	2220596	1	Fitting, 90 JIC/ORB	
22	2220600	1	Fitting, Straight JIC/ORB	
23	2220603	1	Fitting, Straight JIC/ORB	
24	2220628	1	Fitting, 90 JIC/ORB	
25	2220811	1	Fitting, Straight FORB/ORB	
26	2220883	2	Plug #4	
27	2220906	2	Fitting, 90 JIC/ORB	
28	2220923	2	Fitting, Straight JIC/ORB	
29	2220940	2	Fitting, Elbow	
30	2220946	2	Fitting, Straight JIC/ORB	
31	2220947	2	Fitting, Straight JIC/ORB	
32	2220998	2	Fitting, Straight JIC/ORB	
33	2221033	2	Fitting, Straight JIC/ORB	
34	2221040	2	Fitting, 45 JIC/ORB	
35	2221086	1	Fitting, Diagnostic	
36	2230025	1	Fitting, Straight JIC/JIC	
37	8760477	1	Fitting, Tee JIC/JIC/JIC	
38	8770289	1	Fitting, Tee JIC/ORB/JIC	
39	1001119627	1	Fitting, Straight JIC/ORB	
40	1001142679	2	Fitting, Straight ORFS/ORB	
41	1001143936	1	Fitting, 90 FORB/ORB	
42	1001173631	1	Tube	
43	1001175024	1	Fitting, Tee JIC/JIC/ORB	
44	1001202910	2	Fitting, Straight MORB	
45	1001207335	2	Hose	
46	1001207336	1	Hose	
47	1001275635	2	Clamp, Hose	
100	1001194424	1	Hose Kit - Lower Boom (Not Shown)	

SECTION 7 - HYDRAULIC

ITEM	PART NUMBER	QTY	DESCRIPTION	REV
101	1001173006	2	Hose	
102	1001173034	1	Hose	
103	1001173035	1	Hose	
104	1001173036	1	Hose	
105	1001173037	1	Hose	
106	1001173038	1	Hose	
107	1001173039	1	Hose	
108	1001173042	1	Hose	
109	1001173043	1	Hose	
110	1001180035	2	Hose	
200	1001194425	1	Hose Kit - Upper Boom (Not Shown)	
201	1001173040	1	Hose	
202	1001173041	1	Hose	
203	1001173044	1	Hose	
204	1001173045	1	Hose	
205	1001173046	2	Hose	
206	1001173048	1	Hose	
207	1001173049	1	Hose	
300	1001194427	1	Hose Kit - Front (Not Shown)	
301	1001173053	1	Hose	
302	1001173054	1	Hose	
303	1001173055	4	Hose	
304	1001173056	1	Hose	
305	1001173057	2	Hose	
306	1001173058	2	Hose	
307	1001173066	1	Hose	
400	1001194428	1	Hose Kit - Rear (Not Shown)	
401	1001173052	1	Hose	
402	1001173059	4	Hose	
403	1001173061	1	Hose	
404	1001173062	2	Hose	
405	1001173063	1	Hose	
406	1001197039	1	Hose	
500	1001252926	1	Hose Kit - Turntable (Not Shown)	
501	2752504	1	Hose	
502	2752519	1	Hose	
503	1001173027	2	Hose	
504	1001173028	1	Hose	
505	1001173029	2	Hose	

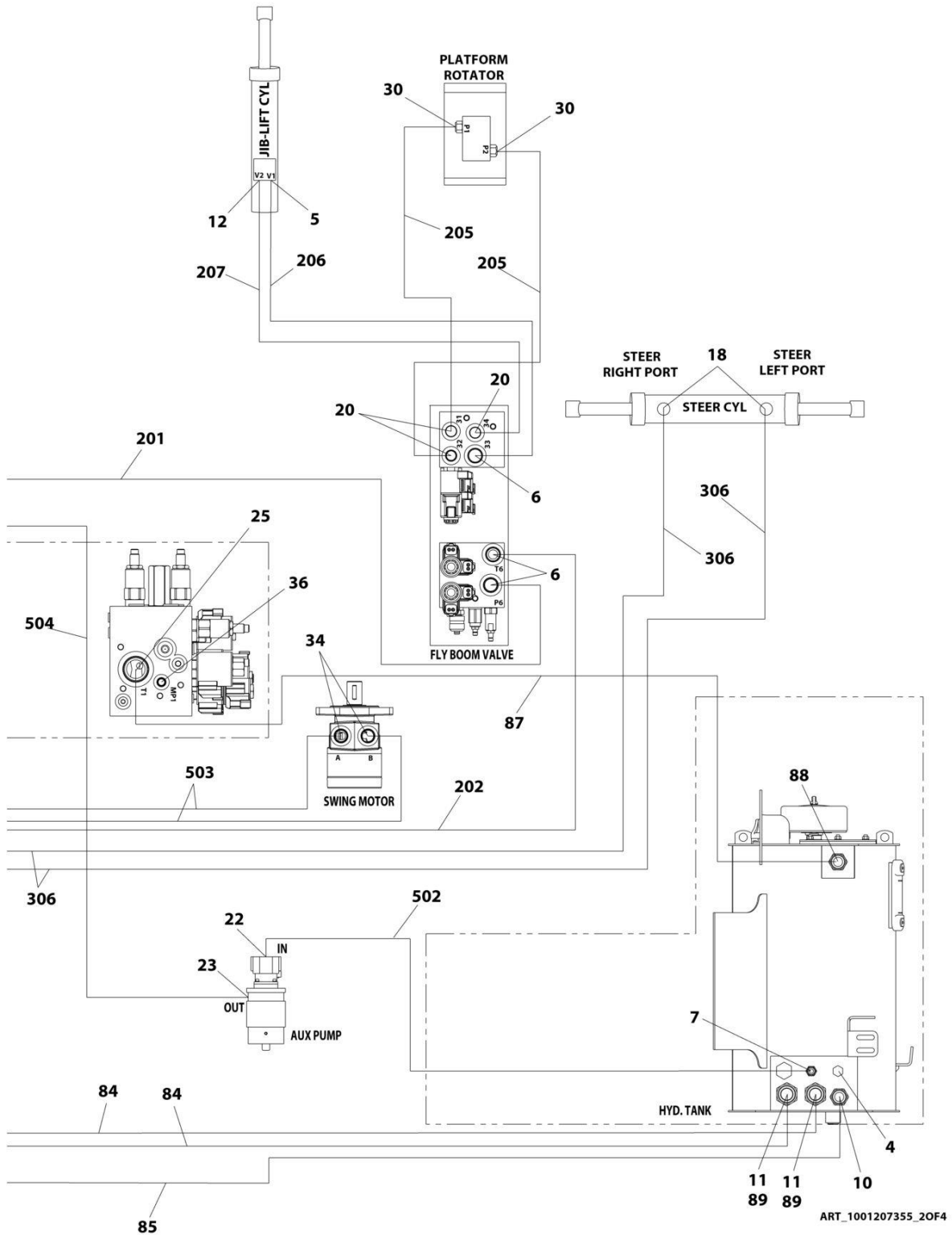
SECTION 7 - HYDRAULIC

**FIGURE 7-10. 4WD HYDRAULIC SYSTEM INSTALLATION - (WITH 17GAL HYDRAULIC TANK)
(MACHINES WITH SN STARTING WITH B3) (450AJ)**



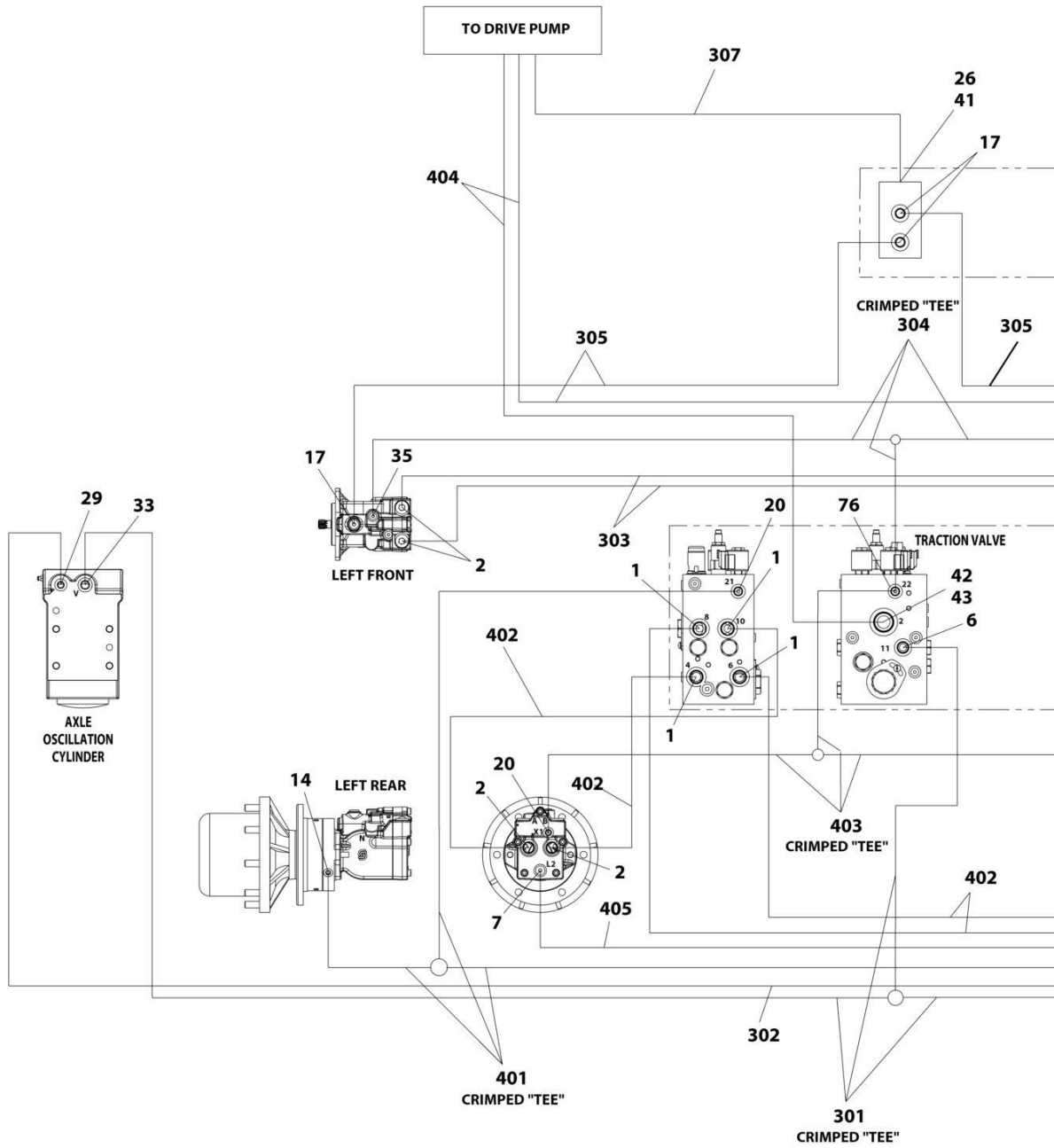
ART_1001207355_10F4

SECTION 7 - HYDRAULIC



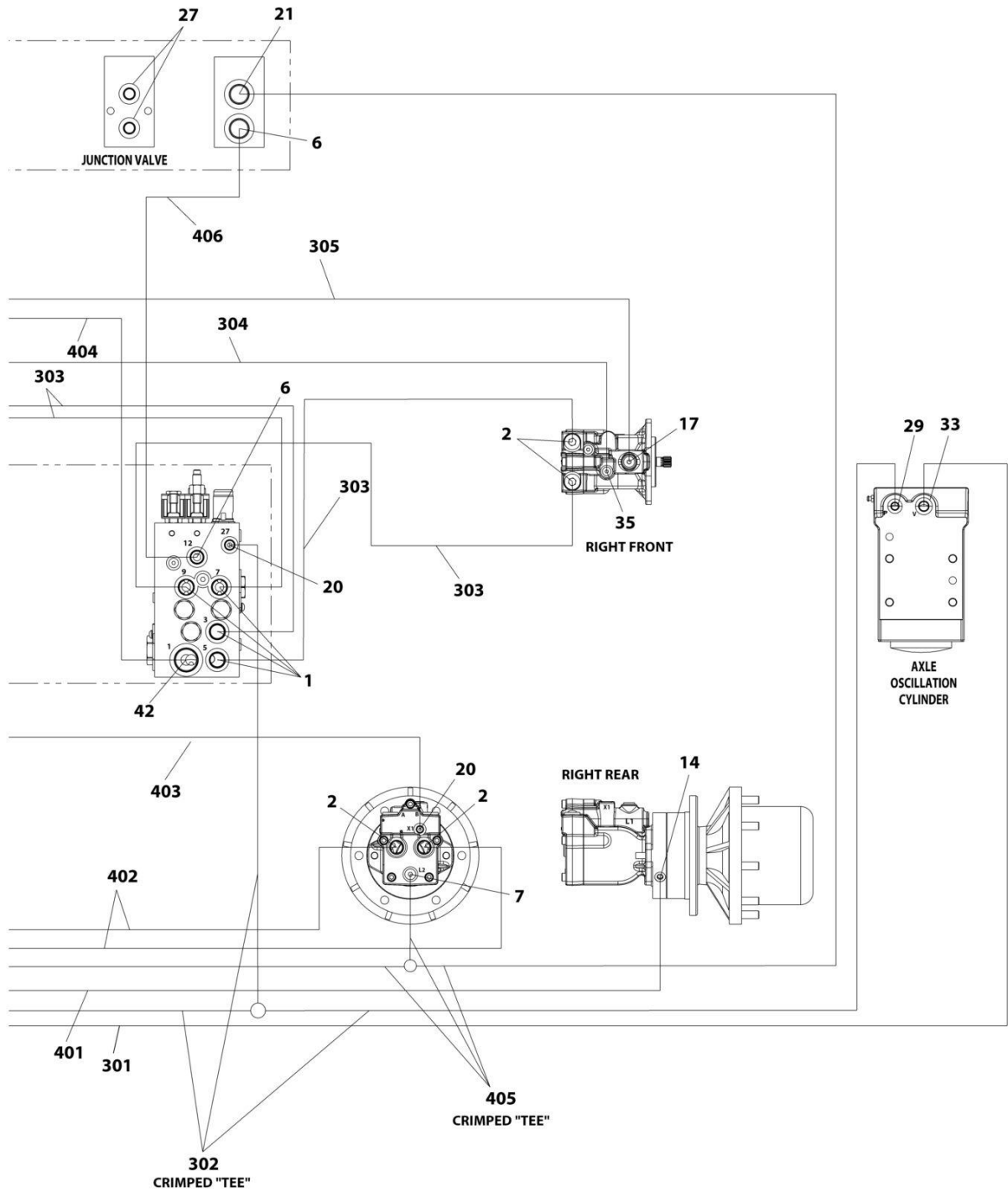
ART_1001207355_20F4

SECTION 7 - HYDRAULIC



ART_1001207355_30F4

SECTION 7 - HYDRAULIC



ART_1001207355_40F4

SECTION 7 - HYDRAULIC

**FIGURE 7-10. 4WD HYDRAULIC SYSTEM INSTALLATION - (WITH 17GAL HYDRAULIC TANK)
(MACHINES WITH SN STARTING WITH B3) (450AJ)**

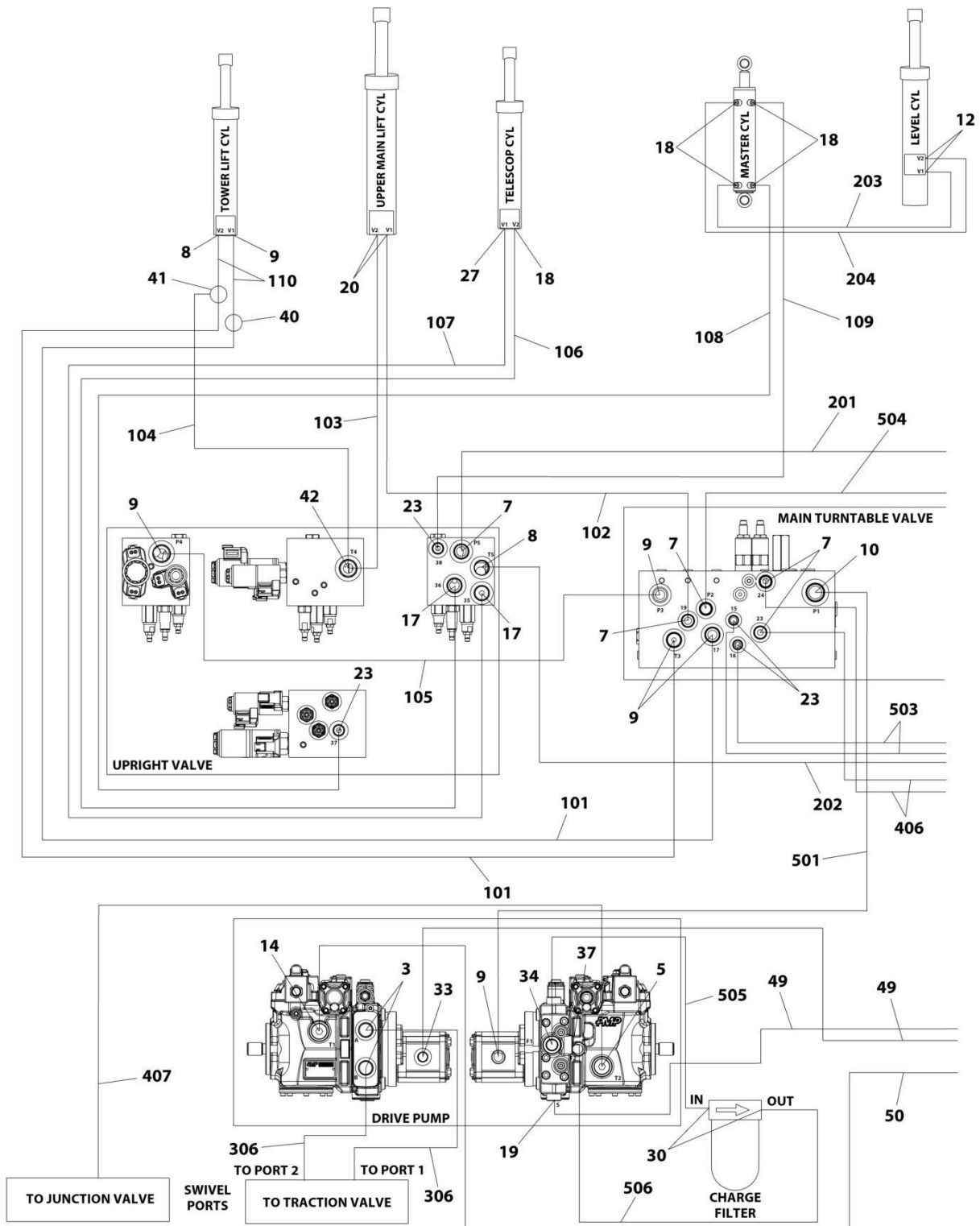
ITEM	PART NUMBER	QTY	DESCRIPTION	REV
	1001207355	Ref	4WD HYDRAULIC SYSTEM INSTALLATION (450AJ)	D
1	2110810	8	Fitting, Straight ORFS/ORB	
2	2110812	8	Fitting, Straight ORFS/ORB	
3	2151212	2	Fitting, 45 ORFS/ORB	
4	2220238	1	Plug	
5	2220371	1	Fitting, Straight JIC/ORB	
6	2220372	11	Fitting, Straight JIC/ORB	
7	2220373	5	Fitting, Straight JIC/ORB	
8	2220374	6	Fitting, Straight JIC/ORB	
9	2220375	2	Fitting, Straight JIC/ORB	
10	2220377	1	Fitting, Straight JIC/ORB	
11	1001202910	2	Fitting, Straight MORB	
12	2220415	3	Fitting, Straight JIC/ORB	
13	2220451	1	Fitting, Straight JIC/ORB	
14	2220466	2	Fitting, 90 JIC/ORB	
15	2220468	2	Fitting, Straight JIC/ORB	
16	2220472	5	Fitting, 90 JIC/ORB	
17	2220500	4	Fitting, 45 JIC/ORB	
18	2220501	2	Fitting, 45 JIC/ORB	
19	2220497	2	Fitting, Straight JIC/ORB	
20	2220582	11	Fitting, Straight JIC/ORB	
21	2220596	1	Fitting, 90 JIC/ORB	
22	2220600	1	Fitting, Straight JIC/ORB	
23	2220603	1	Fitting, Straight JIC/ORB	
24	2220628	1	Fitting, 90 JIC/ORB	
25	2220465	1	Fitting, 90 JIC/ORB	
26	2220811	1	Fitting, Straight FORB/ORB	
27	2220883	2	Plug #4	
28	2220906	2	Fitting, 90 JIC/ORB	
29	2220923	2	Fitting, Straight JIC/ORB	
30	2220940	2	Fitting, Elbow	
31	2220946	2	Fitting, Straight JIC/ORB	
32	2220947	2	Fitting, Straight JIC/ORB	
33	2220998	2	Fitting, Straight JIC/ORB	
34	2221033	2	Fitting, Straight JIC/ORB	
35	2221040	2	Fitting, 45 JIC/ORB	
36	2221086	1	Fitting, Diagnostic	
37	2230025	1	Fitting, Straight JIC/JIC	
39	8760477	1	Fitting, Tee JIC/JIC/JIC	
40	8770289	1	Fitting, Tee JIC/ORB/JIC	
41	1001119627	1	Fitting, Straight JIC/ORB	
42	1001142679	2	Fitting, Straight ORFS/ORB	
43	1001143936	1	Fitting, 90 FORB/ORB	
76	1001175024	1	Fitting, Tee JIC/JIC/ORB	
84	1001207335	2	Hose	
85	1001207336	1	Hose	
87	1001210356	1	Tube	
88	2220435	1	Fitting, Straight JIC/ORB	
89	80633030	2	Clamp, Hose	

SECTION 7 - HYDRAULIC

ITEM	PART NUMBER	QTY	DESCRIPTION	REV
100	1001194424	1	Hose Kit - Lower Boom (Not Shown)	
101	1001173006	2	Hose	
102	1001173034	1	Hose	
103	1001173035	1	Hose	
104	1001173036	1	Hose	
105	1001173037	1	Hose	
106	1001173038	1	Hose	
107	1001173039	1	Hose	
108	1001173042	1	Hose	
109	1001173043	1	Hose	
110	1001180035	2	Hose	
200	1001194425	1	Hose Kit - Upper Boom (Not Shown)	
201	1001173040	1	Hose	
202	1001173041	1	Hose	
203	1001173044	1	Hose	
204	1001173045	1	Hose	
205	1001173046	2	Hose	
206	1001173048	1	Hose	
207	1001173049	1	Hose	
300	1001194427	1	Hose Kit - Front (Not Shown)	
301	1001173053	1	Hose	
302	1001173054	1	Hose	
303	1001173055	4	Hose	
304	1001173056	1	Hose	
305	1001173057	2	Hose	
306	1001173058	2	Hose	
307	1001173066	1	Hose	
400	1001194428	1	Hose Kit - Rear (Not Shown)	
401	1001173052	1	Hose	
402	1001173059	4	Hose	
403	1001173061	1	Hose	
404	1001173062	2	Hose	
405	1001173063	1	Hose	
406	1001197039	1	Hose	
500	1001252926	1	Hose Kit - Turntable (Not Shown)	
501	2752504	1	Hose	
502	2752519	1	Hose	
503	1001173027	2	Hose	
504	1001173028	1	Hose	
505	1001173029	2	Hose	

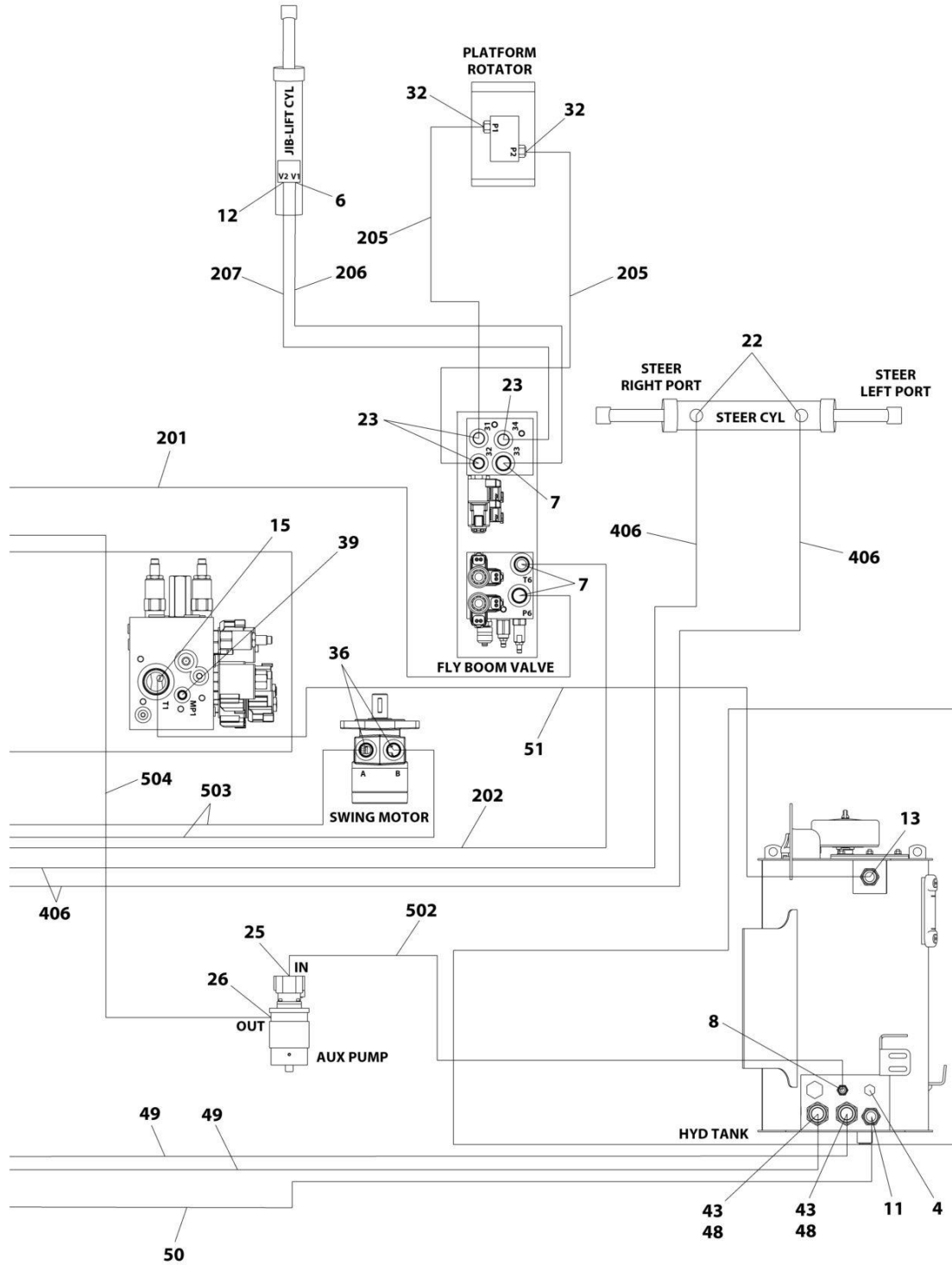
SECTION 7 - HYDRAULIC

FIGURE 7-11. 4WD HYDRAULIC SYSTEM INSTALLATION - (WITH PMP PUMP) (450AJ)



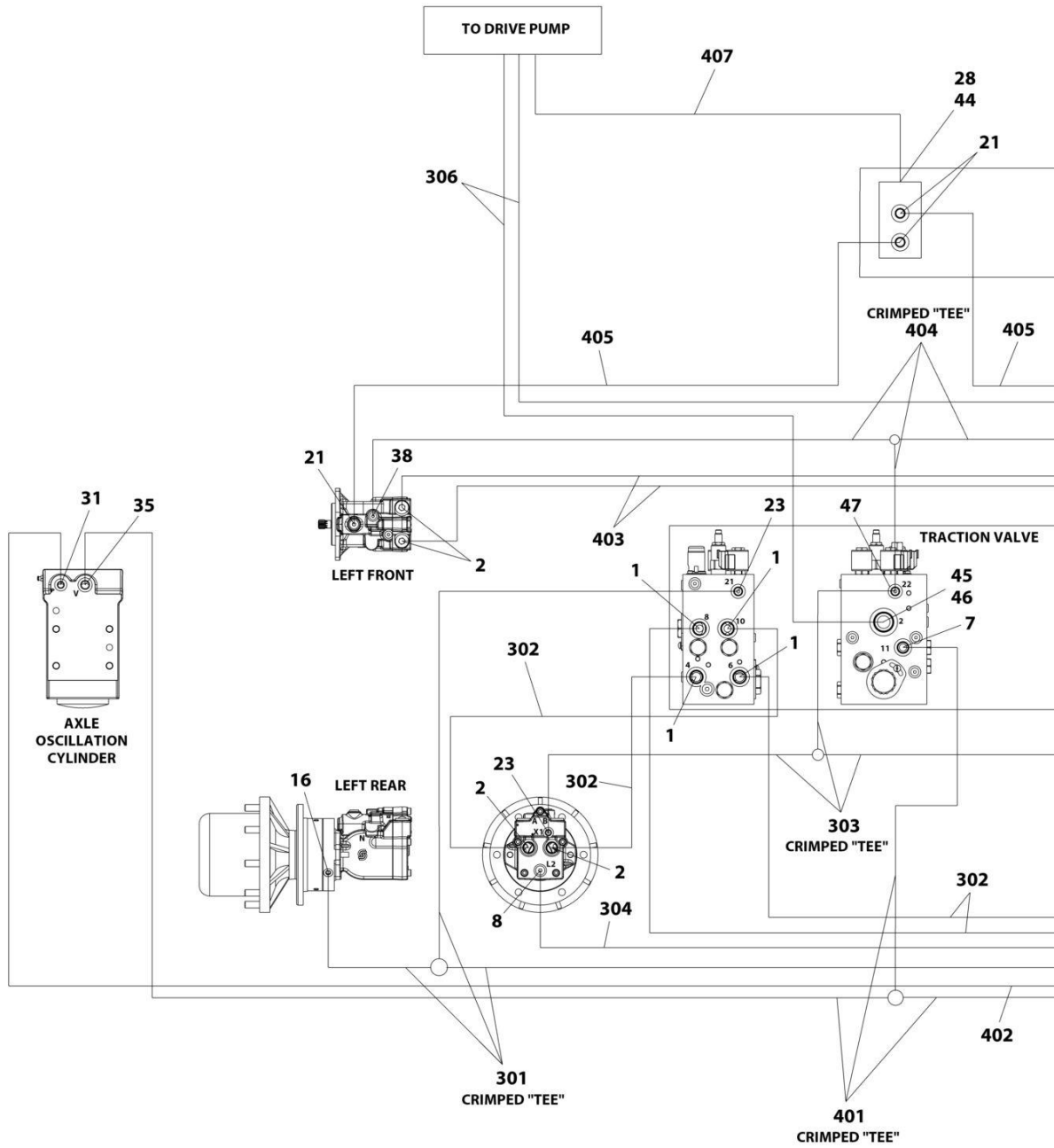
ART_1001300813_10F4

SECTION 7 - HYDRAULIC



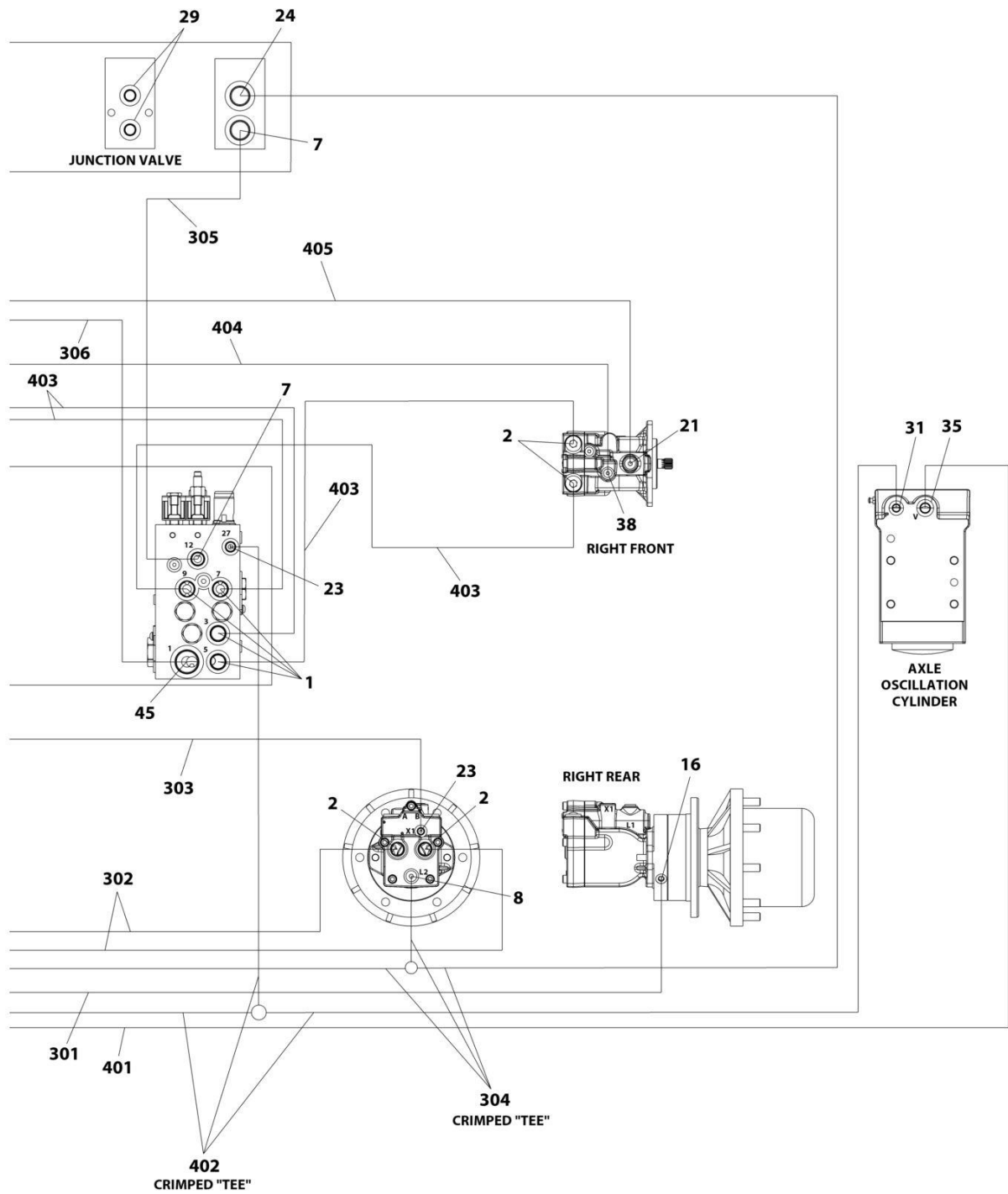
ART_1001300813_2OF4

SECTION 7 - HYDRAULIC



ART_1001300813_3OF4

SECTION 7 - HYDRAULIC



ART_1001300813_40F4

SECTION 7 - HYDRAULIC

FIGURE 7-11. 4WD HYDRAULIC SYSTEM INSTALLATION - (WITH PMP PUMP) (450AJ)

ITEM	PART NUMBER	QTY	DESCRIPTION	REV
	1001300813	Ref	4WD HYDRAULIC SYSTEM INSTALLATION - 450AJ (WITH PMP PUMP)	A
1	2110810	8	Fitting, Straight ORFS/ORB	
2	2110812	8	Fitting, Straight ORFS/ORB	
3	2131212	2	Fitting, 90 ORFS/ORB	
4	2220238	1	Fitting, Plug ORB	
5	2220366	1	Fitting, 90 JIC/ORB	
6	2220371	1	Fitting, Straight JIC/ORB	
7	2220372	11	Fitting, Straight JIC/ORB	
8	2220373	5	Fitting, Straight JIC/ORB	
9	2220374	6	Fitting, Straight JIC/ORB	
10	2220375	1	Fitting, Straight JIC/ORB	
11	2220377	1	Fitting, Straight JIC/ORB	
12	2220415	3	Fitting, Straight JIC/ORB	
13	2220435	1	Fitting, Straight JIC/ORB	
14	2220451	1	Fitting, Straight JIC/ORB	
15	2220465	1	Fitting, 90 JIC/ORB	
16	2220466	2	Fitting, 90 JIC/ORB	
17	2220468	2	Fitting, Straight JIC/ORB	
18	2220472	5	Fitting, 90 JIC/ORB	
19	2220479	1	Fitting, Straight JIC/ORB	
20	2220497	2	Fitting, Straight JIC/ORB	
21	2220500	4	Fitting, 45 JIC/ORB	
22	2220501	2	Fitting, 45 JIC/ORB	
23	2220582	11	Fitting, Straight JIC/ORB	
24	2220596	1	Fitting, 90 JIC/ORB	
25	2220600	1	Fitting, Straight JIC/ORB	
26	2220603	1	Fitting, Straight JIC/ORB	
27	2220628	1	Fitting, 90 JIC/ORB	
28	2220811	1	Fitting, Straight FORB/ORB	
29	2220883	2	O-Ring	
30	2220906	2	Fitting, 90 JIC/ORB	
31	2220923	2	Fitting, Straight JIC/ORB	
32	2220940	2	Fitting, 90 JIC/ORB	
33	2220946	1	Fitting, Straight JIC/ORB	
34	2220947	1	Fitting, Straight JIC/ORB	
35	2220998	2	Fitting, Straight JIC/ORB	
36	2221033	2	Fitting, Straight JIC/ORB	
37	2221036	1	Fitting, 90 JIC/ORB	
38	2221040	2	Fitting, 45 JIC/ORB	
39	2221086	1	Fitting, Diagnostic	
40	2230025	1	Fitting, Straight JIC/JIC	
41	8760477	1	Fitting, Tee JIC/JIC/JIC	
42	8770289	1	Fitting, Tee JIC/ORB/JIC	
43	80633030	2	Clamp	
44	1001119627	1	Fitting, Straight JIC/ORB	
45	1001142679	2	Fitting, Straight ORFS/ORB	
46	1001143936	1	Fitting, 90 FORB/ORB	
47	1001175024	1	Fitting, Tee JIC/JIC/ORB	
48	1001202910	2	Fitting, Straight MORB	

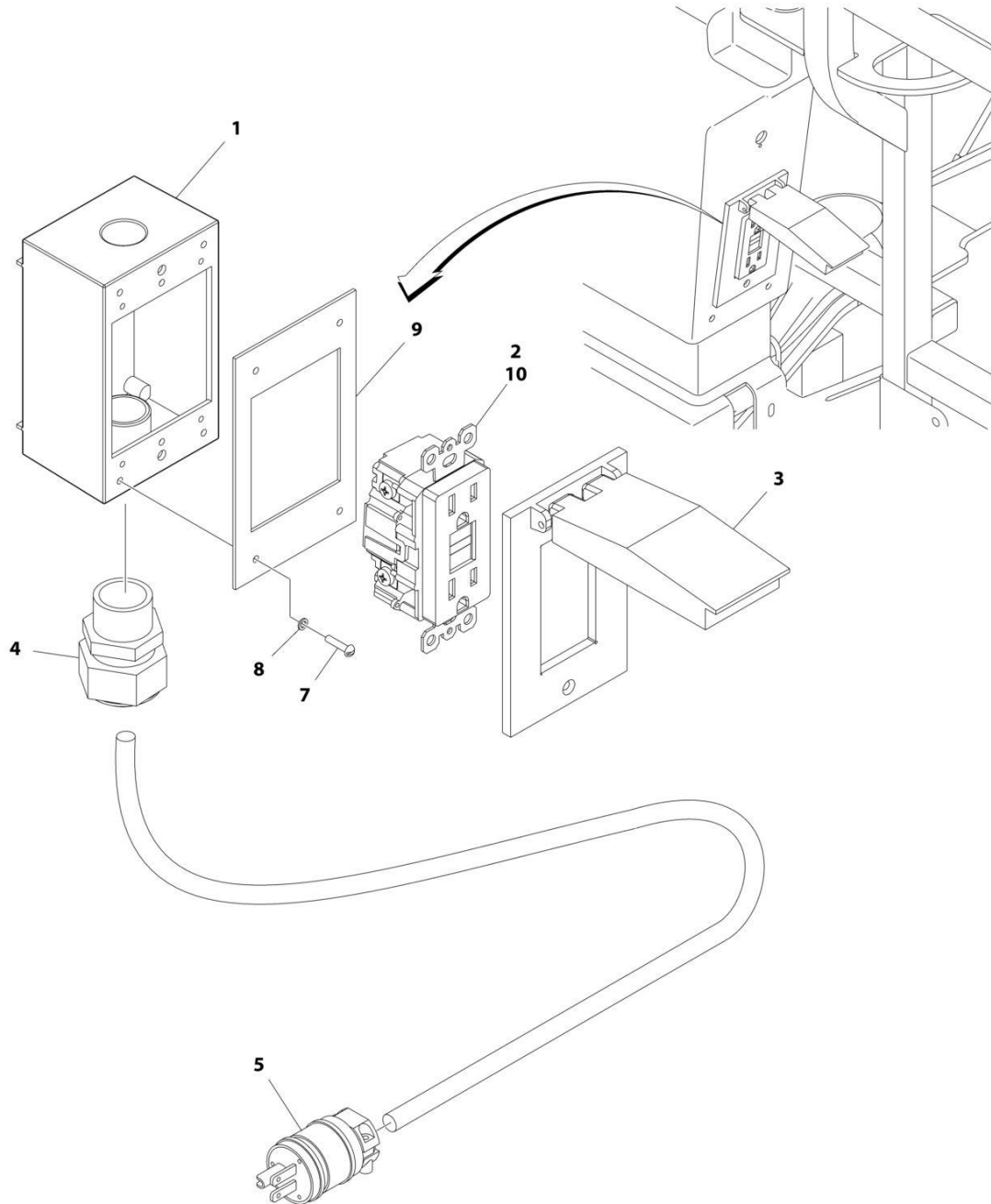
SECTION 7 - HYDRAULIC

ITEM	PART NUMBER	QTY	DESCRIPTION	REV
49	1001207335	2	Hose	
50	1001207336	1	Hose	
51	1001210356	1	Hose	
100	1001194424	1	Hose Kit - Lower Boom (Not Shown)	
101	1001173006	2	Hose	
102	1001173034	1	Hose	
103	1001173035	1	Hose	
104	1001173036	1	Hose	
105	1001173037	1	Hose	
106	1001173038	1	Hose	
107	1001173039	1	Hose	
108	1001173042	1	Hose	
109	1001173043	1	Hose	
110	1001180035	2	Hose	
200	1001194425	1	Hose Kit - Upper Boom (Not Shown)	
201	1001173040	1	Hose	
202	1001173041	1	Hose	
203	1001173044	1	Hose	
204	1001173045	1	Hose	
205	1001173046	2	Hose	
206	1001173048	1	Hose	
207	1001173049	1	Hose	
300	1001300961	1	Hose Kit - Rear (Not Shown)	
301	1001173052	1	Hose	
302	1001173059	4	Hose	
303	1001173061	1	Hose	
304	1001173063	1	Hose	
305	1001197039	1	Hose	
306	1001300956	2	Hose	
400	1001300962	1	Hose Kit - Front (Not Shown)	
401	1001173053	1	Hose	
402	1001173054	1	Hose	
403	1001173055	4	Hose	
404	1001173056	1	Hose	
405	1001173057	2	Hose	
406	1001173058	2	Hose	
407	1001300957	1	Hose	
500	1001300963	1	Hose Kit - Turntable (Not Shown)	
501	2752504	1	Hose	
502	2752519	1	Hose	
503	1001173027	2	Hose	
504	1001173028	1	Hose	
505	1001300958	1	Hose	
506	1001300959	1	Hose	

SECTION 8 - ELECTRICAL

SECTION 8 - ELECTRICAL

FIGURE 8-1. AC BOX AT PLATFORM INSTALLATION - 110V - ANSI, ANSI EXPORT, CHINA, CSA AND JAPANESE SPECS



ART_0270022

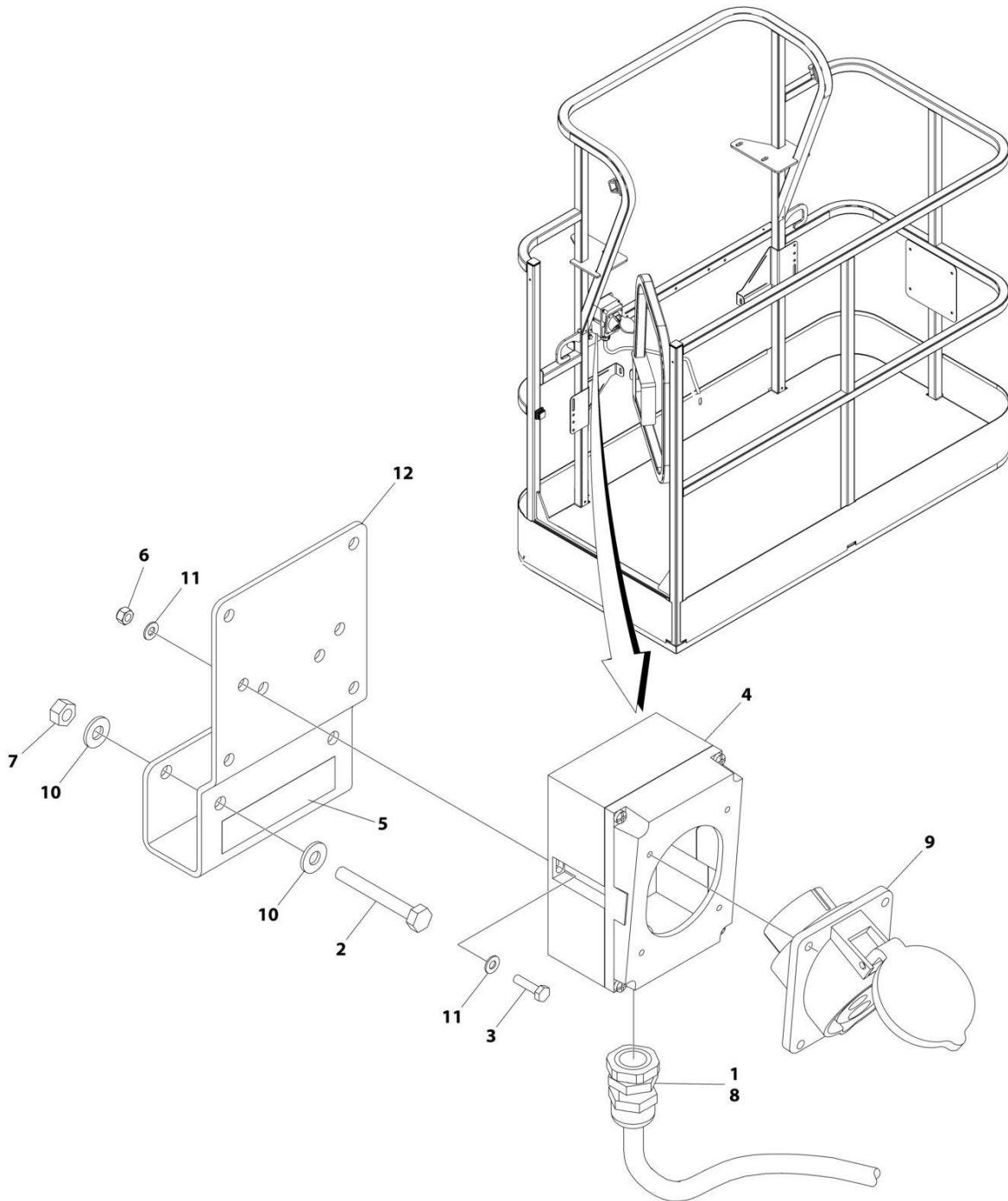
SECTION 8 - ELECTRICAL

FIGURE 8-1. AC BOX AT PLATFORM INSTALLATION - 110V - ANSI, ANSI EXPORT, CHINA, CSA AND JAPANESE SPECS

ITEM	PART NUMBER	QTY	DESCRIPTION	REV
	0270022	Ref	AC BOX AT PLATFORM INSTALLATION - 110V	4-B
1	0860038	1	Box, Switch	
2	4460346	1	Receptacle	
3	1001110873	1	Shield, Cover	
4	4460071	1	Connector, Strain Relief	
5	4460205	1	Plug, Male	
7	3910610	4	Screw #6 x 5/8	
8	4760600	4	Washer #6	
9	3960422	1	Gasket	
10	4460315	1	Terminal, Spade	

SECTION 8 - ELECTRICAL

FIGURE 8-2. AC BOX AT PLATFORM INSTALLATION - 110V IEC YELLOW (CE, RUSSIA & UK CA SPECS WITH 4000W/50HZ GENERATOR)



ART_1001194203

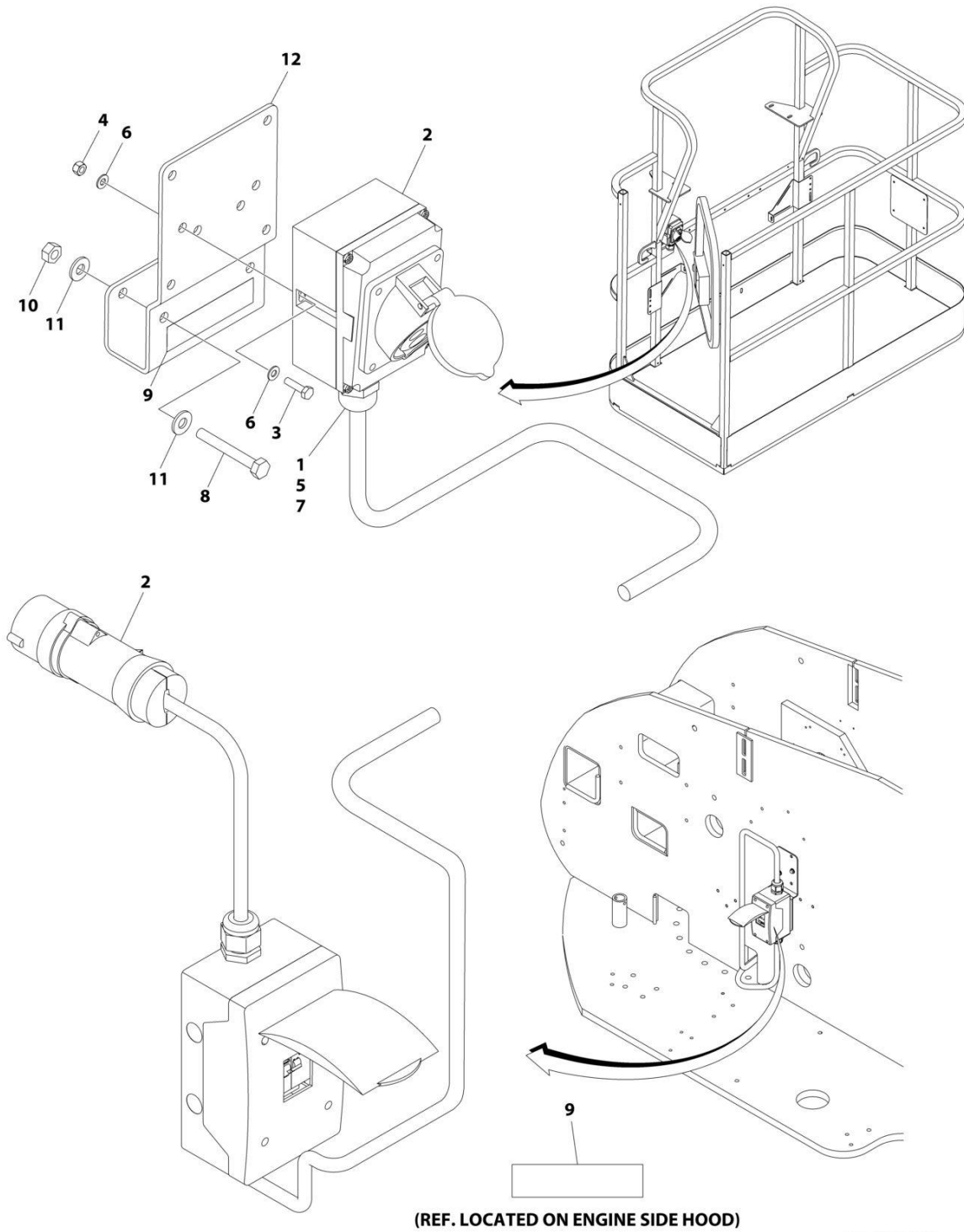
SECTION 8 - ELECTRICAL

FIGURE 8-2. AC BOX AT PLATFORM INSTALLATION - 110V IEC YELLOW (CE, RUSSIA & UK CA SPECS WITH 4000W/50HZ GENERATOR)

ITEM	PART NUMBER	QTY	DESCRIPTION	REV
	1001194203	Ref	AC BOX AT PLATFORM INSTALLATION	B
1	0100020	AR	Sealant, Pipe	
2	0641416	2	Bolt 1/4 x 2	
3	0700408	2	Bolt M4 x 16	
4	0861781	1	Box, Switch	
5	1705325	1	Decal - 110V	
6	3290405	2	Nut M4	
7	3311405	2	Nut 1/4	
8	4460968	1	Connector, Strain Relief	
9	4461198	1	Receptacle	
10	4711400	4	Washer 1/4	
11	4811400	4	Washer M4	
12	1001193018	1	Bracket, AC Receptacle	

SECTION 8 - ELECTRICAL

FIGURE 8-3. AC BOX AT PLATFORM INSTALLATION - 110V IEC 60309 YELLOW WITHOUT 2500W GENERATOR (CE, RUSSIA & UK CA SPECS)



ART_1001091969

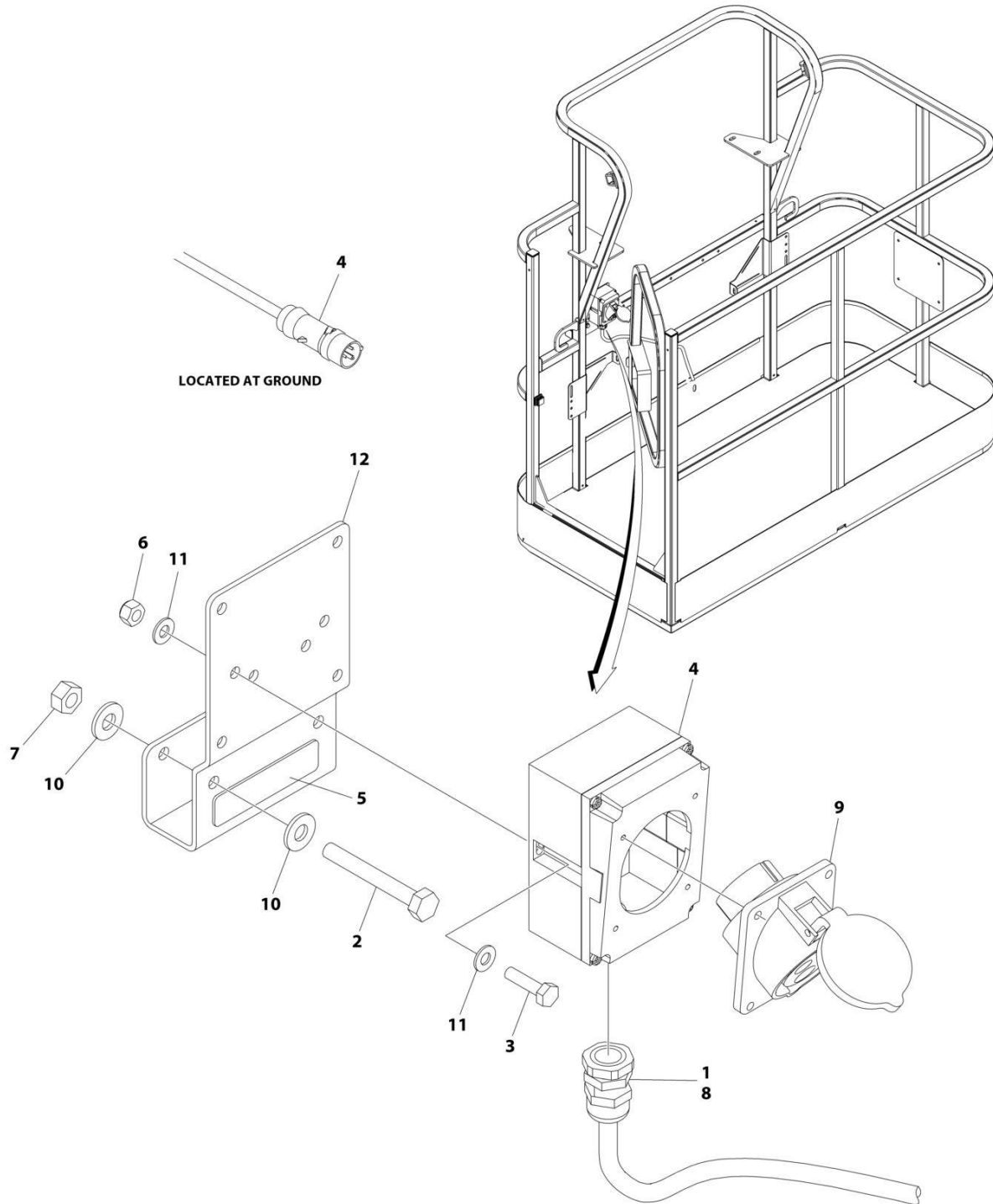
SECTION 8 - ELECTRICAL

FIGURE 8-3. AC BOX AT PLATFORM INSTALLATION - 110V IEC 60309 YELLOW WITHOUT 2500W GENERATOR (CE, RUSSIA & UK CA SPECS)

ITEM	PART NUMBER	QTY	DESCRIPTION	REV
	1001091969	Ref	AC BOX AT PLATFORM INSTALLATION - 110V IEC YELLOW	D
1	0100020	AR	Sealant, Pipe	
2	0275216	1	Receptacle Box Kit (See Separate Breakdown in this Section)	
3	0700408	2	Bolt M4 x 16	
4	3290405	2	Nut M4	
5	1001101196	1	Adapter	
6	4811400	4	Washer M4	
7	1001101191	1	Connector, Strain Relief	
8	0641416	2	Bolt 1/4 x 2	
9	1705325	2	Decal - 110V	
10	3311405	2	Nut 1/4	
11	4711400	4	Washer 1/4	
12	1001193018	1	Bracket	

SECTION 8 - ELECTRICAL

FIGURE 8-4. AC BOX AT PLATFORM INSTALLATION - 220V IEC BLUE (CE, RUSSIA & UK CA WITH 4000W/50HZ GENERATOR)



ART_1001194204

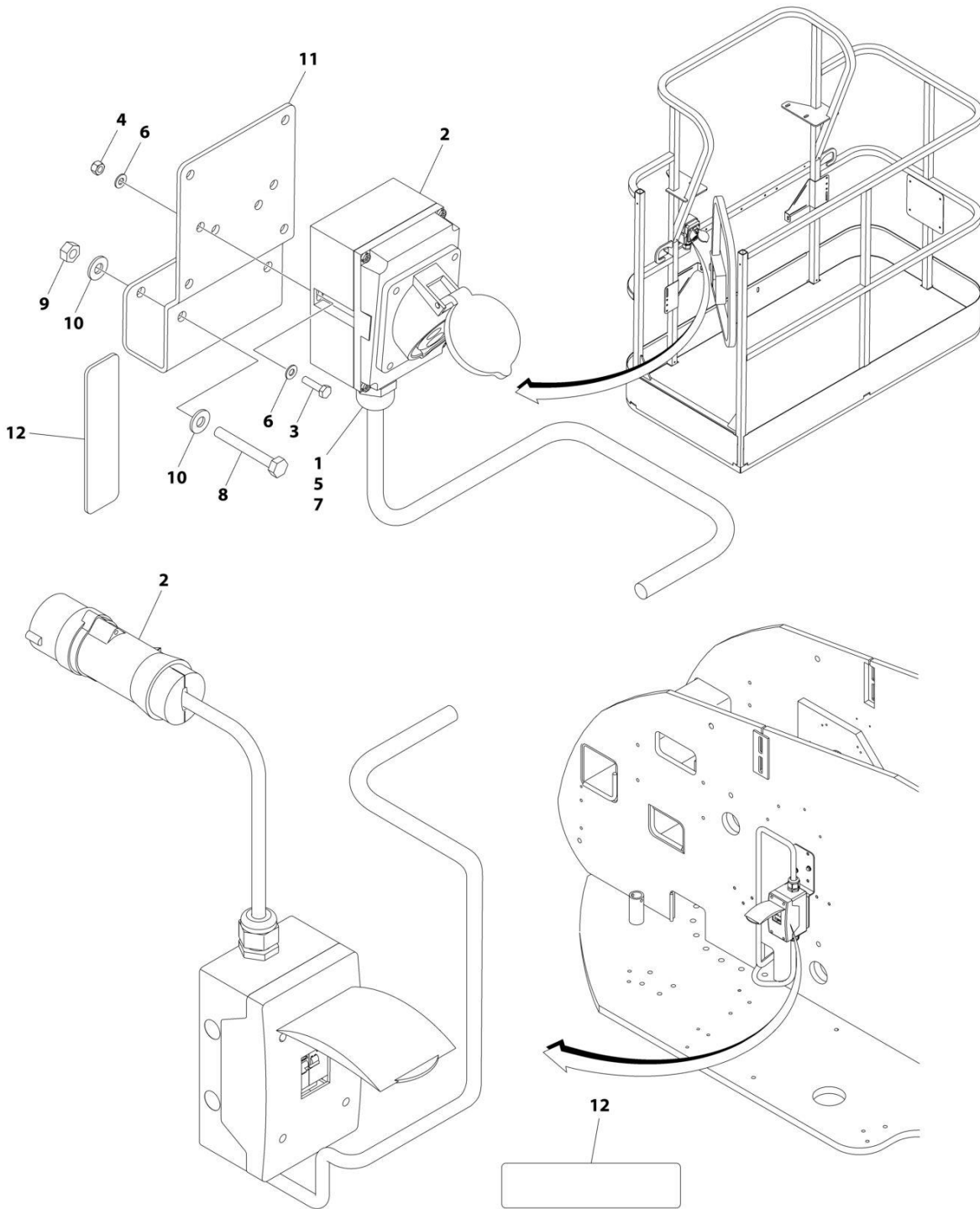
SECTION 8 - ELECTRICAL

FIGURE 8-4. AC BOX AT PLATFORM INSTALLATION - 220V IEC BLUE (CE, RUSSIA & UK CA WITH 4000W/50HZ GENERATOR)

ITEM	PART NUMBER	QTY	DESCRIPTION	REV
	1001194204	Ref	AC BOX AT PLATFORM INSTALLATION	B
1	0100020	AR	Sealant, Pipe	
2	0641416	2	Bolt 1/4 x 2	
3	0700408	2	Bolt M4 x 16	
4	0861781	1	Box, Switch	
5	3251242	1	Decal - 240V/50Hz	
6	3290405	2	Nut M4	
7	3311405	2	Nut 1/4	
8	4460968	1	Connector, Strain Relief	
9	4461201	1	Receptacle	
10	4711400	4	Washer 1/4	
11	4811400	4	Washer M4	
12	1001193018	1	Bracket, AC Receptacle	

SECTION 8 - ELECTRICAL

FIGURE 8-5. AC BOX AT PLATFORM INSTALLATION - 220V IEC 60309 BLUE WITHOUT 2500W GENERATOR (CE, RUSSIA & UK CA SPECS)



ART_1001091970

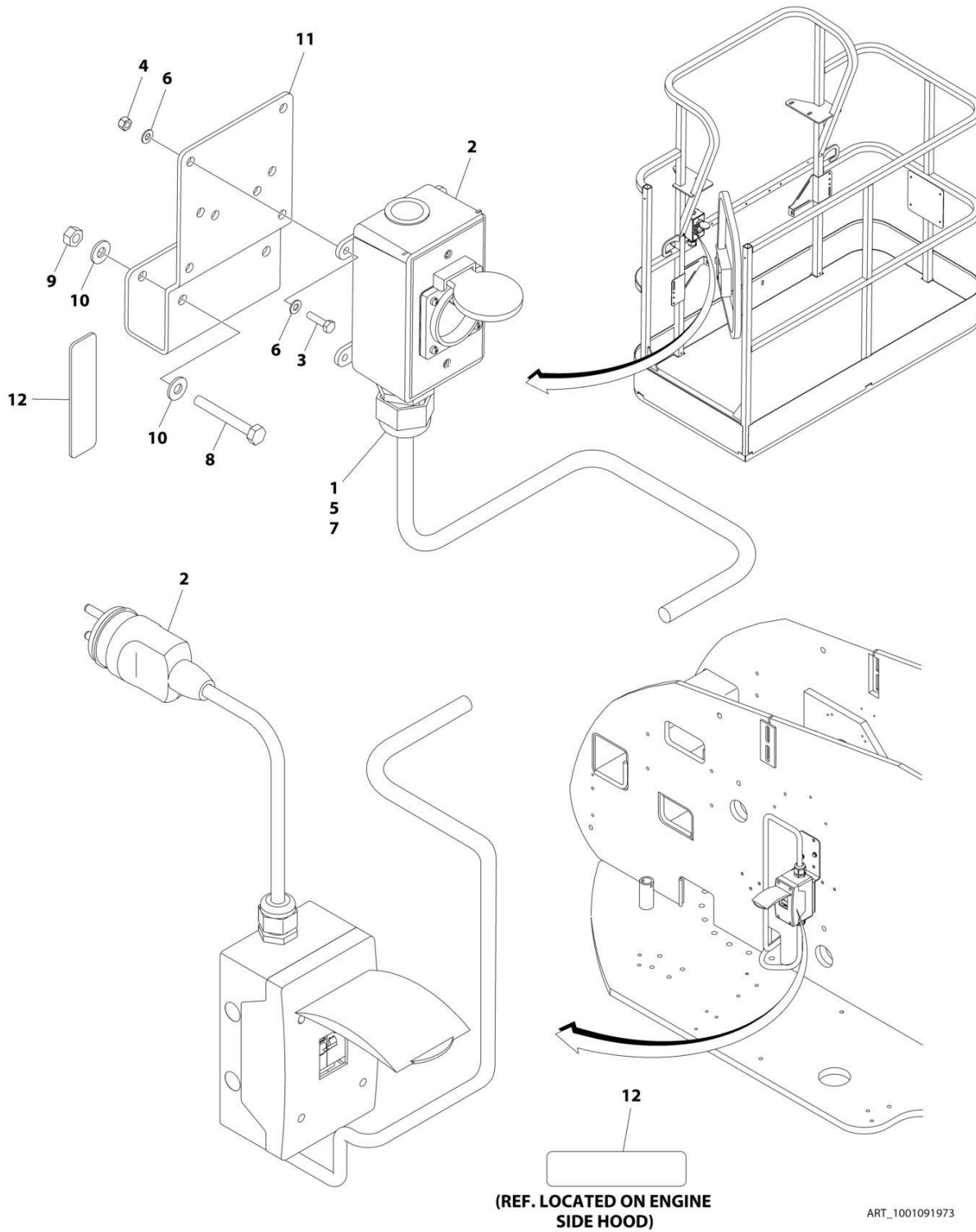
SECTION 8 - ELECTRICAL

FIGURE 8-5. AC BOX AT PLATFORM INSTALLATION - 220V IEC 60309 BLUE WITHOUT 2500W GENERATOR (CE, RUSSIA & UK CA SPECS)

ITEM	PART NUMBER	QTY	DESCRIPTION	REV
	1001091970	Ref	AC BOX AT PLATFORM INSTALLATION - 220V IEC BLUE	D
1	0100020	AR	Sealant, Pipe	
2	0275217	1	Receptacle Box Kit (See Separate Breakdown in this Section)	
3	0700408	2	Bolt M4 x 16	
4	3290405	2	Nut M4	
5	1001101196	1	Adapter	
6	4811400	4	Washer M4	
7	1001101191	1	Connector, Strain Relief	
8	0641416	2	Bolt 1/4 x 2	
9	3311405	2	Nut 1/4	
10	4711400	4	Washer 1/4	
11	1001193018	1	Bracket	
12	3251242	2	Decal - 240V/50Hz	

SECTION 8 - ELECTRICAL

**FIGURE 8-6. AC BOX AT PLATFORM INSTALLATION - 220V CEE7 POST GROUND (2X4 BOX)
WITHOUT 2500W GENERATOR (CE, RUSSIA & UK CA SPECS)**



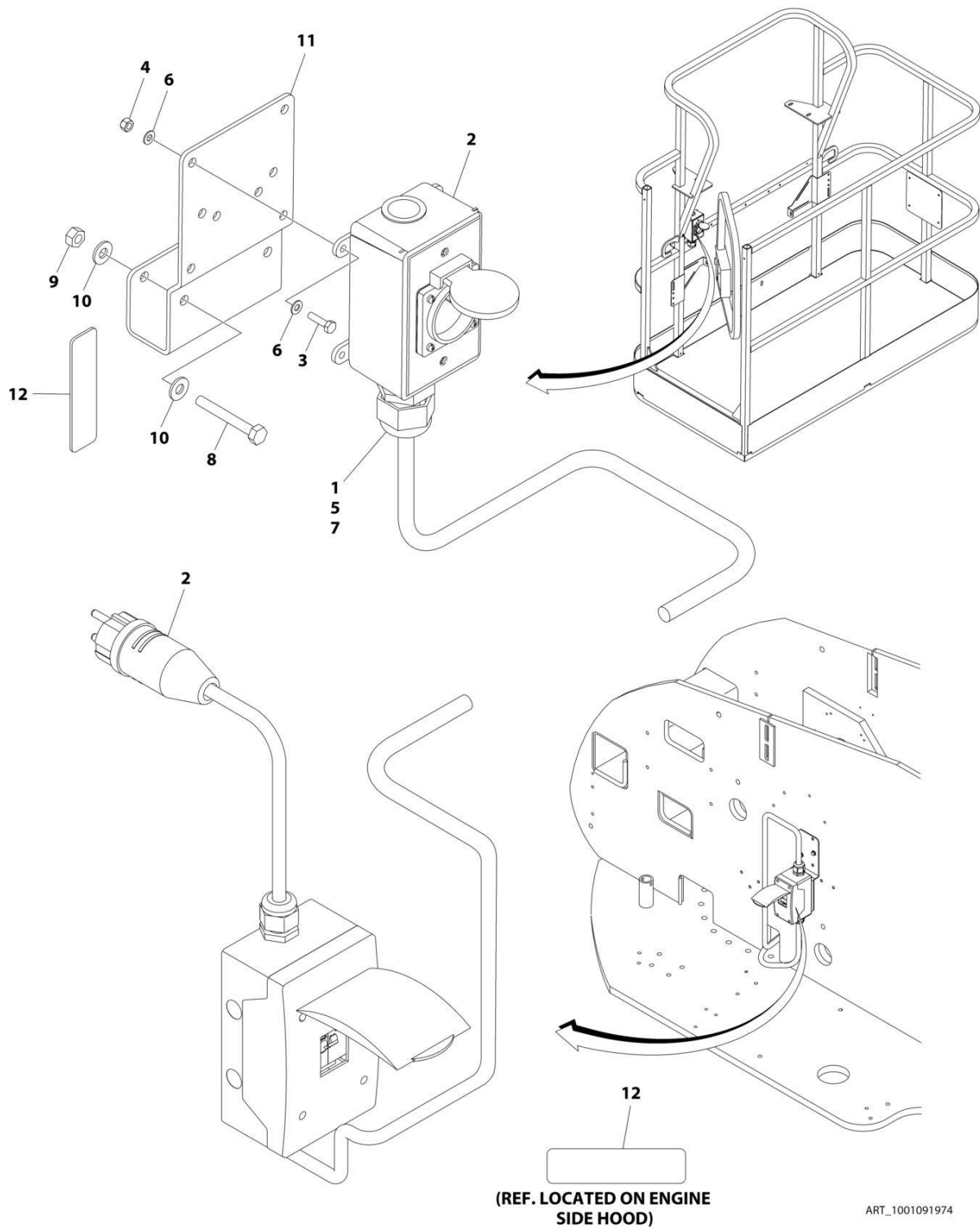
SECTION 8 - ELECTRICAL

**FIGURE 8-6. AC BOX AT PLATFORM INSTALLATION - 220V CEE7 POST GROUND (2X4 BOX)
WITHOUT 2500W GENERATOR (CE, RUSSIA & UK CA SPECS)**

ITEM	PART NUMBER	QTY	DESCRIPTION	REV
	1001091973	Ref	AC BOX AT PLATFORM INSTALLATION - 220V CEE7 2X4 BOX POST GROUND	F
1	0100020	AR	Sealant, Pipe	
2	0275452	1	Receptacle Box Kit (See Separate Breakdown in this Section)	
3	0700408	4	Bolt M4 x 16	
4	3290405	4	Nut M4	
5	1001101197	1	Adapter	
6	4811400	8	Washer M4	
7	1001101191	1	Connector, Strain Relief	
8	0641416	2	Bolt 1/4 x 2	
9	3311405	2	Nut 1/4	
10	4711400	4	Washer 1/4	
11	1001193018	1	Bracket	
12	3251242	2	Decal - 240V/50Hz	
13	4460806	2	Terminal, Fork (Not Shown)	
14	1001205958	1	Terminal (Not Shown)	

SECTION 8 - ELECTRICAL

**FIGURE 8-7. AC BOX AT PLATFORM INSTALLATION - 220V CEE7 SIDE GROUND (2X4 BOX)
WITHOUT 2500W GENERATOR (CE, RUSSIA & UK CA SPECS)**



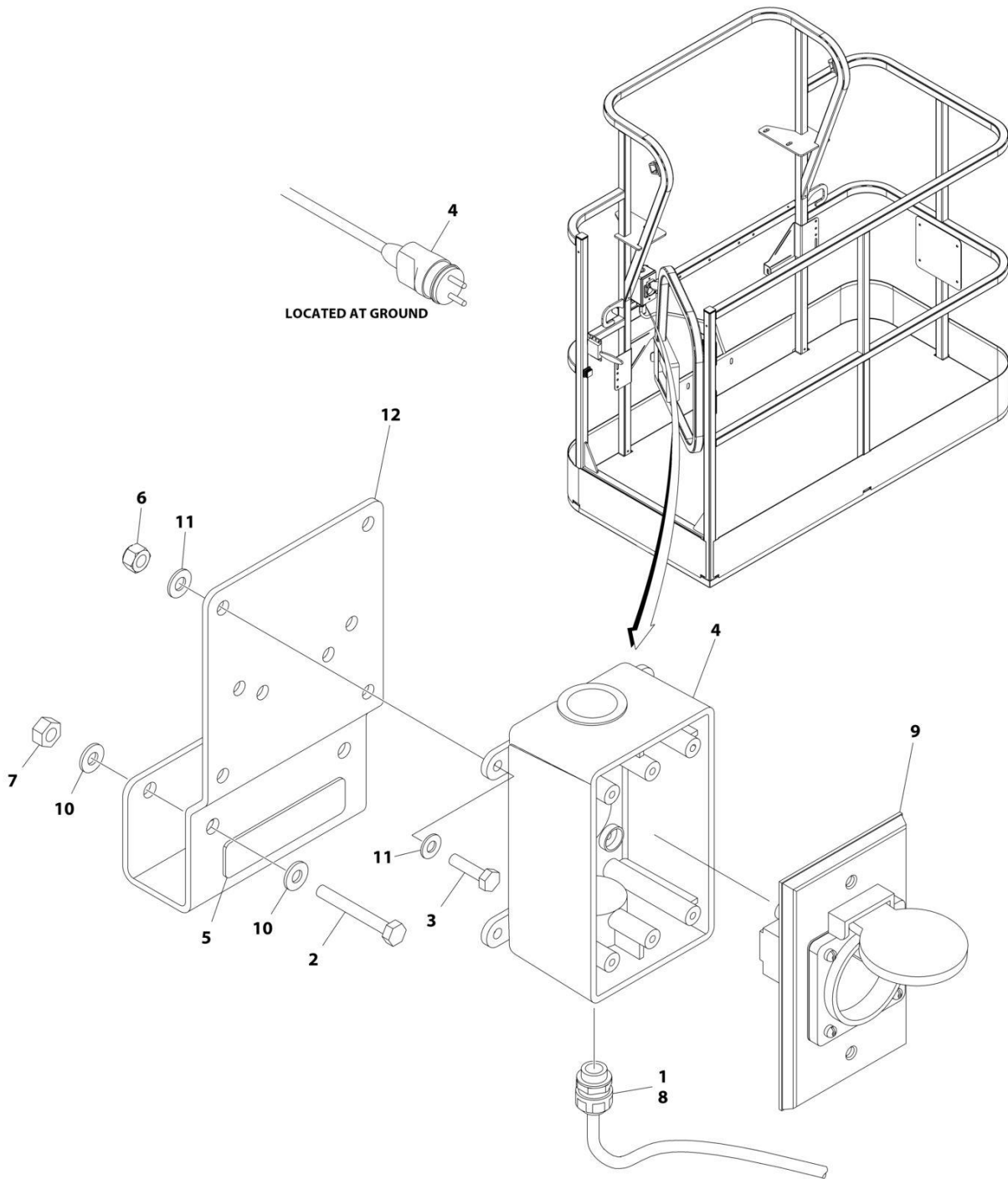
SECTION 8 - ELECTRICAL

**FIGURE 8-7. AC BOX AT PLATFORM INSTALLATION - 220V CEE7 SIDE GROUND (2X4 BOX)
WITHOUT 2500W GENERATOR (CE, RUSSIA & UK CA SPECS)**

ITEM	PART NUMBER	QTY	DESCRIPTION	REV
	1001091974	Ref	AC BOX AT PLATFORM INSTALLATION - 220V CEE7 2X4 BOX SIDE GROUND	F
1	0100020	AR	Sealant, Pipe	
2	0275453	1	Receptacle Box Kit (See Separate Breakdown in this Section)	
3	0700408	4	Bolt M4 x 16	
4	3290405	4	Nut M4	
5	1001101197	1	Adapter	
6	4811400	8	Washer M4	
7	1001101191	1	Connector, Strain Relief	
8	0641416	2	Bolt 1/4 x 2	
9	3311405	2	Nut 1/4	
10	4711400	4	Washer 1/4	
11	1001193018	1	Bracket	
12	3251242	2	Decal - 240V/50Hz	
13	4460806	2	Terminal, Fork (Not Shown)	
14	1001205958	1	Terminal (Not Shown)	

SECTION 8 - ELECTRICAL

FIGURE 8-8. AC BOX AT PLATFORM INSTALLATION - 220V CEE7 2IN X 4IN POST GROUND (CE, RUSSIA & UK CA SPECS WITH 4000W/50HZ GENERATOR)



ART_1001194197

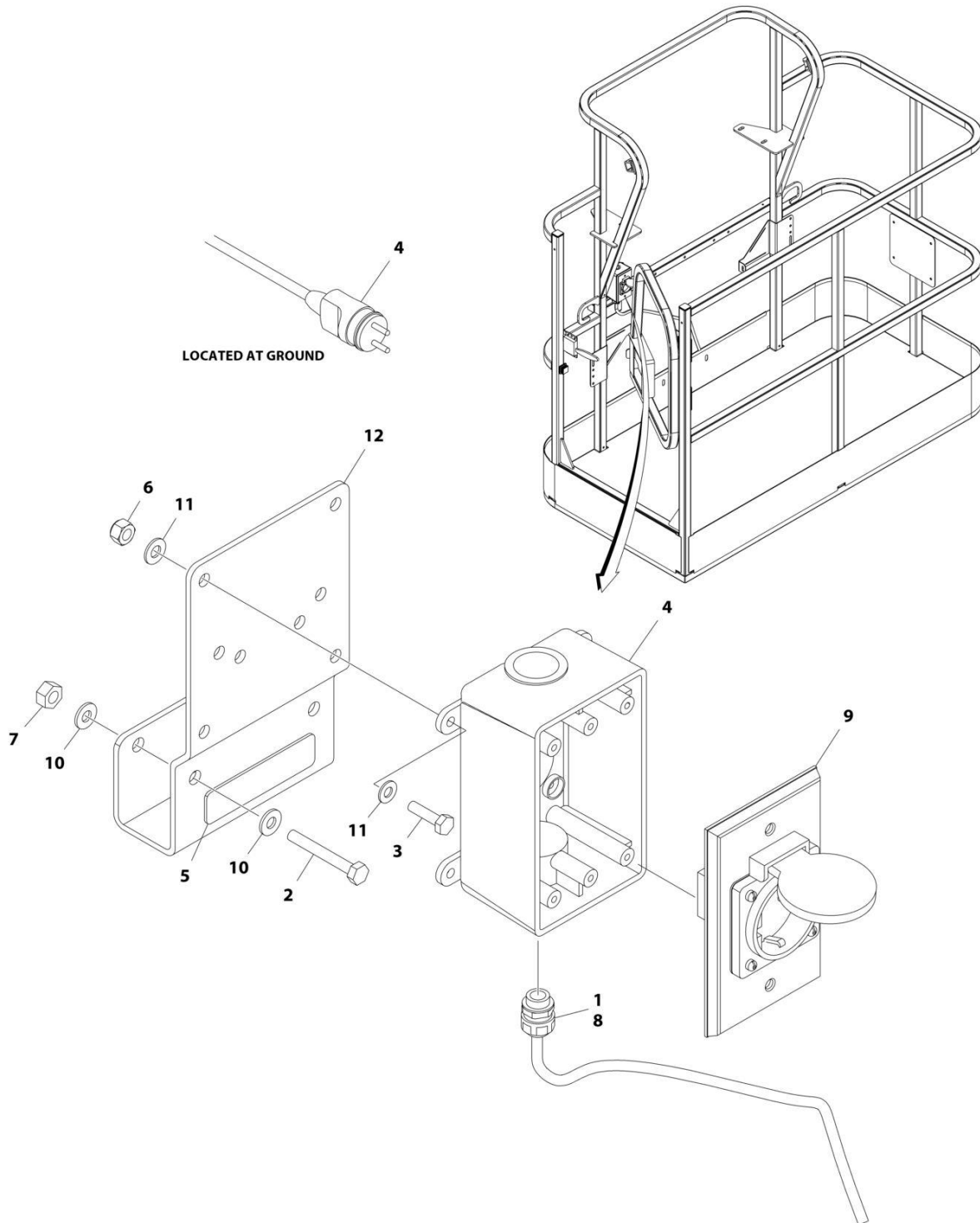
SECTION 8 - ELECTRICAL

FIGURE 8-8. AC BOX AT PLATFORM INSTALLATION - 220V CEE7 2IN X 4IN POST GROUND (CE, RUSSIA & UK CA SPECS WITH 4000W/50HZ GENERATOR)

ITEM	PART NUMBER	QTY	DESCRIPTION	REV
	1001194197	Ref	AC BOX AT PLATFORM INSTALLATION	B
1	0100020	AR	Sealant, Pipe	
2	0641416	2	Bolt 1/4 x 2	
3	0700408	4	Bolt M4 x 16	
4	0861731	1	Box, Switch	
5	3251242	1	Decal - 240V/50Hz	
6	3290405	4	Nut M4	
7	3311405	2	Nut 1/4	
8	4460662	1	Connector, Strain Relief	
9	4461244	1	Receptacle	
10	4711400	4	Washer 1/4	
11	4811400	8	Washer M4	
12	1001193018	1	Bracket, AC Receptacle	
13	4460806	2	Terminal, Fork (Not Shown)	
14	1001205958	1	Terminal (Not Shown)	

SECTION 8 - ELECTRICAL

FIGURE 8-9. AC BOX AT PLATFORM INSTALLATION - 220V CEE7 2IN X 4IN SIDE GROUND (CCE, RUSSIA & UK CA SPECS WITH 4000W/50HZ GENERATOR)



ART_1001194198

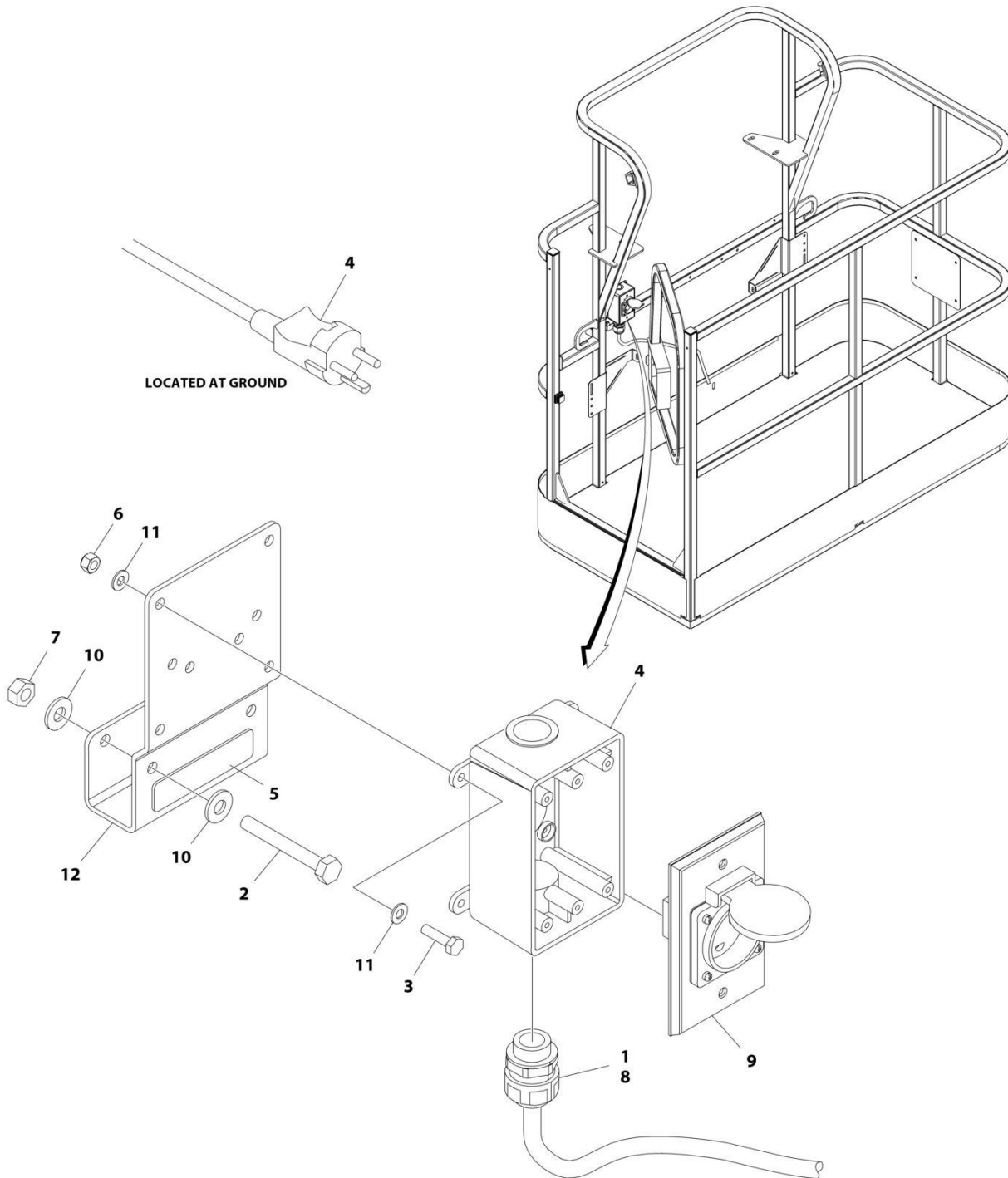
SECTION 8 - ELECTRICAL

FIGURE 8-9. AC BOX AT PLATFORM INSTALLATION - 220V CEE7 2IN X 4IN SIDE GROUND (CCE, RUSSIA & UK CA SPECS WITH 4000W/50HZ GENERATOR)

ITEM	PART NUMBER	QTY	DESCRIPTION	REV
	1001194198	Ref	AC BOX AT PLATFORM INSTALLATION	B
1	0100020	AR	Sealant, Pipe	
2	0641416	2	Bolt 1/4 x 2	
3	0700408	4	Bolt M4 x 16	
4	0861731	1	Box, Switch	
5	3251242	1	Decal - 240V/50Hz	
6	3290405	4	Nut M4	
7	3311405	2	Nut 1/4	
8	4460662	1	Connector, Strain Relief	
9	4461245	1	Receptacle	
10	4711400	4	Washer 1/4	
11	4811400	8	Washer M4	
12	1001193018	1	Bracket, AC Receptacle	
13	4460806	2	Terminal, Fork (Not Shown)	
14	1001205958	1	Terminal (Not Shown)	

SECTION 8 - ELECTRICAL

FIGURE 8-10. AC BOX AT PLATFORM INSTALLATION - 220V AFSINT107 (CE, RUSSIA & UK CA SPECS WITH 4000W/50HZ GENERATOR)



ART_1001194200

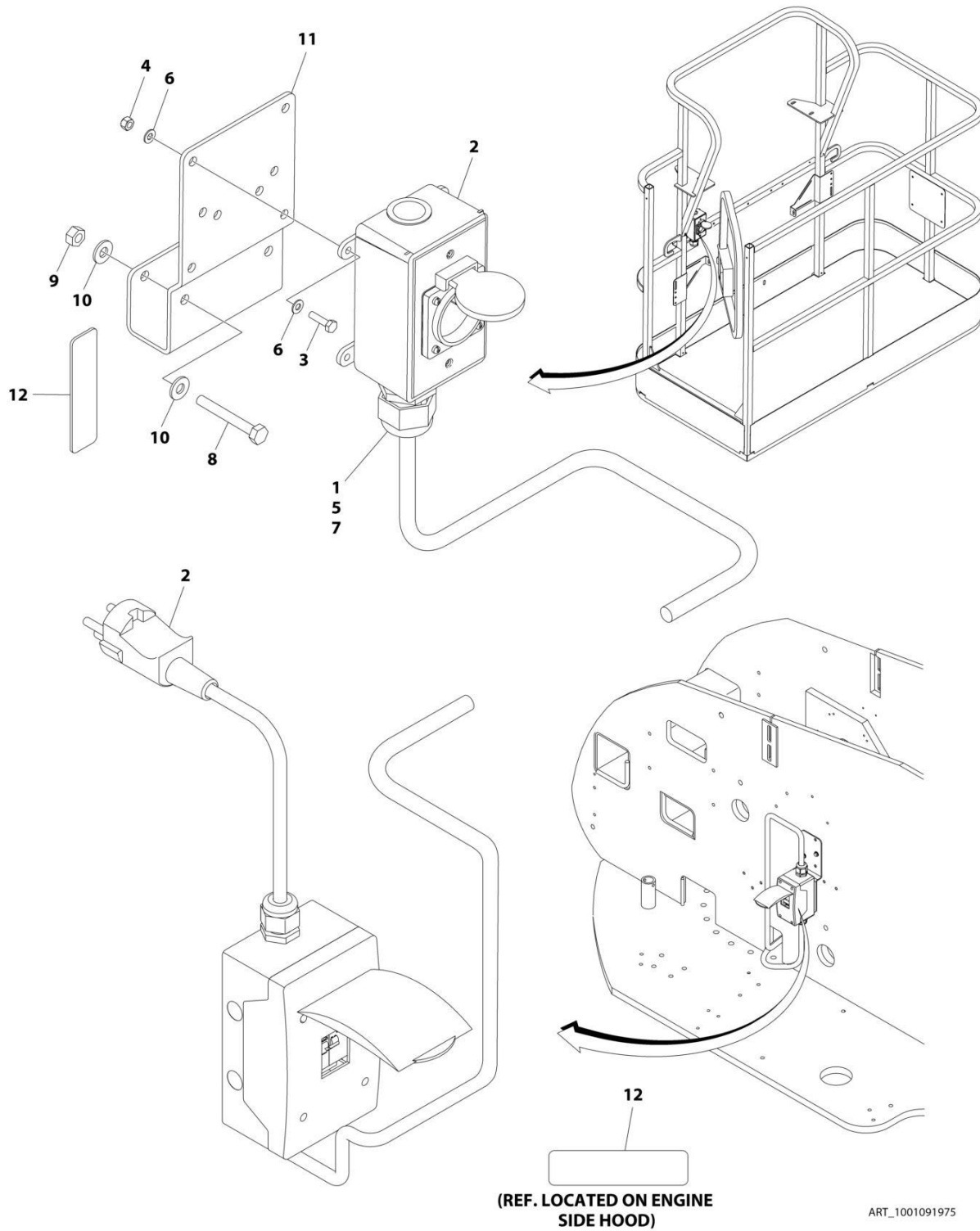
SECTION 8 - ELECTRICAL

FIGURE 8-10. AC BOX AT PLATFORM INSTALLATION - 220V AFSINT107 (CE, RUSSIA & UK CA SPECS WITH 4000W/50HZ GENERATOR)

ITEM	PART NUMBER	QTY	DESCRIPTION	REV
	1001194200	Ref	AC BOX AT PLATFORM INSTALLATION	B
1	0100020	AR	Sealant, Pipe	
2	0641416	2	Bolt 1/4 x 2	
3	0700408	4	Bolt M4 x 16	
4	0861731	1	Box, Switch	
5	3251242	1	Decal - 240V/50Hz	
6	3290405	4	Nut M4	
7	3311405	2	Nut 1/4	
8	4460662	1	Connector, Strain Relief	
9	4461246	1	Receptacle	
10	4711400	4	Washer 1/4	
11	4811400	8	Washer M4	
12	1001193018	1	Bracket, AC Receptacle	
13	1001205958	1	Terminal (Not Shown)	

SECTION 8 - ELECTRICAL

FIGURE 8-11. AC BOX AT PLATFORM INSTALLATION - 220V AFSINT 107 KEYED GROUND (2X4 BOX) WITHOUT 2500W GENERATOR (CE, RUSSIA & UK CA SPECS)



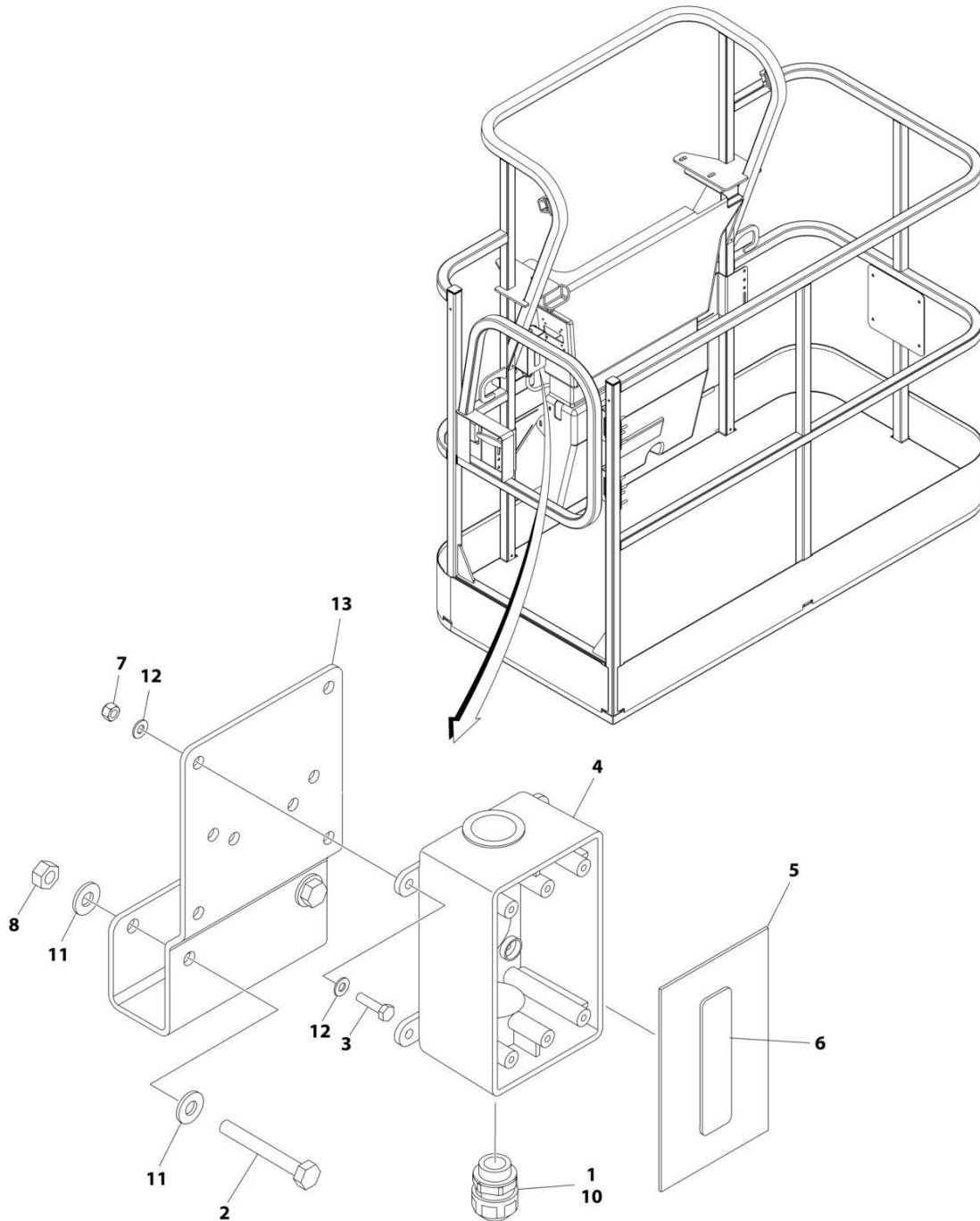
SECTION 8 - ELECTRICAL

FIGURE 8-11. AC BOX AT PLATFORM INSTALLATION - 220V AFSINT 107 KEYED GROUND (2X4 BOX) WITHOUT 2500W GENERATOR (CE, RUSSIA & UK CA SPECS)

ITEM	PART NUMBER	QTY	DESCRIPTION	REV
	1001091975	Ref	AC BOX AT PLATFORM INSTALLATION - 220V AFSINT 107 2X4 BOX KEYED GROUND	F
1	0100020	AR	Sealant, Pipe	
2	0275454	1	Receptacle Box Kit (See Separate Breakdown in this Section)	
3	0700408	4	Bolt M4 x 16	
4	3290405	4	Nut M4	
5	1001101197	1	Adapter	
6	4811400	8	Washer M4	
7	1001101191	1	Connector, Strain Relief	
8	0641416	2	Bolt 1/4 x 2	
9	3311405	2	Nut 1/4	
10	4711400	4	Washer 1/4	
11	1001193018	1	Bracket	
12	3251242	2	Decal - 240V/50Hz	
13	1001205958	3	Terminal (Not Shown)	

SECTION 8 - ELECTRICAL

FIGURE 8-12. AC BOX AT PLATFORM INSTALLATION - 220V CUSTOMER SUPPLIED COMPONENTS
(AUSTRALIAN, CE & UK CA SPECS)



ART_1001194365

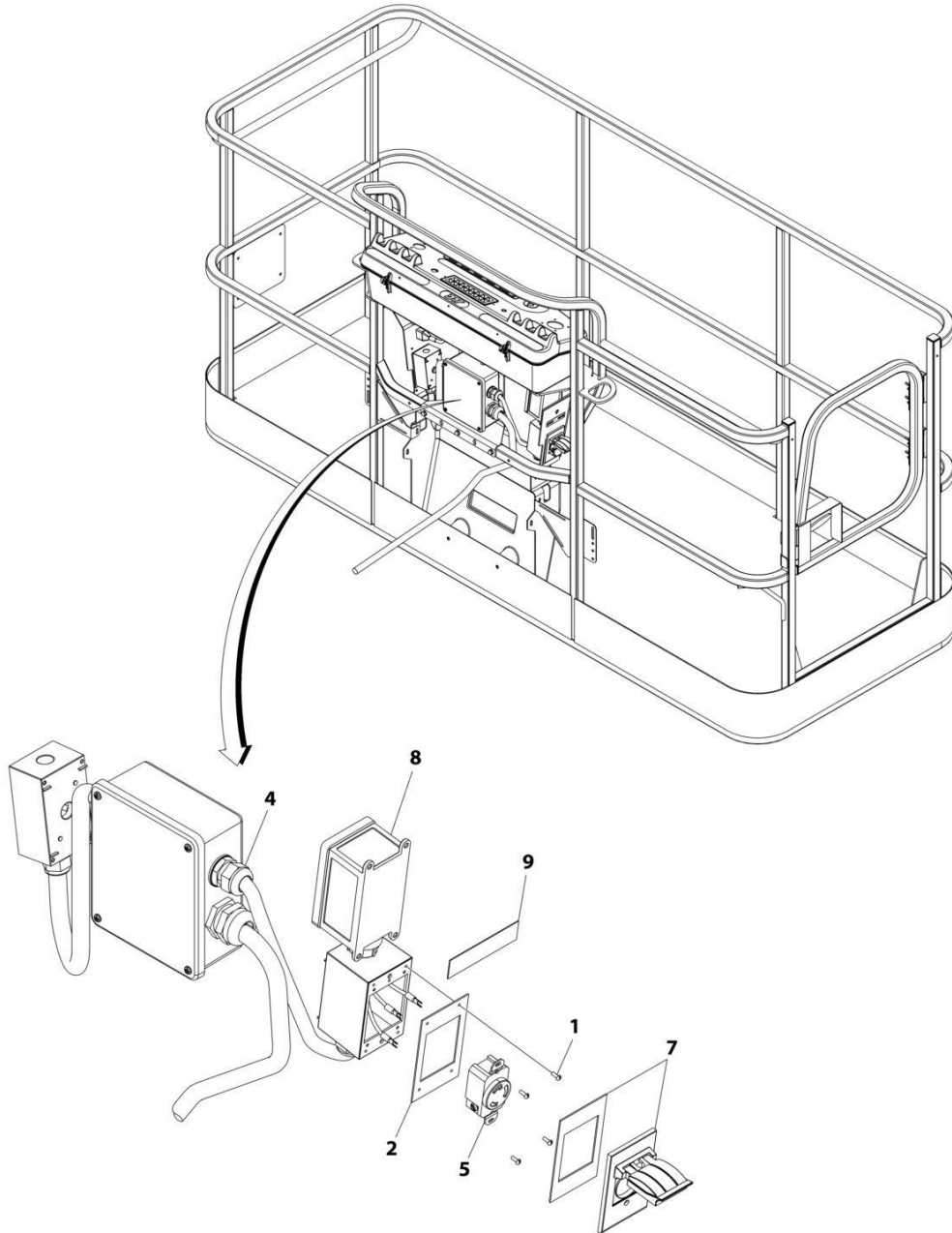
SECTION 8 - ELECTRICAL

**FIGURE 8-12. AC BOX AT PLATFORM INSTALLATION - 220V CUSTOMER SUPPLIED COMPONENTS
(AUSTRALIAN, CE & UK CA SPECS)**

ITEM	PART NUMBER	QTY	DESCRIPTION	REV
	1001194365	Ref	AC BOX AT PLATFORM INSTALLATION - BOX WITH COVER (2X4 BOX)	A
1	0100020	AR	Sealant	
2	0641416	2	Bolt 1/4 x 2	
3	0700408	4	Bolt M4 x 16	
4	0861731	1	Box, Switch	
5	1670603	1	Cover	
6	3251242	1	Decal - 240V/50Hz	
7	3290405	4	Nut M4	
8	3311405	2	Nut 1/4	
9	4460384	3	Terminal (Not Shown)	
10	4460662	1	Connector, Strain Relief	
11	4711400	4	Washer 1/4	
12	4811400	8	Washer M4	
13	1001193018	1	Bracket, AC Receptacle	

SECTION 8 - ELECTRICAL

FIGURE 8-13. AC BOX AT PLATFORM INSTALLATION - 240V (WITH 4000W GENERATOR) (ANSI, ANSI EXPORT, CSA AND JAPANESE SPECS)



ART_1001171131

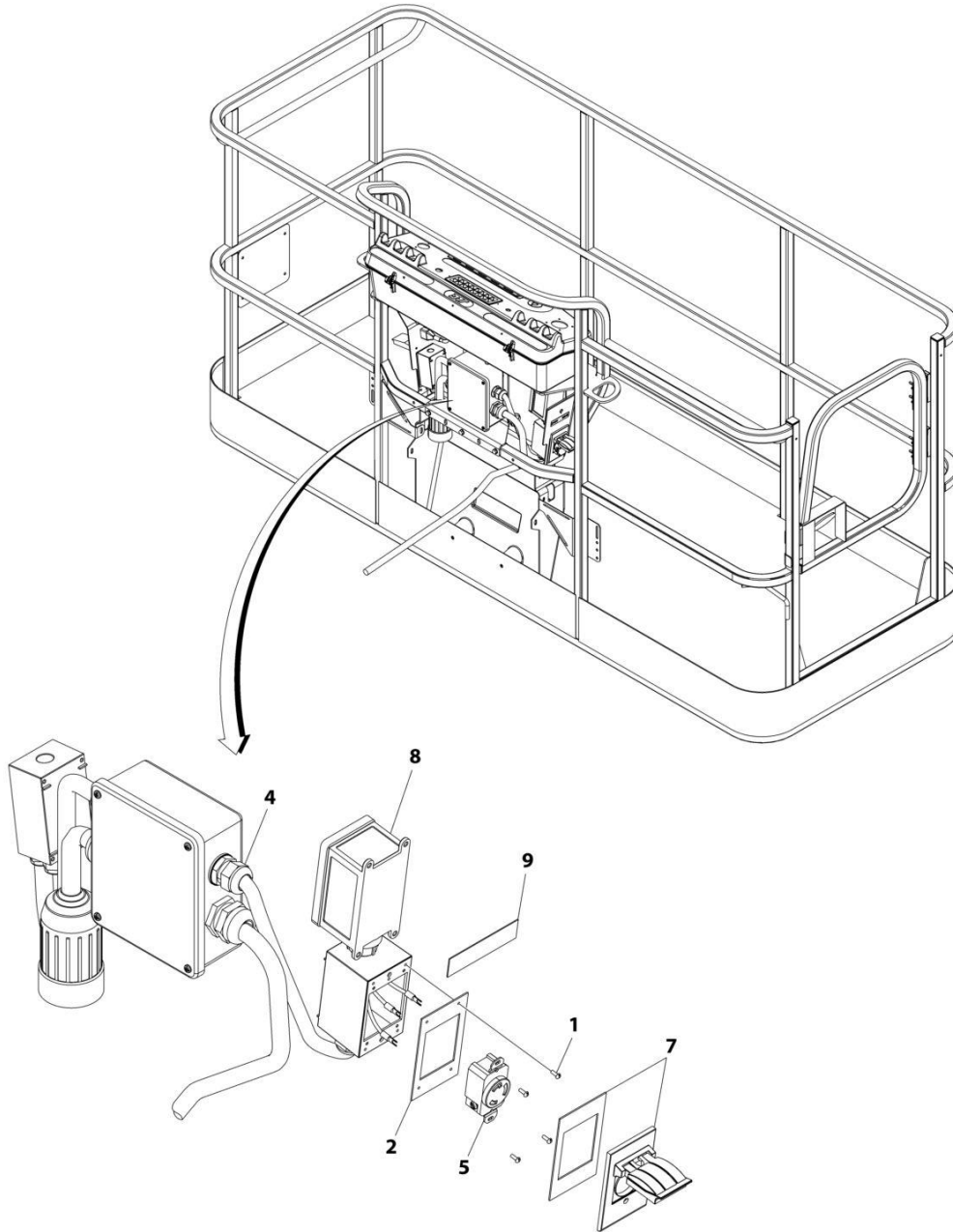
SECTION 8 - ELECTRICAL

FIGURE 8-13. AC BOX AT PLATFORM INSTALLATION - 240V (WITH 4000W GENERATOR) (ANSI, ANSI EXPORT, CSA AND JAPANESE SPECS)

ITEM	PART NUMBER	QTY	DESCRIPTION	REV
	1001171131	Ref	AC BOX AT PLATFORM INSTALLATION - 240V RECEPTACLE	B
1	3910606	4	Screw 6 x 3/8	
2	3960422	1	Gasket	
3	4240018	AR	Tie-Strap (Not Shown)	
4	4460425	1	Connector, Strain Relief	
5	1001176862	1	Receptacle	
7	1001110872	1	Cover, Receptacle	
8	1001159120	1	Receptacle/Breaker Box Assembly	
8	1001148675	1	Box, Receptacle	
8	1001159118	1	Breaker GFCI 30Amp 240VAC	
8	4460612	1	Connector, Strain Relief	
8	1001159119	1	Connector (Between Boxes)	
9	1705374	1	Decal - 240V/60Hz	

SECTION 8 - ELECTRICAL

FIGURE 8-14. AC BOX AT PLATFORM INSTALLATION - 240V (WITH 7500W SKYPOWER GENERATOR) (ANSI, ANSI EXPORT, CSA AND JAPANESE SPECS)



ART_1001159121

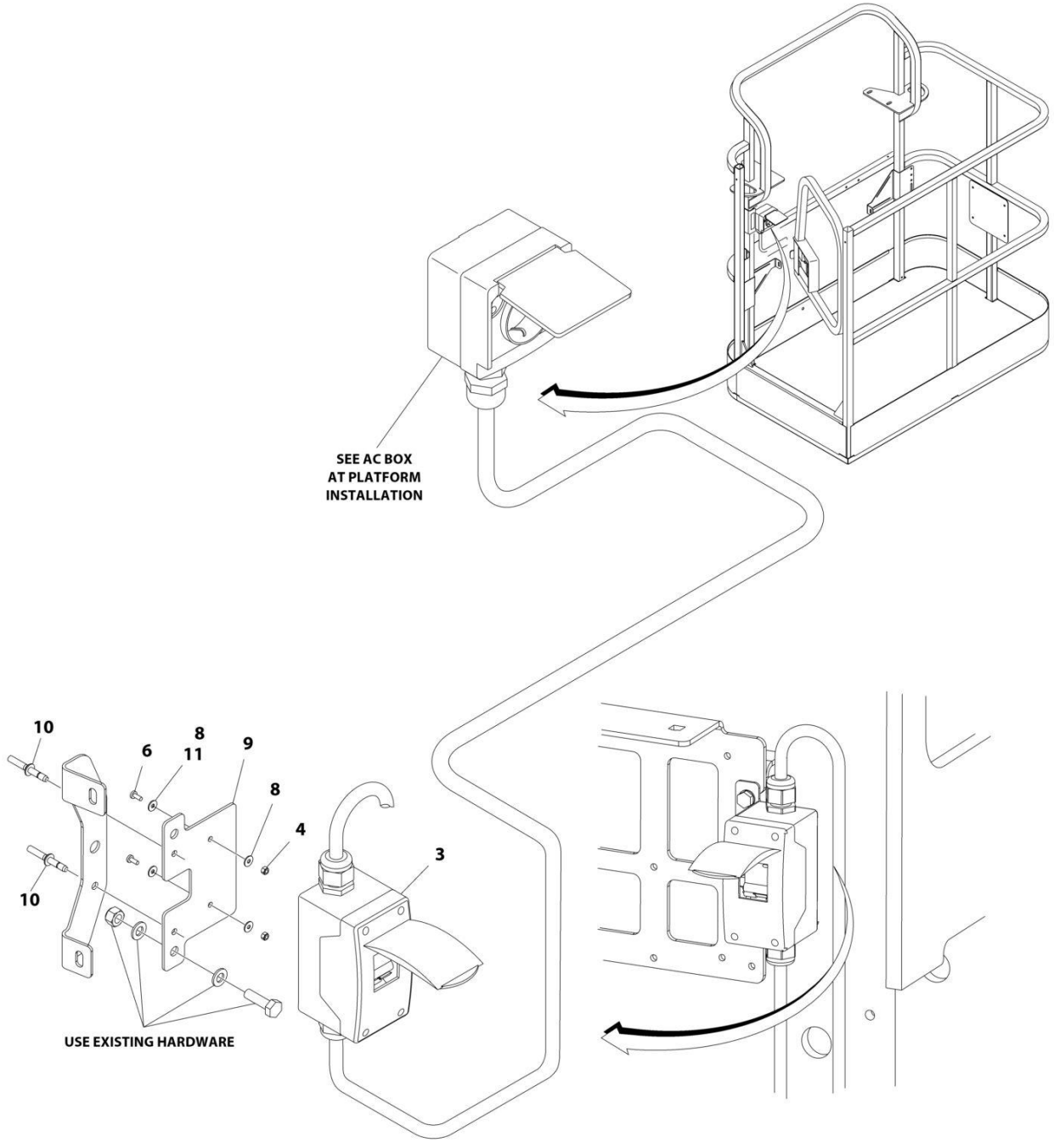
SECTION 8 - ELECTRICAL

FIGURE 8-14. AC BOX AT PLATFORM INSTALLATION - 240V (WITH 7500W SKYPOWER GENERATOR) (ANSI, ANSI EXPORT, CSA AND JAPANESE SPECS)

ITEM	PART NUMBER	QTY	DESCRIPTION	REV
	1001159121	Ref	AC BOX AT PLATFORM INSTALLATION - 240V RECEPTACLE	B
1	3910606	4	Screw 6 x 3/8	
2	3960422	1	Gasket	
3	4240018	AR	Tie-Strap (Not Shown)	
4	4460425	1	Connector, Strain Relief	
5	4460958	1	Receptacle	
7	1001110872	1	Cover, Receptacle	
8	1001159120	1	Receptacle/Breaker Box Assembly	
8	1001148675	1	Box, Receptacle	
8	1001159118	1	Breaker Box Assembly	
8	4460612	1	Connector, Strain Relief	
8	1001159119	1	Connector (Between Boxes)	
9	1705374	1	Decal - 240V/60Hz	

SECTION 8 - ELECTRICAL

FIGURE 8-15. AC CABLE INSTALLATION - WITH TWO BREAKERS (CE, RUSSIA & UK CA SPECS)



ART_1001167312

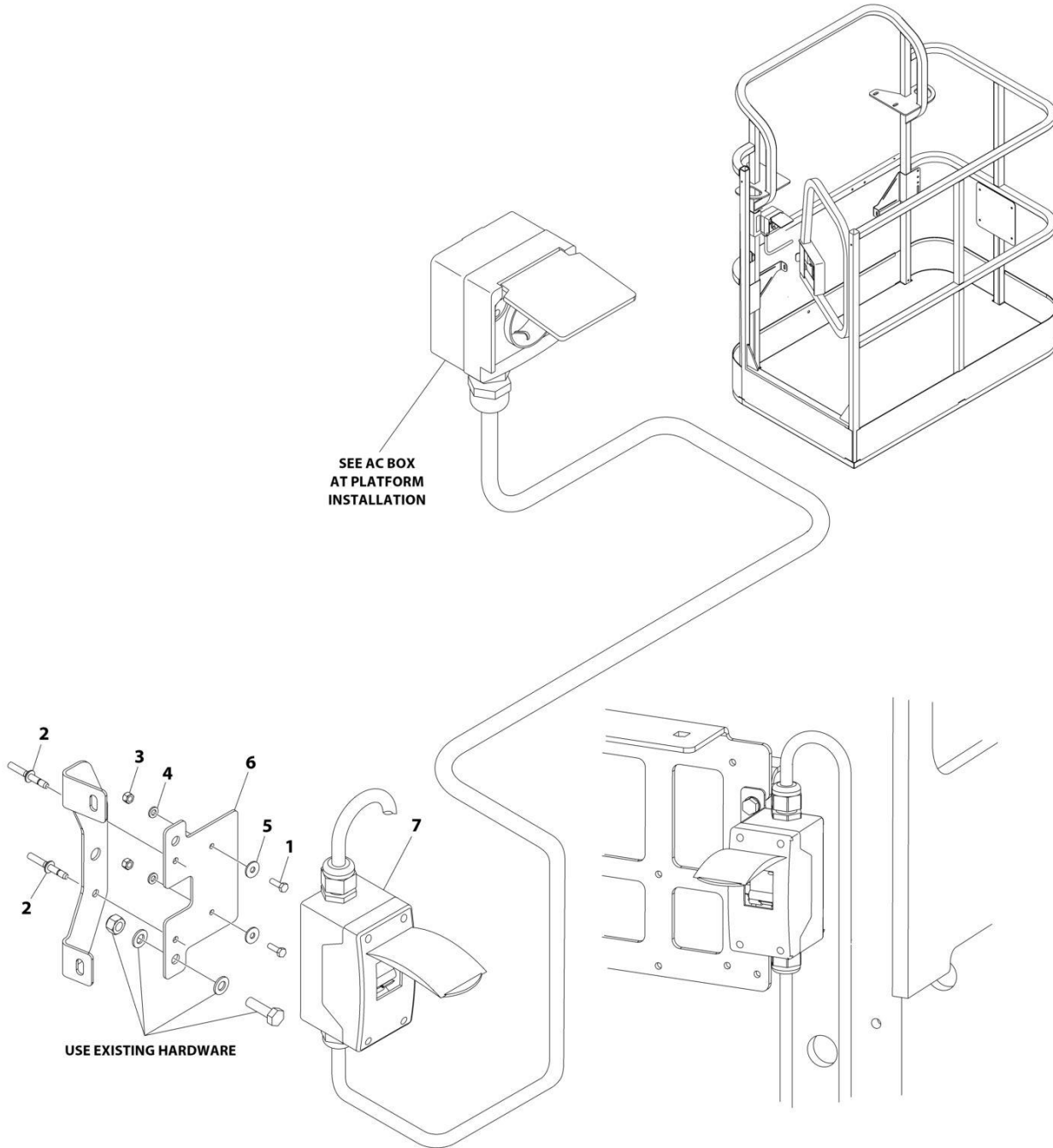
SECTION 8 - ELECTRICAL

FIGURE 8-15. AC CABLE INSTALLATION - WITH TWO BREAKERS (CE, RUSSIA & UK CA SPECS)

ITEM	PART NUMBER	QTY	DESCRIPTION	REV
	1001167312	Ref	AC CABLE INSTALLATION - WITH TWO BREAKERS	G
3	2902549	1	Breaker Box Kit - CE Spec (See Separate Breakdown in this Section)	
4	3290405	2	Nut M4	
4	3290605	2	Nut M6	
6	4010405	AR	Screw M4 x 10	
6	0760610	AR	Screw M6 x 20	
6	0760614	AR	Screw M6 x 30	
8	1001091102	2	Washer M4	
8	4811700	AR	Washer M6	
9	1001174158	1	Bracket	
10	2080040	2	Fastener, Huck	
11	4811702	2	Washer M6	

SECTION 8 - ELECTRICAL

FIGURE 8-16. AC CABLE INSTALLATION - WITH TWO BREAKERS (MACHINES WITH SN STARTING WITH B3)



ART_1001291599

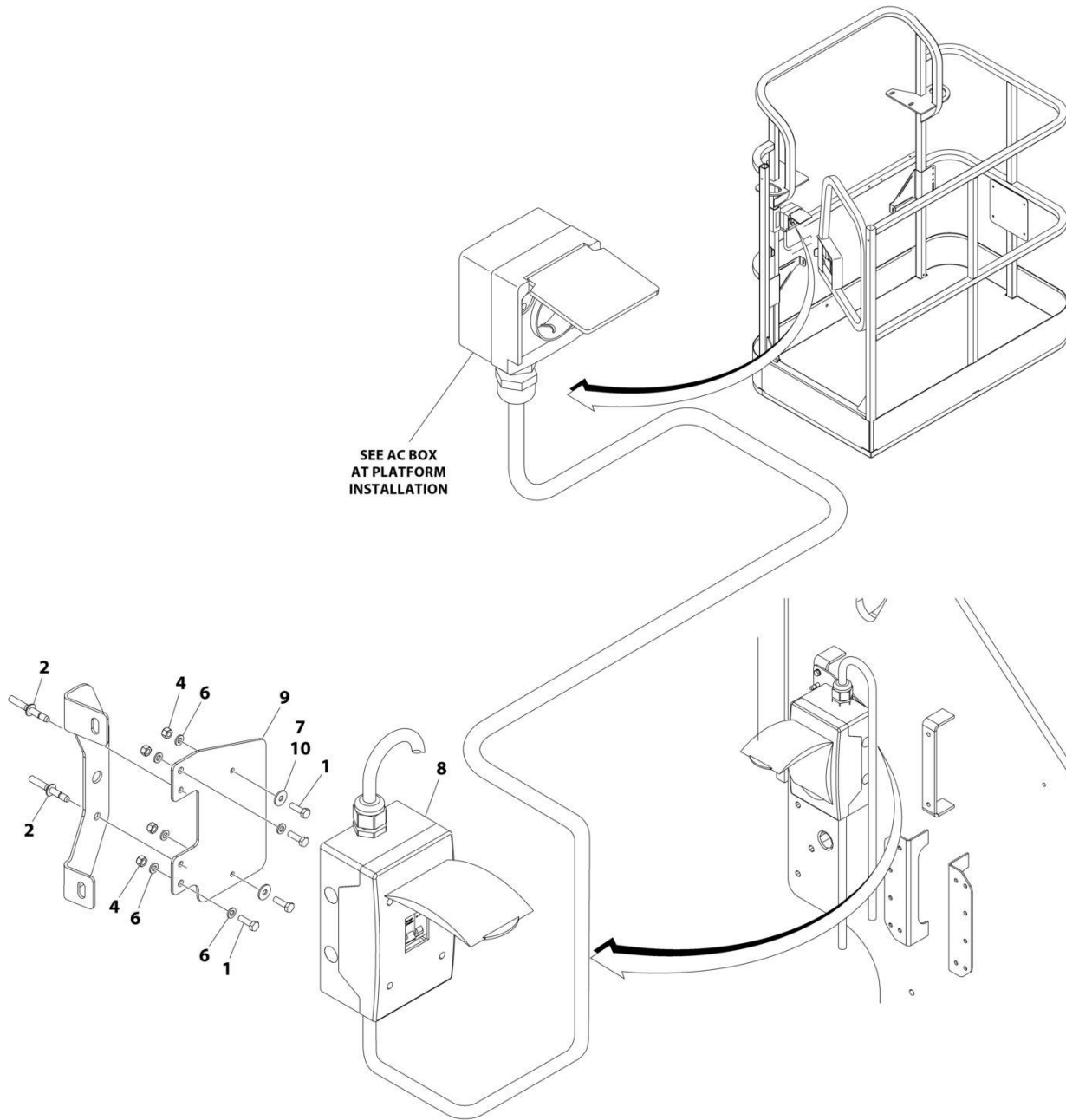
SECTION 8 - ELECTRICAL

FIGURE 8-16. AC CABLE INSTALLATION - WITH TWO BREAKERS (MACHINES WITH SN STARTING WITH B3)

ITEM	PART NUMBER	QTY	DESCRIPTION	REV
	1001291599	Ref	AC CABLE INSTALLATION - WITH TWO BREAKERS	A
1	0760610	2	Screw M6 x 20	
2	2080040	2	Fastener, Huck	
3	3290605	2	Nut M6	
4	4811700	2	Washer M6	
5	4811702	2	Washer M6	
6	1001174158	1	Bracket	
7	1001289592	1	Breaker Box Kit - CE Spec (See Separate Breakdown in this Section)	

SECTION 8 - ELECTRICAL

FIGURE 8-17. AC CABLE INSTALLATION - WITH THREE BREAKERS (CE, RUSSIA & UK CA SPECS)



ART_1001209677

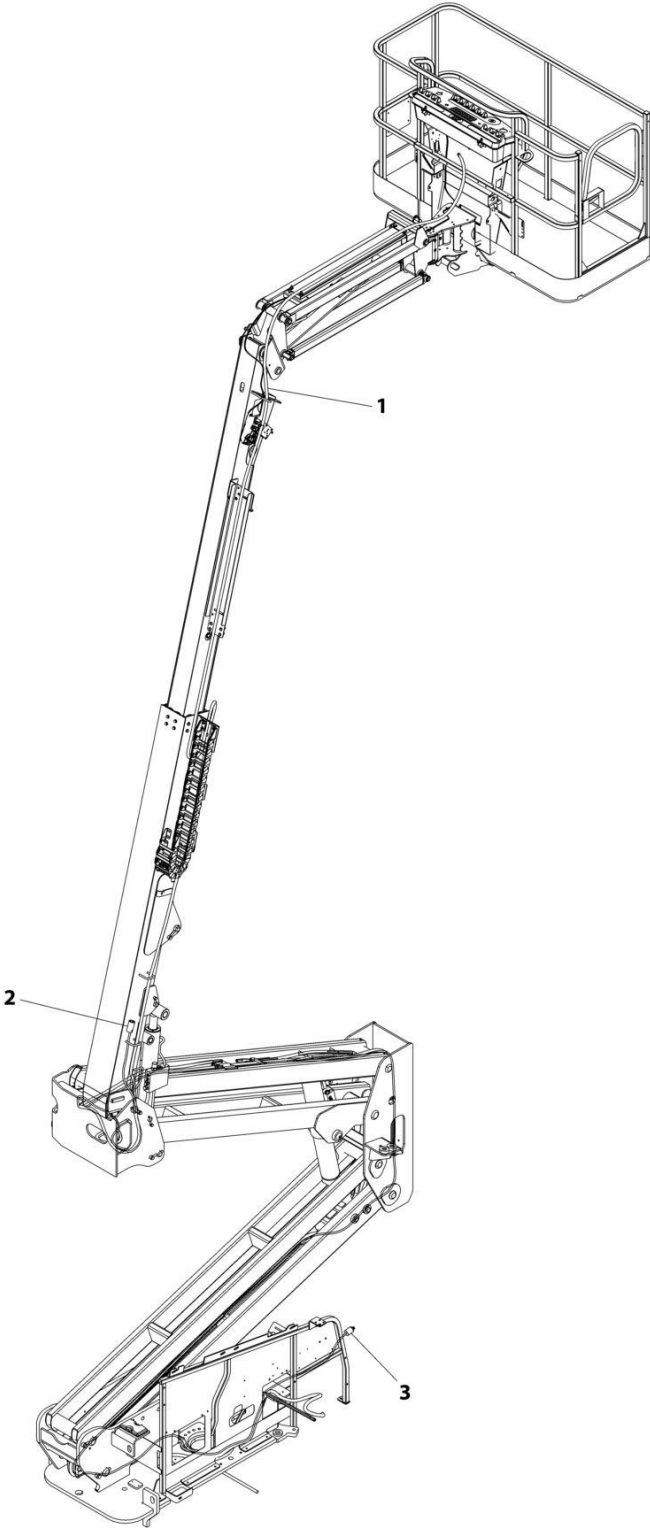
SECTION 8 - ELECTRICAL

FIGURE 8-17. AC CABLE INSTALLATION - WITH THREE BREAKERS (CE, RUSSIA & UK CA SPECS)

ITEM	PART NUMBER	QTY	DESCRIPTION	REV
	1001209677	Ref	AC CABLE INSTALLATION - WITH THREE BREAKERS	B
1	0760610	AR	Bolt M6 x 20	
1	4010405	AR	Bolt M4 x 10	
2	2080040	AR	Fastener, Huck	
4	3290605	AR	Nut M6	
6	4811700	4	Washer M6	
7	1001091102	AR	Washer M4	
8	1001152485	1	Breaker Box Kit (See Separate Breakdown in this Section)	
9	1001209832	1	Bracket	
10	4811702	AR	Washer M6	

SECTION 8 - ELECTRICAL

FIGURE 8-18. AC CABLE AND PLUG INSTALLATION (MACHINES WITH SN STARTING WITH B3)



ART_1001265275

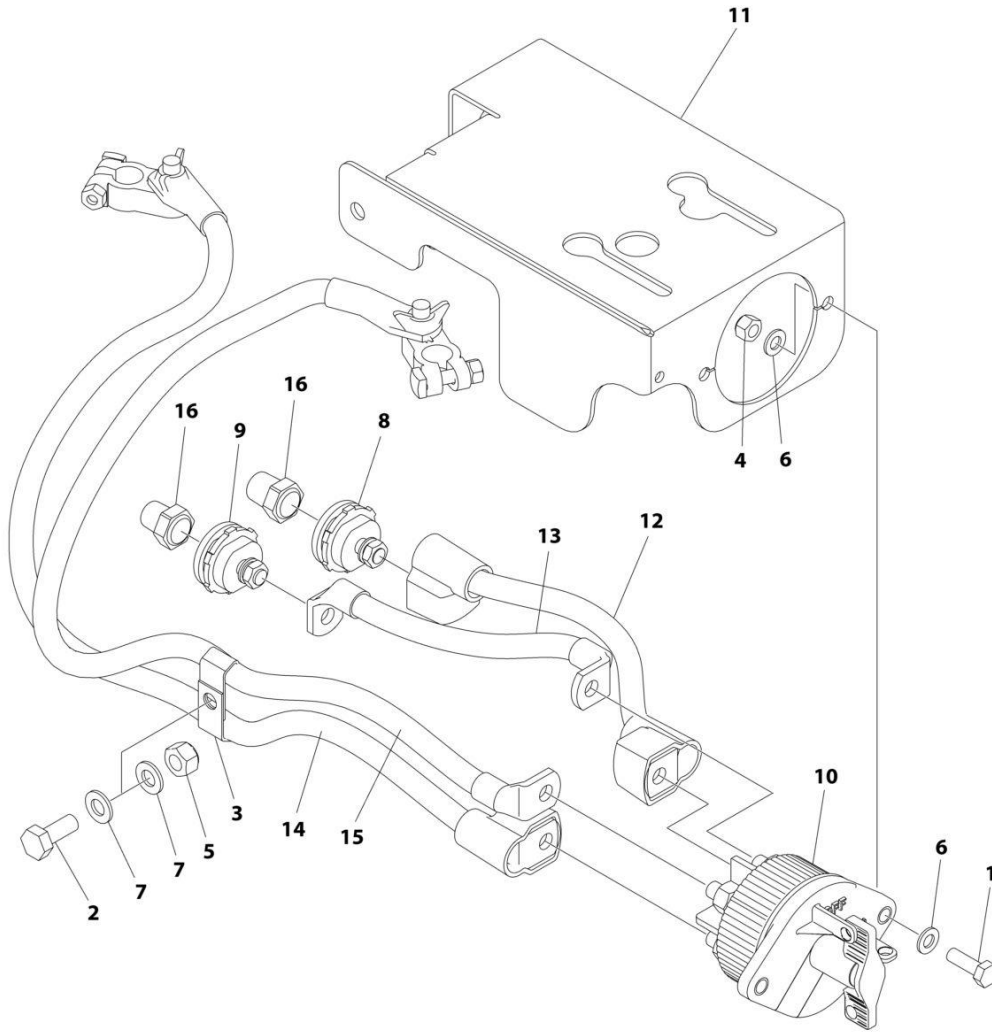
SECTION 8 - ELECTRICAL

FIGURE 8-18. AC CABLE AND PLUG INSTALLATION (MACHINES WITH SN STARTING WITH B3)

ITEM	PART NUMBER	QTY	DESCRIPTION	REV
1	1001265275	Ref	AC CABLE AND PLUG INSTALLATION	A
	1001164731	1	Harness, Main Boom AC Cable (See Separate Breakdown in this Section)	
2	1001174749	1	Harness, Tower Boom AC Cable (See Separate Breakdown in this Section)	
3	1001187816	1	Plug, Male	

SECTION 8 - ELECTRICAL

FIGURE 8-19. BATTERY DISCONNECT SWITCH



ART_1001214397

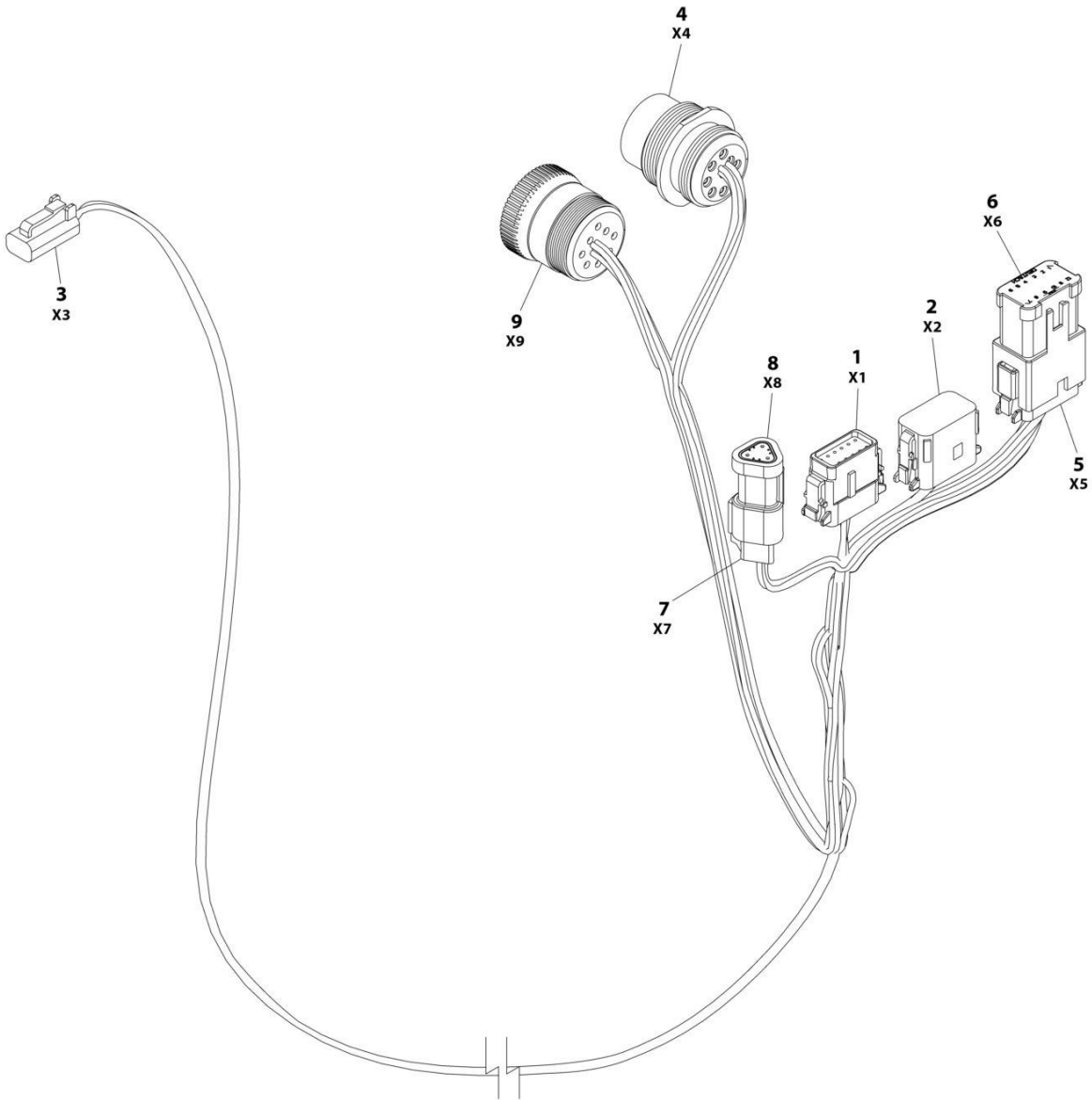
SECTION 8 - ELECTRICAL

FIGURE 8-19. BATTERY DISCONNECT SWITCH

ITEM	PART NUMBER	QTY	DESCRIPTION	REV
	1001214397	Ref	BATTERY DISCONNECT SWITCH	A
1	0760812	2	Bolt M8 x 25	
2	0761012	1	Bolt M10 x 25	
3	1320223	2	Clamp	
4	3290805	2	Nut M8	
5	3291005	1	Nut M10	
6	4811900	4	Washer M8	
7	4812000	2	Washer M10	
8	1001214570	1	Connector (Red)	
9	1001214571	1	Connector (Black)	
10	1001225346	1	Switch	
11	1001226530	1	Mount	
12	1001237878	1	Cable, Battery Disconnect (Positive)	
13	1001237879	1	Cable, Battery Disconnect (Negative)	
14	1001237880	1	Cable (Positive)	
15	1001237881	1	Cable (Negative)	
16	1001206476	1	Connector	

SECTION 8 - ELECTRICAL

FIGURE 8-20. BEACON LIGHT HARNESS (BLUE AND RED BEACON LIGHT)



ART_1001142736

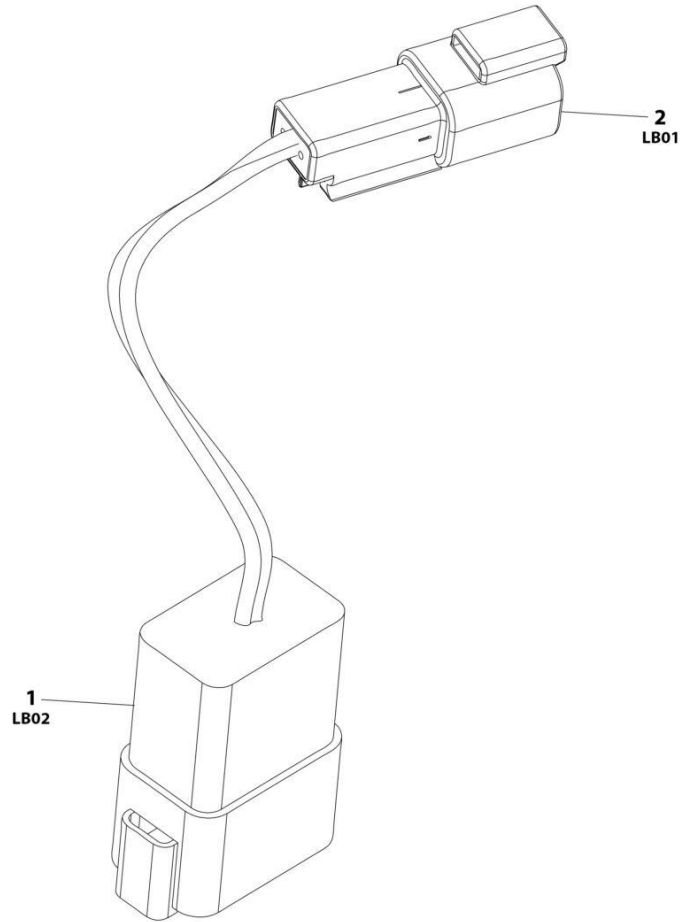
SECTION 8 - ELECTRICAL

FIGURE 8-20. BEACON LIGHT HARNESS (BLUE AND RED BEACON LIGHT)

ITEM	PART NUMBER	QTY	DESCRIPTION	REV
	1001142736	Ref	STROBE LIGHT HARNESS	F
1	1001116808	1	Plug, Male - 12 Position	
1	4460928	3	Socket, Female	
1	4460518	9	Plug, Terminal	
2	1001116774	1	Plug, Male - 12 Position	
2	4460928	3	Socket, Female	
2	4460518	9	Plug, Terminal	
3	4460891	1	Plug, Male - 2 Position	
3	4460465	2	Socket, Female	
4	1001112612	1	Connector - 9 Position	
4	4460464	6	Pin, Male	
4	4460466	3	Plug, Terminal	
5	4460933	1	Plug, Male - 12 Position	
5	4460465	12	Socket, Female	
6	1001119020	1	Bussbar - 12 Position	
7	4461095	1	Plug, Male - 3 Position	
7	4460465	3	Socket, Female	
8	4461070	1	Bussbar - 3 Position	
9	1001112796	1	Connector - 9 Position	
9	4460465	6	Socket, Female	
9	4460466	3	Plug, Terminal	

SECTION 8 - ELECTRICAL

FIGURE 8-21. BEACON JUMPER HARNESS



ART_1001283776

SECTION 8 - ELECTRICAL

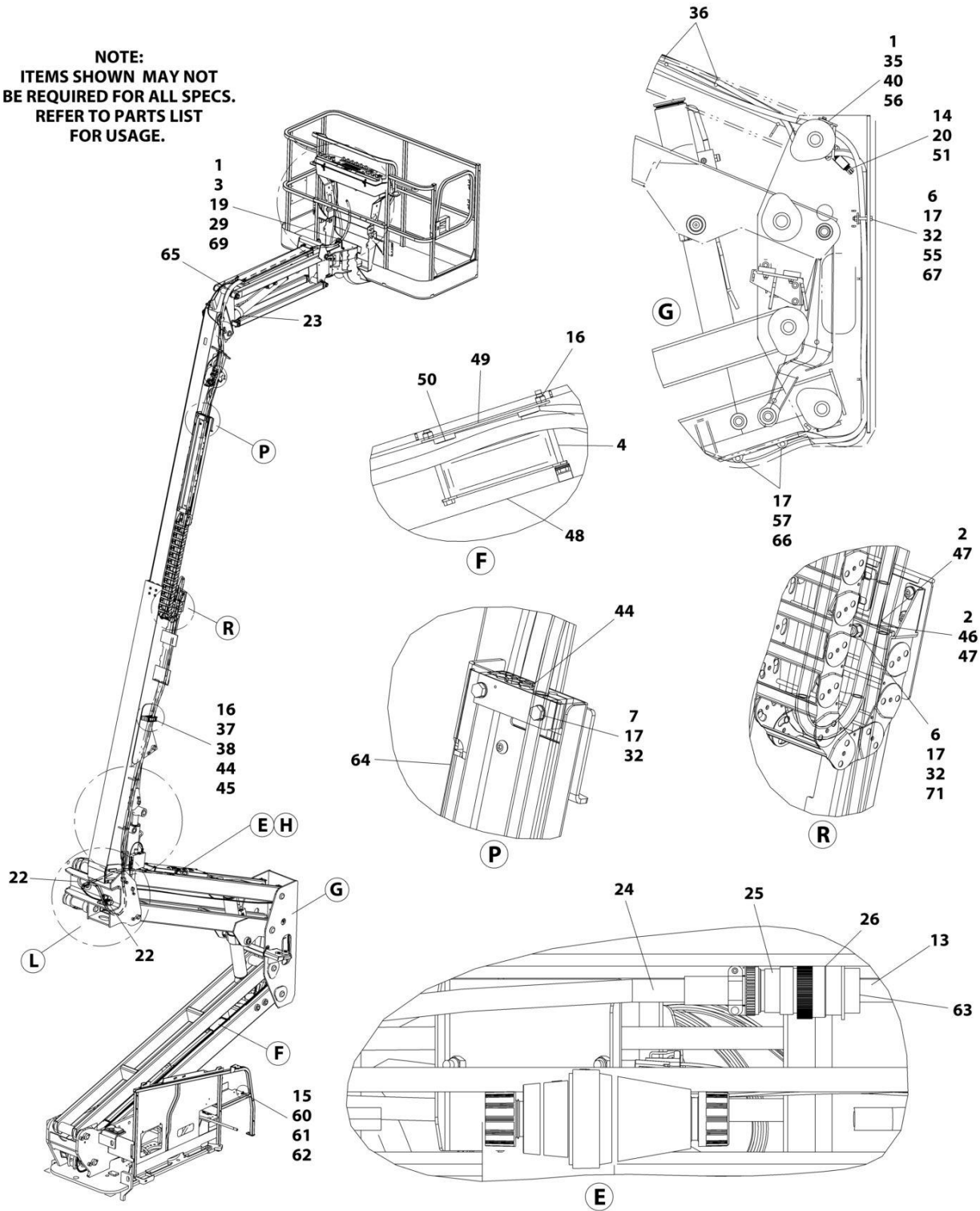
FIGURE 8-21. BEACON JUMPER HARNESS

ITEM	PART NUMBER	QTY	DESCRIPTION	REV
	1001283776	Ref	STROBE LIGHT HARNESS (AMBER)	A
1	4460931	1	Connector	
1	4460464	2	Pin	
1	4460466	6	Plug	
2	4460897	1	Connector	
2	4460464	2	Pin	

SECTION 8 - ELECTRICAL

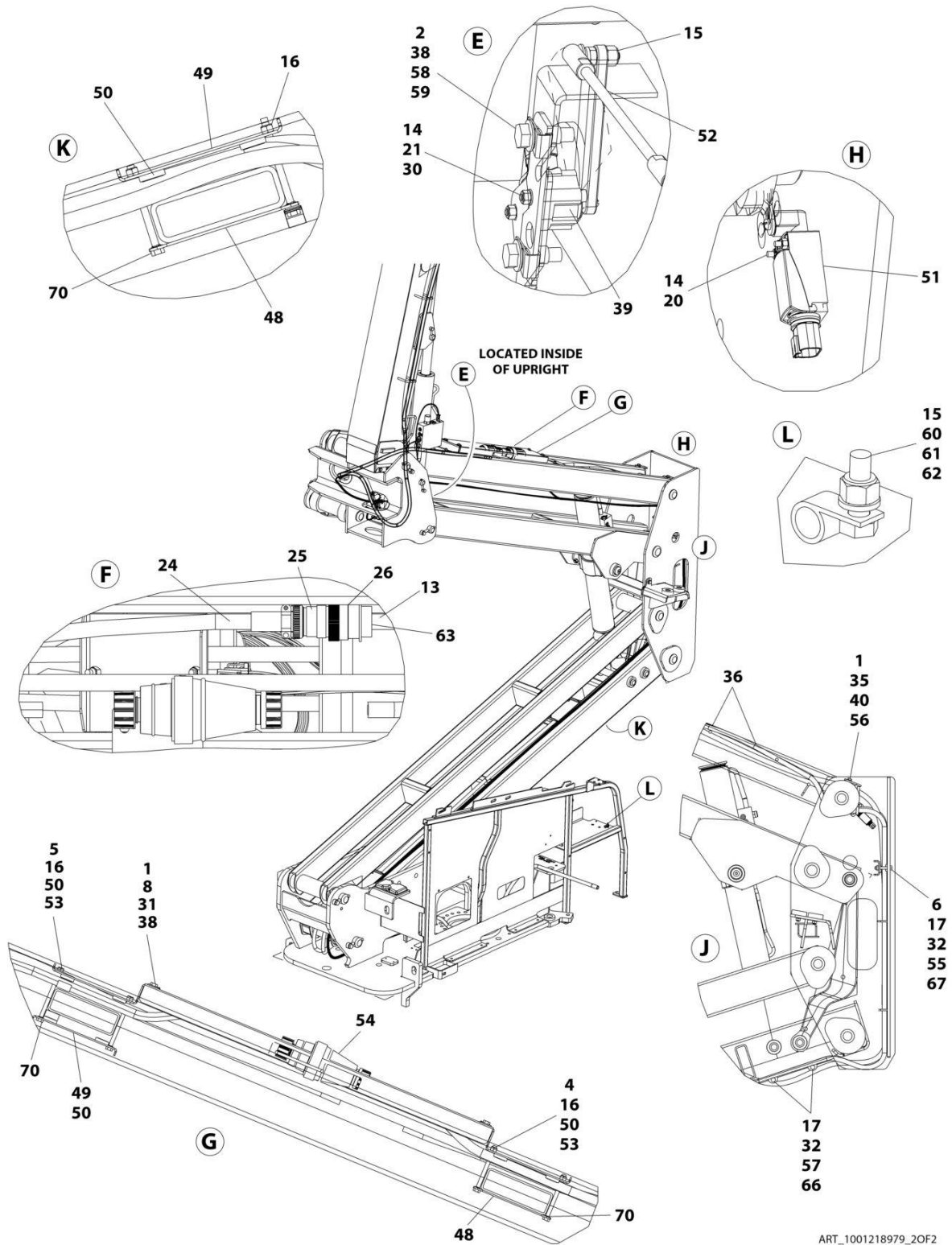
FIGURE 8-22. BOOM CABLES AND CLAMPS INSTALLATION - (WITHOUT ARCTIC PACKAGE) (450A)

NOTE:
ITEMS SHOWN MAY NOT
BE REQUIRED FOR ALL SPECS.
REFER TO PARTS LIST
FOR USAGE.



ART_1001218979_10F2

SECTION 8 - ELECTRICAL



ART_1001218979_20F2

SECTION 8 - ELECTRICAL

FIGURE 8-22. BOOM CABLES AND CLAMPS INSTALLATION - (WITHOUT ARCTIC PACKAGE) (450A)

ITEM	PART NUMBER	QTY	DESCRIPTION	REV
	1001218979	Ref	BOOM CABLES AND CLAMPS INSTALLATION (WITHOUT ARCTIC PACKAGE)	D
	1001219001	Ref	BOOM CABLES AND CLAMPS INSTALLATION KIT (WITHOUT ARCTIC PACKAGE)	G
1	0100011	AR	Compound, Locking	
2	0100081	AR	Adhesive	
3	0641509	2	Bolt 5/16 x 1-1/8	
4	0700827	6	Bolt M8 x 100	
5	0700828	2	Bolt M8 x 110	
6	0701021	3	Bolt M10 x 65	
7	0701024	4	Bolt M10 x 80	
8	0760812	4	Bolt M8 x 25	
13	2820031	AR	Heat Shrink	
14	3290405	4	Nut M4	
15	3290605	3	Nut M6	
16	3290805	10	Nut M8	
17	3291005	9	Nut M10	
19	3841340	1	Loop, Hose	
20	4010418	2	Screw M4 x 50	
21	4031511	2	Capscrew M4 x 35	
22	4060808	27.5 in /8.4m	Flex-Trim	
23	4240156	1	Strap, Clinch	
24	4460473	AR	Clamp, Cable	
25	4460865	1	Connector - 19 Position	
26	4460866	1	Connector - 19 Position	
29	4711500	1	Washer 5/16	
30	4811400	2	Washer M4	
31	4811902	4	Washer M8	
32	4812000	13	Washer M10	
33	1001176951	1	Harness, Tower Boom (Not Shown - See Separate Breakdown in this Section)	
34	1001174749	1	Harness, Tower Boom AC Cable (Not Shown - See Separate Breakdown in this Section)	
35	5251014	2	Bolt M10 x 30	
36	8881800	AR	Tie-Strap	
37	5281920	2	Screw M8 x 80	
37	5281918	2	Bolt M8 x 70	
38	1001118274	8	Nut M8	
39	1001118971	1	Sensor, Angle	
39	70005667	1	Arm	
40	1001118972	2	Nut M10	
41	1001172335	1	Harness, Main Boom (Not Shown - See Separate Breakdown in this Section)	
42	1001172336	1	Harness, Main Boom AC Cable (Not Shown - See Separate Breakdown in this Section)	
43	1001164738	1	Harness, Boom Valve (Not Shown - See Separate Breakdown in this Section)	
44	1001273302	3	Block, Clamping	
45	1001273303	1	Plate	
46	1001168472	1	Plate, Clamping	

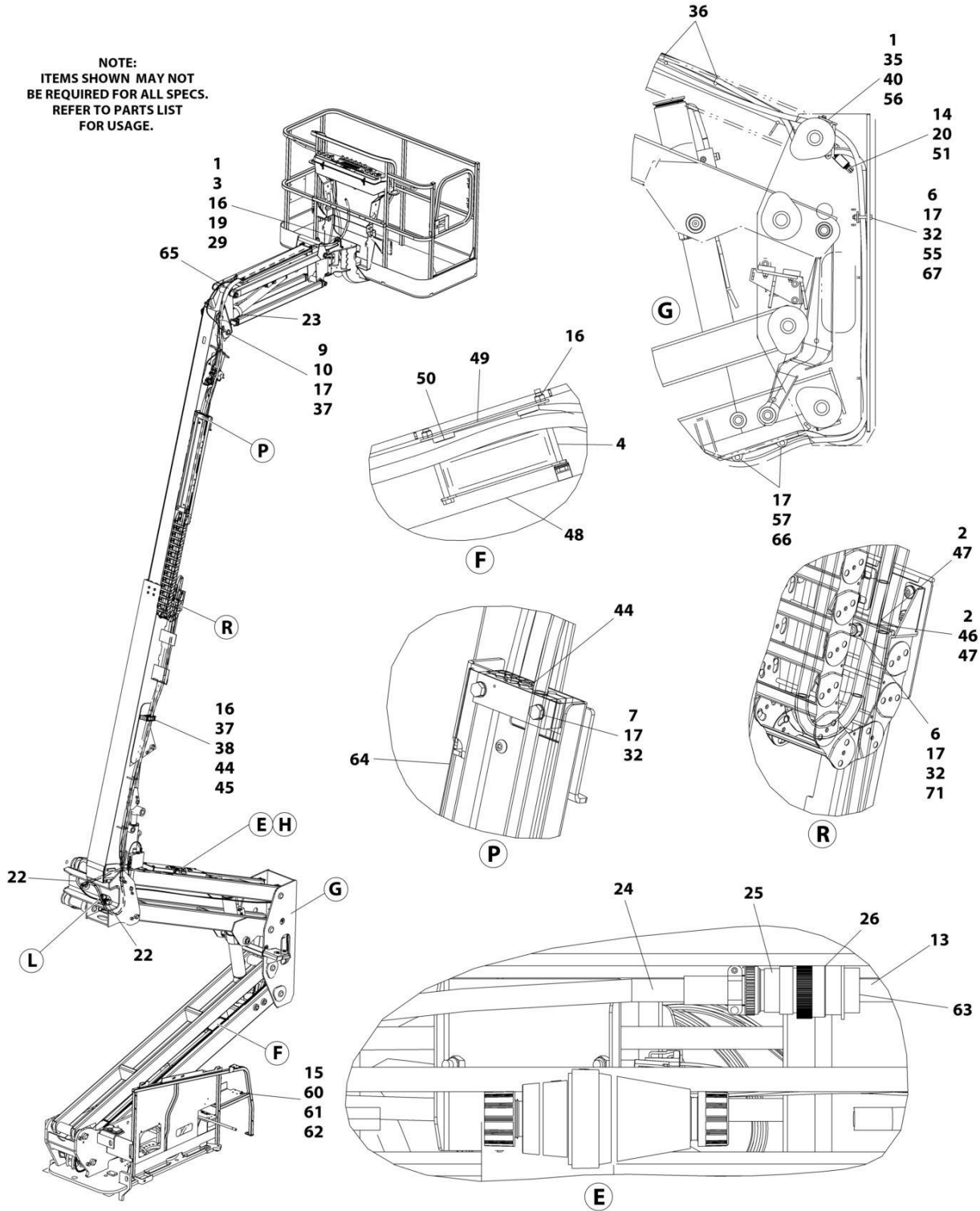
SECTION 8 - ELECTRICAL

ITEM	PART NUMBER	QTY	DESCRIPTION	REV
47	1001168473	2	Clamp, Rubber	
48	1001171553	3	Plate, Clamping	
49	1001171555	3	Plate, Clamping	
50	1001171559	10	Pad	
51	1001284504	1	Switch, Limit	
52	1001238466	1	Link, Sensor (Note: Sold as Assembly Only)	
53	1001178448	2	Plate, Clamping	
54	1001178449	1	Cover	
55	1001178644	1	Plate	
56	1001260306	1	Bracket	
57	1001182561	2	Roller	
58	5250812	2	Bolt M8 x 25	
59	1001179266	1	Plate, Mounting	
60	0760610	1	Bolt M6 x 20	
61	1320043	1	Clamp	
62	4811700	1	Washer M6	
63	4460466	AR	Plug, Terminal	
64	1001181875	1	Cover	
65	1001181923	1	Shield, Hose	
66	1001119280	2	Bolt M10 x 260	
67	1001185747	2	Pad	
69	88521205	2	Nut 5/16	
70	1001119228	8	Nut M8	
71	8310070	1	Pushnut 3/8	

SECTION 8 - ELECTRICAL

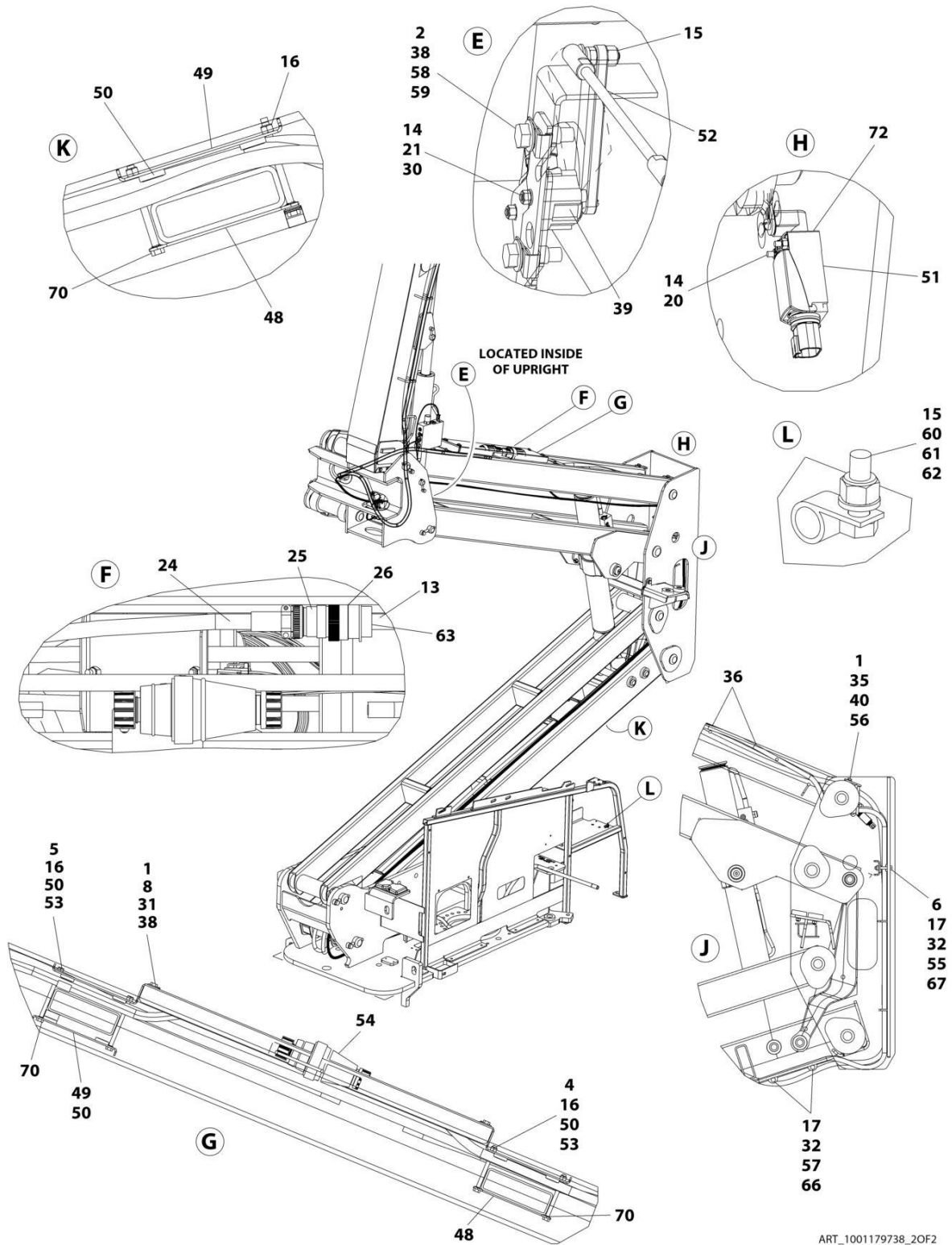
FIGURE 8-23. BOOM CABLES AND CLAMPS INSTALLATION - (WITHOUT ARCTIC PACKAGE)
(450AJ)

NOTE:
ITEMS SHOWN MAY NOT
BE REQUIRED FOR ALL SPECS.
REFER TO PARTS LIST
FOR USAGE.



ART_1001179738_10F2

SECTION 8 - ELECTRICAL



ART_1001179738_20F2

SECTION 8 - ELECTRICAL

**FIGURE 8-23. BOOM CABLES AND CLAMPS INSTALLATION - (WITHOUT ARCTIC PACKAGE)
(450AJ)**

ITEM	PART NUMBER	QTY	DESCRIPTION	REV
	1001179738	Ref	BOOM CABLES AND CLAMPS INSTALLATION	O
1	0100011	AR	Compound, Locking	
2	0100081	AR	Adhesive	
3	0760814	2	Bolt M8 x 30	
4	0700827	6	Bolt M8 x 100	
5	0700828	2	Bolt M8 x 110	
6	0701021	3	Bolt M10 x 65	
7	0701024	4	Bolt M10 x 80	
8	0760812	4	Bolt M8 x 25	
9	0761012	1	Bolt M10 x 25	
10	1320130	1	Clamp	
13	2820031	AR	Heat Shrink	
14	3290405	4	Nut M4	
15	3290605	3	Nut M6	
16	3290805	12	Nut M8	
17	3291005	10	Nut M10	
19	3841340	1	Loop, Hose	
20	4010418	2	Screw M4 x 50	
21	4031511	2	Capscrew M4 x 35	
22	4060808	27.5 in/ 8.38m	Flex-Trim	
23	4240156	2	Strap, Clinch	
24	4460473	AR	Clamp, Cable	
25	4460865	1	Connector - 19 Position	
26	4460866	1	Connector - 19 Position	
29	4811900	4	Washer M8	
30	4811400	2	Washer M4	
31	4811902	4	Washer M8	
32	4812000	13	Washer M10	
33	1001176951	1	Harness, Tower Boom (Not Shown - See Separate Breakdown in this Section)	
34	1001174749	1	Harness, Tower Boom AC Cable (Not Shown - See Separate Breakdown in this Section)	
35	5251014	2	Bolt M10 x 30	
36	8881800	AR	Tie-Strap	
37	5281920	2	Screw M8 x 80	
37	5281918	2	Bolt M8 x 70	
38	1001118274	8	Nut M8	
39	1001118971	1	Sensor, Angle	
39	70005667	1	Arm	
40	1001118972	2	Nut M10	
41	1001164730	1	Harness, Main Boom (Not Shown - See Separate Breakdown in this Section)	
42	1001164731	1	Harness, Main Boom AC Cable (Not Shown - See Separate Breakdown in this Section)	
43	1001164738	1	Harness, Boom Valve (Not Shown - See Separate Breakdown in this Section)	
44	1001273302	3	Block, Clamping	
45	1001273303	1	Plate	
46	1001168472	1	Plate, Clamping	

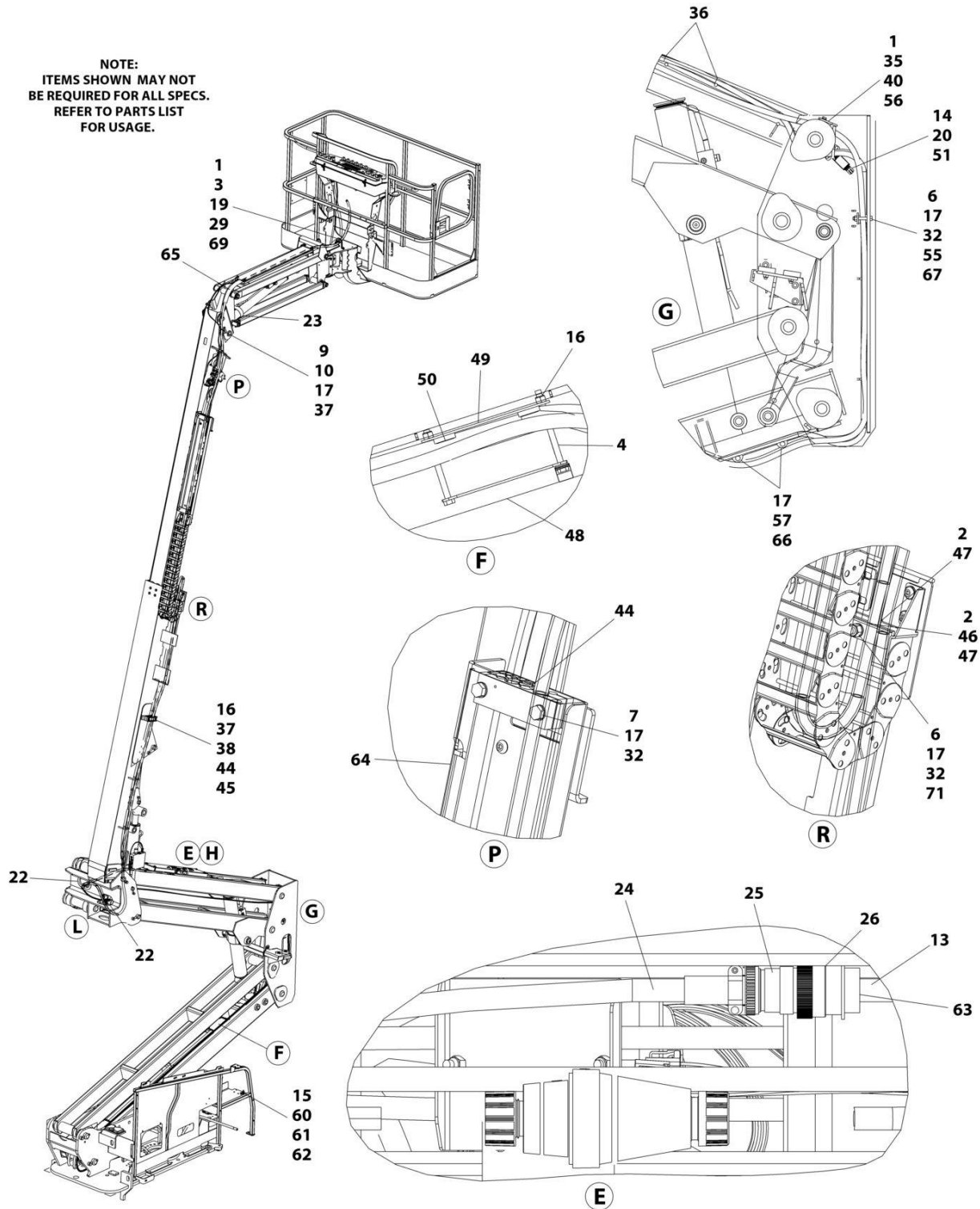
SECTION 8 - ELECTRICAL

ITEM	PART NUMBER	QTY	DESCRIPTION	REV
47	1001168473	2	Clamp, Rubber	
48	1001171553	3	Plate, Clamping	
49	1001171555	3	Plate, Clamping	
50	1001171559	10	Pad	
51	1001284504	1	Switch, Limit	
52	1001238466	1	Link, Sensor (Note: Sold as Assembly Only)	
53	1001178448	2	Plate, Clamping	
54	1001178449	1	Cover	
55	1001178644	1	Plate	
56	1001260306	1	Bracket	
57	1001182561	2	Roller	
58	5250812	2	Bolt M8 x 25	
59	1001179266	1	Plate, Mounting	
60	0760610	1	Bolt M6 x 20	
61	1320043	1	Clamp	
62	4811700	1	Washer M6	
63	4460466	AR	Plug, Terminal	
64	1001181621	1	Cover	
65	1001181923	1	Shield, Hose	
66	1001119280	2	Bolt M10 x 260	
67	1001185747	2	Pad	
70	1001119228	8	Nut M8	
71	8310070	1	Pushnut 3/8	
72	4750800	AR	Washer #8	

SECTION 8 - ELECTRICAL

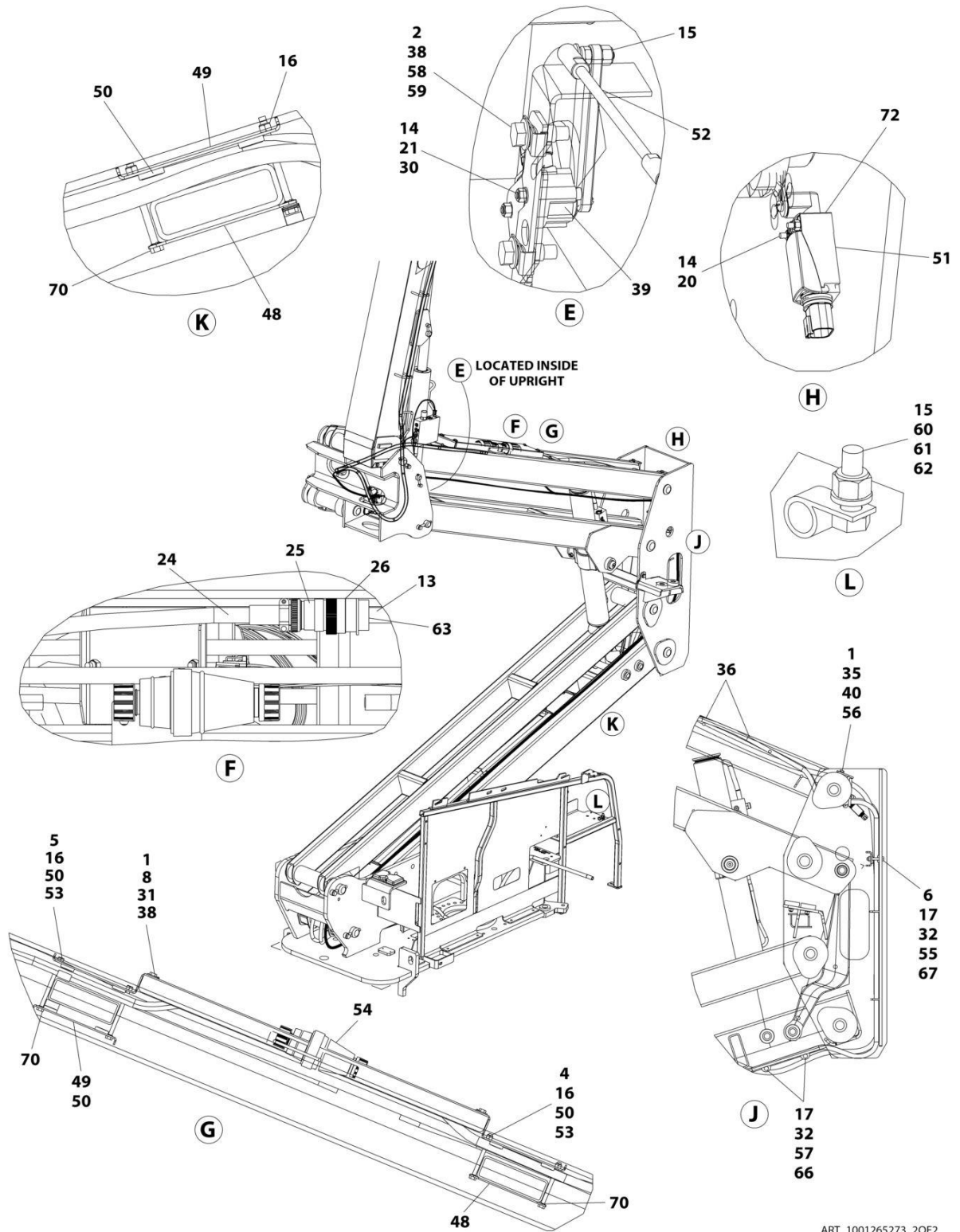
FIGURE 8-24. BOOM CABLES AND CLAMPS INSTALLATION - (WITHOUT ARCTIC PACKAGE AND AC CABLES) (MACHINES WITH SN STARTING WITH B3) (450AJ)

NOTE:
ITEMS SHOWN MAY NOT
BE REQUIRED FOR ALL SPECS.
REFER TO PARTS LIST
FOR USAGE.



ART_1001265273_10F2

SECTION 8 - ELECTRICAL



ART_1001265273_20F2

SECTION 8 - ELECTRICAL

FIGURE 8-24. BOOM CABLES AND CLAMPS INSTALLATION - (WITHOUT ARCTIC PACKAGE AND AC CABLES) (MACHINES WITH SN STARTING WITH B3) (450AJ)

ITEM	PART NUMBER	QTY	DESCRIPTION	REV
	1001265273	Ref	BOOM CABLES AND CLAMPS INSTALLATION	D
1	0100011	AR	Compound, Locking	
2	0100081	AR	Adhesive	
3	0760814	2	Bolt M8 x 30	
4	0700827	6	Bolt M8 x 100	
5	0700828	2	Bolt M8 x 110	
6	0701021	3	Bolt M10 x 65	
7	0701024	4	Bolt M10 x 80	
8	0760812	4	Bolt M8 x 25	
9	0761012	1	Bolt M10 x 25	
10	1320130	1	Clamp	
13	2820031	AR	Heat Shrink	
14	3290405	4	Nut M4	
15	3290605	3	Nut M6	
16	3290805	10	Nut M8	
17	3291005	10	Nut M10	
19	3841340	1	Loop, Hose	
20	4010418	2	Screw M4 x 50	
21	4031511	2	Capscrew M4 x 35	
22	4060808	27.5 in/ 8.38m	Flex-Trim	
23	4240156	2	Strap, Clinch	
24	4460473	AR	Clamp, Cable	
25	4460865	1	Connector - 19 Position	
26	4460866	1	Connector - 19 Position	
29	4711500	4	Washer 5/16	
30	4811400	2	Washer M4	
31	4811902	4	Washer M8	
32	4812000	13	Washer M10	
33	1001176951	1	Harness, Tower Boom (Not Shown - See Separate Breakdown in this Section)	
35	5251014	2	Bolt M10 x 30	
36	8881800	AR	Tie-Strap	
37	5281920	2	Screw M8 x 80	
37	5281918	2	Bolt M8 x 70	
38	1001118274	8	Nut M8	
39	1001118971	1	Sensor, Angle	
39	70005667	1	Arm	
40	1001118972	2	Nut M10	
41	1001164730	1	Harness, Main Boom (Not Shown - See Separate Breakdown in this Section)	
43	1001164738	1	Harness, Boom Valve (Not Shown - See Separate Breakdown in this Section)	
44	1001273302	3	Block, Clamping	
45	1001273303	1	Plate	
46	1001168472	1	Plate, Clamping	
47	1001168473	2	Clamp, Rubber	
48	1001171553	3	Plate, Clamping	
49	1001171555	3	Plate, Clamping	
50	1001171559	10	Pad	

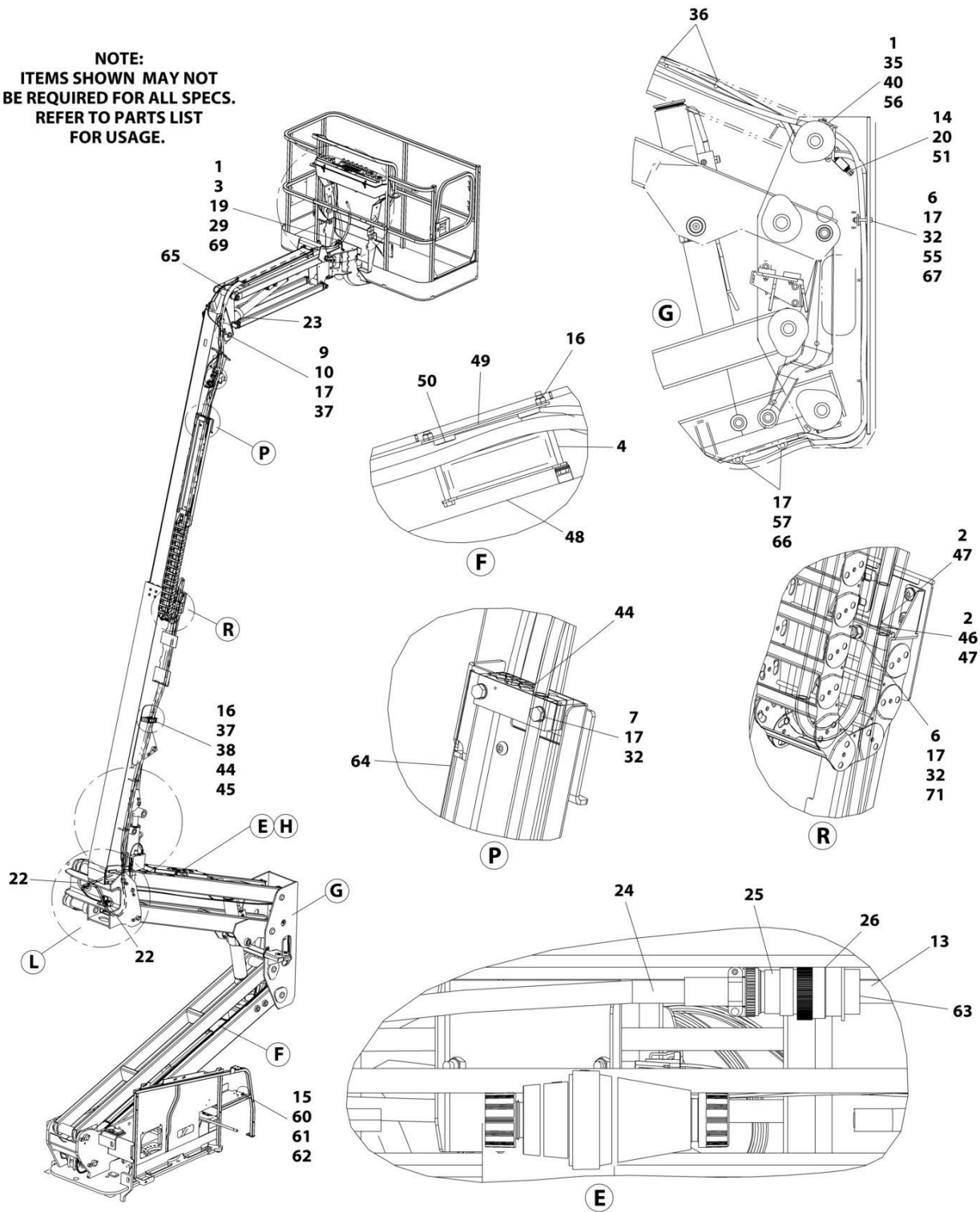
SECTION 8 - ELECTRICAL

ITEM	PART NUMBER	QTY	DESCRIPTION	REV
51	1001284504	1	Switch, Limit	
52	1001238466	1	Link, Sensor (Note: Sold as Assembly Only)	
53	1001178448	2	Plate, Clamping	
54	1001178449	1	Cover	
55	1001178644	1	Plate	
56	1001260306	1	Bracket	
57	1001182561	2	Roller	
58	5250812	2	Bolt M8 x 25	
59	1001179266	1	Plate, Mounting	
60	0760610	1	Bolt M6 x 20	
61	1320043	1	Clamp	
62	4811700	1	Washer M6	
63	4460466	AR	Plug, Terminal	
64	1001181621	1	Cover	
65	1001181923	1	Shield, Hose	
66	1001119280	2	Bolt M10 x 260	
67	1001185747	2	Pad	
70	1001119228	8	Nut M8	
71	8310070	1	Pushnut 3/8	
72	4750800	AR	Washer #8	

SECTION 8 - ELECTRICAL

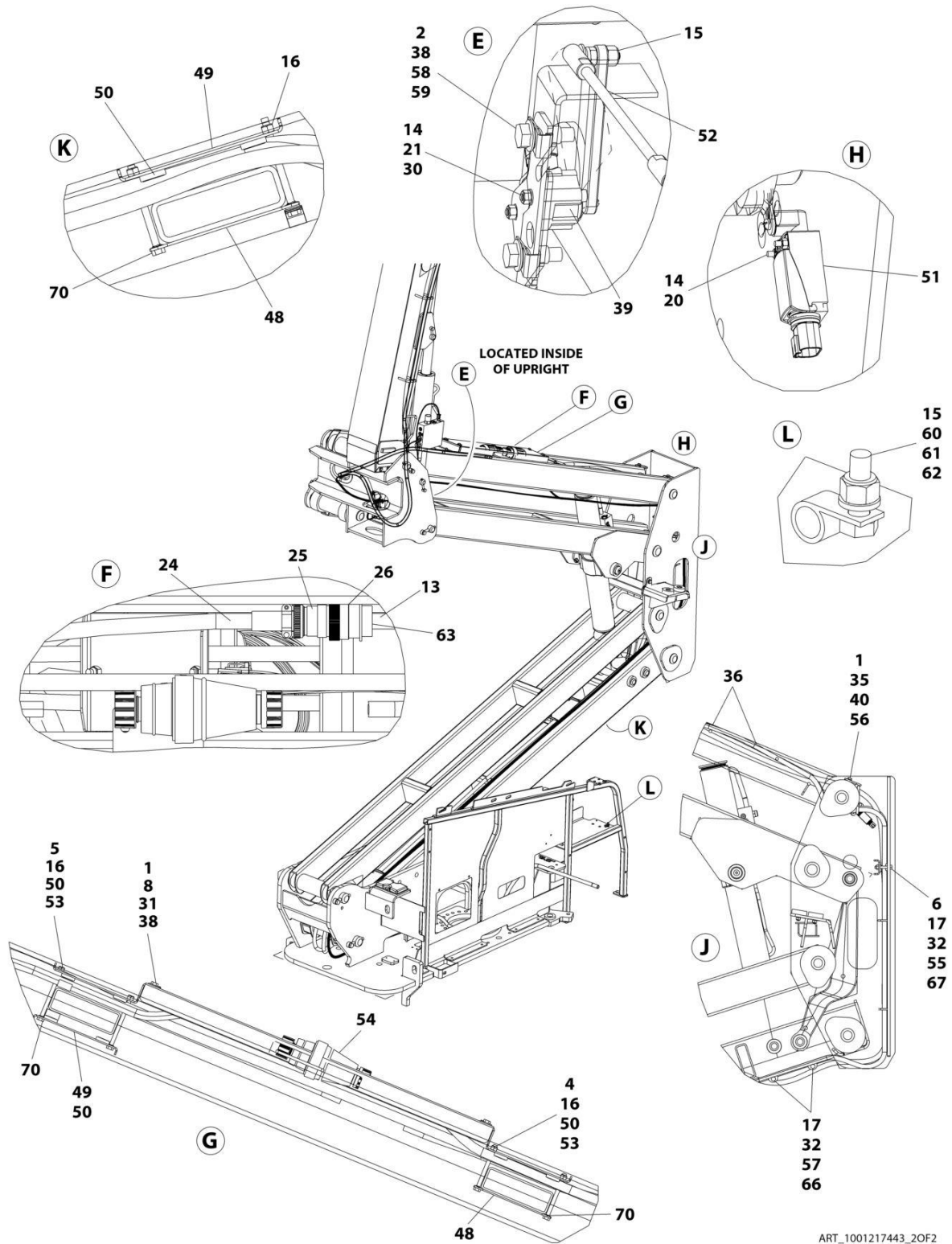
FIGURE 8-25. BOOM CABLES AND CLAMPS INSTALLATION - (WITH ARCTIC PACKAGE) (450A)

NOTE:
ITEMS SHOWN MAY NOT
BE REQUIRED FOR ALL SPECS.
REFER TO PARTS LIST
FOR USAGE.



ART_1001217443_10F2

SECTION 8 - ELECTRICAL



ART_1001217443_20F2

SECTION 8 - ELECTRICAL

FIGURE 8-25. BOOM CABLES AND CLAMPS INSTALLATION - (WITH ARCTIC PACKAGE) (450A)

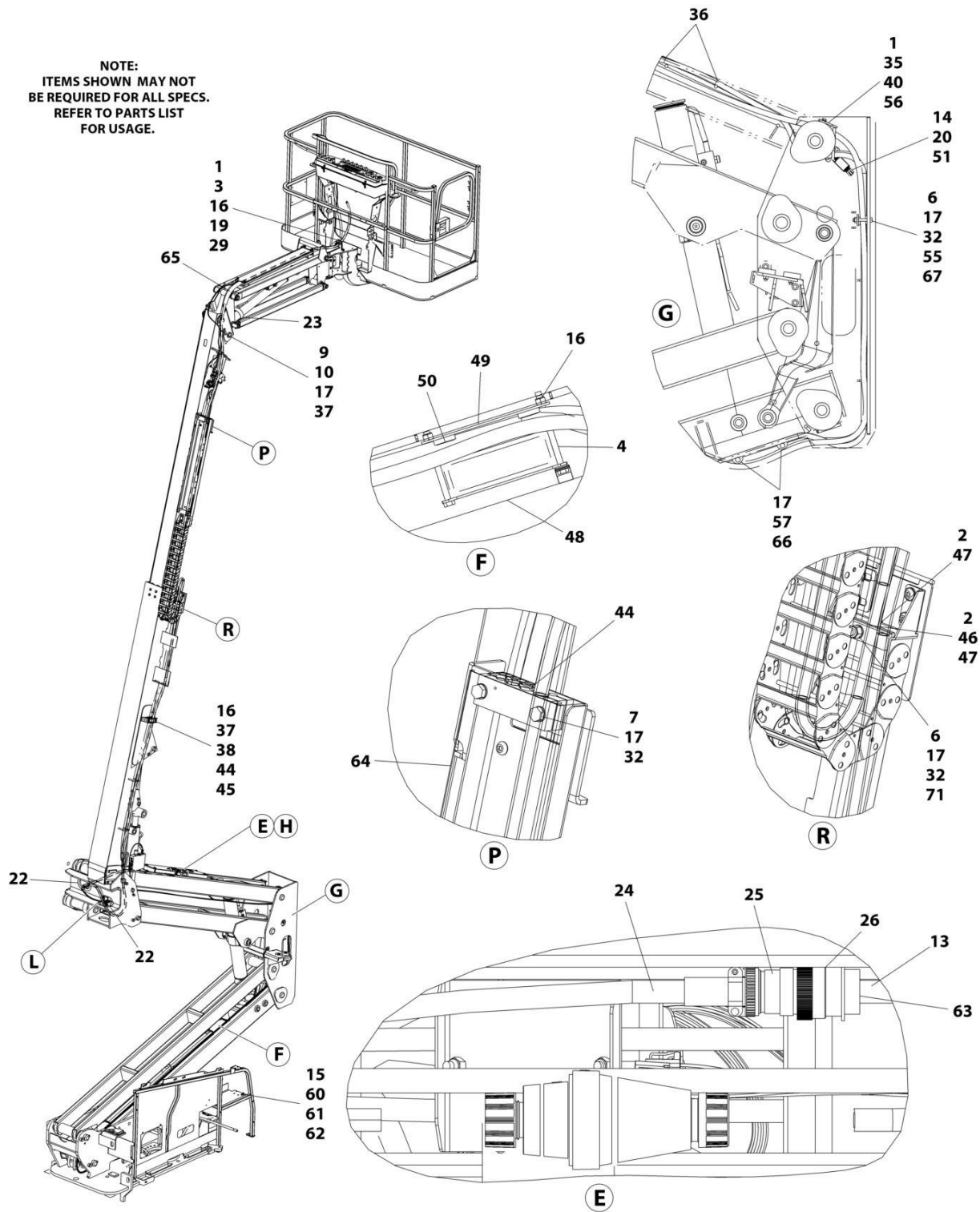
ITEM	PART NUMBER	QTY	DESCRIPTION	REV
	1001217443	Ref	BOOM CABLES AND CLAMPS INSTALLATION (WITH ARCTIC PACKAGE)	G
1	0100011	AR	Compound, Locking	
2	0100081	AR	Adhesive	
3	0641509	2	Bolt 5/16 x 1-1/8	
4	0700827	6	Bolt M8 x 100	
5	0700828	2	Bolt M8 x 110	
6	0701021	3	Bolt M10 x 65	
7	0701024	4	Bolt M10 x 80	
8	0760812	4	Bolt M8 x 25	
9	0761012	1	Bolt M10 x 25	
10	1320130	1	Clamp	
13	2820031	AR	Heat Shrink	
14	3290405	4	Nut M4	
15	3290605	3	Nut M6	
16	3290805	10	Nut M8	
17	3291005	10	Nut M10	
19	3841340	1	Loop, Hose	
20	4010418	2	Screw M4 x 50	
21	4031511	2	Capscrew M4 x 35	
22	4060808	27.5 in /8.4m	Flex-Trim	
23	4240156	2	Strap, Clinch	
24	4460473	AR	Clamp, Cable	
25	4460865	1	Connector - 19 Position	
26	4460866	1	Connector - 19 Position	
29	4711500	4	Washer 5/16	
30	4811400	2	Washer M4	
31	4811902	4	Washer M8	
32	4812000	13	Washer M10	
33	1001179439	1	Harness, Tower Boom (Not Shown - See Separate Breakdown in this Section)	
34	1001174754	1	Harness, Tower Boom AC Cable (Not Shown - See Separate Breakdown in this Section)	
35	5251014	2	Bolt M10 x 30	
36	8881800	AR	Tie-Strap	
37	5281918	2	Screw M8 x 70	
38	1001118274	6	Nut M8	
39	1001118971	1	Sensor, Angle	
39	70005667	1	Arm	
40	1001118972	2	Nut M10	
41	1001217441	1	Harness, Main Boom (Not Shown - See Separate Breakdown in this Section)	
42	1001217440	1	Harness, Main Boom AC Cable (Not Shown - See Separate Breakdown in this Section)	
43	1001164738	1	Harness, Boom Valve (Not Shown - See Separate Breakdown in this Section)	
44	1001273304	3	Block, Clamping	
45	1001273303	1	Plate	
46	1001168472	1	Plate, Clamping	
47	1001168473	2	Clamp, Rubber	

SECTION 8 - ELECTRICAL

ITEM	PART NUMBER	QTY	DESCRIPTION	REV
48	1001171553	3	Plate, Clamping	
49	1001171555	3	Plate, Clamping	
50	1001171559	10	Pad	
51	1001172271	1	Switch, Limit	
51	1001284504	1	Switch, Limit	
52	1001238466	1	Link, Sensor (Note: Sold as Assembly Only)	
53	1001178448	2	Plate, Clamping	
54	1001178449	1	Cover	
55	1001178644	1	Plate	
56	1001260306	1	Bracket	
57	1001182561	2	Roller	
58	5250812	2	Bolt M8 x 25	
59	1001179266	1	Plate, Mounting	
60	0760610	1	Bolt M6 x 20	
61	1320043	1	Clamp	
62	4811700	1	Washer M6	
63	4460466	AR	Plug, Terminal	
64	1001181875	1	Cover	
65	1001181923	1	Shield, Hose	
66	1001119280	2	Bolt M10 x 260	
67	1001185747	2	Pad	
69	88521205	2	Nut 5/16	
70	1001119228	8	Nut M8	
71	8310070	1	Pushnut 3/8	

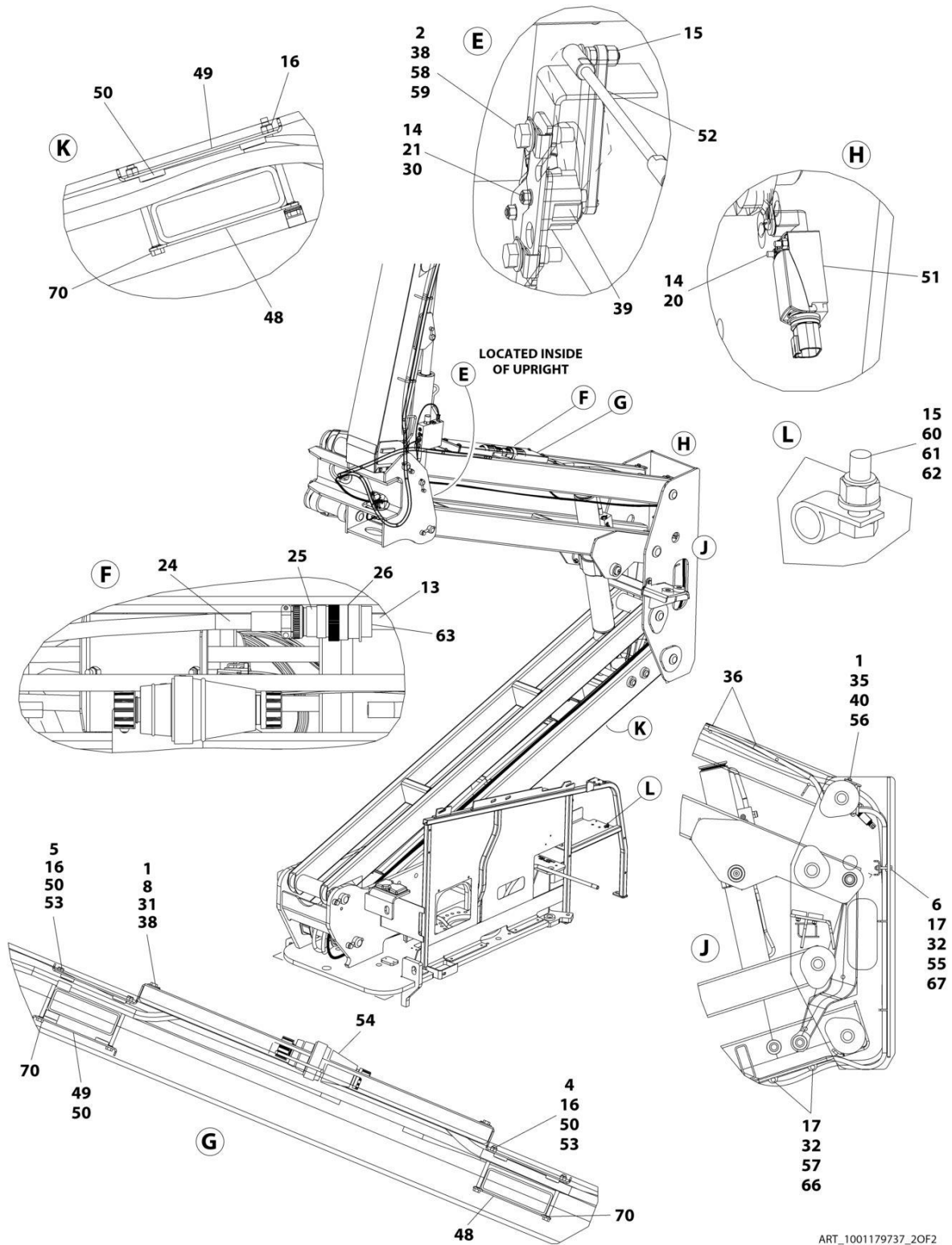
SECTION 8 - ELECTRICAL

FIGURE 8-26. BOOM CABLES AND CLAMPS INSTALLATION - (WITH ARCTIC PACKAGE) (450AJ)



ART_1001179737_10F2

SECTION 8 - ELECTRICAL



ART_1001179737_20F2

SECTION 8 - ELECTRICAL

FIGURE 8-26. BOOM CABLES AND CLAMPS INSTALLATION - (WITH ARCTIC PACKAGE) (450AJ)

ITEM	PART NUMBER	QTY	DESCRIPTION	REV
	1001179737	Ref	BOOM CABLES AND CLAMPS INSTALLATION (WITH ARCTIC PACKAGE)	N
1	0100011	AR	Compound, Locking	
2	0100081	AR	Adhesive	
3	0760814	2	Bolt M8 x 30	
4	0700827	6	Bolt M8 x 100	
5	0700828	2	Bolt M8 x 110	
6	0701021	3	Bolt M10 x 65	
7	0701024	4	Bolt M10 x 80	
8	0760812	4	Bolt M8 x 25	
9	0761012	1	Bolt M10 x 25	
10	1320130	1	Clamp	
13	2820031	AR	Heat Shrink	
14	3290405	4	Nut M4	
15	3290605	3	Nut M6	
16	3290805	12	Nut M8	
17	3291005	10	Nut M10	
19	3841340	1	Loop, Hose	
20	4010418	2	Screw M4 x 50	
21	4031511	2	Capscrew M4 x 35	
22	4060808	27.5 in/ 8.38m	Flex-Trim	
23	4240156	2	Strap, Clinch	
24	4460473	AR	Clamp, Cable	
25	4460865	1	Connector - 19 Position	
26	4460866	1	Connector - 19 Position	
29	4811900	4	Washer M8	
30	4811400	2	Washer M4	
31	4811902	4	Washer M8	
32	4812000	13	Washer M10	
33	1001179439	1	Harness, Tower Boom (Not Shown - See Separate Breakdown in this Section)	
34	1001174754	1	Harness, Tower Boom AC Cable (Not Shown - See Separate Breakdown in this Section)	
35	5251014	2	Bolt M10 x 30	
36	8881800	AR	Tie-Strap	
37	5281920	2	Screw M8 x 80	
37	5281918	2	Bolt M8 x 70	
38	1001118274	8	Nut M8	
39	1001118971	1	Sensor, Angle	
39	70005667	1	Arm	
40	1001118972	2	Nut M10	
41	1001174748	1	Harness, Main Boom (Not Shown - See Separate Breakdown in this Section)	
42	1001174750	1	Harness, Main Boom AC Cable (Not Shown - See Separate Breakdown in this Section)	
43	1001164738	1	Harness, Boom Valve (Not Shown - See Separate Breakdown in this Section)	
44	1001273304	3	Block, Clamping	
45	1001273303	1	Plate	
46	1001168472	1	Plate, Clamping	

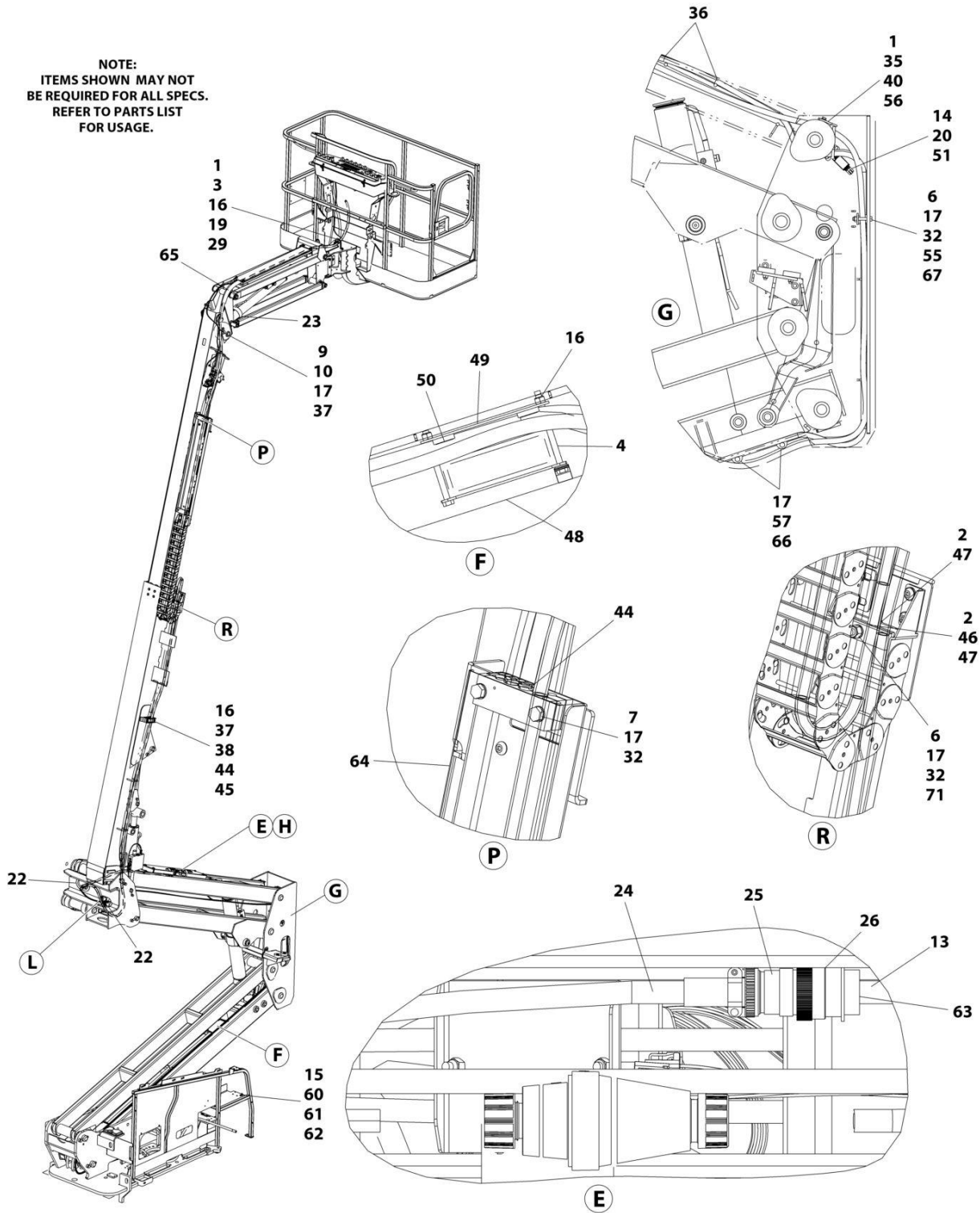
SECTION 8 - ELECTRICAL

ITEM	PART NUMBER	QTY	DESCRIPTION	REV
47	1001168473	2	Clamp, Rubber	
48	1001171553	3	Plate, Clamping	
49	1001171555	3	Plate, Clamping	
50	1001171559	10	Pad	
51	1001284504	1	Switch, Limit	
52	1001238466	1	Link, Sensor (Note: Sold as Assembly Only)	
53	1001178448	2	Plate, Clamping	
54	1001178449	1	Cover	
55	1001178644	1	Plate	
56	1001260306	1	Bracket	
57	1001182561	2	Roller	
58	5250812	2	Bolt M8 x 25	
59	1001179266	1	Plate, Mounting	
60	0760610	1	Bolt M6 x 20	
61	1320043	1	Clamp	
62	4811700	1	Washer M6	
63	4460466	AR	Plug, Terminal	
64	1001181621	1	Cover	
65	1001181923	1	Shield, Hose	
66	1001119280	2	Bolt M10 x 260	
67	1001185747	2	Pad	
70	1001119228	8	Nut M8	
71	8310070	1	Pushnut 3/8	

SECTION 8 - ELECTRICAL

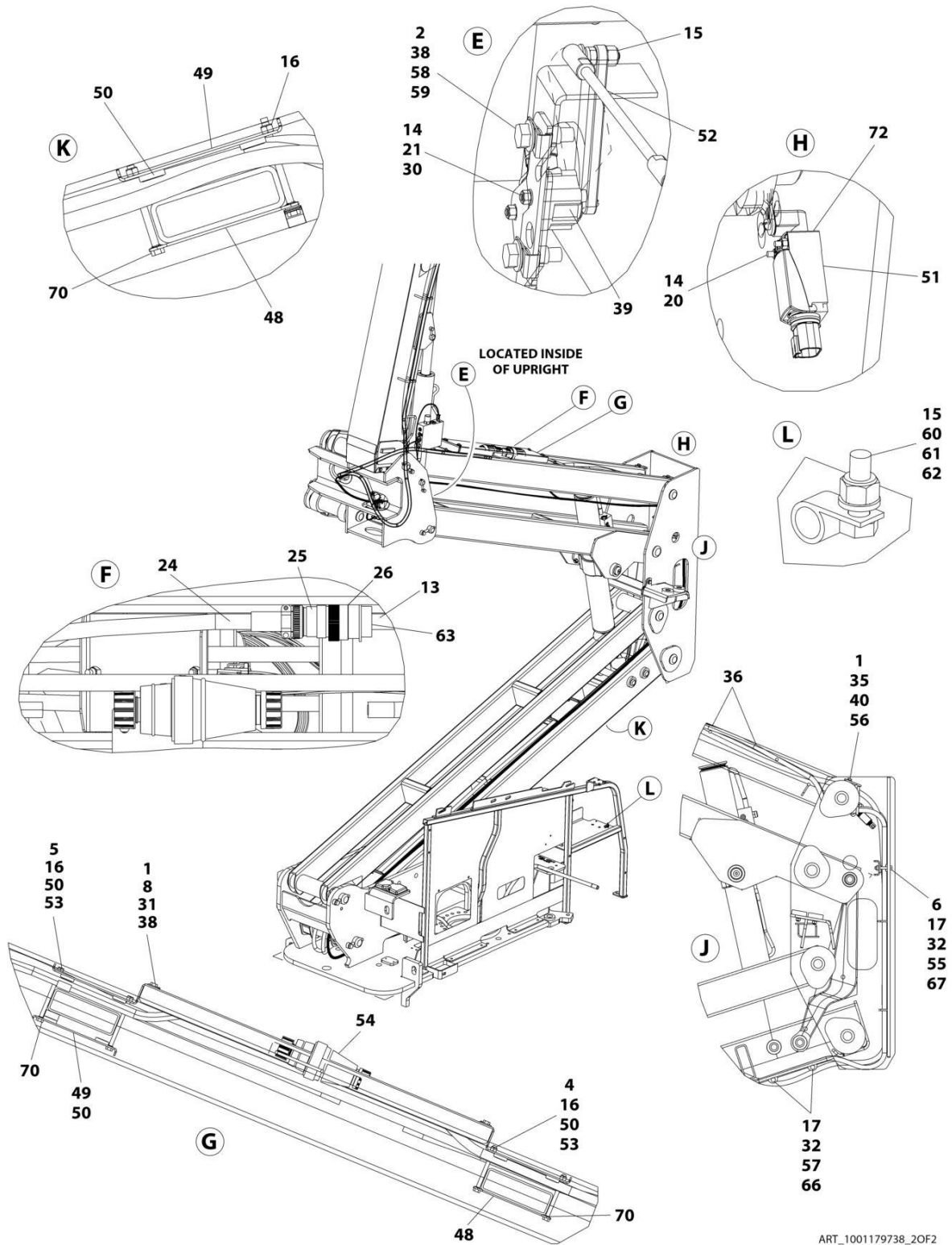
FIGURE 8-27. BOOM CABLES AND CLAMPS INSTALLATION - (MACHINES WITH 50HZ 4000W GENERATORS) (450AJ)

NOTE:
ITEMS SHOWN MAY NOT
BE REQUIRED FOR ALL SPECS.
REFER TO PARTS LIST
FOR USAGE.



ART_1001179738_10F2

SECTION 8 - ELECTRICAL



ART_1001179738_20F2

SECTION 8 - ELECTRICAL

FIGURE 8-27. BOOM CABLES AND CLAMPS INSTALLATION - (MACHINES WITH 50HZ 4000W GENERATORS) (450AJ)

ITEM	PART NUMBER	QTY	DESCRIPTION	REV
	1001179738	Ref	BOOM CABLES AND CLAMPS INSTALLATION	O
1	0100011	AR	Compound, Locking	
2	0100081	AR	Adhesive	
3	0760814	2	Bolt M8 x 30	
4	0700827	6	Bolt M8 x 100	
5	0700828	2	Bolt M8 x 110	
6	0701021	3	Bolt M10 x 65	
7	0701024	4	Bolt M10 x 80	
8	0760812	4	Bolt M8 x 25	
9	0761012	1	Bolt M10 x 25	
10	1320130	1	Clamp	
13	2820031	AR	Heat Shrink	
14	3290405	4	Nut M4	
15	3290605	3	Nut M6	
16	3290805	12	Nut M8	
17	3291005	10	Nut M10	
19	3841340	1	Loop, Hose	
20	4010418	2	Screw M4 x 50	
21	4031511	2	Capscrew M4 x 35	
22	4060808	27.5 in/ 8.38m	Flex-Trim	
23	4240156	2	Strap, Clinch	
24	4460473	AR	Clamp, Cable	
25	4460865	1	Connector - 19 Position	
26	4460866	1	Connector - 19 Position	
29	4811900	4	Washer M8	
30	4811400	2	Washer M4	
31	4811902	4	Washer M8	
32	4812000	13	Washer M10	
33	1001176951	1	Harness, Tower Boom (Not Shown - See Separate Breakdown in this Section)	
34	1001174749	1	Harness, Tower Boom AC Cable (Not Shown - See Separate Breakdown in this Section)	
35	5251014	2	Bolt M10 x 30	
36	8881800	AR	Tie-Strap	
37	5281920	2	Screw M8 x 80	
37	5281918	2	Bolt M8 x 70	
38	1001118274	8	Nut M8	
39	1001118971	1	Sensor, Angle	
39	70005667	1	Arm	
40	1001118972	2	Nut M10	
41	1001164730	1	Harness, Main Boom (Not Shown - See Separate Breakdown in this Section)	
42	1001164731	1	Harness, Main Boom AC Cable (Not Shown - See Separate Breakdown in this Section)	
43	1001164738	1	Harness, Boom Valve (Not Shown - See Separate Breakdown in this Section)	
44	1001273302	3	Block, Clamping	
45	1001273303	1	Plate	
46	1001168472	1	Plate, Clamping	

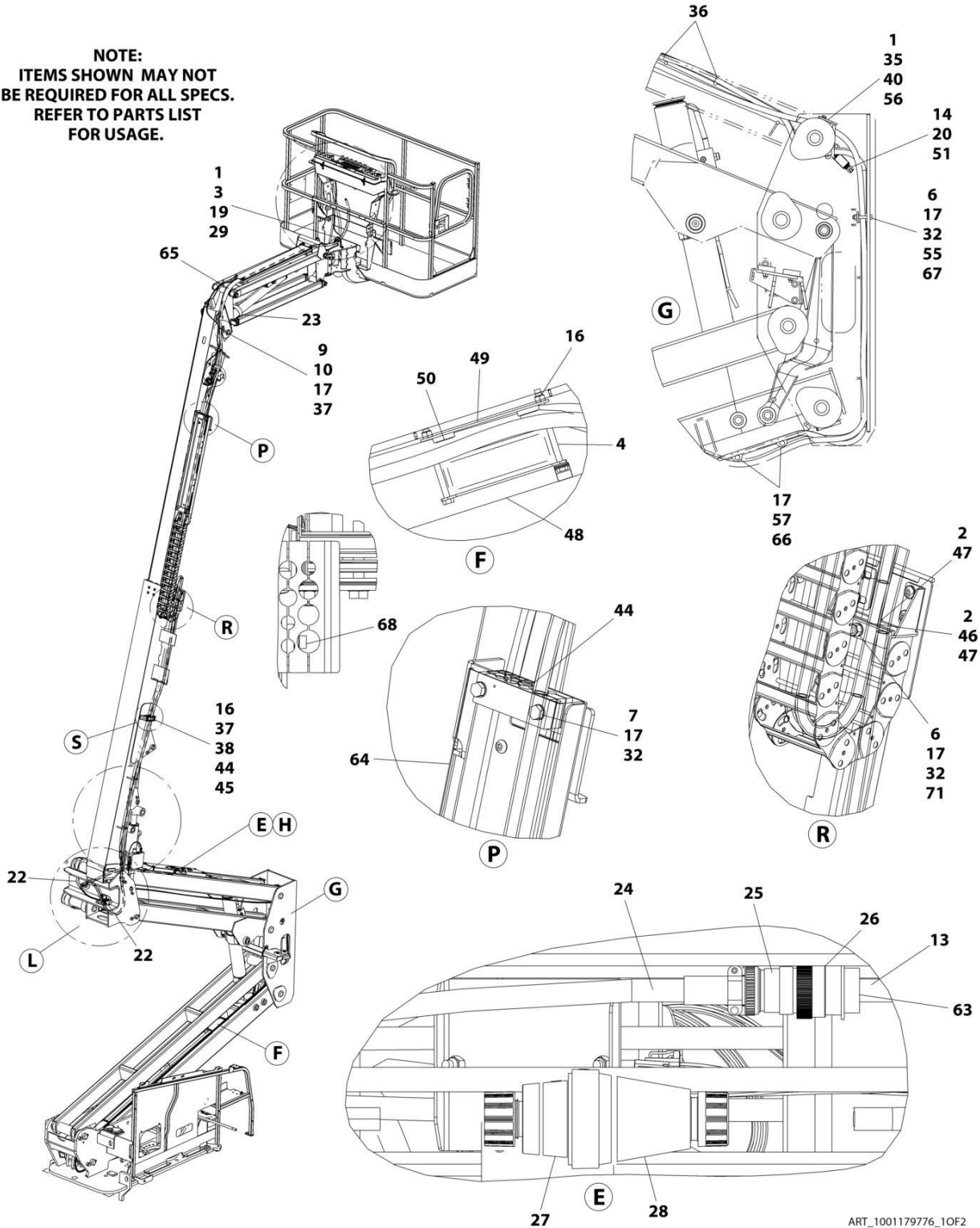
SECTION 8 - ELECTRICAL

ITEM	PART NUMBER	QTY	DESCRIPTION	REV
47	1001168473	2	Clamp, Rubber	
48	1001171553	3	Plate, Clamping	
49	1001171555	3	Plate, Clamping	
50	1001171559	10	Pad	
51	1001284504	1	Switch, Limit	
52	1001238466	1	Link, Sensor (Note: Sold as Assembly Only)	
53	1001178448	2	Plate, Clamping	
54	1001178449	1	Cover	
55	1001178644	1	Plate	
56	1001260306	1	Bracket	
57	1001182561	2	Roller	
58	5250812	2	Bolt M8 x 25	
59	1001179266	1	Plate, Mounting	
60	0760610	1	Bolt M6 x 20	
61	1320043	1	Clamp	
62	4811700	1	Washer M6	
63	4460466	AR	Plug, Terminal	
64	1001181621	1	Cover	
65	1001181923	1	Shield, Hose	
66	1001119280	2	Bolt M10 x 260	
67	1001185747	2	Pad	
70	1001119228	8	Nut M8	
71	8310070	1	Pushnut 3/8	
72	4750800	AR	Washer #8	

SECTION 8 - ELECTRICAL

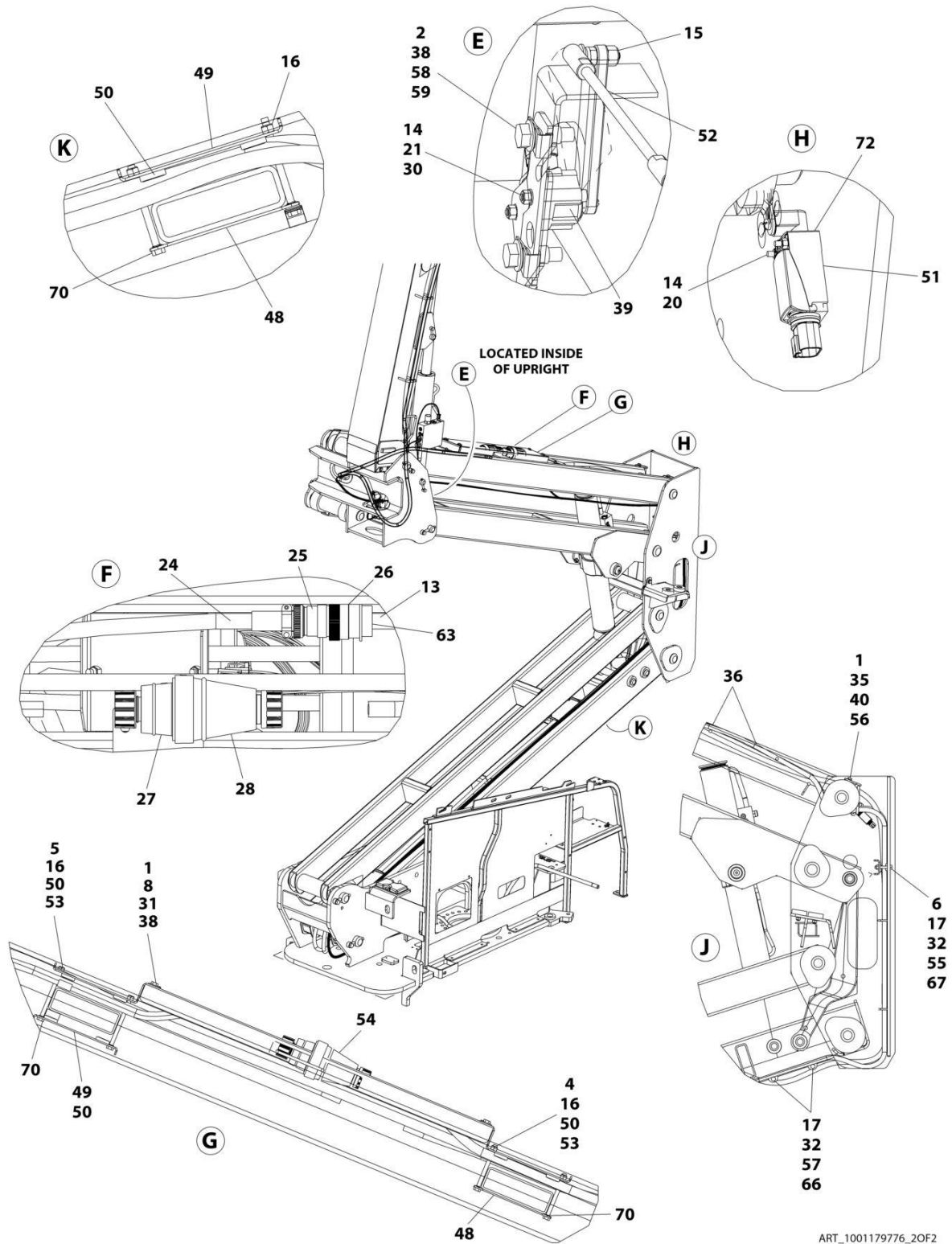
FIGURE 8-28. BOOM CABLES AND CLAMPS INSTALLATION - (MACHINES WITH 60HZ 4000W GENERATORS) (450AJ)

NOTE:
ITEMS SHOWN MAY NOT
BE REQUIRED FOR ALL SPECS.
REFER TO PARTS LIST
FOR USAGE.



ART_1001179776_10F2

SECTION 8 - ELECTRICAL



ART_1001179776_20F2

SECTION 8 - ELECTRICAL

FIGURE 8-28. BOOM CABLES AND CLAMPS INSTALLATION - (MACHINES WITH 60HZ 4000W GENERATORS) (450AJ)

ITEM	PART NUMBER	QTY	DESCRIPTION	REV
	1001179776	Ref	BOOM CABLES AND CLAMPS INSTALLATION	P
1	0100011	AR	Compound, Locking	
2	0100081	AR	Adhesive	
3	0760814	2	Bolt M8 x 30	
4	0700827	6	Bolt M8 x 100	
5	0700828	2	Bolt M8 x 110	
6	0701021	3	Bolt M10 x 65	
7	0701024	4	Bolt M10 x 80	
8	0760812	4	Bolt M8 x 25	
9	0761012	1	Bolt M10 x 25	
10	1320130	1	Clamp	
11	1671092	1	Cover, Connector (Not Shown)	
12	1671093	1	Cover, Plug (Not Shown)	
13	2820031	AR	Heat Shrink	
14	3290405	4	Nut M4	
15	3290605	2	Nut M6	
16	3290805	12	Nut M8	
17	3291005	10	Nut M10	
19	3841340	1	Loop, Hose	
20	4010418	2	Screw M4 x 50	
21	4031511	2	Capscrew M4 x 35	
22	4060808	27.5 in/ 8.38m	Flex-Trim	
23	4240156	2	Strap, Clinch	
24	4460473	AR	Clamp, Cable	
25	4460865	1	Connector - 19 Position	
26	4460866	1	Connector - 19 Position	
27	4460959	1	Plug, Male	
28	4460960	1	Receptacle, Female	
29	4811900	4	Washer M8	
30	4811400	2	Washer M4	
31	4811902	4	Washer M8	
32	4812000	13	Washer M10	
33	1001176951	1	Harness, Tower Boom (Not Shown - See Separate Breakdown in this Section)	
34	1001175663	1	Harness, Tower Boom - 10/4 - Lower Generator Cable (Not Shown)	
35	5251014	2	Bolt M10 x 30	
36	8881800	AR	Tie-Strap	
37	5281920	2	Screw M8 x 80	
37	5281918	2	Bolt M8 x 70	
38	1001118274	8	Nut M8	
39	1001118971	1	Sensor, Angle	
39	70005667	1	Arm	
40	1001118972	2	Nut M10	
41	1001164730	1	Harness, Main Boom (Not Shown - See Separate Breakdown in this Section)	
42	1001175664	1	Harness, Main Boom - 10/4 - Upper Generator Cable (Not Shown)	
43	1001164738	1	Harness, Boom Valve (Not Shown - See Separate Breakdown in this Section)	

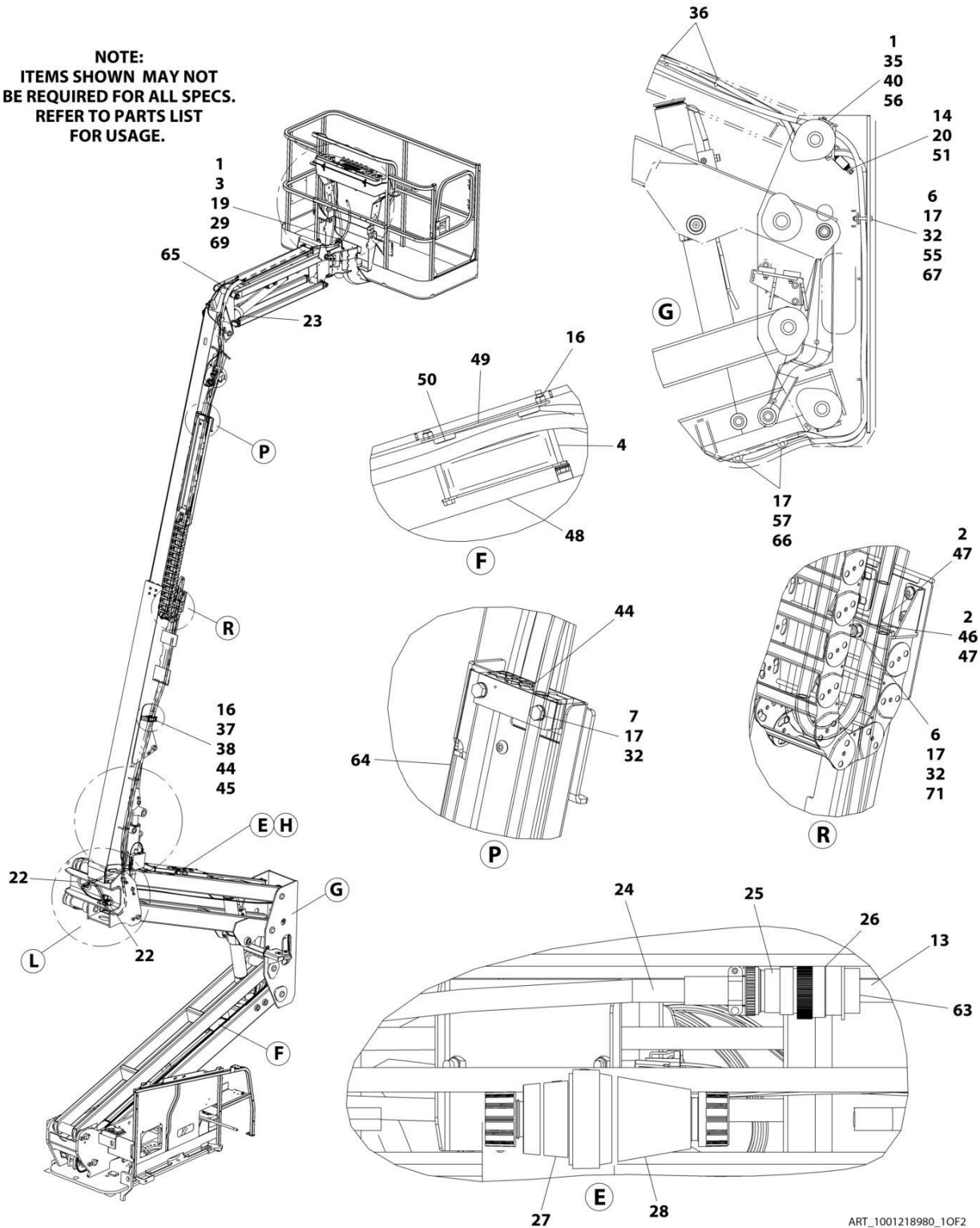
SECTION 8 - ELECTRICAL

ITEM	PART NUMBER	QTY	DESCRIPTION	REV
44	1001273302	3	Block, Clamping	
45	1001273303	1	Plate	
46	1001168472	1	Plate, Clamping	
47	1001168473	2	Clamp, Rubber	
48	1001171553	3	Plate, Clamping	
49	1001171555	3	Plate, Clamping	
50	1001171559	10	Pad	
51	1001284504	1	Switch, Limit	
52	1001238466	1	Link, Sensor (Note: Sold as Assembly Only)	
53	1001178448	2	Plate, Clamping	
54	1001178449	1	Cover	
55	1001178644	1	Plate	
56	1001260306	1	Bracket	
57	1001182561	2	Roller	
58	5250812	2	Bolt M8 x 25	
59	1001179266	1	Plate, Mounting	
63	4460466	AR	Plug, Terminal	
64	1001181621	1	Cover	
65	1001181923	1	Shield, Hose	
66	1001119280	2	Bolt M10 x 260	
67	1001185747	2	Pad	
68	1001191230	3	Pad	
70	1001119228	8	Nut M8	
71	8310070	1	Pushnut 3/8	
72	4750800	AR	Washer #8	

SECTION 8 - ELECTRICAL

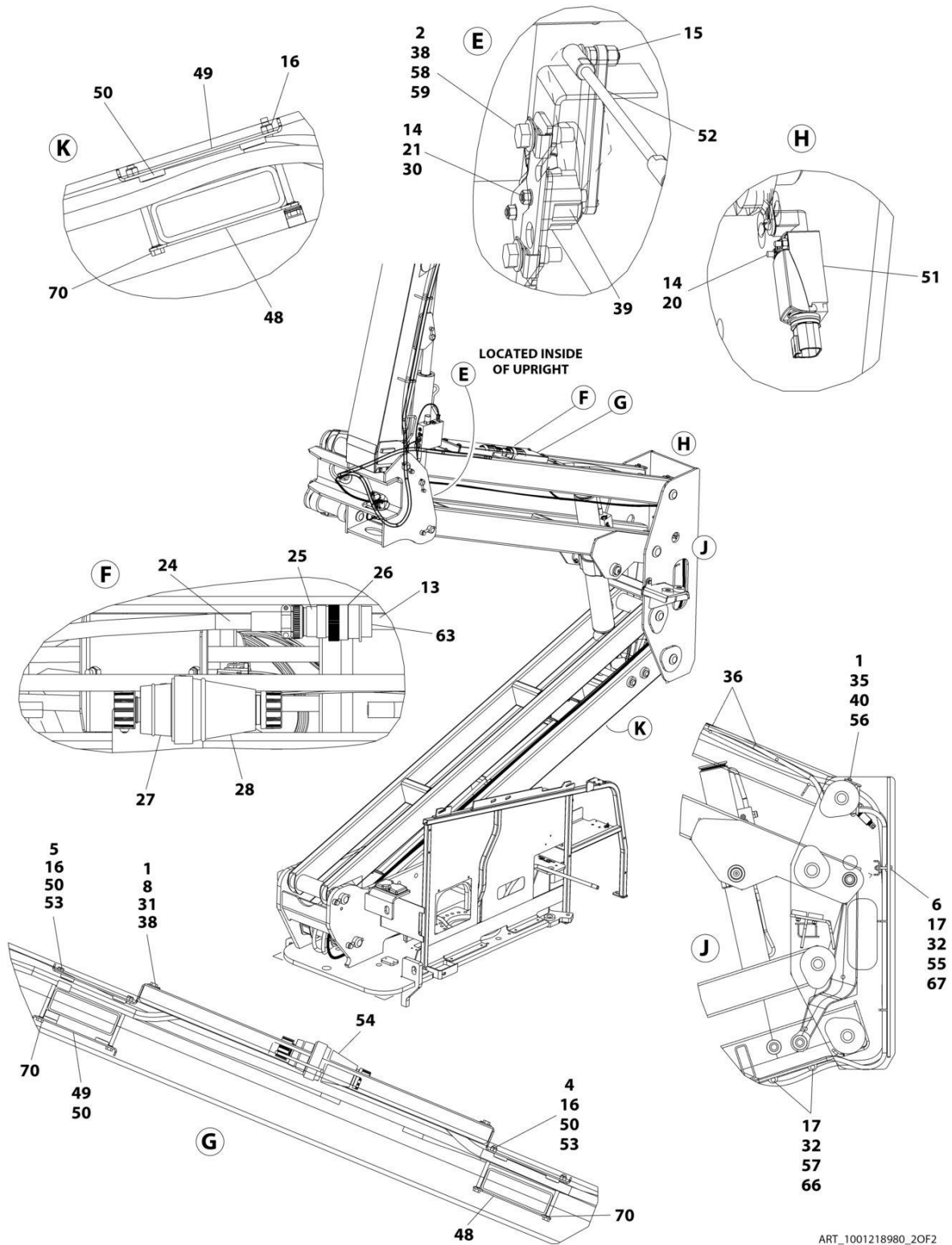
FIGURE 8-29. BOOM CABLES AND CLAMPS INSTALLATION - (MACHINES WITH 7500W GENERATOR AND WITHOUT ARCTIC PACKAGE) (450A)

NOTE:
ITEMS SHOWN MAY NOT
BE REQUIRED FOR ALL SPECS.
REFER TO PARTS LIST
FOR USAGE.



ART_1001218980_10F2

SECTION 8 - ELECTRICAL



ART_1001218980_2OF2

SECTION 8 - ELECTRICAL

FIGURE 8-29. BOOM CABLES AND CLAMPS INSTALLATION - (MACHINES WITH 7500W GENERATOR AND WITHOUT ARCTIC PACKAGE) (450A)

ITEM	PART NUMBER	QTY	DESCRIPTION	REV
	1001218980	Ref	BOOM CABLES AND CLAMPS INSTALLATION	E
	1001219002	Ref	BOOM CABLES AND CLAMPS INSTALLATION KIT	H
1	0100011	AR	Compound, Locking	
2	0100081	AR	Adhesive	
3	0641509	2	Bolt 5/16 x 1-1/8	
4	0700827	6	Bolt M8 x 100	
5	0700828	2	Bolt M8 x 110	
6	0701021	3	Bolt M10 x 65	
7	0701024	4	Bolt M10 x 80	
8	0760812	4	Bolt M8 x 25	
13	2820031	AR	Heat Shrink	
14	3290405	4	Nut M4	
15	3290605	2	Nut M6	
16	3290805	10	Nut M8	
17	3291005	9	Nut M10	
19	3841340	1	Loop, Hose	
20	4010418	2	Screw M4 x 50	
21	4031511	2	Capscrew M4 x 35	
22	4060808	27.5 in/ 8.38m	Flex-Trim	
23	4240156	1	Strap, Clinch	
24	4460473	AR	Clamp, Cable	
25	4460865	1	Connector - 19 Position	
26	4460866	1	Connector - 19 Position	
27	1001218622	1	Terminal, Turnlock Plug	
28	1001218623	1	Terminal, Turnlock Connector	
29	4711500	4	Washer 5/16	
30	4811400	2	Washer M4	
31	4811902	4	Washer M8	
32	4812000	12	Washer M10	
33	1001176951	1	Harness, Tower Boom (Not Shown - See Separate Breakdown in this Section)	
34	4922929	1	Harness, Tower Boom - 8/5 Generator Cable (Not Shown)	
35	5251014	2	Bolt M10 x 30	
36	8881800	AR	Tie-Strap	
37	5281918	2	Bolt M8 x 70	
38	1001118274	6	Nut M8	
39	1001118971	1	Sensor, Angle	
39	70005667	1	Arm	
40	1001118972	2	Nut M10	
41	1001172335	1	Harness, Main Boom (Not Shown - See Separate Breakdown in this Section)	
42	1001172343	1	Harness, Main Boom - 8/5 Generator Cable (Not Shown)	
43	1001164738	1	Harness, Boom Valve (Not Shown - See Separate Breakdown in this Section)	
44	1001273302	3	Block, Clamping	
45	1001273303	1	Plate	
46	1001168472	1	Plate, Clamping	
47	1001168473	2	Clamp, Rubber	
48	1001171553	3	Plate, Clamping	

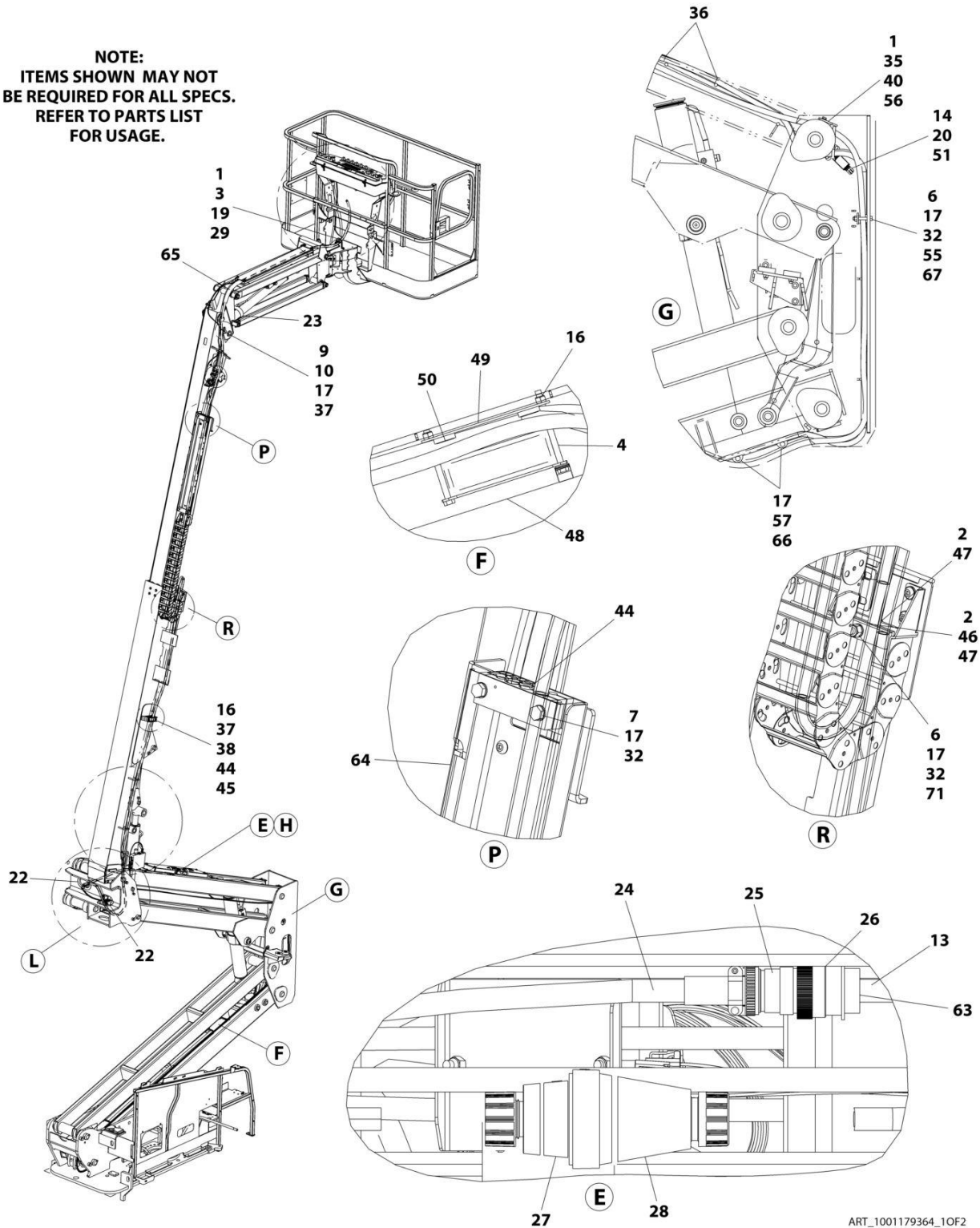
SECTION 8 - ELECTRICAL

ITEM	PART NUMBER	QTY	DESCRIPTION	REV
49	1001171555	3	Plate, Clamping	
50	1001171559	10	Pad	
51	1001284504	1	Switch, Limit	
52	1001238466	1	Link, Sensor (Note: Sold as Assembly Only)	
53	1001178448	2	Plate, Clamping	
54	1001178449	1	Cover	
55	1001178644	1	Plate	
56	1001260306	1	Bracket	
57	1001182561	2	Roller	
58	5250812	2	Bolt M8 x 25	
59	1001179266	1	Plate, Mounting	
63	4460466	AR	Plug, Terminal	
64	1001181875	1	Cover	
65	1001181923	1	Shield, Hose	
66	1001119280	2	Bolt M10 x 260	
67	1001185747	2	Pad	
69	88521205	2	Nut 5/16	
70	1001119228	8	Nut M8	
71	8310070	1	Pushnut 3/8	

SECTION 8 - ELECTRICAL

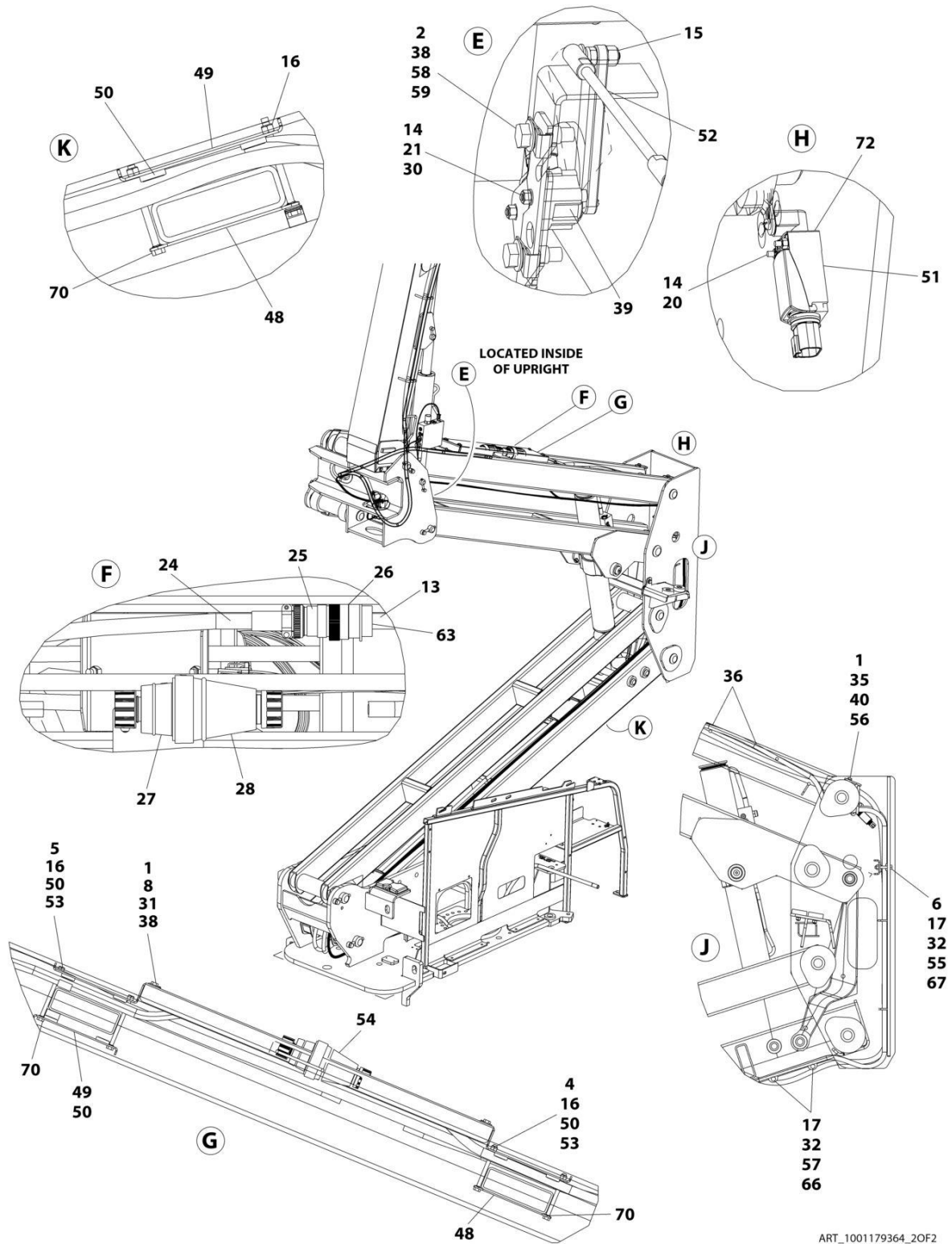
FIGURE 8-30. BOOM CABLES AND CLAMPS INSTALLATION - (MACHINES WITH 7500W GENERATORS AND WITHOUT ARCTIC PACKAGE) (450AJ)

NOTE:
ITEMS SHOWN MAY NOT
BE REQUIRED FOR ALL SPECS.
REFER TO PARTS LIST
FOR USAGE.



ART_1001179364_10F2

SECTION 8 - ELECTRICAL



ART_1001179364_20F2

SECTION 8 - ELECTRICAL

FIGURE 8-30. BOOM CABLES AND CLAMPS INSTALLATION - (MACHINES WITH 7500W GENERATORS AND WITHOUT ARCTIC PACKAGE) (450AJ)

ITEM	PART NUMBER	QTY	DESCRIPTION	REV
	1001179364	Ref	BOOM CABLES AND CLAMPS INSTALLATION	R
1	0100011	AR	Compound, Locking	
2	0100081	AR	Adhesive	
3	0760814	2	Bolt M8 x 30	
4	0700827	6	Bolt M8 x 100	
5	0700828	2	Bolt M8 x 110	
6	0701021	3	Bolt M10 x 65	
7	0701024	4	Bolt M10 x 80	
8	0760812	4	Bolt M8 x 25	
9	0761012	1	Bolt M10 x 25	
10	1320130	1	Clamp	
13	2820031	AR	Heat Shrink	
14	3290405	4	Nut M4	
15	3290605	2	Nut M6	
16	3290805	12	Nut M8	
17	3291005	10	Nut M10	
19	3841340	1	Loop, Hose	
20	4010418	2	Screw M4 x 50	
21	4031511	2	Capscrew M4 x 35	
22	4060808	27.5 in/ 8.38m	Flex-Trim	
23	4240156	2	Strap, Clinch	
24	4460473	AR	Clamp, Cable	
25	4460865	1	Connector - 19 Position	
26	4460866	1	Connector - 19 Position	
27	1001218622	1	Terminal, Turnlock Plug	
28	1001218623	1	Terminal, Turnlock Connector	
29	4811900	4	Washer M8	
30	4811400	2	Washer M4	
31	4811902	4	Washer M8	
32	4812000	13	Washer M10	
33	1001176951	1	Harness, Tower Boom (Not Shown - See Separate Breakdown in this Section)	
34	4922929	1	Harness, Tower Boom – 8/5 – Lower Generator Cable (Not Shown)	
35	5251014	2	Bolt M10 x 30	
36	8881800	AR	Tie-Strap	
37	5281920	2	Screw M8 x 80	
38	1001118274	6	Nut M8	
39	1001118971	1	Sensor, Angle	
39	70005667	1	Arm	
40	1001118972	2	Nut M10	
41	1001164730	1	Harness, Main Boom (Not Shown - See Separate Breakdown in this Section)	
42	1001164732	1	Harness, Main Boom – 8/5 – Upper Generator Cable (Not Shown)	
43	1001164738	1	Harness, Boom Valve (Not Shown - See Separate Breakdown in this Section)	
44	1001273302	3	Block, Clamping	
45	1001273303	1	Plate	
46	1001168472	1	Plate, Clamping	

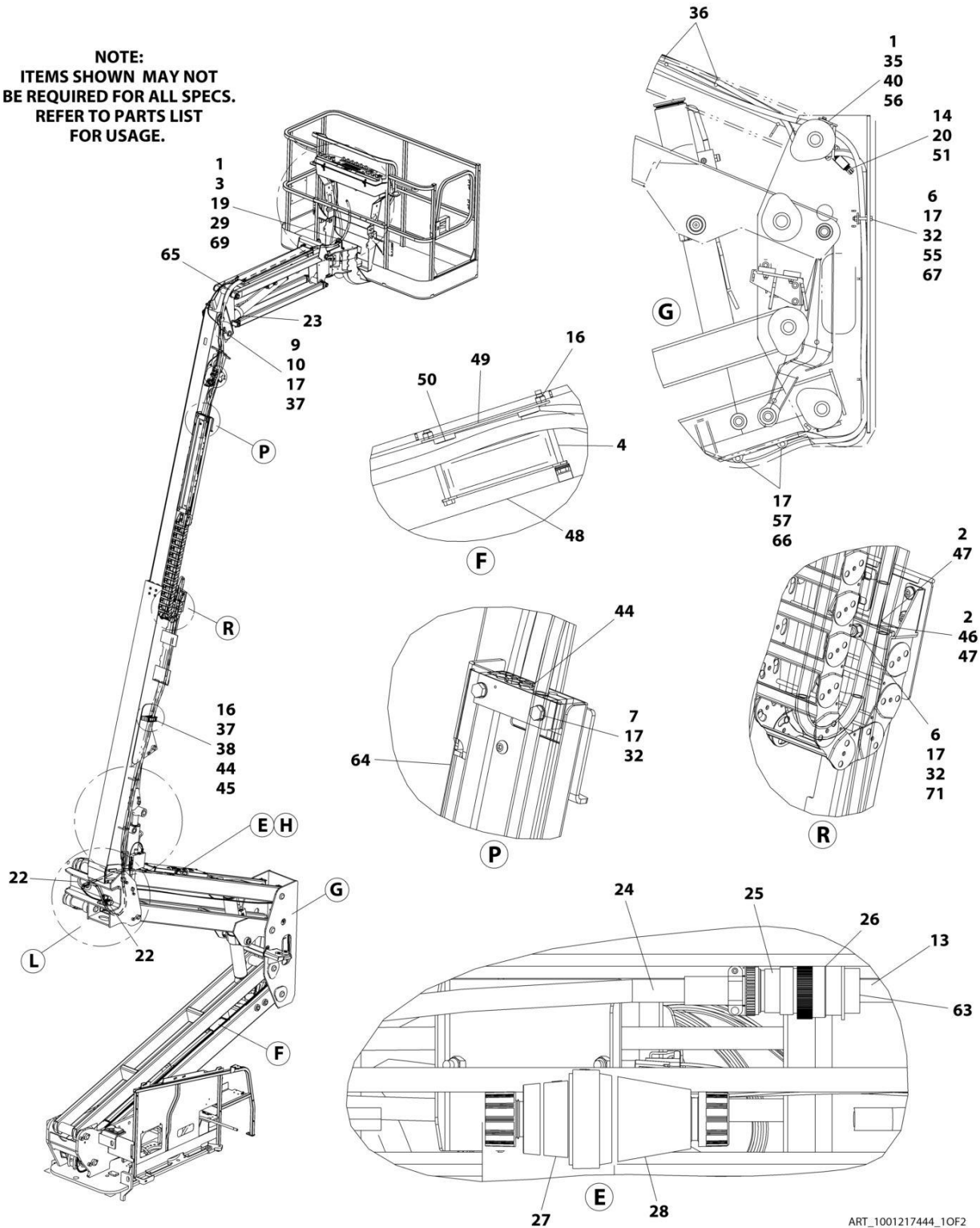
SECTION 8 - ELECTRICAL

ITEM	PART NUMBER	QTY	DESCRIPTION	REV
47	1001168473	2	Clamp, Rubber	
48	1001171553	3	Plate, Clamping	
49	1001171555	3	Plate, Clamping	
50	1001171559	10	Pad	
51	1001284504	1	Switch, Limit	
52	1001238466	1	Link, Sensor (Note: Sold as Assembly Only)	
53	1001178448	2	Plate, Clamping	
54	1001178449	1	Cover	
55	1001178644	1	Plate	
56	1001260306	1	Bracket	
57	1001182561	2	Roller	
58	5250812	2	Bolt M8 x 25	
59	1001179266	1	Plate, Mounting	
63	4460466	AR	Plug, Terminal	
64	1001181621	1	Cover	
65	1001181923	1	Shield, Hose	
66	1001119280	2	Bolt M10 x 260	
67	1001185747	2	Pad	
70	1001119228	8	Nut M8	
71	8310070	1	Pushnut 3/8	
72	4750800	AR	Washer #8	

SECTION 8 - ELECTRICAL

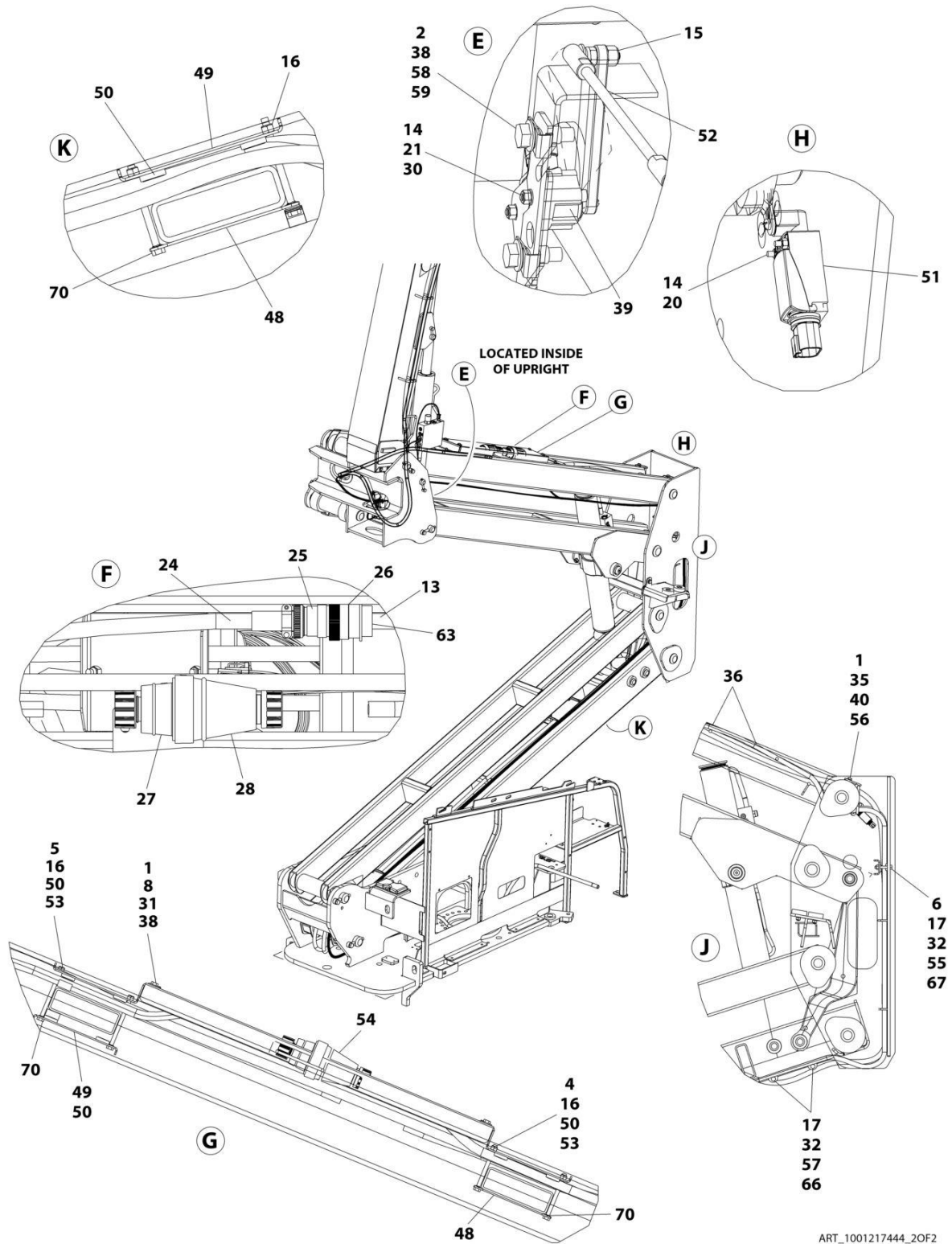
FIGURE 8-31. BOOM CABLES AND CLAMPS INSTALLATION - (MACHINES WITH 7500W GENERATOR AND WITH ARCTIC PACKAGE) (450A)

NOTE:
ITEMS SHOWN MAY NOT
BE REQUIRED FOR ALL SPECS.
REFER TO PARTS LIST
FOR USAGE.



ART_1001217444_10F2

SECTION 8 - ELECTRICAL



ART_1001217444_20F2

SECTION 8 - ELECTRICAL

FIGURE 8-31. BOOM CABLES AND CLAMPS INSTALLATION - (MACHINES WITH 7500W GENERATOR AND WITH ARCTIC PACKAGE) (450A)

ITEM	PART NUMBER	QTY	DESCRIPTION	REV
	1001217444	Ref	BOOM CABLES AND CLAMPS INSTALLATION	H
1	0100011	AR	Compound, Locking	
2	0100081	AR	Adhesive	
3	0641509	2	Bolt 5/16 x 1-1/8	
4	0700827	6	Bolt M8 x 100	
5	0700828	2	Bolt M8 x 110	
6	0701021	3	Bolt M10 x 65	
7	0701024	4	Bolt M10 x 80	
8	0760812	4	Bolt M8 x 25	
10	1320130	1	Clamp	
13	2820031	AR	Heat Shrink	
14	3290405	4	Nut M4	
15	3290605	2	Nut M6	
16	3290805	10	Nut M8	
17	3291005	10	Nut M10	
19	3841340	1	Loop, Hose	
20	4010418	2	Screw M4 x 50	
21	4031511	2	Capscrew M4 x 35	
22	4060808	27.5 in/ 8.4m	Flex-Trim	
23	4240156	1	Strap, Clinch	
24	4460473	AR	Clamp, Cable	
25	4460865	1	Connector - 19 Position	
26	4460866	1	Connector - 19 Position	
27	1001218622	1	Terminal, Turnlock Plug	
28	1001218623	1	Terminal, Turnlock Connector	
29	4711500	4	Washer 5/16	
30	4811400	2	Washer M4	
31	4811902	4	Washer M8	
32	4812000	13	Washer M10	
33	1001179439	1	Harness, Tower Boom (Not Shown - See Separate Breakdown in this Section)	
34	4922929	1	Harness, Tower Boom - 8/5 Generator Cable (Not Shown)	
35	5251014	2	Bolt M10 x 30	
36	8881800	AR	Tie-Strap	
37	5281918	2	Screw M8 x 70	
38	1001118274	6	Nut M8	
39	1001118971	1	Sensor, Angle	
39	70005667	1	Arm	
40	1001118972	2	Nut M10	
41	1001217441	1	Harness, Main Boom (Not Shown - See Separate Breakdown in this Section)	
42	1001172343	1	Harness, Main Boom - 8/5 Generator Cable (Not Shown)	
43	1001164738	1	Harness, Boom Valve (Not Shown - See Separate Breakdown in this Section)	
44	1001273304	1	Block, Clamping	
45	1001273303	1	Plate	
46	1001168472	1	Plate, Clamping	
47	1001168473	2	Clamp, Rubber	
48	1001171553	3	Plate, Clamping	

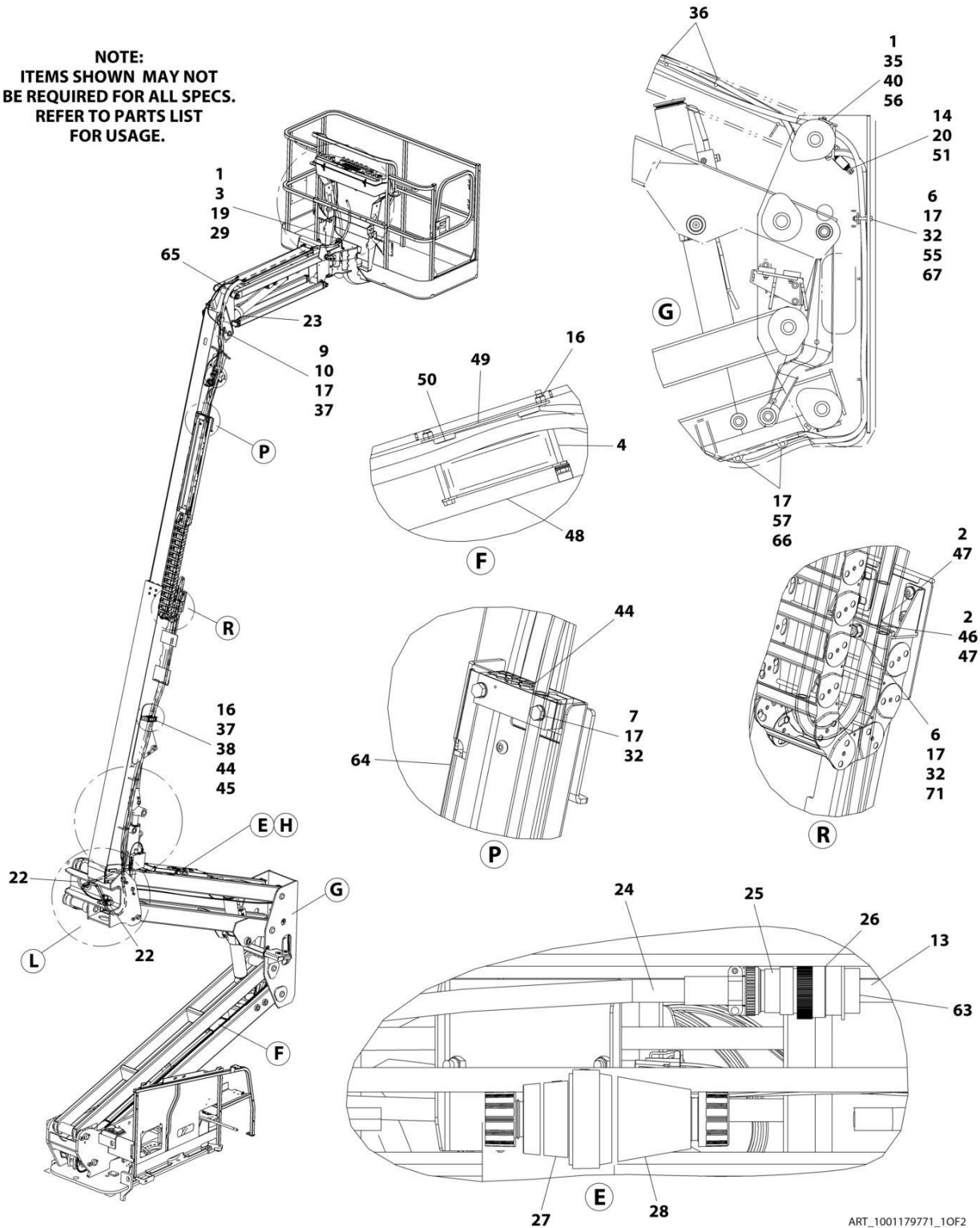
SECTION 8 - ELECTRICAL

ITEM	PART NUMBER	QTY	DESCRIPTION	REV
49	1001171555	3	Plate, Clamping	
50	1001171559	10	Pad	
51	1001284504	1	Switch, Limit	
52	1001238466	1	Link, Sensor (Note: Sold as Assembly Only)	
53	1001178448	2	Plate, Clamping	
54	1001178449	1	Cover	
55	1001178644	1	Plate	
56	1001260306	1	Bracket	
57	1001182561	2	Roller	
58	5250812	2	Bolt M8 x 25	
59	1001179266	1	Plate, Mounting	
63	4460466	AR	Plug, Terminal	
64	1001181875	1	Cover	
65	1001181923	1	Shield, Hose	
66	1001119280	2	Bolt M10 x 260	
67	1001185747	2	Pad	
69	88521205	2	Nut 5/16	
70	1001119228	8	Nut M8	
71	8310070	1	Pushnut 3/8	

SECTION 8 - ELECTRICAL

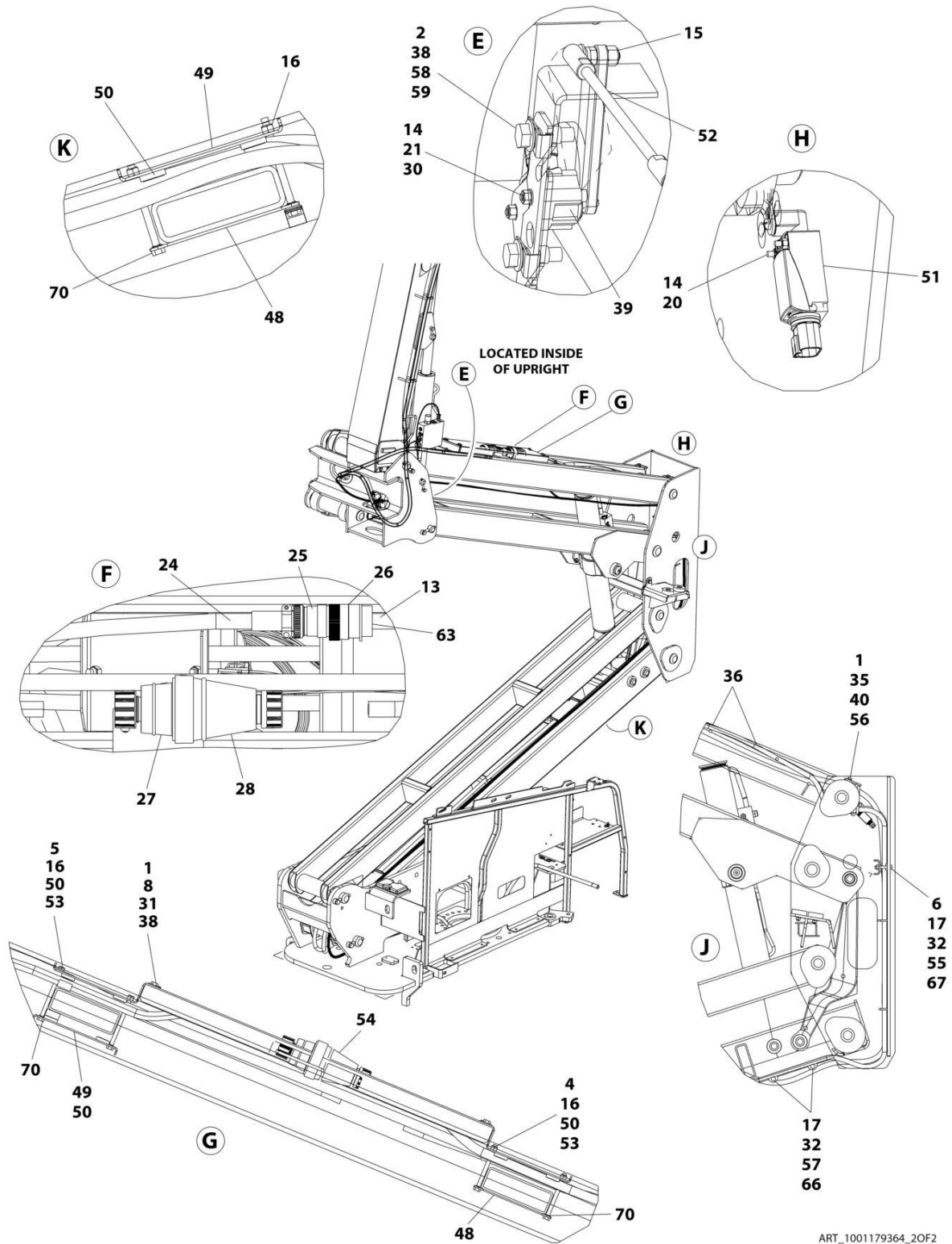
FIGURE 8-32. BOOM CABLES AND CLAMPS INSTALLATION - (MACHINES WITH 7500W GENERATORS AND WITH ARCTIC PACKAGE) (450AJ)

NOTE:
ITEMS SHOWN MAY NOT
BE REQUIRED FOR ALL SPECS.
REFER TO PARTS LIST
FOR USAGE.



ART_1001179771_10F2

SECTION 8 - ELECTRICAL



ART_1001179364_20F2

SECTION 8 - ELECTRICAL

FIGURE 8-32. BOOM CABLES AND CLAMPS INSTALLATION - (MACHINES WITH 7500W GENERATORS AND WITH ARCTIC PACKAGE) (450AJ)

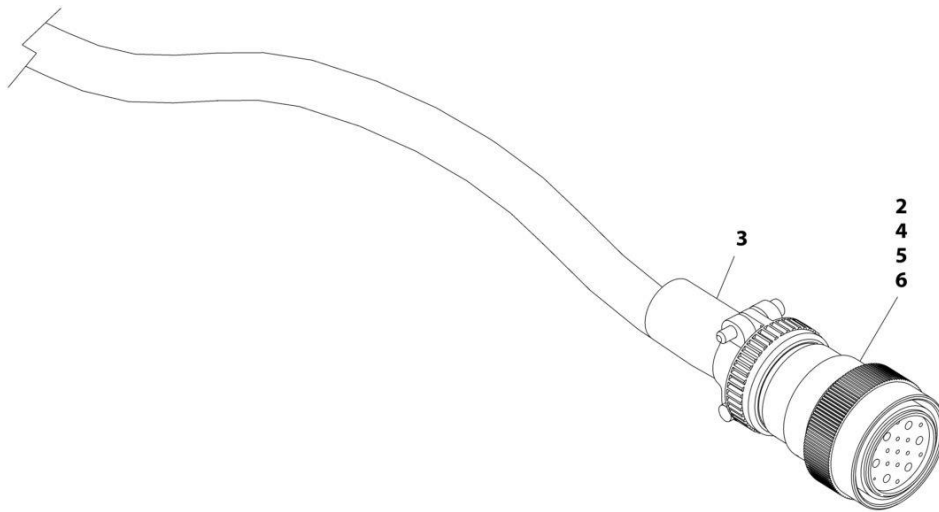
ITEM	PART NUMBER	QTY	DESCRIPTION	REV
	1001179771	Ref	BOOM CABLES AND CLAMPS INSTALLATION	O
1	0100011	AR	Compound, Locking	
2	0100081	AR	Adhesive	
3	0760814	2	Bolt M8 x 30	
4	0700827	6	Bolt M8 x 100	
5	0700828	2	Bolt M8 x 110	
6	0701021	3	Bolt M10 x 65	
7	0701024	4	Bolt M10 x 80	
8	0760812	4	Bolt M8 x 25	
9	0761012	1	Bolt M10 x 25	
10	1320130	1	Clamp	
13	2820031	AR	Heat Shrink	
14	3290405	4	Nut M4	
15	3290605	2	Nut M6	
16	3290805	12	Nut M8	
17	3291005	10	Nut M10	
19	3841340	1	Loop, Hose	
20	4010418	2	Screw M4 x 50	
21	4031511	2	Capscrew M4 x 35	
22	4060808	27.5 in/ 8.38m	Flex-Trim	
23	4240156	2	Strap, Clinch	
24	4460473	AR	Clamp, Cable	
25	4460865	1	Connector - 19 Position	
26	4460866	1	Connector - 19 Position	
27	1001218622	1	Terminal, Turnlock Plug	
28	1001218623	1	Terminal, Turnlock Connector	
29	4811900	4	Washer M8	
30	4811400	2	Washer M4	
31	4811902	4	Washer M8	
32	4812000	13	Washer M10	
33	1001179439	1	Harness, Tower Boom (Not Shown - See Separate Breakdown in this Section)	
34	4922929	1	Harness, Tower Boom - 8/5 Generator Cable (Not Shown)	
35	5251014	2	Bolt M10 x 30	
36	8881800	AR	Tie-Strap	
37	5281920	2	Screw M8 x 80	
37	5281918	2	Bolt M8 x 70	
38	1001118274	8	Nut M8	
39	1001118971	1	Sensor, Angle	
39	70005667	1	Arm	
40	1001118972	2	Nut M10	
41	1001174748	1	Harness, Main Boom (Not Shown - See Separate Breakdown in this Section)	
42	1001164732	1	Harness, Main Boom - 8/5 - Upper Generator Cable (Not Shown)	
43	1001164738	1	Harness, Boom Valve (Not Shown - See Separate Breakdown in this Section)	
44	1001273304	3	Block, Clamping	
45	1001273303	1	Plate	
46	1001168472	1	Plate, Clamping	

SECTION 8 - ELECTRICAL

ITEM	PART NUMBER	QTY	DESCRIPTION	REV
47	1001168473	2	Clamp, Rubber	
48	1001171553	3	Plate, Clamping	
49	1001171555	3	Plate, Clamping	
50	1001171559	10	Pad	
51	1001284504	1	Switch, Limit	
52	1001238466	1	Link, Sensor (Note: Sold as Assembly Only)	
53	1001178448	2	Plate, Clamping	
54	1001178449	1	Cover	
55	1001178644	1	Plate	
56	1001260306	1	Bracket	
57	1001182561	2	Roller	
58	5250812	2	Bolt M8 x 25	
59	1001179266	1	Plate, Mounting	
63	4460466	AR	Plug, Terminal	
64	1001181621	1	Cover	
65	1001181923	1	Shield, Hose	
66	1001119280	2	Bolt M10 x 260	
67	1001185747	2	Pad	
70	1001119228	8	Nut M8	
71	8310070	1	Pushnut 3/8	

SECTION 8 - ELECTRICAL

FIGURE 8-33. BOOM HARNESS - (MAIN BOOM) (WITHOUT ARCTIC PACKAGE) (450A)



ART_1001172335

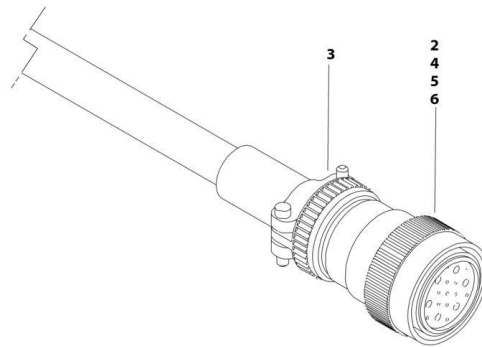
SECTION 8 - ELECTRICAL

FIGURE 8-33. BOOM HARNESS - (MAIN BOOM) (WITHOUT ARCTIC PACKAGE) (450A)

ITEM	PART NUMBER	QTY	DESCRIPTION	REV
	1001172335	Ref	BOOM HARNESS - 450A (MAIN BOOM)	E
2	4460865	1	Connector - 19 Position	
3	4460473	1	Clamp	
4	4460465	20	Socket, Female	
5	4460509	8	Socket, Female	
6	4460466	5	Plug, Socket	

SECTION 8 - ELECTRICAL

FIGURE 8-34. BOOM HARNESS - (MAIN BOOM) (WITHOUT ARCTIC PACKAGE) (450AJ)



ART_1001164730

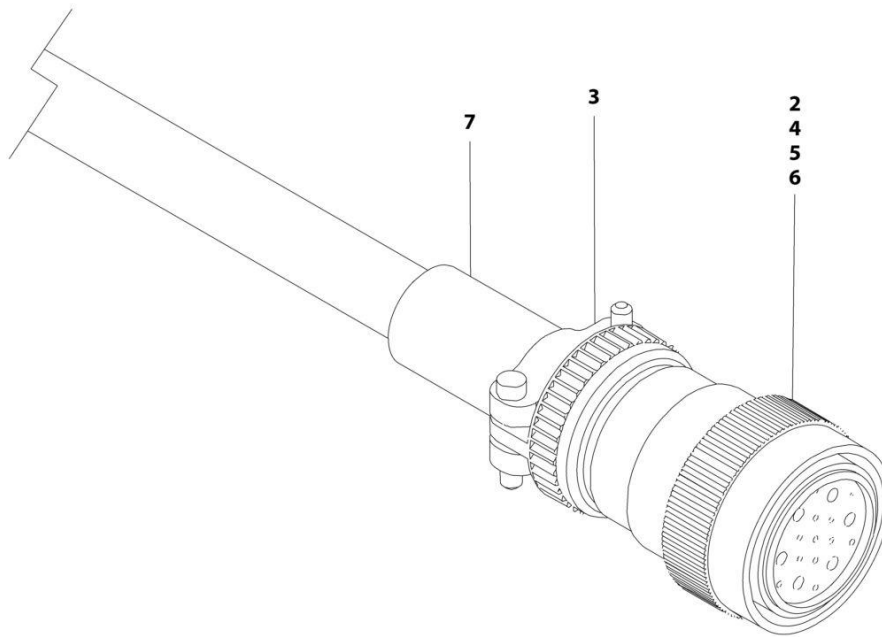
SECTION 8 - ELECTRICAL

FIGURE 8-34. BOOM HARNESS - (MAIN BOOM) (WITHOUT ARCTIC PACKAGE) (450AJ)

ITEM	PART NUMBER	QTY	DESCRIPTION	REV
	1001164730	Ref	BOOM HARNESS - MAIN BOOM	D
2	4460865	1	Connector - 19 Position	
3	4460473	1	Clamp	
4	4460465	20	Socket, Female	
5	4460509	8	Socket, Female	
6	4460466	5	Plug, Socket	

SECTION 8 - ELECTRICAL

FIGURE 8-35. BOOM HARNESS - (MAIN BOOM) (WITH ARCTIC PACKAGE) (450A)



ART_1001217441

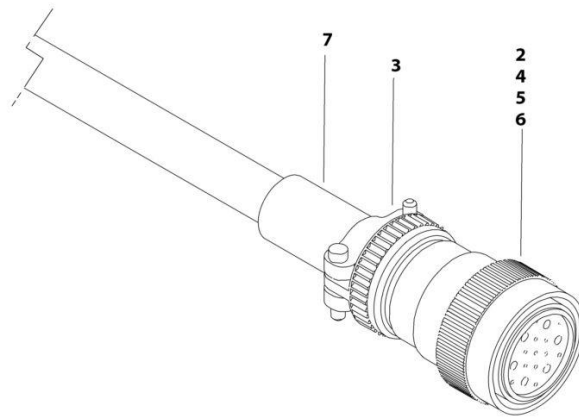
SECTION 8 - ELECTRICAL

FIGURE 8-35. BOOM HARNESS - (MAIN BOOM) (WITH ARCTIC PACKAGE) (450A)

ITEM	PART NUMBER	QTY	DESCRIPTION	REV
	1001217441	Ref	BOOM HARNESS - 450A (MAIN BOOM)	A
2	4460865	1	Connector - 19 Position	
3	4460473	1	Clamp	
4	4460465	22	Socket, Female	
5	4460509	8	Socket, Female	
6	4460466	4	Plug, Socket	
7	2820118	AR	Heat Shrink	

SECTION 8 - ELECTRICAL

FIGURE 8-36. BOOM HARNESS - (MAIN BOOM) (WITH ARCTIC PACKAGE) (450AJ)



ART_1001174748

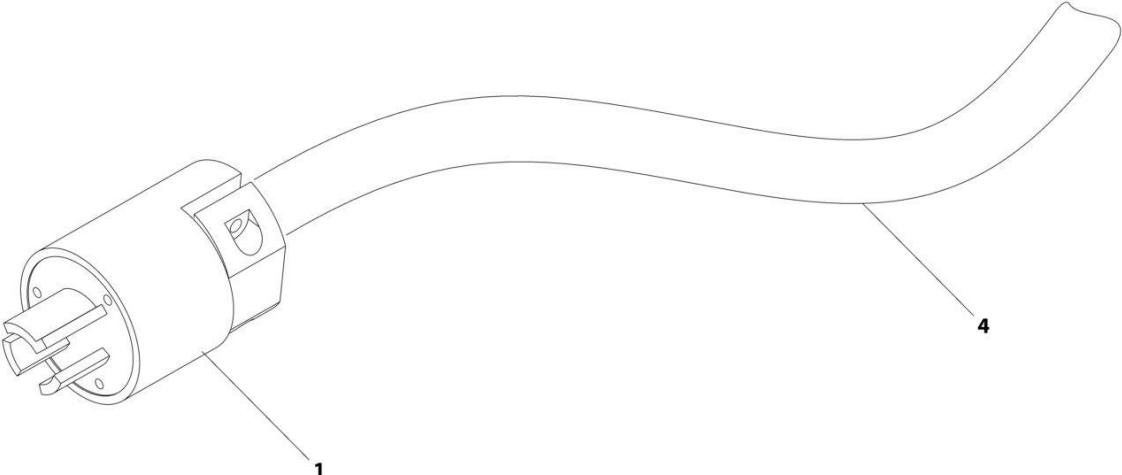
SECTION 8 - ELECTRICAL

FIGURE 8-36. BOOM HARNESS - (MAIN BOOM) (WITH ARCTIC PACKAGE) (450AJ)

ITEM	PART NUMBER	QTY	DESCRIPTION	REV
	1001174748	Ref	BOOM HARNESS - 450AJ (MAIN BOOM)	C
2	4460865	1	Connector - 19 Position	
3	4460473	1	Clamp	
4	4460465	20	Socket, Female	
5	4460509	8	Socket, Female	
6	4460466	5	Plug, Socket	

SECTION 8 - ELECTRICAL

FIGURE 8-37. BOOM HARNESS - (MAIN BOOM AC CABLE) (WITHOUT ARCTIC PACKAGE) (450A)



ART_1001172336

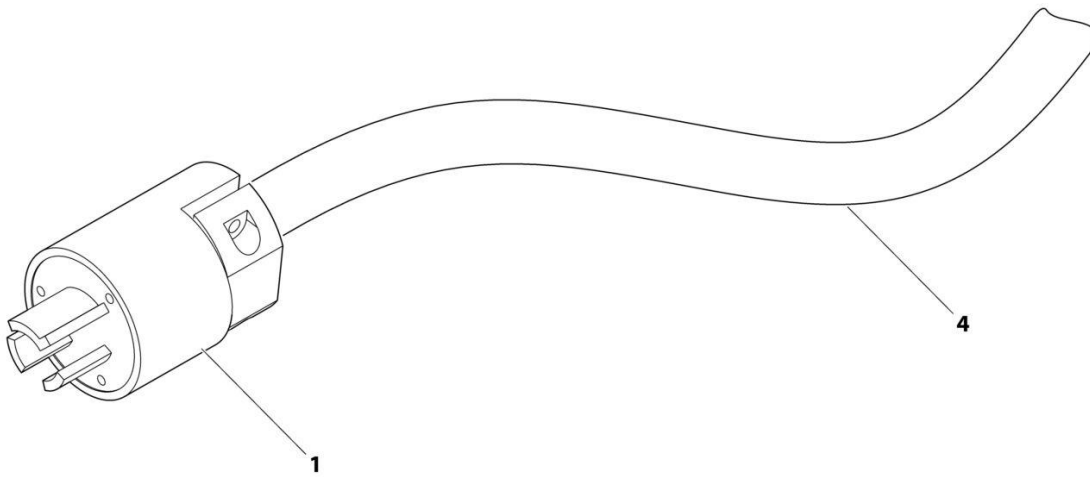
SECTION 8 - ELECTRICAL

FIGURE 8-37. BOOM HARNESS - (MAIN BOOM AC CABLE) (WITHOUT ARCTIC PACKAGE) (450A)

ITEM	PART NUMBER	QTY	DESCRIPTION	REV
1	1001172336	Ref	BOOM HARNESS - 450A (MAIN BOOM AC CABLE)	C
	1001120204	1	Plug, Male	
4	1060461	494 in /12.6m	Cable, Electrical - 12/3	

SECTION 8 - ELECTRICAL

FIGURE 8-38. BOOM HARNESS - (MAIN BOOM AC CABLE) (WITHOUT ARCTIC PACKAGE) (450AJ)



ART_1001164731

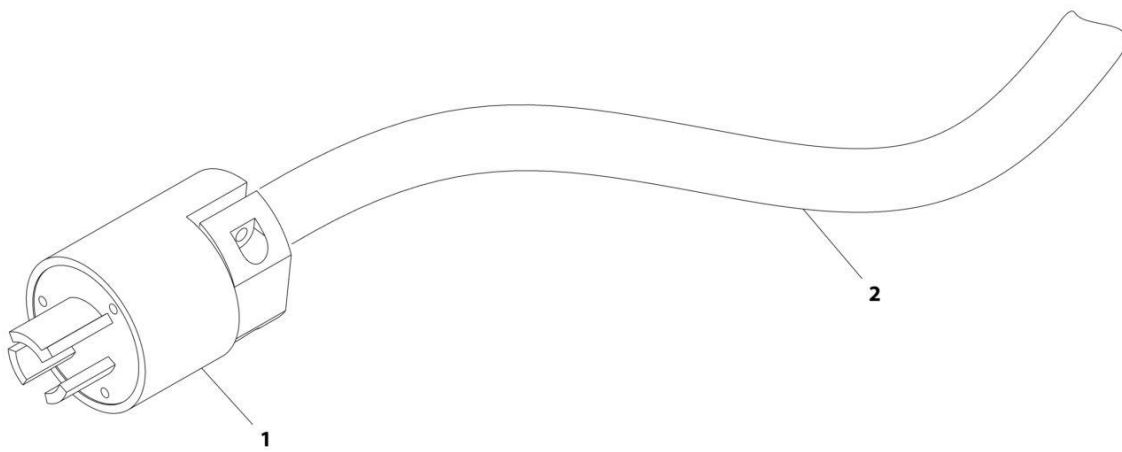
SECTION 8 - ELECTRICAL

FIGURE 8-38. BOOM HARNESS - (MAIN BOOM AC CABLE) (WITHOUT ARCTIC PACKAGE) (450AJ)

ITEM	PART NUMBER	QTY	DESCRIPTION	REV
	1001164731	Ref	BOOM HARNESS - MAIN BOOM AC CABLE	C
1	1001120204	1	Plug, Male	
4	1060461	494 in/ 12.6m	Cable, Electrical - 12/3	

SECTION 8 - ELECTRICAL

FIGURE 8-39. BOOM HARNESS - (MAIN BOOM AC CABLE) (WITH ARCTIC PACKAGE) (450A)



ART_1001217440

SECTION 8 - ELECTRICAL

FIGURE 8-39. BOOM HARNESS - (MAIN BOOM AC CABLE) (WITH ARCTIC PACKAGE) (450A)

ITEM	PART NUMBER	QTY	DESCRIPTION	REV
1	1001217440	Ref	BOOM HARNESS - 450A (MAIN BOOM AC CABLE)	A
2	1001120204	1	Plug, Male	
	4923463	494 in /12.6m	Cable, Electrical - 12/3	

SECTION 8 - ELECTRICAL

FIGURE 8-40. BOOM HARNESS - (MAIN BOOM AC CABLE) (WITH ARCTIC PACKAGE) (450AJ)



ART_1001174750

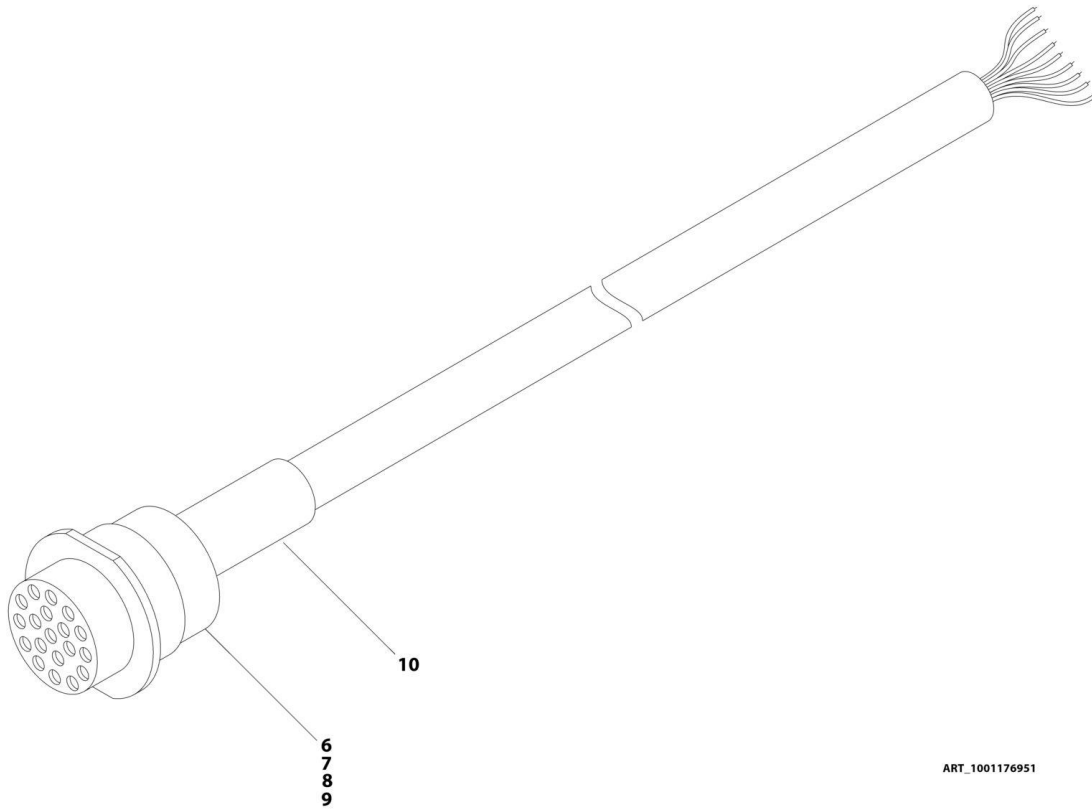
SECTION 8 - ELECTRICAL

FIGURE 8-40. BOOM HARNESS - (MAIN BOOM AC CABLE) (WITH ARCTIC PACKAGE) (450AJ)

ITEM	PART NUMBER	QTY	DESCRIPTION	REV
1	1001174750	Ref	BOOM HARNESS - 450AJ (MAIN BOOM AC CABLE)	B
	1001120204	1	Plug, Male	
4	4923463	494 in/ 12.6m	Cable, Electrical - 12/3	

SECTION 8 - ELECTRICAL

FIGURE 8-41. BOOM HARNESS - TOWER BOOM (WITHOUT ARCTIC PACKAGE)



ART_1001176951

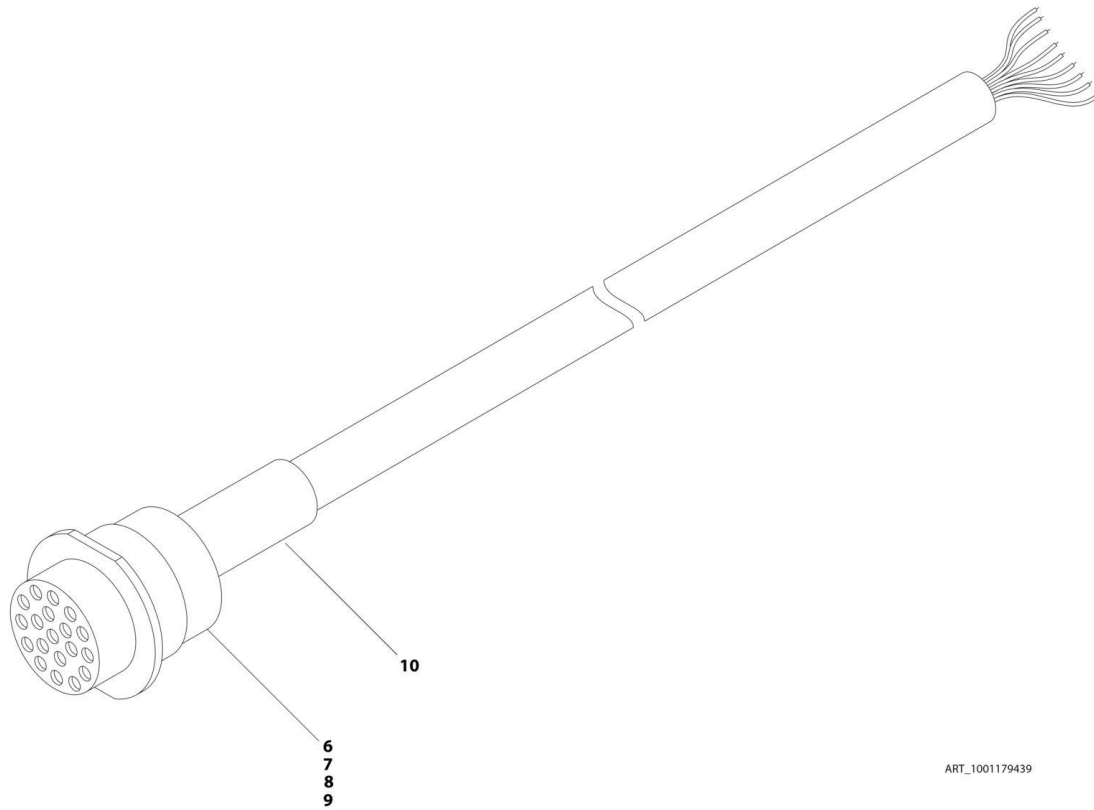
SECTION 8 - ELECTRICAL

FIGURE 8-41. BOOM HARNESS - TOWER BOOM (WITHOUT ARCTIC PACKAGE)

ITEM	PART NUMBER	QTY	DESCRIPTION	REV
	1001176951	Ref	BOOM HARNESS - TOWER BOOM	E
6	4460466	5	Plug, Terminal	
7	4460464	20	Pin, Male	
8	4460508	8	Pin, Male	
9	4460866	1	Connector - 19 Position	
10	2820031	AR	Heat Shrink	

SECTION 8 - ELECTRICAL

FIGURE 8-42. BOOM HARNESS - TOWER BOOM (WITH ARCTIC PACKAGE)



ART_1001179439

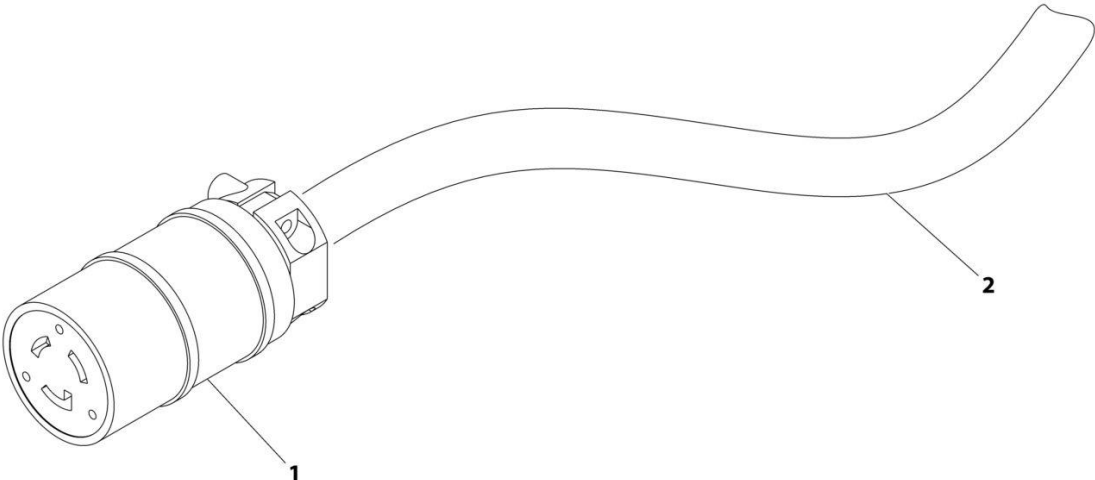
SECTION 8 - ELECTRICAL

FIGURE 8-42. BOOM HARNESS - TOWER BOOM (WITH ARCTIC PACKAGE)

ITEM	PART NUMBER	QTY	DESCRIPTION	REV
	1001179439	Ref	BOOM HARNESS - TOWER BOOM	D
6	4460466	4	Plug, Terminal	
7	4460464	22	Pin, Male	
8	4460508	8	Pin, Male	
9	4460866	1	Connector - 19 Position	
10	2820031	AR	Heat Shrink	

SECTION 8 - ELECTRICAL

FIGURE 8-43. BOOM HARNESS - TOWER BOOM AC CABLE (WITHOUT ARCTIC PACKAGE)



ART_1001174749

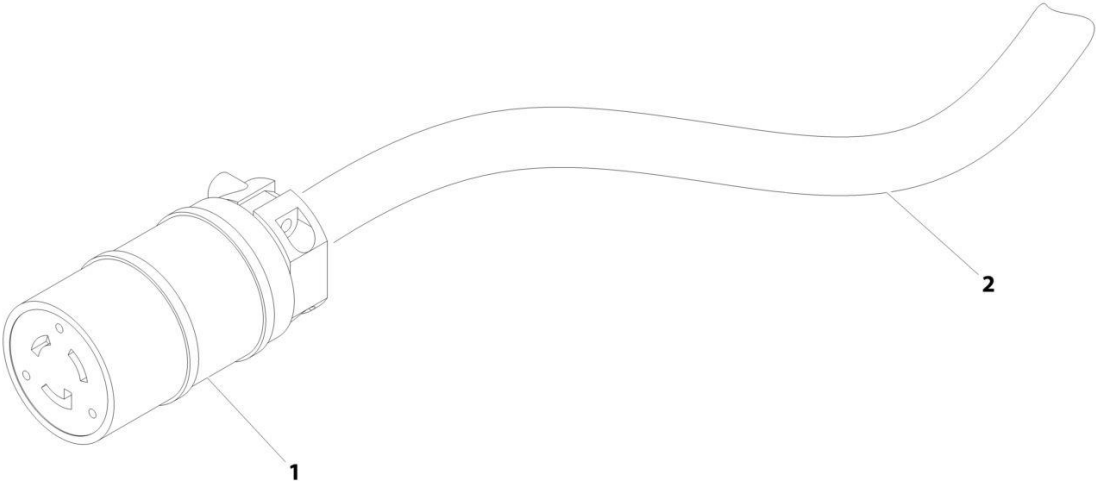
SECTION 8 - ELECTRICAL

FIGURE 8-43. BOOM HARNESS - TOWER BOOM AC CABLE (WITHOUT ARCTIC PACKAGE)

ITEM	PART NUMBER	QTY	DESCRIPTION	REV
	1001174749	Ref	BOOM HARNESS - TOWER BOOM AC CABLE	C
1	1001120205	1	Connector, Female	
2	1060461	28 ft/ 8.5m	Electrical Cable, 12/3	

SECTION 8 - ELECTRICAL

FIGURE 8-44. BOOM HARNESS - TOWER BOOM AC CABLE (WITH ARCTIC PACKAGE)



ART_1001174754

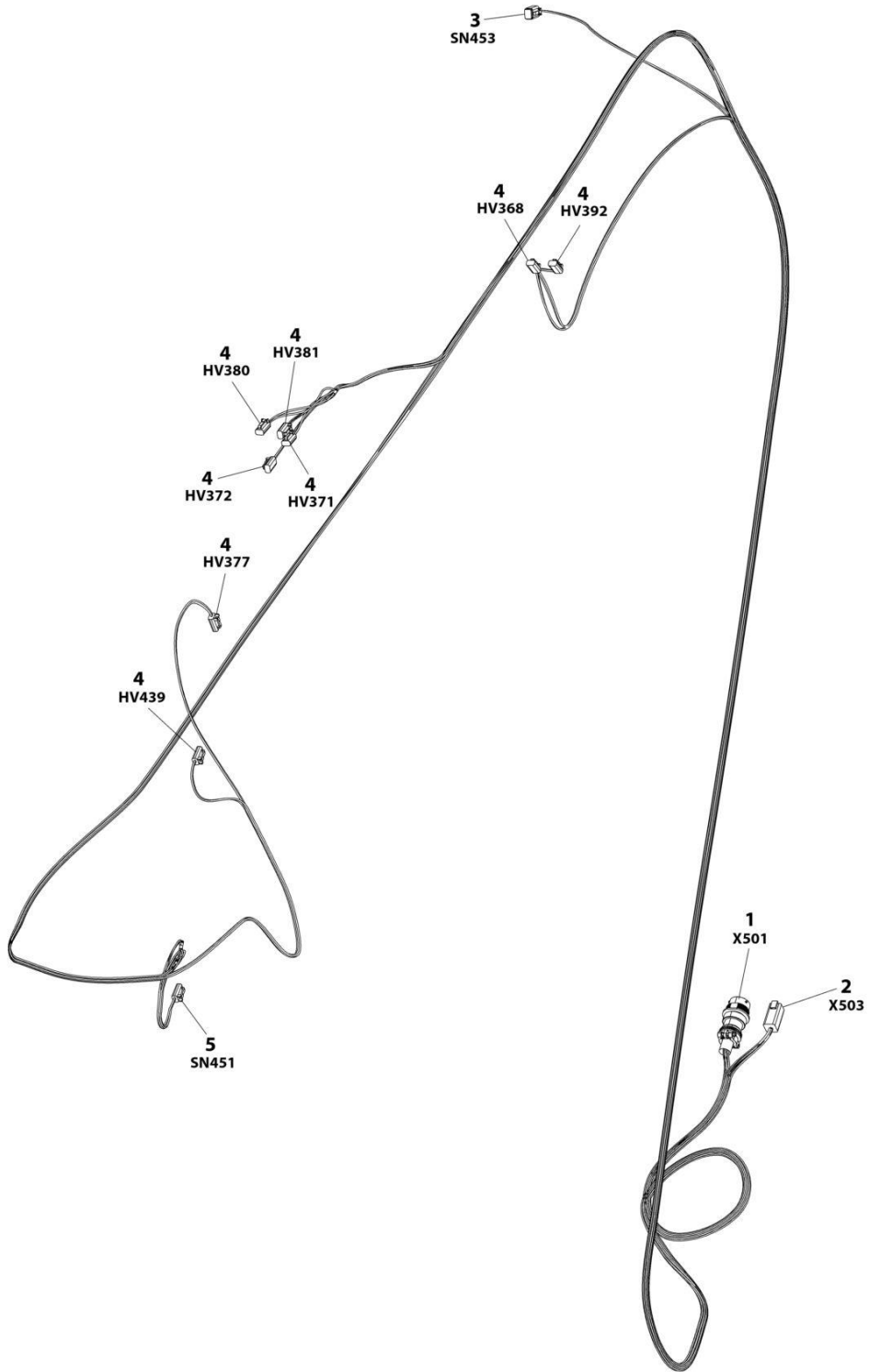
SECTION 8 - ELECTRICAL

FIGURE 8-44. BOOM HARNESS - TOWER BOOM AC CABLE (WITH ARCTIC PACKAGE)

ITEM	PART NUMBER	QTY	DESCRIPTION	REV
	1001174754	Ref	BOOM HARNESS - TOWER BOOM AC CABLE	B
1	1001120205	1	Connector, Female	
2	4920463	28 ft/ 8.5m	Cable, Electrical - 12/3	

SECTION 8 - ELECTRICAL

FIGURE 8-45. BOOM VALVE HARNESS



ART_1001164738

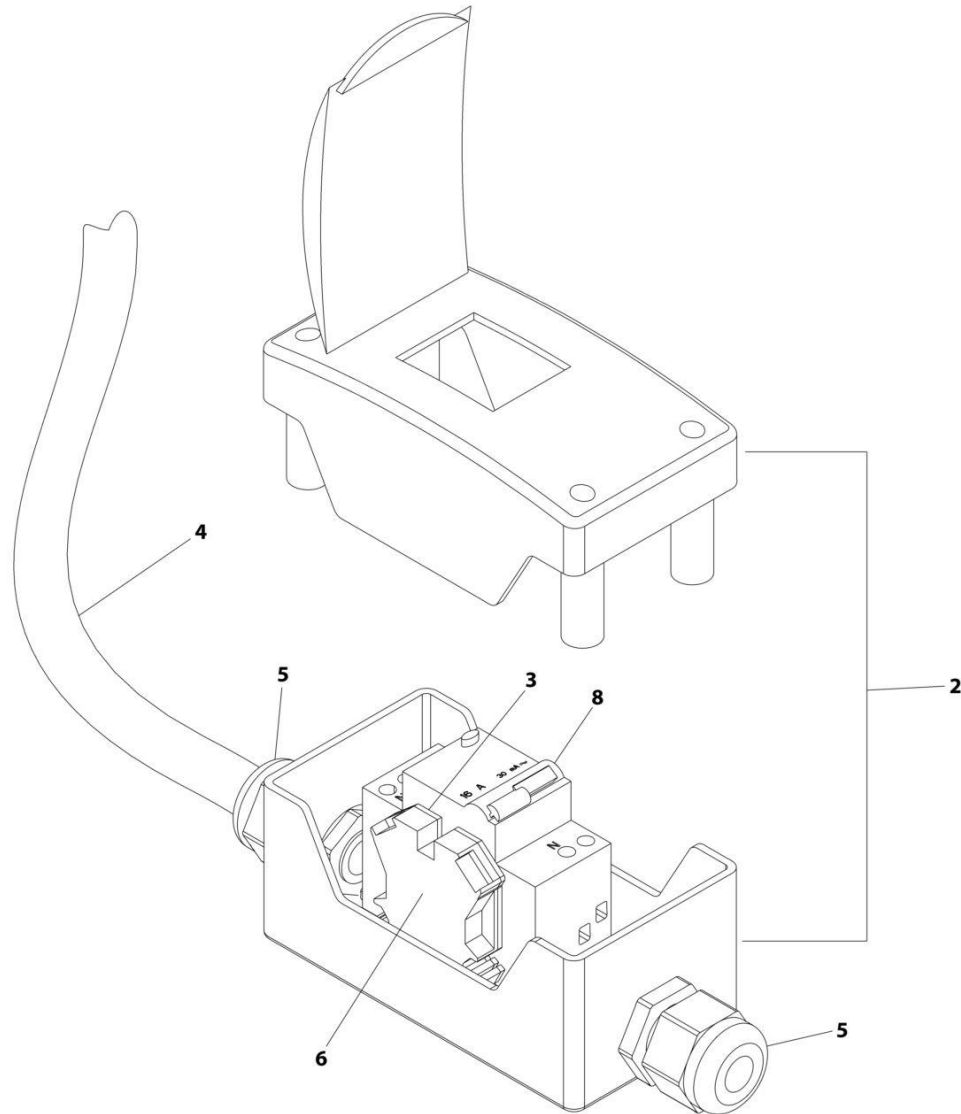
SECTION 8 - ELECTRICAL

FIGURE 8-45. BOOM VALVE HARNESS

ITEM	PART NUMBER	QTY	DESCRIPTION	REV
	1001164738	Ref	BOOM VALVE HARNESS	I
1	1001156541	1	Connector - 19 Position	
1	4460464	13	Pin, Male	
1	4460466	1	Plug, Terminal	
2	4460899	1	Connector - 6 Position	
2	4460464	6	Pin, Male	
3	4460884	1	Plug, Male - 4 Position	
3	4460465	2	Socket, Female	
3	4460466	2	Plug, Terminal	
4	4460891	8	Plug, Male - 2 Position	
4	4460465	16	Socket, Female	
5	1001230931	1	Plug, Male - 6 Position	
5	1001116748	6	Terminal	

SECTION 8 - ELECTRICAL

FIGURE 8-46. BREAKER BOX KIT WITH SINGLE DOUBLE POLE BREAKER - CE, RUSSIA & UK CA SPECS



ART_2902549

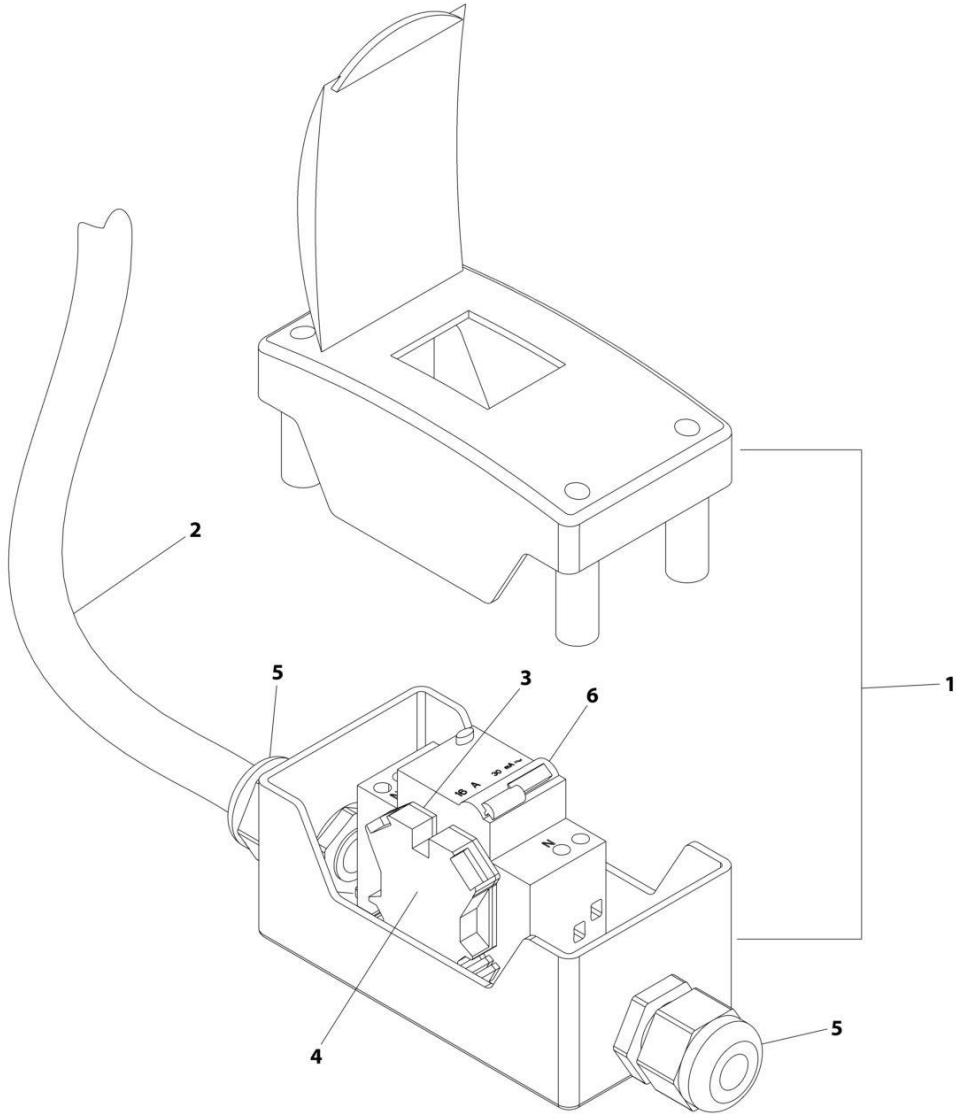
SECTION 8 - ELECTRICAL

FIGURE 8-46. BREAKER BOX KIT WITH SINGLE DOUBLE POLE BREAKER - CE, RUSSIA & UK CA SPECS

ITEM	PART NUMBER	QTY	DESCRIPTION	REV
	2902549	Ref	BREAKER BOX KIT - 110/220V 16AMP BREAKER	F
2	0861880	1	Box	
3	4460956	1	Barrier, Terminal	
4	1060908	6 ft/1.8m	Cable, 12/3	
5	1001097150	2	Connector, Strain Relief	
6	4460957	1	Block, Terminal	
8	1001181045	1	Breaker, Combination 16Amp/30mAmp	

SECTION 8 - ELECTRICAL

FIGURE 8-47. BREAKER BOX KIT



ART_1001289592

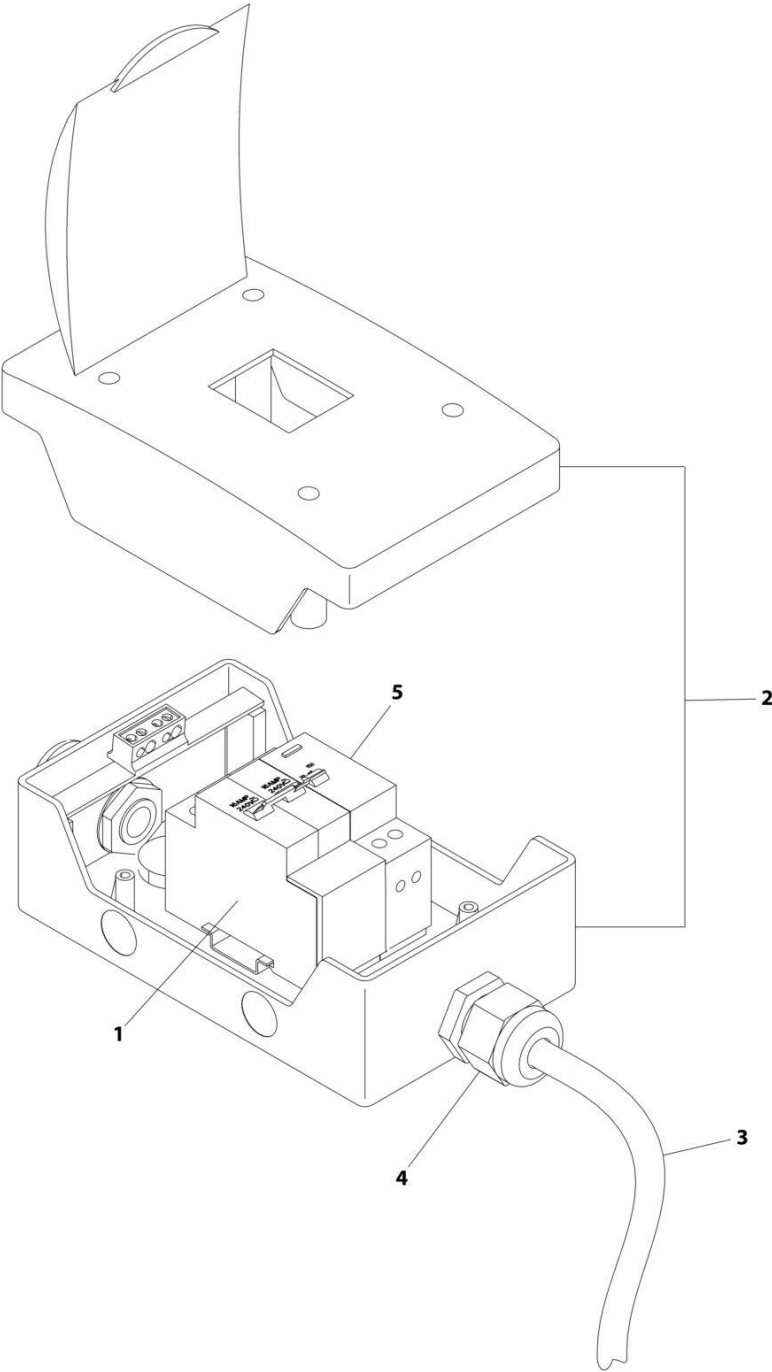
SECTION 8 - ELECTRICAL

FIGURE 8-47. BREAKER BOX KIT

ITEM	PART NUMBER	QTY	DESCRIPTION	REV
	1001289592	Ref	BREAKER BOX KIT	A
1	0861880	1	Box	
2	1060908	6 ft/1.8m	Cable 12/3	
3	4460956	1	Barrier, Terminal	
4	4460957	2	Block, Terminal	
5	1001097150	2	Connector, Strain Relief	
6	1001289589	1	Breaker, 16Amp	

SECTION 8 - ELECTRICAL

FIGURE 8-48. BREAKER BOX KIT WITH THREE BREAKERS - CE, RUSSIA & UK CA SPECS



ART_1001152485_F

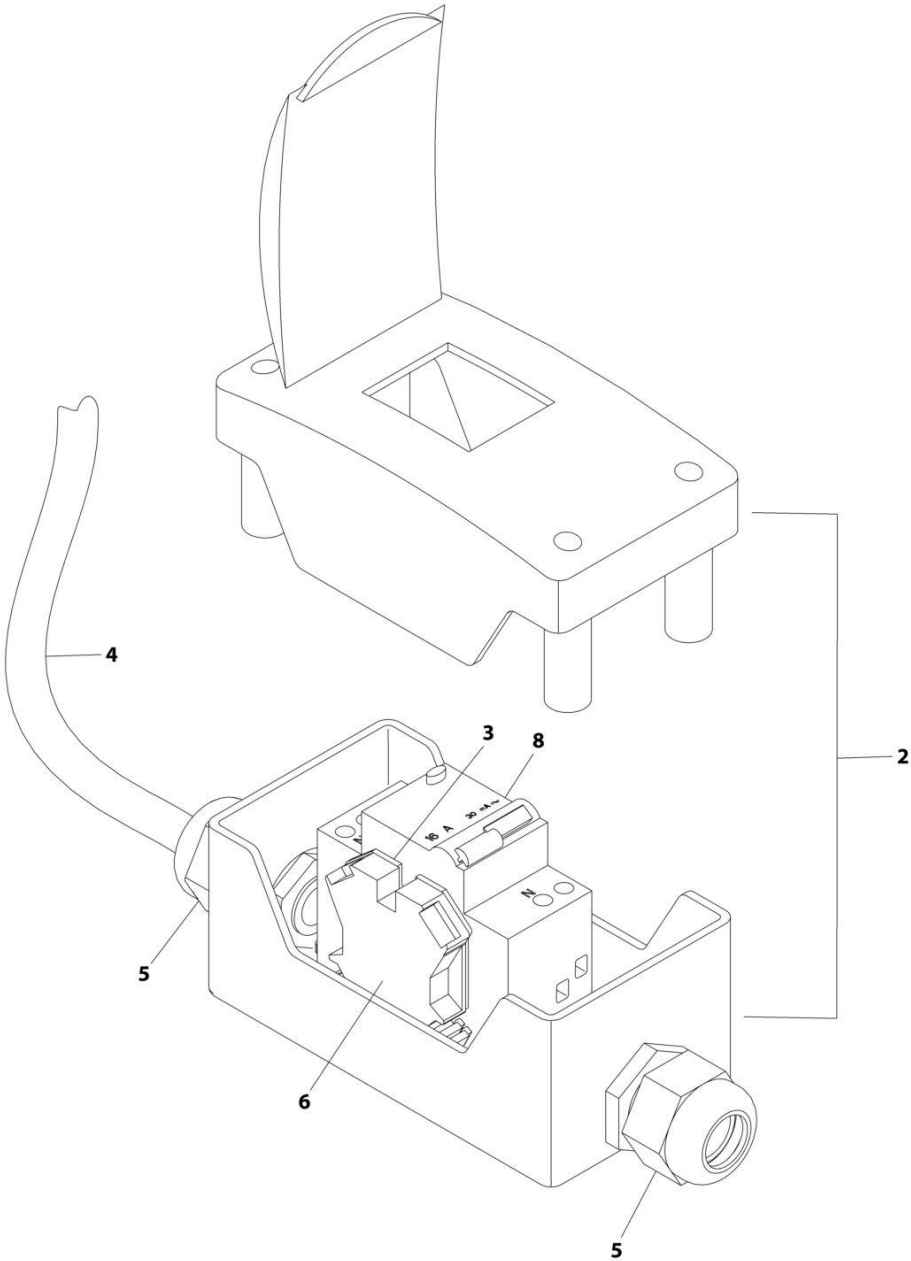
SECTION 8 - ELECTRICAL

FIGURE 8-48. BREAKER BOX KIT WITH THREE BREAKERS - CE, RUSSIA & UK CA SPECS

ITEM	PART NUMBER	QTY	DESCRIPTION	REV
	1001152485	Ref	BREAKER BOX KIT WITH TWO BREAKERS	F
1	1001189172	1	Breaker 16Amp Double	
2	1001152483	1	Box	
3	1060908	6 ft/1.8m	Cable, 12/3	
4	1001097150	2	Connector, Strain Relief	
5	1001189171	1	Breaker, 30mA	

SECTION 8 - ELECTRICAL

FIGURE 8-49. BREAKER BOX KIT - 30MA/16 AMP



ART_1001096070

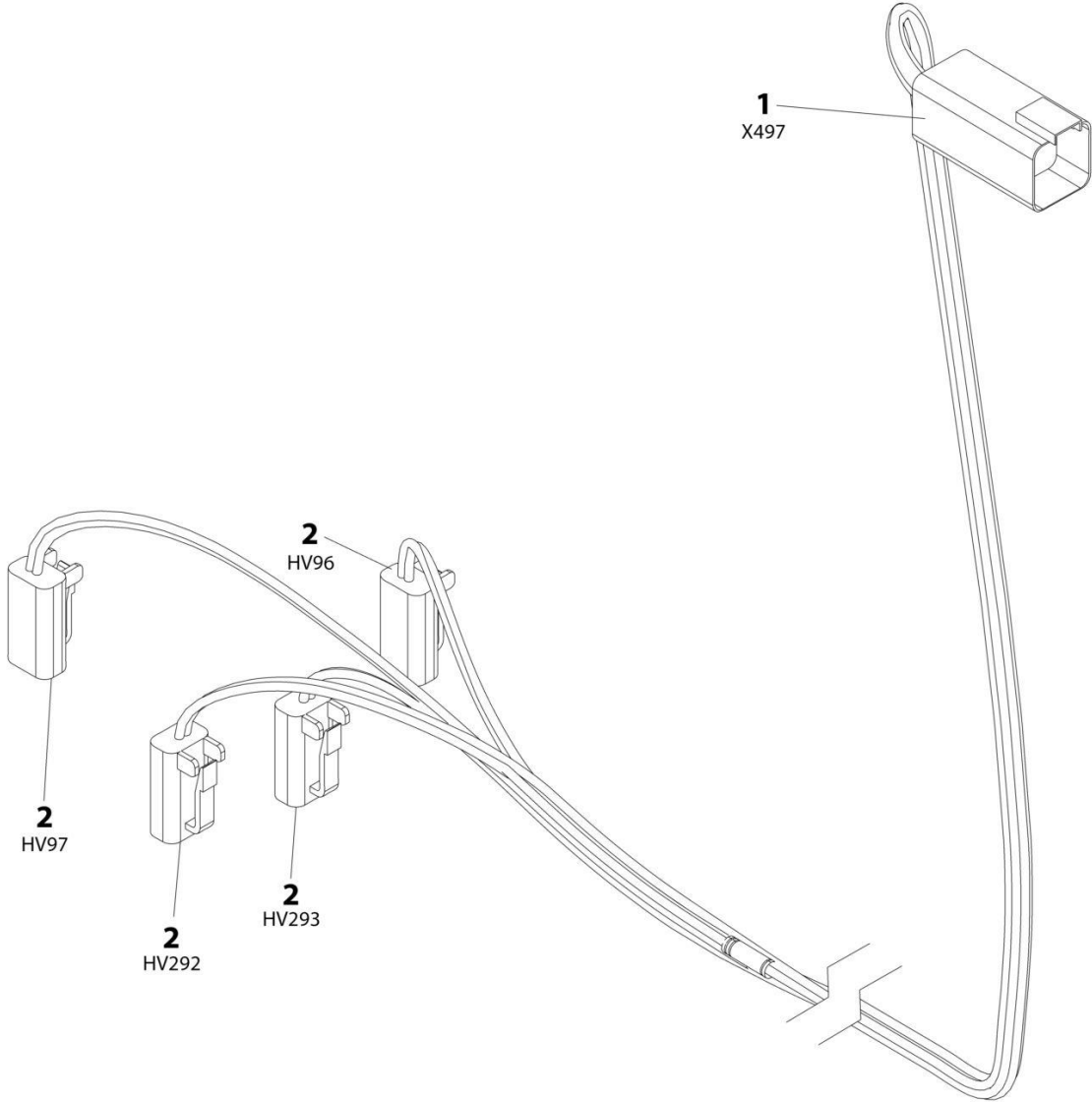
SECTION 8 - ELECTRICAL

FIGURE 8-49. BREAKER BOX KIT - 30MA/16 AMP

ITEM	PART NUMBER	QTY	DESCRIPTION	REV
	1001096070	Ref	BREAKER BOX KIT	E
2	0861880	1	Box	
3	4460956	1	Barrier, Terminal Block End	
4	1060908	12 ft/ 3.6m	Cable, 12/3	
5	1001097150	2	Connector, Strain Relief	
6	4460957	1	Block, Terminal	
8	1001181045	1	Breaker, 16Amp	

SECTION 8 - ELECTRICAL

FIGURE 8-50. CHASSIS SOLENOID HARNESS



ART_1001179236

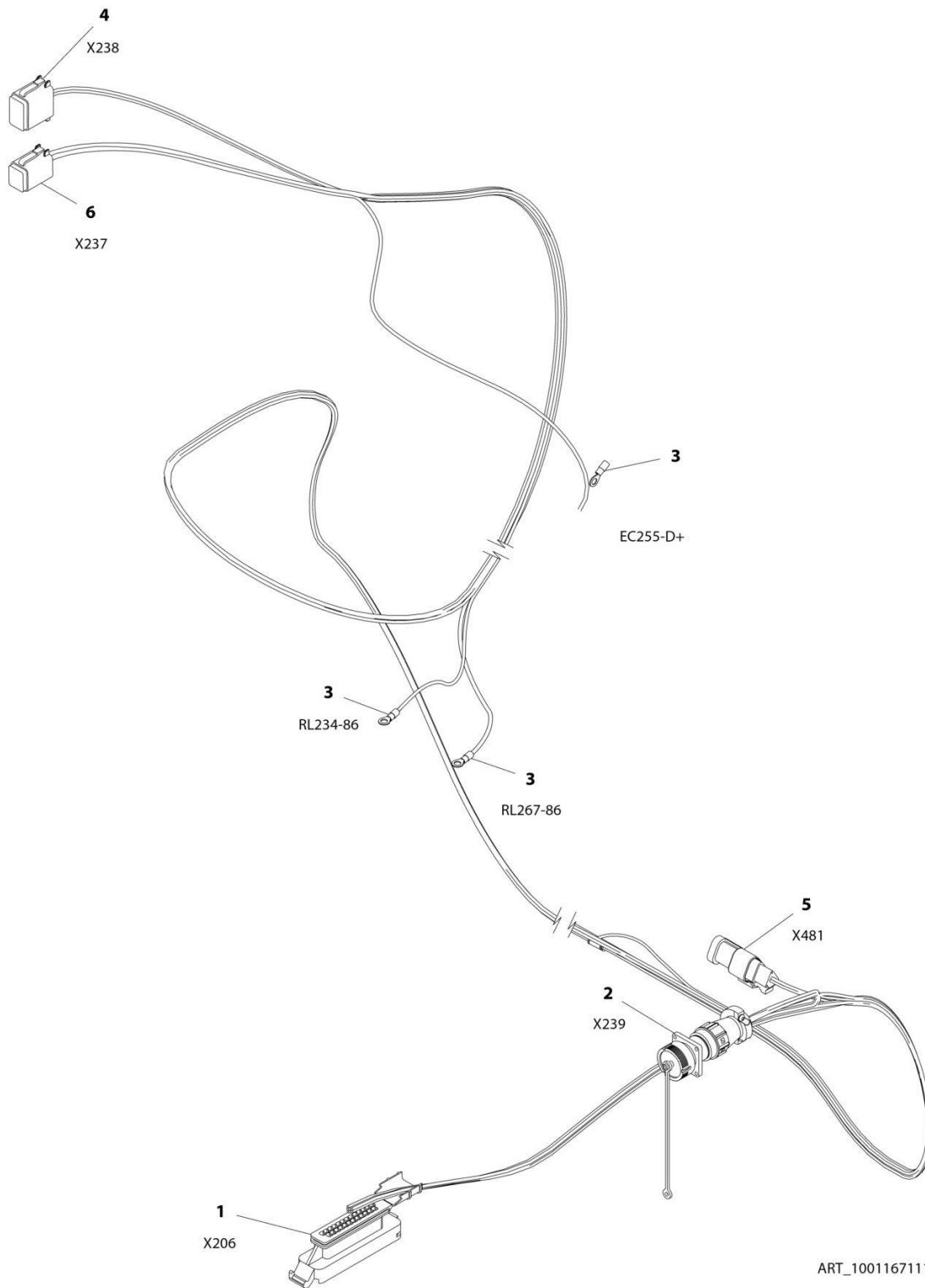
SECTION 8 - ELECTRICAL

FIGURE 8-50. CHASSIS SOLENOID HARNESS

ITEM	PART NUMBER	QTY	DESCRIPTION	REV
	1001179236	Ref	CHASSIS SOLENOID HARNESS	A
1	4460899	1	Receptacle, Female - 6 Position	
1	4460464	6	Pin, Male	
2	4460891	4	Plug, Male - 2 Position	
2	4460465	8	Socket, Female	

SECTION 8 - ELECTRICAL

FIGURE 8-51. ENGINE HARNESS - DEUTZ D2011



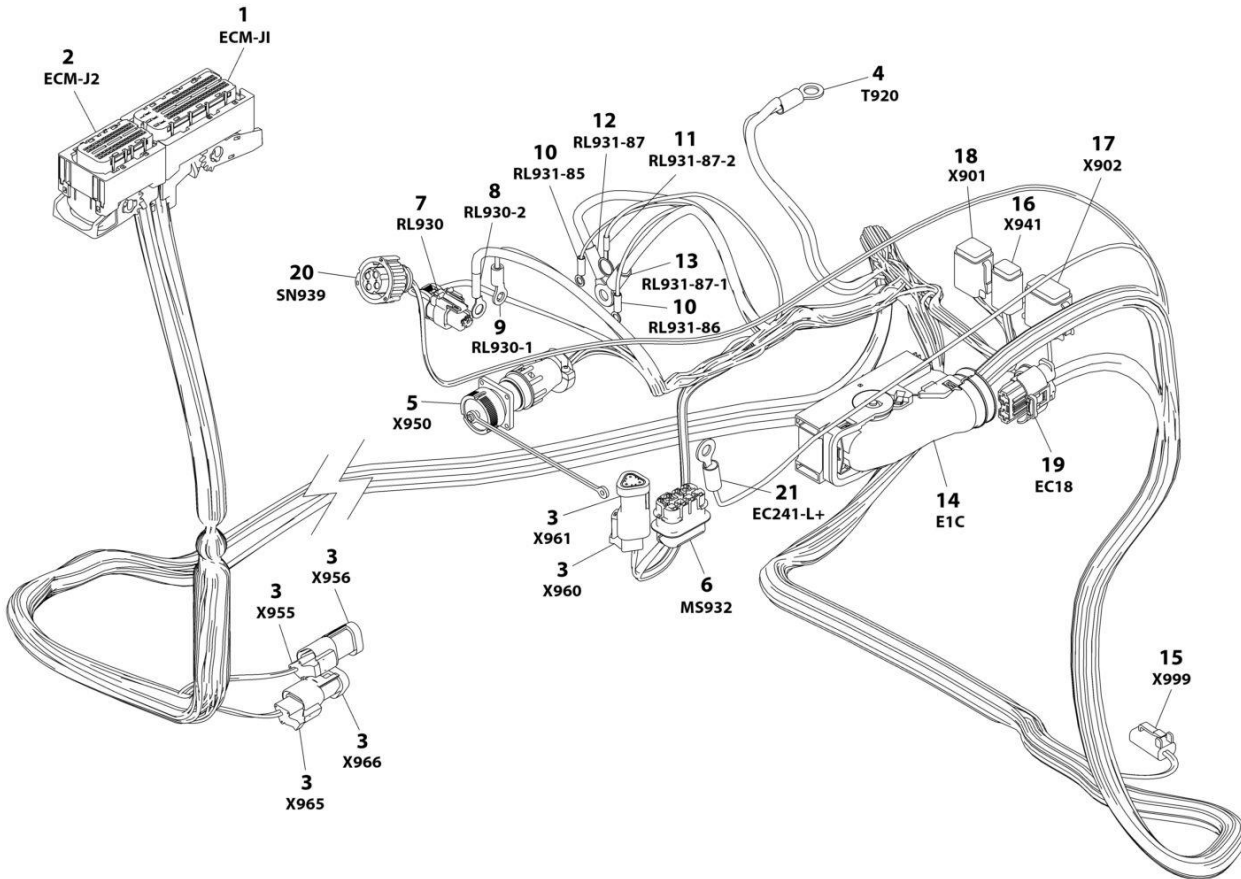
SECTION 8 - ELECTRICAL

FIGURE 8-51. ENGINE HARNESS - DEUTZ D2011

ITEM	PART NUMBER	QTY	DESCRIPTION	REV
	1001167111	Ref	ENGINE HARNESS - DEUTZ D2011	B
1	4461052	1	Connector - 25 Position	
1	4461005	7	Terminal	
1	4461008	18	Plug, Terminal	
2	2902443	1	Receptacle Kit	
2	4461071	8	Socket, Female	
2	4461072	1	Receptacle with Flange - 8 Position	
2	4461073	1	Cap, Dust	
2	4461074	1	Shell, Black	
3	4460313	3	Terminal, Ring	
4	4460930	1	Plug, Male - 8 Position	
4	4460465	2	Socket, Female	
4	4460466	6	Seal, Terminal	
5	4461095	1	Plug, Male - 3 Position	
5	4460465	3	Socket, Female	
6	4460894	1	Plug, Male - 6 Position	
6	4460465	6	Socket, Female	

SECTION 8 - ELECTRICAL

FIGURE 8-52. ENGINE HARNESS - DEUTZ D2.9L4



ART_1001167108_L

SECTION 8 - ELECTRICAL

FIGURE 8-52. ENGINE HARNESS - DEUTZ D2.9L4

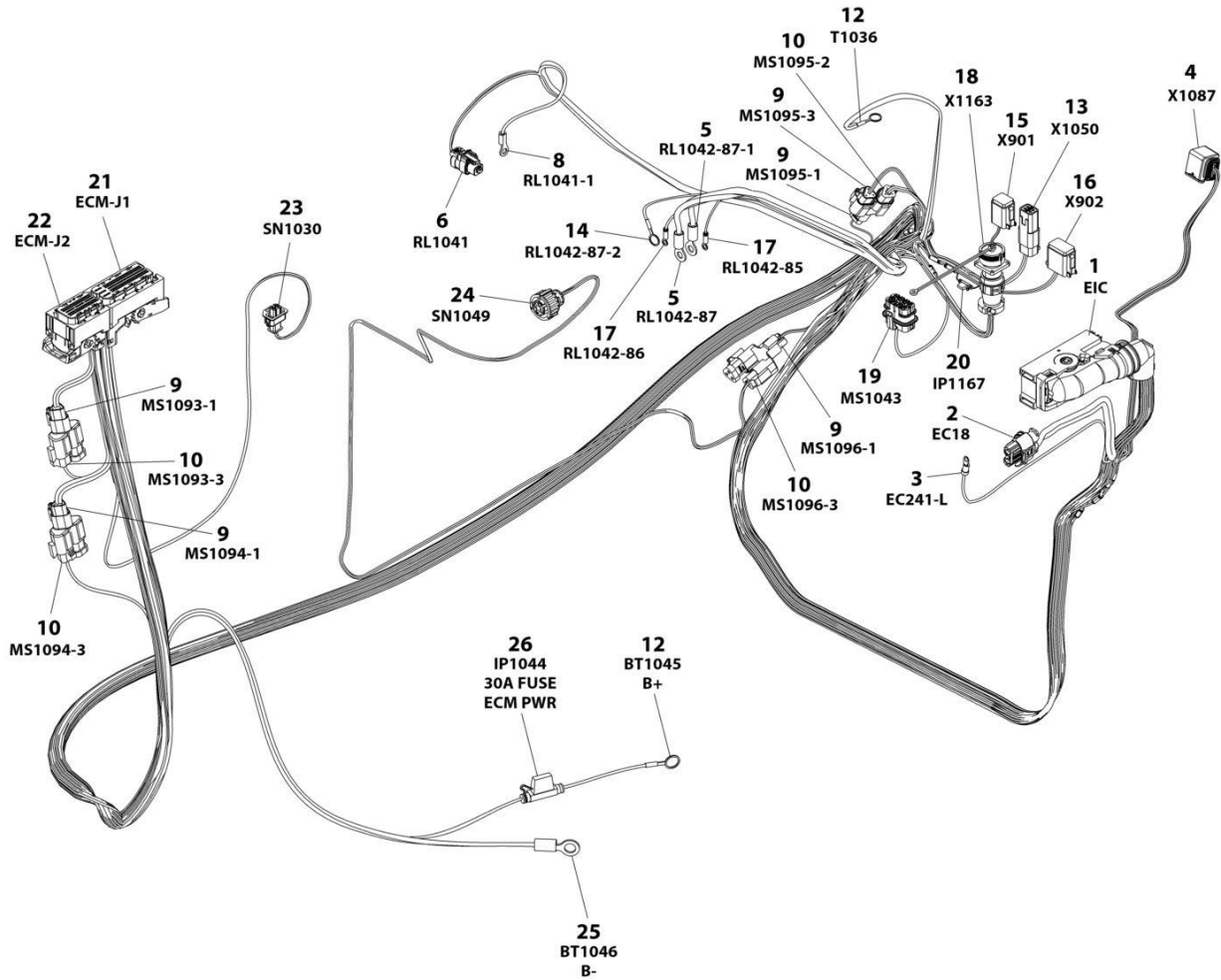
ITEM	PART NUMBER	QTY	DESCRIPTION	REV
	1001167108	Ref	ENGINE HARNESS - DEUTZ D2.9L4	L
1	1001133956	1	Connector, 94 Position	
1	1001182361	6	Terminal	
1	1001126351	2	Terminal	
1	1001230934	17	Terminal	
1	1001230935	63	Plug, Terminal	
1	1001256507	4	Terminal	
1	1001230936	2	Plug, Terminal	
1	1001182365	6	Seal	
2	1001133957	1	Connector - 60 Position	
2	1001230936	11	Plug, Terminal	
2	1001126351	13	Terminal	
2	1001230935	19	Plug, Terminal	
2	1001230934	11	Terminal	
2	1001252527	4	Terminal	
2	1001256507	2	Terminal	
3	4461095	3	Plug, Male - 3 Position	
3	4460944	6	Socket, Female	
3	4460466	3	Plug, Terminal	
3	4461070	3	Connector, Female with Resistor 3 Position	
4	8220115	1	Terminal, Ring	
5	2902443	1	Receptacle Kit	
5	4461071	8	Socket, Female	
5	4461072	1	Receptacle with Flange - 8 Position	
5	4461073	1	Cap, Dust	
5	4461074	1	Shell, Black	
6	80484084	1	Connector - 8 Position	
6	4460746	3	Terminal	
6	1001234800	1	Terminal	
6	4460748	4	Plug, Terminal	
6	4460458	4	Seal	
6	8229242	1	Fuse - 5Amp	
6	80983191	1	Fuse - 10Amp	
6	1001147264	1	Cap	
7	1001116952	1	Plug, Male - 2 Position	
7	4460465	2	Socket, Female	
8	1001117106	1	Terminal, Ring	
9	4460043	1	Terminal, Ring	
10	4460247	2	Terminal, Ring	
11	4460703	1	Terminal, Ring	
12	8220164	1	Terminal, Ring	
13	1001117107	1	Terminal, Ring	
14	1001126362	1	Connector - 62 Position	
14	1001126363	25	Terminal	
14	1001126391	21	Seal, Terminal	
14	1001126392	10	Terminal	
14	4461008	4	Seal, Terminal	
14	1001126365	2	Terminal	
14	1001223459	10	Seal, Terminal	
14	1001126364	23	Seal, Terminal	

SECTION 8 - ELECTRICAL

ITEM	PART NUMBER	QTY	DESCRIPTION	REV
14	1001256506	2	Seal, Terminal	
14	4461054	2	Seal, Terminal	
15	4460891	1	Plug, Male - 2 Position	
15	4460465	2	Socket, Female	
16	1001220379	1	Plug, Male - 4 Position	
16	4460465	2	Socket, Female	
16	4460942	2	Socket, Female	
17	4460930	1	Plug, Male - 8 Position	
17	4460465	1	Socket, Female	
17	4460466	7	Seal, Terminal	
18	4460894	1	Plug, Male - 6 Position	
18	4460465	3	Socket, Female	
18	4460944	2	Socket, Female	
18	4460466	1	Plug, Terminal	
19	1001142938	1	Connector - 2 Position	
19	1001142940	2	Terminal	
19	1001142941	2	Seal, Terminal	
20	1001133714	1	Plug, Male - 4 Position	
20	1001133715	3	Terminal	
20	1001135651	1	Plug, Terminal	
20	1001135650	3	Seal	
21	4460042	1	Terminal, Ring	

SECTION 8 - ELECTRICAL

FIGURE 8-53. ENGINE HARNESS - DEUTZ D2.9L4 ENGINE (STAGE V)



ART_1001276643

SECTION 8 - ELECTRICAL

FIGURE 8-53. ENGINE HARNESS - DEUTZ D2.9L4 ENGINE (STAGE V)

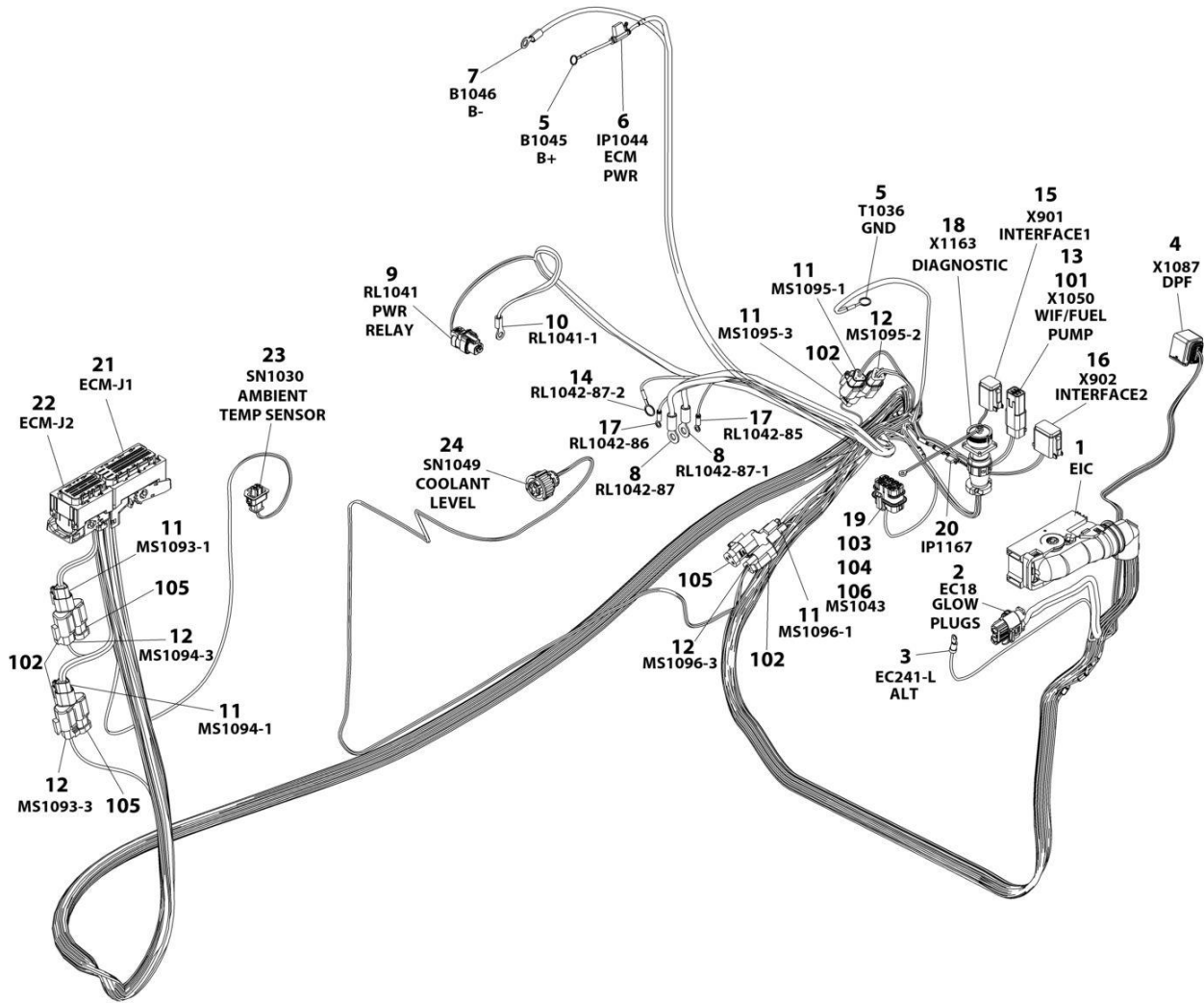
ITEM	PART NUMBER	QTY	DESCRIPTION	REV
	1001276643	Ref	ENGINE HARNESS - DEUTZ D2.9L4 (STAGE V) ENGINE	B
1	1001126362	1	Connector	
1	1001126363	37	Socket	
1	1001126391	7	Plug, Terminal	
1	1001126392	12	Socket	
1	4461008	4	Plug, Terminal	
1	1001167632	2	Socket	
1	1001126364	37	Plug, Terminal	
1	1001223459	12	Seal	
1	4461054	2	Seal	
2	1001142938	1	Connector	
2	1001142940	2	Socket	
2	1001142941	2	Seal	
3	4460042	1	Terminal, Ring	
4	1001239202	1	Connector	
4	1001126363	7	Socket	
4	1001126391	1	Plug, Terminal	
4	1001126364	7	Plug, Terminal	
5	1001117107	2	Terminal, Ring	
6	1001116952	1	Connector	
6	4460465	2	Socket	
8	4460043	1	Terminal, Ring	
9	1001116812	5	Connector	
9	4460944	10	Socket	
9	4460466	5	Plug, Terminal	
10	4460539	4	Connector	
10	4460944	8	Socket	
10	4460466	4	Plug, Terminal	
12	4460019	2	Terminal, Ring	
13	4460884	1	Connector	
13	4460465	2	Socket	
13	4460942	2	Socket	
14	4460703	1	Terminal, Ring	
15	4460894	1	Connector	
15	4460466	2	Plug, Terminal	
15	4460465	2	Socket	
15	4460944	2	Socket	
16	4460930	1	Connector	
16	4460465	1	Socket	
16	4460466	7	Plug, Terminal	
17	4460247	2	Terminal, Ring	
18	2902443	1	Receptacle Kit	
18	4461071	8	Socket	
18	4461072	1	Receptacle with Flange - 8 Position	
18	4461073	1	Cap, Dust	
18	4461074	1	Shell, Black	
19	80484084	1	Connector	
19	4460748	4	Plug, Socket	
19	4460746	3	Socket	
19	1001234800	1	Socket	

SECTION 8 - ELECTRICAL

ITEM	PART NUMBER	QTY	DESCRIPTION	REV
19	4460458	4	Seal	
20	1001170764	1	Holder, Fuse	
20	1001197719	1	Fuse 0.5 Watt	
21	1001133956	1	Connector	
21	1001182361	6	Socket	
21	1001126351	3	Socket	
21	1001230934	23	Socket	
21	1001230935	57	Pin	
21	1001230936	1	Pin	
21	1001252527	4	Socket	
21	1001182365	6	Seal	
22	1001133957	1	Connector	
22	1001230936	11	Pin	
22	1001126351	13	Socket	
22	1001230935	10	Pin	
22	1001230934	26	Socket	
23	1001126487	1	Connector	
23	1001167635	2	Socket	
23	1001126485	2	Seal	
24	1001133714	1	Connector	
24	1001133715	3	Socket	
24	1001135651	1	Plug, Terminal	
24	1001135650	2	Seal	
25	4460115	1	Terminal, Ring	
26	1001172064	1	Fuse Holder (Includes Cover)	
26	1001172065	1	Fuse 30Amp	

SECTION 8 - ELECTRICAL

FIGURE 8-54. ENGINE HARNESS - DEUTZ D2.9L4 ENGINE (CHINA IV)



ART_1001290660

SECTION 8 - ELECTRICAL

FIGURE 8-54. ENGINE HARNESS - DEUTZ D2.9L4 ENGINE (CHINA IV)

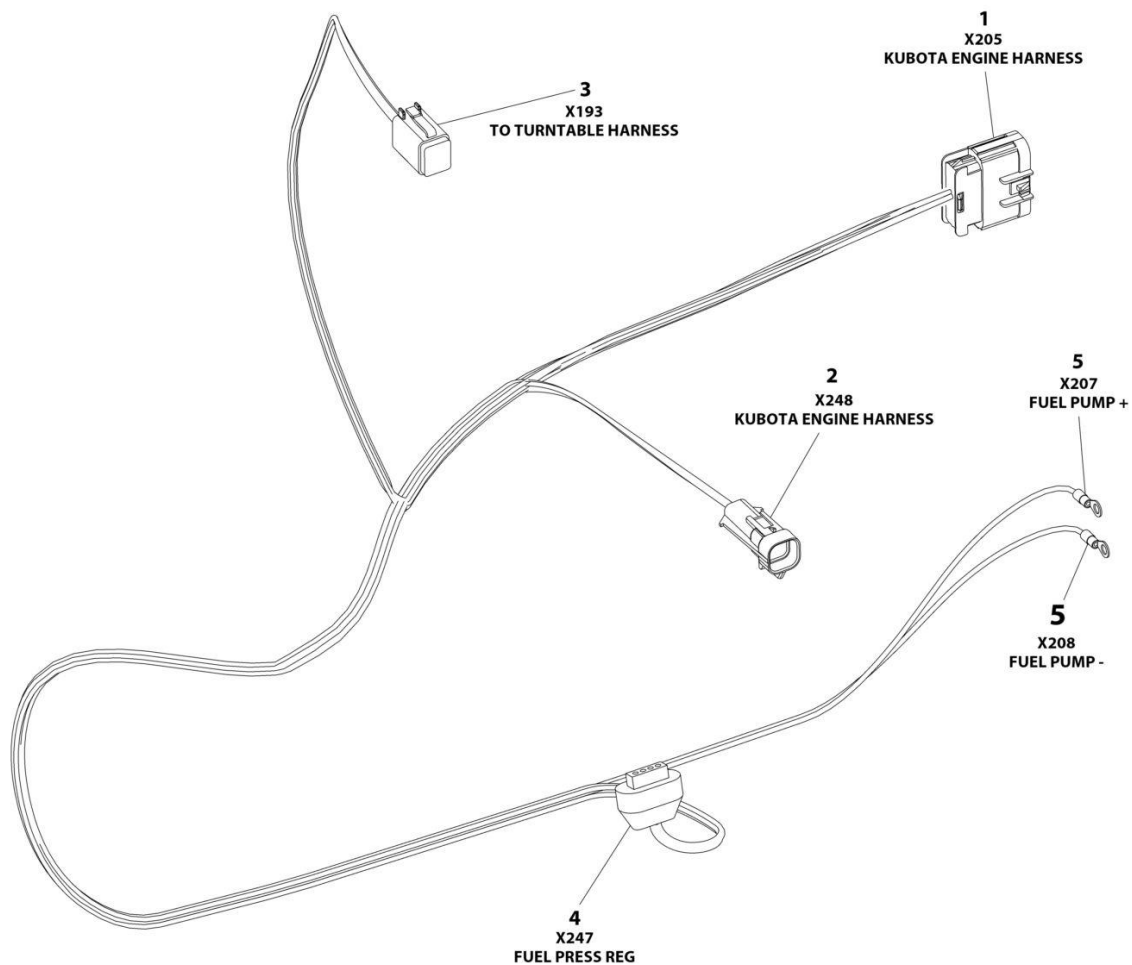
ITEM	PART NUMBER	QTY	DESCRIPTION	REV
	1001290660	Ref	ENGINE HARNESS - DEUTZ D2.9L4 (CHINA IV)	A
1	1001126362	1	Connector	
1	1001126363	37	Socket (20-17Awg - Gold)	
1	1001126391	7	Plug (3.6mm)	
1	1001126392	12	Socket (16Awg - Tin)	
1	4461008	4	Plug (5.6mm)	
1	1001167632	2	Socket (0.5-1.0mm2 - Tin)	
1	1001126364	37	Seal, Terminal (Use with Socket 1001126363)	
1	1001223459	12	Seal, Terminal (Use with Socket 1001126392)	
1	4461054	2	Seal, Terminal (Use with Socket 1001167632)	
1	1001151856	1	Elbow, Connector	
2	1001142938	1	Connector	
2	1001142940	2	Socket	
2	1001142941	2	Seal, Terminal	
3	4460042	1	Terminal, Ring	
4	1001239202	1	Connector	
4	1001126363	7	Socket	
4	1001126391	1	Plug	
4	1001126364	7	Seal, Terminal	
5	4460019	2	Terminal, Ring	
6	1001172064	1	Fuseholder	
6	1001172065	1	Fuse 30Amp	
7	8220115	1	Terminal, Ring	
8	1001117107	2	Terminal, Ring	
9	1001116952	1	Connector	
9	4460465	2	Socket	
10	4460043	1	Terminal, Ring	
11	1001116812	5	Connector	
11	4460944	10	Socket	
11	4460466	5	Plug	
12	4460539	4	Connector	
12	4460944	8	Socket	
12	4460466	4	Plug	
13	4460884	1	Connector	
13	4460465	2	Socket (20-16Awg)	
13	4460942	2	Socket (16-14Awg)	
14	4460703	1	Terminal, Ring	
15	4460894	1	Connector	
15	4460465	2	Socket (Nickel)	
15	4460944	2	Socket (Gold)	
15	4460466	2	Plug	
16	4460930	1	Connector	
16	4460465	1	Socket	
16	4460466	7	Plug	
17	4460247	2	Terminal, Ring	
18	2902443	1	Receptacle Kit	
18	4461071	8	Socket	
18	4461072	1	Connector	
18	4461073	1	Cap, Dust	
18	4461074	1	Backshell	

SECTION 8 - ELECTRICAL

ITEM	PART NUMBER	QTY	DESCRIPTION	REV
19	80484084	1	Connector	
19	4460746	3	Socket (20-17Awg)	
19	1001234800	1	Socket (16Awg)	
19	4460748	4	Plug	
19	4460458	4	Seal, Terminal	
20	1001170764	1	Fuseholder	
20	1001197719	1	Resistor 1/2Watt	
21	1001133956	1	Connector	
21	1001182361	6	Socket (1.5-2.5mm2)	
21	1001126351	3	Socket (18-15Awg)	
21	1001230934	23	Socket (0.75mm2)	
21	1001230935	57	Plug (1.5mm)	
21	1001252527	4	Socket (0.85mm2)	
21	1001230936	1	Plug (1.85mm)	
21	1001182365	6	Seal, Terminal	
22	1001133957	1	Connector	
22	1001230936	11	Plug (1.85mm)	
22	1001126351	13	Socket (18-15Awg)	
22	1001230935	10	Plug (1.5mm)	
22	1001230934	26	Socket (0.75mm2)	
23	1001126487	1	Connector	
23	1001167635	2	Socket	
23	1001126485	2	Seal, Terminal	
24	1001133714	1	Connector	
24	1001133715	3	Socket	
24	1001135651	1	Plug	
24	1001135650	2	Seal, Terminal	
101	4460932	1	Connector, Female	
102	4460945	4	Connector, 3-Way	
103	8229242	1	Fuse 5Amp	
104	80983191	1	Fuse 10Amp	
105	1001116815	3	Connector	
106	1001147264	1	Cap	

SECTION 8 - ELECTRICAL

FIGURE 8-55. ENGINE HARNESS - KUBOTA



ART_1001213706

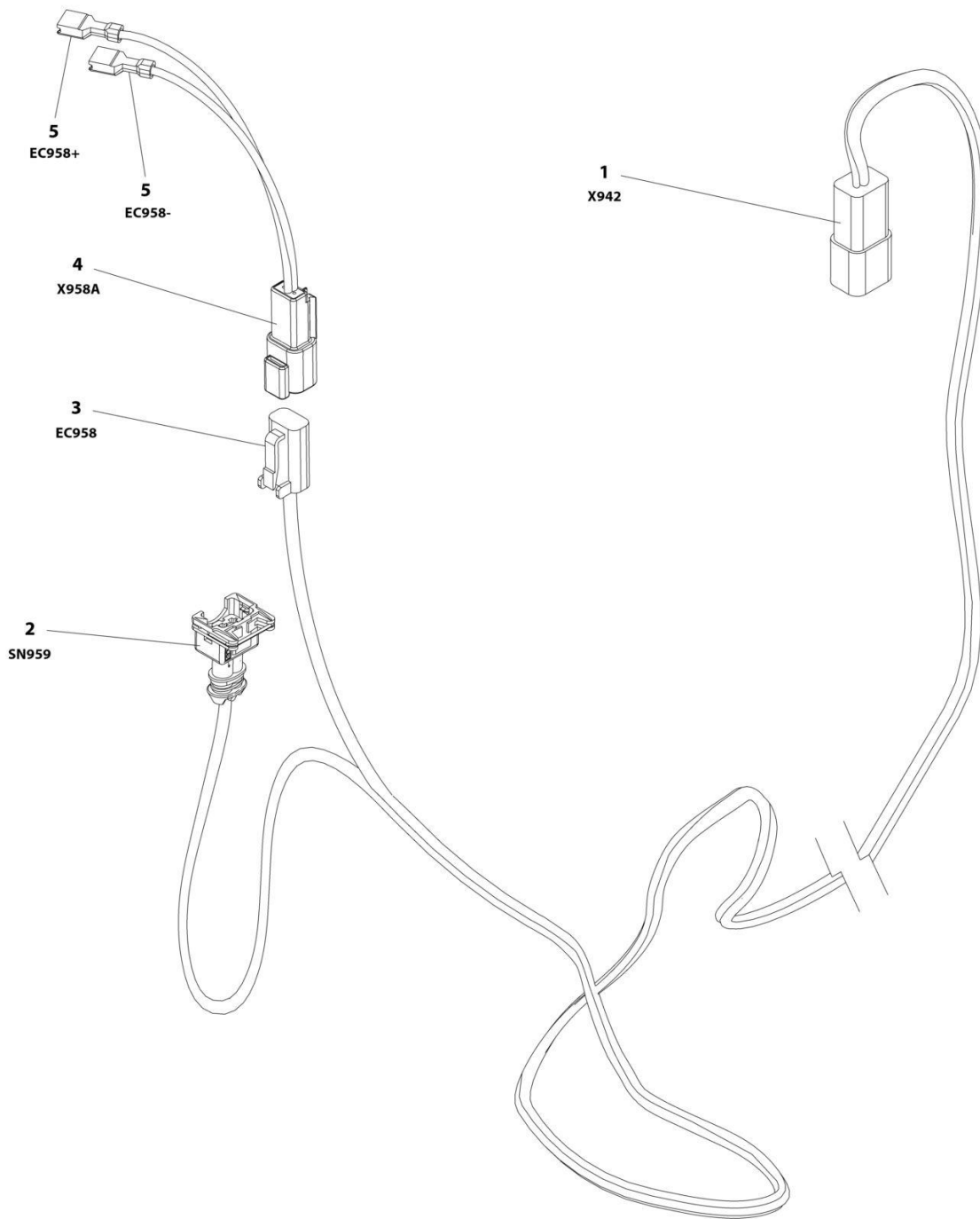
SECTION 8 - ELECTRICAL

FIGURE 8-55. ENGINE HARNESS - KUBOTA

ITEM	PART NUMBER	QTY	DESCRIPTION	REV
	1001213706	Ref	ENGINE HARNESS - KUBOTA	D
1	4461109	1	Plug, Male - 16 Position	
1	4461111	AR	Pin, Male	
1	4461113	AR	Seal	
1	4461222	AR	Plug	
2	4461124	1	Connector - 4 Position	
2	4460693	4	Terminal	
2	4461123	4	Seal	
3	4460894	1	Plug, Male - 6 Position	
3	4460465	5	Socket, Female	
3	4460466	1	Plug, Terminal	
4	4461121	1	Plug, Male - 4 Position	
4	4461122	4	Terminal	
4	4461006	4	Seal	
5	4460042	2	Terminal, Ring	

SECTION 8 - ELECTRICAL

FIGURE 8-56. FUEL HARNESS - DEUTZ D2.9L4 ENGINE



ART_1001181358

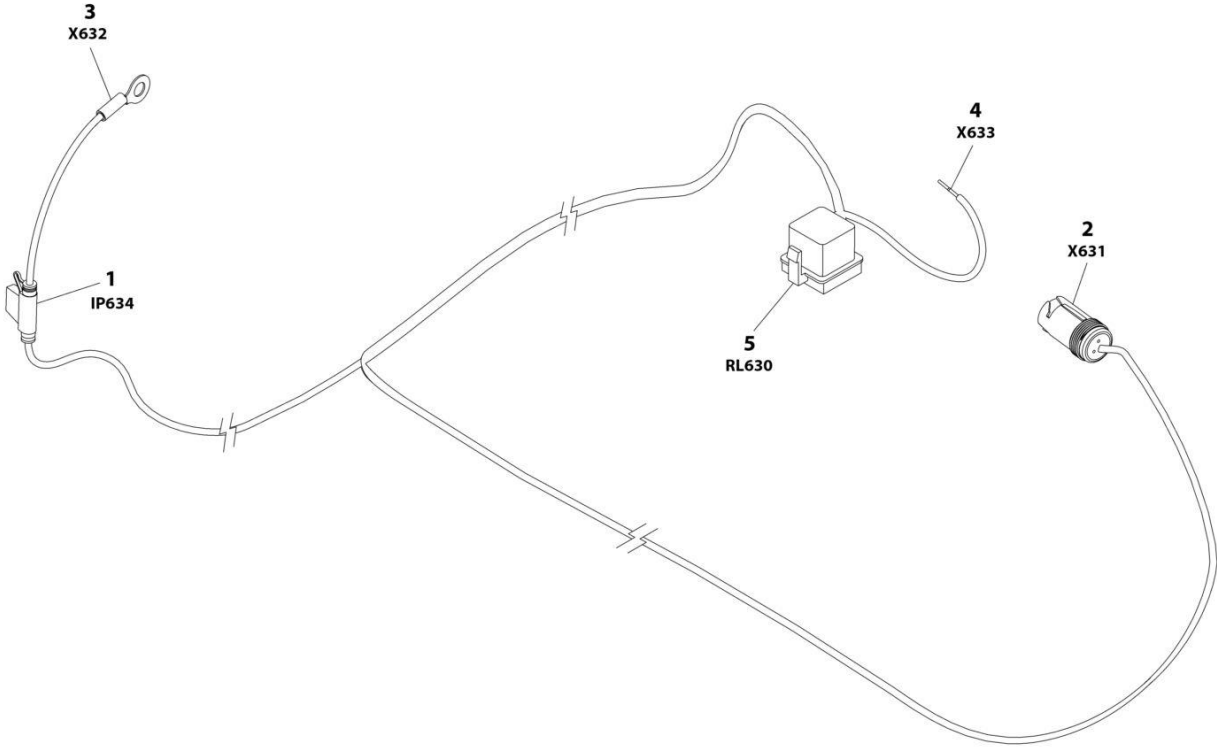
SECTION 8 - ELECTRICAL

FIGURE 8-56. FUEL HARNESS - DEUTZ D2.9L4 ENGINE

ITEM	PART NUMBER	QTY	DESCRIPTION	REV
	1001181358	Ref	FUEL HARNESS - DEUTZ D2.9L4 ENGINE	D
1	4460932	1	Receptacle, Female - 4 Position	
1	4460464	2	Pin, Male	
1	4460941	2	Pin, Male	
2	1001116983	1	Plug, Male - 2 Position	
2	4461060	2	Socket, Female	
2	4461054	2	Seal	
3	4460891	1	Plug, Male - 2 Position	
3	4460942	2	Socket, Female	
4	4460897	1	Receptacle, Female - 2 Position	
4	4460941	2	Pin, Male	
5	8220051	2	Coupler, Female	

SECTION 8 - ELECTRICAL

FIGURE 8-57. GENERATOR HARNESS - 2500W GENERATOR (60HZ)



ART_1001187522

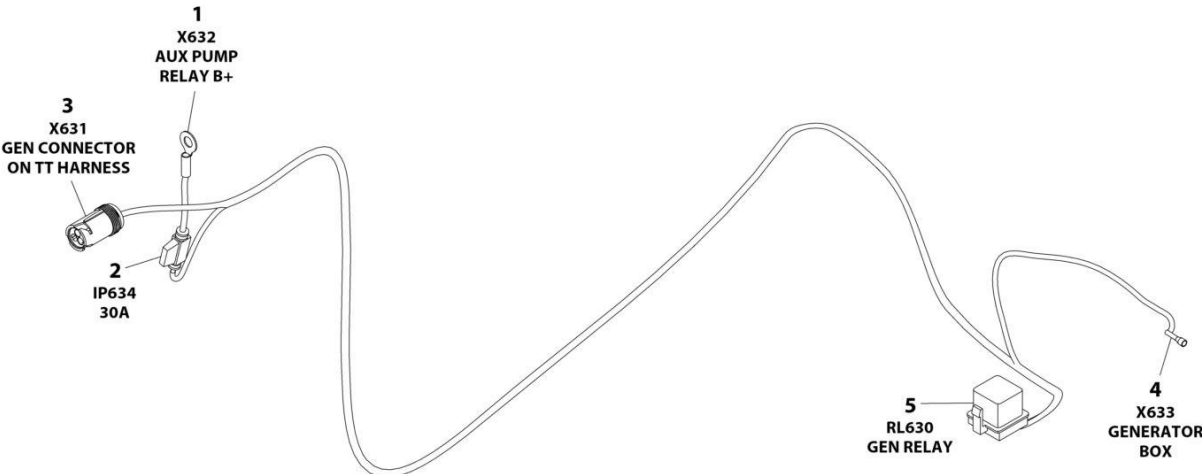
SECTION 8 - ELECTRICAL

FIGURE 8-57. GENERATOR HARNESS - 2500W GENERATOR (60HZ)

ITEM	PART NUMBER	QTY	DESCRIPTION	REV
	1001187522	Ref	GENERATOR HARNESS - 2500W	B
1	2400066	1	Fuseholder - 30Amp (Includes Cover)	
1	8229245	1	Fuse 30Amp	
2	1001154726	1	Receptacle, Female - 3 Position	
2	4460464	2	Pin, Male	
2	4460466	1	Plug, Terminal	
3	8220045	1	Terminal, Ring	
4	4460906	1	Socket, Female	
5	1001117057	1	Connector, Relay	
5	1001116734	2	Terminal	
5	1001116732	2	Terminal	
5	3740080	1	Relay	

SECTION 8 - ELECTRICAL

FIGURE 8-58. GENERATOR HARNESS - 2500W GENERATOR (50HZ)



ART_1001187352

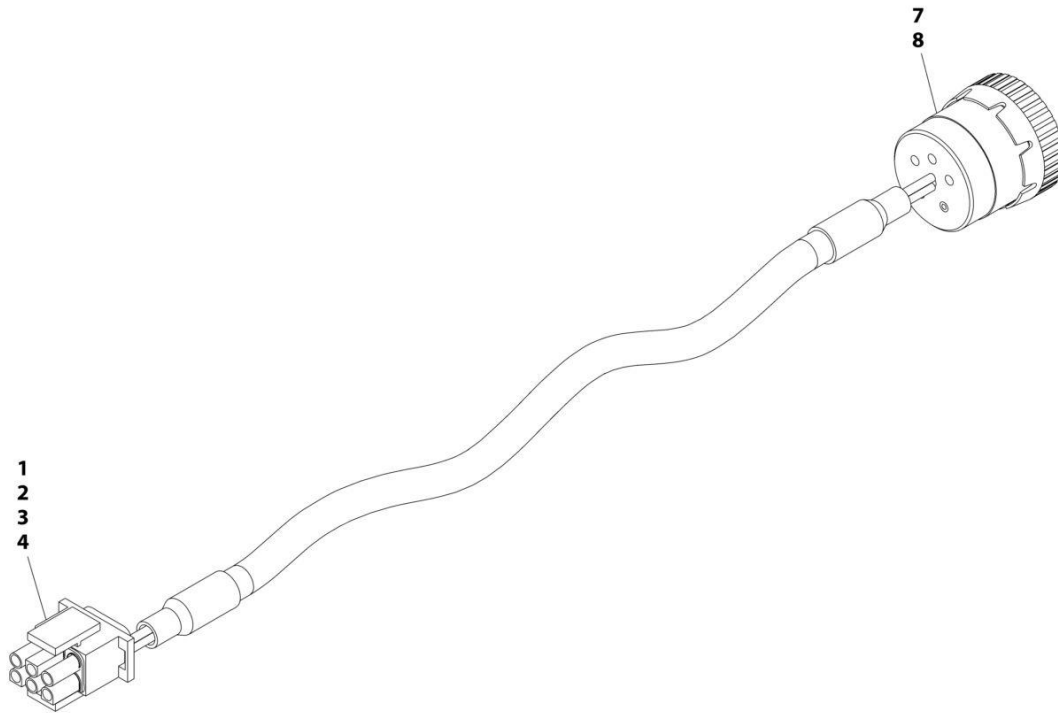
SECTION 8 - ELECTRICAL

FIGURE 8-58. GENERATOR HARNESS - 2500W GENERATOR (50HZ)

ITEM	PART NUMBER	QTY	DESCRIPTION	REV
	1001187352	Ref	GENERATOR HARNESS - 2500W GENERATOR (50HZ)	A
1	8220045	1	Terminal, Ring	
2	2400060	1	Holder, Fuse	
2	8229245	1	Fuse 30Amp	
3	1001154726	1	Connector - 3 Position	
3	4460464	2	Pin, Male	
3	4460466	1	Plug, Terminal	
4	1001100231	1	Terminal	
5	1001117057	1	Plug, Relay	
5	1001116734	2	Terminal	
5	1001116732	2	Terminal	

SECTION 8 - ELECTRICAL

FIGURE 8-59. GENERATOR HARNESS - 4000W GENERATOR



ART_1001152532

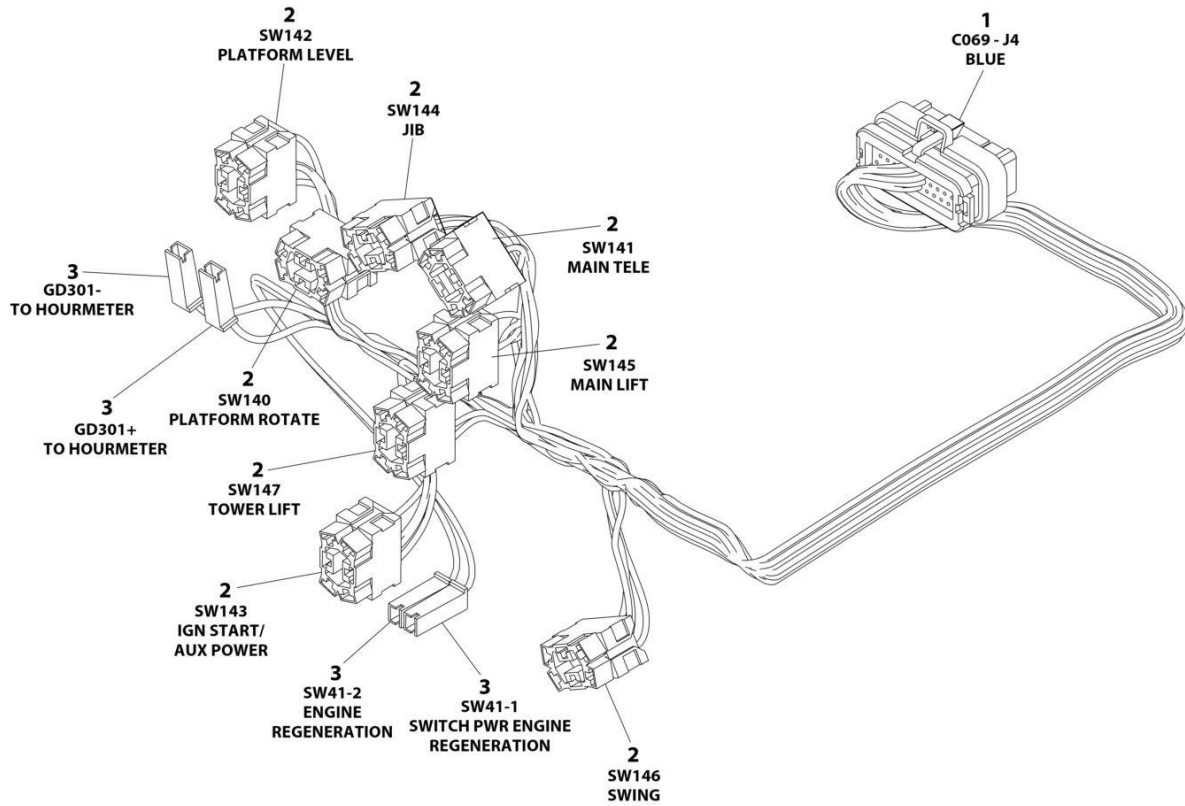
SECTION 8 - ELECTRICAL

FIGURE 8-59. GENERATOR HARNESS - 4000W GENERATOR

ITEM	PART NUMBER	QTY	DESCRIPTION	REV
	1001152532	Ref	GENERATOR HARNESS	A
1	4460225	1	Connector - 6 Position	
2	4460268	2	Socket, Female	
3	4460807	1	Seal	
4	4460808	1	Seal	
7	4460465	2	Socket, Female	
8	77363233	1	Connector - 6 Position	

SECTION 8 - ELECTRICAL

FIGURE 8-60. GROUND CONTROL PANEL HARNESS



ART_1001299782

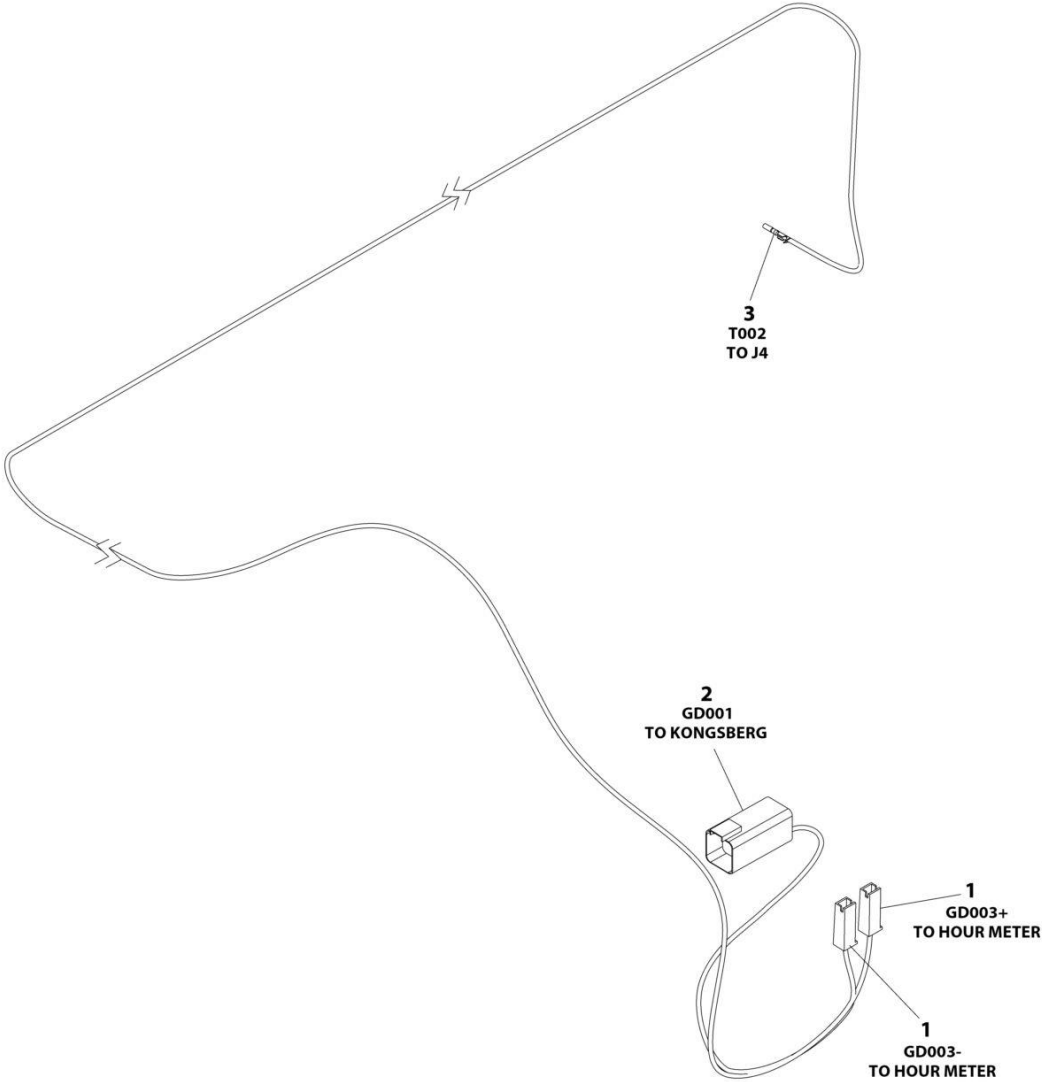
SECTION 8 - ELECTRICAL

FIGURE 8-60. GROUND CONTROL PANEL HARNESS

ITEM	PART NUMBER	QTY	DESCRIPTION	REV
	1001299782	Ref	GROUND CONTROL PANEL HARNESS	B
1	4460876	1	Connector	
1	4460871	20	Socket	
1	4460905	15	Plug	
2	4460418	8	Connector	
2	1001159186	16	Socket	
2	4460419	8	Socket	
3	4460260	4	Connector	
3	4460259	4	Socket	

SECTION 8 - ELECTRICAL

FIGURE 8-61. HOUR METER JUMPER HARNESS



ART_1001296426

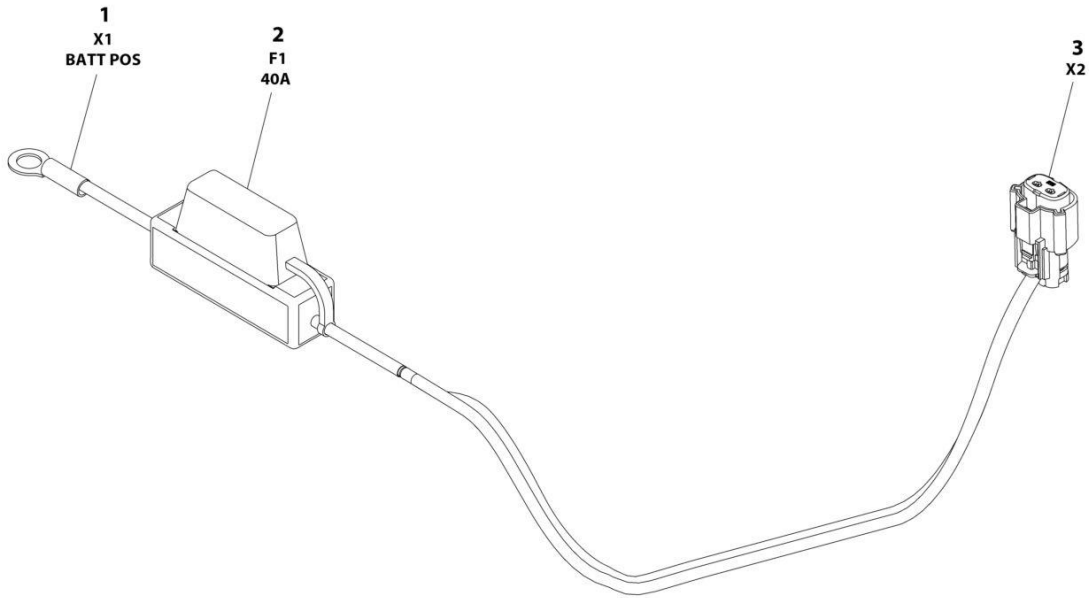
SECTION 8 - ELECTRICAL

FIGURE 8-61. HOUR METER JUMPER HARNESS

ITEM	PART NUMBER	QTY	DESCRIPTION	REV
	1001296426	Ref	HOUR METER JUMPER HARNESS	A
1	4460260	2	Connector	
2	4460899	1	Connector	
3	4460871	1	Socket	

SECTION 8 - ELECTRICAL

FIGURE 8-62. KUBOTA D/F POWER HARNESS



ART_1001229797

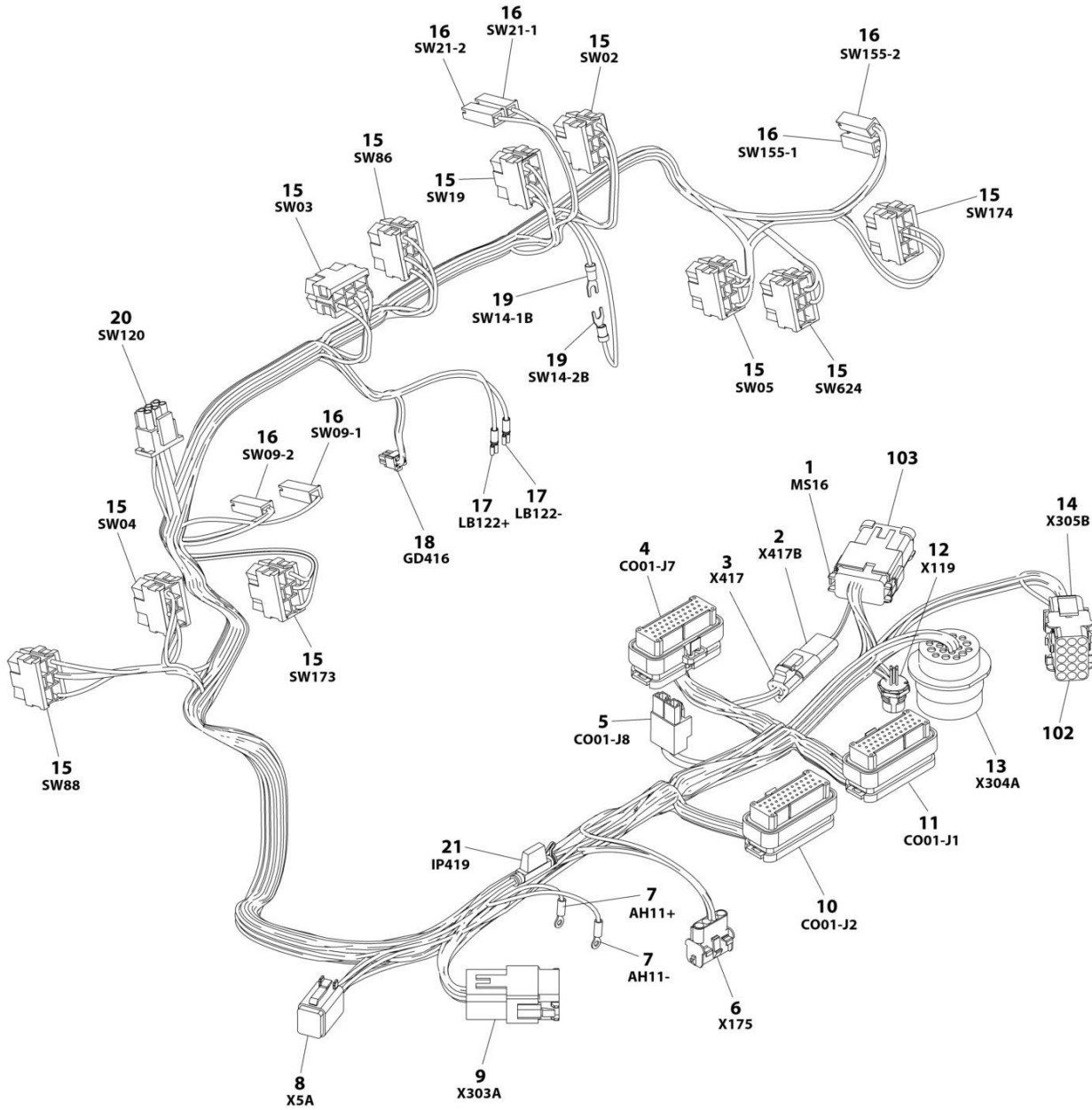
SECTION 8 - ELECTRICAL

FIGURE 8-62. KUBOTA D/F POWER HARNESS

ITEM	PART NUMBER	QTY	DESCRIPTION	REV
	1001229797	Ref	KUBOTA D/F POWER HARNESS	A
1	4460977	1	Terminal, Ring	
2	2400082	1	Fuse 40Amp	
3	1001229795	1	Connector - 2 Position	
3	1001229796	2	Socket, Female	

SECTION 8 - ELECTRICAL

FIGURE 8-63. PLATFORM CONSOLE BOX HARNESS



ART_1001238254

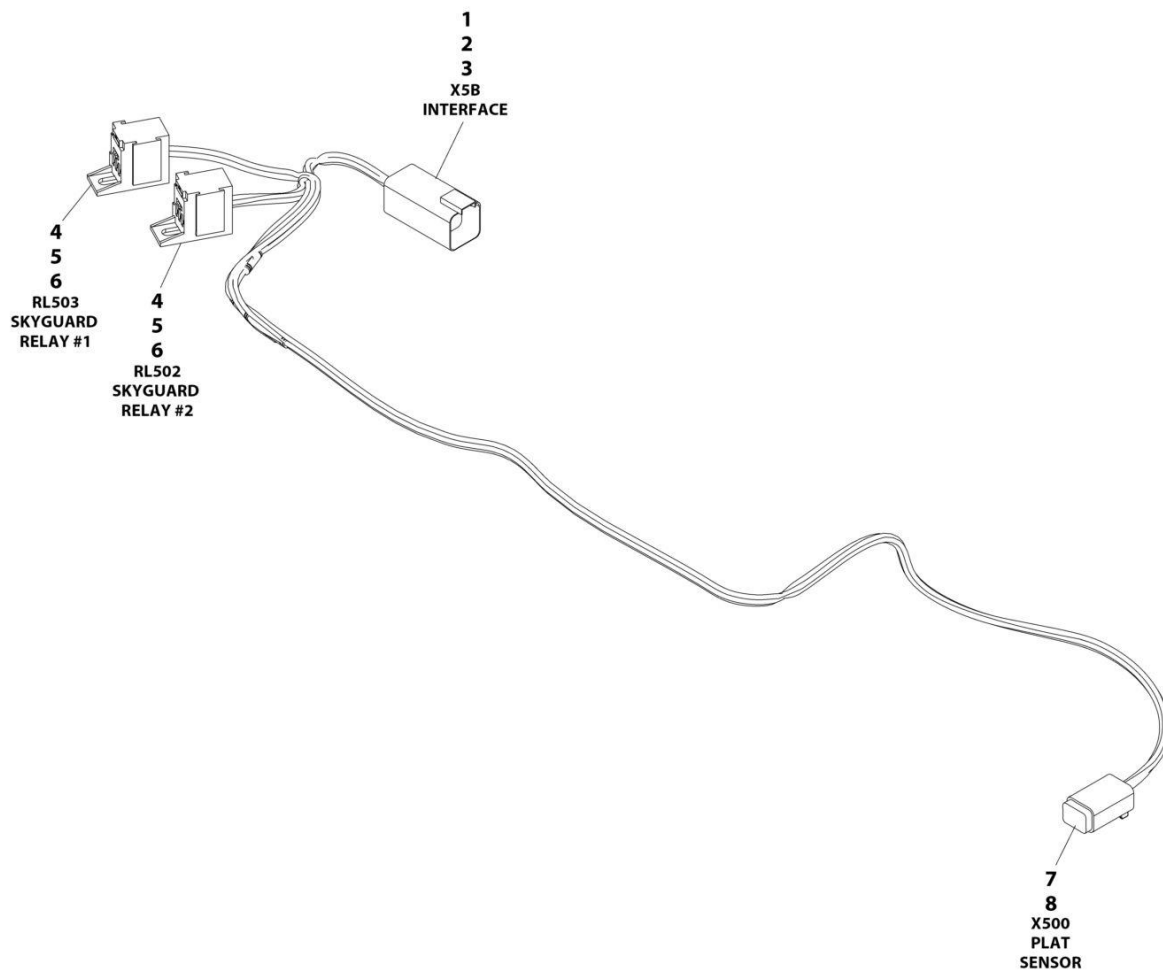
SECTION 8 - ELECTRICAL

FIGURE 8-63. PLATFORM CONSOLE BOX HARNESS

ITEM	PART NUMBER	QTY	DESCRIPTION	REV
	1001238254	Ref	PLATFORM CONSOLE BOX HARNESS	I
1	4460933	1	Plug, Male - 12 Position	
1	4460465	10	Socket, Female	
1	4460466	2	Plug, Terminal	
2	4460536	1	Receptacle, Female - 3 Position	
2	4460464	2	Pin, Male	
2	4460466	1	Plug, Terminal	
3	4460539	1	Plug, Male - 3 Position	
3	4460465	2	Socket, Female	
3	4460466	1	Plug, Terminal	
4	4460873	1	Connector - 35 Position	
4	4460871	21	Socket, Female	
4	4460905	14	Plug, Terminal	
5	4460879	1	Plug, Male - 2 Position	
5	4460887	2	Terminal	
6	4460761	1	Receptacle, Female - 4 Position	
6	4460267	4	Pin, Male	
7	1001098122	2	Terminal, Ring	
8	4460894	1	Plug, Male - 6 Position	
8	4460465	6	Socket, Female	
9	4460970	1	Receptacle, Female - 12 Position	
9	1001116693	11	Pin, Male	
9	4460466	1	Plug, Terminal	
10	4460875	1	Connector - 35 Position	
10	4460871	12	Socket, Female	
10	4460905	23	Plug, Terminal	
11	4460874	1	Connector - 35 Position	
11	4460871	27	Socket, Female	
11	4460905	8	Plug, Terminal	
12	1001213447	1	Connector - 4 Position	
12	See Note	NSS	Terminal (Note: Purchase p/n 1001213447)	
13	4460866	1	Connector - 19 Position	
13	4460464	5	Pin, Male	
13	4460466	11	Plug, Terminal	
13	4460508	1	Pin, Male	
14	4460434	1	Connector - 15 Position	
14	4460267	8	Pin. Male	
15	4460418	10	Connector - 6 Position	
15	4460419	45	Terminal	
16	4460260	6	Housing, Terminal	
16	4460259	8	Terminal	
17	1001271497	2	Terminal	
18	1001237667	1	Plug, Male - 6 Position	
18	1001237668	4	Terminal	
19	4460183	2	Terminal, Fork	
20	4460225	1	Plug, Male - 6 Position	
20	4460227	6	Pin, Male (Note: Used on Pump Potentiometer Connection Only)	
21	2400060	1	Fuse Holder	
102	4460708	1	Connector, Bussbar - 15 Position	
103	1001125677	1	Connector, Bussbar - 12 Position	

SECTION 8 - ELECTRICAL

FIGURE 8-64. PLATFORM INTERFACE HARNESS



ART_1001225580_E

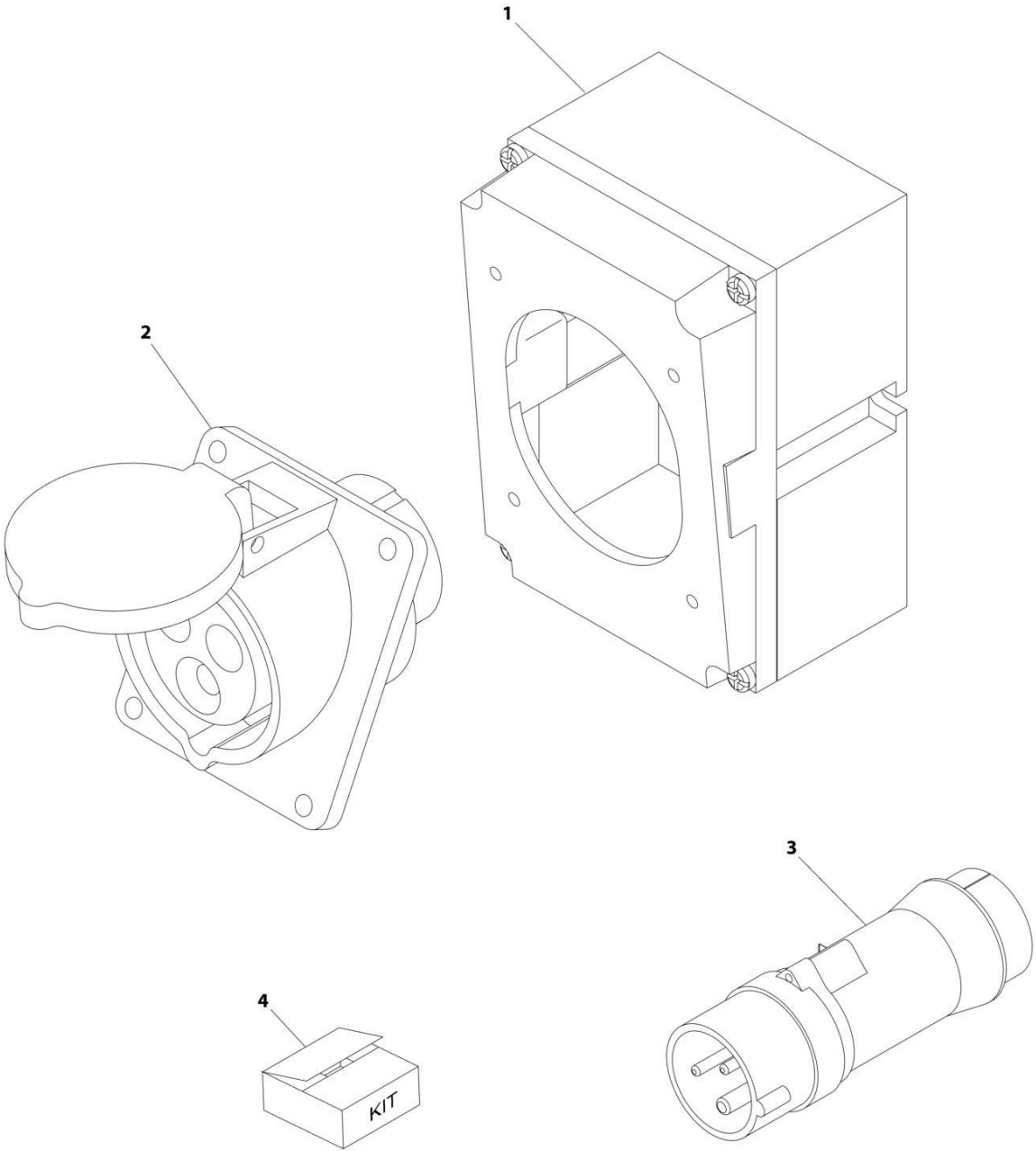
SECTION 8 - ELECTRICAL

FIGURE 8-64. PLATFORM INTERFACE HARNESS

ITEM	PART NUMBER	QTY	DESCRIPTION	REV
	1001225580	Ref	PLATFORM INTERFACE HARNESS - WITH 1 CELL LSS	E
1	4460899	1	Connector	
2	4460464	4	Terminal	
3	4460466	2	Plug	
4	1001186432	2	Connector	
5	1001253375	4	Terminal	
6	1001104519	4	Terminal	
7	4460884	1	Connector	
8	4460465	4	Terminal	

SECTION 8 - ELECTRICAL

FIGURE 8-65. RECEPTACLE BOX KIT - 110V IEC YELLOW (CE, RUSSIA & UK CA SPECS)



ART_0275216

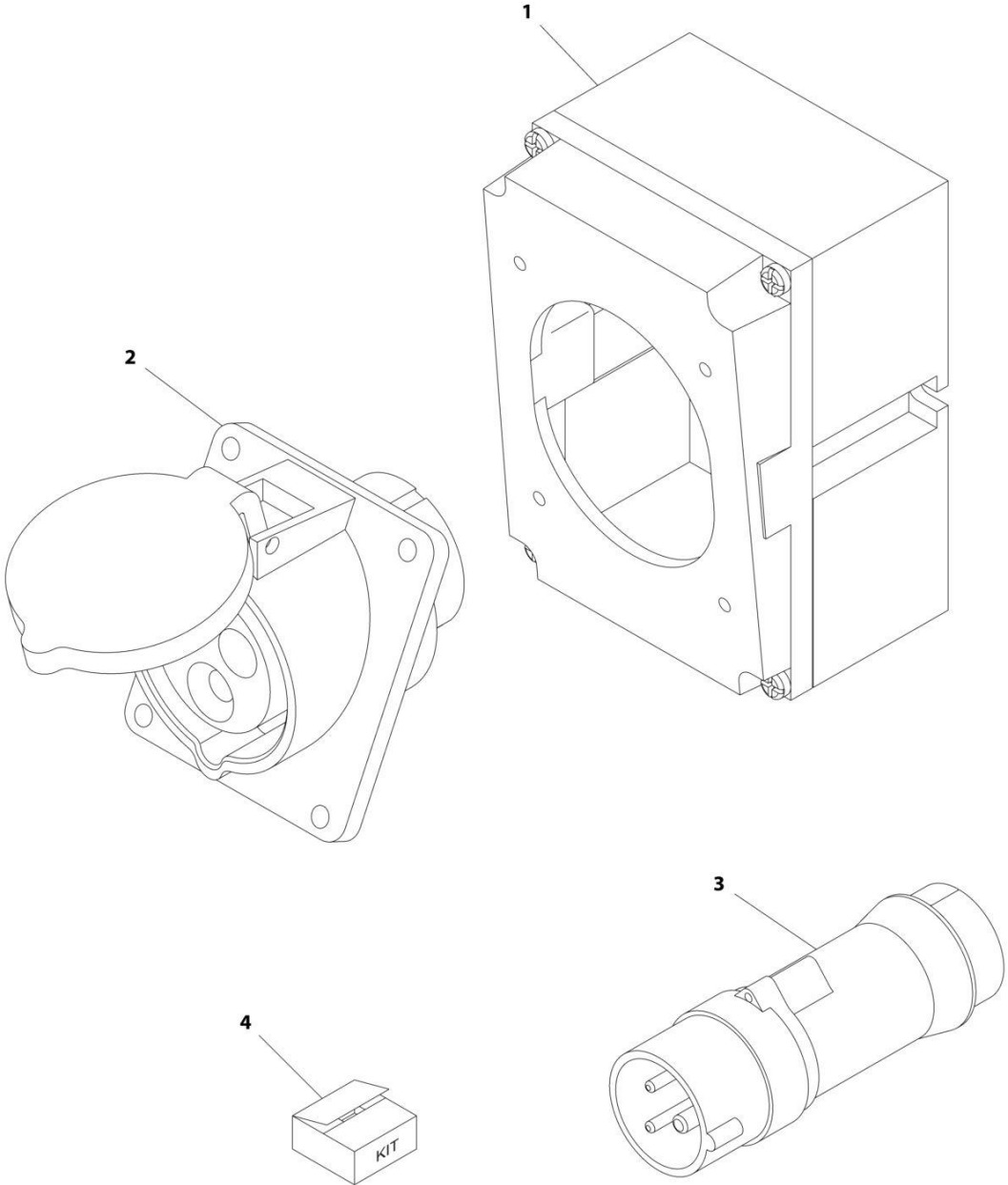
SECTION 8 - ELECTRICAL

FIGURE 8-65. RECEPTACLE BOX KIT - 110V IEC YELLOW (CE, RUSSIA & UK CA SPECS)

ITEM	PART NUMBER	QTY	DESCRIPTION	REV
	0275216	Ref	RECEPTACLE BOX KIT - 110V IEC YELLOW	B
1	0861781	1	Box, Switch	
2	4461198	1	Receptacle	
3	4461196	1	Plug, Male	
4	1001100341	1	Plug and Socket Kit (Includes Items 1-3 and Female Plug p/n 4461197)	

SECTION 8 - ELECTRICAL

FIGURE 8-66. RECEPTACLE BOX KIT - 220V IEC BLUE (CE, RUSSIA & UK CA SPECS)



ART_0275217

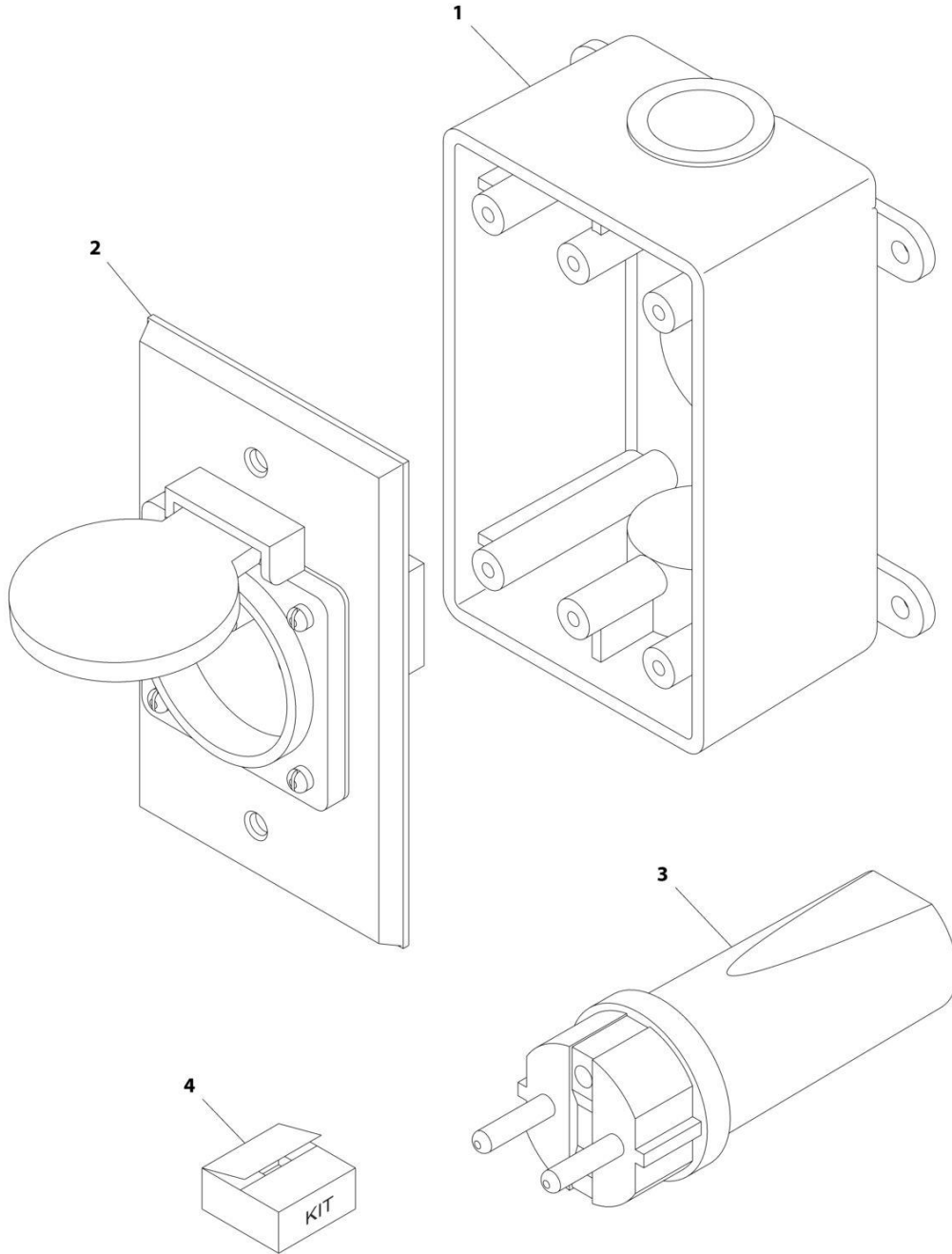
SECTION 8 - ELECTRICAL

FIGURE 8-66. RECEPTACLE BOX KIT - 220V IEC BLUE (CE, RUSSIA & UK CA SPECS)

ITEM	PART NUMBER	QTY	DESCRIPTION	REV
	0275217	Ref	RECEPTACLE BOX KIT - 220V IEC BLUE	B
1	0861781	1	Box, Switch	
2	4461201	1	Receptacle	
3	4461199	1	Plug, Male	
4	1001100342	1	Plug and Socket Kit (Includes Items 1-3 and Female Plug p/n 4461200)	

SECTION 8 - ELECTRICAL

FIGURE 8-67. RECEPTACLE BOX KIT - 220V CEE7 POST GROUND 2IN X 4IN BOX (CE, RUSSIA & UK CA SPECS)



ART_0275452

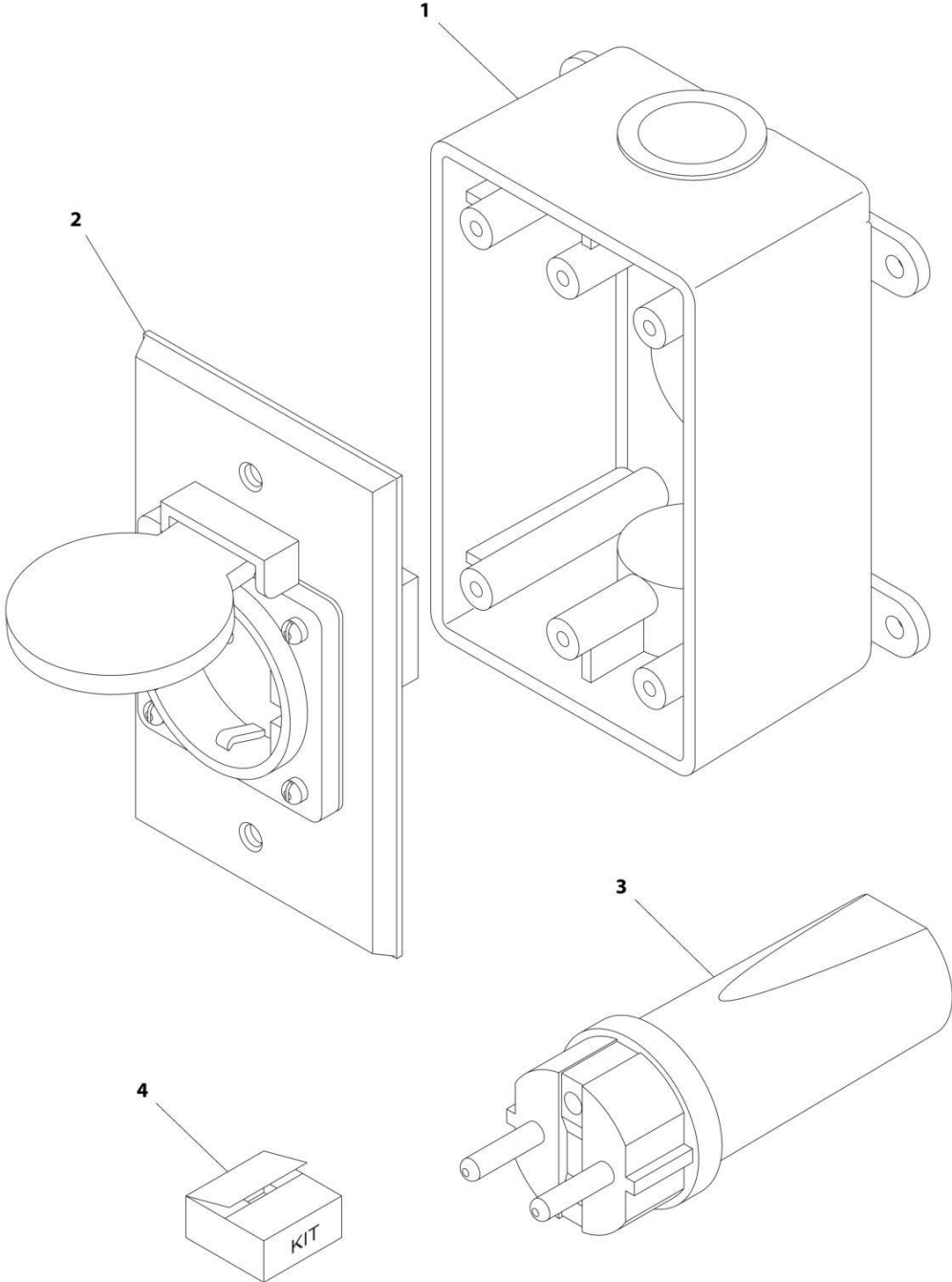
SECTION 8 - ELECTRICAL

FIGURE 8-67. RECEPTACLE BOX KIT - 220V CEE7 POST GROUND 2IN X 4IN BOX (CE, RUSSIA & UK CA SPECS)

ITEM	PART NUMBER	QTY	DESCRIPTION	REV
	0275452	Ref	RECEPTACLE BOX KIT - 220V CEE7 POST GROUND	C
1	0861731	1	Box, Switch	
2	4461244	1	Receptacle	
3	4461205	1	Plug, Male	
4	1001100345	1	Plug and Socket Kit (Includes Items 1-3 and Female Plug p/n 4461206)	

SECTION 8 - ELECTRICAL

FIGURE 8-68. RECEPTACLE BOX KIT - 220V CEE7 SIDE GROUND 2IN X 4IN BOX (CE, RUSSIA & UK CA SPECS)



ART_0275453

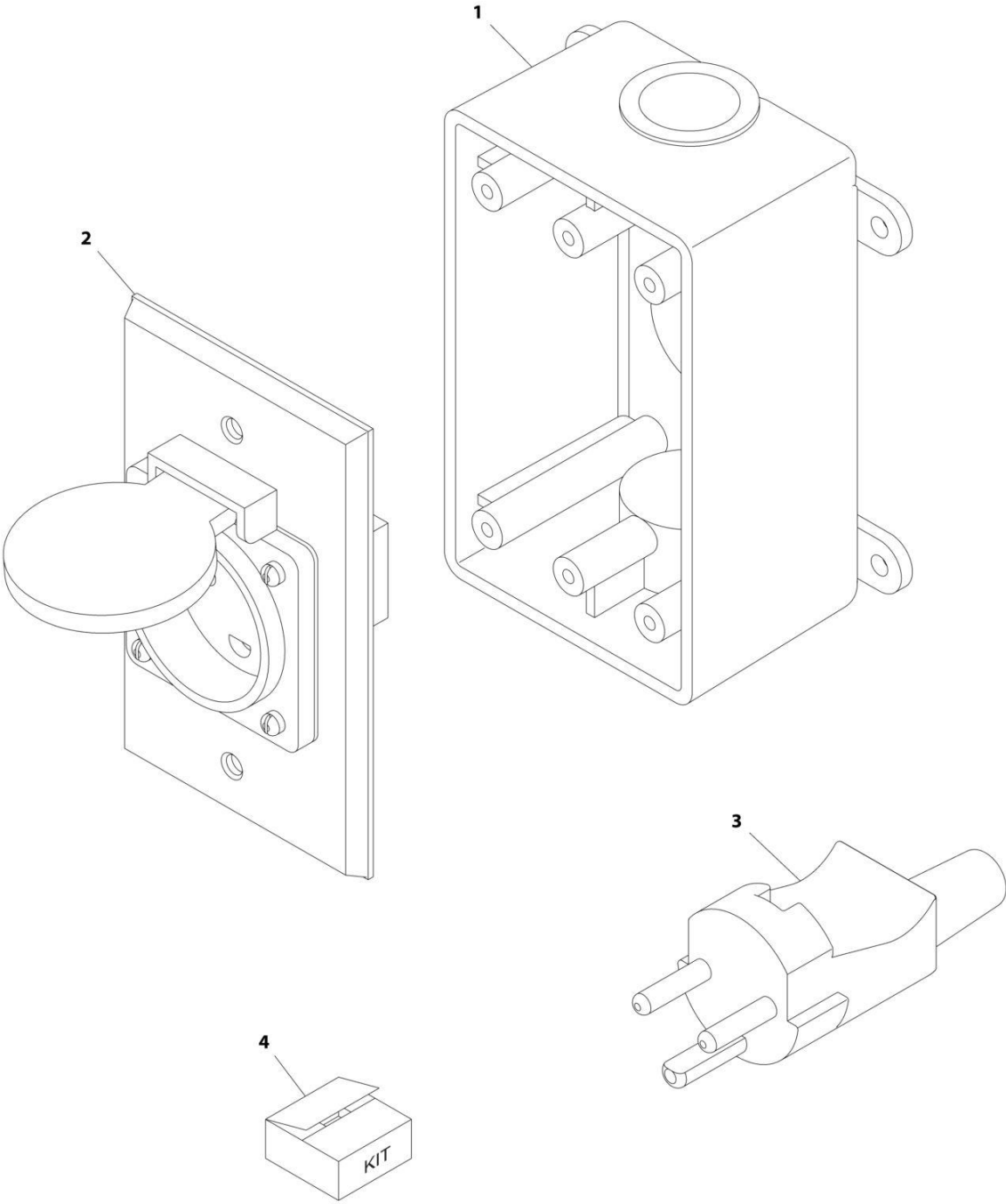
SECTION 8 - ELECTRICAL

FIGURE 8-68. RECEPTACLE BOX KIT - 220V CEE7 SIDE GROUND 2IN X 4IN BOX (CE, RUSSIA & UK CA SPECS)

ITEM	PART NUMBER	QTY	DESCRIPTION	REV
	0275453	Ref	RECEPTACLE BOX KIT - 220V CEE7 SIDE GROUND	B
1	0861731	1	Box, Switch	
2	4461245	1	Receptacle	
3	4461205	1	Plug, Male	
4	1001100347	1	Plug and Socket Kit (Includes Items 1-3 and Female Plug p/n 4461206)	

SECTION 8 - ELECTRICAL

FIGURE 8-69. RECEPTACLE BOX KIT - 220V AFSINT 107 (CE, RUSSIA & UK CA SPECS)



ART_0275454

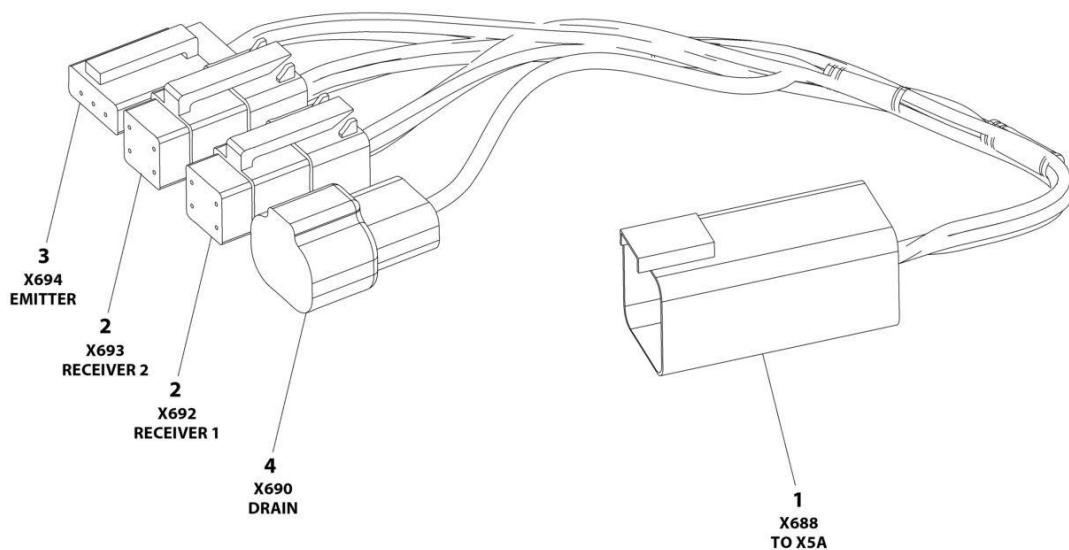
SECTION 8 - ELECTRICAL

FIGURE 8-69. RECEPTACLE BOX KIT - 220V AFSINT 107 (CE, RUSSIA & UK CA SPECS)

ITEM	PART NUMBER	QTY	DESCRIPTION	REV
	0275454	Ref	RECEPTACLE BOX KIT - 220V AFSINT 107	B
1	0861731	1	Box, Switch	
2	4461246	1	Receptacle	
3	4461249	1	Plug, Male	
4	1001100346	1	Plug and Socket Kit (Includes Items 1-3 and Female Plug p/n 4461250)	

SECTION 8 - ELECTRICAL

FIGURE 8-70. SKYEYE INTERMEDIATE HARNESS



ART_1001237865

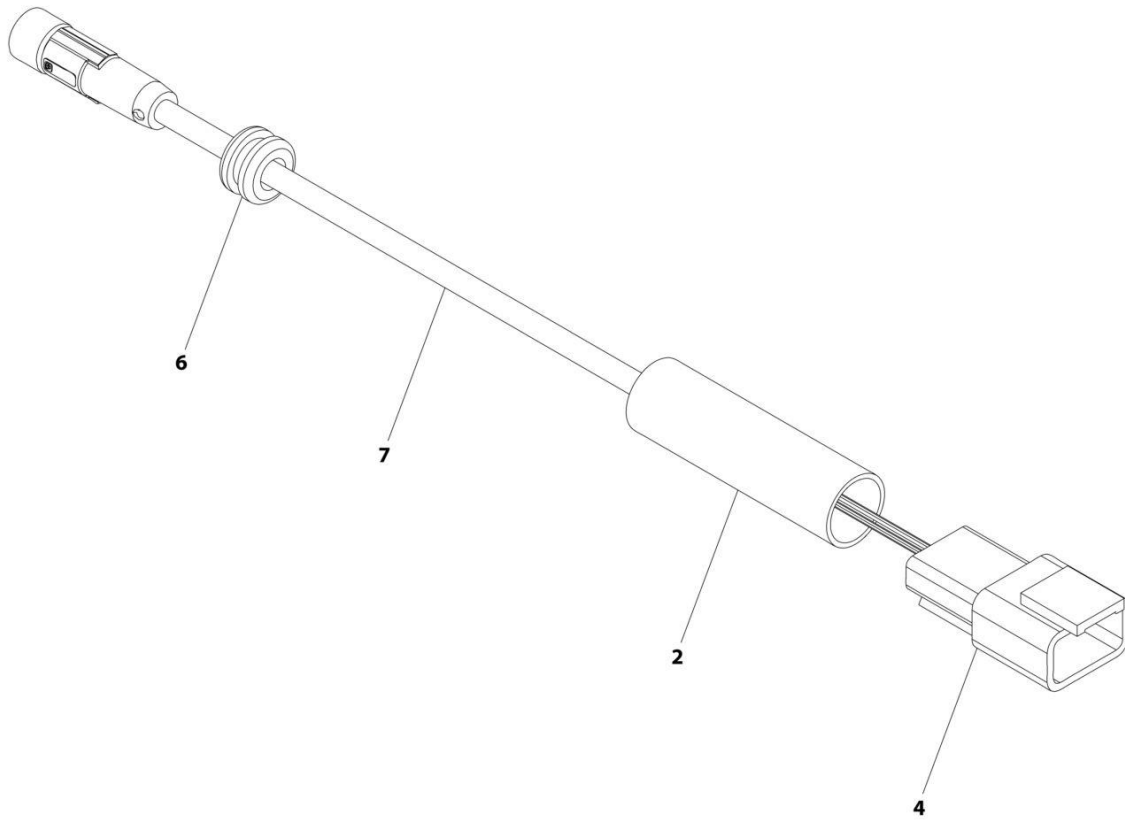
SECTION 8 - ELECTRICAL

FIGURE 8-70. SKYEYE INTERMEDIATE HARNESS

ITEM	PART NUMBER	QTY	DESCRIPTION	REV
	1001237865	Ref	SKYEYE INTERMEDIATE HARNESS	A
1	4460899	1	Connector - 6 Position	
1	4460943	4	Pin, Male	
1	4460466	2	Plug, Terminal	
2	4461077	2	Connector - 4 Position	
2	1001119619	8	Socket, Female	
3	4460911	1	Connector - 3 Position	
3	1001119619	3	Socket, Female	
4	1001187681	1	Connector - 2 Position	
4	4460941	1	Pin, Male	
4	4460466	1	Plug, Terminal	

SECTION 8 - ELECTRICAL

FIGURE 8-71. SKYEYE RECEIVER HARNESS



ART_1001237863_B

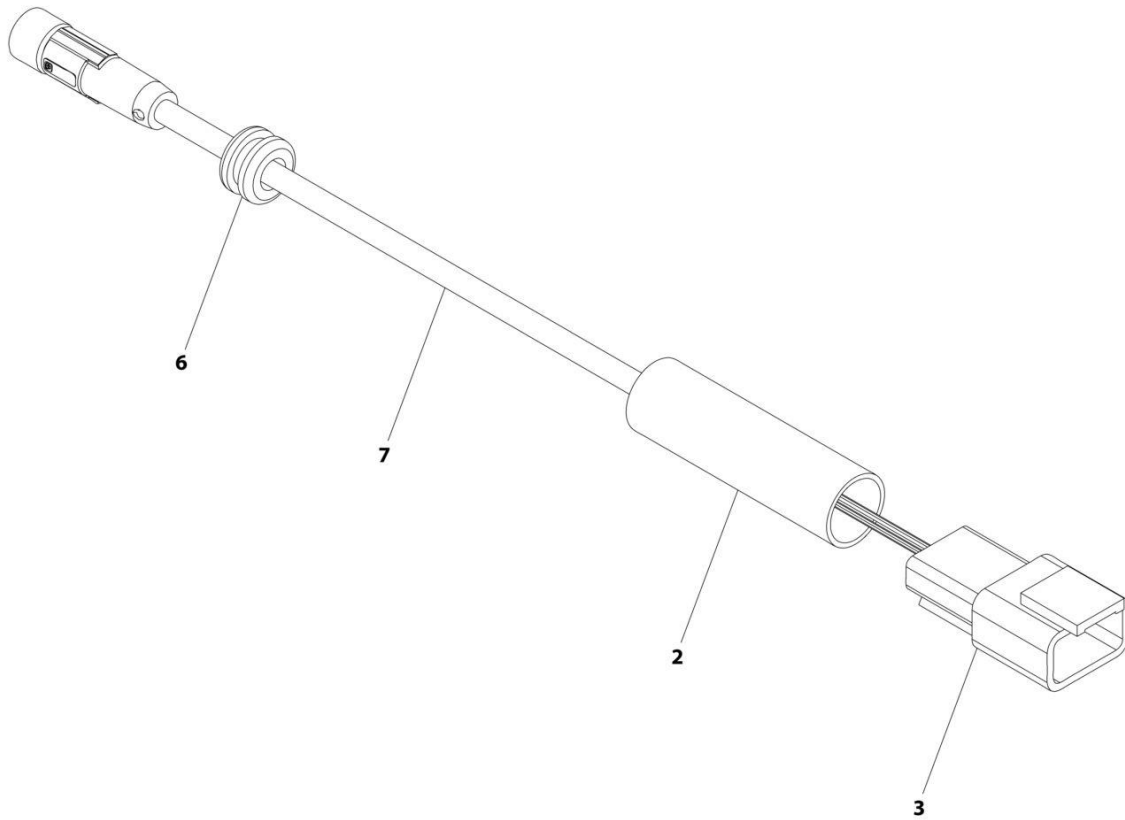
SECTION 8 - ELECTRICAL

FIGURE 8-71. SKYEYE RECEIVER HARNESS

ITEM	PART NUMBER	QTY	DESCRIPTION	REV
	1001237863	Ref	SKYEYE RECEIVER HARNESS	B
2	2820247	AR	Tubing, Heat Shrink	
4	1001097051	1	Connector - 4 Position	
4	1001119620	4	Pin, Male	
6	1001227996	1	Grommet	
7	1001258495	1	Cable, M8 Female Cordset	

SECTION 8 - ELECTRICAL

FIGURE 8-72. SKYEYE EMITTER HARNESS



ART_1001237864_B

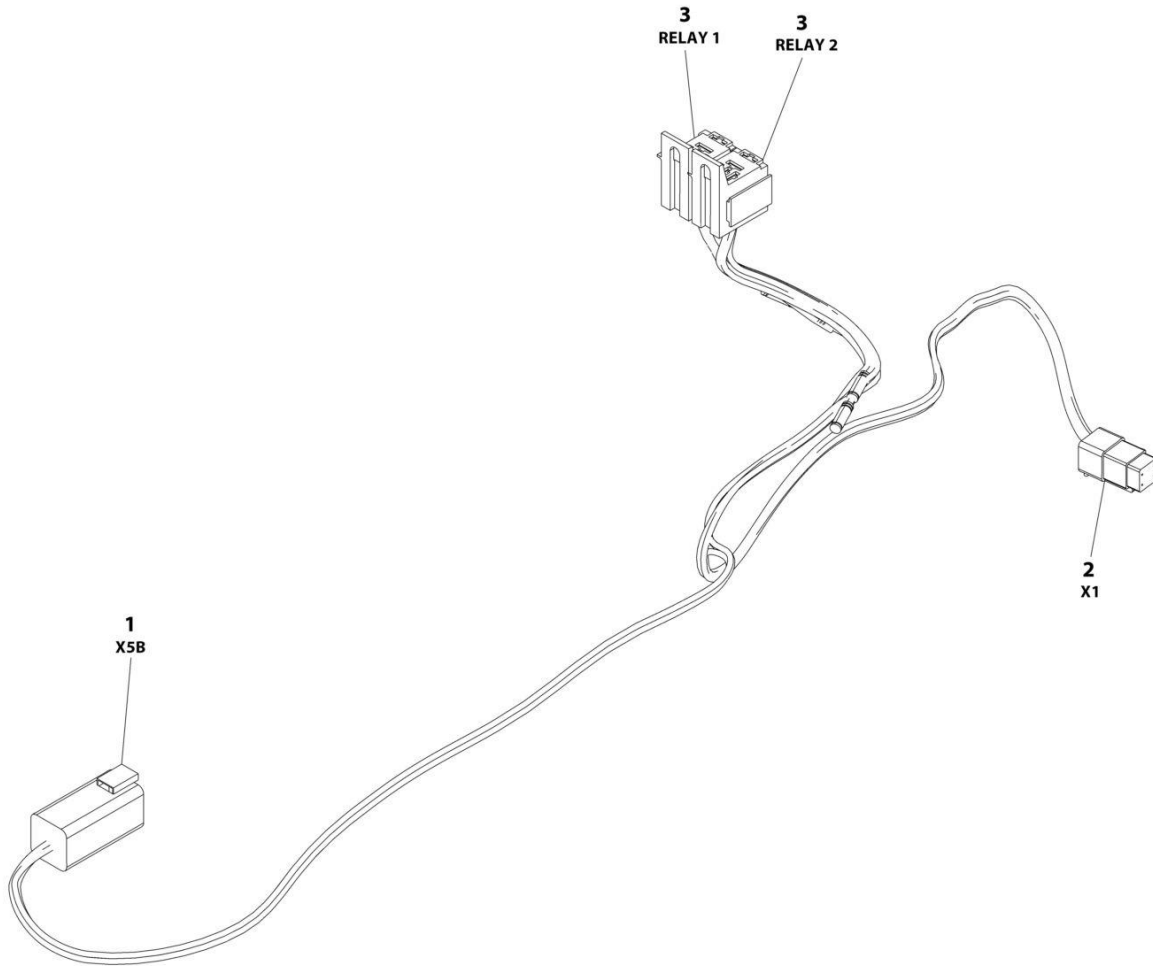
SECTION 8 - ELECTRICAL

FIGURE 8-72. SKYEYE EMITTER HARNESS

ITEM	PART NUMBER	QTY	DESCRIPTION	REV
	1001237864	Ref	SKYEYE EMITTER HARNESS	B
2	2820247	AR	Tubing, Heat Shrink	
3	4460910	1	Connector - 3 Position	
3	1001119620	3	Pin, Male	
6	1001227996	1	Grommet	
7	1001258495	1	Cable, M8 Female Cordset	

SECTION 8 - ELECTRICAL

FIGURE 8-73. SKYLINE HARNESS



ART_1001238418

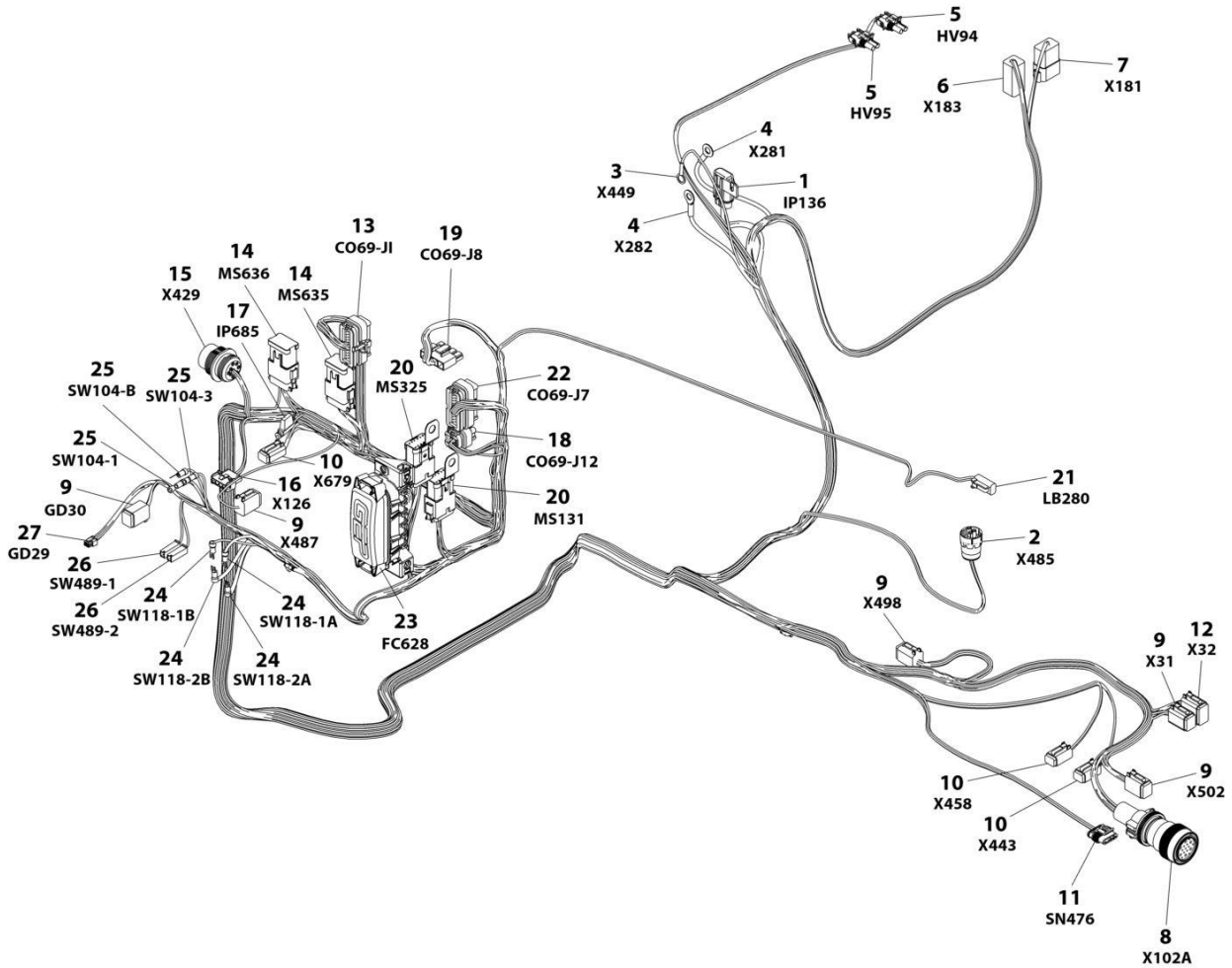
SECTION 8 - ELECTRICAL

FIGURE 8-73. SKYLINE HARNESS

ITEM	PART NUMBER	QTY	DESCRIPTION	REV
	1001238418	Ref	SKYLINE HARNESS	B
1	4460899	1	Connector - 6 Position	
1	4460464	4	Pin, Male	
1	4460466	2	Plug, Terminal	
2	4461077	1	Connector - 4 Position	
2	1001126009	4	Socket, Female	
3	1001186432	2	Plug, Relay	
3	1001118388	5	Terminal	
3	1001118384	3	Terminal	
3	3740086	2	Relay	

SECTION 8 - ELECTRICAL

FIGURE 8-74. TURNTABLE HARNESS (Prior to SN 0300298591, Prior to SN B300017677, SN B300017715 through B300017717, Including B300017690, B300017705 and B300017709)



ART_1001244293

SECTION 8 - ELECTRICAL

FIGURE 8-74. TURNTABLE HARNESS (Prior to SN 0300298591, Prior to SN B300017677, SN B300017715 through B300017717, Including B300017690, B300017705 and B300017709)

ITEM	PART NUMBER	QTY	DESCRIPTION	REV
	1001244293	Ref	TURNTABLE HARNESS	D
1	1001117070	1	Fuseholder with 30Amp Fuse	
1	See Note	1	Fuse 30Amp (Note: Not Available - Purchase Locally)	
1	1001116734	2	Terminal, Female	
2	4460967	1	Connector - 3 Position	
2	4460465	3	Socket, Female	
3	4460247	1	Terminal, Ring	
4	8220045	2	Terminal, Ring	
5	4460742	2	Plug, Male - 2 Position	
5	4460743	4	Socket, Female	
5	4460458	4	Seal, Terminal	
6	4460899	1	Receptacle, Female - 6 Position	
6	4460464	3	Pin, Male	
6	4460943	2	Pin, Male	
6	4460466	1	Plug, Terminal	
7	4460931	1	Receptacle, Female	
7	4460464	5	Pin, Male	
7	4460466	3	Plug, Terminal	
8	4460865	1	Connector - 19 Position	
8	4460465	6	Socket, Female	
8	4460509	2	Socket, Female	
8	4460466	11	Plug, Terminal	
8	1321647	1	Clamp	
9	4460894	5	Plug, Male - 6 Position	
9	4460465	24	Socket, Female	
9	4460466	6	Plug, Terminal	
10	4460884	3	Plug, Male - 4 Position	
10	4460465	8	Socket, Female	
10	4460466	4	Plug, Terminal	
11	1001103012	1	Connector - 4 Position	
11	1001107854	4	Socket, Female	
11	1001104498	4	Seal, Terminal	
12	4460930	1	Plug, Male - 8 Position	
12	4460465	6	Socket, Female	
12	4460466	2	Seal, Terminal	
13	4460874	1	Connector - 35 Position	
13	4460871	21	Socket, Female	
14	4460905	14	Plug, Terminal	
14	4460836	2	Connector - 12 Position	
14	4460465	16	Socket, Female	
14	4460466	8	Plug, Terminal	
14	4460837	2	Bussbar - 12 Position	
15	1001112612	1	Connector - 9 Position	
15	4460464	3	Pin, Male	
15	4460943	2	Pin, Male (Gold)	
15	4460466	4	Plug, Terminal	
16	4460761	1	Receptacle, Female - 4 Position	
16	4460267	4	Pin, Male	
17	2400060	1	Holder, Fuse	

SECTION 8 - ELECTRICAL

ITEM	PART NUMBER	QTY	DESCRIPTION	REV
17	8229242	1	Fuse 5Amp	
18	1001113961	1	Plug, Male - 8 Position	
18	4460871	5	Socket, Female	
18	4460905	3	Plug, Terminal	
19	4460878	1	Plug, Male - 4 Position	
19	4460887	4	Terminal	
20	4460933	2	Plug, Male - 12 Position	
20	4460465	12	Socket, Female	
20	4460466	11	Plug, Terminal	
20	1001125677	2	Bussbar - 12 Position	
20	1001120328	2	Clip, Mounting	
21	4460891	1	Plug, Male - 2 Position	
21	4460465	2	Socket, Female	
22	4460873	1	Connector - 35 Position	
22	4460871	28	Socket, Female	
22	4460905	7	Plug, Terminal	
23	1001185964	1	Fuse Box Assembly	
23	8229244	2	Fuse 15Amp	
23	8229242	4	Fuse 5Amp	
23	1001196635	1	Fuse 3Amp	
23	1001129285	2	Fuse with Diode	
23	1001095704	1	Relay	
23	1001116728	14	Terminal, Female	
23	8220125	9	Terminal, Female	
23	4460748	25	Plug, Terminal	
23	4460458	14	Seal, Terminal	
23	80963067	9	Seal, Cable	
24	4460806	4	Terminal, Fork	
25	4460142	3	Terminal, Ring	
26	4460260	2	Housing, Terminal	
26	4460259	2	Terminal	
27	1001237667	1	Connector - 6 Position	
27	1001237668	5	Socket, Female	

SECTION 8 - ELECTRICAL

FIGURE 8-75. TURNTABLE HARNESS (SN 0300298591 to Present, SN B300017677 to Present, Except SN B300017715 through B300017717, Excluding B300017690, B300017705 and B300017709)

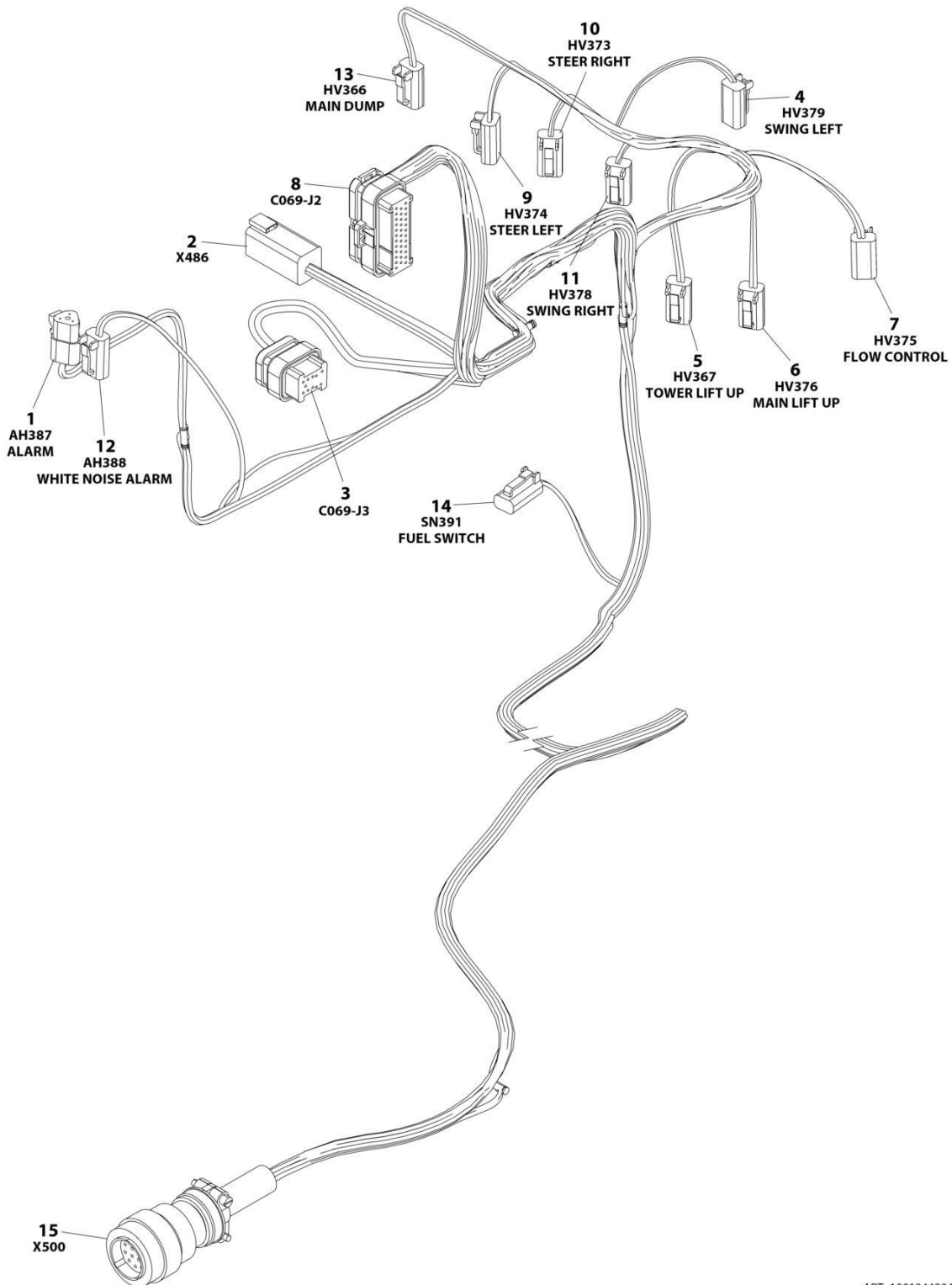
ITEM	PART NUMBER	QTY	DESCRIPTION	REV
	1001282492	Ref	TURNTABLE HARNESS	B
1	1001117070	1	Fuseholder (Includes 30Amp Fuse)	
1	1001116734	2	Socket	
2	4460967	1	Connector	
2	4460465	3	Socket	
3	4460247	1	Terminal, Ring	
4	8220045	2	Terminal, Ring	
5	4460742	2	Connector	
5	4460743	4	Socket	
5	4460458	4	Seal, Terminal	
6	4460899	1	Connector	
6	4460464	5	Pin	
6	4460466	1	Plug	
7	4460931	1	Connecot	
7	4460464	5	Pin	
7	4460466	3	Plug	
8	4460865	1	Connector	
8	4460465	6	Socket (20-16Awg)	
8	4460509	2	Socket (14-12Awg)	
8	4460466	11	Plug	
9	4460894	7	Connector	
9	4460465	42	Socket	
10	4460884	2	Connector	
10	4460465	4	Socket	
10	4460466	4	Plug	
11	1001103012	1	Connector	
11	1001107854	4	Socket	
11	1001104498	4	Seal, Terminal	
12	4460930	2	Connector	
12	4460465	13	Socket	
12	4460466	3	Plug	
13	4460874	1	Connector	
13	4460871	21	Socket	
13	4460905	14	Plug	
14	4460836	1	Connector	
14	4460465	9	Socket	
14	4460466	3	Plug	
15	4460894	2	Connector	
15	4460465	7	Socket	
15	4460466	5	Plug	
16	4460836	1	Connector	
16	1001157890	1	Socket (16-12Awg)	
16	4460465	5	Socket (20-16Awg)	
16	4460466	6	Plug	
17	1001112612	1	Connector	
17	4460464	3	Pin	
17	4460466	4	Plug	
18	4460761	1	Connector	
18	4460267	4	Pin	

SECTION 8 - ELECTRICAL

ITEM	PART NUMBER	QTY	DESCRIPTION	REV
19	4460884	1	Connector	
19	4460465	4	Socket	
20	1001246859	1	Connector	
20	4460871	4	Socket	
20	4460905	10	Plug	
21	1001113961	1	Connector	
21	4460871	5	Socket	
21	4460905	3	Plug	
22	4460878	1	Connector	
22	1001237383	1	Socket (12-10Awg)	
22	4460887	4	Socket (8Awg)	
23	4460933	1	Connector	
23	4460465	8	Socket	
23	4460466	4	Plug	
24	4460873	1	Connector	
24	4460871	28	Socket	
24	4460905	7	Plug	
25	1001185964	1	Fuse Box Assembly	
25	8229242	4	Fuse 5Amp	
25	8229244	2	Fuse 15Amp	
25	1001095704	1	Relay	
25	1001129285	2	Fuse with Diode	
25	1001196635	1	Fuse 3Amp	
25	1001116728	14	Socket (18-16Awg)	
25	8220125	9	Socket (12-10Awg)	
25	4460748	25	Plug	
25	4460458	14	Seal, Terminal (Use with Socket 1001116728)	
25	80963067	9	Seal, Terminal (Use with Socket 8220125)	
26	4460806	4	Terminal, Fork	
27	4460142	3	Terminal, Ring	
28	1001144147	1	Connector	
28	4460943	2	Pin	
28	4460466	1	Plug	
29	2400060	1	Fuseholder	
30	4460260	2	Connector	
30	4460259	2	Socket	
31	1001237667	1	Connector	
31	1001237668	5	Socket	
101	1321647	1	Clamp	
102	1001271323	2	Connector, Bussbar	
103	8229242	1	Fuse 5Amp	
104	1001116815	1	Connector (Includes Resistor)	
105	1001120328	2	Mount, Connector	
106	1001125677	1	Connector, Bussbar	
107	1001155967	1	Mount, Connector	
108	1001172065	1	Fuse 30Amp	
109	1001192401	1	Cap, Dust	
110	1001226541	4	Connecotr, Bussbar	

SECTION 8 - ELECTRICAL

FIGURE 8-76. VALVE HARNESS - MAIN VALVE (Prior to SN 0300298591, Prior to SN B300017677, SN B300017715 through B300017717, Including B300017690, B300017705 and B300017709)



ART_1001244294

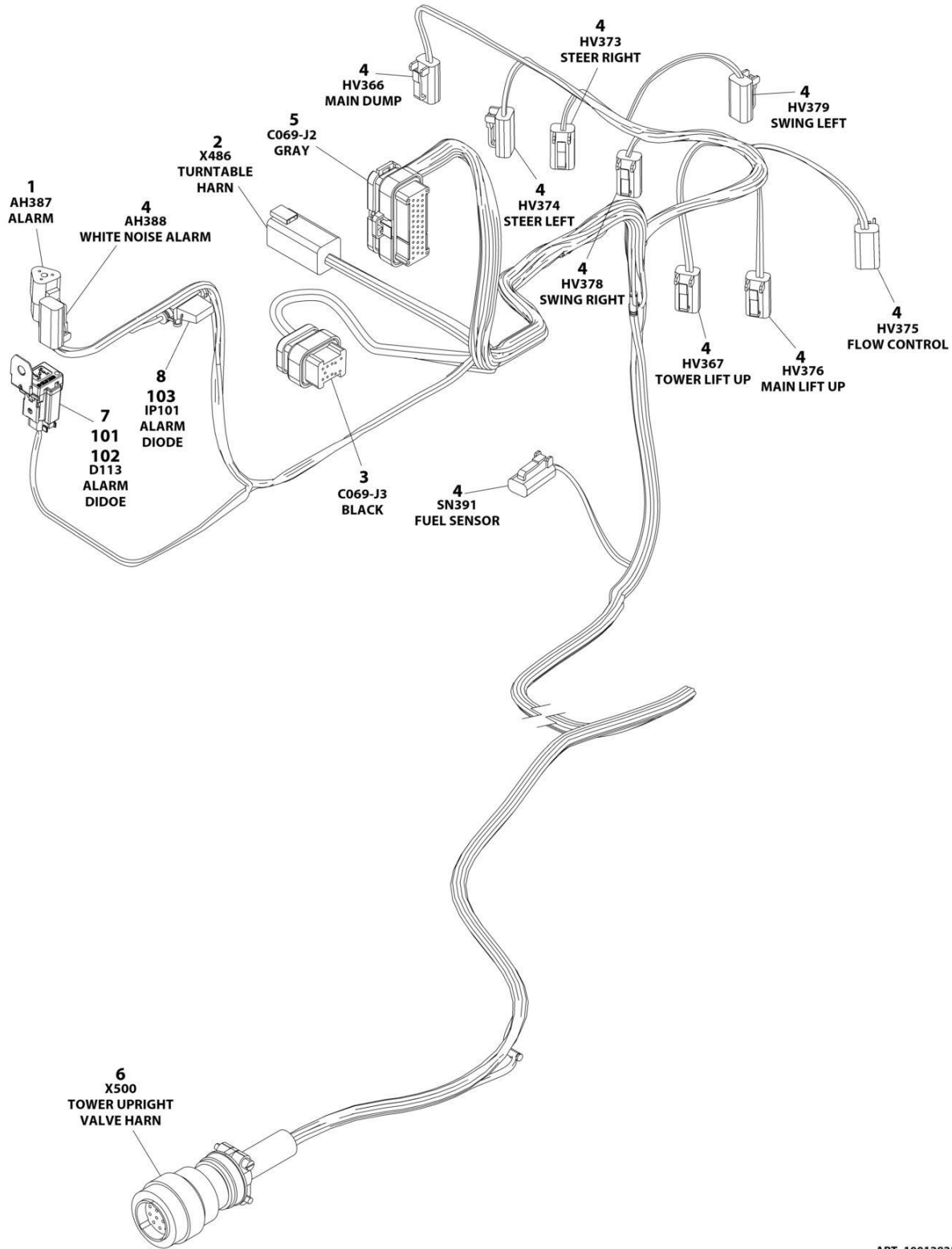
SECTION 8 - ELECTRICAL

FIGURE 8-76. VALVE HARNESS - MAIN VALVE (Prior to SN 0300298591, Prior to SN B300017677, SN B300017715 through B300017717, Including B300017690, B300017705 and B300017709)

ITEM	PART NUMBER	QTY	DESCRIPTION	REV
	1001244294	Ref	TRACTION HARNESS	B
1	4460539	1	Plug, Male - 3 Position	
1	4460465	3	Socket, Female	
2	4460899	1	Connector - 6 Position	
2	4460464	4	Pin, Male	
2	4460466	2	Plug, Terminal	
3	4460872	1	Connector - 14 Position	
3	4460871	9	Terminal, Female	
3	4460905	5	Seal, Terminal	
4	4460891	1	Connector - 2 Position	
4	4460465	2	Socket, Female	
5	4460891	1	Connector - 2 Position	
5	4460465	2	Socket, Female	
6	4460891	1	Connector - 2 Position	
6	4460465	2	Socket, Female	
7	4460891	1	Connector - 2 Position	
7	4460465	2	Socket, Female	
8	4460875	1	Connector - 35 Position	
8	4460871	26	Socket, Female	
8	4460905	9	Plug, Terminal	
9	4460891	1	Plug, Male - 2 Position	
9	4460465	2	Socket, Female	
10	4460891	1	Connector - 2 Position	
10	4460465	2	Socket, Female	
11	4460891	1	Connector - 2 Position	
11	4460465	2	Socket, Female	
12	4460891	1	Connector - 2 Position	
12	4460465	2	Socket, Female	
13	4460891	1	Connector - 2 Position	
13	4460465	2	Socket, Female	
14	4460424	1	Connector - 2 Position	
14	4460268	2	Socket, Female	
15	4460754	1	Connector - 14 Position	
15	4460465	13	Socket, Female	
15	4460466	1	Plug, Terminal	

SECTION 8 - ELECTRICAL

FIGURE 8-77. VALVE HARNESS - MAIN VALVE (SN 0300298591 to Present, SN B300017677 to Present, Except SN B300017715 through B300017717, Excluding B300017690, B300017705 and B300017709)



ART_1001282533

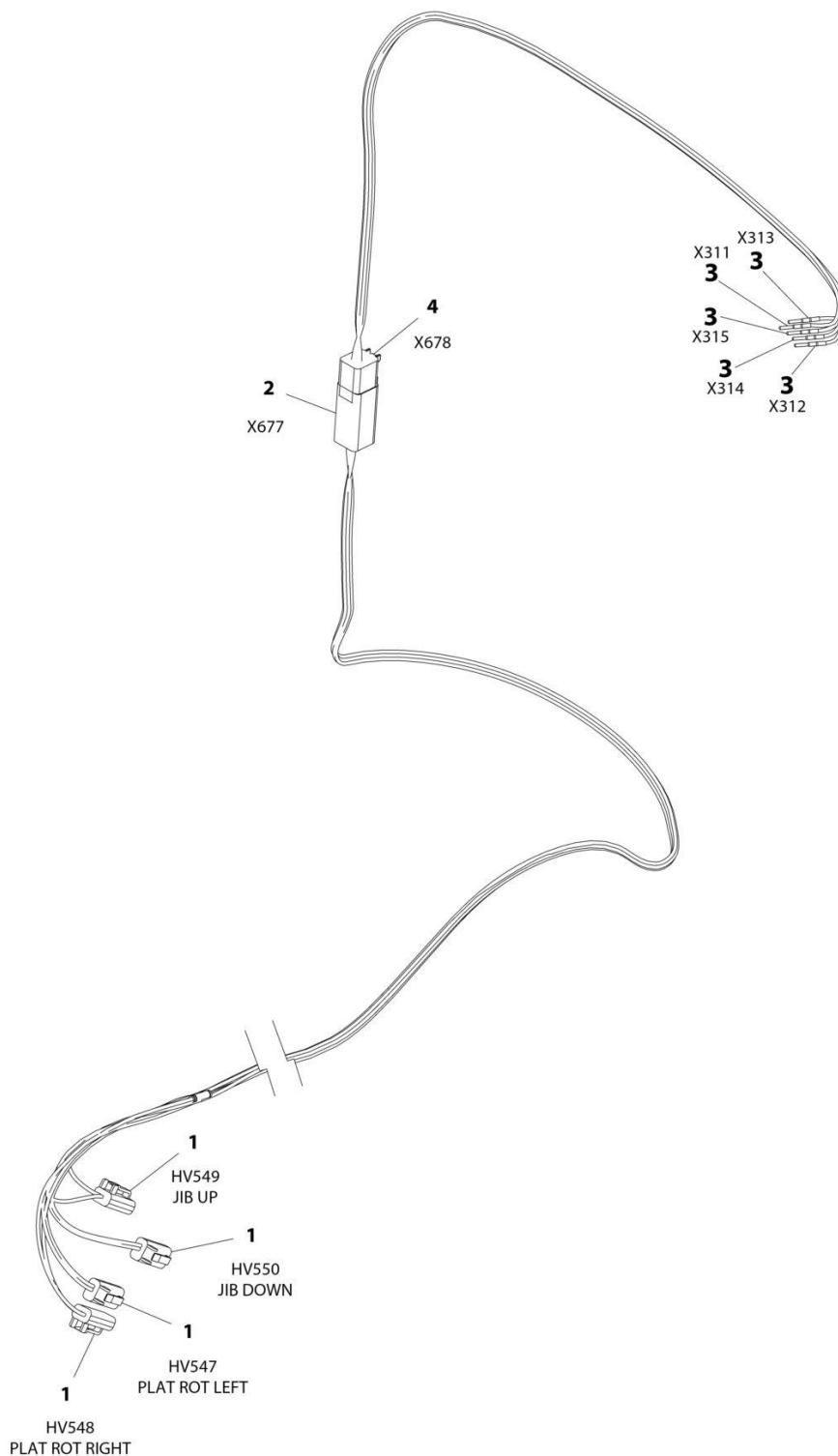
SECTION 8 - ELECTRICAL

FIGURE 8-77. VALVE HARNESS - MAIN VALVE (SN 0300298591 to Present, SN B300017677 to Present, Except SN B300017715 through B300017717, Excluding B300017690, B300017705 and B300017709)

ITEM	PART NUMBER	QTY	DESCRIPTION	REV
	1001282533	Ref	MAIN VALVE HARNESS	A
1	4460539	1	Connector	
1	4460465	3	Socket	
2	4460899	1	Connector	
2	4460464	5	Pin	
2	4460466	1	Plug	
3	4460872	1	Connector	
3	4460871	9	Socket	
3	4460905	5	Plug	
4	4460891	10	Connector	
4	4460465	20	Socket	
5	4460875	1	Connector	
5	4460871	26	Socket	
5	4460905	9	Plug	
6	4460754	1	Connector	
6	4460465	13	Socket	
6	4460466	1	Plug	
7	4460884	1	Connector	
7	4460465	4	Socket	
8	1001170764	1	Fuseholder	
101	1001152266	1	Connector (Includes Diode)	
102	1001155743	1	Mount, Connector	
103	1001196636	1	Diode 1Amp	

SECTION 8 - ELECTRICAL

FIGURE 8-78. VALVE HARNESS - PLATFORM VALVE



ART_1001164728

SECTION 8 - ELECTRICAL

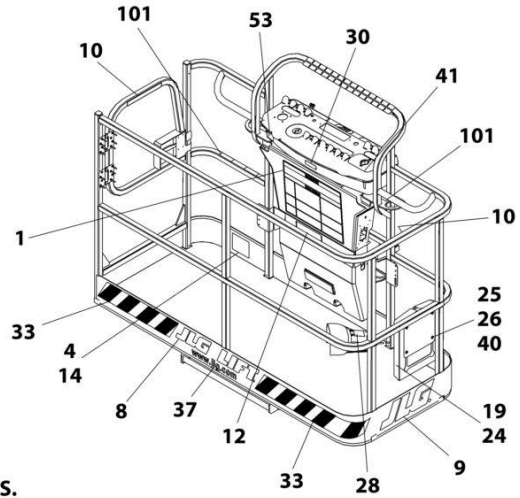
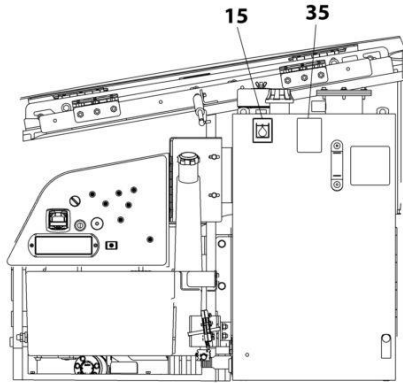
FIGURE 8-78. VALVE HARNESS - PLATFORM VALVE

ITEM	PART NUMBER	QTY	DESCRIPTION	REV
	1001164728	Ref	VALVE HARNESS - PLATFORM VALVE	D
1	4460891	4	Plug, Male - 2 Position	
1	4460465	8	Socket, Female	
2	4460899	1	Receptacle, Female - 6 Position	
2	4460464	5	Pin, Male	
2	4460466	1	Plug, Terminal	
3	4460465	5	Socket, Female	
4	4460894	1	Plug, Male - 6 Position	
4	4460465	5	Socket, Female	
4	4460466	1	Plug, Terminal	

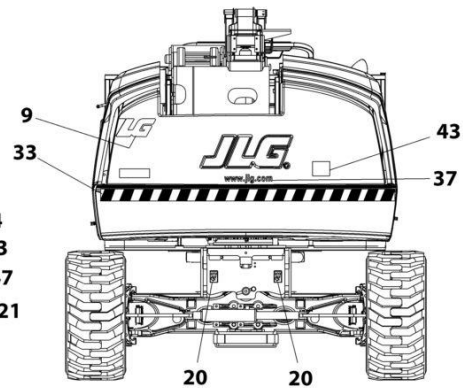
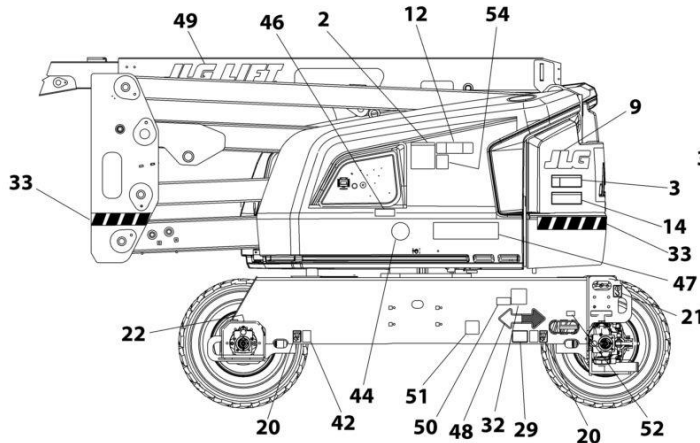
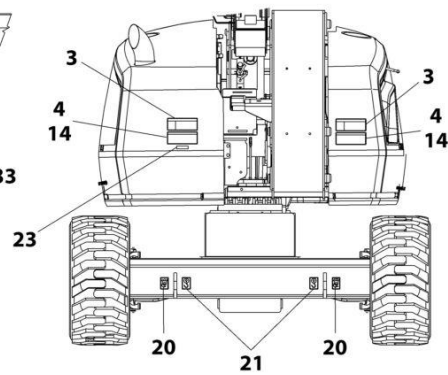
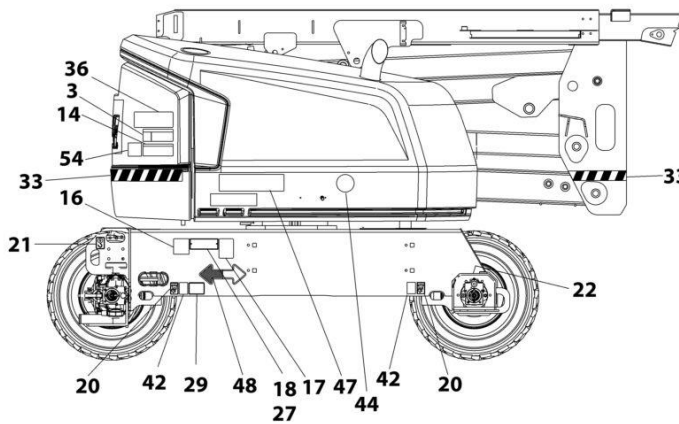
SECTION 9 - DECALS

SECTION 9 - DECALS

FIGURE 9-1. DECAL INSTALLATION – ANSI, ANSI EXPORT AND CSA SPECS WITH DEUTZ ENGINES (ENGLISH)



NOTE: SOME DECALS ARE CALLED OUT ON OPTIONAL DECALS INSTALLATION.
 NOTE: ITEMS SHOWN MAY NOT BE REQUIRED FOR ALL SPECS. REFER TO PARTS LIST FOR USAGE.



ART_1001246402

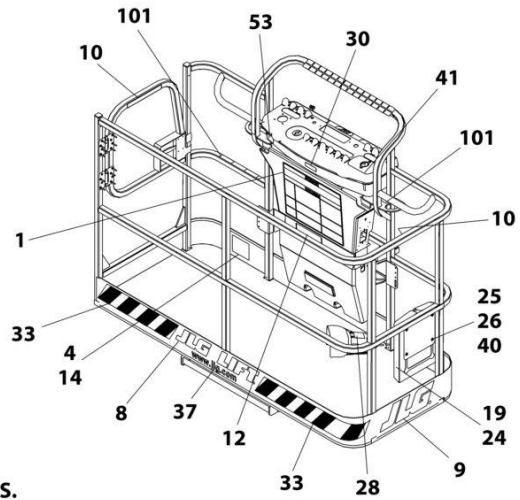
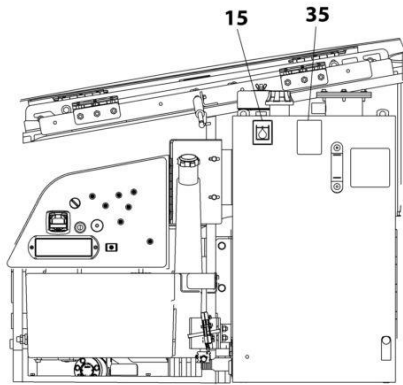
SECTION 9 - DECALS

**FIGURE 9-1. DECAL INSTALLATION – ANSI, ANSI EXPORT AND CSA SPECS WITH DEUTZ ENGINES
(ENGLISH)**

ITEM	PART NUMBER	QTY	DESCRIPTION	REV
	1001248008	Re	DECAL INSTALLATION - REFERENCE CHART	C
	1001246402	Re	DECAL INSTALLATION	D
1	1703797	1	Decal - Danger/Warning	
2	1705336	1	Decal - Danger/Warning	
3	1703805	4	Decal - Danger/Electrocution	
4	1703804	4	Decal - Warning/Crushing	
8		Ref	Decal, JLG (See DECAL INSTALLATION - OPTIONS)	
9		Ref	Decal, JLG (See DECAL INSTALLATION - OPTIONS)	
10	1702868	2	Decal - No Hands	
12	1001255511	2	Decal - Max Capacity	
14	1703953	2	Decal - Warning/Crushing	
15	1701504	1	Decal - Hydraulic Oil	
16	See Note	NSS	Decal - Bar Code (Note: Not Available for Purchase)	
17	1001131269	1	Decal - Patent	
18		Ref	Nameplate - Manufacturers Serial Number (See DECAL INSTALLATION - OPTIONS)	
19	1701509	1	Decal - Manual	
20	1702300	8	Decal - Tie Down /Lift	
21	1701500	4	Decal - Tie Down /Lift	
22	1703687	2	Decal - Arrow	
23	3251243	1	Nameplate 120V-60Hz	
24	0860520	1	Box, Manual Storage	
25	4751400	4	Washer, 1/4	
26	3311405	4	Nut, Lock 1/4-20	
27	3820001	2	Rivet	
28	3252347	1	Decal - Footswitch	
29		Ref	Decal - Max Tire Load (See DECAL INSTALLATION - OPTIONS)	
32		Ref	Decal - LP (See DECAL INSTALLATION - OPTIONS)	
33		Ref	Warning Stripes Installation (See DECAL INSTALLATION - OPTIONS)	
35	1704412	1	Decal - Hydraulic Fluid	
36	1001284875	1	Decal - Lift Diagram (Without Turntable Lock)	
36	1001223118	1	Decal - Lift Diagram (With Turntable Lock)	
37	1704885	2	Decal - Website	
40	0641406	4	Bolt, 1/4-20 x 3/4	
41	1705351	1	Decal - Drive/Steer	
42	1701499	4	Decal - Tie Down /Lift	
43	3251813	1	Decal - USA	
47		Ref	Decal - Model Designation (See DECAL INSTALLATION - OPTIONS)	
48	1701529	2	Decal - Arrow	
51	1001223055	1	Decal - Yearly Inspection	
52	1001223453	1	Decal - Ices (Canada)	
100	1001232026	1	Decal - Platform Lanyard Kit (Not Shown)	
101	1704277	3	Decal - Attach Lanyard Here	

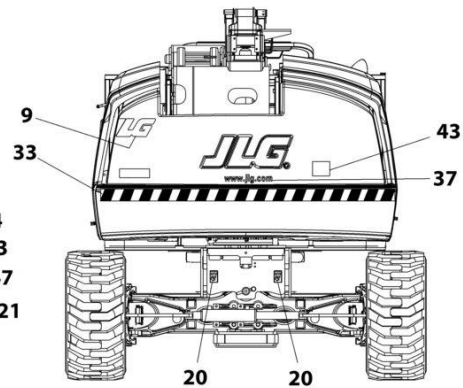
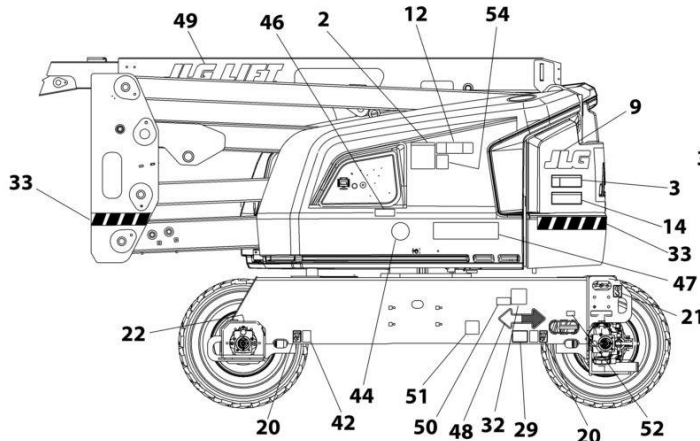
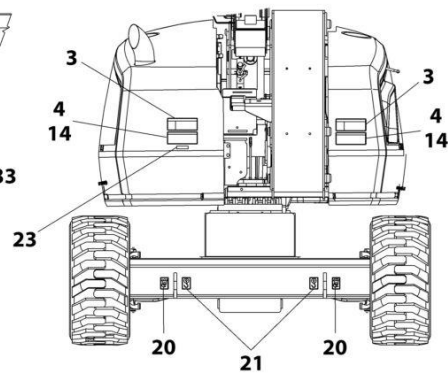
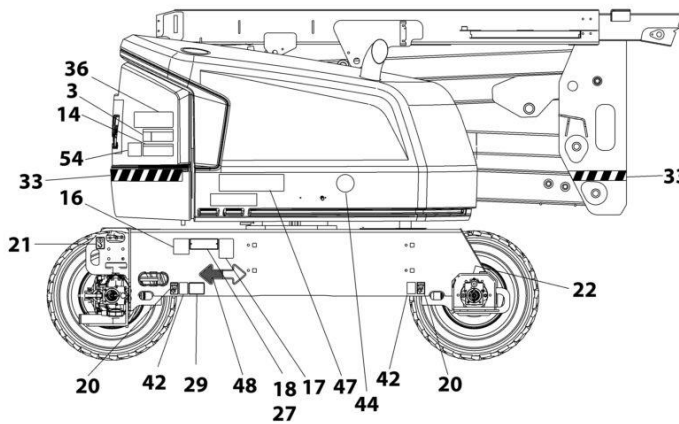
SECTION 9 - DECALS

FIGURE 9-2. DECAL INSTALLATION – ANSI AND ANSI EXPORT SPECS WITH KUBOTA ENGINES (ENGLISH)



NOTE: SOME DECALS ARE CALLED OUT ON OPTIONAL DECALS INSTALLATION.

NOTE: ITEMS SHOWN MAY NOT BE REQUIRED FOR ALL SPECS. REFER TO PARTS LIST FOR USAGE.



ART_1001246405

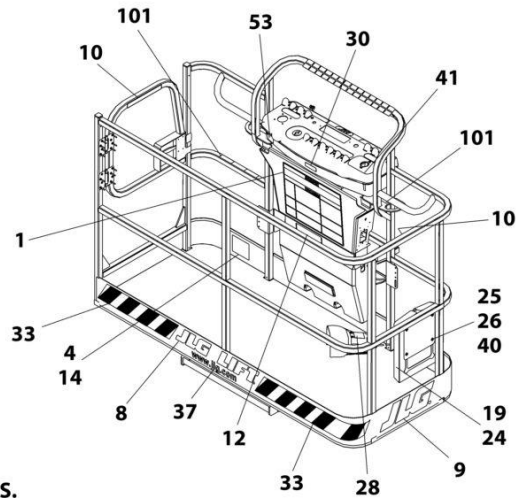
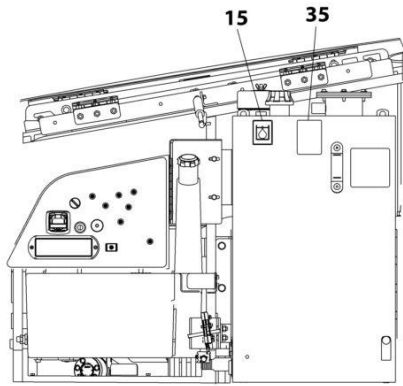
SECTION 9 - DECALS

**FIGURE 9-2. DECAL INSTALLATION – ANSI AND ANSI EXPORT SPECS WITH KUBOTA ENGINES
(ENGLISH)**

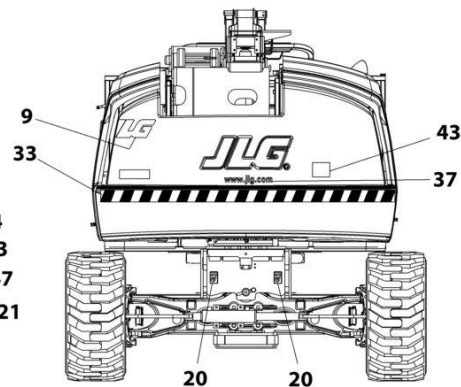
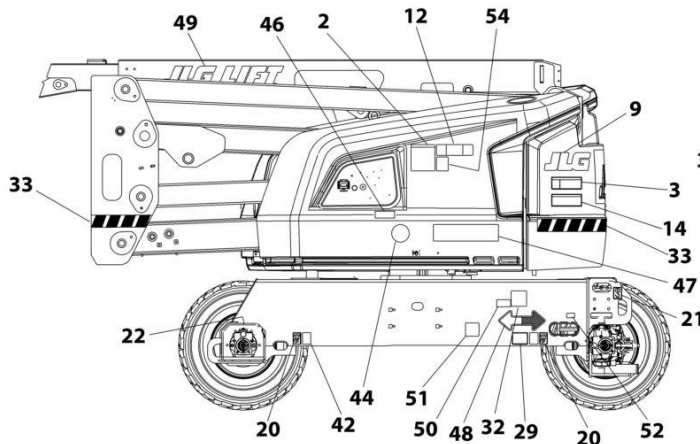
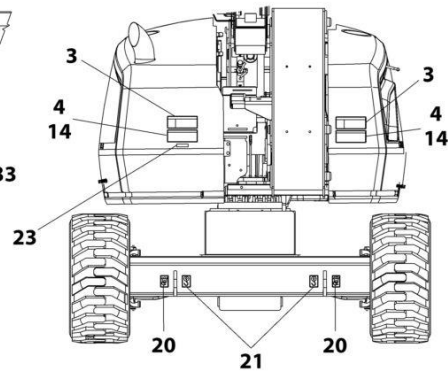
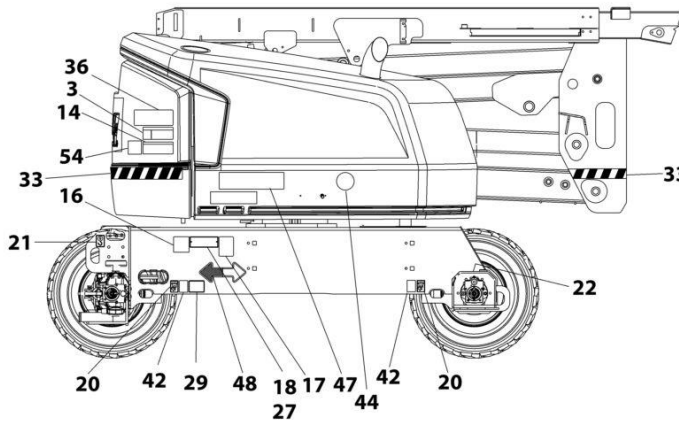
ITEM	PART NUMBER	QTY	DESCRIPTION	REV
	1001248008	Ref	DECAL INSTALLATION - REFERENCE CHART	C
	1001246405	Ref	DECAL INSTALLATION	C
1	1703797	1	Decal - Danger/Warning	
2	1705336	1	Decal - Danger/Warning	
3	1703805	4	Decal - Danger/Electrocution	
4	1703804	4	Decal - Warning/Crushing	
8		Ref	Decal, JLG (See DECAL INSTALLATION - OPTIONS)	
9		Ref	Decal, JLG (See DECAL INSTALLATION - OPTIONS)	
10	1702868	2	Decal - No Hands	
12	1001255511	2	Decal - Max Capacity	
14	1703953	2	Decal - Warning/Crushing	
15	1701504	1	Decal - Hydraulic Oil	
16	See Note	NSS	Decal - Bar Code (Note: Not Available for Purchase)	
17	1001131269	1	Decal - Patent	
18		Ref	Nameplate - Manufacturers Serial Number (See DECAL INSTALLATION - OPTIONS)	
19	1701509	1	Decal - Manual	
20	1702300	8	Decal - Tie Down /Lift	
21	1701500	4	Decal - Tie Down /Lift	
22	1703687	2	Decal - Arrow	
23	3251243	1	Nameplate 120V-60Hz	
24	0860520	1	Box, Manual Storage	
25	4751400	4	Washer, 1/4	
26	3311405	4	Nut, Lock 1/4-20	
27	3820001	2	Rivet	
28	3252347	1	Decal - Footswitch	
29		Ref	Decal - Max Tire Load (See DECAL INSTALLATION - OPTIONS)	
32		Ref	Decal - LP (See DECAL INSTALLATION - OPTIONS)	
33		Ref	Warning Stripes Installation (See DECAL INSTALLATION - OPTIONS)	
35	1704412	1	Decal - Hydraulic Fluid	
36	1001284875	1	Decal - Lift Diagram (Without Turntable Lock)	
36	1001223118	1	Decal - Lift Diagram (With Turntable Lock)	
37	1704885	2	Decal - Website	
40	0641406	4	Bolt, 1/4-20 x 3/4	
41	1705351	1	Decal - Drive/Steer	
42	1701499	4	Decal - Tie Down /Lift	
43	3251813	1	Decal - USA	
47		Ref	Decal - Model Designation (See DECAL INSTALLATION - OPTIONS)	
48	1701529	2	Decal - Arrow	
49		Ref	Decal, JLG (See DECAL INSTALLATION - OPTIONS)	
51	1001223055	1	Decal - Yearly Inspection	
52	1001223453	1	Decal - Ices (Canada)	
53		Ref	Decal - Warning (Prop 65) (See DECAL INSTALLATION - OPTIONS)	
100	1001232026	1	Decal - Platform Lanyard Kit (Not Shown)	
101	1704277	3	Decal - Attach Lanyard Here	

SECTION 9 - DECALS

FIGURE 9-3. DECAL INSTALLATION - AUSTRALIAN SPEC (ENGLISH)



NOTE: SOME DECALS ARE CALLED OUT ON OPTIONAL DECALS INSTALLATION.
NOTE: ITEMS SHOWN MAY NOT BE REQUIRED FOR ALL SPECS. REFER TO PARTS LIST FOR USAGE.



ART_1001162522

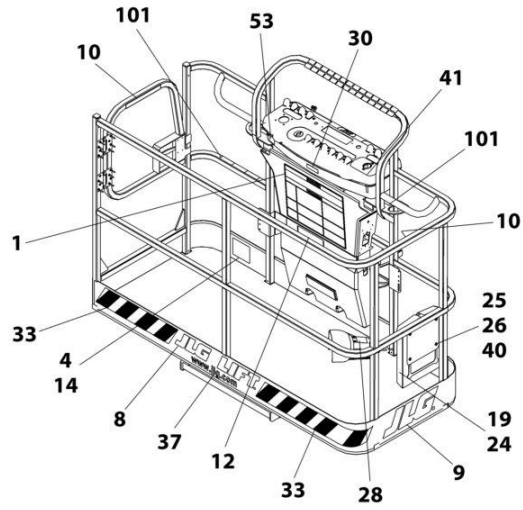
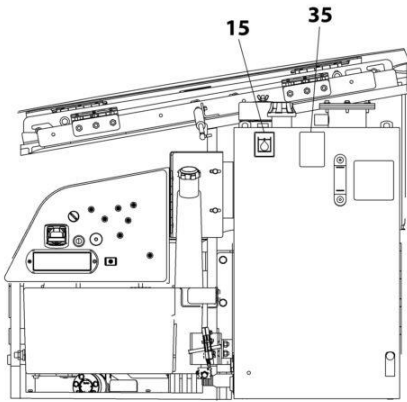
SECTION 9 - DECALS

FIGURE 9-3. DECAL INSTALLATION - AUSTRALIAN SPEC (ENGLISH)

ITEM	PART NUMBER	QTY	DESCRIPTION	REV
	1001248008	Ref	DECAL INSTALLATION - REFERENCE CHART	C
	1001162522	Ref	DECAL INSTALLATION	I
1	1001162429	1	Decal - Tipping/Electrocution	
2	1705822	1	Decal - Electrocution/Safety Manual	
3	1705961	4	Decal - Danger Electrocution	
8		Ref	Decal, JLG (See DECAL INSTALLATION - OPTIONS)	
9		Ref	Decal, JLG (See DECAL INSTALLATION - OPTIONS)	
12	1001190913	2	Decal - Max Capacity	
14	1701518	6	Decal - Warning/Crushing	
15	1701504	1	Decal - Hydraulic Oil	
16	See Note	NSS	Decal - Bar Code (Note: Not Available for Purchase)	
18		Ref	Nameplate - Manufacturers Serial Number (See DECAL INSTALLATION - OPTIONS)	
19	1701509	1	Decal - Manual	
20	1702300	8	Decal - Tie Down /Lift	
21	1701500	4	Decal - Tie Down /Lift	
22	1703687	2	Decal - Arrow	
24	0860520	1	Box, Manual Storage	
25	4751400	4	Washer, 1/4	
26	3311405	4	Nut, Lock 1/4-20	
27	3820001	4	Rivet	
28	1705828	1	Decal - Footswitch	
29		Ref	Decal - Max Tire Load (See DECAL INSTALLATION - OPTIONS)	
33		Ref	Warning Stripes Installation (See DECAL INSTALLATION - OPTIONS)	
35	1704412	1	Decal - Hydraulic Fluid	
36	1001284875	1	Decal - Lift Diagram (Without Turntable Lock)	
36	1001223118	1	Decal - Lift Diagram (With Turntable Lock)	
37	1704885	2	Decal - Website	
40	0641406	4	Bolt, 1/4-20 x 3/4	
42	1701499	4	Decal - No Tie Down/Lift	
43	1001204510	1	Decal - Sound Power Level	
46	1001112551	1	Decal - Emergency Controls	
47		Ref	Decal - Model Designation (See DECAL INSTALLATION - OPTIONS)	
48	1701529	2	Decal - Arrow	
49		Ref	Decal, JLG (See DECAL INSTALLATION - OPTIONS)	
50		Ref	Decal - Emissions Compliance (See DECAL INSTALLATION - OPTIONS)	
100	1001232026	1	Decal - Platform Lanyard Kit (Not Shown)	
101	1704277	3	Decal - Attach Lanyard Here	

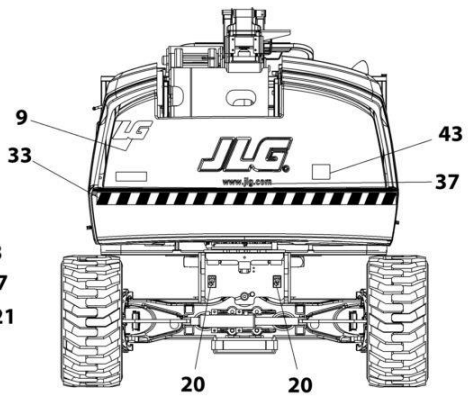
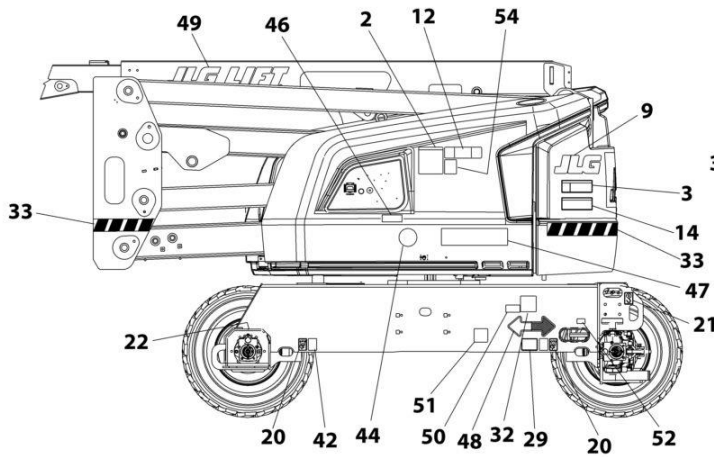
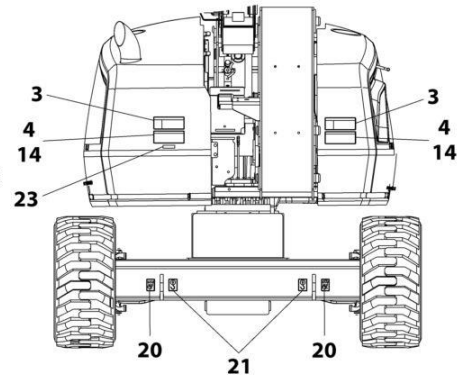
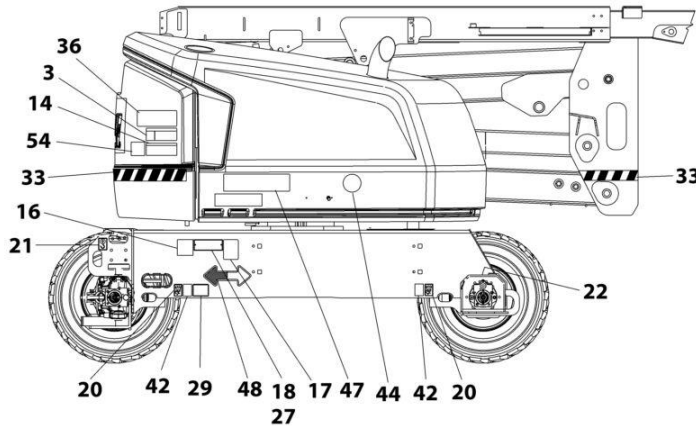
SECTION 9 - DECALS

FIGURE 9-4. DECAL INSTALLATION - BRAZIL SPEC (ENGLISH)



NOTE: SOME DECALS ARE CALLED OUT ON OPTIONAL DECALS INSTALLATION.

NOTE: ITEMS SHOWN MAY NOT BE REQUIRED FOR ALL SPECS. REFER TO PARTS LIST FOR USAGE.



ART_1001256207_D

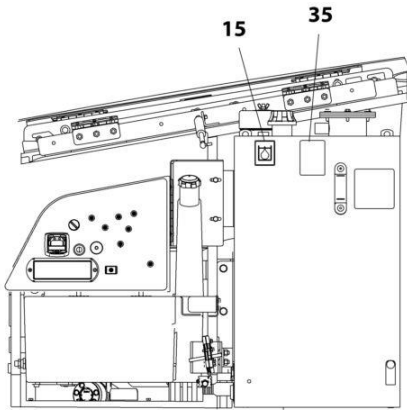
SECTION 9 - DECALS

FIGURE 9-4. DECAL INSTALLATION - BRAZIL SPEC (ENGLISH)

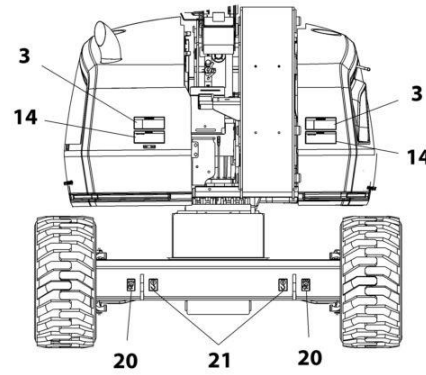
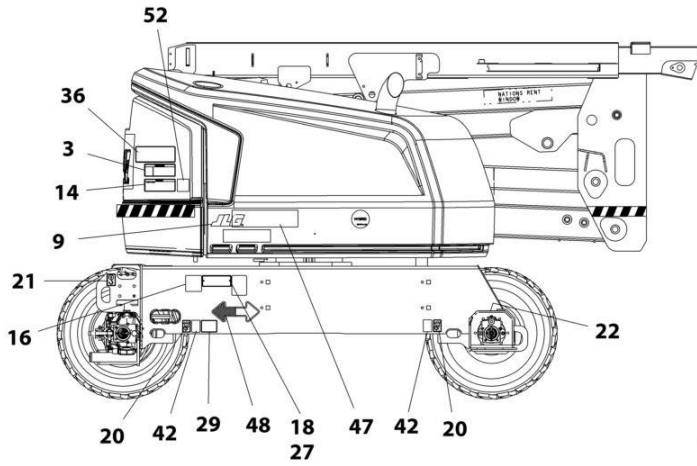
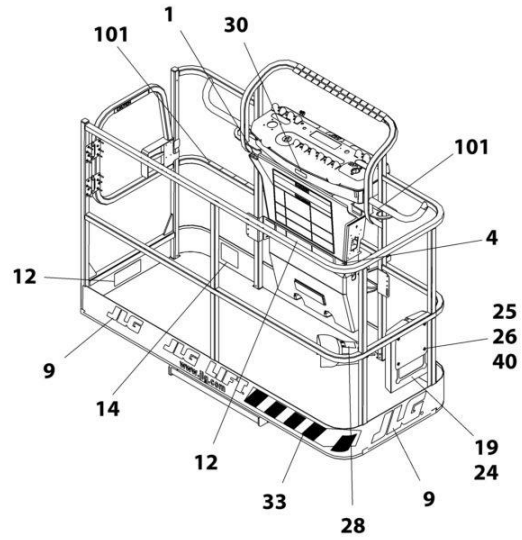
ITEM	PART NUMBER	QTY	DESCRIPTION	REV
	1001248008	Ref	DECAL INSTALLATION - REFERENCE CHART	C
	1001256207	Ref	DECAL INSTALLATION	D
1	1703928	1	Decal - Danger/Warning	
2	1705349	1	Decal - Warning Inspection	
3	1703940	4	Decal - Danger Electrocution	
4	1703952	4	Decal - Warning/Crushing	
8		Ref	Decal, JLG (See DECAL INSTALLATION - OPTIONS)	
9		Ref	Decal, JLG (See DECAL INSTALLATION - OPTIONS)	
10	1704002	2	Decal - No Hands	
12	1001255515	2	Decal - Max Capacity	
14	1703946	2	Decal - Warning/Crushing	
15	1701504	1	Decal - Hydraulic Oil	
16	See Note	NSS	Decal - Bar Code (Note: Not Available for Purchase)	
18		Ref	Nameplate - Manufacturers Serial Number (See DECAL INSTALLATION - OPTIONS)	
19	1701509	1	Decal - Manual	
20	1702300	8	Decal - Tie Down /Lift	
21	1701500	4	Decal - Tie Down /Lift	
22	1703687	2	Decal - Arrow	
23	3251243	1	Decal - 120V-60Hz	
24	0860520	1	Box, Manual Storage	
25	4751400	4	Washer, 1/4	
26	3311405	4	Nut, Lock 1/4-20	
27	3820001	4	Rivet	
28	1703985	1	Decal, Foot Switch	
29		Ref	Decal - Max Tire Load (See DECAL INSTALLATION - OPTIONS)	
32		Ref	Decal - LP (See DECAL INSTALLATION - OPTIONS)	
33		Ref	Warning Stripes Installation (See DECAL INSTALLATION - OPTIONS)	
35	1704412	1	Decal - Hydraulic Fluid	
36	1001284875	1	Decal - Lift Diagram	
37	1704885	2	Decal - Website	
40	0641406	4	Bolt, 1/4-20 x 3/4	
41	1001113680	1	Decal - Drive/Steer	
42	1701499	4	Decal - No Tie Down/Lift	
43	3251813	1	Decal - USA	
47		Ref	Decal - Model Designation (See DECAL INSTALLATION - OPTIONS)	
48	1701529	2	Decal - Arrow	
49		Ref	Decal, JLG (See DECAL INSTALLATION - OPTIONS)	
50		Ref	Decal - Emissions Compliance (See DECAL INSTALLATION - OPTIONS)	
51	1001224052	1	Decal - Yearly Inspection	
100	1001232026	1	Decal - Platform Lanyard Kit (Not Shown)	
101	1704277	3	Decal - Attach Lanyard Here	

SECTION 9 - DECALS

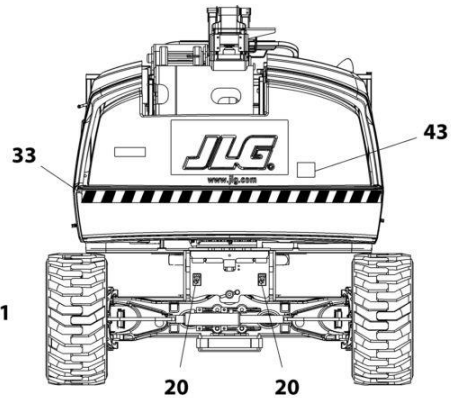
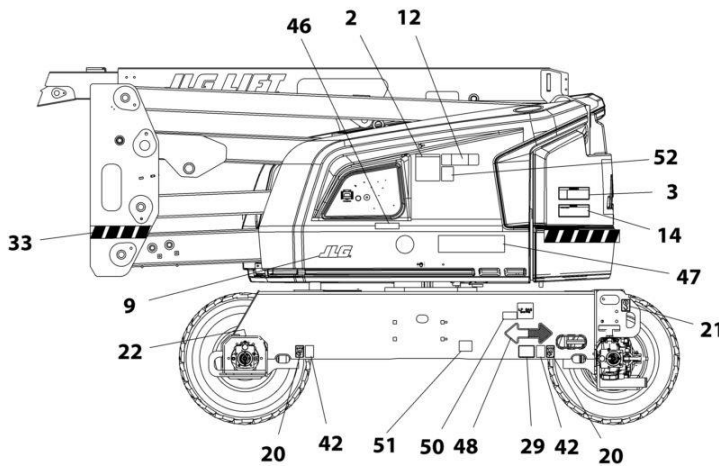
FIGURE 9-5. DECAL INSTALLATION - CE & UK CA SPEC (ENGLISH)



NOTE: SOME DECALS ARE CALLED OUT ON OPTIONAL DECALS INSTALLATION.



NOTE: ITEMS SHOWN MAY NOT BE REQUIRED FOR ALL SPECS. REFER TO PARTS LIST FOR USAGE.



ART_1001162528_L

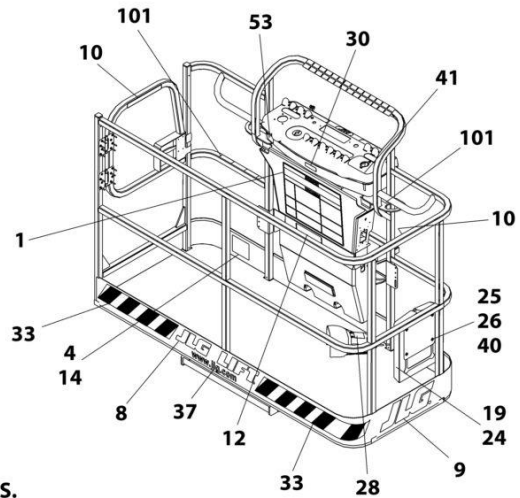
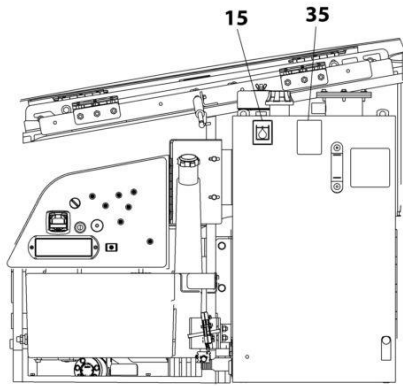
SECTION 9 - DECALS

FIGURE 9-5. DECAL INSTALLATION - CE & UK CA SPEC (ENGLISH)

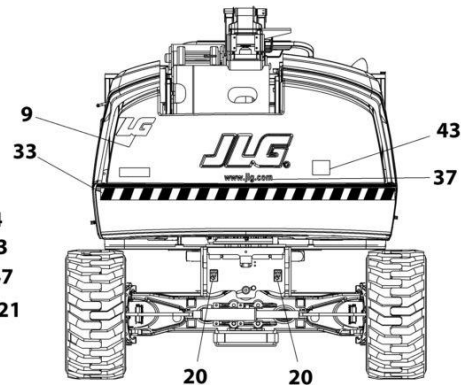
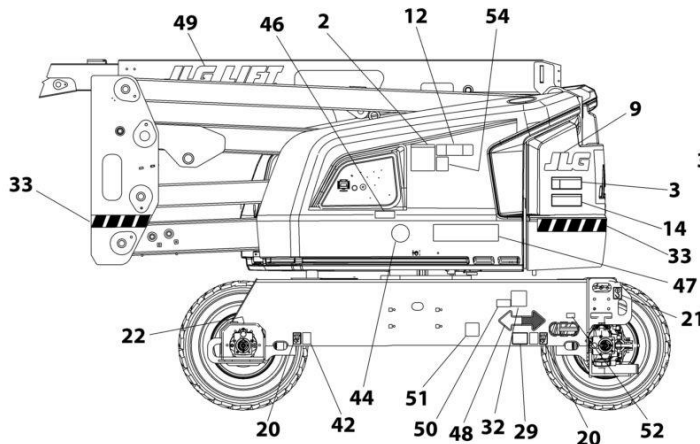
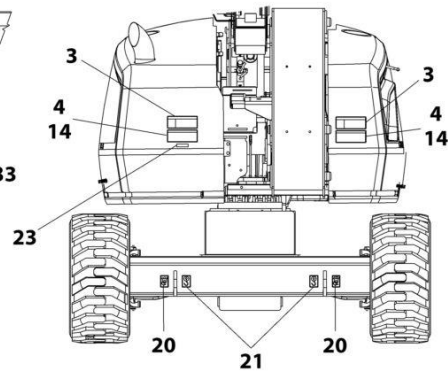
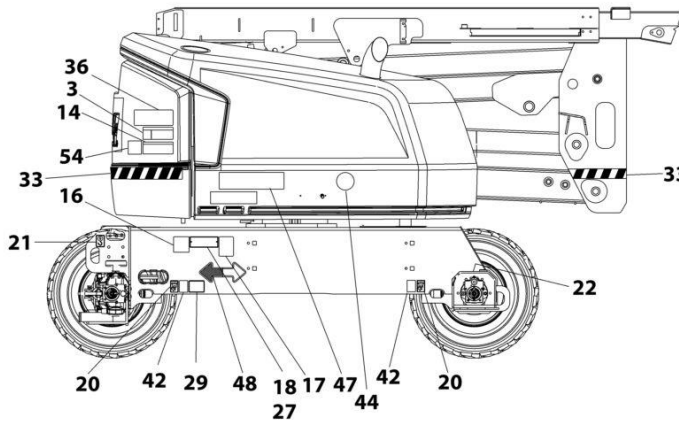
ITEM	PART NUMBER	QTY	DESCRIPTION	REV
	1001217904	Ref	DECAL INSTALLATION - REFERENCE CHART	F
	1001162528	Ref	DECAL INSTALLATION	L
1	1001162429	1	Decal - Tipping/Electrocution	
2	1705822	1	Decal - Electrocution/Safety Manual	
3	1705961	4	Decal - Danger Electrocution	
4	1001244301	1	Decal - No Platform to Ground	
9	1702773	3	Decal - JLG	
12	1001190913	1	Decal - Max Capacity	
14	1701518	6	Decal - Warning/Crushing	
15	1701504	1	Decal - Hydraulic Oil	
16	See Note	NSS	Decal - Bar Code (Note: Not Available for Purchase)	
18		Ref	Nameplate - Manufacturers Serial Number (See DECAL INSTALLATION - OPTIONS)	
19	1701509	1	Decal - Manual	
20	1702300	8	Decal - Tie Down /Lift	
21	1701500	4	Decal - Tie Down /Lift	
22	1703687	2	Decal - Arrow	
24	0860520	1	Box, Manual Storage	
25	4751400	4	Washer, 1/4	
26	3311405	4	Nut, Lock 1/4-20	
27	3820001	4	Rivet	
28	1705828	1	Decal - Footswitch	
29		Ref	Decal - Max Tire Load (See DECAL INSTALLATION - OPTIONS)	
33		Ref	Warning Stripes Installation (See DECAL INSTALLATION - OPTIONS)	
35	1704412	1	Decal - Hydraulic Fluid	
36	1001284875	1	Decal - Lift Diagram (Without Turntable Lock)	
36	1001223118	1	Decal - Lift Diagram (With Turntable Lock)	
40	0641406	4	Bolt, 1/4-20 x 3/4	
42	1701499	4	Decal - No Tie Down/Lift	
46	1001189882	1	Decal - MSSO	
47		Ref	Decal - Model Designation (See DECAL INSTALLATION - OPTIONS)	
48	1701529	2	Decal - Arrow	
50		Ref	Decal - Emissions Compliance (See DECAL INSTALLATION - OPTIONS)	
51		Ref	Decal - Quick Start Reference (See DECAL INSTALLATION - OPTIONS)	
52	1001244298	2	Decal - Wechat	
100	1001232026	1	Decal - Platform Lanyard Kit (Not Shown)	
101	1704277	3	Decal - Attach Lanyard Here	

SECTION 9 - DECALS

FIGURE 9-6. DECAL INSTALLATION - CSA SPEC WITH DEUTZ ENGINES (FRENCH/ENGLISH)



NOTE: SOME DECALS ARE CALLED OUT ON OPTIONAL DECALS INSTALLATION.
 NOTE: ITEMS SHOWN MAY NOT BE REQUIRED FOR ALL SPECS. REFER TO PARTS LIST FOR USAGE.



ART_1001246403

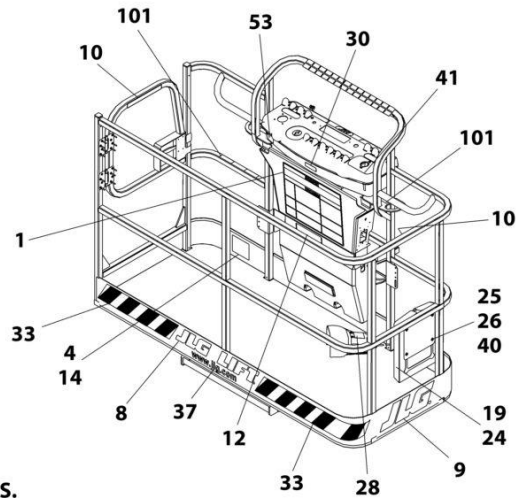
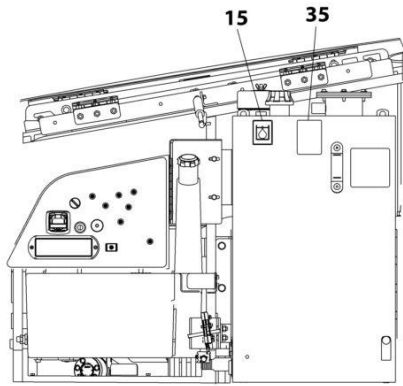
SECTION 9 - DECALS

FIGURE 9-6. DECAL INSTALLATION - CSA SPEC WITH DEUTZ ENGINES (FRENCH/ENGLISH)

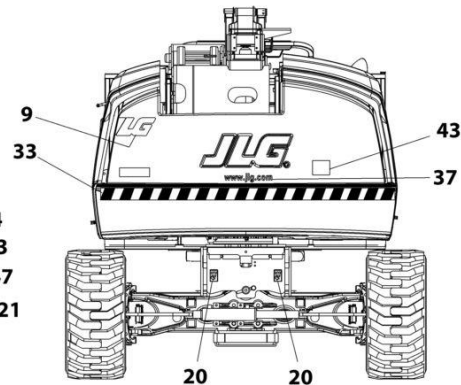
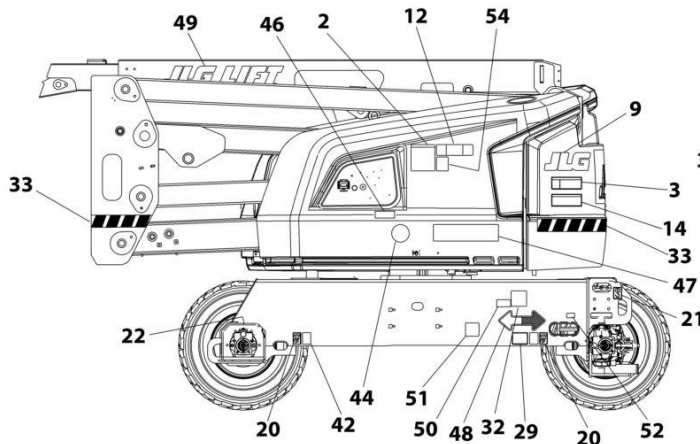
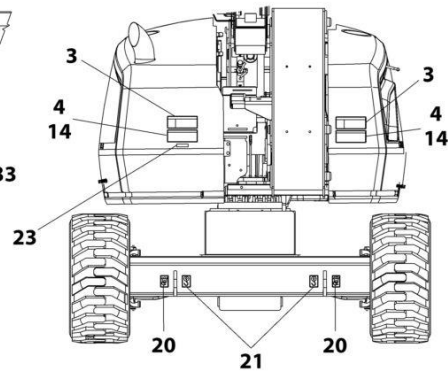
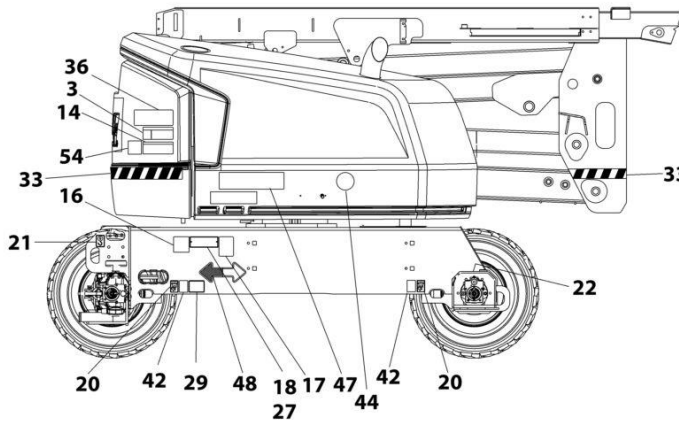
ITEM	PART NUMBER	QTY	DESCRIPTION	REV
	1001248008	Ref	DECAL INSTALLATION - REFERENCE CHART	C
	1001246403	Ref	DECAL INSTALLATION	C
1	1703924	1	Decal - Danger/Warning	
2	1705347	1	Decal - Warning Inspection	
3	1703936	4	Decal - Danger Electrocution	
4	1703948	4	Decal - Warning/Crushing	
8		Ref	Decal, JLG (See DECAL INSTALLATION - OPTIONS)	
9		Ref	Decal, JLG (See DECAL INSTALLATION - OPTIONS)	
10	1704000	2	Decal - No Hands	
12	1001255512	2	Decal - Max Capacity	
14	1703942	2	Decal - Warning/Crushing	
15	1701504	1	Decal - Hydraulic Oil	
16	See Note	NSS	Decal - Bar Code (Note: Not Available for Purchase)	
17	1001131269	1	Decal - Patent	
18		Ref	Nameplate - Manufacturers Serial Number (See DECAL INSTALLATION - OPTIONS)	
19	1701509	1	Decal - Manual	
20	1702300	8	Decal - Tie Down /Lift	
21	1701500	4	Decal - Tie Down /Lift	
22	1703687	2	Decal - Arrow	
23	3251243	1	Decal - 120V-60Hz	
24	0860520	1	Box, Manual Storage	
25	4751400	4	Washer, 1/4	
26	3311405	4	Nut, Lock 1/4-20	
27	3820001	4	Rivet	
28	1703984	1	Decal - Footswitch	
29		Ref	Decal - Max Tire Load (See DECAL INSTALLATION - OPTIONS)	
32		Ref	Decal - LP (See DECAL INSTALLATION - OPTIONS)	
33		Ref	Warning Stripes Installation (See DECAL INSTALLATION - OPTIONS)	
35	1704412	1	Decal - Hydraulic Fluid	
36	1001284875	1	Decal - Lift Diagram (Without Turntable Lock)	
36	1001223118	1	Decal - Lift Diagram (With Turntable Lock)	
37	1704885	2	Decal - Website	
40	0641406	4	Bolt, 1/4-20 x 3/4	
41	1705429	1	Decal - Drive/Steer	
42	1701499	4	Decal - No Tie Down/Lift	
43	3251813	1	Decal - USA	
47		Ref	Decal - Model Designation (See DECAL INSTALLATION - OPTIONS)	
48	1701529	2	Decal - Arrow	
49		Ref	Decal, JLG (See DECAL INSTALLATION - OPTIONS)	
51	1001223971	1	Decal - Yearly Inspection	
52	1001223453	1	Decal - Ices (Canada)	
100	1001232026	1	Decal - Platform Lanyard Kit (Not Shown)	
101	1704277	3	Decal - Attach Lanyard Here	

SECTION 9 - DECALS

FIGURE 9-7. DECAL INSTALLATION - CSA SPEC WITH KUBOTA ENGINES (FRENCH/ENGLISH)



NOTE: SOME DECALS ARE CALLED OUT ON OPTIONAL DECALS INSTALLATION.
NOTE: ITEMS SHOWN MAY NOT BE REQUIRED FOR ALL SPECS. REFER TO PARTS LIST FOR USAGE.



ART_1001246406

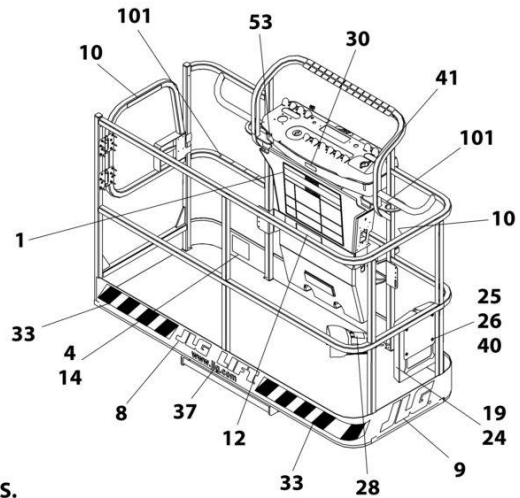
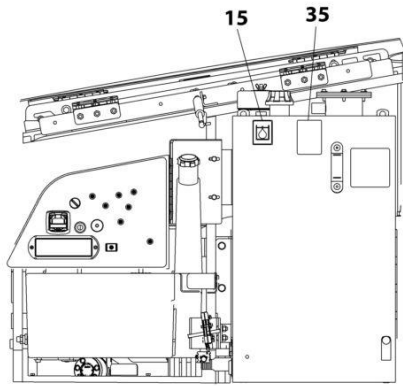
SECTION 9 - DECALS

FIGURE 9-7. DECAL INSTALLATION - CSA SPEC WITH KUBOTA ENGINES (FRENCH/ENGLISH)

ITEM	PART NUMBER	QTY	DESCRIPTION	REV
	1001248008	Ref	DECAL INSTALLATION - REFERENCE CHART	C
	1001246406	Ref	DECAL INSTALLATION - WITH KUBOTA ENGINE	C
1	1703924	1	Decal - Danger/Warning	
2	1705347	1	Decal - Warning Inspection	
3	1703936	4	Decal - Danger Electrocution	
4	1703948	4	Decal - Warning/Crushing	
8		Ref	Decal, JLG (See DECAL INSTALLATION - OPTIONS)	
9		Ref	Decal, JLG (See DECAL INSTALLATION - OPTIONS)	
10	1704000	2	Decal - No Hands	
12	1001255512	2	Decal - Max Capacity	
14	1703942	2	Decal - Warning/Crushing	
15	1701504	1	Decal - Hydraulic Oil	
16	See Note	NSS	Decal - Bar Code (Note: Not Available for Purchase)	
17	1001131269	1	Decal - Patent	
18		Ref	Nameplate - Manufacturers Serial Number (See DECAL INSTALLATION - OPTIONS)	
19	1701509	1	Decal - Manual	
20	1702300	8	Decal - Tie Down /Lift	
21	1701500	4	Decal - Tie Down /Lift	
22	1703687	2	Decal - Arrow	
23	3251243	1	Decal - 120V-60Hz	
24	0860520	1	Box, Manual Storage	
25	4751400	4	Washer, 1/4	
26	3311405	4	Nut, Lock 1/4-20	
27	3820001	4	Rivet	
28	1703984	1	Decal - Footswitch	
29		Ref	Decal - Max Tire Load (See DECAL INSTALLATION - OPTIONS)	
32		Ref	Decal - LP (See DECAL INSTALLATION - OPTIONS)	
33		Ref	Warning Stripes Installation (See DECAL INSTALLATION - OPTIONS)	
35	1704412	1	Decal - Hydraulic Fluid	
36	1001284875	1	Decal - Lift Diagram (Without Turntable Lock)	
36	1001223118	1	Decal - Lift Diagram (With Turntable Lock)	
37	1704885	2	Decal - Website	
40	0641406	4	Bolt, 1/4-20 x 3/4	
41	1705429	1	Decal - Drive/Steer	
42	1701499	4	Decal - No Tie Down/Lift	
43	3251813	1	Decal - USA	
47		Ref	Decal - Model Designation (See DECAL INSTALLATION - OPTIONS)	
48	1701529	2	Decal - Arrow	
49		Ref	Decal, JLG (See DECAL INSTALLATION - OPTIONS)	
51	1001223971	1	Decal - Yearly Inspection	
52	1001223453	1	Decal - Ices (Canada)	
100	1001232026	1	Decal - Platform Lanyard Kit (Not Shown)	
101	1704277	3	Decal - Attach Lanyard Here	

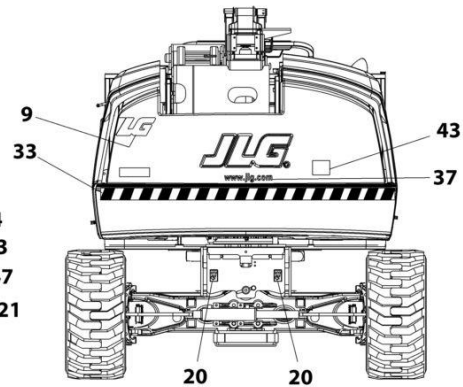
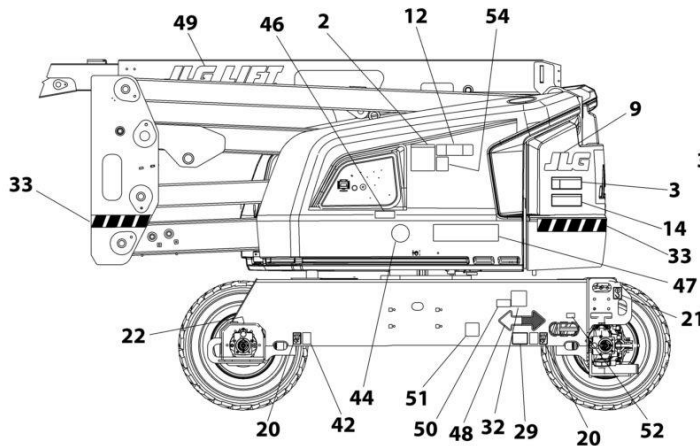
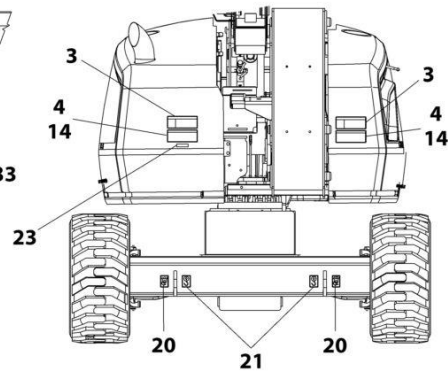
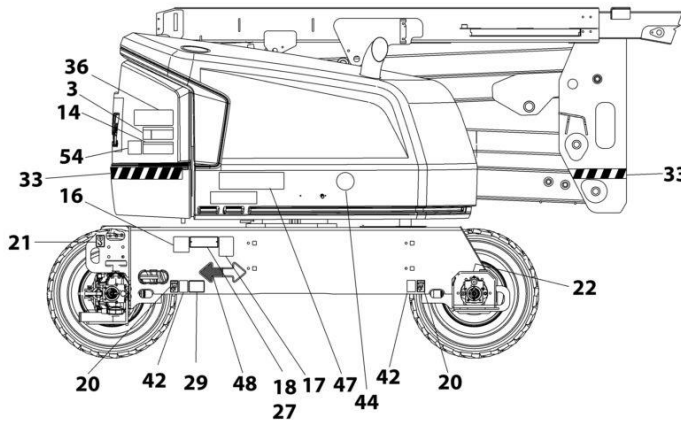
SECTION 9 - DECALS

FIGURE 9-8. DECAL INSTALLATION - CHINESE SPEC (CHINESE/ENGLISH)



NOTE: SOME DECALS ARE CALLED OUT ON OPTIONAL DECALS INSTALLATION.

NOTE: ITEMS SHOWN MAY NOT BE REQUIRED FOR ALL SPECS. REFER TO PARTS LIST FOR USAGE.



ART_1001246206

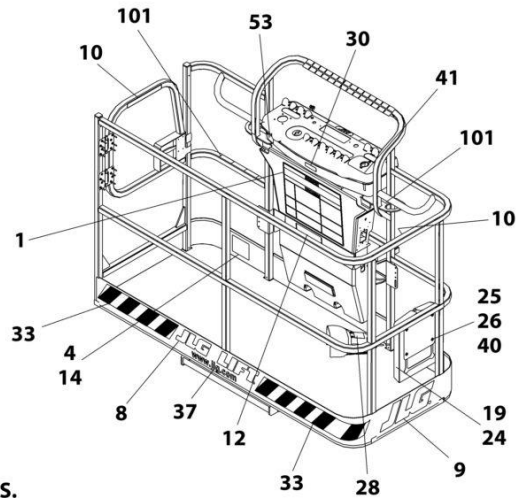
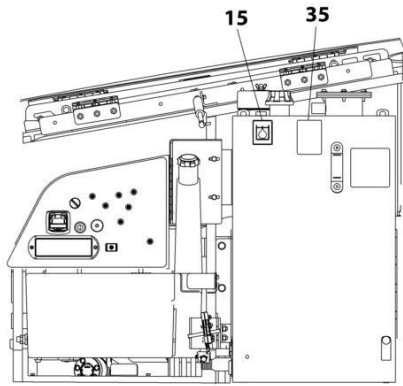
SECTION 9 - DECALS

FIGURE 9-8. DECAL INSTALLATION - CHINESE SPEC (CHINESE/ENGLISH)

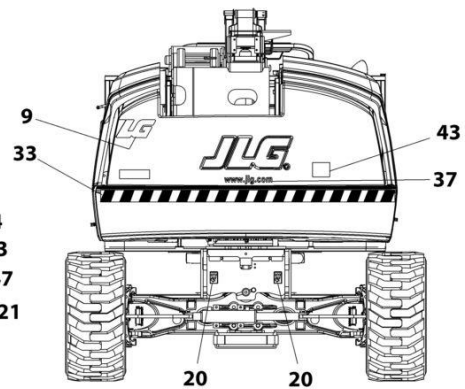
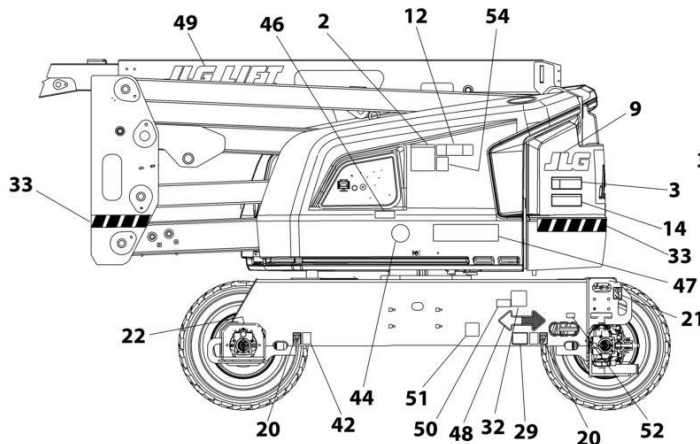
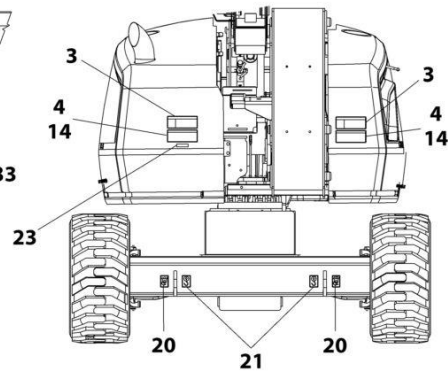
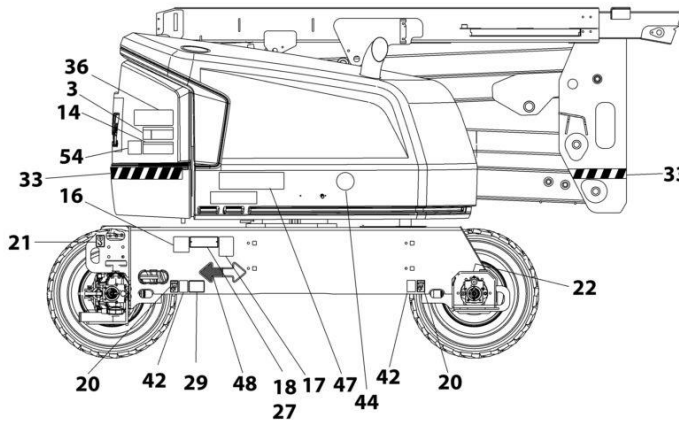
ITEM	PART NUMBER	QTY	DESCRIPTION	REV
	1001248008	Ref	DECAL INSTALLATION - REFERENCE CHART	C
	1001256206	Ref	DECAL INSTALLATION	B
1	1703925	1	Decal - Danger/Warning	
2	1001116849	1	Decal - Warning Inspection	
3	1703937	4	Decal - Danger Electrocution	
4	1703949	4	Decal - Warning/Crushing	
8		Ref	Decal, JLG (See DECAL INSTALLATION - OPTIONS)	
9		Ref	Decal, JLG (See DECAL INSTALLATION - OPTIONS)	
10	1705968	2	Decal - No Hands	
12	1001255514	2	Decal - Max Capacity	
14	1703943	2	Chinese Spec Decals (Chinese/English)	
15	1701504	1	Decal - Hydraulic Oil	
16	See Note	NSS	Decal - Bar Code (Note: Not Available for Purchase)	
18		Ref	Nameplate - Manufacturers Serial Number (See DECAL INSTALLATION - OPTIONS)	
19	1701509	1	Decal - Manual	
20	1702300	8	Decal - Tie Down /Lift	
21	1701500	4	Decal - Tie Down /Lift	
22	1703687	2	Decal - Arrow	
24	0860520	1	Box, Manual Storage	
25	4751400	4	Washer, 1/4	
26	3311405	4	Nut, Lock 1/4-20	
27	3820001	4	Rivet	
28	1703982	1	Decal - Footswitch	
29		Ref	Decal - Max Tire Load (See DECAL INSTALLATION - OPTIONS)	
33		Ref	Warning Stripes Installation (See DECAL INSTALLATION - OPTIONS)	
35	1704412	1	Decal - Hydraulic Fluid	
36	1001284875	1	Decal - Lift Diagram	
37	1704885	2	Decal - Website	
40	0641406	4	Bolt, 1/4-20 x 3/4	
41	1705430	1	Decal - Drive/Steer	
42	1701499	4	Decal - No Tie Down/Lift	
47		Ref	Decal - Model Designation (See DECAL INSTALLATION - OPTIONS)	
48	1701529	2	Decal - Arrow	
49		Ref	Decal, JLG (See DECAL INSTALLATION - OPTIONS)	
50		Ref	Decal - Emissions Compliance (See DECAL INSTALLATION - OPTIONS)	
51	1001224050	1	Decal - Yearly Inspection	
100	1001232026	1	Decal - Platform Lanyard Kit (Not Shown)	
101	1704277	3	Decal - Attach Lanyard Here	

SECTION 9 - DECALS

FIGURE 9-9. DECAL INSTALLATION - JAPANESE SPEC (JAPANESE/ENGLISH)



NOTE: SOME DECALS ARE CALLED OUT ON OPTIONAL DECALS INSTALLATION.
NOTE: ITEMS SHOWN MAY NOT BE REQUIRED FOR ALL SPECS. REFER TO PARTS LIST FOR USAGE.



ART_1001246208

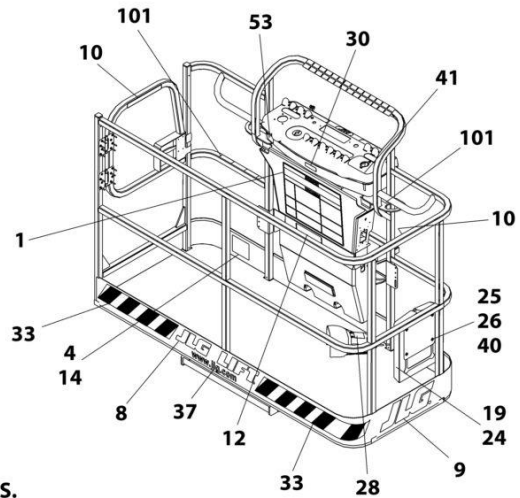
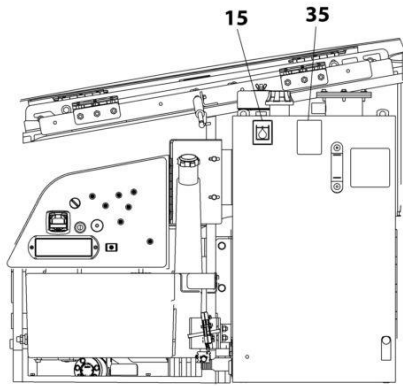
SECTION 9 - DECALS

FIGURE 9-9. DECAL INSTALLATION - JAPANESE SPEC (JAPANESE/ENGLISH)

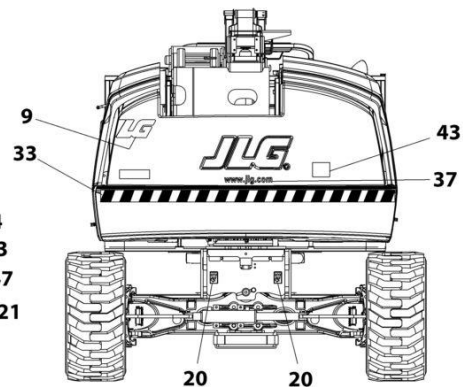
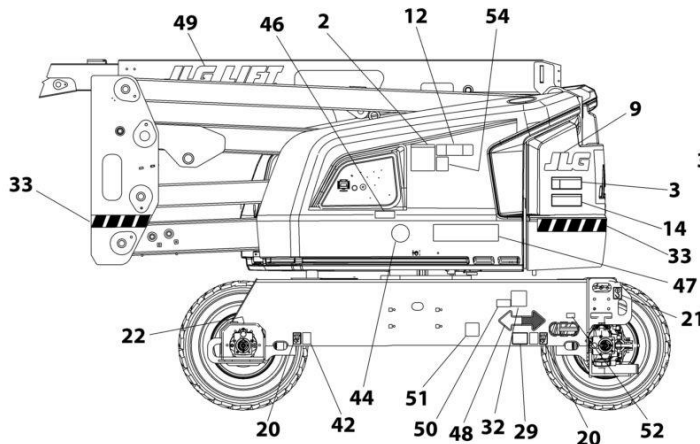
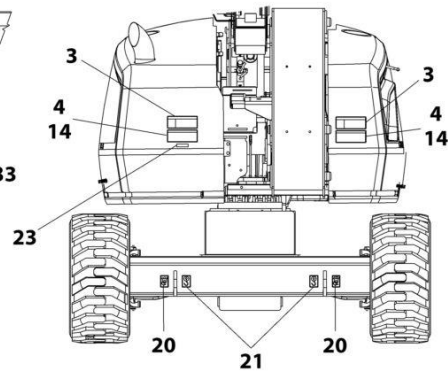
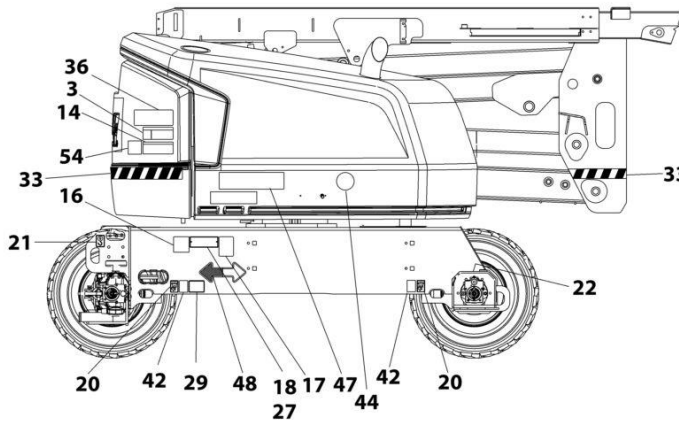
ITEM	PART NUMBER	QTY	DESCRIPTION	REV
	1001248008	Ref	DECAL INSTALLATION - REFERENCE CHART	C
	1001256208	Ref	DECAL INSTALLATION	B
1	1703926	1	Decal - Danger/Warning	
2	1705344	1	Decal - Warning Inspection	
3	1703938	4	Decal - Danger Electrocution	
4	1703950	4	Decal - Warning/Crushing	
8		Ref	Decal, JLG (See DECAL INSTALLATION - OPTIONS)	
9		Ref	Decal, JLG (See DECAL INSTALLATION - OPTIONS)	
12	1001255517	2	Decal - Max Capacity	
14	1703944	2	Decal - Warning/Crushing	
15	1701504	1	Decal - Hydraulic Oil	
16	See Note	NSS	Decal - Bar Code (Note: Not Available for Purchase)	
18		Ref	Nameplate - Manufacturers Serial Number (See DECAL INSTALLATION - OPTIONS)	
19	1701509	1	Decal - Manual	
20	1702300	8	Decal - Tie Down /Lift	
21	1701500	4	Decal - Tie Down /Lift	
22	1703687	2	Decal - Arrow	
24	0860520	1	Box, Manual Storage	
25	4751400	4	Washer, 1/4	
26	3311405	4	Nut, Lock 1/4-20	
27	3820001	4	Rivet	
28	1703980	1	Decal - Footswitch	
29		Ref	Decal - Max Tire Load (See DECAL INSTALLATION - OPTIONS)	
33		Ref	Warning Stripes Installation (See DECAL INSTALLATION - OPTIONS)	
35	1704412	1	Decal - Hydraulic Fluid	
36	1001284875	1	Decal - Lift Diagram	
37	1704885	2	Decal - Website	
40	0641406	4	Bolt, 1/4-20 x 3/4	
41	1705426	1	Japanese Spec Decals (Japanese/English)	
42	1701499	4	Decal - No Tie Down/Lift	
47		Ref	Decal - Model Designation (See DECAL INSTALLATION - OPTIONS)	
48	1701529	2	Decal - Arrow	
49		Ref	Decal, JLG (See DECAL INSTALLATION - OPTIONS)	
51	1001224053	1	Decal - Yearly Inspection	
100	1001232026	1	Decal - Platform Lanyard Kit (Not Shown)	
101	1704277	3	Decal - Attach Lanyard Here	

SECTION 9 - DECALS

FIGURE 9-10. DECAL INSTALLATION - KOREAN SPEC (KOREAN/ENGLISH)



NOTE: SOME DECALS ARE CALLED OUT ON OPTIONAL DECALS INSTALLATION.
NOTE: ITEMS SHOWN MAY NOT BE REQUIRED FOR ALL SPECS. REFER TO PARTS LIST FOR USAGE.



ART_1001246205

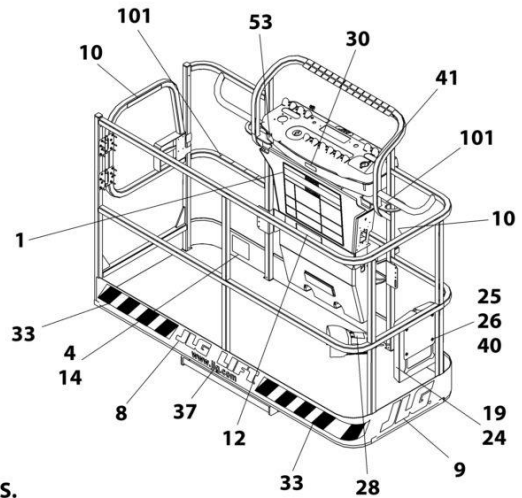
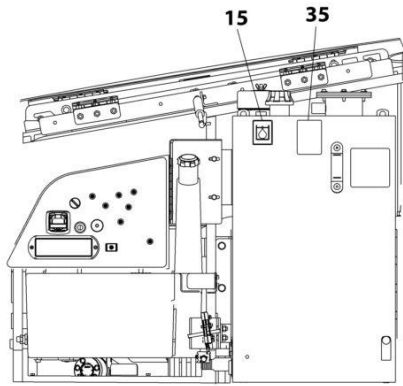
SECTION 9 - DECALS

FIGURE 9-10. DECAL INSTALLATION - KOREAN SPEC (KOREAN/ENGLISH)

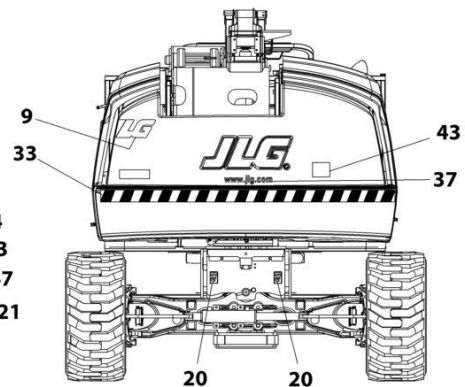
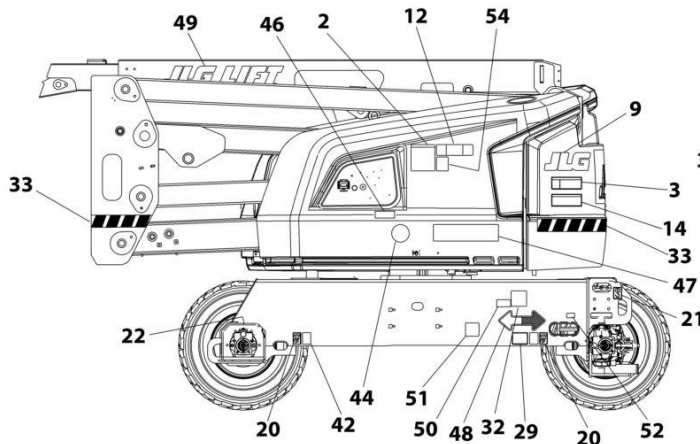
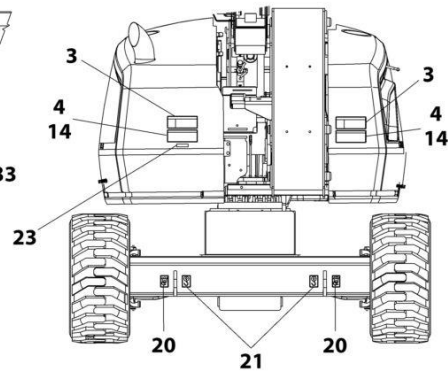
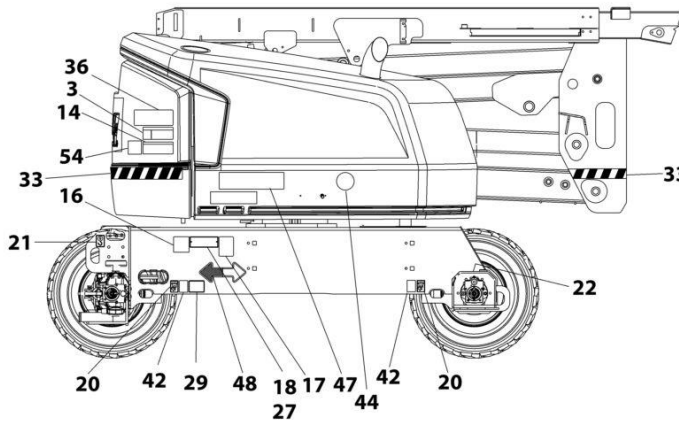
ITEM	PART NUMBER	QTY	DESCRIPTION	REV
	1001248008	Ref	DECAL INSTALLATION - REFERENCE CHART	C
	1001256205	Ref	DECAL INSTALLATION	B
1	1703927	1	Decal - Danger/Warning	
2	1705345	1	Decal - Warning Inspection	
3	1703939	4	Decal - Danger Electrocution	
4	1703951	4	Decal - Warning/Crushing	
8		Ref	Decal, JLG (See DECAL INSTALLATION - OPTIONS)	
9		Ref	Decal, JLG (See DECAL INSTALLATION - OPTIONS)	
10	1705969	2	Decal - No Hands	
12	1001255513	2	Decal - Max Capacity	
14	1703945	2	Decal - Warning/Crushing	
15	1701504	1	Decal - Hydraulic Oil	
16	See Note	NSS	Decal - Bar Code (Note: Not Available for Purchase)	
18		Ref	Nameplate - Manufacturers Serial Number (See DECAL INSTALLATION - OPTIONS)	
19	1701509	1	Decal - Manual	
20	1702300	8	Decal - Tie Down /Lift	
21	1701500	4	Decal - Tie Down /Lift	
22	1703687	2	Decal - Arrow	
24	0860520	1	Box, Manual Storage	
25	4751400	4	Washer, 1/4	
26	3311405	4	Nut, Lock 1/4-20	
27	3820001	4	Rivet	
28	1703981	1	Decal - Footswitch	
29		Ref	Decal - Max Tire Load (See DECAL INSTALLATION - OPTIONS)	
33		Ref	Warning Stripes Installation (See DECAL INSTALLATION - OPTIONS)	
35	1704412	1	Decal - Hydraulic Fluid	
36	1001284875	1	Decal - Lift Diagram	
37	1704885	2	Decal - Website	
40	0641406	4	Bolt, 1/4-20 x 3/4	
41	1705427	1	Decal - Drive/Steer	
42	1701499	4	Decal - No Tie Down/Lift	
47		Ref	Decal - Model Designation (See DECAL INSTALLATION - OPTIONS)	
48	1701529	2	Decal - Arrow	
49		Ref	Decal, JLG (See DECAL INSTALLATION - OPTIONS)	
51	1001224048	1	Decal - Yearly Inspection	
100	1001232026	1	Decal - Platform Lanyard Kit (Not Shown)	
101	1704277	3	Decal - Attach Lanyard Here	

SECTION 9 - DECALS

FIGURE 9-11. DECAL INSTALLATION - LATIN AMERICA SPEC (SPANISH/ENGLISH)



NOTE: SOME DECALS ARE CALLED OUT ON OPTIONAL DECALS INSTALLATION.
NOTE: ITEMS SHOWN MAY NOT BE REQUIRED FOR ALL SPECS. REFER TO PARTS LIST FOR USAGE.



ART_1001162522

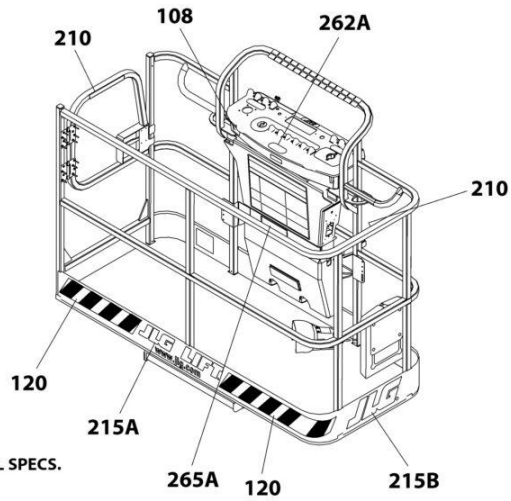
SECTION 9 - DECALS

FIGURE 9-11. DECAL INSTALLATION - LATIN AMERICA SPEC (SPANISH/ENGLISH)

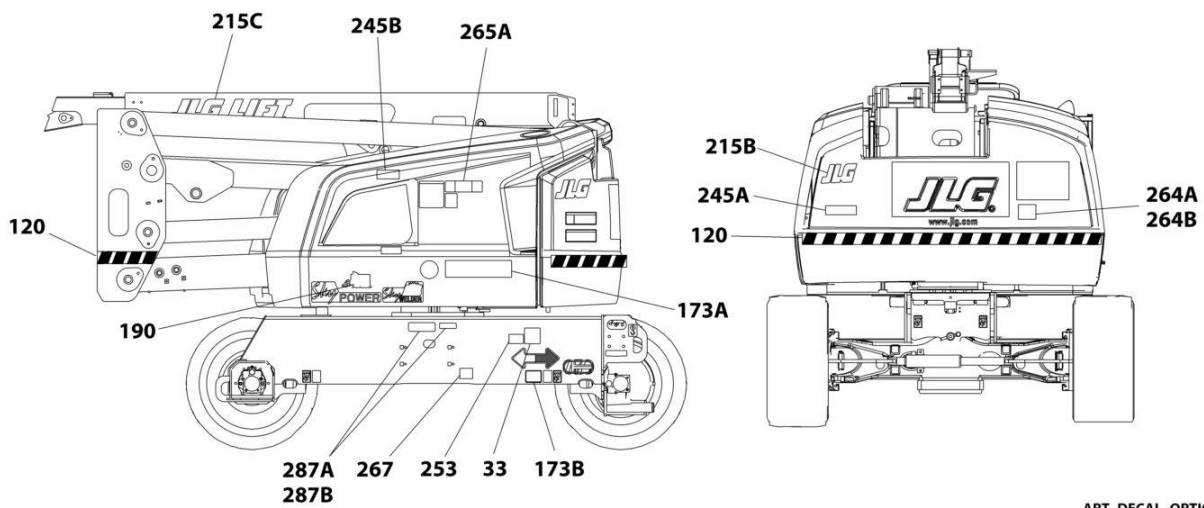
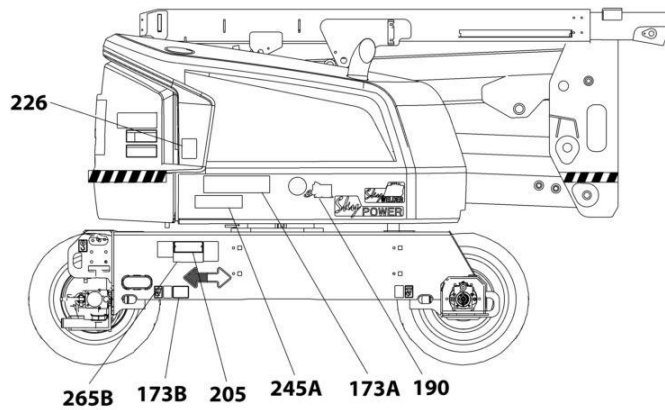
ITEM	PART NUMBER	QTY	DESCRIPTION	REV
	1001248008	Ref	DECAL INSTALLATION - REFERENCE CHART	C
	1001246407	Ref	DECAL INSTALLATION	C
1	1703923	1	Decal - Danger/Warning	
2	1705917	1	Decal - Warning Inspection	
3	1703935	4	Decal - Danger Electrocution	
4	1703947	4	Decal - Warning/Crushing	
8		Ref	Decal, JLG (See DECAL INSTALLATION - OPTIONS)	
9		Ref	Decal, JLG (See DECAL INSTALLATION - OPTIONS)	
10	1704001	2	Decal - No Hands	
12	1001255516	2	Decal - Max Capacity	
14	1703941	2	Decal - Warning/Crushing	
15	1701504	1	Decal - Hydraulic Oil	
16	See Note	NSS	Decal - Bar Code (Note: Not Available for Purchase)	
18		Ref	Nameplate - Manufacturers Serial Number (See DECAL INSTALLATION - OPTIONS)	
19	1701509	1	Decal - Manual	
20	1702300	8	Decal - Tie Down /Lift	
21	1701500	4	Decal - Tie Down /Lift	
22	1703687	2	Decal - Arrow	
23	3251243	1	Decal - 120V-60Hz	
24	0860520	1	Box, Manual Storage	
25	4751400	4	Washer, 1/4	
26	3311405	4	Nut, Lock 1/4-20	
27	3820001	8	Rivet	
28	1703983	1	Decal - Footswitch	
29		Ref	Decal - Max Tire Load (See DECAL INSTALLATION - OPTIONS)	
32		Ref	Decal - LP (See DECAL INSTALLATION - OPTIONS)	
33		Ref	Warning Stripes Installation (See DECAL INSTALLATION - OPTIONS)	
35	1704412	1	Decal - Hydraulic Fluid	
36	1001284875	1	Decal - Lift Diagram (Without Turntable Lock)	
36	1001223118	1	Decal - Lift Diagram (With Turntable Lock)	
37	1704885	2	Decal - Website	
40	0641406	4	Bolt, 1/4-20 x 3/4	
41	1705910	1	Decal - Drive/Steer	
42	1701499	4	Decal - No Tie Down/Lift	
43	3251813	1	Decal - USA	
47		Ref	Decal - Model Designation (See DECAL INSTALLATION - OPTIONS)	
48	1701529	2	Decal - Arrow	
49		Ref	Decal, JLG (See DECAL INSTALLATION - OPTIONS)	
50		Ref	Decal - Emissions Compliance (See DECAL INSTALLATION - OPTIONS)	
51	1001224049	1	Decal - Yearly Inspection	
100	1001232026	1	Decal - Platform Lanyard Kit (Not Shown)	
101	1704277	3	Decal - Attach Lanyard Here	

SECTION 9 - DECALS

FIGURE 9-12. DECAL INSTALLATION - OPTIONS



NOTE: ITEMS SHOWN MAY NOT BE REQUIRED FOR ALL SPECS.
REFER TO PARTS LIST FOR USAGE.



ART_DECAL_OPTIONS

SECTION 9 - DECALS

FIGURE 9-12. DECAL INSTALLATION - OPTIONS

ITEM	PART NUMBER	QTY	DESCRIPTION	REV
	1001248008	Ref	DECAL INSTALLATION - REFERENCE CHART	C
	1001247248	Ref	DECAL INSTALLATION - OPTIONS	AQ
33	1700818	1	Decal - LP (ANSI, CSA and Latin America Specs)	
33	1704271	1	Decal - LP (CSA Specs)	
108	1001231801	1	Decal - Warning (Prop 65) (ANSI & CSA Specs)	
120	1001188883	Ref	Warning Stripes Installation	A
120	4420051	21.5 ft /6.55m	Tape, Safety	
173	1001215850	Ref	Model Decal Installation - 450A (450A,450A)	B
173	1001166084	Ref	Model Decal Installation - 450AJ (450AJ)	D
173A	1001272287	2	Decal - 450A	
173A	1001267310	2	Decal - 450AJ	
173B	1001195746	2	Decal - Max Tire Load (450A)	
173B	1704752	2	Decal - Max Tire Load (450AJ)	
190	1705358	2	Decal - SkyGlazier	
205	See Note	1	Nameplate - Manufacturers Serial Number (Note: Not Available for Purchase)	
210	1702868	2	Decal - No Hands (English Language)	
210	1705968	2	Decal - No Hands (English and China Languages)	
210	1704000	2	Decal - No Hands (English and French Languages)	
210	1705969	2	Decal - No Hands (English and Korean Languages)	
210	1704001	2	Decal - No Hands (English and Spanish Languages)	
210	1704002	2	Decal - No Hands (Portuguese and Spanish Language)	
215	1001166085	Ref	JLG Logo Installation (All Specs)	C
215A	1702774	1	Decal - JLG Lift (3in)	
215B	1702773	1	Decal - JLG	
215C	1702860	1	Decal - JLG Lift (5in)	
215	1001291458	1	JLG Logo Installation (Machines with SN starting with B3)	A
215A	1001288705	1	Decal - JLG Lift (3in) Chinese Brand	
215B	1702773	1	Decal - JLG	
215C	1001290348	1	Decal - JLG Lift (5in) Chinese Brand	
226	1704972	1	Decal - Warning Explosion/Fire (ANSI, ANSI Export and CSA Spec)	
226	1706059	1	Decal - Warning Explosion/Fire (Brazil Spec)	
226	1706098	1	Decal - Warning Explosion/Fire (CE & UK CE Spec)	
226	1706060	1	Decal - Warning Explosion/Fire (Chinese Spec)	
226	1706064	1	Decal - Warning Explosion/Fire (CSA Spec)	
226	1706062	1	Decal - Warning Explosion/Fire (Japanese Spec)	
226	1706061	1	Decal - Warning Explosion/Fire (Korean Spec)	
226	1706063	1	Decal - Warning Explosion/Fire (Latin America Spec)	
245	1001127096	Ref	Decal - ClearSky	
245A	1001116208	2	Decal - ClearSky	
245B	1001120989	1	Decal - Radio Frequency	
245	1001294864	Ref	Clearsky Smart Fleet Decal Installation	
245A	1001120989	1	Decal - Radio Frequency	
245B	1001294815	1	Decal - ClearSky	
253	1001143852	1	Decal - Emissions Compliance (Deutz D2011 Engines/Deutz D2011 Engines (Stage V)/Deutz D2.9L4 Engines (Stage V))	
262	1001141300	1	Decal - SkyGuard Override	
262	1001141302	1	Decal - SkyGuard Override with Soft-Touch	

SECTION 9 - DECALS

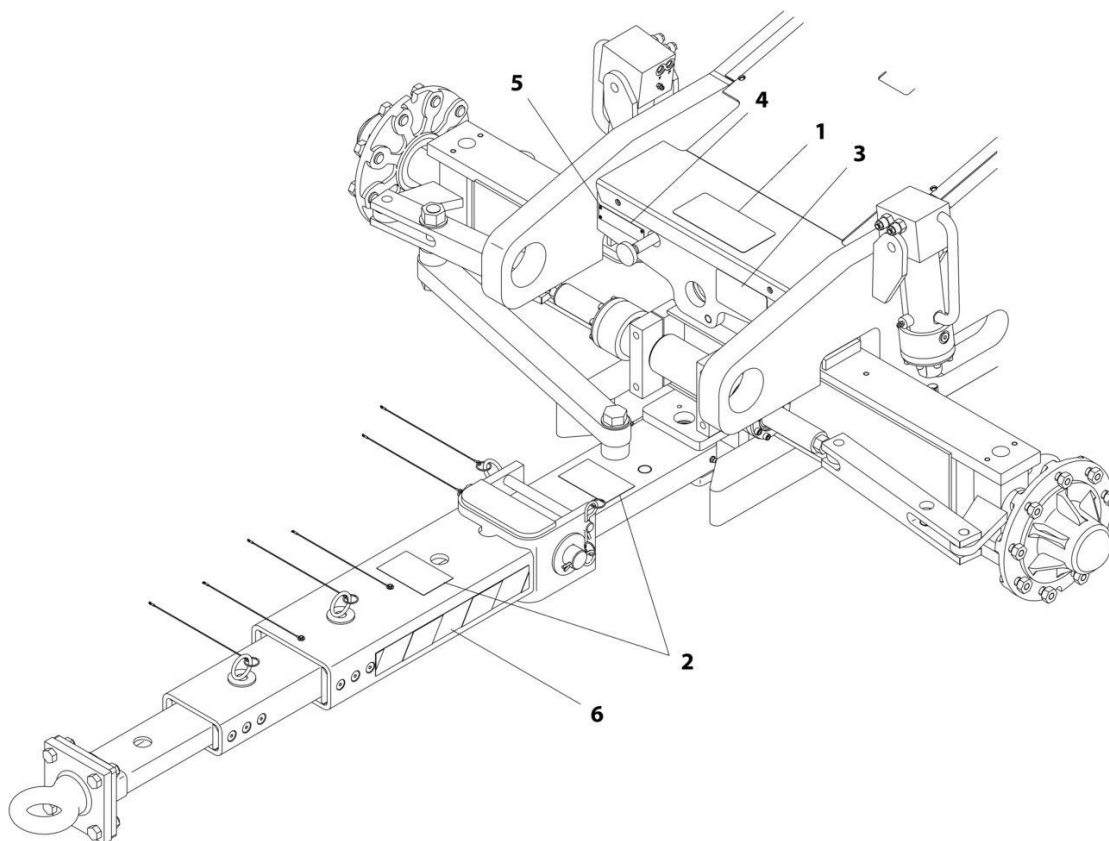
ITEM	PART NUMBER	QTY	DESCRIPTION	REV
264A	1001204510	1	Decal - Sound Power (Deutz D2011 Engines)	
264B	1001130492	1	Decal - Sound Power (Deutz D2011 (Stage V) Engines)	
265	1001272149	Ref	Decal Installation - Soft-Touch	A
265	1001271950	Ref	Decal Installation - Soft-Touch w/o Fall Arrest (ANSI Export & CSA Specs)	A
265	1001271958	Ref	Decal Installation - Soft-Touch w/ Fall Arrest (ANSI Export & CSA Specs)	A
265	1001271957	Ref	Decal Installation - Soft-Touch w/o Fall Arrest (CIS Specs)	A
265	1001271967	Ref	Decal Installation - Soft-Touch w/ Fall Arrest (CIS Specs)	A
265	1001271956	Ref	Decal Installation - Soft-Touch w/o Fall Arrest (Brazil Spanish/Portuguese Specs)	A
265	1001271966	Ref	Decal Installation - Soft-Touch w/ Fall Arrest (Brazil Spanish/Portuguese Specs)	A
265	1001271951	Ref	Decal Installation - Soft-Touch w/o Fall Arrest (Chinese Specs)	A
265	1001271959	Ref	Decal Installation - Soft-Touch w/ Fall Arrest (Chinese Specs)	A
265	1001271953	Ref	Decal Installation - Soft-Touch w/o Fall Arrest (French Specs)	A
265	1001271963	Ref	Decal Installation - Soft-Touch w/ Fall Arrest (French Specs)	A
265	1001271954	Ref	Decal Installation - Soft-Touch w/o Fall Arrest (Japanese Specs)	A
265	1001271964	Ref	Decal Installation - Soft-Touch w/ Fall Arrest (Japanese Specs)	A
265	1001271955	Ref	Decal Installation - Soft-Touch w/o Fall Arrest (Korean Specs)	A
265	1001271965	Ref	Decal Installation - Soft-Touch w/ Fall Arrest (Korean Specs)	A
265	1001271952	Ref	Decal Installation - Soft-Touch w/o Fall Arrest (Latin American Spanish Specs)	A
265	1001271961	Ref	Decal Installation - Soft-Touch w/ Fall Arrest (Latin American Spanish Specs)	A
265A		Ref	Decal - Capacity Options	
265A	1001271687	2	Decal - Capacity w/o Fall Arrest (ANSI, ANSI Export & CSA Specs)	
265A	1001271698	2	Decal - Capacity w/ Fall Arrest (ANSI, ANSI Export & CSA Specs)	
265A	1001271688	2	Decal - Capacity w/o Fall Arrest (CSI Specs)	
265A	1001271699	2	Decal - Capacity w/ Fall Arrest (CSI Specs)	
265A	1001271697	2	Decal - Capacity w/o Fall Arrest (Brazil Spanish/Portuguese Specs)	
265A	1001271705	2	Decal - Capacity w/ Fall Arrest (Brazil Spanish/Portuguese Specs)	
265A	1001271689	2	Decal - Capacity w/o Fall Arrest (Chinese Specs)	
265A	1001271700	2	Decal - Capacity w/ Fall Arrest (Chinese Specs)	
265A	1001271691	2	Decal - Capacity w/o Fall Arrest (French Specs)	
265A	1001271701	2	Decal - Capacity w/ Fall Arrest (French Specs)	
265A	1001271696	2	Decal - Capacity w/o Fall Arrest (Japanese/English Specs)	
265A	1001271704	2	Decal - Capacity w/ Fall Arrest (Japanese/English Specs)	
265A	1001271692	2	Decal - Capacity w/o Fall Arrest (Korean/English Specs)	
265A	1001271702	2	Decal - Capacity w/ Fall Arrest (Korean/English Specs)	
265A	1001271695	2	Decal - Capacity w/o Fall Arrest (Latin America Spanish/English Specs)	
265A	1001271703	2	Decal - Capacity w/ Fall Arrest (Latin America Spanish/English Specs)	
265B		Ref	Decal - Notice Options:	
265B	1001195491	1	Decal - Notice (ANSI, ANSI Export & CSA Specs)	
265B	1001195490	1	Decal - Notice (CIS Specs)	
265B	1001271707	1	Decal - Notice (Brazil Spanish/Portuguese Specs)	
265B	1001271708	1	Decal - Notice (Chinese Specs)	
265B	1001271709	1	Decal - Notice (French Specs)	

SECTION 9 - DECALS

ITEM	PART NUMBER	QTY	DESCRIPTION	REV
265B	1001271712	1	Decal - Notice (Japanese/English Specs)	
265B	1001271710	1	Decal - Notice (Korean/English Specs)	
265B	1001271711	1	Decal - Notice (Latin American Spanish/English Specs)	
267	1001200131	1	Decal - Quick Start Reference (Loxam Rental) (Danish Spec)	
267	1001200129	1	Decal - Quick Start Reference (Loxam Rental) (Dutch Spec)	
267	1001181145	1	Decal - Quick Start Reference (Loxam Rental) (English Spec)	
267	1001200128	1	Decal - Quick Start Reference (Loxam Rental) (French Spec)	
267	1001200130	1	Decal - Quick Start Reference (Loxam Rental) (German Spec)	
267	1001200134	1	Decal - Quick Start Reference (Loxam Rental) (Norwegians Spec)	
267	1001200133	1	Decal - Quick Start Reference (Loxam Rental) (Spanish Spec)	
267	1001200132	1	Decal - Quick Start Reference (Loxam Rental) (Swedish Spec)	
287A	1001239371	1	Eco Label Installation (without Deutz D2.9L4 (China IV) Engine)	
287A	3820001	8	Rivet	
287A	See Note	NSS	Plate - Environmental Protection (Note: Not Available for Purchase)	
287A	See Note	NSS	Plate - Meiin Code (Note: Not Available for Purchase)	
287B	1001292418	1	Eco Label Installation (with Deutz D2.9L4 (China IV) Engine)	
287B	3820001	8	Rivet	
287B	See Note	NSS	Plate - Environmental Protection (Note: Not Available for Purchase)	
287B	See Note	NSS	Plate - Meiin Code (Note: Not Available for Purchase)	

SECTION 9 - DECALS

FIGURE 9-13. TOW BAR DECAL INSTALLATION - ENGLISH LANGUAGE (ANSI, ANSI EXPORT, CE, CHINA, JAPANESE AND RUSSIA SPECS)



ART_0270115

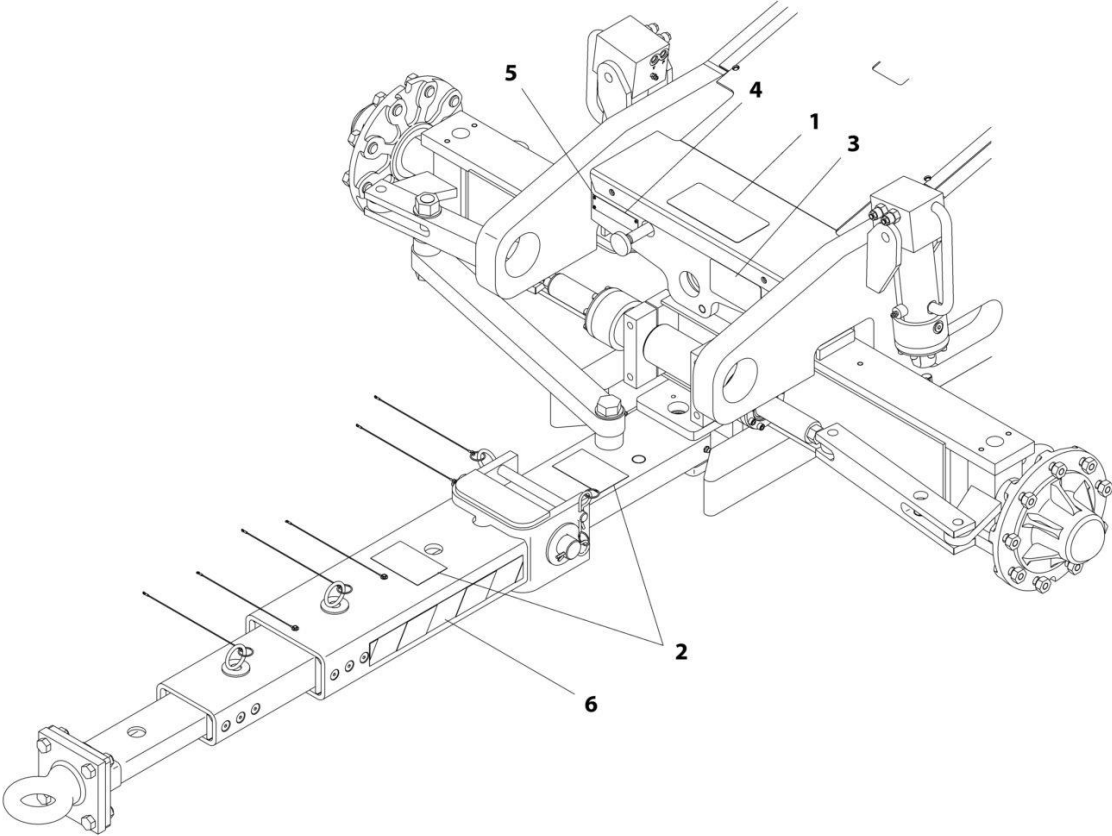
SECTION 9 - DECALS

FIGURE 9-13. TOW BAR DECAL INSTALLATION - ENGLISH LANGUAGE (ANSI, ANSI EXPORT, CE, CHINA, JAPANESE AND RUSSIA SPECS)

ITEM	PART NUMBER	QTY	DESCRIPTION	REV
	0270115	Ref	TOW BAR DECAL INSTALLATION	A
1	1704482	1	Decal - Tow Instructions	
2	1704578	3	Decal - Crushing	
3	1703450	1	Decal - Warning	
4	3250872	1	Nameplate - Steer/Tow Select Valve	
5	3820001	4	Rivet	
6	4420051	43 in /109.2cm	Tape, Safety	

SECTION 9 - DECALS

FIGURE 9-14. TOW BAR DECAL INSTALLATION - ENGLISH/SPANISH LANGUAGE (ANSI EXPORT SPECS)



ART_0270119

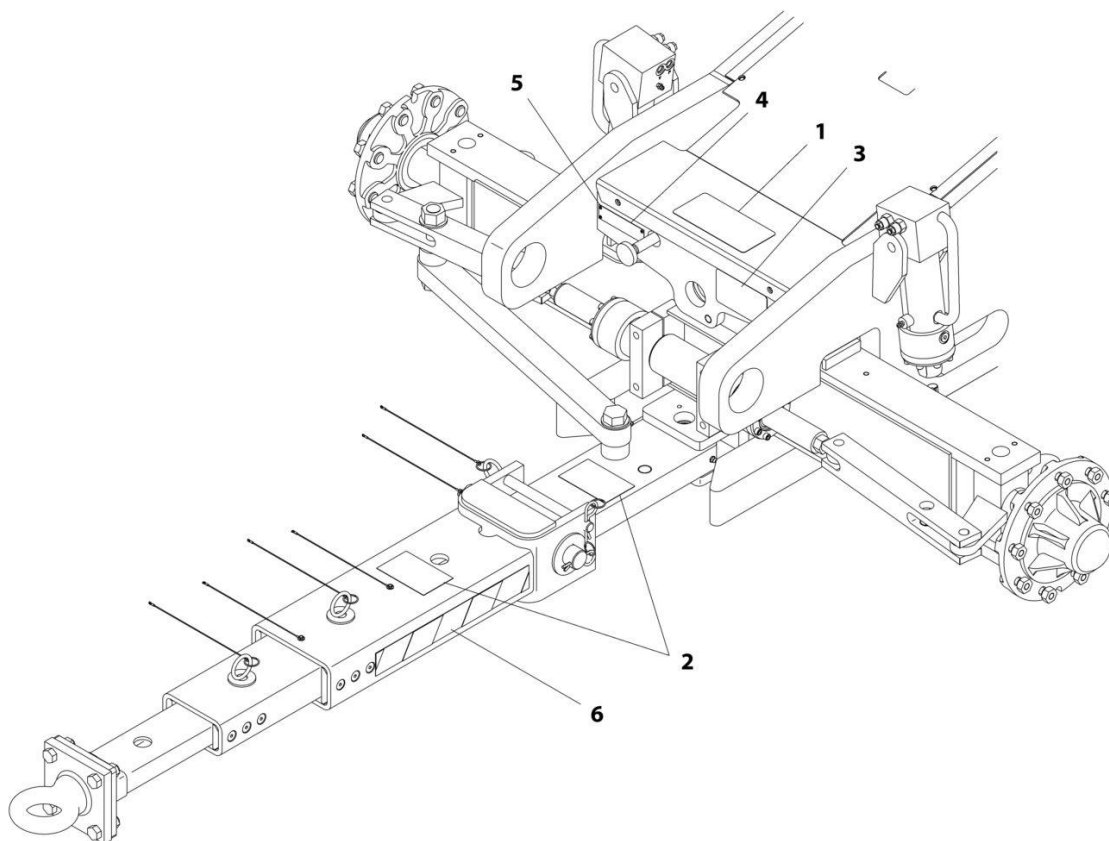
SECTION 9 - DECALS

FIGURE 9-14. TOW BAR DECAL INSTALLATION - ENGLISH/SPANISH LANGUAGE (ANSI EXPORT SPECS)

ITEM	PART NUMBER	QTY	DESCRIPTION	REV
	0270119	Ref	TOW BAR DECAL INSTALLATION	A
1	1704457	1	Decal - Tow Instructions	
2	1704577	3	Decal - Crushing	
3	1704576	1	Decal - Warning	
4	3252693	1	Nameplate - Steer/Tow Select Valve	
5	3820001	4	Rivet	
6	4420051	43 in /109.2cm	Tape, Safety	

SECTION 9 - DECALS

FIGURE 9-15. TOW BAR DECAL INSTALLATION - SPANISH LANGUAGE (ANSI EXPORT, CE AND RUSSIA SPECS)



ART_0270116

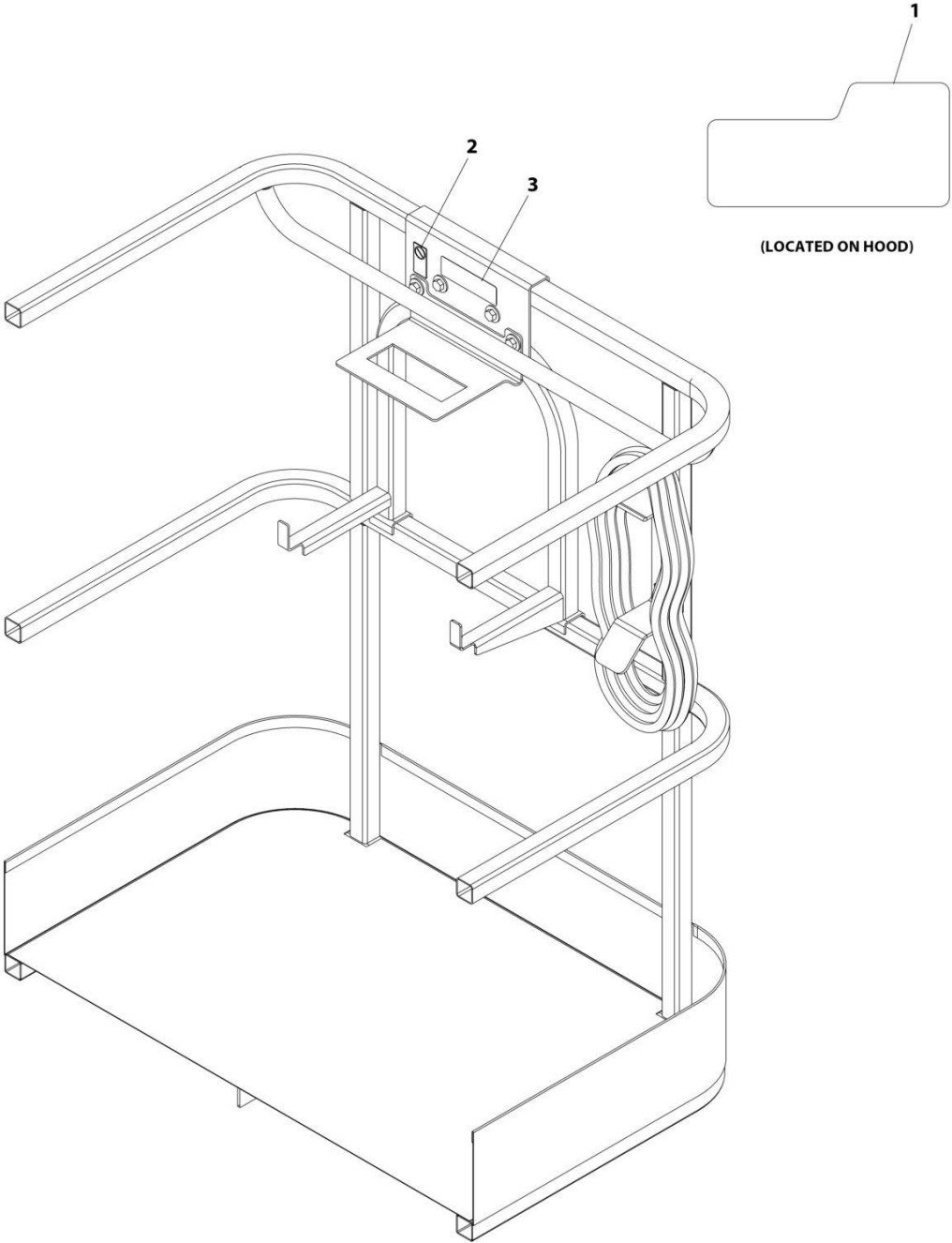
SECTION 9 - DECALS

FIGURE 9-15. TOW BAR DECAL INSTALLATION - SPANISH LANGUAGE (ANSI EXPORT, CE AND RUSSIA SPECS)

ITEM	PART NUMBER	QTY	DESCRIPTION	REV
	0270116	Ref	TOW BAR DECAL INSTALLATION	A
1	1704455	1	Decal - Tow Instructions	
2	1701518	3	Decal - Crushing	
3	1704456	1	Decal - Warning	
4	3252692	1	Nameplate - Steer/Tow Select Valve	
5	3820001	4	Rivet	
6	4420051	43 in /109.2cm	Tape, Safety	

SECTION 9 - DECALS

FIGURE 9-16. SKYWELDER DECAL INSTALLATION – 50HZ (ANSI EXPORT SPECS)



ART_0272588

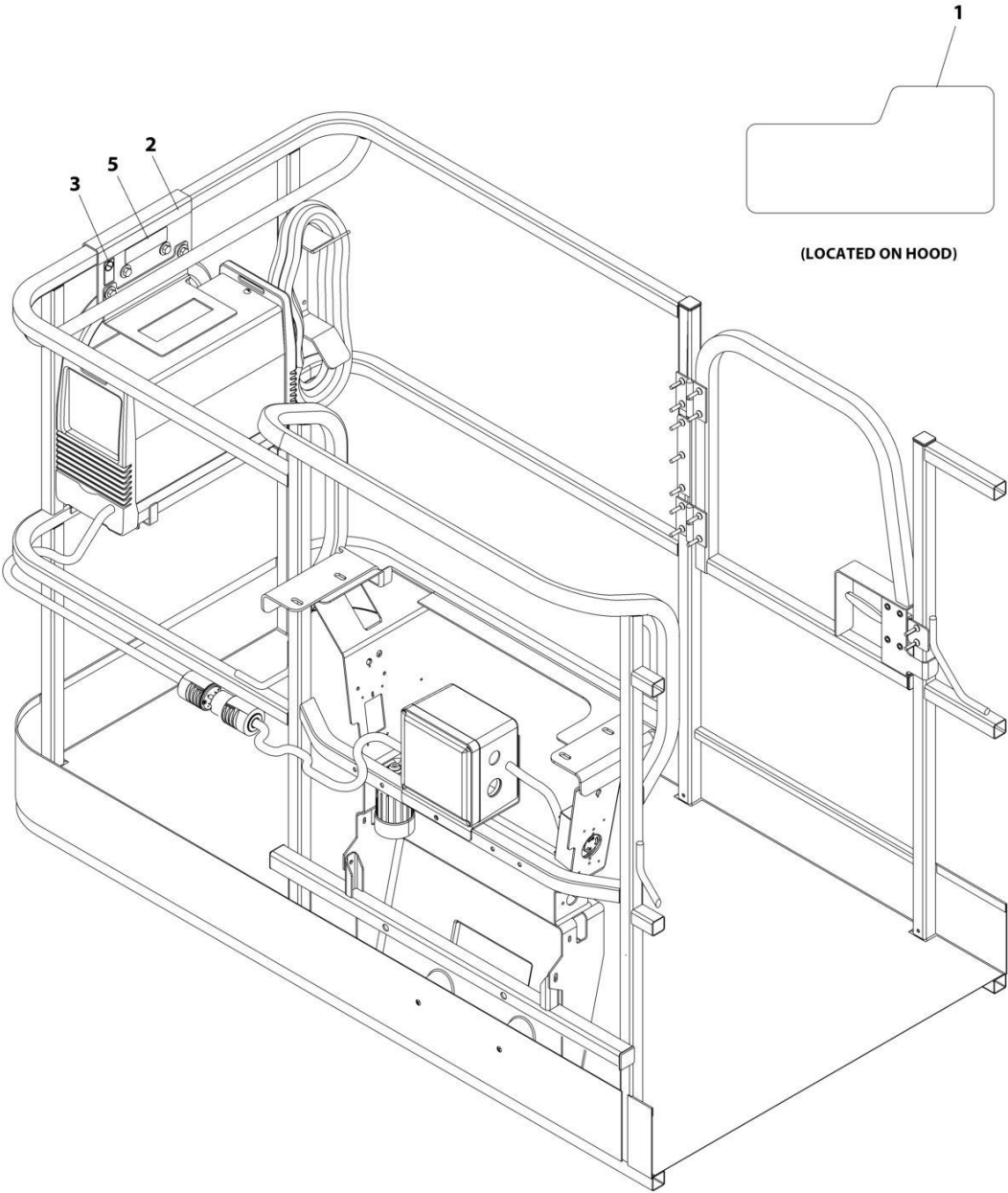
SECTION 9 - DECALS

FIGURE 9-16. SKYWELDER DECAL INSTALLATION – 50HZ (ANSI EXPORT SPECS)

ITEM	PART NUMBER	QTY	DESCRIPTION	REV
	0272588	Ref	SKYWELDER DECAL INSTALLATION - 50Hz	B
1	1705355	2	Decal - SkyWelder	
2	1705305	1	Decal - Weld Lead	
3	1001228988	1	Decal - Weight	

SECTION 9 - DECALS

FIGURE 9-17. SKYWELDER DECAL INSTALLATION - 60HZ (ANSI EXPORT SPECS)



ART_0272448_D

SECTION 9 - DECALS

FIGURE 9-17. SKYWELDER DECAL INSTALLATION - 60HZ (ANSI EXPORT SPECS)

ITEM	PART NUMBER	QTY	DESCRIPTION	REV
	0272448	Ref	SKYWELDER DECAL INSTALLATION - 60Hz	D
1	1705355	2	Decal - SkyWelder	
2	1702868	1	Decal - No Hands	
3	1705305	1	Decal - Weld Lead	
5	1001228988	1	Decal - Weight	

SECTION 10 - RECOMMENDED SERVICE PARTS STOCK

SECTION 10 - RECOMMENDED SERVICE PARTS STOCK

SECTION 10 - RECOMMENDED SERVICE PARTS STOCK

FIGURE 10-1. RECOMMENDED SERVICE PARTS STOCK

ITEM	PART NUMBER	QTY	DESCRIPTION	REV
		Ref	Note: The following list will service one machine (built to current production per date on the front cover) with emergency repair parts which can be installed in the field. Parts from the list should be replaced when inventory is depleted to keep service parts stock supplied. For further information, contact your JLG dealer or the JLG Industries Parts Department.	
	1001189172	1	Breaker, 16Amp Double (Breaker Box with Three Breakers)	
	1001189171	1	Breaker, 30mA (Breaker Box with Three Breakers)	
	4360542	1	Breaker, Circuit (2500W/60HZ Generators)	
	4360070	1	Breaker, Circuit 15Amp (4000W/60HZ and 7500W Generators)	
	7024485	1	Breaker, Circuit 30Amp (7500W Generators with Deutz D2011 Engines)	
	70006095	1	Breaker, Circuit 30Amp (7500W Generators with Deutz D2.9L4 and Kubota Engines)	
	1001181045	1	Breaker, Combination 16Amp/30mAmp (Breaker Box with Single Breaker)	
	1001159118	1	Breaker, GFCI 30Amp (240V AC Box at Platform)	
	70005219	1	Coil (Main Valve)	
	70003788	1	Coil (Main Valve and Tower Lift Cylinder)	
	7024885	1	Coil (Traction Valves)	
	70002386	1	Coil (Traction Valves, Main Valve, and Lift Cylinders)	
	7027628	1	Coil (Upright Valve)	
	70004871	1	Coil (Upright Valve and Boom Valves)	
	4360476	1	Contact, Block	
	7020176	1	Contact, Block	
	1001275628	1	Controller Assembly (Drive and Steer)	
	1001275629	1	Controller Assembly (Lift and Swing)	
	1001117174	1	Controller, Footswitch	
		Ref	Engine - Deutz D2.9L4	
	70003783	12	Filter, Air	
	1001196634	2	Fuse, 2 Amp	
	8229242	2	Fuse, 5Amp	
	80983191	2	Fuse, 10Amp	
	70023592	2	Fuse, 20Amp	
	70023593	2	Fuse, 30Amp	
	1001117308	1	Relay, 200Amp	
	1001138228	1	Relay, Power Module	
		Ref	Engine - Deutz D2.9L4 (Stage V)	
	1001197719	2	Fuse, 0.5 Watt	
	1001117308	1	Relay, 200Amp	
	1001138228	1	Relay, Power Module	
		Ref	Engine - Deutz D2.9L4 (China IV)	
	70003783	12	Filter, Air	
	1001117308	1	Relay, 200Amp	
	1001138228	1	Relay, Power Module	
		Ref	Engine - Deutz D2011	
	70003783	12	Filter, Air	
	7020023	12	Filter, Fuel	
	70003463	12	Filter, Fuel - RME Resistant	
	7016331	12	Filter, Oil	

SECTION 10 - RECOMMENDED SERVICE PARTS STOCK

ITEM	PART NUMBER	QTY	DESCRIPTION	REV
	3740140	1	Relay, 100Amp	
	70004058	1	Relay	
		Ref	Engine - Kubota	
	70004020	12	Filter, Air	
	7017992	12	Filter, Fuel	
	70006023	12	Filter, Oil	
	2400082	2	Fuse, 40Amp	
	70006061	1	Module, Engine Control	
	70010383	12	Element, Filter (2WD and 4WD Valves)	
	1001149452	12	Filter, Water Separator (China IV Engines)	
	1001196635	2	Fuse, 3Amp (Turntable Harness)	
	8229249	2	Fuse, 3 Amp (USB Charger)	
	8229242	2	Fuse, 5Amp (Turntable Harness)	
	8229244	2	Fuse, 15Amp (Turntable Harness)	
	8229245	2	Fuse 30Amp (2500W Generator Harness)	
	1001129285	2	Fuse with Diode (Turntable Harness)	
	2860030	1	Key, Replacement (Ground Control Assemblies)	
	2940074	1	Latch (Platforms with Gate Entry)	
	1001142683	1	Module, Control (Beacon Light Installations)	
	1001118412	1	Module, Control (Platform Console Box)	
	1001170094	1	Module, Ground Control	
	1001280340	1	Module, Ground Control	
	3740140	1	Relay (Battery and Cable Installation)	
	3740080	1	Relay (2500W Generators)	
	70006553	1	Relay (4000W Generators with Deutz D2011 Engines)	
	1001186431	1	Relay (SkyGuard)	
	3740086	1	Relay (SkyLine)	
	1001095704	1	Relay (Turntable Harness)	
	1001219601	1	Sensor (Electrical System Installation)	
	1001118971	1	Sensor, Angle (Boom Cables and Clamps Installation)	
	1001228225	1	Sensor, Emitter (SkyEye)	
	4360436	1	Sensor, Fuel Level (Gas and Diesel Tanks)	
	1001172271	1	Sensor, Limit (Boom Cables and Clamps Installation)	
	1001119176	1	Sensor, Limit (Drive Orientation Installation)	
	4360057	1	Sensor, Limit (Soft-Touch Installation)	
	1001247468	1	Sensor, Loadcell (Platform Support Installation)	
	1001228224	1	Sensor, Receiver (SkyEye)	
	1001232667	1	Sensor, Proximity (SkyLine)	
	1001311034	1	Sensor, Proximity (SkyLine)	
	1001137673	1	Sensor, SkyGuard	
	1001225346	1	Switch (Battery Disconnect)	
	4360475	1	Switch, Emergency (Ground Control Assemblies and Platform Control Box)	
	4360469	1	Switch, Key (Ground Control Assemblies)	
	4360407	1	Switch, Potentiometer (Platform Console Box)	
	4360274	1	Switch, Push Button (Ground Control Assembly with Duetz Stage V Engines)	
	4360387	1	Switch, Push Button (Ground Control Assembly Russia, CE & UK CA Specs, Platform Console Box, and Soft-Touch)	
	4360336	1	Switch, Toggle (Generator Installations)	
	1001155045	1	Switch, Toggle (Ground Control Assemblies and Platform Control Box)	

SECTION 10 - RECOMMENDED SERVICE PARTS STOCK

ITEM	PART NUMBER	QTY	DESCRIPTION	REV
	1001159256	1	Switch, Toggle (Platform Console Box)	
	1001161709	1	Switch, Toggle (Platform Console Box)	

SECTION 11 - SPECIAL OPTIONS/ACCESSORIES/KITS

SECTION 11 - SPECIAL OPTIONS/ACCESSORIES/KITS

SECTION 11 - SPECIAL OPTIONS/ACCESSORIES/KITS

FIGURE 11-1. SPECIAL OPTIONS/ACCESSORIES/KITS

ITEM	PART NUMBER	QTY	DESCRIPTION	REV
	Note	Ref	Note: This list is to accommodate machines ordered with special equipment. Options may not be applicable to all models. For more specific parts information contact JLG Parts Department.	
		Ref	MISCELLANEOUS SPECIAL OPTIONS/ACCESSORIES/KITS	
	1001218978	Ref	Airline Installation - (Machines without Arctic Package) (450A)	
	1001172057	Ref	Airline Installation - (Machines without Arctic Package) (450AJ)	
	1001217461	Ref	Airline Installation - (Machines with Arctic Package) (450A)	
	1001174654	Ref	Airline Installation - (Machines with Arctic Package) (450AJ)	
	70006428	Ref	Bearing and Seal Kit (For Huh Assembly 2780267 & 2780268)	
	1001241254	Ref	Boom Angle Sensor Offset Link Kit (450AJ)	
	1001206438	Ref	Boom Wear Pad Kit	
	1001236123	Ref	Boom Wiper Cover Installation	
	1001233047	Ref	Breather Heater Kit - Deutz D2.9L4 Engines)	
	1001172045	Ref	Cable Carrier Tray Installation	
		Ref	ClearSky (Telematics) Installations (Dealer Installed)	
	1001242639	Ref	ClearSky (Telematics) Access Control Installation Kit (ANSI, ANSI Export, CSA, CE & UK CA Specs)	
	1001243183	Ref	ClearSky (Telematics) Add-on Kit (ANSI, ANSI Export, CSA, CE & UK CA Specs)	
	1001246142	Ref	ClearSky (Telematics) Service Kit (Australian Specs)	
	1001243184	Ref	ClearSky (Telematics) Add-on Kit (CE & UK CA Specs)	
	1001276923	Ref	ClearSky (Telematics) Add-on Kit (Contact JLG for Approved Countries)	
		Ref	ClearSky Telematics (Factory Installed)	
	1001227278	Ref	ClearSky 4G (Telematics) Installation (Factory Installed) Canbus Connection (All Specs Except China and Russia Specs)	
	1001246433	Ref	ClearSky (Telematics) Installation (Factory Installed) 3-Wire Connection (Australian Specs)	
	1001228960	Ref	ClearSky 3G (Telematics) Installation (Factory Installed) Canbus Connection (ANSI Export, CE and Russia Specs)	
	1001276610	Ref	ClearSky (Telematics) Installation (Factory Installed) 3-Wire Connection (All Except China Specs)	
	1001246434	Ref	ClearSky (Telematics) Installation (Factory Installed) 3-Wire Connection (China Specs)	
	1001286266	Ref	ClearSky (Telematics) V3 Installation (with Plastic Hood)	
	1001293223	1	ClearSky (Telematics) V3 Installation (with Steel Hood)	
	1001262959	Ref	ClearSky Voltage Regulator Installation Kit	
	1001174767	Ref	Cold Weather Package - Deutz D2011 Engines with 17Gal Hydraulic Tank	
	1001287813	Ref	Cold Weather Package - Deutz D2011 Engines with 36Gal Hydraulic Tank	
	1001174766	Ref	Cold Weather Package - Deutz D2.9L4 Engines with 17Gal Hydraulic Tank	
	1001287812	Ref	Cold Weather Package - Deutz D2.9L4 Engines with 36Gal Hydraulic Tank	
	1001255807	Ref	Cold Weather Package - Deutz D2.9L4 Engines (Stage V) with 17Gal Hydraulic Tank	
	1001287814	Ref	Cold Weather Package - Deutz D2.9L4 Engines (Stage V) with 36Gal Hydraulic Tank	
	1001282099	Ref	Cold Weather Package - Deutz D2.9L4 Engines (China IV)	
	1001215181	Ref	Cold Weather Package - Kubota Engines	

SECTION 11 - SPECIAL OPTIONS/ACCESSORIES/KITS

ITEM	PART NUMBER	QTY	DESCRIPTION	REV
	1001186976	Ref	Cold Weather Transformer Installation (Required with Deutz D2011 Engines)	
	1001148145	Ref	Container/Transport Wheels Installation - 12 x 16.5 Tires	
	0272031	Ref	Container/Transport Wheels Installation - 33/1550 x 16.5 Tires	
	1001176343	Ref	Cribbing Switch Installation (ANSI Only)	
	1001215865	Ref	Cylinder Bellows Installation (450A)	
	1001196012	Ref	Cylinder Bellows Installation (450AJ)	
	1001272083	Ref	Decal Kit - Console Box (ANSI SPEC)	
	1001270515	Ref	Decal Kit - Machine (ANSI Spec)	
	1001272197	Ref	Decal Kit - Platform (ANSI SPEC)	
	70006429	Ref	Drive Hub Seal Kit (For Huh Assembly 2780267 & 2780268)	
	1001290271	Ref	ECU Power Jumper Kit - Stage V Engines Only	
	1001148902	Ref	Electrical Connector Kit - Amp/Tyco Electrical Connectors	
	1001148903	Ref	Electrical Connector Kit - Deutsch DT Electrical Connectors	
	1001148904	Ref	Electrical Connector Kit - Deutsch HD Electrical Connectors	
	1001148905	Ref	Electrical Connector Kit - Packard Electrical Connectors	
	1001148906	Ref	Electrical Connector Kit - Various Electrical Connectors	
	1001214833	Ref	Engine Block Heater Installation - Kubota Engines	
	1001269630	Ref	Fall Arrest (Bolt-on) Add-on Kit - 48in Platform (Dealer Installed)	
	1001269629	Ref	Fall Arrest (Bolt-on) Add-on Kit - 60in Platform (Dealer Installed)	
	1001269631	Ref	Fall Arrest (Bolt-on) Add-on Kit - 72in Platform (Dealer Installed)	
	1001243331	Ref	Fan Cover Installation - Deutz D2011 Engines	
	1001172751	Ref	Fan Cover Installation - Deutz D2.9L4 Engines/Deutz D2.9L4 Engines (Stage V)	
		Ref	Filter Kits:	
	1001204481	Ref	Combined Filter Kit (Hydraulic/Air and Fuel/Engine Oil) (Deutz D2011 Engine Only)	
	1001225794	1	Combined Filter Kit (Hydraulic/Air and Fuel/Engine Oil) (Deutz D2011 Engine Only) (Stage V)	
	1001204482	1	Combined Filter Kit - Deutz D2.9L4 Engine (Air/Engine Oil/Fuel/Hydraulic/Air)	
	1001242589	1	Combined Filter Kit (Hydraulic/Air and Fuel/Engine Oil) (Kobota Engine Only)	
	1001139099	Ref	Fire Extinguisher Installation	
	1001274833	Ref	Floor Mat Add-on Kit (30x48 Platform) (Dealer Installed)	
	1001274832	Ref	Floor Mat Add-on Kit (30x60 Platform) (Dealer Installed)	
	1001274831	Ref	Floor Mat Add-on Kit (30x72 Platform) (Dealer Installed)	
	1001117294	Ref	Footswitch Shield Installation	
	1001191394	Ref	Fuel Cap Cover (Red) (Gas/Dual Fuel Machines)	
	1001191395	Ref	Fuel Cap Cover (Green)	
	1001202749	Ref	Fuel Cap Cover (Black)	
	1001220003	Ref	Ground Control and UGM Covers Kit	
	1001277839	Ref	Ground Control Retrofit Kit (For Use with Ground Control Module 1001170094)	
	1001293845	Ref	Hood Brace Kit	
	1001256416	Ref	Hood Latch Bracket Service Kit (Engine Side)	
	1001285811	Ref	Hood Plugs Installation	
	1001215868	Ref	Hostile Environment Package (Includes Cylinder Bellows, Platform Console Cover and Boom Wiper) (450A)	
	1001169831	Ref	Hostile Environment Package (Includes Cylinder Bellows, Platform Console Cover and Boom Wiper) (450AJ)	
	1001241397	Ref	Hostile Environment Kit (Includes Cylinder Bellows, Platform Console Cover and Boom Wiper) (450AJ)	

SECTION 11 - SPECIAL OPTIONS/ACCESSORIES/KITS

ITEM	PART NUMBER	QTY	DESCRIPTION	REV
	1001258231	Ref	Hydraulic Load Installation (Deutz D2011, Deutz D2.9L4 and Stage V Engines)	
	1001265688	Ref	Hydraulic Tank Lock Installation (Machines With SN Starting With B3)	
	1001172001	Ref	Lights Installation - Headlights and Taillights	
	1001120466	Ref	Lights Installation - Platform Worklights	
	1001183407	Ref	Low Temperature Cutout Installation (Russian Specs)	
	1001173664	Ref	Oil Cooler Installation - Deutz D2011 Engines	
	1001164493	Ref	Oil Cooler Installation - Deutz D2.9L4 Engines/D2.9L4 (Stage V)/D2.9L4 (China IV)	
	1001216552	Ref	Oil Cooler Installation - Kubota Engines	
	1001272166	Ref	Pipe Rack Kit	
	1001236122	Ref	Platform Console Cover Installation (Plastic)	
	1001266290	Ref	Platform Console Cover Installation (Steel)	
	1001295280	Ref	Platform Console Cover Installation (Steel) (China Spec)	
	1580013	Ref	Platform Corner Storage Tray	
	1001267283	Ref	Platform Hose/Cable Protection	
	1001238421	Ref	Platform Leveling Kit	
	1001272274	Ref	Platform Mesh to Mid Rail Installation - 30in x 48in Platforms	
	1001272178	Ref	Platform Mesh to Mid Rail Installation - 30in x 60in Platforms	
	1001272313	Ref	Platform Mesh to Mid Rail Installation - 30in x 72in Platforms	
	1001266969	Ref	Platform Plastic Mesh to Mid Rail Installation - 30in x 48in Platforms	
	1001266799	Ref	Platform Plastic Mesh to Mid Rail Installation - 30in x 60in Platforms	
	1001266465	Ref	Platform Plastic Mesh to Mid Rail Installation - 30in x 72in Platforms	
	1001281461	Ref	Platform Mesh to Mid Rail Kit - 30in x 48in Platforms (Use on Platform p/n 1001186387)	
	1001281460	Ref	Platform Mesh to Mid Rail Kit - 30in x 60in Platforms (Use on Platform p/n 1001186386)	
	1001281459	Ref	Platform Mesh to Mid Rail Kit - 30in x 72in Platforms (Use on Platform p/n 1001186385)	
	1001272182	Ref	Platform Mesh to Top Rail Installation - 30in x 48in Platforms	
	1001271888	Ref	Platform Mesh to Top Rail Installation - 30in x 60in Platforms	
	1001272310	Ref	Platform Mesh to Top Rail Installation - 30in x 72in Platforms	
	1001266807	Ref	Platform Plastic Mesh to Top Rail Installation - 30in x 48in Platforms	
	1001266801	Ref	Platform Plastic Mesh to Top Rail Installation - 30in x 60in Platforms	
	1001266491	Ref	Platform Plastic Mesh to Top Rail Installation - 30in x 72in Platforms	
	1001281456	Ref	Platform Mesh to Top Rail Kit - 30in x 48in Platforms (Use on Platform p/n 1001186387)	
	1001281455	Ref	Platform Mesh to Top Rail Kit - 30in x 60in Platforms (Use on Platform p/n 1001186386)	
	1001281454	Ref	Platform Mesh to Top Rail Kit - 30in x 72in Platforms (Use on Platform p/n 1001186385)	
	0274095	Ref	Platform Rail Extension Installation - 30in x 72in Platforms	
	1001239575	Ref	Platform Valve Hose Kit (450AJ)	
	1001282215	Ref	Platform Worklights Kit	
	1001209059	Ref	Platform Work Surface Installation	
	1001233080	Ref	Pump Rotation Kit (Re-orient Gear Pump 90 Degrees)	
	1001247800	Ref	Quad Tracks Replacement Kit	
	1001204110	Ref	Service Kits	

AB

SECTION 11 - SPECIAL OPTIONS/ACCESSORIES/KITS

ITEM	PART NUMBER	QTY	DESCRIPTION	REV
	1001247073	Ref	SkyEye Retrofit Kit	
	1001241547	Ref	SkyEye LH Housing Retrofit Kit	
	1001241548	Ref	SkyEye RH Retrofit Kit	
	1001249052	Ref	SkyGuard Retrofit Kit	
	1001250595	Ref	SkyGuard 6 Pin Retrofit Kit	
	1001203510	Ref	SkyGuard Platform Sensor Kit	
	1001203511	Ref	SkyGuard Beacon Kit (Blue Light)	
	1001210036	Ref	SkyGuard Beacon Kit (Red Light)	
	1001262016	Ref	SkyLine Kit	
	1001289831	1	SkySense (EDS) Level 1 Booms Installation (Factory Installed)	
	1001289832	1	SkySense (EDS) Level 2 Booms Installation (Factory Installed)	
	1001289905	Ref	SkySense Enhanced Detection System (EDS) Level 1 (2-Bar) Add-on Kit (Dealer Installed)	
	1001289906	Ref	SkySense Enhanced Detection System (EDS) Level 2 (3-Bar) Add-on Kit (Dealer Installed)	
	1001282461	Ref	SkySense Padding Installation - For 30 x 48 Platforms Equipped with SkySense	
	1001282434	Ref	SkySense Pre-Cut Bumper Kit (use with 1001282461)	
	1001275644	Ref	SkySense Padding Installation - For 30 x 60 Platforms Equipped with SkySense	
	1001275662	Ref	SkySense Pre-Cut Bumper Kit (use with 1001275644)	
	1001275643	Ref	SkySense Padding Installation - For 30 x 72 Platforms Equipped with SkySense	
	1001275656	Ref	SkySense Pre-Cut Bumper Kit (use with 1001275643)	
	1001263395	Ref	SkyWelder Kit (Dealer Installed)	
	1001231235	Ref	SkyWelder Locking Bracket Installation	
	1001294063	Ref	Strobe Light (Blue) Kit	
	1001293868	Ref	Strobe Light (Red) Kit	
	1001292585	Ref	Strobe Light (Amber) Hood Kit	
	1001293299	Ref	Strobe Light (Amber) Kit	
		Ref	Tools for Service	
	2901443	Ref	Analyzer Kit	
	1001249695	Ref	Analyzer and Cable Kit	
	1001249941	Ref	Analyzer and Cable Kit (Battery Powered)	
	1001137005	Ref	Cable Kit, Software (Not Shown)	
	7002821	Ref	Crimper, Wire	
	7002823	Ref	Pin Extractor - Universal (For Electrical Connectors with Pins and Sockets)	
	4460510	Ref	Pin Extractor - 12-14 Gauge (For Removal of Pin/Sockets from Deutsch Connectors)	
	4460467	Ref	Pin Extractor - 16-18 Gauge (For Removal of Pin/Sockets from Deutsch Connectors)	
	7016654	Ref	Screwdriver, Magnetic	
	7002822	Ref	Screwdriver, Potentiometer	
	7004275	Ref	Seal Tool 1in (For Cylinders)	
	7004276	Ref	Seal Tool 1-1/2in (For Cylinders)	
	7002828	Ref	Stripper, Wire	
	1001239573	Ref	Upper Power Track Hose Kit (450A)	
	1001239574	Ref	Upper Power Track Hose Kit (450AJ)	
	1001236496	Ref	Wet Stacking Prevention Kit (Deutz D2.9L4 Engines)	
	1001270716	Ref	White Noise Alarm Add-on Kit (Dealer Installed)	
	1001270755	Ref	White Noise Alarm (Ambient) Add-on Kit (Dealer Installed)	

SECTION 11 - SPECIAL OPTIONS/ACCESSORIES/KITS

PART NUMBER INDEX

SECTION 11 - SPECIAL OPTIONS/ACCESSORIES/KITS

0080201.....368, 382	0140043 140	0641605 85, 87, 89, 91	0711224....208, 214, 220,
0080231324, 350	0181949 361, 375	0641606 561, 563, 565	240, 272, 287, 289,
0100009.....541, 543	0200048 573, 575	0641610 ... 281, 283, 537,	308, 324, 350, 407,
0100011.... 19, 21, 23, 25,	0258011 57	539	411, 419, 423, 427,
27, 29, 31, 47, 65, 67,	0258012 57	0641616 ... 423, 427, 431,	439, 443
69, 71, 73, 79, 85, 87,	0270022 677	435, 439, 443, 447	0711227.....487, 489, 491
89, 91, 93, 113, 115,	0270092 49	0641772 ... 407, 411, 415,	0711628..... 101, 103
117, 119, 121, 123,	0270115 893	419	0711629.....25
127, 129, 131, 133,	0270116 897	0641812 ... 199, 205, 237,	0711631..... 101, 103
135, 140, 143, 145,	0270119 895	249, 261, 269, 297,	0721005..... 573, 575
155, 158, 162, 166,	0270653 51	305, 321, 331, 341,	0721006..... 281, 283
170, 174, 178, 181,	0272031 909	347, 365, 379	0731005.... 117, 119, 121,
183, 185, 187, 189,	0272254 563	0642012 559	123
191, 197, 199, 203,	0272435 445, 449	0681608 ... 210, 214, 220,	0741606....208, 214, 220,
205, 208, 214, 220,	0272448 901	242, 501	240, 272, 308
227, 233,237, 240, 249,	0272521 561	0681620 569, 571	0741607....423, 427, 431,
257, 261, 265, 269,	0272588 899	0681810 29, 31	435, 447
272, 281, 287, 289,	0272589 441	0681814 535	0741608.....451
293, 297, 301, 305,	0273380 445, 449, 453	0681822 535	0760408..... 361, 375
308, 315, 319, 321,	0274095 910	0682014 27, 29, 31	0760506.....315
324, 329, 331, 335,	0275216 681, 833	0682040 81	0760512..... 155
339, 341, 345, 347,	0275217 685, 835	0682424 569, 571	0760605..... 368, 382
350, 361, 365, 368,	0275452 687, 837	0700408 ... 679, 681, 683,	0760606....368, 382, 423,
375, 379, 382, 405,	0275453 689, 839	685, 687, 689, 691,	427, 431, 435, 439,
407, 411, 415, 419,	0275454 697, 841	693, 695, 697, 699	443, 447
423, 427, 431, 435,	0360406 81	0700616 185, 191	0760607.... 210, 214, 220,
439, 443, 447, 451,	0361810 155	0700810 368, 382	241, 272, 308
467, 469, 471, 473,	0363019 79, 81	0700814 368, 382	0760608.... 127, 191, 368,
475, 477, 479, 481,	0400075 155	0700815 368, 382	382, 407, 411, 415, 419
485, 487, 489, 491,	0440162 ... 197, 203, 227,	0700816 79, 370, 384	0760610.... 140, 143, 145,
493, 495, 501, 503,	233, 257, 265, 293,	0700818 ... 427, 431, 439,	155, 181, 183, 187,
505, 507, 509, 511,	301, 319, 329, 335,	443, 447, 451	189, 197, 203, 208,
527, 529, 531, 533,	339, 345, 361, 375	0700819 451	214, 220, 227, 233,
553, 555, 561, 563,	0440271 25	0700820 483, 485	240, 257, 265, 272,
565, 573, 575, 720,	0480120 407	0700827 ... 720, 724, 728,	293, 301, 308, 319,
724, 728, 732, 736,	0480122 411	732, 736, 740, 744,	324, 329, 335, 339,
740, 744, 748, 752,	0480126 423, 439	748, 752, 756, 760	345, 350, 361, 368,
756, 760	0480128 427, 443	0700828 ... 720, 724, 728,	375, 382, 401, 403,
0100019..27, 29, 31, 101,	0480129 451	732, 736, 740, 744,	423, 427, 431, 435,
103, 415, 423, 427,	0630462 573, 575	748, 752, 756, 760	439, 443, 447, 451,
431, 435, 439, 443, 447	0630518 ... 137, 545, 561,	0701014 79	705, 707, 709, 721,
0100020.... 117, 119, 121,	563, 565	0701015 493, 495	725, 729, 733, 737, 741
123, 197, 203, 208,	0630568 541, 543	0701016 370, 384, 451	0760612..... 155, 368, 382
209, 214, 216, 220,	0630613 ... 158, 162, 166,	0701018 ... 158, 162, 166,	0760614.... 151, 153, 197,
222, 227, 233, 240,	170, 174, 178	170, 174, 178	203, 227, 233, 257,
257, 265, 272, 293,	0641404 555	0701019 483, 485	265, 293, 301, 319,
301, 308, 319, 324,	0641405 541, 543, 555	0701020 ... 117, 119, 121,	325, 329, 335, 339,
329, 335, 339, 345,	0641406 ... 537, 539, 549,	123, 257, 265, 483, 485	345, 351, 423, 705
350, 361, 368, 375,	867, 869, 871, 873,	0701021 ... 720, 724, 728,	0760615..... 181, 183
382, 547, 679, 681,	875, 877, 879, 881,	732, 736, 740, 744,	0760619.....308
683, 685, 687, 689,	883, 885, 887	748, 752, 756, 760	0760621..... 140
691, 693, 695, 697, 699	0641408 537, 539	0701022 308	0760808....208, 214, 220,
0100035....283, 541, 543,	0641409 185, 191	0701024 ... 720, 724, 728,	240, 272, 308, 368, 382
545	0641410 ... 181, 183, 187,	732, 736, 740, 744,	0760810.... 158, 162, 166,
0100048.... 147, 149, 411,	189	748, 752, 756, 760	170, 174, 178, 210,
415, 419, 423, 427,	0641414 ... 541, 543, 553,	0701025 308	214, 220, 242, 272,
431, 435, 439, 443,	573, 575	0701027 493, 495	308, 361, 375, 501
447, 451	0641416 ... 679, 681, 683,	0701216 368, 382	0760812.... 65, 67, 69, 71,
0100079....423, 427, 431,	685, 687, 689, 691,	0701217 19, 21	73, 117, 119, 121, 123,
439, 443, 447, 451	693, 695, 697, 699	0701224 ... 368, 382, 419,	129, 131, 133, 135,
0100081....208, 214, 220,	0641418 527, 529, 533	451	158, 162, 166, 170,
240, 272, 308, 324,	0641420 531	0701616 115, 493, 495	174, 178, 197, 203,
350, 370, 384, 559,	0641504 79, 155	0701617 25	208, 214, 220, 227,
720, 724, 728, 732,	0641507 ... 407, 411, 415,	0711214 ... 208, 214, 220,	233, 240, 257, 265,
736, 740, 744, 748,	419	240, 272, 308	272, 293, 301, 308,
752, 756, 760	0641509 ... 720, 732, 748,	0711220 23, 25	319, 329, 335, 339,
0140011.....541, 543	756		345, 361, 368, 375,

SECTION 11 - SPECIAL OPTIONS/ACCESSORIES/KITS

382, 401, 403, 407, 411, 415, 424, 428, 432, 440, 444, 448, 487, 489, 491, 713, 720, 724, 728, 732, 736, 740, 744, 748, 752, 756, 760	0761216 ... 293, 301, 308, 501	1001095704.....852, 856, 905	1001116952..... 801, 805, 809
0760814 ... 158, 162, 166, 170, 174, 178, 208, 214, 220, 240, 272, 287, 289, 308, 324, 350, 361, 368, 375, 382, 419, 451, 724, 728, 736, 740, 744, 752, 760	0761227 493, 495 0761615 19, 21, 493, 495 0762016 493, 495 0770810 509, 511 0771012 485 0771212 ... 257, 265, 272 0771414 ... 208, 214, 220, 240, 272, 287, 289, 308, 324, 350, 407, 411, 423, 427, 439, 443 0771416 ... 423, 427, 439, 443	1001096070.....423, 435, 795 1001096653....65, 67, 69, 71, 73 1001097051.....845 1001097150.....789, 791, 793, 795 1001097244.....557 1001098122.....547, 829 1001098828.....501 1001099869.....407 1001100231.....819 1001100233.....407 1001100321.....407 1001100341.....833 1001100342.....835 1001100345.....837 1001100346.....841 1001100347.....839 1001101191.....681, 685, 687, 689, 697 1001101196.....681, 685 1001101197.....687, 689, 697	1001116983 815 1001117057 817, 819 1001117070 851, 855 1001117106 801 1001117107 801, 805, 809 1001117172 547 1001117174 541, 543, 547, 904 1001117240 155 1001117294 909 1001117308 208, 215, 221, 241, 273, 309, 904 1001117372 579, 581 1001118274 117, 119, 121, 123, 129, 131, 133, 135, 158, 162, 166, 170, 178, 361, 370, 375, 487, 489, 491, 503, 505, 507, 509, 511, 720, 724, 728, 732, 736, 740, 744, 748, 752, 756, 760 1001118384 849 1001118388 849 1001118412 541, 543, 905 1001118482 485 1001118511 19, 21 1001118518 19, 21 1001118519 19, 21 1001118878 209, 215, 221, 241, 273 1001118971 720, 724, 728, 732, 736, 740, 744, 748, 752, 756, 760, 905 1001118972 79, 117, 119, 121, 123, 720, 724, 728, 732, 736, 740, 744, 748, 752, 756, 760 1001119020 715 1001119176 127, 905 1001119228 113, 721, 725, 729, 733, 737, 741, 745, 749, 753, 757, 761 1001119278 155, 227, 233, 335, 339, 345, 375 1001119280 155, 721, 725, 729, 733, 737, 741, 745, 749, 753, 757, 761 1001119619 843 1001119620 845, 847 1001119627 612, 618, 624, 630, 636, 642, 648, 654, 660, 666, 672 1001120204 771, 773, 775, 777 1001120205 783, 785 1001120328 553, 555, 852, 856 1001120466 910 1001120471 557
0760815 ... 209, 214, 220, 241, 272, 308, 324, 350, 368, 382, 451 0760816 308, 370, 384 0761009 407, 411 0761010 ... 85, 87, 89, 91, 93, 127 0761011 23, 25, 315, 362, 376 0761012 ... 308, 405, 467, 469, 471, 473, 475, 477, 479, 481, 713, 724, 728, 732, 736, 740, 744, 752, 760 0761014 ... 158, 162, 166, 170, 174, 178, 185, 191, 197, 203, 205, 208, 214, 220, 227, 233, 237, 240, 257, 265, 269, 272, 293, 301, 305, 331, 347, 368, 382, 411, 415, 501 0761015 ... 197, 203, 208, 214, 220, 227, 233, 240, 257, 265, 272, 293, 301, 308, 319, 324, 329, 335, 339, 345, 350, 361, 368, 375, 382, 415, 419, 467, 469, 471, 473, 475, 477, 479, 481 0761016 ... 185, 191, 208, 214, 220, 240, 272, 308, 368, 382, 419 0761020 174 0761024 ... 467, 469, 471, 473 0761210 ... 197, 203, 208, 214, 220, 227, 233, 240, 272, 293, 301, 308 0761212 ... 208, 214, 220, 240, 272, 308, 431, 435, 447, 475, 477, 479, 481, 493, 495 0761214 ... 117, 119, 121, 123, 158, 162, 166, 170, 178, 415, 419, 423, 427, 439, 443, 451, 455 0761215 ... 174, 419, 451, 475, 477, 479, 481	0860038 ... 427, 431, 443, 447, 451, 677 0860520 ... 867, 869, 871, 873, 875, 877, 879, 881, 883, 885, 887 0861538 ... 443, 447, 451 0861572 439 0861731 ... 691, 693, 695, 699, 837, 839, 841 0861781 ... 679, 683, 833, 835 0861880 789, 791, 795 0902733 79 0902734 79 0902888 ... 427, 431, 439, 443, 447, 451 0940048 493, 495 0940049 ... 158, 162, 166, 170, 178 0940071 ... 158, 162, 166, 170, 178 0940088 174 0940167 575 0940199 559 0961845 ... 527, 529, 531, 533 0961947 497, 499, 589 0961948 23, 25, 487, 489, 491, 493, 495, 591, 593, 595 0961949 487, 489, 491 0961950 19, 21 0961951 ... 208, 214, 220, 240, 272, 308, 324, 350, 368, 382, 483, 485, 583, 585, 589, 597 0962257 497, 499 0962270 535 0962292 25, 483, 485, 605 0962348 25 0962449 407 0962520 ... 423, 427, 431, 435, 439, 443, 447, 451 1001001939.....370 1001026127.....293, 301 1001091102.....705, 709 1001091969.....681 1001091970.....685 1001091973.....687 1001091974.....689 1001091975.....697 1001094670.....483, 485	1001104498.....851, 855 1001104519.....831 1001104850.....101, 105 1001106736.....140 1001107854.....851, 855 1001110434.....541, 543 1001110872.....701, 703 1001110873.....427, 431, 444, 448, 452, 677 1001111424.....155, 209, 241, 324, 350 1001112551.....871 1001112607.....475, 477, 479, 481 1001112612.....715, 851, 855 1001112796.....715 1001113680.....873 1001113961.....852, 856 100111424.....215, 221 1001115641.....573 1001115848.....573 1001116208.....889 1001116290.....185, 191 1001116550.....485 1001116693.....117, 119, 121, 123, 829 1001116728.....852, 856 1001116732.....817, 819 1001116734.....817, 819, 851, 855 1001116748.....787 1001116774.....715 1001116808.....715 1001116812.....805, 809 1001116815.....810, 856 1001116849.....881	

SECTION 11 - SPECIAL OPTIONS/ACCESSORIES/KITS

1001120477.....557	1001138248..... 209, 215, 221, 241, 273, 309, 370, 384	1001144147..... 856	1001155967..... 856
1001120484.....557		1001144295..... 537	1001156107.....258, 265, 293, 301
1001120989.....889	1001138494..... 529, 531, 533	1001144433..... 553	1001156541.....787
1001125387.....197, 203, 227, 233		1001144629..... 521, 523, 525	1001156819.....362, 376
1001125677.....829, 852, 856	1001138514..... 529, 531, 533	1001146588..... 273, 309	1001157466.....115
1001126009.....849	1001138565..... 423	1001147233..... 419, 452	1001157520.....441, 445, 449, 453
1001126351.....801, 806, 810	1001138566..... 424, 428, 431, 435	1001147264..... 801, 810	1001157521..... 441, 445, 449, 453
1001126362.....801, 805, 809	1001138827..... 209, 216, 222, 241	1001147274..... 49, 51	1001157525.....440
1001126363.....801, 805, 809	1001139099..... 909	1001147812..... 369, 383	1001157528..... 441, 445, 449, 453
1001126364.....801, 805, 809	1001139240..... 209, 215, 221, 241, 310	1001147813..... 370, 384	1001157592.....444, 448, 452
1001126365.....801	1001139357..... 424, 428	1001148059..... 436	1001157890..... 855
1001126391.....801, 805, 809	1001139384..... 181, 185, 187, 191	1001148138..... 416, 419	1001158007.....441, 445, 449, 453
1001126392.....801, 805, 809	1001139586..... 25	1001148145..... 909	1001158008..... 428, 432, 441, 445, 449, 453
1001126485.....806, 810	1001139654..... 257, 265, 293, 301	1001148641..... 408, 412, 415, 424, 428, 432, 436, 440, 444, 448	1001158363..... 428, 432
1001126487.....806, 810	1001139819..... 324, 350	1001148675..... 701, 703	1001159118..... 701, 703, 904
1001127096.....889	1001140312..... 221, 241	1001148865..... 49	1001159119..... 701, 703
1001128527.....565	1001140346..... 431	1001148866..... 49	1001159120..... 701, 703
1001128556.....565	1001140347..... 435	1001148869..... 51	1001159121.....703
1001129285.....852, 856, 905	1001140429..... 527, 529, 531, 533	1001148870..... 51	1001159186..... 823
1001129407..... 127	1001140564..... 209, 216, 222, 241	1001148902..... 909	1001159256.....541, 543, 906
1001129858.....428	1001141300..... 889	1001148903..... 909	1001160859.....493
1001130220.....140, 293, 301	1001141302..... 889	1001148904..... 909	1001160872.....493
1001130492.....890	1001141304..... 209, 215, 221, 241, 273, 309	1001148905..... 909	1001161709.....541, 543, 906
1001131269.....867, 869, 877, 879	1001141694..... 209, 215, 221, 241, 273, 309, 324, 350	1001148906..... 909	1001161710.....361, 376
1001132195.....324, 350	1001141870..... 281, 283	1001149160..... 369, 383	1001161716.....461, 463, 583
1001132196.....324, 350	1001141995..... 369, 383	1001149452..... 405, 905	1001161717.....461, 463, 597
1001133714.....802, 806, 810	1001142501..... 197, 203, 227, 233, 257, 265, 281, 283, 315	1001149639..... 369, 383	1001162105.....47
1001133715.....802, 806, 810	1001142643..... 432, 448	1001149953..... 49, 51	1001162106.....127
1001133956.....801, 806, 810	1001142646..... 432, 448	1001150998..... 324, 350	1001162107.....47
1001133957.....801, 806, 810	1001142679..... 612, 618, 624, 630, 636, 642, 648, 654, 660, 666, 672	1001151393..... 129, 131, 133, 135	1001162335.....210, 242, 281
1001133972.....101, 109	1001142683..... 151, 153, 905	1001151856..... 809	1001162429..... 871, 875
1001134488.....209, 216, 222, 241	1001142736..... 151, 153, 715	1001152266..... 861	1001162522..... 871
1001135196.....197, 203, 227, 233, 257, 265, 293, 301, 319, 329, 335, 339, 345, 361, 376	1001142938..... 802, 805, 809	1001152456..... 428, 432	1001162528..... 875
1001135650.....802, 806, 810	1001142940..... 802, 805, 809	1001152457..... 428, 432	1001162534..... 85, 87, 89, 91, 93, 95
1001135651.....802, 806, 810	1001142941..... 802, 805, 809	1001152483..... 793	1001162535.....475, 503, 505, 507, 509, 511, 513
1001135679.....415, 431, 448	1001143390..... 209, 215, 221, 241, 273, 309, 324, 350	1001152485..... 709, 793	1001162536.....505, 509, 511, 517
1001136834.....209, 215, 221, 241, 273, 309	1001143797..... 209, 215, 221, 241, 273, 309	1001152489..... 209, 215, 221, 241, 273, 293, 301, 309	1001162539.....69, 71, 73, 77
1001137005.....911	1001143852..... 889	1001152525..... 428, 432, 441, 445, 449, 453	1001162807..... 129, 131, 133, 135
1001137336.....370, 384	1001143936..... 612, 618, 624, 630, 636, 642, 648, 654, 660, 666, 672	1001152530..... 428, 432	1001162995..... 19, 21
1001137673.....553, 905	1001144116..... 209, 215, 221, 241, 273	1001152532..... 424, 428, 432, 436, 821	1001163178.....23, 25, 601
1001138173.....369, 383		1001153260..... 428, 432	1001163179.....23, 25
1001138175.....369, 383		1001154405..... 197, 203, 227, 233, 257, 265, 281, 283, 293, 301, 315, 405	1001163405.....23, 25
1001138228.....209, 215, 221, 241, 273, 309, 904		1001154726..... 817, 819	1001163580..... 19, 579
		1001155041..... 415, 419, 452	1001163715.....23, 25
		1001155043..... 129, 131, 133, 135	1001163716.....23, 25
		1001155044..... 129, 131, 133, 135, 361, 376, 541, 543	1001163717.....25
		1001155045..... 129, 131, 133, 135, 541, 543, 905	1001163722.....25
		1001155743..... 861	1001163724.....25
		1001155823..... 197, 203, 227, 233, 257, 265, 293, 301	1001163726.....25

SECTION 11 - SPECIAL OPTIONS/ACCESSORIES/KITS

1001163767 463, 587	1001166768.....127	1001169058.....61	1001170693..... 325, 351, 353
1001163937 483, 485	1001166852.....495	1001169062.....53	1001170764 806, 810, 861
1001164016 477, 483	1001166853..... 493, 495	1001169075.....57	1001170859 162, 174, 178
1001164092 23	1001166921.....209, 215, 221, 241, 273, 310	1001169138.....209, 215, 221, 241, 273, 309, 369, 383	1001170982 310
1001164093 19	1001166922.....287	1001169183.....167, 178	1001171131 701
1001164095 25	1001166924.....209, 215, 221, 241, 273, 310	1001169240.....493, 495	1001171216 158, 162, 166, 170, 178
1001164209 23, 25	1001167036.....199, 249, 261, 297, 321, 341, 365, 379, 393	1001169241.....493, 495	1001171553 721, 725, 728, 733, 737, 741, 745, 748, 753, 756, 761
1001164493 910	1001167108.....209, 241, 801	1001169242.....493, 495	1001171555 721, 725, 728, 733, 737, 741, 745, 749, 753, 757, 761
1001164709 591, 593, 595	1001167111.....325, 350, 799	1001169246.....475, 477, 479, 481	1001171559 721, 725, 728, 733, 737, 741, 745, 749, 753, 757, 761
1001164726 185, 191	1001167149.....158, 162, 166, 170, 174, 178	1001169247475, 477, 479, 481	1001171678 155
1001164728 537, 539, 863	1001167157.....185	1001169249.....493, 495	1001171679 155
1001164730 724, 728, 740, 744, 752, 765	1001167159.....158, 162, 166, 170, 178	1001169295.....493, 495	1001171680 155
1001164731 711, 724, 740, 773	1001167163.....158, 162, 166, 170, 174, 178	1001169296.....493, 495	1001171681 319, 329, 335, 339, 345
1001164732 752, 760	1001167164.....401, 403	1001169297.....493, 495	1001171682 319, 329, 335, 339, 345
1001164738 720, 724, 728, 732, 736, 740, 744, 748, 752, 756, 760, 787	1001167169.....158, 162, 166, 170, 178	1001169298.....493, 495	1001171683 197, 203, 227, 233, 257, 265, 293, 301
1001164817 579	1001167312.....705	1001169299.....493, 495	1001171684 197, 203, 227, 234, 257, 265, 293, 301
1001165035 197, 203, 227, 233, 257, 265, 293, 301, 309	1001167512.....197, 203, 227, 233, 257, 265, 293, 301, 319, 329, 335, 339, 345, 361, 376	1001169300.....493, 495	1001171953 199, 205, 237, 249, 261, 269, 297, 305, 321, 331, 341, 347, 365, 379
1001165388 209, 215, 221, 241, 273, 309, 324, 351	1001167520.....209, 215, 221, 241, 273, 309, 325, 350	1001169301.....493, 495	1001171954 199, 205, 237, 249, 261, 269, 297, 305, 321, 331, 341, 347, 365, 379
1001165389 324, 350	1001167565.....501	1001169302.....493, 495	1001172001 910
1001165405 209, 215, 221, 241, 273, 309	1001167567.....501	1001169304.....487, 489, 491	1001172045 908
1001165406 209, 215, 221, 241, 273, 309	1001167596.....501	1001169305.....487, 489, 491	1001172057 908
1001165622 166	1001167632.....805, 809	1001169402.....487, 489, 491	1001172064 806, 809
1001165721 209, 215, 221, 241, 309	1001167635.....806, 810	1001169403.....487, 489, 491	1001172065 806, 809, 856
1001165722 209, 215, 221, 241, 273	1001168018.....209, 215, 221, 241, 273, 287, 289, 309, 325, 350, 369, 383, 408, 412, 419, 424, 428, 440, 444, 452	1001169525.....399	1001172202 319, 329, 335, 339, 345
1001165849 209, 215, 221, 241, 273	1001168026.....209, 215, 221, 241, 273, 310	1001169823.....197, 203, 227, 233, 257, 265, 293, 301, 319, 329, 335, 339, 345	1001172264 401
1001165946 101	1001168059.....325, 351	1001169831.....909	1001172265 401
1001165948 .. 71, 91, 509	1001168099.....209, 215, 221, 241, 273	1001169898.....117, 119, 121, 123	1001172271 733, 905
1001165968 47	1001168166.....209, 215, 221, 241, 273, 309, 369, 383	1001169967.....209, 215, 221, 241, 273, 310, 369, 383	1001172335 720, 748, 763
1001166000 205, 208	1001168207.....289	1001170018.....158, 162, 166, 170, 178	1001172336 720, 771
1001166020 321, 324, 331	1001168210.....583, 585	1001170022.....158, 162, 166, 170, 174, 178	1001172343 748, 756
1001166021 319, 321	1001168402.....501	1001170035.....209, 215, 221, 241, 273, 310, 369, 383	1001172736 197, 203, 227, 234
1001166084 889	1001168472.....720, 724, 728, 732, 736, 740, 745, 748, 752, 756, 760	1001170094.....905	1001172751 909
1001166085 889	1001168473.....721, 725, 728, 732, 737, 741, 745, 748, 753, 756, 761	1001170098.....53	1001172760 541, 543
1001166096 493, 495	1001168950.....310	1001170099.....53	1001172833 159, 163, 167, 179, 187
1001166153 59, 61	1001169046.....158, 162, 166, 170, 178, 185, 191	1001170224.....399	1001173006 612, 618, 624, 631, 636, 643, 648, 655, 661, 667, 673
1001166155 59	1001169054.....209, 215, 221, 241, 273, 309, 369, 383	1001170226.....487, 489, 491	1001173027 613, 619, 625, 631, 637, 643, 649, 655, 661, 667, 673
1001166156 59		1001170334.....487	
1001166157 59		1001170375.....503, 505, 507, 509	
1001166208 595		1001170458.....61	
1001166232 79		1001170459.....61	
1001166239 29		1001170460.....61	
1001166305 319		1001170475.....183	
1001166316 155		1001170480.....117, 119, 121, 123	
1001166651 489, 491		1001170663.....401	
1001166717 325, 350		1001170664.....401, 403	
1001166718 209, 215, 221, 241, 273, 287, 289, 309, 325, 350, 369, 383			
1001166767 127			

SECTION 11 - SPECIAL OPTIONS/ACCESSORIES/KITS

1001173028.....613, 619, 625, 631, 637, 643, 649, 655, 661, 667, 673	1001173061 613, 619, 625, 631, 637, 643, 649, 655, 661, 667, 673	1001176302 613, 619, 643, 649	1001180035..... 613, 619, 625, 631, 637, 643, 649, 655, 661, 667, 673
1001173029.....613, 619, 625, 637, 643, 649, 655, 661, 667	1001173062 613, 619, 625, 637, 643, 649, 655, 661, 667	1001176330 369, 383	1001180056.....493, 495
1001173034.....612, 618, 624, 631, 636, 643, 649, 655, 661, 667, 673	1001173063 613, 619, 625, 631, 637, 643, 649, 655, 661, 667, 673	1001176343 909	1001180540.....489, 491
1001173035.....612, 618, 624, 631, 636, 643, 649, 655, 661, 667, 673	1001173066 613, 619, 625, 637, 643, 649, 655, 661, 667	1001176469 133, 135	1001180541.....487
1001173036.....612, 618, 625, 631, 637, 643, 649, 655, 661, 667, 673	1001173535 368, 382	1001176848 23, 25	1001180620.....210, 216, 222, 242, 273, 309, 369, 383
1001173037.....613, 619, 625, 631, 637, 643, 649, 655, 661, 667, 673	1001173631 618, 636, 648, 660	1001176862 701	1001180797.....415
1001173038.....613, 619, 625, 631, 637, 643, 649, 655, 661, 667, 673	1001173810 443	1001176951 720, 724, 728, 740, 744, 748, 752, 779	1001180798.....411
1001173039.....613, 619, 625, 631, 637, 643, 649, 655, 661, 667, 673	1001173811 439	1001177359 209, 215, 221, 242, 273, 310	1001180872.....477
1001173040.....625, 631, 637, 655, 661, 667, 673	1001173925 424, 428, 440, 444	1001177820 115	1001180916.....47
1001173041.....625, 631, 637, 655, 661, 667, 673	1001173973 559	1001177821 115	1001181045.....789, 795, 904
1001173042.....613, 619, 625, 631, 637, 643, 649, 655, 661, 667, 673	1001173975 559	1001177834 115	1001181145.....891
1001173043.....613, 619, 625, 631, 637, 643, 649, 655, 661, 667, 673	1001173983 427	1001177896 489, 491	1001181243.....416, 420
1001173044.....625, 631, 637, 655, 661, 667, 673	1001173984 423	1001177897 489, 491	1001181358.....197, 203, 228, 234, 257, 265, 293, 301, 815
1001173045.....625, 631, 637, 655, 661, 667, 673	1001174040 485, 501	1001178133 493, 495	1001181527.....79
1001173046.....625, 631, 637, 655, 661, 667, 673	1001174065 493	1001178135 493, 495	1001181621.....725, 729, 737, 741, 745, 753, 761
1001173048.....625, 631, 637, 655, 661, 667, 673	1001174098 158, 162, 178	1001178228 189	1001181875.....721, 733, 749, 757
1001173049.....625, 631, 637, 655, 661, 667, 673	1001174158 424, 436, 705, 707	1001178448 721, 725, 729, 733, 737, 741, 745, 749, 753, 757, 761	1001181895.....222, 242
1001173052.....613, 619, 625, 631, 637, 643, 649, 655, 661, 667, 673	1001174367 447	1001178449 721, 725, 729, 733, 737, 741, 745, 749, 753, 757, 761	1001181913.....79
1001173053.....613, 619, 625, 631, 637, 643, 649, 655, 661, 667, 673	1001174378 399	1001178554 487	1001181923.....721, 725, 729, 733, 737, 741, 745, 749, 753, 757, 761
1001173054.....613, 619, 625, 631, 637, 643, 649, 655, 661, 667, 673	1001174486 361, 376	1001178555 487	1001182169.....158, 162, 166, 170, 178
1001173055.....643, 649, 655, 661, 667, 673	1001174536 495	1001178636 477, 479, 489	1001182296.....412, 416, 420
1001173056.....643, 649, 655, 661, 667, 673	1001174537 495	1001178644 721, 725, 729, 733, 737, 741, 745, 749, 753, 757, 761	1001182361.....801, 806, 810
1001173057.....643, 649, 655, 661, 667, 673	1001174654 908	1001178788 209, 215, 221, 241, 273, 309	1001182365.....801, 806, 810
1001173058.....613, 619, 625, 631, 637, 643, 649, 655, 661, 667, 673	1001174675 436, 440, 444, 448, 452	1001178859 325, 351	1001182561.....721, 725, 729, 733, 737, 741, 745, 749, 753, 757, 761
1001173059.....613, 619, 625, 631, 637, 643, 649, 655, 661, 667, 673	1001174748 736, 760, 769	1001178876 209, 215, 221, 242	1001182806.....143
	1001174749 711, 720, 724, 740, 783	1001179154 428, 432, 444, 448, 452	1001182875.....158, 162, 166, 170, 174, 178
	1001174750 736, 777	1001179236 140, 797	1001182877.....158, 166, 170, 174
	1001174754 732, 736, 785	1001179266 721, 725, 729, 733, 737, 741, 745, 749, 753, 757, 761	1001182879.....158, 162, 166, 170, 174, 178
	1001174766 908	1001179339 117, 119, 121, 123	1001182997.....119, 123
	1001174767 908	1001179364 752	1001183407.....910
	1001174777 237, 240	1001179439 732, 736, 756, 760, 781	1001183477.....412, 416
	1001174783 341, 347, 350	1001179517 ... 65, 67, 69, 71, 73	1001184618.....541, 543
	1001174784 335, 339, 341	1001179626 475, 487	1001184626.....541, 543
	1001174785 335	1001179737 736	1001184637.....408, 412
	1001174976 147	1001179738 724, 740	1001184644.....408, 412
	1001175024 642, 648, 654, 660, 666, 672	1001179771 760	1001184645.....408, 412
	1001175542 431	1001179776 744	1001184682.....145
	1001175631 428, 432	1001179836 415, 419	1001185025.....407
	1001175663 744	1001179837 415, 419	1001185030.....19, 21
	1001175664 744	1001179893 416, 420	1001185281.....541, 543
	1001176299 613, 619, 643, 649	1001179903 210, 215, 222, 242, 273, 310	1001185747.....721, 725, 729, 733, 737, 741, 745, 749, 753, 757, 761
	1001176300 613, 619, 643, 649	1001179904 158, 162, 166, 170, 178	1001185821....85, 87, 89, 91, 97
	1001176301 613, 619, 643, 649	1001180001 415, 419	1001185964.....852, 856
		1001180004 477, 479, 481, 495	1001186375.....529
		1001180006 475, 493	

SECTION 11 - SPECIAL OPTIONS/ACCESSORIES/KITS

1001186377 531	1001194428..... 613, 619, 625, 637, 643, 649, 655, 661, 667	1001207336.....612, 618, 624, 630, 636, 642, 648, 654, 660, 666, 673	1001214553 369, 383
1001186378 533	1001194888..... 185	1001207347 119	1001214555 369, 383
1001186385 525	1001195039..... 362, 376	1001207348 123	1001214556 369, 383
1001186386 523	1001195490..... 890	1001207355 666	1001214558 369, 383
1001186387 521	1001195491..... 890	1001208874.....85, 87, 89, 91, 93	1001214570 713
1001186388 535	1001195746..... 889	1001208994 501	1001214571 713
1001186431 553, 905	1001196012..... 909	1001209059 910	1001214598 369, 384
1001186432 831, 849	1001196376..... 361, 376	1001209617 143	1001214599 370, 384
1001186517 553	1001196382..... 424, 428, 432, 436, 440, 444, 448	1001209664 553	1001214616 613, 619, 625, 637
1001186976 909	1001196634..... 285, 904	1001209677 709	1001214664 370, 384
1001187352 408, 819	1001196635..... 852, 856, 905	1001209832 709	1001214694 370, 384
1001187382 501	1001196636..... 861	1001209844 369, 383, 391	1001214833 909
1001187383 501	1001196637..... 140	1001210036 911	1001214841 370, 384
1001187522 412, 416, 420, 817	1001197017..... 573, 575	1001210356 612, 624, 630, 642, 654, 666, 673	1001214909 419
1001187674 551	1001197039..... 613, 619, 625, 631, 637, 643, 649, 655, 661, 667, 673	1001210636 557	1001214975 325, 351
1001187681 843	1001197221.... 65, 67, 69, 71, 73	1001211336 123	1001215058 467, 469, 471, 473
1001187816 711	1001197719..... 806, 810, 904	1001211556 277	1001215105 503, 507, 515
1001188622 501	1001200128..... 891	1001211716 158, 162, 166, 170, 178	1001215125 370, 384
1001188731 412, 416, 420	1001200129..... 891	1001211717 158, 162, 166, 170, 174, 178	1001215181 908
1001188732 408	1001200130..... 891	1001211794 369, 383	1001215225 461
1001188844 501	1001200131..... 891	1001211797 369, 383	1001215227 612, 618, 642, 648
1001188883 889	1001200132..... 891	1001212223 448, 452	1001215228 541, 543
1001188972 228, 234, 335, 339, 345, 376	1001200133..... 891	1001212257 361, 376	1001215259 362, 376
1001189001 501	1001200134..... 891	1001212989 369, 383	1001215378 .. 69, 89, 507
1001189002 501	1001200458..... 187	1001212993 369, 383	1001215394 162, 178
1001189171 793, 904	1001200491..... 501	1001213029 420, 452	1001215503 27
1001189172 793, 904	1001200494..... 501	1001213060 362, 376	1001215504 27
1001189882 875	1001201351..... 501	1001213061 362, 376	1001215523 452
1001190368 23, 25	1001202333..... 185, 191	1001213305 369, 383	1001215659 .. 65, 85, 503
1001190633 495	1001202687..... 501	1001213425 369, 383	1001215813 362, 376
1001190663 143, 145	1001202744..... 575	1001213426 369, 383	1001215850 889
1001190913 871, 875	1001202745..... 573	1001213447 829	1001215865 909
1001190985 501	1001202749..... 909	1001213448 140	1001215868 909
1001191230 745	1001202830..... 189	1001213482 369, 383	1001215869 370, 384
1001191394 909	1001202910..... 612, 618, 624, 630, 636, 642, 648, 654, 660, 666, 672	1001213706 362, 376, 813	1001216308 362, 376
1001191395 909	1001203322..... 183	1001213794 174	1001216400 362, 376
1001191620 210, 216, 222, 242, 273, 309	1001203510..... 911	1001213824 369, 383	1001216401 362, 376
1001191832 158, 162, 166, 170, 178, 197, 203, 228, 234, 257, 265, 293, 302, 319, 329, 335, 339, 345	1001203511..... 911	1001213882 541, 543	1001216405 362, 376
1001192294 310	1001203654..... 535	1001214138 369, 383	1001216415 403
1001192401 856	1001204110..... 910	1001214159 27	1001216416 403
1001193018 679, 681, 683, 685, 687, 689, 691, 693, 695, 697, 699	1001204481..... 909	1001214163 .. 67, 87, 505	1001216512 403
1001193049 309	1001204482..... 909	1001214174 27, 33	1001216552 910
1001193336 117, 119, 121	1001204510..... 871, 890	1001214205 369, 383	1001216599 178
1001194197 691	1001204725..... 501	1001214207 199, 205, 237, 249, 261, 269, 297, 305, 321, 331, 341, 347, 365, 379	1001216630 501
1001194198 693	1001205958..... 687, 689, 691, 693, 695, 697	1001214233 369, 383	1001216639 467, 469, 471, 473
1001194200 695	1001206314..... 174	1001214234 369, 383	1001216677 162, 178
1001194203 679	1001206436..... 101	1001214269 383	1001216802 624
1001194204 683	1001206438..... 908	1001214276 369, 383	1001216805 420, 452
1001194365 699	1001206476..... 713	1001214277 369, 383	1001216825 370, 384
1001194424 624, 631, 636, 655, 660, 667, 673	1001206532..... 541, 543	1001214278 369, 383	1001216840 420
1001194425 625, 631, 637, 655, 661, 667, 673	1001206625..... 591, 593	1001214307 369, 383	1001217342 419, 452
1001194427 643, 649, 655, 661, 667	1001206916..... 119, 123	1001214316 65, 67, 75	1001217343 368, 382
	1001207335..... 612, 618, 624, 630, 636, 642, 648, 654, 660, 666, 673	1001214397 713	1001217344 419, 452
		1001214503 362, 376	1001217345 362, 376, 419, 452
		1001214508 369, 383	1001217440 732, 775
		1001214546 420, 452	1001217441 732, 756, 767
			1001217443 732
			1001217444 756
			1001217461 908

SECTION 11 - SPECIAL OPTIONS/ACCESSORIES/KITS

1001217494.....362, 368, 376, 382	1001225580 553, 831	1001236258 376, 379	1001245197.....63
1001217779.....467, 469, 471, 473, 483, 497	1001225794 909	1001236259 379, 382	1001245198.....63
1001217785.....362, 375	1001226530 713	1001236393 369, 383, 387	1001245211.....63
1001217904.....875	1001226541 856	1001236496 911	1001245656.....135
1001217935.....642	1001226872 527	1001236552 555	1001246142.....908
1001217936.....612	1001227278 908	1001236780 273	1001246286.....537, 541
1001218533.....113	1001227633 551	1001236891 569, 571	1001246297.....537
1001218535.....113	1001227634 551	1001236895 569, 571	1001246369.....140
1001218537.....113	1001227985 551	1001237383 856	1001246402.....867
1001218622.....748, 752, 756, 760	1001227987 551	1001237546 137	1001246403.....877
1001218623.....748, 752, 756, 760	1001227993 493	1001237667 829, 852, 856	1001246405.....869
1001218940.....467	1001227996 845, 847	1001237668 829, 852, 856	1001246406.....879
1001218941.....469	1001228215 527	1001237863 551, 845	1001246407.....887
1001218942.....471	1001228224 551, 905	1001237864 551, 847	1001246433.....908
1001218943.....467	1001228225 551, 905	1001237865 551, 843	1001246434.....908
1001218946.....469	1001228960 908	1001237878 713	1001246435.....539, 543
1001218947.....471	1001228988 565, 899, 901	1001237879 713	1001246436.....539
1001218978.....908	1001229138 559	1001237880 713	1001246446.....129
1001218979.....720	1001229341 551	1001237881 713	1001246450.....131
1001218980.....748	1001229795 827	1001238254 541, 543, 829	1001246451.....133
1001218999.....612, 618, 642, 648	1001229796 827	1001238263 569, 571	1001246859.....856
1001219000.....469, 471	1001229797 362, 376, 827	1001238319 551	1001247073.....911
1001219001.....467, 469, 720	1001230635 209, 216, 222, 241, 273, 309	1001238418 555, 849	1001247248.....889
1001219002.....471, 473, 748	1001230931 787	1001238421 501, 910	1001247359.....370, 384
1001219003.....467, 469, 471, 473, 475	1001230934 801, 806, 810	1001238466 721, 725, 729, 733, 737, 741, 745, 749, 753, 757, 761	1001247440.....257, 266
1001219004.....461, 475	1001230935 801, 806, 810	1001238472 555	1001247468.....501, 905
1001219129.....113	1001230936 801, 806, 810	1001238495 553	1001247656.....435
1001219201.....158	1001231235 911	1001238559 555	1001247800.....910
1001219202.....162	1001231801 889	1001238911 273	1001248008.....867, 869, 871, 873, 875, 879, 881, 883, 885, 887, 889
1001219601.....140, 905	1001231886 143	1001239202 805, 809	1001248140.....569, 571
1001220003.....909	1001232026 867, 869, 871, 873, 875, 877, 879, 881, 883, 885, 887	1001239371 891	1001248141.....569, 571
1001220266.....258, 266	1001232164 551	1001239573 911	1001248190.....436
1001220379.....802	1001232165 551	1001239574 911	1001249052.....911
1001221203.....309	1001232642 555	1001239575 910	1001249695.....911
1001221212.....309	1001232667 555, 905	1001241254 908	1001249941.....911
1001223055.....867, 869	1001232842 285	1001241284 170	1001249965.....209, 241, 245
1001223118.....115, 867, 869, 871, 875, 877, 879, 887	1001232847 908	1001241295 171, 189	1001250291.....158, 166, 170
1001223122.....273, 424, 428, 432, 436, 440, 444, 448	1001233047 910	1001241299 171	1001250595.....911
1001223453.....867, 869, 877, 879	1001233080 910	1001241397 909	1001252527.....801, 806, 810
1001223459.....801, 805, 809	1001233139 23	1001241547 911	1001252629.....569, 571
1001223777 174	1001233479 149	1001241548 911	1001252926.....613, 619, 625, 637, 643, 649, 655, 661, 667
1001223971.....877, 879	1001233763 228, 234, 285	1001241965 555	1001253375.....831
1001224048.....885	1001233899 166, 170	1001242589 909	1001253628.....465, 599
1001224049.....887	1001233959 137, 545	1001242639 908	1001253629.....465, 585
1001224050.....881	1001234295 91, 93	1001242855 151	1001254472.....555
1001224052.....873	1001234800 801, 805, 810	1001242856 153	1001254473.....555
1001224053.....883	1001235053 473	1001243183 908	1001254716.....461, 463, 465, 595
1001224889.....489	1001235055 473	1001243184 908	1001254742.....463, 465, 593
1001224894.....487	1001235949 216, 222, 273, 283	1001243331 909	1001255133.....485, 501
1001225346.....713, 905	1001236091 137	1001243414 158, 166, 170	1001255511.....867, 869
1001225430.....245, 251, 278	1001236122 910	1001243895 285	1001255512.....877, 879
1001225431.....251, 278	1001236123 908	1001244019 289	1001255513.....885
	1001236251 361	1001244024 287	1001255514.....881
	1001236253 375	1001244287 257	1001255515.....873
	1001236254 361, 365	1001244293 851	1001255516.....887
	1001236256 365, 368	1001244294 859	1001255517.....883
	1001236257 369, 383	1001244298 875	1001255807.....908
		1001244301 875	1001256179.....21, 581
		1001245195 63	
		1001245196 63	

SECTION 11 - SPECIAL OPTIONS/ACCESSORIES/KITS

1001256205 885	1001265389..... 185	1001271961..... 890	1001279651 174
1001256206 881	1001265390..... 191	1001271963..... 890	1001280240 174
1001256207 873	1001265688..... 910	1001271964..... 890	1001280242 174
1001256208 883	1001266290..... 910	1001271965..... 890	1001280270 309
1001256416 909	1001266465..... 910	1001271966..... 890	1001280340 140, 905
1001256506 802	1001266491..... 910	1001271967..... 890	1001280549 174
1001256507 801	1001266664..... 149	1001272083..... 909	1001280826 465
1001256879 257, 266	1001266711..... 461, 603	1001272123..... 451	1001281192 435
1001257271 569, 571	1001266738..... 461, 591	1001272149..... 890	1001281298 455, 457
1001257274 569, 571	1001266799..... 910	1001272166..... 910	1001281301 455, 457
1001257275 571	1001266801..... 910	1001272178..... 910	1001281302 457
1001258005 571	1001266807..... 910	1001272182..... 910	1001281304 455
1001258112 309, 313	1001266969..... 910	1001272197..... 909	1001281305 455
1001258231 910	1001267283..... 910	1001272274..... 910	1001281307 455
1001258337 297, 305, 308	1001267310..... 889	1001272287..... 889	1001281309 455
1001258338 293, 297	1001268820..... 561, 563, 567	1001272310..... 910	1001281310 455, 457
1001258339 293	1001269322..... 561, 563, 565	1001272313..... 910	1001281311 455, 457
1001258385 294, 302, 315	1001269476..... 174	1001272446..... 55	1001281359 455, 457
1001258406 405	1001269573..... 561, 563, 565	1001272447..... 55	1001281360 455, 457
1001258495 845, 847	1001269629..... 909	1001272671 463, 465, 605	1001281380 457
1001258502 310	1001269630..... 909	1001272681..... 151	1001281454 910
1001258505 405	1001269631..... 909	1001272682..... 153	1001281455 910
1001258629 310	1001270515..... 909	1001273302..... 467, 469, 471, 473, 720, 724, 728, 740, 745, 748, 752	1001281459 910
1001258800 435	1001270594..... 147	1001273303..... 720, 724, 728, 732, 736, 740, 745, 748, 752, 756, 760	1001281460 910
1001258804 273	1001270716..... 911	1001273304..... 732, 736, 756, 760	1001281461 910
1001259230 183, 189	1001270755..... 911	756, 760	1001281623 191
1001260306 721, 725, 729, 733, 737, 741, 745, 749, 753, 757, 761	1001271323..... 856	1001273650..... 463	1001281656 455, 457
1001260412 210, 216, 222, 242, 273	1001271413... 73, 93, 511	1001274217 117, 119, 121, 123	1001281985 216, 222, 310
1001260420 209, 216, 222, 241, 273	1001271414..... 93, 99	1001274525 117, 125	1001281986 216, 222, 310
1001260575 310	1001271497..... 829	1001274559..... 129, 131, 133, 135, 541, 543	1001282099 908
1001261045 435	1001271649..... 452	1001274831..... 909	1001282106 137, 545
1001261085 435	1001271687..... 890	1001274832..... 909	1001282215 910
1001261335 569	1001271688..... 890	1001274833..... 909	1001282434 911
1001261338 569	1001271689..... 890	1001275628..... 541, 543, 904	1001282461 911
1001262016 911	1001271691..... 890	1001275629..... 541, 543, 904	1001282492 140, 855
1001262959 908	1001271692..... 890	1001275635..... 612, 618, 624, 630, 636, 642, 648, 654, 660	1001282533 140, 861
1001263174 145	1001271695..... 890	1001275643..... 911	1001282831 117
1001263395 911	1001271696..... 890	1001275644..... 911	1001283776 147, 149, 717
1001263663 191	1001271697..... 890	1001275656..... 911	1001284504 721, 725, 729, 733, 737, 741, 745, 749, 753, 757, 761
1001263664 185	1001271698..... 890	1001275662..... 911	1001284582 545
1001263668 191	1001271699..... 890	1001275666..... 911	1001284583 545
1001263669 185	1001271700..... 890	1001275662..... 908	1001284875 867, 869, 871, 873, 875, 877, 879, 881, 883, 885, 887
1001263677 185	1001271701..... 890	1001276610..... 908	1001284957 117, 119, 121
1001263678 191	1001271702..... 890	1001276626..... 151, 153	1001284958 123
1001263693 185	1001271703..... 890	1001276643..... 216, 222, 273, 805	1001285012 31
1001263694 191	1001271704..... 890	1001276923..... 908	1001285271 465, 589
1001263696 174	1001271705..... 890	1001277009..... 103, 111	1001285597 158, 163, 167, 179, 181
1001263699 174, 185	1001271707..... 890	1001277273..... 103	1001285598 158, 162
1001263787 191	1001271708..... 890	1001277432..... 210, 242, 274, 310, 325, 351	1001285632 205, 237, 269, 305, 331, 347, 397
1001263793 174	1001271709..... 890	1001277589..... 274, 277	1001285636 455
1001264731 135	1001271710..... 891	1001277594..... 261, 269, 272	1001285640 191
1001264732 133	1001271711..... 891	1001277600..... 257, 261	1001285641 174, 191
1001264733 131	1001271712..... 891	1001277839..... 909	1001285691 167, 178
1001264734 129	1001271712..... 891	1001278022..... 31, 45	1001285788 171, 183
1001264981 21	1001271888..... 910	1001278890..... 654	1001285790 170
1001265163 557	1001271950..... 890		1001285811 909
1001265186 503, 505, 507, 509, 511	1001271951..... 890		
1001265273 728	1001271952..... 890		
1001265275 711	1001271953..... 890		
1001265342 557	1001271954..... 890		
	1001271955..... 890		
	1001271956..... 890		
	1001271957..... 890		
	1001271958..... 890		
	1001271959..... 890		

SECTION 11 - SPECIAL OPTIONS/ACCESSORIES/KITS

1001286019.....103, 107	1001300785 345	1320223 ... 227, 233, 335,	1703162.....208, 214, 220,
1001286266.....908	1001300786 345, 347	339, 345, 375, 713	240, 272, 308, 324,
1001286568.....309	1001300787 265	1320263 294, 301	350, 368, 382
1001286650.....121	1001300788 266, 269	1320302 ... 561, 563, 565	1703450.....893
1001286651.....121	1001300789 301	1321283 361, 375	1703687.... 867, 869, 871,
1001287536.....455	1001300790 302, 305	1321293 127	873, 875, 877, 879,
1001287552.....455	1001300813 672	1321647 851, 856	881, 883, 885, 887
1001287643.....309	1001300956 631, 673	1321716 ... 197, 203, 208,	1703797.....867, 869
1001287812.....908	1001300957 631, 673	214, 220, 227, 233,	1703804.....867, 869
1001287813.....908	1001300958 631, 673	240, 257, 265, 272,	1703805.....867, 869
1001287814.....908	1001300959 631, 673	293, 301, 319, 329,	1703923.....887
1001287816.....339	1001300961 631, 673	335, 339, 345, 407,	1703924.....877, 879
1001287817.....636	1001300962 673	411, 415, 424, 428,	1703925.....881
1001287818.....648	1001300963 631, 673	432, 435, 440, 444, 448	1703926.....883
1001287819.....618	1001301018 630	1580011 368, 382	1703927.....885
1001287820.....660	1001301085 631	1580012 549	1703928.....873
1001288113.....455	1001301504 329, 331	1580013 910	1703935.....887
1001288266.....309	1001301505 329	1670603 699	1703936.....877, 879
1001288366.....310	1001301928 491	1670836 ... 487, 489, 491	1703937.....881
1001288705.....889	1001302435 481	1671092 ... 444, 448, 452,	1703938.....883
1001289219.....485, 499	1001302763 481, 491	744	1703939.....885
1001289589.....791	1001302954 216, 222,	1671093 563, 744	1703940.....873
1001289592.....707, 791	251	1684290 579	1703941.....887
1001289831.....911	1001302955 199, 214	1700818 889	1703942.....877, 879
1001289832.....911	1001302956 220, 249	1701499 ... 867, 869, 871,	1703943.....881
1001289905.....911	1001302961 197, 199	873, 875, 877, 879,	1703944.....883
1001289906.....911	1001302963 228, 249	881, 883, 885, 887	1703945.....885
1001290271.....909	1001302970 197	1701500 ... 867, 869, 871,	1703946.....873
1001290348.....889	1001302972 227	873, 875, 877, 879,	1703947.....887
1001290385.....457	1001306174 479, 481,	881, 883, 885, 887	1703948.....877, 879
1001290660.....309, 809	485	1701504 ... 867, 869, 871,	1703949.....881
1001291401.....210, 216,	1001306175 479	873, 875, 877, 879,	1703950.....883
222, 274	1001308137 183	881, 883, 885, 887	1703951.....885
1001291458.....889	1001311034 555, 905	1701505 ... 197, 203, 227,	1703952.....873
1001291599.....707	1060341 573, 575	233, 257, 265, 293,	1703953.....867, 869
1001292418.....891	1060343 ... 444, 448, 452	301, 319, 329, 335,	1703980.....883
1001292585.....911	1060461 ... 771, 773, 783	339, 345	1703981.....885
1001293086.....436	1060494 ... 412, 416, 420	1701509 ... 559, 867, 869,	1703982.....881
1001293223.....908	1060626 ... 227, 233, 335,	871, 873, 875, 877,	1703983.....887
1001293299.....911	339, 345, 375	879, 881, 883, 885, 887	1703984.....877, 879
1001293845.....909	1060903 573, 575	1701518 ... 871, 875, 897	1703985.....873
1001293868.....911	1060908 ... 789, 791, 793,	1701529 ... 867, 869, 871,	1704000.....877, 879, 889
1001294063.....911	795	873, 875, 877, 879,	1704001.....887, 889
1001294815.....889	1060918 547	881, 883, 885, 887	1704002.....873, 889
1001294864.....889	1062255 ... 258, 265, 293,	1701542 361, 375	1704260.....541, 543
1001295060.....457	301	1701543 361, 375	1704271.....889
1001295061.....457	10702077 . 440, 445, 449,	1701691 ... 158, 162, 166,	1704277.... 867, 869, 871,
1001295062.....457	453	170, 178	873, 875, 877, 879,
1001295063.....457	10702082 . 440, 445, 449,	1702300 ... 867, 869, 871,	881, 883, 885, 887
1001295064.....457	453	873, 875, 877, 879,	1704412.... 867, 869, 871,
1001295067.....457	10836804 . 129, 131, 133,	881, 883, 885, 887	873, 875, 877, 879,
1001295068.....457	135	1702565 541, 543	881, 883, 885, 887
1001295280.....910	1120555 559	1702566 541, 543	1704455.....897
1001296426.....825	1320016 324, 350	1702567 541, 543	1704456.....897
1001297092.....457	1320022 ... 197, 203, 227,	1702773 875, 889	1704457.....895
1001297093.....457	233, 257, 265, 319,	1702774 889	1704482.....893
1001297094.....457	329, 335, 339, 345	1702860 889	1704576.....895
1001297389.....129, 131,	1320043 ... 721, 725, 729,	1702868 ... 565, 867, 869,	1704577.....895
133, 135	733, 737, 741	889, 901	1704578.....893
1001297748.....499	1320061 258, 265	1702941 ... 227, 233, 335,	1704752.....889
1001298141.....315	1320130 ... 724, 728, 732,	339, 345, 375	1704885.... 867, 869, 871,
1001299212.....310	736, 740, 744, 752,	1702942 ... 227, 233, 335,	873, 877, 879, 881,
1001299782.....140, 823	756, 760	339, 345, 375	883, 885, 887
1001300726.....203, 205	1320176 399	1702943 ... 227, 233, 335,	1704972.....319, 335, 889
1001300727.....203	1320218 361, 375	339, 345, 375	1705014.....535
1001300783.....233	1320220 361, 375	1702944 ... 227, 233, 335,	1705305.....565, 899, 901
1001300784.....234, 237		339, 345, 375	1705325.....679, 681

SECTION 11 - SPECIAL OPTIONS/ACCESSORIES/KITS

1705336	867, 869	2220238	79, 612, 618, 624, 630, 636, 642, 654, 666, 672	2220603.....	612, 618, 624, 630, 636, 642, 648, 654, 660, 666, 672	2580062	350
1705344	883	2220261	368, 382	2220628.....	612, 618, 624, 630, 636, 642, 648, 654, 660, 666, 672	2600281	521, 523, 525
1705345	885	2220290	361, 375	2220767	257	2720015 ...	208, 214, 220, 240, 272, 308
1705347	877, 879	2220315	368, 382	2220811.....	612, 618, 624, 630, 636, 642, 648, 654, 660, 666, 672	2720058 ...	197, 203, 227, 233, 257, 265, 319, 329, 335, 339, 345, 370, 384
1705349	873	2220366	630, 672	2220881.....	581	2720271	370, 384
1705351	867, 869	2220371 ...	624, 630, 636, 654, 660, 666, 672	2220883.....	41, 43, 75, 77, 579, 581, 589, 612, 618, 624, 630, 636, 642, 648, 654, 660, 666, 672	2720340 ...	208, 214, 220, 240, 272
1705355	899, 901	2220372	79, 612, 618, 624, 630, 636, 642, 648, 654, 660, 666, 672	2220906.....	612, 618, 624, 630, 636, 642, 648, 654, 660, 666, 672	2720398	324, 351
1705358	889	2220373 ...	612, 618, 624, 630, 636, 642, 648, 654, 660, 666, 672	2220923.....	612, 618, 624, 630, 636, 642, 648, 654, 660, 666, 672	2720447	324, 351
1705374 ...	427, 431, 701, 703	2220374 ...	612, 618, 624, 630, 636, 642, 648, 654, 660, 666, 672	2220940.....	612, 618, 624, 630, 636, 642, 648, 654, 660, 666, 672	2720615	370, 384
1705375	445, 449, 453	2220375 ...	612, 618, 624, 630, 636, 642, 648, 654, 660, 666, 672	2220946.....	612, 618, 624, 630, 636, 642, 648, 654, 660, 666, 672	2720644	368, 382
1705387 ...	427, 431, 445, 449, 453	2220408 ...	618, 636, 648, 660	2220985.....	77, 581, 589	2752504 ...	613, 619, 625, 631, 637, 643, 649, 655, 661, 667, 673
1705426	883	2220415 ...	624, 630, 636, 642, 648, 654, 660, 666, 672	2220988.....	43	2752519 ...	613, 619, 625, 631, 637, 643, 649, 655, 661, 667, 673
1705427	885	2220435 ...	612, 624, 630, 642, 654, 666, 672	2220990.....	612, 618, 624, 630, 636, 642, 648, 654, 660, 666, 672	2780267 ...	27, 29, 31, 35
1705429	877, 879	2220451 ...	324, 350, 612, 618, 624, 630, 636, 642, 648, 654, 660, 666, 672	2220994.....	612, 618, 624, 630, 636, 642, 648, 654, 660, 666, 672	2780268	29, 31, 39
1705430	881	2220466 ...	612, 618, 624, 630, 636, 642, 648, 654, 660, 666, 672	2220998.....	612, 618, 624, 630, 636, 642, 648, 654, 660, 666, 672	2820031 ...	407, 411, 415, 419, 423, 427, 431, 435, 439, 443, 447, 451, 720, 724, 728, 732, 736, 740, 744, 748, 752, 756, 760, 779, 781
1705460 ...	441, 445, 449, 453	2220468 ...	612, 618, 624, 630, 636, 642, 648, 654, 660, 666, 672	2221033.....	612, 618, 624, 630, 636, 642, 648, 654, 660, 666, 672	2820035	285
1705461	441	2220469 ...	612, 618, 624, 630, 636, 642, 648, 654, 660, 666, 672	2221036.....	630, 672	2820118	767
1705489 ...	423, 435, 440, 441	2220472 ...	612, 618, 624, 630, 636, 642, 648, 654, 660, 666, 672	2221040.....	642, 648, 654, 660, 666, 672	2820247	845, 847
1705822	871, 875	2220479	630, 672	2221052.....	79	2860030 ...	129, 131, 133, 905
1705828	871, 875	2220497 ...	612, 618, 624, 630, 636, 642, 648, 654, 660, 666, 672	2221086.....	77, 517, 612, 618, 624, 630, 636, 642, 648, 654, 660, 666, 672	2900756	77
1705910	887	2220500 ...	642, 648, 654, 660, 666, 672	2221087.....	77, 517, 612, 618, 624, 630, 636, 642, 648, 654, 660, 666, 672	2900770 ...	583, 589, 603, 605
1705917	887	2220501 ...	612, 618, 624, 630, 636, 642, 648, 654, 660, 666, 672	2221099.....	612, 618, 624, 630, 636, 642, 648, 654, 660, 666, 672	2900792	587
1705961	871, 875	2220579	79	2221136.....	630, 672	2901443	911
1705968	881, 889	2220582 ...	612, 618, 624, 630, 636, 642, 648, 654, 660, 666, 672	2221137.....	630, 672	2902065 ...	208, 214, 220, 240, 272, 308, 324, 351, 357
1705969	885, 889	2220583 ...	612, 618, 624, 630, 636, 642, 648, 654, 660, 666, 672	2221138.....	362, 376	2902217	561, 563
1706059	889	2220584 ...	612, 618, 624, 630, 636, 642, 648, 654, 660, 666, 672	2221139.....	439, 443	2902266	579
1706060	889	2220596 ...	612, 618, 624, 630, 636, 642, 648, 654, 660, 666, 672	2221140.....	411	2902443 ...	799, 801, 805, 809
1706061	889	2220600 ...	612, 618, 624, 630, 636, 642, 648, 654, 660, 666, 672	2221141.....	147, 149, 151, 153	2902549	705, 789
1706062	889	2220603	612, 618, 624, 630, 636, 642, 648, 654, 660, 666, 672	2221142.....	541, 543	2940045	191
1706063	889	2220604	612, 618, 624, 630, 636, 642, 648, 654, 660, 666, 672	2221143.....	181, 183, 185, 187, 189, 191	2940074 ...	521, 523, 525, 905
1706064	889	2220605	612, 618, 624, 630, 636, 642, 648, 654, 660, 666, 672	2221144.....	411, 416, 420	2940173 ...	181, 183, 185, 187, 189, 191
1706098	889	2220606	612, 618, 624, 630, 636, 642, 648, 654, 660, 666, 672	2221145.....	362, 376	3020037	297, 305
1706385	535	2220607	612, 618, 624, 630, 636, 642, 648, 654, 660, 666, 672	2221146.....	439, 443	3160348	29, 43
2030010	561, 563, 565	2220608	612, 618, 624, 630, 636, 642, 648, 654, 660, 666, 672	2221147.....	411	3160351	27, 41
2060025	324, 350	2220609	612, 618, 624, 630, 636, 642, 648, 654, 660, 666, 672	2221148.....	147, 149, 151, 153	3250872	893
2080040 ...	423, 435, 521, 523, 525, 705, 707, 709	2220610	612, 618, 624, 630, 636, 642, 648, 654, 660, 666, 672	2221149.....	147, 149, 151, 153	3251102	435
2110810 ...	612, 618, 624, 630, 636, 642, 648, 654, 660, 666, 672	2220611	612, 618, 624, 630, 636, 642, 648, 654, 660, 666, 672	2221150.....	541, 543	3251242 ...	683, 685, 687, 689, 691, 693, 695, 697, 699
2110812 ...	612, 618, 624, 630, 636, 642, 648, 654, 660, 666, 672	2220612	612, 618, 624, 630, 636, 642, 648, 654, 660, 666, 672	2221151.....	181, 183, 185, 187, 189, 191	3251243 ...	411, 415, 419, 427, 431, 445, 449, 867, 869, 873, 877, 879, 887
2131212	630, 672	2220613	612, 618, 624, 630, 636, 642, 648, 654, 660, 666, 672	2221152.....	227, 233, 335, 339, 345, 375	3251813 ...	867, 869, 873, 877, 879, 887
2151212 ...	612, 618, 624, 636, 642, 648, 654, 660, 666	2220614	612, 618, 624, 630, 636, 642, 648, 654, 660, 666, 672	2221153.....	541, 543		
2160001	101, 103	2220615	612, 618, 624, 630, 636, 642, 648, 654, 660, 666, 672	2221154.....	181, 183, 185, 187, 189, 191		
2180348 ...	319, 329, 335, 339, 345, 361, 375	2220616	612, 618, 624, 630, 636, 642, 648, 654, 660, 666, 672	2221155.....	227, 233, 335, 339, 345, 375		
2180387	361, 375	2220617	612, 618, 624, 630, 636, 642, 648, 654, 660, 666, 672	2221156.....	541, 543		
2180389	361, 375	2220618	612, 618, 624, 630, 636, 642, 648, 654, 660, 666, 672	2221157.....	181, 183, 185, 187, 189, 191		
2180504 ...	361, 370, 375, 384	2220619	612, 618, 624, 630, 636, 642, 648, 654, 660, 666, 672	2221158.....	227, 233, 335, 339, 345, 375		
2180832 ...	197, 203, 227, 233, 257, 265, 293, 301	2220620	612, 618, 624, 630, 636, 642, 648, 654, 660, 666, 672	2221159.....	541, 543		
2180876 ...	197, 203, 227, 233, 257, 265, 319, 329, 335, 339, 345	2220621	612, 618, 624, 630, 636, 642, 648, 654, 660, 666, 672	2221160.....	181, 183, 185, 187, 189, 191		
2200261 ...	210, 242, 274, 310, 325, 351	2220622	612, 618, 624, 630, 636, 642, 648, 654, 660, 666, 672	2221161.....	227, 233, 335, 339, 345, 375		

SECTION 11 - SPECIAL OPTIONS/ACCESSORIES/KITS

3252347.....867, 869	272, 293, 301, 308,	3420352 81	881, 883, 885, 887,
3252692.....897	319, 324, 329, 335,	3420372 81	891, 893, 895, 897
3252693.....895	339, 345, 350, 361,	3422532 ... 197, 203, 227,	3820020.....521, 523, 525
3252764....439, 444, 447,	368, 375, 382, 411,	233, 257, 265, 293,	3820032.....155
451	415, 419, 467, 469,	301, 319, 329, 335,	384114323, 25, 197, 203,
3271605.....569, 571	471, 473, 475, 477,	339, 345, 361, 375	227, 233, 257, 265,
3271805.....535	479, 481, 483, 485,	3422755 ... 467, 469, 471,	293, 301, 319, 329,
3272001.....569, 571	487, 489, 491, 493,	473, 477, 479, 481	335, 339, 345, 361,
3290405....127, 147, 149,	495, 501, 713, 720,	3422790 ... 467, 469, 471,	375, 467, 469, 471,
151, 153, 361, 375,	724, 728, 732, 736,	473	473, 475, 477, 479,
557, 679, 681, 683,	740, 744, 748, 752,	3422791 483, 485	481, 501
685, 687, 689, 691,	756, 760	3422792 ... 467, 469, 471,	3841203....467, 469, 471,
693, 695, 697, 699,	3291201 ... 368, 382, 415,	473, 477, 479, 481	473, 475, 477, 479,
705, 720, 724, 728,	419, 423, 427, 431,	3422793 ... 467, 469, 471,	481, 493, 495
732, 736, 740, 744,	435, 440, 444, 447,	473, 475, 477, 479, 481	3841258.19, 21, 493, 495
748, 752, 756, 760	451, 501	3422794 483	3841287.....493, 495
3290501.....155	3291205 ... 308, 467, 469,	3422806 ... 475, 477, 479,	3841340....720, 724, 728,
3290505....155, 407, 427,	471, 473, 475, 477,	481	732, 736, 740, 744,
431, 440, 444, 447, 451	479, 481, 493, 495, 501	3422848 25	748, 752, 756, 760
3290601....140, 143, 145,	3300106 27, 29, 31	3423038 ... 475, 477, 479,	3900054.....535
155, 181, 183, 185,	3300151 ... 527, 529, 531,	481	3900267.....428, 432
187, 189, 191	533, 561, 563, 565	3423105 ... 467, 469, 471,	3900295.....25
3290605....65, 67, 69, 71,	3300220 ... 155, 209, 215,	473	3900300.....428, 432
73, 127, 140, 151, 153,	221, 241, 324, 350	3423304 23, 25	3900349.....541, 543
155, 191, 197, 203,	3300353 541, 543	3430616 541, 543	3900351....487, 489, 491
208, 214, 220, 227,	3300396 ... 428, 432, 440,	3460334 559	3900363.....185, 191
233, 240, 257, 265,	445, 448, 452	3470003 541, 543	3910408....208, 214, 220,
272, 293, 301, 308,	3300408 137	3520028 411, 416, 420	240, 308
319, 324, 329, 335,	3300430 553	3520054 ... 209, 214, 220,	3910606....427, 431, 444,
339, 345, 350, 361,	3310401 ... 208, 214, 220,	241, 272, 308, 324,	447, 451, 701, 703
375, 401, 403, 407,	240, 308	350, 541, 543	3910610.....677
411, 415, 419, 423,	3311001 ... 281, 283, 411,	3520072 ... 166, 170, 174,	3910804....129, 131, 133,
427, 431, 435, 440,	415, 419, 428, 432,	521, 523, 525, 527,	135
444, 447, 451, 705,	440, 445, 448, 452	529, 531, 533, 535	3931408.....553
707, 709, 720, 724,	3311005 561, 563, 565	3520189 440	3931512....208, 214, 220,
728, 732, 736, 740,	3311401 575	3520192 440	240, 272, 308
744, 748, 752, 756, 760	3311405 ... 537, 539, 555,	3520198 ... 521, 523, 525,	3931618....199, 249, 261,
3290606.....529, 531, 533	573, 679, 681, 683,	527, 529, 531, 533	297, 321, 341, 365, 379
3290607.....368, 382	685, 687, 689, 691,	3572551 483, 485	3931628....415, 431, 447
3290801....319, 329, 335,	693, 695, 697, 699,	3573400 561, 563, 565	3960407.....324, 350
339, 345, 361, 368,	867, 869, 871, 873,	3575705 573, 575	3960422....427, 431, 444,
375, 382	875, 877, 879, 881,	3577121 561, 563, 565	447, 451, 677, 701, 703
3290805....65, 67, 69, 71,	883, 885, 887	3580158 407, 411	3960526.....27, 29, 31
73, 79, 117, 119, 121,	3311501 ... 158, 162, 166,	3580276 411	4010405.....705, 709
123, 158, 162, 166,	170, 178, 483, 573, 575	3580317 ... 423, 427, 431,	4010418....720, 724, 728,
170, 174, 178, 185,	3311601 ... 158, 162, 166,	435, 440, 444, 447, 451	732, 736, 740, 744,
191, 208, 214, 220,	170, 174, 178, 541,	3580318 ... 427, 431, 444,	748, 752, 756, 760
240, 272, 287, 289,	543, 555	447, 451	4010618....529, 531, 533
308, 324, 350, 361,	3311605 ... 210, 214, 220,	3580319 423, 435, 440	4031505.....551
368, 375, 382, 401,	242, 281, 283, 535,	3580320 ... 415, 423, 427,	4031508.....149
403, 407, 411, 415,	537, 539, 561, 563, 565	431, 440, 444, 447	4031509....147, 151, 153
419, 423, 427, 431,	3311705 ... 407, 411, 415,	3740067 ... 155, 324, 350	4031511....720, 724, 728,
440, 444, 447, 451,	419	3740080 ... 407, 412, 415,	732, 736, 740, 744,
483, 485, 713, 720,	3311801 27, 29, 31	419, 817, 905	748, 752, 756, 760
724, 728, 732, 736,	3312002 569, 571	3740086 849, 905	4031512.....127
740, 744, 748, 752,	3312005 81, 559	3740140 324, 350, 905	4031516.....555
756, 760	3321001 ... 155, 209, 215,	3760115 489, 491	4031607.....407
3290806.....501	221, 241, 324, 350	3760170 81	4031707.....111
3291001....208, 214, 220,	3321501 174	3760351 487	4031914....208, 214, 220,
240, 272, 308, 368,	3331211 ... 287, 289, 407,	3790012 ... 361, 375, 541,	240, 272, 308
382, 501	411, 423, 427, 440, 444	543	4032014....415, 431, 447
3291005....155, 158, 162,	3331215 ... 208, 214, 220,	3790152 ... 199, 205, 237,	4032015....423, 427, 440,
166, 170, 174, 178,	240, 272, 293, 301,	249, 261, 269, 297,	444
181, 183, 185, 187,	308, 324, 350	305, 321, 331, 341,	4060802....407, 412, 415,
189, 191, 197, 203,	3340860 483, 485	347, 365, 379	419, 423, 427, 431,
208, 214, 220, 227,	3340956 559	3820001 ... 867, 869, 871,	435, 440, 444, 447, 451
233, 240, 257, 265,	3380434 537, 539	873, 875, 877, 879,	

SECTION 11 - SPECIAL OPTIONS/ACCESSORIES/KITS

4060805 ... 208, 214, 220, 240, 272, 308, 324, 351, 370, 384	4460071 ... 427, 431, 444, 447, 451, 547, 677	4460470.....541, 543	802, 815, 852, 859, 861, 863
4060806 113	4460115 806	4460471.....541, 543	4460894 ... 799, 802, 805, 809, 813, 829, 851, 855, 863
4060808 ... 720, 724, 728, 732, 736, 740, 744, 748, 752, 756, 760	4460134 412, 416, 420	4460473....720, 724, 728, 732, 736, 740, 744, 748, 752, 756, 760, 763, 765, 767, 769	4460897 ... 117, 119, 121, 123, 151, 153, 717, 815
4070450 81	4460138 412, 416, 420	4460488....151, 153, 294, 301	4460899... 787, 797, 825, 831, 843, 849, 851, 855, 859, 861, 863
4070560 81	4460142 852, 856	4460496.....140	4460905 ... 823, 829, 851, 852, 855, 856, 859, 861
4070561 81	4460183 829	4460497140	4460906 817
4070897 487, 489, 491	4460190 411, 416, 420	4460508....551, 779, 781, 829	4460910 847
4070898 487, 489, 491	4460205677	4460509....763, 765, 767, 769, 851, 855	4460911 843
4071101 19, 21	4460225 ... 440, 444, 447, 451, 821, 829	4460510.....911	4460928 715
4160182... 158, 162, 166, 170, 178	4460226 547, 573, 575	4460536.....829	4460930 ... 362, 376, 799, 802, 805, 809, 851, 855
4240018 701, 703	4460227829	4460539....805, 809, 829, 859, 861	4460931 717, 851, 855
4240032 ... 140, 147, 149, 151, 153, 210, 214, 220, 274	4460234 ... 140, 147, 149, 541, 543, 575	4460612.....701, 703	4460932 557, 810, 815
4240033 551, 553, 555	4460247 ... 801, 805, 809, 851, 855	4460662....691, 693, 695, 699	4460933 ... 715, 829, 852, 856
4240099 ... 208, 214, 220, 240, 257, 265, 272, 285, 293, 301, 308, 324, 350, 361, 368, 375, 382, 407, 412, 415, 419, 423, 427, 431, 435, 440, 444, 447, 451, 541, 543, 561, 563, 575	4460259 ... 557, 823, 829, 852, 856	4460693.....813	4460941 815, 843
4240149 559	4460260 ... 557, 823, 825, 829, 852, 856	4460703....801, 805, 809	4460942 ... 551, 802, 805, 809, 815
4240156 ... 720, 724, 728, 732, 736, 740, 744, 748, 752, 756, 760	4460267 829, 851, 855	4460705....411, 416, 420	4460943 843, 851, 856
4341415 559	4460268 ... 411, 416, 420, 821, 859	4460708.....829	4460944 ... 801, 802, 805, 809
4360057 573, 575, 905	4460313 799	4460722.....285	4460945 810
4360070 ... 428, 432, 440, 445, 448, 452, 904	4460315 677	4460742.....851, 855	4460956 789, 791, 795
4360274 135, 905	4460321 ... 411, 416, 420	4460743.....851, 855	4460957 789, 791, 795
4360336 ... 407, 412, 415, 419, 423, 427, 431, 435, 440, 444, 447, 451, 905	4460346 ... 427, 431, 444, 447, 451, 677	4460746....801, 805, 810	4460958 703
4360387 ... 133, 135, 541, 543, 905	4460384699	4460748....801, 805, 810, 852, 856	4460959 744
4360407 541, 543, 905	4460418 823, 829	4460754.....859, 861	4460960 744
4360436 905	4460419 823, 829	4460761....829, 851, 855	4460961 411, 416, 420
4360469 ... 129, 131, 133, 135, 905	4460424 859	4460806....687, 689, 691, 693, 852, 856	4460962 563
4360475 905	4460425 ... 428, 432, 440, 445, 449, 452, 573, 575, 701, 703	4460807.....821	4460963 445, 449, 452
4360476 ... 129, 131, 133, 135, 904	4460426 ... 428, 432, 440, 445, 449, 452	4460808.....821	4460967 851, 855
4360542 ... 411, 416, 420, 904	4460428 541, 543	4460836.....851, 855	4460968 407, 679, 683
4420014 559	4460434 829	4460837.....851	4460970 829
4420037 561, 563, 565	4460458 ... 801, 806, 810, 851, 852, 855, 856	4460865....720, 724, 728, 732, 736, 740, 744, 748, 752, 756, 760, 763, 765, 767, 769, 851, 855	4460977 827
4420051 ... 889, 893, 895, 897	4460464 ... 127, 151, 153, 547, 557, 715, 717, 779, 781, 787, 797, 815, 817, 819, 829, 831, 849, 851, 855, 859, 861, 863	4460866....720, 724, 728, 732, 736, 740, 744, 748, 752, 756, 760, 779, 781, 829	4461005 799
4420060 407	4460465 ... 143, 145, 147, 149, 557, 715, 763, 765, 767, 769, 787, 797, 799, 801, 802, 805, 809, 813, 821, 829, 831, 851, 852, 855, 856, 859, 861, 863	4460871....143, 145, 823, 825, 829, 851, 852, 855, 856, 859, 861	4461006 813
4420066 559	4460466 ... 362, 376, 551, 557, 715, 717, 721, 725, 729, 733, 737, 741, 745, 749, 753, 757, 761, 763, 765, 767, 769, 779, 781, 787, 799, 801, 802, 805, 809, 813, 817, 819, 829, 831, 843, 849, 851, 852, 855, 856, 859, 861, 863	4460872.....859, 861	4461008 ... 799, 801, 805, 809
4460019 805, 809	4460467 911	4460873....829, 852, 856	4461052 799
4460027 411, 416, 420		4460874....829, 851, 855	4461054 ... 802, 805, 809, 815
4460042 ... 802, 805, 809, 813		4460875....829, 859, 861	4461060 815
4460043 ... 285, 801, 805, 809		4460876.....823	4461070 715, 801
4460049 573, 575		4460877.....852, 856	4461071 ... 799, 801, 805, 809
		4460878.....852, 856	4461072 ... 799, 801, 805, 809
		4460879.....557, 829	4461073 ... 799, 801, 805, 809
		4460884....557, 787, 805, 809, 831, 851, 855, 856, 861	4461074 ... 799, 801, 805, 809
		4460887....557, 829, 852, 856	4461077 843, 849
		4460891....143, 145, 147, 149, 715, 787, 797,	4461095 715, 799, 801
			4461109 813
			4461111 813
			4461113 813
			4461121 813
			4461122 813
			4461123 813
			4461124 813

SECTION 11 - SPECIAL OPTIONS/ACCESSORIES/KITS

4461196.....833	4751500... 407, 412, 415,	166, 170, 174, 178,	5241200.... 19, 21, 23, 25,
4461198.....679, 833	419, 483, 573, 575	183, 185, 189, 191,	79, 101, 103, 205, 208,
4461199.....835	4751600... 210, 214, 220,	197, 203, 208, 214,	215, 221, 237, 240,
4461201.....683, 835	242, 537, 539, 561,	220, 227, 233, 240,	269, 272, 287, 289,
4461205.....837, 839	563, 565	257, 265, 272, 293,	293, 301, 305, 309,
4461222.....813	4751800.... 535, 573, 575	301, 309, 315, 319,	324, 331, 347, 350,
4461244.....691, 837	4752000 81	324, 329, 335, 339,	368, 382, 407, 412,
4461245.....693, 839	4760600 677	345, 350, 361, 368,	415, 419, 423, 427,
4461246.....695, 841	4761000 ... 155, 209, 215,	375, 382, 405, 407,	431, 435, 440, 444,
4461249.....841	221, 241, 324, 350	412, 415, 419, 432,	447, 451, 487, 489,
4520216.....49	4761400 549	435, 448, 467, 469,	491, 501
4520217.....57	4811400 ... 127, 147, 149,	471, 473, 475, 477,	5241400..... 368, 382
4520240.....51	151, 153, 557, 679,	479, 481, 485, 487,	5241600..... 25, 101, 103
4520262.....55	681, 683, 685, 687,	489, 491, 493, 495,	5250605..... 368, 382
4520608.....59	689, 691, 693, 695,	501, 713, 720, 724,	5250608..... 140
4640113.....55	697, 699, 720, 724,	728, 732, 736, 740,	5250808.... 424, 428, 432,
4640261.....79	728, 732, 736, 740,	744, 748, 752, 756, 760	440, 444, 448
4640509.....587	744, 748, 752, 756, 760	4812002 ... 117, 119, 121,	5250810.... 129, 131, 133,
4640751.... 208, 214, 220,	4811600 ... 155, 315, 407,	123, 127, 158, 162,	135, 209, 215, 221,
240, 272, 308	427, 431, 440, 444,	166, 170, 174, 178,	241, 424, 428, 432,
4640771 603, 605	447, 451	258, 265, 272, 361, 375	435, 440, 444, 448,
4640858.....579	4811700 ... 127, 140, 143,	4812100 ... 158, 162, 166,	503, 505, 507, 509, 511
4641122.... 49, 51, 59, 61,	145, 151, 153, 155,	170, 178, 197, 203,	5250812.... 113, 721, 725,
63	181, 183, 185, 187,	208, 214, 220, 227,	729, 733, 737, 741,
4641155.... 65, 67, 69, 71,	189, 191, 197, 203,	233, 240, 257, 265,	745, 749, 753, 757, 761
73	227, 233, 257, 265,	272, 293, 301, 309,	5251008..... 501
4641390.... 591, 593, 595	272, 293, 301, 308,	362, 375, 423, 427,	5251009.... 487, 489, 491
4710400.... 208, 214, 220,	319, 324, 329, 335,	440, 444, 455, 493,	5251010.... 65, 67, 69, 71,
240, 308	339, 345, 350, 361,	495, 501	73, 85, 87, 89, 91, 93,
4711000.... 281, 283, 428,	368, 375, 382, 407,	4812102 ... 117, 119, 121,	475, 487, 489, 491,
432, 440, 445, 449, 453	412, 415, 419, 423,	123, 158, 162, 166,	503, 505, 507, 509, 511
4711400.... 181, 183, 187,	427, 431, 435, 440,	170, 174, 178	5251012.. 19, 21, 47, 487,
189, 527, 529, 531,	444, 447, 451, 529,	4812200 ... 208, 215, 221,	489, 491
533, 553, 555, 679,	531, 533, 705, 707,	240, 272, 287, 289,	5251014.... 158, 162, 166,
681, 683, 685, 687,	709, 721, 725, 729,	309, 324, 350, 362,	170, 174, 178, 720,
689, 691, 693, 695,	733, 737, 741	376, 407, 412, 420,	724, 728, 732, 736,
697, 699	4811702 ... 140, 155, 178,	423, 427, 440, 444, 451	740, 744, 748, 752,
4711500..... 79, 155, 158,	210, 214, 220, 242,	4812300 115	756, 760
162, 166, 170, 178,	272, 293, 301, 308,	4846278 483	5251016..... 501
208, 214, 220, 240,	361, 368, 375, 382,	4846370 575	5251215..... 27, 197, 203,
272, 308, 720, 728,	401, 424, 436, 705,	4860179 57	227, 233, 257, 265,
732, 748, 756	707, 709	4860237 55	272, 319, 329, 335,
4711600.... 281, 283, 423,	4811900 ... 65, 67, 69, 71,	4871700 ... 423, 427, 431,	339, 345, 361, 375
427, 431, 435, 440,	73, 117, 119, 121, 123,	435, 440, 444, 447	5260800.... 113, 129, 131,
444, 447, 541, 543,	129, 131, 133, 135,	4891600 ... 158, 166, 170,	133, 135, 424, 428,
569, 571	158, 162, 166, 170,	199, 205, 237, 249,	432, 435, 440, 444, 448
4711700.... 407, 412, 415,	174, 178, 185, 191,	261, 269, 297, 305,	5261200.... 197, 203, 227,
419	197, 203, 208, 214,	321, 331, 341, 347,	233, 257, 265, 272,
4711800..... 535	220, 227, 233, 240,	365, 379, 501	319, 329, 335, 339,
4712000.... 559, 569, 571	257, 265, 272, 287,	4891800 . 27, 29, 31, 199,	345, 361, 375
4740086..... 23, 25	289, 293, 301, 308,	249, 261, 297, 321,	5272114..... 101, 103
4740155..... 25	319, 324, 329, 335,	341, 365, 379	5281918.... 720, 724, 728,
4740158..... 19, 21	339, 345, 350, 361,	4892000 27, 29, 31	732, 736, 740, 744,
4740229..... 19, 21	368, 375, 382, 407,	4892600001 485, 501	748, 756, 760
4740362..... 537, 539	412, 415, 419, 423,	4920463 785	5281920.... 720, 724, 728,
4740491..... 25	427, 431, 440, 444,	4922641 ... 412, 416, 420,	736, 740, 744, 752, 760
4750800.... 725, 729, 741,	447, 451, 501, 713,	428, 432, 436, 440,	70000088..... 105
745, 753	724, 736, 740, 744,	444, 448, 452	70000089..... 105
4751000.... 117, 119, 121,	752, 760	4922925 ... 440, 444, 447,	70000100..... 513
123, 412, 415, 419,	4811902 ... 162, 272, 310,	451	70000123..... 407
561, 563, 565	368, 382, 483, 485,	4922929 ... 748, 752, 756,	70000342..... 497
4751400.... 185, 191, 537,	487, 489, 491, 509,	760	70000345..... 277, 354
539, 541, 543, 549,	511, 720, 724, 728,	4923451 325, 350	700004508..... 245
561, 563, 565, 573,	732, 736, 740, 744,	4923463 775, 777	70000619.. 439, 443, 447,
575, 867, 869, 871,	748, 752, 756, 760	5240800 ... 162, 178, 361,	451
873, 875, 877, 879,	4812000 ... 85, 87, 89, 91,	368, 375, 382	70000781..... 75, 77
881, 883, 885, 887	93, 127, 155, 158, 162,	5241000 185, 191	70000787..... 354

SECTION 11 - SPECIAL OPTIONS/ACCESSORIES/KITS

70000793	357	70002390	75	70004099..	432, 435, 448,	70004886	77
70000797	41, 43	70002413	583, 585	452		70004887	75, 77
70000800	353	7000246	35, 39	70004102.....	354	70004888	75, 77
70000851	354	70002460 .	439, 443, 448,	70004103.....	354	70004889	393
70000863 .	439, 443, 448,	452		70004169.....	439, 443	70004890	393
452		7000248	35, 39	70004171..	423, 428, 439,	70004891	393
70000865	109	7000253	35, 39	443		70004892	393
70000912	353	7000257	35, 39	70004249.....	109	70004893	393
70000913	353	7000258	35, 39	70004250.....	109	70004894	393
70000914	353	7000261	35, 39	70004251.....	109	70004895	393
70000915	353	7000262	35, 39	70004252.....	109	70004896	393
70000916	353	7000263	35, 39	70004253.....	109	70004897	393
70000917	353	70002649	109	70004254.....	109	70004898	393
70000918	353	70002651	109	70004255.....	109	70004899	394
70000919	354	70002718 .	245, 251, 278,	70004256.....	109	70004900	394
70000931	354	353		70004257.....	109	70004901	394
70001002	353	70002838	119, 123	70004258.....	109	70004902	394
70001100 .	439, 443, 448,	70002842	579, 581	70004259.....	109	70004903	394
452		70002902	547	70004260.....	109	70004904	394
70001181	353	70002903	547	70004261.....	109	70004905	394
70001349	35, 39	70002904	547	70004262.....	109	70004906	394
70001384 .	439, 443, 448,	70002905	547	70004263.....	109	70004907	394
452		70002962	77	70004267.....	97	70004908	394
70001423	353	70003463	353, 904	70004268.....	353	70004909	394
70001435	354	70003464	353	70004269.....	353	70004910	394
70001498	354	70003468	354	70004270.....	354	70004911	394
70001654	353	70003469	354	70004281 ..	245, 251, 278	70005010	583
70001655	353	70003472	353	70004282.....	245, 251	70005011	583
70001696	439, 443	70003473	353	70004504.....	278	70005012	583, 597
70001844	354	70003475	353	70004505.....	278	70005013	583, 597
70001850	353	70003479	353	70004506.....	278	70005014	583, 597
70001866	354	70003480	353	70004507.....	278	70005016	583, 597
70001868	354	70003481	353	70004508.....	251, 278	70005017	597
70001870 .	246, 252, 278,	70003612	97	70004509.....	278	70005018	597
353		70003614 ..	119, 121, 123	70004510.....	278	70005065	97
70001871	354	70003631 .	439, 443, 448,	70004577.....	75, 77	70005066	97
70001872	354	452		70004676..	423, 428, 432,	70005067	97
70001953	439, 443	70003708 .	423, 428, 431,	435		70005068	97
70001966 .	423, 428, 431,	435, 439, 443, 448, 452		70004677.....	423	70005069	95
435, 439, 443, 448, 452		70003709 .	423, 428, 431,	70004678..	423, 428, 432,	70005071	95
70001973 .	439, 443, 448,	435, 439, 443, 448, 452		435		70005076	95
452		70003783 .	209, 241, 309,	70004679..	424, 428, 432,	70005080	95
70001974 .	439, 443, 448,	324, 351, 904		435		70005082	95
452		70003788 ..	95, 591, 593,	70004680..	424, 428, 432,	70005084	95
7000206	35, 39	904		435		70005085	95
70002063	77	70003837	583, 597	70004681.....	424, 435	70005087	95
70002088	439, 443	70003838	583, 597	70004682..	424, 428, 432,	70005088	95
70002112	119, 123	70003931	354	435		70005089	95
70002206	105	70003932	354	70004683.....	424, 436	70005090	95
70002207	105	70003975	77	70004684.....	428	70005092	95
70002209	77	70003977	95	70004685.....	428, 432	70005094	95
70002234	354	70003978	75	70004686.....	435	70005095	95
70002257	394	70004000	97	70004687.....	432	70005096	95
7000229	35, 39	70004013	97	70004829.....	387	70005097	95
70002291	448, 452	70004014	97	70004864.....	513	70005098	95
70002297 .	439, 443, 448,	70004017	77	70004865.....	513	70005099	95
452		70004020 ..	370, 384, 905	70004866.....	513	70005100	95
7000230	35, 39	70004056	354	70004867...513, 515, 517		70005139	97
70002316	387	70004058	354, 905	70004868.....	513	70005143	587
70002318	387	70004059	354	70004869...513, 515, 517		70005150	601
7000232	35, 39	70004060	354	70004871..513, 515, 517,		70005151	601
70002326	387	70004062	354	904		70005152	601
70002335	587	70004092 .	423, 428, 432,	70004873.....	515, 517	70005153	601
70002371	587	435, 448, 452		70004875.....	513	70005154	601
70002373	587	70004094	448, 452	70004883.....	77	70005155	587
70002386 75, 77, 95, 591,		70004098 .	428, 432, 448,	70004884.....	77	70005156	587
593, 595, 904		452		70004885.....	77	70005157	587

SECTION 11 - SPECIAL OPTIONS/ACCESSORIES/KITS

70005158.....587	70006034 387	70006640 388	70008138..... 603
70005159.....587	70006035 387	70006652 245	70008139..... 603
70005160.....587	70006036 387	70006660 513	70008140..... 603
70005171...245, 251, 278	70006037 387	70006914 589	70008141..... 603
70005172...246, 252, 278	70006038 387	70006915 589	70008237..... 599
70005173.....245	70006039 387	70006916 589	70008238..... 585, 599
70005176.....278	70006040 387	70006917 589	70008239..... 585, 599
70005177...245, 251, 278	70006041 387	70006918 589	70008240..... 585, 599
70005180.....251	70006042 387	70006919 589	70008241..... 599
70005182.....245, 251	70006043 387	7000731 36	70008242..... 585
70005183.....245	70006044 387	70007325 245, 277	70008243..... 585
70005184...245, 251, 277	70006045 388	70007326 .. 245, 251, 278	70008244..... 581
70005191.....277	70006046 388	70007354 .. 245, 251, 277	70008246..... 581
70005217.....95	70006047 388	70007360 605	70008247..... 581
70005218.....95	70006048 388	70007556 517	70008253..... 125
70005219.....95, 904	70006049 388	70007603 .. 245, 251, 277	70008254..... 125
70005243.....515, 517	70006050 388	70007847 45	70008256..... 125
70005504.....277	70006051 388	70007848 45	70008258..... 125
70005505.....277	70006052 388	70007849 45	70008259..... 125
70005507.....277	70006053 388	70007850 45	70008260..... 125
70005667..720, 724, 728, 732, 736, 740, 744, 748, 752, 756, 760	70006054 388	70007851 45	70008261..... 125
70005726.....387	70006055 388	70007852 45	70008262..... 125
70005727.....387	70006056 388	70007853 45	70008263..... 125
70005737.....387	70006057 388	70007854 45	70008264..... 125
70005745.....387	70006058 388	70007855 45	70008265..... 125
70005746.....387	70006059 388	70007856 45	70008266..... 125
70005747.....387	70006060 388	70007857 45	70008267..... 125
70005751.....387	70006061 388, 905	70007858 45	70008268..... 125
70005827.....75	70006062 388	70007859 45	70008280..... 605
70005828.....75	70006063 388	70007860 45	70008292..... 589
70005829.....75	70006064 388	70007861 45	70008293..... 589
70005830.....75	70006065 388	70007862 45	70008294..... 589
70005831.....75	70006066 388	70007863 45	70008296..... 278
70005832.....75	70006067 388	70007864 45	70008371..... 111
70005931...245, 251, 277	70006068 388	70007865 45	70008372..... 111
70005938.....278	70006069 388	70007866 45	70008373..... 111
70005941...246, 252, 278	70006070 388	70007867 45	70008374..... 111
70005942...245, 251, 278	70006071 388	70007868 45	70008375..... 111
70006000.....75	70006072 388	70007869 45	70008376..... 111
70006001.....75	70006073 388	70007870 45	70008377..... 111
70006002.....75	70006074 388	70007871 45	70008378..... 111
70006010.....391	70006075 388	70007872 45	70008379..... 111
70006011.....391	70006076 388	70007873 45	70008380..... 111
70006012.....391	70006077 388	70007874 45	70008381..... 111
70006013.....387	70006078 388	70007875 45	70008382..... 111
70006014.....387	70006079 388	70007876 45	70008383..... 111
70006015.....387	70006080 388	70007877 45	70008384..... 111
70006016.....387	70006093 448, 452	70007878 45	70008385..... 111
70006017.....387	70006094 448, 452	70007878 45	70008386..... 111
70006018.....387	70006095 .. 448, 452, 904	70007886 595	70008387..... 111
70006019.....387	70006096 448, 452	70007887 595	70008388..... 111
70006020.....387	70006097 448, 452	70007888 595	70008389..... 111
70006021.....387	70006104 591, 593	70007889 595	70008390..... 111
70006022.....387	70006105 591, 593	70007890 595	70008391..... 111
70006023.....387, 905	70006144 245	70007891 593	70008392..... 111
70006024.....387	70006256 487, 489	70007892 593	70008393..... 111
70006025.....387	70006271 489	70007893 593	70008397..... 99
70006026.....387	70006272 487	70007894 593	70008400..... 99
70006027.....387	70006356 . 199, 205, 237, 249, 261, 269, 297, 305, 321, 331, 341, 347, 365, 379	70007895 593	70008403..... 99
70006028.....387	70006379 388	70007896 605	70008404..... 99
70006029.....387	70006428 908	70007897 605	70008405..... 99
70006030.....387	70006429 909	70007898 605	70008406..... 99
70006031.....387	70006552 424, 428	70007899 605	70008407..... 99
70006032.....387	70006553 .. 424, 428, 905	70007900 605	70008408..... 99
70006033.....387	70006639 388	70007901 591	70008422..... 278
		70008135 603	70008431..... 277
		70008136 603	70008435..... 277
		70008137 603	

SECTION 11 - SPECIAL OPTIONS/ACCESSORIES/KITS

70008498	397	70025164 ..	245, 251, 277	7012974	77	7021259	393
70008502	397	70025200	245	7012998	591, 593	7021262	393
70008504	397	70025210	245	7016331	246, 252, 278, 353, 904	7021263	393
70008507	397	70025231 ..	245, 251, 277	7016654	911	7021265	393
70008537	278	70025235	278	7017059	35, 39	7021268	393
70008538	278	70025239 ..	245, 251, 277	7017067	35, 39	7021275	41, 43
70008543	277	70025242	278	7017070	35, 39	7021276	41, 43, 394
70008544	277	70025619	583, 603	7017080	35, 39	7021277	41, 43, 394
70008545	277	70025667	353	7017142	497	7021278	394
70008547	277	70025693	354	7017159	497	7021281	393
70008553	277	70025694	354	7017162	497	7021290	394
70008558	277	70025959	597	7017163	497	7021293	393
70008559	277	70026210 ..	245, 251, 277	7017164	497	7021299	394
70008561	277	70026441	589	7017172	497	7021625	77
70008564	278	70026444	75	7017192	497	7021639	77
70008600	397	70027088	603	7017195	497	7022300	393
70008622	397	70027405	277	7017410	75, 77	7022302	41, 43
70008623	397	70028185	278	7017467	591, 593	7022305	41, 43
70008624	397	7002821	911	7017496 75, 77, 591, 593,		7022310	43
70008625	397	7002822	911	595		7022311	41, 43
70008626	397	7002823	911	7017904	387	7022312	41, 43
70008627	397	7002828	911	7017932	387	7022314	41, 43
70008628	397	70028538	277	7017959	388	7022326	41, 43
70010383 ..	85, 87, 89, 91, 93, 905	70028540 ..	245, 251, 277	7017992	388, 905	7022328	41, 43
70012257	251	70029409	277	7019680	411, 416, 420	7022341	393
7001481	394	70029451	245, 251	7020023	353, 904	7022346	394
7001998	35, 39	70029512	251, 277	7020026	353	7022347	394
70023370	587	70030360 ..	245, 251, 277	7020026	353	7022368	41, 43
70023592 ..	209, 215, 221, 241, 904	70030381 ..	245, 251, 278	7020033	33	7022371	41, 43
70023593 ..	209, 215, 221, 241, 904	70031055	277	7020035	33	7022372	43
70023606	75, 77	70031095	246, 251	7020036	33	7022390 75, 95, 591, 593	
70024262	583	70031136 ..	245, 251, 277	7020037	33	7022397	75, 77
70024494	246, 252	70031143	251, 277	7020038	33	7022399	75, 77, 95
70024502	251	70031144	251, 277	7020039	33	7023154	387
70024504 ..	245, 251, 277	70031144	251, 277	7020040	33	7023318	105
70024505	277	70031145	245	7020041	33	7023900	95
70024507	245, 251	70031388	277	7020108	407, 411, 415, 419	7023907	41, 43
70024513 ..	245, 251, 277	70031474	277	7020109	407, 411, 415, 419	7023908	41, 43
70024904 ..	246, 252, 278	7004035	105	7020110	407, 411, 415, 419	7023910	41, 43
70024905 ..	245, 251, 252, 278	7004036	105	7020111	407, 411, 415, 420	7023936	95
70024906 ..	245, 251, 278	7004043	105	7020176	904	7024182	35, 36
70024913	278	7004044	105	7020190	407, 411, 415, 420	7024189	36
70024915	245	7004045	105	7020403	353	7024190	36
70024917	277	7004047	105	7020430	353	7024192	36
70024919	251	7004049	105	7020460	353	7024193	36
70024920	277	7004275	911	7020465	246, 278, 353	7024194	36
70024925	245	7004276	911	7020468	353	7024196	36
70024961	245, 251	7007289	394	7020471	354	7024197	36
70025082	353	7007415	393, 394	7020479	354	7024379	105
70025084	353, 354	7007419	393	7020492	353, 354	7024380	105
70025086	354	7007420	393, 394	7021237	393	7024381	105
70025088	353	7007437	41, 43	7021238	393	7024389	105
70025091	353	7007438	41, 43	7021239	393	7024390	105
70025121	354	7007439	41, 43	7021240	393	7024441	119, 123
70025123	353, 354	7007446	41, 43	7021241	393	7024453	105
70025130	277	7007493	394	7021242	393	7024485	439, 443, 904
70025131	354	7007495	393	7021243	393	7024488 ...	439, 443, 447, 451
70025135	245	7007499	393	7021248	393	7024489 ...	439, 443, 447, 451
70025139	353	7007601	35, 39	7021249	41, 43, 393	7024565	354
70025140	278	7007640	35, 39	7021253	393	7024579 ...	246, 252, 278, 353
70025144	278	7010429	35, 39	7021257	393	7024705	35
70025145	278	7010543	75, 77	7021258	393	7024712	35, 39
70025152	278	7012513 ...	407, 411, 415, 419			7024713	35, 39
		7012514 ...	407, 411, 415, 419				
		7012558	411				
		7012941	75				
		7012967	75, 77, 595				

SECTION 11 - SPECIAL OPTIONS/ACCESSORIES/KITS

7024714.....35, 39	7027236 353	8229245 817, 819, 905	8410009.....369, 383
7024715.....35, 39	7027350 109	8229249 557, 905	8410011.....370
7024716.....35, 39	7027351 109	8305401 368, 382	8410013.... 197, 203, 227,
7024717.....35	7027352 109	8307109 368, 382	233, 293, 301, 319,
7024718.....36	7027353 109	8310070 ... 721, 725, 729,	329, 335, 339, 345
7024800.....393	7027354 109	733, 737, 741, 745,	8430007.... 197, 203, 227,
7024810.....75	7027356 109	749, 753, 757, 761	233, 257, 265, 293, 301
7024853.....41	7027419 41	8310548 368, 382	84521061.....419
7024854.....41, 43	7027625 513	8310614 127	84521062.....451
7024855.....393	7027628 513, 904	8310668 487, 489, 491	85841094.....362, 376
7024857.....393	7027790 354	8310686 ... 158, 162, 166,	8760477.... 612, 618, 624,
7024858.....393	7027791 354	170, 174, 178	630, 636, 642, 648,
7024868.....41, 43	7027792 354	8405006 ... 197, 203, 227,	654, 660, 666, 672
7024881.....75, 77	7027796 354	233, 257, 265, 281,	8770289.... 612, 618, 624,
7024885.....75, 77, 904	7027799 ... 439, 443, 448,	283, 293, 301, 315, 405	630, 636, 642, 648,
7026042.....109	452	8405007 ... 208, 215, 221,	654, 660, 666, 672
7026043.....109	7027887 ... 408, 411, 416,	240, 273, 309	8786514.....57
7026044.....109	420	8405009 ... 208, 215, 221,	88521205.. 721, 733, 749,
7026045.....109	7027903 354	240, 273, 309, 369, 383	757
7026046.....109	77363233 821	8405102 369, 383	88521214.....569, 571
7026047.....109	80484084 .. 801, 805, 810	8405104 ... 208, 215, 221,	88662523.. 158, 162, 166,
7026048.....109	80633030 666, 672	240, 273, 309, 369, 383	170, 174, 178
7026049.....109	80963067 852, 856	8405202 ... 208, 215, 221,	8881800.... 127, 720, 724,
7026050.....109	80983191 .. 801, 810, 904	240, 273, 309, 369, 383	728, 732, 736, 740,
7026051.....109	82033995 370, 384	8405203 369, 383	744, 748, 752, 756, 760
7026052.....109	8220045 ... 817, 819, 851,	8405204 ... 208, 215, 221,	91164057.....95
7026053.....109	855	240, 273, 309	91164059.....95
7026057.....109	8220051 815	8406109 ... 208, 215, 221,	91164079.....95
7026188.....439, 443	8220115 801, 809	240, 273, 309, 369, 383	91203039.....501
7026199.... 411, 415, 419	8220125 852, 856	8406110 ... 209, 215, 221,	
7026330.....97	8220164 801	242, 273, 309, 369, 383	
7026597.... 439, 443, 448	8229242 ... 801, 810, 852,	8406201 ... 210, 215, 221,	
7026626.... 439, 443, 448,	856, 904, 905	242, 273, 309, 369, 383	
452	8229244 852, 856, 905	8410001 369, 383	



**Corporate Office
JLG Industries, Inc.
1 JLG Drive
McConnellsburg, PA 17233-9533 USA
☎ (717) 485-5161 (Corporate)
☎ (877) 554-5438 (Customer Support)
📠 (717) 485-6417**

**Visit our website for JLG Worldwide Locations.
www.jlg.com**



OSHKOSH™