



Illustrated Parts Manual

Models **400S HC3** **460SJ HC3**

PVC
2401

P/N
31223049

June 3, 2024 - Rev B

ANSI

CE



**UK
CA**

AS/NZS

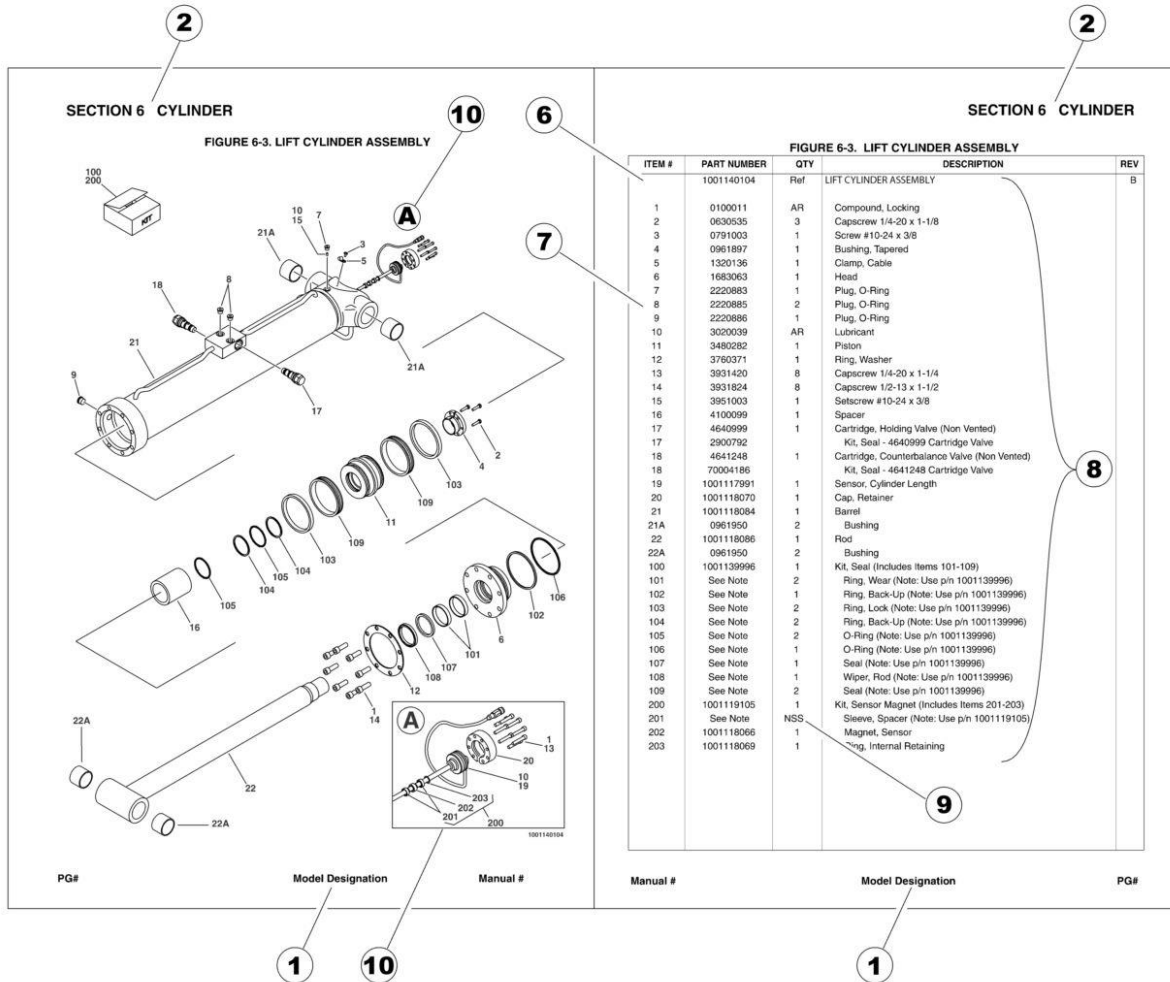


An Oshkosh Corporation Company

REVISION LOG

January 1, 2024 - A - Original Issue of Manual (Edited to B/M 1001237527 Revision W)
June 3, 2024 - B - Revised Manual (Edited to B/M 1001237527 Revision Z)

GENERAL INFORMATION



1) MACHINE IDENTIFICATION

Machines are identified by model and in some cases a combination of models, serial number (SN) or regional standard (i.e ANSI, CE, CSA). Components may also be identified by SN or manufacturer. Common components that may be identified by these characteristics are engines and hydraulic components.

2) PARTS MANUAL ORGANIZATION

Product information in this manual is organized under section titles. Frame, Cylinder, Hydraulic and Electrical are a few examples. Each section is organized by figure and page number. The information within the Figure is then organized by item number, part number, description and corresponding illustration (s).

3) TABLE OF CONTENTS (NOT SHOWN)

A table of contents is found toward the beginning of the manual. Figure number, description and page number are provided for quick reference to the page containing the related information.

4) RECOMMENDED SPARE PARTS (NOT SHOWN)

The Recommended Spare Parts List, located near the end of the manual, reference most frequently used maintenance parts.

5) PART NUMBER INDEX (NOT SHOWN)

A numerical index listing all part numbers and the corresponding page number(s) appears at the back of the manual.

GENERAL INFORMATION

6) NON-SERVICED PARTS

In some instances, it is necessary to display non-serviced parts, assemblies or installations. In the case of assemblies and installations there will be a Ref in the Qty. column. In case of parts that are not available for service within assemblies or components, there will be a NSS (Not Sold Separately) or NLA (No Longer Available) listed in the Qty. column of the manual.

7) PARTS LIST ITEM NUMBERS

Numbers shown in the item# column correspond to numbers used in the associated illustration (s). Item numbers which are missing from the sequence in the parts list are not used on that page.

8) INDENTED PARTS DESCRIPTION

An indented part description is included in the item under which it is indented.

9) ABBREVIATION AND SYMBOLS

AC.....	Alternating Current	L.....	Liter
ADE.....	Advanced Design Electronics	LB(LBS).....	Pounds
AG.....	Agricultural	LCD.....	Liquid Crystal Display
ANSI.....	American National Standards Institute	LED.....	Light Emitting Diodes
AR.....	As Required	LH.....	Left Hand
ASSY.....	Assembly	LRC.....	Low Rated Countries
AUS.....	Australia	LSS.....	Load Sensing System
AUX.....	Auxiliary	M(m).....	Metric/Meter
AWG.....	American Wire Gauge	MM(mm).....	Milimeter
B/M.....	Bill of Material	mA.....	Miliamps
CAC.....	Charge Air Cooler	NLA.....	No Longer Available
CE.....	European Conformity	NPT.....	National Pipe Threads
CCW.....	Counter Clockwise	NSS.....	Not Sold Separately
CM.....	Centimeter	OD.....	Outside Diameter
CW.....	Clockwise	ORB.....	O-Ring Boss
CSA.....	Canadian Standards Association	ORFS.....	O-Ring Face Seal
CYL.....	Cylinder	OZ (oz).....	Ounces
DIA.....	Diameter	PG.....	Page
DC.....	Direct Current	PN.....	Part Number
DEF.....	Diesel Exhaust Fluid	QT(qt.).....	Quarts
EMS.....	Emergency Stop	QTY.....	Quantity
ENG.....	Engine	REF.....	Reference
FT(ft).....	Feet	REV.....	Revision Level
GA(Ga).....	Gauge	RH.....	Right Hand
HRC.....	High Rated Countries	SAE.....	Society of Automotive Engineers
HVAC.....	Heating, Ventilating, and Air Conditioning	SN.....	Serial Number
HYD.....	Hydraulic	SPEC(S).....	Specifications
Hz.....	Hertz	T/T.....	Turntable
ID.....	Inside Diameter	UGM.....	Universal Ground Module
IN.....	inches	V.....	Volts
ISO.....	International Organization for Standards	W.....	Watts
JIC.....	Joint Industry Council	#.....	Number
KG.....	Kilogram		

10) ILLUSTRATION REFERENCE LETTERS

When necessary, illustrations may contain reference letters that are intended to track information (i. e. hoses, harnesses) from one point to another or to track visual enlargement of components to show details that may be located in another area on the illustration.

Note: Due to continuous product improvements, JLG Industries, Inc. reserves the right to make specification changes without prior notification. Contact JLG Industries, Inc. for updated information.

TABLE OF CONTENTS

SECTION 1 - FRAME.....	15
FIGURE 1-1. AXLE INSTALLATION	16
FIGURE 1-2. STEER INSTALLATION - WITHOUT TOW PACKAGE (400S HC3)	18
FIGURE 1-3. STEER INSTALLATION - WITHOUT TOW PACKAGE (460SJ HC3).....	20
FIGURE 1-4. STEER INSTALLATION - WITH TOW PACKAGE (400S HC3).....	22
FIGURE 1-5. STEER INSTALLATION - WITH TOW PACKAGE (460SJ HC3).....	24
FIGURE 1-6. WHEEL DRIVE AND FRAME VALVES INSTALLATION (400S HC3)	26
FIGURE 1-7. WHEEL DRIVE AND FRAME VALVES INSTALLATION (460SJ HC3)	28
FIGURE 1-8. DRIVE HUB ASSEMBLY - FRONT (400S HC3).....	30
FIGURE 1-9. DRIVE HUB/BRAKE ASSEMBLY - REAR (400S HC3)	32
FIGURE 1-10. DRIVE HUB/BRAKE ASSEMBLY - REAR (460SJ HC3)	36
FIGURE 1-11. DRIVE MOTOR ASSEMBLY (400S HC3).....	40
FIGURE 1-12. DRIVE MOTOR ASSEMBLY (460SJ HC3).....	42
FIGURE 1-13. TRACTION VALVE ASSEMBLY	44
FIGURE 1-14. TIRE AND WHEEL INSTALLATION - 14 X 176.5 FOAM FILLED	46
FIGURE 1-15. TIRE AND WHEEL INSTALLATION - 12 X 16.5 FOAM FILLED (400S HC3)	48
FIGURE 1-16. TIRE AND WHEEL INSTALLATION - 33 X 12D610 FOAM-FILLED (460SJ HC3).....	50
FIGURE 1-17. TIRE AND WHEEL INSTALLATION - 12 X 16.5 FF NON-MARKING (400S HC3).....	52
FIGURE 1-18. TIRE AND WHEEL INSTALLATION - 14 X 17.5 FF NON-MARKING.....	54
FIGURE 1-19. TIRE AND WHEEL INSTALLATION - TURF	56
FIGURE 1-20. LP TANK BRACKETS INSTALLATIONS	58
FIGURE 1-21. FRAME SHIELDS INSTALLATION - WITHOUT TOW PACKAGE	60
FIGURE 1-22. FRAME SHIELDS INSTALLATION - WITH TOW PACKAGE	62
FIGURE 1-23. TOW PACKAGE INSTALLATION.....	64
FIGURE 1-24. TOW BAR ASSEMBLY	66
SECTION 2 - TURNTABLE.....	69
FIGURE 2-1. CONTROL VALVES INSTALLATION (400S HC3)	70
FIGURE 2-2. CONTROL VALVES INSTALLATION (460SJ HC3)	72
FIGURE 2-3. CONTROL VALVE ASSEMBLY (400S HC3).....	74
FIGURE 2-4. CONTROL VALVE ASSEMBLY (460SJ HC3).....	78
FIGURE 2-5. AXLE CONTROL VALVE ASSEMBLY.....	82
FIGURE 2-6. SWING DRIVE INSTALLATION	84
FIGURE 2-7. SWING DRIVE MOTOR/HUB ASSEMBLY	86
FIGURE 2-8. TURNTABLE BEARING INSTALLATION	90
FIGURE 2-9. BEARING LUBE INSTALLATION	92
FIGURE 2-10. TURNTABLE LOCK INSTALLATION.....	94
FIGURE 2-11. ROTARY COUPLING INSTALLATION	96
FIGURE 2-12. TANK INSTALLATION - DIESEL ENGINES (17.3 GAL).....	98
FIGURE 2-13. TANK INSTALLATION - DIESEL ENGINES (36 GAL).....	100
FIGURE 2-14. TANK INSTALLATION - GAS ENGINES (17.3 GAL).....	102
FIGURE 2-15. TANK INSTALLATION - GAS ENGINES (36 GAL).....	104
FIGURE 2-16. HYDRAULIC TANK ASSEMBLY ENGINES (17.3 GAL).....	106
FIGURE 2-17. HYDRAULIC TANK ASSEMBLY (36 GAL)	108
FIGURE 2-18. AUXILIARY POWER INSTALLATION - WITHOUT BATTERY DISCONNECT	110

TABLE OF CONTENTS

FIGURE 2-19. AUXILIARY POWER INSTALLATION - WITH BATTERY DISCONNECT.....	112
FIGURE 2-20. AUXILIARY POWER PUMP/MOTOR ASSEMBLY	114
FIGURE 2-21. ELECTRICAL INSTALLATION (400S HC3)	116
FIGURE 2-22. ELECTRICAL INSTALLATION (460SJ HC3)	118
FIGURE 2-23. ELECTRICAL INSTALLATION (WITH DEUTZ D2.9L4 (STAGE V) ENGINES) (460SJ HC3).....	120
FIGURE 2-24. ELECTRICAL PANEL ASSEMBLY	122
FIGURE 2-25. GROUND CONTROL BOX ASSEMBLY (400S HC3).....	124
FIGURE 2-26. GROUND CONTROL BOX ASSEMBLY (460SJ HC3).....	126
FIGURE 2-27. GROUND CONTROL BOX ASSEMBLY (WITH DEUTZ D2.9L4 (STAGE V) ENGINES) (CE SPECS) (460SJ HC3)	128
FIGURE 2-28. GROUND CONTROL BRACKET INSTALLATION (400S HC3)	130
FIGURE 2-29. GROUND CONTROL BRACKET INSTALLATION (460SJ HC3)	132
FIGURE 2-30. GROUND CONTROL BRACKET INSTALLATION (WITH DEUTZ D2.9L4 (STAGE V) ENGINES) (CE SPECS) (460SJ HC3)	134
FIGURE 2-31. KEYSWITCH AND PANEL DECAL INSTALLATION (400S HC3).....	136
FIGURE 2-32. KEYSWITCH AND PANEL DECAL INSTALLATION (ALL SPECS EXCEPT CE & UK CA SPECS) (460SJ HC3)	138
FIGURE 2-33. KEYSWITCH AND PANEL DECAL INSTALLATION (CE-LRC & UK CA SPECS) (460SJ HC3)	140
FIGURE 2-34. KEYSWITCH AND PANEL DECAL INSTALLATION - (CE & UK CA SPECS WITH DEUTZ D2.9L4 (STAGE V) ENGINES (460SJ HC3)	142
FIGURE 2-35. LIGHT PANEL INSTALLATION.....	144
FIGURE 2-36. STROBE LIGHT INSTALLATION (AMBER).....	146
FIGURE 2-37. STROBE LIGHT INSTALLATION (BLUE)	148
FIGURE 2-38. STROBE LIGHT INSTALLATION (RED)	150
FIGURE 2-39. HOODS INSTALLATION - ABS (DEUTZ ENGINES)	152
FIGURE 2-40. HOODS INSTALLATION - ABS (KUBOTA ENGINES).....	156
FIGURE 2-41. HOODS INSTALLATION - STEEL	160
FIGURE 2-42. HOOD ASSEMBLY - ENGINE SIDE (ABS).....	164
FIGURE 2-43. HOOD ASSEMBLY - ENGINE SIDE (STEEL).....	166
FIGURE 2-44. ABS HOOD ASSEMBLY - TANK SIDE	168
FIGURE 2-45. STEEL HOOD ASSEMBLY - TANK SIDE	170
FIGURE 2-46. SOUND REDUCTION INSTALLATION (STEEL HOODS)	172
FIGURE 2-47. HOOD PLUGS INSTALLATION (HOODS WITHOUT STROBE LIGHT)	174
FIGURE 2-48. TURNTABLE COVERS INSTALLATION.....	176
FIGURE 2-49. WHITE NOISE (AMBIENT) ALARM INSTALLATION	178
FIGURE 2-50. WHITE NOISE (CONSTANT) ALARM INSTALLATION	180
SECTION 3 - ENGINE	183
FIGURE 3-1. DEUTZ D2011 ENGINE INSTALLATION (WITHOUT ARCTIC PACKAGE)	184
FIGURE 3-2. DEUTZ D2011 ENGINE AND PUMP SUB-ASSEMBLY (WITHOUT ARCTIC PACKAGE)	188
FIGURE 3-3. DEUTZ D2011 ENGINE ASSEMBLY (WITHOUT ARCTIC PACKAGE).....	190
FIGURE 3-4. DEUTZ D2011 ENGINE INSTALLATION (WITH ARCTIC PACKAGE)	194
FIGURE 3-5. DEUTZ D2011 ENGINE AND PUMP SUB-ASSEMBLY (WITH ARCTIC PACKAGE).....	198
FIGURE 3-6. DEUTZ D2011 ENGINE ASSEMBLY (WITH ARCTIC PACKAGE)	200
FIGURE 3-7. DEUTZ D2011 ENGINE COMPONENTS.....	204
FIGURE 3-8. ENGINE INSTALLATION - DEUTZ D2.9L4 ERM5 ENGINE (WITHOUT ARCTIC PACKAGE) (ANSI, ANSI EXPORT (HRC), CSA AND JAPANESE SPECS)	208

TABLE OF CONTENTS

FIGURE 3-9. ENGINE AND PUMP SUB-ASSEMBLY - DEUTZ D2.9L4 ERM5 ENGINE (WITHOUT ARCTIC PACKAGE) (ANSI, ANSI EXPORT AND CSA SPECS)	212
FIGURE 3-10. ENGINE ASSEMBLY - DEUTZ D2.9L4 ERM5 ENGINE (WITHOUT ARCTIC PACKAGE) (ANSI, ANSI EXPORT AND CSA SPECS)	214
FIGURE 3-11. ENGINE INSTALLATION - DEUTZ D2.9L4 ERM5 ENGINE (WITH ARCTIC PACKAGE) (ANSI AND CSA SPECS)	220
FIGURE 3-12. ENGINE AND PUMP SUB-ASSEMBLY - DEUTZ D2.9L4 ERM5 ENGINE (WITH ARCTIC PACKAGE) (ANSI, ANSI EXPORT AND CSA SPECS).....	224
FIGURE 3-13. ENGINE ASSEMBLY - DEUTZ D2.9L4 ERM5 ENGINE (WITH ARCTIC PACKAGE) (ANSI AND CSA SPECS)	226
FIGURE 3-14. ENGINE COMPONENTS - DEUTZ D2.9L4 ERM5 ENGINE (ANSI, ANSI EXPORT AND CSA SPECS)	232
FIGURE 3-15. DEUTZ D2.9L4 (STAGE V) ENGINE INSTALLATION.....	236
FIGURE 3-16. DEUTZ D2.9L4 (STAGE V) ENGINE AND PUMP SUB-ASSEMBLY	242
FIGURE 3-17. DEUTZ D2.9L4 (STAGE V) ENGINE ASSEMBLY	244
FIGURE 3-18. DEUTZ D2.9L4 (STAGE V) ENGINE COMPONENTS	250
FIGURE 3-19. DEUTZ D2.9L4 (STAGE V) ENGINE COMPONENTS	254
FIGURE 3-20. FUEL PUMP/FILTER BRACKET ASSEMBLY (DEUTZ TD2.9L4 ENGINES)	258
FIGURE 3-21. FUEL PUMP/FILTER BRACKET ASSEMBLY (DEUTZ D2.9L4 (STAGE V) ENGINES)	260
FIGURE 3-22. QUICKFIT OIL DRAIN INSTALLATION (DEUTZ D2.9L4 ENGINES)	262
FIGURE 3-23. QUICKFIT OIL DRAIN INSTALLATION (KUBOTA 2.5L DF)	264
FIGURE 3-24. BREATHER HEATER INST (DEUTZ D2.9L4 ENGINES)	266
FIGURE 3-25. ENGINE MOUNT (WITH GENERATOR) – DEUTZ D2.9L4 (STAGE V) ENGINE	268
FIGURE 3-26. ENGINE MOUNT (WITHOUT GENERATOR) – DEUTZ D2.9L4 (STAGE V) ENGINE.....	270
FIGURE 3-27. KUBOTA ENGINE INSTALLATION (WITHOUT ARCTIC PACKAGE).....	272
FIGURE 3-28. KUBOTA ENGINE AND PUMP SUB-ASSEMBLY (WITHOUT ARCTIC PACKAGE)	278
FIGURE 3-29. KUBOTA ENGINE ASSEMBLY (WITHOUT ARCTIC PACKAGE).....	280
FIGURE 3-30. KUBOTA ENGINE INSTALLATION (WITH ARCTIC PACKAGE)	286
FIGURE 3-31. KUBOTA ENGINE AND PUMP SUB-ASSEMBLY (WITH ARCTIC PACKAGE).....	292
FIGURE 3-32. KUBOTA ENGINE ASSEMBLY (WITH ARCTIC PACKAGE)	294
FIGURE 3-33. KUBOTA ENGINE COMPONENTS	300
FIGURE 3-34. PUMP COUPLING KIT (DEUTZ ENGINES)	304
FIGURE 3-35. PUMP COUPLING KIT (KUBOTA ENGINES)	306
FIGURE 3-36. PISTON PUMP ASSEMBLY	308
FIGURE 3-37. PISTON PUMP ASSEMBLY (REAR).....	312
FIGURE 3-38. PISTON PUMP ASSEMBLY (FRONT)	316
FIGURE 3-39. SPARK ARRESTOR MUFFLER INSTALLATION - DEUTZ D2011 STAGE 5 ENGINES	320
FIGURE 3-40. ENGINE HOOD BAFFLE INSTALLATION - DEUTZ ENGINES WITH ABS HOODS	322
FIGURE 3-41. ENGINE HOOD BAFFLE INSTALLATION - DEUTZ ENGINES WITH STEEL HOODS	324
FIGURE 3-42. ENGINE HOOD BAFFLE INSTALLATION - KUBOTA ENGINES.....	326
FIGURE 3-43. ENGINE TRAY JACK INSTALLATION	328
FIGURE 3-44. 2500W/110V/60HZ GENERATOR INSTALLATION - DEUTZ D2011 ENGINES.....	330
FIGURE 3-45. 2500W/110V/60HZ GENERATOR INSTALLATION - DEUTZ D2.9L4 ENGINES.....	334
FIGURE 3-46. 2500W/110V/60HZ GENERATOR INSTALLATION - KUBOTA ENGINES.....	338
FIGURE 3-47. 4000W/50HZ GENERATOR INSTALLATION - DEUTZ D2011 ENGINES	342
FIGURE 3-48. 4000W/60HZ GENERATOR INSTALLATION - DEUTZ D2011 ENGINES	346
FIGURE 3-49. 4000W/60HZ GENERATOR INSTALLATION - DEUTZ D2.9L4 ENGINES	350
FIGURE 3-50. 4000W/50HZ GENERATOR INSTALLATION (DEUTZ D2.9L4 (STAGE V) ENGINES)	354
FIGURE 3-51. 7500W/50HZ SKYPOWER GENERATOR INSTALLATION - DEUTZ D2011 ENGINES.....	358

TABLE OF CONTENTS

FIGURE 3-52. 7500W/60HZ SKYPOWER GENERATOR INSTALLATION - DEUTZ D2011 ENGINES	362
FIGURE 3-53. 7500W/60HZ SKYPOWER GENERATOR INSTALLATION - DEUTZ D2.9L4 ENGINES	366
FIGURE 3-54. 7500W/60HZ SKYPOWER GENERATOR INSTALLATION - KUBOTA ENGINES.....	370
FIGURE 3-55. 7500W/50HZ SKYPOWER GENERATOR INSTALLATION (DEUTZ D2.9L4 (STAGE V) ENGINES)	374
SECTION 4 - BOOM.....	377
FIGURE 4-1. BOOM INSTALLATION (400S HC3)	378
FIGURE 4-2. BOOM INSTALLATION (460SJ HC3).....	380
FIGURE 4-3. MAIN BOOM ASSEMBLY (400S HC3).....	382
FIGURE 4-4. MAIN BOOM ASSEMBLY (460SJ HC3).....	384
FIGURE 4-5. JIB BOOM ASSEMBLY (460SJ HC3).....	386
FIGURE 4-6. ROTATOR ASSEMBLY (400S HC3).....	388
FIGURE 4-7. ROTATOR ASSEMBLY (460SJ HC3)	390
FIGURE 4-8. SUPPORT, PLATFORM INSTALLATION	392
FIGURE 4-9. POWER TRACK INSTALLATION (400S HC3).....	394
FIGURE 4-10. POWER TRACK INSTALLATION (460SJ HC3).....	396
FIGURE 4-11. CAPACITY SWITCH INSTALLATION (400S HC3)	398
FIGURE 4-12. CAPACITY SWITCH INSTALLATION (460SJ HC3)	400
FIGURE 4-13. TRANSPORT POSITION SWITCH INSTALLATION	402
SECTION 5 - PLATFORM.....	405
FIGURE 5-1. PLATFORM ASSEMBLY WITH DROP-BAR - 30IN X 3FT (76CM X .91M)	406
FIGURE 5-2. PLATFORM ASSEMBLY WITH DROP-BAR - 30IN X 5FT (76CM X 1.52M)	408
FIGURE 5-3. PLATFORM ASSEMBLY WITH DROP-BAR - 36IN X 6FT (91.5CM X 1.83M)	410
FIGURE 5-4. PLATFORM ASSEMBLY WITH DROP-BAR - 36IN X 8FT (91.5CM X 2.44M)	412
FIGURE 5-5. PLATFORM ASSEMBLY WITH GATE - 30IN X 5FT (76CM X 1.52M)	414
FIGURE 5-6. PLATFORM ASSEMBLY WITH GATE- 36IN X 6FT (91.5CM X 1.83M)	416
FIGURE 5-7. PLATFORM ASSEMBLY WITH GATE - 36IN X 8FT (91.5CM X 2.44M)	418
FIGURE 5-8. PLATFORM ASSEMBLY WITH FALL ARREST - 36IN X 6FT (91.5CM X 1.83M)	420
FIGURE 5-9. PLATFORM ASSEMBLY WITH TRI-ENTRY (1 GATE / 2 DROP BARS) - 36IN X 6FT (91.5CM X 1.83M).....	422
FIGURE 5-10. PLATFORM ASSEMBLY WITH TRI-ENTRY (1 GATE/2 DROP BARS) - 36IN X 8FT (91.5CM X 2.44M)	424
FIGURE 5-11. PLATFORM ASSEMBLY WITH TRI-ENTRY (3 DROP BARS) - 36IN X 6FT (91.5CM X 1.83M).....	426
FIGURE 5-12. PLATFORM ASSEMBLY WITH TRI-ENTRY (3 DROP BARS) - 36IN X 8FT (91.5CM X 2.44M).....	428
FIGURE 5-13. CONSOLE BOX ASSEMBLY WITH FOOTSWITCH	430
FIGURE 5-14. FOOTSWITCH ASSEMBLY	432
FIGURE 5-15. LIGHT PANEL INSTALLATION.....	434
FIGURE 5-16. SKYEYE INSTALLATION.....	436
FIGURE 5-17. SKYGUARD BAR INSTALLATION.....	438
FIGURE 5-18. SKYLINE INSTALLATION.....	440
FIGURE 5-19. STORAGE TRAY INSTALLATION - CENTER	442
FIGURE 5-20. SKYWELDER INSTALLATION (50HZ).....	444
FIGURE 5-21. SKYWELDER INSTALLATION (60HZ).....	446
FIGURE 5-22. WELDER ASSEMBLY	448
FIGURE 5-23. SKYWELDER PREP PACKAGE (60HZ)	450
FIGURE 5-24. SKYGLAZIER INSTALLATION (ANSI, ANSI EXPORT, CE & CSA SPECS/460SJ HC3 ANSI, AUSTRALIAN & CSA SPECS) (400S HC3).....	452

TABLE OF CONTENTS

FIGURE 5-25. PLATFORM POWER - USB	454
FIGURE 5-26. SOFT TOUCH SYSTEM INSTALLATION - 6FT/1.83M FALL ARREST PLATFORM (MACHINES WITH SN STARTING WITH 03 ONLY)	456
FIGURE 5-27. SOFT TOUCH SYSTEM INSTALLATION - 8FT/2.44M PLATFORM (MACHINES WITH SN STARTING WITH 03 ONLY)	458
FIGURE 5-28. FALL ARREST (BOLT-ON) INSTALLATION - 30IN PLATFORM	460
FIGURE 5-29. FALL ARREST (BOLT-ON) INSTALLATION - 72IN STANDARD PLATFORM	462
FIGURE 5-30. FALL ARREST (BOLT-ON) INSTALLATION - 72IN TRI-ENTRY PLATFORM	464
FIGURE 5-31. FALL ARREST (BOLT-ON) INSTALLATION - 96IN PLATFORM	466
SECTION 6 - CYLINDER	469
FIGURE 6-1. AXLE LOCKOUT CYLINDER ASSEMBLY	470
FIGURE 6-2. LEVEL CYLINDER ASSEMBLY - PLATFORM SLAVE (400S HC3)	472
FIGURE 6-3. LEVEL CYLINDER ASSEMBLY - PLATFORM SLAVE (460SJ HC3)	474
FIGURE 6-4. LIFT CYLINDER ASSEMBLY - JIB (460SJ HC3)	476
FIGURE 6-5. LIFT CYLINDER ASSEMBLY - BOOM (400S HC3)	478
FIGURE 6-6. LIFT CYLINDER ASSEMBLY - BOOM (460SJ HC3)	480
FIGURE 6-7. MASTER CYLINDER ASSEMBLY (400S HC3)	482
FIGURE 6-8. MASTER CYLINDER ASSEMBLY (460SJ HC3)	484
FIGURE 6-9. STEER CYLINDER ASSEMBLY	486
FIGURE 6-10. TELESCOPE CYLINDER ASSEMBLY (400S HC3)	488
FIGURE 6-11. TELESCOPE CYLINDER ASSEMBLY (460SJ HC3)	490
SECTION 7 - HYDRAULIC	493
FIGURE 7-1. HYDRAULIC DIAGRAM (400S HC3)	494
FIGURE 7-2. HYDRAULIC DIAGRAM (460SJ HC3)	502
SECTION 8 - ELECTRICAL	511
FIGURE 8-1. AC BOX AT PLATFORM INSTALLATION - 110V GFI (MACHINES WITH 2500W GENERATOR/NO GENERATOR OPTIONS) (ANSI AND CSA SPECS)	512
FIGURE 8-2. AC BOX AT PLATFORM INSTALLATION - CUSTOMER SUPPLIED RECEPTACLE (ANSI EXPORT, CE, CHINA & UK CA SPECS)	514
FIGURE 8-3. AC BOX AT PLATFORM INSTALLATION - 110V IEC YELLOW (CE & UK CA SPECS) (2500W AND 7500W SKYPOWER GENERATORS)	516
FIGURE 8-4. AC BOX AT PLATFORM INSTALLATION - 110V IEC YELLOW (CE & UK CA SPECS) (4000W GENERATOR)	518
FIGURE 8-5. AC BOX AT PLATFORM INSTALLATION - 220V IEC BLUE (CE & UK CA SPECS) (2500W AND 7500W SKYPOWER GENERATORS)	520
FIGURE 8-6. AC BOX AT PLATFORM INSTALLATION - 220V IEC BLUE (CE & UK CA SPECS) (4000W GENERATOR)	522
FIGURE 8-7. AC BOX AT PLATFORM INSTALLATION - 220V CEE7 POST GROUND (CE & UK CA SPECS) (WITHOUT GENERATOR)	524
FIGURE 8-8. AC BOX AT PLATFORM INSTALLATION - 220V CEE7 POST GROUND (CE & UK CA SPECS) (4000W GENERATOR)	526
FIGURE 8-9. AC BOX AT PLATFORM INSTALLATION - 220V CEE7 SIDE GROUND (CE & UK CA SPECS) (WITHOUT GENERATOR)	528
FIGURE 8-10. AC BOX AT PLATFORM INSTALLATION - 220V CEE7 SIDE GROUND (CE & UK CA SPECS) (4000W GENERATOR)	530
FIGURE 8-11. AC BOX AT PLATFORM INSTALLATION - 220V AFSINT 107 (CE & UK CA SPECS) (WITHOUT GENERATOR)	532
FIGURE 8-12. AC BOX AT PLATFORM INSTALLATION - 220V AFSINT 107 (CE & UK CA SPECS) (4000W GENERATOR)	534

TABLE OF CONTENTS

FIGURE 8-13. AC BOX AT PLATFORM INSTALLATION - 240V GFCI RECEPTACLE (ANSI, ANSI EXPORT AND CSA SPECS WITH 4000W SKYPOWER GENERATOR)	536
FIGURE 8-14. BATTERY DISCONNECT INSTALLATION	538
FIGURE 8-15. BOOM HARNESS (400S HC3)	540
FIGURE 8-16. BOOM HARNESS (460SJ HC3).....	542
FIGURE 8-17. BREAKER BOX INSTALLATION - 110V/220V WITH 1 BREAKER (CE & UK CA SPECS).....	544
FIGURE 8-18. BREAKER BOX INSTALLATION - 110V/220V WITH 3 BREAKERS (CE & UK CA SPECS)	546
FIGURE 8-19. BREAKER BOX KIT - 1 DOUBLE BREAKER (CE & UK CA SPECS).....	548
FIGURE 8-20. BREAKER BOX KIT - 1 BREAKER (CE & UK CA SPECS)	550
FIGURE 8-21. BREAKER BOX KIT - 3 BREAKERS (CE & UK CA SPECS).....	552
FIGURE 8-22. CABLES AND CLAMPS INSTALLATION - WITH 2500W GENERATOR OR NO GENERATOR (400S HC3) ...	554
FIGURE 8-23. CABLES AND CLAMPS INSTALLATION -WITH 4000W/50HZ GENERATOR (400S HC3).....	556
FIGURE 8-24. CABLES AND CLAMPS INSTALLATION -WITH 4000W/60HZ GENERATOR (400S HC3).....	558
FIGURE 8-25. CABLES AND CLAMPS INSTALLATION -WITH 7500W GENERATOR (400S HC3).....	560
FIGURE 8-26. CABLES AND CLAMPS INSTALLATION - 460SJ HC3 WITH 2500W GENERATOR OR NO GENERATOR	562
FIGURE 8-27. CABLES AND CLAMPS INSTALLATION - 460SJ HC3 WITH 4000W/50HZ GENERATOR.....	564
FIGURE 8-28. CABLES AND CLAMPS INSTALLATION - 460SJ HC3 WITH 4000W/60HZ GENERATOR.....	566
FIGURE 8-29. CABLES AND CLAMPS INSTALLATION - 460SJ HC3 WITH 7500W GENERATOR	568
FIGURE 8-30. CAPACITY SWITCH HARNESS (400S HC3)	570
FIGURE 8-31. CAPACITY SWITCH HARNESS (460SJ HC3).....	572
FIGURE 8-32. CLEARSKY INSTALLATION - 4G CANBUS CONNECTION (ALL SPECS EXCEPT CHINA SPECS)	574
FIGURE 8-33. CLEARSKY INSTALLATION - 3G CANBUS CONNECTION (ANSI EXPORT, CE, JAPANESE & UK CA SPECS)	576
FIGURE 8-34. CLEARSKY INSTALLATION - 3G CANBUS CONNECTION (AUSTRALIAN SPECS)	578
FIGURE 8-35. CLEARSKY INSTALLATION - 4G CANBUS CONNECTION (CHINA SPECS).....	580
FIGURE 8-36. CLEARSKY INSTALLATION 3-WIRE CONNECTION (ALL SPECS EXCEPT CHINA SPECS)	582
FIGURE 8-37. CLEARSKY HARNESS - 3G & 4G CANBUS CONNECTIONS	584
FIGURE 8-38. CLEARSKY HARNESS - 3 WIRE GT1030.....	586
FIGURE 8-39. ENGINE HARNESS ASSEMBLY (DEUTZ D2011)	588
FIGURE 8-40. ENGINE HARNESS - DEUTZ D2.9L4.....	590
FIGURE 8-41. ENGINE HARNESS - DEUTZ D2.9L4 (STAGE V) ENGINE	594
FIGURE 8-42. ENGINE HARNESS ASSEMBLY (KUBOTA)	598
FIGURE 8-43. FUEL HARNESS (DEUTZ D2.9L4 ENGINES)	600
FIGURE 8-44. FUEL HARNESS - DEUTZ D2.9L4 (STAGE V) ENGINE	602
FIGURE 8-45. FUEL HARNESS (KUBOTA ENGINES)	604
FIGURE 8-46. GENERATOR HARNESS - 2500W GENERATOR	606
FIGURE 8-47. GENERATOR HARNESS - 4000W GENERATOR (CONTROL BOX TO GENERATOR) (DEUTZ ENGINES) ...	608
FIGURE 8-48. GENERATOR HARNESS - 7500W GENERATOR (CONTROL BOX TO GENERATOR).....	610
FIGURE 8-49. GROUND CONTROL BOX HARNESS	612
FIGURE 8-50. HIGH CAPACITY HARNESS (460SJ HC3).....	614
FIGURE 8-51. HOUR METER JUMPER HARNESS.....	616
FIGURE 8-52. PLATFORM CONSOLE BOX HARNESS.....	618
FIGURE 8-53. RECEPTACLE BOX KIT - 110V IEC YELLOW (CE & UK CA SPEC).....	620
FIGURE 8-54. RECEPTACLE BOX KIT - 220V IEC BLUE (CE & UK CA SPEC)	622
FIGURE 8-55. RECEPTACLE BOX KIT - 220V CEE7 POST GROUND (CE & UK CA SPEC).....	624
FIGURE 8-56. RECEPTACLE BOX KIT - 220V CEE7 SIDE GROUND (CE & UK CA SPEC)	626

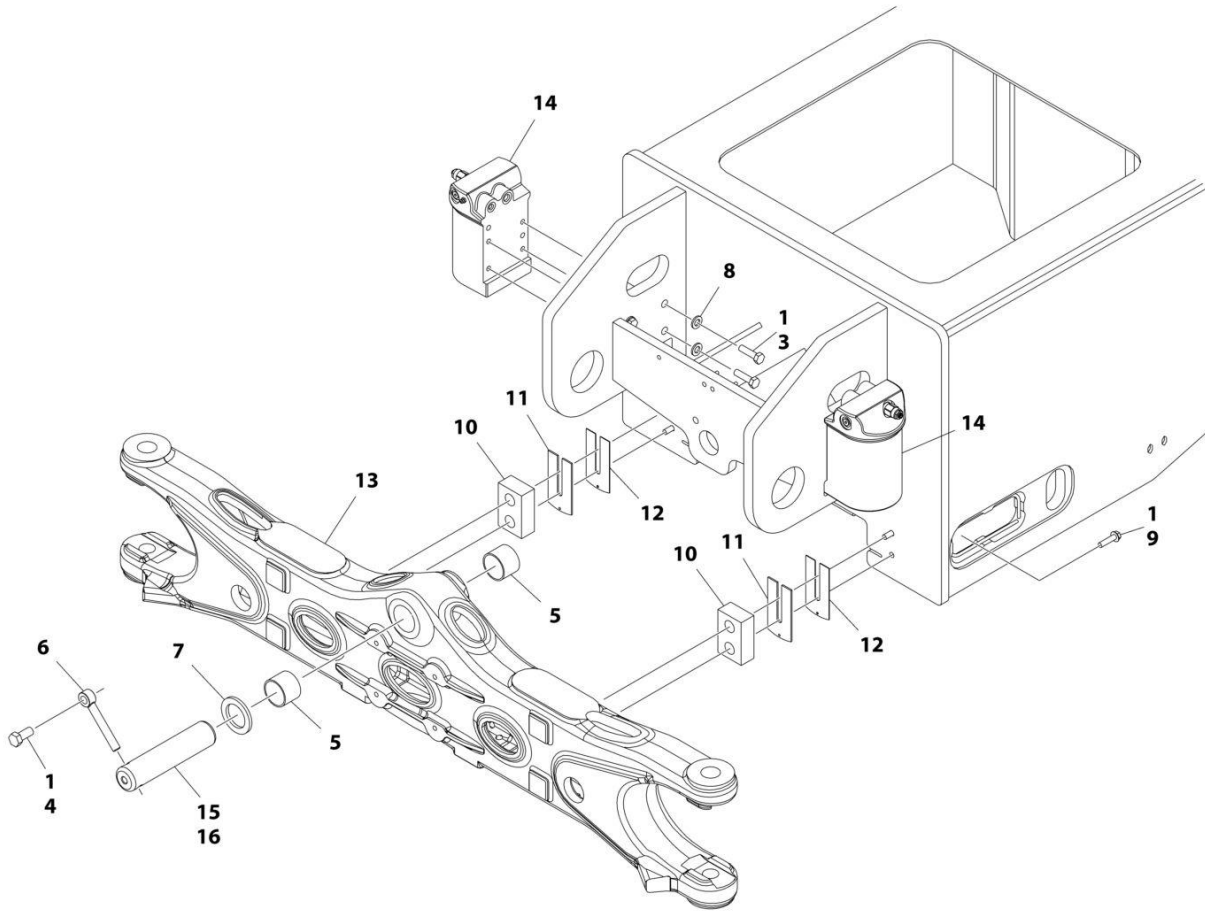
TABLE OF CONTENTS

FIGURE 8-57. RECEPTACLE BOX KIT - 220V AFSINT 107 (CE & UK CA SPEC).....	628
FIGURE 8-58. RECEPTACLE/BREAKER BOX ASSEMBLY - 240V (4000W AND 7500W SKYPOWER GENERATORS) (ANSI, ANSI EXPORT AND CSA SPECS)	630
FIGURE 8-59. SKYEYE EMITTER HARNESS.....	632
FIGURE 8-60. SKYEYE INTERMEDIATE HARNESS.....	634
FIGURE 8-61. SKYEYE RECEIVER HARNESS	636
FIGURE 8-62. SKYGUARD HARNESS.....	638
FIGURE 8-63. SKYGUARD INTERFACE HARNESS	640
FIGURE 8-64. SKYLINE HARNESS.....	642
FIGURE 8-65. STROBE LIGHT HARNESS (AMBER STROBE LIGHT)	644
FIGURE 8-66. STROBE LIGHT HARNESS (BLUE AND RED STROBE LIGHTS)	646
FIGURE 8-67. TELESCOPE IN PROXIMITY SENSORS HARNESS (400S HC3).....	648
FIGURE 8-68. TELESCOPE IN PROXIMITY SENSORS HARNESS (460SJ HC3).....	650
FIGURE 8-69. TELESCOPE OUT PROXIMITY SENSORS HARNESS.....	652
FIGURE 8-70. TURNTABLE HARNESS	654
FIGURE 8-71. VALVE HARNESS - MAIN VALVE.....	658
SECTION 9 - DECALS.....	661
FIGURE 9-1. DECAL INSTALLATION - ANSI SPECS (DIESEL MACHINES).....	662
FIGURE 9-2. DECAL INSTALLATION - ANSI SPECS (GAS MACHINES)	664
FIGURE 9-3. DECAL INSTALLATION - AUSTRALIAN SPECS.....	666
FIGURE 9-4. DECAL INSTALLATION - BRAZIL SPECS.....	668
FIGURE 9-5. DECAL INSTALLATION - CE SPECS	670
FIGURE 9-6. DECAL INSTALLATION - CHINESE SPECS	672
FIGURE 9-7. DECAL INSTALLATION - CSA SPECS (DIESEL MACHINES).....	674
FIGURE 9-8. DECAL INSTALLATION - CSA SPECS (GAS MACHINES)	676
FIGURE 9-9. DECAL INSTALLATION - JAPANESE SPECS.....	678
FIGURE 9-10. DECAL INSTALLATION - KOREAN SPECS	680
FIGURE 9-11. DECAL INSTALLATION - LATIN AMERICAN SPECS	682
FIGURE 9-12. DECAL INSTALLATION - OPTIONS	684
FIGURE 9-13. DECAL INSTALLATION - SKYWELDER (50HZ).....	688
FIGURE 9-14. DECAL INSTALLATION - SKYWELDER (60HZ).....	690
SECTION 10 - RECOMMENDED SERVICE PARTS STOCK	693
FIGURE 10-1. RECOMMENDED SERVICE PARTS STOCK	694
SECTION 11 - SPECIAL OPTIONS.....	697
FIGURE 11-1. SPECIAL OPTIONS/ACCESSORIES/KITS	698
PART NUMBER INDEX.....	703

SECTION 1 - FRAME

SECTION 1 - FRAME

FIGURE 1-1. AXLE INSTALLATION



ART_1001164094_D

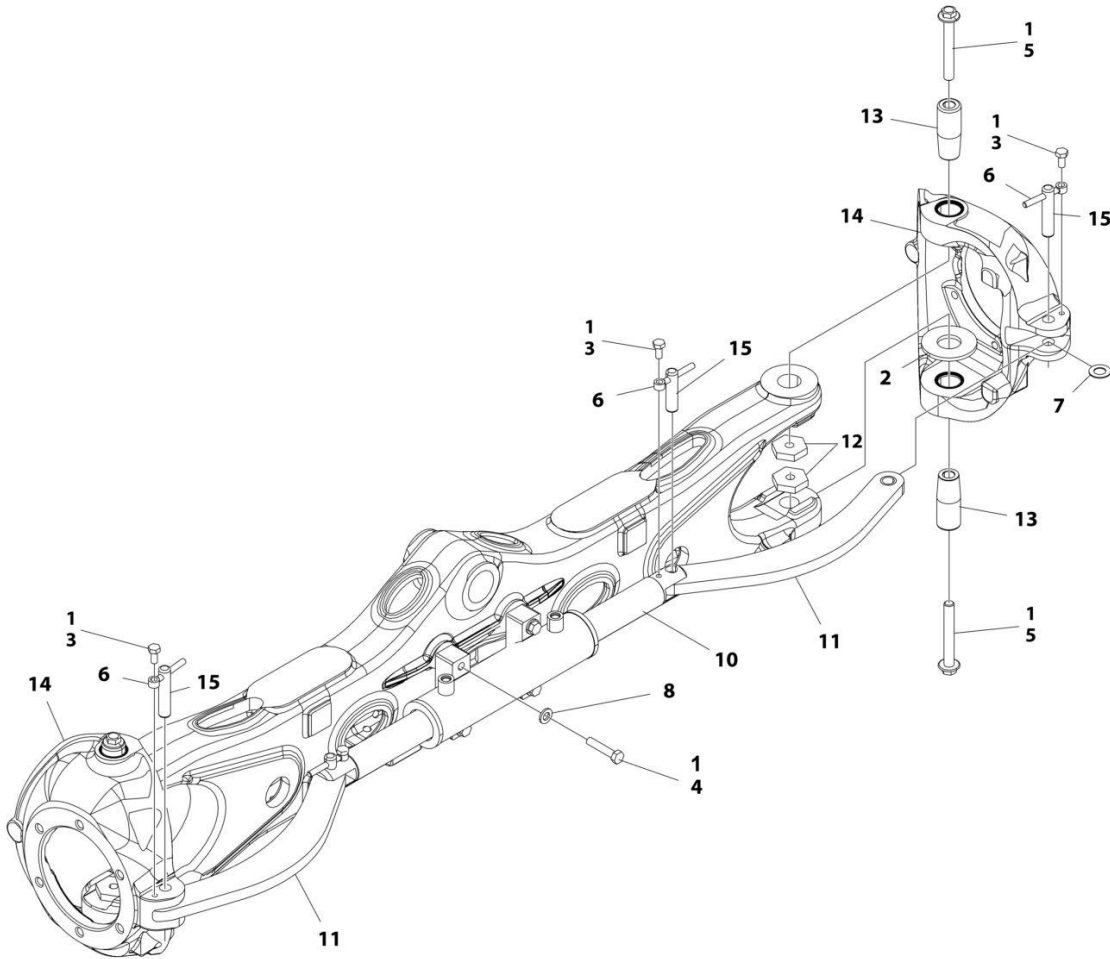
SECTION 1 - FRAME

FIGURE 1-1. AXLE INSTALLATION

ITEM	PART NUMBER	QTY	DESCRIPTION	REV
	1001164094	Ref	AXLE INSTALLATION	D
1	0100011	AR	Compound, Locking	
3	0701217	8	Bolt M12 x 45	
4	0761215	1	Bolt M12 x 35	
5	0961950	2	Bearing	
6	3841203	1	Keeper, Pin	
7	4740158	1	Washer	
8	5241200	8	Washer M12	
9	5251016	4	Bolt M10 x 40	
10	1001166563	2	Pad, Wear	
11	1001150324	2	Shim 3MM	
12	1001150326	2	Shim 1.2MM	
13	1001162995	1	Axle	
14	1001163580	2	Axle Lockout Cylinder Assembly (See Separate Breakdown in CYLINDER Section)	
15	1001302868	1	Pin	
16	3020039	AR	Lube	

SECTION 1 - FRAME

FIGURE 1-2. STEER INSTALLATION - WITHOUT TOW PACKAGE (400S HC3)



ART_1001164092

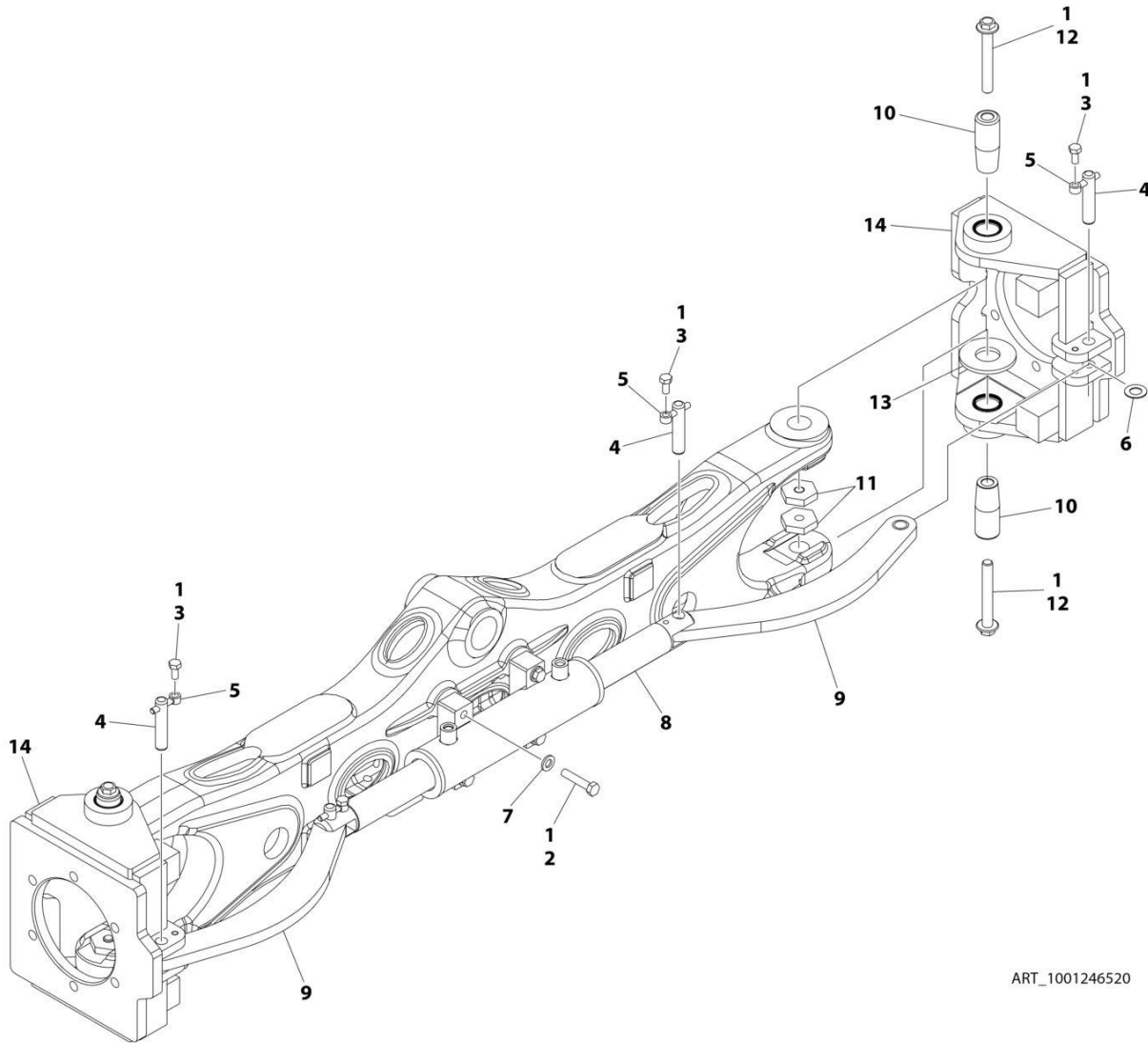
SECTION 1 - FRAME

FIGURE 1-2. STEER INSTALLATION - WITHOUT TOW PACKAGE (400S HC3)

ITEM	PART NUMBER	QTY	DESCRIPTION	REV
	1001164092	Ref	STEER INSTALLATION WITHOUT TOW PACKAGE	F
1	0100011	AR	Compound, Locking	
2	1001233139	2	Bearing, Thrust	
3	0761011	4	Bolt M10 x 22	
4	0711220	4	Bolt M12 x 60 Grade 10.9	
5	1001190368	4	Bolt M16 x 120	
6	3841143	4	Keeper, Pin	
7	4740086	4	Washer	
8	5241200	4	Washer M12	
10	1001163178	1	Steer Cylinder Assembly (See Separate Breakdown in CYLINDER SECTION)	
11	1001163179	2	Link	
11	1001164209	4	Bearing (2 Per Link)	
12	1001176848	4	Nut M16	
13	1001163405	4	Kingpin	
14	1001163715	2	Spindle	
14	0961948	4	Bearing (2 Per Spindle)	
14	1001163716	8	Seal (4 Per Spindle)	
15	3423304	4	Pin	

SECTION 1 - FRAME

FIGURE 1-3. STEER INSTALLATION - WITHOUT TOW PACKAGE (460SJ HC3)



ART_1001246520

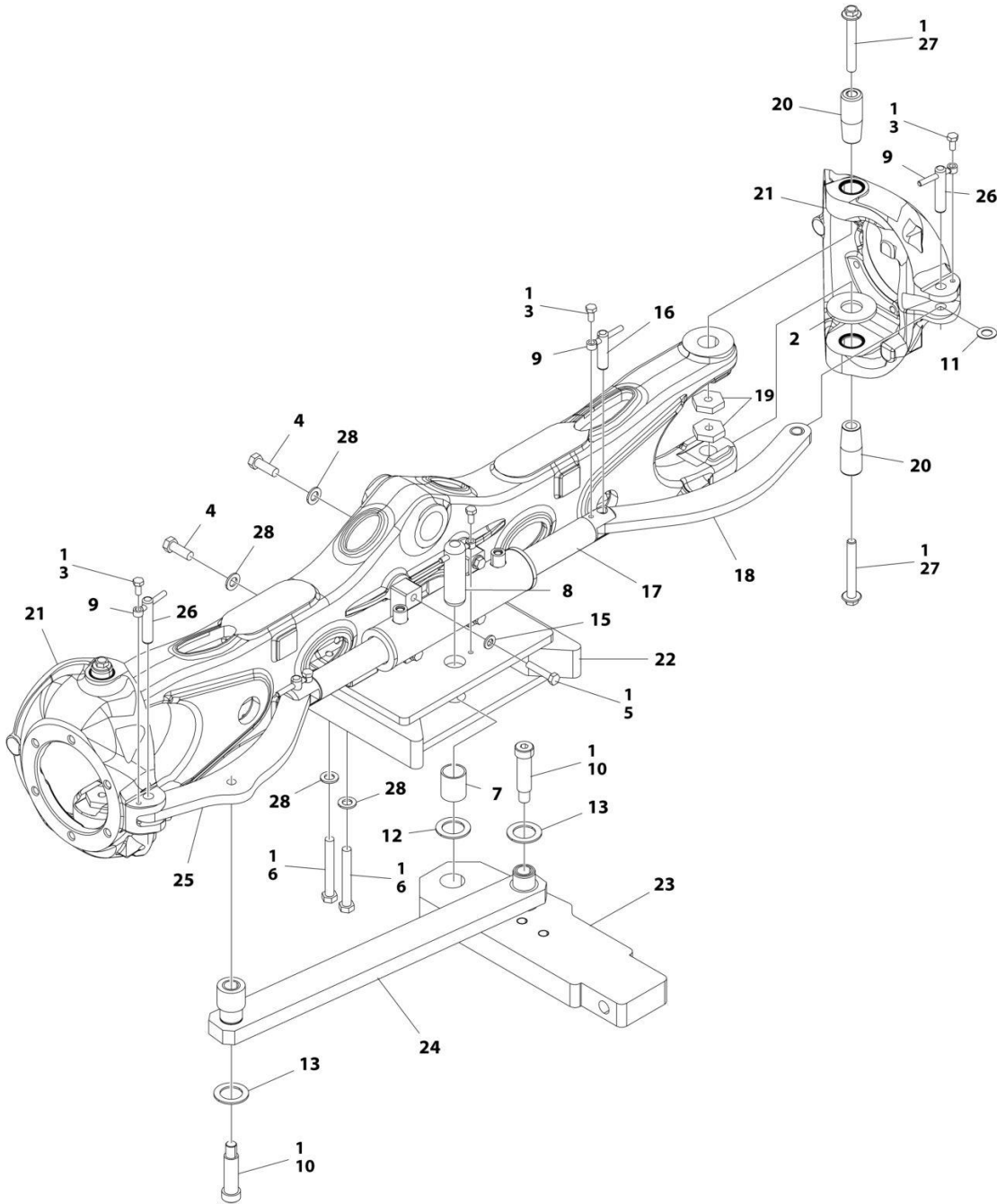
SECTION 1 - FRAME

FIGURE 1-3. STEER INSTALLATION - WITHOUT TOW PACKAGE (460SJ HC3)

ITEM	PART NUMBER	QTY	DESCRIPTION	REV
	1001246520	Ref	STEER INSTALLATION - WITHOUT TOW PACKAGE	A
1	0100011	AR	Compound, Locking	
2	0711220	4	Bolt M12 x 60 Grade 10.9	
3	0761011	4	Bolt M10 x 22	
4	3423304	4	Pin	
5	3841520	4	Keeper	
6	4740086	4	Washer	
7	5241200	4	Washer M12	
8	1001163178	1	Steer Cylinder Assembly (See Separate Breakdown in CYLINDER Section)	
9	1001163179	2	Link	
9	1001164209	4	Bearing (2 Per Link)	
10	1001163405	4	Kingpin	
11	1001176848	4	Nut M16	
12	1001190368	4	Bolt M16 x 120	
13	1001233139	2	Bearing, Thrust	
14	1001246551	2	Spindle	
14	0961948	4	Bearing (2 Per Spindle)	
14	1001163716	2	Seal (1 Per Spindle)	

SECTION 1 - FRAME

FIGURE 1-4. STEER INSTALLATION - WITH TOW PACKAGE (400S HC3)



ART_1001164095

SECTION 1 - FRAME

FIGURE 1-4. STEER INSTALLATION - WITH TOW PACKAGE (400S HC3)

ITEM	PART NUMBER	QTY	DESCRIPTION	REV
	1001164095	Ref	STEER INSTALLATION WITH TOW PACKAGE	D
1	0100011	AR	Compound, Locking	
2	0440271	2	Bearing, Thrust	
3	0761011	5	Bolt M10 x 22	
4	0701617	2	Bolt M16 x 45	
5	0711220	4	Bolt M12 x 60 Grade 10.9	
6	0711629	4	Bolt M16 x 120	
7	0962348	1	Bearing	
8	3422848	1	Pin	
9	3841143	5	Keeper, Pin	
10	3900295	2	Bolt 1 X 3	
11	4740086	4	Washer	
12	4740155	1	Washer	
13	4740491	2	Washer	
15	5241200	4	Washer M12	
16	1001139586	2	Pin	
17	1001163178	1	Steer Cylinder Assembly (See Separate Breakdown in CYLINDER SECTION)	
18	1001163179	1	Link	
18	1001164209	2	Bearing	
19	1001176848	4	Nut M16	
20	1001163405	4	Kingpin	
21	1001163715	2	Spindle	
21	0961948	4	Bearing (2 per Spindle)	
21	1001163716	8	Seal (4 per Spindle)	
22	1001163717	1	Bracket, Tow	
23	1001163722	1	Plate	
24	1001163724	1	Link	
24	0962292	4	Bearing	
25	1001163726	1	Link	
25	1001164209	2	Bearing	
26	3423304	2	Pin	
27	1001190368	4	Bolt M16 x 120	
28	5241600	6	Washer M16	

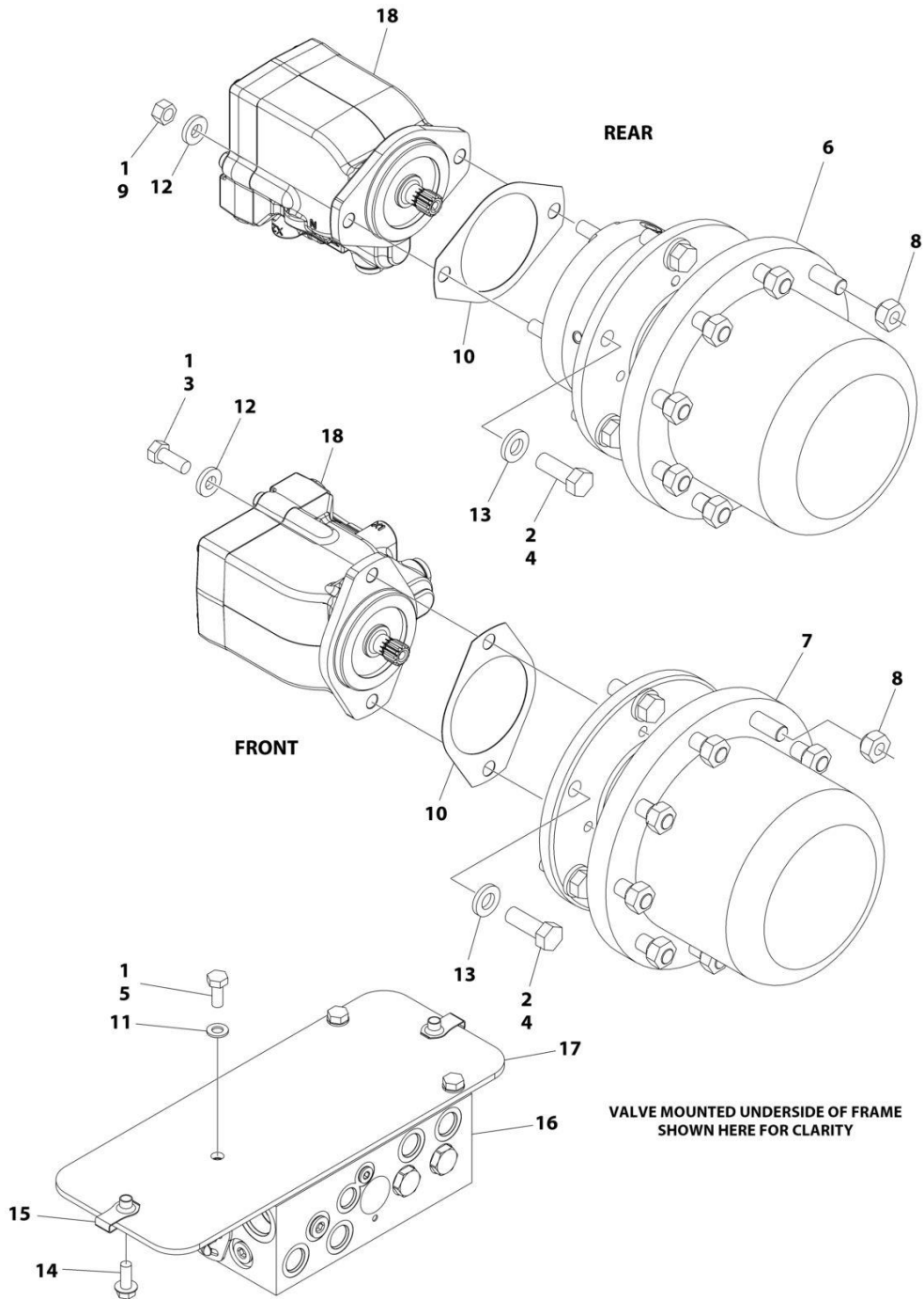
SECTION 1 - FRAME

FIGURE 1-5. STEER INSTALLATION - WITH TOW PACKAGE (460SJ HC3)

ITEM	PART NUMBER	QTY	DESCRIPTION	REV
	1001246521	Ref	STEER INSTALLATION - WITH TOW PACKAGE	B
1	0100011	AR	Compound, Locking	
2	0701617	2	Bolt M16 x 45	
3	0711220	4	Bolt M12 x 60 Grade 10.9	
4	0711629	4	Bolt M16 x 120	
5	0761011	5	Bolt M10 x 22	
6	0962348	1	Bearing	
7	3422848	1	Pin	
8	3423304	2	Pin	
9	3841143	1	Keeper, Pin	
10	3841520	4	Keeper	
11	3900295	2	Bolt 1 X 3	
12	4740086	4	Washer	
13	4740155	1	Washer	
14	4740491	2	Washer	
15	5241200	4	Washer M12	
16	5241600	6	Washer M16	
17	1001139586	2	Pin	
18	1001163178	1	Steer Cylinder Assembly (See Separate Breakdown in CYLINDER SECTION)	
19	1001163179	1	Link	
20	1001163405	4	Kingpin	
21	1001163717	1	Bracket, Tow	
22	1001163722	1	Plate	
23	1001163724	1	Link	
24	1001163726	1	Link	
25	1001176848	4	Nut M16	
26	1001190368	4	Bolt M16 x 120	
27	1001233139	2	Bearing, Thrust	
28	1001246551	2	Knuckle	

SECTION 1 - FRAME

FIGURE 1-6. WHEEL DRIVE AND FRAME VALVES INSTALLATION (400S HC3)



ART_1001285010

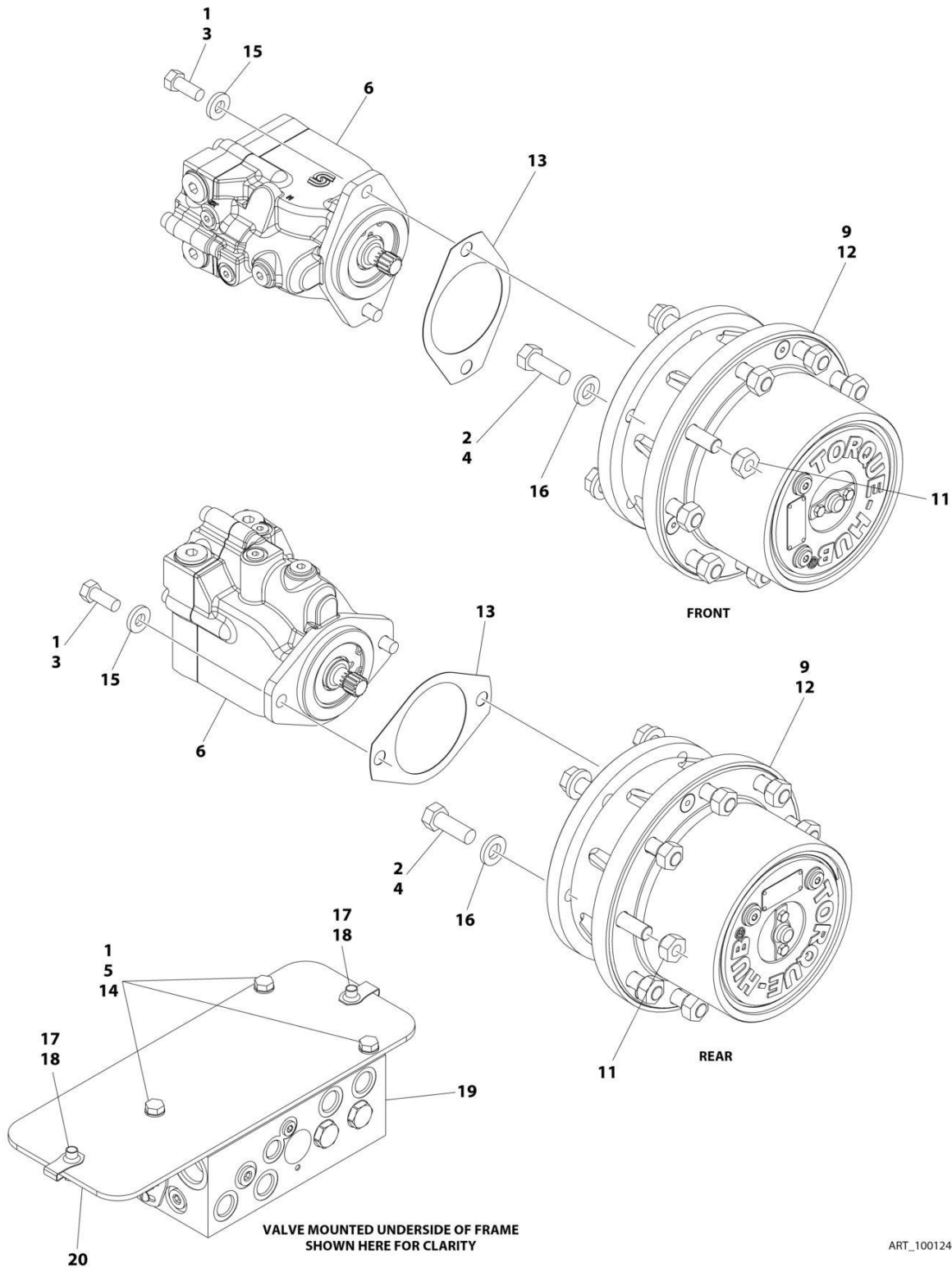
SECTION 1 - FRAME

FIGURE 1-6. WHEEL DRIVE AND FRAME VALVES INSTALLATION (400S HC3)

ITEM	PART NUMBER	QTY	DESCRIPTION	REV
	1001285010	Ref	WHEEL DRIVE INSTALLATION (4WD)	A
1	0100011	AR	Compound, Locking	
2	0100019	AR	Compound, Locking	
3	0681810	4	Bolt 1/2 x 1-1/4 (Grade 8)	
4	0682014	24	Bolt 5/8 x 1-3/4 (Grade 8)	
5	0761012	3	Bolt M10 x 25	
6	2780267	2	Drive Hub Assembly - Rear (See Separate Breakdown in this Section)	
7	2780268	2	Drive Hub Assembly - Front (See Separate Breakdown in this Section)	
8	3300106	36	Lugnut	
9	3311801	4	Nut 1/2	
10	3960526	4	Gasket, Brake	
11	4812000	3	Washer M10	
12	4891800	8	Washer 1/2	
13	4892000	24	Washer 5/8	
14	5251012	2	Bolt M10 x 25	
15	1001118972	2	Nut M10	
16	1001162537	1	Traction Valve Assembly (See Separate Breakdown in this Section)	
17	1001163959	1	Plate, Mounting	
18	1001278022	4	Drive Motor Assembly (See Separate Breakdown in this Section)	

SECTION 1 - FRAME

FIGURE 1-7. WHEEL DRIVE AND FRAME VALVES INSTALLATION (460SJ HC3)



ART_1001246374

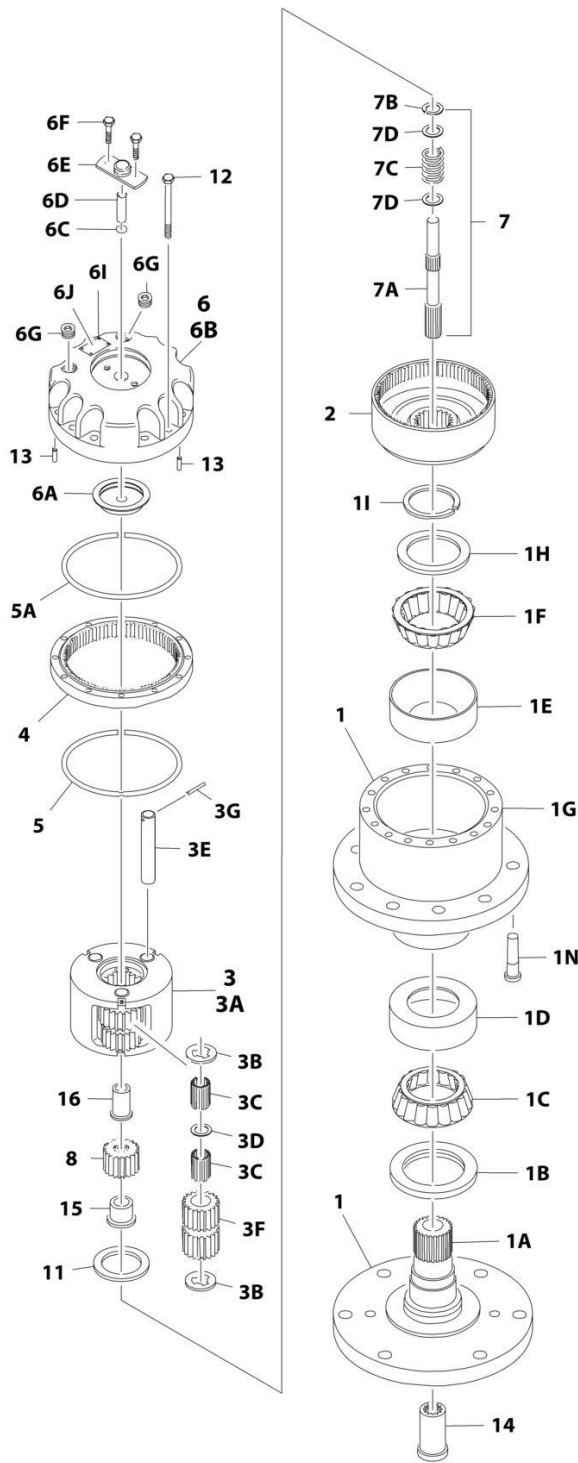
SECTION 1 - FRAME

FIGURE 1-7. WHEEL DRIVE AND FRAME VALVES INSTALLATION (460SJ HC3)

ITEM	PART NUMBER	QTY	DESCRIPTION	REV
	1001246374	Ref	WHEEL DRIVE AND FRAME VALVES INSTALLATION	B
1	0100011	AR	Compound, Locking	
2	0100019	AR	Compound, Locking	
3	0681810	8	Bolt 1/2 x 1-1/4 (Grade 8)	
4	0682014	24	Bolt 5/8 x 1-3/4 (Grade 8)	
5	0761012	3	Bolt M10 x 25	
6	1001245759	4	Drive Motor Assembly (See Separate Breakdown in this Section)	
9	3020008	0.75 gl	Lubricant	
11	3300106	36	Lugnut	
12	1001252541	4	Hub	
13	3960526	4	Gasket, Brake	
14	4812000	3	Washer M10	
15	4891800	8	Washer 1/2	
16	4892000	24	Washer 5/8	
17	5251012	2	Bolt M10 x 25	
18	1001118972	2	Nut M10 x 1.5	
19	1001162537	1	Traction Valve Assembly (See Separate Breakdown in this Section)	
20	1001163959	1	Plate, Mounting	

SECTION 1 - FRAME

FIGURE 1-8. DRIVE HUB ASSEMBLY - FRONT (400S HC3)



ART_2780268

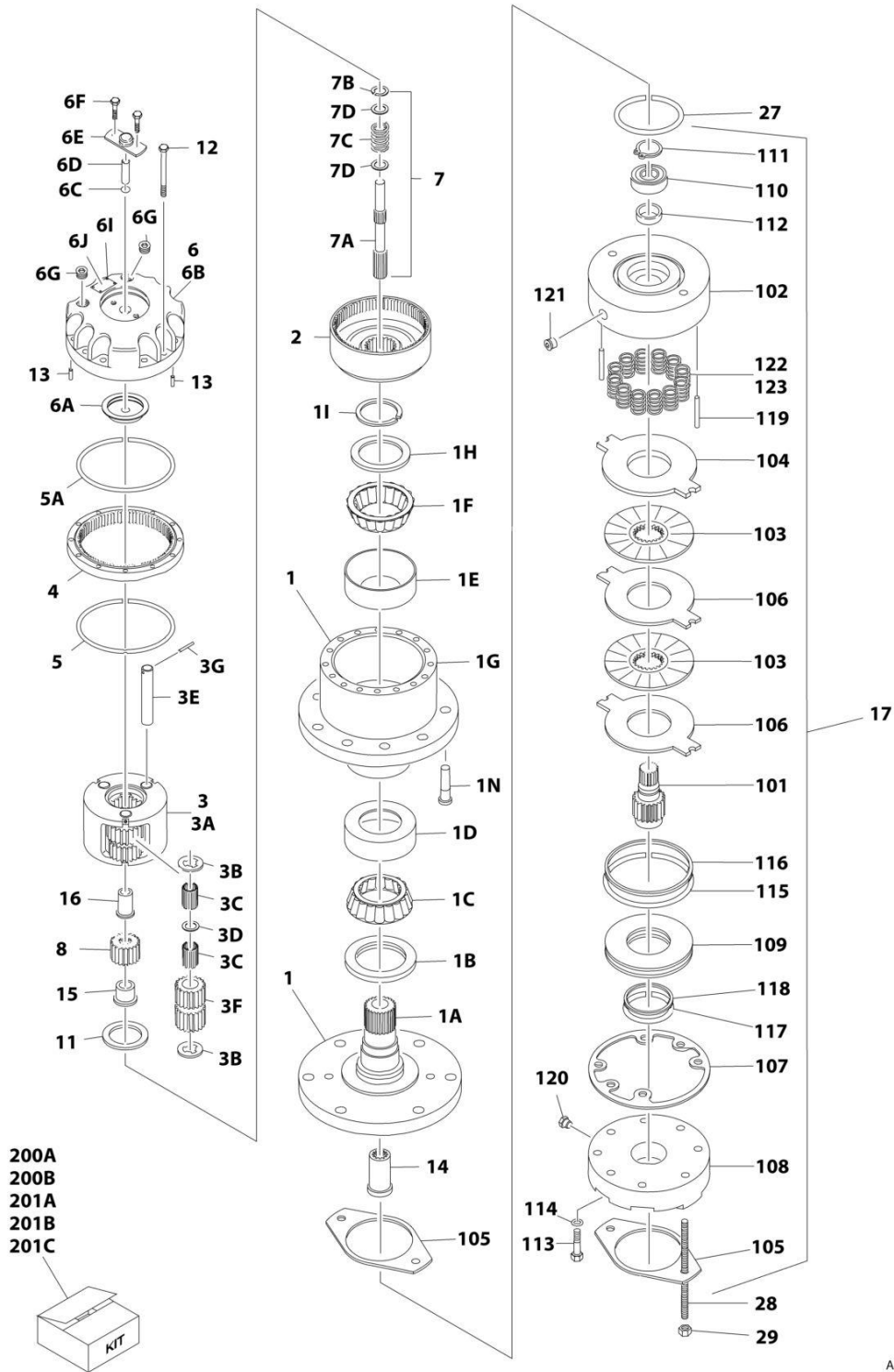
SECTION 1 - FRAME

FIGURE 1-8. DRIVE HUB ASSEMBLY - FRONT (400S HC3)

ITEM	PART NUMBER	QTY	DESCRIPTION	REV
	2780268	Ref	DRIVE HUB ASSEMBLY - FRONT	F
1	See Note	1	Spindle/Housing Assembly (Note: Purchase Individual Components)	
1A	7017059	1	Spindle	
1B	7001998	1	Seal	
1C	7010429	1	Cone, Bearing (Includes Item 1D)	
1D	7010429	1	Cup, Bearing (Includes Item 1C)	
1E	7000257	1	Cup, Bearing	
1F	7000258	1	Cone, Bearing	
1G	7007601	1	Housing/Ring Gear	
1H	7000232	1	Washer, Thrust	
1I	7000229	1	Ring, Retaining	
1N	7007640	9	Stud, Wheel	
2	7000246	1	Gear, Internal	
3	7024712	1	Carrier Assembly	
3A	See Note	1	Carrier (Note: Use Item 3)	
3B	See Note	6	Ring, Retaining (Note: Use Item 3)	
3C	See Note	AR	Bearing, Needle (Note: Use Item 3)	
3D	See Note	3	Washer, Thrust (Note: Use Item 3)	
3E	See Note	3	Shaft, Planet (Note: Use Item 3)	
3F	See Note	3	Gear, Planet (Note: Use Item 3)	
3G	See Note	3	Roll Pin (Note: Use Item 3)	
4	7000248	1	Ring Gear	
5	7000230	1	O-Ring	
5A	7017070	1	O-Ring	
6	70001349	1	Cover Assembly Kit	
6A	See Note	1	Spacer, Thrust (Note: Use Item 6)	
6B	See Note	1	Plate, Cover (Note: Use Item 6)	
6C	See Note	1	O-Ring (Note: Use Item 6)	
6D	See Note	1	Rod, Disconnect (Note: Use Item 6)	
6E	See Note	1	Cap, Disengage (Note: Use Item 6)	
6F	See Note	2	Bolt (Note: Use Item 6)	
6G	See Note	1	Plug, Pipe (Note: Use Item 6)	
6I	See Note	4	Rivet (Note: Not Available for Purchase)	
6J	See Note	1	Plate, ID (Note: Not Available for Purchase)	
7		Ref	Input Shaft Assembly	
7A	7024714	1	Shaft	
7B	7000261	1	Ring, Retaining	
7C	7000262	1	Spring	
7D	7000263	2	Spacer, Thrust	
8	7024713	1	Gear, Sun	
11	7000253	1	Washer, Thrust	
12	7017067	12	Bolt	
13	7017080	4	Pin, Dowel	
14	7000206	1	Coupling	
15	7024715	1	Spacer, Input	
16	7024716	1	Spacer, Input	

SECTION 1 - FRAME

FIGURE 1-9. DRIVE HUB/BRAKE ASSEMBLY - REAR (400S HC3)



ART_2780267

SECTION 1 - FRAME

FIGURE 1-9. DRIVE HUB/BRAKE ASSEMBLY - REAR (400S HC3)

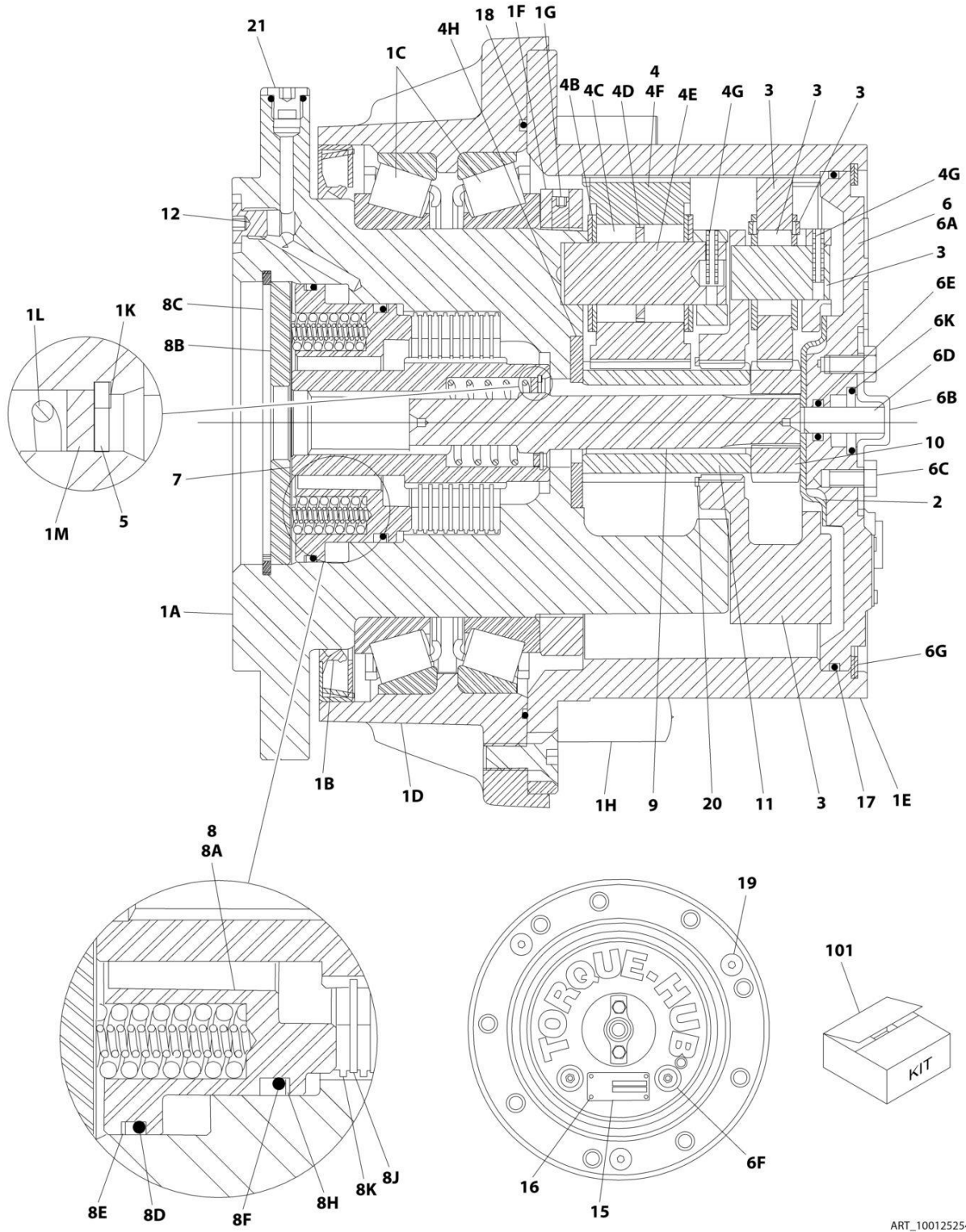
ITEM	PART NUMBER	QTY	DESCRIPTION	REV
	2780267	Ref	DRIVE HUB AND BRAKE ASSEMBLY - REAR	I
1	See Note	1	Spindle/Housing Assembly (Note: Purchase Individual Components)	
1A	7017059	1	Spindle	
1B	7001998	1	Seal	
1C	7010429	1	Cone, Bearing (Includes Item 1D)	
1D	7010429	1	Cup, Bearing (Includes Item 1C)	
1E	7000257	1	Cup, Bearing	
1F	7000258	1	Cone, Bearing	
1G	7007601	1	Housing/Ring Gear	
1H	7000232	1	Washer, Thrust	
1I	7000229	1	Ring, Retaining	
1N	7007640	9	Stud, Wheel	
2	7000246	1	Gear, Internal	
3	7024712	1	Carrier Assembly	
3A	See Note	1	Carrier (Note: Use Item 3)	
3B	See Note	6	Ring, Retaining (Note: Use Item 3)	
3C	See Note	AR	Bearing, Needle (Note: Use Item 3)	
3D	See Note	3	Washer, Thrust (Note: Use Item 3)	
3E	See Note	3	Shaft, Planet (Note: Use Item 3)	
3F	See Note	3	Gear, Planet (Note: Use Item 3)	
3G	See Note	3	Roll Pin (Note: Use Item 3)	
4	7000248	1	Ring Gear	
5	7000230	1	O-Ring	
5A	7017070	1	O-Ring	
6	70001349	1	Cover Assembly Kit	
6A	See Note	1	Spacer, Thrust (Note: Use Item 6)	
6B	See Note	1	Plate, Cover (Note: Use Item 6)	
6C	See Note	1	O-Ring (Note: Use Item 6)	
6D	See Note	1	Rod, Disconnect (Note: Use Item 6)	
6E	See Note	1	Cap, Disengage (Note: Use Item 6)	
6F	See Note	2	Bolt (Note: Use Item 6)	
6G	See Note	1	Plug, Pipe (Note: Use Item 6)	
6I	See Note	4	Rivet (Note: Not Available for Purchase)	
6J	See Note	1	Plate, ID (Note: Not Available for Purchase)	
7		Ref	Input Shaft Assembly	
7A	7024714	1	Shaft	
7B	7000261	1	Ring, Retaining	
7C	7000262	1	Spring	
7D	7000263	2	Spacer, Thrust	
8	7024713	1	Gear, Sun	
11	7000253	1	Washer, Thrust	
12	7017067	12	Bolt	
13	7017080	4	Pin, Dowel	
14	7000206	1	Coupling	
15	7024715	1	Spacer, Input	
16	7024716	1	Spacer, Input	
17	7024182	1	Brake Assembly (See Items 101-123 for Breakdown)	
27	7024705	1	O-Ring	
28	7024717	2	Rod, Threaded	

SECTION 1 - FRAME

ITEM	PART NUMBER	QTY	DESCRIPTION	REV
29	7024718	2	Nut 1/2in-13NC	
	7024182	Ref	BRAKE ASSEMBLY	
101	7024189	1	Shaft	
102	See Note	1	Housing (Note: Use Item 17)	
103	See Note	2	Plate, Friction (Note: Use Item 201B)	
104	See Note	1	Plate, Pressure (Note: Use Item 201B)	
105	7000731	2	Gasket	
106	See Note	2	Plate, Outer (Note: Use Item 201B)	
107	See Note	1	Gasket (Note: Use Item 200A, 201B or 201C)	
108	7024191	1	Cylinder	
109	7024192	1	Piston	
110	See Note	1	Bearing, Ball (Note: Use Item 201C)	
111	See Note	1	Ring, Retaining (Note: Use Item 201C)	
112	See Note	1	Seal, Shaft (Note: Use Item 201C)	
113	See Note	6	Capscrew (Note: Use Item 17)	
114	See Note	6	Lockwasher (Note: Use Item 17)	
115	See Note	1	O-Ring (Note: Use Item 200B)	
116	See Note	1	Ring, Back-up (Note: Use Item 200B)	
117	See Note	1	O-Ring (Note: Use Item 200B)	
118	See Note	1	Ring, Back-up (Note: Use Item 200B)	
119	7024190	2	Pin, Dowel	
120	See Note	1	Plug (Note: Use Item 17)	
121	See Note	2	Plug (Note: Use Item 17)	
122	See Note	12	Spring Kit (Natural) (Note: Use Item 201A)	
123	See Note	2	Spring Kit (Blue) (Note: Use Item 201A)	
		Ref	Kit Options	
200		Ref	Seal Kit Options:	
200A	See Note	1	Hub Seal Kit (Note: Purchase Individual Components)	
200B	7024194	1	Brake Seal Kit (Includes Items 105, 107 & 115-118)	
201		Ref	Repair Kit Options:	
201A	7024196	1	Brake Spring Kit (Includes 12 Natural Colored and 2 Blue Colored Springs Items 122 & 123)	
201B	7024193	1	Brake Friction Disc Kit (Includes Items 103, 104, 106 & 107)	
201C	7024197	1	Brake Bearing Kit (Includes Items 107 & 110-112)	

SECTION 1 - FRAME

FIGURE 1-10. DRIVE HUB/BRAKE ASSEMBLY - REAR (460SJ HC3)



ART_1001252541

SECTION 1 - FRAME

FIGURE 1-10. DRIVE HUB/BRAKE ASSEMBLY - REAR (460SJ HC3)

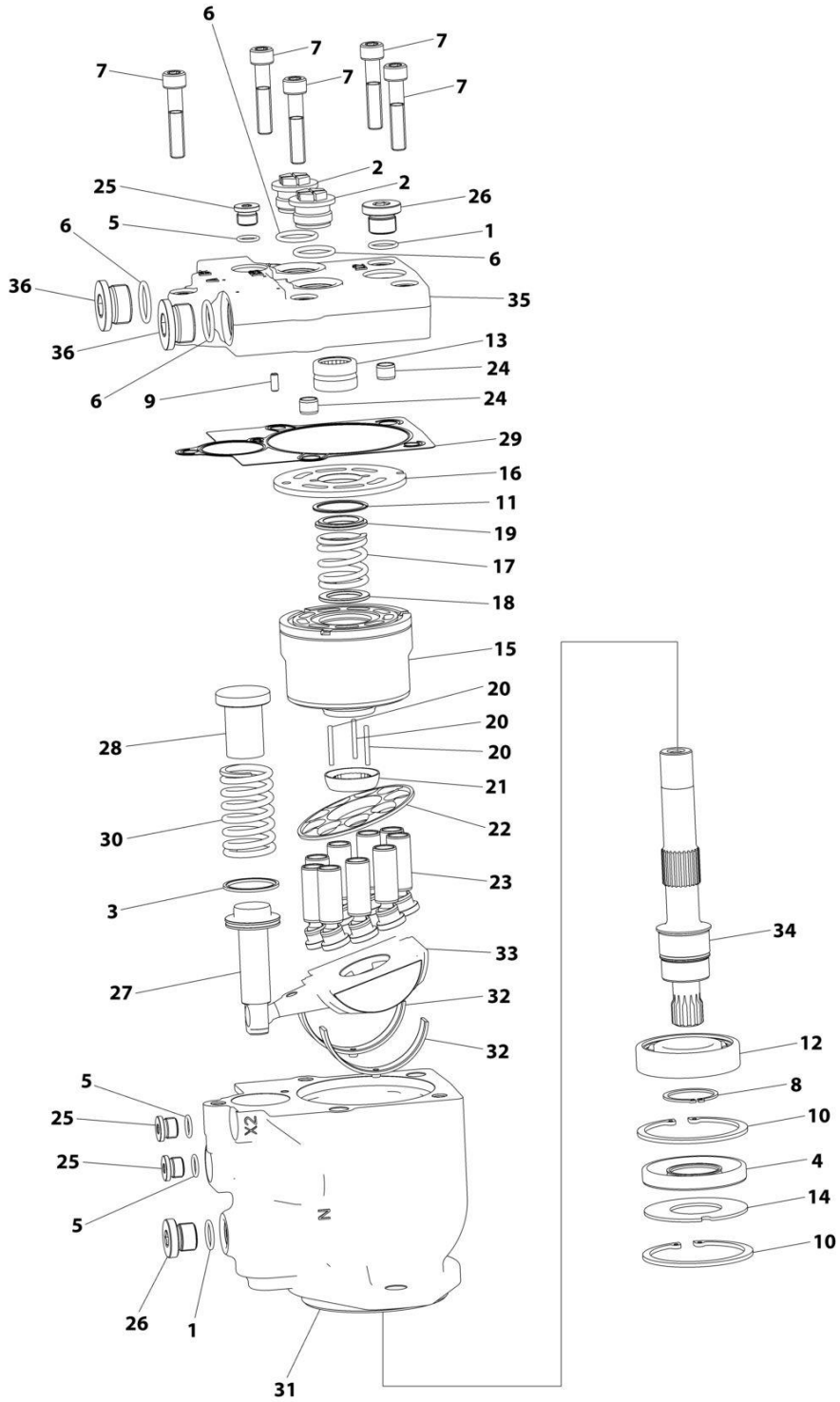
ITEM	PART NUMBER	QTY	DESCRIPTION	REV
	1001252541	Ref	DRIVE HUB AND BRAKE ASSEMBLY	C
1	See Note	Ref	Spindle Sub-Assembly (Note : Not Shown - Not Available as Assembly. Purchase Individual Components)	
1A	7024729	1	Spindle	
1B	70001119	1	Seal, Lip	
1C	7024735	2	Bearing, Tapered	
1D	See Note	NSS	Housing (Note: Not Available for Purchase)	
1E	7024730	1	Gear, Ring	
1F	70003000	1	Nut, Bearing	
1G	70002996	2	Screw	
1H	7007640	9	Stud	
1K	70005613	1	Ring, Retaining (Internal)	
1L	7024124	1	Spring	
1M	7024129	1	Thrust washer	
2	7024741	1	Spacer, Thrust	
3	70007171	1	Carrier, Sub-Assembly (Note: Sold as an Assembly Only)	
4	70007172	1	Planet Gear Sub-Assembly	
4B	7024740	12	Thrust washer	
4C	7024734	84	Bearing, Needle	
4D	7024736	3	Spacer, Thrust	
4E	7024726	3	Shaft, Planet	
4F	See Note	NSS	Gear, Planet (Note : Use PN 70007172)	
4G	7001913	3	Pin, Roll	
4H	7024742	1	Thrust washer	
5	7017027	1	Ring, Retaining (External)	
6	70001368	1	Cover Gear Sub-Assembly	
6A	See Note	NSS	Flange, Plate/Cover (Note: Use Item 6)	
6B	7017093	1	Cap, Disengage	
6C	7000216	2	Bolt 1/4 x 1/2	
6D	7024739	1	Pin, Dowel	
6E	7017095	1	O-Ring	
6F	7017072	2	Plug	
6G	7024738	1	Ring, Retaining (Internal)	
6K	See Note	NSS	O-Ring (Note: Not Available for Purchase)	
7	70007170	1	Coupling Sub-Assembly	
8	70007173	1	Brake Sub-Assembly	
8A	See Note	NSS	Housing, Brake (Note: Use PN 70007173)	
8B	See Note	NSS	Spacer	
8C	70004039	1	Ring, Retaining	
8D	70002070	1	O-Ring	
8E	70002071	1	Ring, Back-up	
8F	70002073	1	O-Ring	
8H	70002072	1	Ring, Back-up	
8J	70007175	8	Rotor, Brake	
8K	70007176	9	Stator, Brake	
9	70005606	1	Shaft, Input	
10	70007174	1	Gear, Sun	
11	7024723	1	Gear, Sun	
12	7017082	1	Plug	
15	See Note	NSS	Plate, ID (Note: Not Available for Purchase)	

SECTION 1 - FRAME

ITEM	PART NUMBER	QTY	DESCRIPTION	REV
16	See Note	NSS	Rivet (Note: Not Available for Purchase)	
17	7024134	1	O-Ring	
18	70002997	1	O-Ring	
19	7017022	5	Bolt (Not Shown)	
20	7024737	1	Ring, Retaining (External)	
21	70007177	1	Plug	
101	7024744	1	Seal Kit (Includes Items 1B, 1F, 1G, 17, 18 & 19)	

SECTION 1 - FRAME

FIGURE 1-11. DRIVE MOTOR ASSEMBLY (400S HC3)



ART_1001278022

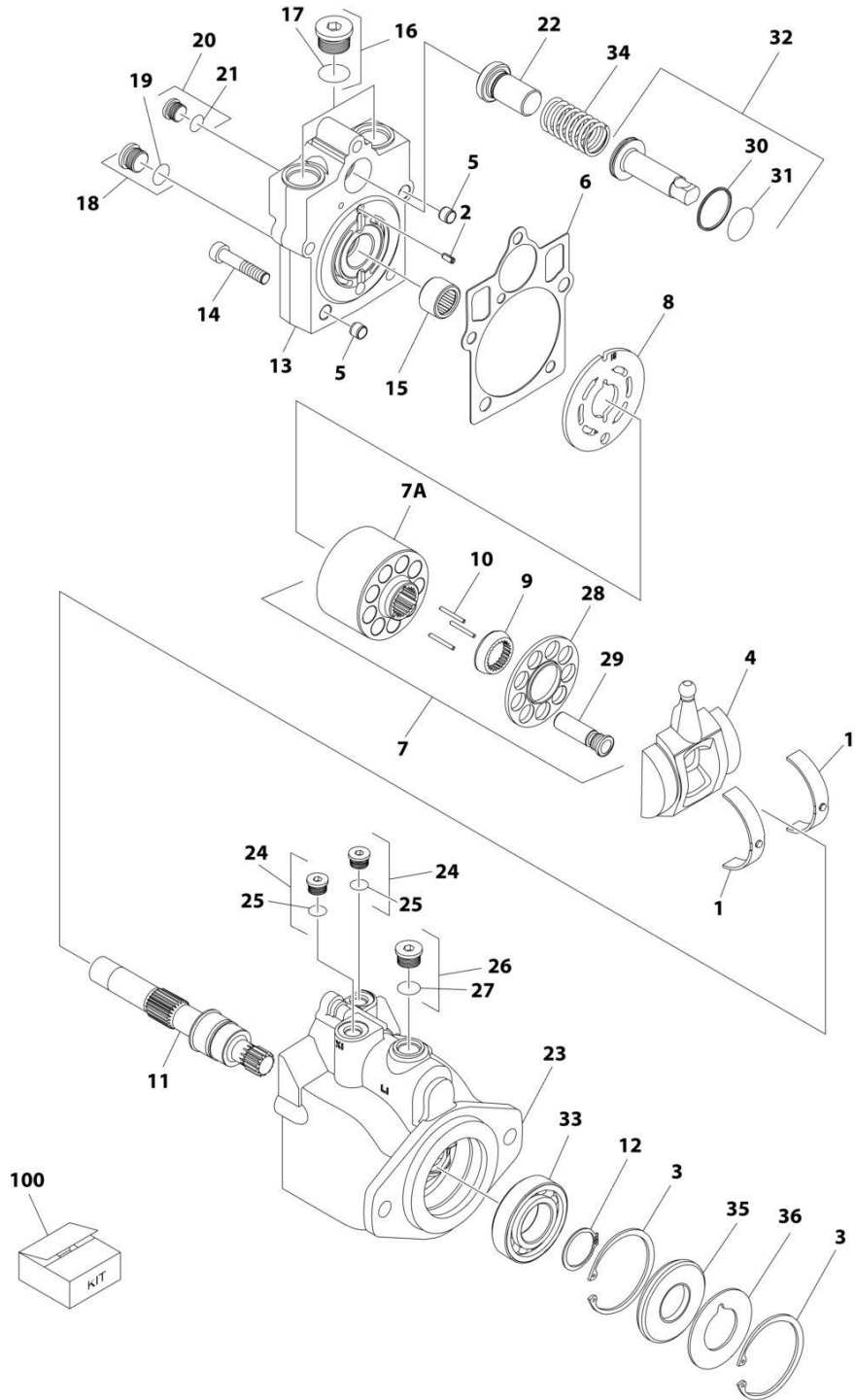
SECTION 1 - FRAME

FIGURE 1-11. DRIVE MOTOR ASSEMBLY (400S HC3)

ITEM	PART NUMBER	QTY	DESCRIPTION	REV
	1001278022	Ref	DRIVE MOTOR ASSEMBLY	B
1	70007847	2	O-Ring	
2	70007848	2	Plug	
3	70007849	1	Ring, Sealing	
4	70007850	1	Bearing	
5	70007851	3	O-Ring	
6	70007852	4	O-Ring	
7	70007853	5	Capscrew M10 x 50	
8	70007854	1	Circlip	
9	70007855	1	Pin	
10		Ref	Circlip	
11	70007856	1	Ring, Retaining	
12	70007857	1	Bearing	
13	70007858	1	Bearing	
14	70007859	1	Gasket	
15	70007860	1	Cylinder	
16	70007861	1	Plate, Valve	
17	70007862	1	Spring	
18	70007863	1	Gasket	
19	70007864	1	Gasket	
20	70007865	3	Pin	
21	70007866	1	Bushing	
22	70007867	1	Retainer	
23	70007868	9	Piston	
24	70007869	2	Pin	
25	70007870	3	Plug	
26	70007871	2	Plug	
27	70007872	1	Piston	
28	70007873	1	Seat, Spring	
29	70007874	1	Gasket	
30	70007875	1	Spring	
31	See Note	NSS	Housing (Note: Purchase Complete Assembly)	
32	70007876	2	Bushing	
33	70007877	1	Plate, Swash	
34	70007878	1	Shaft	
35	See Note	NSS	Cover (Note: Purchase Complete Assembly)	
36	See Note	Ref	Plug (Note: Shipping Use Only)	

SECTION 1 - FRAME

FIGURE 1-12. DRIVE MOTOR ASSEMBLY (460SJ HC3)



ART_1001245759

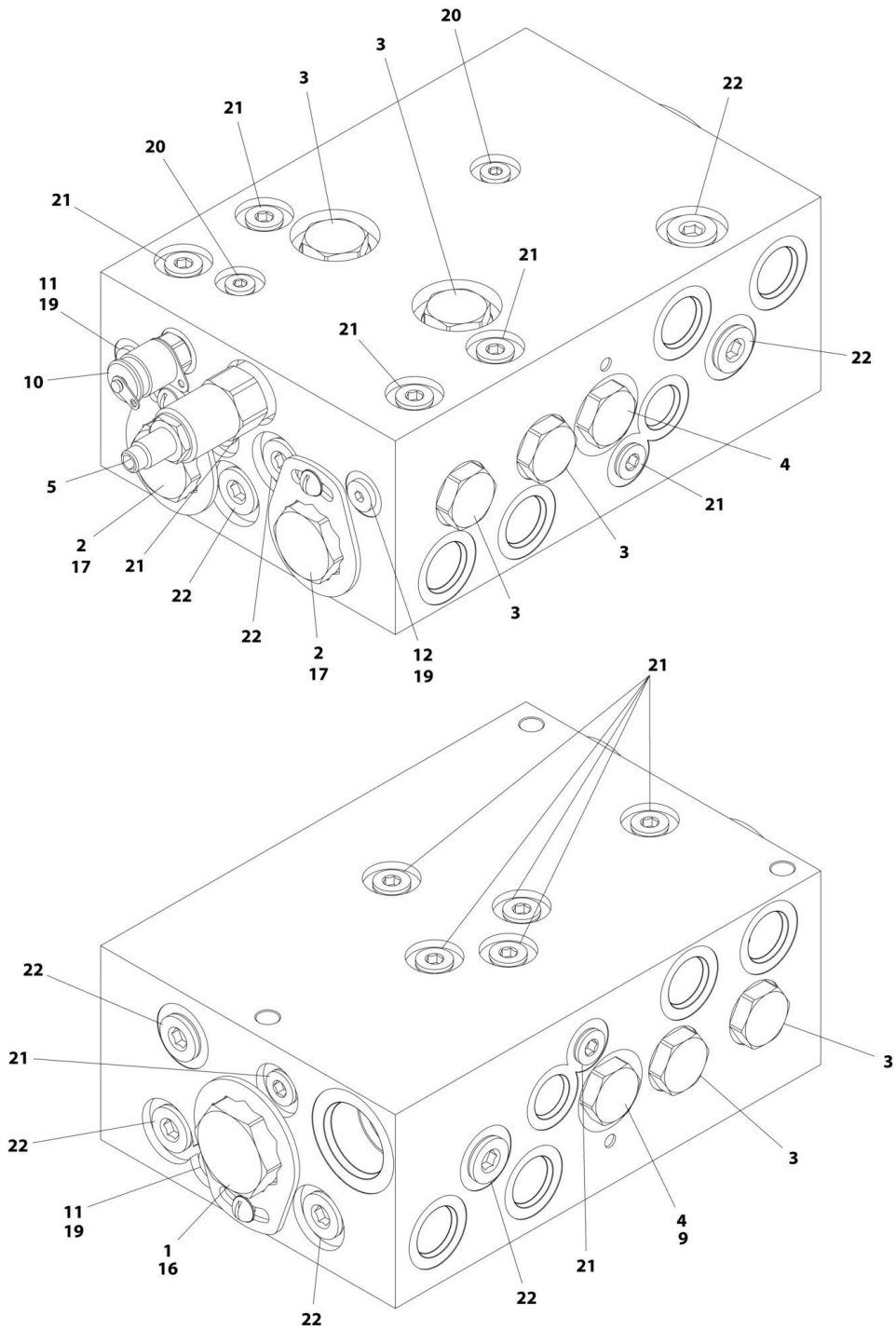
SECTION 1 - FRAME

FIGURE 1-12. DRIVE MOTOR ASSEMBLY (460SJ HC3)

ITEM	PART NUMBER	QTY	DESCRIPTION	REV
	1001245759	Ref	DRIVE MOTOR ASSEMBLY	C
1	70007145	1	Bearing Kit	
2	7007446	1	Pin	
3	7007438	2	Ring, Retaining	
4	70000794	1	Swash Plate	
5	70003628	2	Pin	
6	See Note	NSS	Gasket (Note: Use Item 100)	
7	7027740	1	Cylinder Block Kit (Includes Items 7A, 9, 28 & 29)	
7A	70007146	1	Block, Cylinder	
8	70000854	1	Plate, Valve	
9	70000856	1	Guide, Slipper Retainer	
10	7021275	3	Pin, Slipper Hold Down	
11	7023910	1	Shaft	
12	7007439	1	Ring, Retaining	
13	70000795	1	Cap, End - Axial	
14	7022368	5	Screw	
15	7021249	1	Bearing, Needle	
16	7007419	1	Plug (Includes Item 17)	
17	See Note	NSS	O-Ring (Note: Use Item 17 or 100)	
18	7022321	1	Plug (Includes Item 19)	
19	See Note	NSS	O-Ring (Note: Use Item 19 or 100)	
20	2220883	1	Plug (Includes Item 21)	
21	See Note	NSS	O-Ring (Note: Use Item 21 or 100)	
22	70007142	1	Seat, Spring	
23	70001932	1	Housing	
24	7007420	2	Plug (Includes Item 25)	
25	See Note	NSS	O-Ring (Note: Use Item 25 or 100)	
26	7022321	1	Plug (Includes Item 27)	
27	See Note	NSS	O-Ring (Note: Use Item 27 or 100)	
28	7000857	1	Retainer, Slipper	
29	7024865	9	Piston Assembly	
30	See Note	NSS	O-Ring (Note: Use Item 100)	
31	See Note	NSS	Ring, Seal (Note: Use Item 100)	
32	7024871	1	Piston, Servo (Includes Items 30 & 31)	
33	70007143	1	Bearing	
34	7022326	1	Spring	
35	See Note	1	Seal, Lip (Note: Use Item 100)	
36	7022371	1	Washer, Support	
37		Ref	KIT OPTIONS:	
100	7022328	1	Seal Kit (Includes Items 6, 17, 19, 21, 25, 27, 30 & 35)	

SECTION 1 - FRAME

FIGURE 1-13. TRACTION VALVE ASSEMBLY



ART_1001162537

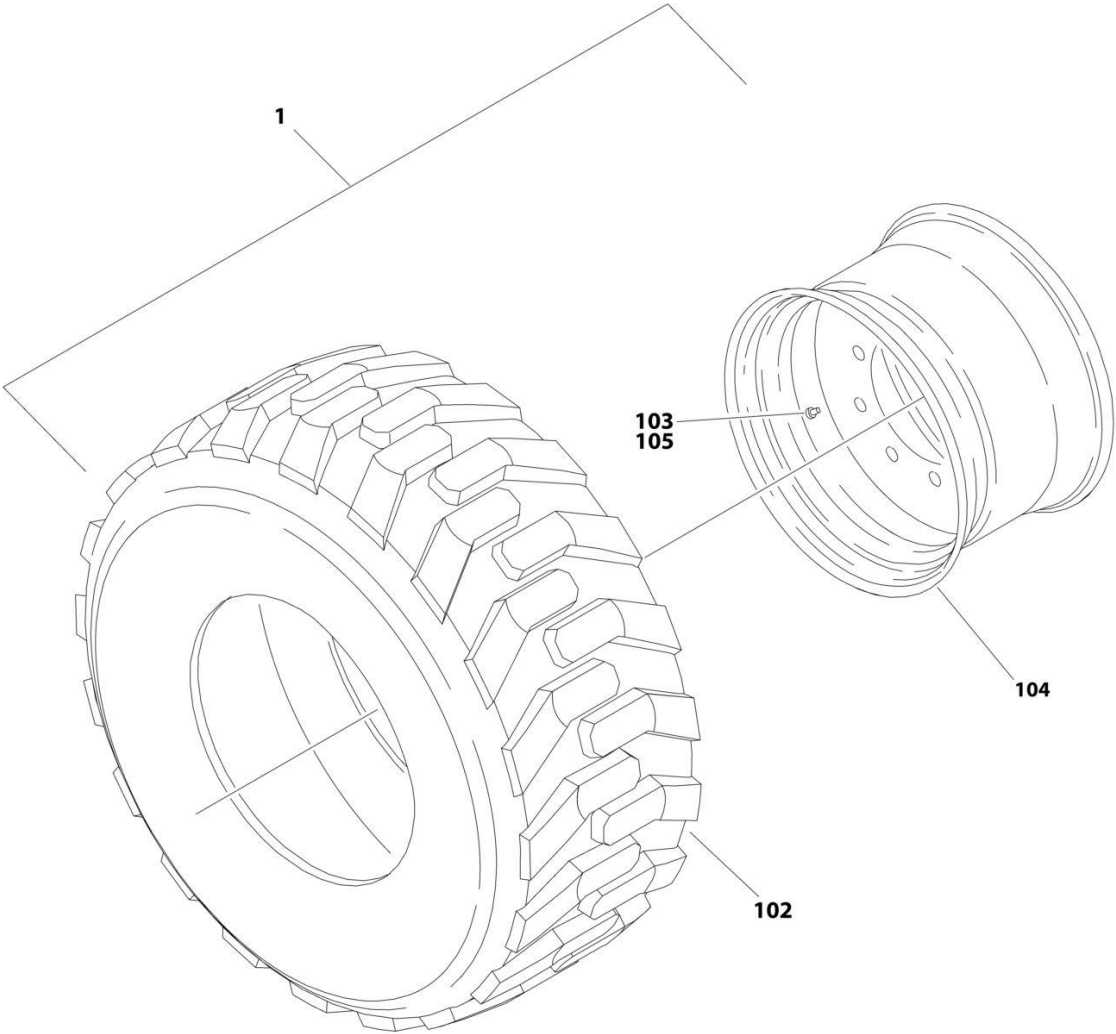
SECTION 1 - FRAME

FIGURE 1-13. TRACTION VALVE ASSEMBLY

ITEM	PART NUMBER	QTY	DESCRIPTION	REV
	1001162537	Ref	TRACTION VALVE ASSEMBLY (4WD)	E
1	70004017	1	Cartridge, Flow Divider Valve	
1	7021625	1	Seal Kit - 70004017 Valve	
2	70004885	2	Cartridge, Flow Divider Valve	
2	70004577	2	Seal Kit - 70004885 Valve	
3	7022397	6	Cartridge, Check Valve	
3	7022399	6	Seal Kit - 7022397 Valve	
4	7021639	2	Cartridge, Check Valve	
4	2900756	2	Seal Kit - 7021639 Valve	
5	70004886	1	Cartridge, Relief Valve	
5	7017496	1	Seal Kit - 70004886 Valve	
9	7024881	1	Piston, Pilot	
10	2221086	1	Fitting, Test Port	
11	70004884	2	Orifice	
12	70002209	1	Orifice	
16	70000781	1	Lockdown Kit	
17	70002962	2	Lockdown Kit	
19	2220883	3	Plug, #4	
20	See Note	NSS	Plug (Note: Not Available for Purchase)	
21	91164079	13	Plug	
22	91164057	8	Plug	

SECTION 1 - FRAME

FIGURE 1-14. TIRE AND WHEEL INSTALLATION - 14 X 176.5 FOAM FILLED



ART_0271998

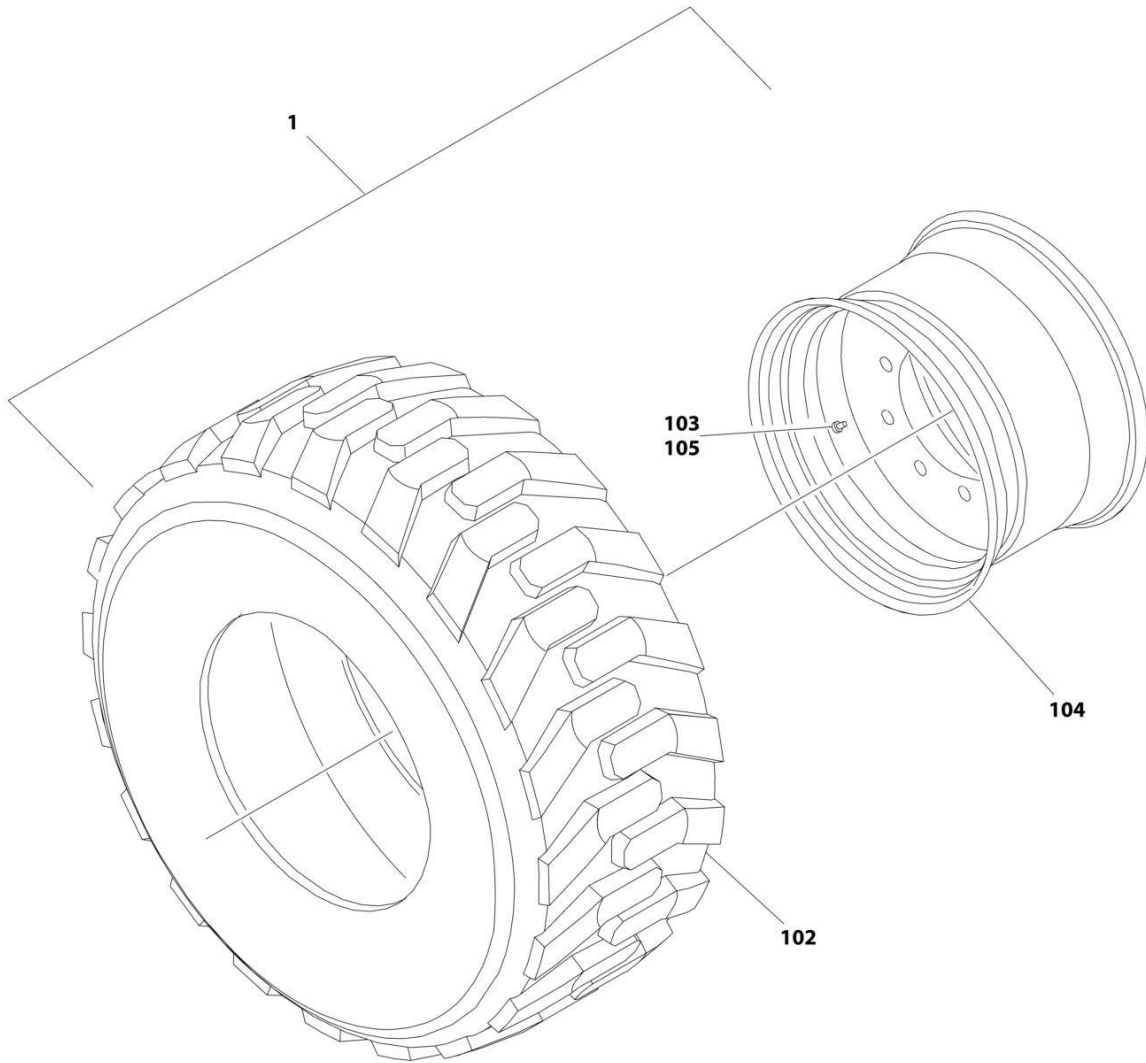
SECTION 1 - FRAME

FIGURE 1-14. TIRE AND WHEEL INSTALLATION - 14 X 17.5 FOAM FILLED

ITEM	PART NUMBER	QTY	DESCRIPTION	REV
	0271998	Ref	TIRE AND WHEEL INSTALLATION - 14 X 17.5 FOAM FILLED	B
		Ref	Note: Assemblies may require ballast/foam filling to manufacturer's specifications prior to installing on a machine. Refer to Operation and Safety or Service and Maintenance Manuals. Purchase individual tire and/or rim only if able to foam fill tire and wheel assembly, otherwise, purchase complete assembly.	
1	1001148875	Ref	Tire and Wheel Assembly - 14 x 17.5 (RH Side)	F
1	1001148876	Ref	Tire and Wheel Assembly - 14 x 17.5 (LH Side)	F
102	4520259	4	Tire - 14 x 17.5	
103	4641122	4	Valve	
104	1001146397	4	Rim, Wheel	
105	1001149953	4	Cap, Valve Stem	

SECTION 1 - FRAME

FIGURE 1-15. TIRE AND WHEEL INSTALLATION - 12 X 16.5 FOAM FILLED (400S HC3)



ART_0270092

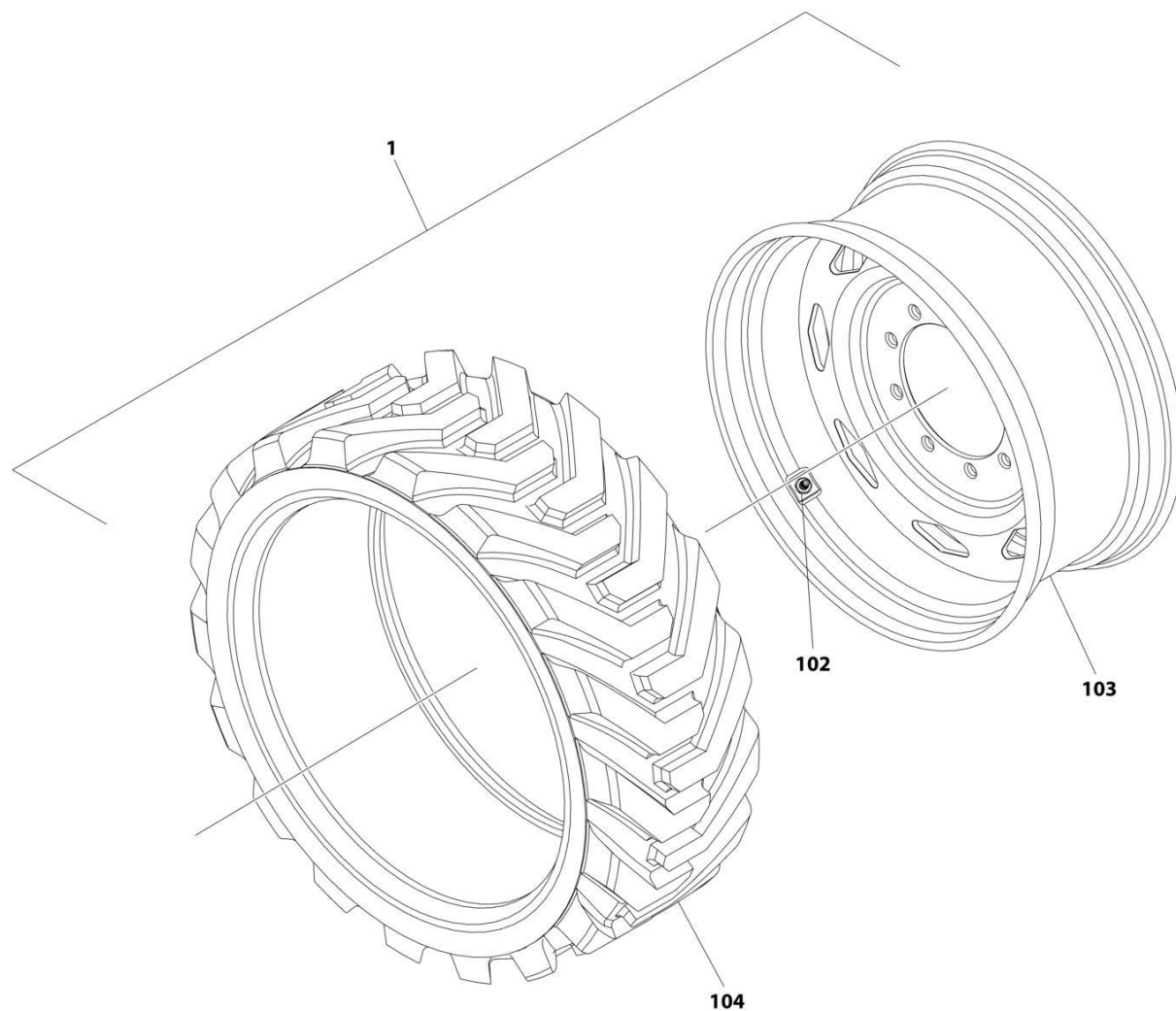
SECTION 1 - FRAME

FIGURE 1-15. TIRE AND WHEEL INSTALLATION - 12 X 16.5 FOAM FILLED (400S HC3)

ITEM	PART NUMBER	QTY	DESCRIPTION	REV
	0270092	Ref	TIRE AND WHEEL INSTALLATION - 12 X 16.5 FOAM FILLED	C
		Ref	Note: Assemblies may require ballast/foam filling to manufacturer's specifications prior to installing on a machine. Refer to Operation and Safety or Service and Maintenance Manuals. Purchase individual tire and/or rim only if able to foam fill tire and wheel assembly, otherwise, purchase complete assembly.	
1	1001148865	2	Tire and Wheel Assembly - 12 x 16.5 (RH Side)	H
1	1001148866	2	Tire and Wheel Assembly - 12 x 16.5 (LH Side)	H
102	4520216	4	Tire - 12 x 16.5	
103	4641122	4	Valve	
104	1001147274	4	Rim, Wheel	
105	1001149953	4	Cap, Valve Stem	

SECTION 1 - FRAME

FIGURE 1-16. TIRE AND WHEEL INSTALLATION - 33 X 12D610 FOAM-FILLED (460SJ HC3)



ART_1001245211

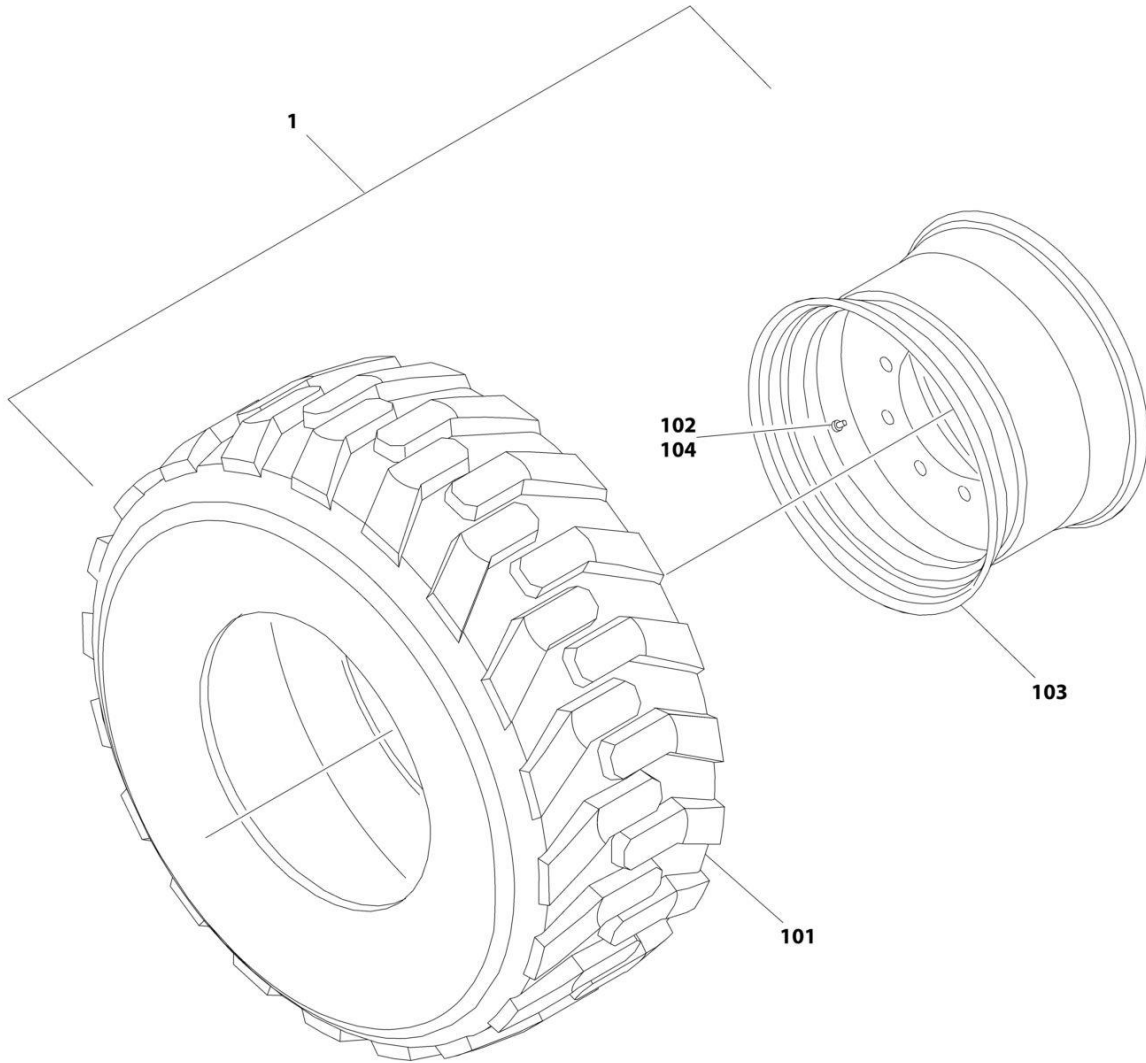
SECTION 1 - FRAME

FIGURE 1-16. TIRE AND WHEEL INSTALLATION - 33 X 12D610 FOAM-FILLED (460SJ HC3)

ITEM	PART NUMBER	QTY	DESCRIPTION	REV
	1001245211	Ref	TIRE AND WHEEL INSTALLATION - 33 x 12D610 FOAM-FILLED	A
		Ref	Note: Assemblies may require ballast/foam filling to manufacturer's specifications prior to installing on a machine. Refer to Operation and Safety or Service and Maintenance Manuals.	
		Ref	Note: Purchase individual tire and/or rim only if able to foam fill tire and wheel assembly, otherwise, purchase complete assembly.	
1	1001245197	2	Tire and Wheel Assembly - 33 x 12 (RH Side)	
1	1001245198	2	Tire and Wheel Assembly - 33 x 12 (LH Side)	
102	4641122	1	Valve	
103	1001245195	1	Wheel	
104	1001245196	1	Tire - 33 x 12	

SECTION 1 - FRAME

FIGURE 1-17. TIRE AND WHEEL INSTALLATION - 12 X 16.5 FF NON-MARKING (400S HC3)



ART_0270653

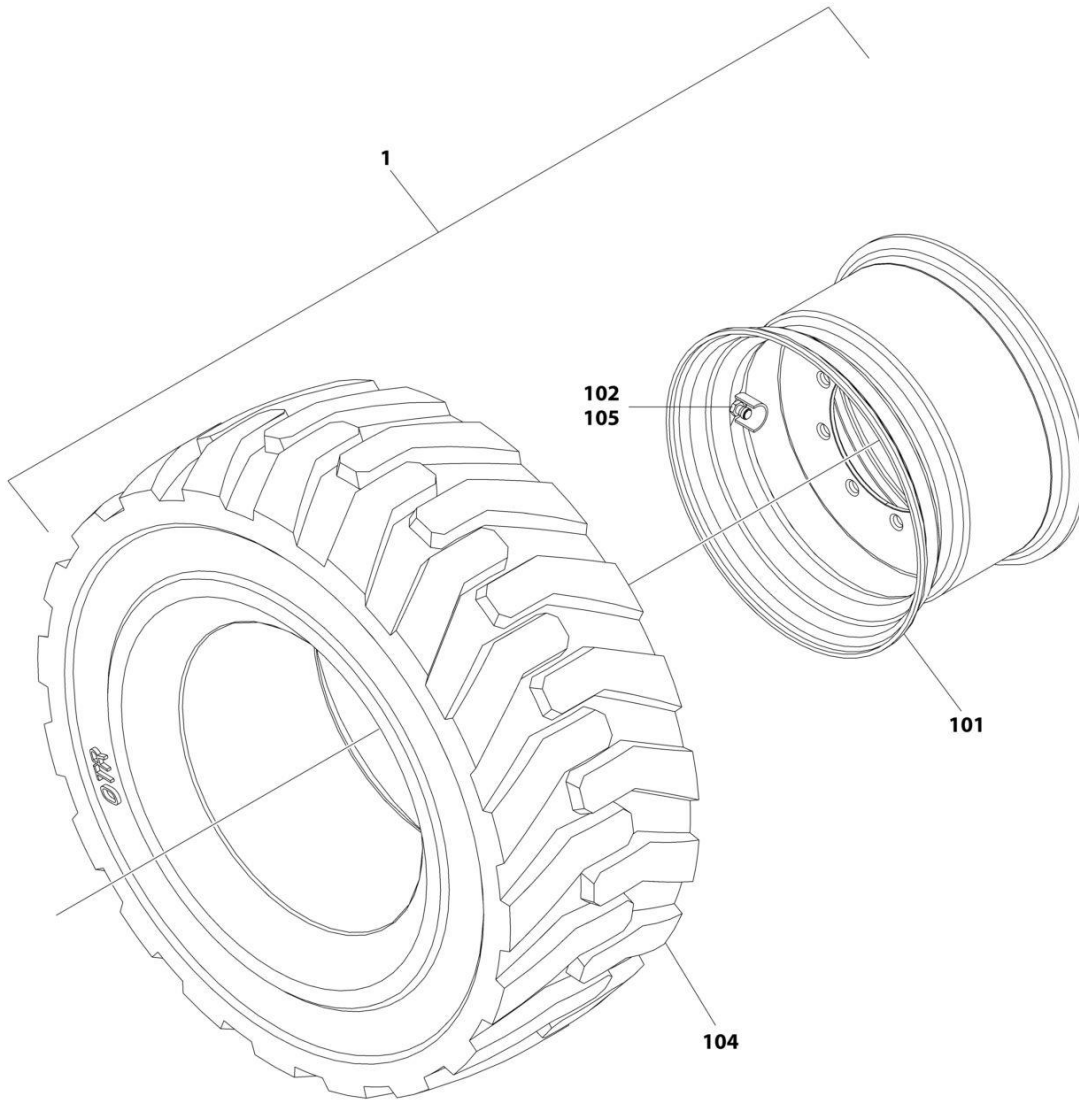
SECTION 1 - FRAME

FIGURE 1-17. TIRE AND WHEEL INSTALLATION - 12 X 16.5 FF NON-MARKING (400S HC3)

ITEM	PART NUMBER	QTY	DESCRIPTION	REV
	0270653	Ref	TIRE AND WHEEL INSTALLATION - 12 X 16.5 FOAM FILLED	B
		Ref	Note: Assemblies may require ballast/foam filling to manufacturer's specifications prior to installing on a machine. Refer to Operation and Safety or Service and Maintenance Manuals. Purchase individual tire and/or rim only if able to foam fill tire and wheel assembly, otherwise, purchase complete assembly.	
1	1001148869	1	Tire and Wheel Assembly - Right Side	H
1	1001148870	1	Tire and Wheel Assembly - Left Side	H
101	4520240	1	Tire 12 x 16.5 Non-Marking	
102	4641122	1	Valve	
103	1001147274	1	Rim, Wheel	
104	1001149953	1	Cap, Valve Stem	

SECTION 1 - FRAME

FIGURE 1-18. TIRE AND WHEEL INSTALLATION - 14 X 17.5 FF NON-MARKING



ART_1001258898

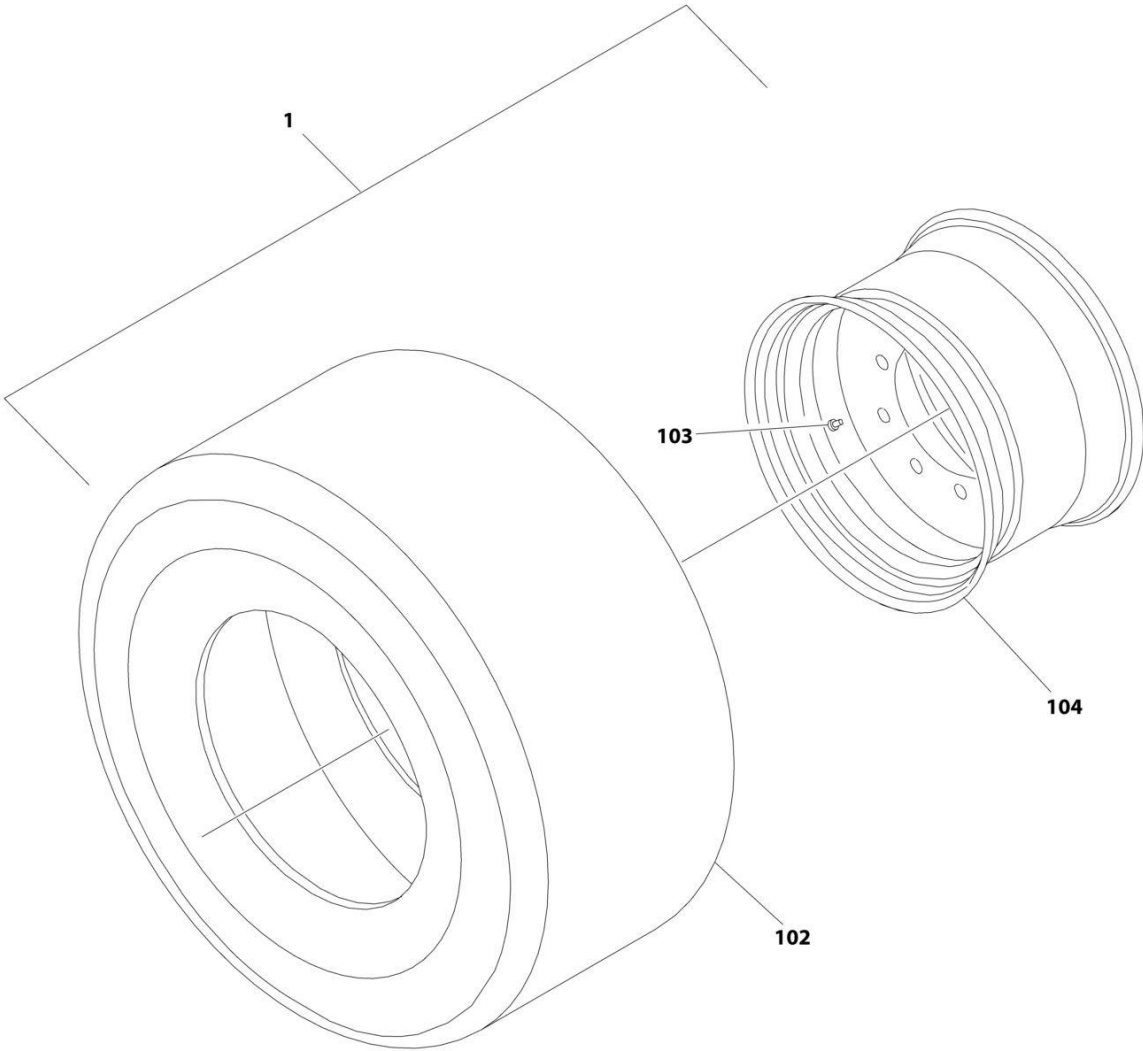
SECTION 1 - FRAME

FIGURE 1-18. TIRE AND WHEEL INSTALLATION - 14 X 17.5 FF NON-MARKING

ITEM	PART NUMBER	QTY	DESCRIPTION	REV
	1001258898	Ref	TIRE AND WHEEL INSTALLATION - 14 X 17.5 FF NON-MARKING	A
		Ref	Note: Assemblies may require ballast/foam filling to manufacturer's specifications prior to installing on a machine. Refer to Operation and Safety or Service and Maintenance Manuals. Purchase individual tire and/or rim only if able to foam fill tire and wheel assembly, otherwise, purchase complete assembly.	
1	1001258896	1	Tire and Wheel Assembly - Right Side	H
1	1001258897	1	Tire and Wheel Assembly - Left Side	H
101	1001146397	1	Rim, Wheel	
102	1001149953	1	Cap, Valve Stem	
104	1001258895	1	Tire 14 x 17.5 Non-Marking	
105	4641122	1	Valve	

SECTION 1 - FRAME

FIGURE 1-19. TIRE AND WHEEL INSTALLATION - TURF



ART_1001269298

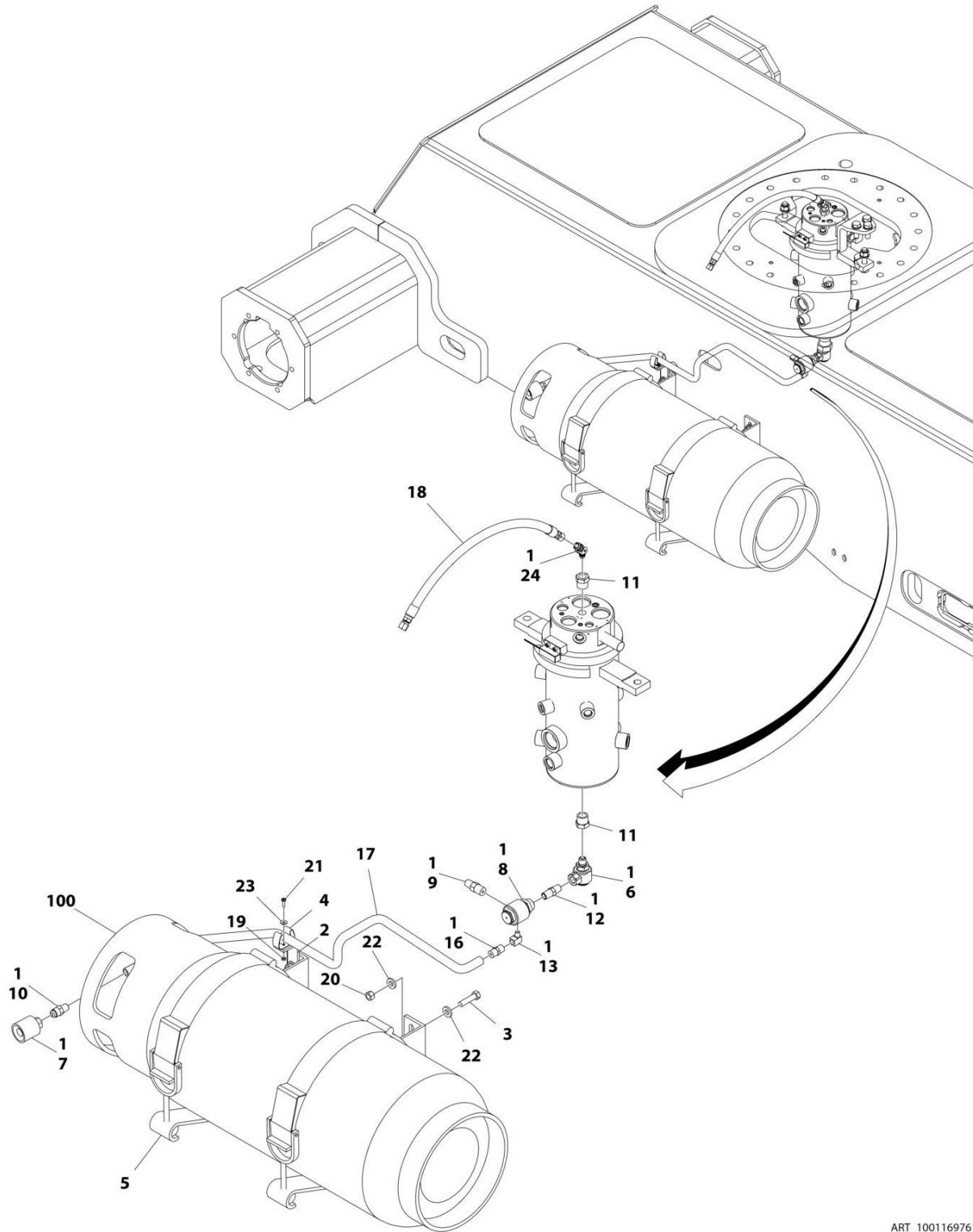
SECTION 1 - FRAME

FIGURE 1-19. TIRE AND WHEEL INSTALLATION - TURF

ITEM	PART NUMBER	QTY	DESCRIPTION	REV
	1001269298	Ref	TIRE AND WHEEL INSTALLATION - 33/16LL X 16.1 FOAM FILLED TURF	A
		Ref	Note: Assemblies may require ballast/foam filling to manufacturer's specifications prior to installing on a machine. Refer to Operation and Safety or Service and Maintenance Manuals. Purchase individual tire and/or rim only if able to foam fill tire and wheel assembly, otherwise, purchase complete assembly.	
1	1001269297	2	Tire and Wheel Assembly 33/16LL X 16.1	A
102	1300018	4	Tire - 33/16LL X 16.1	
103	4641122	4	Valve	
104	4860214	4	Rim, Wheel	

SECTION 1 - FRAME

FIGURE 1-20. LP TANK BRACKETS INSTALLATIONS



ART_1001169761_F

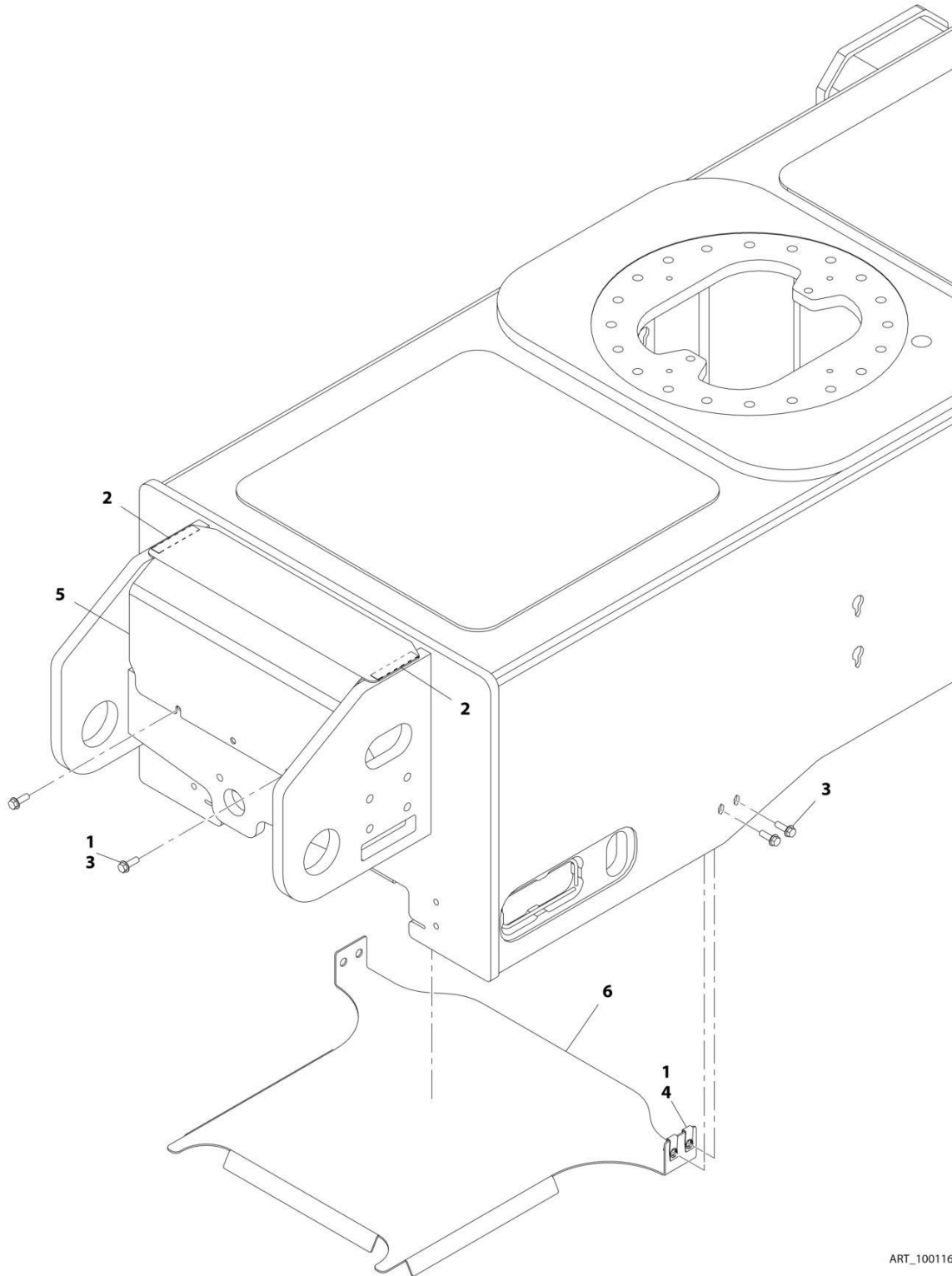
SECTION 1 - FRAME

FIGURE 1-20. LP TANK BRACKETS INSTALLATIONS

ITEM	PART NUMBER	QTY	DESCRIPTION	REV
	1001169761	Ref	LP TANK BRACKETS INSTALLATION	F
1	0100020	AR	Sealant, Pipe	
2	0181949	1	Angle, Support	
4	1320218	1	Clamp	
5	1320220	1	Clamp	
6	1001247358	1	Fitting, Swivel 90	
7	2180387	1	Fitting, Straight	
8	2180388	1	Fitting, Bulkhead	
9	2180389	1	Valve, Relief	
10	2180418	1	Fitting, Straight	
11	2221197	2	Fitting, Reducer	
12	2220261	1	Fitting, Nipple	
13	2220648	1	Fitting, 90 FNPTF/NPTF	
16	2221024	1	Fitting, Nipple	
17	2720144	1	Hose	
18	2720392	1	Hose	
19	3290401	1	Nut M4 x 0.7	
21	3900332	1	Screw M4 x 14	
23	1001091102	1	Washer	
24	1001239802	1	Fitting, 45	
25	3311601	4	Nut 3/8	
26	4891600	8	Washer 3/8	
27	0641612	4	Bolt 3/8 x 1-1/2	
100	4400275	1	Tank, LP 43.5 Lbs (Aluminum)	

SECTION 1 - FRAME

FIGURE 1-21. FRAME SHIELDS INSTALLATION - WITHOUT TOW PACKAGE



ART_1001169973

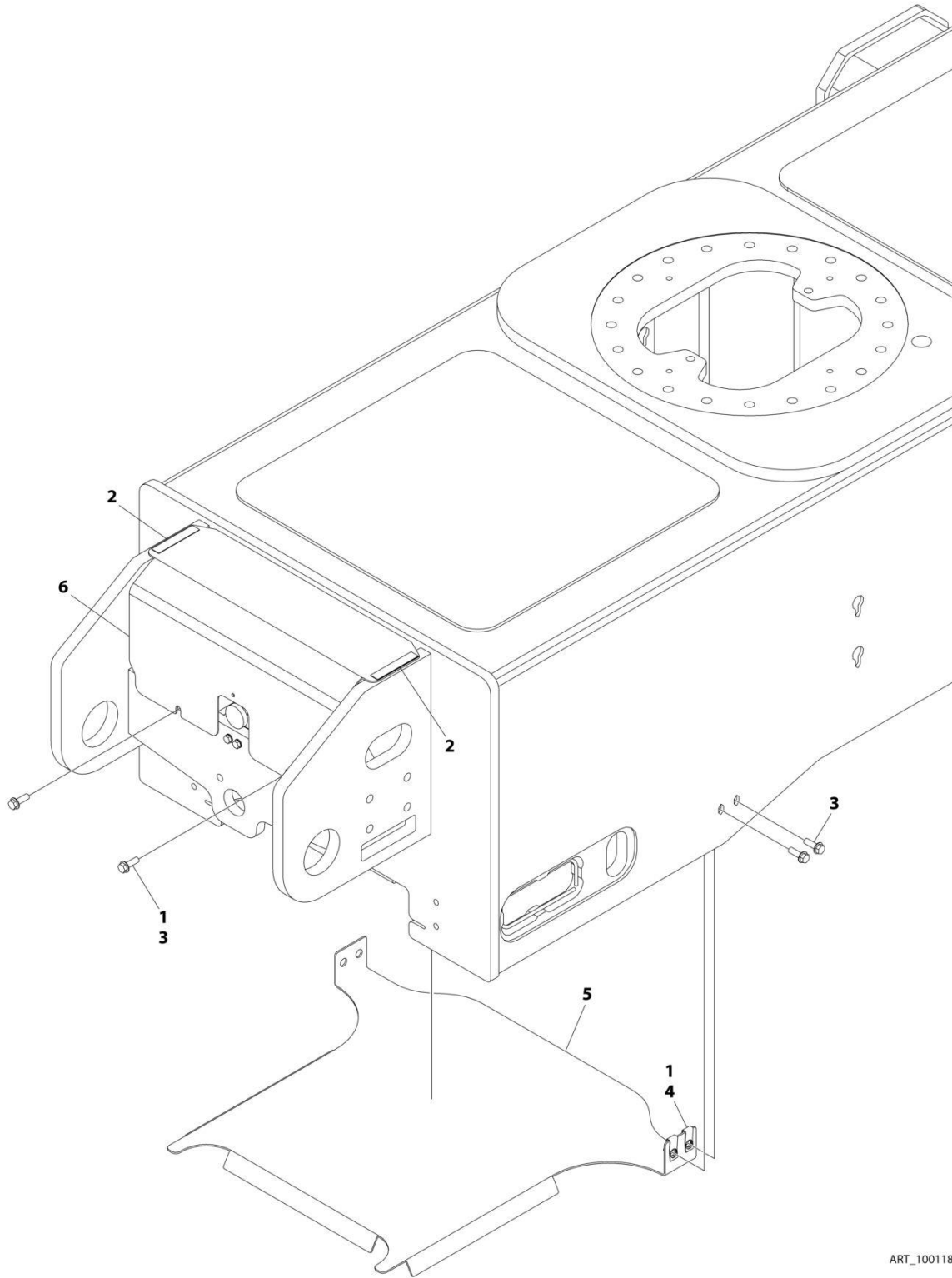
SECTION 1 - FRAME

FIGURE 1-21. FRAME SHIELDS INSTALLATION - WITHOUT TOW PACKAGE

ITEM	PART NUMBER	QTY	DESCRIPTION	REV
	1001169973	Ref	FRAME SHIELD INSTALLATION - WITHOUT TOW BAR	E
1	0100011	AR	Compound, Locking	
2	4280296	8 in / 20.3cm	Strip, Wear	
3	5251014	6	Bolt M10 x 30	
4	1001118972	4	Nut M10 x 1.5	
5	1001169086	1	Plate, Cover	
6	1001169955	1	Plate, Valve Cover	

SECTION 1 - FRAME

FIGURE 1-22. FRAME SHIELDS INSTALLATION - WITH TOW PACKAGE



ART_1001182245

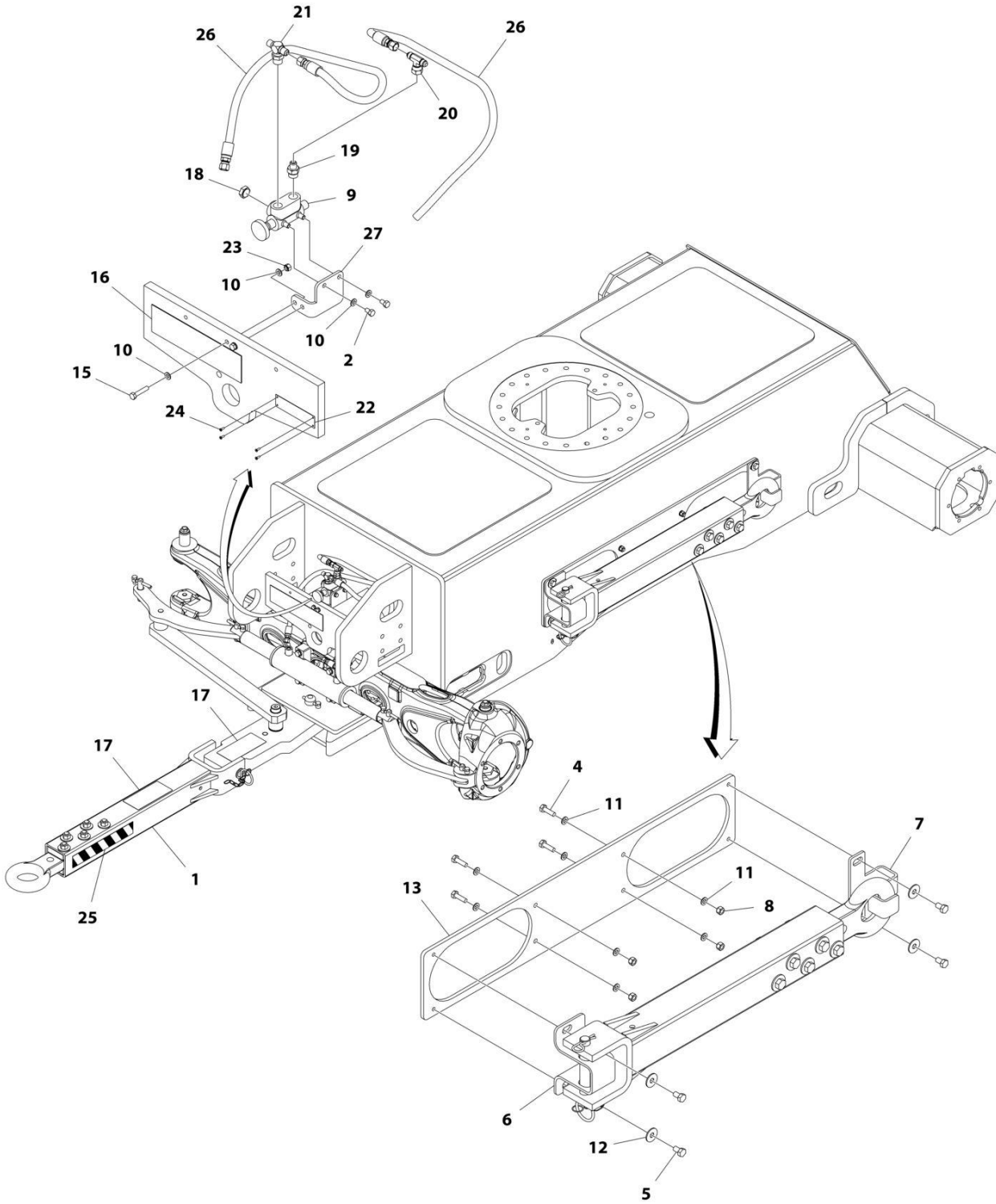
SECTION 1 - FRAME

FIGURE 1-22. FRAME SHIELDS INSTALLATION - WITH TOW PACKAGE

ITEM	PART NUMBER	QTY	DESCRIPTION	REV
	1001182245	Ref	FRAME SHIELD INSTALLATION - WITH TOW BAR	C
1	0100011	AR	Compound, Locking	
2	4280296	8 in / 20.3cm	Strip, Wear	
3	5251014	6	Bolt M10 x 30	
4	1001118972	4	Nut M10 x 1.5	
5	1001169955	1	Plate, Valve Cover	
6	1001182250	1	Plate, Cover	

SECTION 1 - FRAME

FIGURE 1-23. TOW PACKAGE INSTALLATION



ART_1001170736

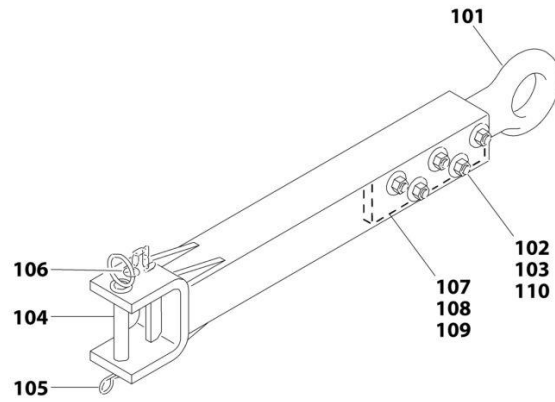
SECTION 1 - FRAME

FIGURE 1-23. TOW PACKAGE INSTALLATION

ITEM	PART NUMBER	QTY	DESCRIPTION	REV
	1001170736	Ref	TOW BAR INSTALLATION	D
1	0363019	1	Tow Bar Assembly (See Separate Breakdown in this Section)	
2	0641504	2	Bolt 5/16 x 1/2	
4	0641612	4	Bolt 3/8 x 1-1/2	
5	0761210	4	Bolt M12 x 20	
6	0902733	1	Bracket, Storage (Front)	
7	0902734	1	Bracket, Storage (Rear)	
8	3311605	4	Nut 3/8	
9	4640261	1	Steer/Tow Select Valve	
10	4811900	6	Washer M8	
11	4891600	8	Washer 3/8	
12	4812102	4	Washer M12	
13	1001166478	1	Plate, Tow Bar Mount	
15	0760816	2	Bolt M8 x 40	
16	1702968	1	Decal - Towing Instructions	
17	1704578	3	Decal - Crushing	
18	2220238	1	Plug ORB	
19	2220372	1	Fitting, Straight JIC/ORB	
20	2220579	1	Fitting, Tee JIC/FSJIC/JIC	
21	2221052	1	Fitting, Tee JIC/ORB/JIC	
22	3250872	1	Nameplate, Steer/Tow Select Valve	
23	3290805	2	Nut M8 x 1.25	
24	3820001	4	Rivet	
25	4420051	48 in /1.21m	Tape, Safety	
26	1001181913	2	Hose	
27	1001182155	1	Bracket, Valve Mounting	

SECTION 1 - FRAME

FIGURE 1-24. TOW BAR ASSEMBLY



ART_0363019

SECTION 1 - FRAME

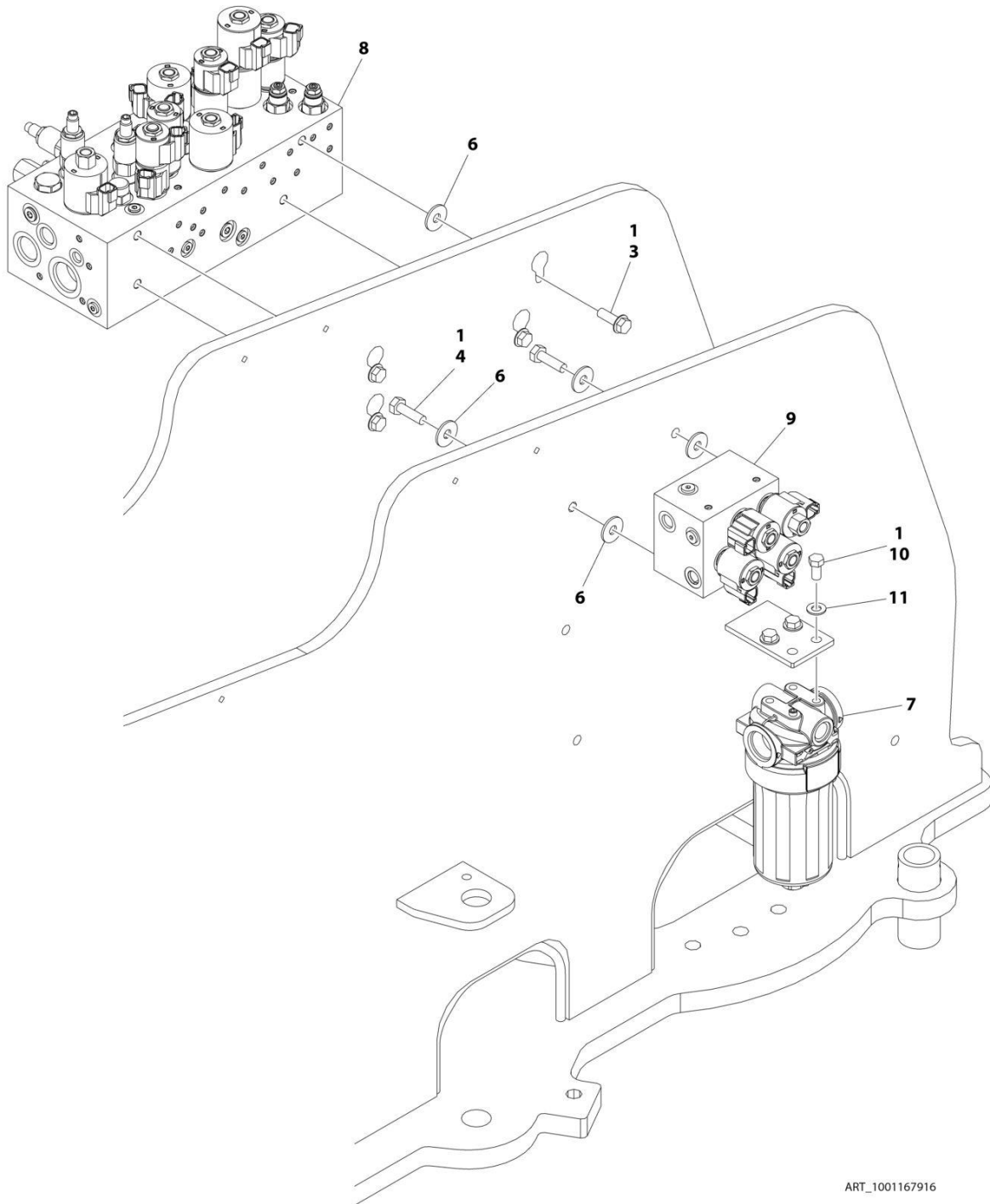
FIGURE 1-24. TOW BAR ASSEMBLY

ITEM	PART NUMBER	QTY	DESCRIPTION	REV
	0363019	Ref	TOW BAR ASSEMBLY	B
101	0360406	1	Pintle, Draw Eye	
102	0682040	5	Bolt 5/8 x 5	
103	3312005	5	Nut 5/8	
104	3420352	1	Pin, Towing	
105	3420372	1	Hairpin	
106	3760170	1	Ring, Split	
107	4070450	2	Shim (.07)	
108	4070560	2	Shim (.88)	
109	4070561	2	Shim (.12)	
110	4752000	10	Washer 5/8	

SECTION 2 - TURNTABLE

SECTION 2 - TURNTABLE

FIGURE 2-1. CONTROL VALVES INSTALLATION (400S HC3)



ART_1001167916

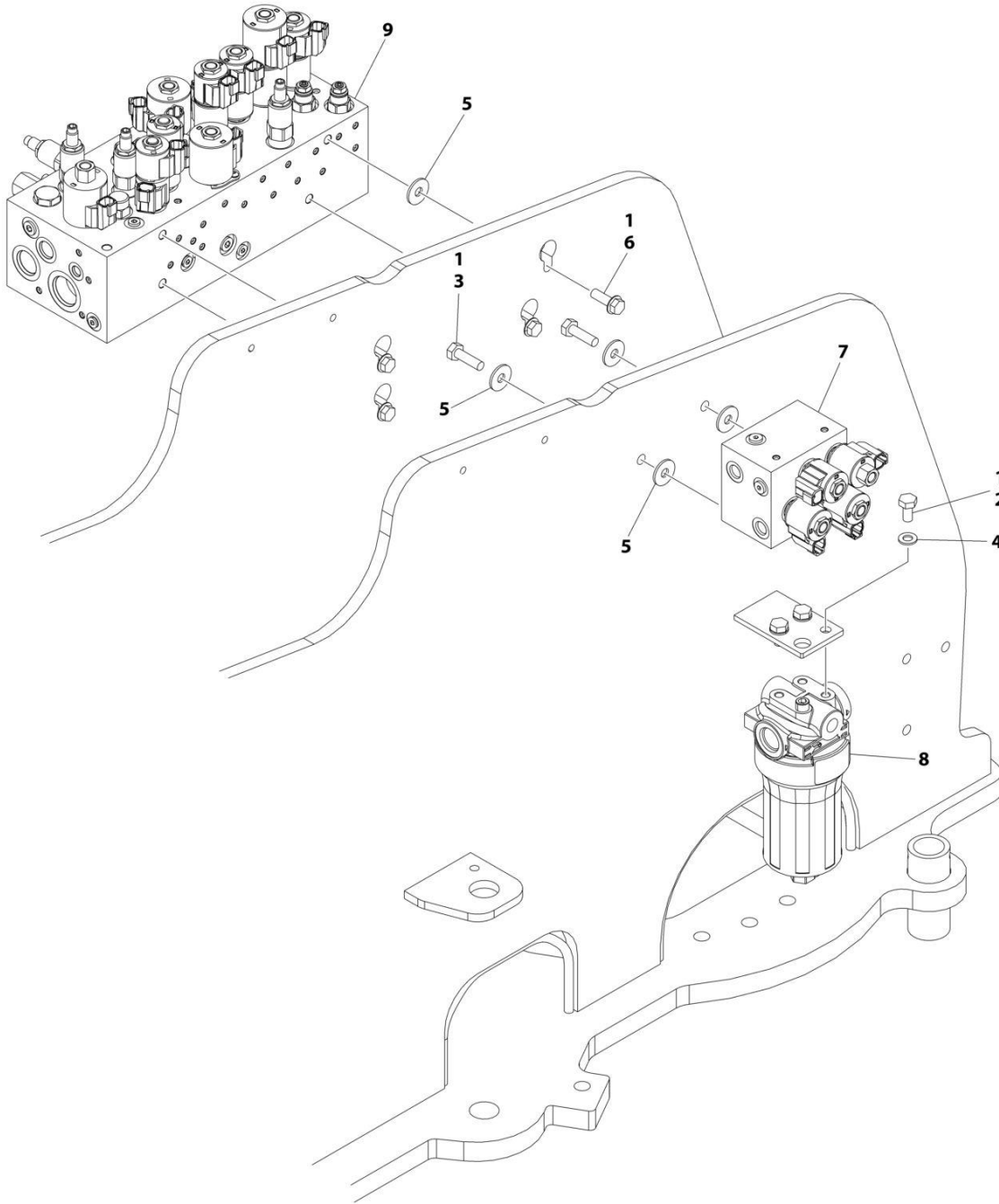
SECTION 2 - TURNTABLE

FIGURE 2-1. CONTROL VALVES INSTALLATION (400S HC3)

ITEM	PART NUMBER	QTY	DESCRIPTION	REV
	1001167916	Ref	CONTROL VALVES INSTALLATION	F
1	0100011	AR	Compound, Locking	
3	5251014	4	Bolt M10 x 30	
4	0761015	2	Bolt M10 x 35	
6	4812002	8	Washer M10	
7	1001208874	1	Filter, Charge Pump	
7	70010383	1	Element, Filter (Includes O-Ring)	
8	1001162531	1	Main Valve Assembly (See Separate Breakdown in this Section)	
9	1001162538	1	Axle Valve Assembly (See Separate Breakdown in this Section)	
10	0761010	3	Bolt M10 x 20	
11	4812000	3	Washer M10	

SECTION 2 - TURNTABLE

FIGURE 2-2. CONTROL VALVES INSTALLATION (460SJ HC3)



ART_1001249357

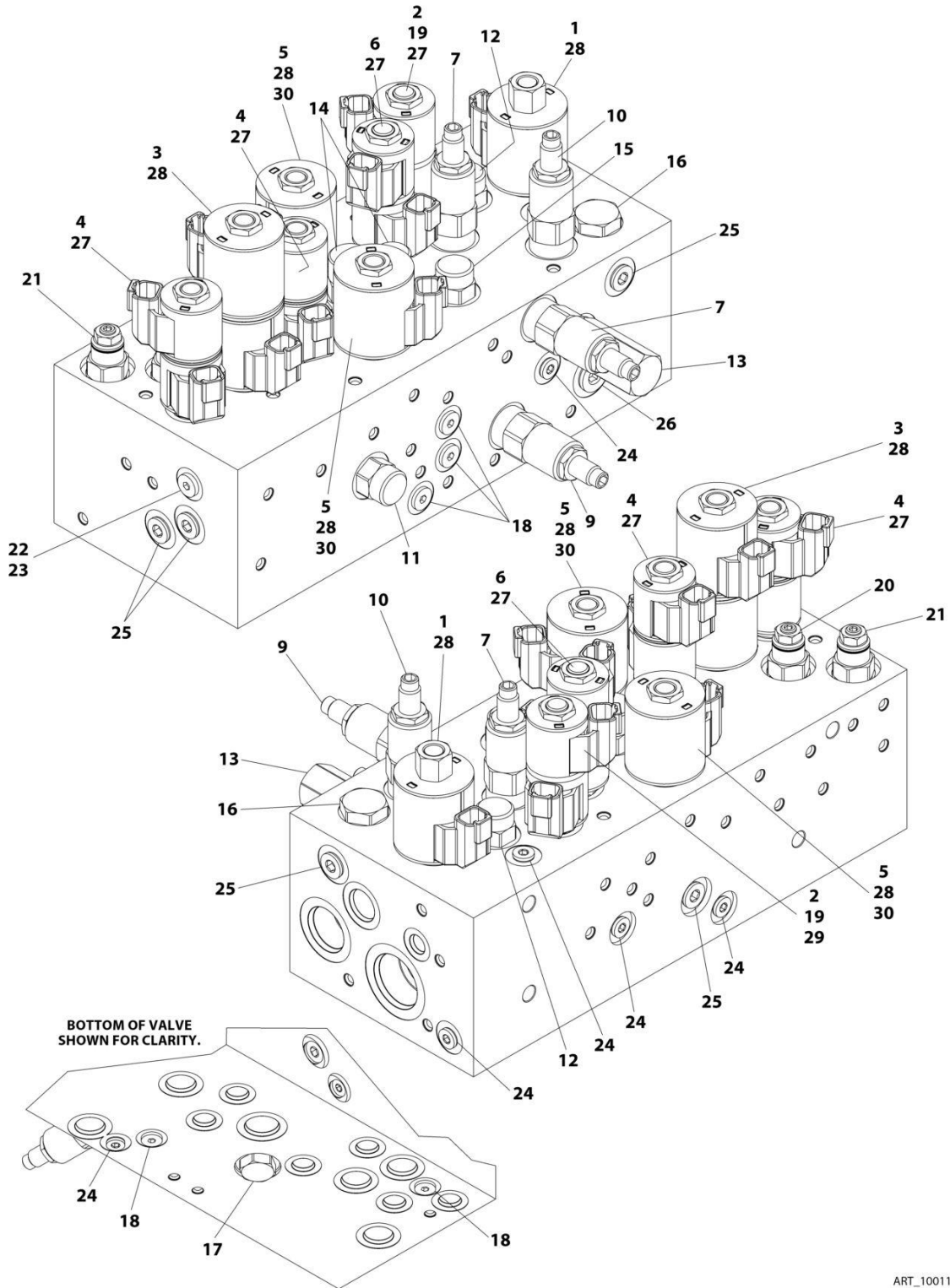
SECTION 2 - TURNTABLE

FIGURE 2-2. CONTROL VALVES INSTALLATION (460SJ HC3)

ITEM	PART NUMBER	QTY	DESCRIPTION	REV
	1001249357	Ref	CONTROL VALVES INSTALLATION	A
1	0100011	AR	Compound, Locking	
2	0761010	3	Bolt M10 x 20	
3	0761015	2	Bolt M10 x 35	
4	4812000	3	Washer M10	
5	4812002	8	Washer M10	
6	5251014	4	Bolt M10 x 30	
7	1001162538	1	Axle Valve Assembly (See Separate Breakdown in this Section)	
8	1001208874	1	Filter, Charge Pump	
8	70010383	1	Element, Filter Charge Pump (Includes O-Ring)	
9	1001249356	1	Main Valve Assembly (See Separate Breakdown in this Section)	

SECTION 2 - TURNTABLE

FIGURE 2-3. CONTROL VALVE ASSEMBLY (400S HC3)



ART_1001162531

SECTION 2 - TURNTABLE

FIGURE 2-3. CONTROL VALVE ASSEMBLY (400S HC3)

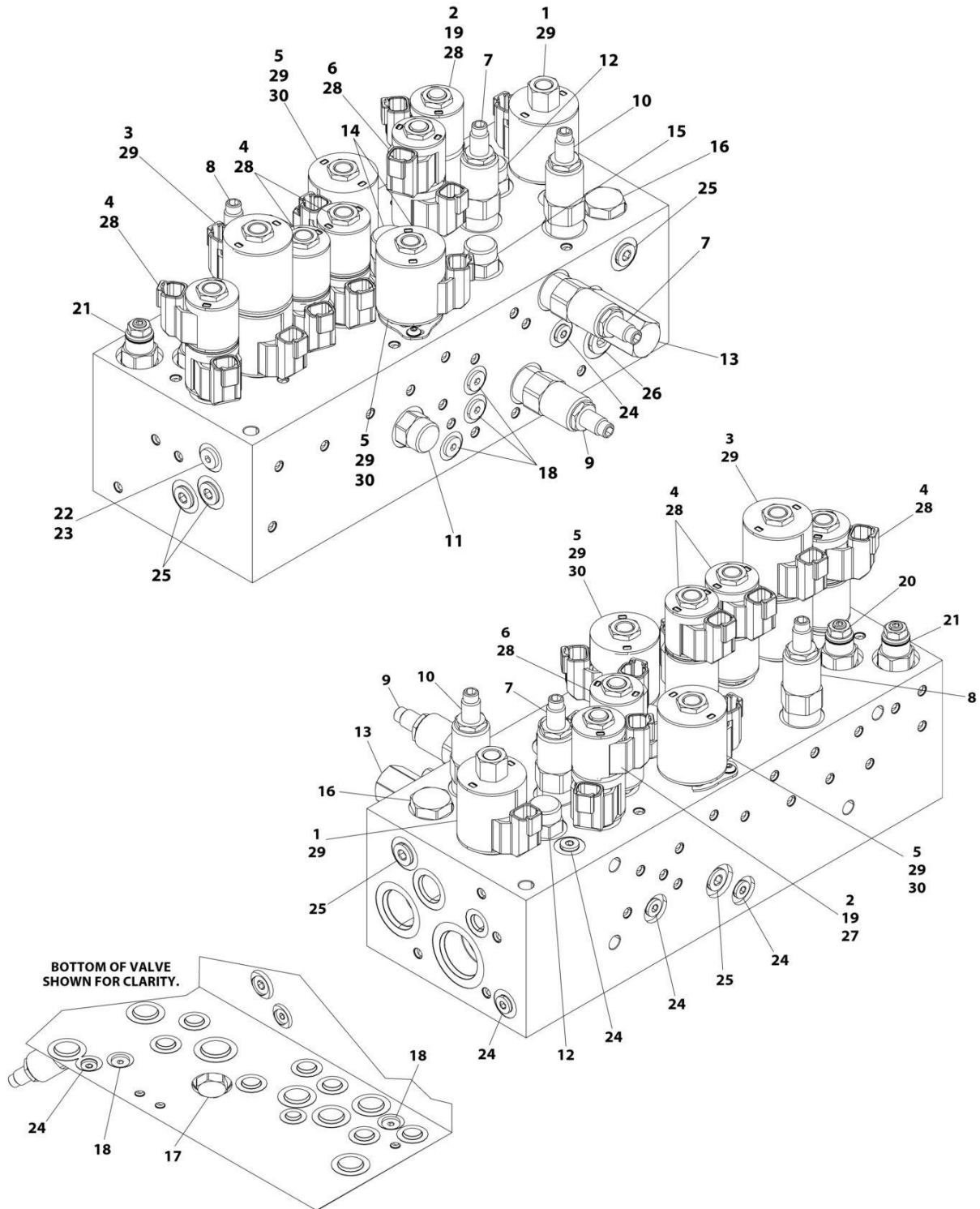
ITEM	PART NUMBER	QTY	DESCRIPTION	REV
	1001162531	Ref	MAIN VALVE ASSEMBLY	F
1	70005069	1	Cartridge, Solenoid Less Coil (Main Dump)	
1	7022399	1	Seal Kit - 70005069 Valve	
1	70003977	1	Nut, Coil	
2	70005217	1	Cartridge, Solenoid Less Coil (Steer)	
2	70005071	1	Seal Kit - 70005217 Valve	
2	7022390	1	Nut, Coil	
3	70005072	1	Cartridge, Solenoid Less Coil (Tele)	
3	70005073	1	Seal Kit - 70005072 Valve	
3	7022390	1	Nut, Coil	
3	70003024	1	Spacer, Coil	
4	70005074	2	Cartridge, Solenoid Valve Less Coil (Platform Level and Rotate)	
4	70005075	2	Seal Kit - 70005074 Valve	
4	7022390	2	Nut, Coil	
4	70003023	2	Spacer, Coil	
5	70005076	2	Cartridge, Solenoid Less Coil (Lift Up and Flow Control)	
5	7022399	2	Seal Kit - 70005076 Valve	
5	7022390	2	Nut, Coil	
6	70005077	1	Cartridge, Solenoid Valve Less Coil (Swing)	
6	70005071	1	Seal Kit - 70005077 Valve	
6	7022390	1	Nut, Coil	
6	70003023	1	Spacer, Coil	
7	70005078	2	Cartridge, Relief Valve	
7	7023936	2	Seal Kit - 70005078 Valve	
9	70005079	1	Cartridge, Relief Valve	
9	7023936	1	Seal Kit - 70005079 Valve	
10	70005080	1	Cartridge, Relief Valve	
10	7022399	1	Seal Kit - 70005080 Valve	
11	70005081	1	Cartridge, Valve	
11	70005082	1	Seal Kit - 70005081 Valve	
12	70005218	1	Cartridge, Valve	
12	70005082	1	Seal Kit - 70005218 Valve	
13	70005084	1	Cartridge, Valve	
13	70005085	1	Seal Kit - 70005084 Valve	
14	70005086	2	Cartridge, Valve	
14	70005087	2	Seal Kit - 70005086 Valve	
15	70005088	1	Cartridge, Valve	
15	7023900	1	Seal Kit - 70005088 Valve	
16	70003408	1	Cartridge, Valve	
16	7022399	1	Seal Kit - 70005100 Valve	
17	70005089	1	Cartridge, Check Valve	
17	7023936	1	Seal Kit - 70005089 Valve	
18	70005090	5	Cartridge, Check Valve	
18	70005092	5	Seal Kit - 70005090 Valve	
19	70002974	1	Disc, Check Valve	
20	70005108	1	Cartridge, Valve	
20	2900770	1	Seal Kit - 70005108 Valve	
21	70005109	1	Cartridge, Valve	
21	2900770	1	Seal Kit - 70005109 Valve	
22	70005091	1	Orifice	

SECTION 2 - TURNTABLE

ITEM	PART NUMBER	QTY	DESCRIPTION	REV
23	2220883	1	Plug, O-Ring #4	
24	91164059	6	Plug	
25	91164079	6	Plug	
26	91164057	1	Plug	
27	70002386	6	Coil	
28	70003788	5	Coil	
29	70005219	2	Coil	
30	70005724	2	Lockdown Kit	

SECTION 2 - TURNTABLE

FIGURE 2-4. CONTROL VALVE ASSEMBLY (460SJ HC3)



ART_1001249356

SECTION 2 - TURNTABLE

FIGURE 2-4. CONTROL VALVE ASSEMBLY (460SJ HC3)

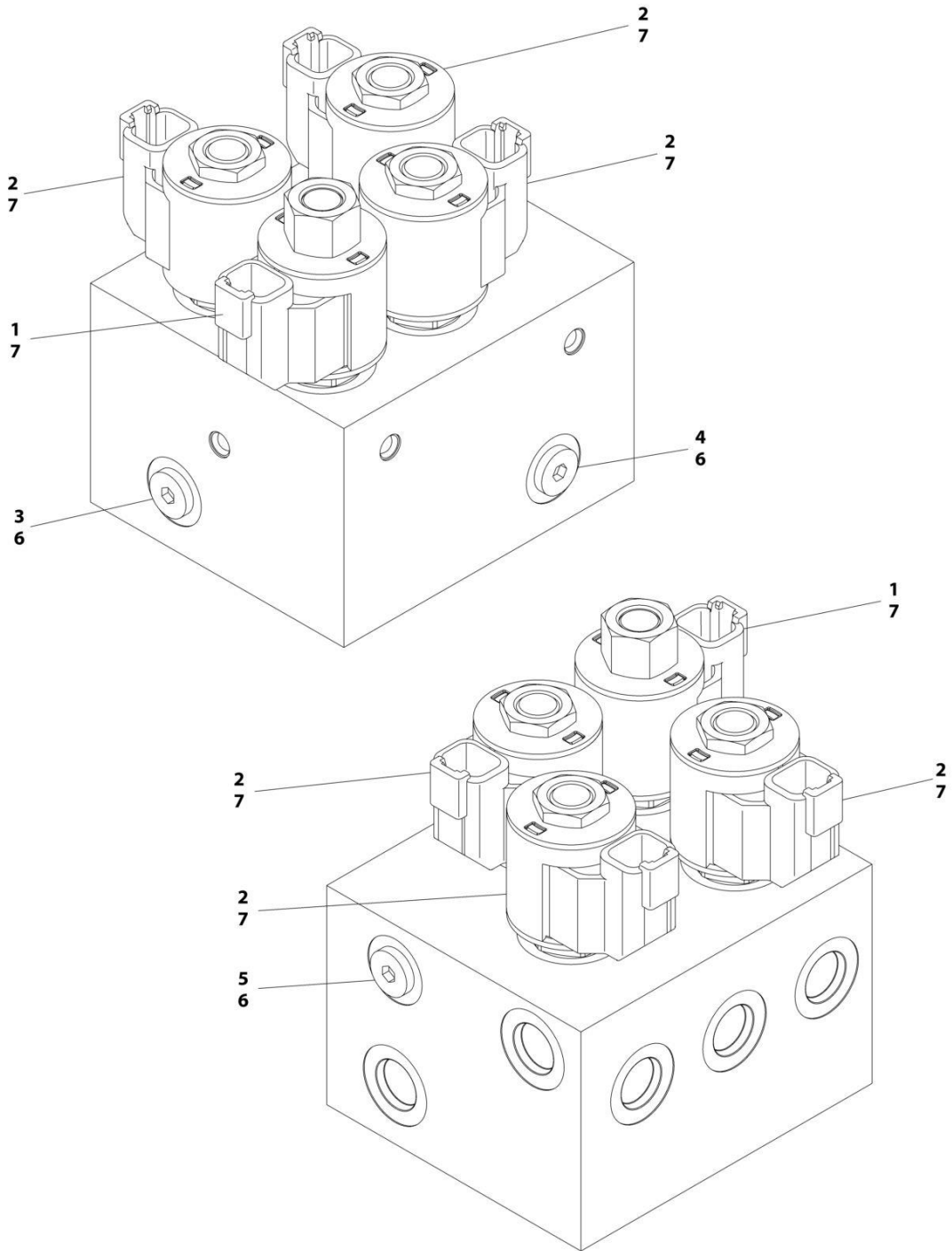
ITEM	PART NUMBER	QTY	DESCRIPTION	REV
	1001249356	Ref	MAIN VALVE ASSEMBLY	B
1	70005069	1	Cartridge, Solenoid Less Coil (Main Dump)	
1	7022399	1	Seal Kit - 70005069 Valve	
1	70003977	1	Nut, Coil	
2	70005217	1	Cartridge, Solenoid Less Coil (Steer)	
2	70005071	1	Seal Kit - 70005217 Valve	
2	7022390	1	Nut, Coil	
3	70005072	1	Cartridge, Solenoid Less Coil (Tele)	
3	70005073	1	Seal Kit - 70005072 Valve	
3	7022390	1	Nut, Coil	
3	70003024	1	Spacer, Coil	
4	70005074	3	Cartridge, Solenoid Valve Less Coil (Platform Level and Rotate)	
4	70005075	3	Seal Kit - 70005074 Valve	
4	7022390	3	Nut, Coil	
4	70003023	3	Spacer, Coil	
5	70005076	2	Cartridge, Solenoid Less Coil (Lift Up and Flow Control)	
5	7022399	2	Seal Kit - 70005076 Valve	
5	7022390	2	Nut, Coil	
6	70005077	1	Cartridge, Solenoid Valve Less Coil (Swing)	
6	70005071	1	Seal Kit - 70005077 Valve	
6	7022390	1	Nut, Coil	
6	70003023	1	Spacer, Coil	
7	70005097	1	Cartridge, Relief Valve	
7	70005082	1	Seal Kit - 70005097 Valve	
8	70005093	1	Cartridge Relief Valve	
8	7023936	1	Seal Kit - 70005093 Valve	
9	70005079	1	Cartridge, Relief Valve	
9	7023936	1	Seal Kit - 70005079 Valve	
10	70005080	1	Cartridge, Relief Valve	
10	7022399	1	Seal Kit - 70005080 Valve	
11	70005081	1	Cartridge, Valve	
11	70005082	1	Seal Kit - 70005081 Valve	
12	70005218	1	Cartridge, Valve	
12	70005082	1	Seal Kit - 70005218 Valve	
13	70005084	1	Cartridge, Valve	
13	70005085	1	Seal Kit - 70005084 Valve	
14	70005086	2	Cartridge, Valve	
14	70005087	2	Seal Kit - 70005086 Valve	
15	70005088	1	Cartridge, Valve	
15	7023900	1	Seal Kit - 70005088 Valve	
16	70003408	1	Cartridge, Valve	
16	7022399	1	Seal Kit - 70005100 Valve	
17	70005089	1	Cartridge, Check Valve	
17	7023936	1	Seal Kit - 70005089 Valve	
18	70005090	5	Cartridge, Check Valve	
18	70005092	5	Seal Kit - 70005090 Valve	
19	70002974	1	Disc, Check Valve	
20	10740145	1	Cartridge, Valve	
20	2900770	1	Seal Kit - 70005108 Valve	
21	70005109	1	Cartridge, Valve	

SECTION 2 - TURNTABLE

ITEM	PART NUMBER	QTY	DESCRIPTION	REV
21	2900770	1	Seal Kit - 70005109 Valve	
22	70005091	1	Orifice	
23	2220883	1	Plug, O-Ring #4	
24	91164059	6	Plug	
25	91164079	6	Plug	
26	91164057	1	Plug	
27	70005219	2	Coil	
28	70002386	8	Coil	
29	70003788	5	Coil	
30	70005724	2	Lockdown Kit	

SECTION 2 - TURNTABLE

FIGURE 2-5. AXLE CONTROL VALVE ASSEMBLY



ART_1001162538

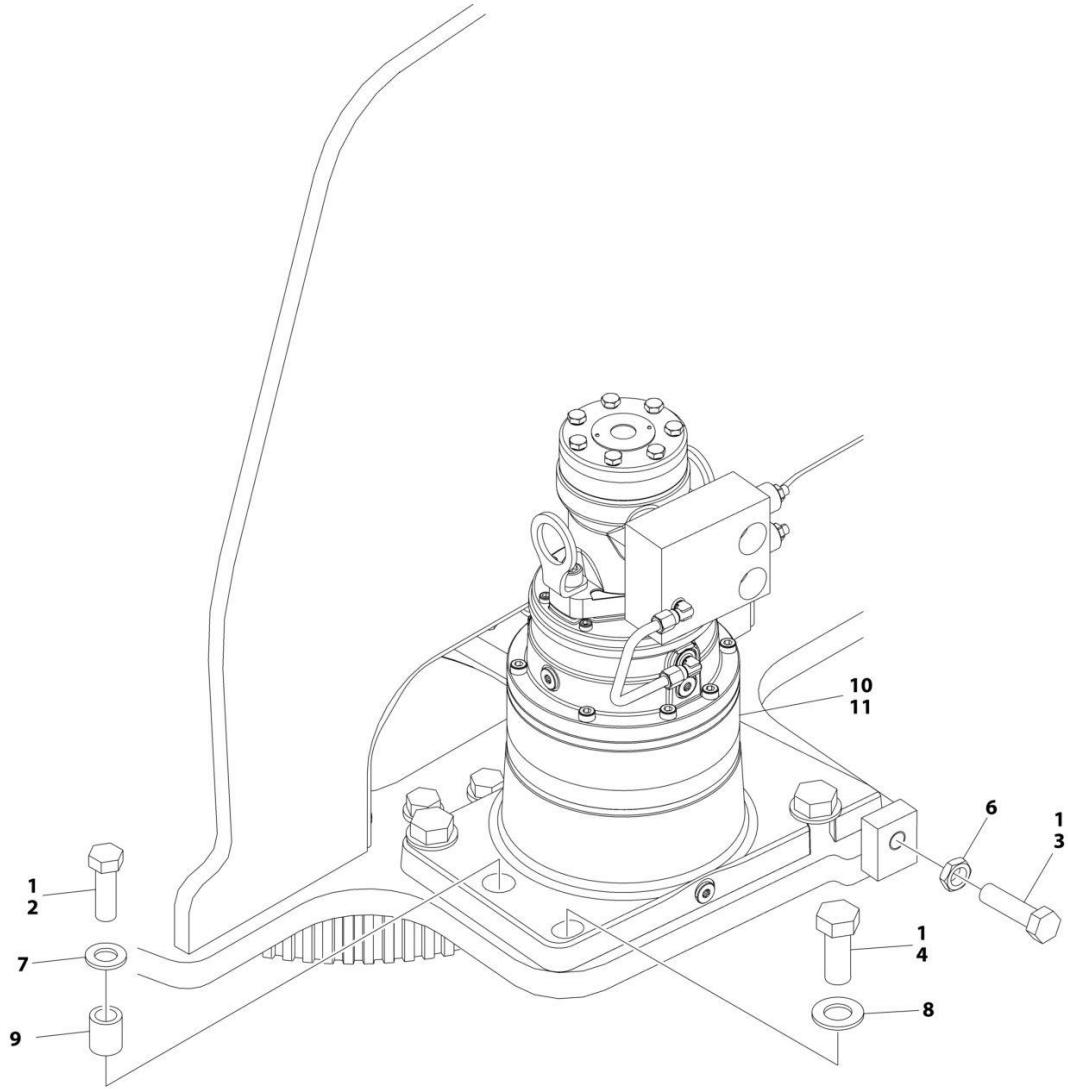
SECTION 2 - TURNTABLE

FIGURE 2-5. AXLE CONTROL VALVE ASSEMBLY

ITEM	PART NUMBER	QTY	DESCRIPTION	REV
	1001162538	Ref	AXLE VALVE ASSEMBLY	D
1	7017410	1	Cartridge, Solenoid Valve Less Coil (Secondary Axle Release)	
1	7012967	1	Seal Kit - 7017410 Valve	
2	7012941	3	Cartridge, Solenoid Valve Less Coil (Brake Release, Primary Axle Release and 2 Speed)	
2	7010543	3	Seal Kit - 7012941 Valve	
3	70004883	1	Orifice	
4	70004884	1	Orifice	
5	70002063	1	Orifice	
6	2220883	3	Plug, O-Ring #4	
7	70002386	4	Coil	

SECTION 2 - TURNTABLE

FIGURE 2-6. SWING DRIVE INSTALLATION



ART_1001228492

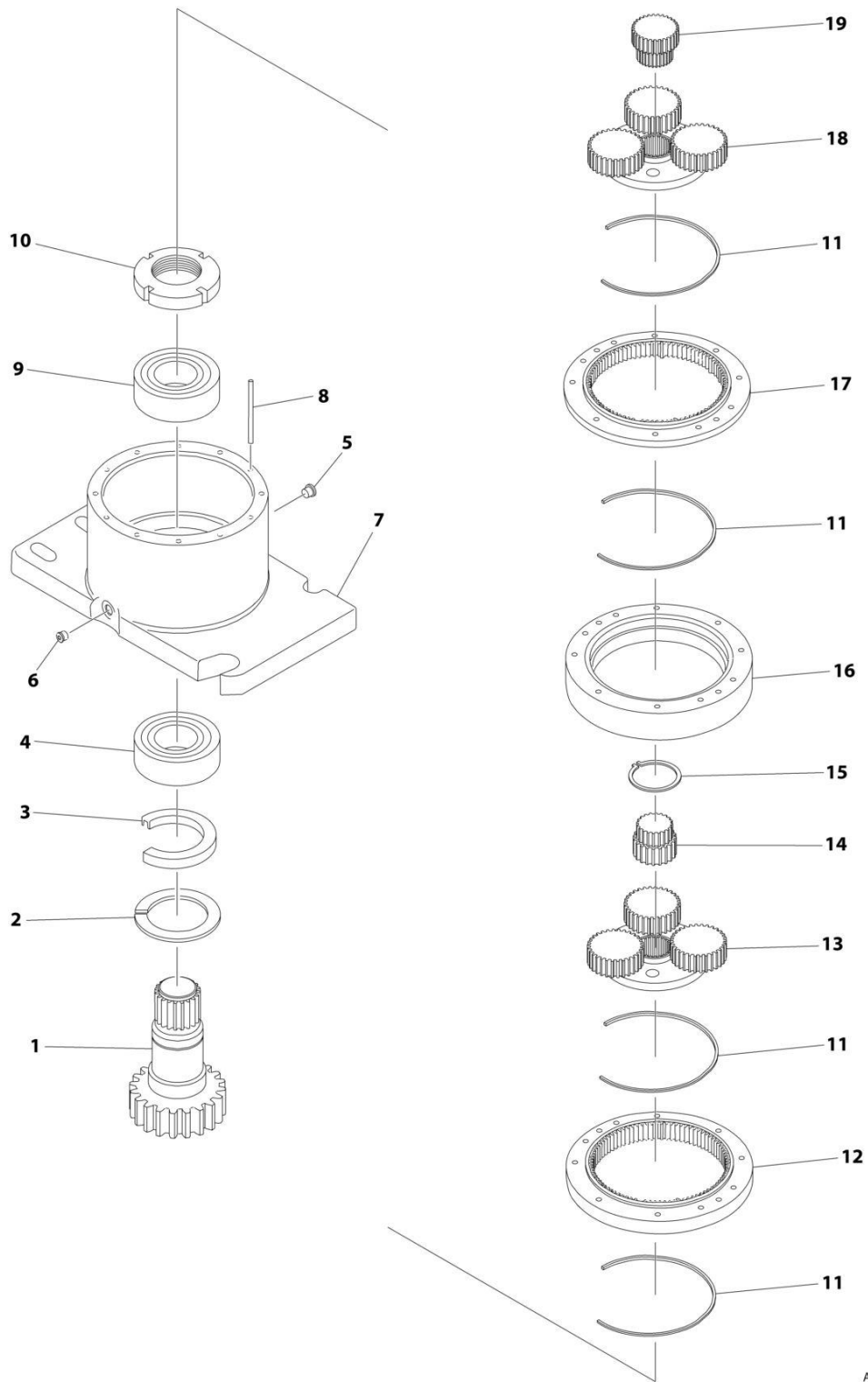
SECTION 2 - TURNTABLE

FIGURE 2-6. SWING DRIVE INSTALLATION

ITEM	PART NUMBER	QTY	DESCRIPTION	REV
	1001228492	Ref	SWING DRIVE INSTALLATION	C
1	0100019	AR	Compound, Locking	
2	0701618	1	Bolt M16 x 50	
3	0761620	1	Bolt M16 x 60	
4	0772018	4	Bolt M20 x 50 Grade 10.9	
6	3291602	1	Nut M16	
7	5241600	1	Washer M16	
8	5242000	4	Washer M20	
9	1001134543	1	Sleeve, Spacer	
10	4071009	1	Shim	
11	1001228487	1	Swing Hub/Motor Assembly (See Separate Breakdown in this Section)	

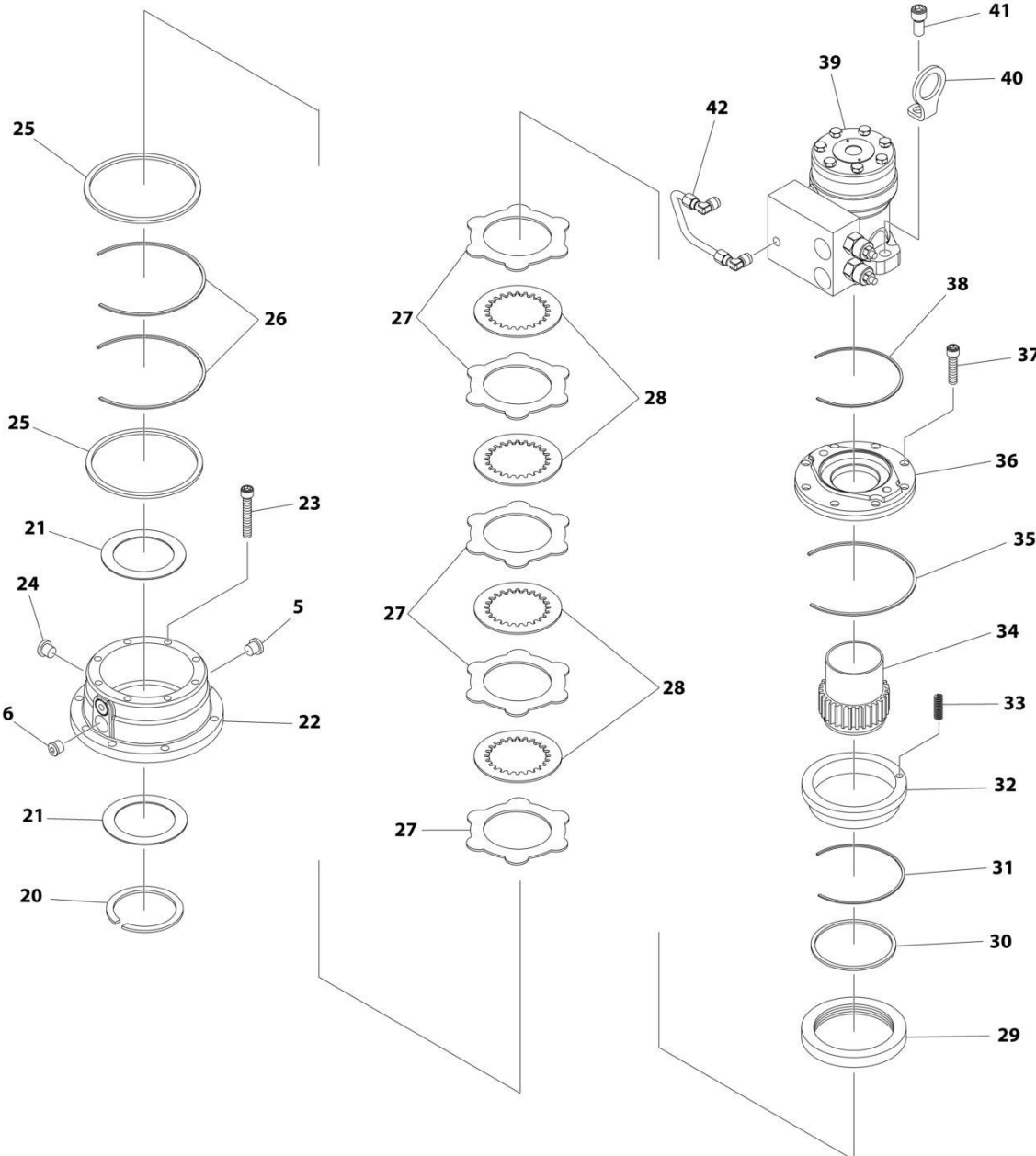
SECTION 2 - TURNTABLE

FIGURE 2-7. SWING DRIVE MOTOR/HUB ASSEMBLY



ART_1001228487_10F2

SECTION 2 - TURNTABLE



ART_1001228487_2OF2

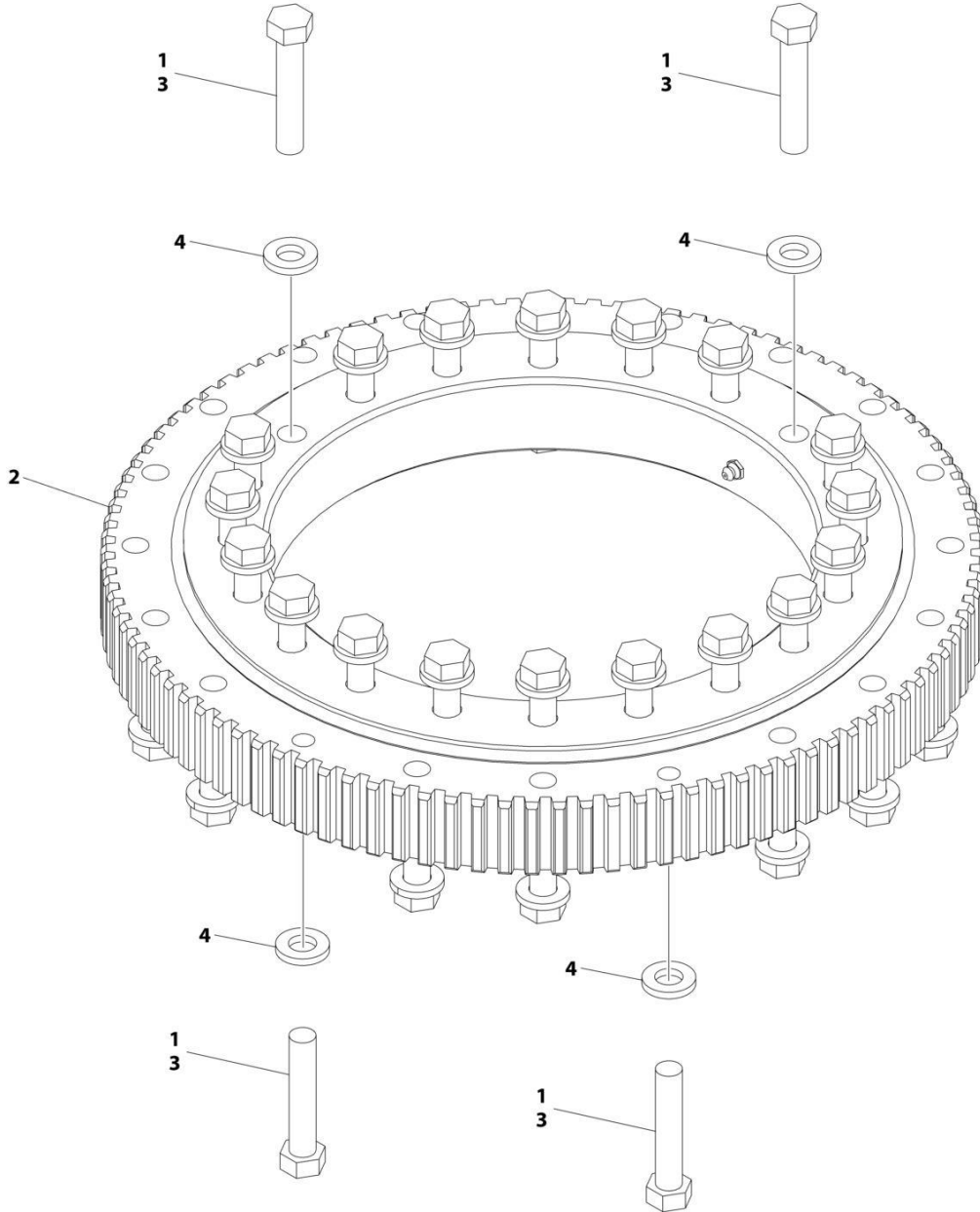
SECTION 2 - TURNTABLE

FIGURE 2-7. SWING DRIVE MOTOR/HUB ASSEMBLY

ITEM	PART NUMBER	QTY	DESCRIPTION	REV
	1001228487	Ref	SWING HUB/MOTOR ASSEMBLY	C
1	70007022	1	Output Shaft	
2	70007023	1	Ring	
3		Ref	Oil Seal	
4	70007024	1	Tapered Roller Bearing	
5	70004469	2	Magnetic Plug with O-Ring	
6	70002057	4	Plug with O-Ring	
7	NSS	1	Output Support	
8	70007025	2	Spring Pin	
9	70007026	1	Tapered Roller Bearing	
10	70007027	1	Ring Nut	
11		Ref	O-Ring	
12	70006990	1	Planetary Ring	
13	70007028	1	Complete Reduction	
14	70007029	1	Pinion	
15	70007030	1	Seeger	
16	70006994	1	Spacer	
17	70004481	1	Planetary Ring	
18	70004482	1	Complete Reduction	
19	70007031	1	Pinion	
20	70006997	1	Ring	
21	70006998	2	Washer	
22	NSS	1	Brake Housing	
23	70007032	8	Screw	
24	70006999	1	Level Oil Plug	
25		Ref	Parbak	
26		Ref	O-Ring	
27		Ref	Iron Disc	
28		Ref	Sintered Disc	
29	70005317	1	Brake Spacer	
30		Ref	Parbak	
31		Ref	O-Ring	
32	70005318	1	Brake Piston	
33		Ref	Brake Spring	
34	70007001	1	Input Shaft	
35		Ref	O-Ring	
36	70007002	1	Cover	
37	70007003	8	Screw	
38		Ref	O-Ring	
39		Ref	Motor with Valve	
40	NSS	2	Vertical Lift Support	
41	70004494	2	Screw	
42	70007004	1	Brake/Valve Adapter	
43	70007046	1	Seal Kit	
44	70007006	1	Kit, Brake Repair	

SECTION 2 - TURNTABLE

FIGURE 2-8. TURNTABLE BEARING INSTALLATION



ART_1001168992

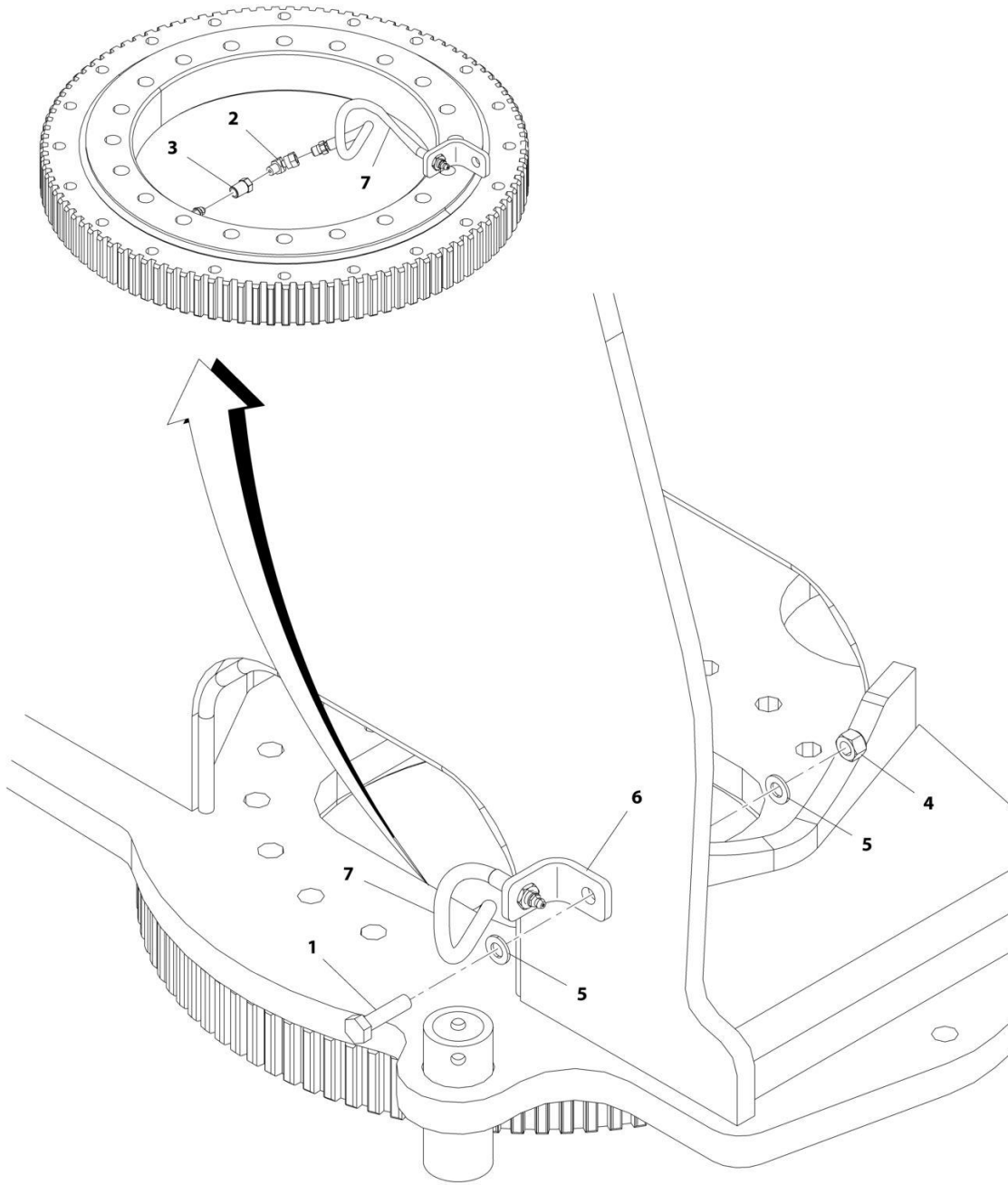
SECTION 2 - TURNTABLE

FIGURE 2-8. TURNTABLE BEARING INSTALLATION

ITEM	PART NUMBER	QTY	DESCRIPTION	REV
	1001168992	Ref	TURNTABLE BEARING INSTALLATION	A
1	0100019	AR	Compound, Locking	
2	0440240	1	Bearing, Turntable	
3	0682026	40	Bolt 5/8 x 3-1/4 Grade 8	
4	4892000	40	Washer 5/8	

SECTION 2 - TURNTABLE

FIGURE 2-9. BEARING LUBE INSTALLATION



ART_1001169191

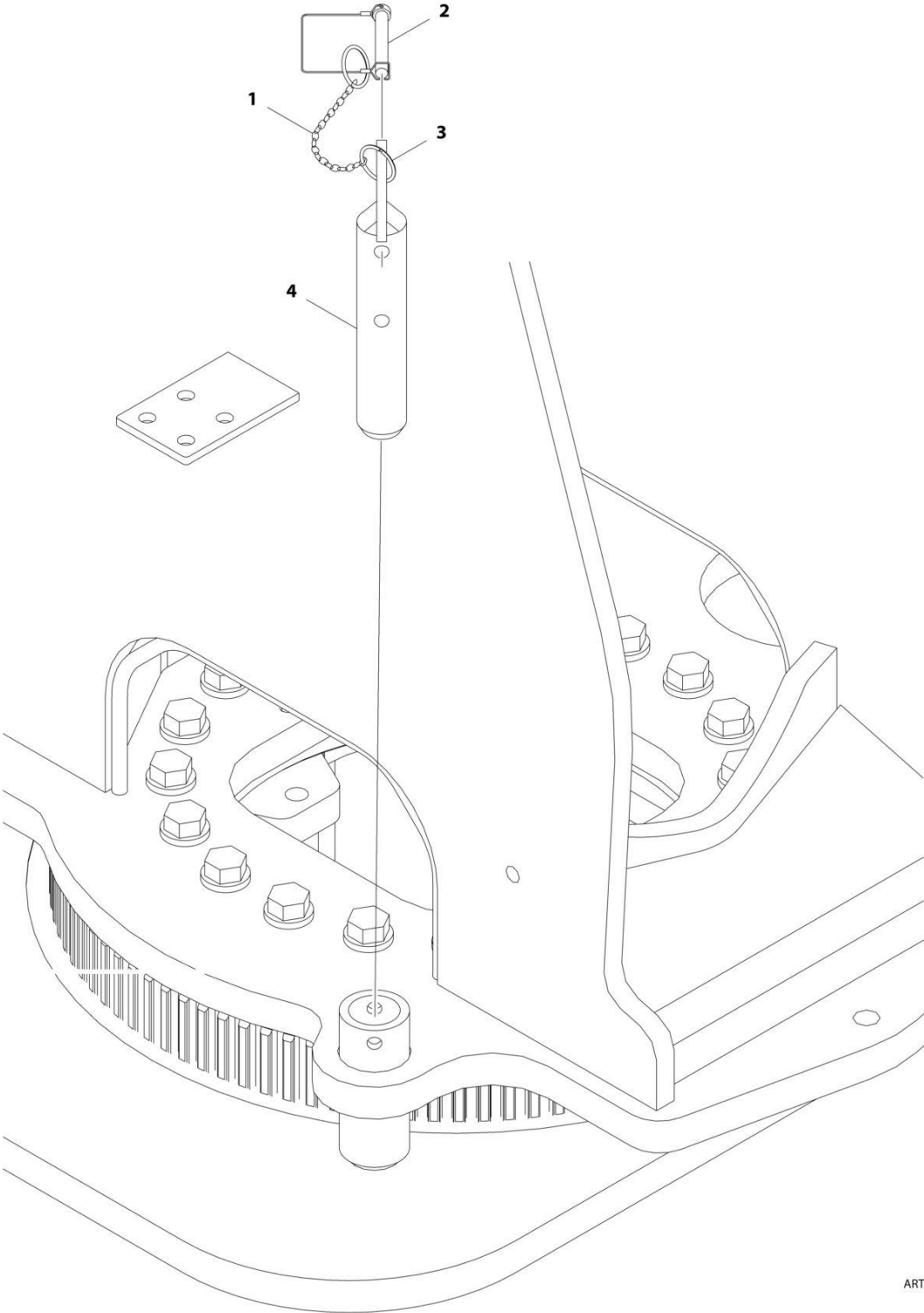
SECTION 2 - TURNTABLE

FIGURE 2-9. BEARING LUBE INSTALLATION

ITEM	PART NUMBER	QTY	DESCRIPTION	REV
	1001169191	Ref	BEARING LUBE INSTALLATION	A
1	0761016	1	Bolt M10 x 40	
2	2220124	1	Fitting, 45 1/8NPT	
3	2220273	1	Fitting, Straight FNPTF/NPTF	
4	3291005	1	Nut M10	
5	4812000	2	Washer M10	
6	1001169192	1	Mount, Bulkhead	
7	1001169193	1	Hose	

SECTION 2 - TURNTABLE

FIGURE 2-10. TURNTABLE LOCK INSTALLATION



ART_1001169496

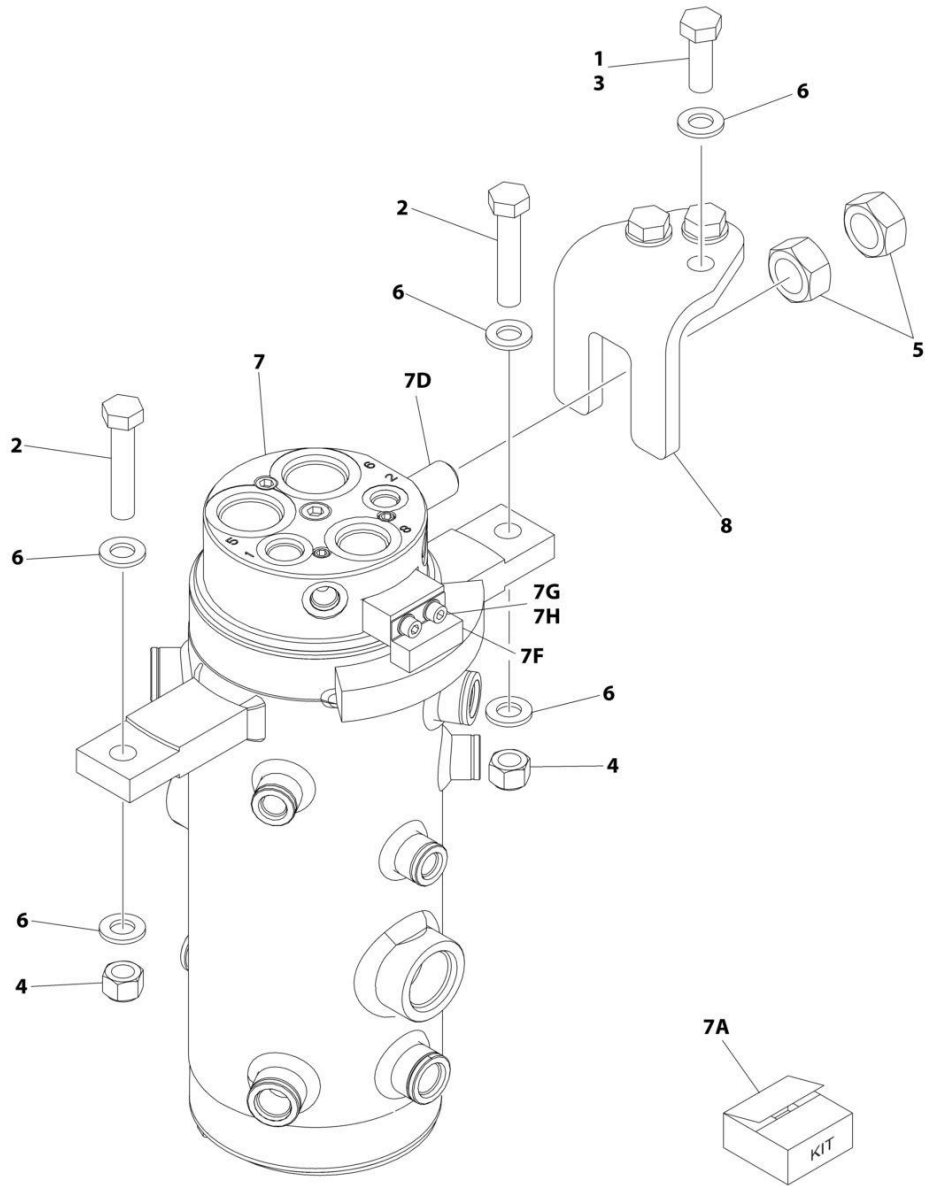
SECTION 2 - TURNTABLE

FIGURE 2-10. TURNTABLE LOCK INSTALLATION

ITEM	PART NUMBER	QTY	DESCRIPTION	REV
	1001169496	Ref	TURNTABLE LOCK INSTALLATION	B
1	1260017	1	Chain	
2	3421565	1	Pin, Snap	
3	3760170	2	Ring, Split	
4	1001169582	1	Pin	

SECTION 2 - TURNTABLE

FIGURE 2-11. ROTARY COUPLING INSTALLATION



ART_1001168855

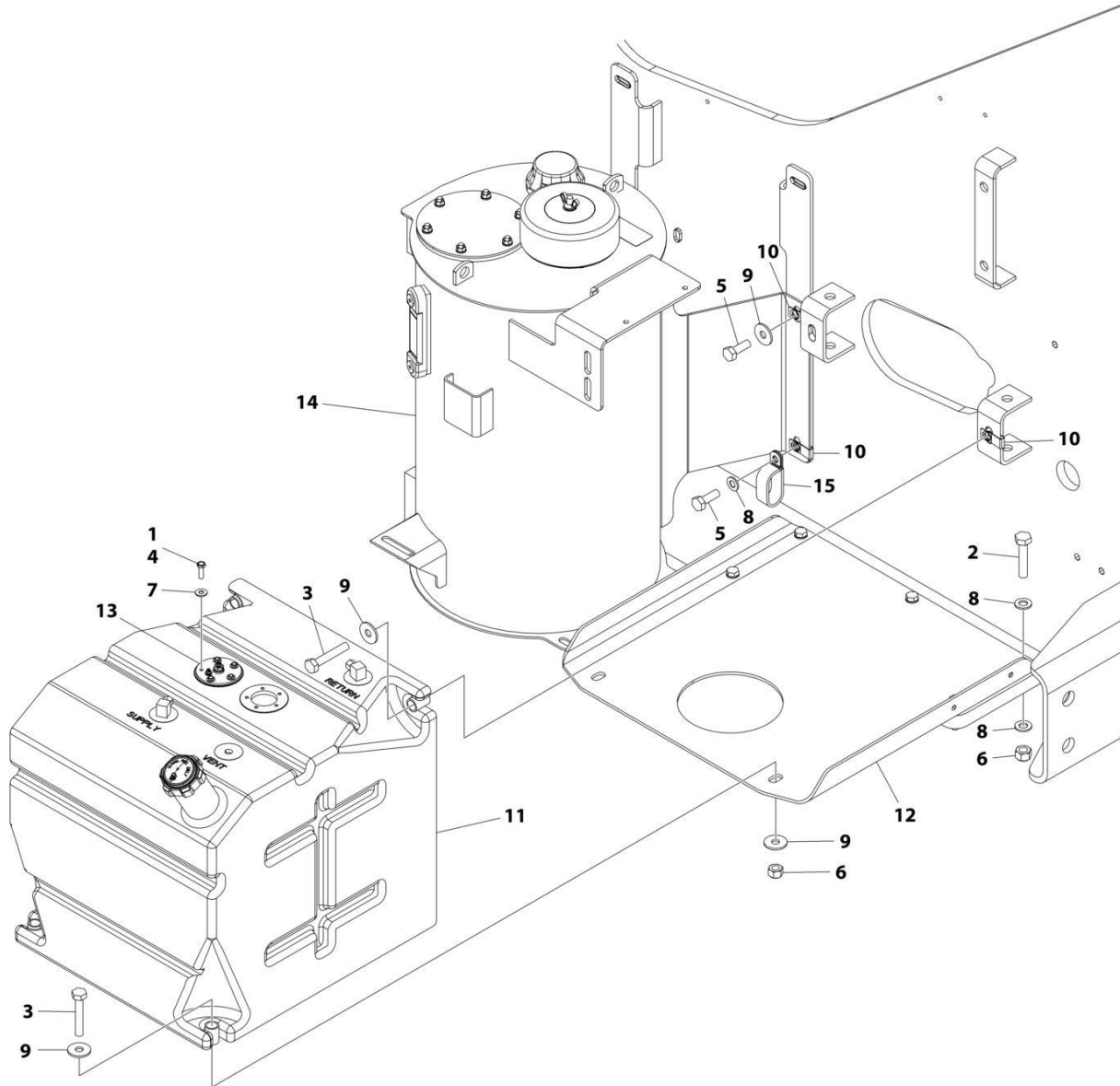
SECTION 2 - TURNTABLE

FIGURE 2-11. ROTARY COUPLING INSTALLATION

ITEM	PART NUMBER	QTY	DESCRIPTION	REV
	1001168855	Ref	ROTARY COUPLING INSTALLATION	C
1	0100011	AR	Compound, Locking	
2	0701220	2	Bolt M12 x 60	
3	0761215	3	Bolt M12 x 35	
4	3291201	2	Nut M12	
5	3292001	2	Nut M20	
6	4812100	7	Washer M12	
7	1001188334	1	Rotary Coupling Assembly	
7A	70005716	1	Seal Kit - 1001188334 Coupling	
7B	70005710	1	Spacer (Not Shown)	
7C	70005711	1	Spacer (Not Shown)	
7D	70005712	1	Threaded Spigot	
7E	70005713	1	Circlip (Not Shown)	
7F	4360517	1	Switch, Proximity	
7G	70005714	1	Bolt	
7H	70005715	1	Washer	
8	1001169185	1	Mount	
9	2220238	1	Fitting, Plug ORB (Not Shown)	

SECTION 2 - TURNTABLE

FIGURE 2-12. TANK INSTALLATION - DIESEL ENGINES (17.3 GAL)



ART_1001207349

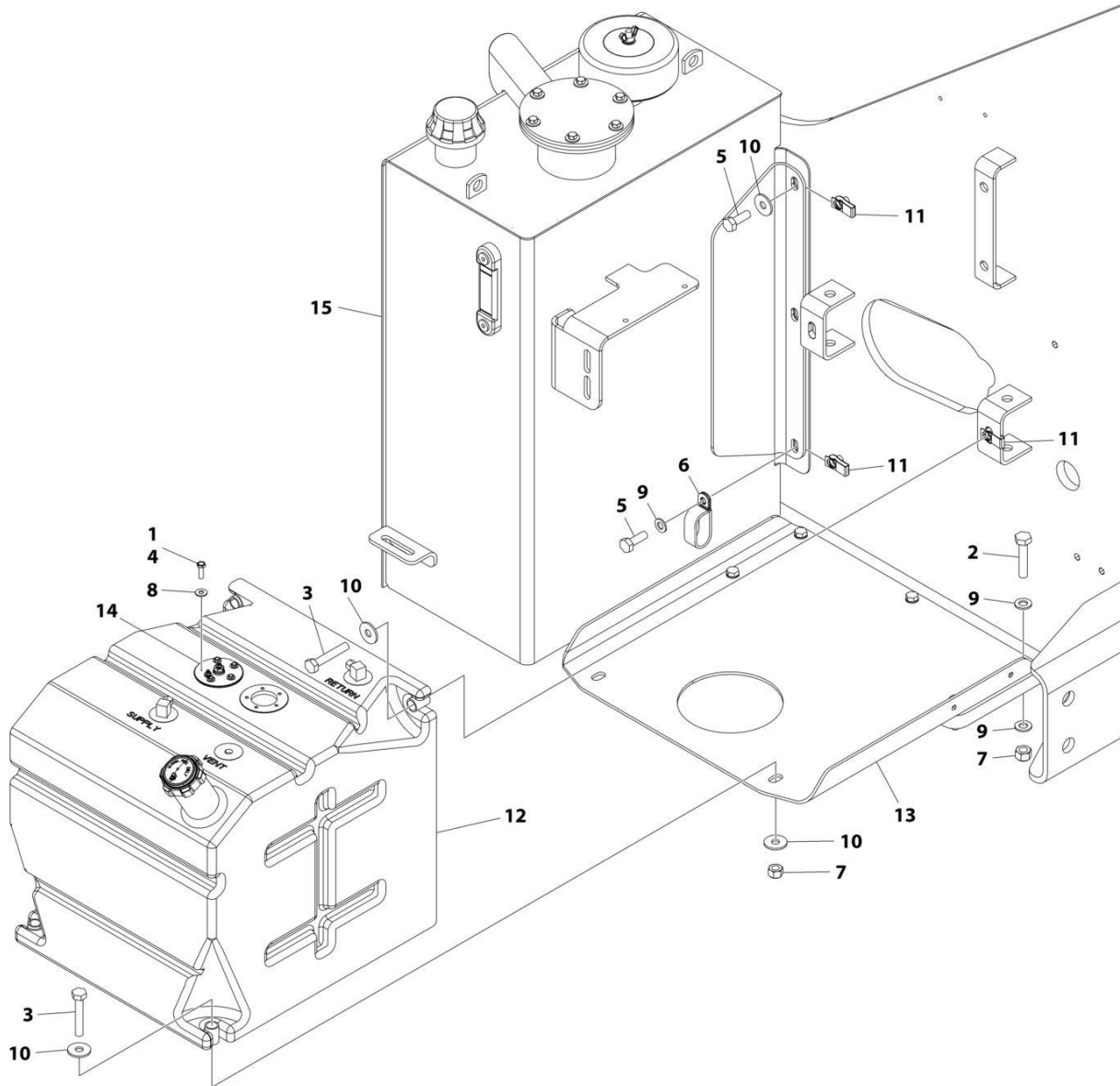
SECTION 2 - TURNTABLE

FIGURE 2-12. TANK INSTALLATION - DIESEL ENGINES (17.3 GAL)

ITEM	PART NUMBER	QTY	DESCRIPTION	REV
	1001207349	Ref	TANKS INSTALLATION - DIESEL MACHINES	D
1	0100035	AR	Compound, Locking	
2	0701018	5	Bolt M10 x 50	
3	0701020	4	Bolt M10 x 60	
4	0731005	5	Screw #10 x .625	
5	0761014	4	Bolt M10 x 30	
6	3291005	7	Nut M10	
7	4751000	5	Washer #10	
8	4812000	12	Washer M10	
9	4812002	8	Washer M10	
10	1001118972	6	Nut M10	
11	1001163418	1	Tank, Fuel	
11	1001193336	1	Cap, Fill with Chain and Stop Spring	
11	70004794	1	Tube, Pick-up	
12	1001166710	1	Plate	
13	1001231195	1	Sensor, Fuel Level	
14	1001206917	1	Tank, Hydraulic (See Separate Breakdown in this Section)	
15	1321716	2	Clamp	

SECTION 2 - TURNTABLE

FIGURE 2-13. TANK INSTALLATION - DIESEL ENGINES (36 GAL)



ART_1001286149

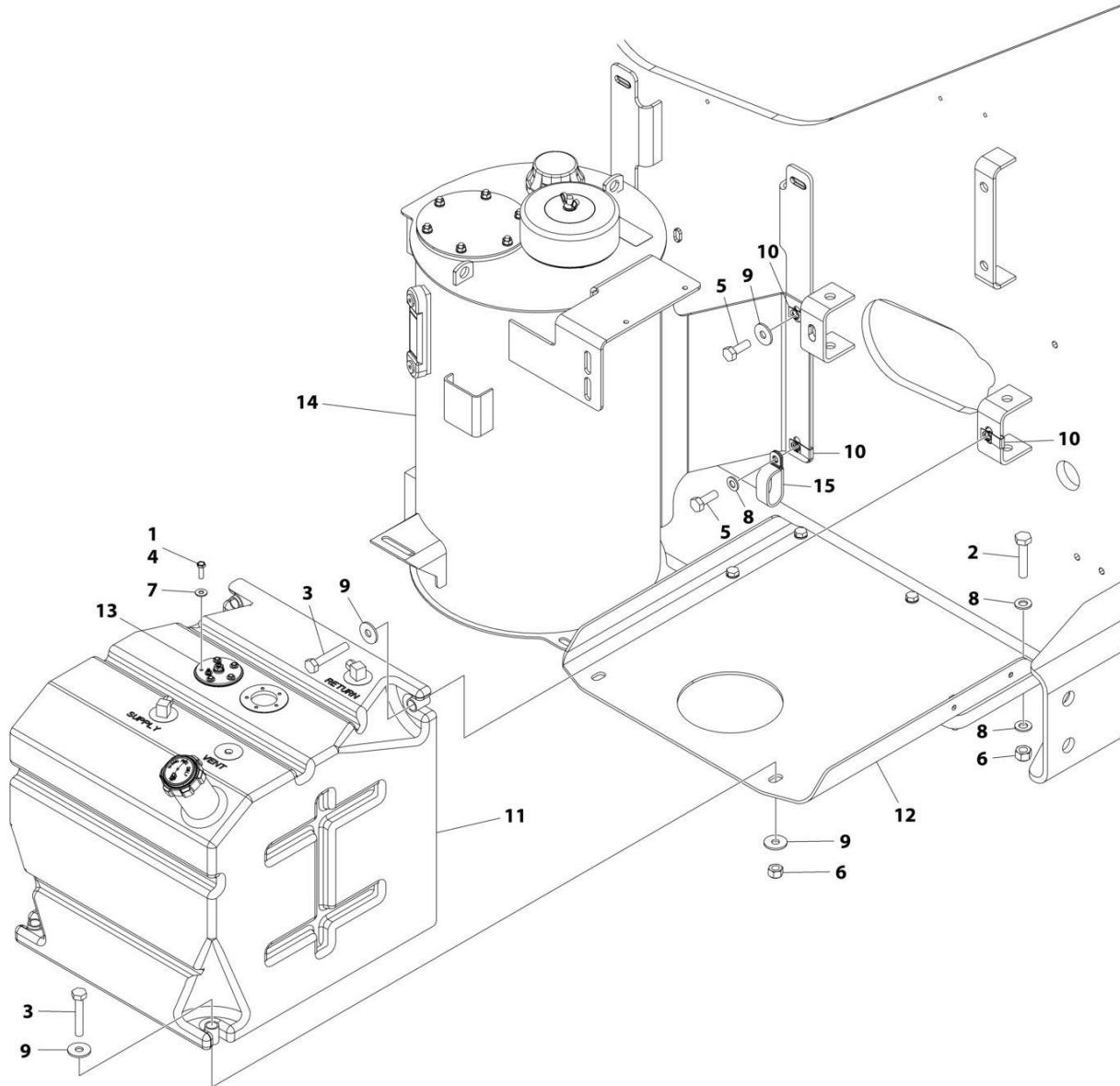
SECTION 2 - TURNTABLE

FIGURE 2-13. TANK INSTALLATION - DIESEL ENGINES (36 GAL)

ITEM	PART NUMBER	QTY	DESCRIPTION	REV
	1001286149	Ref	TANKS INSTALLATION - GAS MACHINES	B
1	0100035	AR	Compound, Locking	
2	0701018	5	Bolt M10 x 50	
3	0701020	4	Bolt M10 x 60	
4	0731005	5	Screw #10 x .625	
5	0761014	4	Bolt M10 x 30	
6	1321716	2	Clamp	
7	3291005	7	Nut M10	
8	4751000	5	Washer #10	
9	4812000	12	Washer M10	
10	4812002	8	Washer M10	
11	1001118972	6	Nut M10	
12	1001163418	1	Tank, Fuel	
12	1001193336	1	Cap, Fill with Chain and Stop Spring	
12	70004794	1	Tube, Pick-up	
13	1001166710	1	Plate	
14	1001231195	1	Sensor, Fuel Level	
15	1001286148	1	Tank, Hydraulic (See Separate Breakdown in this Section)	

SECTION 2 - TURNTABLE

FIGURE 2-14. TANK INSTALLATION - GAS ENGINES (17.3 GAL)



ART_1001207350

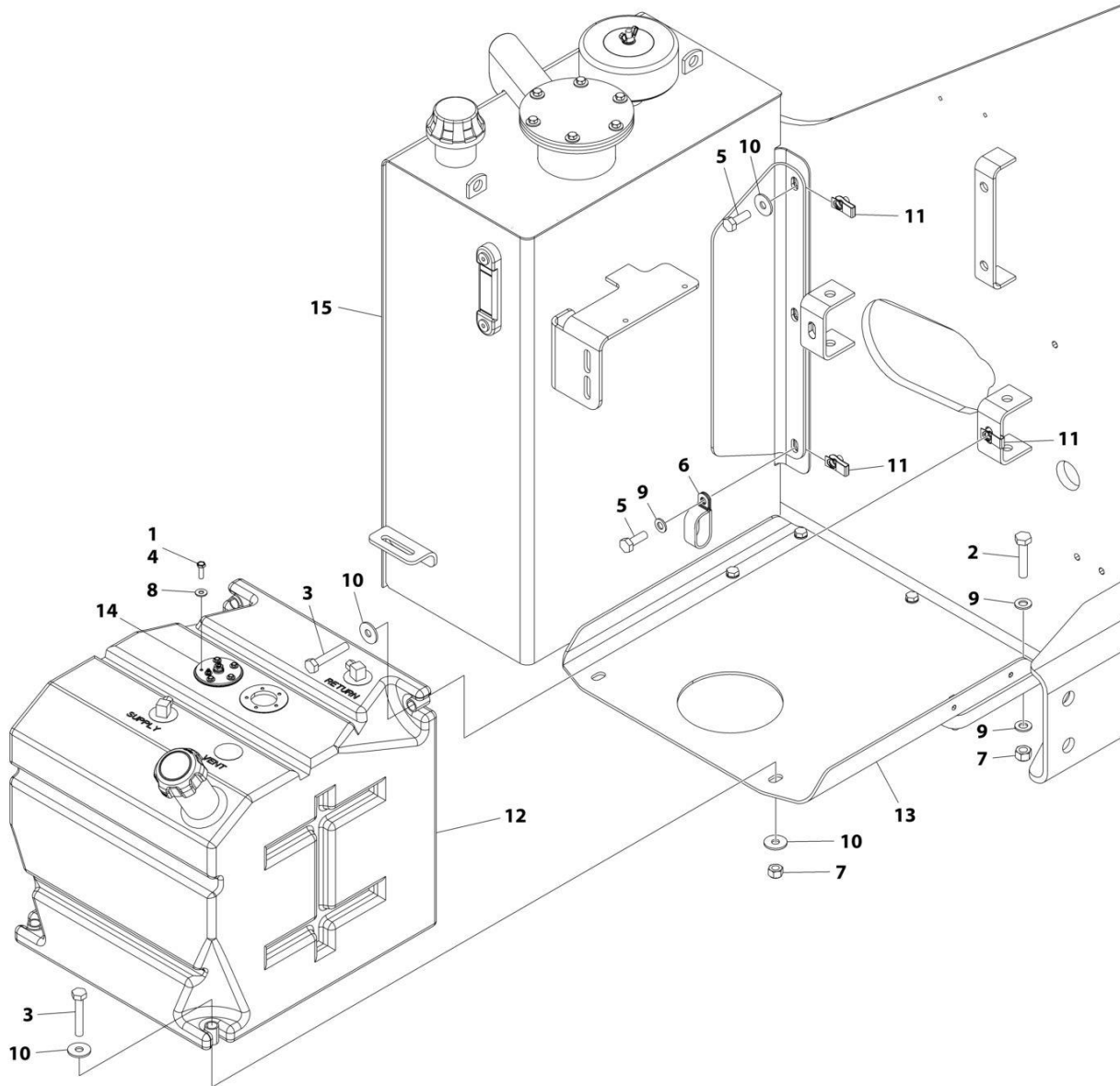
SECTION 2 - TURNTABLE

FIGURE 2-14. TANK INSTALLATION - GAS ENGINES (17.3 GAL)

ITEM	PART NUMBER	QTY	DESCRIPTION	REV
	1001207350	Ref	TANKS INSTALLATION - GAS MACHINES	E
1	0100035	AR	Compound, Locking	
2	0701018	5	Bolt M10 x 50	
3	0701020	4	Bolt M10 x 60	
4	0731005	5	Screw #10 x 5/8	
5	0761014	4	Bolt M10 x 30	
6	3291005	7	Nut M10	
7	4751000	5	Washer #10	
8	4812000	12	Washer M10	
9	4812002	8	Washer M10	
10	1001118972	6	Nut M10	
11	1001163671	1	Tank, Fuel	
11	1001211336	1	Cap, Fill with Lanyard and Stop	
11	70004794	2	Tube, Pick up	
12	1001166710	1	Plate	
13	1001231195	1	Sensor, Fuel Level	
14	1001206917	1	Tank, Hydraulic (See Separate Breakdown in this Section)	
15	1321716	2	Clamp	

SECTION 2 - TURNTABLE

FIGURE 2-15. TANK INSTALLATION - GAS ENGINES (36 GAL)



ART_1001286150

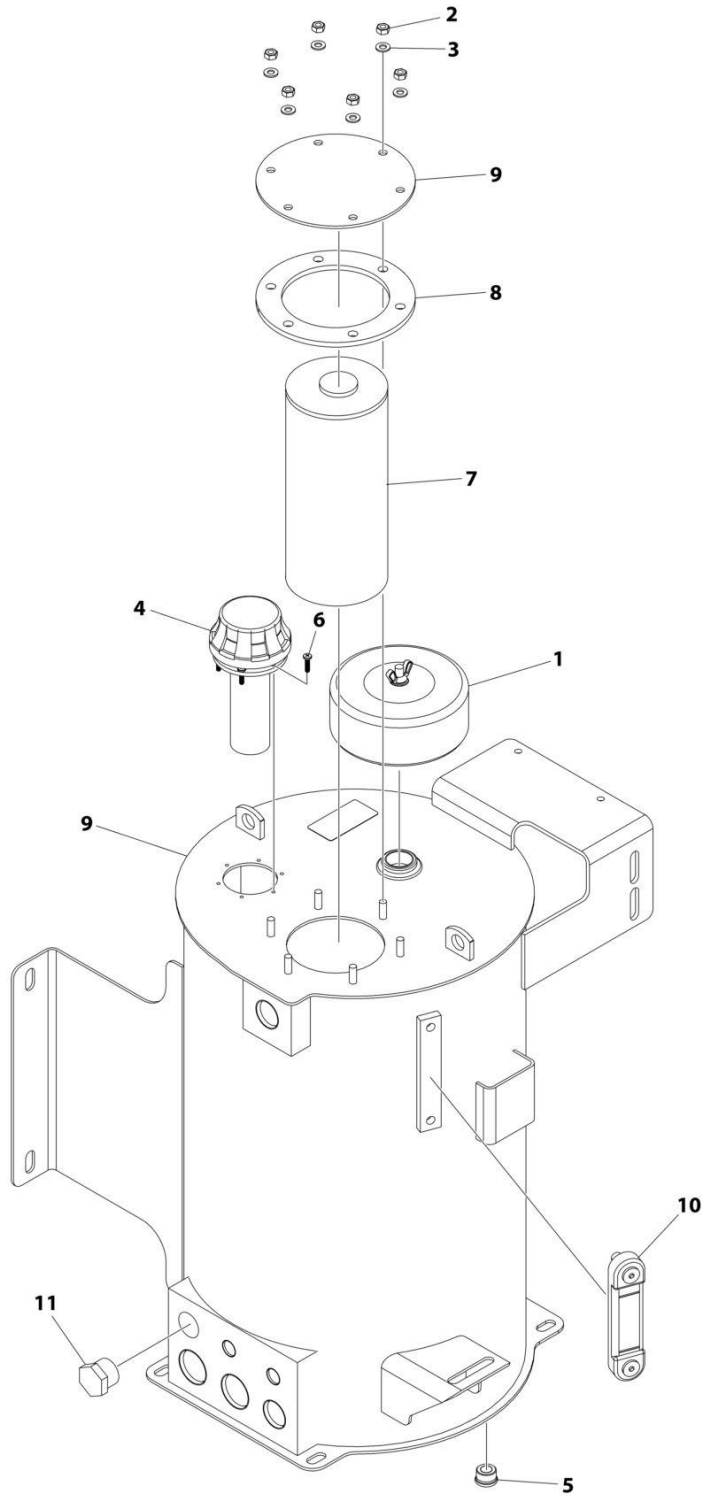
SECTION 2 - TURNTABLE

FIGURE 2-15. TANK INSTALLATION - GAS ENGINES (36 GAL)

ITEM	PART NUMBER	QTY	DESCRIPTION	REV
	1001286150	Ref	TANKS INSTALLATION - GAS MACHINES	B
1	0100035	AR	Compound, Locking	
2	0701018	5	Bolt M10 x 50	
3	0701020	4	Bolt M10 x 60	
4	0731005	5	Screw #10 x 5/8	
5	0761014	4	Bolt M10 x 30	
6	1321716	2	Clamp	
7	3291005	7	Nut M10	
8	4751000	5	Washer #10	
9	4812000	12	Washer M10	
10	4812002	8	Washer M10	
11	1001118972	6	Nut M10	
12	1001163671	1	Tank, Fuel	
12	1001211336	1	Cap, Fill with Lanyard and Stop	
12	70004794	2	Tube, Pick up	
13	1001166710	1	Plate	
14	1001231195	1	Sensor, Fuel Level	
15	1001286148	1	Tank, Hydraulic (See Separate Breakdown in this Section)	

SECTION 2 - TURNTABLE

FIGURE 2-16. HYDRAULIC TANK ASSEMBLY ENGINES (17.3 GAL)



ART_1001206917

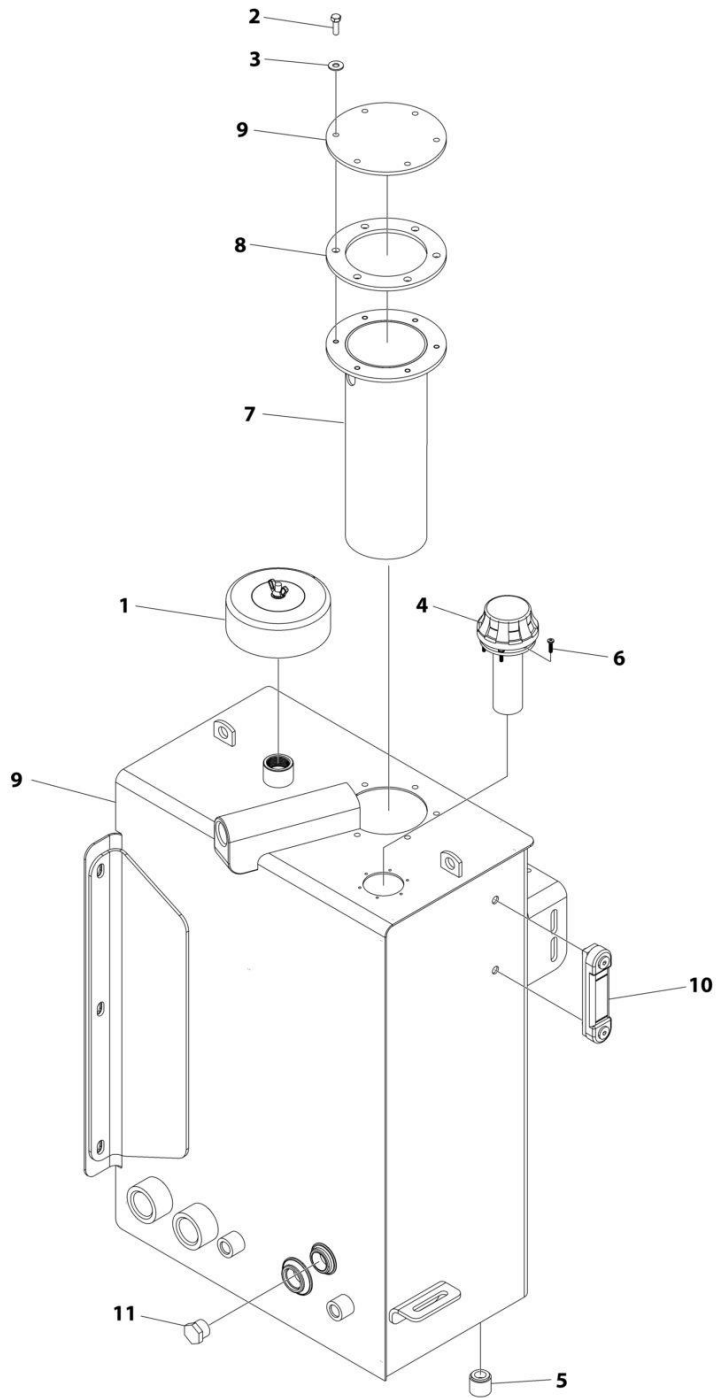
SECTION 2 - TURNTABLE

FIGURE 2-16. HYDRAULIC TANK ASSEMBLY ENGINES (17.3 GAL)

ITEM	PART NUMBER	QTY	DESCRIPTION	REV
	1001206917	Ref	HYDRAULIC TANK ASSEMBLY	A
1	See Note	NSS	Breather Assembly (Note: Use p/n 70003614)	
2	3311501	6	Nut 5/16	
3	4751400	6	Washer 1/4	
4	70002838	1	Cap, Fill	
5	70002112	1	Plug	
6	See Note	NSS	Screw #10 x 3/4 (Note: Not Available for purchase)	
7	See Note	NSS	Element, Filter (Note: Use p/n 70003614)	
8	1001199177	1	Gasket	
9	See Note	NSS	Reservoir (Note: Not Available for purchase)	
10	7024441	1	Gauge, Level	
11	2220887	1	Plug	

SECTION 2 - TURNTABLE

FIGURE 2-17. HYDRAULIC TANK ASSEMBLY (36 GAL)



ART_1001286148

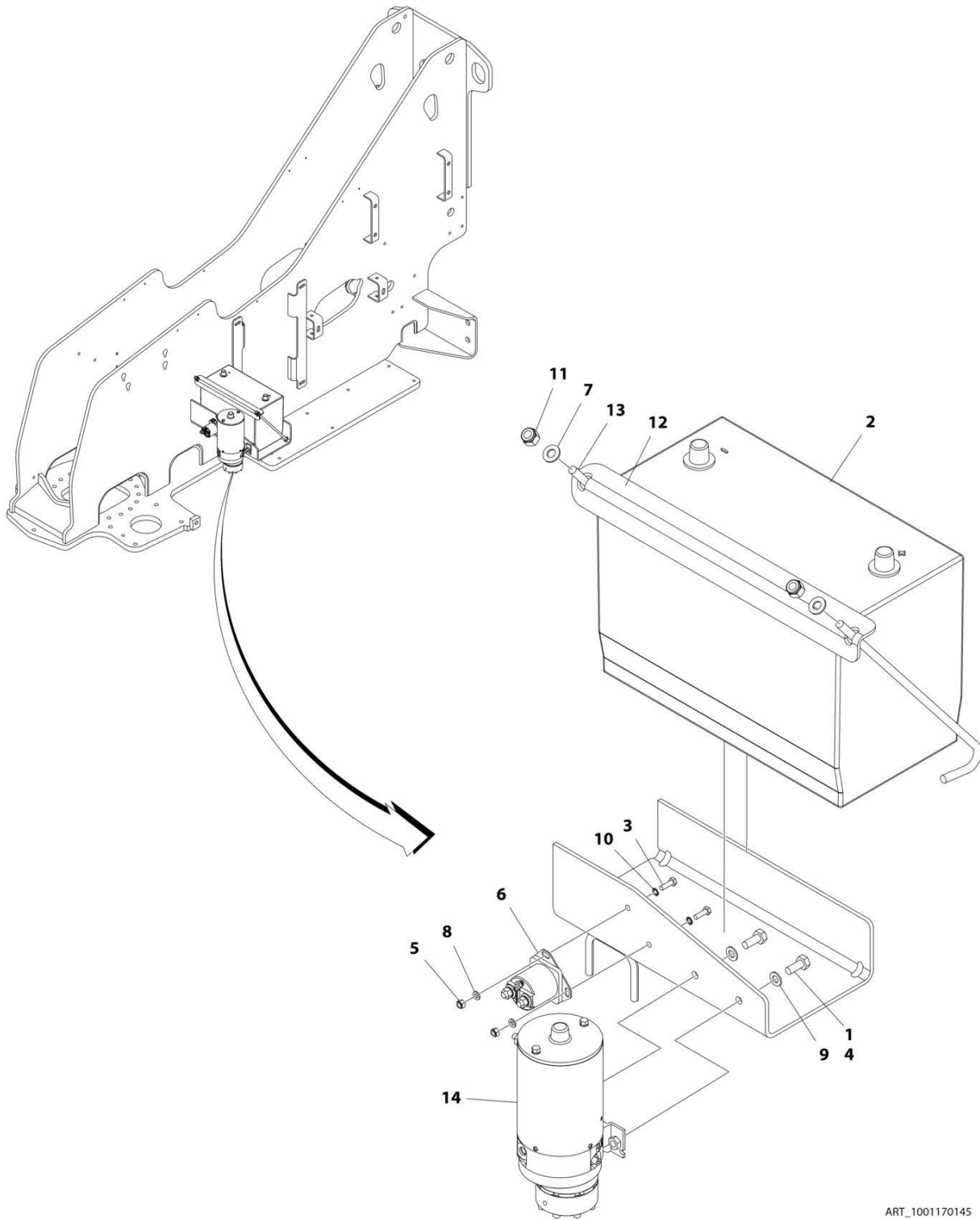
SECTION 2 - TURNTABLE

FIGURE 2-17. HYDRAULIC TANK ASSEMBLY (36 GAL)

ITEM	PART NUMBER	QTY	DESCRIPTION	REV
	1001286148	Ref	HYDRAULIC TANK ASSEMBLY	B
1	See Note	NSS	Breather Assembly (Note: Use p/n 70003614)	
2		Ref	Bolt	
3	4751400	6	Washer 1/4	
4	70002838	1	Cap, Fill	
5	70002112	1	Plug	
6	See Note	NSS	Screw #10 x 3/4 (Note: Not Available for purchase)	
7	See Note	NSS	Element, Filter (Note: Use p/n 70003614)	
8	1001199177	1	Gasket	
9	See Note	NSS	Reservoir (Note: Not Available for purchase)	
10	7024441	1	Gauge, Level	
11	2220887	1	Plug	

SECTION 2 - TURNTABLE

FIGURE 2-18. AUXILIARY POWER INSTALLATION - WITHOUT BATTERY DISCONNECT



ART_1001170145

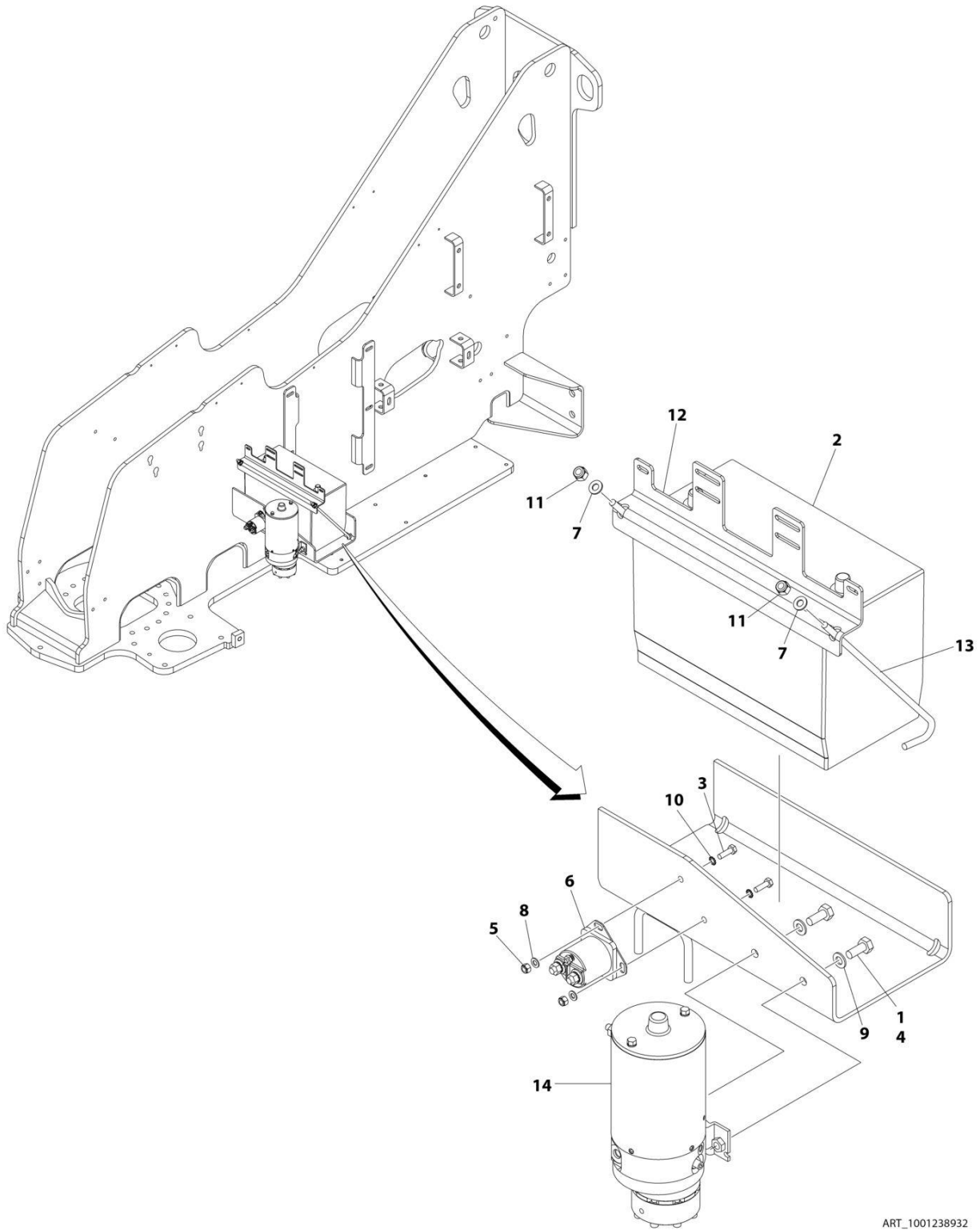
SECTION 2 - TURNTABLE

FIGURE 2-18. AUXILIARY POWER INSTALLATION - WITHOUT BATTERY DISCONNECT

ITEM	PART NUMBER	QTY	DESCRIPTION	REV
	1001170145	Ref	AUXILIARY PUMP AND BATTERY INSTALLATION	C
1	0100011	AR	Compound, Locking	
2	0400075	1	Battery	
3	0760610	2	Bolt M6 x 20	
4	0761012	2	Bolt M10 x 25	
5	3290605	2	Nut M6	
6	3740067	1	Relay	
6	3300220	2	Nut 3/8	
6	3321001	1	Nut #10	
6	4761000	1	Washer #10	
6	1001111424	2	Washer 3/8	
7	4711500	2	Washer 5/16	
8	4811700	2	Washer M6	
9	4812000	2	Washer M10	
10	4871700	2	Washer M6	
11	88521205	2	Nut 5/16	
12	91401281	1	Bracket	
13	1001093382	2	J-Bolt	
14	1001185821	1	Auxiliary Pump Assembly (See Separate Breakdown in this Section)	

SECTION 2 - TURNTABLE

FIGURE 2-19. AUXILIARY POWER INSTALLATION - WITH BATTERY DISCONNECT



ART_1001238932

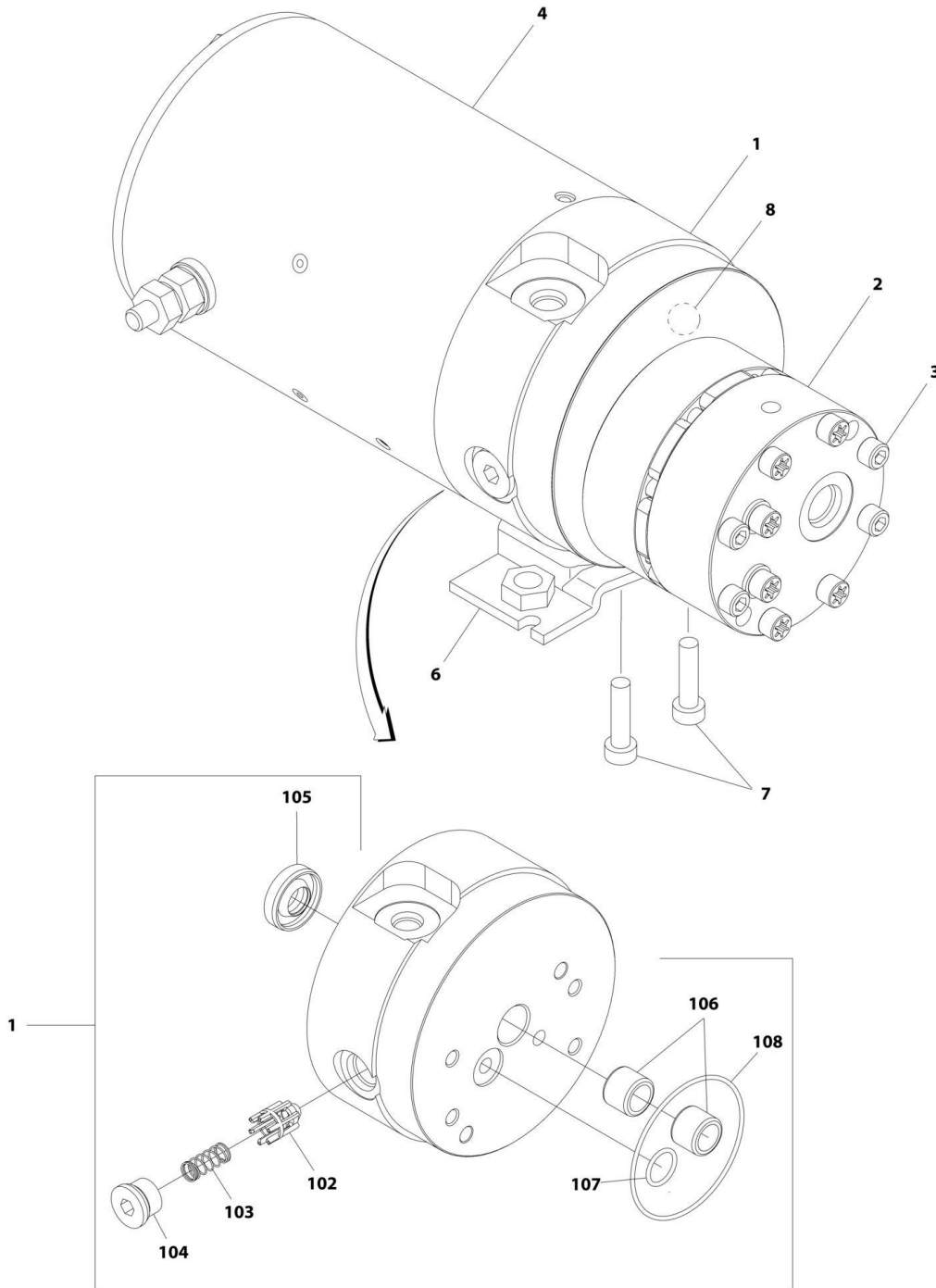
SECTION 2 - TURNTABLE

FIGURE 2-19. AUXILIARY POWER INSTALLATION - WITH BATTERY DISCONNECT

ITEM	PART NUMBER	QTY	DESCRIPTION	REV
	1001238932	Ref	AUXILIARY PUMP AND BATTERY INSTALLATION WITH DISCONNECT	A
1	0100011	AR	Compound, Locking	
2	0400075	1	Battery	
3	0760610	2	Bolt M6 x 20	
4	0761012	2	Bolt M10 x 25	
5	3290605	2	Nut M6	
6	3740067	1	Relay	
6	3300220	2	Nut 3/8	
6	3321001	1	Nut #10	
6	4761000	1	Washer #10	
6	1001111424	2	Washer 3/8	
7	4711500	2	Washer 5/16	
8	4811700	2	Washer M6	
9	4812000	2	Washer M10	
10	4871700	2	Washer M6	
11	88521205	2	Nut 5/16	
12	1001236303	1	Bracket	
13	1001093382	2	J-Bolt	
14	1001185821	1	Auxiliary Pump Assembly (See Separate Breakdown in this Section)	

SECTION 2 - TURNTABLE

FIGURE 2-20. AUXILIARY POWER PUMP/MOTOR ASSEMBLY



ART_1001185821

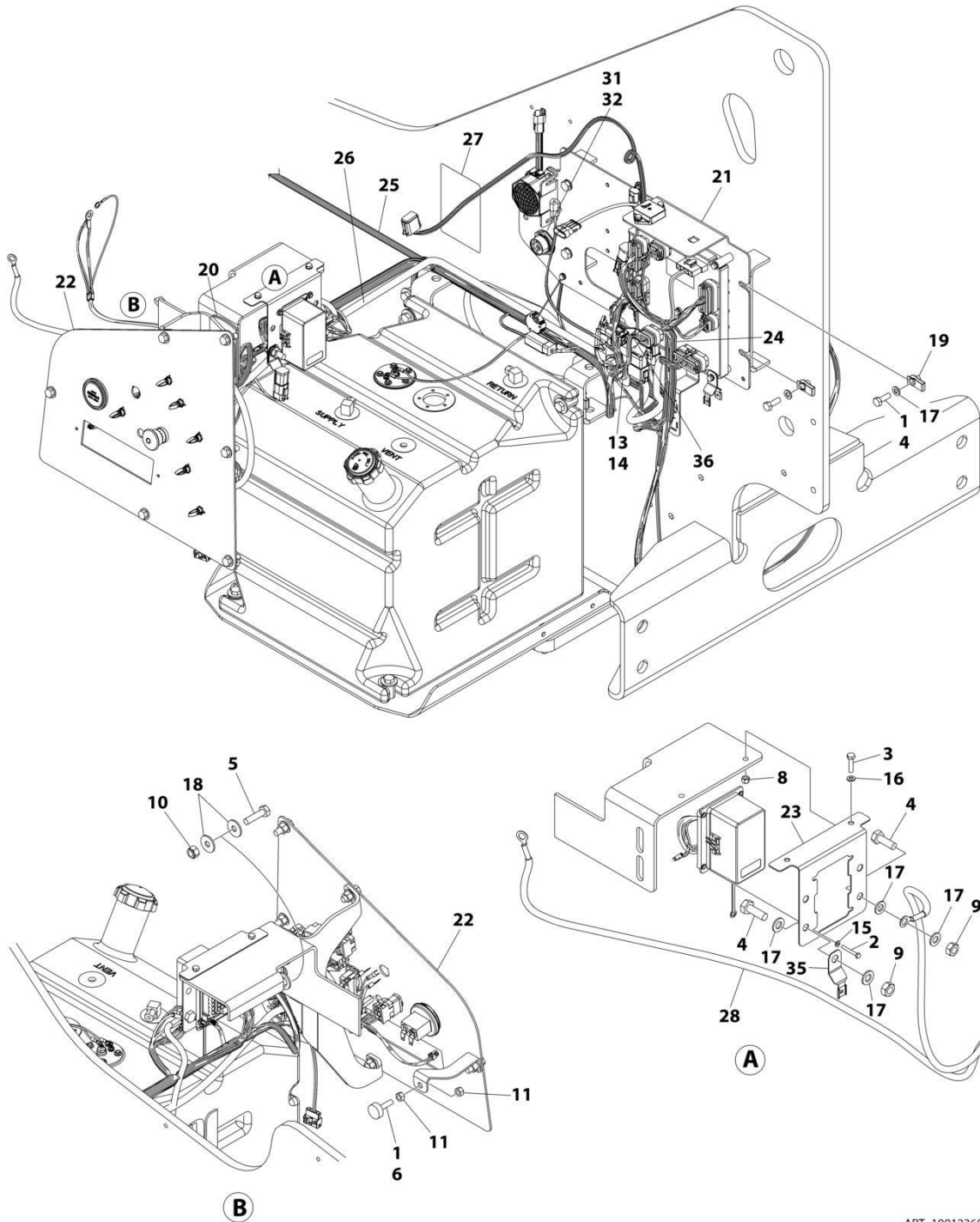
SECTION 2 - TURNTABLE

FIGURE 2-20. AUXILIARY POWER PUMP/MOTOR ASSEMBLY

ITEM	PART NUMBER	QTY	DESCRIPTION	REV
	1001185821	Ref	AUXILIARY PUMP ASSEMBLY	B
1	70005065	1	Base Assembly (See Items 102-108 for Breakdown)	
2	70005066	1	Pump Assembly (Note: No Seal Kit or Internal Components are Available - Purchase Complete Pump Assembly)	
3	70005067	4	Capscrew 1/4 x 2-3/4	
4	70004013	1	Motor Assembly (Note: No Internal Components are Available - Purchase Complete Motor Assembly)	
6	70004014	1	Bracket	
7	70004000	2	Capscrew 3/8 x 1	
8	70005068	1	Relief Valve Assembly	
	70005065	Ref	BASE ASSEMBLY	
102	See Note	NSS	Poppet, Check (Note: Use p/n 70005065)	
103	See Note	NSS	Spring (Note: Use p/n 70005065)	
104	See Note	NSS	Plug (Note: Use p/n 70005065)	
105	7026330	1	Seal, Shaft	
106	70005139	2	Bearing	
107	70003612	1	O-Ring	
108	70004267	1	O-Ring	

SECTION 2 - TURNTABLE

FIGURE 2-21. ELECTRICAL INSTALLATION (400S HC3)



ART_1001236965_J

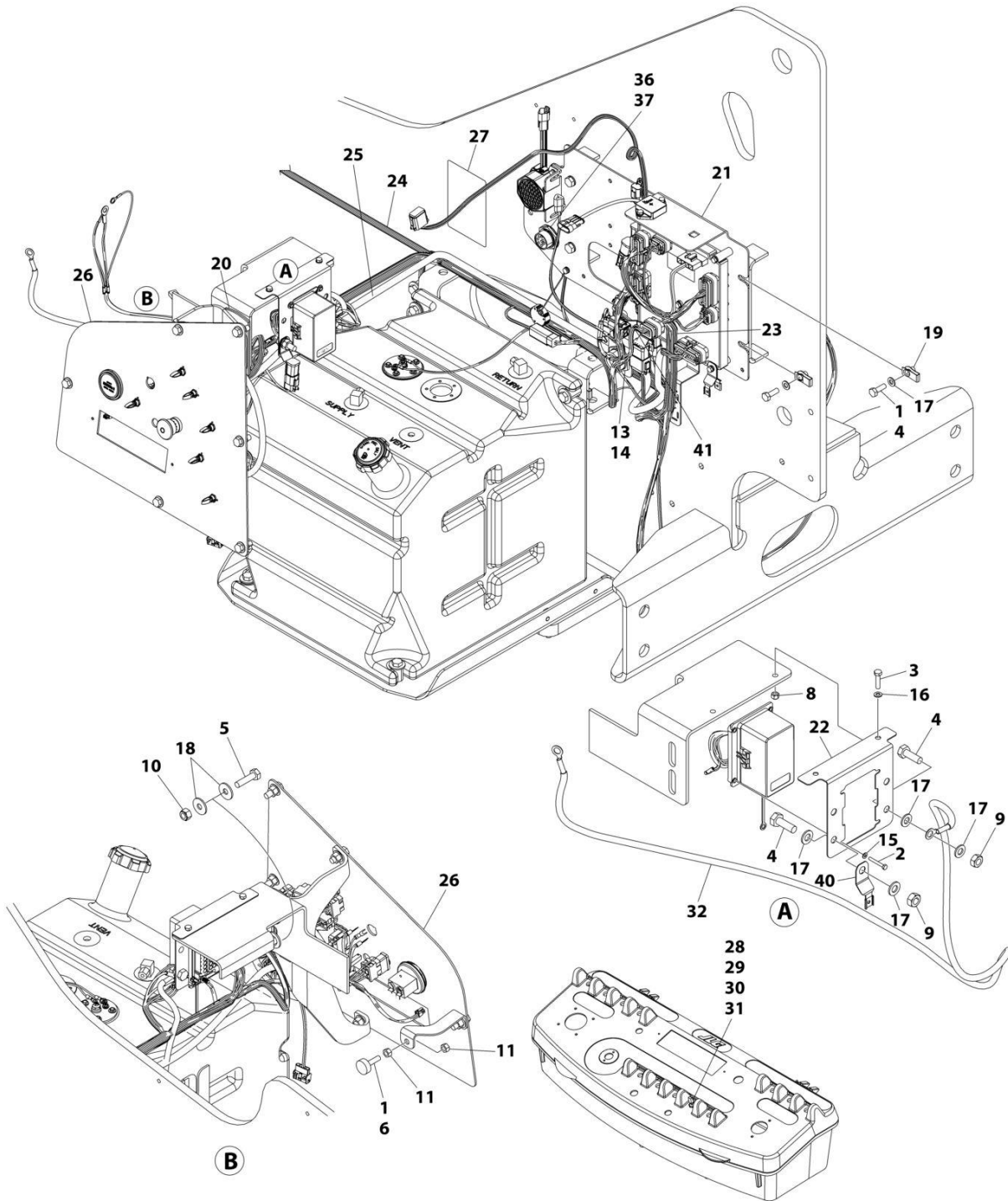
SECTION 2 - TURNTABLE

FIGURE 2-21. ELECTRICAL INSTALLATION (400S HC3)

ITEM	PART NUMBER	QTY	DESCRIPTION	REV
	1001236965	Ref	ELECTRICAL INSTALLATION - 400S	J
1	0100011	AR	Compound, Locking	
2	0731005	4	Bolt #10 x 5/8	
3	0760612	2	Bolt M6 x 25	
4	0761014	6	Bolt M10 x 30	
5	0761016	2	Bolt M10 x 40	
6	0940049	1	Stopper, Hood	
8	3290605	2	Nut M6	
9	3291001	2	Nut M10	
10	3291005	2	Nut M10	
11	3311501	2	Nut 5/16	
12	4240099	AR	Tie-Strap (Not Shown)	
13	4460470	1	Nut, Terminal	
14	4460471	1	Washer, Terminal	
15	4711000	4	Washer #10	
16	4811700	4	Washer M6	
17	4812000	8	Washer M10	
18	4812002	4	Washer M10	
19	1001118972	4	Nut M10	
20	1001150324	AR	Shim 3MM	
21	1001172757	1	Electrical Panel Assembly (See Separate Breakdown in this Section)	
22	1001239294	1	Ground Control Assembly (See Separate Breakdown in this Section)	
23	1001237822	1	Plate	
24	1001301483	1	Turntable Harness (See Separate Breakdown in ELECTRICAL Section)	
25	1001282532	1	Valve Harness (See Separate Breakdown in ELECTRICAL Section)	
26	1001299766	1	Ground Control Box Harness (See Separate Breakdown in ELECTRICAL Section)	
27	1001239512	1	Decal - Fuse Box	
28	1001250681	1	Battery Cable (Negative)	
29	4460466	8	Seal, Terminal (Not Shown)	
30	4460931	1	Connector - 8 Position (Not Shown)	
31	4460496	1	Washer	
32	4460497	1	Nut	
33	4460234	AR	Mount, Tie-Strap (Not Shown)	
34	4240032	AR	Tie-Strap (Not Shown)	
35	1001120328	1	Clip, Mounting	
36	1001155743	1	Holder	
38	1001213448	1	Connector (Not Shown)	

SECTION 2 - TURNTABLE

FIGURE 2-22. ELECTRICAL INSTALLATION (460SJ HC3)



CONSOLE BOX ASSEMBLY

ART_1001242106_J

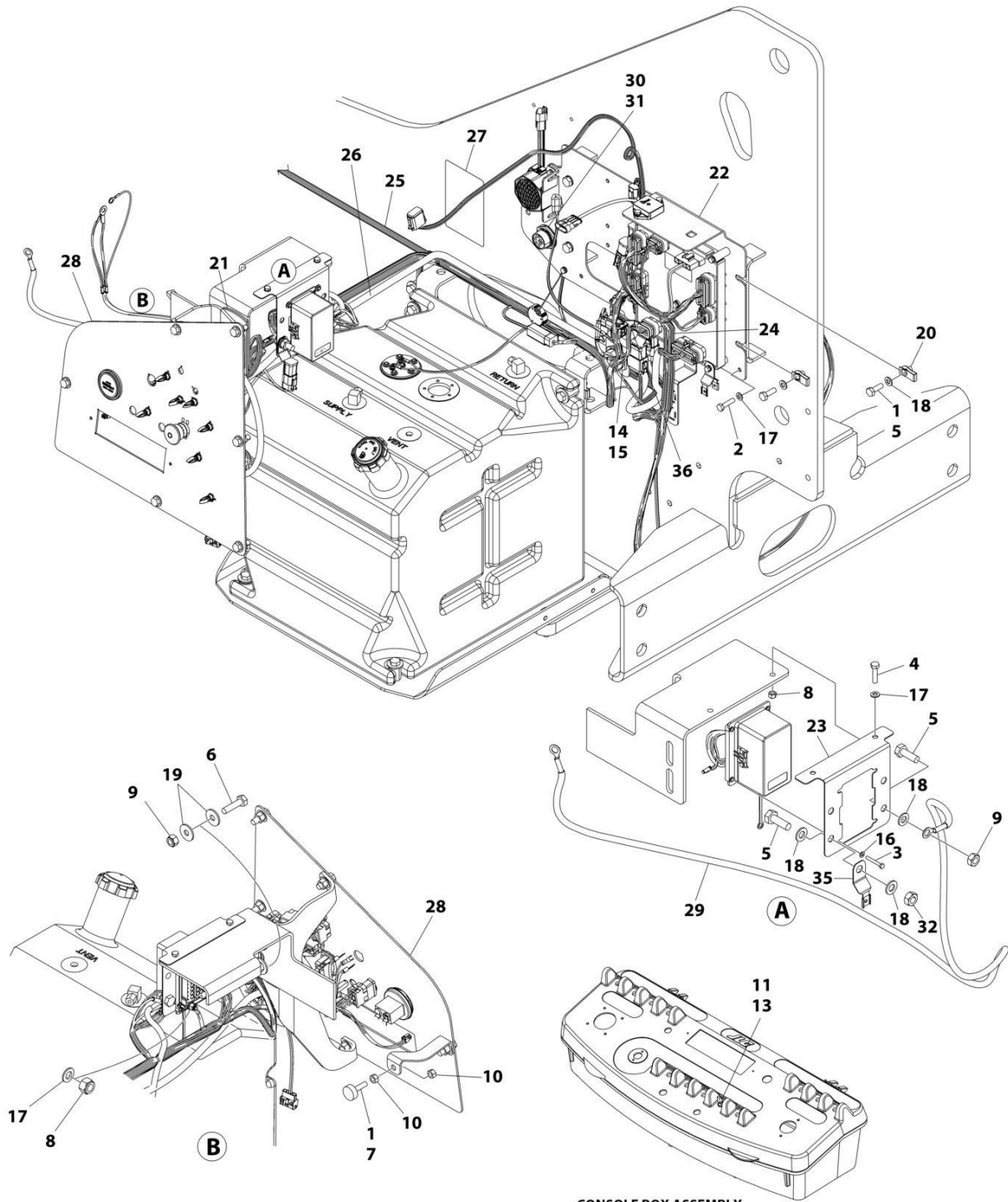
SECTION 2 - TURNTABLE

FIGURE 2-22. ELECTRICAL INSTALLATION (460SJ HC3)

ITEM	PART NUMBER	QTY	DESCRIPTION	REV
	1001242106	Ref	ELECTRICAL INSTALLATION - 460SJ	J
1	0100011	AR	Compound, Locking	
2	0731005	4	Bolt #10 x 5/8	
3	0760612	2	Bolt M6 x 25	
4	0761014	6	Bolt M10 x 30	
5	0761016	2	Bolt M10 x 40	
6	0940049	1	Stopper, Hood	
8	3290605	2	Nut M6	
9	3291001	2	Nut M10	
10	3291005	2	Nut M10	
11	3311501	2	Nut 5/16	
12	4240099	AR	Tie-Strap (Not Shown)	
13	4460470	1	Nut, Terminal	
14	4460471	1	Washer, Terminal	
15	4711000	4	Washer #10	
16	4811700	4	Washer M6	
17	4812000	8	Washer M10	
18	4812002	4	Washer M10	
19	1001118972	4	Nut M10	
20	1001150324	AR	Shim 3MM	
21	1001172757	1	Electrical Panel Assembly (See Separate Breakdown in this Section)	
22	1001237822	1	Plate	
23	1001301483	1	Turntable Harness (See Separate Breakdown in ELECTRICAL Section)	
24	1001282532	1	Valve Harness (See Separate Breakdown in ELECTRICAL Section)	
25	1001299766	1	Ground Control Box Harness (See Separate Breakdown in ELECTRICAL Section)	
26	1001239293	1	Ground Control Assembly (See Separate Breakdown in this Section)	
27	1001239512	1	Decal - Fuse Box	
28	3790012	1	O-Ring	
29	4360328	1	Switch, Toggle	
30	4740397	1	Spacer	
31	1001155044	1	Nut 15/32	
32	1001250681	1	Battery Cable (Negative)	
33	4460466	16	Seal, Terminal (Not Shown)	
34	4460930	1	Connector - 8 Position (Not Shown)	
35	4460931	1	Connector - 8 Position (Not Shown)	
36	4460496	1	Washer	
37	4460497	1	Nut	
38	4460234	AR	Mount, Tie-Strap (Not Shown)	
39	4240032	AR	Tie-Strap (Not Shown)	
40	1001120328	1	Clip, Mounting	
41	1001155743	1	Holder	
43	1001213448	1	Connector (Not Shown)	

SECTION 2 - TURNTABLE

FIGURE 2-23. ELECTRICAL INSTALLATION (WITH DEUTZ D2.9L4 (STAGE V) ENGINES) (460SJ HC3)



CONSOLE BOX ASSEMBLY

ART_1001245993_G

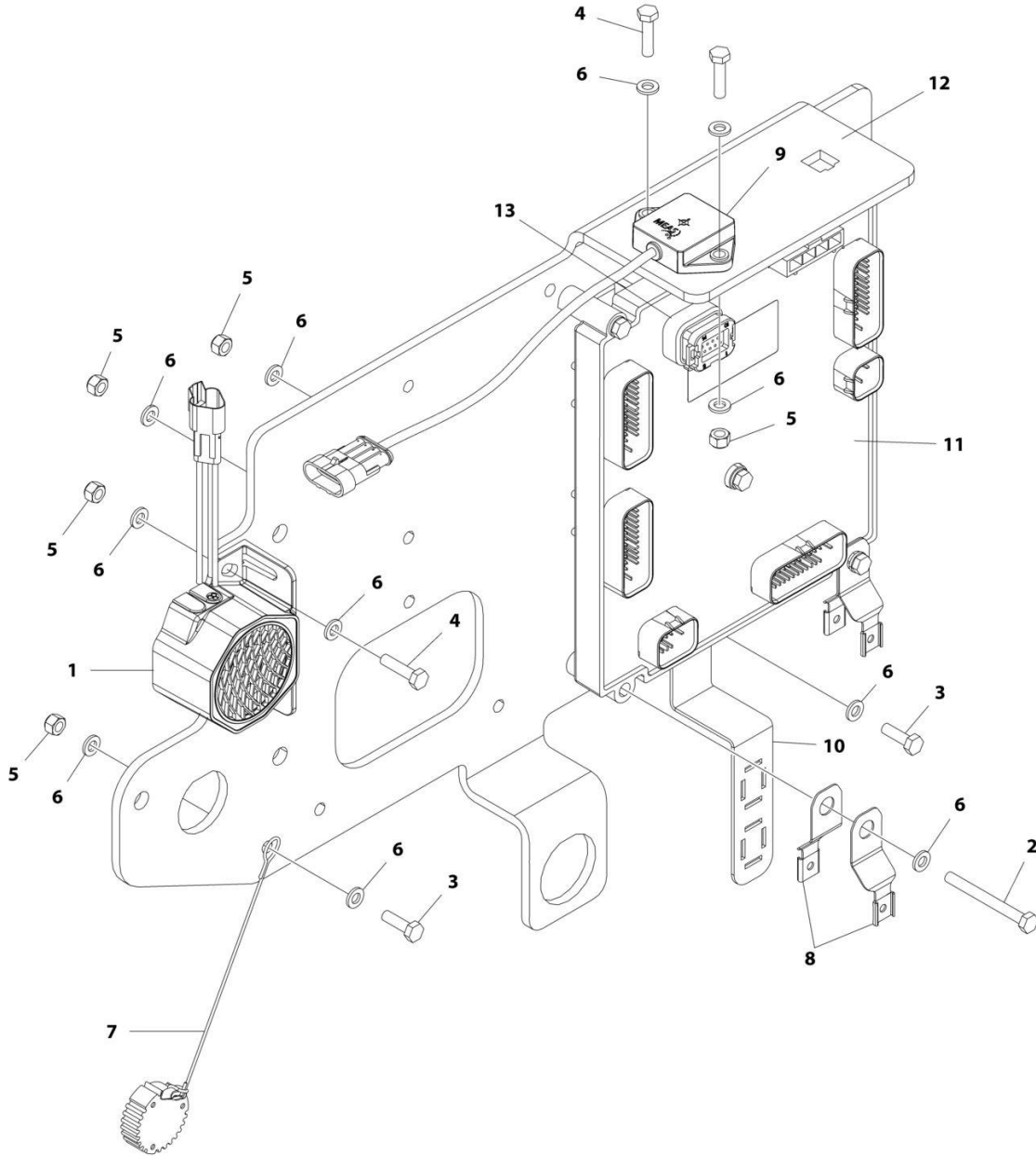
SECTION 2 - TURNTABLE

FIGURE 2-23. ELECTRICAL INSTALLATION (WITH DEUTZ D2.9L4 (STAGE V) ENGINES) (460SJ HC3)

ITEM	PART NUMBER	QTY	DESCRIPTION	REV
	1001245993	Ref	ELECTRICAL INSTALLATION - DEUTZ (STAGE V)	G
1	0100011	AR	Compound, Locking	
2	0700612	1	Screw M6 x 25	
3	0731005	4	Screw #10 x 5/8	
4	0760610	2	Bolt M6 x 20	
5	0761014	6	Bolt M10 x 30	
6	0761016	2	Bolt M10 x 40	
7	0940049	1	Stopper, Hood	
8	3290605	4	Nut M6	
9	3291005	3	Nut M10	
10	3311501	2	Nut 5/16	
11	3790012	1	O-Ring	
12	4240099	AR	Tie-Strap (Not Shown)	
13	4360328	1	Switch, Toggle	
14	4460470	1	Nut, Terminal	
15	4460471	1	Washer, Terminal	
16	4711000	4	Washer #10	
17	4711700	7	Washer M6	
18	4812000	7	Washer M10	
19	4812002	4	Washer M10	
20	1001118972	4	Nut M10	
21	1001150324	AR	Shim 3MM	
22	1001172757	1	Electrical Panel Assembly (See Separate Breakdown in this Section)	
23	1001237822	1	Plate	
24	1001301483	1	Turntable Harness (See Separate Breakdown in ELECTRICAL Section)	
25	1001282532	1	Valve Harness (See Separate Breakdown in ELECTRICAL Section)	
26	1001299766	1	Ground Control Box Harness (See Separate Breakdown in ELECTRICAL Section)	
27	1001239512	1	Decal - Fuse Box	
28	1001245380	1	Electrical Assembly, Ground Control Panel (See Separate Breakdown in this Section)	
29	1001250681	1	Battery Cable (Negative)	
30	4460496	1	Washer	
31	4460497	1	Nut	
32	3291001	1	Nut M10	
33	4460234	AR	Mount, Tie-Strap (Not Shown)	
34	4240032	AR	Tie-Strap (Not Shown)	
35	1001120328	1	Clip, Mounting	
36	1001155743	1	Holder	
38	1001213448	1	Connector (Not Shown)	

SECTION 2 - TURNTABLE

FIGURE 2-24. ELECTRICAL PANEL ASSEMBLY



ART_1001172757_F

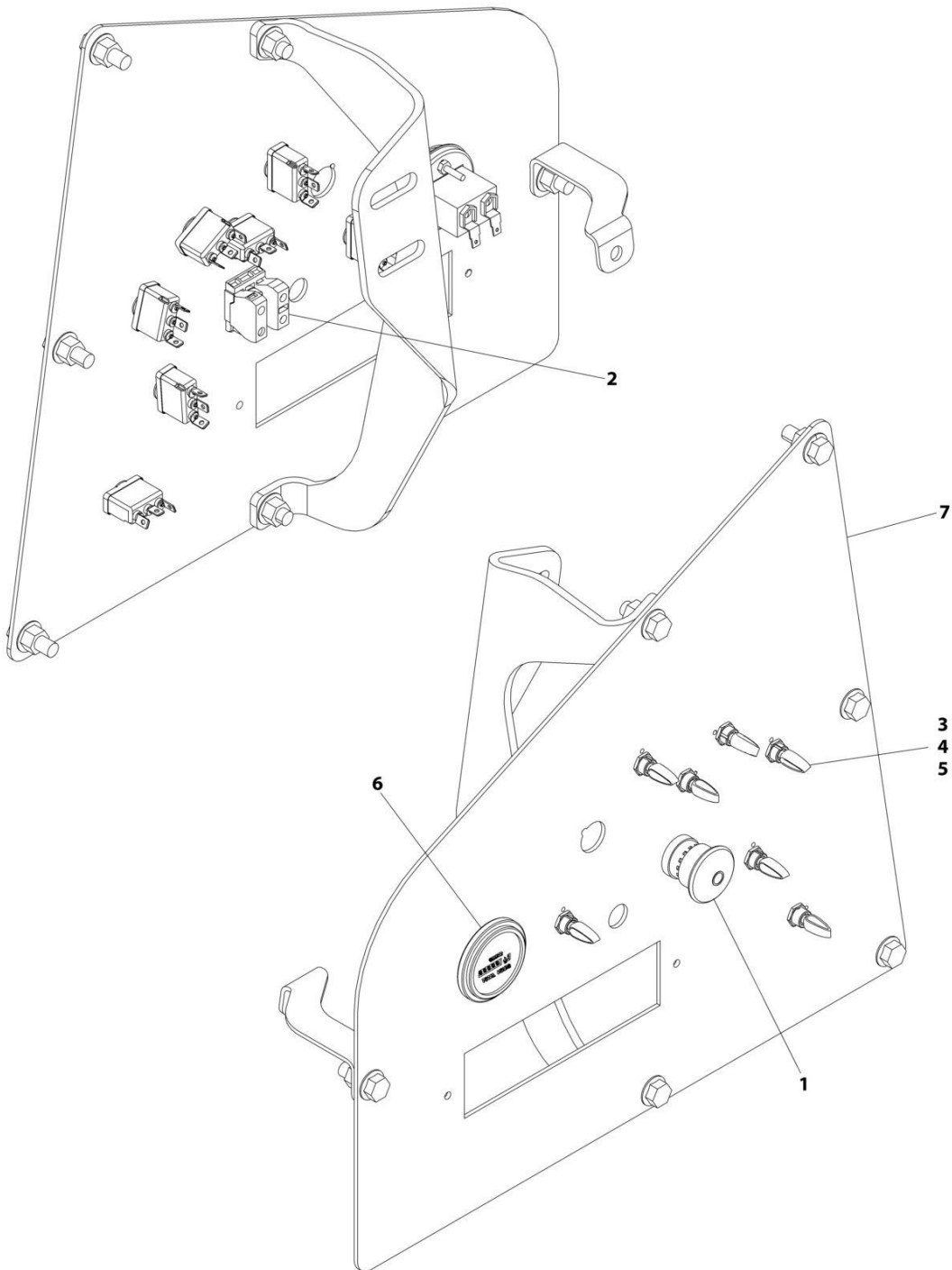
SECTION 2 - TURNTABLE

FIGURE 2-24. ELECTRICAL PANEL ASSEMBLY

ITEM	PART NUMBER	QTY	DESCRIPTION	REV
	1001172757	Ref	ELECTRICAL PANEL ASSEMBLY	F
1	0140043	1	Alarm	
1	4460536	1	Plug, Male - 3 Position	
1	4460943	3	Terminal	
2	0700620	5	Bolt M6 x 60	
3	0760610	2	Bolt M6 x 20	
4	0760612	4	Bolt M6 x 25	
5	3290605	11	Nut M6	
6	4811700	22	Washer M6	
7	1001106736	1	Cap, Dust	
8	1001120328	4	Clip, Mounting	
9	1001219601	1	Sensor	
10	1001159162	1	Bracket	
11	1001280340	1	Module, Ground Control (Note: Re-calibration Required when Replaced.)	
12	1001215373	1	Plate	
13	1001246859	1	Connector, 14 Position	

SECTION 2 - TURNTABLE

FIGURE 2-25. GROUND CONTROL BOX ASSEMBLY (400S HC3)



ART_1001239293_C

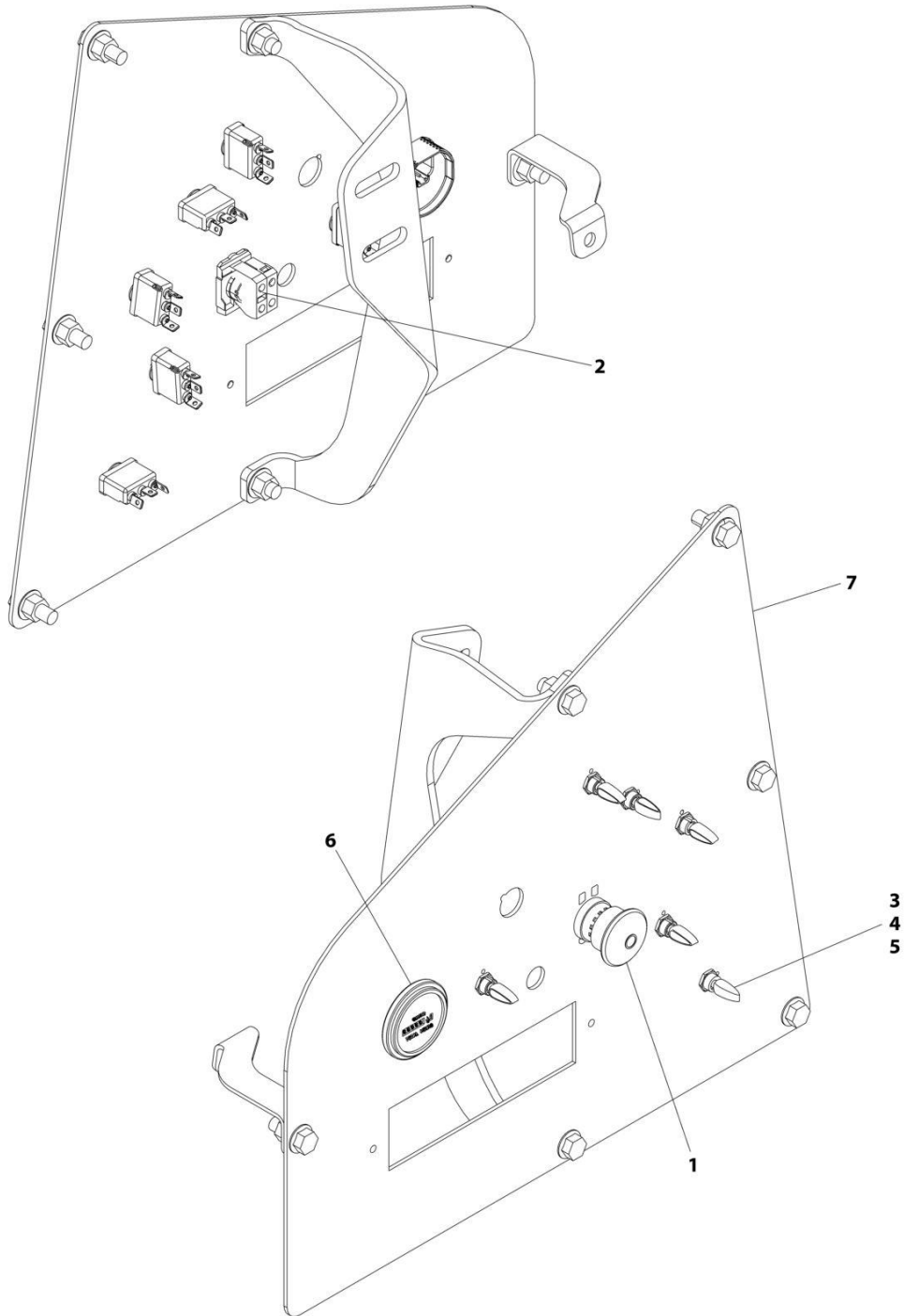
SECTION 2 - TURNTABLE

FIGURE 2-25. GROUND CONTROL BOX ASSEMBLY (400S HC3)

ITEM	PART NUMBER	QTY	DESCRIPTION	REV
	1001239293	Ref	GROUND CONTROL ASSEMBLY - 460SJ	C
1	1001274559	1	Switch, Emergency Stop	
2	4360476	1	Block, Contact	
3	1001155043	7	Washer	
4	1001155044	7	Nut 15/32	
5	1001155045	7	Switch, Toggle	
6	10836804	1	Gauge	
7	1001235531	1	Mount, Ground Control Panel (See Separate Breakdown in this Section)	

SECTION 2 - TURNTABLE

FIGURE 2-26. GROUND CONTROL BOX ASSEMBLY (460SJ HC3)



ART_1001239294_C

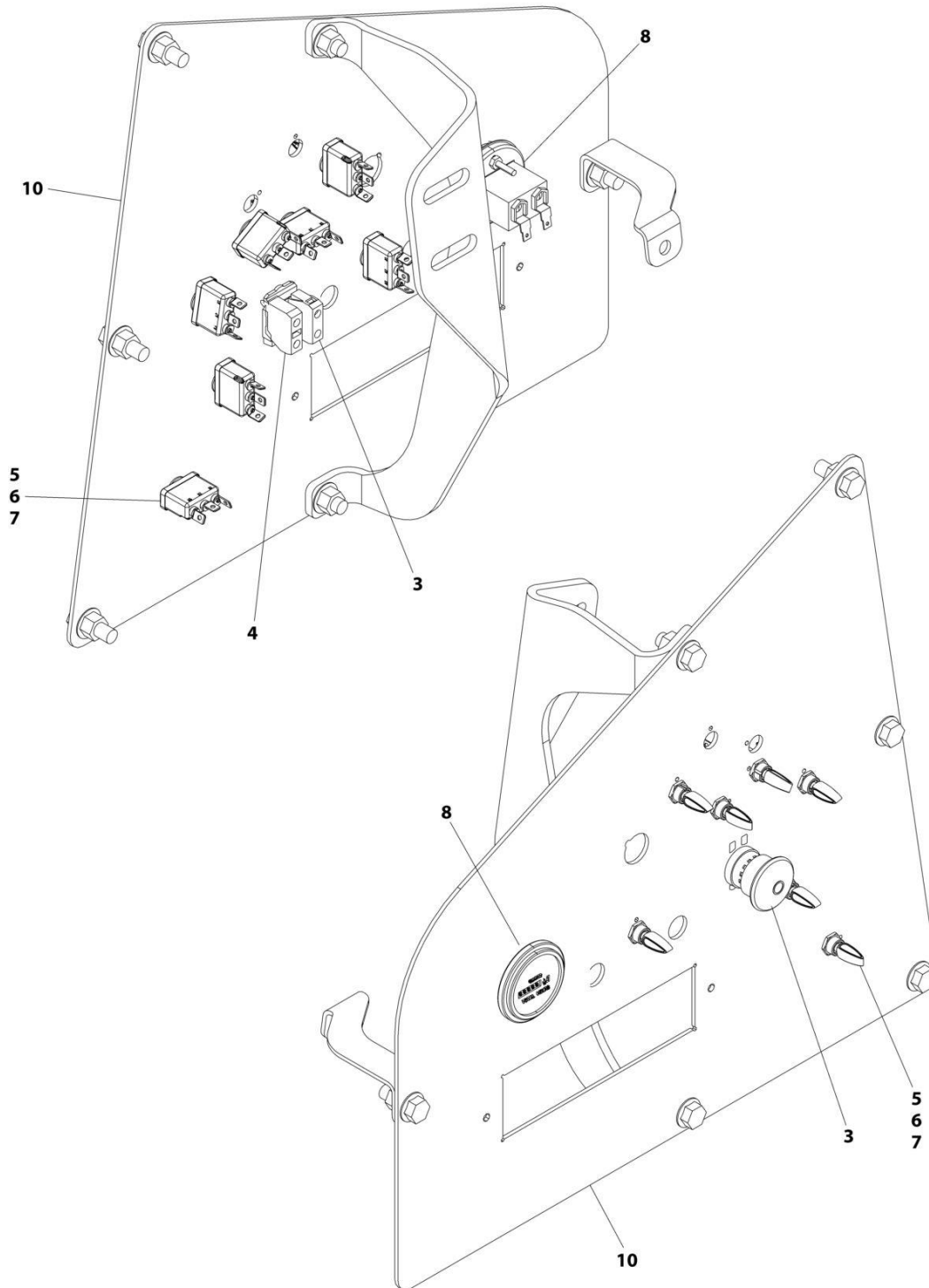
SECTION 2 - TURNTABLE

FIGURE 2-26. GROUND CONTROL BOX ASSEMBLY (460SJ HC3)

ITEM	PART NUMBER	QTY	DESCRIPTION	REV
	1001239294	Ref	GROUND CONTROL ASSEMBLY - 400S	C
1	1001274559	1	Switch, Emergency Stop	
2	4360476	1	Block, Contact	
3	1001155043	6	Washer	
4	1001155044	6	Nut 15/32	
5	1001155045	6	Switch, Toggle	
6	10836804	1	Gauge	
7	1001238887	1	Mount, Ground Control Panel (See Separate Breakdown in this Section)	

SECTION 2 - TURNTABLE

FIGURE 2-27. GROUND CONTROL BOX ASSEMBLY (WITH DEUTZ D2.9L4 (STAGE V) ENGINES) (CE SPECS) (460SJ HC3)



ART_1001245380_D

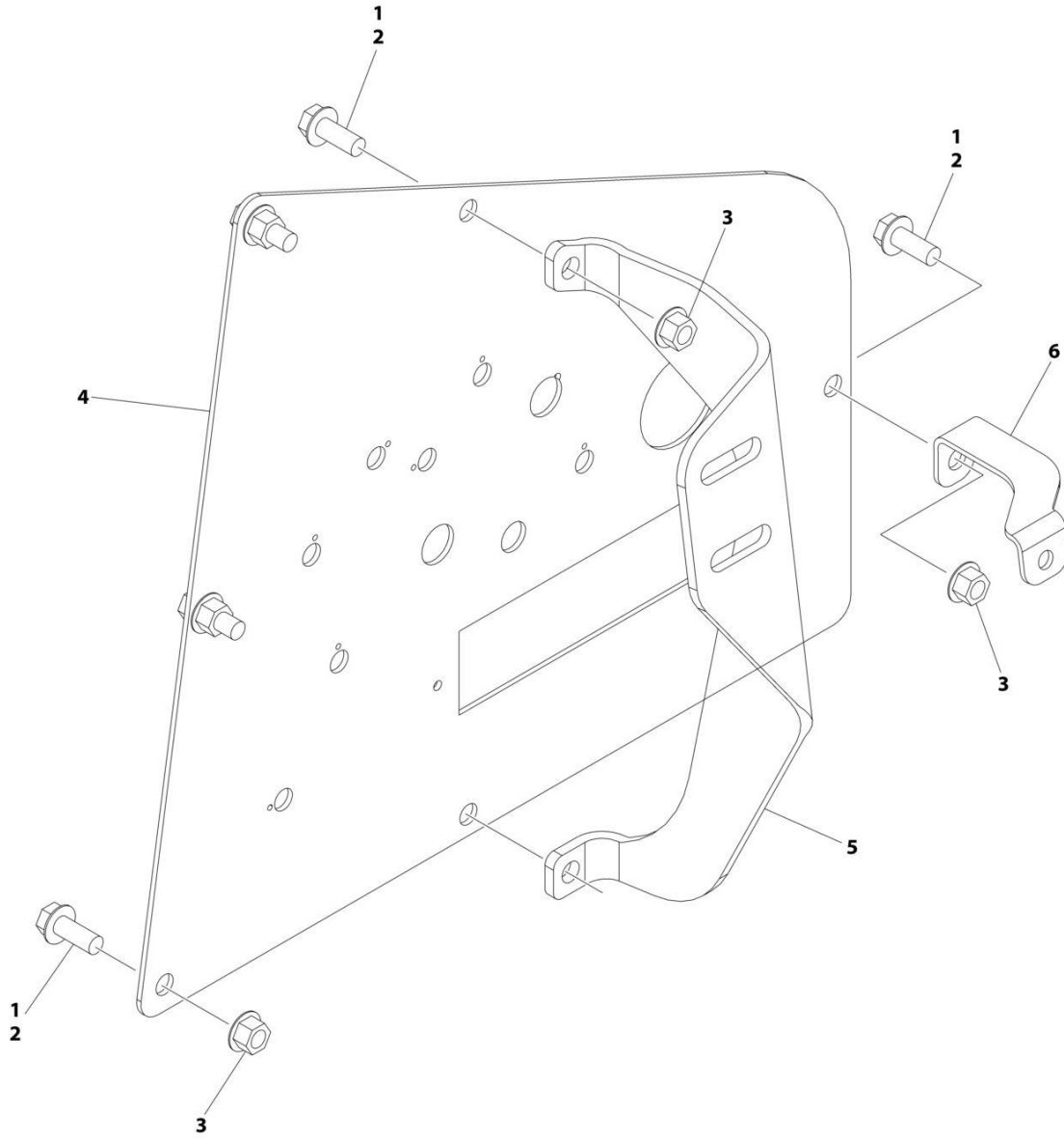
SECTION 2 - TURNTABLE

FIGURE 2-27. GROUND CONTROL BOX ASSEMBLY (WITH DEUTZ D2.9L4 (STAGE V) ENGINES) (CE SPECS) (460SJ HC3)

ITEM	PART NUMBER	QTY	DESCRIPTION	REV
	1001245380	Ref	GROUND CONTROL ASSEMBLY	D
3	1001274559	1	Switch, Emergency Stop	
4	4360476	1	Block, Contact	
5	1001155043	7	Washer	
6	1001155044	7	Nut 15/32	
7	1001155045	7	Switch, Toggle	
8	10836804	1	Gauge	
10	1001245379	1	Ground Control Mounting (See Separate Breakdown in this Section)	

SECTION 2 - TURNTABLE

FIGURE 2-28. GROUND CONTROL BRACKET INSTALLATION (400S HC3)



ART_1001235531_C

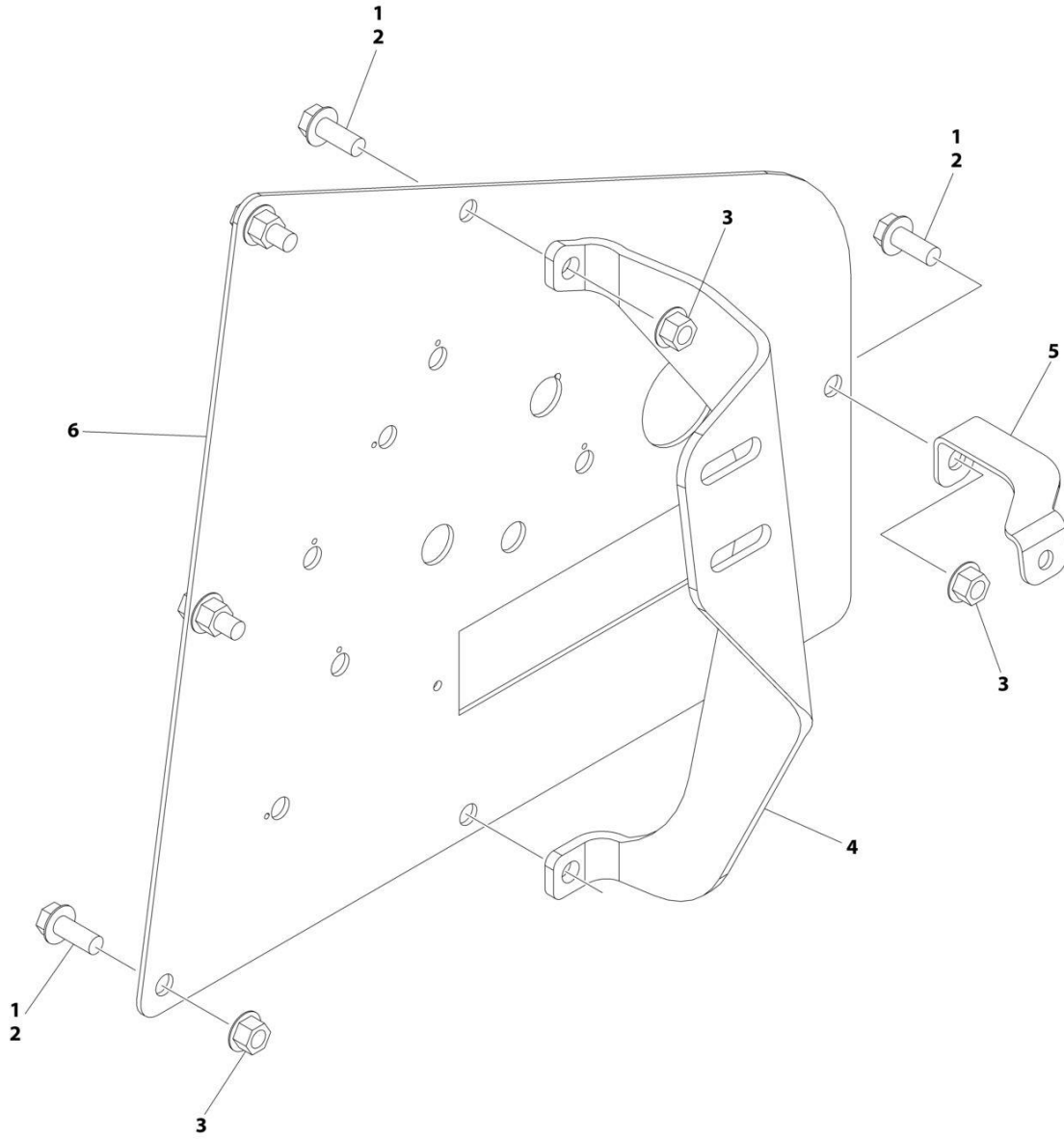
SECTION 2 - TURNTABLE

FIGURE 2-28. GROUND CONTROL BRACKET INSTALLATION (400S HC3)

ITEM	PART NUMBER	QTY	DESCRIPTION	REV
	1001235531	Ref	GROUND CONTORL MOUNTING - 460SJ	C
1	0100011	AR	Compound, Locking	
2	5251012	6	Bolt M10 x 25	
3	5261000	6	Nut M10	
4	1001297385	1	Plate, Ground Control	
5	1001235528	1	Support	
6	1001235529	1	Bracket	

SECTION 2 - TURNTABLE

FIGURE 2-29. GROUND CONTROL BRACKET INSTALLATION (460SJ HC3)



ART_1001238887_B

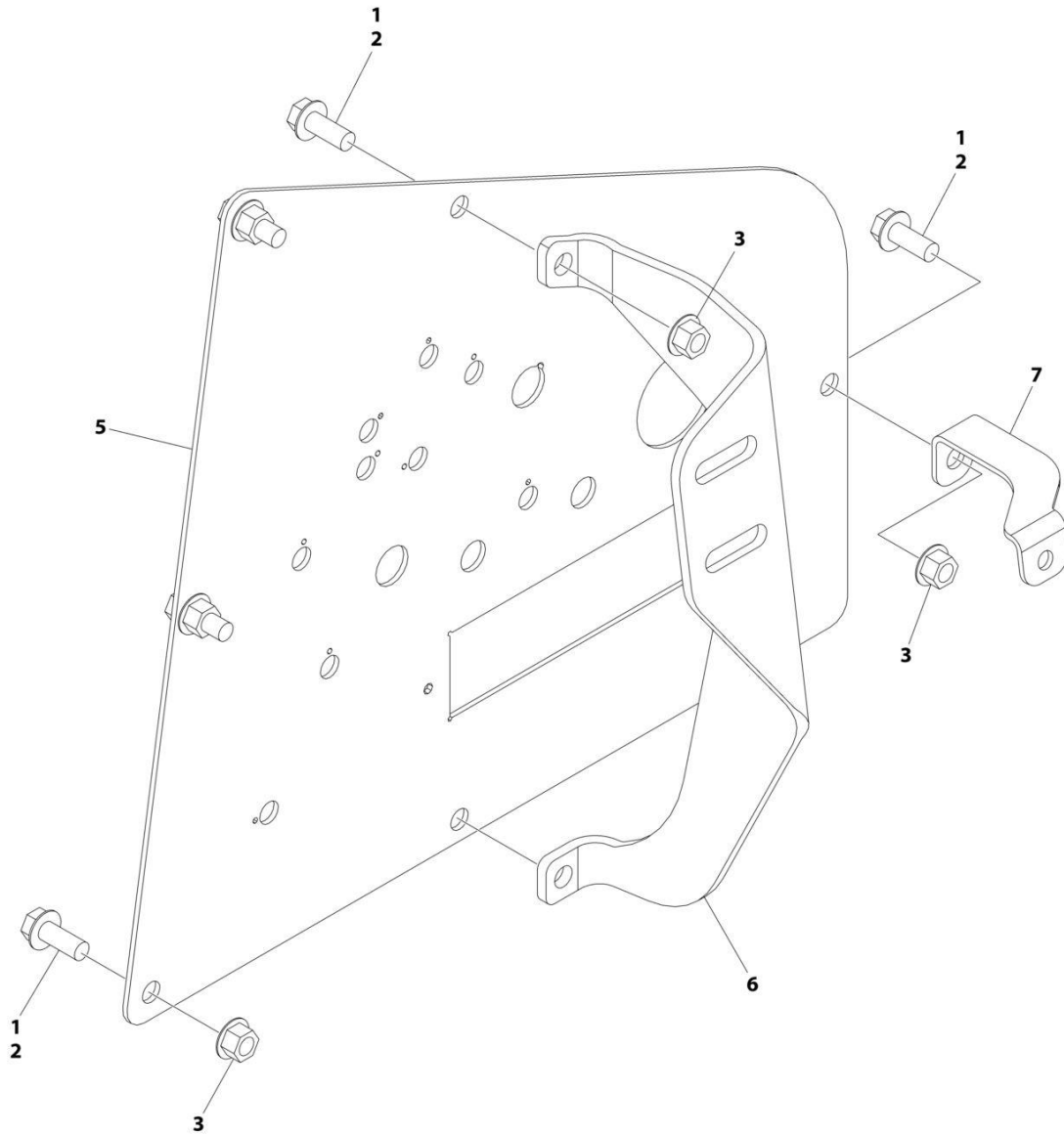
SECTION 2 - TURNTABLE

FIGURE 2-29. GROUND CONTROL BRACKET INSTALLATION (460SJ HC3)

ITEM	PART NUMBER	QTY	DESCRIPTION	REV
	1001238887	Ref	GROUND CONTROL PANEL MOUNTING	B
1	0100011	AR	Compound, Locking	
2	5251012	6	Bolt M10 x 25	
3	5261000	6	Nut M10	
4	1001235528	1	Support	
5	1001235529	1	Bracket	
6	1001297390	1	Plate, Ground Control	

SECTION 2 - TURNTABLE

FIGURE 2-30. GROUND CONTROL BRACKET INSTALLATION (WITH DEUTZ D2.9L4 (STAGE V) ENGINES) (CE SPECS) (460SJ HC3)



ART_1001245379_C

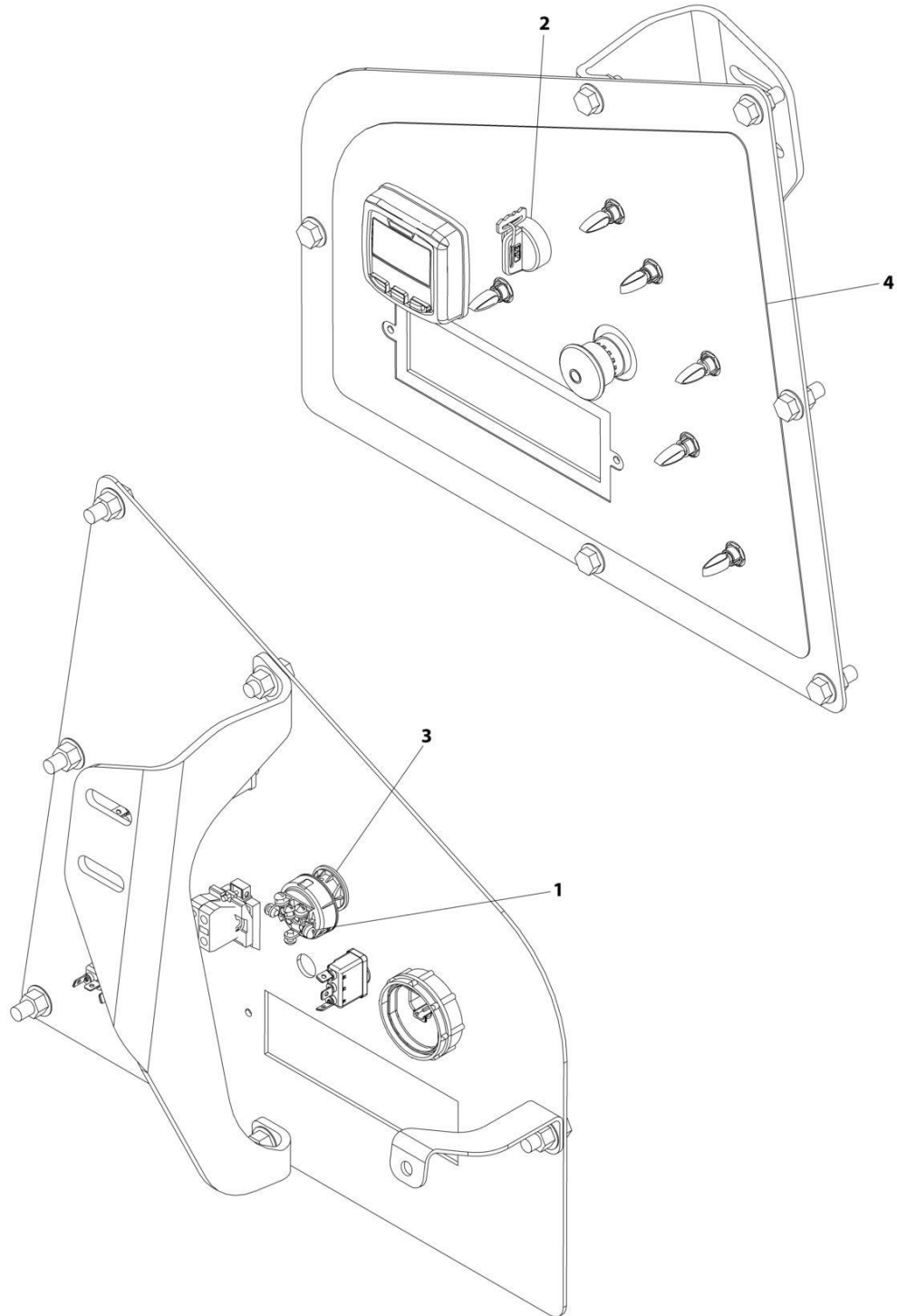
SECTION 2 - TURNTABLE

FIGURE 2-30. GROUND CONTROL BRACKET INSTALLATION (WITH DEUTZ D2.9L4 (STAGE V) ENGINES) (CE SPECS) (460SJ HC3)

ITEM	PART NUMBER	QTY	DESCRIPTION	REV
	1001245379	Ref	GROUND CONTORL MOUNTING	C
1	0100035	AR	Compound, Locking	
2	5251012	6	Bolt M10 x 25	
3	5261000	6	Nut M10	
5	1001297386	1	Plate, Ground Control	
6	1001235528	1	Support	
7	1001235529	1	Bracket	

SECTION 2 - TURNTABLE

FIGURE 2-31. KEYSWITCH AND PANEL DECAL INSTALLATION (400S HC3)



ART_1001222139

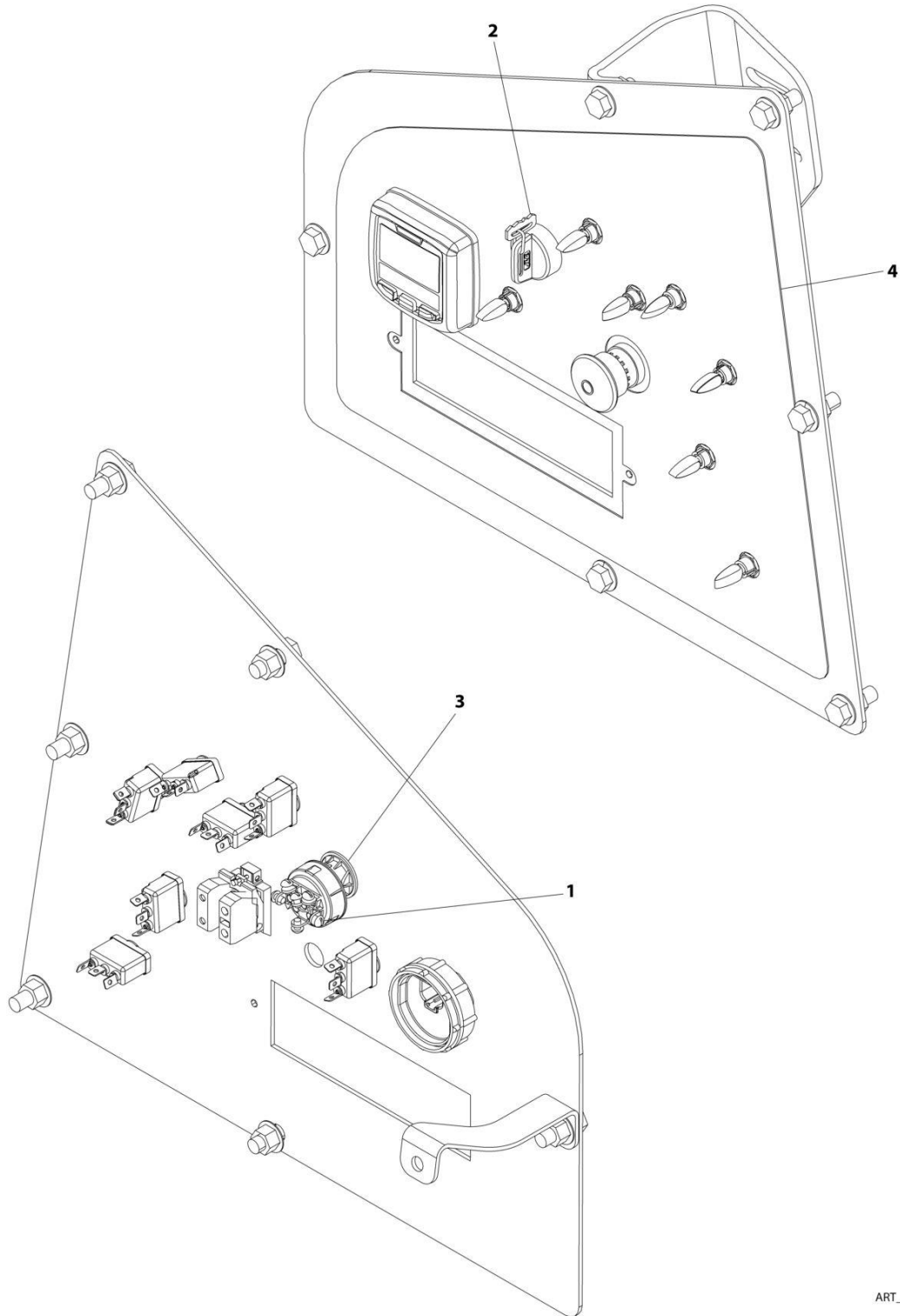
SECTION 2 - TURNTABLE

FIGURE 2-31. KEYSWITCH AND PANEL DECAL INSTALLATION (400S HC3)

ITEM	PART NUMBER	QTY	DESCRIPTION	REV
	1001222139	Ref	GROUND CONTROL DECAL AND KEYSWITCH INSTALLATION - 400S	B
1	3910804	6	Screw #8 x 1/4	
2	4360469	1	Switch, Key	
2	2860030	1	Key, Replacement	
3	1001151393	1	Shim .063	
4	1001221402	1	Decal - Ground Control	

SECTION 2 - TURNTABLE

FIGURE 2-32. KEYSWITCH AND PANEL DECAL INSTALLATION (ALL SPECS EXCEPT CE & UK CA SPECS) (460SJ HC3)



ART_1001222140

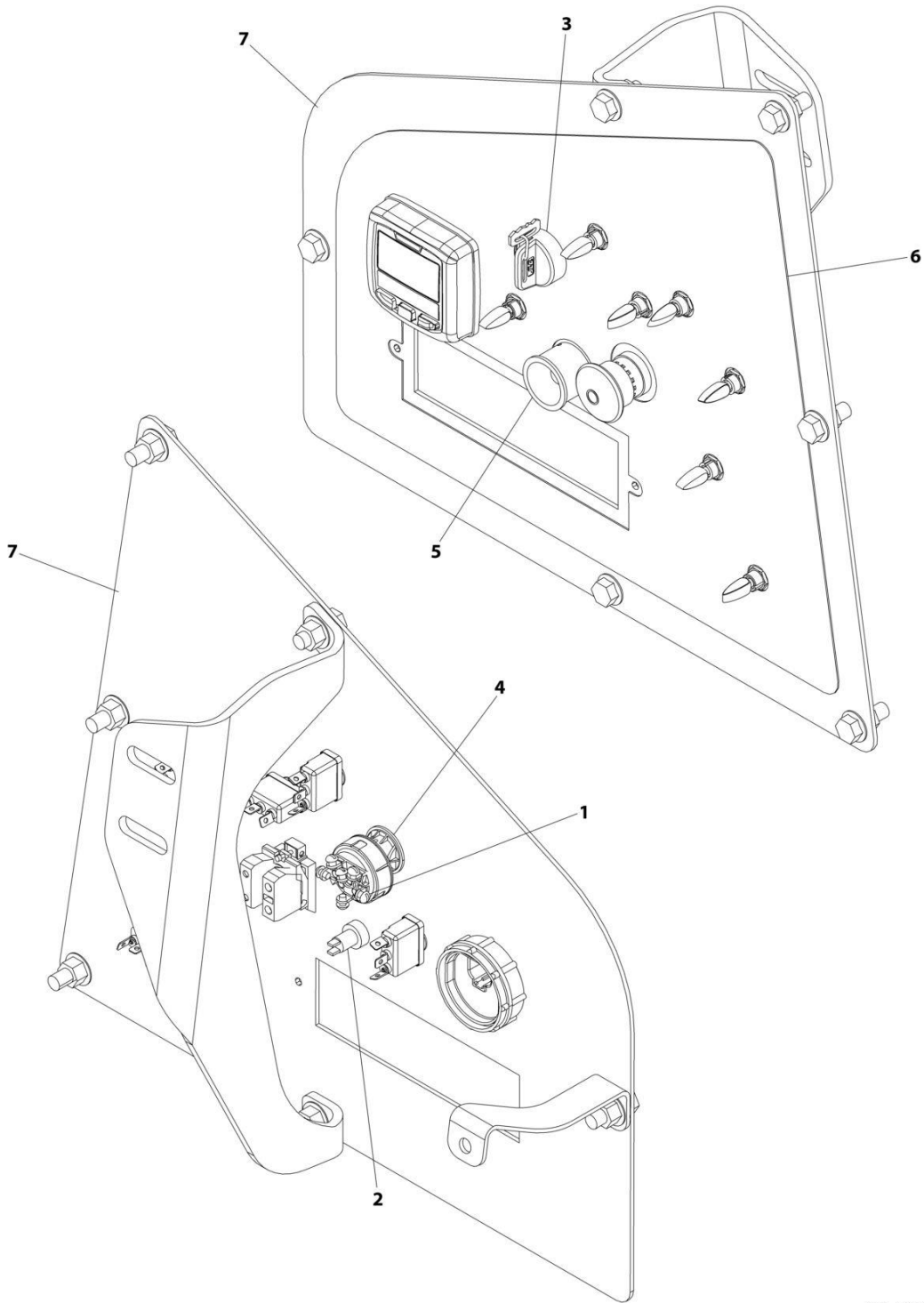
SECTION 2 - TURNTABLE

FIGURE 2-32. KEYSWITCH AND PANEL DECAL INSTALLATION (ALL SPECS EXCEPT CE & UK CA SPECS) (460SJ HC3)

ITEM	PART NUMBER	QTY	DESCRIPTION	REV
	1001222140	Ref	GROUND CONTROL DECAL AND KEYSWITCH INSTALLATION - 460SJ	B
1	3910804	6	Screw #8 x 1/4	
2	4360469	1	Switch, Key	
2	2860030	1	Key, Replacement	
3	1001151393	1	Shim .063	
4	1001221403	1	Decal - Ground Control	

SECTION 2 - TURNTABLE

FIGURE 2-33. KEYSWITCH AND PANEL DECAL INSTALLATION (CE-LRC & UK CA SPECS) (460SJ HC3)



ART_1001222142

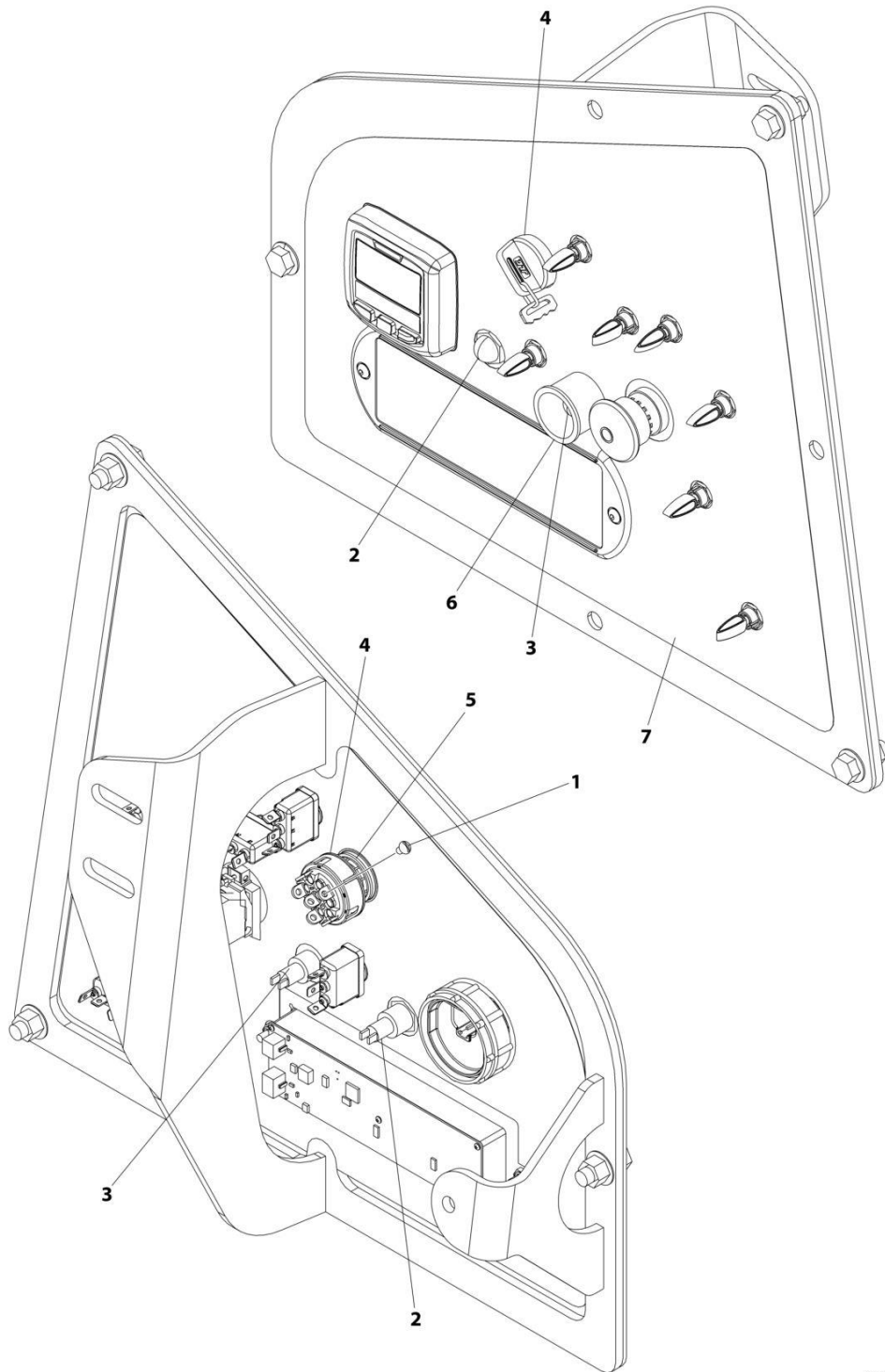
SECTION 2 - TURNTABLE

FIGURE 2-33. KEYSWITCH AND PANEL DECAL INSTALLATION (CE-LRC & UK CA SPECS) (460SJ HC3)

ITEM	PART NUMBER	QTY	DESCRIPTION	REV
	1001222142	Ref	GROUND CONTROL DECAL AND KEYSWITCH INSTALLATION - 460SJ	C
1	3910804	6	Screw #8 x 1/4	
2	4360387	1	Switch, Push Button	
3	4360469	1	Switch, Key	
3	2860030	1 set	Key, Replacement	
4	1001151393	1	Shim .063	
5	1001176469	1	Shroud, Switch	
6	1001221405	1	Decal - Ground Control	
7	1001239293	1	Mount	

SECTION 2 - TURNTABLE

FIGURE 2-34. KEYSWITCH AND PANEL DECAL INSTALLATION - (CE & UK CA SPECS WITH DEUTZ D2.9L4 (STAGE V) ENGINES (460SJ HC3))



ART_1001245831

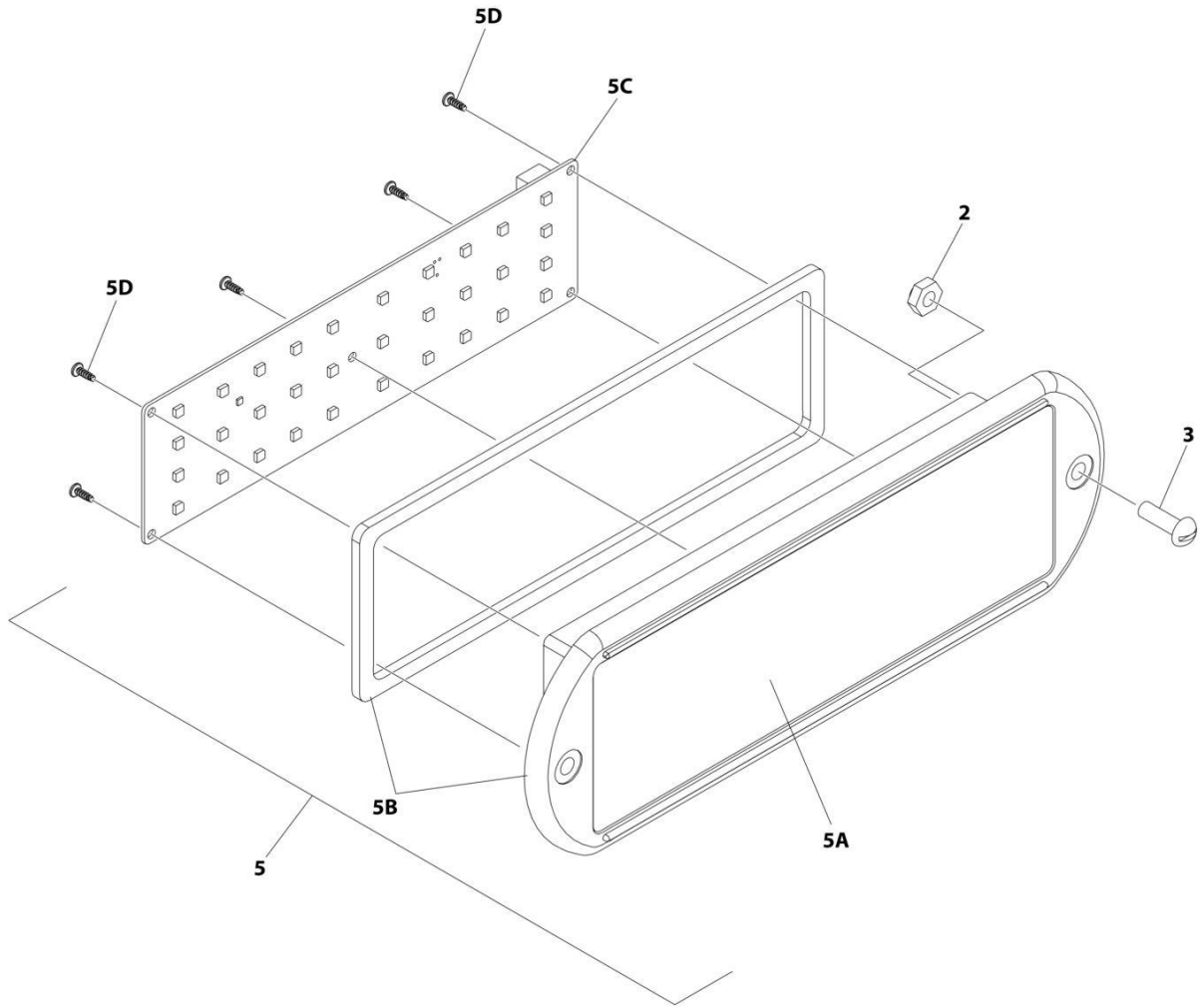
SECTION 2 - TURNTABLE

FIGURE 2-34. KEYSWITCH AND PANEL DECAL INSTALLATION - (CE & UK CA SPECS WITH DEUTZ D2.9L4 (STAGE V) ENGINES (460SJ HC3))

ITEM	PART NUMBER	QTY	DESCRIPTION	REV
	1001245831	Ref	GROUND CONTROL DECAL AND KEYSWITCH INSTALLATION	B
1	3910804	6	Screw #8 x 1/4	
2	4360274	1	Switch, Push Button	
3	4360387	1	Switch, Push Button	
4	4360469	1	Switch, Key	
4	2860030	1	Key, Replacement	
5	1001151393	1	Shim .063	
6	1001176469	1	Shroud, Switch	
7	1001245827	1	Decal, Ground Control	

SECTION 2 - TURNTABLE

FIGURE 2-35. LIGHT PANEL INSTALLATION



ART_1001233959_10F2

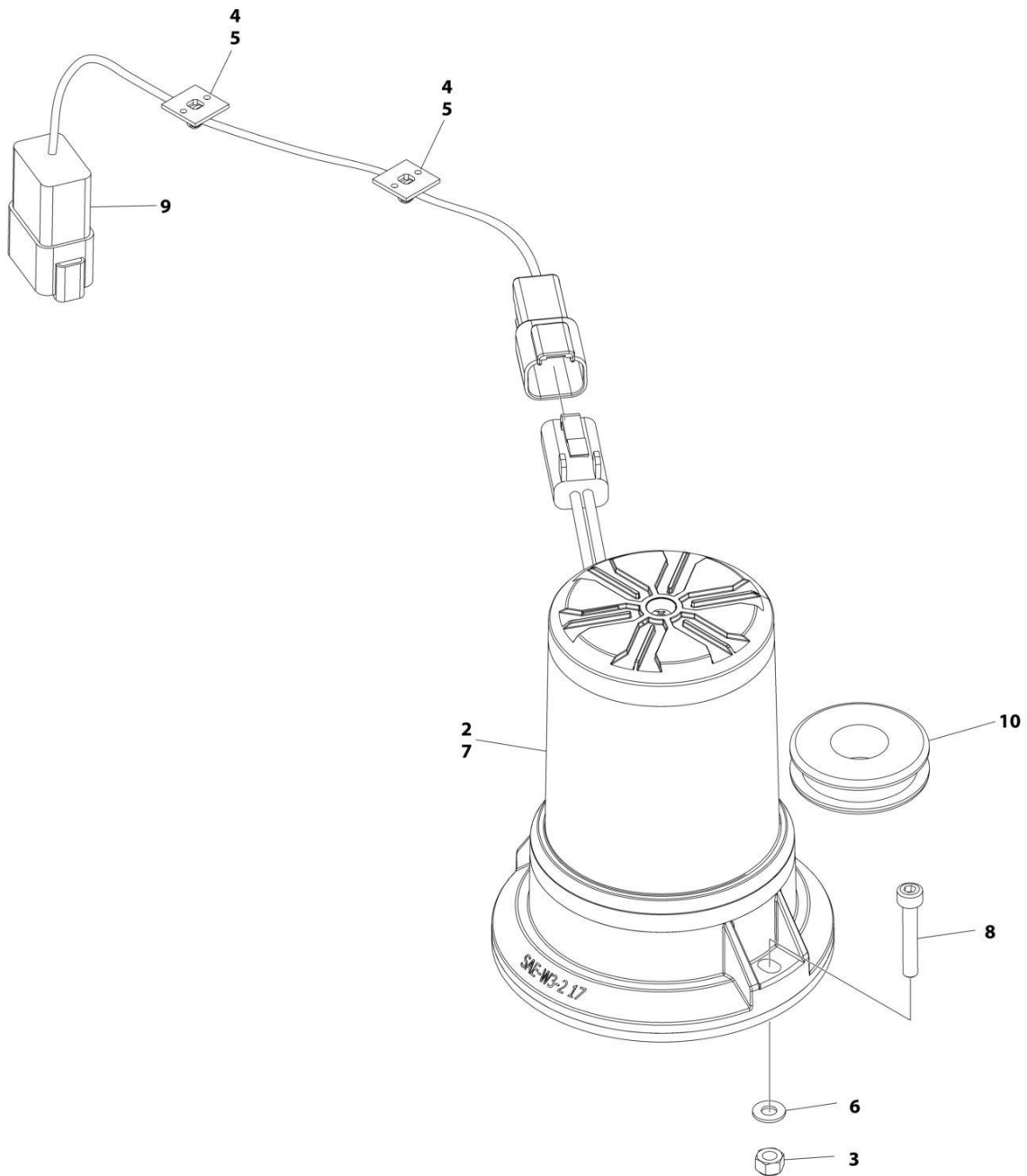
SECTION 2 - TURNTABLE

FIGURE 2-35. LIGHT PANEL INSTALLATION

ITEM	PART NUMBER	QTY	DESCRIPTION	REV
	1001233959	Ref	LIGHT PANEL INSTALLATION	C
2	3300408	2	Nut, Nylon Insert	
3	0630518	2	Screw #10 x 3/4	
5	1001237546	1	Light Panel Assembly	
5A	1001236091	1	Lens, I-Con/Bezel	
5C	1001187807	1	Panel, LED Light	
5D		Ref	Screw	

SECTION 2 - TURNTABLE

FIGURE 2-36. STROBE LIGHT INSTALLATION (AMBER)



ART_1001172816_E

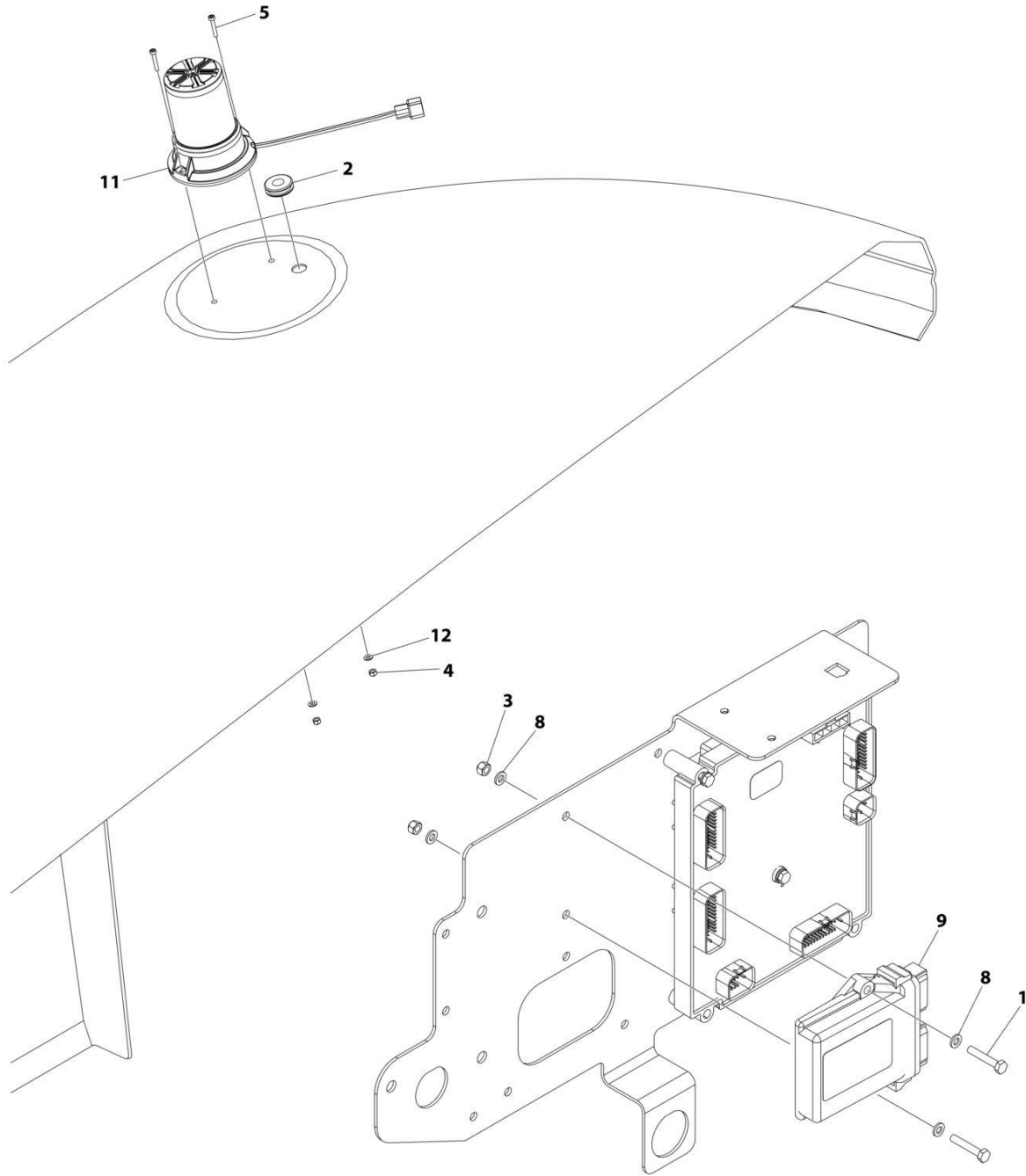
SECTION 2 - TURNTABLE

FIGURE 2-36. STROBE LIGHT INSTALLATION (AMBER)

ITEM	PART NUMBER	QTY	DESCRIPTION	REV
	1001172816	Ref	BEACON LIGHT INSTALLATION - AMBER	E
2	1001270594	1	Light, Strobe (Amber)	
2	4460891	1	Connector	
2	4460465	2	Socket	
3	3290405	2	Nut M4	
4	4240032	AR	Tie-Strap	
5	4460234	2	Mount, Tie-Strap	
6	4811400	2	Washer M4	
7	0100048	AR	Grease, Terminal	
8	4031509	2	Capscrew M4 x 25	
9	1001283776	1	Beacon Harness (See Separate Breakdown in ELECTRICAL Section)	
10	2540020	1	Grommet	

SECTION 2 - TURNTABLE

FIGURE 2-37. STROBE LIGHT INSTALLATION (BLUE)



ART_1001242851_B

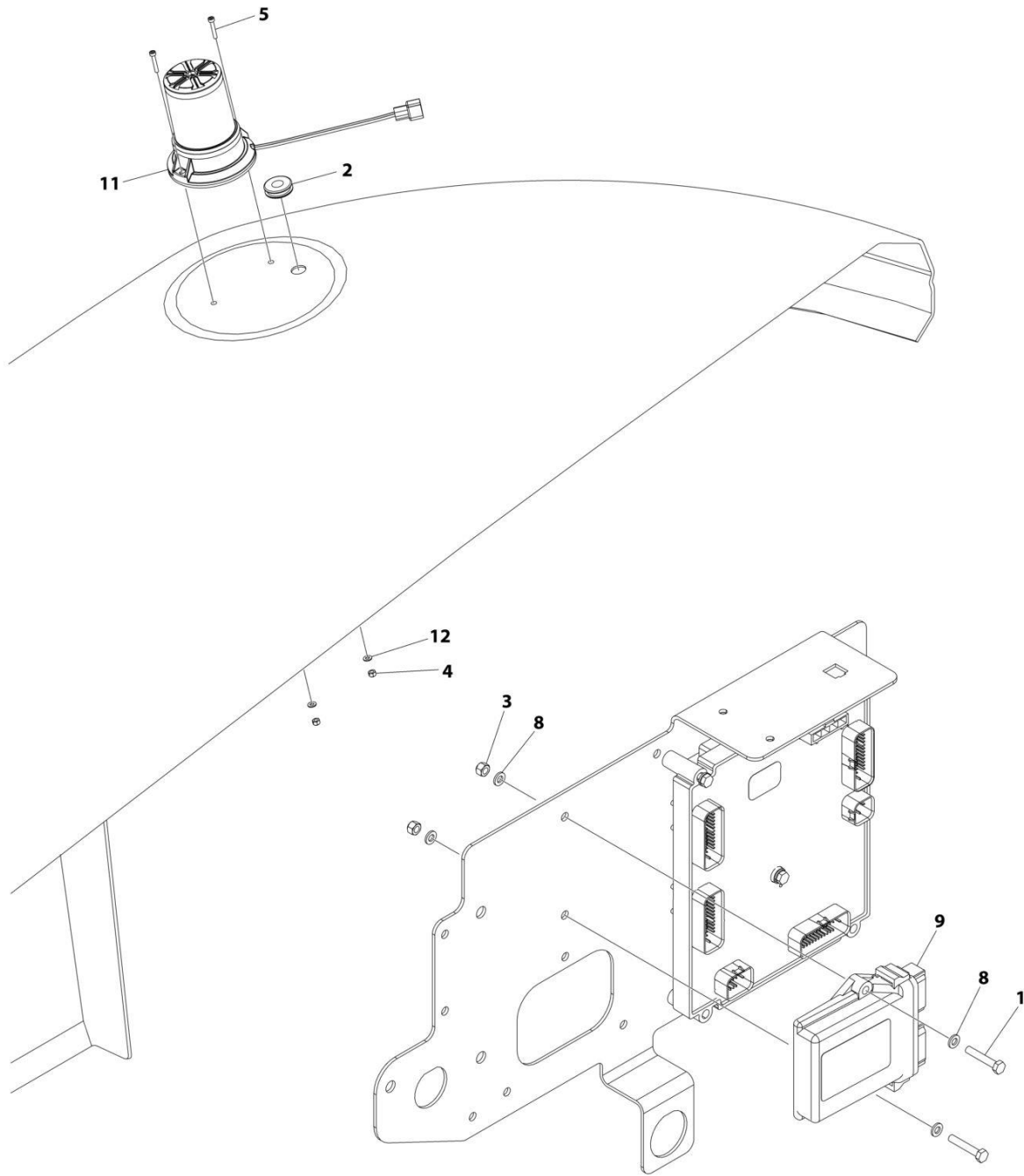
SECTION 2 - TURNTABLE

FIGURE 2-37. STROBE LIGHT INSTALLATION (BLUE)

ITEM	PART NUMBER	QTY	DESCRIPTION	REV
	1001242851	Ref	BEACON LIGHT INSTALLATION - BLUE	B
1	0760615	2	Bolt M6 x 35	
2	2540020	1	Grommet, Insulation	
3	3290605	2	Nut M6	
4	3290405	2	Nut M4	
5	4031509	2	Capscrew M4 x 25	
6	4240099	AR	Tie-Strap (Not Shown)	
8	4811700	4	Washer M6	
9	1001142683	1	Control Module (Note: Re-calibration Required when Replaced)	
10	1001142736	1	Beacon Harness (Not Shown - See Separate Breakdown in ELECTRICAL Section)	
11	1001272681	1	Light, Beacon	
11	4460897	1	Receptacle, Female - 2 Position	
11	4460464	2	Pin, Male	
12	4811400	2	Washer M4	

SECTION 2 - TURNTABLE

FIGURE 2-38. STROBE LIGHT INSTALLATION (RED)



ART_1001242852_B

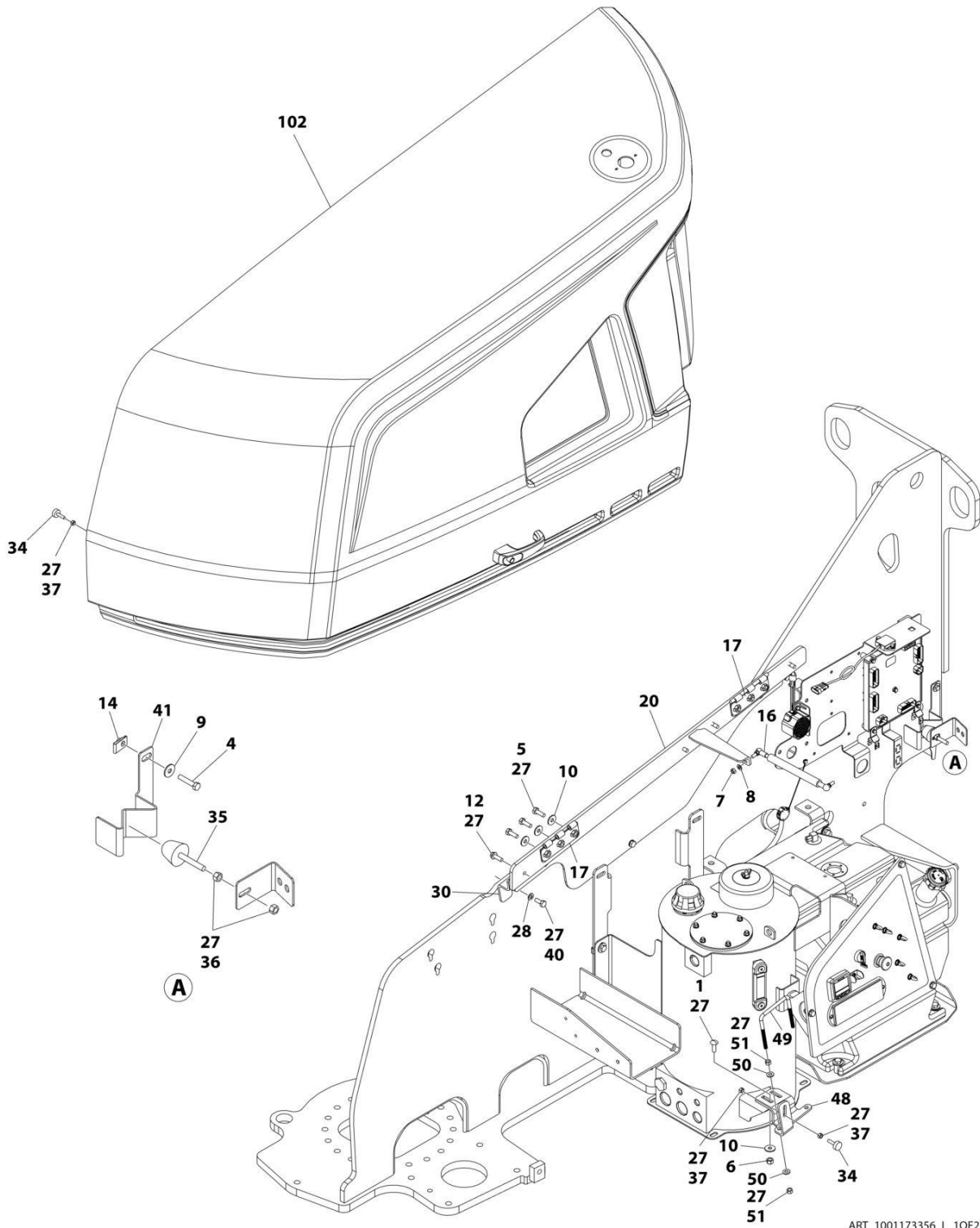
SECTION 2 - TURNTABLE

FIGURE 2-38. STROBE LIGHT INSTALLATION (RED)

ITEM	PART NUMBER	QTY	DESCRIPTION	REV
	1001242852	Ref	BEACON LIGHT INSTALLATION - RED	B
1	0760615	2	Bolt M6 x 35	
2	2540020	1	Grommet, Insulation	
3	3290605	2	Nut M6	
4	3290405	2	Nut M4	
5	4031509	2	Capscrew M4 x 25	
6	4240099	AR	Tie-Strap (Not Shown)	
8	4811700	4	Washer M6	
9	1001142683	1	Control Module (Note: Re-calibration Required when Replaced)	
10	1001142736	1	Beacon Harness (Not Shown - See Separate Breakdown in ELECTRICAL Section)	
11	1001272682	1	Light, Beacon	
11	4460897	1	Receptacle, Female - 2 Position	
11	4460464	2	Pin, Male	
12	4811400	2	Washer M4	

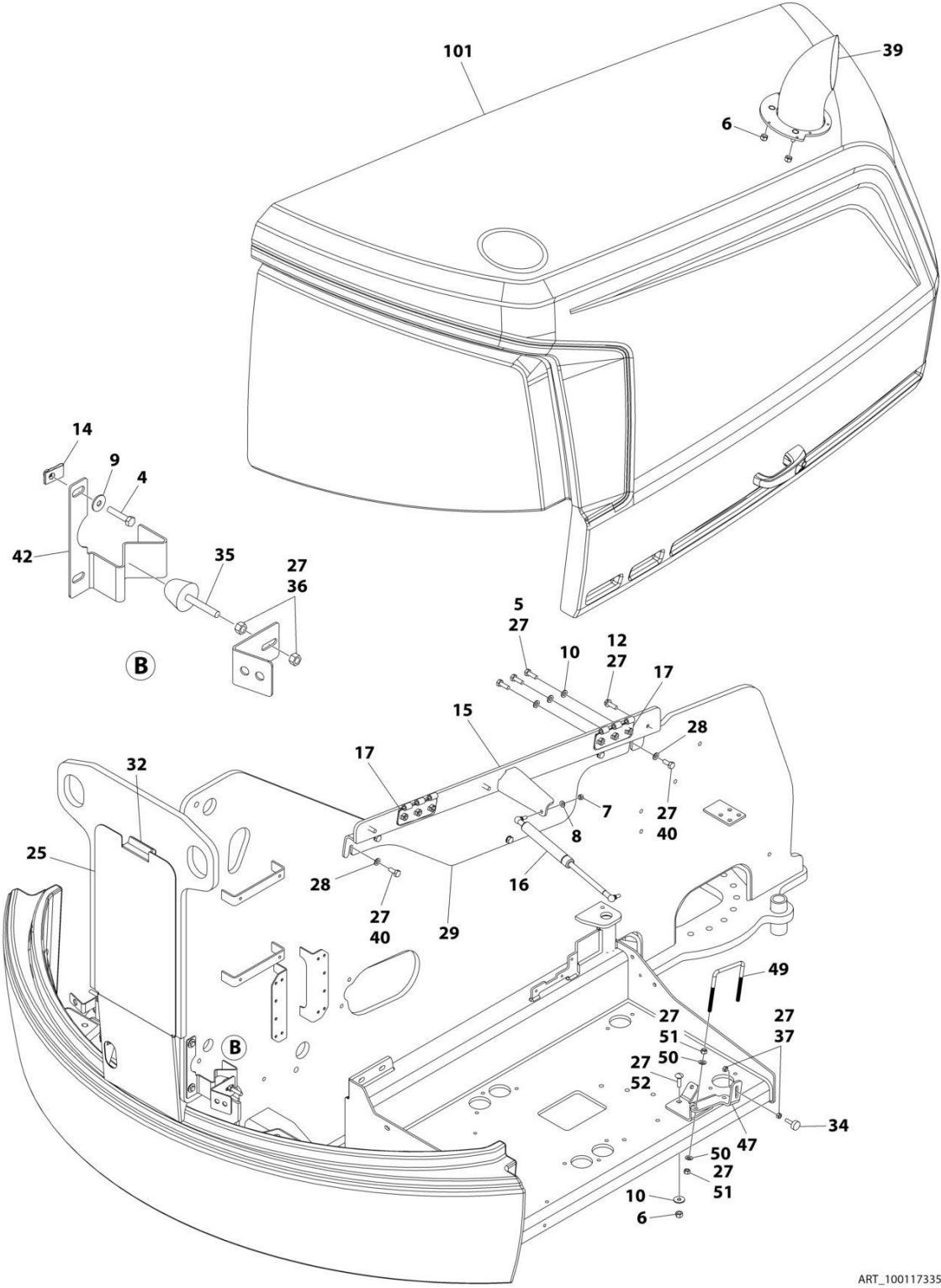
SECTION 2 - TURNTABLE

FIGURE 2-39. HOODS INSTALLATION - ABS (DEUTZ ENGINES)



ART_1001173356_L_10F2

SECTION 2 - TURNTABLE



ART_1001173356_L_20F2

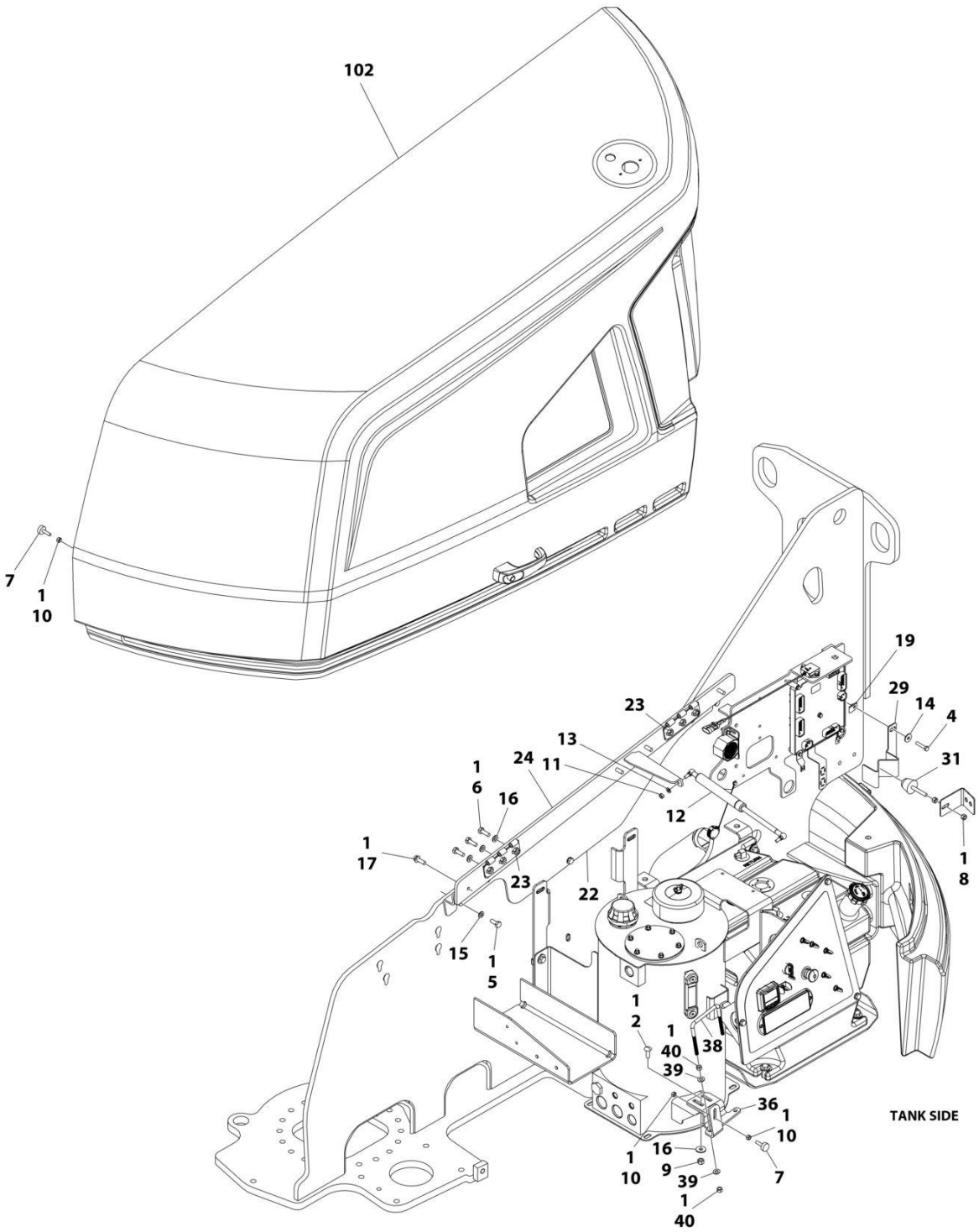
SECTION 2 - TURNTABLE

FIGURE 2-39. HOODS INSTALLATION - ABS (DEUTZ ENGINES)

ITEM	PART NUMBER	QTY	DESCRIPTION	REV
	1001173356	Ref	HOOD INSTALLATION	L
1	0630613	2	Bolt M10 x 30	
4	0760816	4	Bolt M8 x 40	
5	0761014	12	Bolt M10 x 30	
6	3291005	7	Nut M10	
7	3311505	2	Nut 5/16	
8	4711500	2	Washer 5/16	
9	4811902	4	Washer M8	
10	4812002	16	Washer M10	
12	5251014	8	Bolt M10 x 30	
14	1001149160	4	Nut, Tinnerman M8	
15	1001167159	1	Mount, Adjustment	
16	4160182	2	Spring, Gas	
17	1001169046	4	Nut	
20	1001170850	1	Mount, Adjustment	
25	1001173354	1	Cover	
27	0100011	AR	Compound, Locking	
28	4812000	10	Washer M10	
29	1001165060	1	Plate	
30	1001168173	1	Mount, Hinge	
32	90200755	3.35 in/ 8.5cm	Tape, Gasket	
34	0940049	4	Stopper	
35	1001206314	2	Bumper	
36	3271601	4	Nut 3/8	
37	3311501	8	Nut 5/16	
39	1001174098	1	Outlet, Exhaust	
40	0761012	10	Bolt M10 x 25	
41	1001199207	1	Bracket, Bumper	
42	1001199901	1	Bracket, Bumper	
47	1001250287	1	Bracket, Engine	
48	1001250289	1	Bracket, Tank	
49	1001243414	2	Bolt, U-Bolt	
50	4711600	8	Washer 3/8	
51	3311601	8	Nut 3/8	
52	1001228406	2	Bolt M10 x 35	
100	1001285518	1	Hood Kit (Not Shown) (Includes Items 101-102)	
101	1001170551	1	Hood Assembly - Engine Side (See Separate Breakdown in this Section)	
102	1001285517	1	Hood Assembly - Tank Side (See Separate Breakdown in this Section)	

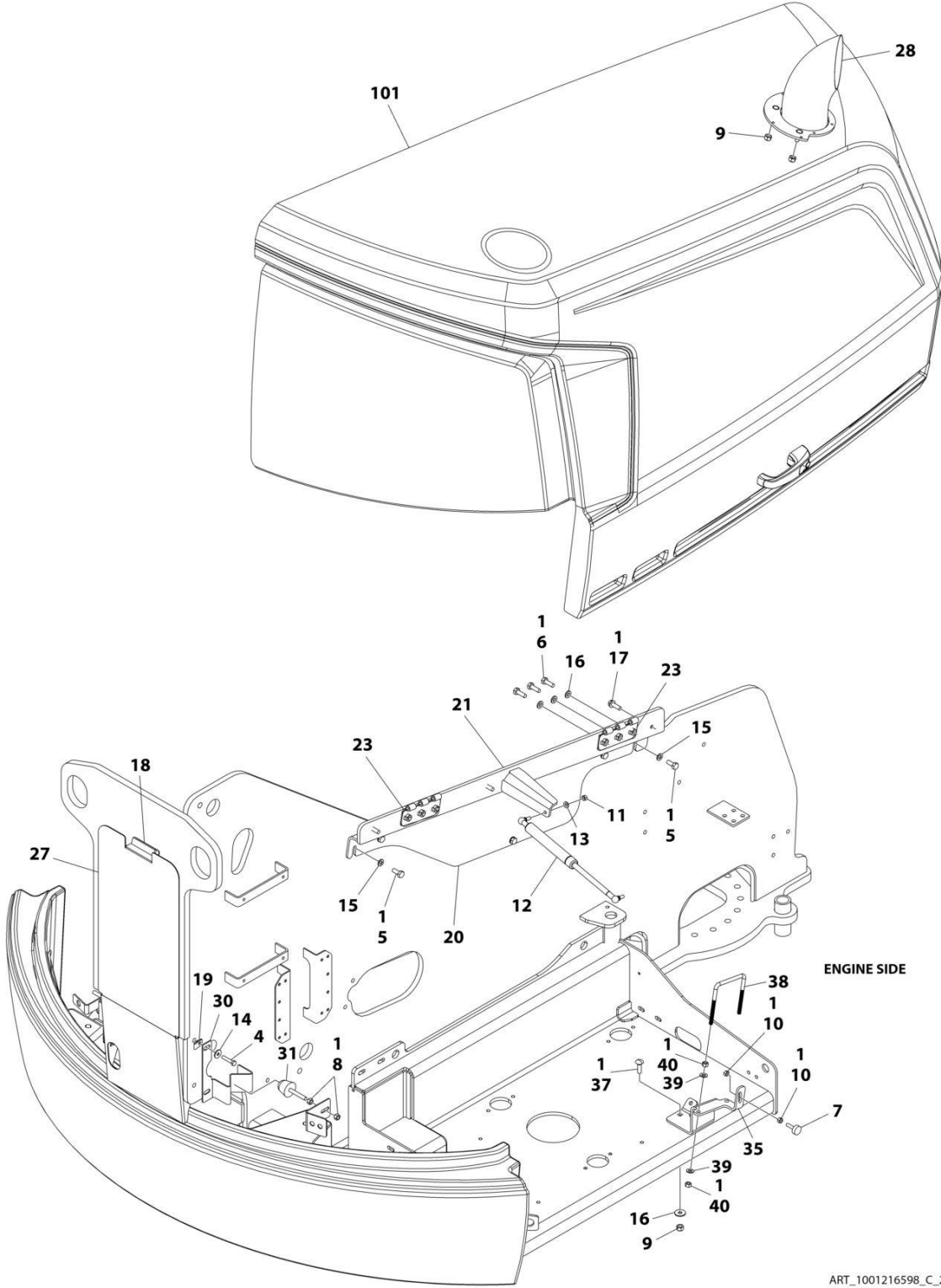
SECTION 2 - TURNTABLE

FIGURE 2-40. HOODS INSTALLATION - ABS (KUBOTA ENGINES)



ART_1001216598_C_10F2

SECTION 2 - TURNTABLE



ART_1001216598_C_2OF2

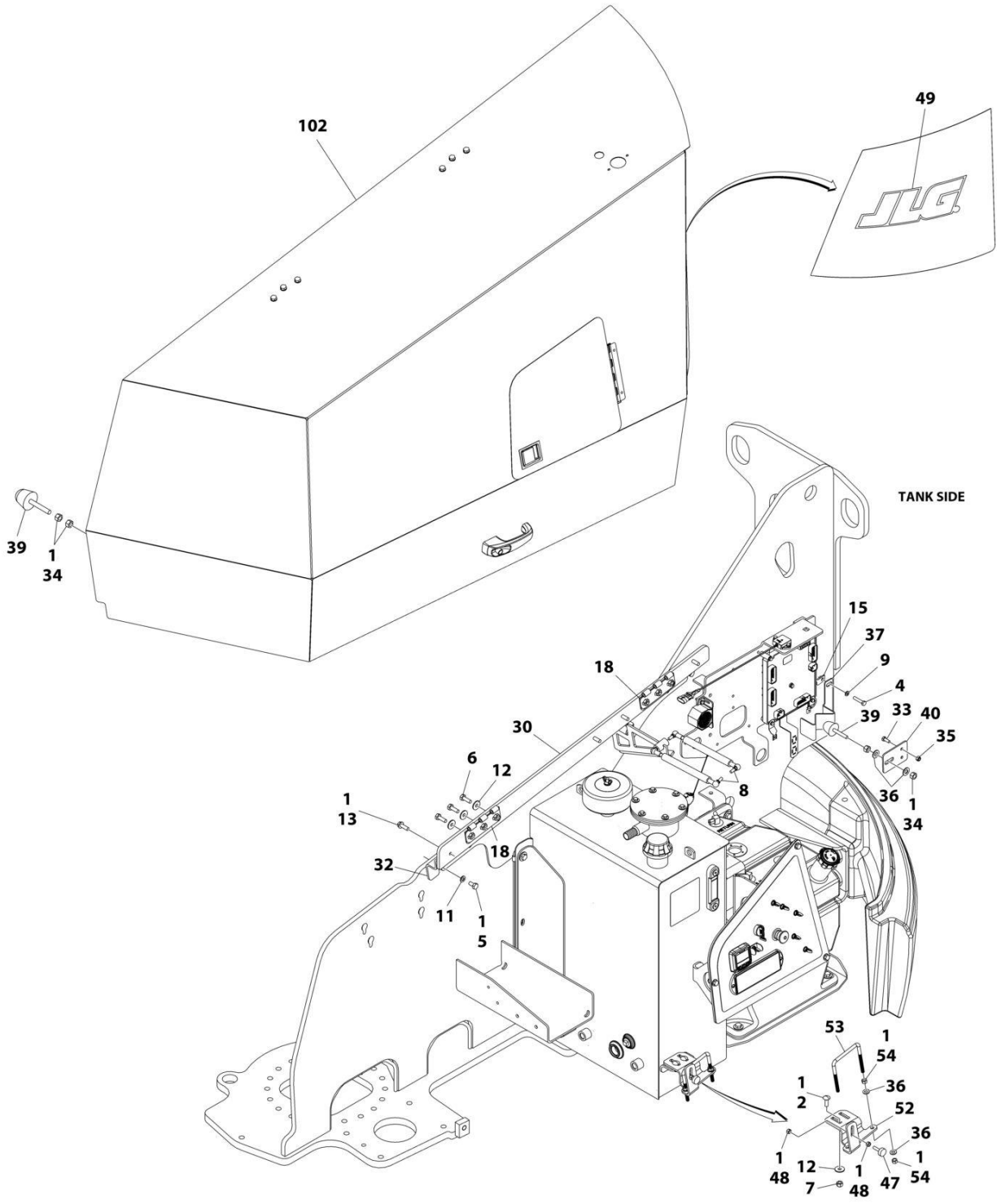
SECTION 2 - TURNTABLE

FIGURE 2-40. HOODS INSTALLATION - ABS (KUBOTA ENGINES)

ITEM	PART NUMBER	QTY	DESCRIPTION	REV
	1001216598	Ref	KUBOTA HOOD INSTALLATION	C
1	0100011	AR	Compound, Locking	
2	0630613	2	Bolt M10 x 30	
4	0760816	4	Bolt M8 x 40	
5	0761012	10	Bolt M10 x 25	
6	0761014	12	Bolt M10 x 30	
7	0940049	4	Stopper	
8	3271601	4	Nut 3/8	
9	3291005	7	Nut M10	
10	3311501	8	Nut 5/16	
11	3311505	2	Nut 5/16	
12	4160182	2	Spring, Gas	
13	4711500	2	Washer 5/16	
14	4811902	4	Washer M8	
15	4812000	10	Washer M10	
16	4812002	16	Washer M10	
17	5251014	8	Bolt M10 x 30	
18	90200755	3.35 in/ 8.5cm	Tape, Gasket	
19	1001149160	4	Nut, Tinnerman M8	
20	1001165060	1	Plate	
21	1001167159	1	Mount, Adjustment	
22	1001168173	1	Mount, Hinge	
23	1001169046	4	Nut	
24	1001170850	1	Mount, Adjustment	
27	1001173354	1	Cover	
28	1001174098	1	Outlet, Exhaust	
29	1001199207	1	Bracket, Bumper	
30	1001199901	1	Bracket, Bumper	
31	1001206314	2	Bumper	
35	1001250288	1	Bracket, Engine	
36	1001250289	1	Bracket, Tank	
37	1001228406	2	Bolt, Carriage	
38	1001243414	2	Bolt, U-bolt	
39	4711600	8	Washer 3/8	
40	3311601	8	Nut 3/8	
100	1001285518	1	Hood Kit (Not Shown - Includes Items 101 & 102)	
101	1001170551	1	Hood Assembly - Engine Side (See Separate Breakdown in this Section)	
102	1001285517	1	Hood Assembly - Tank Side (See Separate Breakdown in this Section)	

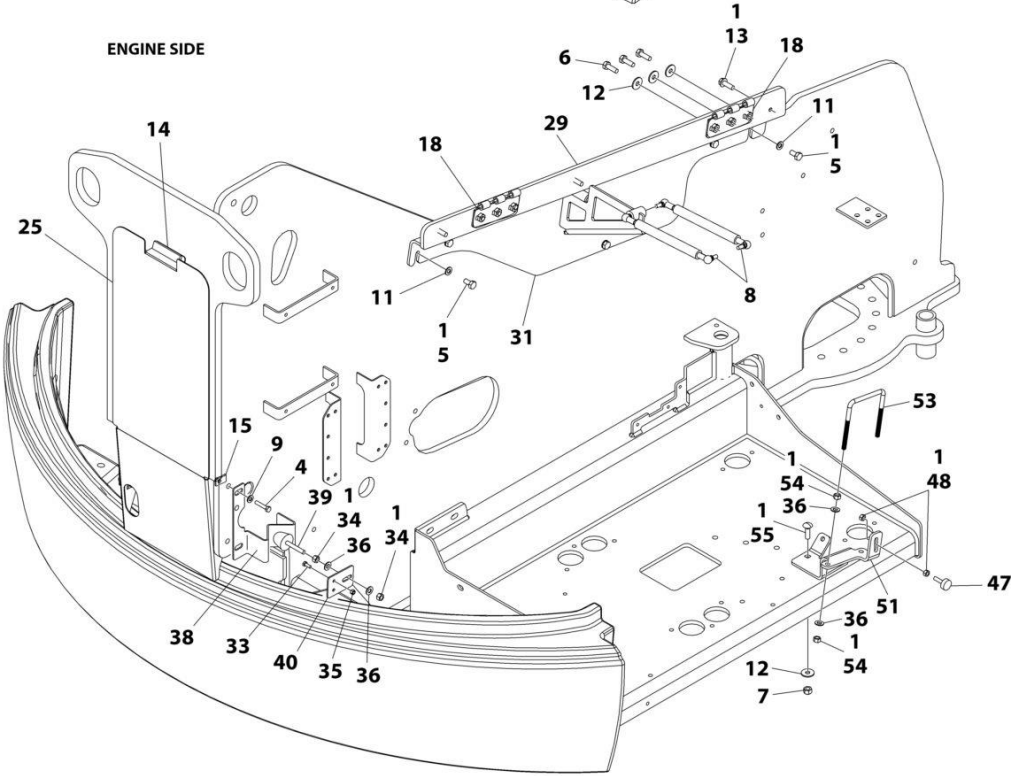
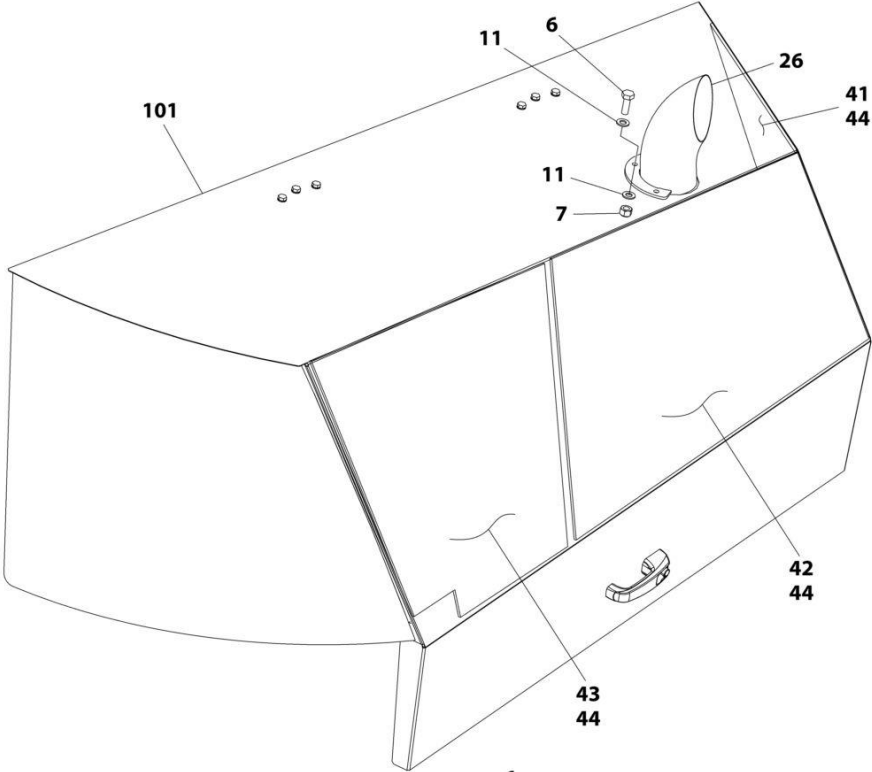
SECTION 2 - TURNTABLE

FIGURE 2-41. HOODS INSTALLATION - STEEL



ART_1001206402_L_10F2

SECTION 2 - TURNTABLE



ART_1001206402_I_20F2

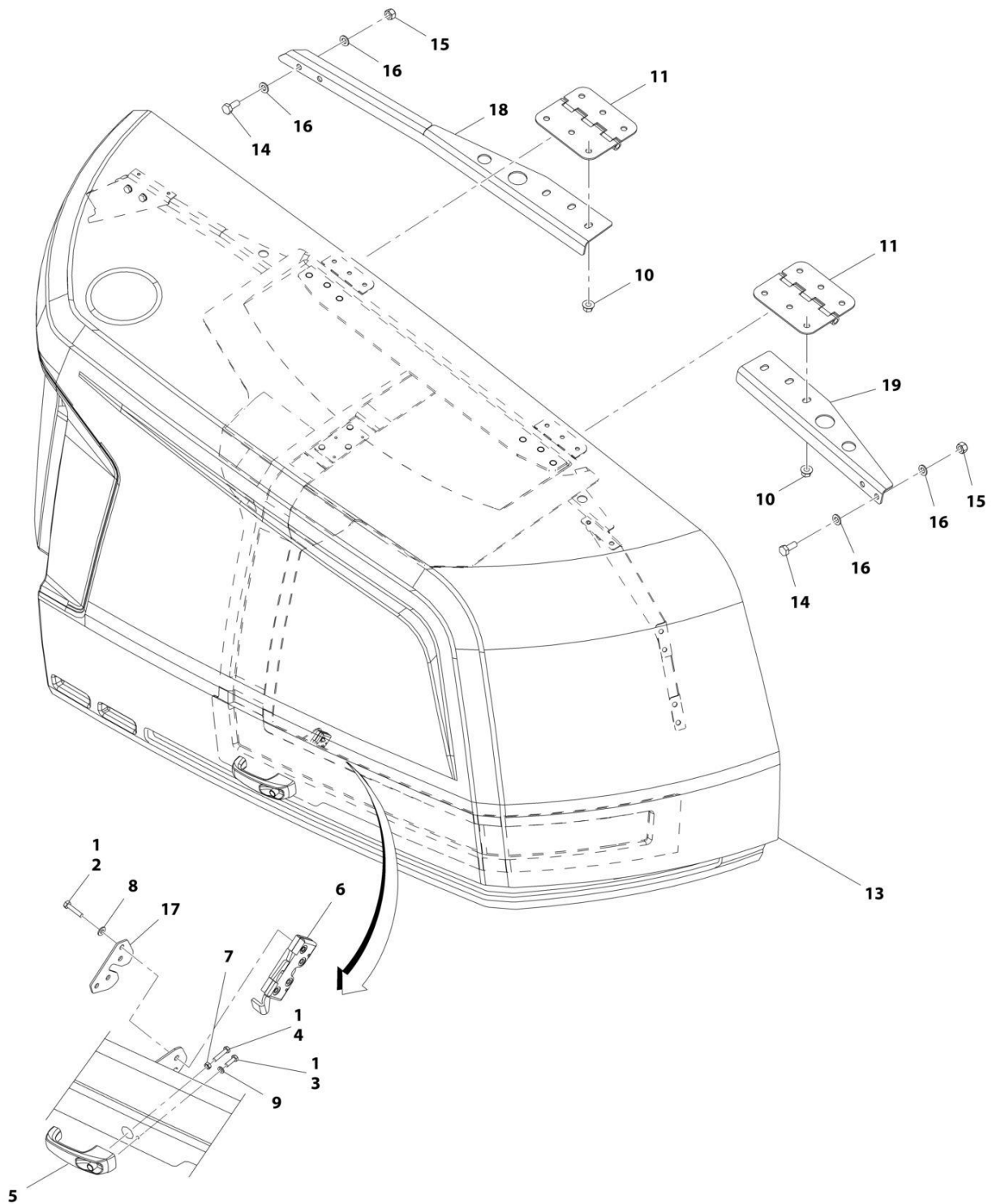
SECTION 2 - TURNTABLE

FIGURE 2-41. HOODS INSTALLATION - STEEL

ITEM	PART NUMBER	QTY	DESCRIPTION	REV
	1001206402	Ref	STEEL HOOD INSTALLATION	I
1	0100011	AR	Compound, Locking	
2	0630613	2	Bolt M10 x 30	
4	0760816	4	Bolt M8 x 40	
5	0761012	10	Bolt M10 x 25	
6	0761014	15	Bolt M10 x 30	
7	3291005	7	Nut M10	
8	1001167918	4	Spring, Gas	
9	4811900	4	Washer M8	
11	4812000	16	Washer M10	
12	4812002	16	Washer M10	
13	5251012	8	Bolt M10 x 25	
14	90200755	85 mm	Tape, Gasket	
15	1001149160	4	Nut, Tinnerman M8	
18	1001169046	4	Nut	
25	1001173354	1	Cover	
26	1001174098	1	Outlet, Exhaust	
29	1001211633	1	Plate	
30	1001211636	1	Plate	
31	1001212819	1	Mount, Hinge	
32	1001212822	1	Mount, Hinge	
33	0760608	4	Bolt M6 x 16	
34	3271601	8	Nut 3/8	
35	3290605	4	Nut M6	
36	4711600	12	Washer 3/8	
37	1001199207	1	Bracket, Bumper	
38	1001199901	1	Bracket, Bumper	
39	1001206314	4	Bumper	
40	1001219134	2	Plate, Bumper Mount	
41	1001222043	1	Insulate, Heat Shield	
42	1001222044	1	Insulate, Heat Shield	
43	1001223387	1	Insulate, Heat Shield	
44	1001117140	AR	Tape	
47	0940049	2	Stopper	
48	3311501	4	Nut	
49	1001159323	1	Decal - JLG	
50	1001113047	AR	Adhesive (Not Shown)	
51	1001250287	1	Bracket, Engine	
52	1001250289	1	Bracket, Tank	
53	1001243414	2	Bolt, U-Bolt	
54	3311601	8	Nut 3/8	
55	1001228406	2	Bolt, Carriage	
100	1001285143	1	Hood Kit (Not Shown - Includes Items 101 & 102)	
101	1001206404	1	Steel Hood Assembly - Engine Side (See Separate Breakdown in this Section)	
102	1001285142	1	Steel Hood Assembly - Tank Side (See Separate Breakdown in this Section)	

SECTION 2 - TURNTABLE

FIGURE 2-42. HOOD ASSEMBLY - ENGINE SIDE (ABS)



ART_1001170551

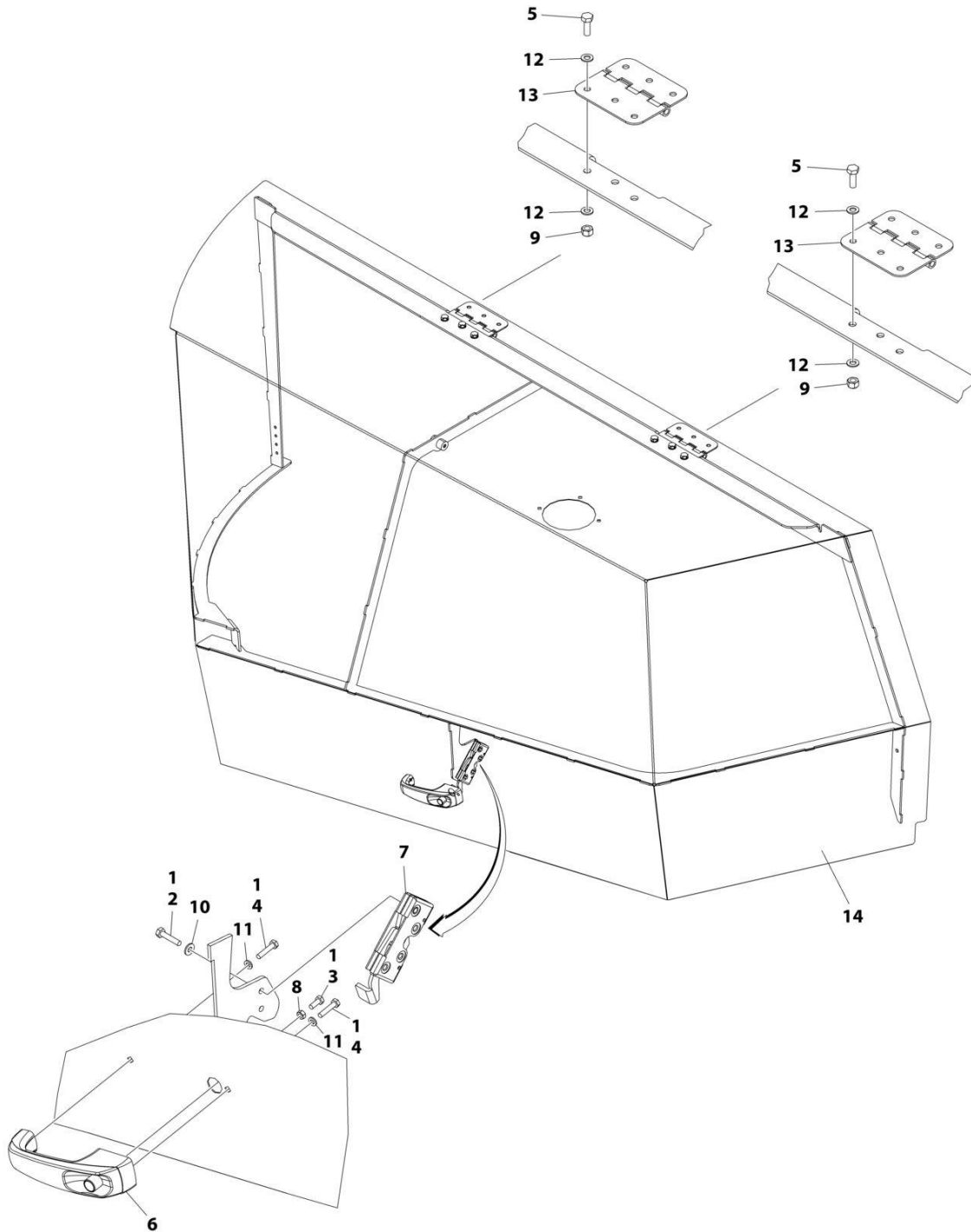
SECTION 2 - TURNTABLE

FIGURE 2-42. HOOD ASSEMBLY - ENGINE SIDE (ABS)

ITEM	PART NUMBER	QTY	DESCRIPTION	REV
	1001170551	Ref	HOOD ASSEMBLY - ENGINE SIDE	F
1	0100011	AR	Compound, Locking	
2	0641410	4	Bolt 1/4 x 1-1/4	
3	0760610	2	Bolt M6 x 20	
4	0760614	1	Bolt M6 x 30	
5	2560187	1	Handle, Push Button	
6	2940173	1	Latch, Rotary	
7	3290601	1	Nut M6	
8	4711400	4	Washer 1/4	
9	4811700	2	Washer M6	
10	5261018	6	Nut M10 Grade 10.9	
11	1001139384	2	Hinge	
13	See Note	NSS	Hood - Engine Side (Note: Purchase pn 1001170551)	
14	0761012	4	Bolt M10 x 25	
15	3291005	4	Nut M10	
16	4812000	8	Washer M10	
17	1001200458	1	Plate	
18	1001201636	1	Hood Support	
19	1001201635	1	Hood Support	

SECTION 2 - TURNTABLE

FIGURE 2-43. HOOD ASSEMBLY - ENGINE SIDE (STEEL)



ART_1001206404

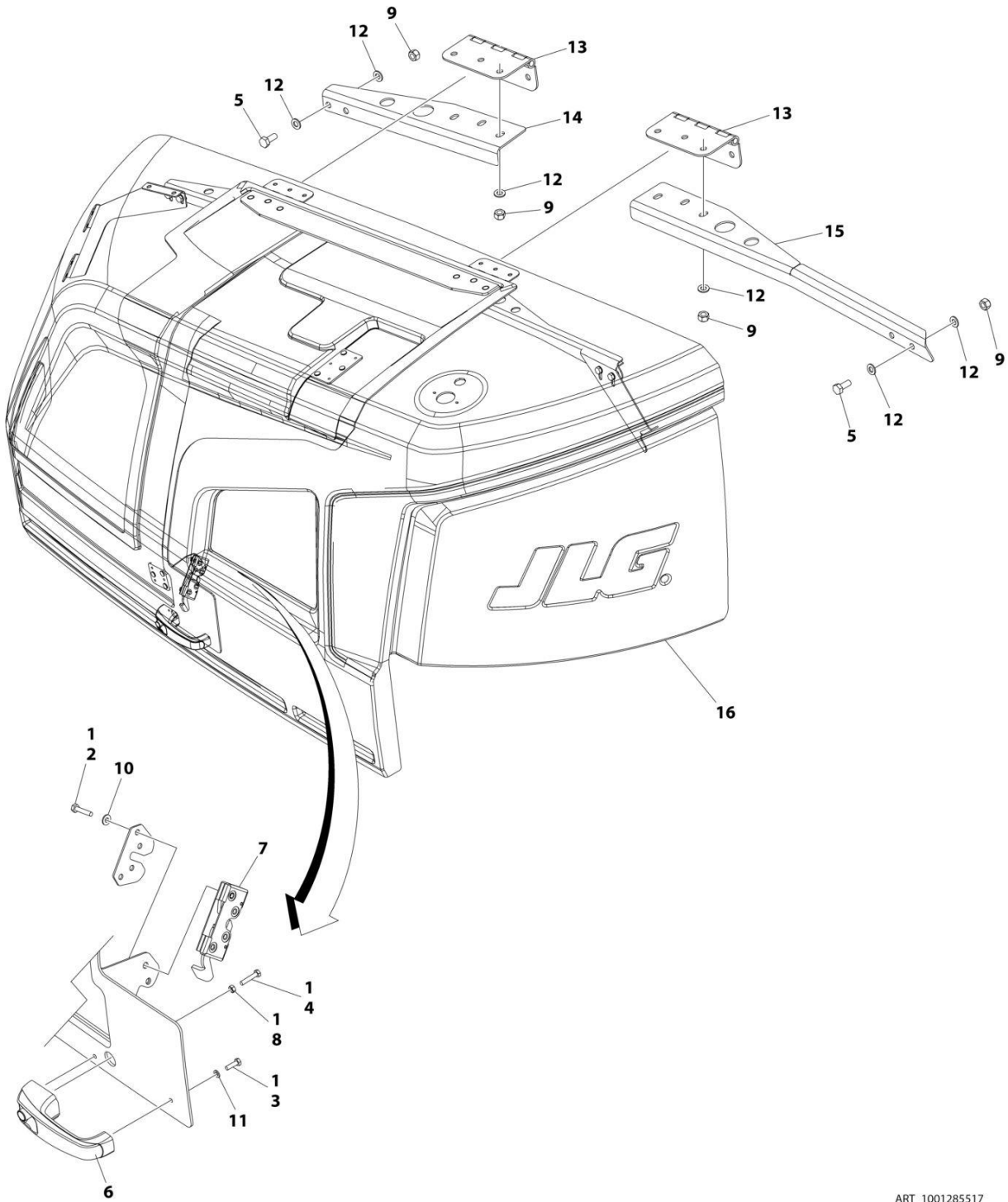
SECTION 2 - TURNTABLE

FIGURE 2-43. HOOD ASSEMBLY - ENGINE SIDE (STEEL)

ITEM	PART NUMBER	QTY	DESCRIPTION	REV
	1001206404	Ref	STEEL HOOD ASSEMBLY - ENGINE SIDE	E
1	0100011	AR	Compound, Locking	
2	0641410	4	Bolt 1/4 x 1-1/4	
3	0760608	1	Bolt M6 x 16	
4	0760614	2	Bolt M6 x 30	
5	0761014	6	Bolt M10 x 30	
6	2560187	1	Handle, Push Button	
7	2940173	1	Latch, Rotary	
8	3290601	1	Nut M6	
9	3291005	6	Nut M10	
10	4711400	4	Washer 1/4	
11	4811700	2	Washer M6	
12	4812000	12	Washer M10	
13	1001139384	2	Hinge	
14	1001206405	1	Hood, Engine Side	

SECTION 2 - TURNTABLE

FIGURE 2-44. ABS HOOD ASSEMBLY - TANK SIDE



ART_1001285517

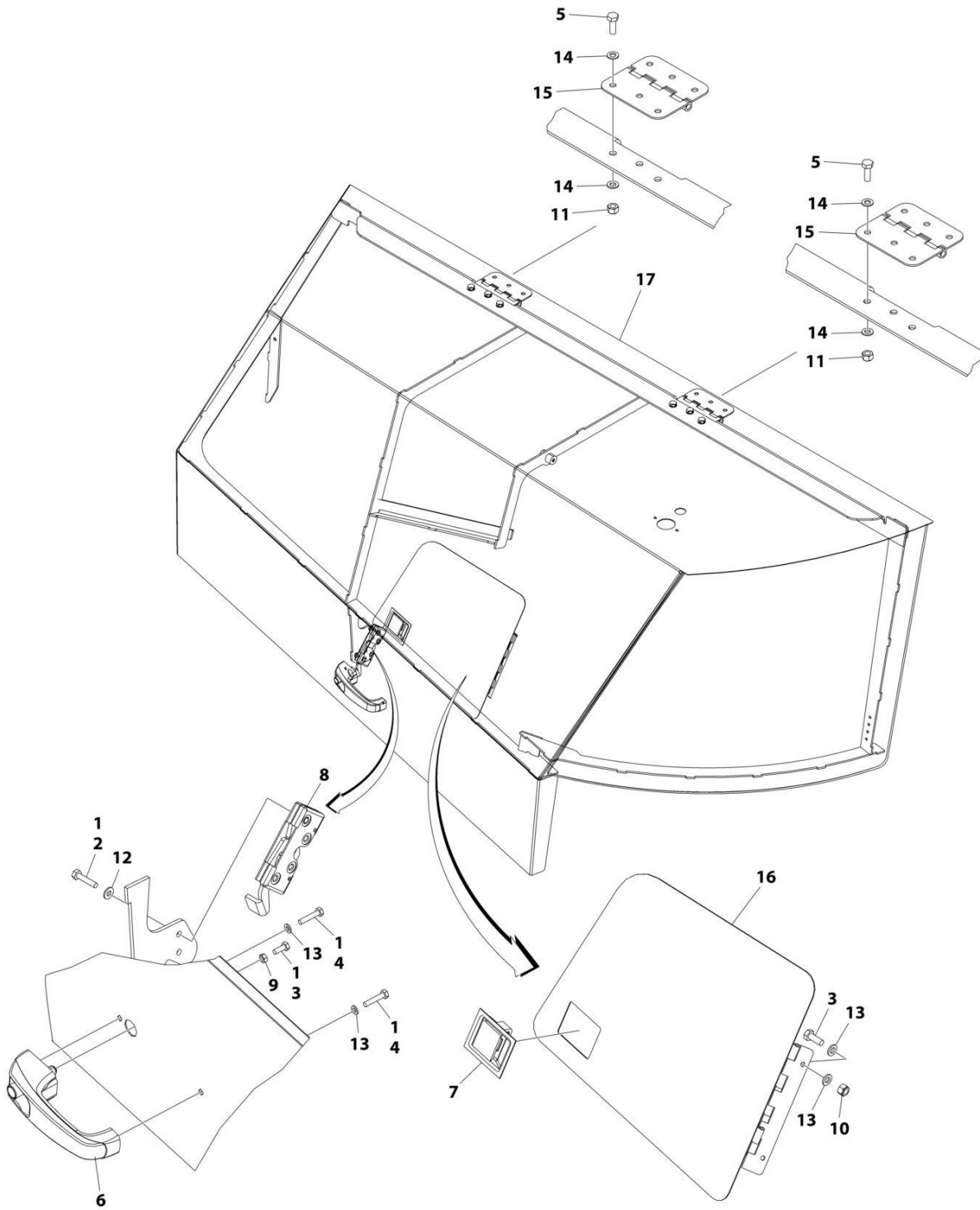
SECTION 2 - TURNTABLE

FIGURE 2-44. ABS HOOD ASSEMBLY - TANK SIDE

ITEM	PART NUMBER	QTY	DESCRIPTION	REV
	1001285517	Ref	ABS HOOD ASSEMBLY - TANK SIDE	A
1	0100011	AR	Compound, Locking	
2	0641410	4	Bolt 1/4 x 1-1/4	
3	0760610	2	Bolt M6 x 20	
4	0760614	1	Bolt M6 x 30	
5	0761012	4	Bolt M10 x 25	
6	2560187	1	Handle, Push Button	
7	2940173	1	Latch, Rotary	
8	3290601	1	Nut M6	
9	3291005	10	Nut M10	
10	4711400	4	Washer 1/4	
11	4811700	2	Washer M6	
12	4812000	14	Washer M10	
13	1001139384	2	Hinge	
14	1001201633	1	Hood Support	
15	1001201634	1	Hood Support	
16	See Note	NSS	Hood (Note: Use PN 1001285517)	

SECTION 2 - TURNTABLE

FIGURE 2-45. STEEL HOOD ASSEMBLY - TANK SIDE



ART_1001285142

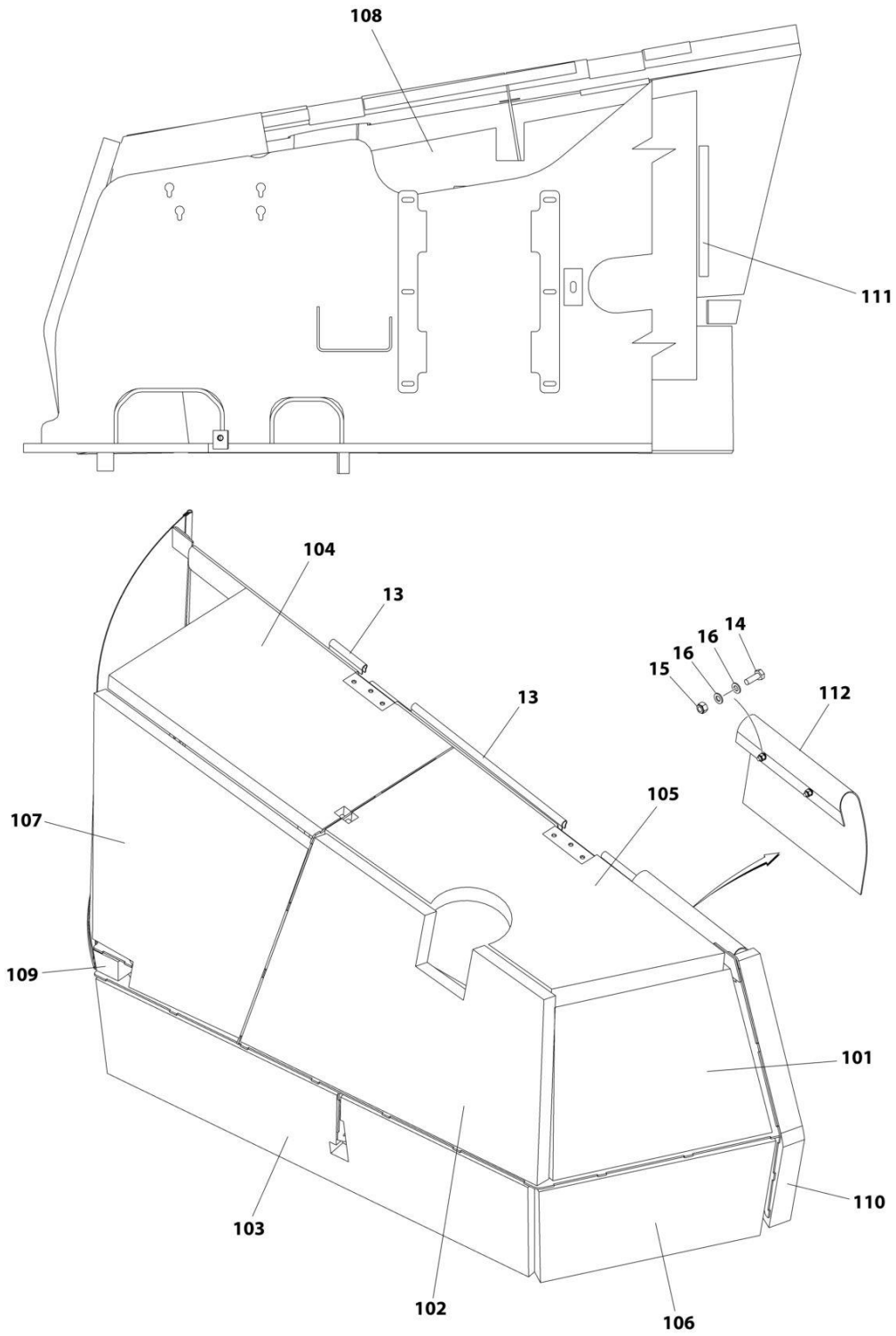
SECTION 2 - TURNTABLE

FIGURE 2-45. STEEL HOOD ASSEMBLY - TANK SIDE

ITEM	PART NUMBER	QTY	DESCRIPTION	REV
	1001285142	Ref	STEEL HOOD ASSEMBLY - TANK SIDE	B
1	0100011	AR	Compound, Locking	
2	0641410	4	Bolt 1/4 x 1-1/4	
3	0760608	3	Bolt M6 x 16	
4	0760614	2	Bolt M6 x 30	
5	0761014	6	Bolt M10 x 30	
6	2560187	1	Handle, Push Button	
7	2940045	1	Latch, Paddle	
8	2940173	1	Latch, Rotary	
9	3290601	1	Nut M6	
10	3290605	2	Nut M6	
11	3291005	6	Nut M10	
12	4711400	4	Washer 1/4	
13	4811700	6	Washer M6	
14	4812000	12	Washer M10	
15	1001139384	2	Hinge	
16	1001207726	1	Door, Ground Control Panel	
17	See Note	NSS	Hood (Note: Use PN 1001285142)	

SECTION 2 - TURNTABLE

FIGURE 2-46. SOUND REDUCTION INSTALLATION (STEEL HOODS)



ART_1001233048

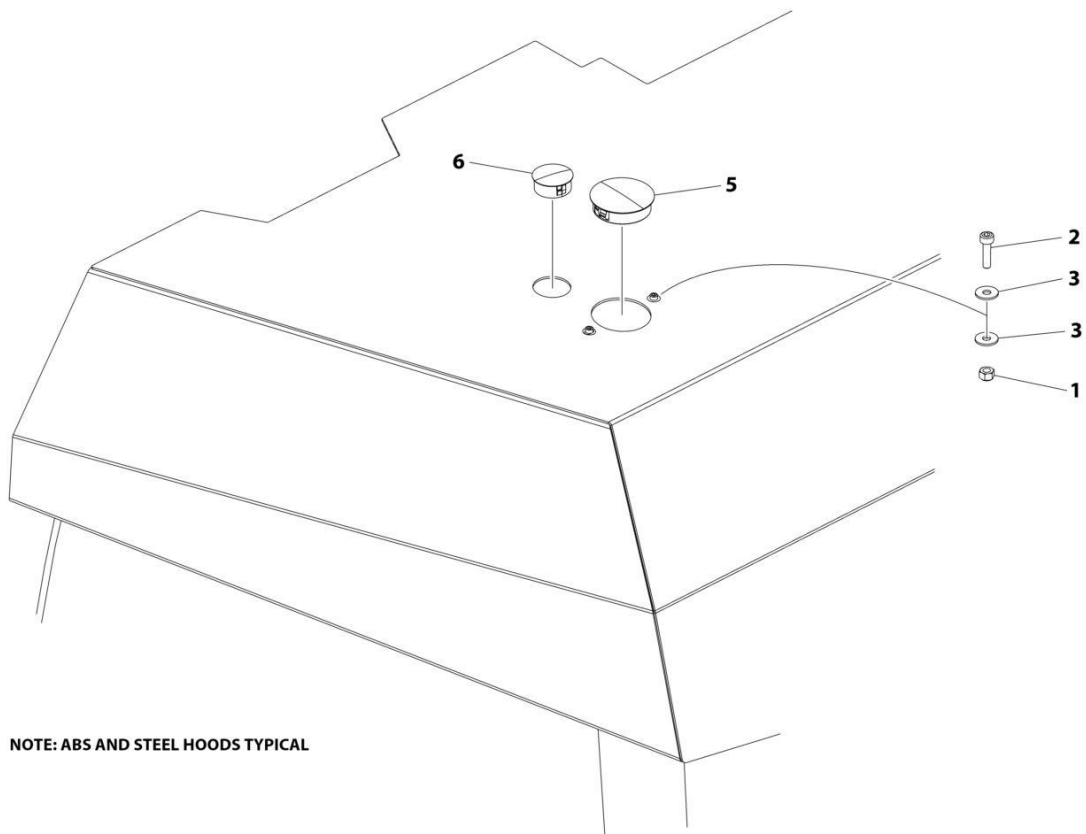
SECTION 2 - TURNTABLE

FIGURE 2-46. SOUND REDUCTION INSTALLATION (STEEL HOODS)

ITEM	PART NUMBER	QTY	DESCRIPTION	REV
	1001233048	Ref	SOUND REDUCTION INSTALLATION	C
13	3960389	11 ft/ 3.4m	Flex-Trim	
14	0761014	2	Bolt M10 x 30	
15	3291005	2	Nut M10	
16	4812000	4	Washer M10	
100	1001237549	Ref	Sound Insulation Kit (Includes Item 101-112)	
101	1001232907	1	Shield, Sound	
102	1001232908	1	Shield, Sound	
103	1001232913	1	Shield, Sound	
104	1001232915	1	Shield, Sound	
105	1001232916	1	Shield, Sound	
106	1001232917	1	Shield, Sound	
107	1001233075	1	Shield, Sound	
108	1001233076	1	Shield, Sound	
109	1001233077	1	Shield, Sound	
110	1001233412	1	Shield, Sound	
111	1001233413	2	Shield, Sound	
112	1001233436	1	Baffle Rubber	

SECTION 2 - TURNTABLE

FIGURE 2-47. HOOD PLUGS INSTALLATION (HOODS WITHOUT STROBE LIGHT)



NOTE: ABS AND STEEL HOODS TYPICAL

ART_1001285811

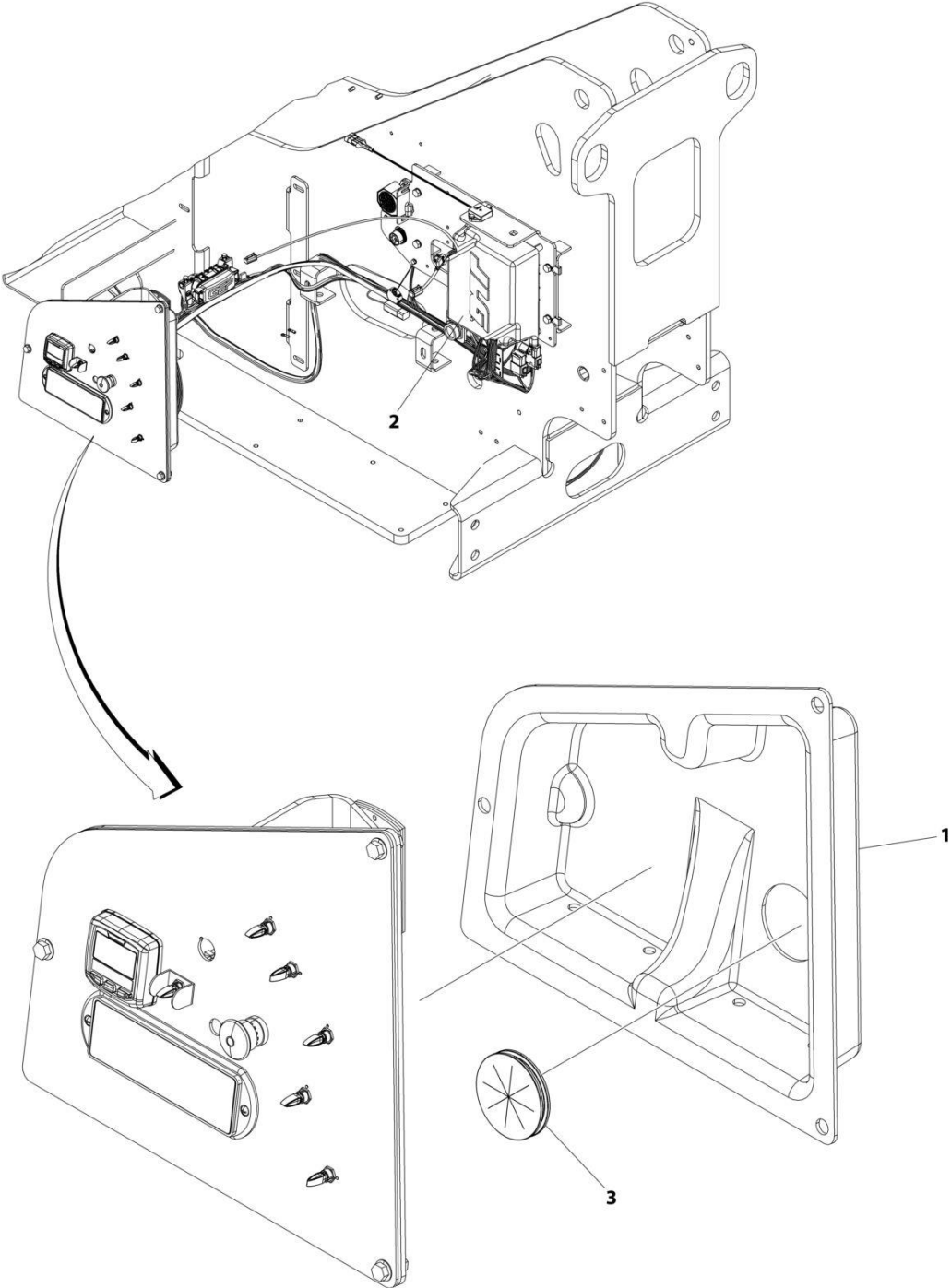
SECTION 2 - TURNTABLE

FIGURE 2-47. HOOD PLUGS INSTALLATION (HOODS WITHOUT STROBE LIGHT)

ITEM	PART NUMBER	QTY	DESCRIPTION	REV
	1001285811	Ref	HOOD PLUGS INSTALLATION	A
1	3290405	2	Nut M4	
2	4031507	2	Capscrew M4 x 16	
3	1001091102	4	Washer M6	
4	1001244462	1	Cap, Dust (Not Shown)	
5	1001285891	1	Plug	
6	1001285892	1	Plug	

SECTION 2 - TURNTABLE

FIGURE 2-48. TURNTABLE COVERS INSTALLATION



ART_1001219130

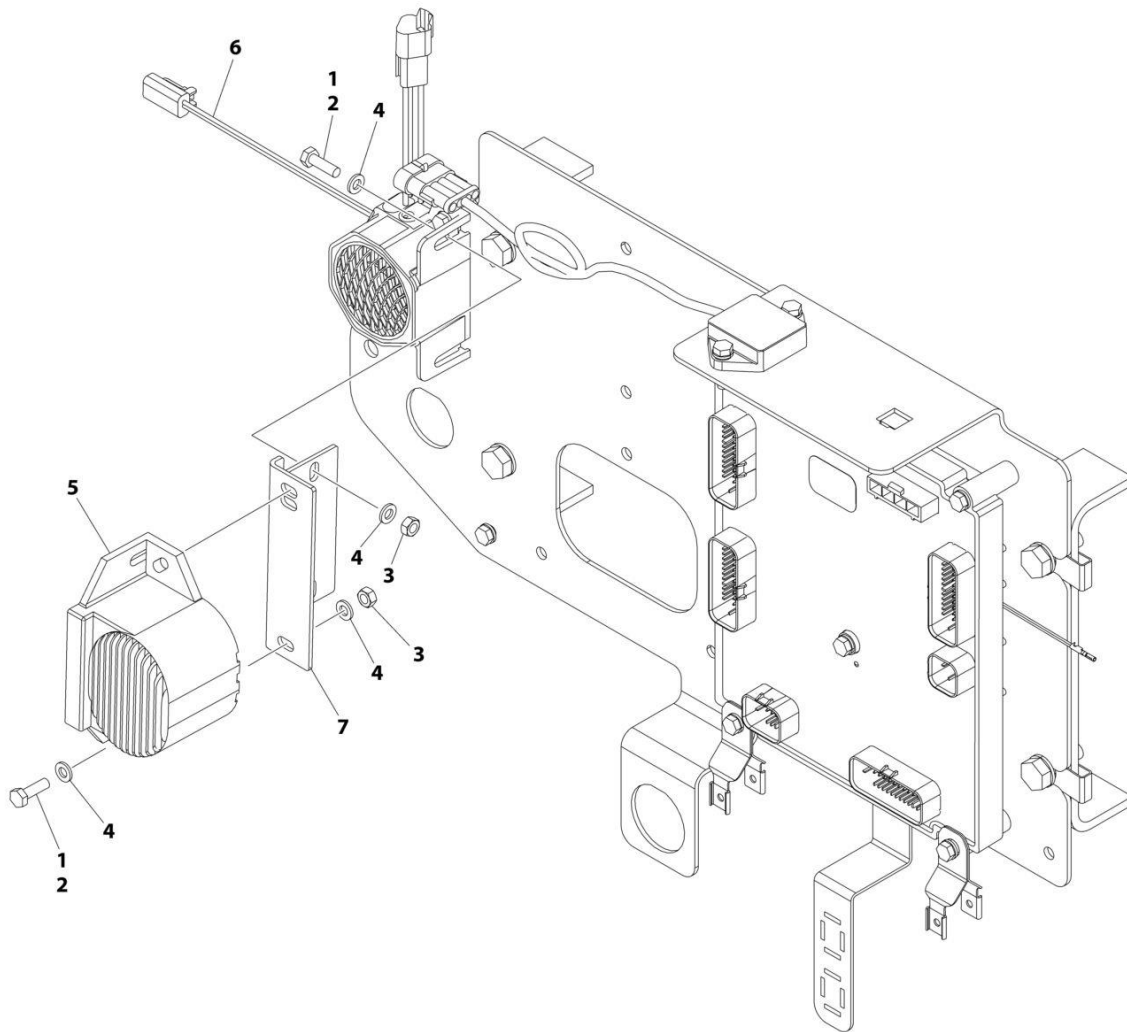
SECTION 2 - TURNTABLE

FIGURE 2-48. TURNTABLE COVERS INSTALLATION

ITEM	PART NUMBER	QTY	DESCRIPTION	REV
	1001219130	Ref	TURNTABLE COVERS INSTALLATION	C
1	1001246087	1	Cover, Control Panel	
2	1001218538	1	Cover, Controller	
3	1001218676	1	Grommet	

SECTION 2 - TURNTABLE

FIGURE 2-49. WHITE NOISE (AMBIENT) ALARM INSTALLATION



ART_1001209618

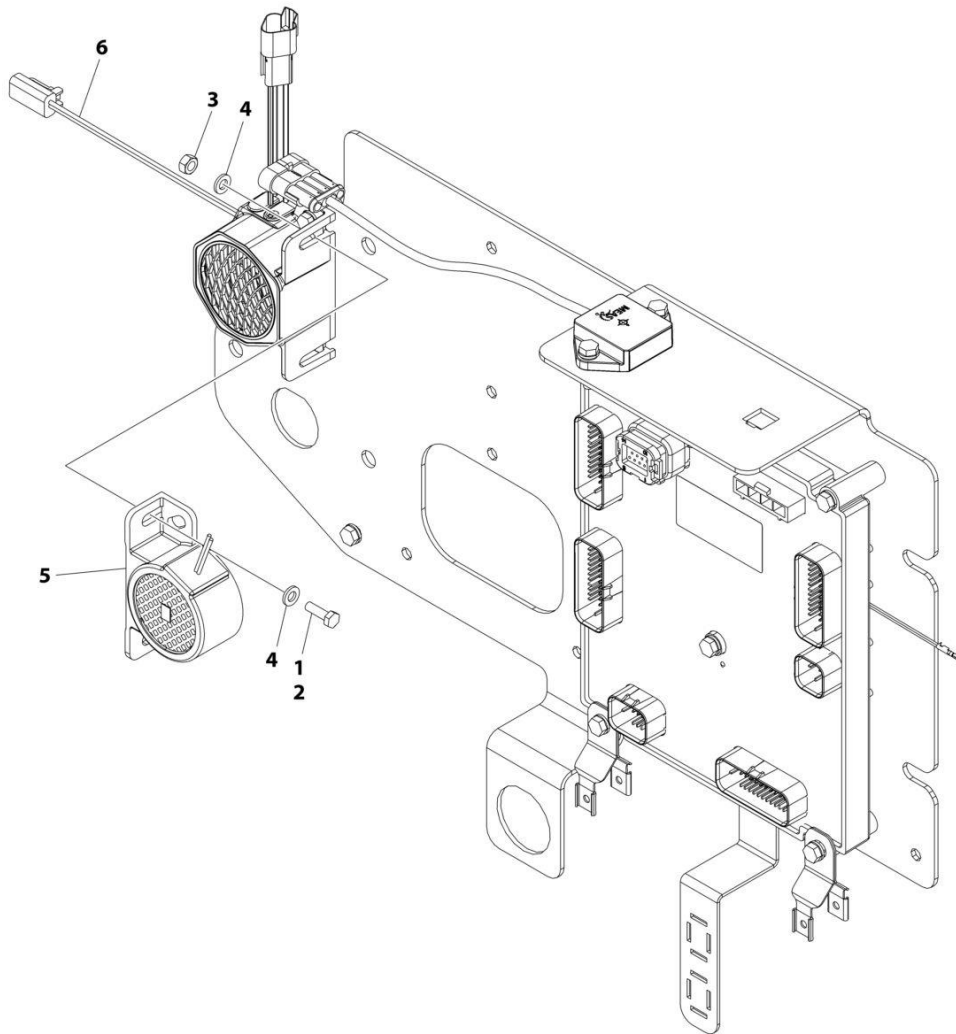
SECTION 2 - TURNTABLE

FIGURE 2-49. WHITE NOISE (AMBIENT) ALARM INSTALLATION

ITEM	PART NUMBER	QTY	DESCRIPTION	REV
	1001209618	Ref	WHITE NOISE ALARM INSTALLATION	C
1	0100011	AR	Compound, Locking	
2	0760610	4	Bolt M6 x 20	
3	3290601	4	Nut M6	
4	4811700	8	Washer M6	
5	1001182806	1	Alarm	
6	1001190663	1	Harness, Jumper	
6	4460891	1	Connector - 2 Position	
6	4460465	2	Socket, Female	
6	4460871	2	Socket, Female	
7	1001231886	1	Plate	

SECTION 2 - TURNTABLE

FIGURE 2-50. WHITE NOISE (CONSTANT) ALARM INSTALLATION



ART_1001263176

SECTION 2 - TURNTABLE

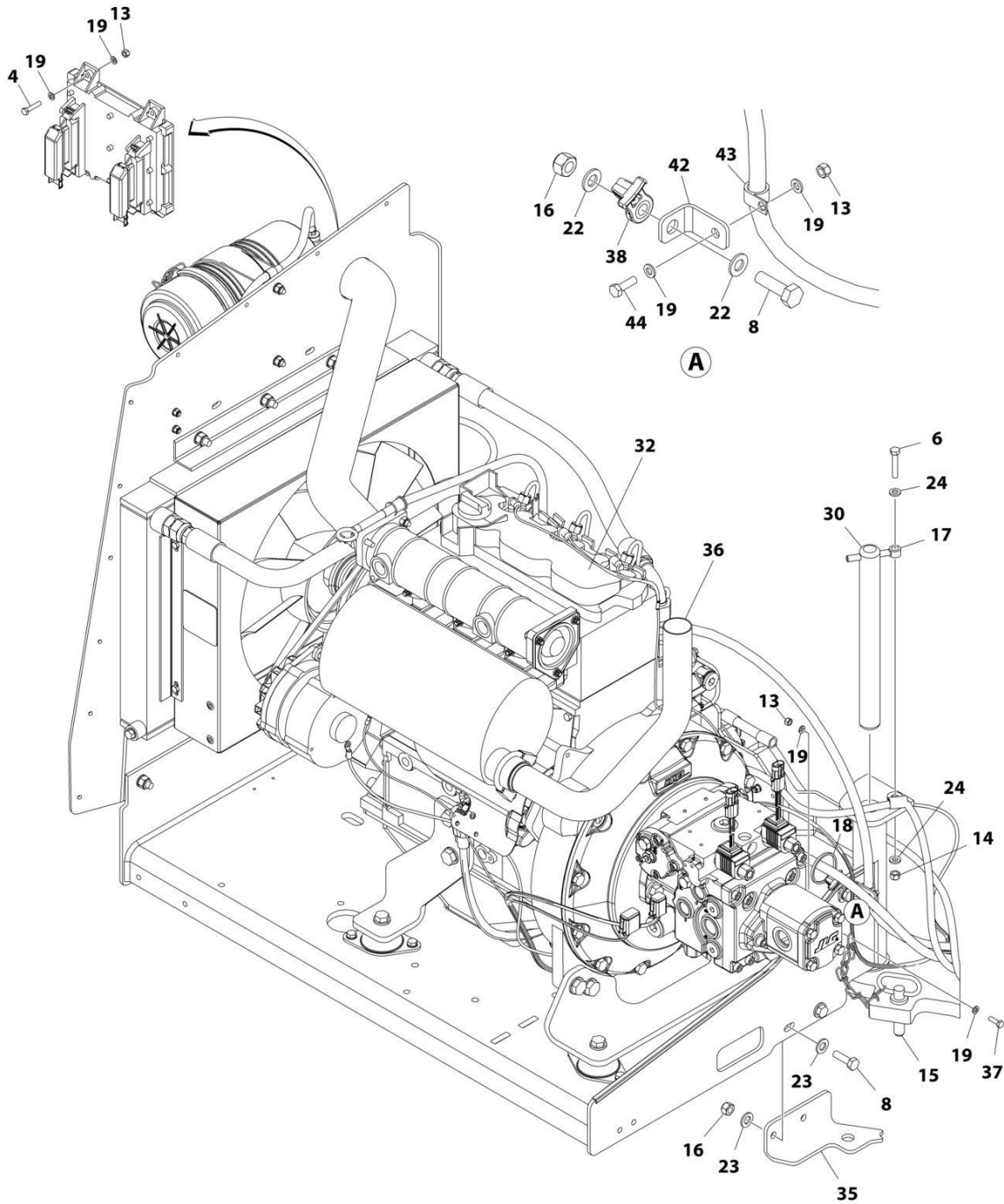
FIGURE 2-50. WHITE NOISE (CONSTANT) ALARM INSTALLATION

ITEM	PART NUMBER	QTY	DESCRIPTION	REV
	1001263176	Ref	WHITE NOISE ALARM INSTALLATION	A
1	0100011	AR	Compound, Locking	
2	0760610	2	Bolt M6 x 20	
3	3290601	2	Nut M6	
4	4811700	4	Washer M6	
5	1001184682	1	Alarm	
6	1001190663	1	Harness, Jumper	
6	4460891	2	Connector - 2 Position	
6	4460465	2	Socket, Female	
6	4460871	1	Socket, Female	

SECTION 3 - ENGINE

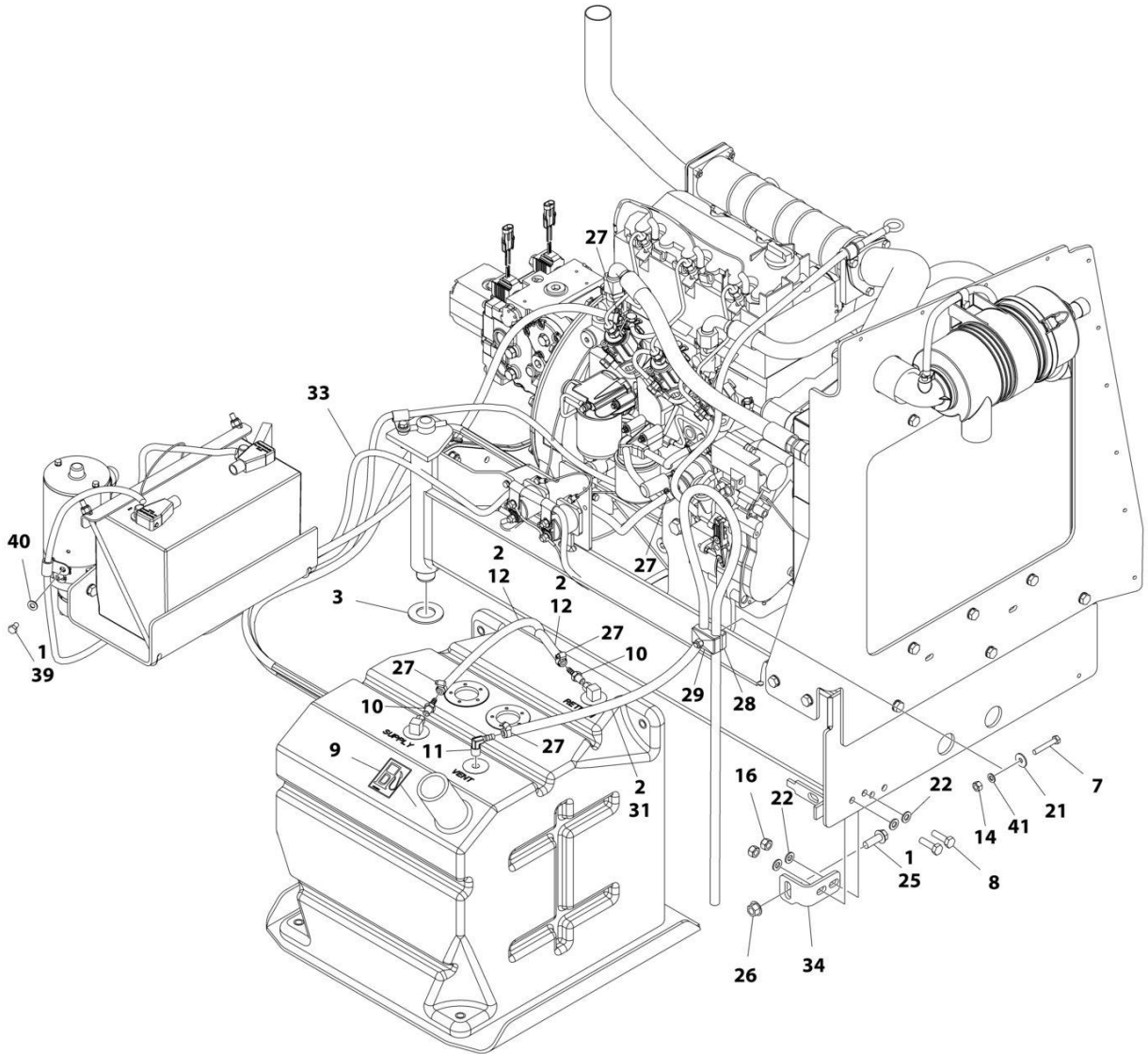
SECTION 3 - ENGINE

FIGURE 3-1. DEUTZ D2011 ENGINE INSTALLATION (WITHOUT ARCTIC PACKAGE)



ART_1001166022_I_10F2

SECTION 3 - ENGINE



ART_1001166022_I_20F2

SECTION 3 - ENGINE

FIGURE 3-1. DEUTZ D2011 ENGINE INSTALLATION (WITHOUT ARCTIC PACKAGE)

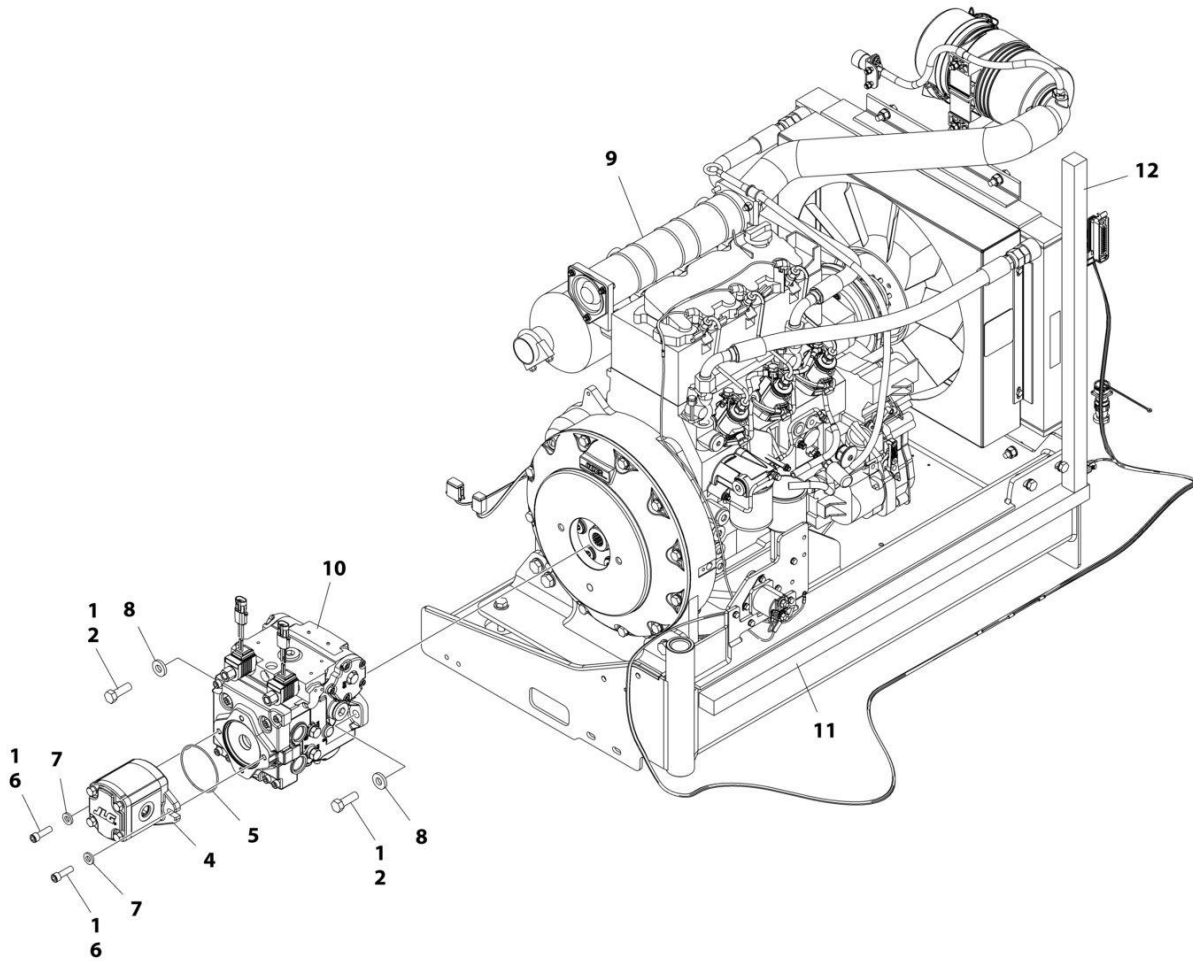
ITEM	PART NUMBER	QTY	DESCRIPTION	REV
	1001166022	Ref	ENGINE INSTALLATION - DEUTZ D2011 ENGINE (WITHOUT ARCTIC PACKAGE)	I
1	0100011	AR	Compound, Locking	
2	0100020	AR	Sealant, Pipe	
3	0440162	1	Bearing	
4	0700614	4	Bolt M6 x 30	
6	0700817	1	Bolt M8 x 45	
7	0700821	1	Bolt M8 x 65	
8	0761015	5	Bolt M10 x 35	
9	1701505	1	Decal - Diesel Fuel	
10	2180348	2	Fitting, Barbed	
11	2220313	1	Fitting, Barbed 90	
12	2720058	17 ft / 5.18m	Hose	
13	3290605	6	Nut M6	
14	3290805	2	Nut M8	
15	3422532	1	Pin	
16	3291005	5	Nut M10	
17	3841143	1	Pin	
18	4240099	AR	Tie-Strap	
19	4811700	12	Washer M6	
21	4811902	1	Washer M8	
22	4812000	6	Washer M10	
23	4812100	4	Washer M12	
24	5240800	2	Washer M8	
25	5251215	1	Bolt M12 x 35	
26	5261200	1	Nut, M12 Class10	
27	8405009	5	Clamp	
28	1320187	1	Clamp	
29	1320190	1	Clamp	
30	1001135196	1	Pin	
31	2750532	6 ft/ 1.83m	Hose	
32	1001166021	1	Engine and Pump Sub-Assembly - Deutz D2011 (See Separate Breakdown in this Section)	
33	1001167038	1	Battery Cable Kit	F
33	70009004	1	Cable, Battery (Black) (Battery Negative, Auxiliary Power Pump, Turntable Ground to Engine Ground)	
33	70009005	1	Cable, Battery (Red) (Battery Positive, Auxiliary Power Relay, Starter Relay to Starter)	
33	70009002	1	Cable, Battery (Red) (Auxiliary Power Relay to Auxiliary Power Pump)	
34	1001167512	1	Bracket, Engine	
35	1001169823	1	Plate, Engine Lock	
36	1001172195	1	Pipe, Exhaust	
37	0760610	1	Bolt M6 x 20	
38	1001156107	1	Holder, Cable	
39	0641504	1	Bolt 5/16 x 1/2	
40	4711500	1	Washer 5/16	
41	4811900	AR	Washer M8	
42	1001148641	1	Bracket, Clamp Mounting	

SECTION 3 - ENGINE

ITEM	PART NUMBER	QTY	DESCRIPTION	REV
43	1320224	1	Clamp, Cable	
44	0700610	1	Bolt M6 x 20	

SECTION 3 - ENGINE

FIGURE 3-2. DEUTZ D2011 ENGINE AND PUMP SUB-ASSEMBLY (WITHOUT ARCTIC PACKAGE)



ART_1001166021_G

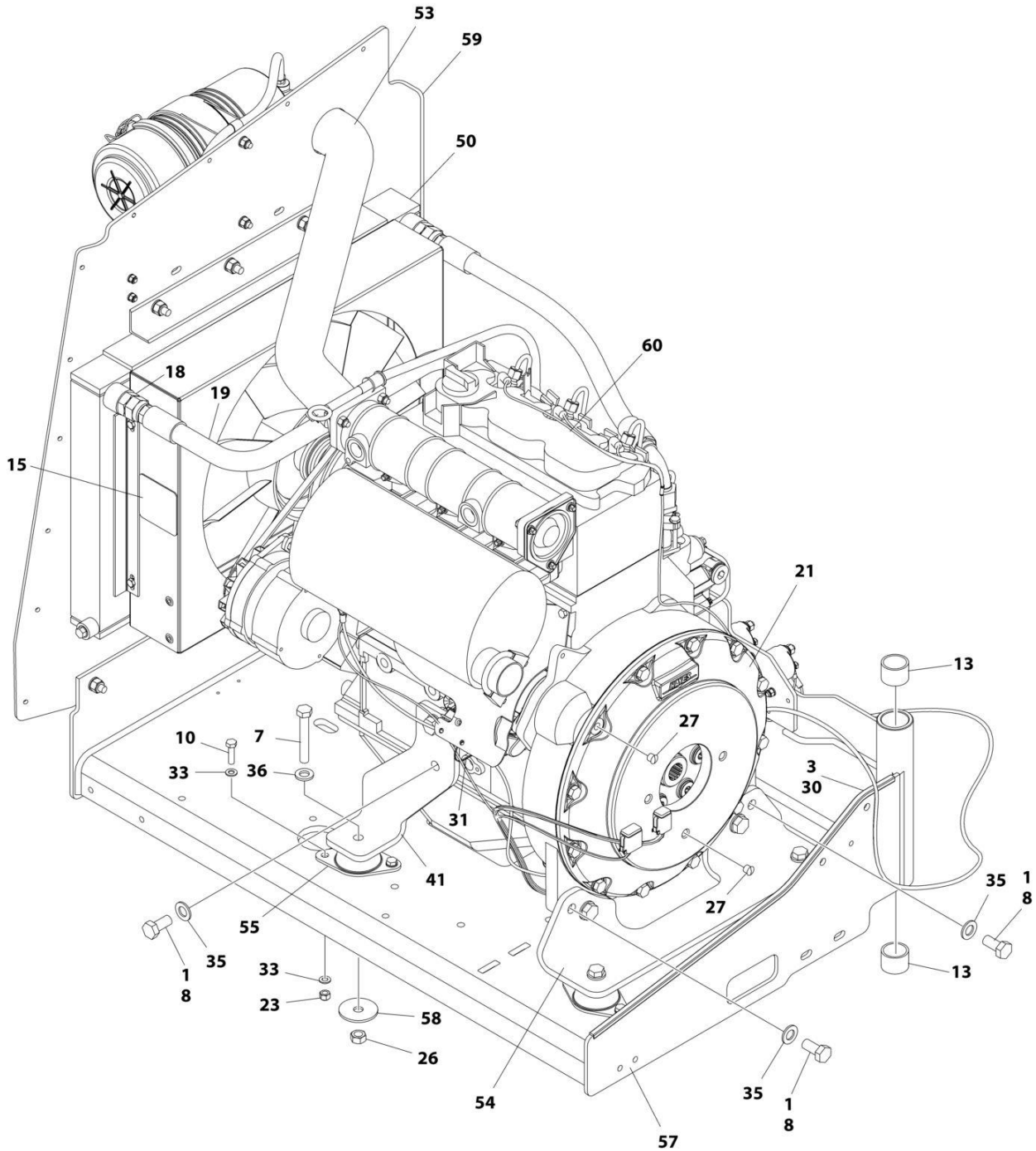
SECTION 3 - ENGINE

FIGURE 3-2. DEUTZ D2011 ENGINE AND PUMP SUB-ASSEMBLY (WITHOUT ARCTIC PACKAGE)

ITEM	PART NUMBER	QTY	DESCRIPTION	REV
	1001166021	Ref	ENGINE AND PUMP SUB-ASSEMBLY - DEUTZ D2011 (WITHOUT ARCTIC PACKAGE)	G
1	0100011	AR	Compound, Locking	
2	0641812	2	Bolt 1/2 x 1-1/2	
4	1001214207	1	Gear Pump Assembly	
4	70006356	1	Seal Kit	
5	3790152	1	O-Ring	
6	3931618	2	Capscrew 3/8 x 1-1/8	
7	4891600	2	Washer 3/8 Hardened	
8	4891800	2	Washer 1/2 Hardened	
9	1001166020	1	Engine Assembly - Deutz D2011 Engine (Without Arctic Package) (See Separate Breakdown in this Section)	
10	1001167036	1	Piston Pump Assembly (See Separate Breakdown in this Section)	
11	1001171953	1	Seal	
12	1001171954	1	Seal	

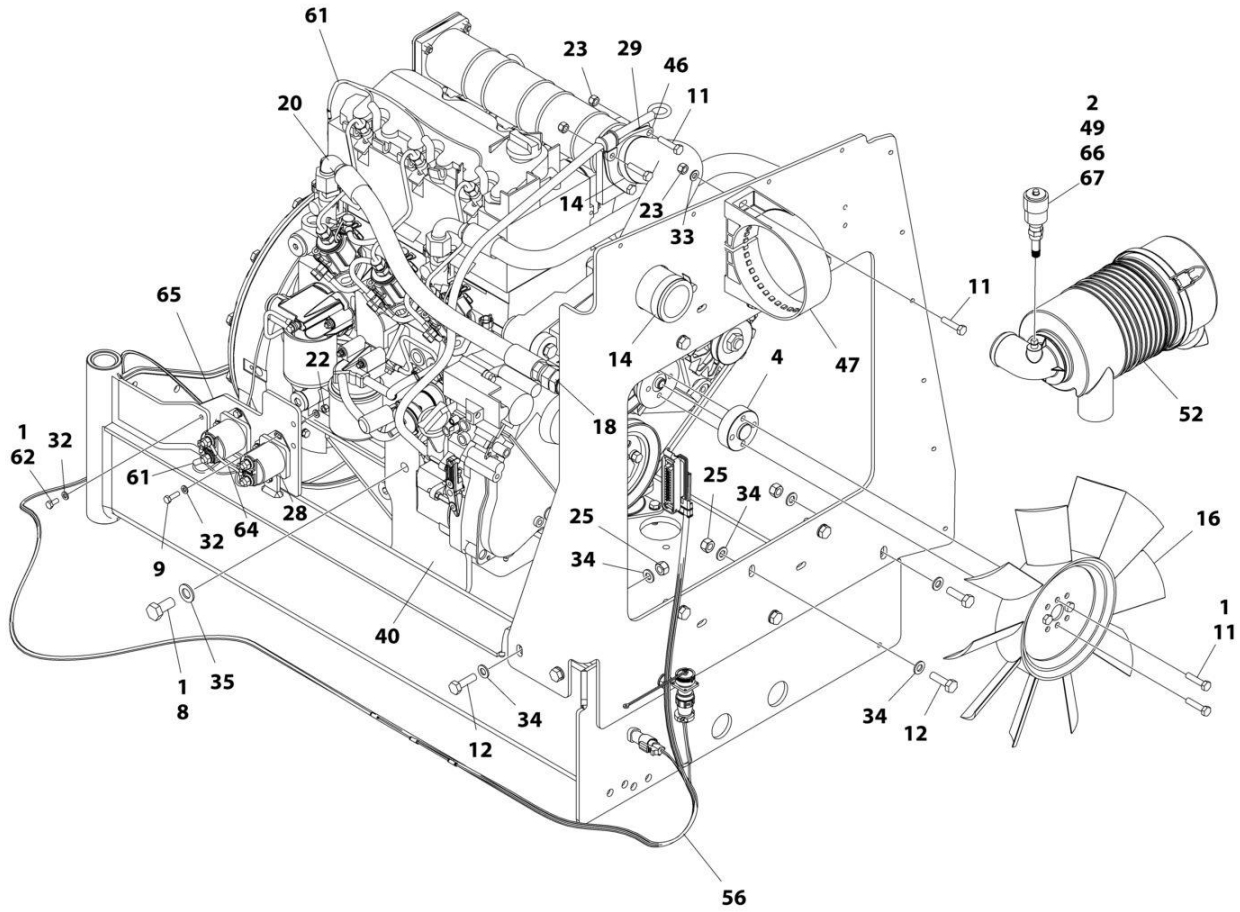
SECTION 3 - ENGINE

FIGURE 3-3. DEUTZ D2011 ENGINE ASSEMBLY (WITHOUT ARCTIC PACKAGE)



ART_1001166020_P_10F2

SECTION 3 - ENGINE



ART_1001166020_P_20F2

SECTION 3 - ENGINE

FIGURE 3-3. DEUTZ D2011 ENGINE ASSEMBLY (WITHOUT ARCTIC PACKAGE)

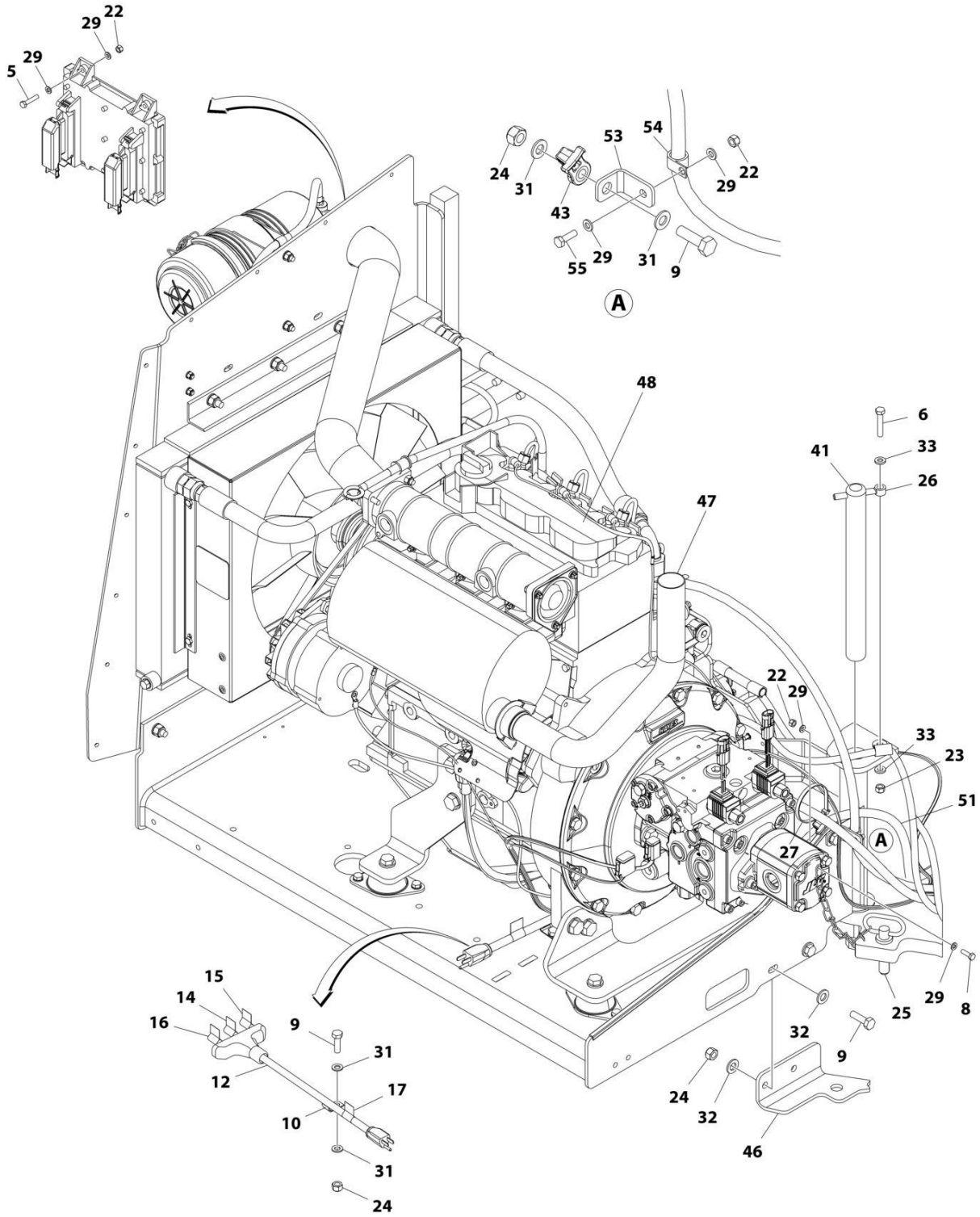
ITEM	PART NUMBER	QTY	DESCRIPTION	REV
	1001166020	Ref	ENGINE ASSEMBLY - DEUTZ D2011 ENGINE (WITHOUT ARCTIC PACKAGE)	P
1	0100011	AR	Compound, Locking	
2	0100020	AR	Sealant, Pipe	
3	0100081	AR	Adhesive	
4	0080231	1	Spacer, Fan	
7	0711224	4	Bolt M12 x 80 Class 10.9	
8	0771414	8	Bolt M14 x 30 Class 10.9	
9	0760610	4	Bolt M6 x 20	
10	0760814	8	Bolt M8 x 30	
11	0760815	9	Bolt M8 x 35	
12	0761015	11	Bolt M10 x 35	
13	0961951	2	Bushing	
14	1320016	2	Clamp	
15	1703162	2	Decal - Caution Fan	
16	2060025	1	Fan	
18	2220451	2	Fitting, Straight JIC/ORB	
19	2720398	1	Hose	
20	2720447	1	Hose	
21	2902065	1	Pump Coupling Kit (See Separate Breakdown in this Section)	
22	3290605	4	Nut M6 x 1	
23	3290805	13	Nut M8 x 1-1/4	
25	3291005	11	Nut M10 x 1-1/2	
26	3331215	4	Nut M12 x 1-3/4	
27	3520054	2	Plug	
28	3740067	2	Relay Assembly	
28	3300220	2	Nut	
28	3321001	1	Nut #10	
28	3740140	1	Relay	
28	4761000	1	Washer #10	
28	1001111424	2	Washer	
29	3960407	1	Gasket	
30	4060805	2.25 ft/ 0.69m	Trim-Flex	
31	4240099	AR	Tie-Strap	
32	4811700	11	Washer M6	
33	4811900	20	Washer M8	
34	4812000	22	Washer M10	
35	4812200	8	Washer M14	
36	5241200	4	Washer M12	
40	1001132195	1	Bracket, Engine Mount	
41	1001132196	1	Bracket, Engine Mount	
46	1001139819	1	Adapter, Air Intake	
47	1001141694	1	Clamp, Air Cleaner	
49	1001143390	1	Indicator	
50	1001150998	1	Radiator	
52	1001165388	1	Air Cleaner Assembly	
52	70003783	1	Element, Air Cleaner	
53	1001165389	1	Hose	
54	1001166717	1	Bracket, Engine Mount	

SECTION 3 - ENGINE

ITEM	PART NUMBER	QTY	DESCRIPTION	REV
55	1001166718	4	Isolator, Engine Mount	
56	1001167111	1	Harness Engine - Deutz D2011 (See Separate Breakdown in ELECTRICAL Section)	
57	1001167520	1	Tray, Engine	
58	1001168018	4	Washer, Snubbing	
59	1001168059	1	Plate, Radiator Mounting	
60	1001170693	1	Engine, Deutz D2011 (See Separate Breakdown in this Section)	
61	4923451	1	Harness, Glow Plugs	
62	0760614	3	Bolt M6 x 30	
64	1001178859	1	Cable, Alternator	
65	1001214975	1	Bracket	
66	2200261	1	Fitting	
67	1001277432	1	Spacer	

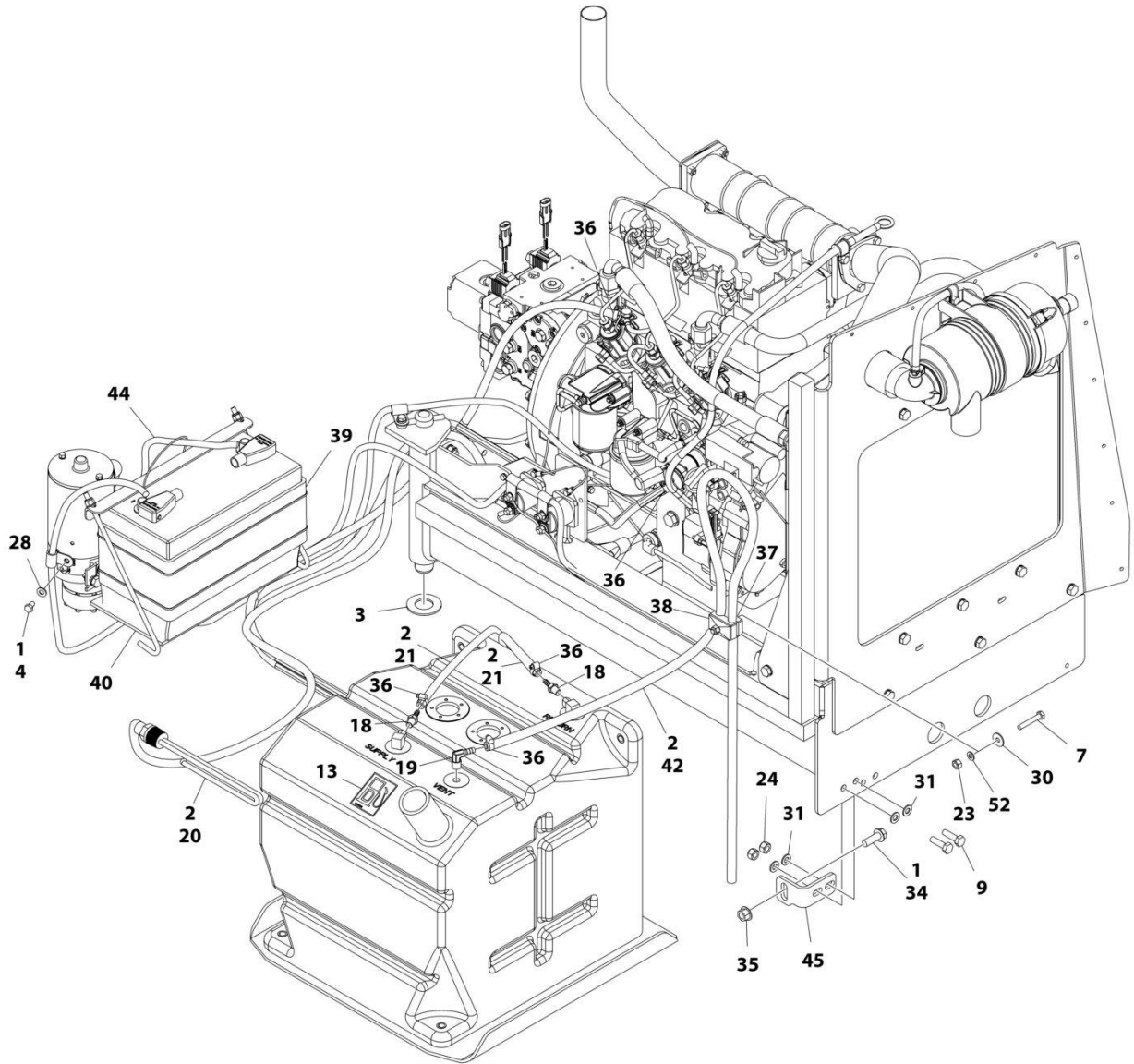
SECTION 3 - ENGINE

FIGURE 3-4. DEUTZ D2011 ENGINE INSTALLATION (WITH ARCTIC PACKAGE)



ART_1001166023_G_10F2

SECTION 3 - ENGINE



ART_1001166023_G_20F2

SECTION 3 - ENGINE

FIGURE 3-4. DEUTZ D2011 ENGINE INSTALLATION (WITH ARCTIC PACKAGE)

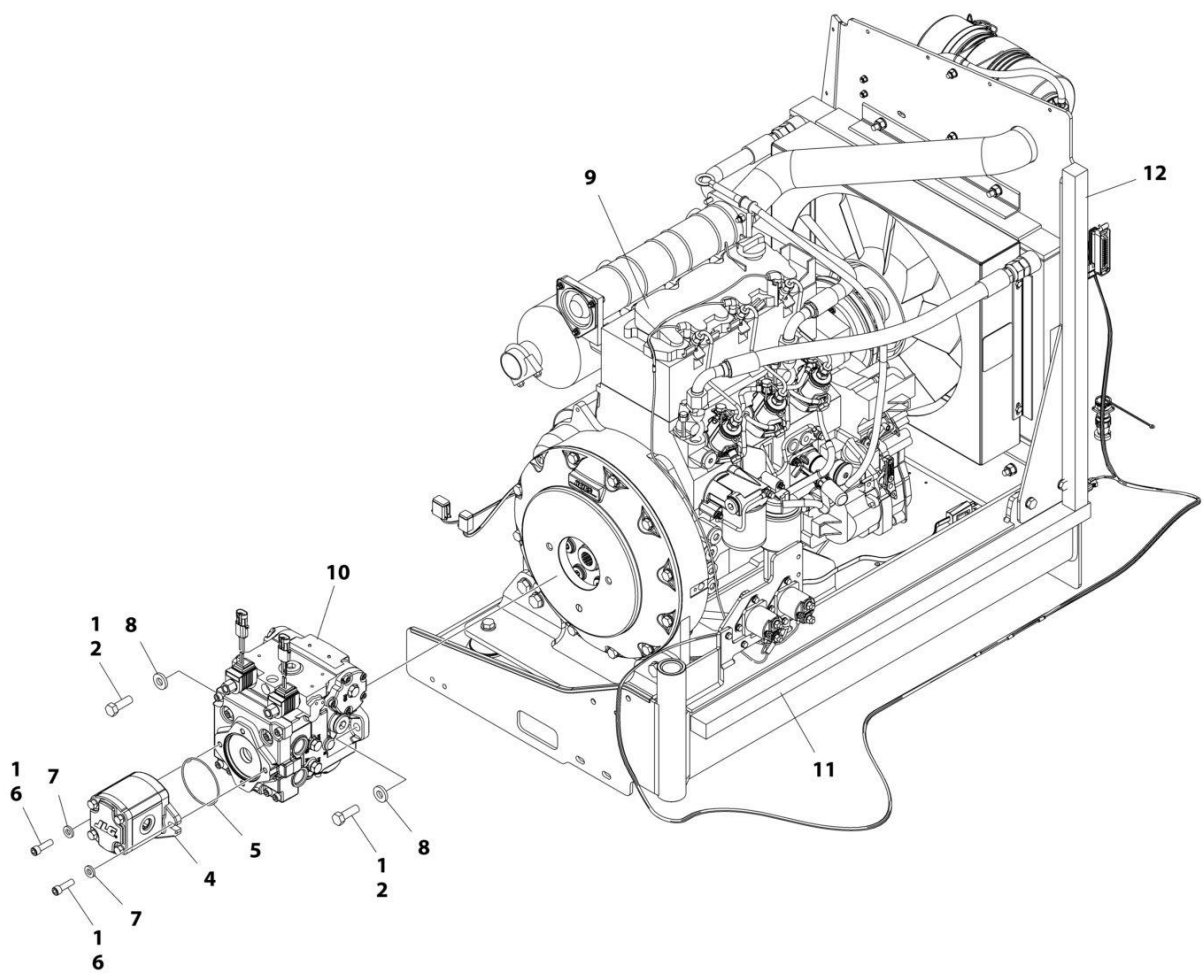
ITEM	PART NUMBER	QTY	DESCRIPTION	REV
	1001166023	Ref	ENGINE INSTALLATION - DEUTZ D2011 ENGINE (WITH ARCTIC PACKAGE)	G
1	0100011	AR	Compound, Locking	
2	0100020	AR	Sealant, Pipe	
3	0440162	1	Bearing	
4	0641504	1	Bolt 5/16 x 1/2	
5	0700614	4	Bolt M6 x 30	
6	0700817	1	Bolt M8 x 45	
7	0700821	1	Bolt M8 x 65	
8	0760610	1	Bolt M6 x 20	
9	0761015	6	Bolt M10 x 35	
10	1320223	1	Clip	
12	1060626	1	Plug, 3 Way	
13	1701505	1	Decal - Diesel Fuel	
14	1702941	1	Decal - Battery Heater	
15	1702942	1	Decal - Engine Block Heater	
16	1702943	1	Decal - Hydraulic Tank Heater	
17	1702944	1	Decal - Heater Cord	
18	2180348	2	Fitting, Barbed	
19	2220313	1	Fitting, Barbed 90	
20	1001188972	1	Heater, Hydraulic Tank	
21	2720058	17 ft / 5.18m	Hose	
22	3290605	6	Nut M6 x 1	
23	3290805	2	Nut M8	
24	3291005	6	Nut M10	
25	3422532	1	Pin	
26	3841143	1	Keeper, Pin	
27	4240099	AR	Tie-Strap	
28	4711500	1	Washer 5/16	
29	4811700	12	Washer M6	
30	4811902	1	Washer M8	
31	4812000	8	Washer M10	
32	4812100	4	Washer M12	
33	5240800	2	Washer M8	
34	5251215	1	Bolt M12 x 35	
35	5261200	1	Nut M12	
36	8405009	5	Clamp	
37	1320187	1	Clamp	
38	1320190	1	Clamp	
39	2580024	1	Heater, Battery	
40	1001119278	1	Insulate	
41	1001135196	1	Pin	
42	2750532	6 ft/ 1.83m	Hose	
43	1001156107	1	Holder, Cable	
44	1001167038	1	Battery Cable Kit	
44	70009004	1	Cable, Battery (Black) (Battery Negative, Auxiliary Power Pump, Turntable Ground to Engine Ground)	
44	70009005	1	Cable, Battery (Red) (Battery Positive, Auxiliary Power Relay, Starter Relay to Starter)	

SECTION 3 - ENGINE

ITEM	PART NUMBER	QTY	DESCRIPTION	REV
44	70009002	1	Cable, Battery (Red) (Auxiliary Power Relay to Auxiliary Power Pump)	
45	1001167512	1	Bracket, Engine	
46	1001169823	1	Plate, Engine Lock	
47	1001172195	1	Pipe, Exhaust	
48	1001174784	1	Engine and Pump Sub-Assembly - Deutz D2011(See Separate Breakdown in this Section)	
51	1001150918	1	Cable, Extension Cord	
52	4811900	1	Washer M8	
53	1001148641	1	Bracket, Clamp Mounting	
54	1320224	1	Clamp, Cable	
55	0700610	1	Bolt M6 x 20	

SECTION 3 - ENGINE

FIGURE 3-5. DEUTZ D2011 ENGINE AND PUMP SUB-ASSEMBLY (WITH ARCTIC PACKAGE)



ART_1001174784_G

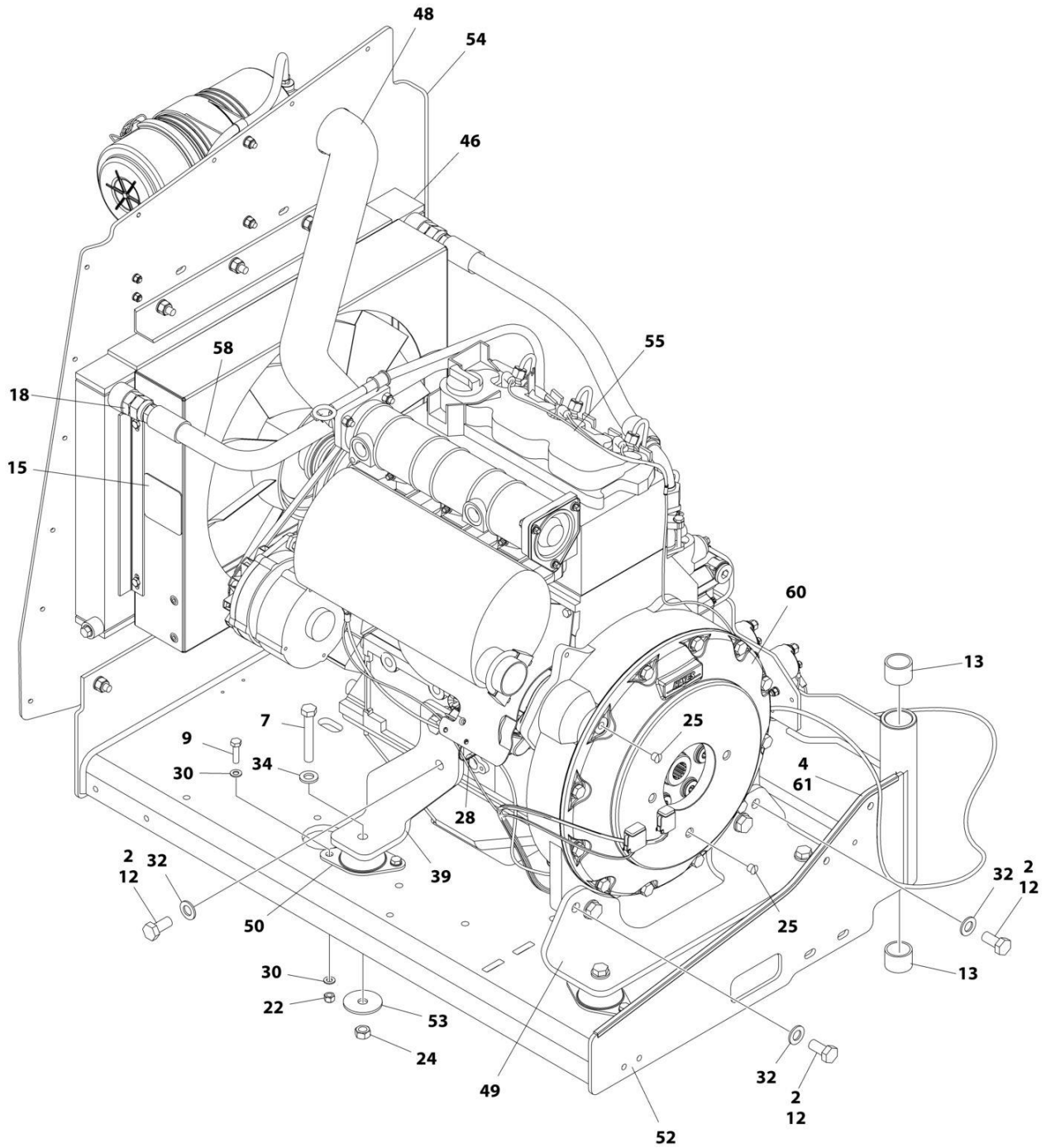
SECTION 3 - ENGINE

FIGURE 3-5. DEUTZ D2011 ENGINE AND PUMP SUB-ASSEMBLY (WITH ARCTIC PACKAGE)

ITEM	PART NUMBER	QTY	DESCRIPTION	REV
	1001174784	Ref	ENGINE AND PUMP SUB-ASSEMBLY - DEUTZ D2011 (WITH ARCTIC PACKAGE)	G
1	0100011	AR	Compound, Locking	
2	0641812	2	Bolt 1/2 x 1-1/2	
4	1001214207	1	Gear Pump Assembly	
4	70006356	1	Seal Kit - 1001214207 Pump	
5	3790152	1	O-Ring	
6	3931618	2	Capscrew 3/8 x 1 1/8	
7	4891600	2	Washer 3/8 Hardened	
8	4891800	2	Washer 1/2 Hardened	
9	1001174783	1	Engine Assembly - Deutz D2011 Engine (With Arctic Package) (See Separate Breakdown in this Section)	
10	1001167036	1	Piston Pump Assembly (See Separate Breakdown in this Section)	
11	1001171953	1	Seal	
12	1001171954	1	Seal	

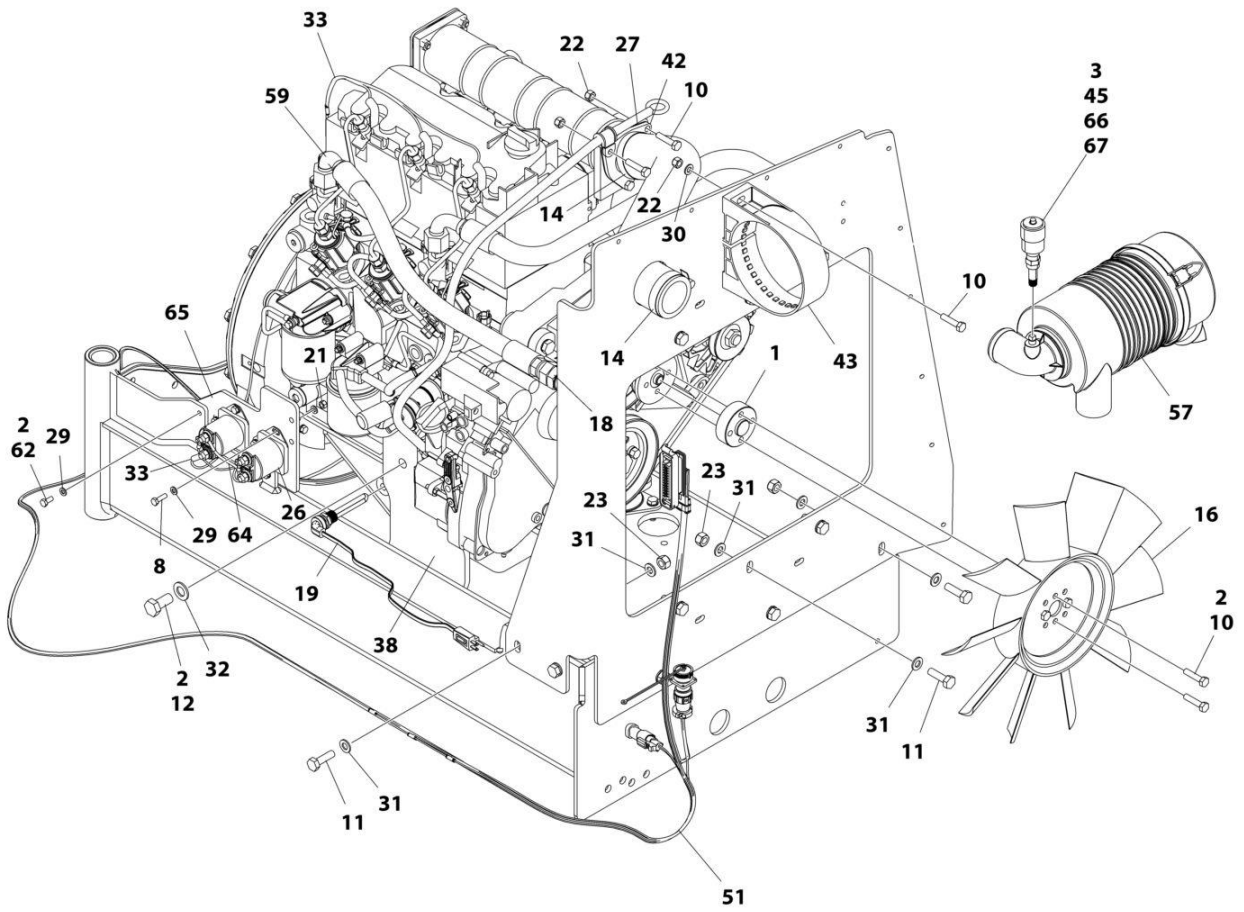
SECTION 3 - ENGINE

FIGURE 3-6. DEUTZ D2011 ENGINE ASSEMBLY (WITH ARCTIC PACKAGE)



ART_1001174783_O_10F2

SECTION 3 - ENGINE



ART_1001174783_O_20F2

SECTION 3 - ENGINE

FIGURE 3-6. DEUTZ D2011 ENGINE ASSEMBLY (WITH ARCTIC PACKAGE)

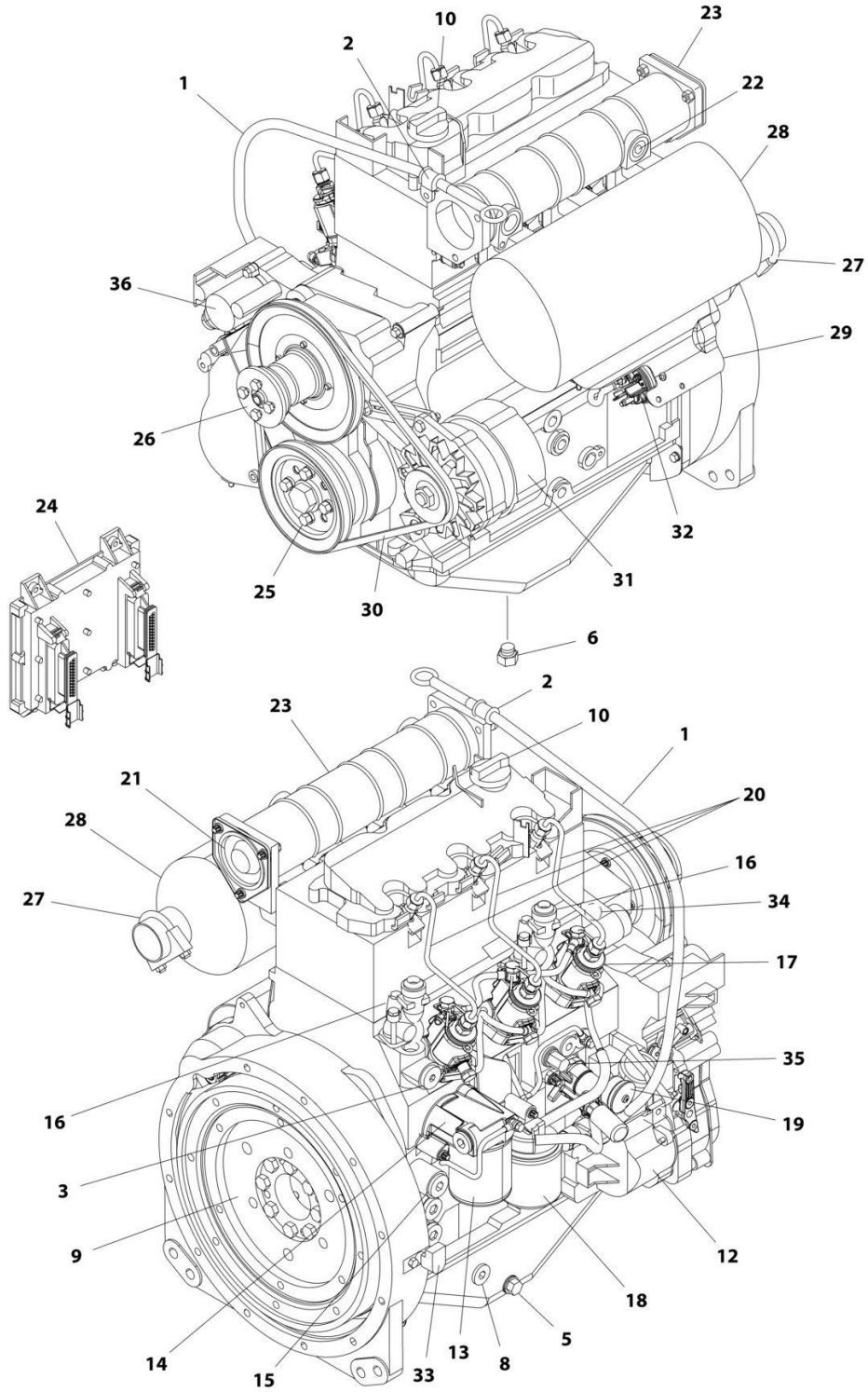
ITEM	PART NUMBER	QTY	DESCRIPTION	REV
	1001174783	Ref	ENGINE ASSEMBLY - DEUTZ D2011 (WITH ARCTIC PACKAGE)	O
1	0080231	1	Spacer, Fan	
2	0100011	AR	Compound, Locking	
3	0100020	AR	Sealant, Pipe	
4	0100081	AR	Adhesive	
7	0711224	4	Bolt M12 x 80 Class10.9	
8	0760610	4	Bolt M6 x 20	
9	0760814	8	Bolt M8 x 30	
10	0760815	9	Bolt M8 x 35	
11	0761015	11	Bolt M10 x 35	
12	0771414	8	Bolt M14 x 30 Class 10.9	
13	0961951	2	Bushing	
14	1320016	2	Clamp	
15	1703162	2	Decal - Caution Fan	
16	2060025	1	Fan	
18	2220451	2	Fitting, Straight JIC/ORB	
19	2580062	1	Heater, Engine Block	
21	3290605	4	Nut M6	
22	3290805	13	Nut M8	
23	3291005	11	Nut M10	
24	3331215	4	Nut M12	
25	3520054	2	Plug	
26	3740067	2	Relay Assembly	
26	3300220	2	Nut	
26	3321001	1	Nut #10	
26	3740140	1	Relay	
26	4761000	1	Washer #10	
26	1001111424	2	Washer	
27	3960407	1	Gasket	
28	4240099	AR	Tie-Strap (Not Shown)	
29	4811700	11	Washer M6	
30	4811900	20	Washer M8	
31	4812000	22	Washer M10	
32	4812200	8	Washer M14	
33	4923451	1	Harness, Glow Plugs	
34	5241200	4	Washer M12	
38	1001132195	1	Bracket, Engine Mount	
39	1001132196	1	Bracket, Engine Mount	
42	1001139819	1	Adapter, Air Intake	
43	1001141694	1	Clamp, Air Cleaner	
45	1001143390	1	Indicator	
46	1001150998	1	Radiator	
48	1001165389	1	Hose	
49	1001166717	1	Bracket, Engine Mount	
50	1001166718	4	Isolator, Engine Mount	
51	1001167111	1	Harness Engine - Deutz D2011 (See Separate Breakdown in ELECTRICAL Section)	
52	1001167520	1	Tray, Engine	
53	1001168018	4	Washer, Snubbing	
54	1001168059	1	Plate, Radiator Mounting	

SECTION 3 - ENGINE

ITEM	PART NUMBER	QTY	DESCRIPTION	REV
55	1001170693	1	Engine, Deutz D2011 (See Separate Breakdown in this Section)	
57	1001165388	1	Air Cleaner Assembly	
57	70003783	1	Element, Air Cleaner	
58	2720398	1	Hose	
59	2720447	1	Hose	
60	2902065	1	Pump Coupling Kit (See Separate Breakdown in this Section)	
61	4060805	2.25 ft/ 0.69m	Flex-Trim	
62	0760614	3	Bolt M6 x 30	
64	1001178859	1	Cable, Alternator	
65	1001214975	1	Bracket	
66	2200261	1	Fitting	
67	1001277432	1	Spacer	

SECTION 3 - ENGINE

FIGURE 3-7. DEUTZ D2011 ENGINE COMPONENTS



ART_1001170693

SECTION 3 - ENGINE

FIGURE 3-7. DEUTZ D2011 ENGINE COMPONENTS

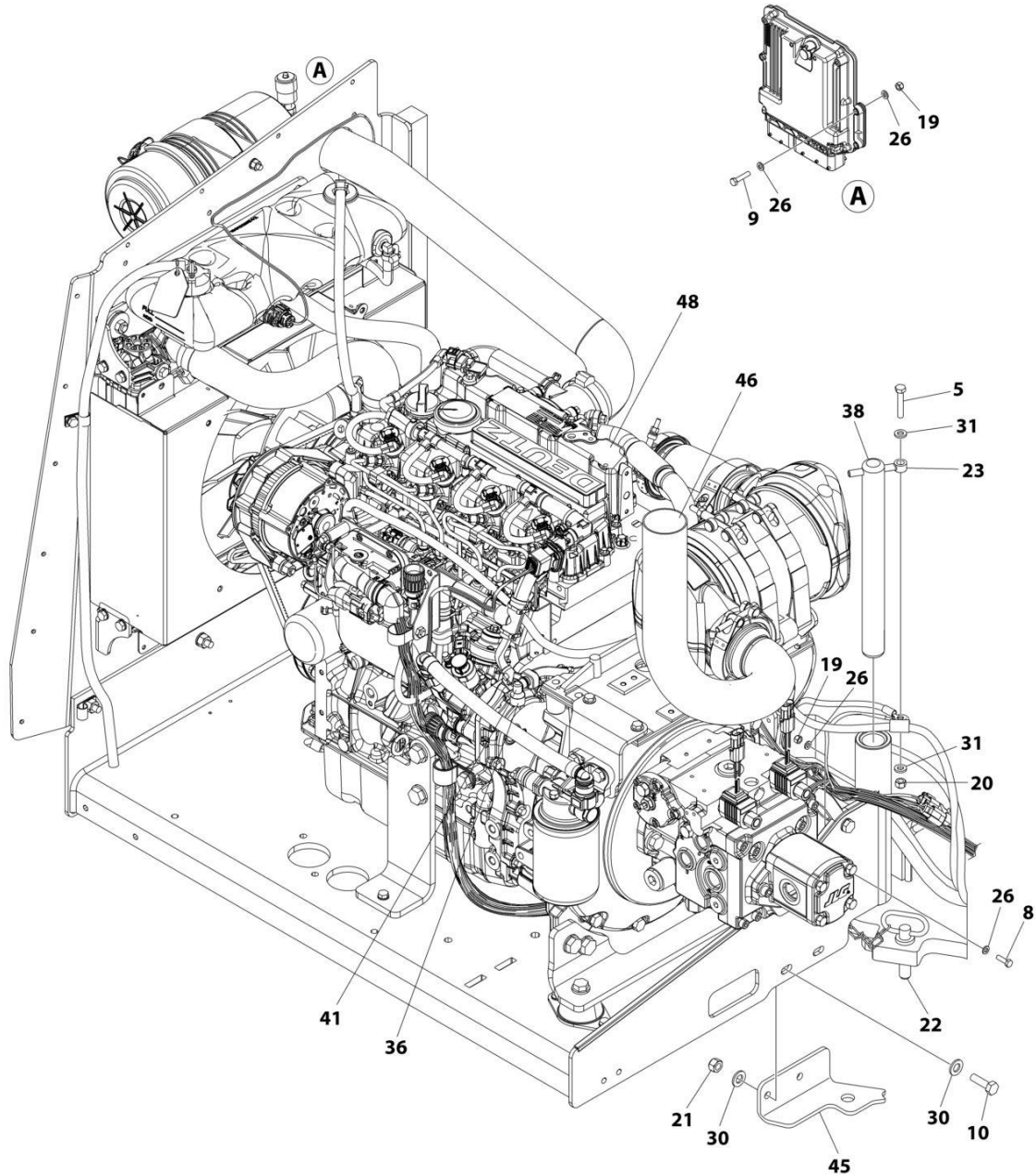
ITEM	PART NUMBER	QTY	DESCRIPTION	REV
	1001170693	Ref	ENGINE COMPONENTS - DEUTZ D2011	C
1	70001002	1	Tube, Dipstick	
1	7020403	1	Seal, Tube	
1	7020026	1	Dipstick	
2	70001654	1	Clamp	
2	70001655	1	Bolt	
3	70003475	1	Thermostat	
3	7020460	1	Spring	
4		Ref	Seal and Gasket Options (Not Shown):	
4	70002718	1	Seal, Rear Main	
4	7020430	1	Gasket, Valve Cover	
4	70003479	1	Gasket, Head - 1 Notch	
4	70003480	1	Gasket, Head - 2 Notch	
4	70003481	1	Gasket, Head - 3 Notch	
5	70025088	1	Plug	
6	70025667	1	Plug	
7	70025123	22	Bolt, Torx (Oil Pan Bolts) (Not Shown)	
8	7020492	1	Seal	
8	70025084	1	Plug	
9	70001870	1	Flywheel	
9	7024579	1	Ring Gear (Part of Flywheel)	
9	70025139	8	Bolt	
10	7020465	1	Cap, Oil Fill	
11	70000800	1	Timing Belt/Idler Kit (Includes Timing Belt, Tensioner and Tensioner Bolt) (Not Shown)	
12	70001850	1	Pump, Lubricating	
12	7020468	1	Seal, Pump to Engine Block (Not Shown)	
13	7016331	1	Filter, Oil	
14	70003472	1	Bracket, Oil Filter (Includes Plug with Seal, Temperature Sensor, Control Valve and Compression Spring)	
14	7027236	1	Sensor, Temperature	
14	70025082	1	Seal, Plug	
14	70025091	1	Plug	
14	70003473	1	Gasket, Bracket to Engine Block (Not Shown)	
15	70001181	1	Valve	
15	70025091	1	Plug	
15	70025082	1	Seal, Plug	
16	70004268	2	Connector, Radiator Neck	
16	70004269	2	Seal, Radiator Neck to Engine Block	
17	70000912	3	Pump, Fuel Injector - A Spec	
17	70000913	3	Pump, Fuel Injector - B Spec	
17	70000914	3	Pump, Fuel Injector - C Spec	
17	70000915	3	Pump, Fuel Injector - D Spec	
17	70003464	3	O-Ring, Pump to Engine Block	
18	7020023	1	Filter, Fuel	
18	70003463	1	Filter, Fuel - RME Resistant	
18	70001423	1	Bracket, Fuel Filter	
19	70000916	1	Pump Fuel Supply	
19	70000917	1	O-Seal Between Fuel Pump and Engine Block	
19	70000918	1	Sealing Ring Between Hand Pump and Supply Pump	

SECTION 3 - ENGINE

ITEM	PART NUMBER	QTY	DESCRIPTION	REV
19	70000919	1	Pump, Hand	
19	70001435	1	Repair Kit	
19	70025694	2	Bolt, Torx	
20	70000931	3	Pipe, High Pressure	
21	70003469	1	Flange, Intake	
21	70003468	1	Seal	
22	70025084	1	Plug	
22	7020492	1	Seal, Plug	
23	7027903	1	Manifold, Air Intake	
23	70001871	3	Gasket Between Manifold and Engine Block	
24	See Note	1	Module, Engine Control (Note: Not Currently Available)	
24	7027796	1	Cable, Electrical Between Module and Engine Harness (Not Shown)	
24	70001872	1	Harness, Engine (Connects to p/n 70004060) (Not Shown)	
24	70004060	1	Plug, Connector Located on Cable Near Module (Not Shown)	
24	70004059	1	Plug, Analyzer (Not Shown)	
25	70025123	4	Bolt, Torx	
26	70000787	1	Support, Fan (Includes Support, Internal Shaft, Bearings and Circlip)	
27	70001844	1	Clamp	
28	See Note	1	Muffler (Note: See Separate Breakdown in this Section)	
28	7020471	3	Gasket, Exhaust Between Muffler and Engine Block	
28	70004270	6	Stud, Muffler	
29	70001498	1	Shield, Starter	
29	70025693	3	Bolt	
30	70004102	1	V-Belt	
31	70004056	1	Alternator (Includes Voltage Regulator and Gaskets, Fan and Fan Mounting Hardware)	
31	70001868	1	Regulator, Voltage	
31	70001866	1	Gasket Set, Voltage Regulator	
31	70025131	1	Fan	
31	70025086	1	Nut, Fan	
31	70000851	1	Bracket, Alternator Mounting	
31	70002234	1	Bracket, Alternator Adjustment	
31	70004103	1	Harness, Alternator (Not Shown)	
32	7020479	1	Starter	
32	70025121	2	Bolt, Starter Mounting	
32	70004058	1	Relay	
32	70004062	1	Harness, Starter (Not Shown)	
33	7024565	1	Sensor, Speed	
33	70003931	1	Bolt	
33	70003932	1	Spacer, Sleeve	
34	7027791	1	Sensor, Temperature	
35	7027790	1	Sensor, Oil Pressure	
36	7027792	1	Actuator	
37	70000345	3	Plug, Glow (Not Shown)	

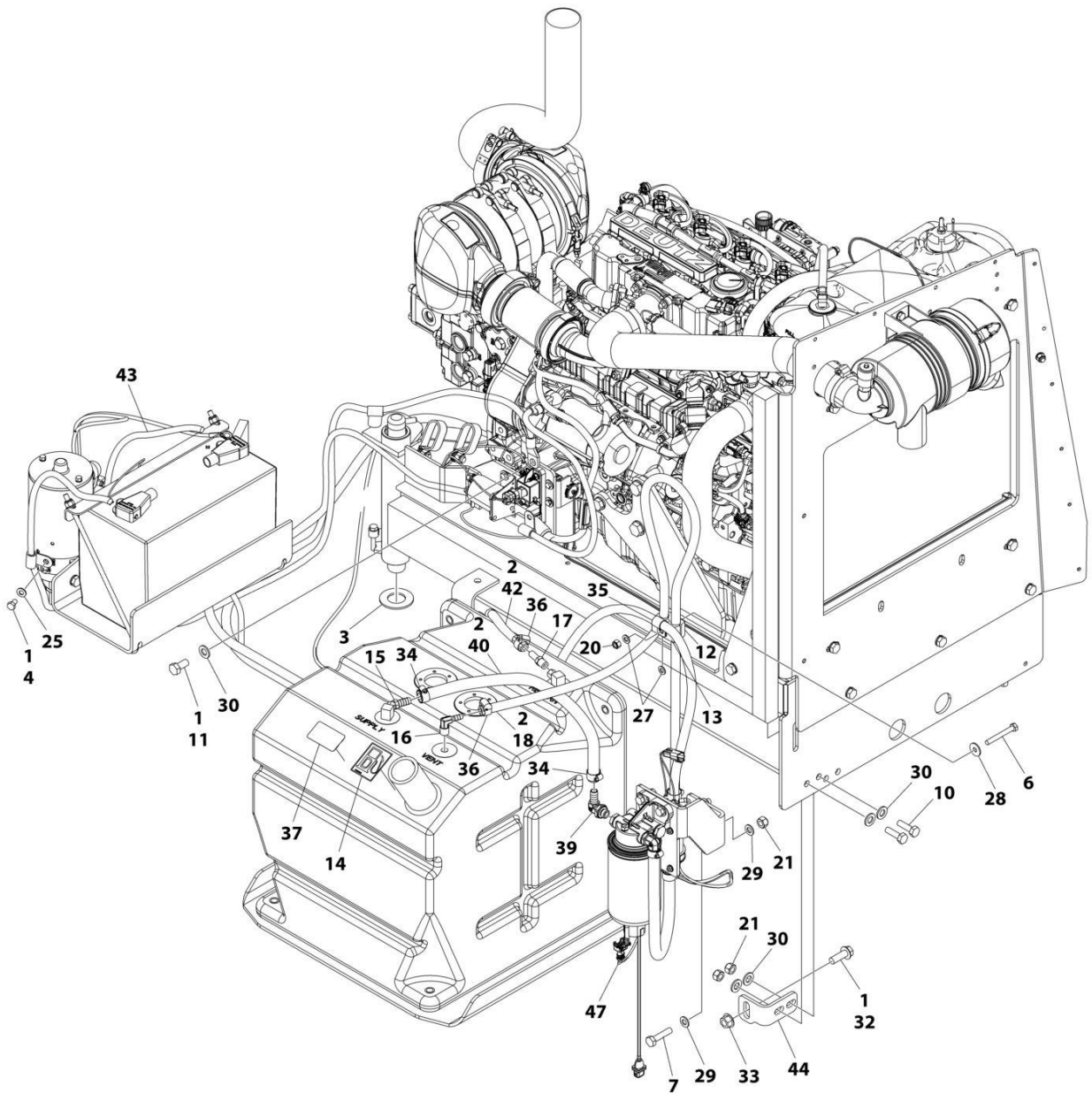
SECTION 3 - ENGINE

FIGURE 3-8. ENGINE INSTALLATION - DEUTZ D2.9L4 ERM5 ENGINE (WITHOUT ARCTIC PACKAGE)
(ANSI, ANSI EXPORT (HRC), CSA AND JAPANESE SPECS)



ART_1001302969_10F2

SECTION 3 - ENGINE



ART_1001302969_20F2

SECTION 3 - ENGINE

**FIGURE 3-8. ENGINE INSTALLATION - DEUTZ D2.9L4 ERM5 ENGINE (WITHOUT ARCTIC PACKAGE)
(ANSI, ANSI EXPORT (HRC), CSA AND JAPANESE SPECS)**

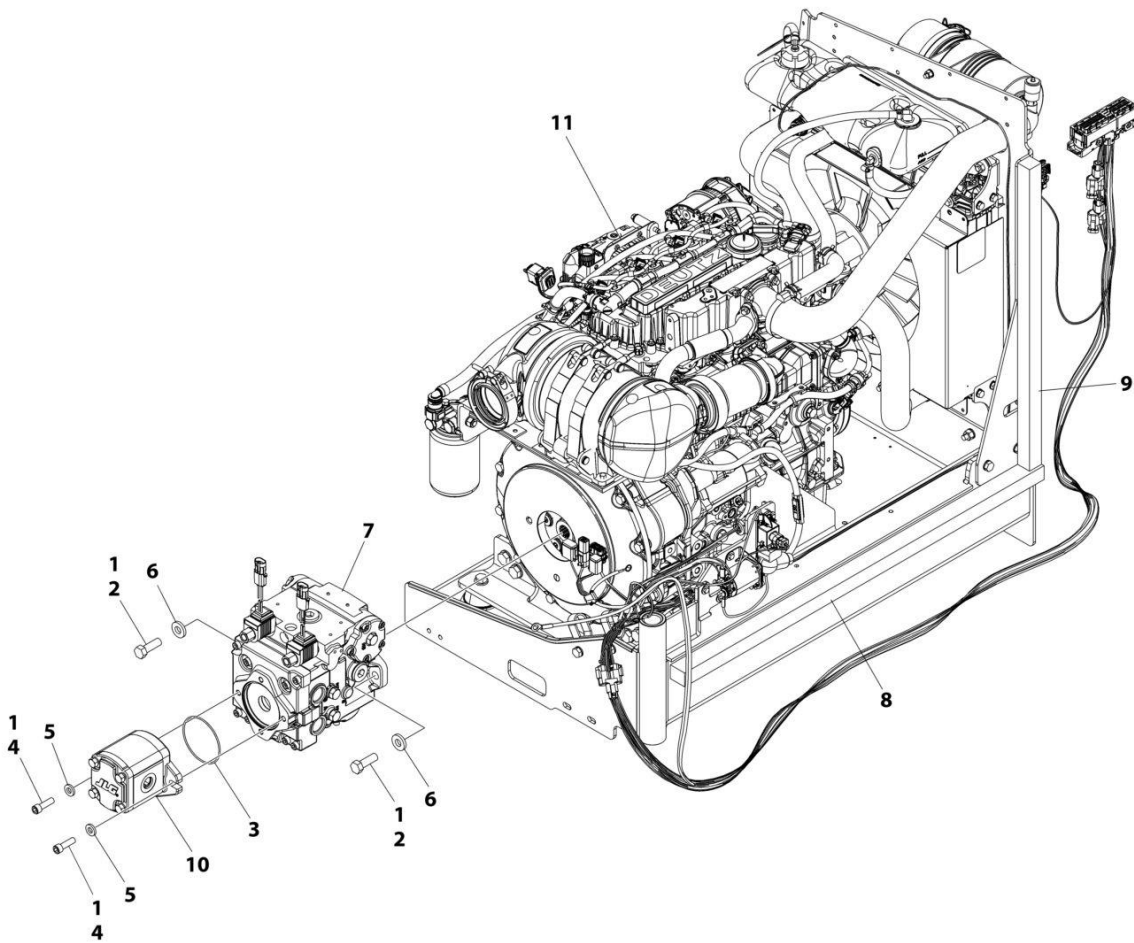
ITEM	PART NUMBER	QTY	DESCRIPTION	REV
	1001302969	Ref	ENGINE INSTALLATION - DEUTZ D2.9L4 ERM5 ENGINE	A
1	0100011	AR	Compound, Locking	
2	0100020	AR	Sealant, Pipe	
3	0440162	1	Bearing	
4	0641504	1	Bolt 5/16 x 1/2	
5	0700817	1	Bolt M8 x 45	
6	0700821	1	Bolt M8 x 65	
7	0701017	2	Bolt M10 x 45	
8	0760610	1	Bolt M6 x 20	
9	0760613	4	Bolt M6 x 28	
10	0761015	4	Bolt M10 x 35	
11	0771212	1	Bolt M12 x 25	
12	1320187	1	Clamp	
13	1320190	1	Clamp	
14	1701505	2	Decal - Diesel	
15	2180832	1	Fitting, Barbed	
16	2220313	1	Fitting, Barbed 90	
17	2220767	1	Fitting, Barbed	
18	2750532	6 ft /2 m	Hose	
19	3290605	5	Nut M6	
20	3290805	2	Nut M8	
21	3291005	6	Nut M10	
22	3422532	1	Pin	
23	3841143	1	Keeper, Pin	
24	4240099	AR	Tie-Strap (Not Shown)	
25	4711500	1	Washer 5/16	
26	4811700	10	Washer M6	
27	4811900	2	Washer M8	
28	4811902	1	Washer M8	
29	4812000	4	Washer M10	
30	4812100	9	Washer M12	
31	5240800	2	Washer M8	
32	5251215	1	Bolt M12 x 35	
33	5261200	1	Nut M12	
34	8405006	3	Clamp	
35	8406101	1	Clip	
36	8410013	4	Clamp	
37	1001125387	1	Decal - Ultra Low Sulfur	
38	1001135196	1	Pin	
39	1001142501	1	Fitting, Barbed 90	
40	1001154405	2.5 ft /1 m	Hose	
41	1001155823	1	Coupling, Quick Disconnect 90	
42	1001165035	21 ft /7 m	Hose	
43	1001166970	1	Battery and Auxiliary Power Pump Cable Kit	E
43	70009006	1	Cable, Battery (Black) (Battery to Ground)	
43	70009002	1	Cable, Battery (Red) (Auxiliary Power Relay to Auxiliary Power Pump)	
43	70009007	1	Cable, Battery (Red) (Battery to Auxiliary Power Relay)	
44	1001167512	1	Bracket	

SECTION 3 - ENGINE

ITEM	PART NUMBER	QTY	DESCRIPTION	REV
45	1001169823	1	Plate	
46	1001172594	1	Pipe, Exhaust	
47	1001173342	1	Fuel Pump Harness (See Separate Breakdown in ELECTRICAL Section)	
48	1001302961	1	Engine and Pump Sub-Assembly - Deutz D2.9L4 ERM5 Engine (See Separate Breakdown in this Section)	

SECTION 3 - ENGINE

FIGURE 3-9. ENGINE AND PUMP SUB-ASSEMBLY - DEUTZ D2.9L4 ERM5 ENGINE (WITHOUT ARCTIC PACKAGE) (ANSI, ANSI EXPORT AND CSA SPECS)



ART_1001302961

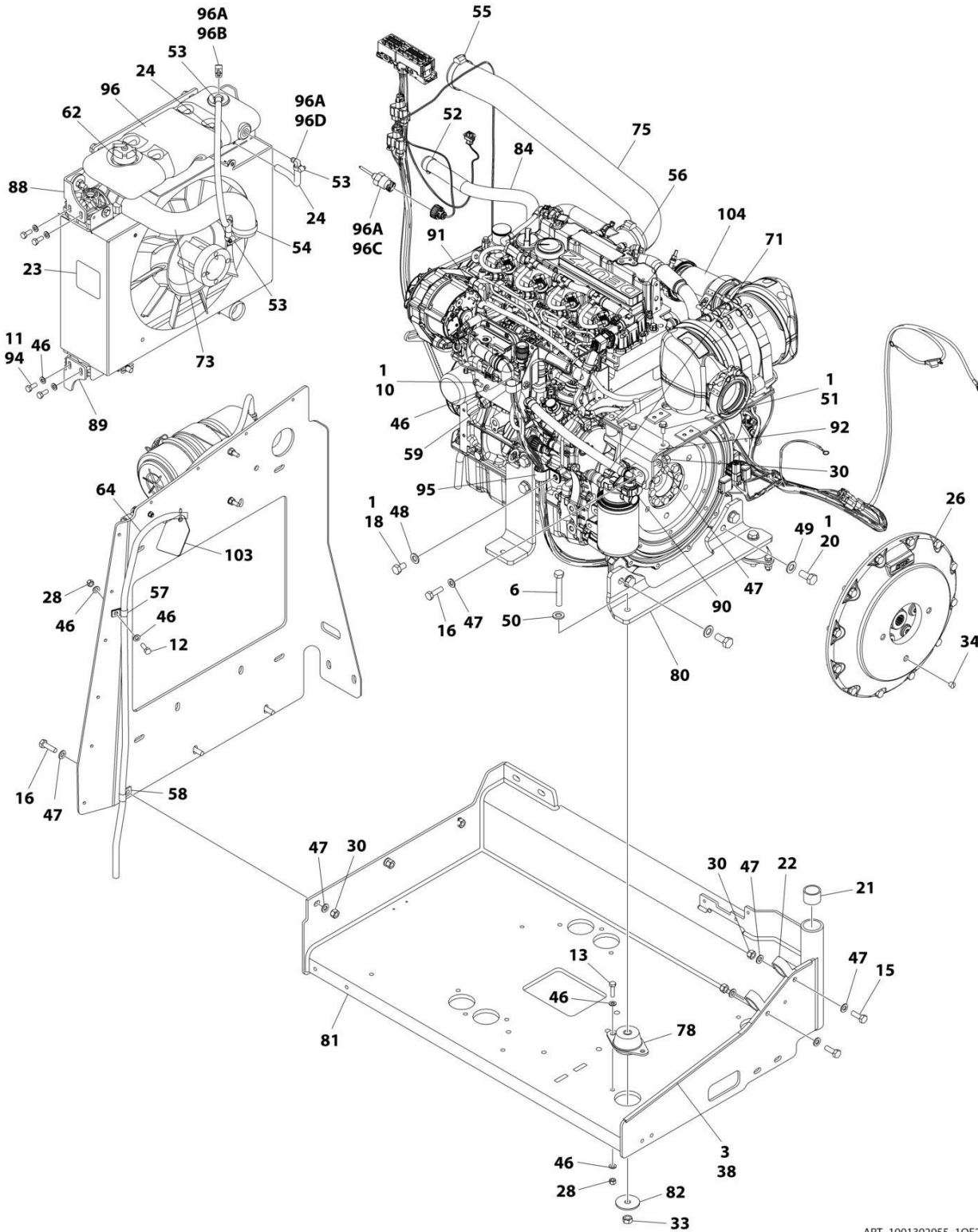
SECTION 3 - ENGINE

FIGURE 3-9. ENGINE AND PUMP SUB-ASSEMBLY - DEUTZ D2.9L4 ERM5 ENGINE (WITHOUT ARCTIC PACKAGE) (ANSI, ANSI EXPORT AND CSA SPECS)

ITEM	PART NUMBER	QTY	DESCRIPTION	REV
	1001302961	Ref	ENGINE AND PUMP SUB-ASSEMBLY - DEUTZ D2.9L4 ERM5	A
1	0100011	AR	Compound, Locking	
2	0641812	2	Bolt 1/2 x 1-1/2	
3	3790152	1	O-Ring	
4	3931618	2	Capscrew 3/8 x 1-1/8	
5	4891600	2	Washer 3/8	
6	4891800	2	Washer 1/2	
7	1001167036	1	Piston Pump Assembly (See Separate Breakdow in this Section)	
8	1001171953	1	Seal	
9	1001171954	1	Seal	
10	1001214207	1	Gear Pump Assembly	
10	70006356	1	Seal Kit - 1001214207 Pump	
11	1001302955	1	Engine Assembly - Deutz D2.9L4 ERM5 Engine (Without Arctic Package) (See Separate Breakdown in this Section)	

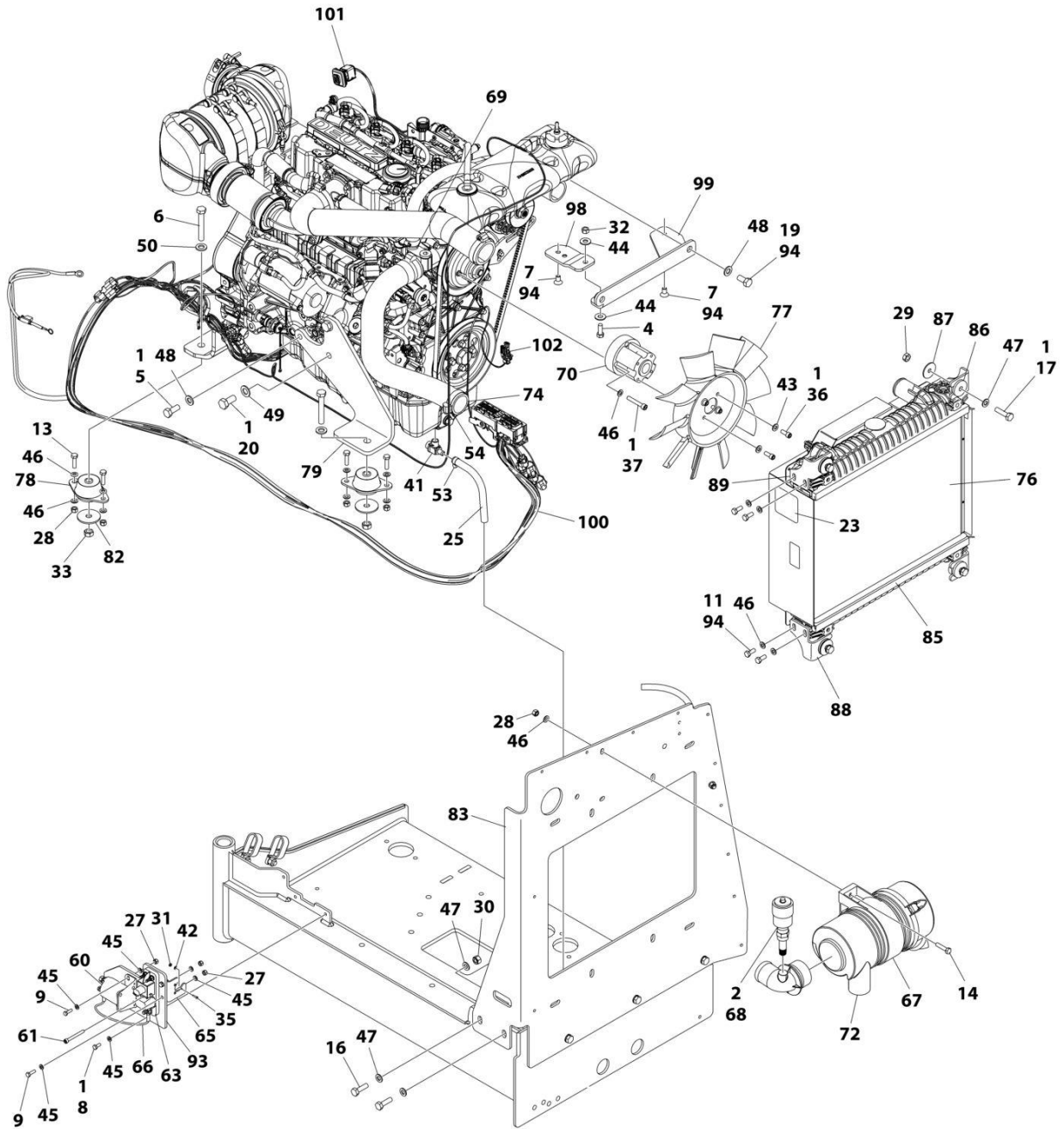
SECTION 3 - ENGINE

FIGURE 3-10. ENGINE ASSEMBLY - DEUTZ D2.9L4 ERM5 ENGINE (WITHOUT ARCTIC PACKAGE)
(ANSI, ANSI EXPORT AND CSA SPECS)



ART_1001302955_10F2

SECTION 3 - ENGINE



ART_1001302955_20F2

SECTION 3 - ENGINE

**FIGURE 3-10. ENGINE ASSEMBLY - DEUTZ D2.9L4 ERM5 ENGINE (WITHOUT ARCTIC PACKAGE)
(ANSI, ANSI EXPORT AND CSA SPECS)**

ITEM	PART NUMBER	QTY	DESCRIPTION	REV
	1001302955	Ref	ENGINE ASSEMBLY - DEUTZ D2.9L4 ERM5 ENGINE	A
1	0100011	AR	Compound, Locking	
2	0100020	AR	Sealant, Pipe	
3	0100081	AR	Adhesive	
4	0681608	1	Bolt 3/8 x 1	
5	0711214	1	Bolt M12 x 30	
6	0711224	3	Bolt M12 x 80	
7	0741606	2	Screw 3/8 x 3/4	
8	0760607	3	Bolt M6 x 14	
9	0760610	4	Bolt M6 x 20	
10	0760808	1	Bolt M8 x 16	
11	0760810	8	Bolt M8 x 20	
12	0760812	1	Bolt M8 x 25	
13	0760814	6	Bolt M8 x 30	
14	0760815	2	Bolt M8 x 35	
15	0761014	2	Bolt M10 x 30	
16	0761015	7	Bolt M10 x 35	
17	0761016	4	Bolt M10 x 40	
18	0761210	1	Bolt M12 x 20	
19	0761212	2	Bolt M12 x 25	
20	0771414	6	Bolt M14 x 30	
21	0961951	2	Bushing	
22	1321716	2	Clamp	
23	1703162	2	Decal - Caution Fan	
24	2720015	2 ft/1 m	Hose	
25	2720340	8 in/20 cm	Hose	
26	2902065	1	Pump Coupling Kit (See Separate Breakdown in this Section)	
27	3290605	5	Nut M6	
28	3290805	9	Nut M8	
29	3291001	4	Nut M10	
30	3291005	9	Nut M10	
31	3310401	3	Nut #4	
32	3311605	1	Nut 3/8	
33	3331215	3	Nut M12	
34	3520054	1	Plug	
35	3910408	3	Screw #4 x 1/2	
36	3931512	4	Capscrew 5/16 x 3/4	
37	4031914	4	Bolt M8 x 50	
38	4060805	2 ft/1 m	Flex-Trim	
39	4240032	AR	Tie-Strap (Not Shown)	
40	4240099	AR	Tie-Strap (Not Shown)	
41	4640751	1	Valve, Oil Drain	
42	4710400	3	Washer #4	
43	4711500	4	Washer 5/16	
44	4751600	2	Washer 3/8	
45	4811702	12	Washer M6	
46	4811900	31	Washer M8	
47	4812000	22	Washer M10	
48	4812100	4	Washer M12	

SECTION 3 - ENGINE

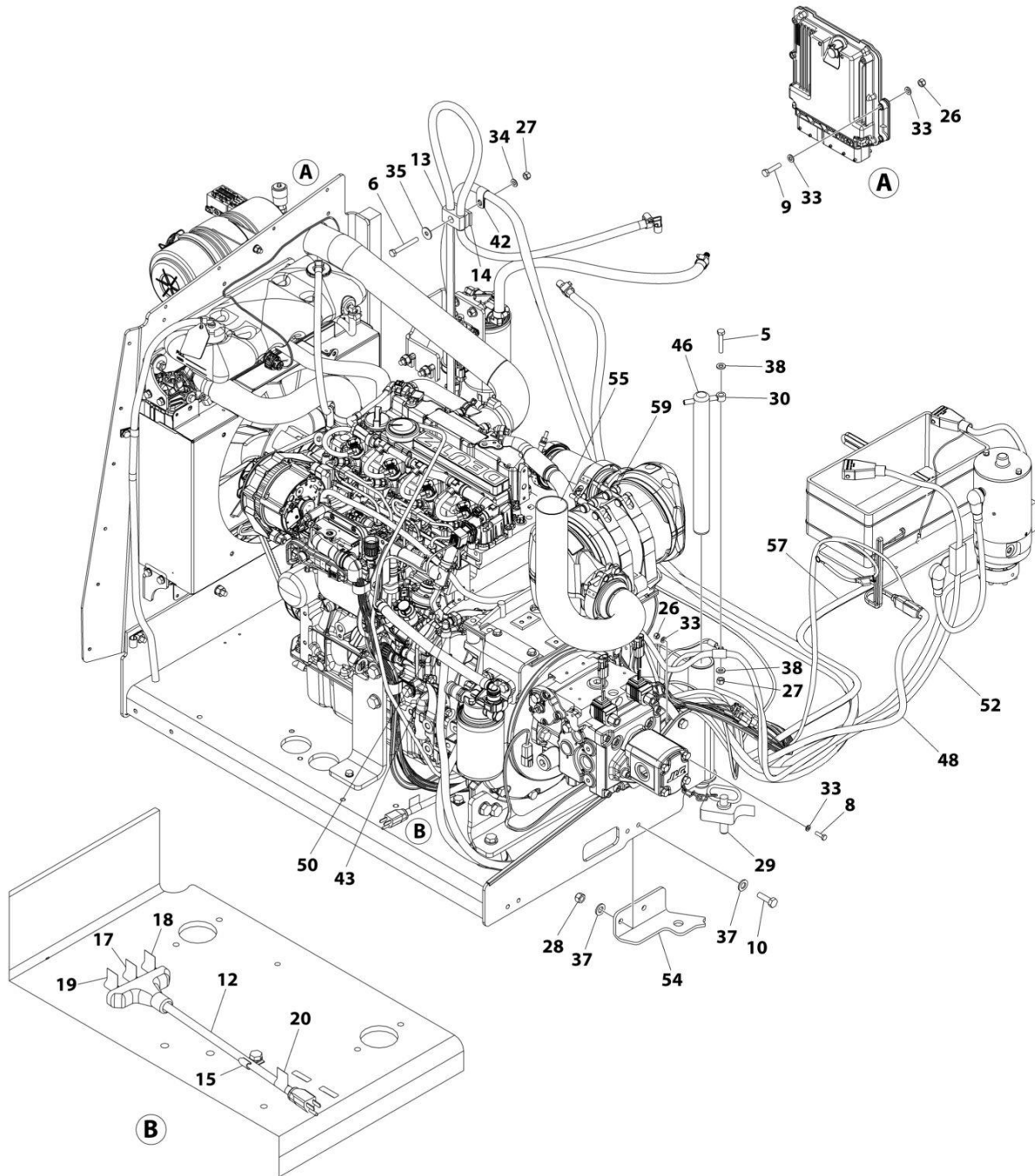
ITEM	PART NUMBER	QTY	DESCRIPTION	REV
49	4812200	6	Washer M14	
50	5241200	3	Washer M12	
51	5250810	2	Bolt M8 x 20	
52	8405007	2	Clamp	
53	8405009	5	Clamp	
54	8405104	4	Clamp	
55	8405202	1	Clamp	
56	8405204	1	Clamp	
57	8406109	1	Clip	
58	8406110	1	Clip	
59	8406201	1	Clip	
60	1001117308	1	Relay, 200Amp	
60	3300220	2	Nut	
60	3321001	2	Nut #10	
60	4761000	2	Washer #10	
60	100111424	2	Washer	
61	1001118878	1	Bolt M6 x 55	
62	1001136834	1	Cap, Tank	
63	1001138228	1	Relay, Power Module	
63	70023592	1	Fuse 20AMP	
63	70023593	1	Fuse 30AMP	
64	1001138248	4 ft/1 m	Hose	
65	1001139240	1	Bracket	
66	1001141304	1	Harness, Glow Fuse	
67	1001141694	1	Clamp	
68	1001143390	1	Indicator	
69	1001143797	1	Fitting, Pipe Straight	
70	1001144116	1	Spacer, Fan	
71	1001152489	1	Fitting, Pipe 90	
72	1001165388	1	Filter, Air Cleaner	
73	1001165405	1	Hose	
74	1001165406	1	Hose	
75	1001165721	1	Hose	
76	1001165722	1	Radiator	
77	1001165849	1	Fan	
78	1001166718	3	Isolator	
79	1001166921	1	Plate	
80	1001166924	1	Plate	
81	1001167520	1	Support	
82	1001168018	3	Washer, Special	
83	1001168026	1	Plate	
84	1001168099	1	Hose	
85	1001168166	2	Seal	
86	1001169054	4	Isolator, Radiator	
87	1001169138	4	Pad	
88	1001169967	2	Bracket	
89	1001170035	2	Bracket	
90	1001177359	1	Hose	
91	1001178788	1	Cable, Alternator	
92	1001178876	1	Mount	
93	1001179903	1	Bracket	

SECTION 3 - ENGINE

ITEM	PART NUMBER	QTY	DESCRIPTION	REV
94	1001180620	AR	Adhesive	
95	1001191620	1	Clamp	
96	1001230635	1	Tank, Surge Assembly (Includes Items 96A-96D)	
96A	0100020	AR	Sealant, Pipe	
96B	1001134488	1	Fitting, Barbed	
96C	1001138827	1	Sensor, Coolant Level	
96D	1001140564	1	Fitting, Barbed 90	
97	1001235949	1	Bracket Assembly Fuel Pump/Filter (Not Shown - See Separate Breakdown in this Section)	
98	1001260412	1	Bracket	
99	1001260420	1	Bracket	
100	1001276643	1	Engine Harness (See Separate Breakdown in ELECTRICAL Section)	
101	1001281985	1	Connector	
102	1001281986	1	Connector	
103	1001291401	1	Tag, Coolant	
104	1001302954	1	Engine, Deutz D2.9L4 ERM5 (See Separate Breakdown in this Section)	

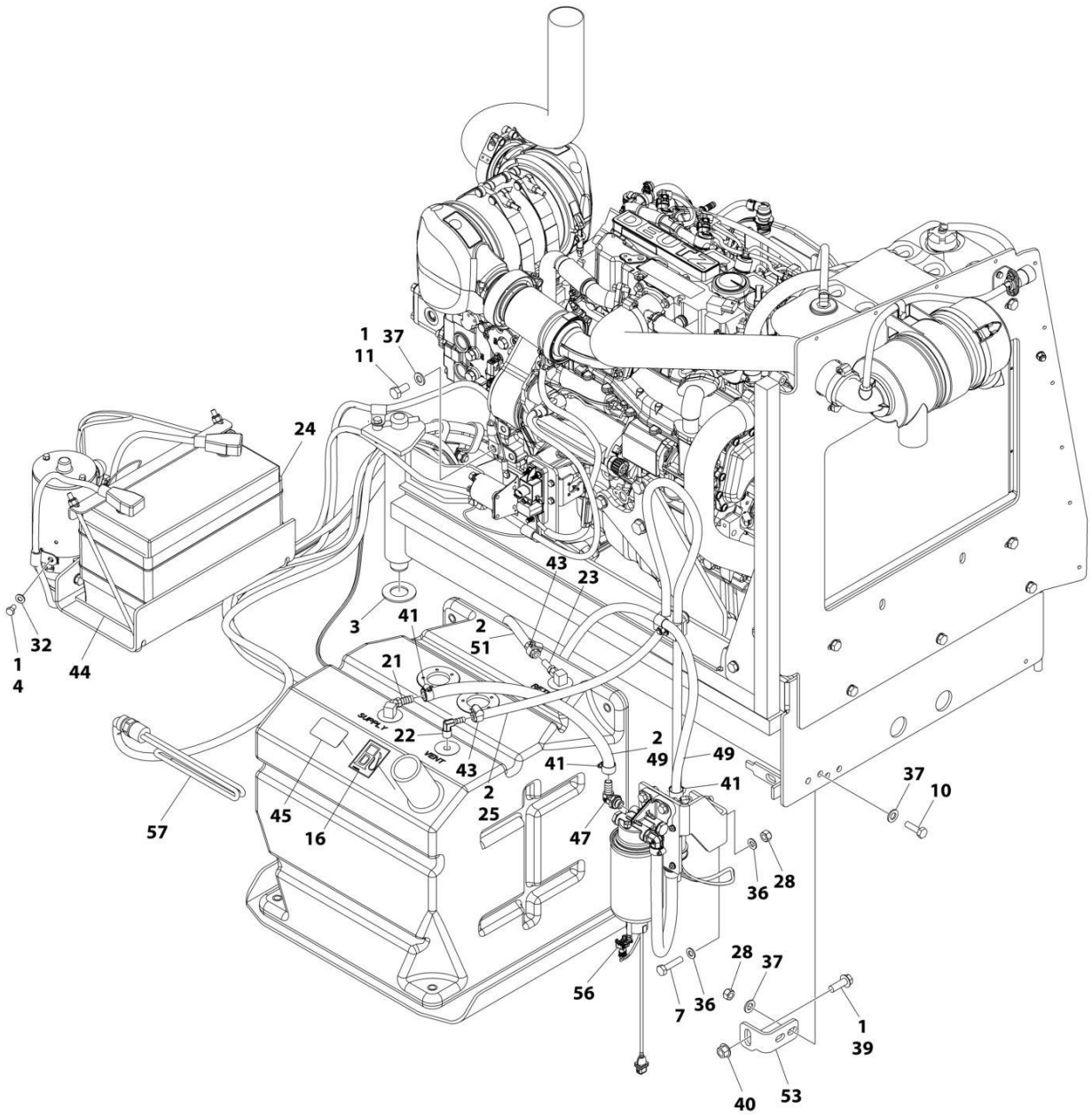
SECTION 3 - ENGINE

FIGURE 3-11. ENGINE INSTALLATION - DEUTZ D2.9L4 ERM5 ENGINE (WITH ARCTIC PACKAGE) (ANSI AND CSA SPECS)



ART_1001302973_10F2

SECTION 3 - ENGINE



ART_1001302973_2OF2

SECTION 3 - ENGINE

**FIGURE 3-11. ENGINE INSTALLATION - DEUTZ D2.9L4 ERM5 ENGINE (WITH ARCTIC PACKAGE)
(ANSI AND CSA SPECS)**

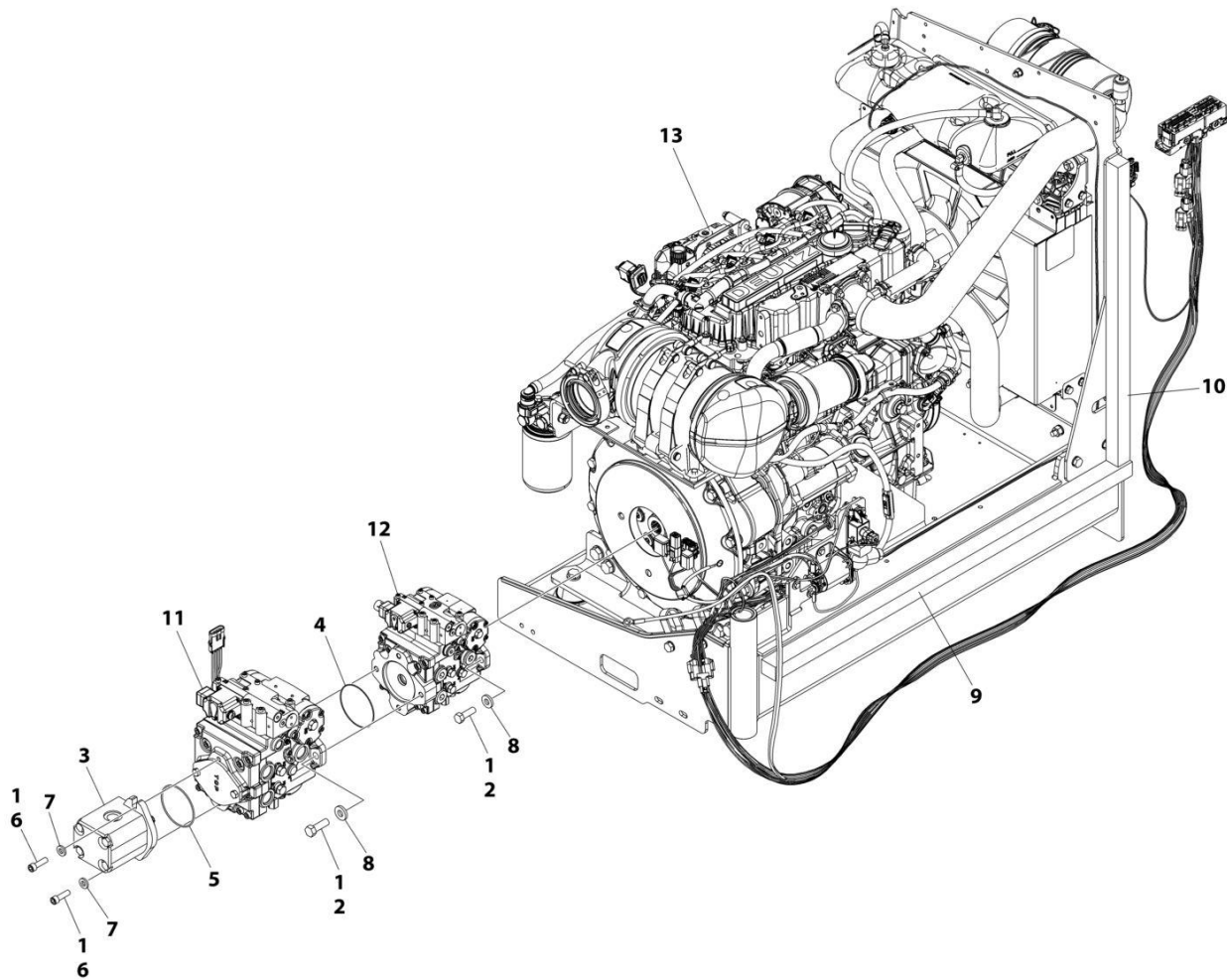
ITEM	PART NUMBER	QTY	DESCRIPTION	REV
	1001302973	Ref	ENGINE INSTALLATION - DEUTZ D2.9L4 ERM5 ENGINE	A
1	0100011	AR	Compound, Locking	
2	0100020	AR	Sealant, Pipe	
3	0440162	1	Bearing	
4	0641504	1	Bolt 5/16 x 1/2	
5	0700817	1	Bolt M8 x 45	
6	0700821	1	Bolt M8 x 65	
7	0701017	2	Bolt M10 x 45	
8	0760610	1	Bolt M6 x 20	
9	0760613	4	Bolt M6 x 28	
10	0761015	5	Bolt M10 x 35	
11	0771212	1	Bolt M12 x 25	
12	1060626	1	Cord, 3-Way Extension	
13	1320187	1	Clamp	
14	1320190	1	Clamp	
15	1320223	1	Clamp	
16	1701505	2	Decal - Diesel	
17	1702941	1	Decal - Battery Heater	
18	1702942	1	Decal - Engine Block Heater	
19	1702943	1	Decal - Hydraulic Tank Heater	
20	1702944	1	Decal - Heater Cord	
21	2180832	1	Fitting, Barbed	
22	2220313	1	Fitting, Barbed 90	
23	2220767	1	Fitting, Barbed	
24	2580024	1	Heater, Battery	
25	2750532	6 ft /2 m	Hose	
26	3290605	5	Nut M6	
27	3290805	2	Nut M8	
28	3291005	7	Nut M10	
29	3422532	1	Pin	
30	3841143	1	Keeper, Pin	
31	4240099	AR	Tie-Strap (Not Shown)	
32	4711500	1	Washer 5/16	
33	4811700	10	Washer M6	
34	4811900	2	Washer M8	
35	4811902	1	Washer M8	
36	4812000	6	Washer M10	
37	4812100	9	Washer M12	
38	5240800	2	Washer M8	
39	5251215	1	Bolt M12 x 35	
40	5261200	1	Nut M12	
41	8405006	3	Clamp	
42	8406101	1	Clip	
43	8410013	4	Clamp	
44	1001119278	1	Insulator, Battery	
45	1001125387	1	Decal - Ultra Low Sulfur	
46	1001135196	1	Pin	
47	1001142501	1	Fitting, Barbed 90	
48	1001150918	1	Cable, Extension Cord	

SECTION 3 - ENGINE

ITEM	PART NUMBER	QTY	DESCRIPTION	REV
49	1001154405	2.5 ft/1 m	Hose	
50	1001155823	1	Coupling, Quick Disconnect 90	
51	1001165035	21 ft /6 m	Hose	
52	1001166970	1	Battery and Auxiliary Power Pump Cable Kit	E
52	70009006	1	Cable, Battery (Black) (Battery to Ground)	
52	70009002	1	Cable, Battery (Red) (Auxiliary Power Relay to Auxiliary Power Pump)	
52	70009007	1	Cable, Battery (Red) (Battery to Auxiliary Power Relay)	
53	1001167512	1	Bracket	
54	1001169823	1	Plate	
55	1001172594	1	Pipe, Exhaust	
56	1001173342	1	Fuel Pump Harness (See Separate Breakdown in ELECTRICAL Section)	
57	1001188972	1	Heater, Immersion	
58	1001233763	1	Deutz Breather Heater Installation (Not Shown - See Separate Breakdown in this Section)	
59	1001302964	1	Engine and Pump Sub-Assembly - Deutz D2.9L4 ERM5 Engine (See Separate Breakdown in this Section)	

SECTION 3 - ENGINE

FIGURE 3-12. ENGINE AND PUMP SUB-ASSEMBLY - DEUTZ D2.9L4 ERM5 ENGINE (WITH ARCTIC PACKAGE) (ANSI, ANSI EXPORT AND CSA SPECS)



ART_1001302964

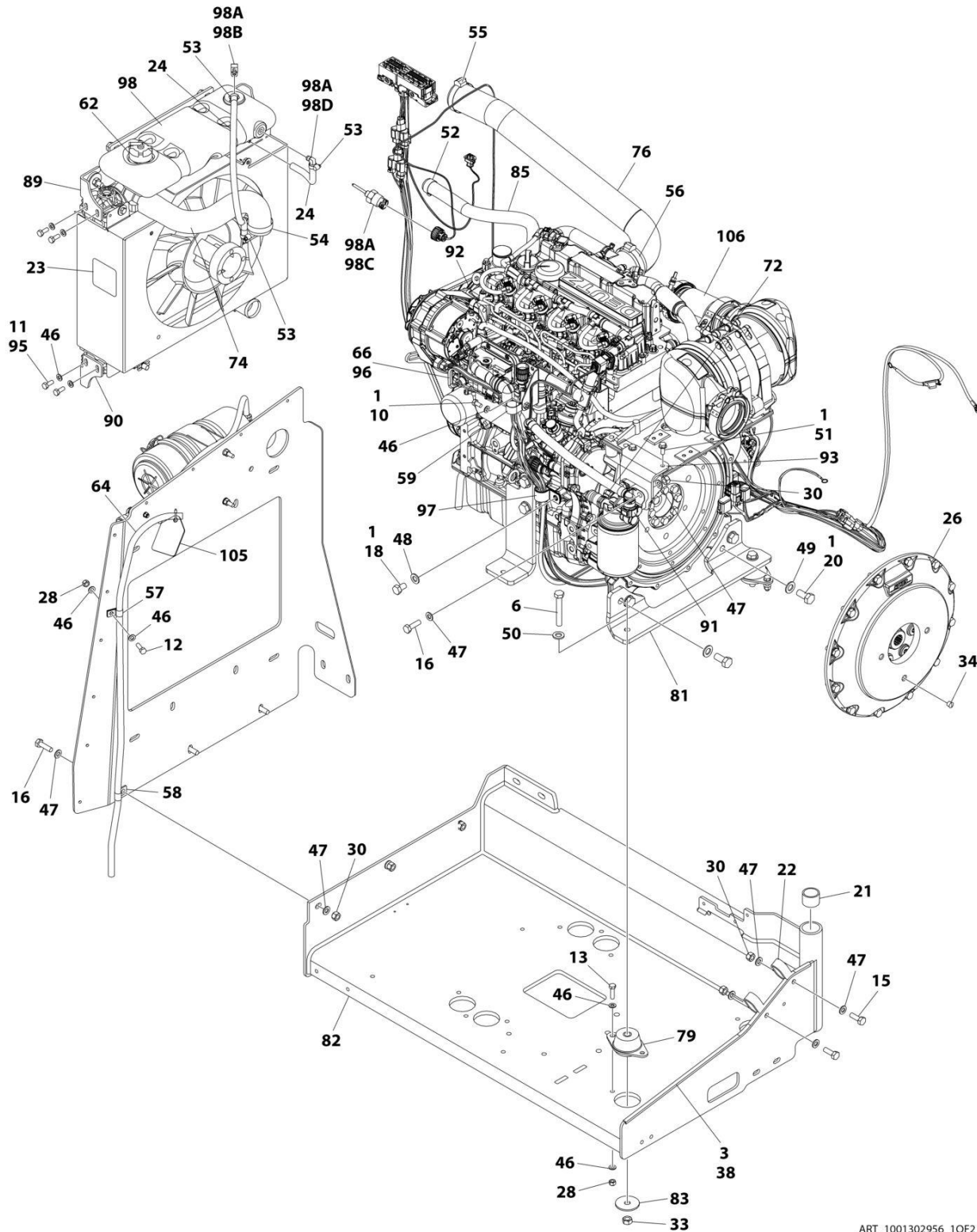
SECTION 3 - ENGINE

FIGURE 3-12. ENGINE AND PUMP SUB-ASSEMBLY - DEUTZ D2.9L4 ERM5 ENGINE (WITH ARCTIC PACKAGE) (ANSI, ANSI EXPORT AND CSA SPECS)

ITEM	PART NUMBER	QTY	DESCRIPTION	REV
	1001302964	Ref	ENGINE AND PUMP SUB-ASSEMBLY - DEUTZ D2.9L4 ERM5 ENGINE	A
1	0100011	AR	Compound, Locking	
2	0641812	4	Bolt 1/2 x 1-1/2	
3	3600242	1	Gear Pump Assembly	
3	70006356	1	Seal Kit - 1001214207 Pump	
4	3790045	1	O-Ring	
5	3790152	1	O-Ring	
6	3931620	2	Capscrew 3/8 x 1-1/4	
7	4891600	2	Washer 3/8	
8	4891800	4	Washer 1/2	
9	1001171953	1	Seal	
10	1001171954	1	Seal	
11	1001189236	1	Piston Pump Assembly (Rear) (See Separate Breakdown in this Section)	
12	1001189237	1	Piston Pump Assembly (Front) (See Separate Breakdown in this Section)	
13	1001302956	1	Engine Assembly - Deutz D2.9L4 ERM5 Engine (Without Arctic Package) (See Separate Breakdown in this Section)	

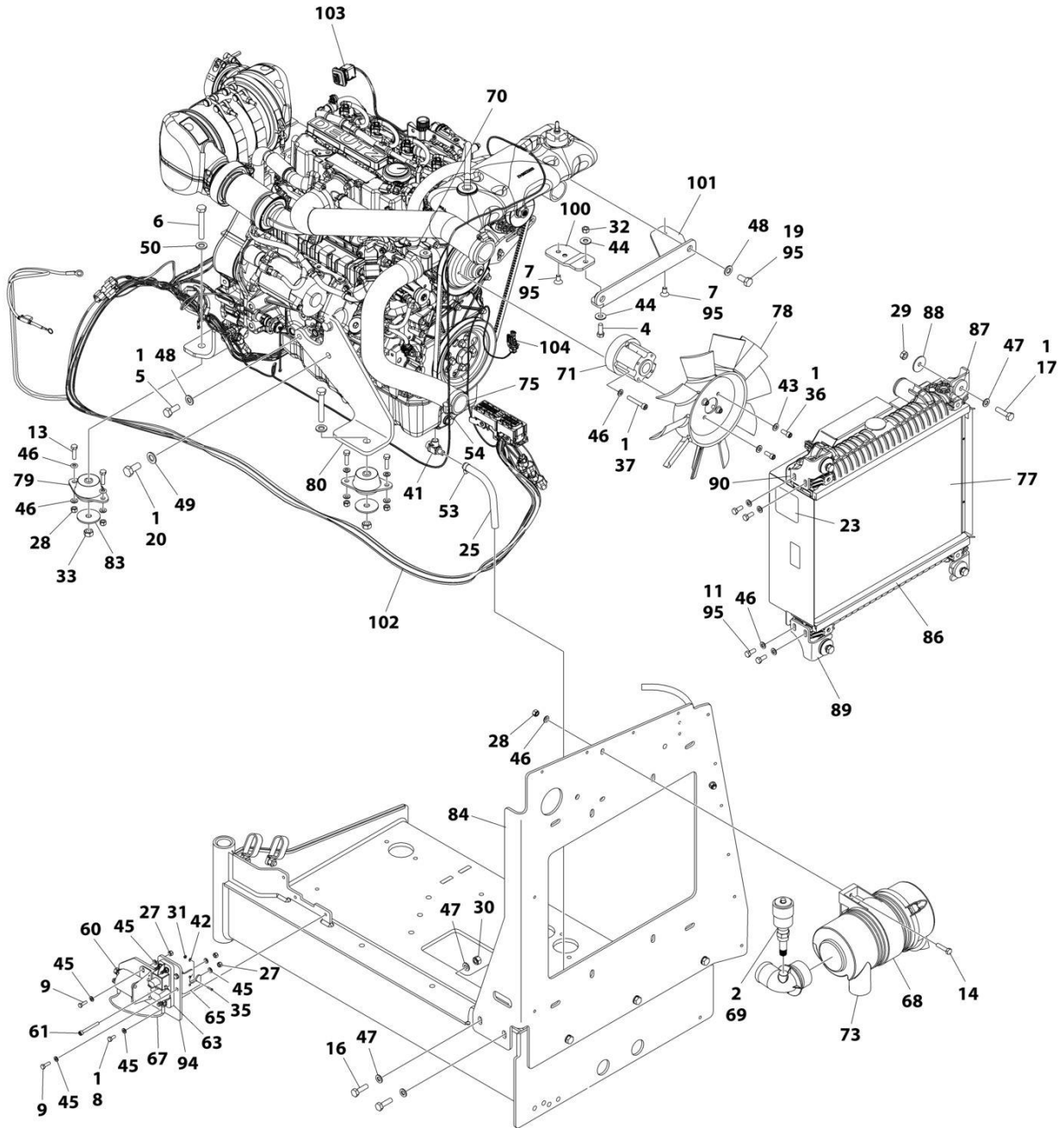
SECTION 3 - ENGINE

FIGURE 3-13. ENGINE ASSEMBLY - DEUTZ D2.9L4 ERM5 ENGINE (WITH ARCTIC PACKAGE) (ANSI AND CSA SPECS)



ART_1001302956_10F2

SECTION 3 - ENGINE



ART_1001302956_20F2

SECTION 3 - ENGINE

FIGURE 3-13. ENGINE ASSEMBLY - DEUTZ D2.9L4 ERM5 ENGINE (WITH ARCTIC PACKAGE) (ANSI AND CSA SPECS)

ITEM	PART NUMBER	QTY	DESCRIPTION	REV
	1001302956	Ref	ENGINE ASSEMBLY - DEUTZ D2.9L4 ERM5 ENGINE	A
1	0100011	AR	Compound, Locking	
2	0100020	AR	Sealant, Pipe	
3	0100081	AR	Adhesive	
4	0681608	1	Bolt 3/8 x 1	
5	0711214	1	Bolt M12 x 30	
6	0711224	3	Bolt M12 x 80	
7	0741606	2	Screw 3/8 x 3/4	
8	0760607	3	Bolt M6 x 14	
9	0760610	4	Bolt M6 x 20	
10	0760808	1	Bolt M8 x 16	
11	0760810	8	Bolt M8 x 20	
12	0760812	1	Bolt M8 x 25	
13	0760814	6	Bolt M8 x 30	
14	0760815	2	Bolt M8 x 35	
15	0761014	2	Bolt M10 x 30	
16	0761015	7	Bolt M10 x 35	
17	0761016	4	Bolt M10 x 40	
18	0761210	1	Bolt M12 x 20	
19	0761212	2	Bolt M12 x 25	
20	0771414	6	Bolt M14 x 30	
21	0961951	2	Bushing	
22	1321716	2	Clamp	
23	1703162	2	Decal - Caution Fan	
24	2720015	2 ft/1 m	Hose	
25	2720340	8 in/20 cm	Hose	
26	2902065	1	Pump Coupling Kit (See Separate Breakdown in this Section)	
27	3290605	5	Nut M6	
28	3290805	9	Nut M8	
29	3291001	4	Nut M10	
30	3291005	9	Nut M10	
31	3310401	3	Nut #4	
32	3311605	1	Nut 3/8	
33	3331215	3	Nut M12	
34	3520054	1	Plug	
35	3910408	3	Screw #4 x 1/2	
36	3931512	4	Capscrew 5/16 x 3/4	
37	4031914	4	Bolt M8 x 50	
38	4060805	3 ft/1 m	Flex-Trim	
39	4240032	AR	Tie-Strap (Not Shown)	
40	4240099	AR	Tie-Strap (Not Shown)	
41	4640751	1	Valve, Oil Drain	
42	4710400	3	Washer #4	
43	4711500	4	Washer 5/16	
44	4751600	2	Washer 3/8	
45	4811702	12	Washer M6	
46	4811900	31	Washer M8	
47	4812000	22	Washer M10	
48	4812100	4	Washer M12	

SECTION 3 - ENGINE

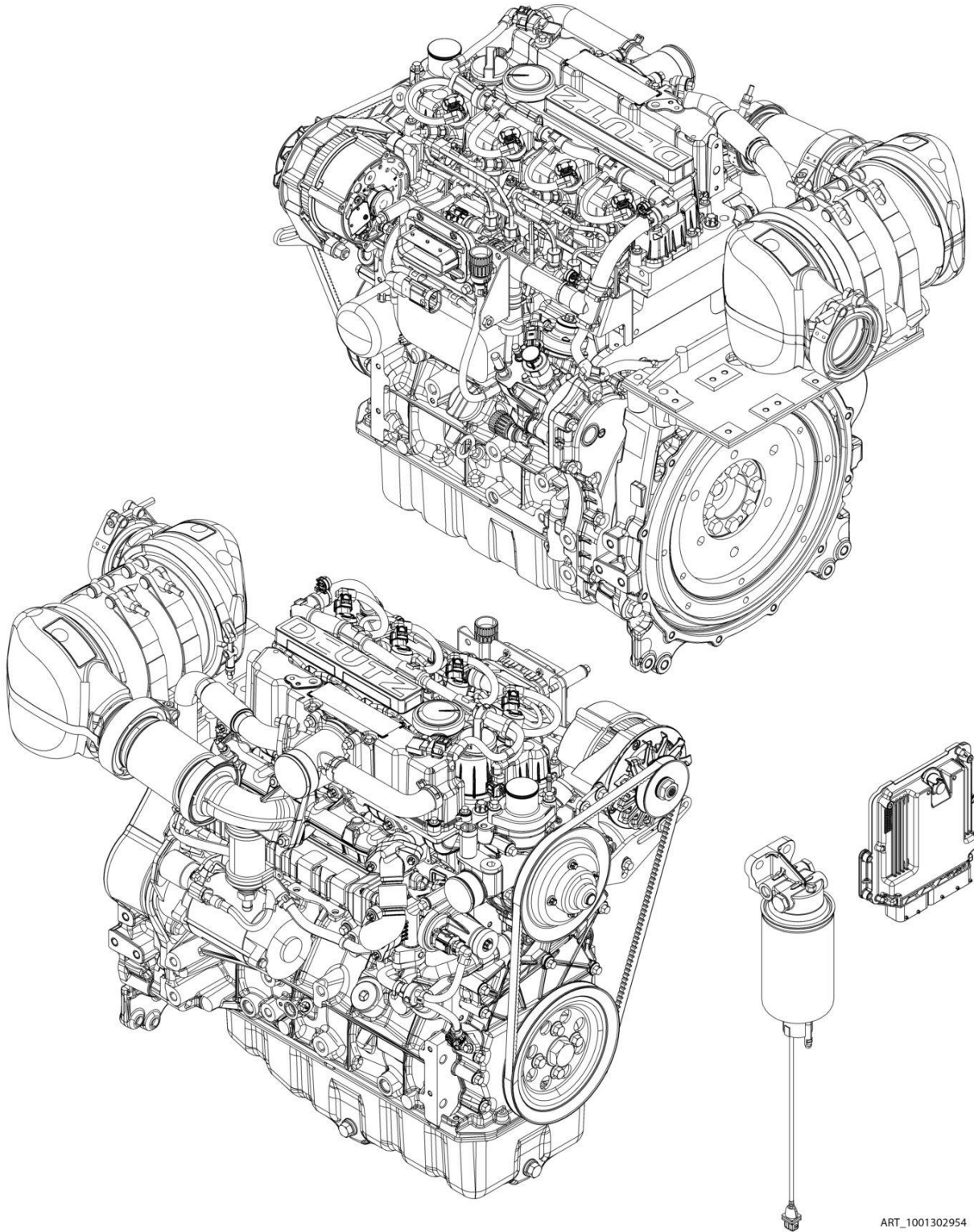
ITEM	PART NUMBER	QTY	DESCRIPTION	REV
49	4812200	6	Washer M14	
50	5241200	3	Washer M12	
51	5250810	2	Bolt M8 x 20	
52	8405007	2	Clamp	
53	8405009	5	Clamp	
54	8405104	4	Clamp	
55	8405202	1	Clamp	
56	8405204	1	Clamp	
57	8406109	1	Clip	
58	8406110	1	Clip	
59	8406201	1	Clip	
60	1001117308	1	Relay, 200Amp	
60	3300220	2	Nut	
60	3321001	2	Nut #10	
60	4761000	2	Washer #10	
60	100111424	2	Washer	
61	1001118878	1	Bolt M6 x 55	
62	1001136834	1	Cap, Tank	
63	1001138228	1	Relay, Power Module	
63	70023592	1	Fuse 20AMP	
63	70023593	1	Fuse 30AMP	
64	1001138248	4 ft/1 m	Hose	
65	1001139240	1	Bracket	
66	1001140312	1	Heater, Engine Block	
67	1001141304	1	Wire, Glow Fuse	
68	1001141694	1	Clamp	
69	1001143390	1	Indicator	
70	1001143797	1	Fitting, Pipe Straight	
71	1001144116	1	Spacer, Fan	
72	1001152489	1	Fitting, Pipe 90	
73	1001165388	1	Filter, Air Cleaner	
74	1001165405	1	Hose	
75	1001165406	1	Hose	
76	1001165721	1	Hose	
77	1001165722	1	Radiator	
78	1001165849	1	Fan	
79	1001166718	3	Isolator	
80	1001166921	1	Plate	
81	1001166924	1	Plate	
82	1001167520	1	Support	
83	1001168018	3	Washer, Special	
84	1001168026	1	Plate	
85	1001168099	1	Hose	
86	1001168166	2	Seal	
87	1001169054	4	Isolator, Radiator	
88	1001169138	4	Pad	
89	1001169967	2	Bracket	
90	1001170035	2	Bracket	
91	1001177359	1	Hose	
92	1001178788	1	Cable, Alternator	
93	1001178876	1	Mount	

SECTION 3 - ENGINE

ITEM	PART NUMBER	QTY	DESCRIPTION	REV
94	1001179903	1	Bracket	
95	1001180620	AR	Adhesive	
96	1001181895	AR	Adhesive	
97	1001191620	1	Clamp	
98	1001230635	1	Tank, Surge Assembly (Includes Items 96A-96D)	
98A	0100020	AR	Sealant, Pipe	
98B	1001134488	1	Fitting, Barbed	
98C	1001138827	1	Sensor, Coolant Level	
98D	1001140564	1	Fitting, Barbed 90	
99	1001235949	1	Bracket Assembly Fuel Pump/Filter (Not Shown - See Separate Breakdown in this Section)	
100	1001260412	1	Bracket	
101	1001260420	1	Bracket	
102	1001276643	1	Engine Harness (See Separate Breakdown in ELECTRICAL Section)	
103	1001281985	1	Connector	
104	1001281986	1	Connector	
105	1001291401	1	Tag, Coolant	
106	1001302954	1	Engine, Deutz D2.9L4 ERM5 (See Separate Breakdown in this Section)	

SECTION 3 - ENGINE

FIGURE 3-14. ENGINE COMPONENTS - DEUTZ D2.9L4 ERM5 ENGINE (ANSI, ANSI EXPORT AND CSA SPECS)



ART_1001302954

SECTION 3 - ENGINE

FIGURE 3-14. ENGINE COMPONENTS - DEUTZ D2.9L4 ERM5 ENGINE (ANSI, ANSI EXPORT AND CSA SPECS)

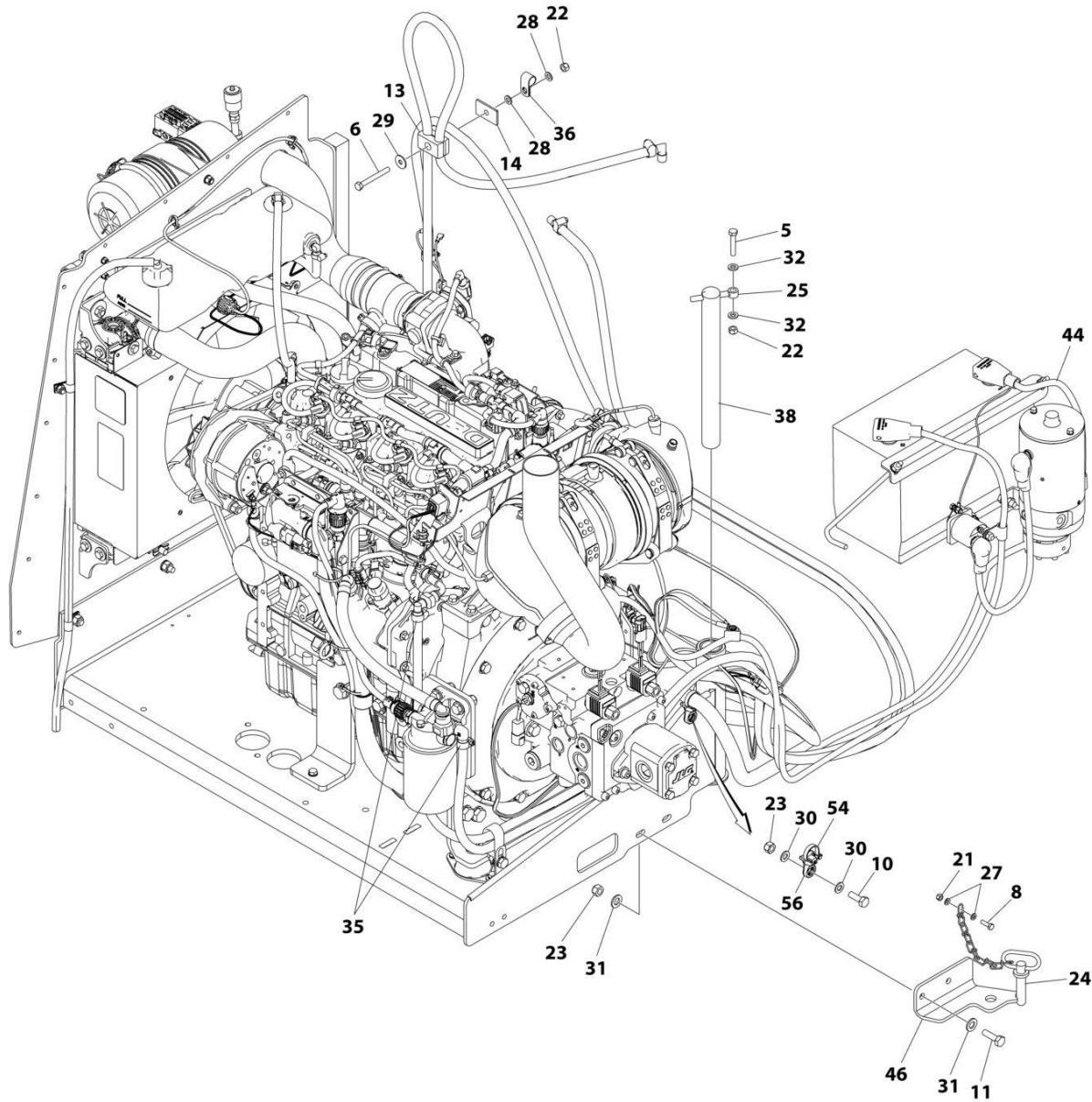
ITEM	PART NUMBER	QTY	DESCRIPTION	REV
	1001302954	Ref	ENGINE COMPONENTS - DEUTZ D2.9L4 ERM5 ENGINE	A
	See Note	Ref	Note: Contact JLG Customer Service for availability for addition components.	
		Ref	AIR INTAKE SYSTEM	
	70005180	1	Breather Line	
	70005182	1	Charge Air Elbow	
		Ref	COOLING SYSTEM COMPONENTS	
	70030360	1	Pump, Coolant	
	70007603	1	Thermostat	
		Ref	ELECTRICAL COMPONENT	
	70031144	1	Starter	
	NPN	1	Generator	
	70024507	1	Sensor, Pressure (Air Intake)	
	70026210	1	Sensor, Speed	
	70025231	1	Harness, Glow Plug	
	70024919	1	Sensor, Fuel Filter	
	70024504	1	Sensor, Pressure	
	70028540	1	Transmitter, Temperature	
	70029512	1	Module, Engine Control	
	70031143	1	Regulator, Voltage	
		Ref	EXHAUST COMPONENT	
	70004282	1	Exhaust Manifold	
	70031136	1	Pipe, Exhaust	
	70012257	1	Valve, Exhaust	
	70004508	1	Valve, Volume Control	
		Ref	FUEL SYSTEM COMPONENT	
	70030381	1	Pump, High Pressure	
	70004281	1	Injector, Fuel	
	NPN	1	Pump, Fuel Supply (Includes qty 2 Clamps)	
	70024961	1	Filter, Fuel	
	1001225430	1	Filter, Fuel (Pre-Filter)	
	70024513	1	Cable, Sensor	
	70025239	1	Seal	
	70029451	1	Filter, Fuel	
	1001225431	1	Filter, Fuel (Spin-On)	
	70024502	1	Pipe, Fuel	
		Ref	GASKET AND SEAL COMPONENT	
	70024905	2	Seal, Dipstick	
	70005942	1	Seal, Oil Plug	
	70005171	1	Gasket, Valve Cover	
	70024906	1	Gasket, Head	
	70002718	1	Seal, Rear Main	
	70005177	1	Gasket, Charge Air Housing	
	70005184	1	O-Ring, Thermostat	
	70005931	1	Seal, Thermostat	
	70025164	1	Gasket, Exhaust Manifold to Head	
	70007326	1	Gasket, EGR Valve	
	70031095	1	Gasket, Exhaust Return Pipe	
	70007354	1	Gasket, Short Exhaust Pipe	

SECTION 3 - ENGINE

ITEM	PART NUMBER	QTY	DESCRIPTION	REV
		Ref	OTHER COMPONENT	
	70001870	1	Flywheel (Includes Ring Gear)	
	7024579	1	Gear, Ring	
		Ref	OIL LUBE SYSTEM	
	70024904	1	Dipstick	
	70024905	1	Cap, Oil Fill	
	70005941	1	Plug, Oil	
	70005172	1	Pump, Oil Lube	
	7016331	1	Filter, Oil	
	70024494	1	Oil Cooler	

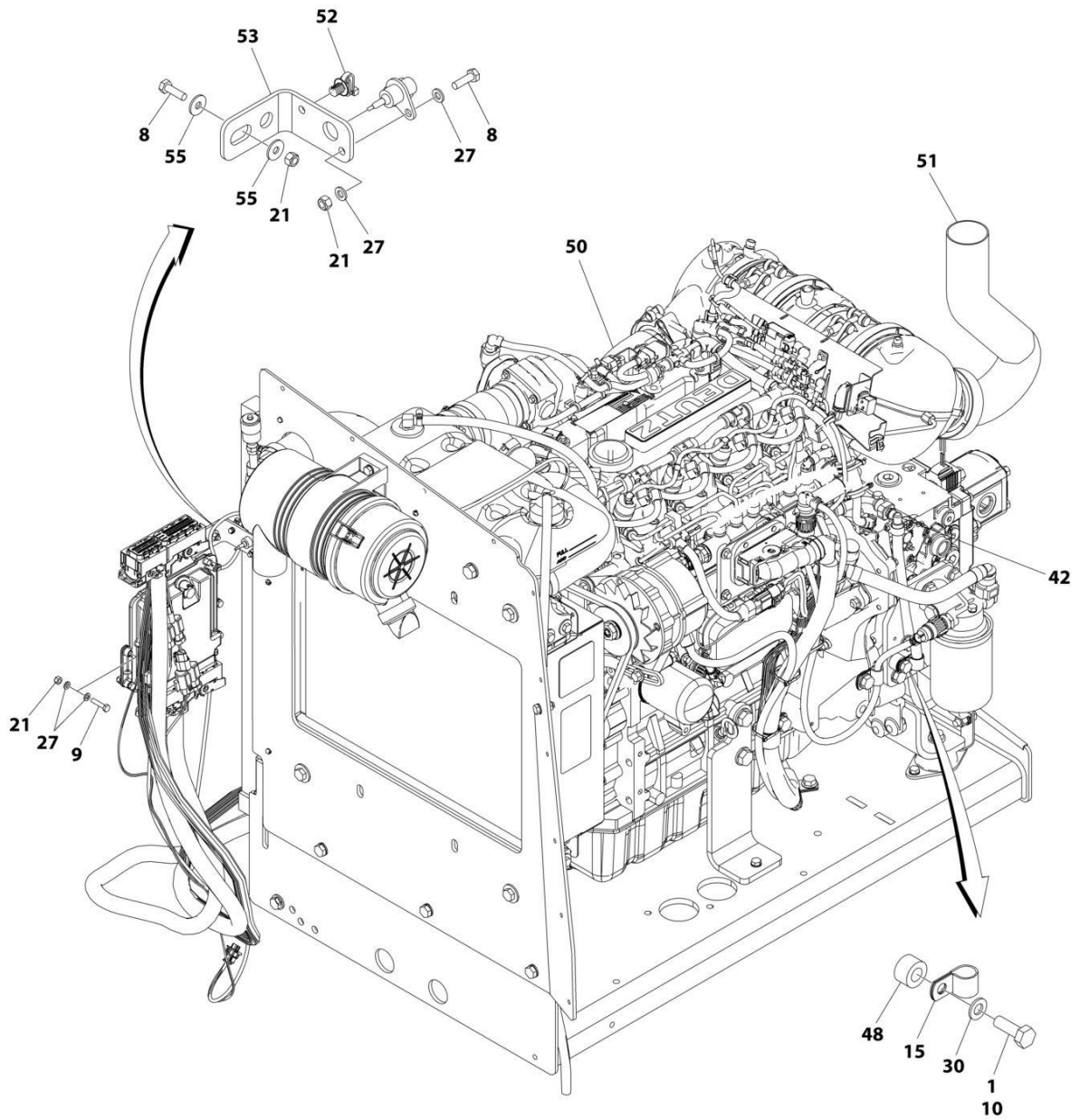
SECTION 3 - ENGINE

FIGURE 3-15. DEUTZ D2.9L4 (STAGE V) ENGINE INSTALLATION



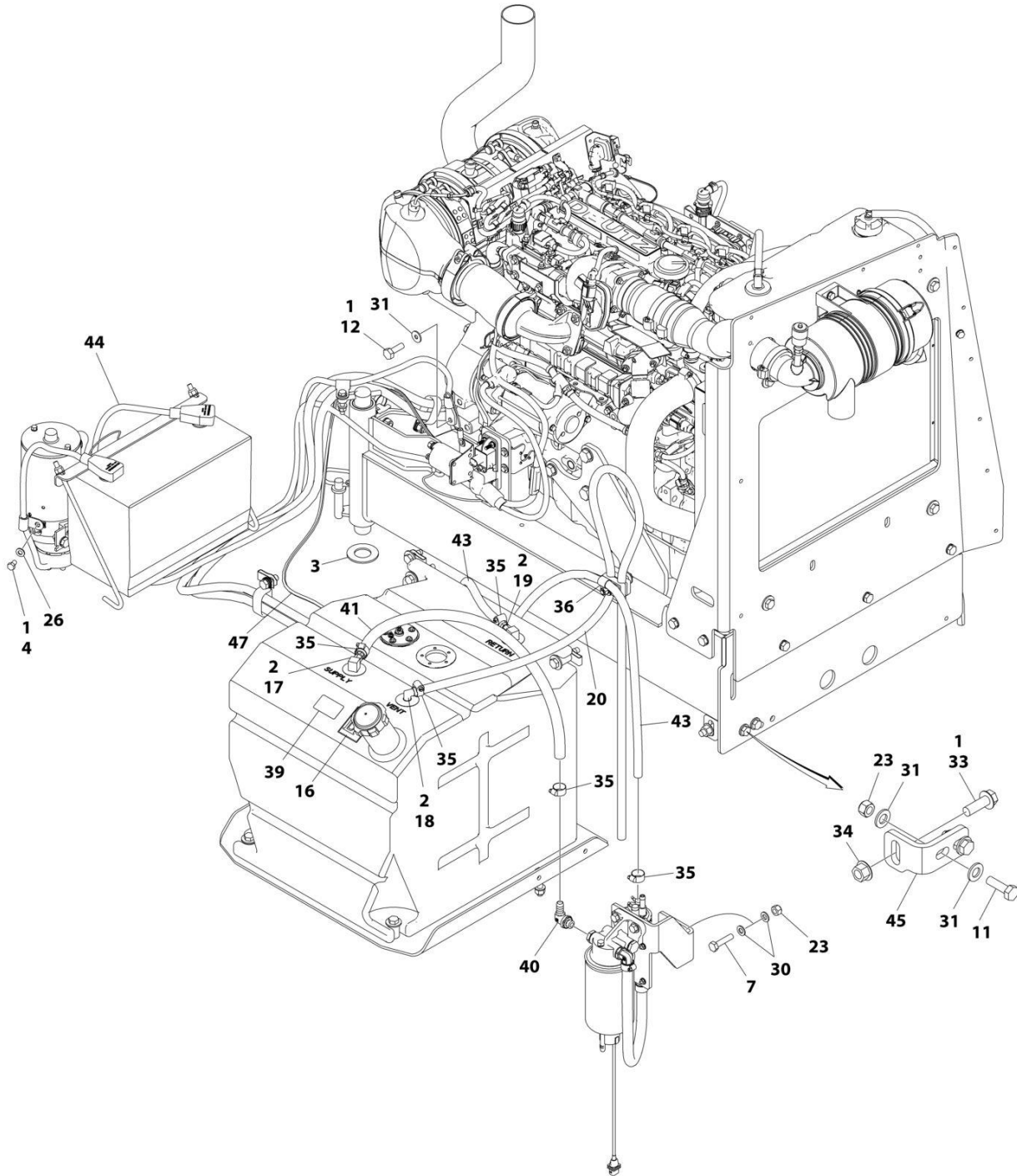
ART_1001244283_H_10F3

SECTION 3 - ENGINE



ART_1001244283_H_20F3

SECTION 3 - ENGINE



ART_1001244283_H_30F3

SECTION 3 - ENGINE

FIGURE 3-15. DEUTZ D2.9L4 (STAGE V) ENGINE INSTALLATION

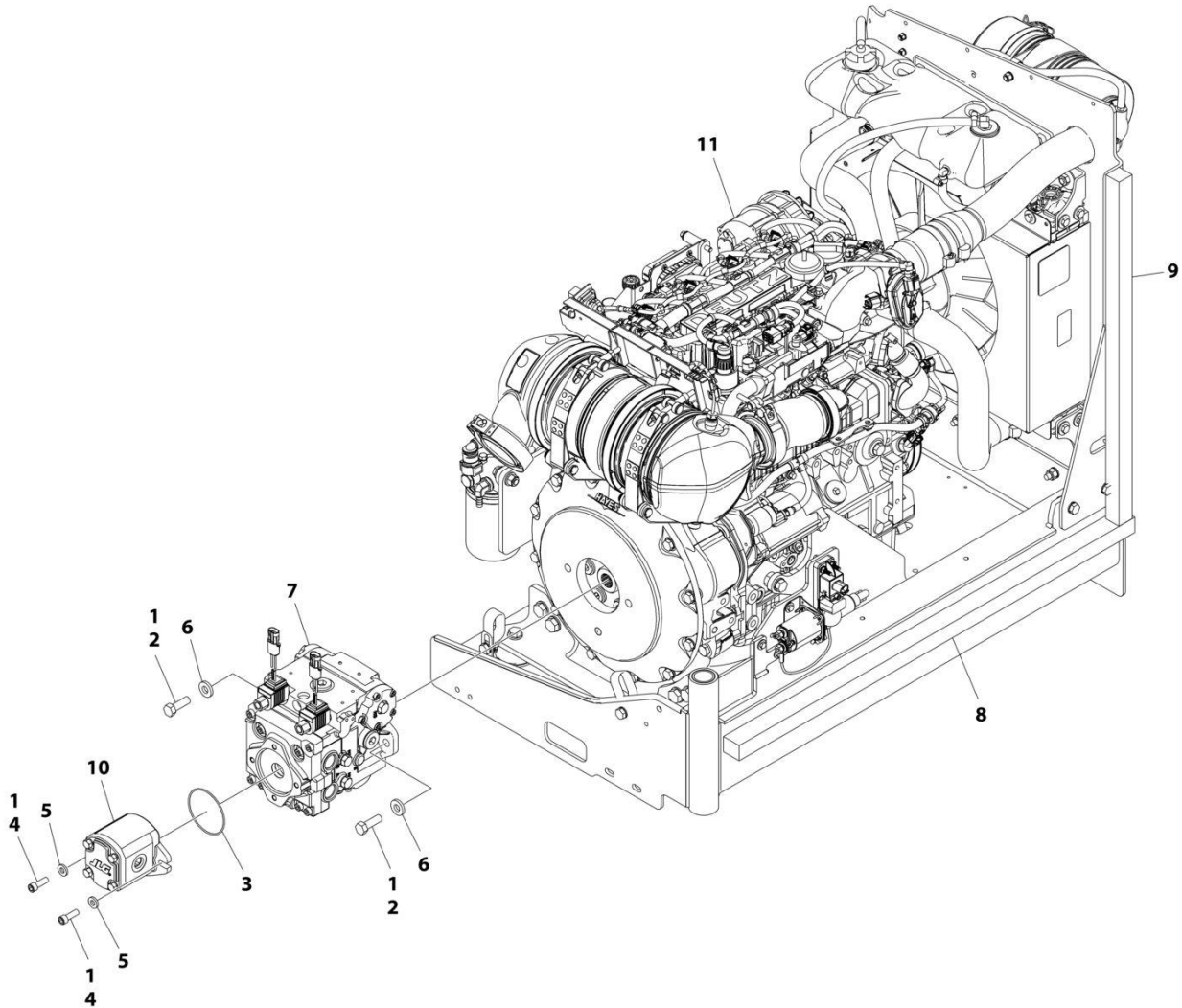
ITEM	PART NUMBER	QTY	DESCRIPTION	REV
	1001244283	Ref	ENGINE INSTALLATION - DEUTZ STAGE V ENGINE	H
1	0100011	AR	Compound, Locking	
2	0100020	1	Sealant, Pipe	
3	0440162	1	Bearing	
4	0641504	1	Bolt 5/16 x 1/2	
5	0700817	1	Bolt M8 x 45	
6	0700822	1	Bolt M8 x 70	
7	0701017	2	Bolt M10 x 45	
8	0760610	4	Bolt M6 x 20	
9	0760613	4	Bolt M6 x 28	
10	0761014	4	Bolt M10 x 30	
11	0761015	2	Bolt M10 x 35	
12	0771212	1	Bolt M12 x 25	
13	1320187	1	Clamp	
14	1320190	1	Clamp	
15	1320061	1	Clamp	
16	1701505	1	Decal - Diesel Fuel	
17	2180832	1	Fitting, Barbed	
18	2220313	1	Fitting, Barbed 90 3/8 NPTF / 3/8	
19	8430007	AR	Coupling	
20	2750532	5.5 ft /1.69m	Hose	
21	3290605	8	Nut M6	
22	3290805	2	Nut M8	
23	3291005	7	Nut M10	
24	3422532	1	Pin	
25	3841143	1	Keeper, Pin	
26	4711500	1	Washer, 5/16	
27	4811700	12	Washer, M6	
28	4811900	2	Washer, M8	
29	4811902	1	Washer, M8	
30	4812000	7	Washer, M10	
31	4812100	9	Washer, M12	
32	5240800	2	Washer, M8 Hardened	
33	5251215	1	Bolt M12 x 35	
34	5261200	1	Nut, Flange M12 Class10	
35	8405006	7	Clamp	
36	8406101	1	Clip	
38	1001135196	1	Pin	
39	1001139654	1	Decal, Ultra Low Sulfur Fuel	
40	1001142501	1	Fitting, Barbed 90	
41	1001154405	2.29 ft /0.70m	Hose	
42	1001155823	1	Coupling, Quick Disconnect 90	
43	1001165035	21.06 ft /6.42m	Hose	
44	1001166970	1	Battery and Auxiliary Power Pump Cable Kit	
45	1001167512	1	Bracket, Engine Tray	
46	1001169823	1	Plate, Engine Lock	

SECTION 3 - ENGINE

ITEM	PART NUMBER	QTY	DESCRIPTION	REV
47	1001173342	1	Harness, Fuel Pump (See Separate Breakdown in ELECTRICAL Section)	
48	1001220266	1	Bar, Spacer M12 x 12	
50	1001277600	1	Engine Assy, Deutz Stage V W/Pumps (See Separate Breakdown in this Section)	
51	1001245305	1	Pipe, Exhaust	
52	1001146588	2	Strap	
53	1001256879	1	Bracket	
54	1062255	AR	Tie-Strap (Not Shown)	
55	4811702	4	Washer M6	
56	1001156107	1	Holder	

SECTION 3 - ENGINE

FIGURE 3-16. DEUTZ D2.9L4 (STAGE V) ENGINE AND PUMP SUB-ASSEMBLY



ART_1001277600

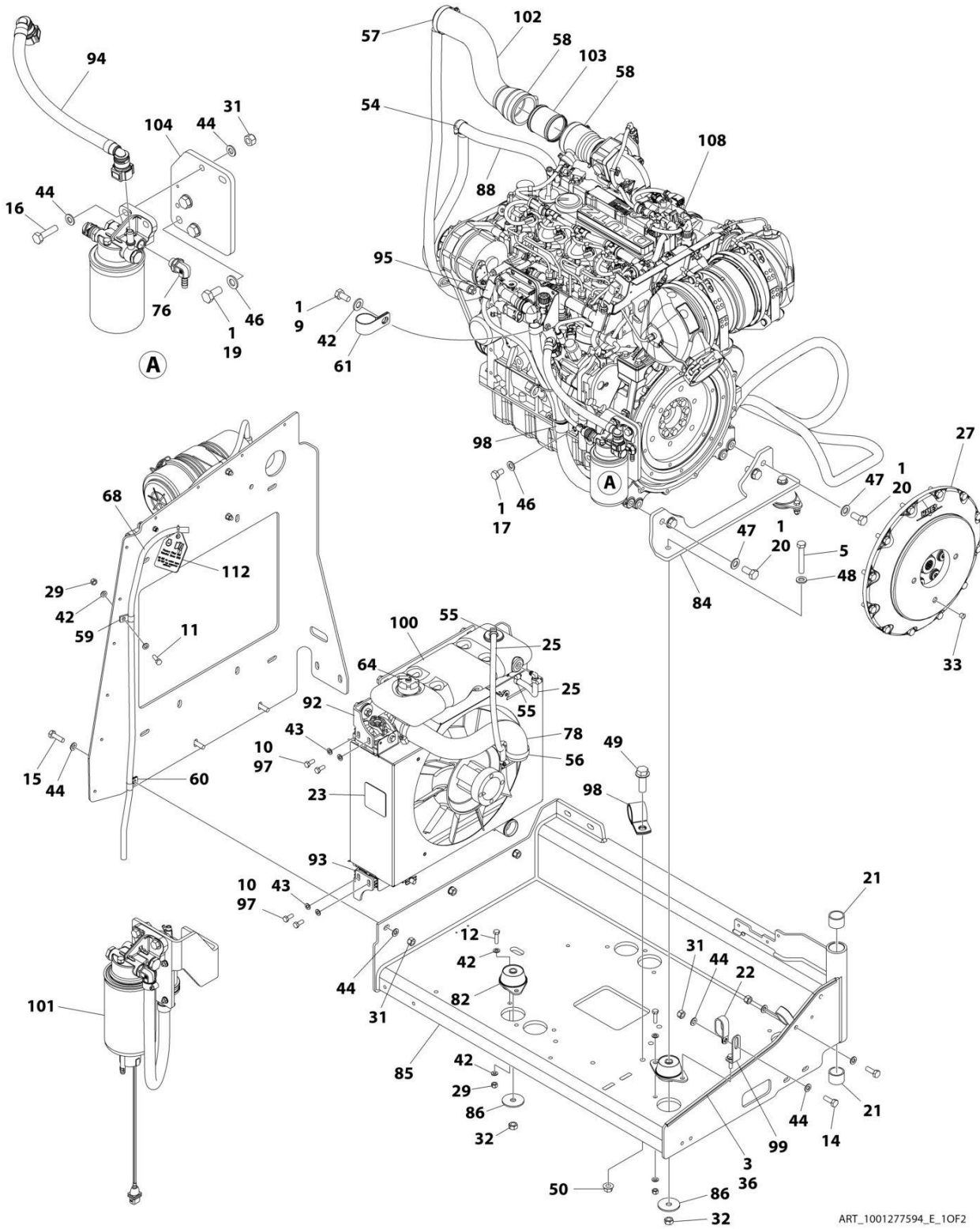
SECTION 3 - ENGINE

FIGURE 3-16. DEUTZ D2.9L4 (STAGE V) ENGINE AND PUMP SUB-ASSEMBLY

ITEM	PART NUMBER	QTY	DESCRIPTION	REV
	1001277600	Ref	ENGINE AND PUMP SUB-ASSEMBLY - DEUTZ (STAGE V) ENGINE	B
1	0100011	AR	Compound, Locking	
2	0641812	2	Bolt 1/2 x 1-1/2	
3	3790152	1	O-Ring	
4	3931618	2	Capscrew 3/8 x 1-1/8	
5	4891600	2	Washer 3/8 Hardened	
6	4891800	2	Washer 1/2 Hardened	
7	1001167036	1	Piston Pump Assembly (See Separate Breakdown in this Section)	
8	1001171953	1	Seal	
9	1001171954	1	Seal	
10	1001214207	1	Gear Pump Assembly	
10	70006356	1	Seal Kit - 1001214207 Pump	
11	1001277594	1	Engine Assembly, Deutz (Stage V) Engine (See Separate Breakdown in this Section)	

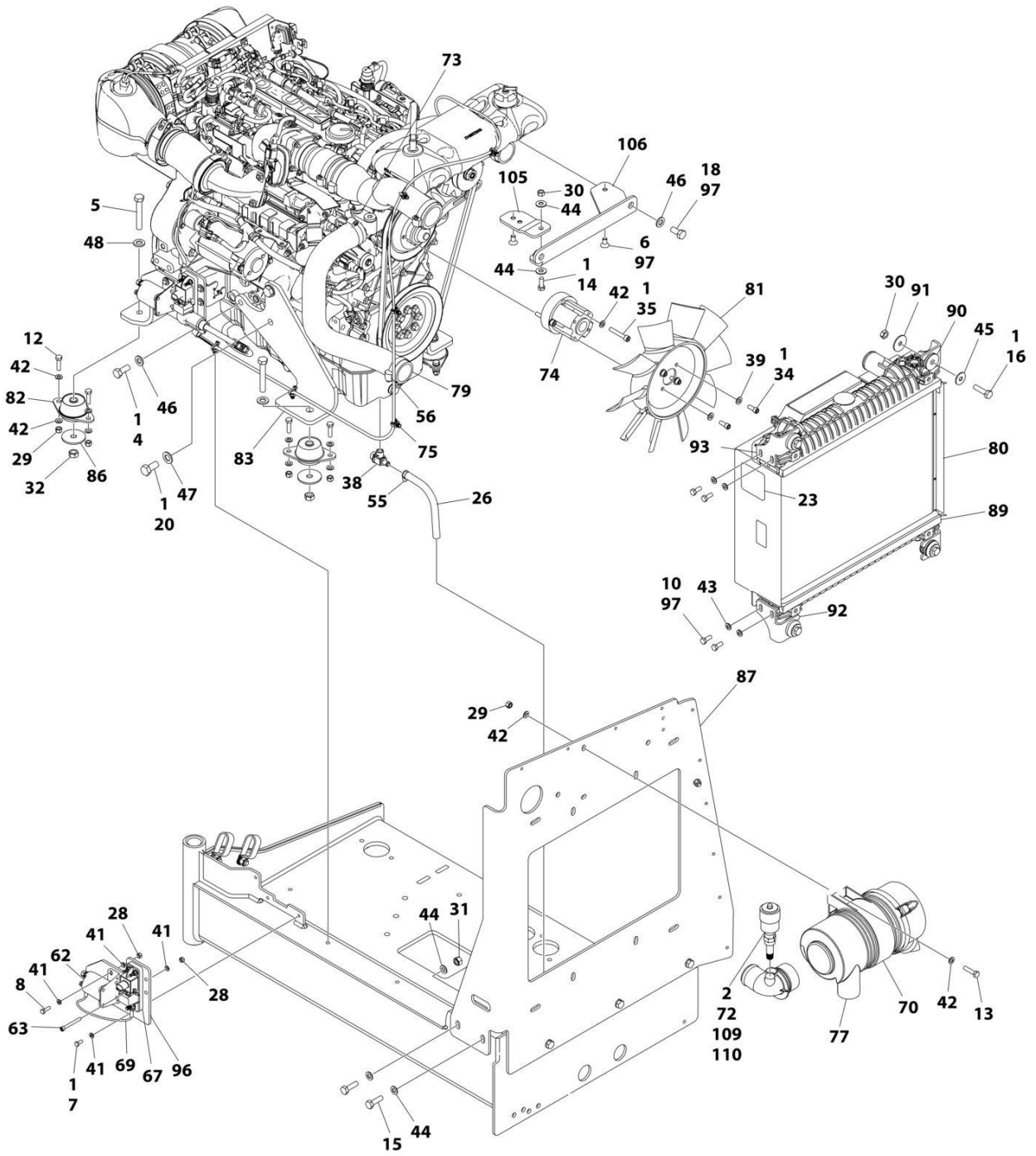
SECTION 3 - ENGINE

FIGURE 3-17. DEUTZ D2.9L4 (STAGE V) ENGINE ASSEMBLY



ART_1001277594_E_10F2

SECTION 3 - ENGINE



ART_1001277594_E_20F2

SECTION 3 - ENGINE

FIGURE 3-17. DEUTZ D2.9L4 (STAGE V) ENGINE ASSEMBLY

ITEM	PART NUMBER	QTY	DESCRIPTION	REV
	1001277594	Ref	ENGINE ASSEMBLY - DEUTZ D2.9L4 (STAGE V)	E
1	0100011	AR	Compound, Locking	
2	0100020	AR	Sealant, Pipe	
3	0100081	AR	Adhesive	
4	0711214	1	Bolt M12 x 30 Class 10.9	
5	0711224	3	Bolt M12 x 80 Class 10.9	
6	0741606	2	Screw 3/8 x 3/4	
7	0760607	3	Bolt M6 x 14	
8	0760610	2	Bolt M6 x 20	
9	0760808	1	Bolt M8 x 16	
10	0760810	8	Bolt M8 x 20	
11	0760812	1	Bolt M8 x 25	
12	0760814	6	Bolt M8 x 30	
13	0760815	2	Bolt M8 x 35	
14	0761014	3	Bolt M10 x 30	
15	0761015	5	Bolt M8 x 35	
16	0761016	6	Bolt M10 x 40	
17	0761210	1	Bolt M12 x 20	
18	0761212	2	Bolt M12 x 25	
19	0771212	3	Bolt M12 x 25	
20	0771414	6	Bolt M14 x 30 Class 10.9	
21	0961951	2	Bushing	
22	1321716	2	Clamp	
23	1703162	2	Decal - Caution Fan	
25	2720015	2 ft /1 m	Hose	
26	2720340	1 ft/1 m	Hose	
27	2902065	1	Pump Coupling Kit (See Separate Breakdown in this Section)	
28	3290605	3	Nut M6	
29	3290805	9	Nut M8	
30	3291001	5	Nut M10	
31	3291005	9	Nut M10	
32	3331215	3	Nut M12 x 1.75	
33	3520054	1	Plug	
34	3931512	4	Capscrew, 5/16 x 3/4	
35	4031914	4	Bolt M8 x 50	
36	4060805	3 ft /1 m	Flex-Trim	
37	4240099	AR	Tie-Strap (Not Shown)	
38	4640751	1	Valve, Oil Drain	
39	4711500	4	Washer 5/16	
40	4811700	2	Washer M6	
41	4811702	8	Washer M6	
42	4811900	23	Washer M8	
43	4811902	8	Washer M8	
44	4812000	20	Washer M10	
45	4812002	4	Washer M10	
46	4812100	7	Washer M12	
47	4812200	6	Washer M14	
48	5241200	3	Washer M12	
49	5251215	1	Bolt M12 x 35	
50	5261200	1	Nut, Flange M12 Class10	

SECTION 3 - ENGINE

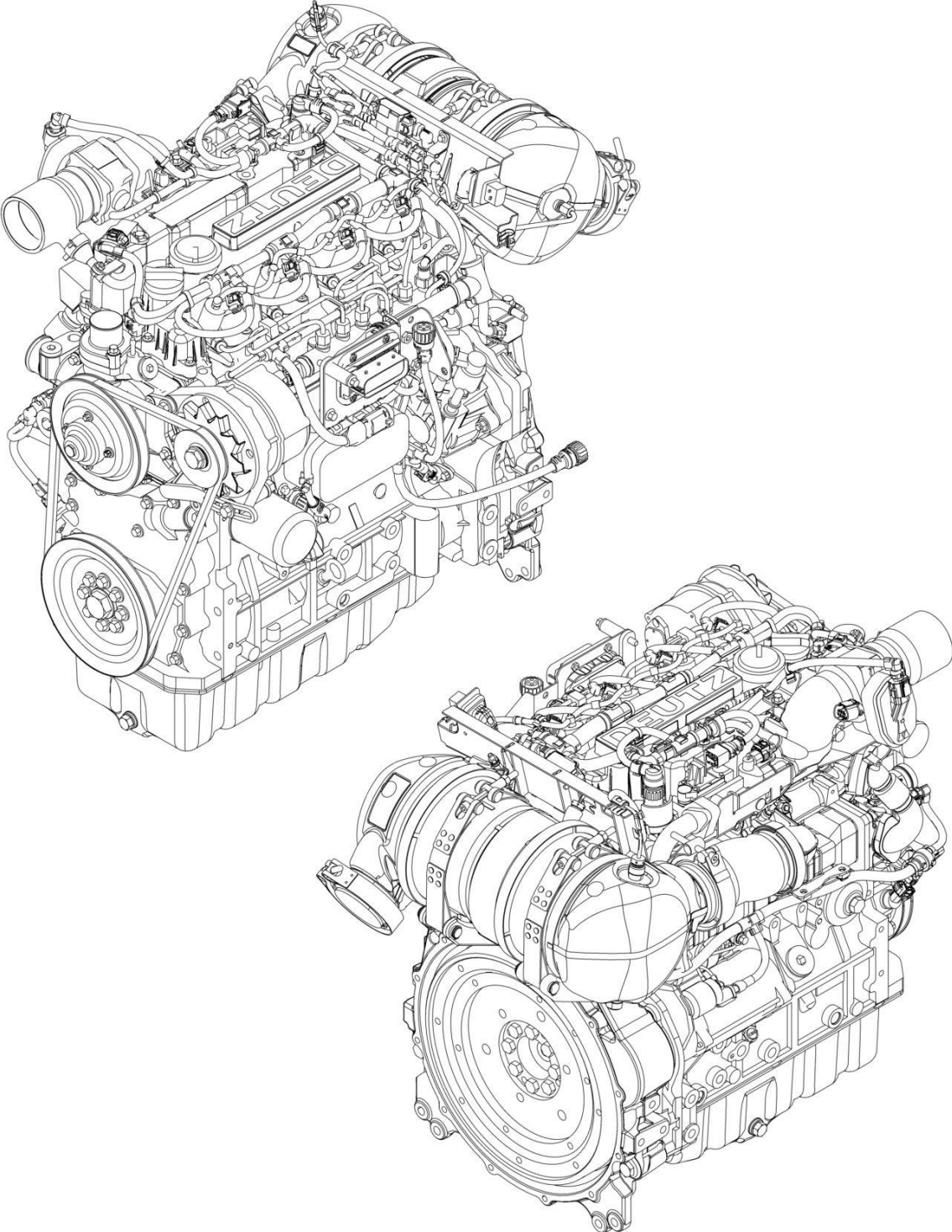
ITEM	PART NUMBER	QTY	DESCRIPTION	REV
54	8405007	2	Clamp	
55	8405009	5	Clamp	
56	8405104	4	Clamp	
57	8405202	1	Clamp	
58	8405204	2	Clamp	
59	8406109	1	Clip	
60	8406110	1	Clip	
61	8406201	1	Clip	
62	1001117308	1	Relay, 200Amp	
63	1001118878	1	Bolt M6 x 55	
64	1001136834	1	Cap, Tank	
67	1001138228	1	Relay, Power Module	
68	1001138248	4 ft/1 m	Tube	
69	1001141304	1	Harness, Glow Plug	
70	1001141694	1	Clamp, Air Cleaner	
72	1001143390	1	Indicator	
73	1001143797	1	Fitting, Barbed	
74	1001144116	1	Spacer, Fan	
75	1001146588	AR	Tie-Strap (Not Shown)	
76	1001152489	1	Fitting, Barbed 90	
77	1001165388	1	Air Cleaner Assembly	
78	1001165405	1	Hose, Upper Radiator	
79	1001165406	1	Hose, Lower Radiator	
80	1001165722	1	Radiator	
81	1001165849	1	Fan	
82	1001166718	3	Mount, Motor	
83	1001166921	1	Plate, Engine Mount	
84	1001166924	1	Plate, Engine Mount	
85	1001167520	1	Tray, Engine	
86	1001168018	3	Washer, Special	
87	1001168026	1	Plate, Radiator Mounting	
88	1001168099	1	Hose	
89	1001168166	2	Seal	
90	1001169054	4	Isolator	
91	1001169138	4	Washer, Snubbing	
92	1001169967	2	Bracket	
93	1001170035	2	Bracket	
94	1001177359	1	Hose	
95	1001178788	1	Cable, Alternator	
96	1001179903	1	Bracket	
97	1001180620	AR	Adhesive	
98	1001191620	2	Clamp	
99	1001223122	1	Support	
100	1001230635	1	Tank, Surge (Includes Items 62, 70, & 73)	
101	1001235949	1	Bracket (See Separate Breakdown in this Section)	
102	1001236780	1	Hose, Air Intake	
103	1001238911	1	Pipe, Air Intake	
104	1001258804	1	Mount, Fuel Filter	
105	1001260412	1	Bracket	
106	1001260420	1	Bracket (note: may require P/N 1001260412)	
107	1001276643	1	Harness, Engine (Not Shown - See Separate Breakdown in ELECTRICAL Section)	

SECTION 3 - ENGINE

ITEM	PART NUMBER	QTY	DESCRIPTION	REV
108	1001277589	1	Engine, Deutz 2.9L4 (Stage V) (See Separate Breakdown in this Section)	
109	2200261	1	Fitting	
110	1001277432	1	Spacer	
111	4240032	1	Tie-Strap (Not Shown)	
112	1001291401	1	Tag, Coolant	

SECTION 3 - ENGINE

FIGURE 3-18. DEUTZ D2.9L4 (STAGE V) ENGINE COMPONENTS



ART_1001277589

SECTION 3 - ENGINE

FIGURE 3-18. DEUTZ D2.9L4 (STAGE V) ENGINE COMPONENTS

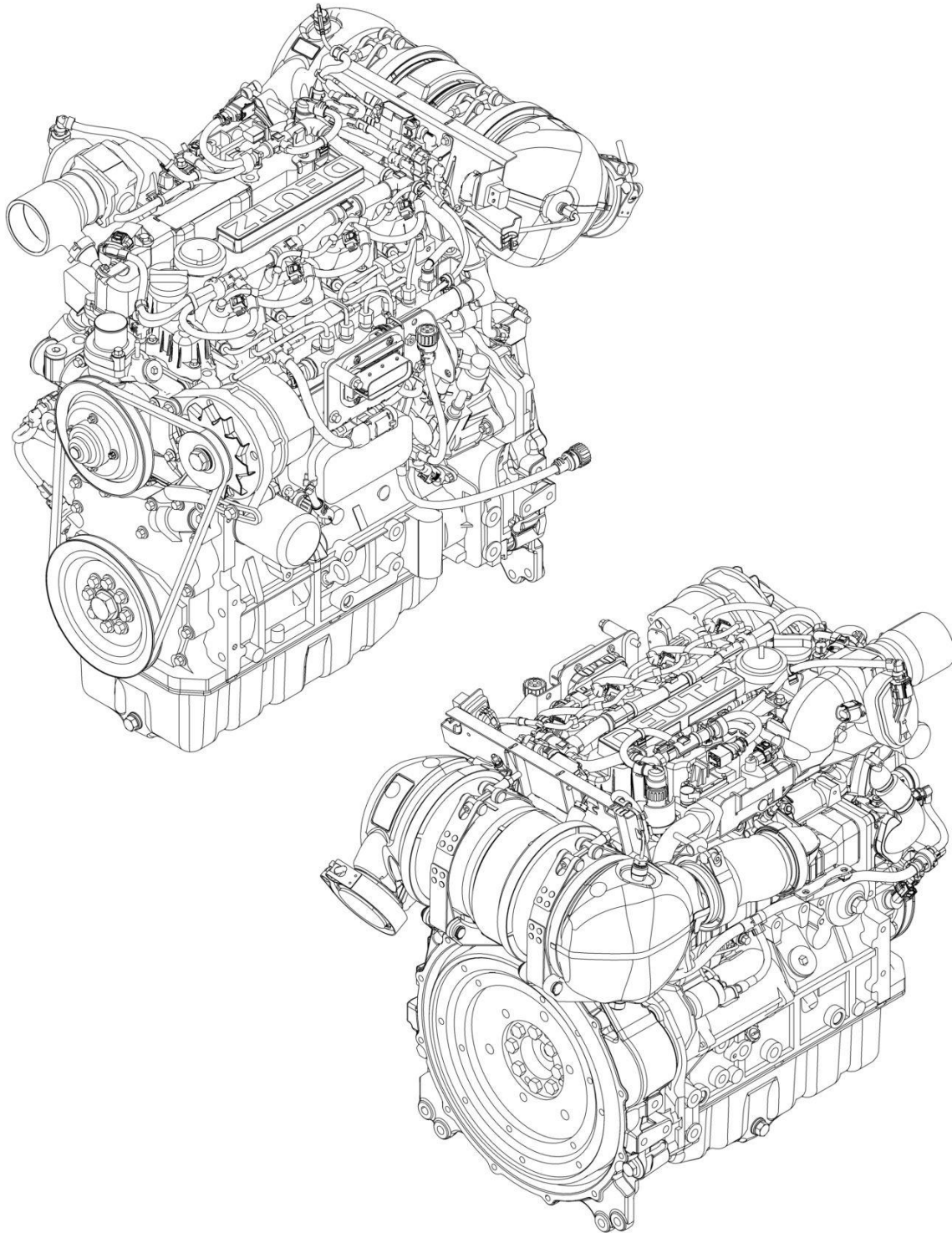
ITEM	PART NUMBER	QTY	DESCRIPTION	REV
	1001277589	Ref	DEUTZ ENGINE COMPONENTS	B
	SEE NOTE	1	Note: Additional components may be available. Contact JLG Customer Service for more details.	
		Ref	COOLING SYSTEM COMPONENTS	
	70031474	1	Cooler, Oil	
	70031388	1	Seal, Oil Cooler	
	70030360	1	Pump, Coolant (Includes Gaskets & Seals)	
	70031055	1	O-Ring, Coolant Pump	
	70007325	1	Gasket	
	70007603	1	Thermostat	
	70005184	1	O-Ring, Thermostat	
	70005931	1	Gasket, Thermostat	
		Ref	ELECTRICAL SYSTEM COMPONENTS	
	70024513	1	Cable, Primary Fuel Filter Sensor (Includes Seal)	
	70025239	1	Seal	
	70028538	1	Sensor, Fuel Pressure (at Filter) (Includes Seal)	
	70024920	1	Seal	
	70029512	1	Module, ECU/ECM	
	70027405	1	Senor, Exhaust Temperature	
	70031144	1	Starter	
	70008435	1	Generator (includes Regulator)	
	70031143	1	Regulator	
	70000345	4	Plug, Glow	
	70025231	1	Harness, Glow Pug	
	70008553	1	Cable, Interconnect	
	70008558	1	Harness, Engine	
	1001211556	1	Sensor, Temperature (Includes O-Seal)	
	70005507	1	O-Seal	
	70028540	1	Sensor, Temperature (in Cylinder Head)	
	70024504	1	Sensor, Oil Pressure (Side of Block) (Includes Seal)	
	70024920	1	Seal	
	70026210	2	Sensor, Speed (Includes O-Ring/Seal)	
	70005191	1	O-Ring	
	70024917	1	Seal	
	70008559	1	Sensor, Air Pressure (Air Exchange Manifold) (Includes O-Ring)	
	70008561	1	Sensor, Air Pressure (Air Exchange Manifold) (Includes O-Ring)	
	70024505	1	Sender, Exhaust Temperature	
	70029409	1	Sender, Exhaust Temperature	
	70008431	1	Sensor, Exhaust Pressure	
		Ref	EXHAUST SYSTEM COMPONENTS	
	70025130	8	Bolt, Exhaust Manifold	
	70025164	1	Gasket, Exhaust Manifold to Head	
	70005505	2	O-Seal	
	70008543	1	Pipe, Exhaust	
	70008544	1	O-Seal, Exhaust (Venturi Tube to Exhaust Pipe)	
	70008545	1	Gasket, Square Exhaust	
	70005504	1	Sensor, Exhaust Pressure (Includes O-Seals)	
	70031136	1	Gasket, Exhaust (Upper)	
	70007354	1	Gasket, Exhaust (Lower)	
	70008547	1	Module, EGR (Includes Gasket)	

SECTION 3 - ENGINE

ITEM	PART NUMBER	QTY	DESCRIPTION	REV
	70007326	1	Gasket	
	70025242	2	Gasket, Compensator	
	70004504	1	Compensator	
	70008564	1	Catalyst	
		Ref	FUEL SYSTEM COMPONENTS	
	1001225430	1	Filter, Primary Fuel	
	1001225431	1	Filter, Fuel	
	70030381	1	Pump, High Pressure	
	70025152	1	O-Ring (Between Pump AND Spacer)	
	70004505	1	Valve, Overflow (Includes O-Rings)	
	70004506	1	O-Ring	
	70004507	1	O-Ring	
	70004508	1	Valve, Volume Control (Includes O-Ring & Gasket)	
	70004509	1	O-Ring	
	70004510	1	Gasket	
	70004281	4	Injector, Fuel (Includes Sealing Washer & O-Ring)	
	70025140	1	Washer, Sealing	
	70025145	1	O-Rin	
	70008422	1	Pump, Fuel Supply (Includes Clamps)	
	70025144	2	Clamp	
	70008537	1	Valve, Throttle (Includes Gasket)	
	70008538	1	Gasket	
		Ref	GASKETS & SEAL & KITS	
	70024906	1	Gasket, Head	
	70005171	1	Gasket, Valve Cover	
	70002718	1	Seal, Rear Main	
	70028185	1	Gasket, Front Cover	
	70008296	1	Seal, Front Main	
	70025235	1	Kit, Repair - Fuel Rail	
	70005176	1	O-Ring, Charge Exchange Manifold	
	70005177	1	Gasket, Charge Exchange Manifold	
	70005938	1	Gasket Kit	
		Ref	LUBRICATION SYSTEM COMPONENTS	
	7016331	1	Filter, Oil	
	70024904	1	Dipstick (Includes O-Ring)	
	70024905	1	O-Ring, Dipstick	
	7020465	2	Cap, Oil Fill	
	70005941	1	Plug, Oil Drain	
	70005942	1	Washer, Oil Drain Plug	
	70005172	1	Pump, Oil Lube (Includes Gasket & O-Ring)	
		Ref	MECHANICAL COMPONENTS	
	70001870	1	Flywheel (Includes Ring Gear)	
	7024579	1	Gear, Ring	
	70024913	1	V-Belt	

SECTION 3 - ENGINE

FIGURE 3-19. DEUTZ D2.9L4 (STAGE V) ENGINE COMPONENTS



ART_1001232545

SECTION 3 - ENGINE

FIGURE 3-19. DEUTZ D2.9L4 (STAGE V) ENGINE COMPONENTS

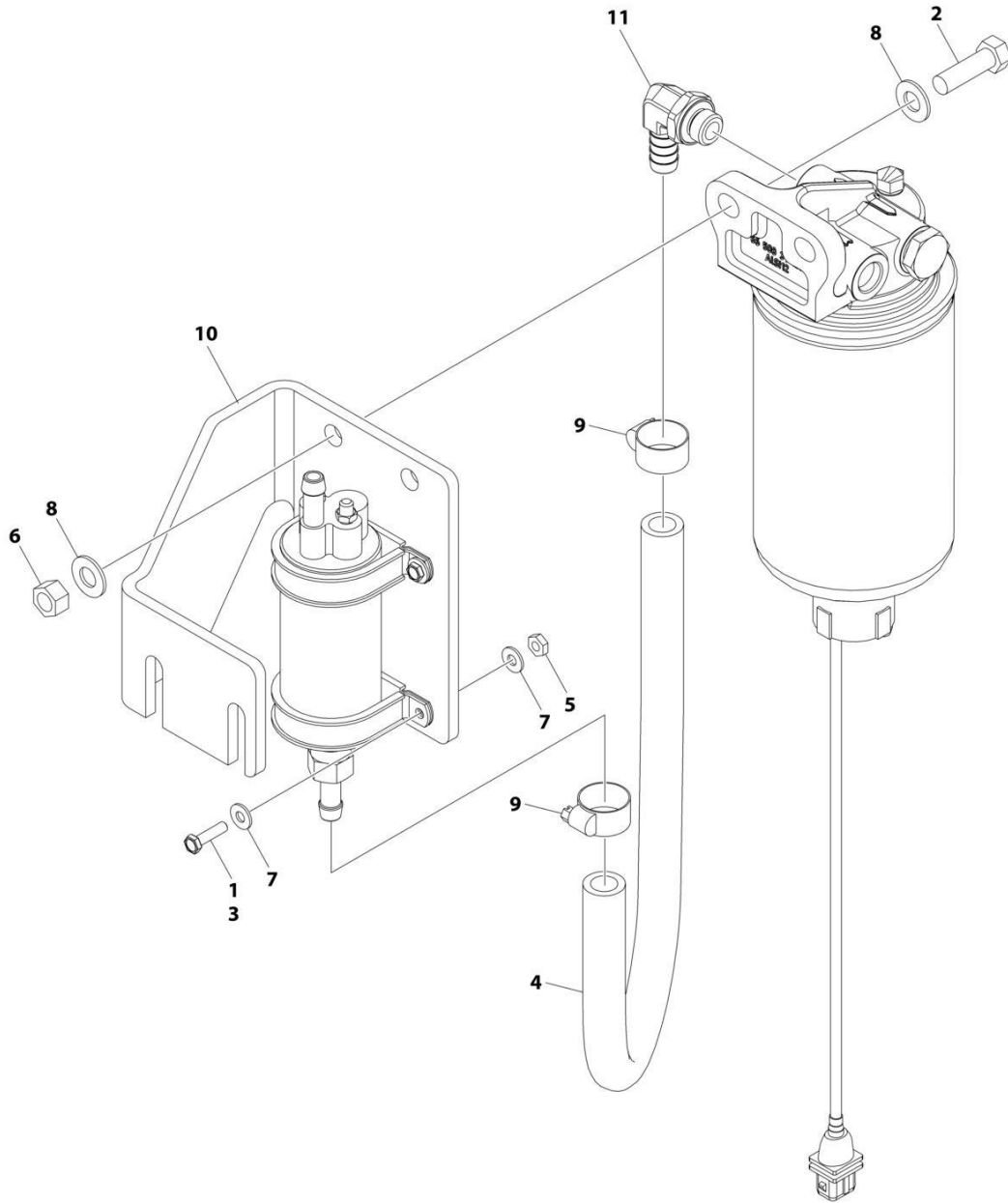
ITEM	PART NUMBER	QTY	DESCRIPTION	REV
	1001232545	Ref	DEUTZ ENGINE COMPONENTS	H
		Ref	Note: For complete list of parts, contact JLG Parts Department	
		Ref	Air Intake System Components	
		Ref	Charge Air Pipe	
	70025168	1	Intake Pipe	
		Ref	Mixing Tube	
		Ref	Throttle Valve	
		Ref	Cooling System Components	
	70029797	1	Pump, Coolant (Includes Gasket & Seals)	
	70007603	1	Thermostat	
	70005184	1	O-Ring	
	70005931	1	Gasket	
	70025142	1	Cover	
		Ref	Electrical System Components	
	70029512	1	Module, ECU/ECM	
	70007784	1	Alternator	
	70031143	1	Module, Alternator Control	
	70029015	1	Fan, Alternator	
	70029402	1	Nut, Alternator Fan	
	70029403	1	Nut, Alternator Power Stud	
	70029404	1	Washer, Alternator Power Stud Spring	
	70031144	1	Starter (Includes Solenoid)	
	70025099	1	Bolt, Starter Mounting	
	70026210	1	Sender, Tacho-Generator (Speed) (On Rear of Block) (Includes Seal)	
	70024916	1	Sender, Tacho-Generator (Speed) (On Cover) (Includes Seal)	
	70024918	1	Sender, Temperature (Includes Seal) (On Air Intake Manifold)	
		Ref	Sensor, Pressure (Includes Seal) (On Air Intake Manifold)	
	70024504	1	Sensor, Pressure (Includes Seal) (On Fuel Filter & Side of Block)	
	70005504	1	Sensor, Pressure (Includes Seal) (On Exhaust Manifold)	
	70027405	1	Sensor, Temperature (Includes Seal) (On Exhaust Manifold)	
	70000345	4	Plug, Glow	
		Ref	Exhaust System Components	
		Ref	Valve, EGR	
	70025130	8	Bolt, Exhaust Manifold	
	70025164	1	Gasket, Exhaust Manifold	
		Ref	Outlet, Muffler	
		Ref	Muffler	
		Ref	Bracket, Muffler Mounting	
	70004504	1	Compensator, Exhaust	
		Ref	Fuel System Components	
		Ref	Pump, High Pressure	
	70004281	1	Injector (Includes Sealing washer, Clamp & O-Ring)	
	70006144	1	Pump, Fuel Supply (Includes Clamps)	
	70024961	1	Filter, Fuel (Pre-Filter Assembly) (Includes Head, Spin on filter, Sensor Cable & Seal)	
	70025153	1	Filter, Fuel Spin On	
	70024513	1	Sensor Cable (Includes Seal)	
	70025160	1	Filter, Fuel (Assembly) (Includes Head & Spin on Filter)	
	70025161	1	Filter, Fuel Spin On	

SECTION 3 - ENGINE

ITEM	PART NUMBER	QTY	DESCRIPTION	REV
	70004508	1	Vol. Control Valve (Includes O-Ring & Gasket)	
		Ref	Lubricating System Components	
	7020465	2	Cap, Oil Fill	
	70005941	2	Plug, Oil Drain	
	70005942	2	Seal, Oil Drain Plug	
	70005172	1	Pump, Oil (Includes Seal & Gasket)	
	7016331	1	Filter, Oil	
	70024494	1	Cooler, Oil	
	70024925	1	Gasket, Oil Cooler	
	70024904	1	Dipstick (Includes Seal)	
		Ref	Mechanical Components	
	70001870	1	Flywheel (includes Gear)	
	70024913	1	V-Belt	
		Ref	Gasket Set - Complete	

SECTION 3 - ENGINE

FIGURE 3-20. FUEL PUMP/FILTER BRACKET ASSEMBLY (DEUTZ TD2.9L4 ENGINES)



ART_1001162335

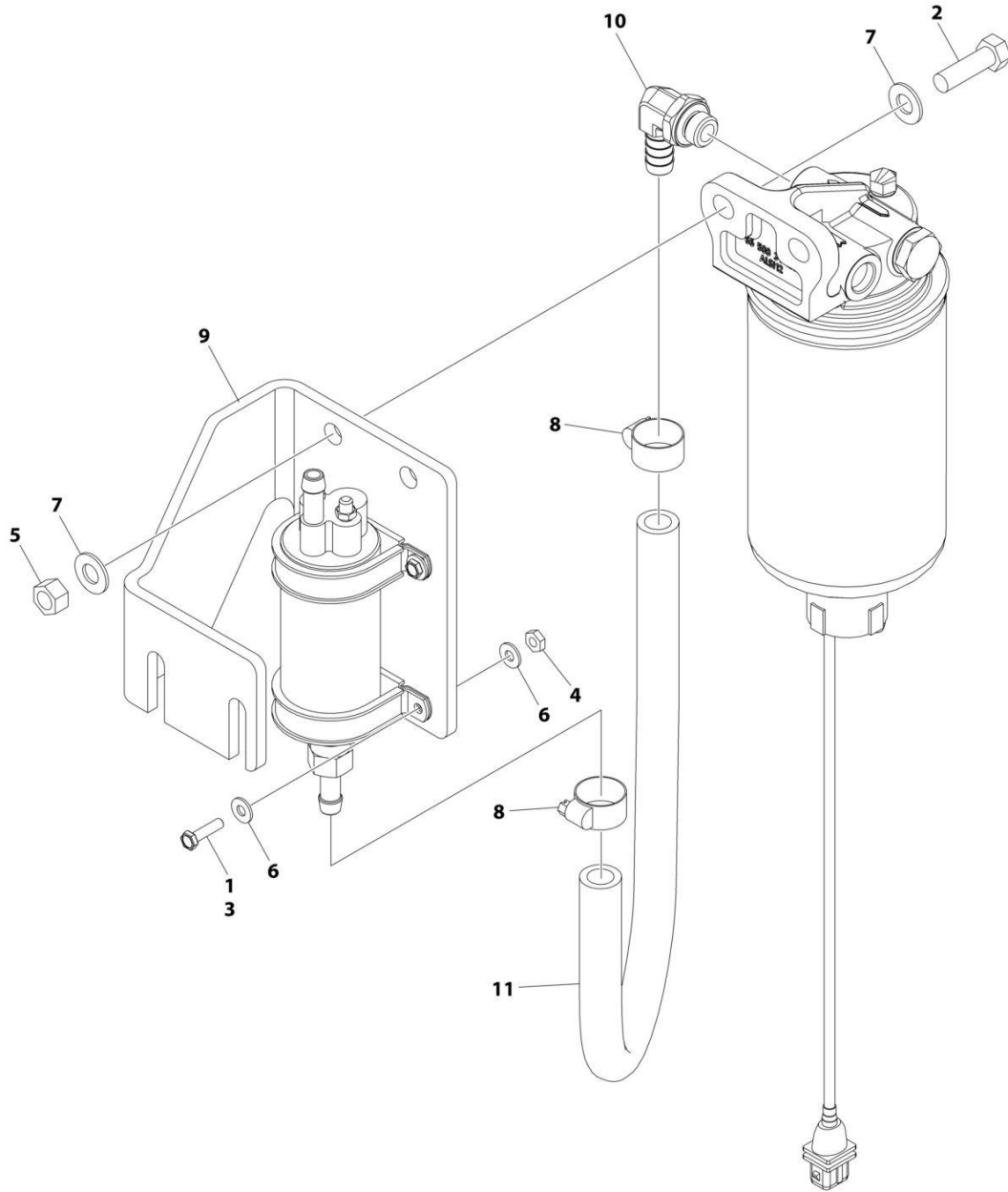
SECTION 3 - ENGINE

FIGURE 3-20. FUEL PUMP/FILTER BRACKET ASSEMBLY (DEUTZ TD2.9L4 ENGINES)

ITEM	PART NUMBER	QTY	DESCRIPTION	REV
	1001162335	Ref	BRACKET ASSEMBLY - FUEL PUMP AND FILTER (DEUTZ D2.9L4 ENGINE)	E
1	0100011	AR	Compound, Locking	
2	0641610	2	Bolt 3/8 x 1-1/4	
3	0721006	4	Bolt #10 x 3/4	
4	1001154405	AR	Hose	
5	3311001	4	Nut #10	
6	3311605	2	Nut 3/8	
7	4711000	8	Washer #10	
8	4711600	4	Washer 3/8	
9	8405006	2	Clamp	
10	1001141870	1	Plate, Fuel Pump Mount	
11	1001142501	1	Fitting, Elbow Barbed	

SECTION 3 - ENGINE

FIGURE 3-21. FUEL PUMP/FILTER BRACKET ASSEMBLY (DEUTZ D2.9L4 (STAGE V) ENGINES)



ART_1001235949

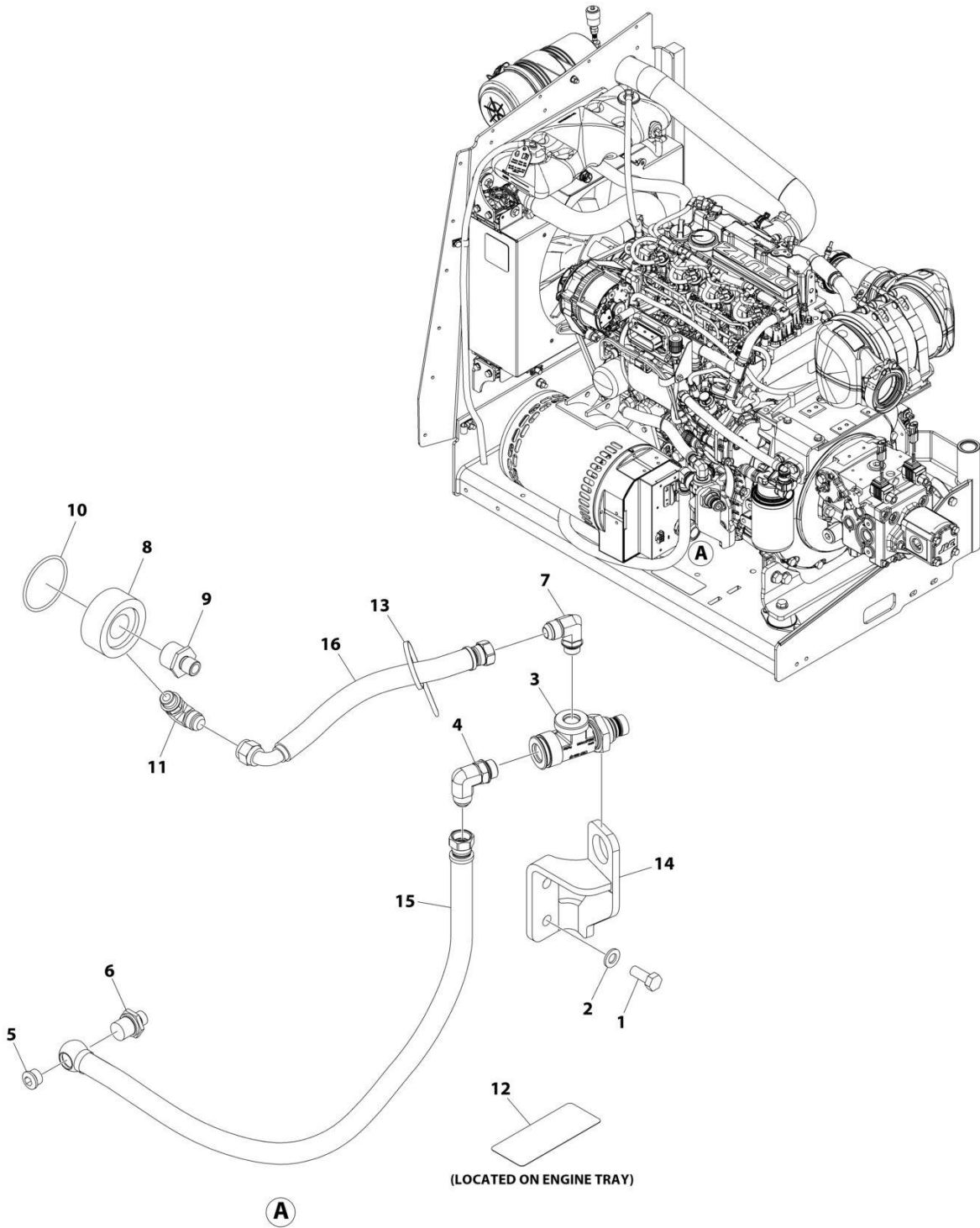
SECTION 3 - ENGINE

FIGURE 3-21. FUEL PUMP/FILTER BRACKET ASSEMBLY (DEUTZ D2.9L4 (STAGE V) ENGINES)

ITEM	PART NUMBER	QTY	DESCRIPTION	REV
	1001235949	Ref	BRACKET ASSEMBLY - FUEL PUMP AND FILTER (DEUTZ D2.9L4 (STAGE V) ENGINE)	A
1	0100035	AR	Compound, Locking	
2	0641610	2	Bolt 3/8 x 1-1/4	
3	0721006	4	Bolt #10 x 3/4	
4	3311001	4	Nut #10	
5	3311605	2	Nut 3/8	
6	4711000	8	Washer #10	
7	4711600	4	Washer 3/8	
8	8405006	2	Clamp	
9	1001141870	1	Plate, Fuel Pump Mount	
10	1001142501	1	Fitting, Elbow Barbed	
11	1001154405	1.5 ft /0.4m	Hose	

SECTION 3 - ENGINE

FIGURE 3-22. QUICKFIT OIL DRAIN INSTALLATION (DEUTZ D2.9L4 ENGINES)



ART_1001285636

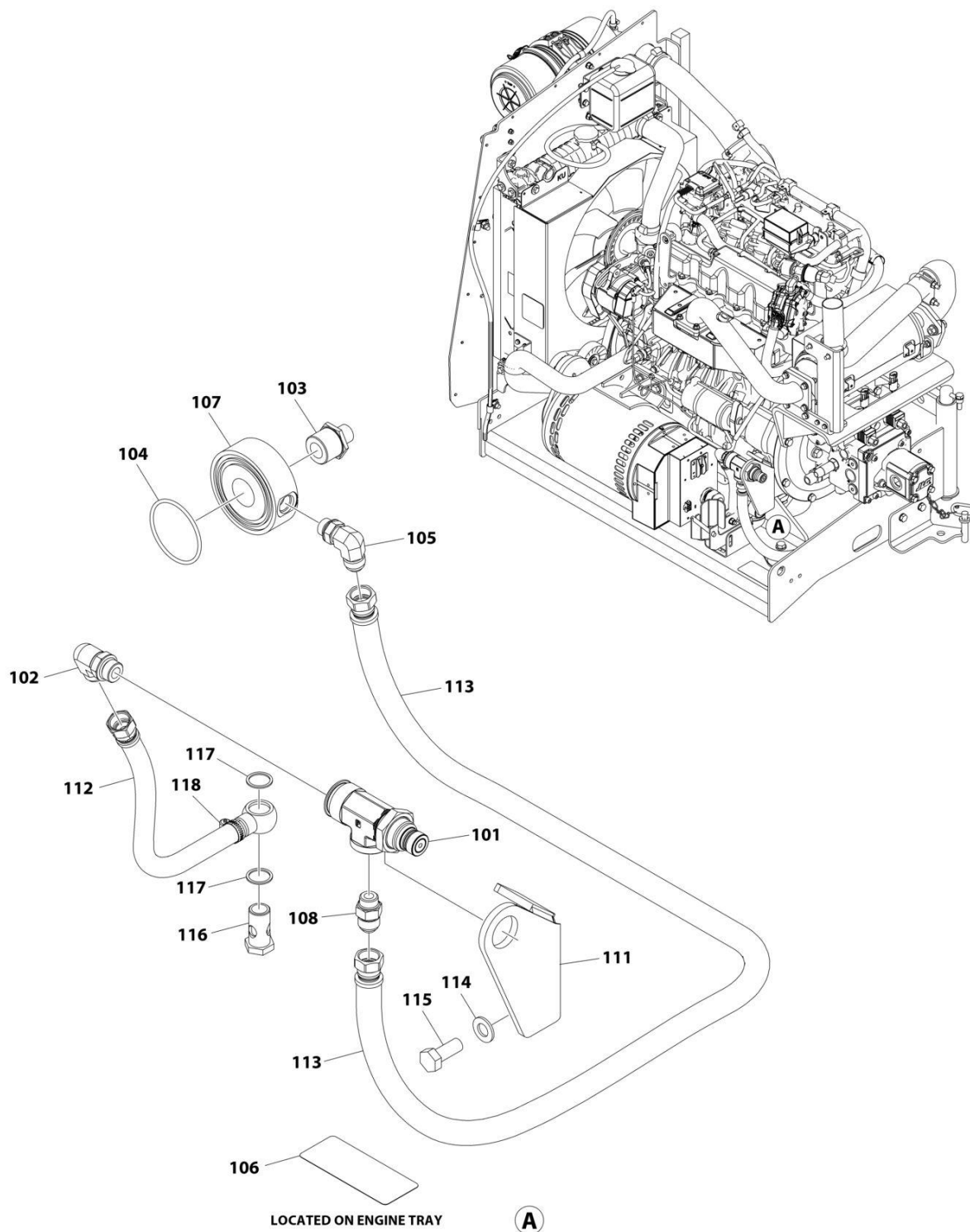
SECTION 3 - ENGINE

FIGURE 3-22. QUICKFIT OIL DRAIN INSTALLATION (DEUTZ D2.9L4 ENGINES)

ITEM	PART NUMBER	QTY	DESCRIPTION	REV
	1001285636	Ref	QUICKFIT OIL DRAIN INSTALLATION	A
1	0761214	2	Bolt M12 x 30	
2	4812100	2	Washer M12	
3	1001281298	1	Valve, Quickfit	
4	1001281301	1	Fitting, 90	
5	1001281304	1	Plug	
6	1001281305	1	Fitting, Banjo	
7	1001281307	1	Fitting, 90	
8	1001281309	1	Filter, Ring	
9	1001281310	1	Fitting, Straight	
10	1001281311	1	O-Ring	
11	1001281359	1	Valve, Check	
12	1001281360	1	Decal - RPM Quickfit	
13	1001281656	1	Tie-Strap	
14	1001287536	1	Bracket	
15	1001287552	1	Hose	
16	1001288113	1	Hose	

SECTION 3 - ENGINE

FIGURE 3-23. QUICKFIT OIL DRAIN INSTALLATION (KUBOTA 2.5L DF)



ART_1001295060

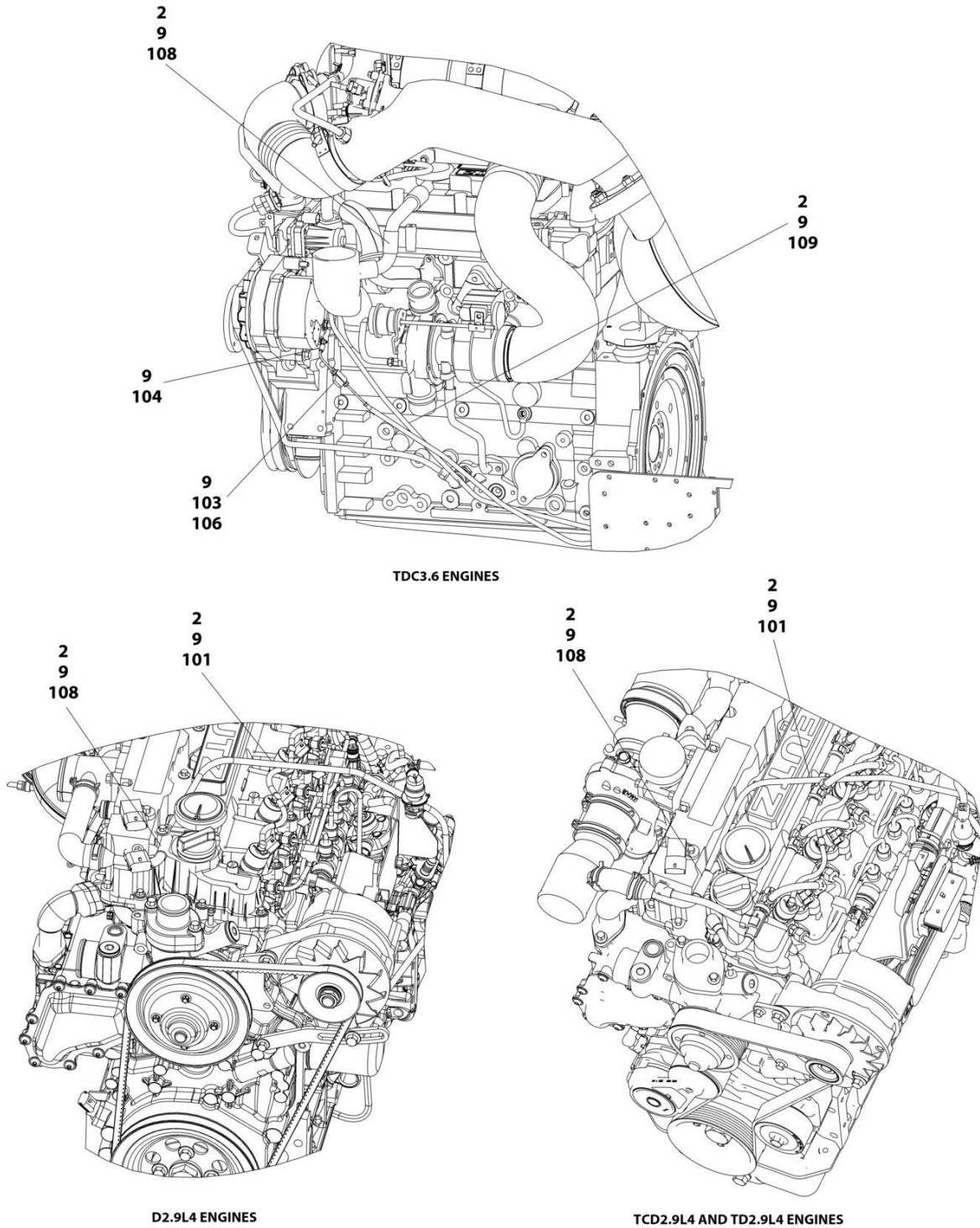
SECTION 3 - ENGINE

FIGURE 3-23. QUICKFIT OIL DRAIN INSTALLATION (KUBOTA 2.5L DF)

ITEM	PART NUMBER	QTY	DESCRIPTION	REV
	1001295060	Ref	QUICKFIT OIL DRAIN INSTALLATION (KUBOTA)	B
1	1001295061	1	Valve, Quickfit (Kubota 2.5L DF) (Not Shown)	
101	1001281298	1	Valve, Small Quickfit	
102	1001281301	1	Fitting, 90	
103	1001281310	1	Fitting, Nipple Filter Ring	
104	1001281311	1	O-Ring	
105	1001281359	1	Valve, Check Valve	
106	1001281360	1	Decal - Quickfit	
107	1001281380	1	Filter	
108	1001281302	1	Fitting, Quickfit	
109	1001281656	AR	Tie-Strap (Not Shown)	
110	1001290385	AR	Cable Mount (Not Shown)	
111	1001295062	1	Bracket	
112	1001295063	1	Hose	
113	1001295064	1	Hose	
114	1001295067	2	Washer M14	
115	1001295068	2	Bolt M14 x 35	
116	1001297092	1	Bolt M22 x 1.5	
117	1001297093	2	Washer	
118	1001297094	1	Clamp	

SECTION 3 - ENGINE

FIGURE 3-24. BREATHER HEATER INST (DEUTZ D2.9L4 ENGINES)



ART_1001233763

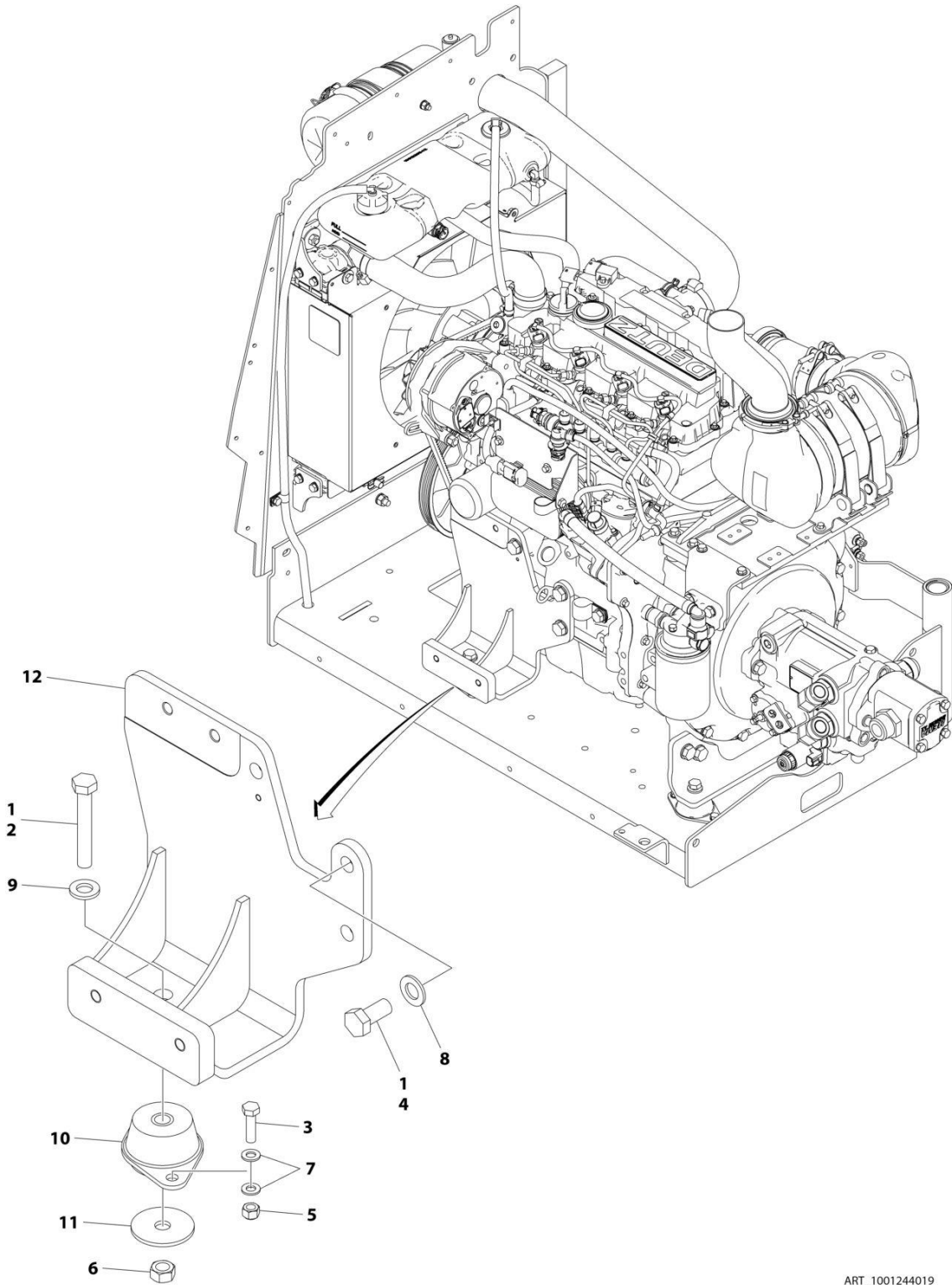
SECTION 3 - ENGINE

FIGURE 3-24. BREATHER HEATER INST (DEUTZ D2.9L4 ENGINES)

ITEM	PART NUMBER	QTY	DESCRIPTION	REV
	1001233763	Ref	BREATHER HEATER INSTALLATION - DEUTZ ENGINES	D
2	4240099	AR	Tie-Strap	
9	1001243895	1	Breather Heater Harness	C
101	2820035	AR	Insulation	
103	2400060	1	Fuseholder with Cover	
104	4460043	1	Terminal, Ring	
105	4460722	1	Terminal, Ring (Not Shown)	
106	1001196634	1	Fuse - 2 Amp	
108	1001232842	1	Breather Heater Kit	

SECTION 3 - ENGINE

FIGURE 3-25. ENGINE MOUNT (WITH GENERATOR) – DEUTZ D2.9L4 (STAGE V) ENGINE



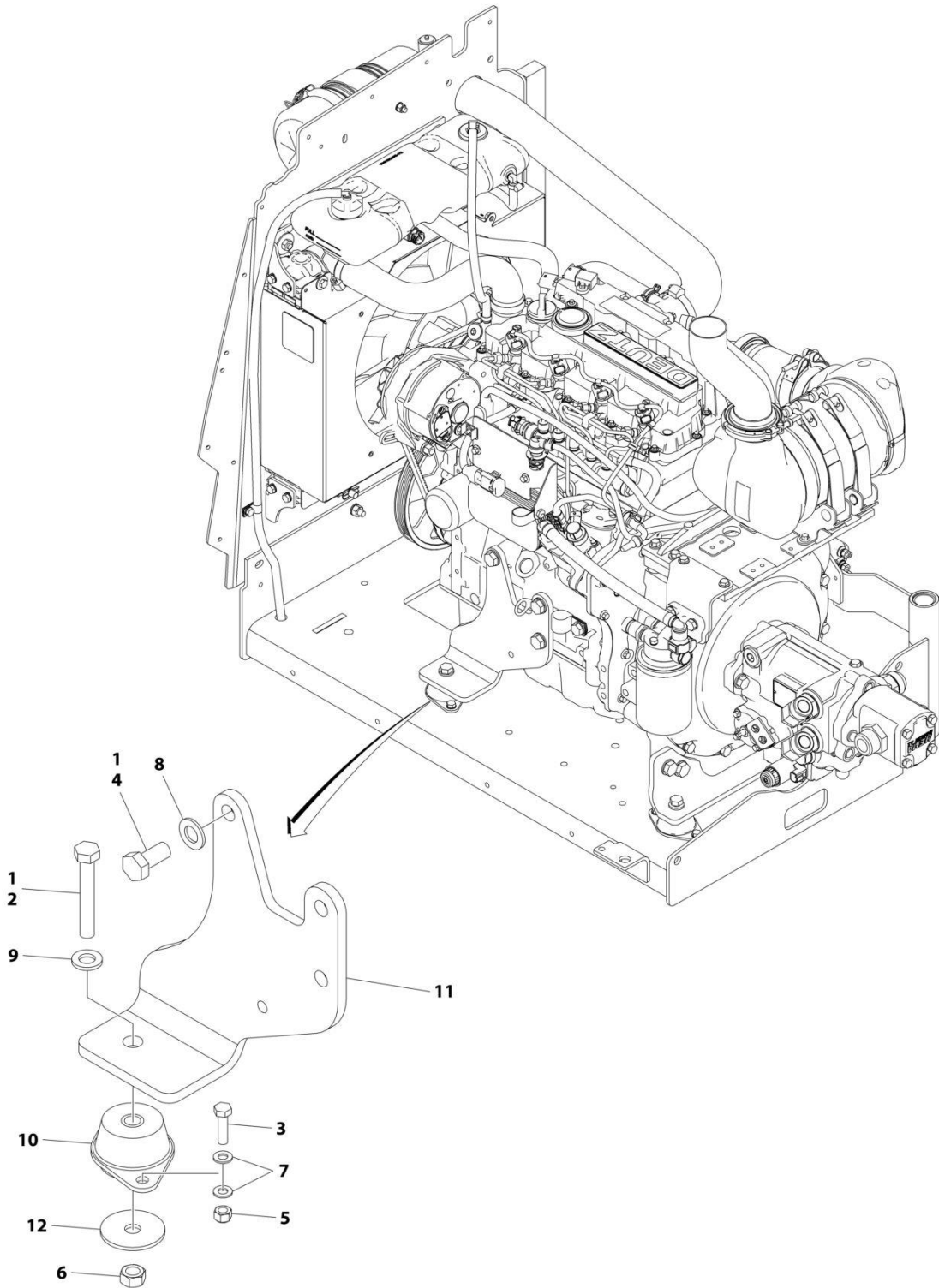
SECTION 3 - ENGINE

FIGURE 3-25. ENGINE MOUNT (WITH GENERATOR) – DEUTZ D2.9L4 (STAGE V) ENGINE

ITEM	PART NUMBER	QTY	DESCRIPTION	REV
	1001244019	Ref	MOTOR MOUNT INSTALLATION	A
1	0100011	AR	Compound, Locking	
2	0711224	1	Bolt M12 x 80	
3	0760814	2	Bolt M8 x 30	
4	0771414	3	Bolt M14 x 30	
5	3290805	2	Nut M8	
6	3331211	1	Nut M12	
7	4811900	4	Washer M8	
8	4812200	3	Washer M14	
9	5241200	1	Washer M12	
10	1001166718	1	Mount, Motor	
11	1001168018	1	Washer	
12	1001168207	1	Mount	

SECTION 3 - ENGINE

FIGURE 3-26. ENGINE MOUNT (WITHOUT GENERATOR) – DEUTZ D2.9L4 (STAGE V) ENGINE



ART_1001244024

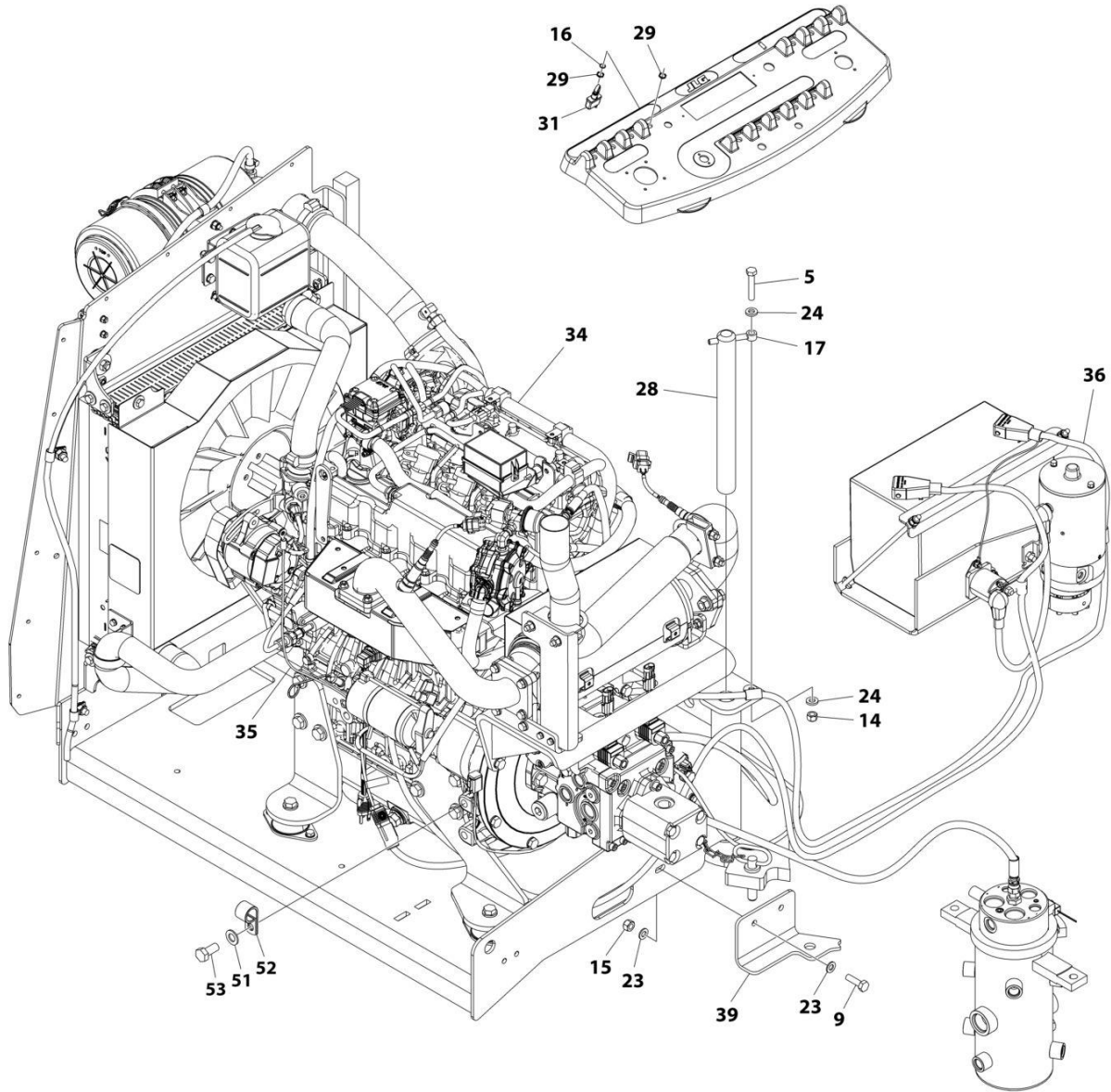
SECTION 3 - ENGINE

FIGURE 3-26. ENGINE MOUNT (WITHOUT GENERATOR) – DEUTZ D2.9L4 (STAGE V) ENGINE

ITEM	PART NUMBER	QTY	DESCRIPTION	REV
	1001244024	Ref	MOTOR MOUNT INSTALLATION	A
1	0100011	AR	Compound, Locking	
2	0711224	1	Bolt M12 x 80	
3	0760814	2	Bolt M8 x 30	
4	0771414	3	Bolt M14 x 30	
5	3290805	2	Nut M8	
6	3331211	1	Nut M12	
7	4811900	4	Washer M8	
8	4812200	3	Washer M14	
9	5241200	1	Washer M12	
10	1001166718	1	Mount, Motor	
11	1001166922	1	Mount	
12	1001168018	1	Washer	

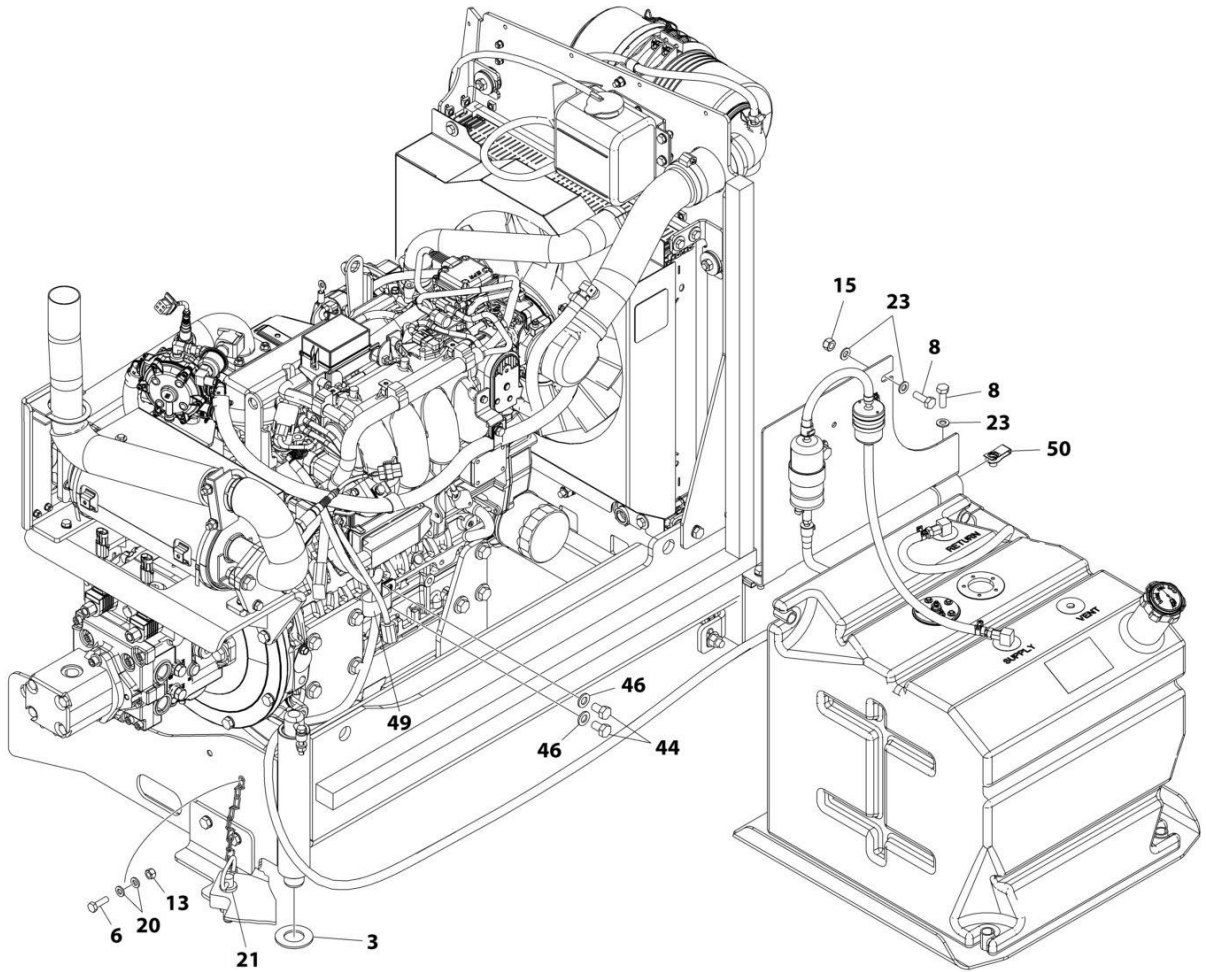
SECTION 3 - ENGINE

FIGURE 3-27. KUBOTA ENGINE INSTALLATION (WITHOUT ARCTIC PACKAGE)



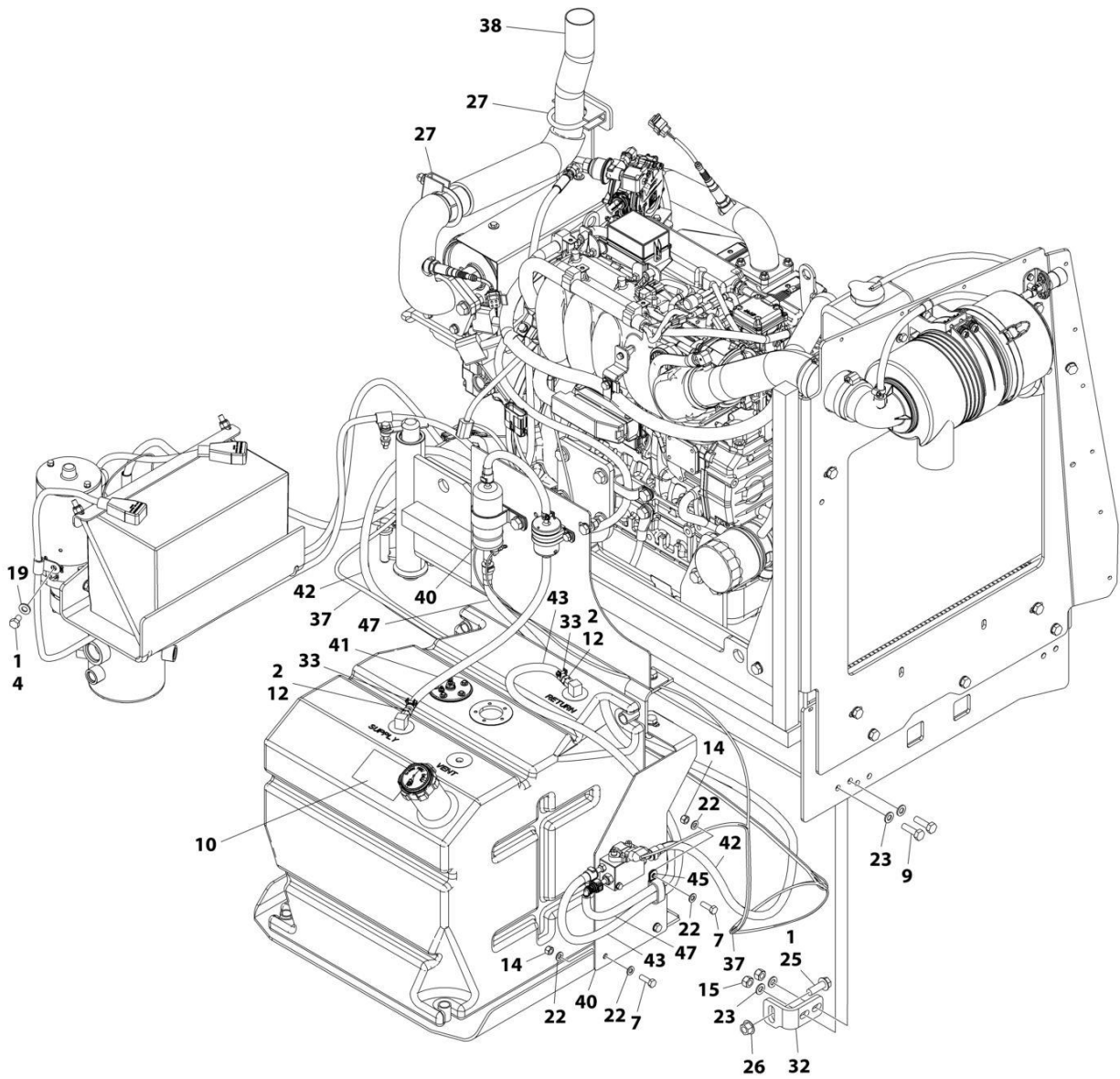
ART_1001236250_10F3

SECTION 3 - ENGINE



ART_1001236250_2OF3

SECTION 3 - ENGINE



ART_1001236250_30F3

SECTION 3 - ENGINE

FIGURE 3-27. KUBOTA ENGINE INSTALLATION (WITHOUT ARCTIC PACKAGE)

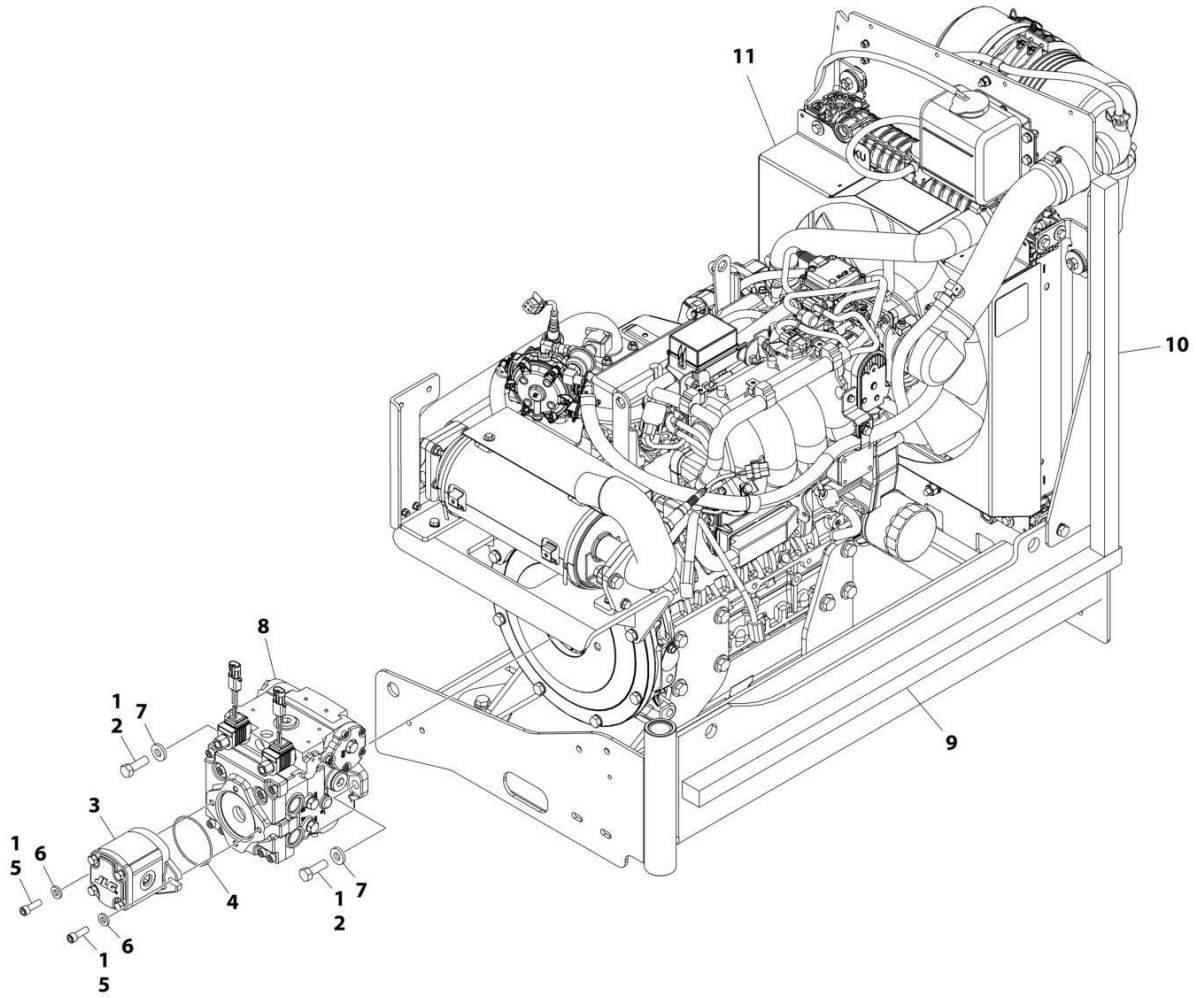
ITEM	PART NUMBER	QTY	DESCRIPTION	REV
	1001236250	Ref	ENGINE INSTALLATION - KUBOTA ENGINE (WITHOUT ARCTIC PACKAGE)	A
1	0100011	AR	Compound, Locking	
2	0100020	AR	Sealant, Pipe	
3	0440162	1	Bearing	
4	0641504	1	Bolt 5/16 x 1/2	
5	0700817	1	Bolt M8 x 45	
6	0760610	1	Bolt M6 x 20	
7	0760812	3	Bolt M8 x 25	
8	0761014	4	Bolt M10 x 30	
9	0761015	4	Bolt M10 x 35	
10	1701542	2	Decal - Gas	
11	1701543	1	Decal - LPG (Not Shown)	
12	2180348	2	Fitting, Barbed	
13	3290605	1	Nut M6	
14	3290805	4	Nut M8	
15	3291005	5	Nut M10	
16	3790012	1	O-Ring	
17	3841143	1	Keeper, Pin	
18	4240099	AR	Tie-Strap (Not Shown)	
19	4711500	1	Washer 5/16	
20	4811700	2	Washer M6	
21	3422532	1	Pin	
22	4811900	6	Washer M8	
23	4812000	13	Washer M10	
24	5240800	2	Washer M8	
25	5251215	1	Bolt M12 x 35	
26	5261200	1	Nut M12 (Grade 10.9)	
27	1001217785	2	Clamp, Muffler	
28	1001135196	1	Pin	
29	1001155044	2	Nut 15/32	
31	1001161710	1	Switch, Toggle	
32	1001167512	1	Bracket, Engine Tray Stow	
33	1001174486	2	Clamp	
34	1001236254	1	Engine and Pump Sub-Assembly - Kubota Engine (Without Arctic Package) (See Separate Breakdown in this Section)	
35	1001212257	1	Cable, Kubota Alternator	
36	1001213062	1	Cable, Battery Cable Kit	
37	1001213599	1	Harness Engine - Kubota Engine (See Separate Breakdown in ELECTRICAL SECTION)	
38	1001214502	1	Pipe, Tail Pipe	
39	1001215259	1	Plate, Engine Lock	
40	1001215801	1	Mount, Fuel System	
41	1001156819	20 in/ 53cm	Hose	
42	1001216396	1	Hose	
43	1001216397	1	Hose	
44	1001217494	2	Bolt M12 x 20	
45	1321283	1	Clamp	
46	4812100	2	Washer M12	

SECTION 3 - ENGINE

ITEM	PART NUMBER	QTY	DESCRIPTION	REV
47	1001216399	1	Hose	
49	1001195039	1	Clamp	
50	1001118972	3	Nut M10	
51	4812200	1	Washer M14	
52	24431386	1	Support Clamp 15/16	
53	1001217345	1	Bolt M14 x 30	
54	1001229798	1	Harness - Kubota Dual Fuel Power (Not Shown - See Separate Breakdown in ELECTRICAL SECTION)	
55	4460466	8	Terminal, Sealing Plug (Not Shown)	
56	4460930	1	Plug, Male - 8 Position (Deutsch) (Not Shown)	

SECTION 3 - ENGINE

FIGURE 3-28. KUBOTA ENGINE AND PUMP SUB-ASSEMBLY (WITHOUT ARCTIC PACKAGE)



ART_1001236254

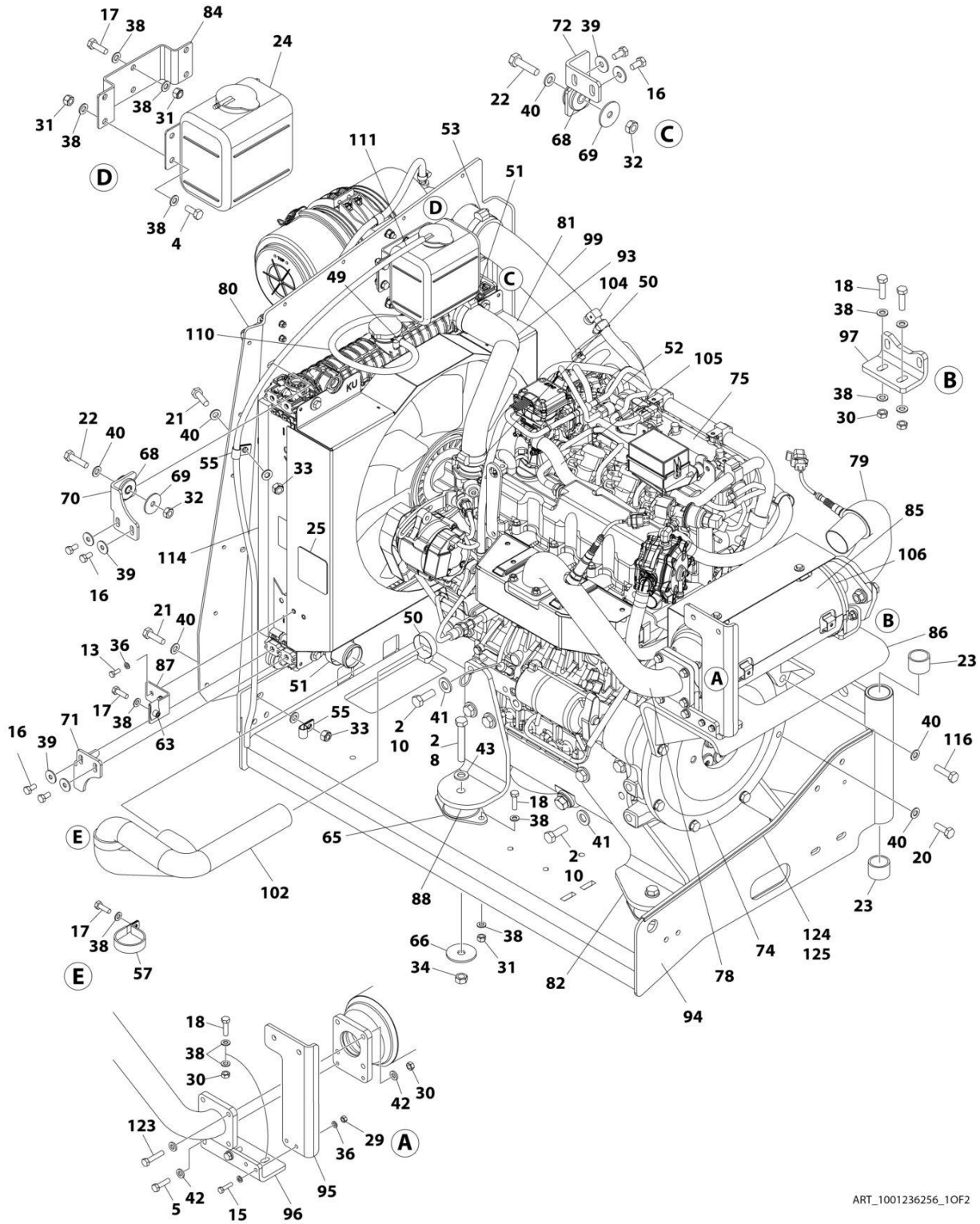
SECTION 3 - ENGINE

FIGURE 3-28. KUBOTA ENGINE AND PUMP SUB-ASSEMBLY (WITHOUT ARCTIC PACKAGE)

ITEM	PART NUMBER	QTY	DESCRIPTION	REV
	1001236254	Ref	ENGINE AND PUMP SUB-ASSEMBLY - KUBOTA ENGINE (WITHOUT ARCTIC PACKAGE)	A
1	0100011	AR	Compound, Locking	
2	0641812	2	Bolt 1/2 x 1-1/2	
3	1001214207	1	Pump, Gear	
3	70006356	1	Seal Kit - 1001214207 Pump	
4	3790152	1	O-Ring	
5	3931618	2	Bolt 3/8 x 1-1/8	
6	4891600	2	Washer 3/8	
7	4891800	2	Washer 1/2	
8	1001167036	1	Piston Pump Assembly (See Separate Breakdown in this Section)	
9	1001171953	1	Seal, Gasket	
10	1001171954	1	Seal, Gasket	
11	1001236256	1	Engine Assembly - Kubota Engine (Without Arctic Package) (See Separate Breakdown in this Section)	

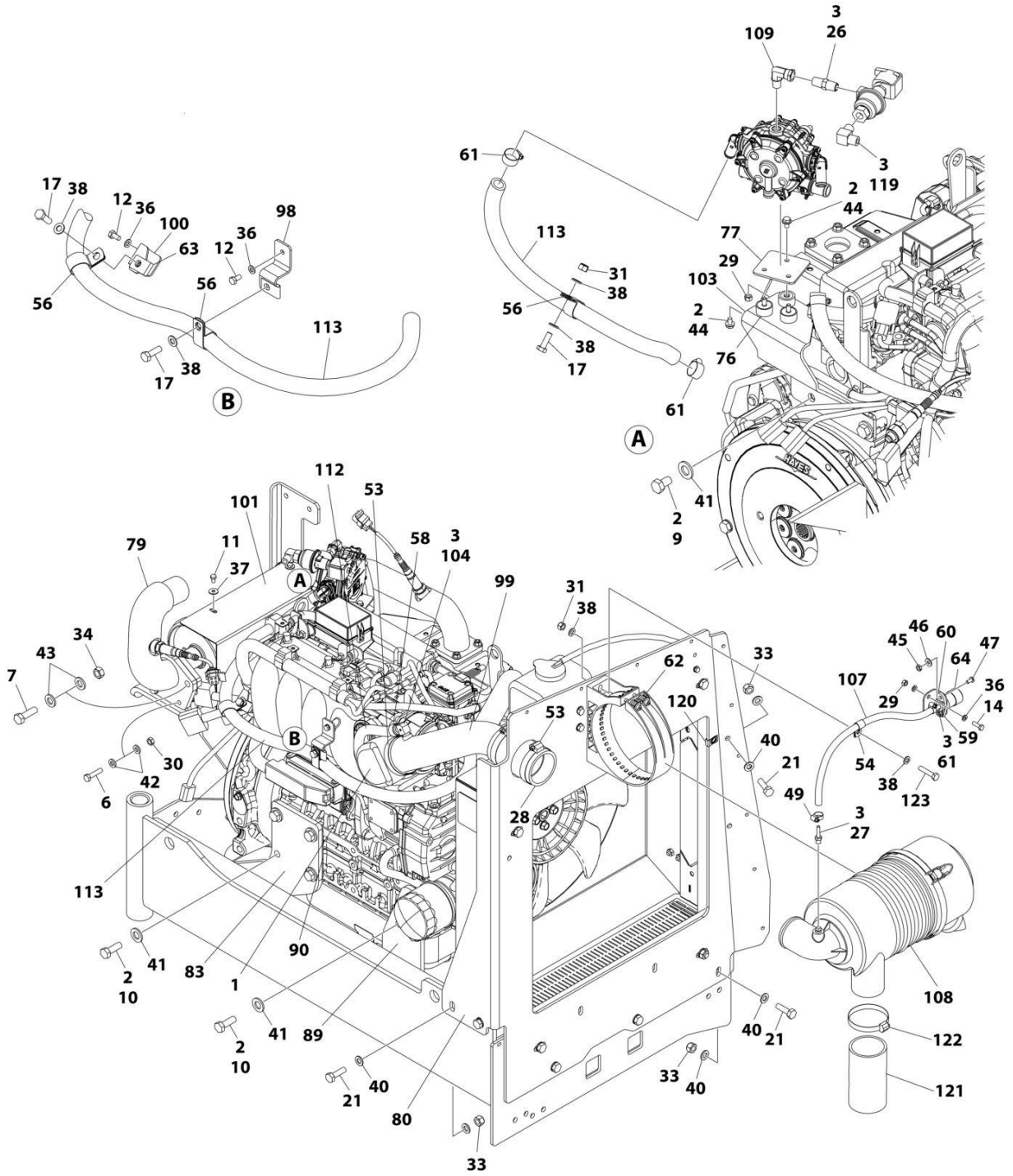
SECTION 3 - ENGINE

FIGURE 3-29. KUBOTA ENGINE ASSEMBLY (WITHOUT ARCTIC PACKAGE)



ART_1001236256_10F2

SECTION 3 - ENGINE



ART_1001236256_20F2

SECTION 3 - ENGINE

FIGURE 3-29. KUBOTA ENGINE ASSEMBLY (WITHOUT ARCTIC PACKAGE)

ITEM	PART NUMBER	QTY	DESCRIPTION	REV
	1001236256	Ref	ENGINE ASSEMBLY - KUBOTA ENGINE (WITHOUT ARCTIC PACKAGE)	E
1	0080201	1	Adapter, 90	
2	0100011	AR	Compound, Locking	
3	0100020	AR	Sealant, Pipe	
4	0700810	4	Bolt M8 x 20	
5	0700814	2	Bolt M8 x 30	
6	0700815	2	Bolt M8 x 35	
7	0701216	2	Bolt M12 x 40	
8	0701224	4	Bolt M12 x 80	
9	1001217494	2	Bolt M12 x 20	
10	1001217343	14	Bolt M12 x 35	
11	0760605	4	Bolt M6 x 10	
12	0760606	2	Bolt M6 x 12	
13	0760608	2	Bolt M6 x 16	
14	0760610	2	Bolt M6 x 20	
15	0760612	2	Bolt M6 x 25	
16	0760808	8	Bolt M8 x 16	
17	0760812	6	Bolt M8 x 25	
18	0760814	12	Bolt M8 x 30	
19	0760815	1	Bolt M8 x 35	
20	0761014	4	Bolt M10 x 30	
21	0761015	6	Bolt M10 x 35	
22	0761016	4	Bolt M10 x 40	
23	0961951	2	Bushing	
24	1580011	1	Container, Coolant Overflow	
25	1703162	2	Decal - Caution Fan	
26	2220261	1	Fitting, Nipple NPTF/NPTF	
27	2220315	1	Fitting, Barbed	
28	2720644	1	Hose	
29	3290607	5	Nut M6	
30	3290801	10	Nut M8	
31	3290805	17	Nut M8	
32	3291001	4	Nut M10	
33	3291005	6	Nut M10	
34	3291201	6	Nut M12	
35	4240099	AR	Tie-Strap (Not Shown)	
36	4811700	12	Washer M6	
37	4811702	4	Washer M6	
38	4811900	45	Washer M8	
39	4811902	8	Washer M8	
40	4812000	24	Washer M10	
41	5241400	16	Washer M14	
42	5240800	14	Washer M8	
43	5241200	8	Washer M12	
44	5250605	3	Bolt M6 x 10	
45	8305401	2	Nut 1/4	
46	8307109	2	Washer 1/4	
47	8310548	2	Screw 1/4 NC x 1/2	
48	1001173535	2	Clamp	

SECTION 3 - ENGINE

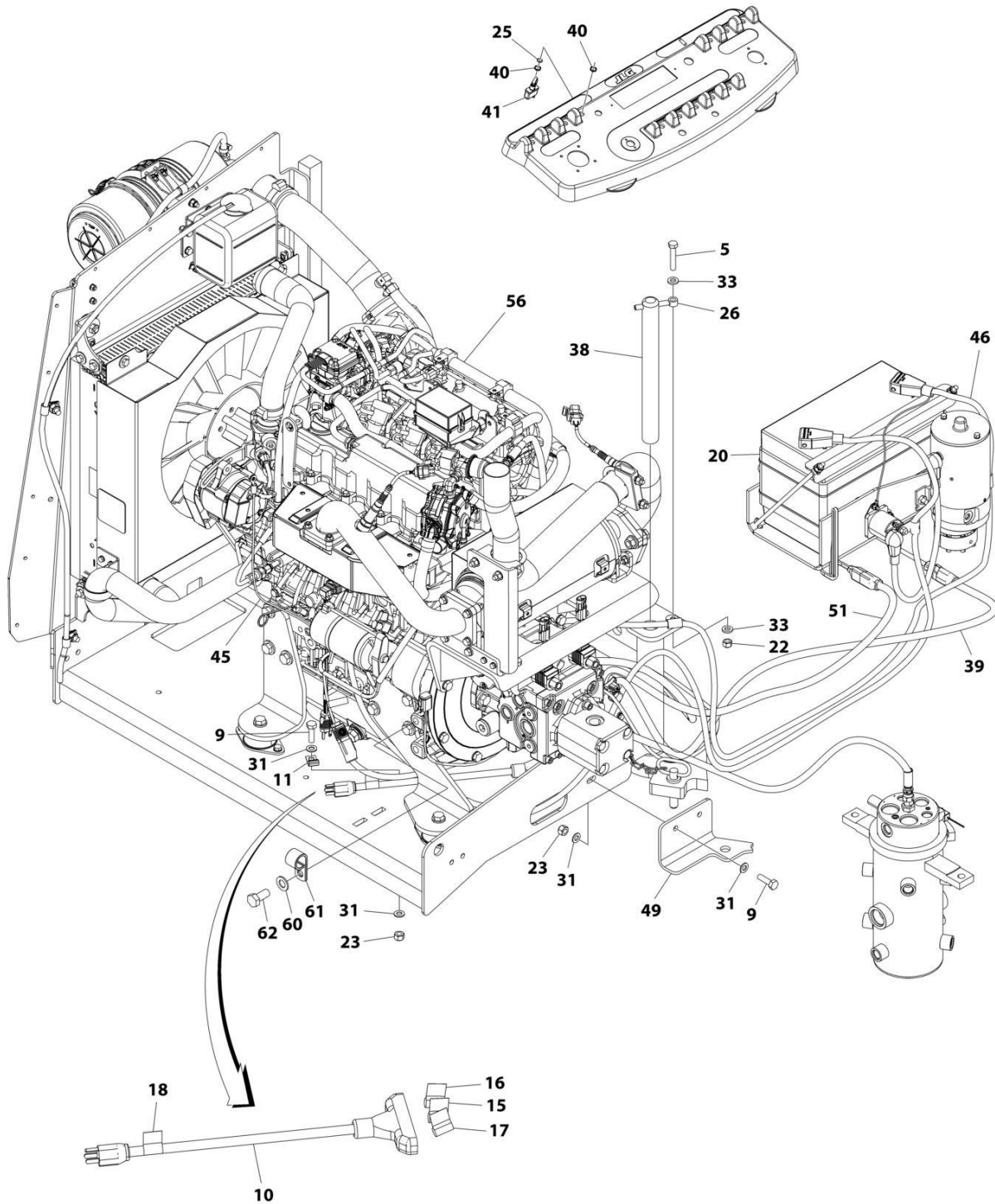
ITEM	PART NUMBER	QTY	DESCRIPTION	REV
49	8405009	4	Clamp	
50	8405102	2	Clamp	
51	8405104	2	Clamp	
52	8405202	1	Clamp	
53	8405203	3	Clamp	
54	8406109	1	Clip	
55	8406110	2	Clip	
56	8406201	3	Clip	
57	8410001	1	Clamp	
58	8410009	6	Clamp	
59	1001138173	1	Support, Service Indicator	
60	1001138175	1	Bracket, Service Indicator	
61	1001141995	1	Fitting, Barbed	
62	1001147812	1	Clamp, Air Cleaner	
63	1001149160	3	Nut M8	
64	1001149639	1	Indicator, Air Intake	
65	1001166718	4	Isolator, Engine Mount	
66	1001168018	4	Washer, Snubbing	
67	1001168166	2	Seal	
68	1001169054	4	Isolator, Radiator	
69	1001169138	4	Washer, Snubbing	
70	1001169967	2	Bracket	
71	1001170035	1	Bracket	
72	1001176330	1	Bracket	
73	1001180620	AR	Adhesive	
74	1001209844	1	Pump Coupling Kit (See Separate Breakdown in this Section)	
75	1001236393	1	Engine, Kubota (See Separate Breakdown in this Section)	
76	1001211794	3	Mount	
77	1001211797	1	Mount	
78	1001212989	1	Pipe, Exhaust (Inlet)	
79	1001212993	1	Pipe Exhaust (Outlet)	
80	1001213305	1	Plate, Mounting	
81	1001236257	1	Radiator	
82	1001213425	1	Plate, Engine Mount (Left Rear)	
83	1001213426	1	Plate, Engine Mount (Right Rear)	
84	1001213482	1	Bracket	
85	1001213824	1	Insulation	
86	1001214138	1	Bracket	
87	1001214205	1	Support	
88	1001214233	1	Plate (Front Left)	
89	1001214234	1	Plate (Front Right)	
90	1001214276	1	Shim	
91	1001214277	1	Shim	
92	1001214278	2	Shim	
93	1001214307	1	Hose	
94	1001214508	1	Support	
95	1001214553	1	Support	
96	1001214555	1	Bracket	
97	1001214556	1	Bracket	
98	1001214558	1	Bracket	
99	1001214598	1	Tube	

SECTION 3 - ENGINE

ITEM	PART NUMBER	QTY	DESCRIPTION	REV
100	1001214599	1	Bracket	
101	1001214664	1	Cover	
102	1001214694	1	Hose	
103	1001214841	1	Bracket	
104	1001215125	1	Fitting, 90	
105	1001215869	1	Hose	
106	1001137336	2	Strap	
107	1001138248	2 ft/ 0.61m	Tube	
108	1001147813	1	Air Cleaner Assembly Including Filter Element	
108	70004020	1	Element, Air Filter	
109	1001247359	1	Fitting, 90	
110	2720058	1.75 ft/ 0.53m	Hose	
111	2720271	4 ft/ 1.22m	Hose	
112	2720615	1.25 ft/ 0.38m	Hose	
113	82033995	5.5 ft/ 1.68m	Hose	
114	1001216825	2	Seal	
115	0700816	4	Bolt M8 x 40	
116	0701016	4	Bolt M10 x 40	
119	2180504	1	Fitting, Barbed	
120	1001118274	1	Nut, Special M8	
121	1001001939	1	Tube, Flex	
122	8410011	1	Clamp	
123	0760816	1	Bolt M8 x 40	
124	4060805	1.94 ft/ 0.59m	Flex-Trim	
125	0100081	AR	Adhesive	

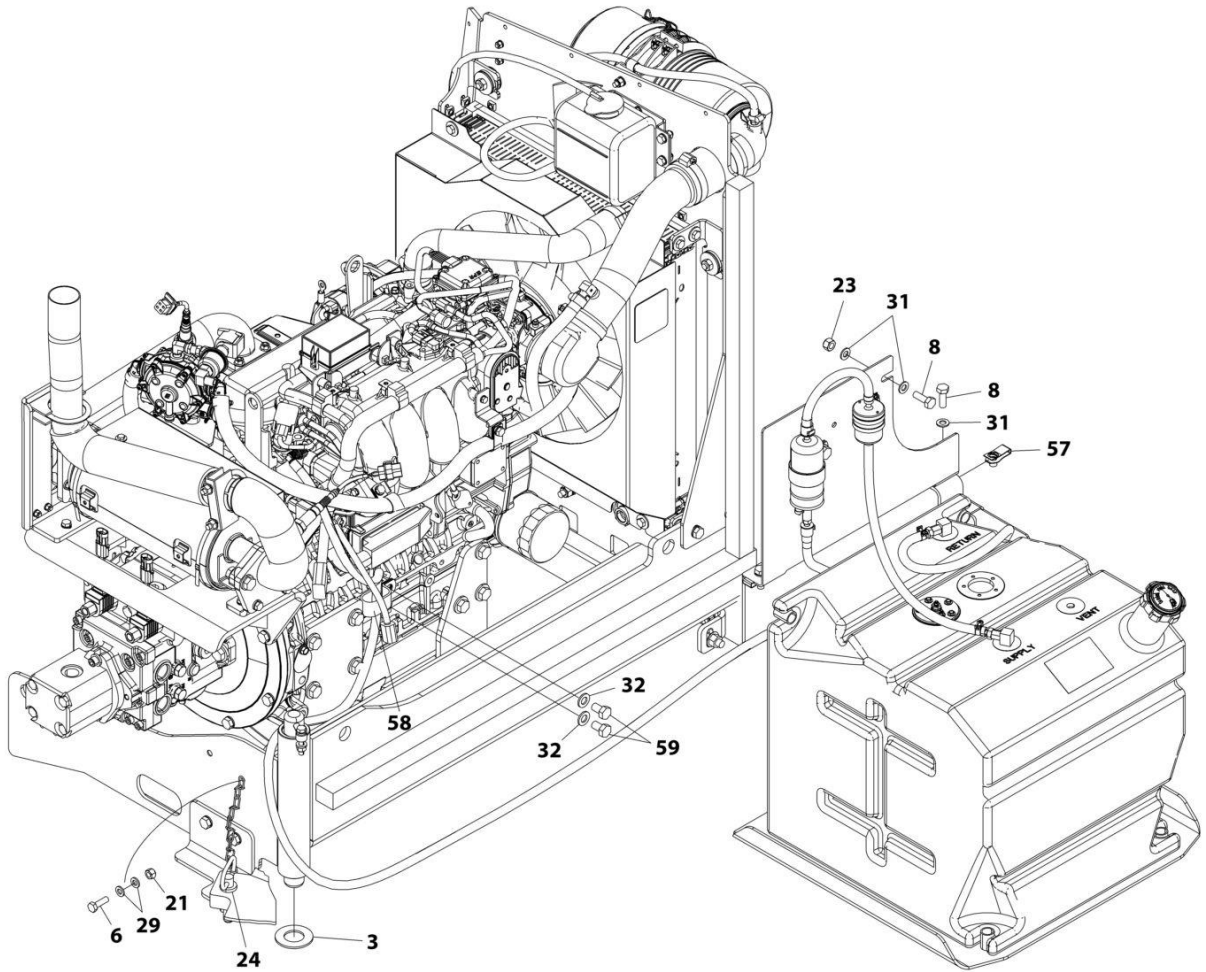
SECTION 3 - ENGINE

FIGURE 3-30. KUBOTA ENGINE INSTALLATION (WITH ARCTIC PACKAGE)



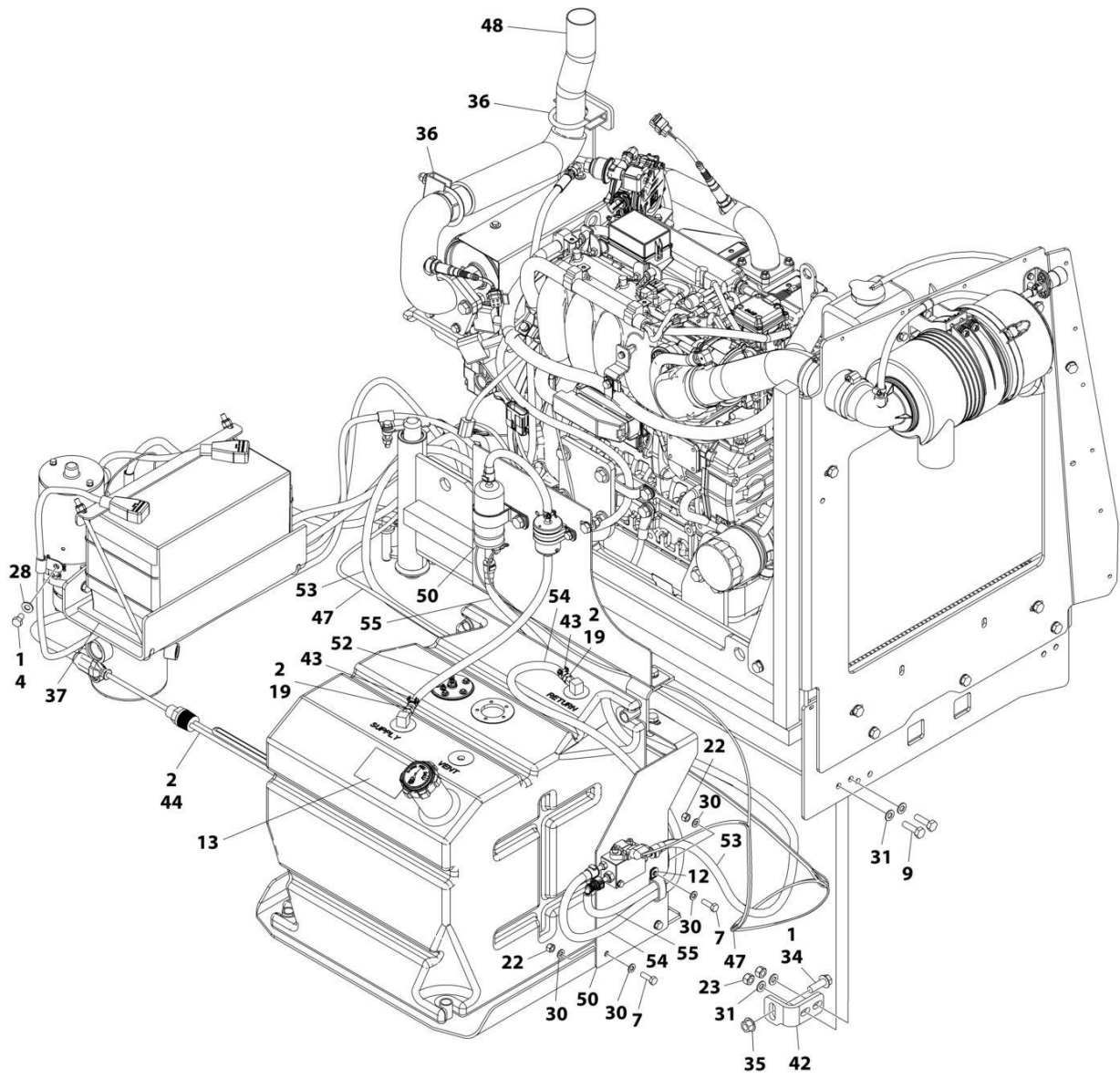
ART_1001236252_10F3

SECTION 3 - ENGINE



ART_1001236252_20F3

SECTION 3 - ENGINE



ART_1001236252_30F3

SECTION 3 - ENGINE

FIGURE 3-30. KUBOTA ENGINE INSTALLATION (WITH ARCTIC PACKAGE)

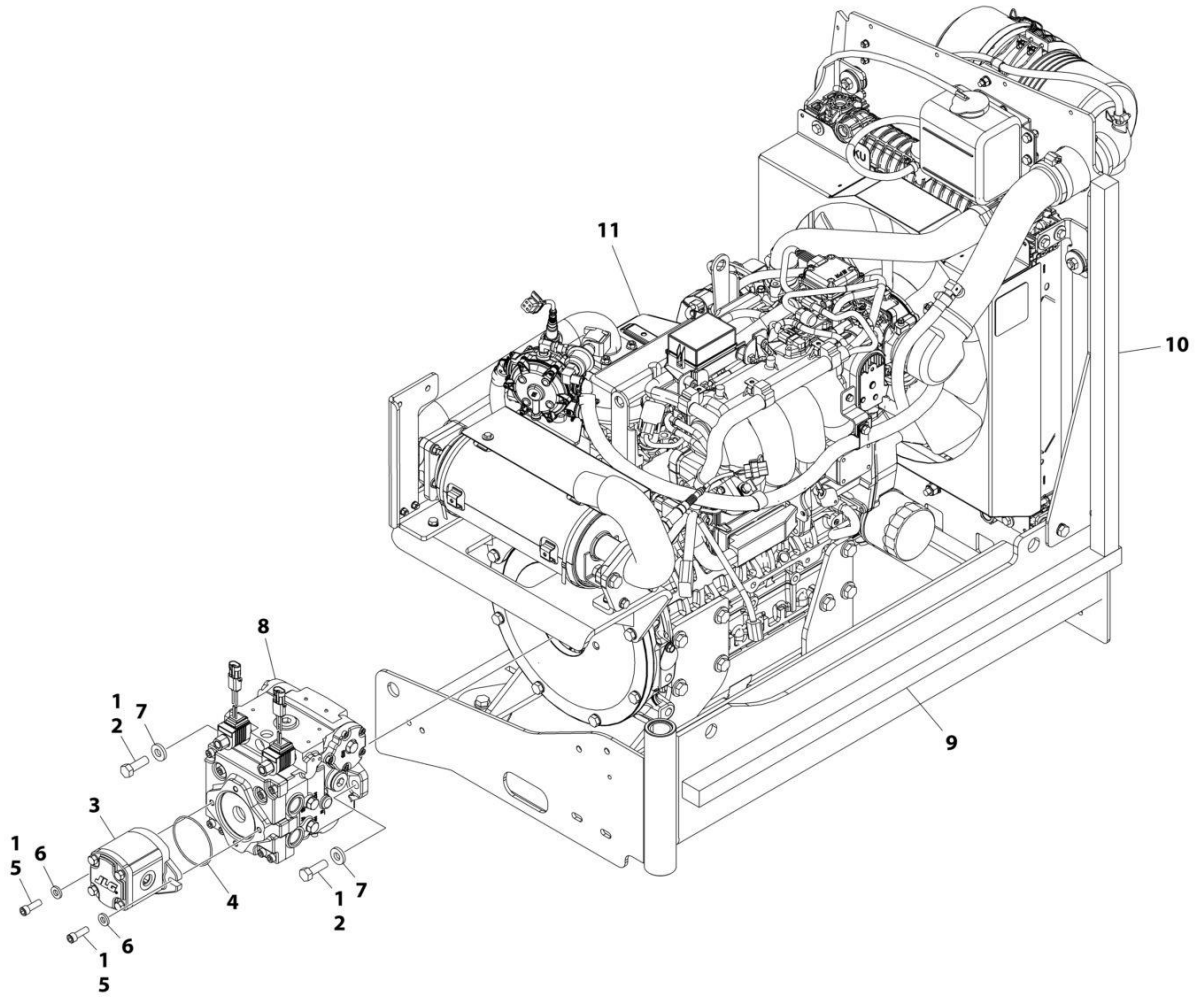
ITEM	PART NUMBER	QTY	DESCRIPTION	REV
	1001236252	Ref	ENGINE INSTALLATION - KUBOTA ENGINE (WITH ARCTIC PACKAGE)	B
1	0100011	AR	Compound, Locking	
2	0100020	AR	Sealant, Pipe	
3	0440162	1	Bearing	
4	0641504	1	Bolt 5/16 x 1/2	
5	0700817	1	Bolt M8 x 45	
6	0760610	1	Bolt M6 x 20	
7	0760812	3	Bolt M8 x 25	
8	0761014	4	Bolt M10 x 30	
9	0761015	5	Bolt M10 x 35	
10	1060626	1	Plug, 3 Way	
11	1320223	1	Clamp	
12	1321283	1	Clamp	
13	1701542	2	Decal - Gas	
14	1701543	1	Decal - LPG (Not Shown)	
15	1702941	1	Decal - Battery Heater	
16	1702942	1	Decal - Engine Block Heater	
17	1702943	1	Decal - Hydraulic Tank Heater	
18	1702944	1	Decal - Heater Cord	
19	2180348	2	Fitting, Barbed	
20	2580024	1	Heater, Battery	
21	3290605	1	Nut M6	
22	3290805	4	Nut M8	
23	3291005	6	Nut M10	
24	3422532	1	Pin	
25	3790012	1	O-Ring	
26	3841143	1	Keeper, Pin	
27	4240099	AR	Tie-Strap (Not Shown)	
28	4711500	1	Washer 5/16	
29	4811700	2	Washer M6	
30	4811900	6	Washer M8	
31	4812000	15	Washer M10	
32	4812100	2	Washer M12	
33	5240800	2	Washer M8	
34	5251215	1	Bolt M12 x 35	
35	5261200	1	Nut M12 Class10	
36	1001217785	2	Clamp, Muffler	
37	1001119278	1	Insulate	
38	1001135196	1	Pin	
39	1001150918	1	Cable, Extension Cord	
40	1001155044	2	Nut 15/32	
41	1001161710	1	Switch, Toggle	
42	1001167512	1	Bracket, Engine Tray Stow	
43	1001174486	2	Clamp	
44	1001188972	1	Heater, Hydraulic Tank	
45	1001212257	1	Cable, Kubota Alternator	
46	1001213062	1	Cable, Battery Cable Kit Kubota	
47	1001213599	1	Harness Engine - Kubota Engine (See Separate Breakdown in ELECTRICAL SECTION)	

SECTION 3 - ENGINE

ITEM	PART NUMBER	QTY	DESCRIPTION	REV
48	1001214502	1	Pipe, Tail Pipe	
49	1001215259	1	Plate, Engine Lock	
50	1001215801	1	Mount, Fuel System (Kubota)	
51	1001216080	2	Cable, Extension Cord	
52	1001156819	20.9 in/ 53cm	Hose	
53	1001216396	1	Hose	
54	1001216397	1	Hose	
55	1001216399	1	Hose	
56	1001236258	1	Engine and Pump Sub-Assembly - Kubota Engine (With Arctic Package) (See Separate Breakdown in this Section)	
57	1001118972	3	Nut M10	
58	1001195039	1	Clamp	
59	1001217494	2	Capscrew M12	
60	4812200	1	Washer M14	
61	24431386	1	Support, Clamp	
62	1001217345	1	Bolt M14 x 30	
63	1001229798	1	Harness - Kubota B6 D/F Power (Not Shown - See Separate Breakdown in ELECTRICAL SECTION)	
64	4460466	8	Terminal, Sealing Plug (Not Shown)	
65	4460930	1	Plug, Male - 8 Position (Deutsch) (Not Shown)	

SECTION 3 - ENGINE

FIGURE 3-31. KUBOTA ENGINE AND PUMP SUB-ASSEMBLY (WITH ARCTIC PACKAGE)



ART_1001236258

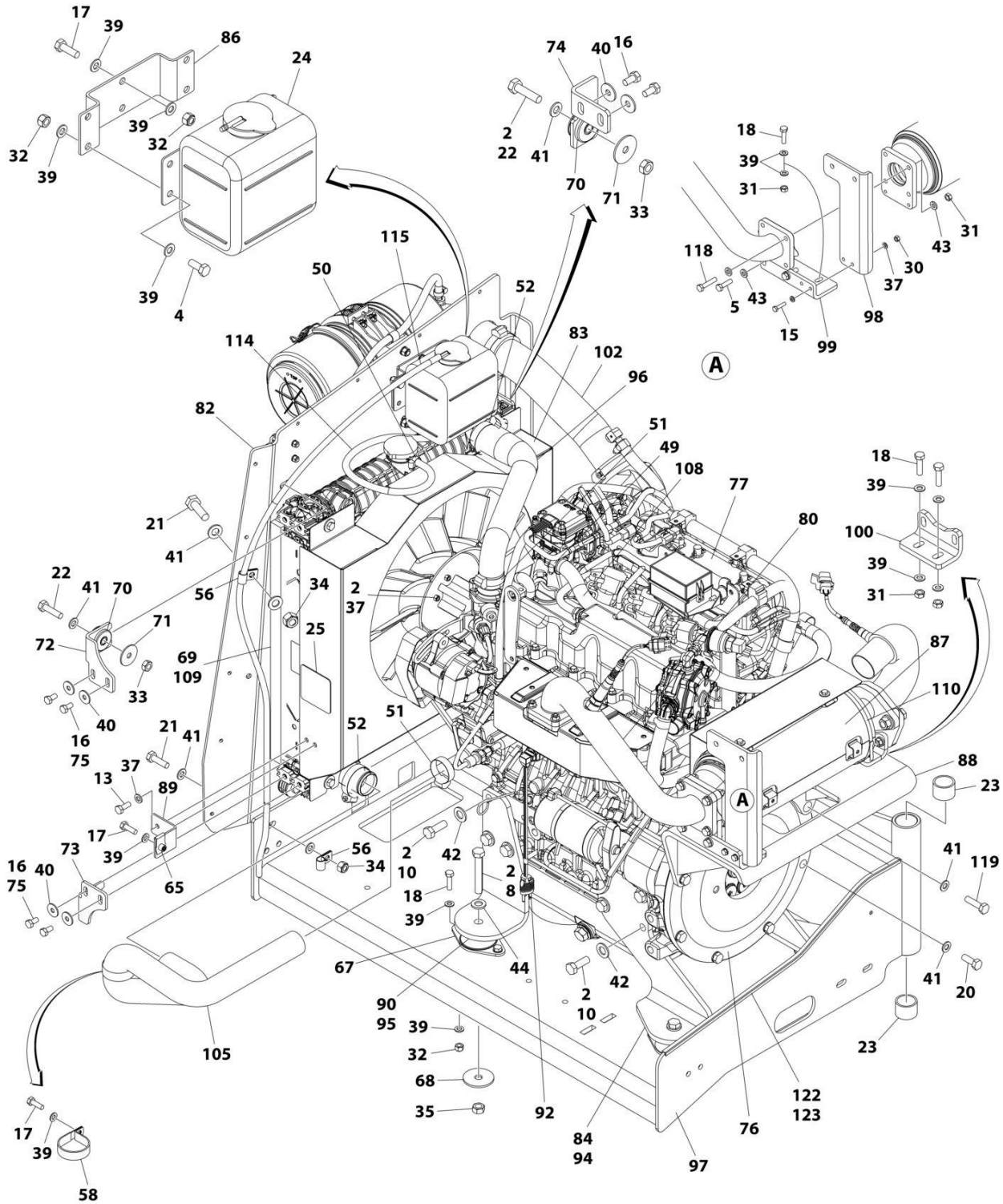
SECTION 3 - ENGINE

FIGURE 3-31. KUBOTA ENGINE AND PUMP SUB-ASSEMBLY (WITH ARCTIC PACKAGE)

ITEM	PART NUMBER	QTY	DESCRIPTION	REV
	1001236258	Ref	ENGINE AND PUMP SUB-ASSEMBLY - KUBOTA ENGINE (WITH ARCTIC PACKAGE)	A
1	0100011	AR	Compound, Locking	
2	0641812	2	Bolt 1/2 x 1-1/2	
3	1001214207	1	Gear Pump Assembly	
3	70006356	1	Seal Kit - 1001214207 Pump	
4	3790152	1	O-Ring	
5	3931618	2	Capscrew 3/8 x 1-1/8	
6	4891600	2	Washer 3/8	
7	4891800	2	Washer 1/2	
8	1001167036	1	Piston Pump Assembly (See Separate Breakdown in this Section)	
9	1001171953	1	Seal	
10	1001171954	1	Seal	
11	1001236259	1	Engine Assembly - Kubota Engine (With Arctic Package) (See Separate Breakdown in this Section)	

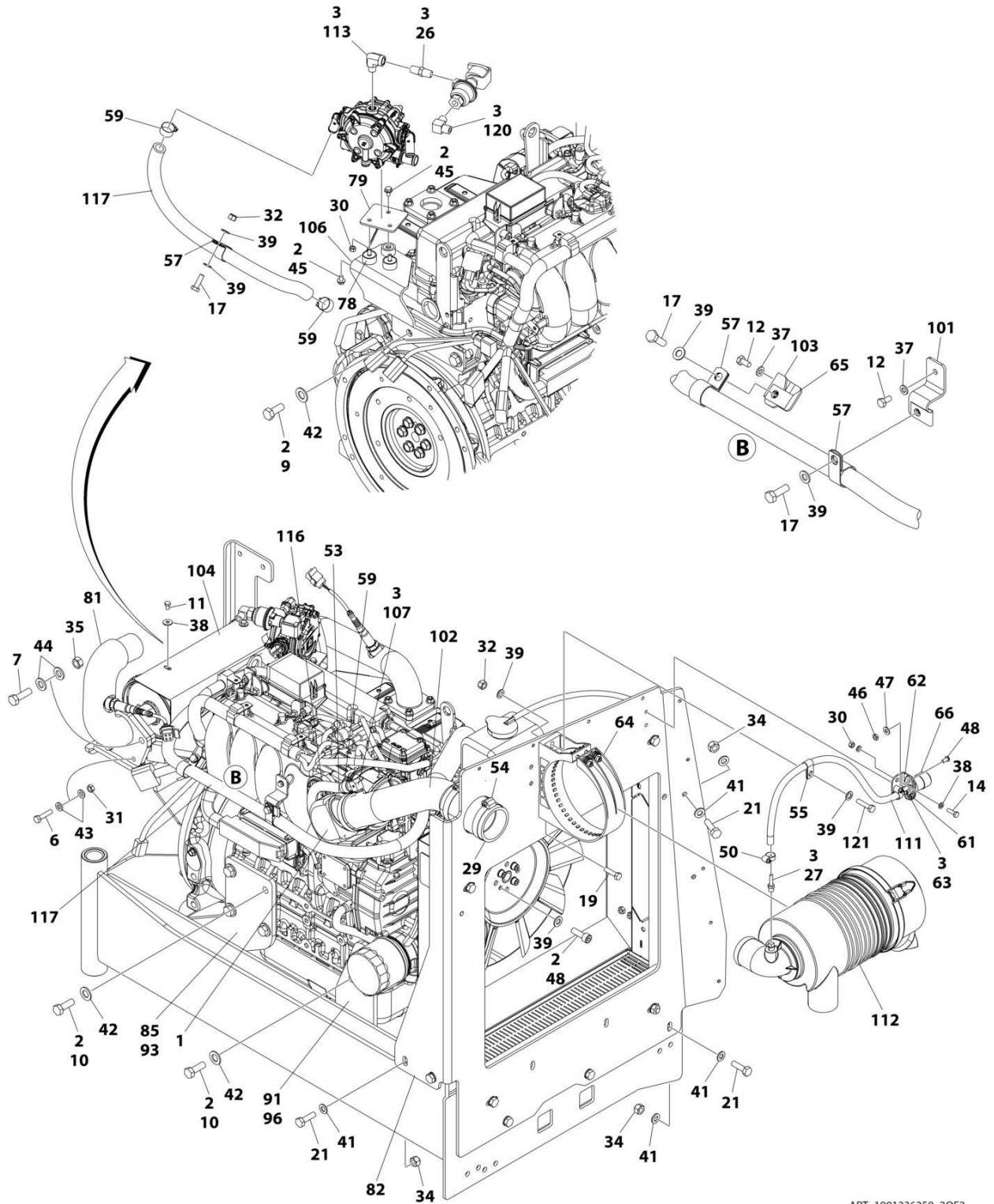
SECTION 3 - ENGINE

FIGURE 3-32. KUBOTA ENGINE ASSEMBLY (WITH ARCTIC PACKAGE)



ART_1001236259_10F2

SECTION 3 - ENGINE



ART_1001236259_2OF2

SECTION 3 - ENGINE

FIGURE 3-32. KUBOTA ENGINE ASSEMBLY (WITH ARCTIC PACKAGE)

ITEM	PART NUMBER	QTY	DESCRIPTION	REV
	1001236259	Ref	ENGINE ASSEMBLY - KUBOTA ENGINE (WITH ARCTIC PACKAGE)	E
1	0080201	1	Adapter, 90	
2	0100011	AR	Compound, Locking	
3	0100020	AR	Sealant, Pipe	
4	0700810	4	Bolt M8 x 20	
5	0700814	2	Bolt M8 x 30	
6	0700815	2	Bolt M8 x 35	
7	0701216	2	Bolt M12 x 40	
8	0701224	4	Bolt M12 x 80	
9	1001217494	2	Bolt M12 x 20	
10	1001217343	14	Bolt M12 x 35	
11	0760605	4	Bolt M6 x 10	
12	0760606	2	Bolt M6 x 12	
13	0760608	2	Bolt M6 x 16	
14	0760610	2	Bolt M6 x 20	
15	0760612	2	Bolt M6 x 25	
16	0760808	8	Bolt M8 x 16	
17	0760812	6	Bolt M8 x 25	
18	0760814	12	Bolt M8 x 30	
19	0760815	1	Bolt M8 x 35	
20	0761014	4	Bolt M10 x 30	
21	0761015	6	Bolt M10 x 35	
22	0761016	4	Bolt M10 x 40	
23	0961951	2	Bushing	
24	1580011	1	Container, Coolant Overflow	
25	1703162	2	Decal - Caution Fan	
26	2220261	1	Fitting, Nipple NPTF/NPTF	
27	2220315	1	Fitting, Barbed	
29	2720644	1	Hose	
30	3290607	5	Nut M6	
31	3290801	10	Nut M8	
32	3290805	17	Nut M8	
33	3291001	4	Nut M10	
34	3291005	6	Nut M10	
35	3291201	6	Nut M12	
36	4240099	AR	Tie-Strap (Not Shown)	
37	4811700	16	Washer M6	
38	4811702	4	Washer M6	
39	4811900	45	Washer M8	
40	4811902	8	Washer M8	
41	4812000	24	Washer M10	
42	5241400	16	Washer M14	
43	5240800	14	Washer M8	
44	5241200	8	Washer M12	
45	5250605	3	Bolt M6 x 10	
46	8305401	2	Nut 1/4	
47	8307109	2	Washer 1/4	
48	8310548	2	Screw 1/4 x 1/2	
49	1001173535	2	Clamp	

SECTION 3 - ENGINE

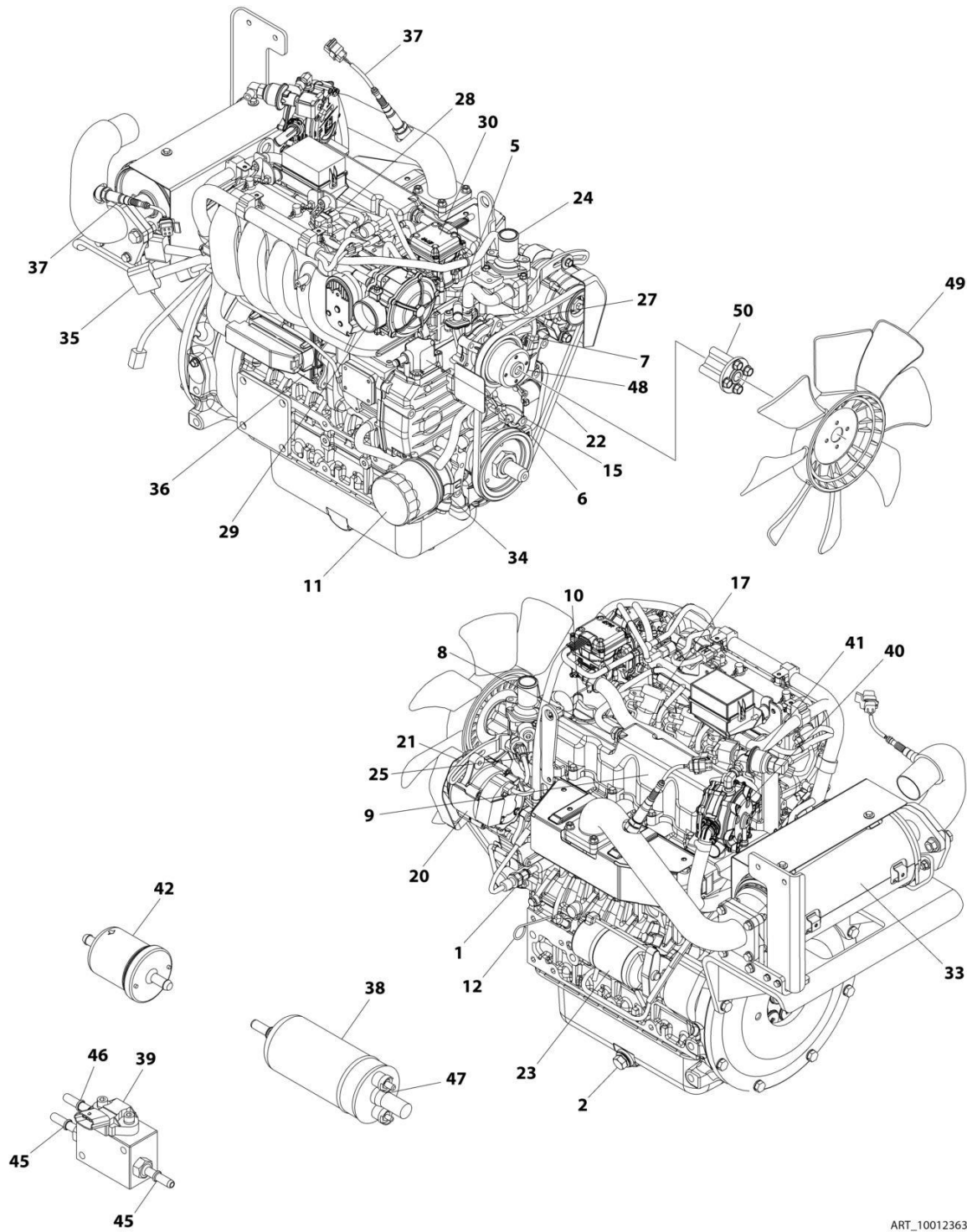
ITEM	PART NUMBER	QTY	DESCRIPTION	REV
50	8405009	4	Clamp	
51	8405102	2	Clamp	
52	8405104	2	Clamp	
53	8405202	1	Clamp	
54	8405203	3	Clamp	
55	8406109	1	Clip	
56	8406110	2	Clip	
57	8406201	3	Clip	
58	8410001	1	Clamp	
59	8410009	6	Clamp	
61	1001138173	1	Support, Service Indicator	
62	1001138175	1	Bracket, Service Indicator	
63	1001141995	1	Fitting, Barbed	
64	1001147812	1	Clamp, Air Cleaner	
65	1001149160	3	Nut M8	
66	1001149639	1	Indicator, Air Intake	
67	1001166718	4	Isolator, Engine Mount	
68	1001168018	4	Washer, Snubbing	
69	1001168166	2	Seal	
70	1001169054	4	Isolator, Radiator	
71	1001169138	4	Washer, Snubbing	
72	1001169967	2	Bracket	
73	1001170035	1	Bracket	
74	1001176330	1	Bracket	
75	1001180620	AR	Adhesive	
76	1001209844	1	Pump Coupling Kit (See Separate Breakdown in this Section)	
77	1001236393	1	Engine, Kubota (See Separate Breakdown in this Section)	
78	1001211794	3	Mount	
79	1001211797	1	Mount	
80	1001212989	1	Pipe, Exhaust (Inlet)	
81	1001212993	1	Pipe, Exhaust (Outlet)	
82	1001213305	1	Plate, Mounting	
83	1001236257	1	Radiator	
84	1001213425	1	Plate, Engine Mount (Left Rear)	
85	1001213426	1	Plate, Engine Mount (Right Rear)	
86	1001213482	1	Bracket	
87	1001213824	1	Insulation	
88	1001214138	1	Bracket	
89	1001214205	1	Support	
90	1001214233	1	Plate (Front Left)	
91	1001214234	1	Plate (Front Right)	
92	1001214269	1	Heater, Block	
93	1001214276	1	Shim	
94	1001214277	1	Shim	
95	1001214278	2	Shim	
96	1001214307	1	Hose	
97	1001214508	1	Support	
98	1001214553	1	Support	
99	1001214555	1	Bracket	
100	1001214556	1	Bracket	
101	1001214558	1	Bracket	

SECTION 3 - ENGINE

ITEM	PART NUMBER	QTY	DESCRIPTION	REV
102	1001214598	1	Tube	
103	1001214599	1	Bracket	
104	1001214664	1	Cover	
105	1001214694	1	Hose	
106	1001214841	1	Bracket	
107	1001215125	1	Fitting, 90	
108	1001215869	1	Hose	
109	1001216825	2	Seal	
110	1001137336	2	Strap	
111	1001138248	2 ft/ 0.6m	Tube	
112	1001147813	1	Air Cleaner Assembly Including Filter Element	
112	70004020	1	Element, Filter (Not Shown)	
113	1001247359	1	Fitting, Street Elbow	
114	2720058	1.8 ft/ 0.5m	Hose	
115	2720271	4 ft/ 1.2m	Hose	
116	2720615	1.2 ft/ 0.4m	Hose	
117	82033995	5.5 ft/ 1.7m	Hose	
118	0700816	4	Bolt M8 x 40	
119	0701016	4	Bolt M10 x 40	
120	2180504	1	Fitting, Barbed	
121	0760816	1	Bolt M8 x 40	
122	4060805	1.94 ft/ 59m	Flex-Trim	
123	0100081	AR	Adhesive	

SECTION 3 - ENGINE

FIGURE 3-33. KUBOTA ENGINE COMPONENTS



ART_1001236393

SECTION 3 - ENGINE

FIGURE 3-33. KUBOTA ENGINE COMPONENTS

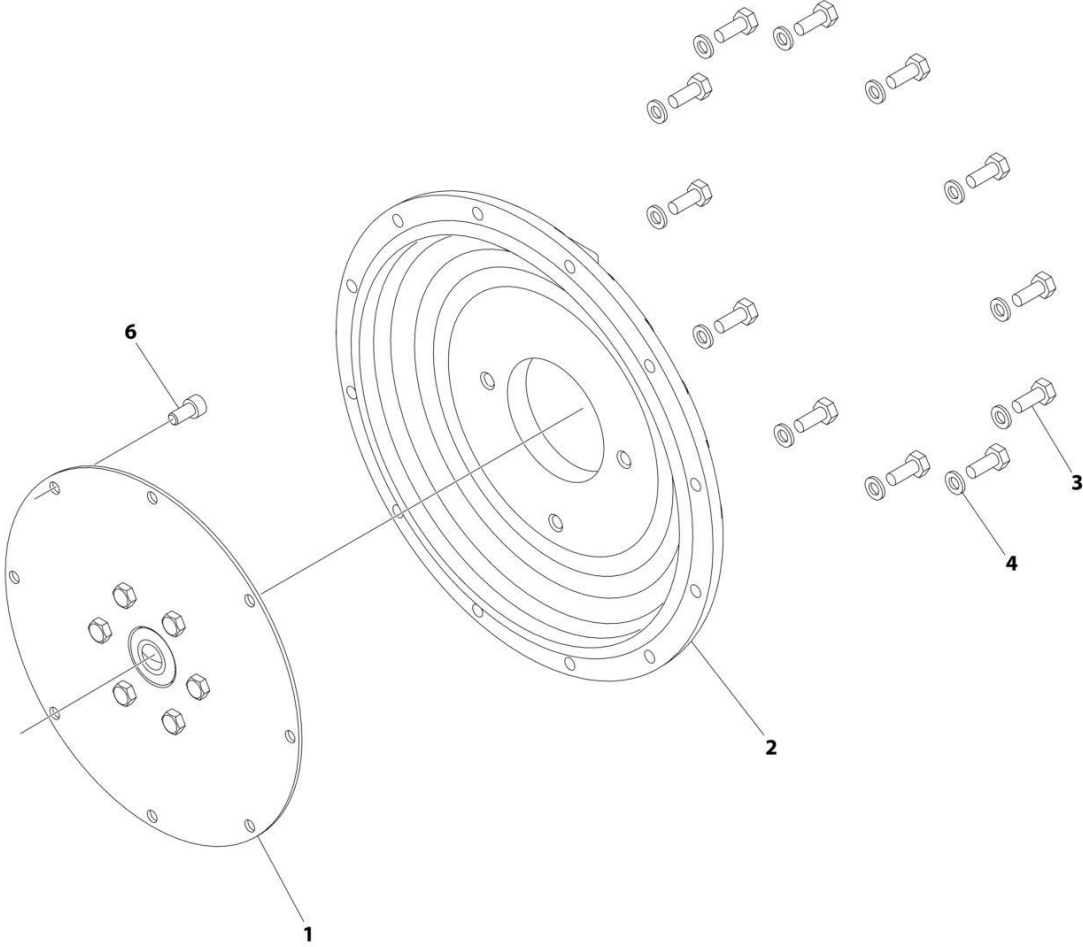
ITEM	PART NUMBER	QTY	DESCRIPTION	REV
	1001236393	Ref	ENGINE COMPONENTS - KUBOTA	D
1	70005745	1	Switch, Oil	
1	70006013	1	Adapter	
2	7023154	1	Plug, Drain	
2	7017904	1	Gasket, Oil Pan Drain	
3	70006014	1	Gasket, Cylinder Head (Not Shown)	
4	70006015	1	Sensor (Knock) (Not Shown - Located on Left Side of Engine)	
5	70006016	1	Flange Assembly (Water Return)	
5	70002316	1	Pipe	
5	70006017	1	Gasket	
6	70005737	1	Sensor Stick Assembly	
7	70006018	1	Sensor	
8	70006019	1	Valve (PCV)	
8	70006020	1	Seal	
9	7017932	3	Element, Breather	
9	70006021	1	Gasket	
10	70002318	1	Oil Filler Cap	
10	70006022	1	O-Ring	
11	70006023	1	Filter, Oil	
12	70006024	1	Dipstick	
13	70006025	1	Pump Assembly, Oil (Not Shown - Located Under Front Cover)	
13	70006026	1	Gasket	
13	70006027	1	Key	
14	70006028	1	Flywheel (Not Shown - Located Behind Coupling Plate)	
14	70006029	1	Ring Gear (Part of Flywheel)	
15	70006030	1	Flange Assembly (Breather)	
15	70002316	1	Pipe	
15	70006031	1	Gasket	
16	70006035	1	Pipe Assembly (Not Shown)	
16	70005727	1	Gasket	
17	70006034	4	Coil	
17	70006033	4	Spark Plug	
18	70006032	1	Gasket (Not Shown)	
19	70005751	4	Injector (Not Shown)	
20	70006036	1	Alternator (Includes Voltage Regulator and Gaskets, Fan and Fan Mounting Hardware)	
21	70006037	1	Bracket	
22	70006038	1	Belt	
23	70006039	1	Starter	
24	70006041	1	Thermostat	
24	70002326	1	Gasket	
25	70005726	1	Sensor	
25	70006042	1	O-Ring	
26	70006040	1	Gasket (Not Shown - Located Between Engine Head and Water Flange)	
27	70006043	1	Water Pump Assembly	
27	70004829	1	Pipe	
27	70006044	1	Gasket	
28	70005746	1	Sensor (TMAP)	
28	70005747	1	O-Ring	

SECTION 3 - ENGINE

ITEM	PART NUMBER	QTY	DESCRIPTION	REV
29	70006049	1	Mixer Assembly	
29	70006050	1	Seal, Rubber	
29	70006045	1	Throttle Body	
29	70006046	1	Gasket	
29	70006047	1	Adapter	
29	70006048	1	O-Ring	
30	70006051	1	Regulator Assembly	
30	70006052	1	Seal, Rubber	
30	70006053	1	Seal, Rubber	
30	70006054	1	Seal, Rubber	
31	70006055	1	Gasket (Not Shown - Located Between Intake Manifold and Engine Head)	
32	70006056	1	Gasket (Not Shown - Located Between Exhaust Manifold and Engine Head)	
33	70006057	1	Muffler	
33	70006065	1	Gasket	
33	70006066	1	Gasket	
33	70006072	1	Gasket	
34	70006058	1	Oil Cooler Assembly	
34	70006059	1	Seal	
34	7017959	2	Clamp	
35	70006060	1	Engine Harness	
36	70006061	1	Module, Engine Control	
37	70006062	2	Sensor (O2)	
38	70006063	1	Pump, Fuel	
39	70006064	1	Manifold (FPM)	
40	70006067	1	Regulator Assembly	
40	70006068	1	Connector	
40	70006069	3	Clip	
40	70006070	2	Connector	
41	70006071	1	Valve, Lockoff	
41	70006078	1	Valve, Lockoff Kit	
42	7017992	1	Filter, Fuel	
43	70006079	1	Gasket Kit (Upper) (Not Shown)	
44	70006080	1	Gasket Kit (Lower) (Not Shown)	
45	70006074	2	Joint (Includes O-Ring)	
46	70006075	1	Joint (Includes O-Ring)	
47	70006076	1	Joint (Includes O-Ring)	
47	70006077	1	Gasket	
48	70006379	1	Pulley	
49	70006639	1	Fan	
50	70006640	1	Collar, Fan	

SECTION 3 - ENGINE

FIGURE 3-34. PUMP COUPLING KIT (DEUTZ ENGINES)



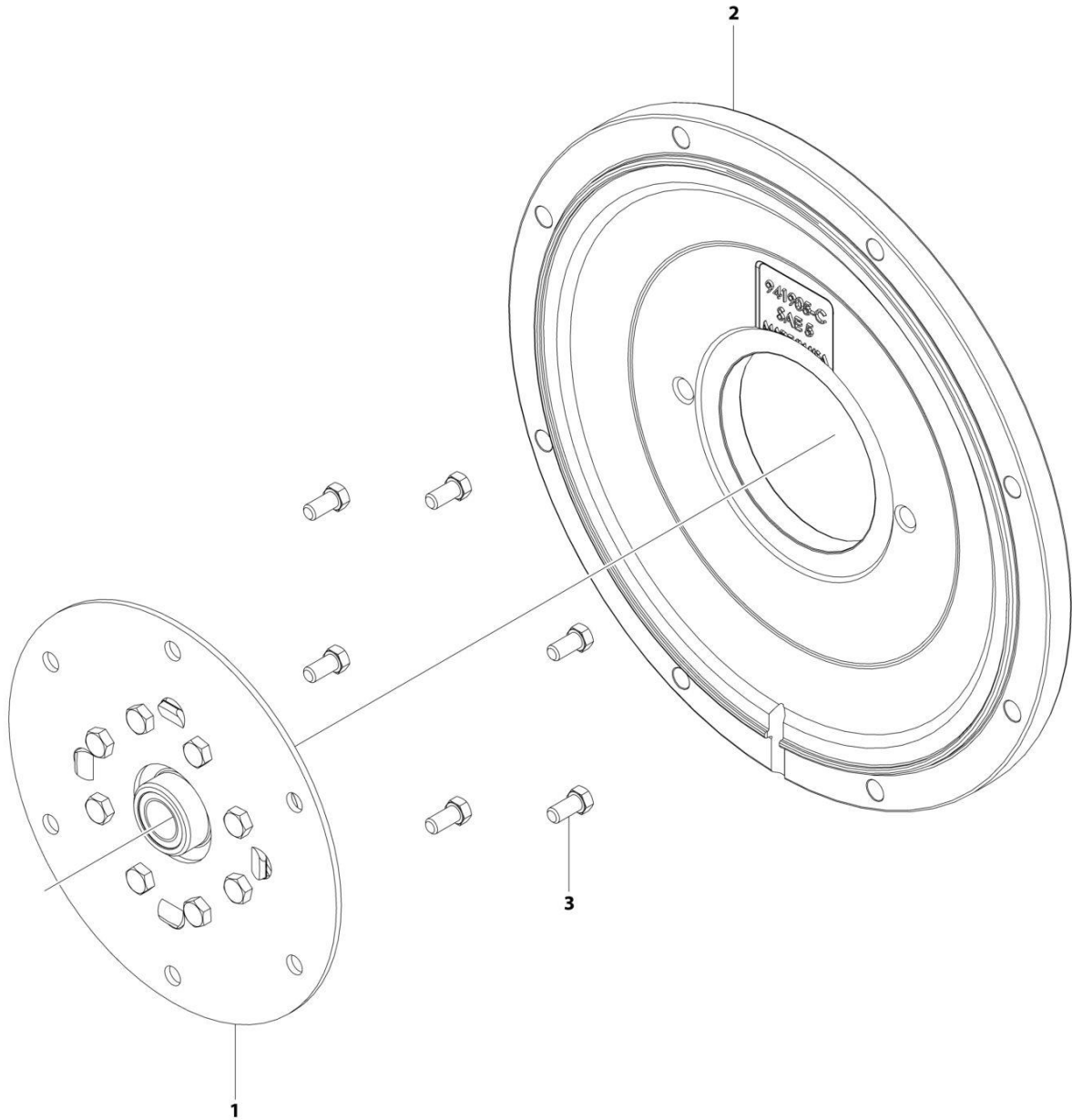
ART_2902065

FIGURE 3-34. PUMP COUPLING KIT (DEUTZ ENGINES)

ITEM	PART NUMBER	QTY	DESCRIPTION	REV
	2902065	Ref	PUMP COUPLING KIT	L
1	70000793	1	Coupling, Hayes	
2	See Note	NSS	Plate, Pump Adapter (Note: Use p/n 2902065)	
3	See Note	NSS	Bolt M10 x 30 Grade 10.9 (Note: Use p/n 2902065)	
4	See Note	NSS	Washer M10 (Note: Use p/n 2902065)	
6	See Note	NSS	Bolt M10 x 20 Grade 10.9 (Note: Use p/n 2902065)	

SECTION 3 - ENGINE

FIGURE 3-35. PUMP COUPLING KIT (KUBOTA ENGINES)



ART_1001209844

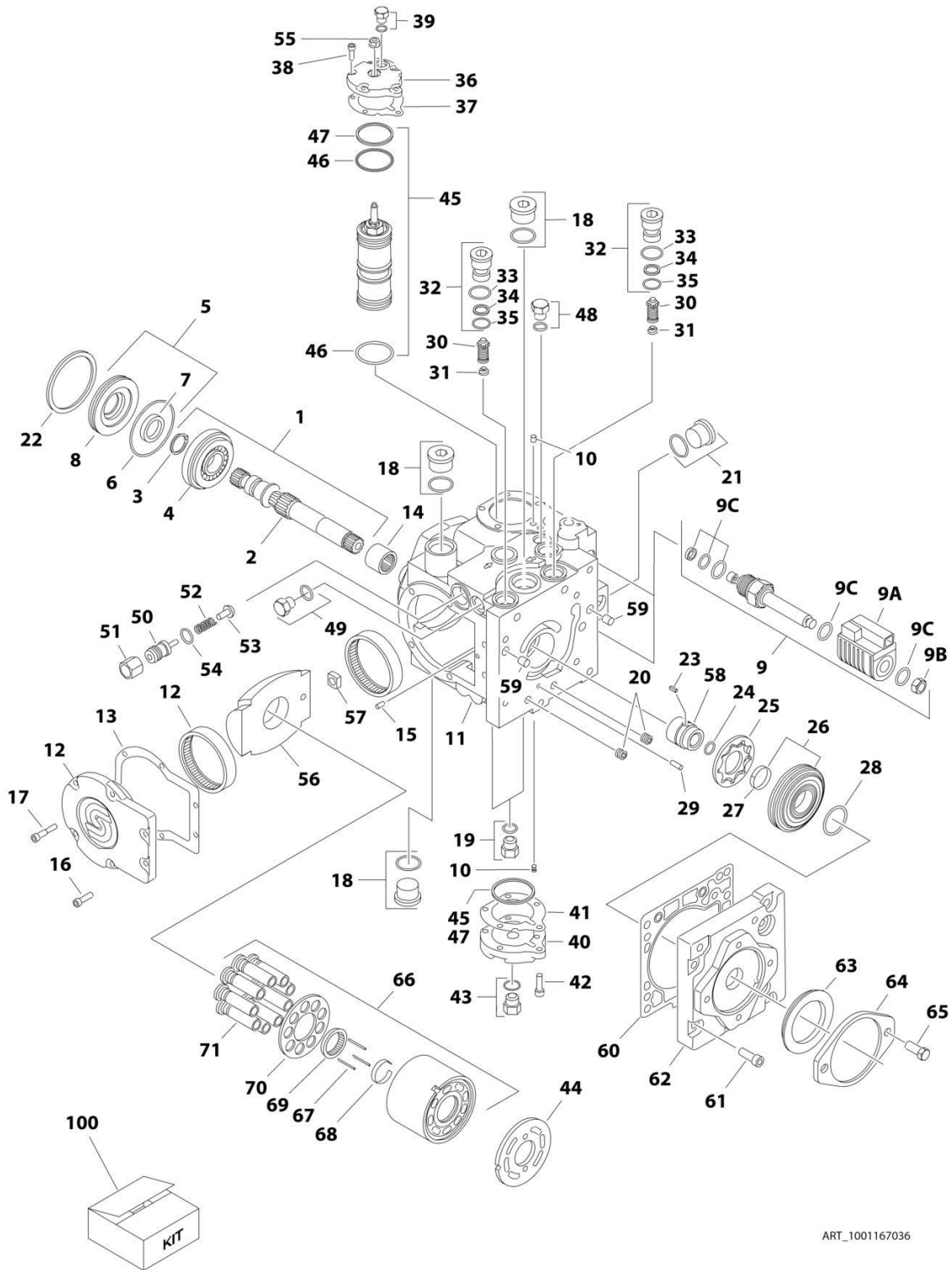
SECTION 3 - ENGINE

FIGURE 3-35. PUMP COUPLING KIT (KUBOTA ENGINES)

ITEM	PART NUMBER	QTY	DESCRIPTION	REV
	1001209844	Ref	PUMP COUPLING KIT - KUBOTA ENGINE	C
1	70006010	1	Coupling Assembly, Hayes	
2	70006011	1	Plate, Pump Adapter	
3	70006012	1	Bolt Kit	

SECTION 3 - ENGINE

FIGURE 3-36. PISTON PUMP ASSEMBLY



ART_1001167036

SECTION 3 - ENGINE

FIGURE 3-36. PISTON PUMP ASSEMBLY

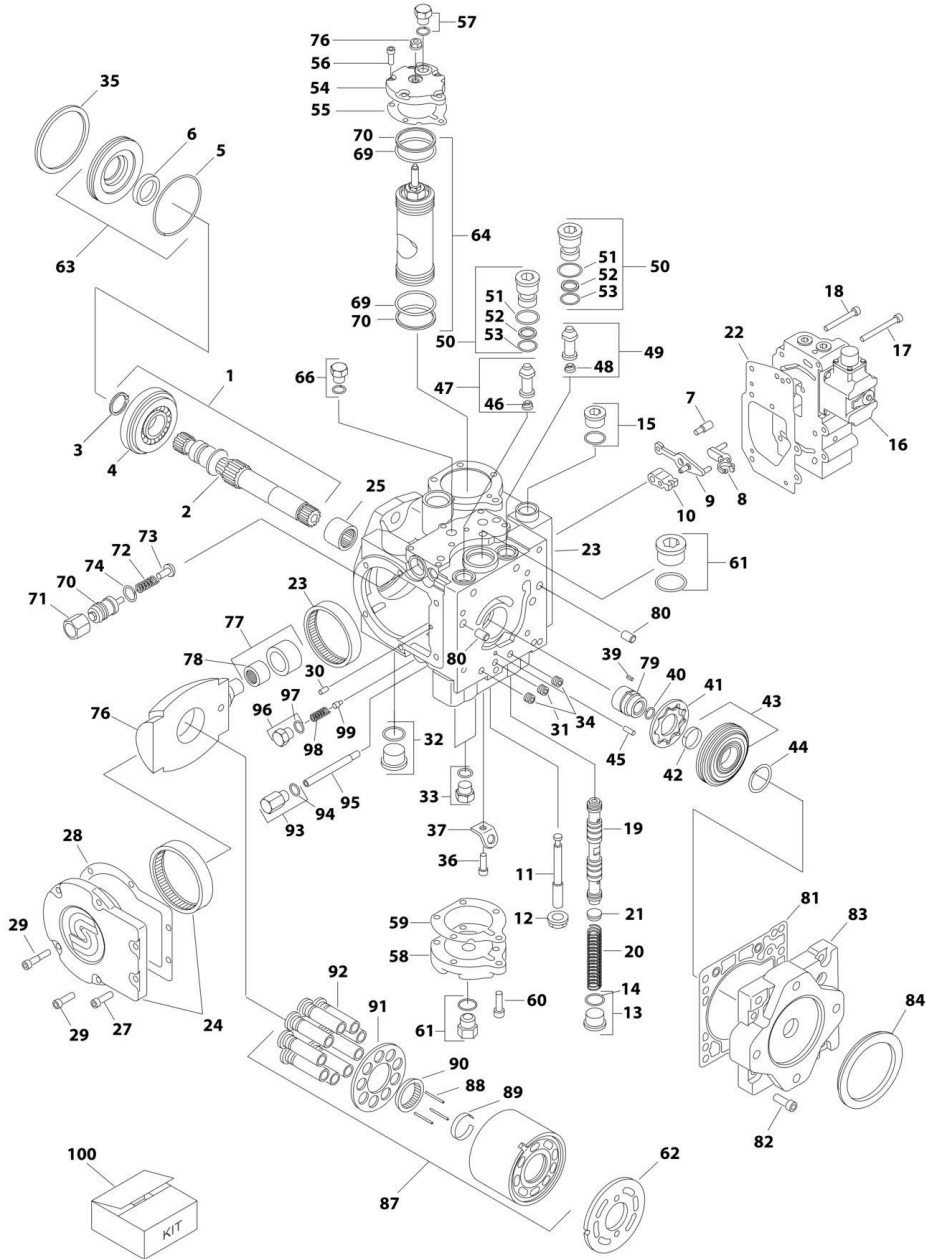
ITEM	PART NUMBER	QTY	DESCRIPTION	REV
	1001167036	Ref	PISTON PUMP ASSEMBLY	B
1	7021240	1	Shaft Assembly (Includes Items 2-4)	
2	7021237	1	Shaft	
3	7021238	1	Ring, Retaining	
4	7021239	1	Bearing, Roller	
5	70004896	1	Shaft Seal Kit (Includes Items 6-8)	
6	7021241	1	O-Ring	
7	7021242	1	Seal, Lip	
8	7021243	1	Carrier, Seal Shaft	
9	7024855	2	Solenoid Assembly	
9A	70004897	2	Coil (1 Per Assembly)	
9B	7024857	2	Nut (1 Per Assembly)	
9C	7024858	2	Seal Kit - 7024855 Cartridge (1 Per Assembly)	
10	70004889	2	Orifice	
11	See Note	NSS	Housing Assembly (Note: Not Available for Purchase)	
12	7021248	1	Side Cover Assembly (Includes Item 13)	
13	70004891	1	Gasket	
14	7021249	1	Bearing, Needle	
15	See Note	NSS	Pin (Note: Not Available for Purchase)	
16	70004890	2	Screw	
17	70004892	4	Screw	
18	7007419	2	Plug Assembly (Includes O-Ring)	
19	7007420	2	Plug Assembly (Includes O-Ring)	
20	See Note	NSS	Plug (Note: Not Available for Purchase)	
21	7007419	1	Plug Assembly (Includes O-Ring)	
22	7021257	1	Ring, Retaining	
23	70004893	1	Key	
24	7022341	1	Ring, Retaining	
25	7021258	1	Gerotor	
26	70004894	1	Gerotor Cover Assembly (Includes Item 27)	
27	7021259	1	Bearing, Journal	
28	7021262	1	O-Ring	
29	See Note	NSS	Pin (Note: Not Available for Purchase)	
30	7021263	2	Bypass Valve Assembly	
31	7024800	2	Spring	
32	7021265	2	Bypass Valve Assembly (Includes Items 32-34)	
33	7007415	2	O-Ring	
34	7021293	2	Ring, Back-up	
35	7022300	2	O-Ring	
36	70004895	1	Cover, Servo	
37	7021253	1	Gasket	
38	70004892	5	Screw	
39	7007420	1	Plug Assembly (Includes O-Ring)	
40	7021268	1	Cover, Servo	
41	7021253	1	Gasket	
42	70004892	5	Screw	
43	7007420	1	Plug Assembly (Includes O-Ring)	
44	7021281	1	Plate, Valve	
45	70004898	1	Servo Piston Kit (Includes Items 46 & 47)	
46	7007495	2	O-Ring	

SECTION 3 - ENGINE

ITEM	PART NUMBER	QTY	DESCRIPTION	REV
47	7007493	2	O-Ring	
48	7007420	1	Plug Assembly (Includes O-Ring)	
49	70004900	1	Plug Assembly (Includes O-Ring)	
50	7022346	1	Adjuster	
51	7021290	1	Nut	
52	7022347	1	Spring	
53	70004901	1	Poppet	
54	7007415	1	O-Ring	
55	70004902	1	Nut, Seal	
56	70004903	1	Swash Plate	
57	70004904	1	Bearing Assembly	
58	70004905	1	Coupling	
59	7001481	2	Pin	
60	70002257	1	Gasket	
61	70004906	8	Screw	
62	70004907	1	Cover, Charge Pump	
63	70004908	1	Seal	
64	7021299	1	Plate, Cover	
65	7007289	2	Screw	
66	70004909	1	Cylinder Block Assembly (Includes Items 67-71)	
67	70004910	3	Pin, Slipper Hold Down	
68	7021276	1	Retainer, Hold Down Pin	
69	7021277	1	Guide, Slipper Retainer	
70	7021278	1	Retainer, Slipper	
71	70004911	1	Piston Assembly	
100	70004899	1	Seal Kit (Includes Items 5-8, 33-35, 37, 41, 46, 47 & 54)	

SECTION 3 - ENGINE

FIGURE 3-37. PISTON PUMP ASSEMBLY (REAR)



ART_1001189236

SECTION 3 - ENGINE

FIGURE 3-37. PISTON PUMP ASSEMBLY (REAR)

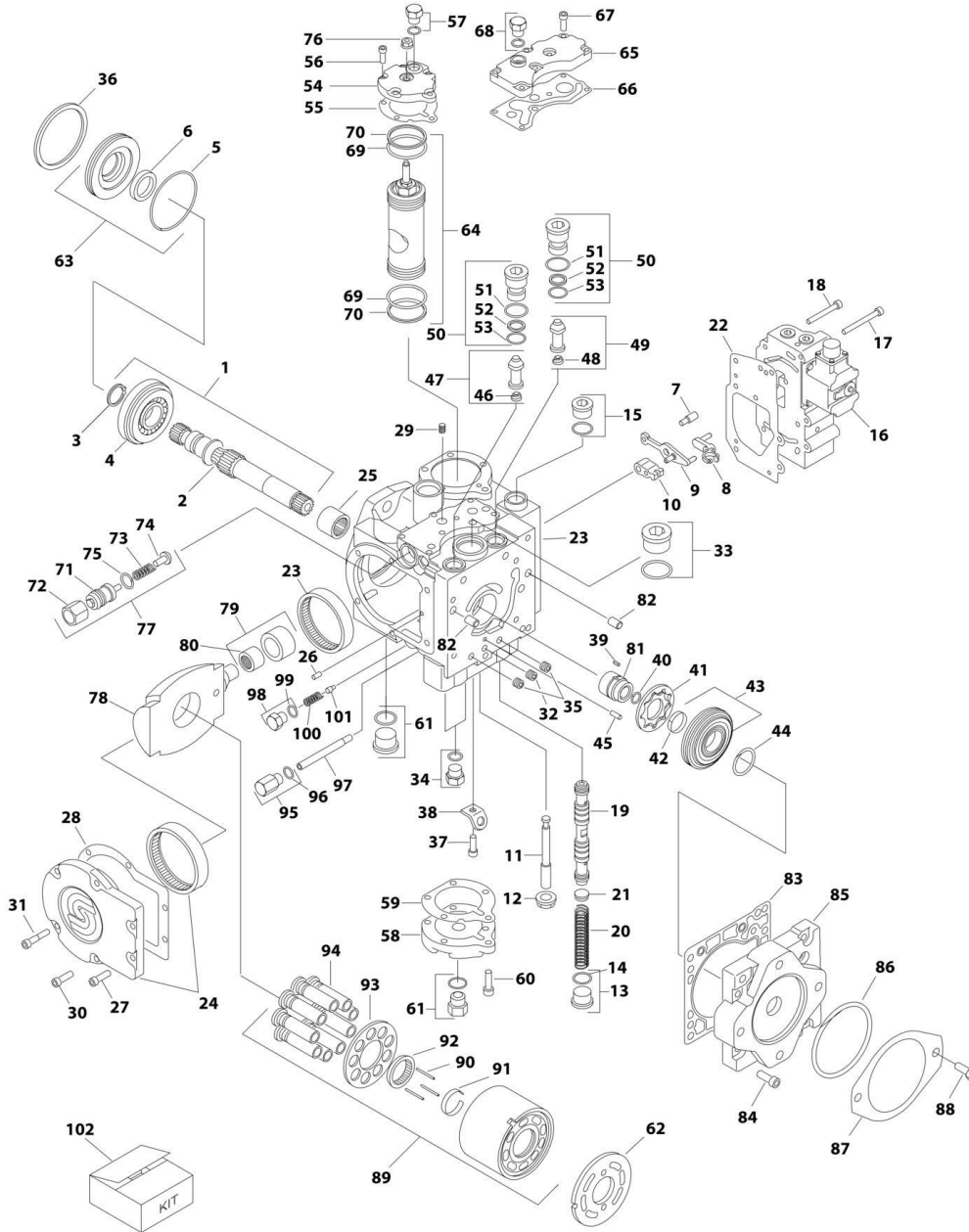
ITEM	PART NUMBER	QTY	DESCRIPTION	REV
	1001189236	Ref	PISTON PUMP ASSEMBLY (REAR)	D
1	7022355	1	Shaft Assembly (Includes Items 2-4)	
2	70005271	1	Shaft	
3	7021238	1	Ring, Retaining	
4	7021239	1	Bearing, Roller	
5	See Note	NSS	O-Ring (Use Item 100)	
6	See Note	NSS	Seal, Lip (Use Item 100)	
7	70005245	1	Screw	
8	7022331	1	Link, Control Summing	
9	7022332	1	Link, Control Feedback	
10	7022333	1	Link, Neutral Adjust	
11	70005246	1	Screw, Neutral Adjust	
12	See Note	NSS	Nut, Seal (Use Item 100)	
13	70005247	1	Plug (Includes Item 14)	
14	7022322	1	O-Ring	
15	7022321	1	Plug Assembly	
16	70005248	1	Controller, Electrical	
17	70005249	4	Screw M6 x 50	
18	70005250	3	Screw M6 x 60	
19	7022336	1	Spool Assembly	
20	70005251	1	Spring	
21	70005252	1	Adapter	
22	7022338	1	Gasket, Control	
23	See Note	1	Housing Assembly (Note: Not Available - Purchase Complete Rear Pump Assembly)	
24	7021248	1	Side Cover Assembly	
25	7021249	1	Bearing, Needle	
26	70005253	1	Pin	
27	70004890	2	Screw M6 x 20	
28	See Note	NSS	Gasket, Side Cover (Use Item 100)	
29	70004892	4	Screw M6 x 30	
30	70005254	1	Screen, Filter	
31	70005255	1	Plug	
32	7007419	2	Plug Assembly	
33	7007420	2	Plug	
34	70005255	2	Plug	
35	7021257	1	Ring, Retaining	
36	70004890	1	Screw	
37	7022340	1	Bracket, Lifting	
38	7007419	2	Plug Assembly (Not Shown)	
39	70004893	1	Key	
40	7022341	1	Ring, Retaining	
41	7022357	1	Spacer	
42	7021259	1	Bearing, Journal	
43	70004894	1	Gerotor Cover Assembly (Includes Item 42)	
44	7021262	1	O-Ring	
45	70005257	1	Pin	
46	7024800	1	Spring	
47	70005258	1	Valve, SCR (Includes Item 46)	
48	7024800	1	Spring	

SECTION 3 - ENGINE

ITEM	PART NUMBER	QTY	DESCRIPTION	REV
49	70005259	1	Valve, SCR (Includes Item 48)	
50	See Note	NSS	Bypass Valve Assembly (Use Item 100)	
51	See Note	NSS	O-Ring (Use Item 100)	
52	See Note	NSS	Ring, Back-up (Use Item 100)	
53	See Note	NSS	O-Ring (Use Item 100)	
54	70005260	1	Cover, Servo	
55	See Note	NSS	Gasket, Servo Cover (Use Item 100)	
56	70004892	5	Screw	
57	7007420	1	Plug Assembly	
58	7021268	1	Cover, Servo	
59	See Note	NSS	Gasket, Servo Cover (Use Item 100)	
60	70004892	5	Screw	
61	7007420	1	Plug Assembly	
62	7021281	1	Plate, Valve	
63	See Note	1	Seal Kit - Shaft (Use Item 100)	
64	See Note	1	Servo Piston Kit (Use Item 100)	
65	7022358	1	Plug Assembly (Not Shown)	
66	7007420	1	Plug Assembly	
67	7007420	1	Plug Assembly (Not Shown)	
68	See Note	NSS	O-Ring (Use Item 100)	
69	See Note	NSS	Ring, Piston (Use Item 100)	
70	7022346	1	Adjuster	
71	7021290	1	Nut	
72	7022347	1	Spring	
73	70004901	1	Poppet	
74	See Note	NSS	O-Ring (Use Item 100)	
75	See Note	NSS	Nut, Seal (Use Item 100)	
76	70005262	1	Swash Plate	
77	7021234	1	Cam Follower Bearing Assembly (Includes Item 78)	
78	70005263	1	Bearing, Needle	
79	70004905	1	Coupling	
80	7001481	2	Pin	
81	See Note	NSS	Gasket, Charge Pump (Use Item 100)	
82	70004906	8	Screw	
83	70004907	1	Cover, Charge Pump	
84	See Note	NSS	Seal (Use Item 100)	
87	70004909	1	Cylinder Block Kit (Includes Items 88-92)	
88	70004910	3	Pin, Slipper Hold Down	
89	7021276	1	Retainer, Pin	
90	7021277	1	Guide, Retainer	
91	7021278	1	Retainer, Slipper	
92	70004911	9	Piston Assembly	
93	70005266	1	Plug (Includes Item 94)	
94	See Note	NSS	O-Ring (Use Item 100)	
95	70005267	1	Spool, Loop Flushing	
96	70005268	1	Plug (Includes Item 97)	
97	See Note	NSS	O-Ring (Use Item 100)	
98	70005269	1	Spring	
99	70005270	1	Poppet	
100	70004899	1	Seal Kit - Complete (Includes Items 5, 6, 12, 28, 50, 52, 53, 55, 59, 63, 64, 68, 69, 74, 75, 81, 84, 94 & 97)	

SECTION 3 - ENGINE

FIGURE 3-38. PISTON PUMP ASSEMBLY (FRONT)



ART_1001189237

SECTION 3 - ENGINE

FIGURE 3-38. PISTON PUMP ASSEMBLY (FRONT)

ITEM	PART NUMBER	QTY	DESCRIPTION	REV
	1001189237	Ref	PISTON PUMP ASSEMBLY (FRONT)	B
1	7021240	1	Shaft Assembly (Includes Items 2-4)	
2	7021237	1	Shaft	
3	7021238	1	Ring, Retaining	
4	7021239	1	Bearing, Roller	
5	See Note	NSS	O-Ring (Use Item 102)	
6	See Note	NSS	Seal, Lip (Use Item 102)	
7	70005245	1	Screw	
8	7022331	1	Link, Control Summing	
9	7022332	1	Link, Control Feedback	
10	7022333	1	Link, Neutral Adjust	
11	70005246	1	Screw, Neutral Adjust	
12	See Note	NSS	Nut, Seal (Use Item 102)	
13	70005247	1	Plug (Includes Item 14)	
14	7022322	1	O-Ring	
15	7022321	1	Plug Assembly	
16	70005248	1	Controller, Electrical	
17	70005249	4	Screw M6 x 50	
18	70005250	3	Screw M6 x 60	
19	7022336	1	Spool Assembly	
20	70005251	1	Spring	
21	70005252	1	Adapter	
22	7022338	1	Gasket, Control	
23	7023999	1	Housing Assembly (Includes Items 25, 29, 32 & 35)	
24	7021248	1	Side Cover Assembly	
25	7021249	1	Bearing, Needle	
26	70005253	1	Pin	
27	70004890	2	Screw M6 x 20	
28	See Note	NSS	Gasket, Side Cover (Use Item 102)	
29	70005254	1	Screen, Filter	
30	70004892	2	Screw M6 x 30	
31	70004892	2	Screw M6 x 30	
32	70005255	1	Plug	
33	7007419	2	Plug Assembly	
34	7007420	2	Plug	
35	70005255	2	Plug	
36	7021257	1	Ring, Retaining	
37	70004890	1	Screw	
38	7022340	1	Bracket, Lifting	
39	70004893	1	Key	
40	7022341	1	Ring, Retaining	
41	7022343	1	Gerotor Assembly	
42	7021259	1	Bearing, Journal	
43	70004894	1	Gerotor Cover Assembly (Includes Item 42)	
44	7021262	1	O-Ring	
45	70005257	1	Pin	
46	7024800	1	Spring	
47	70005258	1	Valve, SCR (Includes Item 46)	
48	7024800	1	Spring	
49	70005259	1	Valve, SCR (Includes Item 48)	

SECTION 3 - ENGINE

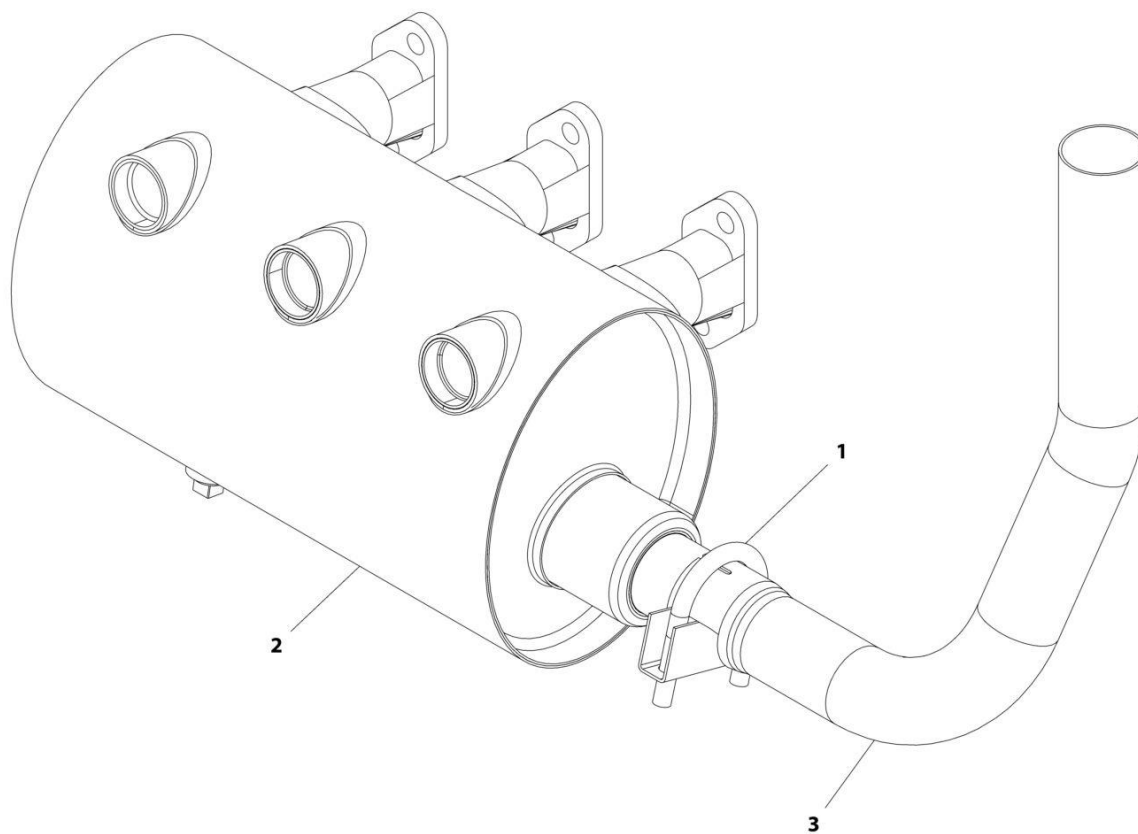
ITEM	PART NUMBER	QTY	DESCRIPTION	REV
50	See Note	NSS	Bypass Valve Assembly (Use Item 102)	
51	See Note	NSS	O-Ring (Use Item 102)	
52	See Note	NSS	Ring, Back-up (Use Item 102)	
53	See Note	NSS	O-Ring (Use Item 102)	
54	70005260	1	Cover, Servo	
55	See Note	NSS	Gasket, Servo Cover (Use Item 102)	
56	70004892	5	Screw	
57	7007420	1	Plug Assembly	
58	7021268	1	Cover, Servo	
59	See Note	NSS	Gasket, Servo Cover (Use Item 102)	
60	70004892	5	Screw	
61	7007420	2	Plug Assembly	
62	7021281	1	Plate, Valve	
63	70004896	1	Seal Kit - Shaft (Includes Items 5 & 6)	
64	7022351	1	Servo Piston Kit (Includes Items 69 & 70)	
65	7021285	1	Adapter, Remote Filter	
66	See Note	NSS	Gasket, Filter Adapter (Use Item 102)	
67	70004892	7	Screw	
68	7007420	1	Plug Assembly	
69	See Note	NSS	O-Ring (Use Item 102)	
70	See Note	NSS	Ring, Piston (Use Item 102)	
71	7022346	1	Adjuster	
72	7021290	1	Nut	
73	7022347	1	Spring	
74	70004901	1	Poppet	
75	See Note	NSS	O-Ring (Use Item 102)	
76	See Note	NSS	Nut, Seal (Use Item 102)	
77	70005261	1	Relief Valve, Charge (Includes Items 71-75)	
78	70005262	1	Swash Plate	
79	7021234	1	Cam Follower Bearing Assembly (Includes Item 80)	
80	70005263	1	Bearing, Needle	
81	70005264	1	Coupling	
82	7001481	2	Pin	
83	See Note	NSS	Gasket, Charge Pump (Use Item 102)	
84	70004906	8	Screw	
85	70005265	1	Cover, Charge Pump	
86	See Note	NSS	Seal (Use Item 102)	
87	7021229	1	Cover, Flange	
88	7024806	2	Screw	
89	70004909	1	Cylinder Block Kit (Includes Items 90-94)	
90	7021275	3	Pin, Slipper Hold Down	
91	7021276	1	Retainer, Pin	
92	7021277	1	Guide, Retainer	
93	7021278	1	Retainer, Slipper	
94	70004911	9	Piston Assembly	
95	70005266	1	Plug (Includes Item 96)	
96	See Note	NSS	O-Ring (Use Item 102)	
97	70005267	1	Spool, Loop Flushing	
98	70005268	1	Plug (Includes Item 99)	
99	See Note	NSS	O-Ring (Use Item 102)	
100	70005269	1	Spring	

SECTION 3 - ENGINE

ITEM	PART NUMBER	QTY	DESCRIPTION	REV
101	70005270	1	Poppet	
102	70004899	1	Seal Kit - Complete (Includes Items 5, 6, 12, 28, 50, 51, 52, 53, 55, 59, 66, 70, 75, 76, 83, 86, 96 & 99)	

SECTION 3 - ENGINE

FIGURE 3-39. SPARK ARRESTOR MUFFLER INSTALLATION - DEUTZ D2011 STAGE 5 ENGINES



ART_1001175071

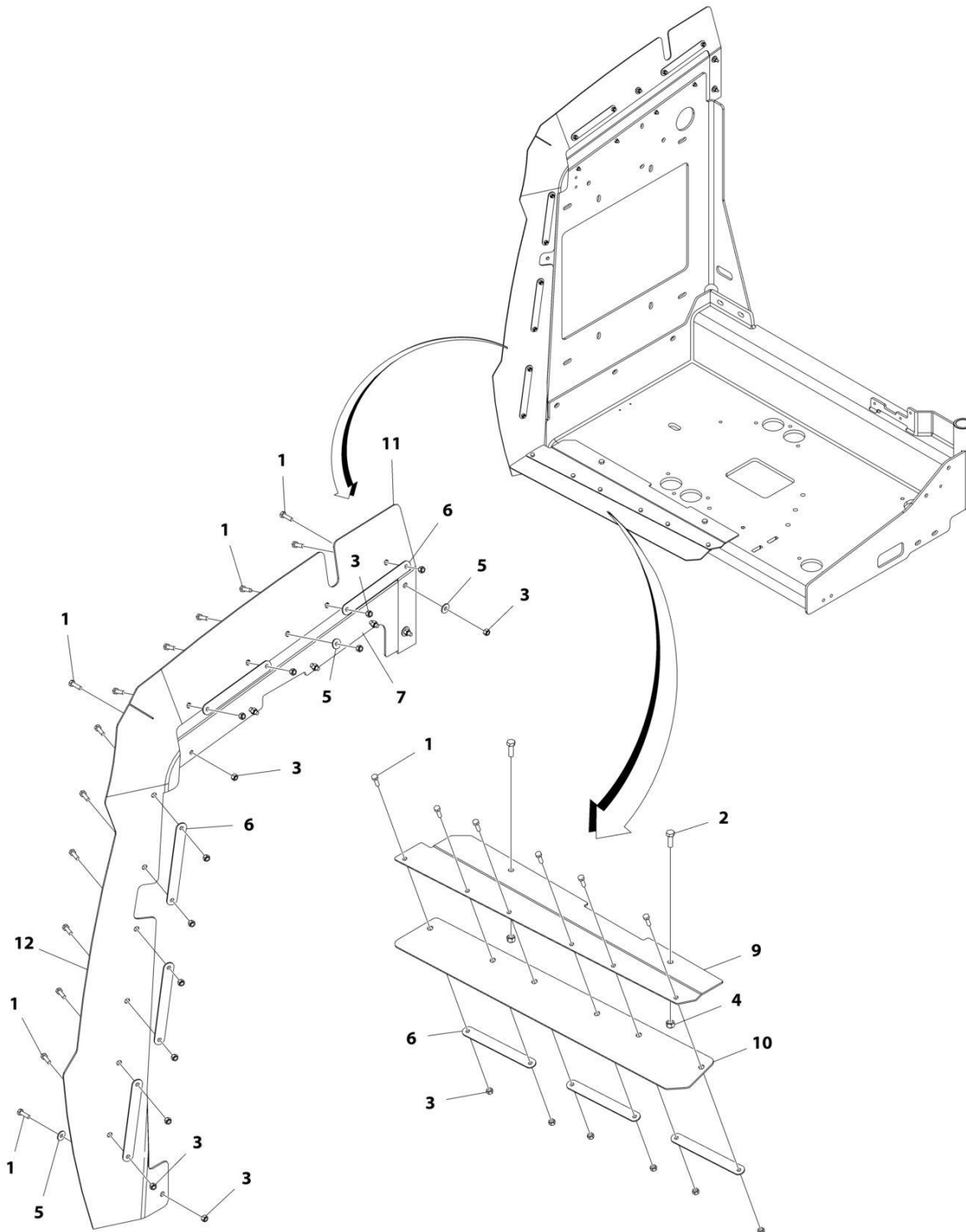
SECTION 3 - ENGINE

FIGURE 3-39. SPARK ARRESTOR MUFFLER INSTALLATION - DEUTZ D2011 STAGE 5 ENGINES

ITEM	PART NUMBER	QTY	DESCRIPTION	REV
	1001175071	Ref	SPARK ARRESTOR INSTALLATION	A
1	1320176	1	Clamp	
2	1001170224	1	Muffler, Spark Arresting	
3	1001175068	1	Pipe, Exhaust	

SECTION 3 - ENGINE

FIGURE 3-40. ENGINE HOOD Baffle INSTALLATION - DEUTZ ENGINES WITH ABS HOODS



ART_1001170662

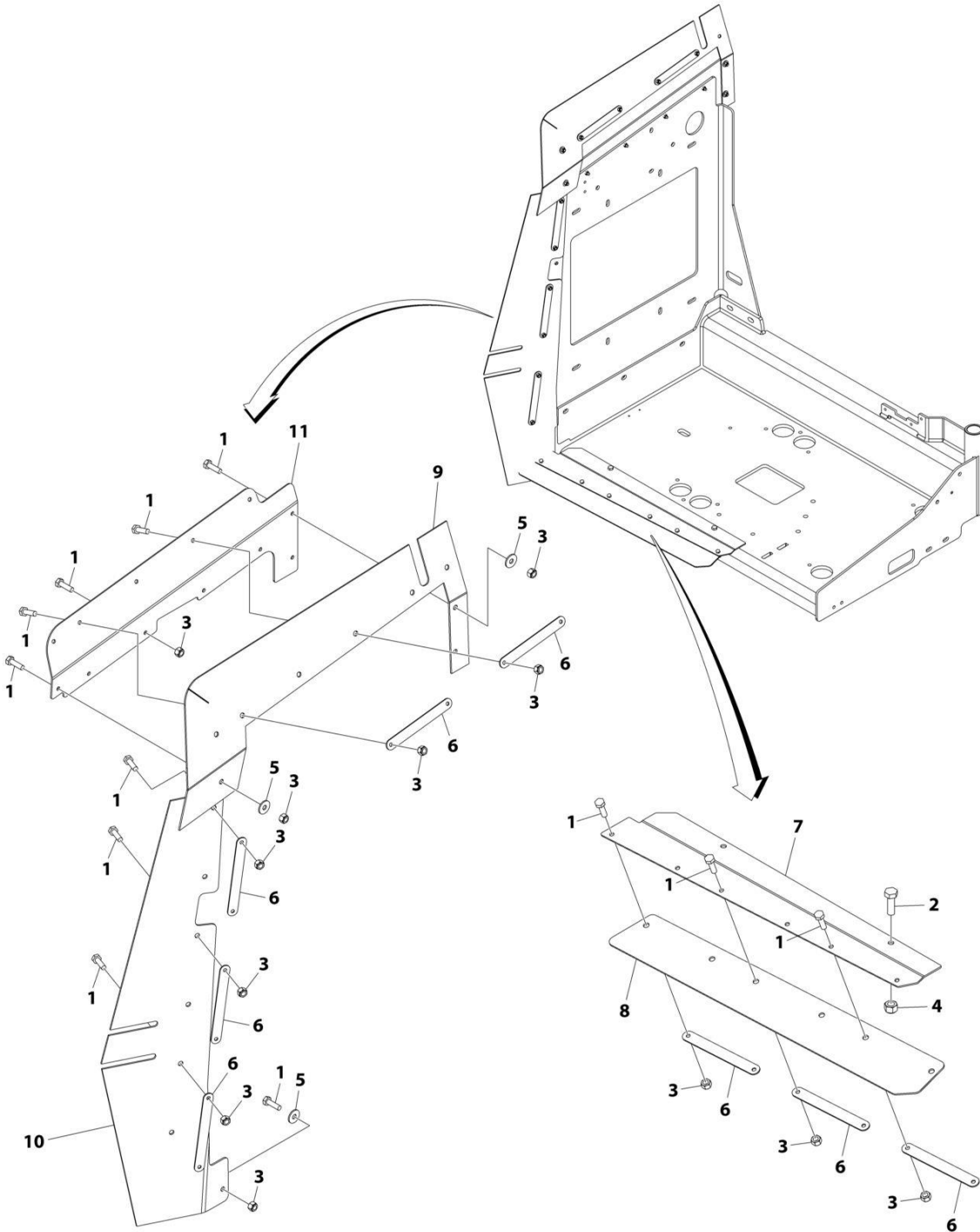
SECTION 3 - ENGINE

FIGURE 3-40. ENGINE HOOD Baffle INSTALLATION - DEUTZ ENGINES WITH ABS HOODS

ITEM	PART NUMBER	QTY	DESCRIPTION	REV
	1001170662	Ref	ENGINE Baffle INSTALLATION	F
1	0760610	24	Bolt M6 x 20	
2	0760812	2	Bolt M8 x 25	
3	3290605	24	Nut M6 x 1	
4	3290805	2	Nut M8 x 1.25	
5	4811702	4	Washer M6	
6	1001167164	8	Plate, Support	
7	1001170650	1	Bracket	
9	1001170663	1	Bracket	
10	1001170664	1	Seal	
11	1001211877	1	Seal	
12	1001211878	1	Seal	

SECTION 3 - ENGINE

FIGURE 3-41. ENGINE HOOD Baffle INSTALLATION - DEUTZ ENGINES WITH STEEL HOODS



ART_1001223454

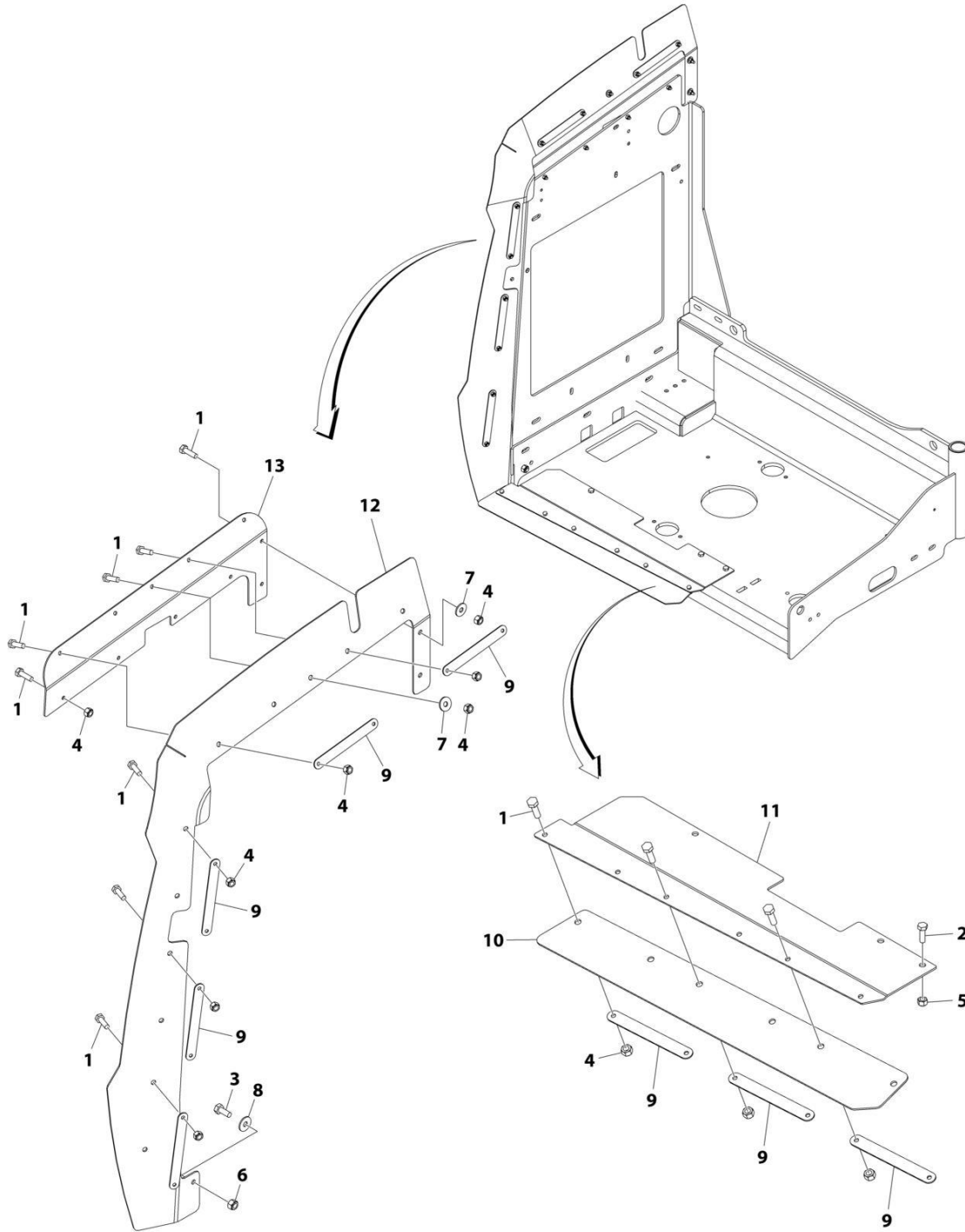
SECTION 3 - ENGINE

FIGURE 3-41. ENGINE HOOD BAFFLE INSTALLATION - DEUTZ ENGINES WITH STEEL HOODS

ITEM	PART NUMBER	QTY	DESCRIPTION	REV
	1001223454	Ref	STEEL HOOD ENGINE BAFFLE INSTALLATION	A
1	0760610	25	Bolt M6 x 20	
2	0760812	2	Bolt M8 x 25	
3	3290605	25	Nut M6 x 1	
4	3290805	2	Nut M8 x 1.25	
5	4811702	5	Washer M6	
6	1001167164	8	Plate, Support	
7	1001170663	1	Bracket	
8	1001170664	1	Seal	
9	1001223309	1	Seal	
10	1001223310	1	Seal	
11	1001223328	1	Bracket	

SECTION 3 - ENGINE

FIGURE 3-42. ENGINE HOOD Baffle INSTALLATION - KUBOTA ENGINES



ART_1001216547

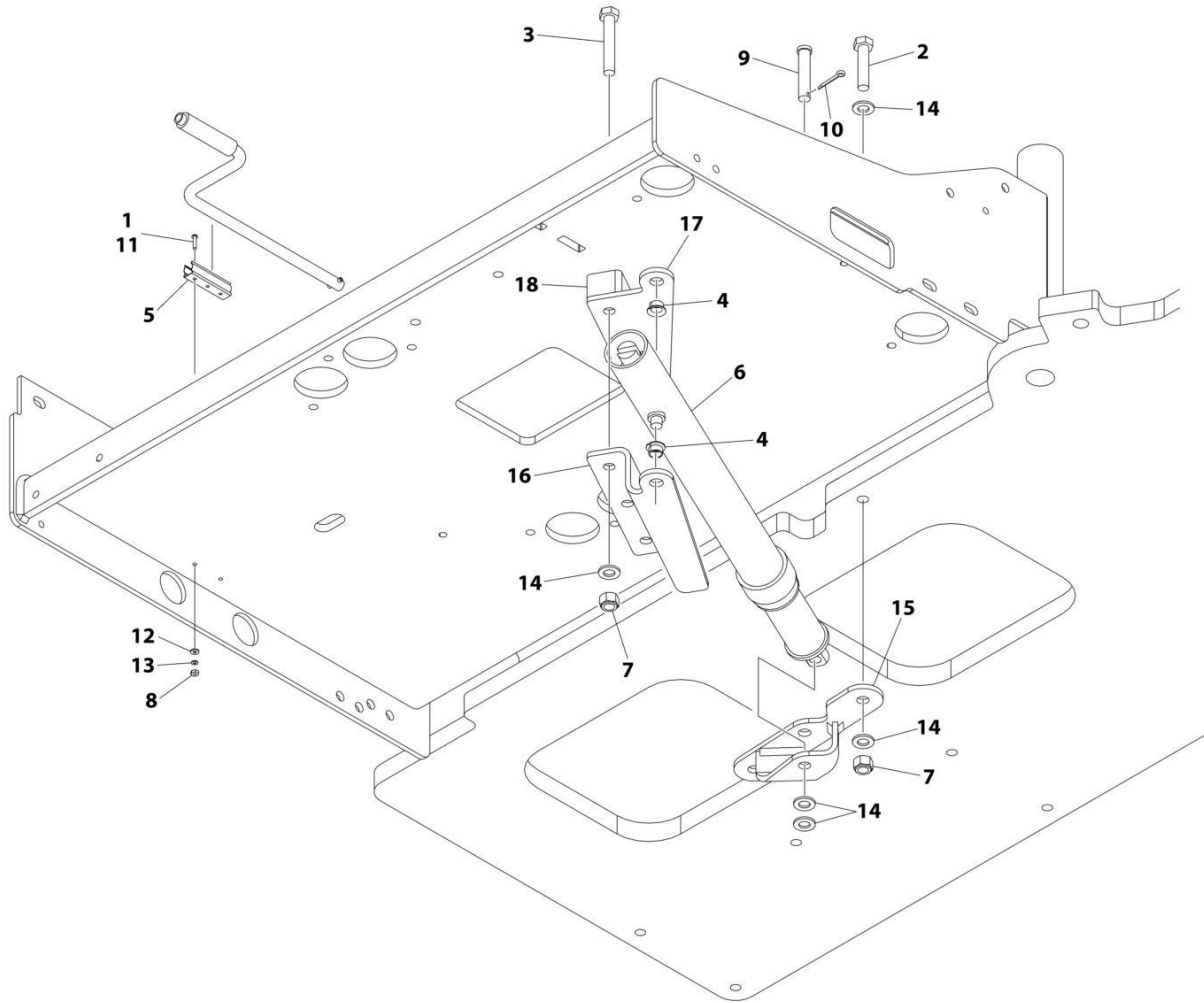
SECTION 3 - ENGINE

FIGURE 3-42. ENGINE HOOD BAFFLE INSTALLATION - KUBOTA ENGINES

ITEM	PART NUMBER	QTY	DESCRIPTION	REV
	1001216547	Ref	KUBOTA ENGINE BAFFLE INSTALLATION	B
1	0760610	24	Bolt M6 x 20	
2	0760812	3	Bolt M8 x 25	
3	0761012	1	Bolt M10 x 25	
4	3290605	23	Nut M6 x 1	
5	3290805	3	Nut M8 x 1.25	
6	3291005	1	Nut M10	
7	4811702	3	Washer M6	
8	4812002	1	Washer M10	
9	1001167164	8	Plate, Support	
10	1001170664	1	Seal	
11	1001216512	1	Bracket	
12	1001216548	1	Seal	
13	1001216549	1	Bracket	

SECTION 3 - ENGINE

FIGURE 3-43. ENGINE TRAY JACK INSTALLATION



ART_1001243870

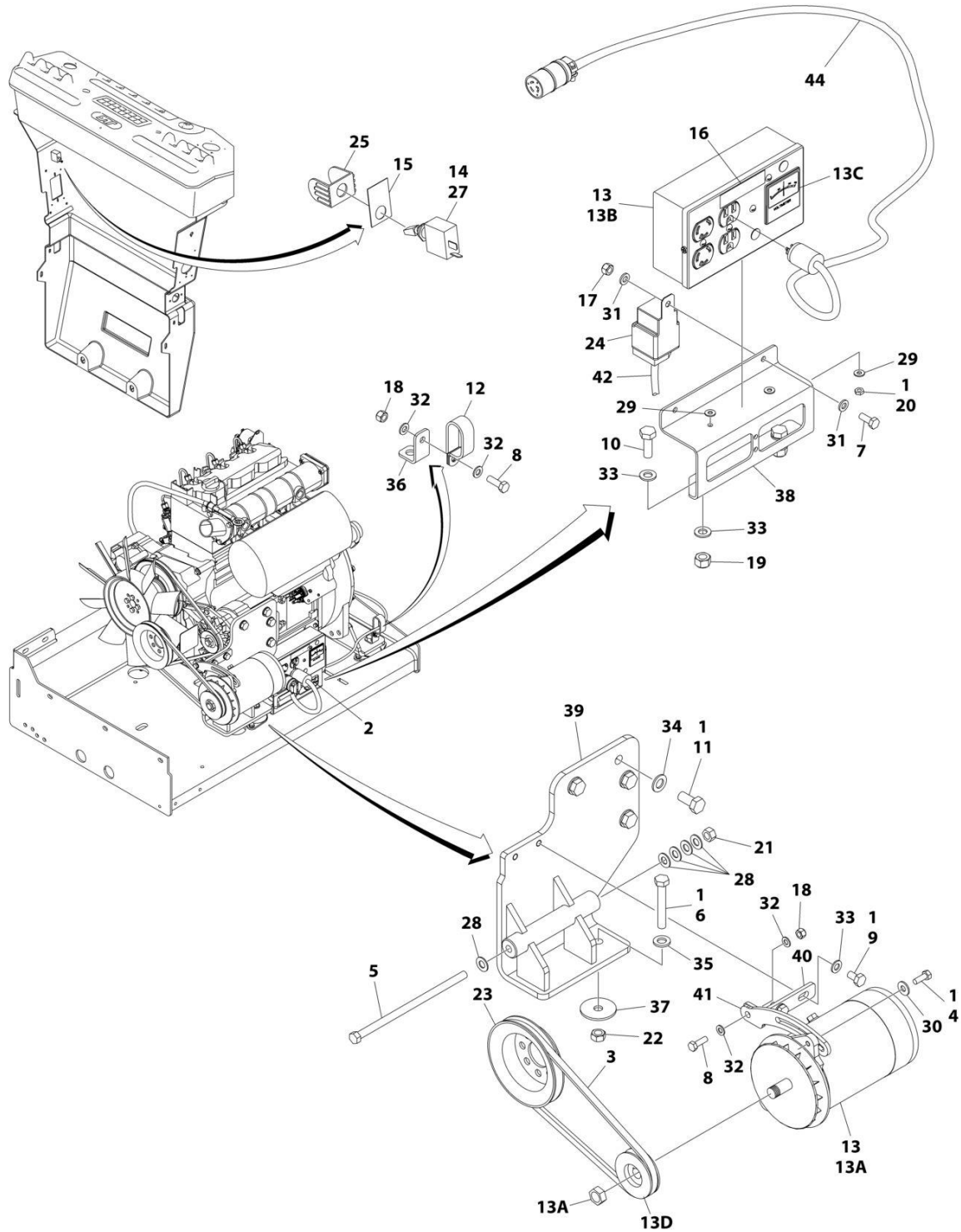
SECTION 3 - ENGINE

FIGURE 3-43. ENGINE TRAY JACK INSTALLATION

ITEM	PART NUMBER	QTY	DESCRIPTION	REV
	1001243870	Ref	ENGINE TRAY JACK	B
1	0100011	AR	Compound, Locking	
2	0701219	2	Bolt M12 x 55	
3	0701223	3	Bolt	
4	0962051	2	Bearing	
5	1380147	1	Clip	
6	2840016	1	Screw Jack Assembly	
6	7024598	1	Handle	
6	7016322	1	Wiper	
7	3291205	5	Nut M12 x 1.75	
8	3310601	2	Nut #6	
9	3430820	1	Pin, Clevis	
10	3450404	1	Pin, Cotter	
11	3910610	2	Screw 6 x 5/8	
12	4750600	2	Washer #6	
13	4770600	2	Washer #6	
14	4812100	9	Washer M12	
15	1001166894	1	Support, Engine Tray Jack	
16	1001175073	1	Support, Engine Tray Jack	
17	1001175074	1	Support, Engine Tray Jack	
18	1001243869	1	Shim	

SECTION 3 - ENGINE

FIGURE 3-44. 2500W/110V/60HZ GENERATOR INSTALLATION - DEUTZ D2011 ENGINES



ART_1001180798

SECTION 3 - ENGINE

FIGURE 3-44. 2500W/110V/60HZ GENERATOR INSTALLATION - DEUTZ D2011 ENGINES

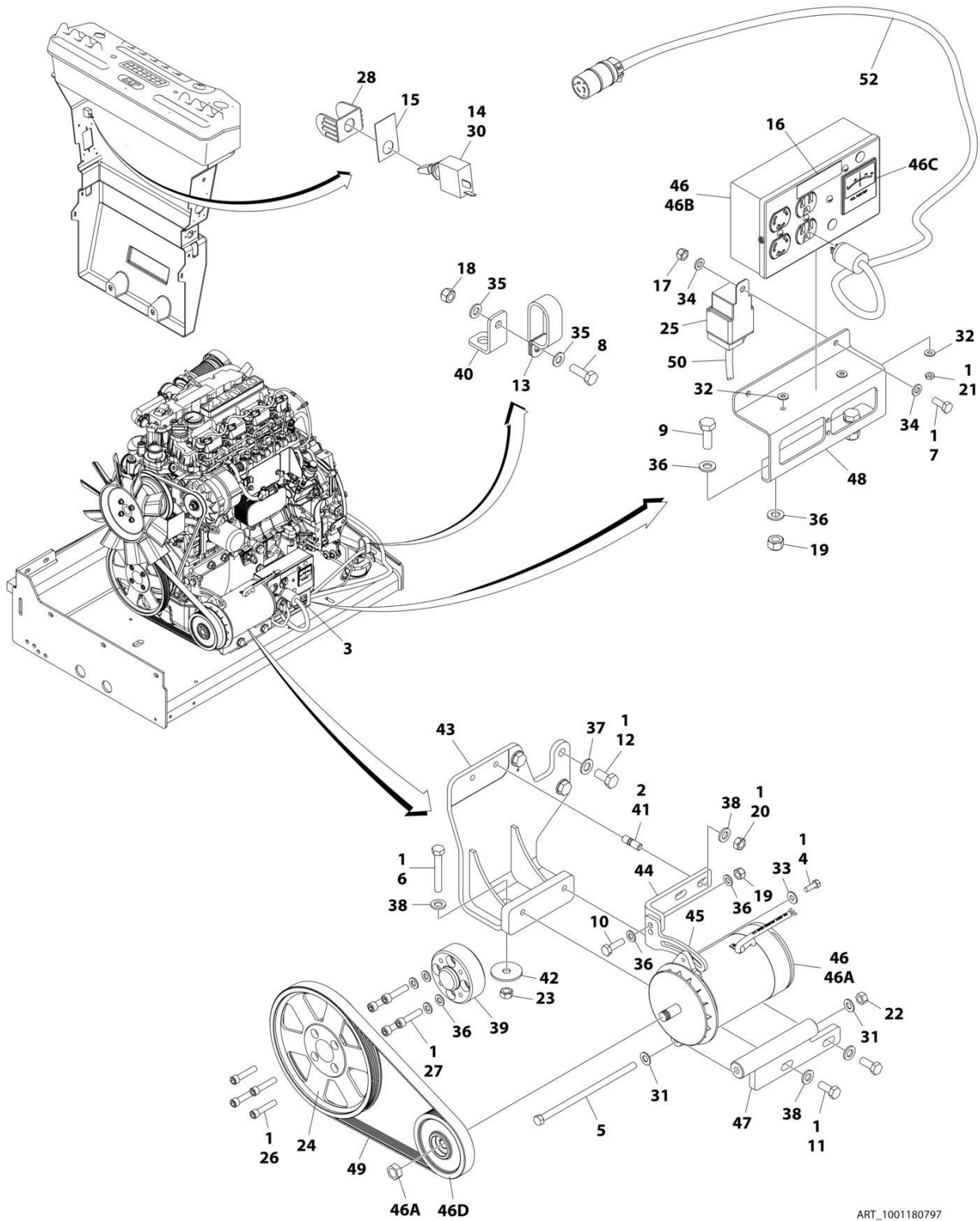
ITEM	PART NUMBER	QTY	DESCRIPTION	REV
	1001180798	Ref	GENERATOR INSTALLATION - 2500W/60HZ (DEUTZ D2011 ENGINE)	B
1	0100011	AR	Compound, Locking	
2	0100048	AR	Grease, Dielectric	
3	0480122	1	Belt	
4	0641507	1	Bolt 5/16 x 7/8	
5	0641772	1	Bolt 7/16 x 9	
6	0711224	1	Bolt M12 x 80 Grade 10.9	
7	0760608	1	Bolt M6 x 16	
8	0760812	2	Bolt M8 x 25	
9	0761009	2	Bolt M10 x 18	
10	0761014	2	Bolt M10 x 30	
11	0771414	4	Bolt M14 x 30 Grade 10.9	
12	1321716	1	Clamp	
13	2460055	1	Generator and Control Box Assembly	
13A	7012558	1	Generator	
	See Note	Ref	Note: Replacement Generators come standard with p/n 3580134 pulley. This pulley may not be correct for all applications. Refer to pulley options below.	
13A	7026199	1	Armature with Slip Rings	
13A	7012513	3	Cap, Brush Holder	
13A	7020108	4	Brush	
13A	7020109	4	Holder, Brush	
13A	7012514	1	Fan	
13A	7020110	1	Bell, Front	
13A	7020111	1	Bell, Rear	
13A	7020190	1	Bearing	
13B	7019680	1	Box, Control	
13B	4460190	1	Receptacle, Standard	
13B	4460027	1	Receptacle, Twistlock	
13B	4360542	1	Breaker, Circuit	
13B	3520028	1	Plug, Hole	
13B	4460961	1	Connector - 4 Position	
13B	4460705	4	Pin, Male	
13B	4460321	1	Connector - 4 Position (Note: Mate to p/n 4460961 Purchase Separately)	
13B	4460268	3	Socket, Female (Note: Mate to p/n 4460705 Purchase Separately)	
13C	2420203	1	Voltmeter	
13D	3580276	1	Pulley	
13D	7027887	1	Key, Woodruff	
14	2820031	AR	Heat Shrink	
15	See Note	1	Nameplate (Note: Not Available for Purchase)	
16	3251243	1	Nameplate 120V-60Hz	
17	3290605	1	Nut M6	
18	3290805	2	Nut M8	
19	3291005	2	Nut M10	
20	3311001	2	Nut #10	
21	3311705	1	Nut 7/16	
22	3331211	1	Nut M12	
23	3580158	1	Pulley	

SECTION 3 - ENGINE

ITEM	PART NUMBER	QTY	DESCRIPTION	REV
24	3740080	1	Relay	
25	4060802	1	Guard, Switch	
26	4240099	AR	Tie-Strap (Not Shown)	
27	4360336	1	Switch, Toggle	
28	4711700	5	Washer 7/16	
29	4751000	4	Washer #10	
30	4751500	1	Washer 5/16	
31	4811700	2	Washer M6	
32	4811900	4	Washer M8	
33	4812000	6	Washer M10	
34	4812200	4	Washer M14	
35	5241200	1	Washer M12 Hardened	
36	1001148641	1	Bracket	
37	1001168018	1	Washer, Snubbing	
38	1001183477	1	Support	
39	1001184637	1	Mount, Engine	
40	1001184644	1	Support	
41	1001184645	1	Bracket	
42	1001187522	1	Harness, Generator (See Separate Breakdown in ELECTRICAL SECTION)	
43	1001188731	1	Wiring Diagram (Not Shown)	
43	4922641	1	Harness, On/Off Switch (Not Shown - Located at Platform)	
44	1001182296	1	Harness, Inverter	
44	1060494	10 ft/3.5m	Cable, Electrical - 12/3	
44	4460134	1	Receptacle, Female	
44	4460138	1	Plug, Male	

SECTION 3 - ENGINE

FIGURE 3-45. 2500W/110V/60HZ GENERATOR INSTALLATION - DEUTZ D2.9L4 ENGINES



ART_1001180797

SECTION 3 - ENGINE

FIGURE 3-45. 2500W/110V/60HZ GENERATOR INSTALLATION - DEUTZ D2.9L4 ENGINES

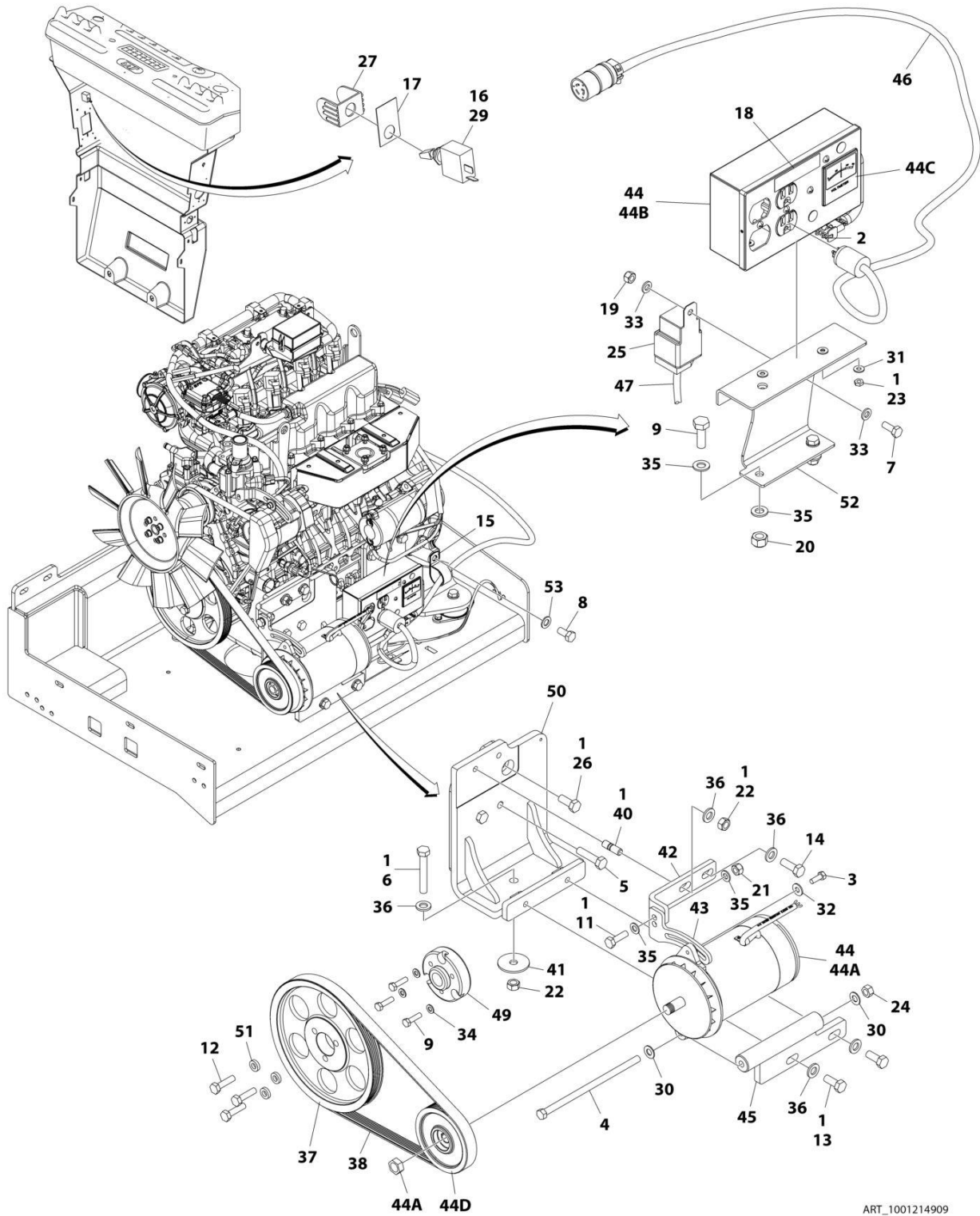
ITEM	PART NUMBER	QTY	DESCRIPTION	REV
	1001180797	Ref	GENERATOR INSTALLATION - 2500W/60HZ (DEUTZ D2.9L4 ENGINE)	F
1	0100011	AR	Compound, Locking	
2	0100019	AR	Compound, Locking	
3	0100048	AR	Grease, Dielectric	
4	0641507	1	Bolt 5/16 x 7/8	
5	0641772	1	Bolt 7/16 x 9	
6	0711224	AR	Bolt M12 x 80 Grade 10.9	
7	0760608	1	Bolt M6 x 16	
8	0760812	1	Bolt M8 x 25	
9	0761014	2	Bolt M10 x 30	
10	0761015	1	Bolt M10 x 35	
11	0761214	2	Bolt M12 x 30	
12	0771414	3	Bolt M14 x 30 Grade 10.9	
13	1321716	1	Clamp	
14	2820031	AR	Heat Shrink	
15	See Note	1	Nameplate (Note: Not Available for Purchase)	
16	3251243	1	Nameplate 120V-60Hz	
17	3290605	1	Nut M6	
18	3290805	1	Nut M8	
19	3291005	3	Nut M10	
20	3291201	2	Nut M12	
21	3311001	2	Nut #10	
22	3311705	1	Nut 7/16	
23	3331211	AR	Nut M12	
24	3580320	1	Pulley	
25	3740080	1	Relay	
26	3931628	4	Capscrew 3/8 x 1-3/4	
27	4032014	4	Bolt M10 x 50	
28	4060802	1	Guard, Switch	
29	4240099	AR	Tie-Strap (Not Shown)	
30	4360336	1	Switch, Toggle	
31	4711700	2	Washer 7/16	
32	4751000	4	Washer #10	
33	4751500	1	Washer 5/16	
34	4811700	2	Washer M6	
35	4811900	2	Washer M8	
36	4812000	AR	Washer M10	
37	4812200	AR	Washer M14	
38	5241200	AR	Washer M12 Hardened	
39	1001135679	1	Adapter	
40	1001148641	1	Bracket	
41	1001155041	2	Stud	
42	1001168018	AR	Washer, Snubbing	
43	1001168207	Ref	Support	
44	1001179836	1	Mount, Upper Generator	
45	1001179837	1	Arm Adjustment	
46	1001180001	1	Generator	
46A	7026199	1	Armature with Slip Rings	
46A	7012513	3	Cap, Brush Holder	

SECTION 3 - ENGINE

ITEM	PART NUMBER	QTY	DESCRIPTION	REV
46A	7020108	4	Brush	
46A	7020109	4	Holder, Brush	
46A	7012514	1	Fan	
46A	7020110	1	Bell, Front	
46A	7020111	1	Bell, Rear	
46A	7020190	1	Bearing	
46B	7019680	1	Box, Control	
46B	4460190	1	Receptacle, Standard	
46B	4460027	1	Receptacle, Twistlock	
46B	4360542	1	Breaker, Circuit	
46B	3520028	1	Plug, Hole	
46B	4460961	1	Connector - 4 Position	
46B	4460705	4	Pin, Male	
46B	4460321	1	Connector - 4 Position (Note: Mate to p/n 4460961 Purchase Separately)	
46B	4460268	3	Socket, Female (Note: Mate to p/n 4460705 Purchase Separately)	
46C	2420203	1	Voltmeter	
46D	1001179893	1	Pulley	
46D	7027887	1	Key, Woodruff	
47	1001181243	1	Mount, Lower Generator	
48	1001183477	1	Support	
49	1001148138	1	Belt	
50	1001187522	1	Harness, Generator (See Separate Breakdown in ELECTRICAL SECTION)	
51	1001188731	1	Wiring Diagram (Not Shown)	
51	4922641	1	Harness, On/Off Switch (Not Shown - Located at Platform)	
52	1001182296	1	Harness, Inverter	
52	1060494	10 ft/3.5m	Cable, Electrical - 12/3	
52	4460134	1	Receptacle, Female	
52	4460138	1	Plug, Male	

SECTION 3 - ENGINE

FIGURE 3-46. 2500W/110V/60HZ GENERATOR INSTALLATION - KUBOTA ENGINES



ART_1001214909

SECTION 3 - ENGINE

FIGURE 3-46. 2500W/110V/60HZ GENERATOR INSTALLATION - KUBOTA ENGINES

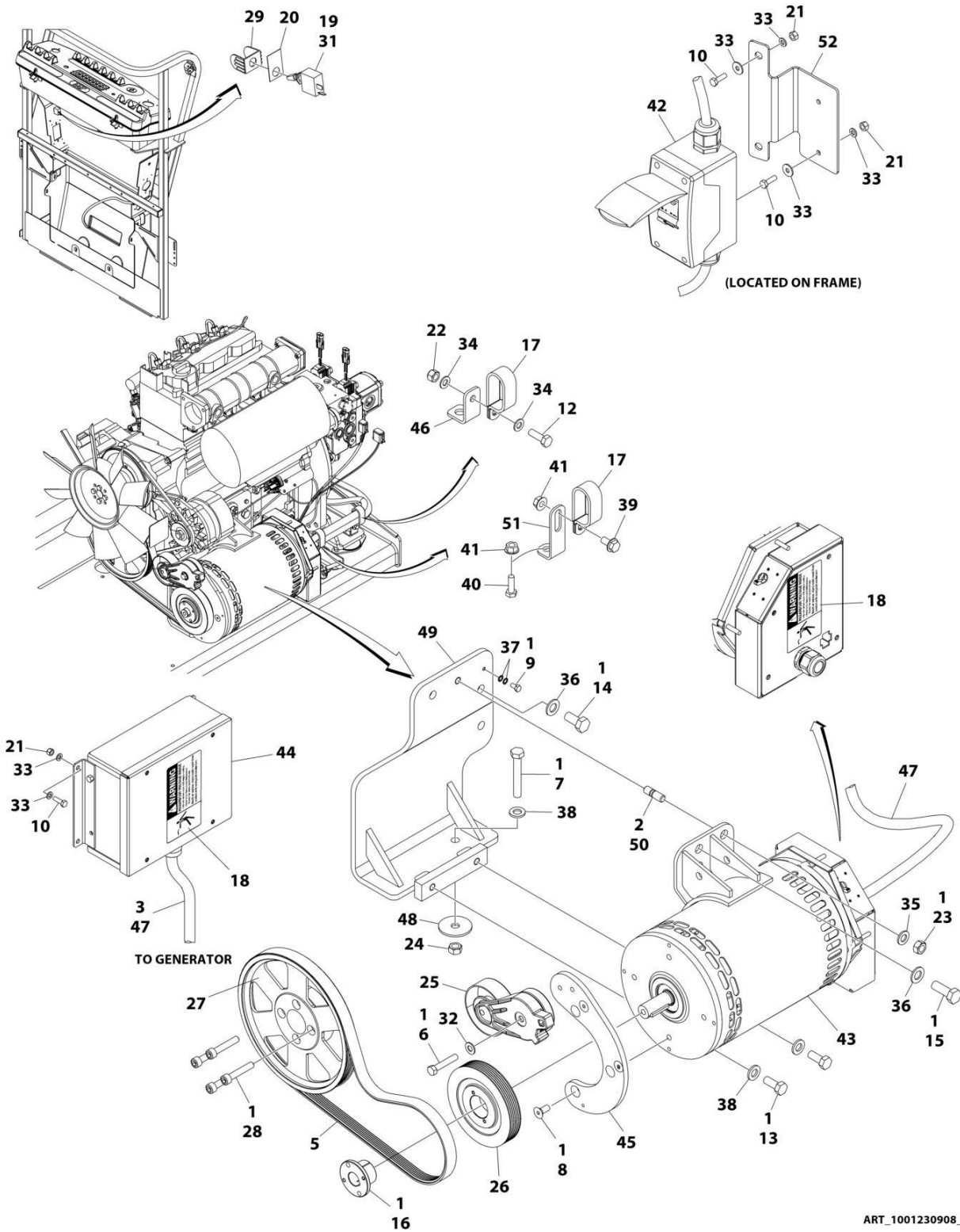
ITEM	PART NUMBER	QTY	DESCRIPTION	REV
	1001214909	Ref	GENERATOR INSTALLATION - 2500W/60Hz (KUBOTA ENGINE)	E
1	0100011	AR	Compound, Locking	
2	0100048	AR	Grease, Dielectric	
3	0641507	1	Bolt 5/16 x 7/8	
4	0641772	1	Bolt 7/16 x 9	
5	1001217344	2	Bolt M12 x 50	
6	0711224	AR	Bolt M12 x 80 Grade 10.9	
6	0701224	AR	Bolt M12 x 80	
7	0760608	1	Bolt M6 x 16	
8	1001217345	1	Bolt M14 x 30	
9	0760814	5	Bolt M8 x 30	
11	0761015	1	Bolt M10 x 35	
12	0761016	3	Bolt M10 x 40	
13	0761214	2	Bolt M12 x 30	
14	0761215	1	Bolt M12 x 35	
15	84521061	1	Clamp	
16	2820031	AR	Heat Shrink	
17	See Note	1	Nameplate (Note: Not Available for Purchase)	
18	3251243	1	Nameplate 120V-60Hz	
19	3290605	1	Nut M6	
20	3290805	2	Nut M8	
21	3291005	1	Nut M10	
22	3291201	2	Nut M12	
23	3311001	2	Nut #10	
24	3311705	1	Nut 7/16	
25	3740080	1	Relay	
26	1001217342	1	Bolt M12 x 30	
27	4060802	1	Guard, Switch	
28	4240099	AR	Tie-Strap (Not Shown)	
29	4360336	1	Switch, Toggle	
30	4711700	2	Washer 7/16	
31	4751000	4	Washer #10	
32	4751500	1	Washer 5/16	
33	4811700	2	Washer M6	
34	4811900	5	Washer M8	
35	4812000	4	Washer M10	
36	5241200	1	Washer M12 Hardened	
37	1001147233	1	Pulley	
38	1001148138	1	Belt	
40	1001155041	1	Stud	
41	1001168018	1	Washer, Snubbing	
42	1001179836	1	Mount, Upper Generator	
43	1001179837	1	Arm Adjustment	
44	1001180001	1	Generator	
44A	7026199	1	Armature with Slip Rings	
44A	7012513	3	Cap, Brush Holder	
44A	7020108	4	Brush	
44A	7020109	4	Holder, Brush	
44A	7012514	1	Fan	
44A	7020110	1	Bell, Front	

SECTION 3 - ENGINE

ITEM	PART NUMBER	QTY	DESCRIPTION	REV
44A	7020111	1	Bell, Rear	
44A	7020190	1	Bearing	
44B	7019680	1	Box, Control	
44B	4460190	1	Receptacle, Standard	
44B	4460027	1	Receptacle, Twistlock	
44B	4360542	1	Breaker, Circuit	
44B	3520028	1	Plug, Hole	
44B	4460961	1	Connector - 4 Position	
44B	4460705	4	Pin, Male	
44B	4460321	1	Connector - 4 Position (Note: Mate to p/n 4460961 Purchase Separately)	
44B	4460268	3	Socket, Female (Note: Mate to p/n 4460705 Purchase Separately)	
44C	2420203	1	Voltmeter	
44D	1001179893	1	Pulley	
44D	7027887	1	Key, Woodruff	
45	1001181243	1	Mount, Lower Generator	
46	1001182296	1	Harness, Inverter	
46	1060494	10 ft/ 3.5m	Cable, Electrical - 12/3	
46	4460134	1	Receptacle, Female	
46	4460138	1	Plug, Male	
47	1001187522	1	Harness, Generator (See Separate Breakdown in ELECTRICAL SECTION)	
48	1001188731	1	Wiring Diagram (Not Shown)	
48	4922641	1	Harness, On/Off Switch (Not Shown - Located at Platform)	
49	1001213029	1	Adapter, Pulley	
50	1001214546	1	Support	
51	1001216805	1	Spacer	
52	1001216840	1	Support	
53	4812200	1	Washer M14	

SECTION 3 - ENGINE

FIGURE 3-47. 4000W/50HZ GENERATOR INSTALLATION - DEUTZ D2011 ENGINES



SECTION 3 - ENGINE

FIGURE 3-47. 4000W/50HZ GENERATOR INSTALLATION - DEUTZ D2011 ENGINES

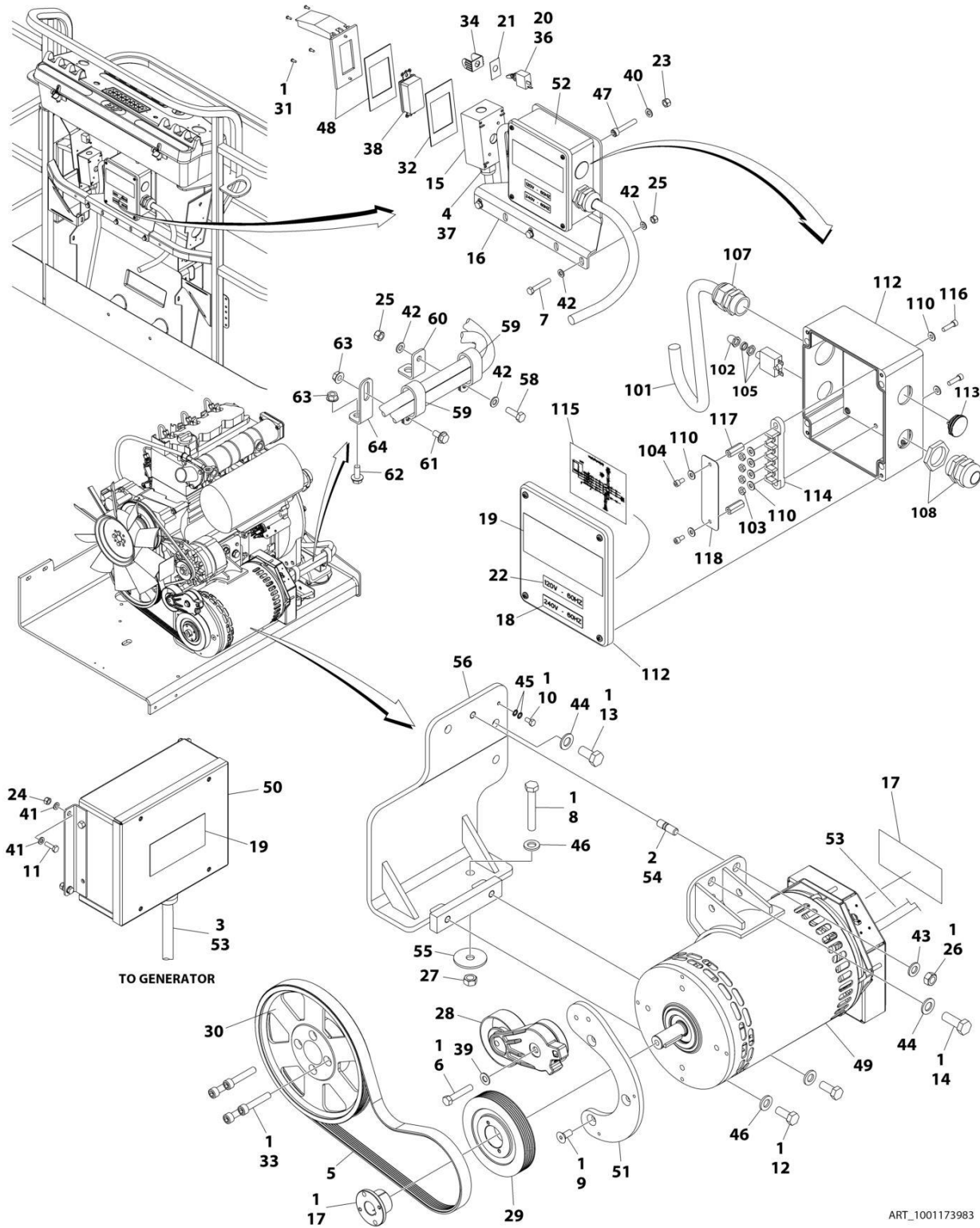
ITEM	PART NUMBER	QTY	DESCRIPTION	REV
	1001230908	Ref	4000W/50Hz GENERATOR INSTALLATION	C
1	0100011	AR	Compound, Locking	
2	0100019	AR	Compound, Locking	
3	0100048	AR	Grease, Dielectric	
4	0100079	AR	Sealant (Not Shown)	
5	0480126	1	Belt	
6	0641616	1	Bolt 3/8 x 2	
7	0711224	1	Bolt M12 x 80 Class 10.9	
8	0741607	3	Screw 3/8 x 7/8	
9	0760606	1	Bolt M6 x 12	
10	0760610	8	Bolt M6 x 20	
12	0760812	1	Bolt M8 x 25	
13	0761214	2	Bolt M12 x 30	
14	0771414	2	Bolt M14 x 30 Class 10.9	
15	0771416	1	Bolt M14 x 40 Class 10.9	
16	0962520	1	Bushing	
17	1321716	2	Clamp	
18	1705489	2	Decal - Hazardous Voltage	
19	2820031	0.3 ft/ 0.1m	Heat Shrink	
20	3251102	1	Nameplate, Generator	
21	3290605	8	Nut M6	
22	3290805	1	Nut M8	
23	3291201	1	Nut M12	
24	3331211	1	Nut M12	
25	3580317	1	Pulley	
26	3580319	1	Pulley	
27	3580320	1	Pulley	
28	4032015	4	Bolt M10 x 55	
29	4060802	1	Guard, Switch	
30	4240099	AR	Tie-Strap (Not Shown)	
31	4360336	1	Switch, Toggle	
32	4711600	1	Washer 3/8	
33	4811700	16	Washer M6	
34	4811900	2	Washer M8	
35	4812100	1	Washer M12	
36	4812200	3	Washer M14	
37	4871700	2	Washer M6	
38	5241200	3	Washer M12 Hardened	
39	5250808	1	Bolt M8 x 16	
40	5250810	1	Bolt M8 x 20	
41	5260800	2	Flange Nut M8	
42	1001096070	1	Breaker Box Kit (50Hz) (See Separate Breakdown in ELECTRICAL Section)	
43	1001138565	1	Generator Assembly	
43	70003709	1	Ring, Retaining (External)	
43	70003708	1	Ring, Retaining (Internal)	
43	70001966	1	Bearing	
43	70004092	1	Endbell (Shaft End)	
43	70004171	1	Key	

SECTION 3 - ENGINE

ITEM	PART NUMBER	QTY	DESCRIPTION	REV
43	70004676	1	Rotor	
43	70004677	1	Stator	
43	70004678	1	Endbell (Rear)	
43	70004679	1	Cover, Endbell (Rear)	
43	70004680	1	Enclosure, Wiring	
43	70004681	1	Cover, Enclosure	
43	70004682	1	Switch, Reset (Located on Enclosure Cover)	
43	70004683	1	Connector, Strain Relief (Located on Enclosure Cover)	
44	1001138566	1	Box, Control	
45	1001139357	1	Mount, Tensioner	
46	1001148641	1	Bracket	
47	1001152532	1	Harness, Generator (See Separate Breakdown in ELECTRICAL Section)	
48	1001168018	1	Washer, Snubbing	
49	1001173925	1	Mount	
50	1001196382	1	Stud	
51	1001223122	1	Support, P-Clamp	
52	1001293086	1	Bracket	
		Ref	ELECTRICAL DIAGRAM COMPONENTS	
101	4922641	1	Generator Switch Harness (Not Shown)	

SECTION 3 - ENGINE

FIGURE 3-48. 4000W/60HZ GENERATOR INSTALLATION - DEUTZ D2011 ENGINES



ART_1001173983

SECTION 3 - ENGINE

FIGURE 3-48. 4000W/60HZ GENERATOR INSTALLATION - DEUTZ D2011 ENGINES

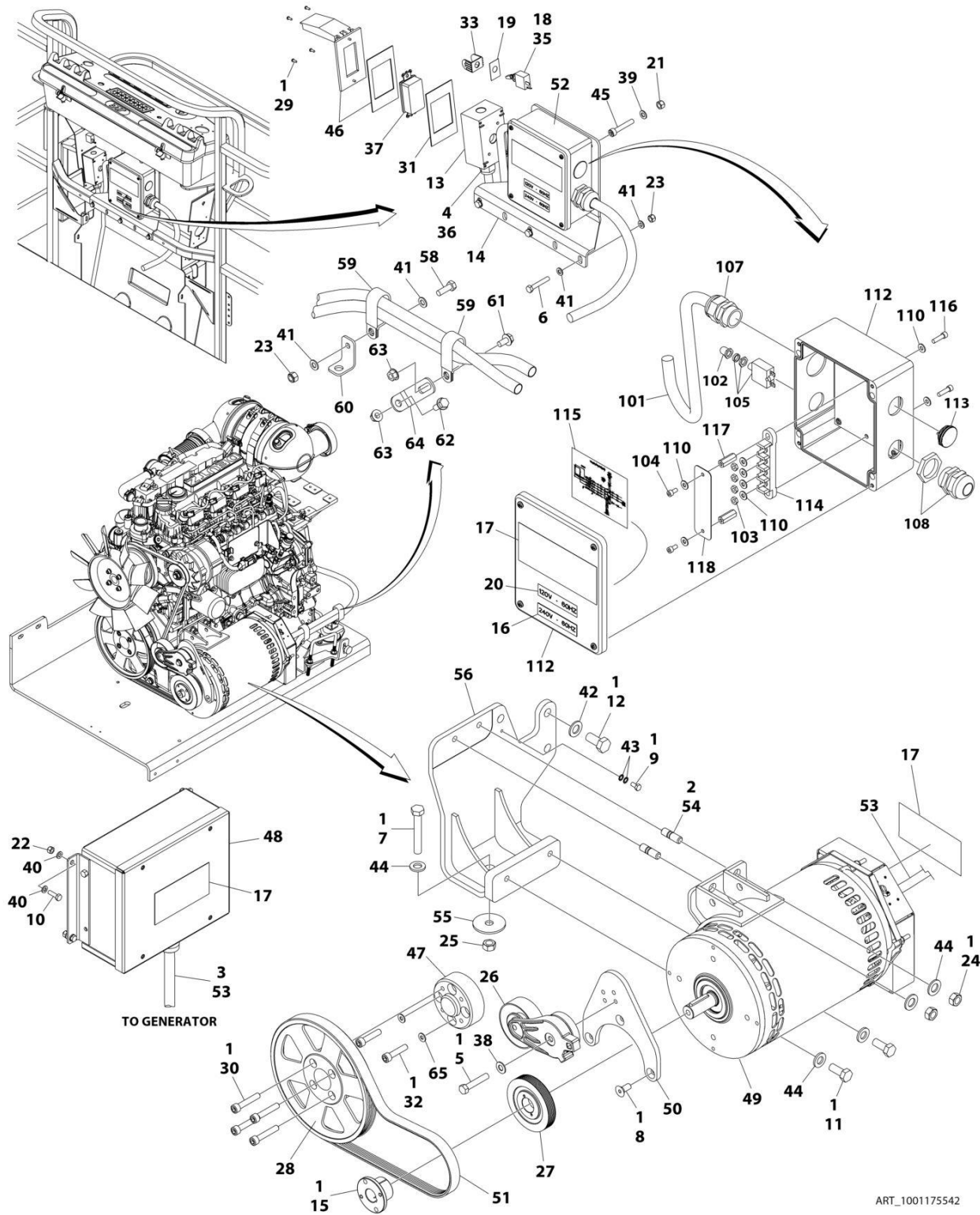
ITEM	PART NUMBER	QTY	DESCRIPTION	REV
	1001173983	Ref	GENERATOR INSTALLATION - 4000W/60HZ (DEUTZ D2011 ENGINE)	F
1	0100011	AR	Compound, Locking	
2	0100019	AR	Compound, Locking	
3	0100048	AR	Grease, Dielectric	
4	0100079	AR	Sealant	
5	0480128	1	Belt	
6	0641616	1	Bolt 3/8 x 2	
7	0700818	3	Bolt M8 x 50	
8	0711224	1	Bolt M12 x 80 Grade 10.9	
9	0741607	3	Screw 3/8 x 7/8	
10	0760606	1	Bolt M6 x 12	
11	0760610	4	Bolt M6 x 20	
12	0761214	2	Bolt M12 x 30	
13	0771414	2	Bolt M14 x 30 Grade 10.9	
14	0771416	1	Bolt M14 x 40	
15	0860038	1	Box, Switch	
16	0902888	1	Bracket	
17	0962520	1	Bushing	
18	1705374	1	Decal - 240V-60Hz	
19	1705387	3	Decal - Hazardous Voltage	
20	2820031	AR	Heat Shrink	
21	See Note	1	Nameplate (Note: Not Available for Purchase)	
22	3251243	1	Nameplate 120V-60Hz	
23	3290505	4	Nut M5	
24	3290605	4	Nut M6	
25	3290805	4	Nut M8	
26	3291201	2	Nut M12	
27	3331211	1	Nut M12	
28	3580317	1	Pulley	
29	3580318	1	Pulley	
30	3580320	1	Pulley	
31	3910606	4	Screw #6 x 3/8	
32	3960422	1	Gasket	
33	4032015	4	Bolt M10 x 55	
34	4060802	1	Guard, Switch	
35	4240099	AR	Tie-Strap (Not Shown)	
36	4360336	1	Switch, Toggle	
37	4460071	1	Connector, Strain Relief	
38	4460346	1	Receptacle	
39	4711600	1	Washer 3/8	
40	4811600	4	Washer M5	
41	4811700	8	Washer M6	
42	4811900	8	Washer M8	
43	4812100	1	Washer M12	
44	4812200	3	Washer M14	
45	4871700	2	Washer M6	
46	5241200	3	Washer M12 Hardened	
47	1001104029	4	Screw M5 x 30	
48	1001110873	1	Shield, Cover	

SECTION 3 - ENGINE

ITEM	PART NUMBER	QTY	DESCRIPTION	REV
49	1001129858	1	Generator	
49	70003709	1	Ring, Retaining (External)	
49	70003708	1	Ring, Retaining (Internal)	
49	70001966	1	Bearing	
49	70004092	1	Endbell (Shaft End)	
49	70004171	1	Key	
49	70004676	1	Rotor	
49	70004684	1	Stator	
49	70004678	1	Endbell (Rear)	
49	70004679	1	Cover, Endbell (Rear)	
49	70004680	1	Enclosure, Wiring	
49	70004685	1	Cover, Enclosure	
49	70004682	1	Switch, Reset (Located on Enclosure Cover)	
49	70004098	1	Connector, Strain Relief (Located on Enclosure Cover)	
50	1001138566	1	Box, Control	
50	70006552	1	Capacitor	
50	70006553	1	Relay	
51	1001139357	1	Mount, Tensioner	
52	1001152457	1	Generator Junction Box Assembly (See Items 101-118 for Breakdown)	
53	1001152532	1	Harness, Generator (See Separate Breakdown in ELECTRICAL SECTION)	
54	1001196382	1	Stud	
55	1001168018	1	Washer, Snubbing	
56	1001173925	1	Mount	
57	1001175631	1	Wiring Diagram (Not Shown)	
57	4922641	1	Harness, On/Off Switch (Not Shown - Located at Platform)	
58	0760812	1	Bolt M8 x 25	
59	1321716	2	Clamp	
60	1001148641	1	Bracket	
61	5250808	1	Bolt M8 x 16	
62	5250810	1	Bolt M8 x 20	
63	5260800	2	Nut M8	
64	1001223122	1	Support	
	1001152457	Ref	GENERATOR JUNCTION BOX COMPONENTS	
101	1001179154	2.5 ft/ 0.8m	Cable, Electrical - 12/3	
102	3300396	1	Cover, Breaker	
103	3311001	4	Nut #10	
104	3900300	2	Screw	
105	4360070	1	Breaker, Circuit - 15Amp	
107	4460425	1	Connector, Strain Relief (LH Side)	
108	4460426	1	Connector, Strain Relief (RH Side)	
110	4711000	8	Washer #10	
112	1001152456	1	Box, Junction	
113	1001152525	1	Plug	
114	1001152530	1	Terminal, Block	
115	1001153260	1	Decal - Wiring Diagram	
116	3900267	2	Screw	
117	1001158008	2	Stand-Off	
118	1001158363	1	Cover, Terminal Block	

SECTION 3 - ENGINE

FIGURE 3-49. 4000W/60HZ GENERATOR INSTALLATION - DEUTZ D2.9L4 ENGINES



ART_1001175542

SECTION 3 - ENGINE

FIGURE 3-49. 4000W/60HZ GENERATOR INSTALLATION - DEUTZ D2.9L4 ENGINES

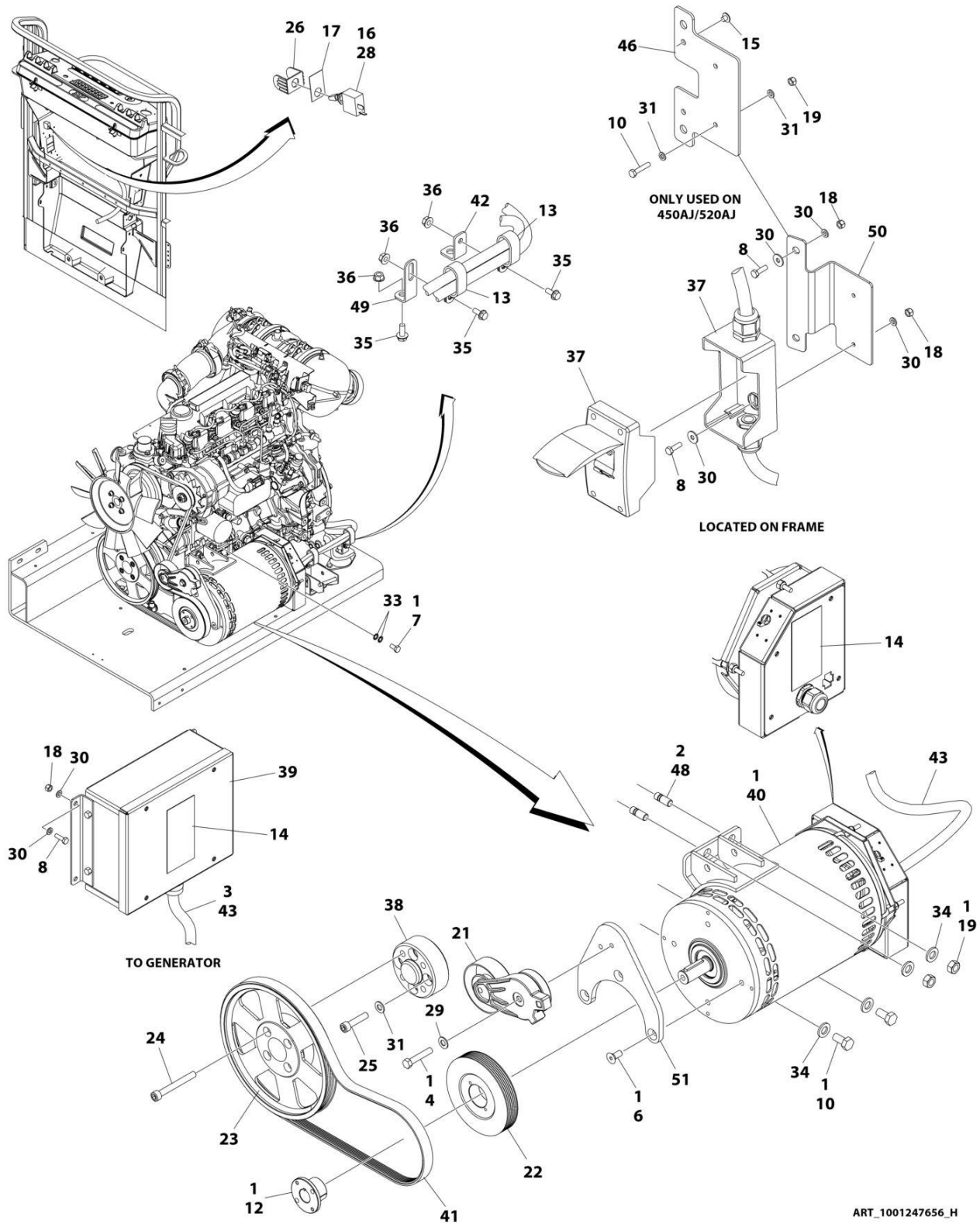
ITEM	PART NUMBER	QTY	DESCRIPTION	REV
	1001175542	Ref	GENERATOR INSTALLATION - 4000W/60HZ (DEUTZ D2.9L4 ENGINE)	J
1	0100011	AR	Compound, Locking	
2	0100019	AR	Compound, Locking	
3	0100048	AR	Grease, Dielectric	
4	0100079	AR	Sealant	
5	0641616	1	Bolt 3/8 x 2	
6	0700818	3	Bolt M8 x 50	
7	0711224	AR	Bolt M12 x 80 Grade 10.9	
8	0741607	3	Screw 3/8 x 7/8	
9	0760606	1	Bolt M6 x 12	
10	0760610	4	Bolt M6 x 20	
11	0761212	2	Bolt M12 x 25	
12	0771414	AR	Bolt M14 x 30 Grade 10.9	
13	0860038	1	Box, Switch	
14	0902888	1	Bracket	
15	0962520	1	Bushing	
16	1705374	1	Decal - 240V-60Hz	
17	1705387	3	Decal - Hazardous Voltage	
18	2820031	AR	Heat Shrink	
19	See Note	1	Nameplate (Note: Not Available for Purchase)	
20	3251243	1	Nameplate 120V-60Hz	
21	3290505	4	Nut M5	
22	3290605	4	Nut M6	
23	3290805	4	Nut M8	
24	3291201	2	Nut M12	
25	3331211	AR	Nut M12	
26	3580317	1	Pulley	
27	3580318	1	Pulley	
28	3580320	1	Pulley	
29	3910606	4	Screw #6 x 3/8	
30	3931628	4	Capscrew 3/8 x 1-3/4	
31	3960422	1	Gasket	
32	4032014	4	Capscrew M10 x 50	
33	4060802	1	Guard, Switch	
34	4240099	AR	Tie-Strap (Not Shown)	
35	4360336	1	Switch, Toggle	
36	4460071	1	Connector, Strain Relief	
37	4460346	1	Receptacle	
38	4711600	1	Washer 3/8	
39	4811600	4	Washer M5	
40	4811700	8	Washer M6	
41	4811900	8	Washer M8	
42	4812200	AR	Washer M14	
43	4871700	2	Washer M6	
44	5241200	AR	Washer M12 Hardened	
45	1001104029	4	Screw M5 x 30	
46	1001110873	1	Shield, Cover	
47	1001135679	1	Adapter	
48	1001138566	1	Box, Control	

SECTION 3 - ENGINE

ITEM	PART NUMBER	QTY	DESCRIPTION	REV
49	1001140346	1	Generator Assembly	
49	70003709	1	Ring, Retaining (External)	
49	70003708	1	Ring, Retaining (Internal)	
49	70001966	1	Bearing	
49	70004092	1	Endbell (Shaft End)	
49	70004099	1	Key	
49	70004676	1	Rotor	
49	70004687	1	Stator	
49	70004678	1	Endbell (Rear)	
49	70004679	1	Cover, Endbell (Rear)	
49	70004680	1	Enclosure, Wiring	
49	70004685	1	Cover, Enclosure	
49	70004682	1	Switch, Reset (Located on Enclosure Cover)	
49	70004098	1	Connector, Strain Relief (Located on Enclosure Cover)	
50	1001142643	1	Support	
51	1001142646	1	Belt	
52	1001152457	1	Generator Junction Box Assembly (See Items 101-118 for Breakdown)	
53	1001152532	1	Harness, Generator (See Separate Breakdown in ELECTRICAL SECTION)	
54	1001196382	2	Stud	
55	1001168018	AR	Washer, Snubbing	
56	1001168207	Ref	Support	
57	1001175631	1	Wiring Diagram (Not Shown)	
57	4922641	1	Harness, On/Off Switch (Not Shown - Located at Platform)	
58	0760812	1	Bolt M8 x 25	
59	1321716	2	Clamp	
60	1001148641	1	Bracket	
61	5250808	1	Bolt M8 x 16	
62	5250810	1	Bolt M8 x 20	
63	5260800	2	Nut M8	
64	1001223122	1	Support	
65	4812000	4	Washer M10	
	1001152457	Ref	GENERATOR JUNCTION BOX COMPONENTS	
101	1001179154	2.5 ft/ 0.8m	Cable, Electrical - 12/3	
102	3300396	1	Cover, Breaker	
103	3311001	4	Nut #10	
104	3900300	2	Screw	
105	4360070	1	Breaker, Circuit - 15Amp	
107	4460425	1	Connector, Strain Relief (LH Side)	
108	4460426	1	Connector, Strain Relief (RH Side)	
110	4711000	8	Washer #10	
112	1001152456	1	Box, Junction	
113	1001152525	1	Plug	
114	1001152530	1	Terminal, Block	
115	1001153260	1	Decal - Wiring Diagram	
116	3900267	2	Screw	
117	1001158008	2	Stand-Off	
118	1001158363	1	Cover, Terminal Block	

SECTION 3 - ENGINE

FIGURE 3-50. 4000W/50HZ GENERATOR INSTALLATION (DEUTZ D2.9L4 (STAGE V) ENGINES)



ART_1001247656_H

SECTION 3 - ENGINE

FIGURE 3-50. 4000W/50HZ GENERATOR INSTALLATION (DEUTZ D2.9L4 (STAGE V) ENGINES)

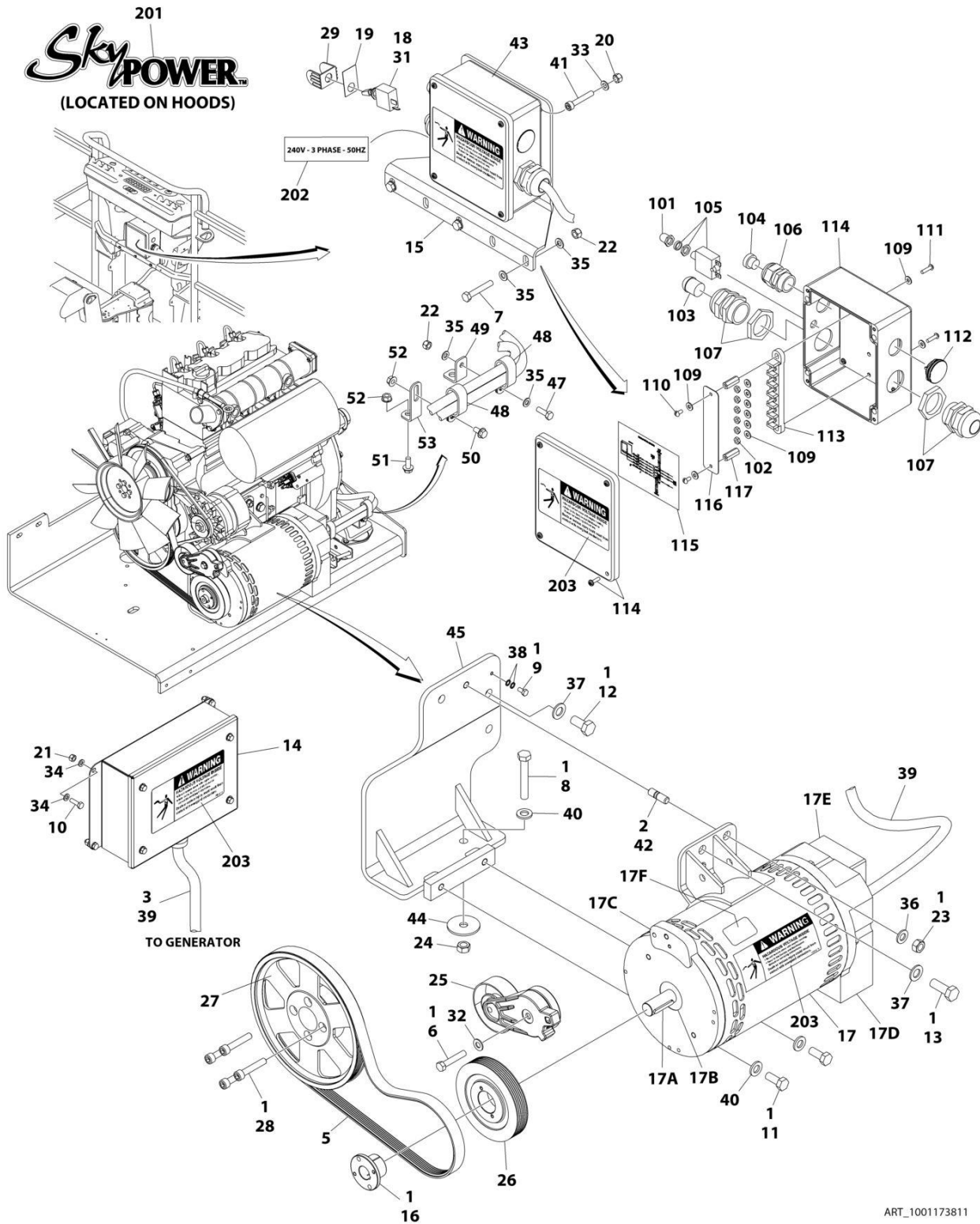
ITEM	PART NUMBER	QTY	DESCRIPTION	REV
	1001247656	Ref	GENERATOR INSTALLATION - 4000W/50HZ	H
1	0100011	AR	Compound, Locking	
2	0100019	AR	Compound, Locking	
3	0100048	AR	Grease, Dielectric	
4	0641616	1	Bolt 3/8 x 2	
6	0741607	3	Screw 3/8 x 7/8	
7	0760606	1	Bolt M6 x 12	
8	0760610	10	Bolt M6 x 20	
10	0761212	2	Bolt M12 x 25	
12	0962520	1	Bushing	
13	1321716	2	Clamp	
14	1705489	2	Decal - Hazardous Voltage	
15	2080040	2	Fastener, Huck	
16	2820031	0.33 ft /0.10m	Heat Shrink	
17	3251102	1	Nameplate, Generator	
18	3290605	10	Nut M6	
19	3291201	2	Nut M12	
21	3580317	1	Pulley	
22	3580319	1	Pulley	
23	1001281192	1	Pulley	
24	1001261085	4	Capscrew M10 x 85	
25	1001261045	4	Capscrew M10 x 45	
26	4060802	1	Guard, Switch	
27	4240099	AR	Tie-Strap (Not Shown)	
28	4360336	1	Switch, Toggle	
29	4711600	1	Washer 3/8	
30	4811700	18	Washer M6	
31	4812000	4	Washer M14	
33	4871700	2	Washer M6	
34	5241200	4	Washer M12 Hardened	
35	5250810	3	Bolt M8 x 20	
36	5260800	3	Nut M8	
37	1001096070	1	Breaker Box Kit (50Hz) (See Separate Breakdown in ELECTRICAL Section)	
38	1001258800	1	Adapter	
39	1001138566	1	Box, Control	
40	1001140347	1	Generator, 4000W/ 50HZ - Deutz Engine	
40	70003709	1	Ring, Retaining (External)	
40	70003708	1	Ring, Retaining (Internal)	
40	70001966	1	Bearing	
40	70004092	1	Endbell (Shaft End)	
40	70004099	1	Key	
40	70004676	1	Rotor	
40	70004686	1	Stator	
40	70004678	1	Endbell (Rear)	
40	70004679	1	Cover, Endbell (Rear)	
40	70004680	1	Enclosure, Wiring	
40	70004681	1	Cover, Enclosure	
40	70004682	1	Switch, Reset (Located on Enclosure Cover)	

SECTION 3 - ENGINE

ITEM	PART NUMBER	QTY	DESCRIPTION	REV
40	70004683	1	Connector, Strain Relief (Located on Enclosure Cover)	
41	1001148059	1	Belt, Generator	
42	1001148641	1	Bracket	
43	1001152532	1	Harness, Generator (See Separate Breakdown in ELECTRICAL Section)	
46	1001174158	1	Mount	
47	1001174675	1	Wiring Diagram (Not Shown)	
48	1001196382	2	Stud	
49	1001223122	1	Support	
50	1001293086	1	Bracket	
51	1001248190	1	Support	
52	4811702	2	Washer M6	
		Ref	ELECTRICAL DIAGRAM COMPONENTS	
101	4922641	1	Generator Switch Harness (Not Shown)	

SECTION 3 - ENGINE

FIGURE 3-51. 7500W/50HZ SKYPOWER GENERATOR INSTALLATION - DEUTZ D2011 ENGINES



ART_1001173811

SECTION 3 - ENGINE

FIGURE 3-51. 7500W/50HZ SKYPOWER GENERATOR INSTALLATION - DEUTZ D2011 ENGINES

ITEM	PART NUMBER	QTY	DESCRIPTION	REV
	1001173811	Ref	GENERATOR INSTALLATION - 7500W/50HZ (DEUTZ D2011 ENGINE)	F
1	0100011	AR	Compound, Locking	
2	0100019	AR	Compound, Locking	
3	0100048	AR	Grease, Dielectric	
4	0100079	AR	Sealant (Not Shown)	
5	0480126	1	Belt	
6	0641616	1	Bolt 3/8 x 2	
7	0700818	3	Bolt M8 x 50	
8	0711224	1	Bolt M12 x 80 Grade 10.9	
9	0760606	1	Bolt M6 x 12	
10	0760610	4	Bolt M6 x 20	
11	0761214	2	Bolt M12 x 30	
12	0771414	2	Bolt M14 x 30 Grade 10.9	
13	0771416	1	Bolt M14 x 40	
14	0861572	1	Control Box Assembly	
14	7024488	1	Card, Circuit - Generator Power	
14	See Note	NSS	Fuse (Note: Not Available - Purchase Locally)	
14	7024489	1	Card, Circuit - Control	
14	70000619	1	Harness, Control Box (Internal)	
15	0902888	1	Bracket	
16	0962520	1	Bushing	
17	2460048	1	Generator Assembly	
17	70001100	1	Rotor (Includes p/n 70001384 & 70000863) (Not Shown)	
17	70001384	1	Bearing, Ball Radial (Not Shown)	
17	70000863	1	Fan (Not Shown)	
17	70002088	1	Stator (Not Shown)	
17	70002297	1	Stud	
17	70003631	1	Brushholder Assembly (Not Shown)	
17A	70004171	1	Key	
17B	70001966	1	Bearing, Ball Radial (Located in Belt Tensioner Endbell)	
17B	70003708	1	Ring, Internal Retaining (Located in Belt Tensioner Endbell)	
17B	70003709	1	Ring, External Retaining (Located in Belt Tensioner Endbell)	
17C	70001953	1	Endbell, Belt Tensioner	
17D	70004169	1	Endbell, Brush Block	
17E	70004169	1	Shroud	
17E	See Note	NSS	Insulator, Endbell (Note: Not Available for Purchase)	
17E	7027799	1	Block, Connector 6 Position (Not Shown)	
17E	70002460	1	Nut, Brass (Attaches p/n 7027799 to Cover) (Not Shown)	
17E	7024485	1	Breaker, Circuit 30Amp (Not Shown)	
17E	70001696	1	Boot, Breaker (Not Shown)	
17E	7026626	1	Connector, 6 Position (Includes Seal) (Not Shown - Plugs into Item 39)	
17E	7026597	1	Connector, with Leads (Not Shown)	
17E	7026188	1	Clamp, Cable Options (Not Shown)	
17E	70004169	1	Plate, End Panel	
17E	70001974	1	Decal - Terminal Connections	
17F	70001973	1	Decal - Warning Moving Parts	
18	2820031	AR	Heat Shrink	
19	3252764	1	Nameplate	

SECTION 3 - ENGINE

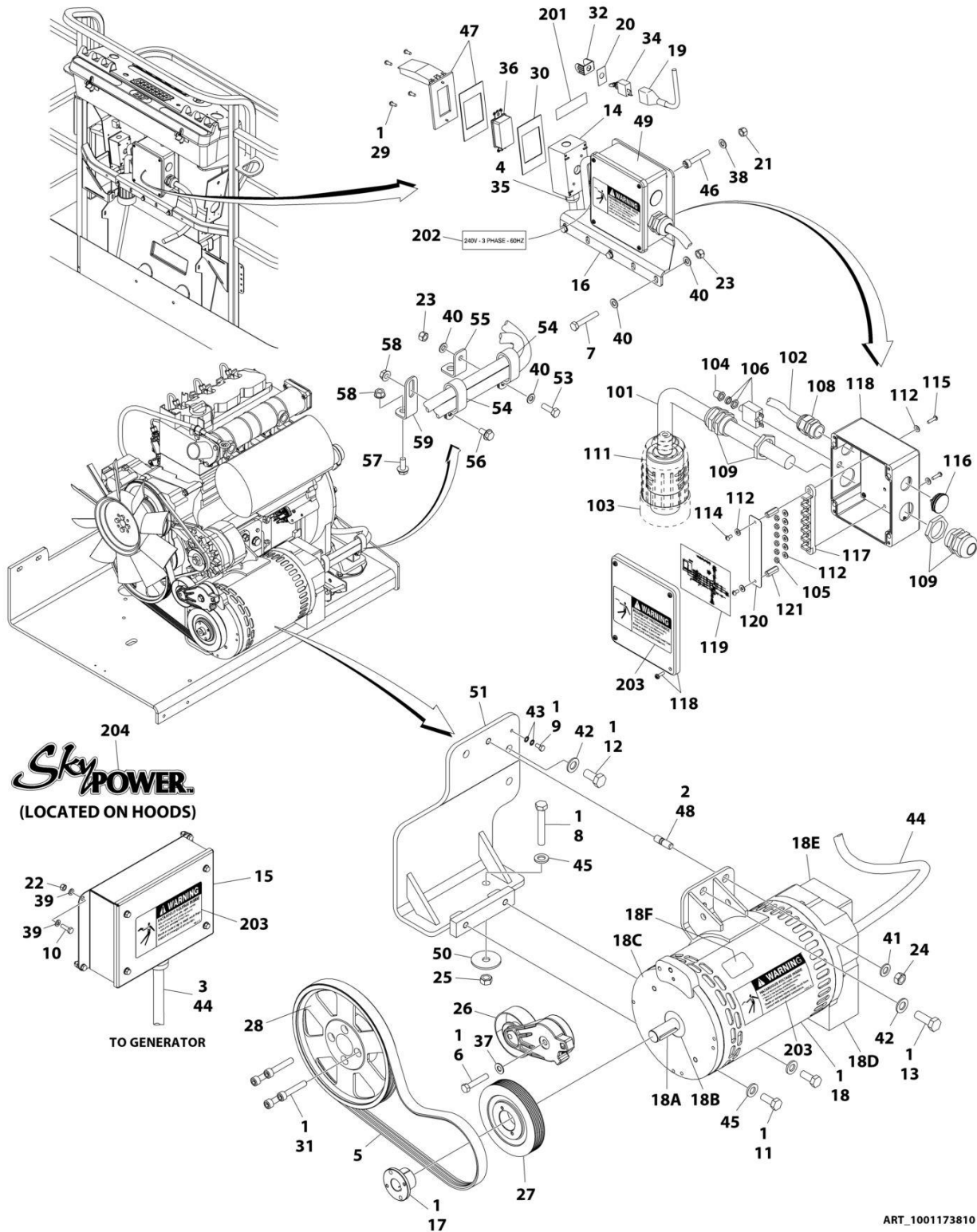
ITEM	PART NUMBER	QTY	DESCRIPTION	REV
20	3290505	4	Nut M5	
21	3290605	4	Nut M6	
22	3290805	4	Nut M8	
23	3291201	1	Nut M12	
24	3331211	1	Nut M12	
25	3580317	1	Pulley	
26	3580319	1	Pulley	
27	3580320	1	Pulley	
28	4032015	4	Bolt M10 x 55	
29	4060802	1	Guard, Switch	
30	4240099	AR	Tie-Strap (Not Shown)	
31	4360336	1	Switch, Toggle	
32	4711600	1	Washer 3/8	
33	4811600	4	Washer M5	
34	4811700	8	Washer M6	
35	4811900	8	Washer M8	
36	4812100	1	Washer M12	
37	4812200	3	Washer M14	
38	4871700	2	Washer M6	
39	4922925	1	Harness, Generator	
39	4460225	1	Plug, Male 6 Position (Plugs into Generator)	
39	See Note	NSS	Socket, Female (Use with 4460225)	
39	See Note	NSS	Seal, Plug (Use with 4460225)	
39	See Note	NSS	Seal, Interface (Use with 4460225)	
40	5241200	3	Washer M12 Hardened	
41	1001104029	4	Screw M5 x 30	
42	1001196382	1	Stud	
43	1001157525	1	Junction Box Assembly (See Items 101-117 for Breakdown)	
44	1001168018	1	Washer, Snubbing	
45	1001173925	1	Mount	
46	1001174675	1	Wiring Diagram (Not Shown)	
46	4922641	1	Harness, On/Off Switch (Not Shown - Located at Platform)	
47	0760812	1	Bolt M8 x 25	
48	1321716	2	Clamp	
49	1001148641	1	Bracket	
50	5250808	1	Bolt M8 x 16	
51	5250810	1	Bolt M8 x 20	
52	5260800	2	Nut M8	
53	1001223122	1	Support	
	1001157525	Ref	JUNCTION BOX ASSEMBLY	B
101	3300396	1	Cover, Fuse	
102	3311001	6	Nut #10	
103	3520189	1	Plug	
104	3520192	1	Plug	
105	4360070	1	Circuit Breaker - 15Amp	
106	4460425	1	Connector, Strain Relief	
107	4460426	2	Connector, Strain Relief	
109	4711000	10	Flatwasher #10	
110	10702077	2	Screw #10 x 3/8	
111	10702082	2	Screw #10 x 3/4	
112	1001152525	1	Plug	

SECTION 3 - ENGINE

ITEM	PART NUMBER	QTY	DESCRIPTION	REV
113	1001157520	1	Block, Terminal	
114	1001157521	1	Box, Junction	
115	1001157528	1	Decal - Wiring Schematic	
116	1001158007	1	Cover, PVC	
117	1001158008	2	Stand-Off	
	0272589	Ref	DECAL INSTALLATION	A
201	1705460	2	Decal - SkyPower	
202	1705461	1	Decal - 240V - 3 Phase - 50Hz	
203	1705489	3	Decal - Hazardous Voltage	

SECTION 3 - ENGINE

FIGURE 3-52. 7500W/60HZ SKYPOWER GENERATOR INSTALLATION - DEUTZ D2011 ENGINES



ART_1001173810

SECTION 3 - ENGINE

FIGURE 3-52. 7500W/60HZ SKYPOWER GENERATOR INSTALLATION - DEUTZ D2011 ENGINES

ITEM	PART NUMBER	QTY	DESCRIPTION	REV
	1001173810	Ref	GENERATOR INSTALLATION - 7500W/60Hz (DEUTZ D2011 ENGINE)	F
1	0100011	AR	Compound, Locking	
2	0100019	AR	Compound, Locking	
3	0100048	AR	Grease, Dielectric	
4	0100079	AR	Sealant	
5	0480128	1	Belt	
6	0641616	1	Bolt 3/8 x 2	
7	0700818	3	Bolt M8 x 50	
8	0711224	1	Bolt M12 x 80 Grade 10.9	
9	0760606	1	Bolt M6 x 12	
10	0760610	4	Bolt M6 x 20	
11	0761214	2	Bolt M12 x 30	
12	0771414	2	Bolt M14 x 30 Grade 10.9	
13	0771416	1	Bolt M14 x 40	
14	0860038	1	Box, Switch	
15	0861538	1	Control Box Assembly	
15	7024488	1	Card, Circuit - Generator Power	
15	See Note	NSS	Fuse (Note: Not Available - Purchase Locally)	
15	7024489	1	Card, Circuit - Control	
15	70000619	1	Harness, Control Box (Internal)	
16	0902888	1	Bracket	
17	0962520	1	Bushing	
18	2460048	1	Generator Assembly	
18	70001100	1	Rotor (Includes p/n 70001384 & 70000863) (Not Shown)	
18	70001384	1	Bearing, Ball Radial (Not Shown)	
18	70000863	1	Fan (Not Shown)	
18	70002088	1	Stator (Not Shown)	
18	70002297	1	Stud	
18	70003631	1	Brushholder Assembly (Not Shown)	
18A	70004171	1	Key	
18B	70001966	1	Bearing, Ball Radial (Located in Belt Tensioner Endbell)	
18B	70003708	1	Ring, Internal Retaining (Located in Belt Tensioner Endbell)	
18B	70003709	1	Ring, External Retaining (Located in Belt Tensioner Endbell)	
18C	70001953	1	Endbell, Belt Tensioner	
18D	70004169	1	Endbell, Brush Block	
18E	70004169	1	Shroud	
18E	See Note	NSS	Insulator, Endbell (Note: Not Available for Purchase)	
18E	7027799	1	Block, Connector 6 Position (Not Shown)	
18E	70002460	1	Nut, Brass (Attaches p/n 7027799 to Cover) (Not Shown)	
18E	7024485	1	Breaker, Circuit 30Amp (Not Shown)	
18E	70001696	1	Boot, Breaker (Not Shown)	
18E	7026626	1	Connector, 6 Position (Includes Seal) (Not Shown - Plugs into Item 39)	
18E	7026597	1	Connector, with Leads (Not Shown)	
18E	7026188	1	Clamp, Cable Options (Not Shown)	
18E	70004169	1	Plate, End Panel	
18E	70001974	1	Decal - Terminal Connections	
18F	70001973	1	Decal - Warning Moving Parts	
19	2820031	AR	Heat Shrink	

SECTION 3 - ENGINE

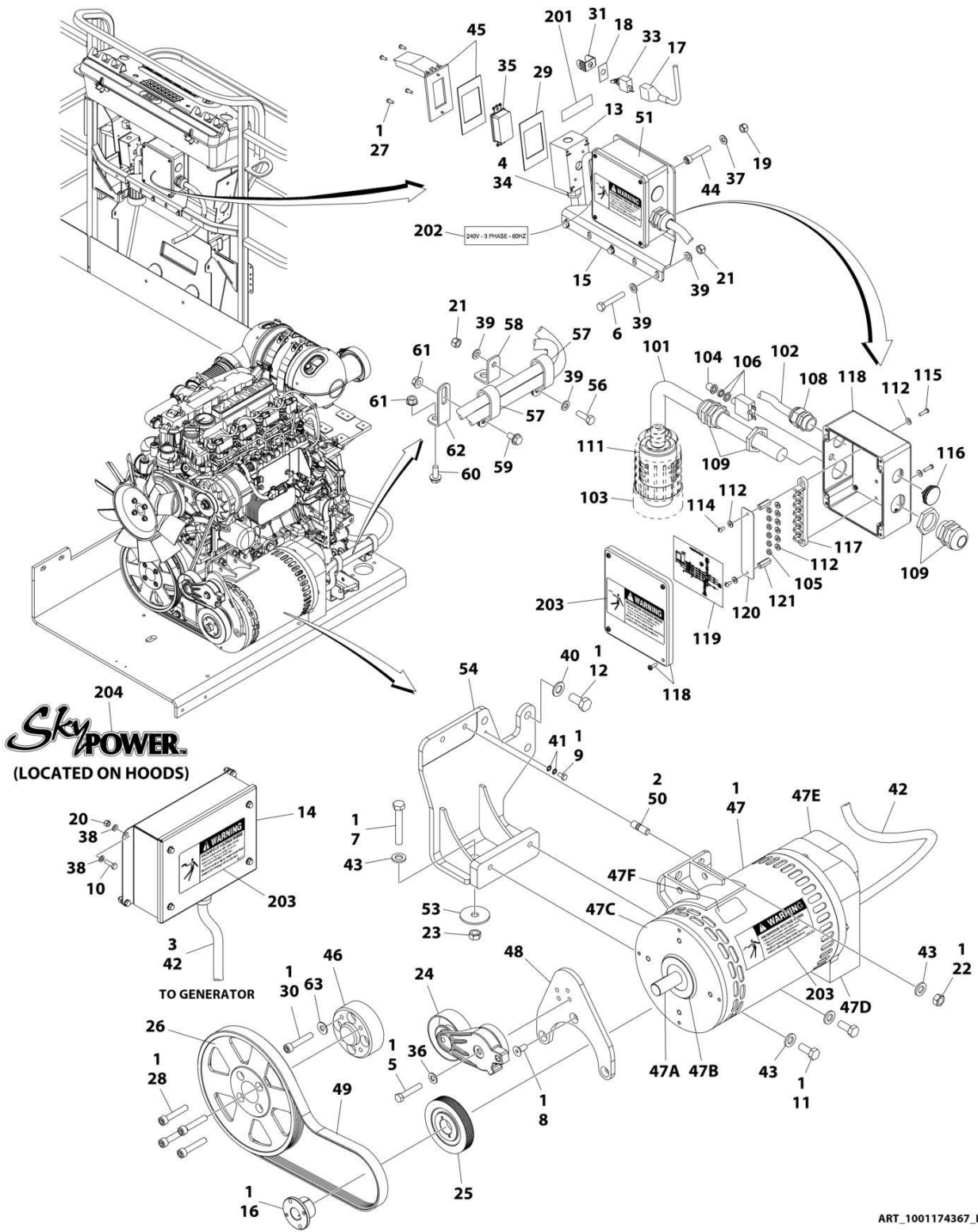
ITEM	PART NUMBER	QTY	DESCRIPTION	REV
20	3252764	1	Nameplate	
21	3290505	4	Nut M5	
22	3290605	4	Nut M6	
23	3290805	4	Nut M8	
24	3291201	1	Nut M12	
25	3331211	1	Nut M12	
26	3580317	1	Pulley	
27	3580318	1	Pulley	
28	3580320	1	Pulley	
29	3910606	4	Screw #6 x 3/8	
30	3960422	1	Gasket	
31	4032015	4	Bolt M10 x 55	
32	4060802	1	Guard, Switch	
33	4240099	AR	Tie-Strap (Not Shown)	
34	4360336	1	Switch, Toggle	
35	4460071	1	Connector, Strain Relief	
36	4460346	1	Receptacle	
37	4711600	1	Washer 3/8	
38	4811600	4	Washer M5	
39	4811700	8	Washer M6	
40	4811900	8	Washer M8	
41	4812100	1	Washer M12	
42	4812200	3	Washer M14	
43	4871700	2	Washer M6	
44	4922925	1	Harness, Generator	
44	4460225	1	Plug, Male 6 Position (Plugs into Generator)	
44	See Note	NSS	Socket, Female (Use with 4460225)	
44	See Note	NSS	Seal, Plug (Use with 4460225)	
44	See Note	NSS	Seal, Interface (Use with 4460225)	
45	5241200	3	Washer M12 Hardened	
46	1001104029	4	Screw M5 x 30	
47	1001110873	1	Shield, Cover	
48	1001196382	1	Stud	
49	1001157592	1	Junction Box Assembly Options (See Items 101-121 for Breakdown)	
50	1001168018	1	Washer, Snubbing	
51	1001173925	1	Mount	
52	1001174675	1	Wiring Diagram (Not Shown)	
52	4922641	1	Harness, On/Off Switch (Not Shown - Located at Platform)	
53	0760812	1	Bolt M8 x 25	
54	1321716	2	Clamp	
55	1001148641	1	Bracket	
56	5250808	1	Bolt M8 x 16	
57	5250810	1	Bolt M8 x 20	
58	5260800	2	Nut M8	
59	1001223122	1	Support	
	1001157592	Ref	JUNCTION BOX ASSEMBLY	C
101	1060343	1.5 ft /0.5m	Cable, Electrical 10/4	
102	1001179154	2.5 ft /0.8m	Cable, Electrical 12/3	
103	1671092	1	Cover	

SECTION 3 - ENGINE

ITEM	PART NUMBER	QTY	DESCRIPTION	REV
104	3300396	1	Cover, Fuse	
105	3311001	6	Nut #10	
106	4360070	1	Circuit Breaker - 15Amp	
108	4460425	1	Connector, Strain Relief	
109	4460426	2	Connector, Strain Relief	
111	4460963	1	Connector	
112	4711000	10	Flatwasher #10	
114	10702077	2	Screw #10 x 3/8	
115	10702082	2	Screw #10 x 3/4	
116	1001152525	1	Plug	
117	1001157520	1	Block, Terminal	
118	1001157521	1	Box, Junction	
119	1001157528	1	Decal - Wiring Schematic	
120	1001158007	1	Cover, PVC	
121	1001158008	2	Stand-Off	
	0272435	Ref	DECAL INSTALLATION	D
	0273380	Ref	DECAL INSTALLATION	B
201	3251243	1	Decal - 120V - 60Hz	
202	1705375	1	Decal - 240V - 3 Phase - 60Hz	
203	1705387	3	Decal - Hazardous Voltage	
204	1705460	2	Decal - SkyPower	

SECTION 3 - ENGINE

FIGURE 3-53. 7500W/60HZ SKYPOWER GENERATOR INSTALLATION - DEUTZ D2.9L4 ENGINES



SECTION 3 - ENGINE

FIGURE 3-53. 7500W/60HZ SKYPOWER GENERATOR INSTALLATION - DEUTZ D2.9L4 ENGINES

ITEM	PART NUMBER	QTY	DESCRIPTION	REV
	1001174367	Ref	GENERATOR INSTALLATION - 7500W/60Hz (DEUTZ D2.9L4 ENGINE)	J
1	0100011	AR	Compound, Locking	
2	0100019	AR	Compound, Locking	
3	0100048	AR	Grease, Dielectric	
4	0100079	AR	Sealant	
5	0641616	1	Bolt 3/8 x 2	
6	0700818	3	Bolt M8 x 50	
7	0711224	Ref	Bolt M12 x 80 Grade 10.9	
8	0741607	3	Screw 3/8 x 7/8	
9	0760606	1	Bolt M6 x 12	
10	0760610	4	Bolt M6 x 20	
11	0761212	2	Bolt M12 x 25	
12	0771414	Ref	Bolt M14 x 30 Grade 10.9	
13	0860038	1	Box, Switch	
14	0861538	1	Control Box Assembly	
14	7024488	1	Card, Circuit - Generator Power	
14	See Note	NSS	Fuse (Note: Not Available - Purchase Locally)	
14	7024489	1	Card, Circuit - Control	
14	70000619	1	Harness, Control Box (Internal)	
15	0902888	1	Bracket	
16	0962520	1	Bushing	
17	2820031	AR	Heat Shrink	
18	3252764	1	Nameplate	
19	3290505	4	Nut M5	
20	3290605	4	Nut M6	
21	3290805	4	Nut M8	
22	3291201	2	Nut M12	
23	3331211	Ref	Nut M12	
24	3580317	1	Pulley	
25	3580318	1	Pulley	
26	3580320	1	Pulley	
27	3910606	4	Screw #6 x 3/8	
28	3931628	4	Capscrew 3/8 x 1-3/4	
29	3960422	1	Gasket	
30	4032014	4	Bolt M10 x 50	
31	4060802	1	Guard, Switch	
32	4240099	AR	Tie-Strap (Not Shown)	
33	4360336	1	Switch, Toggle	
34	4460071	1	Connector, Strain Relief	
35	4460346	1	Receptacle	
36	4711600	1	Washer 3/8	
37	4811600	4	Washer M5	
38	4811700	8	Washer M6	
39	4811900	8	Washer M8	
40	4812200	Ref	Washer M14	
41	4871700	2	Washer M6	
42	4922925	1	Harness, Generator	
42	4460225	1	Plug, Male 6 Position (Plugs into Generator)	
42	See Note	NSS	Socket, Female (Use with 4460225)	

SECTION 3 - ENGINE

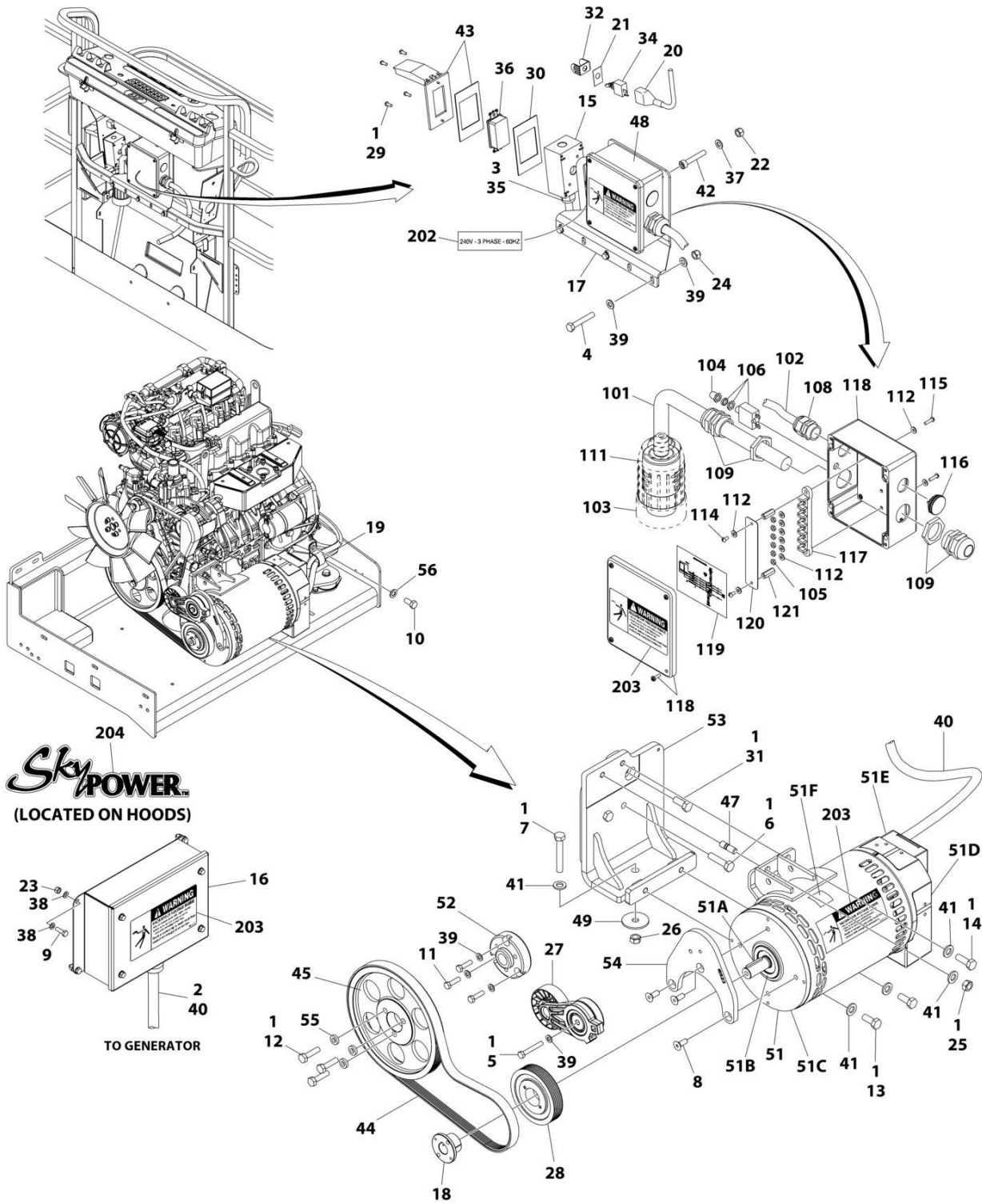
ITEM	PART NUMBER	QTY	DESCRIPTION	REV
42	See Note	NSS	Seal, Plug (Use with 4460225)	
42	See Note	NSS	Seal, Interface (Use with 4460225)	
43	5241200	5	Washer M12 Hardened	
44	1001104029	4	Screw M5 x 30	
45	1001110873	1	Shield, Cover	
46	1001135679	1	Adapter	
47	1001212223	1	Generator Assembly	
47	70001100	1	Rotor (Includes p/n 70001384 & 70000863) (Not Shown)	
47	70001384	1	Bearing, Ball Radial (Not Shown)	
47	70000863	1	Fan (Not Shown)	
47	70006093	1	Stator (Not Shown)	
47	70002297	1	Stud	
47	70003631	1	Brushholder Assembly (Not Shown)	
47A	70004099	1	Key	
47B	70001966	1	Bearing, Ball Radial (Located in Belt Tensioner Endbell)	
47B	70003708	1	Ring, Internal Retaining (Located in Belt Tensioner Endbell)	
47B	70003709	1	Ring, External Retaining (Located in Belt Tensioner Endbell)	
47C	70004092	1	Endbell, Belt Tensioner	
47D	70004094	1	Endbell, Brush Block	
47E	70006094	1	Shroud	
47E	70002291	1	Insulator, Endbell	
47E	7027799	1	Block, Connector 6 Position (Not Shown)	
47E	70002460	1	Nut, Brass (Attaches p/n 7027799 to Cover) (Not Shown)	
47E	70006095	1	Breaker, Circuit 30Amp (Not Shown)	
47E	70006096	1	Guard, Breaker (Not Shown)	
47E	7026626	1	Connector, 6 Position (Includes Seal) (Not Shown - Plugs into Item 36)	
47E	7026597	1	Connector, with Leads (Not Shown)	
47E	70004098	1	Clamp, Cable (Not Shown)	
47E	70006097	1	Plate, End Panel	
47E	70001974	1	Decal - Terminal Connections	
47F	70001973	1	Decal - Warning Moving Parts	
48	1001142643	1	Support	
49	1001142646	1	Belt	
50	1001196382	2	Stud	
51	1001157592	1	Junction Box Assembly Options (See Items 101-121 for Breakdown)	
53	1001168018	Ref	Washer, Snubbing	
54	1001168207	Ref	Support	
55	1001174675	1	Wiring Diagram (Not Shown)	
55	4922641	1	Harness, On/Off Switch (Not Shown - Located at Platform)	
56	0760812	1	Bolt M8 x 25	
57	1321716	2	Clamp	
58	1001148641	1	Bracket	
59	5250808	1	Bolt M8 x 16	
60	5250810	1	Bolt M8 x 20	
61	5260800	2	Nut M8	
62	1001223122	1	Support	
63	4812000	4	Washer M10	
	1001157592	Ref	JUNCTION BOX ASSEMBLY	C
101	1060343	1.5 ft/ 0.5m	Cable, Electrical 10/4	

SECTION 3 - ENGINE

ITEM	PART NUMBER	QTY	DESCRIPTION	REV
102	1001179154	2.5 ft/ 0.8m	Cable, Electrical 12/3	
103	1671092	1	Cover	
104	3300396	1	Cover, Fuse	
105	3311001	6	Nut #10	
106	4360070	1	Circuit Breaker - 15Amp	
108	4460425	1	Connector, Strain Relief	
109	4460426	2	Connector, Strain Relief	
111	4460963	1	Connector	
112	4711000	10	Flatwasher #10	
114	10702077	2	Screw #10 x 3/8	
115	10702082	2	Screw #10 x 3/4	
116	1001152525	1	Plug	
117	1001157520	1	Block, Terminal	
118	1001157521	1	Box, Junction	
119	1001157528	1	Decal - Wiring Schematic	
120	1001158007	1	Cover, PVC	
121	1001158008	2	Stand-Off	
	0272435	Ref	DECAL INSTALLATION	D
	0273380	Ref	DECAL INSTALLATION	B
201	3251243	1	Decal - 120V - 60Hz	
202	1705375	1	Decal - 240V - 3 Phase - 60Hz	
203	1705387	3	Decal - Hazardous Voltage	
204	1705460	2	Decal - SkyPower	

SECTION 3 - ENGINE

FIGURE 3-54. 7500W/60HZ SKYPOWER GENERATOR INSTALLATION - KUBOTA ENGINES



ART_1001214910

SECTION 3 - ENGINE

FIGURE 3-54. 7500W/60HZ SKYPOWER GENERATOR INSTALLATION - KUBOTA ENGINES

ITEM	PART NUMBER	QTY	DESCRIPTION	REV
	1001214910	Ref	GENERATOR INSTALLATION - 7500W/60HZ (KUBOTA ENGINE)	C
1	0100011	AR	Compound, Locking	
2	0100048	AR	Grease, Dielectric	
3	0100079	AR	Sealant	
4	0700818	3	Bolt M8 x 50	
5	0700819	1	Bolt M8 x 55	
6	1001217344	2	Bolt M12 x 50	
7	0711224	AR	Bolt M12 x 80 Grade 10.9	
7	0701224	AR	Bolt M12 x 80	
8	0741608	3	Screw 3/8 x 1	
9	0760610	4	Bolt M6 x 20	
10	1001217345	1	Bolt M14 x 30	
11	0760814	3	Bolt M8 x 30	
12	0701016	3	Bolt M10 x 40	
13	0761214	2	Bolt M12 x 30	
14	0761215	1	Bolt M12 x 35	
15	0860038	1	Box, Switch	
16	0861538	1	Control Box Assembly	
16	7024488	1	Card, Circuit - Generator Power	
16	See Note	NSS	Fuse (Note: Not Available - Purchase Locally)	
16	7024489	1	Card, Circuit - Control	
16	70000619	1	Harness, Control Box (Internal)	
17	0902888	1	Bracket	
18	0962520	1	Bushing	
19	84521062	1	Clamp	
20	2820031	AR	Heat Shrink	
21	3252764	1	Nameplate	
22	3290505	4	Nut M5	
23	3290605	4	Nut M6	
24	3290805	3	Nut M8	
25	3291201	AR	Nut M12	
26	3331211	AR	Nut M12	
27	3580317	1	Pulley	
28	3580318	1	Pulley	
29	3910606	4	Screw #6 x 3/8	
30	3960422	1	Gasket	
31	1001217342	1	Bolt M12 x 30	
32	4060802	1	Guard, Switch	
33	4240099	AR	Tie-Strap (Not Shown)	
34	4360336	1	Switch, Toggle	
35	4460071	1	Connector, Strain Relief	
36	4460346	1	Receptacle	
37	4811600	4	Washer M5	
38	4811700	8	Washer M6	
39	4811900	10	Washer M8	
40	4922925	1	Harness, Generator	
40	4460225	1	Plug, Male - 6 Position (Plugs into Generator)	
40	See Note	NSS	Socket, Female (Use with 4460225)	
40	See Note	NSS	Seal, Plug (Use with 4460225)	
40	See Note	NSS	Seal, Interface (Use with 4460225)	

SECTION 3 - ENGINE

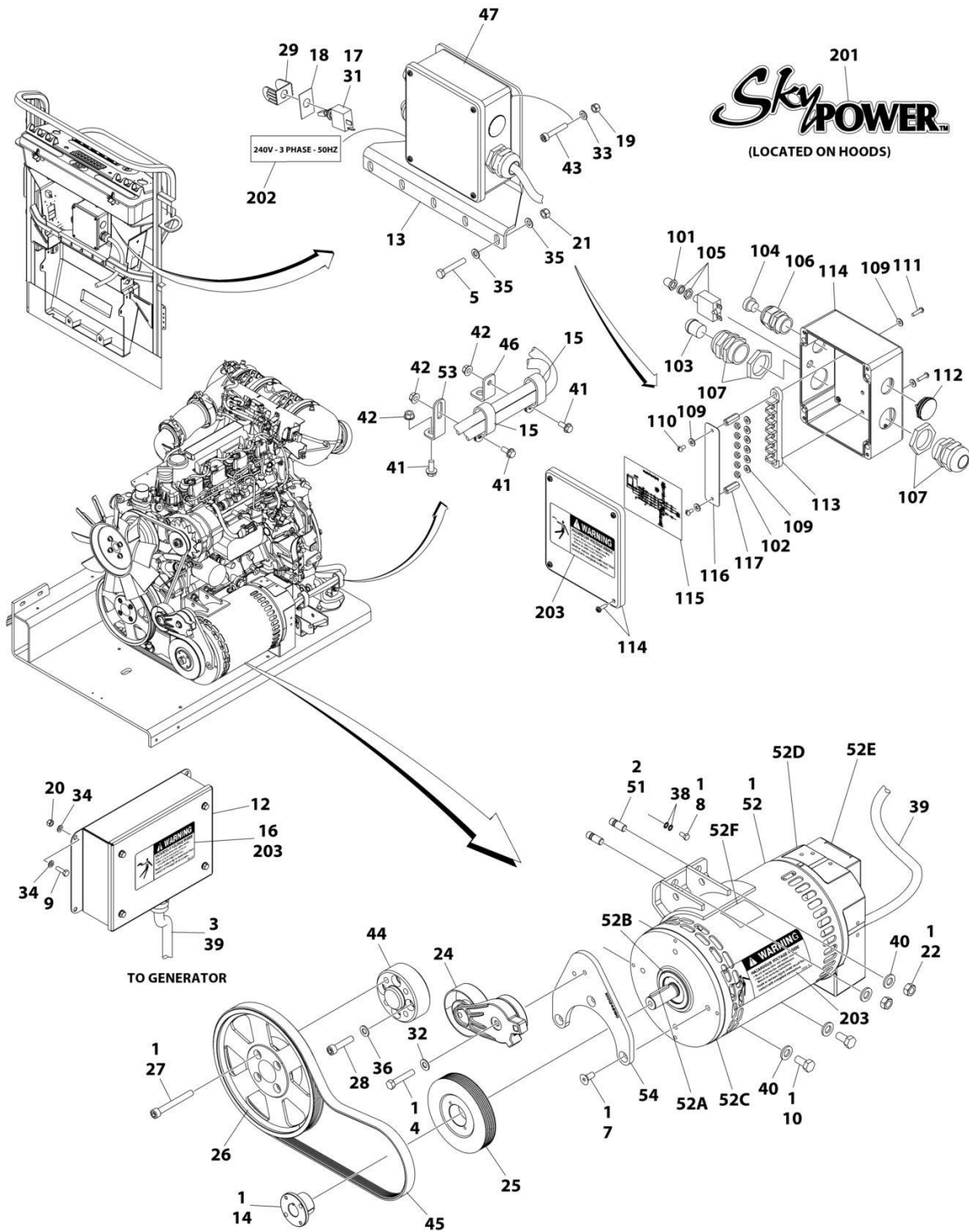
ITEM	PART NUMBER	QTY	DESCRIPTION	REV
41	5241200	5	Washer M12 Hardened	
42	1001104029	4	Screw M5 x 30	
43	1001110873	1	Shield, Cover	
44	0480129	1	Belt	
45	1001147233	1	Pulley	
47	1001155041	1	Stud	
48	1001157592	1	Junction Box Assembly (See Items 101-121 for Breakdown)	
49	1001168018	1	Washer, Snubbing	
50	1001174675	1	Wiring Diagram (Not Shown)	
50	4922641	1	Harness, On/Off Switch (Not Shown - Located at Platform)	
51	1001212223	1	Generator Assembly	
51	70001100	1	Rotor (Includes p/n 70001384 & 70000863) (Not Shown)	
51	70001384	1	Bearing, Ball Radial (Not Shown)	
51	70000863	1	Fan (Not Shown)	
51	70006093	1	Stator (Not Shown)	
51	70002297	1	Stud	
51	70003631	1	Brushholder Assembly (Not Shown)	
51A	70004099	1	Key	
51B	70001966	1	Bearing, Ball Radial (Located in Belt Tensioner Endbell)	
51B	70003708	1	Ring, Internal Retaining (Located in Belt Tensioner Endbell)	
51B	70003709	1	Ring, External Retaining (Located in Belt Tensioner Endbell)	
51C	70004092	1	Endbell, Belt Tensioner	
51D	70004094	1	Endbell, Brush Block	
51E	70006094	1	Shroud	
51E	70002291	1	Insulator, Endbell	
51E	7027799	1	Block, Connector 6 Position (Not Shown)	
51E	70002460	1	Nut, Brass (Attaches p/n 7027799 to Cover) (Not Shown)	
51E	70006095	1	Breaker, Circuit 30Amp (Not Shown)	
51E	70006096	1	Guard, Breaker (Not Shown)	
51E	7026626	1	Connector, 6 Position (Includes Seal) (Not Shown - Plugs into Item 36)	
51E	70004098	1	Clamp, Cable (Not Shown)	
51E	70006097	1	Plate, End Panel	
51E	70001974	1	Decal - Terminal Connections	
51F	70001973	1	Decal - Warning Moving Parts	
52	1001213029	1	Adapter, Pulley	
53	1001214546	1	Support	
54	1001215523	1	Support	
55	1001216805	3	Spacer	
56	4812200	1	Washer M14	
	1001157592	Ref	JUNCTION BOX ASSEMBLY	C
101	1060343	1.5 ft/ 0.5m	Cable, Electrical 10/4	
102	1001179154	2.5 ft/ 0.8m	Cable, Electrical 12/3	
103	1671092	1	Cover	
104	3300396	1	Cover, Fuse	
105	3311001	6	Nut #10	
106	4360070	1	Circuit Breaker - 15Amp	
108	4460425	1	Connector, Strain Relief	
109	4460426	2	Connector, Strain Relief	
111	4460963	1	Connector	

SECTION 3 - ENGINE

ITEM	PART NUMBER	QTY	DESCRIPTION	REV
112	4711000	10	Washer #10	
114	10702077	2	Screw #10 x 3/8	
115	10702082	2	Screw #10 x 3/4	
116	1001152525	1	Plug	
117	1001157520	1	Block, Terminal	
118	1001157521	1	Box, Junction	
119	1001157528	1	Decal - Wiring Schematic	
120	1001158007	1	Cover, PVC	
121	1001158008	2	Stand-Off	
	0272435	Ref	DECAL INSTALLATION	D
	0273380	Ref	DECAL INSTALLATION	B
201	3251243	1	Decal - 120V - 60Hz	
202	1705375	1	Decal - 240V-3 Phase-60Hz	
203	1705387	3	Decal - Hazardous Voltage	
204	1705460	2	Decal - SkyPower	

SECTION 3 - ENGINE

FIGURE 3-55. 7500W/50HZ SKYPOWER GENERATOR INSTALLATION (DEUTZ D2.9L4 (STAGE V) ENGINES)



ART_1001247655_F

SECTION 3 - ENGINE

FIGURE 3-55. 7500W/50HZ SKYPOWER GENERATOR INSTALLATION (DEUTZ D2.9L4 (STAGE V) ENGINES)

ITEM	PART NUMBER	QTY	DESCRIPTION	REV
	1001247655	Ref	GENERATOR INSTALLATION - 7500W/50HZ (DEUTZ D2.9L4 (STAGE V) ENGINE)	F
1	0100011	AR	Compound, Locking	
2	0100019	AR	Compound, Locking	
3	0100048	AR	Grease, Dielectric	
4	0641616	1	Bolt 3/8 x 2	
5	0700818	3	Bolt M8 x 50	
7	0741607	3	Screw 3/8 x 7/8	
8	0760606	1	Bolt M6 x 12	
9	0760610	4	Bolt M6 x 20	
10	0761212	2	Bolt M12 x 25	
12	0861572	1	Control Box Assembly	
13	0902888	1	Bracket	
14	0962520	1	Bushing	
15	1321716	2	Clamp	
16	1705489	1	Decal - Hazardous Voltage	
17	2820031	0.33 ft/ 0.10m	Heat Shrink	
18	3252764	1	Nameplate	
19	3290505	4	Nut M5	
20	3290605	4	Nut M6	
21	3290805	3	Nut M8	
22	3291201	2	Nut M12	
24	3580317	1	Pulley	
25	3580319	1	Pulley	
26	1001281192	1	Pulley	
27	1001261085	4	Capscrew M10 x 85	
28	1001261045	4	Capscrew M10 x 45	
29	4060802	1	Guard, Switch	
30	4240099	AR	Tie-Strap (Not Shown)	
31	4360336	1	Switch, Toggle	
32	4711600	1	Washer 3/8	
33	4811600	4	Washer M5	
34	4811700	8	Washer M6	
35	4811900	6	Washer M8	
36	4812000	4	Washer M10	
38	4871700	2	Washer M6	
39	4922925	1	Harness, Generator	
40	5241200	4	Washer M12 Hardened	
41	5250810	3	Bolt M8 x 20	
42	5260800	3	Nut M8	
43	1001104029	4	Screw M5 x 30	
44	1001258800	1	Adapter	
45	1001148059	1	Belt, Generator	
46	1001148641	1	Bracket	
47	1001157525	1	Junction Box Assembly (See Items 101-117 for Breakdown)	
50	1001174675	1	Wiring Diagram (Not Shown)	
51	1001196382	2	Stud	
52	1001212223	1	Generator Assembly	

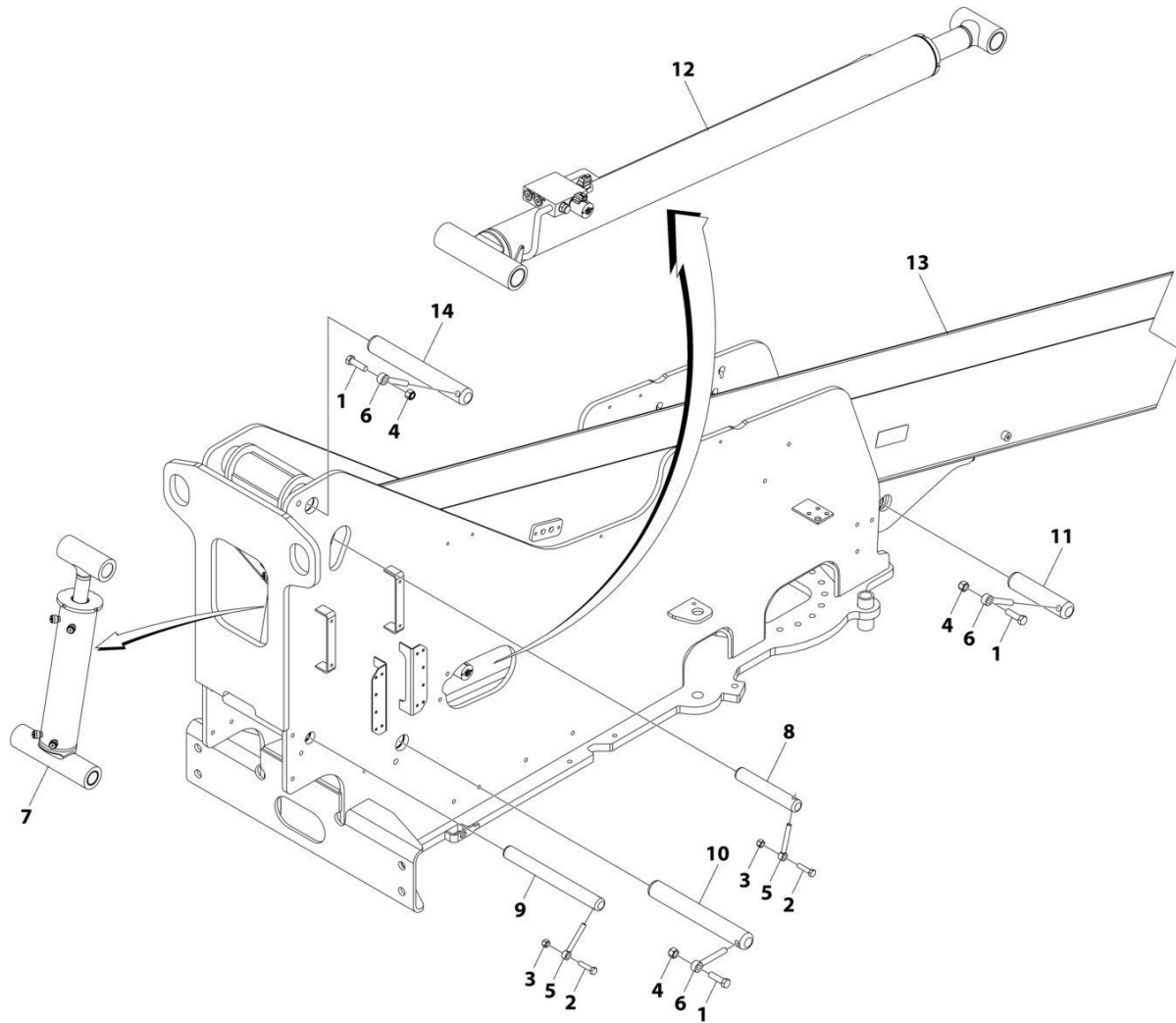
SECTION 3 - ENGINE

ITEM	PART NUMBER	QTY	DESCRIPTION	REV
52	70001100	1	Rotor (Includes p/n 70001384 & 70000863) (Not Shown)	
52	70001384	1	Bearing, Ball Radial (Not Shown)	
52	70000863	1	Fan (Not Shown)	
52	70006093	1	Stator (Not Shown)	
52	70003631	1	Brushholder Assembly (Not Shown)	
52A	70004099	1	Key	
52B	70001966	1	Bearing, Ball Radial (Located in Belt Tensioner Endbell)	
52B	70003708	1	Ring, Internal Retaining (Located in Belt Tensioner Endbell)	
52B	70003709	1	Ring, External Retaining (Located in Belt Tensioner Endbell)	
52C	70004092	1	Endbell, Belt Tensioner	
52D	70004094	1	Endbell, Brush Block	
52E	70006094	1	Shroud	
52E	70002291	1	Insulator, Endbell	
52E	7027799	1	Block, Connector 6 Position (Not Shown)	
52E	70002460	1	Nut, Brass (Attaches p/n 7027799 to Cover) (Not Shown)	
52E	70006095	1	Breaker, Circuit 30Amp	
52E	70006096	1	Boot, Breaker	
52E	7026626	1	Connector, 6 Position (Includes Seal) (Not Shown)	
52E	70006097	1	Plate, End Panel	
52E	70004098	1	Clamp, Cable	
52E	70001974	1	Decal - Terminal Connections	
52F	70001973	1	Decal - Warning Moving Parts	
53	1001223122	1	Support	
54	1001248190	1	Support	
	1001157525	Ref	JUNCTION BOX ASSEMBLY	B
101	3300396	1	Cover, Fuse	
102	3311001	6	Nut #10	
103	3520189	1	Plug	
104	3520192	1	Plug	
105	4360070	1	Circuit Breaker - 15Amp	
106	4460425	1	Connector, Strain Relief	
107	4460426	2	Connector, Strain Relief	
109	4711000	10	Washer #10	
110	10702077	2	Screw #10 x 3/8	
111	10702082	2	Screw #10 x 3/4	
112	1001152525	1	Plug	
113	1001157520	1	Block, Terminal	
114	1001157521	1	Box, Junction	
115	1001157528	1	Decal - Wiring Schematic	
116	1001158007	1	Cover, PVC	
117	1001158008	2	Stand-Off	
	0272589	Ref	DECAL INSTALLATION	A
201	1705460	1	Decal - SkyPower	
202	1705461	1	Decal - 240V - 3 Phase - 50Hz	
203	1705489	1	Decal - Hazardous Voltage	

SECTION 4 - BOOM

SECTION 4 - BOOM

FIGURE 4-1. BOOM INSTALLATION (400S HC3)



ART_1001233896

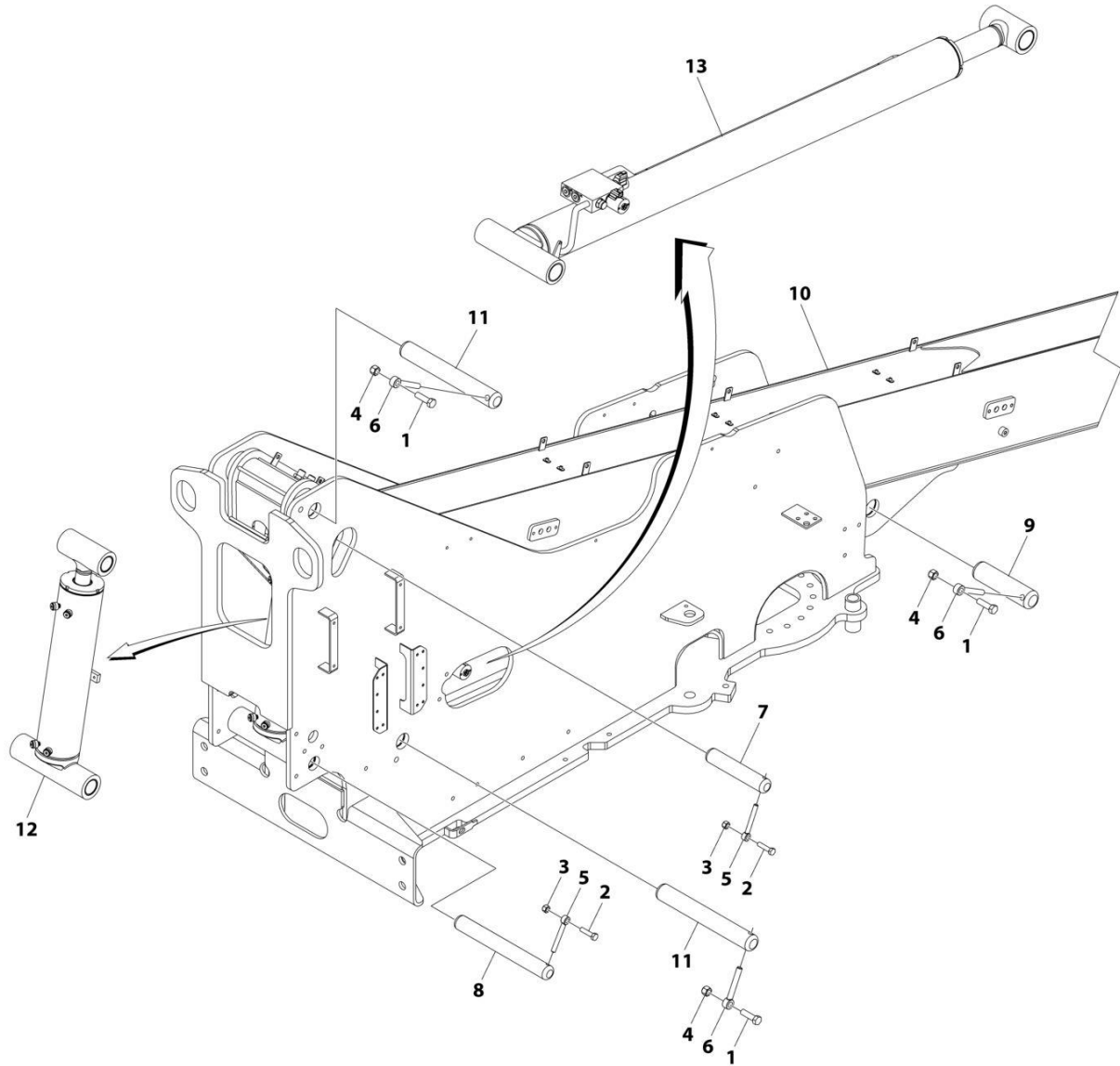
SECTION 4 - BOOM

FIGURE 4-1. BOOM INSTALLATION (400S HC3)

ITEM	PART NUMBER	QTY	DESCRIPTION	REV
	1001233896	Ref	BOOM INSTALLATION - 400S HC3	C
1	0701619	3	Bolt M16 x 55	
2	0761218	2	Bolt M12 x 50	
3	3291205	2	Nut M12	
4	3291605	3	Nut M16	
5	3841203	2	Keeper, Pin	
6	3841258	3	Keeper, Pin	
7	1001163385	1	Master Cylinder Assembly (See Separate Breakdown in CYLINDER SECTION)	
8	1001168843	1	Pin	
9	1001168844	1	Pin	
10	1001168845	1	Pin	
11	1001168854	1	Pin	
12	1001228092	1	Lift Cylinder Assembly (See Separate Breakdown in CYLINDER SECTION)	
13	1001233893	1	Main Boom Assembly (See Separate Breakdown in this Section)	
14	1001237143	1	Pin	

SECTION 4 - BOOM

FIGURE 4-2. BOOM INSTALLATION (460SJ HC3)



ART_1001235833

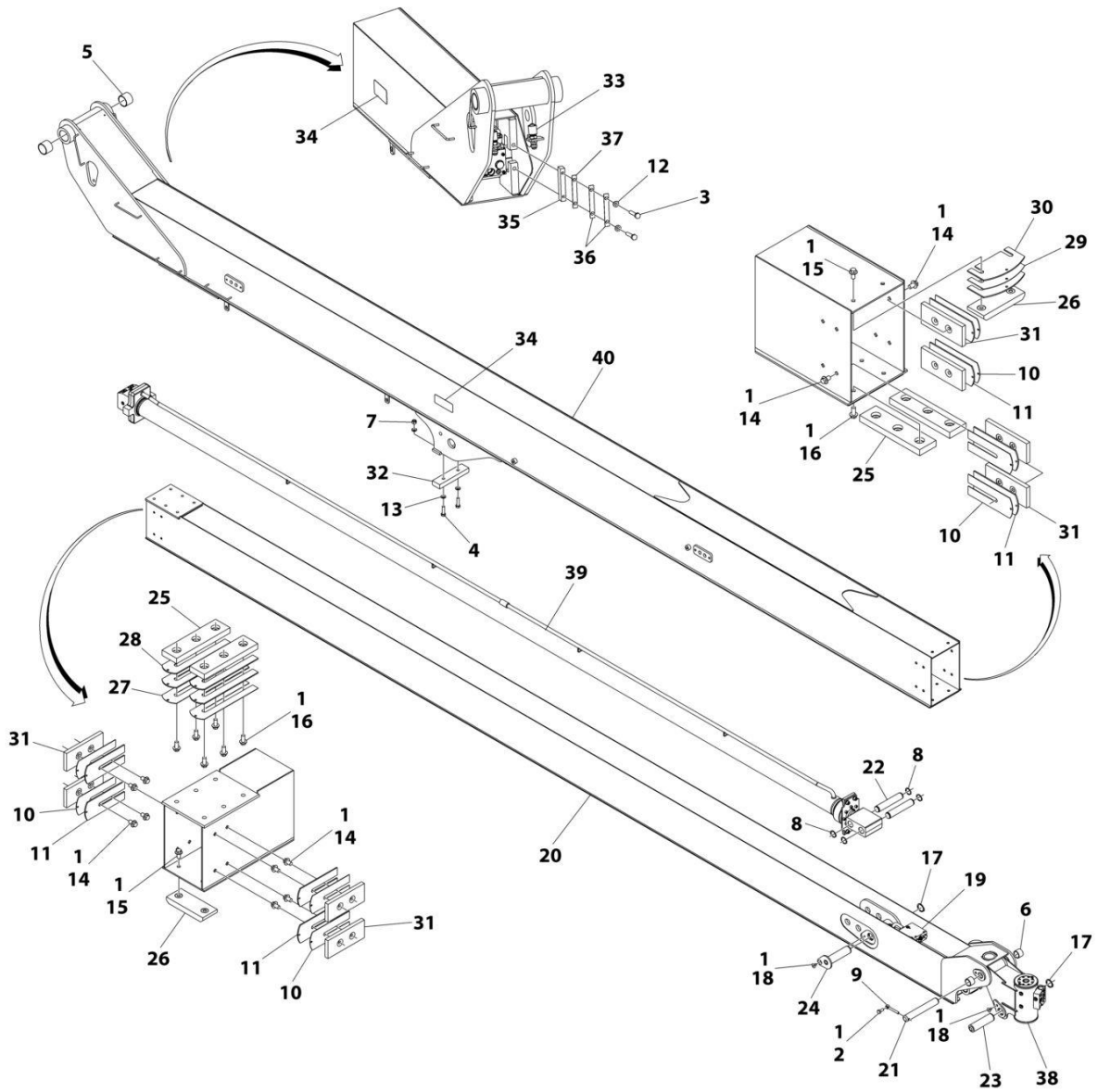
SECTION 4 - BOOM

FIGURE 4-2. BOOM INSTALLATION (460SJ HC3)

ITEM	PART NUMBER	QTY	DESCRIPTION	REV
	1001235833	Ref	BOOM AND CYLINDERS INSTALLATION	C
1	0701619	3	Bolt M16 x 55	
2	0761218	2	Bolt M12 x 50	
3	3291205	2	Nut M12	
4	3291605	3	Nut M16	
5	3841203	2	Keeper, Pin	
6	3841258	3	Keeper, Pin	
7	1001237138	1	Pin	
8	1001237139	1	Pin	
9	1001248396	1	Pin	
10	1001235832	1	Main Boom Assembly (See Separate Breakdown in this Section)	
11	1001237143	2	Pin	
12	1001237698	1	Master Cylinder Assembly (See Separate Breakdown in CYLINDER SECTION)	
13	1001237699	1	Lift Cylinder Assembly (See Separate Breakdown in CYLINDER SECTION)	

SECTION 4 - BOOM

FIGURE 4-3. MAIN BOOM ASSEMBLY (400S HC3)



ART_1001233893

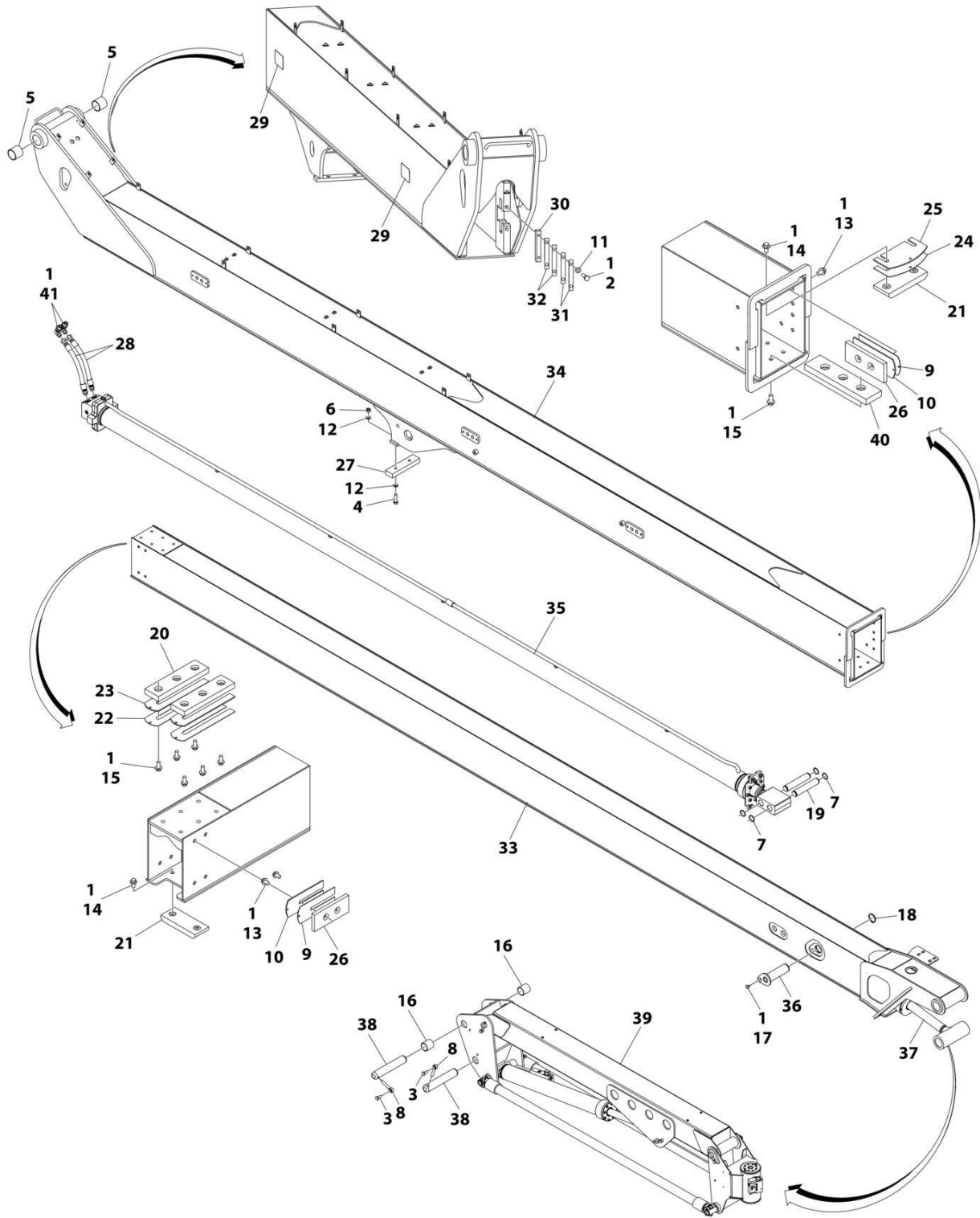
SECTION 4 - BOOM

FIGURE 4-3. MAIN BOOM ASSEMBLY (400S HC3)

ITEM	PART NUMBER	QTY	DESCRIPTION	REV
	1001233893	Ref	MAIN BOOM ASSEMBLY	B
1	0100011	AR	Compound, Locking	
2	0761012	1	Bolt M10 x 25	
3	0761019	4	Bolt M10 x 55	
4	0761217	2	Bolt M12 x 45	
5	0961950	2	Bearing	
6	0961951	2	Bushing	
7	3291205	2	Nut M12	
8	3760133	4	Ring	
9	3841143	1	Keeper, Pin	
10	4070897	AR	Shim 18 Ga	
11	4070898	AR	Shim 11 Ga	
12	4812000	4	Washer M10	
13	4812100	4	Washer M12	
14	5251008	16	Bolt M10 x 16	
15	5251009	4	Bolt M10 x 18	
16	5251011	12	Bolt M10 x 22	
17	1001099560	2	Ring, Retaining	
18	1001137032	2	Screw M10 x 16	
19	1001163386	1	Level (Platform Slave) Cylinder Assembly (See Separate Breakdown in CYLINDER SECTION)	
20	1001163459	1	Fly, Boom	
21	1001168841	1	Pin	
22	1001168842	2	Pin	
23	1001168848	1	Pin	
24	1001168849	1	Pin	
25	1001169284	4	Pad	
26	1001169285	2	Pad	
27	1001169286	AR	Shim	
28	1001169287	AR	Shim	
29	1001169288	AR	Shim	
30	1001169289	AR	Shim	
31	1001169380	8	Pad	
32	1001171067	1	Pad	
33	1001171112	2	Hose	
34	1001171324	3	Cover	
35	1001171667	2	Bar	
36	1001171966	AR	Shim 20Ga	
37	1001171967	AR	Shim 16Ga	
38	1001221927	1	Platform Rotator Assembly (See Separate Breakdown in this Section)	
39	1001251075	1	Telescope Cylinder Assembly (See Separate Breakdown in CYLINDER SECTION)	
40	1001233774	1	Boom	

SECTION 4 - BOOM

FIGURE 4-4. MAIN BOOM ASSEMBLY (460SJ HC3)



ART_1001235832

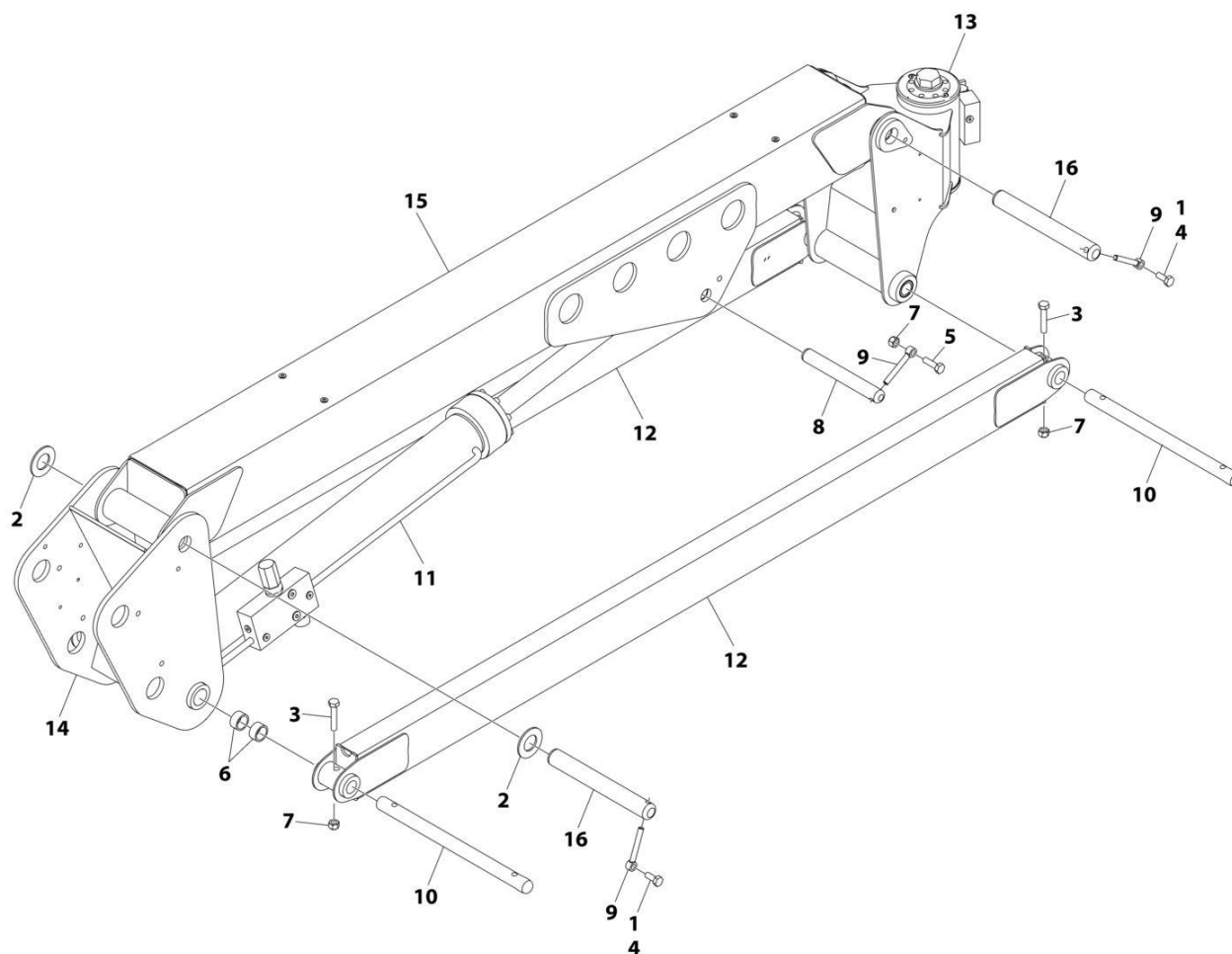
SECTION 4 - BOOM

FIGURE 4-4. MAIN BOOM ASSEMBLY (460SJ HC3)

ITEM	PART NUMBER	QTY	DESCRIPTION	REV
	1001235832	Ref	MAIN BOOM ASSEMBLY	C
1	0100011	AR	Compound, Locking	
2	0761019	4	Bolt M10 x 55	
3	0761212	2	Bolt M12 x 25	
4	0761217	2	Bolt M12 x 45	
5	0962036	2	Bush	
6	3291205	2	Nut M12	
7	3760133	4	Ring	
8	3841203	2	Keeper, Pin	
9	4070897	AR	Shim 18 Ga	
10	4070898	AR	Shim 11 Ga	
11	4812000	4	Washer M10	
12	4812100	4	Washer M12	
13	5251008	16	Bolt M10 x 16	
14	5251009	4	Bolt M10 x 18	
15	5251011	12	Bolt M10 x 22	
16	1001118666	2	Bearing	
17	1001137032	1	Screw M10 x 16	
18	1001138671	1	Ring	
19	1001168842	2	Pin	
20	1001169284	2	Pad	
21	1001169285	2	Pad	
22	1001169286	AR	Shim	
23	1001169287	AR	Shim	
24	1001169288	AR	Shim	
25	1001169289	AR	Shim	
26	1001169380	8	Pad	
27	1001171067	1	Pad	
28	1001250451	2	Hose	
29	1001171324	3	Cover	
30	1001171667	2	Bar	
31	1001171966	AR	Shim 20Ga	
32	1001171967	AR	Shim 16Ga	
33	1001235830	1	Boom, Fly Weldment	
34	1001235831	1	Boom, Base Weldment	
35	1001236653	1	Telescope Cylinder Assembly (See Separate Breakdown in CYLINDER SECTION)	
36	1001237142	1	Pin	
37	1001237697	1	Level Cylinder Assembly - Platform Slave (460SJ HC3) (See Separate Breakdown in CYLINDER SECTION)	
38	1001237949	2	Pin	
39	1001238328	1	Jib Boom Assembly (See Separate Breakdown in this Section)	
40	1001242864	2	Pad	
41	2171208	2	Fitting, 90 ORFS/ORF	

SECTION 4 - BOOM

FIGURE 4-5. JIB BOOM ASSEMBLY (460SJ HC3)



ART_1001238328_G

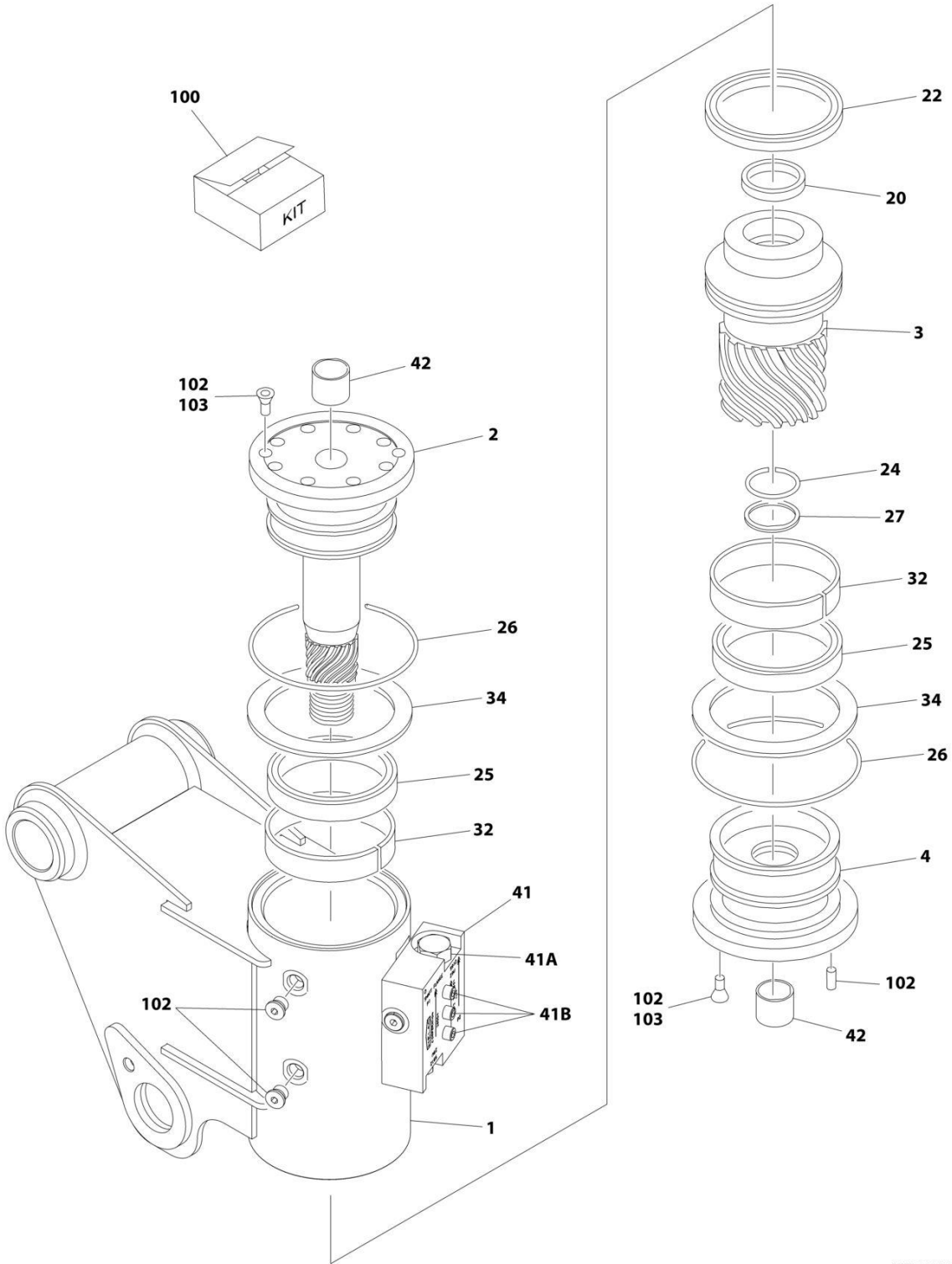
SECTION 4 - BOOM

FIGURE 4-5. JIB BOOM ASSEMBLY (460SJ HC3)

ITEM	PART NUMBER	QTY	DESCRIPTION	REV
	1001238328	Ref	JIB BOOM ASSEMBLY	G
1	0100011	AR	Compound, Locking	
2	0440237	1	Thrustwasher	
3	0701020	1	Bolt M10 x 60	
4	0761012	2	Bolt M10 x 25	
5	0761015	1	Bolt M10 x 35	
6	1001134289	4	Bearing	
7	3291005	5	Nut M10	
8	3422867	1	Pin	
9	3841143	3	Keeper, Pin	
10	3422861	1	Pin	
11	1001264991	1	Lift Cylinder Assembly - Jib (See Separate Breakdown in CYLINDER Section)	
12	4844817	1	Link	
13	1001234811	1	Rotator Assembly (See Separate Breakdown in this Section)	
14	1001238168	1	Pivot	
15	1001238333	1	Tube (Upper)	
16	1001238398	2	Pin	

SECTION 4 - BOOM

FIGURE 4-6. ROTATOR ASSEMBLY (400S HC3)



ART_1001221927

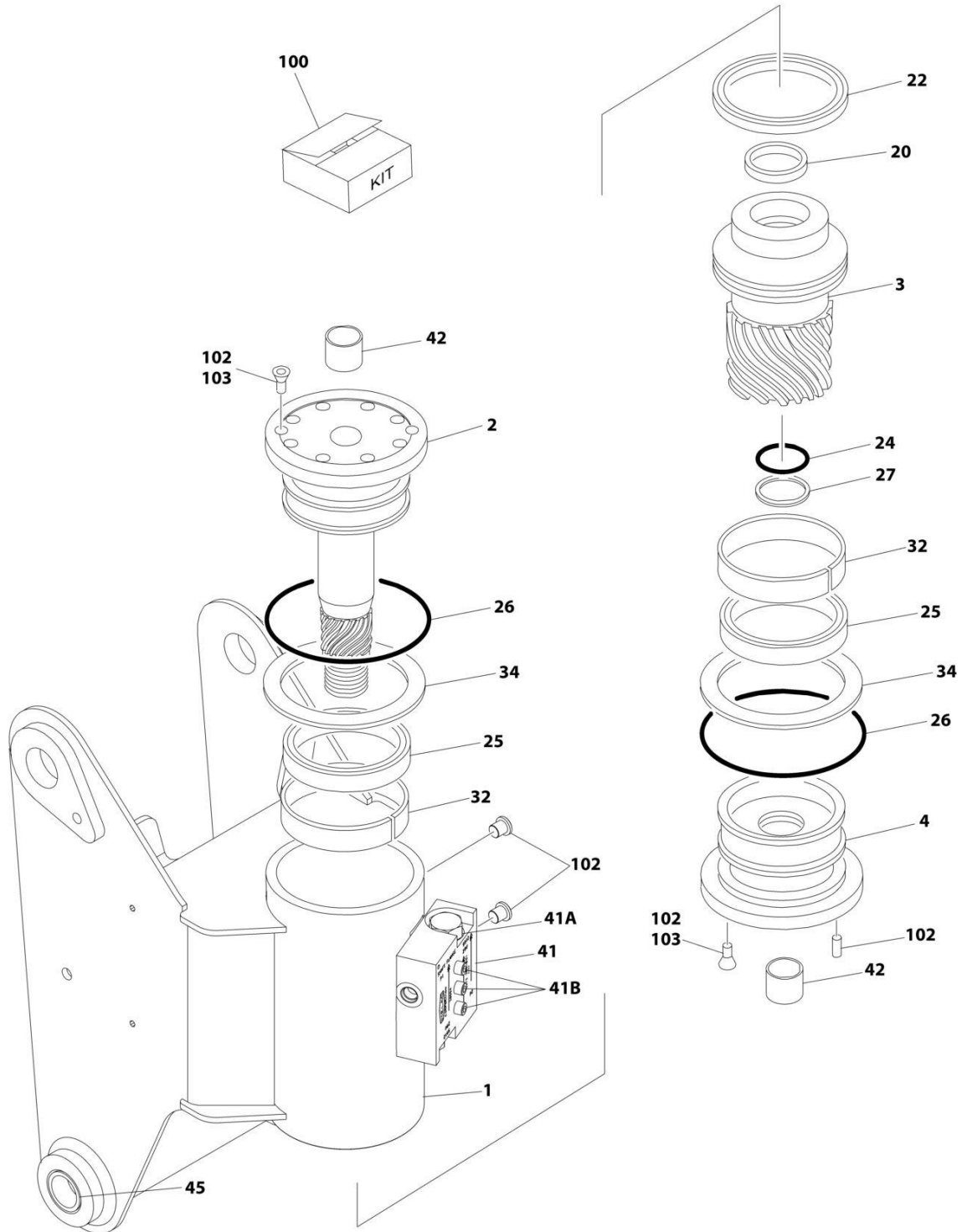
SECTION 4 - BOOM

FIGURE 4-6. ROTATOR ASSEMBLY (400S HC3)

ITEM	PART NUMBER	QTY	DESCRIPTION	REV
	1001221927	Ref	ROTATOR ASSEMBLY - 400SC	A
1	See Note	NSS	Housing/Ring Gear Assembly (Note: Not Available - Purchase Complete Rotator Assembly)	
2	7017162	1	Shaft Weldment	
3	7017163	1	Piston/Sleeve Assembly	
4	7017164	1	Cap, End	
20	See Note	NSS	T-Seal (Note: Use Item 100)	
22	See Note	NSS	T-Seal (Note: Use Item 100)	
24	See Note	NSS	O-Ring (Note: Use Item 100)	
25	See Note	NSS	Seal (Note: Use Item 100)	
26	See Note	NSS	O-Ring (Note: Use Item 100)	
27	See Note	NSS	Ring, Back-up (Note: Use Item 100)	
32	See Note	NSS	Ring, Wear (Note: Use Item 101)	
34	See Note	NSS	Washer, Thrust (Note: Use Item 101)	
40	70006580	1	Tube, Stop (Not Shown)	
41	7017172	AR	Valve Assembly	
41A	7017192	2	Cartridge, Valve	
41A	See Note	NSS	Seal Kit - 7017192 Valve (Note: Not Available for Purchase)	
41B	See Note	3	Bolt 1/4 x 1-1/2 (Grade 8) (Note: Not Available - Purchase Locally)	
42	7017195	2	Bushing	
100	70000342	1	Seal Kit (Includes Items 20, 22, 24, 25, 27)	
101	7017159	1	Bearing Kit (Includes Items 32 & 34)	
102	7017142	1	Hardware Kit	
103	70001697	4	Screw, Countersunk 1/4 x 3/8 Grade 8	

SECTION 4 - BOOM

FIGURE 4-7. ROTATOR ASSEMBLY (460SJ HC3)



ART_1001234811

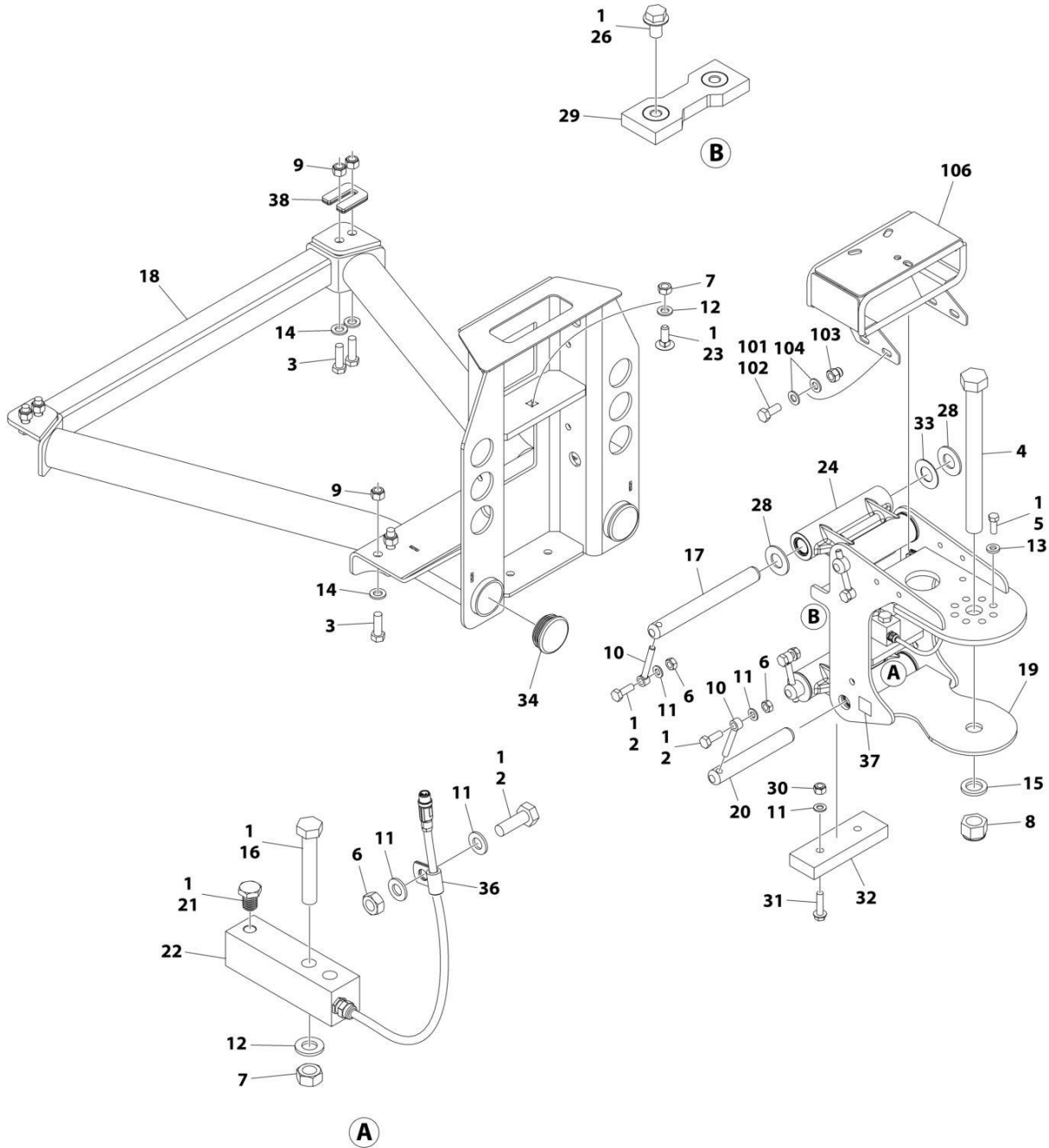
SECTION 4 - BOOM

FIGURE 4-7. ROTATOR ASSEMBLY (460SJ HC3)

ITEM	PART NUMBER	QTY	DESCRIPTION	REV
	1001234811	Ref	ROTATOR ASSEMBLY	B
1	See Note	NSS	Housing/Ring Gear Assembly (Note: Not Available - Purchase Complete Rotator Assembly)	
2	7017162	1	Shaft Weldment	
3	7017163	1	Piston/Sleeve Assembly	
4	7017164	1	Cap, End	
20	See Note	NSS	T-Seal (Note: Use Item 100)	
22	See Note	NSS	T-Seal (Note: Use Item 100)	
24	See Note	NSS	O-Ring (Note: Use Item 100)	
25	See Note	NSS	Seal (Note: Use Item 100)	
26	See Note	NSS	O-Ring (Note: Use Item 100)	
27	See Note	NSS	Ring, Back-up (Note: Use Item 100)	
32	See Note	NSS	Ring, Wear (Note: Use Item 101)	
34	See Note	NSS	Washer, Thrust (Note: Use Item 101)	
41	7017172	AR	Valve Assembly	
41A	7017192	2	Cartridge, Valve	
41A	See Note	NSS	Seal Kit - 7017192 Valve (Note: Not Available for Purchase)	
41B	See Note	3	Bolt 1/4-20NC x 1-1/2 Grade 8 (Note: Not Available - Purchase Locally)	
42	7017195	2	Bushing	
45	0961947	2	Bushing 1IN ID x 1.25IN OD x 5/8IN L	
45	1001134289	2	Bushing 1IN ID x 1.5IN OD x 1IN L	
100	70000342	1	Seal Kit (Includes Items 20, 22, 24, 25, 27 & 33)	
101	7017159	1	Bearing Kit (Includes Items 32 & 34)	
102	7017142	1	Hardware Kit	
103	70001697	4	Screw, Countersunk 1/4 x 3/8 Grade 8	

SECTION 4 - BOOM

FIGURE 4-8. SUPPORT, PLATFORM INSTALLATION



ART_1001167596_N

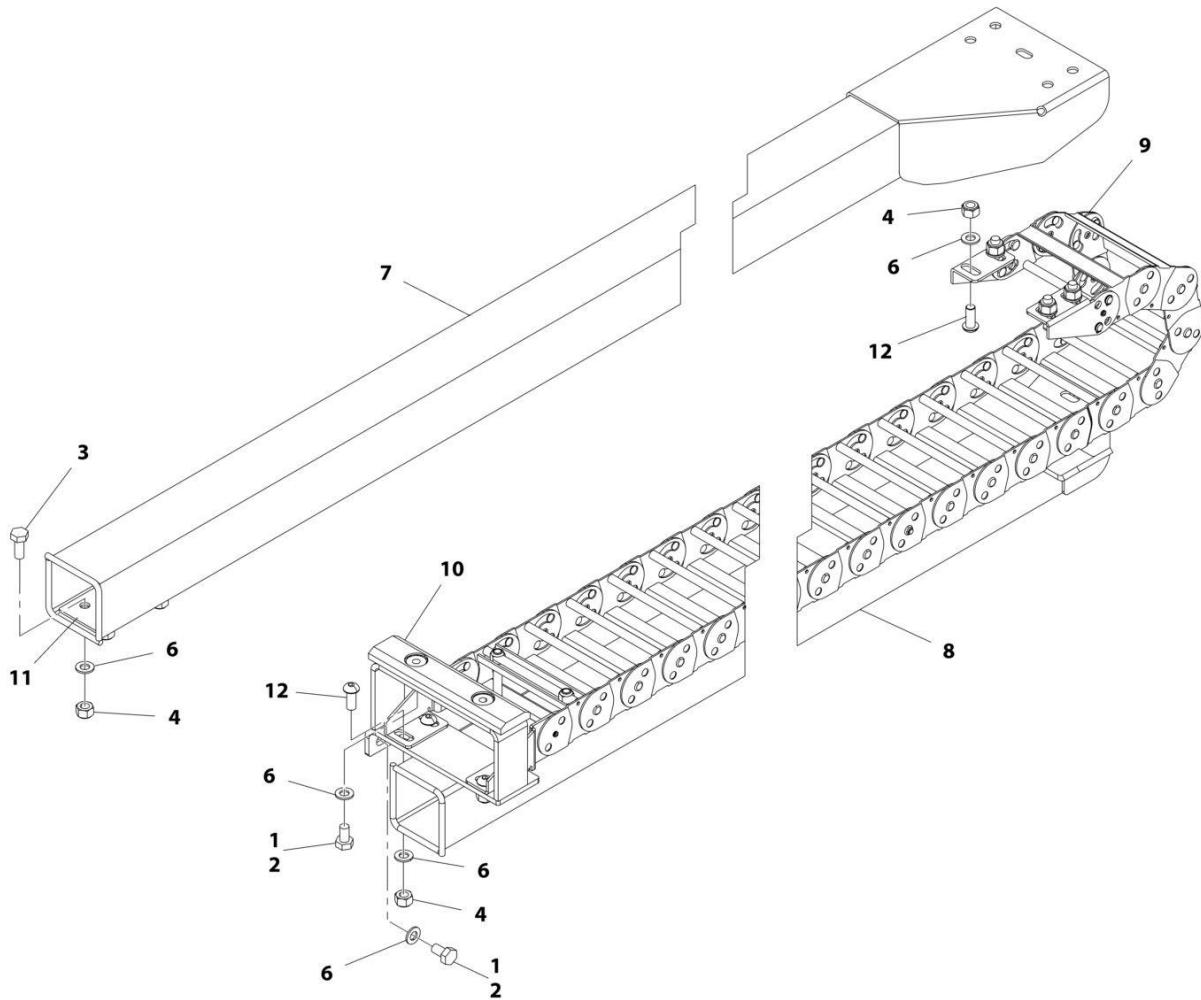
SECTION 4 - BOOM

FIGURE 4-8. SUPPORT, PLATFORM INSTALLATION

ITEM	PART NUMBER	QTY	DESCRIPTION	REV
	1001167596	Ref	PLATFORM SUPPORT INSTALLATION	N
1	0100011	AR	Compound, Locking	
2	0761014	5	Bolt M10 x 30	
3	0761216	8	Bolt M12 x 40	
4	1001255133	1	Bolt 1 x 11 GRD8	
5	0681608	8	Bolt 3/8 x 1 GRD8	
6	3291001	5	Nut M10	
7	3291201	3	Nut M12	
8	1001174040	1	Nut 1	
9	3291205	8	Nut M12	
10	3841143	4	Keeper, Pin	
11	4812000	8	Washer M10	
12	4812100	3	Washer M12	
13	4891600	8	Washer 3/8	
14	5241200	8	Washer M12	
15	4892600001	1	Washer 1	
16	1001098828	2	Bolt M12 x 70 CL10.9	
17	1001167565	2	Pin	
18	1001200494	1	Support, Platform	
19	1001167567	1	Support, Rotator	
20	1001168402	2	Pin	
21	1001188622	1	Screw	
22	1001247468	1	Loadcell	
23	1001188844	1	Bolt M12 x 35	
24	1001201351	2	Link	
24	1001187382	4	Bearing	
24	1001187383	4	Seal	
26	5251008	2	Bolt M10 x 16 CL10.9	
28	1001189002	8	Bearing	
29	1001190985	1	Pad, Wear	
30	3291005	2	Nut M10	
31	5251016	2	Bolt M10 x 40 CL10.9	
32	1001200491	1	Pad, Wear	
33	1001189001	4	Bearing	
34	1001204725	2	Plug	
36	91203039	1	Clamp	
37	1001216630	2	Decal - Tie Down/No Lift	
38	1001238421	Ref	Kit, Platform Leveling (Not Shown)	
	1001202687	Ref	VALVE MOUNT INSTALLATION	B
101	0100011	AR	Compound, Locking	
102	0760810	4	Bolt M8 x 20	
103	3290806	4	Nut M8	
104	4811900	8	Washer M8	
106	1001208994	1	Mount, Valve	

SECTION 4 - BOOM

FIGURE 4-9. POWER TRACK INSTALLATION (400S HC3)



ART_1001165538

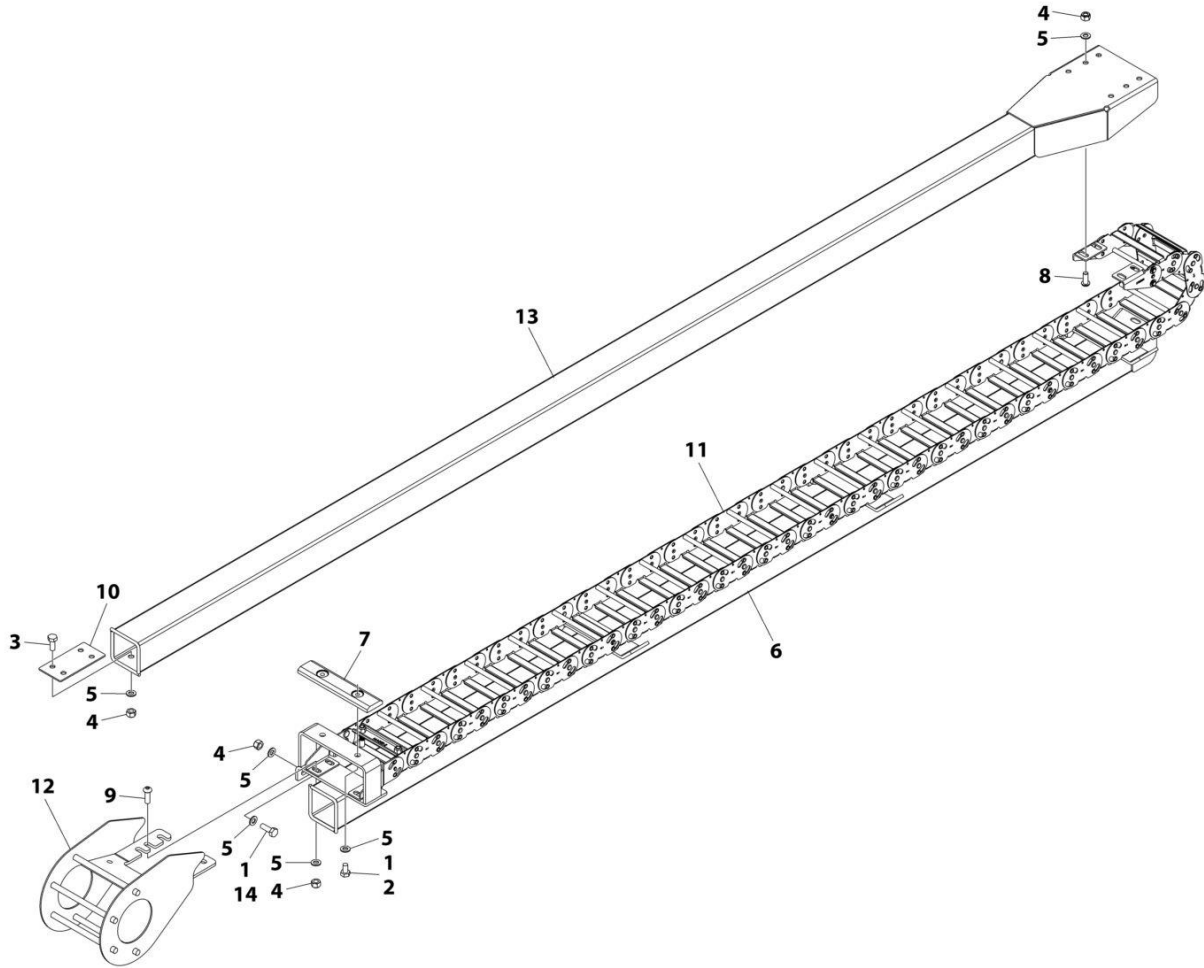
SECTION 4 - BOOM

FIGURE 4-9. POWER TRACK INSTALLATION (400S HC3)

ITEM	PART NUMBER	QTY	DESCRIPTION	REV
	1001165538	Ref	POWER TRACK INSTALLATION	E
1	0100011	AR	Compound, Locking	
2	0761009	10	Bolt M10 x 18	
3	0761012	4	Bolt M10 x 25	
4	3291005	12	Nut M10	
6	4812000	22	Washer M10	
7	1001165531	1	Tube, Push	
8	1001165534	1	Tube, Carrier	
9	1001224888	1	Power Track	
9	70006255	1	Repair Section without Clamp - 10 Links	
9	70006270	1	Feet, Mounting (Includes 1 each Left and Right Mounting Feet)	
10	1001169611	1	Pad, Wear	
11	1001176899	1	Plate, Support	
12	1001173763	8	Screw M10 x 25	

SECTION 4 - BOOM

FIGURE 4-10. POWER TRACK INSTALLATION (460SJ HC3)



ART_1001242177

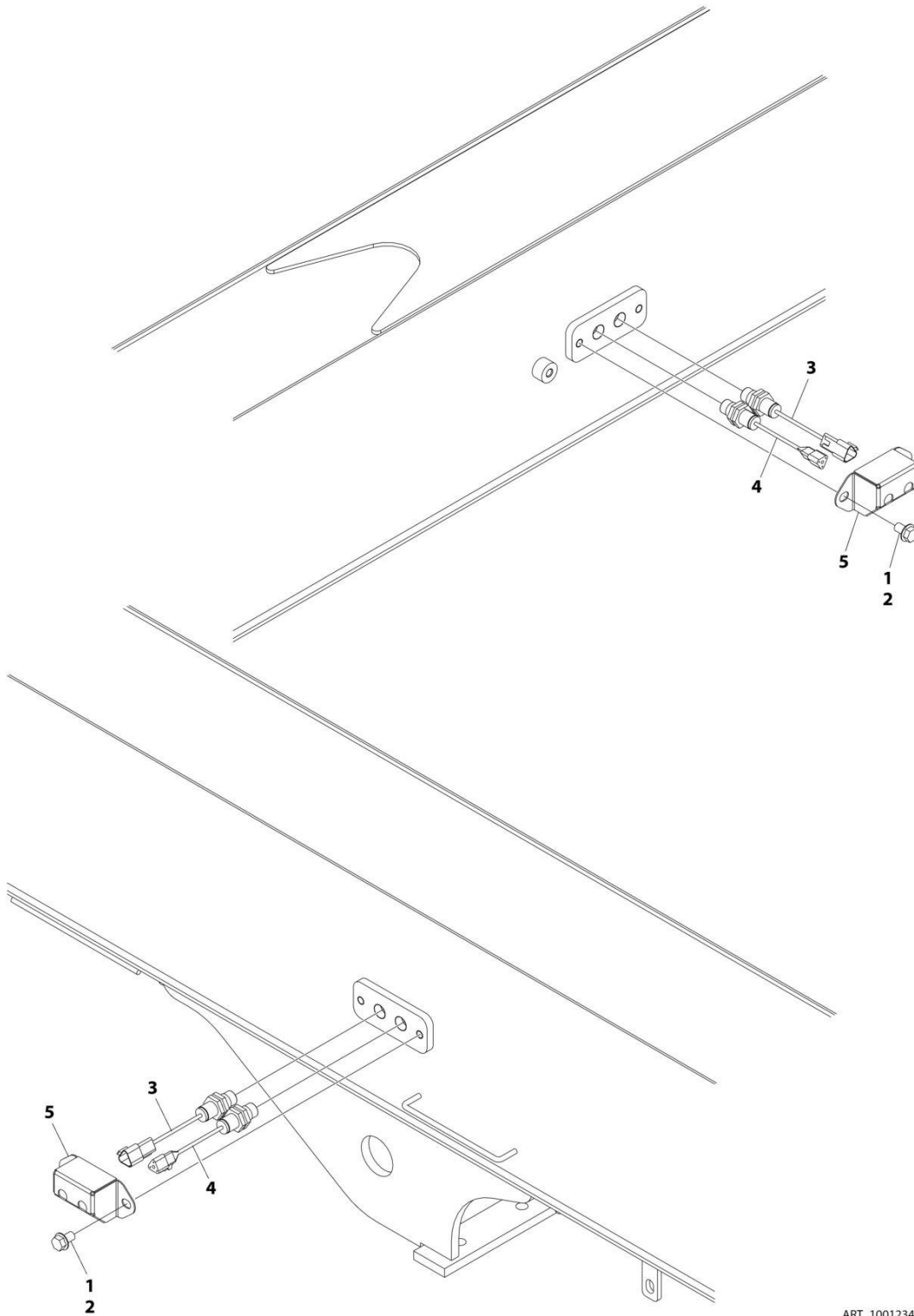
SECTION 4 - BOOM

FIGURE 4-10. POWER TRACK INSTALLATION (460SJ HC3)

ITEM	PART NUMBER	QTY	DESCRIPTION	REV
	1001242177	Ref	POWER TRACK INSTALLATION	C
1	0100011	AR	Compound, Locking	
2	0761009	2	Bolt M10 x 18	
3	0761012	4	Bolt M10 x 25	
4	3291005	20	Nut M10	
5	4812000	30	Washer M10	
6	1001165534	1	Tube, Carrier	
7	1001169611	1	Pad, Wear	
8	1001173763	4	Screw M10 x 25	
9	1001174673	4	Screw M10	
10	1001176899	1	Plate, Support	
11	1001224888	1	Power Track	
11	70006255	1	Repair Section	
11	70006270	1	Fleet, Mounting (Includes 4 Feet and Hardware)	
12	1001243755	1	Mount, Carrier Tube	
13	1001243756	1	Tube	
14	0761014	8	Bolt M10 x 30	

SECTION 4 - BOOM

FIGURE 4-11. CAPACITY SWITCH INSTALLATION (400S HC3)



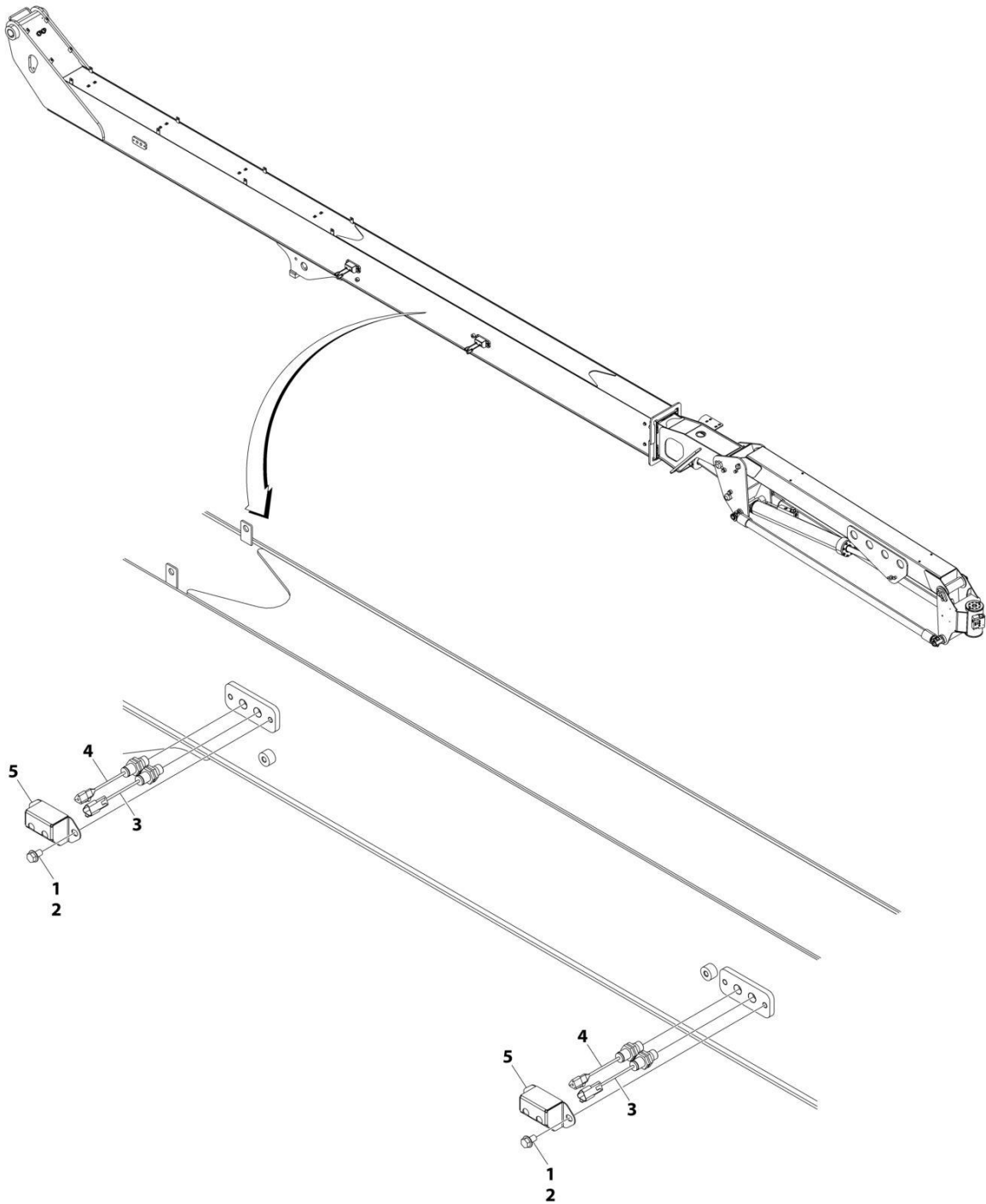
ART_1001234229

FIGURE 4-11. CAPACITY SWITCH INSTALLATION (400S HC3)

ITEM	PART NUMBER	QTY	DESCRIPTION	REV
	1001234229	Ref	CAPACITY SWITCH INSTALLATION	C
1	0100011	AR	Compound, Locking	
2	5251008	4	Bolt M10 x 16	
3	1001170847	2	Sensor, Proximity	
3	4460536	1	Connector - 3 Position	
3	4460464	1	Pin, Male	
4	1001182570	2	Sensor, Proximity	
4	4460539	1	Connector 3 Position	
4	4460465	3	Socket, Female	
5	1001204715	2	Bracket, Cover	

SECTION 4 - BOOM

FIGURE 4-12. CAPACITY SWITCH INSTALLATION (460SJ HC3)



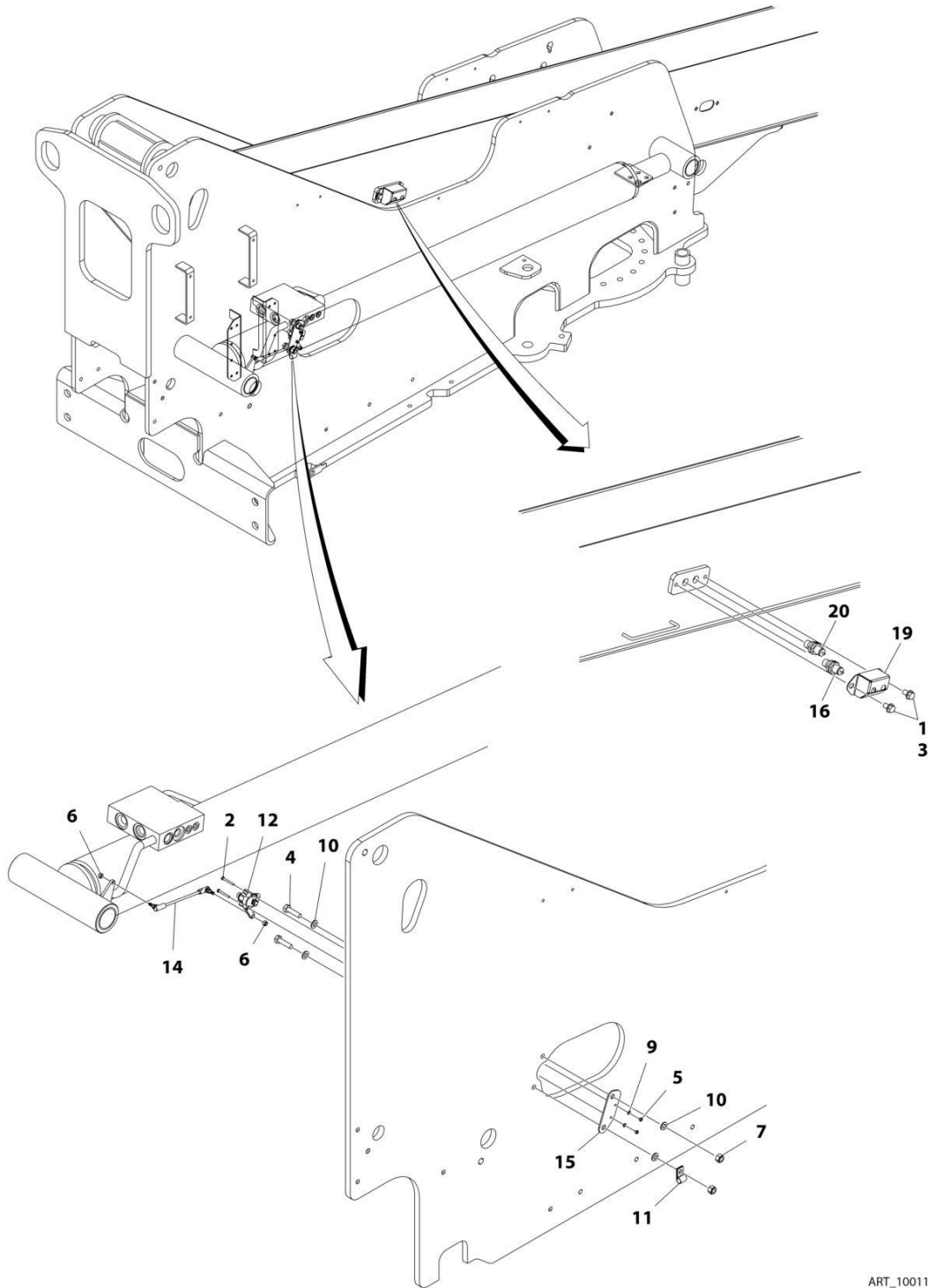
ART_1001246773

FIGURE 4-12. CAPACITY SWITCH INSTALLATION (460SJ HC3)

ITEM	PART NUMBER	QTY	DESCRIPTION	REV
	1001246773	Ref	CAPACITY SWITCH INSTALLATION	C
1	0100011	AR	Compound, Locking	
2	5251008	4	Bolt M10 x 16	
3	1001170847	2	Sensor, Proximity	
3	4460536	1	Connector - 3 Position	
3	4460464	3	Pin, Male	
4	1001182570	2	Sensor, Proximity	
4	4460539	1	Connector 3 Position	
4	4460465	3	Socket, Female	
5	1001204715	2	Bracket, Cover	

SECTION 4 - BOOM

FIGURE 4-13. TRANSPORT POSITION SWITCH INSTALLATION



ART_1001170642

SECTION 4 - BOOM

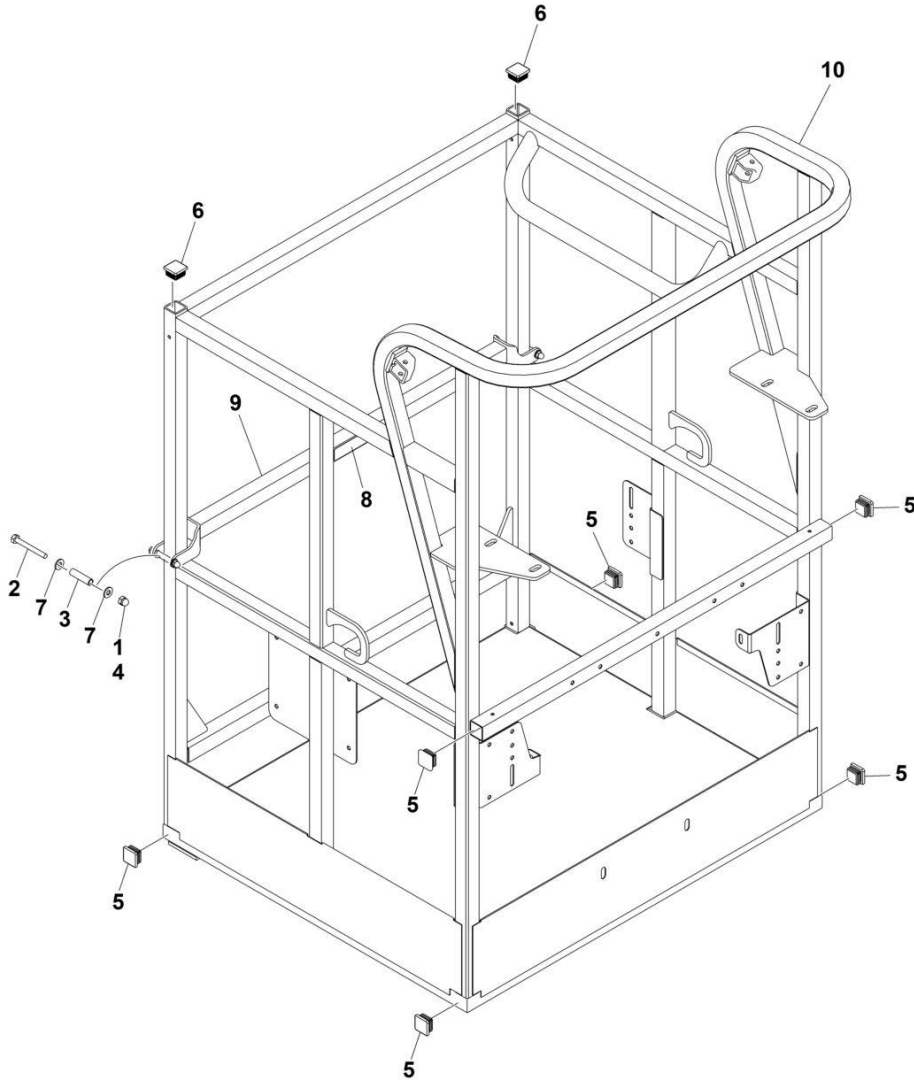
FIGURE 4-13. TRANSPORT POSITION SWITCH INSTALLATION

ITEM	PART NUMBER	QTY	DESCRIPTION	REV
	1001170642	Ref	TRANSPORT SWITCHES INSTALLATION	I
1	0100011	AR	Compound, Locking	
2	0760415	2	Bolt M4 x 35	
3	5251008	2	Bolt M10 x 16	
4	0761016	2	Bolt M10 x 40	
5	3290405	2	Nut M4 x 0.7	
6	3290605	2	Nut M6 x 1	
7	3291005	2	Nut M10 x 1.5	
9	4811400	2	Washer M4	
10	4812000	4	Washer M10	
11	8406110	1	Clip	
12	1001118971	1	Angle, Sensor	
14	1001170564	1	Link, Sensor	
15	1001170565	1	Bracket	
16	1001170847	1	Sensor, Proximity	
16	4460536	1	Connector - 3 Position	
16	4460464	3	Pin, Male	
19	1001204715	1	Bracket, Switch Cover	
20	1001182570	1	Sensor, Proximity	
20	4460539	1	Connector - 3 Position	
20	4460465	3	Socket, Female	
21	1001288195	1	Boom Angle Sensr Jumper Harness	

SECTION 5 - PLATFORM

SECTION 5 - PLATFORM

FIGURE 5-1. PLATFORM ASSEMBLY WITH DROP-BAR - 30IN X 3FT (76CM X .91M)



ART_1001228215

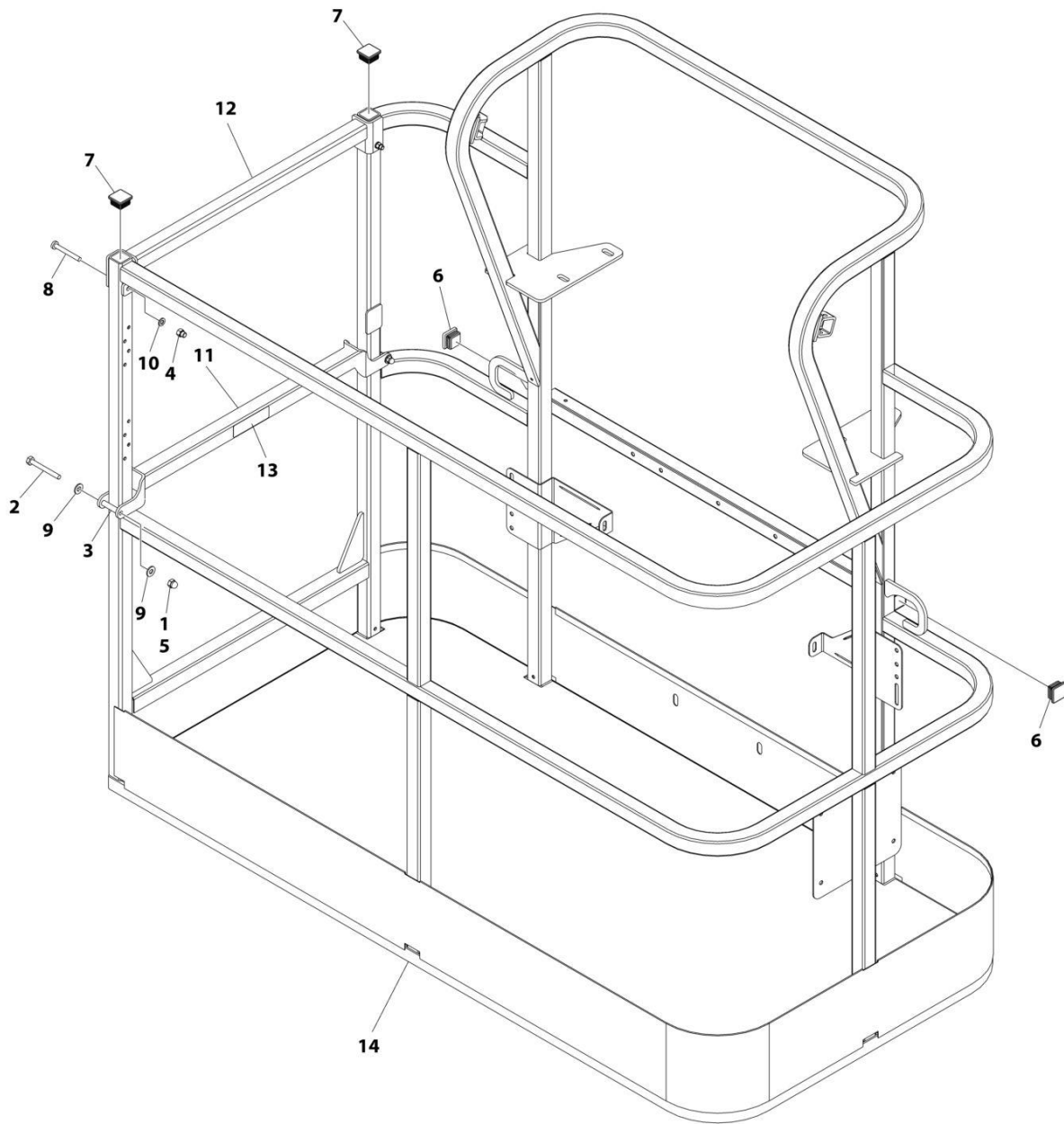
SECTION 5 - PLATFORM

FIGURE 5-1. PLATFORM ASSEMBLY WITH DROP-BAR - 30IN X 3FT (76CM X .91M)

ITEM	PART NUMBER	QTY	DESCRIPTION	REV
	1001228215	Ref	PLATFORM ASSEMBLY	A
	See Note	Ref	Note: Platform and Mesh must be ordered separately for Platforms with Mesh. See SPECIAL OPTIONS SECTION for Mesh Installations.	
	See Note	Ref	Note: Replacement Decals Must be Ordered Separately - See DECAL SECTION.	
1	0100011	AR	Compound, Locking	
2	0641418	2	Bolt 1/4 x 2-1/4	
3	0961845	2	Bushing	
4	3300151	2	Nut 1/4	
5	3520072	6	Cap, Plug	
6	3520198	2	Cap, Plug	
7	4711400	4	Washer 1/4	
8	1001140429	1	Decal - Drop Bar	
9	1001226872	1	Bar, Drop	
10	See Note	NSS	Platform (Note: Not Available - Purchase Platform Assembly)	

SECTION 5 - PLATFORM

FIGURE 5-2. PLATFORM ASSEMBLY WITH DROP-BAR - 30IN X 5FT (76CM X 1.52M)



ART_1001186377

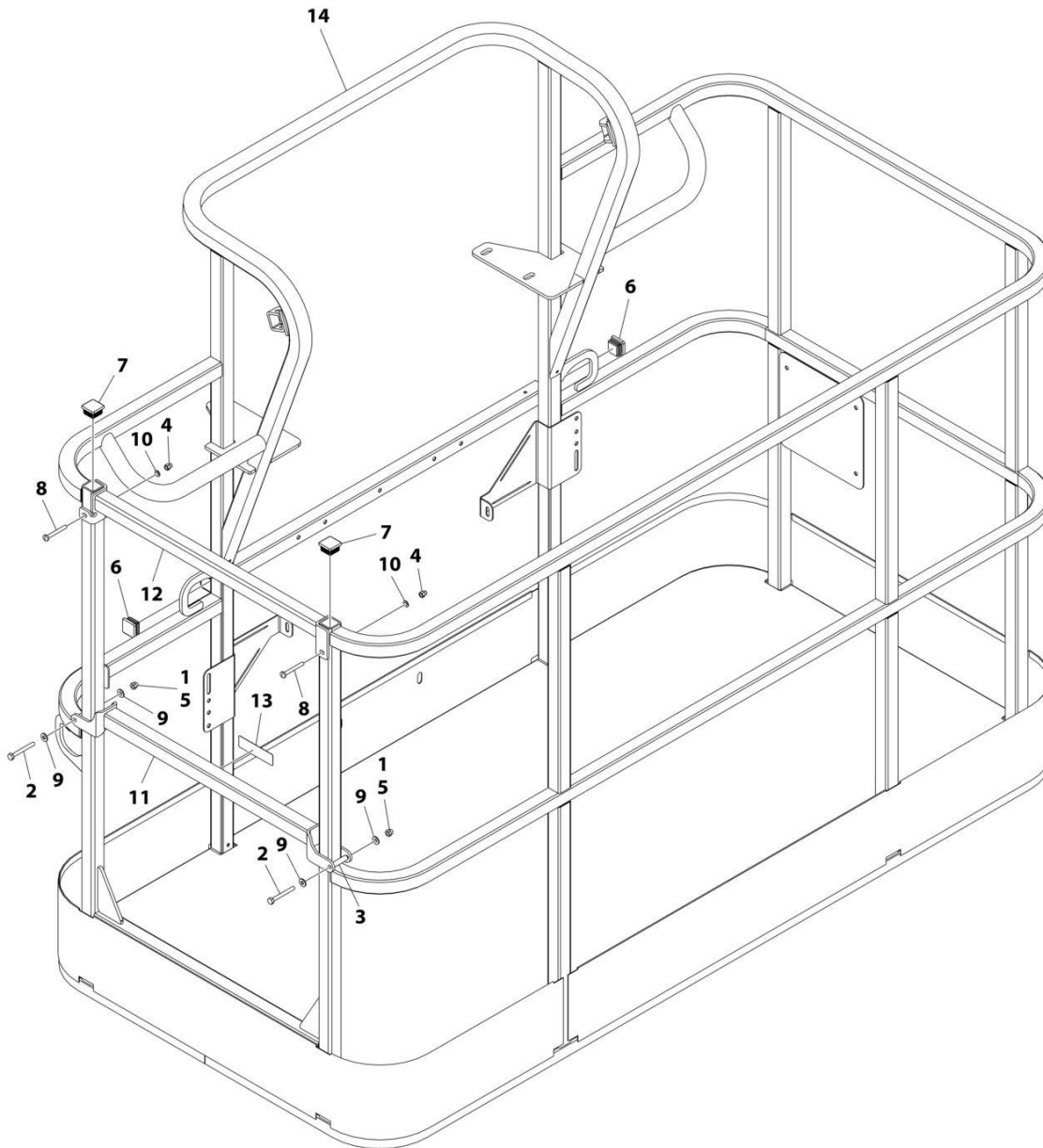
SECTION 5 - PLATFORM

FIGURE 5-2. PLATFORM ASSEMBLY WITH DROP-BAR - 30IN X 5FT (76CM X 1.52M)

ITEM	PART NUMBER	QTY	DESCRIPTION	REV
	1001186377	Ref	PLATFORM ASSEMBLY	C
		Ref	Note: Platform and Mesh must be ordered separately for Platforms with Mesh. See SPECIAL OPTIONS SECTION for Mesh Installations.	
		Ref	Note: Replacement Decals Must be Ordered Separately - See DECALS SECTION.	
1	0100011	AR	Compound, Locking	
2	0641420	2	Bolt 1/4 x 2-1/2	
3	0961845	2	Bushing	
4	3290606	2	Nut M6	
5	3300151	2	Nut 1/4	
6	3520072	2	Plug	
7	3520198	2	Plug	
8	4010618	2	Screw M6 x 50	
9	4711400	4	Washer 1/4	
10	4811700	2	Washer M6	
11	1001138494	1	Bar, Drop	
12	1001138514	1	Rail (Top)	
13	1001140429	1	Decal - Drop Bar	
14	See Note	NSS	Platform (Note: Not Available - Purchase Platform Assembly)	

SECTION 5 - PLATFORM

FIGURE 5-3. PLATFORM ASSEMBLY WITH DROP-BAR - 36IN X 6FT (91.5CM X 1.83M)



ART_1001186379

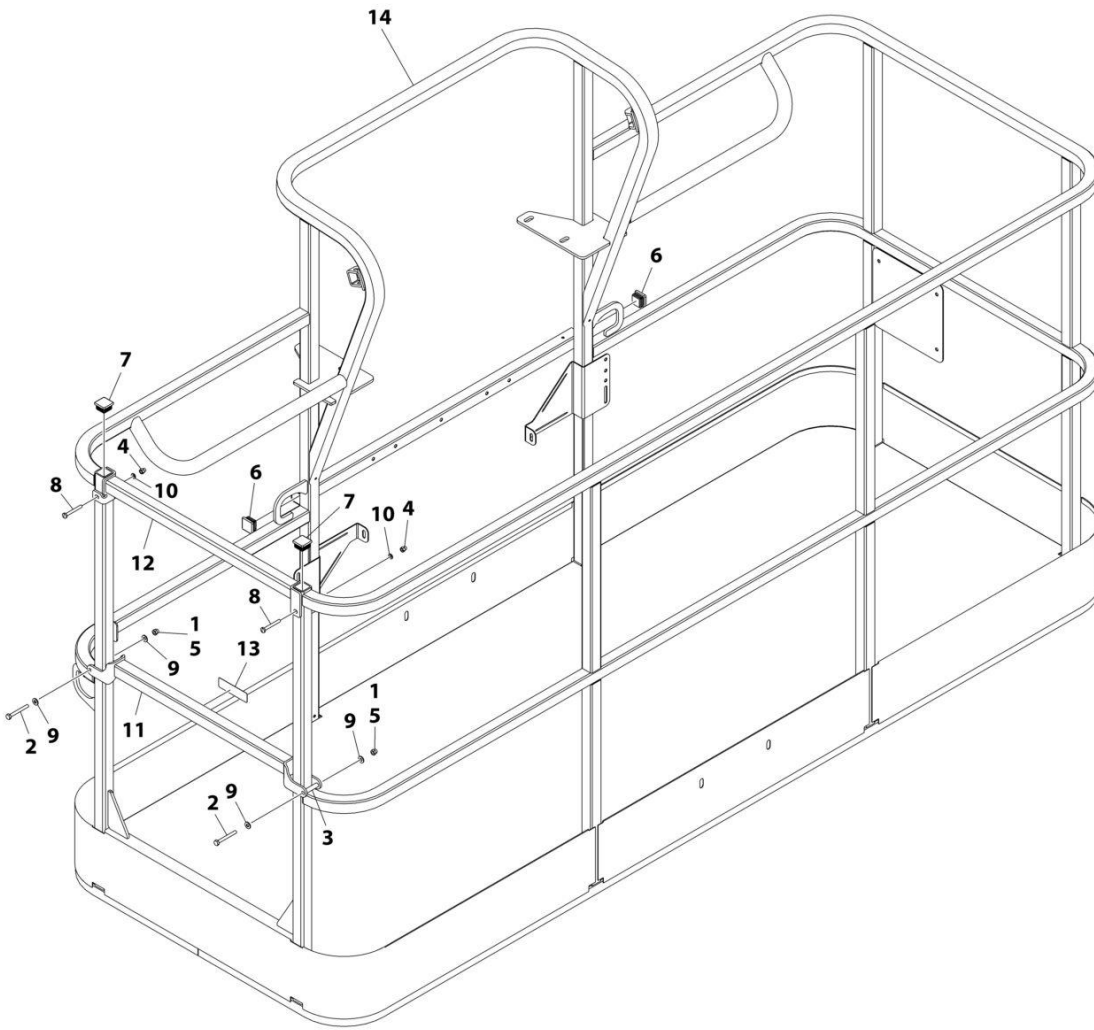
SECTION 5 - PLATFORM

FIGURE 5-3. PLATFORM ASSEMBLY WITH DROP-BAR - 36IN X 6FT (91.5CM X 1.83M)

ITEM	PART NUMBER	QTY	DESCRIPTION	REV
	1001186379	Ref	PLATFORM ASSEMBLY - 36IN X 6FT (91.5CM X 1.83M) WITH DROP BAR	B
		Ref	Note: Platform and Mesh must be ordered separately for Platforms with Mesh. See SPECIAL OPTIONS SECTION for Mesh Installations.	
		Ref	Note: Replacement Decals Must be Ordered Separately - See DECALS SECTION.	
1	0100011	AR	Compound, Locking	
2	0641418	2	Bolt 1/4 x 2-1/4	
3	0961845	2	Bushing	
4	3290606	2	Nut M6	
5	3300151	2	Nut 1/4	
6	3520072	2	Plug	
7	3520198	2	Plug	
8	4010618	2	Screw M6 x 50	
9	4711400	4	Washer 1/4	
10	4811700	2	Washer M6	
11	1001138494	1	Bar, Drop	
12	1001138514	1	Rail (Top)	
13	1001140429	1	Decal - Drop Bar	
14	See Note	NSS	Platform (Note: Not Available - Purchase Platform Assembly)	

SECTION 5 - PLATFORM

FIGURE 5-4. PLATFORM ASSEMBLY WITH DROP-BAR - 36IN X 8FT (91.5CM X 2.44M)



ART_1001186382

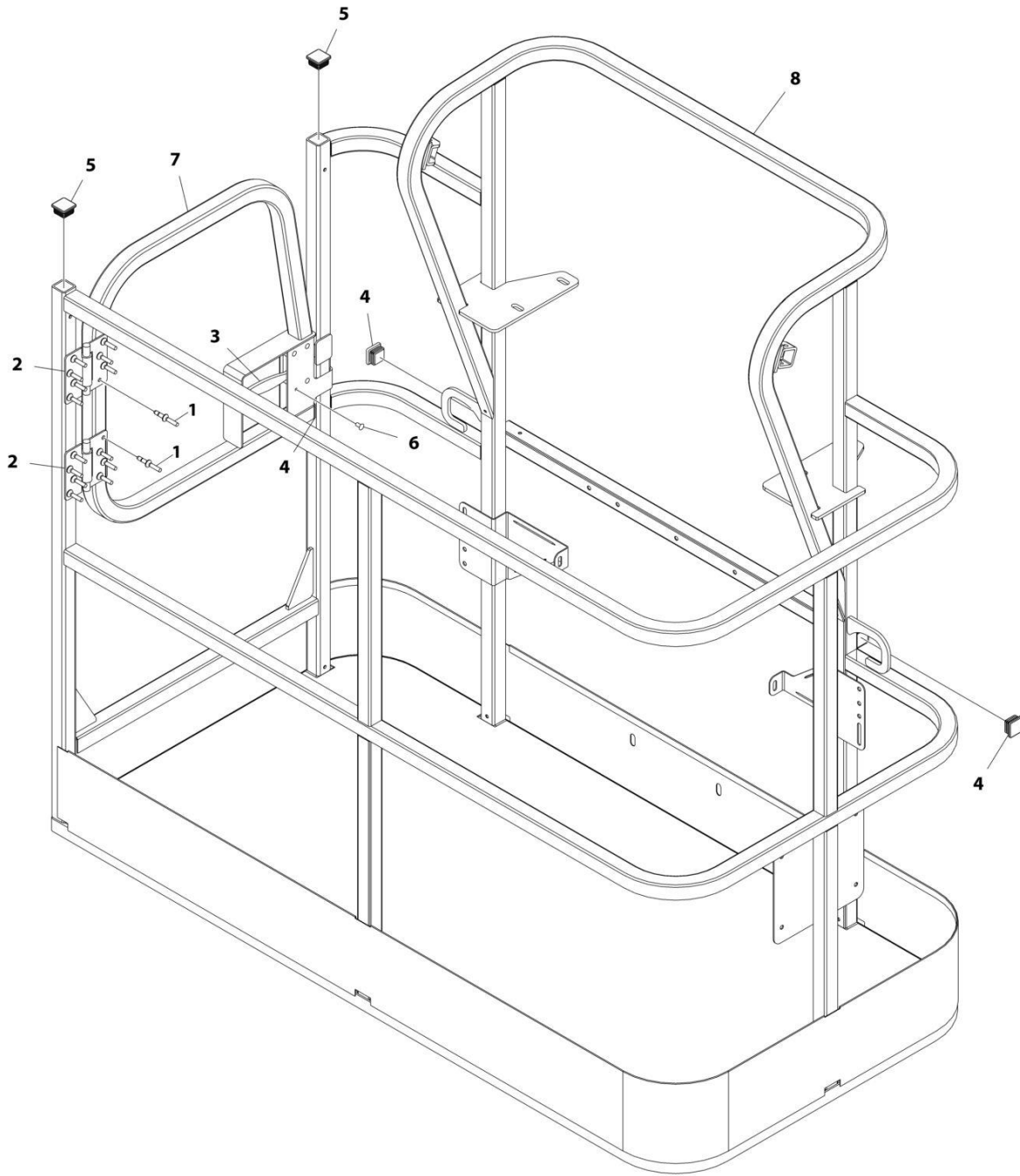
SECTION 5 - PLATFORM

FIGURE 5-4. PLATFORM ASSEMBLY WITH DROP-BAR - 36IN X 8FT (91.5CM X 2.44M)

ITEM	PART NUMBER	QTY	DESCRIPTION	REV
	1001186382	Ref	PLATFORM ASSEMBLY - 36IN X 8FT (91.5CM X 2.44M) WITH DROP BAR	C
		Ref	Note: Platform and Mesh must be ordered separately for Platforms with Mesh. See SPECIAL OPTIONS SECTION for Mesh Installations.	
		Ref	Note: Replacement Decals Must be Ordered Separately - See DECALS SECTION.	
1	0100011	AR	Compound, Locking	
2	0641418	2	Bolt 1/4 x 2-1/4	
3	0961845	2	Bushing	
4	3290606	2	Nut M6	
5	3300151	2	Nut 1/4	
6	3520072	2	Plug	
7	3520198	2	Plug	
8	4010618	2	Screw M6 x 50	
9	4711400	4	Washer 1/4	
10	4811700	2	Washer M6	
11	1001138494	1	Bar, Drop	
12	1001138514	1	Rail (Top)	
13	1001140429	1	Decal - Drop Bar	
14	See Note	NSS	Platform (Note: Not Available - Purchase Platform Assembly)	

SECTION 5 - PLATFORM

FIGURE 5-5. PLATFORM ASSEMBLY WITH GATE - 30IN X 5FT (76CM X 1.52M)



ART_1001186386

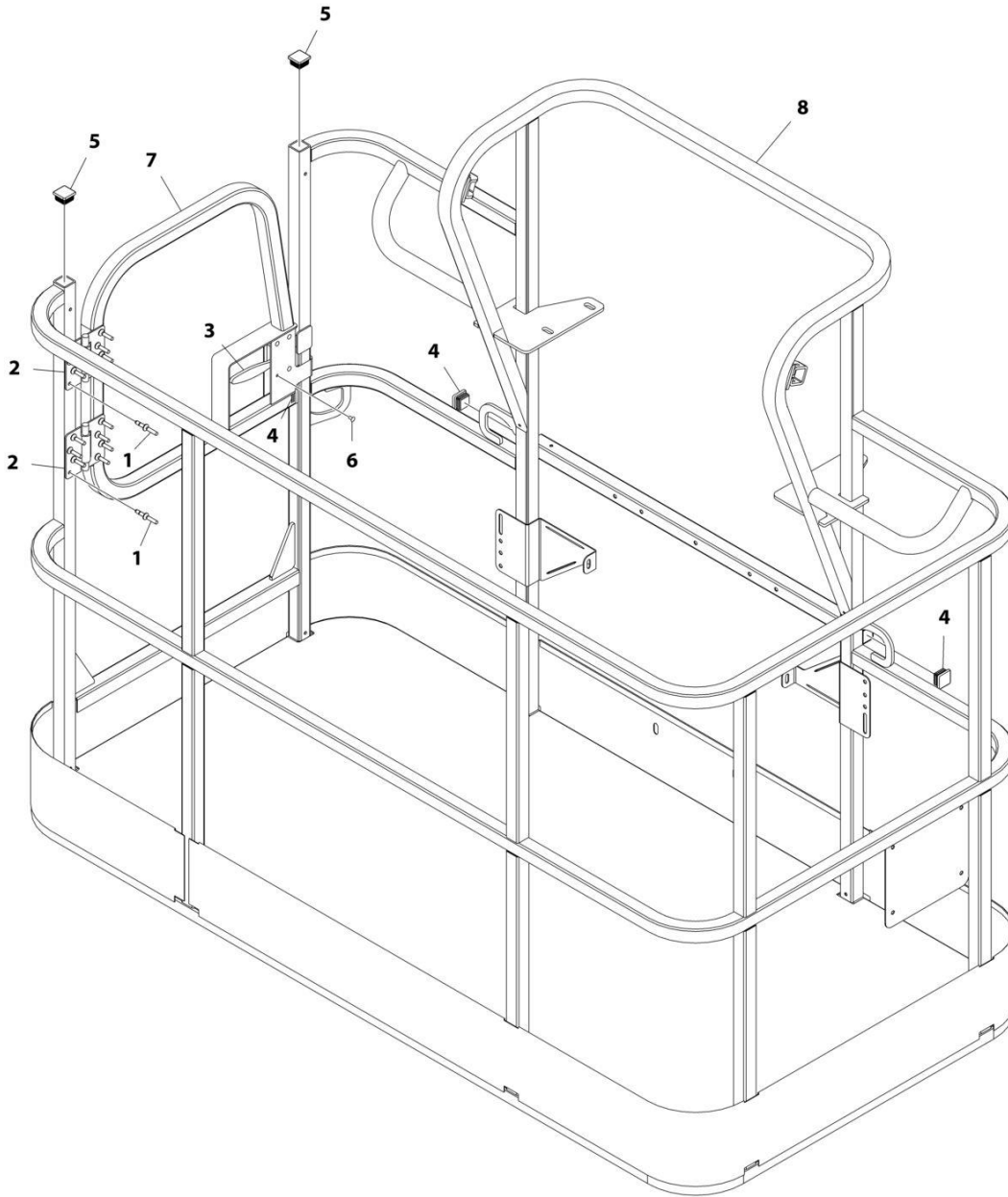
SECTION 5 - PLATFORM

FIGURE 5-5. PLATFORM ASSEMBLY WITH GATE - 30IN X 5FT (76CM X 1.52M)

ITEM	PART NUMBER	QTY	DESCRIPTION	REV
	1001186386	Ref	PLATFORM ASSEMBLY	C
		Ref	Note: Platform and Mesh must be ordered separately for Platforms with Mesh. See SPECIAL OPTIONS SECTION for Mesh Installations.	
		Ref	Note: Replacement Decals Must be Ordered Separately - See DECALS SECTION.	
1	2080040	16	Fastener, Huck	
2	2600281	2	Hinge, Self-Closing	
3	2940074	1	Latch	
4	3520072	3	Plug	
5	3520198	2	Plug	
6	3820020	4	Rivet	
7	1001144629	1	Gate	
8	See Note	NSS	Platform (Note: Not Available - Purchase Platform Assembly)	

SECTION 5 - PLATFORM

FIGURE 5-6. PLATFORM ASSEMBLY WITH GATE- 36IN X 6FT (91.5CM X 1.83M)



ART_1001186384

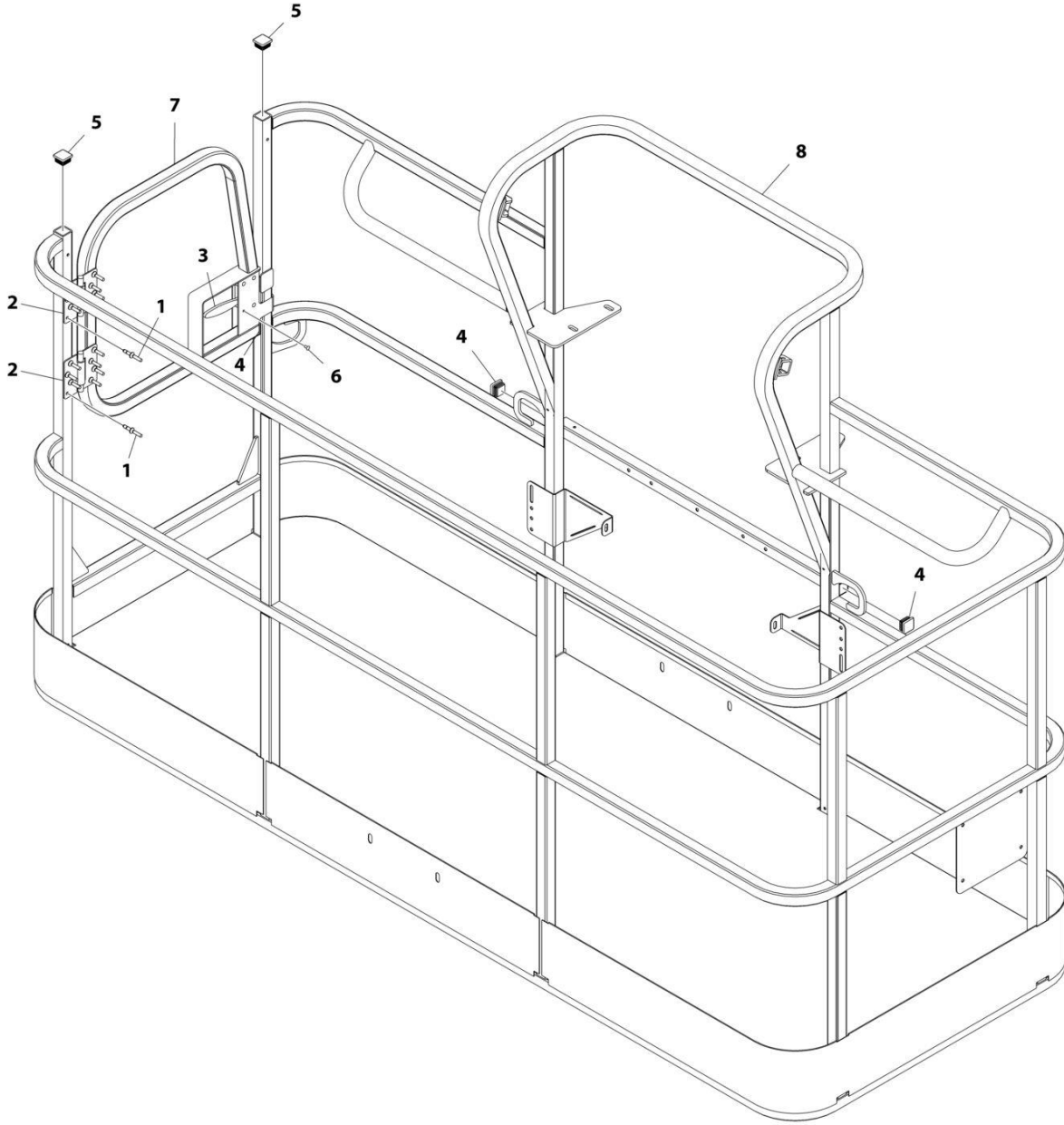
SECTION 5 - PLATFORM

FIGURE 5-6. PLATFORM ASSEMBLY WITH GATE- 36IN X 6FT (91.5CM X 1.83M)

ITEM	PART NUMBER	QTY	DESCRIPTION	REV
	1001186384	Ref	PLATFORM ASSEMBLY - 36IN X 6FT (91.5CM X 1.83M) WITH SWING GATE	C
	See Note	Ref	Note: Platform and Mesh must be ordered separately for Platforms with Mesh. See SPECIAL OPTIONS SECTION for Mesh Installations.	
	See Note	Ref	Note: Replacement Decals Must be Ordered Separately - See DECALS SECTION.	
1	2080040	16	Fastener, Huck	
2	2600281	2	Hinge	
3	2940074	1	Latch	
4	3520072	3	Plug	
5	3520198	2	Plug	
6	3820020	4	Rivet	
7	1001144629	1	Gate	
8	See Note	NSS	Platform (Note: Not Available - Purchase Platform Assembly)	

SECTION 5 - PLATFORM

FIGURE 5-7. PLATFORM ASSEMBLY WITH GATE - 36IN X 8FT (91.5CM X 2.44M)



ART_1001186383

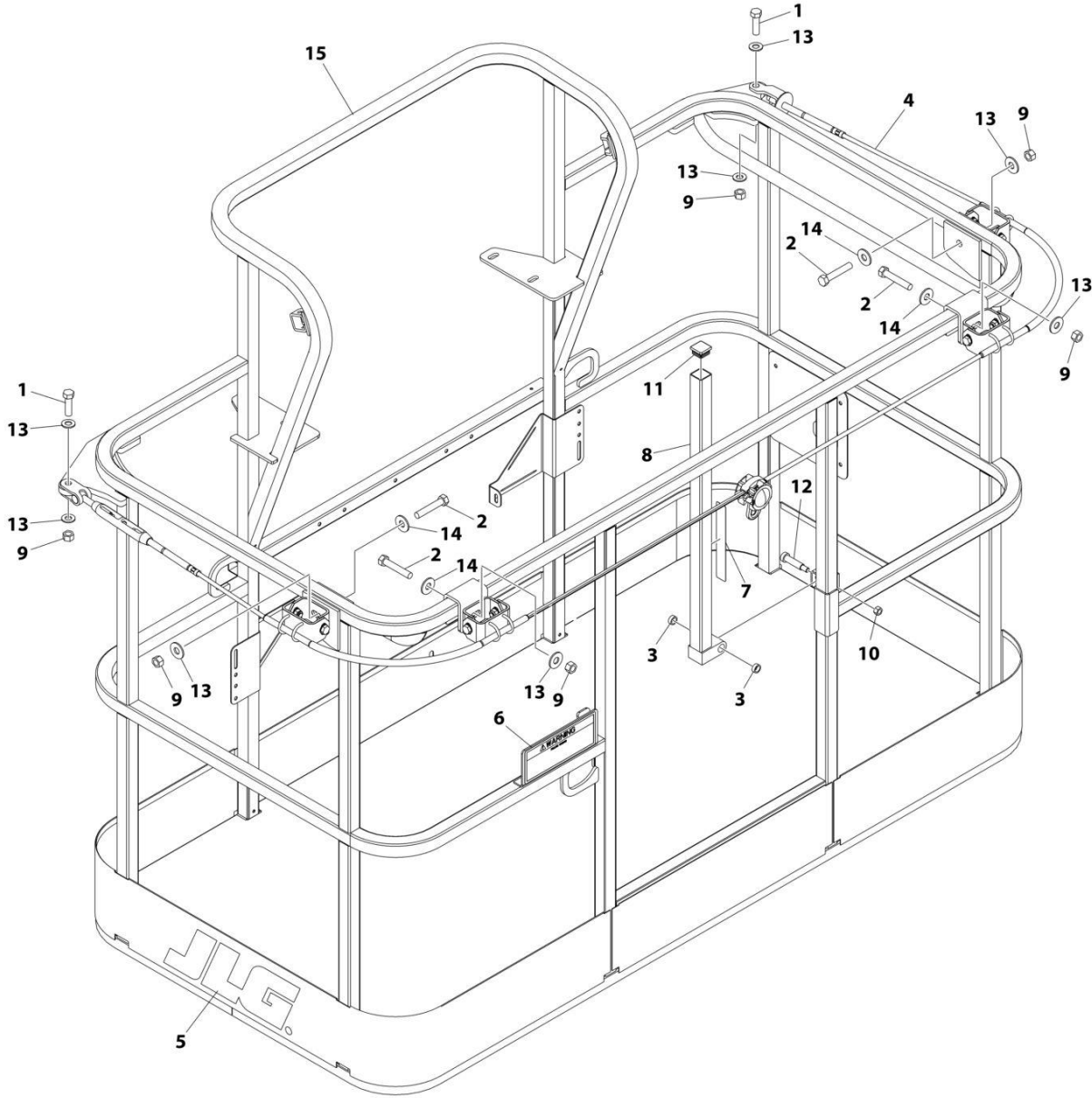
SECTION 5 - PLATFORM

FIGURE 5-7. PLATFORM ASSEMBLY WITH GATE - 36IN X 8FT (91.5CM X 2.44M)

ITEM	PART NUMBER	QTY	DESCRIPTION	REV
	1001186383	Ref	PLATFORM ASSEMBLY - 36IN X 8FT (91.5CM X 2.44M) WITH SWING GATE	D
		Ref	Note: Platform and Mesh must be ordered separately for Platforms with Mesh. See SPECIAL OPTIONS SECTION for Mesh Installations.	
		Ref	Note: Replacement Decals Must be Ordered Separately - See DECALS SECTION.	
1	2080040	16	Fastener, Huck	
2	2600281	2	Hinge	
3	2940074	1	Latch	
4	3520072	3	Plug	
5	3520198	2	Plug	
6	3820020	4	Rivet	
7	1001144629	1	Gate	
8	See Note	NSS	Platform (Note: Not Available - Purchase Platform Assembly)	

SECTION 5 - PLATFORM

FIGURE 5-8. PLATFORM ASSEMBLY WITH FALL ARREST - 36IN X 6FT (91.5CM X 1.83M)



ART_1001186333

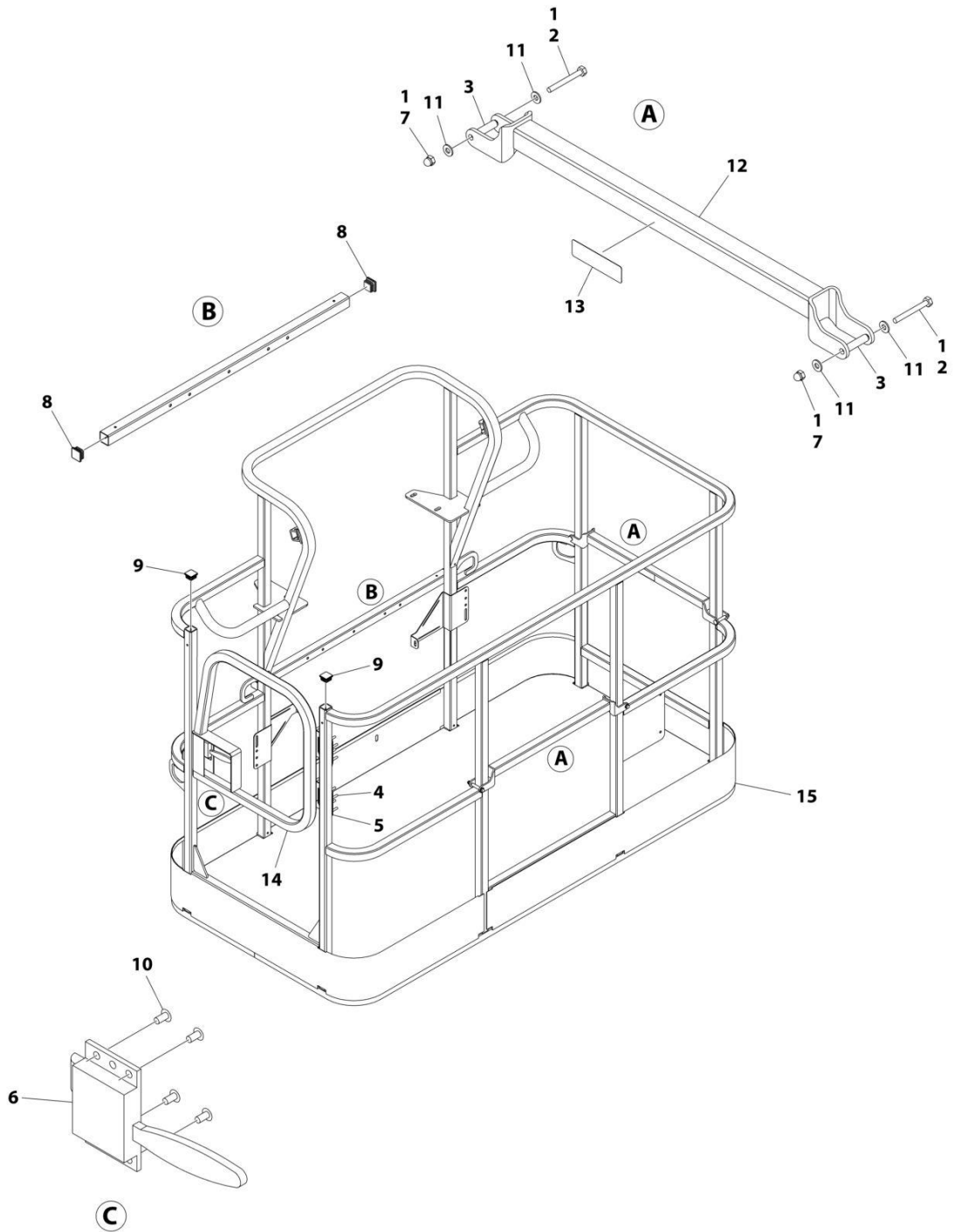
SECTION 5 - PLATFORM

FIGURE 5-8. PLATFORM ASSEMBLY WITH FALL ARREST - 36IN X 6FT (91.5CM X 1.83M)

ITEM	PART NUMBER	QTY	DESCRIPTION	REV
	1001186333	Ref	PLATFORM ASSEMBLY	C
		Ref	Note: Replacement Decals Must be Ordered Separately - See DECALS SECTION.	
1	0681814	2	Bolt 1/2 x 1-3/4 Grade 8	
2	0681822	4	Bolt 1/2 x 2-3/4 Grade 8	
3	0962270	2	Bearing	
4	1001203655	1	Cable	
5	1702773	1	Decal - JLG	
6	1705014	1	Decal - Safety	
7	1706385	1	Decal - Drop Bar	
8	2410014	1	Bar, Drop	
9	3271805	6	Nut 1/2 Grade 8	
10	3311605	1	Nut 3/8	
11	3520072	1	Plug	
12	3900054	1	Bolt 1/2 x 1-3/4	
13	4711800	8	Washer 1/2	
14	4751800	4	Washer 1/2	
15	See Note	NSS	Platform (Note: Not Available - Purchase Platform Assembly)	

SECTION 5 - PLATFORM

FIGURE 5-9. PLATFORM ASSEMBLY WITH TRI-ENTRY (1 GATE / 2 DROP BARS) - 36IN X 6FT (91.5CM X 1.83M)



ART_1001228376

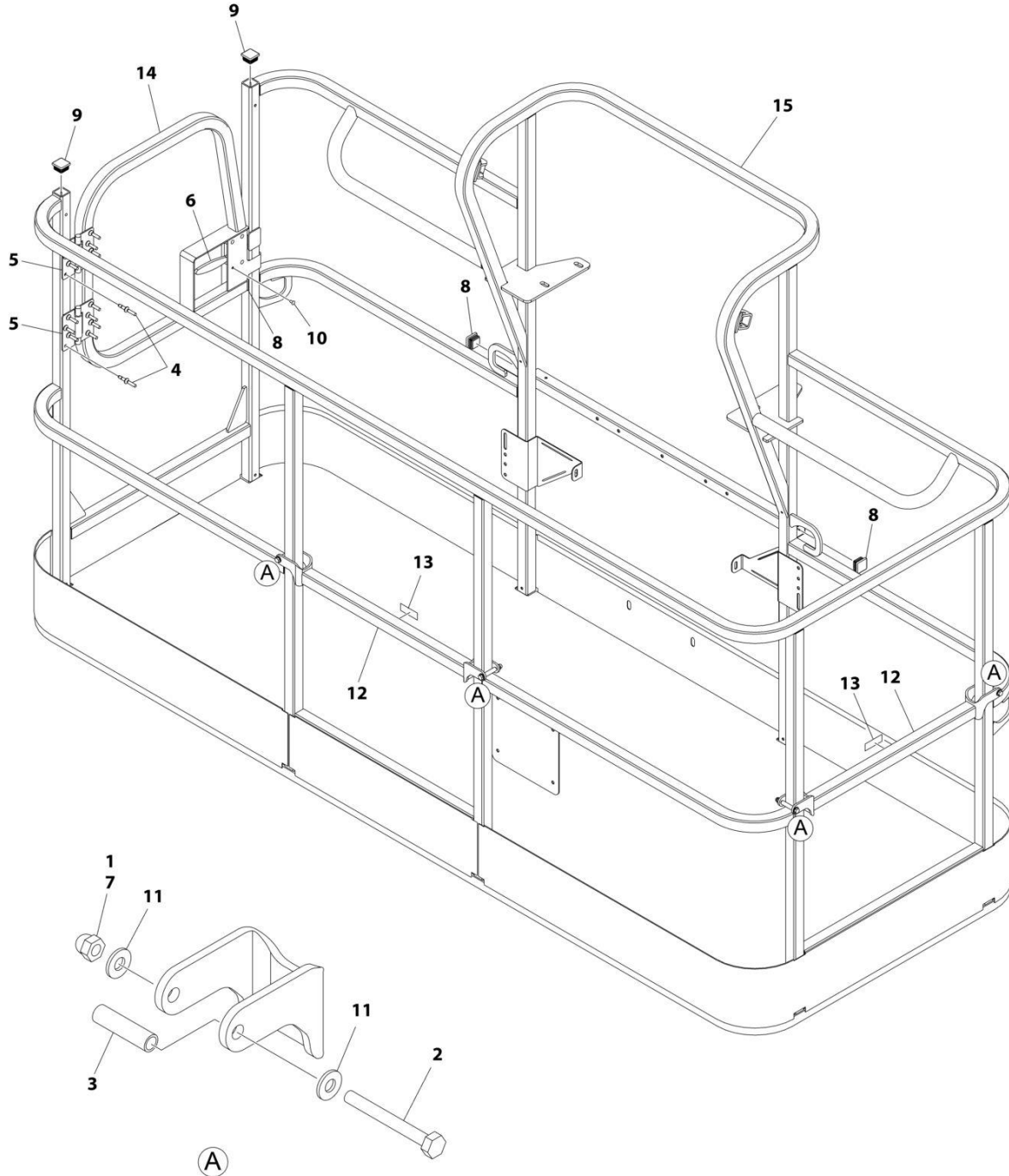
SECTION 5 - PLATFORM

**FIGURE 5-9. PLATFORM ASSEMBLY WITH TRI-ENTRY (1 GATE / 2 DROP BARS) - 36IN X 6FT
(91.5CM X 1.83M)**

ITEM	PART NUMBER	QTY	DESCRIPTION	REV
	1001228376	Ref	PLATFORM ASSEMBLY - 36IN x 6FT (91.5CM x 1.83M)	B
		Ref	Note: Platform and Mesh must be ordered separately for Platforms with Mesh. See SPECIAL OPTIONS SECTION for Mesh Installations.	
		Ref	Note: Replacement Decals Must be Ordered Separately - See DECAL SECTION.	
1	0100011	AR	Compound, Locking	
2	0641418	4	Bolt 1/4 x 2-1/4	
3	0961845	4	Bushing	
4	2080040	16	Fastener	
5	2600281	2	Hinge	
6	2940074	1	Latch	
7	3300151	4	Nut 1/4	
8	3520072	3	Plug	
9	3520198	2	Plug	
10	3820020	4	Rivet	
11	4711400	8	Washer 1/4	
12	1001138494	2	Bar, Drop	
13	1001140429	2	Decal - Drop Bar	
14	1001144629	1	Gate	
15	See Note	NSS	Platform (Note: Not Available - Purchase Platform Assembly)	

SECTION 5 - PLATFORM

FIGURE 5-10. PLATFORM ASSEMBLY WITH TRI-ENTRY (1 GATE/2 DROP BARS) - 36IN X 8FT (91.5CM X 2.44M)



ART_1001228243

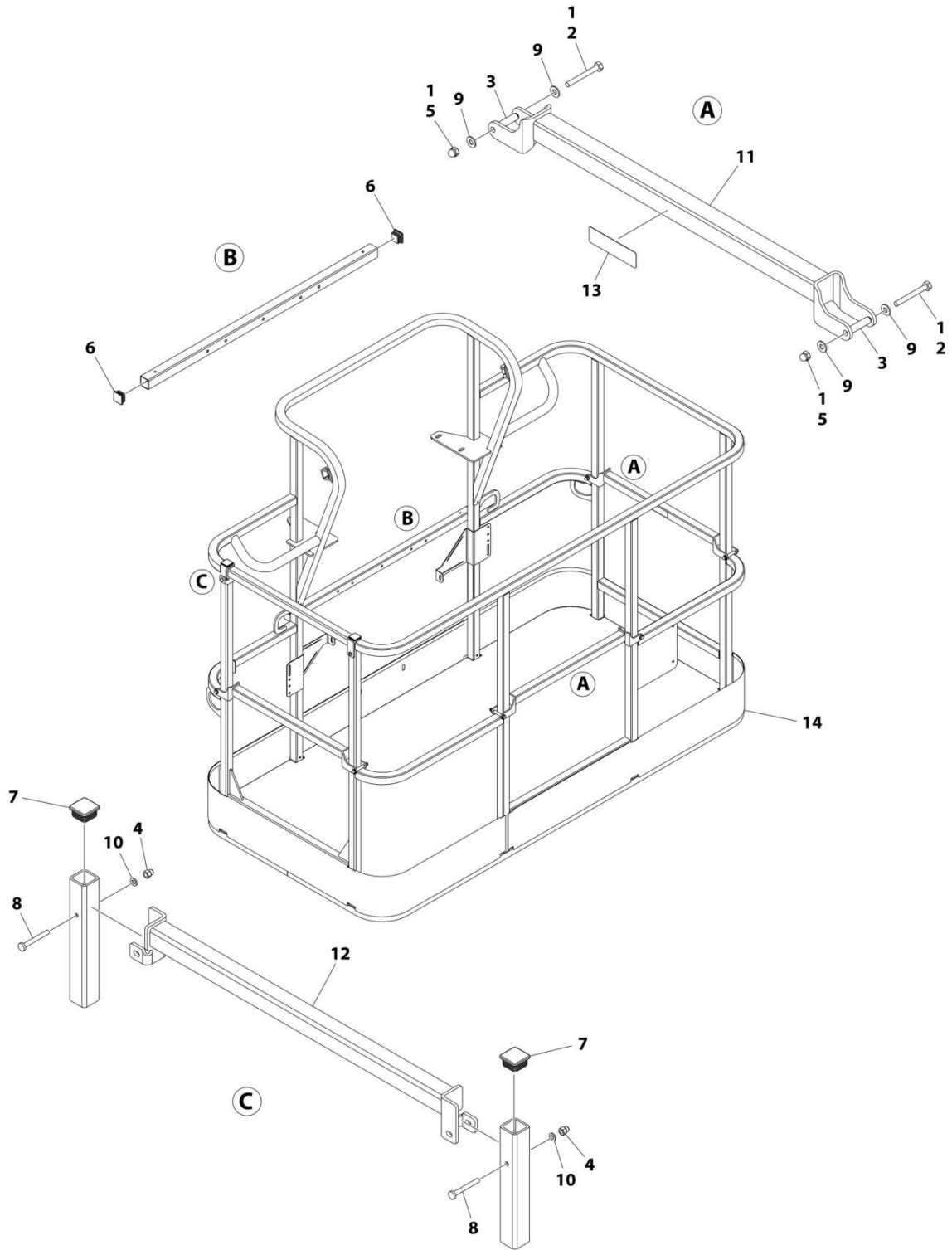
SECTION 5 - PLATFORM

**FIGURE 5-10. PLATFORM ASSEMBLY WITH TRI-ENTRY (1 GATE/2 DROP BARS) - 36IN X 8FT
(91.5CM X 2.44M)**

ITEM	PART NUMBER	QTY	DESCRIPTION	REV
	1001228243	Ref	PLATFORM ASSEMBLY - 36IN X 8FT (91.5CM X 2.44M) WITH TRI-ENTRY	A
		Ref	Note: Platform and Mesh must be ordered separately for Platforms with Mesh. See SPECIAL OPTIONS SECTION for Mesh Installations.	
1	0100011	AR	Compound, Locking	
2	0641418	4	Bolt 1/4 x 2-1/4	
3	0961845	4	Bushing	
4	2080040	16	Fastener, Huck	
5	2600281	2	Hinge, Self-Closing	
6	2940074	1	Latch	
7	3300151	4	Nut 1/4	
8	3520072	3	Cap, Plug	
9	3520198	2	Cap, Plug	
10	3820020	4	Rivet	
11	4711400	8	Washer 1/4	
12	1001138494	2	Bar, Drop	
13	1001140429	2	Decal - Drop Bar	
14	1001144629	1	Gate, Weldment	
15	See Note	1	Platform (Note: Not Available - Purchase Platform Assembly)	

SECTION 5 - PLATFORM

FIGURE 5-11. PLATFORM ASSEMBLY WITH TRI-ENTRY (3 DROP BARS) - 36IN X 6FT (91.5CM X 1.83M)



ART_1001228377

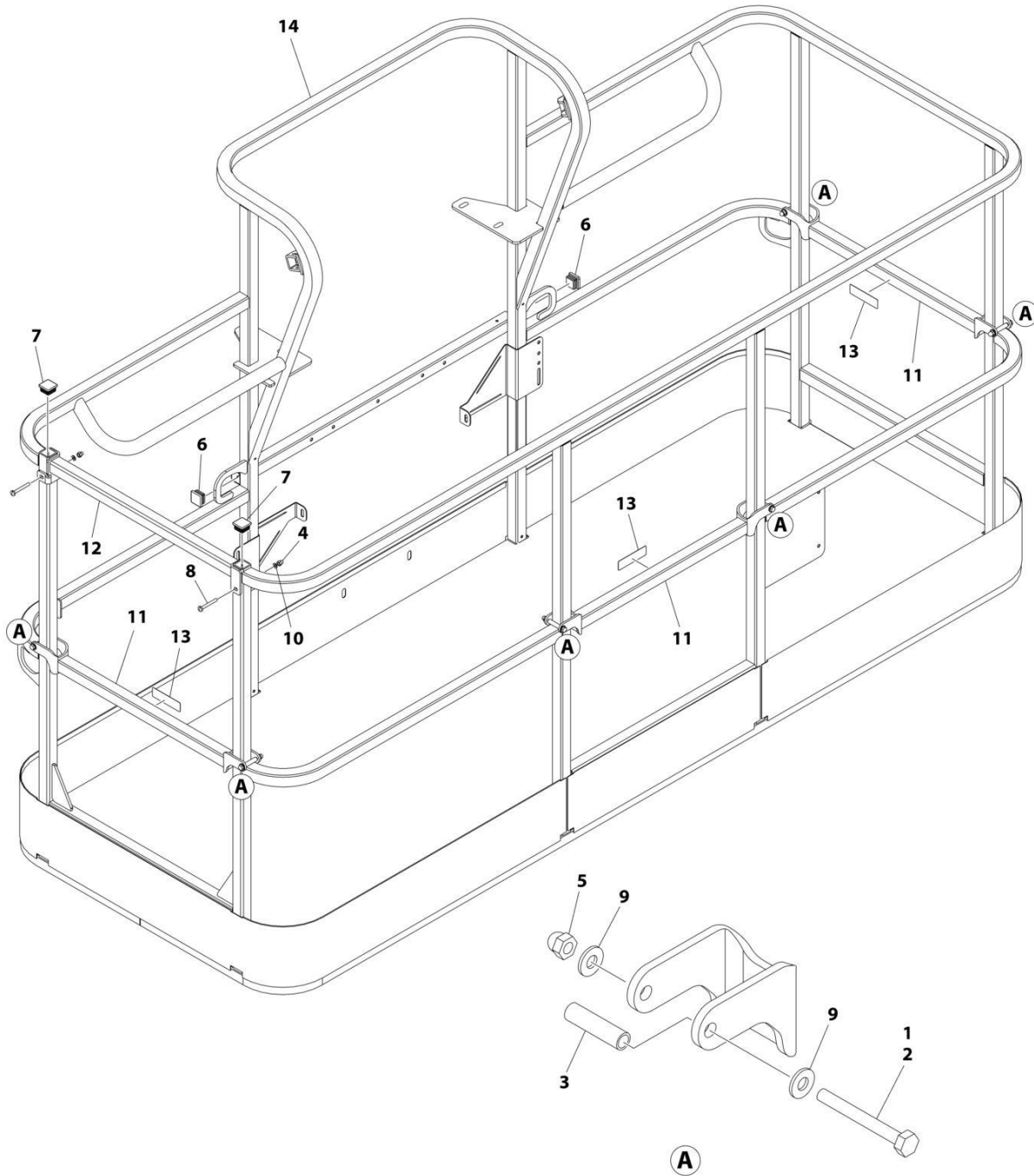
SECTION 5 - PLATFORM

FIGURE 5-11. PLATFORM ASSEMBLY WITH TRI-ENTRY (3 DROP BARS) - 36IN X 6FT (91.5CM X 1.83M)

ITEM	PART NUMBER	QTY	DESCRIPTION	REV
	1001228377	Ref	PLATFORM ASSEMBLY - 36IN x 6FT (91.5CM x 1.83M)	B
		Ref	Note: Platform and Mesh must be ordered separately for Platforms with Mesh. See SPECIAL OPTIONS SECTION for Mesh Installations.	
		Ref	Note: Replacement Decals Must be Ordered Separately - See DECAL SECTION.	
1	0100011	1	Compound, Locking	
2	0641418	6	Bolt 1/4 x 2-1/4	
3	0961845	6	Bushing	
4	3290606	2	Nut M6	
5	3300151	6	Nut 1/4	
6	3520072	2	Plug	
7	3520198	2	Plug	
8	4010618	2	Screw M6 x 50	
9	4711400	12	Washer 1/4	
10	4811700	2	Washer M6	
11	1001138494	3	Bar, Drop	
12	1001138514	1	Rail (Top)	
13	1001140429	3	Decal - Drop Bar	
14	See Note	NSS	Platform, Weldment (Note: Not Available - Purchase Platform Assembly)	

SECTION 5 - PLATFORM

FIGURE 5-12. PLATFORM ASSEMBLY WITH TRI-ENTRY (3 DROP BARS) - 36IN X 8FT (91.5CM X 2.44M)



ART_1001228375

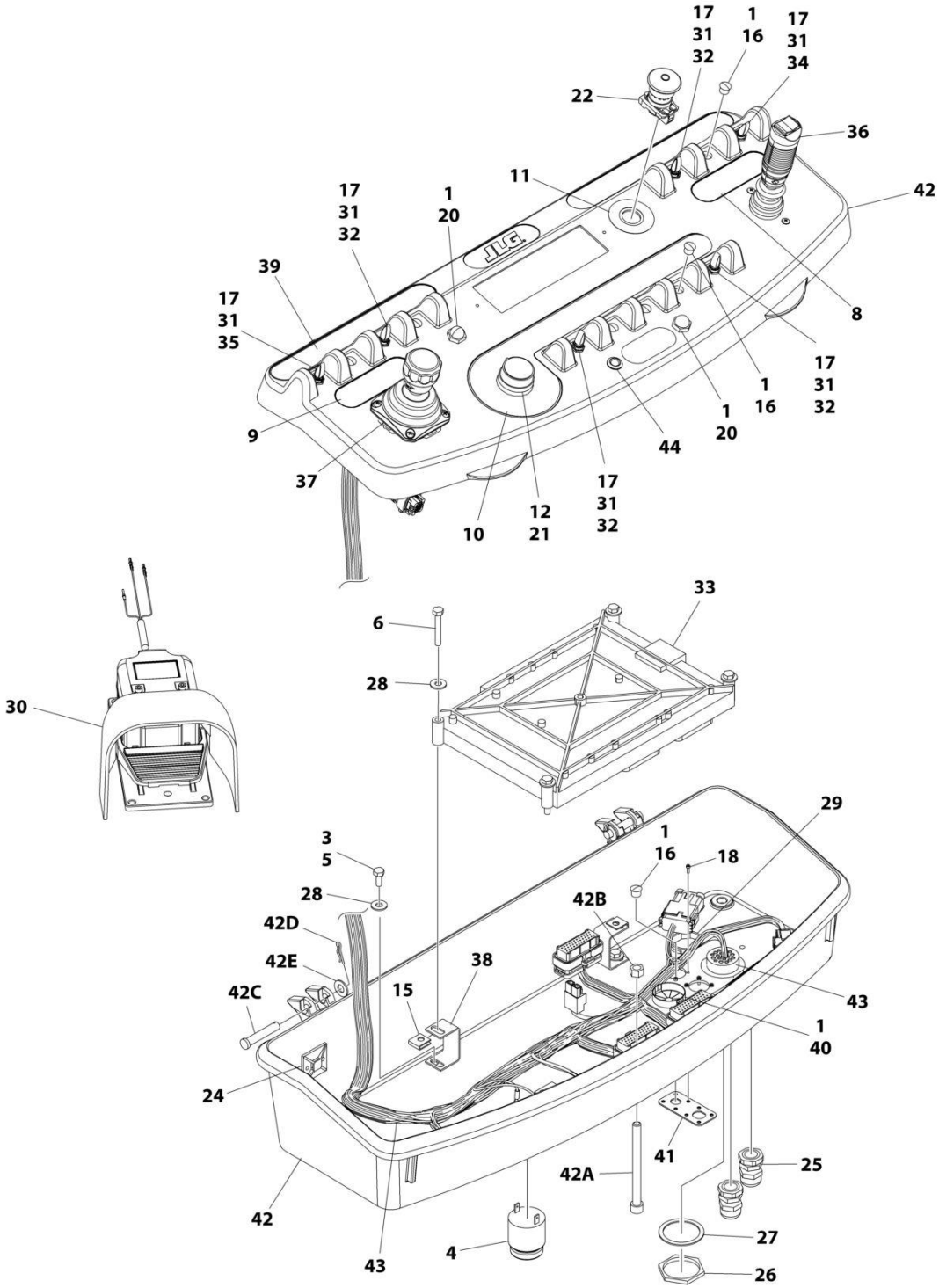
SECTION 5 - PLATFORM

FIGURE 5-12. PLATFORM ASSEMBLY WITH TRI-ENTRY (3 DROP BARS) - 36IN X 8FT (91.5CM X 2.44M)

ITEM	PART NUMBER	QTY	DESCRIPTION	REV
	1001228375	Ref	PLATFORM ASSEMBLY - 36IN X 8FT (91.5CM X 2.44M) WITH TRI-ENTRY	A
		Ref	Note: Platform and Mesh must be ordered separately for Platforms with Mesh. See SPECIAL OPTIONS SECTION for Mesh Installations.	
		Ref	Note: Replacement Decals Must be Ordered Separately - See DECAL SECTION.	
1	0100011	AR	Compound, Locking	
2	0641418	6	Bolt 1/4 x 2-1/4	
3	0961845	6	Bushing	
4	3290606	2	Nut M6 x 1	
5	3300151	6	Nut 1/4	
6	3520072	2	Cap, Plug	
7	3520198	2	Cap, Plug	
8	4010618	2	Screw M6 x 50	
9	4711400	12	Washer 1/4	
10	4811700	2	Washer M6	
11	1001138494	3	Bar, Drop	
12	1001138514	1	Rail (Top)	
13	1001140429	3	Decal - Drop Bar	
14	See Note	1	Platform (Note: Not Available - Purchase Platform Assembly)	

SECTION 5 - PLATFORM

FIGURE 5-13. CONSOLE BOX ASSEMBLY WITH FOOTSWITCH



ART_1001244976_C

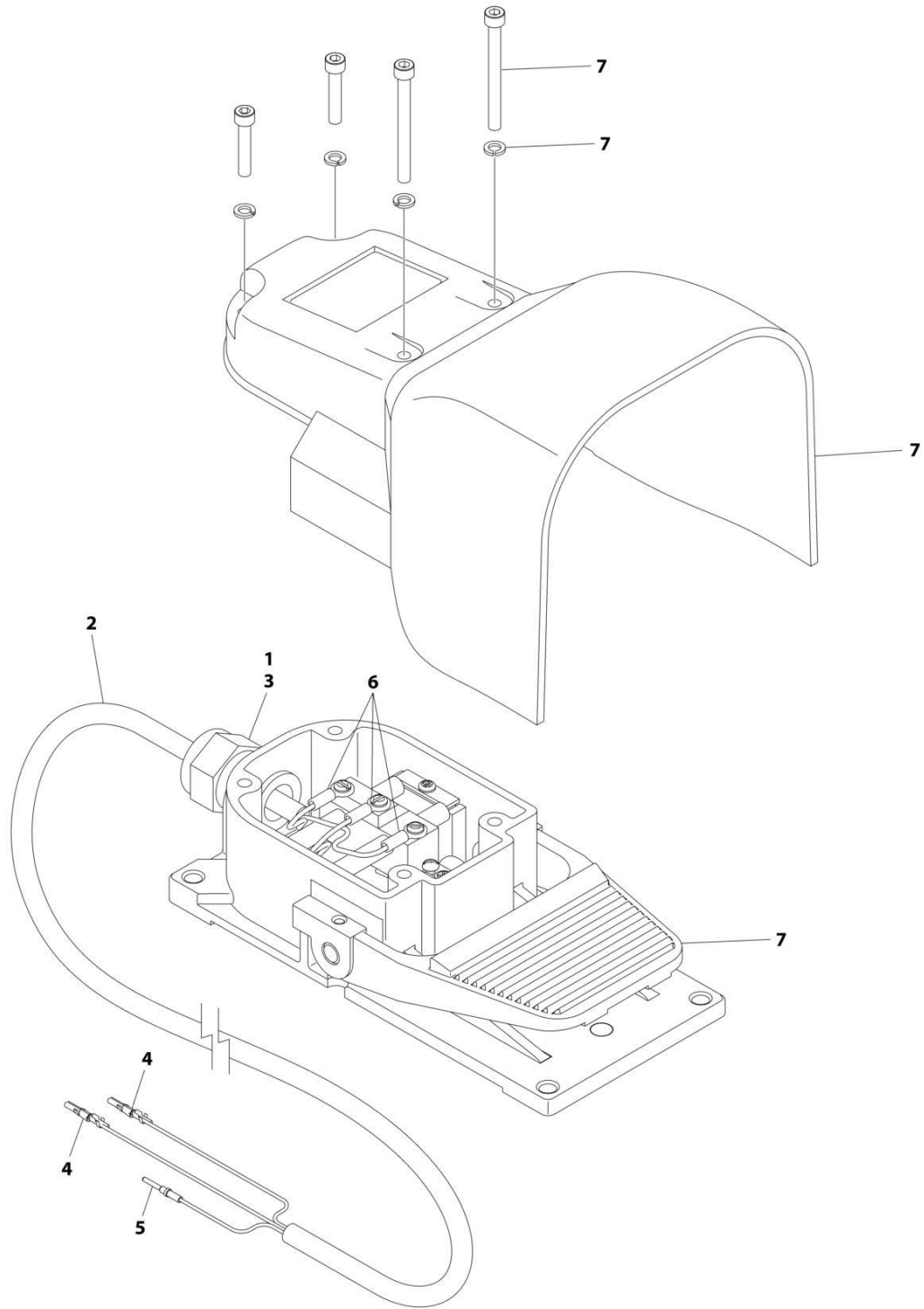
SECTION 5 - PLATFORM

FIGURE 5-13. CONSOLE BOX ASSEMBLY WITH FOOTSWITCH

ITEM	PART NUMBER	QTY	DESCRIPTION	REV
	1001244976	Ref	PLATFORM CONSOLE BOX ASSEMBLY	C
1	0100009	AR	Sealant	
3	0100035	AR	Compound, Locking	
4	0140011	1	Alarm	
5	0641405	4	Bolt 1/4 x 5/8	
6	0641414	4	Bolt 1/4 x 1-3/4	
8	1702565	1	Decal - Drive and Steer	
9	1702566	1	Decal - Lift and Swing	
10	1702567	1	Decal - Function Speed	
11	1704260	1	Decal - EMS	
12	2560136	1	Handle, Knob	
15	3300353	4	Nut, Tinnerman	
16	3520054	7	Plug	
17	3790012	6	O-Ring	
18	3900349	8	Screw M2.5	
19	4240099	AR	Tie-Strap (Not Shown)	
20	4360387	2	Switch, Pushbutton	
21	4360407	1	Switch, Potentiometer	
22	1001274559	1	Switch, Emergency	
24	4460234	6	Terminal	
25	4460428	2	Connector, Strain Relief	
26	4460470	1	Nut, Terminal	
27	4460471	1	Washer	
28	4751400	8	Washer 1/4	
29	1001110434	1	Plug	
30	1001117174	1	Footswitch Assembly (See Separate Breakdown in this Section)	
31	1001155044	6	Nut 15/32	
32	1001155045	4	Switch, Toggle	
33	1001157196	1	Controller, Module (Note: Re-calibration Required when Replaced)	
34	1001159256	1	Switch, Toggle	
35	1001161709	1	Switch, Toggle	
36	1001275628	1	Controller Assembly (Drive and Steer)	
37	1001275629	1	Controller Assembly (Lift and Swing)	
38	1001172760	4	Bracket	
39	1001184626	1	Decal - Horn	
40	1001185281	1	Plug	
41	1001213882	1	Connector Mount	
42	1001215228	1	Platform Console Box	
42A	0630568	1	Capscrew 3/8 x 4-1/2	
42B	3311601	1	Nut 3/8	
42C	3430616	2	Pin	
42D	3470003	2	Hairpin	
42E	4711600	2	Washer 3/8	
43	1001238254	1	Harness, Platform Console Box (See Separate Breakdown in ELECTRICAL Section)	
44	1001206532	1	Lamp, LED Indicator Yellow	

SECTION 5 - PLATFORM

FIGURE 5-14. FOOTSWITCH ASSEMBLY



ART_100117174

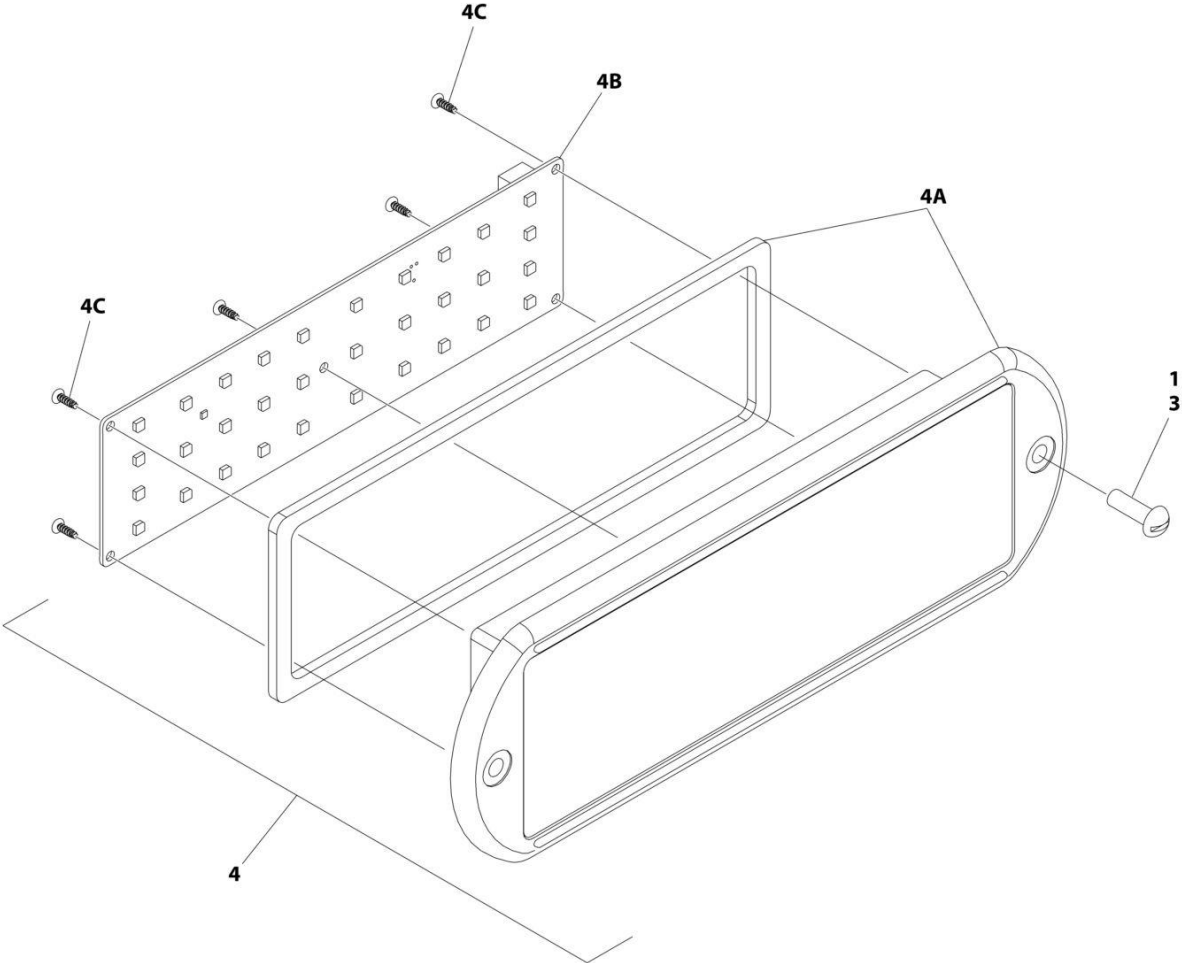
SECTION 5 - PLATFORM

FIGURE 5-14. FOOTSWITCH ASSEMBLY

ITEM	PART NUMBER	QTY	DESCRIPTION	REV
	1001117174	Ref	FOOTSWITCH ASSEMBLY	C
1	0100020	AR	Sealant	
2	1060918	7.5 ft/ 2.3m	Cable, Electrical - 18/3	
3	4460071	1	Connector, Strain Relief	
4	4460226	2	Socket, Female	
5	4460464	1	Pin, Male	
6	1001098122	3	Terminal	
7	1001117172	1	Footswitch	
7	70002902	1	Switch, 20Amp	
7	70002903	1	Gasket	
7	70002905	1	Cover	
7	70002904	1	Kit, Replacement Bolt	

SECTION 5 - PLATFORM

FIGURE 5-15. LIGHT PANEL INSTALLATION



ART_1001233959_20F2

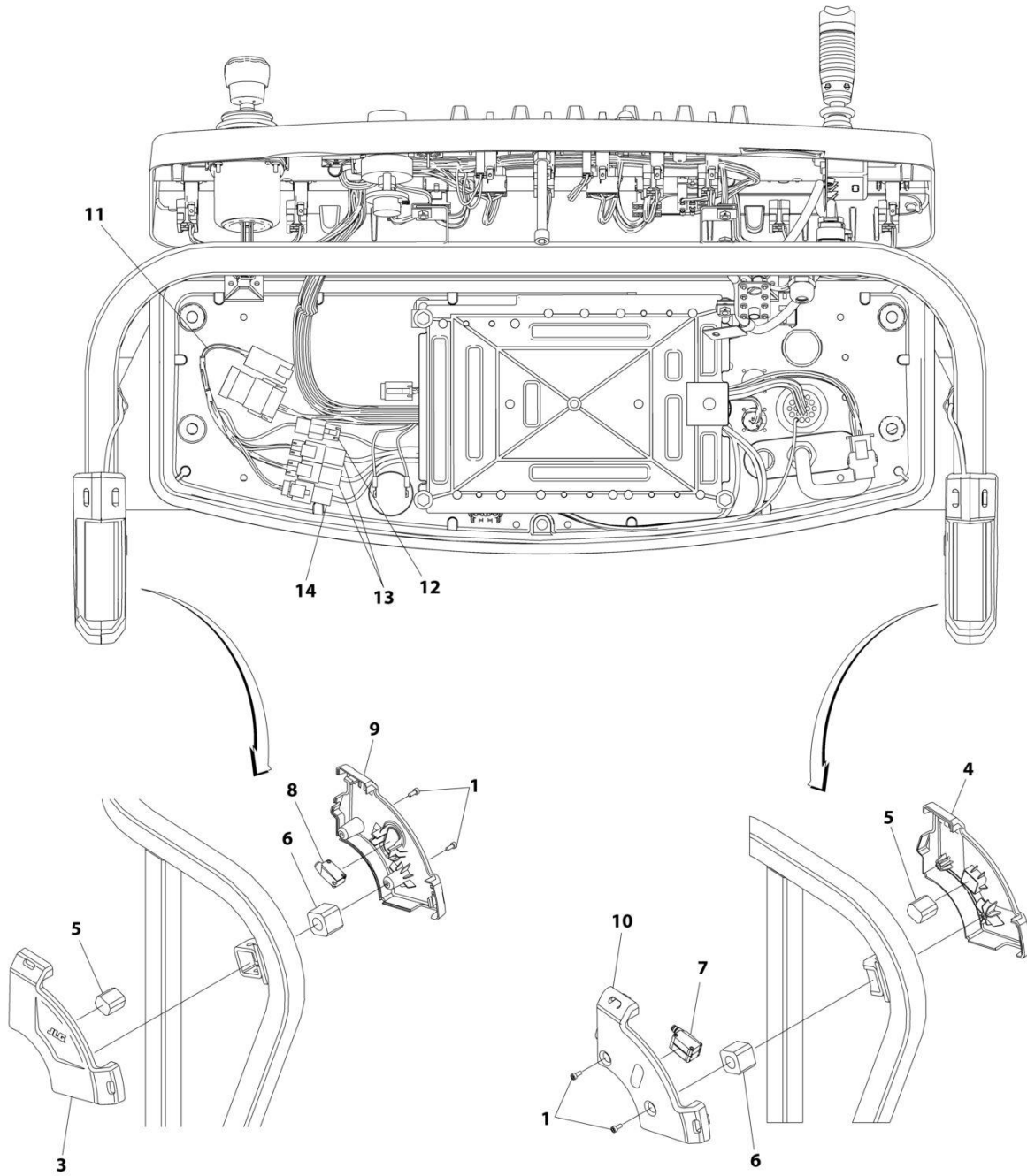
SECTION 5 - PLATFORM

FIGURE 5-15. LIGHT PANEL INSTALLATION

ITEM	PART NUMBER	QTY	DESCRIPTION	REV
	1001233959	Ref	LIGHT PANEL INSTALLATION - PLATFORM CONSOLE	C
1	0100035	AR	Compound, Locking	
3	0630518	2	Screw #10 x 3/4	
4	1001237544	1	Light Panel Assembly	
4A	1001236087	1	Lens, I-Con (Includes Gasket)	
4B	1001187807	1	Panel, LED Light	
4C		Ref	Screw	

SECTION 5 - PLATFORM

FIGURE 5-16. SKYEYE INSTALLATION



ART_1001229341

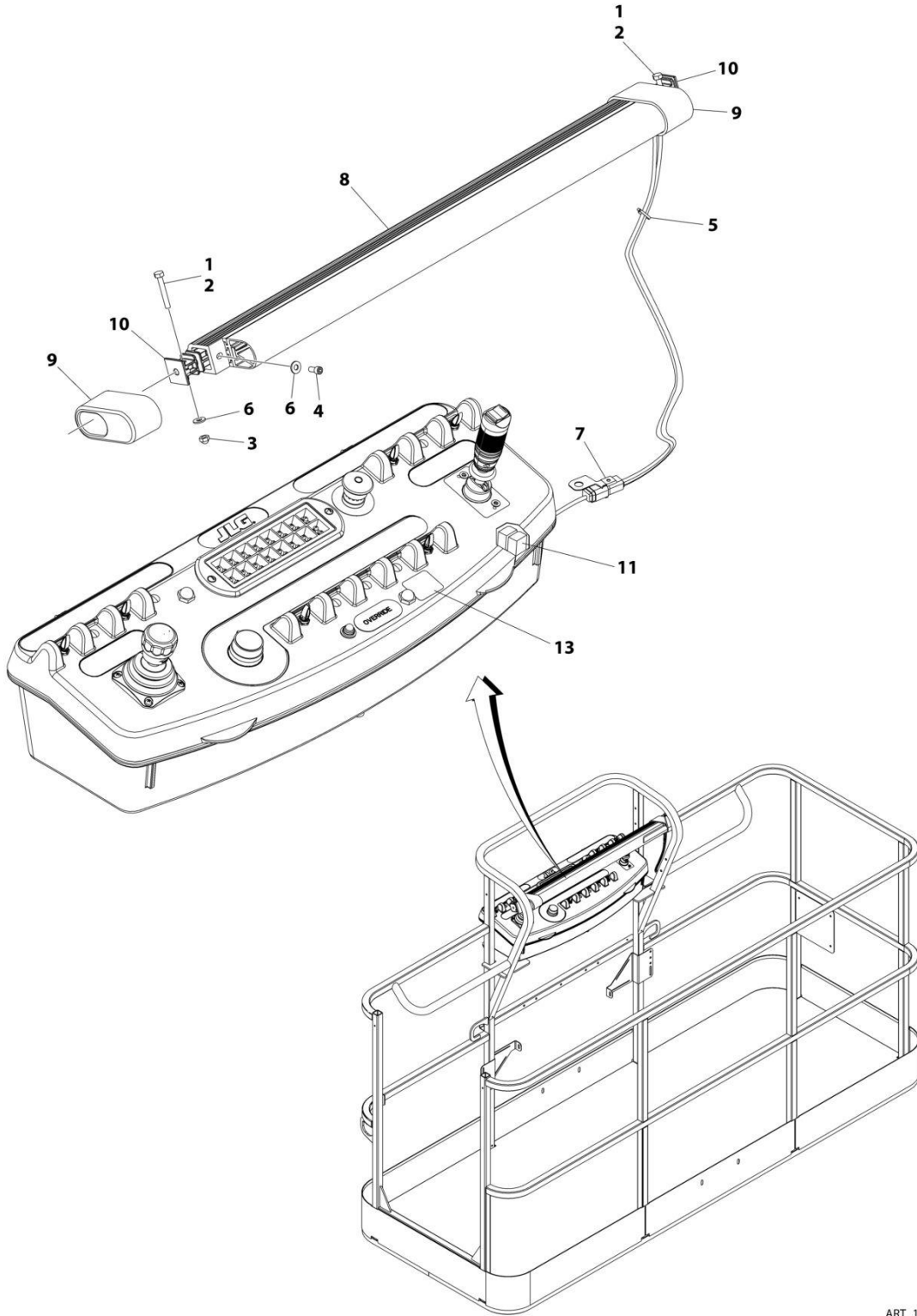
SECTION 5 - PLATFORM

FIGURE 5-16. SKYEYE INSTALLATION

ITEM	PART NUMBER	QTY	DESCRIPTION	REV
	1001229341	Ref	SKYEYE INSTALLATION	B
1	4031505	4	Bolt M4 x 10	
2	4240033	AR	Tie-Strap (Not Shown)	
3	1001227633	1	Housing, LH Outer	
4	1001227634	1	Housing, RH Outer	
5	1001227985	2	Shim	
6	1001227987	2	Shim	
7	1001228224	2	Sensor, Receiver	
8	1001228225	1	Sensor, Emitter	
9	1001232164	1	Housing, LH Inner	
10	1001232165	1	Housing, RH Inner	
11	1001237865	1	Harness, Skyeeye Intermediate (See Separate Breakdown in ELECTRICAL Section)	
12	1001238319	NLA	Harness, Skyeeye Drain Jumper	
12	1001187674	1	Plug, Male - 2 Position	
12	4460942	1	Terminal	
12	4460466	1	Plug, Terminal	
12	4460508	1	Pin, Male	
13	1001237863	2	Harness, Skyeeye Receiver (See Separate Breakdown in ELECTRICAL Section)	
14	1001237864	1	Harness, Skyeeye Emitter (See Separate Breakdown in ELECTRICAL Section)	

SECTION 5 - PLATFORM

FIGURE 5-17. SKYGUARD BAR INSTALLATION



ART_1001238495

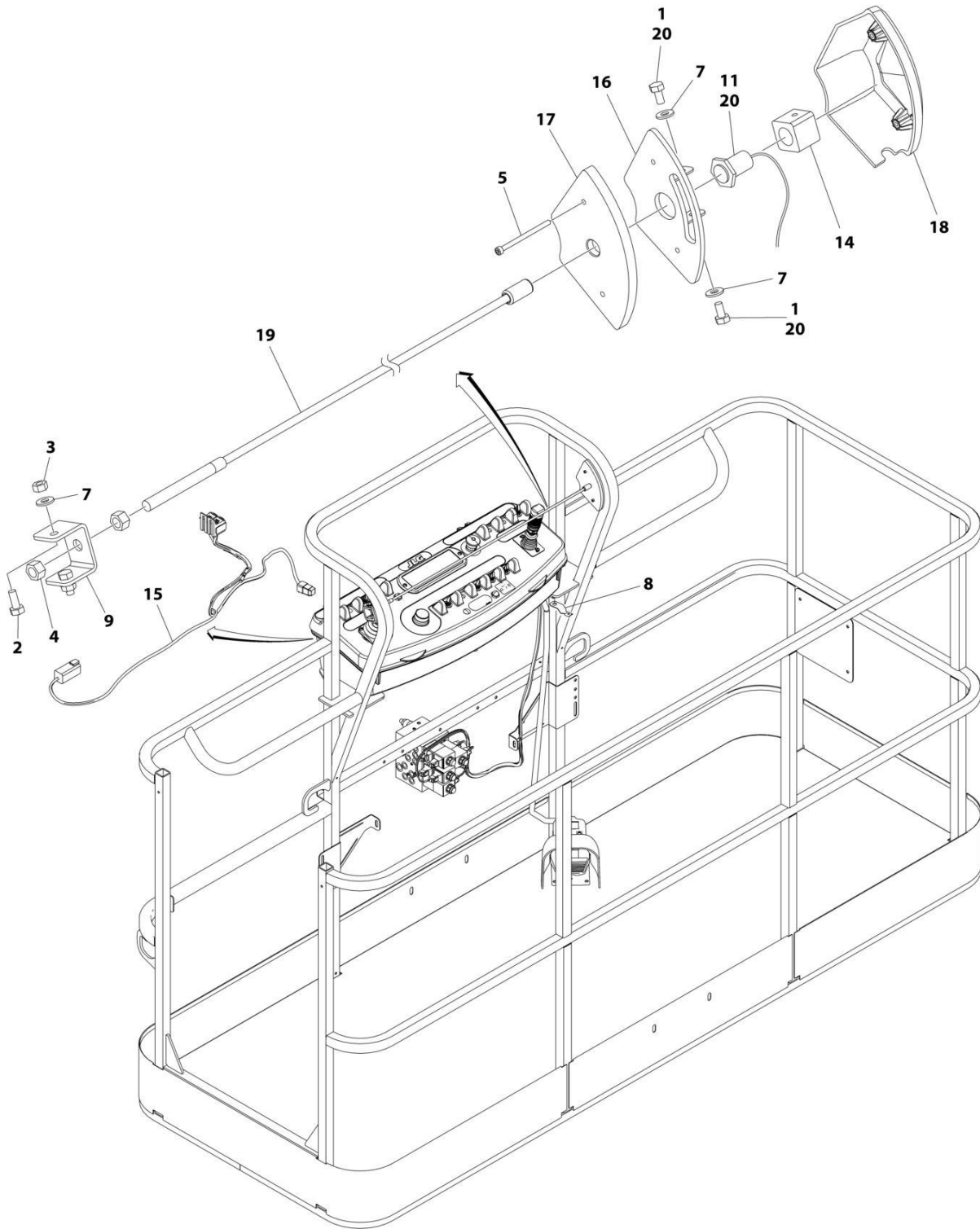
SECTION 5 - PLATFORM

FIGURE 5-17. SKYGUARD BAR INSTALLATION

ITEM	PART NUMBER	QTY	DESCRIPTION	REV
	1001238495	Ref	SKYGUARD BAR INSTALLATION	A
1	0100011	AR	Compound, Locking	
2	0641414	2	Bolt 1/4 x 1-3/4	
3	3300430	2	Nut 1/4	
4	3931408	2	Capscrew 1/4 x 1/2	
5	4240033	8	Tie-Strap	
6	4711400	6	Washer 1/4	
7	1001120328	1	Mount	
8	1001137673	1	SkyGuard Switch Assembly	
9	1001186517	2	Cover, Platform Sensor	
10	1001209664	2	Support, Block	
11	1001186431	2	Relay	
12	1001225580	1	Interface Harness Assembly (Not Shown - Located Inside Console Box) (See Separate Breakdown in ELECTRICAL Section)	
13	1001144433	1	Decal - No Weight SkyGuard	

SECTION 5 - PLATFORM

FIGURE 5-18. SKYLINE INSTALLATION



ART_1001238559_D

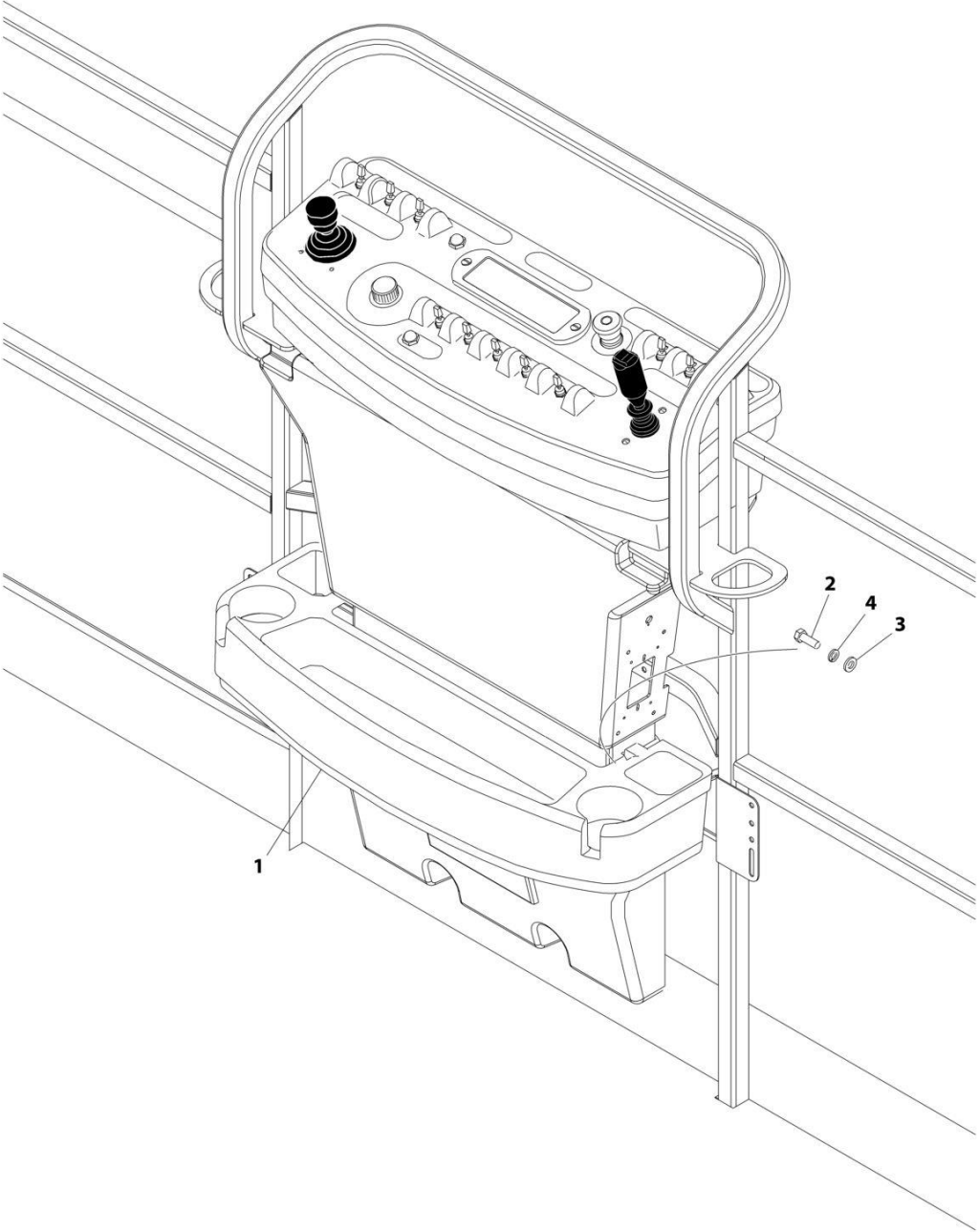
SECTION 5 - PLATFORM

FIGURE 5-18. SKYLINE INSTALLATION

ITEM	PART NUMBER	QTY	DESCRIPTION	REV
	1001238559	Ref	SKYLINE INSTALLATION	D
1	0641404	2	Bolt 1/4 x 1/2	
2	0641405	2	Bolt 1/4 x 5/8	
3	3311405	2	Nut 1/4	
4	3311601	2	Nut 3/8	
5	4031516	2	Capscrew M4 x 60	
6	4240033	AR	Tie-Strap (Not Shown)	
7	4711400	4	Washer 1/4	
8	1001120328	1	Mount	
9	1001232642	1	Bracket	
11	1001232667	1	Sensor, Proximity	
11	1001311034	1	Sensor, Proximity	
14	1001236552	1	Block	
15	1001238418	1	Harness, Skyline (See Separate Breakdown in ELECTRICAL Section)	
16	1001238472	1	Mount	
17	1001254473	1	Housing, LH	
18	1001241965	1	Housing, RH	
19	1001254472	1	Rod	
20	0100011	AR	Compound, Locking	

SECTION 5 - PLATFORM

FIGURE 5-19. STORAGE TRAY INSTALLATION - CENTER



ART_1580012

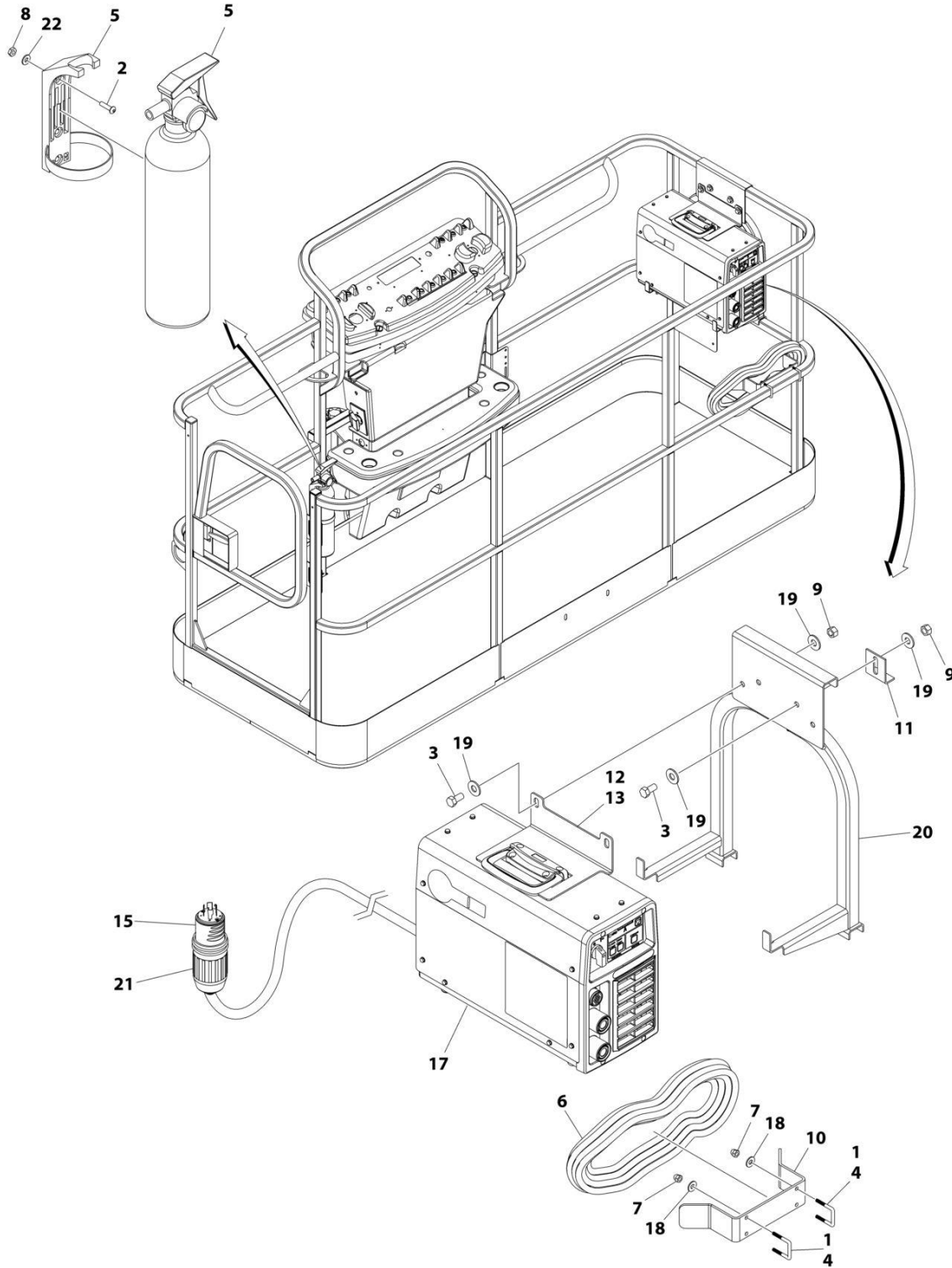
SECTION 5 - PLATFORM

FIGURE 5-19. STORAGE TRAY INSTALLATION - CENTER

ITEM	PART NUMBER	QTY	DESCRIPTION	REV
	1580012	Ref	TRAY ASSEMBLY	C
1	See Note	NSS	Tray, Storage (Center) (Note: Purchase p/n 1580012)	
2	0641406	2	Bolt 1/4 x 3/4	
3	4751400	2	Washer 1/4	
4	4761400	2	Washer 1/4	

SECTION 5 - PLATFORM

FIGURE 5-20. SKYWELDER INSTALLATION (50HZ)



ART_0272254_J

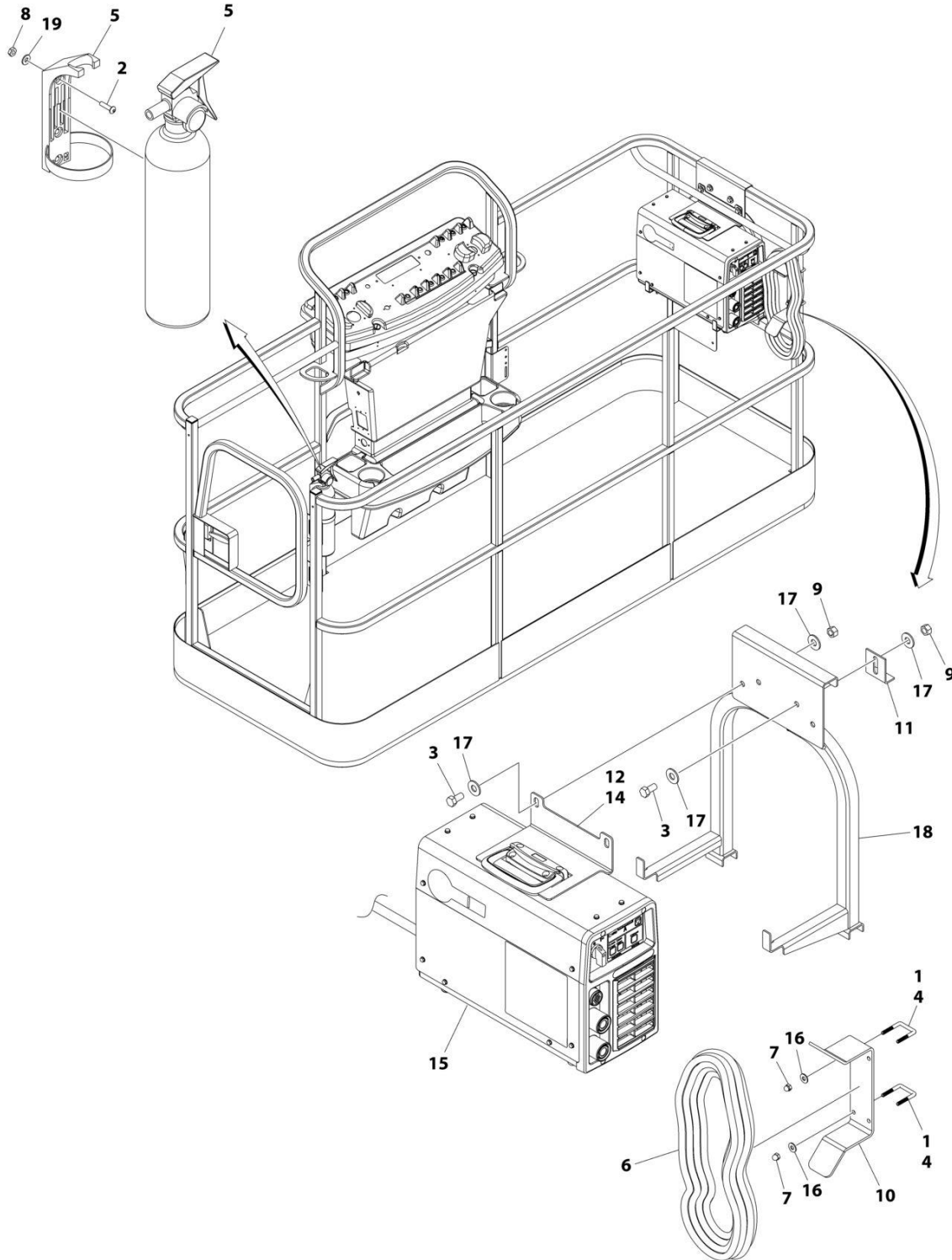
SECTION 5 - PLATFORM

FIGURE 5-20. SKYWELDER INSTALLATION (50HZ)

ITEM	PART NUMBER	QTY	DESCRIPTION	REV
	0272254	Ref	SKYWELDER INSTALLATION	J
1	0100011	AR	Compound, Locking	
2	0630518	2	Screw #10 x 3/4	
3	0641606	4	Bolt 3/8 x 3/4	
4	1320302	2	U-Clamp	
5	2030010	1	Extinguisher, Fire	
6	2902217	1	Weld Leads Kit	
7	3300151	4	Nut 1/4	
8	3311005	2	Nut #10	
9	3311605	4	Nut 3/8	
10	3573400	1	Bracket	
11	3577121	2	Angle	
12	1001269573	1	Plate	
13	4420037	AR	Tape	
14	4240099	AR	Tie-Strap (Not Shown)	
15	4460962	1	Plug, Male Twistlock	
17	1001268820	1	Welder Assembly (See Separate Breakdown in this Section)	
18	4751400	4	Washer 1/4	
19	4751600	8	Washer 3/8	
20	1001269322	1	Support	
21	1671093	1	Cover, Plug	
22	4751000	2	Washer #10	

SECTION 5 - PLATFORM

FIGURE 5-21. SKYWELDER INSTALLATION (60HZ)



ART_0272521_G

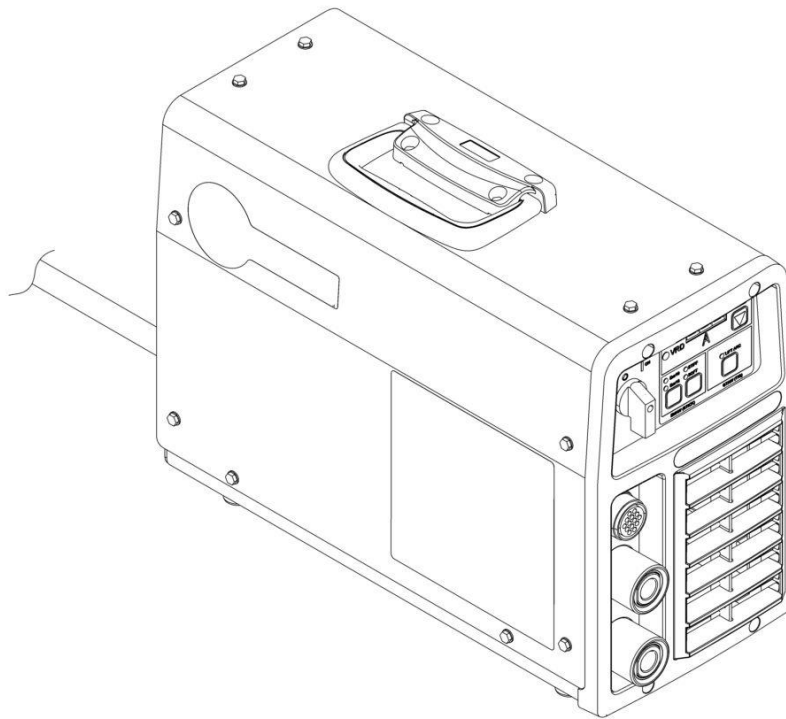
SECTION 5 - PLATFORM

FIGURE 5-21. SKYWELDER INSTALLATION (60HZ)

ITEM	PART NUMBER	QTY	DESCRIPTION	REV
	0272521	Ref	SKYWELDER INSTALLATION	G
1	0100011	AR	Compound, Locking	
2	0630518	2	Screw #10 x 3/4	
3	0641606	4	Bolt 3/8 x 3/4	
4	1320302	2	U-Clamp	
5	2030010	1	Extinguisher, Fire	
6	2902217	1	Weld Leads Kit	
7	3300151	4	Nut 1/4	
8	3311005	2	Nut #10	
9	3311605	4	Nut 3/8	
10	3573400	1	Bracket	
11	3577121	2	Angle	
12	1001269573	1	Plate	
13	4240099	AR	Tie-Strap (Not Shown)	
14	4420037	AR	Tape	
15	1001268820	1	Welder Assembly (See Separate Breakdown in this Section)	
16	4751400	4	Washer 1/4	
17	4751600	8	Washer 3/8	
18	1001269322	1	Support	
19	4751000	2	Washer #10	

SECTION 5 - PLATFORM

FIGURE 5-22. WELDER ASSEMBLY



ART_1001268820

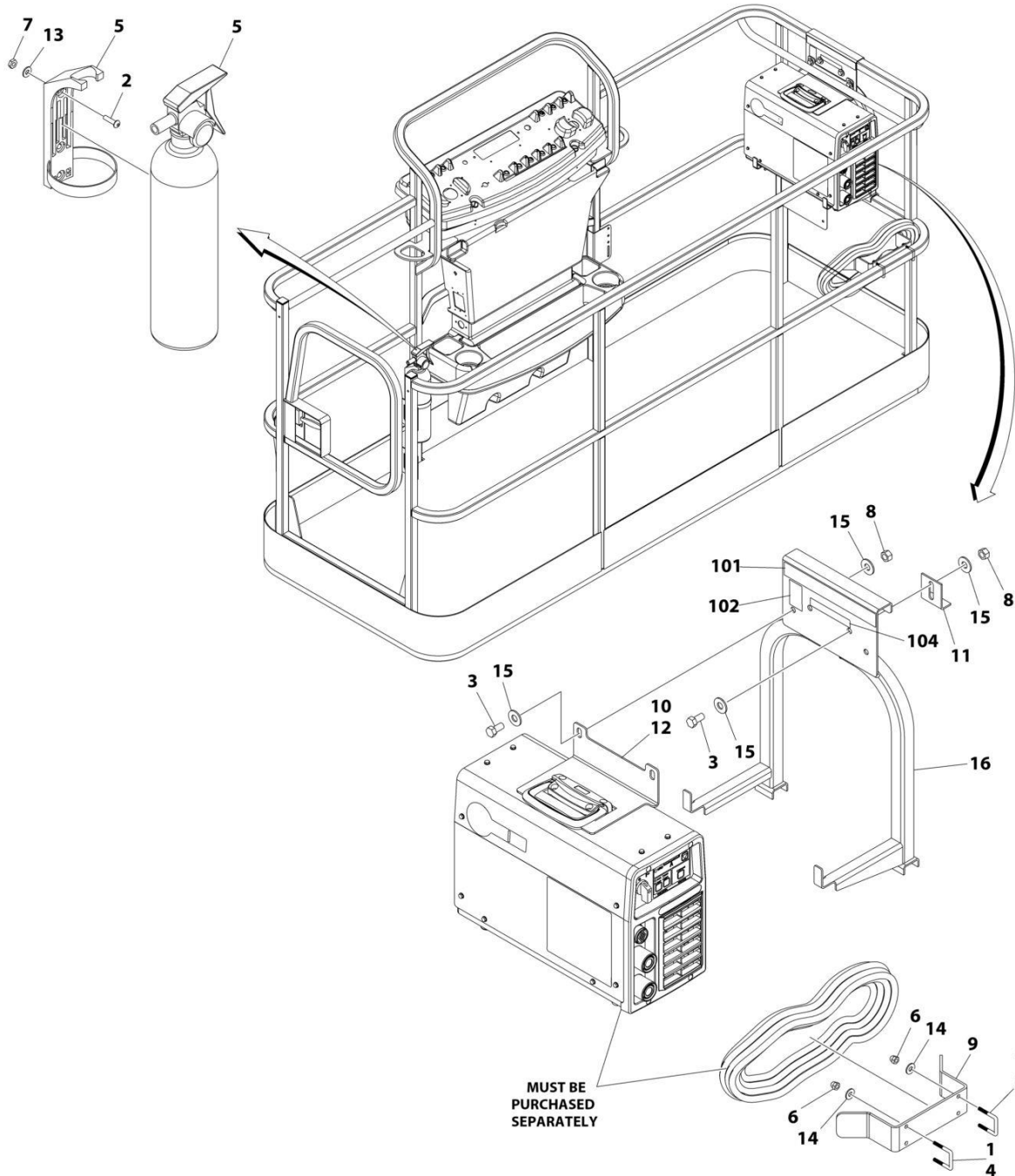
SECTION 5 - PLATFORM

FIGURE 5-22. WELDER ASSEMBLY

ITEM	PART NUMBER	QTY	DESCRIPTION	REV
	1001268820	1 Ref	WELDER ASSEMBLY Note: No Service Parts available at time of Printing.	B

SECTION 5 - PLATFORM

FIGURE 5-23. SKYWELDER PREP PACKAGE (60HZ)



ART_1001128527_C

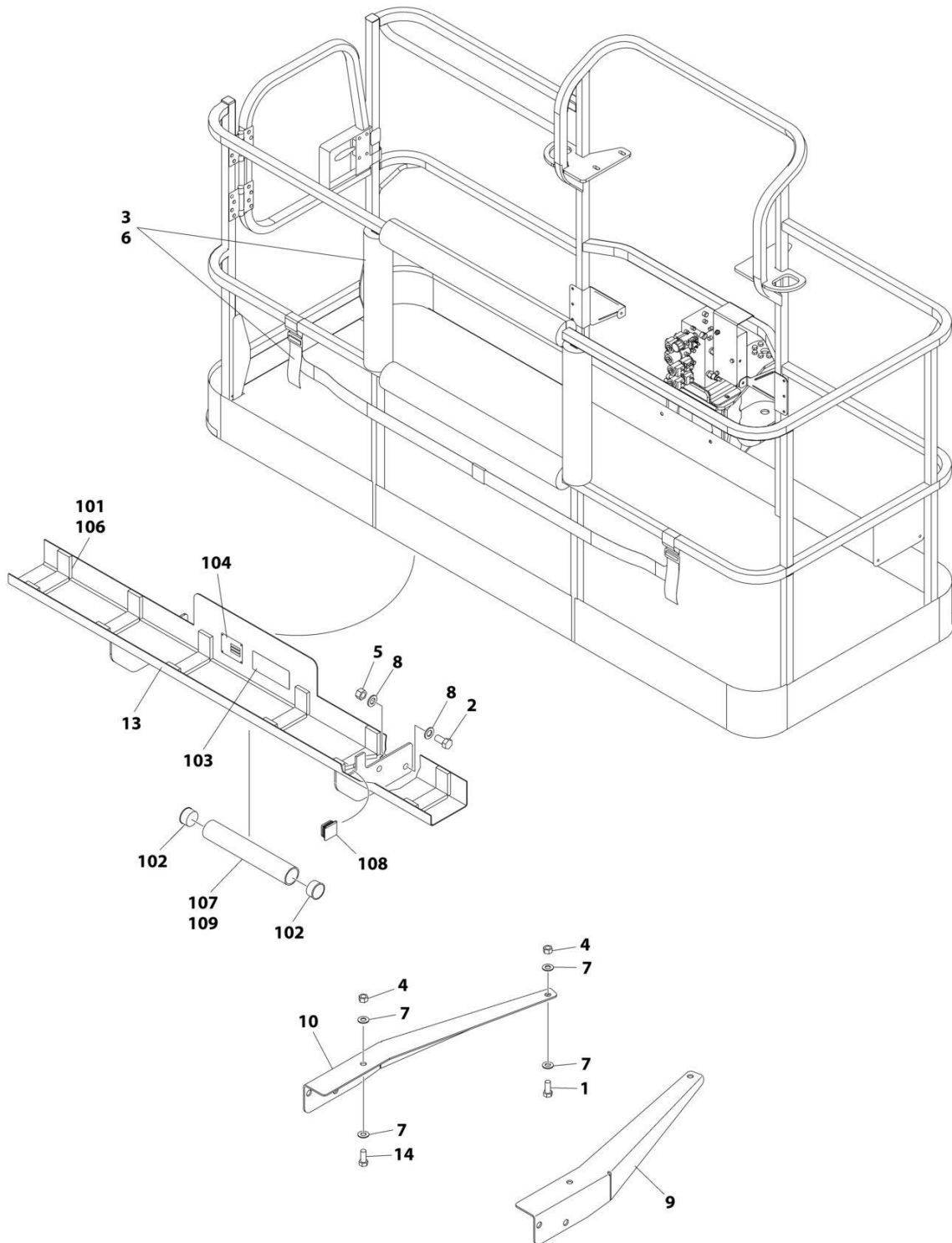
SECTION 5 - PLATFORM

FIGURE 5-23. SKYWELDER PREP PACKAGE (60HZ)

ITEM	PART NUMBER	QTY	DESCRIPTION	REV
	1001128527	Ref	SKYWELDER PREP PACKAGE	C
1	0100011	AR	Compound, Locking	
2	0630518	2	Screw #10 x 3/4	
3	0641606	4	Bolt 3/8 x 3/4	
4	1320302	2	U-Clamp	
5	2030010	1	Extinguisher, Fire	
6	3300151	4	Nut 1/4	
7	3311005	2	Nut #10	
8	3311605	4	Nut 3/8	
9	3573400	1	Bracket	
10	1001269573	1	Plate	
11	3577121	2	Angle	
12	4420037	AR	Tape	
13	4751000	2	Washer #10	
14	4751400	4	Washer 1/4	
15	4751600	8	Washer 3/8	
16	1001269322	1	Support	
	1001128556	Ref	SKYWELDER DECAL INSTALLATION	D
101	1702868	1	Decal - No Hands	
102	1705305	1	Decal - Weld Lead	
104	1001228988	1	Decal - Weight	

SECTION 5 - PLATFORM

FIGURE 5-24. SKYGLAZIER INSTALLATION (ANSI, ANSI EXPORT, CE & CSA SPECS/460SJ HC3
ANSI, AUSTRALIAN & CSA SPECS) (400S HC3)



ART_1001172578_C

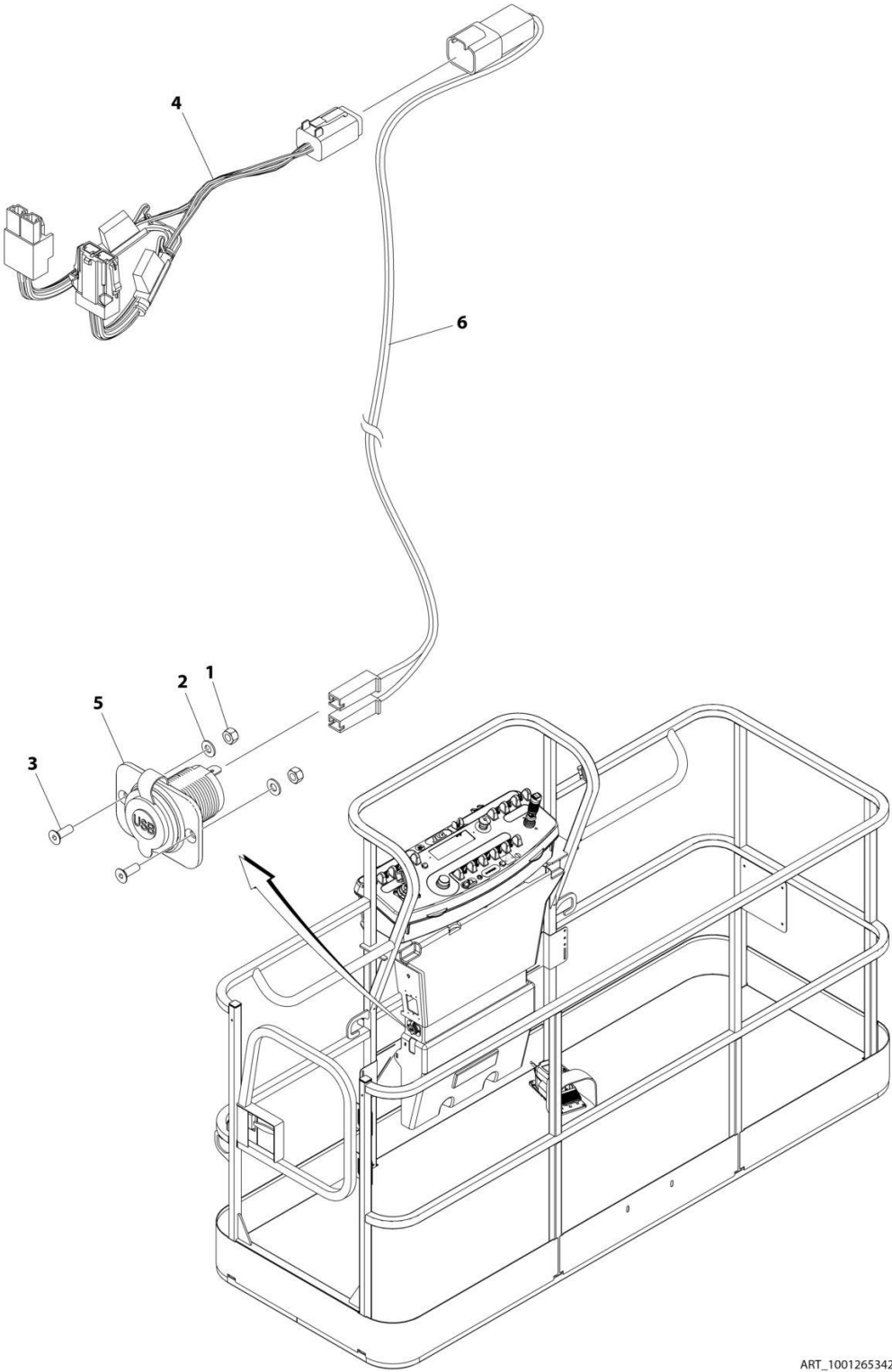
SECTION 5 - PLATFORM

**FIGURE 5-24. SKYGLAZIER INSTALLATION (ANSI, ANSI EXPORT, CE & CSA SPECS/460SJ HC3
ANSI, AUSTRALIAN & CSA SPECS) (400S HC3)**

ITEM	PART NUMBER	QTY	DESCRIPTION	REV
	1001172578	Ref	SKYGLAZIER INSTALLATION	C
1	0642012	2	Bolt 5/8 x 1-1/2	
2	0642212	4	Bolt 3/4 x 1-1/2	
3	2902212	1	Bumpers and Strap Kit	
3	0940102	1	Bumper Only	
3	4240149	1	Strap Only	
4	3312005	1	Nut 5/8	
5	3312205	4	Nut 3/4	
6	4420014	AR	Tape	
7	4712000	6	Washer 5/8	
8	4712200	8	Washer 3/4	
9	1001099366	1	Support	
10	1001099367	1	Support	
13	1001172577	1	Tray Assembly (See Items 101-109 for Breakdown)	
14	8310129	2	Bolt 3/4 x 2-1/2	
	1001172577	Ref	TRAY ASSEMBLY	C
101	0100081	AR	Adhesive	
102	1120555	2	Cap, Tube	
103	1701509	1	Decal - Manual	
104	See Note	NSS	Nameplate - Serial Number (Note: Not Available for Purchase)	
106	3340956	1	Pad Kit	
107	3460334	1	Tube	
108	3520071	2	Plug	
109	4420066	AR	Tape, Double Sided	

SECTION 5 - PLATFORM

FIGURE 5-25. PLATFORM POWER - USB



ART_1001265342

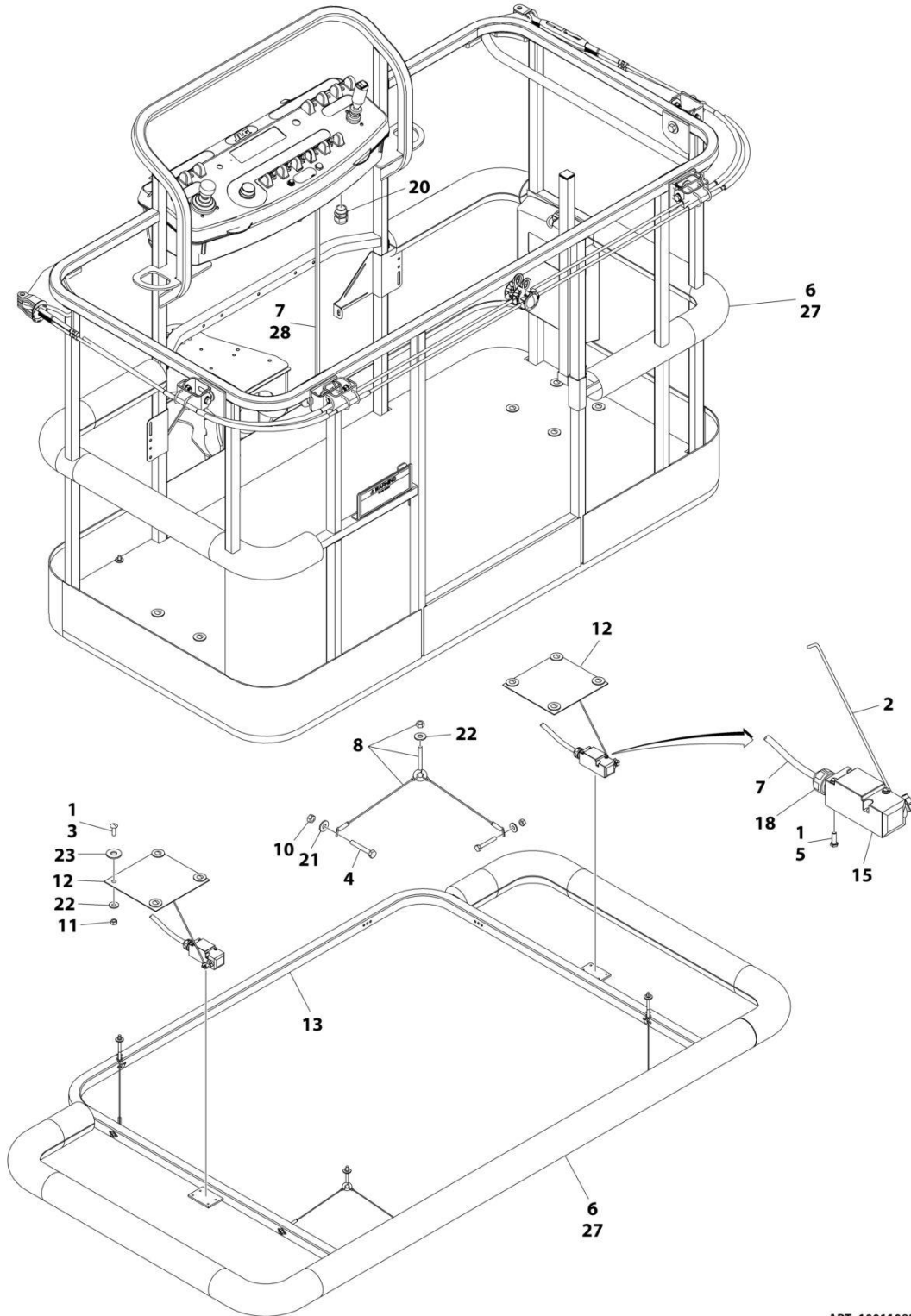
SECTION 5 - PLATFORM

FIGURE 5-25. PLATFORM POWER - USB

ITEM	PART NUMBER	QTY	DESCRIPTION	REV
	1001265342	Ref	USB CHARGER INSTALLATION	A
1	3290405	2	Nut M4	
2	4811400	2	Washer M4	
3	1001097244	2	Screw M4 x 12	
4	1001120484	1	Harness, Work Lights	
4	4460879	1	Plug, Male - 2 Position	
4	4460887	2	Terminal	
4	2400060	2	Fuseholder Includes Cover	
4	8229249	2	Fuse, 3 Amp	
4	4460884	1	Connector - 4 Position	
4	4460465	4	Socket, Female	
4	1001120471	1	Connector - 2 Position	
4	1001120477	2	Terminal	
5	1001210636	1	Receptacle, USB	
6	1001265163	1	Harness, USB	A
6	4460260	2	Cover, Terminal	
6	4460259	2	Terminal	
6	4460932	1	Receptacle, Bussbar - 4 Position	
6	4460464	2	Pin, Male	
6	4460466	2	Plug, Terminal	

SECTION 5 - PLATFORM

FIGURE 5-26. SOFT TOUCH SYSTEM INSTALLATION - 6FT/1.83M FALL ARREST PLATFORM
(MACHINES WITH SN STARTING WITH 03 ONLY)



ART_1001108256_D

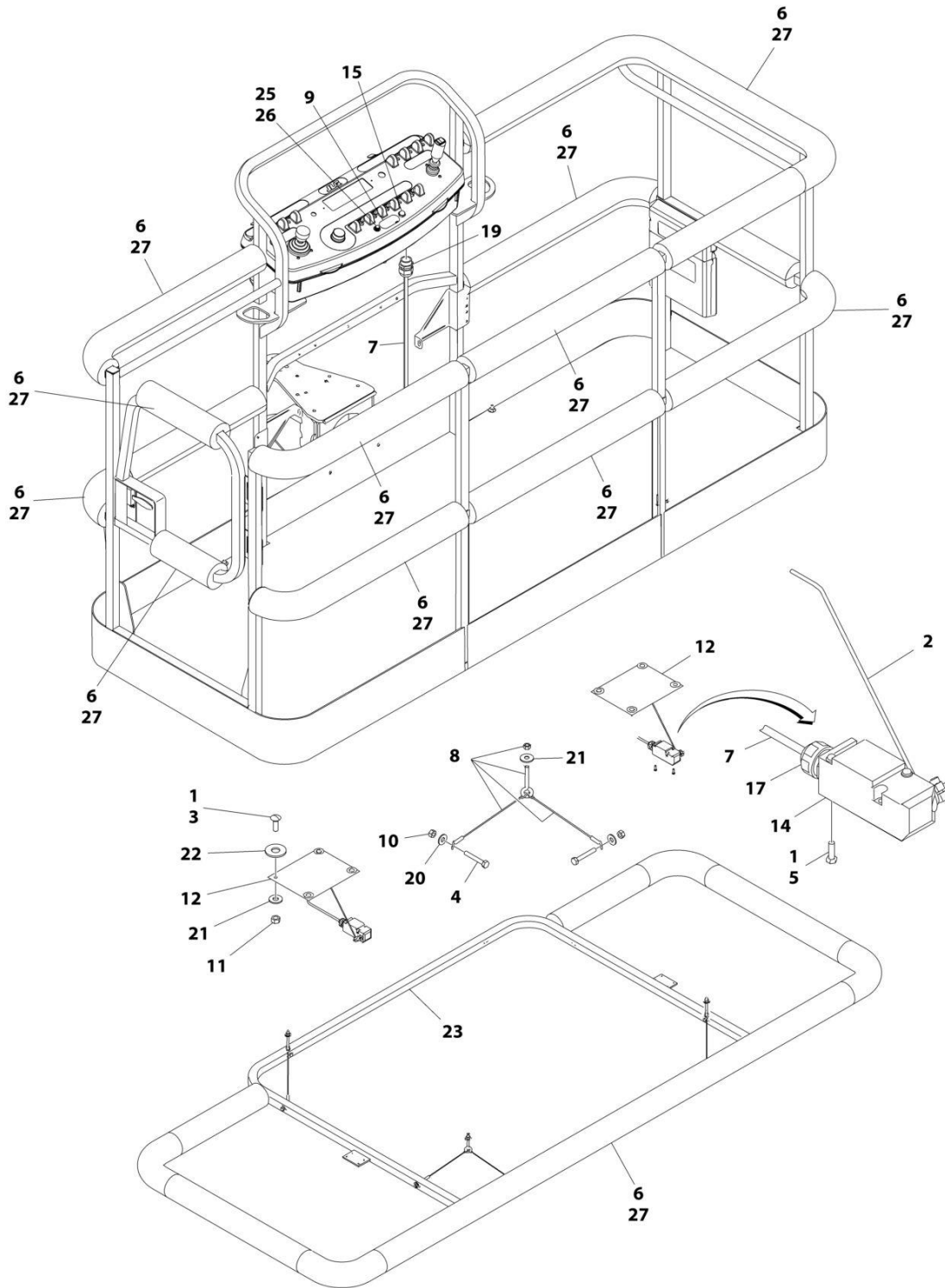
SECTION 5 - PLATFORM

**FIGURE 5-26. SOFT TOUCH SYSTEM INSTALLATION - 6FT/1.83M FALL ARREST PLATFORM
(MACHINES WITH SN STARTING WITH 03 ONLY)**

ITEM	PART NUMBER	QTY	DESCRIPTION	REV
	1001108256	Ref	SOFT TOUCH INSTALLATION	D
1	0100011	AR	Compound, Locking	
2	0200048	2	Arm, Switch	
3	0630462	8	Bolt	
4	0641414	8	Bolt 1/4 x 1-3/4	
5	0731005	4	Bolt #10 x 5/8	
6	0940177	1	Bumper Kit (Includes Corners and Enough Straight Material for One Platform)	
6	0940092	8	Bumper (Corner)	
6	0940094	AR	Bumper (12ft Length)	
7	1060341	23 ft/7m	Cable, Soft Touch - 16/2	
8	1060903	4	Wire Rope and Eyebolt Assembly	
10	3311401	8	Nut 1/4	
11	3311501	8	Nut 5/16	
12	3575359	2	Plate, Switch Strike	
13	3641569	1	Rail, Soft Touch	
14	4240099	7	Tie-Strap (Not Shown)	
15	4360057	2	Switch, Limit	
18	4460049	2	Connector, Strain Relief	
19	4460234	7	Tie-Strap (Not Shown)	
20	4460425	1	Connector, Strain Relief	
21	4751400	8	Washer 1/4	
22	4751500	9	Washer 5/16	
23	4751800	8	Washer 1/2	
27	1001197017	AR	Strap, Cable Tie (Yellow)	
28	4460226	4	Socket	

SECTION 5 - PLATFORM

FIGURE 5-27. SOFT TOUCH SYSTEM INSTALLATION - 8FT/2.44M PLATFORM (MACHINES WITH SN STARTING WITH 03 ONLY)



ART_0272427_G

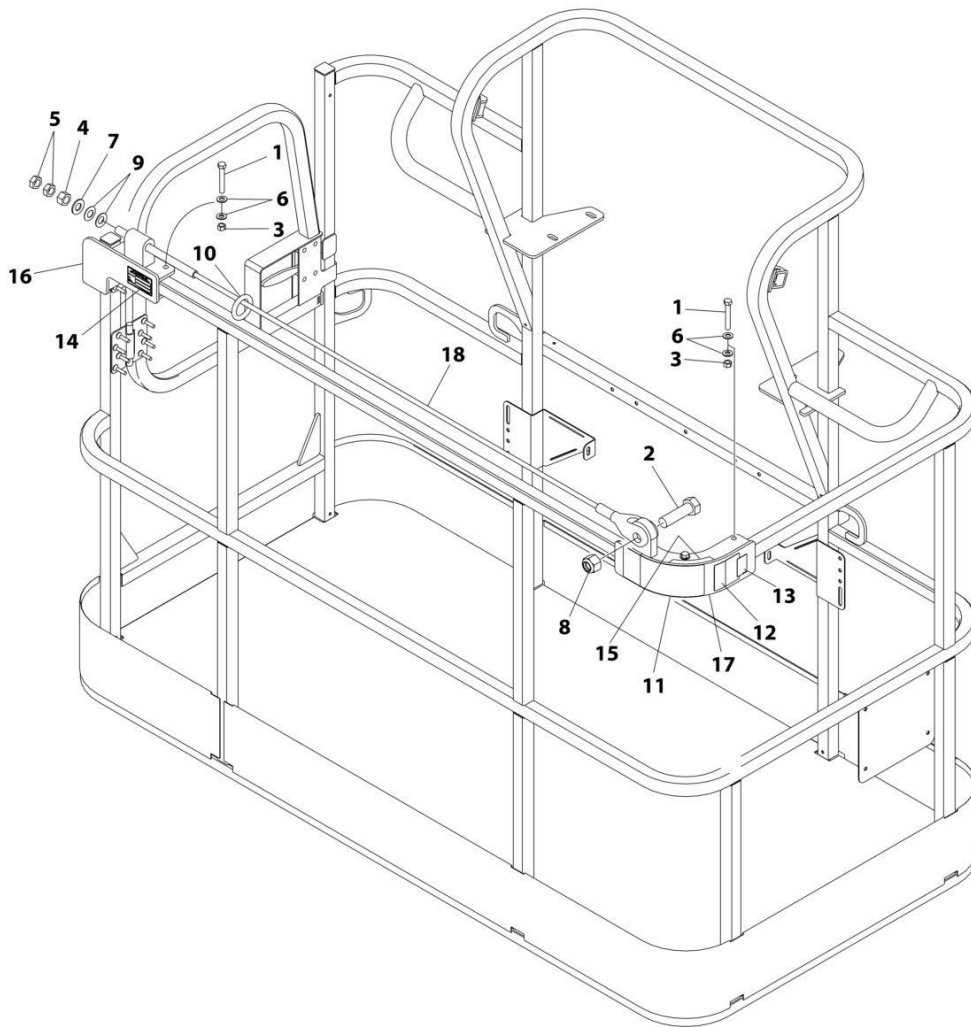
SECTION 5 - PLATFORM

FIGURE 5-27. SOFT TOUCH SYSTEM INSTALLATION - 8FT/2.44M PLATFORM (MACHINES WITH SN STARTING WITH 03 ONLY)

ITEM	PART NUMBER	QTY	DESCRIPTION	REV
	0272427	Ref	SOFT TOUCH INSTALLATION - 36IN X 8FT (91.5CM X 2.44M) PLATFORM (OPTIONAL)	G
1	0100011	AR	Compound, Locking	
2	0200048	2	Arm, Switch	
3	0630462	8	Bolt	
4	0641414	8	Bolt 1/4 x 1-3/4	
5	0721005	4	Bolt #10 x 5/8	
6	0940103	1	Bumper Kit (Includes Corners and Enough Straight Material for One Platform)	
6	0940092	12	Bumper (Corner)	
6	0940094	AR	Bumper (12ft Length)	
7	1060341	23 ft/7m	Cable, Soft Touch - 16/2	
8	1060903	4	Wire Rope and Eyebolt Assembly	
9	1702938	1	Decal - Soft Touch Override	
10	3311401	8	Nut 1/4	
11	3311501	8	Nut 5/16	
12	3574091	2	Plate, Switch Strike	
13	4240099	7	Tie-Strap (Not Shown)	
14	4360057	2	Switch, Limit	
15	4360387	1	Switch, Push Button	
16	4420068	AR	Tape, Adhesive	
16	1001197017	AR	Tie-Strap	
17	4460049	2	Connector, Strain Relief	
18	4460234	7	Tie-Strap (Not Shown)	
19	4460425	1	Connector, Strain Relief	
20	4751400	8	Washer 1/4	
21	4751500	12	Washer 5/16	
22	4751800	8	Washer 1/2	
23	4846673	1	Rail, Soft Touch	
24	4933218	1	Soft Touch Wiring Diagram (Not Shown - Reference Only)	
25	2920028	1	Light, Indicator	
26	2920029	1	Bulb, Light	

SECTION 5 - PLATFORM

FIGURE 5-28. FALL ARREST (BOLT-ON) INSTALLATION - 30IN PLATFORM



ART_1001257275

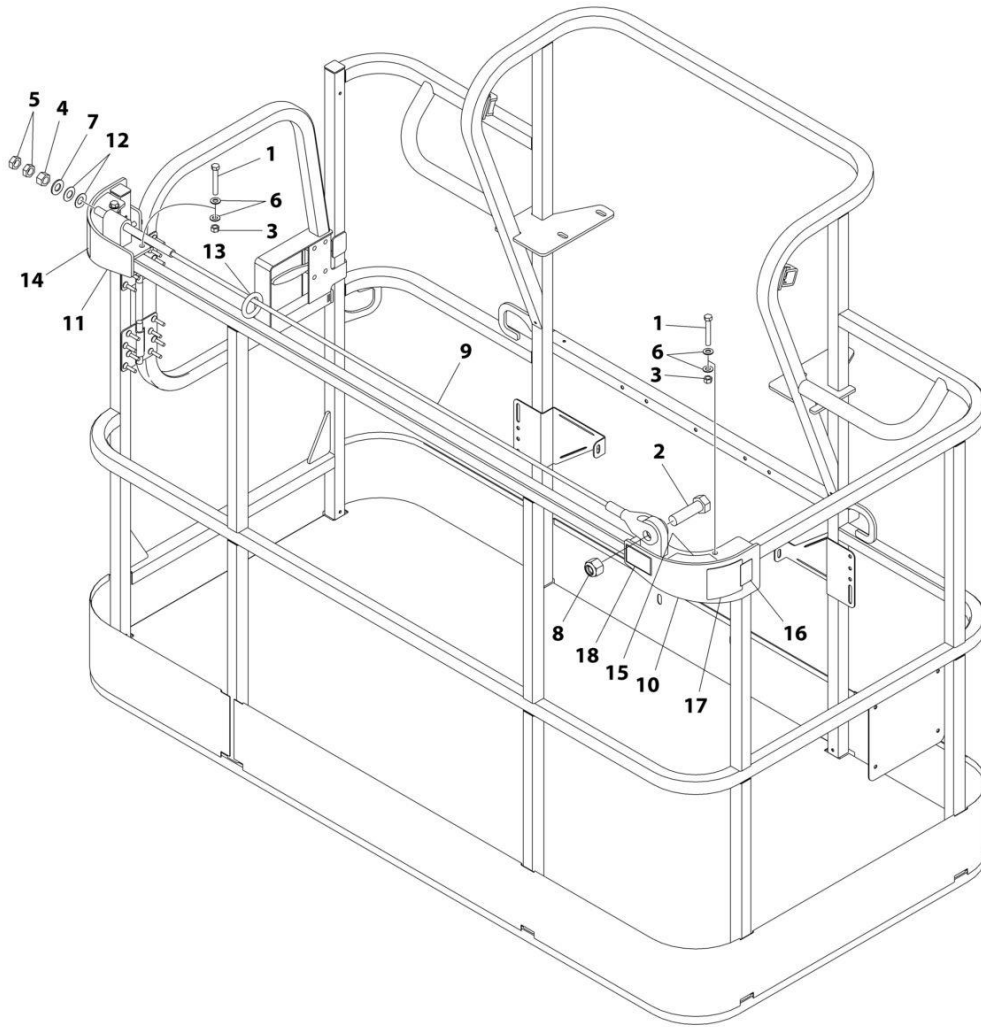
SECTION 5 - PLATFORM

FIGURE 5-28. FALL ARREST (BOLT-ON) INSTALLATION - 30IN PLATFORM

ITEM	PART NUMBER	QTY	DESCRIPTION	REV
	1001257275	Ref	FALL ARREST INSTALLATION (BOLT - ON) 6FT/1.82M PLATFORM	A
1	0681620	6	Bolt 3/8 x 2-1/2	
2	0682424	1	Bolt 7/8 x 3	
3	3271605	6	Nut 3/8	
4	3272001	1	Nut 5/8	
5	3312002	2	Nut 5/8	
6	4711600	12	Washer 3/8	
7	4712000	1	Washer 5/8	
8	88521214	1	Nut 7/8	
9	1001236891	2	Washer	
10	1001236895	1	Ring	
11	1001238263	1	Decal - Warning Falling Hazard	
12	1001248140	1	Decal - Bolt Fall Arrest Re-Cert	
13	1001248141	1	Decal - Incription	
14	See Note	NSS	Nameplate - Manufacturers Serial Number (Note: Not Available for Purchase)	
15	1001252629	1	Decal - Weight	
16	1001257271	1	Bracket (RH)	
17	1001257274	1	Bracket (LH)	
18	1001258005	1	Rope	

SECTION 5 - PLATFORM

FIGURE 5-29. FALL ARREST (BOLT-ON) INSTALLATION - 72IN STANDARD PLATFORM



ART_1001236747

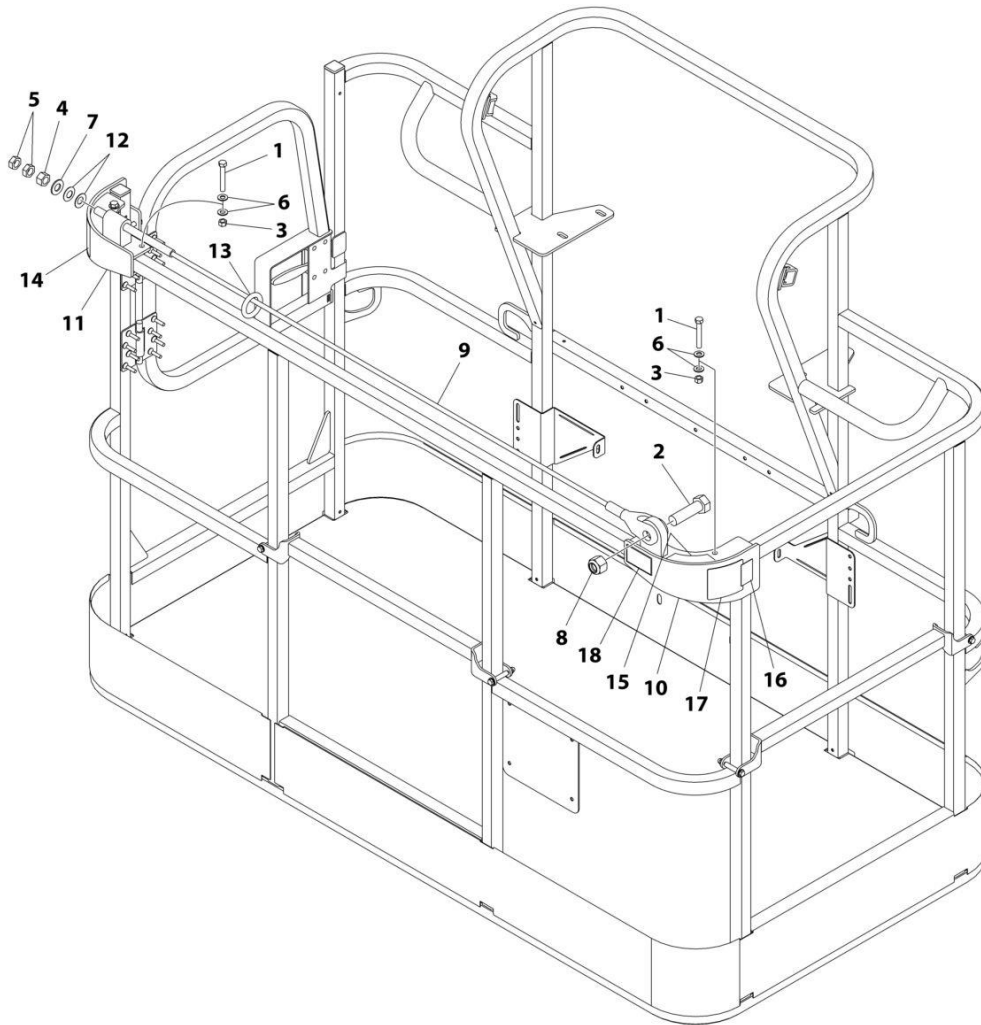
SECTION 5 - PLATFORM

FIGURE 5-29. FALL ARREST (BOLT-ON) INSTALLATION - 72IN STANDARD PLATFORM

ITEM	PART NUMBER	QTY	DESCRIPTION	REV
	1001236747	Ref	FALL ARREST INSTALLATION (BOLT - ON) 6FT/1.82M PLATFORM	C
1	0681620	6	Bolt 3/8 x 2-1/2	
2	0682424	1	Bolt 7/8 x 3	
3	3271605	6	Nut 3/8	
4	3272001	1	Nut 5/8	
5	3312002	2	Nut 5/8	
6	4711600	12	Washer 3/8	
7	4712000	1	Washer 5/8	
8	88521214	1	Nut 7/8	
9	1001231950	1	Rope	
10	1001232010	1	Bracket (RH)	
11	1001232011	1	Bracket (LH)	
12	1001236891	2	Washer	
13	1001236895	1	Ring	
14	1001238263	1	Decal - Warning Falling Hazard	
15	1001252629	1	Decal - Weight	
16	1001248140	1	Decal - Bolt Fall Arrest Re-Cert	
17	1001248141	1	Decal - Inscription	

SECTION 5 - PLATFORM

FIGURE 5-30. FALL ARREST (BOLT-ON) INSTALLATION - 72IN TRI-ENTRY PLATFORM



ART_1001238463

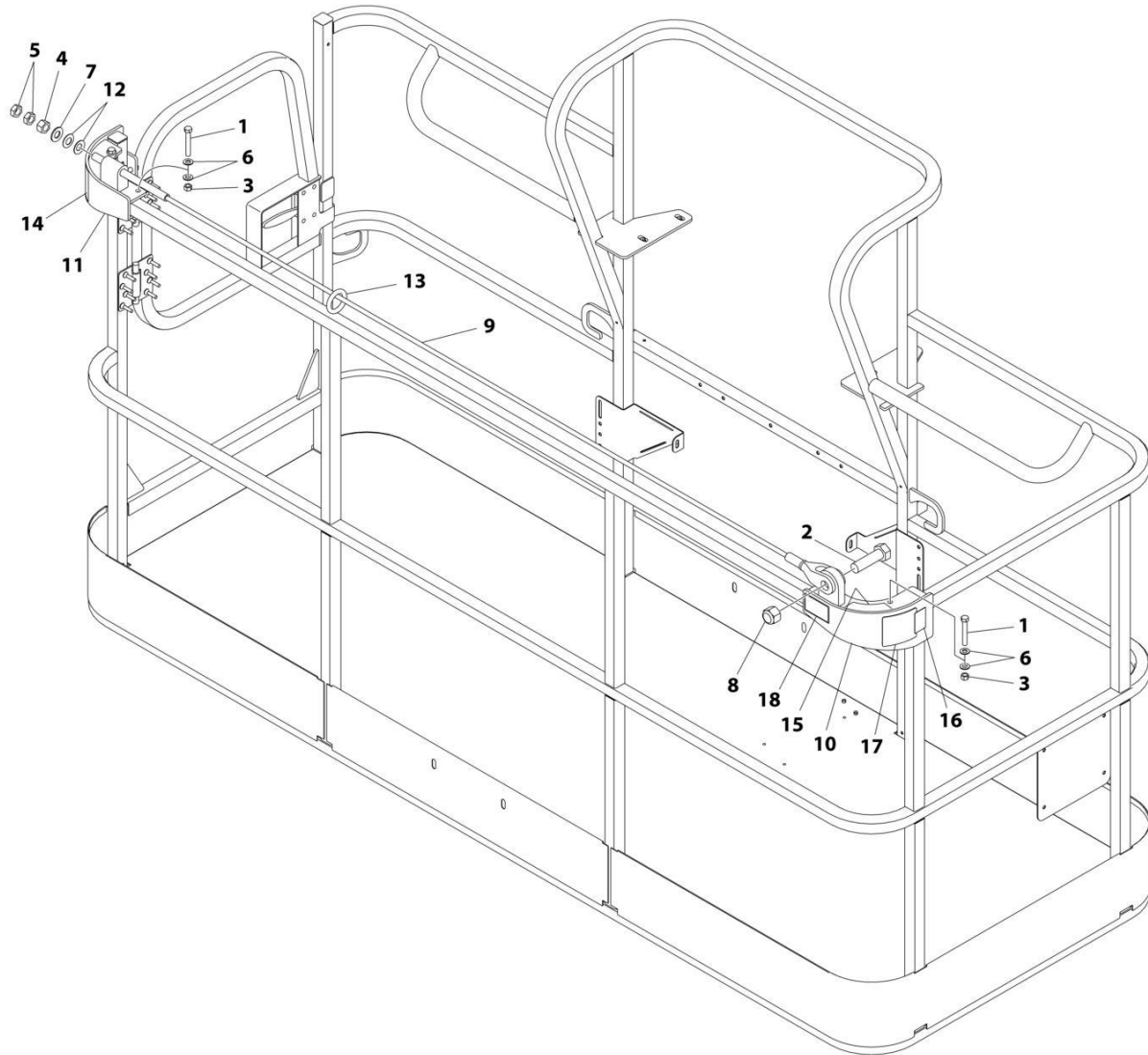
SECTION 5 - PLATFORM

FIGURE 5-30. FALL ARREST (BOLT-ON) INSTALLATION - 72IN TRI-ENTRY PLATFORM

ITEM	PART NUMBER	QTY	DESCRIPTION	REV
	1001238463	Ref	FALL ARREST INSTALLATION (BOLT - ON) 6FT/1.82M PLATFORM	C
1	0681620	6	Bolt 3/8 x 2-1/2	
2	0682424	1	Bolt 7/8 x 3	
3	3271605	6	Nut 3/8	
4	3272001	1	Nut 5/8	
5	3312002	2	Nut 5/8	
6	4711600	12	Washer 3/8	
7	4712000	1	Washer 5/8	
8	88521214	1	Nut 7/8	
9	1001231950	1	Rope	
10	1001232010	1	Bracket (RH)	
11	1001232011	1	Bracket (LH)	
12	1001236891	2	Washer	
13	1001236895	1	Ring	
14	1001238263	1	Decal - Warning Falling Hazard	
15	1001252629	1	Decal - Weight	
16	1001248140	1	Decal - Bolt Fall Arrest Re-Cert	
17	1001248141	1	Decal - Inscription	

SECTION 5 - PLATFORM

FIGURE 5-31. FALL ARREST (BOLT-ON) INSTALLATION - 96IN PLATFORM



ART_1001236746

SECTION 5 - PLATFORM

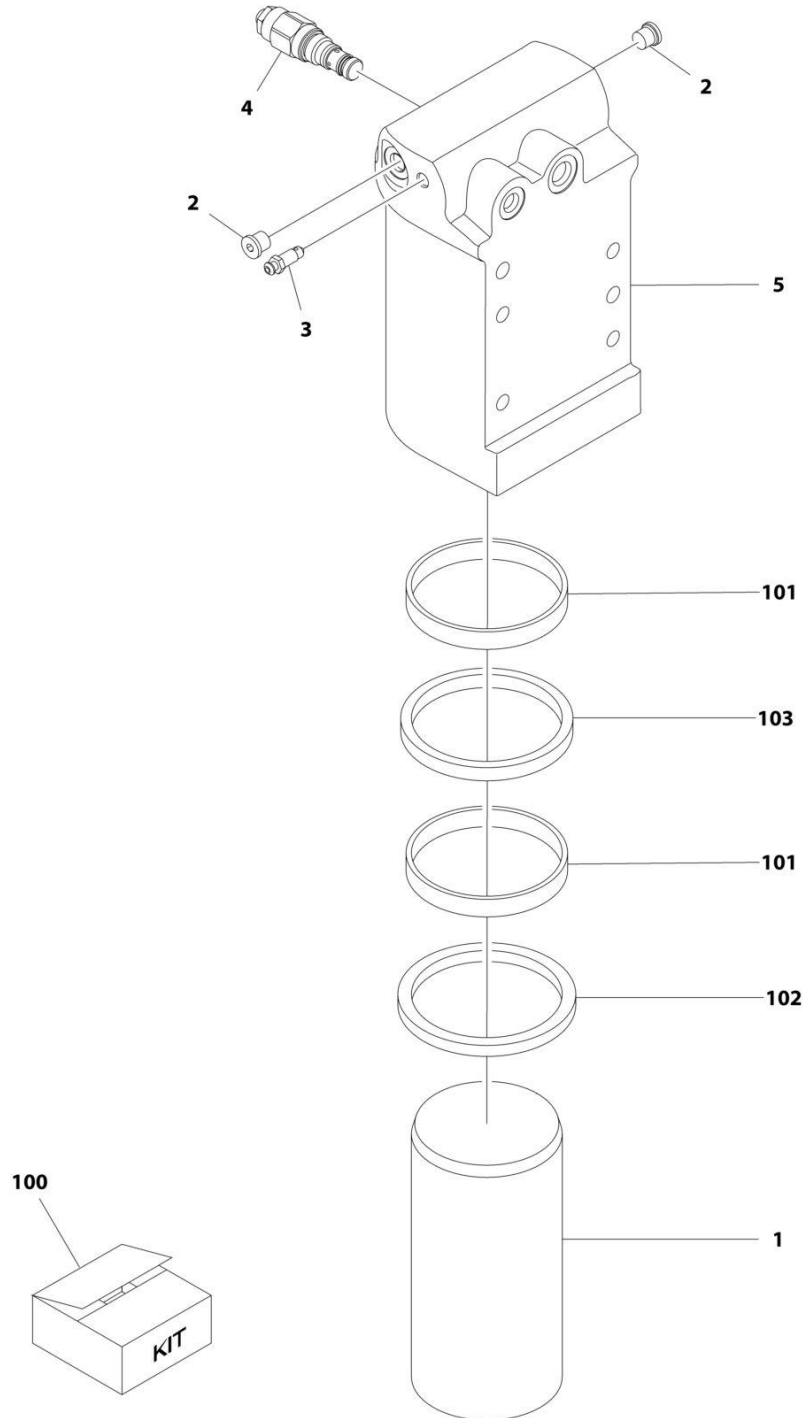
FIGURE 5-31. FALL ARREST (BOLT-ON) INSTALLATION - 96IN PLATFORM

ITEM	PART NUMBER	QTY	DESCRIPTION	REV
	1001236746	Ref	FALL ARREST INSTALLATION (BOLT - ON) 8FT/2.4M PLATFORM	C
1	0681620	6	Bolt 3/8 x 2-1/2	
2	0682424	1	Bolt 7/8 x 3	
3	3271605	6	Nut 3/8	
4	3272001	1	Nut 5/8	
5	3312002	2	Nut 5/8	
6	4711600	12	Washer 3/8	
7	4712000	1	Washer 5/8	
8	88521214	1	Nut 7/8	
9	1001231949	1	Rope	
10	1001232010	1	Bracket (RH)	
11	1001232011	1	Bracket (LH)	
12	1001236891	2	Washer	
13	1001236895	1	Ring	
14	1001238263	1	Decal - Warning Falling Hazard	
15	1001252629	1	Decal - Weight 23LBS/10.4KG	
16	1001248140	1	Decal - Bolt Fall Arrest Re-Cert	
17	1001248141	1	Decal - Inscription	

SECTION 6 - CYLINDER

SECTION 6 - CYLINDER

FIGURE 6-1. AXLE LOCKOUT CYLINDER ASSEMBLY



ART_1001163580

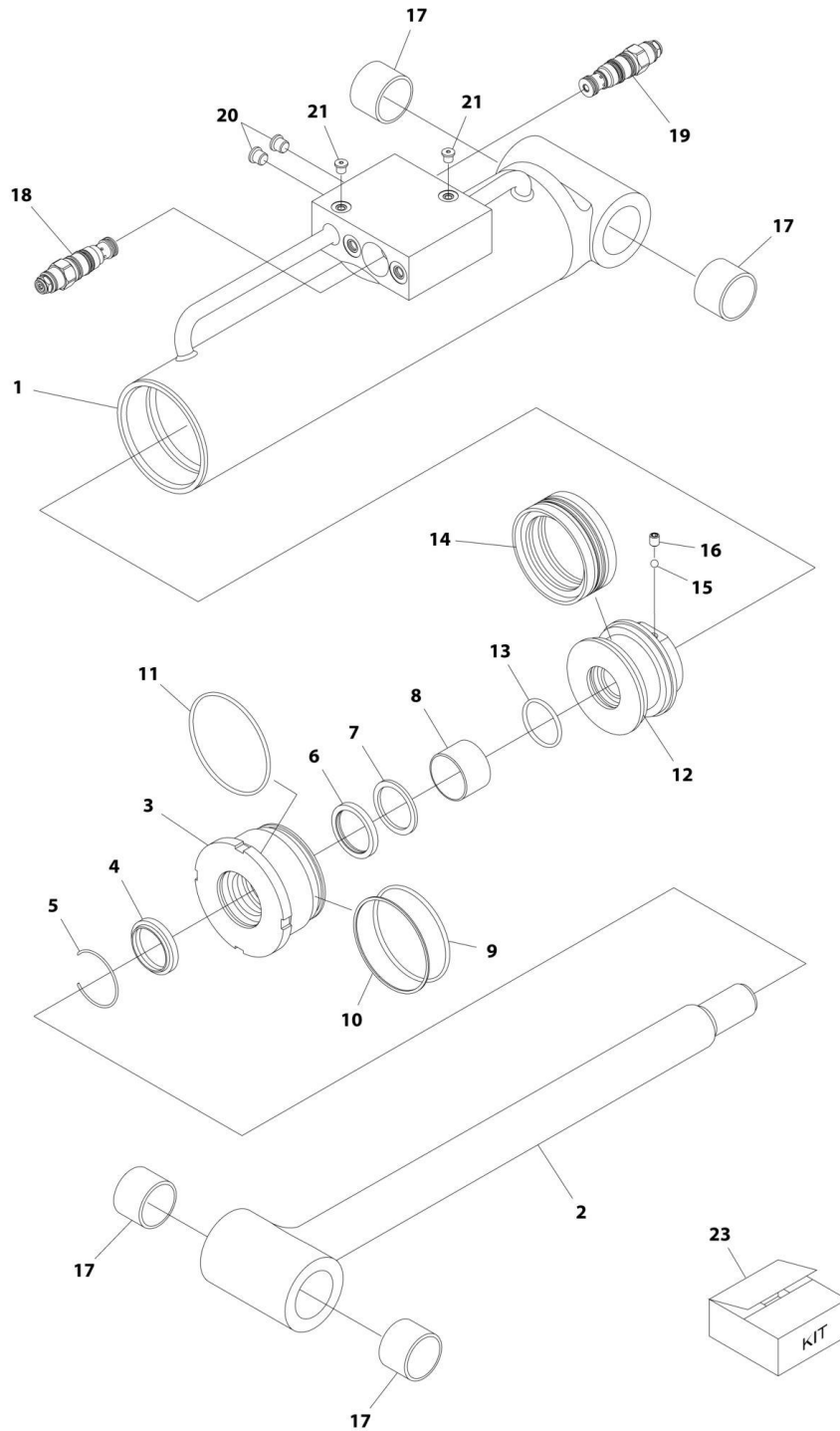
SECTION 6 - CYLINDER

FIGURE 6-1. AXLE LOCKOUT CYLINDER ASSEMBLY

ITEM	PART NUMBER	QTY	DESCRIPTION	REV
	1001163580	Ref	AXLE LOCKOUT CYLINDER ASSEMBLY	I
		Ref	Note: Original Cylinder May Have Been Replaced with Service Replacement. Identify PN Stamped on Cylinder Before Ordering Parts.	
1	1684290	1	Rod	
2	2220883	2	Plug #4	
3	4640858	1	Valve, Bleeder	
4	1001117372	1	Cartridge, Valve	
4	70002842	1	Seal Kit - 1001117372 Valve	
5	1001164817	1	Barrel	
100	2902266	NLA	Seal Kit - 1001163590 Cylinder (Includes Items 101-103)	
101	See Note	NSS	Ring, Wear (Note: Use Item 100)	
102	See Note	NSS	Seal (Note: Use Item 100)	
103	See Note	NSS	Wiper (Note: Use Item 100)	

SECTION 6 - CYLINDER

FIGURE 6-2. LEVEL CYLINDER ASSEMBLY - PLATFORM SLAVE (400S HC3)



ART_1001163386

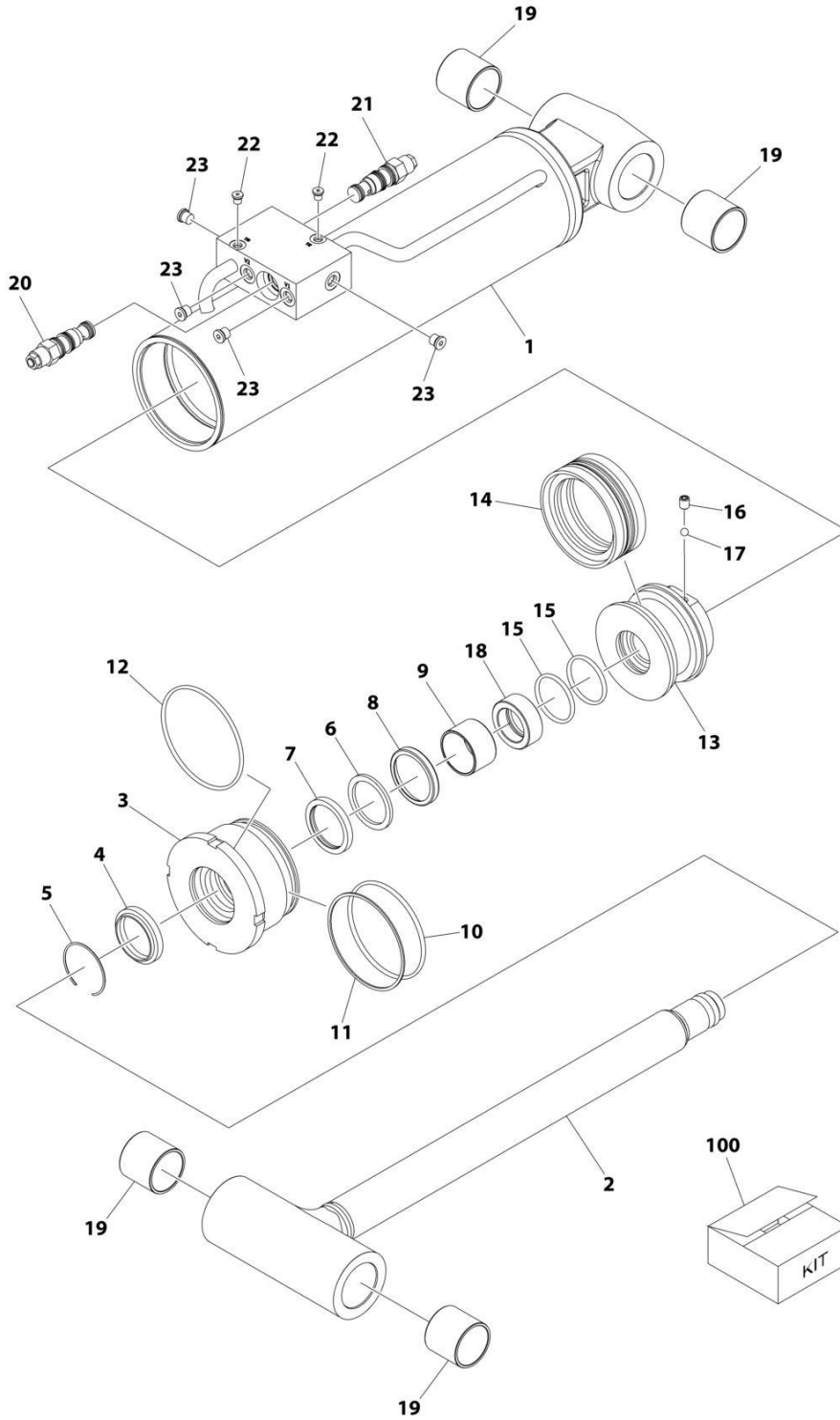
SECTION 6 - CYLINDER

FIGURE 6-2. LEVEL CYLINDER ASSEMBLY - PLATFORM SLAVE (400S HC3)

ITEM	PART NUMBER	QTY	DESCRIPTION	REV
	1001163386	Ref	LEVEL (PLATFORM SLAVE) CYLINDER ASSEMBLY	G
		Ref	Note: Original Cylinder May Have Been Replaced with Service Replacement. Identify PN Stamped on Cylinder Before Ordering Parts.	
1	70005147	1	Barrel	
2	70005148	1	Rod	
3	70005142	1	Head	
4	See Note	NSS	Wiper (Note: Use Item 23)	
5	70002373	1	Ring, Retaining	
6	See Note	NSS	Seal, Rod (Note: Use Item 23)	
7	See Note	NSS	Ring, Back-up (Note: Use Item 23)	
8	70005143	1	Bearing, Dry	
9	See Note	NSS	O-Ring (Note: Use Item 23)	
10	See Note	NSS	Ring, Back-up (Note: Use Item 23)	
11	See Note	NSS	O-Ring (Note: Use Item 23)	
12	70005144	1	Piston	
13	See Note	NSS	O-Ring (Note: Use Item 23)	
14	See Note	NSS	Seal, Piston (Note: Use Item 23)	
15	70022564	1	Ball	
16	70023369	1	Setscrew	
17	70005145	4	Bearing	
18	1001168209	1	Cartridge, Valve	
18	2900770	1	Seal Kit - 1001168209 Valve	
19	1001168210	1	Cartridge, Valve	
19	2900770	1	Seal Kit - 1001168210 Valve	
20	70023370	1	Plug 7/16	
21	2220881	1	Plug, O-Ring 5/16	
23	70005149	1	Seal Kit - 1001163386 Cylinder (Includes Items 4, 6, 7, 9, 10, 11, 13 & 14)	

SECTION 6 - CYLINDER

FIGURE 6-3. LEVEL CYLINDER ASSEMBLY - PLATFORM SLAVE (460SJ HC3)



ART_1001237697

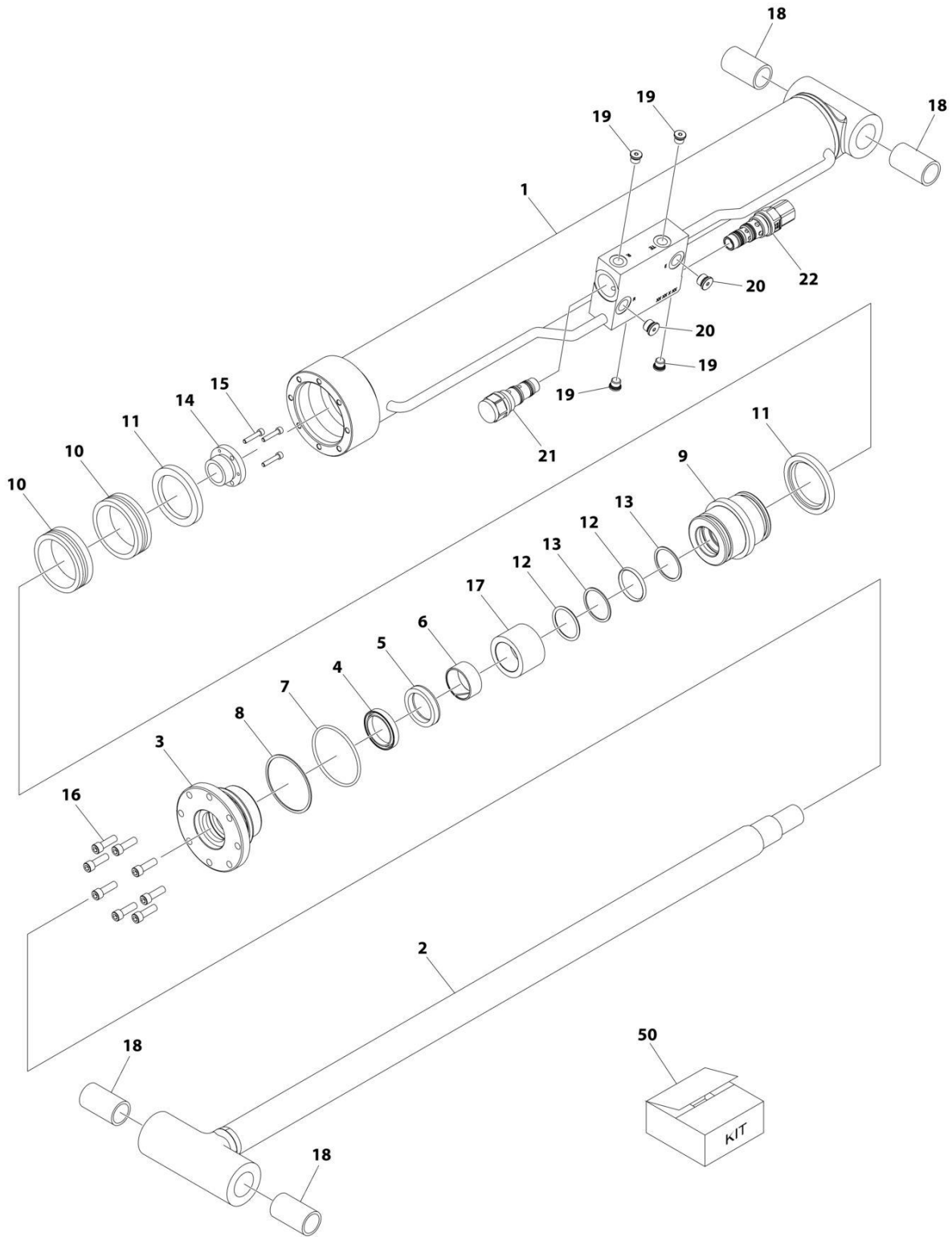
SECTION 6 - CYLINDER

FIGURE 6-3. LEVEL CYLINDER ASSEMBLY - PLATFORM SLAVE (460SJ HC3)

ITEM	PART NUMBER	QTY	DESCRIPTION	REV
	1001237697	Ref	LEVEL (PLATFORM SLAVE) CYLINDER ASSEMBLY	B
		Ref	Note: Original Cylinder May Have Been Replaced with Service Replacement. Identify PN Stamped on Cylinder Before Ordering Parts.	
1	See Note	NSS	Barrel (Note: Use PN 1001237697)	
2	70007168	1	Rod	
3	70007157	1	Head	
4	See Note	NSS	Wiper (Note: Use Item 100)	
5	70002410	1	Ring, Retaining	
6	See Note	NSS	Seal, Rod (Note: Use Item 100)	
7	See Note	NSS	Ring, Back-up (Note: Use Item 100)	
8	See Note	NSS	Ring (Note: Use Item 100)	
9	70004237	1	Bearing, Dry	
10	See Note	NSS	O-Ring (Note: Use Item 100)	
11	See Note	NSS	Ring, Back-up (Note: Use Item 100)	
12	See Note	NSS	O-Ring (Note: Use Item 100)	
13	70007161	1	Piston	
14	See Note	NSS	Seal, Piston (Note: Use Item 100)	
15	See Note	NSS	O-Ring (Note: Use Item 100)	
16	70023369	1	Setscrew	
17	70022564	1	Ball	
18	70007169	1	Spacer	
19	70007159	4	Bearing	
20	1001168209	1	Cartridge, Valve	
20	2900770	1	Seal Kit - 1001168209 Valve	
21	1001168210	1	Cartridge, Valve	
21	2900770	1	Seal Kit - 1001168210 Valve	
22	2220881	2	Plug, O-Ring 5/16	
23	2220883	4	Plug 7/16	
100	70007160	1	Seal Kit - 1001237697 Cylinder (Includes Items 4, 6, 7, 8, 10, 11, 12, 14 & 15)	

SECTION 6 - CYLINDER

FIGURE 6-4. LIFT CYLINDER ASSEMBLY - JIB (460SJ HC3)



ART_1001264991

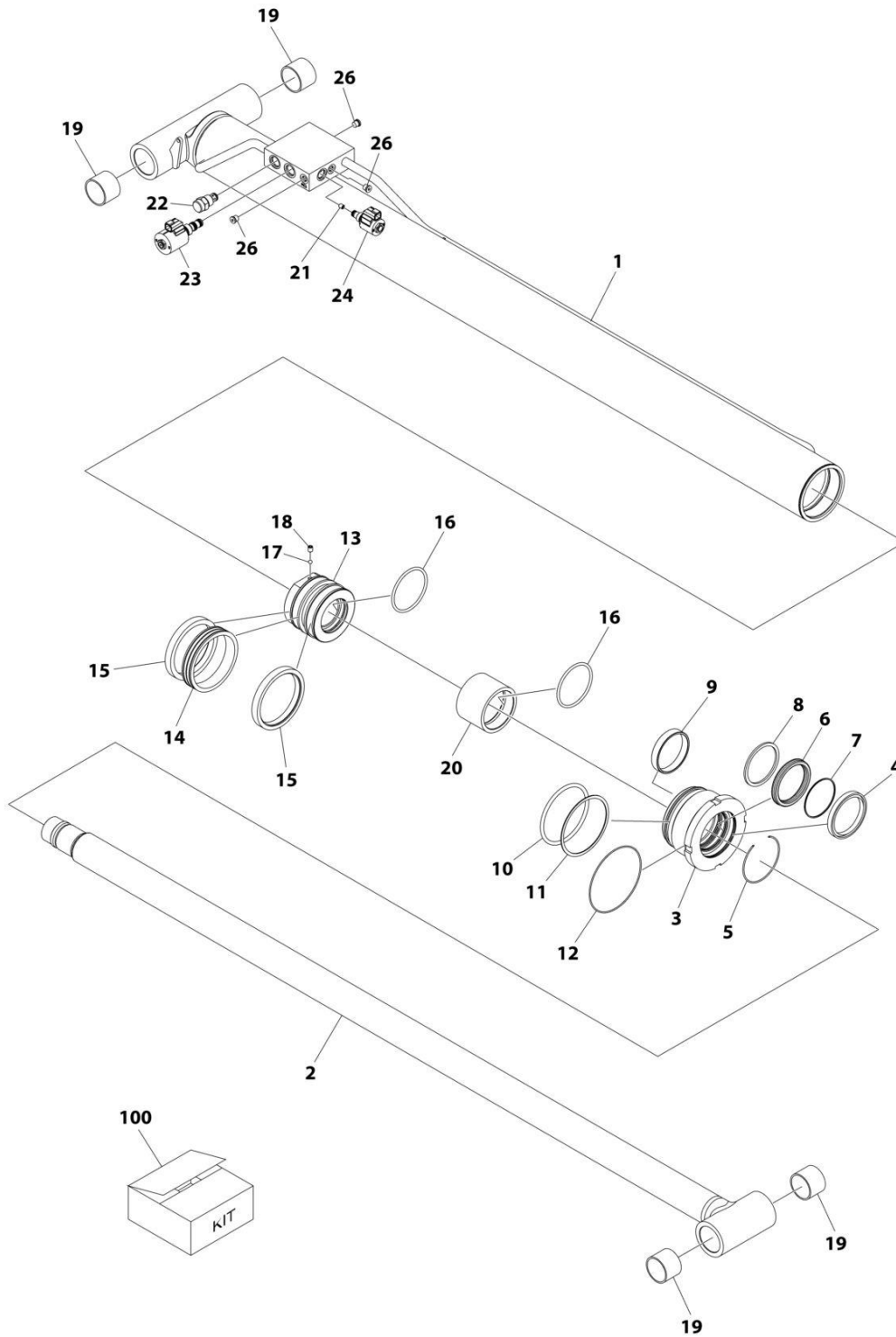
SECTION 6 - CYLINDER

FIGURE 6-4. LIFT CYLINDER ASSEMBLY - JIB (460SJ HC3)

ITEM	PART NUMBER	QTY	DESCRIPTION	REV
	1001264991	Ref	LIFT CYLINDER ASSEMBLY - JIB	B
		Ref	Note: Original Cylinder May Have Been Replaced with Service Replacement. Identify PN Stamped on Cylinder Before Ordering Parts.	
1	See Note	NSS	Barrel (Note: Use PN 1001264991)	
2	70006734	1	Rod	
3	70006649	1	Head	
4	See Note	NSS	Wiper (Note: Use Item 50)	
5	See Note	NSS	Seal, Rod (Note: Use Item 50)	
6	See Note	NSS	Ring, Wear (Note: Use Item 50)	
7	See Note	NSS	O-Ring (Note: Use Item 50)	
8	See Note	NSS	Ring, Back-up (Note: Use Item 50)	
9	70006650	1	Piston	
10	See Note	NSS	Ring, Hydro Lock (Note: Use Item 50)	
11	See Note	NSS	Ring, Guide Lock (Note: Use Item 50)	
12	See Note	NSS	O-Ring (Note: Use Item 50)	
13	See Note	NSS	Ring, Back-up (Note: Use Item 50)	
14	0961893	1	Bushing, Tapered	
15	0630534	3	Capscrew	
16	70006735	8	Capscrew	
17	70006736	1	Spacer	
18	0962336	4	Bearing	
19	70023370	4	Plug	
20	70023371	2	Plug	
21	4640509	1	Cartridge, Counterbalance Valve	
21	2900792	1	Seal Kit - 4640509 Valve	
22	1001263800	1	Cartridge, Counterbalance Valve	
22	70004186	1	Seal Kit - 1001263800 Valve	
50	1001138795	1	Seal Kit - 1001264991 Cylinder (Includes Items 4-8 & 10-13)	

SECTION 6 - CYLINDER

FIGURE 6-5. LIFT CYLINDER ASSEMBLY - BOOM (400S HC3)



ART_1001228092

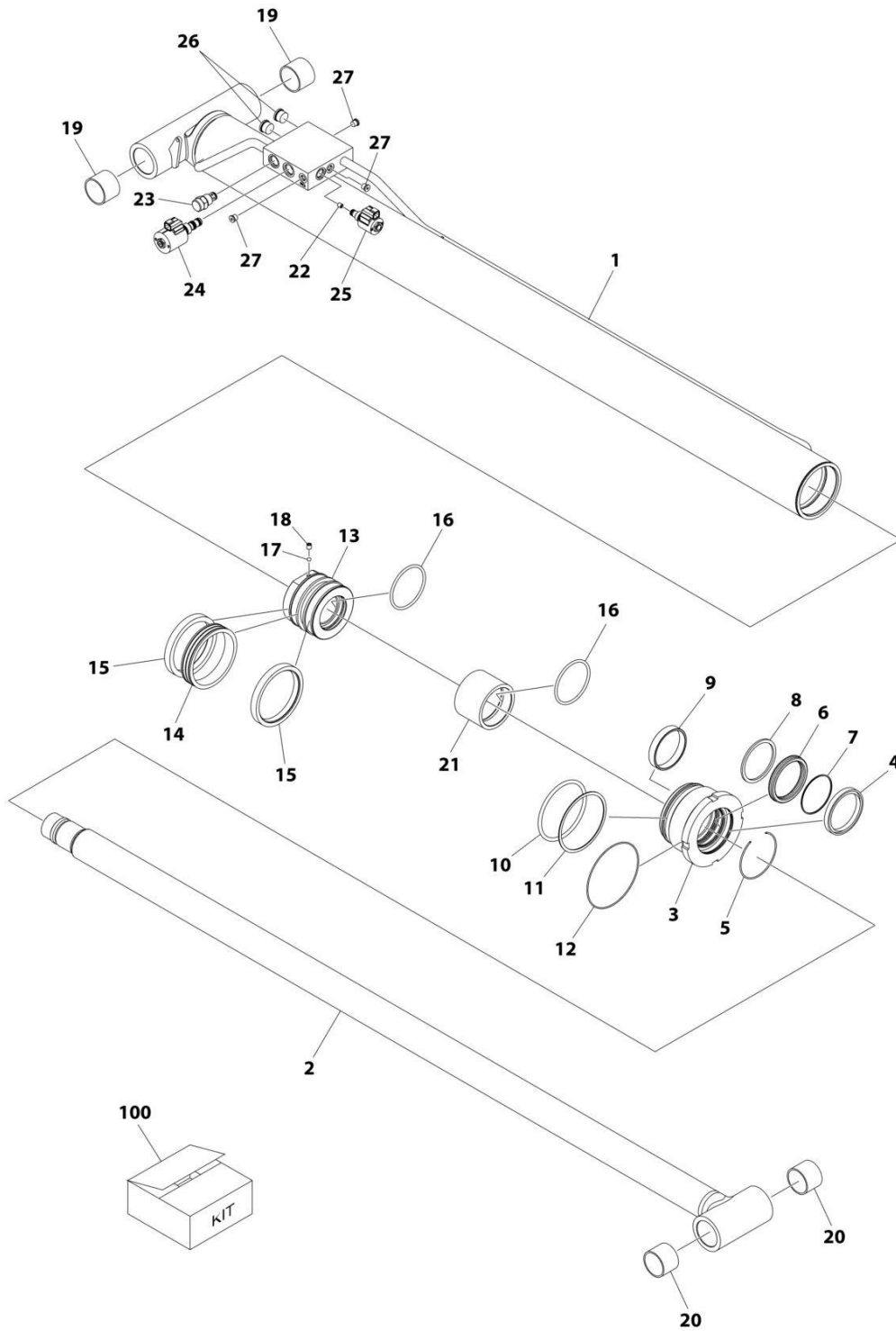
SECTION 6 - CYLINDER

FIGURE 6-5. LIFT CYLINDER ASSEMBLY - BOOM (400S HC3)

ITEM	PART NUMBER	QTY	DESCRIPTION	REV
	1001228092	Ref	LIFT CYLINDER ASSEMBLY - MAIN BOOM	B
		Ref	Note: Original Cylinder May Have Been Replaced with Service Replacement. Identify PN Stamped on Cylinder Before Ordering Parts.	
1	See Note	NSS	Barrel (Use p/n 1001228092)	
2	70006702	1	Rod	
3	70006703	1	Head	
4	See Note	NSS	Wiper (Note: Use Item 100)	
5	70050795	1	Ring, Retainer	
6	See Note	NSS	Seal, Rod (Note: Use Item 100)	
7	See Note	NSS	O-Ring (Note: Use Item 100)	
8	See Note	NSS	Ring (Note: Use Item 100)	
9	70006636	1	Ring, Wear	
10	See Note	NSS	O-Ring (Note: Use Item 100)	
11	See Note	NSS	Ring, Back-up (Note: Use Item 100)	
12	See Note	NSS	O-Ring (Note: Use Item 100)	
13	70006704	1	Piston	
14	See Note	NSS	Seal (Note: Use Item 100)	
15	See Note	NSS	Ring, Wear (Note: Use Item 100)	
16	See Note	NSS	Seal (Note: Use Item 100)	
17	70022564	1	Ball	
18	70023369	1	Setscrew M8 x 10	
19	0961950	4	Bearing	
20	70006705	1	Spacer	
21	70004231	1	Orifice	
22	4641390	1	Cartridge, Check Valve	
22	7017496	1	Seal Kit - 4641390 Valve	
23	1001206625	1	Cartridge, Valve (Includes Coil)	
23	70006104	1	Cartridge, Less Coil	
23	70006105	1	Seal Kit - 70006104 & 1001206625 Cartridges	
23	70003788	1	Coil	
23	7022390	1	Nut, Coil	
24	1001164709	1	Cartridge, Valve (Includes Coil)	
24	7017467	1	Cartridge, Less Coil	
24	7012998	1	Seal Kit - 7017467 & 1001164709 Cartridges	
24	70002386	1	Coil	
26	2220883	3	Plug #4	
100	70006706	1	Seal Kit - 1001228092 Cylinder (Includes Item 4, 6-8, 10-12 & 14-16)	

SECTION 6 - CYLINDER

FIGURE 6-6. LIFT CYLINDER ASSEMBLY - BOOM (460SJ HC3)



ART_1001237699

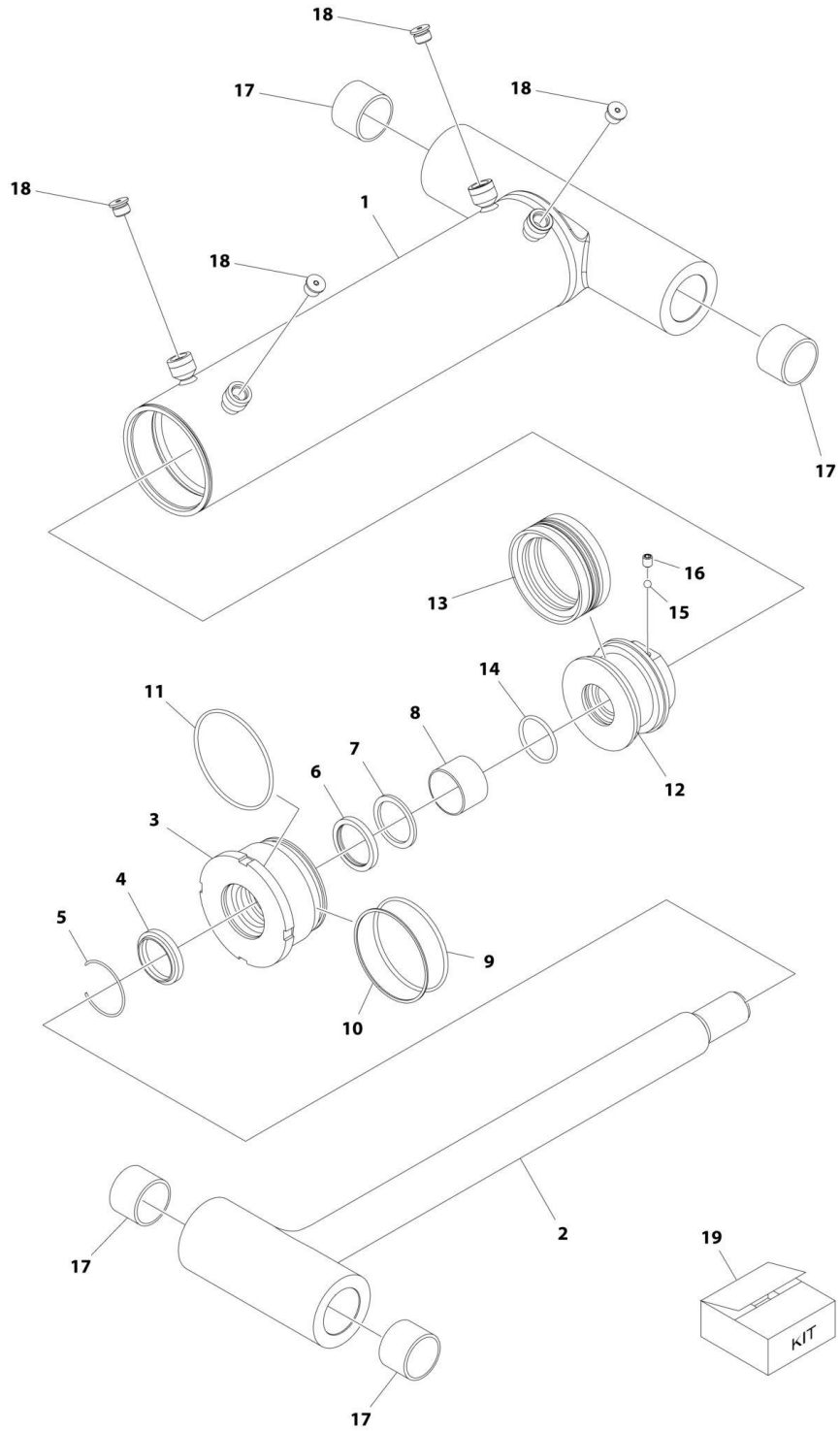
SECTION 6 - CYLINDER

FIGURE 6-6. LIFT CYLINDER ASSEMBLY - BOOM (460SJ HC3)

ITEM	PART NUMBER	QTY	DESCRIPTION	REV
	1001237699	Ref	LIFT CYLINDER ASSEMBLY- MAIN BOOM	C
		Ref	Note: Original Cylinder May Have Been Replaced with Service Replacement. Identify PN Stamped on Cylinder Before Ordering Parts.	
1	See Note	NSS	Barrel (Use p/n 1237699)	
2	70007150	1	Rod	
3	70007151	1	Head	
4	See Note	NSS	Wiper (Note: Use Item 100)	
5	70050795	1	Ring, Retainer	
6	See Note	NSS	Seal, Rod (Note: Use Item 100)	
7	See Note	NSS	Ring (Note: Use Item 100)	
8	See Note	NSS	Ring (Note: Use Item 100)	
9	70006636	1	Ring, Wear	
10	See Note	NSS	O-Ring (Note: Use Item 100)	
11	See Note	NSS	Ring, Back-up (Note: Use Item 100)	
12	See Note	NSS	O-Ring (Note: Use Item 100)	
13	70007152	1	Piston	
14	See Note	NSS	Seal (Note: Use Item 100)	
15	See Note	NSS	Ring, Wear (Note: Use Item 100)	
16	See Note	NSS	O-Ring (Note: Use Item 100)	
17	70022564	1	Ball	
18	70023369	1	Setscrew M8 x 10	
19	0961950	2	Bearing	
20	70007153	2	Bearing	
21	70007154	1	Spacer	
22	70004231	1	Orifice	
23	4641390	1	Cartridge, Check Valve	
23	7017496	1	Seal Kit - 4641390 Valve	
24	1001206625	1	Cartridge, Valve (Includes Coil)	
24	70006104	1	Cartridge, Less Coil	
24	70006105	1	Seal Kit - 70006104 & 1001206625 Cartridges	
24	70003788	1	Coil	
24	7022390	1	Nut, Coil	
25	1001164709	1	Cartridge, Valve (Includes Coil)	
25	7017467	1	Cartridge, Less Coil	
25	7012998	1	Seal Kit - 7017467 & 1001164709 Cartridges	
25	70002386	1	Coil	
26	2220887	2	Plug	
27	2220883	3	Plug #4	
100	70006706	1	Seal Kit - 1001237699 Cylinder (Includes Item 4, 6-8, 10-12 & 14-16)	

SECTION 6 - CYLINDER

FIGURE 6-7. MASTER CYLINDER ASSEMBLY (400S HC3)



ART_1001163385

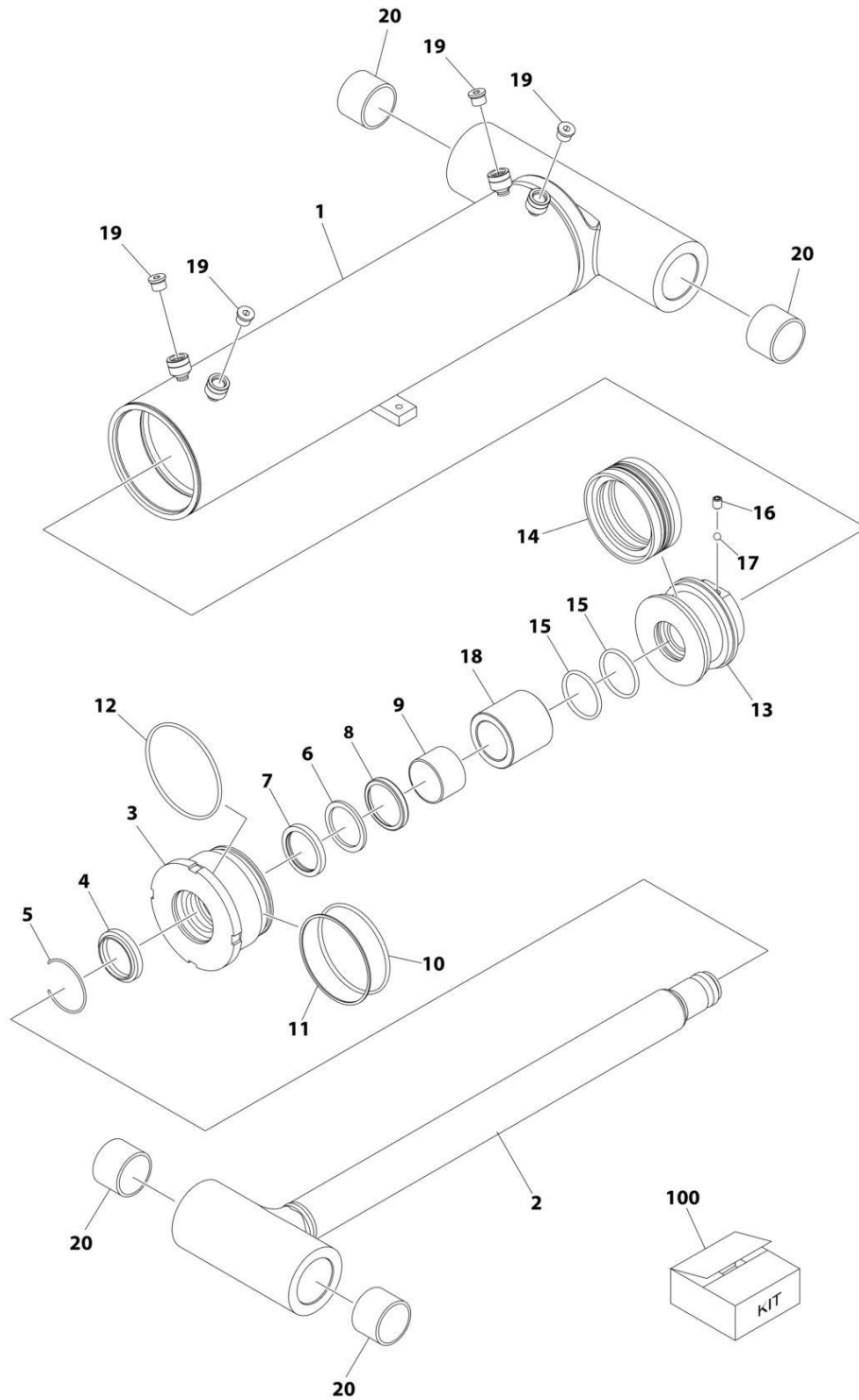
SECTION 6 - CYLINDER

FIGURE 6-7. MASTER CYLINDER ASSEMBLY (400S HC3)

ITEM	PART NUMBER	QTY	DESCRIPTION	REV
	1001163385	Ref	MASTER CYLINDER ASSEMBLY	F
		Ref	Note: Original Cylinder May Have Been Replaced with Service Replacement. Identify PN Stamped on Cylinder Before Ordering Parts.	
1	70005140	1	Barrel	
2	70005141	1	Rod	
3	70005142	1	Head, Cylinder	
4	See Note	NSS	Wiper (Note: Use Item 19)	
5	70002373	1	Ring, Retaining	
6	See Note	NSS	Seal, Rod (Note: Use Item 19)	
7	See Note	NSS	Ring, Back-up (Note: Use Item 19)	
8	70005143	1	Bearing, Dry	
9	See Note	NSS	O-Ring (Note: Use Item 19)	
10	See Note	NSS	Ring, Back-up (Note: Use Item 19)	
11	See Note	NSS	O-Ring (Note: Use Item 19)	
12	70005144	1	Piston	
13	See Note	NSS	Seal, Piston	
14	See Note	NSS	O-Ring (Note: Use Item 19)	
15	70022564	1	Ball	
16	70023369	1	Setscrew M8 x 31.75	
17	70005145	4	Bearing	
18	700023371	4	Plug 9/16	
19	70005146	1	Seal Kit - 1001163385 Cylinder (Includes Items 4, 6, 7, 9, 10, 11, 13 & 14)	

SECTION 6 - CYLINDER

FIGURE 6-8. MASTER CYLINDER ASSEMBLY (460SJ HC3)



ART_1001237698

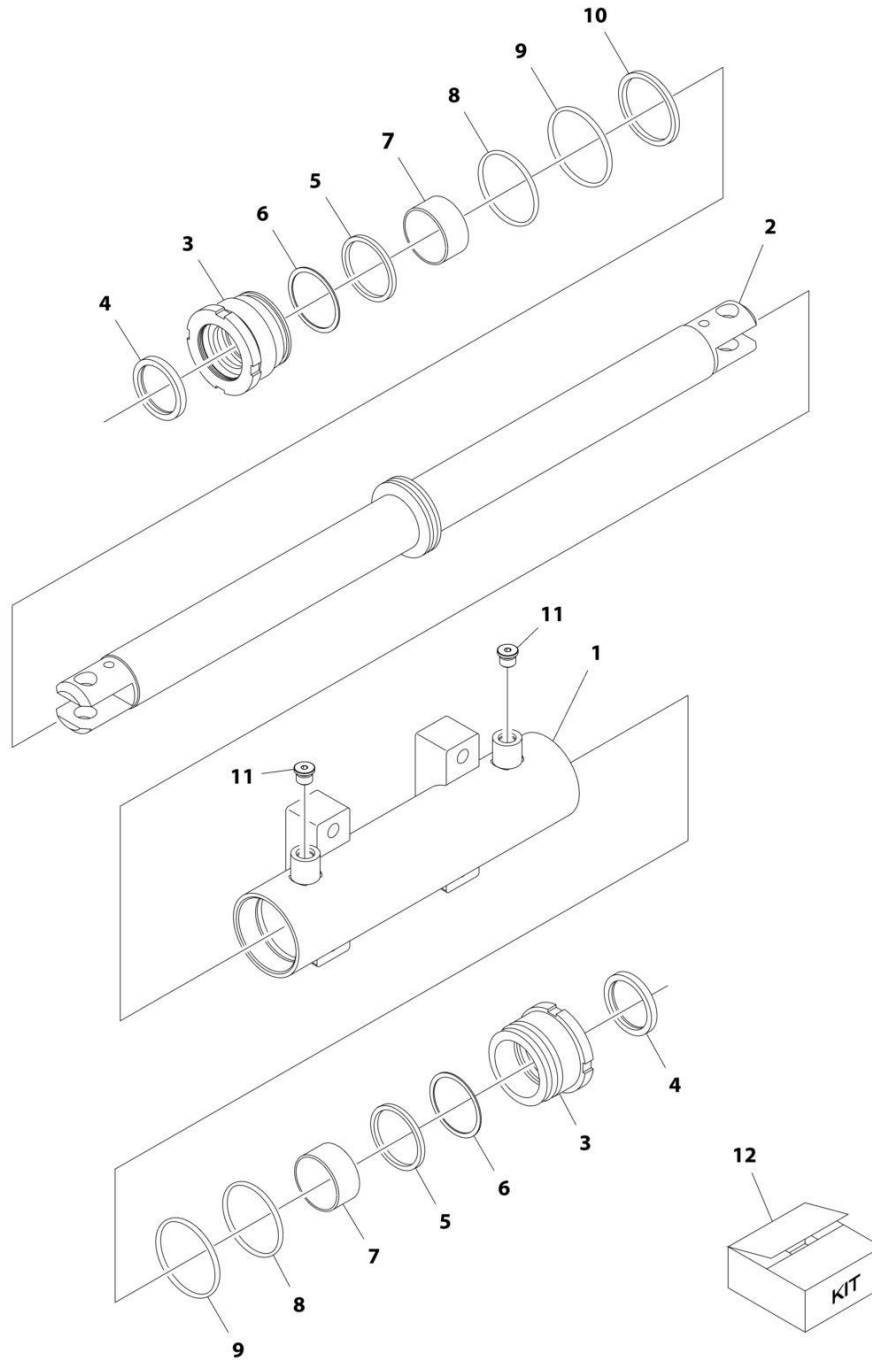
SECTION 6 - CYLINDER

FIGURE 6-8. MASTER CYLINDER ASSEMBLY (460SJ HC3)

ITEM	PART NUMBER	QTY	DESCRIPTION	REV
	1001237698	Ref	MASTER CYLINDER ASSEMBLY	B
		Ref	Note: Original Cylinder May Have Been Replaced with Service Replacement. Identify PN Stamped on Cylinder Before Ordering Parts.	
1	See Note	NSS	Barrel	
2	70007156	1	Rod	
3	70007157	1	Head, Cylinder	
4	See Note	NSS	Wiper (Note: Use Item 100)	
5	70002410	1	Ring, Retaining	
6	See Note	NSS	Seal, Rod (Note: Use Item 100)	
7	See Note	NSS	Ring, Back-up (Note: Use Item 100)	
8	See Note	1	Ring (Note: Use Item 100)	
9	70004237	1	Bearing, Dry	
10	See Note	NSS	O-Ring (Note: Use Item 100)	
11	See Note	NSS	Ring, Back-up (Note: Use Item 100)	
12	See Note	NSS	O-Ring (Note: Use Item 100)	
13	70007161	1	Piston	
14	See Note	NSS	Seal, Piston	
15	See Note	NSS	O-Ring (Note: Use Item 100)	
16	70023369	1	Setscrew M8 x 31.75	
17	70022564	1	Ball	
18	70007158	1	Spacer	
19	2220885	1	Plug 9/16	
20	70005145	4	Bearing	
100	70005146	1	Seal Kit - 1001237698 Cylinder (Includes Items 4, 6, 7, 8, 10, 11, 12, 14 & 15)	

SECTION 6 - CYLINDER

FIGURE 6-9. STEER CYLINDER ASSEMBLY



ART_1001163178

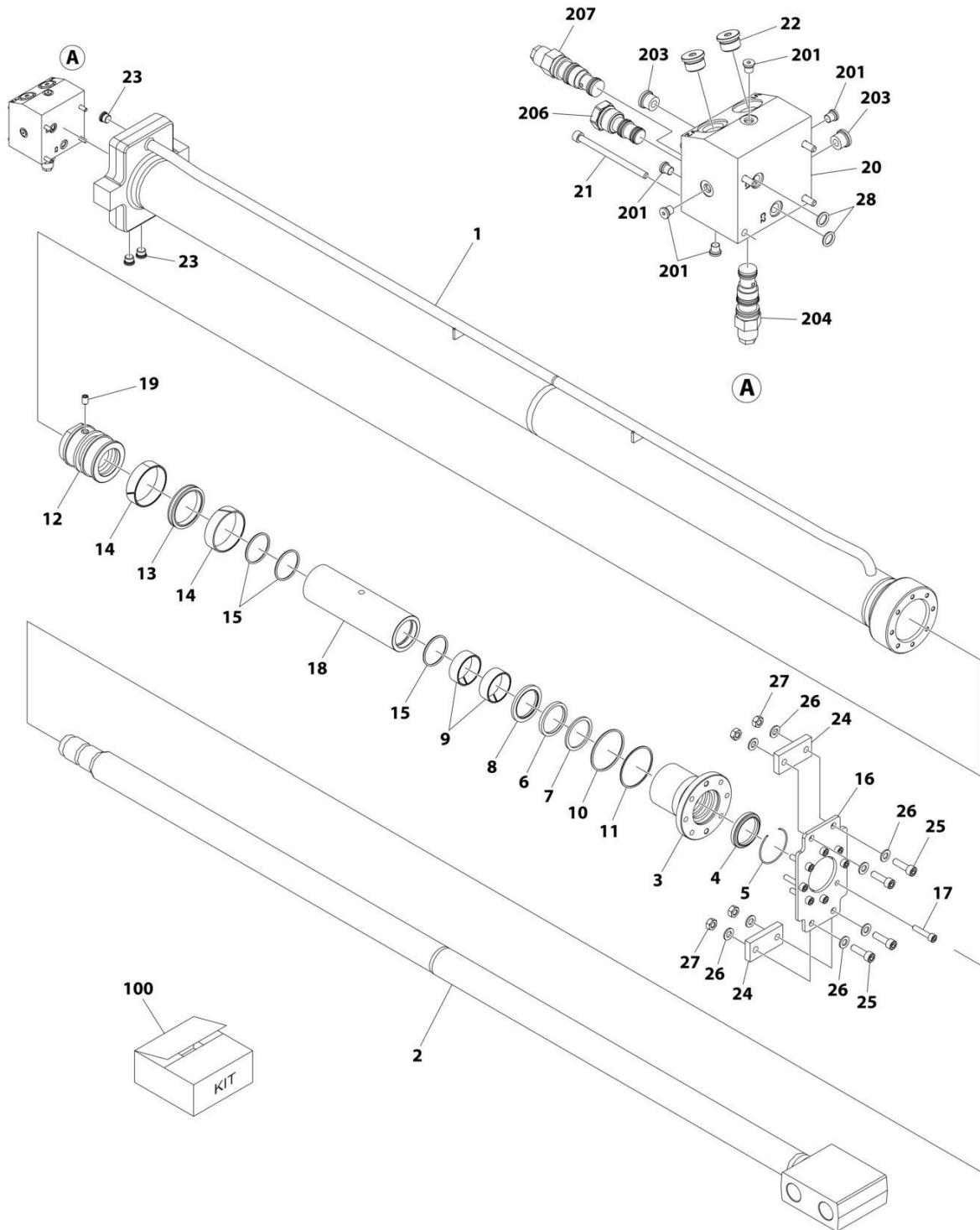
SECTION 6 - CYLINDER

FIGURE 6-9. STEER CYLINDER ASSEMBLY

ITEM	PART NUMBER	QTY	DESCRIPTION	REV
	1001163178	Ref	STEER CYLINDER ASSEMBLY	E
		Ref	Note: Original Cylinder May Have Been Replaced with Service Replacement. Identify PN Stamped on Cylinder Before Ordering Parts.	
1	70005150	1	Barrel	
2	70005151	1	Rod	
3	70005152	2	Head	
4	See Note	NSS	Wiper (Note: Use Item 12)	
5	See Note	NSS	Seal, Rod (Note: Use Item 12)	
6	See Note	NSS	Ring, Back-up (Note: Use Item 12)	
7	70005153	2	Bearing, Dry	
8	See Note	NSS	O-Ring (Note: Use Item 12)	
9	See Note	NSS	O-Ring (Note: Use Item 12)	
10	See Note	NSS	Seal, Piston (Note: Use Item 12)	
11	See Note	2	Plug 9/16 (Note: Not Available for Purchase)	
12	70005154	1	Seal Kit - 1001163178 Cylinder (Includes Items 4-6 & 8-10)	

SECTION 6 - CYLINDER

FIGURE 6-10. TELESCOPE CYLINDER ASSEMBLY (400S HC3)



ART_1001251075

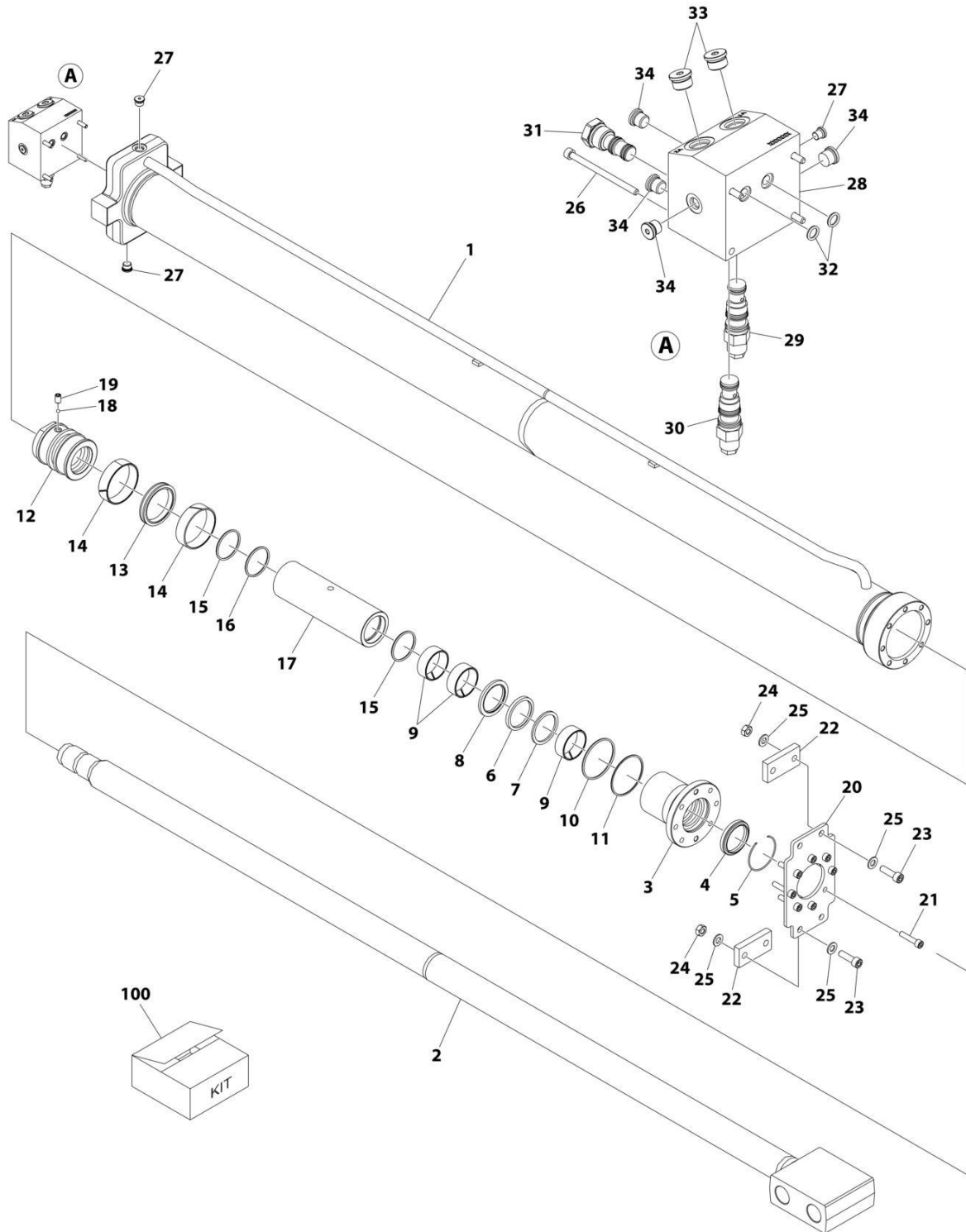
SECTION 6 - CYLINDER

FIGURE 6-10. TELESCOPE CYLINDER ASSEMBLY (400S HC3)

ITEM	PART NUMBER	QTY	DESCRIPTION	REV
	1001251075	Ref	TELESCOPE CYLINDER ASSEMBLY	B
		Ref	Note: Original Cylinder May Have Been Replaced with Service Replacement. Identify PN Stamped on Cylinder Before Ordering Parts.	
1	See Note	NSS	Barrel (Note: Purchase Complete Assembly)	
2	70007062	1	Rod	
3	70007063	1	Head	
4	See Note	NSS	Wiper (Note: Use Item 100)	
5	70002412	1	Ring, Retaining	
6	See Note	NSS	Seal (Note: Use Item 100)	
7	See Note	NSS	Ring, Back-up (Note: Use Item 100)	
8	See Note	NSS	Ring, Wear (Note: Use Item 100)	
9	See Note	NSS	Ring, Wear (Note: Use Item 100)	
10	See Note	NSS	O-Ring (Note: Use Item 100)	
11	See Note	NSS	Ring, Back-up (Note: Use Item 100)	
12	70007064	1	Piston	
13	See Note	NSS	Seal (Note: Use Item 100)	
14	See Note	NSS	Ring, Wear (Note: Use Item 100)	
15	See Note	NSS	O-Ring (Note: Use Item 100)	
16	70007065	1	Plate	
17	70007066	8	Capscrew	
18	70007067	1	Spacer	
19	70006817	1	Set Screw	
20	1001166997	1	Valve Block Assembly (See Items 201-207 for Breakdown)	
21	70007068	4	Capscrew	
22	2220886	2	Plug, O-Ring	
23	2220885	3	Plug	
24	70007069	2	Pad, Wear	
25	70007070	4	Bolt	
26	70006344	8	Washer	
27	70007071	4	Nut	
28	See Note	NSS	O-Ring (Note: Use Item 100)	
100	70007072	1	Seal Kit - 1001251075 Cylinder (Includes Items 4, 6-11, 13-15 & 28)	
	1001166997	Ref	VALVE BLOCK ASSEMBLY	
201	2220881	5	Plug	
203	2220885	2	Plug	
204	4640452	1	Cartridge, Counterbalance Valve	
204	2900770	1	Seal Kit - 4640452 Valve	
206	1001165363	1	Cartridge, Shuttle Valve	
206	7012518	1	Seal Kit - 1001165363 Valve	
207	1001168209	1	Cartridge, Counterbalance Valve	
207	2900770	1	Seal Kit - 1001168209 Valve	

SECTION 6 - CYLINDER

FIGURE 6-11. TELESCOPE CYLINDER ASSEMBLY (460SJ HC3)



ART_1001236653

SECTION 6 - CYLINDER

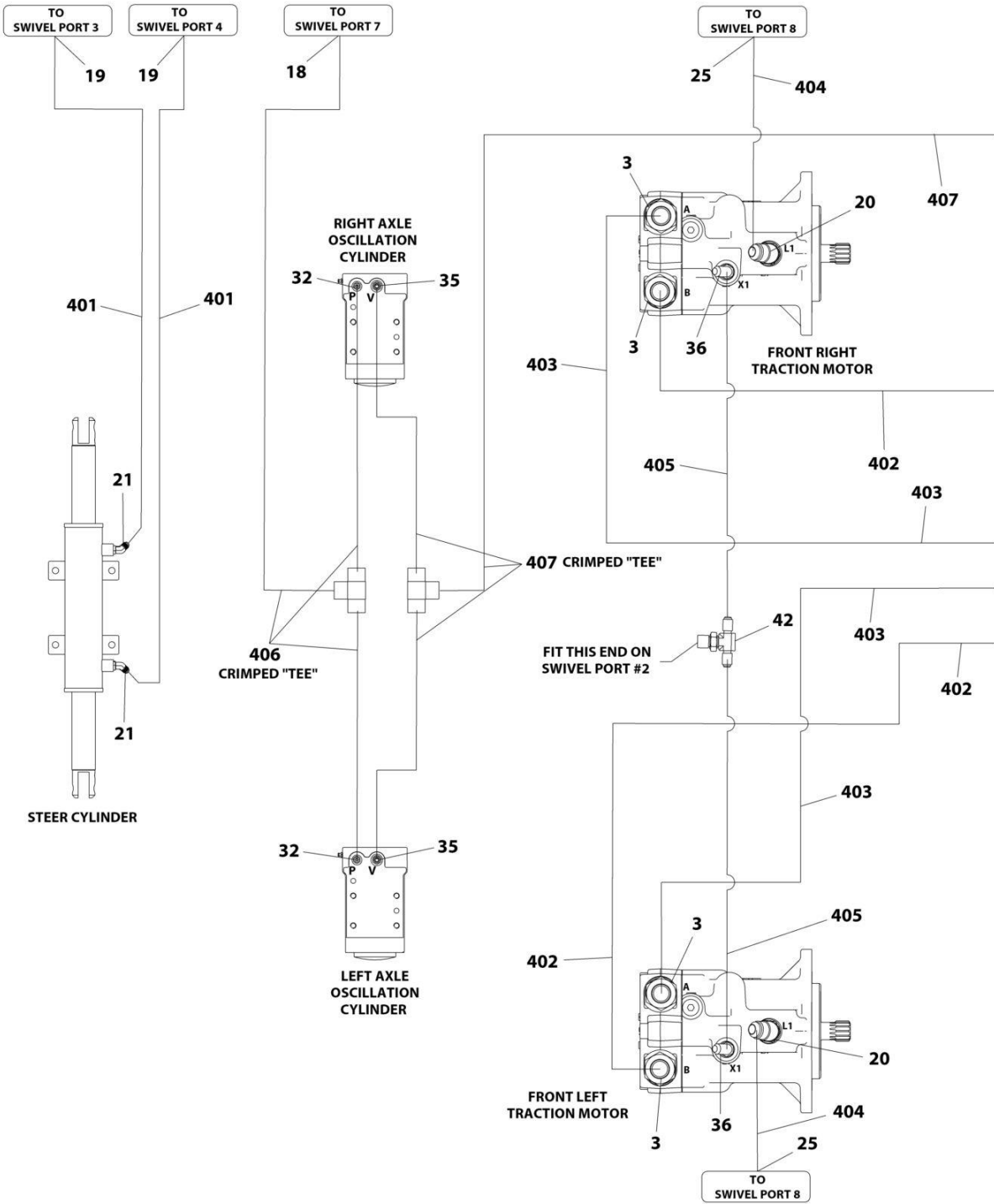
FIGURE 6-11. TELESCOPE CYLINDER ASSEMBLY (460SJ HC3)

ITEM	PART NUMBER	QTY	DESCRIPTION	REV
	1001236653	Ref	TELESCOPE CYLINDER ASSEMBLY	E
		Ref	Note: Original Cylinder May Have Been Replaced with Service Replacement. Identify PN Stamped on Cylinder Before Ordering Parts.	
1	See Note	NSS	Barrel (Note: Purchase Complete Assembly)	
2	70007162	1	Rod	
3	70007163	1	Head	
4	See Note	NSS	Wiper (Note: Use Item 100)	
5	70027244	1	Ring, Retaining	
6	See Note	NSS	Seal (Note: Use Item 100)	
7	See Note	NSS	Ring, Back-up (Note: Use Item 100)	
8	See Note	NSS	Ring (Note: Use Item 100)	
9	See Note	NSS	Ring, Wear (Note: Use Item 100)	
10	See Note	NSS	O-Ring (Note: Use Item 100)	
11	See Note	NSS	Ring, Back-up (Note: Use Item 100)	
12	70007164	1	Piston	
13	See Note	NSS	Seal (Note: Use Item 100)	
14	See Note	NSS	Ring, Wear (Note: Use Item 100)	
15	See Note	NSS	O-Ring (Note: Use Item 100)	
16	See Note	NSS	O-Ring (Note: Use Item 100)	
17	70007165	1	Spacer	
18	7022564	1	Ball	
19	70023369	1	Set Screw	
20	70007166	1	Plate	
21	70006982	8	Capscrew	
22	70007069	2	Pad, Wear	
23	70007070	4	Bolt	
24	70007071	4	Nut	
25	70006344	8	Washer	
26	70007068	4	Capscrew	
27	2220885	3	Plug	
28	See Note	NSS	Block, Valve (Note: Use P/N 1001236653. Not Sold as an Assembly - Purchase Individual Components)	
29	4640452	1	Cartridge, Counterbalance Valve	
29	2900770	1	Seal Kit - 4640452 Valve	
30	1001168209	1	Cartridge, Counterbalance Valve	
30	2900770	1	Seal Kit - 1001168209 Valve	
31	1001165363	1	Cartridge, Shuttle Valve	
31	7012518	1	Seal Kit - 1001165363 Valve	
32	See Note	NSS	O-Ring (Note: Use Item 100)	
33	2220886	2	Plug, O-Ring	
34	2220883	4	Plug	
100	70007072	1	Seal Kit - 1001236653 Cylinder (Includes Items 4, 6-11, 13-15 & 32)	

SECTION 7 - HYDRAULIC

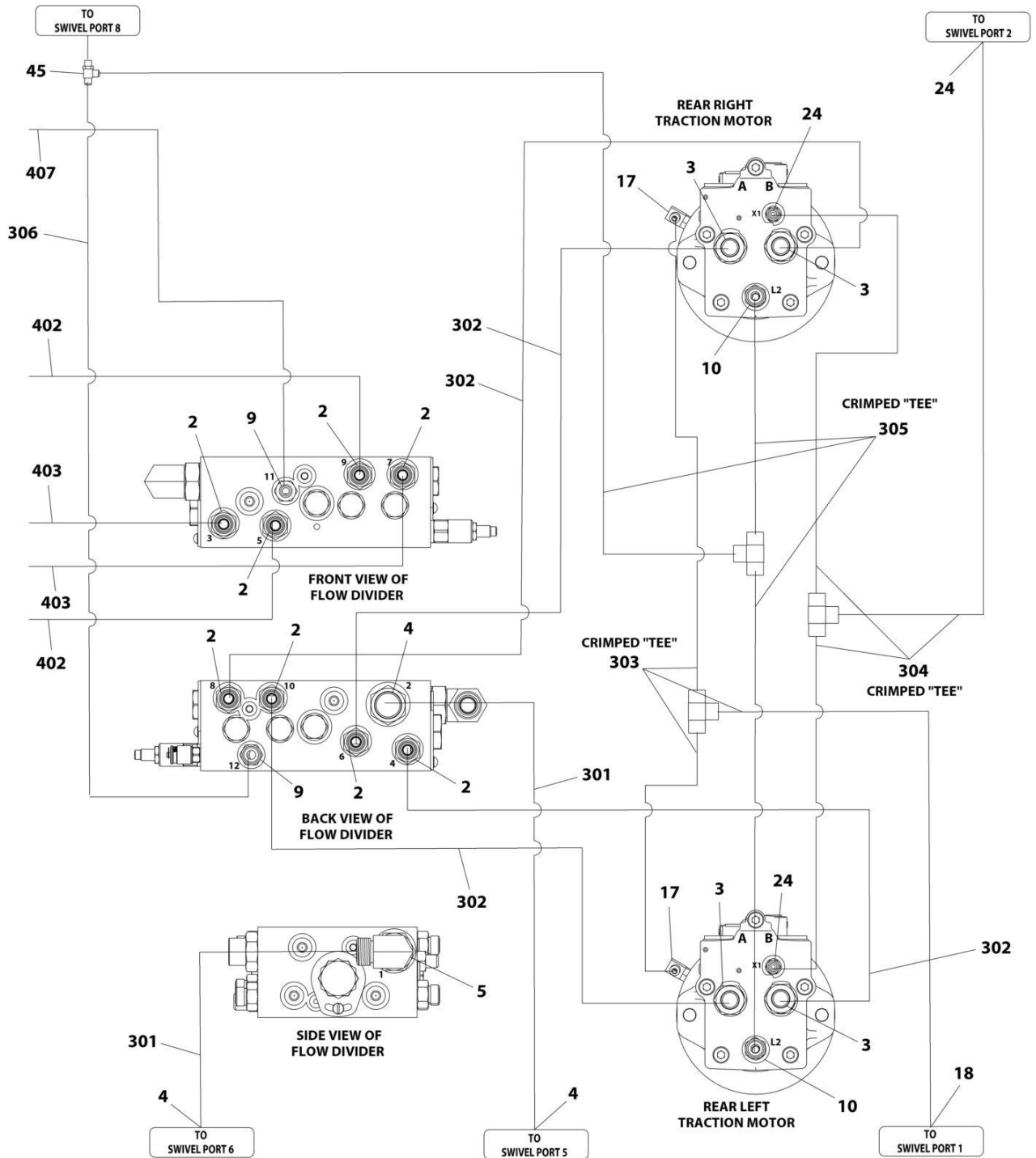
SECTION 7 - HYDRAULIC

FIGURE 7-1. HYDRAULIC DIAGRAM (400S HC3)



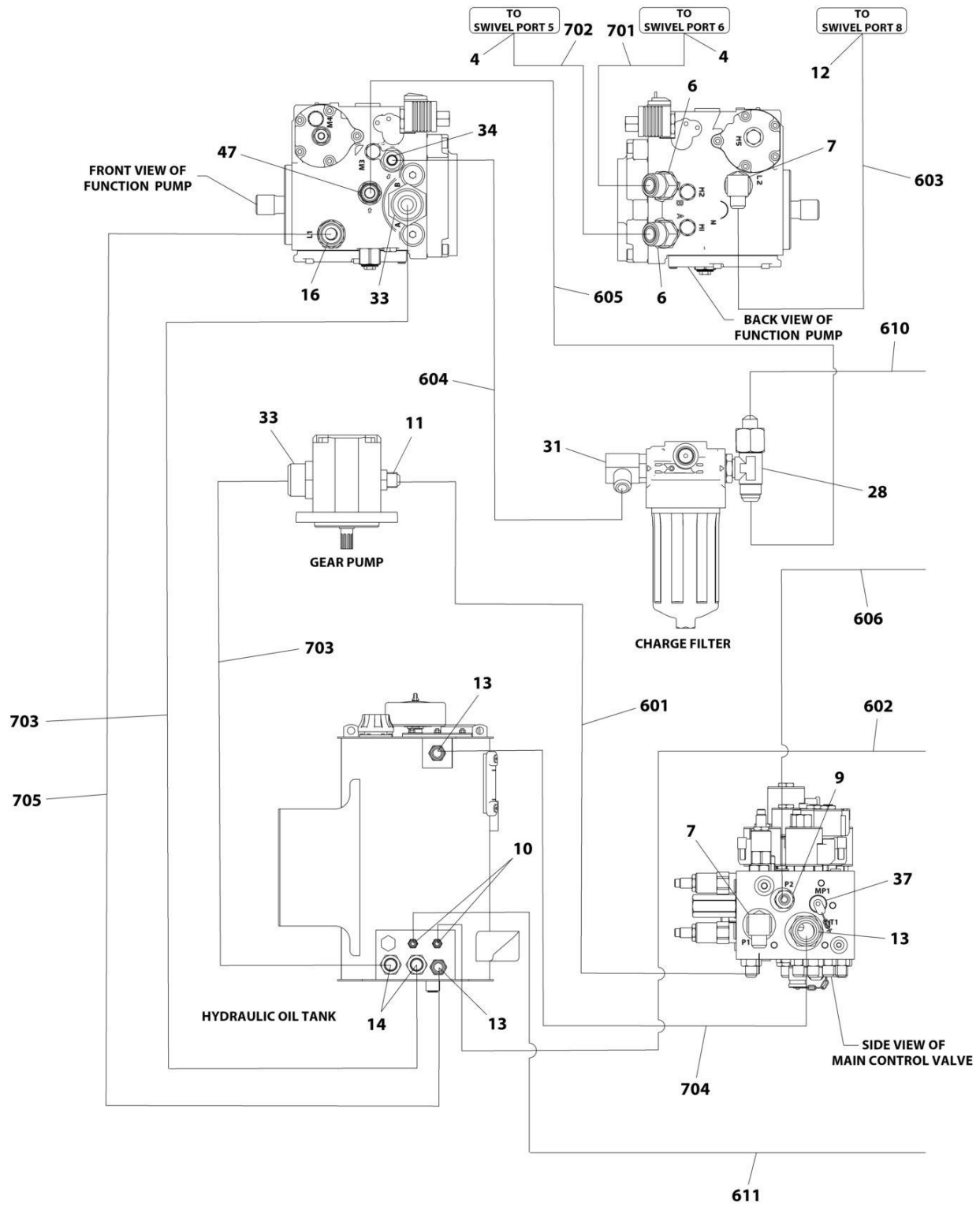
ART_1001207340_I_10F6

SECTION 7 - HYDRAULIC



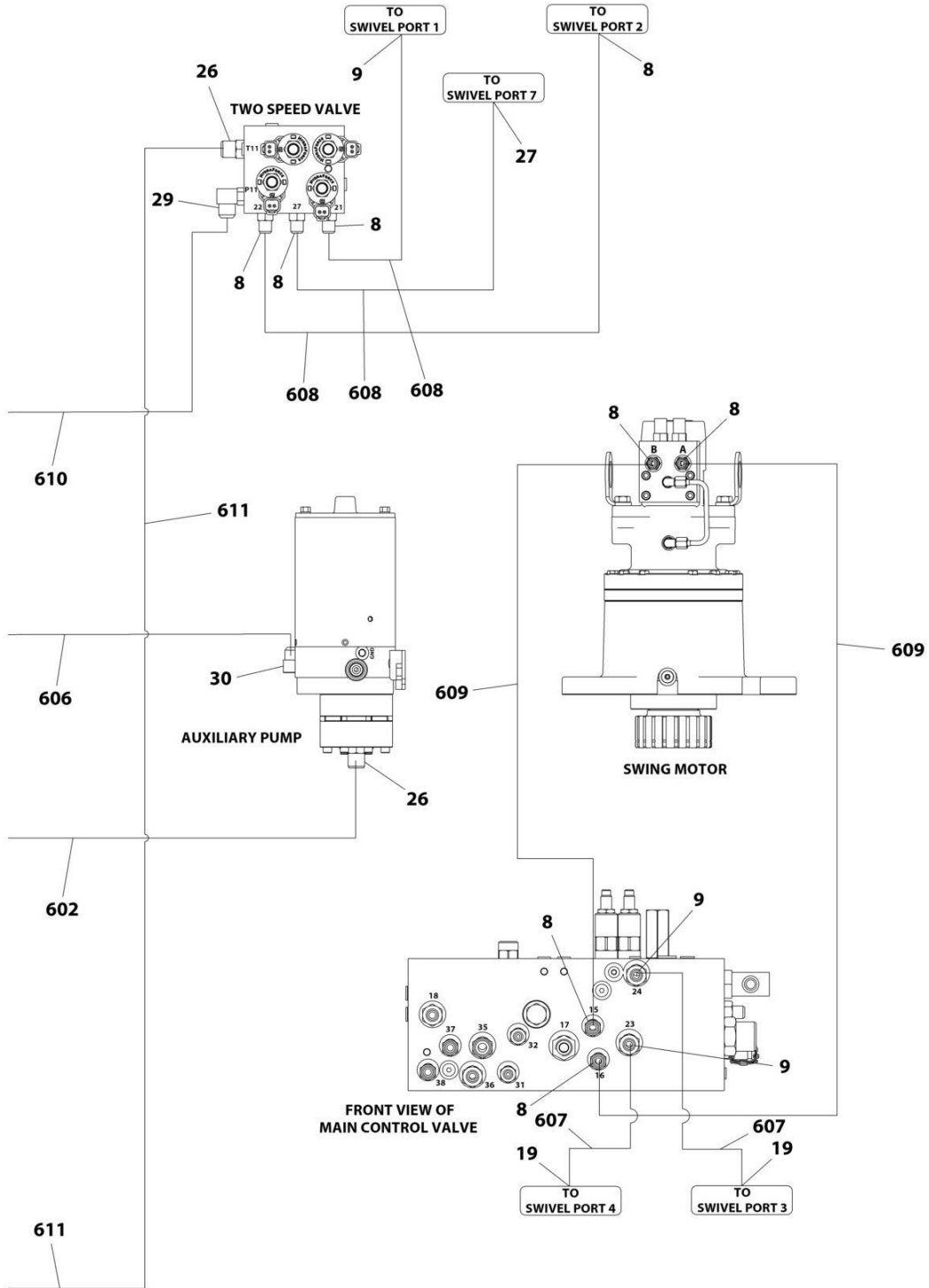
ART_1001207340_I_20F6

SECTION 7 - HYDRAULIC



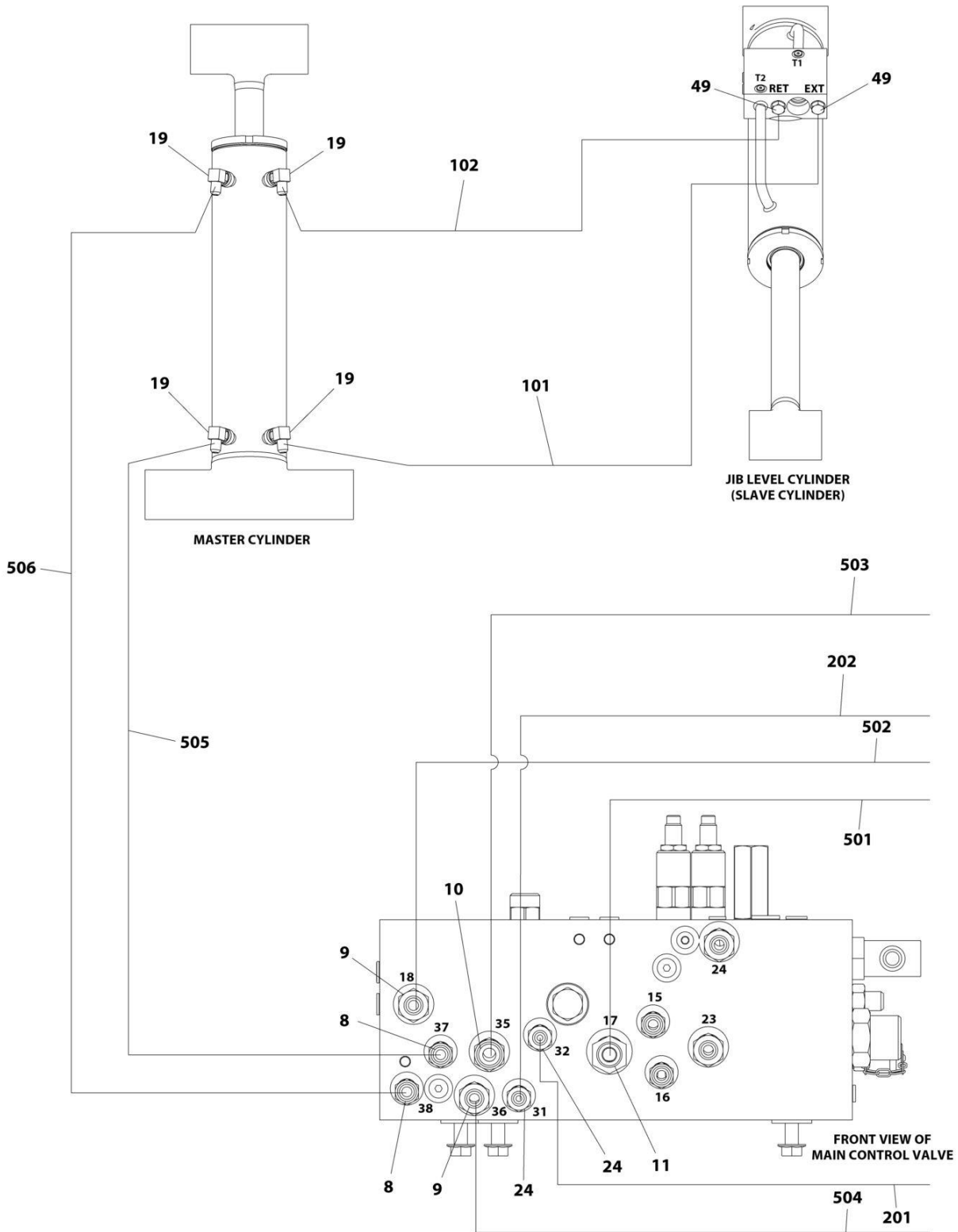
ART_1001207340_I_30F6

SECTION 7 - HYDRAULIC



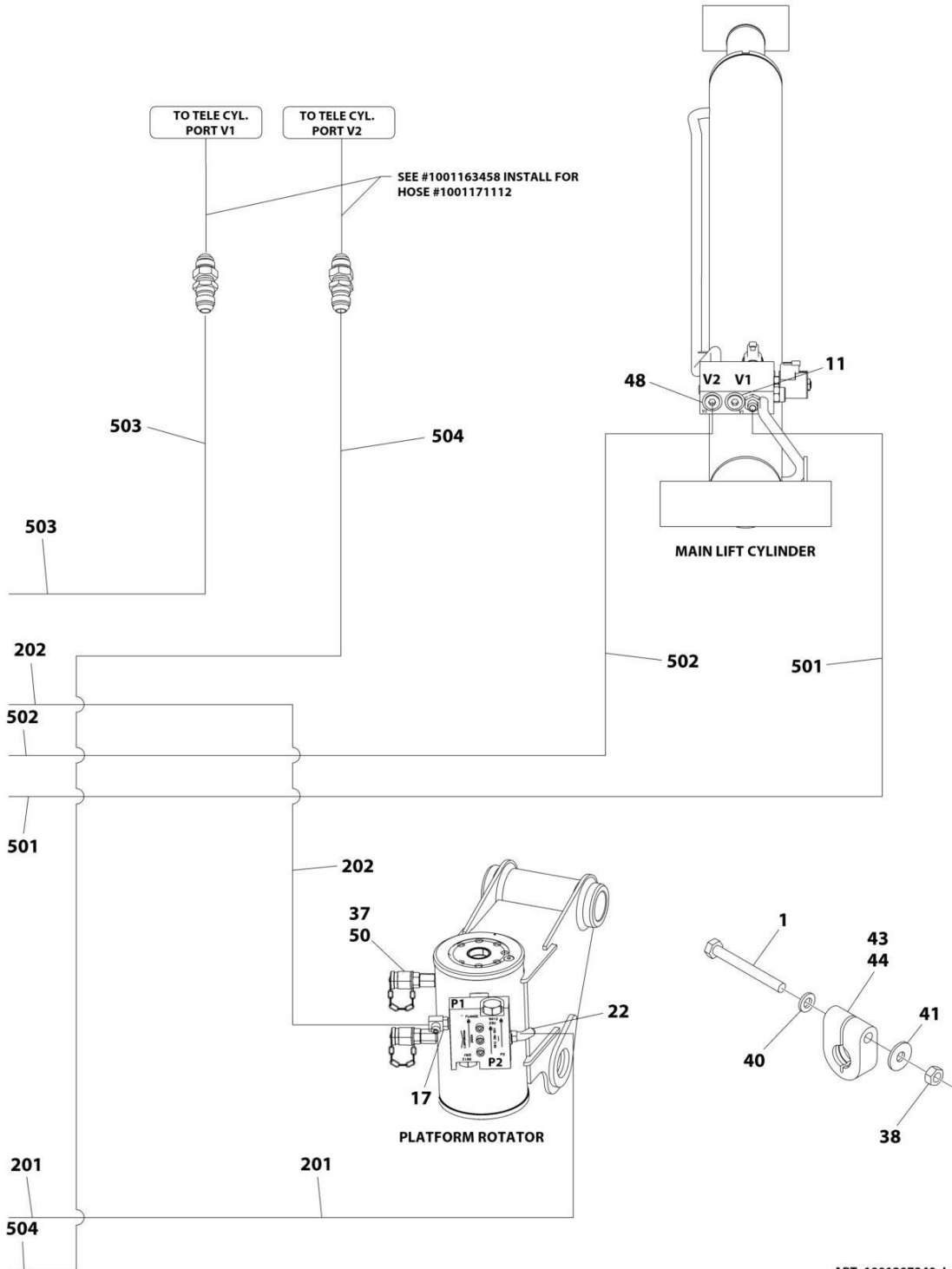
ART_1001207340_I_40F6

SECTION 7 - HYDRAULIC



ART_1001207340_I_50F6

SECTION 7 - HYDRAULIC



ART_1001207340_I_60F6

SECTION 7 - HYDRAULIC

FIGURE 7-1. HYDRAULIC DIAGRAM (400S HC3)

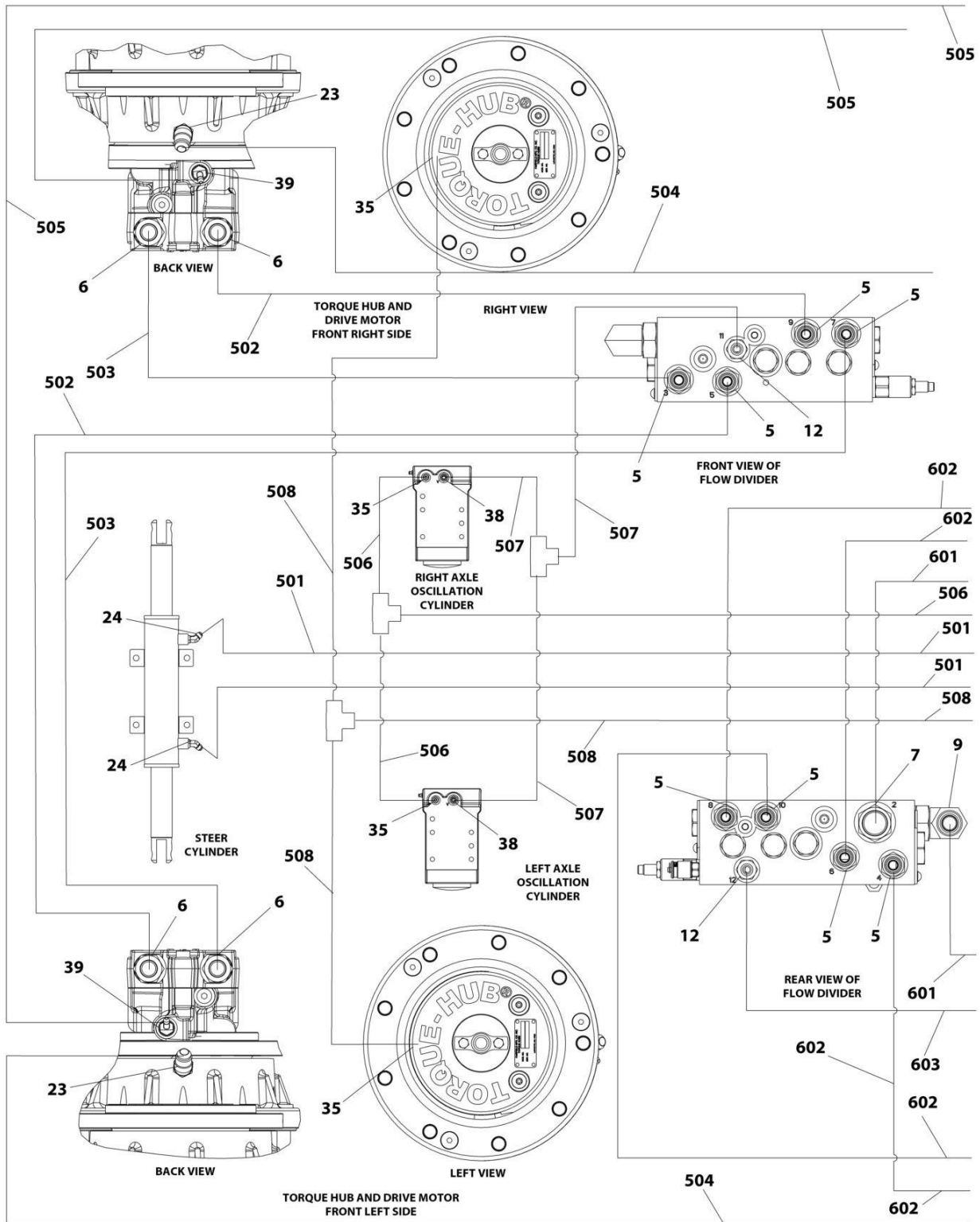
ITEM	PART NUMBER	QTY	DESCRIPTION	REV
	1001207340	Ref	HYDRAULIC SYSTEM INSTALLATION	I
1	0700619	2	Bolt M6 x 55	
2	2110810	8	Fitting, Straight ORFS/ORB	
3	2110812	8	Fitting, Straight ORFS/ORB	
4	2111216	5	Fitting, Straight ORFS/ORB	
5	2131216	1	Fitting, 90 ORFS/ORB	
6	2131212	2	Fitting, 90 ORFS/ORB	
7	2220366	2	Fitting, 90 JIC/ORB	
8	2220371	10	Fitting, Straight JIC/ORB	
9	2220372	8	Fitting, Straight JIC/ORB	
10	2220373	5	Fitting, Straight JIC/ORB	
11	2220374	3	Fitting, Straight JIC/ORB	
12	2220375	1	Fitting, Straight JIC/ORB	
13	2220377	3	Fitting, Straight JIC/ORB	
14	1001202910	2	Fitting, Straight MORB	
16	2220451	1	Fitting, Straight JIC/ORB	
17	2220466	3	Fitting, 90 JIC/ORB	
18	2220468	2	Fitting, Straight JIC/ORB	
19	2220473	8	Fitting, 90 JIC/ORB	
20	2220500	2	Fitting, 45 JIC/ORB	
21	2220501	2	Fitting, 45 JIC/ORB	
22	2220502	1	Fitting, 45 JIC/ORB	
24	2220582	5	Fitting, Straight JIC/ORB	
25	2220596	2	Fitting, 90 JIC/ORB	
26	2220600	2	Fitting, Straight JIC/ORB	
27	2220628	1	Fitting, 90 JIC/ORB	
28	2220695	1	Fitting, Tee JIC/ORB/JIC	
29	2220726	1	Fitting, 90 JIC/ORB	
30	2220775	1	Fitting, 90 JIC/ORB	
31	2220906	1	Fitting, 90 JIC/ORB	
32	2220923	2	Fitting, Straight JIC/ORB	
33	2220946	2	Fitting, Straight JIC/ORB	
34	2220947	1	Fitting, Straight JIC/ORB	
35	2220998	2	Fitting, Straight JIC/ORB	
36	2221040	2	Fitting, 45 JIC/ORB	
37	2221086	3	Fitting, Diagnostic Test Port	
38	3290601	2	Nut M6 x 1	
39	4240018	AR	Tie-Strap (Not Shown)	
40	4811700	2	Washer M6	
41	4811702	2	Washer M6	
42	1001175024	1	Fitting, Tee JIC/JIC/ORB	
43	1001191275	1	Clamp	
44	1001191276	1	Clamp	
45	1001197272	1	Fitting, Tee JIC/ORB/JIC	
46	1001275635	2	Clamp, Hose (Not Shown)	
47	88662037	1	Fitting, Straight JIC/ORB	
48	2220497	1	Fitting, Straight JIC/ORB	
49	2220603	2	Fitting, Straight JIC/ORB	
50	2060404	2	Fitting, Straight FORB/ORB	
100	1001202940	1	Kit, Upper Boom (Not Shown)	

SECTION 7 - HYDRAULIC

ITEM	PART NUMBER	QTY	DESCRIPTION	REV
101	1001173909	1	Hose	
102	1001173937	1	Hose	
200	1001202941	1	Kit, S Boom (Not Shown)	
201	1001172694	1	Hose	
202	1001172696	1	Hose	
300	1001202943	1	Kit, Chassis Rear Hose (Not Shown)	
301	1001172695	2	Hose	
302	1001172697	4	Hose	
303	1001184561	1	Hose	
304	1001184562	1	Hose	
305	1001184563	1	Hose	
306	1001197284	1	Hose	
400	1001202944	1	Kit, Chassis Front Hose (Not Shown)	
401	1001172692	2	Hose	
402	1001172698	2	Hose	
403	1001172699	2	Hose	
404	1001172703	2	Hose	
405	1001172707	2	Hose	
406	1001184542	1	Hose	
407	1001184543	1	Hose	
500	1001202946	1	Kit, Turntable Hosing (Not Shown)	
501	1001173901	1	Hose	
502	1001173902	1	Hose	
503	1001173903	1	Hose	
504	1001173904	1	Hose	
505	1001173907	1	Hose	
506	1001173908	1	Hose	
600	1001252922	1	Kit, Turntable Hosing (Not Shown)	
601	2752500	1	Hose	
602	1001172716	1	Hose	
603	1001172717	1	Hose	
604	1001172718	1	Hose	
605	1001172719	1	Hose	
606	1001172721	1	Hose	
607	1001172722	2	Hose	
608	1001172723	3	Hose	
609	1001173900	2	Hose	
610	1001181075	1	Hose	
611	1001193654	1	Hose	
700	1001252923	1	Kit, Turntable Hosing (Not Shown)	
701	1001173898	1	Hose	
702	1001181074	1	Hose	
703	1001207332	1	Hose	
704	1001207333	1	Hose	
705	1001216655	1	Hose	

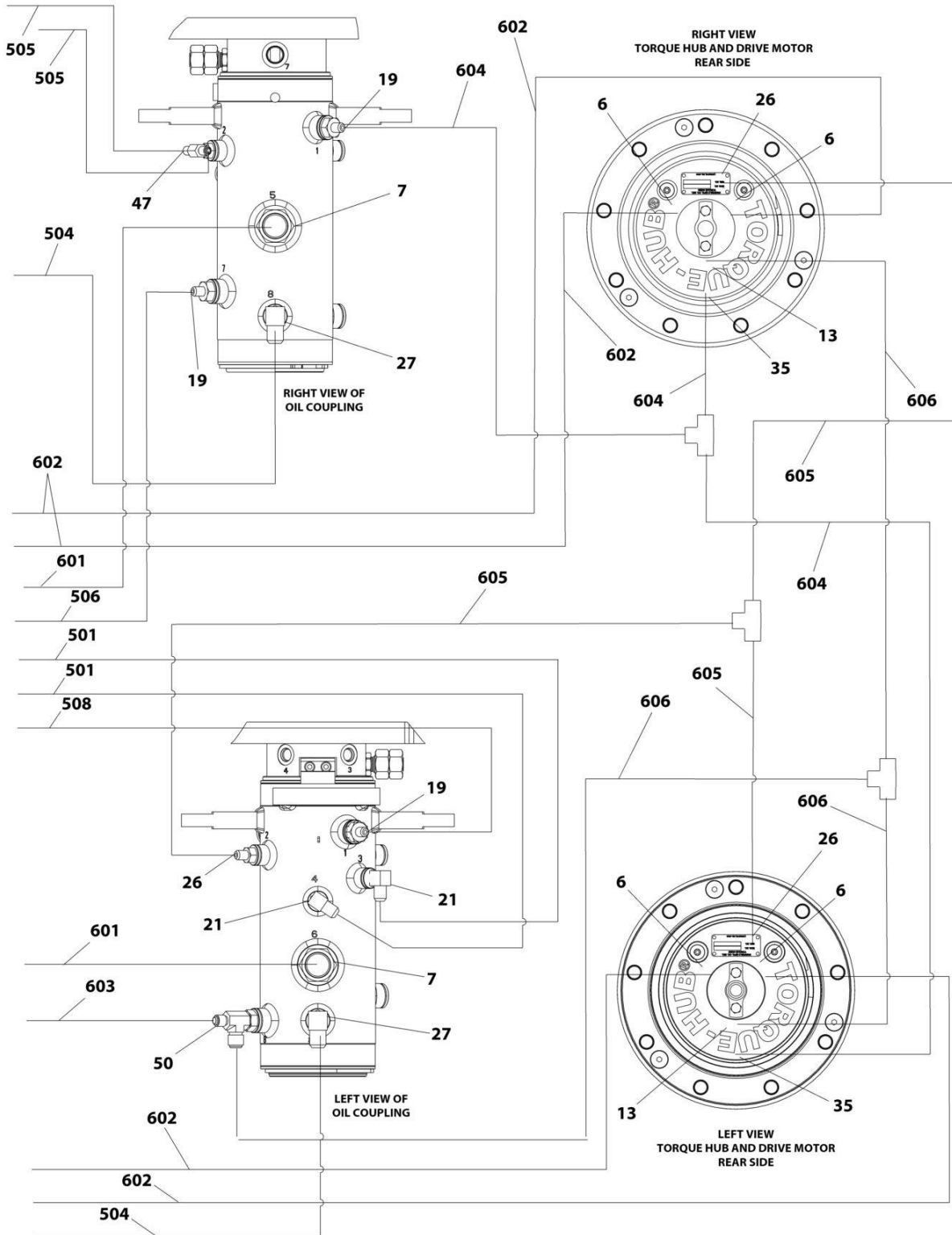
SECTION 7 - HYDRAULIC

FIGURE 7-2. HYDRAULIC DIAGRAM (460SJ HC3)



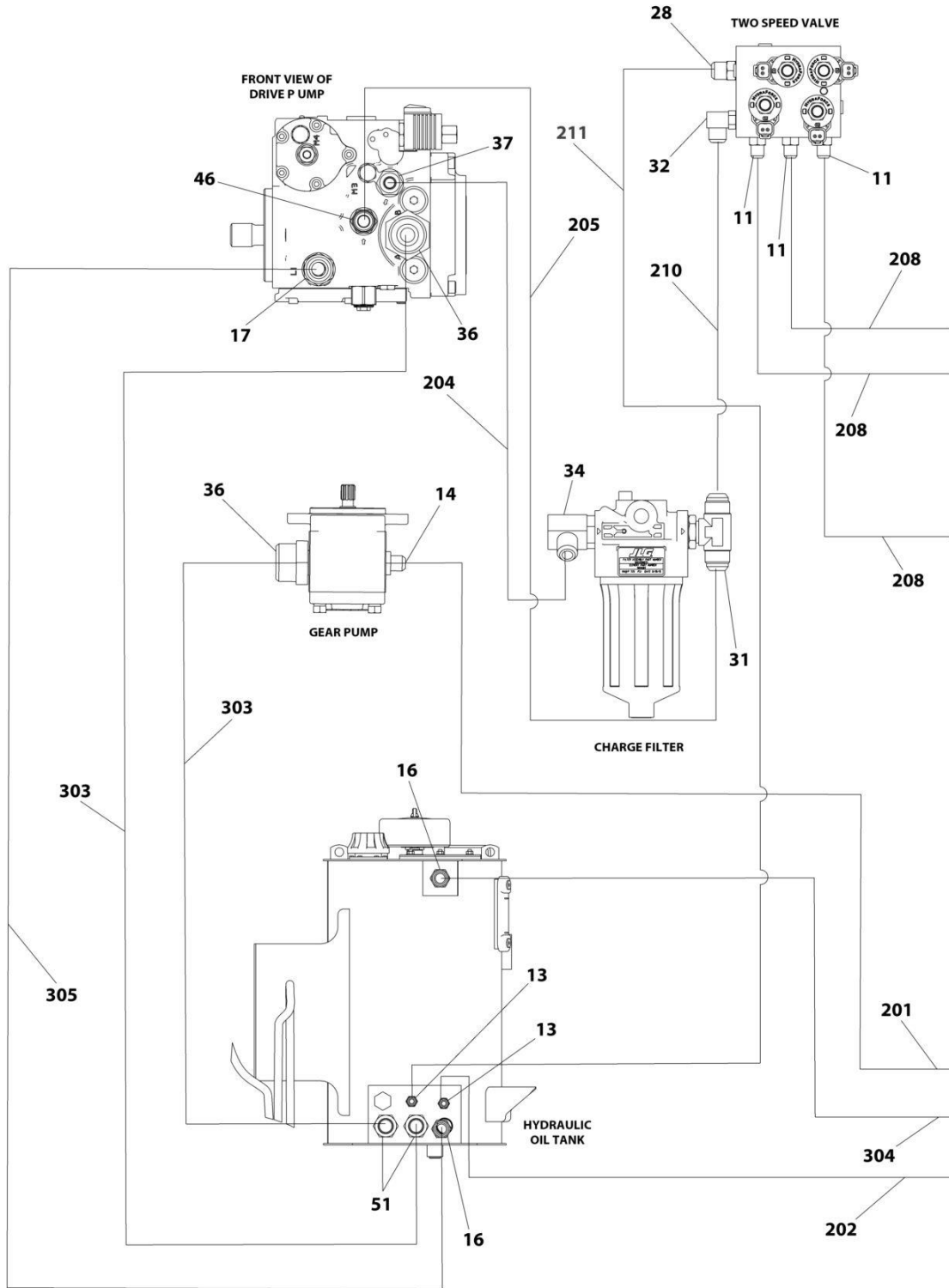
ART_1001242134_I_10F6

SECTION 7 - HYDRAULIC



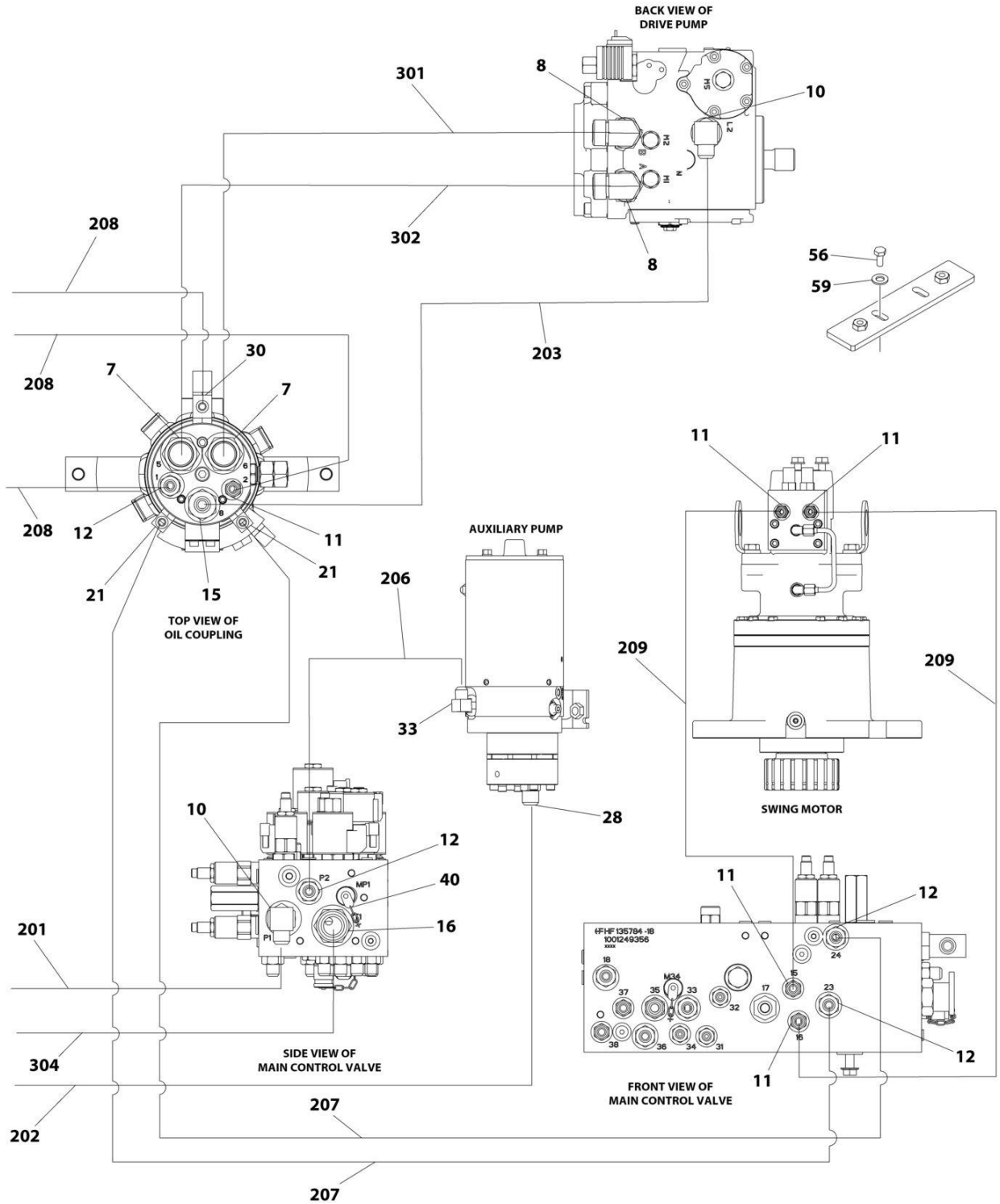
ART_1001242134_I_20F6

SECTION 7 - HYDRAULIC



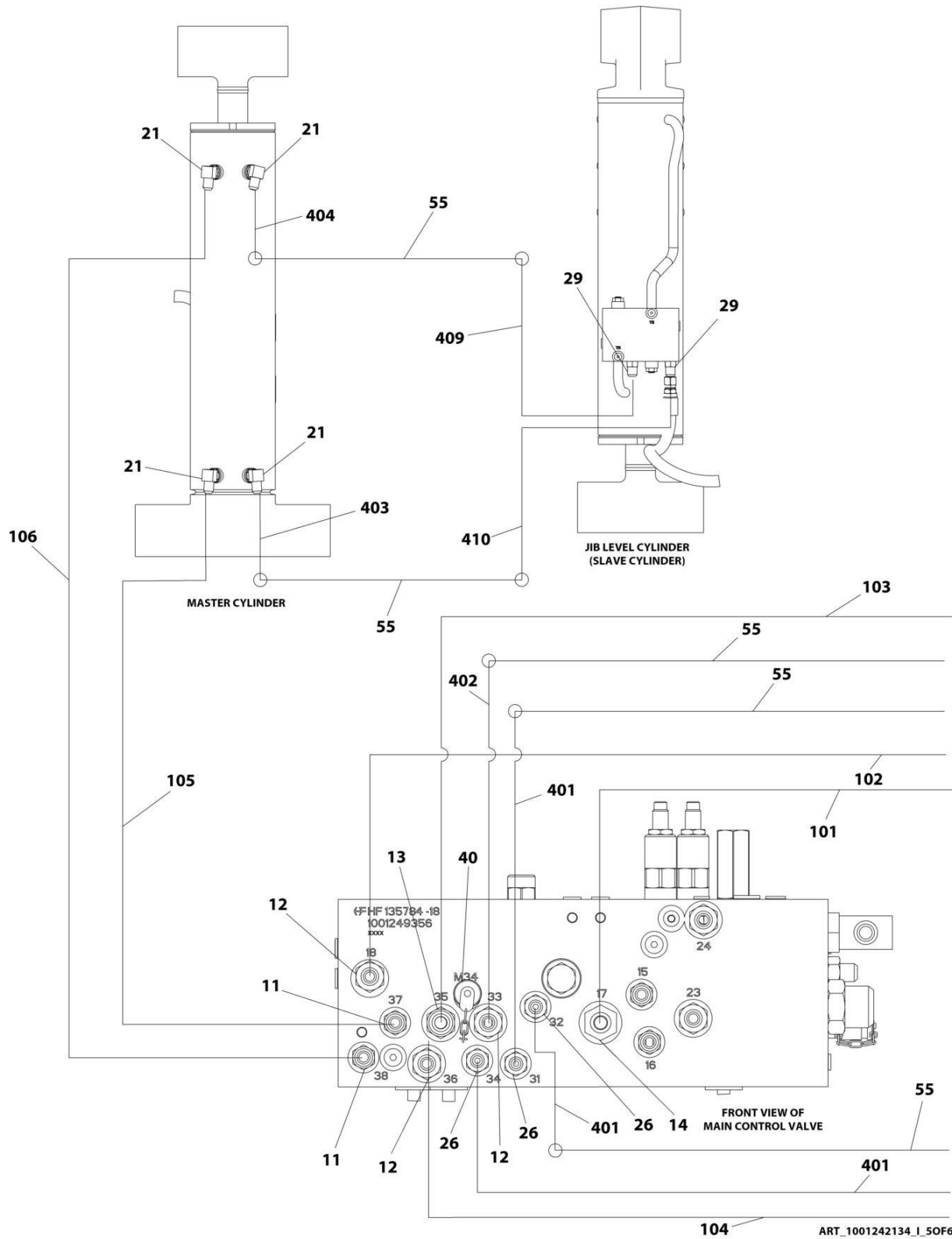
ART_1001242134_I_30F6

SECTION 7 - HYDRAULIC

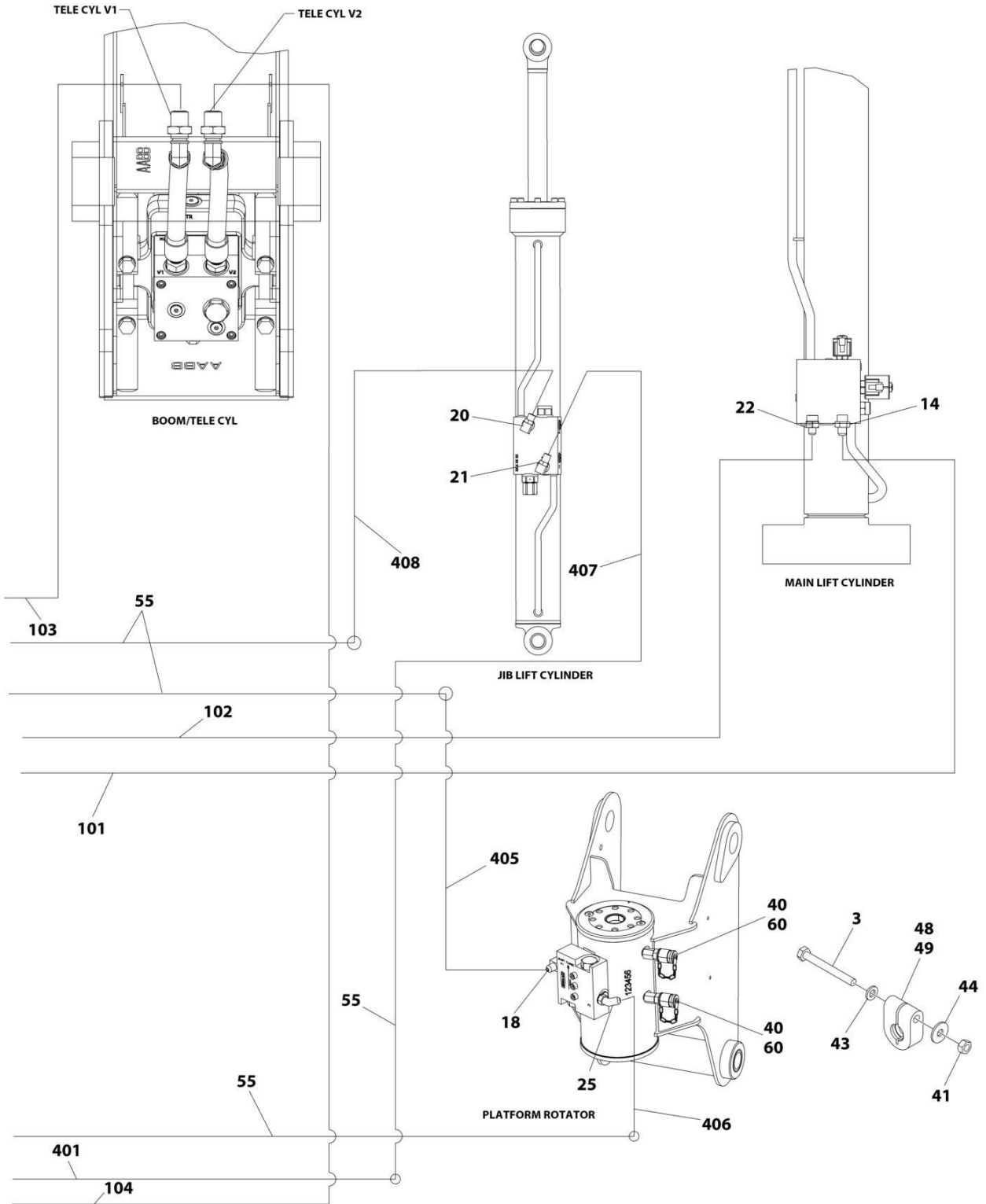


ART_1001242134_L_40F6

SECTION 7 - HYDRAULIC



SECTION 7 - HYDRAULIC



ART_1001242134_I_60F6

SECTION 7 - HYDRAULIC

FIGURE 7-2. HYDRAULIC DIAGRAM (460SJ HC3)

ITEM	PART NUMBER	QTY	DESCRIPTION	REV
	1001242134	Ref	DRIVE HYDRAULIC DIAGRAM	I
3	0760619	2	Bolt M6 x 55	
5	2110810	8	Fitting, Straight ORFS/ORB	
6	2110812	8	Fitting, Straight ORFS/ORB	
7	2111216	5	Fitting, Straight ORFS/ORB	
8	2131212	2	Fitting, 90 ORFS/ORB	
9	2131216	1	Fitting, 90 ORFS/ORB	
10	2220366	2	Fitting, 90 JIC/ORB	
11	2220371	10	Fitting, Straight JIC/ORB	
12	2220372	9	Fitting, Straight JIC/ORB	
13	2220373	5	Fitting, Straight JIC/ORB	
14	2220374	3	Fitting, Straight JIC/ORB	
15	2220375	1	Fitting, Straight JIC/ORB	
16	2220377	3	Fitting, Straight JIC/ORB	
17	2220451	1	Fitting, Straight JIC/ORB	
18	2220466	1	Fitting, 90 JIC/ORB	
19	2220468	3	Fitting, Straight JIC/ORB	
20	2220472	1	Fitting, 90 JIC/ORB	
21	2220473	9	Fitting, 90 JIC/ORB	
22	2220497	1	Fitting, Straight JIC/ORB	
23	2220500	2	Fitting, 45 JIC/ORB	
24	2220501	2	Fitting, 45 JIC/ORB	
25	2220502	1	Fitting, 45 JIC/ORB	
26	2220582	6	Fitting, Straight JIC/ORB	
27	2220596	2	Fitting, 90 JIC/ORB	
28	2220600	2	Fitting, Straight JIC/ORB	
29	2220603	2	Fitting, Straight JIC/ORB	
30	2220628	1	Fitting, 90 JIC/ORB	
31	2220695	1	Fitting, Tee JIC/ORB/JIC	
32	2220726	1	Fitting, 90 JIC/ORB	
33	2220775	1	Fitting, 90 JIC/ORB	
34	2220906	1	Fitting, 90 JIC/ORB	
35	2220923	6	Fitting, Straight JIC/ORB	
36	2220946	2	Fitting, Straight JIC/ORB	
37	2220947	1	Fitting, Straight JIC/ORB	
38	2220998	2	Fitting, Straight JIC/ORB	
39	2221040	2	Fitting, 45 JIC/ORB	
40	2221086	4	Fitting, Diagnostic Test Port	
41	3290601	2	Nut M6	
43	4811700	2	Washer M6	
44	4811702	2	Washer M6	
45	1001275635	2	Clamp (Not Shown)	
46	88662037	1	Fitting, Straight JIC/ORB	
47	1001175024	1	Fitting, Tee JIC/JIC/ORB	
48	1001191275	1	Clamp	
49	1001191276	1	Clamp	
50	1001197272	1	Fitting, Tee JIC/ORB/JIC	
51	1001202910	2	Fitting, Straight MORB	
55	1001241994	1	Pipe, Weldment	
56	0760607	8	Bolt M6 x 14	

SECTION 7 - HYDRAULIC

ITEM	PART NUMBER	QTY	DESCRIPTION	REV
57	4240018	25	Tie-Strap (Not Shown)	
58	1001136358	1	Cover, Hose Wrap	
59	4811900	8	Washer M8	
60	2060404	2	Fitting, Straight FORB/ORB	
100	1001250478	1	Kit, Turntable	
101	1001173901	1	Hose	
102	1001173902	1	Hose	
103	1001250474	1	Hose	
104	1001250477	1	Hose	
105	1001173907	1	Hose	
106	1001173908	1	Hose	
200	1001252922	1	Kit, Turntable	
201	2752500	1	Hose	
202	1001172716	1	Hose	
203	1001172717	1	Hose	
204	1001172718	1	Hose	
205	1001172719	1	Hose	
206	1001172721	1	Hose	
207	1001172722	2	Hose	
208	1001172723	3	Hose	
209	1001173900	2	Hose	
210	1001181075	1	Hose	
211	1001193654	1	Hose	
300	1001252923	1	Kit, Turntable	
301	1001173898	1	Hose	
302	1001181074	1	Hose	
303	1001207332	2	Hose	
304	1001207333	1	Hose	
305	1001216655	1	Hose	
400	1001247999	1	Kit, Upper Boom	
401	1001247393	1	Hose	
402	1001247394	1	Hose	
403	1001247395	1	Hose	
404	1001247396	1	Hose	
405	1001247397	1	Hose	
406	1001247398	1	Hose	
407	1001268998	1	Hose	
408	1001268997	1	Hose	
409	1001247402	1	Hose	
410	1001254980	1	Hose	
500	1001248003	1	Kit, Chassis Front Hose	
501	1001172692	2	Hose	
502	1001172698	2	Hose	
503	1001172699	2	Hose	
504	1001172703	2	Hose	
505	1001172707	2	Hose	
506	1001184542	1	Hose	
507	1001184543	1	Hose	
508	1001247577	1	Hose	
600	1001248004	1	Kit, Chassis Rear Hose	
601	1001172695	1	Hose	

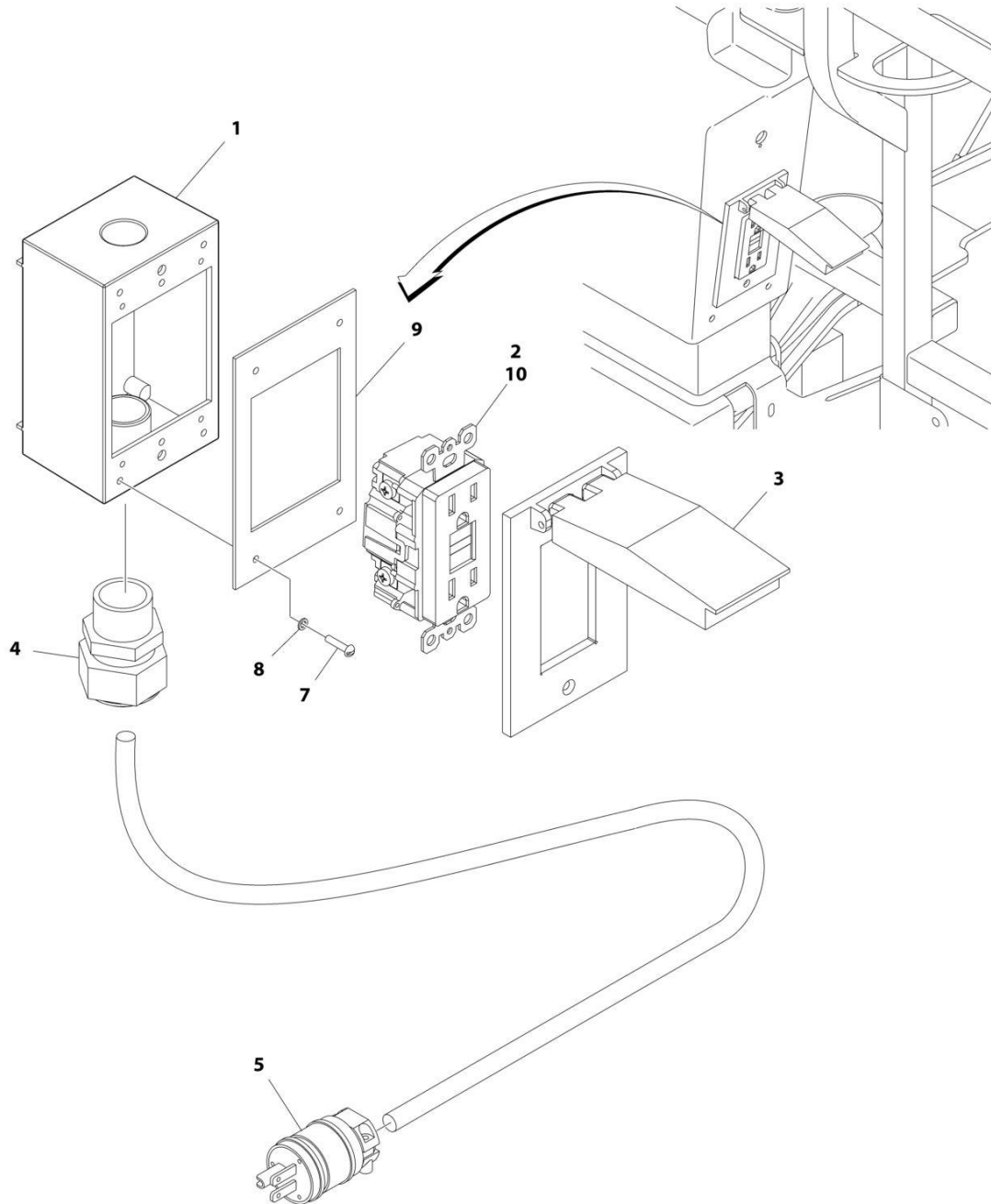
SECTION 7 - HYDRAULIC

ITEM	PART NUMBER	QTY	DESCRIPTION	REV
602	1001172697	4	Hose	
603	1001197284	1	Hose	
604	1001247996	1	Hose	
605	1001247997	1	Hose	
606	1001247998	1	Hose	

SECTION 8 - ELECTRICAL

SECTION 8 - ELECTRICAL

FIGURE 8-1. AC BOX AT PLATFORM INSTALLATION - 110V GFI (MACHINES WITH 2500W GENERATOR/NO GENERATOR OPTIONS) (ANSI AND CSA SPECS)



ART_0270022

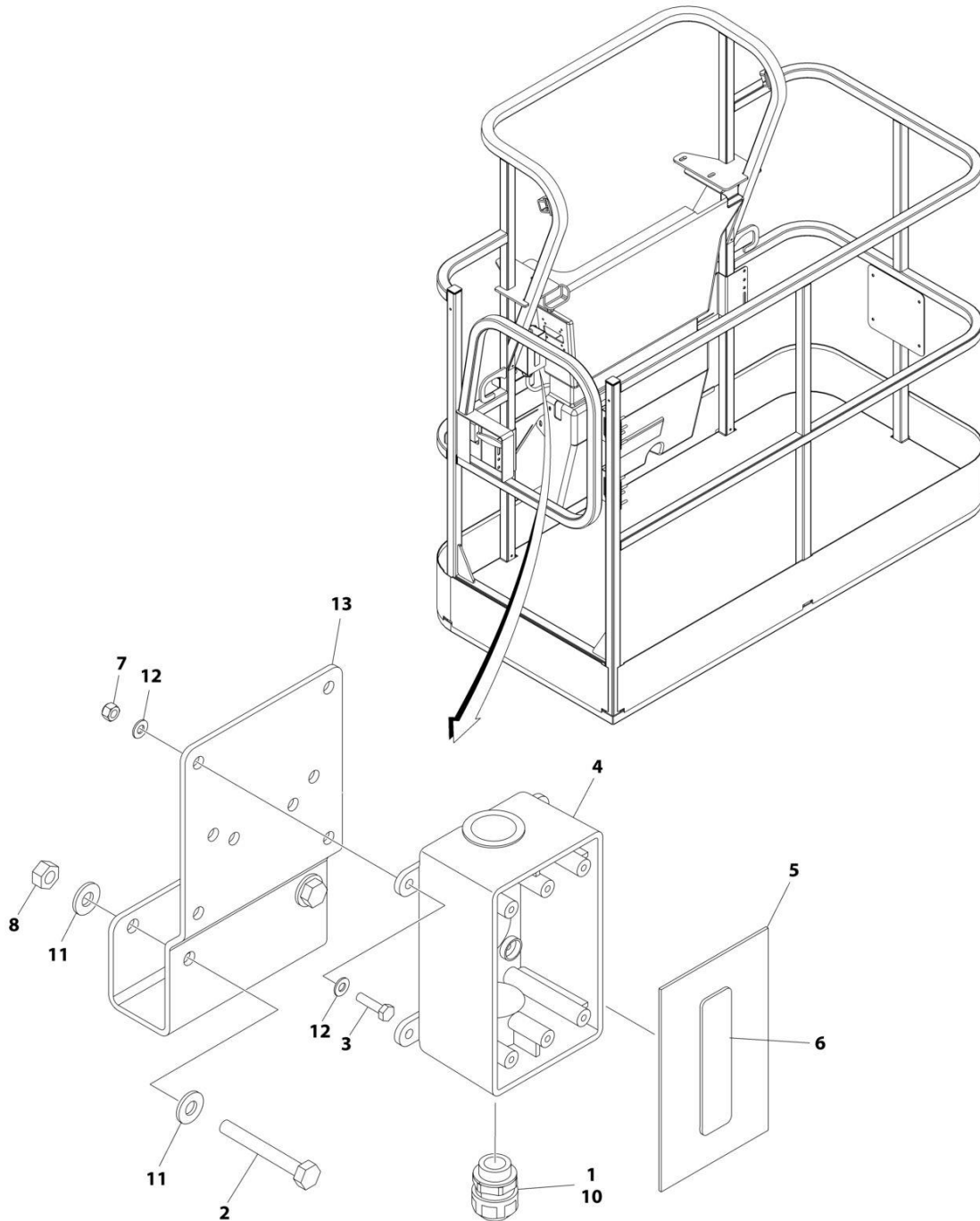
SECTION 8 - ELECTRICAL

FIGURE 8-1. AC BOX AT PLATFORM INSTALLATION - 110V GFI (MACHINES WITH 2500W GENERATOR/NO GENERATOR OPTIONS) (ANSI AND CSA SPECS)

ITEM	PART NUMBER	QTY	DESCRIPTION	REV
	0270022	Ref	AC BOX AT PLATFORM INSTALLATION - 110V	4-B
1	0860038	1	Box, Switch	
2	4460346	1	Receptacle	
3	1001110873	1	Shield, Cover	
4	4460071	1	Connector, Strain Relief	
5	4460205	1	Plug, Male	
7	3910610	4	Screw #6 x 5/8	
8	4760600	4	Washer #6	
9	3960422	1	Gasket	
10	4460315	1	Terminal, Spade	

SECTION 8 - ELECTRICAL

FIGURE 8-2. AC BOX AT PLATFORM INSTALLATION - CUSTOMER SUPPLIED RECEPTACLE (ANSI EXPORT, CE, CHINA & UK CA SPECS)



ART_1001194365

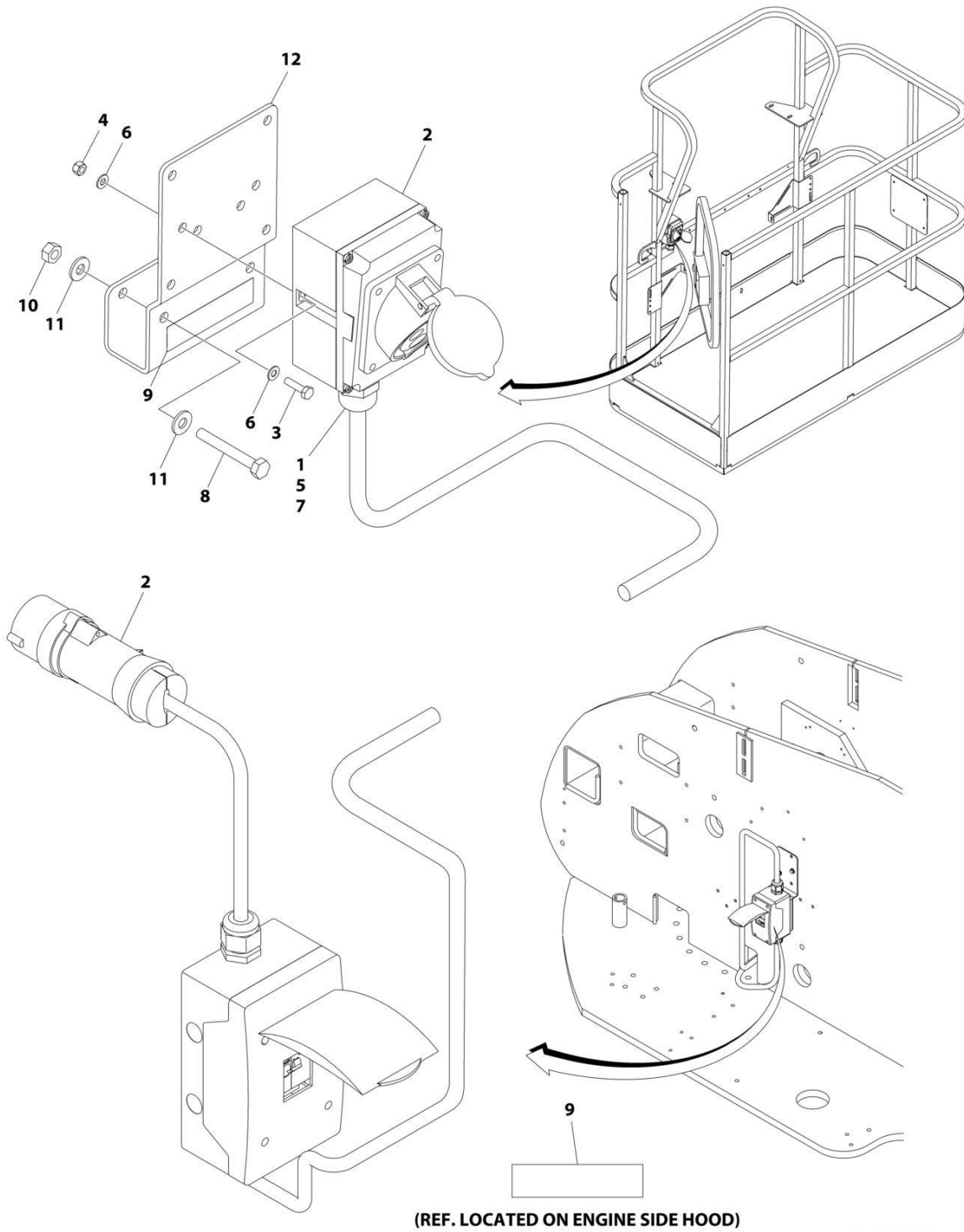
SECTION 8 - ELECTRICAL

FIGURE 8-2. AC BOX AT PLATFORM INSTALLATION - CUSTOMER SUPPLIED RECEPTACLE (ANSI EXPORT, CE, CHINA & UK CA SPECS)

ITEM	PART NUMBER	QTY	DESCRIPTION	REV
	1001194365	Ref	AC BOX AT PLATFORM INSTALLATION - BOX WITH COVER (2X4 BOX)	A
1	0100020	AR	Sealant	
2	0641416	2	Bolt 1/4 x 2	
3	0700408	4	Bolt M4 x 16	
4	0861731	1	Box, Switch	
5	1670603	1	Cover	
6	3251242	1	Decal - 240V/50Hz	
7	3290405	4	Nut M4	
8	3311405	2	Nut 1/4	
9	4460384	3	Terminal (Not Shown)	
10	4460662	1	Connector, Strain Relief	
11	4711400	4	Washer 1/4	
12	4811400	8	Washer M4	
13	1001193018	1	Bracket, AC Receptacle	

SECTION 8 - ELECTRICAL

**FIGURE 8-3. AC BOX AT PLATFORM INSTALLATION - 110V IEC YELLOW (CE & UK CA SPECS)
(2500W AND 7500W SKYPOWER GENERATORS)**



ART_1001091969

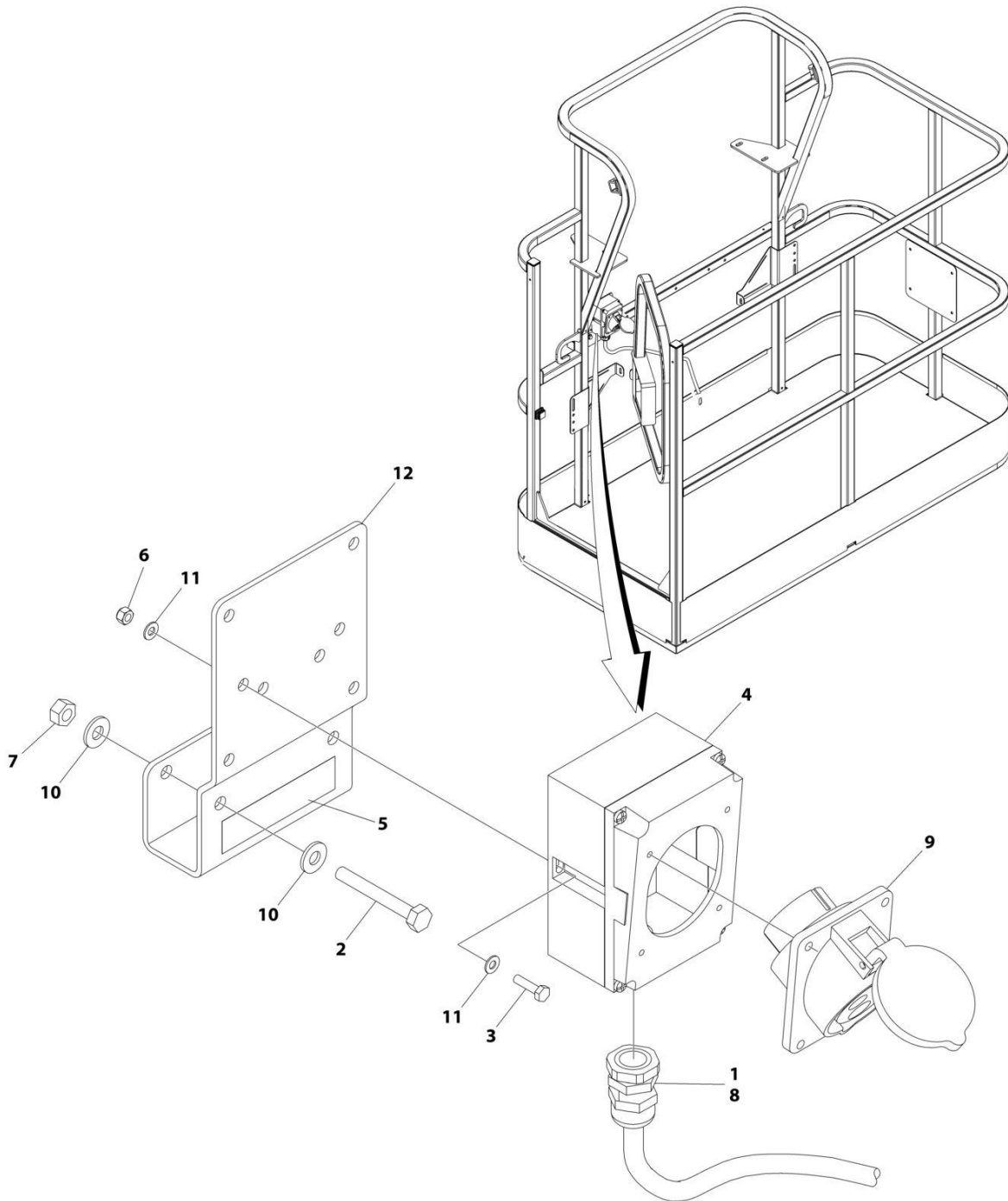
SECTION 8 - ELECTRICAL

**FIGURE 8-3. AC BOX AT PLATFORM INSTALLATION - 110V IEC YELLOW (CE & UK CA SPECS)
(2500W AND 7500W SKYPOWER GENERATORS)**

ITEM	PART NUMBER	QTY	DESCRIPTION	REV
	1001091969	Ref	AC BOX AT PLATFORM INSTALLATION - 110V IEC YELLOW	D
1	0100020	AR	Sealant, Pipe	
2	0275216	1	Receptacle Box Kit (See Separate Breakdown in this Section)	
3	0700408	2	Bolt M4 x 16	
4	3290405	2	Nut M4	
5	1001101196	1	Adapter	
6	4811400	4	Washer M4	
7	1001101191	1	Connector, Strain Relief	
8	0641416	2	Bolt 1/4 x 2	
9	1705325	2	Decal - 110V	
10	3311405	2	Nut 1/4	
11	4711400	4	Washer 1/4	
12	1001193018	1	Bracket	

SECTION 8 - ELECTRICAL

FIGURE 8-4. AC BOX AT PLATFORM INSTALLATION - 110V IEC YELLOW (CE & UK CA SPECS)
(4000W GENERATOR)



ART_1001194203

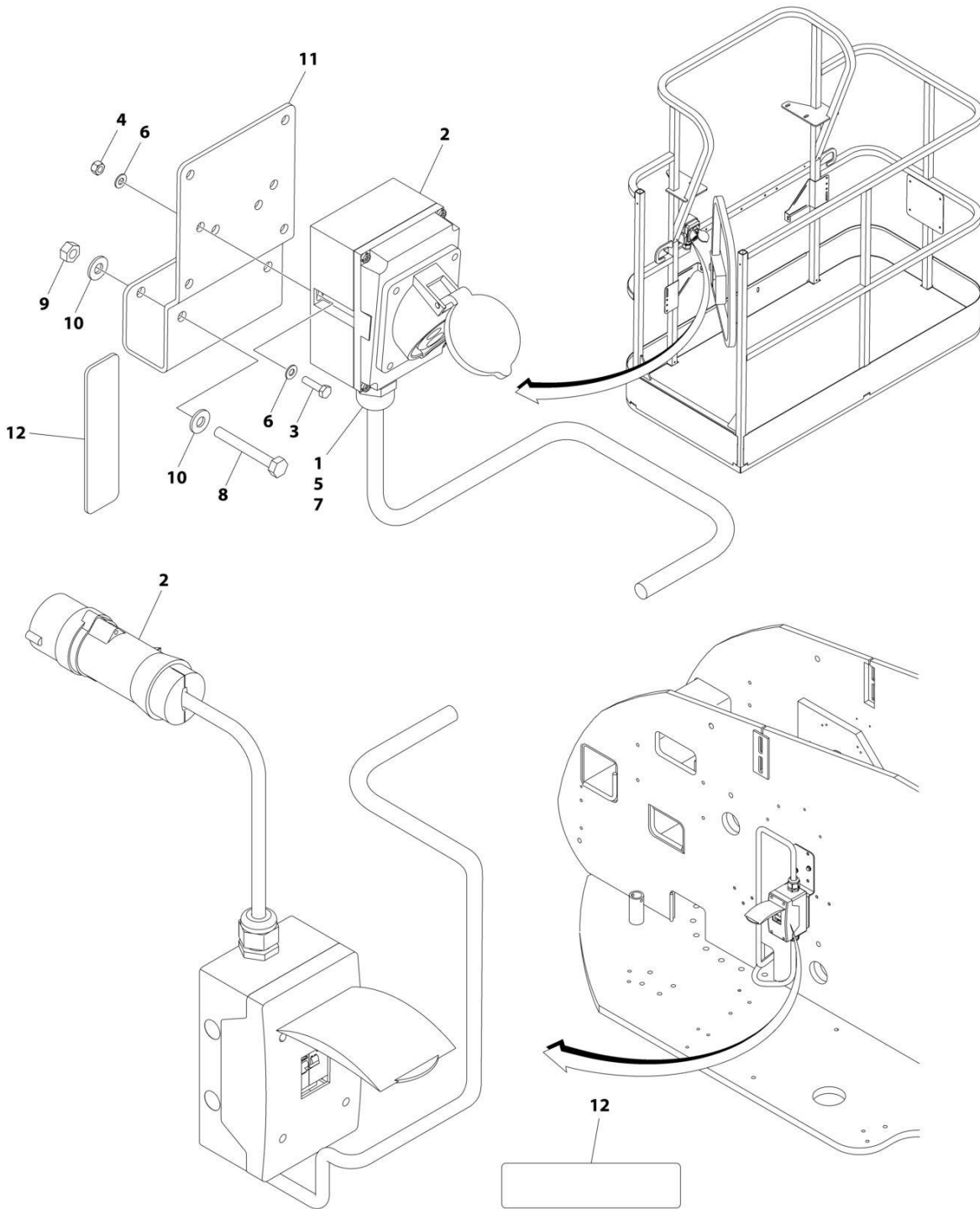
SECTION 8 - ELECTRICAL

**FIGURE 8-4. AC BOX AT PLATFORM INSTALLATION - 110V IEC YELLOW (CE & UK CA SPECS)
(4000W GENERATOR)**

ITEM	PART NUMBER	QTY	DESCRIPTION	REV
	1001194203	Ref	AC BOX AT PLATFORM INSTALLATION	B
1	0100020	AR	Sealant, Pipe	
2	0641416	2	Bolt 1/4 x 2	
3	0700408	2	Bolt M4 x 16	
4	0861781	1	Box, Switch	
5	1705325	1	Decal - 110V	
6	3290405	2	Nut M4	
7	3311405	2	Nut 1/4	
8	4460968	1	Connector, Strain Relief	
9	4461198	1	Receptacle	
10	4711400	4	Washer 1/4	
11	4811400	4	Washer M4	
12	1001193018	1	Bracket, AC Receptacle	

SECTION 8 - ELECTRICAL

FIGURE 8-5. AC BOX AT PLATFORM INSTALLATION - 220V IEC BLUE (CE & UK CA SPECS) (2500W AND 7500W SKYPOWER GENERATORS)



(REF. LOCATED ON ENGINE SIDE HOOD)

ART_1001091970

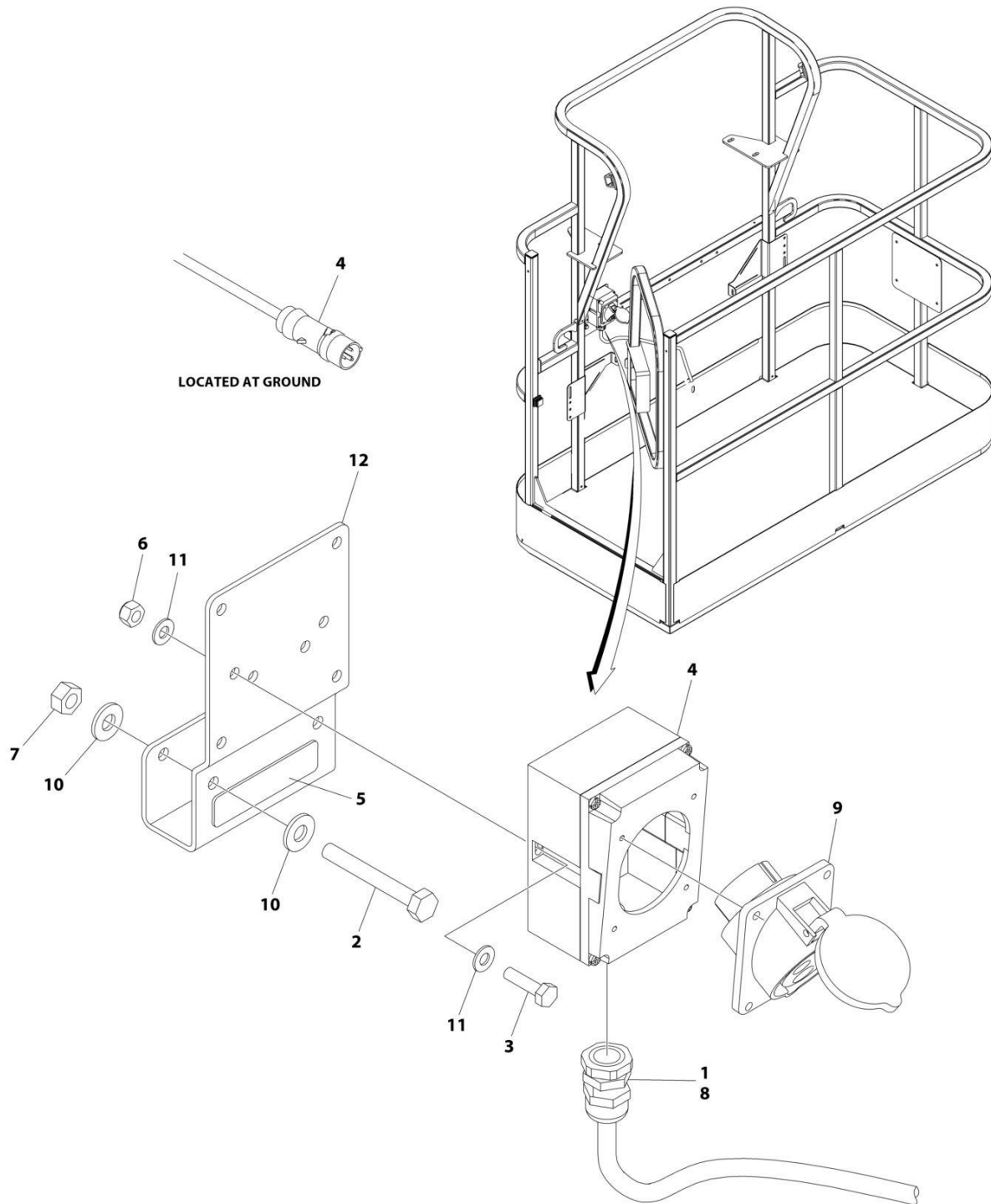
SECTION 8 - ELECTRICAL

FIGURE 8-5. AC BOX AT PLATFORM INSTALLATION - 220V IEC BLUE (CE & UK CA SPECS) (2500W AND 7500W SKYPOWER GENERATORS)

ITEM	PART NUMBER	QTY	DESCRIPTION	REV
	1001091970	Ref	AC BOX AT PLATFORM INSTALLATION - 220V IEC BLUE	D
1	0100020	AR	Sealant, Pipe	
2	0275217	1	Receptacle Box Kit (See Separate Breakdown in this Section)	
3	0700408	2	Bolt M4 x 16	
4	3290405	2	Nut M4	
5	1001101196	1	Adapter	
6	4811400	4	Washer M4	
7	1001101191	1	Connector, Strain Relief	
8	0641416	2	Bolt 1/4 x 2	
9	3311405	2	Nut 1/4	
10	4711400	4	Washer 1/4	
11	1001193018	1	Bracket	
12	3251242	2	Decal - 240V/50Hz	

SECTION 8 - ELECTRICAL

FIGURE 8-6. AC BOX AT PLATFORM INSTALLATION - 220V IEC BLUE (CE & UK CA SPECS) (4000W GENERATOR)



ART_1001194204

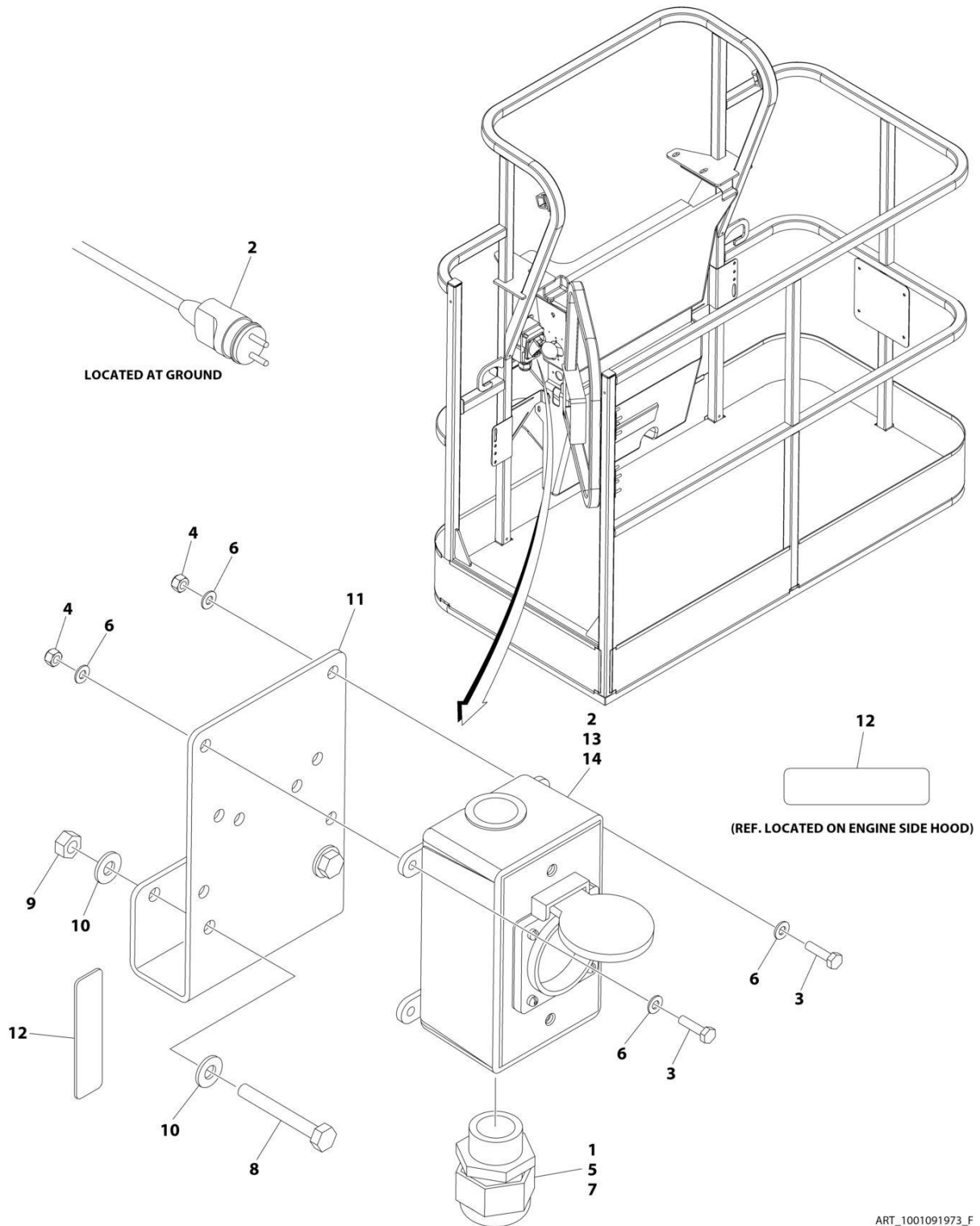
SECTION 8 - ELECTRICAL

FIGURE 8-6. AC BOX AT PLATFORM INSTALLATION - 220V IEC BLUE (CE & UK CA SPECS) (4000W GENERATOR)

ITEM	PART NUMBER	QTY	DESCRIPTION	REV
	1001194204	Ref	AC BOX AT PLATFORM INSTALLATION	B
1	0100020	AR	Sealant, Pipe	
2	0641416	2	Bolt 1/4 x 2	
3	0700408	2	Bolt M4 x 16	
4	0861781	1	Box, Switch	
5	3251242	1	Decal - 240V/50Hz	
6	3290405	2	Nut M4	
7	3311405	2	Nut 1/4	
8	4460968	1	Connector, Strain Relief	
9	4461201	1	Receptacle	
10	4711400	4	Washer 1/4	
11	4811400	4	Washer M4	
12	1001193018	1	Bracket, AC Receptacle	

SECTION 8 - ELECTRICAL

FIGURE 8-7. AC BOX AT PLATFORM INSTALLATION - 220V CEE7 POST GROUND (CE & UK CA SPECS) (WITHOUT GENERATOR)



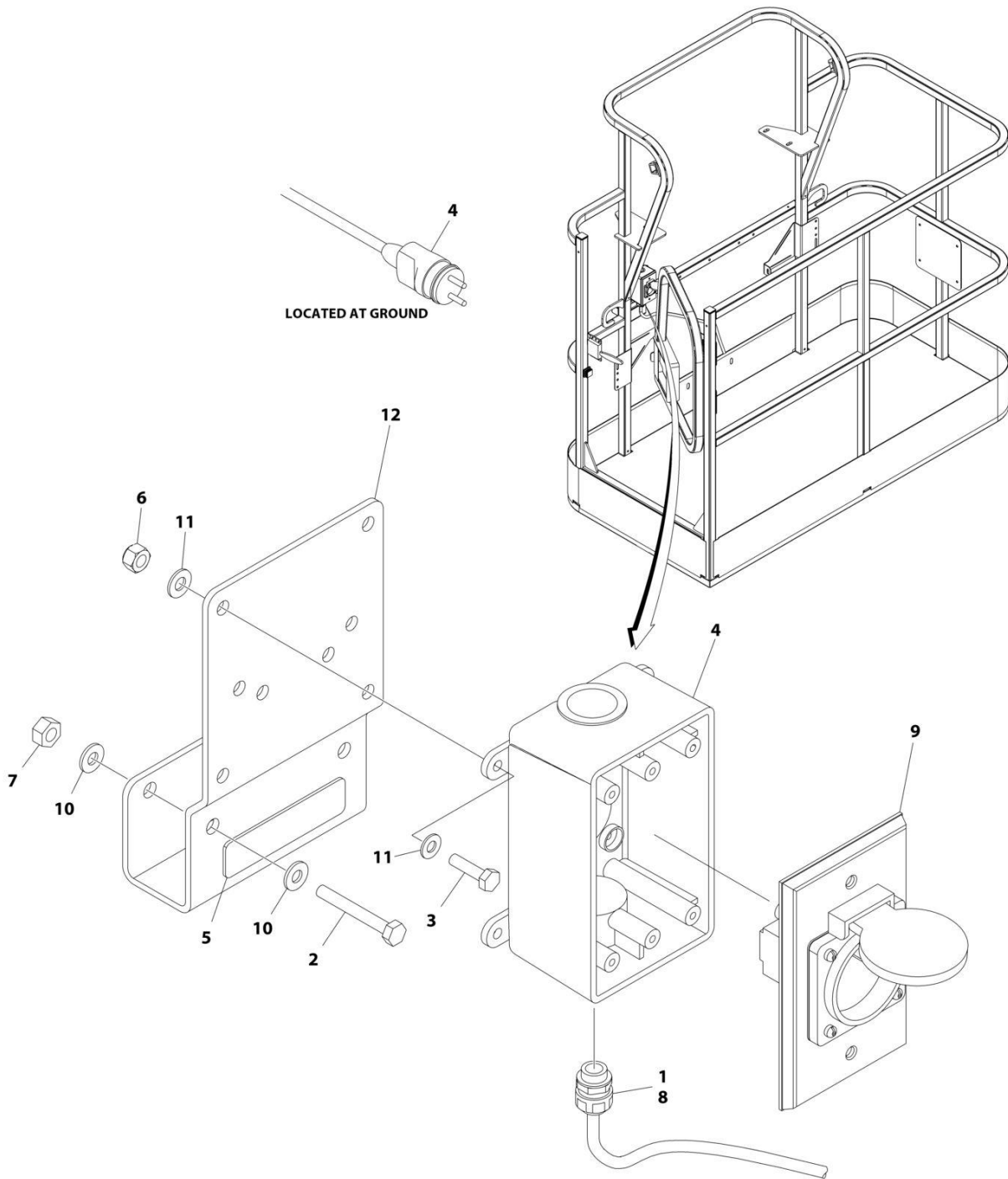
SECTION 8 - ELECTRICAL

FIGURE 8-7. AC BOX AT PLATFORM INSTALLATION - 220V CEE7 POST GROUND (CE & UK CA SPECS) (WITHOUT GENERATOR)

ITEM	PART NUMBER	QTY	DESCRIPTION	REV
	1001091973	Ref	AC BOX AT PLATFORM INSTALLATION - 220V CEE7 2X4 BOX POST GROUND	F
1	0100020	AR	Sealant, Pipe	
2	0275452	1	Receptacle Box Kit (See Separate Breakdown in this Section)	
3	0700408	4	Bolt M4 x 16	
4	3290405	4	Nut M4	
5	1001101197	1	Adapter	
6	4811400	8	Washer M4	
7	1001101191	1	Connector, Strain Relief	
8	0641416	2	Bolt 1/4 x 2	
9	3311405	2	Nut 1/4	
10	4711400	4	Washer 1/4	
11	1001193018	1	Bracket	
12	3251242	2	Decal - 240V/50Hz	
13	4460806	2	Terminal, Fork (Not Shown)	
14	1001205958	1	Terminal (Not Shown)	

SECTION 8 - ELECTRICAL

FIGURE 8-8. AC BOX AT PLATFORM INSTALLATION - 220V CEE7 POST GROUND (CE & UK CA SPECS) (4000W GENERATOR)



ART_1001194197

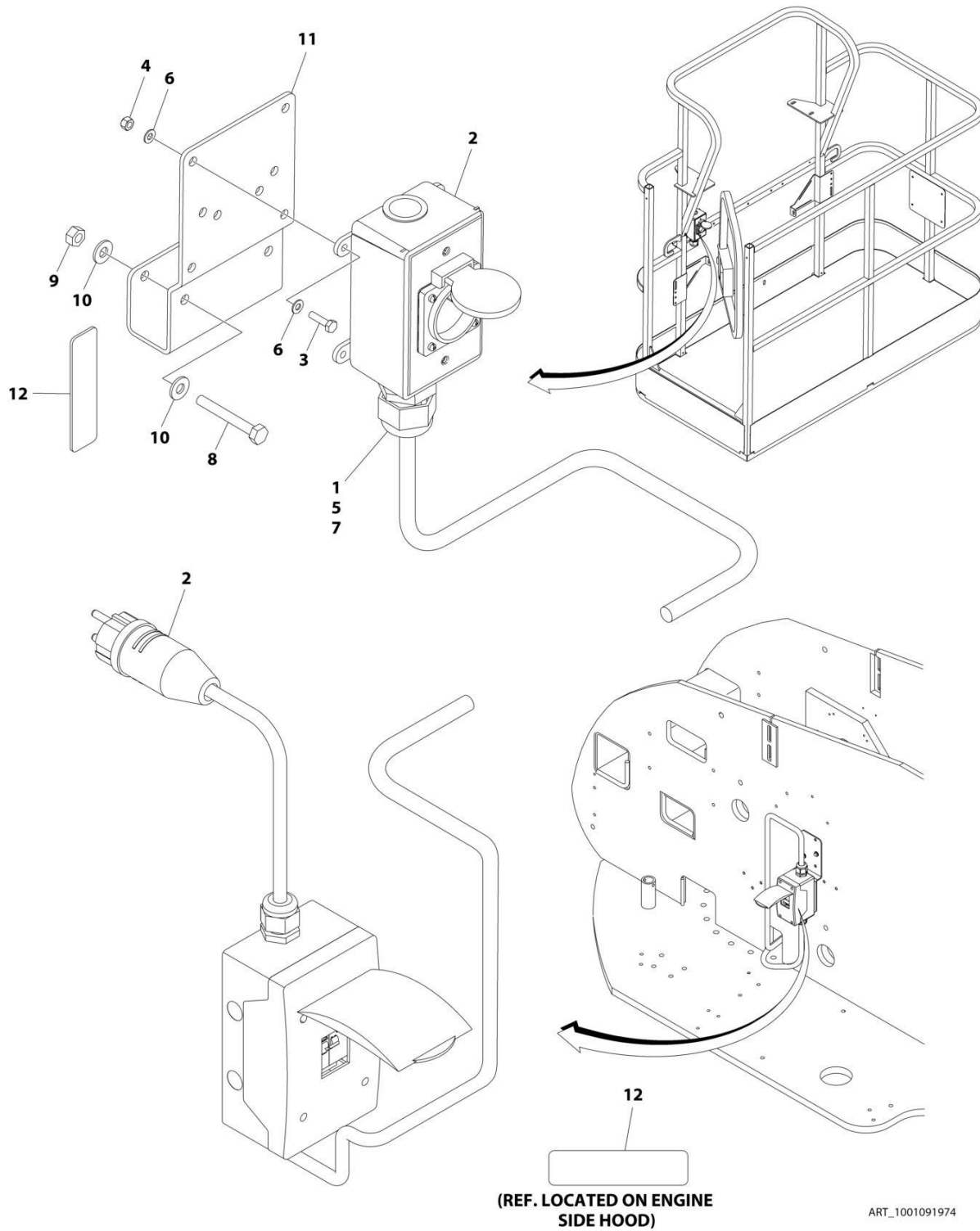
SECTION 8 - ELECTRICAL

FIGURE 8-8. AC BOX AT PLATFORM INSTALLATION - 220V CEE7 POST GROUND (CE & UK CA SPECS) (4000W GENERATOR)

ITEM	PART NUMBER	QTY	DESCRIPTION	REV
	1001194197	Ref	AC BOX AT PLATFORM INSTALLATION	B
1	0100020	AR	Sealant, Pipe	
2	0641416	2	Bolt 1/4 x 2	
3	0700408	4	Bolt M4 x 16	
4	0861731	1	Box, Switch	
5	3251242	1	Decal - 240V/50Hz	
6	3290405	4	Nut M4	
7	3311405	2	Nut 1/4	
8	4460662	1	Connector, Strain Relief	
9	4461244	1	Receptacle	
10	4711400	4	Washer 1/4	
11	4811400	8	Washer M4	
12	1001193018	1	Bracket, AC Receptacle	
13	4460806	2	Terminal, Fork (Not Shown)	
14	1001205958	1	Terminal (Not Shown)	

SECTION 8 - ELECTRICAL

FIGURE 8-9. AC BOX AT PLATFORM INSTALLATION - 220V CEE7 SIDE GROUND (CE & UK CA SPECS) (WITHOUT GENERATOR)



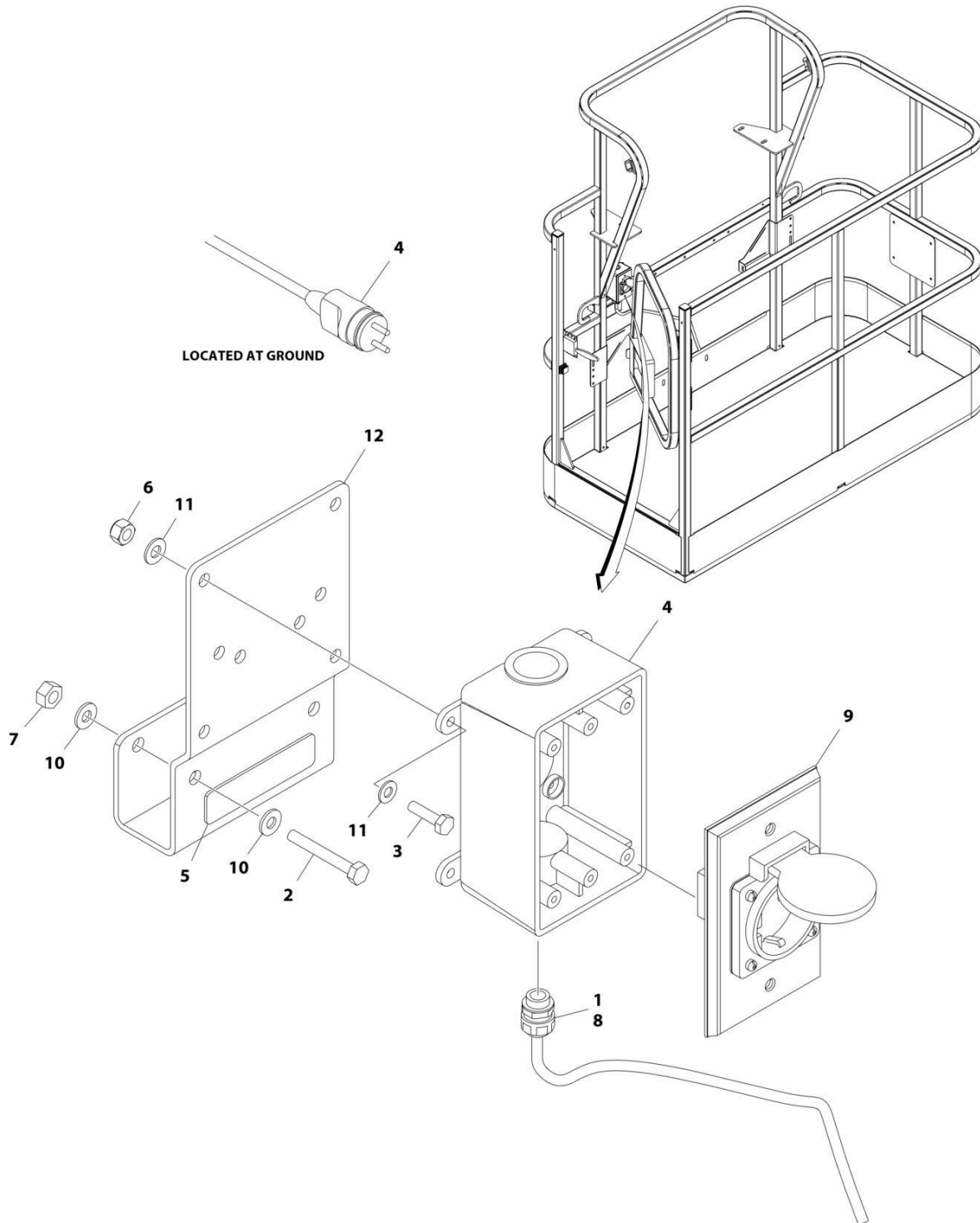
SECTION 8 - ELECTRICAL

FIGURE 8-9. AC BOX AT PLATFORM INSTALLATION - 220V CEE7 SIDE GROUND (CE & UK CA SPECS) (WITHOUT GENERATOR)

ITEM	PART NUMBER	QTY	DESCRIPTION	REV
	1001091974	Ref	AC BOX AT PLATFORM INSTALLATION - 220V CEE7 2X4 BOX SIDE GROUND	F
1	0100020	AR	Sealant, Pipe	
2	0275453	1	Receptacle Box Kit (See Separate Breakdown in this Section)	
3	0700408	4	Bolt M4 x 16	
4	3290405	4	Nut M4	
5	1001101197	1	Adapter	
6	4811400	8	Washer M4	
7	1001101191	1	Connector, Strain Relief	
8	0641416	2	Bolt 1/4 x 2	
9	3311405	2	Nut 1/4	
10	4711400	4	Washer 1/4	
11	1001193018	1	Bracket	
12	3251242	2	Decal - 240V/50Hz	
13	4460806	2	Terminal, Fork (Not Shown)	
14	1001205958	1	Terminal (Not Shown)	

SECTION 8 - ELECTRICAL

FIGURE 8-10. AC BOX AT PLATFORM INSTALLATION - 220V CEE7 SIDE GROUND (CE & UK CA SPECS) (4000W GENERATOR)



ART_1001194198

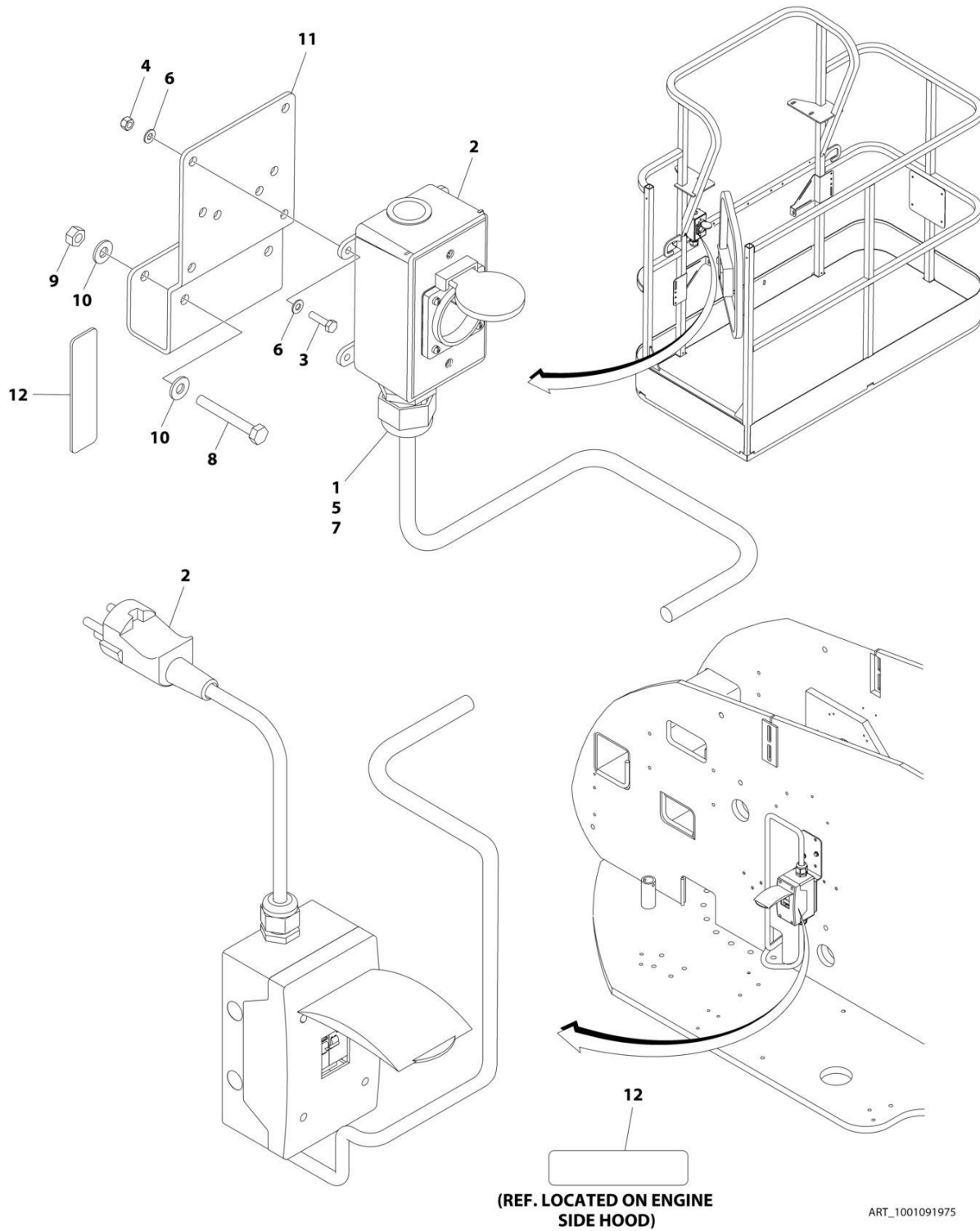
SECTION 8 - ELECTRICAL

FIGURE 8-10. AC BOX AT PLATFORM INSTALLATION - 220V CEE7 SIDE GROUND (CE & UK CA SPECS) (4000W GENERATOR)

ITEM	PART NUMBER	QTY	DESCRIPTION	REV
	1001194198	Ref	AC BOX AT PLATFORM INSTALLATION	B
1	0100020	AR	Sealant, Pipe	
2	0641416	2	Bolt 1/4 x 2	
3	0700408	4	Bolt M4 x 16	
4	0861731	1	Box, Switch	
5	3251242	1	Decal - 240V/50Hz	
6	3290405	4	Nut M4	
7	3311405	2	Nut 1/4	
8	4460662	1	Connector, Strain Relief	
9	4461245	1	Receptacle	
10	4711400	4	Washer 1/4	
11	4811400	8	Washer M4	
12	1001193018	1	Bracket, AC Receptacle	
13	4460806	2	Terminal, Fork (Not Shown)	
14	1001205958	1	Terminal (Not Shown)	

SECTION 8 - ELECTRICAL

FIGURE 8-11. AC BOX AT PLATFORM INSTALLATION - 220V AFSINT 107 (CE & UK CA SPECS) (WITHOUT GENERATOR)



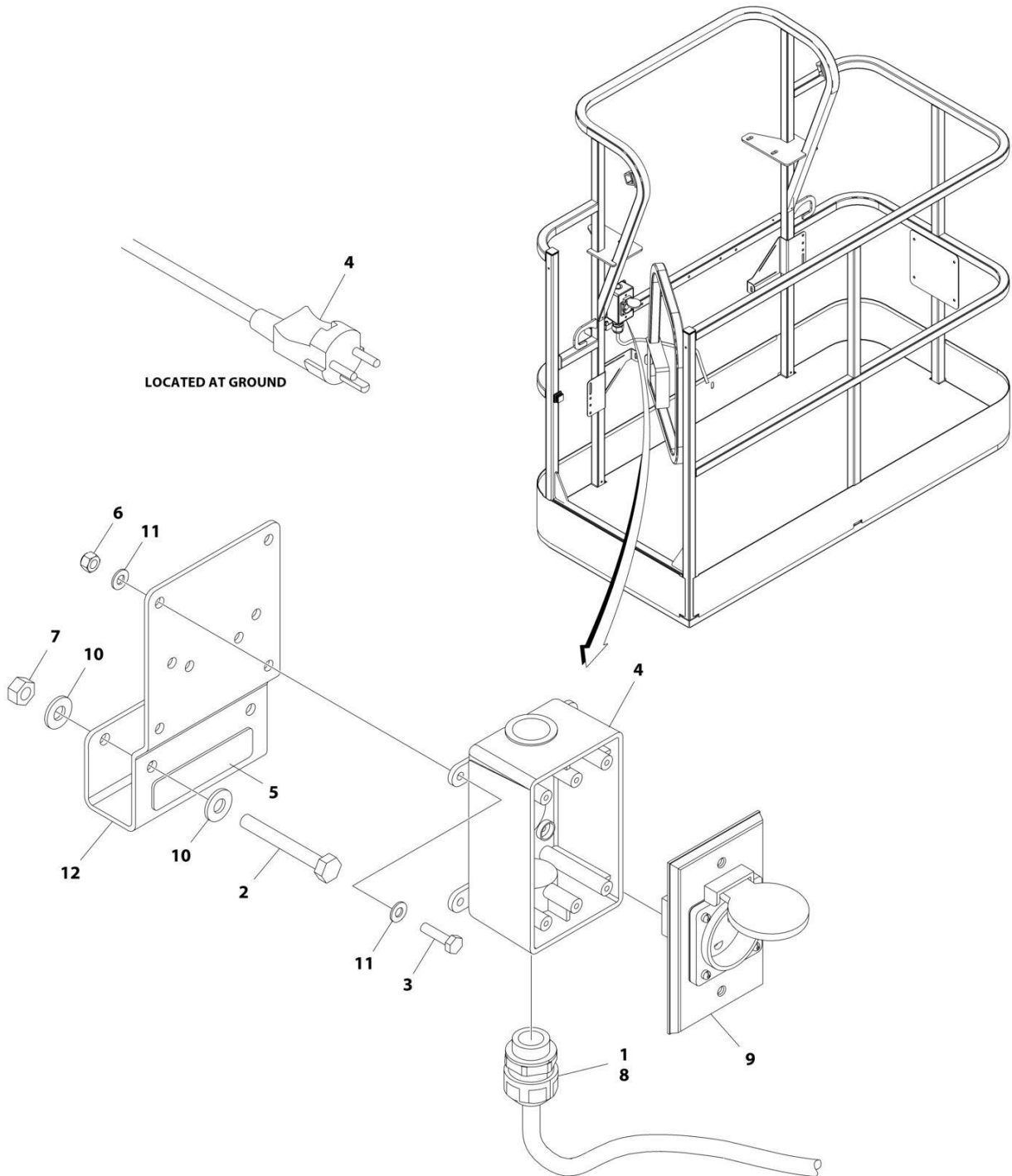
SECTION 8 - ELECTRICAL

**FIGURE 8-11. AC BOX AT PLATFORM INSTALLATION - 220V AFSINT 107 (CE & UK CA SPECS)
(WITHOUT GENERATOR)**

ITEM	PART NUMBER	QTY	DESCRIPTION	REV
	1001091975	Ref	AC BOX AT PLATFORM INSTALLATION - 220V AFSINT 107 2X4 BOX KEYED GROUND	F
1	0100020	AR	Sealant, Pipe	
2	0275454	1	Receptacle Box Kit (See Separate Breakdown in this Section)	
3	0700408	4	Bolt M4 x 16	
4	3290405	4	Nut M4	
5	1001101197	1	Adapter	
6	4811400	8	Washer M4	
7	1001101191	1	Connector, Strain Relief	
8	0641416	2	Bolt 1/4 x 2	
9	3311405	2	Nut 1/4	
10	4711400	4	Washer 1/4	
11	1001193018	1	Bracket	
12	3251242	2	Decal - 240V/50Hz	
13	1001205958	3	Terminal (Not Shown)	

SECTION 8 - ELECTRICAL

FIGURE 8-12. AC BOX AT PLATFORM INSTALLATION - 220V AFSINT 107 (CE & UK CA SPECS)
(4000W GENERATOR)



ART_1001194200

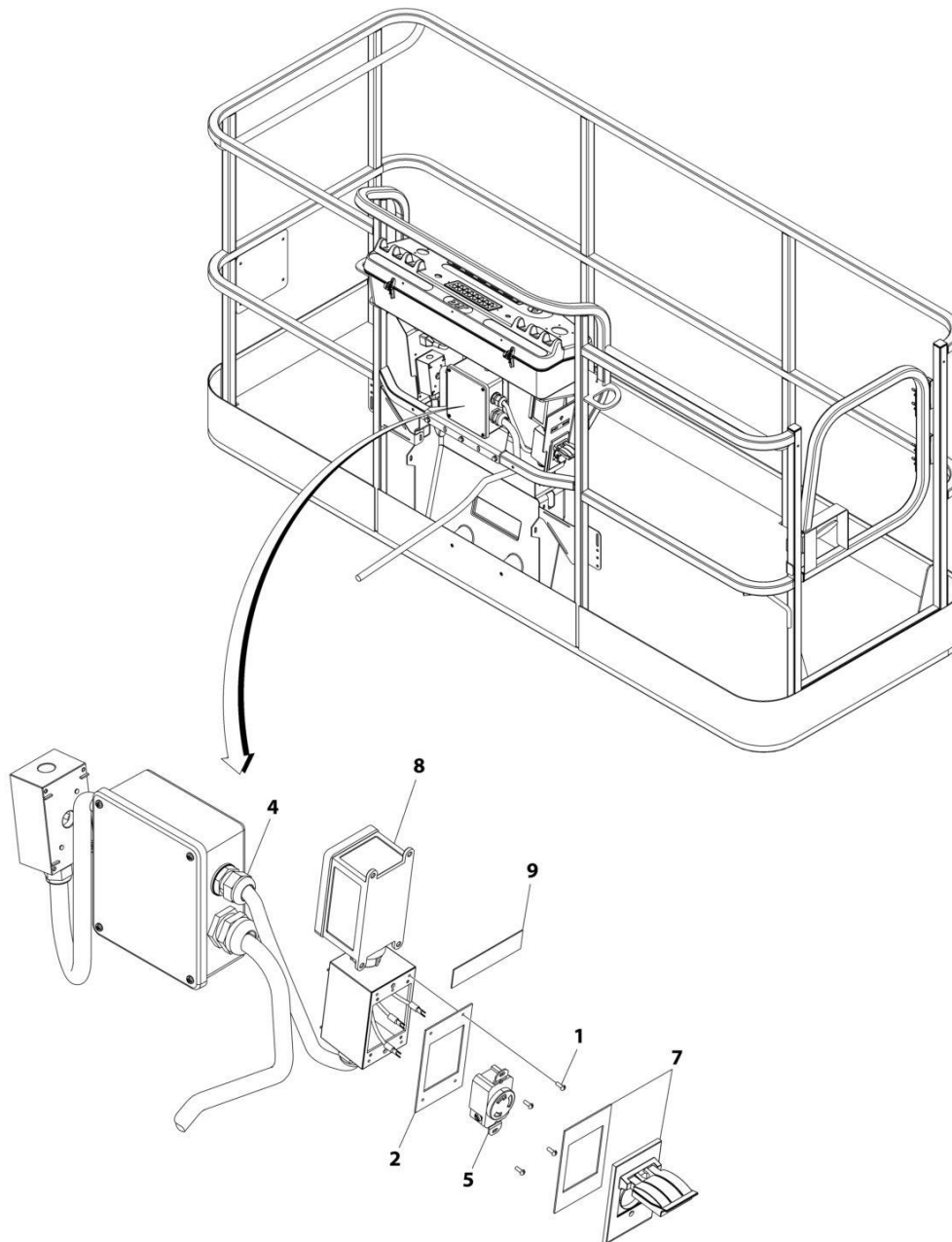
SECTION 8 - ELECTRICAL

**FIGURE 8-12. AC BOX AT PLATFORM INSTALLATION - 220V AFSINT 107 (CE & UK CA SPECS)
(4000W GENERATOR)**

ITEM	PART NUMBER	QTY	DESCRIPTION	REV
	1001194200	Ref	AC BOX AT PLATFORM INSTALLATION	B
1	0100020	AR	Sealant, Pipe	
2	0641416	2	Bolt 1/4 x 2	
3	0700408	4	Bolt M4 x 16	
4	0861731	1	Box, Switch	
5	3251242	1	Decal - 240V/50Hz	
6	3290405	4	Nut M4	
7	3311405	2	Nut 1/4	
8	4460662	1	Connector, Strain Relief	
9	4461246	1	Receptacle	
10	4711400	4	Washer 1/4	
11	4811400	8	Washer M4	
12	1001193018	1	Bracket, AC Receptacle	
13	1001205958	1	Terminal (Not Shown)	

SECTION 8 - ELECTRICAL

FIGURE 8-13. AC BOX AT PLATFORM INSTALLATION - 240V GFCI RECEPTACLE (ANSI, ANSI EXPORT AND CSA SPECS WITH 4000W SKYPOWER GENERATOR)



ART_1001171131

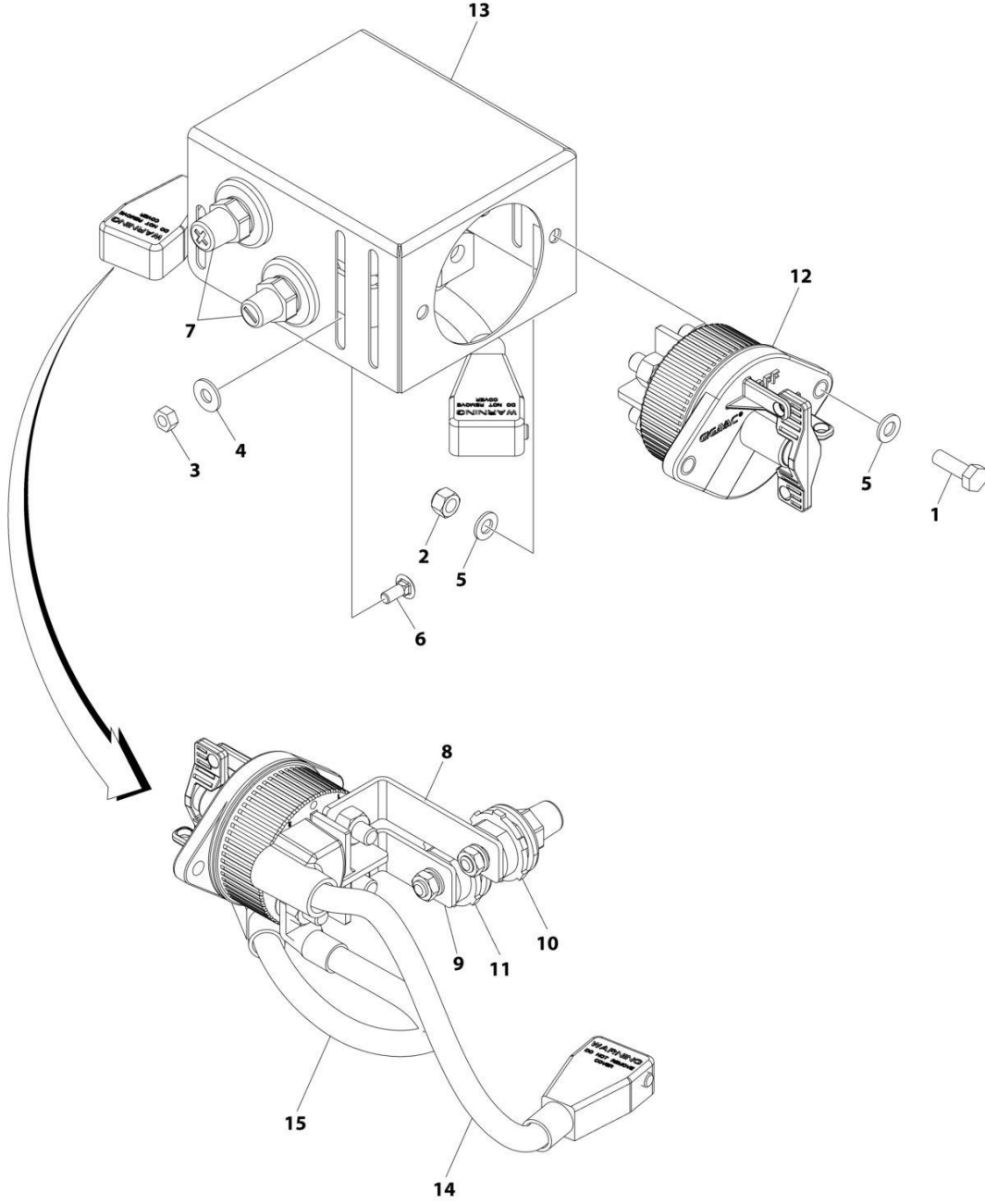
SECTION 8 - ELECTRICAL

FIGURE 8-13. AC BOX AT PLATFORM INSTALLATION - 240V GFCI RECEPTACLE (ANSI, ANSI EXPORT AND CSA SPECS WITH 4000W SKYPOWER GENERATOR)

ITEM	PART NUMBER	QTY	DESCRIPTION	REV
	1001171131	Ref	AC BOX AT PLATFORM INSTALLATION - 240V RECEPTACLE	B
1	3910606	4	Screw 6 x 3/8	
2	3960422	1	Gasket	
3	4240018	AR	Tie-Strap (Not Shown)	
4	4460425	1	Connector, Strain Relief	
5	1001176862	1	Receptacle	
7	1001110872	1	Cover, Receptacle	
8	1001159120	1	Receptacle/Breaker Box Assembly	
8	1001148675	1	Box, Receptacle	
8	1001159118	1	Breaker GFCI 30Amp 240VAC	
8	4460612	1	Connector, Strain Relief	
8	1001159119	1	Connector (Between Boxes)	
9	1705374	1	Decal - 240V/60Hz	

SECTION 8 - ELECTRICAL

FIGURE 8-14. BATTERY DISCONNECT INSTALLATION



ART_1001236304

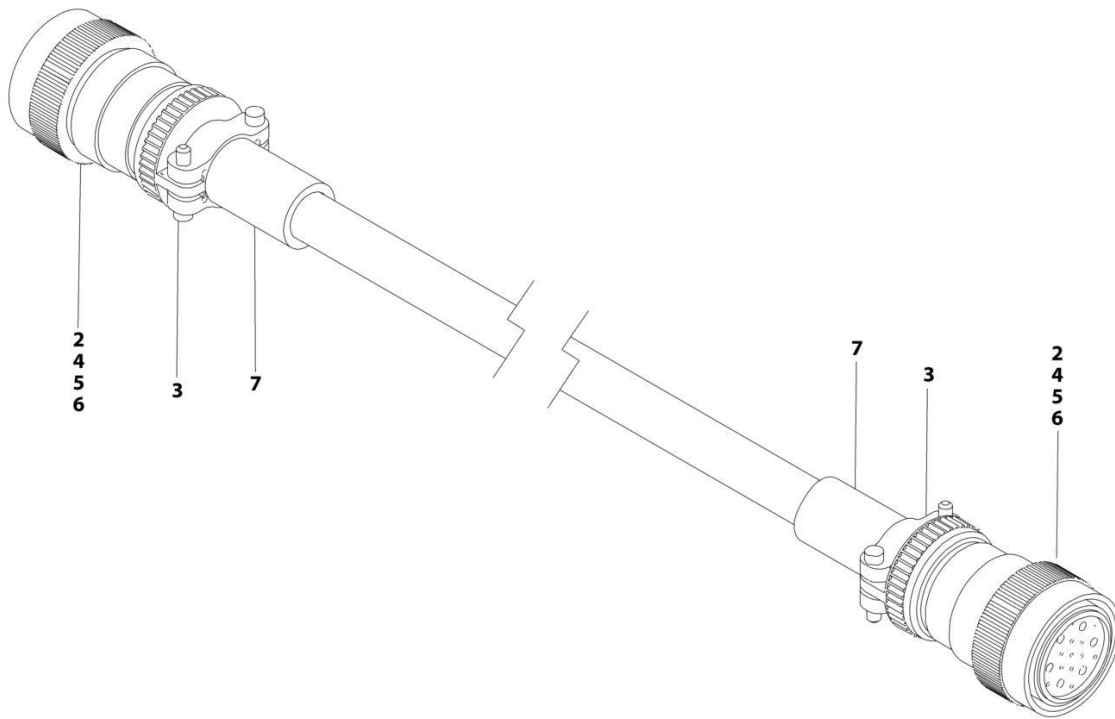
SECTION 8 - ELECTRICAL

FIGURE 8-14. BATTERY DISCONNECT INSTALLATION

ITEM	PART NUMBER	QTY	DESCRIPTION	REV
	1001236304	Ref	BATTERY DISCONNECT SWITCH INSTALLATION	A
1	0760812	2	Bolt M8 x 25	
2	3290805	2	Nut M8	
3	3311405	3	Nut 1/4	
4	4751400	3	Washer 1/4	
5	4811900	4	Washer M8	
6	88411013	3	Bolt 1/4 x 3/4	
7	1001206476	1	Connectors, Post	
8	1001209432	1	Bussbar	
9	1001209474	1	Bussbar	
10	1001214570	1	Connector (Red)	
11	1001214571	1	Connector (Black)	
12	1001225346	1	Switch, Battery	
13	1001226531	1	Mount	
14	1001236504	1	Cable, Battery (+)	
15	1001236505	1	Cable, Battery (-)	

SECTION 8 - ELECTRICAL

FIGURE 8-15. BOOM HARNESS (400S HC3)



ART_1001176952

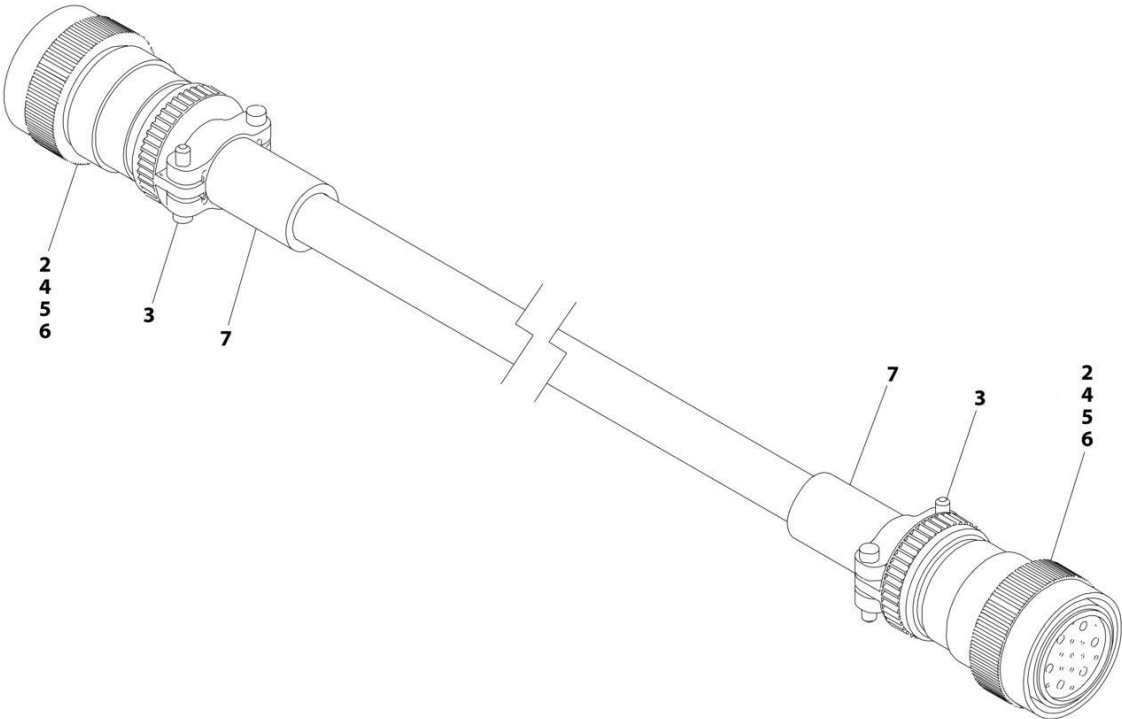
SECTION 8 - ELECTRICAL

FIGURE 8-15. BOOM HARNESS (400S HC3)

ITEM	PART NUMBER	QTY	DESCRIPTION	REV
	1001176952	Ref	BOOM HARNESS	C
2	4460865	2	Connector - 19 Position	
3	4460473	2	Clamp	
4	4460465	20	Socket, Female	
5	4460509	8	Socket, Female	
6	4460466	10	Plug, Socket	
7	1001226400	AR	Heat Shrink	

SECTION 8 - ELECTRICAL

FIGURE 8-16. BOOM HARNESS (460SJ HC3)



ART_1001248180

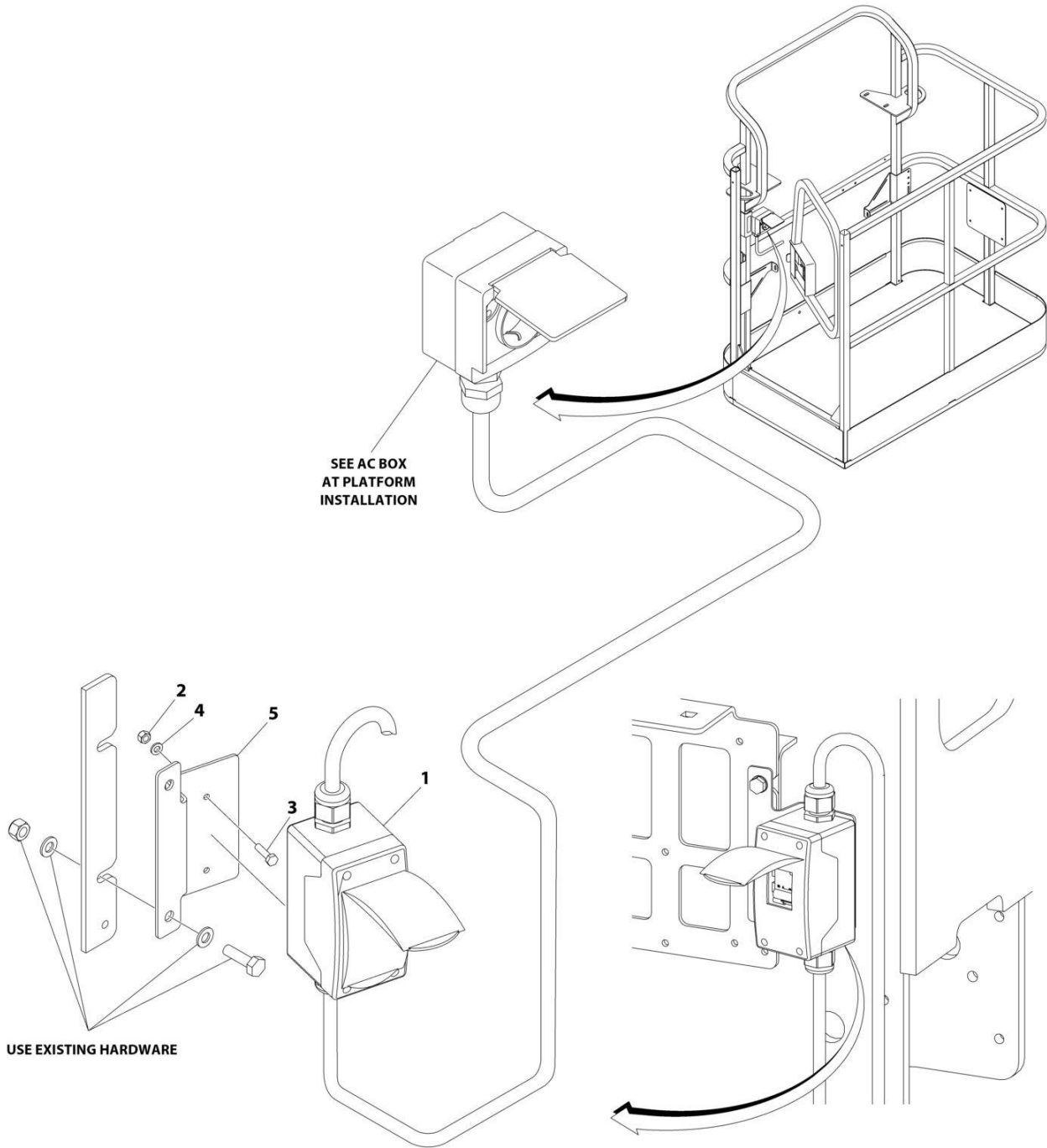
SECTION 8 - ELECTRICAL

FIGURE 8-16. BOOM HARNESS (460SJ HC3)

ITEM	PART NUMBER	QTY	DESCRIPTION	REV
	1001248180	Ref	BOOM HARNESS	A
2	4460865	2	Connector - 19 Position	
3	4460473	2	Clamp	
4	4460465	20	Socket, Female	
5	4460509	8	Socket, Female	
6	4460466	10	Plug, Socket	
7	1001226400	2	Heat Shrink	

SECTION 8 - ELECTRICAL

FIGURE 8-17. BREAKER BOX INSTALLATION - 110V/220V WITH 1 BREAKER (CE & UK CA SPECS)



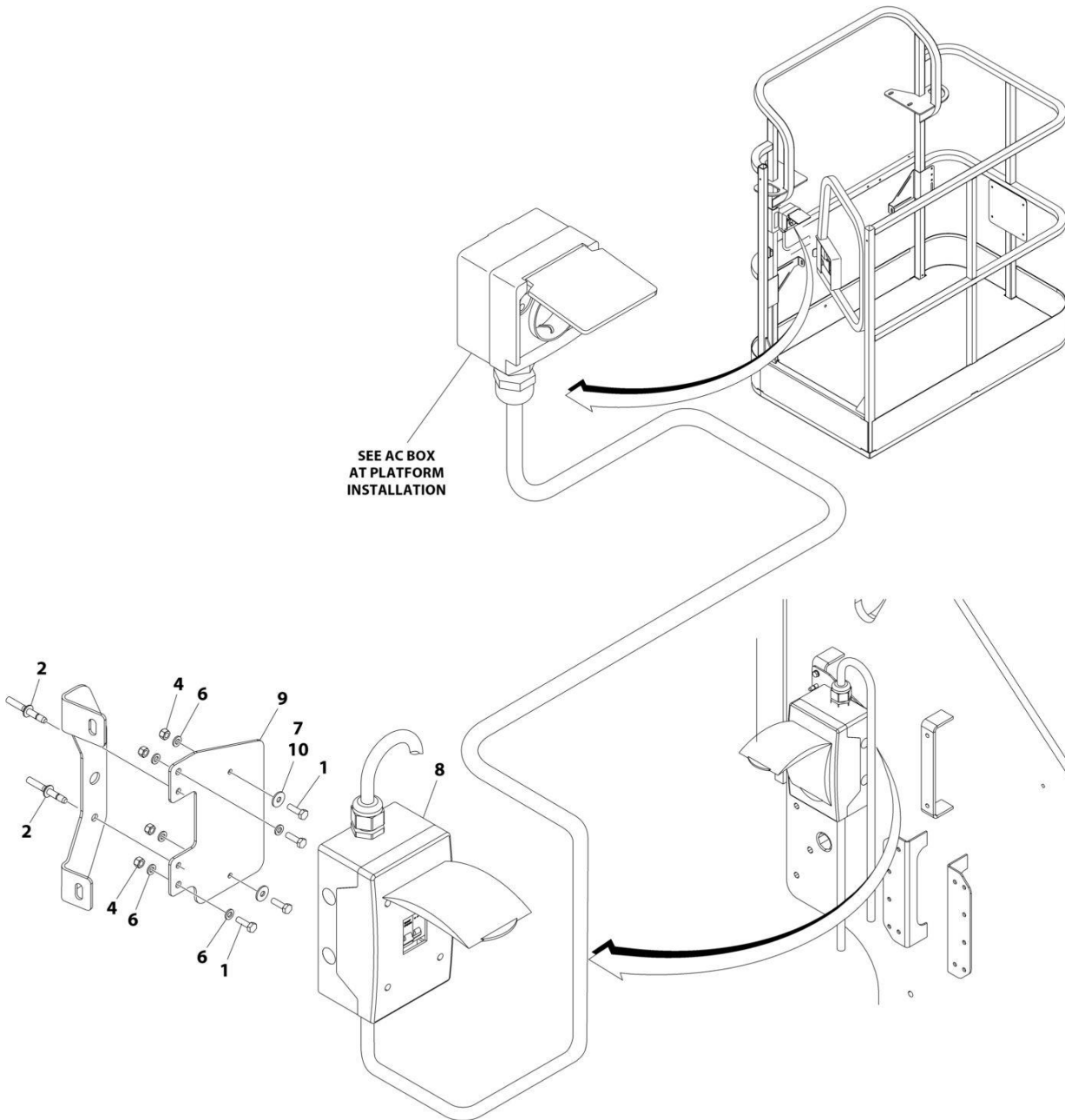
SECTION 8 - ELECTRICAL

FIGURE 8-17. BREAKER BOX INSTALLATION - 110V/220V WITH 1 BREAKER (CE & UK CA SPECS)

ITEM	PART NUMBER	QTY	DESCRIPTION	REV
	1001230907	Ref	BREAKER BOX INSTALLATION - 110/220V 16AMP BREAKER	D
1	2902549	1	Breaker Box Kit (See Separate Breakdown in this Section)	
2	3290605	4	Nut M6	
3	0760610	4	Bolt M6 x 20	
4	4811700	8	Washer M6	
5	1001293086	1	Bracket	

SECTION 8 - ELECTRICAL

FIGURE 8-18. BREAKER BOX INSTALLATION - 110V/220V WITH 3 BREAKERS (CE & UK CA SPECS)



ART_1001209677

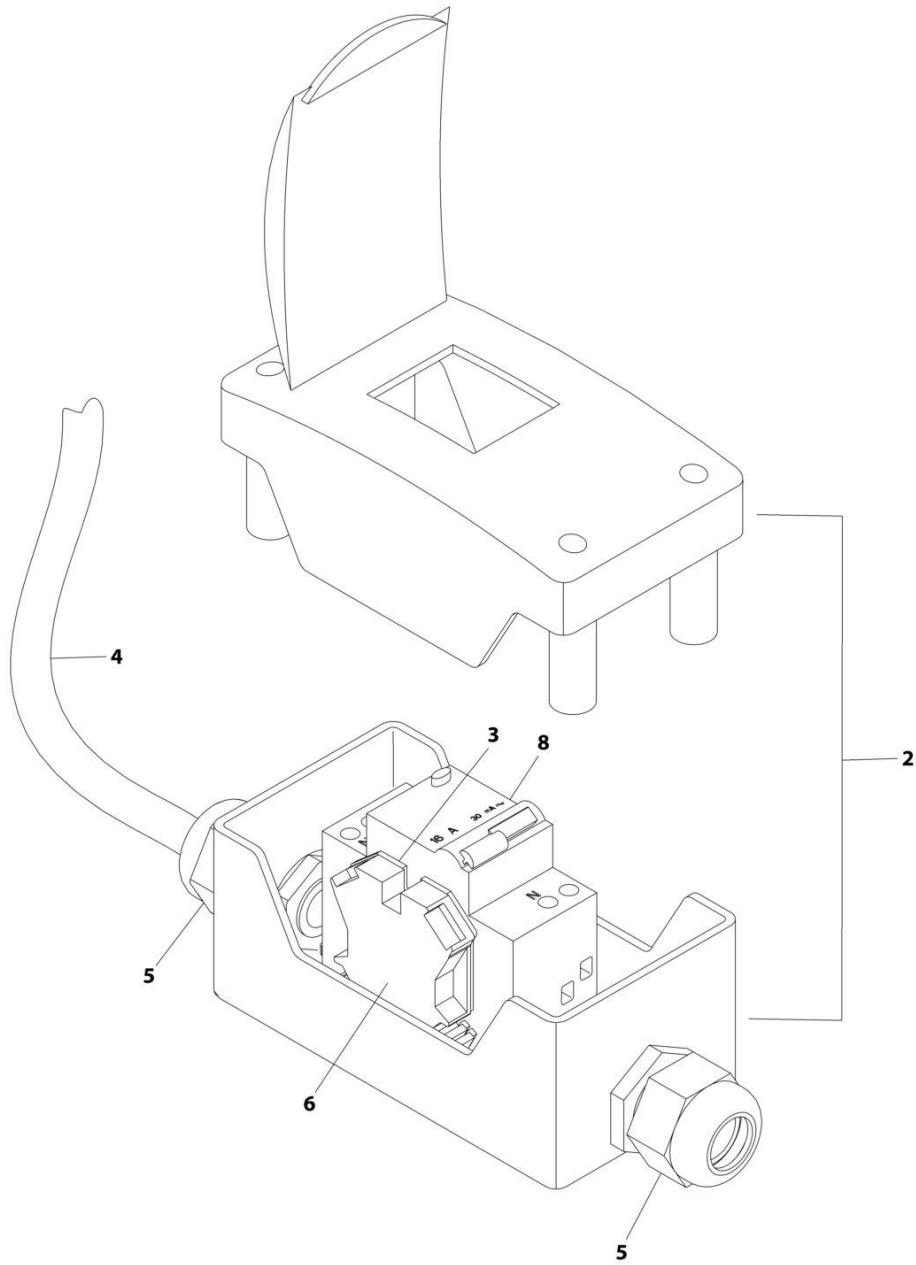
SECTION 8 - ELECTRICAL

FIGURE 8-18. BREAKER BOX INSTALLATION - 110V/220V WITH 3 BREAKERS (CE & UK CA SPECS)

ITEM	PART NUMBER	QTY	DESCRIPTION	REV
	1001209677	Ref	AC CABLE INSTALLATION - WITH THREE BREAKERS	B
1	0760610	AR	Bolt M6 x 20	
1	4010405	AR	Bolt M4 x 10	
2	2080040	AR	Fastener, Huck	
4	3290605	AR	Nut M6	
6	4811700	4	Washer M6	
7	1001091102	AR	Washer M4	
8	1001152485	1	Breaker Box Kit (See Separate Breakdown in this Section)	
9	1001209832	1	Bracket	
10	4811702	AR	Washer M6	

SECTION 8 - ELECTRICAL

FIGURE 8-19. BREAKER BOX KIT - 1 DOUBLE BREAKER (CE & UK CA SPECS)



ART_1001096070

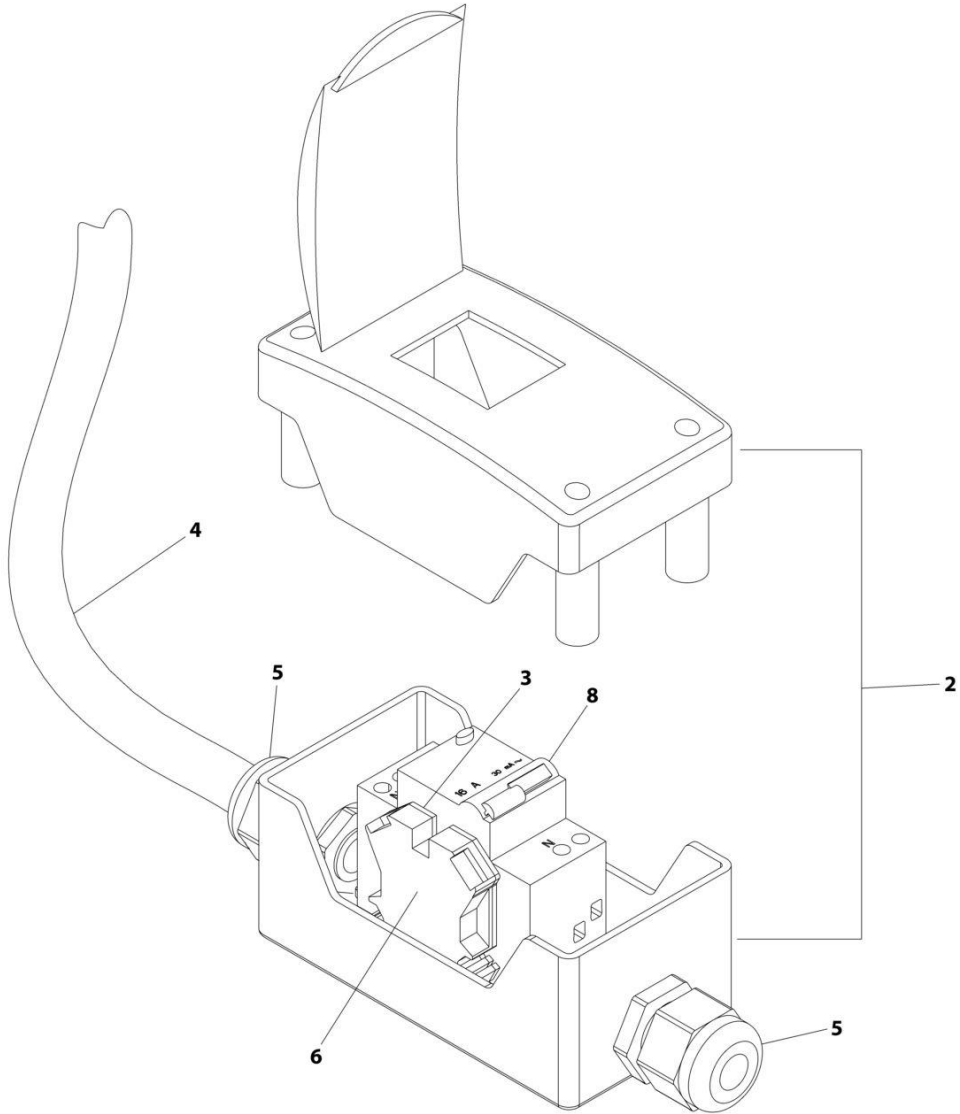
SECTION 8 - ELECTRICAL

FIGURE 8-19. BREAKER BOX KIT - 1 DOUBLE BREAKER (CE & UK CA SPECS)

ITEM	PART NUMBER	QTY	DESCRIPTION	REV
	1001096070	Ref	BREAKER BOX KIT	E
2	0861880	1	Box	
3	4460956	1	Barrier, Terminal Block End	
4	1060908	12 ft/ 3.6m	Cable, 12/3	
5	1001097150	2	Connector, Strain Relief	
6	4460957	1	Block, Terminal	
8	1001181045	1	Breaker, 16Amp	

SECTION 8 - ELECTRICAL

FIGURE 8-20. BREAKER BOX KIT - 1 BREAKER (CE & UK CA SPECS)



ART_2902549_F

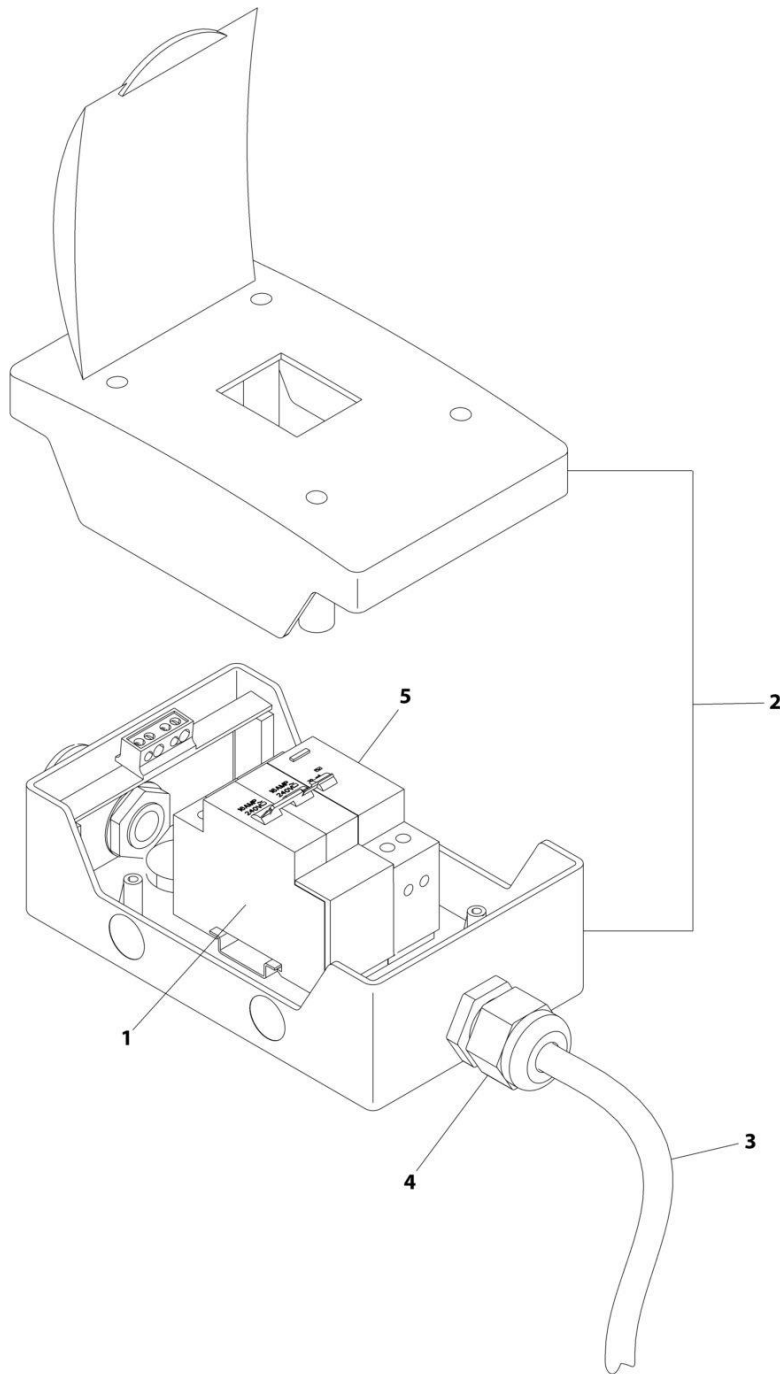
SECTION 8 - ELECTRICAL

FIGURE 8-20. BREAKER BOX KIT - 1 BREAKER (CE & UK CA SPECS)

ITEM	PART NUMBER	QTY	DESCRIPTION	REV
	2902549	Ref	BREAKER BOX KIT	F
2	0861880	1	Box	
3	4460956	1	Barrier, Terminal	
4	1060908	6 ft/1.8m	Cable, 12/3	
5	1001097150	2	Connector, Strain Relief	
6	4460957	1	Block, Terminal	
8	1001181045	1	Breaker, 16Amp	

SECTION 8 - ELECTRICAL

FIGURE 8-21. BREAKER BOX KIT - 3 BREAKERS (CE & UK CA SPECS)



ART_1001152485_F

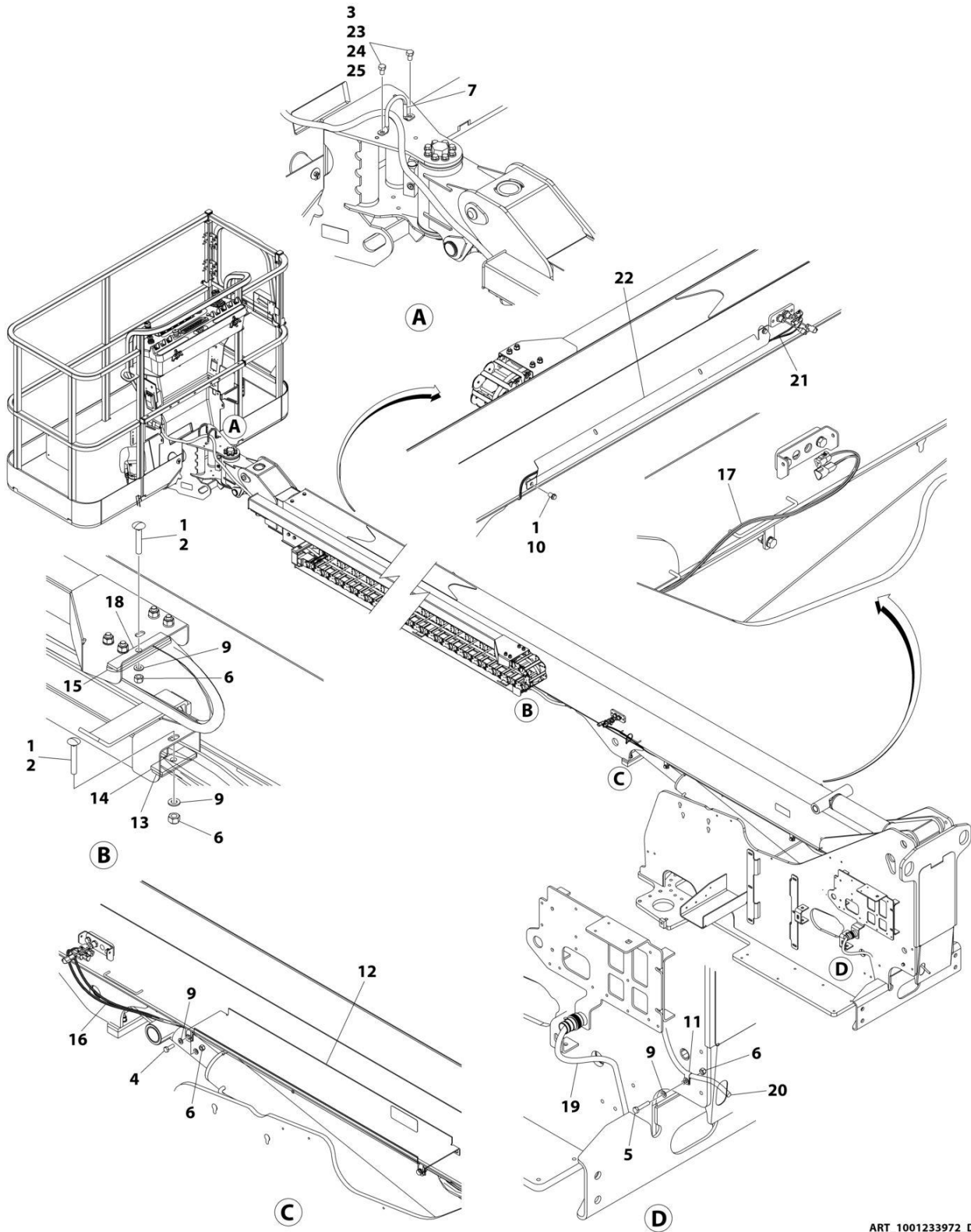
SECTION 8 - ELECTRICAL

FIGURE 8-21. BREAKER BOX KIT - 3 BREAKERS (CE & UK CA SPECS)

ITEM	PART NUMBER	QTY	DESCRIPTION	REV
	1001152485	Ref	BREAKER BOX KIT WITH TWO BREAKERS	F
1	1001189172	1	Breaker 16Amp Double	
2	1001152483	1	Box	
3	1060908	6 ft/1.8m	Cable, 12/3	
4	1001097150	2	Connector, Strain Relief	
5	1001189171	1	Breaker, 30mA	

SECTION 8 - ELECTRICAL

FIGURE 8-22. CABLES AND CLAMPS INSTALLATION - WITH 2500W GENERATOR OR NO GENERATOR (400S HC3)



ART_1001233972_D

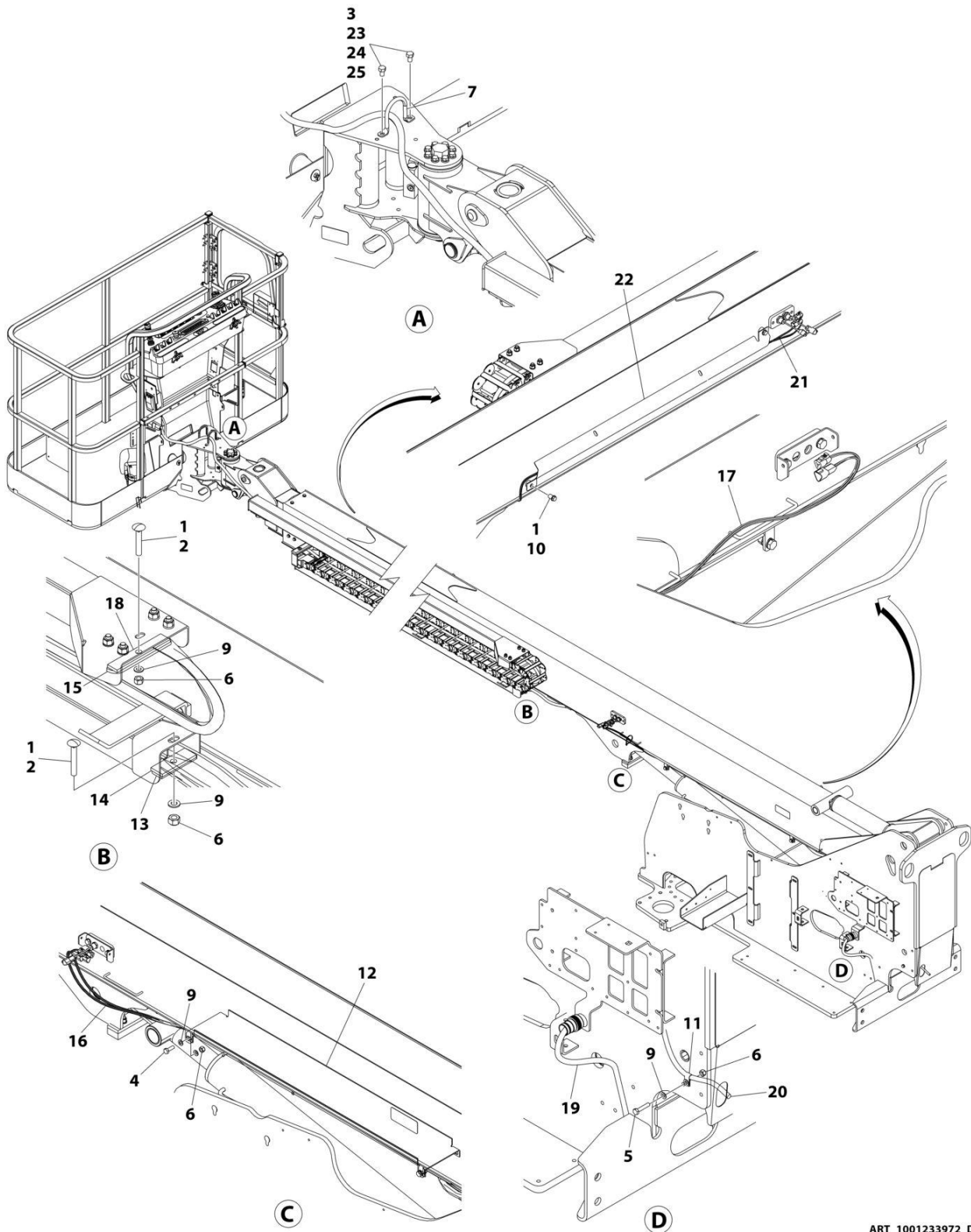
SECTION 8 - ELECTRICAL

FIGURE 8-22. CABLES AND CLAMPS INSTALLATION - WITH 2500W GENERATOR OR NO GENERATOR (400S HC3)

ITEM	PART NUMBER	QTY	DESCRIPTION	REV
	1001233972	Ref	CABLES AND CLAMPS INSTALLATION	D
1	0100081	AR	Adhesive	
2	0630563	2	Bolt M10 x 60	
3	0641504	2	Bolt 5/16 x 1/2	
4	0761014	4	Bolt M10 x 30	
5	0761018	1	Bolt M10 x 50	
6	3291005	7	Nut, Lock M10	
7	3841340	1	Hose Loop	
8	4240033	4	Tie - Strap (Not Shown)	
9	4812000	12	Washer M10	
10	5261008	2	Nut M10 Class 10	
11	8406110	1	Clip	
12	1001172128	1	Bracket, Hose Cover	
13	1001173456	1	Clamp	
14	1001173665	1	Clamp	
15	1001173761	1	Bracket	
16	1001173807	1	Harness, Capacity Switch (See Separate Breakdown in this Section)	
17	1001173808	1	Harness, Telescope In Proximity Sensors (See Separate Breakdown in this Section)	
18	1001173927	1	Clamp	
19	1001176952	1	Harness, Boom (See Separate Breakdown in this Section)	
20	1001203434	1	Cable, Electrical 12/3	
21	1001248183	1	Telescope Out Proximity Sensors Harness (See Separate Breakdown in this Section)	
22	1001238138	1	Angle	
23	0760814	2	Bolt M8 x 30	
24	3290805	2	Nut, Lock M8	
25	4811900	4	Washer M8	

SECTION 8 - ELECTRICAL

FIGURE 8-23. CABLES AND CLAMPS INSTALLATION -WITH 4000W/50HZ GENERATOR (400S HC3)



ART_1001233972_D

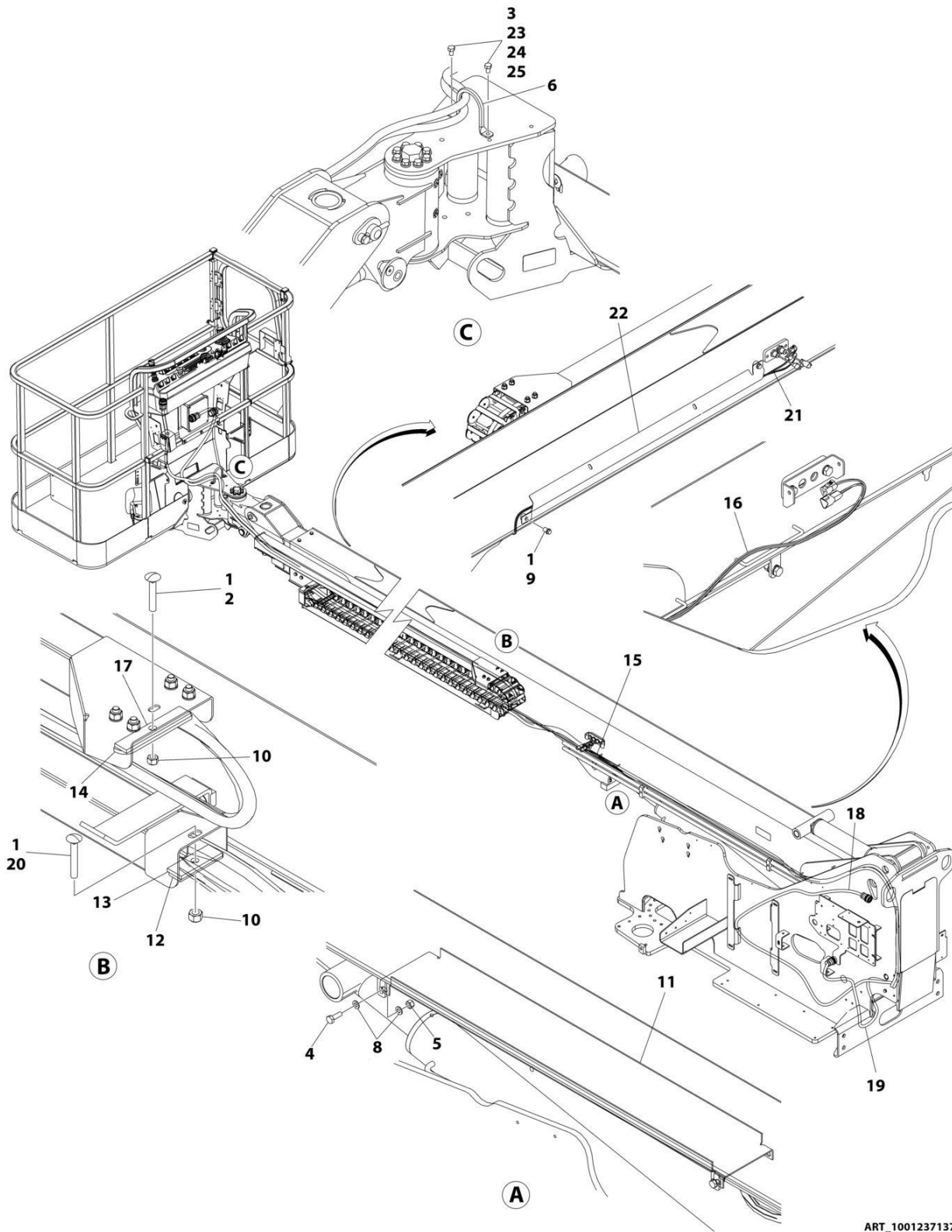
SECTION 8 - ELECTRICAL

FIGURE 8-23. CABLES AND CLAMPS INSTALLATION -WITH 4000W/50HZ GENERATOR (400S HC3)

ITEM	PART NUMBER	QTY	DESCRIPTION	REV
	1001233972	Ref	CABLES AND CLAMPS INSTALLATION	D
1	0100081	AR	Adhesive	
2	0630563	2	Bolt M10 x 60	
3	0641504	2	Bolt 5/16 x 1/2	
4	0761014	4	Bolt M10 x 30	
5	0761018	1	Bolt M10 x 50	
6	3291005	7	Nut, Lock M10	
7	3841340	1	Hose Loop	
8	4240033	4	Tie - Strap (Not Shown)	
9	4812000	12	Washer M10	
10	5261008	2	Nut M10 Class 10	
11	8406110	1	Clip	
12	1001172128	1	Bracket, Hose Cover	
13	1001173456	1	Clamp	
14	1001173665	1	Clamp	
15	1001173761	1	Bracket	
16	1001173807	1	Harness, Capacity Switch (See Separate Breakdown in this Section)	
17	1001173808	1	Harness, Telescope In Proximity Sensors (See Separate Breakdown in this Section)	
18	1001173927	1	Clamp	
19	1001176952	1	Harness, Boom (See Separate Breakdown in this Section)	
20	1001203434	1	Cable, Electrical 12/3	
21	1001248183	1	Telescope Out Proximity Sensors Harness (See Separate Breakdown in this Section)	
22	1001238138	1	Angle	
23	0760814	2	Bolt M8 x 30	
24	3290805	2	Nut, Lock M8	
25	4811900	4	Washer M8	

SECTION 8 - ELECTRICAL

FIGURE 8-24. CABLES AND CLAMPS INSTALLATION -WITH 4000W/60HZ GENERATOR (400S HC3)



ART_1001237137_D

SECTION 8 - ELECTRICAL

FIGURE 8-24. CABLES AND CLAMPS INSTALLATION -WITH 4000W/60HZ GENERATOR (400S HC3)

ITEM	PART NUMBER	QTY	DESCRIPTION	REV
	1001237137	Ref	CABLES AND CLAMPS INSTALLATION	D
1	0100081	AR	Adhesive	
2	0630563	1	Bolt M10 x 60	
3	0641605	2	Bolt 3/8 x 5/8	
4	0761014	4	Bolt M10 x 30	
5	3291005	4	Nut M10	
6	3841340	1	Hose Loop	
7	4240033	4	Tie - Strap (Not Shwon)	
8	4812000	8	Washer M10	
9	5261008	2	Nut M10 Class 10	
10	5261018	2	Nut M10 Class 10	
11	1001172128	1	Bracket, Hose Cover	
12	1001173456	1	Clamp	
13	1001173665	1	Clamp	
14	1001173761	1	Bracket	
15	1001173807	1	Harness, Capacity Switch (See Separate Breakdown in this Section)	
16	1001173808	1	Harness, Telescope In Proximity Sensors (See Separate Breakdown in this Section)	
17	1001173927	1	Clamp	
18	1001175170	1	Cable, Electrical 10/4	
19	1001176952	1	Harness, Boom (See Separate Breakdown in this Section)	
20	1001181329	1	Bolt M10x70	
21	1001248183	1	Telescope Out Proximity Sensor Harness (See Separate Breakdown in this Section)	
22	1001238138	1	Angle	
23	0760814	2	Bolt M8 x 30	
24	3290805	2	Nut, Lock M8	
25	4811900	4	Washer M8	

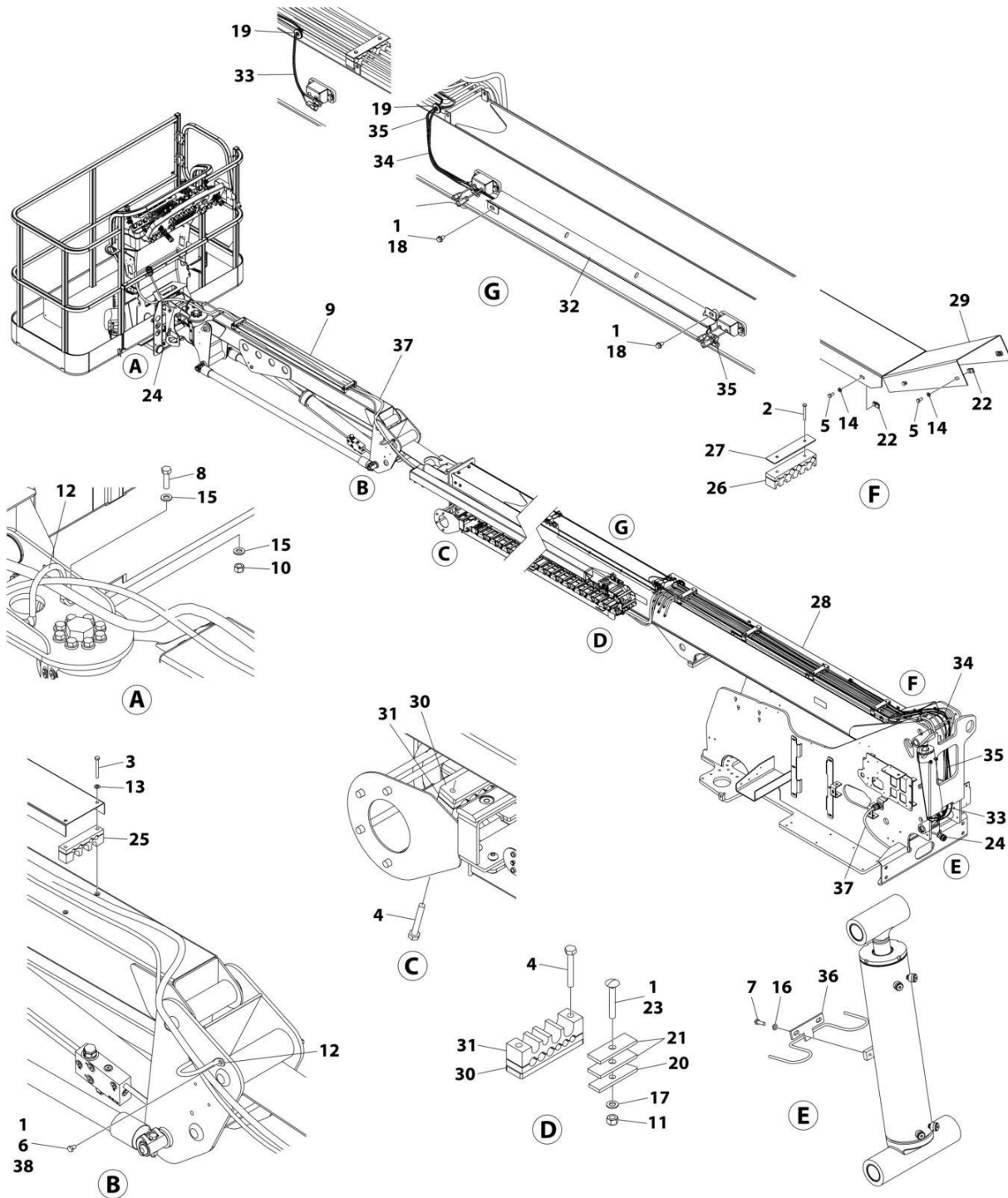
SECTION 8 - ELECTRICAL

FIGURE 8-25. CABLES AND CLAMPS INSTALLATION -WITH 7500W GENERATOR (400S HC3)

ITEM	PART NUMBER	QTY	DESCRIPTION	REV
	1001237036	Ref	CABLES & CLAMPS INSTALLATION	D
1	0100081	AR	Adhesive	
2	0630563	1	Bolt M10 x 60	
3	0641504	2	Bolt 5/16 x 1/2	
4	0761014	4	Bolt M10 x 30	
5	3291005	6	Nut, Lock M10	
6	3841340	1	Loop, Hose	
7	4240033	4	Tie - Strap (Not Shown)	
8	4812000	10	Washer M10	
9	4922802	1	Cable, Electrical 8/5	
10	5251008	2	Bolt M10 x 16 Class 10.9	
11	1001172128	1	Bracket	
12	1001173456	1	Clamp	
13	1001173665	1	Clamp, Rubber	
14	1001173761	1	Bracket	
15	1001173807	1	Capacity Switch Harness (See Separate Breakdown in this Section)	
16	1001173808	1	Telescope In Proximity Sensors Harness (See Separate Breakdown in this Section)	
17	1001173927	1	Clamp	
18	1001176952	1	Boom Harness (See Separate Breakdown in this Section)	
19	1001181329	1	Bolt M10 x 70	
20	1001248183	1	Telescope Out Proximity Sensors Harness (See Separate Breakdown in this Section)	
21	1001238138	1	Angle	
22	0760814	2	Bolt M8 x 30	
23	3290805	2	Nut, Lock M8	
24	4811900	4	Washer M8	

SECTION 8 - ELECTRICAL

FIGURE 8-26. CABLES AND CLAMPS INSTALLATION - 460SJ HC3 WITH 2500W GENERATOR OR NO GENERATOR



ART_1001247436_D

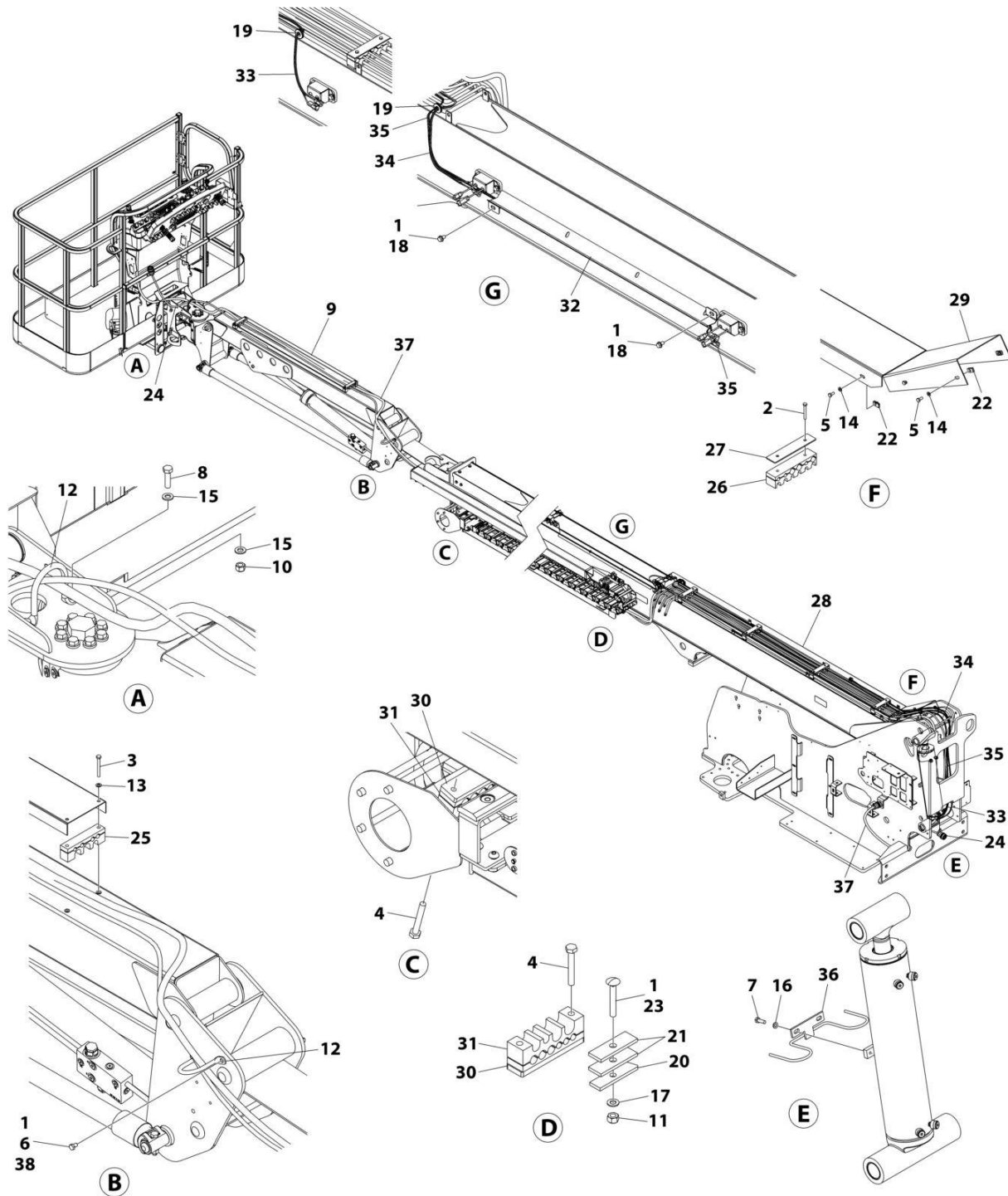
SECTION 8 - ELECTRICAL

FIGURE 8-26. CABLES AND CLAMPS INSTALLATION - 460SJ HC3 WITH 2500W GENERATOR OR NO GENERATOR

ITEM	PART NUMBER	QTY	DESCRIPTION	REV
	1001247436	Ref	CABLES AND CLAMPS INSTALLATION	D
1	0100081	AR	Adhesive	
2	0700618	8	Bolt M6 x 50	
3	0700619	4	Bolt M6 x 55	
4	0701022	4	Bolt M10 x 70	
5	0760608	12	Bolt M6 x 16	
6	0760806	2	Bolt M8 x 12	
7	0760812	2	Bolt M8 x 25	
8	0760814	2	Bolt M8 x 30	
9	1670769	1	Cover	
10	3290805	2	Nut, Lock M8	
11	3291005	1	Nut, Lock M10	
12	3841340	2	Hoose Loop	
13	4811700	4	Washer M6	
14	4811702	12	Washer M6	
15	4811900	4	Washer M8	
16	4811902	2	Washer M8	
17	4812000	1	Washer M10	
18	5251008	2	Bolt M10 x 16 Class 10.9	
19	2540049	2	Grommet	
20	1001173456	1	Clamp	
21	1001173665	2	Clamp	
22	1001176336	12	Fastener M6	
23	1001181329	1	Bolt M10 x 70	
24	1001203435	1	Cable, Electrical 12/3	
25	1001203459	2	Clamp, Block	
26	1001242139	4	Clamp	
27	1001242180	4	Plate	
28	1001242190	1	Shield	
29	1001242191	1	Shield	
30	1001244541	2	Plate	
31	1001244545	2	Block	
32	1001247453	1	Angle	
33	1001248181	1	Telescope IN Proximity Sensors Harness (See Separate Breakdown in this Section)	
34	1001248182	1	Capacity Switch Harness (See Separate Breakdown in this Section)	
35	1001248183	1	Hi Capacity Harness (See Separate Breakdown in this Section)	
36	1001250199	1	Guide, Hose	
37	1001248180	1	Harness, Boom (See Separate Breakdown in this Section)	
38	0761006	2	Bolt M10 x 12	

SECTION 8 - ELECTRICAL

FIGURE 8-27. CABLES AND CLAMPS INSTALLATION - 460SJ HC3 WITH 4000W/50HZ GENERATOR



ART_1001247436_D

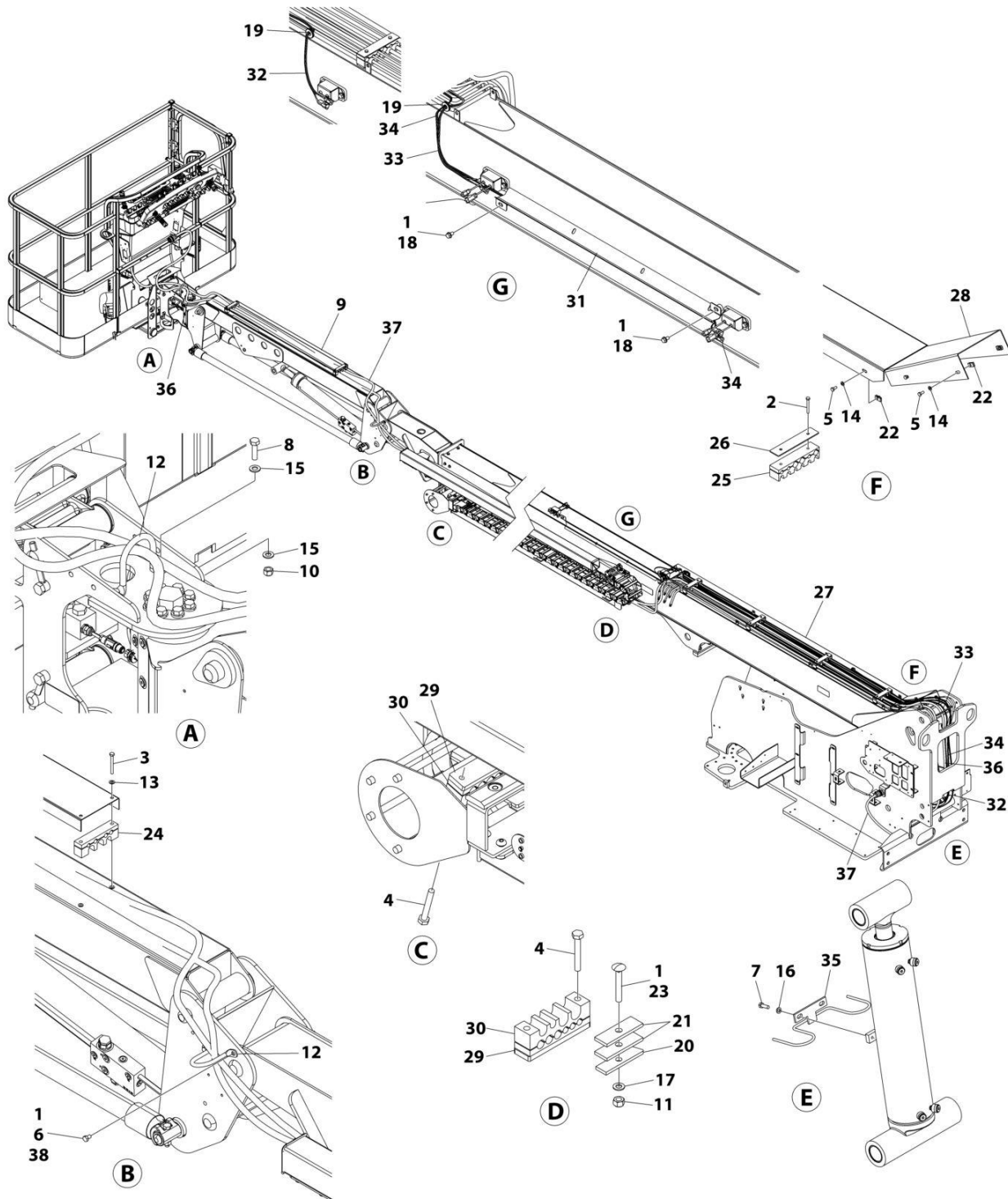
SECTION 8 - ELECTRICAL

FIGURE 8-27. CABLES AND CLAMPS INSTALLATION - 460SJ HC3 WITH 4000W/50HZ GENERATOR

ITEM	PART NUMBER	QTY	DESCRIPTION	REV
	1001247436	Ref	CABLES AND CLAMPS INSTALLATION	D
1	0100081	AR	Adhesive	
2	0700618	8	Bolt M6 x 50	
3	0700619	4	Bolt M6 x 55	
4	0701022	4	Bolt M10 x 70	
5	0760608	12	Bolt M6 x 16	
6	0760806	2	Bolt M8 x 12	
7	0760812	2	Bolt M8 x 25	
8	0760814	2	Bolt M8 x 30	
9	1670769	1	Cover	
10	3290805	2	Nut, Lock M8	
11	3291005	1	Nut, Lock M10	
12	3841340	2	Hoose Loop	
13	4811700	4	Washer M6	
14	4811702	12	Washer M6	
15	4811900	4	Washer M8	
16	4811902	2	Washer M8	
17	4812000	1	Washer M10	
18	5251008	2	Bolt M10 x 16 Class 10.9	
19	2540049	2	Grommet	
20	1001173456	1	Clamp	
21	1001173665	2	Clamp	
22	1001176336	12	Fastener M6	
23	1001181329	1	Bolt M10 x 70	
24	1001203435	1	Cable, Electrical 12/3	
25	1001203459	2	Clamp, Block	
26	1001242139	4	Clamp	
27	1001242180	4	Plate	
28	1001242190	1	Shield	
29	1001242191	1	Shield	
30	1001244541	2	Plate	
31	1001244545	2	Block	
32	1001247453	1	Angle	
33	1001248181	1	Telescope IN Proximity Sensors Harness (See Separate Breakdown in this Section)	
34	1001248182	1	Capacity Switch Harness (See Separate Breakdown in this Section)	
35	1001248183	1	Hi Capacity Harness (See Separate Breakdown in this Section)	
36	1001250199	1	Guide, Hose	
37	1001248180	1	Harness, Boom (See Separate Breakdown in this Section)	
38	0761006	2	Bolt M10 x 12	

SECTION 8 - ELECTRICAL

FIGURE 8-28. CABLES AND CLAMPS INSTALLATION - 460SJ HC3 WITH 4000W/60HZ GENERATOR



ART_1001247438

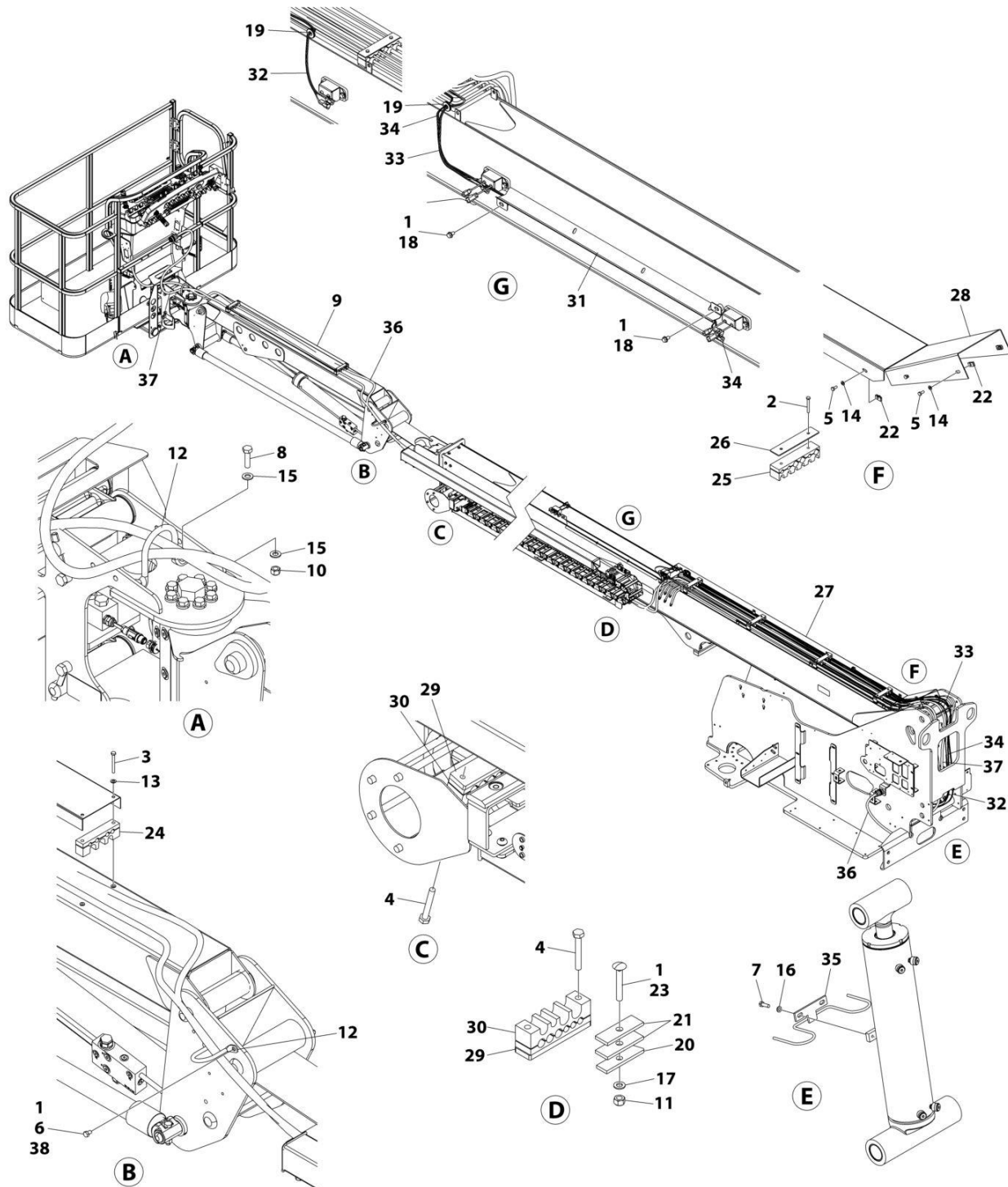
SECTION 8 - ELECTRICAL

FIGURE 8-28. CABLES AND CLAMPS INSTALLATION - 460SJ HC3 WITH 4000W/60HZ GENERATOR

ITEM	PART NUMBER	QTY	DESCRIPTION	REV
	1001247438	Ref	Cables and Clamps Installation	D
1	0100081	AR	Adhesive	
2	0700618	8	Bolt M6 x 50	
3	0700619	4	Bolt M6 x 55	
4	0701022	4	Bolt M10 x 70	
5	0760608	12	Bolt M6 x 16	
6	0760806	2	Bolt M8 x 12	
7	0760812	2	Bolt M8 x 25	
8	0760814	2	Bolt M8 x 30	
9	1670769	1	Cover	
10	3290805	2	Nut, Lock M8	
11	3291005	1	Nut, Lock M10	
12	3841340	2	Loop, Hose	
13	4811700	4	Washer M6	
14	4811702	12	Washer M6	
15	4811900	4	Washer M8	
16	4811902	2	Washer M8	
17	4812000	1	Washer M10	
18	5251008	2	Bolt M10 x 16 Class 10.9	
19	2540049	2	Grommet	
20	1001173456	1	Clamp	
21	1001173665	2	Clamp, Rubber	
22	1001176336	12	Fastener, M6	
23	1001181329	1	Bolt M10 x 70	
24	1001203459	2	Clamp, Block	
25	1001242139	4	Clamp	
26	1001242180	4	Plate	
27	1001242190	1	Shield	
28	1001242191	1	Shield	
29	1001244541	2	Plate	
30	1001244545	2	Block	
31	1001247453	1	Angle	
32	1001248181	1	Telescope in Proximity Senors Harness (See Separate Breakdown in this Section)	
33	1001248182	1	Capacity Switch Harness (See Separate Breakdown in this Section)	
34	1001248183	1	High Capacity Harness (See Separate Breakdown in this Section)	
35	1001250199	1	Guide, Hose	
36	1001175171	1	4000W Gen CBL	
37	1001248180	1	Harness (See Separate Breakdown in this Section)	
38	0761006	2	Bolt M10 x 12	

SECTION 8 - ELECTRICAL

FIGURE 8-29. CABLES AND CLAMPS INSTALLATION - 460SJ HC3 WITH 7500W GENERATOR



ART_1001247437

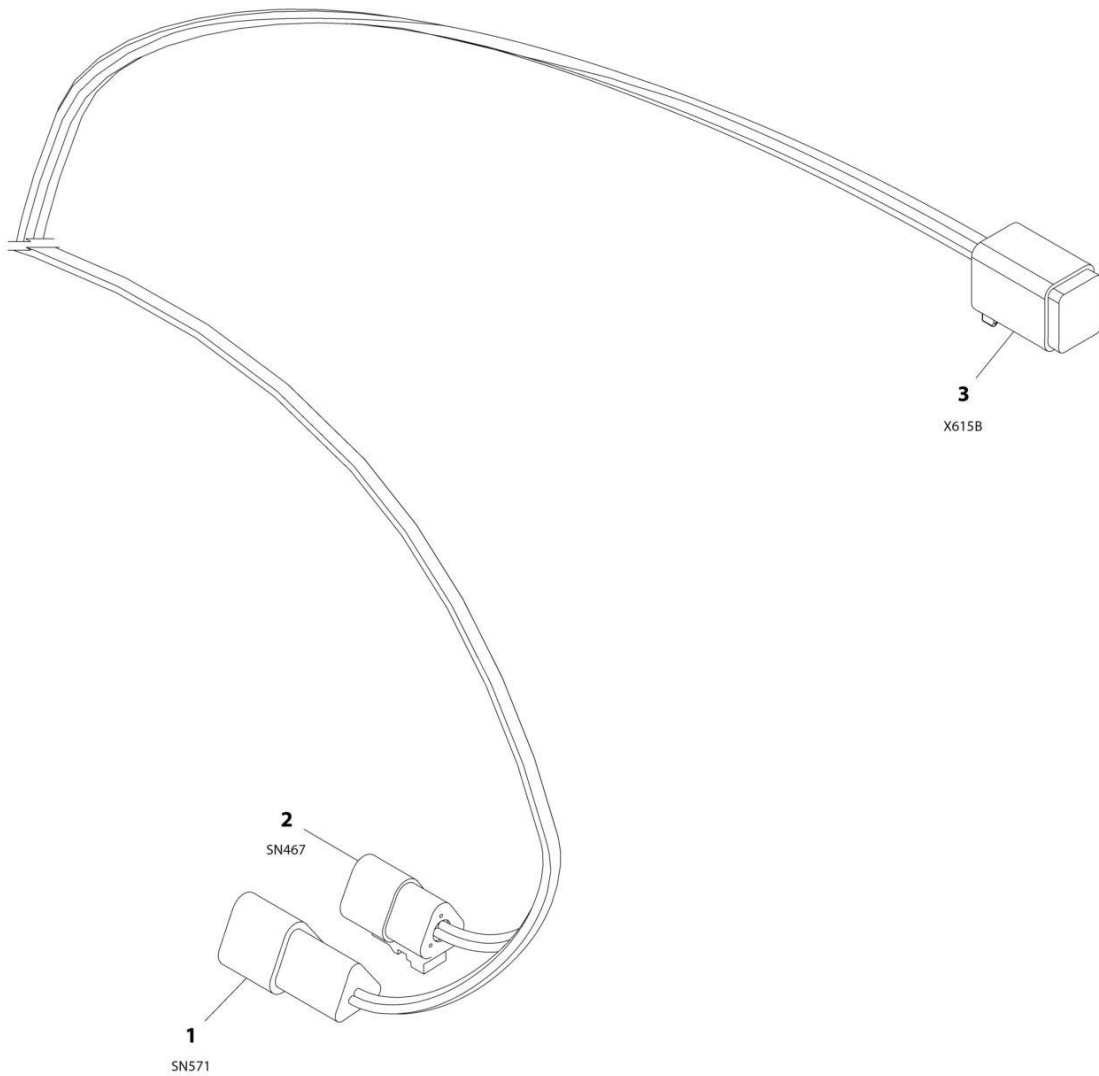
SECTION 8 - ELECTRICAL

FIGURE 8-29. CABLES AND CLAMPS INSTALLATION - 460SJ HC3 WITH 7500W GENERATOR

ITEM	PART NUMBER	QTY	DESCRIPTION	REV
	1001247437	Ref	CABLES AND CLAMPS INSTALLATION	D
1	0100081	AR	Adhesive	
2	0700618	8	Bolt M6 x 50	
3	0700619	4	Bolt M6 x 55	
4	0701022	4	Bolt M10 x 70	
5	0760608	12	Bolt M6 x 16	
6	0760806	2	Bolt M8 x 12	
7	0760812	2	Bolt M8 x 25	
8	0760814	2	Bolt M8 x 30	
9	1670769	1	Cover	
10	3290805	2	Nut, Lock M8	
11	3291005	1	Nut, Lock M10	
12	3841340	2	Loop, Hose	
13	4811700	4	Washer M6	
14	4811702	12	Washer M6	
15	4811900	4	Washer M8	
16	4811902	2	Washer M8	
17	4812000	1	Washer M10	
18	5251008	2	Bolt M10 x 16	
19	2540049	2	Grommet	
20	1001173456	1	Clamp	
21	1001173665	2	Clamp, Rubber	
22	1001176336	12	Fastener, M6	
23	1001181329	1	Bolt M10 x 70	
24	1001203459	2	Clamp, Block	
25	1001242139	4	Clamp	
26	1001242180	4	Plate	
27	1001242190	1	Shield	
28	1001242191	1	Shield	
29	1001244541	2	Plate	
30	1001244545	2	Block	
31	1001247453	1	Angle	
32	1001248181	1	Telescope in Proximity Senors Harness (See Separate Breakdown in this Section)	
33	1001248182	1	Capacity Switch Harness (See Separate Breakdown in this Section)	
34	1001248183	1	High Capacity Harness (See Separate Breakdown in this Section)	
35	1001250199	1	Guide, Hose	
36	1001248180	1	Harness (See Separate Breakdown in this Section)	
37	4922803	1	Cable, Electrical - 8/5	
38	0761006	2	Bolt M10 x 12	

SECTION 8 - ELECTRICAL

FIGURE 8-30. CAPACITY SWITCH HARNESS (400S HC3)



ART_1001173807

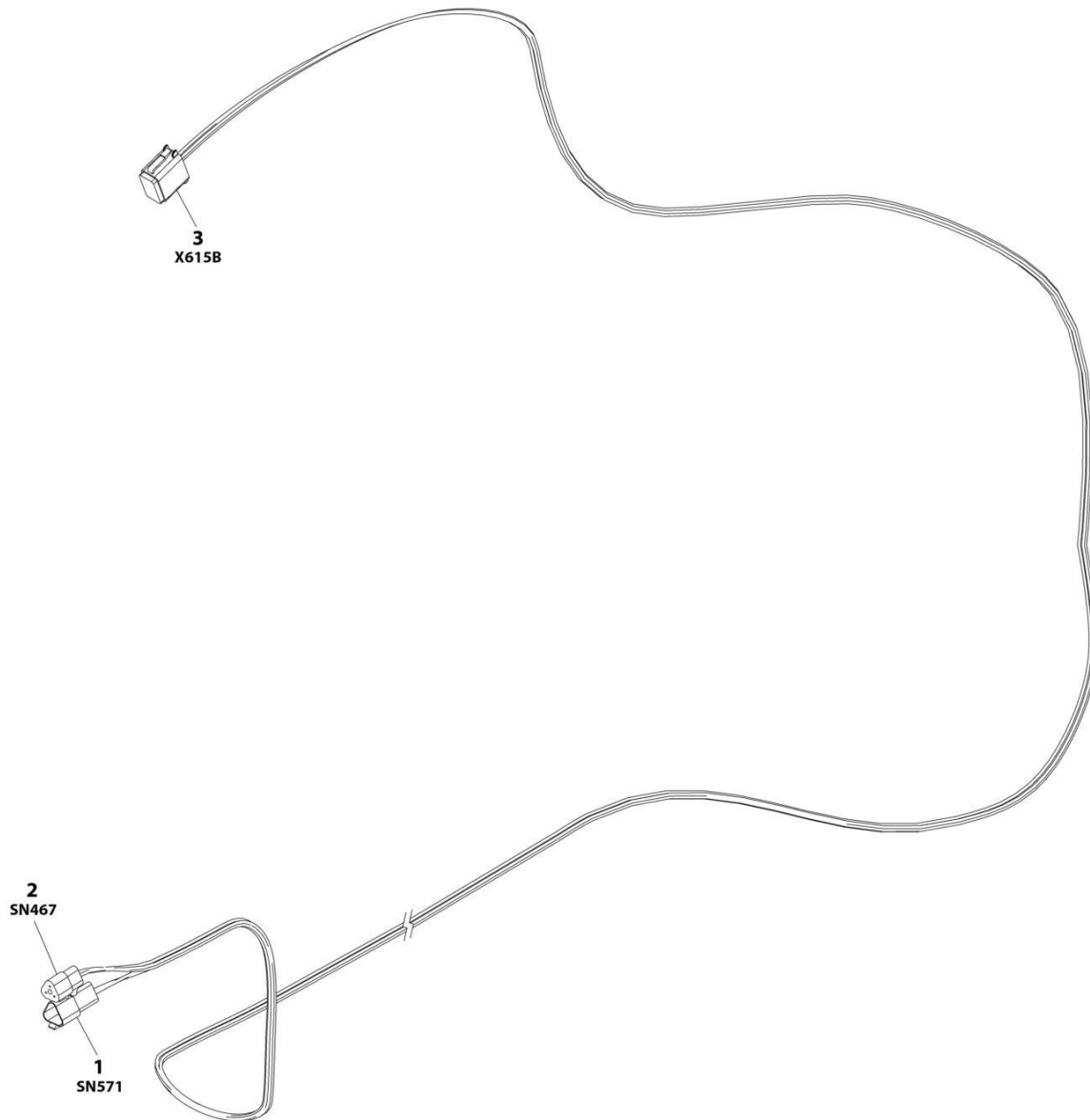
SECTION 8 - ELECTRICAL

FIGURE 8-30. CAPACITY SWITCH HARNESS (400S HC3)

ITEM	PART NUMBER	QTY	DESCRIPTION	REV
	1001173807	Ref	BOOM CAPACITY PROXIMITY SWITCH HARNESS	C
1	4460536	1	Receptacle, Female - 3 Position	
1	4460464	3	Pin, Male	
2	4460539	1	Plug, Male - 3 Position	
2	4460465	1	Socket, Female	
3	4460930	1	Plug, Male - 8 Position	
3	4460465	6	Socket, Female	
3	4460466	2	Plug, Terminal	

SECTION 8 - ELECTRICAL

FIGURE 8-31. CAPACITY SWITCH HARNESS (460SJ HC3)



ART_1001248182

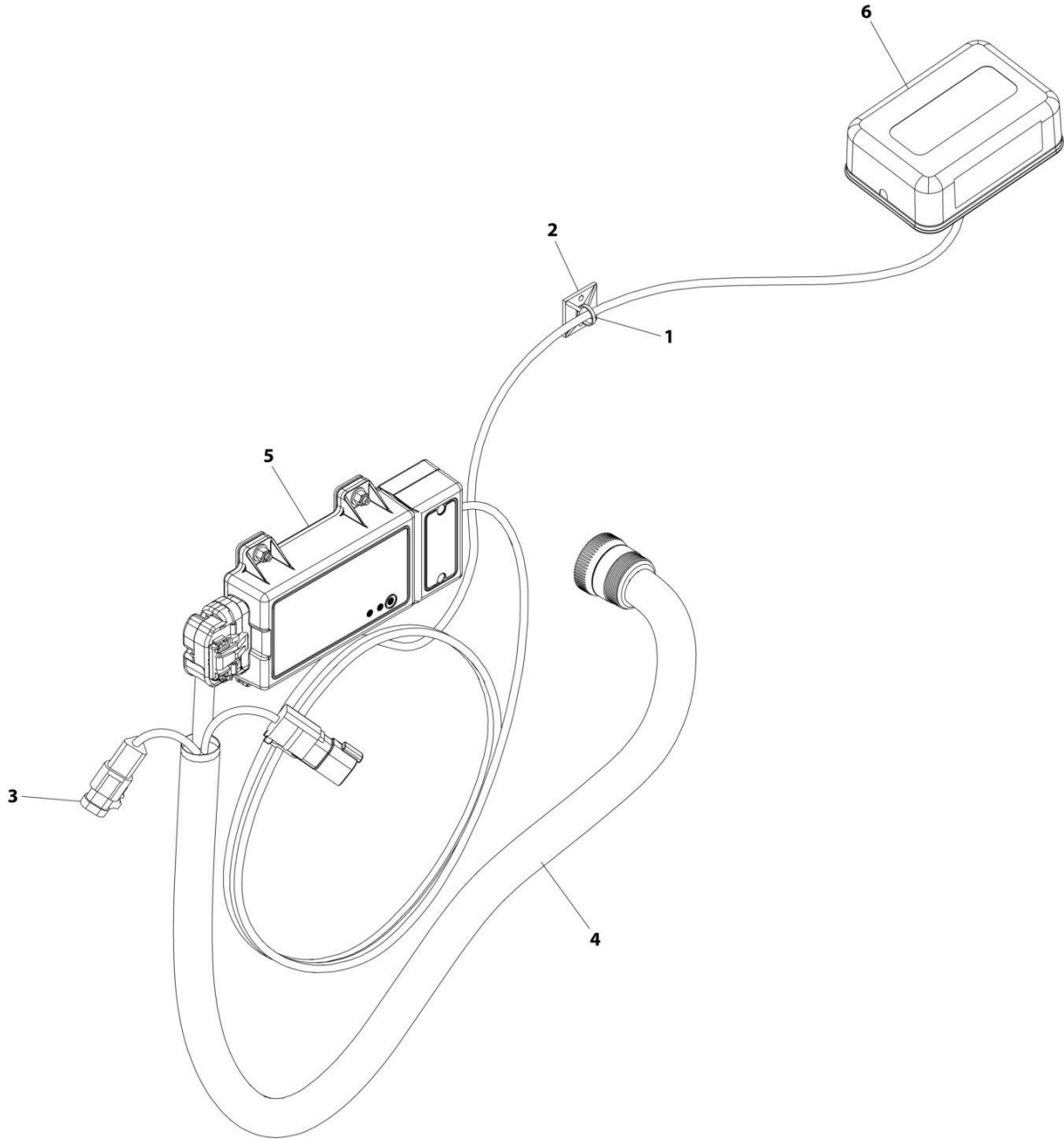
SECTION 8 - ELECTRICAL

FIGURE 8-31. CAPACITY SWITCH HARNESS (460SJ HC3)

ITEM	PART NUMBER	QTY	DESCRIPTION	REV
	1001248182	Ref	BOOM CAPACITY PROXIMITY SWITCH HARNESS	A
1	4460536	1	Receptacle, Female - 3 Position	
1	4460464	3	Pin, Male	
2	4460539	1	Plug, Male - 3 Position	
2	4460465	3	Socket, Female	
3	4460930	1	Plug, Male - 8 Position	
3	4460465	6	Socket, Female	
3	4460466	2	Plug, Terminal	

SECTION 8 - ELECTRICAL

FIGURE 8-32. CLEARSKY INSTALLATION - 4G CANBUS CONNECTION (ALL SPECS EXCEPT CHINA SPECS)



ART_1001227453

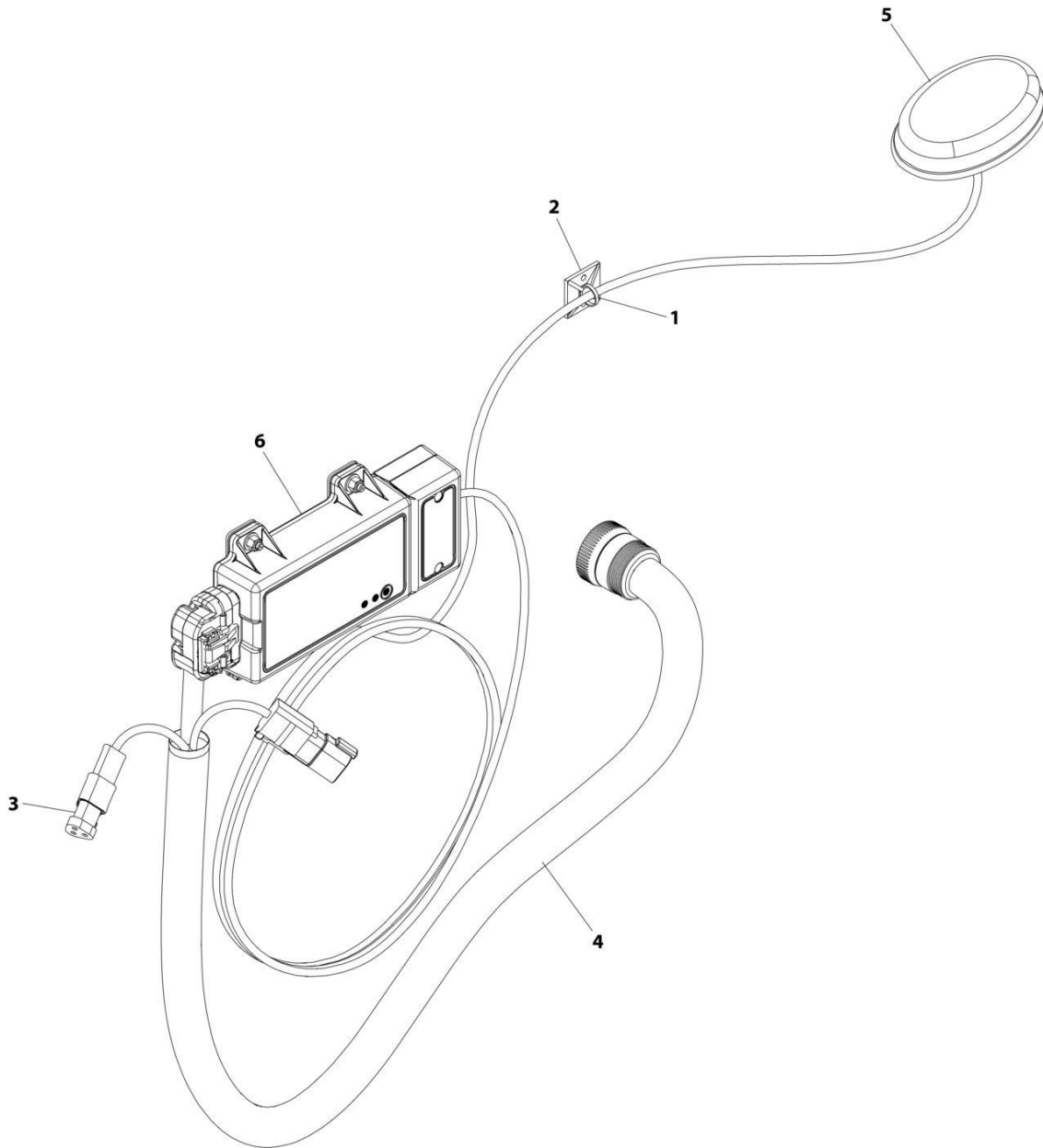
SECTION 8 - ELECTRICAL

FIGURE 8-32. CLEARSKY INSTALLATION - 4G CANBUS CONNECTION (ALL SPECS EXCEPT CHINA SPECS)

ITEM	PART NUMBER	QTY	DESCRIPTION	REV
	1001227453	Ref	CLEARSKY INSTALLATION - CANBUS	C
1	4240032	AR	Tie-Strap	
2	4460234	AR	Cable Tie	
3	1001129408	1	Connector	
4	1001226739	1	ClearSky Harness (See Separate Breakdown in ELECTRICAL Section)	
5	1001262322	1	Telematics Control Module (Note: Re-calibration Required when Replaced)	
6	1001262326	1	Antenna	

SECTION 8 - ELECTRICAL

FIGURE 8-33. CLEARSKY INSTALLATION - 3G CANBUS CONNECTION (ANSI EXPORT, CE, JAPANESE & UK CA SPECS)



ART_1001228955

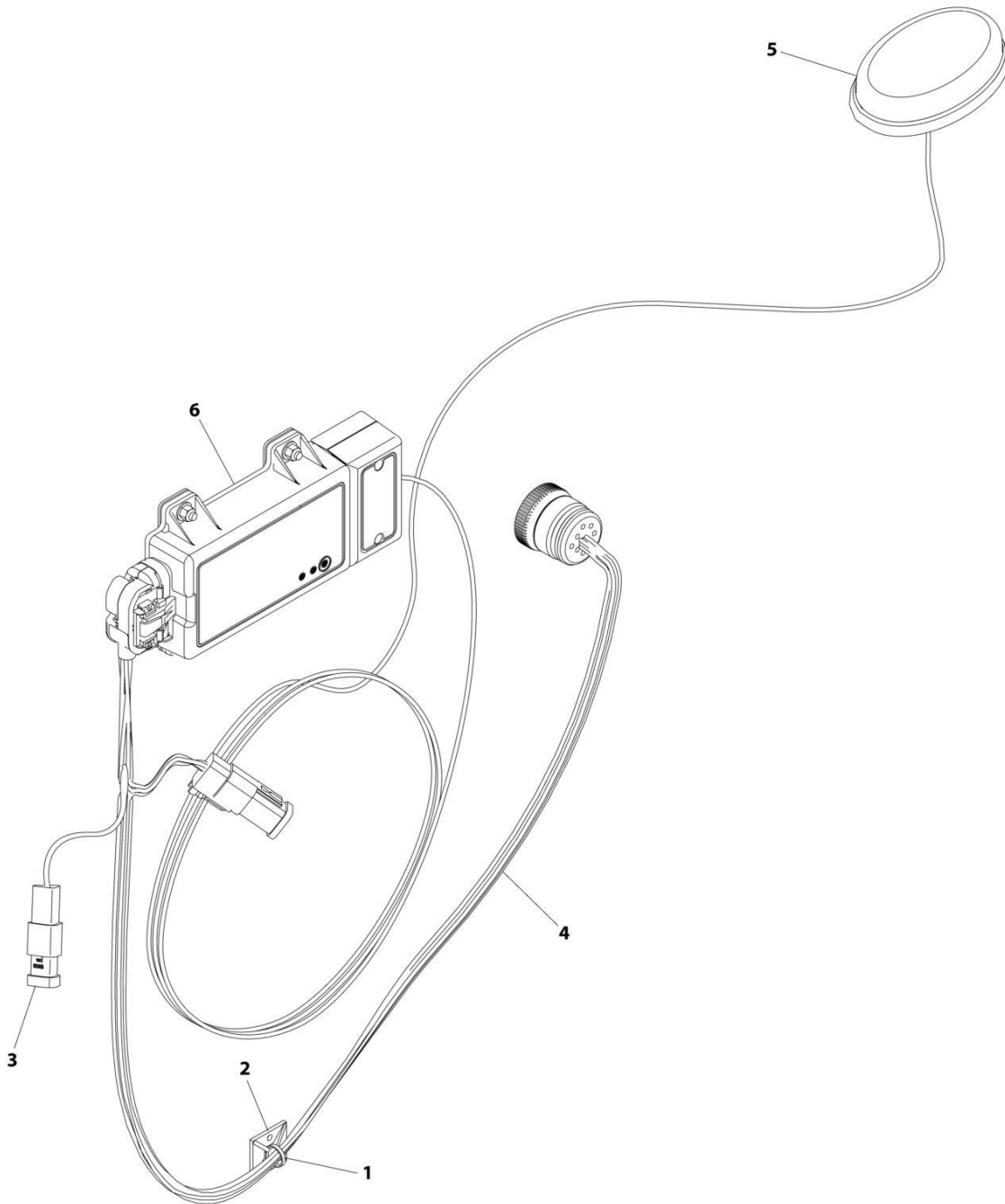
SECTION 8 - ELECTRICAL

FIGURE 8-33. CLEARSKY INSTALLATION - 3G CANBUS CONNECTION (ANSI EXPORT, CE, JAPANESE & UK CA SPECS)

ITEM	PART NUMBER	QTY	DESCRIPTION	REV
	1001228955	Ref	CLEARSKY INSTALLATION - CANBUS	A
1	4240032	AR	Tie-Strap	
2	4460234	AR	Cable Tie	
3	1001116815	1	Connector	
4	1001226739	1	ClearSky Harness (See Separate Breakdown in ELECTRICAL Section)	
5	1001226799	1	Antenna	
6	1001228954	1	Telematics Control Module (Note: Re-calibration Required when Replaced)	

SECTION 8 - ELECTRICAL

FIGURE 8-34. CLEARSKY INSTALLATION - 3G CANBUS CONNECTION (AUSTRALIAN SPECS)



ART_1001246456

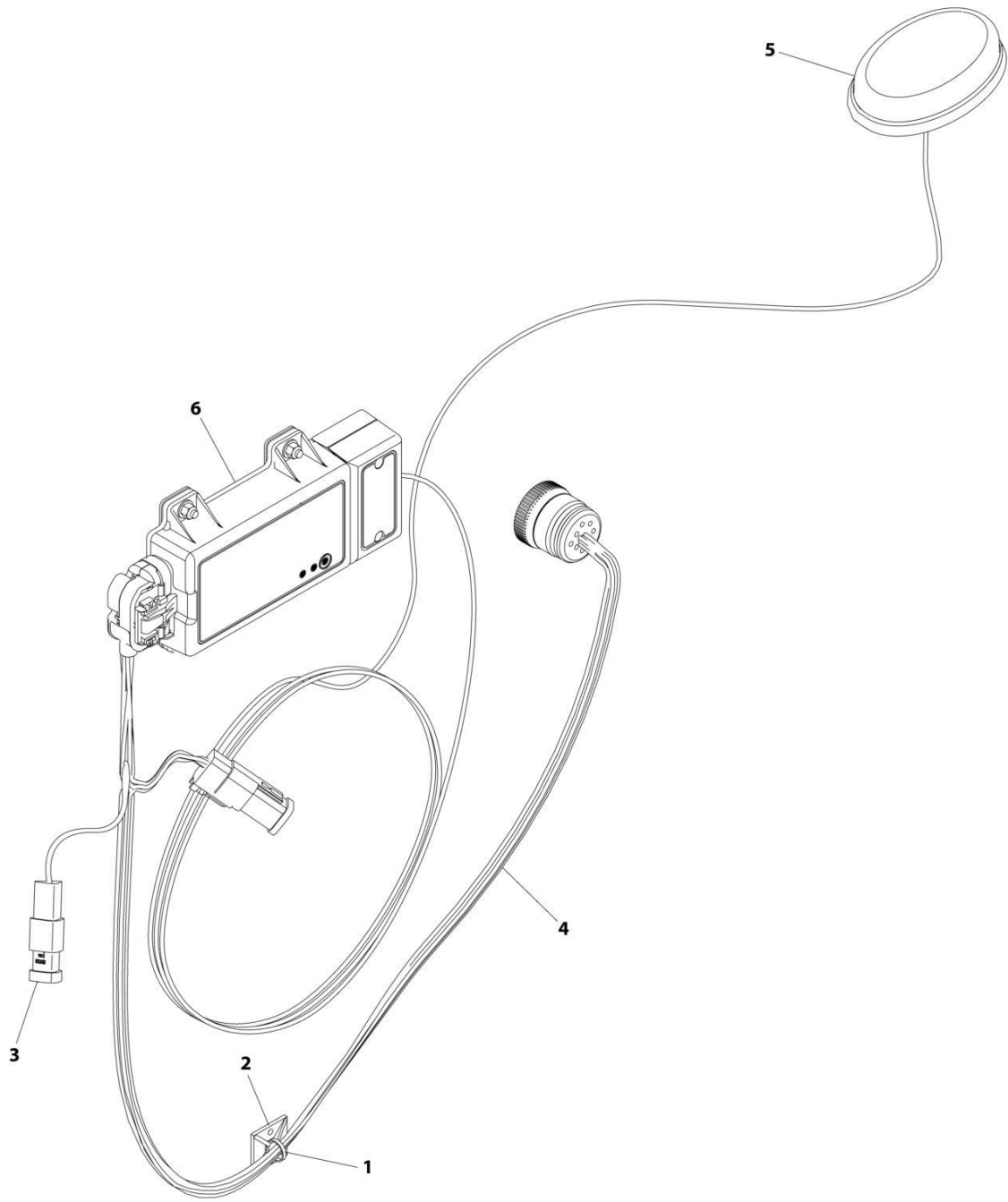
SECTION 8 - ELECTRICAL

FIGURE 8-34. CLEARSKY INSTALLATION - 3G CANBUS CONNECTION (AUSTRALIAN SPECS)

ITEM	PART NUMBER	QTY	DESCRIPTION	REV
	1001246456	Ref	CLEARSKY INSTALLATION - CANBUS	A
1	4240032	AR	Tie-Strap	
2	4460234	AR	Cable Tie	
3	1001116815	1	Connector	
4	1001226739	1	ClearSky Harness (See Separate Breakdown in ELECTRICAL Section)	
5	1001226799	1	Antenna	
6	1001246144	1	Telematics Control Module (Note: Re-calibration Required when Replaced)	

SECTION 8 - ELECTRICAL

FIGURE 8-35. CLEARSKY INSTALLATION - 4G CANBUS CONNECTION (CHINA SPECS)



ART_1001246457

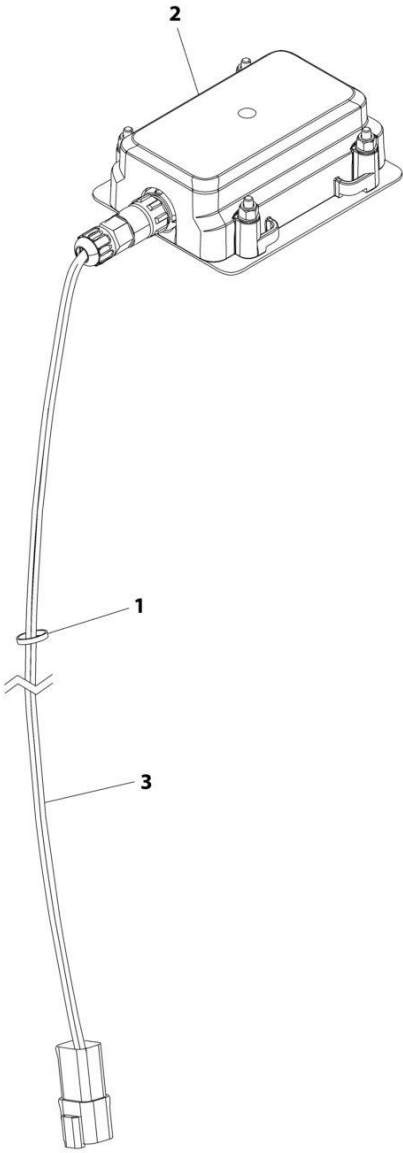
SECTION 8 - ELECTRICAL

FIGURE 8-35. CLEARSKY INSTALLATION - 4G CANBUS CONNECTION (CHINA SPECS)

ITEM	PART NUMBER	QTY	DESCRIPTION	REV
	1001246457	Ref	CLEARSKY INSTALLATION - CANBUS	A
1	4240032	AR	Tie-Strap	
2	4460234	AR	Cable Tie	
3	1001116815	1	Connector	
4	1001226739	1	ClearSky Harness (See Separate Breakdown in ELECTRICAL Section)	
5	1001226799	1	Antenna	
6	1001246145	1	Telematics Control Module (Note: Re-calibration Required when Replaced)	

SECTION 8 - ELECTRICAL

FIGURE 8-36. CLEARSKY INSTALLATION 3-WIRE CONNECTION (ALL SPECS EXCEPT CHINA SPECS)



ART_1001276610

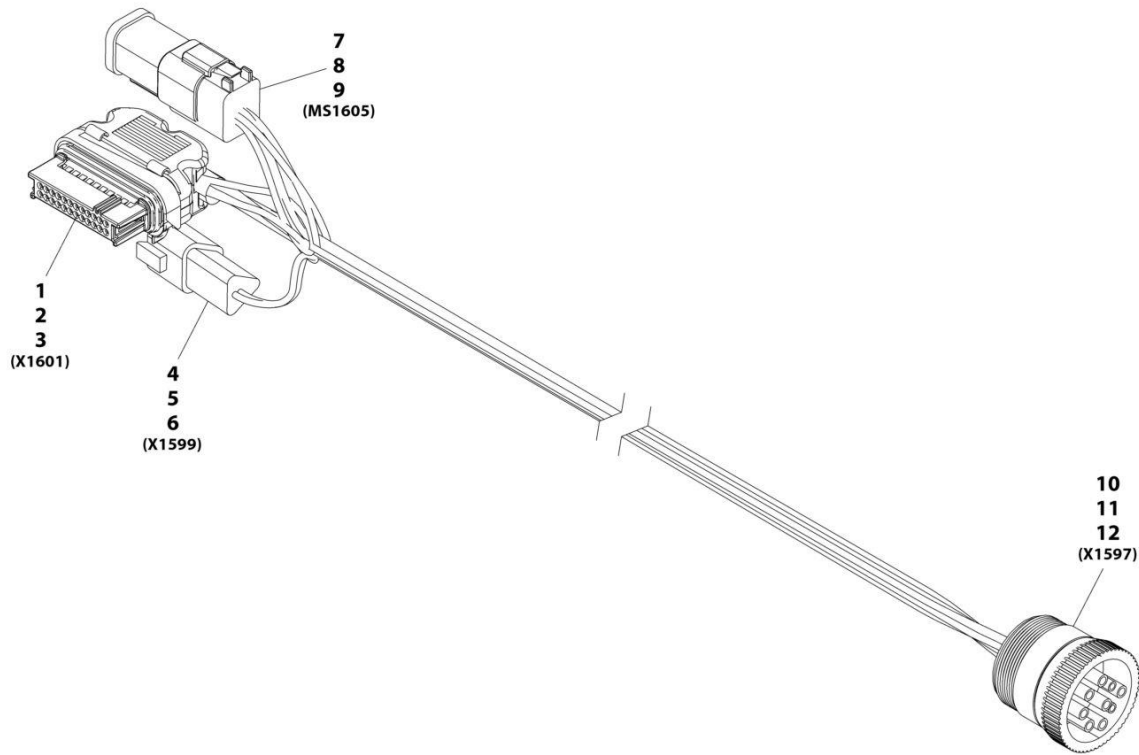
SECTION 8 - ELECTRICAL

FIGURE 8-36. CLEARSKY INSTALLATION 3-WIRE CONNECTION (ALL SPECS EXCEPT CHINA SPECS)

ITEM	PART NUMBER	QTY	DESCRIPTION	REV
	1001276610	Ref	CLEARSKY INSTALLATION 3-WIRE CONNECTION	A
1	4240032	AR	Tie-Strap	
2	1001272659	1	Telematics Control Module Assembly (Note: Re-calibration Required when Replaced)	
3	1001273012	1	ClearSky Harness (See Separate Breakdown in this Section)	

SECTION 8 - ELECTRICAL

FIGURE 8-37. CLEARSKY HARNESS - 3G & 4G CANBUS CONNECTIONS



ART_1001226739-A

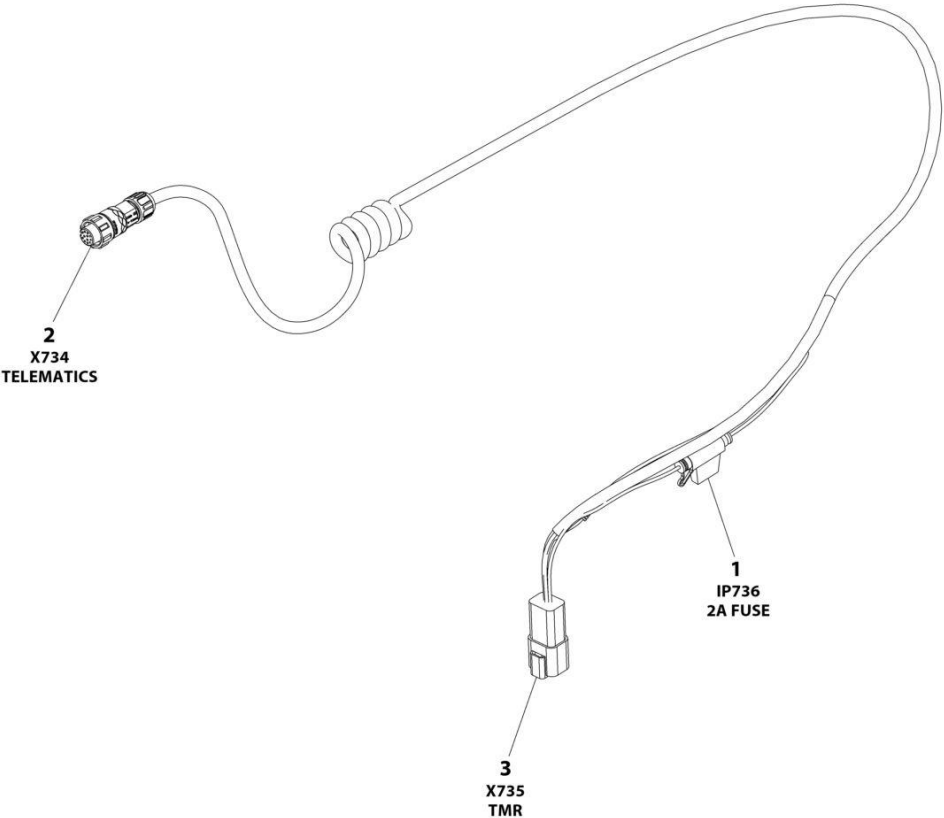
SECTION 8 - ELECTRICAL

FIGURE 8-37. CLEARSKY HARNESS - 3G & 4G CANBUS CONNECTIONS

ITEM	PART NUMBER	QTY	DESCRIPTION	REV
	1001226739	Ref	Clearsky Harness	A
1	1001226636	1	Connector	
2	1001116731	16	Plug, Terminal	
3	1001226637	8	Terminal	
4	1001144147	1	Connector	
5	4460464	2	Terminal	
6	4460466	1	Plug, Terminal	
7	4460894	1	Connector	
8	4460465	6	Terminal	
9	1001226541	1	Connector- 6 Pin Bussbar	
10	1001112796	1	Connector	
11	4460465	8	Terminal	
12	4460466	1	Plug, Terminal	

SECTION 8 - ELECTRICAL

FIGURE 8-38. CLEARSKY HARNESS - 3 WIRE GT1030



ART_1001273012

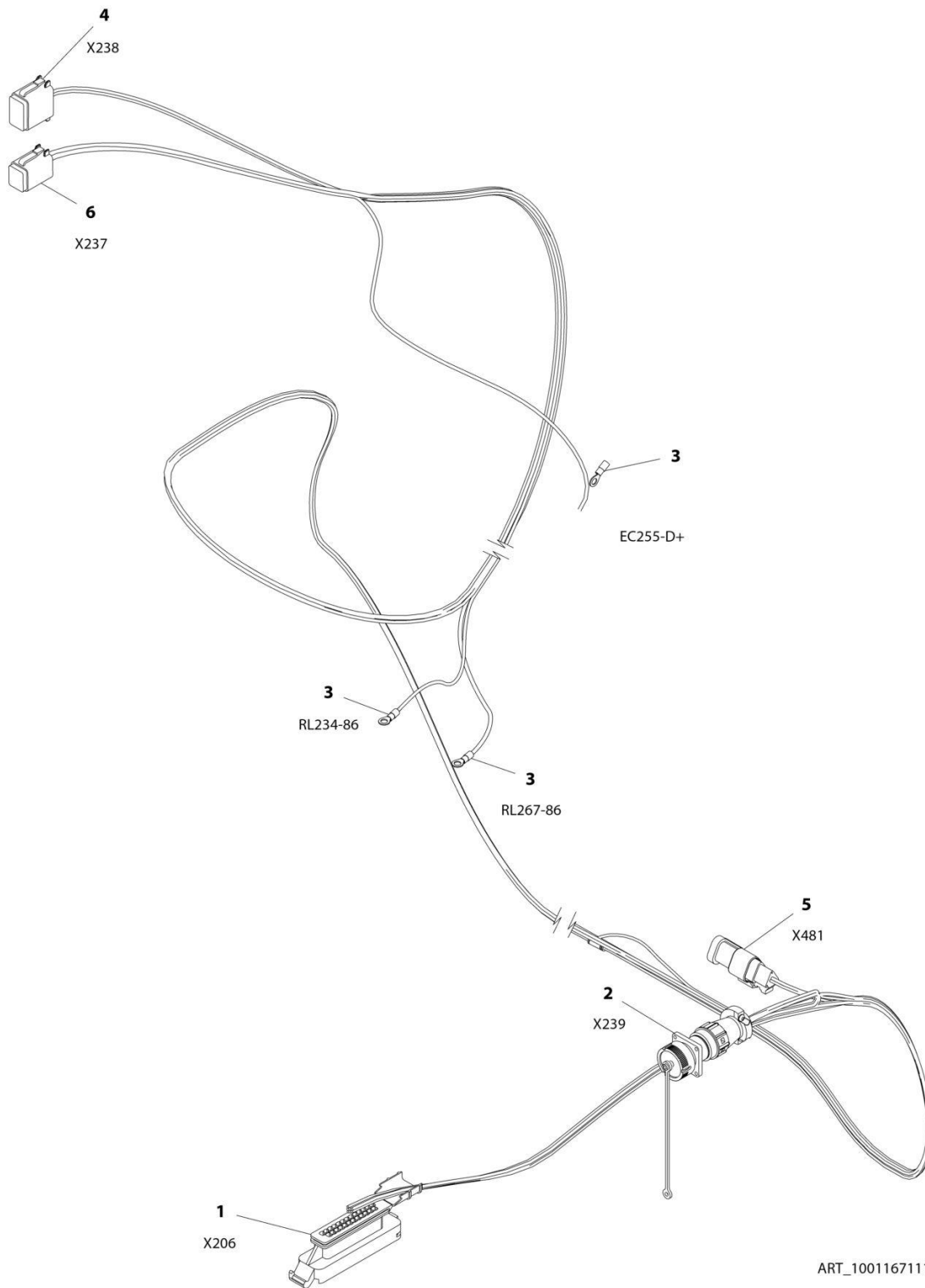
SECTION 8 - ELECTRICAL

FIGURE 8-38. CLEARSKY HARNESS - 3 WIRE GT1030

ITEM	PART NUMBER	QTY	DESCRIPTION	REV
	1001273012	Ref	CLEARSKY TELEMATICS HARNESS - GT1030	D
1	1001255901	1	Fuseholder	
1	1001196634	1	Fuse - 2Amp	
2	1001272997	1	Connector - 12 Position	
2		Ref	Terminal	
3	4460932	1	Receptacle, Female - 4 Position	
3	4460464	4	Pin, Male	

SECTION 8 - ELECTRICAL

FIGURE 8-39. ENGINE HARNESS ASSEMBLY (DEUTZ D2011)



ART_1001167111

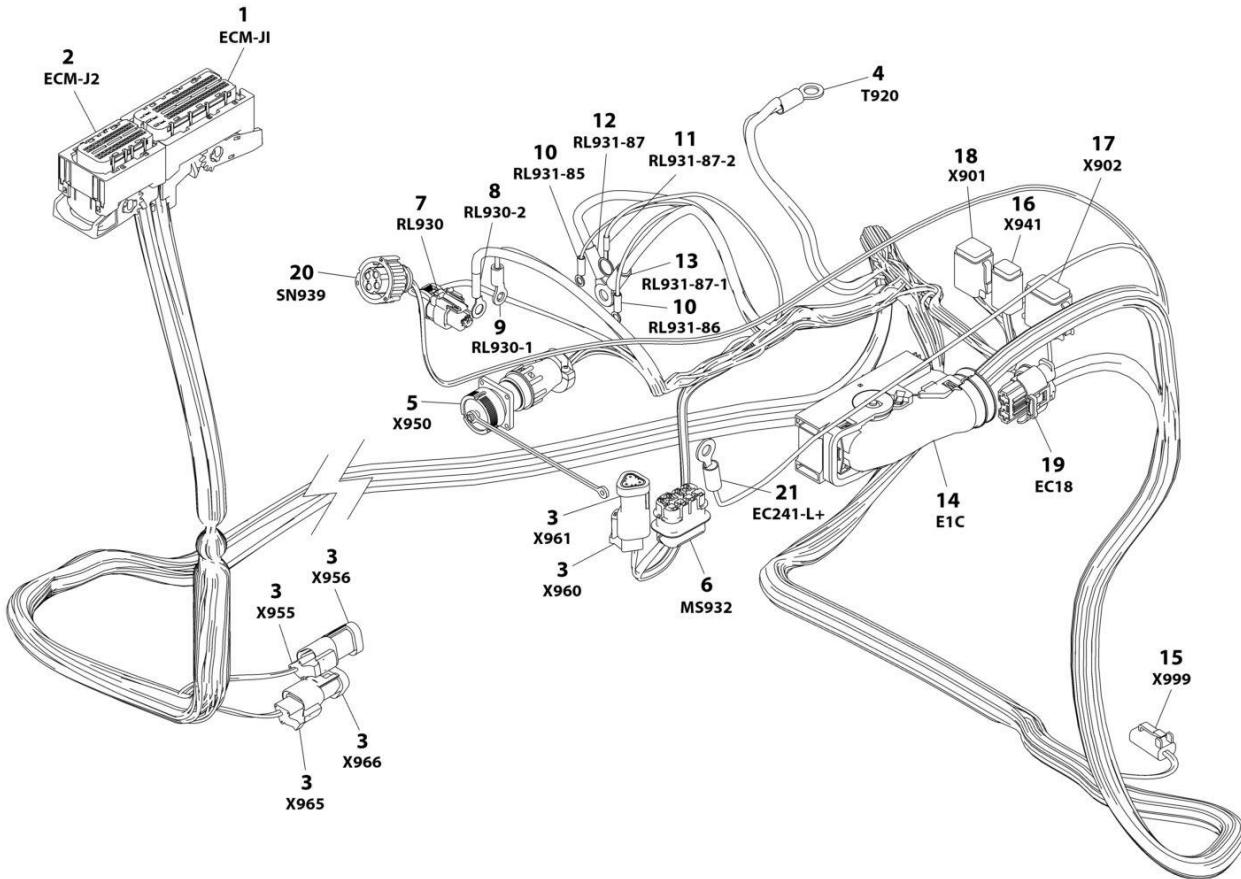
SECTION 8 - ELECTRICAL

FIGURE 8-39. ENGINE HARNESS ASSEMBLY (DEUTZ D2011)

ITEM	PART NUMBER	QTY	DESCRIPTION	REV
	1001167111	Ref	ENGINE HARNESS - DEUTZ D2011	B
1	4461052	1	Connector - 25 Position	
1	4461005	7	Terminal	
1	4461008	18	Plug, Terminal	
2	2902443	1	Receptacle Kit	
2	4461071	8	Socket, Female	
2	4461072	1	Receptacle with Flange - 8 Position	
2	4461073	1	Cap, Dust	
2	4461074	1	Shell, Black	
3	4460313	3	Terminal, Ring	
4	4460930	1	Plug, Male - 8 Position	
4	4460465	2	Socket, Female	
4	4460466	6	Seal, Terminal	
5	4461095	1	Plug, Male - 3 Position	
5	4460465	3	Socket, Female	
6	4460894	1	Plug, Male - 6 Position	
6	4460465	6	Socket, Female	

SECTION 8 - ELECTRICAL

FIGURE 8-40. ENGINE HARNESS - DEUTZ D2.9L4



ART_1001167108_L

SECTION 8 - ELECTRICAL

FIGURE 8-40. ENGINE HARNESS - DEUTZ D2.9L4

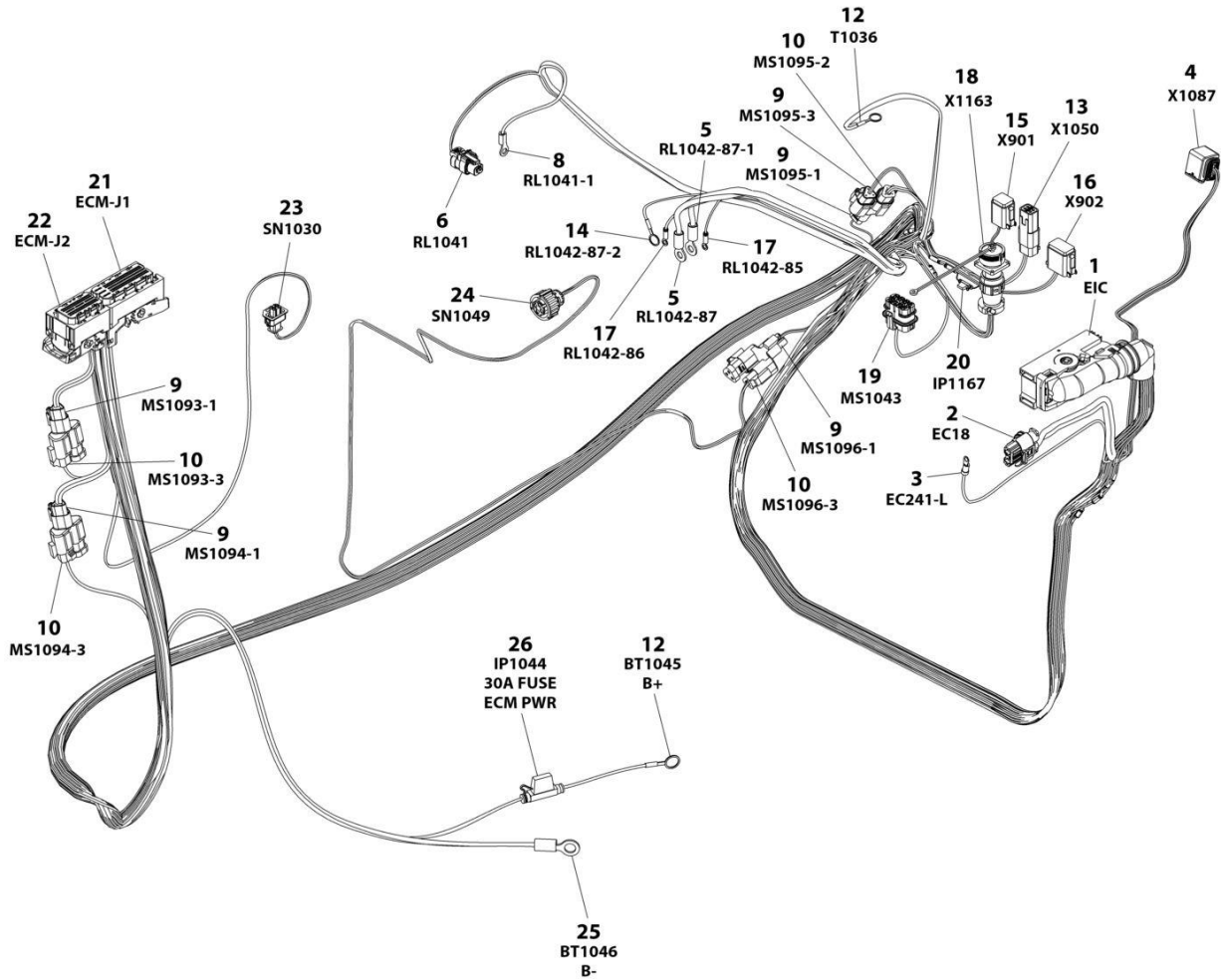
ITEM	PART NUMBER	QTY	DESCRIPTION	REV
	1001167108	Ref	ENGINE HARNESS - DEUTZ D2.9L4	L
1	1001133956	1	Connector, 94 Position	
1	1001182361	6	Terminal	
1	1001126351	2	Terminal	
1	1001230934	17	Terminal	
1	1001230935	63	Plug, Terminal	
1	1001256507	4	Terminal	
1	1001230936	2	Plug, Terminal	
1	1001182365	6	Seal	
2	1001133957	1	Connector - 60 Position	
2	1001230936	11	Plug, Terminal	
2	1001126351	13	Terminal	
2	1001230935	19	Plug, Terminal	
2	1001230934	11	Terminal	
2	1001252527	4	Terminal	
2	1001256507	2	Terminal	
3	4461095	3	Plug, Male - 3 Position	
3	4460944	6	Socket, Female	
3	4460466	3	Plug, Terminal	
3	4461070	3	Connector, Female with Resistor 3 Position	
4	8220115	1	Terminal, Ring	
5	2902443	1	Receptacle Kit	
5	4461071	8	Socket, Female	
5	4461072	1	Receptacle with Flange - 8 Position	
5	4461073	1	Cap, Dust	
5	4461074	1	Shell, Black	
6	80484084	1	Connector - 8 Position	
6	4460746	3	Terminal	
6	1001234800	1	Terminal	
6	4460748	4	Plug, Terminal	
6	4460458	4	Seal	
6	8229242	1	Fuse - 5Amp	
6	80983191	1	Fuse - 10Amp	
6	1001147264	1	Cap	
7	1001116952	1	Plug, Male - 2 Position	
7	4460465	2	Socket, Female	
8	1001117106	1	Terminal, Ring	
9	4460043	1	Terminal, Ring	
10	4460247	2	Terminal, Ring	
11	4460703	1	Terminal, Ring	
12	8220164	1	Terminal, Ring	
13	1001117107	1	Terminal, Ring	
14	1001126362	1	Connector - 62 Position	
14	1001126363	25	Terminal	
14	1001126391	21	Seal, Terminal	
14	1001126392	10	Terminal	
14	4461008	4	Seal, Terminal	
14	1001126365	2	Terminal	
14	1001223459	10	Seal, Terminal	
14	1001126364	23	Seal, Terminal	

SECTION 8 - ELECTRICAL

ITEM	PART NUMBER	QTY	DESCRIPTION	REV
14	1001256506	2	Seal, Terminal	
14	4461054	2	Seal, Terminal	
15	4460891	1	Plug, Male - 2 Position	
15	4460465	2	Socket, Female	
16	1001220379	1	Plug, Male - 4 Position	
16	4460465	2	Socket, Female	
16	4460942	2	Socket, Female	
17	4460930	1	Plug, Male - 8 Position	
17	4460465	1	Socket, Female	
17	4460466	7	Seal, Terminal	
18	4460894	1	Plug, Male - 6 Position	
18	4460465	3	Socket, Female	
18	4460944	2	Socket, Female	
18	4460466	1	Plug, Terminal	
19	1001142938	1	Connector - 2 Position	
19	1001142940	2	Terminal	
19	1001142941	2	Seal, Terminal	
20	1001133714	1	Plug, Male - 4 Position	
20	1001133715	3	Terminal	
20	1001135651	1	Plug, Terminal	
20	1001135650	3	Seal	
21	4460042	1	Terminal, Ring	

SECTION 8 - ELECTRICAL

FIGURE 8-41. ENGINE HARNESS - DEUTZ D2.9L4 (STAGE V) ENGINE



ART_1001276643

SECTION 8 - ELECTRICAL

FIGURE 8-41. ENGINE HARNESS - DEUTZ D2.9L4 (STAGE V) ENGINE

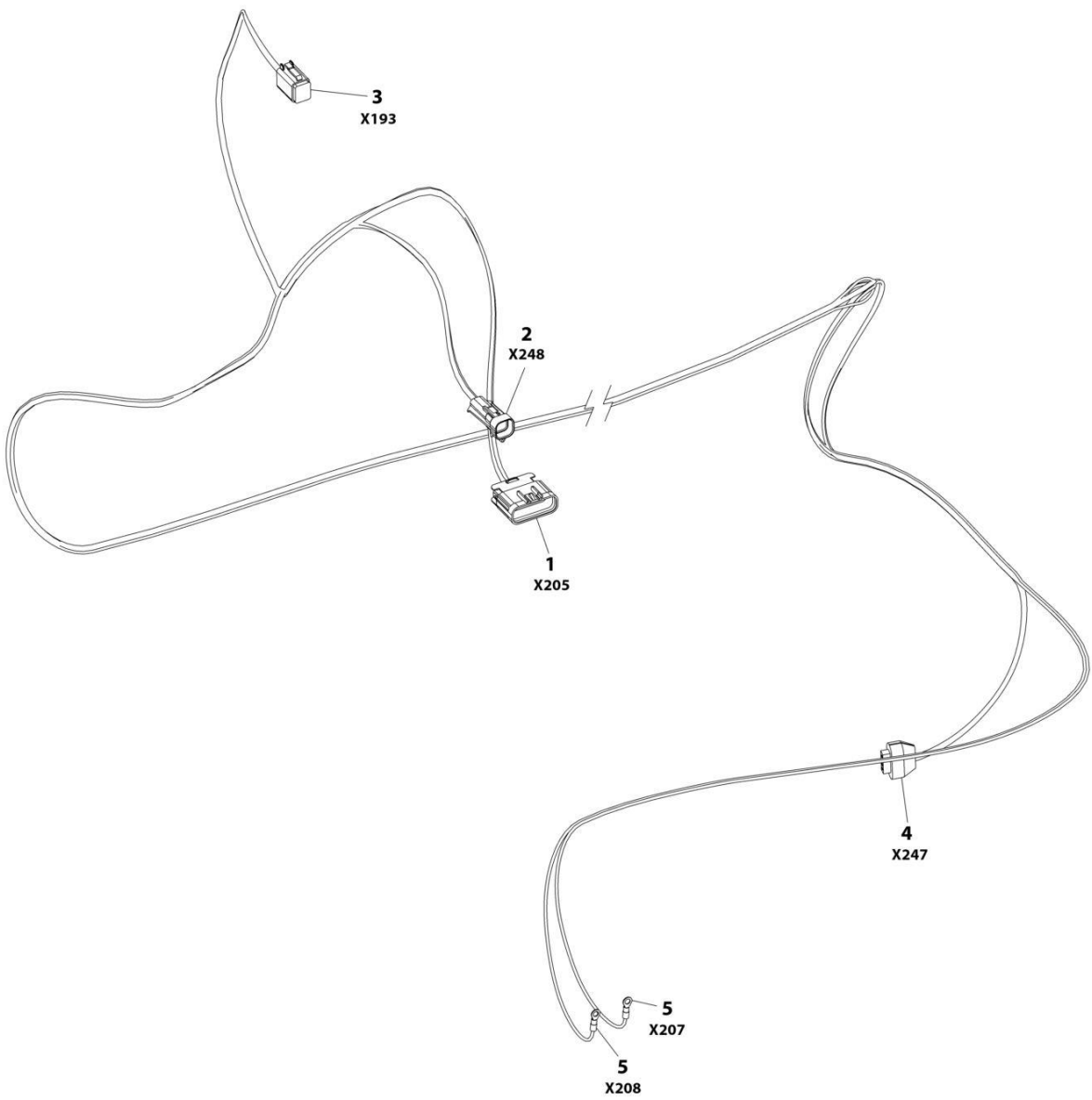
ITEM	PART NUMBER	QTY	DESCRIPTION	REV
	1001276643	Ref	ENGINE HARNESS - DEUTZ D2.9L4 (STAGE V) ENGINE	B
1	1001126362	1	Connector	
1	1001126363	37	Socket	
1	1001126391	7	Plug, Terminal	
1	1001126392	12	Socket	
1	4461008	4	Plug, Terminal	
1	1001167632	2	Socket	
1	1001126364	37	Plug, Terminal	
1	1001223459	12	Seal	
1	4461054	2	Seal	
2	1001142938	1	Connector	
2	1001142940	2	Socket	
2	1001142941	2	Seal	
3	4460042	1	Terminal, Ring	
4	1001239202	1	Connector	
4	1001126363	7	Socket	
4	1001126391	1	Plug, Terminal	
4	1001126364	7	Plug, Terminal	
5	1001117107	2	Terminal, Ring	
6	1001116952	1	Connector	
6	4460465	2	Socket	
8	4460043	1	Terminal, Ring	
9	1001116812	5	Connector	
9	4460944	10	Socket	
9	4460466	5	Plug, Terminal	
10	4460539	4	Connector	
10	4460944	8	Socket	
10	4460466	4	Plug, Terminal	
12	4460019	2	Terminal, Ring	
13	4460884	1	Connector	
13	4460465	2	Socket	
13	4460942	2	Socket	
14	4460703	1	Terminal, Ring	
15	4460894	1	Connector	
15	4460466	2	Plug, Terminal	
15	4460465	2	Socket	
15	4460944	2	Socket	
16	4460930	1	Connector	
16	4460465	1	Socket	
16	4460466	7	Plug, Terminal	
17	4460247	2	Terminal, Ring	
18	2902443	1	Receptacle Kit	
18	4461071	8	Socket	
18	4461072	1	Receptacle with Flange - 8 Position	
18	4461073	1	Cap, Dust	
18	4461074	1	Shell, Black	
19	80484084	1	Connector	
19	4460748	4	Plug, Socket	
19	4460746	3	Socket	
19	1001234800	1	Socket	

SECTION 8 - ELECTRICAL

ITEM	PART NUMBER	QTY	DESCRIPTION	REV
19	4460458	4	Seal	
20	1001170764	1	Holder, Fuse	
20	1001197719	1	Fuse 0.5 Watt	
21	1001133956	1	Connector	
21	1001182361	6	Socket	
21	1001126351	3	Socket	
21	1001230934	23	Socket	
21	1001230935	57	Pin	
21	1001230936	1	Pin	
21	1001252527	4	Socket	
21	1001182365	6	Seal	
22	1001133957	1	Connector	
22	1001230936	11	Pin	
22	1001126351	13	Socket	
22	1001230935	10	Pin	
22	1001230934	26	Socket	
23	1001126487	1	Connector	
23	1001167635	2	Socket	
23	1001126485	2	Seal	
24	1001133714	1	Connector	
24	1001133715	3	Socket	
24	1001135651	1	Plug, Terminal	
24	1001135650	2	Seal	
25	4460115	1	Terminal, Ring	
26	1001172064	1	Fuse Holder (Includes Cover)	
26	1001172065	1	Fuse 30Amp	

SECTION 8 - ELECTRICAL

FIGURE 8-42. ENGINE HARNESS ASSEMBLY (KUBOTA)



ART_1001213599

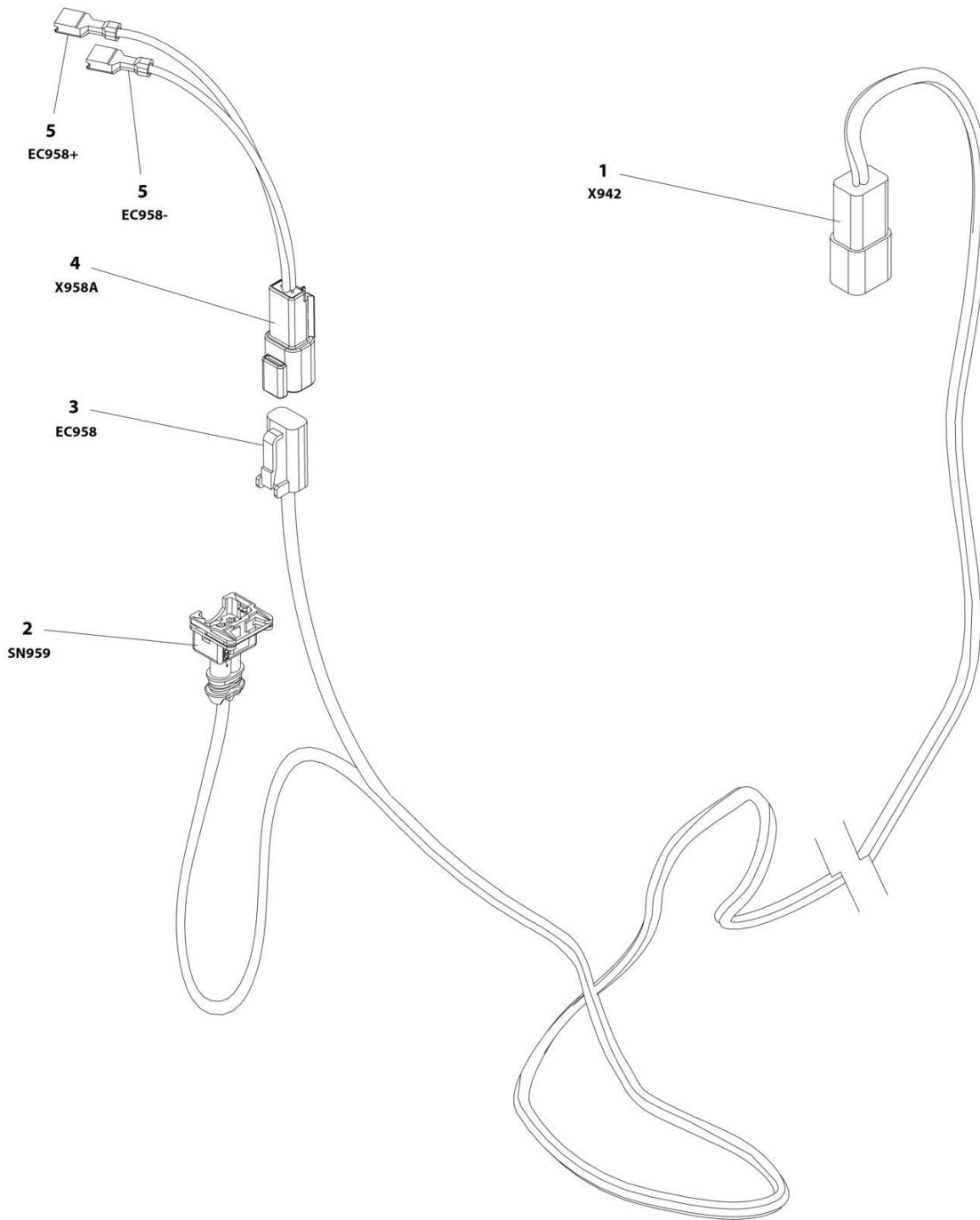
SECTION 8 - ELECTRICAL

FIGURE 8-42. ENGINE HARNESS ASSEMBLY (KUBOTA)

ITEM	PART NUMBER	QTY	DESCRIPTION	REV
	1001213599	Ref	ENGINE HARNESS - KUBOTA	C
1	4461109	1	Plug, Male - 16 Position	
1	4461111	7	Terminal	
1	4461113	9	Plug	
2	4461124	1	Connector - 4 Position	
2	4460693	4	Terminal	
3	4460894	1	Plug, Male - 6 Position	
3	4460465	5	Socket, Female	
3	4460466	1	Plug, Terminal	
4	4461121	1	Plug, Male - 4 Position	
4	4461122	4	Terminal	
4	4461123	4	Seal	
5	4460042	2	Terminal, Ring	

SECTION 8 - ELECTRICAL

FIGURE 8-43. FUEL HARNESS (DEUTZ D2.9L4 ENGINES)



ART_1001173342

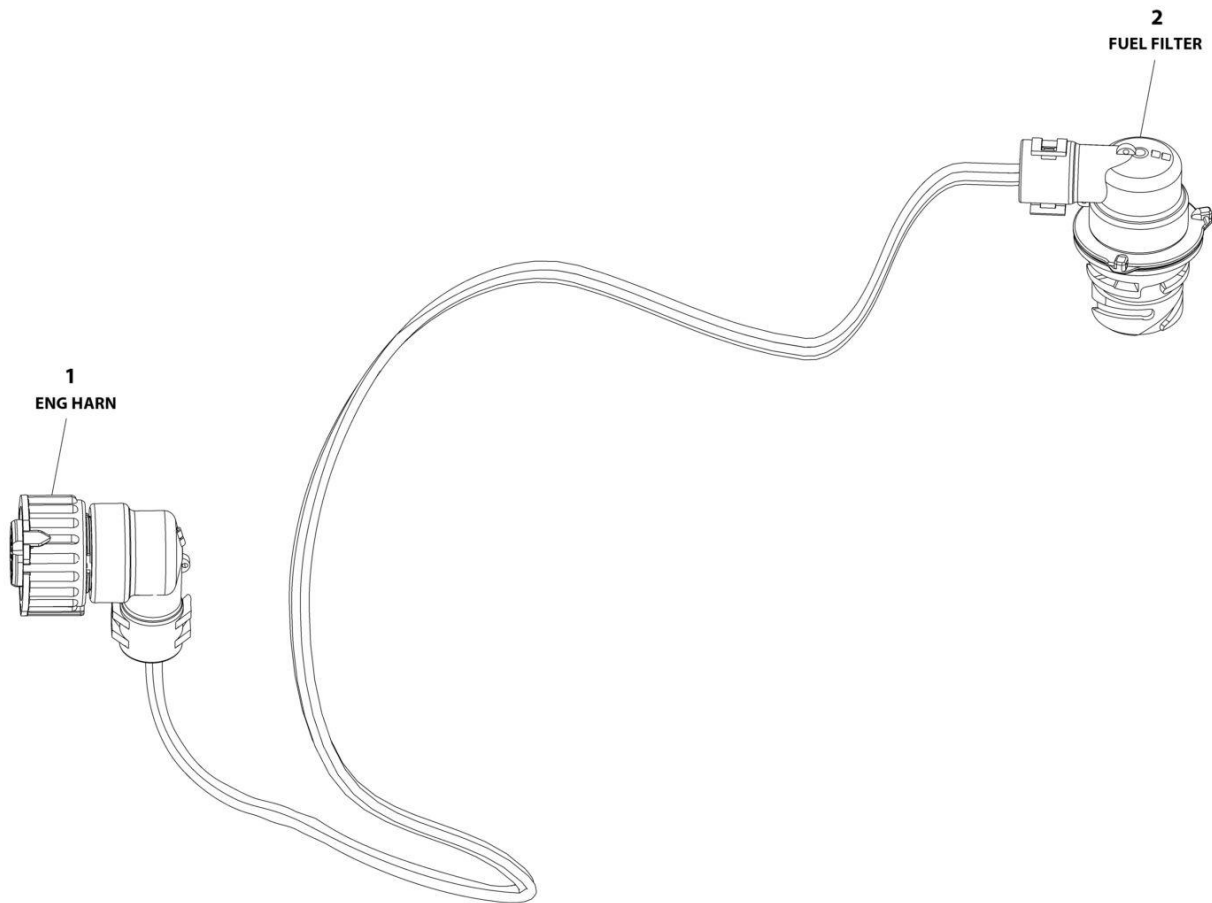
SECTION 8 - ELECTRICAL

FIGURE 8-43. FUEL HARNESS (DEUTZ D2.9L4 ENGINES)

ITEM	PART NUMBER	QTY	DESCRIPTION	REV
	1001173342	Ref	FUEL HARNESS - DEUTZ D2.9L4 ENGINE	C
1	4460932	1	Receptacle, Female - 4 Position	
1	4460464	2	Pin, Male	
1	4460941	2	Pin, Male	
2	1001116983	1	Plug, Male - 2 Position	
2	1001116710	2	Socket, Female	
3	4460891	1	Plug, Male - 2 Position	
3	4460942	2	Socket, Female	
4	4460897	1	Receptacle, Female - 2 Position	
4	4460941	2	Pin, Male	
5	8220051	2	Coupler, Female	

SECTION 8 - ELECTRICAL

FIGURE 8-44. FUEL HARNESS - DEUTZ D2.9L4 (STAGE V) ENGINE



ART_1001245913

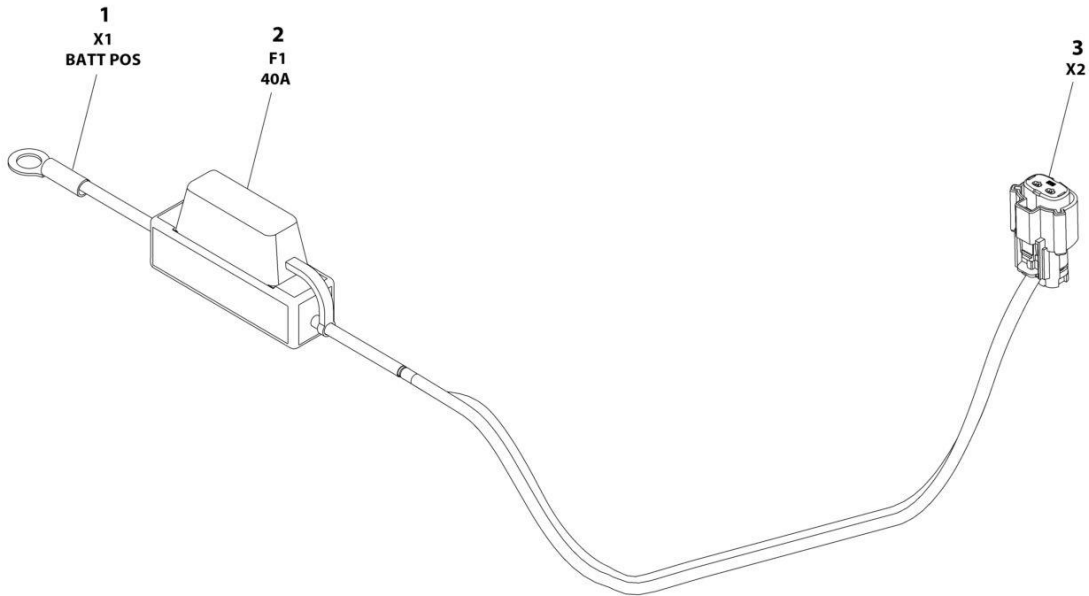
SECTION 8 - ELECTRICAL

FIGURE 8-44. FUEL HARNESS - DEUTZ D2.9L4 (STAGE V) ENGINE

ITEM	PART NUMBER	QTY	DESCRIPTION	REV
	1001245913	Ref	FUEL HARNESS - DEUTZ (STAGE V) ENGINE	D
1	1001148842	1	Connector - 4 Position	
1	1001148841	4	Pin, Male	
1	1001135650	4	Seal	
2	1001133714	1	Plug, Male - 4 Position	
2	1001133715	4	Socket, Female	
2	1001135650	4	Seal	

SECTION 8 - ELECTRICAL

FIGURE 8-45. FUEL HARNESS (KUBOTA ENGINES)



ART_1001229798

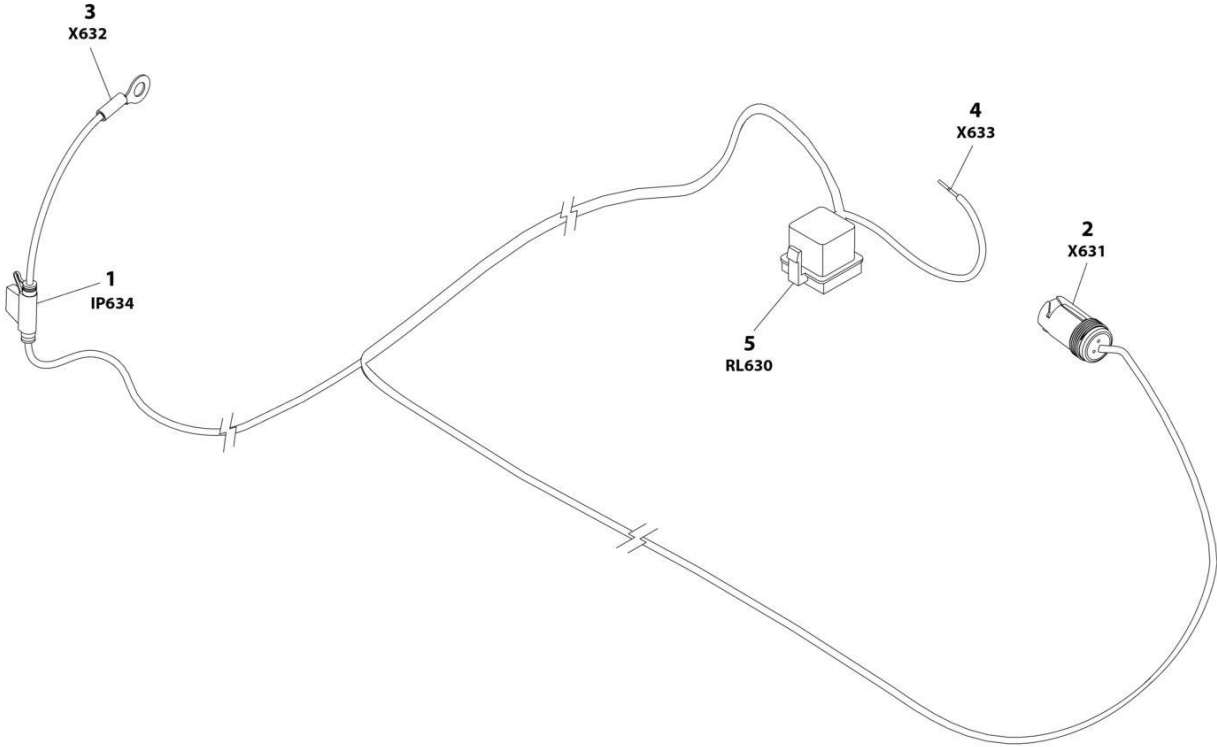
SECTION 8 - ELECTRICAL

FIGURE 8-45. FUEL HARNESS (KUBOTA ENGINES)

ITEM	PART NUMBER	QTY	DESCRIPTION	REV
	1001229798	Ref	FUEL HARNESS - KUBOTA ENGINE	A
1	4460977	1	Terminal, Ring	
2	2400082	1	Fuse 40Amp	
3	1001229795	1	Connector - 2 Position	
3	1001229796	1	Socket, Female	

SECTION 8 - ELECTRICAL

FIGURE 8-46. GENERATOR HARNESS - 2500W GENERATOR



ART_1001187522

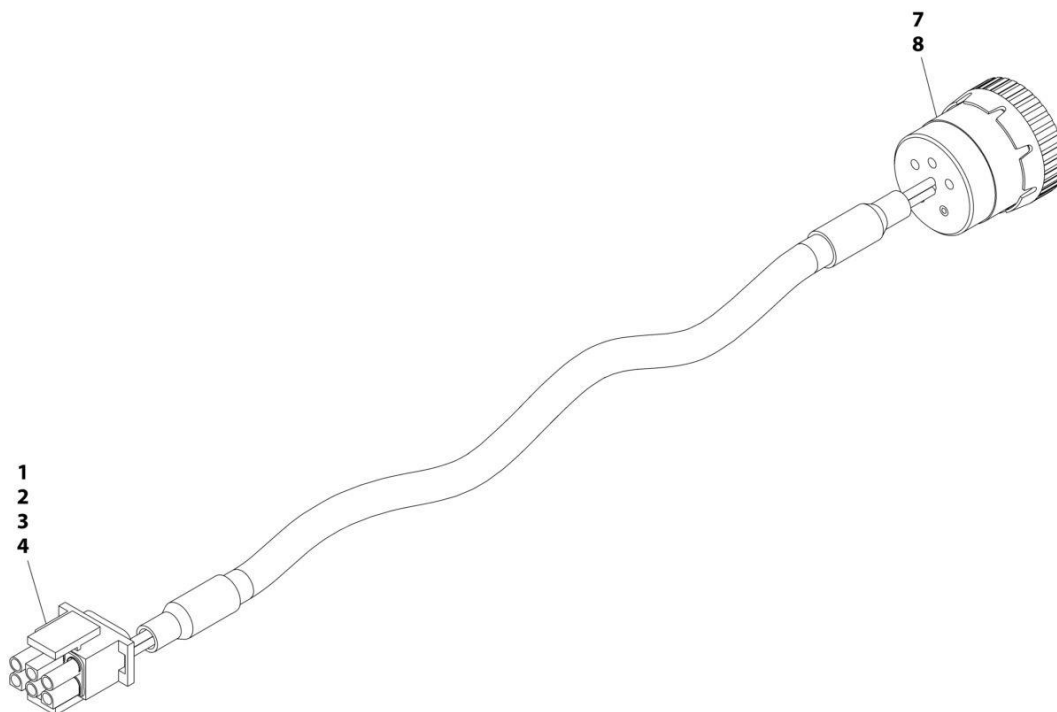
SECTION 8 - ELECTRICAL

FIGURE 8-46. GENERATOR HARNESS - 2500W GENERATOR

ITEM	PART NUMBER	QTY	DESCRIPTION	REV
	1001187522	Ref	GENERATOR HARNESS - 2500W	B
1	2400066	1	Fuseholder - 30Amp (Includes Cover)	
1	8229245	1	Fuse 30Amp	
2	1001154726	1	Receptacle, Female - 3 Position	
2	4460464	2	Pin, Male	
2	4460466	1	Plug, Terminal	
3	8220045	1	Terminal, Ring	
4	4460906	1	Socket, Female	
5	1001117057	1	Connector, Relay	
5	1001116734	2	Terminal	
5	1001116732	2	Terminal	
5	3740080	1	Relay	

SECTION 8 - ELECTRICAL

**FIGURE 8-47. GENERATOR HARNESS - 4000W GENERATOR (CONTROL BOX TO GENERATOR)
(DEUTZ ENGINES)**



ART_1001152532

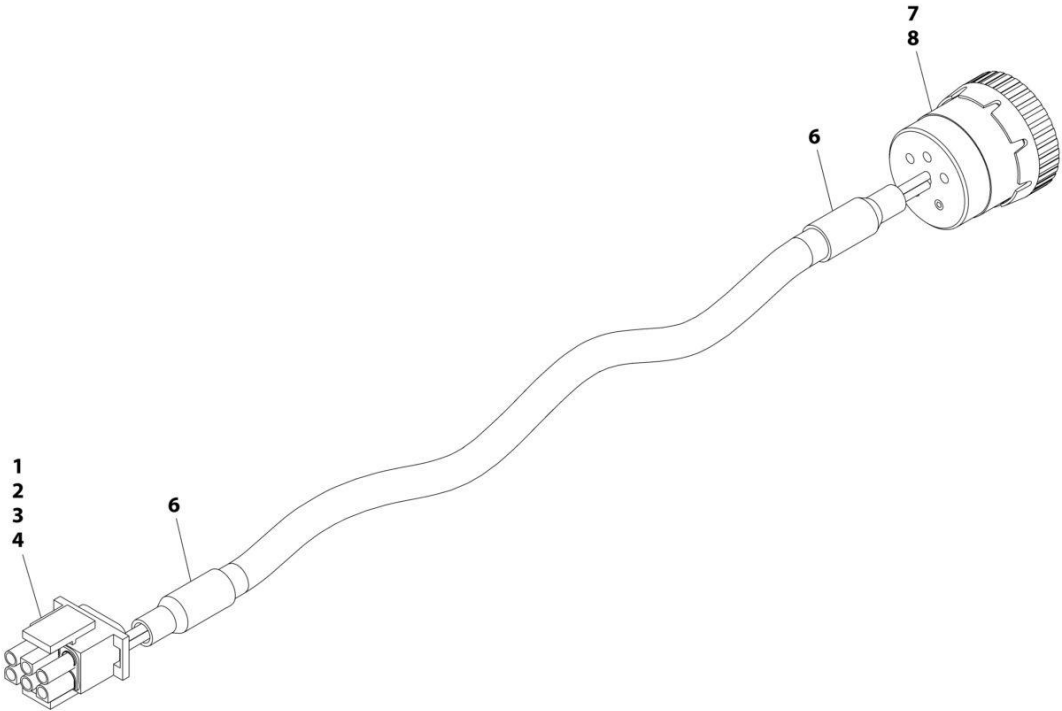
SECTION 8 - ELECTRICAL

**FIGURE 8-47. GENERATOR HARNESS - 4000W GENERATOR (CONTROL BOX TO GENERATOR)
(DEUTZ ENGINES)**

ITEM	PART NUMBER	QTY	DESCRIPTION	REV
	1001152532	Ref	GENERATOR HARNESS	A
1	4460225	1	Connector - 6 Position	
2	4460268	2	Socket, Female	
3	4460807	1	Seal	
4	4460808	1	Seal	
7	4460465	2	Socket, Female	
8	77363233	1	Connector - 6 Position	

SECTION 8 - ELECTRICAL

FIGURE 8-48. GENERATOR HARNESS - 7500W GENERATOR (CONTROL BOX TO GENERATOR)



ART_4922925

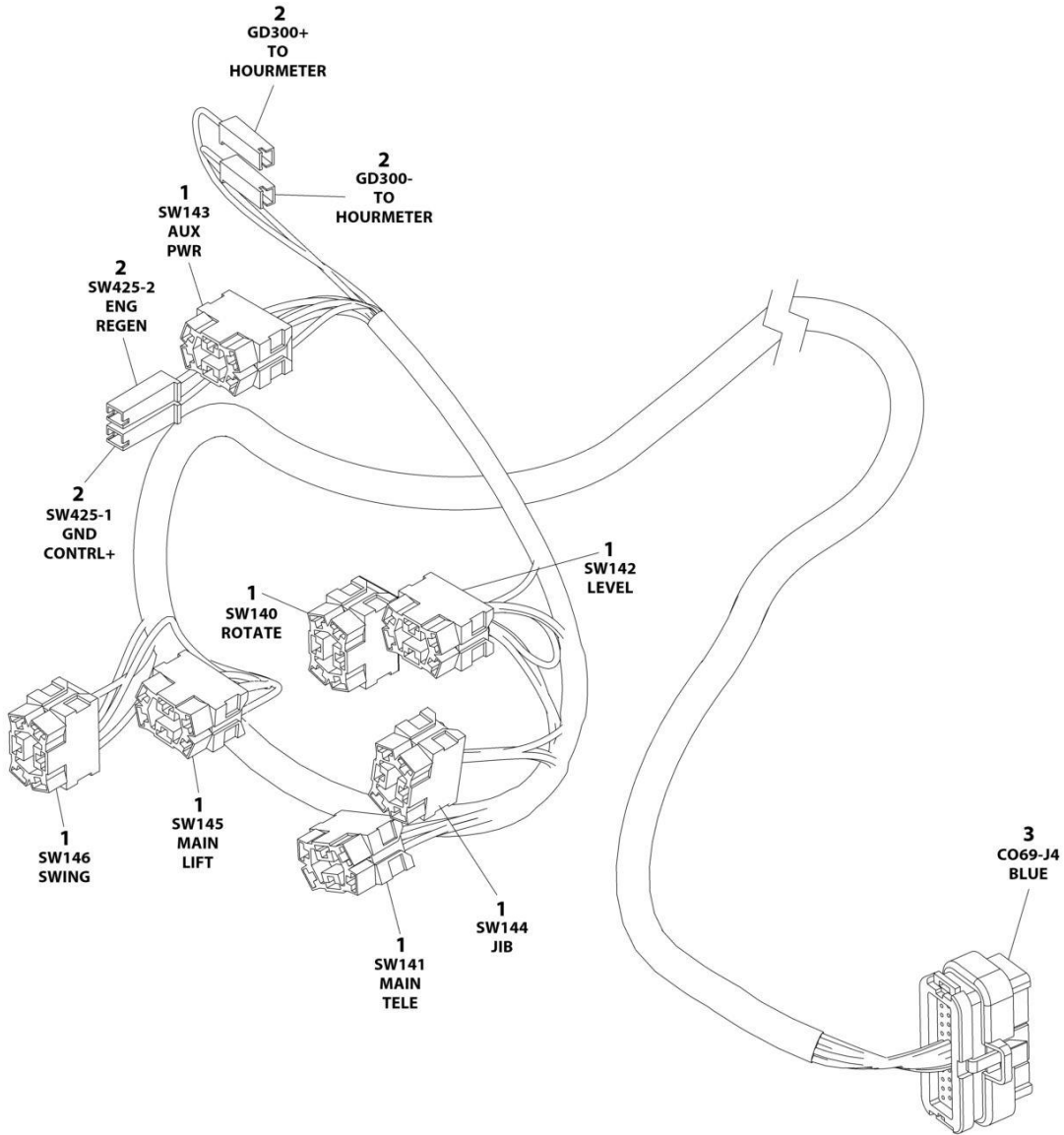
SECTION 8 - ELECTRICAL

FIGURE 8-48. GENERATOR HARNESS - 7500W GENERATOR (CONTROL BOX TO GENERATOR)

ITEM	PART NUMBER	QTY	DESCRIPTION	REV
	4922925	Ref	GENERATOR TO CONTROL BOX HARNESS (7500W GENERATOR)	C
1	4460225	1	Plug, Male - 2 Position	
2	4460268	6	Socket, Female	
3	4460807	1	Seal	
4	4460808	1	Seal	
6	2820019	AR	Heat Shrink	
7	4460465	6	Socket, Female	
8	77363233	1	Connector - 6 Position	

SECTION 8 - ELECTRICAL

FIGURE 8-49. GROUND CONTROL BOX HARNESS



ART_1001299766

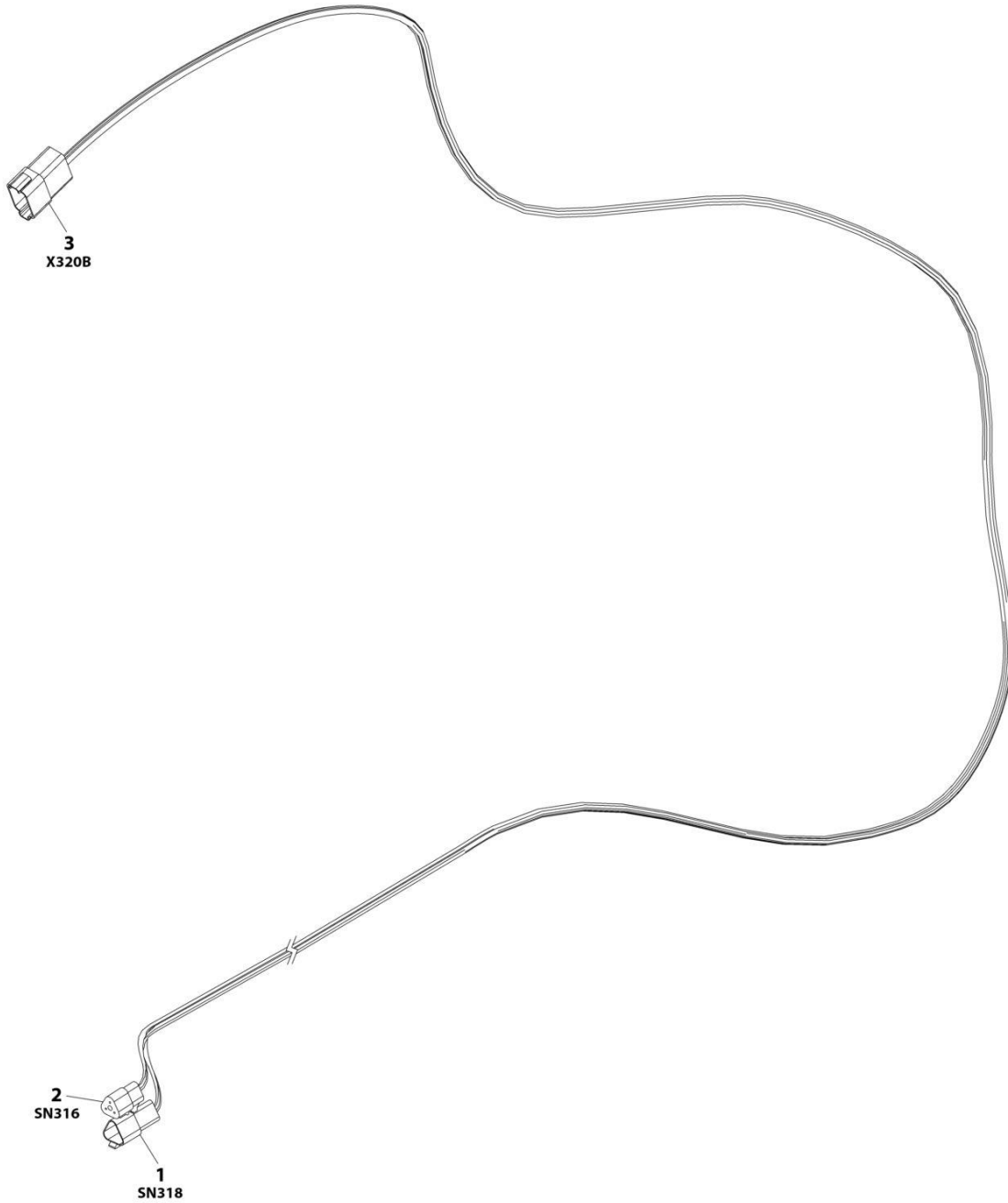
SECTION 8 - ELECTRICAL

FIGURE 8-49. GROUND CONTROL BOX HARNESS

ITEM	PART NUMBER	QTY	DESCRIPTION	REV
	1001299766	Ref	GROUND CONTROL BOX HARNESS	A
1	4460418	7	Connector	
1	1001159186	14	Socket	
1	4460419	7	Socket	
2	4460260	4	Connector	
2	4460259	4	Socket	
3	4460876	1	Connector	
3	4460871	18	Socket	
3	4460905	17	Plug	

SECTION 8 - ELECTRICAL

FIGURE 8-50. HIGH CAPACITY HARNESS (460SJ HC3)



ART_1001248183

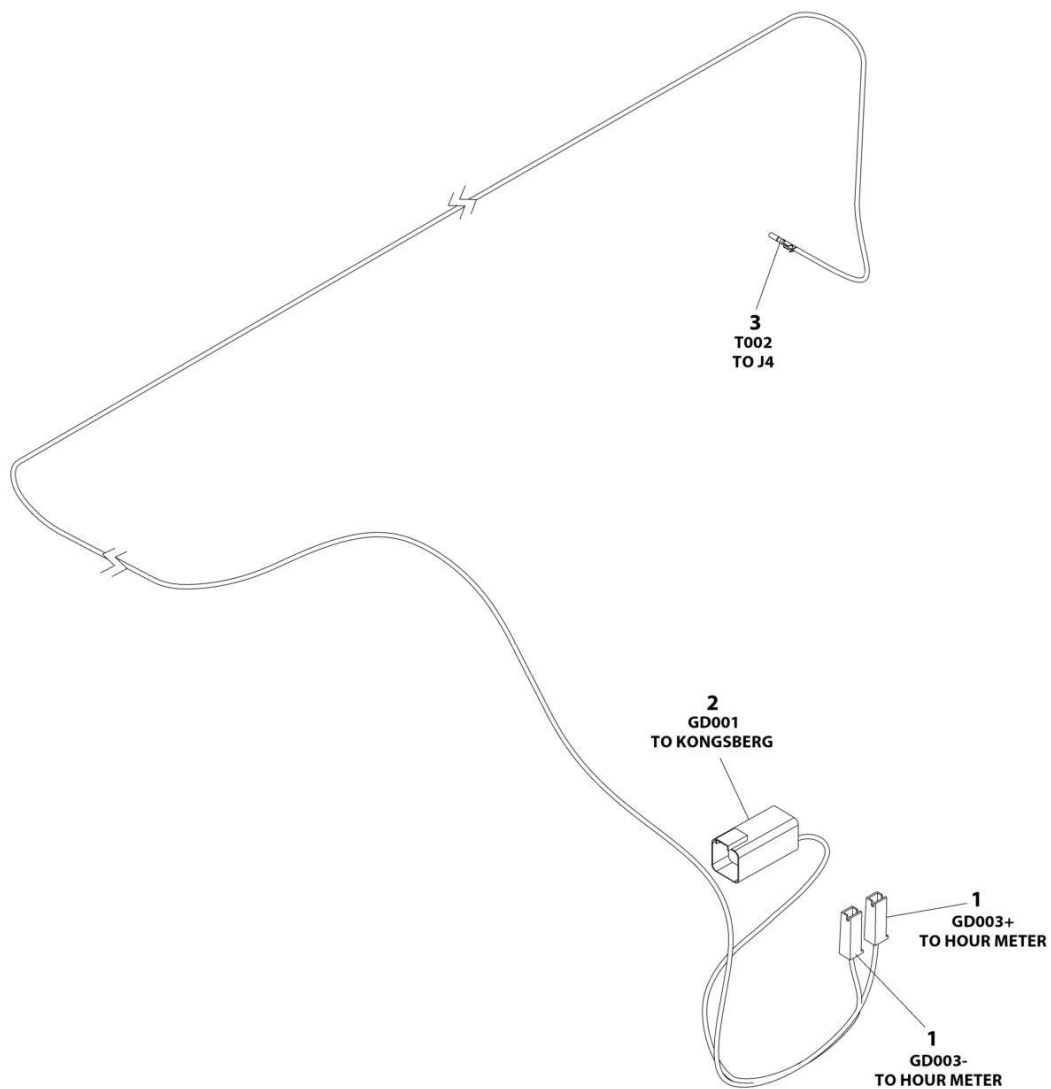
SECTION 8 - ELECTRICAL

FIGURE 8-50. HIGH CAPACITY HARNESS (460SJ HC3)

ITEM	PART NUMBER	QTY	DESCRIPTION	REV
	1001248183	Ref	HIGH CAPACITY HARNESS	B
1	4460536	1	Receptacle, Female - 3 Position	
1	4460464	3	Pin, Male	
2	4460539	1	Plug, Male - 3 Position	
2	4460465	1	Socket, Female	
3	4460931	1	Receptacle, Female - 8 Position	
3	4460464	1	Pin, Male	
3	4460466	2	Plug, Terminal	

SECTION 8 - ELECTRICAL

FIGURE 8-51. HOUR METER JUMPER HARNESS



ART_1001296426

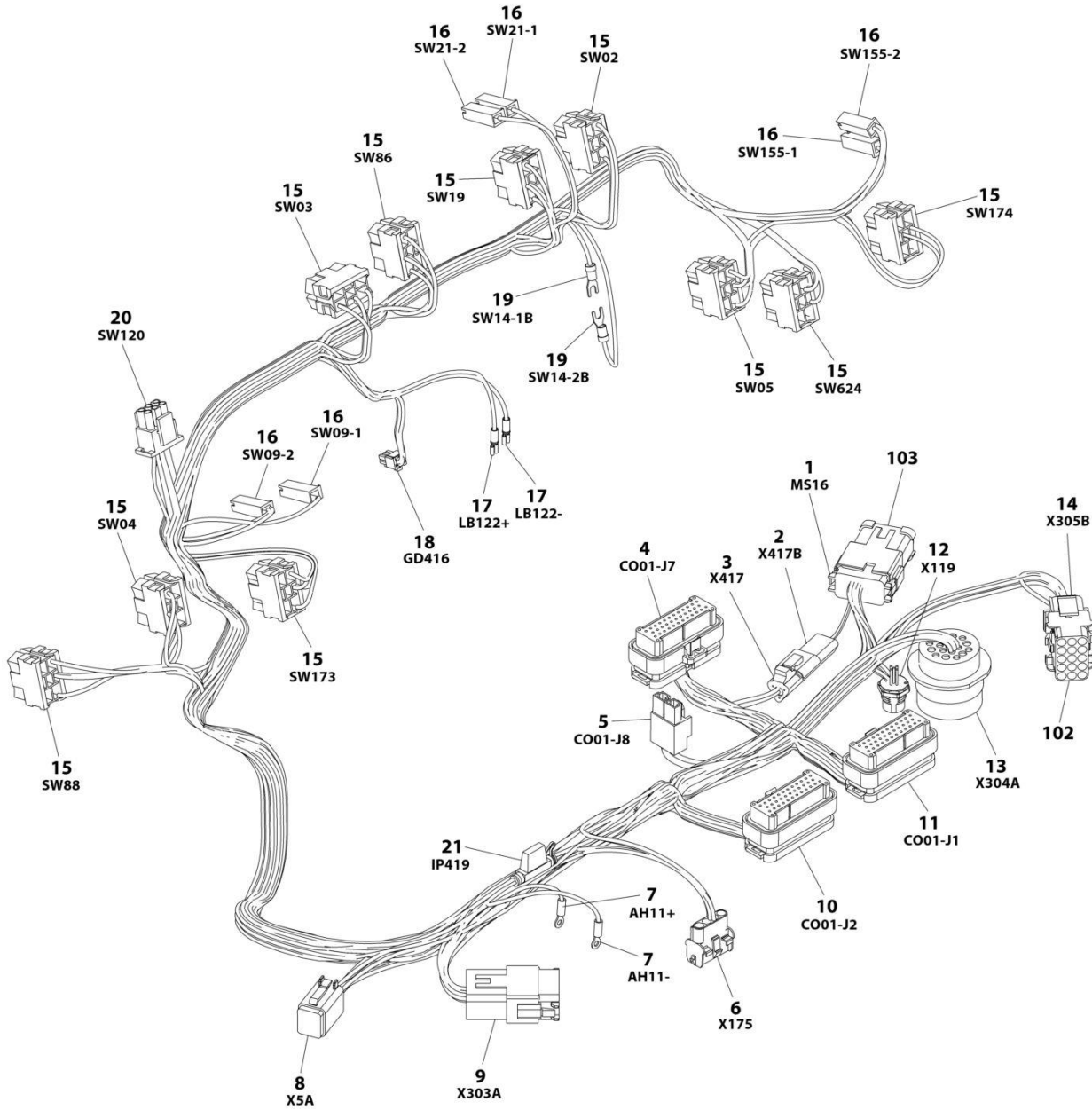
SECTION 8 - ELECTRICAL

FIGURE 8-51. HOUR METER JUMPER HARNESS

ITEM	PART NUMBER	QTY	DESCRIPTION	REV
	1001296426	Ref	HOUR METER JUMPER HARNESS	A
1	4460260	2	Connector	
2	4460899	1	Connector	
3	4460871	1	Socket	

SECTION 8 - ELECTRICAL

FIGURE 8-52. PLATFORM CONSOLE BOX HARNESS



ART_1001238254

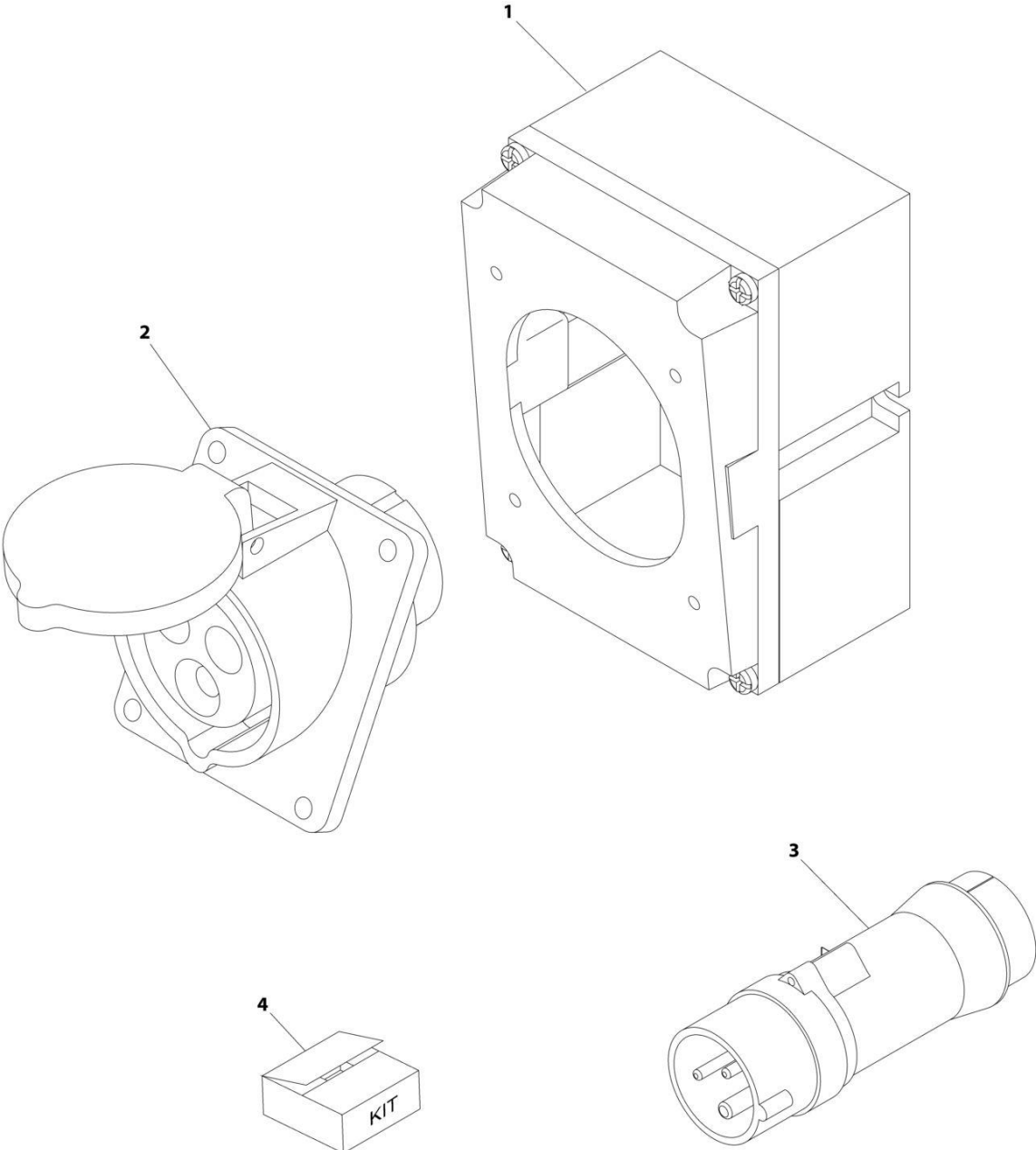
SECTION 8 - ELECTRICAL

FIGURE 8-52. PLATFORM CONSOLE BOX HARNESS

ITEM	PART NUMBER	QTY	DESCRIPTION	REV
	1001238254	Ref	PLATFORM CONSOLE BOX HARNESS	I
1	4460933	1	Plug, Male - 12 Position	
1	4460465	10	Socket, Female	
1	4460466	2	Plug, Terminal	
2	4460536	1	Receptacle, Female - 3 Position	
2	4460464	2	Pin, Male	
2	4460466	1	Plug, Terminal	
3	4460539	1	Plug, Male - 3 Position	
3	4460465	2	Socket, Female	
3	4460466	1	Plug, Terminal	
4	4460873	1	Connector - 35 Position	
4	4460871	21	Socket, Female	
4	4460905	14	Plug, Terminal	
5	4460879	1	Plug, Male - 2 Position	
5	4460887	2	Terminal	
6	4460761	1	Receptacle, Female - 4 Position	
6	4460267	4	Pin, Male	
7	1001098122	2	Terminal, Ring	
8	4460894	1	Plug, Male - 6 Position	
8	4460465	6	Socket, Female	
9	4460970	1	Receptacle, Female - 12 Position	
9	1001116693	11	Pin, Male	
9	4460466	1	Plug, Terminal	
10	4460875	1	Connector - 35 Position	
10	4460871	12	Socket, Female	
10	4460905	23	Plug, Terminal	
11	4460874	1	Connector - 35 Position	
11	4460871	27	Socket, Female	
11	4460905	8	Plug, Terminal	
12	1001213447	1	Connector - 4 Position	
12	See Note	NSS	Terminal (Note: Purchase p/n 1001213447)	
13	4460866	1	Connector - 19 Position	
13	4460464	5	Pin, Male	
13	4460466	11	Plug, Terminal	
13	4460508	1	Pin, Male	
14	4460434	1	Connector - 15 Position	
14	4460267	8	Pin. Male	
15	4460418	10	Connector - 6 Position	
15	4460419	45	Terminal	
16	4460260	6	Housing, Terminal	
16	4460259	8	Terminal	
17	1001271497	2	Terminal	
18	1001237667	1	Plug, Male - 6 Position	
18	1001237668	4	Terminal	
19	4460183	2	Terminal, Fork	
20	4460225	1	Plug, Male - 6 Position	
20	4460227	6	Pin, Male (Note: Used on Pump Potentiometer Connection Only)	
21	2400060	1	Fuse Holder	
102	4460708	1	Connector, Bussbar - 15 Position	
103	1001125677	1	Connector, Bussbar - 12 Position	

SECTION 8 - ELECTRICAL

FIGURE 8-53. RECEPTACLE BOX KIT - 110V IEC YELLOW (CE & UK CA SPEC)



ART_0275216

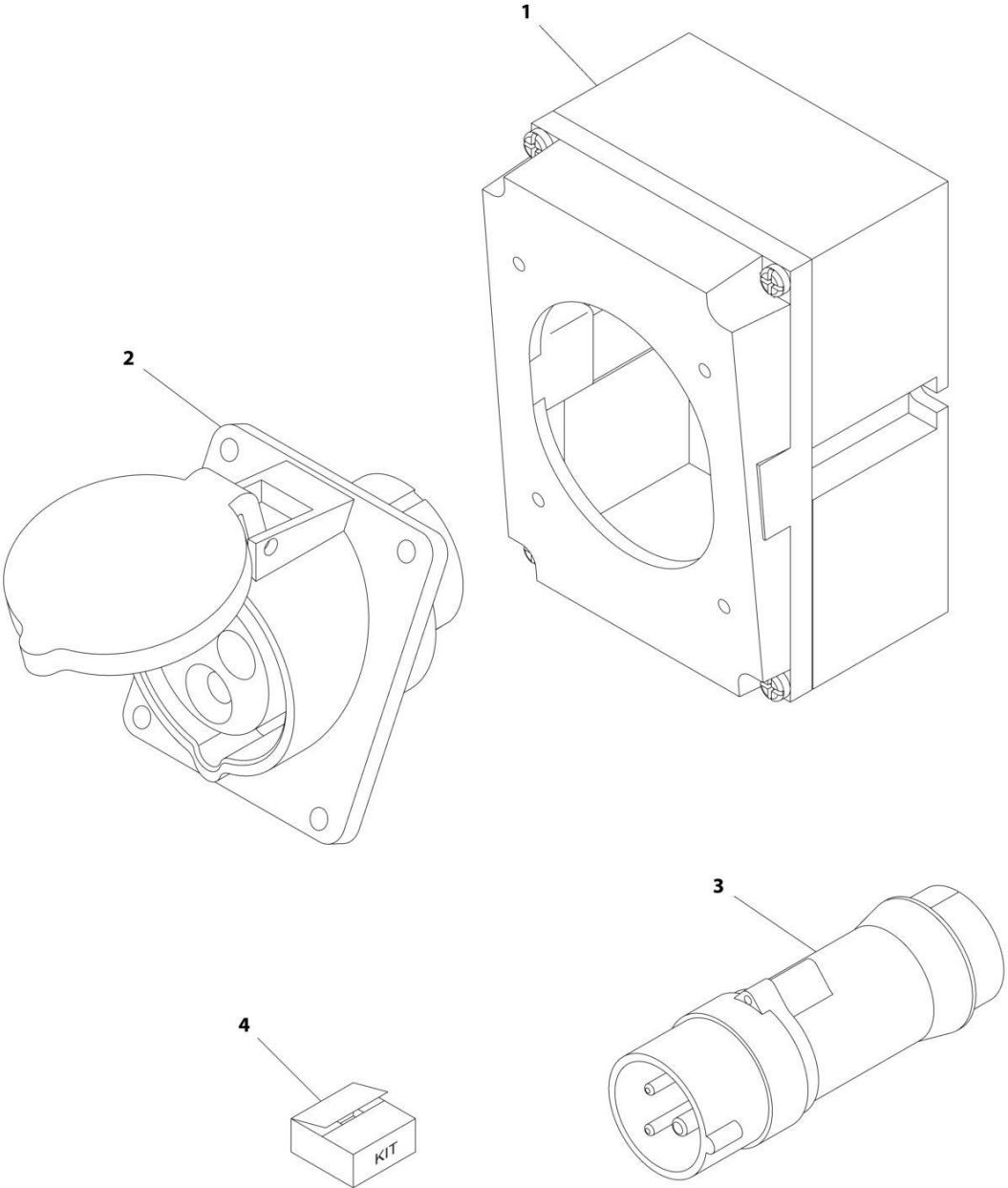
SECTION 8 - ELECTRICAL

FIGURE 8-53. RECEPTACLE BOX KIT - 110V IEC YELLOW (CE & UK CA SPEC)

ITEM	PART NUMBER	QTY	DESCRIPTION	REV
	0275216	Ref	RECEPTACLE BOX KIT - 110V IEC YELLOW	B
1	0861781	1	Box, Switch	
2	4461198	1	Receptacle	
3	4461196	1	Plug, Male	
4	1001100341	1	Plug and Socket Kit (Includes Items 1-3 and Female Plug p/n 4461197)	

SECTION 8 - ELECTRICAL

FIGURE 8-54. RECEPTACLE BOX KIT - 220V IEC BLUE (CE & UK CA SPEC)



ART_0275217

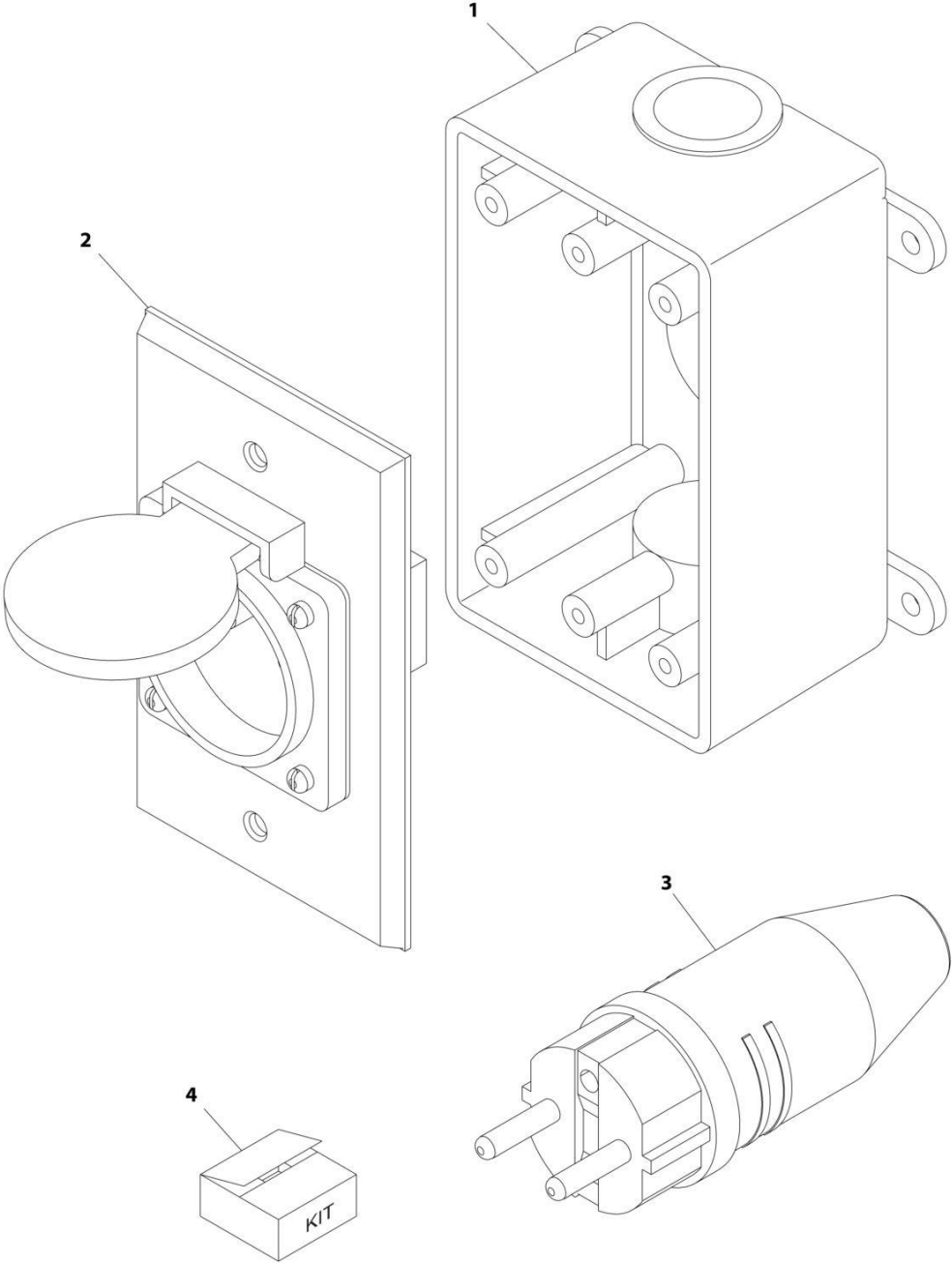
SECTION 8 - ELECTRICAL

FIGURE 8-54. RECEPTACLE BOX KIT - 220V IEC BLUE (CE & UK CA SPEC)

ITEM	PART NUMBER	QTY	DESCRIPTION	REV
	0275217	Ref	RECEPTACLE BOX KIT - 220V IEC BLUE	B
1	0861781	1	Box, Switch	
2	4461201	1	Receptacle	
3	4461199	1	Plug, Male	
4	1001100342	1	Plug and Socket Kit (Includes Items 1-3 and Female Plug p/n 4461200)	

SECTION 8 - ELECTRICAL

FIGURE 8-55. RECEPTACLE BOX KIT - 220V CEE7 POST GROUND (CE & UK CA SPEC)



ART_0275452-C

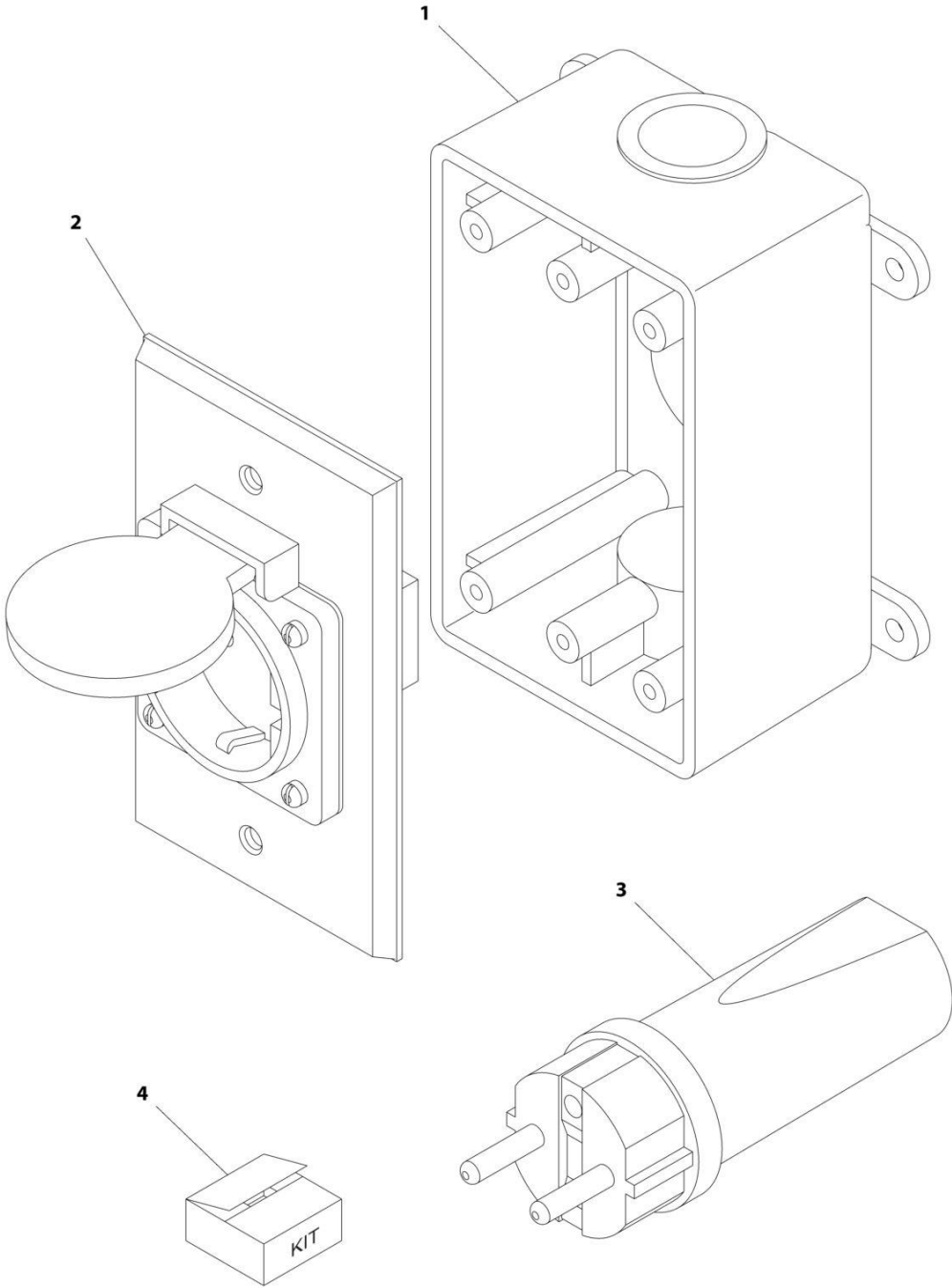
SECTION 8 - ELECTRICAL

FIGURE 8-55. RECEPTACLE BOX KIT - 220V CEE7 POST GROUND (CE & UK CA SPEC)

ITEM	PART NUMBER	QTY	DESCRIPTION	REV
	0275452	Ref	RECEPTACLE BOX KIT - 220V CEE7 POST GROUND 2IN X 4IN BOX	C
1	0861731	1	Box, Switch	
2	4461244	1	Receptacle	
3	4461205	1	Plug, Male	
4	1001100345	1	Plug and Socket Kit (Includes Items 1-3 and Female Plug p/n 4461203)	

SECTION 8 - ELECTRICAL

FIGURE 8-56. RECEPTACLE BOX KIT - 220V CEE7 SIDE GROUND (CE & UK CA SPEC)



ART_0275453

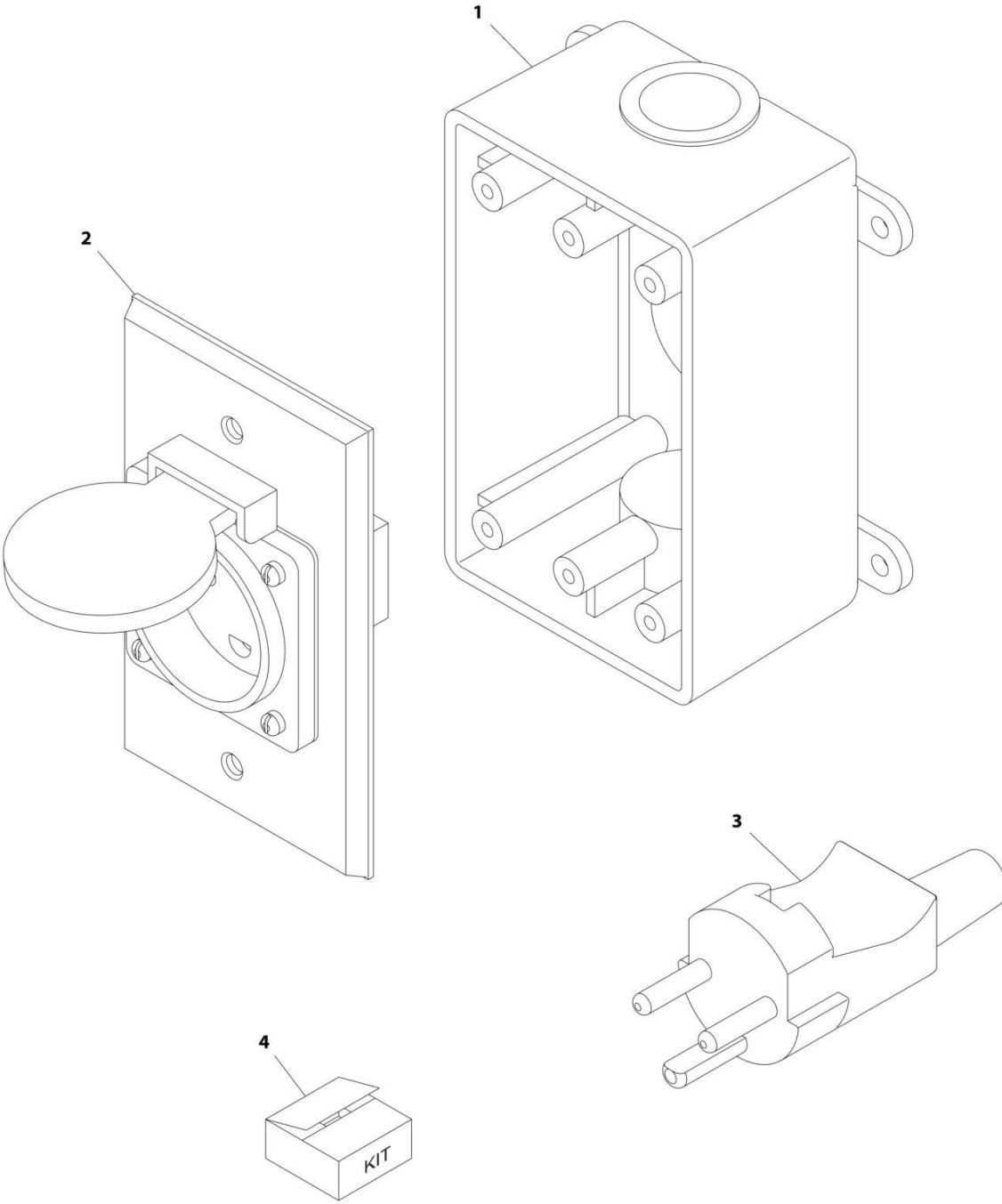
SECTION 8 - ELECTRICAL

FIGURE 8-56. RECEPTACLE BOX KIT - 220V CEE7 SIDE GROUND (CE & UK CA SPEC)

ITEM	PART NUMBER	QTY	DESCRIPTION	REV
	0275453	Ref	RECEPTACLE BOX KIT - 220V CEE7 SIDE GROUND	B
1	0861731	1	Box, Switch	
2	4461245	1	Receptacle	
3	4461205	1	Plug, Male	
4	1001100347	1	Plug and Socket Kit (Includes Items 1-3 and Female Plug p/n 4461206)	

SECTION 8 - ELECTRICAL

FIGURE 8-57. RECEPTACLE BOX KIT - 220V AFSINT 107 (CE & UK CA SPEC)



ART_0275454

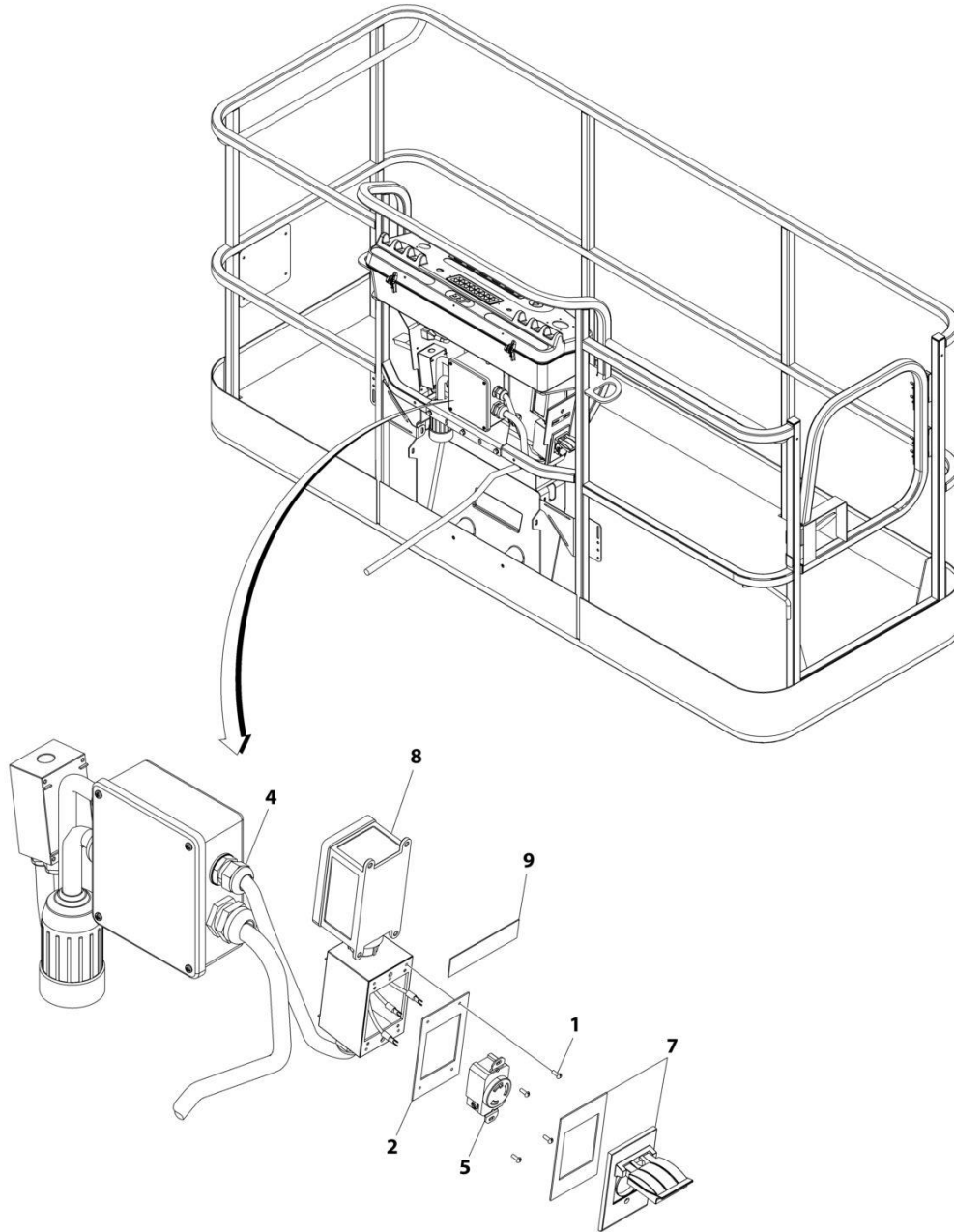
SECTION 8 - ELECTRICAL

FIGURE 8-57. RECEPTACLE BOX KIT - 220V AFSINT 107 (CE & UK CA SPEC)

ITEM	PART NUMBER	QTY	DESCRIPTION	REV
	0275454	Ref	RECEPTACLE BOX KIT - 220V AFSINT 107	B
1	0861731	1	Box, Switch	
2	4461246	1	Receptacle	
3	4461249	1	Plug, Male	
4	1001100346	1	Plug and Socket Kit (Includes Items 1-3 and Female Plug p/n 4461250)	

SECTION 8 - ELECTRICAL

FIGURE 8-58. RECEPTACLE/BREAKER BOX ASSEMBLY - 240V (4000W AND 7500W SKYPOWER GENERATORS) (ANSI, ANSI EXPORT AND CSA SPECS)



ART_1001159121

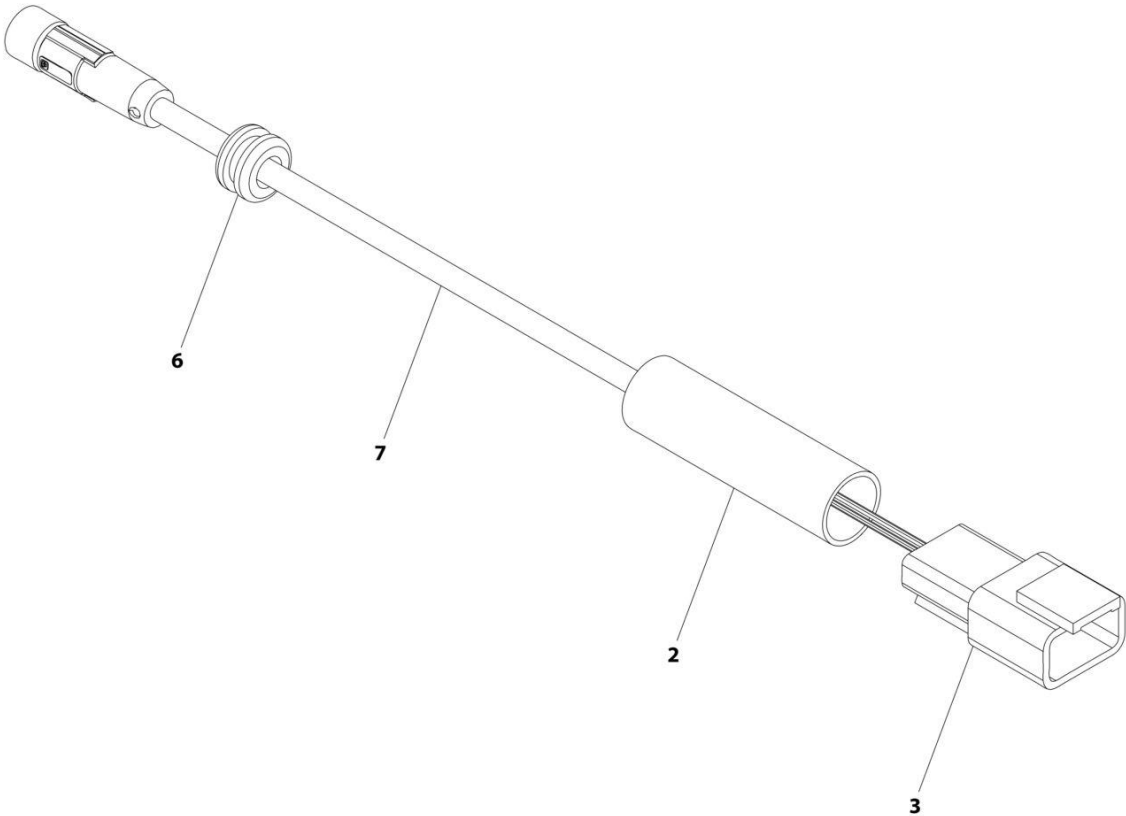
SECTION 8 - ELECTRICAL

FIGURE 8-58. RECEPTACLE/BREAKER BOX ASSEMBLY - 240V (4000W AND 7500W SKYPOWER GENERATORS) (ANSI, ANSI EXPORT AND CSA SPECS)

ITEM	PART NUMBER	QTY	DESCRIPTION	REV
	1001159121	Ref	AC BOX AT PLATFORM INSTALLATION - 240V RECEPTACLE	B
1	3910606	4	Screw 6 x 3/8	
2	3960422	1	Gasket	
3	4240018	AR	Tie-Strap (Not Shown)	
4	4460425	1	Connector, Strain Relief	
5	4460958	1	Receptacle	
7	1001110872	1	Cover, Receptacle	
8	1001159120	1	Receptacle/Breaker Box Assembly	
8	1001148675	1	Box, Receptacle	
8	1001159118	1	Breaker Box Assembly	
8	4460612	1	Connector, Strain Relief	
8	1001159119	1	Connector (Between Boxes)	
9	1705374	1	Decal - 240V/60Hz	

SECTION 8 - ELECTRICAL

FIGURE 8-59. SKYEYE EMITTER HARNESS



ART_1001237864

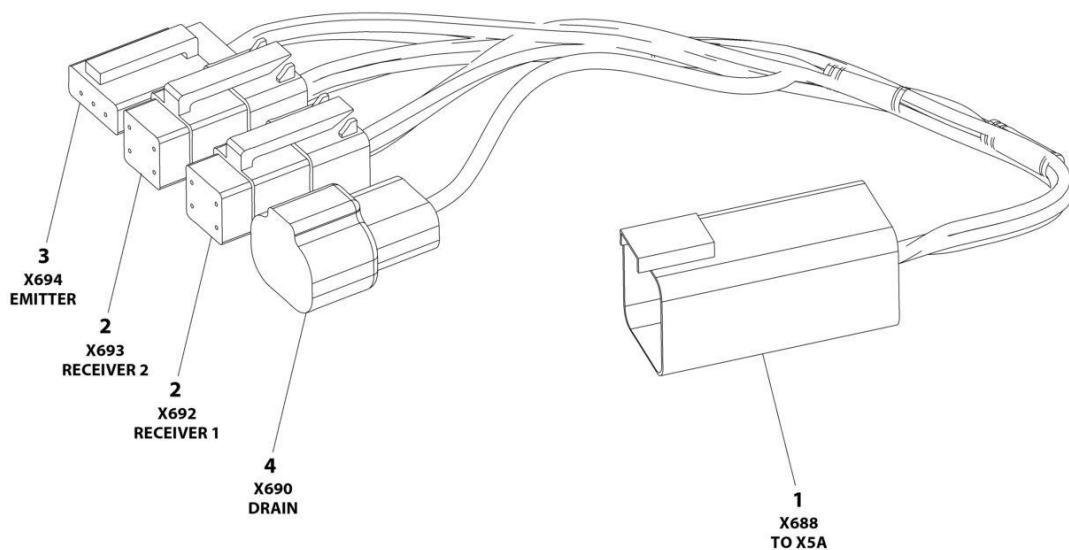
SECTION 8 - ELECTRICAL

FIGURE 8-59. SKYEYE EMITTER HARNESS

ITEM	PART NUMBER	QTY	DESCRIPTION	REV
	1001237864	Ref	SKYEYE EMITTER HARNESS	A
2	2820247	AR	Tubing, Heat Shrink	
3	4460910	1	Connector - 3 Position	
3	1001119620	3	Pin, Male	
6	1001227996	1	Grommet	
7	1001237862	1	Cable, M8 Female Cordset	

SECTION 8 - ELECTRICAL

FIGURE 8-60. SKYEYE INTERMEDIATE HARNESS



ART_1001237865

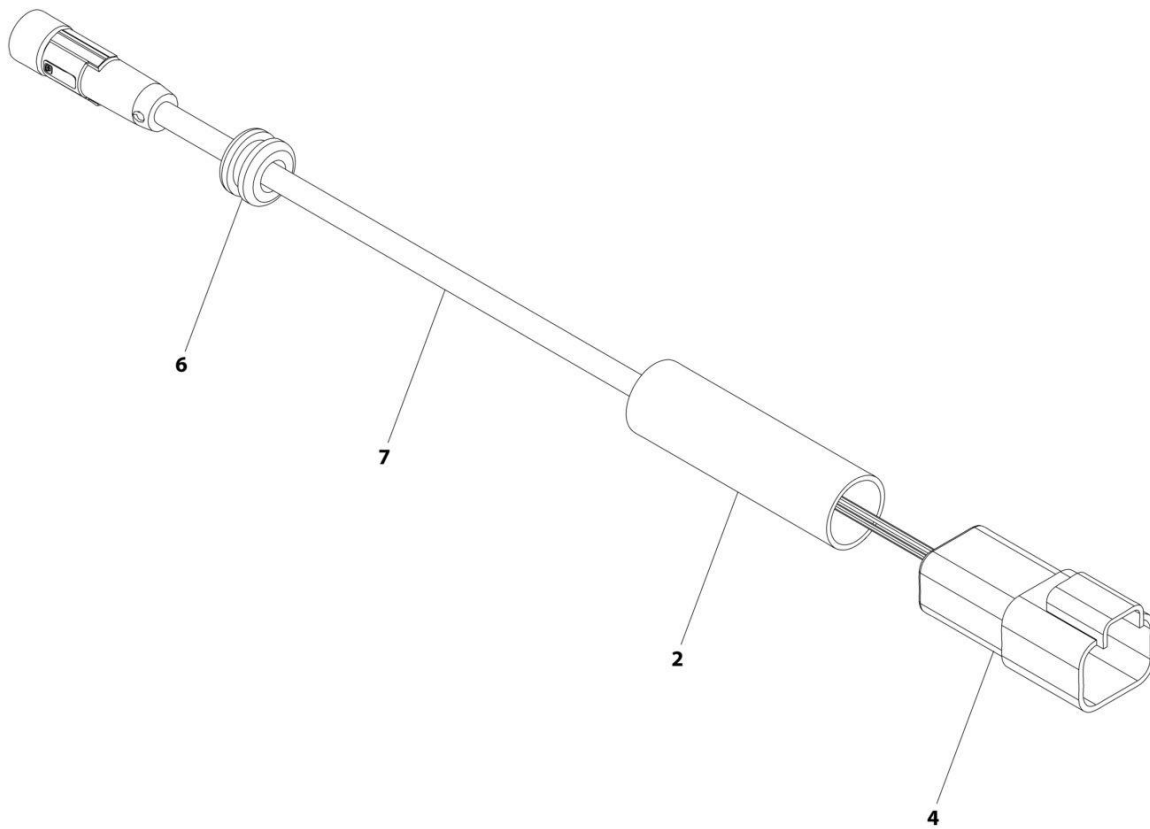
SECTION 8 - ELECTRICAL

FIGURE 8-60. SKYEYE INTERMEDIATE HARNESS

ITEM	PART NUMBER	QTY	DESCRIPTION	REV
	1001237865	Ref	SKYEYE INTERMEDIATE HARNESS	A
1	4460899	1	Connector - 6 Position	
1	4460943	4	Pin, Male	
1	4460466	2	Plug, Terminal	
2	4461077	2	Connector - 4 Position	
2	1001119619	8	Socket, Female	
3	4460911	1	Connector - 3 Position	
3	1001119619	3	Socket, Female	
4	1001187681	1	Connector - 2 Position	
4	4460941	1	Pin, Male	
4	4460466	1	Plug, Terminal	

SECTION 8 - ELECTRICAL

FIGURE 8-61. SKYEYE RECEIVER HARNESS



ART_1001237863

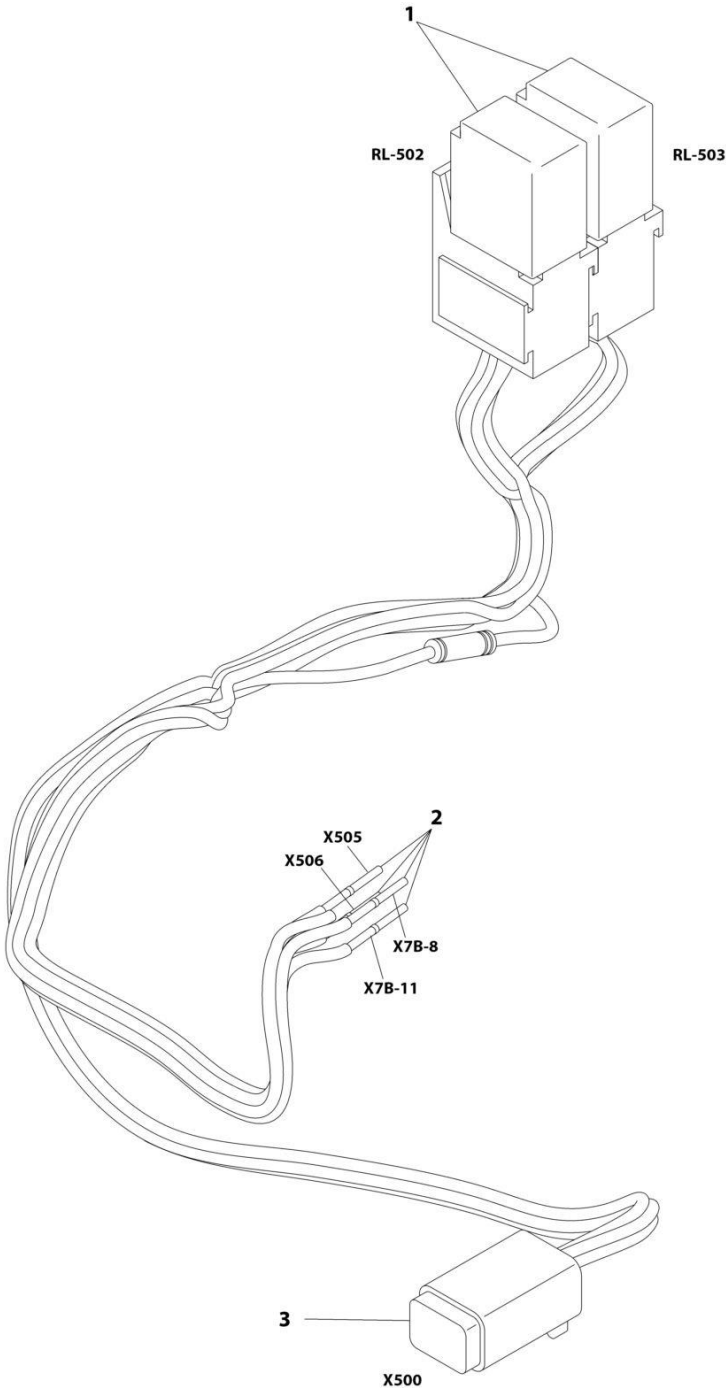
SECTION 8 - ELECTRICAL

FIGURE 8-61. SKYEYE RECEIVER HARNESS

ITEM	PART NUMBER	QTY	DESCRIPTION	REV
	1001237863	Ref	SKYEYE RECEIVER HARNESS	A
2	2820247	AR	Tubing, Heat Shrink	
4	1001097051	1	Connector - 4 Position	
4	1001119620	4	Pin, Male	
6	1001227996	1	Grommet	
7	1001237862	1	Cable, M8 Female Cordset	

SECTION 8 - ELECTRICAL

FIGURE 8-62. SKYGUARD HARNESS



ART_1001192292

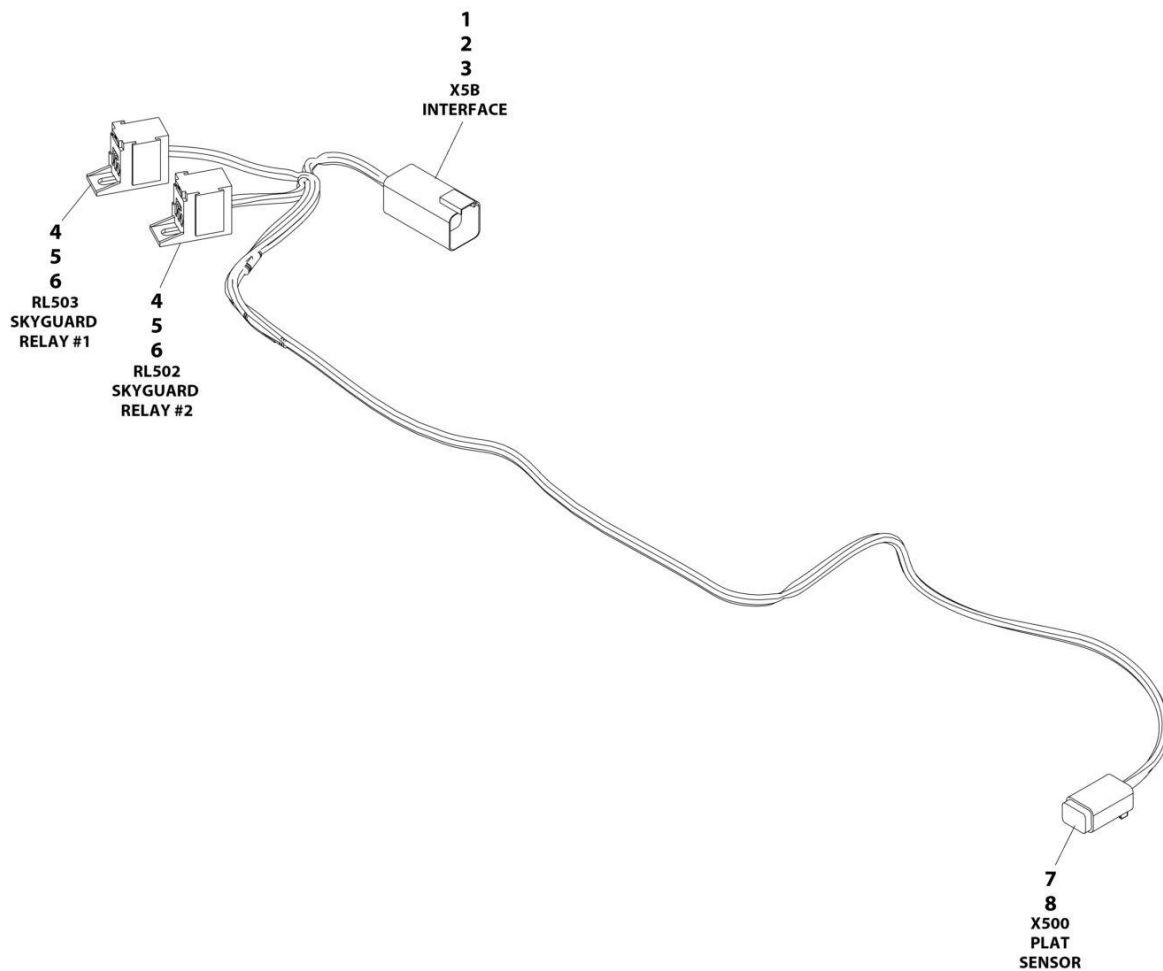
SECTION 8 - ELECTRICAL

FIGURE 8-62. SKYGUARD HARNESS

ITEM	PART NUMBER	QTY	DESCRIPTION	REV
	1001192292	Ref	SKYGUARD HARNESS	B
1	1001186432	2	Holder, Micro Relay	
1	1001186431	2	Relay, Micro 35 Amp	
1	1001116720	11	Terminal	
2	4460226	4	Socket, Female	
3	4460884	1	Plug, Male - 4 Position	
3	4460465	2	Socket, Female	

SECTION 8 - ELECTRICAL

FIGURE 8-63. SKYGUARD INTERFACE HARNESS



ART_1001225580

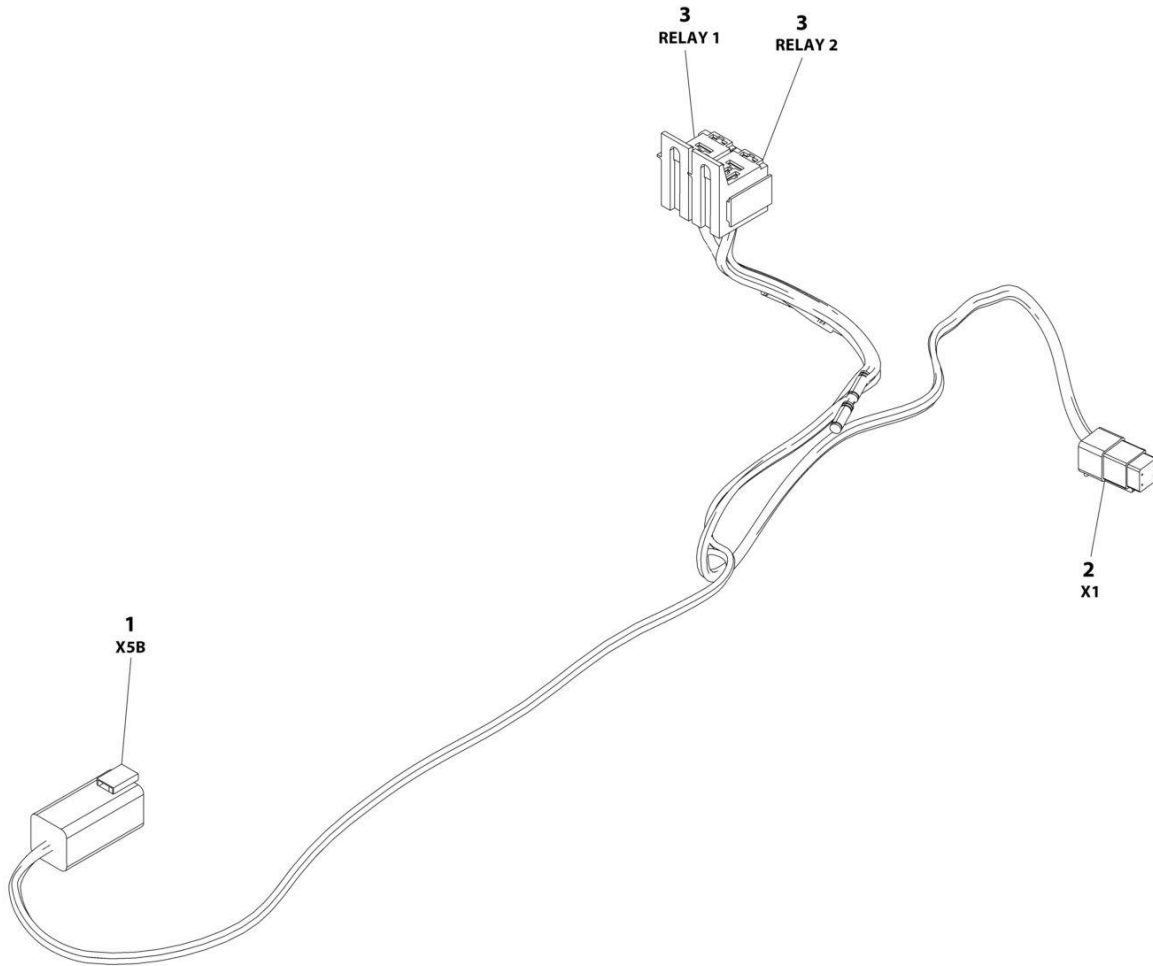
SECTION 8 - ELECTRICAL

FIGURE 8-63. SKYGUARD INTERFACE HARNESS

ITEM	PART NUMBER	QTY	DESCRIPTION	REV
	1001225580	Ref	INTERFACE HARNESS - WITH 1 CELL LSS	D
1	4460899	1	Connector	
2	4460464	4	Terminal	
3	4460466	2	Plug	
4	1001186432	2	Connector	
5	1001116720	4	Terminal	
6	1001118388	4	Terminal	
7	4460884	1	Connector	
8	4460465	4	Terminal	

SECTION 8 - ELECTRICAL

FIGURE 8-64. SKYLINE HARNESS



ART_1001238418

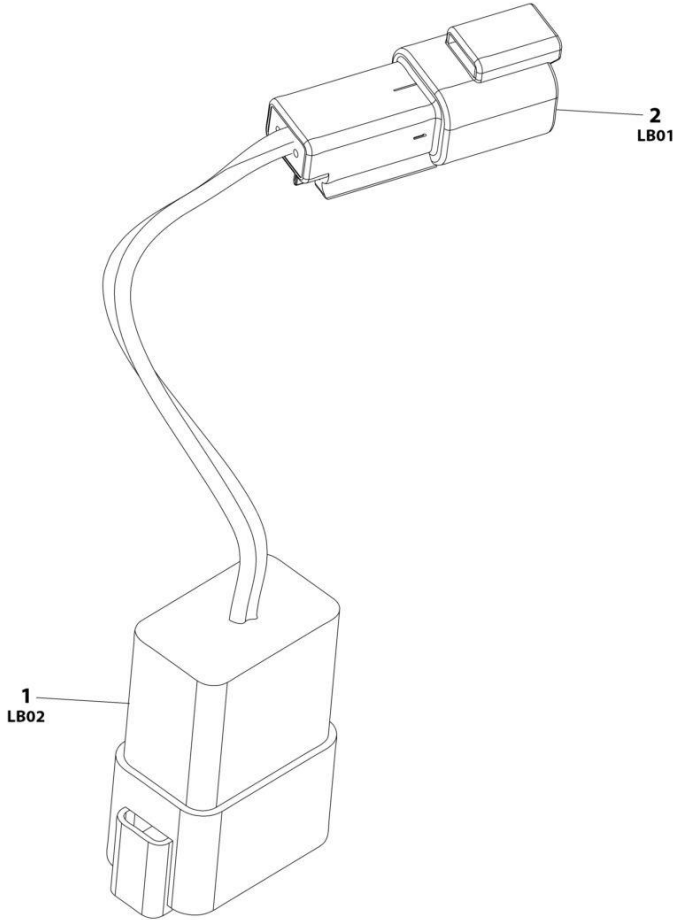
SECTION 8 - ELECTRICAL

FIGURE 8-64. SKYLINE HARNESS

ITEM	PART NUMBER	QTY	DESCRIPTION	REV
	1001238418	Ref	SKYLINE HARNESS	B
1	4460899	1	Connector - 6 Position	
1	4460464	4	Pin, Male	
1	4460466	2	Plug, Terminal	
2	4461077	1	Connector - 4 Position	
2	1001126009	4	Socket, Female	
3	1001186432	2	Plug, Relay	
3	1001118388	5	Terminal	
3	1001118384	3	Terminal	
3	3740086	2	Relay	

SECTION 8 - ELECTRICAL

FIGURE 8-65. STROBE LIGHT HARNESS (AMBER STROBE LIGHT)



ART_1001283776

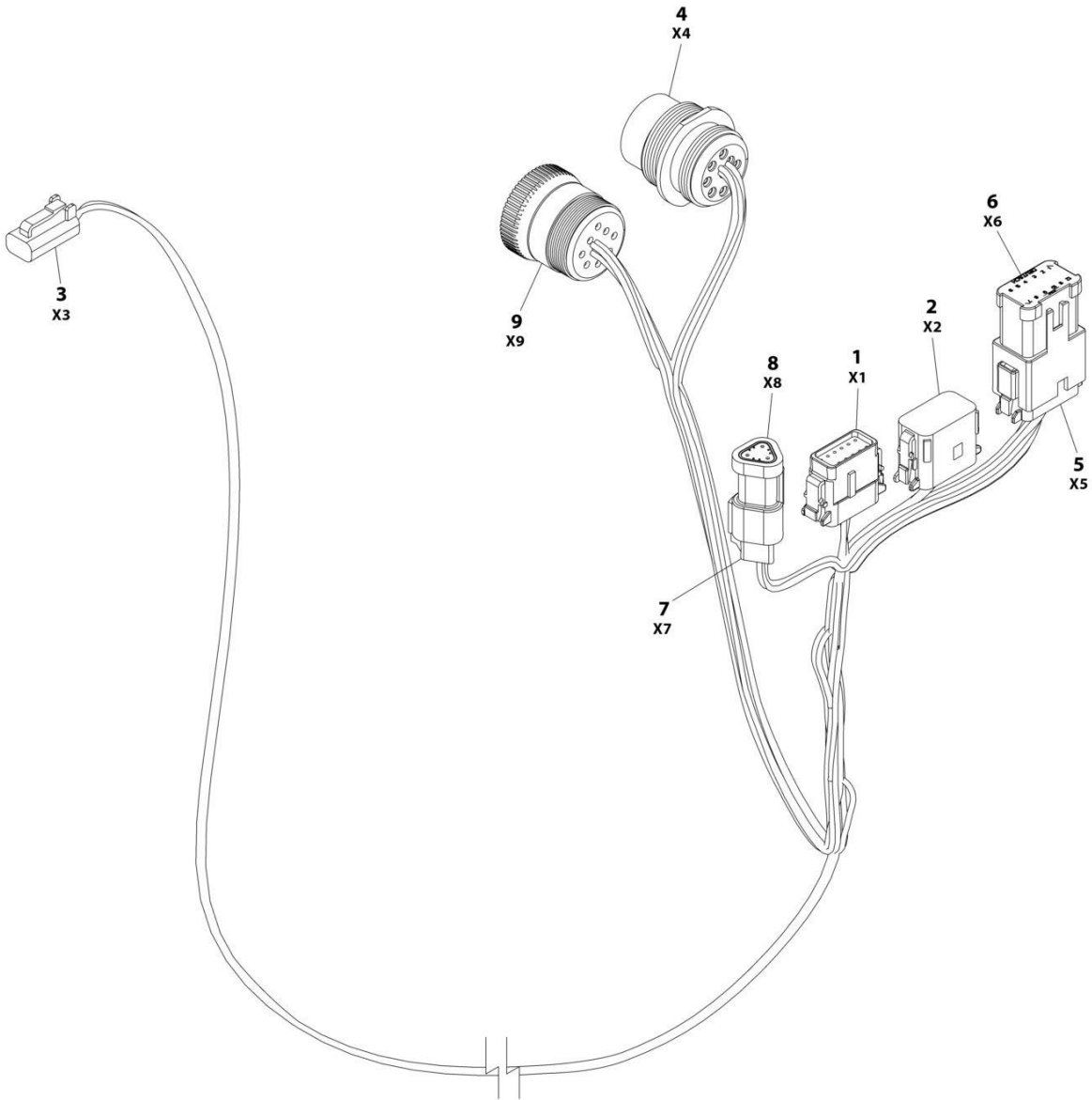
SECTION 8 - ELECTRICAL

FIGURE 8-65. STROBE LIGHT HARNESS AMBER STROBE LIGHT)

ITEM	PART NUMBER	QTY	DESCRIPTION	REV
	1001283776	Ref	STROBE LIGHT HARNESS (AMBER)	A
1	4460931	1	Connector	
1	4460464	2	Pin	
1	4460466	6	Plug	
2	4460897	1	Connector	
2	4460464	2	Pin	

SECTION 8 - ELECTRICAL

FIGURE 8-66. STROBE LIGHT HARNESS (BLUE AND RED STROBE LIGHTS)



ART_1001142736

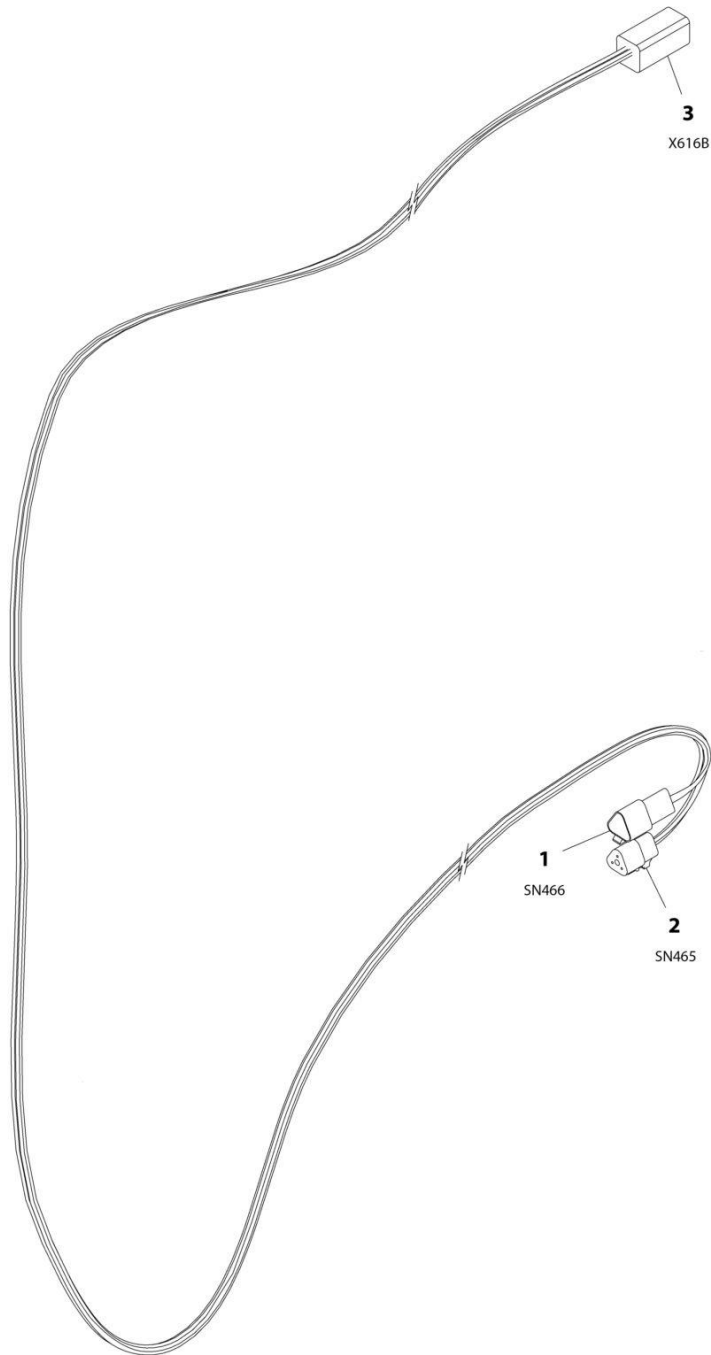
SECTION 8 - ELECTRICAL

FIGURE 8-66. STROBE LIGHT HARNESS (BLUE AND RED STROBE LIGHTS)

ITEM	PART NUMBER	QTY	DESCRIPTION	REV
	1001142736	Ref	STROBE LIGHT HARNESS	F
1	1001116808	1	Plug, Male - 12 Position	
1	4460928	3	Socket, Female	
1	4460518	9	Plug, Terminal	
2	1001116774	1	Plug, Male - 12 Position	
2	4460928	3	Socket, Female	
2	4460518	9	Plug, Terminal	
3	4460891	1	Plug, Male - 2 Position	
3	4460465	2	Socket, Female	
4	1001112612	1	Connector - 9 Position	
4	4460464	6	Pin, Male	
4	4460466	3	Plug, Terminal	
5	4460933	1	Plug, Male - 12 Position	
5	4460465	12	Socket, Female	
6	1001119020	1	Bussbar - 12 Position	
7	4461095	1	Plug, Male - 3 Position	
7	4460465	3	Socket, Female	
8	4461070	1	Bussbar - 3 Position	
9	1001112796	1	Connector - 9 Position	
9	4460465	6	Socket, Female	
9	4460466	3	Plug, Terminal	

SECTION 8 - ELECTRICAL

FIGURE 8-67. TELESCOPE IN PROXIMITY SENSORS HARNESS (400S HC3)



ART_1001173808

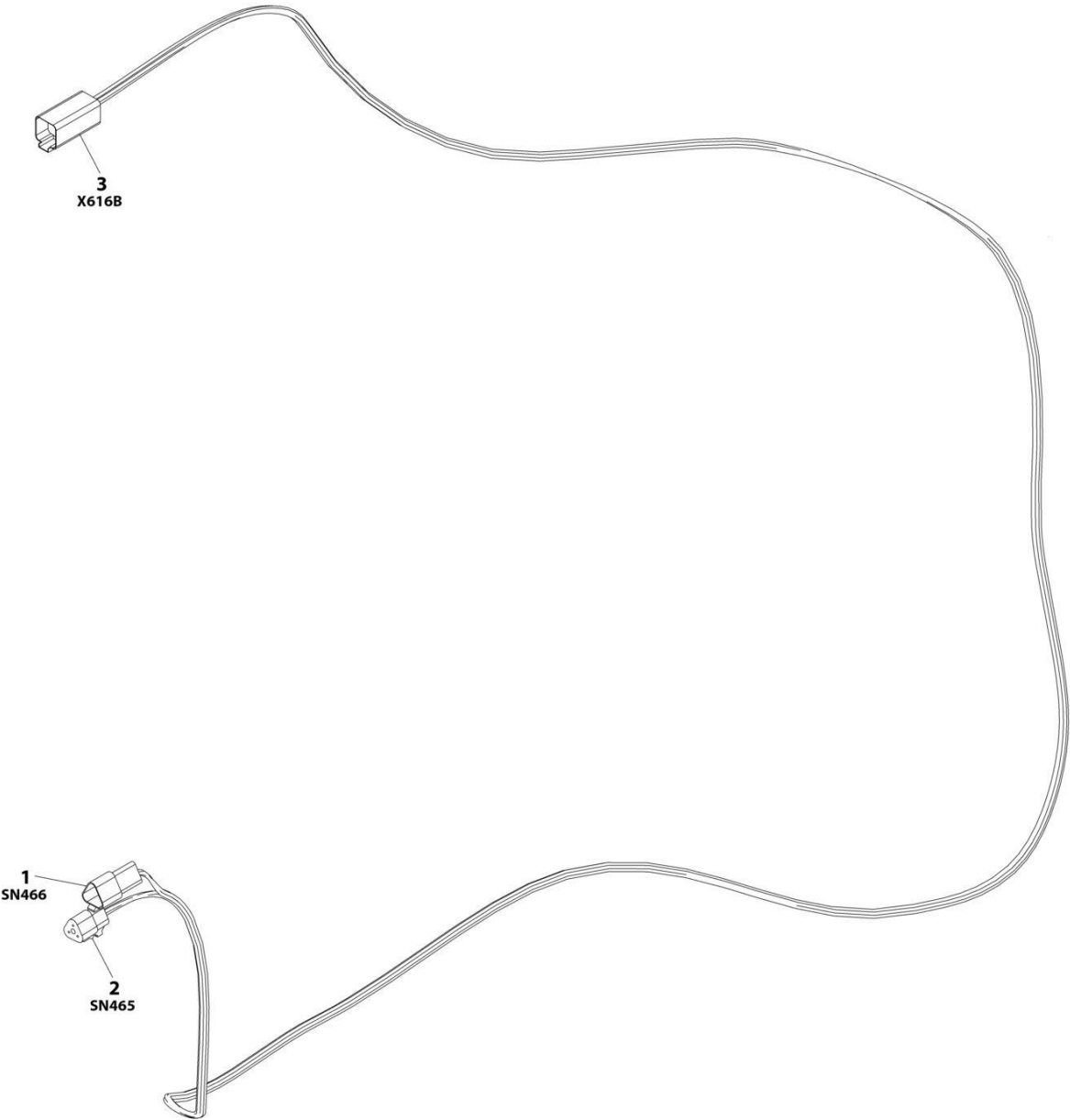
SECTION 8 - ELECTRICAL

FIGURE 8-67. TELESCOPE IN PROXIMITY SENSORS HARNESS (400S HC3)

ITEM	PART NUMBER	QTY	DESCRIPTION	REV
	1001173808	Ref	BOOM TELE IN PROXIMITY SWITCH HARNESS	C
1	4460536	1	Receptacle, Female - 3 Position	
1	4460464	3	Pin, Male	
2	4460539	1	Plug, Male - 3 Position	
2	4460465	1	Socket, Female	
3	4460899	1	Receptacle, Female - 6 Position	
3	4460464	1	Pin, Male	

SECTION 8 - ELECTRICAL

FIGURE 8-68. TELESCOPE IN PROXIMITY SENSORS HARNESS (460SJ HC3)



ART_1001248181

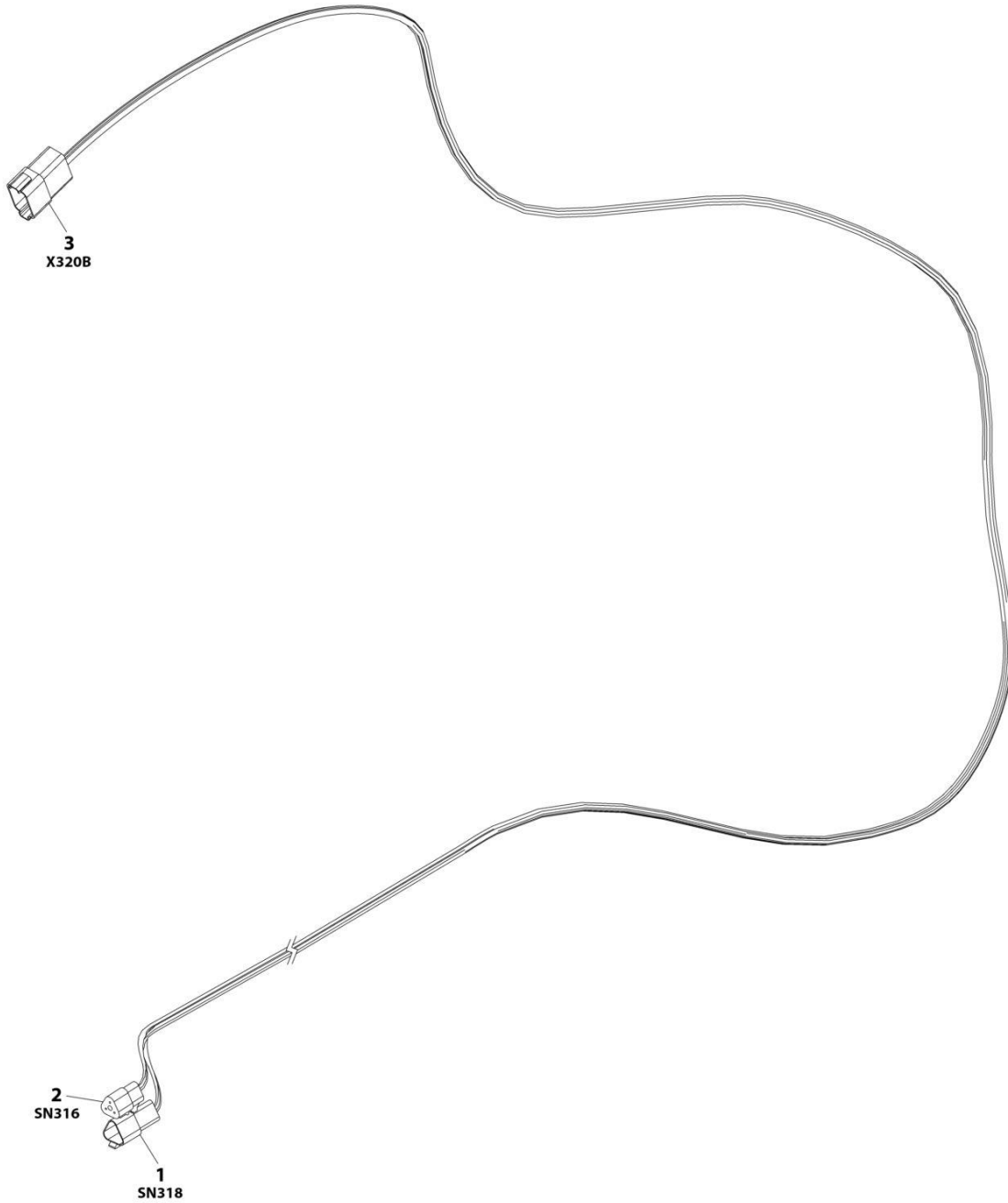
SECTION 8 - ELECTRICAL

FIGURE 8-68. TELESCOPE IN PROXIMITY SENSORS HARNESS (460SJ HC3)

ITEM	PART NUMBER	QTY	DESCRIPTION	REV
	1001248181	Ref	TELESCOPE IN PROXIMITY SWITCH HARNESS	A
1	4460536	1	Receptacle, Female - 3 Position	
1	4460464	3	Pin, Male	
2	4460539	1	Plug, Male - 3 Position	
2	4460465	3	Socket, Female	
3	4460899	1	Receptacle, Female - 6 Position	
3	4460464	6	Pin, Male	

SECTION 8 - ELECTRICAL

FIGURE 8-69. TELESCOPE OUT PROXIMITY SENSORS HARNESS



ART_1001248183_D

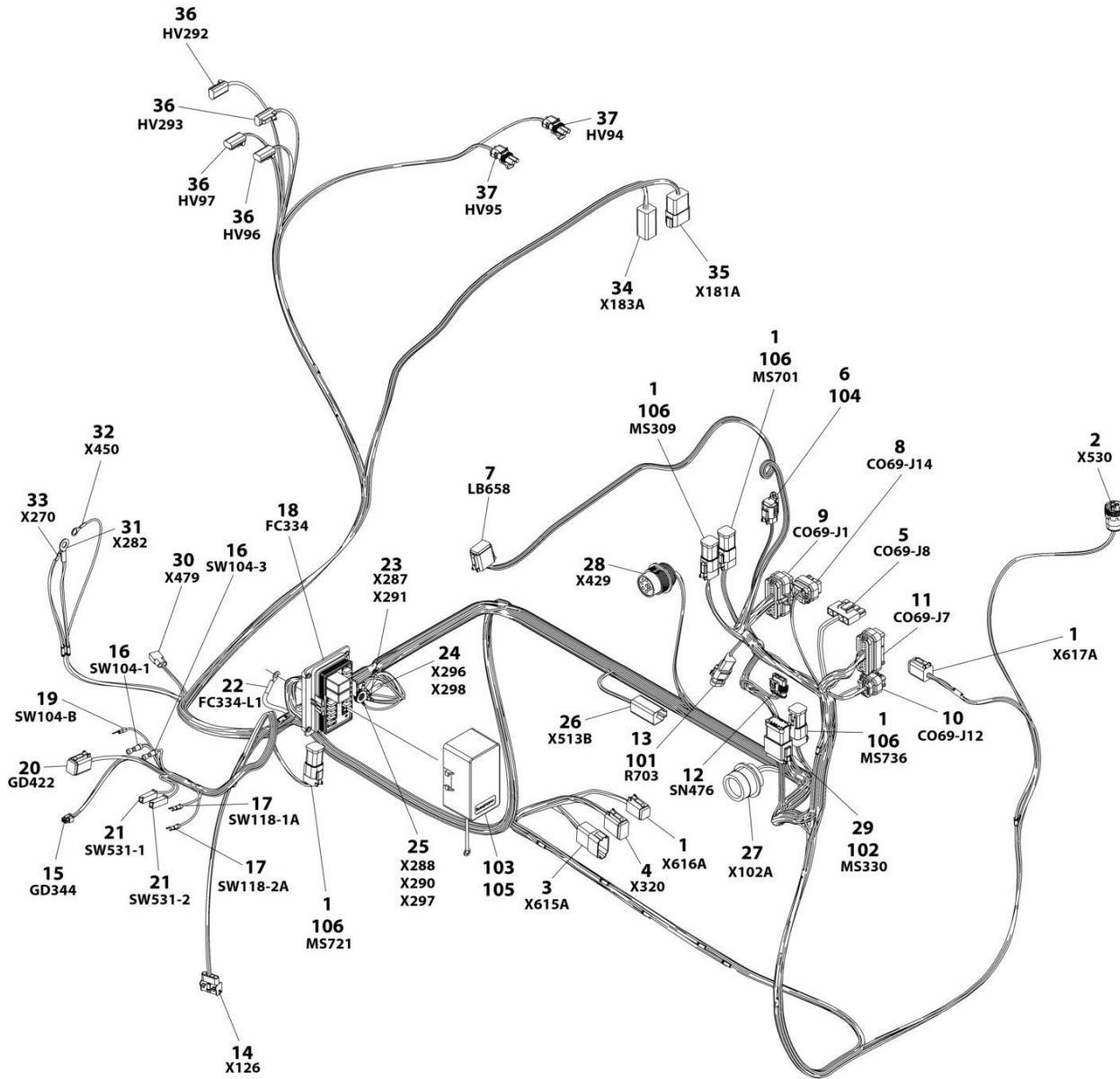
SECTION 8 - ELECTRICAL

FIGURE 8-69. TELESCOPE OUT PROXIMITY SENSORS HARNESS

ITEM	PART NUMBER	QTY	DESCRIPTION	REV
	1001248183	Ref	HIGH CAPACITY HARNESS	D
1	4460536	1	Receptacle, Female - 3 Position	
1	4460464	3	Pin, Male	
2	4460539	1	Plug, Male - 3 Position	
2	4460465	1	Socket, Female	
3	4460931	1	Receptacle, Female - 8 Position	
3	4460464	1	Pin, Male	
3	4460466	2	Plug, Terminal	

SECTION 8 - ELECTRICAL

FIGURE 8-70. TURNTABLE HARNESS



ART_1001301483

SECTION 8 - ELECTRICAL

FIGURE 8-70. TURNTABLE HARNESS

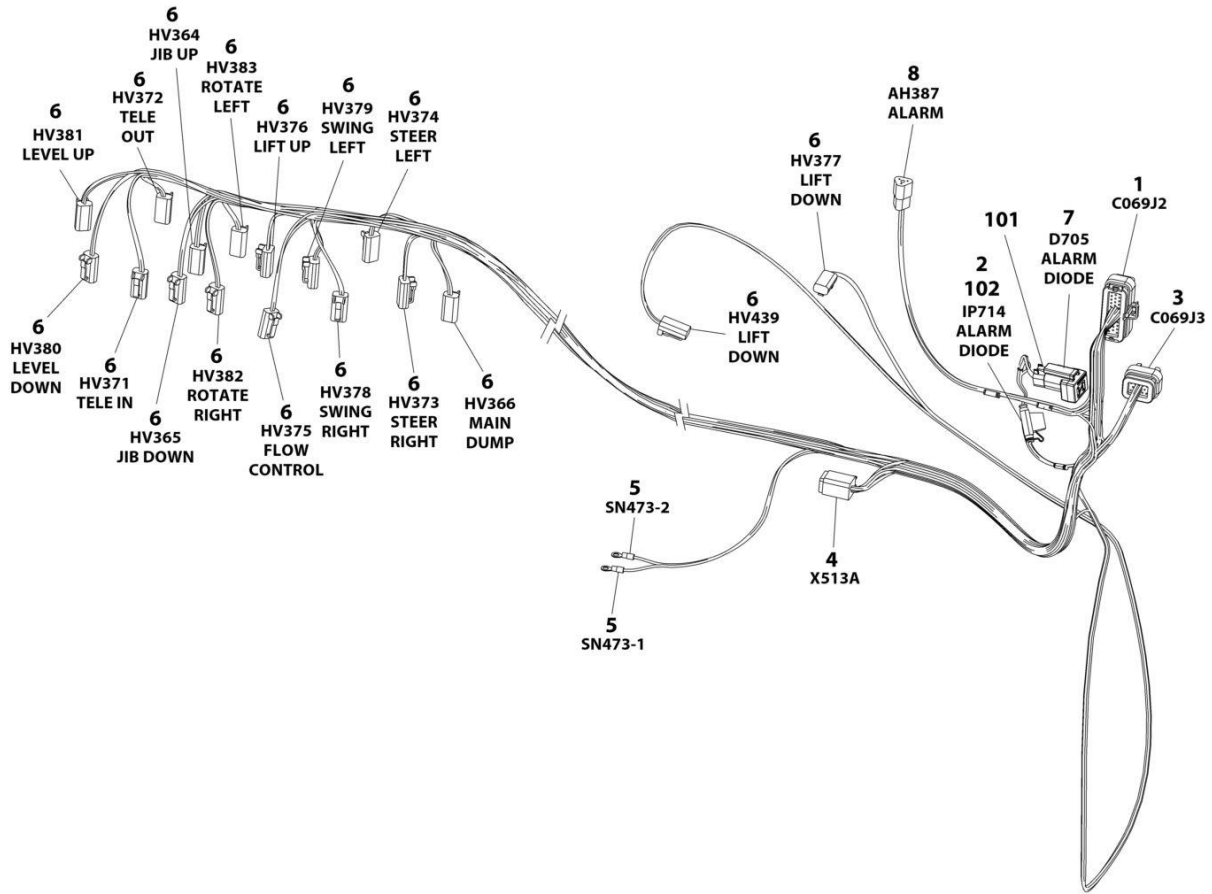
ITEM	PART NUMBER	QTY	DESCRIPTION	REV
	1001301483	Ref	TURNTABLE HARNESS	A
1	4460894	6	Connector	
1	4460465	36	Socket	
2	4460967	1	Connector	
2	4460465	3	Socket	
3	4460931	1	Connector	
3	4460464	6	Socket	
3	4460466	2	Plug	
4	4460930	1	Connector	
4	4460465	6	Socket	
4	4460466	2	Plug	
5	4460878	1	Connector	
5	4460887	2	Socket	
6	4460884	1	Connector	
6	4460465	4	Socket	
7	4460930	1	Connector	
7	4460465	8	Socket	
8	1001246859	1	Connector	
8	4460871	4	Socket	
8	4460905	10	Plug	
9	4460874	1	Connector	
9	4460871	22	Socket	
9	4460905	13	Plug	
10	1001113961	1	Connector	
10	4460871	5	Socket	
10	4460905	3	Plug	
11	4460873	1	Connector	
11	4460871	25	Socket	
11	4460905	10	Plug	
12	1001103012	1	Connector	
12	1001107854	2	Socket	
12	1001196589	2	Socket	
12	1001104498	4	Seal	
13	1001144147	1	Connector	
13	4460943	2	Pin	
13	4460466	1	Plug	
14	1001119032	1	Connector	
14	1001118378	4	Socket	
15	1001237667	1	Connector	
15	1001237668	5	Socket	
16	4460042	2	Terminal, Ring	
17	4460183	2	Terminal, Ring	
18	1001196602	1	Fuse Box Assembly	
18	8229242	7	Fuse 5Amp	
18	8229244	2	Fuse 15AMP	
18	1001095704	2	Relay	
18	1001196634	2	Fuse - 2 Amp	
18	1001196636	2	Connector with Diode	
19	4460313	1	Terminal, Ring	
20	4460894	1	Connector	

SECTION 8 - ELECTRICAL

ITEM	PART NUMBER	QTY	DESCRIPTION	REV
20	4460465	4	Socket	
20	4460466	2	Plug	
21	4460260	2	Connector	
21	4460259	2	Socket	
22	1001117106	1	Terminal, Ring (12AWG)	
23	1001187078	2	Terminal, Ring (18AWG)	
24	1001117110	2	Terminal, Ring (12AWG)	
25	1001187077	3	Terminal, Ring (18AWG)	
26	4460899	1	Connector	
26	4460464	3	Pin	
26	4460466	3	Plug	
27	4460866	1	Connector	
27	4460464	6	Pin (18AWG)	
27	4460508	2	Pin (12AWG)	
27	4460466	11	Plug	
28	1001112612	1	Connector	
28	4460464	5	Pin	
28	4460466	9	Plug	
29	4460933	1	Connector	
29	4460465	8	Socket	
29	4460466	4	Plug	
30	4460424	1	Connector	
30	4460226	2	Socket	
31	8220045	1	Terminal, Ring	
32	4460702	1	Terminal, Ring	
33	4460703	1	Terminal, Ring	
34	4460899	1	Connector	
34	4460464	5	Pin	
34	4460466	6	Plug	
35	4460931	1	Connector	
35	4460464	5	Pin	
35	4460466	3	Plug	
36	4460891	4	Connector	
36	4460465	8	Socket	
37	4460742	2	Connector	
37	4460458	4	Socket	
101	1001116815	1	Connector - 3 Position	
102	1001125677	1	Bussbar - 12 Position	
103	1001190921	1	Seal, Cover	
104	1001192401	1	Cap, Dust	
105	1001196604	1	Cover, Fuse Box	
106	1001226541	1	Bussbar - 6 Position	

SECTION 8 - ELECTRICAL

FIGURE 8-71. VALVE HARNESS - MAIN VALVE



ART_1001282532

SECTION 8 - ELECTRICAL

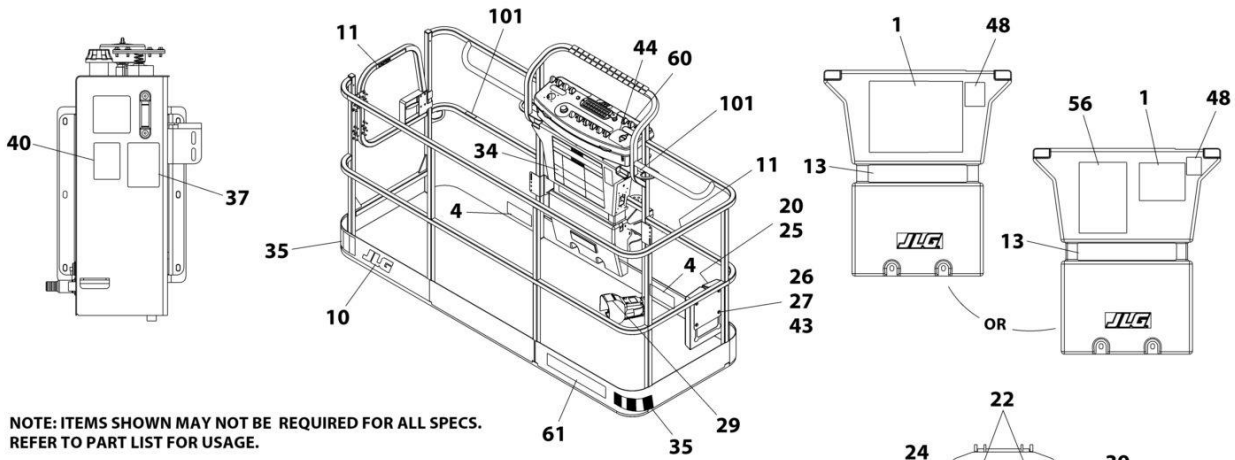
FIGURE 8-71. VALVE HARNESS - MAIN VALVE

ITEM	PART NUMBER	QTY	DESCRIPTION	REV
	1001282532	Ref	VALVE HARNESS - MAIN VALVE	A
1	4460875	1	Connector	
1	4460871	27	Socket	
1	4460905	8	Plug, Terminal	
2	1001170764	1	Fuse Holder	
3	4460872	1	Connector	
3	4460871	8	Socket	
3	4460905	6	Plug, Terminal	
4	4460894	1	Connector	
4	4460465	6	Socket	
5	4460313	2	Terminal, Ring	
6	4460891	17	Connector	
6	4460465	34	Socket	
7	4460884	1	Connector	
7	4460465	4	Socket	
8	4460539	1	Connector	
8	4460465	3	Socket	
101	1001152266	1	Connector, Diode	
102	1001196636	1	Diode	

SECTION 9 - DECALS

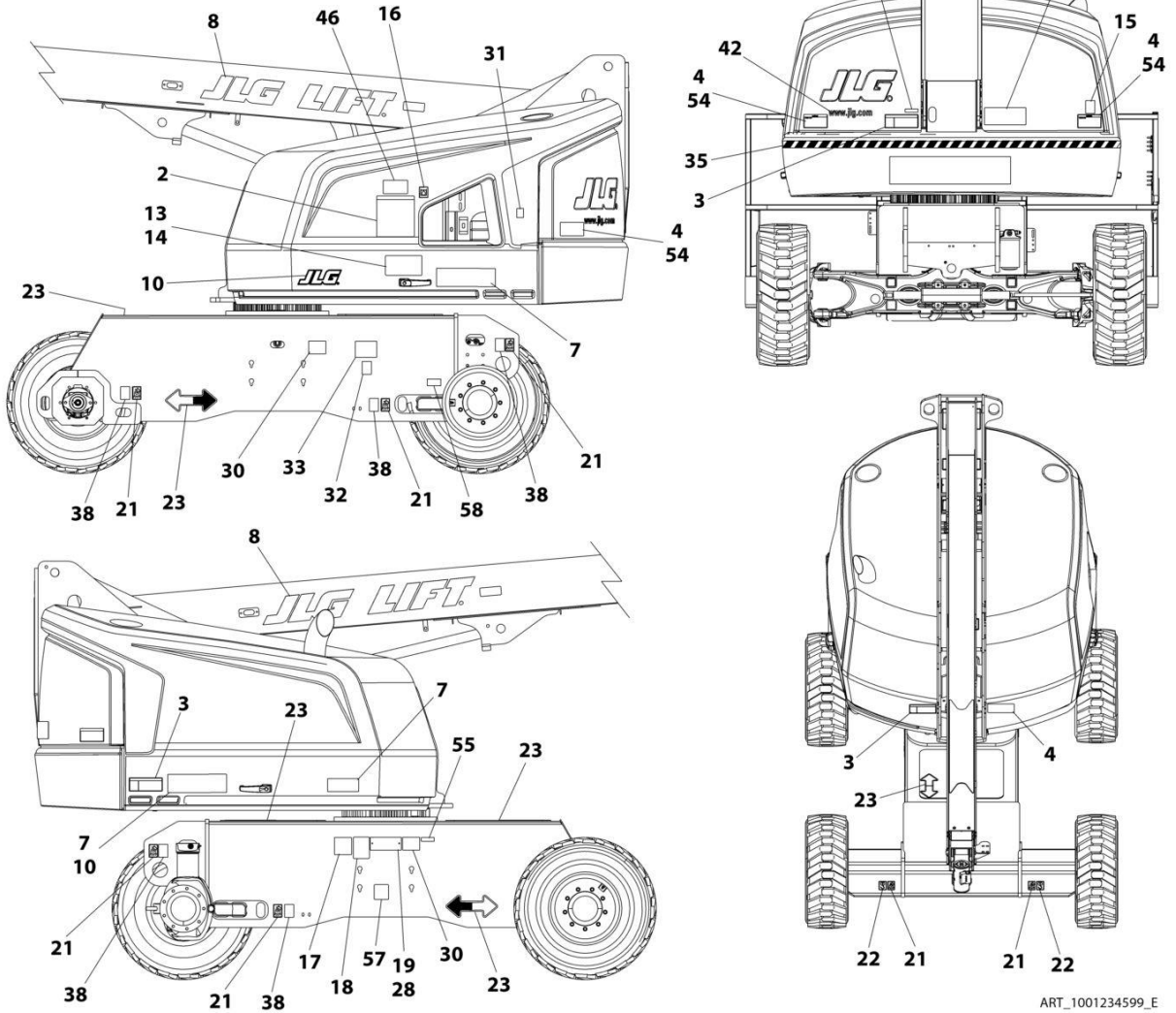
SECTION 9 - DECALS

FIGURE 9-1. DECAL INSTALLATION - ANSI SPECS (DIESEL MACHINES)



NOTE: ITEMS SHOWN MAY NOT BE REQUIRED FOR ALL SPECS. REFER TO PART LIST FOR USAGE.

NOTE: ADDITIONAL DECALS ARE CALLED OUT ON DECALS INSTALLATION - OPTIONS.



ART_1001234599_E

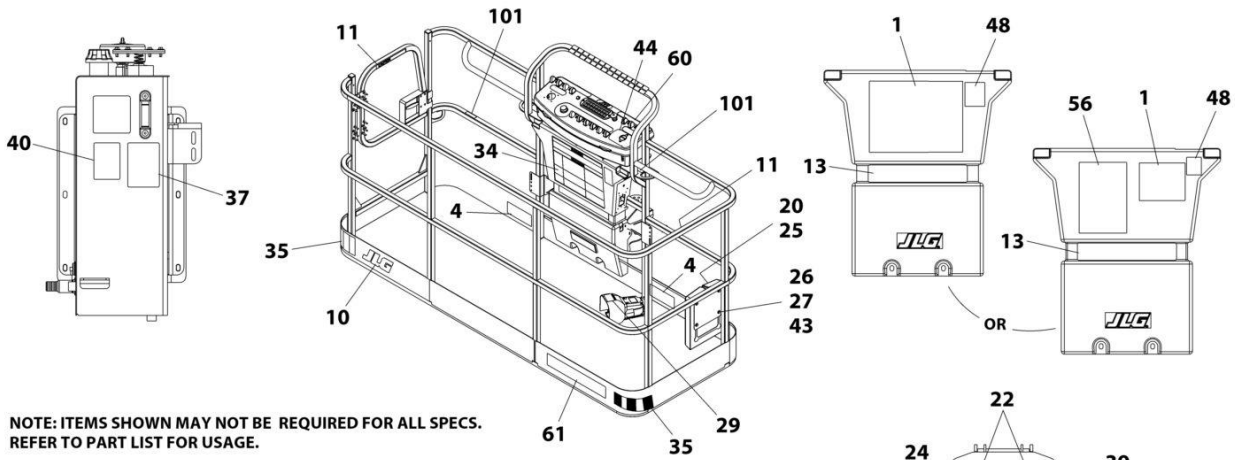
SECTION 9 - DECALS

FIGURE 9-1. DECAL INSTALLATION - ANSI SPECS (DIESEL MACHINES)

ITEM	PART NUMBER	QTY	DESCRIPTION	REV
	1001234599	Ref	DECAL INSTALLATION - ANSI SPECS (ENGLISH LANGUAGE)	E
1	1703797	1	Decal - Danger/Warning	
2	1703798	1	Decal - Danger/Warning	
3	1703805	3	Decal - Danger Electrocutation	
4	1703804	3	Decal - Warning Crushing	
11	1702868	2	Decal - No Hands	
13	1001234425	1	Decal - Warning Tri Cap	
14	1001234426	1	Decal - Warning Tri Cap	
16	1701504	1	Decal - Hydraulic Oil	
17	See Note	NSS	Decal - Bar Code (Note: Not Available for Purchase)	
18	1001131269	1	Decal - Patent	
20	1701509	1	Decal - Manual	
21	1702300	8	Decal - Tie Down	
22	1701500	4	Decal - Lift	
23	1701529	4	Decal - Arrow	
24	3251243	1	Nameplate - 120V - 60Hz	
25	0860520	1	Box, Manual Storage	
26	4751400	4	Washer 1/4	
27	3311405	4	Nut 1/4	
28	3820001	2	Rivet	
29	3252347	1	Nameplate - Footswitch	
38	1701499	6	Decal - No Lifting	
40	1704412	1	Decal - Hydraulic Oil Chart	
43	0641406	4	Bolt 1/4 x 3/4	
44	1705351	1	Decal - Drive/Steer Instructions	
54	1703953	2	Decal - Warning Crushing	
57	1001223055	1	Decal - Yearly Inspection	
58	1001223453	1	Decal - ICES	
60	1001184618	1	Decal - Stop	
100	1001232026	1	Decal - Lanyard Platform Kit (Not Shown)	
101	1704277	3	Decal - Lanyard Attach Graphic	

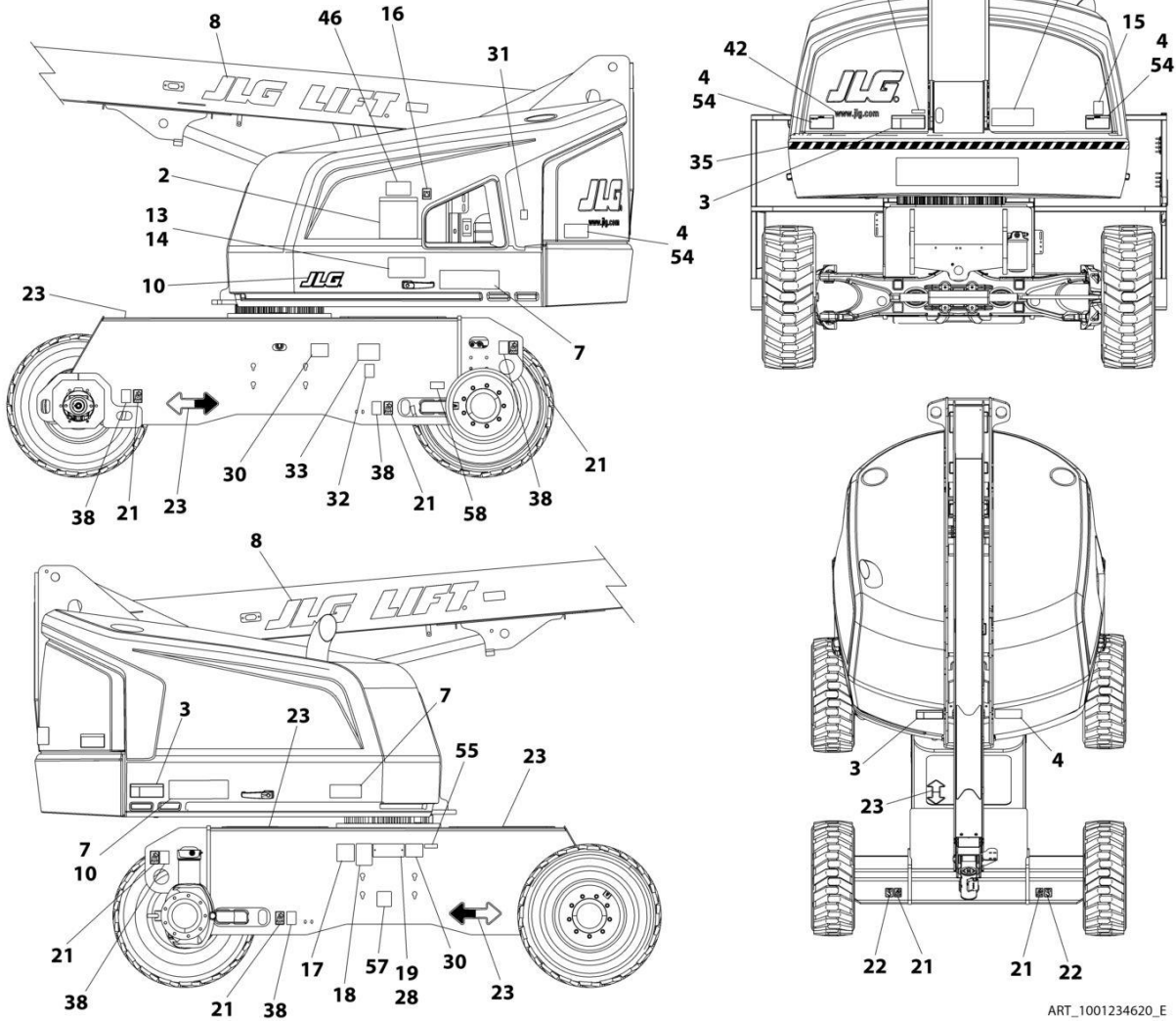
SECTION 9 - DECALS

FIGURE 9-2. DECAL INSTALLATION - ANSI SPECS (GAS MACHINES)



NOTE: ITEMS SHOWN MAY NOT BE REQUIRED FOR ALL SPECS. REFER TO PART LIST FOR USAGE.

NOTE: ADDITIONAL DECALS ARE CALLED OUT ON DECALS INSTALLATION - OPTIONS.



ART_1001234620_E

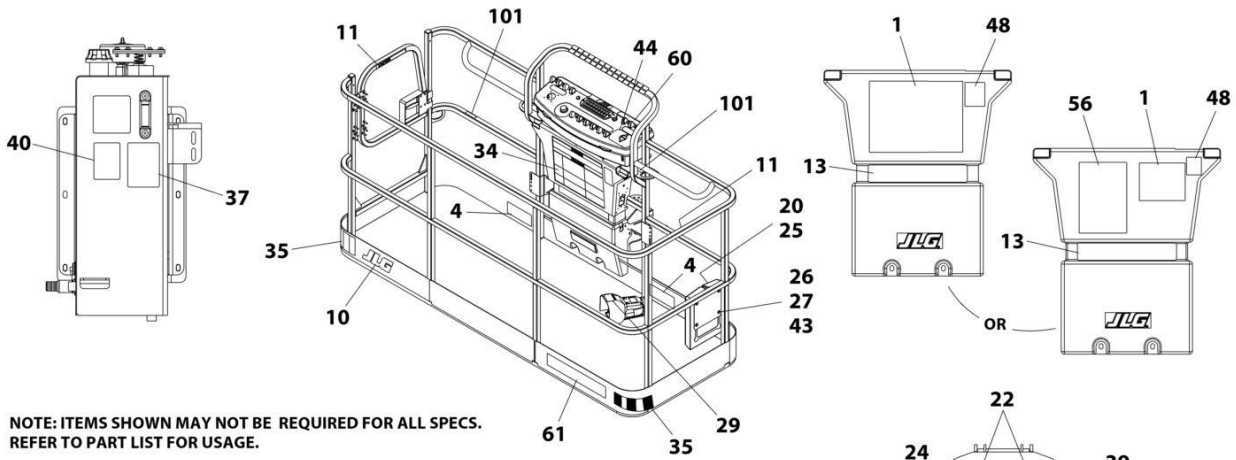
SECTION 9 - DECALS

FIGURE 9-2. DECAL INSTALLATION - ANSI SPECS (GAS MACHINES)

ITEM	PART NUMBER	QTY	DESCRIPTION	REV
	1001234620	Ref	DECAL INSTALLATION - ANSI SPECS (ENGLISH LANGUAGE)	E
1	1703797	1	Decal - Danger/Warning	
2	1703798	1	Decal - Danger/Warning	
3	1703805	3	Decal - Danger Electrocution	
4	1703804	3	Decal - Warning Crushing	
11	1702868	2	Decal - No Hands	
13	1001234425	1	Decal - Warning Tri Cap	
14	1001234426	1	Decal - Warning Tri Cap	
16	1701504	1	Decal - Hydraulic Oil	
17	See Note	NSS	Decal - Bar Code (Note: Not Available for Purchase)	
18	1001131269	1	Decal - Patent	
20	1701509	1	Decal - Manual	
21	1702300	8	Decal - Tie Down	
22	1701500	4	Decal - Lift	
23	1701529	4	Decal - Arrow	
24	3251243	1	Nameplate - 120V - 60Hz	
25	0860520	1	Box, Manual Storage	
26	4751400	4	Washer 1/4	
27	3311405	4	Nut 1/4	
28	3820001	2	Rivet	
29	3252347	1	Nameplate - Footswitch	
38	1701499	6	Decal - No Lifting	
40	1704412	1	Decal - Hydraulic Oil Chart	
43	0641406	4	Bolt 1/4 x 3/4	
44	1705351	1	Decal - Drive/Steer Instructions	
54	1703953	2	Decal - Warning Crushing	
57	1001223055	1	Decal - Yearly Inspection	
60	1001184618	1	Decal - Stop	
100	1001232026	1	Decal - Lanyard Platform Kit (Not Shown)	
101	1704277	3	Decal - Lanyard Attach Graphic	

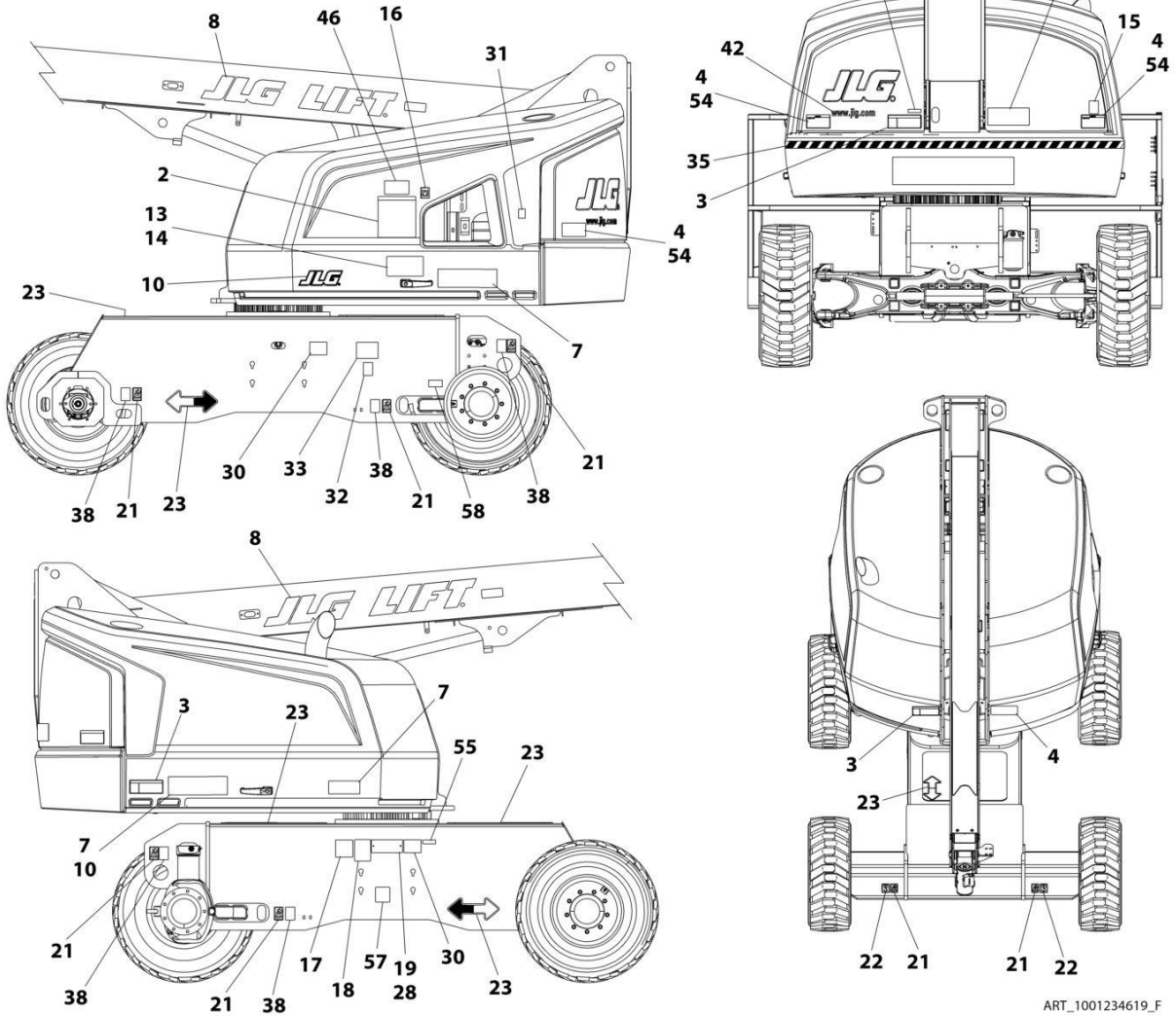
SECTION 9 - DECALS

FIGURE 9-3. DECAL INSTALLATION - AUSTRALIAN SPECS



NOTE: ITEMS SHOWN MAY NOT BE REQUIRED FOR ALL SPECS. REFER TO PART LIST FOR USAGE.

NOTE: ADDITIONAL DECALS ARE CALLED OUT ON DECALS INSTALLATION - OPTIONS.



ART_1001234619_F

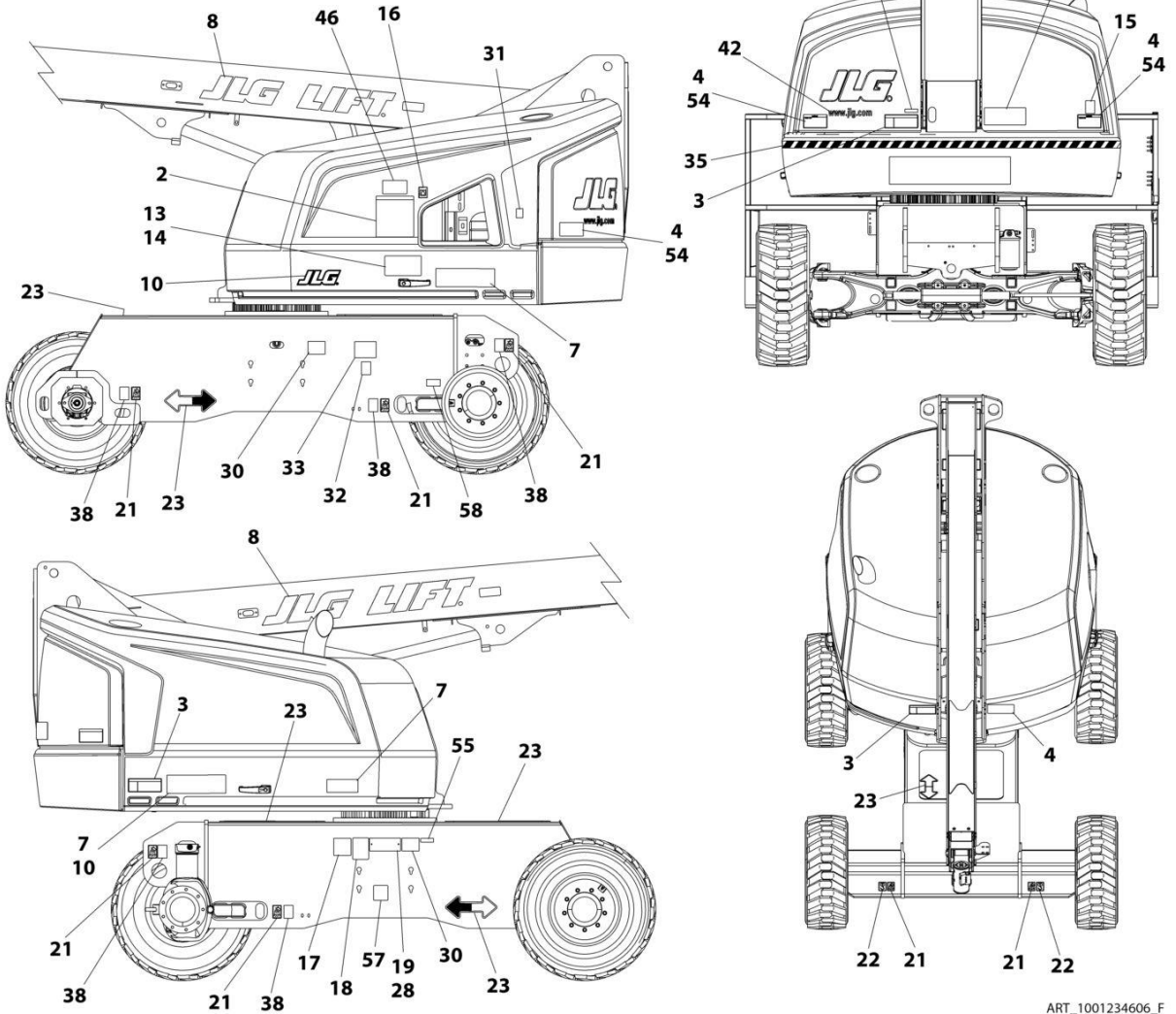
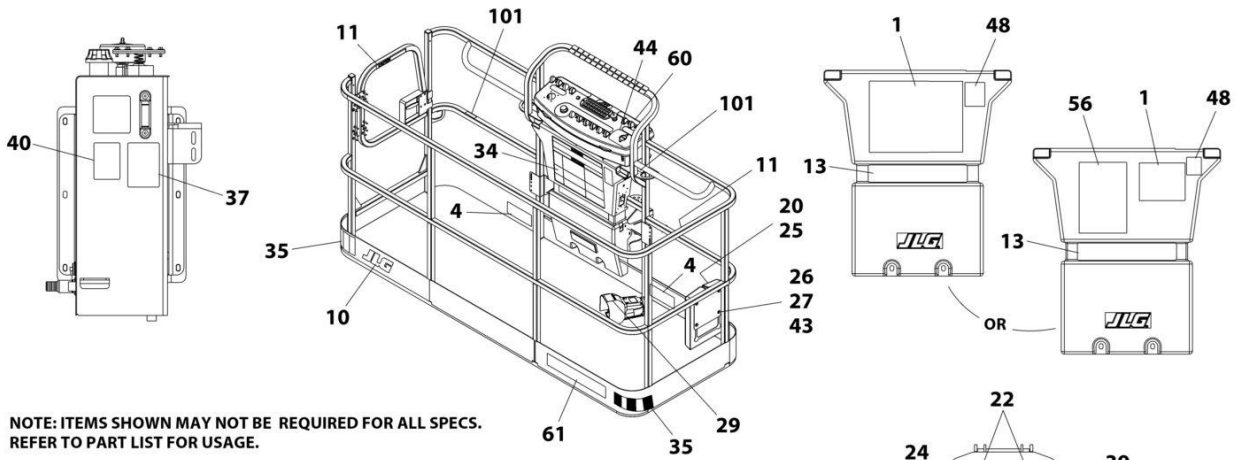
SECTION 9 - DECALS

FIGURE 9-3. DECAL INSTALLATION - AUSTRALIAN SPECS

ITEM	PART NUMBER	QTY	DESCRIPTION	REV
	1001234619	Ref	DECAL INSTALLATION - AUSTRALIAN SPECS (ENGLISH LANGUAGE)	F
1	1705921	1	Decal - Tipping/Electrocution	
2	1705822	1	Decal - Electrocution/Safety Manual	
3	1705961	3	Decal - Electrocution	
4	1701518	5	Decal - Crushing	
13	1001234439	2	Decal - Warning Tri Cap	
15	1001204510	1	Decal - Sound Power Level	
16	1701504	1	Decal - Hydraulic Oil	
17	See Note	NSS	Decal - Bar Code (Note: Not Available for Purchase)	
20	1701509	1	Decal - Manual	
21	1702300	8	Decal - Tie Down	
22	1701500	4	Decal - Lift	
23	1701529	4	Decal - Arrow	
25	0860520	1	Box, Manual Storage	
26	4751400	4	Washer 1/4	
27	3311405	4	Nut 1/4	
28	3820001	2	Rivet	
29	1705828	1	Decal - Footswitch	
38	1701499	6	Decal - No Lift	
40	1704412	1	Decal - Hydraulic Oil Chart	
43	0641406	4	Bolt 1/4 x 3/4	
46	1001112551	1	Decal - Emergency Controls	
59	1001184618	1	Decal - Stop	
100	1001232026	1	Decal - Platform Lanyard Kit (Not Shown)	
101	1704277	3	Decal - Attach Lanyard	

SECTION 9 - DECALS

FIGURE 9-4. DECAL INSTALLATION - BRAZIL SPECS



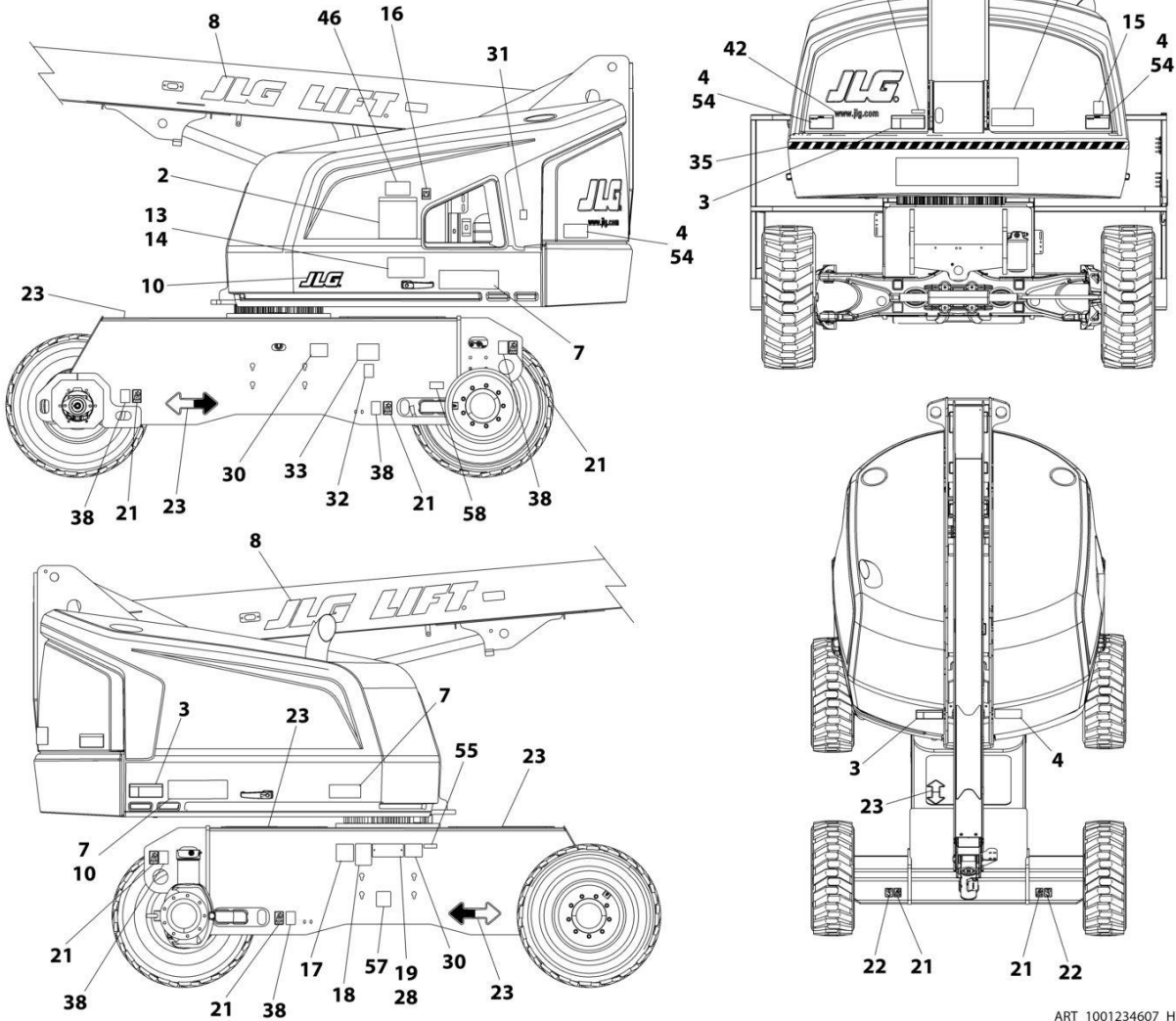
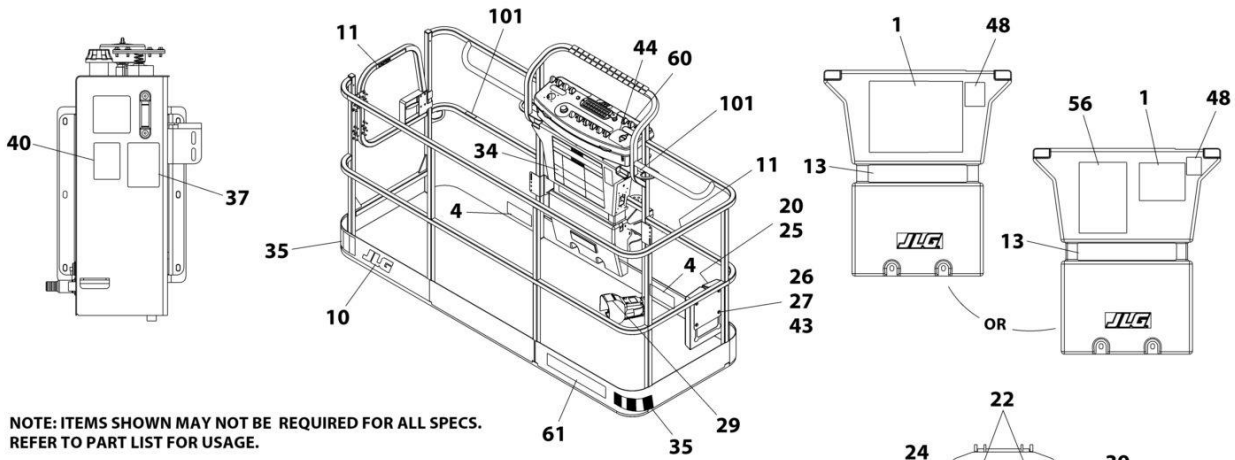
SECTION 9 - DECALS

FIGURE 9-4. DECAL INSTALLATION - BRAZIL SPECS

ITEM	PART NUMBER	QTY	DESCRIPTION	REV
	1001234606	Ref	DECAL INSTALLATION - BRAZIL SPECS (PORTUGUESE/SPANISH LANGUAGES)	F
1	1703928	1	Decal - Danger/Warning	
2	1703934	1	Decal - Danger/Warning	
3	1703940	3	Decal - Electrocutation	
4	1703952	3	Decal - Crushing	
11	1704002	2	Decal - No Hands	
13	1001234437	1	Decal - Warning Tri Cap	
14	1001234438	1	Decal - Warning Tri Cap	
16	1701504	1	Decal - Hydraulic Oil	
17	See Note	NSS	Decal - Bar Code (Note: Not Available for Purchase)	
20	1701509	1	Decal - Manual	
21	1702300	8	Decal - Tie Down	
22	1701500	4	Decal - Lift	
23	1701529	4	Decal - Arrow	
24	3251243	1	Nameplate - 120V - 60Hz	
25	0860520	1	Box, Manual Storage	
26	4751400	4	Washer 1/4	
27	3311405	4	Nut 1/4	
28	3820001	2	Rivet	
29	1703985	1	Decal - Footswitch	
38	1701499	6	Decal - No Lifting	
40	1704412	1	Decal - Hydraulic Oil Chart	
43	0641406	4	Bolt 1/4 x 3/4	
44	1001113680	1	Decal - Drive/Steer Instruction	
54	1703946	2	Decal - Warning Crushing	
57	1001224052	1	Decal - Yearly Inspection (Not Shown)	
60	1001184618	1	Decal - Stop	
100	1001232026	1	Decal - Lanyard Platform Kit (Not Shown)	
101	1704277	3	Decal - Lanyard Attach Graphic	

SECTION 9 - DECALS

FIGURE 9-5. DECAL INSTALLATION - CE SPECS



ART_1001234607_H

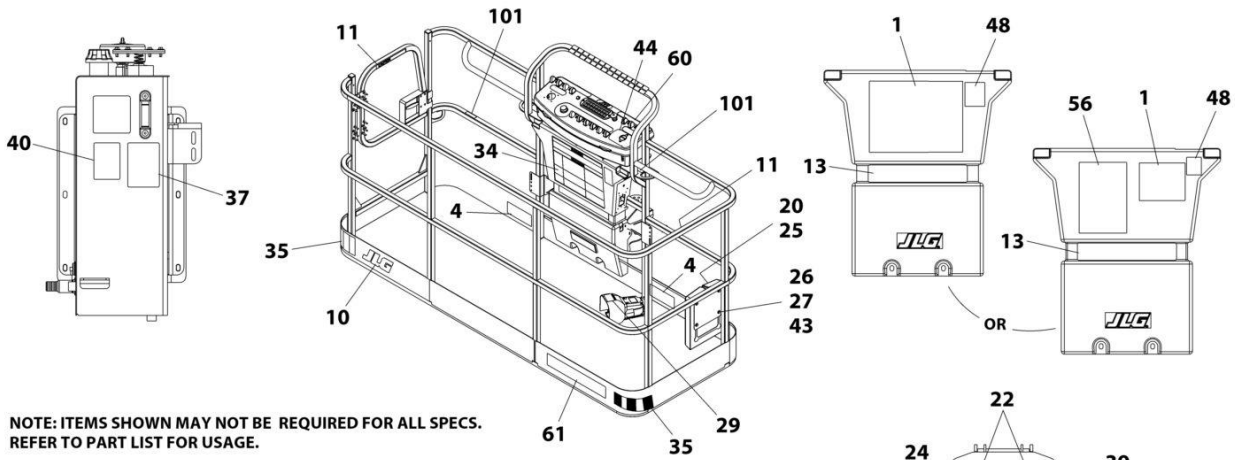
SECTION 9 - DECALS

FIGURE 9-5. DECAL INSTALLATION - CE SPECS

ITEM	PART NUMBER	QTY	DESCRIPTION	REV
	1001234607	Ref	DECAL INSTALLATION - CE SPECS (ENGLISH LANGUAGE)	H
1	1705921	1	Decal - Tipping/Electrocution	
2	1705822	1	Decal - Electrocution/Safety Manual	
3	1705961	3	Decal - Electrocution	
4	1701518	5	Decal - Crushing	
13	1001234439	2	Decal - Warning Tri Cap	
16	1701504	1	Decal - Hydraulic Oil	
17	See Note	NSS	Decal - Bar Code (Note: Not Available for Purchase)	
20	1701509	1	Decal - Manual	
21	1702300	8	Decal - Tie Down	
22	1701500	4	Decal - Lift	
23	1701529	4	Decal - Arrow	
25	0860520	1	Box, Manual Storage	
26	4751400	4	Washer 1/4	
27	3311405	4	Nut 1/4	
28	3820001	2	Rivet	
29	1705828	1	Decal - Footswitch	
38	1701499	6	Decal - No Lift	
40	1704412	1	Decal - Hydraulic Oil Chart	
43	0641406	4	Bolt 1/4 x 3/4	
46	1001197408	1	Decal - MSSO Operation	
60	1001184618	1	Decal - Stop	
100	1001232026	1	Decal - Platform Lanyard Kit (Not Shown)	
101	1704277	3	Decal - Attach Lanyard	

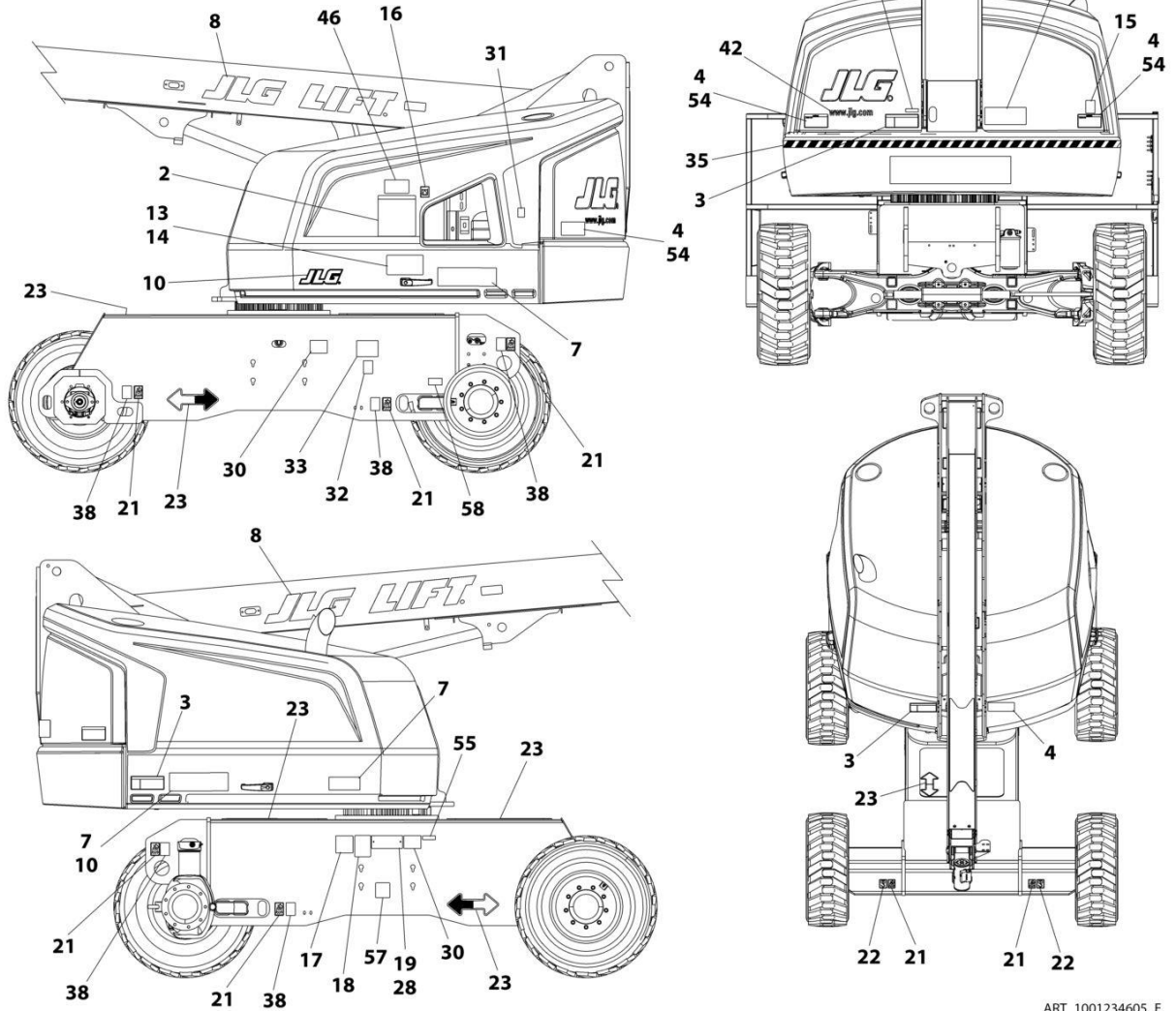
SECTION 9 - DECALS

FIGURE 9-6. DECAL INSTALLATION - CHINESE SPECS



NOTE: ITEMS SHOWN MAY NOT BE REQUIRED FOR ALL SPECS. REFER TO PART LIST FOR USAGE.

NOTE: ADDITIONAL DECALS ARE CALLED OUT ON DECALS INSTALLATION - OPTIONS.



ART_1001234605_E

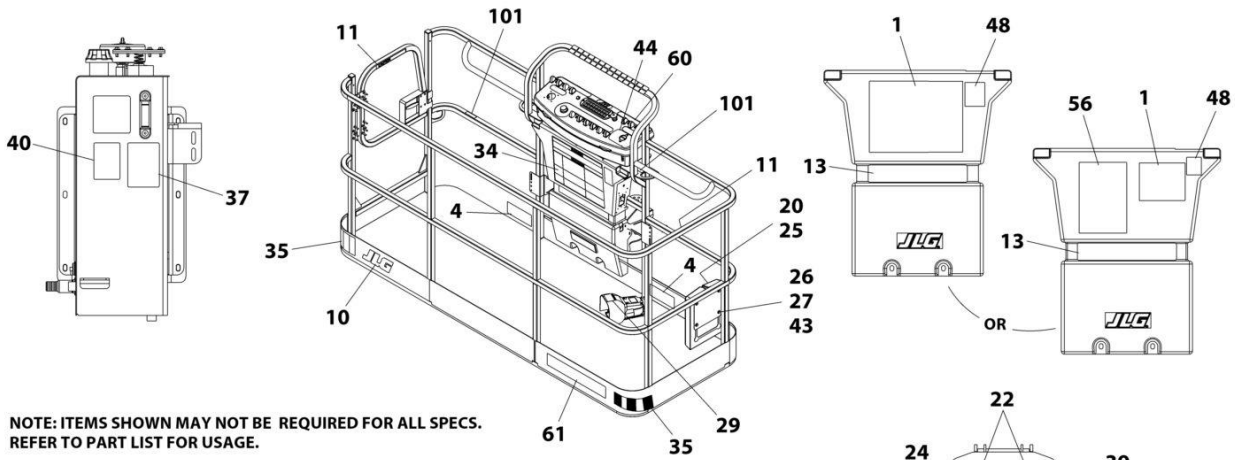
SECTION 9 - DECALS

FIGURE 9-6. DECAL INSTALLATION - CHINESE SPECS

ITEM	PART NUMBER	QTY	DESCRIPTION	REV
	1001234605	Ref	DECAL INSTALLATION - CHINESE SPECS (CHINESE/ENGLISH LANGUAGES)	E
1	1703925	1	Decal - Danger/Warning	
2	1703931	1	Decal - Danger/Warning	
3	1703937	3	Decal - Electrocutation	
4	1703949	3	Decal - Warning Crushing	
13	1001234435	1	Decal - Warning Tri Cap	
14	1001234436	1	Decal - Warning Tri Cap	
16	1701504	1	Decal - Hydraulic Oil	
17	1702631	1	Decal - Hydraulic Oil	
20	1701509	1	Decal - Manual	
21	1702300	8	Decal - Tie Down	
22	1701500	4	Decal - Lift	
23	1701529	4	Decal - Arrow	
25	0860520	1	Box, Manual Storage	
26	4751400	4	Washer 1/4	
27	3311405	4	Nut 1/4	
28	3820001	2	Rivet	
29	1703982	1	Decal - Post Switch	
38	1701499	6	Decal - No Lifting	
40	1704412	1	Decal - Hydraulic Oil Chart	
43	0641406	4	Bolt 1/4 x 3/4	
44	1705430	1	Decal - Drive/Steer Instruction	
54	1703943	2	Decal - Warning Crushing	
60	1001224050	1	Decal - Yearly Inspection (Not Shown)	
60	1001184618	1	Decal - Stop	
100	1001232026	1	Decal - Lanyard Platform Kit (Not Shown)	
101	1704277	3	Decal - Lanyard Attach Graphic	

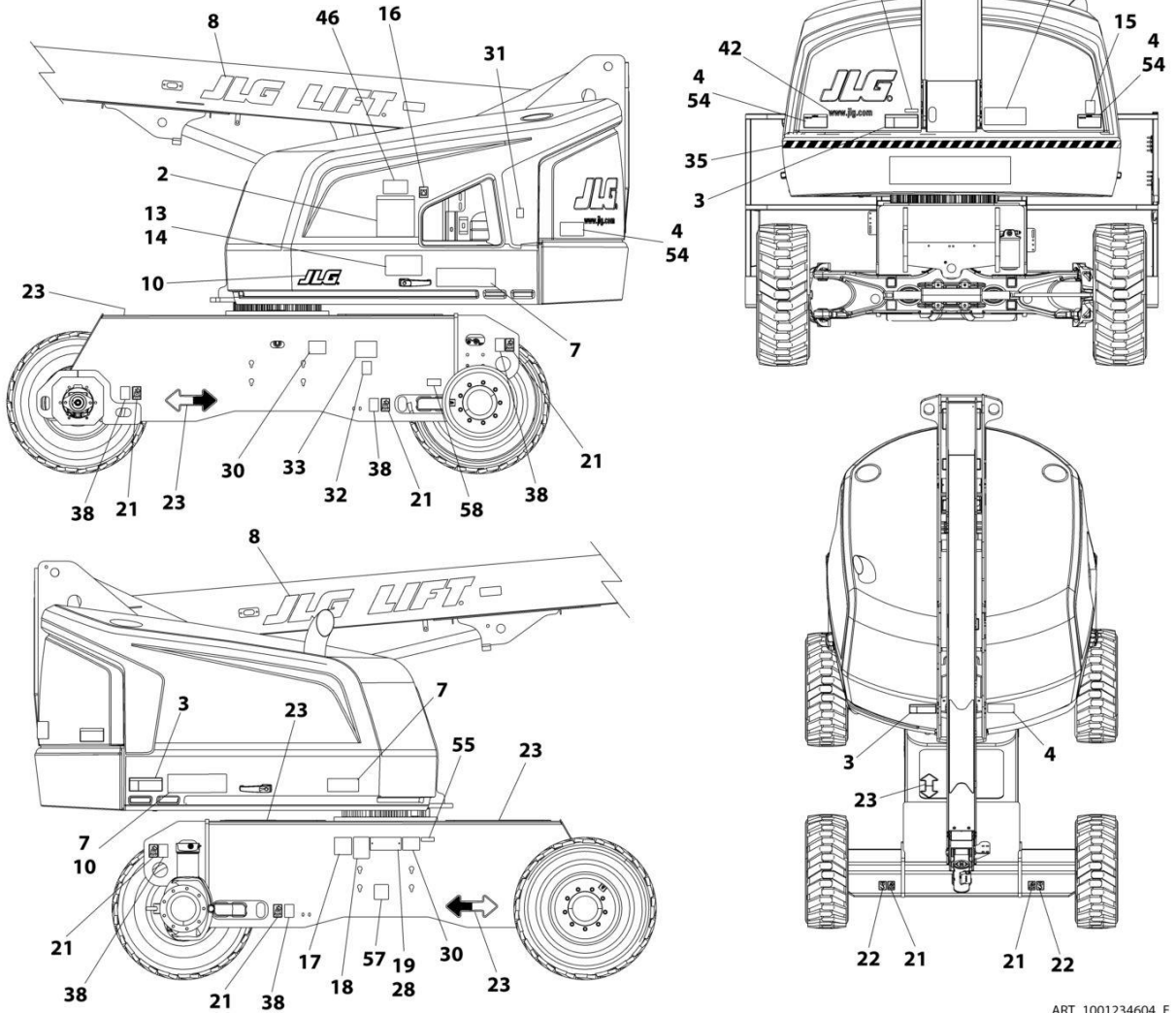
SECTION 9 - DECALS

FIGURE 9-7. DECAL INSTALLATION - CSA SPECS (DIESEL MACHINES)



NOTE: ITEMS SHOWN MAY NOT BE REQUIRED FOR ALL SPECS. REFER TO PART LIST FOR USAGE.

NOTE: ADDITIONAL DECALS ARE CALLED OUT ON DECALS INSTALLATION - OPTIONS.



ART_1001234604_E

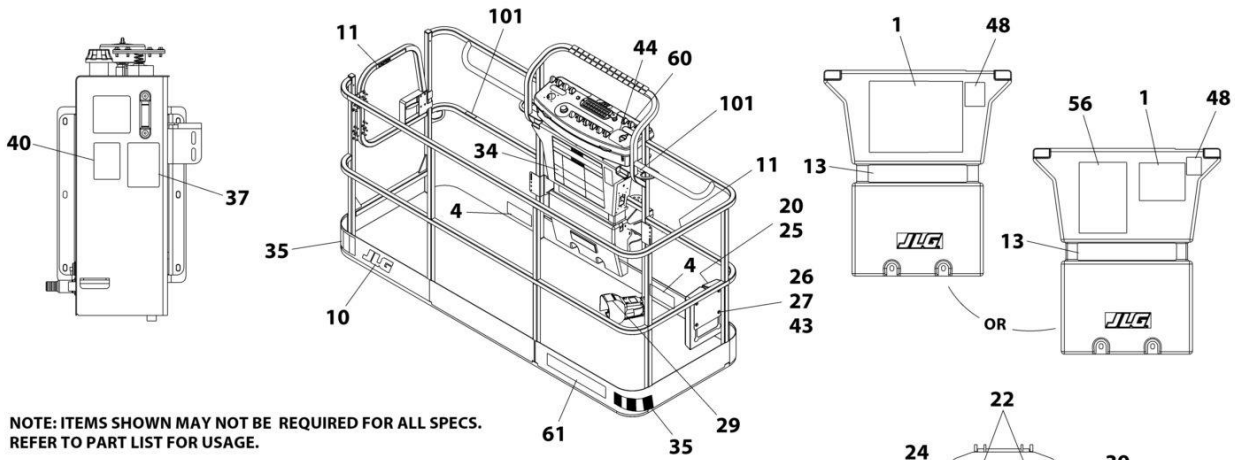
SECTION 9 - DECALS

FIGURE 9-7. DECAL INSTALLATION - CSA SPECS (DIESEL MACHINES)

ITEM	PART NUMBER	QTY	DESCRIPTION	REV
	1001234604	Ref	DECAL INSTALLATION - CSA SPECS (ENGLISH/FRENCH LANGUAGES)	E
1	1703924	1	Decal - Warning/Danger	
2	1703930	1	Decal - Warning/Danger	
3	1703936	3	Decal - Electrocution	
4	1703948	3	Decal - Warning Crushing	
11	1704000	2	Decal - No Hands	
13	1001234433	1	Decal - Warning Tri Cap	
14	1001234434	1	Decal - Warning Tri Cap	
16	1701504	1	Decal - Hydraulic Oil	
17	See Note	NSS	Decal - Bar Code (Note: Not Available for Purchase)	
18	1001131269	1	Decal - Patent	
20	1701509	1	Decal - Manual	
21	1702300	8	Decal - Tie Down	
22	1701500	4	Decal - Lift	
23	1701529	4	Decal - Arrow	
24	3251243	1	Nameplate - 120V - 60Hz	
25	0860520	1	Box - Manual Storage	
26	4751400	4	Washer 1/4	
27	3311405	4	Nut 1/4	
28	3820001	2	Rivet	
29	1703984	1	Decal - Footswitch	
38	1701499	6	Decal - No Lifting	
40	1704412	1	Decal - Hydraulic Oil Chart	
43	0641406	4	Bolt 1/4 x 3/4	
44	1705429	2	Decal - Drive/Steer Instructions	
54	1703942	1	Decal - Warning Crushing	
57	1001223971	1	Decal - Yearly Inspection	
58	1001223453	1	Decal - ICES	
60	1001184618	1	Decal - Stop	
100	1001232026	1	Decal - Lanyard Platform Kit (Not Shown)	
101	1704277	3	Decal - Lanyard Attach Graphic	

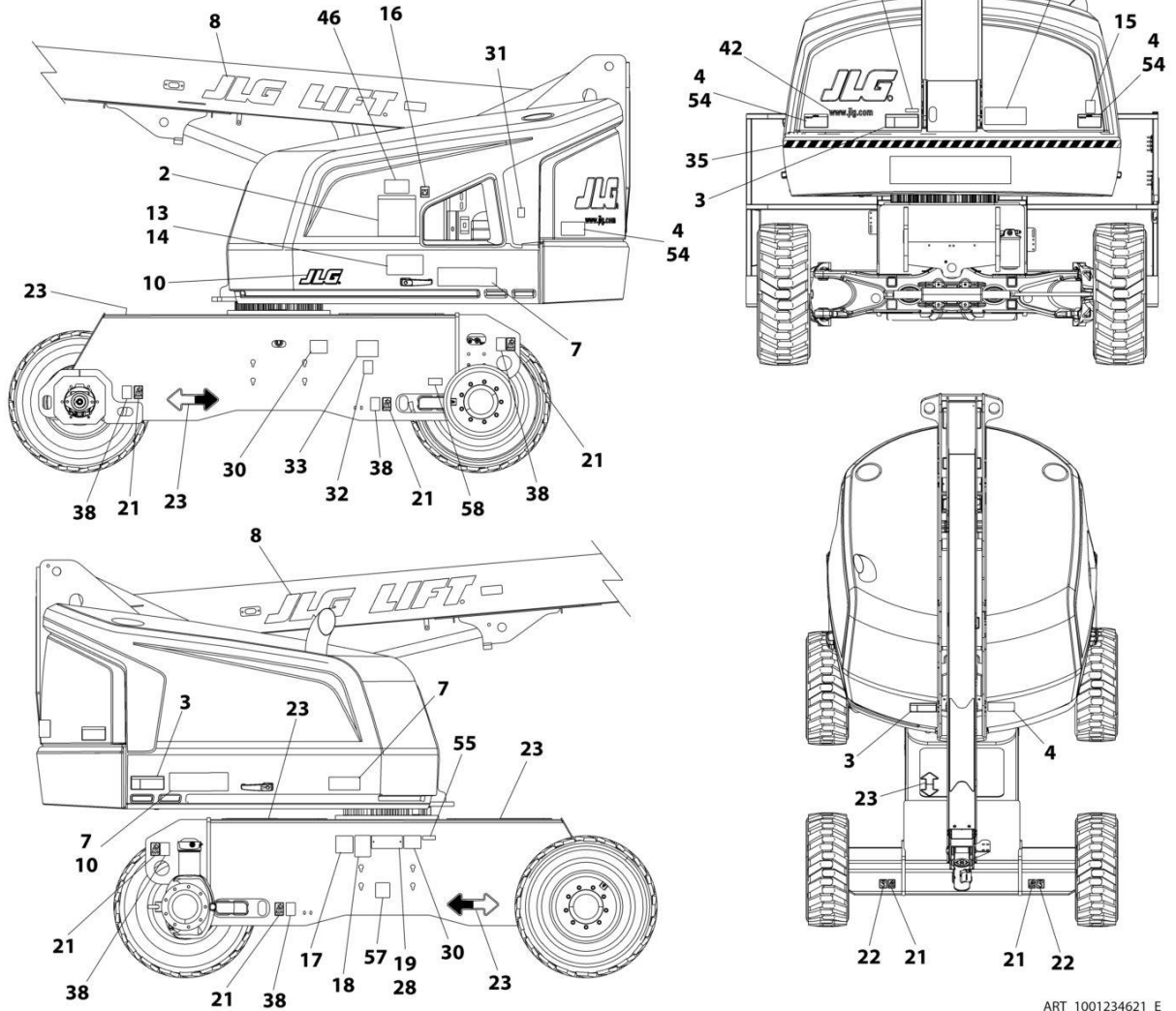
SECTION 9 - DECALS

FIGURE 9-8. DECAL INSTALLATION - CSA SPECS (GAS MACHINES)



NOTE: ITEMS SHOWN MAY NOT BE REQUIRED FOR ALL SPECS. REFER TO PART LIST FOR USAGE.

NOTE: ADDITIONAL DECALS ARE CALLED OUT ON DECALS INSTALLATION - OPTIONS.



ART_1001234621_E

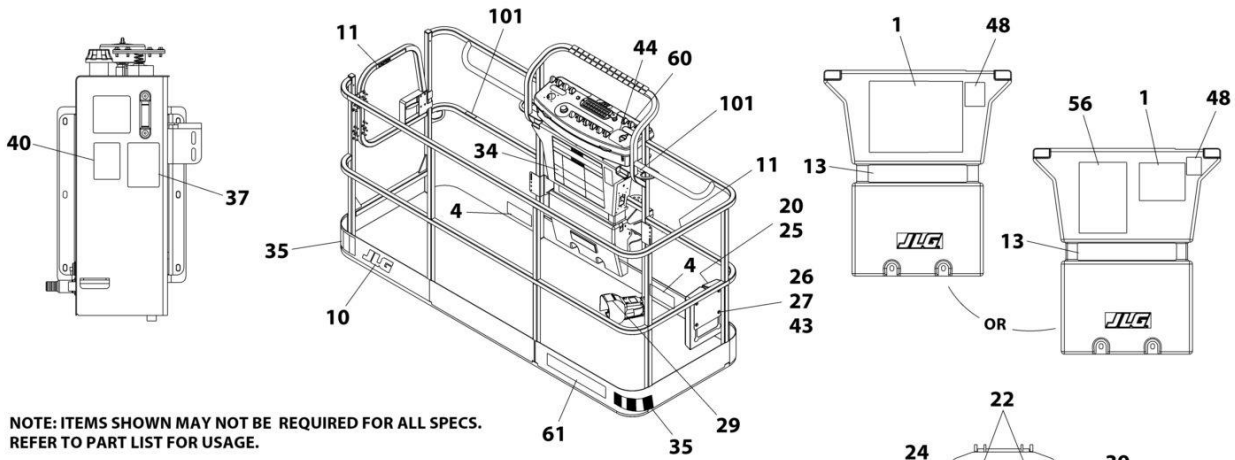
SECTION 9 - DECALS

FIGURE 9-8. DECAL INSTALLATION - CSA SPECS (GAS MACHINES)

ITEM	PART NUMBER	QTY	DESCRIPTION	REV
	1001234621	Ref	DECAL INSTALLTION - CSA SPECS (ENGLISH/FRENCH LANGUAGE)	E
1	1703924	1	Decal - Warning/Danger	
2	1703930	1	Decal - Warning/Danger	
3	1703936	3	Decal - Electrocution	
4	1703948	3	Decal - Warning Crushing	
11	1704000	2	Decal - No Hands	
13	1001234433	1	Decal - Warning Tri Cap	
14	1001234434	1	Decal - Warning Tri Cap	
16	1701504	1	Decal - Hydraulic Oil	
17	See Note	NSS	Decal - Bar Code (Note: Not Available for Purchase)	
18	1001131269	1	Decal - Patent	
20	1701509	1	Decal - Manual	
21	1702300	8	Decal - Tie Down	
22	1701500	4	Decal - Lift	
23	1701529	4	Decal - Arrow	
24	3251243	1	Nameplate - 120V - 60Hz	
25	0860520	1	Box - Manual Storage	
26	4751400	4	Washer 1/4	
27	3311405	4	Nut 1/4	
28	3820001	2	Rivet	
29	1703984	1	Decal - Footswitch	
38	1701499	6	Decal - No Lifting	
40	1704412	1	Decal - Hydraulic Oil Chart	
43	0641406	4	Bolt 1/4 x 3/4	
44	1705429	2	Decal - Drive/Steer Instructions	
54	1703942	1	Decal - Warning Crushing	
57	1001223971	1	Decal - Yearly Inspection	
60	1001184618	1	Decal - Stop	
100	1001232026	1	Decal - Lanyard Platform Kit (Not Shown)	
101	1704277	3	Decal - Lanyard Attach Graphic	

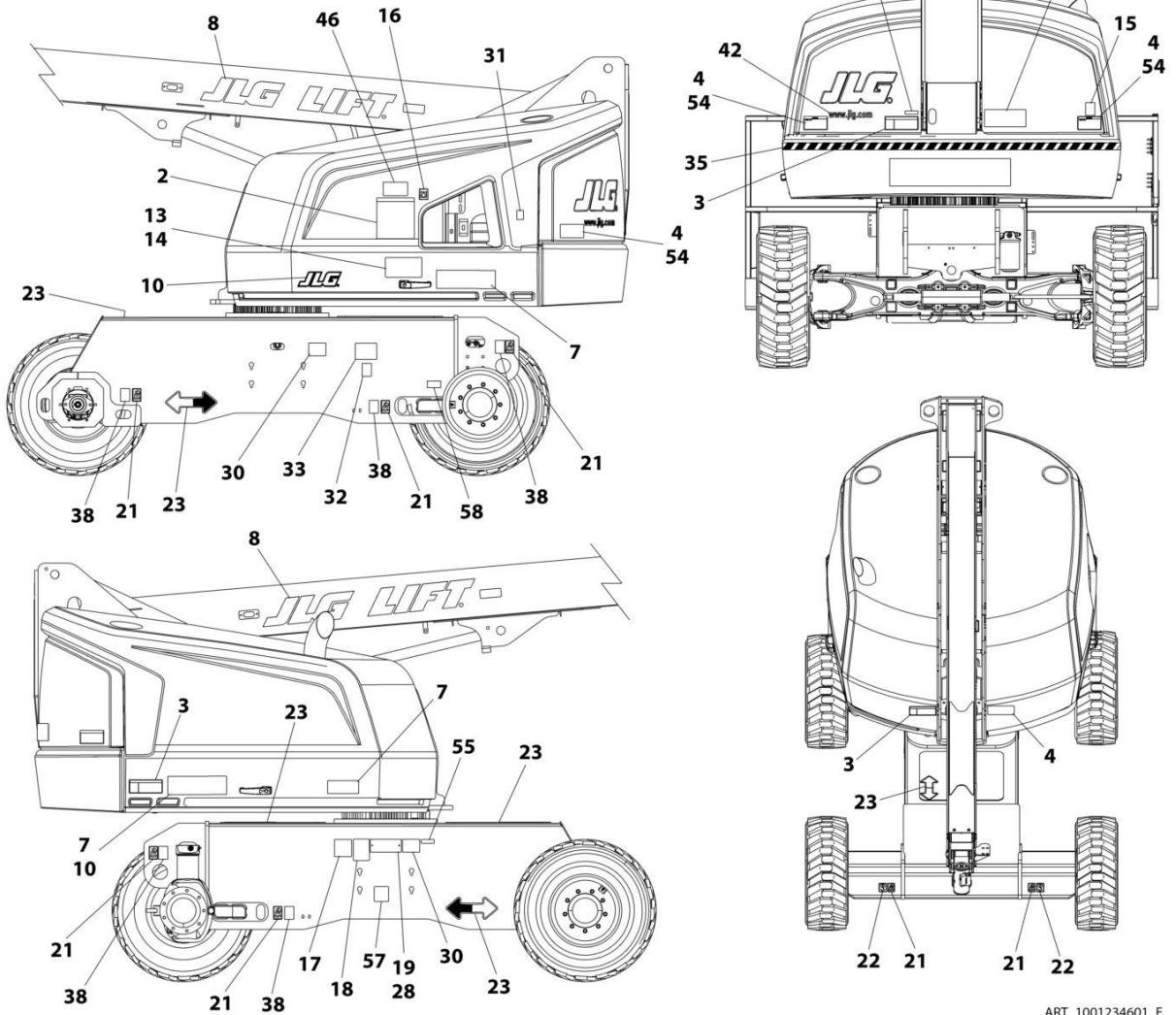
SECTION 9 - DECALS

FIGURE 9-9. DECAL INSTALLATION - JAPANESE SPECS



NOTE: ITEMS SHOWN MAY NOT BE REQUIRED FOR ALL SPECS. REFER TO PART LIST FOR USAGE.

NOTE: ADDITIONAL DECALS ARE CALLED OUT ON DECALS INSTALLATION - OPTIONS.



ART_1001234601_E

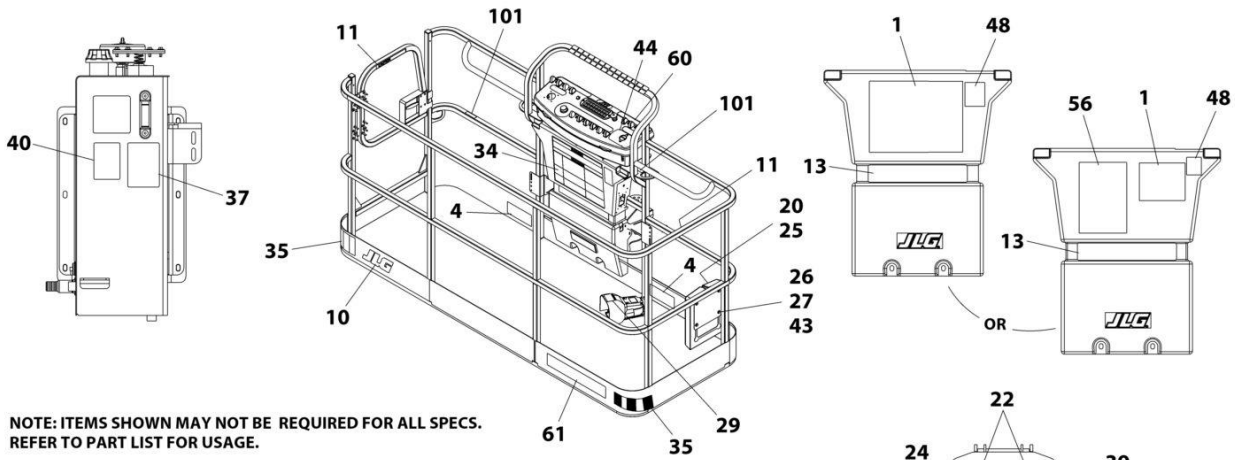
SECTION 9 - DECALS

FIGURE 9-9. DECAL INSTALLATION - JAPANESE SPECS

ITEM	PART NUMBER	QTY	DESCRIPTION	REV
	1001234601	Ref	DECAL INSTALLATION - JAPANESE SPECS(JAPANESE/ENGLISH LANGUAGES)	E
1	1703926	1	Decal - Warning/Danger	
2	1703932	1	Decal - Warning/Danger	
3	1703938	3	Decal - Electrocutation	
4	1703950	3	Decal - Warning Crushing	
13	1001234428	1	Decal - Warning Tri Cap	
14	1001234429	1	Decal - Warning Dual Cap	
19	1701504	1	Decal - Hydraulic Oil	
17	See Note	NSS	Decal - Bar Code (Note: Not Available for Purchase)	
20	1701509	1	Decal - Manual	
21	1702300	8	Decal - Tie Down	
22	1701500	4	Decal - Lift	
23	1701529	4	Decal - Arrow	
25	0860520	1	Box - Manual Storage	
26	4751400	4	Washer 1/4	
27	3311405	4	Nut 1/4	
28	3820001	2	Rivet	
29	1703980	1	Decal - Footswitch	
38	1701499	6	Decal - No Lifting	
40	1704412	1	Decal - Hydraulic Oil Chart	
43	0641406	4	Bolt 1/4 x 3/4	
44	1705426	1	Decal - Drive/Steer Instructions	
54	1703944	2	Decal - Warning Crushing	
57	1001224053	1	Decal - Yearly Inspection	
60	1001184618	1	Decal - Stop	
100	1001232026	1	Decal - Lanyard Platform Kit (Not Shown)	
101	1704277	3	Decal - Lanyard Attach Graphic	

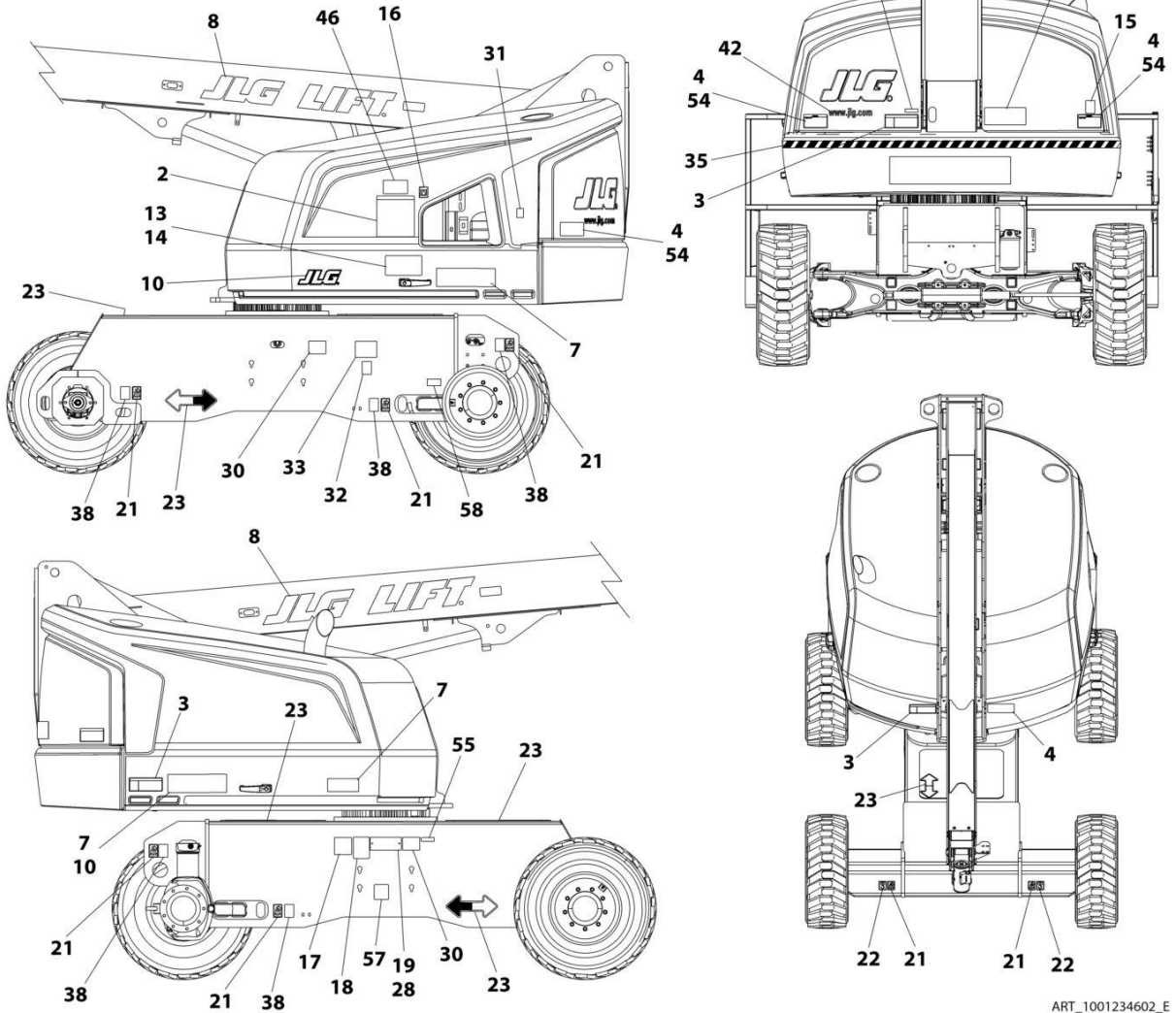
SECTION 9 - DECALS

FIGURE 9-10. DECAL INSTALLATION - KOREAN SPECS



NOTE: ITEMS SHOWN MAY NOT BE REQUIRED FOR ALL SPECS. REFER TO PART LIST FOR USAGE.

NOTE: ADDITIONAL DECALS ARE CALLED OUT ON DECALS INSTALLATION - OPTIONS.



ART_1001234602_E

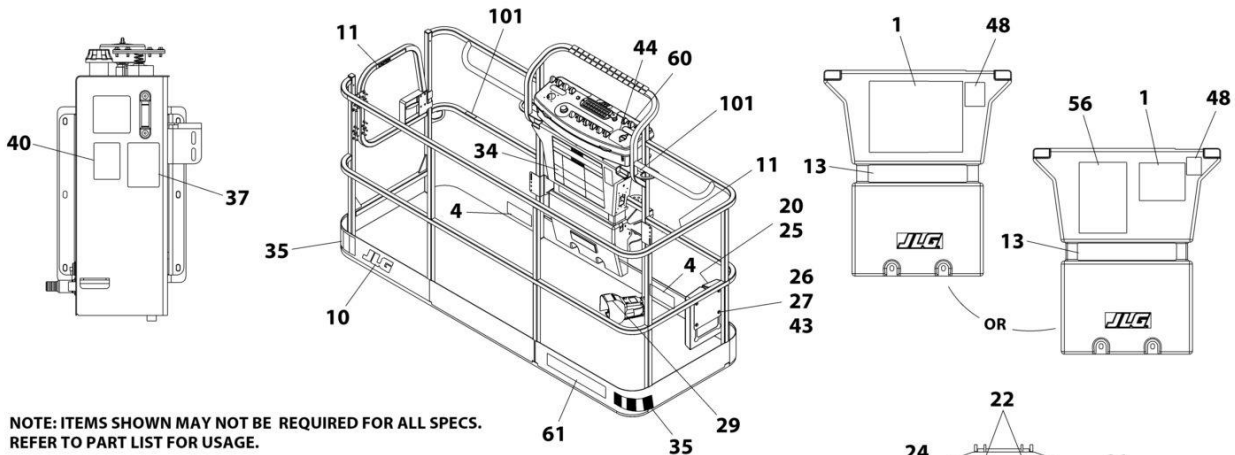
SECTION 9 - DECALS

FIGURE 9-10. DECAL INSTALLATION - KOREAN SPECS

ITEM	PART NUMBER	QTY	DESCRIPTION	REV
	1001234602	Ref	DECAL INSTALLATION - KOREAN SPECS (KOREAN; ENGLISH LANGUAGES)	E
1	1703927	1	Decal - Warning/Danger	
2	1703933	1	Decal - Warning/Danger	
3	1703939	3	Decal - Electrocutation	
4	1703951	3	Decal - Warning Crushing	
13	1001234430	1	Decal - Warning Tri Cap	
14	1001235585	1	Decal - Warning Dual Cap	
16	1701504	1	Decal - Hydraulic Oil	
17	See Note	NSS	Decal - Bar Code (Note: Not Available for Purchase)	
20	1701509	1	Decal - Manual	
21	1702300	8	Decal - Tie Down	
22	1701500	4	Decal - Lift	
23	1701529	4	Decal - Arrow	
25	0860520	1	Box - Manual Storage	
26	4751400	4	Washer 1/4	
27	3311405	4	Nut 1/4	
29	1703981	1	Decal - Footswitch	
38	1701499	6	Decal - No Lifting	
40	1704412	1	Decal - Hydraulic Oil Chart	
43	0641406	4	Bolt 1/4 x 3/4	
44	1705427	1	Decal - Drive/Steer Instructions	
54	1703945	2	Decal - Warning Crushing	
57	1001224048	1	Decal - Yearly Inspection	
60	1001184618	1	Decal - Stop	
100	1001232026	1	Decal - Lanyard Platform Kit (Not Shown)	
101	1704277	3	Decal - Lanyard Attach Graphic	

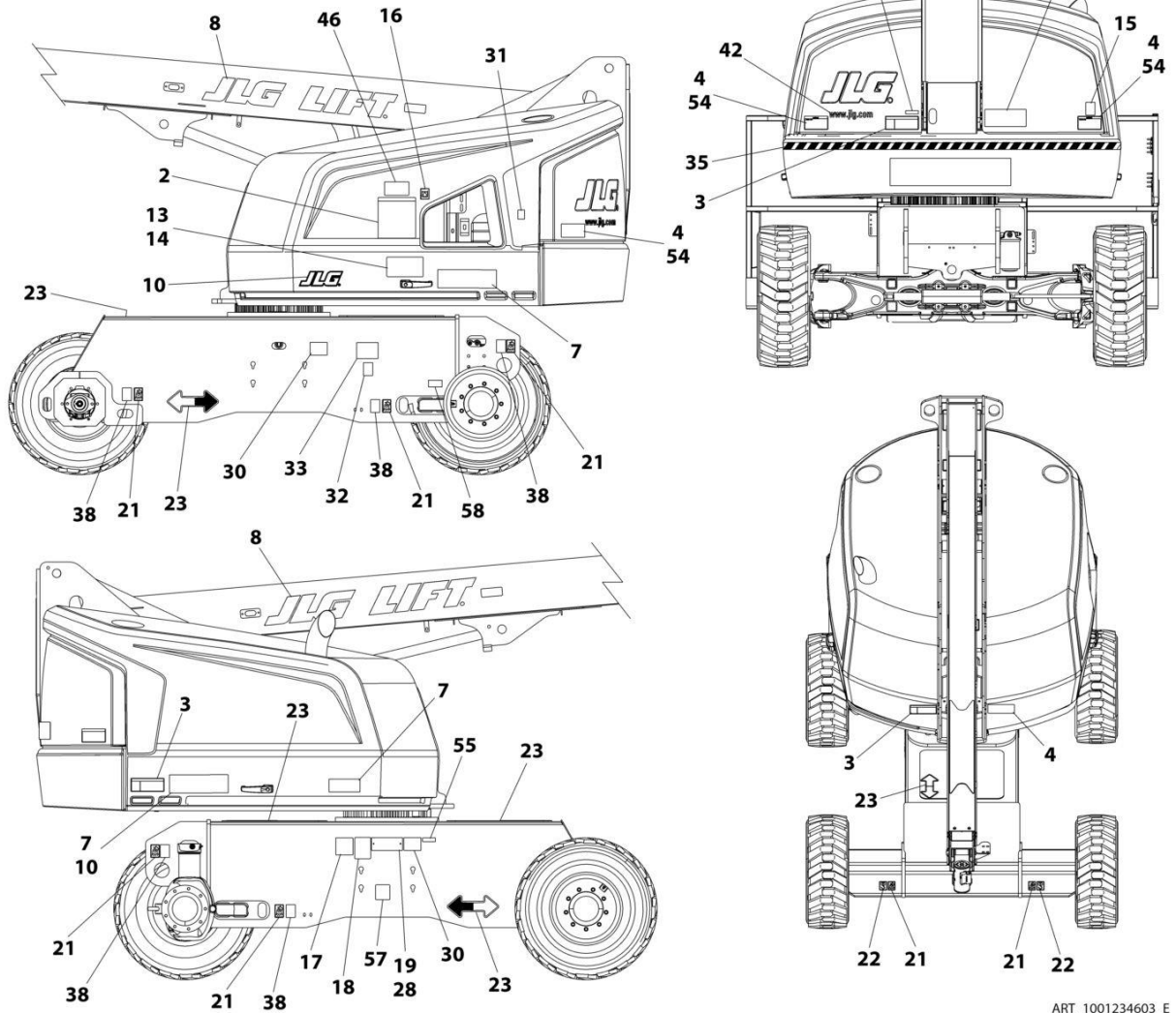
SECTION 9 - DECALS

FIGURE 9-11. DECAL INSTALLATION - LATIN AMERICAN SPECS



NOTE: ITEMS SHOWN MAY NOT BE REQUIRED FOR ALL SPECS. REFER TO PART LIST FOR USAGE.

NOTE: ADDITIONAL DECALS ARE CALLED OUT ON DECALS INSTALLATION - OPTIONS.



ART_1001234603_E

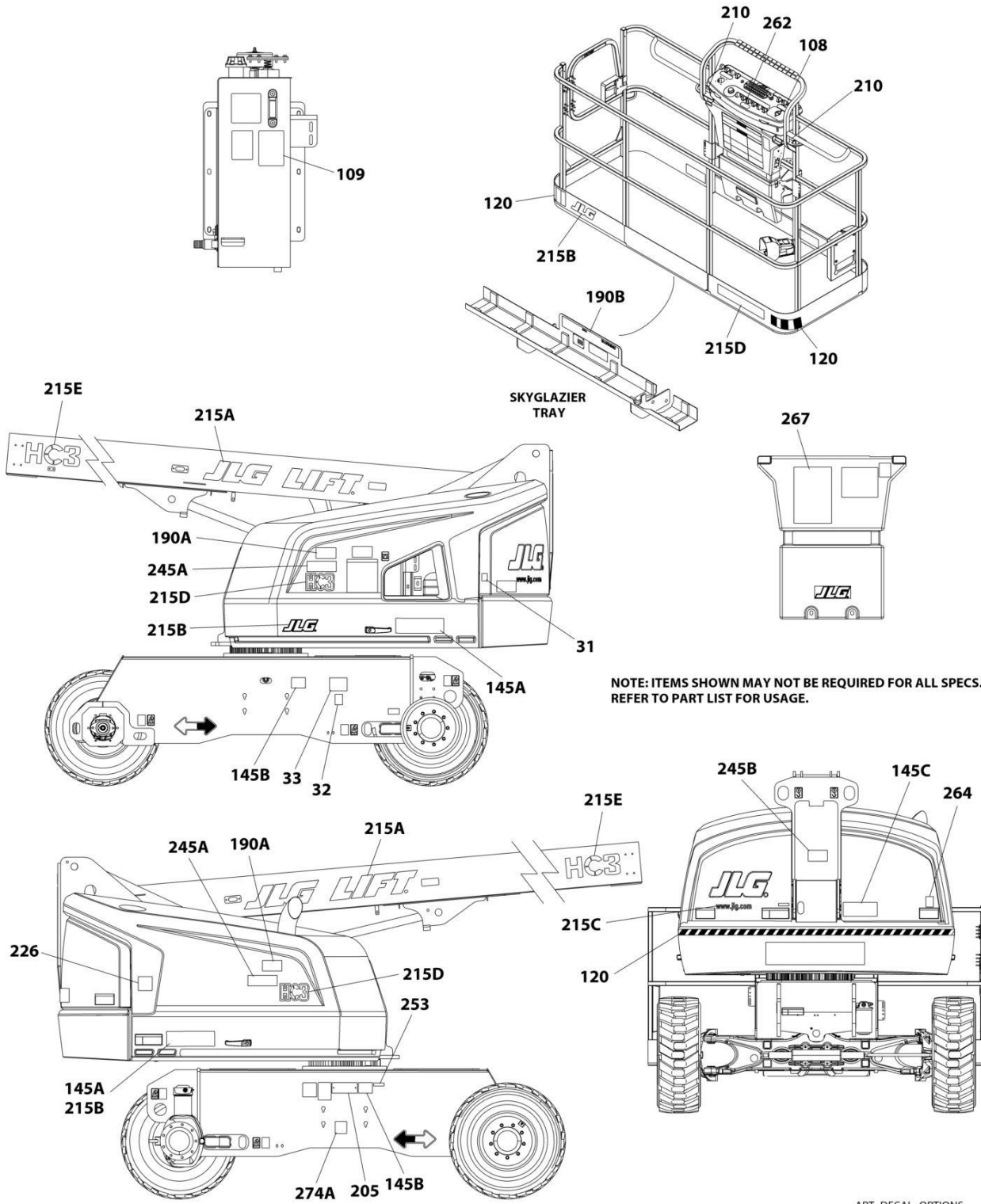
SECTION 9 - DECALS

FIGURE 9-11. DECAL INSTALLATION - LATIN AMERICAN SPECS

ITEM	PART NUMBER	QTY	DESCRIPTION	REV
	1001234603	1	DECAL INSTALLATION - LATIN, AMERICAN SPECS (SPANISH/ENGLISH LANUGUAGES)	E
1	1703923	1	Decal - Warning/Danger	
2	1703229	1	Decal - Warning/Danger	
3	1703935	3	Decal - Electrocution	
4	1703947	3	Decal - Warning Crushing	
11	1704001	2	Decal - Cautions No Hands	
13	1001234431	1	Decal - Warning Tri Cap	
14	1001234432	1	Decal - Warning Tri Cap	
16	1701504	1	Decal - Hydraulic Oil	
17	See Note	NSS	Decal - Bar Code (Note: Not Available for Purchase)	
20	1701509	1	Decal - Manual	
21	1702300	8	Decal - Tie Down	
22	1701500	4	Decal - Lift	
23	1701529	4	Decal - Arrow	
24	3251243	1	Nameplate - 120V - 60Hz	
25	0860520	1	Box - Manual Storage	
26	4751400	4	Washer 1/4	
27	3311405	4	Nut 1/4	
28	3820001	2	Rivet	
29	1703983	1	Decal - Footswitch	
38	1701499	6	Decal - No Lifting	
40	1704412	1	Decal - Hydraulic Oil Chart	
43	0641406	4	Bolt 1/4 x 3/4	
44	1705910	1	Decal - Drive/Steer Instructions	
54	1703941	2	Decal - Warning Crushing	
57	1001224049	1	Decal - Yearly Inspection	
58	1001223453	1	Decal - ICES	
60	1001184618	1	Decal - Stop	
100	1001232026	1	Decal - Lanyard Platform Kit (Not Shown)	
101	1704277	3	Decal - Lanyard Attach Graphic	

SECTION 9 - DECALS

FIGURE 9-12. DECAL INSTALLATION - OPTIONS



SECTION 9 - DECALS

FIGURE 9-12. DECAL INSTALLATION - OPTIONS

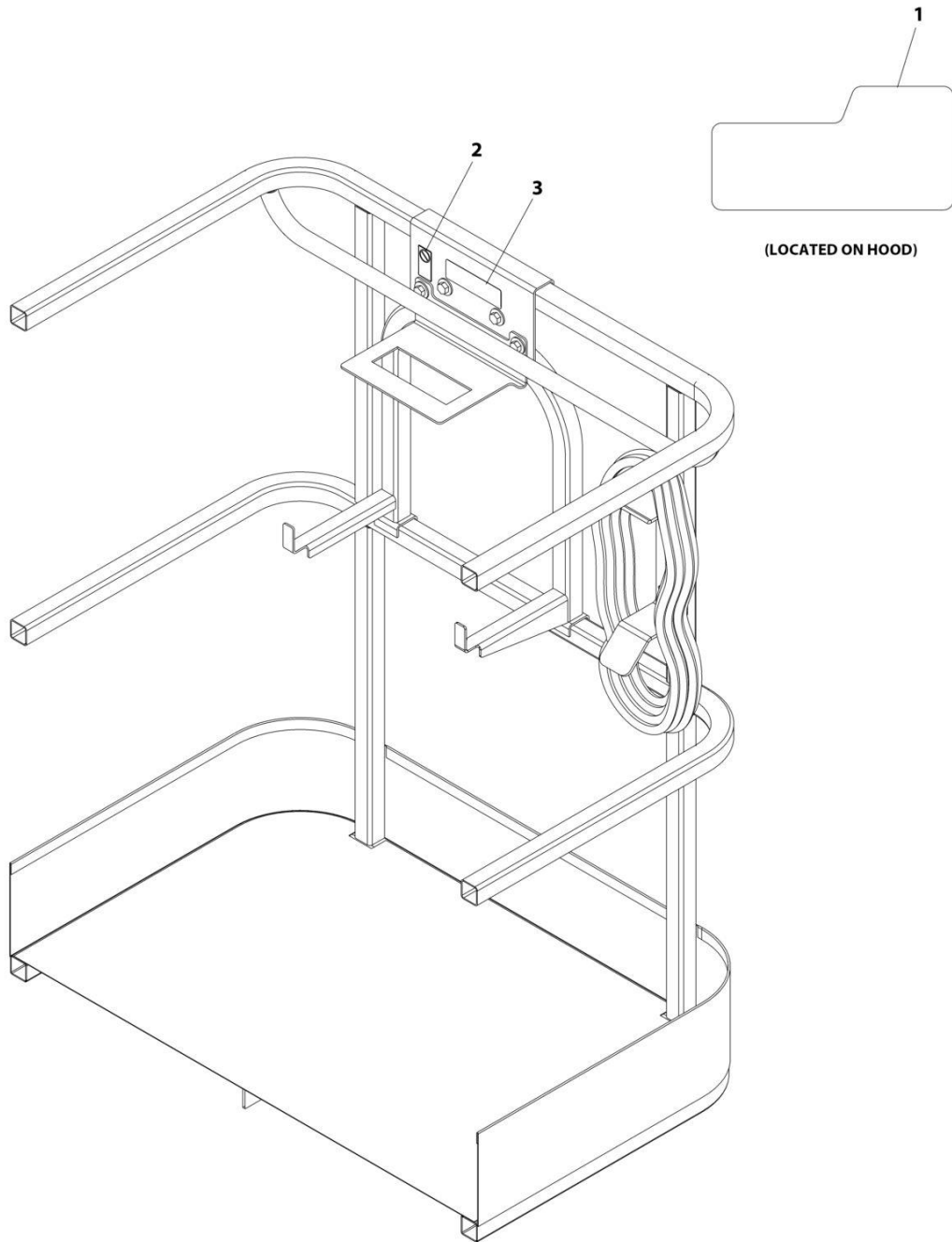
ITEM	PART NUMBER	QTY	DESCRIPTION	REV
	1001234622	Ref	DECAL INSTALLATION - REFERENCE CHART (ALL SPECS EXCEPT CE SPECS)	G
	1001235535	Ref	DECAL INSTALLATION - REFERENCE CHART (CE SPECS)	E
	1001237527	Ref	DECAL INSTALLATION - OPTIONS	B
31	1701505	1	Decal - Diesel Fuel	
31	1701542	1	Decal - Gas	
32	1701543	1	Decal - LPG	
33	1700818	1	Decal - LP Gas Liquid Withdrawal System (ANSI Spec)	
33	1704271	1	Decal - LP Gas Liquid Withdrawal System (CSA Spec)	
108	1001231801	1	Decal - Proposition 65 (Machines with SN Starting with 03)	
109	1702788	1	Decal - Biodegradeable Hydraulic Fluid (All Specs except German Spec)	
109	1703479	1	Decal - Biodegradeable Hydraulic Fluid (German Spec)	
109	1704174	1	Decal - SYN Biodegradeable Hydraulic Fluid (All Specs except German Spec)	
109	1704175	1	Decal - SYN Biodegradeable Hydraulic Fluid (German Spec)	
120	1001178415	Ref	Warning Strip Installation (Not Shown)	
120	4420051	14.5 ft/ 4.42m	Tape, Safety	
145	1001234608	Ref	Decal - Model Designation (400SHC3) (Not Shown)	C
145	1001251723	Ref	Decal - Model Designation (400SJHC3) (Not Shown)	C
145A	1001267304	2	Decal - 400S	
145A	1001267305	2	Decal - 460SJ	
145B	1001236680	2	Decal - Max Tire Load (400SHC3)	
145B	1001251692	2	Decal - Max Tire Load (400SJHC3)	
145C	1001284678	1	Decal - Lift Diagram	
190	1001172570	Ref	Decal, Installation - Skyglazier (English Language) (Not Shown)	
190	1001172571	Ref	Decal, Installation - Skyglazier (ANSI Export Spanish Language) (Not Shown)	
190	1001172572	Ref	Decal, Installation - Skyglazier (Brazil Portuguese Language) (Not Shown)	
190	1001172620	Ref	Decal, Installation - Skyglazier (Australian English Language) (Not Shown)	
190A	1705358	2	Decal - Skygalzier	
190B	1001199035	2	Decal - Skygalzier Capacity (English Language)	
190B	1001172564	2	Decal - Skygalzier Capacity (Ansi Export Spanish Language)	
190B	1001172565	2	Decal - Skygalzier Capacity (Brazil Portuguese Language)	
190B	1001199036	2	Decal - Skygalzier Capacity (Australian English Language) (Not Shown)	
205	See Note	NSS	Name Plate - Manufacturers Serial Number (Note: Not Available For Purchase)	
210	1702868	2	Decal - No Hands (Ansi, Australian & CE Specs)	
210	1704000	2	Decal - No Hands (CSA Specs)	
215	1001245410	Ref	Decal Installation - JLG Logo (Not Shown) (All Specs Except CE Specs)	C
215	1001251612	Ref	Decal Installation - JLG Logo (Not Shown) (CE Specs)	B
215A	1702861	2	Decal - JLG Lift (All Specs Except CE Specs)	
215A	1001159323	2	Decal - JLG (CE Specs)	
215B	1702773	AR	Decal - JLG	
215C	1704885	1	Decal - Website (All except CE Specs)	
215D	1001244212	AR	Decal - HC3	
215E	1001256906	2	Decal - HC3 (SN E300007713 to Present)	

SECTION 9 - DECALS

ITEM	PART NUMBER	QTY	DESCRIPTION	REV
226	1704972	1	Decal - Warning Explosion/Fire (ANSI Spec)	
226	1706064	1	Decal -Warning Explosion/Fire (CSA Spec - Dual Language English/French)	
226	1706098	1	Decal -Warning Explosion/Fire Australian and CE Specs)	
226	1706059	1	Decal -Warning Explosion/Fire (Brazil Spec- Dual Language English/Portuguese)	
226	1706060	1	Decal -Warning Explosion/Fire (Chinese Spec- Dual Language English/Chinese)	
226	1706061	1	Decal - Warning Explosion/Fire (Korean Spec - Dual Language English/Korean)	
226	1706062	1	Decal - Warning Explosion/Fire (Japanese Spec - Dual Language English/Japanese)	
226	1706063	1	Decal -Warning Explosion/Fire (Latin American - Dual Language English/Spanish)	
245	1001178435	Ref	Decal Installation - Clearsky	
245A	1001116208	2	Decal - Clearsky	
245B	1001120989	1	Decal - Radio Frequency	
253	1001143852	1	Decal - Emission Compliance (Machines with Diesel Engines) (ANSI Export, Australian, CE and China Specs)	
262	1001141300	1	Decal - Skyguard Override (Machines Without Soft Touch)	
262	1001141302	1	Decal - Skyguard Override (Machines With Soft Touch)	
264	1001204510	1	Decal - Sound Power (T4i)	
264	1001130492	1	Decal - Sound Power (Stage V)	
274	1001214029	1	Decal - EAC Installation (CIS and Russia Specs)	
274A	1001173703	1	Decal - EAC	
267	1001200128	1	Decal, Quick Start Guide (French)	
267	1001200129	1	Decal, Quick Start Guide (Dutch)	
267	1001200130	1	Decal, Quick Start Guide (German)	
267	1001200131	1	Decal, Quick Start Guide (Danish)	
267	1001200132	1	Decal, Quick Start Guide (Swedish)	
267	1001200133	1	Decal, Quick Start Guide (Spanish)	
267	1001200134	1	Decal, Quick Start Guide (Norwegian)	
267	1001181145	1	Decal, Quick Start Guide (English)	

SECTION 9 - DECALS

FIGURE 9-13. DECAL INSTALLATION - SKYWELDER (50HZ)



ART_0272588

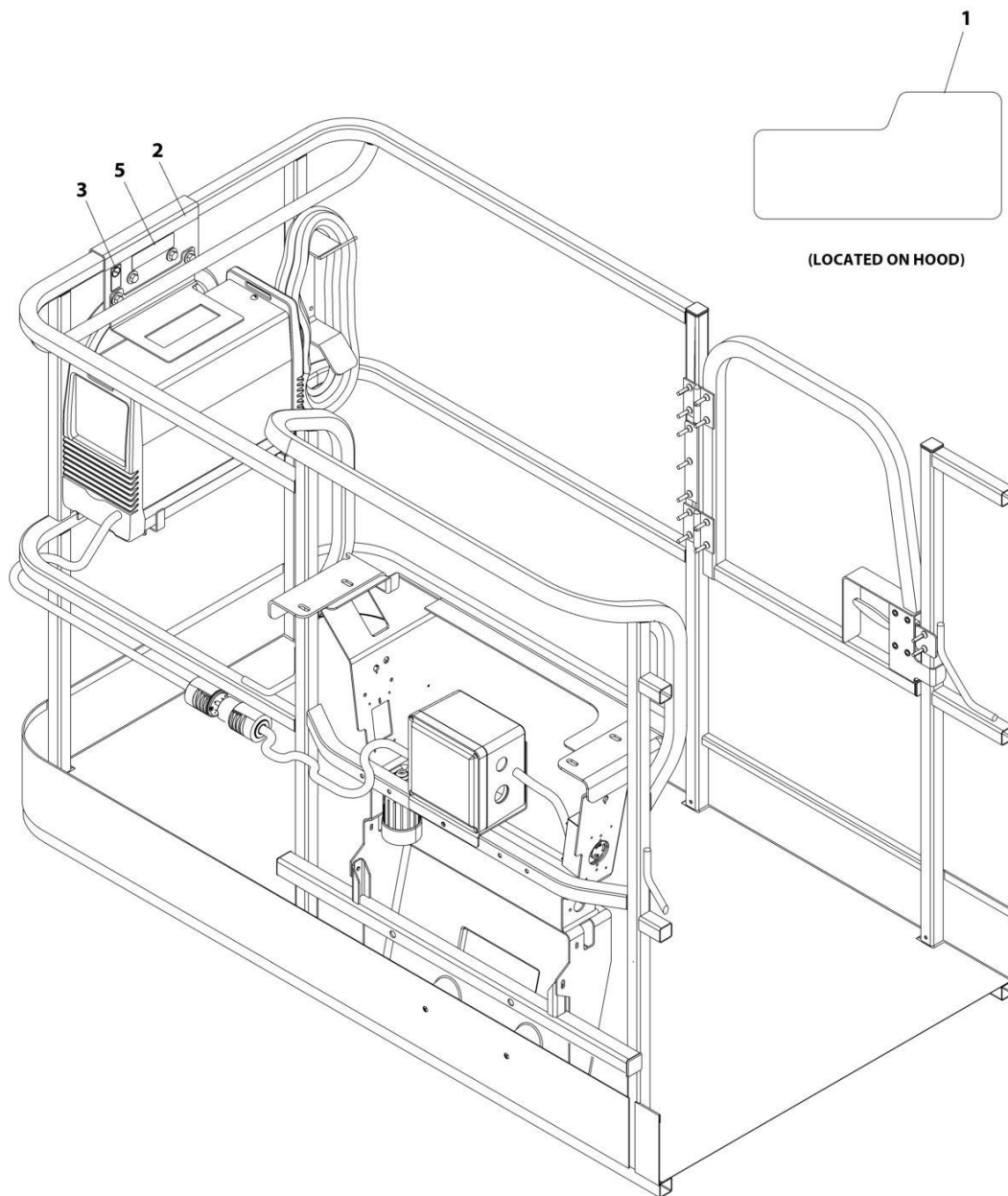
SECTION 9 - DECALS

FIGURE 9-13. DECAL INSTALLATION - SKYWELDER (50HZ)

ITEM	PART NUMBER	QTY	DESCRIPTION	REV
	0272588	Ref	SKYWELDER DECAL INSTALLATION - 50Hz	B
1	1705355	2	Decal - SkyWelder	
2	1705305	1	Decal - Weld Lead	
3	1001228988	1	Decal - Weight	

SECTION 9 - DECALS

FIGURE 9-14. DECAL INSTALLATION - SKYWELDER (60HZ)



ART_0272448_D

SECTION 9 - DECALS

FIGURE 9-14. DECAL INSTALLATION - SKYWELDER (60HZ)

ITEM	PART NUMBER	QTY	DESCRIPTION	REV
	0272448	Ref	SKYWELDER DECAL INSTALLATION - 60Hz	D
1	1705355	2	Decal - SkyWelder	
2	1702868	1	Decal - No Hands	
3	1705305	1	Decal - Weld Lead	
5	1001228988	1	Decal - Weight	

SECTION 10 - RECOMMENDED SERVICE PARTS STOCK

SECTION 10 - RECOMMENDED SERVICE PARTS STOCK

SECTION 10 - RECOMMENDED SERVICE PARTS STOCK

FIGURE 10-1. RECOMMENDED SERVICE PARTS STOCK

ITEM	PART NUMBER	QTY	DESCRIPTION	REV
		Ref	Note: The following list will service one machine (built to current production per date on the front cover) with emergency repair parts which can be installed in the field. Parts from the list should be replaced when inventory is depleted to keep service parts stock supplied. For further information, contact your JLG dealer or the JLG Industries Parts Department.	
	1001189172	1	Breaker, 16 Amp	
	1001189171	1	Breaker, 30mA	
	1001181045	1	Breaker, 30mA/16 Amp	
	70003788	1	Coil (Main Valve Assembly) (400S HC3)	
	70005219	1	Coil (Main Valve Assembly) (400S HC3)	
	70002386	1	Coil (Main Valve Assembly) (460SJ HC3)	
	70004897	1	Coil (Piston Pump Assembly)	
	1001275628	1	Controller Assembly (Drive and Steer)	
	1001275629	1	Controller Assembly (Lift and Swing)	
	70010383	1	Element, Filter Charge Pump (Includes O-Ring)	
		Ref	Engine Components (Deutz D2011 Engines)	
	70003783	12	Element, Air Cleaner (Deutz D2011 Engines)	
	7020023	12	Filter, Fuel (Deutz D2011 Engines)	
	70003463	12	Filter, Fuel - RME Resistant (Deutz D2011 Engines)	
	7016331	12	Filter, Oil (Deutz Engines)	
		Ref	Engine Components (Deutz 2.9L4 Engines)	
	70003783	12	Element, Air Cleaner (Deutz 2.9L4 Engines)	
	7016331	12	Filter, Oil (Deutz Engines)	
	1001225431	12	Filter, Fuel (Deutz 2.9L4 Engines)	
	1001225430	12	Filter, Fuel (Deutz 2.9L4 Engines)	
	70029512	1	Module, ECU (Deutz 2.9L4 Engines)	
	70025210	1	Module, ECU (Deutz 2.9L4 Engines)	
		Ref	Engine Components (Kubota Engines)	
	1001147813	12	Element, Air Cleaner (Kubota Engines)	
	7017992	12	Filter, Fuel (Kubota Engines)	
	70006023	12	Filter, Oil (Kubota Engines)	
	70006061	1	Module, ECU (Kubota Engines)	
	70003614	1	Filter Kit (Includes Hydraulic Element, Breather Element and Gasket)	
	80983191	1	Fuse - 10Amp	
	8229244	1	Fuse - 15Amp	
	70023592	1	Fuse - 20Amp	
	1001196634	1	Fuse - 2Amp	
	70023593	1	Fuse - 30Amp	
	2400082	1	Fuse - 40 Amp	
	8229242	1	Fuse - 5Amp	
	2860030	1	Key, Replacement	
	2940074	1	Latch (Machines with Gate)	
	1001142683	1	Module, Beacon Light Control	
	1001280340	1	Module, Ground Control	
	1001157196	1	Module, Platform Control	
	1001138228	1	Module, Power Relay	
	3740067	1	Relay (Auxiliary Pump and Battery Installation)	
	3740140	1	Relay (Deutz D2011 Engine Assembly)	

SECTION 10 - RECOMMENDED SERVICE PARTS STOCK

ITEM	PART NUMBER	QTY	DESCRIPTION	REV
	4360476	1	Switch, Contact Block (Platform Console Box Assembly)	
	1001274559	1	Switch, Emergency Stop (Ground & Platform Controls)	
	1001117174	1	Switch, Foot (Platform Console Box Assembly)	
	4360057	1	Switch, Limit (Soft Touch Option)	
	4360407	1	Switch, Potentiometer (Platform Console Box Assembly)	
	4360387	1	Switch, Push Button (Platform Console Box Assembly)	
	1001137673	1	Switch, SkyGuard Assembly (CE Specs Machines)	
	1001161710	1	Switch, Toggle (Dual Fuel Machines - GM and Kubota Engines)	
	4360328	1	Switch, Toggle (Electrical Installation) (460SJ HC3)	
	4360336	1	Switch, Toggle (Generator Option)	
	1001155045	1	Switch, Toggle (Platform Console Box Assembly)	
	1001159256	1	Switch, Toggle (Platform Console Box Assembly)	
	1001161709	1	Switch, Toggle (Platform Console Box Assembly)	
	4360387	1	Switch, Toggle (Soft Touch Option)	

SECTION 11 - SPECIAL OPTIONS

SECTION 11 - SPECIAL OPTIONS

FIGURE 11-1. SPECIAL OPTIONS/ACCESSORIES/KITS

ITEM	PART NUMBER	QTY	DESCRIPTION	REV
		Ref	Note: This list is to accommodate machines ordered with special equipment. Options may not be applicable to all models. For more specific parts information contact JLG Parts Department.	
		Ref	MISCELLANEOUS SPECIAL OPTIONS/ACCESSORIES/KITS	
	1001174347	Ref	Airline Installation (400S HC3)	
	1001247683	Ref	Airline Installation (460SJ HC3)	
	1001288384	Ref	Angle Sensor Kit	
	1001171499	Ref	Boom and Chassis Bellows Installation (400S HC3)	
	1001249499	Ref	Boom and Chassis Bellows Installation (460SJ HC3)	
	1001206437	Ref	Boom Wear Pad Kit	
	1001172630	Ref	Boom Wiper Installation	
	1001247254	Ref	Boom Wiper Installation (460SJ HC3)	
	1001172045	Ref	Cable Carrier Tray Installation (Australian Specs) (460SJ HC3)	
	1001243183	Ref	ClearSky (Telematics) Added-on-Kit (Dealer Installed) (ANSI, ANSI Export, CSA and CE Specs)	
	1001246142	Ref	ClearSky (Telematics) Added-on-Kit (Dealer Installed) (Australian Specs)	
	1001243184	Ref	ClearSky (Telematics) Added-on-Kit (Dealer Installed) (CE & UK CA Specs)	
	1001276923	Ref	ClearSky (Telematics) GT1030 3 Wire Added-on-Kit (Dealer Installed)	
	1001242639	Ref	ClearSky (Telematics) Access Control Kit (Dealer Installed) (ANSI, ANSI Export, CSA, CE & UK CA Specs)	
	1001285871	Ref	ClearSky (Telematics) Installation (ABS Hoods)	
	1001293176	Ref	ClearSky (Telematics) Installation (Steel Hoods)	
	1001294763	Ref	ClearSky Smart Fleet Decal Installation	
	1001183207	Ref	Cold Weather Package - Deutz D2011 Engines (Factory Installed)	
	1001183206	Ref	Cold Weather Package - Deutz D2.9L4 Engines (Factory Installed)	
	1001204996	Ref	Cold Weather Package - Deutz D2.9L4 (400S HC3 Without Sky Power) (Dealer Installed)	
	1001204997	Ref	Cold Weather Package - Deutz D2.9L4 (400S HC3 With Sky Power) (Dealer Installed)	
	1001205008	Ref	Cold Weather Package - Deutz D2.9L4 (460SJ HC3 Without Sky Power) (Dealer Installed)	
	1001205009	Ref	Cold Weather Package - Deutz D2.9L4 (460SJ HC3 With Sky Power) (Dealer Installed)	
	1001216914	Ref	Cold Weather Package - Kubota Engines (Factory Installed)	
	1001255807	Ref	Cold Weather Package - Deutz Stage 5 (CE Specs)	
	1001177840	Ref	Container/Transport Wheels Installation - 12 x 16.5 Tires	
	1001177841	Ref	Container/Transport Wheels Installation - 14 x 17.5 Tires	
	1001247904	Ref	Container/Transport Wheels Installation - 33 x 12 D410 Tires	
	1001276007	Ref	Controller Service Kit - Drive/Steer	
	1001276008	Ref	Controller Service Kit - Lift/Swing	
	1001177524	Ref	Cribbing Switch Installation (ANSI and CSA Specs)	
	1001241340	Ref	Decal Kit - Platform Console Box	
	1001148902	Ref	Electrical Connector Kit - Amp/Tyco Electrical Connectors	
	1001148903	Ref	Electrical Connector Kit - Deutsch DT Electrical Connectors	
	1001148904	Ref	Electrical Connector Kit - Deutsch HD Electrical Connectors	
	1001148905	Ref	Electrical Connector Kit - Packard Electrical Connectors	

SECTION 11 - SPECIAL OPTIONS

ITEM	PART NUMBER	QTY	DESCRIPTION	REV
	1001148906	Ref	Electrical Connector Kit - Various Electrical Connectors	
	1001214833	Ref	Engine Block Heater - Kubota Engines	
	1001256412	Ref	Engine Service Kit	
	1001256413	Ref	Engine (Kubota) Service Kit	
	1001269630	Ref	Fall Arrest (Bolt-on) Add-on Kit - 48in Platform (Dealer Installed)	
	1001269629	Ref	Fall Arrest (Bolt-on) Add-on Kit - 60in Platform (Dealer Installed)	
	1001269631	Ref	Fall Arrest (Bolt-on) Add-on Kit - 72in Platform (Dealer Installed)	
	1001237883	Ref	Fall Arrest (Bolt-on) Add-on Kit - 72in Platform (Dealer Installed)	
	1001237882	Ref	Fall Arrest (Bolt-on) Add-on Kit - 96in Platform (Dealer Installed)	
	1001172751	Ref	Fan Cover Installation - Deutz D2.9L4 Engines	
	1001204482	Ref	Filter Kit - Combined (Hydraulic Oil/Air & Engine Air/Fuel Oil) (Deutz D2.9L4)	
	1001204481	Ref	Filter Kit - Combined (Hydraulic Oil/Air & Engine Air/Fuel Oil) (Deutz D2011)	
	1001225794	Ref	Filter Kit - Combined (Hydraulic Oil/Air & Engine Air/Fuel Oil) (Deutz D2.3L3)	
	1001236496	Ref	Filter Kit - Combined (Hydraulic Oil/Air & Engine Air/Fuel Oil) (Deutz D2.9L4) (Wet Stacking)	
	1001117294	Ref	Footswitch Shield Installation	
	1001202749	Ref	Fuel Cap Cover (Lockable) (Black) (Note: Lock Not Included Purchase Separately)	
	1001191395	Ref	Fuel Cap Cover (Lockable) (Green - Diesel Machines) (Note: Lock Not Included Purchase Separately)	
	1001191394	Ref	Fuel Cap Cover (Lockable) (Red - Gas Machines) (Note: Lock Not Included Purchase Separately)	
	1001220004	Ref	Ground Control Module Cover Kit	
	1001285811	Ref	Hood Plugs Installation	
	1001206439	Ref	Hose Kit - Power Track (Upper) (400S HC3)	
	1001206440	Ref	Hose Kit - Power Track (Upper) (460SJ HC3)	
	1001241396	Ref	Hostile Environment Kit (400S HC3)	
	1001241402	Ref	Hostile Environment Kit (460SJ HC3)	
	1001281421	Ref	Hostile Environment Kit (460SJ HC3)	
	1001299569	Ref	Hourmeter Gauge Kit	
	1001268751	Ref	Jib Lift Cylinder Kit (460SJ HC3)	
	1001174926	Ref	Lights Installation - Chassis Illumination	
	1001174925	Ref	Lights Installation - Headlights and Taillights	
	1001120466	Ref	Lights Installation - Platform Worklights	
	1001183407	Ref	Low Temperature Cutout Installation (Russian Specs)	
	1001173664	Ref	Oil Cooler Installation - Deutz D2011 Engines	
	1001164493	Ref	Oil Cooler Installation - Deutz D2.9L4 Engines/Deutz D2.9L4 Engines (Stage V)	
	1001216552	Ref	Oil Cooler Installation - Kubota Engines	
	1001258230	Ref	Oil Cooler Installation - T4F / Stage V	
	1001272166	Ref	Pipe Racks Add-on Kit (Dealer Installed)	
	1580013	Ref	Platform Corner Storage Tray	
	1001195304	Ref	Platform Cover Installation - Clear	
	1001266290	Ref	Platform Cover Installation - Steel	
	1001274832	Ref	Platform Floormat Add-on Kit - 30x60 Platform (Dealer Installed)	
	1001274830	Ref	Platform Floormat Add-on Kit - 36x72 Platform (Dealer Installed)	
	1001274829	Ref	Platform Floormat Add-on Kit - 36x96 Platform (Dealer Installed)	
	1001238421	Ref	Platform Leveling Kit	
	1001219794	Ref	Platform Hose and Cable Protection (400S HC3)	
	1001258715	Ref	Platform Hose and Cable Protection (460SJ HC3)	

SECTION 11 - SPECIAL OPTIONS

ITEM	PART NUMBER	QTY	DESCRIPTION	REV
	1001138773	Ref	Platform Mesh to Mid Rail Installation - 36 x 96 Platforms (Factory Installed)	
	1001266489	Ref	Plastic Platform Mesh to Top Rail Installation - 36 x 72 Platforms (Factory Installed)	
	1001266056	Ref	Plastic Platform Mesh to Top Rail Installation - 36 x 96 Platforms (Factory Installed)	
	1001266098	Ref	Plastic Platform Mesh to Mid Rail Installation - 36 x 96 Platforms (Factory Installed)	
	1001281461	Ref	Platform Mesh to Mid Rail Kit - 30 x 48 Platforms (Dealer Installed)	
	1001281460	Ref	Platform Mesh to Mid Rail Kit - 30 x 60 Platforms (Dealer Installed)	
	1001281458	Ref	Platform Mesh to Mid Rail Kit - 36 x 72 Platforms (Dealer Installed)	
	1001281457	Ref	Platform Mesh to Mid Rail Kit - 36 x 96 Platforms (Dealer Installed)	
	0273149	Ref	Platform Mesh to Top Rail Installation - 36 x 72 Platforms (Factory Installed)	
	0273145	Ref	Platform Mesh to Top Rail Installation - 36 x 96 Platforms (Factory Installed)	
	1001281456	Ref	Platform Mesh to Top Rail Kit - 30 x 48 Platforms (Dealer Installed)	
	1001281455	Ref	Platform Mesh to Top Rail Kit - 30 x 60 Platforms (Dealer Installed)	
	1001281454	Ref	Platform Mesh to Top Rail Kit - 30 x 72 Platforms (Dealer Installed)	
	1001281453	Ref	Platform Mesh to Top Rail Kit - 36 x 72 Platforms (Dealer Installed)	
	1001281452	Ref	Platform Mesh to Top Rail Kit - 36 x 96 Platforms (Dealer Installed)	
		Ref	Platform Padding Installation Options:	
	1001275644	Ref	Platform Padding Installation - 30 x 60 Platforms	
	1001275643	Ref	Platform Padding Installation - 30 x 72 Platforms	
	1001275642	Ref	Platform Padding Installation - 36 x 72 Platforms	
	1001269655	Ref	Platform Padding Installation - 36 x 96 Platforms	
	0272733	Ref	Platform Rail Extension Installation - 36 x 72 Platforms	
	0272725	Ref	Platform Rail Extension Installation - 36 x 96 Platforms	
	1001282215	Ref	Platform Worklights Kit	
	1001233079	Ref	Pump Rotation Pump	
	1001204963	Ref	Service Kits	Z
	1001247073	Ref	SkyEye Retrofit Kit	
	1001241547	Ref	SkyEye LH Housing Kit	
	1001241548	Ref	SkyEye RH Housing Kit	
	1001262102	Ref	SkyGlazier Decal (English)	
	1001262103	Ref	SkyGlazier Decal (Spanish)	
	1001262104	Ref	SkyGlazier Decal (Portuguese)	
	1001262105	Ref	SkyGlazier Decal (Australian)	
	1001203510	Ref	SkyGuard Kit (Without Beacon)	
	1001203512	Ref	SkyGuard Kit (With Blue Beacon)	
	1001210037	Ref	SkyGuard Kit (With Red Beacon)	
	1001262016	Ref	SkyLine Add-on Kit (Dealer Installed)	
	1001289831	Ref	SkySense/Enhanced Detection System (EDS) Level 1 (2 Bar) Installation (Factory Installed)	
	1001289832	Ref	SkySense/Enhanced Detection System (EDS) Level 2 (3 Bar) Installation (Factory Installed)	

SECTION 11 - SPECIAL OPTIONS

ITEM	PART NUMBER	QTY	DESCRIPTION	REV
	1001289905	Ref	SkySense/Enhanced Detection System (EDS) Level 1 (2 Bar) Add-on Kit (Dealer Installed)	
	1001289906	Ref	SkySense/Enhanced Detection System (EDS) Level 2 (3 Bar) Add-on Kit (Dealer Installed)	
	1001178951	Ref	Strobe Light Installation - Platform Mounted (Amber)	
	1001177570	Ref	Strobe Light Installation - Platform/Ground Mounted (Amber)	
	1001292585	Ref	Strobe Light Kit	
	1001231235	Ref	Sky Welder Locking Bracket	
	1001303167	Ref	Sky Welder Extension Cord Cable	
	1001256414	Ref	Tank Service Kit	
	1001284515	Ref	Telematics Gateway (Dealer Installed)	
	2901443	Ref	Tools - Analyzer Kit	
	1001249695	Ref	Analyzer & Cable Kit	
	1001249941	Ref	Analyzer & Cable Kit (Battery Powered)	
	1001137005	Ref	Tools - Cable Kit, Software	
	7002821	Ref	Tools - Crimper, Wire	
	7002823	Ref	Tools - Pin Extractor - Universal (For Electrical Connectors with Pins and Sockets)	
	4460510	Ref	Tools - Pin Extractor - 12-14 Gauge (For Removal of Pin/Sockets from Deutsch Connectors)	
	4460467	Ref	Tools - Pin Extractor - 16-18 Gauge (For Removal of Pin/Sockets from Deutsch Connectors)	
	7016654	Ref	Tools - Screwdriver, Magnetic	
	7002822	Ref	Tools - Screwdriver, Potentiometer	
	7004275	Ref	Tools - Seal Tool 1 (For Cylinders)	
	7004276	Ref	Tools - Seal Tool 1-1/2 (For Cylinders)	
	2915102	Ref	Turntable Bearing Kit	
	1001274249	Ref	USB Charger Port Add-on Kit (Dealer Installed)	
	1001262959	Ref	Voltage Regulator Relocation Kit	
	1001209059	Ref	Work Surface Installation	
	1001270755	Ref	White Noise Alarm (Ambient) Add-on Kit (Dealer Installed)	
	1001270716	Ref	White Noise Alarm (Constant) Add-on Kit (Dealer Installed)	

PART NUMBER INDEX

SECTION 11 - SPECIAL OPTIONS

0080201.....282, 296	0273380 365, 369, 373	0700408 ... 515, 517, 519,	0760610....111, 113, 121,
0080231.....192, 202	0275216 517, 621	521, 523, 525, 527,	123, 165, 169, 179,
0100009.....431	0275217 521, 623	529, 531, 533, 535	181, 186, 192, 196,
0100011.... 17, 19, 21, 23,	0275452 525, 625	0700610 187, 197	202, 210, 216, 222,
25, 27, 29, 61, 63, 71,	0275453 529, 627	0700612 121	228, 239, 246, 275,
73, 97, 111, 113, 117,	0275454 533, 629	0700614 186, 196	282, 289, 296, 323,
119, 121, 131, 133,	0360406 67	0700618 ... 563, 565, 567,	325, 327, 343, 347,
154, 158, 162, 165,	0363019 65, 67	569	351, 355, 359, 363,
167, 169, 171, 179,	0400075 111, 113	0700619 ... 500, 563, 565,	367, 371, 375, 545, 547
181, 186, 189, 192,	0440162 ... 186, 196, 210,	567, 569	0760612....117, 119, 123,
196, 199, 202, 210,	222, 239, 275, 289	0700620 123	282, 296
213, 216, 222, 225,	0440237 387	0700810 282, 296	0760613.....210, 222, 239
228, 239, 243, 246,	0440240 91	0700814 282, 296	0760614....165, 167, 169,
259, 269, 271, 275,	0440271 23	0700815 282, 296	171, 193, 203
279, 282, 289, 293,	0480122 331	0700816 284, 298	0760615.....149, 151
296, 329, 331, 335,	0480126 343, 359	0700817 ... 186, 196, 210,	0760619.....508
339, 343, 347, 351,	0480128 347, 363	222, 239, 275, 289	0760806....563, 565, 567,
355, 359, 363, 367,	0480129 372	0700818 ... 347, 351, 359,	569
371, 375, 383, 385,	0630462 457, 459	363, 367, 371, 375	0760808....216, 228, 246,
387, 393, 395, 397,	0630518 ... 145, 435, 445,	0700819 371	282, 296
399, 401, 403, 407,	447, 451	0700821 ... 186, 196, 210,	0760810....216, 228, 246,
409, 411, 413, 423,	0630534 477	222	393
425, 427, 429, 439,	0630563 ... 555, 557, 559,	0700822 239	0760812....216, 228, 246,
441, 445, 447, 451,	561	0701016 284, 298, 371	275, 282, 289, 296,
457, 459	0630568 431	0701017 210, 222, 239	323, 325, 327, 331,
0100019....27, 29, 85, 91,	0630613 154, 158, 162	0701018 99, 101, 103,	335, 343, 348, 352,
335, 343, 347, 351,	0641404 441	105	360, 364, 368, 539,
355, 359, 363, 367, 375	0641405 431, 441	0701020 99, 101, 103,	563, 565, 567, 569
0100020.....59, 186, 192,	0641406 ... 443, 663, 665,	105, 387	0760814....192, 202, 216,
196, 202, 210, 216,	667, 669, 671, 673,	0701022 ... 563, 565, 567,	228, 246, 269, 271,
218, 222, 228, 230,	675, 677, 679, 681, 683	569	282, 296, 339, 371,
239, 246, 275, 282,	0641410 ... 165, 167, 169,	0701216 282, 296	555, 557, 559, 561,
289, 296, 433, 515,	171	0701217 17	563, 565, 567, 569
517, 519, 521, 523,	0641414 ... 431, 439, 457,	0701219 329	0760815....192, 202, 216,
525, 527, 529, 531,	459	0701220 97	228, 246, 282, 296
533, 535	0641416 ... 515, 517, 519,	0701223 329	0760816.....65, 154, 158,
0100035.....99, 101, 103,	521, 523, 525, 527,	0701224 ... 282, 296, 339,	162, 284, 298
105, 135, 261, 431, 435	529, 531, 533, 535	371	0761006....563, 565, 567,
0100048....147, 331, 335,	0641418 ... 407, 411, 413,	0701617 23, 25	569
339, 343, 347, 351,	423, 425, 427, 429	0701618 85	0761009....331, 395, 397
355, 359, 363, 367,	0641420 409	0701619 379, 381	0761010.....71, 73
371, 375	0641504 65, 186, 196,	0711214 216, 228, 246	0761011.... 19, 21, 23, 25
0100079....343, 347, 351,	210, 222, 239, 275,	0711220 19, 21, 23, 25	076101227, 29, 111, 113,
359, 363, 367, 371	289, 555, 557, 561	0711224 ... 192, 202, 216,	154, 158, 162, 165,
0100081....192, 202, 216,	0641507 ... 331, 335, 339	228, 246, 269, 271,	169, 327, 383, 387,
228, 246, 284, 298,	0641605 559	331, 335, 339, 343,	395, 397
453, 555, 557, 559,	0641606 445, 447, 451	347, 351, 359, 363,	0761014.....99, 101, 103,
561, 563, 565, 567, 569	0641610 259, 261	367, 371	105, 117, 119, 121,
0140011431	0641612 59, 65	0711629 23, 25	154, 158, 162, 167,
0140043.....123	0641616 ... 343, 347, 351,	0721005 459	171, 173, 216, 228,
0181949.....59	355, 359, 363, 367, 375	0721006 259, 261	239, 246, 275, 282,
0200048.....457, 459	0641772 ... 331, 335, 339	0731005 99, 101, 103,	289, 296, 331, 335,
0270022.....513	0641812 ... 189, 199, 213,	105, 117, 119, 121, 457	393, 397, 555, 557,
0270092.....49	225, 243, 279, 293	0741606 216, 228, 246	559, 561
0270653.....53	0642012 453	0741607 ... 343, 347, 351,	076101571, 73, 186, 192,
0271998.....47	0642212 453	355, 367, 375	196, 202, 210, 216,
0272254.....445	0681608 216, 228, 393	0741608 371	222, 228, 239, 246,
0272427459	0681620 ... 461, 463, 465,	0760415 403	275, 282, 289, 296,
0272435....365, 369, 373	467	0760605 282, 296	335, 339, 387
0272448.....691	0681810 27, 29	0760606 ... 282, 296, 343,	0761016.....93, 117, 119,
0272521447	0681814 421	347, 351, 355, 359,	121, 216, 228, 246,
0272588.....689	0681822 421	363, 367, 375	282, 296, 339, 403
0272589.....361, 376	0682014 27, 29	0760607 ... 216, 228, 246,	0761018.....555, 557
0272725.....700	0682026 91	508	0761019.....383, 385
0272733.....700	0682040 67	0760608 ... 162, 167, 171,	0761210.....65, 216, 228,
0273145.....700	0682424 ... 461, 463, 465,	282, 296, 331, 335,	246
0273149.....700	467	339, 563, 565, 567, 569	

SECTION 11 - SPECIAL OPTIONS

0761212 ... 216, 228, 246, 351, 355, 367, 375, 385	1001095704.....655	1001117372.....471	1001137336 284, 298
0761214 ... 263, 335, 339, 343, 347, 359, 363, 371	1001096070.....343, 355, 549	1001118274.....284	1001137673 439, 695
0761215 17, 97, 339, 371	1001097051.....637	1001118378.....655	1001138173 283, 297
0761216 393	1001097150.....549, 551, 553	1001118384.....643	1001138175 283, 297
0761217 383, 385	1001097244.....455	1001118388.....641, 643	1001138228 217, 229, 247, 694
0761218 379, 381	1001098122.....433, 619	1001118666.....385	1001138248 217, 229, 247, 284, 298
0761620 85	1001098828.....393	1001118878.....217, 229, 247	1001138494 409, 411, 413, 423, 425, 427, 429
0771212 ... 210, 222, 239, 246	1001099366.....453	1001118971.....403	1001138514 409, 411, 413, 427, 429
0771414 ... 192, 202, 216, 228, 246, 269, 271, 331, 335, 343, 347, 351, 359, 363, 367	1001099367.....453	1001118972.....27, 29, 61, 63, 99, 101, 103, 105, 117, 119, 121, 276, 290	1001138565 343
0771416 ... 343, 347, 359, 363	1001099560.....383	1001119020.....647	1001138566 344, 348, 351, 355
0772018 85	1001100341.....621	1001119032.....655	1001138671 385
0860038 ... 347, 351, 363, 367, 371, 513	1001100342.....623	1001119278.....196, 222, 289	1001138773 700
0860520 ... 663, 665, 667, 669, 671, 673, 675, 677, 679, 681, 683	1001100346.....629	1001119619.....635	1001138795 477
0861538 ... 363, 367, 371	1001100347.....627	1001119620.....633, 637	1001138827 218, 230
0861572 359, 375	1001101191.....517, 521, 525, 529, 533	1001120328.....117, 119, 121, 123, 439, 441	1001139240 217, 229
0861731 ... 515, 527, 531, 535, 625, 627, 629	1001101196.....517, 521	1001120466.....699	1001139357 344, 348
0861781 ... 519, 523, 621, 623	1001101197.....525, 529, 533	1001120471.....455	1001139384 165, 167, 169, 171
0861880 549, 551	1001103012.....655	1001120477.....455	1001139586 23, 25
0902733 65	1001104029.....347, 351, 360, 364, 368, 372, 375	1001120484455	1001139654 239
0902734 65	1001104498.....655	1001120989.....686	1001139819 192, 202
0902888 ... 347, 351, 359, 363, 367, 371, 375	1001106736.....123	1001125387.....210, 222	1001140312 229
0940049 ... 117, 119, 121, 154, 158, 162	1001107854.....655	1001125677.....619, 656	1001140346 352
0940092 457, 459	1001108256.....457	1001126009.....643	1001140347 355
0940094 457, 459	1001110825.....431	1001126351.....591, 596	1001140429 407, 409, 411, 413, 423, 425, 427, 429
0940102 453	1001110872.....537, 631	1001126362.....591, 595	1001140564 218, 230
0940103 459	1001110873.....347, 351, 364, 368, 372, 513	1001126363.....591, 595	1001141300 686
0940177 457	1001111424.....111, 113, 192, 202	1001126364.....591, 595	1001141302 686
0961845 ... 407, 409, 411, 413, 423, 425, 427, 429	1001112551.....667	1001126365.....591	1001141304 217, 229, 247
0961893 477	1001112612.....647, 656	1001126391.....591, 595	1001141694 192, 202, 217, 229, 247
0961947 391	1001112796.....585, 647	1001126392.....591, 595	1001141870 259, 261
0961948 19, 21, 23	1001113047.....162	1001126485.....596	1001141995 283, 297
0961950 17, 383, 479, 481	1001113680.....669	1001126487.....596	1001142501 210, 222, 239, 259, 261
0961951 ... 192, 202, 216, 228, 246, 282, 296, 383	1001113961.....655	1001128527.....451	1001142643 352, 368
0962036 385	100111424.....217, 229	1001128556.....451	1001142646 352, 368
0962051 329	1001116208.....686	1001129408.....575	1001142683 149, 151, 694
0962270 421	1001116693.....619	1001129858.....348	1001142736 149, 151, 647
0962292 23	1001116710.....601	1001130492.....686	1001142938 592, 595
0962336 477	1001116720.....639, 641	1001131269.....663, 665, 675, 677	1001142940 592, 595
0962348 23, 25	1001116731.....585	1001132195.....192, 202	1001142941 592, 595
0962520 ... 343, 347, 351, 355, 359, 363, 367, 371, 375	1001116732.....607	1001132196.....192, 202	1001143390 192, 202, 217, 229, 247
1001001939 284	1001116734.....607	1001133714.....592, 596, 603	1001143797 217, 229, 247
1001091102 59, 175, 547	1001116774.....647	1001133715.....592, 596, 603	1001143852 686
1001091969 517	1001116808.....647	1001133956.....591, 596	1001144116 217, 229, 247
1001091970 521	1001116812.....595	1001133957.....591, 596	1001144147 585, 655
1001091973 525	1001116815.....577, 579, 581, 656	1001134289.....387, 391	1001144433 439
1001091974 529	1001116952.....591, 595	1001134488.....218, 230	1001144629 415, 417, 419, 423, 425
1001091975 533	1001116983.....601	1001134543.....85	1001146397 47, 55
1001093382 111, 113	1001117057.....607	1001135196.....186, 196, 210, 222, 239, 275, 289	1001146588 240, 247
	1001117106.....591, 656	1001135650.....592, 596, 603	1001147233 339, 372
	1001117107.....591, 595	1001135651.....592, 596	1001147264 591
	1001117110.....656	1001135679.....335, 351, 368	
	1001117140.....162	1001136358.....509	
	1001117172.....433	1001136834.....217, 229, 247	
	1001117174.....431, 433, 695	1001137005.....701	
	1001117294.....699	1001137032.....383, 385	
	1001117308.....217, 229, 247		

SECTION 11 - SPECIAL OPTIONS

1001147274.....49, 53	1001156819 275, 290	1001165405 217, 229,	1001168207.....269, 335,
1001147812.....283, 297	1001157196 431, 694	247	352, 368
1001147813.....284, 298,	1001157520 361, 365,	1001165406 217, 229,	1001168209.....473, 475,
694	369, 373, 376	247	489, 491
1001148059.....356, 375	1001157521 361, 365,	1001165531 395	1001168210.....473, 475
1001148138.....336, 339	369, 373, 376	1001165534 395, 397	1001168402.....393
1001148641.....186, 197,	1001157525 360, 375,	1001165538 395	1001168841.....383
332, 335, 344, 348,	376	1001165721 217, 229	1001168842.....383, 385
352, 356, 360, 364,	1001157528 361, 365,	1001165722 217, 229,	1001168843.....379
368, 375	369, 373, 376	247	1001168844.....379
1001148675.....537, 631	1001157592 364, 368,	1001165849 217, 229,	1001168845.....379
1001148841603	372	247	1001168848.....383
1001148842.....603	1001158007 361, 365,	1001166020 189, 192	1001168849.....383
1001148865.....49	369, 373, 376	1001166021 186, 189	1001168854.....379
1001148866.....49	1001158008 348, 352,	1001166022 186	1001168855.....97
1001148869.....53	361, 365, 369, 373, 376	1001166023 196	1001168992.....91
1001148870.....53	1001158363 348, 352	1001166478 65	1001169046.....154, 158,
1001148875.....47	1001159118 537, 631	1001166563 17	162
1001148876.....47	1001159119 537, 631	100116671099, 101, 103,	1001169054.....217, 229,
1001148902.....698	1001159120 537, 631	105	247, 283, 297
1001148903.....698	1001159121 631	1001166717 192, 202	1001169086.....61
1001148904.....698	1001159162 123	1001166718 193, 202,	1001169138.....217, 229,
1001148905.....698	1001159186 613	217, 229, 247, 269,	247, 283, 297
1001148906.....699	1001159256 431, 695	271, 283, 297	1001169185.....97
1001149160.....154, 158,	1001159323 162, 685	1001166894 329	1001169191.....93
162, 283, 297	1001161709 431, 695	1001166921 217, 229,	1001169192.....93
1001149639.....283, 297	1001161710 275, 289,	247	1001169193.....93
1001149953.....47, 49, 53,	695	1001166922 271	1001169284.....383, 385
55	1001162335 259	1001166924 217, 229,	1001169285.....383, 385
1001150324 17, 117, 119,	1001162531 71, 75	247	1001169286.....383, 385
121	1001162537 27, 29, 45	1001166970 210, 223,	1001169287.....383, 385
1001150326.....17	1001162538 71, 73, 83	239	1001169288.....383, 385
1001150918.....197, 222,	1001162995 17	1001166997 489	1001169289.....383, 385
289	1001163178 ... 19, 21, 23,	1001167036 189, 199,	1001169380.....383, 385
1001150998.....192, 202	25, 487	213, 243, 279, 293, 309	1001169496.....95
1001151393.....137, 139,	1001163179 ... 19, 21, 23,	1001167038 186, 196	1001169582.....95
141, 143	25	1001167108 591	1001169582.....95
1001152266.....659	1001163385 379, 483	1001167111 193, 202,	1001169611.....395, 397
1001152456.....348, 352	1001163386 383, 473	589	1001169761.....59
1001152457.....348, 352	1001163405 ... 19, 21, 23,	1001167159 154, 158	1001169823.....186, 197,
1001152483.....553	25	1001167164 323, 325,	211, 223, 239
1001152485.....547, 553	1001163418 99, 101	327	1001169955.....61, 63
1001152489.....217, 229,	1001163459 383	1001167512 186, 197,	1001169967.....217, 229,
247	1001163580 17, 471	210, 223, 239, 275, 289	247, 283, 297
1001152525.....348, 352,	1001163671 103, 105	1001167520 193, 202,	1001169973.....61
360, 365, 369, 373, 376	1001163715 19, 23	217, 229, 247	1001170035.....217, 229,
1001152530.....348, 352	1001163716 19, 21, 23	1001167565 393	247, 283, 297
1001152532.....344, 348,	1001163717 23, 25	1001167567 393	1001170145.....111
352, 356, 609	1001163722 23, 25	1001167596 393	1001170224.....321
1001153260.....348, 352	1001163724 23, 25	1001167632 595	1001170551.....154, 158,
1001154405.....210, 223,	1001163726 23, 25	1001167635 596	165
239, 259, 261	1001163959 27, 29	1001167916 71	1001170564.....403
1001154726.....607	1001164092 19	1001167918 162	1001170565.....403
1001155041335, 339,	1001164094 17	1001168018 193, 202,	1001170642.....403
372	1001164095 23	217, 229, 247, 269,	1001170650.....323
1001155043.....125, 127,	1001164209 ... 19, 21, 23	271, 283, 297, 332,	1001170662.....323
129	1001164493 699	335, 339, 344, 348,	1001170663.....323, 325
1001155044.....119, 125,	1001164709 479, 481	352, 360, 364, 368, 372	1001170664.....323, 325,
127, 129, 275, 289, 431	1001164817 471	1001168026 217, 229,	327
1001155045.....125, 127,	1001165035 210, 223,	247	1001170693.....193, 203,
129, 431, 695	239	1001168059 193, 202	205
1001155743.....117, 119,	1001165060 154, 158	1001168099 217, 229,	1001170736.....65
121	1001165363 489, 491	247	1001170764.....596, 659
1001155823.....210, 223,	1001165388 192, 203,	1001168166 217, 229,	1001170847.....399, 401,
239	217, 229, 247	247, 283, 297	403
1001156107186, 196,	1001165389 192, 202	1001168173 154, 158	1001170850.....154, 158
240			1001171067.....383, 385
			1001171112.....383

SECTION 11 - SPECIAL OPTIONS

1001171131 537	1001173808..... 555, 557, 559, 561, 649	1001179836..... 335, 339	1001187674 437
1001171324 383, 385	1001173810..... 363	1001179837..... 335, 339	1001187681 635
1001171499 698	1001173811..... 359	1001179893..... 336, 340	1001187807 145, 435
1001171667 383, 385	1001173898..... 501, 509	1001179903..... 217, 230, 247	1001188334 97
1001171953 189, 199, 213, 225, 243, 279, 293	1001173900..... 501, 509	1001180001..... 335, 339	1001188622 393
1001171954 189, 199, 213, 225, 243, 279, 293	1001173901..... 501, 509	1001180620..... 218, 230, 247, 283, 297	1001188731 332, 336, 340
1001171966 383, 385	1001173902..... 501, 509	1001180797 335	1001188844 393
1001171967 383, 385	1001173903..... 501	1001180798 331	1001188972 196, 223, 289
1001172045 698	1001173904..... 501	1001181045..... 549, 551, 694	1001189001 393
1001172064 596	1001173907..... 501, 509	1001181074..... 501, 509	1001189002 393
1001172065 596	1001173908..... 501, 509	1001181075..... 501, 509	1001189171 553, 694
1001172128 555, 557, 559, 561	1001173909..... 501	1001181145..... 686	1001189172 553, 694
1001172195 186, 197	1001173925..... 344, 348, 360, 364	1001181243..... 336, 340	1001189236 225, 313
1001172564 685	1001173927..... 555, 557, 559, 561	1001181249..... 559, 561, 563, 565, 567, 569	1001189237 225, 317
1001172565 685	1001173937..... 501	1001181895 230	1001190368 ... 19, 21, 23, 25
1001172570 685	1001173983..... 347	1001181895 230	1001190663 179, 181
1001172571 685	1001174040..... 393	1001181913 65	1001190921 656
1001172572 685	1001174098..... 154, 158, 162	1001182155 65	1001190985 393
1001172577 453	1001174158..... 356	1001182245 63	1001191275 500, 508
1001172578 453	1001174347..... 698	1001182250 63	1001191276 500, 508
1001172594 211, 223	1001174367..... 367	1001182296 332, 336, 340	1001191394 699
1001172620 685	1001174486..... 275, 289	1001182361 591, 596	1001191395 699
1001172630 698	1001174673..... 397	1001182365 591, 596	1001191620 218, 230, 247
1001172692 501, 509	1001174675..... 356, 360, 364, 368, 372, 375	1001182570 399, 401, 403	1001192292 639
1001172694 501	1001174783..... 199, 202	1001182806 179	1001192401 656
1001172695 501, 509	1001174784..... 197, 199	1001183206 698	1001193018 515, 517, 519, 521, 523, 525, 527, 529, 531, 533, 535
1001172696 501	1001174925..... 699	1001183207 698	1001193336 99, 101
1001172697 501, 510	1001174926..... 699	1001183407 699	1001193654 501, 509
1001172698 501, 509	1001175024..... 500, 508	1001183477 332, 336	1001194197 527
1001172699 501, 509	1001175068..... 321	1001184542 501, 509	1001194198 531
1001172703 501, 509	1001175071..... 321	1001184543 501, 509	1001194200 535
1001172707 501, 509	1001175073..... 329	1001184561 501	1001194203 519
1001172716 501, 509	1001175074..... 329	1001184562 501	1001194204 523
1001172717 501, 509	1001175170..... 559	1001184563 501	1001194365 515
1001172718 501, 509	1001175171..... 567	1001184618 663, 665, 667, 669, 671, 673, 675, 677, 679, 681, 683	1001195039 276, 290
1001172719 501, 509	1001175542..... 351	1001184626 431	1001195304 699
1001172721 501, 509	1001175631..... 348, 352	1001184637 332	1001196382 344, 348, 352, 356, 360, 364, 368, 375
1001172722 501, 509	1001176330..... 283, 297	1001184644 332	1001196589 655
1001172723 501, 509	1001176336..... 563, 565, 567, 569	1001184645 332	1001196602 655
1001172751 699	1001176469..... 141, 143	1001184682 181	1001196604 656
1001172757 117, 119, 121, 123	1001176848..... 19, 21, 23, 25	1001185281 431	1001196634 267, 587, 655, 694
1001172760 431	1001176862..... 537	1001185821 111, 113, 115	1001196636 655, 659
1001172816 147	1001176899..... 395, 397	1001186333 421	1001197017 457, 459
1001173342 211, 223, 240, 601	1001176952..... 541, 555, 557, 559, 561	1001186377 409	1001197272 500, 508
1001173354 154, 158, 162	1001177359..... 217, 229, 247	1001186379 411	1001197284 501, 510
1001173356 154	1001177524..... 698	1001186382 413	1001197408 671
1001173456 555, 557, 559, 561, 563, 565, 567, 569	1001177570..... 701	1001186383 419	1001197719 596
1001173535 282, 296	1001177570..... 701	1001186384 417	1001199035 685
1001173664 699	1001177840..... 698	1001186386 415	1001199036 685
1001173665 555, 557, 559, 561, 563, 565, 567, 569	1001177841..... 698	1001186431 439, 639	1001199177 107, 109
1001173703 686	1001178415..... 685	1001186432 639, 641, 643	1001199207 154, 158, 162
1001173761 555, 557, 559, 561	1001178435..... 686	1001186517 439	1001199901 154, 158, 162
1001173763 395, 397	1001178788..... 217, 229, 247	1001187077 656	1001200128 686
1001173807 555, 557, 559, 561, 571	1001178859..... 193, 203	1001187078 656	1001200129 686
	1001178876..... 217, 229	1001187382 393	1001200130 686
	1001178951..... 701	1001187383 393	1001200131 686
	1001179154..... 348, 352, 364, 369, 372	1001187522 332, 336, 340, 607	

SECTION 11 - SPECIAL OPTIONS

1001200132.....	686	1001209844.....	283, 297, 307	1001215801.....	275, 290	1001225431.....	233, 252, 694
1001200133.....	686	1001210037.....	700	1001215869.....	284, 298	1001225580.....	439, 641
1001200134.....	686	1001210636.....	455	1001216080.....	290	1001225794.....	699
1001200458.....	165	1001211336.....	103, 105	1001216396.....	275, 290	1001226400.....	541, 543
1001200491.....	393	1001211556.....	251	1001216397.....	275, 290	1001226531.....	539
1001200494.....	393	1001211633.....	162	1001216399.....	276, 290	1001226541.....	585, 656
1001201351.....	393	1001211636.....	162	1001216512.....	327	1001226636.....	585
1001201633.....	169	1001211794.....	283, 297	1001216547.....	327	1001226637.....	585
1001201634.....	169	1001211797.....	283, 297	1001216549.....	327	1001226739.....	575, 577, 579, 581, 585
1001201635.....	165	1001211877.....	323	1001216552.....	699	1001226799.....	577, 579, 581
1001201636.....	165	1001211878.....	323	1001216598.....	158	1001226872.....	407
1001202687.....	393	1001212223.....	368, 372, 375	1001216630.....	393	1001227453.....	575
1001202749.....	699	1001212257.....	275, 289	1001216655.....	501, 509	1001227633.....	437
1001202910.....	500, 508	1001212819.....	162	1001216805.....	340, 372	1001227634.....	437
1001202940.....	500	1001212822.....	162	1001216825.....	284, 298	1001227985.....	437
1001202941.....	501	1001212989.....	283, 297	1001216840.....	340	1001227987.....	437
1001202943.....	501	1001212993.....	283, 297	1001216914.....	698	1001227996.....	633, 637
1001202944.....	501	1001213029.....	340, 372	1001217342.....	339, 371	1001228092.....	379, 479
1001202946.....	501	1001213062.....	275, 289	1001217343.....	282, 296	1001228215.....	407
1001203434.....	555, 557	1001213305.....	283, 297	1001217344.....	339, 371	1001228224.....	437
1001203435.....	563, 565	1001213425.....	283, 297	1001217345.....	276, 290, 339, 371	1001228225.....	437
1001203459.....	563, 565, 567, 569	1001213426.....	283, 297	1001217494.....	275, 282, 290, 296	1001228243.....	425
1001203510.....	700	1001213447.....	619	1001217785.....	275, 289	1001228375.....	429
1001203512.....	700	1001213448.....	117, 119, 121	1001218538.....	177	1001228376.....	423
1001203655.....	421	1001213482.....	283, 297	1001218676.....	177	1001228377.....	427
1001204481.....	699	1001213599.....	275, 289, 599	1001219130.....	177	1001228406.....	154, 158, 162
1001204482.....	699	1001213824.....	283, 297	1001219134.....	162	1001228487.....	85, 88
1001204510.....	667, 686	1001213882.....	431	1001219601.....	123	1001228492.....	85
1001204715.....	399, 401, 403	1001214029.....	686	1001219794.....	699	1001228954.....	577
1001204725.....	393	1001214138.....	283, 297	1001220004.....	699	1001228955.....	577
1001204963.....	700	1001214205.....	283, 297	1001220266.....	240	1001228988.....	451, 689, 691
1001204996.....	698	1001214207.....	189, 199, 213, 243, 279, 293	1001220379.....	592	1001229341.....	437
1001204997.....	698	1001214233.....	283, 297	1001221402.....	137	1001229795.....	605
1001205008.....	698	1001214234.....	283, 297	1001221403.....	139	1001229796.....	605
1001205009.....	698	1001214269.....	297	1001221405.....	141	1001229798.....	276, 290, 605
1001205958.....	525, 527, 529, 531, 533, 535	1001214276.....	283, 297	1001221927.....	383, 389	1001230635.....	218, 230, 247
1001206314.....	154, 158, 162	1001214277.....	283, 297	1001222043.....	162	1001230907.....	545
1001206402.....	162	1001214278.....	283, 297	1001222044.....	162	1001230908.....	343
1001206404.....	162, 167	1001214279.....	283, 297	1001222139.....	137	1001230934.....	591, 596
1001206405.....	167	1001214307.....	283, 297	1001222140.....	139	1001230935.....	591, 596
1001206437.....	698	1001214307.....	283, 297	1001222142.....	141	1001230936.....	591, 596
1001206439.....	699	1001214502.....	275, 290	1001222142.....	141	100123119599, 101, 103, 105	
1001206440.....	699	1001214508.....	283, 297	1001223055.....	663, 665	1001231235.....	701
1001206440.....	699	1001214508.....	283, 297	1001223122.....	247, 344, 348, 352, 356, 360, 364, 368, 376	1001231801.....	685
1001206476.....	539	1001214546.....	340, 372	1001223309.....	325	1001231886.....	179
1001206532.....	431	1001214553.....	283, 297	1001223310.....	325	1001231949.....	467
1001206625.....	479, 481	1001214555.....	283, 297	1001223328.....	325	1001231950.....	463, 465
1001206917.....	99, 103, 107	1001214556.....	283, 297	1001223387.....	162	1001232010.....	463, 465, 467
1001207332.....	501, 509	1001214558.....	283, 297	1001223453.....	663, 675, 683	1001232011.....	463, 465, 467
1001207333.....	501, 509	1001214570.....	539	1001223454.....	325	1001232026.....	663, 665, 667, 669, 671, 673, 675, 677, 679, 681, 683
1001207340.....	500	1001214571.....	539	1001223459.....	591, 595	1001232164.....	437
1001207349.....	99	1001214598.....	283, 298	1001223971.....	675, 677	1001232165.....	437
1001207349.....	99	1001214599.....	284, 298	1001224048.....	681	1001232545.....	255
1001207350.....	103	1001214664.....	284, 298	1001224049.....	683	1001232642.....	441
1001207726.....	171	1001214694.....	284, 298	1001224050.....	673	1001232667.....	441
1001208874.....	71, 73	1001214833.....	699	1001224052.....	669		
1001208994.....	393	1001214841.....	284, 298	1001224053.....	679		
1001209059.....	701	1001214909.....	339	1001224888.....	395, 397		
1001209432.....	539	1001214910.....	371	1001225346.....	539		
1001209474.....	539	1001214975.....	193, 203	1001225430.....	233, 252, 694		
1001209618.....	179	1001215125.....	284, 298				
1001209664.....	439	1001215228.....	431				
1001209677.....	547	1001215259.....	275, 290				
1001209832.....	547	1001215373.....	123				
		1001215523.....	372				

SECTION 11 - SPECIAL OPTIONS

1001232842 267	1001236250..... 275	1001238932..... 113	1001246374 29
1001232907 173	1001236252..... 289	1001239202..... 595	1001246456 579
1001232908 173	1001236254..... 275, 279	1001239293..... 119, 125,	1001246457 581
1001232913 173	1001236256..... 279, 282	141	1001246520 21
1001232915 173	1001236257..... 283, 297	1001239294..... 117, 127	1001246521 25
1001232916 173	1001236258..... 290, 293	1001239512..... 117, 119,	1001246551 21, 25
1001232917 173	1001236259..... 293, 296	121	1001246773 401
1001233048 173	1001236303..... 113	1001239802..... 59	1001246859 123, 655
1001233075 173	1001236304..... 539	1001241340..... 698	1001247073 700
1001233076 173	1001236393..... 283, 297,	1001241396..... 699	1001247254 698
1001233077 173	301	1001241402..... 699	1001247358 59
1001233079 700	1001236496..... 699	1001241547..... 700	1001247359 284, 298
1001233139 19, 21, 25	1001236504..... 539	1001241548..... 700	1001247393 509
1001233412 173	1001236505..... 539	1001241965..... 441	1001247394 509
1001233413 173	1001236552..... 441	1001241994..... 508	1001247395 509
1001233436 173	1001236653..... 385, 491	1001242106..... 119	1001247396 509
1001233763 223, 267	1001236680..... 685	1001242134..... 508	1001247397 509
1001233774 383	1001236746..... 467	1001242139..... 563, 565,	1001247398 509
1001233893 379, 383	1001236747..... 463	567, 569	1001247402 509
1001233896 379	1001236780..... 247	1001242177 397	1001247436 563, 565
1001233959 145, 435	1001236891..... 461, 463,	1001242180..... 563, 565,	1001247437 569
1001233972 555, 557	465, 467	567, 569	1001247438 567
1001234229 399	1001236895..... 461, 463,	1001242190..... 563, 565,	1001247453 563, 565,
1001234425 663, 665	465, 467	567, 569	567, 569
1001234426 663, 665	1001236965..... 117	1001242191..... 563, 565,	1001247468 393
1001234428 679	1001237036..... 561	567, 569	1001247577 509
1001234429 679	1001237137..... 559	1001242639..... 698	1001247655 375
1001234430 681	1001237138..... 381	1001242851 149	1001247656 355
1001234431 683	1001237139..... 381	1001242852..... 151	1001247683 698
1001234432 683	1001237142..... 385	1001242864..... 385	1001247904 698
1001234433 675, 677	1001237143..... 379, 381	1001243183 698	1001247996 510
1001234434 675, 677	1001237527..... 685	1001243184..... 698	1001247997 510
1001234435 673	1001237544..... 435	1001243414..... 154, 158,	1001247998 510
1001234436 673	1001237546..... 145	162	1001247999 509
1001234437 669	1001237549..... 173	1001243755 397	1001248003 509
1001234438 669	1001237667..... 619, 655	1001243756 397	1001248004 509
1001234439 667, 671	1001237668..... 619, 655	1001243869 329	1001248140 461, 463,
1001234599 663	1001237697..... 385, 475	1001243870 329	465, 467
1001234601 679	1001237698..... 381, 485	1001243895 267	1001248141 461, 463,
1001234602 681	1001237699..... 381, 481	1001244019 269	465, 467
1001234603 683	1001237822..... 117, 119,	1001244024 271	1001248180 543, 563,
1001234604 675	121	1001244212 685	565, 567, 569
1001234605 673	1001237862..... 633, 637	1001244283 239	1001248181 563, 565,
1001234606 669	1001237863..... 437, 637	1001244462 175	567, 569, 651
1001234607 671	1001237864..... 437, 633	1001244541 563, 565,	1001248182 563, 565,
1001234608 685	1001237865..... 437, 635	567, 569	567, 569, 573
1001234619 667	1001237882..... 699	1001244545 563, 565,	1001248183 555, 557,
1001234620 665	1001237883..... 699	567, 569	559, 561, 563, 565,
1001234621 677	1001237949..... 385	1001244976 431	567, 569, 615, 653
1001234622 685	1001238138..... 555, 557,	1001245195 51	1001248190 356, 376
1001234800 591, 595	559, 561	1001245196 51	1001248396 381
1001234811 387, 391	1001238168..... 387	1001245197 51	1001249356 73, 79
1001235528 131, 133,	1001238254..... 431, 619	1001245198 51	1001249357 73
135	1001238263..... 461, 463,	1001245211 51	1001249499 698
1001235529 131, 133,	465, 467	1001245305 240	1001249695 701
135	1001238319..... 437	1001245379 129, 135	1001249941 701
1001235531 125, 131	1001238328..... 385, 387	1001245380 121, 129	1001250199 563, 565,
1001235535 685	1001238333..... 387	1001245410 685	567, 569
1001235585 681	1001238398..... 387	1001245759 29, 43	1001250287 154, 162
1001235830 385	1001238418..... 441, 643	1001245827 143	1001250288 158
1001235831 385	1001238421..... 393, 699	1001245831 143	1001250289 154, 158,
1001235832 381, 385	1001238463..... 465	1001245913 603	162
1001235833 381	1001238472..... 441	1001245993 121	1001250451 385
1001235949 218, 230,	1001238495..... 439	1001246087 177	1001250474 509
247, 261	1001238559..... 441	1001246142 698	1001250477 509
1001236087 435	1001238887..... 127, 133	1001246144 579	1001250478 509
1001236091 145	1001238911..... 247	1001246145 581	

SECTION 11 - SPECIAL OPTIONS

1001250681.....117, 119, 121	1001269297..... 57	1001281461..... 700	1001302964.....223, 225
1001251075.....383, 489	1001269298..... 57	1001281656..... 263, 265	1001302969.....210
1001251612.....685	1001269322..... 445, 447, 451	1001281985..... 218, 230	1001302973.....222
1001251692.....685	1001269573..... 445, 447, 451	1001281986..... 218, 230	1001303167.....701
1001251723.....685	1001269629..... 699	1001282215..... 700	1001311034.....441
1001252527.....591, 596	1001269630..... 699	1001282532..... 117, 119, 121, 659	1060341.....457, 459
1001252541.....29, 37	1001269631..... 699	1001283776..... 147, 645	1060343.....364, 368, 372
1001252629.....461, 463, 465, 467	1001269655..... 700	1001284515..... 701	1060494.....332, 336, 340
1001252922.....501, 509	1001270594..... 147	1001284678..... 685	1060626.....196, 222, 289
1001252923.....501, 509	1001270716..... 701	1001285010..... 27	1060903.....457, 459
1001254472.....441	1001270755..... 701	1001285142..... 162, 171	1060908.....549, 551, 553
1001254473.....441	1001271497..... 619	1001285143..... 162	1060918.....433
1001254980.....509	1001272166..... 699	1001285517..... 154, 158, 169	1062255.....240
1001255133.....393	1001272659..... 583	1001285518..... 154, 158	10702077..360, 365, 369, 373, 376
1001255807.....698	1001272681..... 149	1001285636..... 263	10702082..360, 365, 369, 373, 376
1001255901.....587	1001272682..... 151	1001285811..... 175, 699	10740145.....79
1001256412.....699	1001272997..... 587	1001285871..... 698	10836804...125, 127, 129
1001256413.....699	1001273012..... 583, 587	1001285891..... 175	1120555.....453
1001256414.....701	1001274249..... 701	1001285892..... 175	1260017.....95
1001256506.....592	1001274559..... 125, 127, 129, 431, 695	1001286148..... 101, 105, 109	1300018.....57
1001256507.....591	1001274829..... 699	1001286149..... 101	1320016.....192, 202
1001256879.....240	1001274830..... 699	1001286150..... 105	1320061.....239
1001256906.....685	1001274832..... 699	1001287536..... 263	1320176.....321
1001257271.....461	1001275628..... 431, 694	1001287552..... 263	1320187....186, 196, 210, 222, 239
1001257274.....461	1001275629..... 431, 694	1001288113..... 263	1320190....186, 196, 210, 222, 239
1001257275.....461	1001275635..... 500, 508	1001288195..... 403	1320218.....59
1001258005.....461	1001275642..... 700	1001288384..... 698	1320220.....59
1001258230.....699	1001275643..... 700	1001289831..... 700	1320223.....196, 222, 289
1001258715.....699	1001275644..... 700	1001289832..... 700	1320224.....187, 197
1001258800.....355, 375	1001276007..... 698	1001289905..... 701	1320302.....445, 447, 451
1001258804.....247	1001276008..... 698	1001289906..... 701	1321283.....275, 289
1001258895.....55	1001276610..... 583	1001290385..... 265	1321716.....99, 101, 103, 105, 216, 228, 246, 331, 335, 343, 348, 352, 355, 360, 364, 368, 375
1001258896.....55	1001276643..... 218, 230, 247, 595	1001291401..... 218, 230, 248	1380147.....329
1001258897.....55	1001276923..... 698	1001292585..... 701	1580011.....282, 296
1001258898.....55	1001277432..... 193, 203, 248	1001293086..... 344, 356, 545	1580012.....443
1001260412.....218, 230, 247	1001277589..... 248, 251	1001293176..... 698	1580013.....699
1001260420.....218, 230, 247	1001277594..... 243, 246	1001294763..... 698	1670603.....515
1001261045.....355, 375	1001277600..... 240, 243	1001295060..... 265	1670769....563, 565, 567, 569
1001261085.....355, 375	1001278022..... 27, 41	1001295061..... 265	1671092....364, 369, 372
1001262016.....700	1001280340..... 123, 694	1001295062..... 265	1671093.....445
1001262102.....700	1001281192..... 355, 375	1001295063..... 265	1684290.....471
1001262103.....700	1001281298..... 263, 265	1001295064..... 265	1700818.....685
1001262104.....700	1001281301..... 263, 265	1001295067..... 265	1701499....663, 665, 667, 669, 671, 673, 675, 677, 679, 681, 683
1001262105.....700	1001281302..... 265	1001295068..... 265	1701500....663, 665, 667, 669, 671, 673, 675, 677, 679, 681, 683
1001262322.....575	1001281304..... 263	1001296426..... 617	1701504....663, 665, 667, 669, 671, 673, 675, 677, 679, 681, 683
1001262326.....575	1001281305..... 263	1001297092..... 265	1701505....186, 196, 210, 222, 239, 685
1001262959.....701	1001281307..... 263	1001297093..... 265	1701509....453, 663, 665, 667, 669, 671, 673, 675, 677, 679, 681, 683
1001263176.....181	1001281309..... 263	1001297094..... 265	1701518.....667, 671
1001263800.....477	1001281310..... 263, 265	1001297385..... 131	
1001264991.....387, 477	1001281311..... 263, 265	1001297386..... 135	
1001265163.....455	1001281359..... 263, 265	1001297390..... 133	
1001265342.....455	1001281360..... 263, 265	1001299569..... 699	
1001266056.....700	1001281380..... 265	1001299766..... 117, 119, 121, 613	
1001266098.....700	1001281421..... 699	1001301483..... 117, 119, 121, 655	
1001266290.....699	1001281452..... 700	1001302868..... 17	
1001266489.....700	1001281453..... 700	1001302954..... 218, 230, 233	
1001267304.....685	1001281454..... 700	1001302955..... 213, 216	
1001267305.....685	1001281455..... 700	1001302956..... 225, 228	
1001268751.....699	1001281456..... 700	1001302961..... 211, 213	
1001268820.....445, 447, 449	1001281457..... 700		
1001268997.....509	1001281458..... 700		
1001268998.....509	1001281460..... 700		

SECTION 11 - SPECIAL OPTIONS

1701529 ... 663, 665, 667, 669, 671, 673, 675, 677, 679, 681, 683	1704000 675, 677, 685	2180832.....210, 222, 239	2560187 ... 165, 167, 169, 171
1701542 275, 289, 685	1704001683	2200261.....193, 203, 248	2580024.... 196, 222, 289
1701543 275, 289, 685	1704002 669	2220124.....93	2580062 202
1702300 ... 663, 665, 667, 669, 671, 673, 675, 677, 679, 681, 683	1704174685	2220238.....65, 97	2600281... 415, 417, 419, 423, 425
1702565 431	1704175685	2220261.....59, 282, 296	2720015 216, 228, 246
1702566 431	1704260431	2220273.....93	2720058... 186, 196, 284, 298
1702567 431	1704271685	2220313....186, 196, 210, 222, 239	2720144 59
1702631 673	1704277 ... 663, 665, 667, 669, 671, 673, 675, 677, 679, 681, 683	2220315.....282, 296	2720271 284, 298
1702773 421, 685	1704412 ... 663, 665, 667, 669, 671, 673, 675, 677, 679, 681, 683	2220366.....500, 508	2720340 216, 228, 246
1702788 685	1704578 65	2220371500, 508	2720392 59
1702861 685	1704885685	2220372.....65, 500, 508	2720398 192, 203
1702868 ... 451, 663, 665, 685, 691	1704972686	2220373.....500, 508	2720447 192, 203
1702938 459	1705014421	2220374.....500, 508	2720615 284, 298
1702941 196, 222, 289	1705305 ... 451, 689, 691	2220375.....500, 508	2720644 282, 296
1702942 196, 222, 289	1705325517, 519	2220446.....500, 508	2750532... 186, 196, 210, 222, 239
1702943 196, 222, 289	1705351663, 665	2220468.....500, 508	2752500 501, 509
1702944 196, 222, 289	1705355689, 691	2220472.....508	2780267 27, 33
1702968 65	1705358685	2220473.....500, 508	2780268 27, 31
1703162 ... 192, 202, 216, 228, 246, 282, 296	1705374 ... 347, 351, 537, 631	2220497.....500, 508	2820019 611
1703229 683	1705375 365, 369, 373	2220500.....500, 508	2820031 ... 331, 335, 339, 343, 347, 351, 355, 359, 363, 367, 371, 375
1703479 685	1705387 ... 347, 351, 365, 369, 373	2220501.....500, 508	2820035 267
1703797 663, 665	1705426679	2220502.....500, 508	2820247 633, 637
1703798 663, 665	1705427681	2220579.....65	2840016 329
1703804 663, 665	1705429 675, 677	2220582.....500, 508	2860030... 137, 139, 141, 143, 694
1703805 663, 665	1705430673	2220596.....500, 508	2900756 45
1703923 683	1705460 ... 361, 365, 369, 373, 376	2220600.....500, 508	2900770 . 75, 79, 80, 473, 475, 489, 491
1703924 675, 677	1705461 361, 376	2220603.....500, 508	2900792 477
1703925 673	1705489 ... 343, 355, 361, 375, 376	2220628.....500, 508	2901443 701
1703926 679	1705822 667, 671	2220648.....59	2902065... 192, 203, 216, 228, 246, 305
1703927 681	1705828 667, 671	2220695.....500, 508	2902212 453
1703928 669	1705910683	2220726.....500, 508	2902217 445, 447
1703930 675, 677	1705921 667, 671	2220767.....210, 222	2902266 471
1703931 673	1705961 667, 671	2220775.....500, 508	2902443 ... 589, 591, 595
1703932 679	1706059686	2220881....473, 475, 489	2902549 545, 551
1703933 681	1706060686	2220883...43, 45, 76, 80, 83, 471, 475, 479, 481, 491	2915102 701
1703934 669	1706061686	2220885....485, 489, 491	2920028 459
1703935 683	1706062686	2220886.....489, 491	2920029 459
1703936 675, 677	1706063686	2220887 107, 109, 481	2940045 171
1703937 673	1706064686	2220906.....500, 508	2940074 ... 415, 417, 419, 423, 425, 694
1703938 679	1706098686	2220923.....500, 508	2940173... 165, 167, 169, 171
1703939 681	1706385421	2220946.....500, 508	3020008 29
1703940 669	2030010 ... 445, 447, 451	2220947.....500, 508	3020039 17
1703941 683	2060025 192, 202	2220998.....500, 508	3250872 65
1703942 675, 677	2060404 500, 509	222102459	3251102 343, 355
1703943 673	2080040 ... 355, 415, 417, 419, 423, 425, 547	2221040.....500, 508	3251242 ... 515, 521, 523, 525, 527, 529, 531, 533, 535
1703944 679	2110810 500, 508	2221052.....65	3251243... 331, 335, 339, 347, 351, 365, 369, 373, 663, 665, 669, 675, 677, 683
1703945 681	2110812 500, 508	2221086.....45, 500, 508	3252347 663, 665
1703946 669	2111216 500, 508	222119759	3252764... 359, 364, 367, 371, 375
1703947 683	2131212 500, 508	2400060....267, 455, 619	3271601 154, 158, 162
1703948 675, 677	2131216 500, 508	2400066.....607	
1703949 673	2171208385	2400082.....605, 694	
1703950 679	2180348 ... 186, 196, 275, 289	2410014.....421	
1703951 681	2180387 59	2420203....331, 336, 340	
1703952 669	2180388 59	24431386.....276, 290	
1703953 663, 665	2180389 59	2460048.....359, 363	
1703980 679	2180418 59	2460055.....331	
1703981 681	2180504 284, 298	2540020.... 147, 149, 151	
1703982 673		2540049....563, 565, 567, 569	
1703983 683		2560136.....431	
1703984 675, 677			
1703985 669			

SECTION 11 - SPECIAL OPTIONS

3271605.....461, 463, 465, 467	3300151 ... 407, 409, 411, 413, 423, 425, 427, 429, 445, 447, 451	3520189 360, 376	3960389.....173
3271805.....421	3300220 ... 111, 113, 192, 202, 217, 229	3520192 360, 376	3960407.....192, 202
3272001.....461, 463, 465, 467	3300353 431	3520198 ... 407, 409, 411, 413, 415, 417, 419, 423, 425, 427, 429	3960422....347, 351, 364, 367, 371, 513, 537, 631
329040159	3300396 ... 348, 352, 360, 365, 369, 372, 376	3573400 445, 447, 451	3960526.....27, 29
3290405....147, 149, 151, 175, 403, 455, 515, 517, 519, 521, 523, 525, 527, 529, 531, 533, 535	3300408 145	3574091 459	4010405.....547
3290505....347, 351, 360, 364, 367, 371, 375	3300430 439	3575359 457	4010618....409, 411, 413, 427, 429
3290601....165, 167, 169, 171, 179, 181, 500, 508	3310401 216, 228	3577121 445, 447, 451	4031505.....437
3290605....111, 113, 117, 119, 121, 123, 149, 151, 162, 171, 186, 192, 196, 202, 210, 216, 222, 228, 239, 246, 275, 289, 323, 325, 327, 331, 335, 339, 343, 347, 351, 355, 360, 364, 367, 371, 375, 403, 545, 547	3310601 329	3580158 331	4031507.....175
3290606....409, 411, 413, 427, 429	3311001 ... 259, 261, 331, 335, 339, 348, 352, 360, 365, 369, 372, 376	3580276 331	4031509....147, 149, 151
3290607.....282, 296	3311005 445, 447, 451	3580317 ... 343, 347, 351, 355, 360, 364, 367, 371, 375	4031516.....441
3290801.....282, 296	3311401 457, 459	3580318 ... 347, 351, 364, 367, 371	4031914.....216, 228, 246
3290805.....65, 186, 192, 196, 202, 210, 216, 222, 228, 239, 246, 269, 271, 275, 282, 289, 296, 323, 325, 327, 331, 335, 339, 343, 347, 351, 360, 364, 367, 371, 375, 539, 555, 557, 559, 561, 563, 565, 567, 569	3311405 ... 441, 515, 517, 519, 521, 523, 525, 527, 529, 531, 533, 535, 539, 663, 665, 667, 669, 671, 673, 675, 677, 679, 681, 683	3580319 ... 343, 355, 360, 375	4032014....335, 351, 367
3290806.....393	3311501 ... 107, 117, 119, 121, 154, 158, 162, 457, 459	3580320 ... 335, 343, 347, 351, 360, 364, 367	4032015....343, 347, 360, 364
3291001....117, 119, 121, 216, 228, 246, 282, 296, 393	3311505 154, 158	3600242 225	4060802....332, 335, 339, 343, 347, 351, 355, 360, 364, 367, 371, 375
329100593, 99, 101, 103, 105, 117, 119, 121, 154, 158, 162, 165, 167, 169, 171, 173, 186, 192, 196, 202, 210, 216, 222, 228, 239, 246, 275, 282, 289, 296, 327, 331, 335, 339, 387, 393, 395, 397, 403, 555, 557, 559, 561, 563, 565, 567, 569	3311601 59, 154, 158, 162, 431, 441	3641569 457	4060805....192, 203, 216, 228, 246, 284, 298
3291201.....97, 282, 296, 335, 339, 343, 347, 351, 355, 360, 364, 367, 371, 375, 393	3311605 65, 216, 228, 259, 261, 421, 445, 447, 451	3740067 ... 111, 113, 192, 202, 694	4070450.....67
3291205....329, 379, 381, 383, 385, 393	3311705 331, 335, 339	3740080 ... 332, 335, 339, 607	4070560.....67
3291602.....85	3311801 27	3740086 643	4070561.....67
3291605.....379, 381	3312002 ... 461, 463, 465, 467	3740140 192, 202, 694	4070897.....383, 385
3292001.....97	3312005 67, 453	3760133 383, 385	4070898.....383, 385
3300106.....27, 29	3312205 453	3760170 67, 95	4071009.....85
	3321001 ... 111, 113, 192, 202, 217, 229	3790012 ... 119, 121, 275, 289, 431	4160182.....154, 158
	3331211 ... 269, 271, 331, 335, 343, 347, 351, 360, 364, 367, 371	3790045 225	4240018....500, 509, 537, 631
	3340956 453	3790152 ... 189, 199, 213, 225, 243, 279, 293	4240032....117, 119, 121, 147, 216, 228, 248, 575, 577, 579, 581, 583
	3420352 67	3820001 65, 663, 665, 667, 669, 671, 673, 675, 677, 679, 683	4240033....437, 439, 441, 555, 557, 559, 561
	3420372 67	3820020 ... 415, 417, 419, 423, 425	4240099....117, 119, 121, 149, 151, 186, 192, 196, 202, 210, 216, 222, 228, 246, 267, 275, 282, 289, 296, 332, 335, 339, 343, 347, 351, 355, 360, 364, 367, 371, 375, 431, 445, 447, 457, 459
	3421565 95	3841143 . 19, 23, 25, 186, 196, 210, 222, 239, 275, 289, 383, 387, 393	4240149.....453
	3422532 ... 186, 196, 210, 222, 239, 275, 289	3841203 17, 379, 381, 385	4280296.....61, 63
	3422848 23, 25	3841258 379, 381	4360057....457, 459, 695
	3422861 387	3841340 ... 555, 557, 559, 561, 563, 565, 567, 569	4360070....348, 352, 360, 365, 369, 372, 376
	3422867 387	3841520 21, 25	4360274.....143
	3423304 19, 21, 23, 25	3900054 421	4360328....119, 121, 695
	3430616 431	3900267 348, 352	4360336....332, 335, 339, 343, 347, 351, 355, 360, 364, 367, 371, 375, 695
	3430820 329	3900295 23, 25	4360387....141, 143, 431, 459, 695
	3450404 329	3900300 348, 352	4360407.....431, 695
	3460334 453	3900332 59	4360469....137, 139, 141, 143
	3470003 431	3900349 431	4360476....125, 127, 129, 695
	3520028 331, 336, 340	3910408 216, 228	4360517.....97
	3520054 ... 192, 202, 216, 228, 246, 431	3910606 ... 347, 351, 364, 367, 371, 537, 631	4360542....331, 336, 340
	3520071 453	3910610 329, 513	4400275.....59
	3520072 ... 407, 409, 411, 413, 415, 417, 419, 421, 423, 425, 427, 429	3910804 ... 137, 139, 141, 143	4420014.....453
		3931408 439	4420037....445, 447, 451
		3931512 216, 228, 246	
		3931618 ... 189, 199, 213, 243, 279, 293	
		3931620 225	
		3931628 335, 351, 367	

SECTION 11 - SPECIAL OPTIONS

4420051	65, 685	589, 591, 592, 595,	4460930.....	119, 276, 290,	429, 439, 441, 515,
4420066	453	599, 607, 615, 619,	571, 573, 589, 592,	571, 519, 521, 523,	517, 519, 521, 523,
4420068	459	635, 641, 643, 645,	595, 655	525, 527, 529, 531,	525, 527, 529, 531,
4460019	595	647, 653, 655, 656	4460931.....	117, 119, 615,	533, 535
4460027 ...	331, 336, 340	4460467	645, 653, 655, 656	4711500... ..	111, 113, 154,
4460042 ...	592, 595, 599,	4460470 ...	4460932.....	455, 587, 601	158, 186, 196, 210,
655	431	4460471 ...	4460933.....	619, 647, 656	216, 222, 228, 239,
4460043	267, 591, 595	431	4460941.....	601, 635	246, 275, 289
4460049	457, 459	4460473	4460942.....	437, 592, 595,	4711600... ..
4460071 ...	347, 351, 364,	541, 543	601	154, 158, 162,	259, 261, 343, 347,
367, 371, 433, 513		4460496 ...	4460943.....	123, 635, 655	351, 355, 360, 364,
4460115	596	4460497 ...	4460944.....	591, 592, 595	367, 375, 431, 461,
4460134	332, 336, 340	4460508 ...	4460956.....	549, 551	463, 465, 467
4460138	332, 336, 340	4460509	4460957.....	549, 551	4711700... ..
4460183	619, 655	541, 543	4460958.....	631	121, 332, 335,
4460190	331, 336, 340	4460510	4460961.....	331, 336, 340	339
4460205	513	4460518	4460962.....	445	4711800.....
4460225 ...	360, 364, 367,	4460536 ...	4460963.....	365, 369, 372	4712000... ..
371, 609, 611, 619		123, 399, 401,	4460967.....	655	453, 461, 463,
4460226 ...	433, 457, 639,	403, 571, 573, 615,	4460968.....	519, 523	465, 467
656		619, 649, 651, 653	4460970.....	619	4712200.....
4460227	619	4460539 ...	4460977.....	605	453
4460234 ...	117, 119, 121,	399, 401, 403,	4461005.....	589	4740086
147, 431, 457, 459,		571, 573, 595, 615,	4461008.....	589, 591, 595	19, 21, 23, 25
575, 577, 579, 581		619, 649, 651, 653, 659	4461052.....	589	4740155
4460247	591, 595	4460612	4461054.....	592, 595	23, 25
4460259 ...	455, 613, 619,	4460662 ...	4461070.....	591, 647	4740158
656		515, 527, 531,	4461071.....	589, 591, 595	17
4460260 ...	455, 613, 617,	535	4461072.....	589, 591, 595	4740397.....
619, 656		4460693	4461073.....	589, 591, 595	119
4460267	619	4460702	4461074.....	589, 591, 595	4740491.....
4460268 ...	331, 336, 340,	4460703 ...	4461077.....	635, 643	23, 25
609, 611		591, 595, 656	4461095.....	589, 591, 647	4750600.....
4460313	589, 655, 659	4460705 ...	4461109.....	599	329
4460315	513	331, 336, 340	4461111.....	599	4751000.....
4460321 ...	331, 336, 340	4460708	4461113.....	599	99, 101, 103,
4460346 ...	347, 351, 364,	4460722	4461121.....	599	105, 332, 335, 339,
367, 371, 513		267	4461122.....	599	445, 447, 451
4460384	515	4460742	4461123.....	599	4751400... ..
4460418	613, 619	4460746	4461124.....	599	443, 445, 447, 451,
4460419	613, 619	4460748	4461196.....	621	457, 459, 539, 663,
4460424	656	4460748	4461198.....	519, 621	665, 667, 669, 671,
4460425 ...	348, 352, 360,	4460761	4461199.....	623	673, 675, 677, 679,
365, 369, 372, 376,		4460806 ...	4461201.....	523, 623	681, 683
457, 459, 537, 631		525, 527, 529,	4461205.....	625, 627	4751500... ..
4460426 ...	348, 352, 360,	531	4461244.....	527, 625	332, 335, 339,
365, 369, 372, 376		4460807	4461245.....	531, 627	457, 459
4460428	431	609, 611	4461246.....	535, 629	4751600... ..
4460434	619	4460808	4461249.....	629	216, 228, 445,
4460458	591, 596, 656	609, 611	4520216.....	49	447, 451
4460464 ...	149, 151, 399,	4460865	4520240.....	53	4751800.... ..
401, 403, 433, 455,		541, 543	4520259.....	47	421, 457, 459
571, 573, 585, 587,		4460866	4640261.....	65	4752000.....
601, 607, 615, 619,		619, 656	4640452.....	489, 491	67
641, 643, 645, 647,		4460871 ...	4640509.....	477	4760600.....
649, 651, 653, 655, 656		179, 181, 613,	4640751.....	216, 228, 246	513
4460465 ...	147, 179, 181,	617, 619, 655, 659	4640858.....	471	4761000... ..
399, 401, 403, 455,		4460872	4641122.....	47, 49, 51, 53,	111, 113, 192,
541, 543, 571, 573,		659	55, 57	202, 217, 229	202, 217, 229
585, 589, 591, 592,		4460873	4641390.....	479, 481	4761400.....
595, 599, 609, 611,		619, 655	4710400.....	216, 228	443
615, 619, 639, 641,		4460874	4711000.....	117, 119, 121,	4770600.....
647, 649, 651, 653,		619, 659	259, 261, 348, 352,	147, 149, 151,	329
655, 656, 659		4460875	360, 365, 369, 373, 376	403, 455, 515, 517,	4811400... ..
4460466 ...	117, 119, 276,	4460876	4711400.....	165, 167, 169,	147, 149, 151,
290, 437, 455, 541,		613	171, 407, 409, 411,	179, 181, 186, 192,	403, 455, 515, 517,
543, 571, 573, 585,		4460905 ...	413, 423, 425, 427,	196, 202, 210, 222,	519, 521, 523, 525,
		585, 589, 592,		239, 246, 275, 282,	527, 529, 531, 533, 535
		595, 599, 619, 655, 659		289, 296, 332, 335,	4761400... ..
		4460897 ...		339, 343, 347, 351,	4770600.....
		645		355, 360, 364, 367,	329
		4460899 ...		371, 375, 409, 411,	4811400... ..
		617, 635, 641,		413, 427, 429, 500,	147, 149, 151,
		643, 649, 651, 656		508, 545, 547, 563,	403, 455, 515, 517,
		4460905 ...		565, 567, 569	519, 521, 523, 525,
		613, 619, 655,		4811600... ..	527, 529, 531, 533, 535
		659		347, 351, 360,	4761000... ..
		4460906		364, 367, 371, 375	111, 113, 192,
		607		4811700... ..	202, 217, 229
		4460910		119, 123, 149, 151,	4761400.....
		633		165, 167, 169, 171,	443
		4460911		179, 181, 186, 192,	4770600.....
		635		196, 202, 210, 222,	329
		4460928		239, 246, 275, 282,	4811400... ..
		647		289, 296, 332, 335,	147, 149, 151,
				339, 343, 347, 351,	403, 455, 515, 517,
				355, 360, 364, 367,	519, 521, 523, 525,
				371, 375, 409, 411,	527, 529, 531, 533, 535
				413, 427, 429, 500,	4811600... ..
				508, 545, 547, 563,	347, 351, 360,
				565, 567, 569	364, 367, 371, 375
				4811700... ..	111, 113, 117,
				119, 123, 149, 151,	119, 123, 149, 151,
				165, 167, 169, 171,	165, 167, 169, 171,
				179, 181, 186, 192,	179, 181, 186, 192,
				196, 202, 210, 222,	196, 202, 210, 222,
				239, 246, 275, 282,	239, 246, 275, 282,
				289, 296, 332, 335,	289, 296, 332, 335,
				339, 343, 347, 351,	339, 343, 347, 351,
				355, 360, 364, 367,	355, 360, 364, 367,
				371, 375, 409, 411,	371, 375, 409, 411,
				413, 427, 429, 500,	413, 427, 429, 500,
				508, 545, 547, 563,	508, 545, 547, 563,
				565, 567, 569	565, 567, 569
				4811702... ..	4811702... ..
				216, 228, 240,	216, 228, 240,
				246, 282, 296, 323,	246, 282, 296, 323,
				325, 327, 356, 500,	325, 327, 356, 500,

SECTION 11 - SPECIAL OPTIONS

508, 547, 563, 565, 567, 569	5240800 ... 186, 196, 210, 222, 239, 275, 282, 289, 296	70001349 31, 33	70002838..... 107, 109
4811900.....65, 162, 186, 192, 197, 202, 210, 216, 222, 228, 239, 246, 269, 271, 275, 282, 289, 296, 332, 335, 339, 343, 347, 351, 360, 364, 367, 371, 375, 393, 509, 539, 555, 557, 559, 561, 563, 565, 567, 569	5241200 ... 17, 19, 21, 23, 25, 192, 202, 217, 229, 246, 269, 271, 282, 296, 332, 335, 339, 343, 347, 351, 355, 360, 364, 368, 372, 375, 393	70001368 37	70002842.....471
4811902.... 154, 158, 186, 196, 210, 222, 239, 246, 282, 296, 563, 565, 567, 569	5241400 282, 296	70001384 . 359, 363, 368, 372, 376	70002902.....433
4812000....27, 29, 71, 73, 93, 99, 101, 103, 105, 111, 113, 117, 119, 121, 154, 158, 162, 165, 167, 169, 171, 173, 186, 192, 196, 202, 210, 216, 222, 228, 239, 246, 275, 282, 289, 296, 332, 335, 339, 352, 355, 368, 375, 383, 385, 393, 395, 397, 403, 555, 557, 559, 561, 563, 565, 567, 569	5241600 23, 25, 85	70001423 205	70002903.....433
4812002..71, 73, 99, 101, 103, 105, 117, 119, 121, 154, 158, 162, 246, 327	5242000 85	70001435 206	70002904.....433
4812100.....97, 186, 196, 210, 216, 222, 228, 239, 246, 263, 275, 289, 329, 343, 347, 360, 364, 383, 385, 393	5250605 282, 296	70001498 206	70002905.....433
4812102.....65	5250808 ... 343, 348, 352, 360, 364, 368	70001654 205	70002962.....45
4812200.... 192, 202, 217, 229, 246, 269, 271, 276, 290, 332, 335, 340, 343, 347, 351, 360, 364, 367, 372	5250810 ... 217, 229, 343, 348, 352, 355, 360, 364, 368, 375	70001655 205	70002974.....75, 79
4844817387	5251008 ... 383, 385, 393, 399, 401, 403, 561, 563, 565, 567, 569	70001696 359, 363	70002996.....37
4846673.....459	5251010 383, 385	70001697 389, 391	70002997.....38
4860214.....57	5251011 383, 385	70001844 206	70003000.....37
4871700.... 111, 113, 343, 347, 351, 355, 360, 364, 367, 375	525101227, 29, 131, 133, 135, 162	70001850 205	70003023.....75, 79
489160059, 65, 189, 199, 213, 225, 243, 279, 293, 393	5251014 ... 61, 63, 71, 73, 154, 158	70001866 206	70003024.....75, 79
489180027, 29, 189, 199, 213, 225, 243, 279, 293	5251016 17, 393	70001868 206	70003408.....75, 79
4892000.....27, 29, 91	5251215 ... 186, 196, 210, 222, 239, 246, 275, 289	70001870 . 205, 234, 252, 256	70003463.....205, 694
4892600001393	5260800 ... 343, 348, 352, 355, 360, 364, 368, 375	70001871 206	70003464.....205
4922641 332, 336, 340, 344, 348, 352, 356, 360, 364, 368, 372	5261000 131, 133, 135	70001872 206	70003468.....206
4922802.....561	5261008 555, 557, 559	70001932 43	70003469.....206
4922803.....569	5261018 165, 559	70001953 359, 363	70003472.....205
4922925....360, 364, 367, 371, 375, 611	5261200 ... 186, 196, 210, 222, 239, 246, 275, 289	70001966 . 343, 348, 352, 355, 359, 363, 368, 372, 376	70003473.....205
4923451 193, 202	70000342 389, 391	70001973 . 359, 363, 368, 372, 376	70003475.....205
4933218.....459	70000345 .. 206, 251, 255	70001974 . 359, 363, 368, 372, 376	70003479.....205
	70000619 . 359, 363, 367, 371	70002057 88	70003480.....205
	70000781 45	70002063 83	70003481.....205
	70000787 206	70002070 37	70003612.....115
	70000793 305	70002071 37	70003614.....694
	70000794 43	70002072 37	70003628.....43
	70000795 43	70002073 37	70003631 .. 359, 363, 368, 372, 376
	70000800 205	70002088 359, 363	70003708.. 343, 348, 352, 355, 359, 363, 368, 372, 376
	70000851 206	70002112 107, 109	70003709.. 343, 348, 352, 355, 359, 363, 368, 372, 376
	70000854 43	7000216 37	70003783... 192, 203, 694
	70000856 43	70002209 45	70003788.....76, 80, 479, 481, 694
	70000863 . 359, 363, 368, 372, 376	70002234 206	70003931 206
	70000912 205	70002257 310	70003932.....206
	70000913 205	7000229 31, 33	70003977.....75, 79
	70000914 205	70002291 .. 368, 372, 376	70004000.....115
	70000915 205	70002297 . 359, 363, 368, 372	70004013.....115
	70000916 205	7000230 31, 33	70004014.....115
	70000917 205	70002316 301	70004017.....45
	70000918 205	70002318 301	70004020.....284, 298
	70000919 206	7000232 31, 33	70004039.....37
	70000931 206	70002326 301	70004056.....206
	70001002 205	700023371 483	70004058.....206
	70001100 . 359, 363, 368, 372, 376	70002373 473, 483	70004059.....206
	70001119 37	7000238676, 80, 83, 479, 481, 694	70004060.....206
	70001181 205	70002410 475, 485	70004062.....206
		70002412 489	70004092.. 343, 348, 352, 355, 368, 372, 376
		7000246 31, 33	70004094... 368, 372, 376
		70002460 . 359, 363, 368, 372, 376	70004098.. 348, 352, 368, 372, 376
		7000248 31, 33	70004099.. 352, 355, 368, 372, 376
		7000253 31, 33	70004102.....206
		7000257 31, 33	70004103.....206
		7000258 31, 33	70004169..... 359, 363
		7000261 31, 33	70004171.. 343, 348, 359, 363
		7000262 31, 33	70004186.....477
		7000263 31, 33	70004231..... 479, 481
		70002718 .. 205, 233, 252	70004237..... 475, 485

SECTION 11 - SPECIAL OPTIONS

70004267	115	70005066	115	70005257	313, 317	70006036	301
70004268	205	70005067	115	70005258	313, 317	70006037	301
70004269	205	70005068	115	70005259	314, 317	70006038	301
70004270	206	70005069	75, 79	70005260	314, 318	70006039	301
70004281 .. 233, 252, 255		70005071	75, 79	70005261	318	70006040	301
70004282	233	70005072	75, 79	70005262	314, 318	70006041	301
70004469	88	70005073	75, 79	70005263	314, 318	70006042	301
70004481	88	70005074	75, 79	70005264	318	70006043	301
70004482	88	70005075	75, 79	70005265	318	70006044	301
70004494	88	70005076	75, 79	70005266	314, 318	70006045	302
70004504	252, 255	70005077	75, 79	70005267	314, 318	70006046	302
70004505	252	70005078	75	70005268	314, 318	70006047	302
70004506	252	70005079	75, 79	70005269	314, 318	70006048	302
70004507	252	70005080	75, 79	70005270	314, 319	70006049	302
70004508 .. 233, 252, 256		70005081	75, 79	70005271	313	70006050	302
70004509	252	70005082	75, 79	70005317	88	70006051	302
70004510	252	70005084	75, 79	70005318	88	70006052	302
70004577	45	70005085	75, 79	70005504	251, 255	70006053	302
70004676 .. 344, 348, 352, 355		70005086	75, 79	70005505	251	70006054	302
70004677	344	70005087	75, 79	70005507	251	70006055	302
70004678 .. 344, 348, 352, 355		70005088	75, 79	70005606	37	70006056	302
70004679 .. 344, 348, 352, 355		70005089	75, 79	70005613	37	70006057	302
70004680 .. 344, 348, 352, 355		70005090	75, 79	70005710	97	70006058	302
70004681	344, 355	70005091	75, 80	70005711	97	70006059	302
70004682 .. 344, 348, 352, 355		70005092	75, 79	70005712	97	70006060	302
70004683	344, 356	70005093	79	70005713	97	70006061	302, 694
70004684	348	70005097	79	70005714	97	70006062	302
70004685	348, 352	70005108	75	70005715	97	70006063	302
70004686	355	70005109	75, 79	70005716	97	70006064	302
70004687	352	70005139	115	70005724	76, 80	70006065	302
70004794 ... 99, 101, 103, 105		70005140	483	70005726	301	70006066	302
70004829	301	70005141	483	70005727	301	70006067	302
70004883	83	70005142	473, 483	70005737	301	70006068	302
70004884	45, 83	70005143	473, 483	70005745	301	70006069	302
70004885	45	70005144	473, 483	70005746	301	70006070	302
70004886	45	70005145 .. 473, 483, 485		70005747	301	70006071	302
70004889	309	70005146	483, 485	70005751	301	70006072	302
70004890 .. 309, 313, 317		70005147	473	70005931 ... 233, 251, 255		70006074	302
70004891	309	70005148	473	70005938	252	70006075	302
70004892 .. 309, 313, 314, 317, 318		70005149	473	70005941 ... 234, 252, 256		70006076	302
70004893 .. 309, 313, 317		70005150	487	70005942 ... 233, 252, 256		70006077	302
70004894 .. 309, 313, 317		70005151	487	70006010	307	70006078	302
70004895	309	70005152	487	70006011	307	70006079	302
70004896	309, 318	70005153	487	70006012	307	70006080	302
70004897	309, 694	70005154	487	70006013	301	70006093 .. 368, 372, 376	
70004898	309	70005171	233, 252	70006014	301	70006094 .. 368, 372, 376	
70004899 .. 310, 314, 319		70005172 .. 234, 252, 256		70006015	301	70006095 .. 368, 372, 376	
70004900	310	70005176	252	70006016	301	70006096 .. 368, 372, 376	
70004901 .. 310, 314, 318		70005177	233, 252	70006017	301	70006097 .. 368, 372, 376	
70004902	310	70005180	233	70006018	301	70006104	479, 481
70004903	310	70005182	233	70006019	301	70006105	479, 481
70004904	310	70005184 .. 233, 251, 255		70006020	301	70006144	255
70004905	310, 314	70005191	251	70006021	301	70006255	395, 397
70004906 .. 310, 314, 318		70005217	75, 79	70006022	301	70006270	395, 397
70004907	310, 314	70005218	75, 79	70006023	301, 694	70006344	489, 491
70004908	310	70005219	76, 80, 694	70006024	301	70006356 .. 189, 199, 213, 225, 243, 279, 293	
70004909 .. 310, 314, 318		70005245	313, 317	70006025	301	70006379	302
70004910	310, 314	70005246	313, 317	70006026	301	70006552	348
70004911 .. 310, 314, 318		70005247	313, 317	70006027	301	70006553	348
70005065	115	70005248	313, 317	70006028	301	70006580	389
		70005249	313, 317	70006029	301	70006636	479, 481
		70005250	313, 317	70006030	301	70006639	302
		70005251	313, 317	70006031	301	70006640	302
		70005252	313, 317	70006032	301	70006649	477
		70005253	313, 317	70006033	301	70006650	477
		70005254	313, 317	70006034	301	70006702	479
		70005255	313, 317	70006035	301		

SECTION 11 - SPECIAL OPTIONS

70006703.....479	70007173..... 37	7001481 310, 314, 318	70029402.....255
70006704.....479	70007174..... 37	7001913 37	70029403.....255
70006705.....479	70007175..... 37	7001998 31, 33	70029404.....255
70006706..... 479, 481	70007176..... 37	70022564 . 473, 475, 479,	70029409.....251
70006734.....477	70007177..... 38	481, 483, 485	70029451.....233
70006735.....477	7000731 34	70023369 . 473, 475, 479,	70029512.. 233, 251, 255,
70006736.....477	70007325..... 251	481, 483, 485, 491	694
70006817.....489	70007326..... 233, 252	70023370 473, 477	70029797.....255
70006982.....491	70007354..... 233, 251	70023371 477	70030360..... 233, 251
70006990..... 88	70007603 .. 233, 251, 255	70023592 .. 217, 229, 694	70030381..... 233, 252
70006994..... 88	70007784..... 255	70023593 .. 217, 229, 694	70031055.....251
70006997..... 88	70007847..... 41	70024494 234, 256	70031095.....233
70006998..... 88	70007848..... 41	70024502 233	70031136..... 233, 251
70006999..... 88	70007849..... 41	70024504 .. 233, 251, 255	70031143... 233, 251, 255
70007001..... 88	70007850..... 41	70024505 251	70031144... 233, 251, 255
70007002..... 88	70007851..... 41	70024507 233	70031388.....251
70007003..... 88	70007852..... 41	70024513 .. 233, 251, 255	70031474.....251
70007004..... 88	70007853..... 41	70024904 .. 234, 252, 256	7004275.....701
70007006..... 88	70007854..... 41	70024905 .. 233, 234, 252	7004276.....701
70007022..... 88	70007855..... 41	70024906 233, 252	70050795..... 479, 481
70007023..... 88	70007856..... 41	70024913 252, 256	7007289.....310
70007024..... 88	70007857..... 41	70024916 255	7007415..... 309, 310
70007025..... 88	70007858..... 41	70024917 251	7007419..... 43, 309, 313,
70007026..... 88	70007859..... 41	70024918 255	317
70007027..... 88	70007860..... 41	70024919 233	7007420..... 43, 309, 310,
70007028..... 88	70007861..... 41	70024920 251	313, 314, 317, 318
70007029..... 88	70007862..... 41	70024925 256	7007438.....43
70007030..... 88	70007863..... 41	70024961 233, 255	7007439.....43
70007031..... 88	70007864..... 41	70025082 205	7007446.....43
70007032..... 88	70007865..... 41	70025084 205, 206	7007493.....310
70007046..... 88	70007866..... 41	70025086 206	7007495.....309
70007062.....489	70007867..... 41	70025088 205	7007601.....31, 33
70007063.....489	70007868..... 41	70025091 205	7007640..... 31, 33, 37
70007064.....489	70007869..... 41	70025099 255	7010429..... 31, 33
70007065.....489	70007870..... 41	70025121 206	7010543.....83
70007066.....489	70007871..... 41	70025123 205, 206	7012513..... 331, 335, 339
70007067.....489	70007872..... 41	70025130 251, 255	7012514..... 331, 336, 339
70007068..... 489, 491	70007873..... 41	70025131 206	7012518..... 489, 491
70007069..... 489, 491	70007874..... 41	70025139 205	7012558.....331
70007070..... 489, 491	70007875..... 41	70025140 252	7012941.....83
70007071..... 489, 491	70007876..... 41	70025142 255	7012967.....83
70007072..... 489, 491	70007877..... 41	70025144 252	7012998..... 479, 481
70007142..... 43	70007878..... 41	70025145 252	7016322.....329
70007143..... 43	70008296..... 252	70025152 252	7016331.... 205, 234, 252,
70007145..... 43	70008422..... 252	70025153 255	256, 694
70007146..... 43	70008431..... 251	70025160 255	7016654.....701
70007150.....481	70008435..... 251	70025161 255	7017022.....38
70007151.....481	70008537..... 252	70025164 .. 233, 251, 255	7017027.....37
70007152.....481	70008538..... 252	70025168 255	7017059..... 31, 33
70007153.....481	70008543..... 251	70025210 694	7017067..... 31, 33
70007154.....481	70008544..... 251	70025231 233, 251	7017070..... 31, 33
70007156.....485	70008545..... 251	70025235 252	7017072.....37
70007157..... 475, 485	70008547..... 251	70025239 233, 251	7017080..... 31, 33
70007158.....485	70008553..... 251	70025242 252	7017082.....37
70007159.....475	70008558..... 251	70025667 205	7017093.....37
70007160.....475	70008559..... 251	70025693 206	7017095.....37
70007161..... 475, 485	70008561..... 251	70025694 206	7017142..... 389, 391
70007162.....491	70008564..... 252	70026210 .. 233, 251, 255	7017159..... 389, 391
70007163.....491	7000857 43	70027244 491	7017162..... 389, 391
70007164.....491	70009002 . 186, 197, 210,	70027405 251, 255	7017163..... 389, 391
70007165.....491	223	70028185 252	7017164..... 389, 391
70007166.....491	70009004 186, 196	7002821 701	7017172..... 389, 391
70007168.....475	70009005 186, 196	7002822 701	7017192..... 389, 391
70007169.....475	70009006 210, 223	7002823 701	7017195..... 389, 391
70007170.....37	70009007 210, 223	70028538 251	7017410.....83
70007171.....37	70010383 71, 73, 694	70028540 233, 251	7017467..... 479, 481
70007172.....37	70012257 233	70029015 255	7017496..... 45, 479, 481

SECTION 11 - SPECIAL OPTIONS

7017904.....	301	7022300.....	309	7024705.....	33	8220051.....	601
7017932.....	301	7022321.....	43, 313, 317	7024712.....	31, 33	8220115.....	591
7017959.....	302	7022322.....	313, 317	7024713.....	31, 33	8220164.....	591
7017992.....	302, 694	7022326.....	43	7024714.....	31, 33	8229242....	591, 655, 694
7019680....	331, 336, 340	7022328.....	43	7024715.....	31, 33	8229244.....	655, 694
7020023.....	205, 694	7022331.....	313, 317	7024716.....	31, 33	8229245.....	607
7020026.....	205	7022332.....	313, 317	7024717.....	33	8229249.....	455
7020108....	331, 336, 339	7022333.....	313, 317	7024718.....	34	8305401.....	282, 296
7020109....	331, 336, 339	7022336.....	313, 317	7024723.....	37	8307109.....	282, 296
7020110....	331, 336, 339	7022338.....	313, 317	7024726.....	37	8310129.....	453
7020111....	331, 336, 340	7022340.....	313, 317	7024729.....	37	8310548.....	282, 296
7020190....	331, 336, 340	7022341....	309, 313, 317	7024730.....	37	8405006... ..	210, 222, 239, 259, 261
7020403.....	205	7022343.....	317	7024734.....	37	8405007....	217, 229, 247
7020430.....	205	7022346....	310, 314, 318	7024735.....	37	8405009... ..	186, 196, 217, 229, 247, 283, 297
7020460.....	205	7022347....	310, 314, 318	7024736.....	37	8405102.....	283, 297
7020465....	205, 252, 256	7022351.....	318	7024737.....	38	8405104... ..	217, 229, 247, 283, 297
7020468.....	205	7022355.....	313	7024738.....	37	8405202... ..	217, 229, 247, 283, 297
7020471.....	206	7022357.....	313	7024739.....	37	8405203.....	283, 297
7020479.....	206	7022358.....	314	7024740.....	37	8405204....	217, 229, 247
7020492.....	205, 206	7022368.....	43	7024741.....	37	8406101....	210, 222, 239
7021229.....	318	7022371.....	43	7024742.....	37	8406109... ..	217, 229, 247, 283, 297
7021234.....	314, 318	7022390	75, 79, 479, 481	7024744.....	38	8406110... ..	217, 229, 247, 283, 297, 403, 555, 557
7021237.....	309, 317	7022397.....	45	7024800.....	309, 313, 317	8406201... ..	217, 229, 247, 283, 297
7021238....	309, 313, 317	7022399.....	45, 75, 79	7024806.....	318	8410001.....	283, 297
7021239....	309, 313, 317	7022564.....	491	7024855.....	309	8410009.....	283, 297
7021240.....	309, 317	7023154.....	301	7024857.....	309	8410011.....	284
7021241.....	309	7023900.....	75, 79	7024858.....	309	8410013.....	210, 222
7021242.....	309	7023910.....	43	7024865.....	43	8430007.....	239
7021243.....	309	7023936.....	75, 79	7024871.....	43	84521061.....	339
7021248....	309, 313, 317	7023999.....	317	7024881.....	45	84521062.....	371
7021249....	43, 309, 313, 317	7024124.....	37	7026188.....	359, 363	88411013.....	539
7021253.....	309	7024129.....	37	7026199.....	331, 335, 339	88521205.....	111, 113
7021257....	309, 313, 317	7024134.....	38	7026330.....	115	88521214. .	461, 463, 465, 467
7021258.....	309	7024182.....	33, 34	7026597.....	359, 363, 368	88662037.....	500, 508
7021259....	309, 313, 317	7024189.....	34	7026626....	359, 363, 368, 372, 376	90200755..	154, 158, 162
7021262....	309, 313, 317	7024190.....	34	7027236.....	205	91164057.....	45, 76, 80
7021263.....	309	7024191.....	34	7027740.....	43	91164059.....	76, 80
7021265.....	309	7024192.....	34	7027790.....	206	91164079.....	45, 76, 80
7021268....	309, 314, 318	7024193.....	34	7027791.....	206	91203039.....	393
7021275.....	43, 318	7024194.....	34	7027792.....	206	91401281.....	111
7021276....	310, 314, 318	7024196.....	34	7027796.....	206		
7021277....	310, 314, 318	7024197.....	34	7027799....	359, 363, 368, 372, 376		
7021278....	310, 314, 318	7024441.....	107, 109	7027887....	331, 336, 340		
7021281....	309, 314, 318	7024485.....	359, 363	7027903.....	206		
7021285.....	318	7024488... ..	359, 363, 367, 371	77363233.....	609, 611		
7021290....	310, 314, 318	7024489... ..	359, 363, 367, 371	80484084.....	591, 595		
7021293.....	309	7024565.....	206	80983191.....	591, 694		
7021299.....	310	7024579....	205, 234, 252	82033995.....	284, 298		
7021625.....	45	7024598.....	329	8220045.....	607, 656		
7021639.....	45						



**Corporate Office
JLG Industries, Inc.
1 JLG Drive
McConnellsburg, PA 17233-9533 USA
☎ (717) 485-5161 (Corporate)
☎ (877) 554-5438 (Customer Support)
📠 (717) 485-6417**

**Visit our website for JLG Worldwide Locations.
www.jlg.com**



OSHKOSH™