



Illustrated Parts Manual

Model
520AJ

PVC
2401

P/N
31223016

June 3, 2024 - Rev B

CE
EAC
UK
CA
AS/NZS



An Oshkosh Corporation Company

REVISION LOG

January 1, 2024 - A - Original Issue of Manual (Edited to B/M 1001247248 Revision AR)

June 3, 2024 - B - Revised Manual (Edited to B/M 1001247248 Revision AV)

GENERAL INFORMATION

SECTION 6 CYLINDER

FIGURE 6-3. LIFT CYLINDER ASSEMBLY

PG# Model Designation Manual #

SECTION 6 CYLINDER

FIGURE 6-3. LIFT CYLINDER ASSEMBLY

ITEM #	PART NUMBER	QTY	DESCRIPTION	REV
	1001140104	Ref	LIFT CYLINDER ASSEMBLY	B
1	0100011	AR	Compound, Locking	
2	0630305	3	Capscrew 1/4-20 x 1-1/8	
3	0791003	1	Screw #10-24 x 3/8	
4	0961897	1	Bushing, Tapered	
5	1320136	1	Clamp, Cable	
6	1683063	1	Head	
7	2220683	1	Plug, O-Ring	
8	2220685	2	Plug, O-Ring	
9	2220686	1	Plug, O-Ring	
10	3020039	AR	Lubricant	
11	3480282	1	Piston	
12	3760371	1	Ring, Washer	
13	3931420	8	Capscrew 1/4-20 x 1-1/4	
14	3931824	8	Capscrew 1/2-13 x 1-1/2	
15	3951003	1	Setscrew #10-24 x 3/8	
16	4100099	1	Spacer	
17	4640999	1	Cartridge, Holding Valve (Non Vented)	
18	4641248	1	Cartridge, Countbalance Valve (Non Vented)	
19	70004186	1	Kit, Seal - 4641248 Cartridge Valve	
20	1001117991	1	Sensor, Cylinder Length	
21	1001118070	1	Cap, Retainer	
22	1001118084	1	Barrel	
21A	0961950	2	Bushing	
22A	1001118086	1	Rod	
22A	0961950	2	Bushing	
100	1001139996	1	Kit, Seal (Includes Items 101-109)	
101	See Note	2	Ring, Wear (Note: Use p/n 1001139996)	
102	See Note	1	Ring, Back-Up (Note: Use p/n 1001139996)	
103	See Note	2	Ring, Lock (Note: Use p/n 1001139996)	
104	See Note	2	Ring, Back-Up (Note: Use p/n 1001139996)	
105	See Note	2	O-Ring (Note: Use p/n 1001139996)	
106	See Note	1	O-Ring (Note: Use p/n 1001139996)	
107	See Note	1	Seal (Note: Use p/n 1001139996)	
108	See Note	1	Wiper, Rod (Note: Use p/n 1001139996)	
109	See Note	2	Seal (Note: Use p/n 1001139996)	
200	1001119105	1	Kit, Sensor Magnet (Includes Items 201-203)	
201	See Note		Sleeve, Spacer (Note: Use p/n 1001119105)	
202	1001118066		Magnet, Sensor	
203	1001118069	1	Ring, Internal Retaining	

Manual # Model Designation PG#

1) MACHINE IDENTIFICATION

Machines are identified by model and in some cases a combination of models, serial number (SN) or regional standard (i.e ANSI, CE, CSA). Components may also be identified by SN or manufacturer. Common components that may be identified by these characteristics are engines and hydraulic components.

2) PARTS MANUAL ORGANIZATION

Product information in this manual is organized under section titles. Frame, Cylinder, Hydraulic and Electrical are a few examples. Each section is organized by figure and page number. The information within the Figure is then organized by item number, part number, description and corresponding illustration (s).

3) TABLE OF CONTENTS (NOT SHOWN)

A table of contents is found toward the beginning of the manual. Figure number, description and page number are provided for quick reference to the page containing the related information.

4) RECOMMENDED SPARE PARTS (NOT SHOWN)

The Recommended Spare Parts List, located near the end of the manual, reference most frequently used maintenance parts.

5) PART NUMBER INDEX (NOT SHOWN)

A numerical index listing all part numbers and the corresponding page number(s) appears at the back of the manual.

GENERAL INFORMATION

6) NON-SERVICED PARTS

In some instances, it is necessary to display non-serviced parts, assemblies or installations. In the case of assemblies and installations there will be a Ref in the Qty. column. In case of parts that are not available for service within assemblies or components, there will be a NSS (Not Sold Separately) or NLA (No Longer Available) listed in the Qty. column of the manual.

7) PARTS LIST ITEM NUMBERS

Numbers shown in the item# column correspond to numbers used in the associated illustration (s). Item numbers which are missing from the sequence in the parts list are not used on that page.

8) INDENTED PARTS DESCRIPTION

An indented part description is included in the item under which it is indented.

9) ABBREVIATION AND SYMBOLS

AC.....	Alternating Current	L.....	Liter
ADE.....	Advanced Design Electronics	LB(LBS).....	Pounds
AG.....	Agricultural	LCD.....	Liquid Crystal Display
ANSI.....	American National Standards Institute	LED.....	Light Emitting Diodes
AR.....	As Required	LH.....	Left Hand
ASSY.....	Assembly	LRC.....	Low Rated Countries
AUS.....	Australia	LSS.....	Load Sensing System
AUX.....	Auxiliary	M(m).....	Metric/Meter
AWG.....	American Wire Gauge	MM(mm).....	Milimeter
B/M.....	Bill of Material	mA.....	Miliamps
CAC.....	Charge Air Cooler	NLA.....	No Longer Available
CE.....	European Conformity	NPT.....	National Pipe Threads
CCW.....	Counter Clockwise	NSS.....	Not Sold Separately
CM.....	Centimeter	OD.....	Outside Diameter
CW.....	Clockwise	ORB.....	O-Ring Boss
CSA.....	Canadian Standards Association	ORFS.....	O-Ring Face Seal
CYL.....	Cylinder	OZ (oz).....	Ounces
DIA.....	Diameter	PG.....	Page
DC.....	Direct Current	PN.....	Part Number
DEF.....	Diesel Exhaust Fluid	QT(qt.).....	Quarts
EMS.....	Emergency Stop	QTY.....	Quantity
ENG.....	Engine	REF.....	Reference
FT(ft).....	Feet	REV.....	Revision Level
GA(Ga).....	Gauge	RH.....	Right Hand
HRC.....	High Rated Countries	SAE.....	Society of Automotive Engineers
HVAC.....	Heating, Ventilating, and Air Conditioning	SN.....	Serial Number
HYD.....	Hydraulic	SPEC(S).....	Specifications
Hz.....	Hertz	T/T.....	Turntable
ID.....	Inside Diameter	UGM.....	Universal Ground Module
IN.....	inches	V.....	Volts
ISO.....	International Organization for Standards	W.....	Watts
JIC.....	Joint Industry Council	#.....	Number
KG.....	Kilogram		

10) ILLUSTRATION REFERENCE LETTERS

When necessary, illustrations may contain reference letters that are intended to track information (i. e. hoses, harnesses) from one point to another or to track visual enlargement of components to show details that may be located in another area on the illustration.

Note: Due to continuous product improvements, JLG Industries, Inc. reserves the right to make specification changes without prior notification. Contact JLG Industries, Inc. for updated information.

TABLE OF CONTENTS

SECTION 1 - FRAME.....	13
FIGURE 1-1. AXLE INSTALLATION	14
FIGURE 1-2. STEER INSTALLATION WITHOUT TOW PACKAGE	16
FIGURE 1-3. STEER INSTALLATION WITH TOW PACKAGE.....	18
FIGURE 1-4. WHEEL DRIVE INSTALLATION (4WD) (ALL SPECS EXCEPT CHINA SPEC).....	20
FIGURE 1-5. WHEEL DRIVE INSTALLATION (4WD) (CHINA SPEC)	22
FIGURE 1-6. DRIVE HUB AND BRAKE ASSEMBLY - REAR	24
FIGURE 1-7. DRIVE HUB ASSEMBLY - FRONT.....	28
FIGURE 1-8. DRIVE MOTOR ASSEMBLY (4WD) (ALL SPECS EXCEPT CHINA SPEC)	30
FIGURE 1-9. DRIVE MOTOR ASSEMBLY (4WD) (CHINA SPEC).....	32
FIGURE 1-10. FRAME SHIELD INSTALLATION	34
FIGURE 1-11. TIRE AND WHEEL INSTALLATION - 33 X 12-20 SOLID NON-MARKING	36
FIGURE 1-12. TIRE AND WHEEL INSTALLATION - 33/1550 X 16.5 FOAM-FILLED	38
FIGURE 1-13. TIRE AND WHEEL INSTALLATION - 315/55 D20 FOAM FILLED	40
FIGURE 1-14. TIRE AND WHEEL INSTALLATION - 315/55 D20 FOAM FILLED NON-MARKING	42
FIGURE 1-15. 4WD VALVES INSTALLATION - FRAME MOUNTED	44
FIGURE 1-16. TRACTION VALVE ASSEMBLY - 4WD.....	46
FIGURE 1-17. TOW PACKAGE INSTALLATION (OPTIONAL)	48
FIGURE 1-18. TOW BAR ASSEMBLY.....	50
SECTION 2 - TURNTABLE.....	53
FIGURE 2-1. 4WD VALVES INSTALLATION - TURNTABLE MOUNTED	54
FIGURE 2-2. MAIN VALVE ASSEMBLY	56
FIGURE 2-3. AUXILIARY PUMP ASSEMBLY.....	58
FIGURE 2-4. SWING DRIVE AND TURNTABLE BEARING INSTALLATION.....	60
FIGURE 2-5. SWING MOTOR ASSEMBLY	62
FIGURE 2-6. TURNTABLE BEARING ASSEMBLY	64
FIGURE 2-7. TURNTABLE COVERS INSTALLATION	66
FIGURE 2-8. TURNTABLE LOCK INSTALLATION.....	68
FIGURE 2-9. TANKS INSTALLATION.....	70
FIGURE 2-10. HYDRAULIC TANK ASSEMBLY.....	72
FIGURE 2-11. DRIVE ORIENTATION INSTALLATION	74
FIGURE 2-12. GROUND CONTROL ASSEMBLY (ANSI EXPORT, CHINA & AUSTRALIAN SPECS)	76
FIGURE 2-13. GROUND CONTROL ASSEMBLY (CE(LRC), CIS/EAC & UK CA SPECS).....	78
FIGURE 2-14. GROUND CONTROL ASSEMBLY (CE & UK CA SPECS).....	80
FIGURE 2-15. LIGHT PANEL INSTALLATION - GROUND CONTROL.....	82
FIGURE 2-16. ELECTRICAL SYSTEM INSTALLATION.....	84
FIGURE 2-17. BEACON LIGHT INSTALLATION - AMBER	88
FIGURE 2-18. BEACON LIGHT INSTALLATION - BLUE	90
FIGURE 2-19. BEACON LIGHT INSTALLATION - RED	92
FIGURE 2-20. BATTERY AND CABLE INSTALLATION.....	94
FIGURE 2-21. HOODS INSTALLATION (ABS).....	96
FIGURE 2-22. HOODS INSTALLATION (STEEL).....	100
FIGURE 2-23. HOOD ASSEMBLY (ABS) - ENGINE SIDE	104
FIGURE 2-24. HOOD ASSEMBLY (STEEL) - ENGINE SIDE	106

TABLE OF CONTENTS

FIGURE 2-25. HOOD ASSEMBLY (ABS) - TANK SIDE	108
FIGURE 2-26. HOOD ASSEMBLY (STEEL) - TANK SIDE	110
FIGURE 2-27. WHITE NOISE ALARM INSTALLATION	112
FIGURE 2-28. WHITE NOISE AMBIENT ALARM INSTALLATION	114
SECTION 3 - ENGINE	117
FIGURE 3-1. ENGINE INSTALLATION - DEUTZ D2011 ENGINE (WITHOUT ARCTIC PACKAGE) (ANSI EXPORT, AUSTRALIAN, CE (LRC), CHINA, CIS/EAC & UK CA SPECS)	118
FIGURE 3-2. ENGINE AND PUMP SUB-ASSEMBLY - DEUTZ D2011 (WITHOUT ARCTIC PACKAGE) (ANSI EXPORT, AUSTRALIAN, CE (LRC), CIS/EAC & UK CA SPECS)	122
FIGURE 3-3. ENGINE ASSEMBLY - DEUTZ D2011 ENGINE (WITHOUT ARCTIC PACKAGE) (ANSI EXPORT, AUSTRALIAN, CE (LRC), CIS/EAC & UK CA SPECS).....	124
FIGURE 3-4. ENGINE INSTALLATION - DEUTZ D2011 ENGINE (WITHOUT ARCTIC PACKAGE) (WITH PMP PUMP)	128
FIGURE 3-5. ENGINE AND PUMP SUB-ASSEMBLY - DEUTZ D2011 ENGINE (WITHOUT ARCTIC PACKAGE) (WITH PMP PUMP).....	132
FIGURE 3-6. ENGINE INSTALLATION - DEUTZ D2.9L4 ERM5 ENGINE (WITHOUT ARCTIC PACKAGE) (ANSI, ANSI EXPORT, CSA AND JAPANESE SPECS)	134
FIGURE 3-7. ENGINE AND PUMP SUB-ASSEMBLY - DEUTZ D2.9L4 ERM5 ENGINE (WITHOUT ARCTIC PACKAGE) (ANSI, ANSI EXPORT AND CSA SPECS)	138
FIGURE 3-8. ENGINE ASSEMBLY - DEUTZ D2.9L4 ERM5 ENGINE (WITHOUT ARCTIC PACKAGE) (ANSI, ANSI EXPORT AND CSA SPECS).....	140
FIGURE 3-9. ENGINE INSTALLATION - DEUTZ D2.9L4 ERM5 ENGINE (WITH ARCTIC PACKAGE) (ANSI AND CSA SPECS)	146
FIGURE 3-10. ENGINE AND PUMP SUB-ASSEMBLY - DEUTZ D2.9L4 ERM5 ENGINE (WITHOUT ARCTIC PACKAGE) (ANSI AND CSA SPECS).....	152
FIGURE 3-11. ENGINE ASSEMBLY - DEUTZ D2.9L4 ERM5 ENGINE (WITH ARCTIC PACKAGE) (ANSI AND CSA SPECS).....	154
FIGURE 3-12. ENGINE COMPONENTS - DEUTZ D2011.....	160
FIGURE 3-13. ENGINE COMPONENTS - DEUTZ D2.9L4 ERM5 ENGINE (ANSI, ANSI EXPORT AND CSA SPECS)	164
FIGURE 3-14. ENGINE INSTALLATION - DEUTZ D2.9L4 ENGINE (STAGE V) (CE & UK CA SPECS).....	168
FIGURE 3-15. ENGINE AND PUMP SUB-ASSEMBLY - DEUTZ D2.9L4 ENGINE (STAGE V) (CE & UK CA SPECS)	174
FIGURE 3-16. ENGINE INSTALLATION - DEUTZ D2.9L4 ENGINE (STAGE V) (WITH PMP PUMP).....	176
FIGURE 3-17. ENGINE AND PUMP SUB-ASSEMBLY - DEUTZ D2011 ENGINE (STAGE V)	182
FIGURE 3-18. ENGINE ASSEMBLY - DEUTZ D2.9L4 ENGINE (STAGE V) (CE & UK CA SPECS).....	184
FIGURE 3-19. ENGINE COMPONENTS - DEUTZ D2.9L4 ENGINE (STAGE V) (CE & UK CA SPECS)	190
FIGURE 3-20. BRACKET ASSEMBLY - FUEL PUMP AND FILTER (DEUTZ D2.9L4 ENGINE) (STAGE V).....	194
FIGURE 3-21. BREATHER HEATER INSTALLATION - DEUTZ D2.9L4 ENGINES (STAGE V) (CE & UK CA SPECS)	196
FIGURE 3-22. MOTOR MOUNT INSTALLATION - (STAGE V & CHINA IV ENGINE WITHOUT GENERATOR).....	198
FIGURE 3-23. MOTOR MOUNT INSTALLATION - (STAGE V & CHINA IV ENGINE WITH GENERATOR)	200
FIGURE 3-24. ENGINE INSTALLATION - DEUTZ D2.9L4 ENGINE (CHINA IV)	202
FIGURE 3-25. ENGINE AND PUMP SUB-ASSEMBLY - DEUTZ D2.9L4 ENGINE (CHINA IV)	208
FIGURE 3-26. ENGINE INSTALLATION - DEUTZ D2.9L4 ENGINE (CHINA IV) (WITH PMP PUMP).....	210
FIGURE 3-27. ENGINE AND PUMP SUB-ASSEMBLY - DEUTZ D2.9L4 ENGINE (CHINA IV)	216
FIGURE 3-28. ENGINE ASSEMBLY - DEUTZ D2.9L4 ENGINE (CHINA IV)	218
FIGURE 3-29. ENGINE COMPONENTS - DEUTZ D2.9L4 (CHINA IV).....	224
FIGURE 3-30. BRACKET ASSEMBLY - FUEL PUMP AND FILTER (DEUTZ D2.9L4 CHINA IV ENGINE)	226
FIGURE 3-31. FUEL/WATER SEPARATOR ASSEMBLY (DEUTZ D2.9L4 CHINA IV ENGINE)	228
FIGURE 3-32. PUMP COUPLING KIT - DEUTZ ENGINES.....	230
FIGURE 3-33. PISTON PUMP ASSEMBLY.....	232
FIGURE 3-34. CLOSED PUMP LOOP ASSEMBLY.....	236

TABLE OF CONTENTS

FIGURE 3-35. SPARK ARRESTOR INSTALLATION - DEUTZ D2011 ENGINE	238
FIGURE 3-36. ENGINE BAFFLE INSTALLATION - WITH DEUTZ ENGINES	240
FIGURE 3-37. GENERATOR INSTALLATION - 4000W/50HZ (DEUTZ D2011 ENGINE)	242
FIGURE 3-38. GENERATOR INSTALLATION - 4000W/50HZ (DEUTZ ENGINE) (STAGE V)	246
FIGURE 3-39. GENERATOR INSTALLATION - 7500W/50HZ (DEUTZ D2011 ENGINE)	250
SECTION 4 - BOOM	255
FIGURE 4-1. CYLINDERS INSTALLATION	256
FIGURE 4-2. BOOM INSTALLATION	258
FIGURE 4-3. BOOM INSTALLATION (SN B300025440 to Present, SN B300025108 through B300025109, Including B300025178, B300025349, B300025357, B300025371, B300025375 and B300025411)	260
FIGURE 4-4. JIB INSTALLATION	262
FIGURE 4-5. JIB INSTALLATION (SN B300022158 to Present)	264
FIGURE 4-6. MAIN BOOM ASSEMBLY	266
FIGURE 4-7. TOWER BOOM ASSEMBLY	268
FIGURE 4-8. ROTATOR ASSEMBLY	270
FIGURE 4-9. PLATFORM ROTATE ACTUATOR	272
FIGURE 4-10. PLATFORM SUPPORT INSTALLATION	274
FIGURE 4-11. VALVES INSTALLATION - BOOM MOUNTED	276
FIGURE 4-12. UPRIGHT VALVE ASSEMBLY	278
FIGURE 4-13. BOOM VALVE ASSEMBLY	280
SECTION 5 - PLATFORM	283
FIGURE 5-1. PLATFORM ASSEMBLY - 30IN X 4FT (76CM X 1.22M) - SIDE DROP-BAR ENTRY	284
FIGURE 5-2. PLATFORM ASSEMBLY - 30IN X 5FT (76CM X 1.52M) - SIDE GATE ENTRY	286
FIGURE 5-3. PLATFORM ASSEMBLY - 30IN X 5FT (76CM X 1.52M) - SIDE DROP-BAR ENTRY	288
FIGURE 5-4. PLATFORM ASSEMBLY - 30IN X 6FT (76CM X 1.83M) - SIDE GATE ENTRY	290
FIGURE 5-5. PLATFORM ASSEMBLY - 30IN X 6FT (76CM X 1.83M) - SIDE DROP-BAR ENTRY	292
FIGURE 5-6. CONSOLE BOX INSTALLATION	294
FIGURE 5-7. PLATFORM CONSOLE BOX ASSEMBLY	296
FIGURE 5-8. LIGHT PANEL INSTALLATION - PLATFORM CONSOLE	298
FIGURE 5-9. FOOTSWITCH ASSEMBLY	300
FIGURE 5-10. TRAY ASSEMBLY	302
FIGURE 5-11. SKYEYE INSTALLATION	304
FIGURE 5-12. SKYGUARD BAR INSTALLATION	306
FIGURE 5-13. SKYLINE INSTALLATION	308
FIGURE 5-14. SKYGLAZIER INSTALLATION (AUSTRALIAN SPECS)	310
FIGURE 5-15. SKYSENSE MID TUBE SENSOR ASSEMBLY	312
FIGURE 5-16. SKYSENSE OVERHEAD SENSOR ASSEMBLY	314
FIGURE 5-17. FALL ARREST INSTALLATION (BOLT-ON) (4FT/1.22M PLATFORM)	316
FIGURE 5-18. FALL ARREST INSTALLATION (BOLT-ON) (5FT/1.52M PLATFORM)	318
FIGURE 5-19. USB CHARGER INSTALLATION	320
SECTION 6 - CYLINDER	323
FIGURE 6-1. AXLE LOCKOUT CYLINDER ASSEMBLY	324
FIGURE 6-2. LEVEL (PLATFORM SLAVE) CYLINDER ASSEMBLY	326
FIGURE 6-3. LIFT CYLINDER ASSEMBLY - JIB	328

TABLE OF CONTENTS

FIGURE 6-4. LIFT CYLINDER ASSEMBLY - MAIN BOOM.....	330
FIGURE 6-5. LIFT CYLINDER ASSEMBLY - TOWER BOOM	332
FIGURE 6-6. MASTER CYLINDER ASSEMBLY	334
FIGURE 6-7. STEER CYLINDER ASSEMBLY	336
FIGURE 6-8. TELESCOPE CYLINDER ASSEMBLY.....	338
SECTION 7 - HYDRAULIC	341
FIGURE 7-1. HYDRAULIC SYSTEM INSTALLATION.....	342
SECTION 8 - ELECTRICAL.....	349
FIGURE 8-1. AC BOX AT PLATFORM INSTALLATION - 110V IEC YELLOW (CE, CIS/EAC & UK CA SPECS WITH 4000W/50HZ GENERATOR)	350
FIGURE 8-2. AC BOX AT PLATFORM INSTALLATION - 110V IEC 60309 YELLOW WITHOUT 2500W GENERATOR (CE, CIS/EAC & UK CA SPECS)	352
FIGURE 8-3. AC BOX AT PLATFORM INSTALLATION - 220V IEC BLUE (CE, CIS/EAC & UK CA SPECS WITH 4000W/50HZ GENERATOR)	354
FIGURE 8-4. AC BOX AT PLATFORM INSTALLATION - 220V IEC 60309 BLUE WITHOUT 2500W GENERATOR (CE, CIS/EAC & UK CA SPECS).....	356
FIGURE 8-5. AC BOX AT PLATFORM INSTALLATION - 220V CEE7 POST GROUND (2X4 BOX) WITHOUT 2500W GENERATOR (CE, CIS/EAC & UK CA SPECS)	358
FIGURE 8-6. AC BOX AT PLATFORM INSTALLATION - 220V CEE7 SIDE GROUND (2X4 BOX) WITHOUT 2500W GENERATOR (CE, CIS/EAC & UK CA SPECS)	360
FIGURE 8-7. AC BOX AT PLATFORM INSTALLATION - 220V CEE7 2IN X 4IN POST GROUND (CE, CIS/EAC & UK CA SPECS WITH 4000W/50HZ GENERATOR)	362
FIGURE 8-8. AC BOX AT PLATFORM INSTALLATION - 220V CEE7 2IN X 4IN SIDE GROUND (CE, CIS/EAC & UK CA SPECS WITH 4000W/50HZ GENERATOR)	364
FIGURE 8-9. AC BOX AT PLATFORM INSTALLATION - 220V AFSINT107 (CE, CIS/EAC & UK CA SPECS WITH 4000W/50HZ GENERATOR)	366
FIGURE 8-10. AC BOX AT PLATFORM INSTALLATION - 220V AFSINT 107 KEYED GROUND (2X4 BOX) WITHOUT 2500W GENERATOR (CE AND RUSSIA SPECS)	368
FIGURE 8-11. AC BOX AT PLATFORM INSTALLATION - 220V CUSTOMER SUPPLIED COMPONENTS (ALL SPECS).....	370
FIGURE 8-12. AC CABLE INSTALLATION - WITH TWO BREAKERS (CE, CIS/EAC & UK CA SPECS)	372
FIGURE 8-13. AC CABLE INSTALLATION - WITH THREE BREAKERS (CE, CIS/EAC & UK CA SPECS).....	374
FIGURE 8-14. BATTERY DISCONNECT SWITCH	376
FIGURE 8-15. BEACON JUMPER HARNESS (AMBER LIGHT).....	378
FIGURE 8-16. BEACON LIGHT HARNESS (BLUE AND RED BEACON LIGHT)	380
FIGURE 8-17. BOOM CABLES & CLAMPS INSTALLATION (4000W GENERATOR).....	382
FIGURE 8-18. BOOM CABLES & CLAMPS INSTALLATION (7500W SKYPOWER GENERATOR)	386
FIGURE 8-19. BOOM HARNESS - MAIN BOOM	390
FIGURE 8-20. BOOM HARNESS - MAIN BOOM (8/5 4000W GENERATOR)	392
FIGURE 8-21. BOOM HARNESS - TOWER BOOM.....	394
FIGURE 8-22. BOOM HARNESS - TOWER BOOM (8/5 4000W GENERATOR).....	396
FIGURE 8-23. BREAKER BOX KIT WITH SINGLE DOUBLE POLE BREAKER (CE & UK CA SPEC).....	398
FIGURE 8-24. BREAKER BOX KIT WITH THREE BREAKERS (CE & UK CA SPEC)	400
FIGURE 8-25. BREAKER BOX KIT - 30MA/16 AMP	402
FIGURE 8-26. CHASSIS SOLENOID HARNESS	404
FIGURE 8-27. ENGINE HARNESS - DEUTZ D2011	406
FIGURE 8-28. ENGINE HARNESS - DEUTZ D2.9L4 (STAGE V)	408
FIGURE 8-29. ENGINE HARNESS - DEUTZ D2.9L4 (CHINA IV)	412

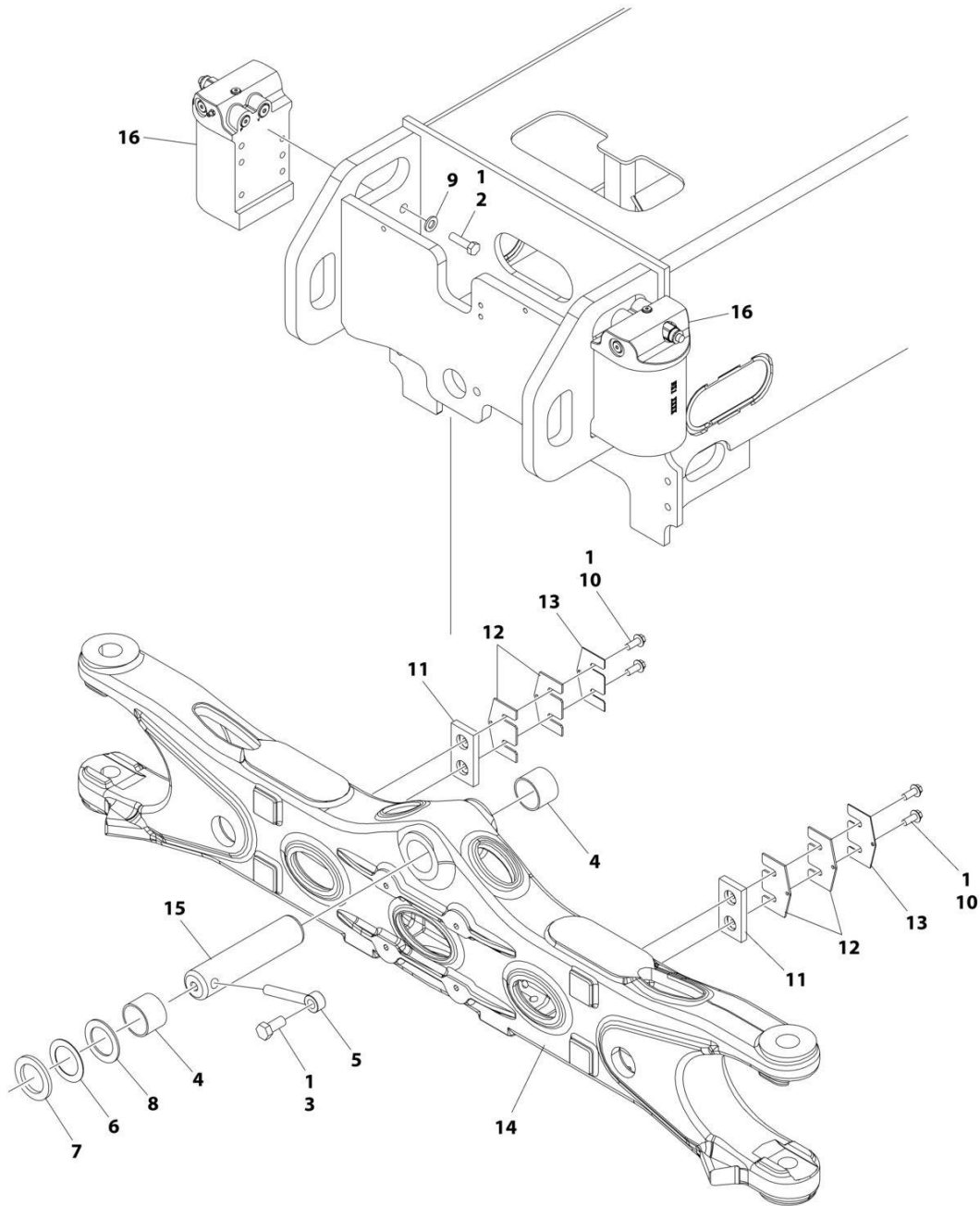
TABLE OF CONTENTS

FIGURE 8-30. FUEL HARNESS - DEUTZ D2.9L4 ENGINE	416
FIGURE 8-31. GENERATOR HARNESS - 2500W GENERATOR (50HZ).....	418
FIGURE 8-32. GENERATOR HARNESS - 4000W GENERATOR.....	420
FIGURE 8-33. GROUND CONTROL PANEL HARNESS.....	422
FIGURE 8-34. HOUR METER JUMPER HARNESS.....	424
FIGURE 8-35. PLATFORM CONSOLE BOX HARNESS	426
FIGURE 8-36. PLATFORM INTERFACE HARNESS	428
FIGURE 8-37. RECEPTACLE BOX KIT - 110V IEC YELLOW (CE, CIS/EAC & UK CA SPEC).....	430
FIGURE 8-38. RECEPTACLE BOX KIT - 220V IEC BLUE (CE, CIS/EAC & UK CA SPEC).....	432
FIGURE 8-39. RECEPTACLE BOX KIT - 220V CEE7 POST GROUND 2IN X 4IN BOX (CE, CIS/EAC & UK CA SPEC).....	434
FIGURE 8-40. RECEPTACLE BOX KIT - 220V CEE7 SIDE GROUND 2IN X 4IN BOX (CE, CIS/EAC & UK CA SPEC)	436
FIGURE 8-41. RECEPTACLE BOX KIT - 220V AFSINT 107 (CE, CIS/EAC & UK CA SPEC)	438
FIGURE 8-42. SKYEYE INTERMEDIATE HARNESS.....	440
FIGURE 8-43. SKYEYE RECEIVER HARNESS	442
FIGURE 8-44. SKYEYE EMITTER HARNESS.....	444
FIGURE 8-45. SKYLINE HARNESS.....	446
FIGURE 8-46. TURNTABLE HARNESS	448
FIGURE 8-47. VALVE HARNESS - BOOM VALVE.....	452
FIGURE 8-48. VALVE HARNESS - MAIN VALVE.....	454
FIGURE 8-49. VALVE HARNESS - PLATFORM VALVE	456
SECTION 9 - DECALS.....	459
FIGURE 9-1. DECAL INSTALLATION - ANSI, ANSI EXPORT AND CSA SPECS (ENGLISH)	460
FIGURE 9-2. DECAL INSTALLATION - AUSTRALIAN SPEC (ENGLISH)	462
FIGURE 9-3. DECAL INSTALLATION - BRAZIL SPEC (ENGLISH)	464
FIGURE 9-4. DECAL INSTALLATION - CE & UK CA SPEC (ENGLISH)	466
FIGURE 9-5. DECAL INSTALLATION - CHINESE SPEC (CHINESE/ENGLISH).....	468
FIGURE 9-6. DECAL INSTALLATION - LATIN AMERICA SPEC (SPANISH/ENGLISH).....	470
FIGURE 9-7. DECAL INSTALLATION - OPTIONS	472
FIGURE 9-8. TOW BAR DECAL INSTALLATION - ENGLISH LANGUAGE (ANSI EXPORT, CE, CIS/EAC & UK CA SPECS) .	474
FIGURE 9-9. TOW BAR DECAL INSTALLATION - SPANISH LANGUAGE (CE, CIS/EAC & UK CA SPECS)	476
SECTION 10 - RECOMMENDED SERVICE PARTS STOCK	479
FIGURE 10-1. RECOMMENDED SERVICE PARTS STOCK	480
SECTION 11 - SPECIAL OPTIONS/ACCESSORIES/KITS	483
FIGURE 11-1. SPECIAL OPTIONS/ACCESSORIES/KITS	484
PART NUMBER INDEX	487

SECTION 1 - FRAME

SECTION 1 - FRAME

FIGURE 1-1. AXLE INSTALLATION



ART_1001264981

SECTION 1 - FRAME

FIGURE 1-1. AXLE INSTALLATION

ITEM	PART NUMBER	QTY	DESCRIPTION	REV
	1001264981	Ref	AXLE INSTALLATION	B
1	0100011	AR	Compound, Locking	
2	0701217	8	Bolt M12 x 45	
3	0761615	1	Bolt M16 x 35	
4	0961950	2	Bearing	
5	3841258	1	Keeper, Pin	
6	4071101	AR	Shim	
7	4740158	AR	Washer	
8	4740229	AR	Washer	
9	5241200	8	Washer M12	
10	5251012	4	Bolt M10 x 25	
11	1001118511	2	Pad, Wear	
12	1001118518	AR	Shim 11Ga	
13	1001118519	AR	Shim 16Ga	
14	1001162995	1	Axle	
15	1001185030	1	Pin	
16	1001256179	2	Axle Lockout Cylinder Assembly (See Separate Breakdown in CYLINDER Section)	

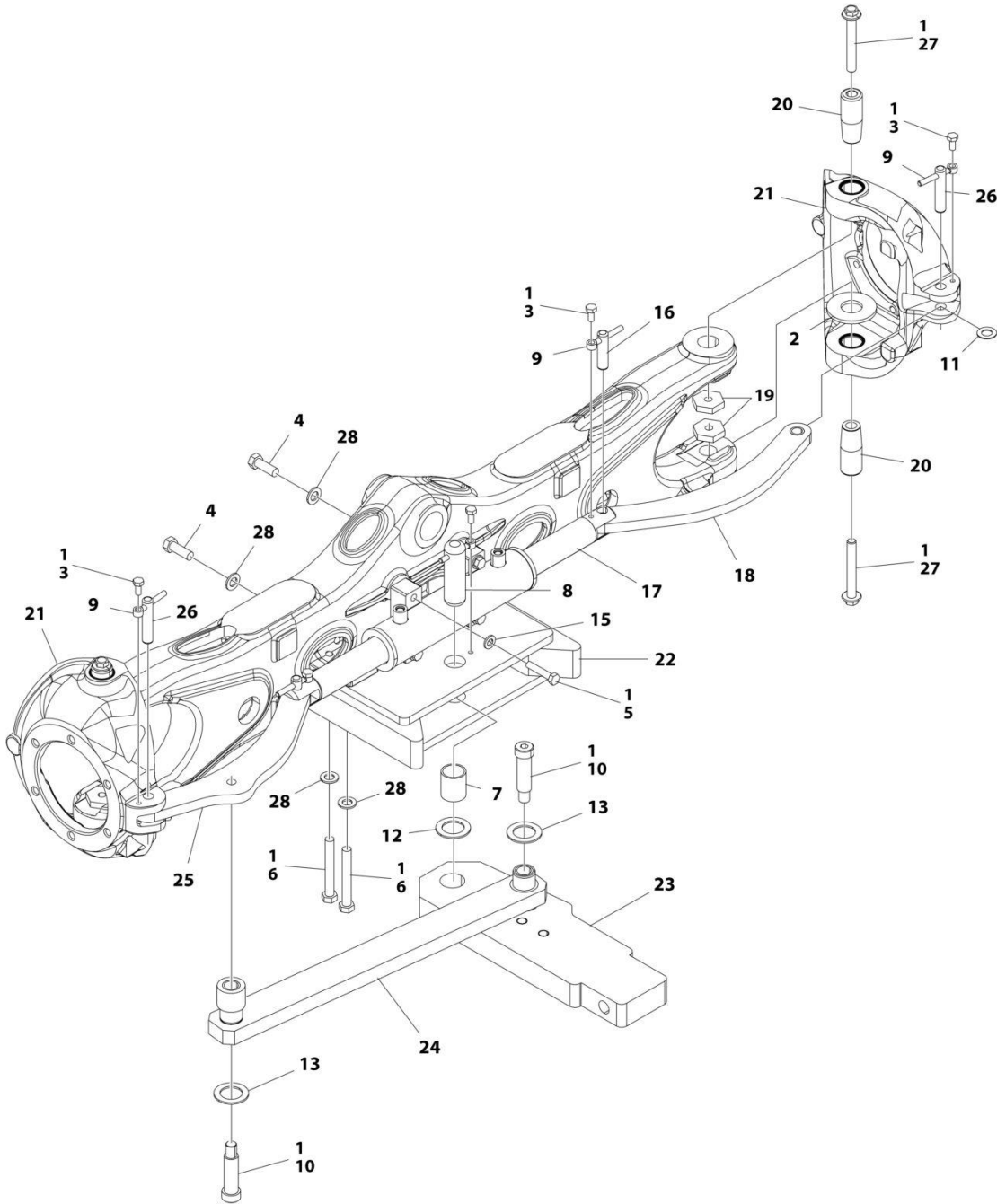
SECTION 1 - FRAME

FIGURE 1-2. STEER INSTALLATION WITHOUT TOW PACKAGE

ITEM	PART NUMBER	QTY	DESCRIPTION	REV
	1001164092	Ref	STEER INSTALLATION WITHOUT TOW PACKAGE	F
1	0100011	AR	Compound, Locking	
2	1001233139	2	Bearing, Thrust	
3	0761011	4	Bolt M10 x 22	
4	0711220	4	Bolt M12 x 60 Grade 10.9	
5	1001190368	4	Bolt M16 x 120	
6	3841143	4	Keeper, Pin	
7	4740086	4	Washer	
8	5241200	4	Washer M12	
10	1001163178	1	Steer Cylinder Assembly (See Separate Breakdown in CYLINDER SECTION)	
11	1001163179	2	Link	
11	1001164209	4	Bearing (2 Per Link)	
12	1001176848	4	Nut M16	
13	1001163405	4	Kingpin	
14	1001163715	2	Spindle	
14	0961948	4	Bearing (2 Per Spindle)	
14	1001163716	8	Seal (4 Per Spindle)	
15	3423304	4	Pin	

SECTION 1 - FRAME

FIGURE 1-3. STEER INSTALLATION WITH TOW PACKAGE



ART_1001164095

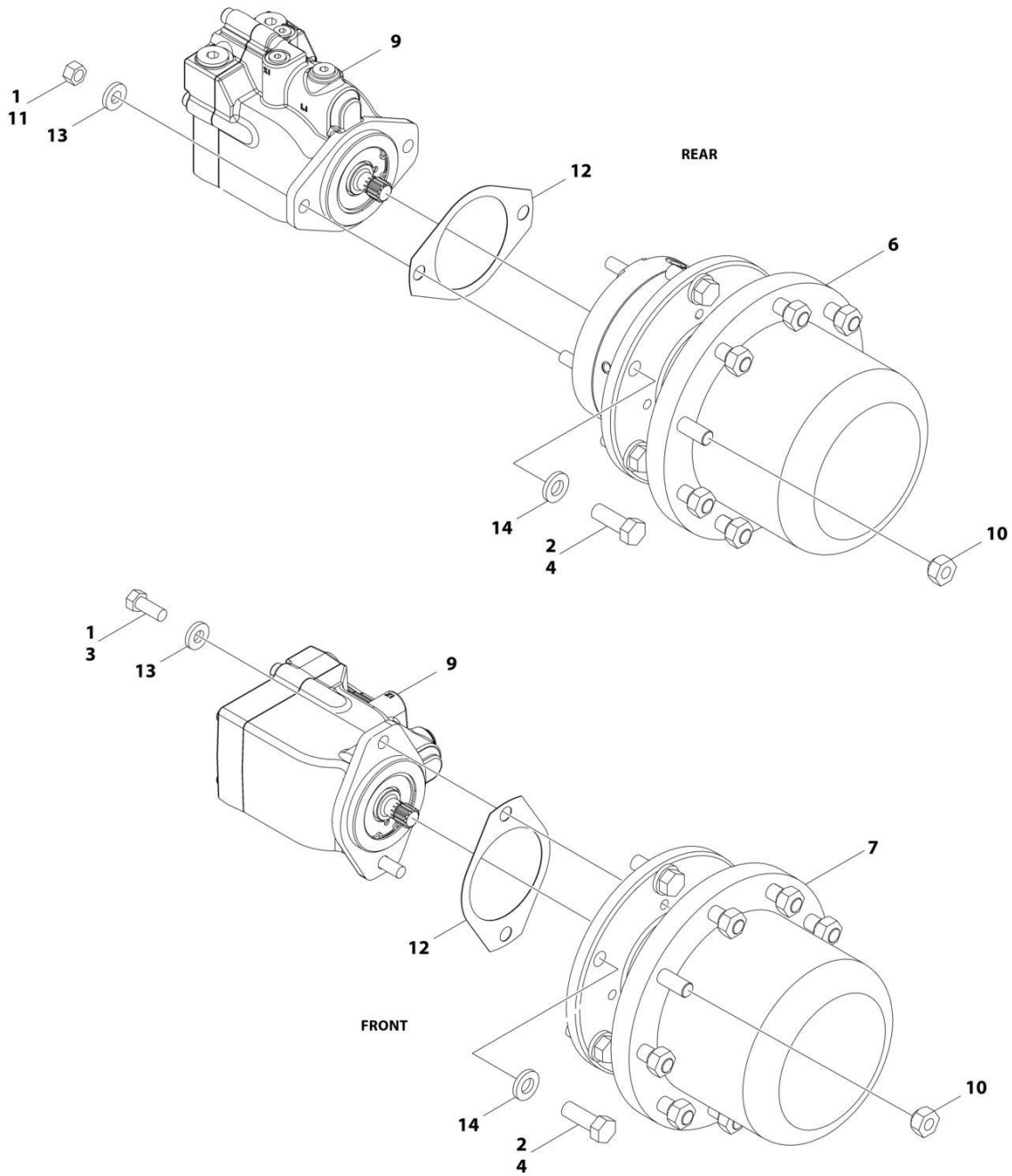
SECTION 1 - FRAME

FIGURE 1-3. STEER INSTALLATION WITH TOW PACKAGE

ITEM	PART NUMBER	QTY	DESCRIPTION	REV
	1001164095	Ref	STEER INSTALLATION WITH TOW PACKAGE	D
1	0100011	AR	Compound, Locking	
2	0440271	2	Bearing, Thrust	
3	0761011	5	Bolt M10 x 22	
4	0701617	2	Bolt M16 x 45	
5	0711220	4	Bolt M12 x 60 Grade 10.9	
6	0711629	4	Bolt M16 x 120	
7	0962348	1	Bearing	
8	3422848	1	Pin	
9	3841143	5	Keeper, Pin	
10	3900295	2	Bolt 1 X 3	
11	4740086	4	Washer	
12	4740155	1	Washer	
13	4740491	2	Washer	
15	5241200	4	Washer M12	
16	1001139586	2	Pin	
17	1001163178	1	Steer Cylinder Assembly (See Separate Breakdown in CYLINDER SECTION)	
18	1001163179	1	Link	
18	1001164209	2	Bearing	
19	1001176848	4	Nut M16	
20	1001163405	4	Kingpin	
21	1001163715	2	Spindle	
21	0961948	4	Bearing (2 per Spindle)	
21	1001163716	8	Seal (4 per Spindle)	
22	1001163717	1	Bracket, Tow	
23	1001163722	1	Plate	
24	1001163724	1	Link	
24	0962292	4	Bearing	
25	1001163726	1	Link	
25	1001164209	2	Bearing	
26	3423304	2	Pin	
27	1001190368	4	Bolt M16 x 120	
28	5241600	6	Washer M16	

SECTION 1 - FRAME

FIGURE 1-4. WHEEL DRIVE INSTALLATION (4WD) (ALL SPECS EXCEPT CHINA SPEC)



ART_1001166239

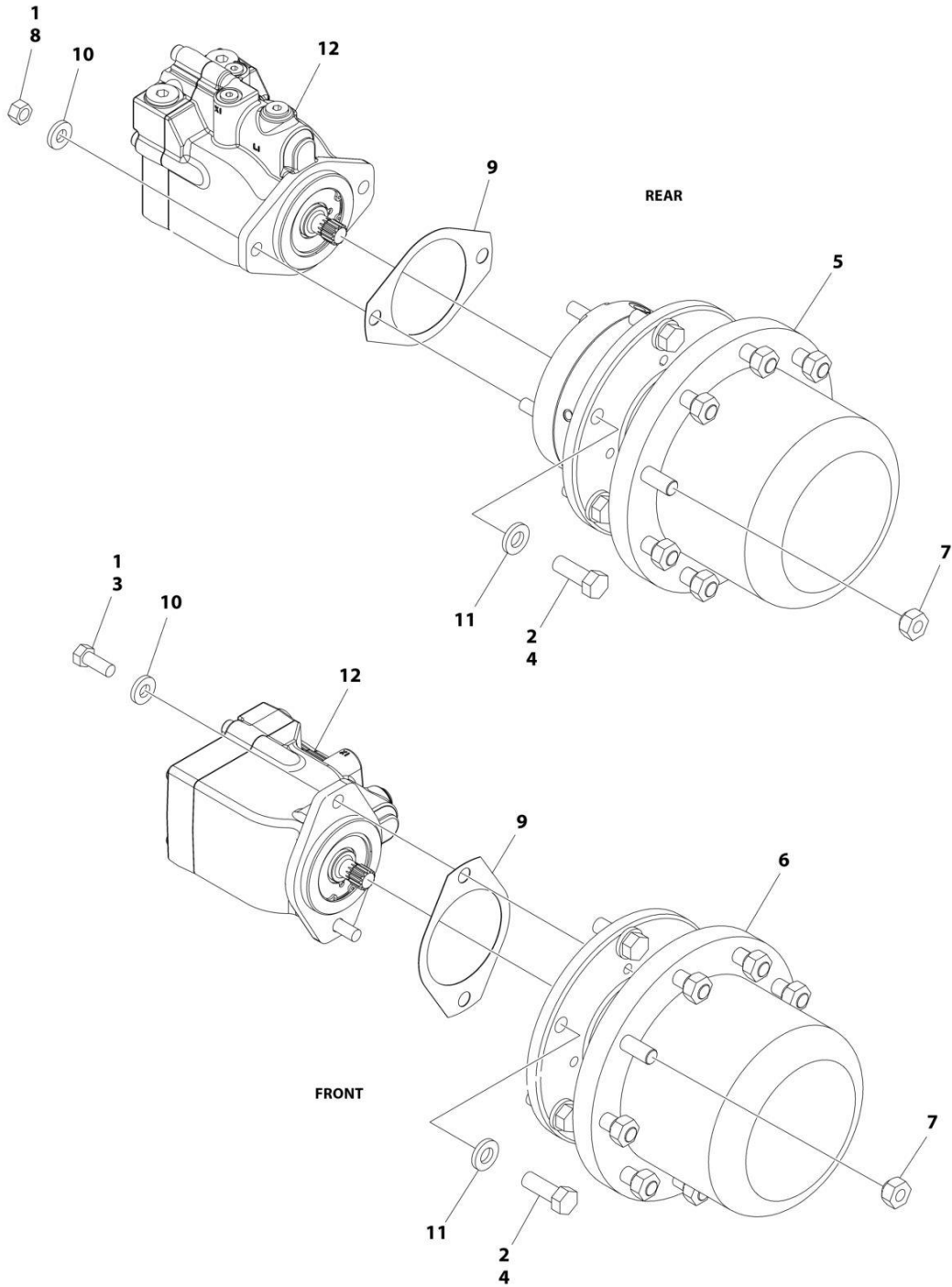
SECTION 1 - FRAME

FIGURE 1-4. WHEEL DRIVE INSTALLATION (4WD) (ALL SPECS EXCEPT CHINA SPEC)

ITEM	PART NUMBER	QTY	DESCRIPTION	REV
	1001166239	Ref	WHEEL DRIVE INSTALLATION (4WD)	E
1	0100011	AR	Compound, Locking	
2	0100019	AR	Compound, Locking	
3	0681810	4	Bolt 1/2 x 1-1/4 Grade 8	
4	0682014	24	Bolt 5/8 x 1-3/4 Grade 8	
6	2780267	2	Drive Hub Assembly - Rear (See Separate Breakdown in this Section)	
7	2780268	2	Drive Hub Assembly - Front (See Separate Breakdown in this Section)	
9	3160348	4	Drive Motor Assembly (See Separate Breakdown in this Section)	
10	3300106	36	Lugnut	
11	3311801	4	Nut 1/2	
12	3960526	4	Gasket, Brake	
13	4891800	8	Washer 1/2	
14	4892000	24	Washer 5/8	

SECTION 1 - FRAME

FIGURE 1-5. WHEEL DRIVE INSTALLATION (4WD) (CHINA SPEC)



ART_1001285012

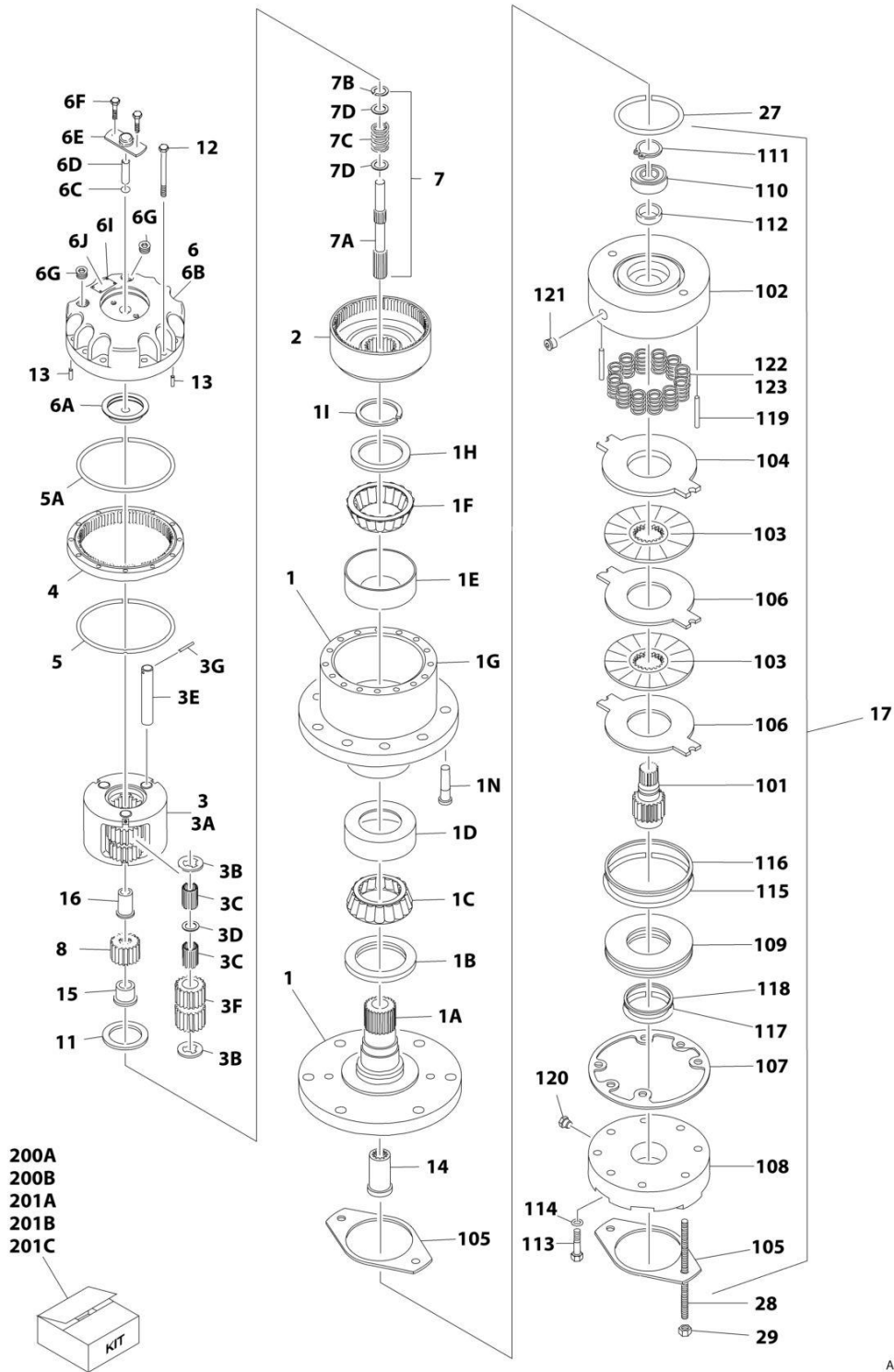
SECTION 1 - FRAME

FIGURE 1-5. WHEEL DRIVE INSTALLATION (4WD) (CHINA SPEC)

ITEM	PART NUMBER	QTY	DESCRIPTION	REV
	1001285012	Ref	WHEEL DRIVE INSTALLATION (4WD)	B
1	0100011	AR	Compound, Locking	
2	0100019	AR	Compound, Locking	
3	0681810	4	Bolt 1/2 x 1-1/4 Grade 8	
4	0682014	24	Bolt 5/8 x 1-3/4 Grade 8	
5	2780267	2	Drive Hub Assembly - Rear (See Separate Breakdown in this Section)	
6	2780268	2	Drive Hub Assembly - Front (See Separate Breakdown in this Section)	
7	3300106	36	Lugnut	
8	3311801	4	Nut 1/2	
9	3960526	4	Gasket, Brake	
10	4891800	8	Washer 1/2	
11	4892000	24	Washer 5/8	
12	1001278022	4	Drive Motor Assembly (See Separate Breakdown in this Section)	

SECTION 1 - FRAME

FIGURE 1-6. DRIVE HUB AND BRAKE ASSEMBLY - REAR



SECTION 1 - FRAME

FIGURE 1-6. DRIVE HUB AND BRAKE ASSEMBLY - REAR

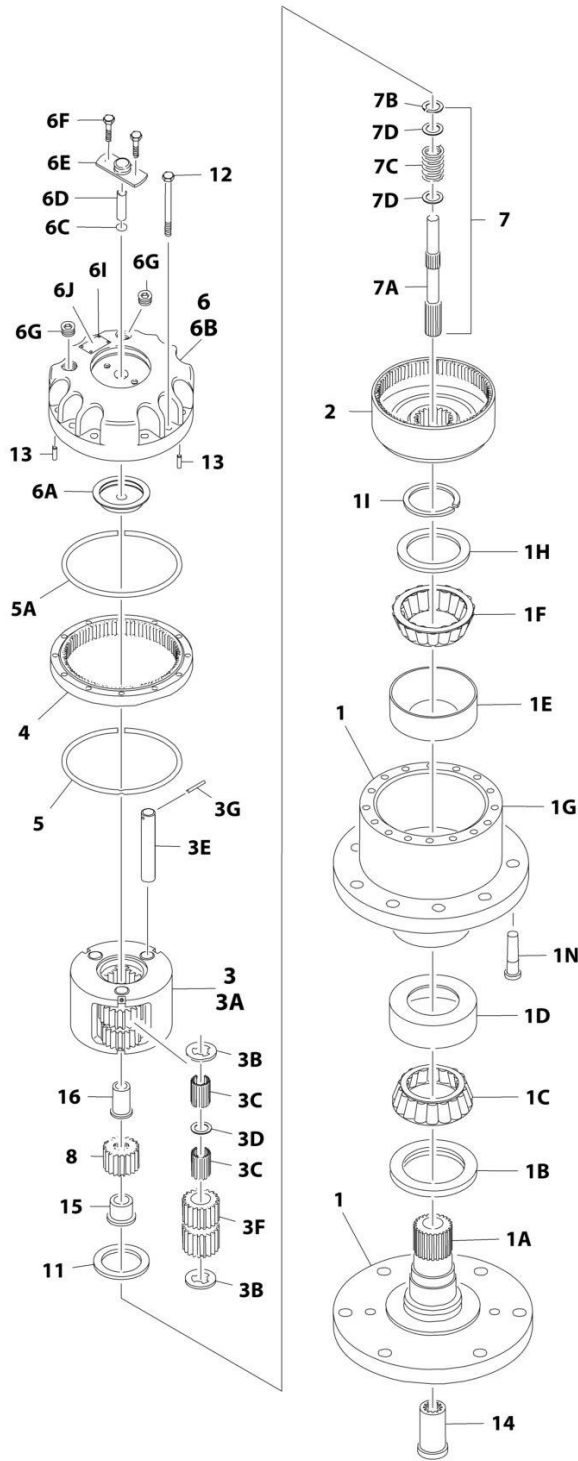
ITEM	PART NUMBER	QTY	DESCRIPTION	REV
	2780267	Ref	DRIVE HUB AND BRAKE ASSEMBLY - REAR	I
1	See Note	1	Spindle/Housing Assembly (Note: Purchase Individual Components)	
1A	7017059	1	Spindle	
1B	7001998	1	Seal	
1C	7010429	1	Cone, Bearing (Includes Item 1D)	
1D	7010429	1	Cup, Bearing (Includes Item 1C)	
1E	7000257	1	Cup, Bearing	
1F	7000258	1	Cone, Bearing	
1G	7007601	1	Housing/Ring Gear	
1H	7000232	1	Washer, Thrust	
1I	7000229	1	Ring, Retaining	
1N	7007640	9	Stud, Wheel	
2	7000246	1	Gear, Internal	
3	7024712	1	Carrier Assembly	
3A	See Note	1	Carrier (Note: Use Item 3)	
3B	See Note	6	Ring, Retaining (Note: Use Item 3)	
3C	See Note	AR	Bearing, Needle (Note: Use Item 3)	
3D	See Note	3	Washer, Thrust (Note: Use Item 3)	
3E	See Note	3	Shaft, Planet (Note: Use Item 3)	
3F	See Note	3	Gear, Planet (Note: Use Item 3)	
3G	See Note	3	Roll Pin (Note: Use Item 3)	
4	7000248	1	Ring Gear	
5	7000230	1	O-Ring	
5A	7017070	1	O-Ring	
6	70001349	1	Cover Assembly Kit	
6A	See Note	1	Spacer, Thrust (Note: Use Item 6)	
6B	See Note	1	Plate, Cover (Note: Use Item 6)	
6C	See Note	1	O-Ring (Note: Use Item 6)	
6D	See Note	1	Rod, Disconnect (Note: Use Item 6)	
6E	See Note	1	Cap, Disengage (Note: Use Item 6)	
6F	See Note	2	Bolt (Note: Use Item 6)	
6G	See Note	1	Plug, Pipe (Note: Use Item 6)	
6I	See Note	4	Rivet (Note: Not Available for Purchase)	
6J	See Note	1	Plate, ID (Note: Not Available for Purchase)	
7		Ref	Input Shaft Assembly	
7A	7024714	1	Shaft	
7B	7000261	1	Ring, Retaining	
7C	7000262	1	Spring	
7D	7000263	2	Spacer, Thrust	
8	7024713	1	Gear, Sun	
11	7000253	1	Washer, Thrust	
12	7017067	12	Bolt	
13	7017080	4	Pin, Dowel	
14	7000206	1	Coupling	
15	7024715	1	Spacer, Input	
16	7024716	1	Spacer, Input	
17	7024182	1	Brake Assembly (See Items 101-123 for Breakdown)	
27	7024705	1	O-Ring	
28	7024717	2	Rod, Threaded	

SECTION 1 - FRAME

ITEM	PART NUMBER	QTY	DESCRIPTION	REV
29	7024718	2	Nut 1/2in-13NC	
	7024182	Ref	BRAKE ASSEMBLY	
101	7024189	1	Shaft	
102	See Note	1	Housing (Note: Use Item 17)	
103	See Note	2	Plate, Friction (Note: Use Item 201B)	
104	See Note	1	Plate, Pressure (Note: Use Item 201B)	
105	7000731	2	Gasket	
106	See Note	2	Plate, Outer (Note: Use Item 201B)	
107	See Note	1	Gasket (Note: Use Item 200A, 201B or 201C)	
108	7024191	1	Cylinder	
109	7024192	1	Piston	
110	See Note	1	Bearing, Ball (Note: Use Item 201C)	
111	See Note	1	Ring, Retaining (Note: Use Item 201C)	
112	See Note	1	Seal, Shaft (Note: Use Item 201C)	
113	See Note	6	Capscrew (Note: Use Item 17)	
114	See Note	6	Lockwasher (Note: Use Item 17)	
115	See Note	1	O-Ring (Note: Use Item 200B)	
116	See Note	1	Ring, Back-up (Note: Use Item 200B)	
117	See Note	1	O-Ring (Note: Use Item 200B)	
118	See Note	1	Ring, Back-up (Note: Use Item 200B)	
119	7024190	2	Pin, Dowel	
120	See Note	1	Plug (Note: Use Item 17)	
121	See Note	2	Plug (Note: Use Item 17)	
122	See Note	12	Spring Kit (Natural) (Note: Use Item 201A)	
123	See Note	2	Spring Kit (Blue) (Note: Use Item 201A)	
		Ref	Kit Options	
200		Ref	Seal Kit Options:	
200A	See Note	1	Hub Seal Kit (Note: Purchase Individual Components)	
200B	7024194	1	Brake Seal Kit (Includes Items 105, 107 & 115-118)	
201		Ref	Repair Kit Options:	
201A	7024196	1	Brake Spring Kit (Includes 12 Natural Colored and 2 Blue Colored Springs Items 122 & 123)	
201B	7024193	1	Brake Friction Disc Kit (Includes Items 103, 104, 106 & 107)	
201C	7024197	1	Brake Bearing Kit (Includes Items 107 & 110-112)	

SECTION 1 - FRAME

FIGURE 1-7. DRIVE HUB ASSEMBLY - FRONT



ART_2780268

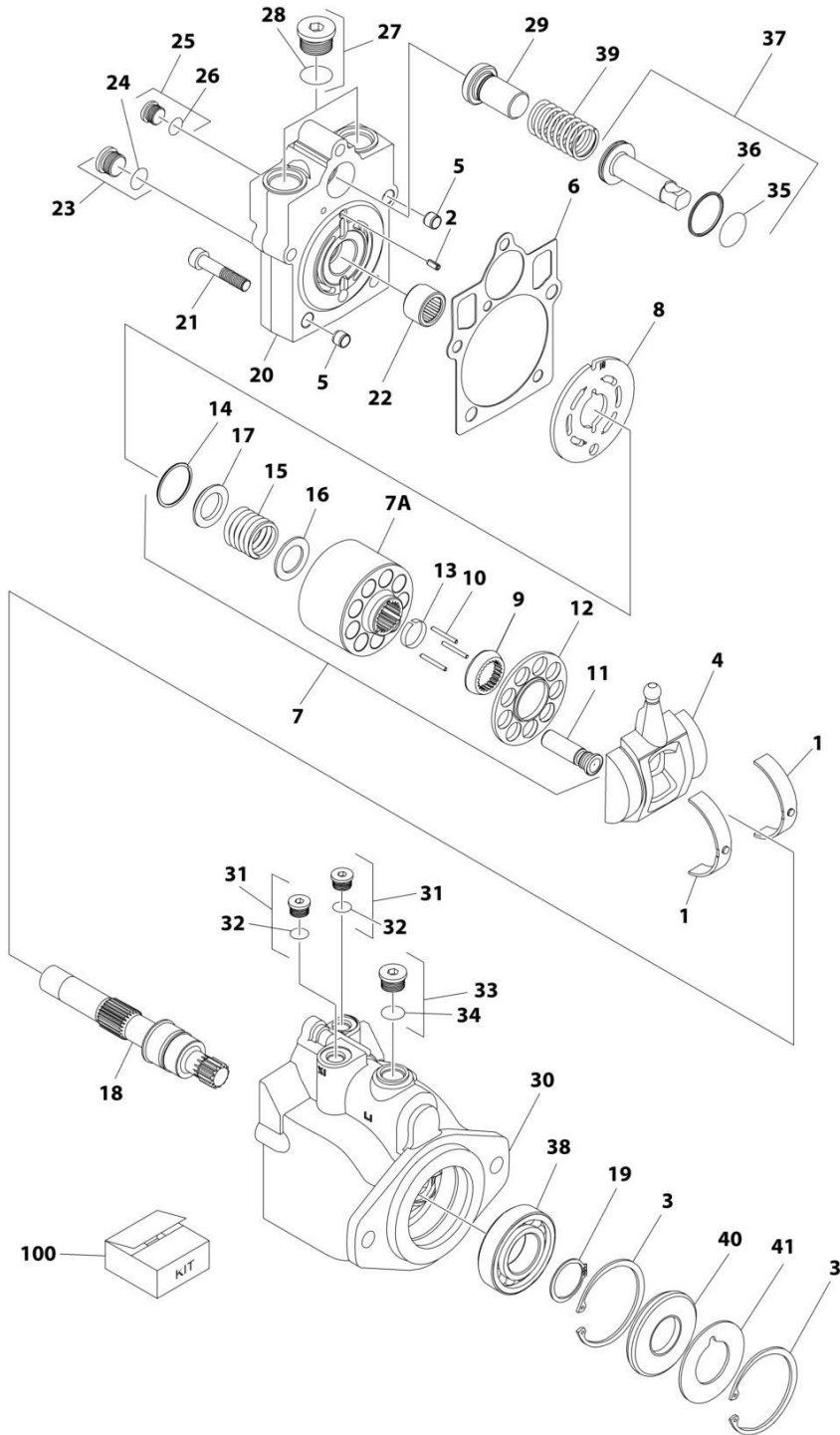
SECTION 1 - FRAME

FIGURE 1-7. DRIVE HUB ASSEMBLY - FRONT

ITEM	PART NUMBER	QTY	DESCRIPTION	REV
	2780268	Ref	DRIVE HUB ASSEMBLY - FRONT	F
1	See Note	1	Spindle/Housing Assembly (Note: Purchase Individual Components)	
1A	7017059	1	Spindle	
1B	7001998	1	Seal	
1C	7010429	1	Cone, Bearing (Includes Item 1D)	
1D	7010429	1	Cup, Bearing (Includes Item 1C)	
1E	7000257	1	Cup, Bearing	
1F	7000258	1	Cone, Bearing	
1G	7007601	1	Housing/Ring Gear	
1H	7000232	1	Washer, Thrust	
1I	7000229	1	Ring, Retaining	
1N	7007640	9	Stud, Wheel	
2	7000246	1	Gear, Internal	
3	7024712	1	Carrier Assembly	
3A	See Note	1	Carrier (Note: Use Item 3)	
3B	See Note	6	Ring, Retaining (Note: Use Item 3)	
3C	See Note	AR	Bearing, Needle (Note: Use Item 3)	
3D	See Note	3	Washer, Thrust (Note: Use Item 3)	
3E	See Note	3	Shaft, Planet (Note: Use Item 3)	
3F	See Note	3	Gear, Planet (Note: Use Item 3)	
3G	See Note	3	Roll Pin (Note: Use Item 3)	
4	7000248	1	Ring Gear	
5	7000230	1	O-Ring	
5A	7017070	1	O-Ring	
6	70001349	1	Cover Assembly Kit	
6A	See Note	1	Spacer, Thrust (Note: Use Item 6)	
6B	See Note	1	Plate, Cover (Note: Use Item 6)	
6C	See Note	1	O-Ring (Note: Use Item 6)	
6D	See Note	1	Rod, Disconnect (Note: Use Item 6)	
6E	See Note	1	Cap, Disengage (Note: Use Item 6)	
6F	See Note	2	Bolt (Note: Use Item 6)	
6G	See Note	1	Plug, Pipe (Note: Use Item 6)	
6I	See Note	4	Rivet (Note: Not Available for Purchase)	
6J	See Note	1	Plate, ID (Note: Not Available for Purchase)	
7		Ref	Input Shaft Assembly	
7A	7024714	1	Shaft	
7B	7000261	1	Ring, Retaining	
7C	7000262	1	Spring	
7D	7000263	2	Spacer, Thrust	
8	7024713	1	Gear, Sun	
11	7000253	1	Washer, Thrust	
12	7017067	12	Bolt	
13	7017080	4	Pin, Dowel	
14	7000206	1	Coupling	
15	7024715	1	Spacer, Input	
16	7024716	1	Spacer, Input	

SECTION 1 - FRAME

FIGURE 1-8. DRIVE MOTOR ASSEMBLY (4WD) (ALL SPECS EXCEPT CHINA SPEC)



ART_3160348

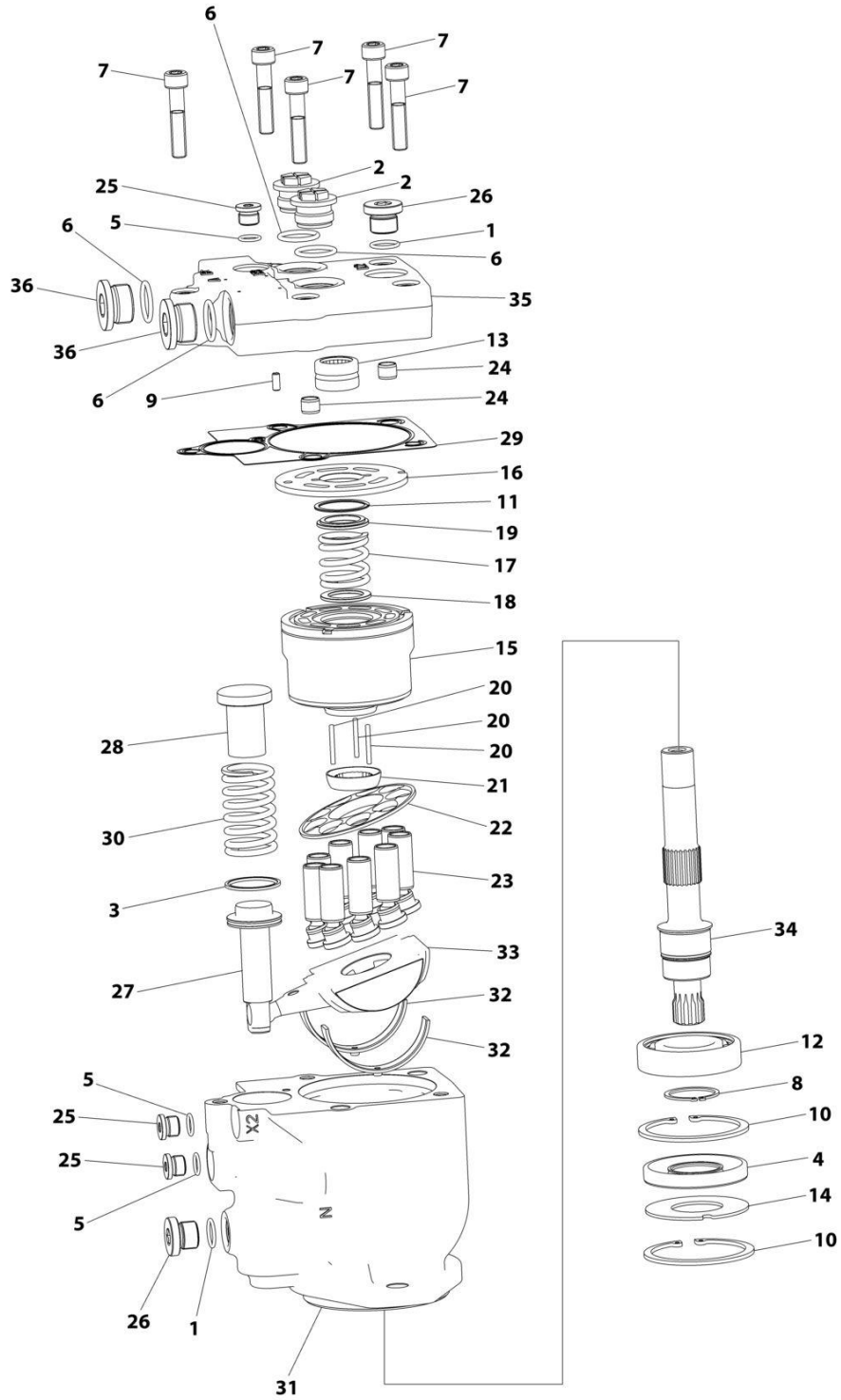
SECTION 1 - FRAME

FIGURE 1-8. DRIVE MOTOR ASSEMBLY (4WD) (ALL SPECS EXCEPT CHINA SPEC)

ITEM	PART NUMBER	QTY	DESCRIPTION	REV
	3160348	Ref	DRIVE MOTOR ASSEMBLY	D
1	7022302	2	Bearing, Journal	
2	7007446	1	Pin	
3	7007438	2	Ring, Retaining	
4	7022305	1	Swash Plate	
5	See Note	2	Pin (Note: Not Available for Purchase)	
6	See Note	NSS	Gasket (Note: Use Item 100)	
7	7023907	1	Cylinder Block Kit (Includes Items 7A & 9-17)	
7A	See Note	NSS	Block, Cylinder (Note: Use Item 7)	
8	7023908	1	Plate, Valve	
9	7021277	1	Guide, Slipper Retainer	
10	7021275	3	Pin, Slipper Hold Down	
11	See Note	NSS	Piston Assembly (Note: Use Item 7)	
12	7022310	1	Retainer, Slipper	
13	7021276	1	Retainer, Hold Down Pin	
14	7022311	1	Ring, Retaining	
15	7022312	1	Spring	
16	7024868	1	Washer	
17	7022314	1	Retainer, Spring	
18	7023910	1	Shaft	
19	7007439	1	Ring, Retaining	
20	70000797	1	Cap, End - Axial	
21	7022368	5	Screw	
22	7021249	1	Bearing, Needle	
23	2220886	1	Plug (Includes Item 24)	
24	See Note	1	O-Ring (Note: Use Item 23 or 100)	
25	2220883	1	Plug (Includes Item 26)	
26	See Note	NSS	O-Ring (Note: Use Item 25 or 100)	
27	2220888	2	Plug (Includes Item 28)	
28	See Note	NSS	O-Ring (Note: Use Item 27 or 100)	
29	7022372	1	Seat, Spring	
30	See Note	NSS	Housing (Note: Not Available - Purchase Complete Assembly)	
31	2220883	2	Plug (Includes Item 32)	
32	See Note	NSS	O-Ring (Note: Use Item 31 or 100)	
33	2220886	1	Plug (Includes Item 34)	
34	See Note	NSS	O-Ring (Note: Use Item 33 or 100)	
35	See Note	NSS	O-Ring (Note: Use Item 100)	
36	See Note	NSS	Ring, Seal (Note: Use Item 100)	
37	7024854	1	Piston, Servo (Includes Items 35 & 36)	
38	7007437	1	Bearing	
39	7022326	1	Spring	
40	See Note	1	Seal, Lip (Note: Use Item 100)	
41	7022371	1	Washer, Support	
		Ref	KIT OPTIONS:	
100	7022328	1	Seal Kit (Includes Items 6, 24, 26, 28, 32, 34, 35, 36 & 40)	

SECTION 1 - FRAME

FIGURE 1-9. DRIVE MOTOR ASSEMBLY (4WD) (CHINA SPEC)



ART_1001278022

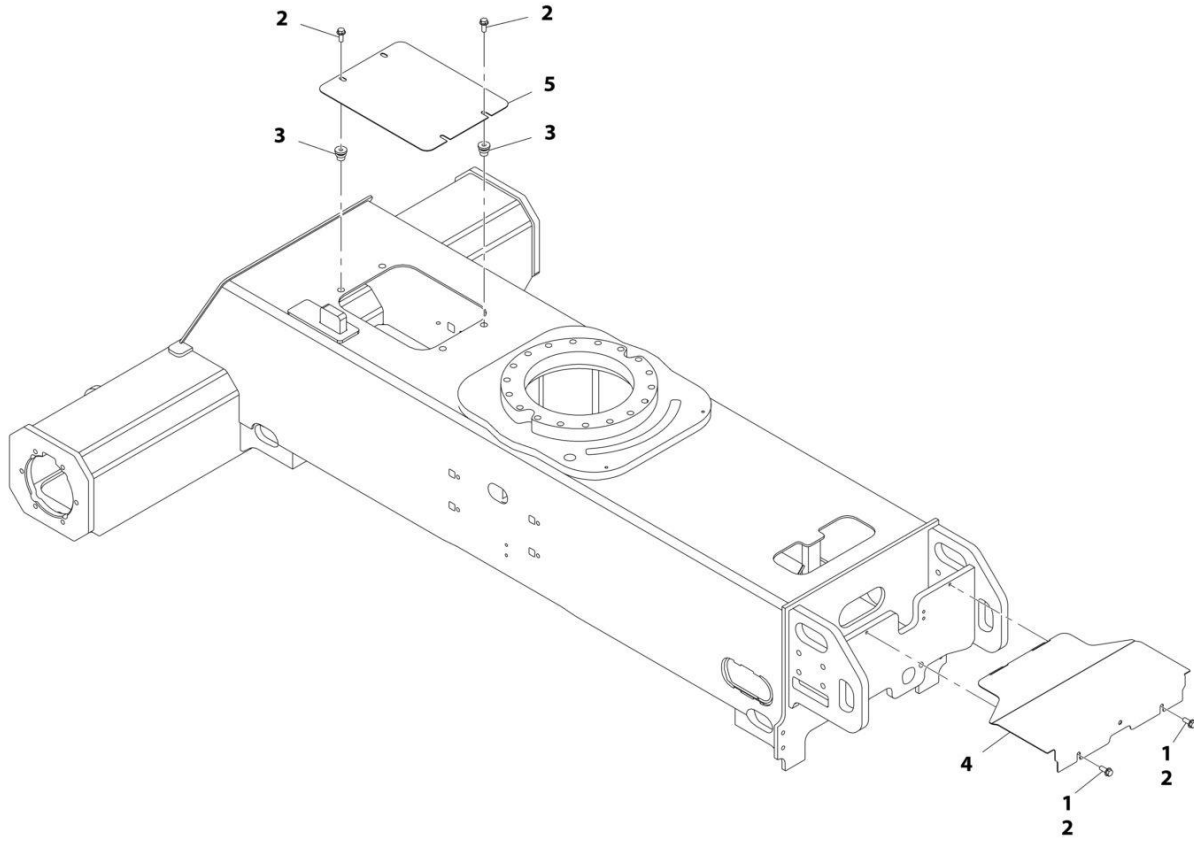
SECTION 1 - FRAME

FIGURE 1-9. DRIVE MOTOR ASSEMBLY (4WD) (CHINA SPEC)

ITEM	PART NUMBER	QTY	DESCRIPTION	REV
	1001278022	Ref	DRIVE MOTOR ASSEMBLY	B
1	70007847	2	O-Ring	
2	70007848	2	Plug	
3	70007849	1	Ring, Sealing	
4	70007850	1	Bearing	
5	70007851	3	O-Ring	
6	70007852	4	O-Ring	
7	70007853	5	Capscrew M10 x 50	
8	70007854	1	Circlip	
9	70007855	1	Pin	
10		Ref	Circlip	
11	70007856	1	Ring, Retaining	
12	70007857	1	Bearing	
13	70007858	1	Bearing	
14	70007859	1	Gasket	
15	70007860	1	Cylinder	
16	70007861	1	Plate, Valve	
17	70007862	1	Spring	
18	70007863	1	Gasket	
19	70007864	1	Gasket	
20	70007865	3	Pin	
21	70007866	1	Bushing	
22	70007867	1	Retainer	
23	70007868	9	Piston	
24	70007869	2	Pin	
25	70007870	3	Plug	
26	70007871	2	Plug	
27	70007872	1	Piston	
28	70007873	1	Seat, Spring	
29	70007874	1	Gasket	
30	70007875	1	Spring	
31	See Note	NSS	Housing (Note: Purchase Complete Assembly)	
32	70007876	2	Bushing	
33	70007877	1	Plate, Swash	
34	70007878	1	Shaft	
35	See Note	NSS	Cover (Note: Purchase Complete Assembly)	
36	See Note	Ref	Plug (Note: Shipping Use Only)	

SECTION 1 - FRAME

FIGURE 1-10. FRAME SHIELD INSTALLATION



ART_1001162105

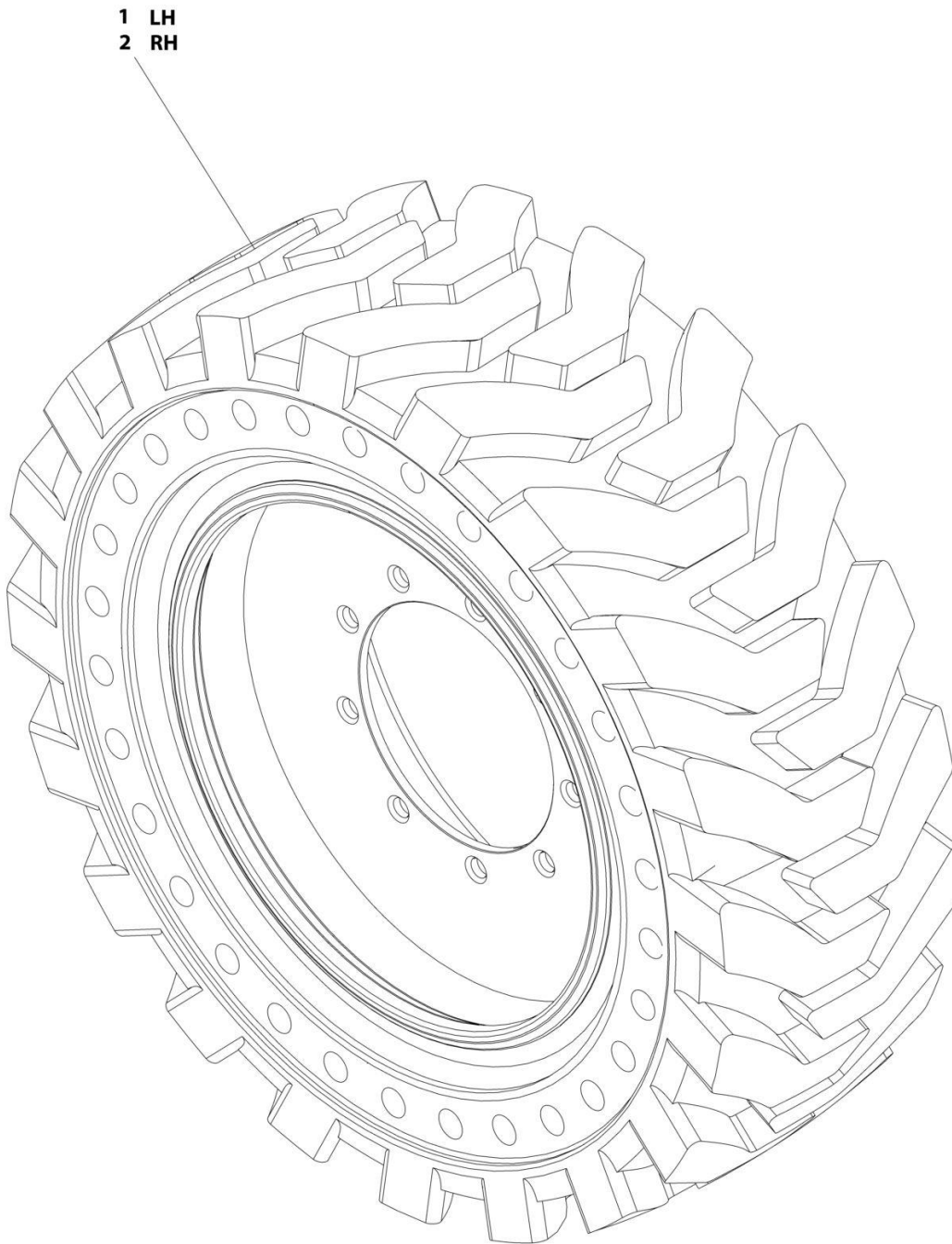
SECTION 1 - FRAME

FIGURE 1-10. FRAME SHIELD INSTALLATION

ITEM	PART NUMBER	QTY	DESCRIPTION	REV
	1001162105	Ref	FRAME SHIELD INSTALLATION	B
1	0100011	AR	Compound, Locking	
2	5251012	6	Bolt, M10 x 25	
3	1001180916	4	Nut	
4	1001162107	1	Plate, Valve Cover	
5	1001165968	1	Plate, Cover	

SECTION 1 - FRAME

FIGURE 1-11. TIRE AND WHEEL INSTALLATION - 33 X 12-20 SOLID NON-MARKING



ART_1001169062

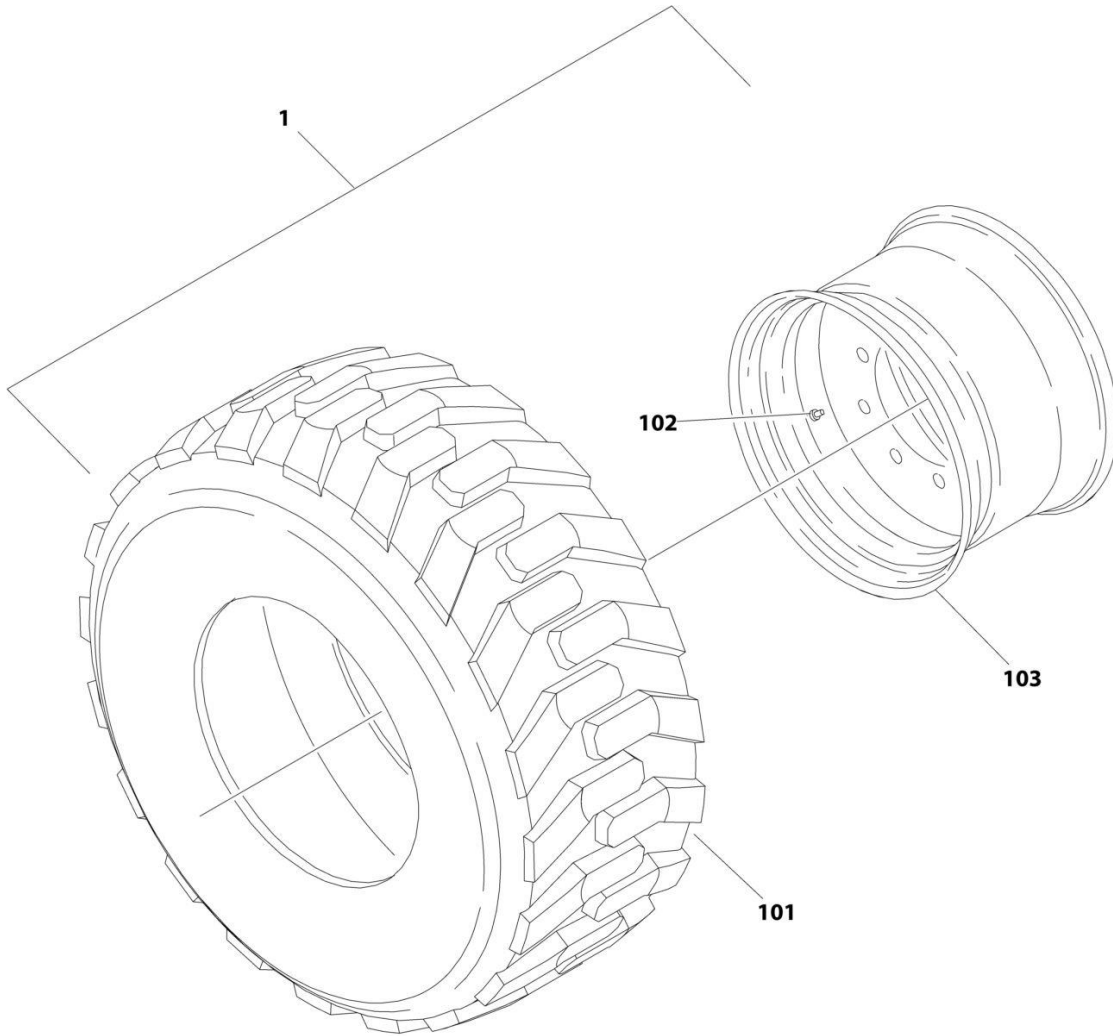
SECTION 1 - FRAME

FIGURE 1-11. TIRE AND WHEEL INSTALLATION - 33 X 12-20 SOLID NON-MARKING

ITEM	PART NUMBER	QTY	DESCRIPTION	REV
	1001169062	Ref	TIRE AND WHEEL INSTALLATION - 33 X 12-20 SOLID NON-MARKING	A
		Ref	Note: Due to critical stable weights, only replace tire and wheel assemblies with like components.	
1	1001170098	2	Tire and Wheel Assembly - 33 x 12-20 Solid Non-Marking (LH Side)	
2	1001170099	2	Tire and Wheel Assembly - 33 x 12-20 Solid Non-Marking (RH Side)	

SECTION 1 - FRAME

FIGURE 1-12. TIRE AND WHEEL INSTALLATION - 33/1550 X 16.5 FOAM-FILLED



ART_1001169075

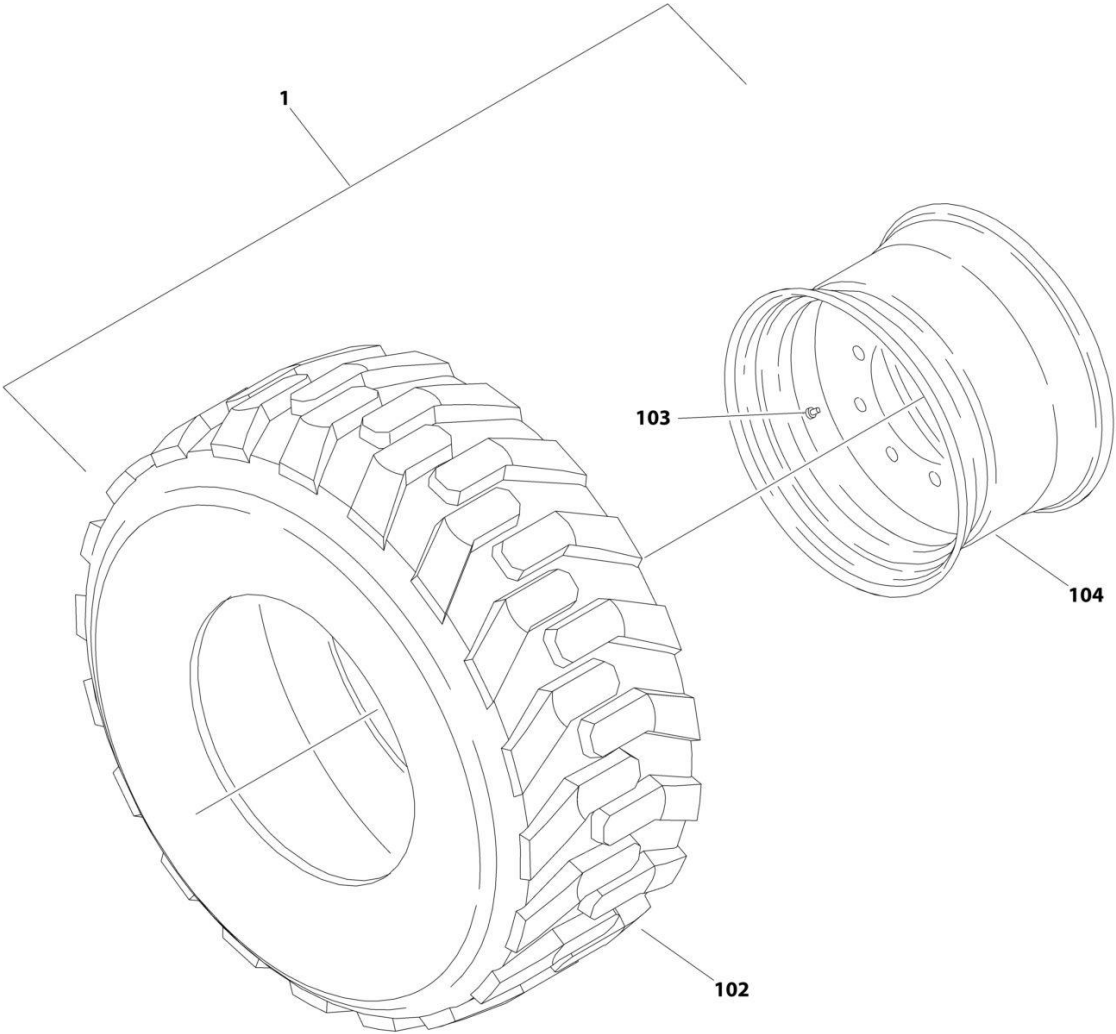
SECTION 1 - FRAME

FIGURE 1-12. TIRE AND WHEEL INSTALLATION - 33/1550 X 16.5 FOAM-FILLED

ITEM	PART NUMBER	QTY	DESCRIPTION	REV
	1001169075	Ref	TIRE AND WHEEL INSTALLATION - 33/1550 X 16.5 FOAM-FILLED	A
		Ref	Note: Assemblies may require ballast/foam filling to manufacturer's specifications prior to installing on a machine. Refer to Operation and Safety or Service and Maintenance Manuals. Purchase individual tire and/or rim only if able to foam fill tire and wheel assembly, otherwise, purchase complete assembly.	
1	0258011	2	Tire and Wheel Assembly (RH Side)	I
1	0258012	2	Tire and Wheel Assembly (LH Side)	I
101	4520217	4	Tire, 33/1550 x 16.5	
102	8786514	4	Valve, Stem	
103	4860179	4	Rim, Wheel	

SECTION 1 - FRAME

FIGURE 1-13. TIRE AND WHEEL INSTALLATION - 315/55 D20 FOAM FILLED



ART_1001166157

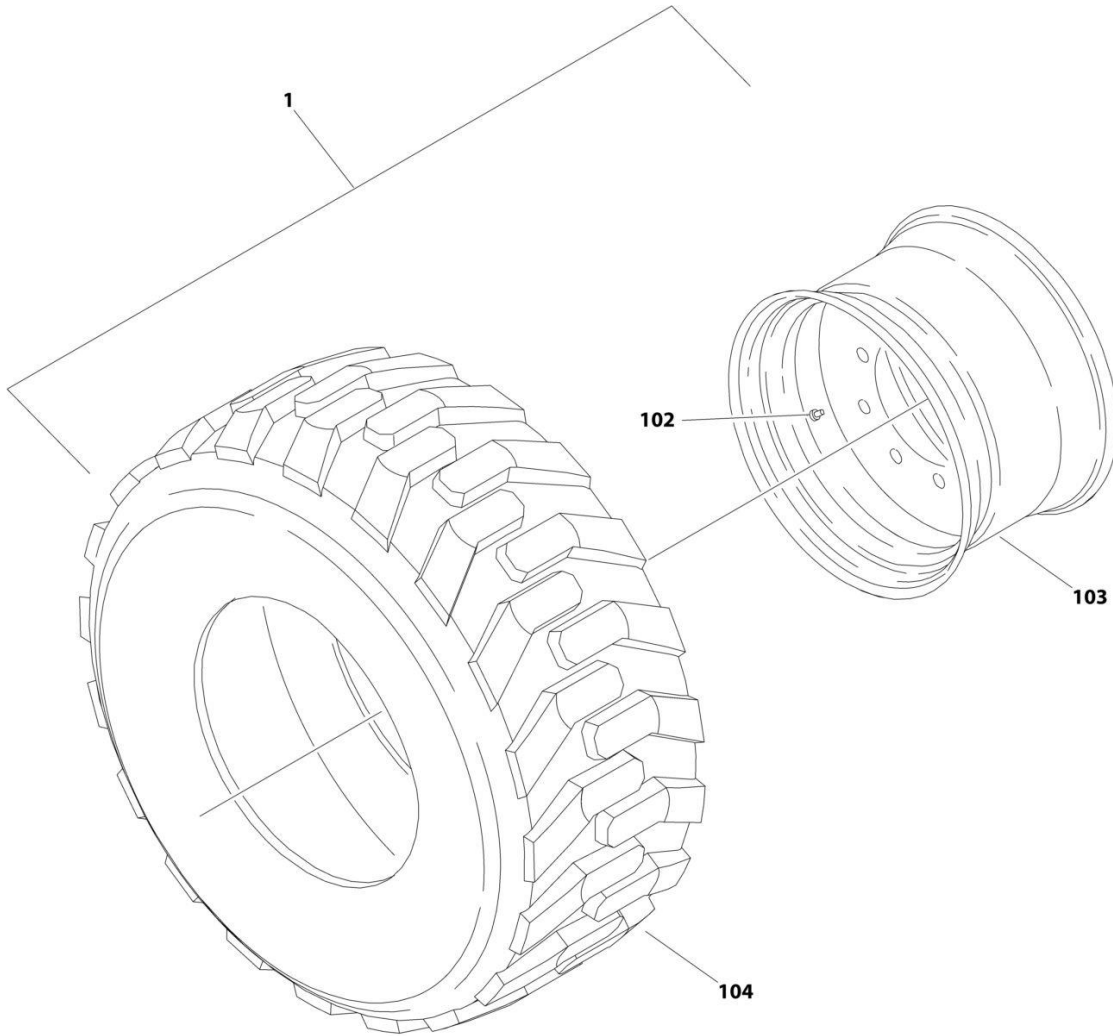
SECTION 1 - FRAME

FIGURE 1-13. TIRE AND WHEEL INSTALLATION - 315/55 D20 FOAM FILLED

ITEM	PART NUMBER	QTY	DESCRIPTION	REV
	1001166157	Ref	TIRE AND WHEEL INSTALLATION - 315/55 D20 FOAM FILLED	A
		Ref	Note: Assemblies may require ballast/foam filling to manufacturer's specifications prior to installing on a machine. Refer to Operation and Safety or Service and Maintenance Manuals. Purchase individual tire and/or rim only if able to foam fill tire and wheel assembly, otherwise, purchase complete assembly.	
1	1001166155	2	Tire and Wheel Assembly (LH Side)	I
1	1001166156	2	Tire and Wheel Assembly (RH Side)	I
102	4520608	4	Tire IN315/55/D20	
103	4641122	4	Valve, Stem	
104	1001166153	4	Rim, Wheel	

SECTION 1 - FRAME

FIGURE 1-14. TIRE AND WHEEL INSTALLATION - 315/55 D20 FOAM FILLED NON-MARKING



ART_1001169058

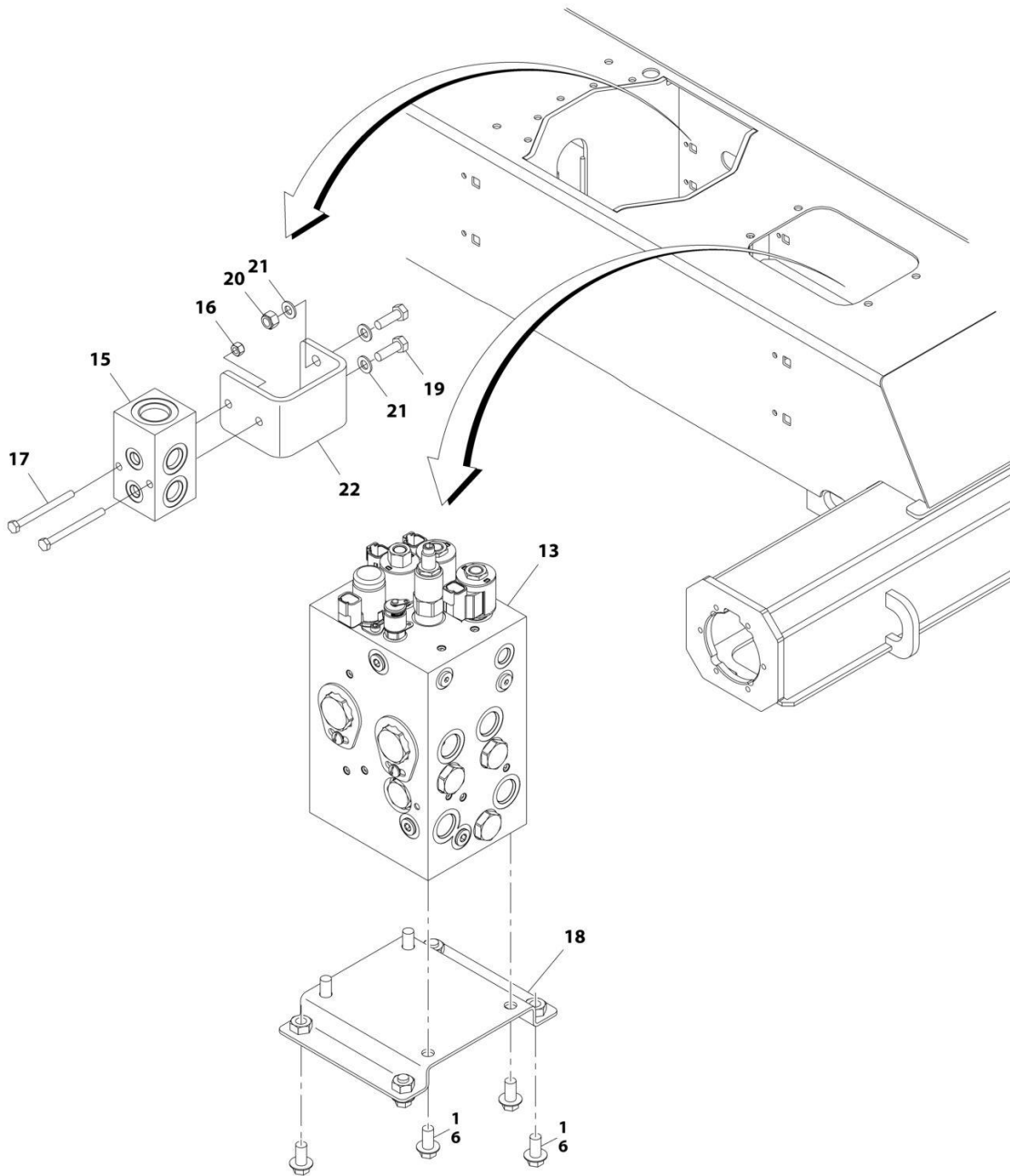
SECTION 1 - FRAME

FIGURE 1-14. TIRE AND WHEEL INSTALLATION - 315/55 D20 FOAM FILLED NON-MARKING

ITEM	PART NUMBER	QTY	DESCRIPTION	REV
	1001169058	Ref	TIRE AND WHEEL INSTALLATION - 315/55 D20 FOAM FILLED NON-MARKING	A
		Ref	Note: Assemblies may require ballast/foam filling to manufacturer's specifications prior to installing on a machine. Refer to Operation and Safety or Service and Maintenance Manuals. Purchase individual tire and/or rim only if able to foam fill tire and wheel assembly, otherwise, purchase complete assembly.	
1	1001170459	2	Tire and Wheel Assembly (RH Side)	F
1	1001170460	2	Tire and Wheel Assembly (LH Side)	F
102	4641122	4	Valve, Stem	
103	1001166153	4	Rim, Wheel	
104	1001170458	4	Tire 315/55 D20 Non Marking	

SECTION 1 - FRAME

FIGURE 1-15. 4WD VALVES INSTALLATION - FRAME MOUNTED



ART_1001165948_10F3

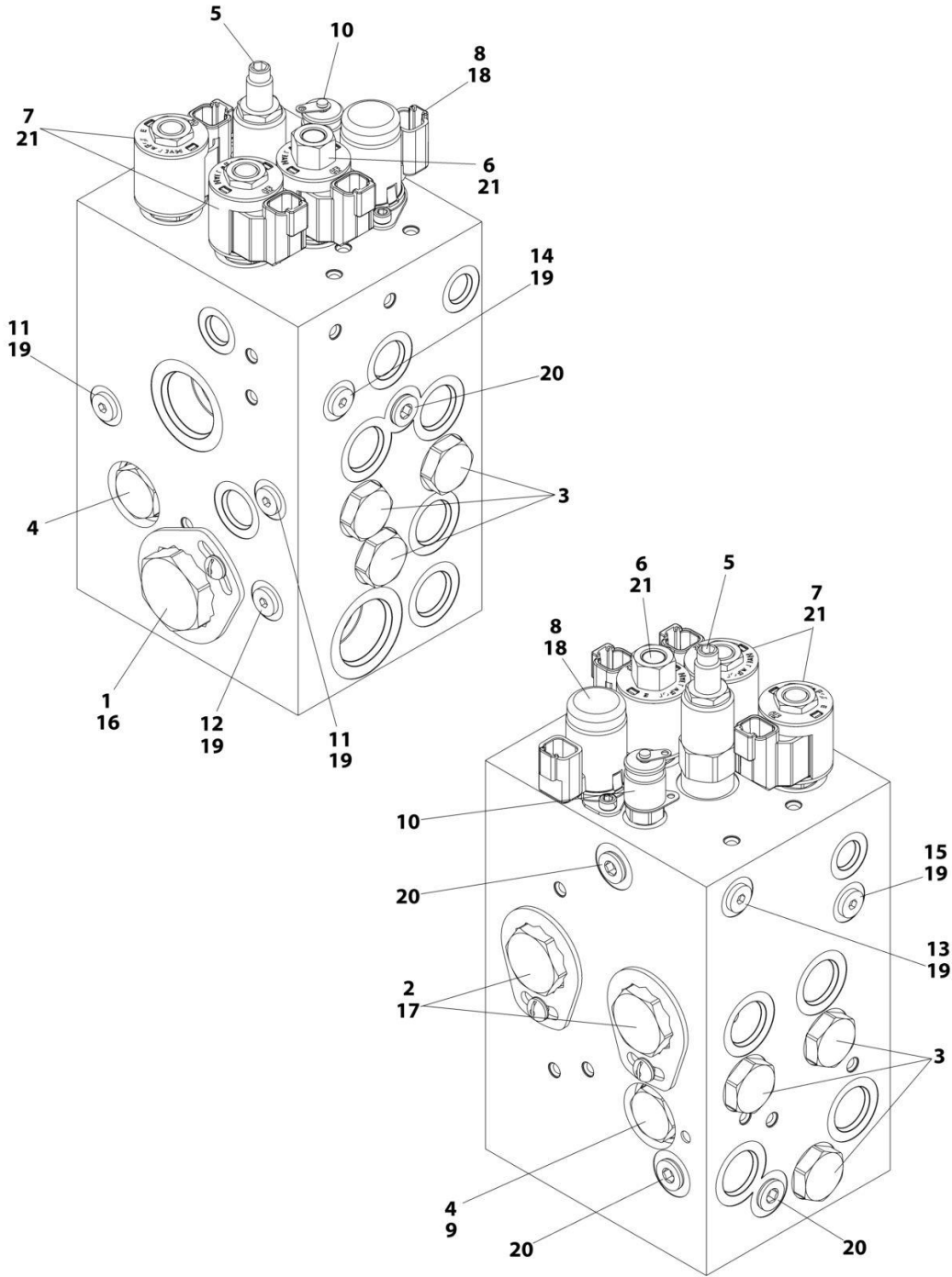
SECTION 1 - FRAME

FIGURE 1-15. 4WD VALVES INSTALLATION - FRAME MOUNTED

ITEM	PART NUMBER	QTY	DESCRIPTION	REV
	1001165948	Ref	4WD VALVES INSTALLATION - FRAME MOUNTED	J
1	0100011	AR	Compound, Locking	
3	0760812	1	Bolt M8 x 25	
6	5251010	4	Bolt M10 x 20 Class 10.9	
13	1001162539	1	Traction Valve Assembly (See Separate Breakdown in this Section)	
15	4641155	1	Junction Valve Assembly	
16	3290605	2	Nut, M6	
17	1001096653	2	Bolt M6 x 70	
18	1001179517	1	Bracket	
19	0760812	1	Bolt M8 x 25	
20	3290805	1	Nut M8	
21	4811900	1	Washer M8	
22	1001197221	1	Bracket	

SECTION 1 - FRAME

FIGURE 1-16. TRACTION VALVE ASSEMBLY - 4WD



ART_1001162539

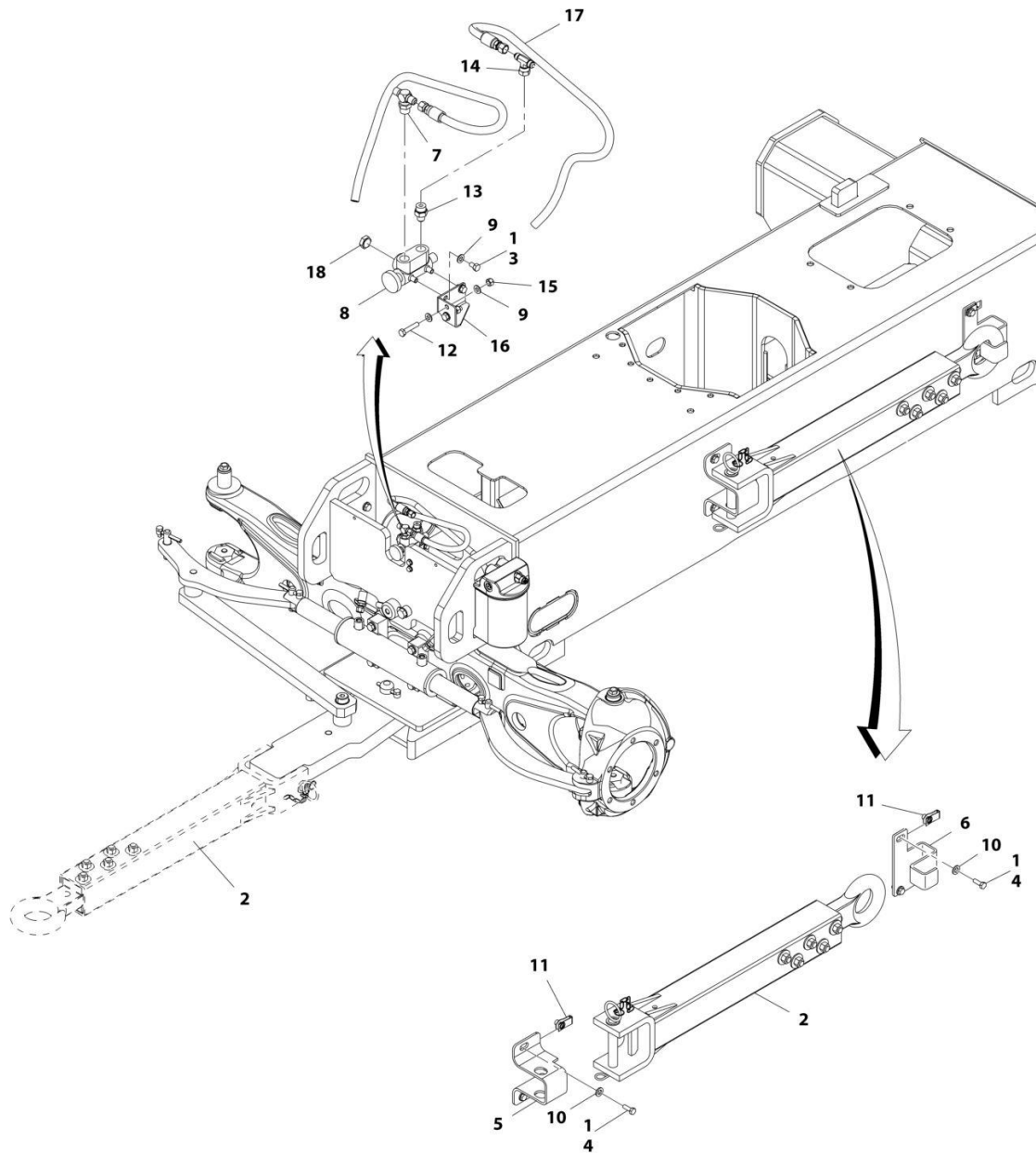
SECTION 1 - FRAME

FIGURE 1-16. TRACTION VALVE ASSEMBLY - 4WD

ITEM	PART NUMBER	QTY	DESCRIPTION	REV
	1001162539	Ref	TRACTION VALVE ASSEMBLY - 4WD	D
1	70004017	1	Cartridge, Flow Divider	
1	7021625	1	Seal Kit - 70004017 Valve	
2	70004885	2	Cartridge, Flow Divider	
2	70004577	2	Seal Kit - 70004885 Valve	
3	7022397	6	Cartridge, Check Valve	
3	7022399	6	Seal Kit - 7022397 Valve	
4	7021639	2	Cartridge, Check Valve	
4	2900756	2	Seal Kit - 7021639 Valve	
5	70004886	1	Cartridge, Relief Valve	
5	7017496	1	Seal Kit - 70004886 Valve	
6	7017410	1	Cartridge, Solenoid Less Coil	
6	7012967	1	Seal Kit - 7017410 Valve	
7	7012974	2	Cartridge, Solenoid Less Coil	
7	7010543	2	Seal Kit - 7012974 Valve	
8	70004887	1	Cartridge, Solenoid Less Coil	
8	70023606	1	Seal Kit - 70004887 Valve	
8	7024885	1	Coil	
9	7024881	1	Piston, Pilot	
10	2221086	1	Fitting, Diagnostic	
11	70003975	2	Orifice	
12	70002209	1	Orifice	
13	70002063	1	Orifice	
14	70004884	1	Orifice	
15	70004883	1	Orifice	
16	70000781	1	Locking Kit	
17	70002962	2	Locking Kit	
18	70004888	2	Screw	
19	2220883	6	Plug #4	
20	2220885	5	Plug #6	
21	70002386	3	Coil	

SECTION 1 - FRAME

FIGURE 1-17. TOW PACKAGE INSTALLATION (OPTIONAL)



ART_1001166232

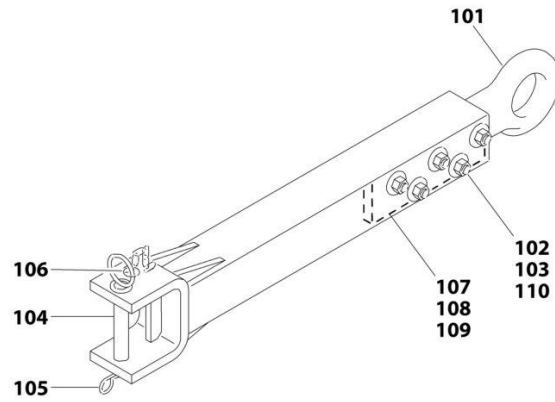
SECTION 1 - FRAME

FIGURE 1-17. TOW PACKAGE INSTALLATION (OPTIONAL)

ITEM	PART NUMBER	QTY	DESCRIPTION	REV
	1001166232	Ref	TOW PACKAGE INSTALLATION (OPTIONAL)	D
1	0100011	AR	Compound, Locking	
2	0363019	1	Tow Bar Assembly (See Separate Breakdown in this Section)	
3	0641504	2	Bolt 5/16 x 1/2	
4	0701014	4	Bolt M10 x 30	
5	0902733	1	Bracket	
6	0902734	1	Bracket	
7	2221052	1	Fitting, Tee JIC/ORB/JIC	
8	4640261	1	Steer/Tow Select Valve Assembly	
9	4711500	6	Washer 5/16	
10	5241200	4	Washer M12	
11	1001118972	4	Nut M10	
12	0700816	2	Bolt M8 x 40	
13	2220372	1	Fitting, Straight JIC/ORB	
14	2220579	1	Fitting, Tee JIC/FSJIC/JIC	
15	3290805	2	Nut M8	
16	1001181527	1	Bracket	
17	1001181913	2	Hose	
18	2220238	1	Plug	

SECTION 1 - FRAME

FIGURE 1-18. TOW BAR ASSEMBLY



ART_0363019

SECTION 1 - FRAME

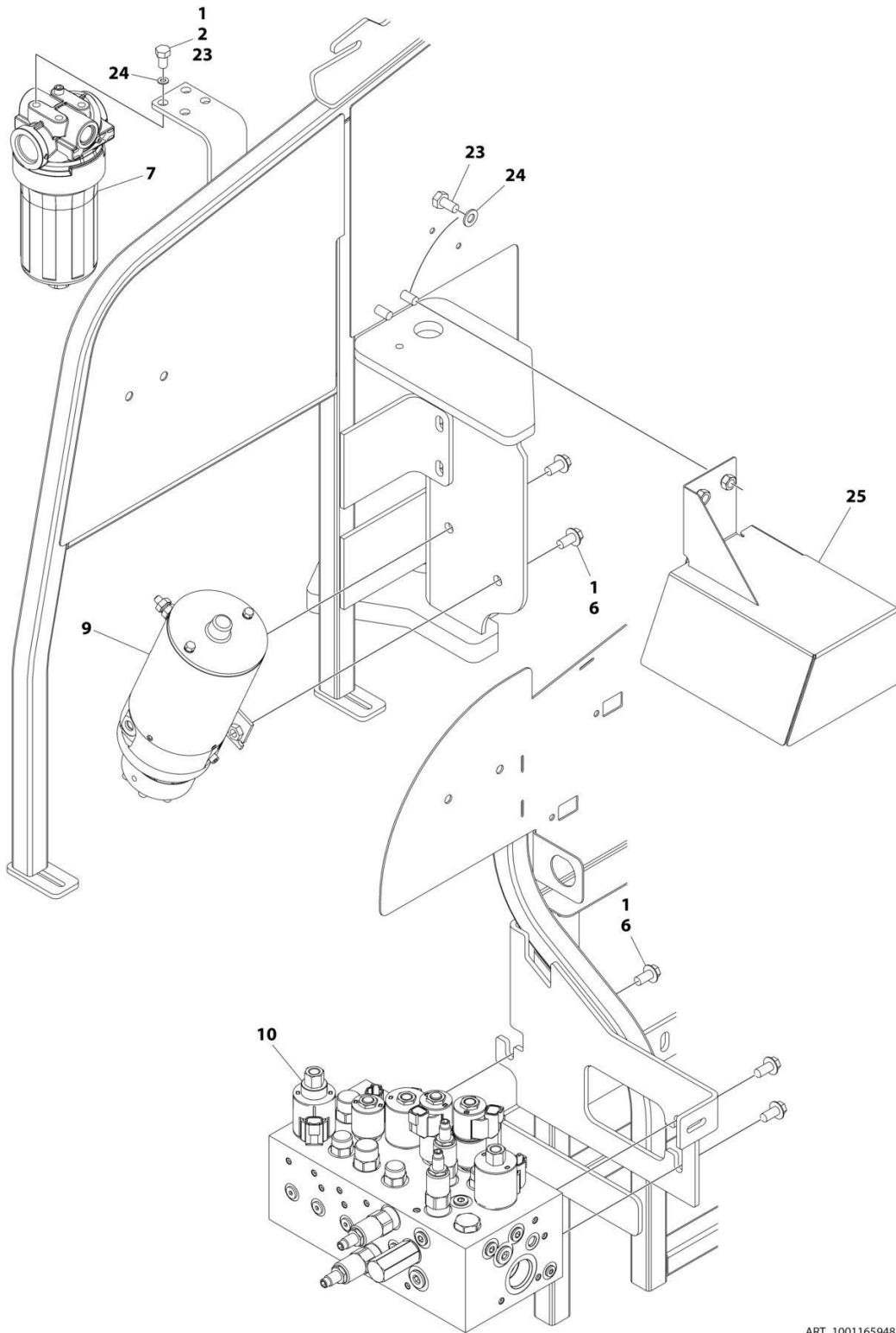
FIGURE 1-18. TOW BAR ASSEMBLY

ITEM	PART NUMBER	QTY	DESCRIPTION	REV
	0363019	Ref	TOW BAR ASSEMBLY	B
101	0360406	1	Pintle, Draw Eye	
102	0682040	5	Bolt 5/8 x 5	
103	3312005	5	Nut 5/8	
104	3420352	1	Pin, Towing	
105	3420372	1	Hairpin	
106	3760170	1	Ring, Split	
107	4070450	2	Shim (.07)	
108	4070560	2	Shim (.88)	
109	4070561	2	Shim (.12)	
110	4752000	10	Washer 5/8	

SECTION 2 - TURNTABLE

SECTION 2 - TURNTABLE

FIGURE 2-1. 4WD VALVES INSTALLATION - TURNTABLE MOUNTED



ART_1001165948_20F3

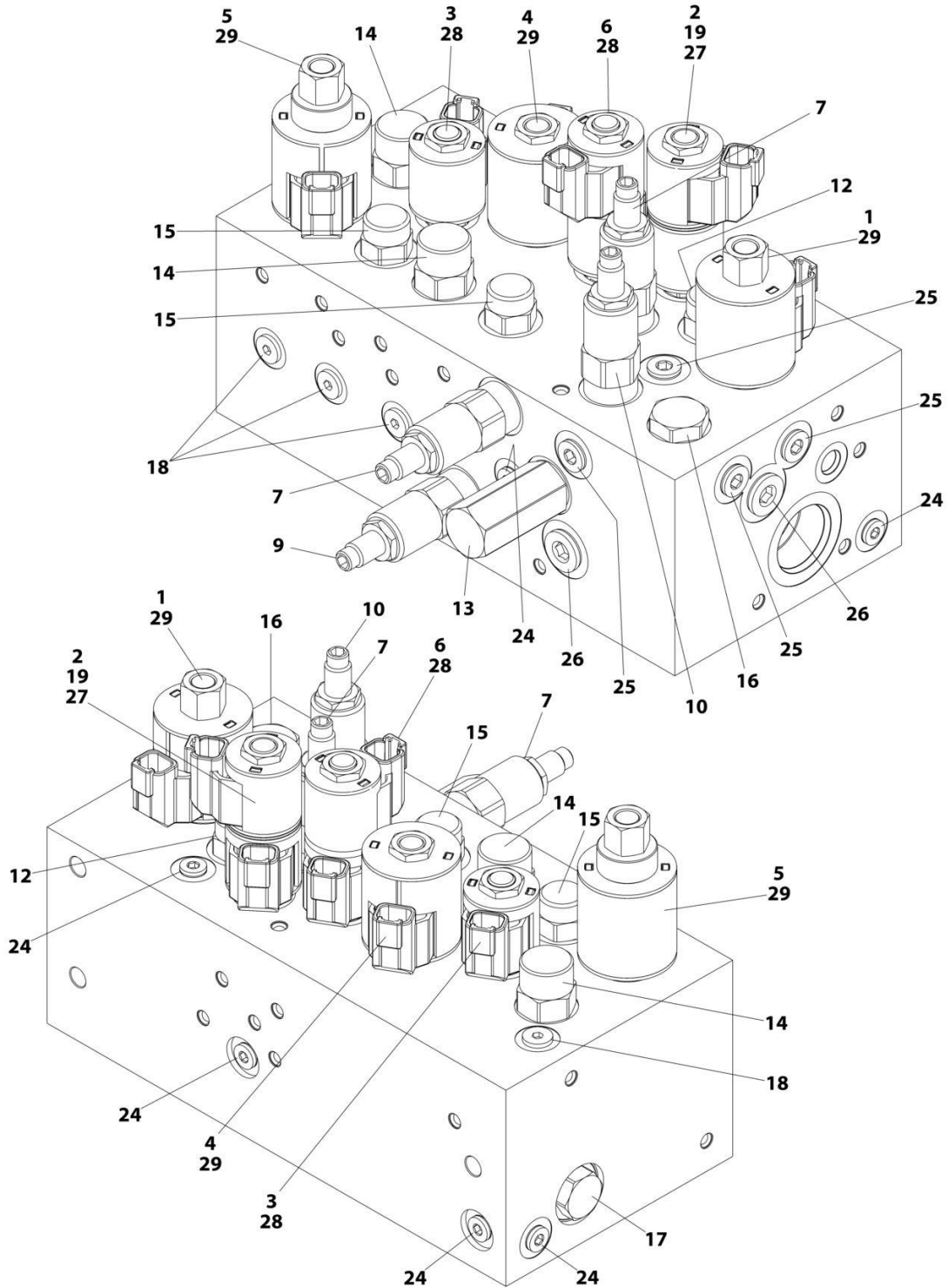
SECTION 2 - TURNTABLE

FIGURE 2-1. 4WD VALVES INSTALLATION - TURNTABLE MOUNTED

ITEM	PART NUMBER	QTY	DESCRIPTION	REV
	1001165948	Ref	4WD VALVES INSTALLATION - TURNTABLE MOUNTED	J
1	0100011	AR	Compound, Locking	
2	0641605	AR	Bolt 3/8 x 5/8	
6	5251010	15	Bolt M10 x 20 Class 10.9	
7	1001208874	1	Filter, Charge Pump	
7	70010383	1	Element, Filter (Includes O-Ring)	
9	1001185821	1	Auxiliary Pump Assembly (See Separate Breakdown in this Section)	
10	1001162534	1	Main Valve Assembly (See Separate Breakdown in this Section)	
23	0761010	AR	Bolt M10 x 20	
24	4812000	AR	Washer M10	
25	1001234295	1	Cover	

SECTION 2 - TURNTABLE

FIGURE 2-2. MAIN VALVE ASSEMBLY



ART_1001162534

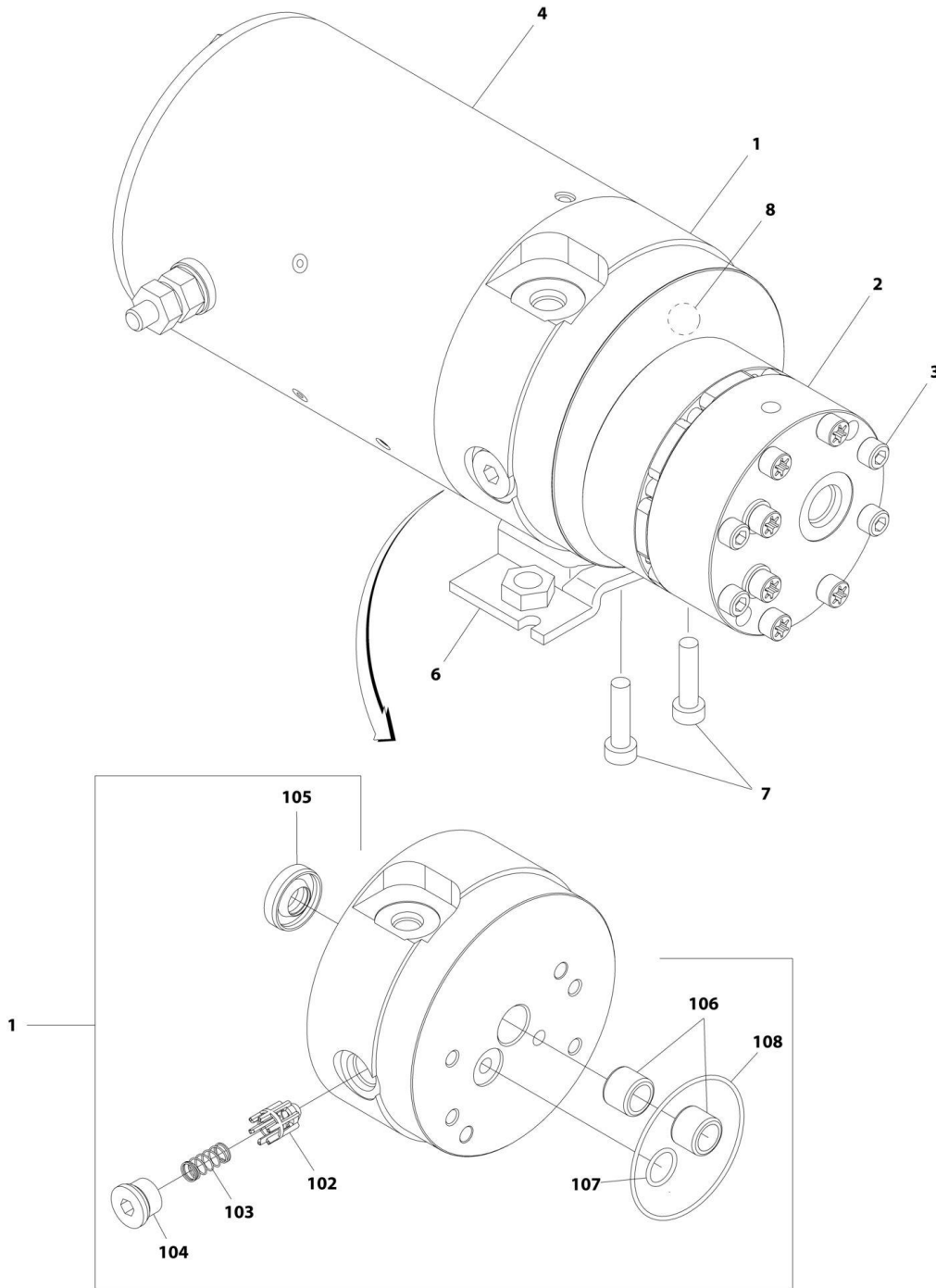
SECTION 2 - TURNTABLE

FIGURE 2-2. MAIN VALVE ASSEMBLY

ITEM	PART NUMBER	QTY	DESCRIPTION	REV
	1001162534	Ref	MAIN VALVE ASSEMBLY	F
1	70005069	1	Cartridge, Solenoid Less Coil (Main Dump)	
1	7022399	1	Seal Kit - 70005069 Valve	
1	70003977	1	Nut, Coil	
2	70005217	1	Cartridge, Solenoid Less Coil (Steer)	
2	70005071	1	Seal Kit - 70005217 Valve	
2	7022390	1	Nut, Coil	
3	70005094	1	Cartridge, Solenoid Less Coil (Main Lift Up)	
3	7023936	1	Seal Kit - 70005094 Valve	
3	7022390	1	Nut, Coil	
4	70005076	1	Cartridge, Solenoid Less Coil (Tower Lift Up)	
4	7022399	1	Seal Kit - 70005076 Valve	
4	7022390	1	Nut, Coil	
5	70005095	1	Cartridge, Solenoid Less Coil (Flow Control)	
5	7022399	1	Seal Kit - 70005095 Valve	
5	70003977	1	Nut, Coil	
6	70005096	1	Cartridge, Solenoid Less Coil (Swing)	
6	70005071	1	Seal Kit - 70005096 Valve	
7	70005097	1	Cartridge, Solenoid Less Coil	
7	70005082	2	Seal Kit - 70005097 Valve	
9	70005098	1	Cartridge, Relief Valve	
9	7023936	1	Seal Kit - 70005098 Valve	
10	70005080	1	Cartridge, Relief Valve	
10	7022399	1	Seal Kit - 70005080 Valve	
12	70005218	1	Cartridge, Valve	
12	70005082	1	Seal Kit - 70005218 Valve	
13	70005084	1	Cartridge, Valve	
13	70005085	1	Seal Kit - 70005084 Valve	
14	70005099	2	Cartridge, Valve	
14	70005087	2	Seal Kit - 70005099 Valve	
15	70005088	2	Cartridge, Valve	
15	7023900	2	Seal Kit - 70005088 Valve	
16	70005100	1	Cartridge, Check Valve	
16	7022399	1	Seal Kit - 70005100 Valve	
17	70005089	1	Cartridge, Check Valve	
17	7023936	1	Seal Kit - 70005089 Valve	
18	70005090	5	Cartridge, Check Valve	
18	70005092	5	Seal Kit - 70005092 Valve	
19	See Note	1	Disc, Check Valve (Note: Not Available for Purchase)	
24	91164059	7	Plug	
25	91164079	4	Plug	
26	91164057	2	Plug	
27	70005219	2	Coil	
28	70002386	3	Coil	
29	70003788	3	Coil	

SECTION 2 - TURNTABLE

FIGURE 2-3. AUXILIARY PUMP ASSEMBLY



ART_1001185821

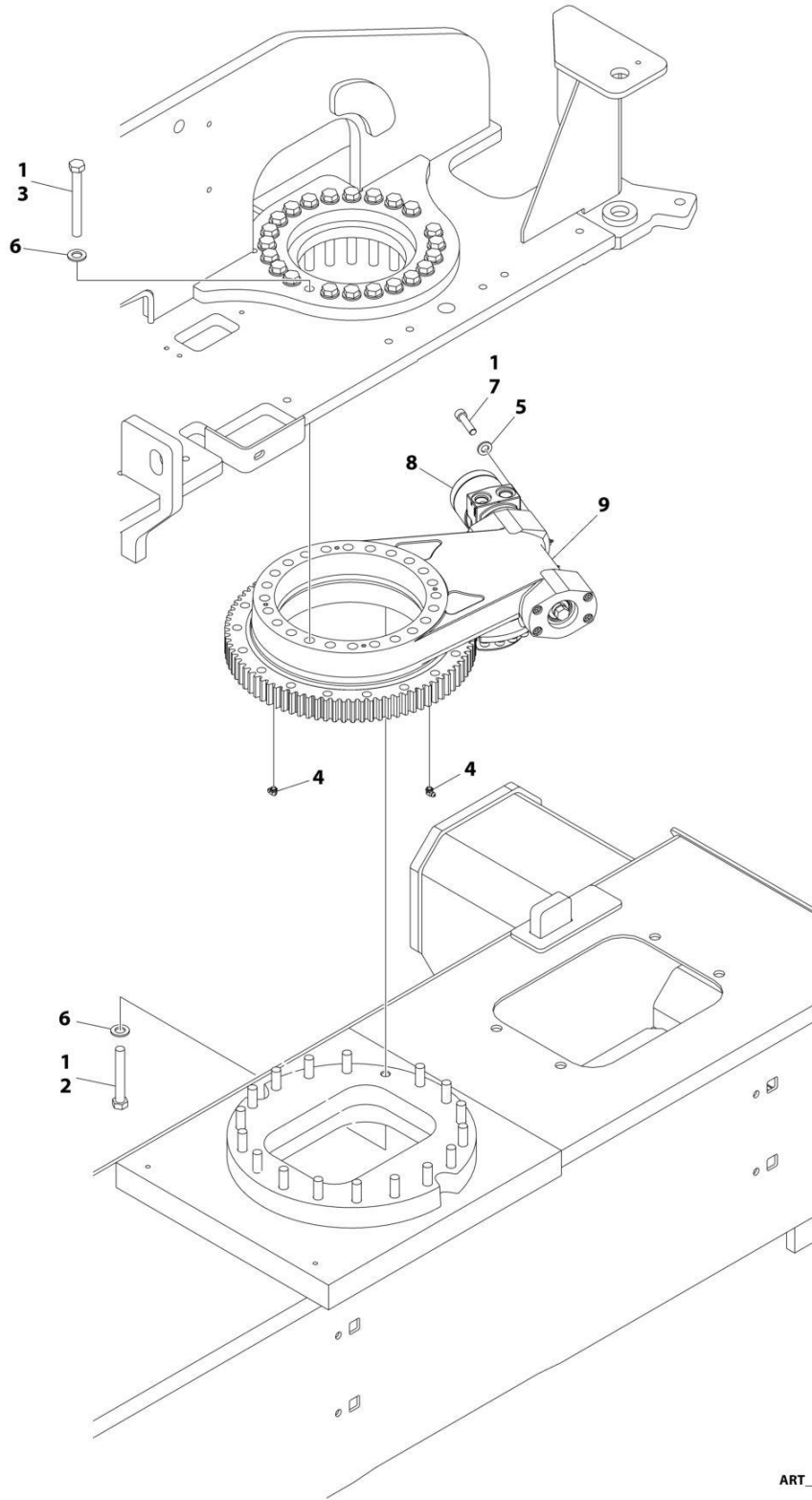
SECTION 2 - TURNTABLE

FIGURE 2-3. AUXILIARY PUMP ASSEMBLY

ITEM	PART NUMBER	QTY	DESCRIPTION	REV
	1001185821	Ref	AUXILIARY PUMP ASSEMBLY	B
1	70005065	1	Base Assembly (See Items 102-108 for Breakdown)	
2	70005066	1	Pump Assembly (Note: No Seal Kit or Internal Components are Available - Purchase Complete Pump Assembly)	
3	70005067	4	Capscrew 1/4 x 2-3/4	
4	70004013	1	Motor Assembly (Note: No Internal Components are Available - Purchase Complete Motor Assembly)	
6	70004014	1	Bracket	
7	70004000	2	Capscrew 3/8 x 1	
8	70005068	1	Relief Valve Assembly	
	70005065	Ref	BASE ASSEMBLY	
102	See Note	NSS	Poppet, Check (Note: Use p/n 70005065)	
103	See Note	NSS	Spring (Note: Use p/n 70005065)	
104	See Note	NSS	Plug (Note: Use p/n 70005065)	
105	7026330	1	Seal, Shaft	
106	70005139	2	Bearing	
107	70003612	1	O-Ring	
108	70004267	1	O-Ring	

SECTION 2 - TURNTABLE

FIGURE 2-4. SWING DRIVE AND TURNTABLE BEARING INSTALLATION



ART_1001277273_B

SECTION 2 - TURNTABLE

FIGURE 2-4. SWING DRIVE AND TURNTABLE BEARING INSTALLATION

ITEM	PART NUMBER	QTY	DESCRIPTION	REV
	1001277273	Ref	SWING DRIVE AND TURNTABLE BEARING INSTALLATION	B
1	0100019	AR	Compound, Locking	
2	0711628	18	Bolt M16 x 110 Grade 10.9	
3	0711631	23	Bolt M16 x 140	
4	2160001	2	Fitting, Grease 90	
5	5241200	2	Washer M12	
6	5241600	41	Washer M16	
7	5272114	2	Capscrew M12 x 50 Grade 12.9	
8	1001286019	1	Swing Motor Assembly (See Separate Breakdown in this Section)	
9	1001277009	1	Turntable Bearing Assembly (See Separate Breakdown in this Section)	

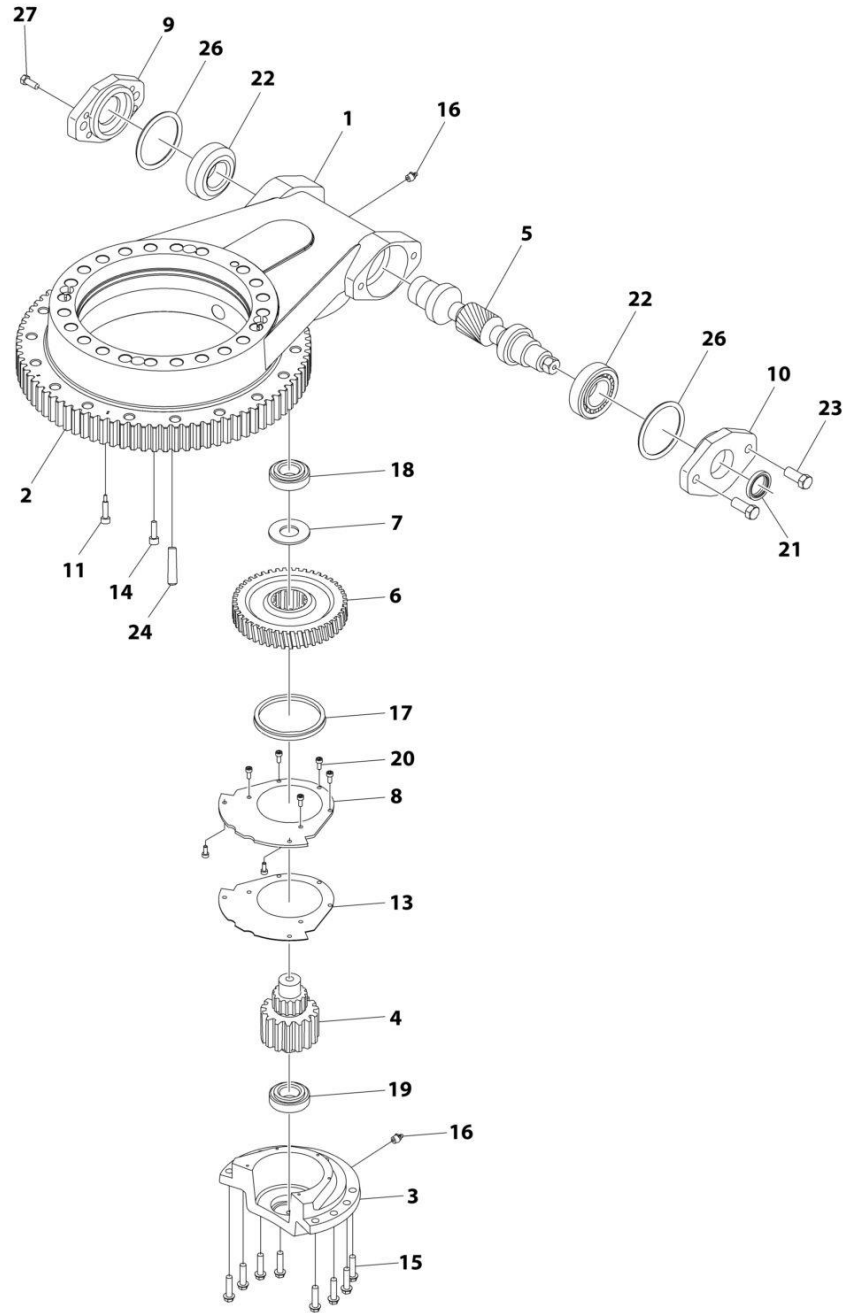
SECTION 2 - TURNTABLE

FIGURE 2-5. SWING MOTOR ASSEMBLY

ITEM	PART NUMBER	QTY	DESCRIPTION	REV
1	1001286019 See Note	Ref Ref	SWING MOTOR ASSEMBLY Note: No Service Parts Available at Time of Printing	B

SECTION 2 - TURNTABLE

FIGURE 2-6. TURNTABLE BEARING ASSEMBLY



ART_1001277009

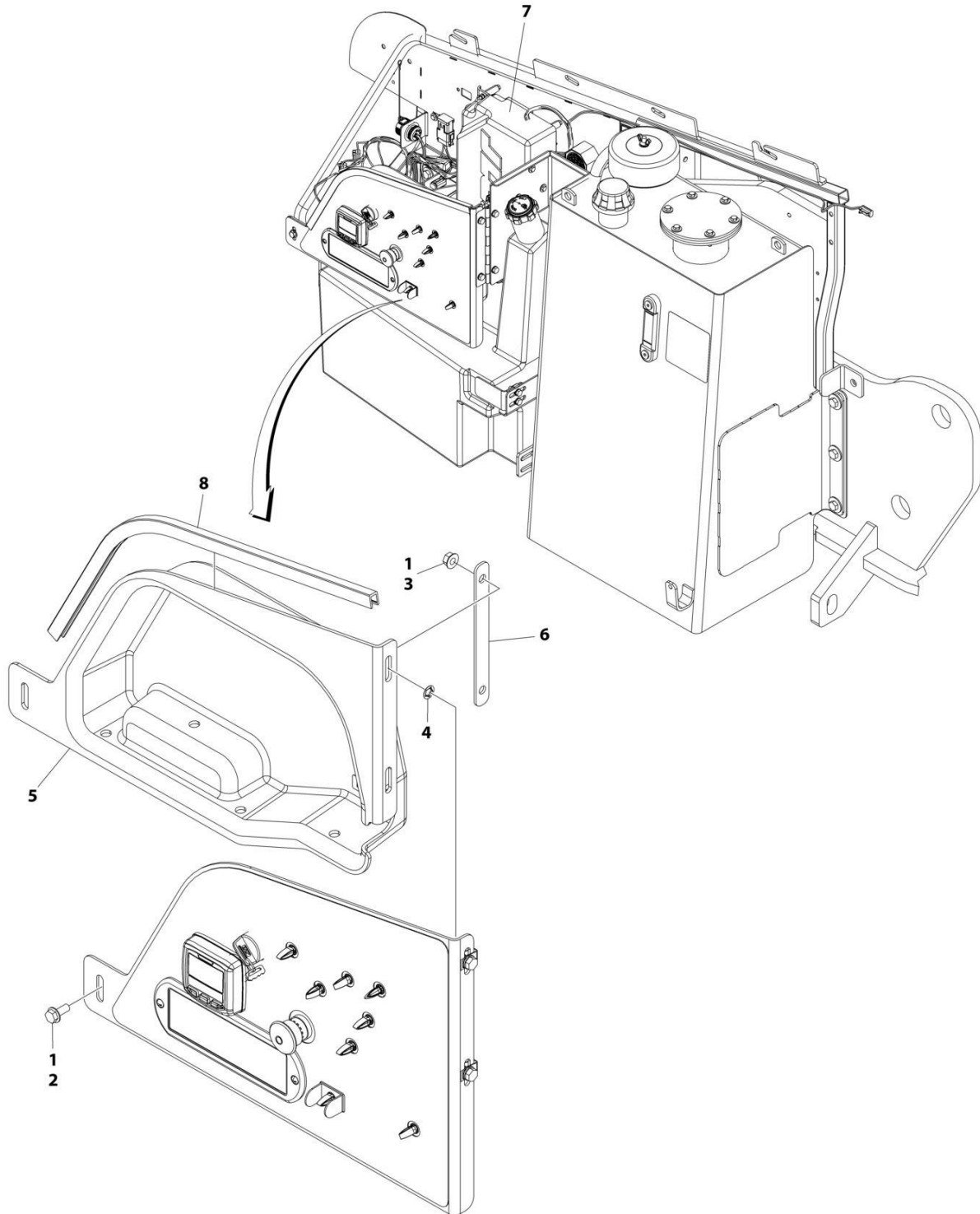
SECTION 2 - TURNTABLE

FIGURE 2-6. TURNTABLE BEARING ASSEMBLY

ITEM	PART NUMBER	QTY	DESCRIPTION	REV
	1001277009	Ref	TURNTABLE BEARING ASSEMBLY	B
1	See Note	NSS	Housing (Note: Not Sold Separately)	
2	70008371	1	Ring, Slewing	
3	70008372	1	Cap, Gear	
4	70008373	1	Gear, Pinion	
5	70008374	1	Gear, Worm	
6	70008375	1	Gear, Worm Wheel	
7	70008376	1	Adapter, Worm Wheel Gear	
8	70008377	1	Cover, Gear	
9	70008378	1	Adapter, Motor	
10	70008379	1	Cover	
11	70008380	2	Bolt, Positioning	
12	See Note	NSS	Plate, Serial Number (Not Shown) (Note: Not Sold Separately)	
13	70008381	AR	Shim	
14	70008382	4	Bolt M8 x 40 Class 12.9	
15	70008383	8	Bolt M10 x 30 Class 12.9	
16	70008384	2	Fitting, Grease	
17	70008385	1	Seal	
18	70008386	1	Bearing	
19	70008387	1	Bearing	
20	70008388	7	Bolt M4 x 8	
21	70008389	1	Seal	
22	70008390	2	Bearing	
23	70008391	4	Bolt M12 x 35	
24	70008392	2	Cotter, Tapered	
25	See Note	NSS	Rivet (Not Shown) (Note: Not Sold Separately)	
26	70008393	AR	Shim	
27	4031707	4	Bolt M5 x 16	

SECTION 2 - TURNTABLE

FIGURE 2-7. TURNTABLE COVERS INSTALLATION



ART_1001219129

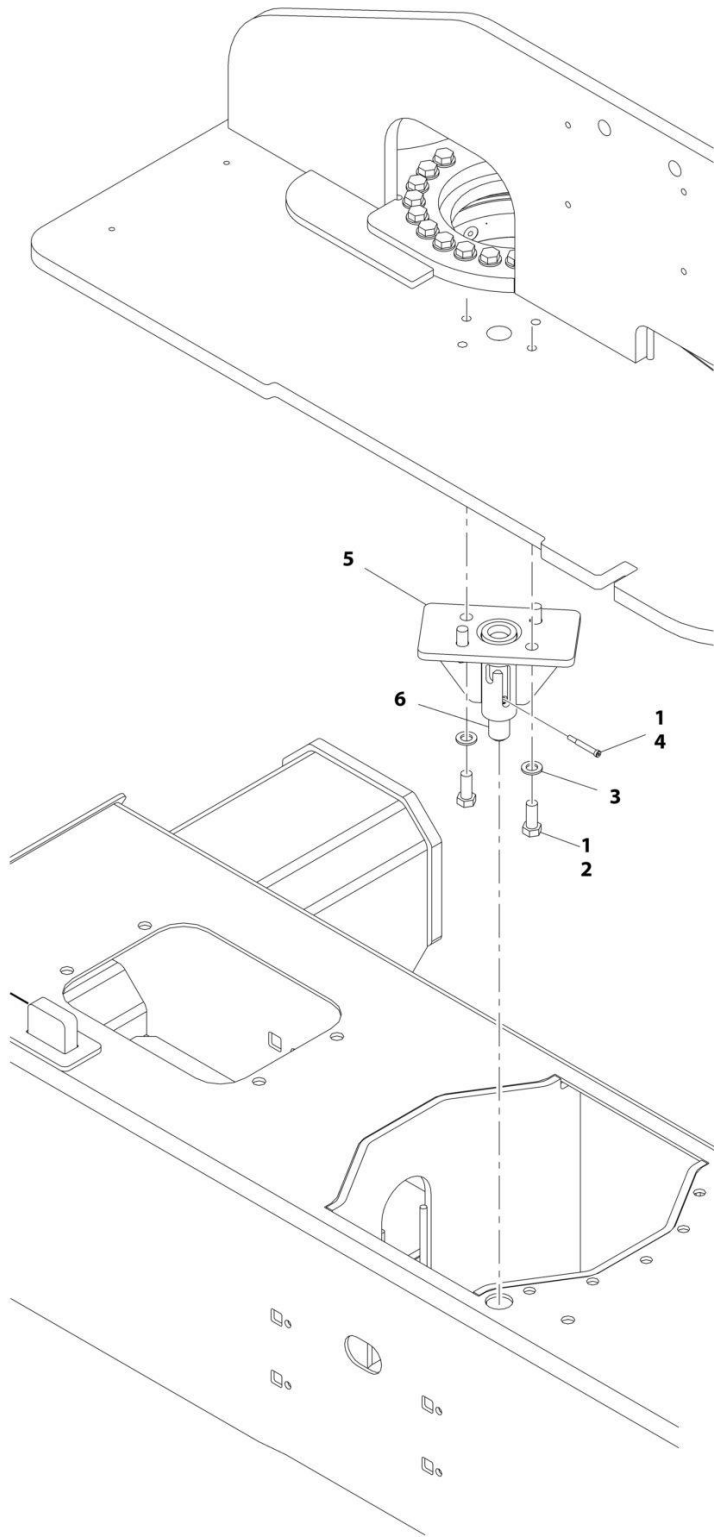
SECTION 2 - TURNTABLE

FIGURE 2-7. TURNTABLE COVERS INSTALLATION

ITEM	PART NUMBER	QTY	DESCRIPTION	REV
	1001219129	Ref	TURNTABLE COVERS INSTALLATION	A
1	0100011	AR	Compound, Locking	
2	5250812	1	Bolt M8 x 25	
3	5260800	2	Nut M8	
4	1001119228	2	Nut M8	
5	1001218533	1	Cover	
6	1001218535	1	Plate, Mounting	
7	1001218537	1	Cover	
8	4060806	2 ft/0.6m	Shield, Flex	

SECTION 2 - TURNTABLE

FIGURE 2-8. TURNTABLE LOCK INSTALLATION



ART_1001177820

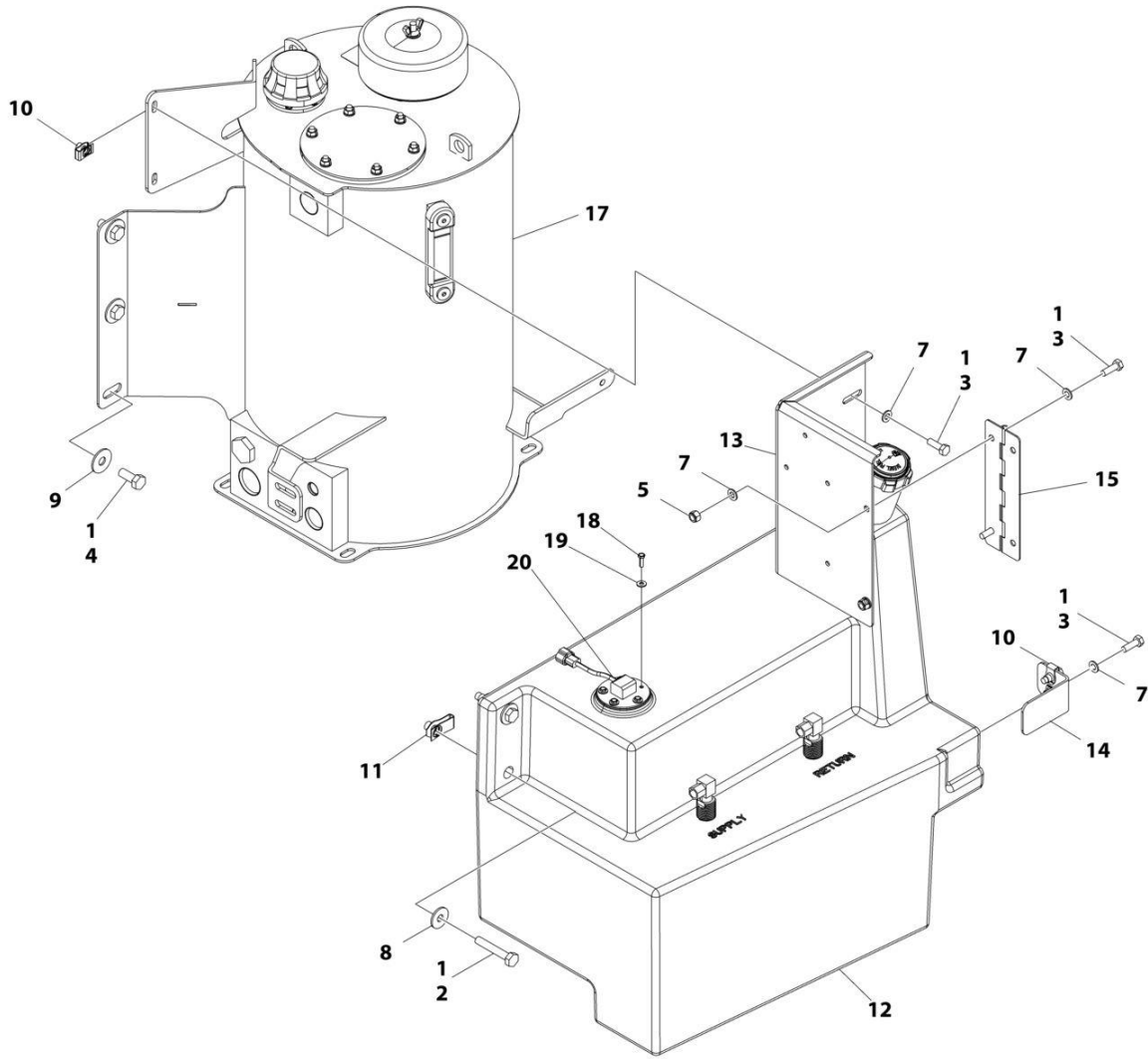
SECTION 2 - TURNTABLE

FIGURE 2-8. TURNTABLE LOCK INSTALLATION

ITEM	PART NUMBER	QTY	DESCRIPTION	REV
	1001177820	Ref	TURNTABLE LOCK INSTALLATION	B
1	0100011	AR	Compound, Locking	
2	0701616	4	Bolt M16 x 40	
3	4812300	4	Washer M16	
4	1001157466	1	Bolt M10 x 30	
5	1001177821	1	Support, Lock	
6	1001177834	1	Pin, Lock	
7	1001223118	1	Decal – Lift Diagram (Not Shown)	

SECTION 2 - TURNTABLE

FIGURE 2-9. TANKS INSTALLATION



ART_1001282831_B

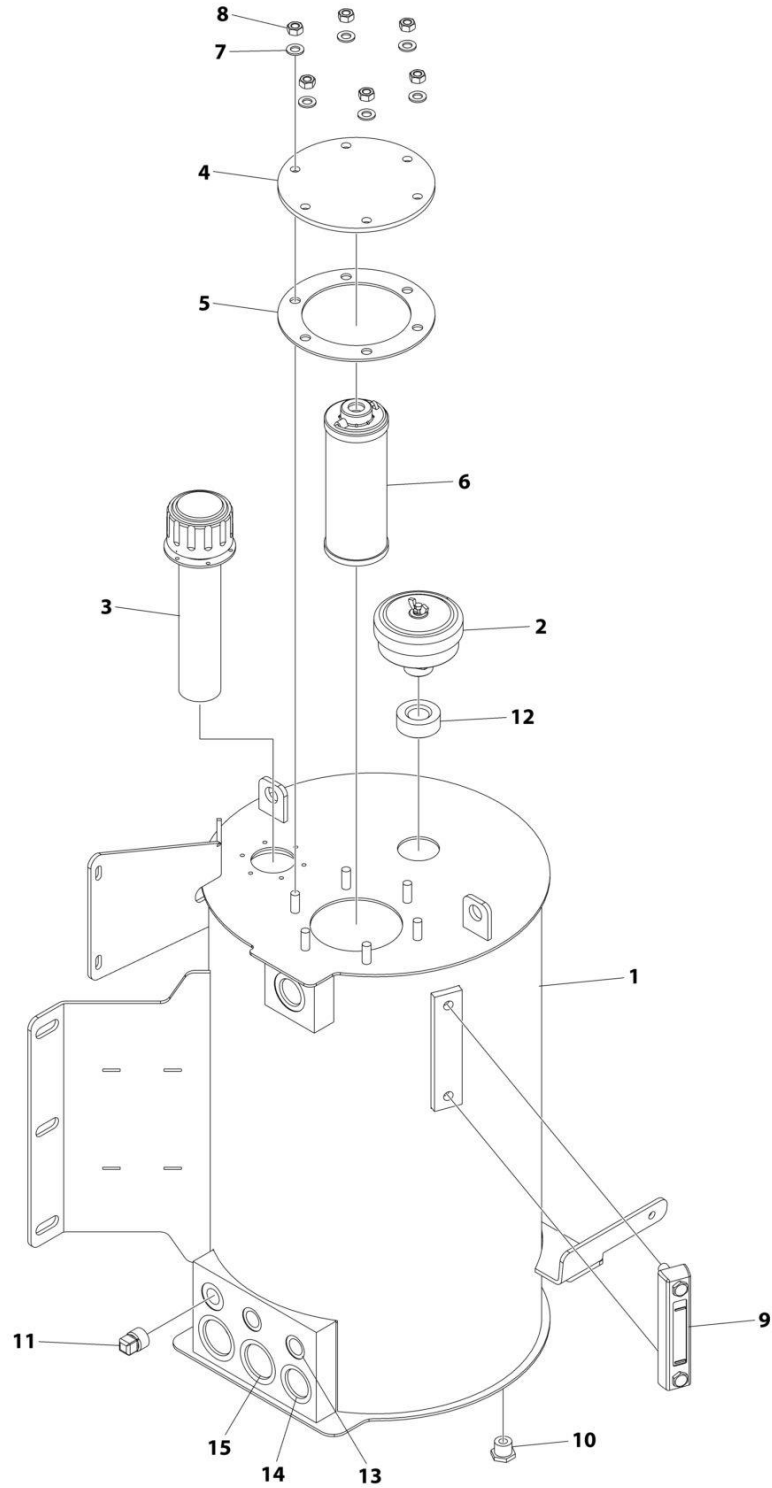
SECTION 2 - TURNTABLE

FIGURE 2-9. TANKS INSTALLATION

ITEM	PART NUMBER	QTY	DESCRIPTION	REV
	1001282831	Ref	TANKS INSTALLATION - DIESEL MACHINES	B
1	0100011	AR	Compound, Locking	
2	0701020	2	Bolt M10 x 60	
3	0760812	6	Bolt M8 x 25	
4	0761214	6	Bolt M12 x 30	
5	3290805	2	Nut, Lock M8	
7	4811900	8	Washer M8	
8	4812002	2	Washer M10	
9	4812102	6	Washer M12	
10	1001118274	4	Nut M8	
11	1001118972	2	Nut M10	
12	1001284957	1	Fuel Tank Assembly	
12	0100020	AR	Compound, Locking	
12	1001193336	1	Cap, Fuel	
13	1001169898	1	Support, Ground Control	
14	1001170480	1	Support, Tank	
15	1001179339	1	Hinge	
17	1001274525	1	Hydraulic Tank Assembly (See Separate Breakdown in this Section)	
18	0731005	5	Bolt #10 x 5/8	
19	4751000	5	Washer #10	
20	1001274217	1	Gauge, Fuel Level	
20	4460897	1	Connector	
20	1001116693	2	Pin	

SECTION 2 - TURNTABLE

FIGURE 2-10. HYDRAULIC TANK ASSEMBLY



ART_1001274525

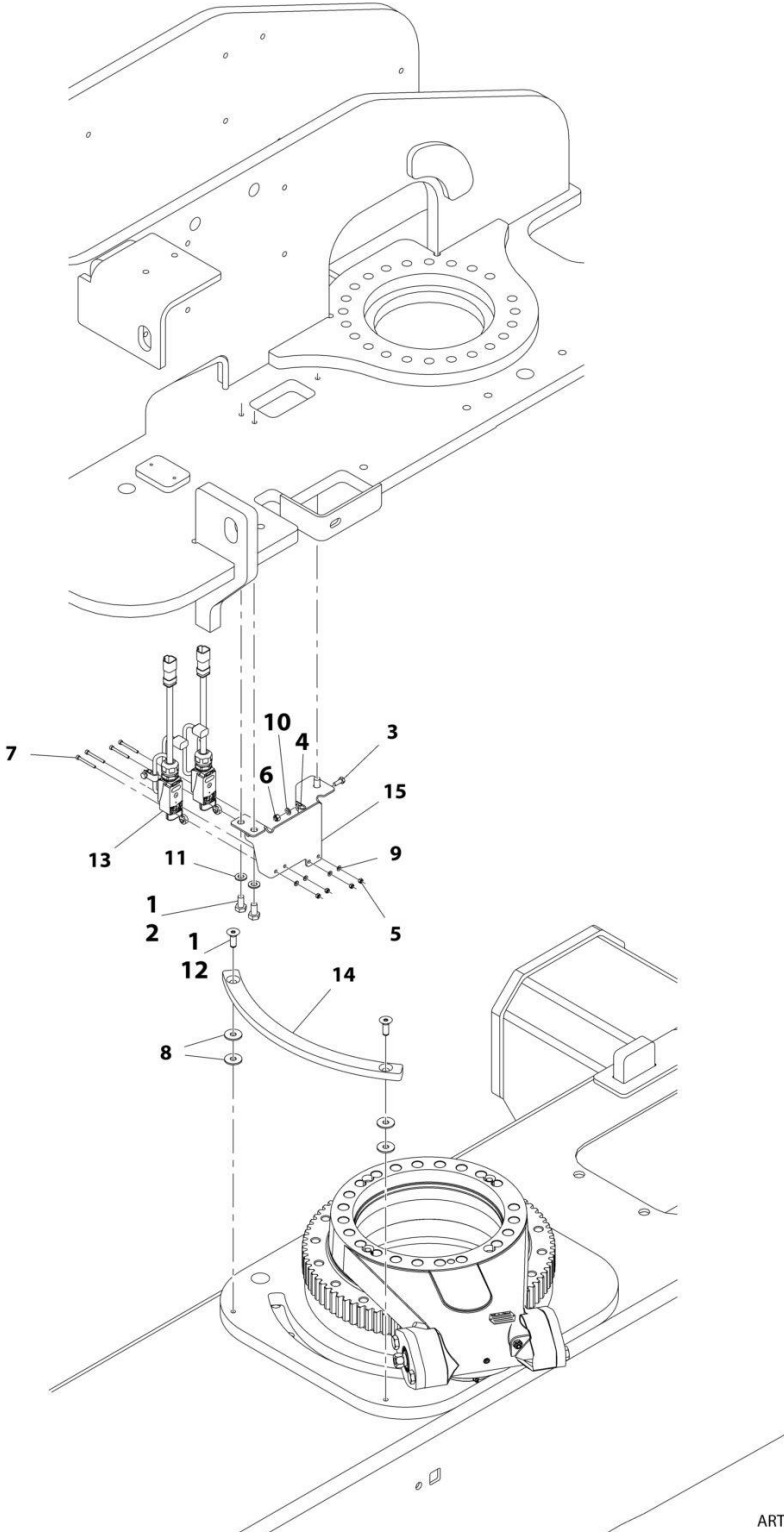
SECTION 2 - TURNTABLE

FIGURE 2-10. HYDRAULIC TANK ASSEMBLY

ITEM	PART NUMBER	QTY	DESCRIPTION	REV
	1001274525	Ref	HYDRAULIC TANK ASSEMBLY	A
1	See Note	NSS	Tank (Note: Not Available for Purchase)	
2	70008258	1	Breather	
3	70008253	1	Cap, Fill	
4	70008259	1	Cover	
5	70008260	1	Gasket	
6	70008261	1	Filter	
7	70008262	6	Washer	
8	70008263	6	Nut M10	
9	70008264	1	Gauge, Level	
10	70008254	1	Plug 7/8	
11	70008265	1	Plug	
12	70008266	1	O-Ring	
13	70008256	2	Cover 3/4	
14	70008267	2	Cover 1-5/16	
15	70008268	2	Cover 1-5/8	

SECTION 2 - TURNTABLE

FIGURE 2-11. DRIVE ORIENTATION INSTALLATION



ART_1001166767

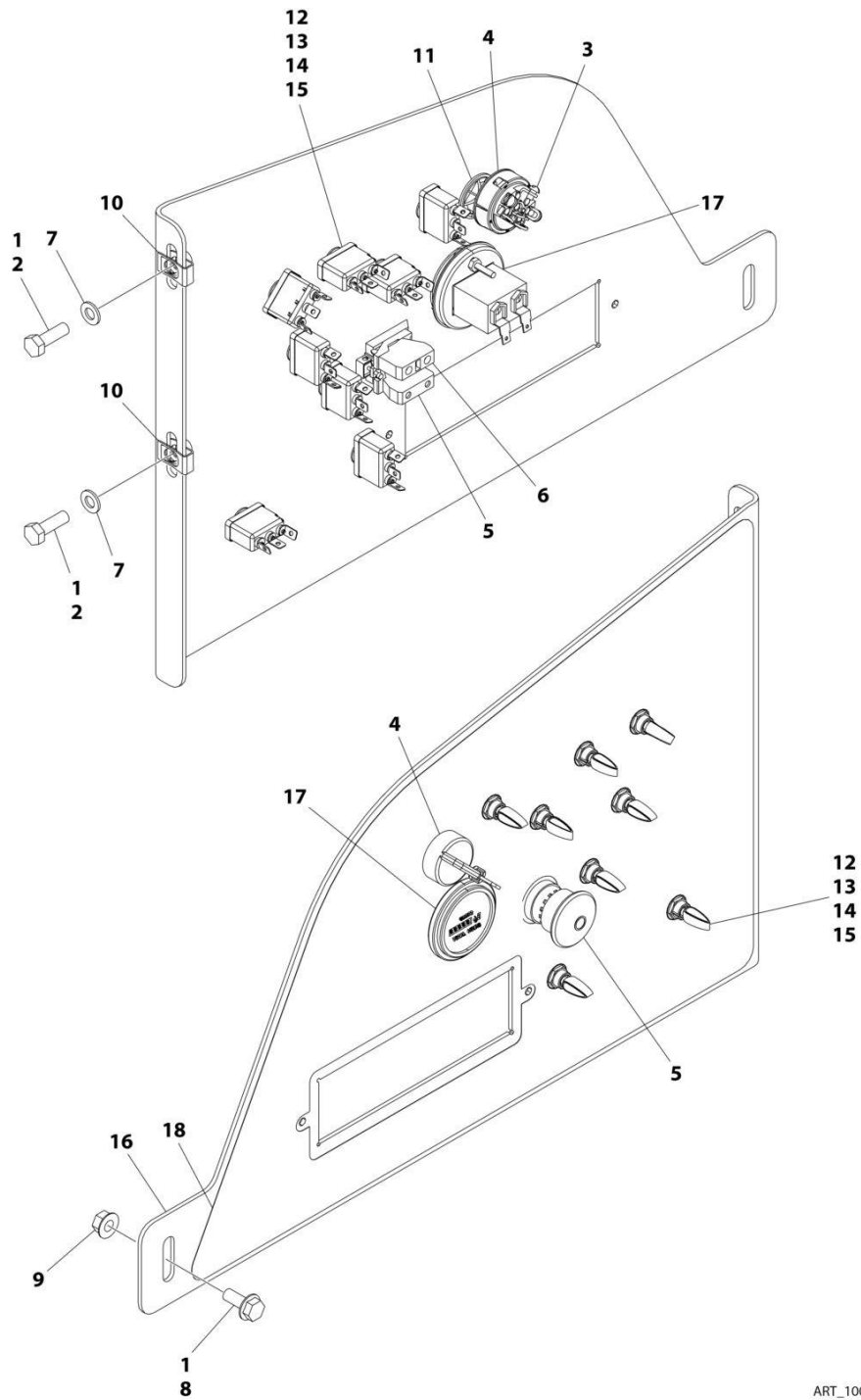
SECTION 2 - TURNTABLE

FIGURE 2-11. DRIVE ORIENTATION INSTALLATION

ITEM	PART NUMBER	QTY	DESCRIPTION	REV
	1001166767	Ref	DRIVE ORIENTATION INSTALLATION	F
1	0100011	AR	Compound, Locking	
2	0761010	3	Bolt M10 x 20	
3	0760608	2	Bolt M6 x 16	
4	1321293	2	Clamp, Cable	
5	3290405	4	Nut M4	
6	3290605	2	Nut M6	
7	4031512	4	Capscrew M4 x 40	
8	4812002	4	Washer M10	
9	4811400	4	Washer M4	
10	4811700	2	Washer M6	
11	4812000	3	Washer M10	
12	8310614	2	Screw M10 x 30	
13	1001119176	2	Switch, Limit	
13	1001129407	1	Receptacle, Female - 4 Position	
13	4460464	4	Pin, Male	
14	1001162106	1	Cam	
15	1001166768	1	Bracket	
16	8881800	AR	Tie-Strap (Not Shown)	

SECTION 2 - TURNTABLE

FIGURE 2-12. GROUND CONTROL ASSEMBLY (ANSI EXPORT, CHINA & AUSTRALIAN SPECS)



ART_1001246450_D

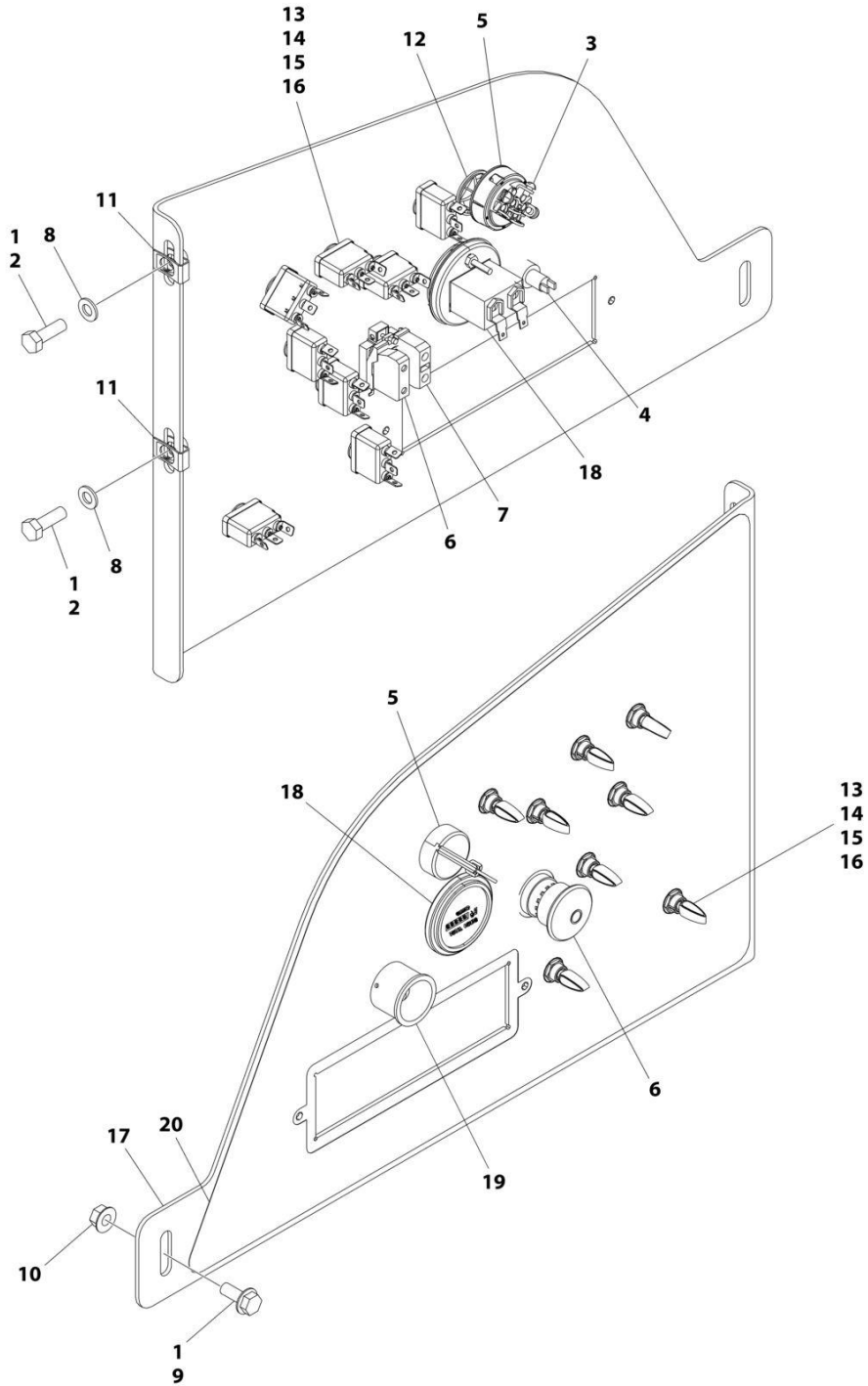
SECTION 2 - TURNTABLE

FIGURE 2-12. GROUND CONTROL ASSEMBLY (ANSI EXPORT, CHINA & AUSTRALIAN SPECS)

ITEM	PART NUMBER	QTY	DESCRIPTION	REV
	1001246450	Ref	GROUND CONTROL ASSEMBLY	D
1	0100011	AR	Compound, Locking	
2	0760812	2	Bolt M8 x 25	
3	3910804	3	Screw M8 x 1/4	
4	4360469	1	Switch, Key	
4	2860030	1	Key, Replacement	
5	1001274559	1	Switch, Emergency	
6	4360476	1	Block, Contact	
7	4811900	2	Washer M8	
8	5250810	1	Bolt M8 x 20	
9	5260800	1	Nut M8	
10	1001118274	2	Nut M8	
11	1001151393	1	Shim .063	
12	1001155043	8	Washer	
13	1001155044	8	Nut, Special 15/32-32	
14	1001155045	8	Switch, Toggle	
15	1001162807	8	Washer	
16	1001297389	1	Panel, Ground Control	
17	10836804	1	Gauge, Display	
18	1001264733	1	Decal - Ground Control	

SECTION 2 - TURNTABLE

FIGURE 2-13. GROUND CONTROL ASSEMBLY (CE(LRC), CIS/EAC & UK CA SPECS)



ART_1001246451_D

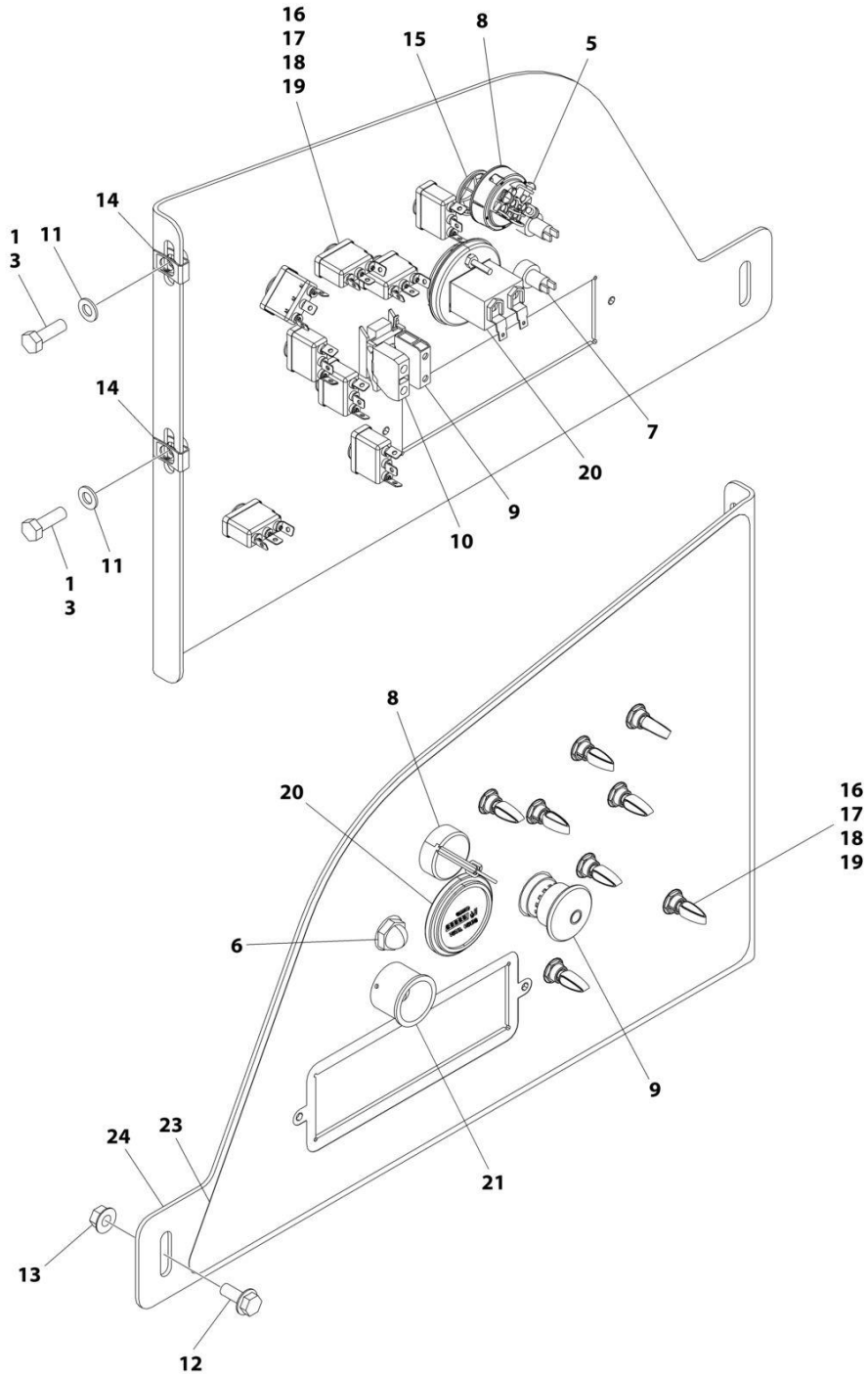
SECTION 2 - TURNTABLE

FIGURE 2-13. GROUND CONTROL ASSEMBLY (CE(LRC), CIS/EAC & UK CA SPECS)

ITEM	PART NUMBER	QTY	DESCRIPTION	REV
	1001246451	Ref	GROUND CONTROL ASSEMBLY	D
1	0100011	AR	Compound, Locking	
2	0760812	2	Bolt M8 x 25	
3	3910804	3	Screw M8 x 1/4	
4	4360387	1	Switch, Push Button	
5	4360469	1	Switch, Key	
5	2860030	1	Key, Replacement	
6	1001274559	1	Switch, Emergency	
7	4360476	1	Block, Contact	
8	4811900	2	Washer M8	
9	5250810	1	Bolt M8 x 20	
10	5260800	1	Nut M8	
11	1001118274	2	Nut M8	
12	1001151393	1	Shim .063	
13	1001155043	8	Washer	
14	1001155044	8	Nut, Special 15/32-32	
15	1001155045	8	Switch, Toggle	
16	1001162807	8	Washer	
17	1001297389	1	Panel, Ground Control	
18	10836804	1	Gauge, Display	
19	1001176469	1	Shroud, Switch	
20	1001264732	1	Decal - Ground Control	

SECTION 2 - TURNTABLE

FIGURE 2-14. GROUND CONTROL ASSEMBLY (CE & UK CA SPECS)



ART_1001245656_E

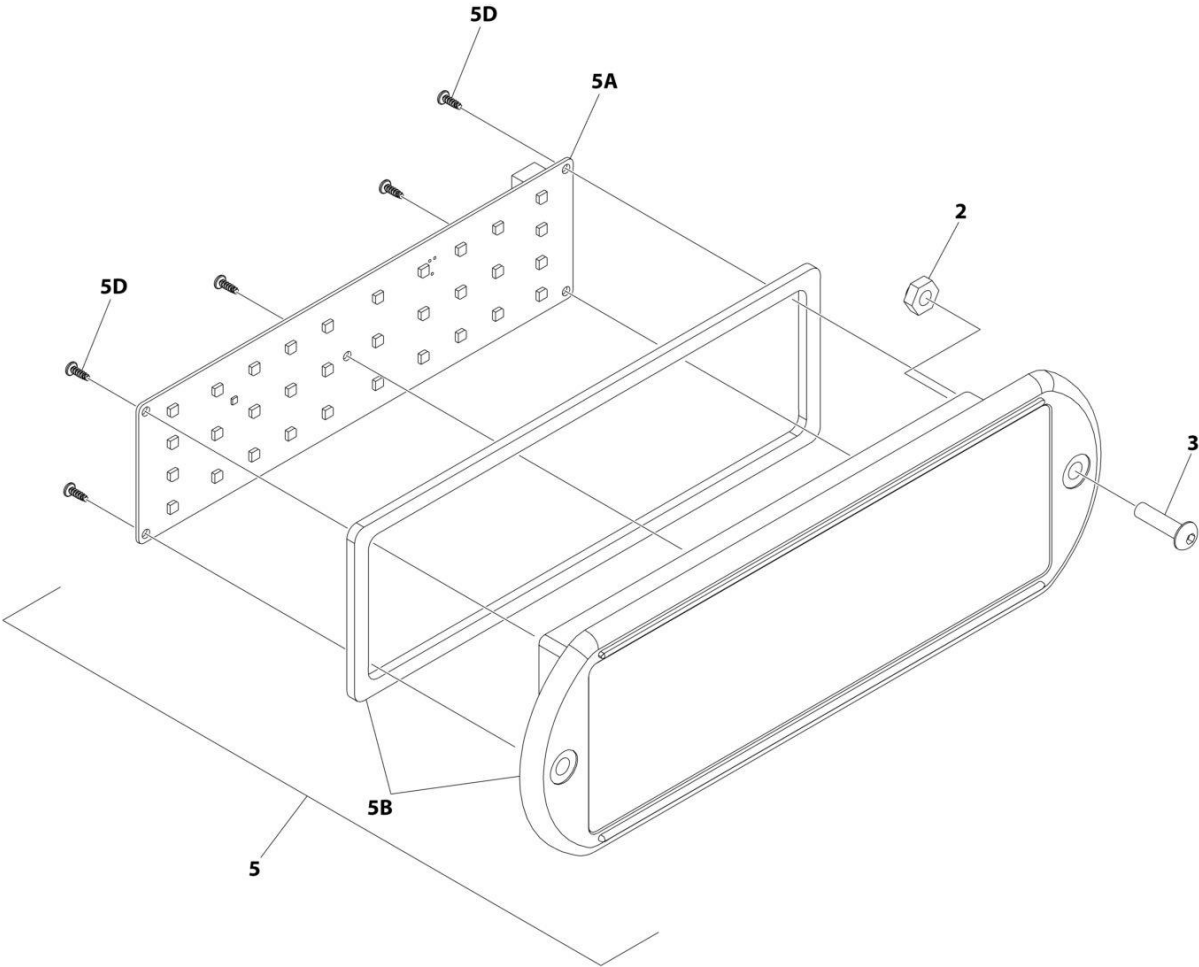
SECTION 2 - TURNTABLE

FIGURE 2-14. GROUND CONTROL ASSEMBLY (CE & UK CA SPECS)

ITEM	PART NUMBER	QTY	DESCRIPTION	REV
	1001245656	Ref	GROUND CONTROL ASSEMBLY	E
1	0100011	AR	Compound, Locking	
3	0760812	2	Bolt M8 x 25	
5	3910804	3	Screw M8 x 1/4	
6	4360274	1	Switch, Push Button	
7	4360387	1	Switch, Push Button	
8	4360469	1	Switch, Key	
9	1001274559	1	Switch, Emergency	
10	4360476	1	Block, Contact	
11	4811900	2	Washer M8	
12	5250810	1	Bolt M8 x 20	
13	5260800	1	Nut M8	
14	1001118274	2	Nut M8	
15	1001151393	1	Shim .063	
16	1001155043	8	Washer	
17	1001155044	8	Nut, Special 15/32-32	
18	1001155045	8	Switch, Toggle	
19	1001162807	8	Washer	
20	10836804	1	Gauge, Display	
21	1001176469	1	Shroud, Switch	
23	1001264731	1	Decal - Ground Control	
24	1001297389	1	Panel, Ground Control	

SECTION 2 - TURNTABLE

FIGURE 2-15. LIGHT PANEL INSTALLATION - GROUND CONTROL



ART_1001241398_D_10F2

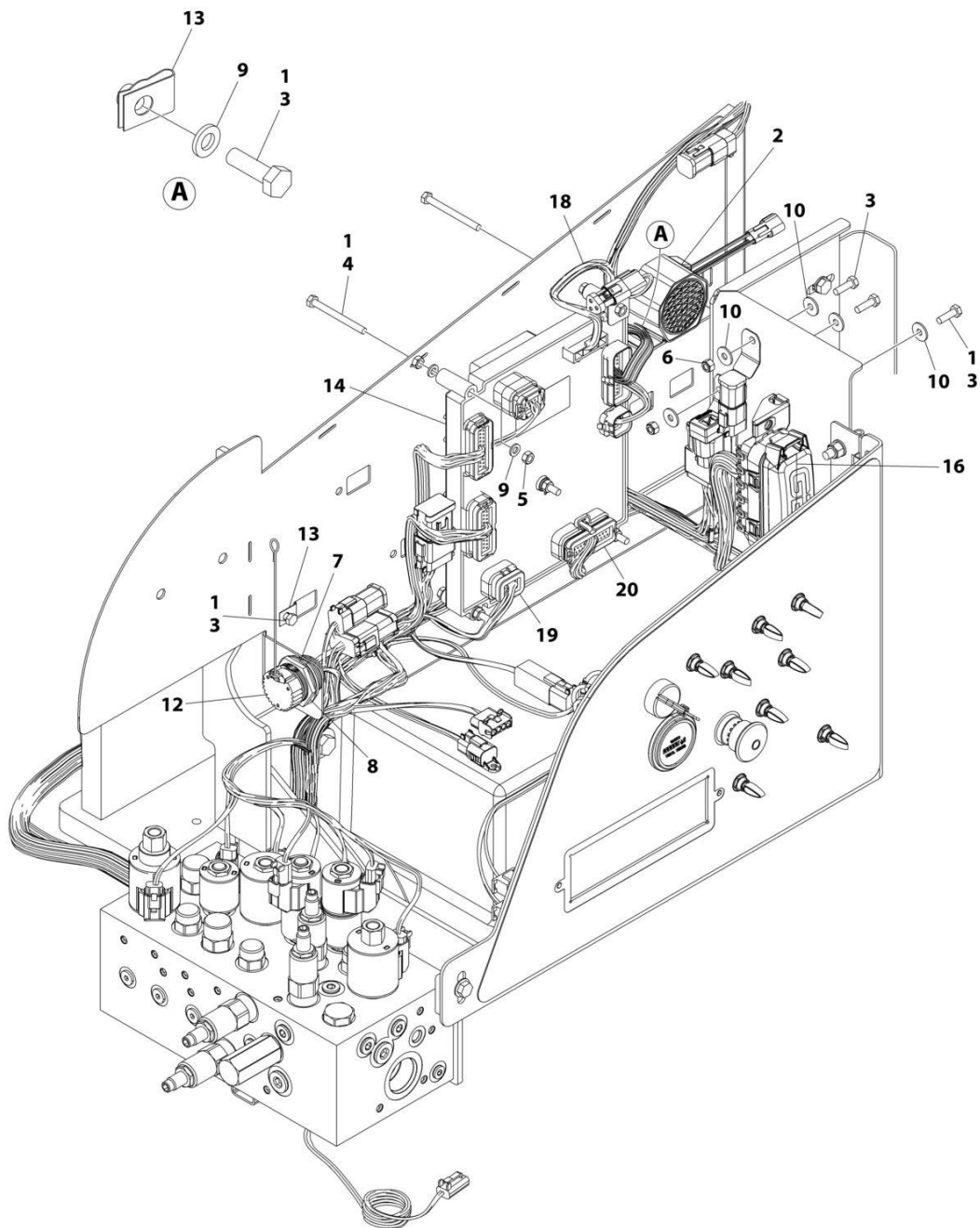
SECTION 2 - TURNTABLE

FIGURE 2-15. LIGHT PANEL INSTALLATION - GROUND CONTROL

ITEM	PART NUMBER	QTY	DESCRIPTION	REV
	1001241398	Ref	LIGHT PANEL INSTALLATION	D
2	3300408	2	Nut, Nylon Insert	
3	0630518	2	Screw #10 x 3/4	
5	1001237546	1	Light Panel Assembly	J
5A	1001282106	1	Panel, LED Light	
5B	1001236091	1	Lens, Icon (Includes Gasket)	
5D		Ref	Screw	

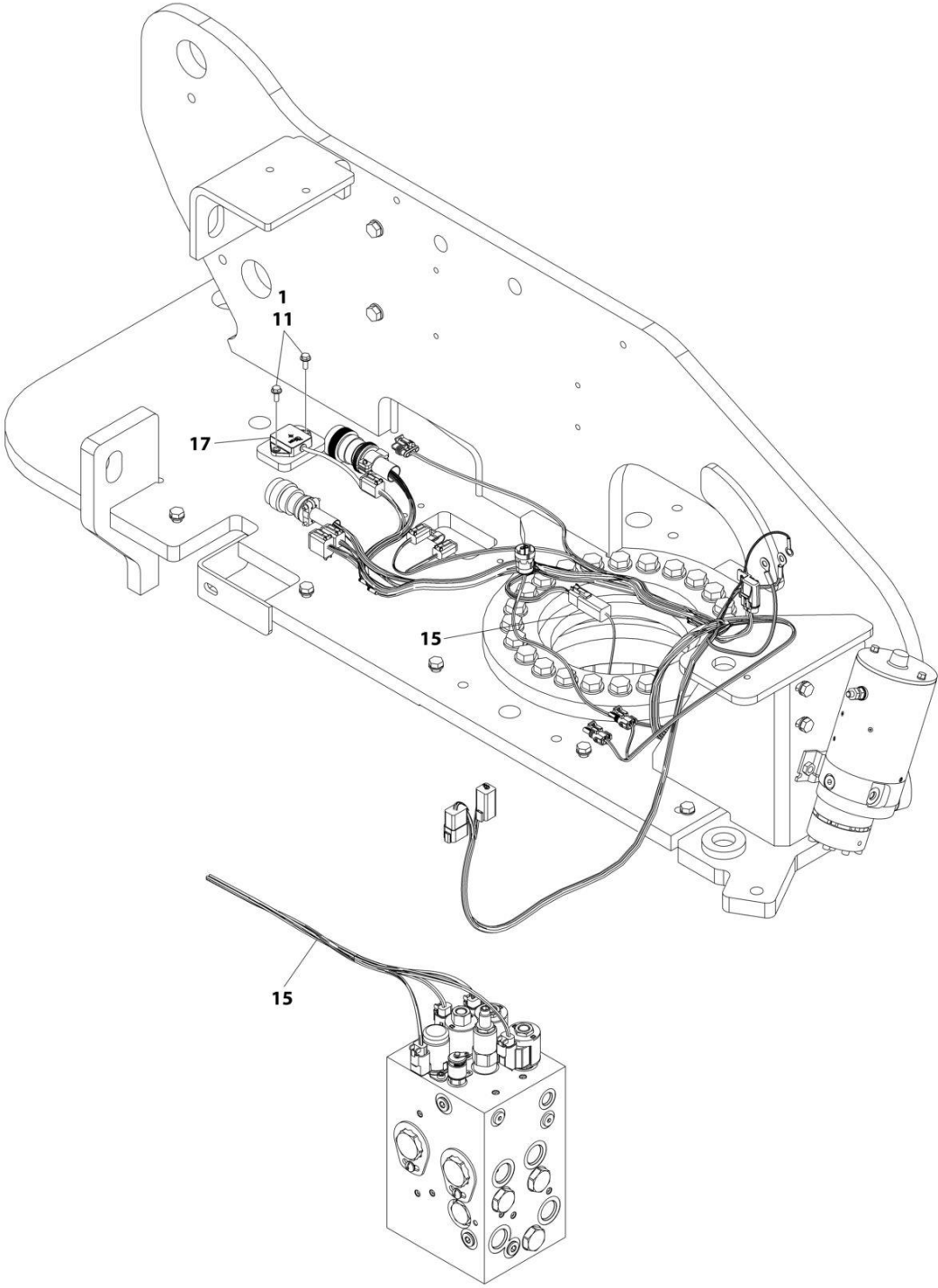
SECTION 2 - TURNTABLE

FIGURE 2-16. ELECTRICAL SYSTEM INSTALLATION



ART_1001246369_E_10F2

SECTION 2 - TURNTABLE



DETAIL OF TRACTION VALVE

ART_1001246369_E_2OF2

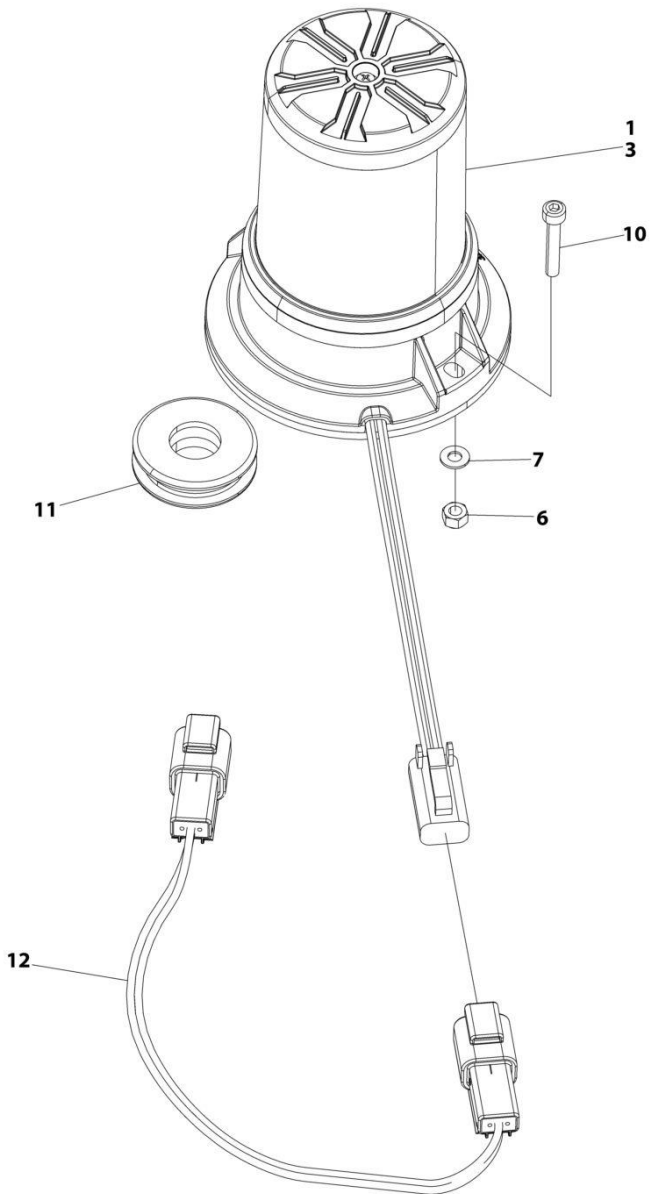
SECTION 2 - TURNTABLE

FIGURE 2-16. ELECTRICAL SYSTEM INSTALLATION

ITEM	PART NUMBER	QTY	DESCRIPTION	REV
	1001246369	Ref	ELECTRICAL SYSTEM INSTALLATION	E
1	0100011	AR	Compound, Locking	
2	0140043	1	Alarm	
3	0760610	7	Bolt M6 x 20	
4	0760621	5	Bolt M6 x 65	
5	3290601	10	Nut M6	
6	3290605	2	Nut M6	
7	4460496	1	Washer, Terminal	
8	4460497	1	Nut, Terminal	
9	4811700	12	Washer M6	
10	4811702	7	Washer M6	
11	5250608	2	Bolt M6 x 16	
12	1001106736	1	Cap, Dust	
13	1001130220	3	Nut, Tinnerman M6	
14	1001280340	1	Module, Ground Control (Note: Re-calibration Required when Replaced)	
15	1001179236	1	Chassis Solenoid Harness (See Separate Breakdown in ELECTRICAL Section)	
16	1001196637	1	Decal - Fuse Box	
17	1001219601	1	Sensor	
17	1001103013	1	Connector	
18	1001282492	1	Turntable Harness (See Separate Breakdown in ELECTRICAL Section)	
19	1001282533	1	Valve Harness - Main Valve (See Separate Breakdown in ELECTRICAL Section)	
20	1001299782	1	Ground Control Panel Harness (See Separate Breakdown in ELECTRICAL Section)	
22	4240032	AR	Tie-Strap (Not Shown)	
23	4460234	AR	Mount, Tie-Strap (Not Shown)	
25	1001213448	1	Cap, Dust (Not Shown)	

SECTION 2 - TURNTABLE

FIGURE 2-17. BEACON LIGHT INSTALLATION - AMBER



ART_1001174976_F

SECTION 2 - TURNTABLE

FIGURE 2-17. BEACON LIGHT INSTALLATION - AMBER

ITEM	PART NUMBER	QTY	DESCRIPTION	REV
	1001174976	Ref	BEACON LIGHT INSTALLATION - AMBER	F
1	0100048	AR	Compound, Silicone	
3	1001270594	1	Lamp, Strobe	
3	4460891	1	Connector	
3	4460465	2	Socket	
6	3290405	2	Nut, Lock M4	
7	4811400	2	Washer M4	
8	4240032	AR	Tie-Strap (Not Shown)	
9	4460234	AR	Mount, Tie-Strap (Noth Shown)	
10	4031509	1	Capscrew M4 x25	
11	2540020	1	Grommet	
12	1001283776	1	Harness, Beacon Jumper (See Separate Breakdown in ELECTRICAL Section)	

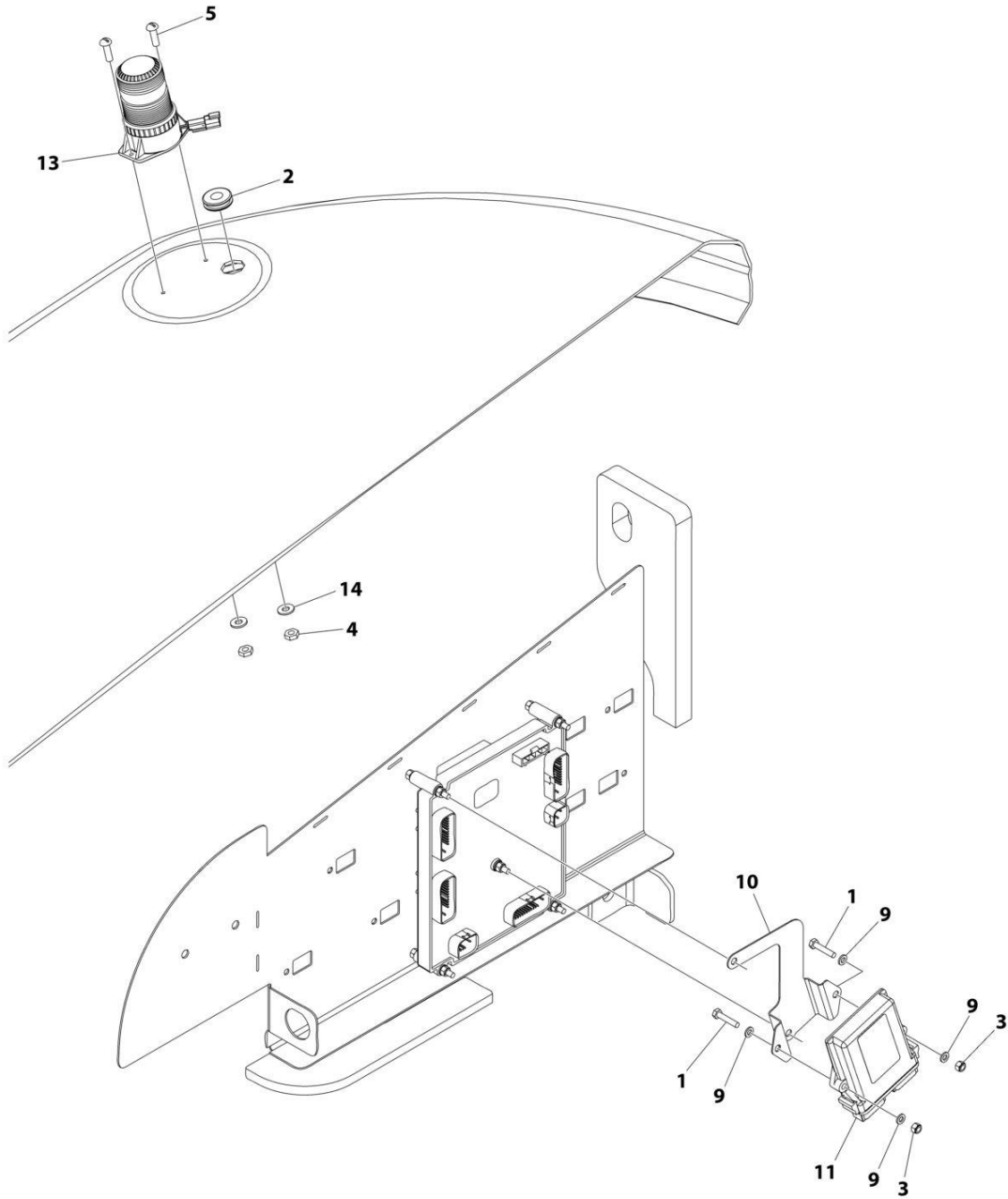
SECTION 2 - TURNTABLE

FIGURE 2-18. BEACON LIGHT INSTALLATION - BLUE

ITEM	PART NUMBER	QTY	DESCRIPTION	REV
	1001242855	Ref	BEACON LIGHT INSTALLATION - BLUE	C
1	0760614	2	Bolt M6 x 30	
2	2540020	1	Grommet	
3	3290605	2	Nut, Lock M6	
4	3290405	2	Nut, Lock M4	
5	4031509	2	Capscrew M4 x 25	
6	4240032	AR	Tie-Strap (Not Shown)	
7	4460488	AR	Mount, Tie-Strap (Not Shown)	
9	4811700	4	Washer M6	
10	1001276626	1	Mount, Module	
11	1001142683	1	Module, Control	
12	1001142736	1	Harness, Beacon (Not Shown - See Separate Breakdown in ELECTRICAL Section)	
13	1001272681	1	Lamp, Strobe	
13	4460897	1	Connector	
13	4460464	2	Pin	
14	4811400	2	Washer M4	

SECTION 2 - TURNTABLE

FIGURE 2-19. BEACON LIGHT INSTALLATION - RED



ART_1001242856_C

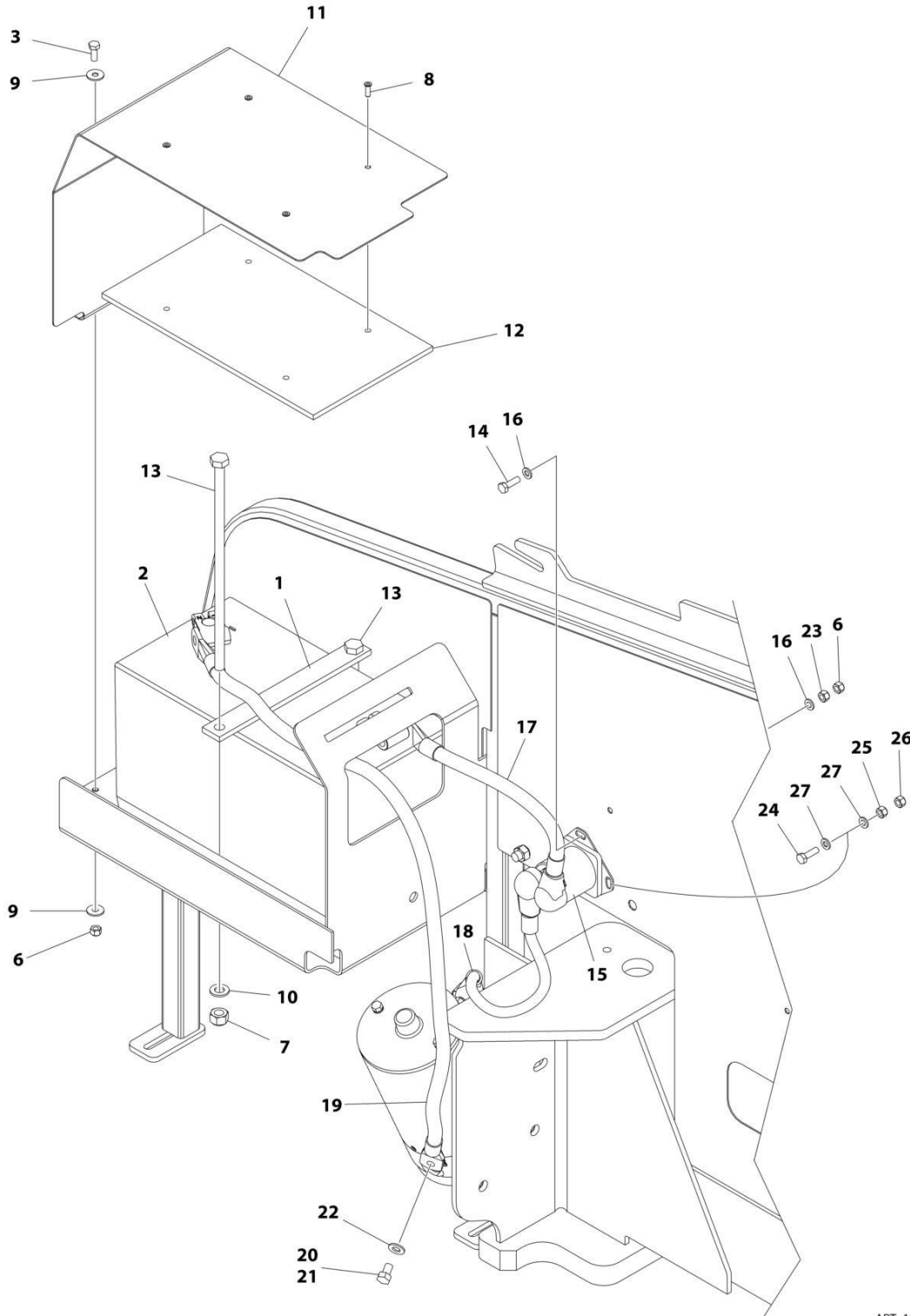
SECTION 2 - TURNTABLE

FIGURE 2-19. BEACON LIGHT INSTALLATION - RED

ITEM	PART NUMBER	QTY	DESCRIPTION	REV
	1001242856	Ref	BEACON LIGHT INSTALLATION - RED	C
1	0760614	2	Bolt M6 x 30	
2	2540020	1	Grommet	
3	3290605	2	Nut, Lock M6	
4	3290405	2	Nut, Lock M4	
5	4031509	2	Capscrew M4 x 25	
6	4240032	AR	Tie-Strap (Not Shown)	
7	4460488	AR	Mount, Tie-Strap (Not Shown)	
9	4811700	4	Washer M6	
10	1001276626	1	Mount, Module	
11	1001142683	1	Module, Control	
12	1001142736	1	Harness, Beacon (Not Shown - See Separate Breakdown in ELECTRICAL Section)	
13	1001272682	1	Lamp, Strobe	
13	4460897	1	Connector	
13	4460464	2	Pin	
14	4811400	2	Washer M4	

SECTION 2 - TURNTABLE

FIGURE 2-20. BATTERY AND CABLE INSTALLATION



ART_1001166316_H

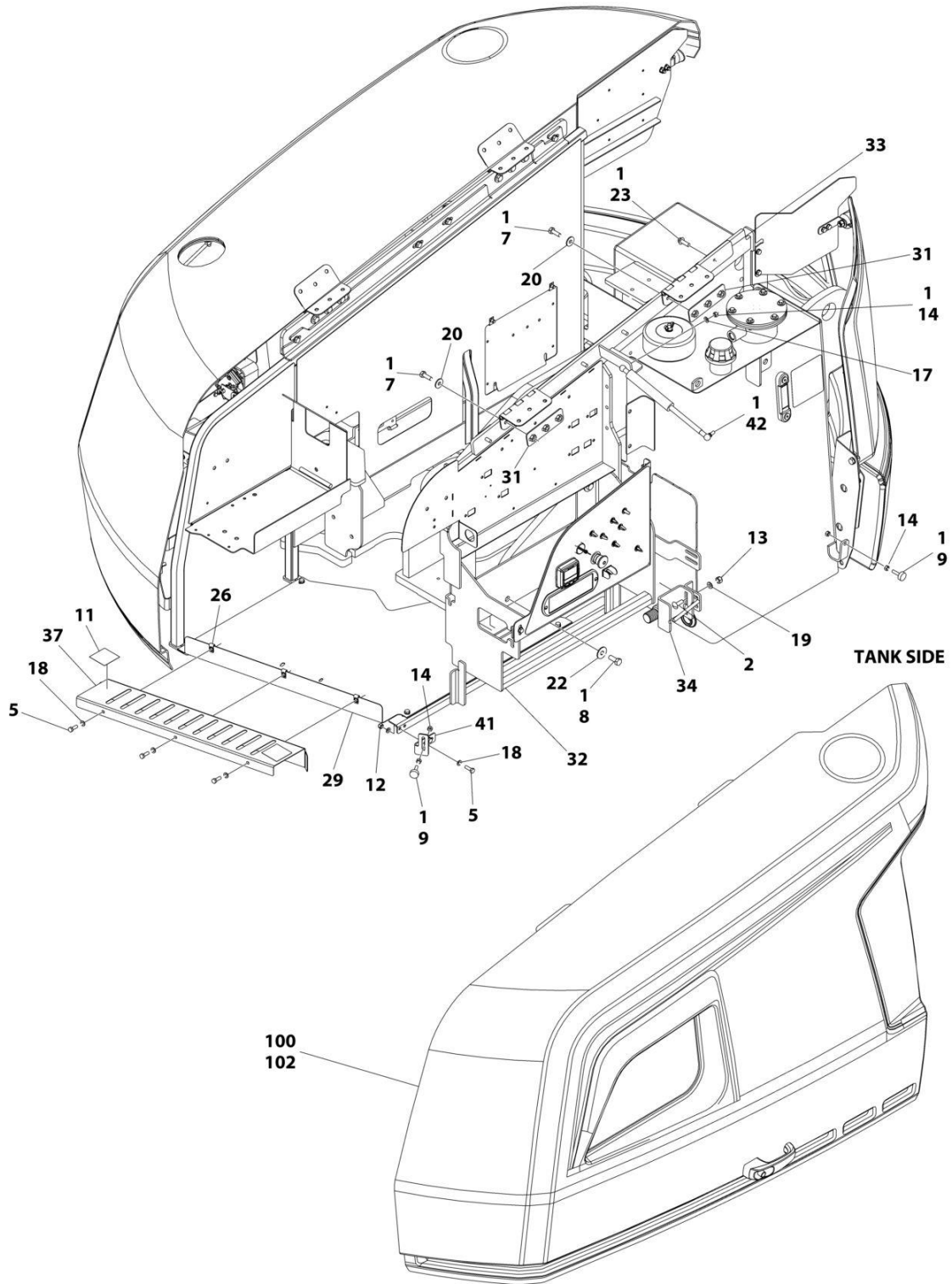
SECTION 2 - TURNTABLE

FIGURE 2-20. BATTERY AND CABLE INSTALLATION

ITEM	PART NUMBER	QTY	DESCRIPTION	REV
	1001166316	Ref	BATTERY AND CABLE INSTALLATION	H
1	0361810	1	Bar, Hold-down	
2	0400075	1	Battery	
3	0760610	2	Bolt M6 x 20	
6	3290605	3	Nut M6	
7	3291005	2	Nut M10	
8	3820032	4	Rivet	
9	4811702	4	Washer M6	
10	4812000	2	Washer M10	
11	1001117240	1	Cover	
12	1001119278	1	Insulation	
13	1001119280	2	Bolt M16 x 260	
14	0760612	1	Bolt M6 x 25	
15	3740067	1	Relay	
15	3300220	2	Nut 3/8	
15	1001111424	2	Washer 3/8	
15	3321001	1	Nut #10	
15	4761000	1	Washer #10	
16	4811700	2	Washer M6	
17	1001171678	1	Cable, Battery (Positive + to Aux Relay)	
18	1001171679	1	Cable, Battery (Aux Relay to Aux Pump)	
19	1001171680	1	Cable, Battery (Negative – to Aux Pump)	
20	0100011	AR	Compound, Locking	
21	0641504	1	Bolt 5/16 x 1/2	
22	4711500	1	Washer 5/16	
23	3290601	2	Nut M6	
24	0760512	1	Bolt M5 x 25	
25	3290501	1	Nut M5	
26	3290505	1	Nut M5	
27	4811600	2	Washer M5	

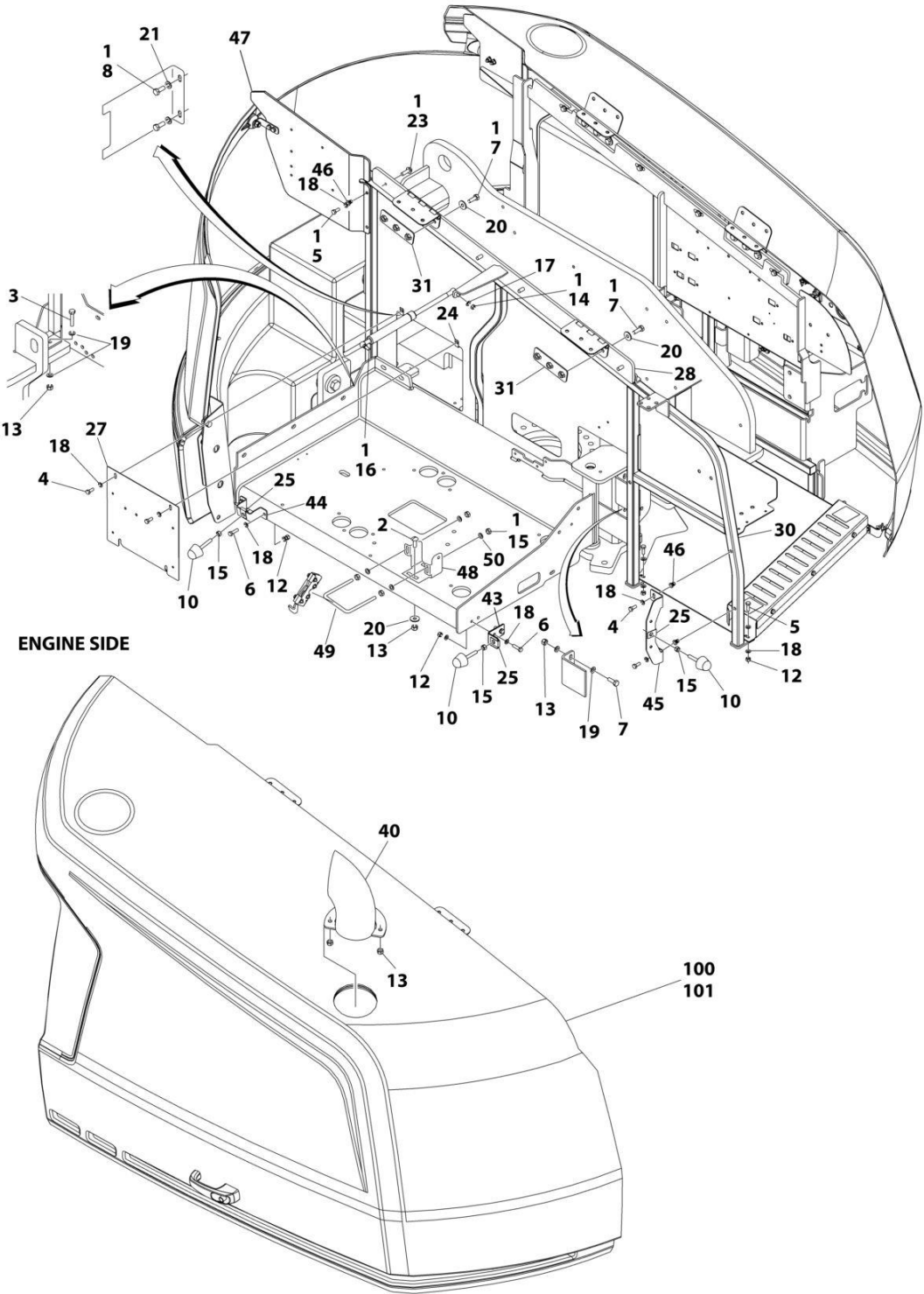
SECTION 2 - TURNTABLE

FIGURE 2-21. HOODS INSTALLATION (ABS)



ART_1001241286_D_10F2

SECTION 2 - TURNTABLE



ART_1001241286_D_20F2

SECTION 2 - TURNTABLE

FIGURE 2-21. HOODS INSTALLATION (ABS)

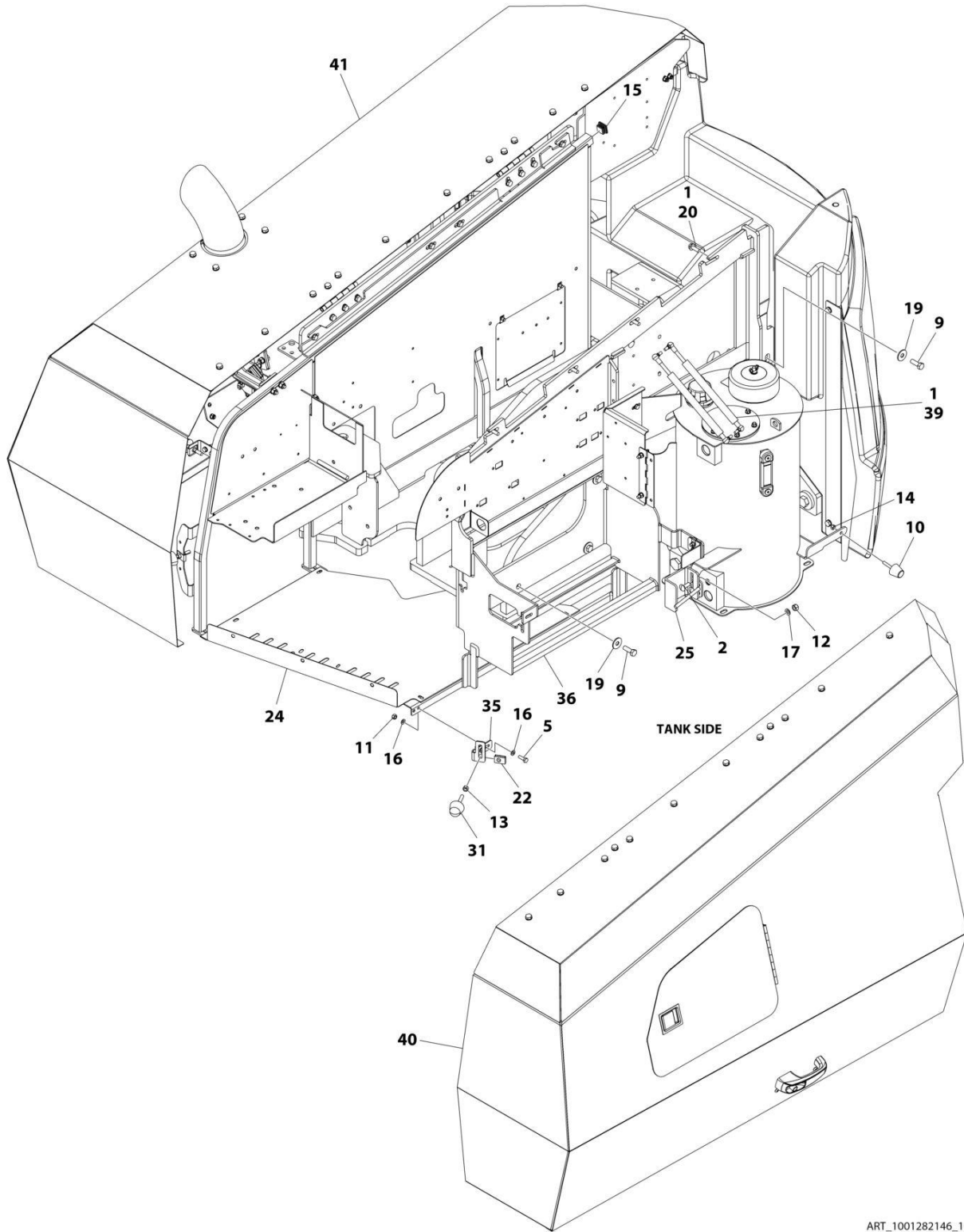
ITEM	PART NUMBER	QTY	DESCRIPTION	REV
	1001241286	Ref	HOODS INSTALLATION	D
1	0100011	AR	Compound, Locking	
2	0630613	4	Bolt M10 x 30	
3	0701018	5	Bolt M10 x 50	
4	0760810	4	Bolt M8 x 20	
5	0760812	11	Bolt M8 x 25	
6	0760814	4	Bolt M8 x 30	
7	0761014	14	Bolt M10 x 30	
8	0761214	6	Bolt M12 x 30	
9	0940049	2	Bumper	
10	0940071	3	Bumper	
11	1701691	2	Decal - No Step	
12	3290805	10	Nut M8	
13	3291005	14	Nut M10	
14	3311501	6	Nut 5/16	
15	3311601	7	Nut 3/8	
16	4160182	1	Spring, Gas	
17	4711500	2	Washer 5/16	
18	4811900	29	Washer M8	
19	4812000	16	Washer M10	
20	4812002	14	Washer M10	
21	4812100	2	Washer M12	
22	4812102	4	Washer M12	
23	5251014	8	Bolt M10 x 30	
24	8310686	2	Nut, Retainer M8	
25	88662523	3	Nut, Tinnerman	
26	1001118274	3	Nut M8	
27	1001167149	1	Panel, Filler	
28	1001167159	1	Mount	
29	1001167163	1	Tray	
30	1001167169	1	Mount	
31	1001169046	4	Nut	
32	1001211716	1	Support, Hood	
33	1001170018	1	Mount	
34	1001170022	1	Mount	
37	1001171216	1	Cover	
40	1001233899	1	Pipe, Exhaust	
41	1001179904	1	Mount	
42	1001182169	1	Spring, Gas	
43	1001182875	1	Mount	
44	1001182877	1	Mount	
45	1001182879	1	Mount	
46	1001191832	4	Rivnut M8	
47	1001211717	1	Panel, Filler	
48	1001250291	1	Bracket	
49	1001243414	1	U-Bolt	
50	4891600	4	Washer 3/8	
100	1001285789	1	Hood Kit (Includes Items 101-102)	D
101	1001241295	1	Hood Assembly - Engine Side (See Separate Breakdown in this Section)	

SECTION 2 - TURNTABLE

ITEM	PART NUMBER	QTY	DESCRIPTION	REV
102	1001285788	1	Hood Assembly - Tank Side (See Separate Breakdown in this Section)	

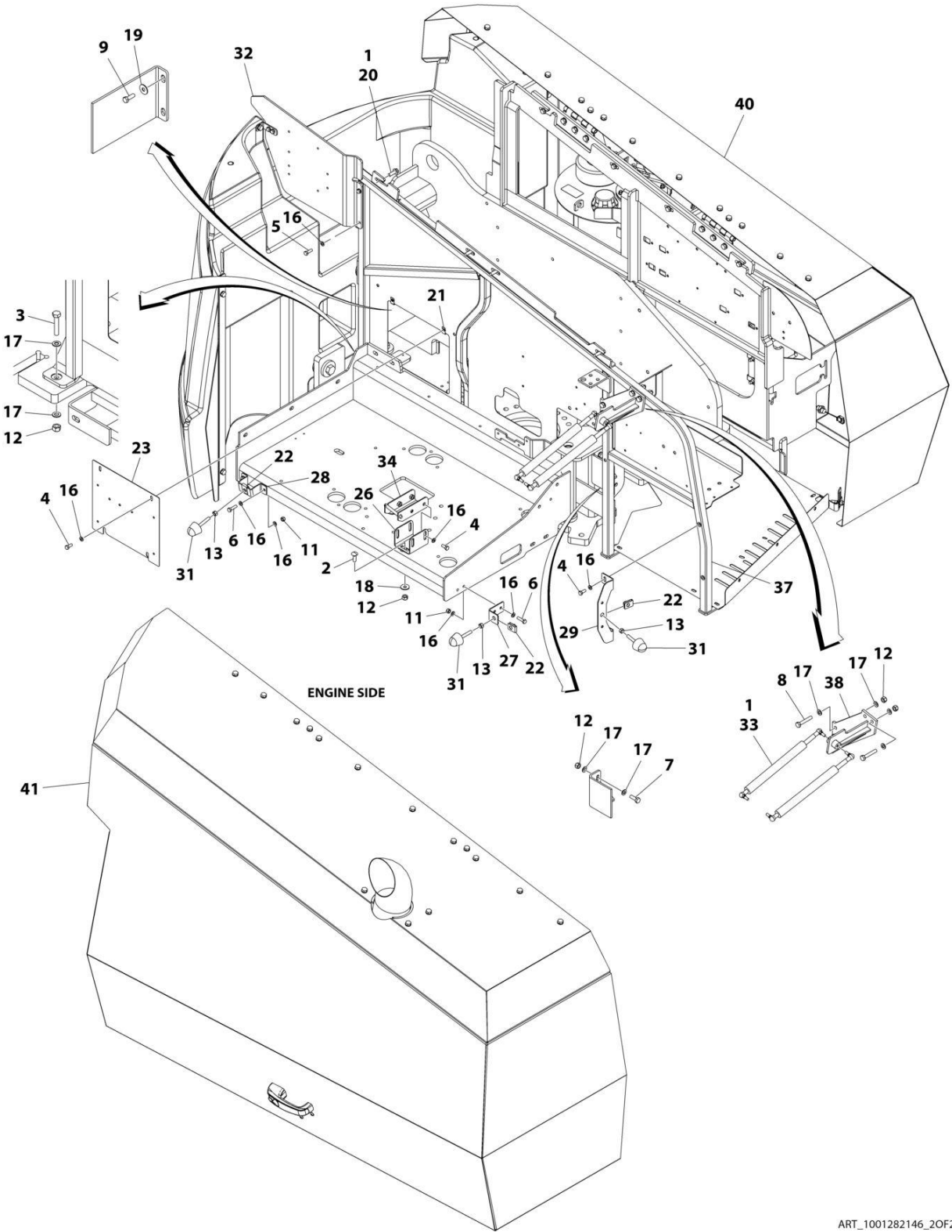
SECTION 2 - TURNTABLE

FIGURE 2-22. HOODS INSTALLATION (STEEL)



ART_1001282146_1OF2

SECTION 2 - TURNTABLE



ART_1001282146_2OF2

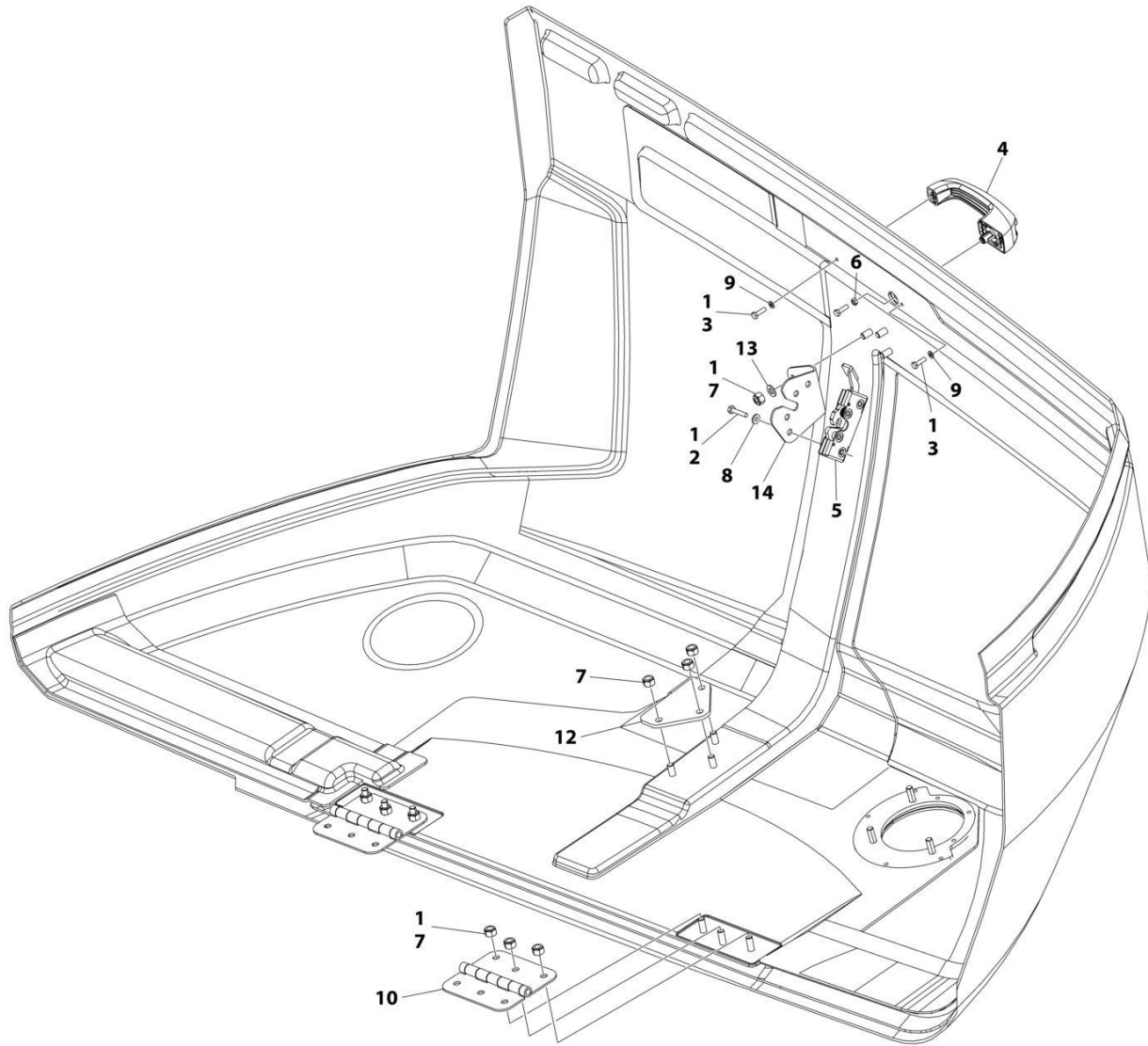
SECTION 2 - TURNTABLE

FIGURE 2-22. HOODS INSTALLATION (STEEL)

ITEM	PART NUMBER	QTY	DESCRIPTION	REV
	1001282146	Ref	HOODS INSTALLATION (STEEL)	D
1	0100011	AR	Compound, Locking	
2	0630613	4	Bolt M10 x 30	
3	0701018	5	Bolt M10 x 50	
4	0760810	8	Bolt M8 x 20	
5	0760812	4	Bolt M8 x 25	
6	0760814	4	Bolt M8 x 30	
7	0761014	2	Bolt M10 x 30	
8	0761020	4	Bolt M12 x 60	
9	0761215	6	Bolt M12 x 35	
10	0940088	1	Bumper	
11	3290805	6	Nut M8	
12	3291005	15	Nut M10	
13	3311601	4	Nut 3/8	
14	3321501	1	Nut 5/16	
15	3520072	1	Plug	
16	4811900	22	Washer M8	
17	4812000	24	Washer M10	
18	4812002	2	Washer M10	
19	4812102	6	Washer M12	
20	5251014	8	Bolt M10 x 30	
21	8310686	2	Nut, Retainer M8	
22	88662523	4	Nut, Tinnerman	
23	1001167149	1	Panel, Filler	
24	1001167163	1	Tray	
25	1001170022	1	Mount	
26	1001170859	1	Mount	
27	1001182875	1	Mount	
28	1001182877	1	Mount	
29	1001182879	1	Mount	
31	1001206314	4	Bumper	
32	1001211717	1	Panel, Filler	
33	1001213794	2	Spring, Gas	
34	1001223777	1	Support, Striker	
35	1001269476	1	Mount	
36	1001279651	1	Support, Hood	
37	1001280240	1	Mount	
38	1001280242	1	Mount	
39	1001280549	2	Spring, Gas	
40	1001285988	1	Hood Assembly - Tank Side (See Separate Breakdown in this Section)	
41	1001282143	1	Hood Assembly - Engine Side (See Separate Breakdown in this Section)	

SECTION 2 - TURNTABLE

FIGURE 2-23. HOOD ASSEMBLY (ABS) - ENGINE SIDE



NOTE: REPLACEMENT DECALS MUST BE ORDERED SEPARATELY - SEE DECAL SECTION.

ART_1001241295

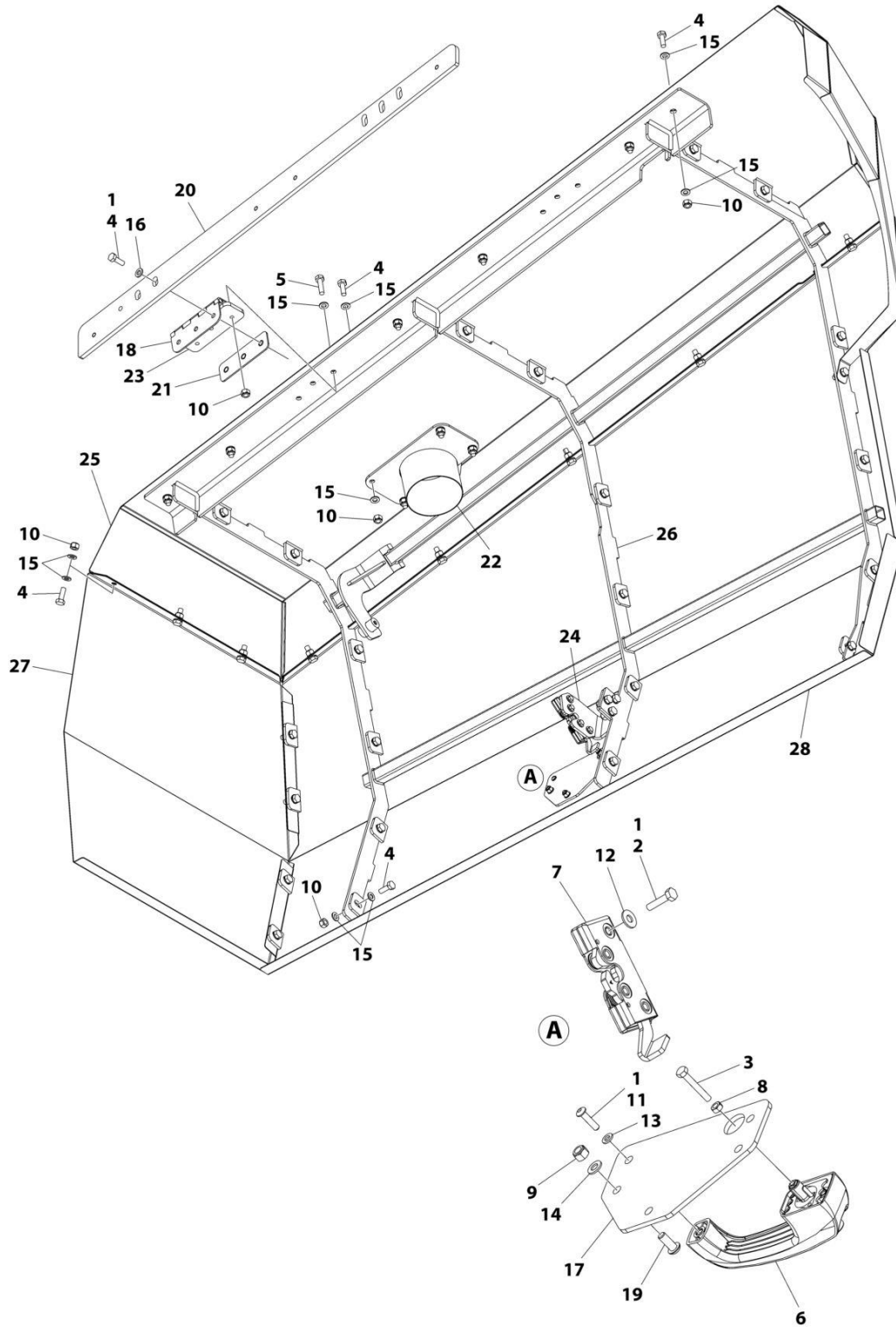
SECTION 2 - TURNTABLE

FIGURE 2-23. HOOD ASSEMBLY (ABS) - ENGINE SIDE

ITEM	PART NUMBER	QTY	DESCRIPTION	REV
	1001241295	Ref	HOOD ASSEMBLY - ENGINE SIDE	C
1	0100011	AR	Compound, Locking	
2	0641410	4	Bolt 1/4 x 1-1/4	
3	0760610	3	Bolt M6 x 20	
4	2560187	1	Handle	
5	2940173	1	Latch	
6	3290601	1	Nut M6	
7	3291005	12	Nut M10	
8	4711400	4	Washer 1/4	
9	4811700	2	Washer M6	
10	1001259230	2	Hinge	
12	1001178228	1	Bracket	
13	4812000	3	Washer M10	
14	1001202830	1	Support	

SECTION 2 - TURNTABLE

FIGURE 2-24. HOOD ASSEMBLY (STEEL) - ENGINE SIDE



ART_1001282143

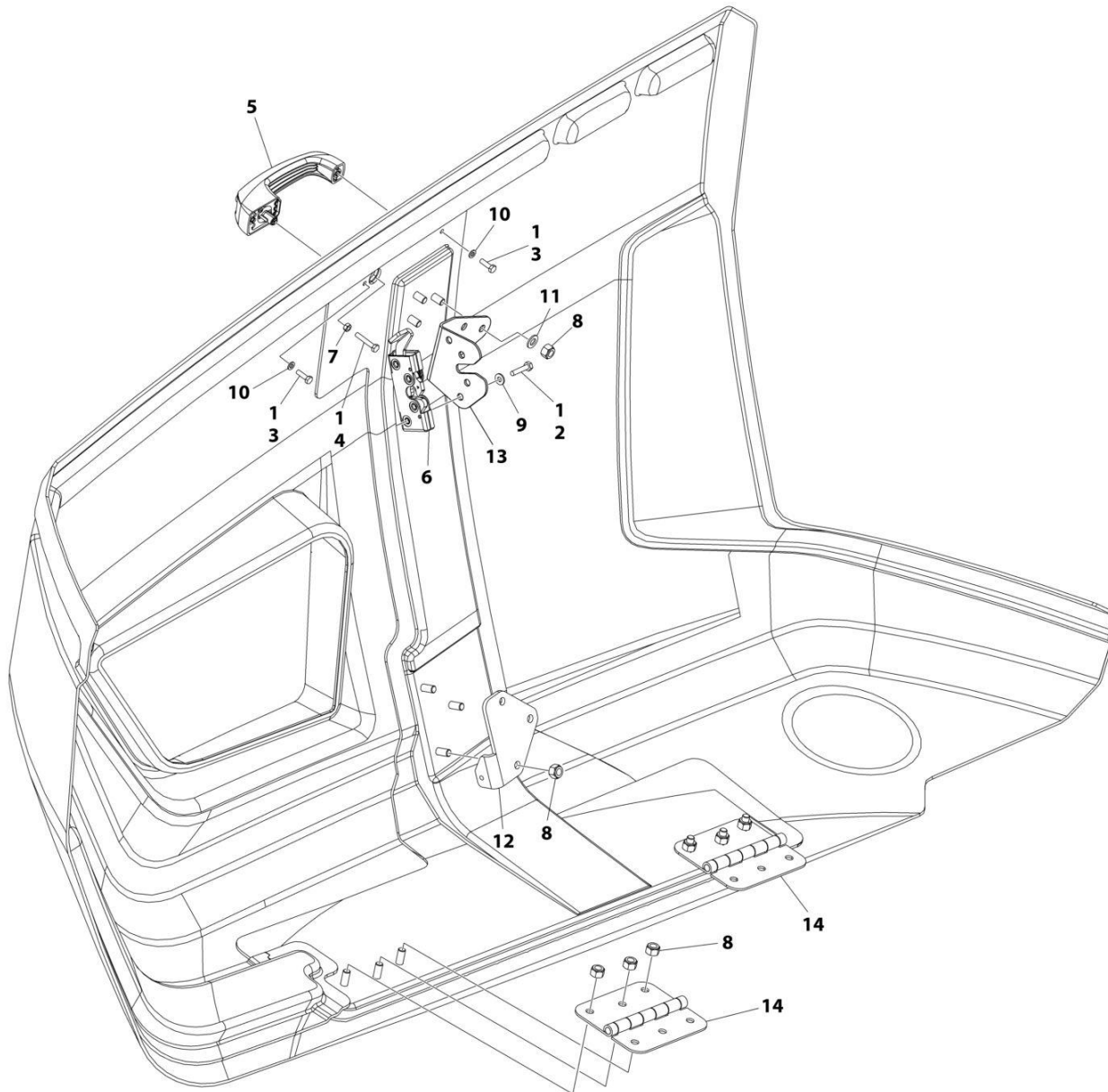
SECTION 2 - TURNTABLE

FIGURE 2-24. HOOD ASSEMBLY (STEEL) - ENGINE SIDE

ITEM	PART NUMBER	QTY	DESCRIPTION	REV
	1001282143	Ref	HOOD ASSEMBLY (STEEL) - ENGINE SIDE	B
1	0100011	AR	Compound, Locking	
2	0641409	4	Bolt 1/4 x 1/8	
3	0700616	1	Bolt M6 x 40	
4	0761014	50	Bolt M10 x 30	
5	0761016	6	Bolt M10 x 40	
6	2560187	1	Handle	
7	2940173	1	Latch	
8	3290601	1	Nut M6	
9	3290805	3	Nut M8 x 1-1/4	
10	3291005	50	Nut M10 x 1-1/2	
11	3900363	2	Screw M6 x 25	
12	4751400	4	Washer 1/4	
13	4811700	2	Washer M6	
14	4811900	3	Washer M8	
15	4812000	94	Washer M10	
16	5241000	6	Washer M10	
17	1001116290	1	Plate	
18	1001139384	2	Hinge	
19	1001164726	3	Screw M8 x 20	
20	1001167157	1	Mount, Hood	
21	1001169046	2	Nut	
22	1001194888	1	Pipe, Exhaust	
23	1001202333	2	Plate, Nut	
24	1001263664	1	Bracket	
25	1001263669	1	Panel (Top)	
26	1001263677	1	Bracket	
27	1001263693	1	Panel (End)	
28	1001265389	1	Panel (Side)	

SECTION 2 - TURNTABLE

FIGURE 2-25. HOOD ASSEMBLY (ABS) - TANK SIDE



NOTE: REPLACEMENT DECALS MUST BE ORDERED SEPARATELY - SEE DECAL SECTION.

ART_1001285788

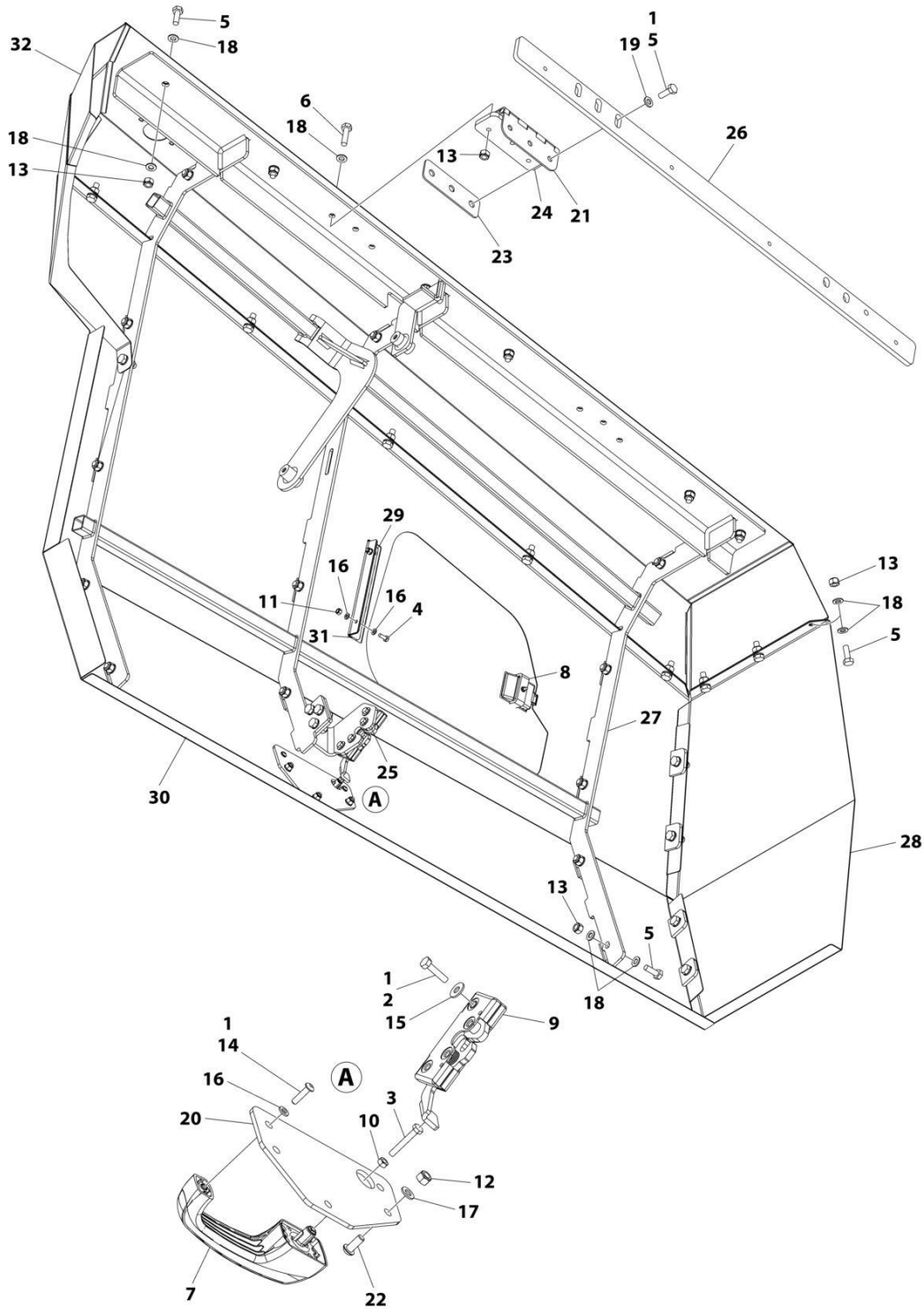
SECTION 2 - TURNTABLE

FIGURE 2-25. HOOD ASSEMBLY (ABS) - TANK SIDE

ITEM	PART NUMBER	QTY	DESCRIPTION	REV
	1001285788	Ref	HOOD ASSEMBLY - TANK SIDE	D
1	0100011	AR	Compound, Locking	
2	0641410	4	Bolt 1/4 x 1-1/4	
3	0760610	2	Bolt M6 x 20	
4	0760615	1	Bolt M6 x 35	
5	2560187	1	Handle	
6	2940173	1	Latch	
7	3290601	1	Nut M6	
8	3291005	12	Nut, Lock M10	
9	4711400	4	Washer 1/4	
10	4811700	2	Washer M6	
11	4812000	3	Washer M10	
12	1001170475	1	Bracket	
13	1001203322	1	Support	
13	1001308137	1	SUPPORT,HOOD LATCH	
14	1001259230	2	Hinge	

SECTION 2 - TURNTABLE

FIGURE 2-26. HOOD ASSEMBLY (STEEL) - TANK SIDE



ART_1001285988

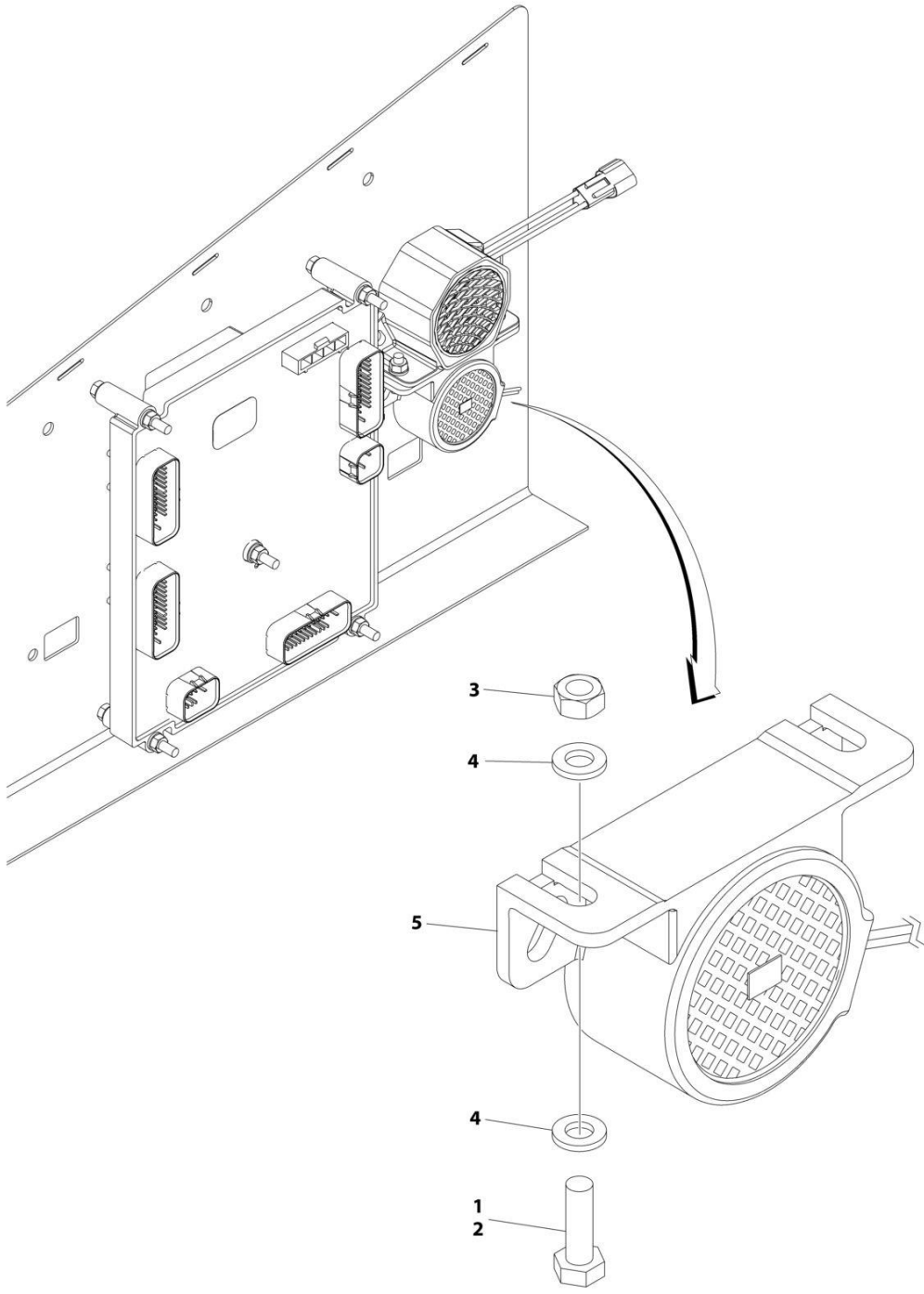
SECTION 2 - TURNTABLE

FIGURE 2-26. HOOD ASSEMBLY (STEEL) - TANK SIDE

ITEM	PART NUMBER	QTY	DESCRIPTION	REV
	1001285988	Ref	HOOD ASSEMBLY (STEEL) - TANK SIDE	B
1	0100011	AR	Compound, Locking	
2	0641409	4	Bolt 1/4 x 1/8	
3	0700616	1	Bolt M6 x 40	
4	0760608	2	Bolt M6 x 16	
5	0761014	42	Bolt M10 x 30	
6	0761016	6	Bolt M10 x 40	
7	2560187	1	Handle	
8	2940045	1	Latch	
9	2940173	1	Latch	
10	3290601	1	Nut M6	
11	3290605	2	Nut M6	
12	3290805	3	Nut M8 x 1-1/4	
13	3291005	42	Nut M10 x 1-1/2	
14	3900363	2	Screw M6 x 25	
15	4751400	4	Washer 1/4	
16	4811700	6	Washer M6	
17	4811900	3	Washer M8	
18	4812000	78	Washer M10	
19	5241000	6	Washer M10	
20	1001116290	1	Plate	
21	1001139384	2	Hinge	
22	1001164726	3	Screw M8 x 20	
23	1001169046	2	Nut	
24	1001202333	2	Plate, Nut	
25	1001263663	1	Bracket	
26	1001263668	1	Plate, Hinge	
27	1001263678	1	Bracket	
28	1001263694	1	Panel (End)	
29	1001263787	1	Door	
30	1001265390	1	Panel (Side)	
31	1001281623	4.88 ft/1.49m	Seal	
32	1001285640	1	Panel (Top)	

SECTION 2 - TURNTABLE

FIGURE 2-27. WHITE NOISE ALARM INSTALLATION



ART_1001263174

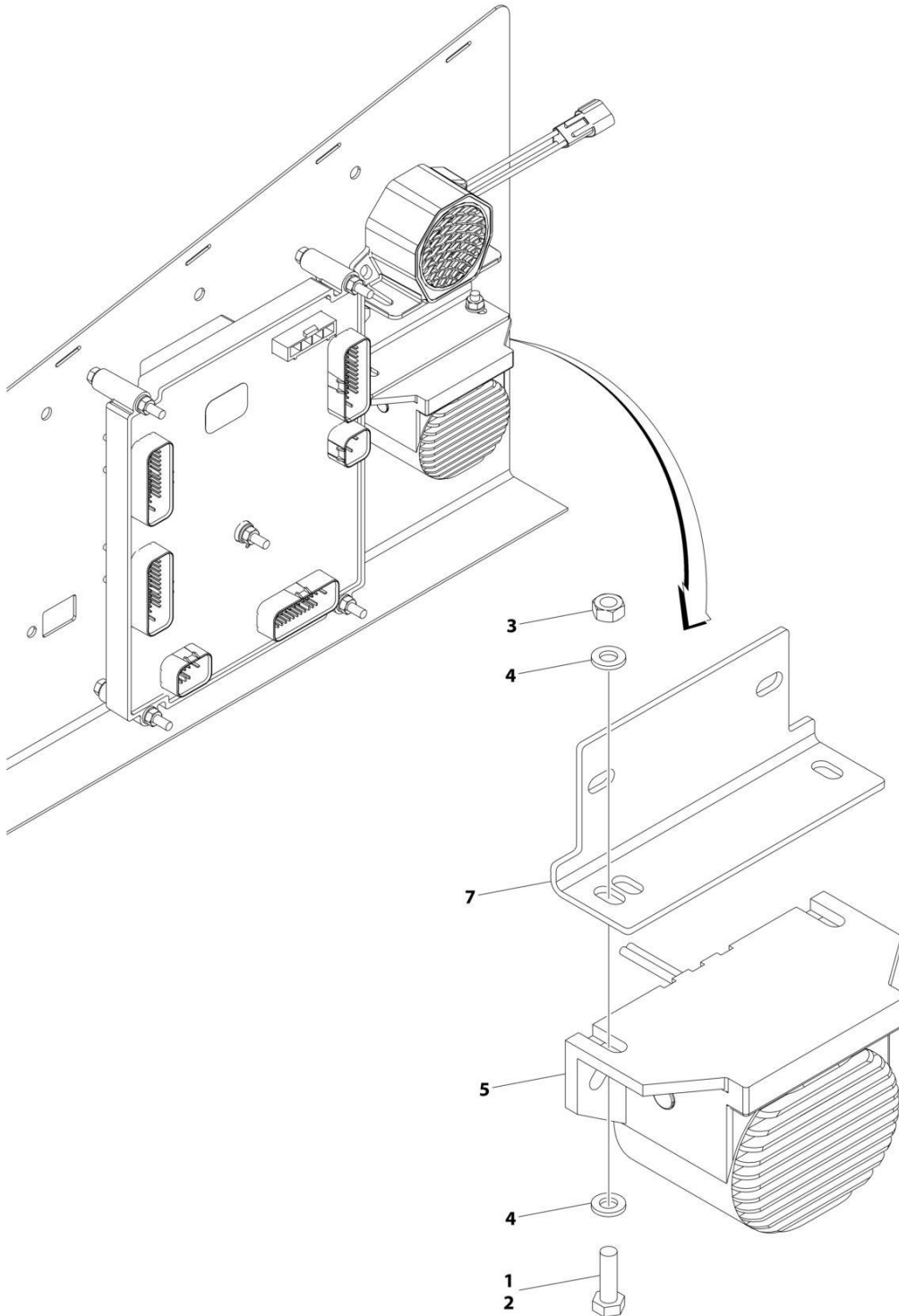
SECTION 2 - TURNTABLE

FIGURE 2-27. WHITE NOISE ALARM INSTALLATION

ITEM	PART NUMBER	QTY	DESCRIPTION	REV
	1001263174	Ref	WHITE NOISE ALARM INSTALLATION	A
1	0100011	AR	Compound, Locking	
2	0760610	2	Bolt M6 x 20	
3	3290601	2	Nut M6	
4	4811700	4	Washer M6	
5	1001184682	1	Alarm	
6	1001190663	1	Harness, Jumper (Not Shown)	
6	4460891	1	Connector – 2 Position	
6	4460465	2	Socket, Female	
6	4460871	2	Socket, Female	

SECTION 2 - TURNTABLE

FIGURE 2-28. WHITE NOISE AMBIENT ALARM INSTALLATION



ART_1001209617

SECTION 2 - TURNTABLE

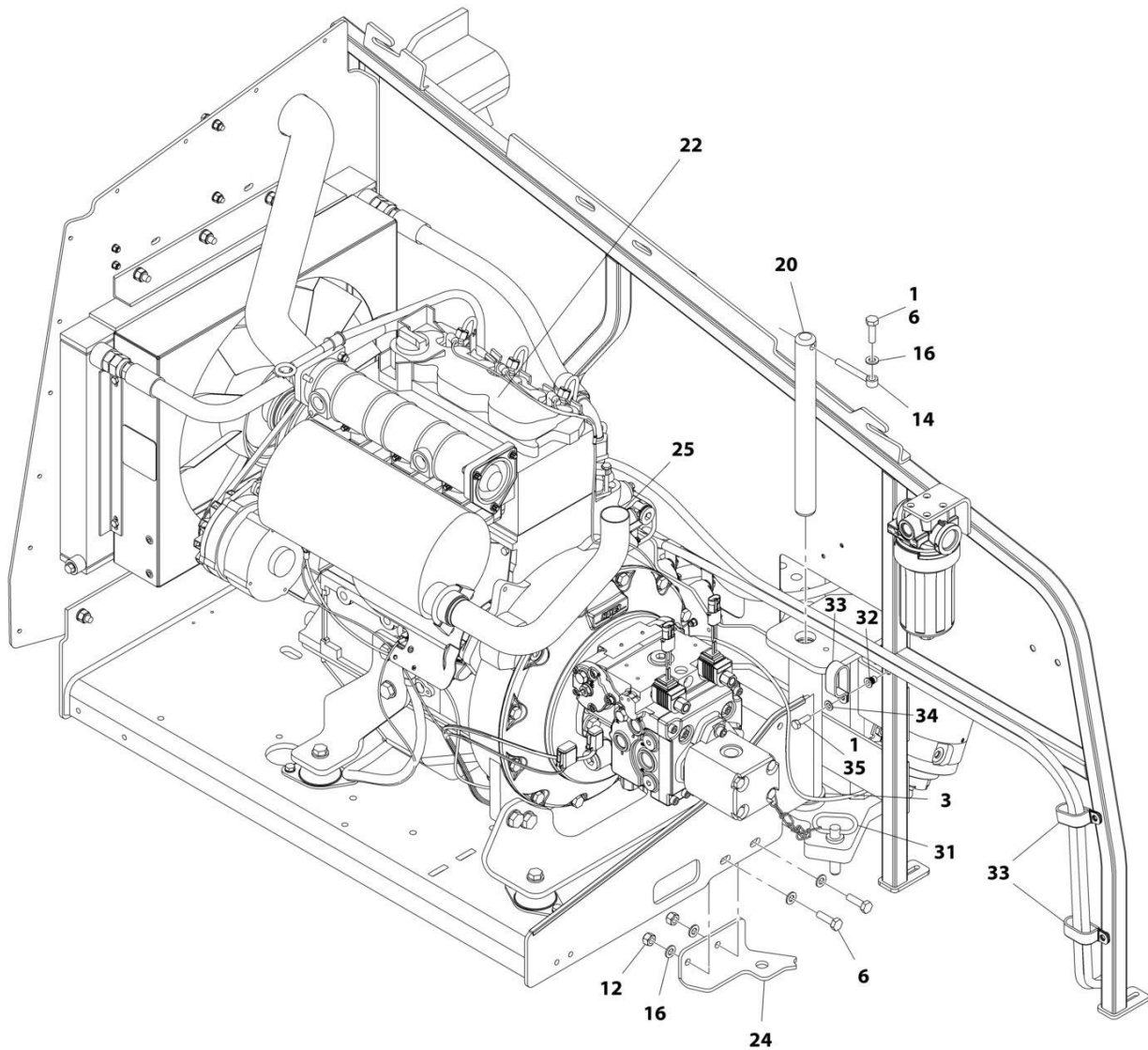
FIGURE 2-28. WHITE NOISE AMBIENT ALARM INSTALLATION

ITEM	PART NUMBER	QTY	DESCRIPTION	REV
	1001209617	Ref	WHITE NOISE AMBIENT ALARM INSTALLATION	C
1	0100011	AR	Compound, Locking	
2	0760610	2	Bolt M6 x 20	
3	3290601	2	Nut M6	
4	4811700	4	Washer M6	
5	1001182806	1	Alarm	
6	1001190663	1	Harness, Jumper (Not Shown)	
6	4460891	1	Connector – 2 Position	
6	4460465	2	Socket, Female	
6	4460871	2	Socket, Female	
7	1001231886	1	Plate	

SECTION 3 - ENGINE

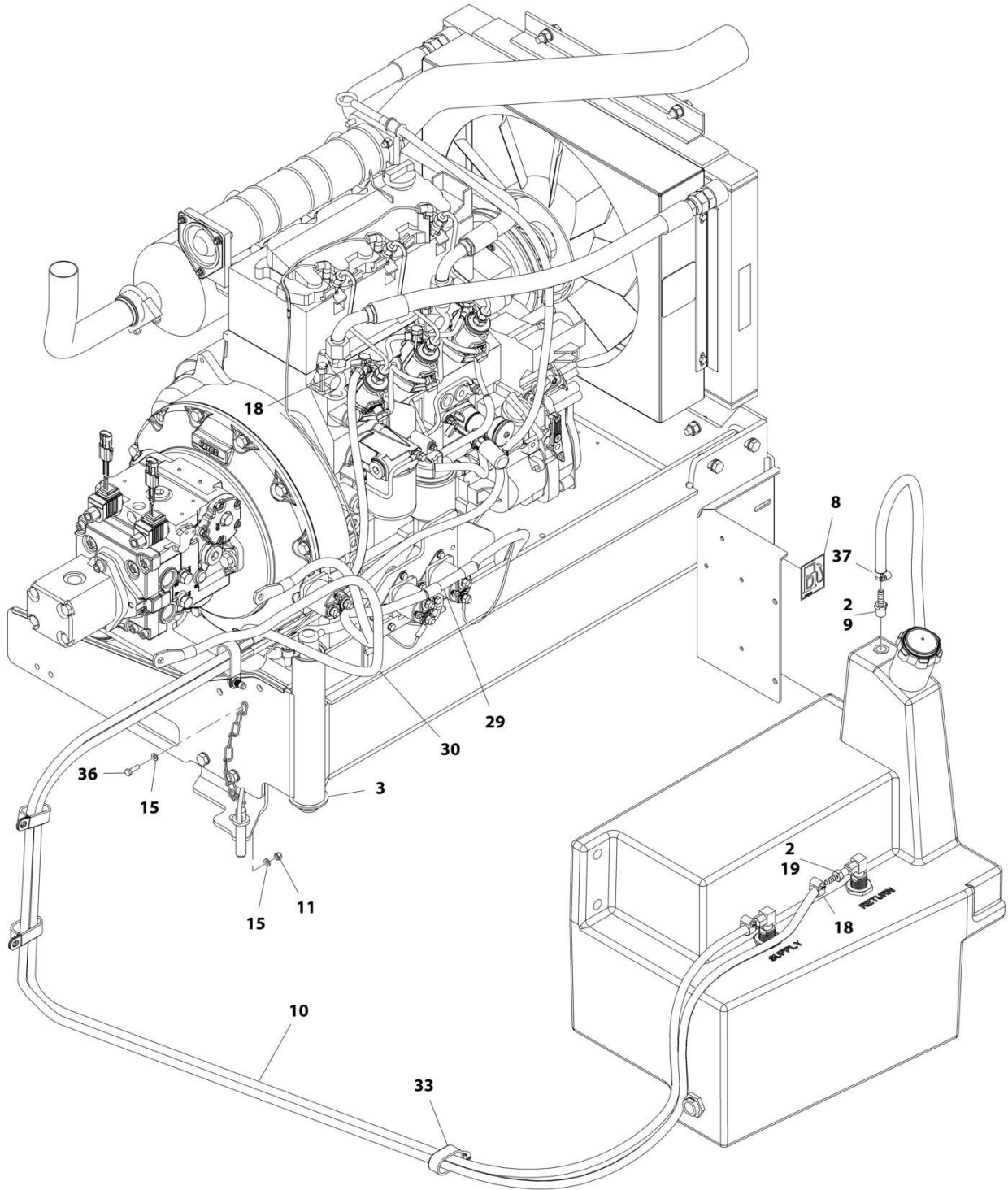
SECTION 3 - ENGINE

FIGURE 3-1. ENGINE INSTALLATION - DEUTZ D2011 ENGINE (WITHOUT ARCTIC PACKAGE) (ANSI EXPORT, AUSTRALIAN, CE (LRC), CHINA, CIS/EAC & UK CA SPECS)



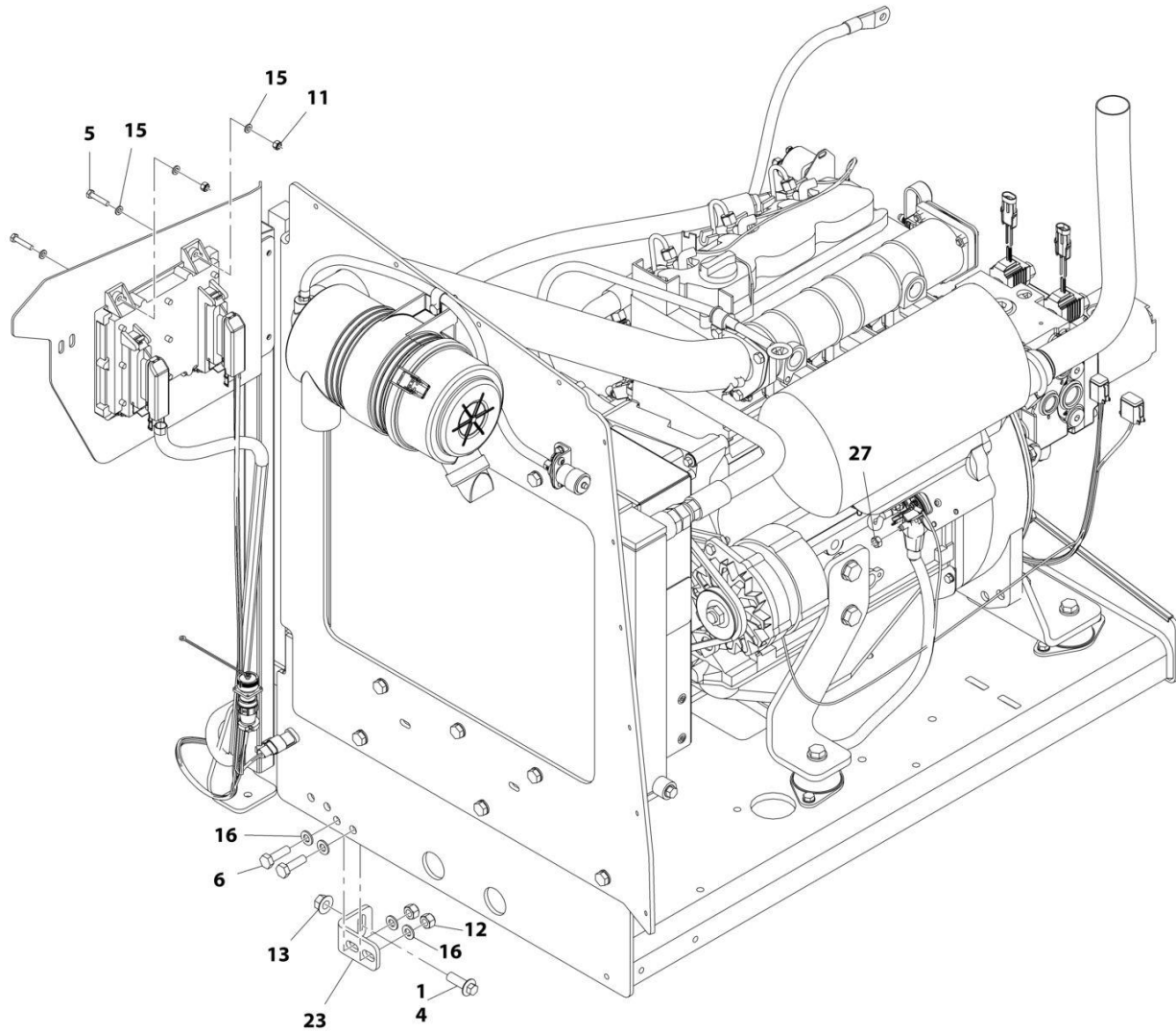
ART_1001166305_1OF3

SECTION 3 - ENGINE



ART_1001166305_2OF3

SECTION 3 - ENGINE



ART_1001166305_3OF3

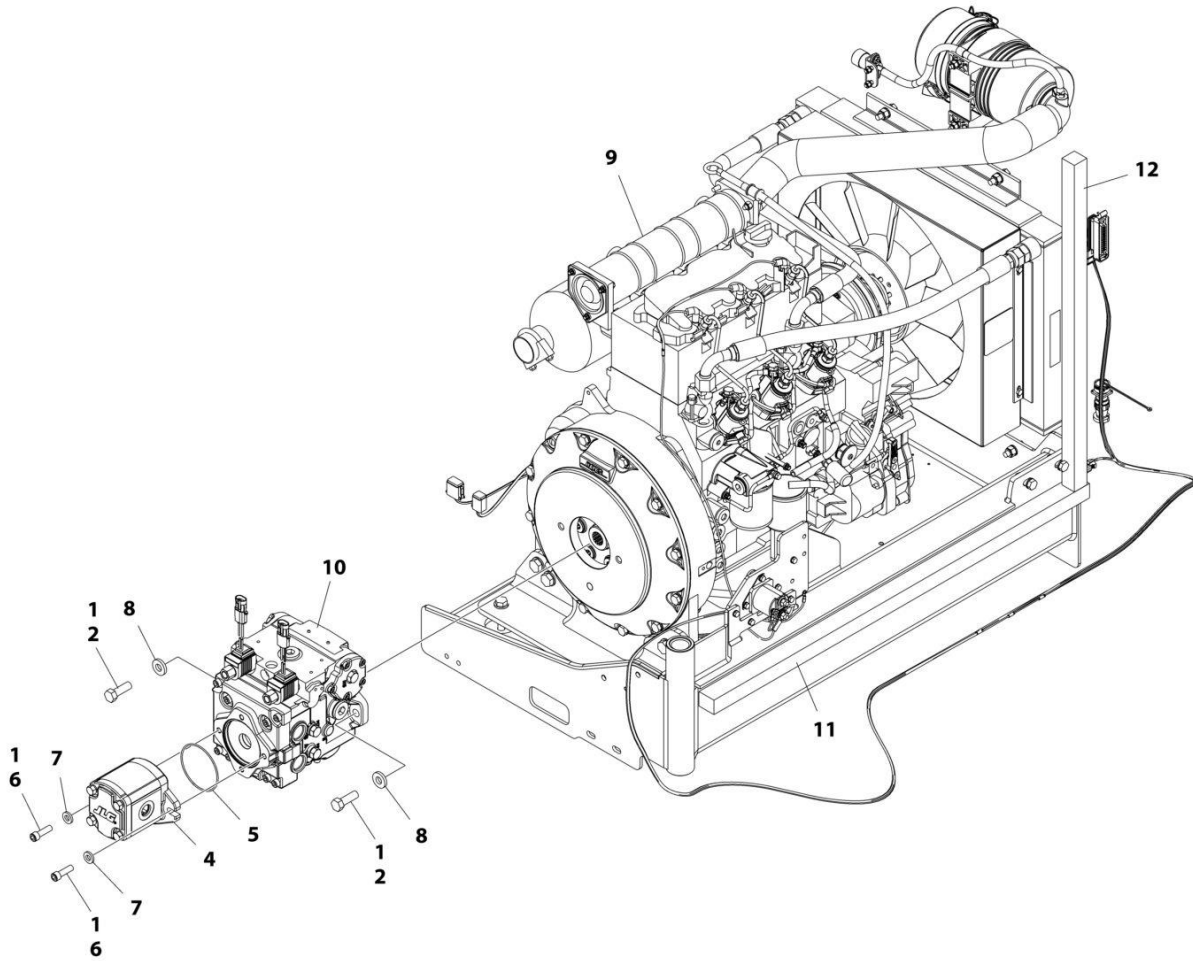
SECTION 3 - ENGINE

FIGURE 3-1. ENGINE INSTALLATION - DEUTZ D2011 ENGINE (WITHOUT ARCTIC PACKAGE) (ANSI EXPORT, AUSTRALIAN, CE (LRC), CHINA, CIS/EAC & UK CA SPECS)

ITEM	PART NUMBER	QTY	DESCRIPTION	REV
	1001166305	Ref	ENGINE INSTALLATION - DEUTZ D2011 ENGINE (WITHOUT ARCTIC PACKAGE)	F
1	0100011	AR	Compound, Locking	
2	0100020	AR	Sealant, Pipe	
3	0440162	1	Bearing	
4	5251215	1	Bolt M12 x 35	
5	0760614	4	Bolt M6 x 30	
6	0761015	5	Bolt M10 x 35	
7	1704972	1	Decal - Warning Explosion/Fire	
8	1701505	1	Decal - Diesel Fuel	
9	2180876	1	Fitting, Barbed	
10	2720058	22 ft /6.7m	Hose	
11	3290605	5	Nut M6	
12	3291005	4	Nut M10	
13	5261200	1	Nut, Flange M12 Grade 10.9	
14	3841143	1	Keeper, Pin	
15	4811700	10	Washer M6	
16	4812000	9	Washer M10	
18	8410013	4	Clamp	
19	2180348	2	Fitting, Barbed	
20	1001135196	1	Pin	
22	1001166021	1	Engine and Pump Sub-Assembly - Deutz D2011 (Without Arctic Package) (See Separate Breakdown in this Section)	
23	1001167512	1	Bracket, Engine	
24	1001169823	1	Bracket, Engine	
25	1001172202	1	Pipe, Exhaust	
27	3290801	1	Nut M8	
29	1001171681	1	Cable, Battery (Red) (Battery Positive to Auxiliary Power Relay)	
30	1001171682	1	Cable, Battery (Black) (Battery Negative to Auxiliary Power Pump)	
31	3422532	1	Pin	
32	1001191832	1	Nut, Rivet, M8	
33	1321716	4	Clamp	
34	4811900	1	Washer M8	
35	0760812	1	Bolt M8 x 25	
36	0760610	1	Bolt M6 x 20	
37	1320022	1	Clamp	

SECTION 3 - ENGINE

**FIGURE 3-2. ENGINE AND PUMP SUB-ASSEMBLY - DEUTZ D2011 (WITHOUT ARCTIC PACKAGE)
(ANSI EXPORT, AUSTRALIAN, CE (LRC), CIS/EAC & UK CA SPECS)**



ART_1001166021_G

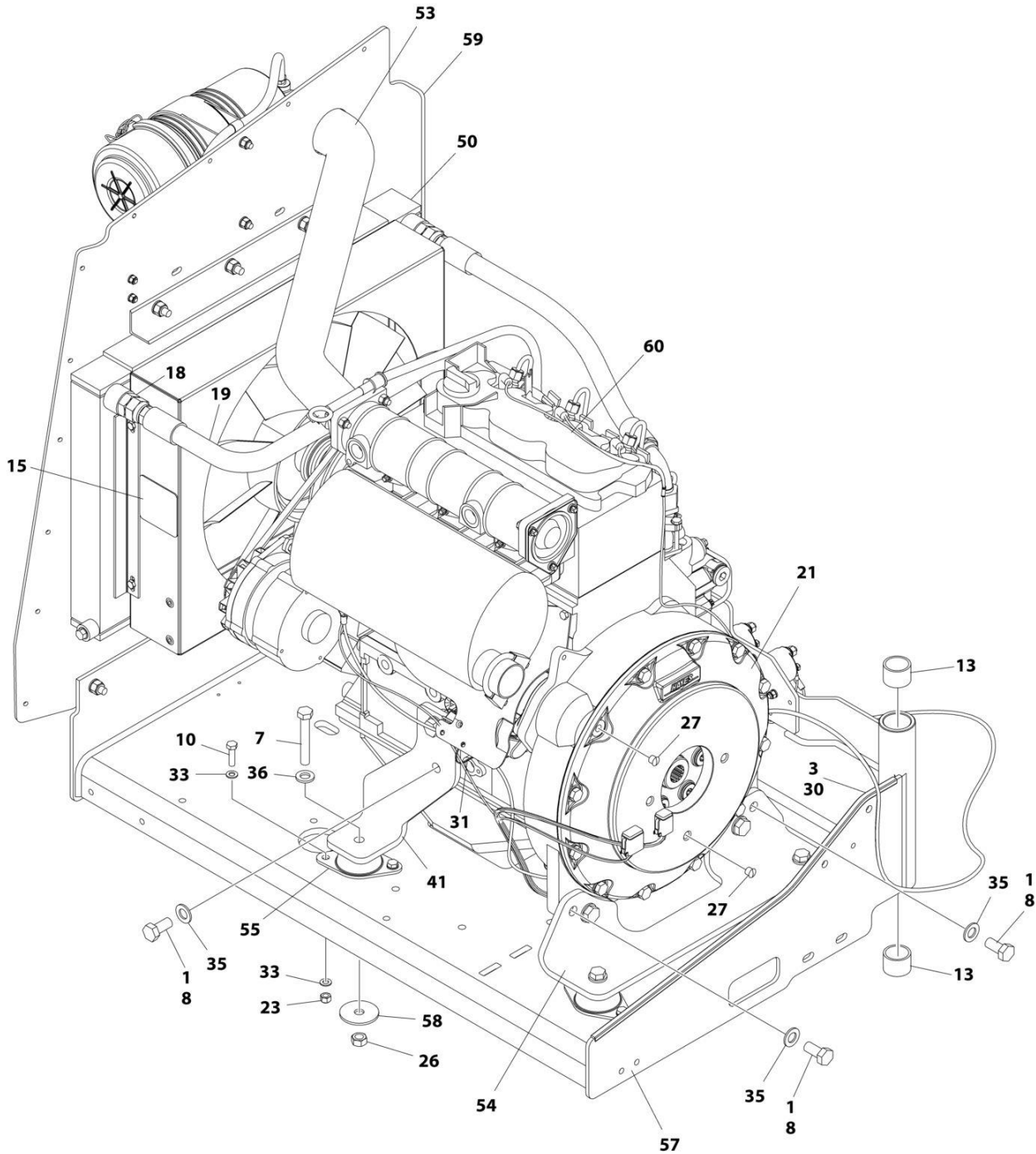
SECTION 3 - ENGINE

**FIGURE 3-2. ENGINE AND PUMP SUB-ASSEMBLY - DEUTZ D2011 (WITHOUT ARCTIC PACKAGE)
(ANSI EXPORT, AUSTRALIAN, CE (LRC), CIS/EAC & UK CA SPECS)**

ITEM	PART NUMBER	QTY	DESCRIPTION	REV
	1001166021	Ref	ENGINE AND PUMP SUB-ASSEMBLY - DEUTZ D2011 (WITHOUT ARCTIC PACKAGE)	G
1	0100011	AR	Compound, Locking	
2	0641812	2	Bolt 1/2 x 1-1/2	
4	1001214207	1	Gear Pump Assembly	
4	70006356	1	Seal Kit	
5	3790152	1	O-Ring	
6	3931618	2	Capscrew 3/8 x 1-1/8	
7	4891600	2	Washer 3/8 Hardened	
8	4891800	2	Washer 1/2 Hardened	
9	1001166020	1	Engine Assembly - Deutz D2011 Engine (Without Arctic Package) (See Separate Breakdown in this Section)	
10	1001167036	1	Piston Pump Assembly (See Separate Breakdown in this Section)	
11	1001171953	1	Seal	
12	1001171954	1	Seal	

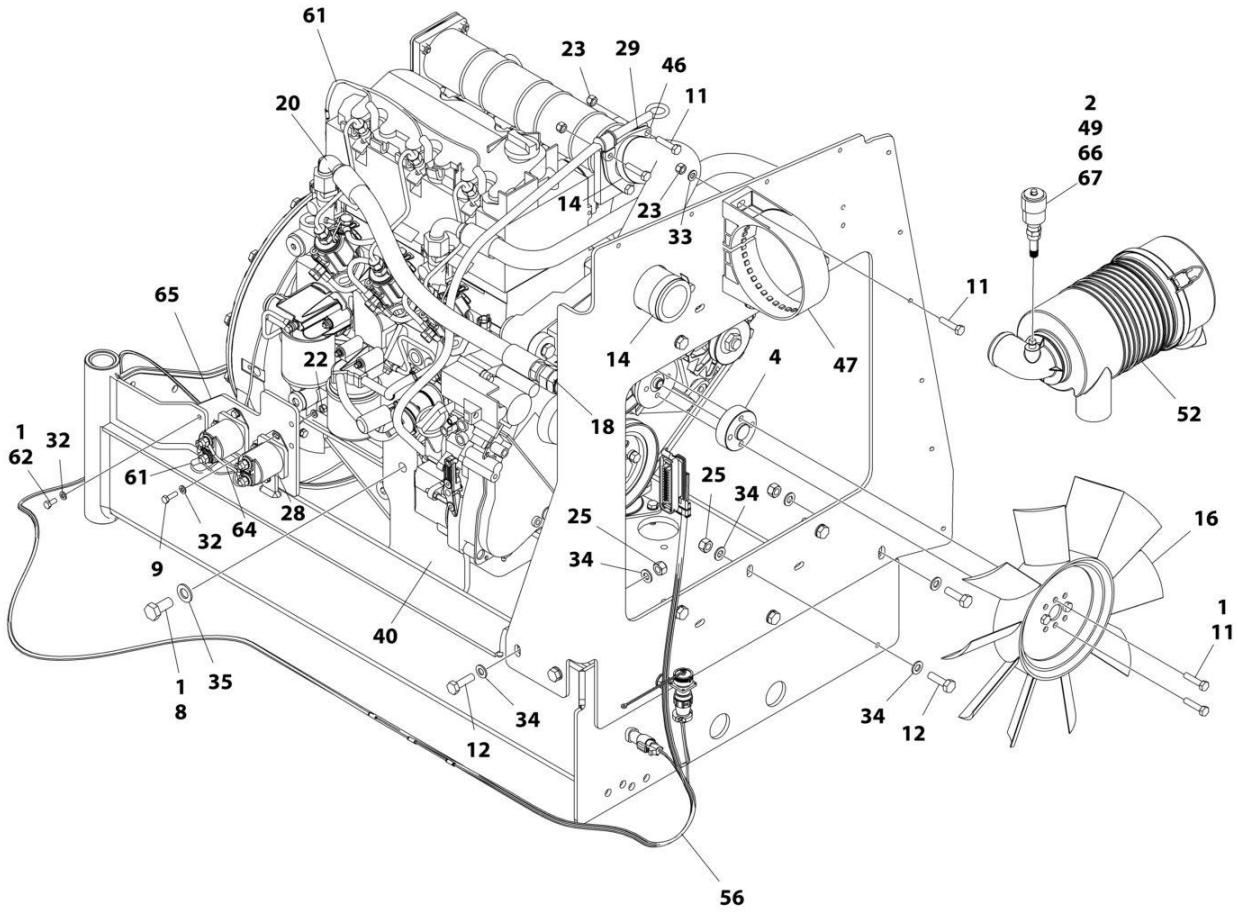
SECTION 3 - ENGINE

FIGURE 3-3. ENGINE ASSEMBLY - DEUTZ D2011 ENGINE (WITHOUT ARCTIC PACKAGE) (ANSI EXPORT, AUSTRALIAN, CE (LRC), CIS/EAC & UK CA SPECS)



ART_1001166020_P_10F2

SECTION 3 - ENGINE



ART_1001166020_P_20F2

SECTION 3 - ENGINE

FIGURE 3-3. ENGINE ASSEMBLY - DEUTZ D2011 ENGINE (WITHOUT ARCTIC PACKAGE) (ANSI EXPORT, AUSTRALIAN, CE (LRC), CIS/EAC & UK CA SPECS)

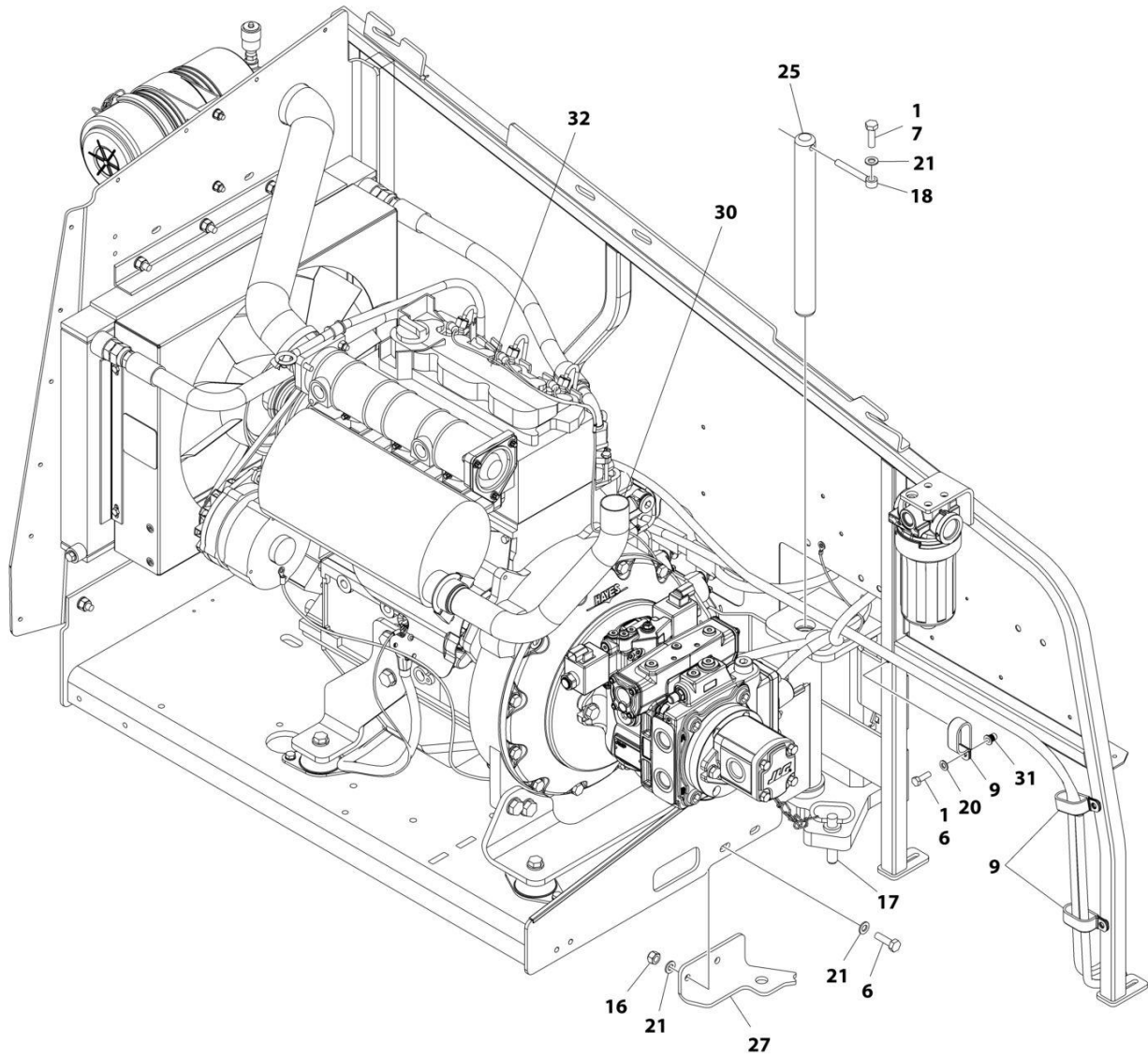
ITEM	PART NUMBER	QTY	DESCRIPTION	REV
	1001166020	Ref	ENGINE ASSEMBLY - DEUTZ D2011 ENGINE (WITHOUT ARCTIC PACKAGE)	P
1	0100011	AR	Compound, Locking	
2	0100020	AR	Sealant, Pipe	
3	0100081	AR	Adhesive	
4	0080231	1	Spacer, Fan	
7	0711224	4	Bolt M12 x 80 Class 10.9	
8	0771414	8	Bolt M14 x 30 Class 10.9	
9	0760610	4	Bolt M6 x 20	
10	0760814	8	Bolt M8 x 30	
11	0760815	9	Bolt M8 x 35	
12	0761015	11	Bolt M10 x 35	
13	0961951	2	Bushing	
14	1320016	2	Clamp	
15	1703162	2	Decal - Caution Fan	
16	2060025	1	Fan	
18	2220451	2	Fitting, Straight JIC/ORB	
19	2720398	1	Hose	
20	2720447	1	Hose	
21	2902065	1	Pump Coupling Kit (See Separate Breakdown in this Section)	
22	3290605	4	Nut M6 x 1	
23	3290805	13	Nut M8 x 1-1/4	
25	3291005	11	Nut M10 x 1-1/2	
26	3331215	4	Nut M12 x 1-3/4	
27	3520054	2	Plug	
28	3740067	2	Relay Assembly	
28	3300220	2	Nut	
28	3321001	1	Nut #10	
28	3740140	1	Relay	
28	4761000	1	Washer #10	
28	1001111424	2	Washer	
29	3960407	1	Gasket	
30	4060805	2.25 ft/ 0.69m	Trim-Flex	
31	4240099	AR	Tie-Strap	
32	4811700	11	Washer M6	
33	4811900	20	Washer M8	
34	4812000	22	Washer M10	
35	4812200	8	Washer M14	
36	5241200	4	Washer M12	
40	1001132195	1	Bracket, Engine Mount	
41	1001132196	1	Bracket, Engine Mount	
46	1001139819	1	Adapter, Air Intake	
47	1001141694	1	Clamp, Air Cleaner	
49	1001143390	1	Indicator	
50	1001150998	1	Radiator	
52	1001165388	1	Air Cleaner Assembly	
52	70003783	1	Element, Air Cleaner	
53	1001165389	1	Hose	

SECTION 3 - ENGINE

ITEM	PART NUMBER	QTY	DESCRIPTION	REV
54	1001166717	1	Bracket, Engine Mount	
55	1001166718	4	Isolator, Engine Mount	
56	1001167111	1	Harness Engine - Deutz D2011 (See Separate Breakdown in ELECTRICAL Section)	
57	1001167520	1	Tray, Engine	
58	1001168018	4	Washer, Snubbing	
59	1001168059	1	Plate, Radiator Mounting	
60	1001170693	1	Engine, Deutz D2011 (See Separate Breakdown in this Section)	
61	4923451	1	Harness, Glow Plugs	
62	0760614	3	Bolt M6 x 30	
64	1001178859	1	Cable, Alternator	
65	1001214975	1	Bracket	
66	2200261	1	Fitting	
67	1001277432	1	Spacer	

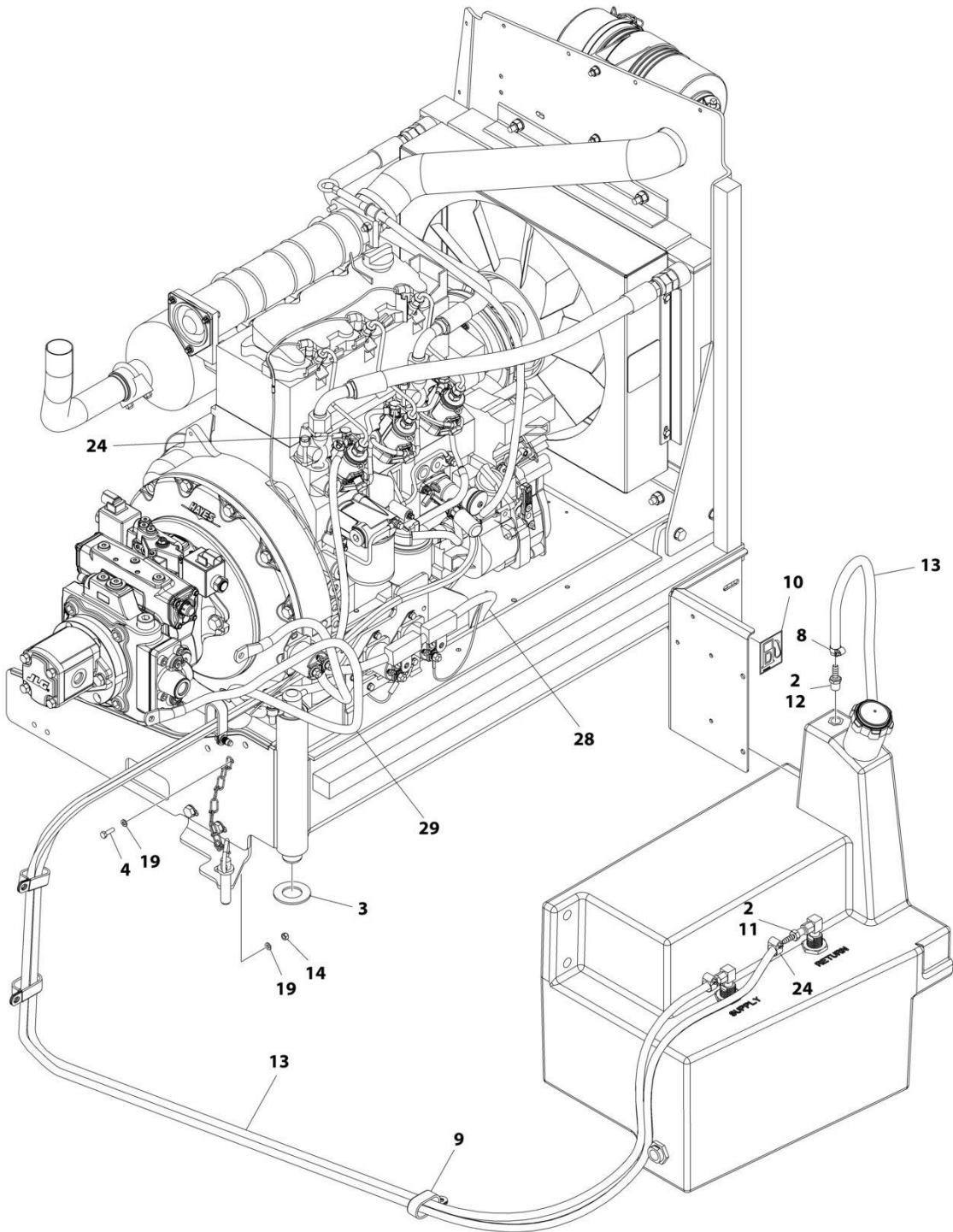
SECTION 3 - ENGINE

FIGURE 3-4. ENGINE INSTALLATION - DEUTZ D2011 ENGINE (WITHOUT ARCTIC PACKAGE) (WITH PMP PUMP)



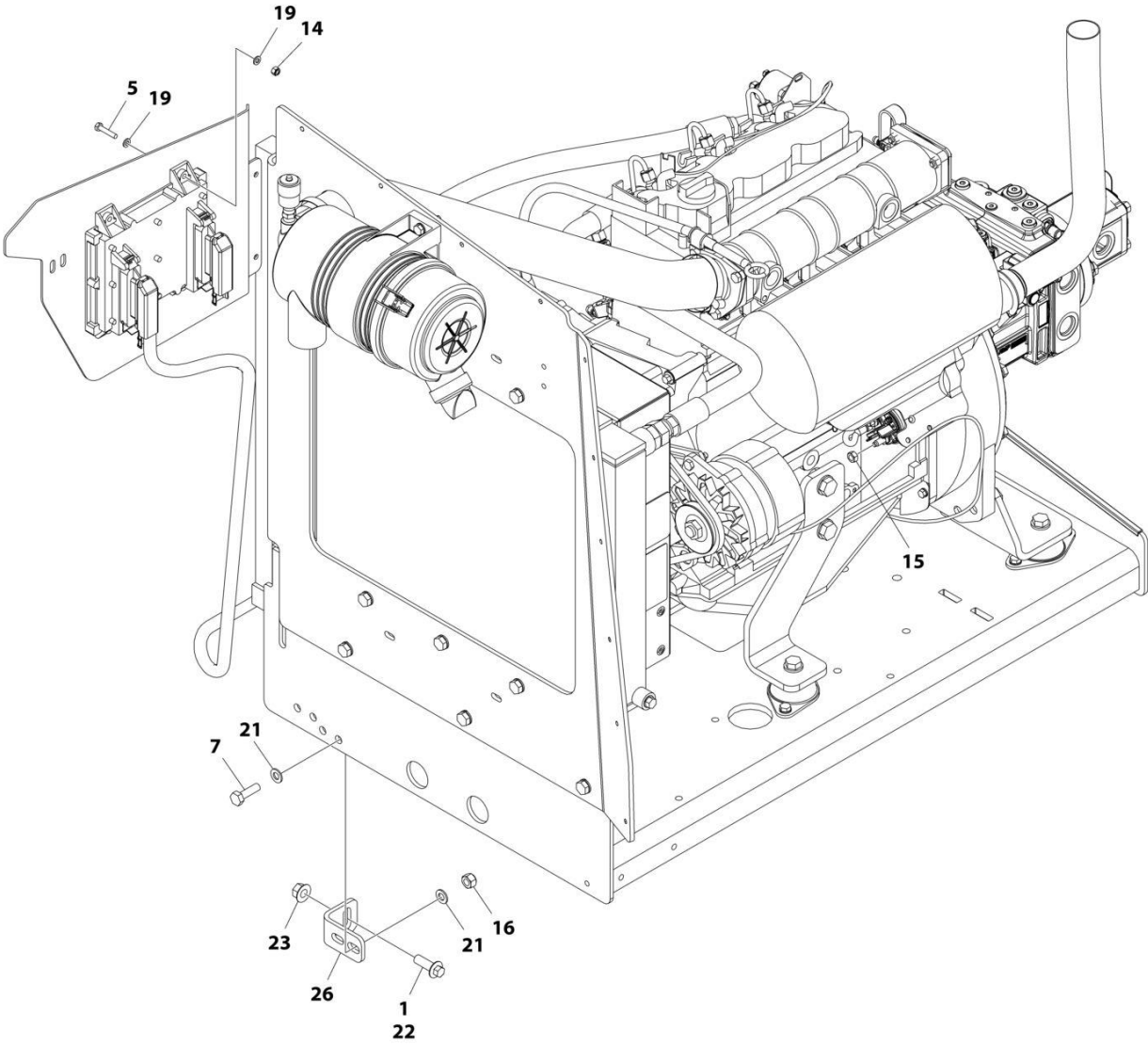
ART_1001301505_1OF3

SECTION 3 - ENGINE



ART_1001301505_2OF3

SECTION 3 - ENGINE



ART_1001301505_3OF3

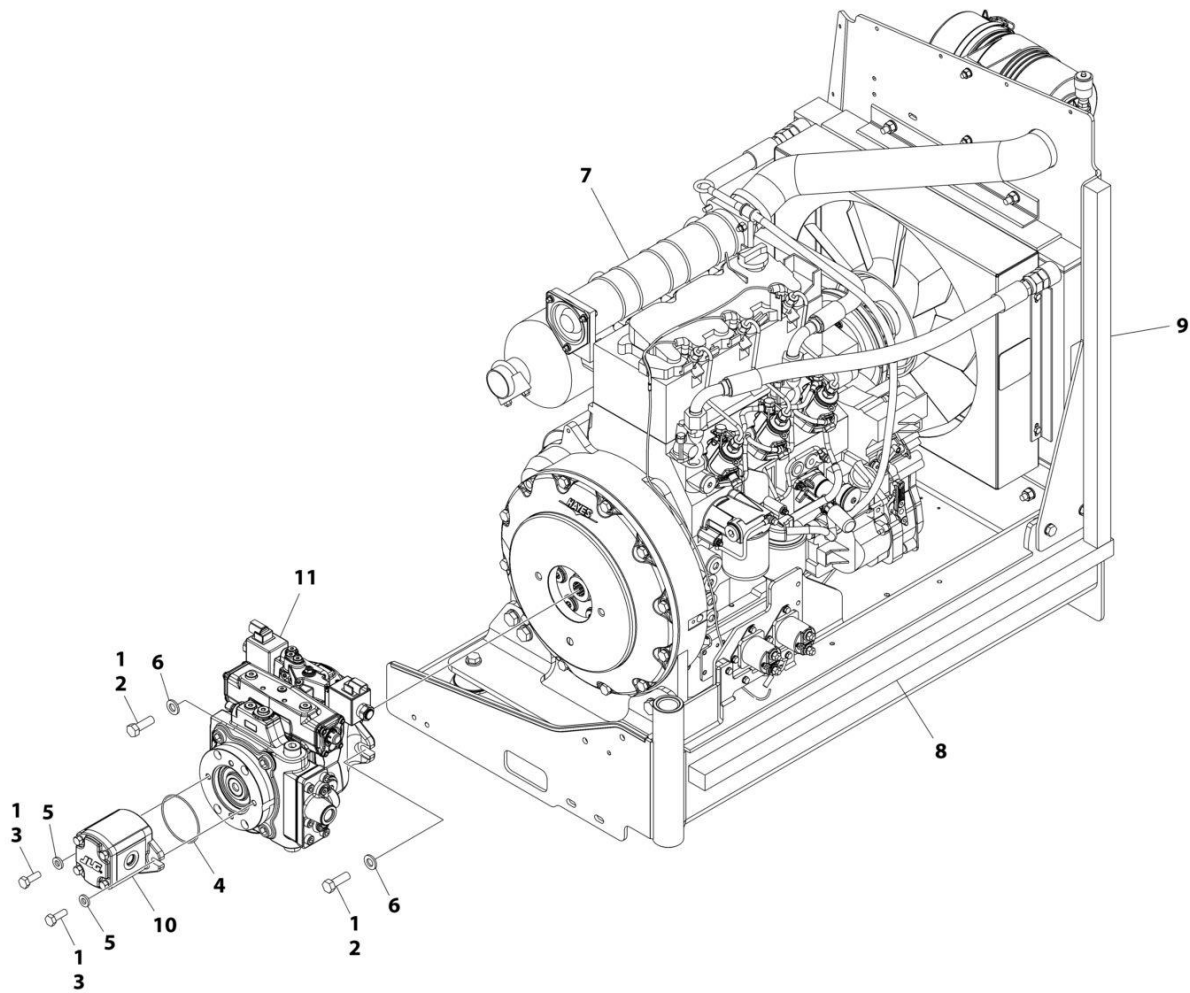
SECTION 3 - ENGINE

FIGURE 3-4. ENGINE INSTALLATION - DEUTZ D2011 ENGINE (WITHOUT ARCTIC PACKAGE) (WITH PMP PUMP)

ITEM	PART NUMBER	QTY	DESCRIPTION	REV
	1001301505	Ref	ENGINE INSTALLATION - DEUTZ D2011 ENGINE (WITHOUT ARCTIC PACKAGE) (WITH PMP PUMP)	A
1	0100011	AR	Compound, Locking	
2	0100020	AR	Sealant, Pipe	
3	0440162	1	Bearing	
4	0760610	1	Bolt M6 x 20	
5	0760614	4	Bolt M6 x 30	
6	0760812	1	Bolt M8 x 25	
7	0761015	5	Bolt M10 x 35	
8	1320022	1	Clamp	
9	1321716	4	Clamp	
10	1701505	1	Decal - Diesel	
11	2180348	2	Fitting, Barbed	
12	2180876	1	Fitting, Barbed	
13	2720058	22 ft/ 6.7 m	Hose	
14	3290605	5	Nut M6	
15	3290801	1	Nut M8	
16	3291005	4	Nut M10	
17	3422532	1	Pin	
18	3841143	1	Keeper, Pin	
19	4811700	10	Washer M6	
20	4811900	1	Washer M8	
21	4812000	9	Washer M10	
22	5251215	1	Bolt M12 x 35	
23	5261200	1	Nut M12	
24	8410013	4	Clamp	
25	1001135196	1	Pin	
26	1001167512	1	Bracket, Engine	
27	1001169823	1	Plate	
28	1001171681	1	Cable, Battery (Red) (Battery Positive to Auxiliary Power Relay)	
29	1001171682	1	Cable, Battery (Black) (Battery Negative to Auxiliary Power Pump)	
30	1001172202	1	Pipe, Exhaust	
31	1001191832	1	Nut, Rivet M8	
32	1001301504	1	Engine and Pump Sub-Assembly (See Separate Breakdown in this Section)	

SECTION 3 - ENGINE

FIGURE 3-5. ENGINE AND PUMP SUB-ASSEMBLY - DEUTZ D2011 ENGINE (WITHOUT ARCTIC PACKAGE) (WITH PMP PUMP)



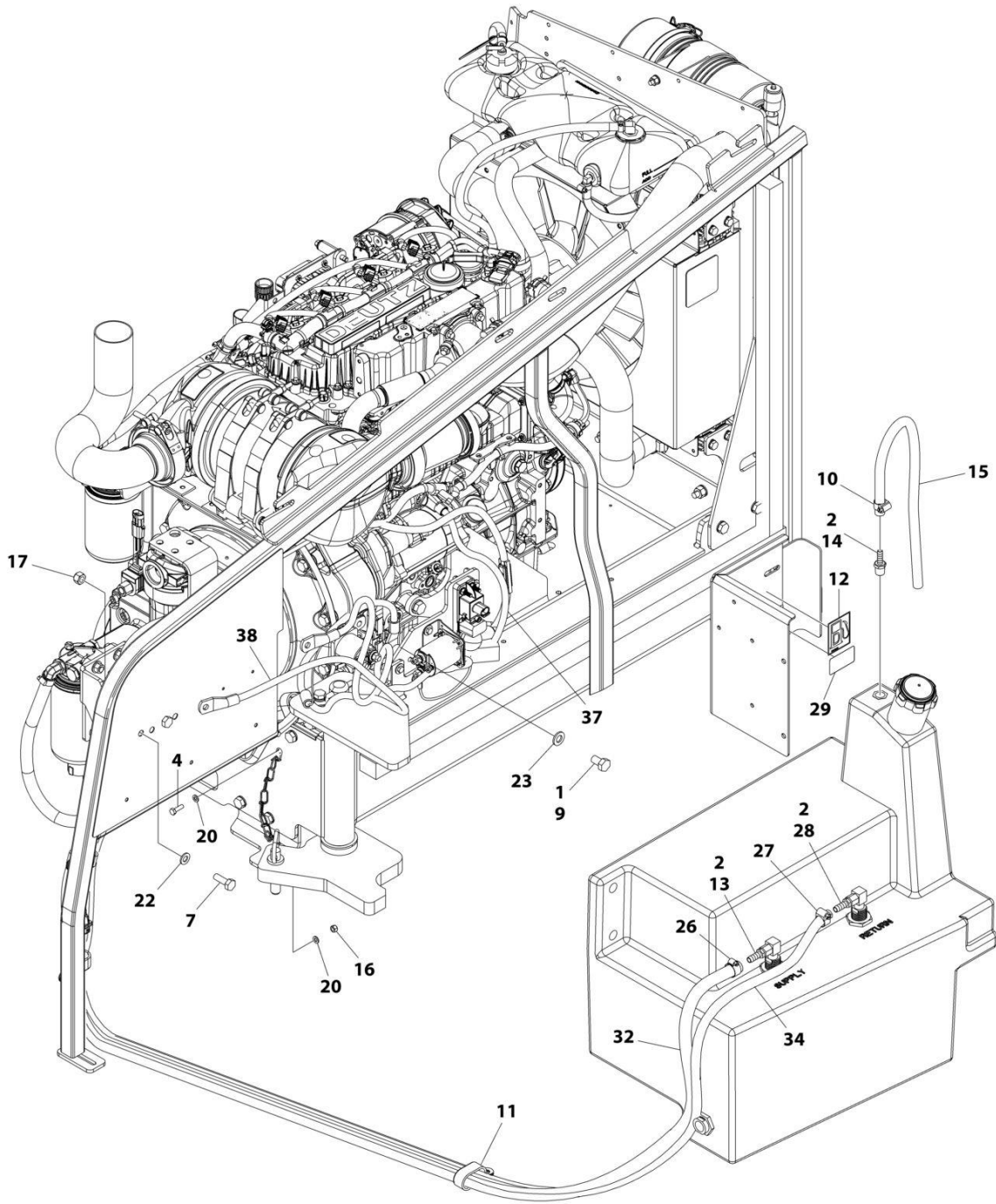
ART_1001301504

SECTION 3 - ENGINE

FIGURE 3-5. ENGINE AND PUMP SUB-ASSEMBLY - DEUTZ D2011 ENGINE (WITHOUT ARCTIC PACKAGE) (WITH PMP PUMP)

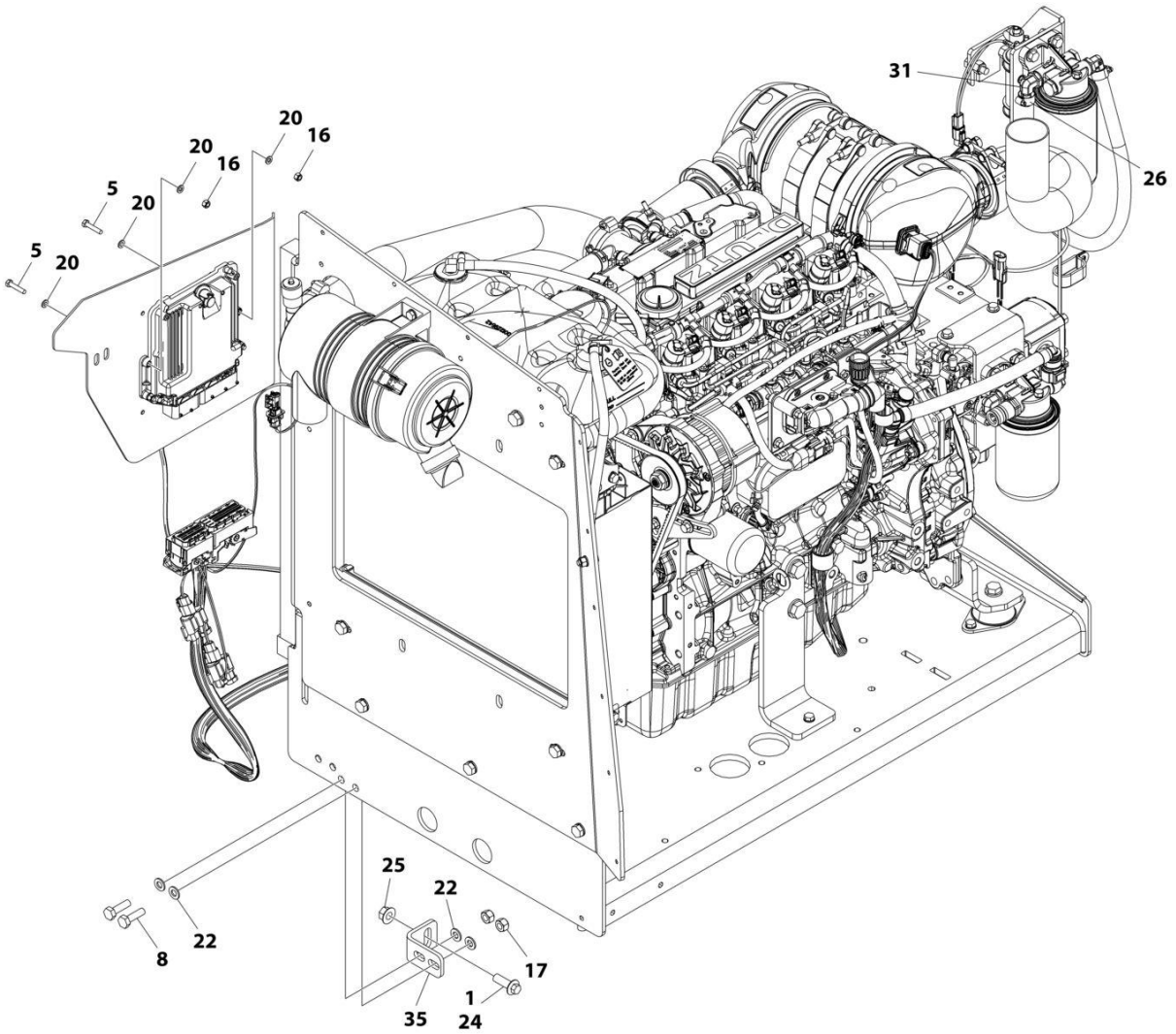
ITEM	PART NUMBER	QTY	DESCRIPTION	REV
	1001301504	Ref	ENGINE AND PUMP SUB-ASSEMBLY - DEUTZ D2011 (WITHOUT ARCTIC PACKAGE) (WITH PMP PUMP)	A
1	0100011	AR	Compound, Locking	
2	0641812	2	Bolt 1/2 x 1-1/2	
3	0761014	2	Bolt M10 x 30	
4	3790152	1	O-Ring	
5	4891600	2	Washer 3/8	
6	5241200	2	Washer M12	
7	1001166020	1	Engine Assembly (See Separate Breakdown in this Section)	
8	1001171953	1	Seal	
9	1001171954	1	Seal	
10	1001214207	1	Gear Pump Assembly	
10	70006356	1	Seal Kit - 1001214207 Pump	
11	1001285632	1	Closed Pump Loop Assembly (See Separate Breakdown in this Section)	

SECTION 3 - ENGINE



ART_1001302970_20F3

SECTION 3 - ENGINE



ART_1001302970_3OF3

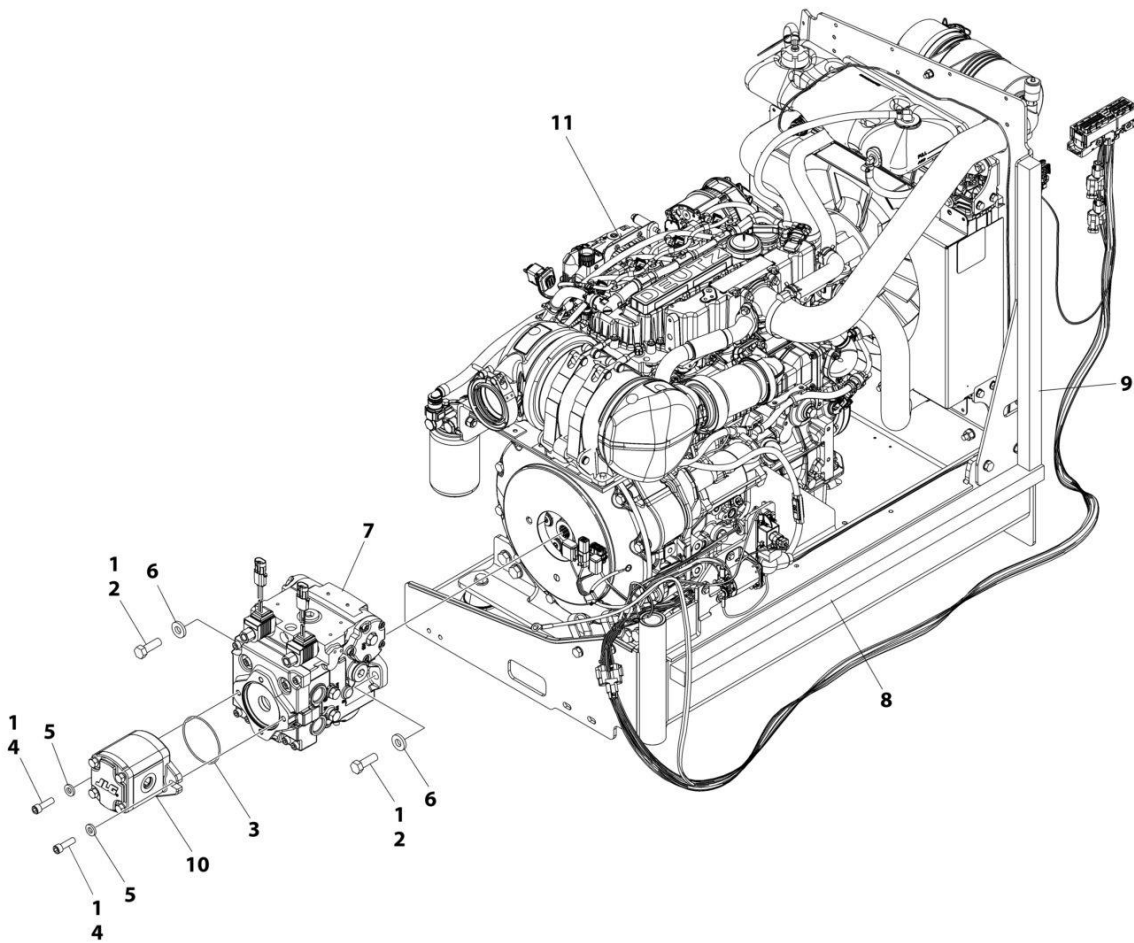
SECTION 3 - ENGINE

**FIGURE 3-6. ENGINE INSTALLATION - DEUTZ D2.9L4 ERM5 ENGINE (WITHOUT ARCTIC PACKAGE)
(ANSI, ANSI EXPORT, CSA AND JAPANESE SPECS)**

ITEM	PART NUMBER	QTY	DESCRIPTION	REV
	1001302970	Ref	ENGINE ASSEMBLY - DEUTZ D2.9L4 ERM5 ENGINE	A
1	0100011	AR	Compound, Locking	
2	0100020	AR	Sealant, Pipe	
3	0440162	1	Bearing	
4	0760610	1	Bolt M6 x 20	
5	0760614	4	Bolt M6 x 30	
6	0760812	1	Bolt M8 x 25	
7	0761014	2	Bolt M10 x 30	
8	0761015	5	Bolt M10 x 35	
9	0761210	1	Bolt M12 x 20	
10	1320022	1	Clamp	
11	1321716	4	Clamp	
12	1701505	1	Decal - Diesel	
13	2180832	1	Fitting, Barbed	
14	2180876	1	Fitting, Barbed	
15	2720058	2 ft/0.6 m	Hose	
16	3290605	5	Nut M6	
17	3291005	6	Nut M10	
18	3422532	1	Pin	
19	3841143	1	Keeper, Pin	
20	4811700	10	Washer M6	
21	4811900	1	Washer M8	
22	4812000	11	Washer M10	
23	4812100	1	Washer M12	
24	5251215	1	Bolt M12 x 35	
25	5261200	1	Nut M12	
26	8405006	2	Clamp	
27	8410013	4	Clamp	
28	8430007	1	Coupling	
29	1001125387	1	Decal - Ultra Low Sulfur Diesel	
30	1001135196	1	Pin	
31	1001142501	1	Fitting, Barbed 90	
32	1001154405	7 ft /2 m	Hose	
33	1001155823	1	Plate	
34	1001165035	17 ft /6 m	Hose	
35	1001167512	1	Bracket	
36	1001169823	1	Plate	
37	1001171683	1	Cable, Battery (Red) (Battery Positive to Auxiliary Power Relay)	
38	1001171684	1	Cable, Battery (Black) (Battery Negative to Auxiliary Power Pump)	
39	1001172736	1	Pipe, Exhaust	
40	1001181358	1	Harness, Fuel Pump (See Separate Breakdown in ELECTRICAL Section)	
41	1001191832	1	Rivet	
42	1001302961	1	Engine and Pump Assembly - Deutz D2.9L4 (Without Arctic Package) (See Separate Breakdown in this Section)	

SECTION 3 - ENGINE

FIGURE 3-7. ENGINE AND PUMP SUB-ASSEMBLY - DEUTZ D2.9L4 ERM5 ENGINE (WITHOUT ARCTIC PACKAGE) (ANSI, ANSI EXPORT AND CSA SPECS)



ART_1001302961

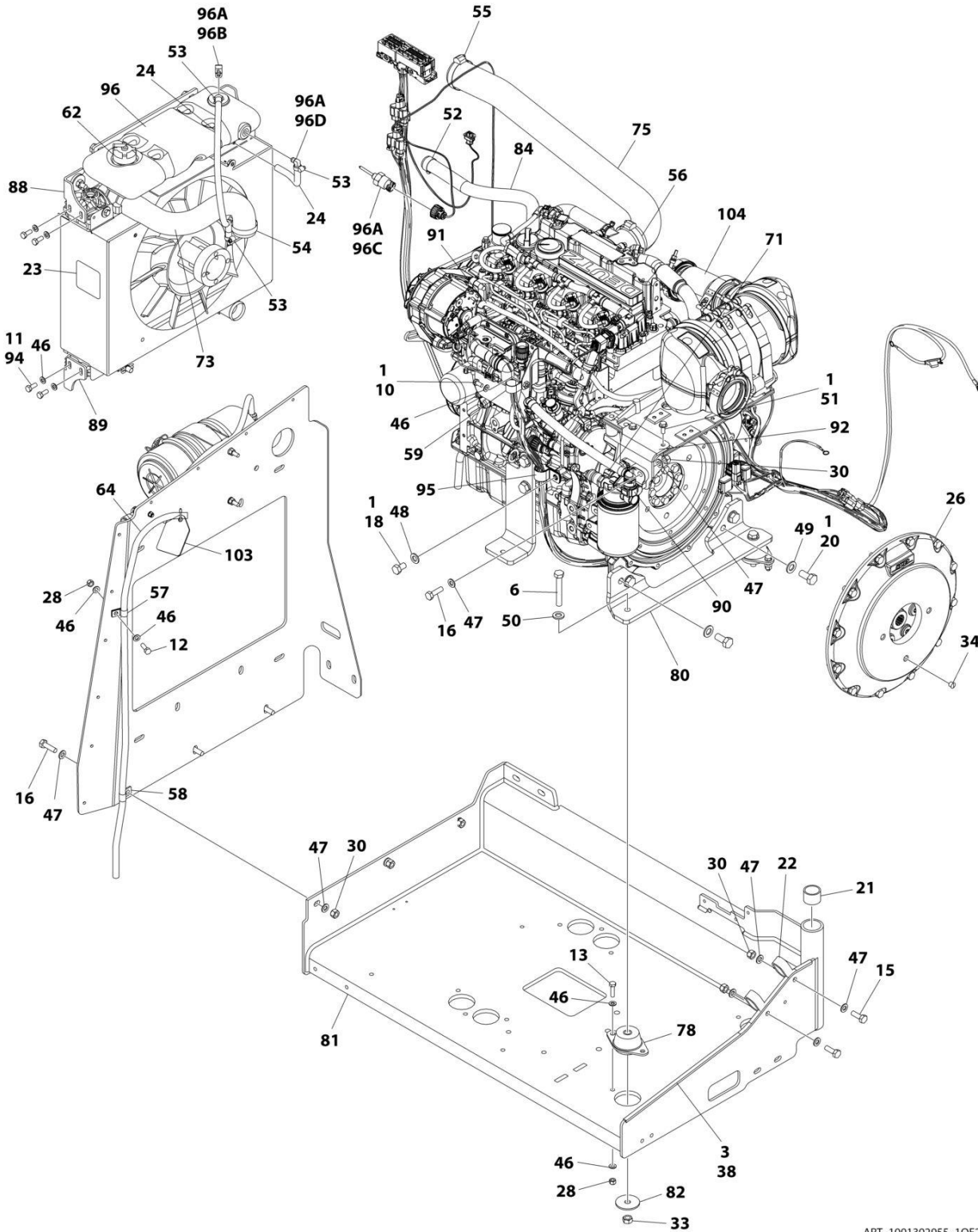
SECTION 3 - ENGINE

FIGURE 3-7. ENGINE AND PUMP SUB-ASSEMBLY - DEUTZ D2.9L4 ERM5 ENGINE (WITHOUT ARCTIC PACKAGE) (ANSI, ANSI EXPORT AND CSA SPECS)

ITEM	PART NUMBER	QTY	DESCRIPTION	REV
	1001302961	Ref	ENGINE AND PUMP SUB-ASSEMBLY - DEUTZ D2.9L4 ERM5	A
1	0100011	AR	Compound, Locking	
2	0641812	2	Bolt 1/2 x 1-1/2	
3	3790152	1	O-Ring	
4	3931618	2	Capscrew 3/8 x 1-1/8	
5	4891600	2	Washer 3/8	
6	4891800	2	Washer 1/2	
7	1001167036	1	Piston Pump Assembly (See Separate Breakdow in this Section)	
8	1001171953	1	Seal	
9	1001171954	1	Seal	
10	1001214207	1	Gear Pump Assembly	
10	70006356	1	Seal Kit - 1001214207 Pump	
11	1001302955	1	Engine Assembly - Deutz D2.9L4 ERM5 Engine (Without Arctic Package) (See Separate Breakdown in this Section)	

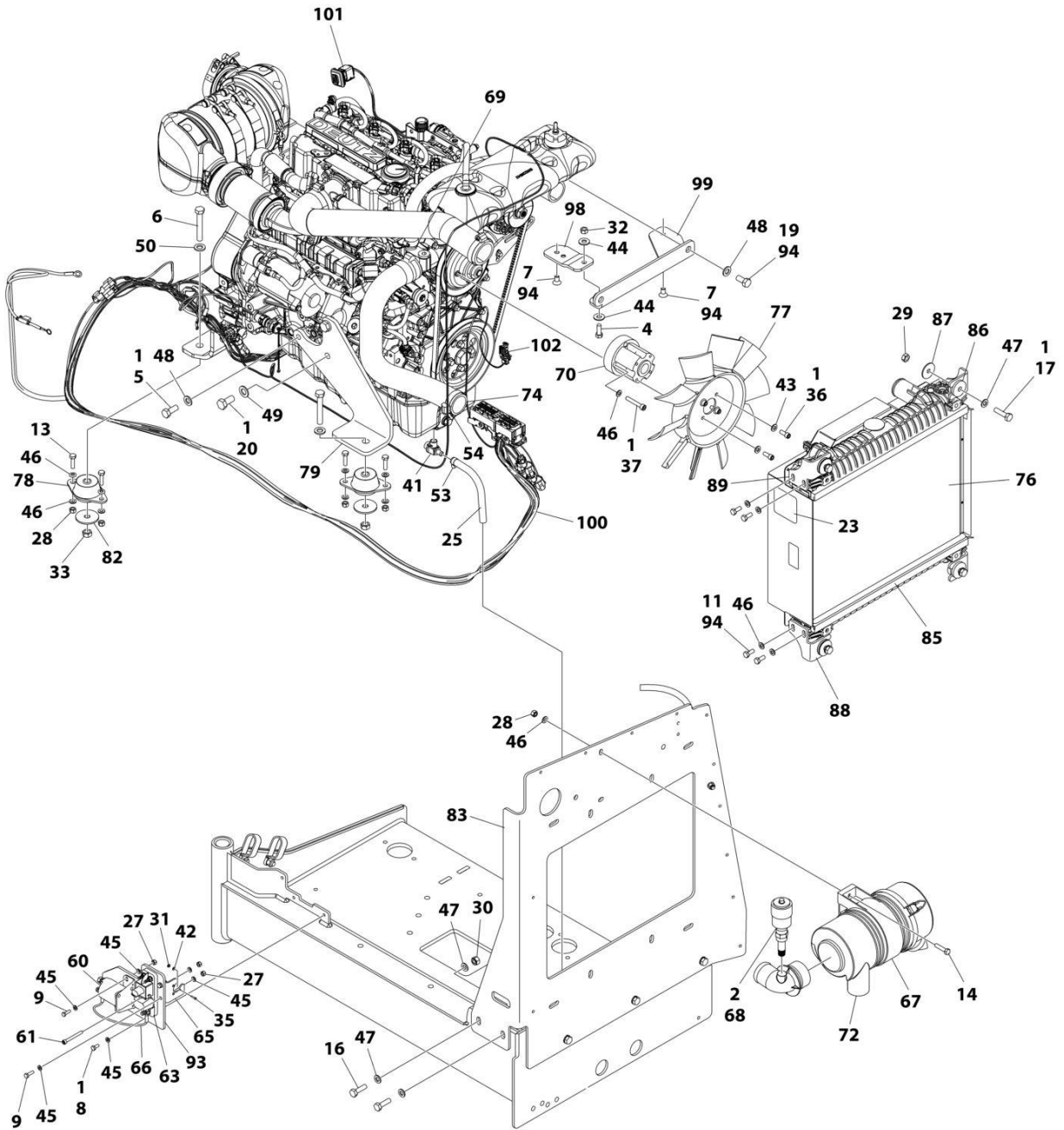
SECTION 3 - ENGINE

FIGURE 3-8. ENGINE ASSEMBLY - DEUTZ D2.9L4 ERM5 ENGINE (WITHOUT ARCTIC PACKAGE)
(ANSI, ANSI EXPORT AND CSA SPECS)



ART_1001302955_10F2

SECTION 3 - ENGINE



ART_1001302955_20F2

SECTION 3 - ENGINE

**FIGURE 3-8. ENGINE ASSEMBLY - DEUTZ D2.9L4 ERM5 ENGINE (WITHOUT ARCTIC PACKAGE)
(ANSI, ANSI EXPORT AND CSA SPECS)**

ITEM	PART NUMBER	QTY	DESCRIPTION	REV
	1001302955	Ref	ENGINE ASSEMBLY - DEUTZ D2.9L4 ERM5 ENGINE	A
1	0100011	AR	Compound, Locking	
2	0100020	AR	Sealant, Pipe	
3	0100081	AR	Adhesive	
4	0681608	1	Bolt 3/8 x 1	
5	0711214	1	Bolt M12 x 30	
6	0711224	3	Bolt M12 x 80	
7	0741606	2	Screw 3/8 x 3/4	
8	0760607	3	Bolt M6 x 14	
9	0760610	4	Bolt M6 x 20	
10	0760808	1	Bolt M8 x 16	
11	0760810	8	Bolt M8 x 20	
12	0760812	1	Bolt M8 x 25	
13	0760814	6	Bolt M8 x 30	
14	0760815	2	Bolt M8 x 35	
15	0761014	2	Bolt M10 x 30	
16	0761015	7	Bolt M10 x 35	
17	0761016	4	Bolt M10 x 40	
18	0761210	1	Bolt M12 x 20	
19	0761212	2	Bolt M12 x 25	
20	0771414	6	Bolt M14 x 30	
21	0961951	2	Bushing	
22	1321716	2	Clamp	
23	1703162	2	Decal - Caution Fan	
24	2720015	2 ft/1 m	Hose	
25	2720340	8 in/20 cm	Hose	
26	2902065	1	Pump Coupling Kit (See Separate Breakdown in this Section)	
27	3290605	5	Nut M6	
28	3290805	9	Nut M8	
29	3291001	4	Nut M10	
30	3291005	9	Nut M10	
31	3310401	3	Nut #4	
32	3311605	1	Nut 3/8	
33	3331215	3	Nut M12	
34	3520054	1	Plug	
35	3910408	3	Screw #4 x 1/2	
36	3931512	4	Capscrew 5/16 x 3/4	
37	4031914	4	Bolt M8 x 50	
38	4060805	2 ft/1 m	Flex-Trim	
39	4240032	AR	Tie-Strap (Not Shown)	
40	4240099	AR	Tie-Strap (Not Shown)	
41	4640751	1	Valve, Oil Drain	
42	4710400	3	Washer #4	
43	4711500	4	Washer 5/16	
44	4751600	2	Washer 3/8	
45	4811702	12	Washer M6	
46	4811900	31	Washer M8	
47	4812000	22	Washer M10	
48	4812100	4	Washer M12	

SECTION 3 - ENGINE

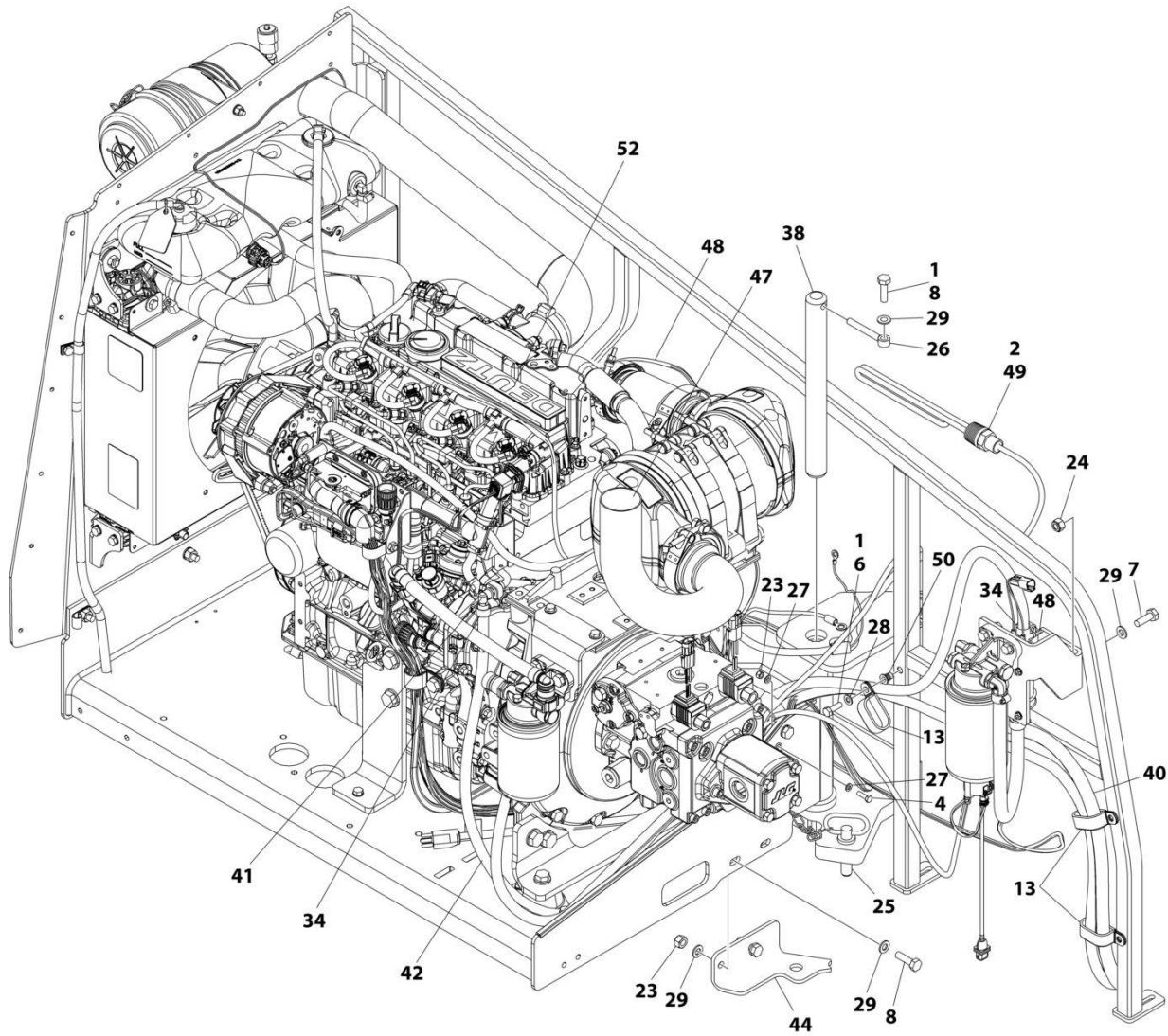
ITEM	PART NUMBER	QTY	DESCRIPTION	REV
49	4812200	6	Washer M14	
50	5241200	3	Washer M12	
51	5250810	2	Bolt M8 x 20	
52	8405007	2	Clamp	
53	8405009	5	Clamp	
54	8405104	4	Clamp	
55	8405202	1	Clamp	
56	8405204	1	Clamp	
57	8406109	1	Clip	
58	8406110	1	Clip	
59	8406201	1	Clip	
60	1001117308	1	Relay, 200Amp	
60	3300220	2	Nut	
60	3321001	2	Nut #10	
60	4761000	2	Washer #10	
60	100111424	2	Washer	
61	1001118878	1	Bolt M6 x 55	
62	1001136834	1	Cap, Tank	
63	1001138228	1	Relay, Power Module	
63	70023592	1	Fuse 20AMP	
63	70023593	1	Fuse 30AMP	
64	1001138248	4 ft/1 m	Hose	
65	1001139240	1	Bracket	
66	1001141304	1	Harness, Glow Fuse	
67	1001141694	1	Clamp	
68	1001143390	1	Indicator	
69	1001143797	1	Fitting, Pipe Straight	
70	1001144116	1	Spacer, Fan	
71	1001152489	1	Fitting, Pipe 90	
72	1001165388	1	Filter, Air Cleaner	
73	1001165405	1	Hose	
74	1001165406	1	Hose	
75	1001165721	1	Hose	
76	1001165722	1	Radiator	
77	1001165849	1	Fan	
78	1001166718	3	Isolator	
79	1001166921	1	Plate	
80	1001166924	1	Plate	
81	1001167520	1	Support	
82	1001168018	3	Washer, Special	
83	1001168026	1	Plate	
84	1001168099	1	Hose	
85	1001168166	2	Seal	
86	1001169054	4	Isolator, Radiator	
87	1001169138	4	Pad	
88	1001169967	2	Bracket	
89	1001170035	2	Bracket	
90	1001177359	1	Hose	
91	1001178788	1	Cable, Alternator	
92	1001178876	1	Mount	
93	1001179903	1	Bracket	

SECTION 3 - ENGINE

ITEM	PART NUMBER	QTY	DESCRIPTION	REV
94	1001180620	AR	Adhesive	
95	1001191620	1	Clamp	
96	1001230635	1	Tank, Surge Assembly (Includes Items 96A-96D)	
96A	0100020	AR	Sealant, Pipe	
96B	1001134488	1	Fitting, Barbed	
96C	1001138827	1	Sensor, Coolant Level	
96D	1001140564	1	Fitting, Barbed 90	
97	1001235949	1	Bracket Assembly Fuel Pump/Filter (Not Shown - See Separate Breakdown in this Section)	
98	1001260412	1	Bracket	
99	1001260420	1	Bracket	
100	1001276643	1	Engine Harness (See Separate Breakdown in ELECTRICAL Section)	
101	1001281985	1	Connector	
102	1001281986	1	Connector	
103	1001291401	1	Tag, Coolant	
104	1001302954	1	Engine, Deutz D2.9L4 ERM5 (See Separate Breakdown in this Section)	

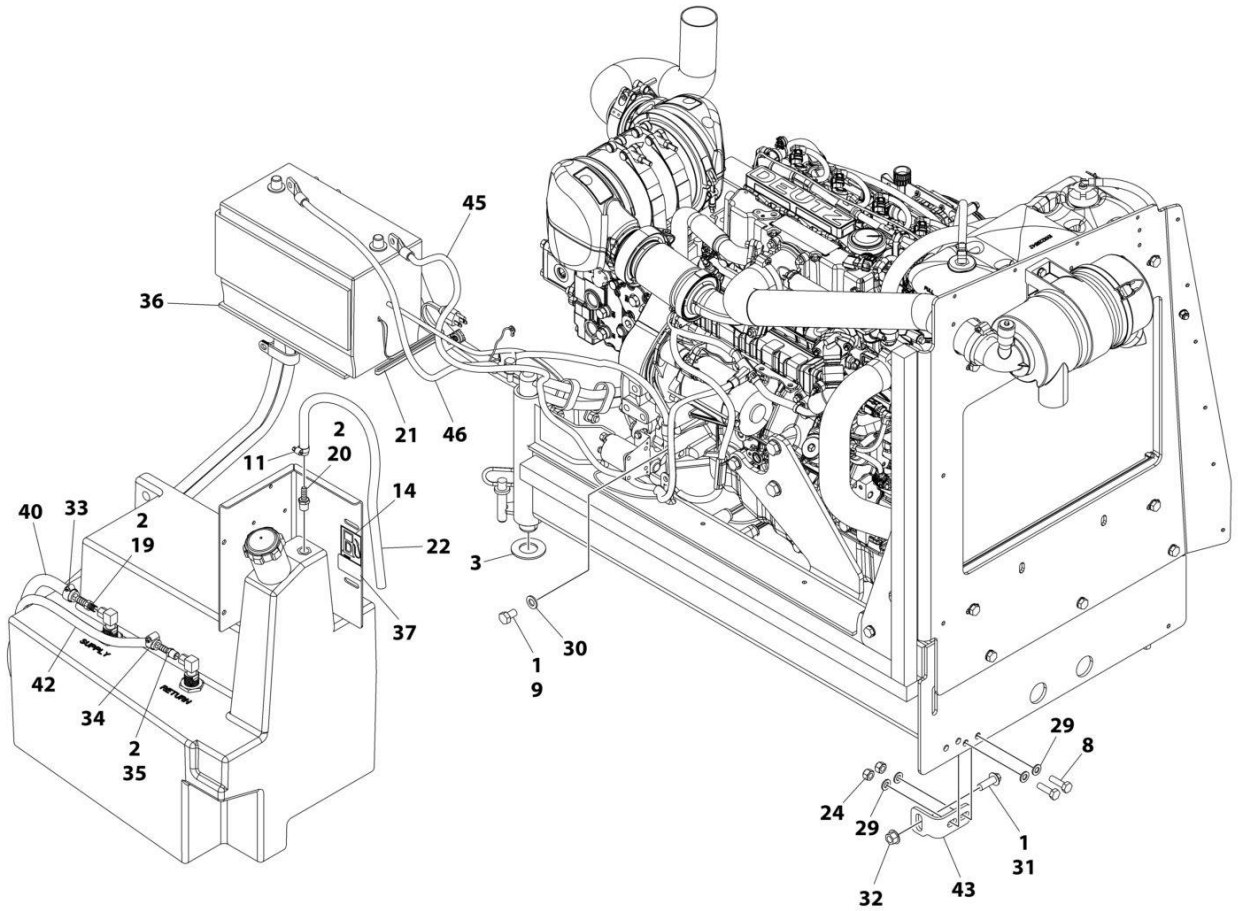
SECTION 3 - ENGINE

FIGURE 3-9. ENGINE INSTALLATION - DEUTZ D2.9L4 ERM5 ENGINE (WITH ARCTIC PACKAGE) (ANSI AND CSA SPECS)



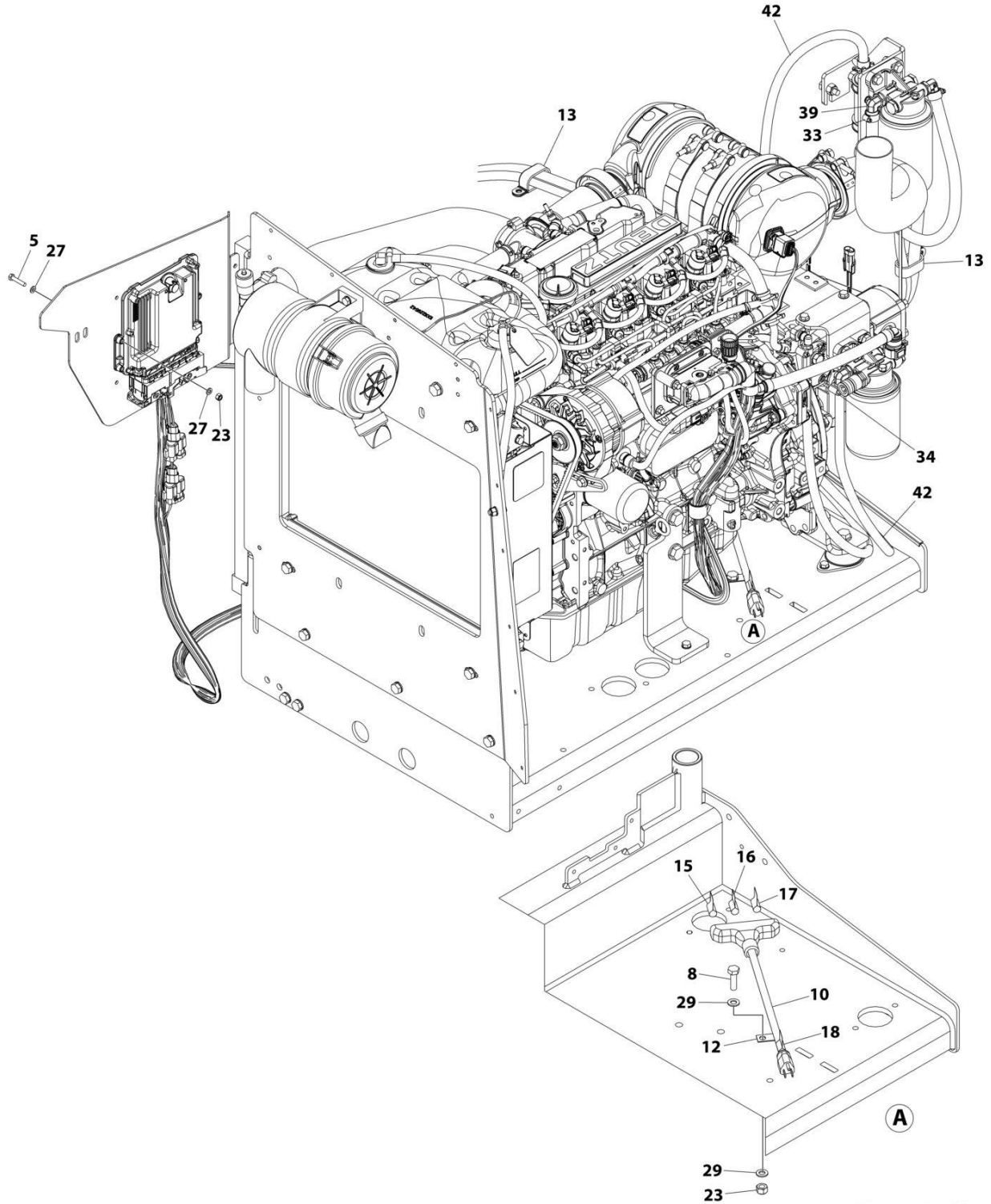
ART_1001302972_1OF3

SECTION 3 - ENGINE



ART_1001302972_2OF3

SECTION 3 - ENGINE



ART_1001302972_30F3

SECTION 3 - ENGINE

**FIGURE 3-9. ENGINE INSTALLATION - DEUTZ D2.9L4 ERM5 ENGINE (WITH ARCTIC PACKAGE)
(ANSI AND CSA SPECS)**

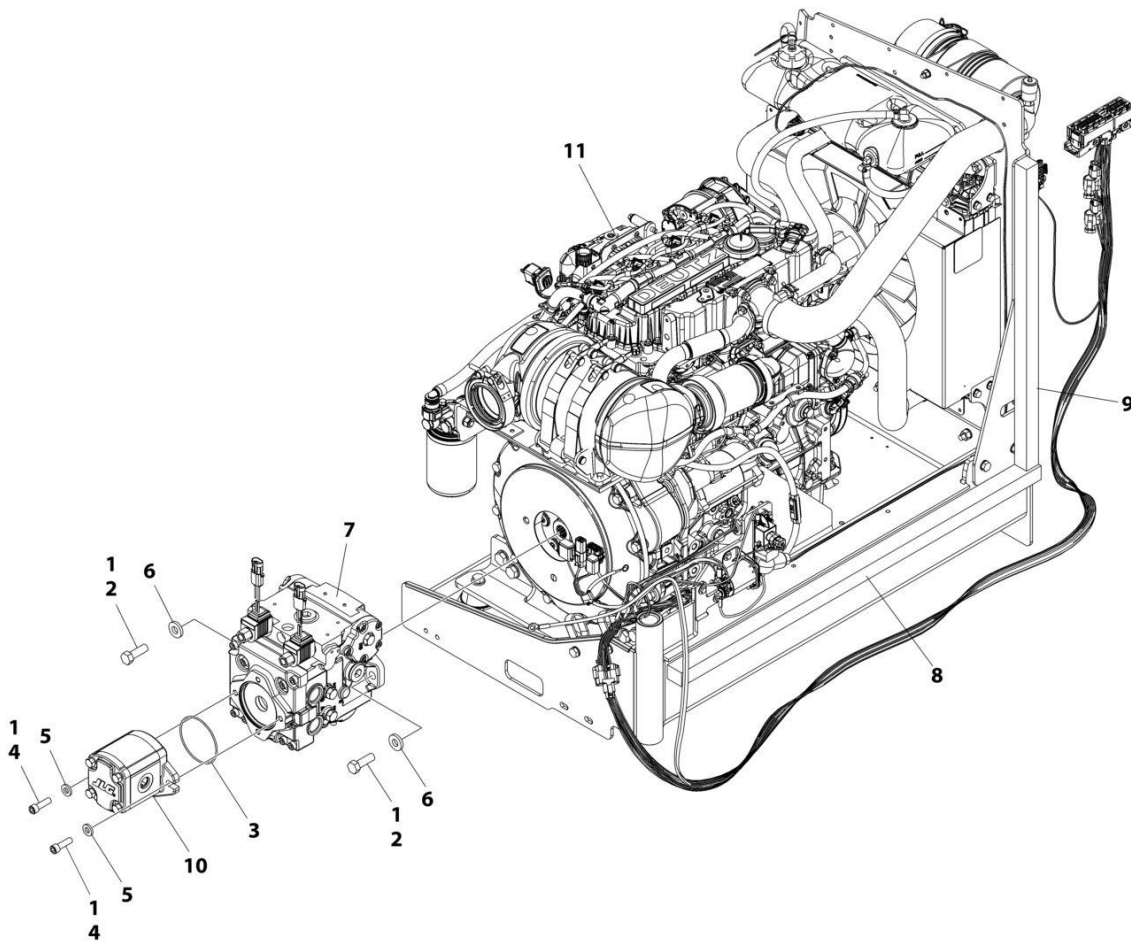
ITEM	PART NUMBER	QTY	DESCRIPTION	REV
	1001302972	Ref	ENGINE ASSEMBLY - DEUTZ D2.9L4 ERM5 ENGINE	A
1	0100011	AR	Compound, Locking	
2	0100020	AR	Sealant, Pipe	
3	0440162	1	Bearing	
4	0760610	1	Bolt M6 x 20	
5	0760614	4	Bolt M6 x 30	
6	0760812	1	Bolt M8 x 25	
7	0761014	2	Bolt M10 x 30	
8	0761015	6	Bolt M10 x 35	
9	0761210	1	Bolt M12 x 20	
10	1060626	1	Plug, 3-Way	
11	1320022	1	Clamp	
12	1320223	1	Clamp	
13	1321716	4	Clamp	
14	1701505	1	Decal - Diesel	
15	1702941	1	Decal - Battery Heater	
16	1702942	1	Decal - Engine Block Heater	
17	1702943	1	Decal - Hydraulic Tank Heater	
18	1702944	1	Decal - Heater Cord	
19	2180832	1	Fitting, Barbed	
20	2180876	1	Fitting, Barbed	
21	2580024	1	Heater, Battery	
22	2720058	2 ft /0.6 m	Hose	
23	3290605	5	Nut M6	
24	3291005	7	Nut M10	
25	3422532	1	Pin	
26	3841143	1	Keeper, Pin	
27	4811700	10	Washer M6	
28	4811900	1	Washer M8	
29	4812000	13	Washer M10	
30	4812100	1	Washer M12	
31	5251215	1	Bolt M12 x 35	
32	5261200	1	Nut M12	
33	8405006	2	Clamp	
34	8410013	4	Clamp	
35	8430007	1	Coupling	
36	1001119278	1	Insulate	
37	1001125387	1	Decal - Ultra Low Sulfur Diesel	
38	1001135196	1	Pin	
39	1001142501	1	Fitting, Barbed 90	
40	1001154405	7 ft /2 m	Hose	
41	1001155823	1	Coupling, Quick Disconnect 90	
42	1001165035	17 ft /6 m	Hose	
43	1001167512	1	Bracket	
44	1001169823	1	Plate	
45	1001171683	1	Cable, Battery (Red) (Battery Positive to Auxiliary Power Relay)	
46	1001171684	1	Cable, Battery (Black) (Battery Negative to Auxiliary Power Pump)	
47	1001172736	1	Pipe, Exhaust	

SECTION 3 - ENGINE

ITEM	PART NUMBER	QTY	DESCRIPTION	REV
48	1001181358	1	Harness, Fuel Pump (See Separate Breakdown in ELECTRICAL Section)	
49	1001188972	1	Heater, Immersion	
50	1001191832	1	Rivet	
51	1001233763	1	Breather Heater Installation (Not Shown - See Separate Breakdown in this Section)	
52	1001302963	1	Engine and Pump Assembly - Deutz D2.9L4 (Without Arctic Package) (See Separate Breakdown in this Section)	

SECTION 3 - ENGINE

FIGURE 3-10. ENGINE AND PUMP SUB-ASSEMBLY - DEUTZ D2.9L4 ERM5 ENGINE (WITHOUT ARCTIC PACKAGE) (ANSI AND CSA SPECS)



ART_1001302963

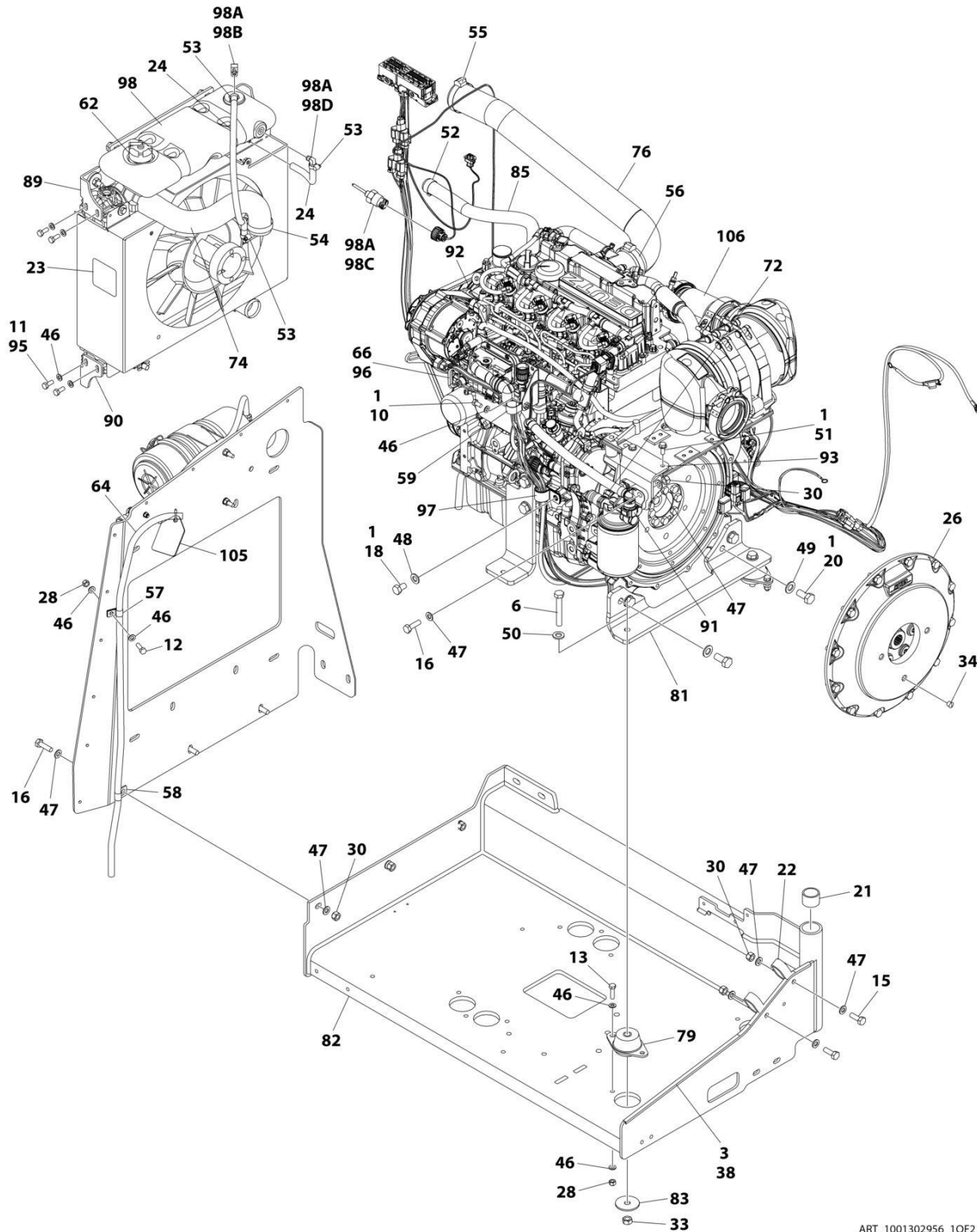
SECTION 3 - ENGINE

FIGURE 3-10. ENGINE AND PUMP SUB-ASSEMBLY - DEUTZ D2.9L4 ERM5 ENGINE (WITHOUT ARCTIC PACKAGE) (ANSI AND CSA SPECS)

ITEM	PART NUMBER	QTY	DESCRIPTION	REV
	1001302963	Ref	ENGINE AND PUMP SUB-ASSEMBLY - DEUTZ D2.9L4 ERM5	A
1	0100011	AR	Compound, Locking	
2	0641812	2	Bolt 1/2 x 1-1/2	
3	3790152	1	O-Ring	
4	3931618	2	Capscrew 3/8 x 1-1/8	
5	4891600	2	Washer 3/8	
6	4891800	2	Washer 1/2	
7	1001167036	1	Piston Pump Assembly (See Separate Breakdown in this Section)	
8	1001171953	1	Seal	
9	1001171954	1	Seal	
10	1001214207	1	Gear Pump Assembly	
10	70006356	1	Seal Kit - 1001214207 Pump	
11	1001302956	1	Engine Assembly - Deutz D2.9L4 ERM5 Engine (With Arctic Package) (See Separate Breakdown in this Section)	

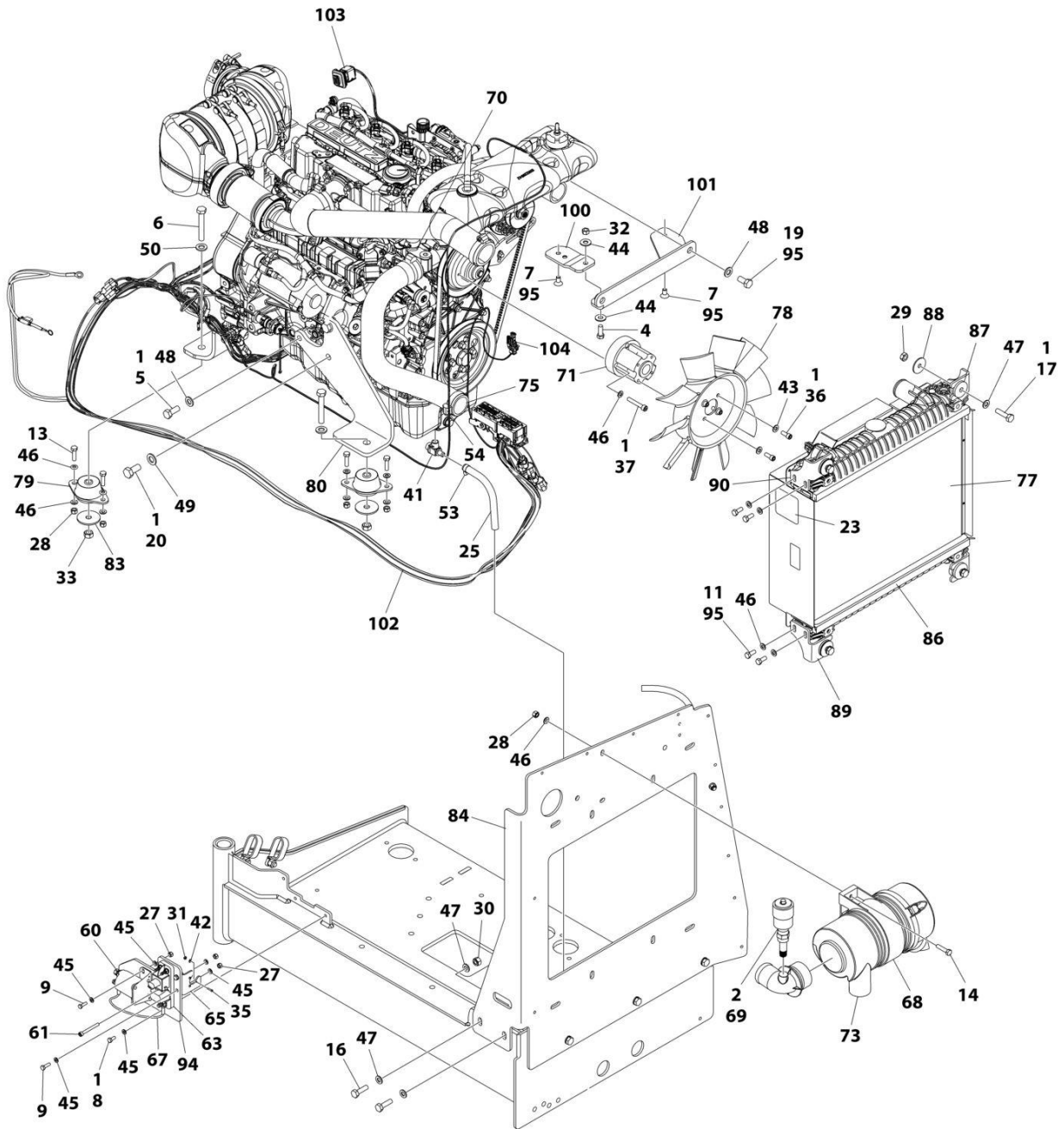
SECTION 3 - ENGINE

FIGURE 3-11. ENGINE ASSEMBLY - DEUTZ D2.9L4 ERM5 ENGINE (WITH ARCTIC PACKAGE) (ANSI AND CSA SPECS)



ART_1001302956_10F2

SECTION 3 - ENGINE



ART_1001302956_20F2

SECTION 3 - ENGINE

FIGURE 3-11. ENGINE ASSEMBLY - DEUTZ D2.9L4 ERM5 ENGINE (WITH ARCTIC PACKAGE) (ANSI AND CSA SPECS)

ITEM	PART NUMBER	QTY	DESCRIPTION	REV
	1001302956	Ref	ENGINE ASSEMBLY - DEUTZ D2.9L4 ERM5 ENGINE	A
1	0100011	AR	Compound, Locking	
2	0100020	AR	Sealant, Pipe	
3	0100081	AR	Adhesive	
4	0681608	1	Bolt 3/8 x 1	
5	0711214	1	Bolt M12 x 30	
6	0711224	3	Bolt M12 x 80	
7	0741606	2	Screw 3/8 x 3/4	
8	0760607	3	Bolt M6 x 14	
9	0760610	4	Bolt M6 x 20	
10	0760808	1	Bolt M8 x 16	
11	0760810	8	Bolt M8 x 20	
12	0760812	1	Bolt M8 x 25	
13	0760814	6	Bolt M8 x 30	
14	0760815	2	Bolt M8 x 35	
15	0761014	2	Bolt M10 x 30	
16	0761015	7	Bolt M10 x 35	
17	0761016	4	Bolt M10 x 40	
18	0761210	1	Bolt M12 x 20	
19	0761212	2	Bolt M12 x 25	
20	0771414	6	Bolt M14 x 30	
21	0961951	2	Bushing	
22	1321716	2	Clamp	
23	1703162	2	Decal - Caution Fan	
24	2720015	2 ft/1 m	Hose	
25	2720340	8 in/20 cm	Hose	
26	2902065	1	Pump Coupling Kit (See Separate Breakdown in this Section)	
27	3290605	5	Nut M6	
28	3290805	9	Nut M8	
29	3291001	4	Nut M10	
30	3291005	9	Nut M10	
31	3310401	3	Nut #4	
32	3311605	1	Nut 3/8	
33	3331215	3	Nut M12	
34	3520054	1	Plug	
35	3910408	3	Screw #4 x 1/2	
36	3931512	4	Capscrew 5/16 x 3/4	
37	4031914	4	Bolt M8 x 50	
38	4060805	3 ft/1 m	Flex-Trim	
39	4240032	AR	Tie-Strap (Not Shown)	
40	4240099	AR	Tie-Strap (Not Shown)	
41	4640751	1	Valve, Oil Drain	
42	4710400	3	Washer #4	
43	4711500	4	Washer 5/16	
44	4751600	2	Washer 3/8	
45	4811702	12	Washer M6	
46	4811900	31	Washer M8	
47	4812000	22	Washer M10	
48	4812100	4	Washer M12	

SECTION 3 - ENGINE

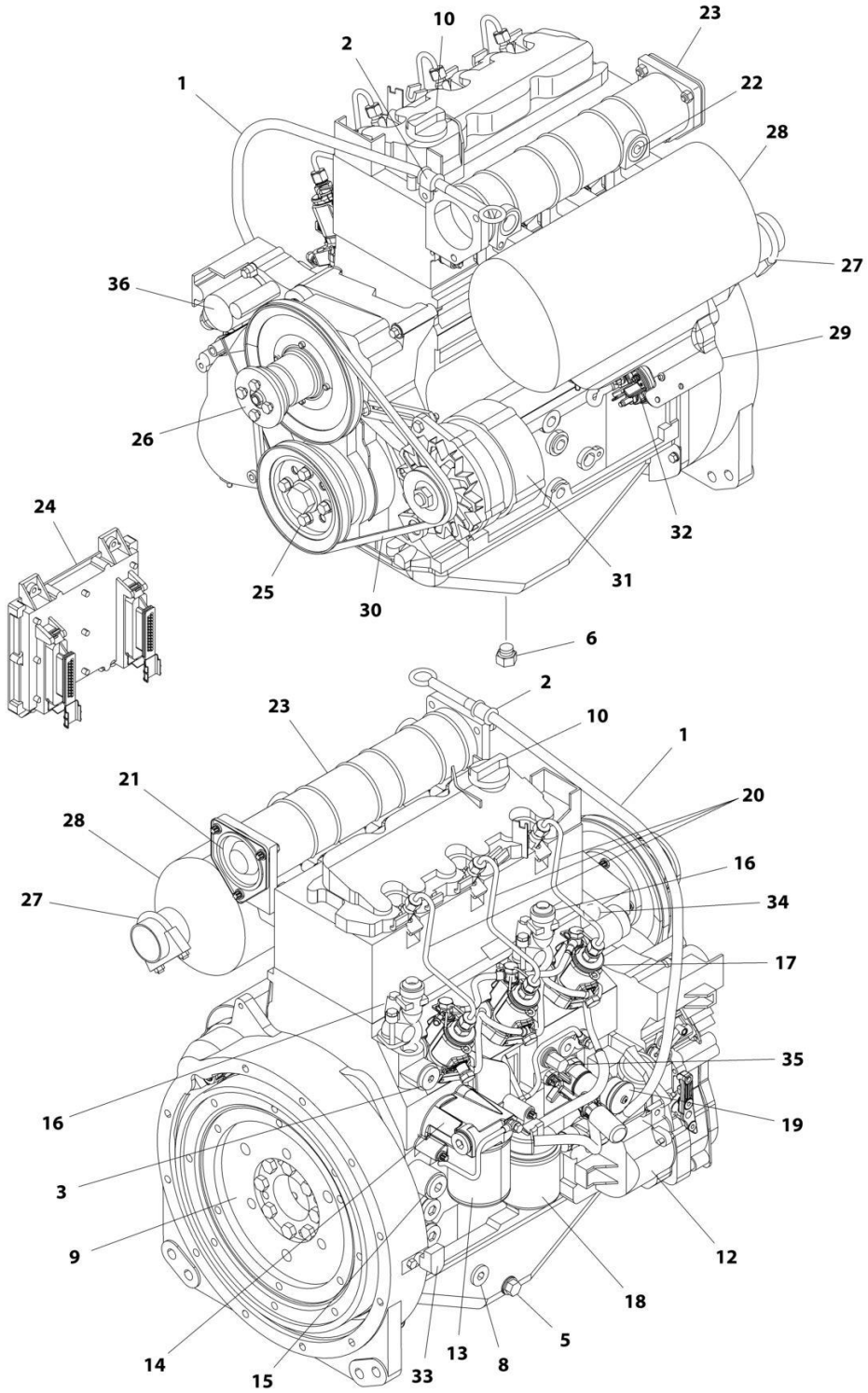
ITEM	PART NUMBER	QTY	DESCRIPTION	REV
49	4812200	6	Washer M14	
50	5241200	3	Washer M12	
51	5250810	2	Bolt M8 x 20	
52	8405007	2	Clamp	
53	8405009	5	Clamp	
54	8405104	4	Clamp	
55	8405202	1	Clamp	
56	8405204	1	Clamp	
57	8406109	1	Clip	
58	8406110	1	Clip	
59	8406201	1	Clip	
60	1001117308	1	Relay, 200Amp	
60	3300220	2	Nut	
60	3321001	2	Nut #10	
60	4761000	2	Washer #10	
60	100111424	2	Washer	
61	1001118878	1	Bolt M6 x 55	
62	1001136834	1	Cap, Tank	
63	1001138228	1	Relay, Power Module	
63	70023592	1	Fuse 20AMP	
63	70023593	1	Fuse 30AMP	
64	1001138248	4 ft/1 m	Hose	
65	1001139240	1	Bracket	
66	1001140312	1	Heater, Engine Block	
67	1001141304	1	Wire, Glow Fuse	
68	1001141694	1	Clamp	
69	1001143390	1	Indicator	
70	1001143797	1	Fitting, Pipe Straight	
71	1001144116	1	Spacer, Fan	
72	1001152489	1	Fitting, Pipe 90	
73	1001165388	1	Filter, Air Cleaner	
74	1001165405	1	Hose	
75	1001165406	1	Hose	
76	1001165721	1	Hose	
77	1001165722	1	Radiator	
78	1001165849	1	Fan	
79	1001166718	3	Isolator	
80	1001166921	1	Plate	
81	1001166924	1	Plate	
82	1001167520	1	Support	
83	1001168018	3	Washer, Special	
84	1001168026	1	Plate	
85	1001168099	1	Hose	
86	1001168166	2	Seal	
87	1001169054	4	Isolator, Radiator	
88	1001169138	4	Pad	
89	1001169967	2	Bracket	
90	1001170035	2	Bracket	
91	1001177359	1	Hose	
92	1001178788	1	Cable, Alternator	
93	1001178876	1	Mount	

SECTION 3 - ENGINE

ITEM	PART NUMBER	QTY	DESCRIPTION	REV
94	1001179903	1	Bracket	
95	1001180620	AR	Adhesive	
96	1001181895	AR	Adhesive	
97	1001191620	1	Clamp	
98	1001230635	1	Tank, Surge Assembly (Includes Items 96A-96D)	
98A	0100020	AR	Sealant, Pipe	
98B	1001134488	1	Fitting, Barbed	
98C	1001138827	1	Sensor, Coolant Level	
98D	1001140564	1	Fitting, Barbed 90	
99	1001235949	1	Bracket Assembly Fuel Pump/Filter (Not Shown - See Separate Breakdown in this Section)	
100	1001260412	1	Bracket	
101	1001260420	1	Bracket	
102	1001276643	1	Engine Harness (See Separate Breakdown in ELECTRICAL Section)	
103	1001281985	1	Connector	
104	1001281986	1	Connector	
105	1001291401	1	Tag, Coolant	
106	1001302954	1	Engine, Deutz D2.9L4 ERM5 (See Separate Breakdown in this Section)	

SECTION 3 - ENGINE

FIGURE 3-12. ENGINE COMPONENTS - DEUTZ D2011



ART_1001170693

SECTION 3 - ENGINE

FIGURE 3-12. ENGINE COMPONENTS - DEUTZ D2011

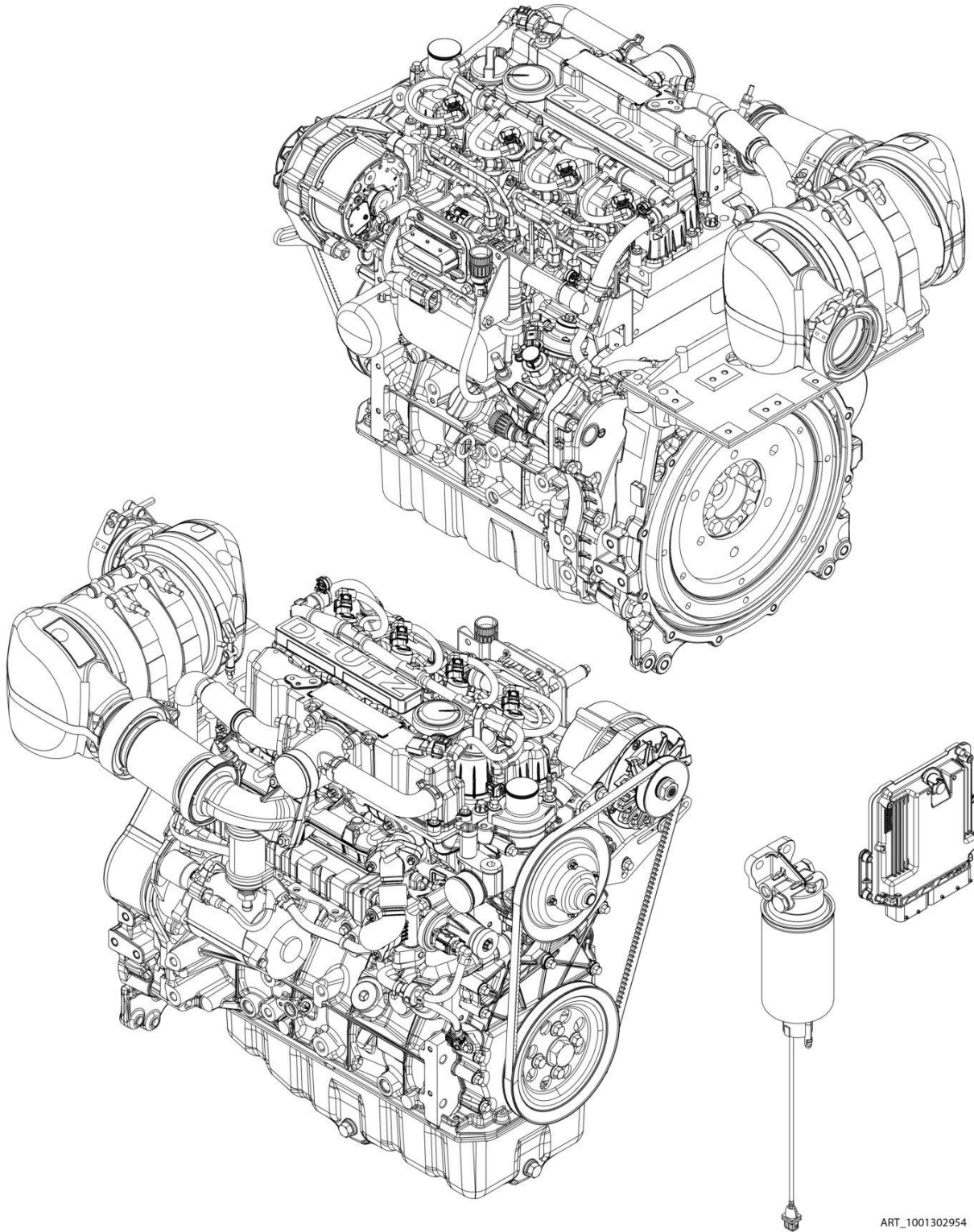
ITEM	PART NUMBER	QTY	DESCRIPTION	REV
	1001170693	Ref	ENGINE COMPONENTS - DEUTZ D2011	C
1	70001002	1	Tube, Dipstick	
1	7020403	1	Seal, Tube	
1	7020026	1	Dipstick	
2	70001654	1	Clamp	
2	70001655	1	Bolt	
3	70003475	1	Thermostat	
3	7020460	1	Spring	
4		Ref	Seal and Gasket Options (Not Shown):	
4	70002718	1	Seal, Rear Main	
4	7020430	1	Gasket, Valve Cover	
4	70003479	1	Gasket, Head - 1 Notch	
4	70003480	1	Gasket, Head - 2 Notch	
4	70003481	1	Gasket, Head - 3 Notch	
5	70025088	1	Plug	
6	70025667	1	Plug	
7	70025123	22	Bolt, Torx (Oil Pan Bolts) (Not Shown)	
8	7020492	1	Seal	
8	70025084	1	Plug	
9	70001870	1	Flywheel	
9	7024579	1	Ring Gear (Part of Flywheel)	
9	70025139	8	Bolt	
10	7020465	1	Cap, Oil Fill	
11	70000800	1	Timing Belt/Idler Kit (Includes Timing Belt, Tensioner and Tensioner Bolt) (Not Shown)	
12	70001850	1	Pump, Lubricating	
12	7020468	1	Seal, Pump to Engine Block (Not Shown)	
13	7016331	1	Filter, Oil	
14	70003472	1	Bracket, Oil Filter (Includes Plug with Seal, Temperature Sensor, Control Valve and Compression Spring)	
14	7027236	1	Sensor, Temperature	
14	70025082	1	Seal, Plug	
14	70025091	1	Plug	
14	70003473	1	Gasket, Bracket to Engine Block (Not Shown)	
15	70001181	1	Valve	
15	70025091	1	Plug	
15	70025082	1	Seal, Plug	
16	70004268	2	Connector, Radiator Neck	
16	70004269	2	Seal, Radiator Neck to Engine Block	
17	70000912	3	Pump, Fuel Injector - A Spec	
17	70000913	3	Pump, Fuel Injector - B Spec	
17	70000914	3	Pump, Fuel Injector - C Spec	
17	70000915	3	Pump, Fuel Injector - D Spec	
17	70003464	3	O-Ring, Pump to Engine Block	
18	7020023	1	Filter, Fuel	
18	70003463	1	Filter, Fuel - RME Resistant	
18	70001423	1	Bracket, Fuel Filter	
19	70000916	1	Pump Fuel Supply	
19	70000917	1	O-Seal Between Fuel Pump and Engine Block	
19	70000918	1	Sealing Ring Between Hand Pump and Supply Pump	

SECTION 3 - ENGINE

ITEM	PART NUMBER	QTY	DESCRIPTION	REV
19	70000919	1	Pump, Hand	
19	70001435	1	Repair Kit	
19	70025694	2	Bolt, Torx	
20	70000931	3	Pipe, High Pressure	
21	70003469	1	Flange, Intake	
21	70003468	1	Seal	
22	70025084	1	Plug	
22	7020492	1	Seal, Plug	
23	7027903	1	Manifold, Air Intake	
23	70001871	3	Gasket Between Manifold and Engine Block	
24	See Note	1	Module, Engine Control (Note: Not Currently Available)	
24	7027796	1	Cable, Electrical Between Module and Engine Harness (Not Shown)	
24	70001872	1	Harness, Engine (Connects to p/n 70004060) (Not Shown)	
24	70004060	1	Plug, Connector Located on Cable Near Module (Not Shown)	
24	70004059	1	Plug, Analyzer (Not Shown)	
25	70025123	4	Bolt, Torx	
26	70000787	1	Support, Fan (Includes Support, Internal Shaft, Bearings and Circlip)	
27	70001844	1	Clamp	
28	See Note	1	Muffler (Note: See Separate Breakdown in this Section)	
28	7020471	3	Gasket, Exhaust Between Muffler and Engine Block	
28	70004270	6	Stud, Muffler	
29	70001498	1	Shield, Starter	
29	70025693	3	Bolt	
30	70004102	1	V-Belt	
31	70004056	1	Alternator (Includes Voltage Regulator and Gaskets, Fan and Fan Mounting Hardware)	
31	70001868	1	Regulator, Voltage	
31	70001866	1	Gasket Set, Voltage Regulator	
31	70025131	1	Fan	
31	70025086	1	Nut, Fan	
31	70000851	1	Bracket, Alternator Mounting	
31	70002234	1	Bracket, Alternator Adjustment	
31	70004103	1	Harness, Alternator (Not Shown)	
32	7020479	1	Starter	
32	70025121	2	Bolt, Starter Mounting	
32	70004058	1	Relay	
32	70004062	1	Harness, Starter (Not Shown)	
33	7024565	1	Sensor, Speed	
33	70003931	1	Bolt	
33	70003932	1	Spacer, Sleeve	
34	7027791	1	Sensor, Temperature	
35	7027790	1	Sensor, Oil Pressure	
36	7027792	1	Actuator	
37	70000345	3	Plug, Glow (Not Shown)	

SECTION 3 - ENGINE

FIGURE 3-13. ENGINE COMPONENTS - DEUTZ D2.9L4 ERM5 ENGINE (ANSI, ANSI EXPORT AND CSA SPECS)



ART_1001302954

SECTION 3 - ENGINE

FIGURE 3-13. ENGINE COMPONENTS - DEUTZ D2.9L4 ERM5 ENGINE (ANSI, ANSI EXPORT AND CSA SPECS)

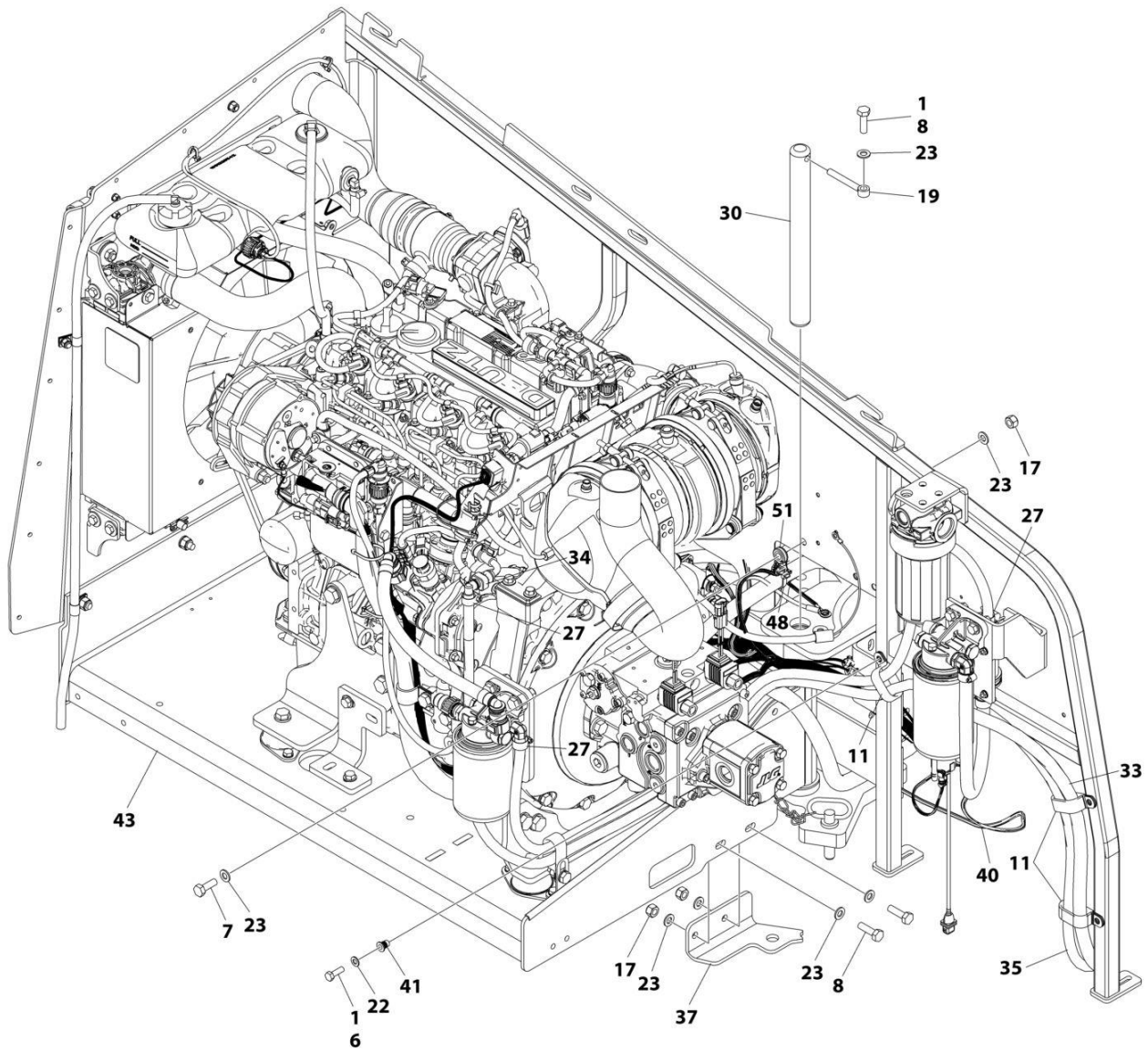
ITEM	PART NUMBER	QTY	DESCRIPTION	REV
	1001302954	Ref	ENGINE COMPONENTS - DEUTZ D2.9L4 ERM5 ENGINE	A
	See Note	Ref	Note: Contact JLG Customer Service for availability for addition components.	
		Ref	AIR INTAKE SYSTEM	
	70005180	1	Breather Line	
	70005182	1	Charge Air Elbow	
		Ref	COOLING SYSTEM COMPONENTS	
	70030360	1	Pump, Coolant	
	70007603	1	Thermostat	
		Ref	ELECTRICAL COMPONENT	
	70031144	1	Starter	
	NPN	1	Generator	
	70024507	1	Sensor, Pressure (Air Intake)	
	70026210	1	Sensor, Speed	
	70025231	1	Harness, Glow Plug	
	70024919	1	Sensor, Fuel Filter	
	70024504	1	Sensor, Pressure	
	70028540	1	Transmitter, Temperature	
	70029512	1	Module, Engine Control	
	70031143	1	Regulator, Voltage	
		Ref	EXHAUST COMPONENT	
	70004282	1	Exhaust Manifold	
	70031136	1	Pipe, Exhaust	
	70012257	1	Valve, Exhaust	
	70004508	1	Valve, Volume Control	
		Ref	FUEL SYSTEM COMPONENT	
	70030381	1	Pump, High Pressure	
	70004281	1	Injector, Fuel	
	NPN	1	Pump, Fuel Supply (Includes qty 2 Clamps)	
	70024961	1	Filter, Fuel	
	1001225430	1	Filter, Fuel (Pre-Filter)	
	70024513	1	Cable, Sensor	
	70025239	1	Seal	
	70029451	1	Filter, Fuel	
	1001225431	1	Filter, Fuel (Spin-On)	
	70024502	1	Pipe, Fuel	
		Ref	GASKET AND SEAL COMPONENT	
	70024905	2	Seal, Dipstick	
	70005942	1	Seal, Oil Plug	
	70005171	1	Gasket, Valve Cover	
	70024906	1	Gasket, Head	
	70002718	1	Seal, Rear Main	
	70005177	1	Gasket, Charge Air Housing	
	70005184	1	O-Ring, Thermostat	
	70005931	1	Seal, Thermostat	
	70025164	1	Gasket, Exhaust Manifold to Head	
	70007326	1	Gasket, EGR Valve	
	70031095	1	Gasket, Exhaust Return Pipe	
	70007354	1	Gasket, Short Exhaust Pipe	

SECTION 3 - ENGINE

ITEM	PART NUMBER	QTY	DESCRIPTION	REV
		Ref	OTHER COMPONENT	
	70001870	1	Flywheel (Includes Ring Gear)	
	7024579	1	Gear, Ring	
		Ref	OIL LUBE SYSTEM	
	70024904	1	Dipstick	
	70024905	1	Cap, Oil Fill	
	70005941	1	Plug, Oil	
	70005172	1	Pump, Oil Lube	
	7016331	1	Filter, Oil	
	70024494	1	Oil Cooler	

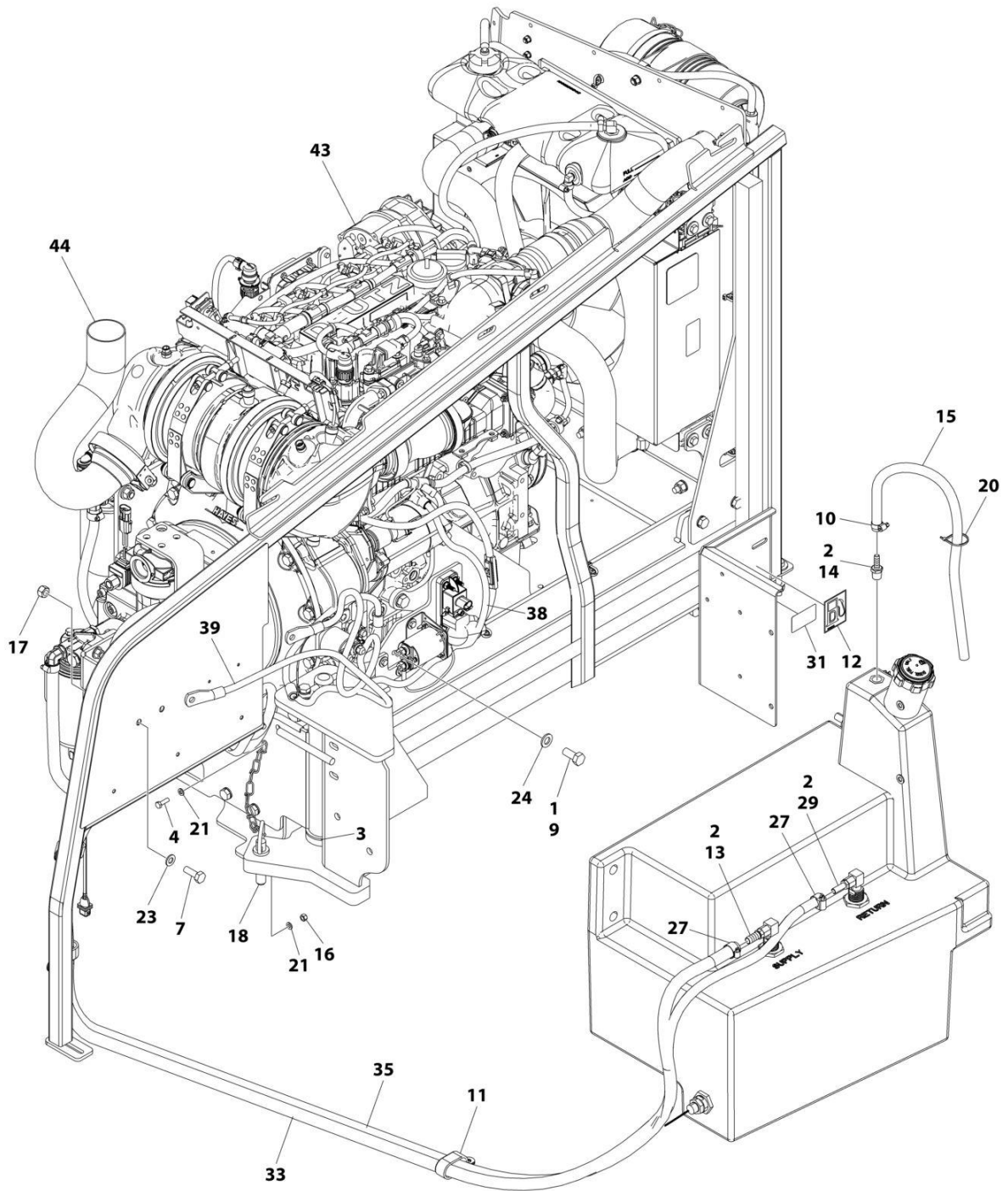
SECTION 3 - ENGINE

FIGURE 3-14. ENGINE INSTALLATION - DEUTZ D2.9L4 ENGINE (STAGE V) (CE & UK CA SPECS)



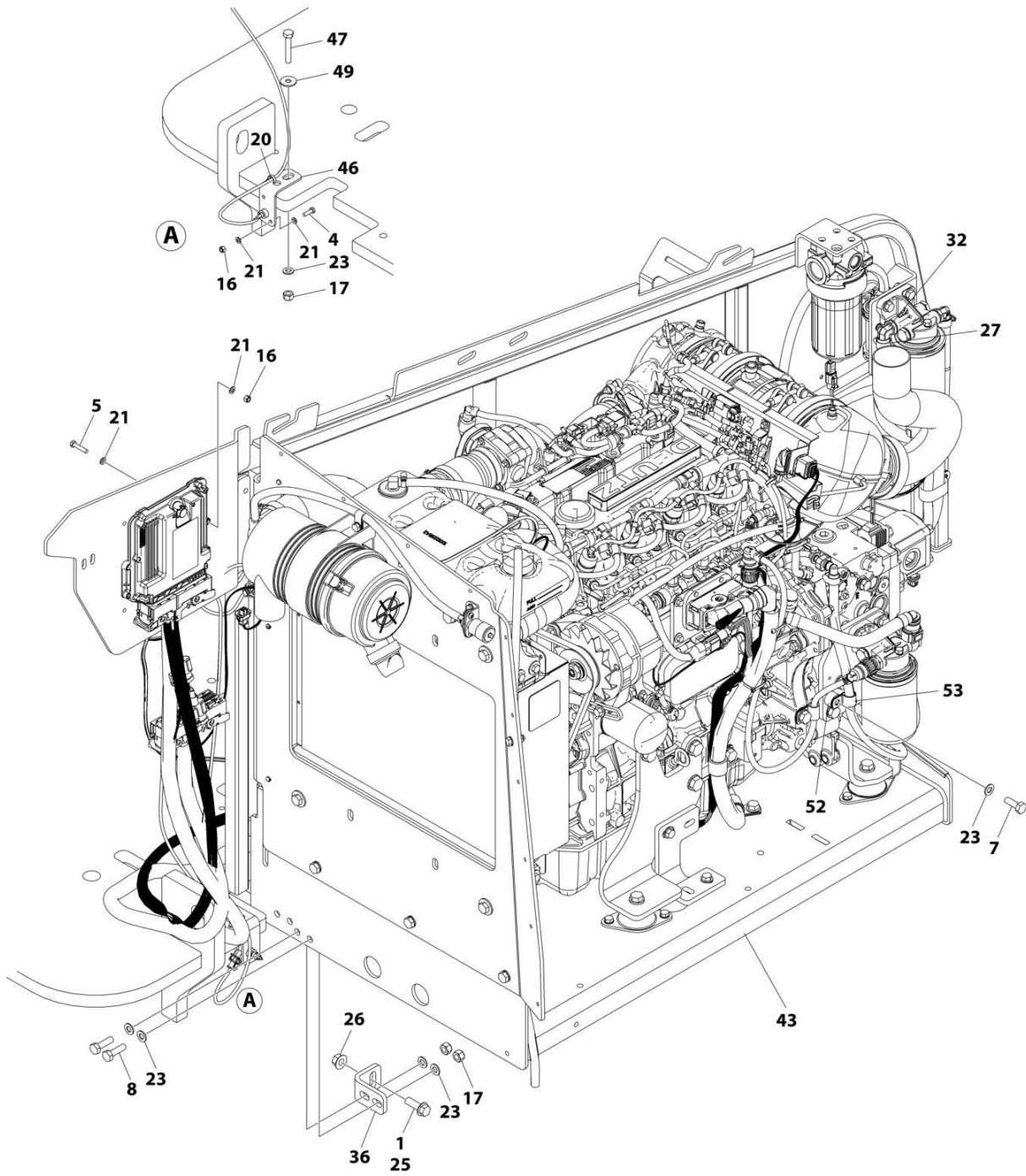
ART_1001244287_H_10F3

SECTION 3 - ENGINE



ART_1001244287_H_20F3

SECTION 3 - ENGINE



ART_1001244287_H_30F3

SECTION 3 - ENGINE

FIGURE 3-14. ENGINE INSTALLATION - DEUTZ D2.9L4 ENGINE (STAGE V) (CE & UK CA SPECS)

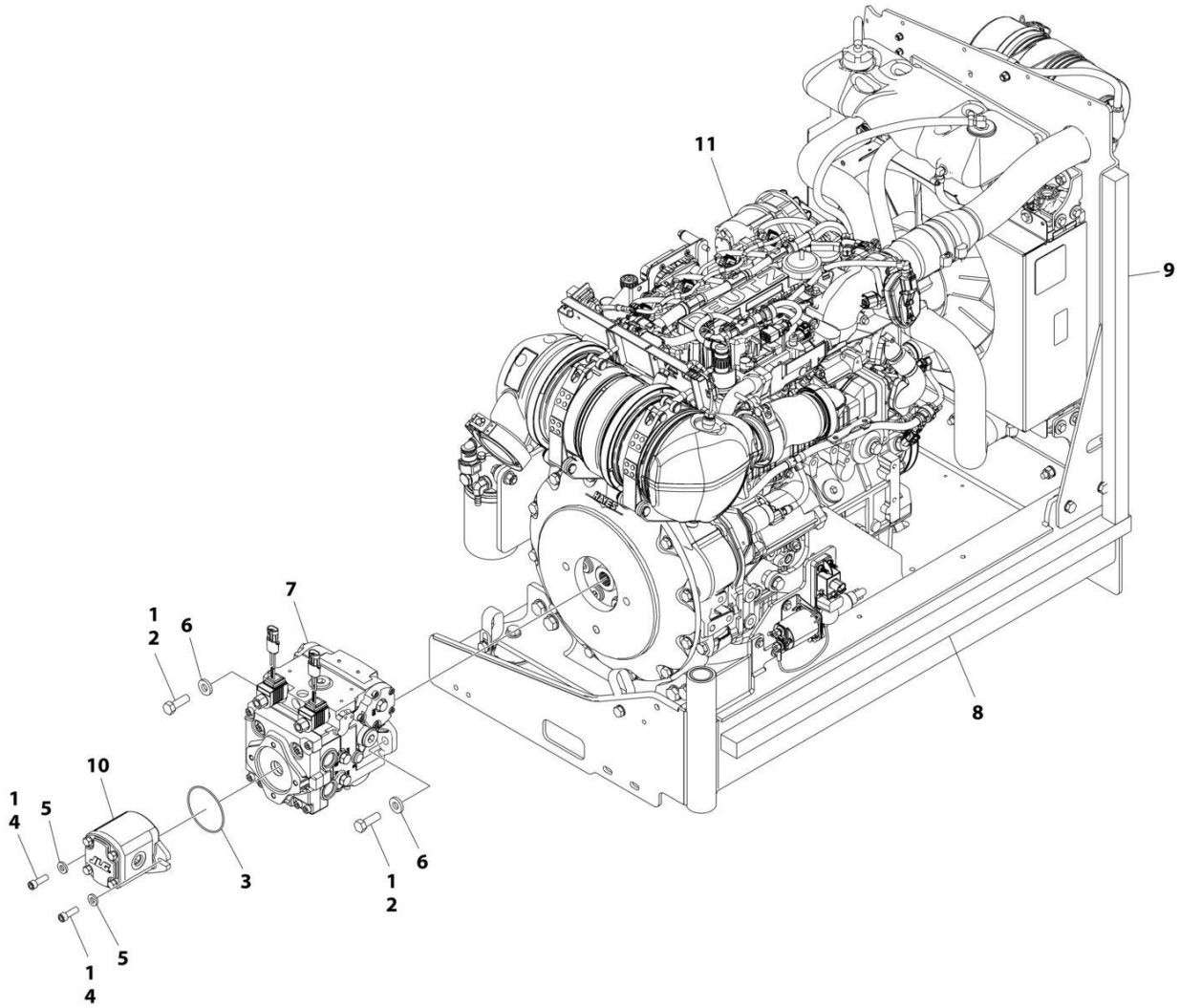
ITEM	PART NUMBER	QTY	DESCRIPTION	REV
	1001244287	Ref	ENGINE INSTALLATION - DEUTZ D2.9L4 ENGINE (STAGE V)	H
1	0100011	AR	Compound, Locking	
2	0100020	AR	Sealant, Pipe	
3	0440162	1	Bearing	
4	0760610	2	Bolt M6 x 20	
5	0760614	4	Bolt M6 x 30	
6	0760812	1	Bolt M8 x 25	
7	0761014	4	Bolt M10 x 30	
8	0761015	5	Bolt M10 x 35	
9	0771212	1	Bolt M12 x 25	
10	1320022	1	Clamp	
11	1321716	4	Clamp	
12	1701505	1	Decal - Diesel Fuel	
13	2180832	1	Fitting, Barbed	
14	2180876	1	Fitting, Barbed	
15	2720058	2 ft /0.6m	Hose	
16	3290605	6	Nut M6	
17	3291005	8	Nut M10	
18	3422532	1	Pin	
19	3841143	1	Keeper, Pin	
20	4240099	AR	Tie-Strap	
21	4811700	12	Washer M6	
22	4811900	1	Washer M8	
23	4812000	15	Washer M10	
24	4812100	1	Washer M12	
25	5251215	1	Bolt M12 x 35	
26	5261200	1	Nut, Flange M12 Grade 10.9	
27	8405006	6	Clamp	
29	2220767	AR	Fitting, Barbed 90	
29	8430007	AR	Fitting, Barbed	
30	1001135196	1	Pin	
31	1001139654	1	Decal - Ultra Low Sulfur Diesel	
32	1001142501	1	Fitting, Barbed 90	
33	1001154405	7.25 ft /2.21m	Hose	
34	1001155823	1	Coupling, Quick Disconnect 90	
35	1001165035	17.25 ft /5.26m	Hose	
36	1001167512	1	Bracket	
37	1001169823	1	Plate, Engine Lock	
38	1001171683	1	Cable, Battery (Red) (Battery Positive to Auxiliary Power Relay)	
39	1001171684	1	Cable, Battery (Black) (Battery Negative to Auxiliary Power Pump)	
40	1001181358	1	Harness, Fuel Pump (See Separate Breakdown in ELECTRICAL SECTION)	
41	1001191832	1	Nut, Rivet M8	
43	1001277600	1	Engine and Pump Sub-Assembly - Deutz D2.9L4 (Without Arctic Package) (See Separate Breakdown in this Section)	
44	1001247440	1	Pipe, Exhaust	
46	1001256879	1	Bracket	
47	0701020	1	Bolt M10 x 60	

SECTION 3 - ENGINE

ITEM	PART NUMBER	QTY	DESCRIPTION	REV
48	1062255	1	Tie-Strap	
49	4812002	1	Washer M10	
51	1001156107	1	Holder	
52	1001220266	1	Spacer	
53	1320061	1	Clamp	

SECTION 3 - ENGINE

FIGURE 3-15. ENGINE AND PUMP SUB-ASSEMBLY - DEUTZ D2.9L4 ENGINE (STAGE V) (CE & UK CA SPECS)



ART_1001277600

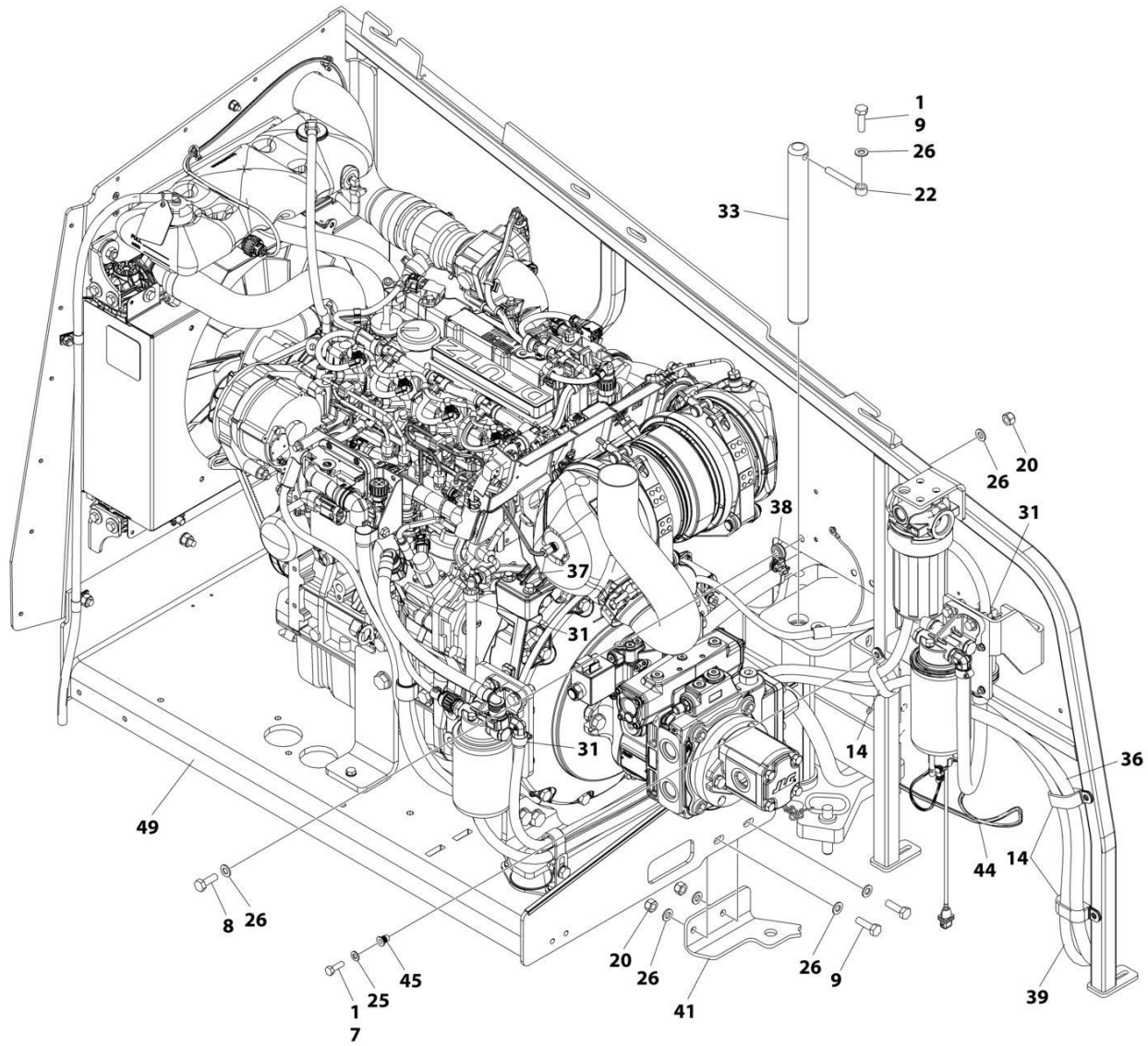
SECTION 3 - ENGINE

FIGURE 3-15. ENGINE AND PUMP SUB-ASSEMBLY - DEUTZ D2.9L4 ENGINE (STAGE V) (CE & UK CA SPECS)

ITEM	PART NUMBER	QTY	DESCRIPTION	REV
	1001277600	Ref	ENGINE AND PUMP SUB-ASSEMBLY - DEUTZ (STAGE V) ENGINE	B
1	0100011	AR	Compound, Locking	
2	0641812	2	Bolt 1/2 x 1-1/2	
3	3790152	1	O-Ring	
4	3931618	2	Capscrew 3/8 x 1-1/8	
5	4891600	2	Washer 3/8 Hardened	
6	4891800	2	Washer 1/2 Hardened	
7	1001167036	1	Piston Pump Assembly (See Separate Breakdown in this Section)	
8	1001171953	1	Seal	
9	1001171954	1	Seal	
10	1001214207	1	Gear Pump Assembly	
10	70006356	1	Seal Kit - 1001214207 Pump	
11	1001277594	1	Engine Assembly, Deutz (Stage V) Engine (See Separate Breakdown in this Section)	

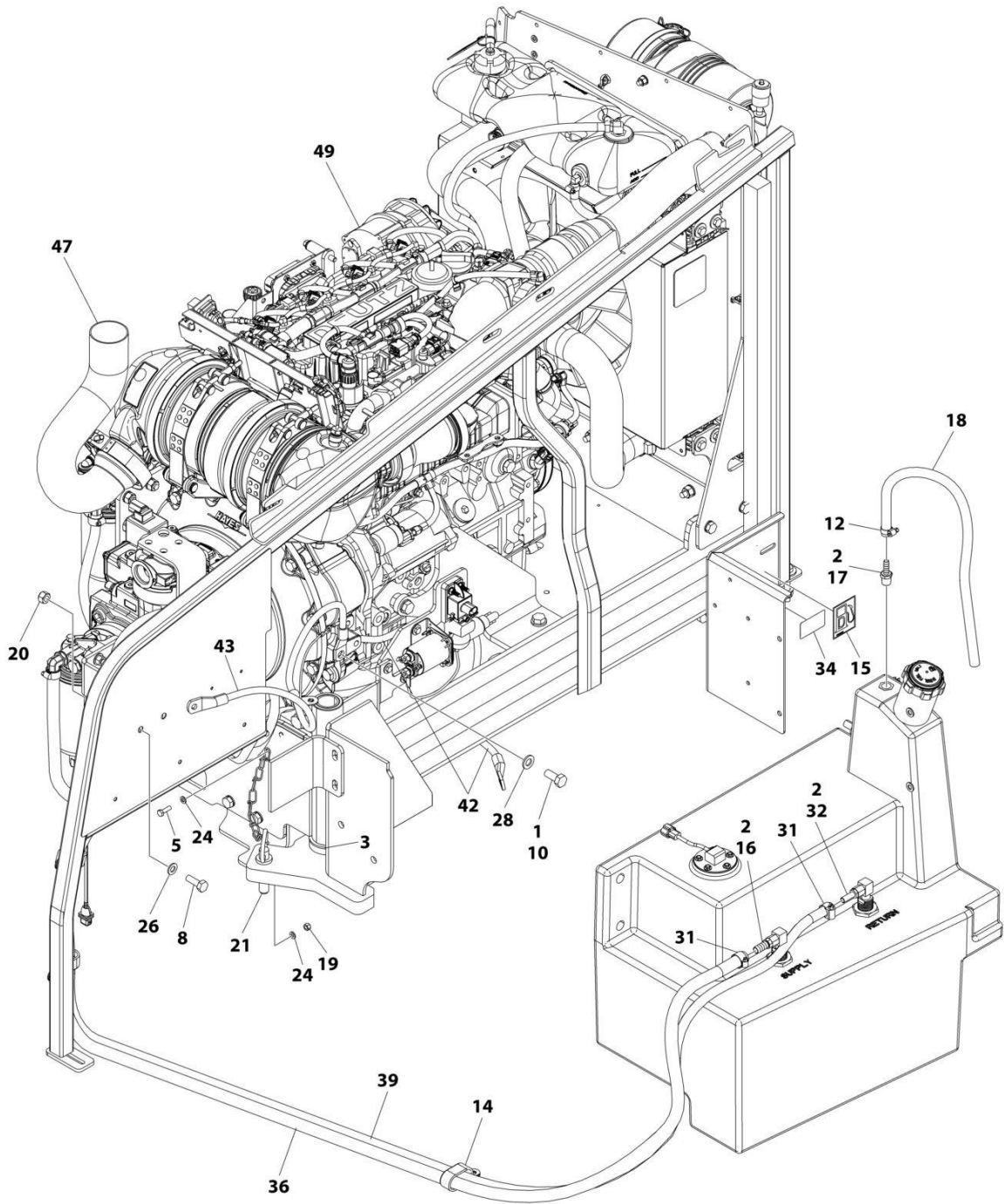
SECTION 3 - ENGINE

FIGURE 3-16. ENGINE INSTALLATION - DEUTZ D2.9L4 ENGINE (STAGE V) (WITH PMP PUMP)



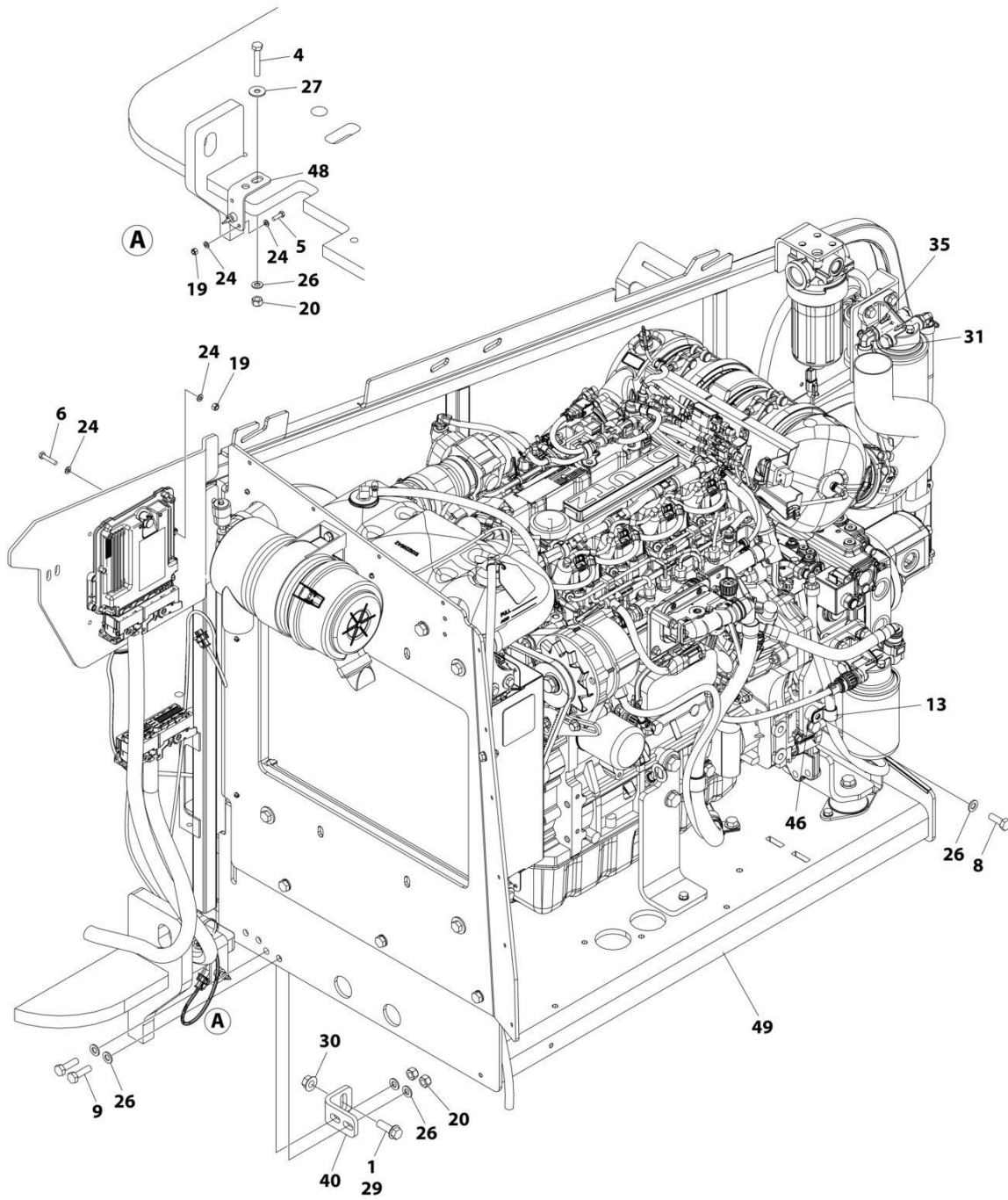
ART_1001300787_1OF3

SECTION 3 - ENGINE



ART_1001300787_2OF3

SECTION 3 - ENGINE



ART_1001300787_30F3

SECTION 3 - ENGINE

FIGURE 3-16. ENGINE INSTALLATION - DEUTZ D2.9L4 ENGINE (STAGE V) (WITH PMP PUMP)

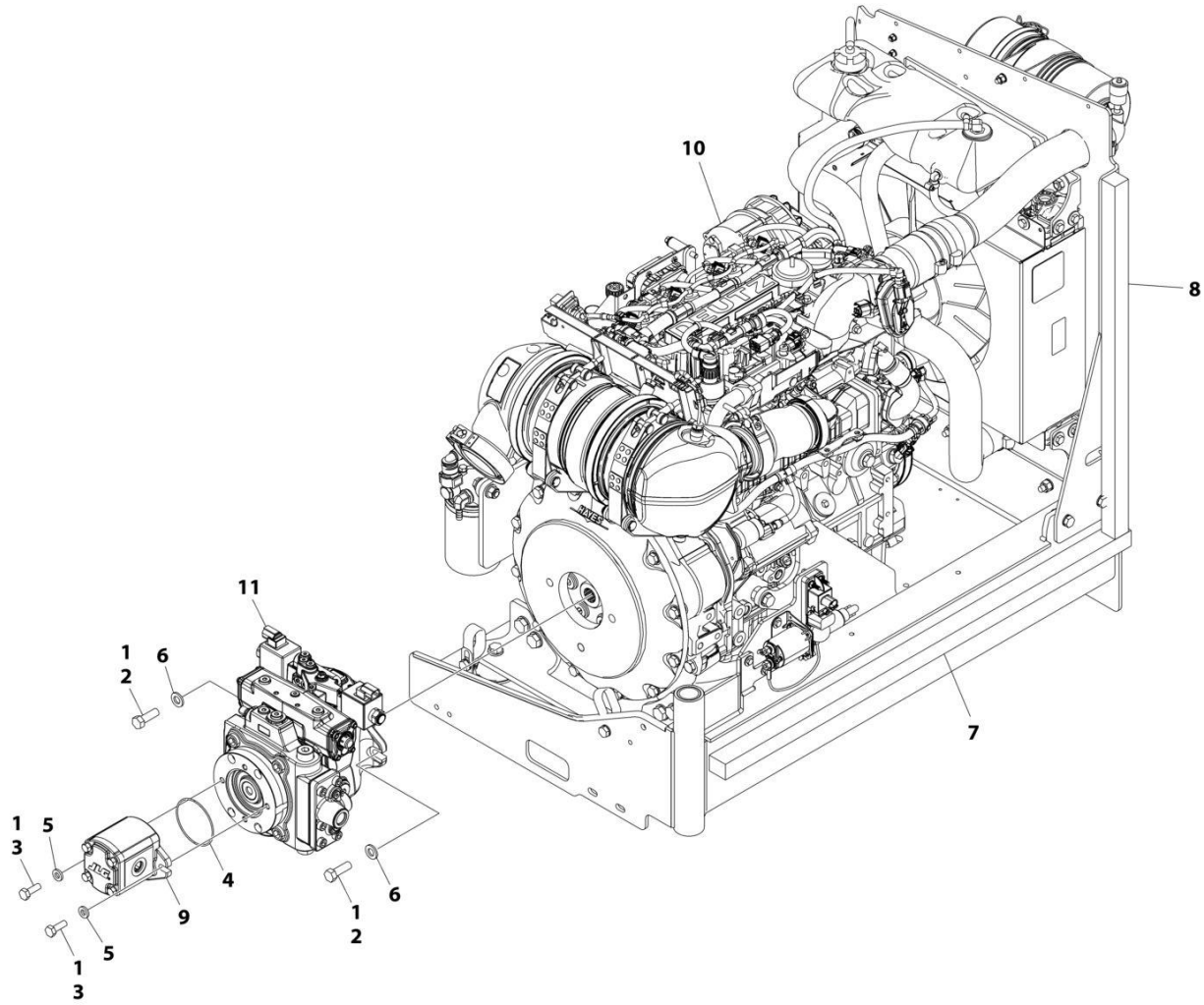
ITEM	PART NUMBER	QTY	DESCRIPTION	REV
	1001300787	Ref	ENGINE INSTALLATION - DEUTZ D2.9L4 ENGINE (STAGE V) (WITH PMP PUMP)	A
1	0100011	AR	Compound, Locking	
2	0100020	AR	Sealant, Pipe	
3	0440162	1	Bearing	
4	0701020	1	Bolt M10 x 60	
5	0760610	2	Bolt M6 x 20	
6	0760614	4	Bolt M6 x 30	
7	0760812	1	Bolt M8 x 25	
8	0761014	4	Bolt M10 x 30	
9	0761015	5	Bolt M10 x 35	
10	0771212	1	Bolt M12 x 25	
11	1062255	AR	Tie-Strap (Not Shown)	
12	1320022	1	Clamp	
13	1320061	1	Clamp	
14	1321716	4	Clamp	
15	1701505	1	Decal - Diesel	
16	2180832	1	Fitting, Barbed	
17	2180876	1	Fitting, NPT/Barbed	
18	2720058	22 in/ 56 cm	Hose	
19	3290605	6	Nut M6	
20	3291005	8	Nut M10	
21	3422532	1	Pin	
22	3841143	1	Keeper, Pin	
23	4240099	AR	Tie-Strap (Not Shown)	
24	4811700	12	Washer M6	
25	4811900	1	Washer M8	
26	4812000	15	Washer M10	
27	4812002	1	Washer M10	
28	4812100	1	Washer M12	
29	5251215	1	Bolt M12 x 35	
30	5261200	1	Nut M12	
31	8405006	6	Clamp	
32	8430007	AR	Fitting, Barbed	
33	1001135196	1	Pin	
34	1001139654	1	Decal - Ultra Low Sulfur Diesel	
35	1001142501	1	Fitting, 90 Barbed	
36	1001154405	7.2 ft/ 2.2 m	Hose	
37	1001155823	1	Coupling, Quick Disconnect 90	
38	1001156107	1	Holder	
39	1001165035	17 ft/ 5.2 m	Hose	
40	1001167512	1	Bracket	
41	1001169823	1	Plate	
42	1001171683	1	Cable, Battery (Red) (Battery Positive to Auxiliary Power Relay)	
43	1001171684	1	Cable, Battery (Black) (Battery Negative to Auxiliary Power Pump)	
44	1001181358	1	Harness, Fuel Pump (See Separate Breakdown in ELECTRICAL Section)	
45	1001191832	1	Nut, Rivet M8	

SECTION 3 - ENGINE

ITEM	PART NUMBER	QTY	DESCRIPTION	REV
46	1001220266	1	Spacer	
47	1001247440	1	Pipe, Exhaust	
48	1001256879	1	Bracket	
49	1001300788	1	Engine and Pump Sub-Assembly (See Separate Breakdown in this Section)	

SECTION 3 - ENGINE

FIGURE 3-17. ENGINE AND PUMP SUB-ASSEMBLY - DEUTZ D2011 ENGINE (STAGE V)



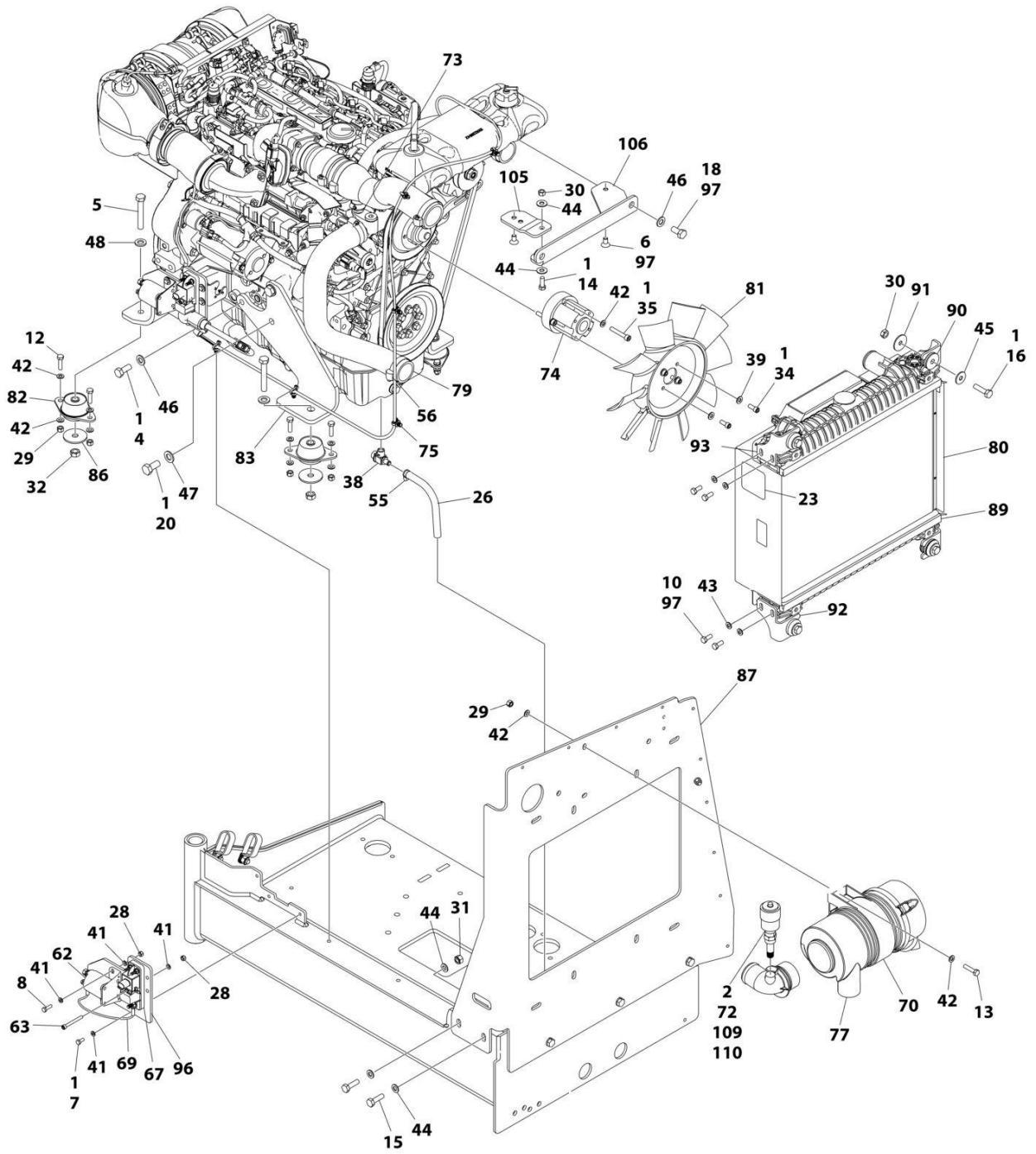
ART_1001300788

SECTION 3 - ENGINE

FIGURE 3-17. ENGINE AND PUMP SUB-ASSEMBLY - DEUTZ D2011 ENGINE (STAGE V)

ITEM	PART NUMBER	QTY	DESCRIPTION	REV
	1001300788	Ref	ENGINE AND PUMP SUB-ASSEMBLY - DEUTZ D2011 ENGINE (STAGE V)	A
1	0100011	AR	Compound, Locking	
2	0641812	2	Bolt 1/2 x 1-1/2	
3	0761014	2	Bolt M10 x 30	
4	3790152	1	O-Ring	
5	4891600	2	Washer 3/8	
6	5241200	2	Washer M12	
7	1001171953	1	Seal	
8	1001171954	1	Seal	
9	1001214207	1	Gear Pump Assembly	
9	70006356	1	Seal Kit - 1001214207 Pump	
10	1001277594	1	Engine Assembly (STAGE V) Engine (See Separate Breakdown in this Section)	
11	1001285632	1	Closed Pump Loop Assembly (See Separate Breakdown in this Section)	

SECTION 3 - ENGINE



ART_1001277594_E_20F2

SECTION 3 - ENGINE

FIGURE 3-18. ENGINE ASSEMBLY - DEUTZ D2.9L4 ENGINE (STAGE V) (CE & UK CA SPECS)

ITEM	PART NUMBER	QTY	DESCRIPTION	REV
	1001277594	Ref	ENGINE ASSEMBLY - DEUTZ D2.9L4 (STAGE V)	E
1	0100011	AR	Compound, Locking	
2	0100020	AR	Sealant, Pipe	
3	0100081	AR	Adhesive	
4	0711214	1	Bolt M12 x 30 Class 10.9	
5	0711224	3	Bolt M12 x 80 Class 10.9	
6	0741606	2	Screw 3/8 x 3/4	
7	0760607	3	Bolt M6 x 14	
8	0760610	2	Bolt M6 x 20	
9	0760808	1	Bolt M8 x 16	
10	0760810	8	Bolt M8 x 20	
11	0760812	1	Bolt M8 x 25	
12	0760814	6	Bolt M8 x 30	
13	0760815	2	Bolt M8 x 35	
14	0761014	3	Bolt M10 x 30	
15	0761015	5	Bolt M8 x 35	
16	0761016	6	Bolt M10 x 40	
17	0761210	1	Bolt M12 x 20	
18	0761212	2	Bolt M12 x 25	
19	0771212	3	Bolt M12 x 25	
20	0771414	6	Bolt M14 x 30 Class 10.9	
21	0961951	2	Bushing	
22	1321716	2	Clamp	
23	1703162	2	Decal - Caution Fan	
25	2720015	2 ft /1 m	Hose	
26	2720340	1 ft/1 m	Hose	
27	2902065	1	Pump Coupling Kit (See Separate Breakdown in this Section)	
28	3290605	3	Nut M6	
29	3290805	9	Nut M8	
30	3291001	5	Nut M10	
31	3291005	9	Nut M10	
32	3331215	3	Nut M12 x 1.75	
33	3520054	1	Plug	
34	3931512	4	Capscrew, 5/16 x 3/4	
35	4031914	4	Bolt M8 x 50	
36	4060805	3 ft /1 m	Flex-Trim	
37	4240099	AR	Tie-Strap (Not Shown)	
38	4640751	1	Valve, Oil Drain	
39	4711500	4	Washer 5/16	
40	4811700	2	Washer M6	
41	4811702	8	Washer M6	
42	4811900	23	Washer M8	
43	4811902	8	Washer M8	
44	4812000	20	Washer M10	
45	4812002	4	Washer M10	
46	4812100	7	Washer M12	
47	4812200	6	Washer M14	
48	5241200	3	Washer M12	
49	5251215	1	Bolt M12 x 35	
50	5261200	1	Nut, Flange M12 Class10	

SECTION 3 - ENGINE

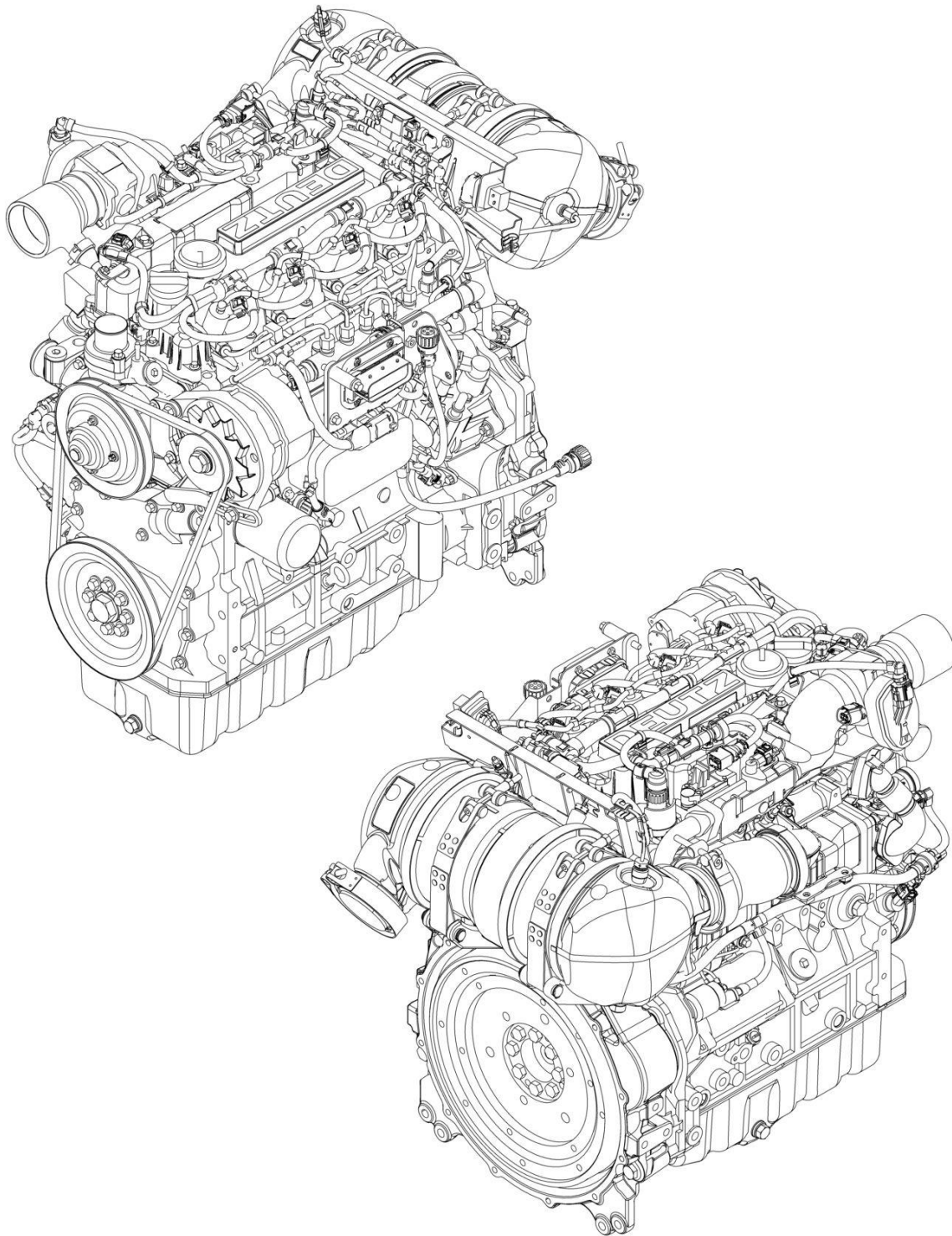
ITEM	PART NUMBER	QTY	DESCRIPTION	REV
54	8405007	2	Clamp	
55	8405009	5	Clamp	
56	8405104	4	Clamp	
57	8405202	1	Clamp	
58	8405204	2	Clamp	
59	8406109	1	Clip	
60	8406110	1	Clip	
61	8406201	1	Clip	
62	1001117308	1	Relay, 200Amp	
63	1001118878	1	Bolt M6 x 55	
64	1001136834	1	Cap, Tank	
67	1001138228	1	Relay, Power Module	
68	1001138248	4 ft/1 m	Tube	
69	1001141304	1	Harness, Glow Plug	
70	1001141694	1	Clamp, Air Cleaner	
72	1001143390	1	Indicator	
73	1001143797	1	Fitting, Barbed	
74	1001144116	1	Spacer, Fan	
75	1001146588	AR	Tie-Strap (Not Shown)	
76	1001152489	1	Fitting, Barbed 90	
77	1001165388	1	Air Cleaner Assembly	
78	1001165405	1	Hose, Upper Radiator	
79	1001165406	1	Hose, Lower Radiator	
80	1001165722	1	Radiator	
81	1001165849	1	Fan	
82	1001166718	3	Mount, Motor	
83	1001166921	1	Plate, Engine Mount	
84	1001166924	1	Plate, Engine Mount	
85	1001167520	1	Tray, Engine	
86	1001168018	3	Washer, Special	
87	1001168026	1	Plate, Radiator Mounting	
88	1001168099	1	Hose	
89	1001168166	2	Seal	
90	1001169054	4	Isolator	
91	1001169138	4	Washer, Snubbing	
92	1001169967	2	Bracket	
93	1001170035	2	Bracket	
94	1001177359	1	Hose	
95	1001178788	1	Cable, Alternator	
96	1001179903	1	Bracket	
97	1001180620	AR	Adhesive	
98	1001191620	2	Clamp	
99	1001223122	1	Support	
100	1001230635	1	Tank, Surge (Includes Items 62, 70, & 73)	
101	1001235949	1	Bracket (See Separate Breakdown in this Section)	
102	1001236780	1	Hose, Air Intake	
103	1001238911	1	Pipe, Air Intake	
104	1001258804	1	Mount, Fuel Filter	
105	1001260412	1	Bracket	
106	1001260420	1	Bracket (note: may require P/N 1001260412)	
107	1001276643	1	Harness, Engine (Not Shown - See Separate Breakdown in ELECTRICAL Section)	

SECTION 3 - ENGINE

ITEM	PART NUMBER	QTY	DESCRIPTION	REV
108	1001277589	1	Engine, Deutz 2.9L4 (Stage V) (See Separate Breakdown in this Section)	
109	2200261	1	Fitting	
110	1001277432	1	Spacer	
111	4240032	1	Tie-Strap (Not Shown)	
112	1001291401	1	Tag, Coolant	

SECTION 3 - ENGINE

FIGURE 3-19. ENGINE COMPONENTS - DEUTZ D2.9L4 ENGINE (STAGE V) (CE & UK CA SPECS)



ART_1001277589

SECTION 3 - ENGINE

FIGURE 3-19. ENGINE COMPONENTS - DEUTZ D2.9L4 ENGINE (STAGE V) (CE & UK CA SPECS)

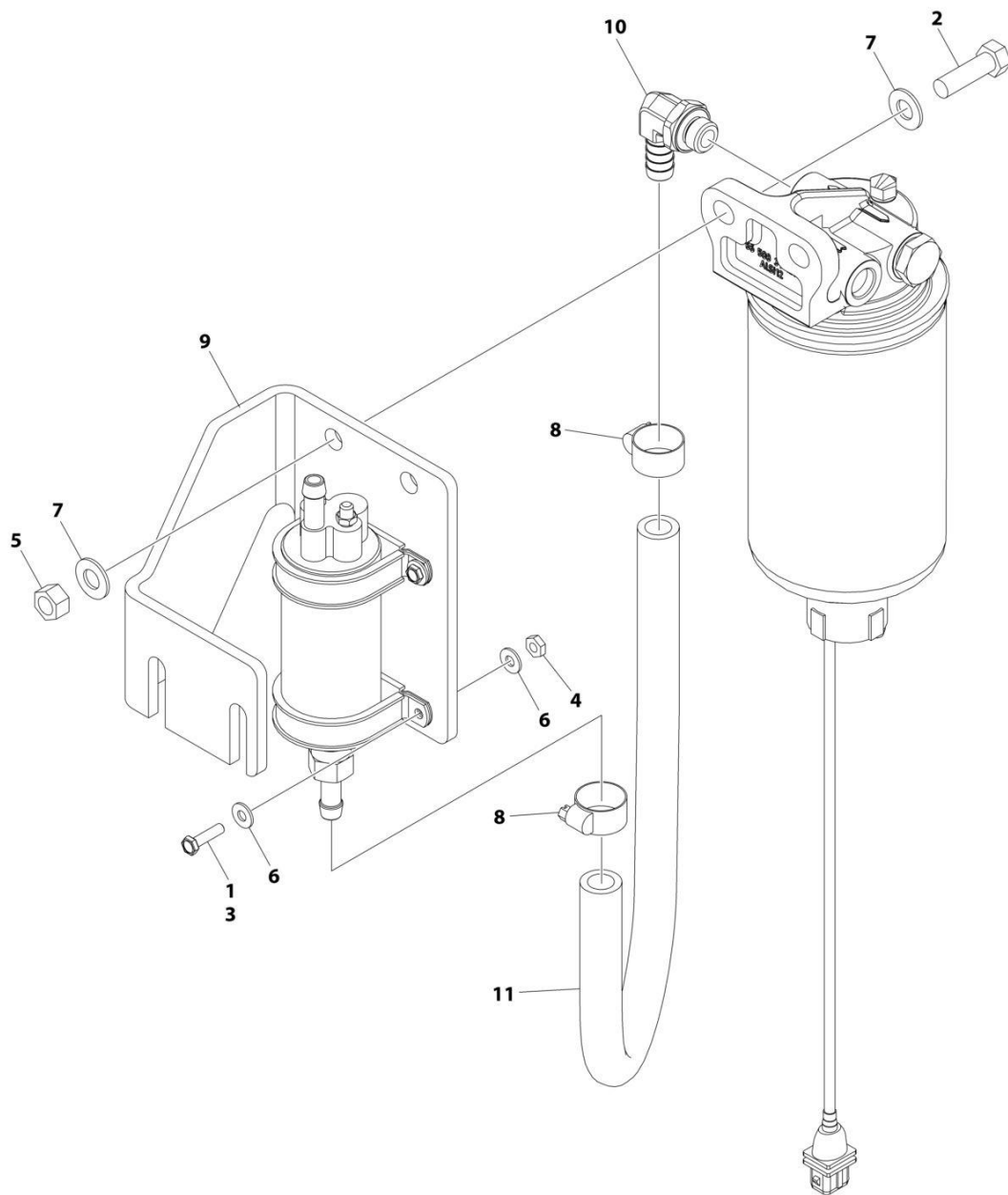
ITEM	PART NUMBER	QTY	DESCRIPTION	REV
	1001277589	Ref	DEUTZ ENGINE COMPONENTS	B
	SEE NOTE	1	Note: Additional components may be available. Contact JLG Customer Service for more details.	
		Ref	COOLING SYSTEM COMPONENTS	
	70031474	1	Cooler, Oil	
	70031388	1	Seal, Oil Cooler	
	70030360	1	Pump, Coolant (Includes Gaskets & Seals)	
	70031055	1	O-Ring, Coolant Pump	
	70007325	1	Gasket	
	70007603	1	Thermostat	
	70005184	1	O-Ring, Thermostat	
	70005931	1	Gasket, Thermostat	
		Ref	ELECTRICAL SYSTEM COMPONENTS	
	70024513	1	Cable, Primary Fuel Filter Sensor (Includes Seal)	
	70025239	1	Seal	
	70028538	1	Sensor, Fuel Pressure (at Filter) (Includes Seal)	
	70024920	1	Seal	
	70029512	1	Module, ECU/ECM	
	70027405	1	Senor, Exhaust Temperature	
	70031144	1	Starter	
	70008435	1	Generator (includes Regulator)	
	70031143	1	Regulator	
	70000345	4	Plug, Glow	
	70025231	1	Harness, Glow Pug	
	70008553	1	Cable, Interconnect	
	70008558	1	Harness, Engine	
	1001211556	1	Sensor, Temperature (Includes O-Seal)	
	70005507	1	O-Seal	
	70028540	1	Sensor, Temperature (in Cylinder Head)	
	70024504	1	Sensor, Oil Pressure (Side of Block) (Includes Seal)	
	70024920	1	Seal	
	70026210	2	Sensor, Speed (Includes O-Ring/Seal)	
	70005191	1	O-Ring	
	70024917	1	Seal	
	70008559	1	Sensor, Air Pressure (Air Exchange Manifold) (Includes O-Ring)	
	70008561	1	Sensor, Air Pressure (Air Exchange Manifold) (Includes O-Ring)	
	70024505	1	Sender, Exhaust Temperature	
	70029409	1	Sender, Exhaust Temperature	
	70008431	1	Sensor, Exhaust Pressure	
		Ref	EXHAUST SYSTEM COMPONENTS	
	70025130	8	Bolt, Exhaust Manifold	
	70025164	1	Gasket, Exhaust Manifold to Head	
	70005505	2	O-Seal	
	70008543	1	Pipe, Exhaust	
	70008544	1	O-Seal, Exhaust (Venturi Tube to Exhaust Pipe)	
	70008545	1	Gasket, Square Exhaust	
	70005504	1	Sensor, Exhaust Pressure (Includes O-Seals)	
	70031136	1	Gasket, Exhaust (Upper)	
	70007354	1	Gasket, Exhaust (Lower)	
	70008547	1	Module, EGR (Includes Gasket)	

SECTION 3 - ENGINE

ITEM	PART NUMBER	QTY	DESCRIPTION	REV
	70007326	1	Gasket	
	70025242	2	Gasket, Compensator	
	70004504	1	Compensator	
	70008564	1	Catalyst	
		Ref	FUEL SYSTEM COMPONENTS	
	1001225430	1	Filter, Primary Fuel	
	1001225431	1	Filter, Fuel	
	70030381	1	Pump, High Pressure	
	70025152	1	O-Ring (Between Pump AND Spacer)	
	70004505	1	Valve, Overflow (Includes O-Rings)	
	70004506	1	O-Ring	
	70004507	1	O-Ring	
	70004508	1	Valve, Volume Control (Includes O-Ring & Gasket)	
	70004509	1	O-Ring	
	70004510	1	Gasket	
	70004281	4	Injector, Fuel (Includes Sealing Washer & O-Ring)	
	70025140	1	Washer, Sealing	
	70025145	1	O-Rin	
	70008422	1	Pump, Fuel Supply (Includes Clamps)	
	70025144	2	Clamp	
	70008537	1	Valve, Throttle (Includes Gasket)	
	70008538	1	Gasket	
		Ref	GASKETS & SEAL & KITS	
	70024906	1	Gasket, Head	
	70005171	1	Gasket, Valve Cover	
	70002718	1	Seal, Rear Main	
	70028185	1	Gasket, Front Cover	
	70008296	1	Seal, Front Main	
	70025235	1	Kit, Repair - Fuel Rail	
	70005176	1	O-Ring, Charge Exchange Manifold	
	70005177	1	Gasket, Charge Exchange Manifold	
	70005938	1	Gasket Kit	
		Ref	LUBRICATION SYSTEM COMPONENTS	
	7016331	1	Filter, Oil	
	70024904	1	Dipstick (Includes O-Ring)	
	70024905	1	O-Ring, Dipstick	
	7020465	2	Cap, Oil Fill	
	70005941	1	Plug, Oil Drain	
	70005942	1	Washer, Oil Drain Plug	
	70005172	1	Pump, Oil Lube (Includes Gasket & O-Ring)	
		Ref	MECHANICAL COMPONENTS	
	70001870	1	Flywheel (Includes Ring Gear)	
	7024579	1	Gear, Ring	
	70024913	1	V-Belt	

SECTION 3 - ENGINE

FIGURE 3-20. BRACKET ASSEMBLY - FUEL PUMP AND FILTER (DEUTZ D2.9L4 ENGINE) (STAGE V)



ART_1001235949

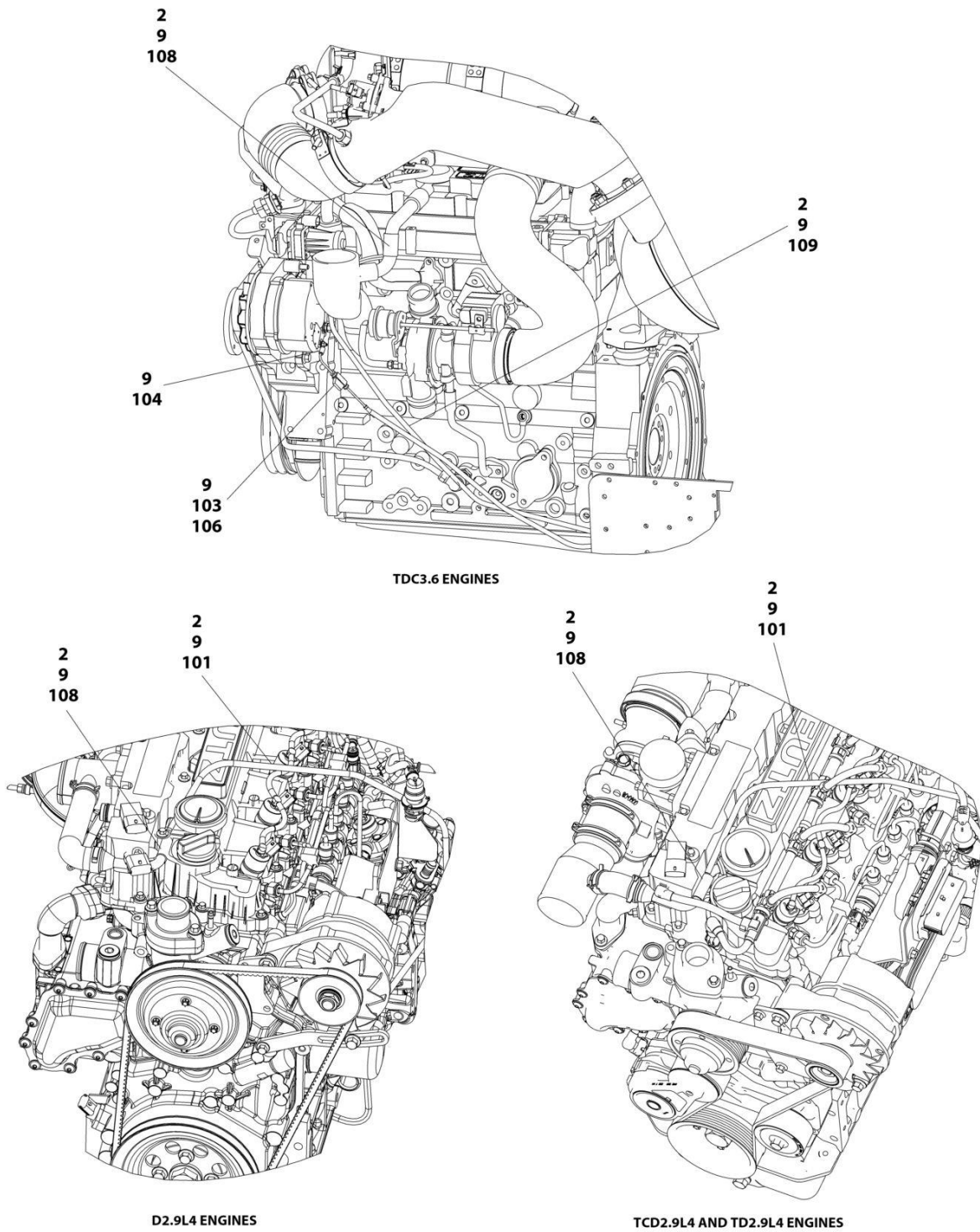
SECTION 3 - ENGINE

FIGURE 3-20. BRACKET ASSEMBLY - FUEL PUMP AND FILTER (DEUTZ D2.9L4 ENGINE) (STAGE V)

ITEM	PART NUMBER	QTY	DESCRIPTION	REV
	1001235949	Ref	BRACKET ASSEMBLY - FUEL PUMP AND FILTER (DEUTZ D2.9L4 (STAGE V) ENGINE)	A
1	0100035	AR	Compound, Locking	
2	0641610	2	Bolt 3/8 x 1-1/4	
3	0721006	4	Bolt #10 x 3/4	
4	3311001	4	Nut #10	
5	3311605	2	Nut 3/8	
6	4711000	8	Washer #10	
7	4711600	4	Washer 3/8	
8	8405006	2	Clamp	
9	1001141870	1	Plate, Fuel Pump Mount	
10	1001142501	1	Fitting, Elbow Barbed	
11	1001154405	1.5 ft /0.4m	Hose	

SECTION 3 - ENGINE

FIGURE 3-21. BREATHER HEATER INSTALLATION - DEUTZ D2.9L4 ENGINES (STAGE V) (CE & UK CA SPECS)



ART_1001233763

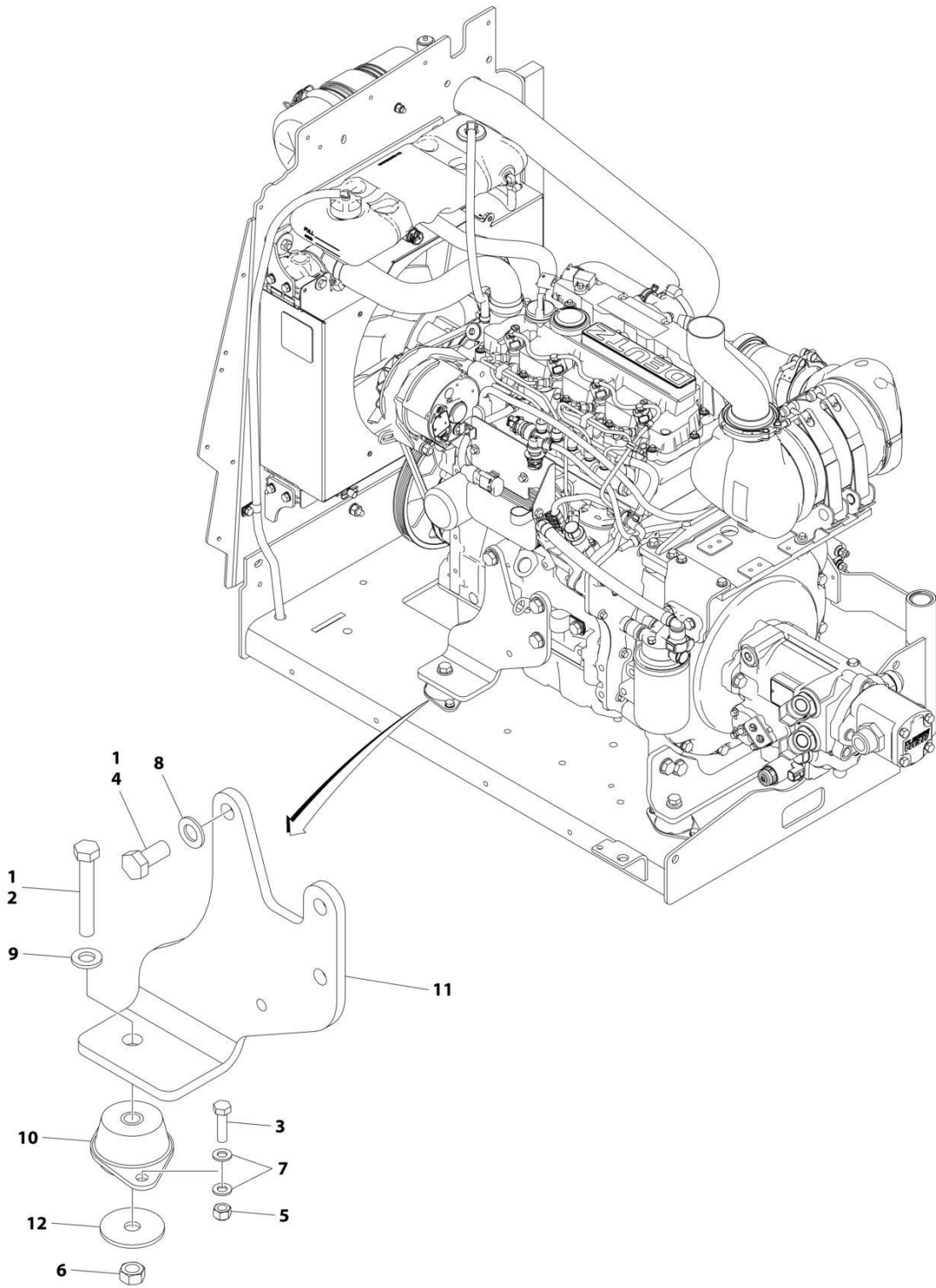
SECTION 3 - ENGINE

FIGURE 3-21. BREATHER HEATER INSTALLATION - DEUTZ D2.9L4 ENGINES (STAGE V) (CE & UK CA SPECS)

ITEM	PART NUMBER	QTY	DESCRIPTION	REV
	1001233763	Ref	BREATHER HEATER INSTALLATION - DEUTZ ENGINES	D
2	4240099	AR	Tie-Strap	
9	1001243895	1	Breather Heater Harness	C
101	2820035	AR	Insulation	
103	2400060	1	Fuseholder with Cover	
104	4460043	1	Terminal, Ring	
105	4460722	1	Terminal, Ring (Not Shown)	
106	1001196634	1	Fuse - 2 Amp	
108	1001232842	1	Breather Heater Kit	

SECTION 3 - ENGINE

FIGURE 3-22. MOTOR MOUNT INSTALLATION - (STAGE V & CHINA IV ENGINE WITHOUT GENERATOR)



ART_1001244024

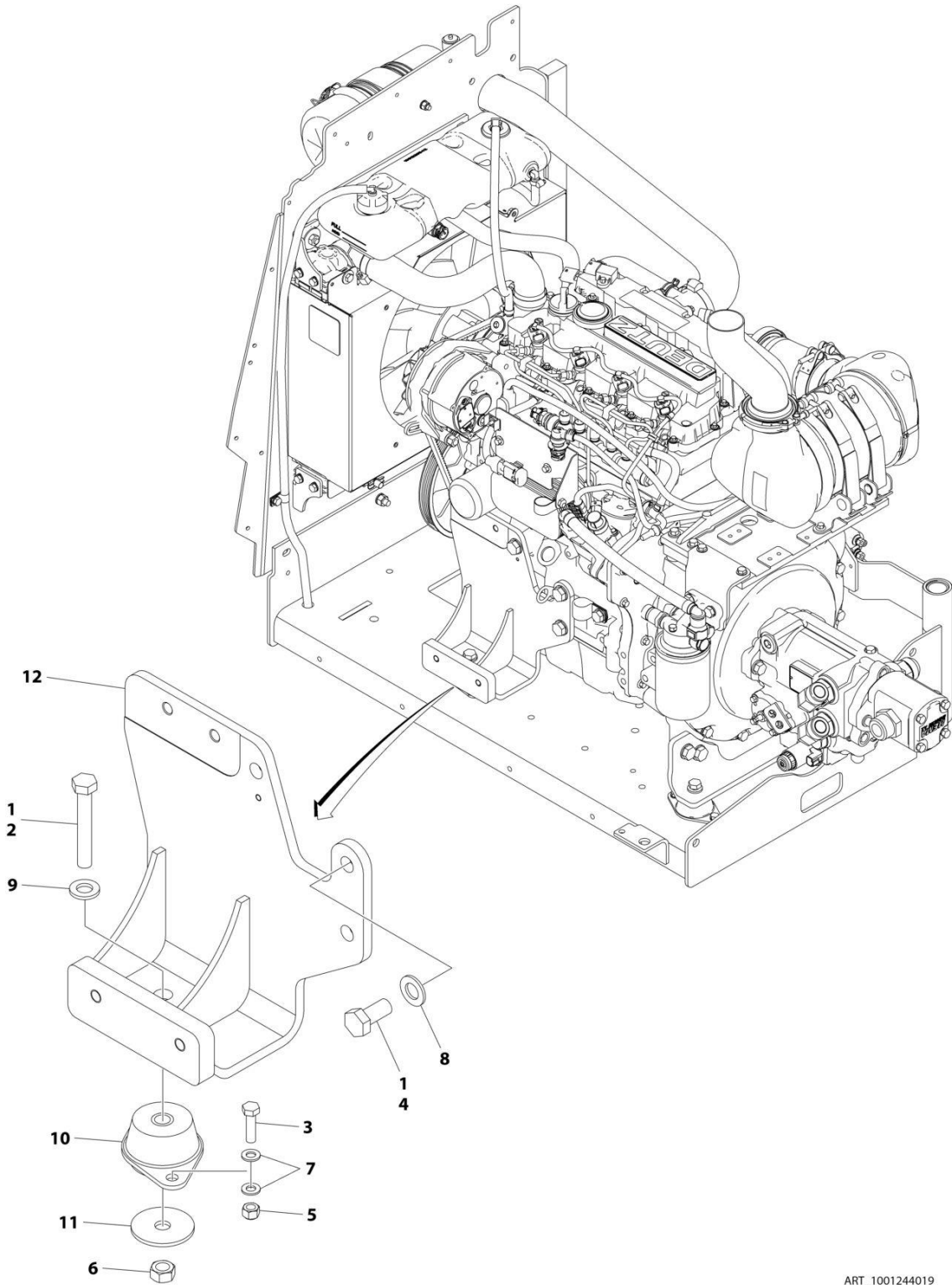
SECTION 3 - ENGINE

FIGURE 3-22. MOTOR MOUNT INSTALLATION - (STAGE V & CHINA IV ENGINE WITHOUT GENERATOR)

ITEM	PART NUMBER	QTY	DESCRIPTION	REV
	1001244024	Ref	MOTOR MOUNT INSTALLATION	A
1	0100011	AR	Compound, Locking	
2	0711224	1	Bolt M12 x 80	
3	0760814	2	Bolt M8 x 30	
4	0771414	3	Bolt M14 x 30	
5	3290805	2	Nut M8	
6	3331211	1	Nut M12	
7	4811900	4	Washer M8	
8	4812200	3	Washer M14	
9	5241200	1	Washer M12	
10	1001166718	1	Mount, Motor	
11	1001166922	1	Mount	
12	1001168018	1	Washer	

SECTION 3 - ENGINE

FIGURE 3-23. MOTOR MOUNT INSTALLATION - (STAGE V & CHINA IV ENGINE WITH GENERATOR)



ART_1001244019

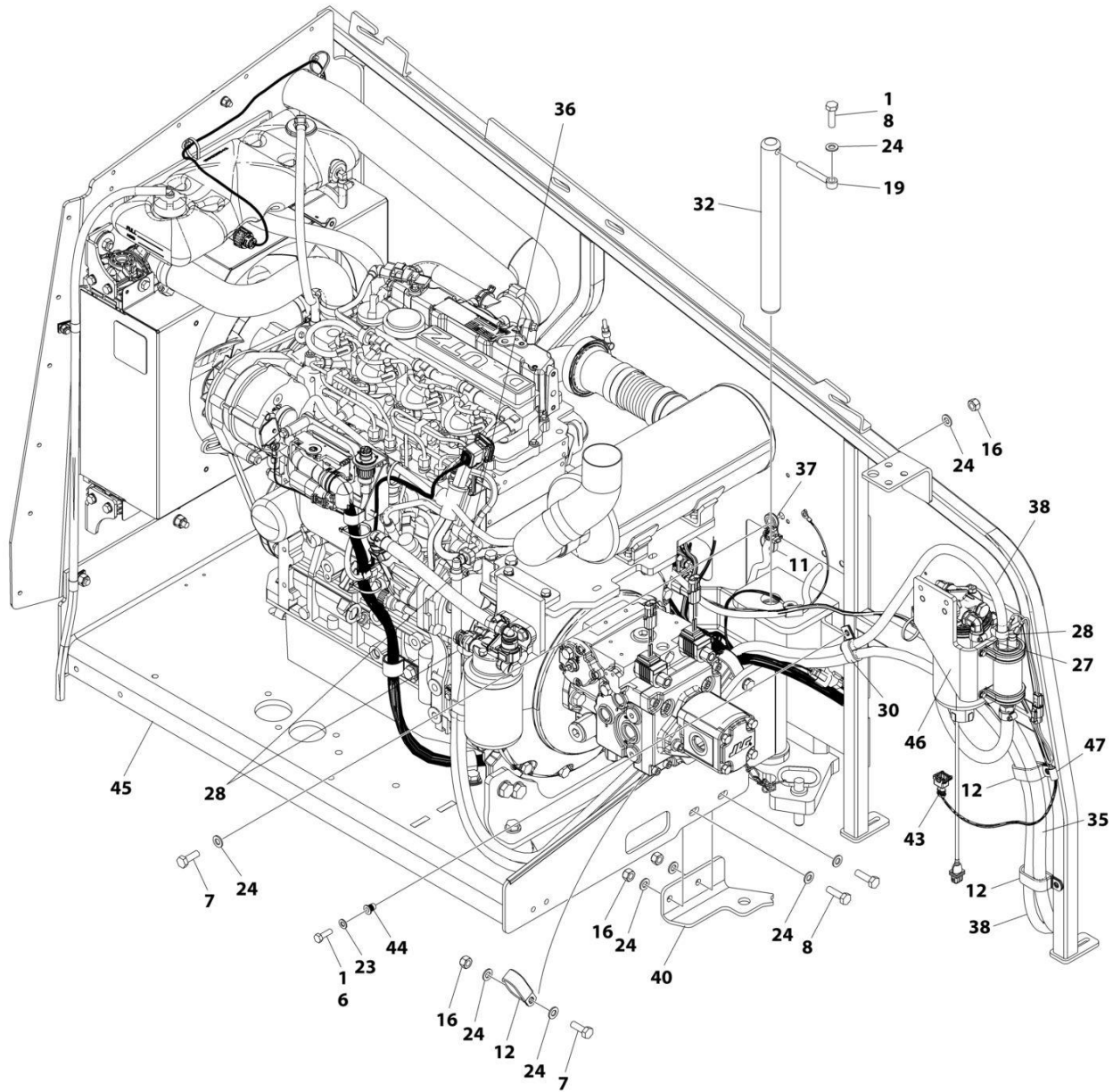
SECTION 3 - ENGINE

FIGURE 3-23. MOTOR MOUNT INSTALLATION - (STAGE V & CHINA IV ENGINE WITH GENERATOR)

ITEM	PART NUMBER	QTY	DESCRIPTION	REV
	1001244019	Ref	MOTOR MOUNT INSTALLATION	A
1	0100011	AR	Compound, Locking	
2	0711224	1	Bolt M12 x 80	
3	0760814	2	Bolt M8 x 30	
4	0771414	3	Bolt M14 x 30	
5	3290805	2	Nut M8	
6	3331211	1	Nut M12	
7	4811900	4	Washer M8	
8	4812200	3	Washer M14	
9	5241200	1	Washer M12	
10	1001166718	1	Mount, Motor	
11	1001168018	1	Washer	
12	1001168207	1	Mount	

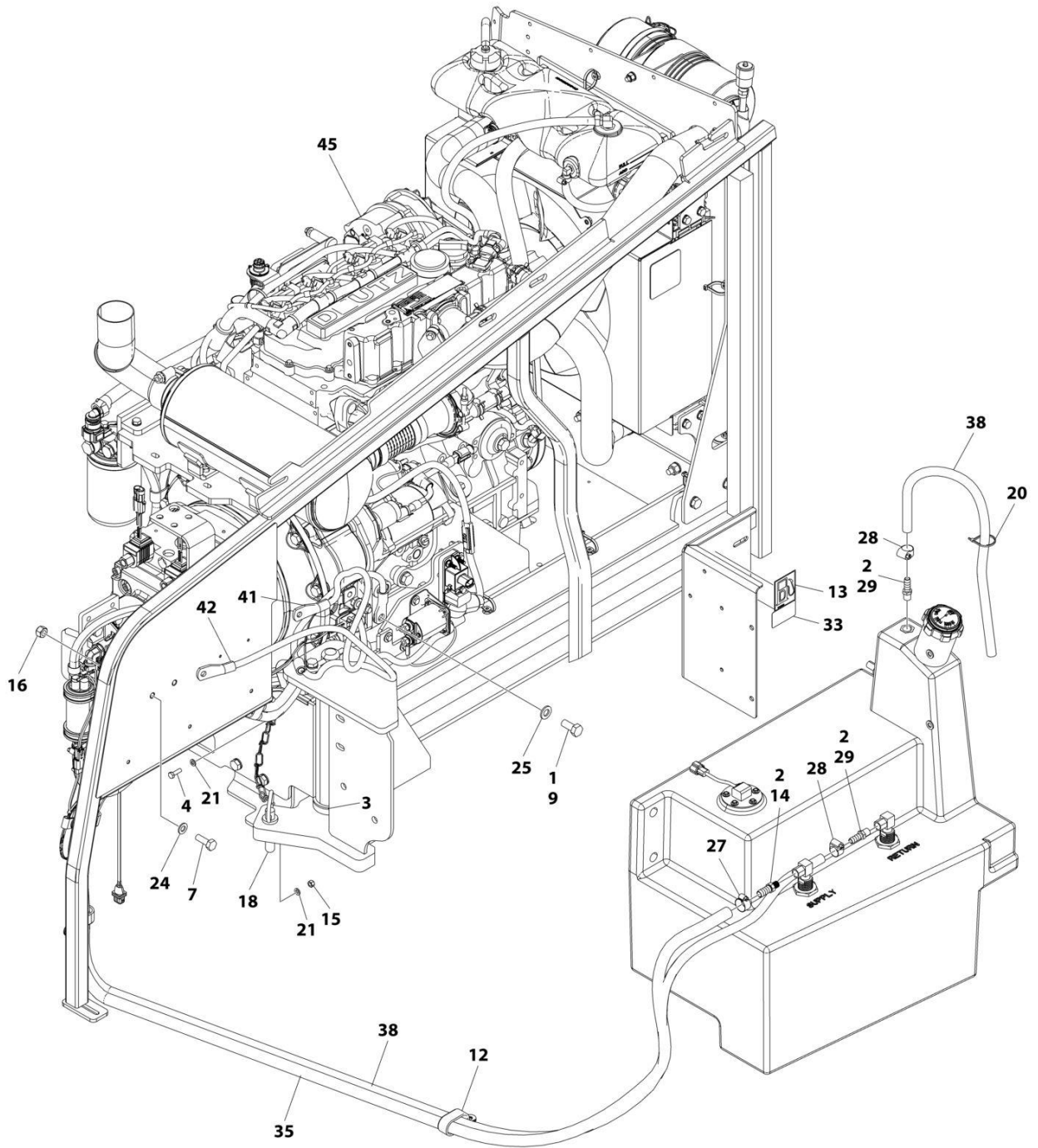
SECTION 3 - ENGINE

FIGURE 3-24. ENGINE INSTALLATION - DEUTZ D2.9L4 ENGINE (CHINA IV)



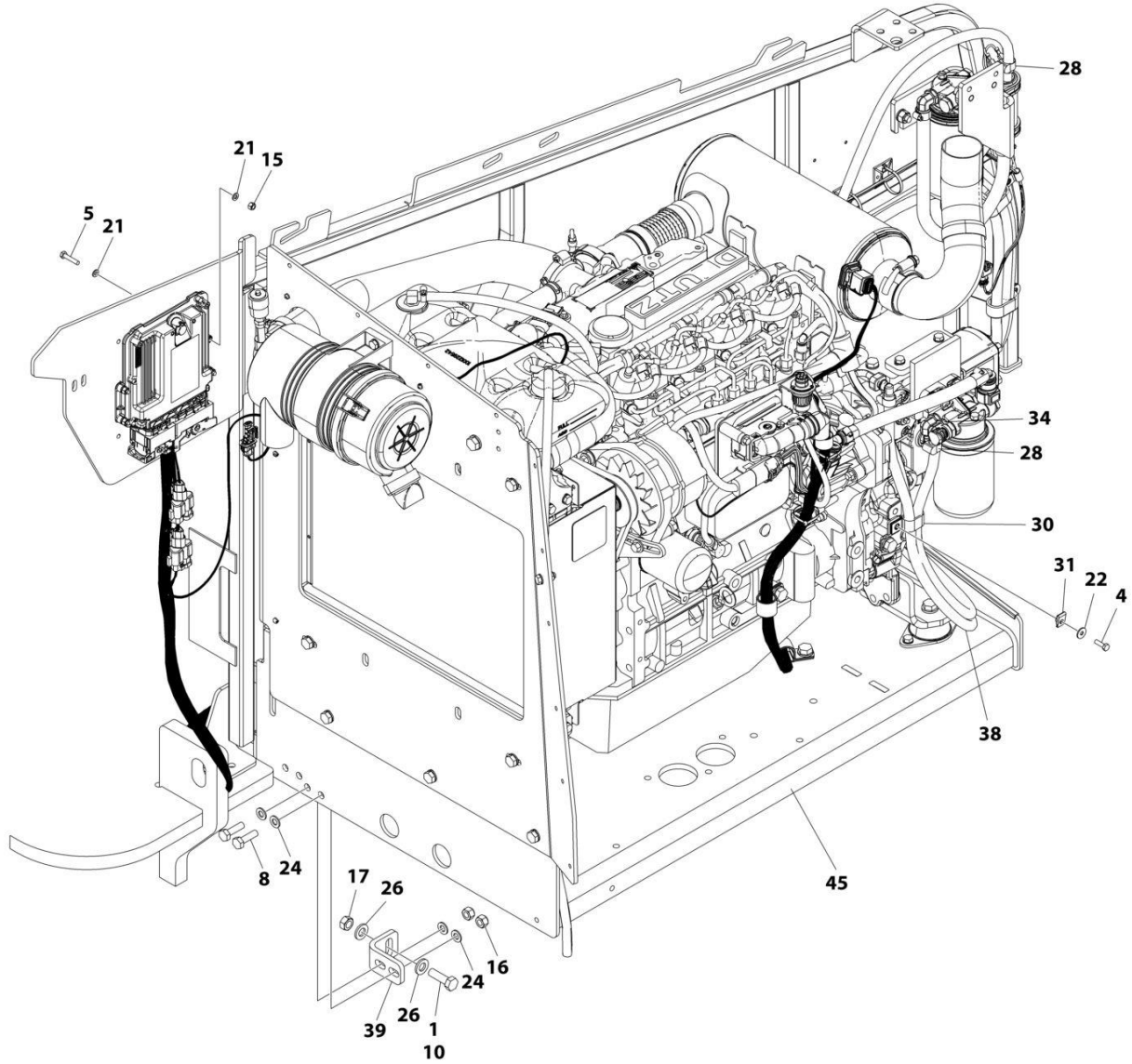
ART_1001258339_10F3

SECTION 3 - ENGINE



ART_1001258339_2OF3

SECTION 3 - ENGINE



ART_1001258339_3OF3

SECTION 3 - ENGINE

FIGURE 3-24. ENGINE INSTALLATION - DEUTZ D2.9L4 ENGINE (CHINA IV)

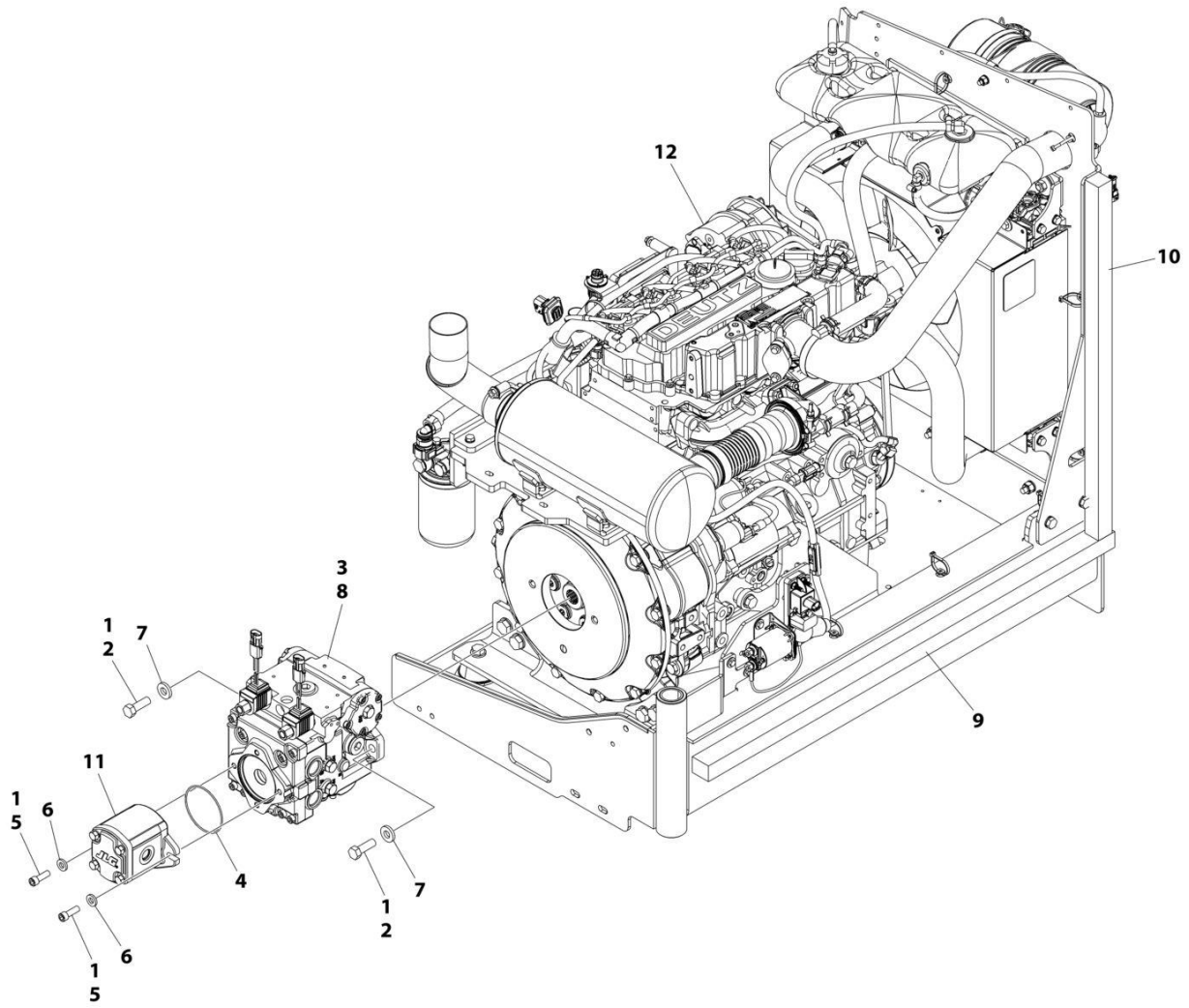
ITEM	PART NUMBER	QTY	DESCRIPTION	REV
	1001258339	Ref	ENGINE INSTALLATION - DEUTZ D2.9L4 ENGINE (CHINA IV)	A
1	0100011	AR	Compound, Locking	
2	0100020	AR	Sealant, Pipe	
3	0440162	1	Bearing	
4	0760610	2	Bolt M6 x 20	
5	0760614	4	Bolt M6 x 30	
6	0760812	1	Bolt M8 x 25	
7	0761014	5	Bolt M10 x 30	
8	0761015	5	Bolt M10 x 35	
9	0761210	1	Bolt M12 x 20	
10	0761216	1	Bolt M12 x 40	
11	1062255	AR	Tie-Strap	
12	1321716	5	Clamp	
13	1701505	1	Decal - Diesel Fuel	
14	2180832	1	Fitting, Barbed	
15	3290605	5	Nut M6	
16	3291005	9	Nut M10	
17	3331215	1	Nut M12	
18	3422532	1	Pin	
19	3841143	1	Keeper, Pin	
20	4240099	AR	Tie-Strap	
21	4811700	10	Washer M6	
22	4811702	1	Washer M6	
23	4811900	1	Washer M8	
24	4812000	19	Washer M10	
25	4812100	1	Washer M12	
26	5241200	2	Washer M12	
27	8405006	2	Clamp	
28	8410013	5	Clamp	
29	8430007	2	Fitting, Barbed	
30	1001026127	2	Clamp	
31	1001130220	1	Nut M6	
32	1001135196	1	Pin	
33	1001139654	1	Decal	
34	1001152489	1	Fitting, Barbed	
35	1001154405	7.25 ft /2.21m	Hose	
36	1001155823	1	Coupling, Quick Disconnect 90	
37	1001156107	1	Holder, Cable	
38	1001165035	17.25 ft /5.26m	Hose	
39	1001167512	1	Bracket	
40	1001169823	1	Plate, Engine Lock	
41	1001171683	1	Cable, Battery (Red) (Battery Positive to Auxiliary Power Relay)	
42	1001171684	1	Cable, Battery (Black) (Battery Negative to Auxiliary Power Pump)	
43	1001181358	1	Harness, Fuel Pump (See Separate Breakdown in ELECTRICAL Section)	
44	1001191832	1	Nut, Rivet M8	
45	1001258338	1	Engine and Pump Sub-Assembly - Deutz D2.9L4 China IV (See Separate Breakdown in this Section)	

SECTION 3 - ENGINE

ITEM	PART NUMBER	QTY	DESCRIPTION	REV
46	1001258385	1	Fuel Filter (See Separate Breakdown in this section)	
47	1320263	1	Clamp	
48	4460488	2	Terminal (Not shown)	

SECTION 3 - ENGINE

FIGURE 3-25. ENGINE AND PUMP SUB-ASSEMBLY - DEUTZ D2.9L4 ENGINE (CHINA IV)



ART_1001258338

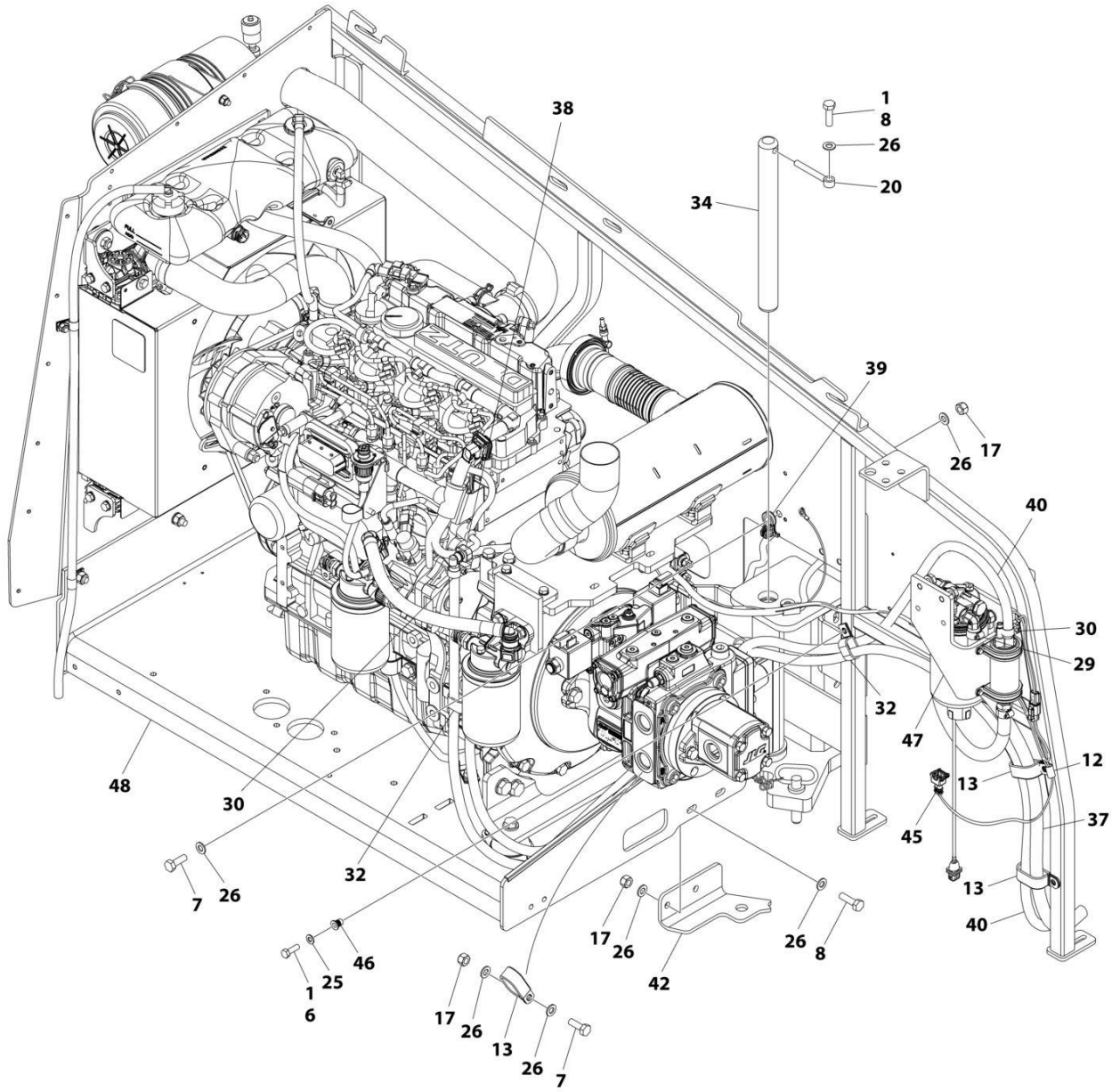
SECTION 3 - ENGINE

FIGURE 3-25. ENGINE AND PUMP SUB-ASSEMBLY - DEUTZ D2.9L4 ENGINE (CHINA IV)

ITEM	PART NUMBER	QTY	DESCRIPTION	REV
	1001258338	Ref	ENGINE AND PUMP SUB-ASSEMBLY - DEUTZ D2.9L4 ENGINE (CHINA IV)	A
1	0100011	AR	Compound, Locking	
2	0641812	2	Bolt 1/2 x 1-1/2	
3	3020037	AR	Grease	
4	3790152	1	O-Ring	
5	3931618	2	Capscrew 3/8 x 1-1/8	
6	4891600	2	Washer 3/8 Hardened	
7	4891800	2	Washer 1/2 Hardened	
8	1001167036	1	Piston Pump Assembly (See Separate Breakdown in this Section)	
9	1001171953	1	Seal	
10	1001171954	1	Seal	
11	1001214207	1	Gear Pump Assembly	
11	70006356	1	Seal Kit - 1001214207 Pump	
13	1001258337	1	Engine Assembly, Deutz D2.9L4 (China IV) Engine (See Separate Breakdown in this Section)	

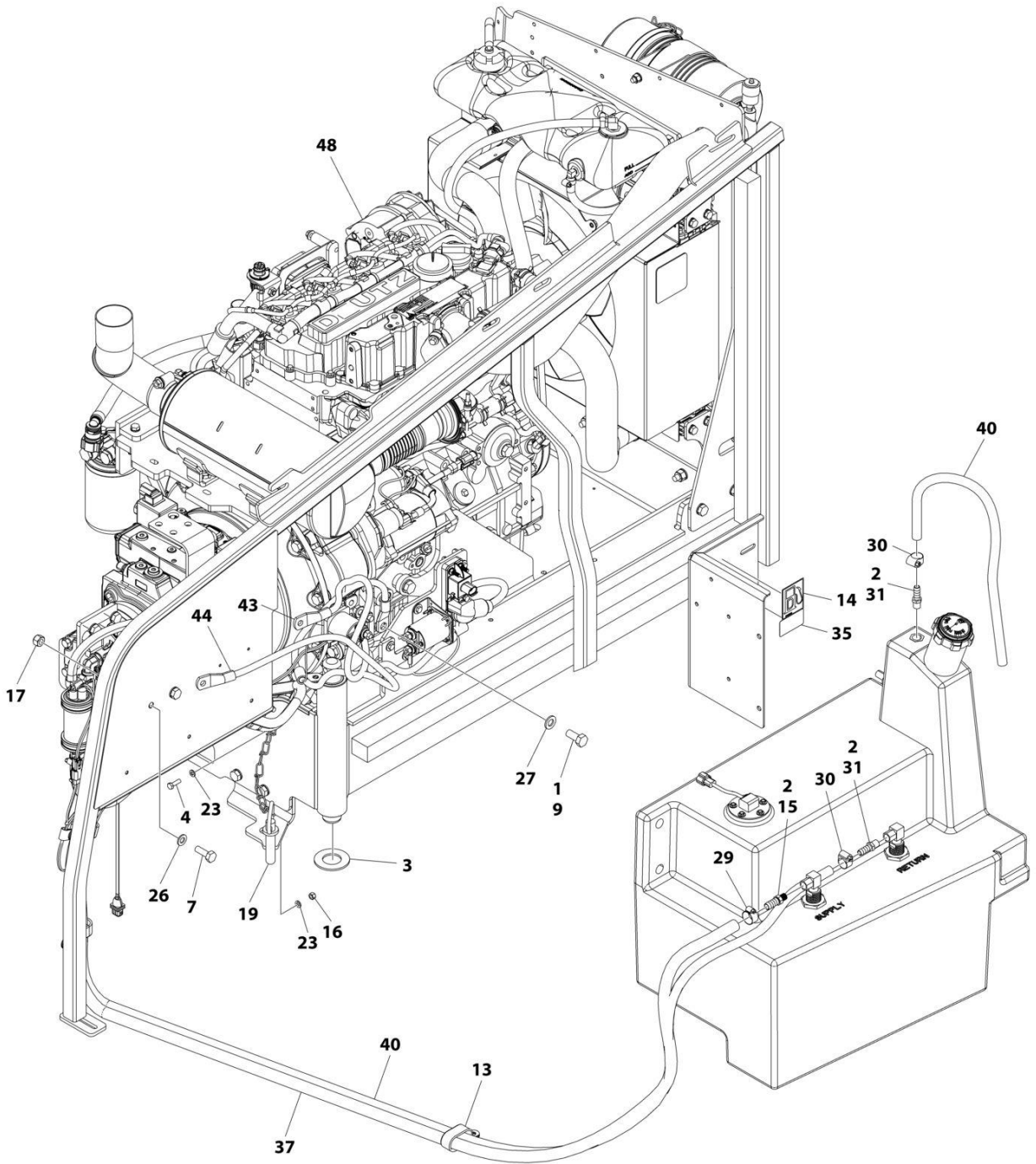
SECTION 3 - ENGINE

FIGURE 3-26. ENGINE INSTALLATION - DEUTZ D2.9L4 ENGINE (CHINA IV) (WITH PMP PUMP)



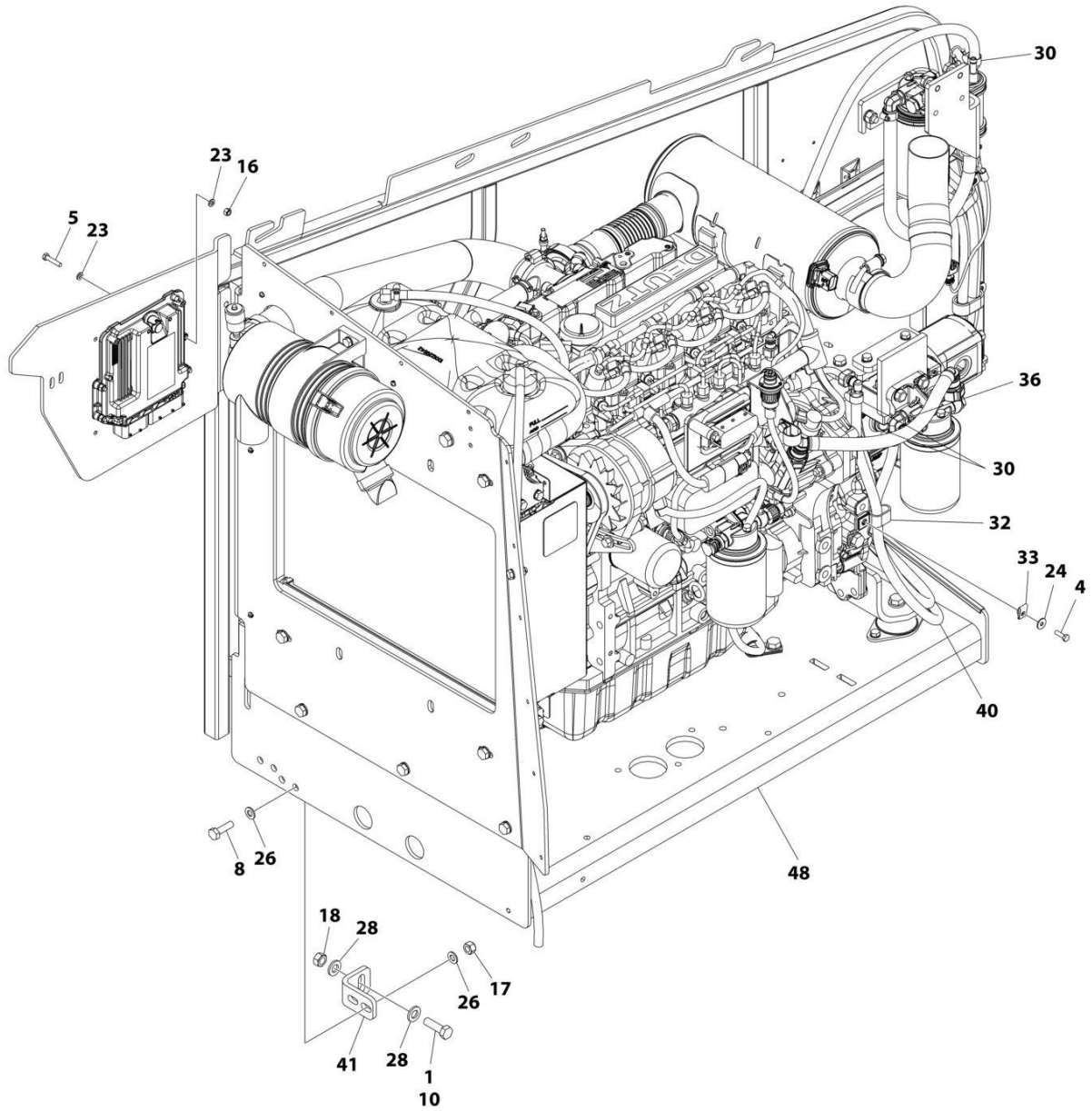
ART_1001300789_10F3

SECTION 3 - ENGINE



ART_1001300789_2OF3

SECTION 3 - ENGINE



ART_1001300789_3OF3

SECTION 3 - ENGINE

FIGURE 3-26. ENGINE INSTALLATION - DEUTZ D2.9L4 ENGINE (CHINA IV) (WITH PMP PUMP)

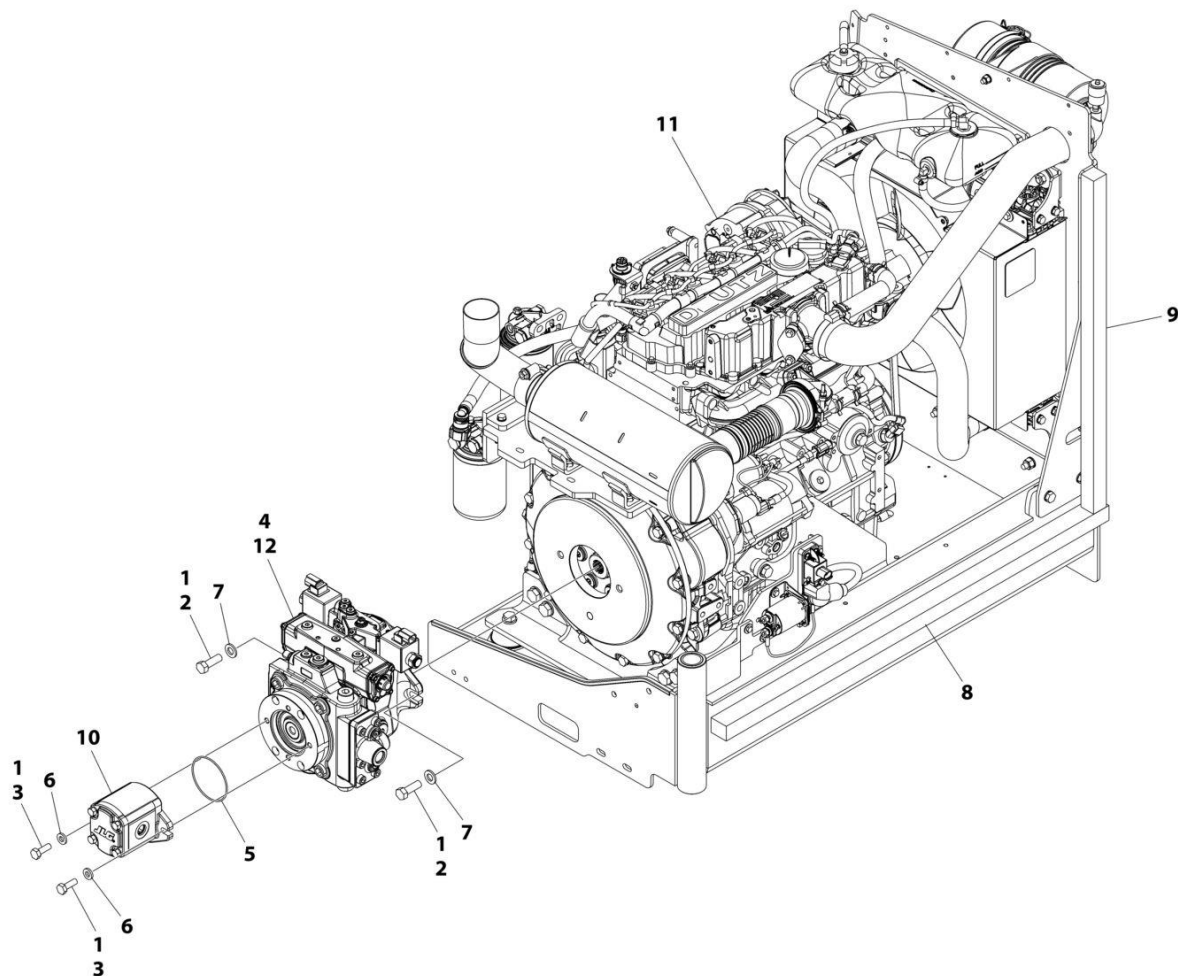
ITEM	PART NUMBER	QTY	DESCRIPTION	REV
	1001300789	Ref	ENGINE INSTALLATION - DEUTZ D2.9L4 ENGINE (CHINA IV) (WITH PMP PUMP)	A
1	0100011	AR	Compound, Locking	
2	0100020	AR	Sealant, Pipe	
3	0440162	1	Bearing	
4	0760610	2	Bolt M6 x 20	
5	0760614	4	Bolt M6 x 30	
6	0760812	1	Bolt M8 x 25	
7	0761014	5	Bolt M10 x 30	
8	0761015	5	Bolt M10 x 35	
9	0761210	1	Bolt M12 x 20	
10	0761216	1	Bolt M12 x 40	
11	1062255	AR	Tie-Strap (Not Shown)	
12	1320263	1	Clamp	
13	1321716	5	Clamp	
14	1701505	1	Decal - Diesel	
15	2180832	1	Fitting, Barbed	
16	3290605	5	Nut M6	
17	3291005	9	Nut M10	
18	3331215	1	Nut M12	
19	3422532	1	Pin	
20	3841143	1	Keeper, Pin	
21	4240099	AR	Tie-Strap (Not Shown)	
22	4460488	2	Terminal (Not shown)	
23	4811700	10	Washer M6	
24	4811702	1	Washer M6	
25	4811900	1	Washer M8	
26	4812000	19	Washer M10	
27	4812100	1	Washer M12	
28	5241200	2	Washer M12	
29	8405006	2	Clamp	
30	8410013	5	Clamp	
31	8430007	2	Fitting, Barbed	
32	1001026127	2	Clamp	
33	1001130220	1	Nut, Tinnerman M6	
34	1001135196	1	Pin	
35	1001139654	1	Decal - Ultra Low Sulphur Fuel	
36	1001152489	1	Fitting, 90 Barbed	
37	1001154405	7.4 ft/ 2.3 m	Hose	
38	1001155823	1	Coupling, Quick Disconnect 90	
39	1001156107	1	Holder, Cable	
40	1001165035	20.5 ft/ 6.3 m	Hose	
41	1001167512	1	Bracket	
42	1001169823	1	Plate	
43	1001171683	1	Cable, Battery (Red) (Battery Positive to Auxiliary Power Relay)	
44	1001171684	1	Cable, Battery (Black) (Battery Negative to Auxiliary Power Pump)	
45	1001181358	1	Harness, Fuel Pump (See Separate Breakdown in ELECTRICAL Section)	

SECTION 3 - ENGINE

ITEM	PART NUMBER	QTY	DESCRIPTION	REV
46	1001191832	1	Nut, Rivet M8	
47	1001258385	1	Fuel Filter (See Separate Breakdown in this section)	
48	1001300790	1	Engine and Pump Sub-Assembly (See Separate Breakdown in this Section)	

SECTION 3 - ENGINE

FIGURE 3-27. ENGINE AND PUMP SUB-ASSEMBLY - DEUTZ D2.9L4 ENGINE (CHINA IV)



ART_1001300790

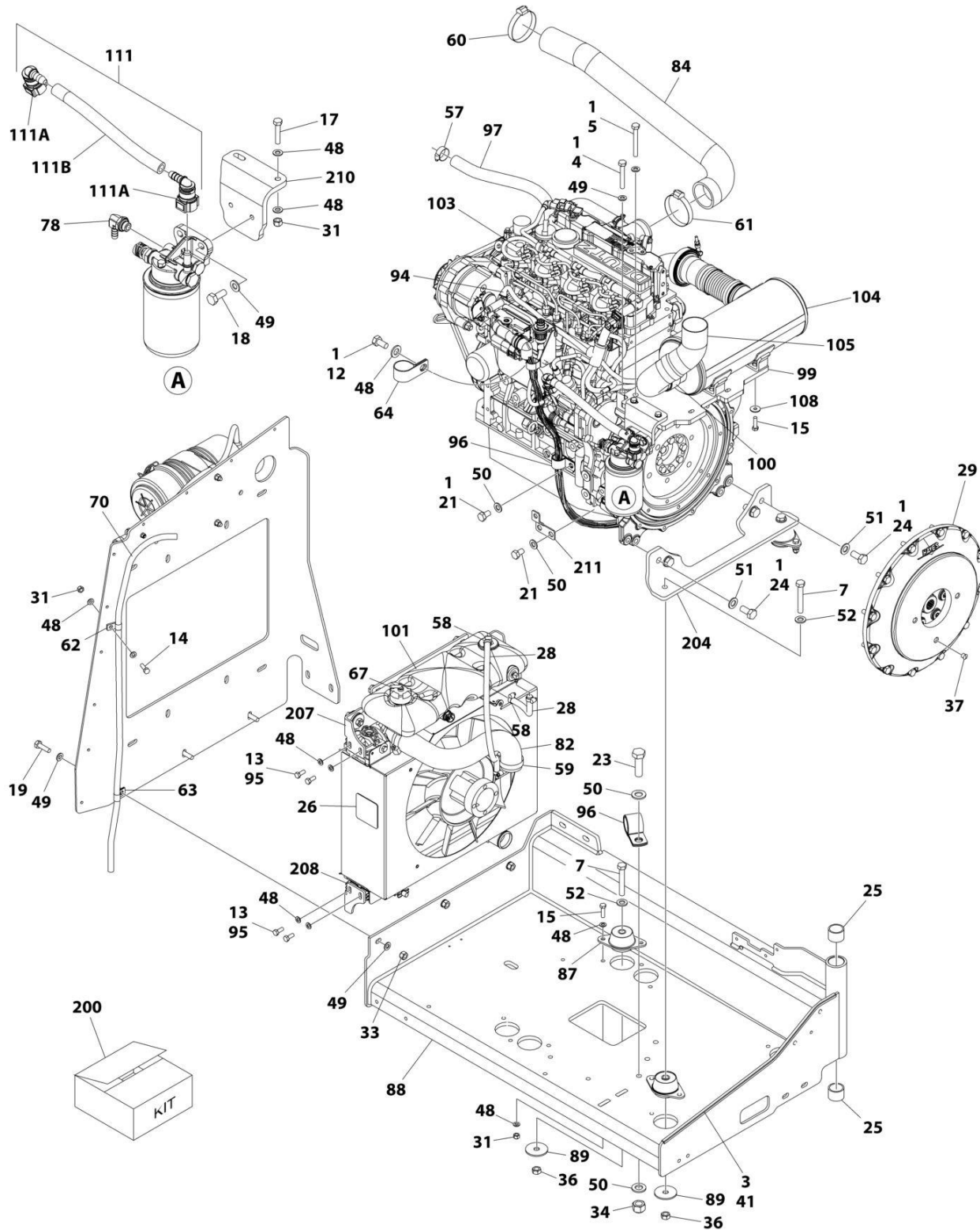
SECTION 3 - ENGINE

FIGURE 3-27. ENGINE AND PUMP SUB-ASSEMBLY - DEUTZ D2.9L4 ENGINE (CHINA IV)

ITEM	PART NUMBER	QTY	DESCRIPTION	REV
	1001300790	Ref	ENGINE AND PUMP SUB-ASSEMBLY - DEUTZ D2.9L4 ENGINE (CHINA IV)	A
1	0100011	AR	Compound, Locking	
2	0641812	2	Bolt 1/2 x 1-1/2	
3	0761014	2	Bolt M10 x 30	
4	3020037	AR	Grease	
5	3790152	1	O-Ring	
6	4891600	2	Washer 3/8	
7	5241200	2	Washer M12	
8	1001171953	1	Seal	
9	1001171954	1	Seal	
10	1001214207	1	Gear Pump Assembly	
10	70006356	1	Seal Kit - 1001214207 Pump	
11	1001258337	1	Engine Assembly (China IV) Engine (See Separate Breakdown in this Section)	
12	1001285632	1	Closed Pump Loop Assembly (See Separate Breakdown in this Section)	

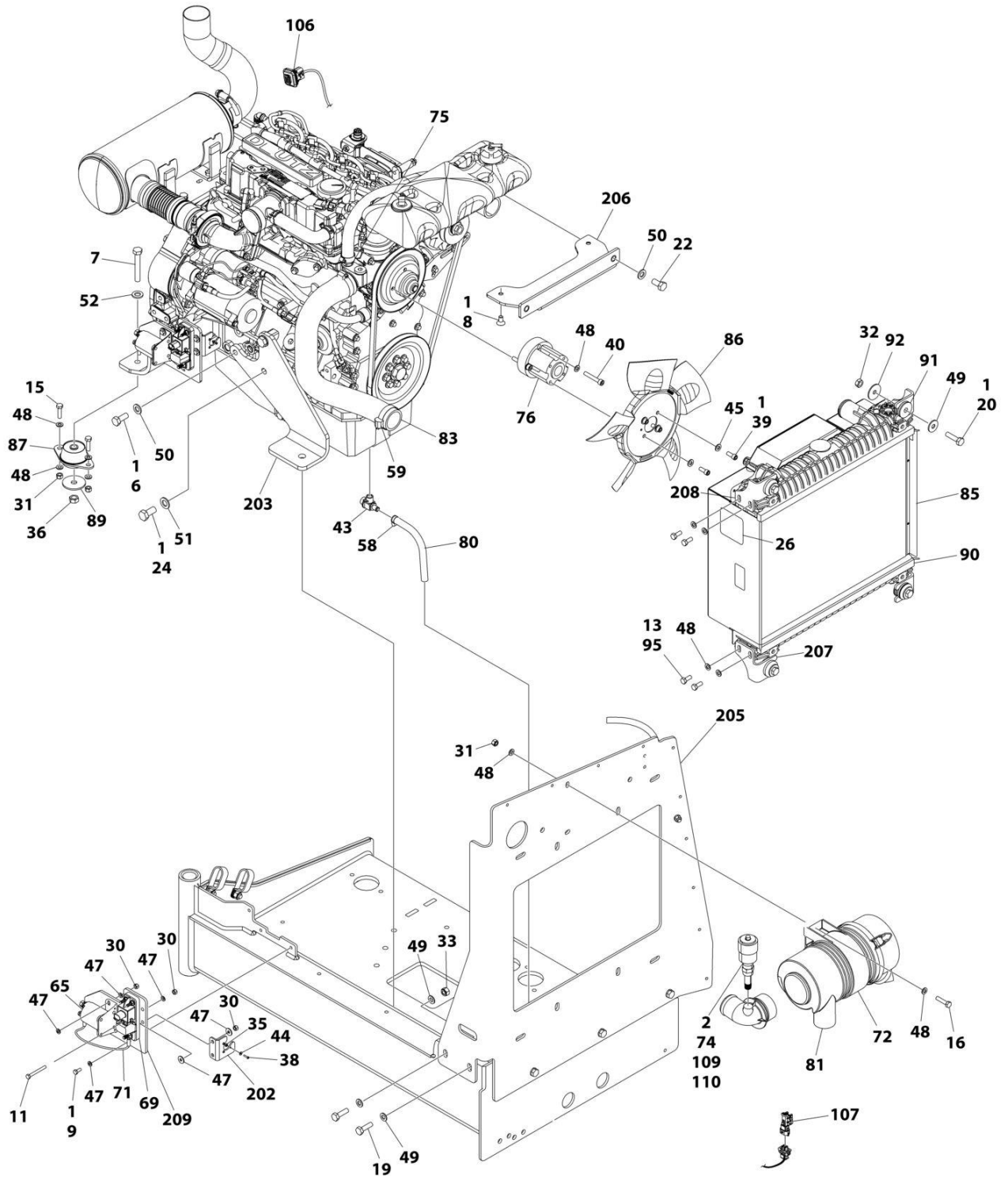
SECTION 3 - ENGINE

FIGURE 3-28. ENGINE ASSEMBLY - DEUTZ D2.9L4 ENGINE (CHINA IV)



ART_1001258337_F_10F2

SECTION 3 - ENGINE



ART_1001258337_F_20F2

SECTION 3 - ENGINE

FIGURE 3-28. ENGINE ASSEMBLY - DEUTZ D2.9L4 ENGINE (CHINA IV)

ITEM	PART NUMBER	QTY	DESCRIPTION	REV
	1001258337	Ref	ENGINE ASSEMBLY - DEUTZ D2.9L4 (CHINA IV)	F
1	0100011	AR	Compound, Locking	
2	0100020	AR	Sealant, Pipe	
3	0100081	AR	Adhesive	
4	0701022	2	Bolt M10 x 70	
5	0701025	2	Bolt M10 x 85	
6	0711214	1	Bolt M12 x 30 Class 10.9	
7	0711224	3	Bolt M12 x 80 Class 10.9	
8	0741606	2	Screw 3/8 x 3/4	
9	0760607	3	Bolt M6 x 14	
10	0760610	4	Bolt M6 x 20	
11	0760619	1	Bolt M6 x 55	
12	0760808	1	Bolt M8 x 16	
13	0760810	8	Bolt M8 x 20	
14	0760812	1	Bolt M8 x 25	
15	0760814	10	Bolt M8 x 30	
16	0760815	2	Bolt M8 x 35	
17	0760816	2	Bolt M8 x 40	
18	0761012	2	Bolt M10 x 25	
19	0761015	5	Bolt M8 x 35	
20	0761016	4	Bolt M10 x 40	
21	0761210	3	Bolt M12 x 20	
22	0761212	2	Bolt M12 x 25	
23	0761216	1	Bolt M12 x 40	
24	0771414	6	Bolt M14 x 30 Class 10.9	
25	0961951	2	Bushing	
26	1703162	2	Decal - Caution Fan	
28	2720015	2.17 ft /0.64m	Hose	
29	2902065	1	Pump Coupling Kit (See Separate Breakdown in this Section)	
30	3290605	5	Nut, Lock M6	
31	3290805	11	Nut, Lock M8	
32	3291001	4	Nut M10	
33	3291005	5	Nut, Lock M10	
34	3291205	1	Nut, Lock M12	
35	3310401	4	Nut #4	
36	3331215	3	Nut M12 x 1.75	
37	3520054	1	Plug	
38	3910408	3	Screw #4 x 1/2	
39	3931512	4	Capscrew 5/16 x 3/4	
40	4031914	4	Bolt M8 x 50	
41	4060805	2.02 ft /0.62m	Flex-Trim	
42	4240099	AR	Tie-Strap (Not Shown)	
43	4640751	1	Valve, Oil Drain	
44	4710400	3	Washer #4	
45	4711500	4	Washer 5/16	
46	4811700	1	Washer M6	
47	4811702	12	Washer M6	
48	4811900	35	Washer M8	

SECTION 3 - ENGINE

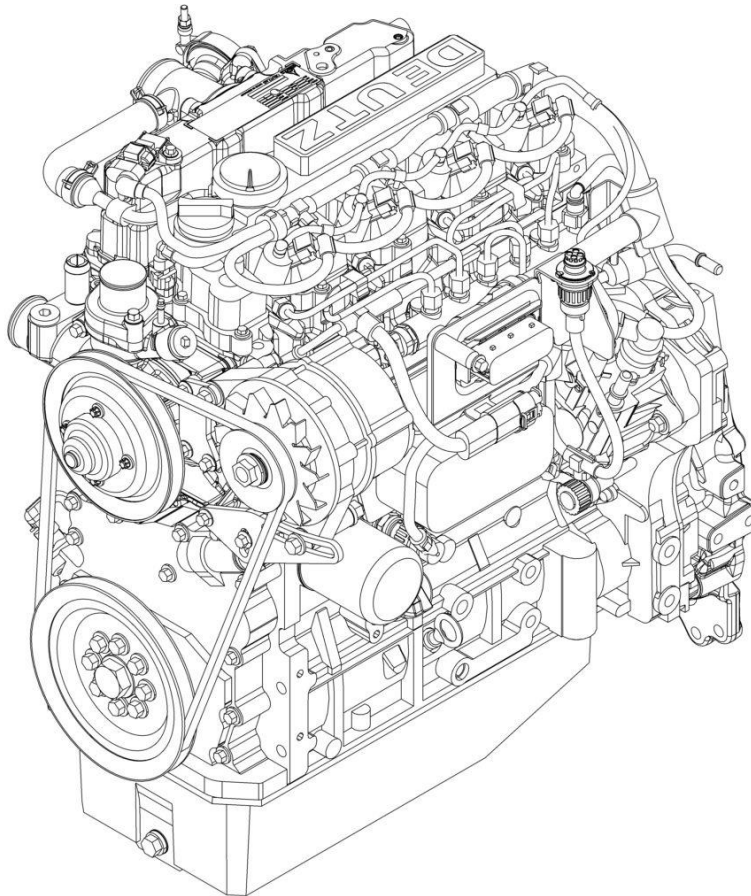
ITEM	PART NUMBER	QTY	DESCRIPTION	REV
49	4812000	20	Washer M10	
50	4812100	8	Washer M12	
51	4812200	6	Washer M14	
52	5241200	3	Washer M12	
57	8405007	2	Clamp	
58	8405009	5	Clamp	
59	8405104	4	Clamp	
60	8405202	1	Clamp	
61	8405204	1	Clamp	
62	8406109	1	Clip	
63	8406110	1	Clip	
64	8406201	1	Clip	
65	1001117308	1	Relay, 200Amp	
67	1001136834	1	Cap, Tank	
69	1001138228	1	Relay, Power Module	
70	1001138248	3.5 ft /1.1m	Tube	
71	1001141304	1	Harness, Glow Plug	
72	1001141694	1	Clamp, Air Cleaner	
74	1001143390	1	Indicator	
75	1001143797	1	Fitting, Barbed	
76	1001286568	1	Spacer Fan	
77	1001146588	AR	Tie-Strap (Not Shown)	
78	1001152489	1	Fitting, Barbed 90	
80	1001165035	7.09 in /18cm	Hose, Fuel	
81	1001165388	1	Air Cleaner Assembly	
81	70003783	1	Element, Air Cleaner	
82	1001165405	1	Hose, Upper Radiator	
83	1001165406	1	Hose, Lower Radiator	
84	1001165721	1	Hose, Air Intake	
85	1001287643	1	Radiator	
86	1001288266	1	Fan	
87	1001166718	3	Mount, Motor	
88	1001167520	1	Tray, Engine	
89	1001168018	3	Washer, Special	
90	1001168166	2	Seal	
91	1001169054	4	Isolator	
92	1001169138	4	Washer, Snubbing	
94	1001178788	1	Cable, Alternator	
95	1001180620	AR	Adhesive	
96	1001191620	2	Clamp	
97	1001193049	1.31 ft /.40m	Hose, Coolant	
99	1001221203	1	Bracket	
100	1001221212	1	Clamp	
101	1001230635	1	Tank, Surge	
102	1001290660	1	Harness, Engine (Not Shown - See Separate Breakdown in ELECTRICAL Section)	
103	1001258112	1	Engine, Deutz 2.9L4 (China IV) (See Separate Breakdown in this Section)	
104	1001280270	1	Muffler	

SECTION 3 - ENGINE

ITEM	PART NUMBER	QTY	DESCRIPTION	REV
104	1001299212	1	Muffler	
105	1001260575	1	Pipe, Exhaust	
106	1001281985	1	Connector	
107	1001281986	1	Connector	
108	4811902	4	Washer M8	
109	2200261	1	Fitting	
110	1001277432	1	Spacer	
111	1001177359	1	Fuel Hose Assembly	
111A	1001170982	1	Adapter	
111B	1001192294	1	Hose, Fuel	
200	1001258629	1	Kit, Engine Parts	
202	1001139240	1	Bracket	
203	1001166921	1	Plate	
204	1001166924	1	Plate	
205	1001168026	1	Plate	
206	1001168950	1	Bracket	
207	1001169967	2	Bracket	
208	1001170035	2	Bracket	
209	1001179903	1	Bracket	
210	1001288366	1	Bracket	
211	1001258502	1	Bracket	

SECTION 3 - ENGINE

FIGURE 3-29. ENGINE COMPONENTS - DEUTZ D2.9L4 (CHINA IV)



ART_1001258112

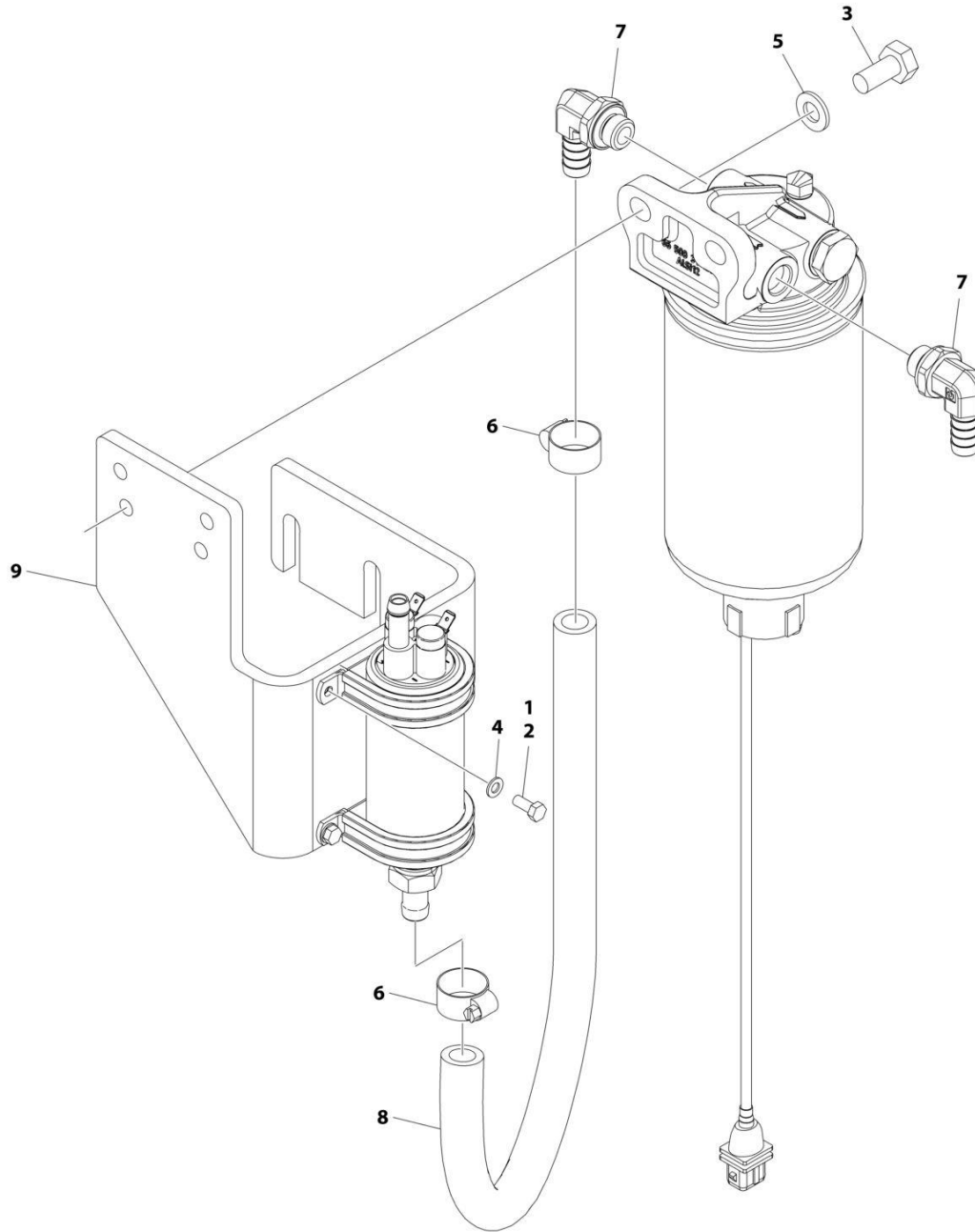
SECTION 3 - ENGINE

FIGURE 3-29. ENGINE COMPONENTS - DEUTZ D2.9L4 (CHINA IV)

ITEM	PART NUMBER	QTY	DESCRIPTION	REV
	1001258112	Ref	DEUTZ D2.9L4 ENGINE COMPONENTS	B
	See Note	Ref	Note: No Service Parts Available at Time of Printing.	

SECTION 3 - ENGINE

FIGURE 3-30. BRACKET ASSEMBLY - FUEL PUMP AND FILTER (DEUTZ D2.9L4 CHINA IV ENGINE)



ART_1001258385

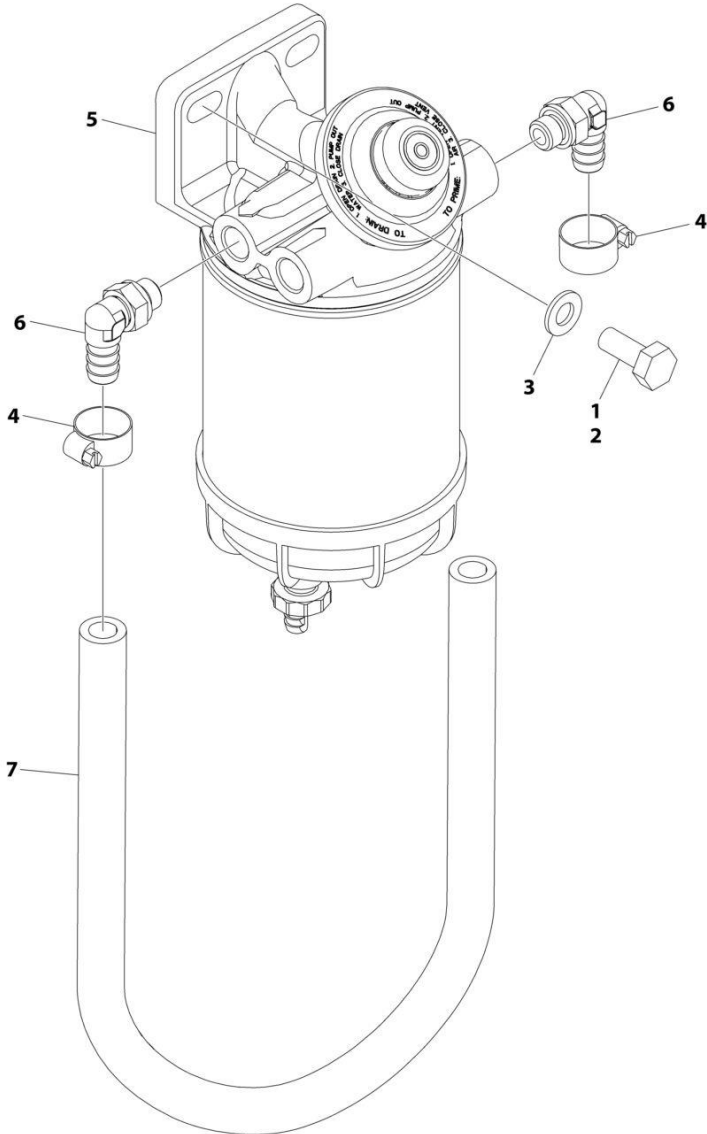
SECTION 3 - ENGINE

FIGURE 3-30. BRACKET ASSEMBLY - FUEL PUMP AND FILTER (DEUTZ D2.9L4 CHINA IV ENGINE)

ITEM	PART NUMBER	QTY	DESCRIPTION	REV
	1001258385	Ref	BRACKET ASSEMBLY - FUEL PUMP AND FILTER (DEUTZ D2.9L4 CHINA IV ENGINE)	B
1	0100011	AR	Compound, Locking	
2	0760506	4	Bolt M5 x 12	
3	0761011	2	Bolt M10 x 22	
4	4811600	4	Washer M5	
5	4812000	2	Washer M10	
6	8405006	2	Clamp	
7	1001142501	2	Fitting, Elbow Barbed	
8	1001154405	1.64 ft /.50m	Hose	
9	1001298141	1	Bracket	

SECTION 3 - ENGINE

FIGURE 3-31. FUEL/WATER SEPARATOR ASSEMBLY (DEUTZ D2.9L4 CHINA IV ENGINE)



ART_1001258406

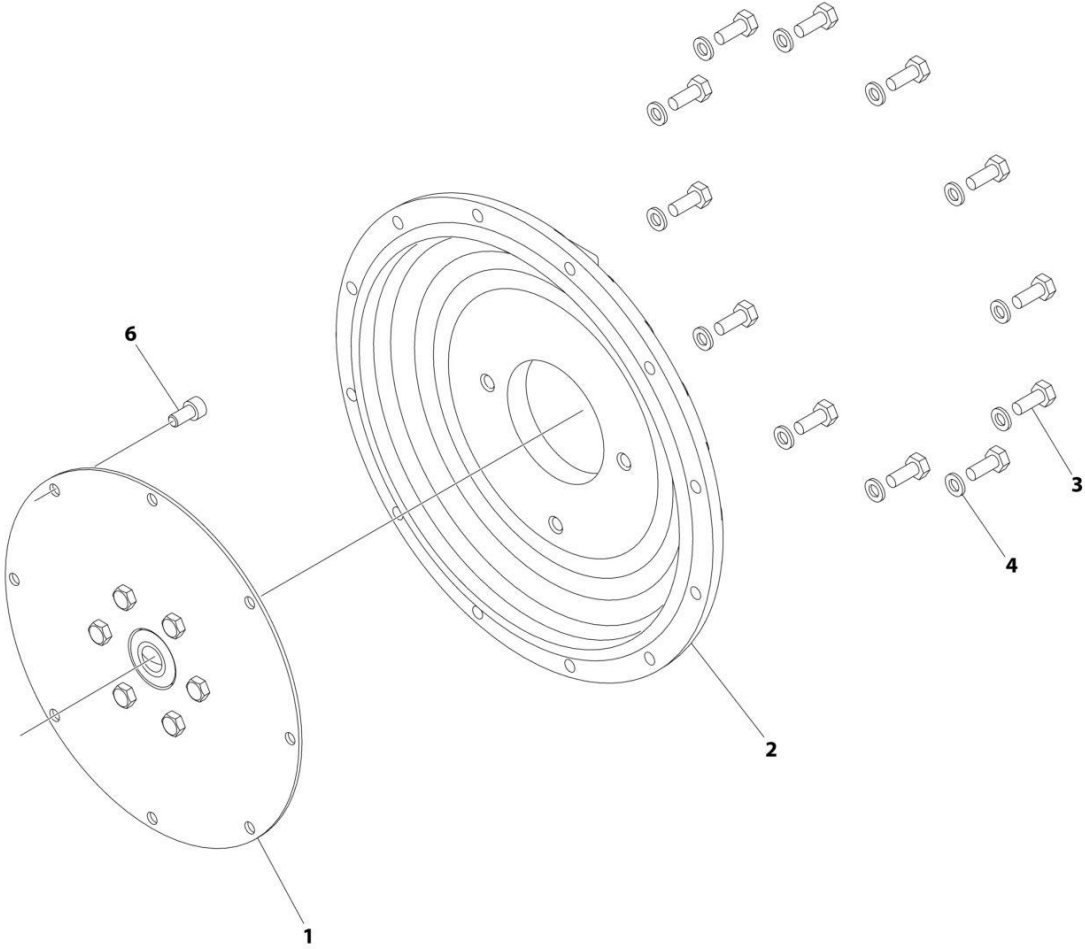
SECTION 3 - ENGINE

FIGURE 3-31. FUEL/WATER SEPARATOR ASSEMBLY (DEUTZ D2.9L4 CHINA IV ENGINE)

ITEM	PART NUMBER	QTY	DESCRIPTION	REV
	1001258406	Ref	FUEL/WATER SEPARATOR ASSEMBLY	A
1	0100011	AR	Compound, Locking	
2	0761012	2	Bolt M10 x 25	
3	4812000	2	Washer M10	
4	8405006	2	Clamp	
5	1001149452	1	Filter, Water Separator	
6	1001258505	2	Fitting, Barbed	
7	1001154405	2.13 ft/.65m	Hose	

SECTION 3 - ENGINE

FIGURE 3-32. PUMP COUPLING KIT - DEUTZ ENGINES



ART_2902065

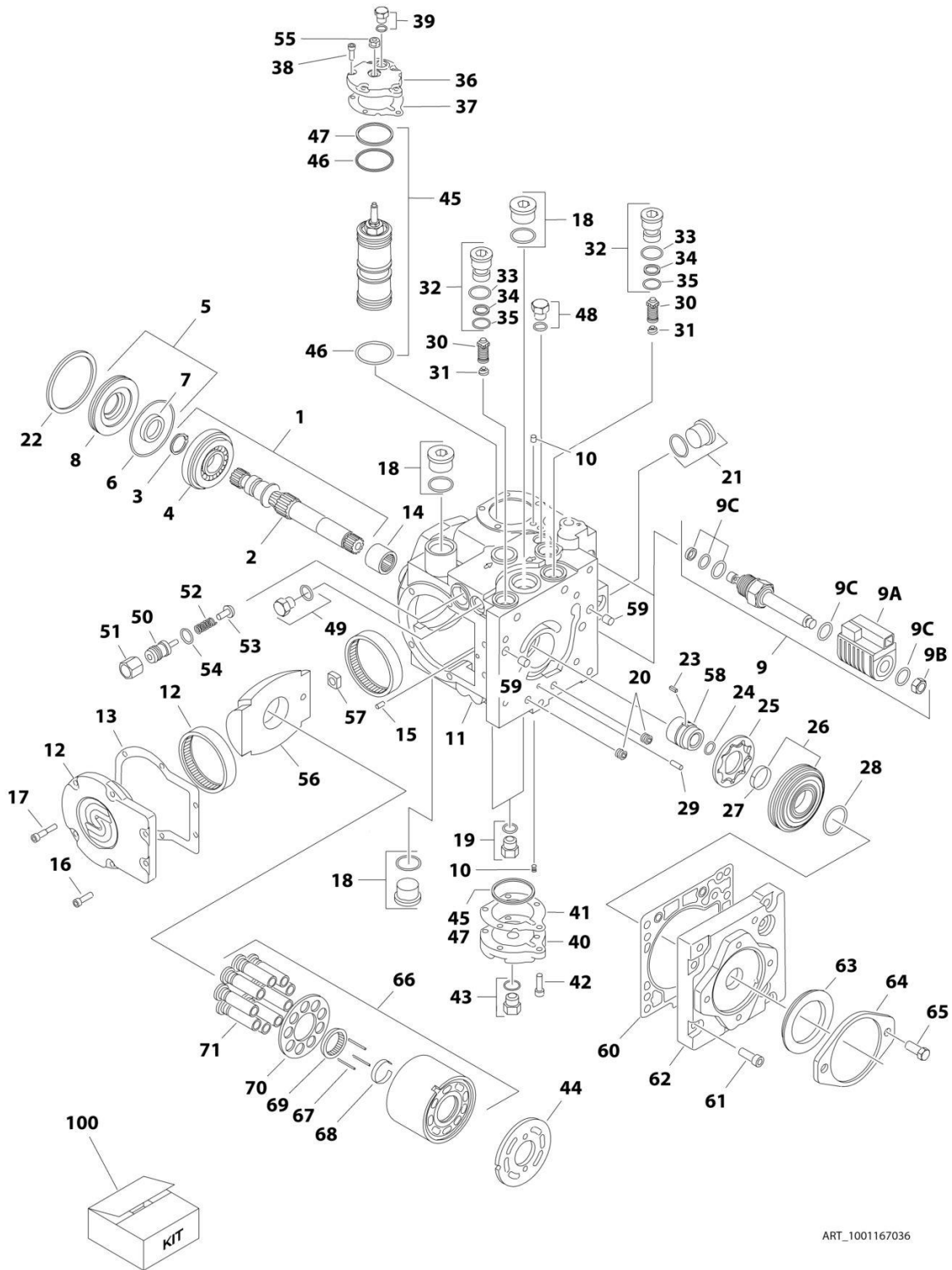
SECTION 3 - ENGINE

FIGURE 3-32. PUMP COUPLING KIT - DEUTZ ENGINES

ITEM	PART NUMBER	QTY	DESCRIPTION	REV
	2902065	Ref	PUMP COUPLING KIT	L
1	70000793	1	Coupling, Hayes	
2	See Note	NSS	Plate, Pump Adapter (Note: Use p/n 2902065)	
3	See Note	NSS	Bolt M10 x 30 Grade 10.9 (Note: Use p/n 2902065)	
4	See Note	NSS	Washer M10 (Note: Use p/n 2902065)	
6	See Note	NSS	Bolt M10 x 20 Grade 10.9 (Note: Use p/n 2902065)	

SECTION 3 - ENGINE

FIGURE 3-33. PISTON PUMP ASSEMBLY



ART_1001167036

FIGURE 3-33. PISTON PUMP ASSEMBLY

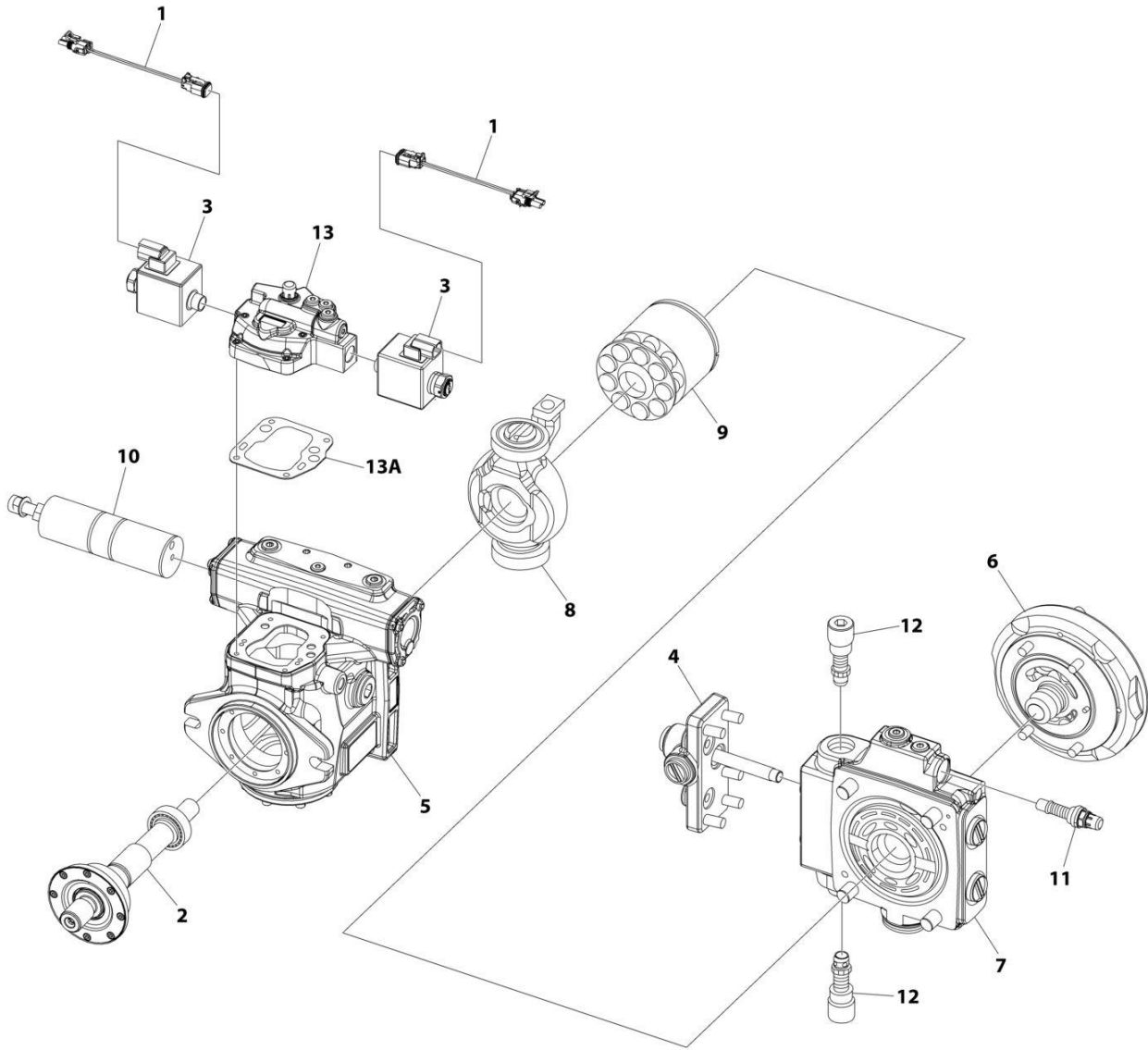
ITEM	PART NUMBER	QTY	DESCRIPTION	REV
	1001167036	Ref	PISTON PUMP ASSEMBLY	B
1	7021240	1	Shaft Assembly (Includes Items 2-4)	
2	7021237	1	Shaft	
3	7021238	1	Ring, Retaining	
4	7021239	1	Bearing, Roller	
5	70004896	1	Shaft Seal Kit (Includes Items 6-8)	
6	7021241	1	O-Ring	
7	7021242	1	Seal, Lip	
8	7021243	1	Carrier, Seal Shaft	
9	7024855	2	Solenoid Assembly	
9A	70004897	2	Coil (1 Per Assembly)	
9B	7024857	2	Nut (1 Per Assembly)	
9C	7024858	2	Seal Kit - 7024855 Cartridge (1 Per Assembly)	
10	70004889	2	Orifice	
11	See Note	NSS	Housing Assembly (Note: Not Available for Purchase)	
12	7021248	1	Side Cover Assembly (Includes Item 13)	
13	70004891	1	Gasket	
14	7021249	1	Bearing, Needle	
15	See Note	NSS	Pin (Note: Not Available for Purchase)	
16	70004890	2	Screw	
17	70004892	4	Screw	
18	7007419	2	Plug Assembly (Includes O-Ring)	
19	7007420	2	Plug Assembly (Includes O-Ring)	
20	See Note	NSS	Plug (Note: Not Available for Purchase)	
21	7007419	1	Plug Assembly (Includes O-Ring)	
22	7021257	1	Ring, Retaining	
23	70004893	1	Key	
24	7022341	1	Ring, Retaining	
25	7021258	1	Gerotor	
26	70004894	1	Gerotor Cover Assembly (Includes Item 27)	
27	7021259	1	Bearing, Journal	
28	7021262	1	O-Ring	
29	See Note	NSS	Pin (Note: Not Available for Purchase)	
30	7021263	2	Bypass Valve Assembly	
31	7024800	2	Spring	
32	7021265	2	Bypass Valve Assembly (Includes Items 32-34)	
33	7007415	2	O-Ring	
34	7021293	2	Ring, Back-up	
35	7022300	2	O-Ring	
36	70004895	1	Cover, Servo	
37	7021253	1	Gasket	
38	70004892	5	Screw	
39	7007420	1	Plug Assembly (Includes O-Ring)	
40	7021268	1	Cover, Servo	
41	7021253	1	Gasket	
42	70004892	5	Screw	
43	7007420	1	Plug Assembly (Includes O-Ring)	
44	7021281	1	Plate, Valve	
45	70004898	1	Servo Piston Kit (Includes Items 46 & 47)	
46	7007495	2	O-Ring	

SECTION 3 - ENGINE

ITEM	PART NUMBER	QTY	DESCRIPTION	REV
47	7007493	2	O-Ring	
48	7007420	1	Plug Assembly (Includes O-Ring)	
49	70004900	1	Plug Assembly (Includes O-Ring)	
50	7022346	1	Adjuster	
51	7021290	1	Nut	
52	7022347	1	Spring	
53	70004901	1	Poppet	
54	7007415	1	O-Ring	
55	70004902	1	Nut, Seal	
56	70004903	1	Swash Plate	
57	70004904	1	Bearing Assembly	
58	70004905	1	Coupling	
59	7001481	2	Pin	
60	70002257	1	Gasket	
61	70004906	8	Screw	
62	70004907	1	Cover, Charge Pump	
63	70004908	1	Seal	
64	7021299	1	Plate, Cover	
65	7007289	2	Screw	
66	70004909	1	Cylinder Block Assembly (Includes Items 67-71)	
67	70004910	3	Pin, Slipper Hold Down	
68	7021276	1	Retainer, Hold Down Pin	
69	7021277	1	Guide, Slipper Retainer	
70	7021278	1	Retainer, Slipper	
71	70004911	1	Piston Assembly	
100	70004899	1	Seal Kit (Includes Items 5-8, 33-35, 37, 41, 46, 47 & 54)	

SECTION 3 - ENGINE

FIGURE 3-34. CLOSED PUMP LOOP ASSEMBLY



ART_1001285632

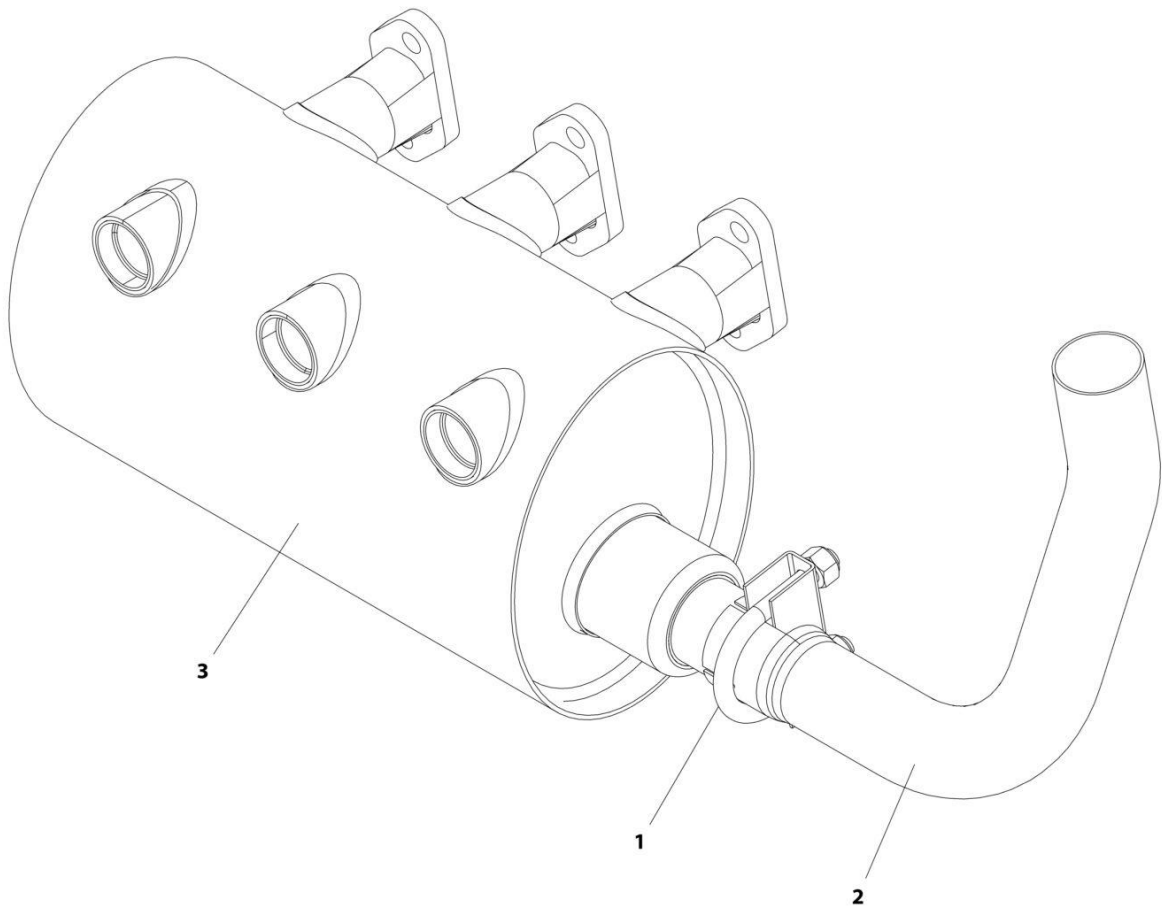
SECTION 3 - ENGINE

FIGURE 3-34. CLOSED PUMP LOOP ASSEMBLY

ITEM	PART NUMBER	QTY	DESCRIPTION	REV
	1001285632	Ref	PUMP ASSEMBLY	A
1	70008628	2	Harness	
2	70008627	1	Shaft Assembly (Sold as assembly only)	
3	70008498	2	Coil	
4	See Note	NSS	Body, Fitting (Note: Use PN 1001285632)	
5	See Note	NSS	Body, Pump (Note: Use PN 1001285632)	
6	70008626	1	Gerolator Assembly (Sold as assembly only)	
7	70008625	1	Distributor Assembly (Sold as assembly only)	
8	70008624	1	Swashplate Assembly (Sold as assembly only)	
9	70008623	1	Rotor Assembly (Sold as assembly only)	
10	70008502	1	Servo Assembly (Sold as assembly only)	
11	70008622	1	Valve, Cartridge - Relief	
12	70008600	2	Valve, Cartridge - Relief	
13	70008504	1	Valve, Control (Sold as assembly only)	
13A	70008507	1	Gasket	

SECTION 3 - ENGINE

FIGURE 3-35. SPARK ARRESTOR INSTALLATION - DEUTZ D2011 ENGINE



ART_1001174378

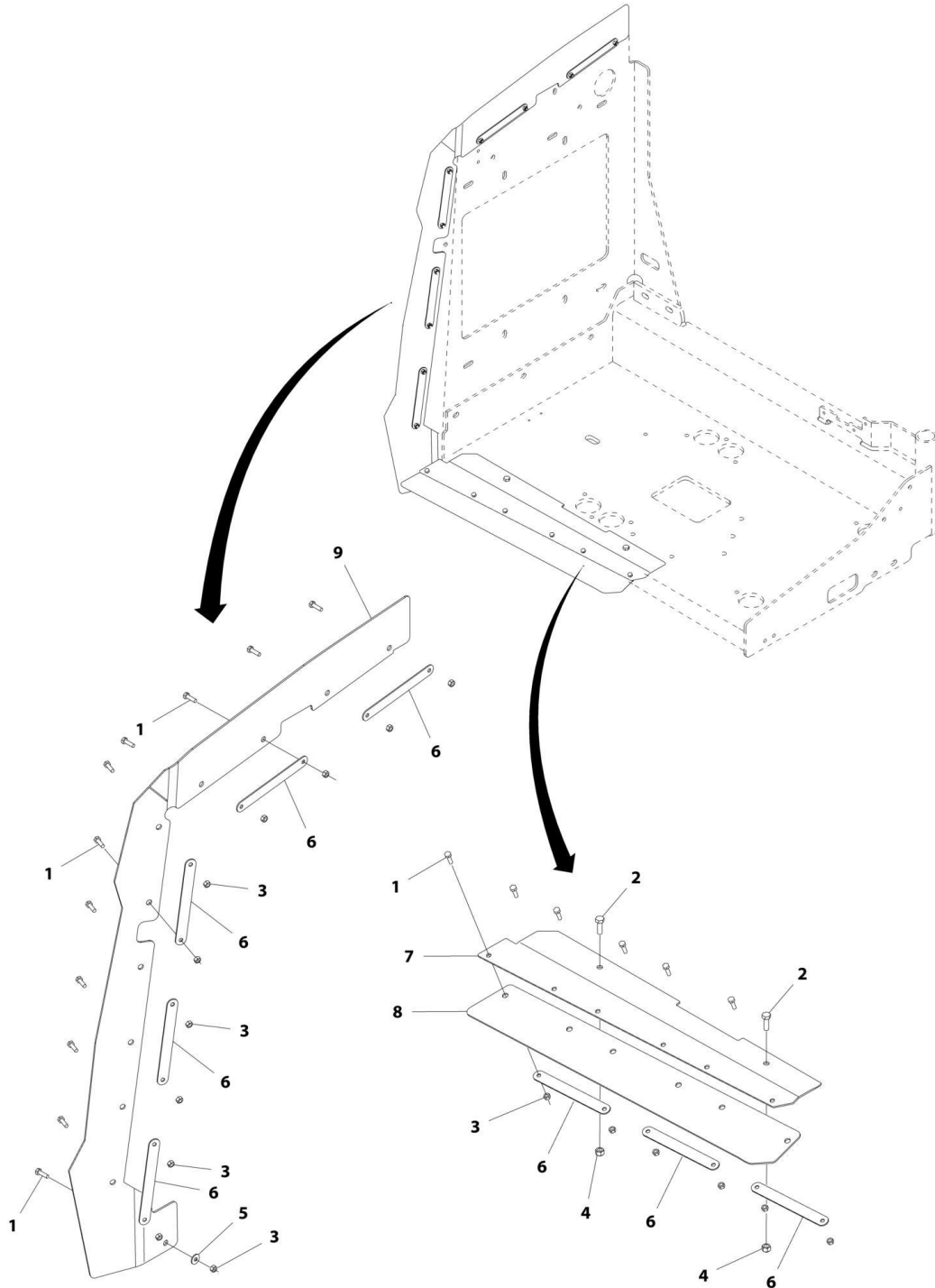
SECTION 3 - ENGINE

FIGURE 3-35. SPARK ARRESTOR INSTALLATION - DEUTZ D2011 ENGINE

ITEM	PART NUMBER	QTY	DESCRIPTION	REV
	1001174378	Ref	SPARK ARRESTOR INSTALLATION - DEUTZ D2011 ENGINE	A
1	1320176	1	Clamp	
2	1001169525	1	Pipe, Exhaust	
3	1001170224	1	Muffler, Spark Arresting	

SECTION 3 - ENGINE

FIGURE 3-36. ENGINE Baffle INSTALLATION - WITH DEUTZ ENGINES



ART_1001172265

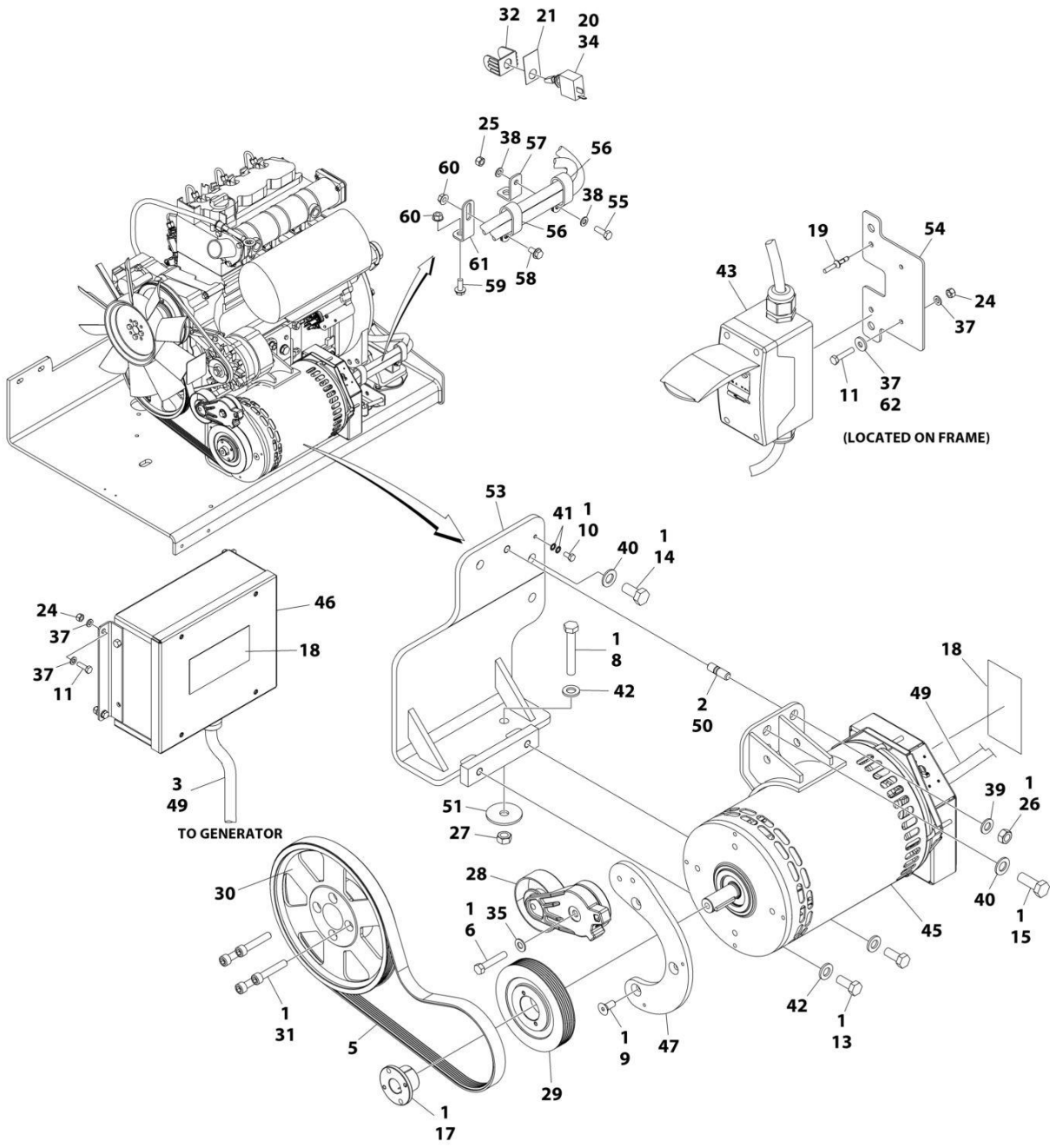
SECTION 3 - ENGINE

FIGURE 3-36. ENGINE BAFFLE INSTALLATION - WITH DEUTZ ENGINES

ITEM	PART NUMBER	QTY	DESCRIPTION	REV
	1001172265	Ref	ENGINE BAFFLE INSTALLATION - WITH DEUTZ/GM ENGINES	B
1	0760610	17	Bolt M6 x 20	
2	0760812	2	Bolt M8 x 25	
3	3290605	17	Nut M6	
4	3290805	2	Nut M8	
5	4811702	1	Washer M6	
6	1001167164	8	Plate, Support	
7	1001170663	1	Bracket	
8	1001170664	1	Seal	
9	1001172264	1	Seal	

SECTION 3 - ENGINE

FIGURE 3-37. GENERATOR INSTALLATION - 4000W/50HZ (DEUTZ D2011 ENGINE)



ART_1001173984

SECTION 3 - ENGINE

FIGURE 3-37. GENERATOR INSTALLATION - 4000W/50HZ (DEUTZ D2011 ENGINE)

ITEM	PART NUMBER	QTY	DESCRIPTION	REV
	1001173984	Ref	GENERATOR INSTALLATION - 4000W/50HZ (DEUTZ D2011 ENGINE)	J
1	0100011	AR	Compound, Locking	
2	0100019	AR	Compound, Locking	
3	0100048	AR	Grease, Dielectric	
4	0100079	AR	Sealant (Not Shown)	
5	0480126	1	Belt	
6	0641616	1	Bolt 3/8 x 2	
8	0711224	1	Bolt M12 x 80 Grade 10.9	
9	0741607	3	Screw 3/8 x 7/8	
10	0760606	1	Bolt M6 x 12	
11	0760610	AR	Bolt M6 x 20	
11	0760614	AR	Bolt M6 x 30	
13	0761214	2	Bolt M12 x 30	
14	0771414	2	Bolt M14 x 30 Grade 10.9	
15	0771416	1	Bolt M14 x 40	
17	0962520	1	Bushing	
18	1705489	AR	Decal - Hazardous Voltage	
19	2080040	2	Fastener, Huck	
20	2820031	AR	Heat Shrink	
21	See Note	1	Nameplate (Note: Not Available for Purchase)	
24	3290605	6	Nut M6	
25	3290805	1	Nut M8	
26	3291201	1	Nut M12	
27	3331211	1	Nut M12	
28	3580317	1	Pulley	
29	3580319	1	Pulley	
30	3580320	1	Pulley	
31	4032015	4	Bolt M10 x 55	
32	4060802	1	Guard, Switch	
33	4240099	AR	Tie-Strap (Not Shown)	
34	4360336	1	Switch, Toggle	
35	4711600	1	Washer 3/8	
37	4811700	AR	Washer M6	
38	4811900	1	Washer M8	
39	4812100	1	Washer M12	
40	4812200	3	Washer M14	
41	4871700	2	Washer M6	
42	5241200	3	Washer M12 Hardened	
43	1001096070	1	Breaker Box Kit (50Hz) (See Separate Breakdown in ELECTRICAL Section)	
45	1001138565	1	Generator Assembly	
45	70003709	1	Ring, Retaining (External)	
45	70003708	1	Ring, Retaining (Internal)	
45	70001966	1	Bearing	
45	70004092	1	Endbell (Shaft End)	
45	70004171	1	Key	
45	70004676	1	Rotor	
45	70004677	1	Stator	
45	70004678	1	Endbell (Rear)	

SECTION 3 - ENGINE

ITEM	PART NUMBER	QTY	DESCRIPTION	REV
45	70004679	1	Cover, Endbell (Rear)	
45	70004680	1	Enclosure, Wiring	
45	70004681	1	Cover, Enclosure	
45	70004682	1	Switch, Reset (Located on Enclosure Cover)	
45	70004683	1	Connector, Strain Relief (Located on Enclosure Cover)	
46	1001138566	1	Box, Control	
46	70006552	1	Capacitor	
46	70006553	1	Relay	
47	1001139357	1	Mount, Tensioner	
49	1001152532	1	Harness, Generator (See Separate Breakdown in ELECTRICAL Section)	
50	1001196382	1	Stud	
51	1001168018	1	Washer, Snubbing	
53	1001173925	1	Mount	
54	1001174158	1	Mount	
55	0760812	1	Bolt M8 x 25	
56	1321716	2	Clamp	
57	1001148641	1	Bracket	
58	5250808	1	Bolt M8 x 16	
59	5250810	1	Bolt M8 x 20	
60	5260800	2	Nut M8	
61	1001223122	1	Support	
62	4811702	AR	Washer M6	

SECTION 3 - ENGINE

FIGURE 3-38. GENERATOR INSTALLATION - 4000W/50HZ (DEUTZ ENGINE) (STAGE V)

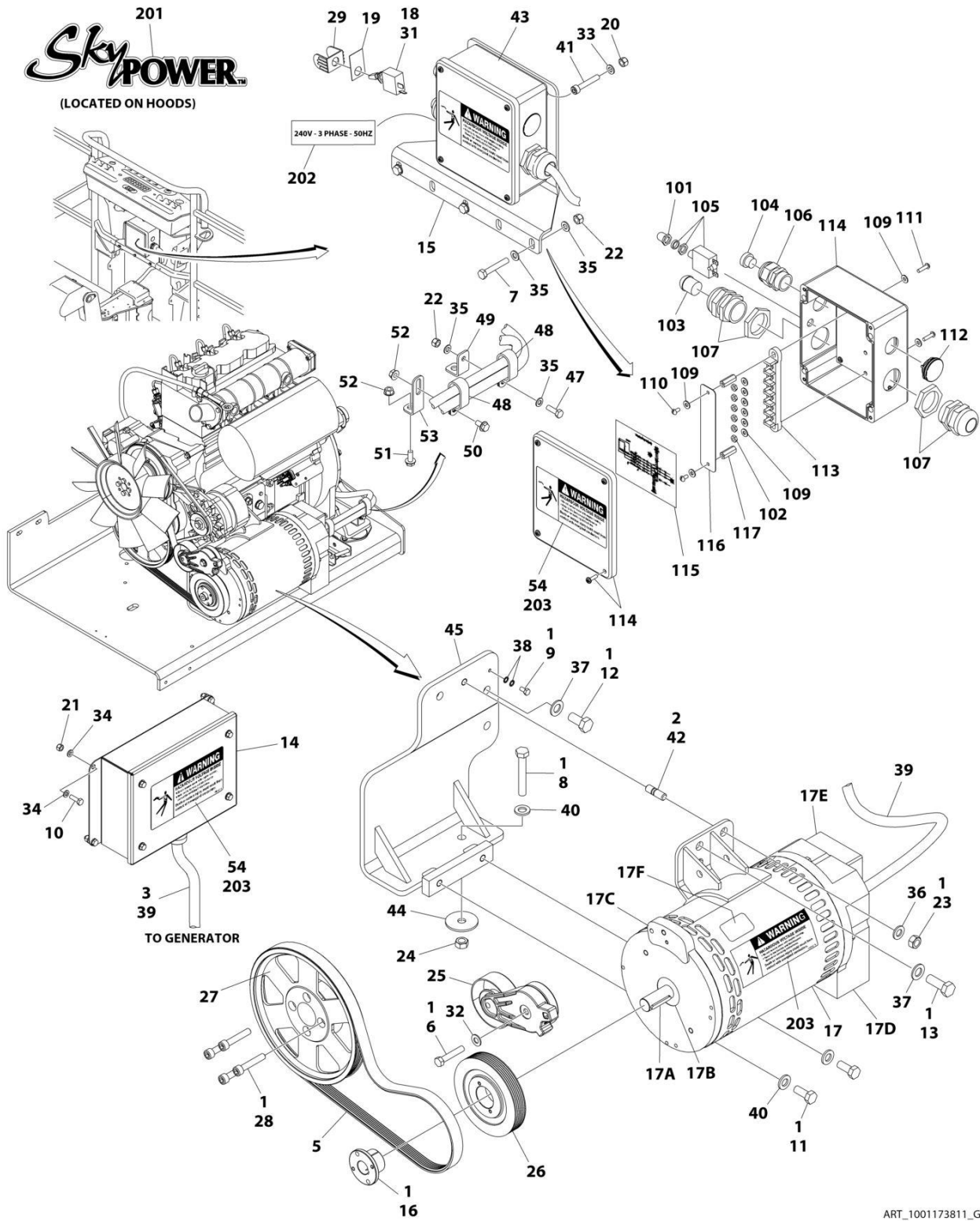
ITEM	PART NUMBER	QTY	DESCRIPTION	REV
	1001247656	Ref	GENERATOR INSTALLATION - 4000W/50HZ	H
1	0100011	AR	Compound, Locking	
2	0100019	AR	Compound, Locking	
3	0100048	AR	Grease, Dielectric	
4	0641616	1	Bolt 3/8 x 2	
6	0741607	3	Screw 3/8 x 7/8	
7	0760606	1	Bolt M6 x 12	
8	0760610	10	Bolt M6 x 20	
10	0761212	2	Bolt M12 x 25	
12	0962520	1	Bushing	
13	1321716	2	Clamp	
14	1705489	2	Decal - Hazardous Voltage	
15	2080040	2	Fastener, Huck	
16	2820031	0.33 ft /0.10m	Heat Shrink	
17	3251102	1	Nameplate, Generator	
18	3290605	10	Nut M6	
19	3291201	2	Nut M12	
21	3580317	1	Pulley	
22	3580319	1	Pulley	
23	1001281192	1	Pulley	
24	1001261085	4	Capscrew M10 x 85	
25	1001261045	4	Capscrew M10 x 45	
26	4060802	1	Guard, Switch	
27	4240099	AR	Tie-Strap (Not Shown)	
28	4360336	1	Switch, Toggle	
29	4711600	1	Washer 3/8	
30	4811700	18	Washer M6	
31	4812000	4	Washer M14	
33	4871700	2	Washer M6	
34	5241200	4	Washer M12 Hardened	
35	5250810	3	Bolt M8 x 20	
36	5260800	3	Nut M8	
37	1001096070	1	Breaker Box Kit (50Hz) (See Separate Breakdown in ELECTRICAL Section)	
38	1001258800	1	Adapter	
39	1001138566	1	Box, Control	
40	1001140347	1	Generator, 4000W/ 50HZ - Deutz Engine	
40	70003709	1	Ring, Retaining (External)	
40	70003708	1	Ring, Retaining (Internal)	
40	70001966	1	Bearing	
40	70004092	1	Endbell (Shaft End)	
40	70004099	1	Key	
40	70004676	1	Rotor	
40	70004686	1	Stator	
40	70004678	1	Endbell (Rear)	
40	70004679	1	Cover, Endbell (Rear)	
40	70004680	1	Enclosure, Wiring	
40	70004681	1	Cover, Enclosure	
40	70004682	1	Switch, Reset (Located on Enclosure Cover)	

SECTION 3 - ENGINE

ITEM	PART NUMBER	QTY	DESCRIPTION	REV
40	70004683	1	Connector, Strain Relief (Located on Enclosure Cover)	
41	1001148059	1	Belt, Generator	
42	1001148641	1	Bracket	
43	1001152532	1	Harness, Generator (See Separate Breakdown in ELECTRICAL Section)	
46	1001174158	1	Mount	
47	1001174675	1	Wiring Diagram (Not Shown)	
48	1001196382	2	Stud	
49	1001223122	1	Support	
50	1001293086	1	Bracket	
51	1001248190	1	Support	
52	4811702	2	Washer M6	
		Ref	ELECTRICAL DIAGRAM COMPONENTS	
101	4922641	1	Generator Switch Harness (Not Shown)	

SECTION 3 - ENGINE

FIGURE 3-39. GENERATOR INSTALLATION - 7500W/50HZ (DEUTZ D2011 ENGINE)



ART_1001173811_G

SECTION 3 - ENGINE

FIGURE 3-39. GENERATOR INSTALLATION - 7500W/50HZ (DEUTZ D2011 ENGINE)

ITEM	PART NUMBER	QTY	DESCRIPTION	REV
	1001173811	Ref	GENERATOR INSTALLATION - 7500W/50HZ (DEUTZ D2011 ENGINE)	G
1	0100011	AR	Compound, Locking	
2	0100019	AR	Compound, Locking	
3	0100048	AR	Grease, Dielectric	
4	0100079	AR	Sealant (Not Shown)	
5	0480126	1	Belt	
6	0641616	1	Bolt 3/8 x 2	
7	0700818	3	Bolt M8 x 50	
8	0711224	1	Bolt M12 x 80 Grade 10.9	
9	0760606	1	Bolt M6 x 12	
10	0760610	4	Bolt M6 x 20	
11	0761214	2	Bolt M12 x 30	
12	0771414	2	Bolt M14 x 30 Grade 10.9	
13	0771416	1	Bolt M14 x 40	
14	0861572	1	Control Box Assembly	
14	7024488	1	Card, Circuit - Generator Power	
14	See Note	NSS	Fuse (Note: Not Available - Purchase Locally)	
14	7024489	1	Card, Circuit - Control	
14	70000619	1	Harness, Control Box (Internal)	
15	0902888	1	Bracket	
16	0962520	1	Bushing	
17	2460048	1	Generator Assembly	
17	70001100	1	Rotor (Includes p/n 70001384 & 70000863) (Not Shown)	
17	70001384	1	Bearing, Ball Radial (Not Shown)	
17	70000863	1	Fan (Not Shown)	
17	70002088	1	Stator (Not Shown)	
17	70002297	1	Stud	
17	70003631	1	Brushholder Assembly (Not Shown)	
17A	70004171	1	Key	
17B	70001966	1	Bearing, Ball Radial (Located in Belt Tensioner Endbell)	
17B	70003708	1	Ring, Internal Retaining (Located in Belt Tensioner Endbell)	
17B	70003709	1	Ring, External Retaining (Located in Belt Tensioner Endbell)	
17C	70001953	1	Endbell, Belt Tensioner	
17D	70004169	1	Endbell, Brush Block	
17E	70004169	1	Shroud	
17E	See Note	NSS	Insulator, Endbell (Note: Not Available for Purchase)	
17E	7027799	1	Block, Connector 6 Position (Not Shown)	
17E	70002460	1	Nut, Brass (Attaches p/n 7027799 to Cover) (Not Shown)	
17E	7024485	1	Breaker, Circuit 30Amp (Not Shown)	
17E	70001696	1	Boot, Breaker (Not Shown)	
17E	7026626	1	Connector, 6 Position (Includes Seal) (Not Shown - Plugs into Item 39)	
17E	7026597	1	Connector, with Leads (Not Shown)	
17E	7026188	1	Clamp, Cable Options (Not Shown)	
17E	70004169	1	Plate, End Panel	
17E	70001974	1	Decal - Terminal Connections	
17F	70001973	1	Decal - Warning Moving Parts	
18	2820031	AR	Heat Shrink	
19	3252764	1	Nameplate	

SECTION 3 - ENGINE

ITEM	PART NUMBER	QTY	DESCRIPTION	REV
20	3290505	4	Nut M5	
21	3290605	4	Nut M6	
22	3290805	4	Nut M8	
23	3291201	1	Nut M12	
24	3331211	1	Nut M12	
25	3580317	1	Pulley	
26	3580319	1	Pulley	
27	3580320	1	Pulley	
28	4032015	4	Bolt M10 x 55	
29	4060802	1	Guard, Switch	
30	4240099	AR	Tie-Strap (Not Shown)	
31	4360336	1	Switch, Toggle	
32	4711600	1	Washer 3/8	
33	4811600	4	Washer M5	
34	4811700	8	Washer M6	
35	4811900	8	Washer M8	
36	4812100	1	Washer M12	
37	4812200	3	Washer M14	
38	4871700	2	Washer M6	
39	4922925	1	Harness, Generator	
39	4460225	1	Plug, Male 6 Position (Plugs into Generator)	
39	See Note	NSS	Socket, Female (Use with 4460225)	
39	See Note	NSS	Seal, Plug (Use with 4460225)	
39	See Note	NSS	Seal, Interface (Use with 4460225)	
40	5241200	3	Washer M12 Hardened	
41	1001104029	4	Screw M5 x 30	
42	1001196382	1	Stud	
43	1001157525	1	Junction Box Assembly (See Items 101-117 for Breakdown)	
44	1001168018	1	Washer, Snubbing	
45	1001173925	1	Mount	
46	1001174675	1	Wiring Diagram (Not Shown)	
46	4922641	1	Harness, On/Off Switch (Not Shown - Located at Platform)	
47	0760812	1	Bolt M8 x 25	
48	1321716	2	Clamp	
49	1001148641	1	Bracket	
50	5250808	1	Bolt M8 x 16	
51	5250810	1	Bolt M8 x 20	
52	5260800	2	Nut M8	
53	1001223122	1	Support	
54	1705489	2	Decal - Hazardous Voltage	
	1001157525	Ref	JUNCTION BOX ASSEMBLY	B
101	3300396	1	Cover, Fuse	
102	3311001	6	Nut #10	
103	3520189	1	Plug	
104	3520192	1	Plug	
105	4360070	1	Circuit Breaker - 15Amp	
106	4460425	1	Connector, Strain Relief	
107	4460426	2	Connector, Strain Relief	
109	4711000	10	Flatwasher #10	
110	10702077	2	Screw #10 x 3/8	
111	10702082	2	Screw #10 x 3/4	

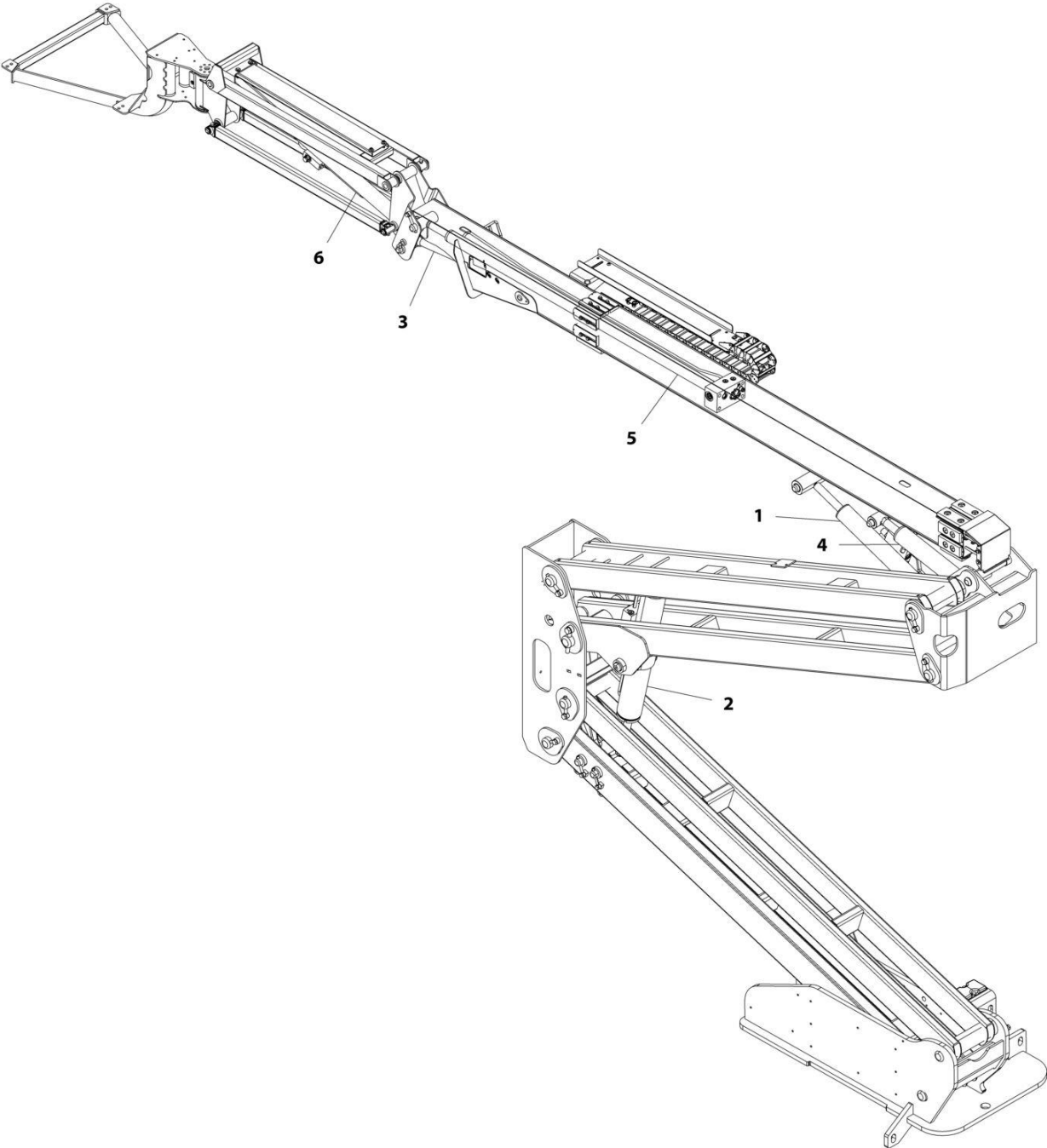
SECTION 3 - ENGINE

ITEM	PART NUMBER	QTY	DESCRIPTION	REV
112	1001152525	1	Plug	
113	1001157520	1	Block, Terminal	
114	1001157521	1	Box, Junction	
115	1001157528	1	Decal - Wiring Schematic	
116	1001158007	1	Cover, PVC	
117	1001158008	2	Stand-Off	
	0272589	Ref	DECAL INSTALLATION	A
201	1705460	2	Decal - SkyPower	
202	1705461	1	Decal - 240V - 3 Phase - 50Hz	
203	1705489	3	Decal - Hazardous Voltage	

SECTION 4 - BOOM

SECTION 4 - BOOM

FIGURE 4-1. CYLINDERS INSTALLATION



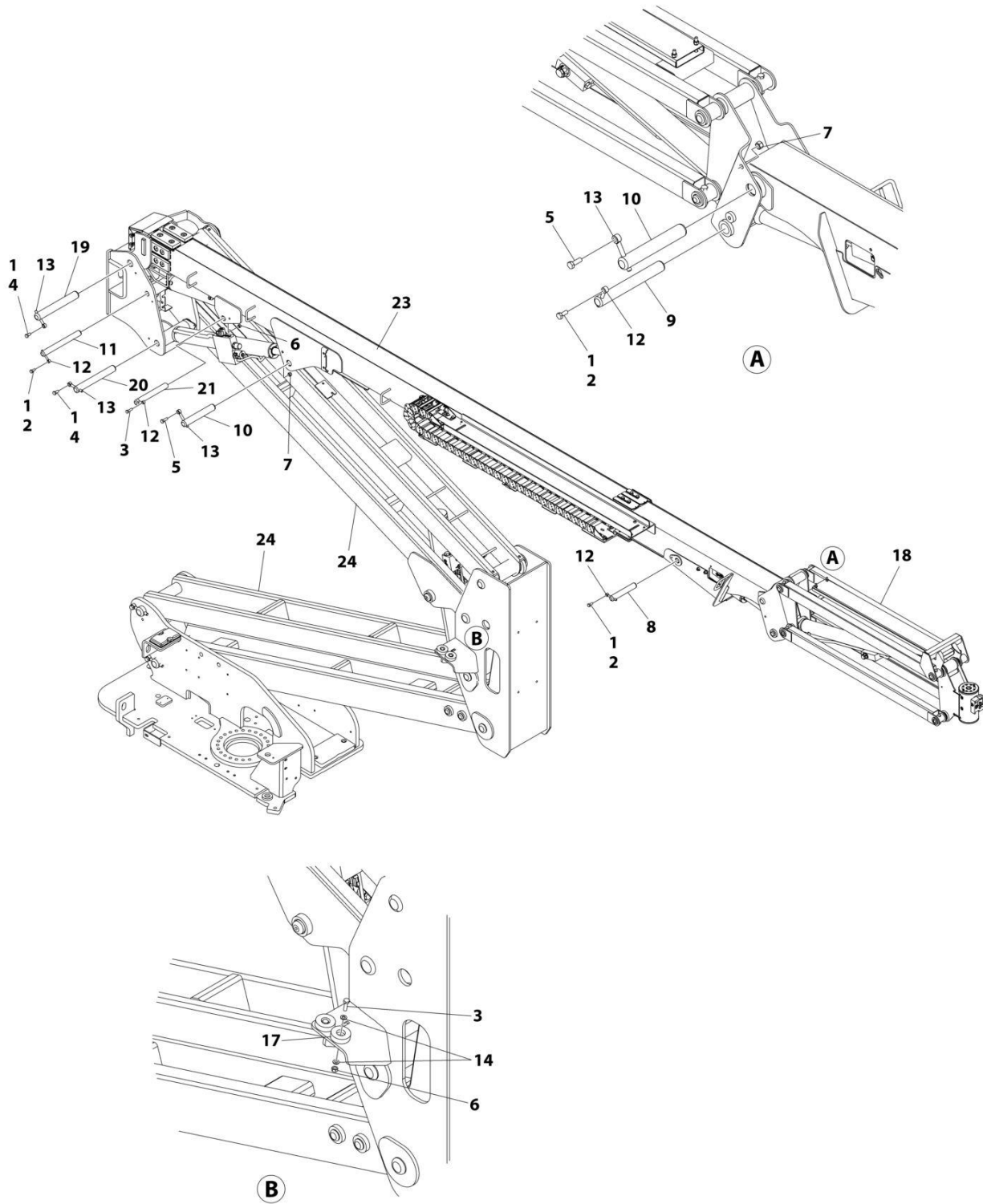
ART_1001163863_E

FIGURE 4-1. CYLINDERS INSTALLATION

ITEM	PART NUMBER	QTY	DESCRIPTION	REV
	1001163863	Ref	CYLINDERS INSTALLATION	E
1	1001266738	1	Lift Cylinder Assembly - Main Boom (See Separate Breakdown in CYLINDER Section)	
2	1001254716	1	Lift Cylinder Assembly - Tower Boom (See Separate Breakdown in CYLINDER Section)	
3	1001253629	1	Level (Platform Slave) Cylinder Assembly (See Separate Breakdown in CYLINDER Section)	
4	1001253628	1	Master Cylinder Assembly (See Separate Breakdown in CYLINDER Section)	
5	1001266711	1	Telescope Cylinder Assembly (See Separate Breakdown in CYLINDER Section)	
6	1001285271	1	Lift Cylinder Assembly - Jib (See Separate Breakdown in CYLINDER Section)	

SECTION 4 - BOOM

FIGURE 4-2. BOOM INSTALLATION



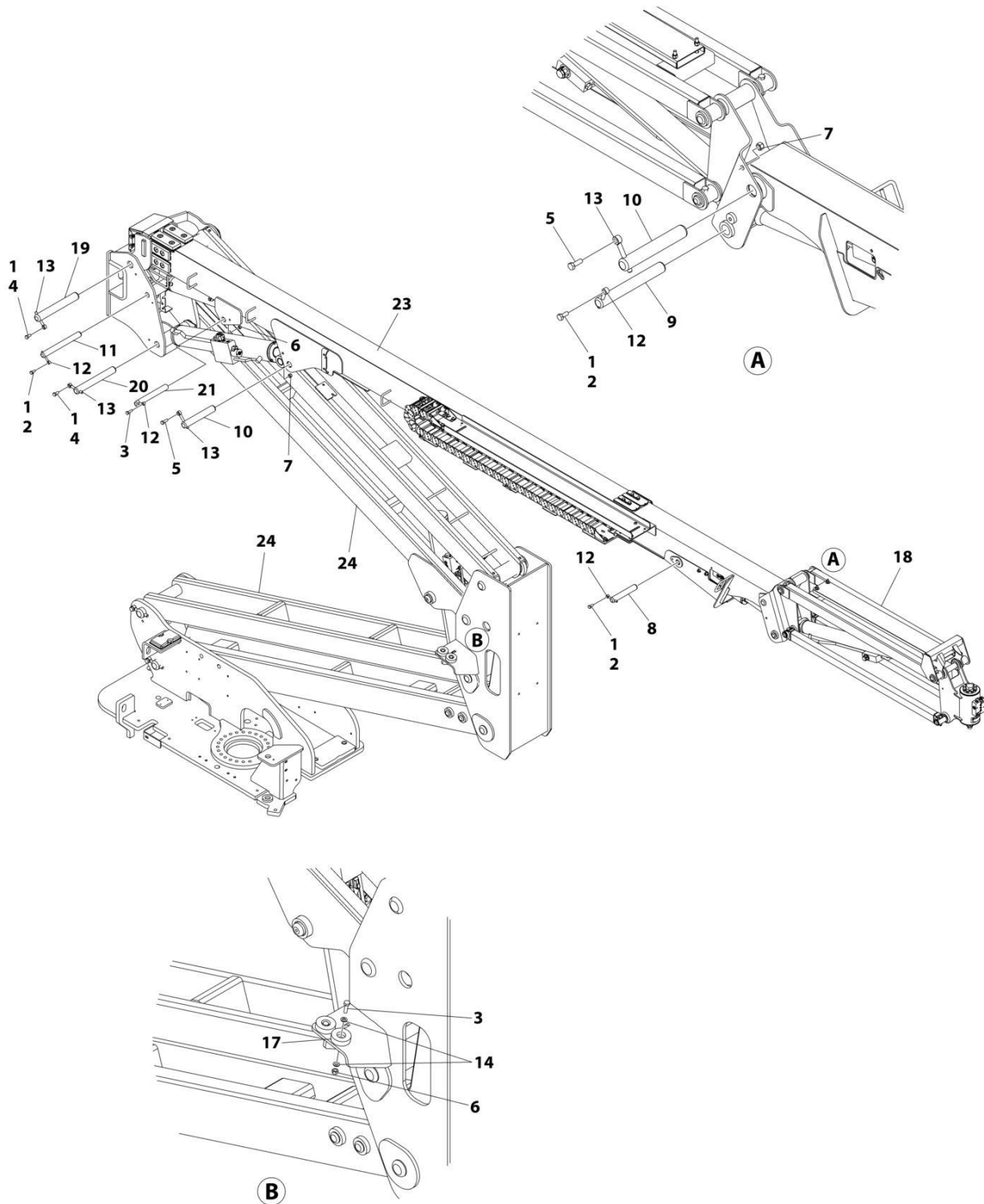
ART_1001180874_D

FIGURE 4-2. BOOM INSTALLATION

ITEM	PART NUMBER	QTY	DESCRIPTION	REV
	1001180874	Ref	BOOM INSTALLATION	D
1	0100011	AR	Compound, Locking	
2	0761012	3	Bolt M10 x 25	
3	0761015	3	Bolt M10 x 35	
4	0761212	2	Bolt M12 x 25	
5	0761215	2	Bolt M12 x 35	
6	3291005	3	Nut M10	
7	3291205	2	Nut M12	
8	3422755	1	Pin	
9	3422792	1	Pin	
10	3422793	2	Pin	
11	3422806	1	Pin	
12	3841143	4	Keeper, Pin	
13	3841203	4	Keeper, Pin	
14	4812000	4	Washer M10	
17	1001112607	2	Block, Boom Rest	
18	1001164016	1	Jib Installation (See JIB INSTALLATION for Breakdown)	
19	1001169246	1	Pin	
20	1001169247	1	Pin	
21	3423038	1	Pin	
23	1001179626	1	Main Boom Assembly (See MAIN BOOM ASSEMBLY for Breakdown)	
24	1001180006	1	Tower Boom Assembly (See TOWER BOOM ASSEMBLY for Breakdown)	

SECTION 4 - BOOM

FIGURE 4-3. BOOM INSTALLATION (SN B300025440 to Present, SN B300025108 through B300025109, Including B300025178, B300025349, B300025357, B300025371, B300025375 and B300025411)



ART_1001180874_E

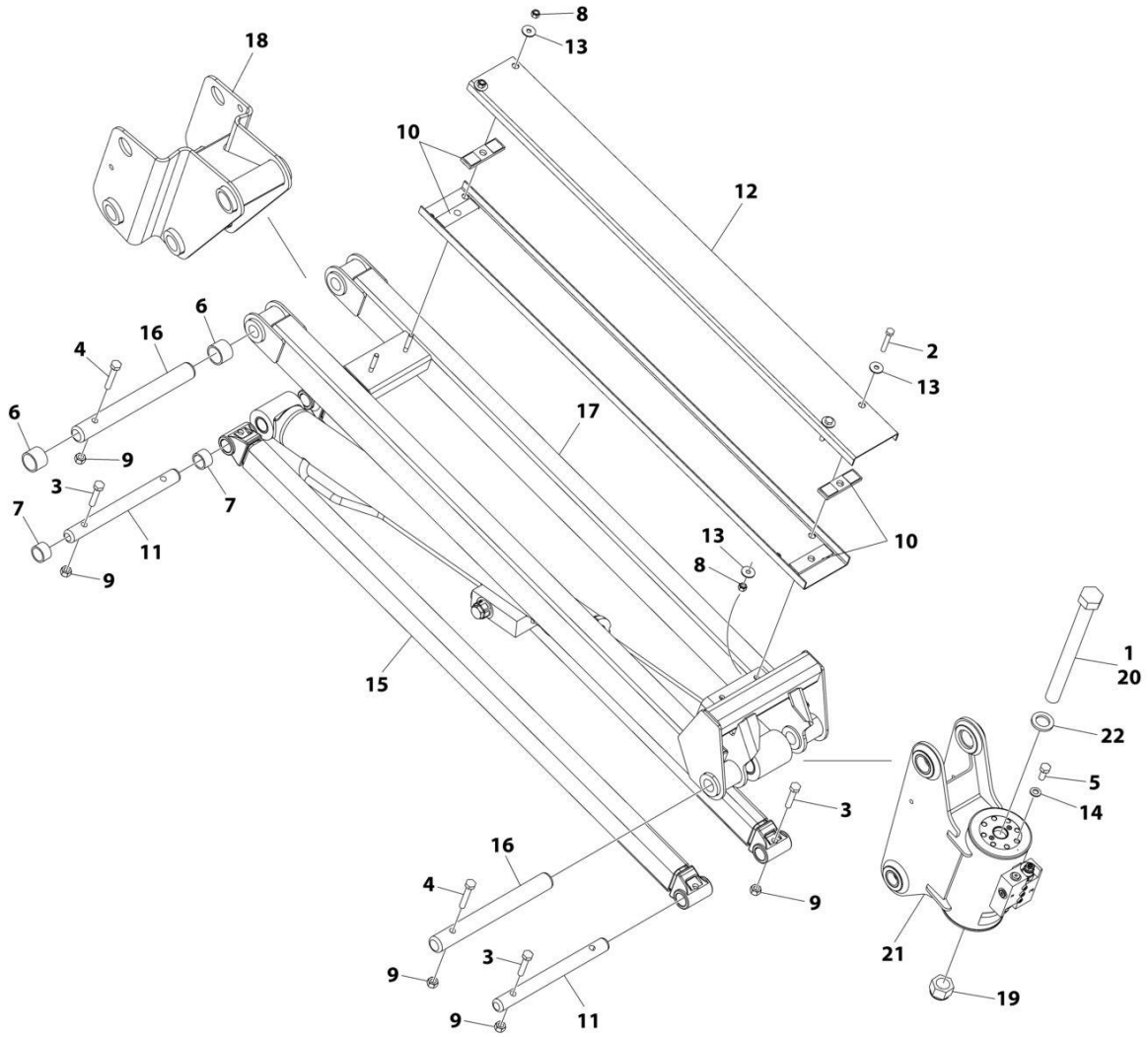
SECTION 4 - BOOM

FIGURE 4-3. BOOM INSTALLATION (SN B300025440 to Present, SN B300025108 through B300025109, Including B300025178, B300025349, B300025357, B300025371, B300025375 and B300025411)

ITEM	PART NUMBER	QTY	DESCRIPTION	REV
	1001180874	Ref	BOOM INSTALLATION	E
1	0100011	AR	Compound, Locking	
2	0761012	3	Bolt M10 x 25	
3	0761015	3	Bolt M10 x 35	
4	0761212	2	Bolt M12 x 25	
5	0761215	2	Bolt M12 x 35	
6	3291005	3	Nut M10	
7	3291205	2	Nut M12	
8	3422755	1	Pin	
9	3422792	1	Pin	
10	3422793	2	Pin	
11	3422806	1	Pin	
12	3841143	4	Keeper, Pin	
13	3841203	4	Keeper, Pin	
14	4812000	4	Washer M10	
17	1001112607	2	Block, Boom Rest	
18	1001306174	1	Jib Installation (See Separate Breakdown in this Section)	
19	1001169246	1	Pin	
20	1001169247	1	Pin	
21	3423038	1	Pin	
23	1001179626	1	Main Boom Assembly (See Separate Breakdown in this Section)	
24	1001180006	1	Tower Boom Assembly (See Separate Breakdown in this Section)	

SECTION 4 - BOOM

FIGURE 4-4. JIB INSTALLATION



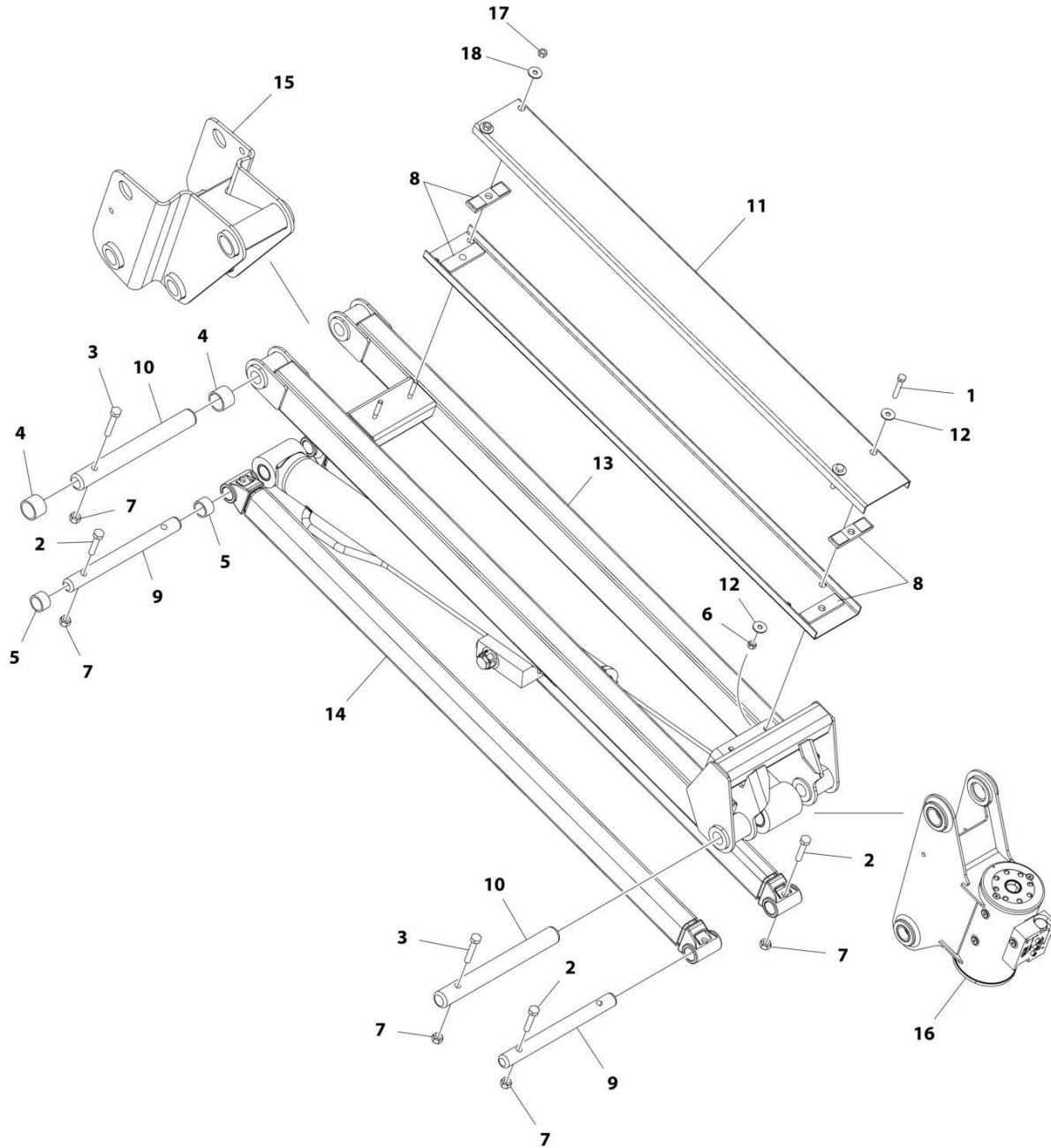
ART_1001306174

FIGURE 4-4. JIB INSTALLATION

ITEM	PART NUMBER	QTY	DESCRIPTION	REV
	1001306174	Ref	JIB INSTALLATION	A
1	0100011	AR	Compound, Locking	
2	0700820	2	Bolt M8 x 60	
3	0701019	4	Bolt M10 x 55	
4	0701020	2	Bolt M10 x 60	
5	0771012	8	Bolt M10 x 25	
6	0961951	2	Bushing	
7	0962292	2	Bearing	
8	3290805	4	Nut M8	
9	3291005	6	Nut M10	
10	3340860	4	Pad	
11	3422791	2	Pin	
12	3572551	2	Channel	
13	4811902	6	Washer M8	
14	4812000	8	Washer M10	
15	1001094670	2	Link (Lower)	
16	1001116550	2	Pin	
17	1001118482	1	Link (Upper)	
18	1001163937	1	Pivot	
19	1001174040	1	Nut	
20	1001255133	1	Bolt	
21	1001289219	1	Actuator (See Separate Breakdown in this Section)	
22	4892600001	1	Washer	

SECTION 4 - BOOM

FIGURE 4-5. JIB INSTALLATION (SN B300022158 to Present)



ART_1001164016_E

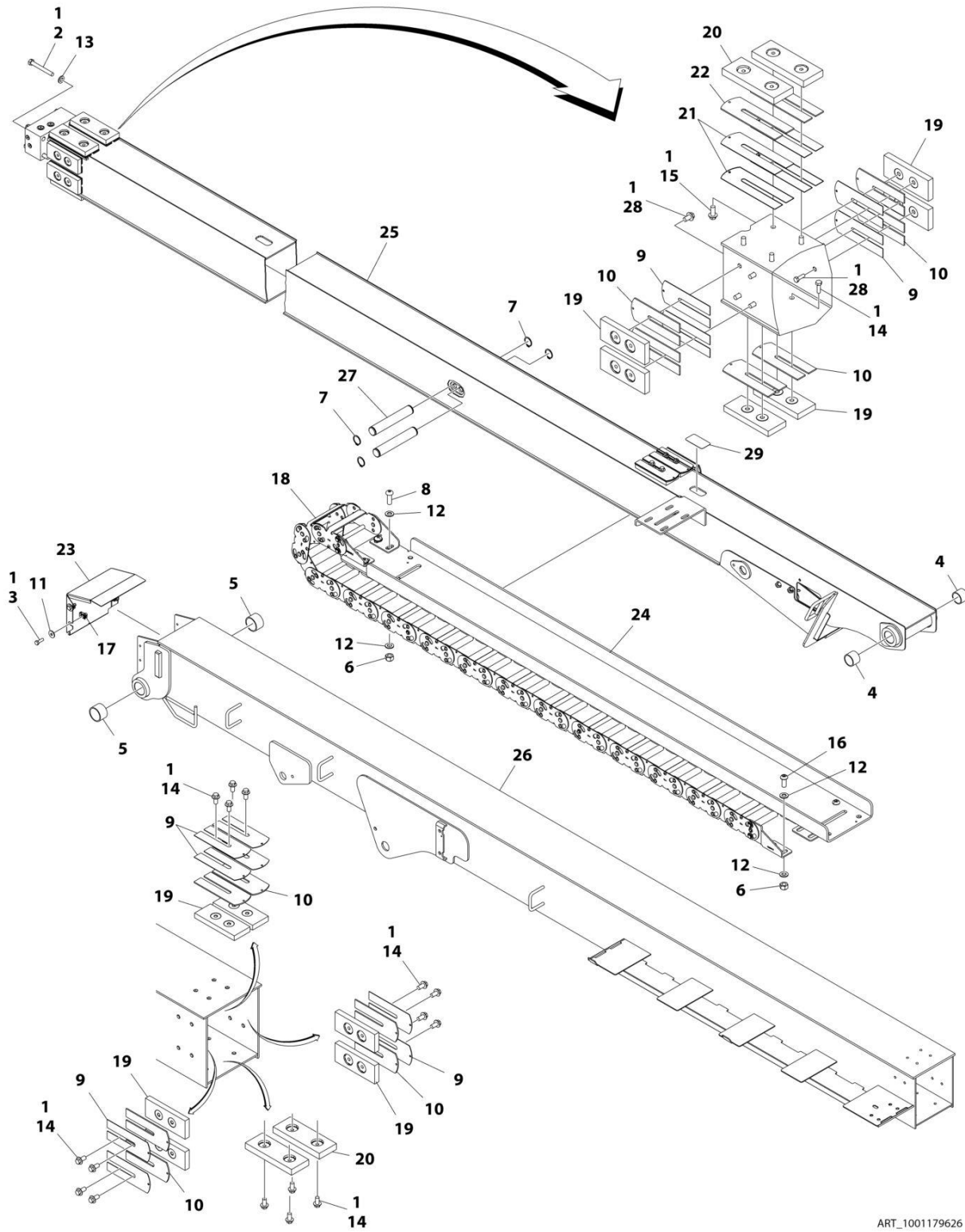
SECTION 4 - BOOM

FIGURE 4-5. JIB INSTALLATION (SN B300022158 to Present)

ITEM	PART NUMBER	QTY	DESCRIPTION	REV
	1001164016	Ref	JIB INSTALLATION	E
1	0700820	2	Bolt M8 x 60	
2	0701019	4	Bolt M10 x 55	
3	0701020	2	Bolt M10 x 60	
4	0961951	2	Bushing	
5	0962292	2	Bearing	
6	3290805	2	Nut M8	
7	3291005	6	Nut M10	
8	3340860	4	Pad, Rubber	
9	3422791	2	Pin	
10	3422794	2	Pin	
11	3572551	2	Channel	
12	4811902	4	Washer M8	
13	4846278	1	Link (Upper)	
14	1001094670	2	Link (Lower)	
15	1001163937	1	Pivot	
16	1001217779	1	Rotator Assembly (See Separate Breakdown in this Section)	
17	3311501	2	Nut 5/16	
18	4751500	2	Washer 5/16	

SECTION 4 - BOOM

FIGURE 4-6. MAIN BOOM ASSEMBLY



ART_1001179626

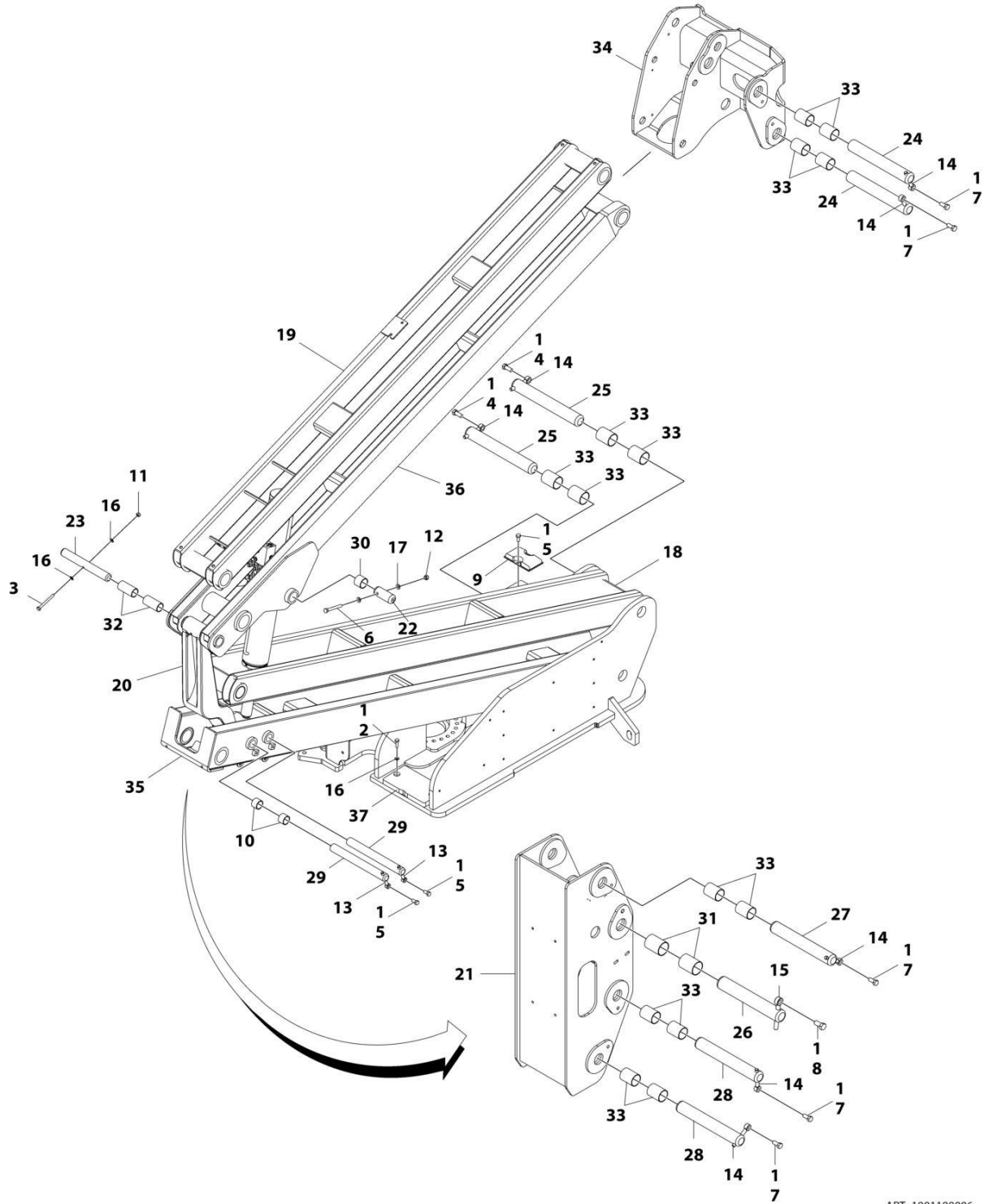
SECTION 4 - BOOM

FIGURE 4-6. MAIN BOOM ASSEMBLY

ITEM	PART NUMBER	QTY	DESCRIPTION	REV
	1001179626	Ref	MAIN BOOM ASSEMBLY	D
1	0100011	AR	Compound, Locking	
2	0711227	4	Bolt M12 x 100	
3	0760812	4	Bolt M8 x 25	
4	0961948	2	Bearing	
5	0961949	2	Bearing	
6	3291005	10	Nut M10	
7	3760351	4	Ring, Retaining	
8	3900351	4	Screw M10 x 30	
9	4070897	12	Shim	
10	4070898	12	Shim	
11	4811902	4	Washer M8	
12	4812000	18	Washer M10	
13	5241200	4	Washer M12 Hardened	
14	5251010	20	Bolt M10 x 20	
15	5251012	4	Bolt M10 x 25	
16	8310668	6	Screw M10 x 25 Grade 10.9	
17	1001118274	4	Nut M8	
18	1001224894	1	Powertrack Assembly	
18	70006256	1	Link, Repair	
18	70006272	1	Feet, Mounting	
19	1001169304	12	Pad, Wear	
20	1001169305	4	Pad, Wear	
21	1001169402	4	Shim	
22	1001169403	2	Shim	
23	1001170226	1	Cover, Boom End	
24	1001170334	1	Tube, Carrier	
25	1001178554	1	Fly, Boom	
26	1001178555	1	Base, Boom	
27	1001180541	2	Pin	
28	5251009	8	Bolt M10 x 18	
29	1670836	1	Cover	

SECTION 4 - BOOM

FIGURE 4-7. TOWER BOOM ASSEMBLY



ART_1001180006

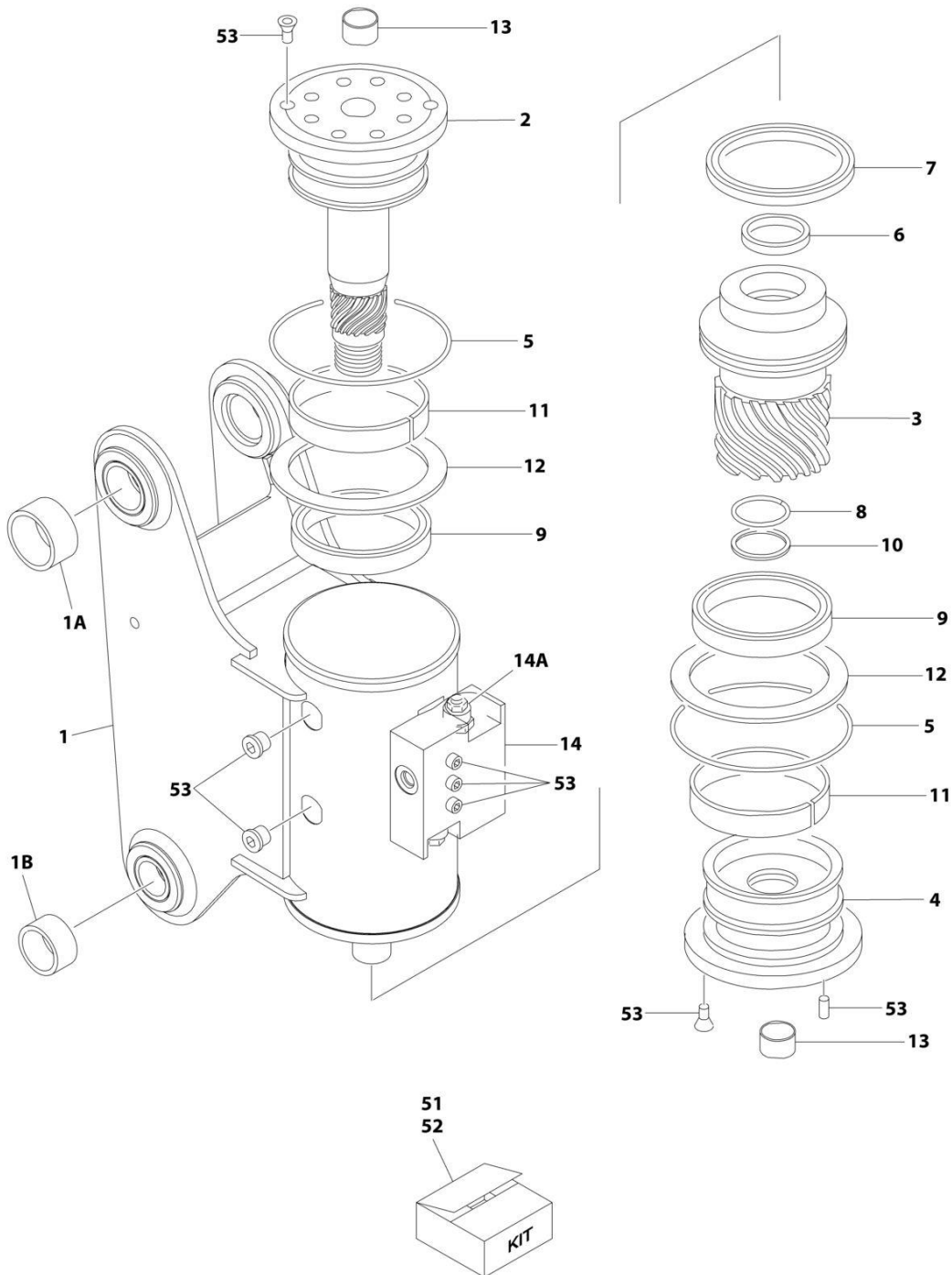
SECTION 4 - BOOM

FIGURE 4-7. TOWER BOOM ASSEMBLY

ITEM	PART NUMBER	QTY	DESCRIPTION	REV
	1001180006	Ref	TOWER BOOM ASSEMBLY - 450A	B
1	0100011	AR	Compound, Locking	
2	0701015	2	Bolt M10 x 35	
3	0701027	1	Bolt M10 x 100	
4	0701616	2	Bolt M16 x 40	
5	0761212	4	Bolt M12 x 25	
6	0761227	2	Bolt M12 x 100	
7	0761615	5	Bolt M16 x 35	
8	0762016	1	Bolt M20 x 40	
9	0940048	1	Bumper	
10	0961948	2	Bearing	
11	3291005	1	Nut M10	
12	3291205	2	Nut M12	
13	3841203	2	Keeper, Pin	
14	3841258	7	Keeper, Pin	
15	3841287	1	Keeper, Pin	
16	4812000	4	Washer M10	
17	4812100	4	Washer M12	
18	1001160859	1	Link, Lower Tower Boom	
19	1001160872	1	Link, Upper Tower Boom	
20	1001166096	1	Link, Timing	
21	1001166853	1	Upright, Lower	
22	1001169240	2	Pin	
23	1001169241	1	Pin	
24	1001169242	2	Pin	
25	1001169249	2	Pin	
26	1001169295	1	Pin	
27	1001169296	1	Pin	
28	1001169297	2	Pin	
29	1001169298	2	Pin	
30	1001169299	2	Bearing	
31	1001169300	2	Bearing	
32	1001169301	2	Bearing	
33	1001169302	14	Bearing	
34	1001174065	1	Upright, Upper	
35	1001178133	1	Tower Boom (Lower)	
36	1001178135	1	Tower, Boom (Upper)	
37	1001180056	1	Pad, Wear	
38	1001227993	1	Tower Boom Kit (Not Shown – Includes Items 18, 19, 35 & 36)	

SECTION 4 - BOOM

FIGURE 4-8. ROTATOR ASSEMBLY



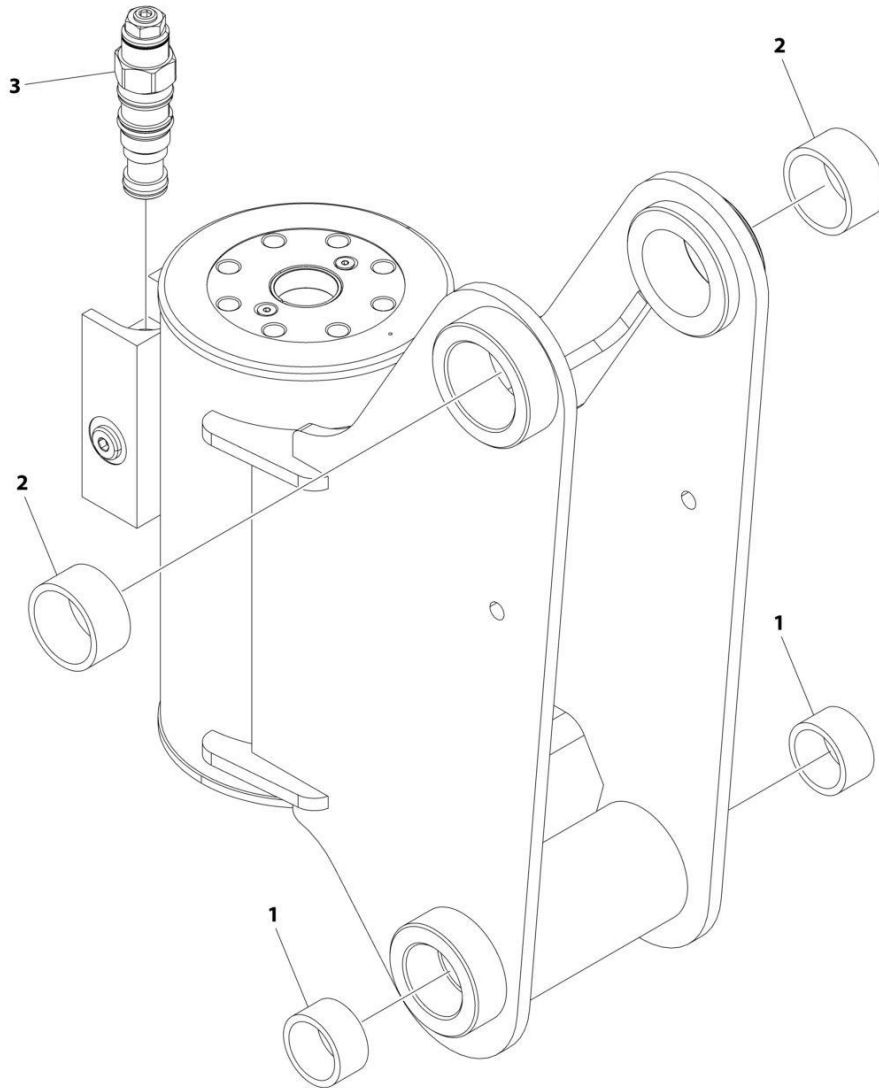
ART_1001217779

FIGURE 4-8. ROTATOR ASSEMBLY

ITEM	PART NUMBER	QTY	DESCRIPTION	REV
	1001217779	Ref	ROTATOR ASSEMBLY	B
1	See Note	NSS	Housing (Note: Purchase Complete Assembly)	
1A	0962257	2	Bushing	
1B	0961947	2	Bushing	
2	7017162	1	Shaft	
3	7017163	1	Piston	
4	7017164	1	Cap, End	
5	See Note	NSS	O-Ring (Note: Use p/n 70000342)	
6	See Note	NSS	Seal, Rod (Note: Purchase p/n 70000342)	
7	See Note	NSS	Seal, Piston (Note: Purchase p/n 70000342)	
8	See Note	NSS	Seal, Cap (Note: Purchase p/n 70000342)	
9	See Note	NSS	Packing, Bearing (Note: Purchase p/n 70000342)	
10	See Note	NSS	Ring, Back-up (Note: Purchase p/n 70000342)	
11	See Note	NSS	Bearing, Shaft (Note: Purchase p/n 7017159)	
12	See Note	NSS	Washer, Thrust (Note: Purchase p/n 7017159)	
13	7017195	2	Bushing	
14	7017172	1	Counterbalance Valve Assembly	
14A	7017192	2	Valve Cartridge (No Seal Kit Available)	
51	70000342	1	Seal Kit (Includes Items 5-10)	
52	7017159	1	Bearing Kit (Includes Items 11 & 12)	
53	7017142	1	Hardware Kit	

SECTION 4 - BOOM

FIGURE 4-9. PLATFORM ROTATE ACTUATOR



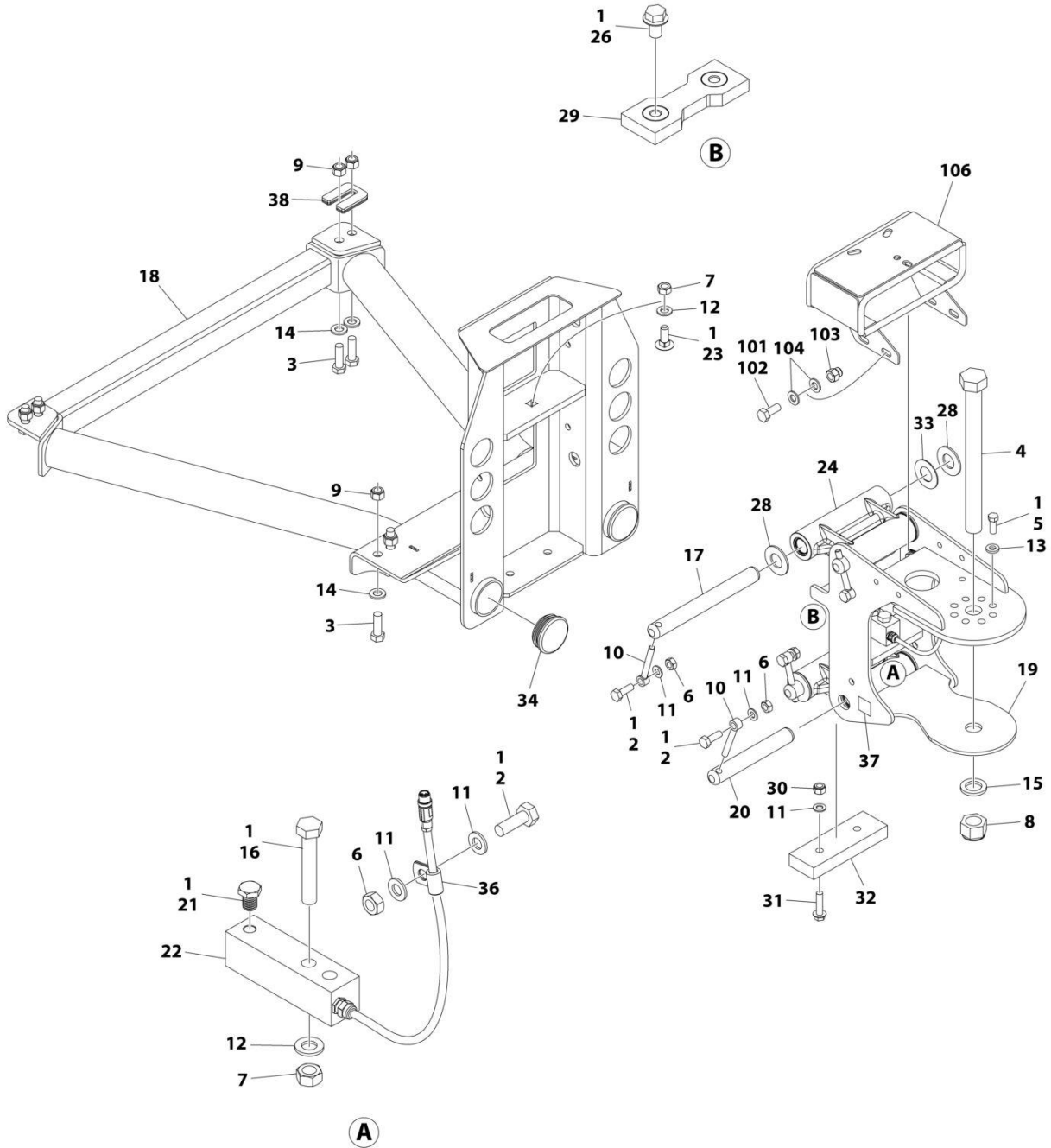
ART_1001289219

FIGURE 4-9. PLATFORM ROTATE ACTUATOR

ITEM	PART NUMBER	QTY	DESCRIPTION	REV
	1001289219	Ref	PLATFORM ROTATE ACTUATOR	A
1	0961947	2	Bearing	
2	0962257	2	Bushing	
3	1001297748	2	Valve, Counterbalance	

SECTION 4 - BOOM

FIGURE 4-10. PLATFORM SUPPORT INSTALLATION



ART_1001167596_N

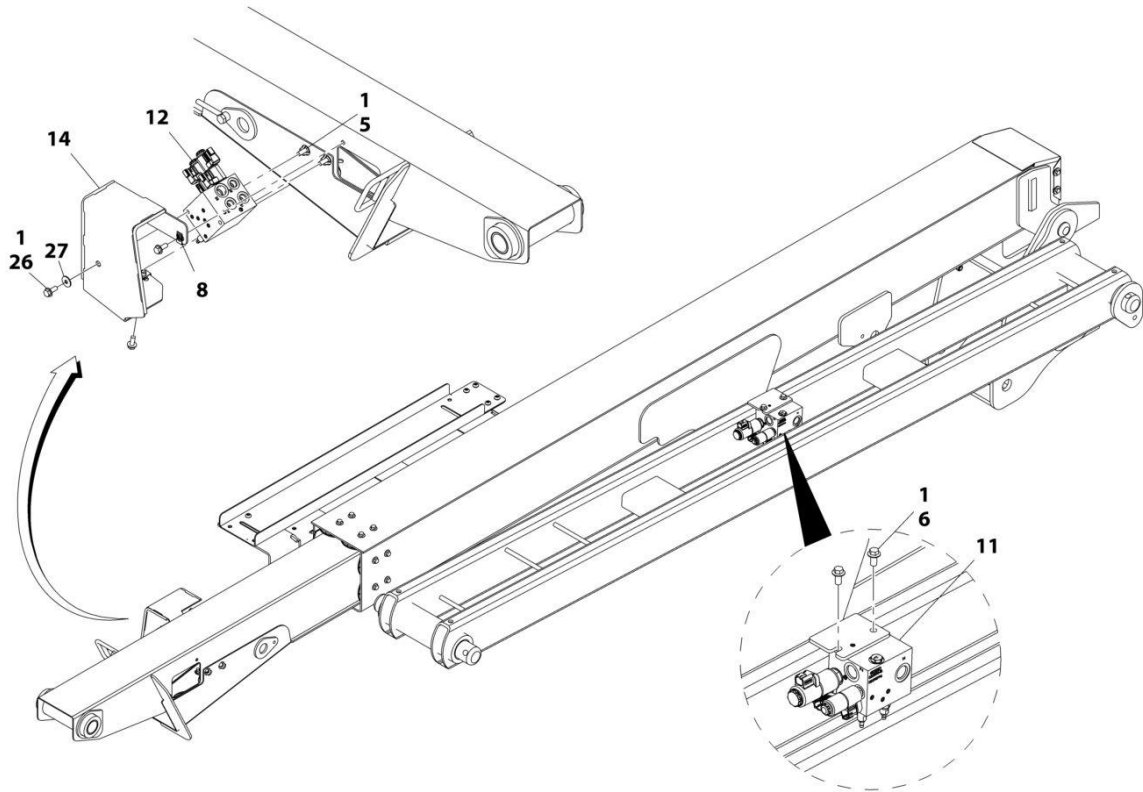
SECTION 4 - BOOM

FIGURE 4-10. PLATFORM SUPPORT INSTALLATION

ITEM	PART NUMBER	QTY	DESCRIPTION	REV
	1001167596	Ref	PLATFORM SUPPORT INSTALLATION	N
1	0100011	AR	Compound, Locking	
2	0761014	5	Bolt M10 x 30	
3	0761216	8	Bolt M12 x 40	
4	1001255133	1	Bolt 1 x 11 GRD8	
5	0681608	8	Bolt 3/8 x 1 GRD8	
6	3291001	5	Nut M10	
7	3291201	3	Nut M12	
8	1001174040	1	Nut 1	
9	3291205	8	Nut M12	
10	3841143	4	Keeper, Pin	
11	4812000	8	Washer M10	
12	4812100	3	Washer M12	
13	4891600	8	Washer 3/8	
14	5241200	8	Washer M12	
15	4892600001	1	Washer 1	
16	1001098828	2	Bolt M12 x 70 CL10.9	
17	1001167565	2	Pin	
18	1001200494	1	Support, Platform	
19	1001167567	1	Support, Rotator	
20	1001168402	2	Pin	
21	1001188622	1	Screw	
22	1001247468	1	Loadcell	
23	1001188844	1	Bolt M12 x 35	
24	1001201351	2	Link	
24	1001187382	4	Bearing	
24	1001187383	4	Seal	
26	5251008	2	Bolt M10 x 16 CL10.9	
28	1001189002	8	Bearing	
29	1001190985	1	Pad, Wear	
30	3291005	2	Nut M10	
31	5251016	2	Bolt M10 x 40 CL10.9	
32	1001200491	1	Pad, Wear	
33	1001189001	4	Bearing	
34	1001204725	2	Plug	
36	91203039	1	Clamp	
37	1001216630	2	Decal - Tie Down/No Lift	
38	1001238421	Ref	Kit, Platform Leveling (Not Shown)	
	1001202687	Ref	VALVE MOUNT INSTALLATION	B
101	0100011	AR	Compound, Locking	
102	0760810	4	Bolt M8 x 20	
103	3290806	4	Nut M8	
104	4811900	8	Washer M8	
106	1001208994	1	Mount, Valve	

SECTION 4 - BOOM

FIGURE 4-11. VALVES INSTALLATION - BOOM MOUNTED



ART_1001165948_30F3

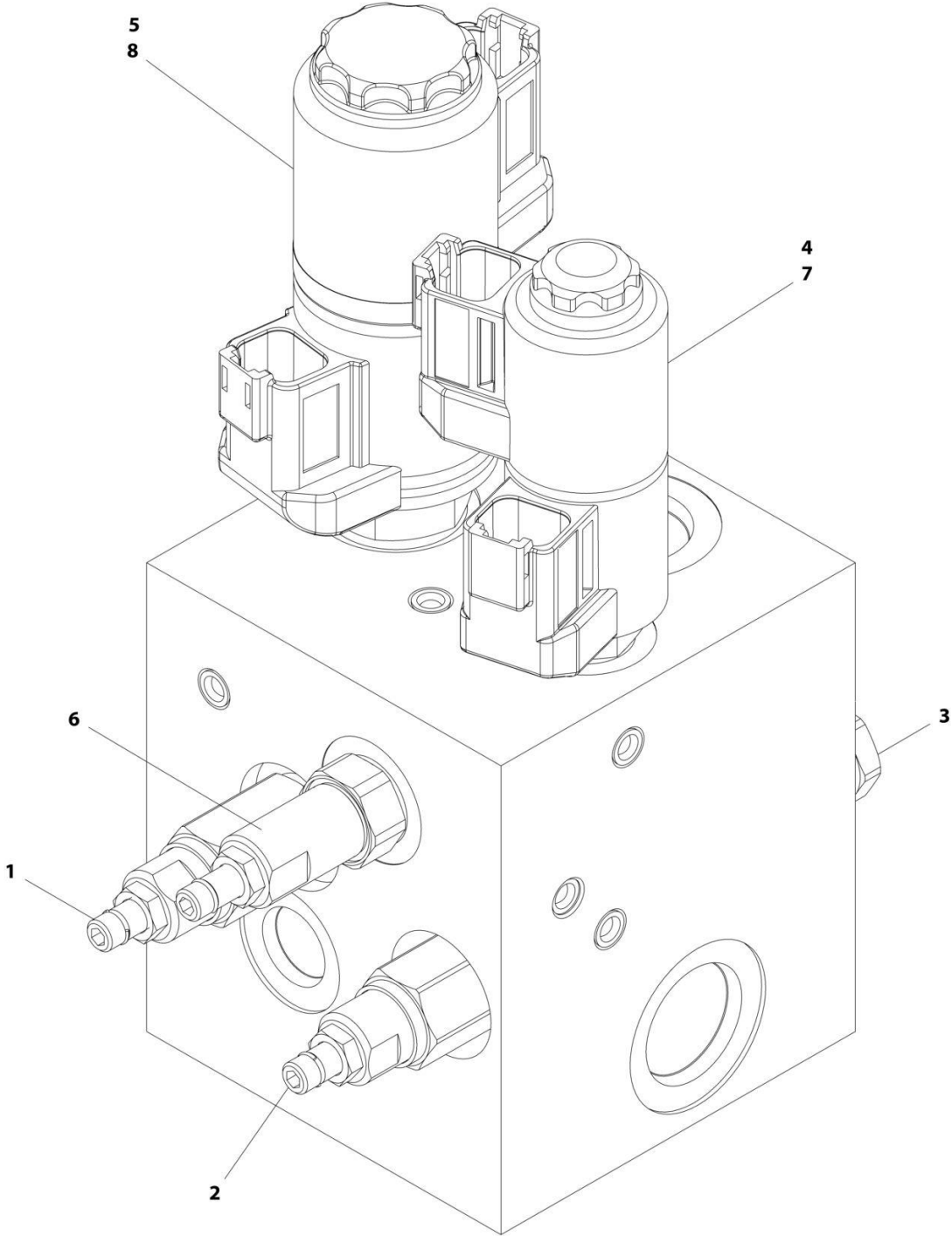
SECTION 4 - BOOM

FIGURE 4-11. VALVES INSTALLATION - BOOM MOUNTED

ITEM	PART NUMBER	QTY	DESCRIPTION	REV
	1001165948	Ref	4WD VALVES INSTALLATION - 450AJ BOOM MOUNTED	J
1	0100011	AR	Compound, Locking	
5	5250810	4	Bolt M8 x 20 Class 10.9	
6	5251010	2	Bolt M10 x 20 Class 10.9	
8	1001118274	2	Nut, Tinnerman M8	
11	1001162535	1	Upright Valve Assembly (See Separate Breakdown in this Section)	
12	1001162536	1	Boom Valve Assembly (See Separate Breakdown in this Section)	
14	1001170375	1	Shield (Prior to SN 0300280962, Prior to SN B300011406, Prior to SN E300008862)	
14	1001265186	1	Shield (SN 0300280962 to Present, SN E300008862 to Present, Including B300011406)	
26	0770810	1	Bolt M8 x 20 Class 10.9	
27	4811902	1	Washer M8	

SECTION 4 - BOOM

FIGURE 4-12. UPRIGHT VALVE ASSEMBLY



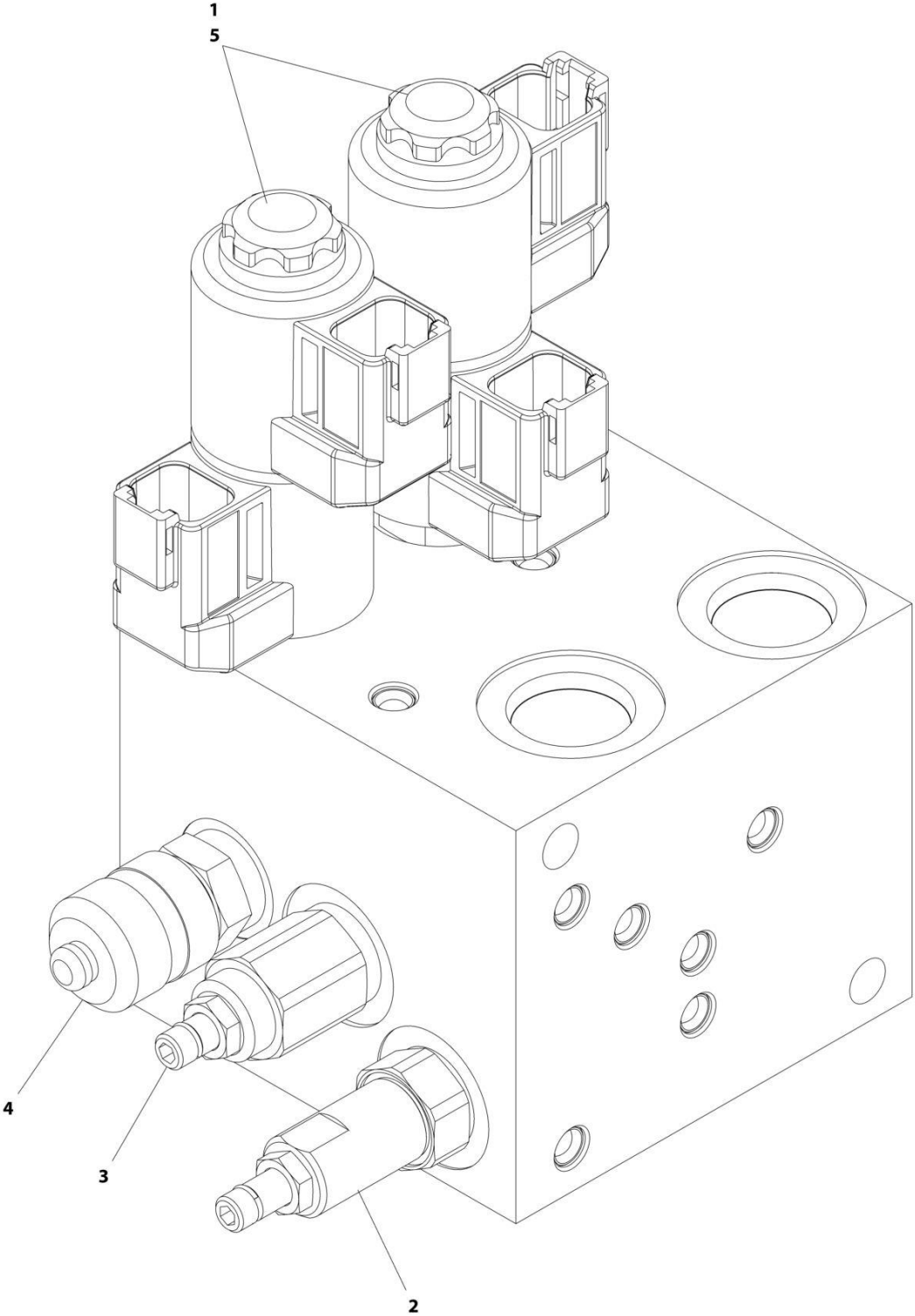
ART_1001162535

FIGURE 4-12. UPRIGHT VALVE ASSEMBLY

ITEM	PART NUMBER	QTY	DESCRIPTION	REV
	1001162535	Ref	UPRIGHT VALVE ASSEMBLY	D
1	70004864	1	Cartridge, Valve	
1	70004875	1	Seal Kit - 70004864 Valve	
2	70004865	1	Cartridge, Valve	
2	70004875	1	Seal Kit - 70004865 Valve	
3	70004866	1	Cartridge, Relief Valve	
3	70004867	1	Seal Kit - 70004866 Valve	
4	70004868	1	Cartridge, Solenoid Valve Less Coil	
4	70004869	1	Seal Kit - 70004868 Valve	
5	7027625	1	Cartridge, Solenoid Valve Less Coil	
5	70000100	1	Seal Kit - 7027625 Valve	
6	70006660	1	Cartridge, Valve	
6	70004867	1	Seal Kit - 70006660 Valve	
7	70004871	2	Coil	
8	7027628	2	Coil	

SECTION 4 - BOOM

FIGURE 4-13. BOOM VALVE ASSEMBLY



ART_1001162536_G

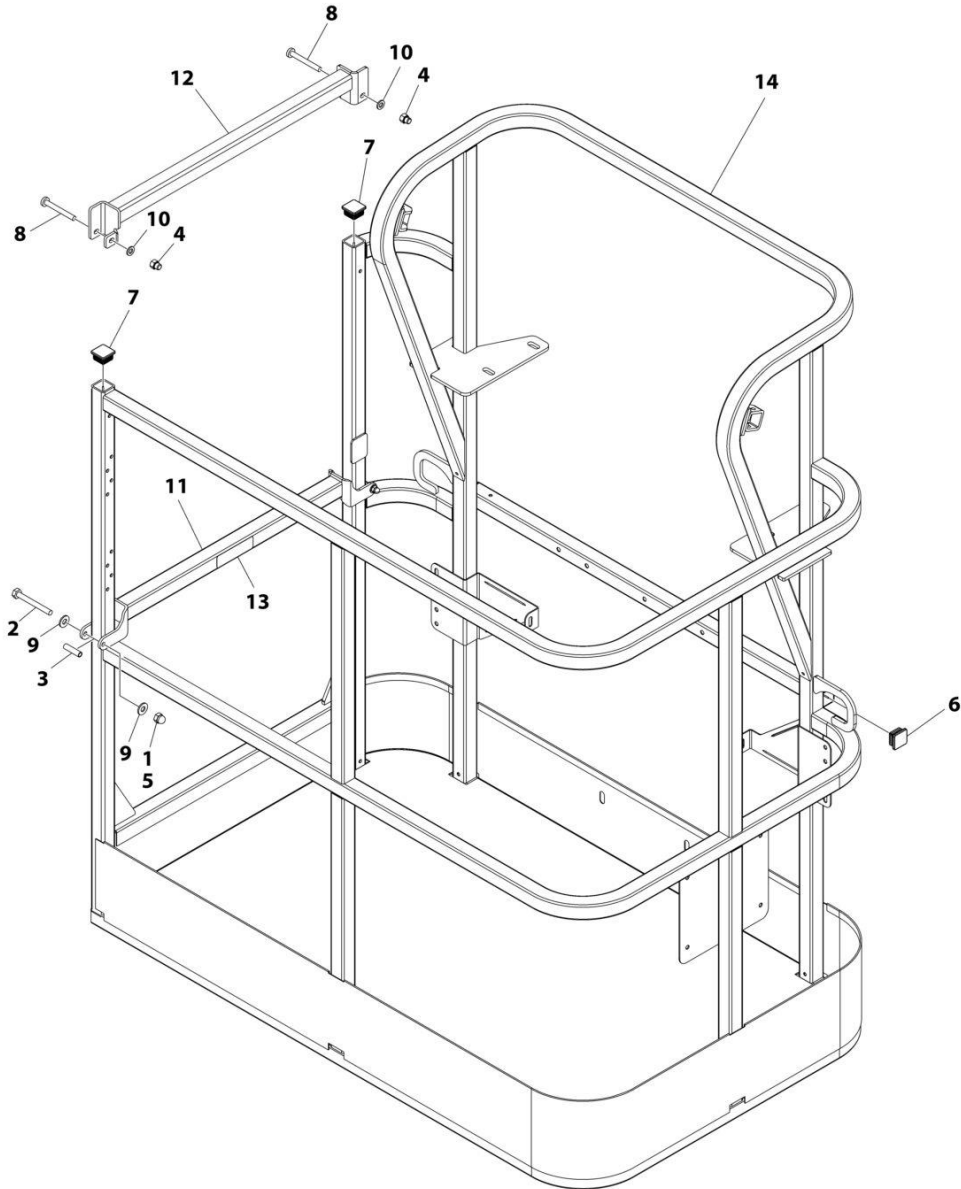
FIGURE 4-13. BOOM VALVE ASSEMBLY

ITEM	PART NUMBER	QTY	DESCRIPTION	REV
	1001162536	Ref	BOOM VALVE ASSEMBLY	G
1	70005243	2	Cartridge, Solenoid Valve Less Coil	
1	70004869	2	Seal Kit - 70005243 Valve	
2	70004873	1	Cartridge, Valve	
2	70004867	1	Seal Kit - 70004873 Valve	
3	70007556	1	Cartridge, Valve	
3	70004867	1	Seal Kit - 70006970 Valve	
4	2221086	1	Fitting, Test	
5	70004871	4	Coil	

SECTION 5 - PLATFORM

SECTION 5 - PLATFORM

FIGURE 5-1. PLATFORM ASSEMBLY - 30IN X 4FT (76CM X 1.22M) - SIDE DROP-BAR ENTRY



ART_1001186375

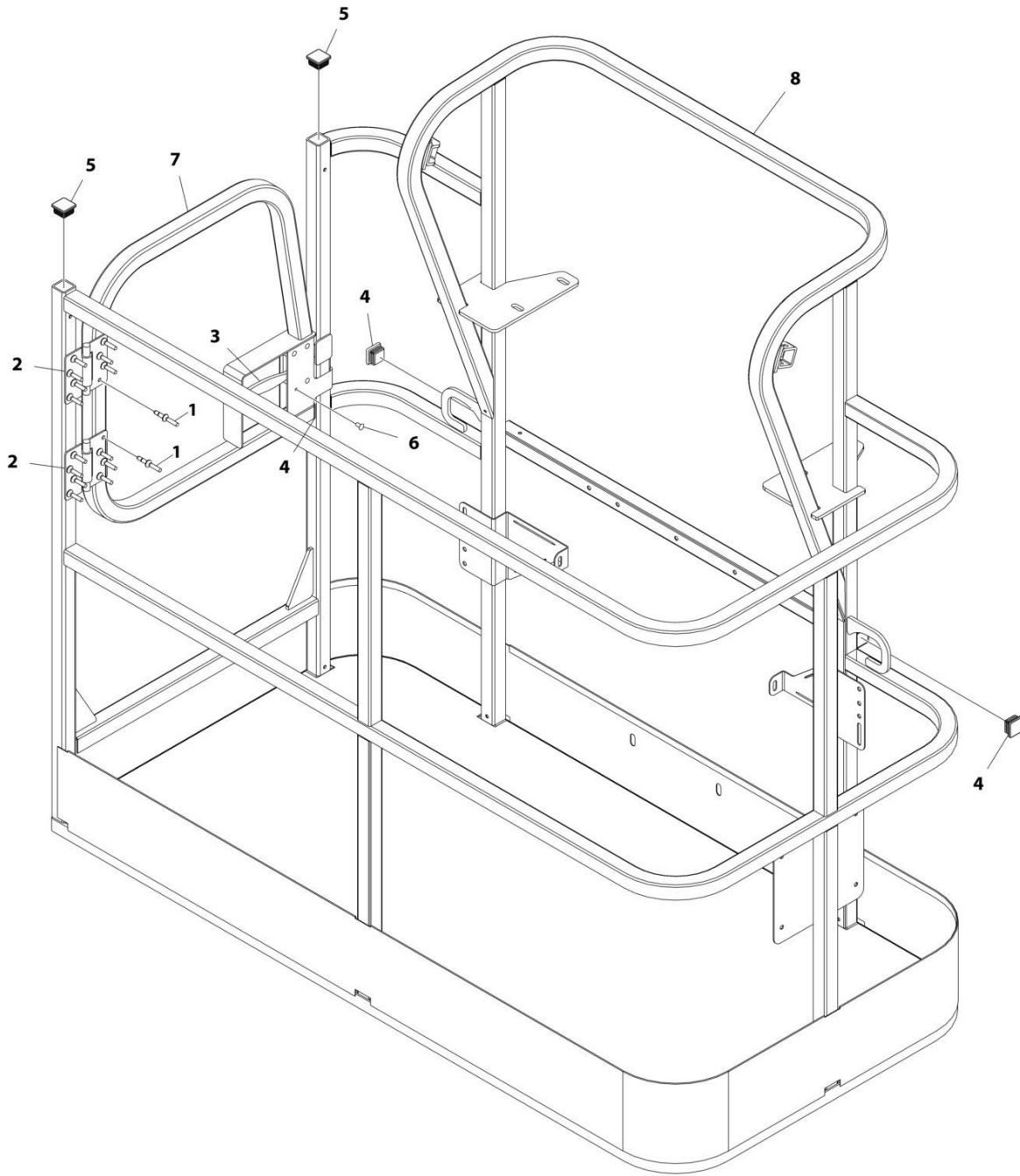
SECTION 5 - PLATFORM

FIGURE 5-1. PLATFORM ASSEMBLY - 30IN X 4FT (76CM X 1.22M) - SIDE DROP-BAR ENTRY

ITEM	PART NUMBER	QTY	DESCRIPTION	REV
	1001186375	Ref	PLATFORM ASSEMBLY	B
		Ref	Note: Platform and Mesh must be ordered separately for Platforms with Mesh. See SPECIAL OPTIONS SECTION for Mesh Installations.	
		Ref	Note: Replacement Decals Must be Ordered Separately - See DECALS SECTION.	
1	0100011	AR	Compound, Locking	
2	0641418	2	Bolt 1/4 x 2-1/4	
3	0961845	2	Bushing	
4	3290606	2	Nut M6	
5	3300151	2	Nut 1/4	
6	3520072	2	Plug	
7	3520198	2	Plug	
8	4010618	2	Screw M6 x 50	
9	4711400	4	Washer 1/4	
10	4811700	2	Washer M6	
11	1001138494	1	Bar, Drop	
12	1001138514	1	Rail - Top	
13	1001140429	1	Decal - Drop Bar	
14	See Note	1	Platform (Note: Not Available - Purchase Platform Assembly)	

SECTION 5 - PLATFORM

FIGURE 5-2. PLATFORM ASSEMBLY - 30IN X 5FT (76CM X 1.52M) - SIDE GATE ENTRY



ART_1001186386

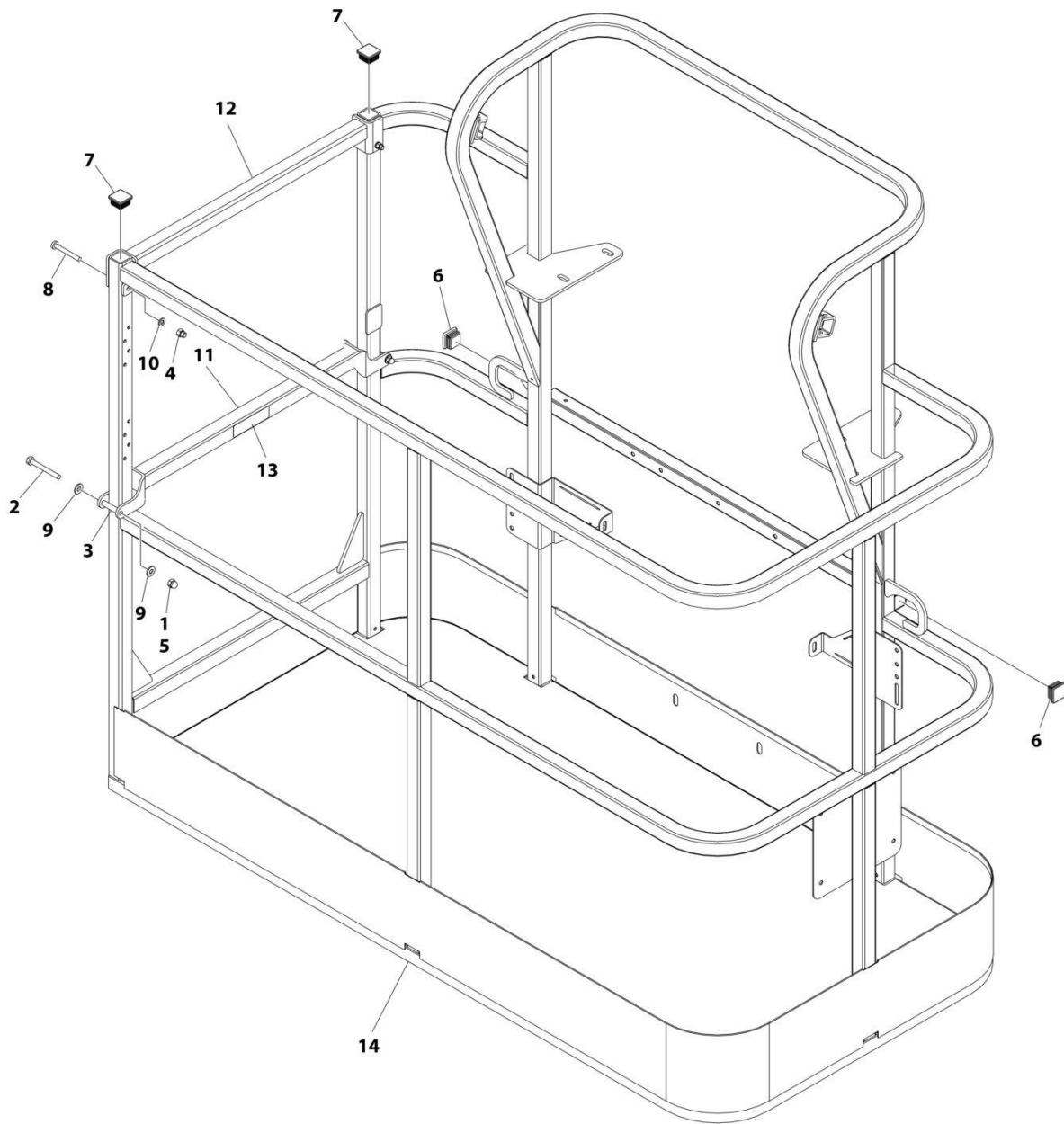
SECTION 5 - PLATFORM

FIGURE 5-2. PLATFORM ASSEMBLY - 30IN X 5FT (76CM X 1.52M) - SIDE GATE ENTRY

ITEM	PART NUMBER	QTY	DESCRIPTION	REV
	1001186386	Ref	PLATFORM ASSEMBLY	C
		Ref	Note: Platform and Mesh must be ordered separately for Platforms with Mesh. See SPECIAL OPTIONS SECTION for Mesh Installations.	
		Ref	Note: Replacement Decals Must be Ordered Separately - See DECALS SECTION.	
1	2080040	16	Fastener, Huck	
2	2600281	2	Hinge, Self-Closing	
3	2940074	1	Latch	
4	3520072	3	Plug	
5	3520198	2	Plug	
6	3820020	4	Rivet	
7	1001144629	1	Gate	
8	See Note	NSS	Platform (Note: Not Available - Purchase Platform Assembly)	

SECTION 5 - PLATFORM

FIGURE 5-3. PLATFORM ASSEMBLY - 30IN X 5FT (76CM X 1.52M) - SIDE DROP-BAR ENTRY



ART_1001186377

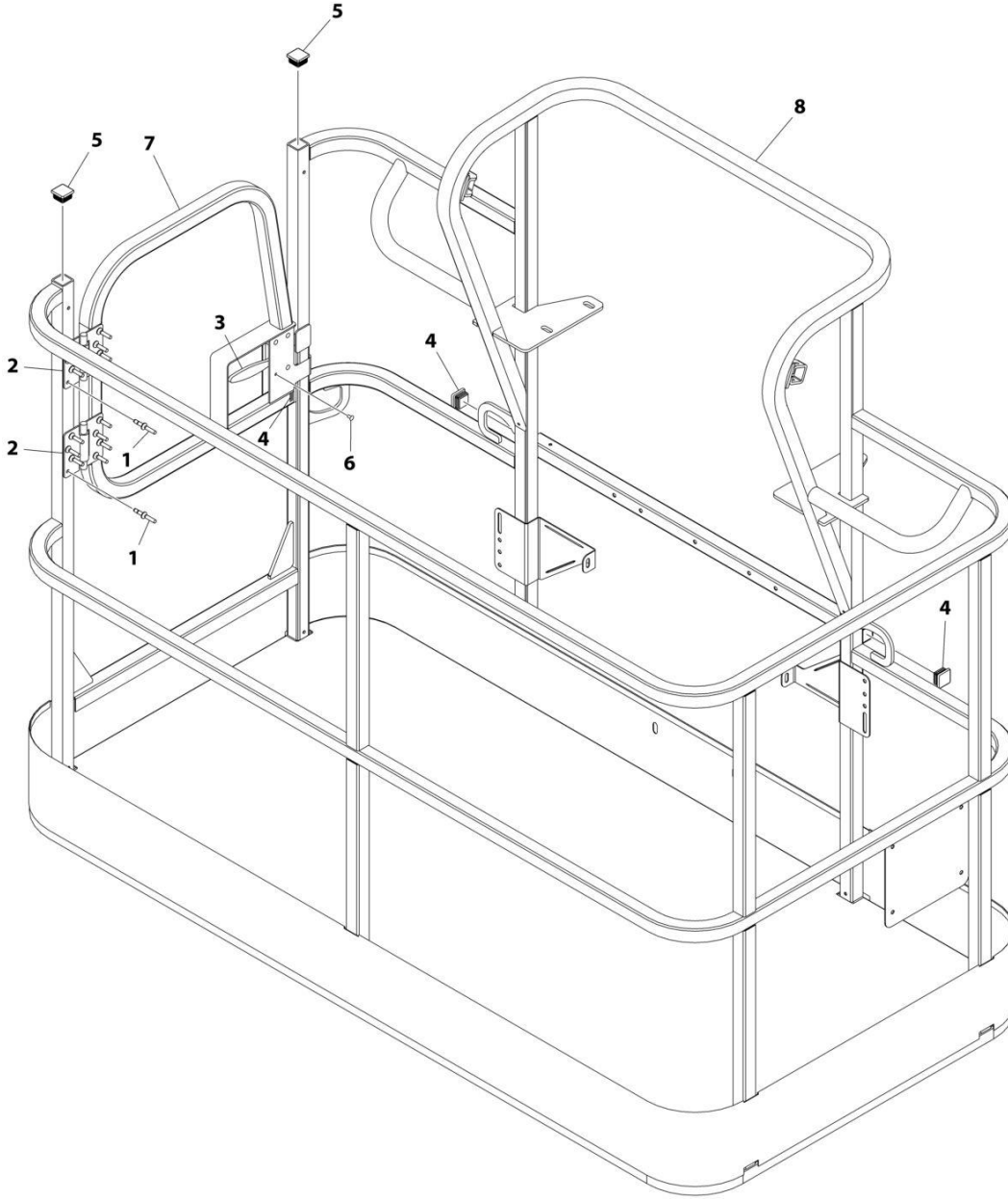
SECTION 5 - PLATFORM

FIGURE 5-3. PLATFORM ASSEMBLY - 30IN X 5FT (76CM X 1.52M) - SIDE DROP-BAR ENTRY

ITEM	PART NUMBER	QTY	DESCRIPTION	REV
	1001186377	Ref	PLATFORM ASSEMBLY	C
		Ref	Note: Platform and Mesh must be ordered separately for Platforms with Mesh. See SPECIAL OPTIONS SECTION for Mesh Installations.	
		Ref	Note: Replacement Decals Must be Ordered Separately - See DECALS SECTION.	
1	0100011	AR	Compound, Locking	
2	0641420	2	Bolt 1/4 x 2-1/2	
3	0961845	2	Bushing	
4	3290606	2	Nut M6	
5	3300151	2	Nut 1/4	
6	3520072	2	Plug	
7	3520198	2	Plug	
8	4010618	2	Screw M6 x 50	
9	4711400	4	Washer 1/4	
10	4811700	2	Washer M6	
11	1001138494	1	Bar, Drop	
12	1001138514	1	Rail (Top)	
13	1001140429	1	Decal - Drop Bar	
14	See Note	NSS	Platform (Note: Not Available - Purchase Platform Assembly)	

SECTION 5 - PLATFORM

FIGURE 5-4. PLATFORM ASSEMBLY - 30IN X 6FT (76CM X 1.83M) - SIDE GATE ENTRY



ART_1001186385

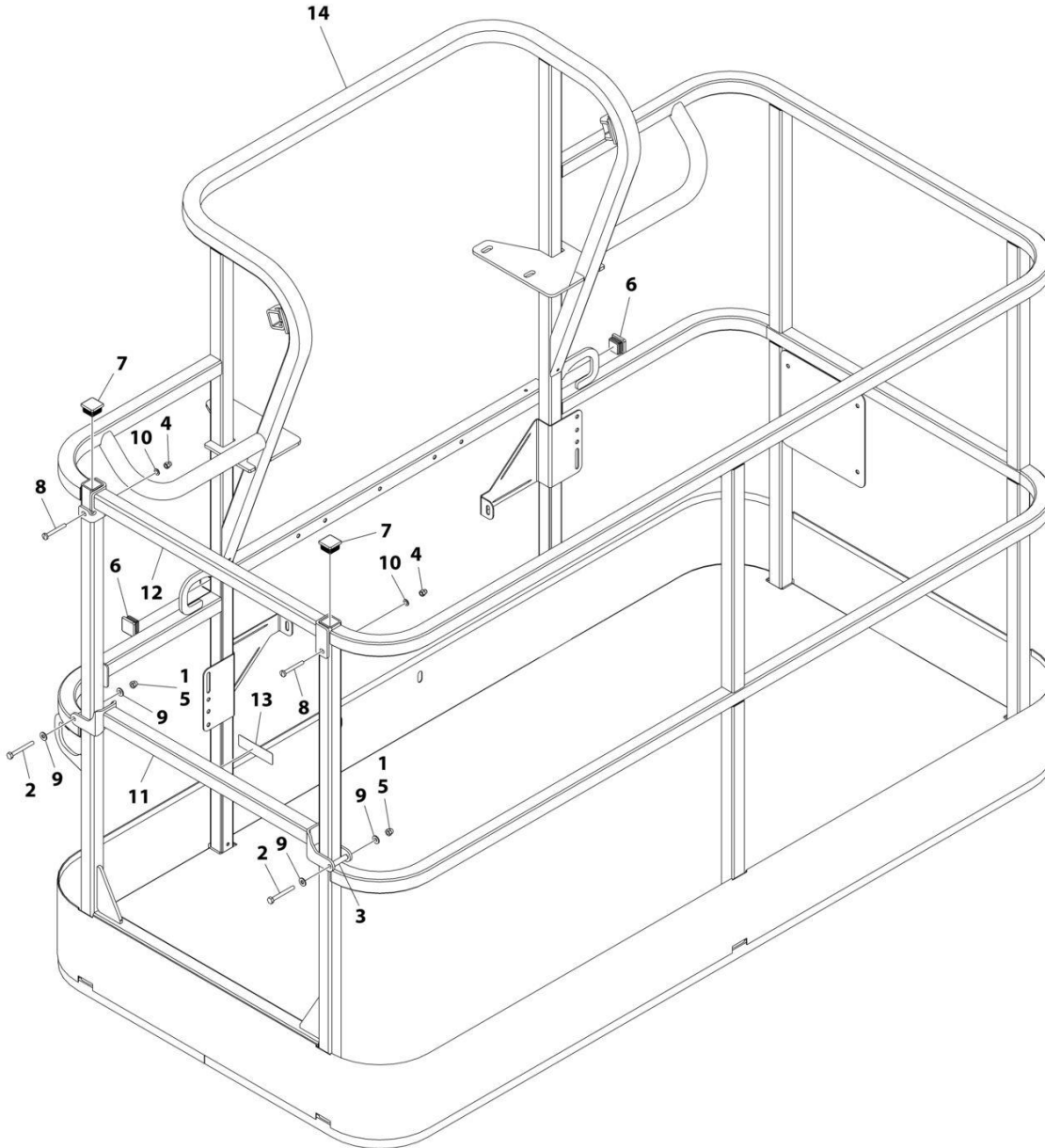
SECTION 5 - PLATFORM

FIGURE 5-4. PLATFORM ASSEMBLY - 30IN X 6FT (76CM X 1.83M) - SIDE GATE ENTRY

ITEM	PART NUMBER	QTY	DESCRIPTION	REV
	1001186385	Ref	PLATFORM ASSEMBLY	D
		Ref	Note: Platform and Mesh must be ordered separately for Platforms with Mesh. See SPECIAL OPTIONS SECTION for Mesh Installations.	
		Ref	Note: Replacement Decals Must be Ordered Separately - See DECALS SECTION.	
1	2080040	16	Fastener, Huck	
2	2600281	2	Hinge	
3	2940074	1	Latch	
4	3520072	3	Plug	
5	3520198	2	Plug	
6	3820020	4	Rivet	
7	1001144629	1	Gate	
8	See Note	NSS	Platform (Note: Not Available - Purchase Platform Assembly)	

SECTION 5 - PLATFORM

FIGURE 5-5. PLATFORM ASSEMBLY - 30IN X 6FT (76CM X 1.83M) - SIDE DROP-BAR ENTRY



ART_1001186378

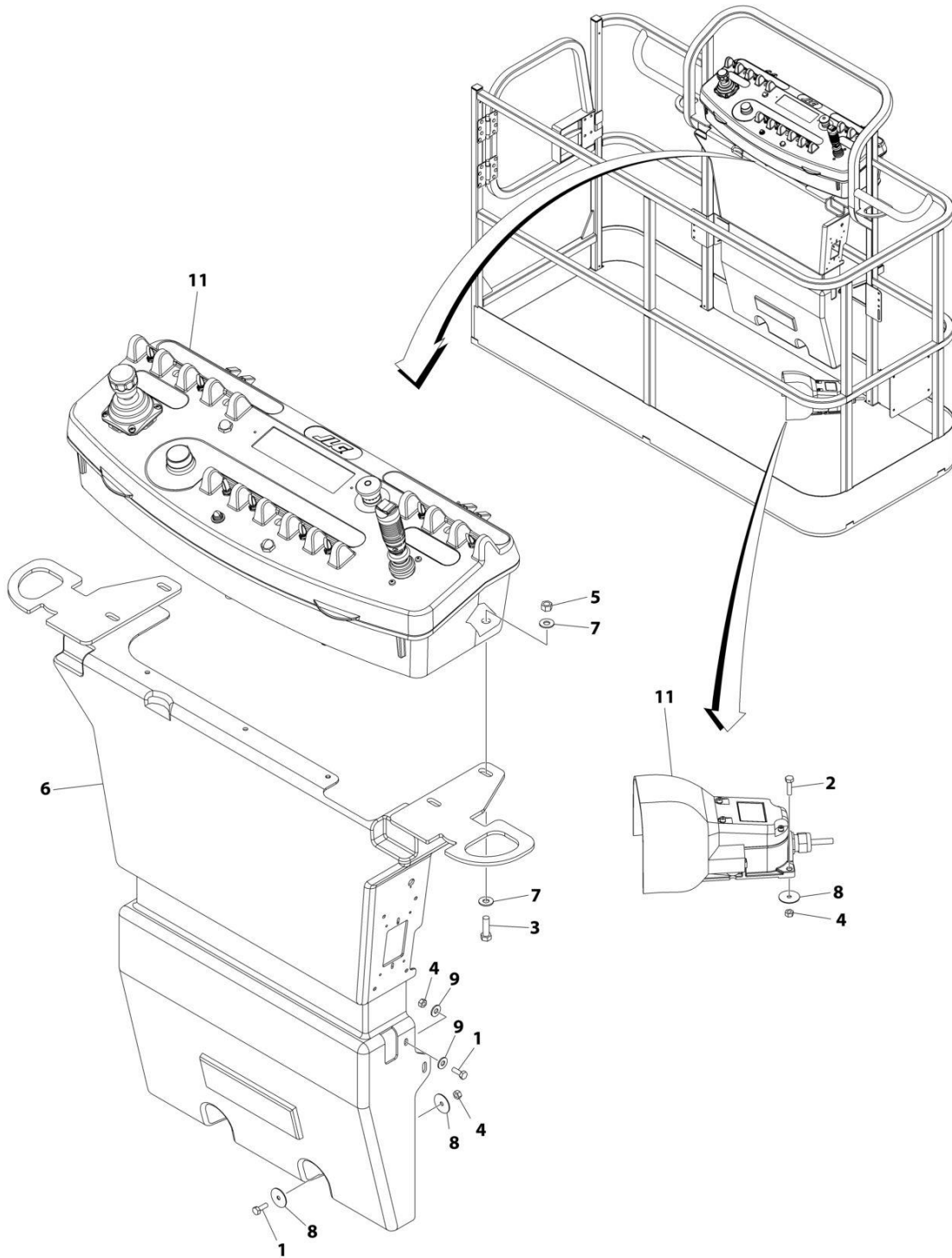
SECTION 5 - PLATFORM

FIGURE 5-5. PLATFORM ASSEMBLY - 30IN X 6FT (76CM X 1.83M) - SIDE DROP-BAR ENTRY

ITEM	PART NUMBER	QTY	DESCRIPTION	REV
	1001186378	Ref	PLATFORM ASSEMBLY	C
		Ref	Note: Platform and Mesh must be ordered separately for Platforms with Mesh. See SPECIAL OPTIONS SECTION for Mesh Installations.	
		Ref	Note: Replacement Decals Must be Ordered Separately - See DECALS SECTION.	
1	0100011	AR	Compound, Locking	
2	0641418	2	Bolt 1/4 x 2-1/4	
3	0961845	2	Bushing	
4	3290606	2	Nut M6	
5	3300151	2	Nut 1/4	
6	3520072	2	Plug	
7	3520198	2	Plug	
8	4010618	2	Screw M6 x 50	
9	4711400	4	Washer 1/4	
10	4811700	2	Washer M6	
11	1001138494	1	Bar, Drop	
12	1001138514	1	Rail (Top)	
13	1001140429	1	Decal - Drop Bar	
14	See Note	NSS	Platform (Note: Not Available - Purchase Platform Assembly)	

SECTION 5 - PLATFORM

FIGURE 5-6. CONSOLE BOX INSTALLATION



ART_1001246436

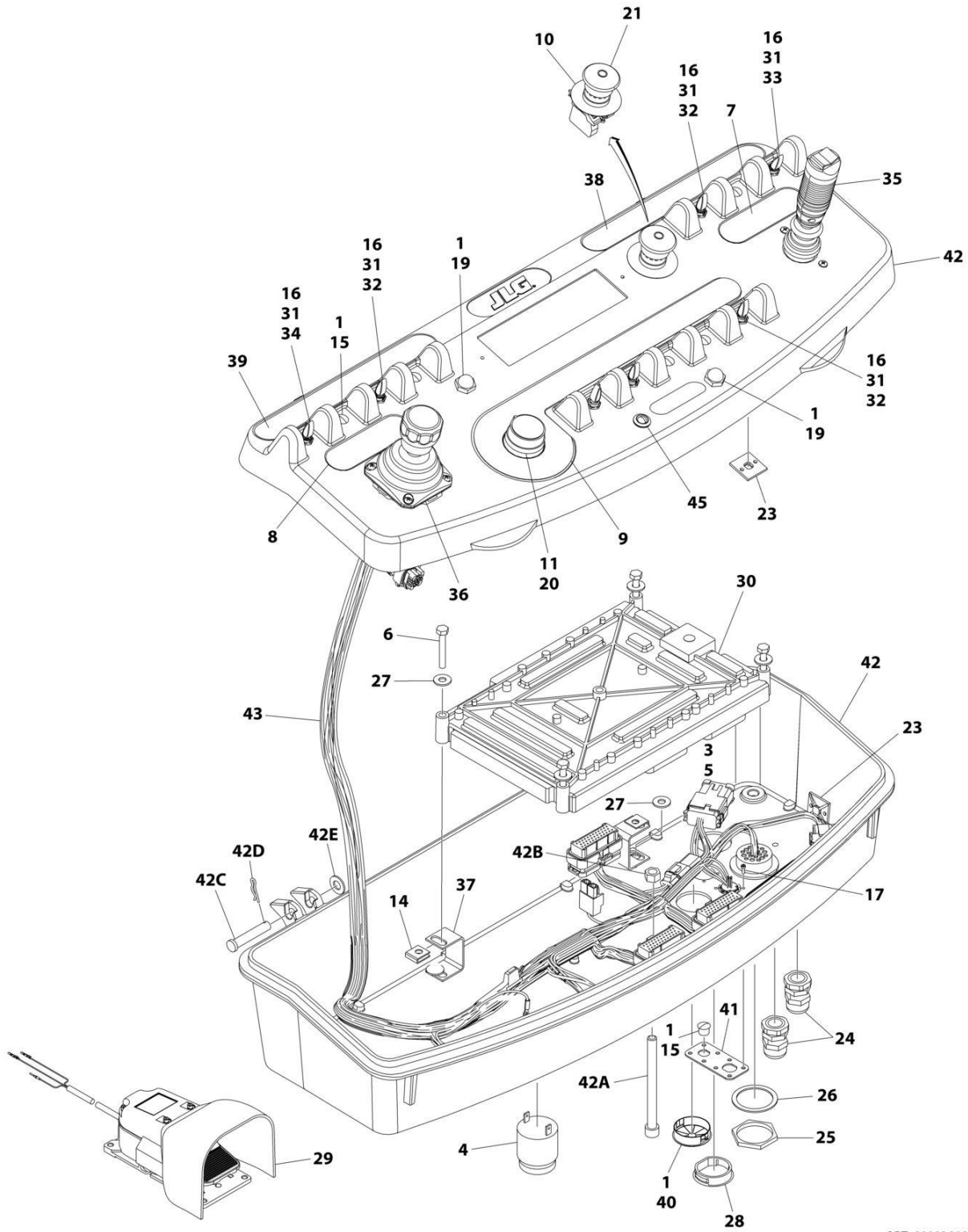
SECTION 5 - PLATFORM

FIGURE 5-6. CONSOLE BOX INSTALLATION

ITEM	PART NUMBER	QTY	DESCRIPTION	REV
	1001246436	Ref	CONSOLE BOX INSTALLATION	A
1	0641406	4	Bolt 1/4 x 3/4	
2	0641408	3	Bolt 1/4 x 1	
3	0641610	4	Bolt 3/8 x 1-1/4	
4	3311405	7	Nut Lock 1/4	
5	3311605	4	Nut Lock 3/8	
6	3380434	1	Panel, Decal Mount	
7	4751600	8	Washer 3/8	
8	4740362	7	Washer 1/4	
9	4751400	4	Washer 1/4	
10	1001164728	1	Harness, Platform Valve (Not Shown - See Separate Breakdown in ELECTRICAL SECTION)	
11	1001246435	1	Platform Console Box Assembly (See Separate Breakdown in this Section)	

SECTION 5 - PLATFORM

FIGURE 5-7. PLATFORM CONSOLE BOX ASSEMBLY



ART_1001246435_D

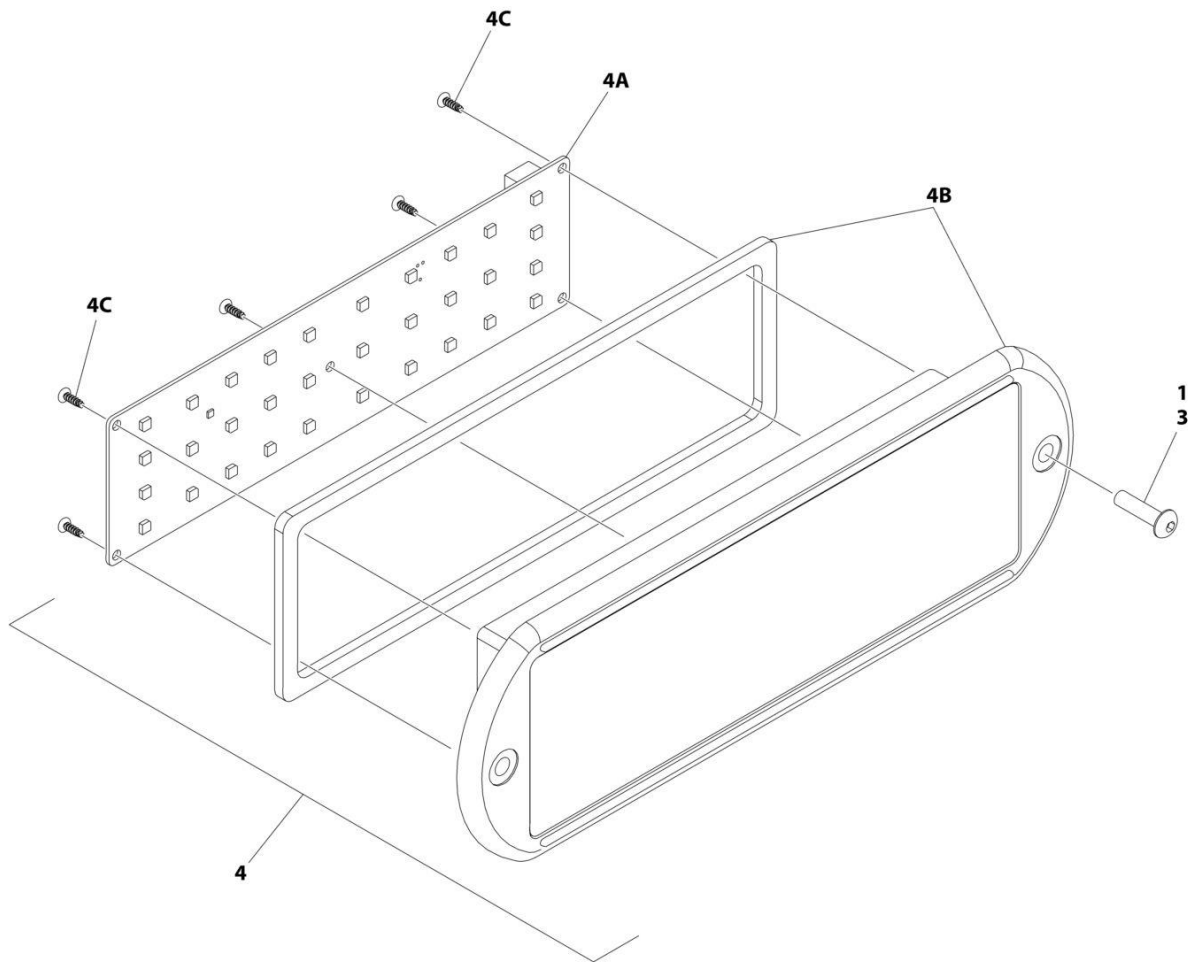
SECTION 5 - PLATFORM

FIGURE 5-7. PLATFORM CONSOLE BOX ASSEMBLY

ITEM	PART NUMBER	QTY	DESCRIPTION	REV
	1001246435	Ref	PLATFORM CONSOLE BOX ASSEMBLY	D
1	0100009	AR	Sealant	
3	0100035	AR	Compound, Locking	
4	0140011	1	Alarm	
5	0641405	4	Bolt 1/4 x 5/8	
6	0641414	4	Bolt 1/4 x 1-3/4	
7	1702565	1	Decal - Drive and Steer	
8	1702566	1	Decal - Lift and Swing	
9	1702567	1	Decal - Function Speed	
10	1704260	1	Decal - EMS	
11	2560136	1	Handle, Knob	
14	3300353	4	Nut	
15	3520054	5	Plug	
16	3790012	8	O-Ring	
17	3900349	8	Screw	
18	4240099	AR	Tie-Strap (Not Shown)	
19	4360387	2	Switch, Pushbutton	
20	4360407	1	Switch, Potentiometer	
21	1001274559	1	Switch, Emergency	
23	4460234	6	Mount, Tie-Strap	
24	4460428	2	Connector, Strain Relief	
25	4460470	1	Nut	
26	4460471	1	Washer	
27	4751400	8	Washer 1/4	
28	1001110434	1	Plug	
29	1001117174	1	Footswitch Assembly (See Separate Breakdown in this Section)	
30	1001118412	1	Module, Control	
31	1001155044	8	Nut 15/32	
32	1001155045	6	Switch, Toggle	
33	1001159256	1	Switch, Toggle	
34	1001161709	1	Switch, Toggle	
35	1001275628	1	Controller Assembly (Drive and Steer)	
36	1001275629	1	Controller Assembly (Lift and Swing)	
37	1001172760	4	Bracket	
38	1001184618	1	Decal - Stop	
39	1001184626	1	Decal - Horn	
40	1001185281	1	Plug	
41	1001213882	1	Connector, Mounting	
42	1001215228	1	Platform Console Box	
42A	0630568	1	Capscrew 3/8 x 4-1/2	
42B	3311601	1	Nut 3/8	
42C	3430616	2	Pin, Clevis	
42D	3470003	2	Hairpin	
42E	4711600	2	Washer 3/8	
43	1001238254	1	Harness, Platform Console Box (See Separate Breakdown in ELECTRICAL Section)	
45	1001206532	1	Lamp, Indicator	

SECTION 5 - PLATFORM

FIGURE 5-8. LIGHT PANEL INSTALLATION - PLATFORM CONSOLE



ART_1001241398_D_2OF2

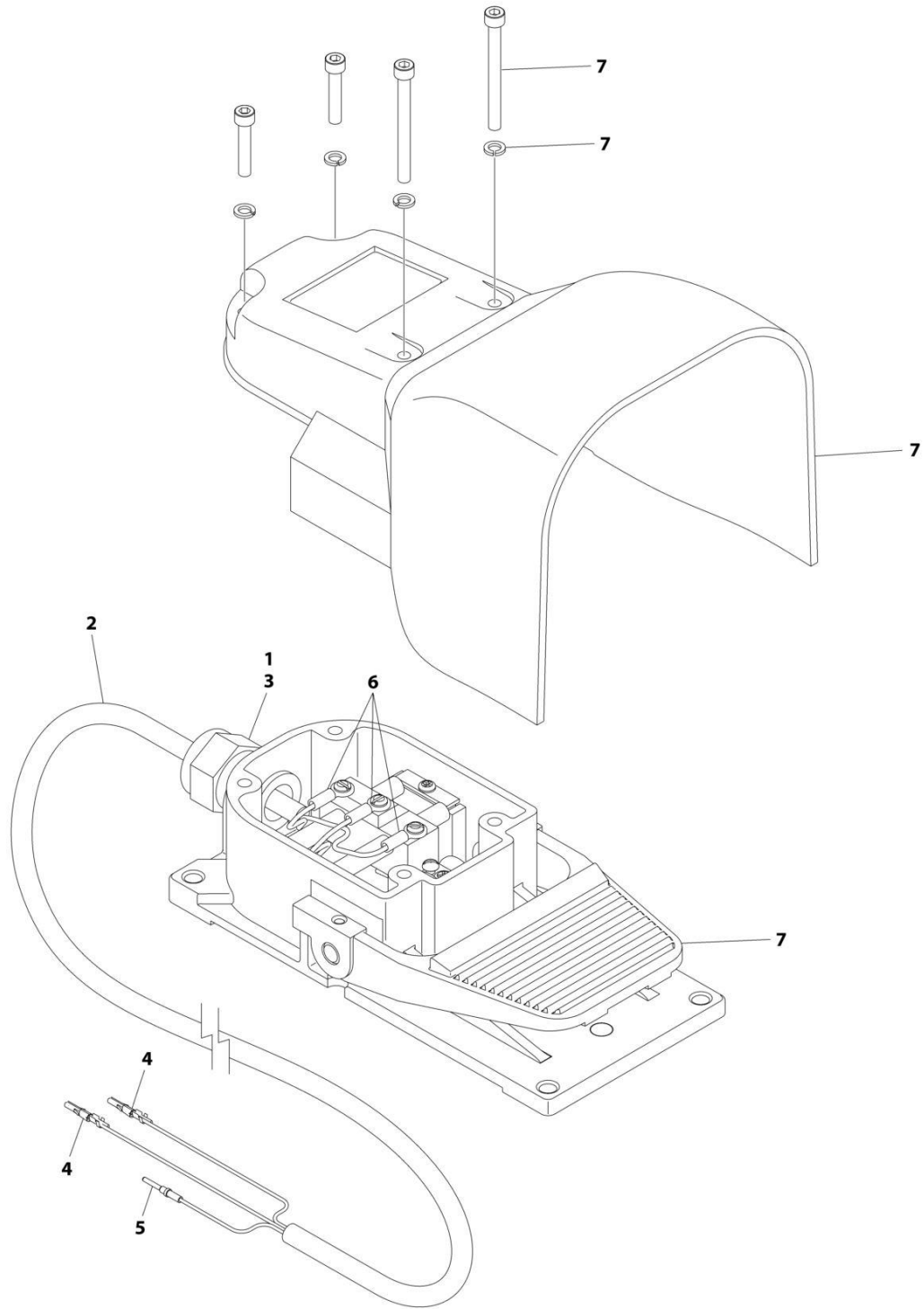
SECTION 5 - PLATFORM

FIGURE 5-8. LIGHT PANEL INSTALLATION - PLATFORM CONSOLE

ITEM	PART NUMBER	QTY	DESCRIPTION	REV
	1001241398	Ref	LIGHT PANEL INSTALLATION - PLATFORM CONSOLE	D
1	0100035	AR	Compound, Locking	
3	0630518	2	Screw #10 x 3/4	
4	1001284583	1	Light Panel Assembly	A
4A	1001282106	1	Panel, LED Light	
4B	1001284582	1	Lens, Icon (Includes Gasket)	
4C		Ref	Screw	

SECTION 5 - PLATFORM

FIGURE 5-9. FOOTSWITCH ASSEMBLY



ART_1001117174

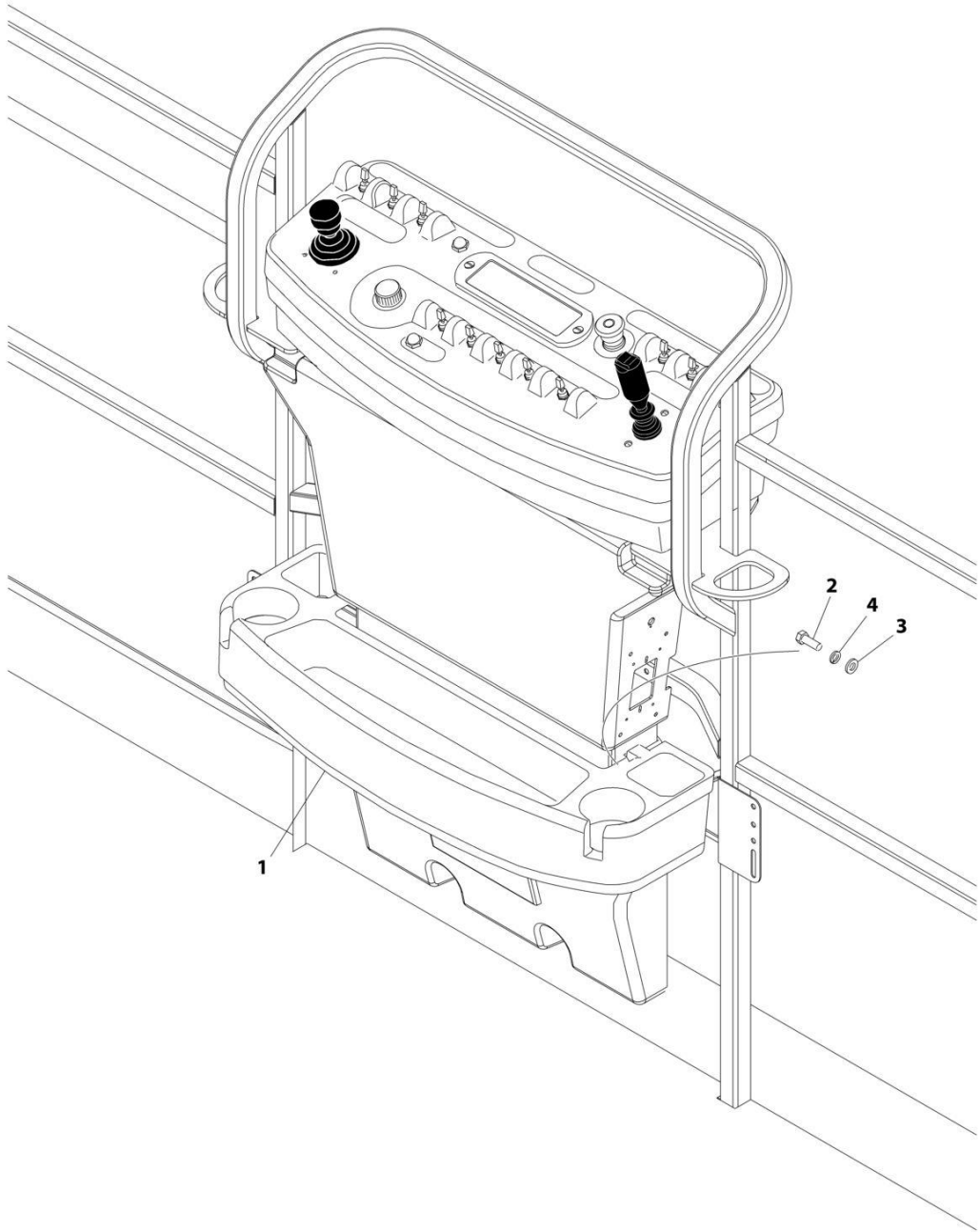
SECTION 5 - PLATFORM

FIGURE 5-9. FOOTSWITCH ASSEMBLY

ITEM	PART NUMBER	QTY	DESCRIPTION	REV
	1001117174	Ref	FOOTSWITCH ASSEMBLY	C
1	0100020	AR	Sealant	
2	1060918	7.5 ft/ 2.3m	Cable, Electrical - 18/3	
3	4460071	1	Connector, Strain Relief	
4	4460226	2	Socket, Female	
5	4460464	1	Pin, Male	
6	1001098122	3	Terminal	
7	1001117172	1	Footswitch	
7	70002902	1	Switch, 20Amp	
7	70002903	1	Gasket	
7	70002905	1	Cover	
7	70002904	1	Kit, Replacement Bolt	

SECTION 5 - PLATFORM

FIGURE 5-10. TRAY ASSEMBLY



ART_1580012

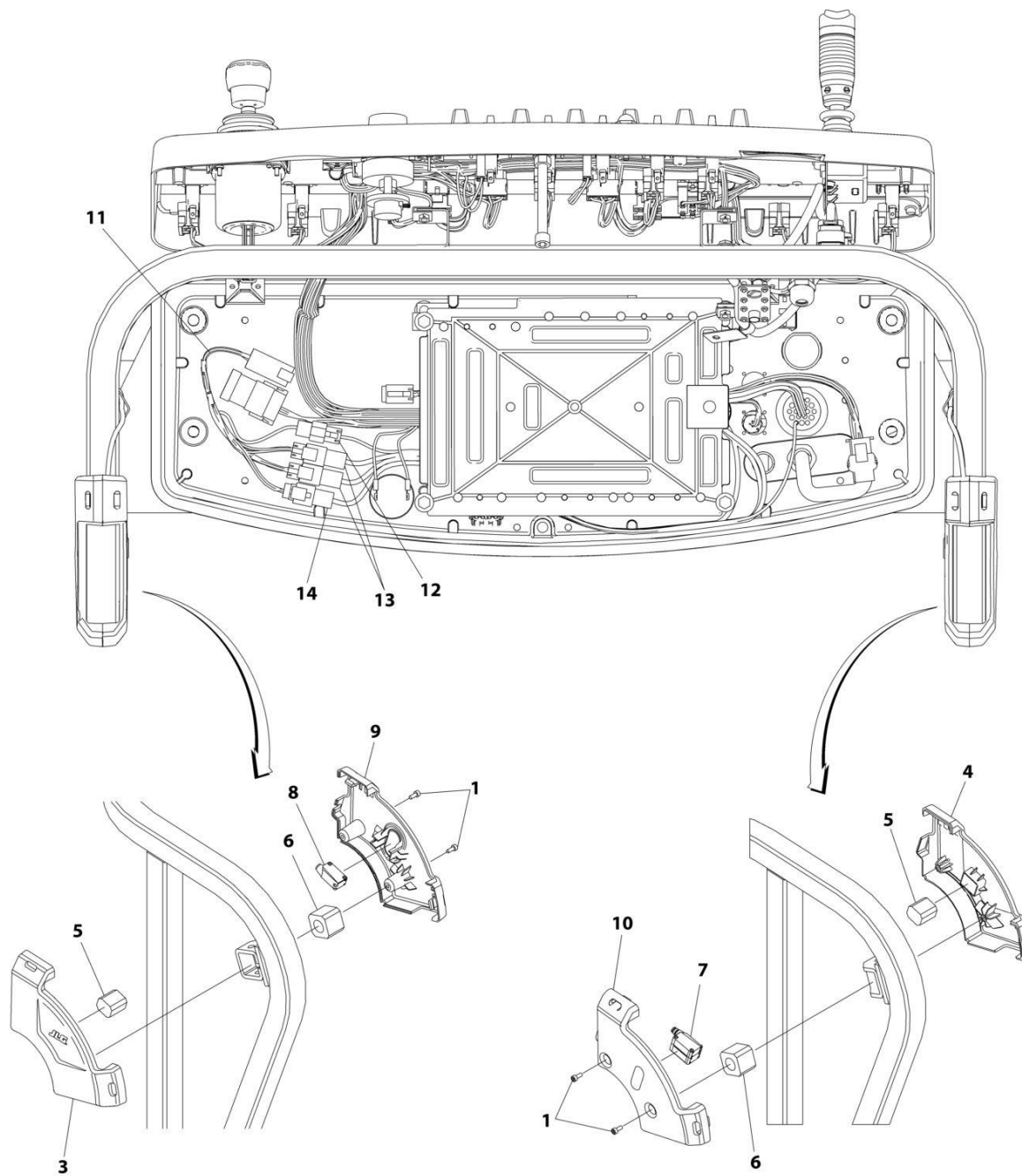
SECTION 5 - PLATFORM

FIGURE 5-10. TRAY ASSEMBLY

ITEM	PART NUMBER	QTY	DESCRIPTION	REV
	1580012	Ref	TRAY ASSEMBLY	C
1	See Note	NSS	Tray, Storage (Center) (Note: Purchase p/n 1580012)	
2	0641406	2	Bolt 1/4 x 3/4	
3	4751400	2	Washer 1/4	
4	4761400	2	Washer 1/4	

SECTION 5 - PLATFORM

FIGURE 5-11. SKYEYE INSTALLATION



ART_1001229341

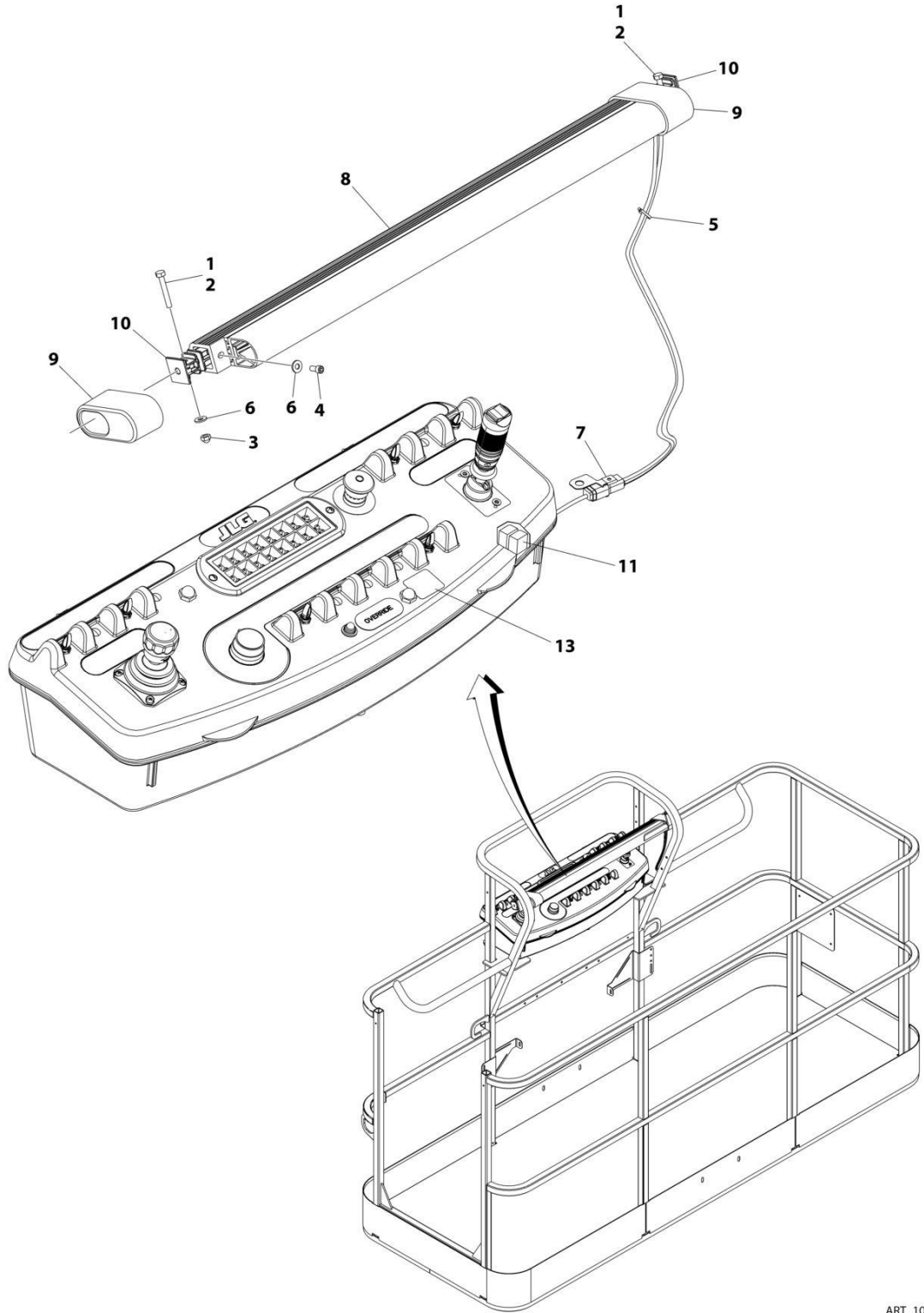
SECTION 5 - PLATFORM

FIGURE 5-11. SKYEYE INSTALLATION

ITEM	PART NUMBER	QTY	DESCRIPTION	REV
	1001229341	Ref	SKYEYE INSTALLATION	B
1	4031505	4	Bolt M4 x 10	
2	4240033	AR	Tie-Strap (Not Shown)	
3	1001227633	1	Housing, LH Outer	
4	1001227634	1	Housing, RH Outer	
5	1001227985	2	Shim	
6	1001227987	2	Shim	
7	1001228224	2	Sensor, Receiver	
8	1001228225	1	Sensor, Emitter	
9	1001232164	1	Housing, LH Inner	
10	1001232165	1	Housing, RH Inner	
11	1001237865	1	Harness, Skyeeye Intermediate (See Separate Breakdown in ELECTRICAL Section)	
12	1001238319	NLA	Harness, Skyeeye Drain Jumper	
12	1001187674	1	Plug, Male - 2 Position	
12	4460942	1	Terminal	
12	4460466	1	Plug, Terminal	
12	4460508	1	Pin, Male	
13	1001237863	2	Harness, Skyeeye Receiver (See Separate Breakdown in ELECTRICAL Section)	
14	1001237864	1	Harness, Skyeeye Emitter (See Separate Breakdown in ELECTRICAL Section)	

SECTION 5 - PLATFORM

FIGURE 5-12. SKYGUARD BAR INSTALLATION



ART_1001238495

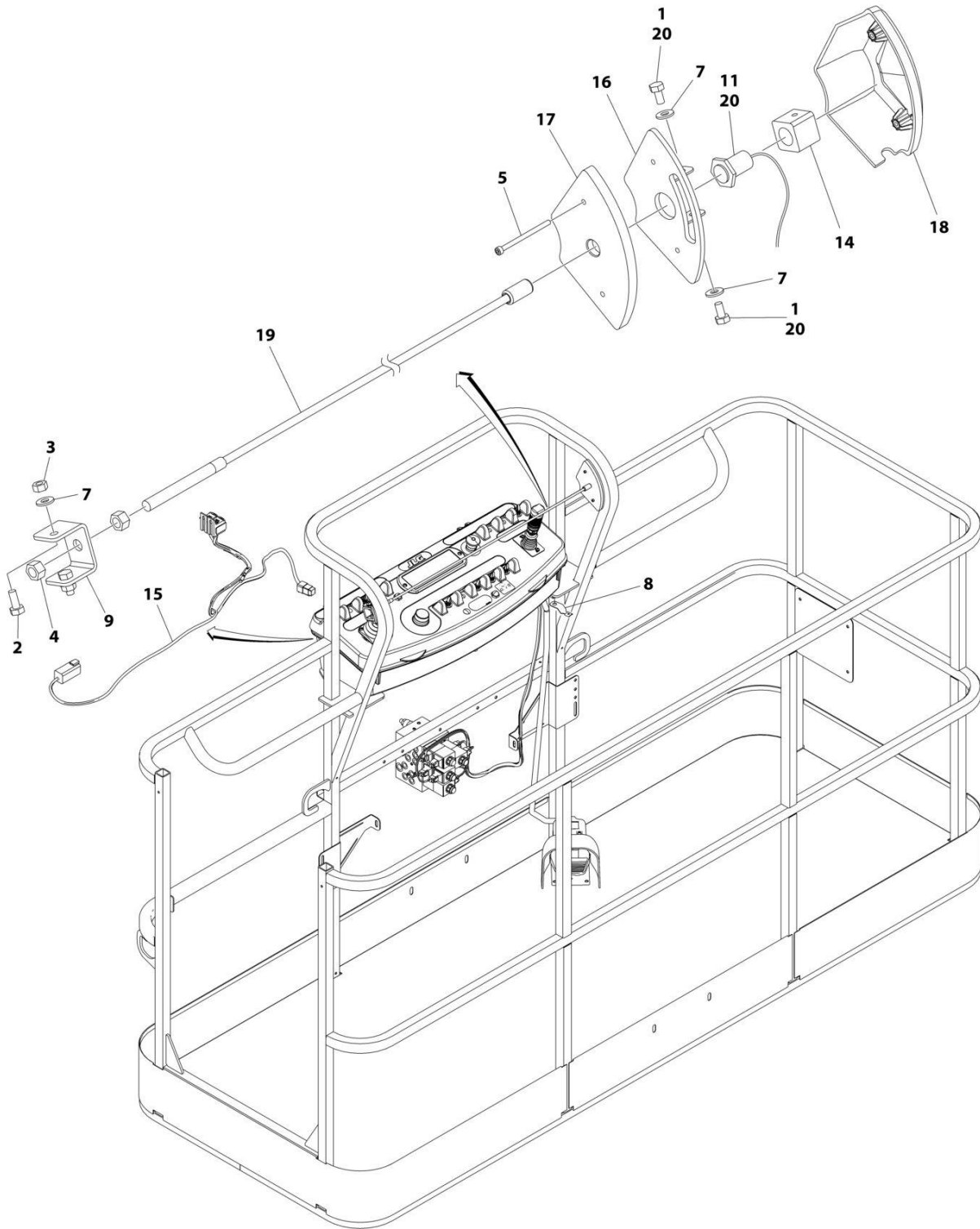
SECTION 5 - PLATFORM

FIGURE 5-12. SKYGUARD BAR INSTALLATION

ITEM	PART NUMBER	QTY	DESCRIPTION	REV
	1001238495	Ref	SKYGUARD BAR INSTALLATION	A
1	0100011	AR	Compound, Locking	
2	0641414	2	Bolt 1/4 x 1-3/4	
3	3300430	2	Nut 1/4	
4	3931408	2	Capscrew 1/4 x 1/2	
5	4240033	8	Tie-Strap	
6	4711400	6	Washer 1/4	
7	1001120328	1	Mount	
8	1001137673	1	SkyGuard Switch Assembly	
9	1001186517	2	Cover, Platform Sensor	
10	1001209664	2	Support, Block	
11	1001186431	2	Relay	
12	1001225580	1	Interface Harness Assembly (Not Shown - Located Inside Console Box) (See Separate Breakdown in ELECTRICAL Section)	
13	1001144433	1	Decal - No Weight SkyGuard	

SECTION 5 - PLATFORM

FIGURE 5-13. SKYLINE INSTALLATION



ART_1001238559_D

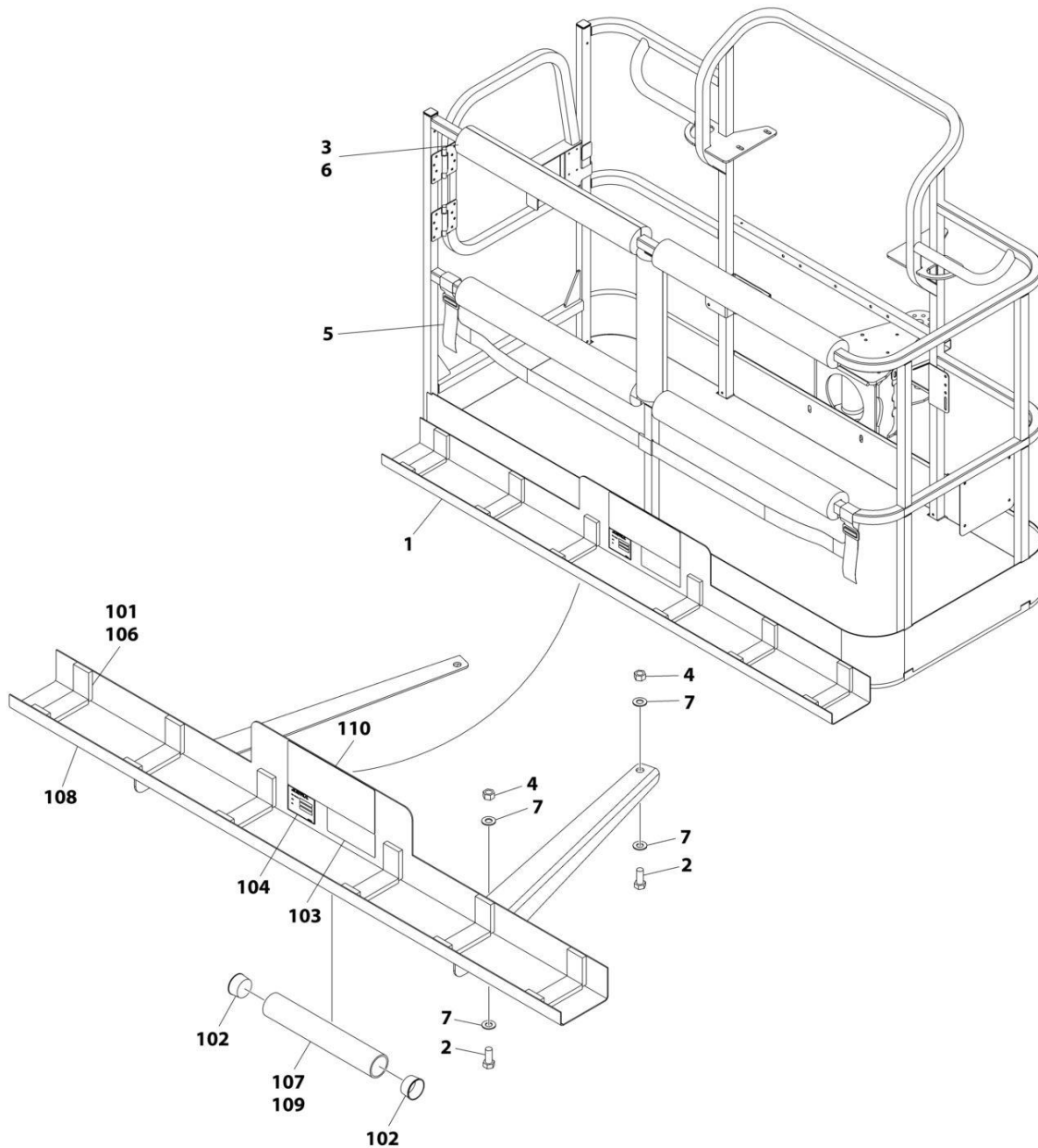
SECTION 5 - PLATFORM

FIGURE 5-13. SKYLINE INSTALLATION

ITEM	PART NUMBER	QTY	DESCRIPTION	REV
	1001238559	Ref	SKYLINE INSTALLATION	D
1	0641404	2	Bolt 1/4 x 1/2	
2	0641405	2	Bolt 1/4 x 5/8	
3	3311405	2	Nut 1/4	
4	3311601	2	Nut 3/8	
5	4031516	2	Capscrew M4 x 60	
6	4240033	AR	Tie-Strap (Not Shown)	
7	4711400	4	Washer 1/4	
8	1001120328	1	Mount	
9	1001232642	1	Bracket	
11	1001232667	1	Sensor, Proximity	
11	1001311034	1	Sensor, Proximity	
14	1001236552	1	Block	
15	1001238418	1	Harness, Skyline (See Separate Breakdown in ELECTRICAL Section)	
16	1001238472	1	Mount	
17	1001254473	1	Housing, LH	
18	1001241965	1	Housing, RH	
19	1001254472	1	Rod	
20	0100011	AR	Compound, Locking	

SECTION 5 - PLATFORM

FIGURE 5-14. SKYGLAZIER INSTALLATION (AUSTRALIAN SPECS)



ART_1001173975

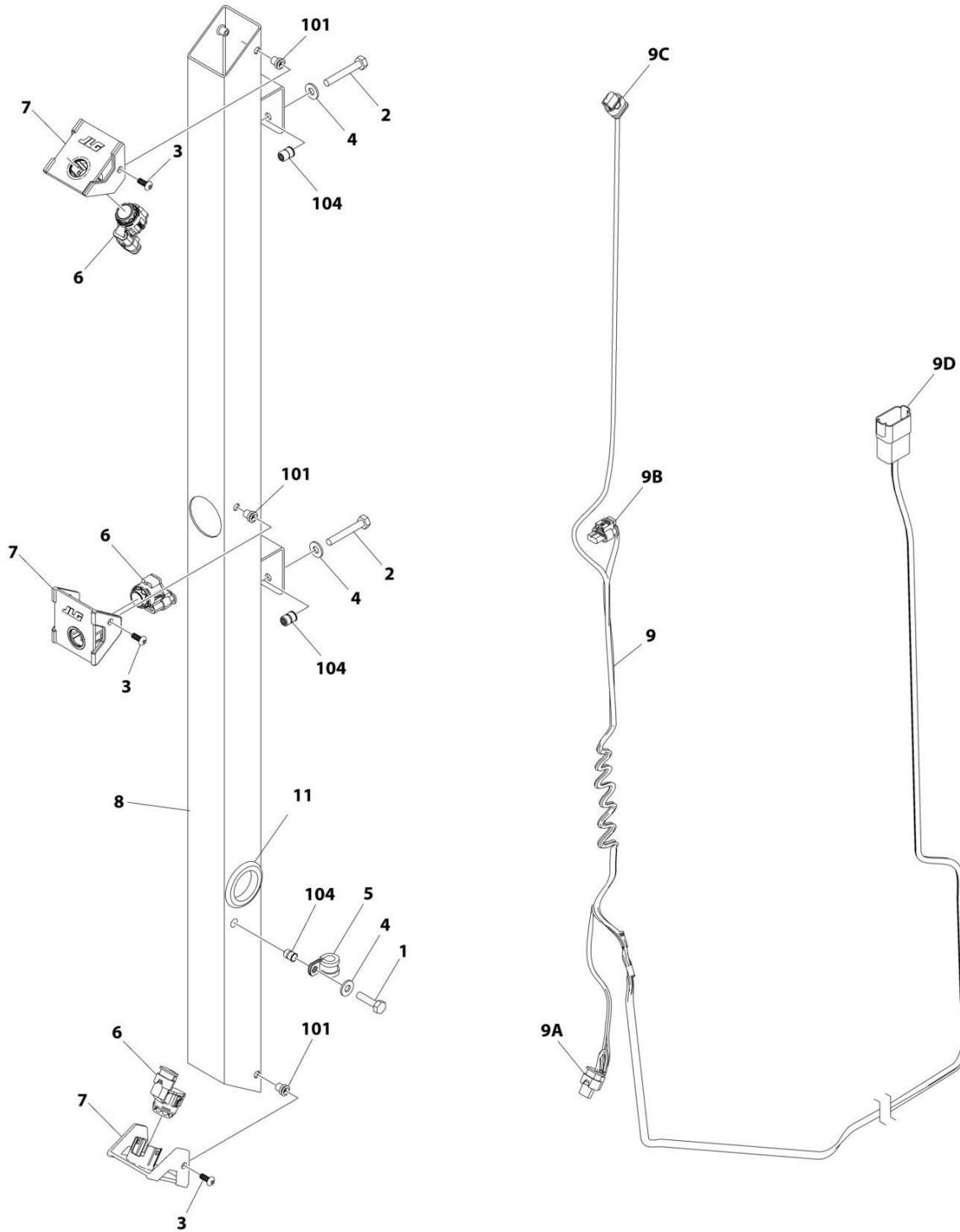
SECTION 5 - PLATFORM

FIGURE 5-14. SKYGLAZIER INSTALLATION (AUSTRALIAN SPECS)

ITEM	PART NUMBER	QTY	DESCRIPTION	REV
	1001173975	Ref	SKYGLAZIER INSTALLATION	B
1	1001173973	1	Tray Assembly (See Items 101-110 for Breakdown)	
2	0642012	4	Bolt 5/8 x 1-1/2	
3	0940199	1	Bumper Kit	
4	3312005	4	Nut 5/8	
5	4240149	1	Strap Kit	
6	4420014	AR	Tape	
7	4712000	8	Washer 5/8	
	1001173973	Ref	TRAY ASSEMBLY	C
101	0100081	AR	Adhesive	
102	1120555	2	Cap, Tube	
103	1701509	1	Decal - Manual	
104	See Note	NSS	Nameplate - Serial Number (Note: Not Available for Purchase)	
106	3340956	1	Pad Kit	
107	3460334	1	Tube	
108	4341415	1	Support	
109	4420066	AR	Tape, Double Sided	
110	1001229138	1	Decal - Glazier Capacity	

SECTION 5 - PLATFORM

FIGURE 5-15. SKYSENSE MID TUBE SENSOR ASSEMBLY



ART_1001243205

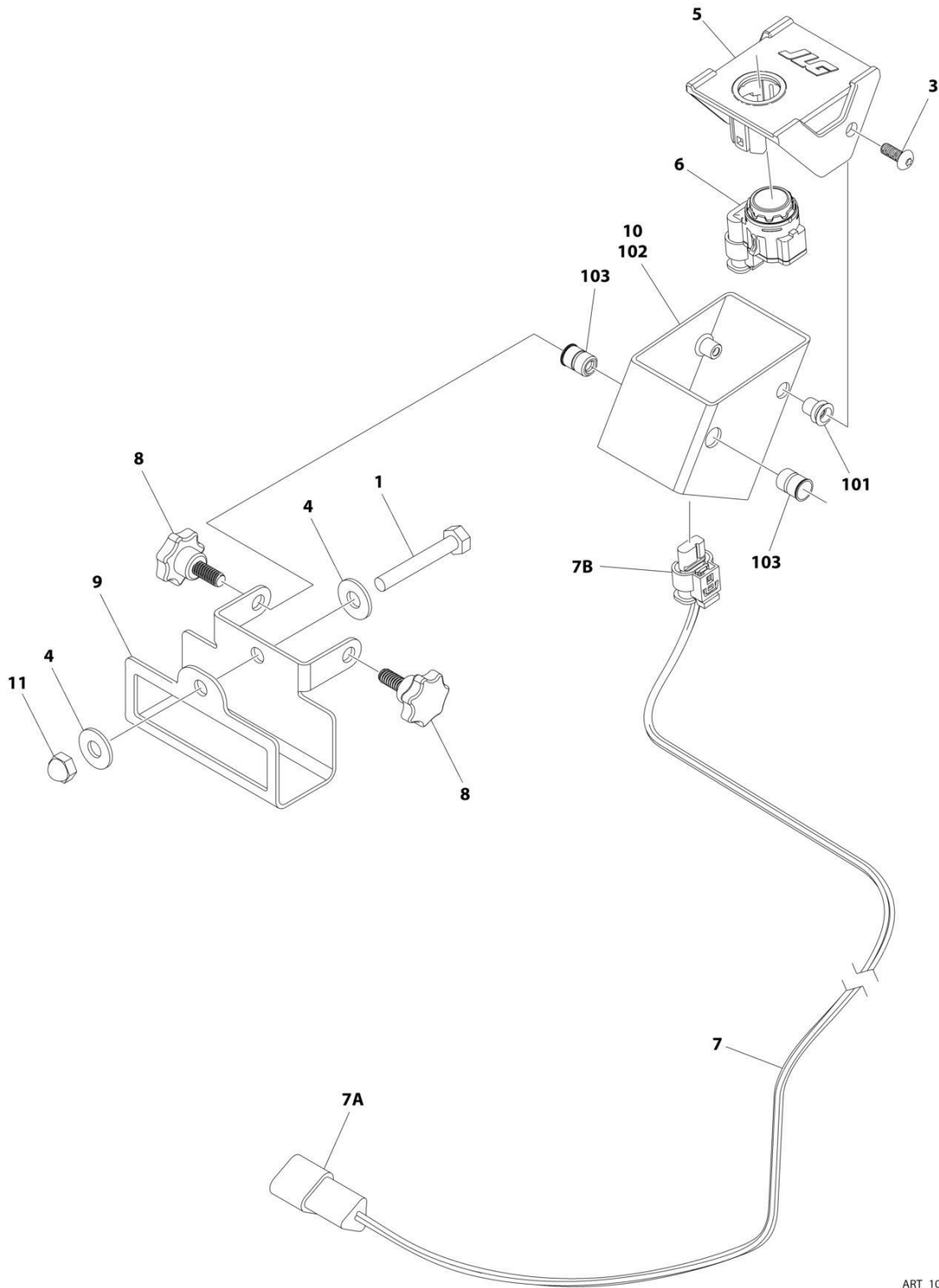
SECTION 5 - PLATFORM

FIGURE 5-15. SKYSENSE MID TUBE SENSOR ASSEMBLY

ITEM	PART NUMBER	QTY	DESCRIPTION	REV
	1001243205	Ref	SKYSENSE MID TUBE SENSOR ASSEMBLY	C
1	0641408	1	Bolt 1/4 x 1	
2	0641414	2	Bolt 1/4 x 1-3/4	
3	1001260525	6	Screw #10 x 1/2	
4	4711400	3	Washer 1/4	
5	1001260524	1	Clamp	
6	1001237902	3	Sensor, SkySense	
7	1001241162	3	Mount, Sensor	
8	1001243092	1	Tube Assembly (Includes items 101 through 104)	C
9	1001244336	1	Harness, SkySense Mid Tube	D
9A	1001237898	1	Connector	
9A	1001237888	3	Terminal	
9B	1001237898	1	Connector	
9B	1001237888	3	Terminal	
9C	1001237898	1	Connector	
9C	1001237888	3	Terminal	
9D	4460931	1	Connector	
9D	4460943	7	Pin	
9D	4460466	1	Plug	
10	1001246389	1	Decal (Not Shown)	
11	1001247252	1	Grommet	
101	2080069	6	Fastener	
104	1001258730	3	Rivnut	

SECTION 5 - PLATFORM

FIGURE 5-16. SKYSENSE OVERHEAD SENSOR ASSEMBLY



ART_1001244733

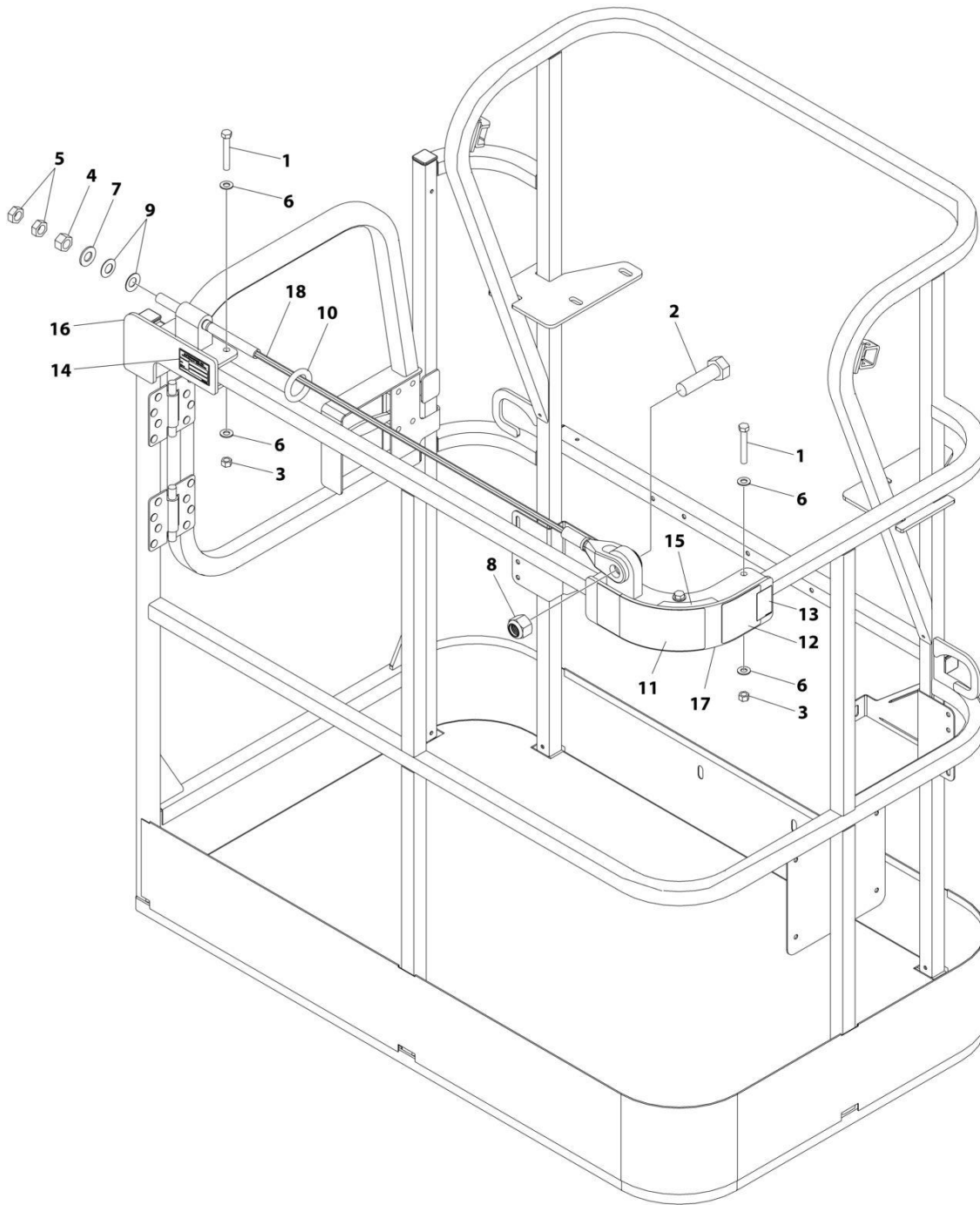
SECTION 5 - PLATFORM

FIGURE 5-16. SKYSENSE OVERHEAD SENSOR ASSEMBLY

ITEM	PART NUMBER	QTY	DESCRIPTION	REV
	1001244733	Ref	SKYSENSE OVERHEAD SENSOR ASSEMBLY	D
1	0641414	1	Bolt 1/4 x 1-3/4	
3	1001260525	2	Screw #10 x 1/2	
4	4751400	2	Washer 1/4	
5	1001237891	1	Mount, Sensor	
6	1001237902	1	Sensor, SkySense	
7	1001244335	1	Harness, SkySense Overhead	D
7A	4460536	1	Connector	
7A	4460943	3	Pin	
7B	1001237898	1	Connector	
7B	1001237888	1	Terminal	
8	1001244671	2	Knob	
9	1001244709	1	Bracket, Mounting	
10	1001244732	1	Housing Assembly (Includes items 101 through 103)	B
11	3300430	1	Nut	
101	2080069	2	Fastener	
102	1001244710	1	Housing, Sensor	
103	1001258730	2	Rivnut	

SECTION 5 - PLATFORM

FIGURE 5-17. FALL ARREST INSTALLATION (BOLT-ON) (4FT/1.22M PLATFORM)



ART_1001261338

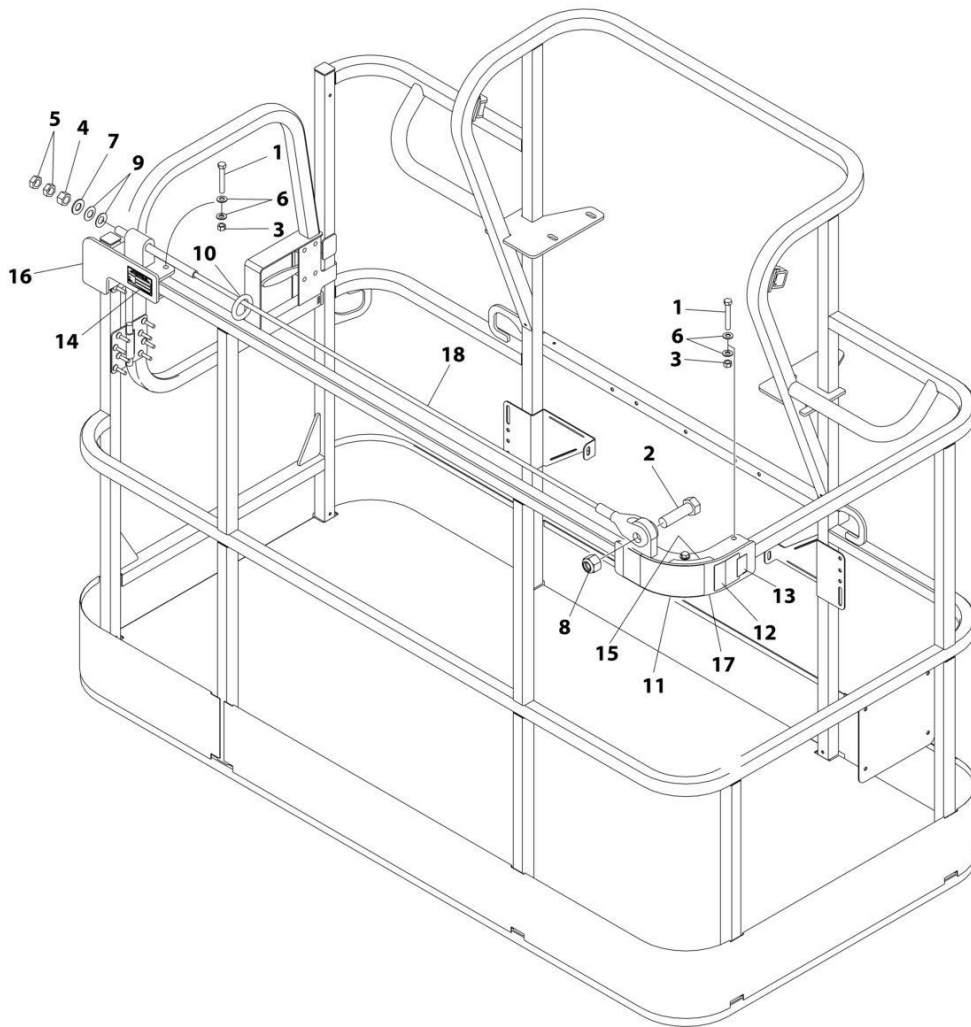
SECTION 5 - PLATFORM

FIGURE 5-17. FALL ARREST INSTALLATION (BOLT-ON) (4FT/1.22M PLATFORM)

ITEM	PART NUMBER	QTY	DESCRIPTION	REV
	1001261338	Ref	FALL ARREST INSTALLATION	A
1	0681620	6	Bolt 3/8 x 2-1/2	
2	0682424	1	Bolt 7/8 x 3	
3	3271605	6	Nut 3/8	
4	3272001	1	Nut 5/8	
5	3312002	2	Nut 5/8	
6	4711600	12	Washer 3/8	
7	4712000	1	Washer 5/8	
8	88521214	1	Nut 7/8	
9	1001236891	2	Washer	
10	1001236895	1	Ring	
11	1001238263	1	Decal - Warning Falling Hazard	
12	1001248140	1	Decal - Bolt Fall Arrest Re-Cert	
13	1001248141	1	Decal - Incription	
14	See Note	NSS	Nameplate - Manufacturers Serial Number (Note: Not Available for Purchase)	
15	1001252629	1	Decal - Weight	
16	1001257271	1	Bracket (RH)	
17	1001257274	1	Bracket (LH)	
18	1001261335	1	Rope	

SECTION 5 - PLATFORM

FIGURE 5-18. FALL ARREST INSTALLATION (BOLT-ON) (5FT/1.52M PLATFORM)



ART_1001257275

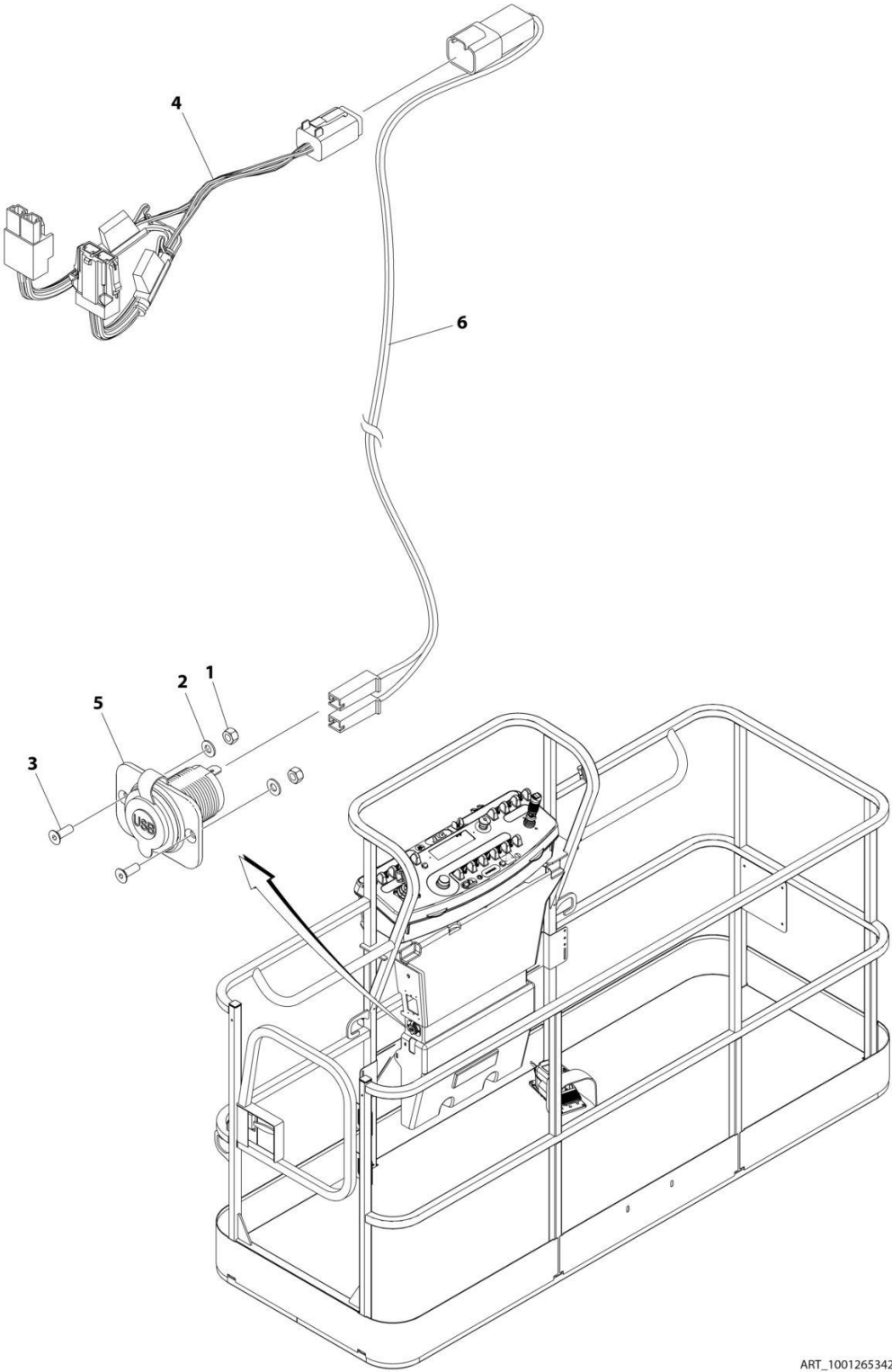
SECTION 5 - PLATFORM

FIGURE 5-18. FALL ARREST INSTALLATION (BOLT-ON) (5FT/1.52M PLATFORM)

ITEM	PART NUMBER	QTY	DESCRIPTION	REV
	1001257275	Ref	FALL ARREST INSTALLATION (BOLT - ON) 6FT/1.82M PLATFORM	A
1	0681620	6	Bolt 3/8 x 2-1/2	
2	0682424	1	Bolt 7/8 x 3	
3	3271605	6	Nut 3/8	
4	3272001	1	Nut 5/8	
5	3312002	2	Nut 5/8	
6	4711600	12	Washer 3/8	
7	4712000	1	Washer 5/8	
8	88521214	1	Nut 7/8	
9	1001236891	2	Washer	
10	1001236895	1	Ring	
11	1001238263	1	Decal - Warning Falling Hazard	
12	1001248140	1	Decal - Bolt Fall Arrest Re-Cert	
13	1001248141	1	Decal - Incription	
14	See Note	NSS	Nameplate - Manufacturers Serial Number (Note: Not Available for Purchase)	
15	1001252629	1	Decal - Weight	
16	1001257271	1	Bracket (RH)	
17	1001257274	1	Bracket (LH)	
18	1001258005	1	Rope	

SECTION 5 - PLATFORM

FIGURE 5-19. USB CHARGER INSTALLATION



ART_1001265342

SECTION 5 - PLATFORM

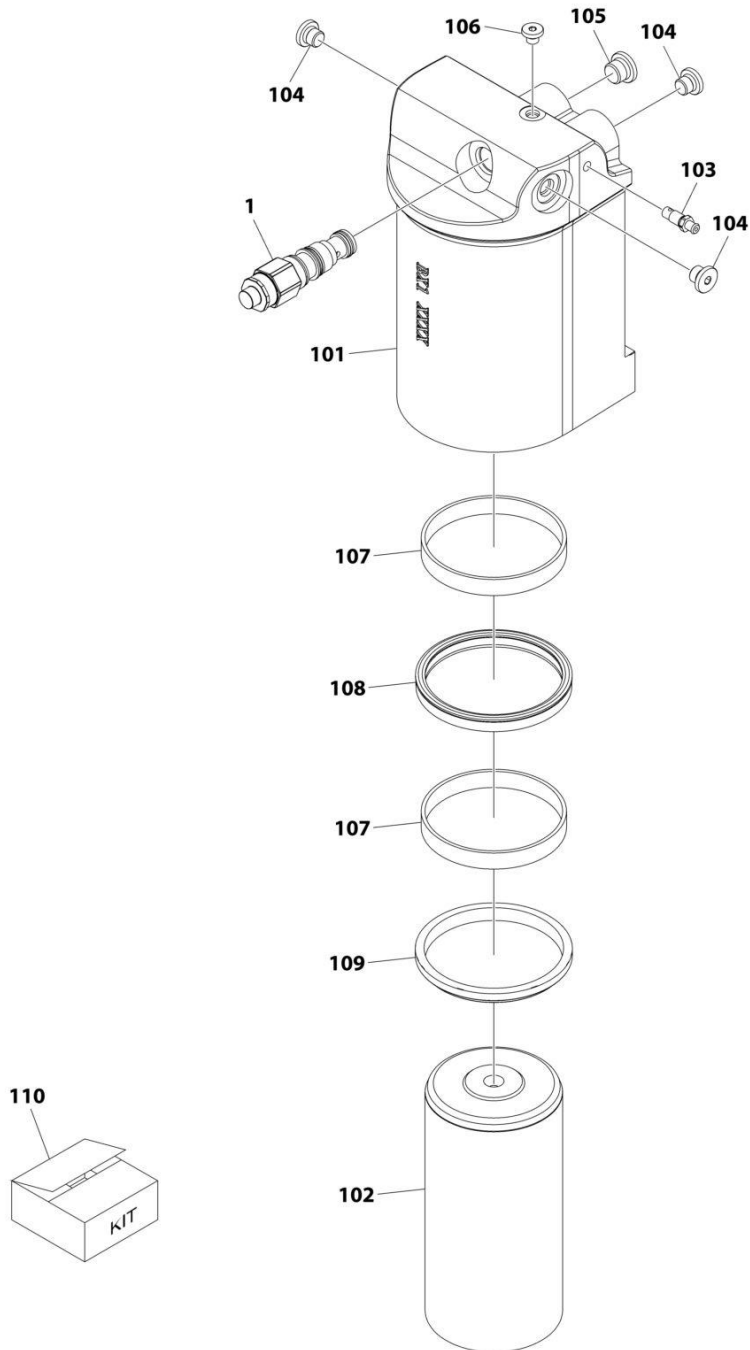
FIGURE 5-19. USB CHARGER INSTALLATION

ITEM	PART NUMBER	QTY	DESCRIPTION	REV
	1001265342	Ref	USB CHARGER INSTALLATION	A
1	3290405	2	Nut M4	
2	4811400	2	Washer M4	
3	1001097244	2	Screw M4 x 12	
4	1001120484	1	Harness, Work Lights	
4	4460879	1	Plug, Male - 2 Position	
4	4460887	2	Terminal	
4	2400060	2	Fuseholder Includes Cover	
4	8229249	2	Fuse, 3 Amp	
4	4460884	1	Connector - 4 Position	
4	4460465	4	Socket, Female	
4	1001120471	1	Connector - 2 Position	
4	1001120477	2	Terminal	
5	1001210636	1	Receptacle, USB	
6	1001265163	1	Harness, USB	A
6	4460260	2	Cover, Terminal	
6	4460259	2	Terminal	
6	4460932	1	Receptacle, Bussbar - 4 Position	
6	4460464	2	Pin, Male	
6	4460466	2	Plug, Terminal	

SECTION 6 - CYLINDER

SECTION 6 - CYLINDER

FIGURE 6-1. AXLE LOCKOUT CYLINDER ASSEMBLY



ART_1001256179

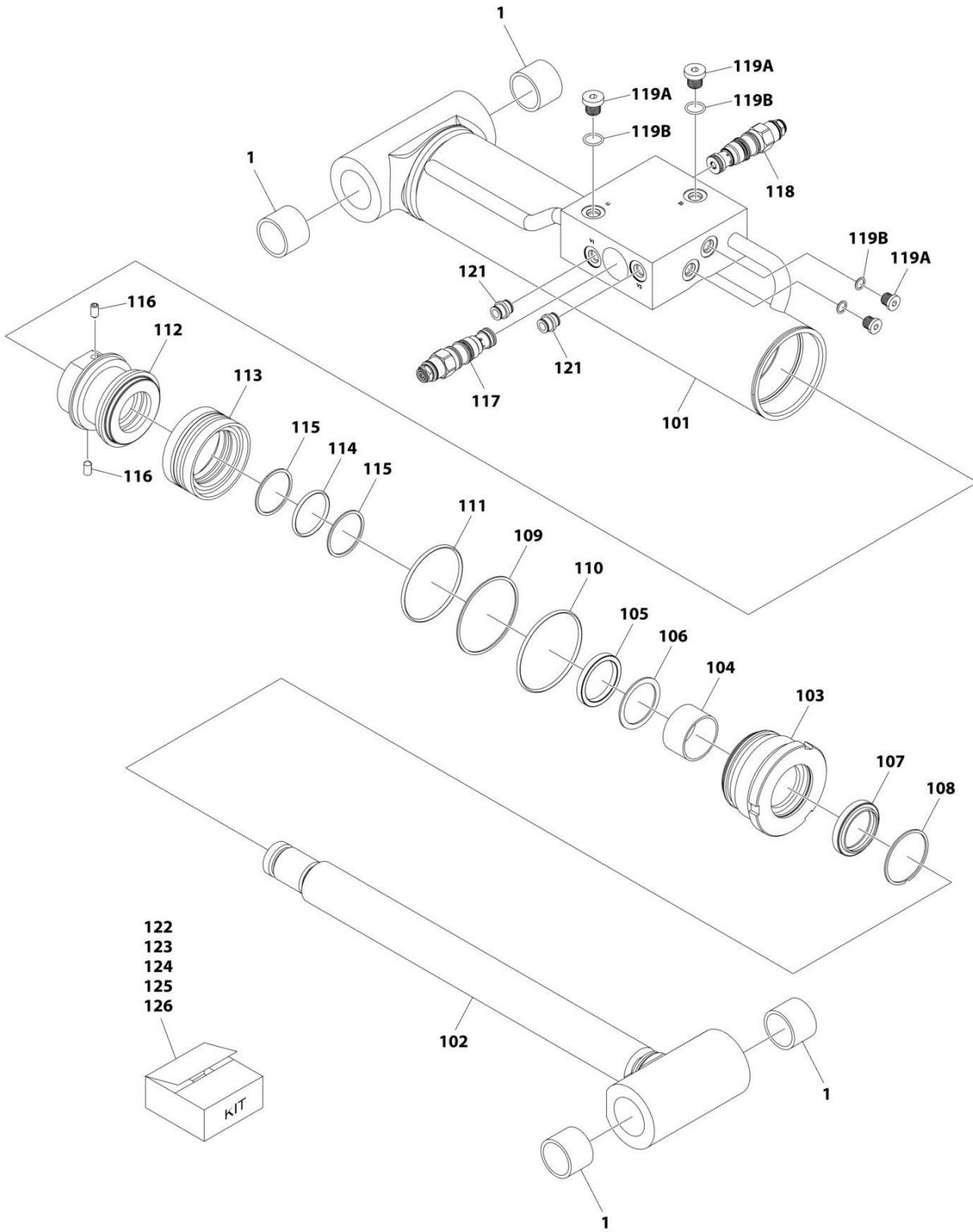
SECTION 6 - CYLINDER

FIGURE 6-1. AXLE LOCKOUT CYLINDER ASSEMBLY

ITEM	PART NUMBER	QTY	DESCRIPTION	REV
	1001256179	Ref	MASTER CYLINDER ASSEMBLY	A
		Ref	Note: Original Cylinder May Have Been Replaced with Service Replacement. Identify PN Stamped on Cylinder Before Ordering Parts.	
1	1001117372	1	Cartridge, Valve	
1	70002842	1	Seal Kit - 1001117372	
101	See Note	NSS	Tube (Note: Not Available for Purchase)	
102	70008244	1	Rod	
103	70008246	1	Plug, Bleeder	
104	2220883	3	Plug 7/16	
105	2220885	1	Plug 9/16	
106	2220881	1	Plug 5/16	
107	See Note	NSS	Ring, Wear (Note: Use Item 110)	
108	See Note	NSS	Seal, Rod (Note: Use Item 110)	
109	See Note	NSS	Wiper, Rod (Note: Use Item 110)	
110	70008247	1	Seal Kit (Includes Items 107-109)	

SECTION 6 - CYLINDER

FIGURE 6-2. LEVEL (PLATFORM SLAVE) CYLINDER ASSEMBLY



ART_1001253629

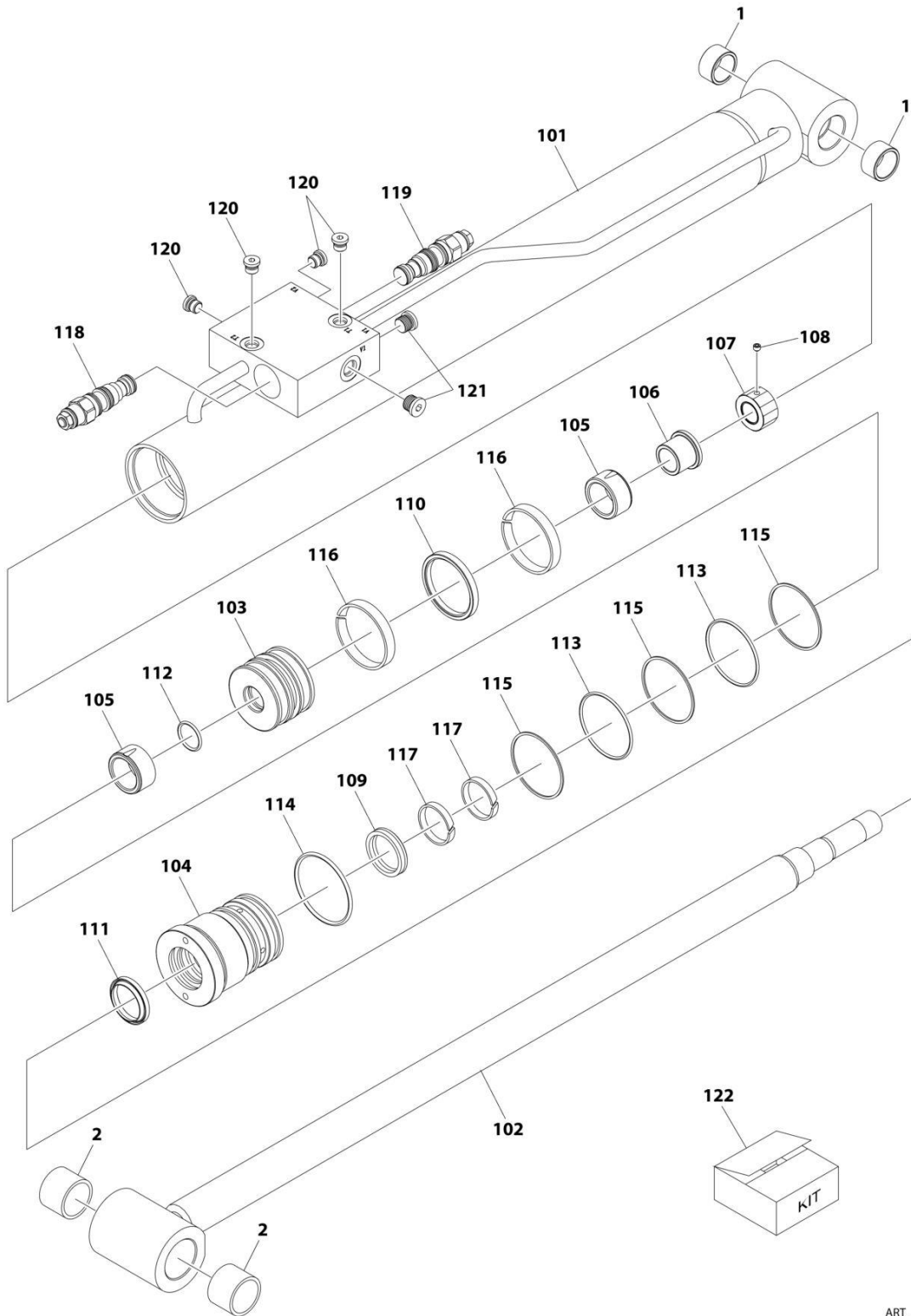
SECTION 6 - CYLINDER

FIGURE 6-2. LEVEL (PLATFORM SLAVE) CYLINDER ASSEMBLY

ITEM	PART NUMBER	QTY	DESCRIPTION	REV
	1001253629	Ref	LEVEL (PLATFORM SLAVE) CYLINDER ASSEMBLY	A
		Ref	Note: Original Cylinder May Have Been Replaced with Service Replacement. Identify PN Stamped on Cylinder Before Ordering Parts.	
1	0961951	4	Bushing	
101	See Note	NSS	Tube (Note: Not Available for Purchase)	
102	See Note	NSS	Rod (Note: Use Item 122)	
103	See Note	NSS	Cover, Rod (Note: Use Item 123)	
104	See Note	NSS	Bushing, Rod (Note: Use Item 123)	
105	See Note	NSS	U-Packing (Note: Use Item 124)	
106	See Note	NSS	Ring, Backup (Note: Use Item 124)	
107	See Note	NSS	Wiper, Dust (Note: Use Item 124)	
108	See Note	NSS	Ring, Retaining (Note: Use Item 124)	
109	See Note	NSS	O-Ring (Note: Use Item 124)	
110	See Note	NSS	Ring, Backup (Note: Use Item 124)	
111	See Note	NSS	O-Ring (Note: Use Item 124)	
112	See Note	NSS	Piston (Note: Use Item 125)	
113	See Note	NSS	Seal, Compact (Note: Use Item 124)	
114	See Note	NSS	O-Ring (Note: Use Item 124)	
115	See Note	NSS	Ring, Backup (Note: Use Item 124)	
116	See Note	NSS	Setscrew (Note: Use Item 125)	
117	1001168210	1	Valve, Counterbalance (1500PSI)	
118	70002413	1	Valve, Counterbalance (3200PSI)	
119A	See Note	NSS	Plug (Note: Use Item 126)	
119B	See Note	NSS	O-Ring (Note: Use Item 126)	
120	See Note	NSS	Cap, Dust (Note: Not Available for Purchase) (Not Shown)	
121	See Note	NSS	Pin Bush (Note: Use Item 122)	
122	70008242	1	Rod Kit (Includes Items 102 & 121)	
123	70008238	1	Rod Cover Kit (Includes Items 103 & 104)	
124	70008239	1	Seal Kit (Includes Items 105-111 & 113-115)	
125	70008240	1	Piston Kit (Includes Items 112 & 116)	
126	70008243	1	Plug Kit (Includes Items 119A & 119B)	

SECTION 6 - CYLINDER

FIGURE 6-3. LIFT CYLINDER ASSEMBLY - JIB



ART_1001285271

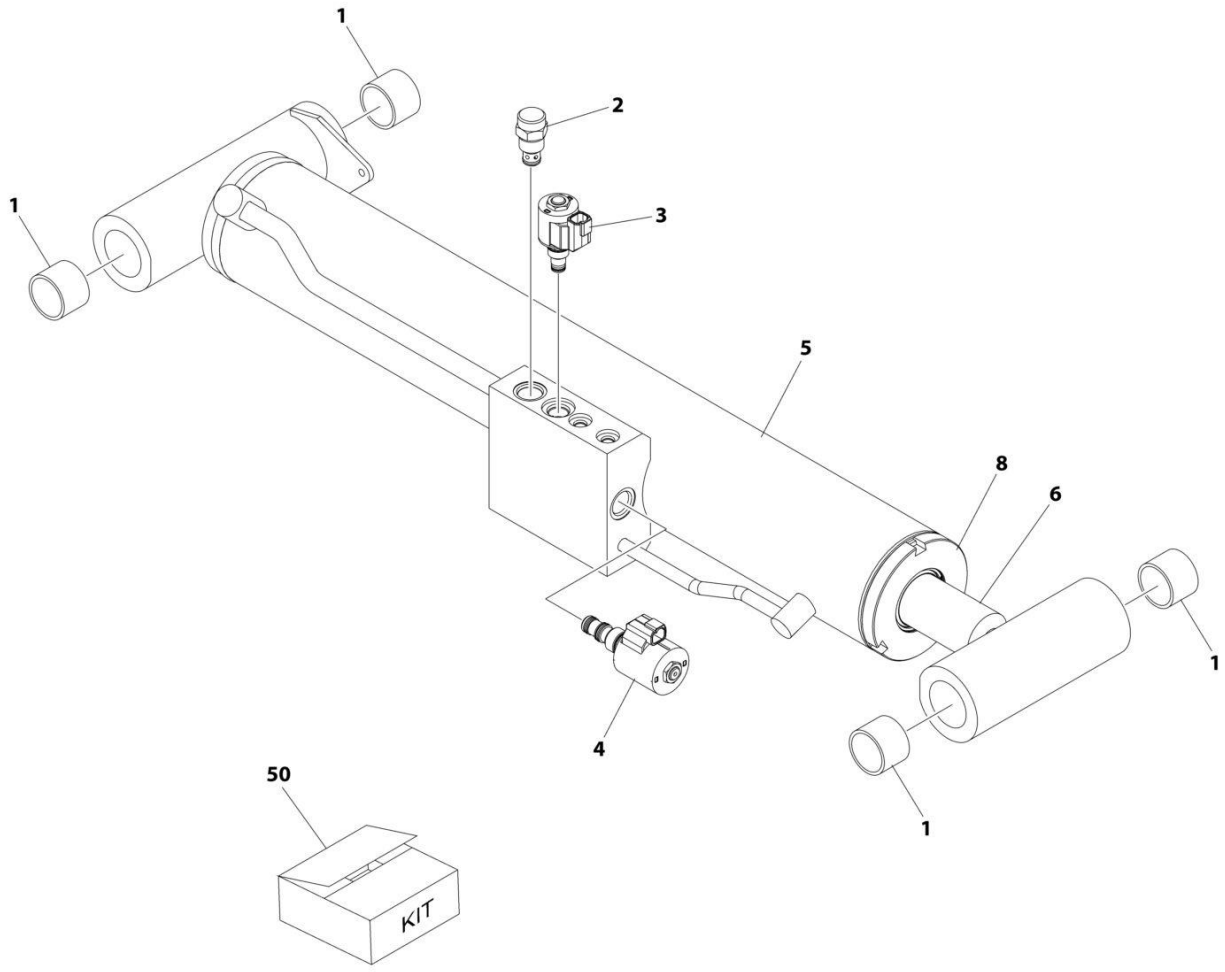
SECTION 6 - CYLINDER

FIGURE 6-3. LIFT CYLINDER ASSEMBLY - JIB

ITEM	PART NUMBER	QTY	DESCRIPTION	REV
	1001285271	Ref	LIFT CYLINDER ASSEMBLY - JIB	B
		Ref	Note: Original Cylinder May Have Been Replaced with Service Replacement. Identify PN Stamped on Cylinder Before Ordering Parts.	
1	0961947	2	Bushing	
2	0961951	2	Bushing	
101	See Note	NSS	Tube (Note: Not Available for Purchase)	
102	70006914	1	Rod	
103	70006915	1	Piston	
104	70006916	1	Head	
105	70006917	2	Bushing	
106	70006918	1	Tube, Guide	
107	70006919	1	Nut	
108	70008292	1	Setscrew	
109	See Note	NSS	Seal, Rod (Note: Use Item 122)	
110	See Note	NSS	Seal, Piston (Note: Use Item 122)	
111	See Note	NSS	Wiper (Note: Use Item 122)	
112	See Note	NSS	O-Ring (Note: Use Item 122)	
113	See Note	NSS	O-Ring (Note: Use Item 122)	
114	See Note	NSS	O-Ring (Note: Use Item 122)	
115	See Note	NSS	Ring, Backup (Note: Use Item 122)	
116	See Note	NSS	Ring, Wear (Note: Use Item 122)	
117	See Note	NSS	Ring, Wear (Note: Use Item 122)	
118	70026441	1	Valve, Counterbalance	
118	2900770	1	Seal Kit - 70026441 Valve	
119	70008294	1	Valve, Counterbalance	
119	2900770	1	Seal Kit - 70008294 Valve	
120	2220883	4	Plug 7/16	
121	2220885	2	Plug 9/16	
122	70008293	1	Seal Kit (Includes Items 109-117)	

SECTION 6 - CYLINDER

FIGURE 6-4. LIFT CYLINDER ASSEMBLY - MAIN BOOM



ART_1001266738

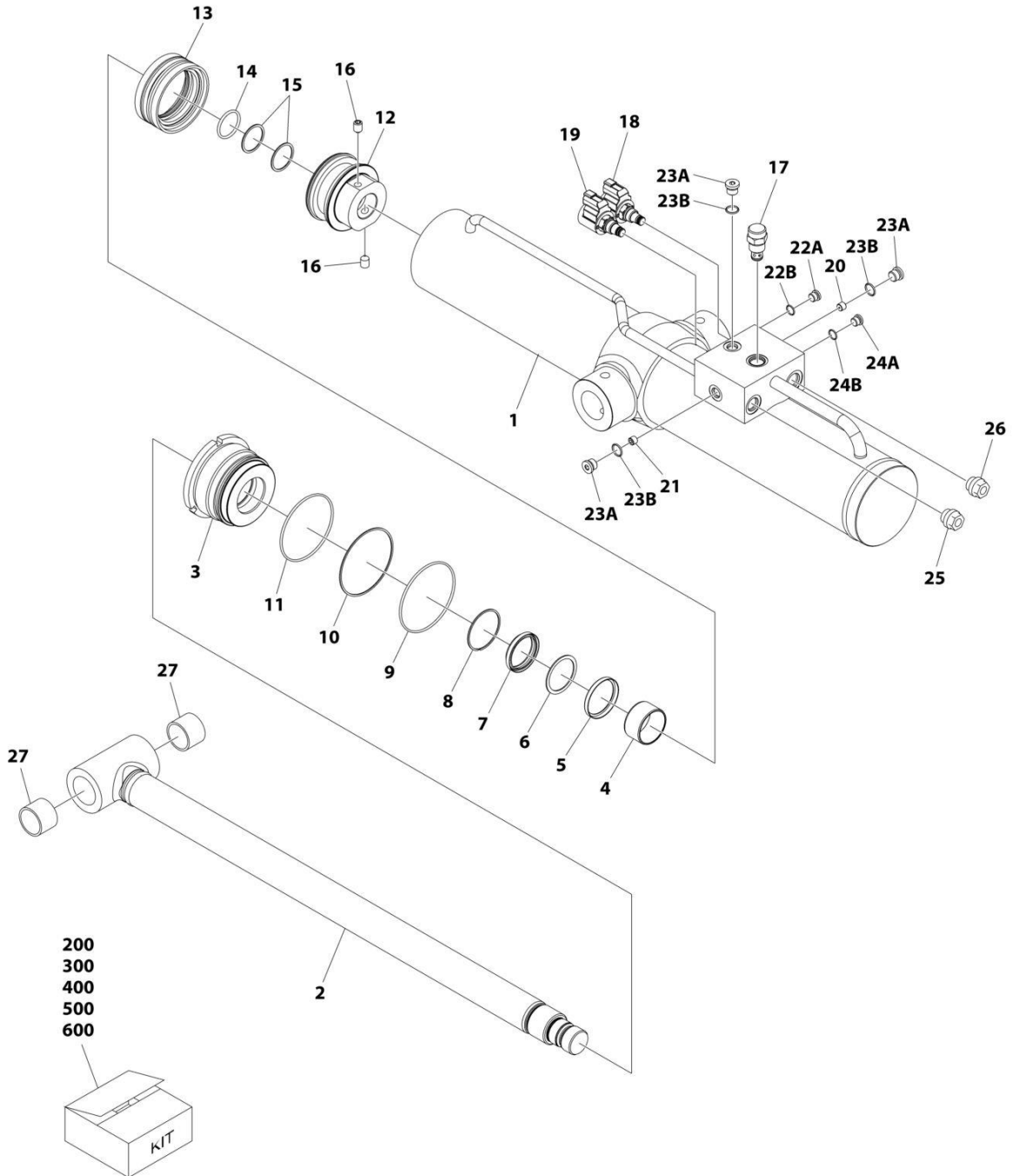
SECTION 6 - CYLINDER

FIGURE 6-4. LIFT CYLINDER ASSEMBLY - MAIN BOOM

ITEM	PART NUMBER	QTY	DESCRIPTION	REV
	1001266738	Ref	LIFT CYLINDER ASSEMBLY - MAIN BOOM	B
		Ref	Note: Original Cylinder May Have Been Replaced with Service Replacement. Identify PN Stamped on Cylinder Before Ordering Parts.	
1	0961948	4	Bushing	
2	4641390	1	Cartridge, Valve - Check	
2	7017496	1	Seal Kit - 4641390 Valve	
3	1001164709	1	Cartridge, Valve - ON/OFF	
3	7017467	1	Cartridge, Valve Less Coil	
3	7012998	1	Seal Kit - 1001164709 & 7017467 Valves	
3	70002386	1	Coil	
4	1001206625	1	Cartridge, Valve - Proportional	
4	70006104	1	Cartridge, Valve Less Coil	
4	70006105	1	Seal Kit - 1001206625 & 70006104 Valves	
4	70003788	1	Coil	
4	7022390	1	Nut, Coil	
5	See Note	NSS	Barrel (Note: Use PN 1001266738)	
6	See Note	NSS	Rod (Note: Use PN 1001266738)	
7	See Note	NSS	Piston (Not Shown) (Note: Use PN 1001266738)	
8	See Note	NSS	Head (Note: Use PN 1001266738)	
50	70007901	1	Seal Kit - 1001266738 Cylinder	

SECTION 6 - CYLINDER

FIGURE 6-5. LIFT CYLINDER ASSEMBLY - TOWER BOOM



ART_1001254716

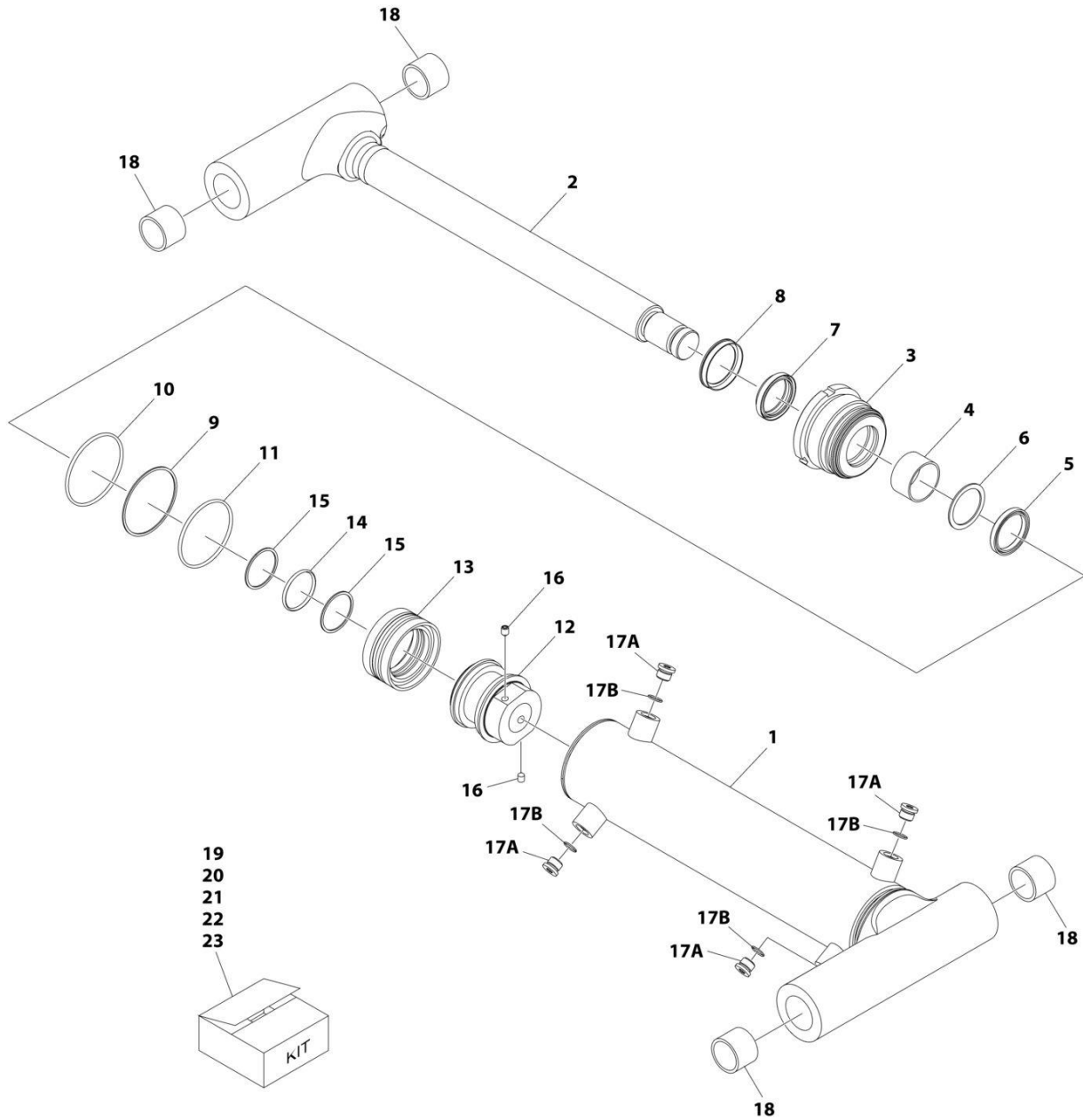
SECTION 6 - CYLINDER

FIGURE 6-5. LIFT CYLINDER ASSEMBLY - TOWER BOOM

ITEM	PART NUMBER	QTY	DESCRIPTION	REV
	1001254716	Ref	LIFT CYLINDER ASSEMBLY - TOWER BOOM	B
		Ref	Note: Original Cylinder May Have Been Replaced with Service Replacement. Identify PN Stamped on Cylinder Before Ordering Parts.	
1	See Note	NSS	Barrel (Note: Use PN 1001254716)	
2	See Note	NSS	Rod (Note: Use Item 200)	
3	See Note	NSS	Head (Note: Use Item 300)	
4	See Note	NSS	Ring, Wear (Note: Use Item 300)	
5	See Note	NSS	Seal (Note: Use Item 400)	
6	See Note	NSS	Ring, Back-up (Note: Use Item 400)	
7	See Note	NSS	Wiper (Note: Use Item 400)	
8	See Note	NSS	Ring, Retaining (Note: Use Item 400)	
9	See Note	NSS	O-Ring (Note: Use Item 400)	
10	See Note	NSS	Ring, Back-up (Note: Use Item 400)	
11	See Note	NSS	O-Ring (Note: Use Item 400)	
12	See Note	NSS	Piston (Note: Use Item 500)	
13	See Note	NSS	Seal (Note: Use Item 400)	
14	See Note	NSS	O-Ring (Note: Use Item 400)	
15	See Note	NSS	Ring, Back-up (Note: Use Item 400)	
16	See Note	NSS	Set Screw (Note: Use Item 500)	
17	4641390	1	Cartridge, Counterbalance Valve	
17	7017496	1	Seal Kit - 4641390 Valve	
18	1001164709	1	Cartridge, Solenoid Valve	
18	7012967	1	Seal Kit - 1001164709 Valve	
18	70002386	1	Coil	
19	1001166208	1	Cartridge, Solenoid Valve	
19	7012967	1	Seal Kit - 1001166208 Valve	
19	70002386	1	Coil	
20	See Note	NSS	Orifice (Note: Use PN 1001254716)	
21	See Note	NSS	Orifice (Note: Use PN 1001254716)	
22A	See Note	NSS	Plug (Note: Use Item 600)	
22B	See Note	NSS	O-Ring (Note: Use Item 600)	
23A	See Note	NSS	Plug (Note: Use Item 600)	
23B	See Note	NSS	O-Ring (Note: Use Item 600)	
24A	See Note	NSS	Plug (Note: Use Item 600)	
24B	See Note	NSS	O-Ring (Note: Use Item 600)	
25	See Note	NSS	Dust Cap (Note: Shipping Use Only)	
26	See Note	NSS	Dust Cap (Note: Shipping Use Only)	
27	0961948	2	Bushing (Note: Use Item 200)	
200	70007886	1	Rod Kit (Includes Items 2 & 27)	
300	70007887	1	Head Kit (Includes Items 3 & 4)	
400	70007888	1	Seal Kit (Includes Items 5-11 & 13-15)	
500	70007889	1	Piston Kit (Includes Items 12 & 16)	
600	70007890	1	Plug Kit (Includes Items 22A-24B)	

SECTION 6 - CYLINDER

FIGURE 6-6. MASTER CYLINDER ASSEMBLY



ART_1001253628

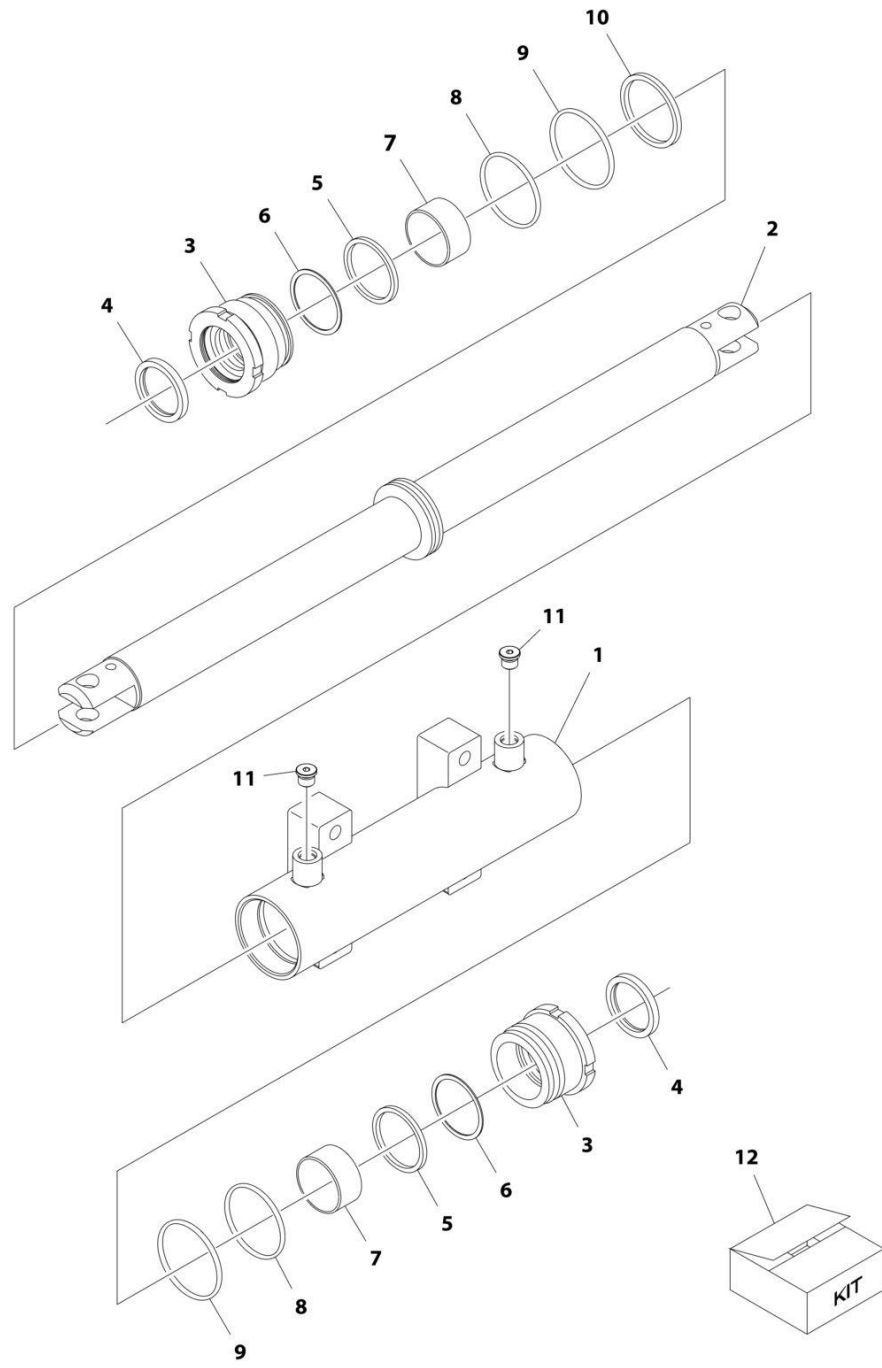
SECTION 6 - CYLINDER

FIGURE 6-6. MASTER CYLINDER ASSEMBLY

ITEM	PART NUMBER	QTY	DESCRIPTION	REV
	1001253628	Ref	MASTER CYLINDER ASSEMBLY	A
		Ref	Note: Original Cylinder May Have Been Replaced with Service Replacement. Identify PN Stamped on Cylinder Before Ordering Parts.	
1	See Note	NSS	Tube (Note: Not Available for Purchase)	
2	See Note	NSS	Rod (Note: Use Item 19)	
3	See Note	NSS	Cover, Rod (Note: Use Item 19)	
4	See Note	NSS	Bushing, Rod (Note: Use Item 20)	
5	See Note	NSS	U-Packing (Note: Use Item 21)	
6	See Note	NSS	Ring, Backup (Note: Use Item 21)	
7	See Note	NSS	Wiper, Dust (Note: Use Item 21)	
8	See Note	NSS	Ring, Retaining (Note: Use Item 21)	
9	See Note	NSS	O-Ring (Note: Use Item 21)	
10	See Note	NSS	Ring, Backup (Note: Use Item 21)	
11	See Note	NSS	O-Ring (Note: Use Item 21)	
12	See Note	NSS	Piston (Note: Use Item 22)	
13	See Note	NSS	Seal, Compact (Note: Use Item 21)	
14	See Note	NSS	O-Ring (Note: Use Item 21)	
15	See Note	NSS	Ring, Backup (Note: Use Item 21)	
16	See Note	NSS	Setscrew (Note: Use Item 22)	
17A	See Note	NSS	Plug (Note: Use Item 23)	
17B	See Note	NSS	O-Ring (Note: Use Item 23)	
18	See Note	NSS	Bushing (Note: Use Item 19)	
19	70008237	1	Rod Assembly Kit (Includes Items 2 & 18)	
20	70008238	1	Rod Cover Kit (Includes Items 3 & 4)	
21	70008239	1	Seal Kit (Includes Items 5-11 & 13-15)	
22	70008240	1	Piston Kit (Includes Items 12 & 16)	
23	70008241	1	Plug Kit (Includes Items 17A & 17B)	

SECTION 6 - CYLINDER

FIGURE 6-7. STEER CYLINDER ASSEMBLY



ART_1001163178

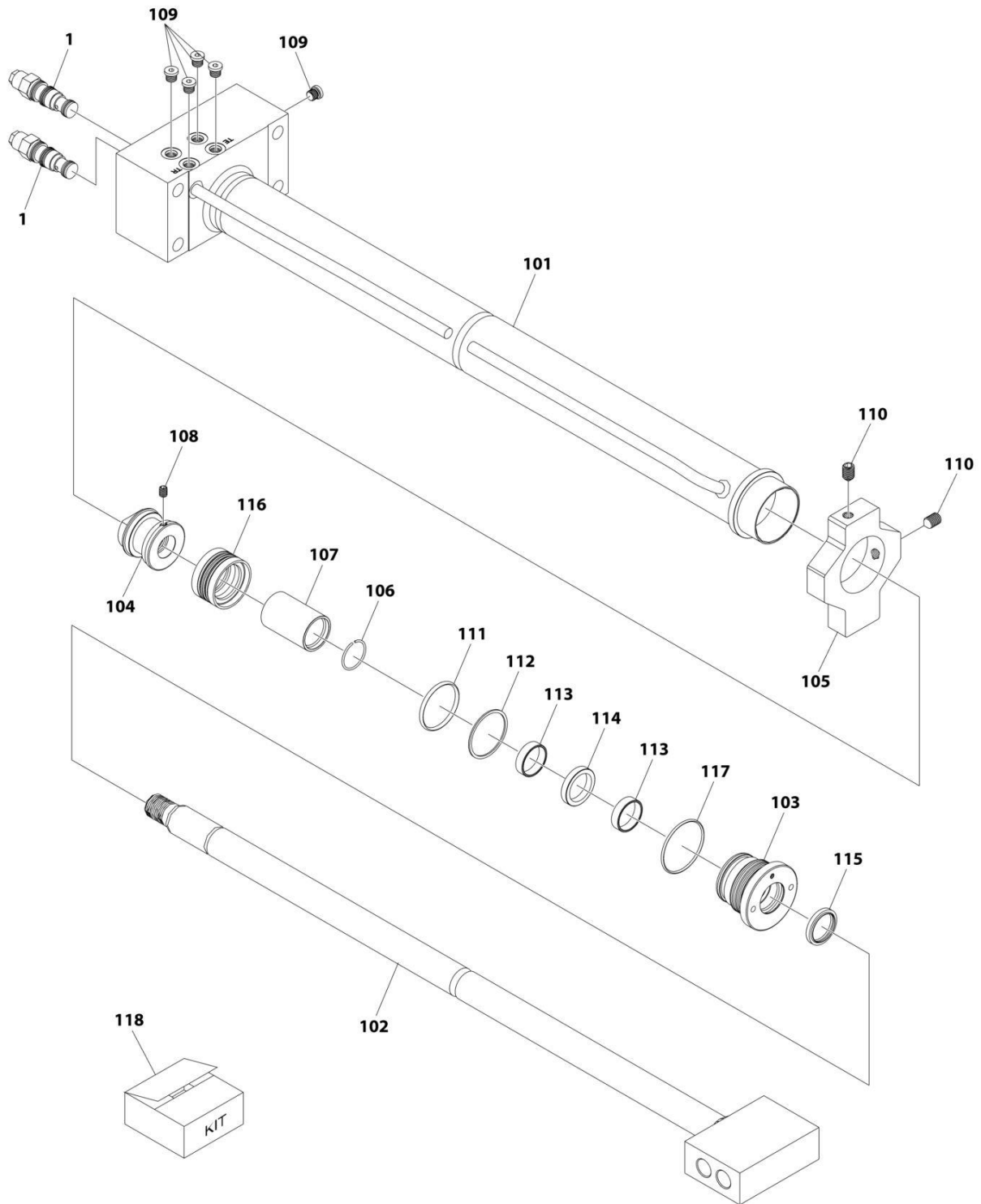
SECTION 6 - CYLINDER

FIGURE 6-7. STEER CYLINDER ASSEMBLY

ITEM	PART NUMBER	QTY	DESCRIPTION	REV
	1001163178	Ref	STEER CYLINDER ASSEMBLY	E
		Ref	Note: Original Cylinder May Have Been Replaced with Service Replacement. Identify PN Stamped on Cylinder Before Ordering Parts.	
1	70005150	1	Barrel	
2	70005151	1	Rod	
3	70005152	2	Head	
4	See Note	NSS	Wiper (Note: Use Item 12)	
5	See Note	NSS	Seal, Rod (Note: Use Item 12)	
6	See Note	NSS	Ring, Back-up (Note: Use Item 12)	
7	70005153	2	Bearing, Dry	
8	See Note	NSS	O-Ring (Note: Use Item 12)	
9	See Note	NSS	O-Ring (Note: Use Item 12)	
10	See Note	NSS	Seal, Piston (Note: Use Item 12)	
11	See Note	2	Plug 9/16 (Note: Not Available for Purchase)	
12	70005154	1	Seal Kit - 1001163178 Cylinder (Includes Items 4-6 & 8-10)	

SECTION 6 - CYLINDER

FIGURE 6-8. TELESCOPE CYLINDER ASSEMBLY



ART_1001266711

SECTION 6 - CYLINDER

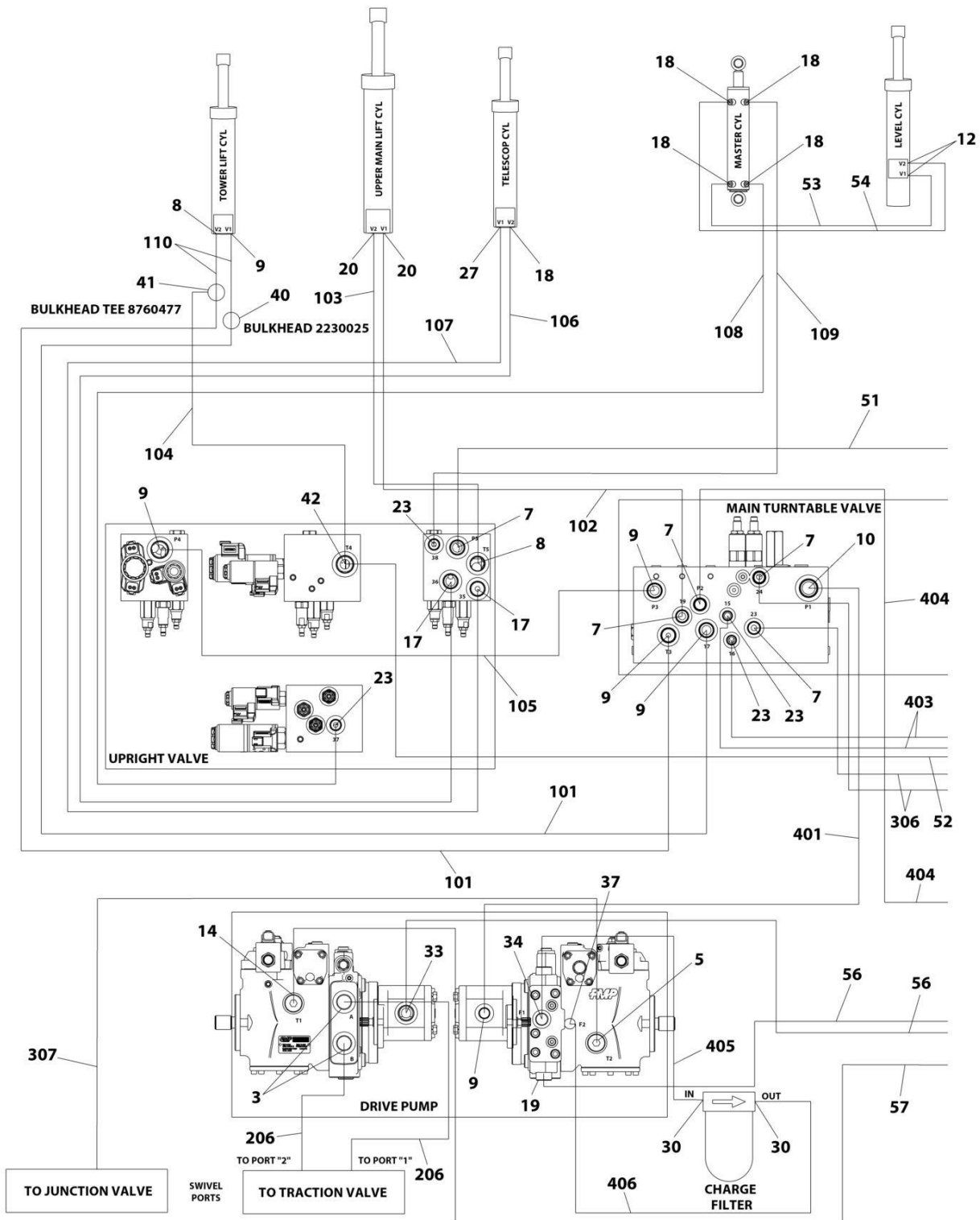
FIGURE 6-8. TELESCOPE CYLINDER ASSEMBLY

ITEM	PART NUMBER	QTY	DESCRIPTION	REV
	1001266711	Ref	TELESCOPE CYLINDER ASSEMBLY	B
		Ref	Note: Original Cylinder May Have Been Replaced with Service Replacement. Identify PN Stamped on Cylinder Before Ordering Parts.	
1	4640771	2	Valve, Motor Control	
1	2900770	2	Seal Kit - 4640771 Valve	
101	See Note	NSS	Barrel (Note: Not Available for Purchase)	
102	See Note	NSS	Rod (Note: Not Available for Purchase)	
103	70008135	1	Head	
104	70008136	1	Piston	
105	70008137	1	Mount	
106	70008138	1	Ring, Wire	
107	70008139	1	Spacer	
108	70027088	1	Setscrew	
109	70025619	5	Plug	
110	70008140	2	Setscrew	
111	See Note	NSS	O-Ring (Note: Use Item 118)	
112	See Note	NSS	Ring, Backup (Note: Use Item 118)	
113	See Note	NSS	Ring (Note: Use Item 118)	
114	See Note	NSS	Seal, Head (Note: Use Item 118)	
115	See Note	NSS	Seal, Wiper (Note: Use Item 118)	
116	See Note	NSS	Seal (Note: Use Item 118)	
117	See Note	NSS	O-Ring (Note: Use Item 118)	
118	70008141	1	Seal Kit (Includes Items 111-117)	

SECTION 7 - HYDRAULIC

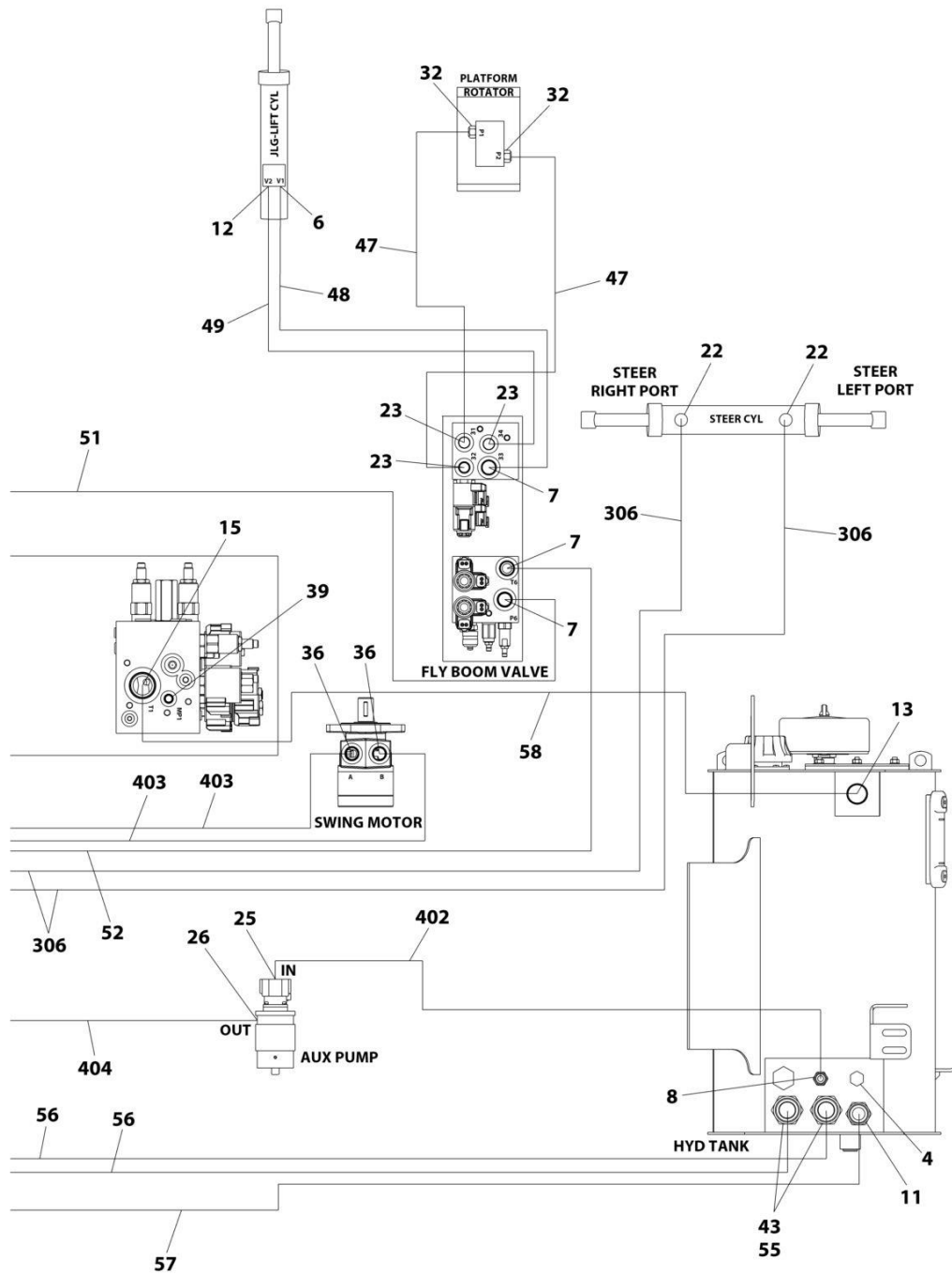
SECTION 7 - HYDRAULIC

FIGURE 7-1. HYDRAULIC SYSTEM INSTALLATION



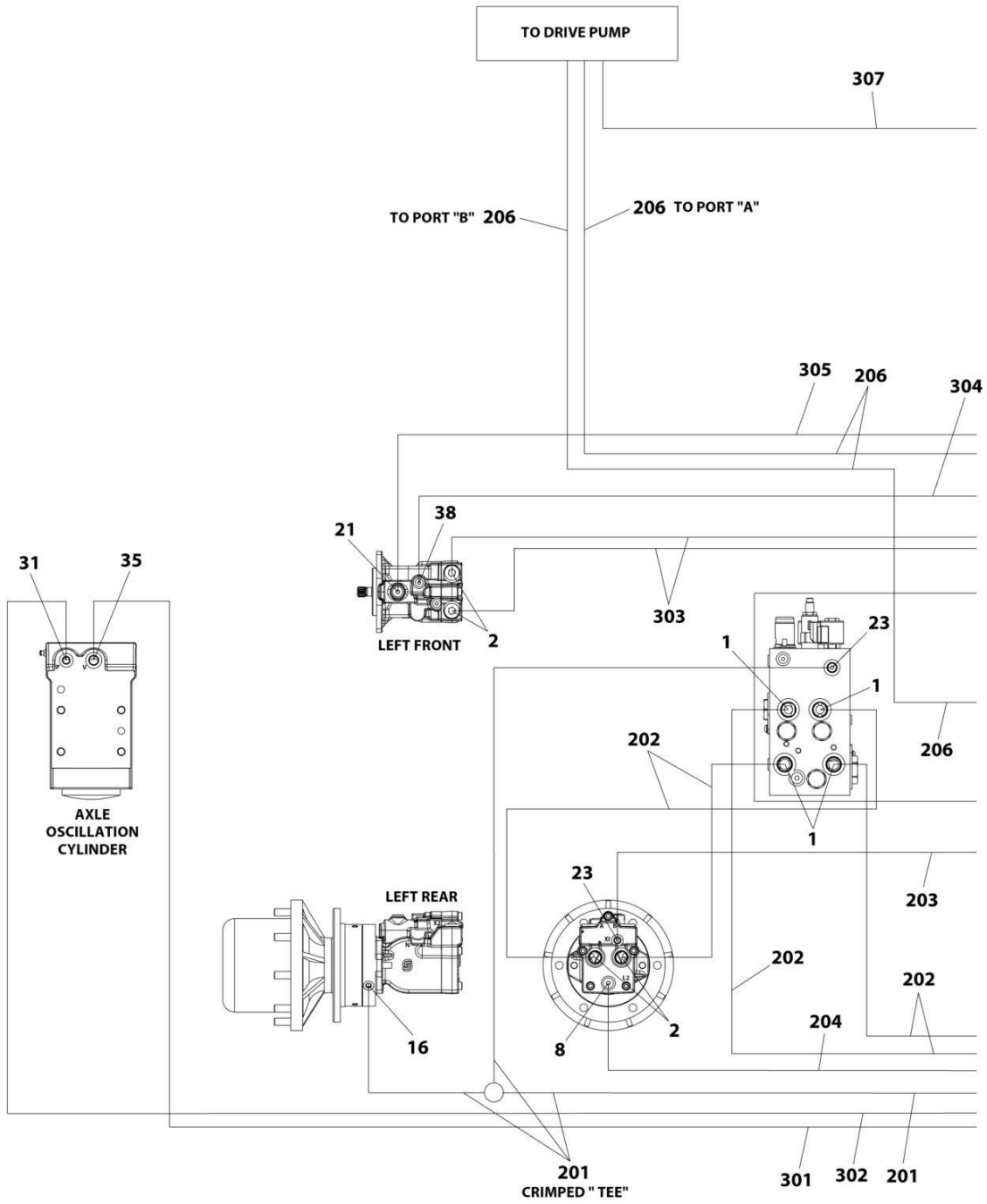
ART_1001301530_10F4

SECTION 7 - HYDRAULIC



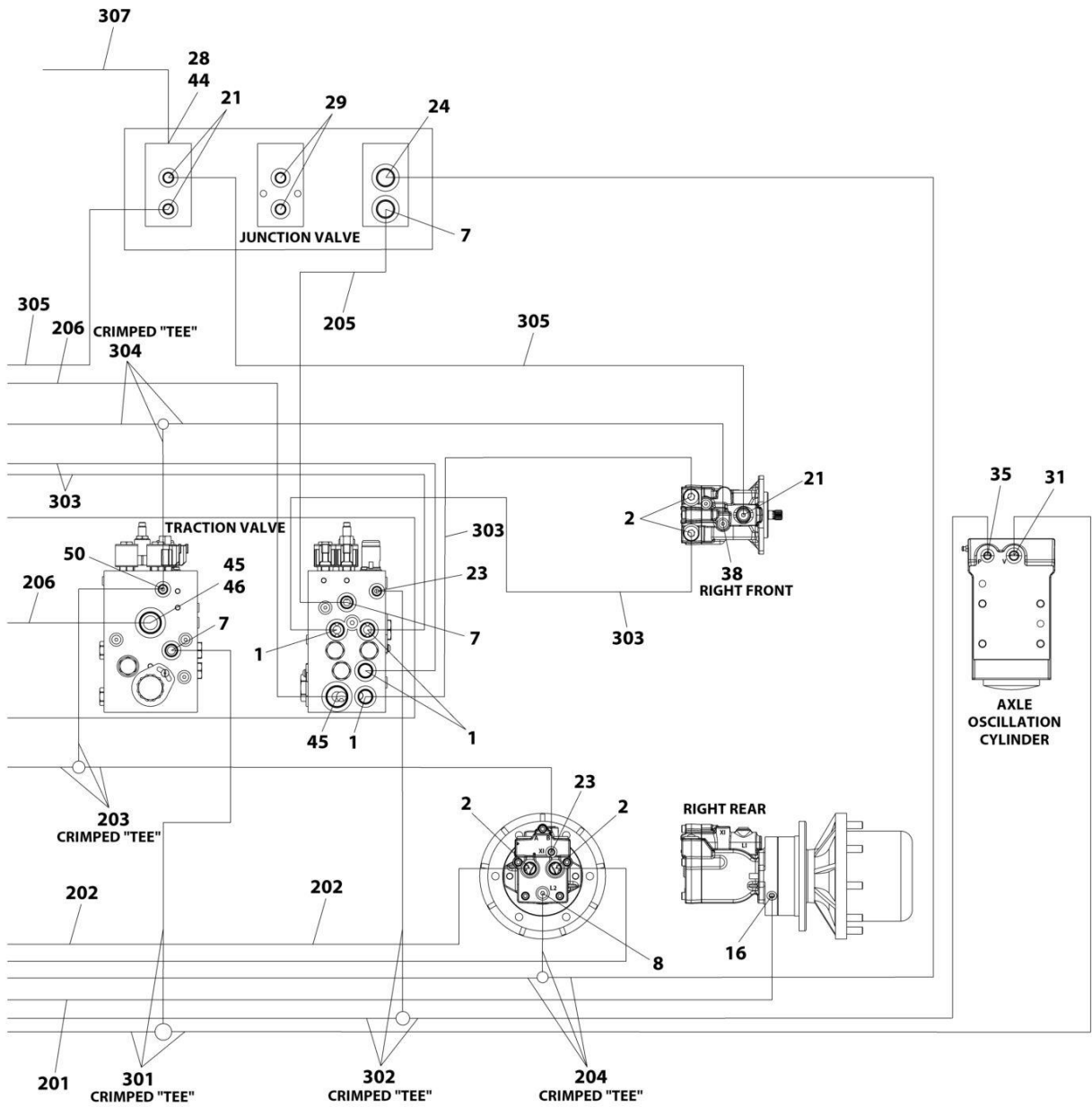
ART_1001301530_2OF4

SECTION 7 - HYDRAULIC



ART_1001301530_30F4

SECTION 7 - HYDRAULIC



ART_1001301530_4OF4

SECTION 7 - HYDRAULIC

FIGURE 7-1. HYDRAULIC SYSTEM INSTALLATION

ITEM	PART NUMBER	QTY	DESCRIPTION	REV
	1001301530	Ref	HYDRAULIC SYSTEM INSTALLATION	A
1	2110810	8	Fitting, Straight ORFS/ORB	
2	2110812	8	Fitting, Straight ORFS/ORB	
3	2131212	2	Fitting, 90 ORFS/ORB	
4	2220238	1	Fitting, Plug ORB	
5	2220366	1	Fitting, 90 JIC/ORB	
6	2220371	1	Fitting, Straight JIC/ORB	
7	2220372	11	Fitting, Straight JIC/ORB	
8	2220373	5	Fitting, Straight JIC/ORB	
9	2220374	6	Fitting, Straight JIC/ORB	
10	2220375	1	Fitting, Straight JIC/ORB	
11	2220377	1	Fitting, Straight JIC/ORB	
12	2220415	3	Fitting, Straight JIC/ORB	
13	2220435	1	Fitting, Straight JIC/ORB	
14	2220451	1	Fitting, Straight JIC/ORB	
15	2220465	1	Fitting, 90 JIC/ORB	
16	2220466	2	Fitting, 90 JIC/ORB	
17	2220468	2	Fitting, Straight JIC/ORB	
18	2220472	5	Fitting, 90 JIC/ORB	
19	2220479	1	Fitting, Straight JIC/ORB	
20	2220497	2	Fitting, Straight JIC/ORB	
21	2220500	4	Fitting, 45 JIC/ORB	
22	2220501	2	Fitting, 45 JIC/ORB	
23	2220582	11	Fitting, Straight JIC/ORB	
24	2220596	1	Fitting, 90 JIC/ORB	
25	2220600	1	Fitting, Straight JIC/ORB	
26	2220603	1	Fitting, Straight JIC/ORB	
27	2220628	1	Fitting, 90 JIC/ORB	
28	2220811	1	Fitting, Straight FORB/ORB	
29	2220883	2	O-Ring	
30	2220906	2	Fitting, 90 JIC/ORB	
31	2220923	2	Fitting, Straight JIC/ORB	
32	2220940	2	Fitting, 90 JIC/ORB	
33	2220946	1	Fitting, Straight JIC/ORB	
34	2220947	1	Fitting, Straight JIC/ORB	
35	2220998	2	Fitting, Straight JIC/ORB	
36	2221033	2	Fitting, Straight JIC/ORB	
37	2221036	1	Fitting, 90 JIC/ORB	
38	2221040	2	Fitting, 45 JIC/ORB	
39	2221086	1	Fitting, Diagnostic	
40	2230025	1	Fitting, Straight JIC/JIC	
41	8760477	1	Fitting, Tee JIC/JIC/JIC	
42	8770289	1	Fitting, Tee JIC/ORB/JIC	
43	80633030	2	Clamp	
44	1001119627	1	Fitting, Straight JIC/ORB	
45	1001142679	2	Fitting, Straight ORFS/ORB	
46	1001143936	1	Fitting, 90 FORB/ORB	
47	1001173046	2	Hose	
48	1001173048	1	Hose	
49	1001173049	1	Hose	

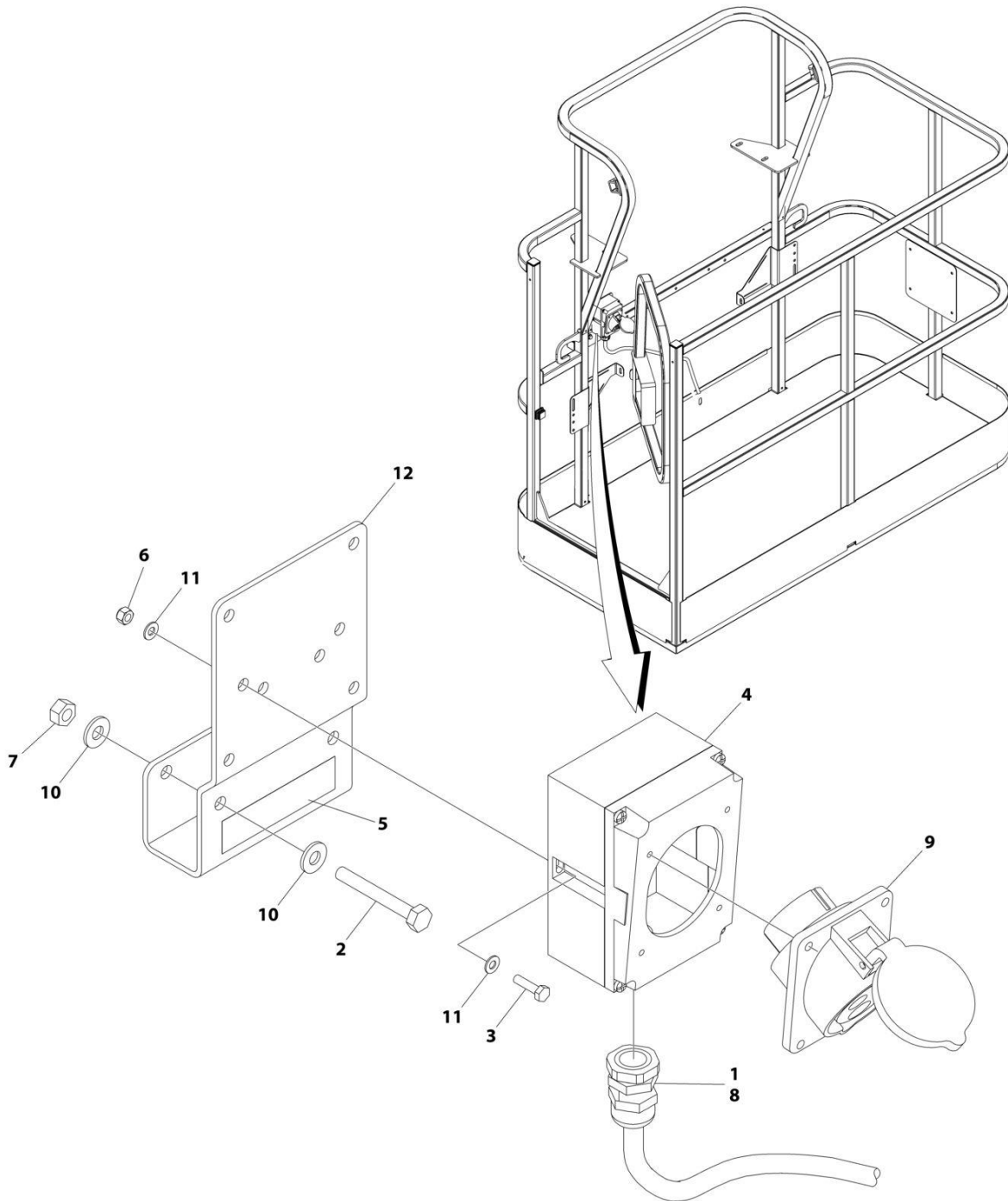
SECTION 7 - HYDRAULIC

ITEM	PART NUMBER	QTY	DESCRIPTION	REV
50	1001175024	1	Fitting, Tee JIC/JIC/ORB	
51	1001176299	1	Hose	
52	1001176300	1	Hose	
53	1001176301	1	Hose	
54	1001176302	1	Hose	
55	1001202910	2	Fitting, Straight MORB	
56	1001207335	2	Hose	
57	1001207336	1	Hose	
58	1001210356	1	Tube	
100	1001194424	1	Hose Kit - Lower Boom (Not Shown)	
101	1001173006	2	Hose	
102	1001173034	1	Hose	
103	1001173035	1	Hose	
104	1001173036	1	Hose	
105	1001173037	1	Hose	
106	1001173038	1	Hose	
107	1001173039	1	Hose	
108	1001173042	1	Hose	
109	1001173043	1	Hose	
110	1001180035	2	Hose	
200	1001300961	1	Hose Kit - Rear (Not Shown)	
201	1001173052	1	Hose	
202	1001173059	4	Hose	
203	1001173061	1	Hose	
204	1001173063	1	Hose	
205	1001197039	1	Hose	
206	1001300956	2	Hose	
300	1001300962	1	Hose Kit - Front (Not Shown)	
301	1001173053	1	Hose	
302	1001173054	1	Hose	
303	1001173055	4	Hose	
304	1001173056	1	Hose	
305	1001173057	2	Hose	
306	1001173058	2	Hose	
307	1001300957	1	Hose	
400	1001300963	1	Hose Kit - Turntable (Not Shown)	
401	2752504	1	Hose	
402	2752519	1	Hose	
403	1001173027	2	Hose	
404	1001173028	1	Hose	
405	1001300958	1	Hose	
406	1001300959	1	Hose	

SECTION 8 - ELECTRICAL

SECTION 8 - ELECTRICAL

FIGURE 8-1. AC BOX AT PLATFORM INSTALLATION - 110V IEC YELLOW (CE, CIS/EAC & UK CA SPECS WITH 4000W/50HZ GENERATOR)



ART_1001194203

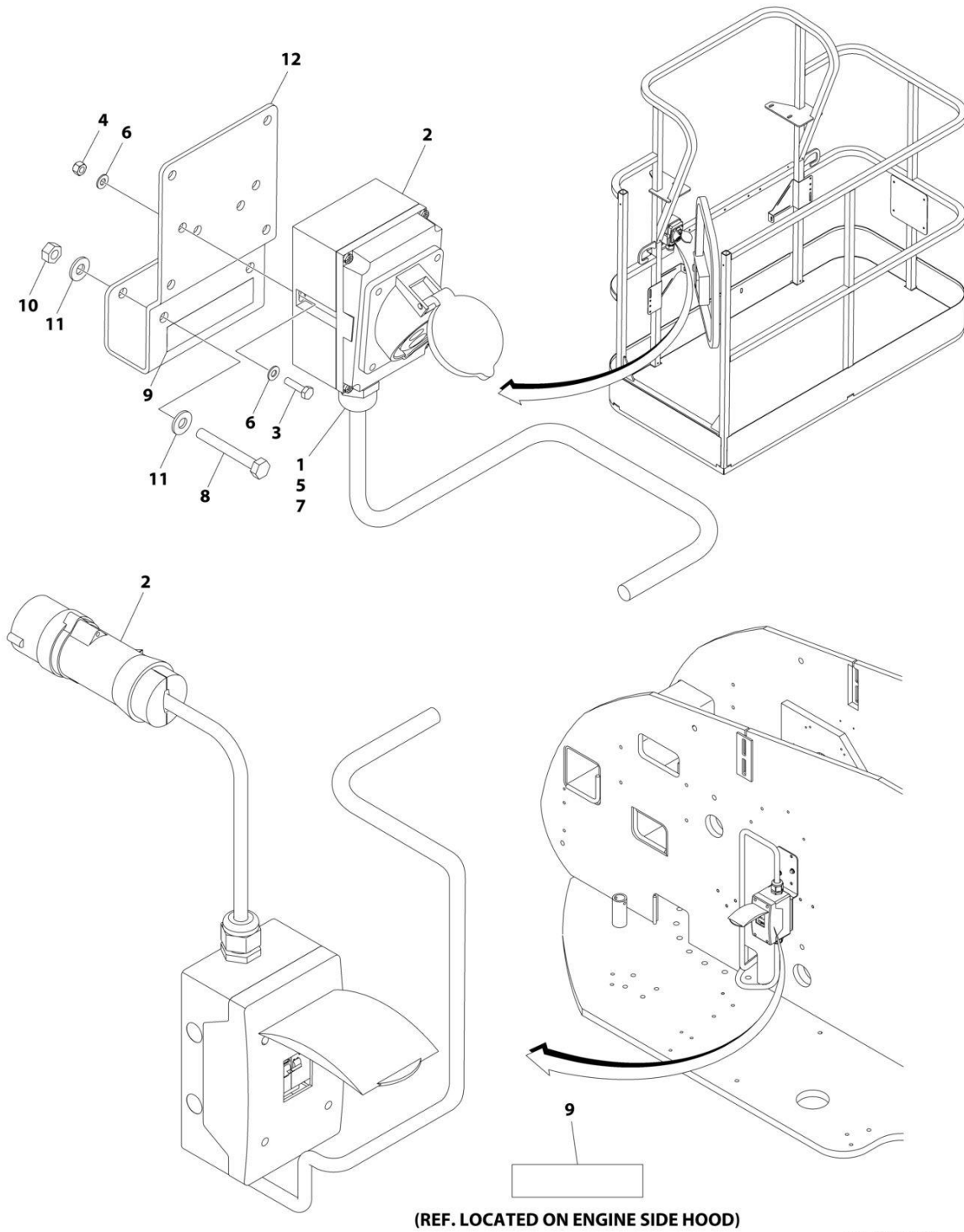
SECTION 8 - ELECTRICAL

FIGURE 8-1. AC BOX AT PLATFORM INSTALLATION - 110V IEC YELLOW (CE, CIS/EAC & UK CA SPECS WITH 4000W/50HZ GENERATOR)

ITEM	PART NUMBER	QTY	DESCRIPTION	REV
	1001194203	Ref	AC BOX AT PLATFORM INSTALLATION	B
1	0100020	AR	Sealant, Pipe	
2	0641416	2	Bolt 1/4 x 2	
3	0700408	2	Bolt M4 x 16	
4	0861781	1	Box, Switch	
5	1705325	1	Decal - 110V	
6	3290405	2	Nut M4	
7	3311405	2	Nut 1/4	
8	4460968	1	Connector, Strain Relief	
9	4461198	1	Receptacle	
10	4711400	4	Washer 1/4	
11	4811400	4	Washer M4	
12	1001193018	1	Bracket, AC Receptacle	

SECTION 8 - ELECTRICAL

FIGURE 8-2. AC BOX AT PLATFORM INSTALLATION - 110V IEC 60309 YELLOW WITHOUT 2500W GENERATOR (CE, CIS/EAC & UK CA SPECS)



ART_1001091969

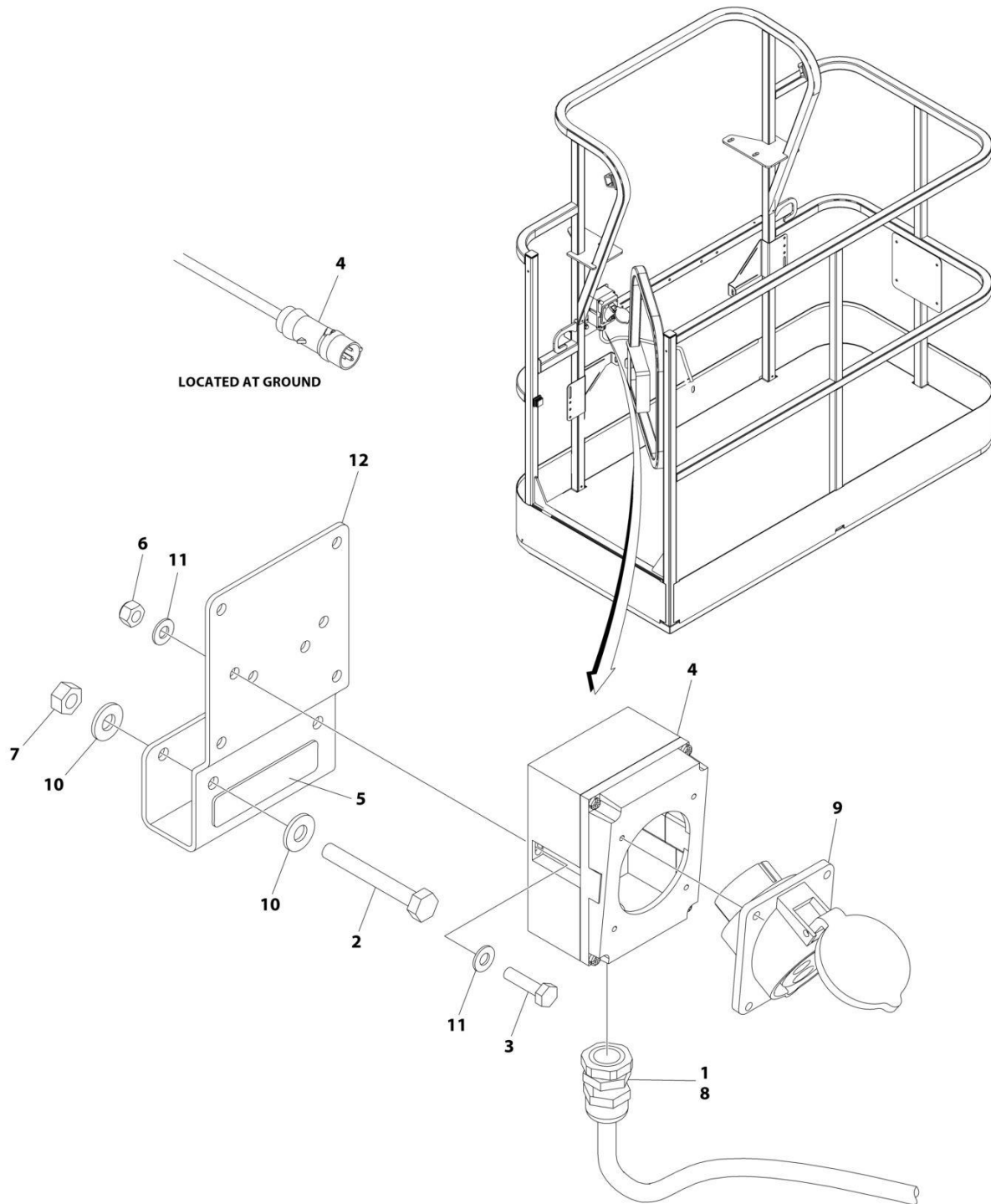
SECTION 8 - ELECTRICAL

FIGURE 8-2. AC BOX AT PLATFORM INSTALLATION - 110V IEC 60309 YELLOW WITHOUT 2500W GENERATOR (CE, CIS/EAC & UK CA SPECS)

ITEM	PART NUMBER	QTY	DESCRIPTION	REV
	1001091969	Ref	AC BOX AT PLATFORM INSTALLATION - 110V IEC YELLOW	D
1	0100020	AR	Sealant, Pipe	
2	0275216	1	Receptacle Box Kit (See Separate Breakdown in this Section)	
3	0700408	2	Bolt M4 x 16	
4	3290405	2	Nut M4	
5	1001101196	1	Adapter	
6	4811400	4	Washer M4	
7	1001101191	1	Connector, Strain Relief	
8	0641416	2	Bolt 1/4 x 2	
9	1705325	2	Decal - 110V	
10	3311405	2	Nut 1/4	
11	4711400	4	Washer 1/4	
12	1001193018	1	Bracket	

SECTION 8 - ELECTRICAL

FIGURE 8-3. AC BOX AT PLATFORM INSTALLATION - 220V IEC BLUE (CE, CIS/EAC & UK CA SPECS WITH 4000W/50HZ GENERATOR)



ART_1001194204

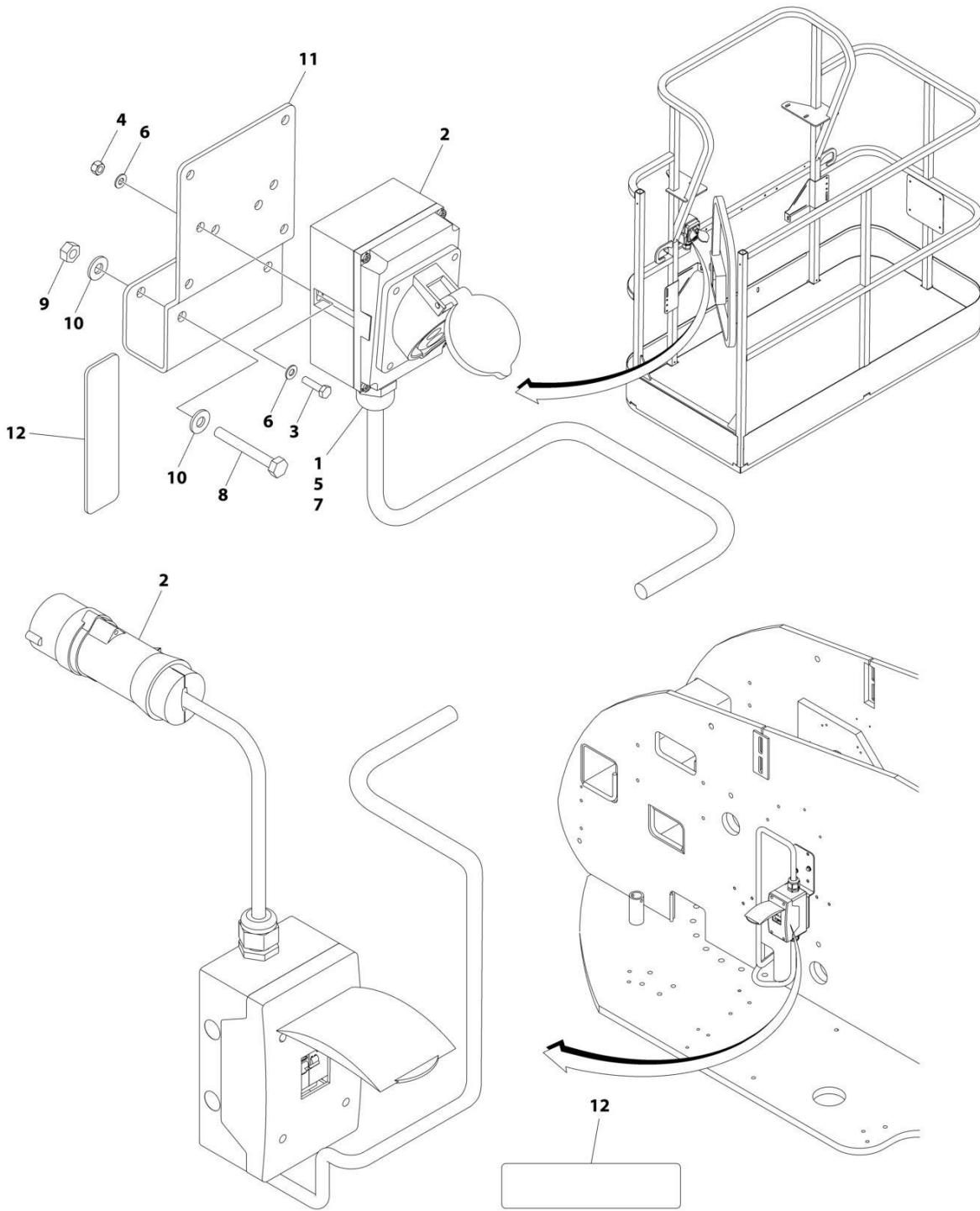
SECTION 8 - ELECTRICAL

FIGURE 8-3. AC BOX AT PLATFORM INSTALLATION - 220V IEC BLUE (CE, CIS/EAC & UK CA SPECS WITH 4000W/50HZ GENERATOR)

ITEM	PART NUMBER	QTY	DESCRIPTION	REV
	1001194204	Ref	AC BOX AT PLATFORM INSTALLATION	B
1	0100020	AR	Sealant, Pipe	
2	0641416	2	Bolt 1/4 x 2	
3	0700408	2	Bolt M4 x 16	
4	0861781	1	Box, Switch	
5	3251242	1	Decal - 240V/50Hz	
6	3290405	2	Nut M4	
7	3311405	2	Nut 1/4	
8	4460968	1	Connector, Strain Relief	
9	4461201	1	Receptacle	
10	4711400	4	Washer 1/4	
11	4811400	4	Washer M4	
12	1001193018	1	Bracket, AC Receptacle	

SECTION 8 - ELECTRICAL

FIGURE 8-4. AC BOX AT PLATFORM INSTALLATION - 220V IEC 60309 BLUE WITHOUT 2500W GENERATOR (CE, CIS/EAC & UK CA SPECS)



(REF. LOCATED ON ENGINE SIDE HOOD)

ART_1001091970

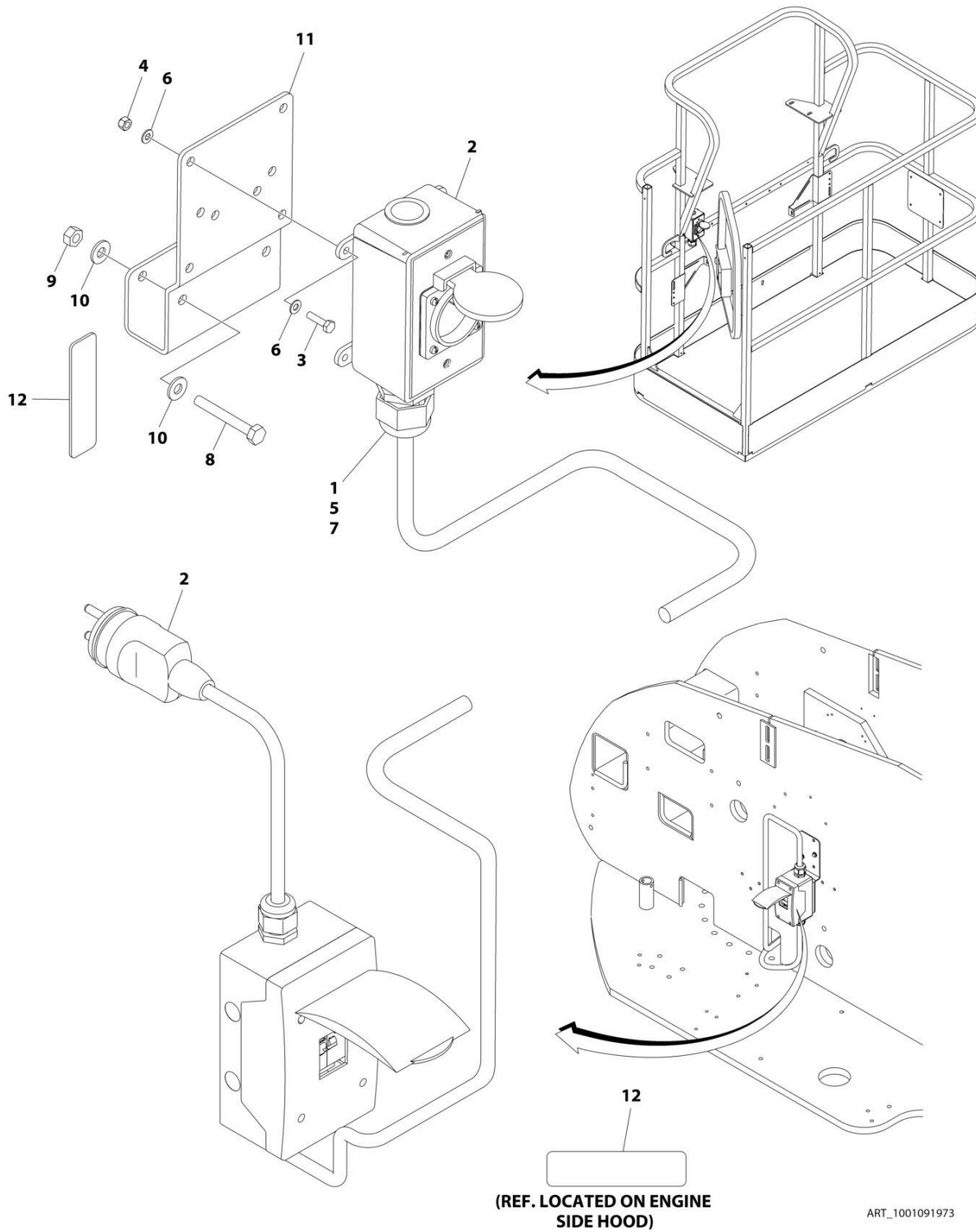
SECTION 8 - ELECTRICAL

FIGURE 8-4. AC BOX AT PLATFORM INSTALLATION - 220V IEC 60309 BLUE WITHOUT 2500W GENERATOR (CE, CIS/EAC & UK CA SPECS)

ITEM	PART NUMBER	QTY	DESCRIPTION	REV
	1001091970	Ref	AC BOX AT PLATFORM INSTALLATION - 220V IEC BLUE	D
1	0100020	AR	Sealant, Pipe	
2	0275217	1	Receptacle Box Kit (See Separate Breakdown in this Section)	
3	0700408	2	Bolt M4 x 16	
4	3290405	2	Nut M4	
5	1001101196	1	Adapter	
6	4811400	4	Washer M4	
7	1001101191	1	Connector, Strain Relief	
8	0641416	2	Bolt 1/4 x 2	
9	3311405	2	Nut 1/4	
10	4711400	4	Washer 1/4	
11	1001193018	1	Bracket	
12	3251242	2	Decal - 240V/50Hz	

SECTION 8 - ELECTRICAL

**FIGURE 8-5. AC BOX AT PLATFORM INSTALLATION - 220V CEE7 POST GROUND (2X4 BOX)
WITHOUT 2500W GENERATOR (CE, CIS/EAC & UK CA SPECS)**



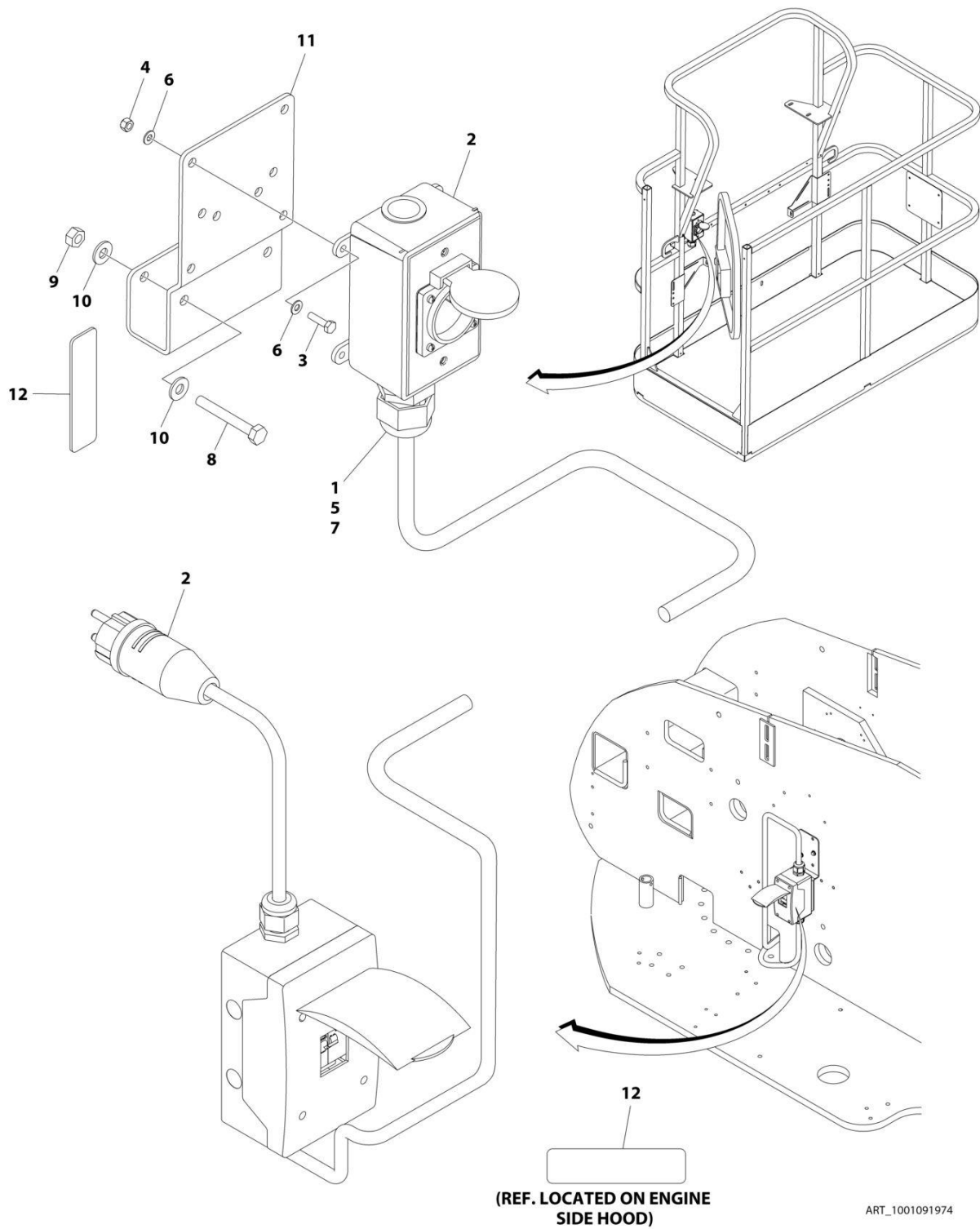
SECTION 8 - ELECTRICAL

**FIGURE 8-5. AC BOX AT PLATFORM INSTALLATION - 220V CEE7 POST GROUND (2X4 BOX)
WITHOUT 2500W GENERATOR (CE, CIS/EAC & UK CA SPECS)**

ITEM	PART NUMBER	QTY	DESCRIPTION	REV
	1001091973	Ref	AC BOX AT PLATFORM INSTALLATION - 220V CEE7 2X4 BOX POST GROUND	F
1	0100020	AR	Sealant, Pipe	
2	0275452	1	Receptacle Box Kit (See Separate Breakdown in this Section)	
3	0700408	4	Bolt M4 x 16	
4	3290405	4	Nut M4	
5	1001101197	1	Adapter	
6	4811400	8	Washer M4	
7	1001101191	1	Connector, Strain Relief	
8	0641416	2	Bolt 1/4 x 2	
9	3311405	2	Nut 1/4	
10	4711400	4	Washer 1/4	
11	1001193018	1	Bracket	
12	3251242	2	Decal - 240V/50Hz	
13	4460806	2	Terminal, Fork (Not Shown)	
14	1001205958	1	Terminal (Not Shown)	

SECTION 8 - ELECTRICAL

**FIGURE 8-6. AC BOX AT PLATFORM INSTALLATION - 220V CEE7 SIDE GROUND (2X4 BOX)
WITHOUT 2500W GENERATOR (CE, CIS/EAC & UK CA SPECS)**



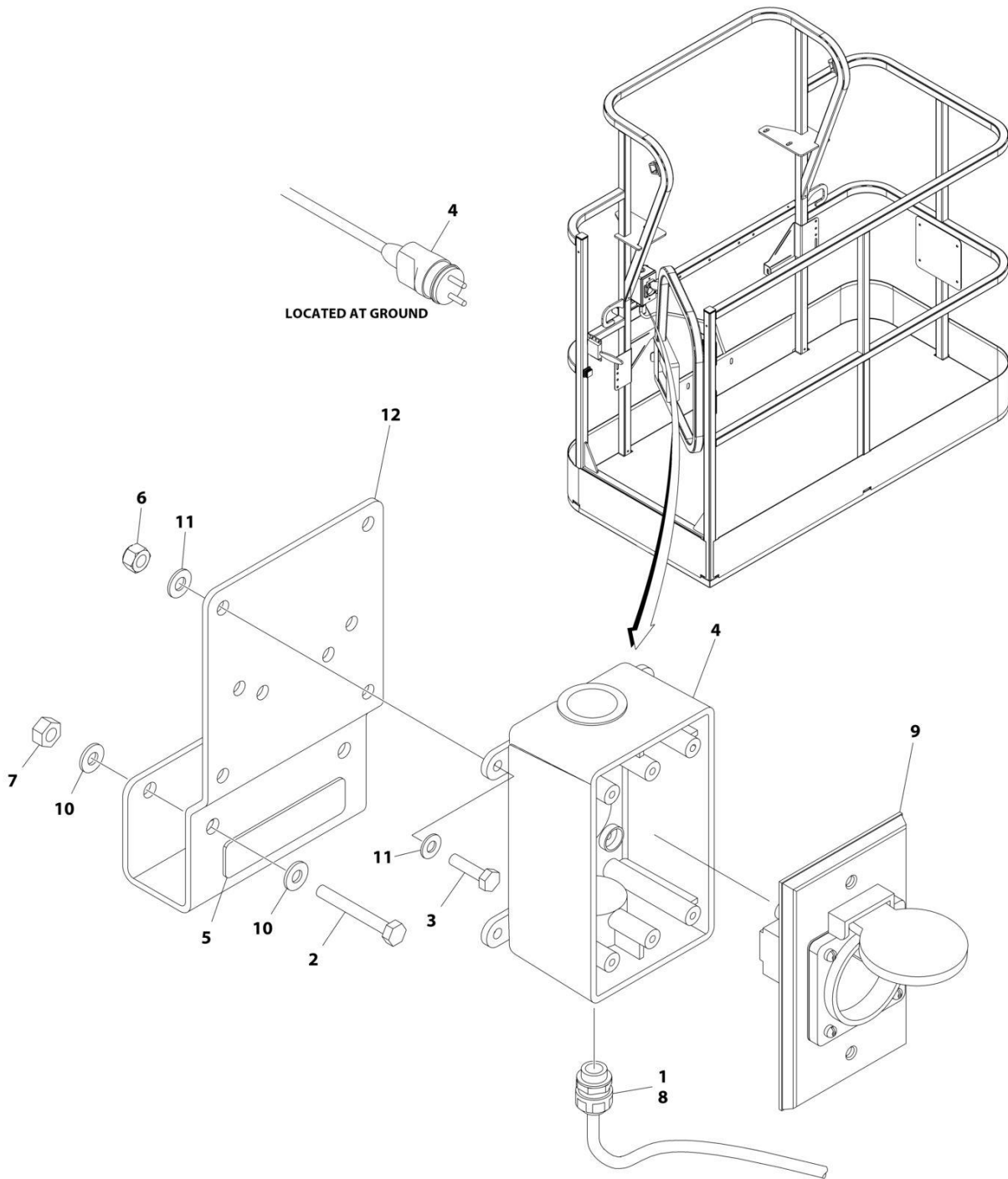
SECTION 8 - ELECTRICAL

**FIGURE 8-6. AC BOX AT PLATFORM INSTALLATION - 220V CEE7 SIDE GROUND (2X4 BOX)
WITHOUT 2500W GENERATOR (CE, CIS/EAC & UK CA SPECS)**

ITEM	PART NUMBER	QTY	DESCRIPTION	REV
	1001091974	Ref	AC BOX AT PLATFORM INSTALLATION - 220V CEE7 2X4 BOX SIDE GROUND	F
1	0100020	AR	Sealant, Pipe	
2	0275453	1	Receptacle Box Kit (See Separate Breakdown in this Section)	
3	0700408	4	Bolt M4 x 16	
4	3290405	4	Nut M4	
5	1001101197	1	Adapter	
6	4811400	8	Washer M4	
7	1001101191	1	Connector, Strain Relief	
8	0641416	2	Bolt 1/4 x 2	
9	3311405	2	Nut 1/4	
10	4711400	4	Washer 1/4	
11	1001193018	1	Bracket	
12	3251242	2	Decal - 240V/50Hz	
13	4460806	2	Terminal, Fork (Not Shown)	
14	1001205958	1	Terminal (Not Shown)	

SECTION 8 - ELECTRICAL

FIGURE 8-7. AC BOX AT PLATFORM INSTALLATION - 220V CEE7 2IN X 4IN POST GROUND (CE, CIS/EAC & UK CA SPECS WITH 4000W/50HZ GENERATOR)



ART_1001194197

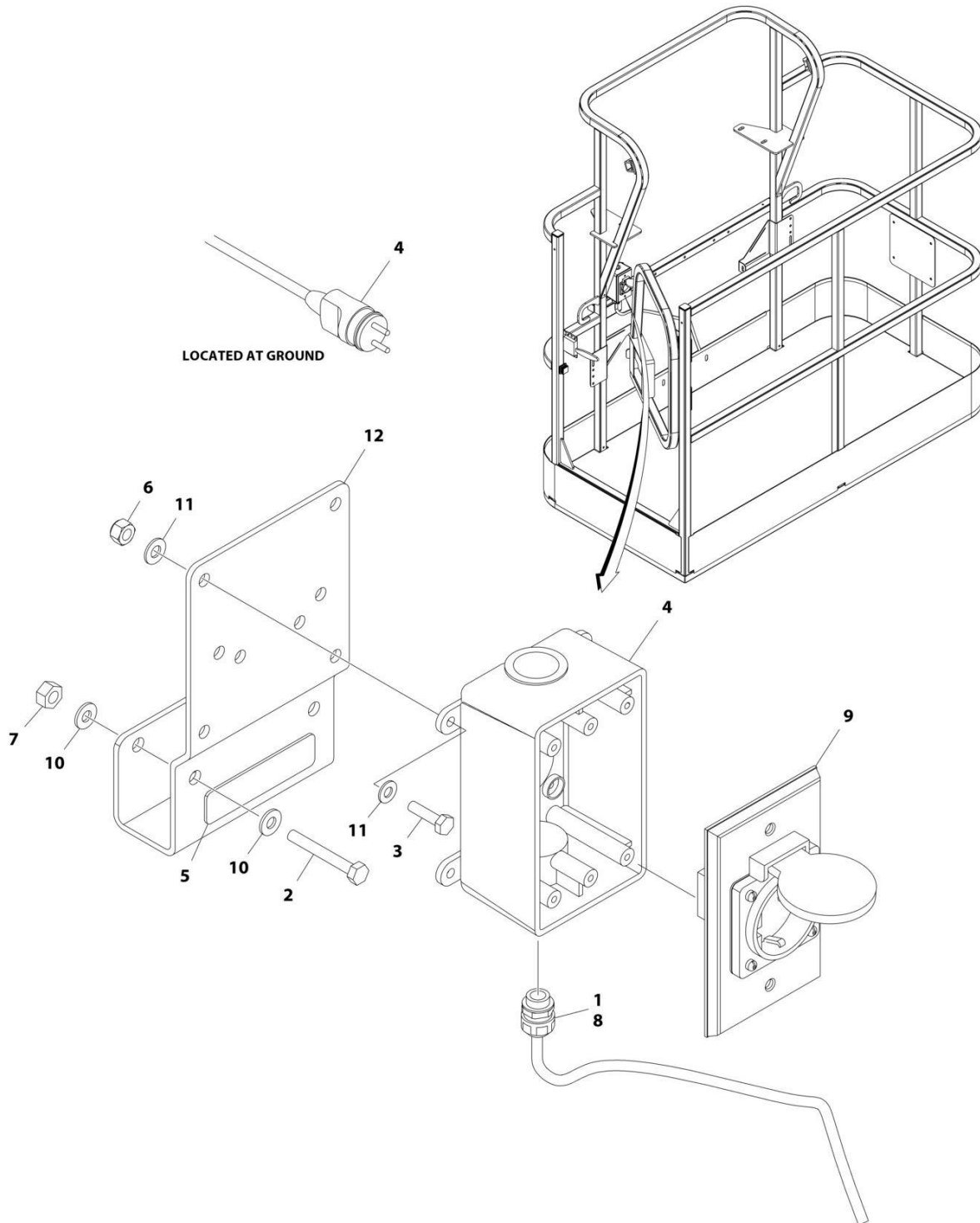
SECTION 8 - ELECTRICAL

FIGURE 8-7. AC BOX AT PLATFORM INSTALLATION - 220V CEE7 2IN X 4IN POST GROUND (CE, CIS/EAC & UK CA SPECS WITH 4000W/50HZ GENERATOR)

ITEM	PART NUMBER	QTY	DESCRIPTION	REV
	1001194197	Ref	AC BOX AT PLATFORM INSTALLATION	B
1	0100020	AR	Sealant, Pipe	
2	0641416	2	Bolt 1/4 x 2	
3	0700408	4	Bolt M4 x 16	
4	0861731	1	Box, Switch	
5	3251242	1	Decal - 240V/50Hz	
6	3290405	4	Nut M4	
7	3311405	2	Nut 1/4	
8	4460662	1	Connector, Strain Relief	
9	4461244	1	Receptacle	
10	4711400	4	Washer 1/4	
11	4811400	8	Washer M4	
12	1001193018	1	Bracket, AC Receptacle	
13	4460806	2	Terminal, Fork (Not Shown)	
14	1001205958	1	Terminal (Not Shown)	

SECTION 8 - ELECTRICAL

FIGURE 8-8. AC BOX AT PLATFORM INSTALLATION - 220V CEE7 2IN X 4IN SIDE GROUND (CE, CIS/EAC & UK CA SPECS WITH 4000W/50HZ GENERATOR)



ART_1001194198

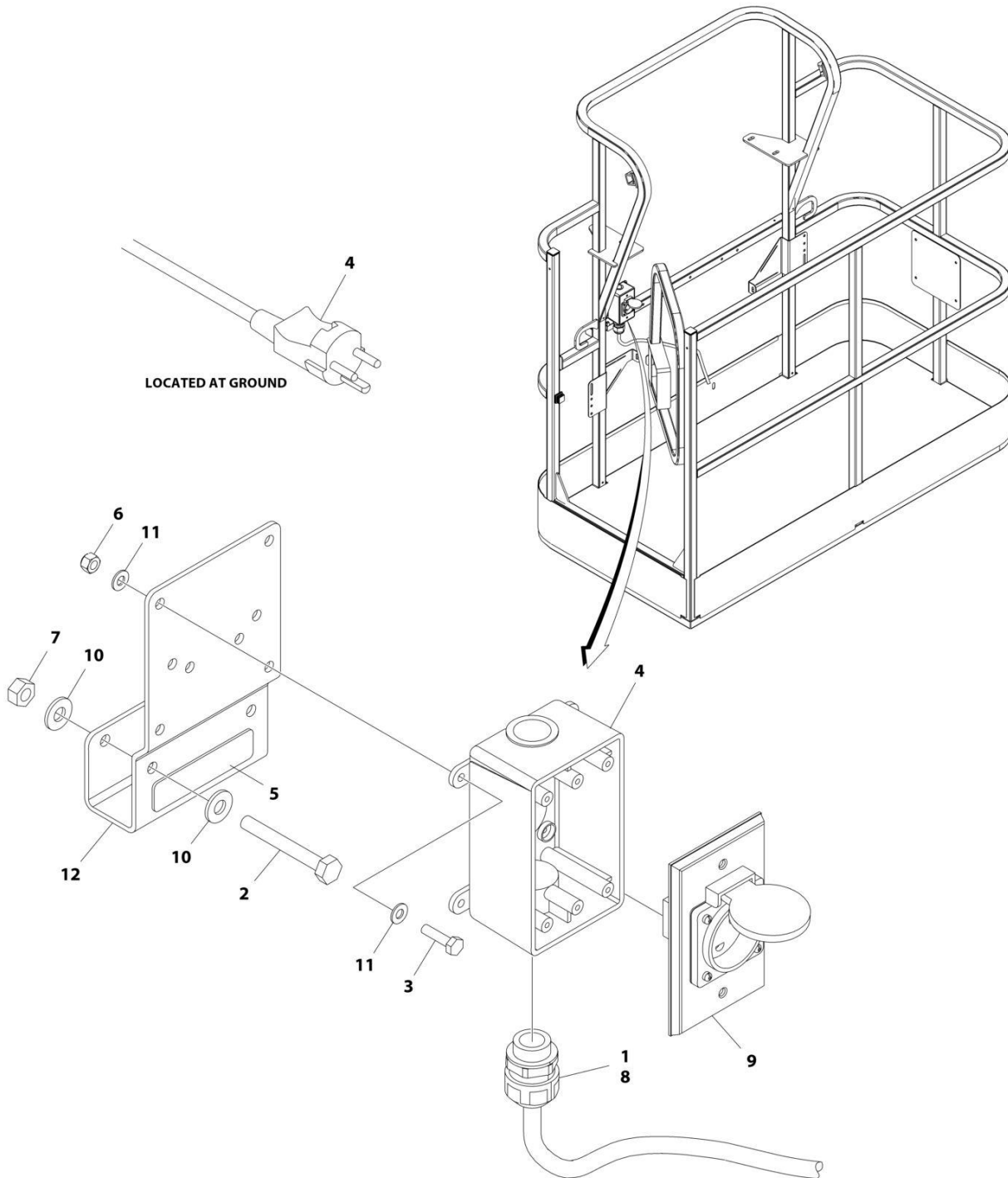
SECTION 8 - ELECTRICAL

FIGURE 8-8. AC BOX AT PLATFORM INSTALLATION - 220V CEE7 2IN X 4IN SIDE GROUND (CE, CIS/EAC & UK CA SPECS WITH 4000W/50HZ GENERATOR)

ITEM	PART NUMBER	QTY	DESCRIPTION	REV
	1001194198	Ref	AC BOX AT PLATFORM INSTALLATION	B
1	0100020	AR	Sealant, Pipe	
2	0641416	2	Bolt 1/4 x 2	
3	0700408	4	Bolt M4 x 16	
4	0861731	1	Box, Switch	
5	3251242	1	Decal - 240V/50Hz	
6	3290405	4	Nut M4	
7	3311405	2	Nut 1/4	
8	4460662	1	Connector, Strain Relief	
9	4461245	1	Receptacle	
10	4711400	4	Washer 1/4	
11	4811400	8	Washer M4	
12	1001193018	1	Bracket, AC Receptacle	
13	4460806	2	Terminal, Fork (Not Shown)	
14	1001205958	1	Terminal (Not Shown)	

SECTION 8 - ELECTRICAL

FIGURE 8-9. AC BOX AT PLATFORM INSTALLATION - 220V AFSINT107 (CE, CIS/EAC & UK CA SPECS WITH 4000W/50HZ GENERATOR)



ART_1001194200

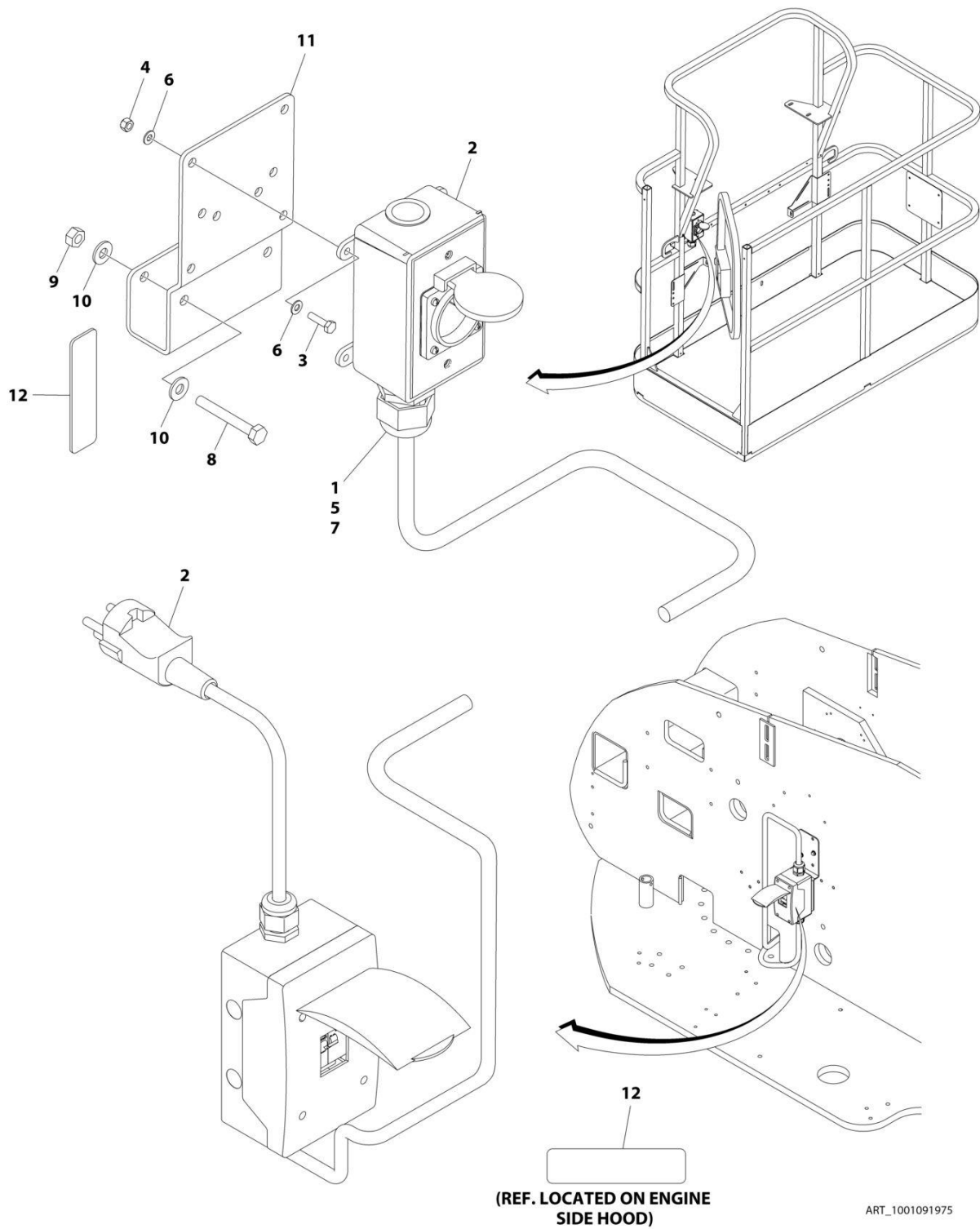
SECTION 8 - ELECTRICAL

FIGURE 8-9. AC BOX AT PLATFORM INSTALLATION - 220V AFSINT107 (CE, CIS/EAC & UK CA SPECS WITH 4000W/50HZ GENERATOR)

ITEM	PART NUMBER	QTY	DESCRIPTION	REV
	1001194200	Ref	AC BOX AT PLATFORM INSTALLATION	B
1	0100020	AR	Sealant, Pipe	
2	0641416	2	Bolt 1/4 x 2	
3	0700408	4	Bolt M4 x 16	
4	0861731	1	Box, Switch	
5	3251242	1	Decal - 240V/50Hz	
6	3290405	4	Nut M4	
7	3311405	2	Nut 1/4	
8	4460662	1	Connector, Strain Relief	
9	4461246	1	Receptacle	
10	4711400	4	Washer 1/4	
11	4811400	8	Washer M4	
12	1001193018	1	Bracket, AC Receptacle	
13	1001205958	1	Terminal (Not Shown)	

SECTION 8 - ELECTRICAL

FIGURE 8-10. AC BOX AT PLATFORM INSTALLATION - 220V AFSINT 107 KEYED GROUND (2X4 BOX) WITHOUT 2500W GENERATOR (CE AND RUSSIA SPECS)



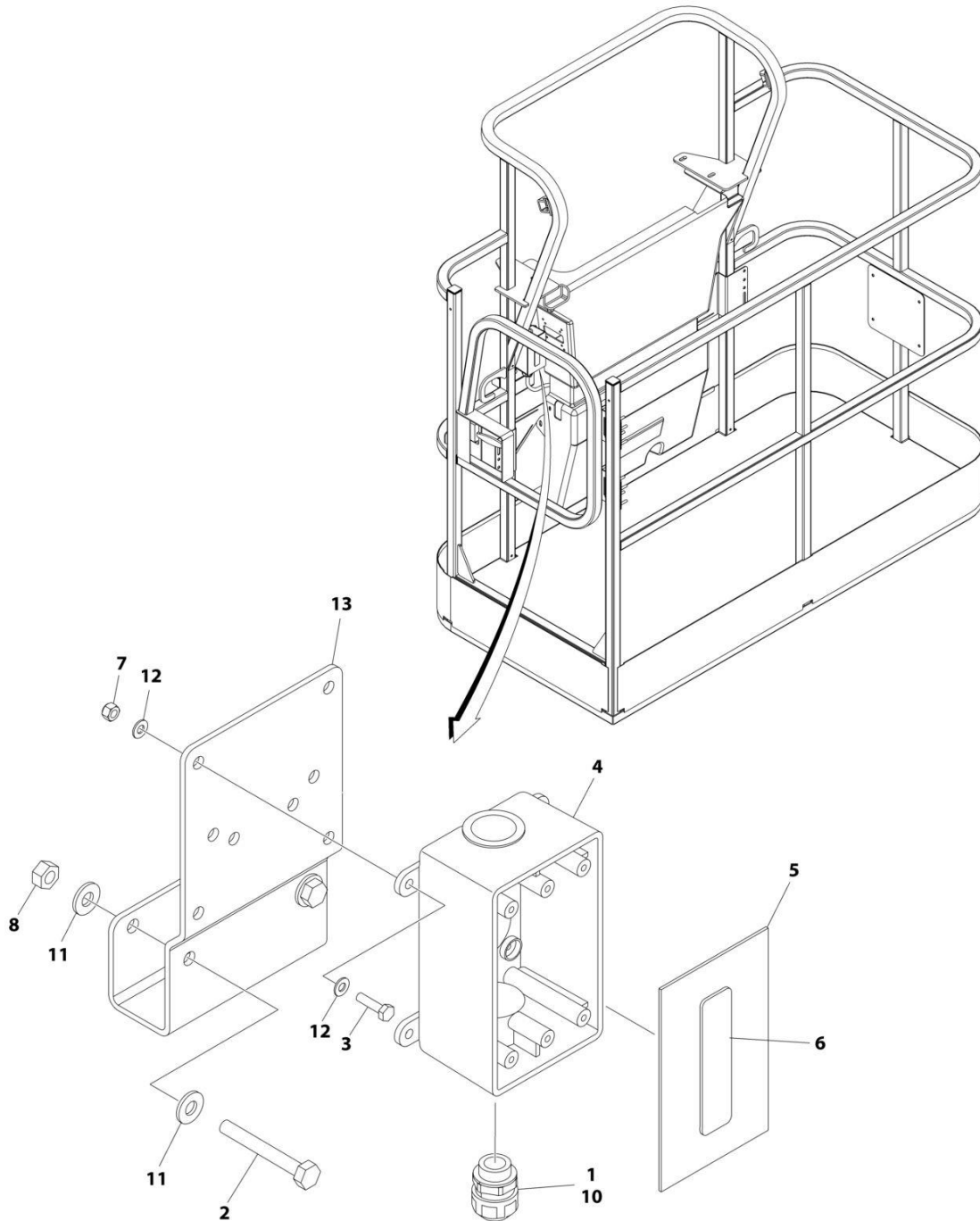
SECTION 8 - ELECTRICAL

FIGURE 8-10. AC BOX AT PLATFORM INSTALLATION - 220V AFSINT 107 KEYED GROUND (2X4 BOX) WITHOUT 2500W GENERATOR (CE AND RUSSIA SPECS)

ITEM	PART NUMBER	QTY	DESCRIPTION	REV
	1001091975	Ref	AC BOX AT PLATFORM INSTALLATION - 220V AFSINT 107 2X4 BOX KEYED GROUND	F
1	0100020	AR	Sealant, Pipe	
2	0275454	1	Receptacle Box Kit (See Separate Breakdown in this Section)	
3	0700408	4	Bolt M4 x 16	
4	3290405	4	Nut M4	
5	1001101197	1	Adapter	
6	4811400	8	Washer M4	
7	1001101191	1	Connector, Strain Relief	
8	0641416	2	Bolt 1/4 x 2	
9	3311405	2	Nut 1/4	
10	4711400	4	Washer 1/4	
11	1001193018	1	Bracket	
12	3251242	2	Decal - 240V/50Hz	
13	1001205958	3	Terminal (Not Shown)	

SECTION 8 - ELECTRICAL

FIGURE 8-11. AC BOX AT PLATFORM INSTALLATION - 220V CUSTOMER SUPPLIED COMPONENTS (ALL SPECS)



ART_1001194365

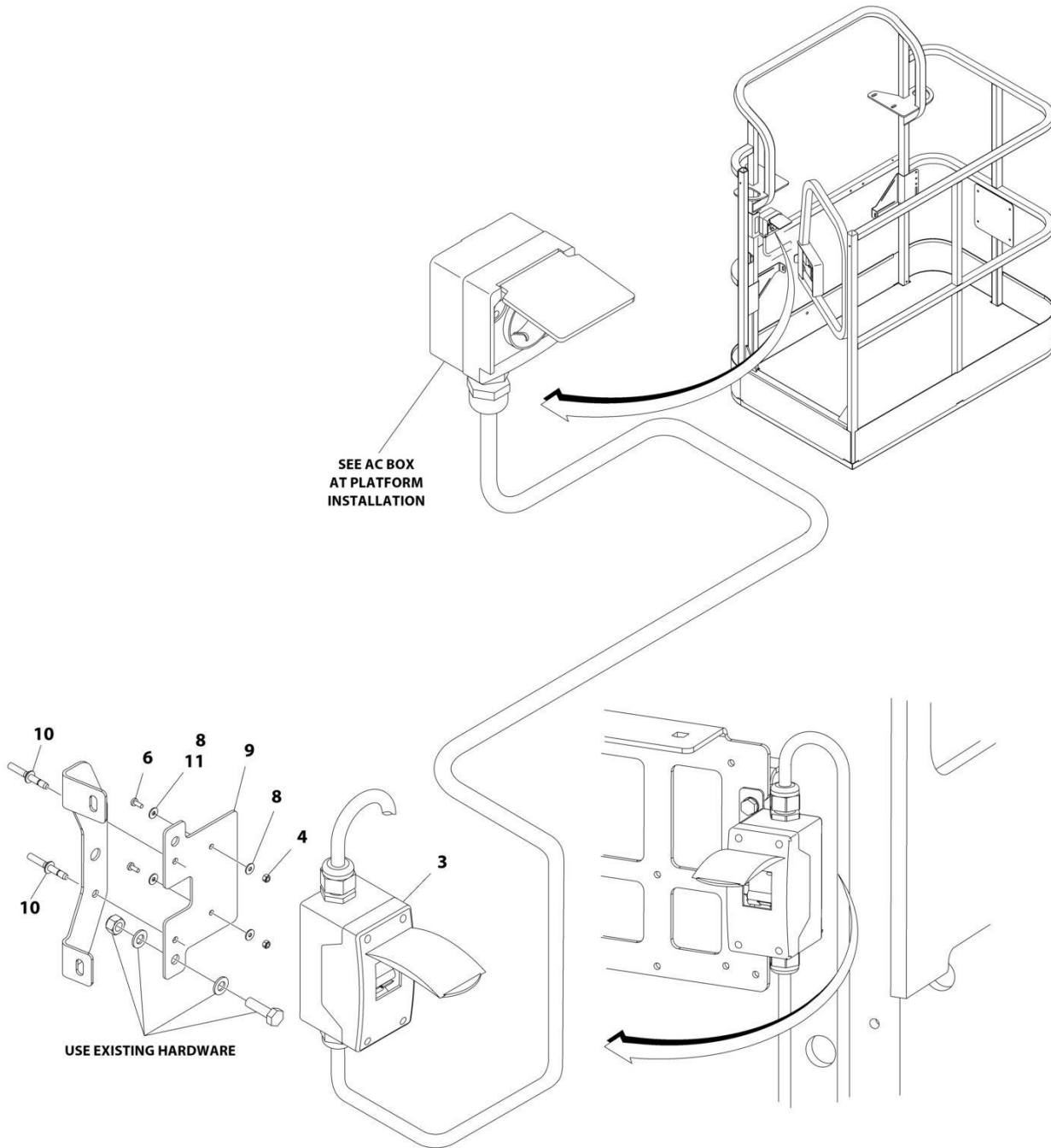
SECTION 8 - ELECTRICAL

**FIGURE 8-11. AC BOX AT PLATFORM INSTALLATION - 220V CUSTOMER SUPPLIED COMPONENTS
(ALL SPECS)**

ITEM	PART NUMBER	QTY	DESCRIPTION	REV
	1001194365	Ref	AC BOX AT PLATFORM INSTALLATION - BOX WITH COVER (2X4 BOX)	A
1	0100020	AR	Sealant	
2	0641416	2	Bolt 1/4 x 2	
3	0700408	4	Bolt M4 x 16	
4	0861731	1	Box, Switch	
5	1670603	1	Cover	
6	3251242	1	Decal - 240V/50Hz	
7	3290405	4	Nut M4	
8	3311405	2	Nut 1/4	
9	4460384	3	Terminal (Not Shown)	
10	4460662	1	Connector, Strain Relief	
11	4711400	4	Washer 1/4	
12	4811400	8	Washer M4	
13	1001193018	1	Bracket, AC Receptacle	

SECTION 8 - ELECTRICAL

FIGURE 8-12. AC CABLE INSTALLATION - WITH TWO BREAKERS (CE, CIS/EAC & UK CA SPECS)



ART_1001167312

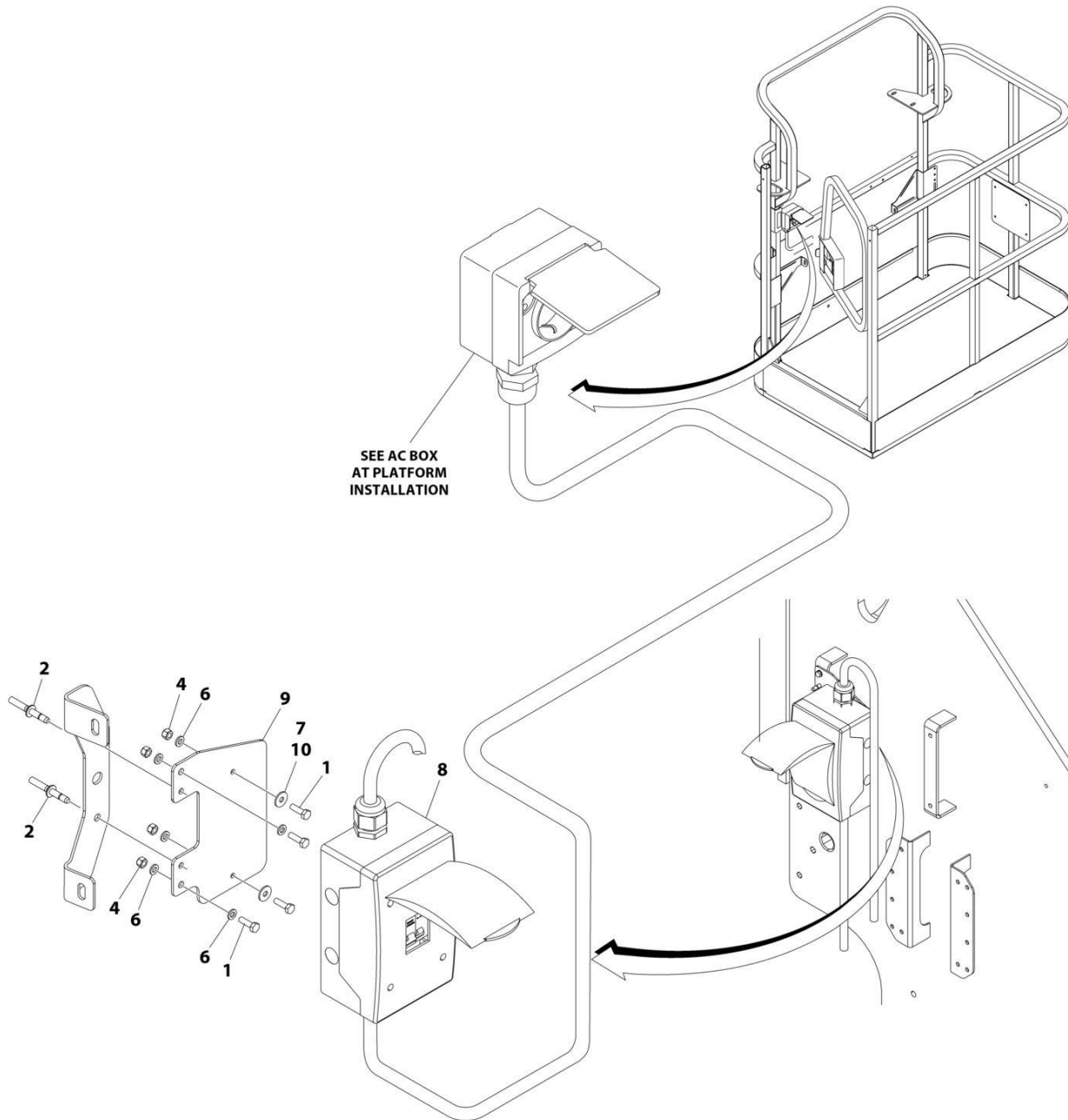
SECTION 8 - ELECTRICAL

FIGURE 8-12. AC CABLE INSTALLATION - WITH TWO BREAKERS (CE, CIS/EAC & UK CA SPECS)

ITEM	PART NUMBER	QTY	DESCRIPTION	REV
	1001167312	Ref	AC CABLE INSTALLATION - WITH TWO BREAKERS	G
3	2902549	1	Breaker Box Kit - CE Spec (See Separate Breakdown in this Section)	
4	3290405	2	Nut M4	
4	3290605	2	Nut M6	
6	4010405	AR	Screw M4 x 10	
6	0760610	AR	Screw M6 x 20	
6	0760614	AR	Screw M6 x 30	
8	1001091102	2	Washer M4	
8	4811700	AR	Washer M6	
9	1001174158	1	Bracket	
10	2080040	2	Fastener, Huck	
11	4811702	2	Washer M6	

SECTION 8 - ELECTRICAL

FIGURE 8-13. AC CABLE INSTALLATION - WITH THREE BREAKERS (CE, CIS/EAC & UK CA SPECS)



ART_1001209677

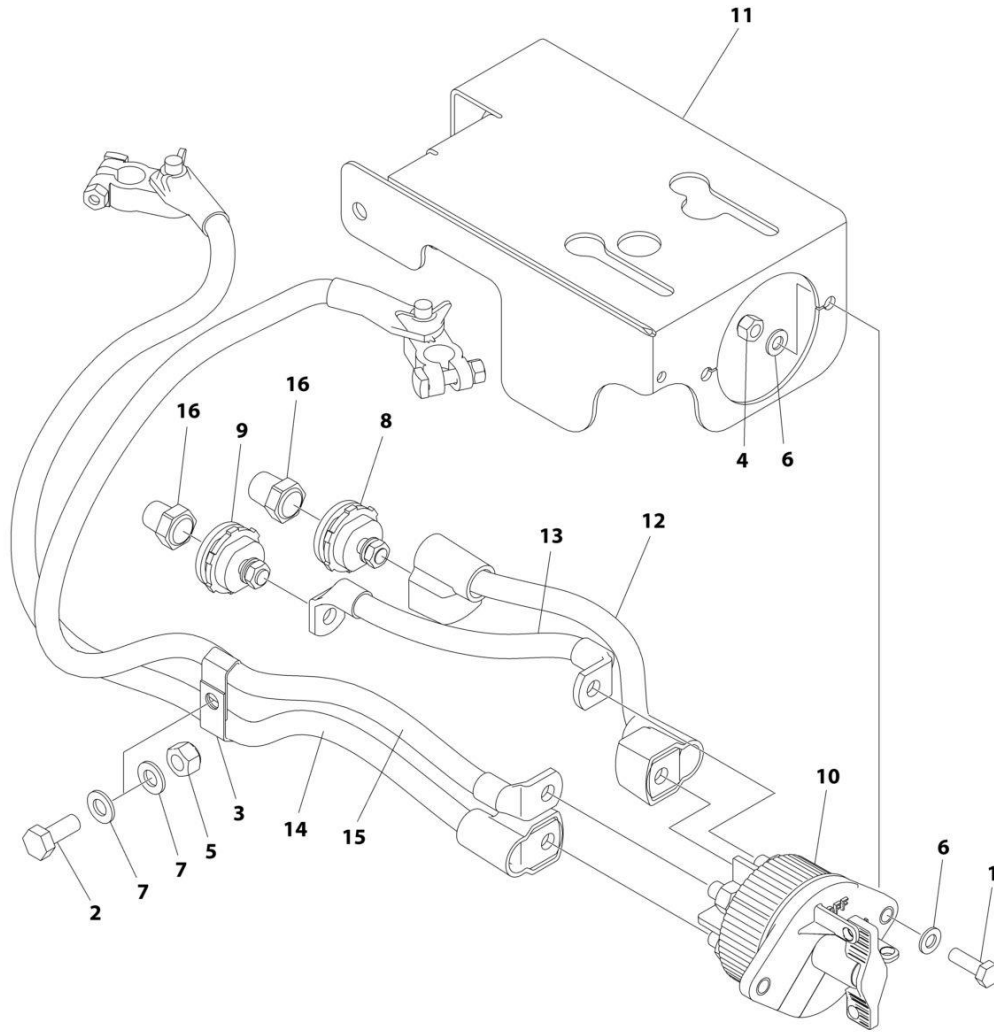
SECTION 8 - ELECTRICAL

FIGURE 8-13. AC CABLE INSTALLATION - WITH THREE BREAKERS (CE, CIS/EAC & UK CA SPECS)

ITEM	PART NUMBER	QTY	DESCRIPTION	REV
	1001209677	Ref	AC CABLE INSTALLATION - WITH THREE BREAKERS	B
1	0760610	AR	Bolt M6 x 20	
1	4010405	AR	Bolt M4 x 10	
2	2080040	AR	Fastener, Huck	
4	3290605	AR	Nut M6	
6	4811700	4	Washer M6	
7	1001091102	AR	Washer M4	
8	1001152485	1	Breaker Box Kit (See Separate Breakdown in this Section)	
9	1001209832	1	Bracket	
10	4811702	AR	Washer M6	

SECTION 8 - ELECTRICAL

FIGURE 8-14. BATTERY DISCONNECT SWITCH



ART_1001214397

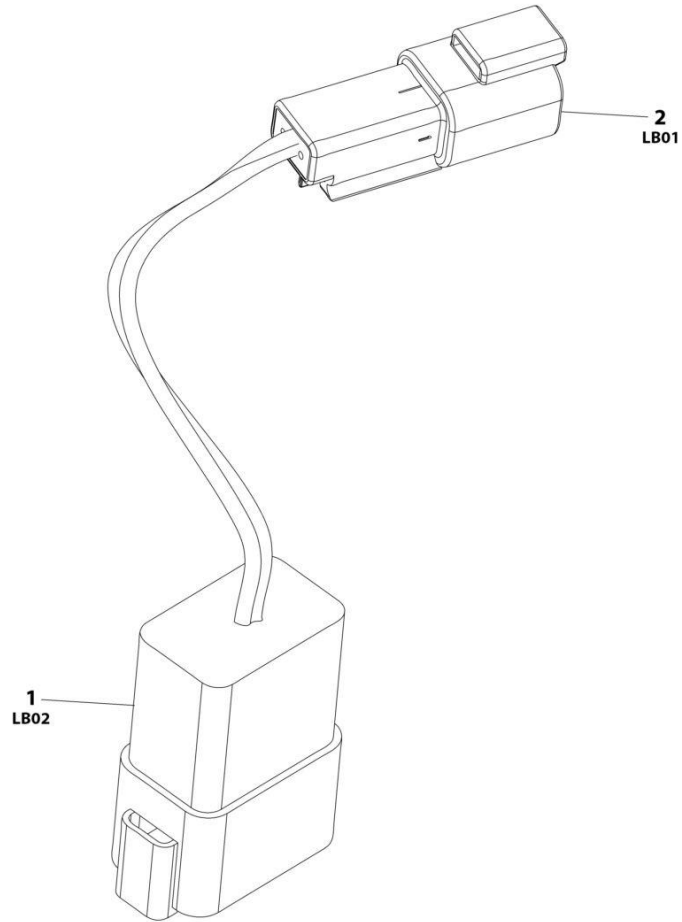
SECTION 8 - ELECTRICAL

FIGURE 8-14. BATTERY DISCONNECT SWITCH

ITEM	PART NUMBER	QTY	DESCRIPTION	REV
	1001214397	Ref	BATTERY DISCONNECT SWITCH	A
1	0760812	2	Bolt M8 x 25	
2	0761012	1	Bolt M10 x 25	
3	1320223	2	Clamp	
4	3290805	2	Nut M8	
5	3291005	1	Nut M10	
6	4811900	4	Washer M8	
7	4812000	2	Washer M10	
8	1001214570	1	Connector (Red)	
9	1001214571	1	Connector (Black)	
10	1001225346	1	Switch	
11	1001226530	1	Mount	
12	1001237878	1	Cable, Battery Disconnect (Positive)	
13	1001237879	1	Cable, Battery Disconnect (Negative)	
14	1001237880	1	Cable (Positive)	
15	1001237881	1	Cable (Negative)	
16	1001206476	1	Connector	

SECTION 8 - ELECTRICAL

FIGURE 8-15. BEACON JUMPER HARNESS (AMBER LIGHT)



ART_1001283776

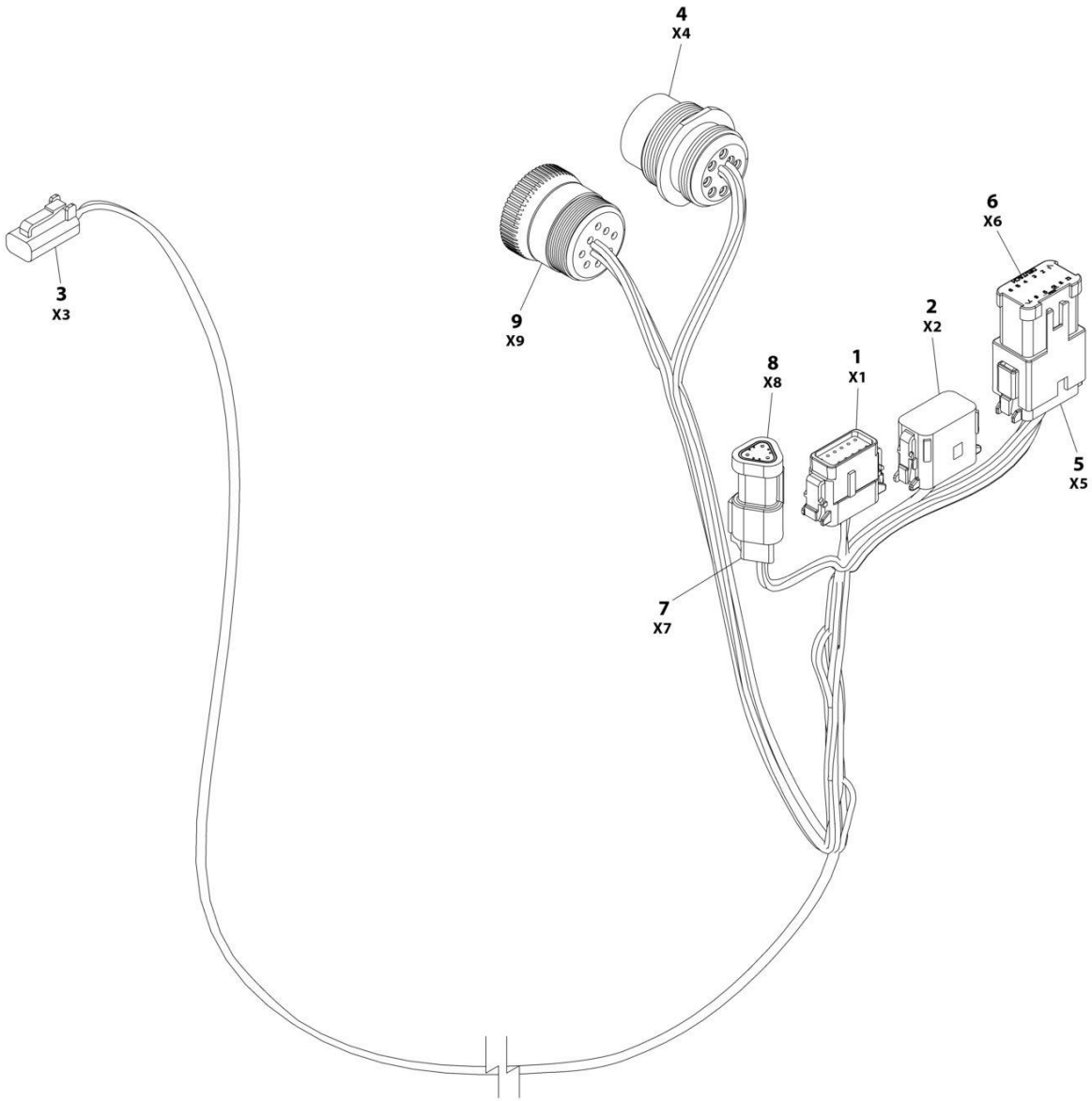
SECTION 8 - ELECTRICAL

FIGURE 8-15. BEACON JUMPER HARNESS (AMBER LIGHT)

ITEM	PART NUMBER	QTY	DESCRIPTION	REV
	1001283776	Ref	STROBE LIGHT HARNESS (AMBER)	A
1	4460931	1	Connector	
1	4460464	2	Pin	
1	4460466	6	Plug	
2	4460897	1	Connector	
2	4460464	2	Pin	

SECTION 8 - ELECTRICAL

FIGURE 8-16. BEACON LIGHT HARNESS (BLUE AND RED BEACON LIGHT)



ART_1001142736

SECTION 8 - ELECTRICAL

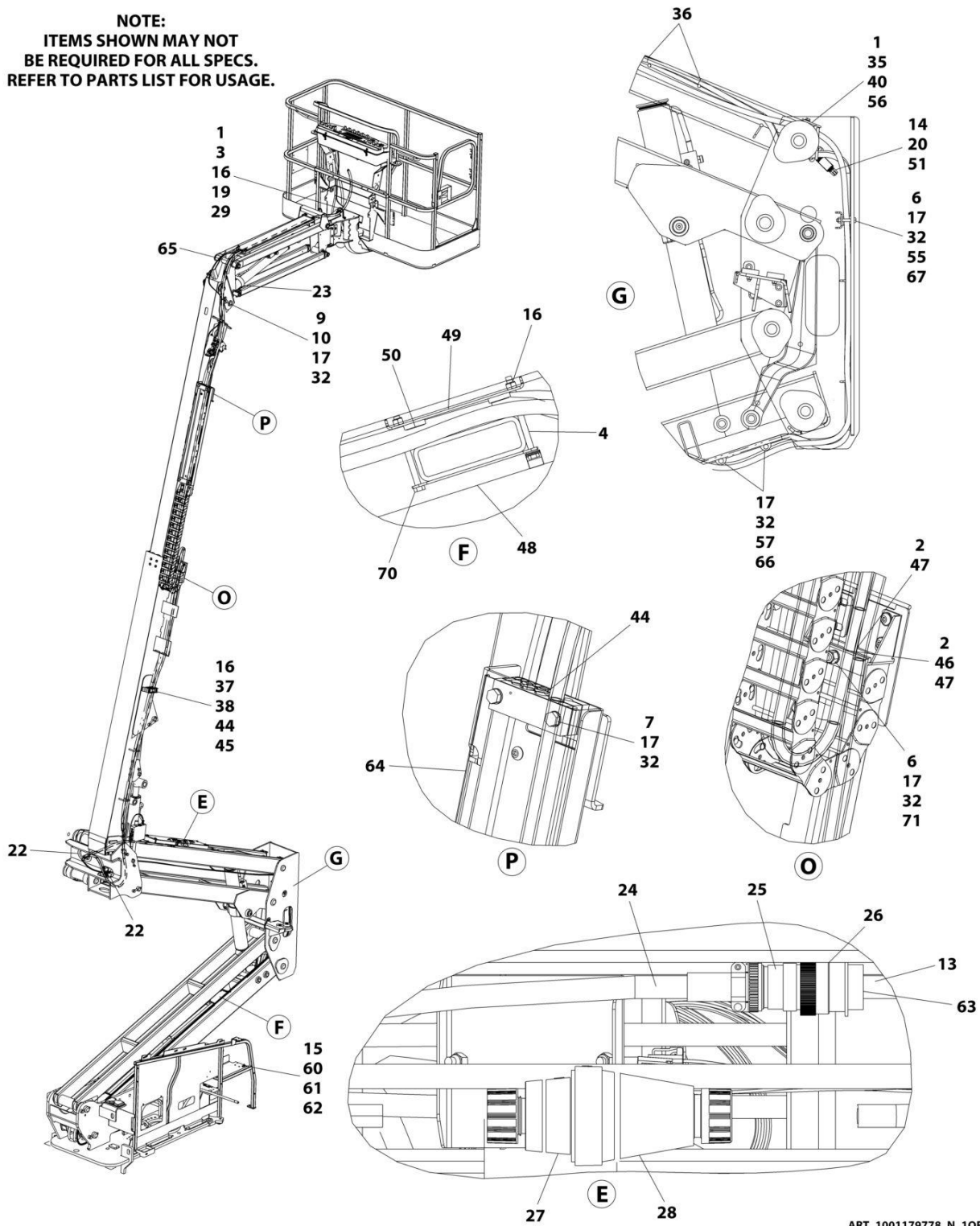
FIGURE 8-16. BEACON LIGHT HARNESS (BLUE AND RED BEACON LIGHT)

ITEM	PART NUMBER	QTY	DESCRIPTION	REV
	1001142736	Ref	STROBE LIGHT HARNESS	F
1	1001116808	1	Plug, Male - 12 Position	
1	4460928	3	Socket, Female	
1	4460518	9	Plug, Terminal	
2	1001116774	1	Plug, Male - 12 Position	
2	4460928	3	Socket, Female	
2	4460518	9	Plug, Terminal	
3	4460891	1	Plug, Male - 2 Position	
3	4460465	2	Socket, Female	
4	1001112612	1	Connector - 9 Position	
4	4460464	6	Pin, Male	
4	4460466	3	Plug, Terminal	
5	4460933	1	Plug, Male - 12 Position	
5	4460465	12	Socket, Female	
6	1001119020	1	Bussbar - 12 Position	
7	4461095	1	Plug, Male - 3 Position	
7	4460465	3	Socket, Female	
8	4461070	1	Bussbar - 3 Position	
9	1001112796	1	Connector - 9 Position	
9	4460465	6	Socket, Female	
9	4460466	3	Plug, Terminal	

SECTION 8 - ELECTRICAL

FIGURE 8-17. BOOM CABLES & CLAMPS INSTALLATION (4000W GENERATOR)

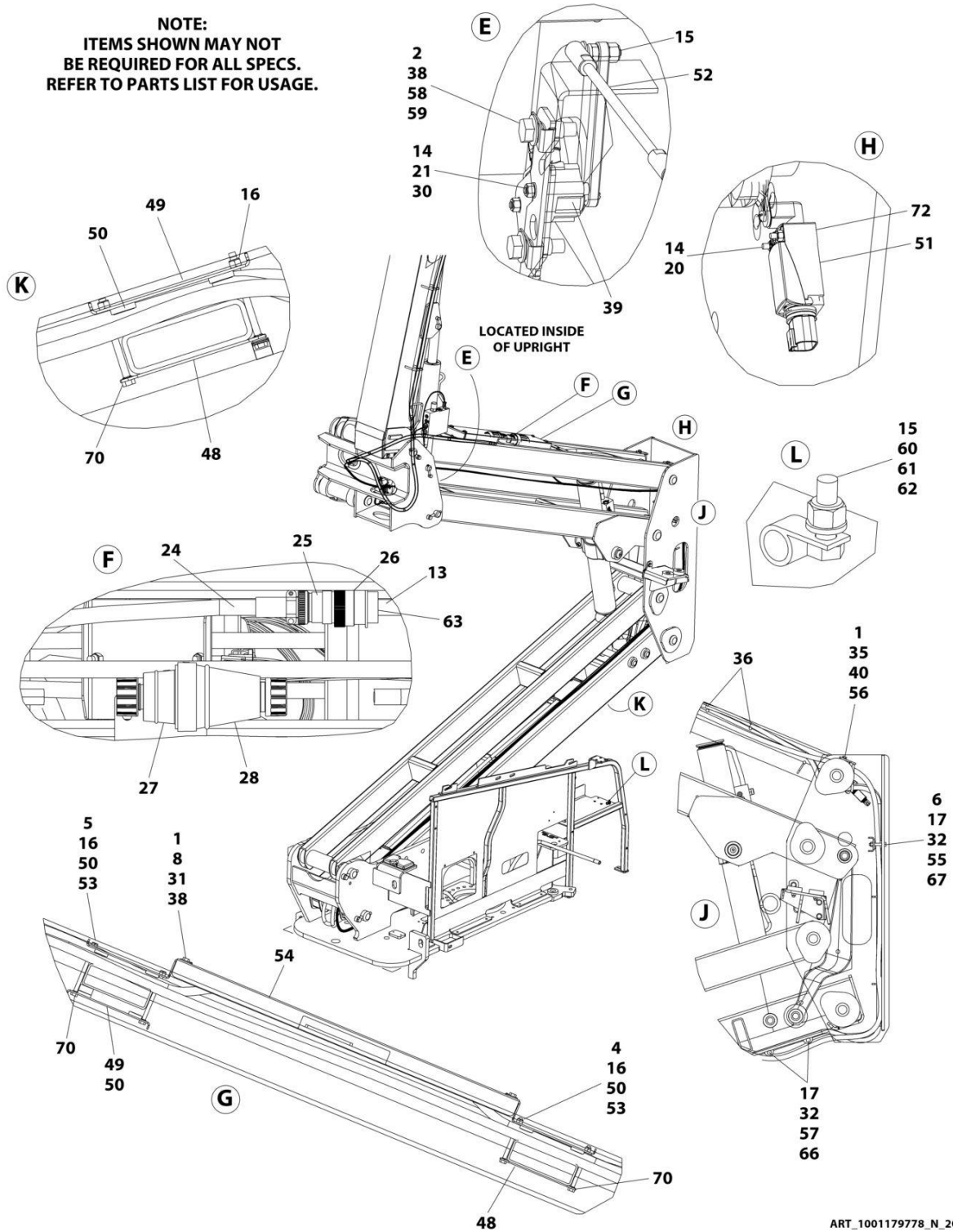
NOTE:
 ITEMS SHOWN MAY NOT
 BE REQUIRED FOR ALL SPECS.
 REFER TO PARTS LIST FOR USAGE.



ART_1001179778_N_10F2

SECTION 8 - ELECTRICAL

NOTE:
ITEMS SHOWN MAY NOT
BE REQUIRED FOR ALL SPECS.
REFER TO PARTS LIST FOR USAGE.



ART_1001179778_N_20F2

SECTION 8 - ELECTRICAL

FIGURE 8-17. BOOM CABLES & CLAMPS INSTALLATION (4000W GENERATOR)

ITEM	PART NUMBER	QTY	DESCRIPTION	REV
	1001179778	Ref	BOOM CABLES AND CLAMPS INSTALLATION	N
1	0100011	AR	Compound, Locking	
2	0100081	AR	Adhesive	
3	0760814	2	Bolt M8 x 30	
4	0700827	6	Bolt M8 x 100	
5	0700828	2	Bolt M8 x 110	
6	0701021	3	Bolt M10 x 65	
7	0701024	4	Bolt M10 x 80	
8	0760812	4	Bolt M8 x 25	
9	0761012	1	Bolt M10 x 25	
10	1320130	1	Clamp	
13	2820031	AR	Heat Shrink	
14	3290405	4	Nut M4	
15	3290605	3	Nut M6	
16	3290805	12	Nut M8	
17	3291005	10	Nut M10	
19	3841340	1	Loop, Hose	
20	4010417	2	Screw M4 x 45	
20	4010418	2	Screw M4 x 50	
21	4031511	2	Capscrew M4 x 35	
22	4060808	27.5 in /8.4m	Flex-Trim	
23	4240156	2	Strap, Clinch	
24	4460473	AR	Clamp, Cable	
25	4460865	1	Connector - 19 Position	
26	4460866	1	Connector - 19 Position	
29	4811900	4	Washer M8	
30	4811400	2	Washer M4	
31	4811902	4	Washer M8	
32	4812000	13	Washer M10	
33	1001176951	1	Harness, Tower Boom (Not Shown - See Separate Breakdown in this Section)	
34	1001174749	1	Harness, Tower Boom AC Cable (Not Shown - See Separate Breakdown in this Section)	
35	5251014	2	Bolt M10 x 30	
36	8881800	AR	Tie-Strap	
37	5281918	2	Screw M8 x 70	
37	5281920	2	Screw M8 x 80	
38	1001118274	8	Nut M8	
39	1001118971	1	Sensor, Angle	
39	70005667	1	Arm	
40	1001118972	2	Nut M10	
41	1001172335	1	Harness, Main Boom (Not Shown - See Separate Breakdown in this Section) (520AJ)	
42	1001172336	1	Harness, Main Boom AC Cable (Not Shown - See Separate Breakdown in this Section) (520AJ)	
43	1001164738	1	Harness, Boom Valve (Not Shown - See Separate Breakdown in this Section)	
44	1001273302	3	Block, Clamping	
45	1001273303	1	Plate	
46	1001168472	1	Plate, Clamping	

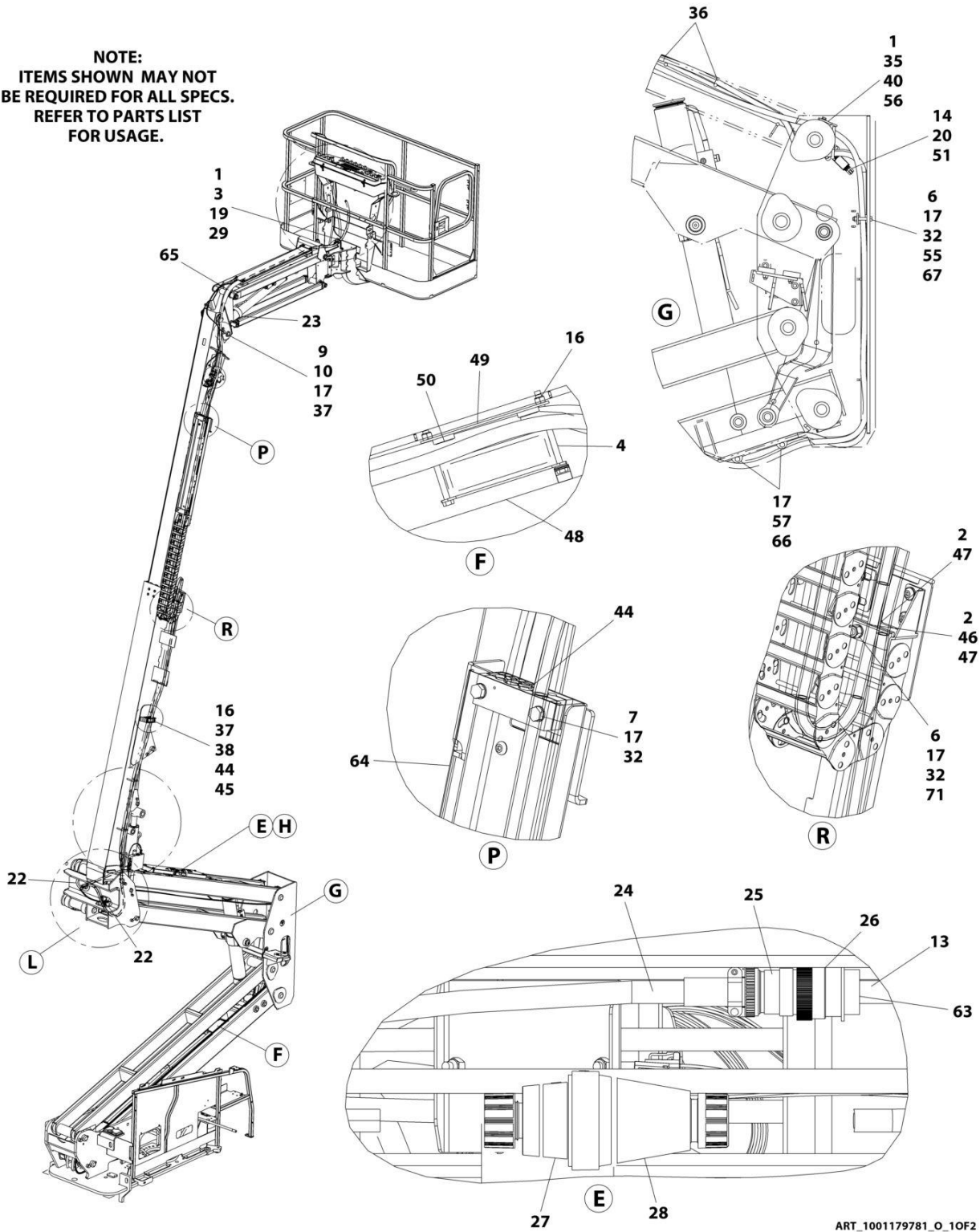
SECTION 8 - ELECTRICAL

ITEM	PART NUMBER	QTY	DESCRIPTION	REV
47	1001168473	2	Clamp, Rubber	
48	1001171553	3	Plate, Clamping	
49	1001171555	3	Plate, Clamping	
50	1001171559	10	Pad	
51	1001172271	1	Switch, Limit	
52	1001238466	1	Link, Sensor (Note: Sold as Assembly Only)	
53	1001178448	2	Plate, Clamping	
54	1001178449	1	Cover	
55	1001178644	1	Plate	
56	1001260306	1	Bracket	
57	1001182561	2	Roller	
58	5250812	2	Bolt M8 x 25	
59	1001179266	1	Plate, Mounting	
60	0760610	1	Bolt M6 x 20	
61	1320043	1	Clamp	
62	4811700	1	Washer M6	
63	4460466	AR	Plug, Terminal	
64	1001181875	1	Cover	
65	1001181923	1	Shield, Hose	
66	1001119280	2	Bolt M10 x 260	
67	1001185747	2	Pad	
70	1001119228	8	Nut M8	
71	8310070	1	Pushnut 3/8	
72	4750800	AR	Washer #8	

SECTION 8 - ELECTRICAL

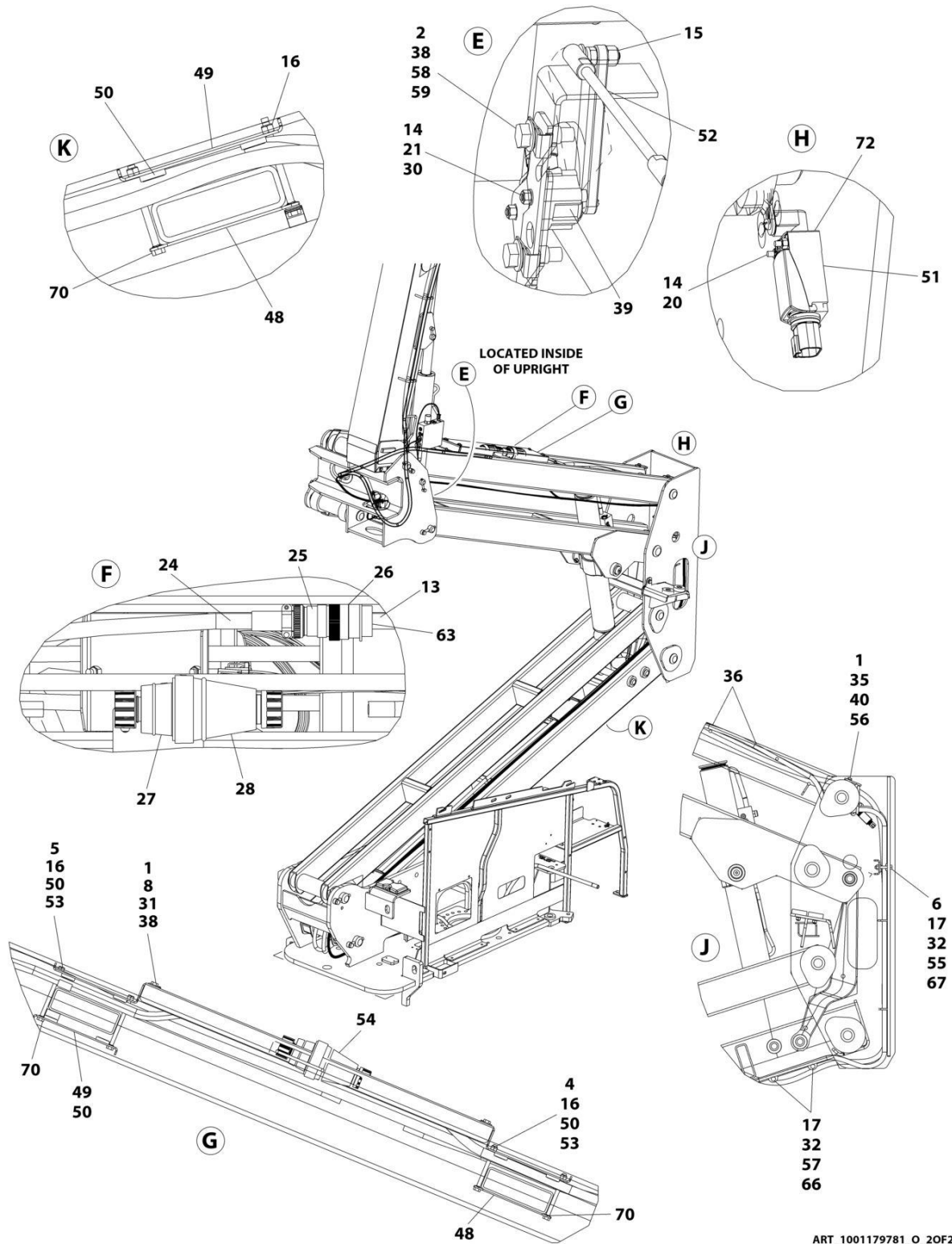
FIGURE 8-18. BOOM CABLES & CLAMPS INSTALLATION (7500W SKYPOWER GENERATOR)

NOTE:
ITEMS SHOWN MAY NOT
BE REQUIRED FOR ALL SPECS.
REFER TO PARTS LIST
FOR USAGE.



ART_1001179781_O_10F2

SECTION 8 - ELECTRICAL



ART_1001179781_O_20F2

SECTION 8 - ELECTRICAL

FIGURE 8-18. BOOM CABLES & CLAMPS INSTALLATION (7500W SKYPOWER GENERATOR)

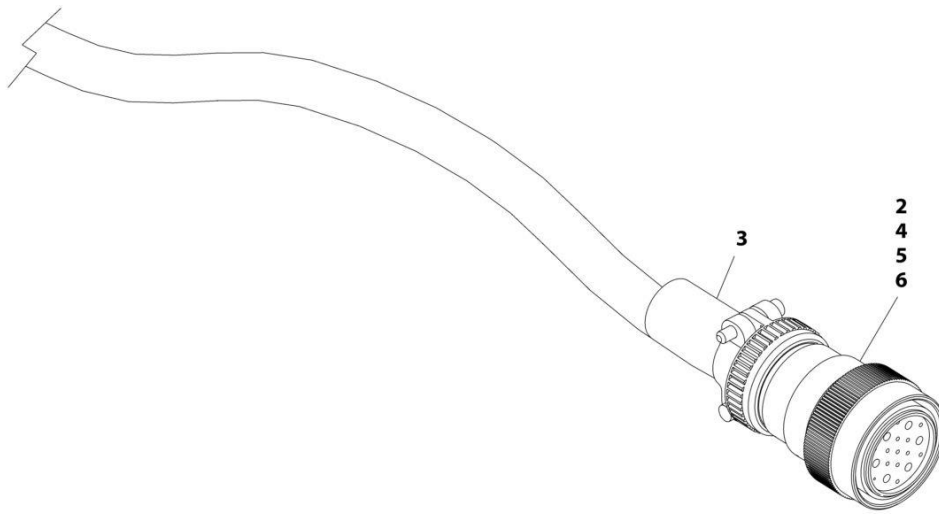
ITEM	PART NUMBER	QTY	DESCRIPTION	REV
	1001179228	Ref	BOOM CABLES AND CLAMPS INSTALLATION - REFERENCE CHART	P
	1001179781	Ref	BOOM CABLES AND CLAMPS INSTALLATION	P
1	0100011	AR	Compound, Locking	
2	0100081	AR	Adhesive	
3	0760814	2	Bolt M8 x 30	
4	0700827	6	Bolt M8 x 100	
5	0700828	2	Bolt M8 x 110	
6	0701021	3	Bolt M10 x 65	
7	0701024	4	Bolt M10 x 80	
8	0760812	4	Bolt M8 x 25	
9	0761012	1	Bolt M10 x 25	
10	1320130	1	Clamp	
13	2820031	AR	Heat Shrink	
14	3290405	4	Nut M4	
15	3290605	2	Nut M6	
16	3290805	12	Nut M8	
17	3291005	10	Nut M10	
19	3841340	1	Loop, Hose	
20	4010418	2	Screw M4 x 50	
21	4031511	2	Capscrew M4 x 35	
22	4060808	27.5 in/ 8.38m	Flex-Trim	
23	4240156	2	Strap, Clinch	
24	4460473	AR	Clamp, Cable	
25	4460865	1	Connector - 19 Position	
26	4460866	1	Connector - 19 Position	
27	1001218622	1	Terminal, Turnlock Plug	
28	1001218623	1	Terminal, Turnlock Connector	
29	4811900	4	Washer M8	
30	4811400	2	Washer M4	
31	4811902	4	Washer M8	
32	4812000	13	Washer M10	
33	1001176951	1	Harness, Tower Boom (Not Shown - See Separate Breakdown in this Section)	
34	4922929	1	Harness, Tower Boom - 8/5 - Lower Generator Cable (Not Shown)	
35	5251014	2	Bolt M10 x 30	
36	8881800	AR	Tie-Strap	
37	5281918	2	Screw M8 x 70	
37	5281920	2	Screw M8 x 80	
38	1001118274	8	Nut M8	
39	1001118971	1	Sensor, Angle	
39	70005667	1	Arm	
40	1001118972	2	Nut M10	
41	1001172335	1	Harness, Main Boom (Not Shown - See Separate Breakdown in this Section)	
42	1001172343	1	Harness, Main Boom - 8/5 - Upper Generator Cable (Not Shown)	
43	1001164738	1	Harness, Boom Valve (Not Shown - See Separate Breakdown in this Section)	
44	1001273302	3	Block, Clamping	

SECTION 8 - ELECTRICAL

ITEM	PART NUMBER	QTY	DESCRIPTION	REV
45	1001273303	1	Plate	
46	1001168472	1	Plate, Clamping	
47	1001168473	2	Clamp, Rubber	
48	1001171553	3	Plate, Clamping	
49	1001171555	3	Plate, Clamping	
50	1001171559	10	Pad	
51	1001172271	1	Switch, Limit	
52	1001238466	1	Link, Sensor (Note: Sold as Assembly Only)	
53	1001178448	2	Plate, Clamping	
54	1001178449	1	Cover	
55	1001178644	1	Plate	
56	1001260306	1	Bracket	
57	1001182561	2	Roller	
58	5250812	2	Bolt M8 x 25	
59	1001179266	1	Plate, Mounting	
63	4460466	AR	Plug, Terminal	
64	1001181875	1	Cover	
65	1001181923	1	Shield, Hose	
66	1001119280	2	Bolt M10 x 260	
67	1001185747	2	Pad	
70	1001119228	8	Nut M8	
71	8310070	1	Pushnut 3/8	
72	4750800	AR	Washer #8	

SECTION 8 - ELECTRICAL

FIGURE 8-19. BOOM HARNESS - MAIN BOOM



ART_1001172335

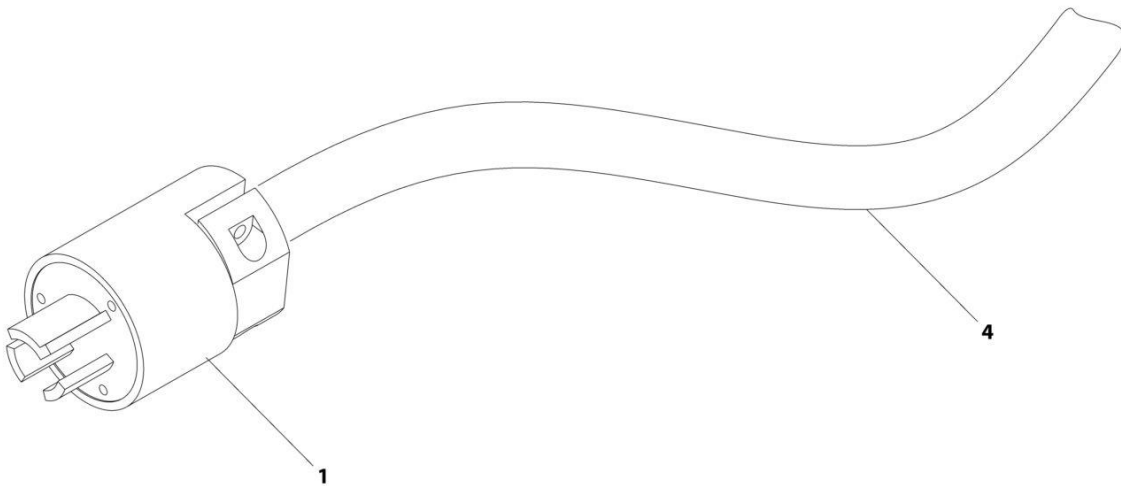
SECTION 8 - ELECTRICAL

FIGURE 8-19. BOOM HARNESS - MAIN BOOM

ITEM	PART NUMBER	QTY	DESCRIPTION	REV
	1001172335	Ref	BOOM HARNESS - 450A (MAIN BOOM)	E
2	4460865	1	Connector - 19 Position	
3	4460473	1	Clamp	
4	4460465	20	Socket, Female	
5	4460509	8	Socket, Female	
6	4460466	5	Plug, Socket	

SECTION 8 - ELECTRICAL

FIGURE 8-20. BOOM HARNESS - MAIN BOOM (8/5 4000W GENERATOR)



ART_1001172336

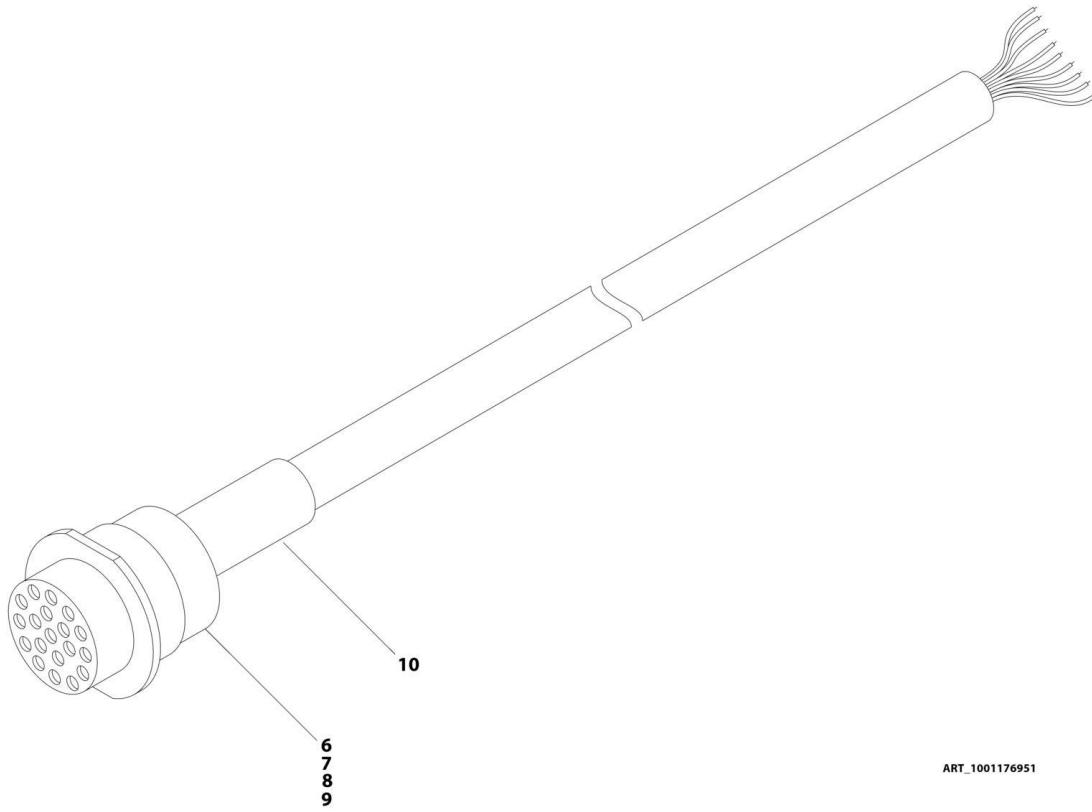
SECTION 8 - ELECTRICAL

FIGURE 8-20. BOOM HARNESS - MAIN BOOM (8/5 4000W GENERATOR)

ITEM	PART NUMBER	QTY	DESCRIPTION	REV
1	1001172336	Ref	BOOM HARNESS - 450A (MAIN BOOM AC CABLE)	C
	1001120204	1	Plug, Male	
4	1060461	494 in /12.6m	Cable, Electrical - 12/3	

SECTION 8 - ELECTRICAL

FIGURE 8-21. BOOM HARNESS - TOWER BOOM



ART_1001176951

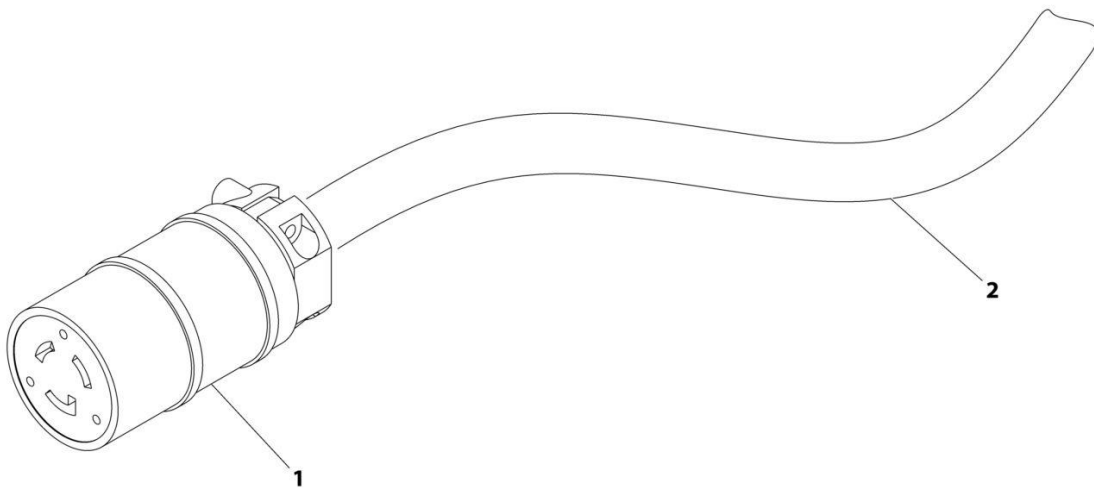
SECTION 8 - ELECTRICAL

FIGURE 8-21. BOOM HARNESS - TOWER BOOM

ITEM	PART NUMBER	QTY	DESCRIPTION	REV
	1001176951	Ref	BOOM HARNESS - TOWER BOOM	E
6	4460466	5	Plug, Terminal	
7	4460464	20	Pin, Male	
8	4460508	8	Pin, Male	
9	4460866	1	Connector - 19 Position	
10	2820031	AR	Heat Shrink	

SECTION 8 - ELECTRICAL

FIGURE 8-22. BOOM HARNESS - TOWER BOOM (8/5 4000W GENERATOR)



ART_1001174749

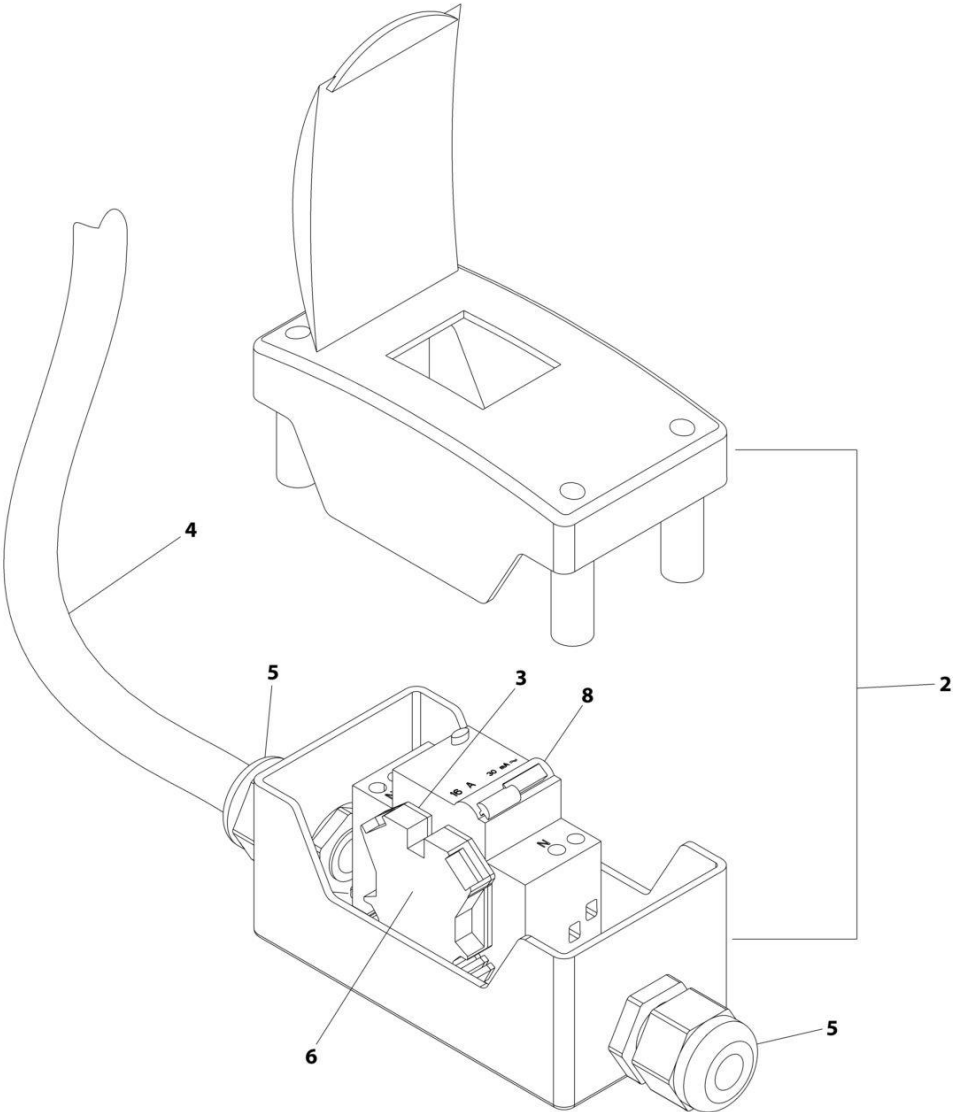
SECTION 8 - ELECTRICAL

FIGURE 8-22. BOOM HARNESS - TOWER BOOM (8/5 4000W GENERATOR)

ITEM	PART NUMBER	QTY	DESCRIPTION	REV
	1001174749	Ref	BOOM HARNESS - TOWER BOOM AC CABLE	C
1	1001120205	1	Connector, Female	
2	1060461	28 ft/ 8.5m	Electrical Cable, 12/3	

SECTION 8 - ELECTRICAL

FIGURE 8-23. BREAKER BOX KIT WITH SINGLE DOUBLE POLE BREAKER (CE & UK CA SPEC)



ART_2902549

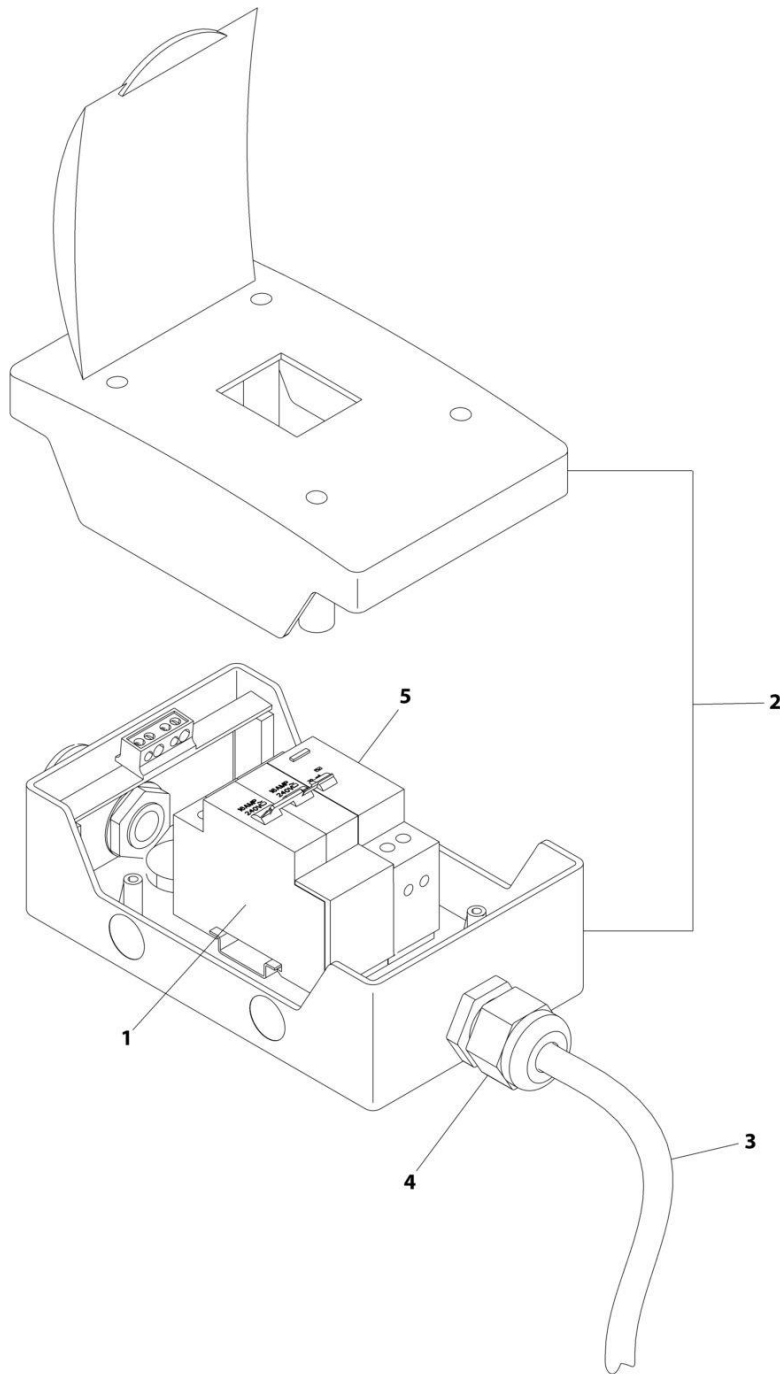
SECTION 8 - ELECTRICAL

FIGURE 8-23. BREAKER BOX KIT WITH SINGLE DOUBLE POLE BREAKER (CE & UK CA SPEC)

ITEM	PART NUMBER	QTY	DESCRIPTION	REV
	2902549	Ref	BREAKER BOX KIT - 110/220V 16AMP BREAKER	F
2	0861880	1	Box	
3	4460956	1	Barrier, Terminal	
4	1060908	6 ft/1.8m	Cable, 12/3	
5	1001097150	2	Connector, Strain Relief	
6	4460957	1	Block, Terminal	
8	1001181045	1	Breaker, Combination 16Amp/30mAmp	

SECTION 8 - ELECTRICAL

FIGURE 8-24. BREAKER BOX KIT WITH THREE BREAKERS (CE & UK CA SPEC)



ART_1001152485_F

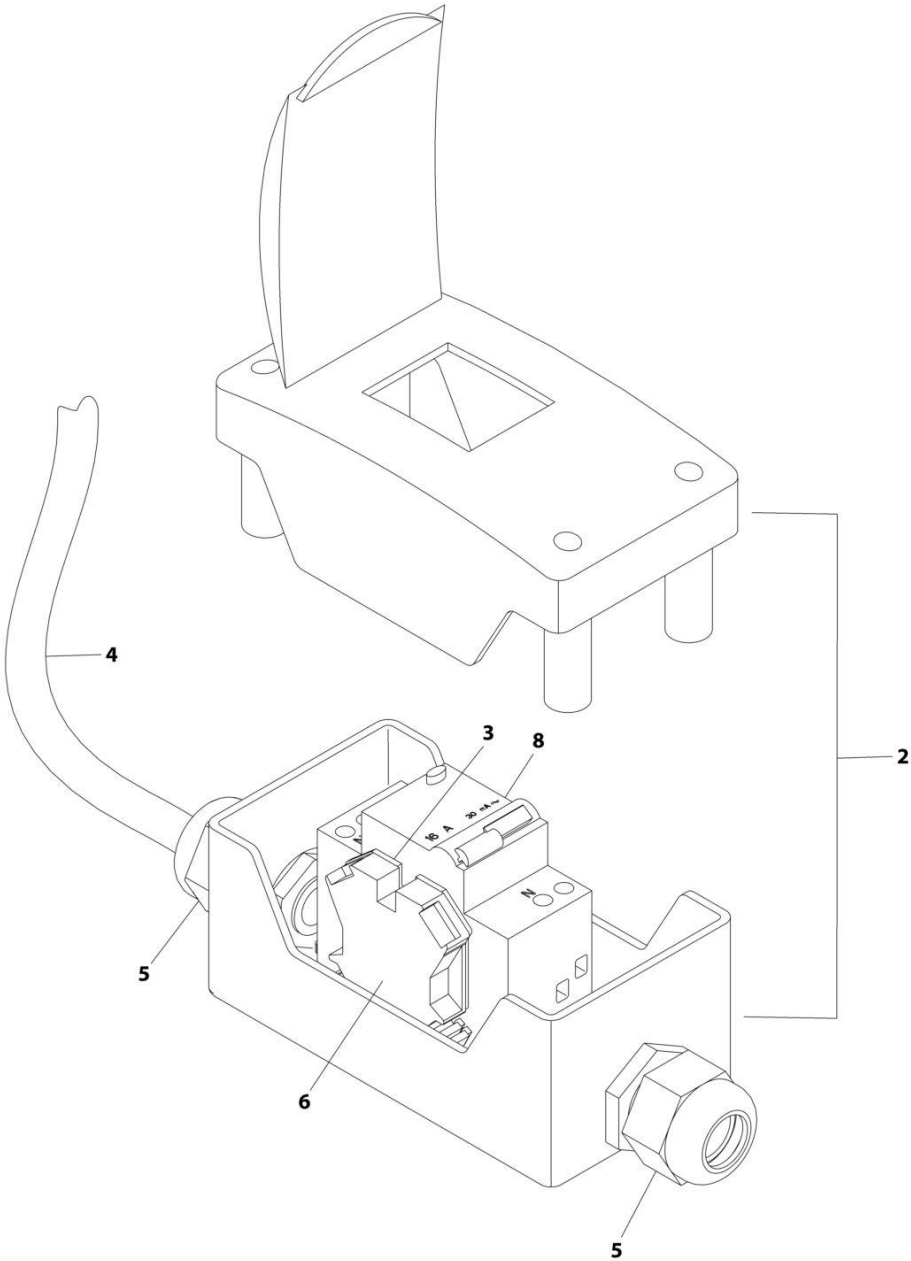
SECTION 8 - ELECTRICAL

FIGURE 8-24. BREAKER BOX KIT WITH THREE BREAKERS (CE & UK CA SPEC)

ITEM	PART NUMBER	QTY	DESCRIPTION	REV
	1001152485	Ref	BREAKER BOX KIT WITH TWO BREAKERS	F
1	1001189172	1	Breaker 16Amp Double	
2	1001152483	1	Box	
3	1060908	6 ft/1.8m	Cable, 12/3	
4	1001097150	2	Connector, Strain Relief	
5	1001189171	1	Breaker, 30mA	

SECTION 8 - ELECTRICAL

FIGURE 8-25. BREAKER BOX KIT - 30MA/16 AMP



ART_1001096070

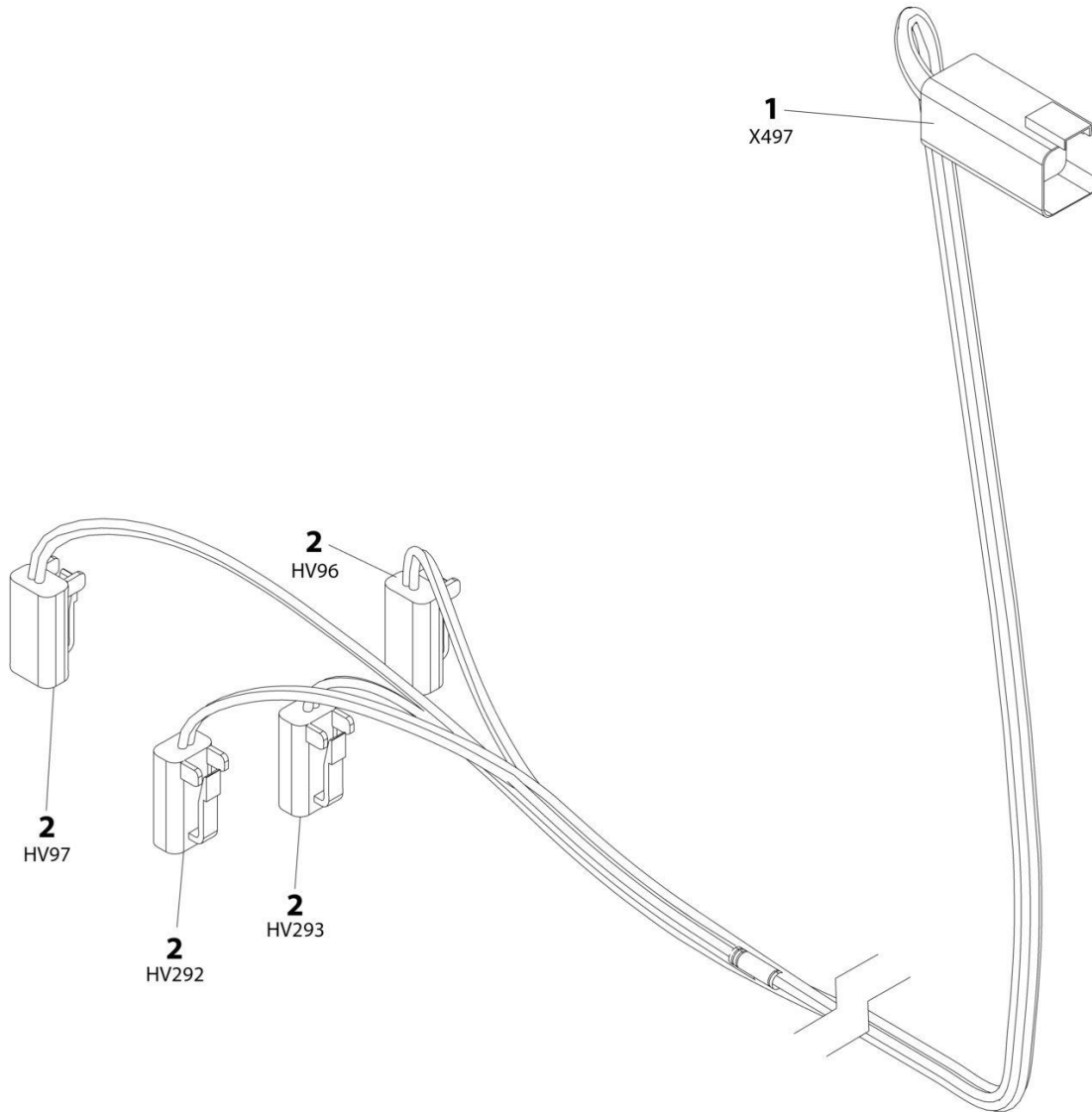
SECTION 8 - ELECTRICAL

FIGURE 8-25. BREAKER BOX KIT - 30MA/16 AMP

ITEM	PART NUMBER	QTY	DESCRIPTION	REV
	1001096070	Ref	BREAKER BOX KIT	E
2	0861880	1	Box	
3	4460956	1	Barrier, Terminal Block End	
4	1060908	12 ft/ 3.6m	Cable, 12/3	
5	1001097150	2	Connector, Strain Relief	
6	4460957	1	Block, Terminal	
8	1001181045	1	Breaker, 16Amp	

SECTION 8 - ELECTRICAL

FIGURE 8-26. CHASSIS SOLENOID HARNESS



ART_1001179236

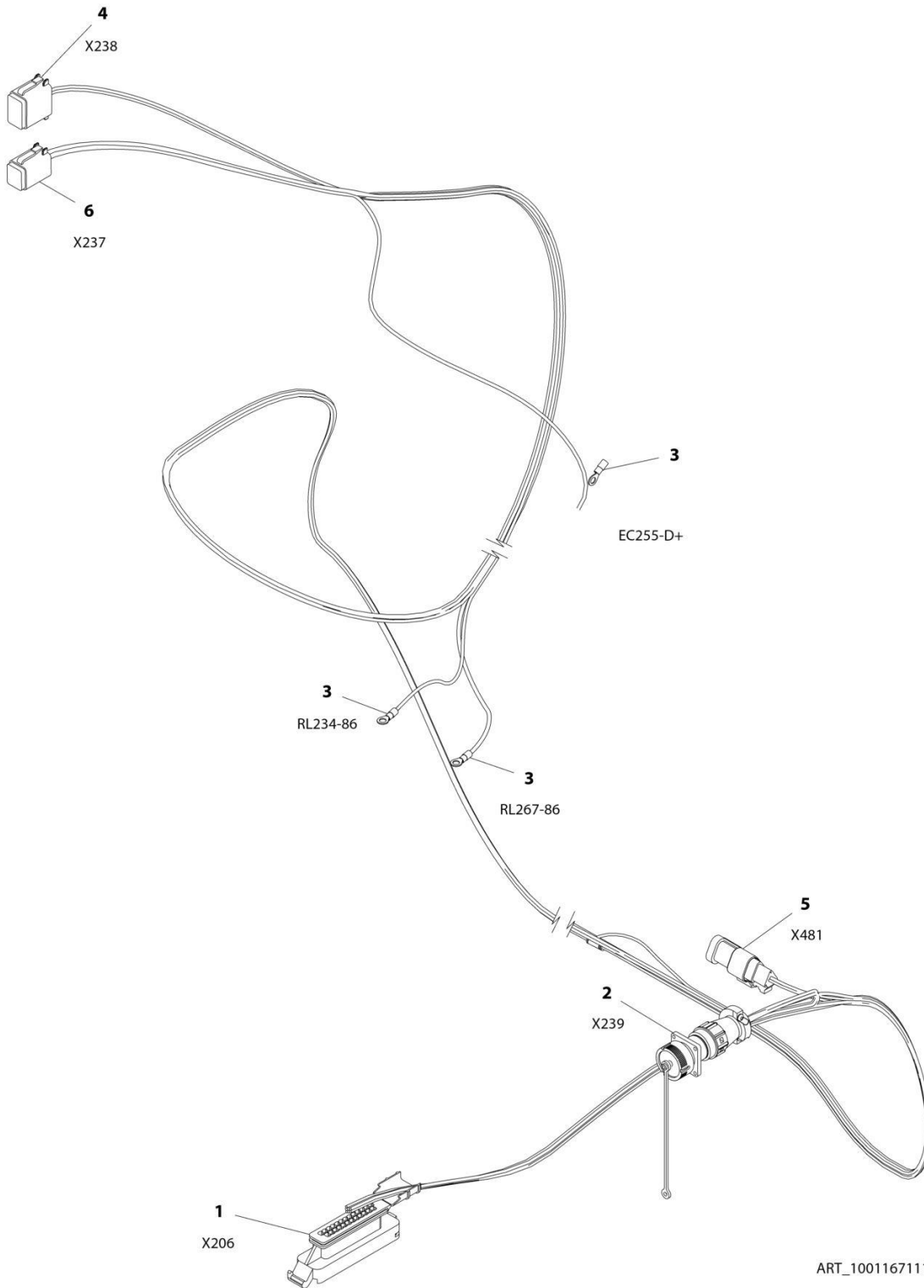
SECTION 8 - ELECTRICAL

FIGURE 8-26. CHASSIS SOLENOID HARNESS

ITEM	PART NUMBER	QTY	DESCRIPTION	REV
	1001179236	Ref	CHASSIS SOLENOID HARNESS	A
1	4460899	1	Receptacle, Female - 6 Position	
1	4460464	6	Pin, Male	
2	4460891	4	Plug, Male - 2 Position	
2	4460465	8	Socket, Female	

SECTION 8 - ELECTRICAL

FIGURE 8-27. ENGINE HARNESS - DEUTZ D2011



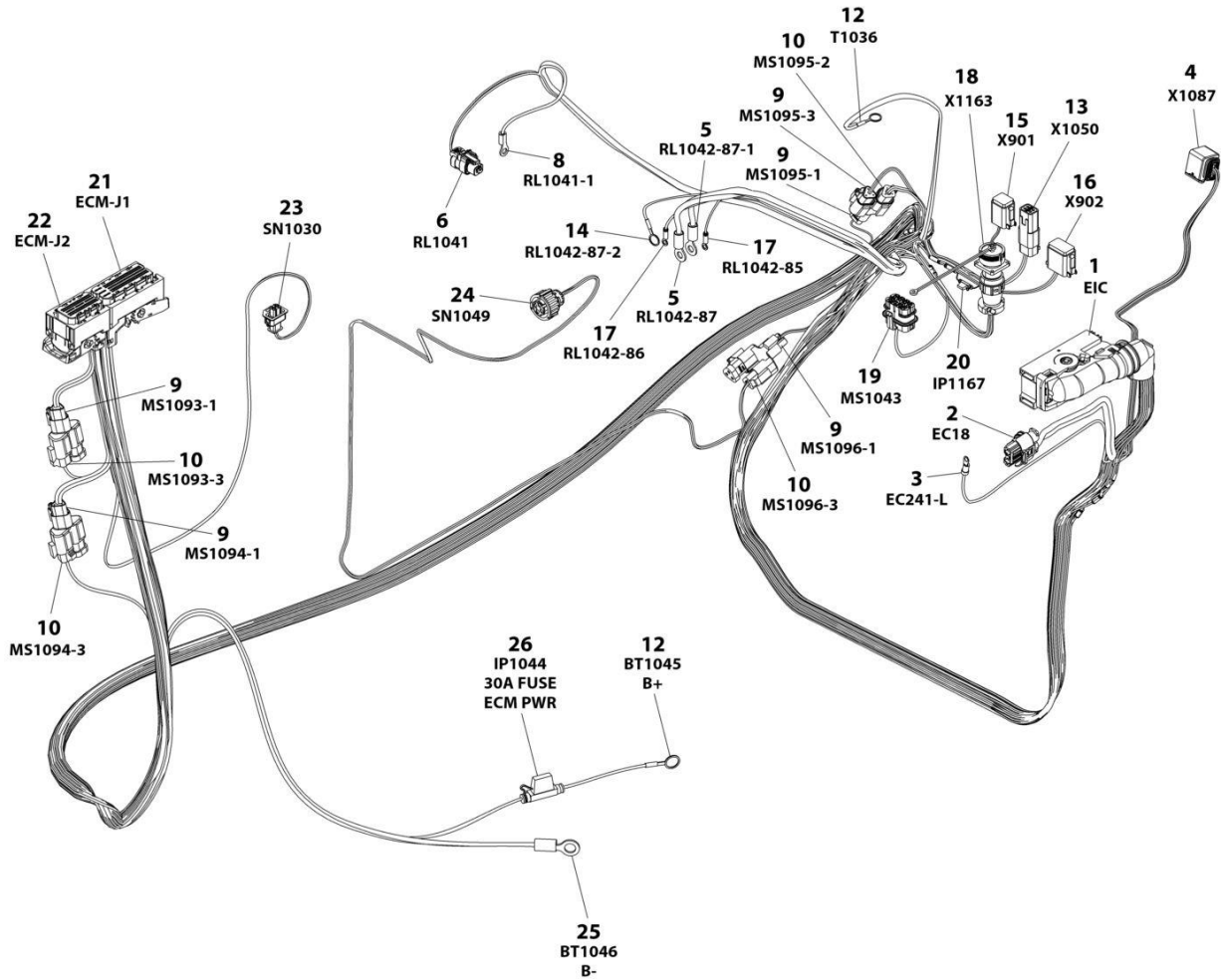
SECTION 8 - ELECTRICAL

FIGURE 8-27. ENGINE HARNESS - DEUTZ D2011

ITEM	PART NUMBER	QTY	DESCRIPTION	REV
	1001167111	Ref	ENGINE HARNESS - DEUTZ D2011	B
1	4461052	1	Connector - 25 Position	
1	4461005	7	Terminal	
1	4461008	18	Plug, Terminal	
2	2902443	1	Receptacle Kit	
2	4461071	8	Socket, Female	
2	4461072	1	Receptacle with Flange - 8 Position	
2	4461073	1	Cap, Dust	
2	4461074	1	Shell, Black	
3	4460313	3	Terminal, Ring	
4	4460930	1	Plug, Male - 8 Position	
4	4460465	2	Socket, Female	
4	4460466	6	Seal, Terminal	
5	4461095	1	Plug, Male - 3 Position	
5	4460465	3	Socket, Female	
6	4460894	1	Plug, Male - 6 Position	
6	4460465	6	Socket, Female	

SECTION 8 - ELECTRICAL

FIGURE 8-28. ENGINE HARNESS - DEUTZ D2.9L4 (STAGE V)



ART_1001276643

SECTION 8 - ELECTRICAL

FIGURE 8-28. ENGINE HARNESS - DEUTZ D2.9L4 (STAGE V)

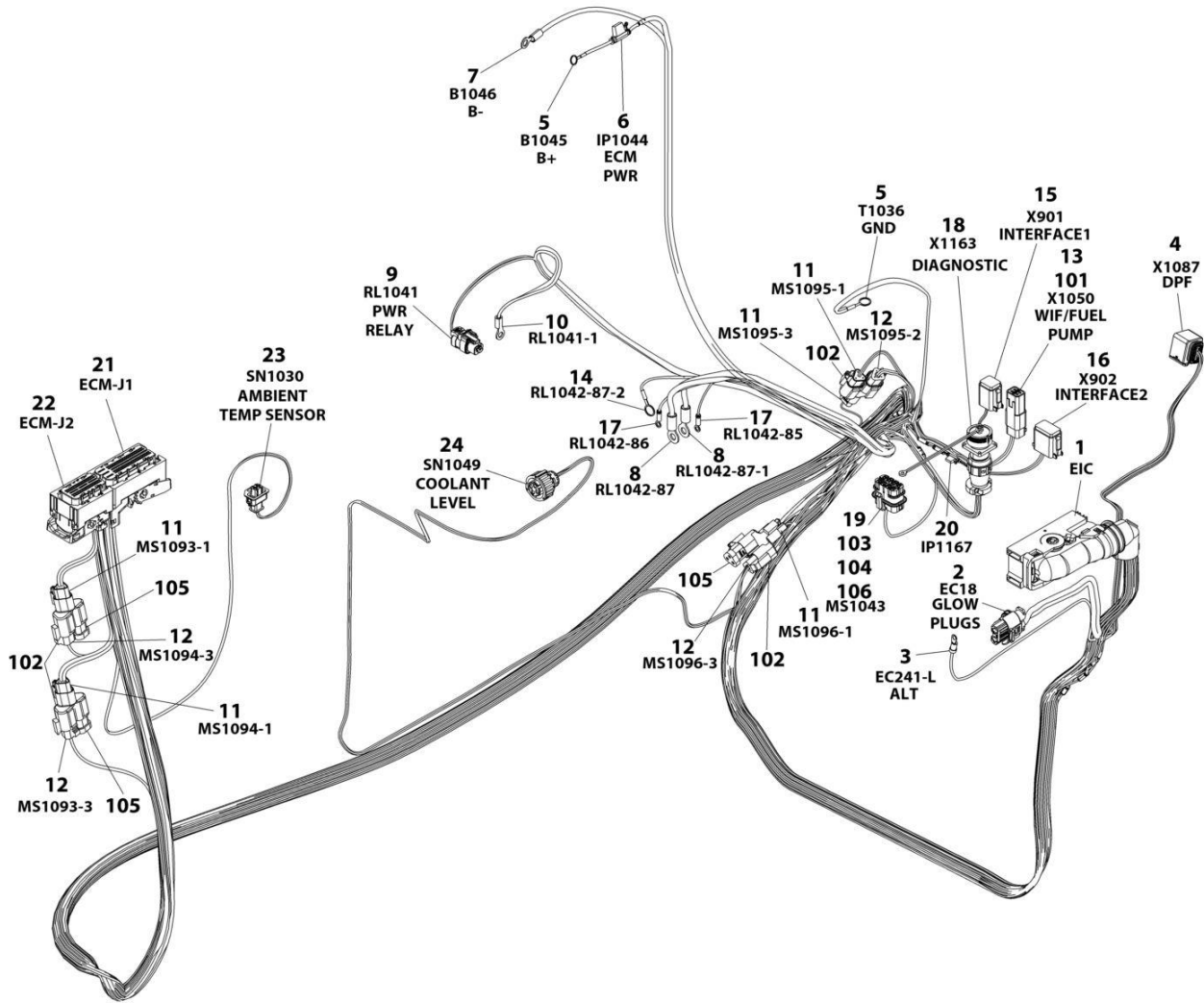
ITEM	PART NUMBER	QTY	DESCRIPTION	REV
	1001276643	Ref	ENGINE HARNESS - DEUTZ D2.9L4 (STAGE V) ENGINE	B
1	1001126362	1	Connector	
1	1001126363	37	Socket	
1	1001126391	7	Plug, Terminal	
1	1001126392	12	Socket	
1	4461008	4	Plug, Terminal	
1	1001167632	2	Socket	
1	1001126364	37	Plug, Terminal	
1	1001223459	12	Seal	
1	4461054	2	Seal	
2	1001142938	1	Connector	
2	1001142940	2	Socket	
2	1001142941	2	Seal	
3	4460042	1	Terminal, Ring	
4	1001239202	1	Connector	
4	1001126363	7	Socket	
4	1001126391	1	Plug, Terminal	
4	1001126364	7	Plug, Terminal	
5	1001117107	2	Terminal, Ring	
6	1001116952	1	Connector	
6	4460465	2	Socket	
8	4460043	1	Terminal, Ring	
9	1001116812	5	Connector	
9	4460944	10	Socket	
9	4460466	5	Plug, Terminal	
10	4460539	4	Connector	
10	4460944	8	Socket	
10	4460466	4	Plug, Terminal	
12	4460019	2	Terminal, Ring	
13	4460884	1	Connector	
13	4460465	2	Socket	
13	4460942	2	Socket	
14	4460703	1	Terminal, Ring	
15	4460894	1	Connector	
15	4460466	2	Plug, Terminal	
15	4460465	2	Socket	
15	4460944	2	Socket	
16	4460930	1	Connector	
16	4460465	1	Socket	
16	4460466	7	Plug, Terminal	
17	4460247	2	Terminal, Ring	
18	2902443	1	Receptacle Kit	
18	4461071	8	Socket	
18	4461072	1	Receptacle with Flange - 8 Position	
18	4461073	1	Cap, Dust	
18	4461074	1	Shell, Black	
19	80484084	1	Connector	
19	4460748	4	Plug, Socket	
19	4460746	3	Socket	
19	1001234800	1	Socket	

SECTION 8 - ELECTRICAL

ITEM	PART NUMBER	QTY	DESCRIPTION	REV
19	4460458	4	Seal	
20	1001170764	1	Holder, Fuse	
20	1001197719	1	Fuse 0.5 Watt	
21	1001133956	1	Connector	
21	1001182361	6	Socket	
21	1001126351	3	Socket	
21	1001230934	23	Socket	
21	1001230935	57	Pin	
21	1001230936	1	Pin	
21	1001252527	4	Socket	
21	1001182365	6	Seal	
22	1001133957	1	Connector	
22	1001230936	11	Pin	
22	1001126351	13	Socket	
22	1001230935	10	Pin	
22	1001230934	26	Socket	
23	1001126487	1	Connector	
23	1001167635	2	Socket	
23	1001126485	2	Seal	
24	1001133714	1	Connector	
24	1001133715	3	Socket	
24	1001135651	1	Plug, Terminal	
24	1001135650	2	Seal	
25	4460115	1	Terminal, Ring	
26	1001172064	1	Fuse Holder (Includes Cover)	
26	1001172065	1	Fuse 30Amp	

SECTION 8 - ELECTRICAL

FIGURE 8-29. ENGINE HARNESS - DEUTZ D2.9L4 (CHINA IV)



ART_1001290660

SECTION 8 - ELECTRICAL

FIGURE 8-29. ENGINE HARNESS - DEUTZ D2.9L4 (CHINA IV)

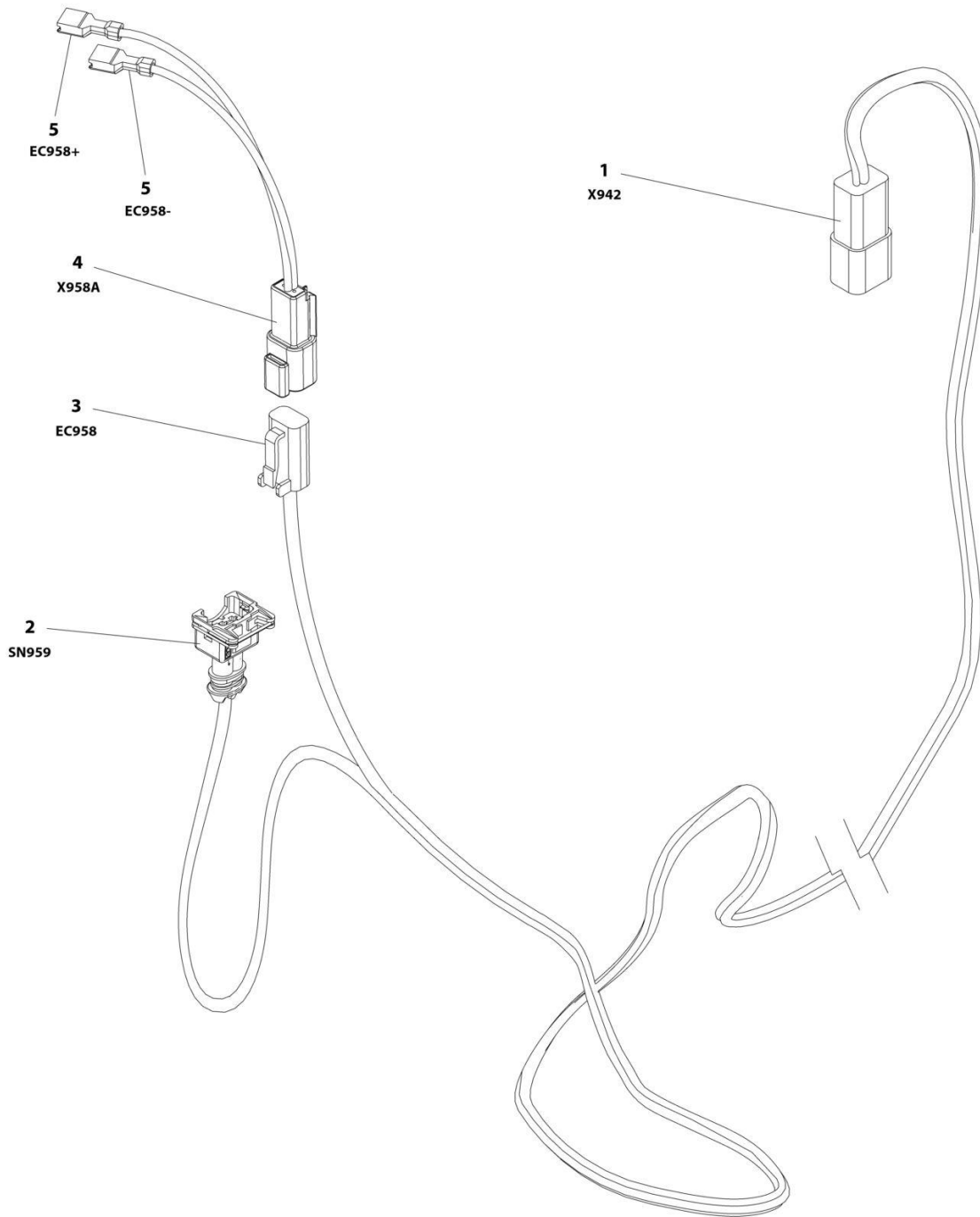
ITEM	PART NUMBER	QTY	DESCRIPTION	REV
	1001290660	Ref	ENGINE HARNESS - DEUTZ D2.9L4 (CHINA IV)	A
1	1001126362	1	Connector	
1	1001126363	37	Socket (20-17Awg - Gold)	
1	1001126391	7	Plug (3.6mm)	
1	1001126392	12	Socket (16Awg - Tin)	
1	4461008	4	Plug (5.6mm)	
1	1001167632	2	Socket (0.5-1.0mm2 - Tin)	
1	1001126364	37	Seal, Terminal (Use with Socket 1001126363)	
1	1001223459	12	Seal, Terminal (Use with Socket 1001126392)	
1	4461054	2	Seal, Terminal (Use with Socket 1001167632)	
1	1001151856	1	Elbow, Connector	
2	1001142938	1	Connector	
2	1001142940	2	Socket	
2	1001142941	2	Seal, Terminal	
3	4460042	1	Terminal, Ring	
4	1001239202	1	Connector	
4	1001126363	7	Socket	
4	1001126391	1	Plug	
4	1001126364	7	Seal, Terminal	
5	4460019	2	Terminal, Ring	
6	1001172064	1	Fuseholder	
6	1001172065	1	Fuse 30Amp	
7	8220115	1	Terminal, Ring	
8	1001117107	2	Terminal, Ring	
9	1001116952	1	Connector	
9	4460465	2	Socket	
10	4460043	1	Terminal, Ring	
11	1001116812	5	Connector	
11	4460944	10	Socket	
11	4460466	5	Plug	
12	4460539	4	Connector	
12	4460944	8	Socket	
12	4460466	4	Plug	
13	4460884	1	Connector	
13	4460465	2	Socket (20-16Awg)	
13	4460942	2	Socket (16-14Awg)	
14	4460703	1	Terminal, Ring	
15	4460894	1	Connector	
15	4460465	2	Socket (Nickel)	
15	4460944	2	Socket (Gold)	
15	4460466	2	Plug	
16	4460930	1	Connector	
16	4460465	1	Socket	
16	4460466	7	Plug	
17	4460247	2	Terminal, Ring	
18	2902443	1	Receptacle Kit	
18	4461071	8	Socket	
18	4461072	1	Connector	
18	4461073	1	Cap, Dust	
18	4461074	1	Backshell	

SECTION 8 - ELECTRICAL

ITEM	PART NUMBER	QTY	DESCRIPTION	REV
19	80484084	1	Connector	
19	4460746	3	Socket (20-17Awg)	
19	1001234800	1	Socket (16Awg)	
19	4460748	4	Plug	
19	4460458	4	Seal, Terminal	
20	1001170764	1	Fuseholder	
20	1001197719	1	Resistor 1/2Watt	
21	1001133956	1	Connector	
21	1001182361	6	Socket (1.5-2.5mm2)	
21	1001126351	3	Socket (18-15Awg)	
21	1001230934	23	Socket (0.75mm2)	
21	1001230935	57	Plug (1.5mm)	
21	1001252527	4	Socket (0.85mm2)	
21	1001230936	1	Plug (1.85mm)	
21	1001182365	6	Seal, Terminal	
22	1001133957	1	Connector	
22	1001230936	11	Plug (1.85mm)	
22	1001126351	13	Socket (18-15Awg)	
22	1001230935	10	Plug (1.5mm)	
22	1001230934	26	Socket (0.75mm2)	
23	1001126487	1	Connector	
23	1001167635	2	Socket	
23	1001126485	2	Seal, Terminal	
24	1001133714	1	Connector	
24	1001133715	3	Socket	
24	1001135651	1	Plug	
24	1001135650	2	Seal, Terminal	
101	4460932	1	Connector, Female	
102	4460945	4	Connector, 3-Way	
103	8229242	1	Fuse 5Amp	
104	80983191	1	Fuse 10Amp	
105	1001116815	3	Connector	
106	1001147264	1	Cap	

SECTION 8 - ELECTRICAL

FIGURE 8-30. FUEL HARNESS - DEUTZ D2.9L4 ENGINE



ART_1001181358

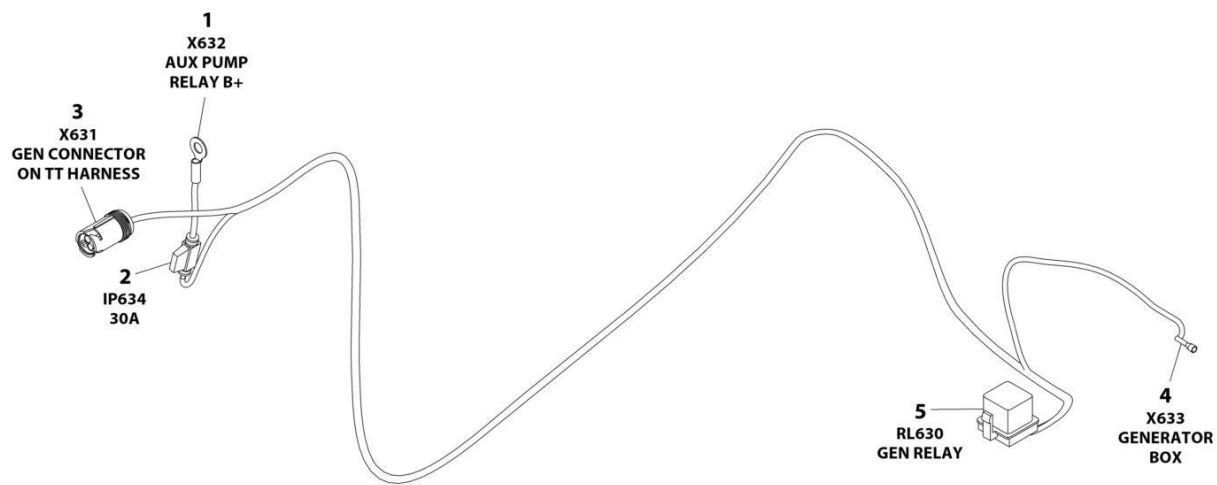
SECTION 8 - ELECTRICAL

FIGURE 8-30. FUEL HARNESS - DEUTZ D2.9L4 ENGINE

ITEM	PART NUMBER	QTY	DESCRIPTION	REV
	1001181358	Ref	FUEL HARNESS - DEUTZ D2.9L4 ENGINE	D
1	4460932	1	Receptacle, Female - 4 Position	
1	4460464	2	Pin, Male	
1	4460941	2	Pin, Male	
2	1001116983	1	Plug, Male - 2 Position	
2	4461060	2	Socket, Female	
2	4461054	2	Seal	
3	4460891	1	Plug, Male - 2 Position	
3	4460942	2	Socket, Female	
4	4460897	1	Receptacle, Female - 2 Position	
4	4460941	2	Pin, Male	
5	8220051	2	Coupler, Female	

SECTION 8 - ELECTRICAL

FIGURE 8-31. GENERATOR HARNESS - 2500W GENERATOR (50HZ)



ART_1001187352

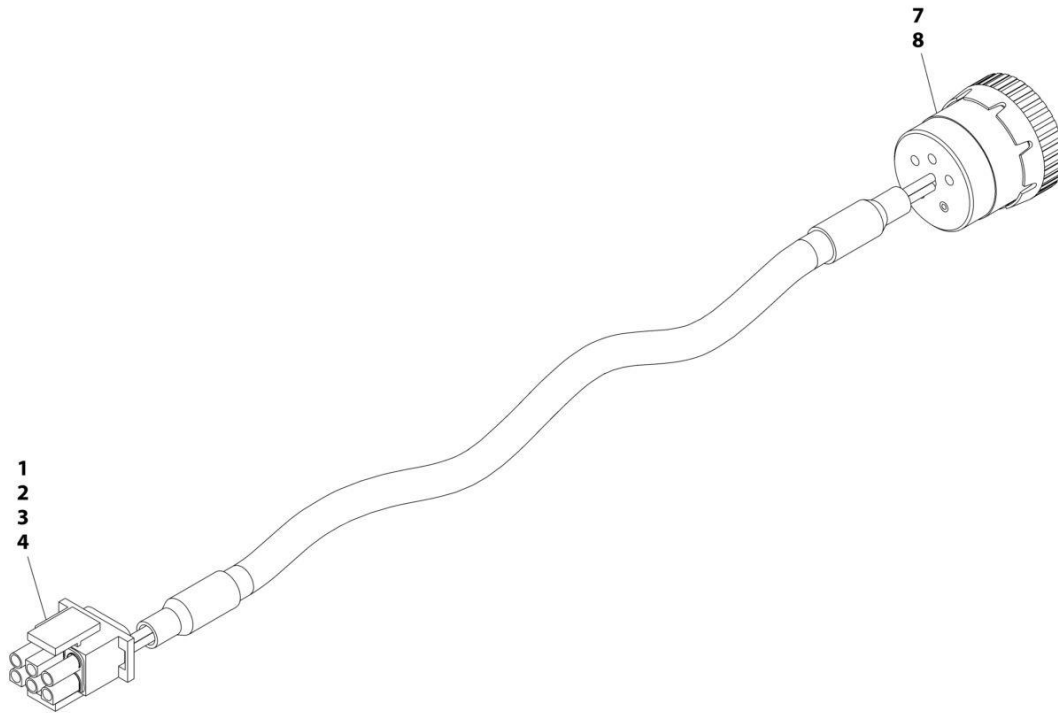
SECTION 8 - ELECTRICAL

FIGURE 8-31. GENERATOR HARNESS - 2500W GENERATOR (50HZ)

ITEM	PART NUMBER	QTY	DESCRIPTION	REV
	1001187352	Ref	GENERATOR HARNESS - 2500W GENERATOR (50HZ)	A
1	8220045	1	Terminal, Ring	
2	2400060	1	Holder, Fuse	
2	8229245	1	Fuse 30Amp	
3	1001154726	1	Connector - 3 Position	
3	4460464	2	Pin, Male	
3	4460466	1	Plug, Terminal	
4	1001100231	1	Terminal	
5	1001117057	1	Plug, Relay	
5	1001116734	2	Terminal	
5	1001116732	2	Terminal	

SECTION 8 - ELECTRICAL

FIGURE 8-32. GENERATOR HARNESS - 4000W GENERATOR



ART_1001152532

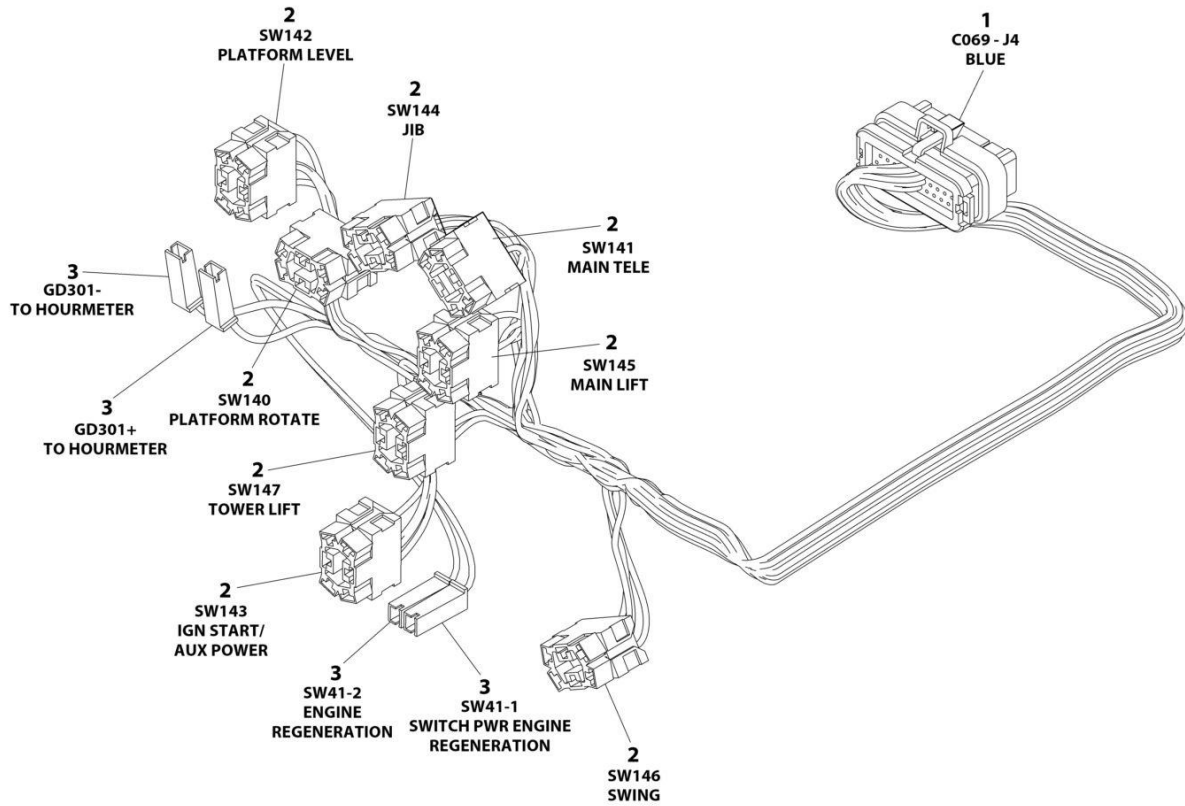
SECTION 8 - ELECTRICAL

FIGURE 8-32. GENERATOR HARNESS - 4000W GENERATOR

ITEM	PART NUMBER	QTY	DESCRIPTION	REV
	1001152532	Ref	GENERATOR HARNESS	A
1	4460225	1	Connector - 6 Position	
2	4460268	2	Socket, Female	
3	4460807	1	Seal	
4	4460808	1	Seal	
7	4460465	2	Socket, Female	
8	77363233	1	Connector - 6 Position	

SECTION 8 - ELECTRICAL

FIGURE 8-33. GROUND CONTROL PANEL HARNESS



ART_1001299782

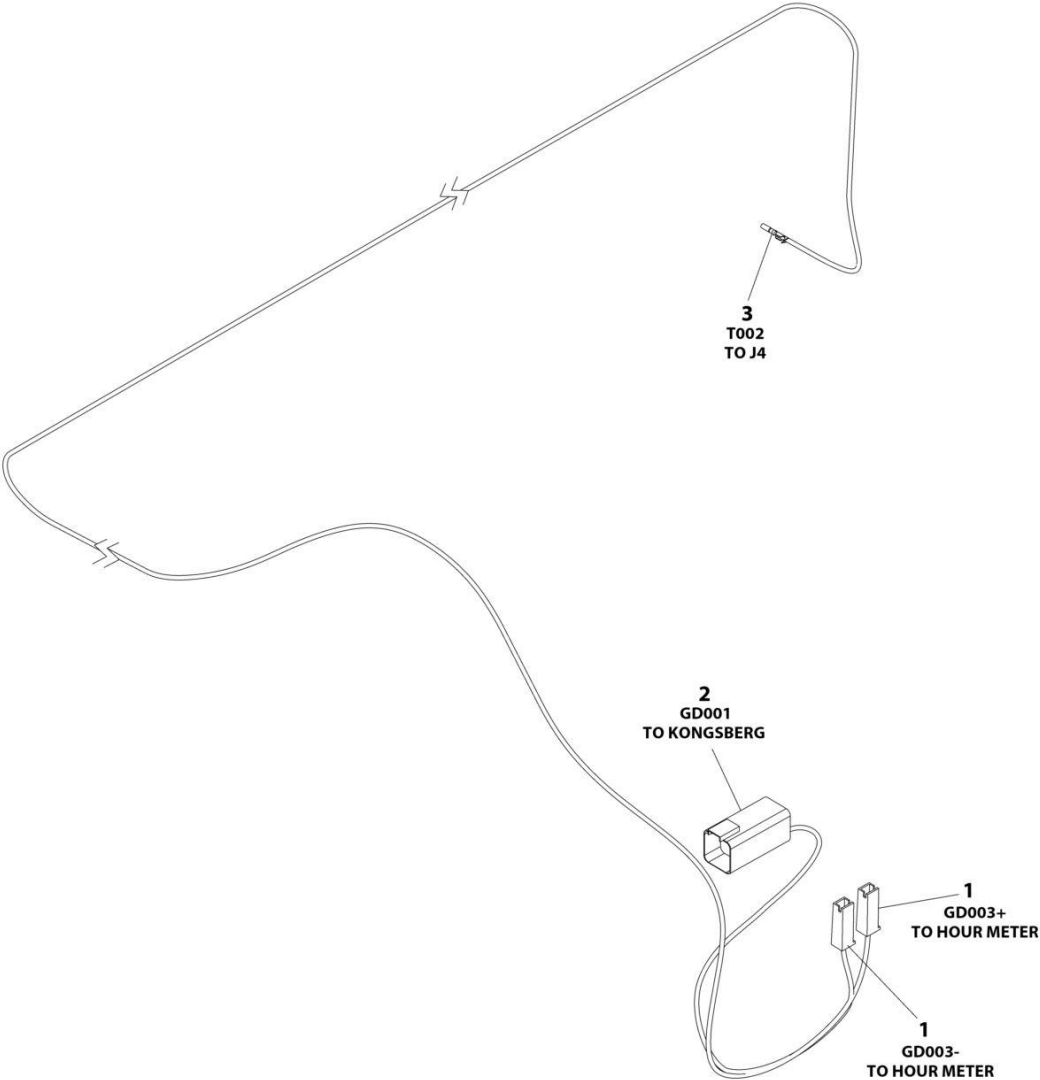
SECTION 8 - ELECTRICAL

FIGURE 8-33. GROUND CONTROL PANEL HARNESS

ITEM	PART NUMBER	QTY	DESCRIPTION	REV
	1001299782	Ref	GROUND CONTROL PANEL HARNESS	B
1	4460876	1	Connector	
1	4460871	20	Socket	
1	4460905	15	Plug	
2	4460418	8	Connector	
2	1001159186	16	Socket	
2	4460419	8	Socket	
3	4460260	4	Connector	
3	4460259	4	Socket	

SECTION 8 - ELECTRICAL

FIGURE 8-34. HOUR METER JUMPER HARNESS



ART_1001296426

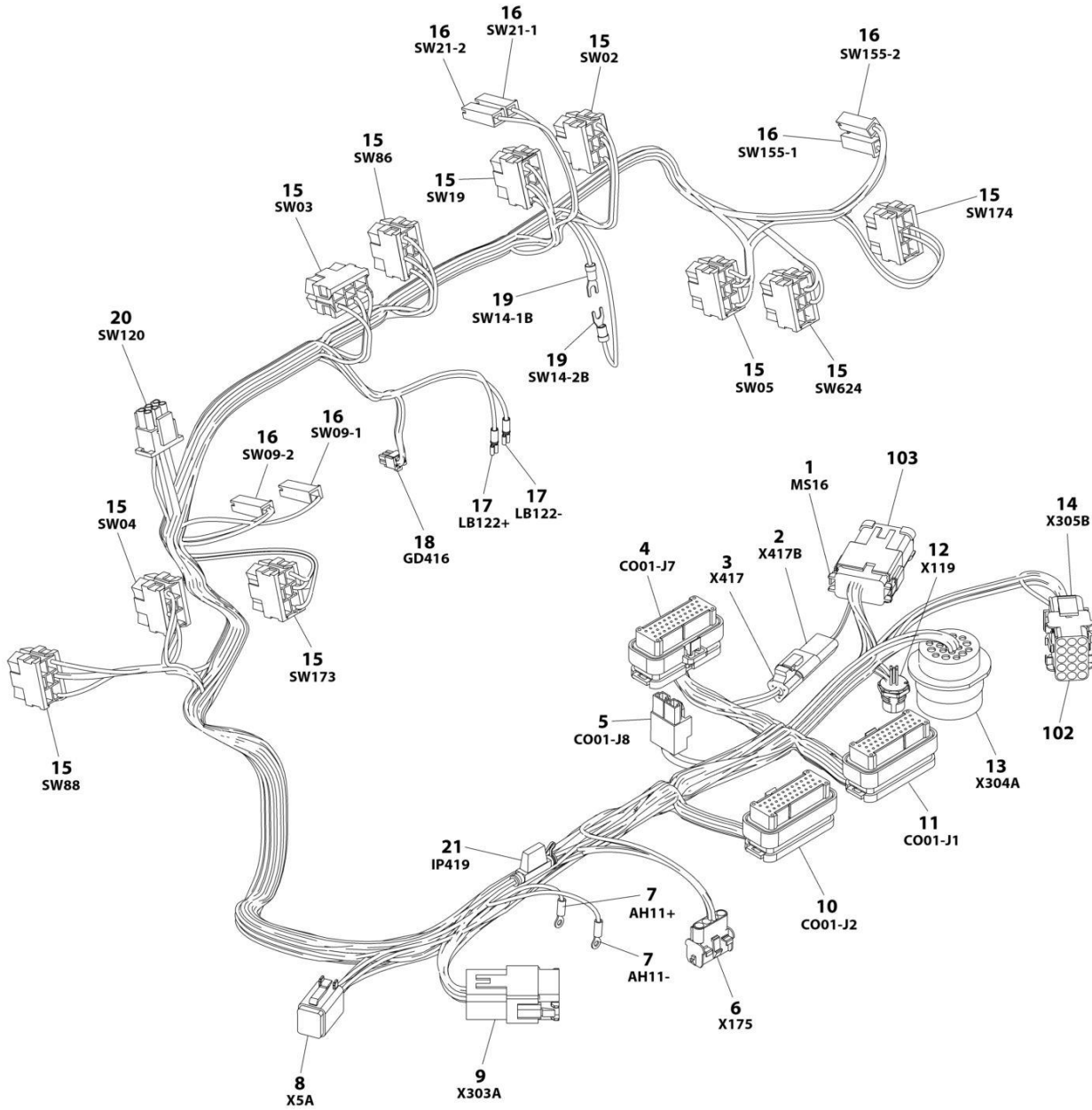
SECTION 8 - ELECTRICAL

FIGURE 8-34. HOUR METER JUMPER HARNESS

ITEM	PART NUMBER	QTY	DESCRIPTION	REV
	1001296426	Ref	HOUR METER JUMPER HARNESS	A
1	4460260	2	Connector	
2	4460899	1	Connector	
3	4460871	1	Socket	

SECTION 8 - ELECTRICAL

FIGURE 8-35. PLATFORM CONSOLE BOX HARNESS



ART_1001238254

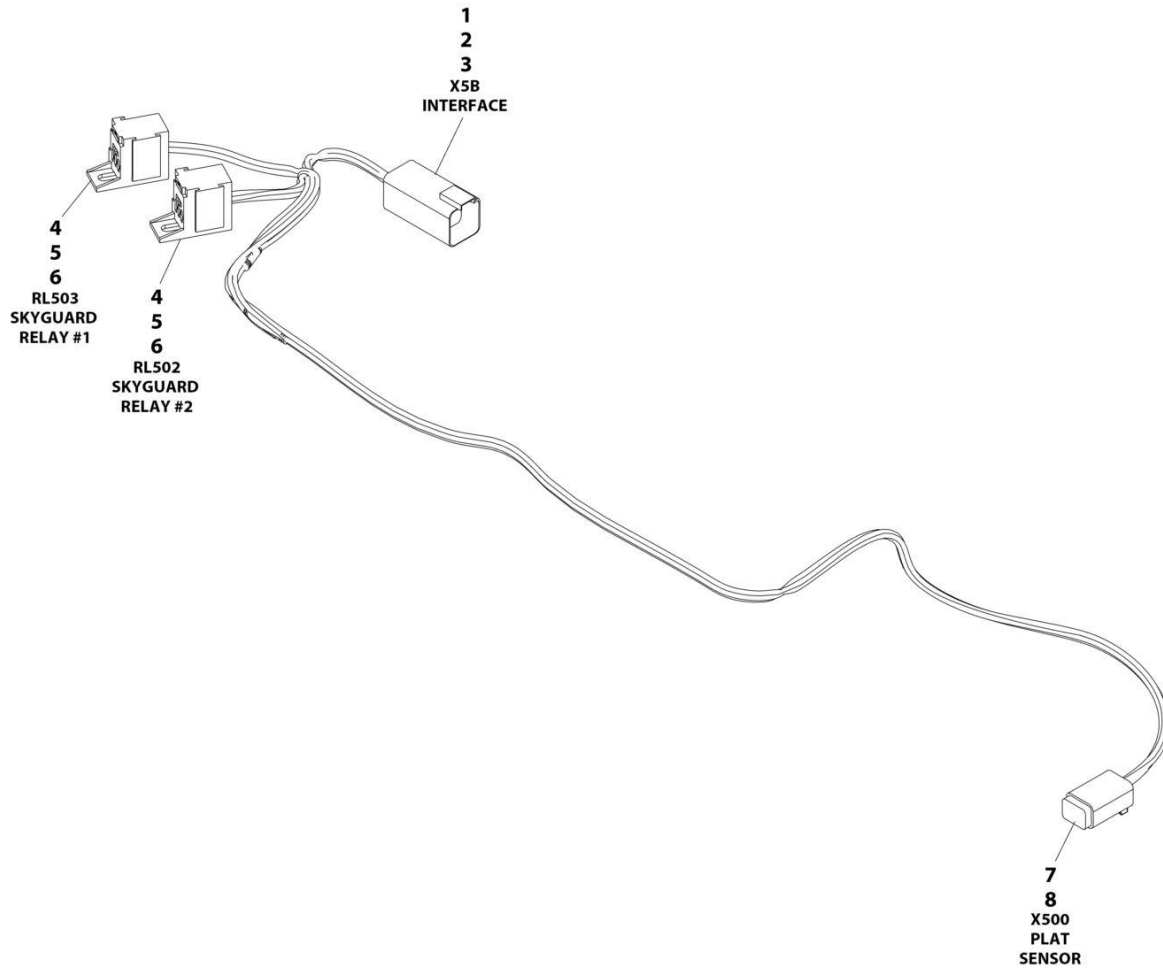
SECTION 8 - ELECTRICAL

FIGURE 8-35. PLATFORM CONSOLE BOX HARNESS

ITEM	PART NUMBER	QTY	DESCRIPTION	REV
	1001238254	Ref	PLATFORM CONSOLE BOX HARNESS	I
1	4460933	1	Plug, Male - 12 Position	
1	4460465	10	Socket, Female	
1	4460466	2	Plug, Terminal	
2	4460536	1	Receptacle, Female - 3 Position	
2	4460464	2	Pin, Male	
2	4460466	1	Plug, Terminal	
3	4460539	1	Plug, Male - 3 Position	
3	4460465	2	Socket, Female	
3	4460466	1	Plug, Terminal	
4	4460873	1	Connector - 35 Position	
4	4460871	21	Socket, Female	
4	4460905	14	Plug, Terminal	
5	4460879	1	Plug, Male - 2 Position	
5	4460887	2	Terminal	
6	4460761	1	Receptacle, Female - 4 Position	
6	4460267	4	Pin, Male	
7	1001098122	2	Terminal, Ring	
8	4460894	1	Plug, Male - 6 Position	
8	4460465	6	Socket, Female	
9	4460970	1	Receptacle, Female - 12 Position	
9	1001116693	11	Pin, Male	
9	4460466	1	Plug, Terminal	
10	4460875	1	Connector - 35 Position	
10	4460871	12	Socket, Female	
10	4460905	23	Plug, Terminal	
11	4460874	1	Connector - 35 Position	
11	4460871	27	Socket, Female	
11	4460905	8	Plug, Terminal	
12	1001213447	1	Connector - 4 Position	
12	See Note	NSS	Terminal (Note: Purchase p/n 1001213447)	
13	4460866	1	Connector - 19 Position	
13	4460464	5	Pin, Male	
13	4460466	11	Plug, Terminal	
13	4460508	1	Pin, Male	
14	4460434	1	Connector - 15 Position	
14	4460267	8	Pin. Male	
15	4460418	10	Connector - 6 Position	
15	4460419	45	Terminal	
16	4460260	6	Housing, Terminal	
16	4460259	8	Terminal	
17	1001271497	2	Terminal	
18	1001237667	1	Plug, Male - 6 Position	
18	1001237668	4	Terminal	
19	4460183	2	Terminal, Fork	
20	4460225	1	Plug, Male - 6 Position	
20	4460227	6	Pin, Male (Note: Used on Pump Potentiometer Connection Only)	
21	2400060	1	Fuse Holder	
102	4460708	1	Connector, Bussbar - 15 Position	
103	1001125677	1	Connector, Bussbar - 12 Position	

SECTION 8 - ELECTRICAL

FIGURE 8-36. PLATFORM INTERFACE HARNESS



ART_1001225580

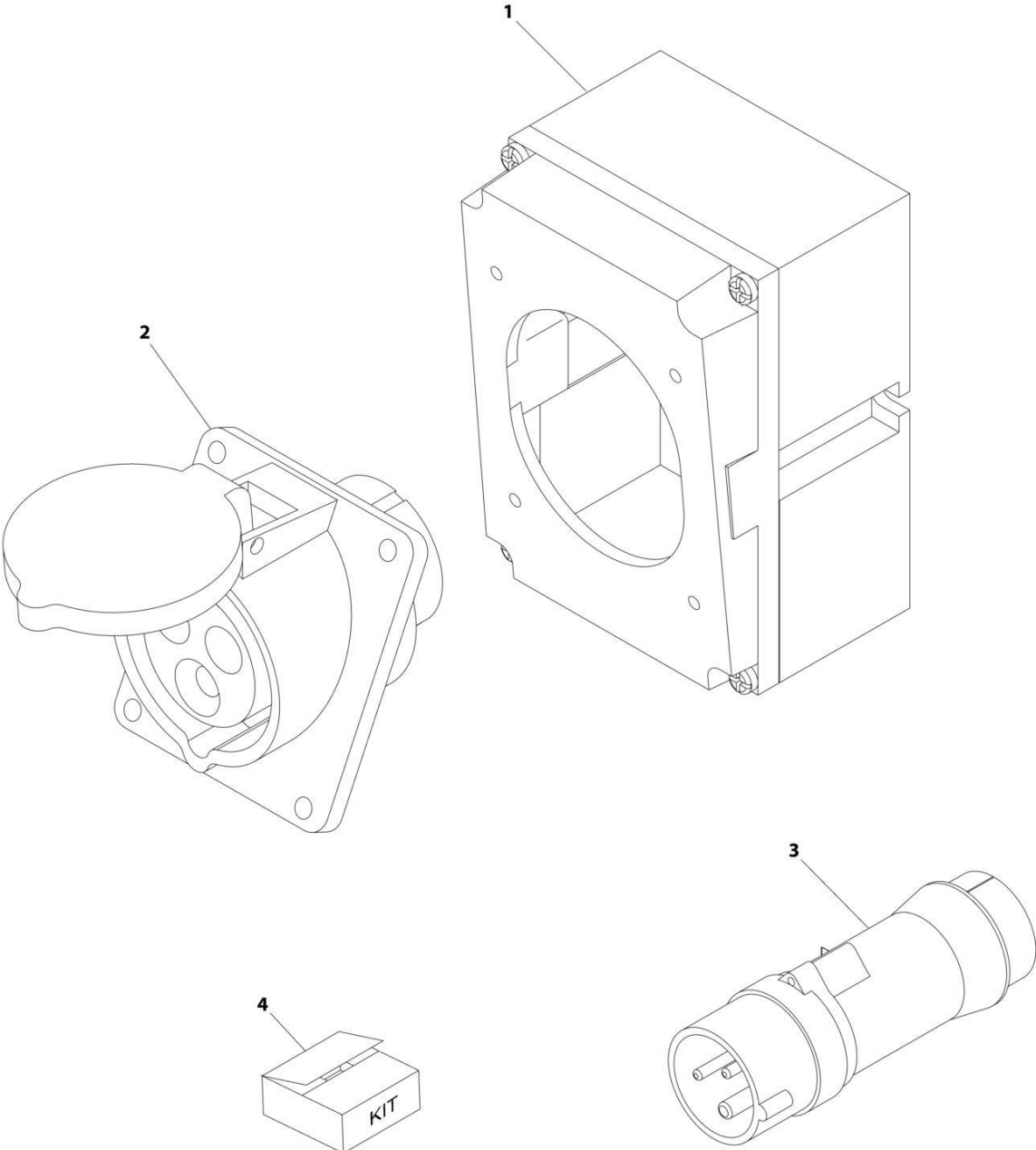
SECTION 8 - ELECTRICAL

FIGURE 8-36. PLATFORM INTERFACE HARNESS

ITEM	PART NUMBER	QTY	DESCRIPTION	REV
	1001225580	Ref	INTERFACE HARNESS - WITH 1 CELL LSS	D
1	4460899	1	Connector	
2	4460464	4	Terminal	
3	4460466	2	Plug	
4	1001186432	2	Connector	
5	1001116720	4	Terminal	
6	1001118388	4	Terminal	
7	4460884	1	Connector	
8	4460465	4	Terminal	

SECTION 8 - ELECTRICAL

FIGURE 8-37. RECEPTACLE BOX KIT - 110V IEC YELLOW (CE, CIS/EAC & UK CA SPEC)



ART_0275216

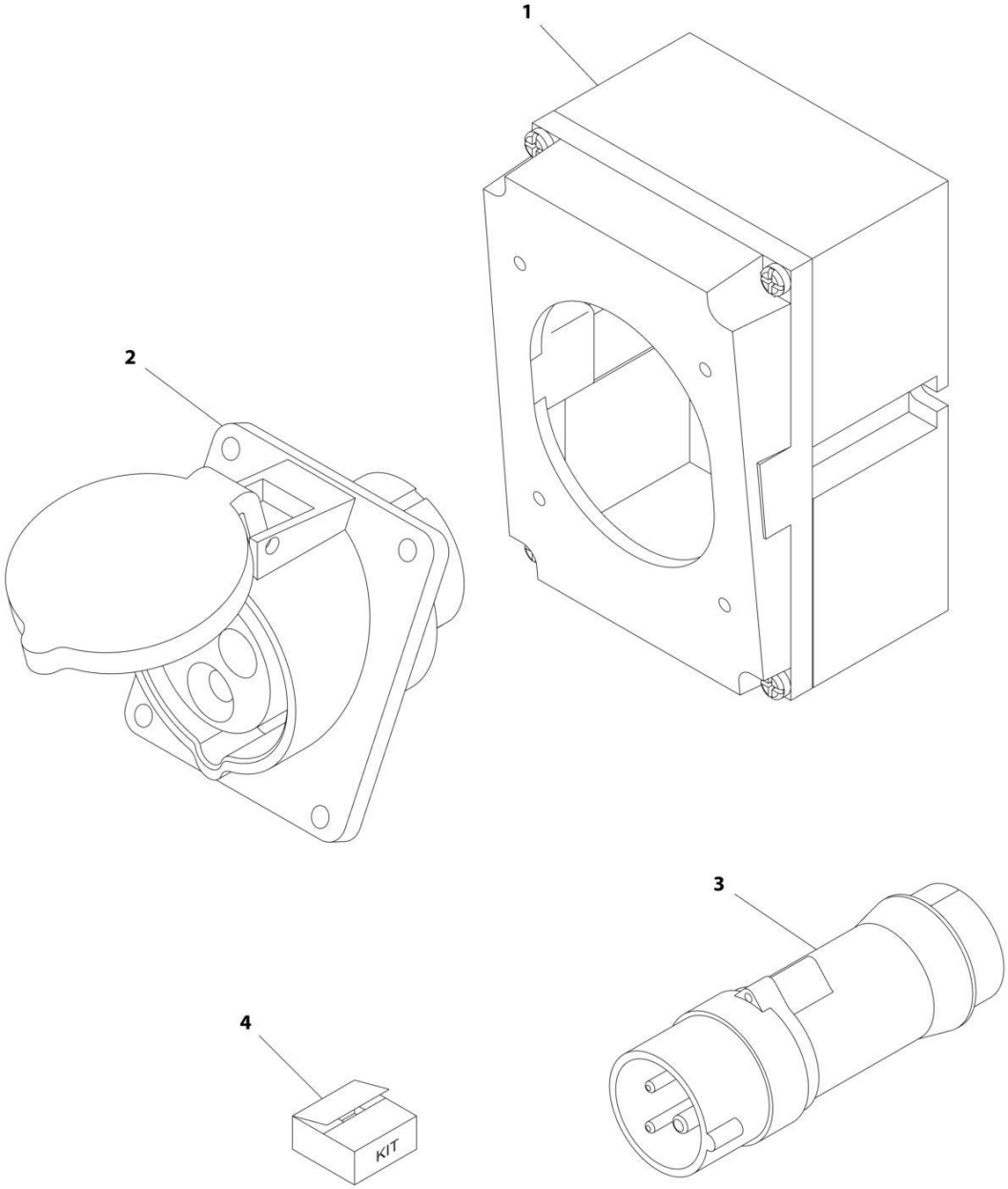
SECTION 8 - ELECTRICAL

FIGURE 8-37. RECEPTACLE BOX KIT - 110V IEC YELLOW (CE, CIS/EAC & UK CA SPEC)

ITEM	PART NUMBER	QTY	DESCRIPTION	REV
	0275216	Ref	RECEPTACLE BOX KIT - 110V IEC YELLOW	B
1	0861781	1	Box, Switch	
2	4461198	1	Receptacle	
3	4461196	1	Plug, Male	
4	1001100341	1	Plug and Socket Kit (Includes Items 1-3 and Female Plug p/n 4461197)	

SECTION 8 - ELECTRICAL

FIGURE 8-38. RECEPTACLE BOX KIT - 220V IEC BLUE (CE, CIS/EAC & UK CA SPEC)



ART_0275217

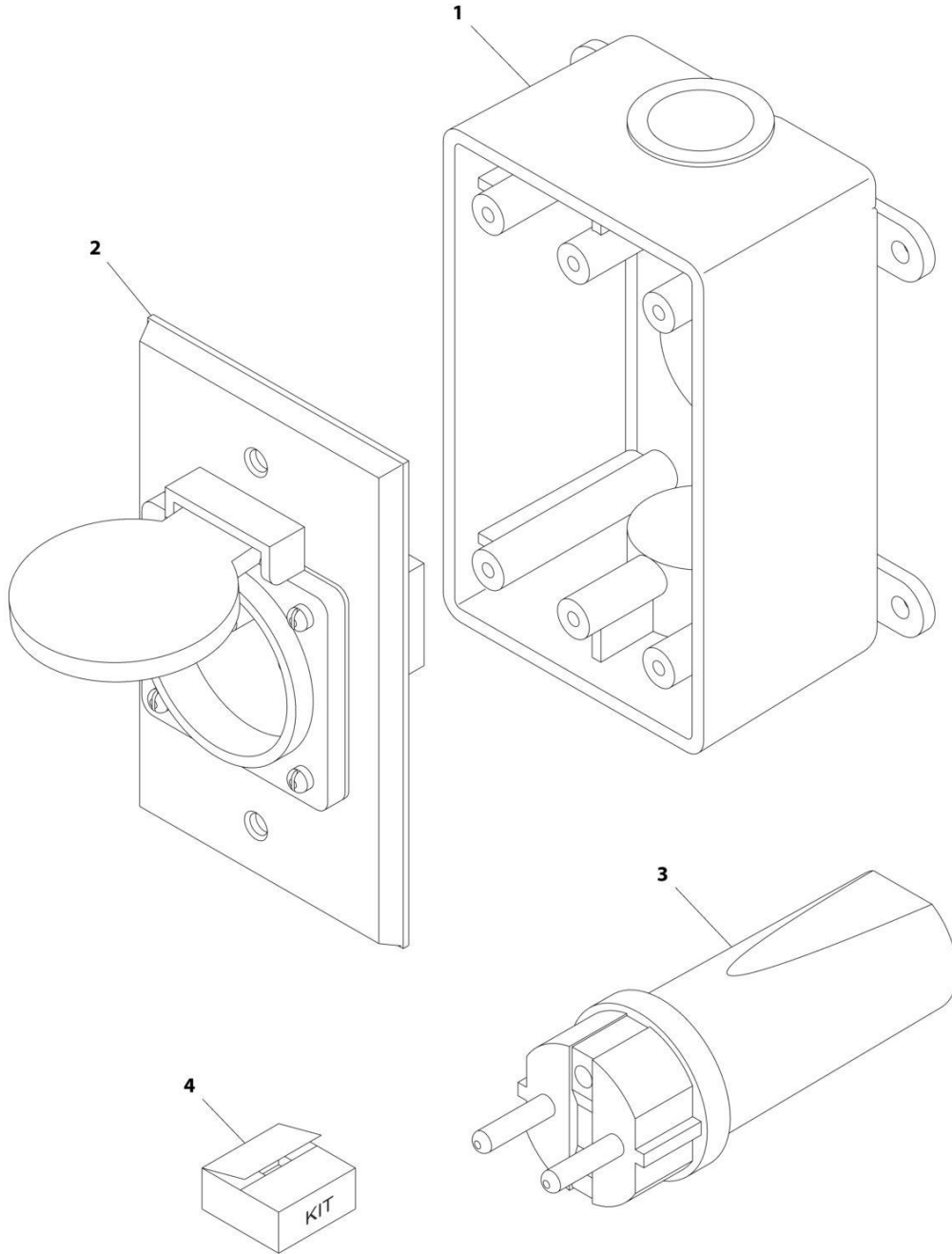
SECTION 8 - ELECTRICAL

FIGURE 8-38. RECEPTACLE BOX KIT - 220V IEC BLUE (CE, CIS/EAC & UK CA SPEC)

ITEM	PART NUMBER	QTY	DESCRIPTION	REV
	0275217	Ref	RECEPTACLE BOX KIT - 220V IEC BLUE	B
1	0861781	1	Box, Switch	
2	4461201	1	Receptacle	
3	4461199	1	Plug, Male	
4	1001100342	1	Plug and Socket Kit (Includes Items 1-3 and Female Plug p/n 4461200)	

SECTION 8 - ELECTRICAL

FIGURE 8-39. RECEPTACLE BOX KIT - 220V CEE7 POST GROUND 2IN X 4IN BOX (CE, CIS/EAC & UK CA SPEC)



ART_0275452

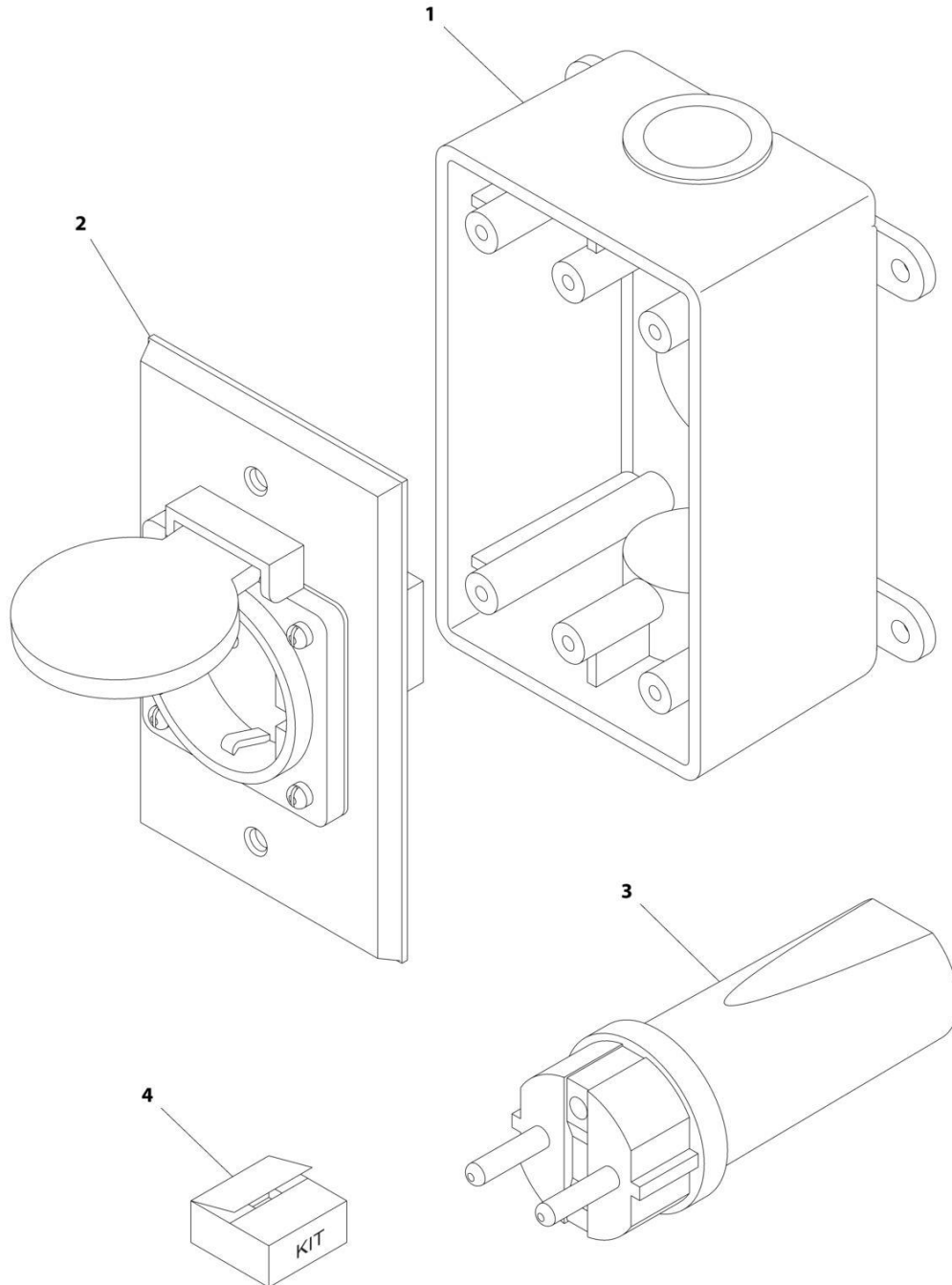
SECTION 8 - ELECTRICAL

FIGURE 8-39. RECEPTACLE BOX KIT - 220V CEE7 POST GROUND 2IN X 4IN BOX (CE, CIS/EAC & UK CA SPEC)

ITEM	PART NUMBER	QTY	DESCRIPTION	REV
	0275452	Ref	RECEPTACLE BOX KIT - 220V CEE7 POST GROUND	C
1	0861731	1	Box, Switch	
2	4461244	1	Receptacle	
3	4461205	1	Plug, Male	
4	1001100345	1	Plug and Socket Kit (Includes Items 1-3 and Female Plug p/n 4461206)	

SECTION 8 - ELECTRICAL

FIGURE 8-40. RECEPTACLE BOX KIT - 220V CEE7 SIDE GROUND 2IN X 4IN BOX (CE, CIS/EAC & UK CA SPEC)



ART_0275453

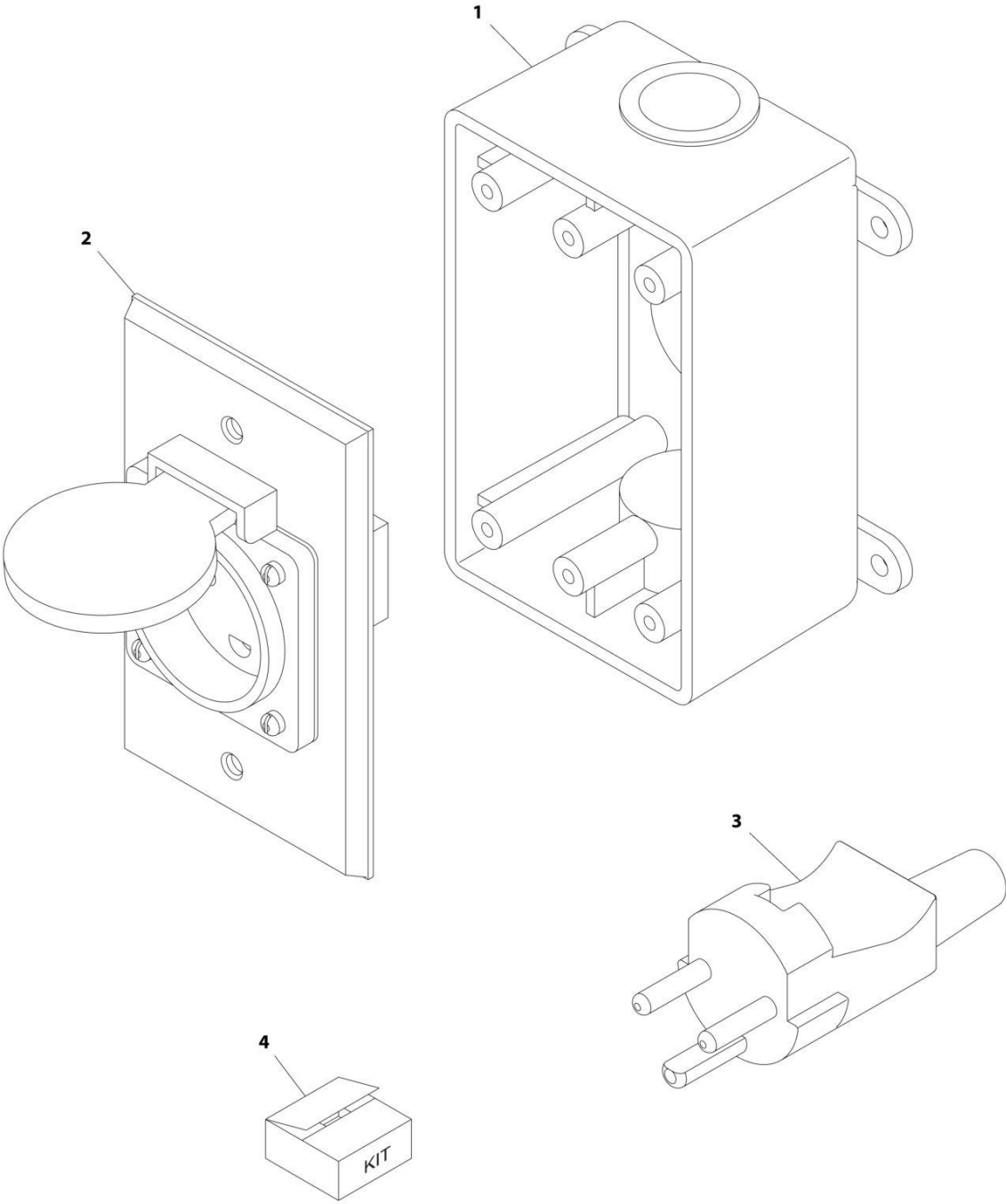
SECTION 8 - ELECTRICAL

FIGURE 8-40. RECEPTACLE BOX KIT - 220V CEE7 SIDE GROUND 2IN X 4IN BOX (CE, CIS/EAC & UK CA SPEC)

ITEM	PART NUMBER	QTY	DESCRIPTION	REV
	0275453	Ref	RECEPTACLE BOX KIT - 220V CEE7 SIDE GROUND	B
1	0861731	1	Box, Switch	
2	4461245	1	Receptacle	
3	4461205	1	Plug, Male	
4	1001100347	1	Plug and Socket Kit (Includes Items 1-3 and Female Plug p/n 4461206)	

SECTION 8 - ELECTRICAL

FIGURE 8-41. RECEPTACLE BOX KIT - 220V AFSINT 107 (CE, CIS/EAC & UK CA SPEC)



ART_0275454

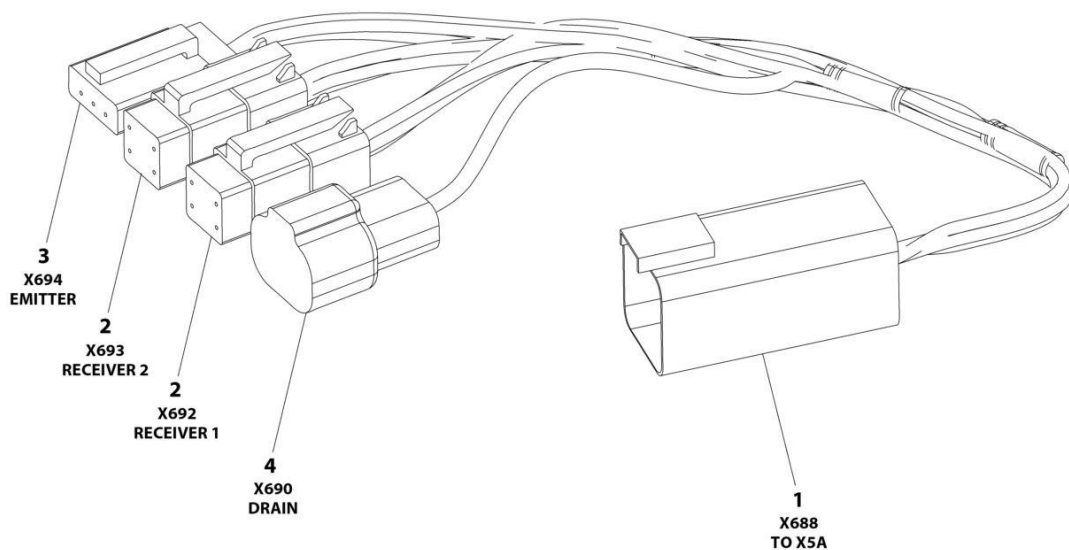
SECTION 8 - ELECTRICAL

FIGURE 8-41. RECEPTACLE BOX KIT - 220V AFSINT 107 (CE, CIS/EAC & UK CA SPEC)

ITEM	PART NUMBER	QTY	DESCRIPTION	REV
	0275454	Ref	RECEPTACLE BOX KIT - 220V AFSINT 107	B
1	0861731	1	Box, Switch	
2	4461246	1	Receptacle	
3	4461249	1	Plug, Male	
4	1001100346	1	Plug and Socket Kit (Includes Items 1-3 and Female Plug p/n 4461250)	

SECTION 8 - ELECTRICAL

FIGURE 8-42. SKYEYE INTERMEDIATE HARNESS



ART_1001237865

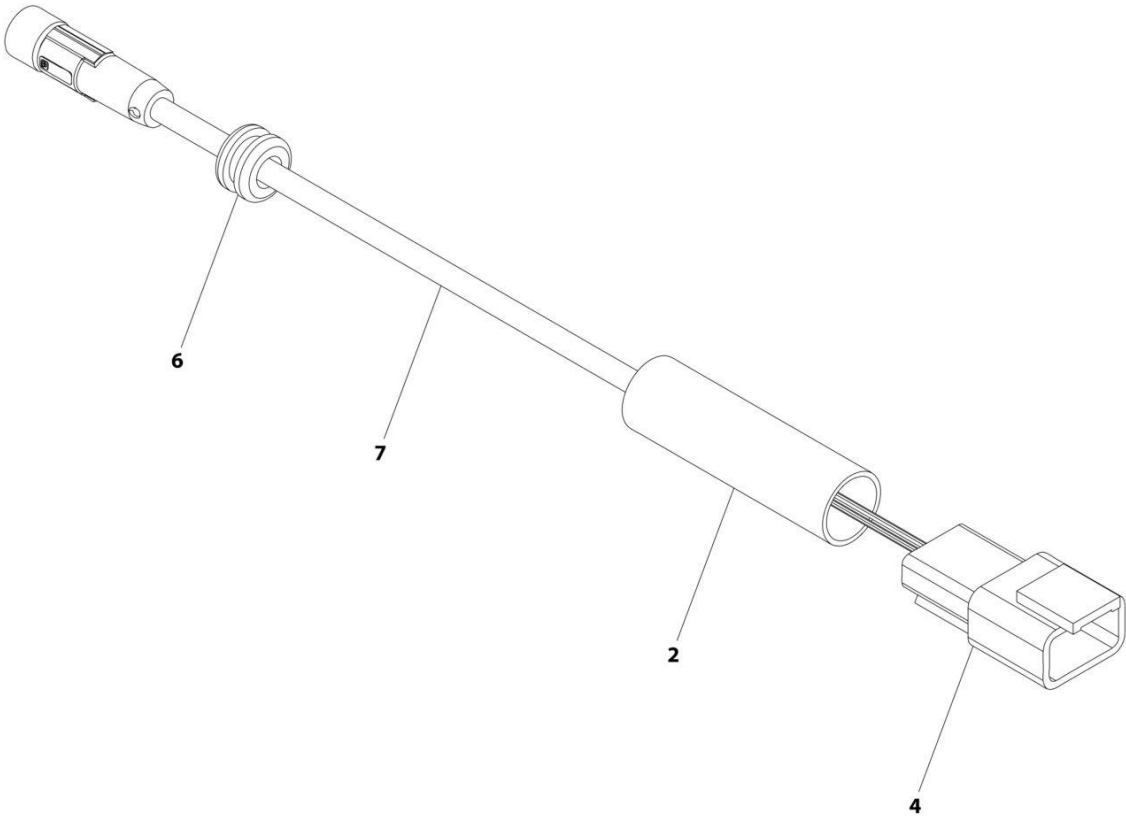
SECTION 8 - ELECTRICAL

FIGURE 8-42. SKYEYE INTERMEDIATE HARNESS

ITEM	PART NUMBER	QTY	DESCRIPTION	REV
	1001237865	Ref	SKYEYE INTERMEDIATE HARNESS	A
1	4460899	1	Connector - 6 Position	
1	4460943	4	Pin, Male	
1	4460466	2	Plug, Terminal	
2	4461077	2	Connector - 4 Position	
2	1001119619	8	Socket, Female	
3	4460911	1	Connector - 3 Position	
3	1001119619	3	Socket, Female	
4	1001187681	1	Connector - 2 Position	
4	4460941	1	Pin, Male	
4	4460466	1	Plug, Terminal	

SECTION 8 - ELECTRICAL

FIGURE 8-43. SKYEYE RECEIVER HARNESS



ART_1001237863_B

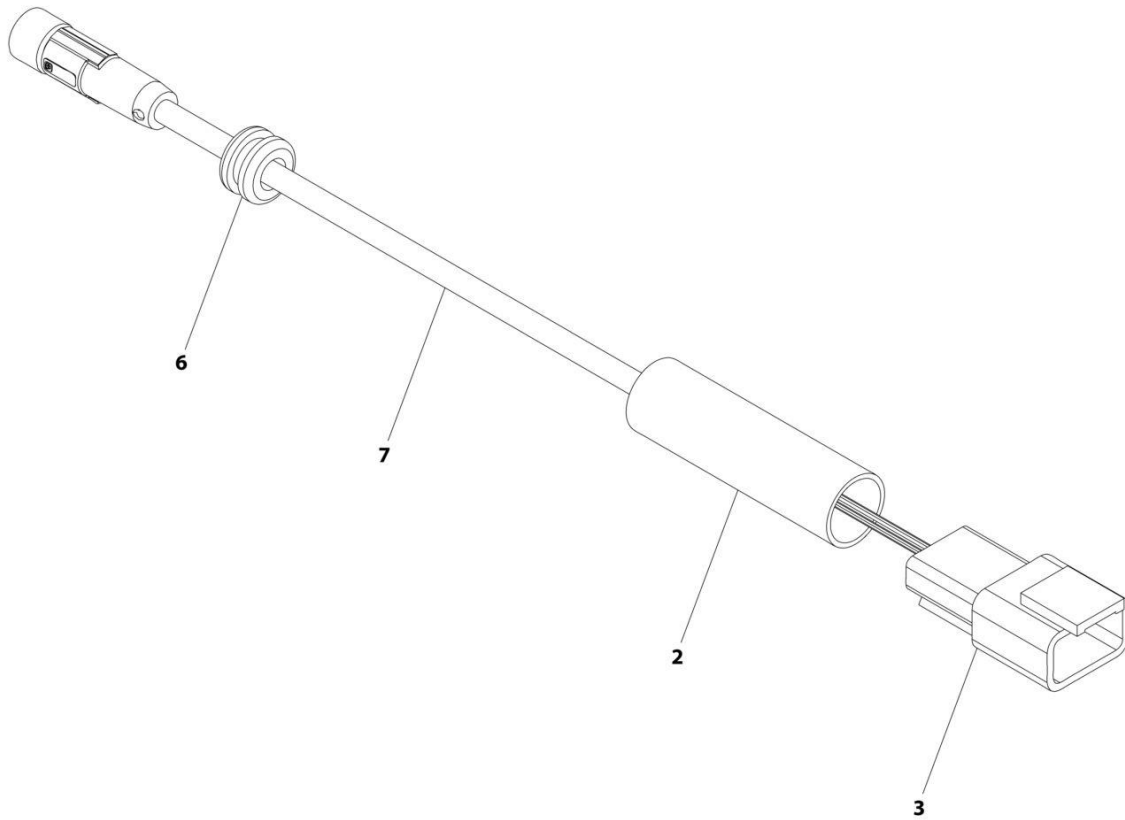
SECTION 8 - ELECTRICAL

FIGURE 8-43. SKYEYE RECEIVER HARNESS

ITEM	PART NUMBER	QTY	DESCRIPTION	REV
	1001237863	Ref	SKYEYE RECEIVER HARNESS	B
2	2820247	AR	Tubing, Heat Shrink	
4	1001097051	1	Connector - 4 Position	
4	1001119620	4	Pin, Male	
6	1001227996	1	Grommet	
7	1001258495	1	Cable, M8 Female Cordset	

SECTION 8 - ELECTRICAL

FIGURE 8-44. SKYEYE EMITTER HARNESS



ART_1001237864_B

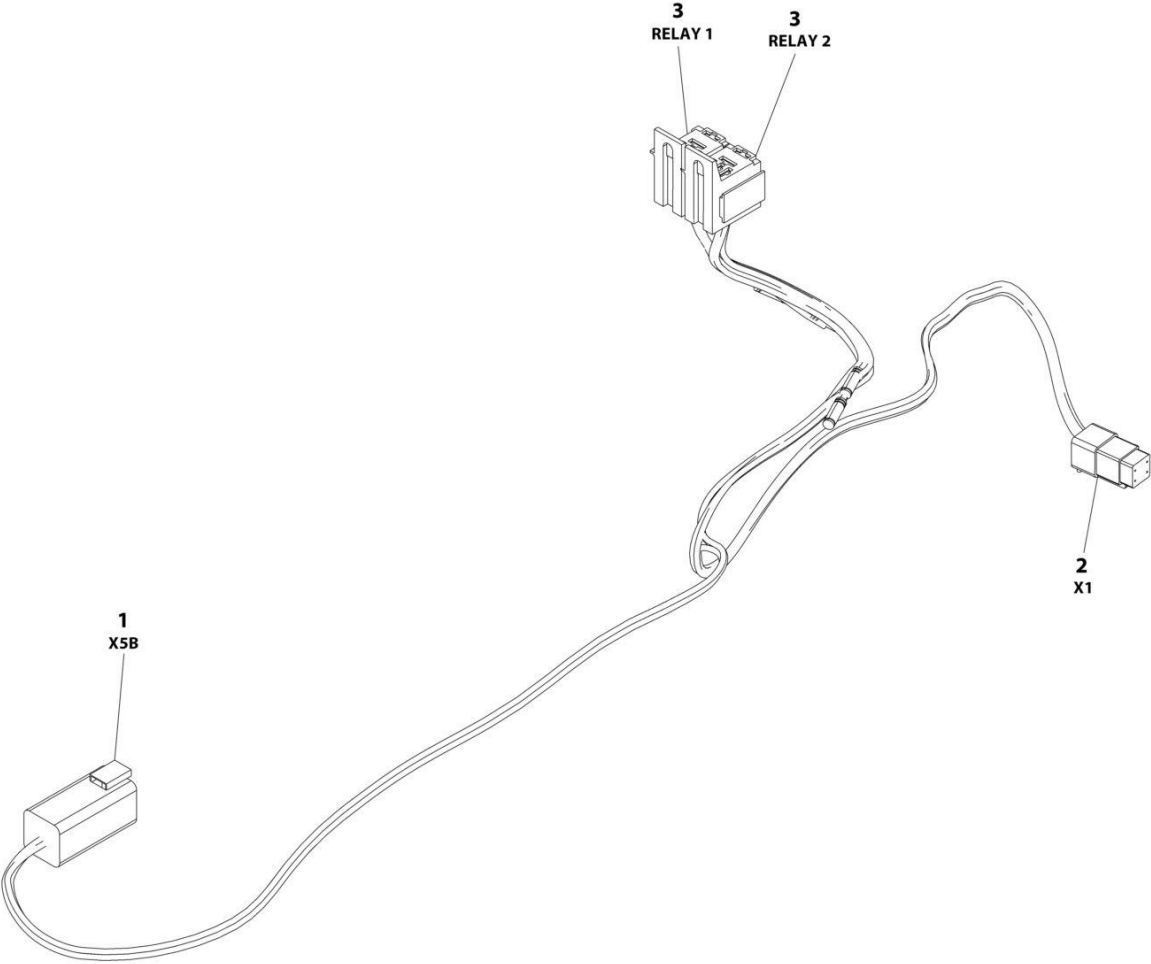
SECTION 8 - ELECTRICAL

FIGURE 8-44. SKYEYE EMITTER HARNESS

ITEM	PART NUMBER	QTY	DESCRIPTION	REV
	1001237864	Ref	SKYEYE EMITTER HARNESS	B
2	2820247	AR	Tubing, Heat Shrink	
3	4460910	1	Connector - 3 Position	
3	1001119620	3	Pin, Male	
6	1001227996	1	Grommet	
7	1001258495	1	Cable, M8 Female Cordset	

SECTION 8 - ELECTRICAL

FIGURE 8-45. SKYLINE HARNESS



ART_1001238418

SECTION 8 - ELECTRICAL

FIGURE 8-45. SKYLINE HARNESS

ITEM	PART NUMBER	QTY	DESCRIPTION	REV
	1001238418	Ref	SKYLINE HARNESS	B
1	4460899	1	Connector - 6 Position	
1	4460464	4	Pin, Male	
1	4460466	2	Plug, Terminal	
2	4461077	1	Connector - 4 Position	
2	1001126009	4	Socket, Female	
3	1001186432	2	Plug, Relay	
3	1001118388	5	Terminal	
3	1001118384	3	Terminal	
3	3740086	2	Relay	

SECTION 8 - ELECTRICAL

FIGURE 8-46. TURNTABLE HARNESS

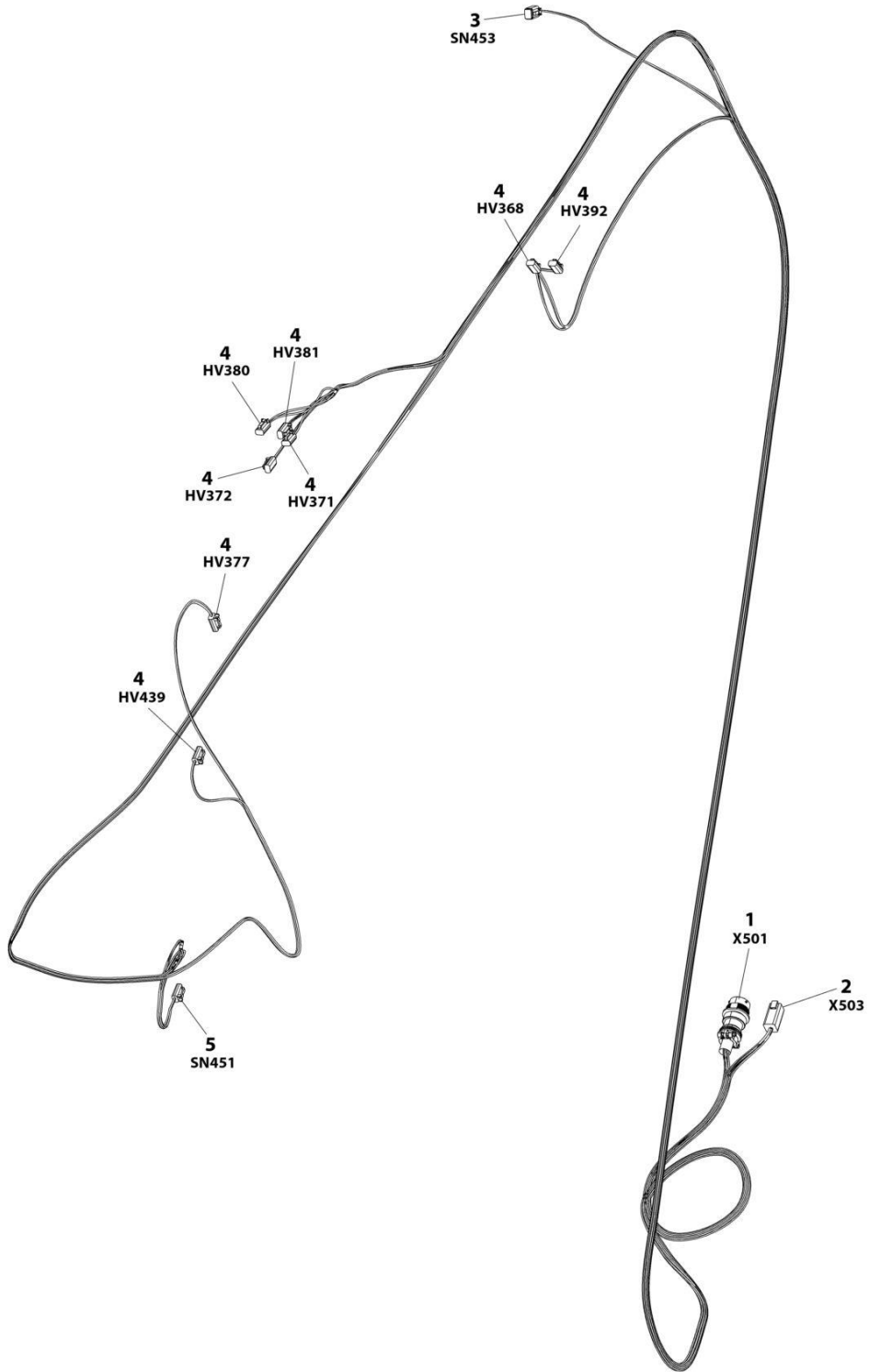
ITEM	PART NUMBER	QTY	DESCRIPTION	REV
	1001282492	Ref	TURNTABLE HARNESS	B
1	1001117070	1	Fuseholder (Includes 30Amp Fuse)	
1	1001116734	2	Socket	
2	4460967	1	Connector	
2	4460465	3	Socket	
3	4460247	1	Terminal, Ring	
4	8220045	2	Terminal, Ring	
5	4460742	2	Connector	
5	4460743	4	Socket	
5	4460458	4	Seal, Terminal	
6	4460899	1	Connector	
6	4460464	5	Pin	
6	4460466	1	Plug	
7	4460931	1	Connecot	
7	4460464	5	Pin	
7	4460466	3	Plug	
8	4460865	1	Connector	
8	4460465	6	Socket (20-16Awg)	
8	4460509	2	Socket (14-12Awg)	
8	4460466	11	Plug	
9	4460894	7	Connector	
9	4460465	42	Socket	
10	4460884	2	Connector	
10	4460465	4	Socket	
10	4460466	4	Plug	
11	1001103012	1	Connector	
11	1001107854	4	Socket	
11	1001104498	4	Seal, Terminal	
12	4460930	2	Connector	
12	4460465	13	Socket	
12	4460466	3	Plug	
13	4460874	1	Connector	
13	4460871	21	Socket	
13	4460905	14	Plug	
14	4460836	1	Connector	
14	4460465	9	Socket	
14	4460466	3	Plug	
15	4460894	2	Connector	
15	4460465	7	Socket	
15	4460466	5	Plug	
16	4460836	1	Connector	
16	1001157890	1	Socket (16-12Awg)	
16	4460465	5	Socket (20-16Awg)	
16	4460466	6	Plug	
17	1001112612	1	Connector	
17	4460464	3	Pin	
17	4460466	4	Plug	
18	4460761	1	Connector	
18	4460267	4	Pin	
19	4460884	1	Connector	

SECTION 8 - ELECTRICAL

ITEM	PART NUMBER	QTY	DESCRIPTION	REV
19	4460465	4	Socket	
20	1001246859	1	Connector	
20	4460871	4	Socket	
20	4460905	10	Plug	
21	1001113961	1	Connector	
21	4460871	5	Socket	
21	4460905	3	Plug	
22	4460878	1	Connector	
22	1001237383	1	Socket (12-10Awg)	
22	4460887	4	Socket (8Awg)	
23	4460933	1	Connector	
23	4460465	8	Socket	
23	4460466	4	Plug	
24	4460873	1	Connector	
24	4460871	28	Socket	
24	4460905	7	Plug	
25	1001185964	1	Fuse Box Assembly	
25	8229242	4	Fuse 5Amp	
25	8229244	2	Fuse 15Amp	
25	1001095704	1	Relay	
25	1001129285	2	Fuse with Diode	
25	1001196635	1	Fuse 3Amp	
25	1001116728	14	Socket (18-16Awg)	
25	8220125	9	Socket (12-10Awg)	
25	4460748	25	Plug	
25	4460458	14	Seal, Terminal (Use with Socket 1001116728)	
25	80963067	9	Seal, Terminal (Use with Socket 8220125)	
26	4460806	4	Terminal, Fork	
27	4460142	3	Terminal, Ring	
28	1001144147	1	Connector	
28	4460943	2	Pin	
28	4460466	1	Plug	
29	2400060	1	Fuseholder	
30	4460260	2	Connector	
30	4460259	2	Socket	
31	1001237667	1	Connector	
31	1001237668	5	Socket	
101	1321647	1	Clamp	
102	1001271323	2	Connector, Bussbar	
103	8229242	1	Fuse 5Amp	
104	1001116815	1	Connector (Includes Resistor)	
105	1001120328	2	Mount, Connector	
106	1001125677	1	Connector, Bussbar	
107	1001155967	1	Mount, Connector	
108	1001172065	1	Fuse 30Amp	
109	1001192401	1	Cap, Dust	
110	1001226541	4	Connecotr, Bussbar	

SECTION 8 - ELECTRICAL

FIGURE 8-47. VALVE HARNESS - BOOM VALVE



ART_1001164738

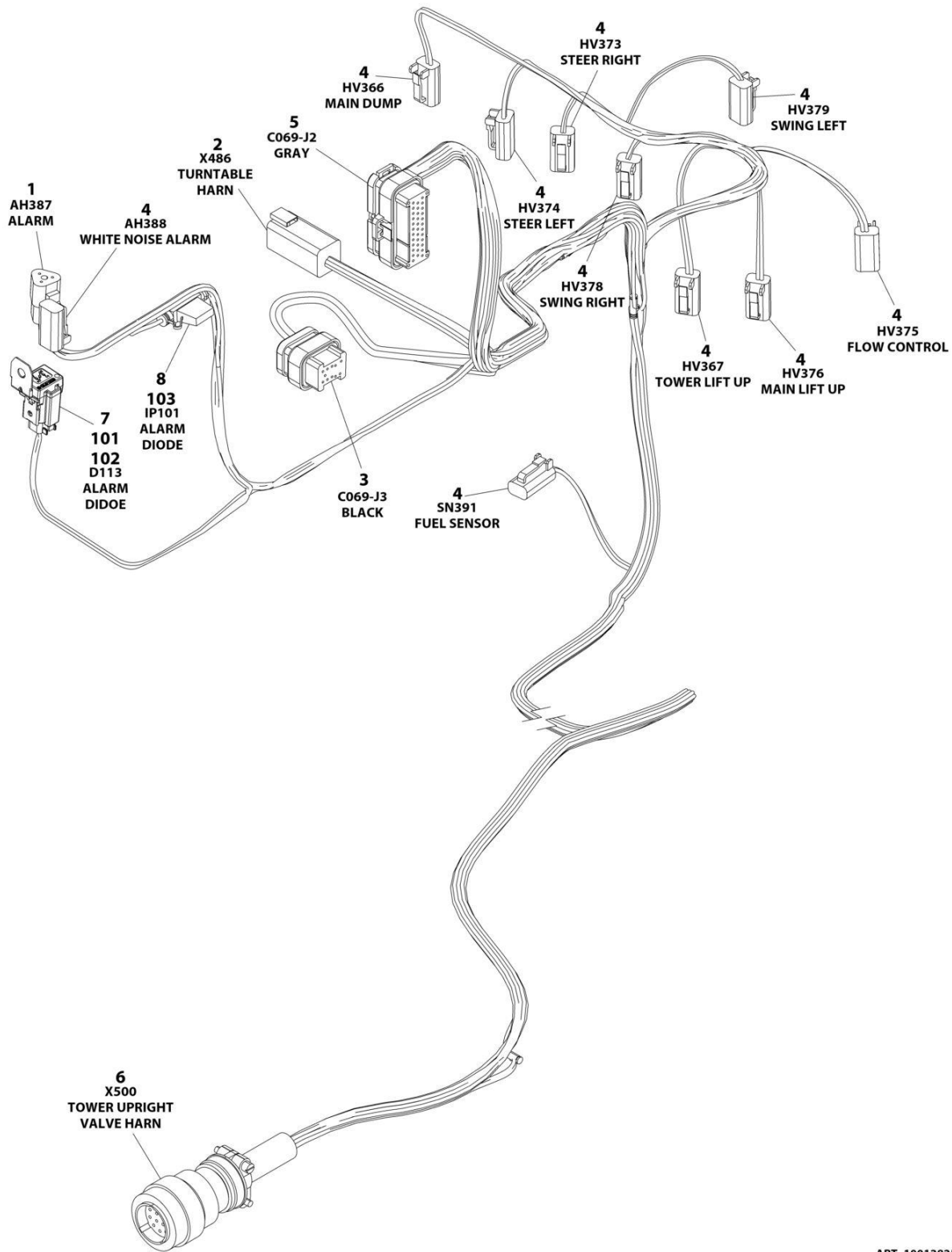
SECTION 8 - ELECTRICAL

FIGURE 8-47. VALVE HARNESS - BOOM VALVE

ITEM	PART NUMBER	QTY	DESCRIPTION	REV
	1001164738	Ref	BOOM VALVE HARNESS	I
1	1001156541	1	Connector - 19 Position	
1	4460464	13	Pin, Male	
1	4460466	1	Plug, Terminal	
2	4460899	1	Connector - 6 Position	
2	4460464	6	Pin, Male	
3	4460884	1	Plug, Male - 4 Position	
3	4460465	2	Socket, Female	
3	4460466	2	Plug, Terminal	
4	4460891	8	Plug, Male - 2 Position	
4	4460465	16	Socket, Female	
5	1001230931	1	Plug, Male - 6 Position	
5	1001116748	6	Terminal	

SECTION 8 - ELECTRICAL

FIGURE 8-48. VALVE HARNESS - MAIN VALVE



ART_1001282533

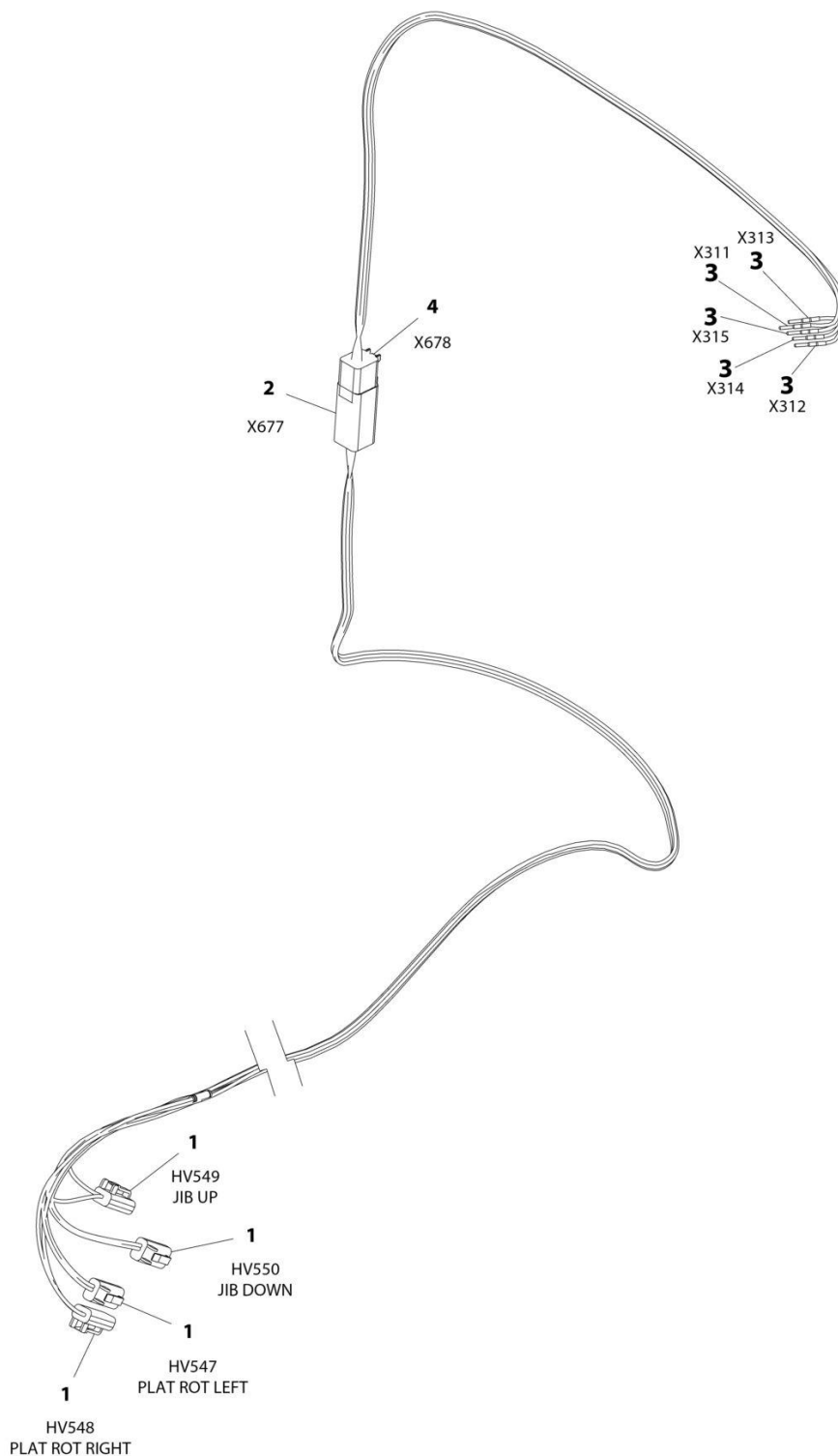
SECTION 8 - ELECTRICAL

FIGURE 8-48. VALVE HARNESS - MAIN VALVE

ITEM	PART NUMBER	QTY	DESCRIPTION	REV
	1001282533	Ref	MAIN VALVE HARNESS	A
1	4460539	1	Connector	
1	4460465	3	Socket	
2	4460899	1	Connector	
2	4460464	5	Pin	
2	4460466	1	Plug	
3	4460872	1	Connector	
3	4460871	9	Socket	
3	4460905	5	Plug	
4	4460891	10	Connector	
4	4460465	20	Socket	
5	4460875	1	Connector	
5	4460871	26	Socket	
5	4460905	9	Plug	
6	4460754	1	Connector	
6	4460465	13	Socket	
6	4460466	1	Plug	
7	4460884	1	Connector	
7	4460465	4	Socket	
8	1001170764	1	Fuseholder	
101	1001152266	1	Connector (Includes Diode)	
102	1001155743	1	Mount, Connector	
103	1001196636	1	Diode 1Amp	

SECTION 8 - ELECTRICAL

FIGURE 8-49. VALVE HARNESS - PLATFORM VALVE



ART_1001164728

SECTION 8 - ELECTRICAL

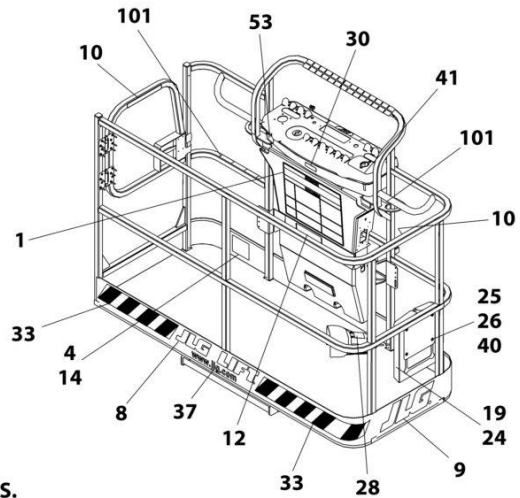
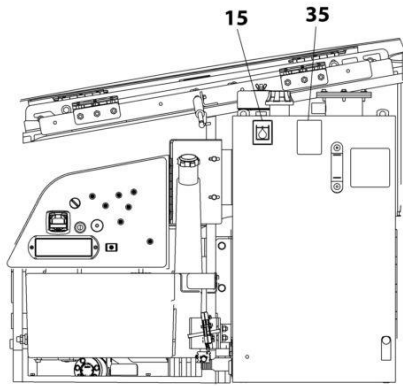
FIGURE 8-49. VALVE HARNESS - PLATFORM VALVE

ITEM	PART NUMBER	QTY	DESCRIPTION	REV
	1001164728	Ref	VALVE HARNESS - PLATFORM VALVE	D
1	4460891	4	Plug, Male - 2 Position	
1	4460465	8	Socket, Female	
2	4460899	1	Receptacle, Female - 6 Position	
2	4460464	5	Pin, Male	
2	4460466	1	Plug, Terminal	
3	4460465	5	Socket, Female	
4	4460894	1	Plug, Male - 6 Position	
4	4460465	5	Socket, Female	
4	4460466	1	Plug, Terminal	

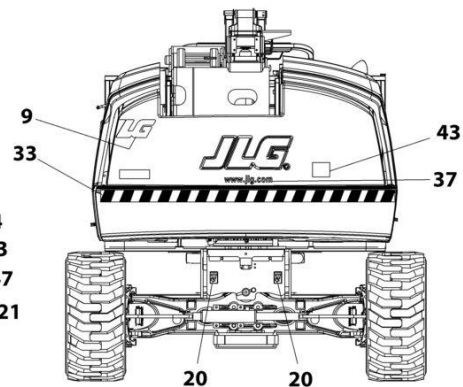
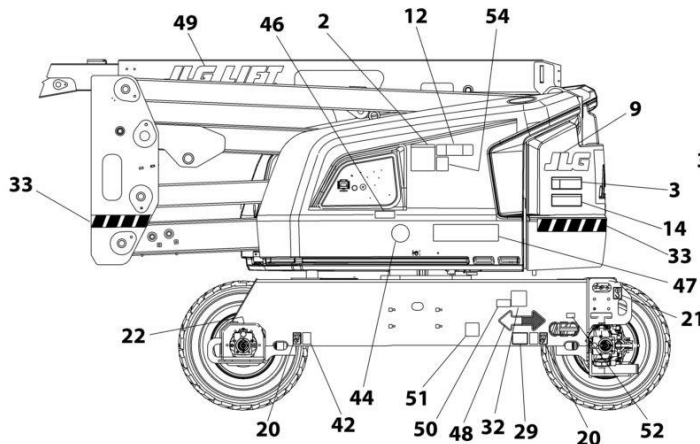
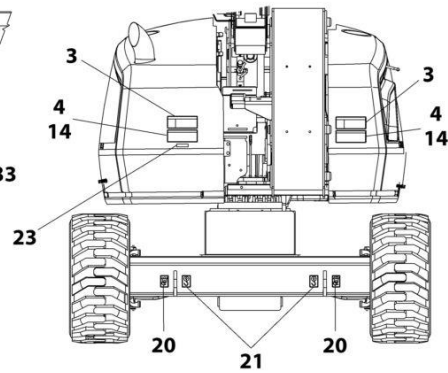
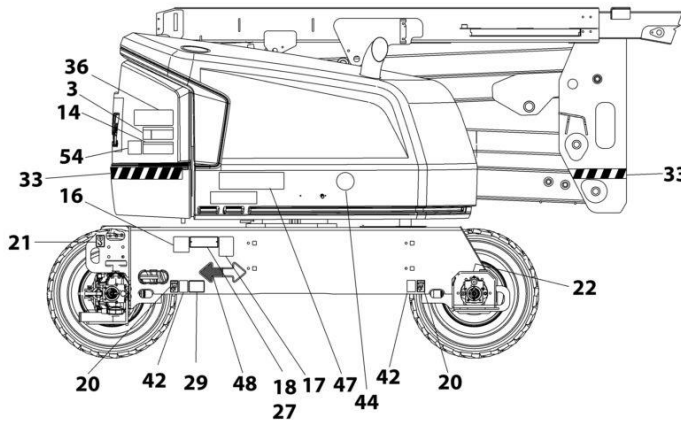
SECTION 9 - DECALS

SECTION 9 - DECALS

FIGURE 9-1. DECAL INSTALLATION – ANSI, ANSI EXPORT AND CSA SPECS (ENGLISH)



NOTE: SOME DECALS ARE CALLED OUT ON OPTIONAL DECALS INSTALLATION.
NOTE: ITEMS SHOWN MAY NOT BE REQUIRED FOR ALL SPECS. REFER TO PARTS LIST FOR USAGE.



ART_1001246402

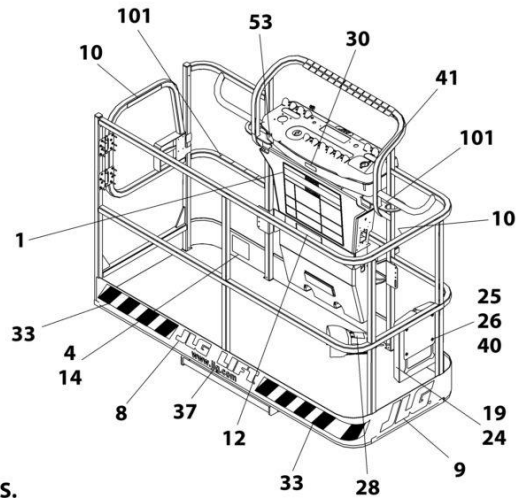
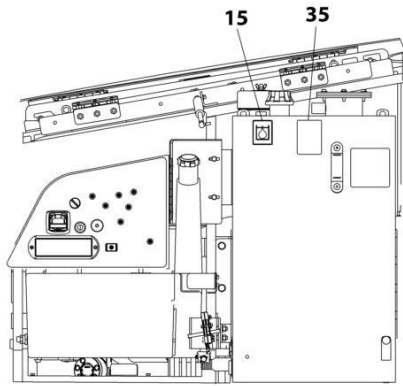
SECTION 9 - DECALS

FIGURE 9-1. DECAL INSTALLATION – ANSI, ANSI EXPORT AND CSA SPECS (ENGLISH)

ITEM	PART NUMBER	QTY	DESCRIPTION	REV
	1001248008	Re	DECAL INSTALLATION - REFERENCE CHART	C
	1001246402	Re	DECAL INSTALLATION	D
1	1703797	1	Decal - Danger/Warning	
2	1705336	1	Decal - Danger/Warning	
3	1703805	4	Decal - Danger/Electrocution	
4	1703804	4	Decal - Warning/Crushing	
8		Ref	Decal, JLG (See DECAL INSTALLATION - OPTIONS)	
9		Ref	Decal, JLG (See DECAL INSTALLATION - OPTIONS)	
10	1702868	2	Decal - No Hands	
12	1001255511	2	Decal - Max Capacity	
14	1703953	2	Decal - Warning/Crushing	
15	1701504	1	Decal - Hydraulic Oil	
16	See Note	NSS	Decal - Bar Code (Note: Not Available for Purchase)	
17	1001131269	1	Decal - Patent	
18		Ref	Nameplate - Manufacturers Serial Number (See DECAL INSTALLATION - OPTIONS)	
19	1701509	1	Decal - Manual	
20	1702300	8	Decal - Tie Down /Lift	
21	1701500	4	Decal - Tie Down /Lift	
22	1703687	2	Decal - Arrow	
23	3251243	1	Nameplate 120V-60Hz	
24	0860520	1	Box, Manual Storage	
25	4751400	4	Washer, 1/4	
26	3311405	4	Nut, Lock 1/4-20	
27	3820001	2	Rivet	
28	3252347	1	Decal - Footswitch	
29		Ref	Decal - Max Tire Load (See DECAL INSTALLATION - OPTIONS)	
32		Ref	Decal - LP (See DECAL INSTALLATION - OPTIONS)	
33		Ref	Warning Stripes Installation (See DECAL INSTALLATION - OPTIONS)	
35	1704412	1	Decal - Hydraulic Fluid	
36	1001284875	1	Decal - Lift Diagram (Without Turntable Lock)	
36	1001223118	1	Decal - Lift Diagram (With Turntable Lock)	
37	1704885	2	Decal - Website	
40	0641406	4	Bolt, 1/4-20 x 3/4	
41	1705351	1	Decal - Drive/Steer	
42	1701499	4	Decal - Tie Down /Lift	
43	3251813	1	Decal - USA	
47		Ref	Decal - Model Designation (See DECAL INSTALLATION - OPTIONS)	
48	1701529	2	Decal - Arrow	
51	1001223055	1	Decal - Yearly Inspection	
52	1001223453	1	Decal - Ices (Canada)	
100	1001232026	1	Decal - Platform Lanyard Kit (Not Shown)	
101	1704277	3	Decal - Attach Lanyard Here	

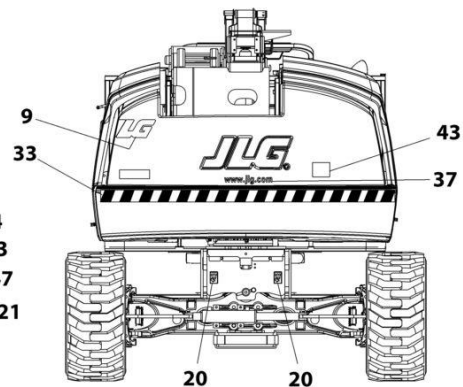
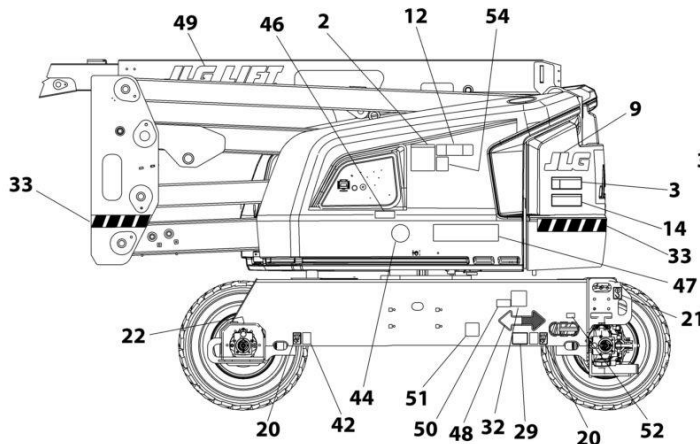
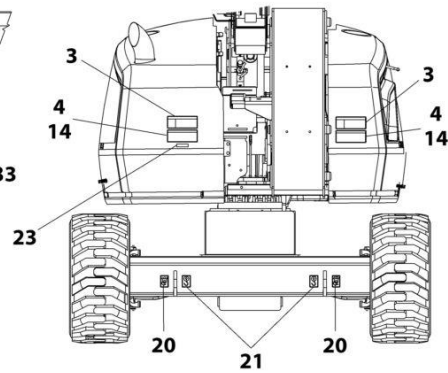
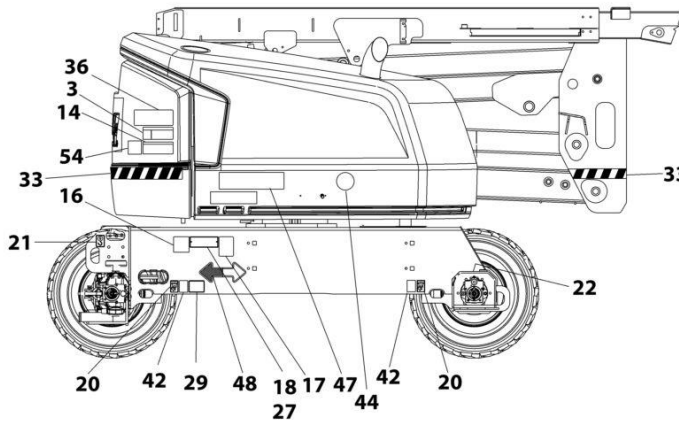
SECTION 9 - DECALS

FIGURE 9-2. DECAL INSTALLATION - AUSTRALIAN SPEC (ENGLISH)



NOTE: SOME DECALS ARE CALLED OUT ON OPTIONAL DECALS INSTALLATION.

NOTE: ITEMS SHOWN MAY NOT BE REQUIRED FOR ALL SPECS. REFER TO PARTS LIST FOR USAGE.



ART_1001162522

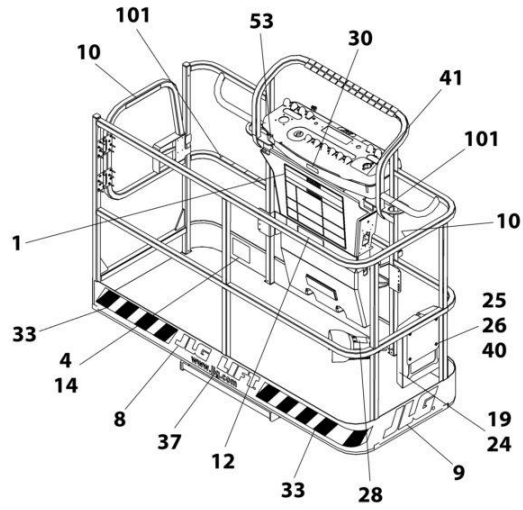
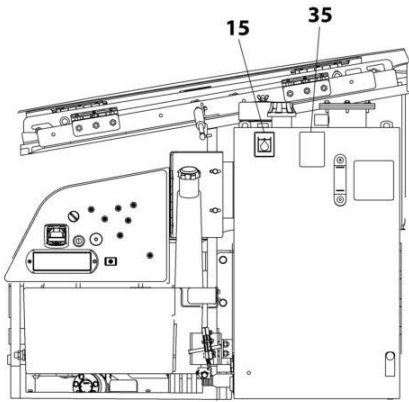
SECTION 9 - DECALS

FIGURE 9-2. DECAL INSTALLATION - AUSTRALIAN SPEC (ENGLISH)

ITEM	PART NUMBER	QTY	DESCRIPTION	REV
	1001248008	Ref	DECAL INSTALLATION - REFERENCE CHART	C
	1001162522	Ref	DECAL INSTALLATION	I
1	1001162429	1	Decal - Tipping/Electrocution	
2	1705822	1	Decal - Electrocution/Safety Manual	
3	1705961	4	Decal - Danger Electrocution	
8		Ref	Decal, JLG (See DECAL INSTALLATION - OPTIONS)	
9		Ref	Decal, JLG (See DECAL INSTALLATION - OPTIONS)	
12	1001190913	2	Decal - Max Capacity	
14	1701518	6	Decal - Warning/Crushing	
15	1701504	1	Decal - Hydraulic Oil	
16	See Note	NSS	Decal - Bar Code (Note: Not Available for Purchase)	
18		Ref	Nameplate - Manufacturers Serial Number (See DECAL INSTALLATION - OPTIONS)	
19	1701509	1	Decal - Manual	
20	1702300	8	Decal - Tie Down /Lift	
21	1701500	4	Decal - Tie Down /Lift	
22	1703687	2	Decal - Arrow	
24	0860520	1	Box, Manual Storage	
25	4751400	4	Washer, 1/4	
26	3311405	4	Nut, Lock 1/4-20	
27	3820001	4	Rivet	
28	1705828	1	Decal - Footswitch	
29		Ref	Decal - Max Tire Load (See DECAL INSTALLATION - OPTIONS)	
33		Ref	Warning Stripes Installation (See DECAL INSTALLATION - OPTIONS)	
35	1704412	1	Decal - Hydraulic Fluid	
36	1001284875	1	Decal - Lift Diagram (Without Turntable Lock)	
36	1001223118	1	Decal - Lift Diagram (With Turntable Lock)	
37	1704885	2	Decal - Website	
40	0641406	4	Bolt, 1/4-20 x 3/4	
42	1701499	4	Decal - No Tie Down/Lift	
43	1001204510	1	Decal - Sound Power Level	
46	1001112551	1	Decal - Emergency Controls	
47		Ref	Decal - Model Designation (See DECAL INSTALLATION - OPTIONS)	
48	1701529	2	Decal - Arrow	
49		Ref	Decal, JLG (See DECAL INSTALLATION - OPTIONS)	
50		Ref	Decal - Emissions Compliance (See DECAL INSTALLATION - OPTIONS)	
100	1001232026	1	Decal - Platform Lanyard Kit (Not Shown)	
101	1704277	3	Decal - Attach Lanyard Here	

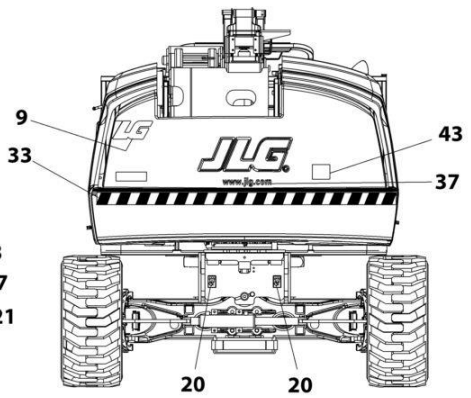
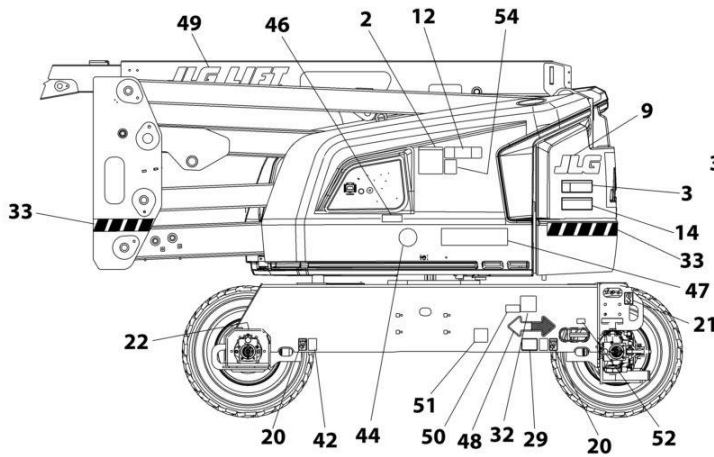
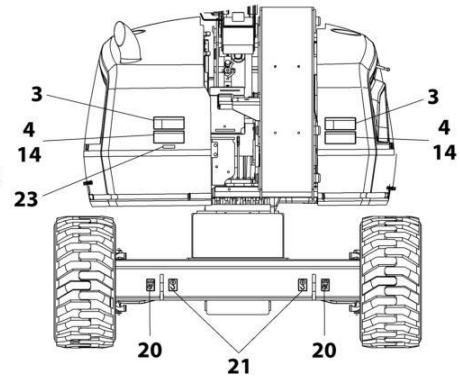
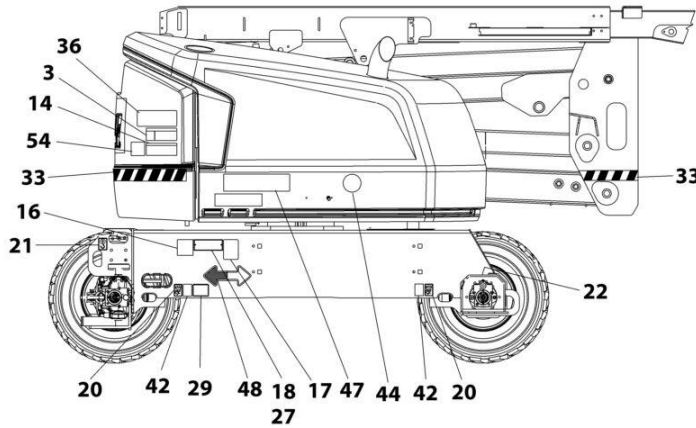
SECTION 9 - DECALS

FIGURE 9-3. DECAL INSTALLATION - BRAZIL SPEC (ENGLISH)



NOTE: SOME DECALS ARE CALLED OUT ON OPTIONAL DECALS INSTALLATION.

NOTE: ITEMS SHOWN MAY NOT BE REQUIRED FOR ALL SPECS. REFER TO PARTS LIST FOR USAGE.



ART_1001256207_D

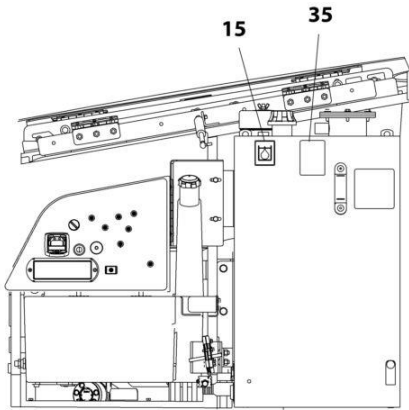
SECTION 9 - DECALS

FIGURE 9-3. DECAL INSTALLATION - BRAZIL SPEC (ENGLISH)

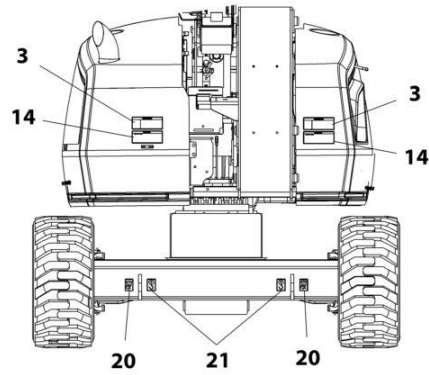
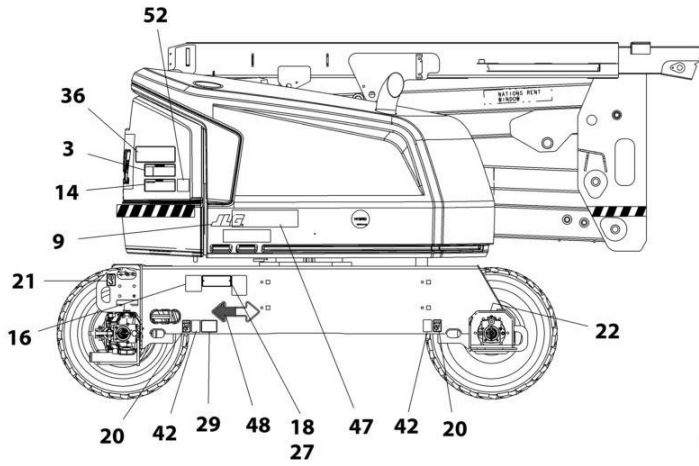
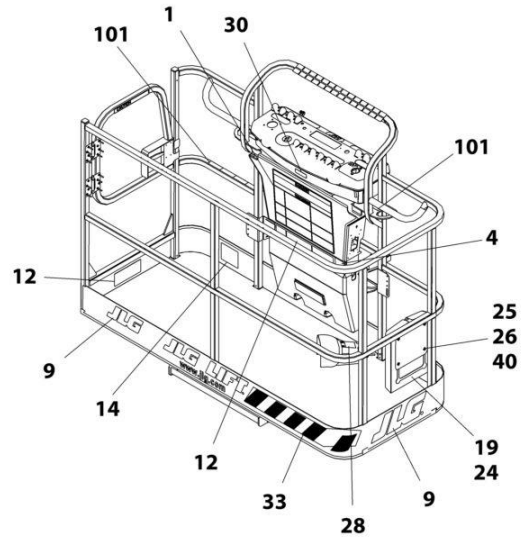
ITEM	PART NUMBER	QTY	DESCRIPTION	REV
	1001248008	Ref	DECAL INSTALLATION - REFERENCE CHART	C
	1001256207	Ref	DECAL INSTALLATION	D
1	1703928	1	Decal - Danger/Warning	
2	1705349	1	Decal - Warning Inspection	
3	1703940	4	Decal - Danger Electrocution	
4	1703952	4	Decal - Warning/Crushing	
8		Ref	Decal, JLG (See DECAL INSTALLATION - OPTIONS)	
9		Ref	Decal, JLG (See DECAL INSTALLATION - OPTIONS)	
10	1704002	2	Decal - No Hands	
12	1001255515	2	Decal - Max Capacity	
14	1703946	2	Decal - Warning/Crushing	
15	1701504	1	Decal - Hydraulic Oil	
16	See Note	NSS	Decal - Bar Code (Note: Not Available for Purchase)	
18		Ref	Nameplate - Manufacturers Serial Number (See DECAL INSTALLATION - OPTIONS)	
19	1701509	1	Decal - Manual	
20	1702300	8	Decal - Tie Down /Lift	
21	1701500	4	Decal - Tie Down /Lift	
22	1703687	2	Decal - Arrow	
23	3251243	1	Decal - 120V-60Hz	
24	0860520	1	Box, Manual Storage	
25	4751400	4	Washer, 1/4	
26	3311405	4	Nut, Lock 1/4-20	
27	3820001	4	Rivet	
28	1703985	1	Decal, Foot Switch	
29		Ref	Decal - Max Tire Load (See DECAL INSTALLATION - OPTIONS)	
32		Ref	Decal - LP (See DECAL INSTALLATION - OPTIONS)	
33		Ref	Warning Stripes Installation (See DECAL INSTALLATION - OPTIONS)	
35	1704412	1	Decal - Hydraulic Fluid	
36	1001284875	1	Decal - Lift Diagram	
37	1704885	2	Decal - Website	
40	0641406	4	Bolt, 1/4-20 x 3/4	
41	1001113680	1	Decal - Drive/Steer	
42	1701499	4	Decal - No Tie Down/Lift	
43	3251813	1	Decal - USA	
47		Ref	Decal - Model Designation (See DECAL INSTALLATION - OPTIONS)	
48	1701529	2	Decal - Arrow	
49		Ref	Decal, JLG (See DECAL INSTALLATION - OPTIONS)	
50		Ref	Decal - Emissions Compliance (See DECAL INSTALLATION - OPTIONS)	
51	1001224052	1	Decal - Yearly Inspection	
100	1001232026	1	Decal - Platform Lanyard Kit (Not Shown)	
101	1704277	3	Decal - Attach Lanyard Here	

SECTION 9 - DECALS

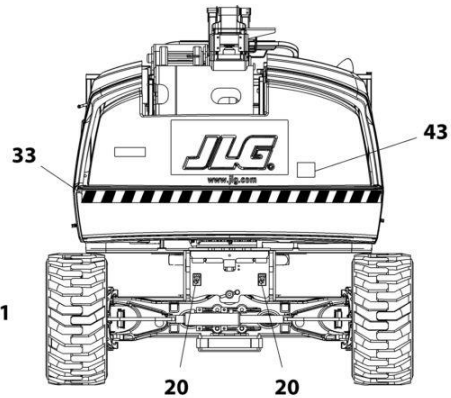
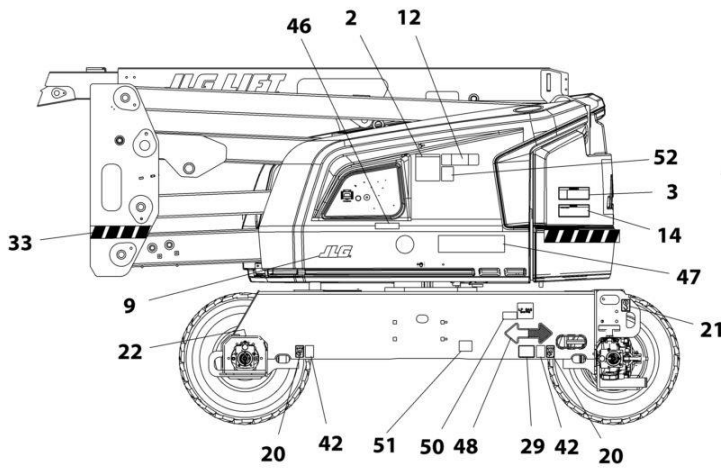
FIGURE 9-4. DECAL INSTALLATION - CE & UK CA SPEC (ENGLISH)



NOTE: SOME DECALS ARE CALLED OUT ON OPTIONAL DECALS INSTALLATION.



NOTE: ITEMS SHOWN MAY NOT BE REQUIRED FOR ALL SPECS. REFER TO PARTS LIST FOR USAGE.



ART_1001162528_L

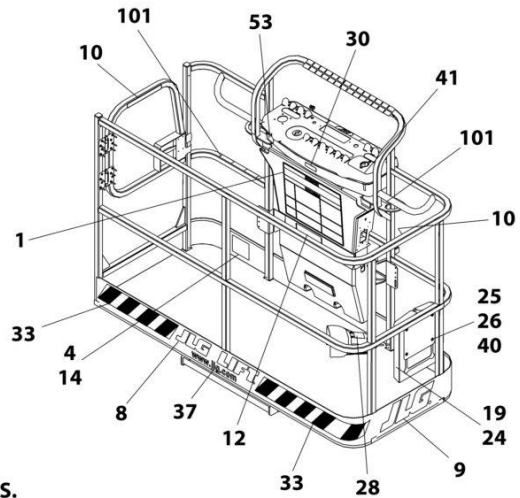
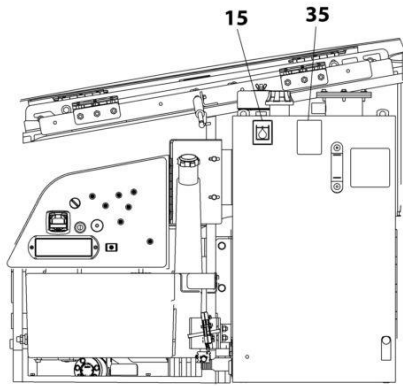
SECTION 9 - DECALS

FIGURE 9-4. DECAL INSTALLATION - CE & UK CA SPEC (ENGLISH)

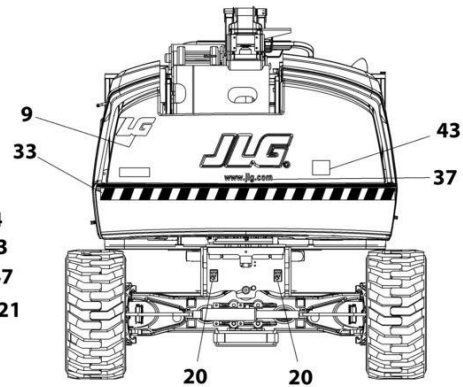
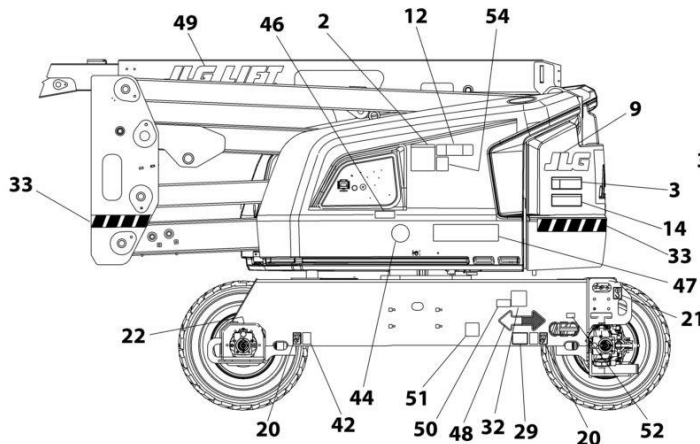
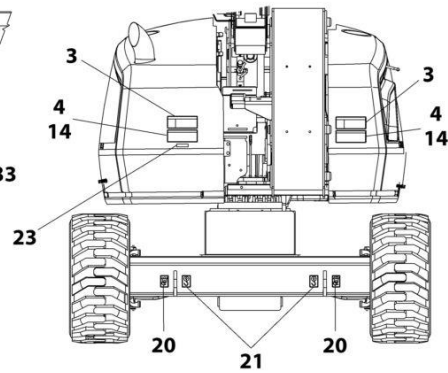
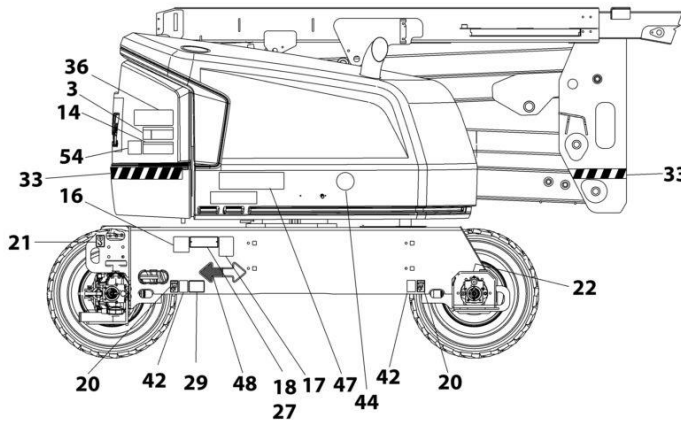
ITEM	PART NUMBER	QTY	DESCRIPTION	REV
	1001217904	Ref	DECAL INSTALLATION - REFERENCE CHART	F
	1001162528	Ref	DECAL INSTALLATION	L
1	1001162429	1	Decal - Tipping/Electrocution	
2	1705822	1	Decal - Electrocution/Safety Manual	
3	1705961	4	Decal - Danger Electrocution	
4	1001244301	1	Decal - No Platform to Ground	
9	1702773	3	Decal - JLG	
12	1001190913	1	Decal - Max Capacity	
14	1701518	6	Decal - Warning/Crushing	
15	1701504	1	Decal - Hydraulic Oil	
16	See Note	NSS	Decal - Bar Code (Note: Not Available for Purchase)	
18		Ref	Nameplate - Manufacturers Serial Number (See DECAL INSTALLATION - OPTIONS)	
19	1701509	1	Decal - Manual	
20	1702300	8	Decal - Tie Down /Lift	
21	1701500	4	Decal - Tie Down /Lift	
22	1703687	2	Decal - Arrow	
24	0860520	1	Box, Manual Storage	
25	4751400	4	Washer, 1/4	
26	3311405	4	Nut, Lock 1/4-20	
27	3820001	4	Rivet	
28	1705828	1	Decal - Footswitch	
29		Ref	Decal - Max Tire Load (See DECAL INSTALLATION - OPTIONS)	
33		Ref	Warning Stripes Installation (See DECAL INSTALLATION - OPTIONS)	
35	1704412	1	Decal - Hydraulic Fluid	
36	1001284875	1	Decal - Lift Diagram (Without Turntable Lock)	
36	1001223118	1	Decal - Lift Diagram (With Turntable Lock)	
40	0641406	4	Bolt, 1/4-20 x 3/4	
42	1701499	4	Decal - No Tie Down/Lift	
46	1001189882	1	Decal - MSSO	
47		Ref	Decal - Model Designation (See DECAL INSTALLATION - OPTIONS)	
48	1701529	2	Decal - Arrow	
50		Ref	Decal - Emissions Compliance (See DECAL INSTALLATION - OPTIONS)	
51		Ref	Decal - Quick Start Reference (See DECAL INSTALLATION - OPTIONS)	
52	1001244298	2	Decal - Wechat	
100	1001232026	1	Decal - Platform Lanyard Kit (Not Shown)	
101	1704277	3	Decal - Attach Lanyard Here	

SECTION 9 - DECALS

FIGURE 9-5. DECAL INSTALLATION - CHINESE SPEC (CHINESE/ENGLISH)



NOTE: SOME DECALS ARE CALLED OUT ON OPTIONAL DECALS INSTALLATION.
NOTE: ITEMS SHOWN MAY NOT BE REQUIRED FOR ALL SPECS. REFER TO PARTS LIST FOR USAGE.



ART_1001246206

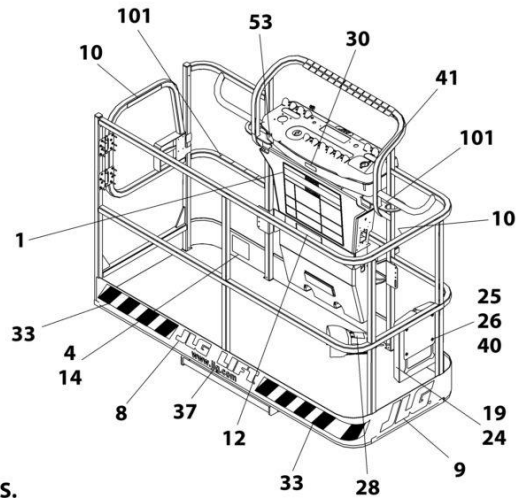
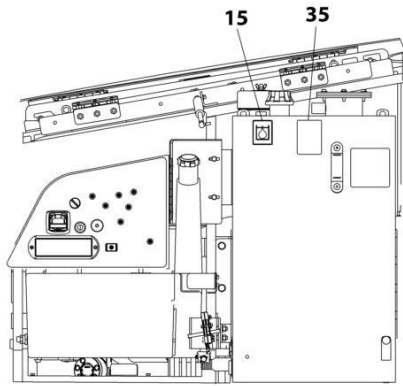
SECTION 9 - DECALS

FIGURE 9-5. DECAL INSTALLATION - CHINESE SPEC (CHINESE/ENGLISH)

ITEM	PART NUMBER	QTY	DESCRIPTION	REV
	1001248008	Ref	DECAL INSTALLATION - REFERENCE CHART	C
	1001256206	Ref	DECAL INSTALLATION	B
1	1703925	1	Decal - Danger/Warning	
2	1001116849	1	Decal - Warning Inspection	
3	1703937	4	Decal - Danger Electrocution	
4	1703949	4	Decal - Warning/Crushing	
8		Ref	Decal, JLG (See DECAL INSTALLATION - OPTIONS)	
9		Ref	Decal, JLG (See DECAL INSTALLATION - OPTIONS)	
10	1705968	2	Decal - No Hands	
12	1001255514	2	Decal - Max Capacity	
14	1703943	2	Chinese Spec Decals (Chinese/English)	
15	1701504	1	Decal - Hydraulic Oil	
16	See Note	NSS	Decal - Bar Code (Note: Not Available for Purchase)	
18		Ref	Nameplate - Manufacturers Serial Number (See DECAL INSTALLATION - OPTIONS)	
19	1701509	1	Decal - Manual	
20	1702300	8	Decal - Tie Down /Lift	
21	1701500	4	Decal - Tie Down /Lift	
22	1703687	2	Decal - Arrow	
24	0860520	1	Box, Manual Storage	
25	4751400	4	Washer, 1/4	
26	3311405	4	Nut, Lock 1/4-20	
27	3820001	4	Rivet	
28	1703982	1	Decal - Footswitch	
29		Ref	Decal - Max Tire Load (See DECAL INSTALLATION - OPTIONS)	
33		Ref	Warning Stripes Installation (See DECAL INSTALLATION - OPTIONS)	
35	1704412	1	Decal - Hydraulic Fluid	
36	1001284875	1	Decal - Lift Diagram	
37	1704885	2	Decal - Website	
40	0641406	4	Bolt, 1/4-20 x 3/4	
41	1705430	1	Decal - Drive/Steer	
42	1701499	4	Decal - No Tie Down/Lift	
47		Ref	Decal - Model Designation (See DECAL INSTALLATION - OPTIONS)	
48	1701529	2	Decal - Arrow	
49		Ref	Decal, JLG (See DECAL INSTALLATION - OPTIONS)	
50		Ref	Decal - Emissions Compliance (See DECAL INSTALLATION - OPTIONS)	
51	1001224050	1	Decal - Yearly Inspection	
100	1001232026	1	Decal - Platform Lanyard Kit (Not Shown)	
101	1704277	3	Decal - Attach Lanyard Here	

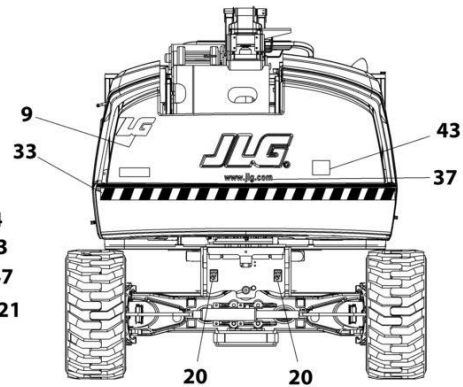
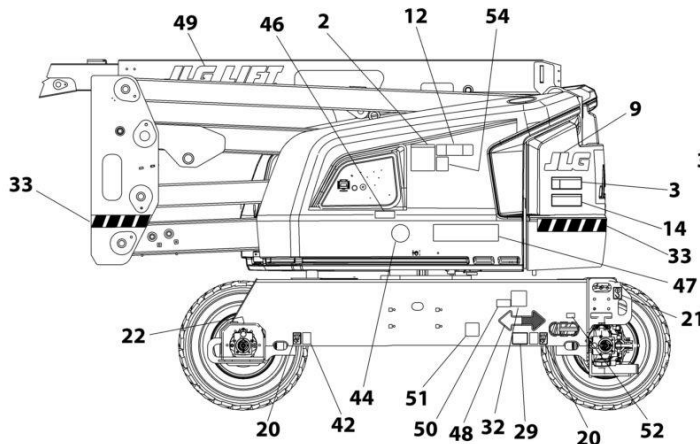
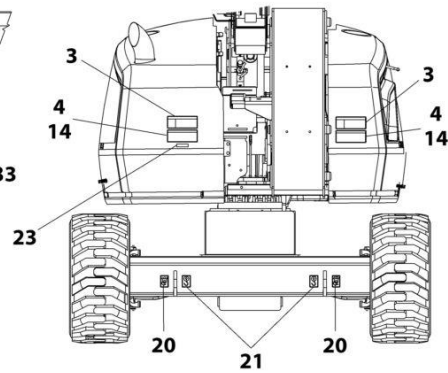
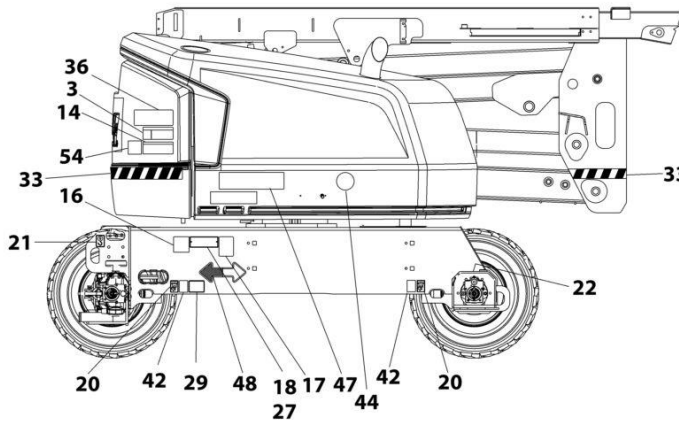
SECTION 9 - DECALS

FIGURE 9-6. DECAL INSTALLATION - LATIN AMERICA SPEC (SPANISH/ENGLISH)



NOTE: SOME DECALS ARE CALLED OUT ON OPTIONAL DECALS INSTALLATION.

NOTE: ITEMS SHOWN MAY NOT BE REQUIRED FOR ALL SPECS. REFER TO PARTS LIST FOR USAGE.



ART_1001162522

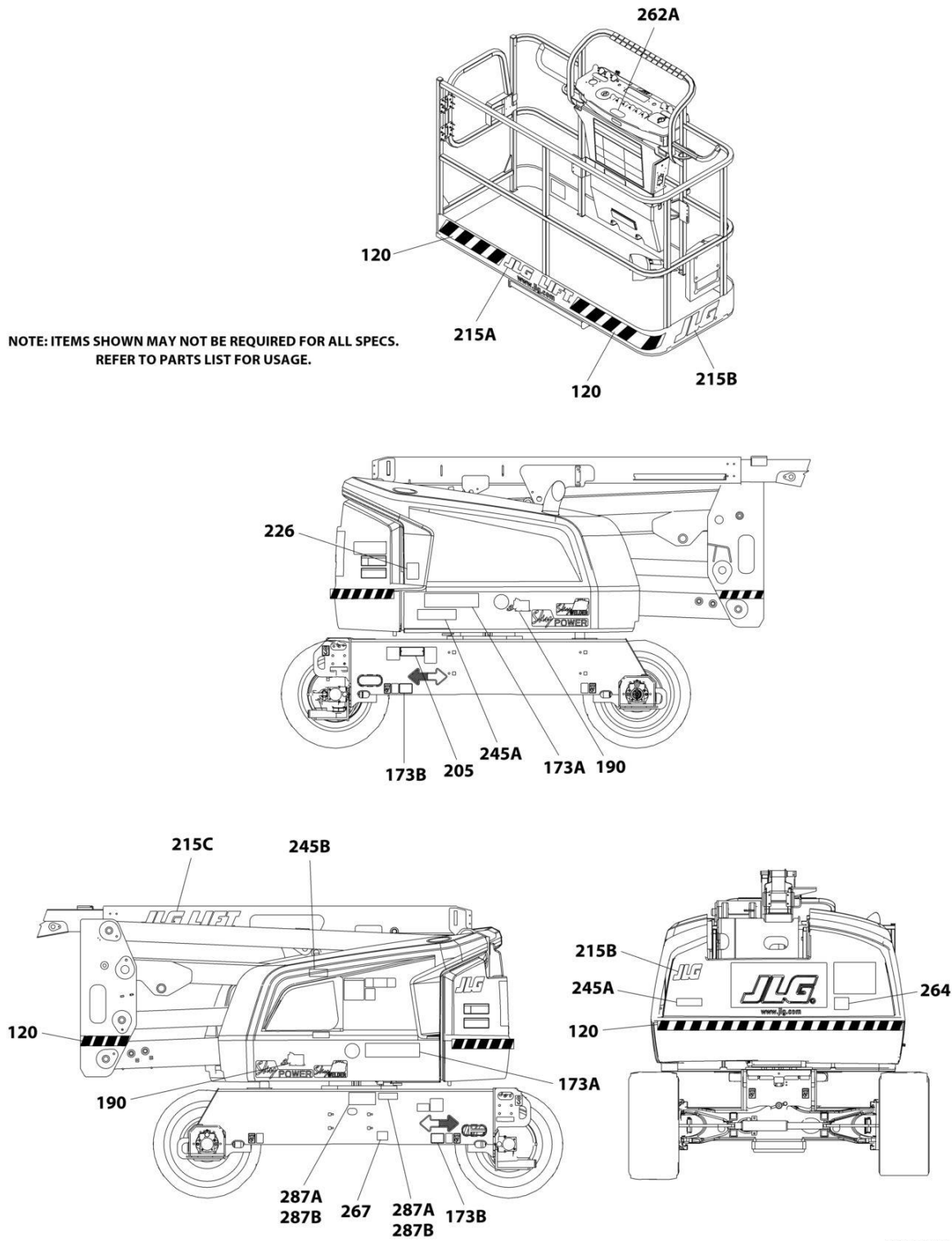
SECTION 9 - DECALS

FIGURE 9-6. DECAL INSTALLATION - LATIN AMERICA SPEC (SPANISH/ENGLISH)

ITEM	PART NUMBER	QTY	DESCRIPTION	REV
	1001248008	Ref	DECAL INSTALLATION - REFERENCE CHART	C
	1001246407	Ref	DECAL INSTALLATION	C
1	1703923	1	Decal - Danger/Warning	
2	1705917	1	Decal - Warning Inspection	
3	1703935	4	Decal - Danger Electrocution	
4	1703947	4	Decal - Warning/Crushing	
8		Ref	Decal, JLG (See DECAL INSTALLATION - OPTIONS)	
9		Ref	Decal, JLG (See DECAL INSTALLATION - OPTIONS)	
10	1704001	2	Decal - No Hands	
12	1001255516	2	Decal - Max Capacity	
14	1703941	2	Decal - Warning/Crushing	
15	1701504	1	Decal - Hydraulic Oil	
16	See Note	NSS	Decal - Bar Code (Note: Not Available for Purchase)	
18		Ref	Nameplate - Manufacturers Serial Number (See DECAL INSTALLATION - OPTIONS)	
19	1701509	1	Decal - Manual	
20	1702300	8	Decal - Tie Down /Lift	
21	1701500	4	Decal - Tie Down /Lift	
22	1703687	2	Decal - Arrow	
23	3251243	1	Decal - 120V-60Hz	
24	0860520	1	Box, Manual Storage	
25	4751400	4	Washer, 1/4	
26	3311405	4	Nut, Lock 1/4-20	
27	3820001	8	Rivet	
28	1703983	1	Decal - Footswitch	
29		Ref	Decal - Max Tire Load (See DECAL INSTALLATION - OPTIONS)	
32		Ref	Decal - LP (See DECAL INSTALLATION - OPTIONS)	
33		Ref	Warning Stripes Installation (See DECAL INSTALLATION - OPTIONS)	
35	1704412	1	Decal - Hydraulic Fluid	
36	1001284875	1	Decal - Lift Diagram (Without Turntable Lock)	
36	1001223118	1	Decal - Lift Diagram (With Turntable Lock)	
37	1704885	2	Decal - Website	
40	0641406	4	Bolt, 1/4-20 x 3/4	
41	1705910	1	Decal - Drive/Steer	
42	1701499	4	Decal - No Tie Down/Lift	
43	3251813	1	Decal - USA	
47		Ref	Decal - Model Designation (See DECAL INSTALLATION - OPTIONS)	
48	1701529	2	Decal - Arrow	
49		Ref	Decal, JLG (See DECAL INSTALLATION - OPTIONS)	
50		Ref	Decal - Emissions Compliance (See DECAL INSTALLATION - OPTIONS)	
51	1001224049	1	Decal - Yearly Inspection	
100	1001232026	1	Decal - Platform Lanyard Kit (Not Shown)	
101	1704277	3	Decal - Attach Lanyard Here	

SECTION 9 - DECALS

FIGURE 9-7. DECAL INSTALLATION - OPTIONS



NOTE: ITEMS SHOWN MAY NOT BE REQUIRED FOR ALL SPECS.
REFER TO PARTS LIST FOR USAGE.

ART_DECAL_OPTIONS

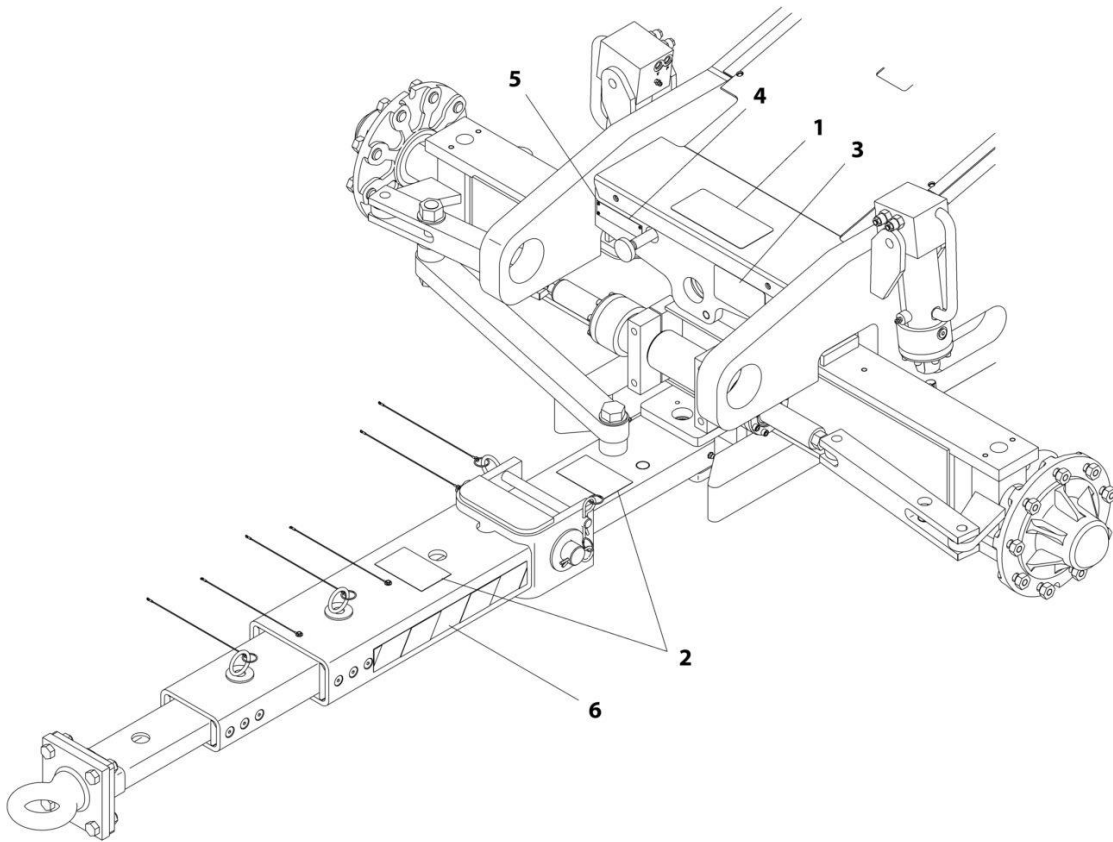
SECTION 9 - DECALS

FIGURE 9-7. DECAL INSTALLATION - OPTIONS

ITEM	PART NUMBER	QTY	DESCRIPTION	REV
	1001248008	Ref	DECAL INSTALLATION - REFERENCE CHART (ALL SPECS EXCEPT CE SPECS)	B
	1001217904	Ref	DECAL INSTALLATION - REFERENCE CHART (CE & UK CA SPECS)	E
	1001247248	Ref	DECAL INSTALLATION - OPTIONS	
120	1001188883	Ref	Warning Stripes Installation	A
120	4420051	21.5 ft /6.55m	Tape, Safety	
173	1001173076	Ref	Model Decal Installation - 520AJ	D
173A	1001267313	2	Decal - 520AJ	
190	1705358	2	Decal - SkyGlazier (Australian Specs)	
205	See Note	1	Nameplate - Manufacturers Serial Number (Note: Not Available for Purchase)	
215	1001166085	Ref	JLG Logo Installation	C
215A	1702774	1	Decal - JLG Lift (3in)	
215B	1702773	1	Decal - JLG	
215C	1702860	1	Decal - JLG Lift (5in)	
215	1001291458	1	JLG Logo Installation Chinese	A
215A	1001288705	1	Decal - JLG Lift (3in) (Chinese Brand)	
215B	1702773	1	Decal - JLG	
215C	1001290348	1	Decal - JLG Lift (5in) (Chinese Brand)	
226	1706098	1	Decal - Warning Explosion/Fire)	
245	1001127096	Ref	Decal - ClearSky	
245A	1001116208	2	Decal - ClearSky	
245B	1001120989	1	Decal - Radio Frequency	
245	1001294864	Ref	Clearsky Smart Fleet Decal Installation	
245A	1001120989	1	Decal - Radio Frequency	
245B	1001294815	1	Decal - ClearSky	
262A	1001141300	1	Decal - SkyGuard Override	
264	1001204510	1	Decal - Sound Power (102 Db)	
264	1001130492	1	Decal - Sound Power (105 Db)	
267	1001200131	1	Decal - Quick Start Reference (Loxam Rental) (Danish Spec)	
267	1001200129	1	Decal - Quick Start Reference (Loxam Rental) (Dutch Spec)	
267	1001181145	1	Decal - Quick Start Reference (Loxam Rental) (English Spec)	
267	1001200128	1	Decal - Quick Start Reference (Loxam Rental) (French Spec)	
267	1001200130	1	Decal - Quick Start Reference (Loxam Rental) (German Spec)	
267	1001200134	1	Decal - Quick Start Reference (Loxam Rental) (Norwegians Spec)	
267	1001200133	1	Decal - Quick Start Reference (Loxam Rental) (Spanish Spec)	
267	1001200132	1	Decal - Quick Start Reference (Loxam Rental) (Swedish Spec)	
287A	1001239371	Ref	Eco Label Installation (without Deutz D2.9L4 (China IV) Engine)	
287A	3820001	8	Rivet	
287A	See Note	NSS	Plate - Environmental Protection (Note: Not Available for Purchase)	
287A	See Note	NSS	Plate - Meiin Code (Note: Not Available for Purchase)	
287B	1001292418	Ref	Eco Label Installation (with Deutz D2.9L4 (China IV) Engine)	
287B	3820001	8	Rivet	
287B	See Note	NSS	Plate - Environmental Protection (Note: Not Available for Purchase)	
287B	See Note	NSS	Plate - Meiin Code (Note: Not Available for Purchase)	

SECTION 9 - DECALS

FIGURE 9-8. TOW BAR DECAL INSTALLATION - ENGLISH LANGUAGE (ANSI EXPORT, CE, CIS/EAC & UK CA SPECS)



ART_0270115

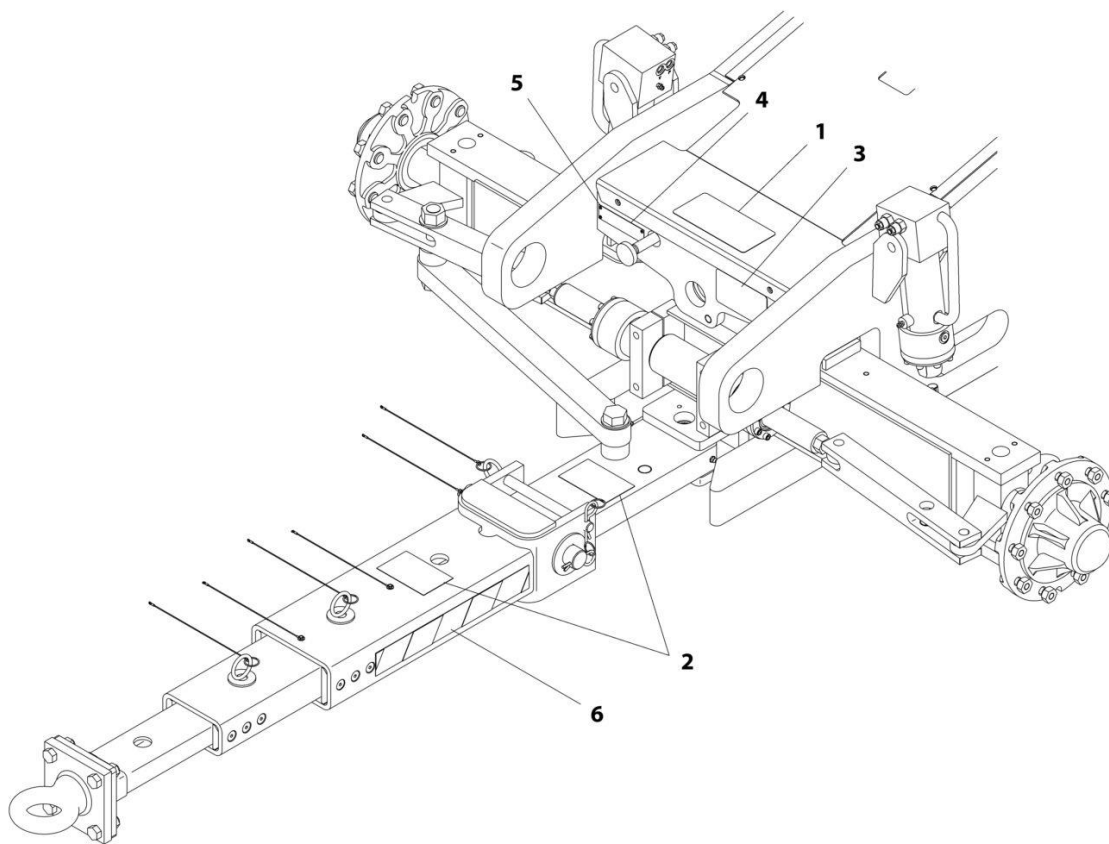
SECTION 9 - DECALS

FIGURE 9-8. TOW BAR DECAL INSTALLATION - ENGLISH LANGUAGE (ANSI EXPORT, CE, CIS/EAC & UK CA SPECS)

ITEM	PART NUMBER	QTY	DESCRIPTION	REV
	0270115	Ref	TOW BAR DECAL INSTALLATION	A
1	1704482	1	Decal - Tow Instructions	
2	1704578	3	Decal - Crushing	
3	1703450	1	Decal - Warning	
4	3250872	1	Nameplate - Steer/Tow Select Valve	
5	3820001	4	Rivet	
6	4420051	43 in /109.2cm	Tape, Safety	

SECTION 9 - DECALS

FIGURE 9-9. TOW BAR DECAL INSTALLATION - SPANISH LANGUAGE (CE, CIS/EAC & UK CA SPECS)



ART_0270116

SECTION 9 - DECALS

FIGURE 9-9. TOW BAR DECAL INSTALLATION - SPANISH LANGUAGE (CE, CIS/EAC & UK CA SPECS)

ITEM	PART NUMBER	QTY	DESCRIPTION	REV
	0270116	Ref	TOW BAR DECAL INSTALLATION	A
1	1704455	1	Decal - Tow Instructions	
2	1701518	3	Decal - Crushing	
3	1704456	1	Decal - Warning	
4	3252692	1	Nameplate - Steer/Tow Select Valve	
5	3820001	4	Rivet	
6	4420051	43 in /109.2cm	Tape, Safety	

SECTION 10 - RECOMMENDED SERVICE PARTS STOCK

SECTION 10 - RECOMMENDED SERVICE PARTS STOCK

SECTION 10 - RECOMMENDED SERVICE PARTS STOCK

FIGURE 10-1. RECOMMENDED SERVICE PARTS STOCK

ITEM	PART NUMBER	QTY	DESCRIPTION	REV
		Ref	Note: The following list will service one machine (built to current production per date on the front cover) with emergency repair parts which can be installed in the field. Parts from the list should be replaced when inventory is depleted to keep service parts stock supplied. For further information, contact your JLG dealer or the JLG Industries Parts Department.	
	7024485	1	Breaker, Circuit 30Amp (7500W/50HZ Generator)	
	1001181045	1	Breaker, Combination 16Amp/30mAmp (Breaker Box with Single Breaker)	
	1001189172	1	Breaker 16Amp Double (Breaker Box with Three Breakers)	
	1001189171	1	Breaker, 30mA (Breaker Box with Three Breakers)	
	4360070	1	Circuit Breaker - 15Amp (7500W/50HZ Generator)	
	7024885	1	Coil (Traction Valve)	
	70002386	1	Coil (Traction, & Main Control Valves)	
	70005219	1	Coil (Main Control Valve)	
	70003788	1	Coil (Main Control Valve)	
	70004897	1	Coil (Piston Pump)	
	70004871	1	Coil (Upright & Boom Valves)	
	7027628	1	Coil (Upright Valve)	
	1001275628	1	Controller Assembly (Drive and Steer)	
	1001275629	1	Controller Assembly (Lift and Swing)	
	4360407	1	Controller, Speed (Platform Controls)	
	70010383	1	Element, Filter (Charge Pump)	
		Ref	Engine - Deutz D2011	
	70003783	12	Element, Air Cleaner	
	7020023	12	Filter, Fuel	
	70003463	12	Filter, Fuel - RME Resistant	
	7016331	12	Filter, Oil	
	3740140	1	Relay, 100Amp	
	70004058	1	Relay	
		Ref	Engine - Deutz D2.9L4 (Stage V)	
	1001197719	2	Fuse, 0.5 Watt	
	1001196634	2	Fuse, 2 Amp	
	1001117308	1	Relay, 200Amp	
	1001138228	1	Relay, Power Module	
		Ref	Engine - Deutz D2.9L4 (China IV)	
	70003783	12	Element, Air Cleaner	
	1001117308	1	Relay, 200Amp	
	1001138228	1	Relay, Power Module	
	70003614	12	Filter Kit (Includes Hydraulic Element, Breather Element and Gasket) (Hydraulic Tank)	
	1001117174	1	Footswitch Assembly	
	8229249	2	Fuse, 3 Amp (USB Charger)	
	1001196635	2	Fuse, 3Amp (Turntable Harness)	
	8229242	2	Fuse, 5Amp (Turntable Harness)	
	8229244	2	Fuse, 15Amp (Turntable HHarness)	
	8229245	2	Fuse, 30Amp (2500W/50HZ Generator)	
	1001129285	2	Fuse with Diode (Turntable Harness)	
	2860030	1	Key, Replacement	
	2940074	1	Latch (Platforms with Side Entry)	

SECTION 10 - RECOMMENDED SERVICE PARTS STOCK

ITEM	PART NUMBER	QTY	DESCRIPTION	REV
	1001170094	1	Module, Ground Control	
	1001142683	1	Module, Control (Blue and Red Beacons)	
	1001118412	1	Module, Control (Platform Console Box)	
	70006553	1	Relay (4000W/50HZ Generator)	
	1001186431	1	Relay (SkyGuard)	
	3740086	1	Relay (SkyLine)	
	1001095704	1	Relay, (Turntable Harness)	
	1001219601	1	Sensor (At Ground Controls)	
	1001228225	1	Sensor, Emitter (SkyEye)	
	1001228224	1	Sensor, Receiver (SkyEye)	
	1001232667	1	Sensor, Proximity (SkyLine)	
	1001237902	1	Sensor (SkySense)	
	1001118971	1	Sensor, Angle (Boom)	
	1001119176	1	Switch, Limit (Drive Orientation)	
	4360469	1	Switch, Key (Ground Controls)	
	4360475	1	Switch, Emergency Stop (Ground & Platform Controls)	
	4360476	1	Switch, Contact Block (Ground & Platform Controls)	
	1001155045	1	Switch, Toggle (Ground & Platform Controls)	
	4360387	1	Switch, Push Button (Ground & Platform Controls)	
	4360274	1	Switch, Push Button (Ground Controls)	
	4360336	1	Switch, Toggle (Generator)	
	1001159256	1	Switch, Toggle (Platform Controls)	
	1001161709	1	Switch, Toggle (Platform Controls)	
	1001137673	1	Switch, Bar (SkyGuard)	
	1001172271	1	Switch, Limit (Boom)	

SECTION 11 - SPECIAL OPTIONS/ACCESSORIES/KITS

SECTION 11 - SPECIAL OPTIONS/ACCESSORIES/KITS

SECTION 11 - SPECIAL OPTIONS/ACCESSORIES/KITS

FIGURE 11-1. SPECIAL OPTIONS/ACCESSORIES/KITS

ITEM	PART NUMBER	QTY	DESCRIPTION	REV
	Note	Ref	Note: This list is to accommodate machines ordered with special equipment. Options may not be applicable to all models. For more specific parts information contact JLG Parts Department.	
		Ref	MISCELLANEOUS SPECIAL OPTIONS/ACCESSORIES/KITS	
	1001174661	Ref	Airline Installation	
	1001241254	Ref	Boom Angle Sensor Offset Link Kit	
	1001236123	Ref	Boom Wiper Cover Installation	
	1001172045	Ref	Cable Carrier Tray Installation	
		Ref	ClearSky Telematics (Factory Installed)	
	1001228960	Ref	ClearSky (Telematics) Installation (Factory Installed) 3G Canbus Connection (ANSI Export, CE & UK CA Specs)	
	1001227278	Ref	ClearSky (Telematics) Installation (Factory Installed) 4G Canbus Connection (All Specs)	
	1001276610	Ref	ClearSky (Telematics) Installation (Factory Installed) 3-Wire Connection (All Specs Except China Specs)	
	1001246433	Ref	ClearSky (Telematics) Installation (Factory Installed) 3-Wire Connection (Australian Specs)	
	1001286266	Ref	ClearSky (Telematics) Smart Fleet Installation	
	1001246434	Ref	ClearSky (Telematics) Installation (Factory Installed) 3-Wire Connection (China Specs)	
		Ref	ClearSky (Telematics) Installations (Dealer Installed)	
	1001243183	Ref	ClearSky (Telematics) Add-on Kit (Dealer Installed) (ANSI Export, CE & UK CA Specs)	
	1001243184	Ref	ClearSky (Telematics) Add-on Kit (Dealer Installed) (CE & UK CA Specs)	
	1001276923	Ref	ClearSky (Telematics) Add-on Kit (Dealer Installed) (Contact JLG for Approved Countries)	
	1001242639	Ref	ClearSky (Telematics) Access Control Installation Kit (Dealer Installed) (ANSI, ANSI Export, CSA, CE & UK CA Specs)	
	1001246142	Ref	ClearSky (Telematics) Service Kit (Dealer Installed) (Australian Specs)	
	1001174766	Ref	Cold Weather Package - Deutz D2.9L4 Engines (Stage V)	
	1001255807	Ref	Cold Weather Package - Deutz D2.9L4 Engines (Stage V)	
	1001282099	Ref	Cold Weather Package - Deutz D2.9L4 Engines (China IV)	
	1001174767	Ref	Cold Weather Package - Deutz D2011 Engines	
	1001186976	Ref	Cold Weather Transformer Installation (Required with Deutz D2011 Engines)	
	0272031	Ref	Container/Transport Wheels Installation - 33/1550 x 16.5 Tires	
	1001233047	Ref	Crankcase Breather Heater Kit	
	1001196012	Ref	Cylinder Bellows Installation - 450AJ	
	70006428	Ref	Drive Hub Bearing and Seal Kit (For Hub Assembly 2780267 & 2780268)	
	70006429	Ref	Drive Hub Seal Kit (For Hub Assembly 2780267 & 2780268)	
	1001290271	Ref	ECU Power Jumper Kit - Stage V Engines Only	
	1001243331	Ref	Fan Cover Installation - Deutz D2011 Engines	
	1001172751	Ref	Fan Guard Installation - Deutz D2.9L4 Engines (Stage V) (CE & UK CA Specs)	
		Ref	Filter Kits:	
	1001139099	Ref	Fire Extinguisher Installation	
	1001274833	Ref	Floor Mat Add-on Kit (30x48 Platform) (Dealer Installed)	
	1001274832	Ref	Floor Mat Add-on Kit (30x60 Platform) (Dealer Installed)	
	1001274831	Ref	Floor Mat Add-on Kit (30x72 Platform) (Dealer Installed)	

SECTION 11 - SPECIAL OPTIONS/ACCESSORIES/KITS

ITEM	PART NUMBER	QTY	DESCRIPTION	REV
	1001202749	Ref	Fuel Cap Cover (Black)	
	1001220003	Ref	Ground Control and UGM Covers Kit	
	1001285811	Ref	Hood Plugs Installation	
	1001293845	Ref	Hood Brace Kit	
	1001169831	Ref	Hostile Environment Package - 450AJ (Includes Cylinder Bellows, Platform Console Cover and Boom Wiper)	
	1001258231	Ref	Hydraulic Load Installation (Deutz D2011, Deutz D2.9L4 and Stage V Engines)	
	1001265688	Ref	Hydraulic Tank Lock Instalaltion	
	1001172001	Ref	Lights Installation - Headlights and Taillights	
	1001120466	Ref	Lights Installation - Platform Worklights	
	1001183407	Ref	Low Temperature Cutout Installation (Russian Specs)	
	1001253618	Ref	Module Box Assembly Kit (Service Kit for P/N 1001246867)	
	1001253619	Ref	Module Box Assembly Kit (Service Kit for P/N 1001246860)	
	1001173664	Ref	Oil Cooler Installation - Deutz D2011 Engines	
	1001164493	Ref	Oil Cooler Installation - Deutz D2.9L4 Engines (Stage V)/D2.9L4 (China IV)	
	1001272166	Ref	Pipe Rack Kit	
	1001236122	Ref	Platform Console Cover Installation (Plastic)	
	1580013	Ref	Platform Corner Storage Tray	
	1001267283	Ref	Platform Hose/Cable Protection	
	1001238421	Ref	Platform Leveling Kit	
	1001266799	Ref	Platform Plastic Mesh to Mid Rail Installation - 30in x 60in Platforms	
	1001209059	Ref	Platform Work Surface Installation	
	1001282215	Ref	Platform Worklights Kit	
	1001233080	Ref	Pump Rotation Kit (Re-orient Gear Pump 90 Degrees)	
	1001247800	Ref	Quad Tracks Replacement Kit	
	1001204110	Ref	Service Kits	AB
	1001247073	Ref	SkyEye Retrofit Kit	
	1001241547	Ref	SkyEye LH Housing Retrofit Kit	
	1001241548	Ref	SkyEye RH Retrofit Kit	
	1001250595	Ref	SkyGuard 6 Pin Retrofit Kit	
	1001203510	Ref	SkyGuard - Without Beacon	
	1001203511	Ref	SkyGuard Beacon Kit (Blue Light)	
	1001210036	Ref	SkyGuard Beacon Kit (Red Light)	
	1001250035	Ref	SkyGuard Platform Sensor Kit	
	1001249052	Ref	SkyGuard Retrofit Kit	
	1001262016	Ref	SkyLine Kit	
	1001250465	Ref	SkySense (EDS) Level 1 Booms Installation (Factory Installed)	
	1001250466	Ref	SkySense (EDS) Level 2 Booms Installation (Factory Installed)	
	1001289905	Ref	SkySense Enhanced Detection System (EDS) Level 1 (2-Bar) Add-on Kit (Dealer Installed)	
	1001289906	Ref	SkySense Enhanced Detection System (EDS) Level 2 (3-Bar) Add-on Kit (Dealer Installed)	
	1001282461	Ref	SkySense Padding Installation - For 30 x 48 Platforms Equipped with SkySense	
	1001282434	Ref	SkySense Pre-Cut Bumper Kit (use with 1001282461)	
	1001275644	Ref	SkySense Padding Installation - For 30 x 60 Platforms Equipped with SkySense	
	1001275662	Ref	SkySense Pre-Cut Bumper Kit (use with 1001275644)	
	1001275643	Ref	SkySense Padding Installation - For 30 x 72 Platforms Equipped with SkySense	

SECTION 11 - SPECIAL OPTIONS/ACCESSORIES/KITS

ITEM	PART NUMBER	QTY	DESCRIPTION	REV
	1001275656	Ref	SkySense Pre-Cut Bumper Kit (use with 1001275643)	
	1001294063	Ref	Strobe Light (Blue) Kit	
	1001293868	Ref	Strobe Light (Red) Kit	
	1001292585	Ref	Strobe Light (Amber) Hood Kit	
	1001293299	Ref	Strobe Light (Amber) Kit	
		Ref	Tools:	
	1001249695	Ref	Analyzer and Cable Kit	
	1001249941	Ref	Analyzer and Cable Kit (Battery Powered)	
	1001206436	Ref	Turntable Bearing Kit	
	1001277839	Ref	UGM Retrofit Kit (Use with 1001170094 Ground Control Module)	
	1001274249	Ref	USB Charger Add-on Kit (Dealer Installed)	
	1001270716	Ref	White Noise Alarm Add-on Kit (Dealer Installed)	
	1001270755	Ref	White Noise Alarm (Ambient) Add-on Kit (Dealer Installed)	

SECTION 11 - SPECIAL OPTIONS/ACCESSORIES/KITS

PART NUMBER INDEX

SECTION 11 - SPECIAL OPTIONS/ACCESSORIES/KITS

0080231.....126	0641416 ... 351, 353, 355,	243, 247, 251, 373,	0902733.....49
0100009.....297	357, 359, 361, 363,	375, 385	0902734.....49
0100011....15, 17, 19, 21,	365, 367, 369, 371	0760612 95	0902888.....251
23, 35, 45, 49, 55, 67,	0641418 285, 293	076061491, 93, 121, 127,	0940048.....269
69, 71, 75, 77, 79, 81,	0641420 289	131, 137, 149, 171,	0940049.....98
86, 95, 98, 102, 105,	0641504 49, 95	179, 205, 213, 243, 373	0940071.....98
107, 109, 111, 113,	0641605 55	0760615 109	0940088.....102
115, 121, 123, 126,	0641610 195, 295	0760619 220	0940199.....311
131, 133, 137, 139,	0641616 243, 247, 251	0760621 86	0961845.....285, 289, 293
142, 149, 153, 156,	0641812 ... 123, 133, 139,	0760808 ... 142, 156, 186,	0961947....271, 273, 329
171, 175, 179, 183,	153, 175, 183, 209, 217	220	0961948 17, 19, 267, 269,
186, 199, 201, 205,	0642012 311	0760810 98, 102, 142,	331, 333
209, 213, 217, 220,	0681608 142, 156, 275	156, 186, 220, 275	0961949.....267
227, 229, 243, 247,	0681620 317, 319	0760812 ... 45, 71, 77, 79,	0961950.....15
251, 259, 261, 263, 267,	0681810 21, 23	81, 98, 102, 121, 131,	0961951....126, 142, 156,
269, 275, 277, 285,	0682014 21, 23	137, 142, 149, 156,	186, 220, 263, 265,
289, 293, 307, 309,	0682040 51	171, 179, 186, 205,	327, 329
384, 388	0682424 317, 319	213, 220, 241, 244,	0962257.....271, 273
0100019..21, 23, 61, 243,	0700408 ... 351, 353, 355,	252, 267, 377, 384, 388	0962292.....19, 263, 265
247, 251	357, 359, 361, 363,	0760814 98, 102, 126,	0962348.....19
0100020.....71, 121, 126,	365, 367, 369, 371	142, 156, 186, 199,	0962520....243, 247, 251
131, 137, 142, 144,	0700616 107, 111	201, 220, 384, 388	1001026127.....205, 213
149, 156, 158, 171,	0700816 49	0760815 ... 126, 142, 156,	1001091102.....373, 375
179, 186, 205, 213,	0700818 251	186, 220	1001091969.....353
220, 301, 351, 353,	0700820 263, 265	0760816 220	1001091970.....357
355, 357, 359, 361,	0700827 384, 388	0761010 55, 75	1001091973.....359
363, 365, 367, 369, 371	0700828 384, 388	0761011 17, 19, 227	1001091974.....361
0100035.....195, 297, 299	0701014 49	0761012 ... 220, 229, 259,	1001091975.....369
0100048.....89, 243, 247,	0701015 269	261, 377, 384, 388	1001094670.....263, 265
251	0701018 98, 102	0761014 98, 102, 107,	1001095704.....450, 481
0100079.....243, 251	0701019 263, 265	111, 133, 137, 142,	1001096070.....243, 247,
0100081 126, 142, 156,	0701020 71, 171, 179,	149, 156, 171, 179,	403
186, 220, 311, 384, 388	263, 265	183, 186, 205, 213,	1001096653.....45
0140011.....297	0701021 384, 388	217, 275	1001097051.....443
0140043.....86	0701022 220	0761015 ... 121, 126, 131,	1001097150.....399, 401,
0258011.....39	0701024 384, 388	137, 142, 149, 156,	403
0258012.....39	0701025 220	171, 179, 186, 205,	1001097244.....321
0270115.....475	0701027 269	213, 220, 259, 261	1001098122.....301, 427
0270116.....477	0701217 15	0761016 ... 107, 111, 142,	1001098828.....275
0272031.....484	0701616 69, 269	156, 186, 220	1001100231.....419
0272589.....253	0701617 19	0761020 102	1001100341.....431
0275216.....353, 431	0711214 ... 142, 156, 186,	0761210 ... 137, 142, 149,	1001100342.....433
0275217.....357, 433	220	156, 186, 205, 213, 220	1001100345.....435
0275452.....359, 435	0711220 17, 19	0761212 ... 142, 156, 186,	1001100346.....439
0275453.....361, 437	0711224 ... 126, 142, 156,	220, 247, 259, 261, 269	1001100347.....437
0275454.....369, 439	186, 199, 201, 220,	0761214 71, 98, 243, 251	1001101191.....353, 357,
0360406.....51	243, 251	0761215 102, 259, 261	359, 361, 369
0361810.....95	0711227 267	0761216 ... 205, 213, 220,	1001101196.....353, 357
0363019.....49, 51	0711628 61	275	1001101197.....359, 361,
0400075.....95	0711629 19	0761227 269	369
0440162....121, 131, 137,	0711631 61	0761615 15, 269	1001103012.....449
149, 171, 179, 205, 213	0721006 195	0762016 269	1001103013.....86
0440271 19	0731005 71	0770810 277	1001104029.....252
0480126.....243, 251	0741606 ... 142, 156, 186,	0771012 263	1001104498.....449
0630518.....83, 299	220	0771212 171, 179, 186	1001106736.....86
0630568.....297	0741607 243, 247	0771414 ... 126, 142, 156,	1001107854.....449
0630613.....98, 102	0760506 227	186, 199, 201, 220,	1001110434.....297
0641404.....309	0760512 95	243, 251	1001111424.....95, 126
0641405.....297, 309	0760606 243, 247, 251	0771416 243, 251	1001112551.....463
0641406....295, 303, 461,	0760607 ... 142, 156, 186,	0860520 ... 461, 463, 465,	1001112607.....259, 261
463, 465, 467, 469, 471	220	467, 469, 471	1001112612.....381, 449
0641408.....295, 313	0760608 75, 111	0861572 251	1001112796.....381
0641409.....107, 111	076061086, 95, 105, 109,	0861731 ... 363, 365, 367,	1001113680.....465
0641410.....105, 109	113, 115, 121, 126,	371, 435, 437, 439	1001113961.....450
0641414....297, 307, 313,	131, 137, 142, 149,	0861781 ... 351, 355, 431,	100111424.....143, 157
315	156, 171, 179, 186,	433	1001116208.....473
	205, 213, 220, 241,	0861880 399, 403	1001116290.....107, 111

SECTION 11 - SPECIAL OPTIONS/ACCESSORIES/KITS

1001116550.....263	1001126487.....410, 414	1001144116.....143, 157, 187	1001163716.....17, 19
1001116693.....71, 427	1001127096.....473	1001144147.....450	1001163717.....19
1001116720.....429	1001129285.....450, 480	1001144433.....307	1001163722.....19
1001116728.....450	1001129407.....75	1001144629.....287, 291	1001163724.....19
1001116732.....419	1001130220.....86, 205, 213	1001146588.....187, 221	1001163726.....19
1001116734.....419, 449	1001130492.....473	1001147264.....414	1001163863.....257
1001116748.....453	1001131269.....461	1001148059.....248	1001163937.....263, 265
1001116774.....381	1001132195.....126	1001148641.....244, 248, 252	1001164016.....259, 265
1001116808.....381	1001132196.....126	1001149452.....229	1001164092.....17
1001116812.....409, 413	1001133714.....410, 414	1001150998.....126	1001164095.....19
1001116815.....414, 450	1001133715.....410, 414	1001151393.....77, 79, 81	1001164209.....17, 19
1001116849.....469	1001133956.....410, 414	1001151856.....413	1001164493.....485
1001116952.....409, 413	1001133957.....410, 414	1001152266.....455	1001164709.....331, 333
1001116983.....417	1001134488.....144, 158	1001152483.....401	1001164726.....107, 111
1001117057.....419	1001135196.....121, 131, 137, 149, 171, 179, 205, 213	1001152485.....375, 401	1001164728.....295, 457
1001117070.....449	1001135650.....410, 414	1001152489.....143, 157, 187, 205, 213, 221	1001164738.....384, 388, 453
1001117107.....409, 413	1001135651.....410, 414	1001152525.....253	1001165035.....137, 149, 171, 179, 205, 213, 221
1001117172.....301	1001136834.....143, 157, 187, 221	1001152532.....244, 248, 421	1001165388.....126, 143, 157, 187, 221
1001117174.....297, 301, 480	1001137673.....307, 481	1001154405.....137, 149, 171, 179, 195, 205, 213, 227, 229	1001165389.....126
1001117240.....95	1001138228.....143, 157, 187, 221, 480	1001154726.....419	1001165405.....143, 157, 187, 221
1001117308.....143, 157, 187, 221, 480	1001138248.....143, 157, 187, 221	1001155043.....77, 79, 81	1001165406.....143, 157, 187, 221
1001117372.....325	1001138494.....285, 289, 293	1001155044.....77, 79, 81, 297	1001165721.....143, 157, 221
1001118274.....71, 77, 79, 81, 98, 267, 277, 384, 388	1001138514.....285, 289, 293	1001155045.....77, 79, 81, 297, 481	1001165722.....143, 157, 187
1001118384.....447	1001138565.....243	1001155743.....455	1001165849.....143, 157, 187
1001118388.....429, 447	1001138566.....244, 247	1001155823.....137, 149, 171, 179, 205, 213	1001165948.....45, 55, 277
1001118412.....297, 481	1001138827.....144, 158	1001155967.....450	1001165968.....35
1001118482.....263	1001139099.....484	1001156107.....172, 179, 205, 213	1001166020.....123, 126, 133
1001118511.....15	1001139240.....143, 157, 222	1001156541.....453	1001166021.....121, 123
1001118518.....15	1001139357.....244	1001157466.....69	1001166085.....473
1001118519.....15	1001139384.....107, 111	1001157520.....253	1001166096.....269
1001118878.....143, 157, 187	1001139586.....19	1001157521.....253	1001166153.....41, 43
1001118971.....384, 388, 481	1001139654.....171, 179, 205, 213	1001157525.....252	1001166155.....41
1001118972.....49, 71, 384, 388	1001139819.....126	1001157528.....253	1001166156.....41
1001119020.....381	1001140312.....157	1001157890.....449	1001166157.....41
1001119176.....75, 481	1001140347.....247	1001158007.....253	1001166208.....333
1001119228.....67, 385, 389	1001140429.....285, 289, 293	1001158008.....253	1001166232.....49
1001119278.....95, 149	1001140564.....144, 158	1001159186.....423	1001166239.....21
1001119280.....95, 385, 389	1001141300.....473	1001159256.....297, 481	1001166305.....121
1001119619.....441	1001141304.....143, 157, 187, 221	1001160859.....269	1001166316.....95
1001119620.....443, 445	1001141694.....126, 143, 157, 187, 221	1001160872.....269	1001166717.....127
1001119627.....346	1001141870.....195	1001161709.....297, 481	1001166718.....127, 143, 157, 187, 199, 201, 221
1001120204.....393	1001142501.....137, 149, 171, 179, 195, 227	1001162105.....35	1001166767.....75
1001120205.....397	1001142679.....346	1001162106.....75	1001166768.....75
1001120328.....307, 309, 450	1001142683.....91, 93, 481	1001162107.....35	1001166853.....269
1001120466.....485	1001142736.....91, 93, 381	1001162429.....463, 467	1001166921.....143, 157, 187, 222
1001120471.....321	1001142938.....409, 413	1001162522.....463	1001166922.....199
1001120477.....321	1001142940.....409, 413	1001162528.....467	1001166924.....143, 157, 187, 222
1001120484.....321	1001142941.....409, 413	1001162534.....55, 57	1001167036.....123, 139, 153, 175, 209, 233
1001120989.....473	1001143390.....126, 143, 157, 187, 221	1001162535.....277, 279	1001167111.....127, 407
1001125387.....137, 149	1001143797.....143, 157, 187, 221	1001162536.....277, 281	1001167149.....98, 102
1001125677.....427, 450	1001143936.....346	1001162539.....45, 47	1001167157.....107
1001126009.....447		1001162807.....77, 79, 81	1001167159.....98
1001126351.....410, 414		1001162995.....15	1001167163.....98, 102
1001126362.....409, 413		1001163178.....17, 19, 337	1001167164.....241
1001126363.....409, 413		1001163179.....17, 19	
1001126364.....409, 413		1001163405.....17, 19	
1001126391.....409, 413		1001163715.....17, 19	
1001126392.....409, 413			
1001126485.....410, 414			

SECTION 11 - SPECIAL OPTIONS/ACCESSORIES/KITS

1001167169.....98	1001170098..... 37	1001173049..... 346	1001180006.....259, 261, 269
1001167312.....373	1001170099..... 37	1001173052..... 347	1001180035..... 347
1001167512.....121, 131, 137, 149, 171, 179, 205, 213	1001170224..... 239	1001173053..... 347	1001180056.....269
1001167520.....127, 143, 157, 187, 221	1001170226..... 267	1001173054..... 347	1001180541.....267
1001167565.....275	1001170334..... 267	1001173055..... 347	1001180620.....144, 158, 187, 221
1001167567.....275	1001170375..... 277	1001173056..... 347	1001180874.....259, 261
1001167596.....275	1001170458..... 43	1001173057..... 347	1001180916..... 35
1001167632.....409, 413	1001170459..... 43	1001173058..... 347	1001181045.....399, 403, 480
1001167635.....410, 414	1001170460..... 43	1001173059..... 347	1001181145.....473
1001168018.....127, 143, 157, 187, 199, 201, 221, 244, 252	1001170475..... 109	1001173061..... 347	1001181358.....137, 150, 171, 179, 205, 213, 417
1001168026.....143, 157, 187, 222	1001170480..... 71	1001173063..... 347	1001181527..... 49
1001168059..... 127	1001170663..... 241	1001173076..... 473	1001181875.....385, 389
1001168099.....143, 157, 187	1001170664..... 241	1001173664..... 485	1001181895.....158
1001168166.....143, 157, 187, 221	1001170693..... 127, 161	1001173811..... 251	1001181913..... 49
1001168207.....201	1001170764..... 410, 414, 455	1001173925..... 244, 252	1001181923.....385, 389
1001168210.....327	1001170859..... 102	1001173973..... 311	1001182169..... 98
1001168402.....275	1001170982..... 222	1001173975..... 311	1001182361.....410, 414
1001168472.....384, 389	1001171216..... 98	1001173984..... 243	1001182365.....410, 414
1001168473.....385, 389	1001171553.....385, 389	1001174040..... 263, 275	1001182561.....385, 389
1001168950.....222	1001171555.....385, 389	1001174065..... 269	1001182806..... 115
1001169046.....98, 107, 111	1001171559.....385, 389	1001174158..... 244, 248, 373	1001182875.....98, 102
1001169054.....143, 157, 187, 221	1001171678..... 95	1001174378..... 239	1001182877.....98, 102
1001169058.....43	1001171679..... 95	1001174661..... 484	1001182879.....98, 102
1001169062.....37	1001171680..... 95	1001174675..... 248, 252	1001183407.....485
1001169075.....39	1001171681..... 121, 131	1001174749..... 384, 397	1001184618.....297
1001169138.....143, 157, 187, 221	1001171682..... 121, 131	1001174766..... 484	1001184626.....297
1001169240.....269	1001171683..... 137, 149, 171, 179, 205, 213	1001174767..... 484	1001184682.....113
1001169241.....269	1001171684..... 137, 149, 171, 179, 205, 213	1001174976..... 89	1001185030..... 15
1001169242.....269	1001171953..... 123, 133, 139, 153, 175, 183, 209, 217	1001175024..... 347	1001185281.....297
1001169246.....259, 261	1001171954..... 123, 133, 139, 153, 175, 183, 209, 217	1001176299..... 347	1001185747.....385, 389
1001169247.....259, 261	1001172001..... 485	1001176300..... 347	1001185821.....55, 59
1001169249.....269	1001172045..... 484	1001176301..... 347	1001185964.....450
1001169295.....269	1001172064..... 410, 413	1001176302..... 347	1001186375.....285
1001169296.....269	1001172065..... 410, 413, 450	1001176469..... 79, 81	1001186377.....289
1001169297.....269	1001172202..... 121, 131	1001176848..... 17, 19	1001186378.....293
1001169298.....269	1001172264..... 241	1001176951..... 384, 388, 395	1001186385.....291
1001169299.....269	1001172265..... 241	1001177359..... 143, 157, 187, 222	1001186386.....287
1001169300.....269	1001172271.....385, 389, 481	1001177820..... 69	1001186431.....307, 481
1001169301.....269	1001172335.....384, 388, 391	1001177821..... 69	1001186432.....429, 447
1001169302.....269	1001172336.....384, 393	1001177834..... 69	1001186517.....307
1001169304.....267	1001172343..... 388	1001177813..... 269	1001186976.....484
1001169305.....267	1001172736..... 137, 149	1001178135..... 269	1001187352.....419
1001169402.....267	1001172751..... 484	1001178228..... 105	1001187382.....275
1001169403.....267	1001172760..... 297	1001178448.....385, 389	1001187383.....275
1001169525.....239	1001173006..... 347	1001178449.....385, 389	1001187674.....305
1001169823.....121, 131, 137, 149, 171, 179, 205, 213	1001173027..... 347	1001178554..... 267	1001187681.....441
1001169831.....485	1001173028..... 347	1001178555..... 267	1001188622.....275
1001169898.....71	1001173034..... 347	1001178644.....385, 389	1001188844.....275
1001169967.....143, 157, 187, 222	1001173035..... 347	1001178788..... 143, 157, 187, 221	1001188883.....473
1001170018.....98	1001173036..... 347	1001178859..... 127	1001188972.....150
1001170022.....98, 102	1001173037..... 347	1001178876..... 143, 157	1001189001.....275
1001170035.....143, 157, 187, 222	1001173038..... 347	1001179228..... 388	1001189002.....275
1001170094.....481	1001173039..... 347	1001179236..... 86, 405	1001189171.....401, 480
	1001173042..... 347	1001179266.....385, 389	1001189172.....401, 480
	1001173043..... 347	1001179339..... 71	1001189882.....467
	1001173046..... 346	1001179517..... 45	1001190368..... 17, 19
	1001173048..... 346	1001179626.....259, 261, 267	1001190663..... 113, 115
		1001179778..... 384	1001190913.....463, 467
		1001179781..... 388	1001190985.....275
		1001179903..... 143, 158, 187, 222	1001191620.....144, 158, 187, 221
		1001179904..... 98	

SECTION 11 - SPECIAL OPTIONS/ACCESSORIES/KITS

100119183298, 121, 131, 137, 150, 171, 179, 205, 214	1001210356.....347	1001231886.....115	1001243331 484
1001192294 222	1001210636.....321	1001232026.....461, 463, 465, 467, 469, 471	1001243414 98
1001192401 450	1001211556.....191	1001232164.....305	1001243895 197
1001193018 351, 353, 355, 357, 359, 361, 363, 365, 367, 369, 371	1001211716.....98	1001232165.....305	1001244019 201
1001193049 221	1001211717.....98, 102	1001232642.....309	1001244024 199
1001193336 71	1001213447.....427	1001232667.....309, 481	1001244287 171
1001194197 363	1001213448.....86	1001232842.....197	1001244298 467
1001194198 365	1001213794.....102	1001233047.....484	1001244301 467
1001194200 367	1001213882.....297	1001233080.....485	1001244335 315
1001194203 351	1001214207.....123, 133, 139, 153, 175, 183, 209, 217	1001233139.....17	1001244336 313
1001194204 355	1001214397.....377	1001233763.....150, 197	1001244671 315
1001194365 371	1001214570.....377	1001233899.....98	1001244709 315
1001194424 347	1001214571.....377	1001234295.....55	1001244710 315
1001194888 107	1001214975.....127	1001234800.....409, 414	1001244732 315
1001196012 484	1001215228.....297	1001235949.....144, 158, 187, 195	1001244733 315
1001196382 244, 248, 252	1001216630.....275	1001236091.....83	1001245656 81
1001196634 197, 480	1001217779.....265, 271	1001236122.....485	1001246142 484
1001196635 450, 480	1001217904.....467, 473	1001236123.....484	1001246369 86
1001196636 455	1001218533.....67	1001236552.....309	1001246389 313
1001196637 86	1001218535.....67	1001236780.....187	1001246402 461
1001197039 347	1001218537.....67	1001236891.....317, 319	1001246407 471
1001197221 45	1001218622.....388	1001236895.....317, 319	1001246433 484
1001197719 410, 414, 480	1001218623.....388	1001237383.....450	1001246434 484
1001200128 473	1001219129.....67	1001237546.....83	1001246435 295, 297
1001200129 473	1001219601.....86, 481	1001237667.....427, 450	1001246436 295
1001200130 473	1001220003.....485	1001237668.....427, 450	1001246450 77
1001200131 473	1001220266.....172, 180	1001237863.....305, 443	1001246451 79
1001200132 473	1001221203.....221	1001237864.....305, 445	1001246859 450
1001200133 473	1001221212.....221	1001237865.....305, 441	1001247073 485
1001200134 473	1001223055.....461	1001237878.....377	1001247248 473
1001200491 275	100122311869, 461, 463, 467, 471	1001237879.....377	1001247252 313
1001200494 275	1001223122.....187, 244, 248, 252	1001237880.....377	1001247440 171, 180
1001200499 275	1001223453.....461	1001237881.....377	1001247468 275
1001201351 275	1001223459.....409, 413	1001237888.....313, 315	1001247656 247
1001202333 107, 111	1001223777.....102	1001237891.....315	1001247800 485
1001202687 275	1001224049.....471	1001237898.....313, 315	1001248008 461, 463, 465, 469, 471, 473
1001202749 485	1001224050.....469	1001237902.....313, 315, 481	1001248140 317, 319
1001202830 105	1001224052.....465	1001238254.....297, 427	1001248141 317, 319
1001202910 347	1001224894.....267	1001238263.....317, 319	1001248190 248
1001203322 109	1001225346.....377	1001238319.....305	1001249052 485
1001203510 485	1001225430.....165, 192	1001238418.....309, 447	1001249695 486
1001203511 485	1001225431.....165, 192	1001238421.....275, 485	1001249941 486
1001204110 485	1001225580.....307, 429	1001238466.....385, 389	1001250035 485
1001204510 463, 473	1001226530.....377	1001238472.....309	1001250291 98
1001204725 275	1001226530.....377	1001238495.....307	1001250465 485
1001205958 359, 361, 363, 365, 367, 369	1001226541.....450	1001238559.....309	1001250466 485
1001206314 102	1001227278.....484	1001238911.....187	1001250595 485
1001206436 486	1001227633.....305	1001239202.....409, 413	1001252527 410, 414
1001206476 377	1001227634.....305	1001239371.....473	1001252629 317, 319
1001206532 297	1001227985.....305	1001241162.....313	1001253618 485
1001206625 331	1001227987.....305	1001241254.....484	1001253628 257, 335
1001207335 347	1001227993.....269	1001241286.....98	1001253629 257, 327
1001207336 347	1001227996.....443, 445	1001241295.....98, 105	1001254472 309
1001208874 55	1001228224.....305, 481	1001241398.....83, 299	1001254473 309
1001208994 275	1001228225.....305, 481	1001241547.....485	1001254716 257, 333
1001209059 485	1001228960.....484	1001241548.....485	1001255133 263, 275
1001209617 115	1001229138.....311	1001241965.....309	1001255511 461
1001209664 307	1001229341.....305	1001242639.....484	1001255514 469
1001209677 375	1001230635.....144, 158, 187, 221	1001242855.....91	1001255515 465
1001209832 375	1001230931.....453	1001242856.....93	1001255516 471
1001210036 485	1001230934.....410, 414	1001243092.....313	1001255807 484
	1001230935.....410, 414	1001243183.....484	1001256179 15, 325
	1001230936.....410, 414	1001243184.....484	1001256206 469
		1001243205.....313	1001256207 465
			1001256879 171, 180

SECTION 11 - SPECIAL OPTIONS/ACCESSORIES/KITS

1001257271.....317, 319	1001272682..... 93	1001285811..... 485	1120555.....311
1001257274.....317, 319	1001273302..... 384, 388	1001285988..... 102, 111	1320016.....126
1001257275.....319	1001273303..... 384, 389	1001286019..... 61, 63	1320022.... 121, 131, 137, 149, 171, 179
1001258005.....319	1001274217..... 71	1001286266..... 484	1320043..... 385
1001258112.....221, 225	1001274249..... 486	1001286568..... 221	1320061..... 172, 179
1001258231.....485	1001274525..... 71, 73	1001287643..... 221	1320130..... 384, 388
1001258337.....209, 217, 220	1001274559... 77, 79, 81, 297	1001288266..... 221	1320176.....239
1001258338.....205, 209	1001274831..... 484	1001288366..... 222	1320223..... 149, 377
1001258339.....205	1001274832..... 484	1001288705..... 473	1320263.....206, 213
1001258385.....206, 214, 227	1001274833..... 484	1001289219..... 263, 273	1321293..... 75
1001258406..... 229	1001275628..... 297, 480	1001289905..... 485	1321647.....450
1001258495.....443, 445	1001275629..... 297, 480	1001289906..... 485	1321716.... 121, 131, 137, 142, 149, 156, 171, 179, 186, 205, 213, 244, 247, 252
1001258502.....222	1001275643..... 485	1001290271..... 484	1580012.....303
1001258505.....229	1001275644..... 485	1001290348..... 473	1580013.....485
1001258629.....222	1001275656..... 486	1001290660..... 221, 413	1670603.....371
1001258730.....313, 315	1001275662..... 485	1001291401..... 144, 158, 188	1670836.....267
1001258800.....247	1001276610..... 484	1001291458..... 473	1701499.... 461, 463, 465, 467, 469, 471
1001258804..... 187	1001276626..... 91, 93	1001292418..... 473	1701500.... 461, 463, 465, 467, 469, 471
1001259230..... 105, 109	1001276643..... 144, 158, 187, 409	1001292585..... 486	1701504.... 461, 463, 465, 467, 469, 471
1001260306.....385, 389	1001276923..... 484	1001293086..... 248	1701505.... 121, 131, 137, 149, 171, 179, 205, 213
1001260412..... 144, 158, 187	1001277009..... 61, 65	1001293299..... 486	1701509.... 311, 461, 463, 465, 467, 469, 471
1001260420..... 144, 158, 187	1001277273..... 61	1001293845..... 485	1701518.... 463, 467, 477
1001260524.....313	1001277432..... 127, 188, 222	1001293868..... 486	1701529.... 461, 463, 465, 467, 469, 471
1001260525.....313, 315	1001277589..... 188, 191	1001294063..... 486	1701691.....98
1001260575.....222	1001277594..... 175, 183, 186	1001294815..... 473	1702300.... 461, 463, 465, 467, 469, 471
1001261045.....247	1001277600..... 171, 175	1001294864..... 473	1702565.....297
1001261085.....247	1001277839..... 486	1001296426..... 425	1702566.....297
1001261335.....317	1001278022..... 23, 33	1001297389.... 77, 79, 81	1702567.....297
1001261338.....317	1001279651..... 102	1001297748..... 273	1702773..... 467, 473
1001262016.....485	1001279811..... 102	1001298141..... 227	1702774.....473
1001263174..... 113	1001280240..... 102	1001299212..... 222	1702860.....473
1001263663..... 111	1001280242..... 102	1001299782..... 86, 423	1702868.....461
1001263664..... 107	1001280270..... 221	1001300787..... 179	1702941.....149
1001263668..... 111	1001280340..... 86	1001300788..... 180, 183	1702942.....149
1001263669..... 107	1001280549..... 102	1001300789..... 213	1702943.....149
1001263677..... 107	1001281192..... 247	1001300790..... 214, 217	1702944..... 149
1001263678..... 111	1001281623..... 111	1001300956..... 347	1703162.... 126, 142, 156, 186, 220
1001263693..... 107	1001281985..... 144, 158, 222	1001300957..... 347	1703450.....475
1001263694..... 111	1001281986..... 144, 158, 222	1001300958..... 347	1703687.... 461, 463, 465, 467, 469, 471
1001263787..... 111	1001281986..... 144, 158, 222	1001300959..... 347	1703797.....461
1001264731.....81	1001282099..... 484	1001300961..... 347	1703804.....461
1001264732.....79	1001282106..... 83, 299	1001300962..... 347	1703805.....461
1001264733.....77	1001282143..... 102, 107	1001300963..... 347	1703923.....471
1001264981..... 15	1001282146..... 102	1001300966..... 347	1703925.....469
1001265163.....321	1001282215..... 485	1001300967..... 347	1703928.....465
1001265186.....277	1001282434..... 485	1001300968..... 347	1703935.....471
1001265342.....321	1001282461..... 485	1001301504..... 131, 133	1703937.....469
1001265389..... 107	1001282492..... 86, 449	1001301505..... 131	1703940.....465
1001265390..... 111	1001282533..... 86, 455	1001301530..... 346	1703941.....471
1001265688.....485	1001282533..... 86, 455	1001302954..... 144, 158, 165	1703943.....469
1001266711.....257, 339	1001282831..... 71	1001302955..... 139, 142	1703946.....465
1001266738.....257, 331	1001283776..... 89, 379	1001302956..... 153, 156	1703947.....471
1001266799.....485	1001284582..... 299	1001302961..... 137, 139	1703949.....469
1001267283.....485	1001284583..... 299	1001302963..... 150, 153	1703952.....465
1001267313.....473	1001284875..... 461, 463, 465, 467, 469, 471	1001302970..... 137	
1001269476..... 102	1001284957..... 71	1001302972..... 149	
1001270594..... 89	1001285012..... 23	1001306174..... 261, 263	
1001270716.....486	1001285271..... 257, 329	1001308137..... 109	
1001270755.....486	1001285632..... 133, 183, 217, 237	1001311034..... 309	
1001271323.....450	1001285640..... 111	1060461..... 393, 397	
1001271497.....427	1001285788..... 99, 109	1060626..... 149	
1001272166.....485	1001285789..... 98	1060908.... 399, 401, 403	
1001272681.....91		1060918..... 301	
		1062255... 172, 179, 205, 213	
		10702077..... 252	
		10702082..... 252	
		10836804..... 77, 79, 81	

SECTION 11 - SPECIAL OPTIONS/ACCESSORIES/KITS

1703953 461	2220501 346	3251242.....355, 357, 359, 361, 363, 365, 367, 369, 371	3311605 ... 142, 156, 195, 295
1703982 469	2220579 49	3251243.....461, 465, 471	3311801 21, 23
1703983 471	2220582 346	3251813.....461, 465, 471	3312002 317, 319
1703985 465	2220596 346	3252347.....461	3312005 51, 311
1704001 471	2220600 346	3252692.....477	3321001 95, 126, 143, 157
1704002 465	2220628 346	3252764.....251	3321501 102
1704260 297	2220767 171	3271605.....317, 319	3331211 ... 199, 201, 243, 252
1704277 ... 461, 463, 465, 467, 469, 471	2220811 346	3272001.....317, 319	3331215 ... 126, 142, 156, 186, 205, 213, 220
1704412 ... 461, 463, 465, 467, 469, 471	2220881 325	3290405....75, 89, 91, 93, 321, 351, 353, 355, 357, 359, 361, 363, 365, 367, 369, 371, 373, 384, 388	3340860 263, 265
1704455 477	2220883 31, 47, 325, 329, 346	3290501.....95	3340956 311
1704456 477	2220885 47, 325, 329	3290505.....95, 252	3380434 295
1704482 475	2220886 31	3290601 86, 95, 105, 107, 109, 111, 113, 115	3420352 51
1704578 475	2220888 31	3290605....45, 75, 86, 91, 93, 95, 111, 121, 126, 131, 137, 142, 149, 156, 171, 179, 186, 205, 213, 220, 241, 243, 247, 252, 373, 375, 384, 388	3422532 ... 121, 131, 137, 149, 171, 179, 205, 213
1704885 ... 461, 463, 465, 469, 471	2220906 346	3290606.....285, 289, 293	3422755 259, 261
1704972 121	2220923 346	3290801.....121, 131	3422791 263, 265
1705325 351, 353	2220940 346	3290805....45, 49, 71, 98, 102, 107, 111, 126, 142, 156, 186, 199, 201, 220, 241, 243, 252, 263, 265, 377, 384, 388	3422792 259, 261
1705336 461	2220946 346	3290806.....275	3422793 259, 261
1705349 465	2220947 346	3291001....142, 156, 186, 220, 275	3422794 265
1705351 461	2220998 346	3291005 95, 98, 102, 105, 107, 109, 111, 121, 126, 131, 137, 142, 149, 156, 171, 179, 186, 205, 213, 220, 259, 261, 263, 265, 267, 269, 275, 377, 384, 388	3422806 259, 261
1705358 473	2221033 346	3291201....243, 247, 252, 275	3422848 19
1705430 469	2221036 346	3291205....220, 259, 261, 269, 275	3423038 259, 261
1705460 253	2221040 346	3300106.....21, 23	3423304 17, 19
1705461 253	2221052 49	3300151.....285, 289, 293	3430616 297
1705489 ... 243, 247, 252, 253	2221086 47, 281, 346	3300220.....95, 126, 143, 157	3460334 311
1705822 463, 467	2230025 346	3300353.....297	3470003 297
1705828 463, 467	2400060 ... 197, 321, 419, 427, 450	3300396.....252	3520054 ... 126, 142, 156, 186, 220, 297
1705910 471	2460048 251	3300408.....83	3520072 ... 102, 285, 287, 289, 291, 293
1705917 471	2540020 89, 91, 93	3300430.....307, 315	3520189 252
1705961 463, 467	2560136 297	3300440.....307, 315	3520192 252
1705968 469	2560187 ... 105, 107, 109, 111	3310401....142, 156, 220	3520198 ... 285, 287, 289, 291, 293
1706098 473	2580024 149	3311001.....195, 252	3572551 263, 265
2060025 126	2600281 287, 291	3311405....295, 309, 351, 353, 355, 357, 359, 361, 363, 365, 367, 369, 371, 461, 463, 465, 467, 469, 471	3580317 243, 247, 252
2080040 ... 243, 247, 287, 291, 373, 375	2720015 ... 142, 156, 186, 220	3311501.....98, 265	3580319 243, 247, 252
2080069 313, 315	2720058 ... 121, 131, 137, 149, 171, 179	3311601.....98, 102, 297, 309	3580320 243, 252
2110810 346	2720340 142, 156, 186		3740067 95, 126
2110812 346	2720398 126		3740086 447, 481
2131212 346	2720447 126		3740140 126, 480
2160001 61	2752504 347		3760170 51
2180348 121, 131	2752519 347		3760351 267
2180832 ... 137, 149, 171, 179, 205, 213	2780267 21, 23, 25		3790012 297
2180876 ... 121, 131, 137, 149, 171, 179	2780268 21, 23, 29		3790152 ... 123, 133, 139, 153, 175, 183, 209, 217
2200261 127, 188, 222	2820031 ... 243, 247, 251, 384, 388, 395		3820001 ... 461, 463, 465, 467, 469, 471, 473, 475, 477
2220238 49, 346	2820035 197		3820020 287, 291
2220366 346	2820247 443, 445		3820032 95
2220371 346	2860030 77, 79, 480		3841143 17, 19, 121, 131, 137, 149, 171, 179, 205, 213, 259, 261, 275
2220372 49, 346	2900756 47		3841258 15, 269
2220373 346	2900770 329, 339		3841287 269
2220374 346	2902065 ... 126, 142, 156, 186, 220, 231		3841340 384, 388
2220375 346	2902443 ... 407, 409, 413		3900295 19
2220377 346	2902549 373, 399		3900349 297
2220415 346	2940045 111		3900351 267
2220435 346	2940074 ... 287, 291, 480		3900363 107, 111
2220451 126, 346	2940173 ... 105, 107, 109, 111		
2220465 346	3020037 209, 217		
2220466 346	3160348 21, 31		
2220468 346	3250872 475		
2220472 346	3251102 247		
2220479 346			
2220497 346			
2220500 346			

SECTION 11 - SPECIAL OPTIONS/ACCESSORIES/KITS

3910408.....142, 156, 220	4460247 409, 413, 449	4460872 455	4640751 142, 156, 186, 220
3910804.....77, 79, 81	4460259 ... 321, 423, 427, 450	4460873 427, 450	4640771.....339
3931408.....307	4460260 ... 321, 423, 425, 427, 450	4460874 427, 449	4641122.....41, 43
3931512.... 142, 156, 186, 220	4460267 427, 449	4460875 427, 455	4641155.....45
3931618.... 123, 139, 153, 175, 209	4460268 421	4460876 423	4641390.....331, 333
3960407.....126	4460313 407	4460878 450	4710400.... 142, 156, 220
3960526.....21, 23	4460384 371	4460879 321, 427	4711000.....195, 252
4010405.....373, 375	4460418 423, 427	4460884 ... 321, 409, 413, 429, 449, 453, 455	4711400.... 105, 109, 285, 289, 293, 307, 309, 313, 351, 353, 355, 357, 359, 361, 363, 365, 367, 369, 371
4010417.....384	4460419 423, 427	4460887 321, 427, 450	4711500..49, 95, 98, 142, 156, 186, 220
4010418.....384, 388	4460425 252	4460891 89, 113, 115, 381, 405, 417, 453, 455, 457	4711600.... 195, 243, 247, 252, 297, 317, 319
4010618.....285, 289, 293	4460426 252	4460894 ... 407, 409, 413, 427, 449, 457	4712000.... 311, 317, 319
4031505.....305	4460428 297	4460897 .71, 91, 93, 379, 417	4740086.....17, 19
4031509.....89, 91, 93	4460434 427	4460899 ... 405, 425, 429, 441, 447, 449, 453, 455, 457	4740155.....19
4031511.....384, 388	4460458 ... 410, 414, 449, 450	4460905 ... 423, 427, 449, 450, 455	4740158.....15
4031512.....75	4460464 .75, 91, 93, 301, 321, 379, 381, 395, 405, 417, 419, 427, 429, 447, 449, 453, 455, 457	4460910 445	4740229.....15
4031516.....309		4460911 441	4740362.....295
4031707.....65		4460928 381	4740491.....19
4031914.... 142, 156, 186, 220		4460930 ... 407, 409, 413, 449	4750800.....385, 389
4032015.....243, 252		4460931 313, 379, 449	4751000.....71
4060802.... 243, 247, 252	4460465 89, 113, 115, 321, 381, 391, 405, 407, 409, 413, 421, 427, 429, 449, 450, 453, 455, 457	4460932 321, 414, 417	4751400.... 107, 111, 295, 297, 303, 315, 461, 463, 465, 467, 469, 471
4060805.... 126, 142, 156, 186, 220		4460933 381, 427, 450	4751500.....265
4060806.....67		4460941 417, 441	4751600.... 142, 156, 295
4060808.....384, 388		4460942 ... 305, 409, 413, 417	4752000.....51
4070450.....51	4460466 ... 305, 313, 321, 379, 381, 385, 389, 391, 395, 407, 409, 413, 419, 427, 429, 441, 447, 449, 450, 453, 455, 457	4460943 ... 313, 315, 441, 450	4761000.....95, 126, 143, 157
4070560.....51		4460944 409, 413	4761400.....303
4070561.....51		4460945 414	4811400.... 75, 89, 91, 93, 321, 351, 353, 355, 357, 359, 361, 363, 365, 367, 369, 371, 384, 388
4070897.....267		4460956 399, 403	4811600.....95, 227, 252
4070898.....267		4460957 399, 403	4811700.... 75, 86, 91, 93, 95, 105, 107, 109, 111, 113, 115, 121, 126, 131, 137, 149, 171, 179, 186, 205, 213, 220, 243, 247, 252, 285, 289, 293, 373, 375, 385
4071101.....15		4460967 449	481170286, 95, 142, 156, 186, 205, 213, 220, 241, 244, 248, 373, 375
4160182.....98		4460968 351, 355	4811900.... 45, 71, 77, 79, 81, 98, 102, 107, 111, 121, 126, 131, 137, 142, 149, 156, 171, 179, 186, 199, 201, 205, 213, 220, 243, 252, 257, 275, 377, 384, 388
4240032.... 86, 89, 91, 93, 142, 156, 188		4460970 427	4812000.... 55, 75, 95, 98, 102, 105, 107, 109, 111, 121, 126, 131, 137, 142, 149, 156, 171, 179, 186, 199, 201, 205, 213, 220, 243, 252, 265, 267, 277, 384, 388
4240033.... 305, 307, 309		4461005 407	
4240099.... 126, 142, 156, 171, 179, 186, 197, 205, 213, 220, 243, 247, 252, 297		4461008 407, 409, 413	
4240149.....311		4461052 407	
4240156.....384, 388		4461054 409, 413, 417	
4341415.....311		4461060 417	
4360070.....252, 480		4461070 381	
4360274.....81, 481		4461071 407, 409, 413	
4360336.... 243, 247, 252, 481		4461072 407, 409, 413	
4360387.79, 81, 297, 481		4461073 407, 409, 413	
4360407.....297, 480		4461074 407, 409, 413	
4360469... 77, 79, 81, 481		4461077 441, 447	
4360475.....481		4461095 381, 407	
4360476... 77, 79, 81, 481		4461196 431	
4420014.....311		4461198 351, 431	
4420051 473, 475, 477		4461199 433	
4420066.....311		4461201 355, 433	
4460019.....409, 413		4461205 435, 437	
4460042.....409, 413		4461244 363, 435	
4460043.... 197, 409, 413		4461245 365, 437	
4460071 301		4461246 367, 439	
4460115 410		4461249 439	
4460142 450		4520217 39	
4460183.....427		4520608 41	
4460225 252, 421, 427		4640261 49	
4460226.....301			
4460227 427			
4460234..... 86, 89, 297			
	4460807 421		
	4460808 421		
	4460836 449		
	4460865 ... 384, 388, 391, 449		
	4460866 ... 384, 388, 395, 427		
	4460871 ... 113, 115, 423, 425, 427, 449, 450, 455		

SECTION 11 - SPECIAL OPTIONS/ACCESSORIES/KITS

247, 259, 261, 263, 267, 269, 275, 377, 384, 388	70000912 161	70003479..... 161	70004889..... 233
4812002 . 71, 75, 98, 102, 172, 179, 186	70000913 161	70003480..... 161	70004890..... 233
4812100 98, 137, 142, 149, 156, 171, 179, 186, 205, 213, 221, 243, 252, 269, 275	70000914 161	70003481..... 161	70004891..... 233
4812102 71, 98, 102	70000915 161	70003612..... 59	70004892..... 233
4812200 ... 126, 143, 157, 186, 199, 201, 221, 243, 252	70000916 161	70003614..... 480	70004893..... 233
4812300 69	70000917 161	70003631..... 251	70004894..... 233
4846278 265	70000918 161	70003708... 243, 247, 251	70004895..... 233
4860179 39	70000919 162	70003709... 243, 247, 251	70004896..... 233
4871700 243, 247, 252	70000931 162	70003783... 126, 221, 480	70004897..... 233, 480
4891600 98, 123, 133, 139, 153, 175, 183, 209, 217, 275	70001002 161	70003788..... 57, 331, 480	70004898..... 233
489180021, 23, 123, 139, 153, 175, 209	70001100 251	70003931..... 162	70004899..... 234
4892000 21, 23	70001181 161	70003932..... 162	70004900..... 234
4892600001 263, 275	70001349 25, 29	70003975..... 47	70004901..... 234
4922641 248, 252	70001384 251	70003977..... 57	70004902..... 234
4922925 252	70001423 161	70004000..... 59	70004903..... 234
4922929 388	70001435 162	70004013..... 59	70004904..... 234
4923451 127	70001498 162	70004014..... 59	70004905..... 234
5241000 107, 111	70001654 161	70004017..... 47	70004906..... 234
5241200 ... 15, 17, 19, 49, 61, 126, 133, 143, 157, 183, 186, 199, 201, 205, 213, 217, 221, 243, 247, 252, 267, 275	70001655 161	70004056..... 162	70004907..... 234
5241600 19, 61	70001696 251	70004058..... 162, 480	70004908..... 234
5250608 86	70001844 162	70004059..... 162	70004909..... 234
5250808 244, 252	70001850 161	70004060..... 162	70004910..... 234
5250810 . 77, 79, 81, 143, 157, 244, 247, 252, 277	70001866 162	70004062..... 162	70004911..... 234
5250812 67, 385, 389	70001868 162	70004092..... 243, 247	70005065..... 59
5251008 275	70001870 .. 161, 166, 192	70004099..... 247	70005066..... 59
5251009 267	70001871 162	70004102..... 162	70005067..... 59
5251010 45, 55, 267, 277	70001872 162	70004103..... 162	70005068..... 59
5251012 15, 35, 267	70001953 251	70004169..... 251	70005069..... 57
5251014 98, 102, 384, 388	70001966 .. 243, 247, 251	70004171..... 243, 251	70005071..... 57
5251016 275	70001973 251	70004267..... 59	70005076..... 57
5251215 ... 121, 131, 137, 149, 171, 179, 186	70001974 251	70004268..... 161	70005080..... 57
5260800 ... 67, 77, 79, 81, 244, 247, 252	7000206 25, 29	70004269..... 161	70005082..... 57
5261200 ... 121, 131, 137, 149, 171, 179, 186	70002063 47	70004270..... 162	70005084..... 57
5272114 61	70002088 251	70004281..... 165, 192	70005085..... 57
5281918 384, 388	70002209 47	70004282..... 165	70005087..... 57
5281920 384, 388	70002234 162	70004504..... 192	70005088..... 57
70000100 279	70002257 234	70004505..... 192	70005089..... 57
70000342 271	7000229 25, 29	70004506..... 192	70005090..... 57
70000345 162, 191	70002297 251	70004507..... 192	70005092..... 57
70000619 251	7000230 25, 29	70004508..... 165, 192	70005094..... 57
70000781 47	7000232 25, 29	70004509..... 192	70005095..... 57
70000787 162	70002386 47, 57, 331, 333, 480	70004510..... 192	70005096..... 57
70000793 231	70002413 327	70004577 47	70005097..... 57
70000797 31	7000246 25, 29	70004676..... 243, 247	70005098..... 57
70000800 161	70002460 251	70004677..... 243	70005099..... 57
70000851 162	7000248 25, 29	70004678..... 243, 247	70005100..... 57
70000863 251	7000253 25, 29	70004679..... 244, 247	70005139..... 59
	7000257 25, 29	70004680..... 244, 247	70005150..... 337
	7000258 25, 29	70004681..... 244, 247	70005151..... 337
	7000261 25, 29	70004682..... 244, 247	70005152..... 337
	7000262 25, 29	70004683..... 244, 248	70005153..... 337
	7000263 25, 29	70004686..... 247	70005154..... 337
	70002718 .. 161, 165, 192	70004864..... 279	70005171 165, 192
	70002842 325	70004865..... 279	70005172 166, 192
	70002902 301	70004866..... 279	70005176..... 192
	70002903 301	70004867..... 279, 281	70005177 165, 192
	70002904 301	70004868..... 279	70005180..... 165
	70002905 301	70004869..... 279, 281	70005182..... 165
	70002962 47	70004871 ... 279, 281, 480	70005184..... 165, 191
	70003463 161, 480	70004873..... 281	70005191..... 191
	70003464 161	70004875..... 279	70005217..... 57
	70003468 162	70004883..... 47	70005218..... 57
	70003469 162	70004884..... 47	70005219..... 57, 480
	70003472 161	70004885..... 47	70005243..... 281
	70003473 161	70004886..... 47	70005504..... 191
	70003475 161	70004887..... 47	70005505..... 191
		70004888..... 47	70005507..... 191

SECTION 11 - SPECIAL OPTIONS/ACCESSORIES/KITS

70005667.....	384, 388	70008136.....	339	70008544.....	191	70029409.....	191
70005931.....	165, 191	70008137.....	339	70008545.....	191	70029451.....	165
70005938.....	192	70008138.....	339	70008547.....	191	70029512.....	165, 191
70005941.....	166, 192	70008139.....	339	70008553.....	191	70030360.....	165, 191
70005942.....	165, 192	70008140.....	339	70008558.....	191	70030381.....	165, 192
70006104.....	331	70008141.....	339	70008559.....	191	70031055.....	191
70006105.....	331	70008237.....	335	70008561.....	191	70031095.....	165
70006256.....	267	70008238.....	327, 335	70008564.....	192	70031136.....	165, 191
70006272.....	267	70008239.....	327, 335	70008600.....	237	70031143.....	165, 191
70006356.....	123, 133, 139, 153, 175, 183, 209, 217	70008240.....	327, 335	70008622.....	237	70031144.....	165, 191
70006428.....	484	70008241.....	335	70008623.....	237	70031388.....	191
70006429.....	484	70008242.....	327	70008624.....	237	70031474.....	191
70006552.....	244	70008243.....	327	70008625.....	237	7007289.....	234
70006553.....	244, 481	70008244.....	325	70008626.....	237	7007415.....	233, 234
70006660.....	279	70008246.....	325	70008627.....	237	7007419.....	233
70006914.....	329	70008247.....	325	70008628.....	237	7007420.....	233, 234
70006915.....	329	70008253.....	73	70010383.....	55, 480	7007437.....	31
70006916.....	329	70008254.....	73	70012257.....	165	7007438.....	31
70006917.....	329	70008256.....	73	7001481.....	234	7007439.....	31
70006918.....	329	70008258.....	73	7001998.....	25, 29	7007446.....	31
70006919.....	329	70008259.....	73	70023592.....	143, 157	7007493.....	234
7000731.....	26	70008260.....	73	70023593.....	143, 157	7007495.....	233
70007325.....	191	70008261.....	73	70023606.....	47	7007601.....	25, 29
70007326.....	165, 192	70008262.....	73	70024494.....	166	7007640.....	25, 29
70007354.....	165, 191	70008263.....	73	70024502.....	165	7010429.....	25, 29
70007556.....	281	70008264.....	73	70024504.....	165, 191	7010543.....	47
70007603.....	165, 191	70008265.....	73	70024505.....	191	7012967.....	47, 333
70007847.....	33	70008266.....	73	70024507.....	165	7012974.....	47
70007848.....	33	70008267.....	73	70024513.....	165, 191	7012998.....	331
70007849.....	33	70008268.....	73	70024904.....	166, 192	7016331.....	161, 166, 192, 480
70007850.....	33	70008292.....	329	70024905.....	165, 166, 192	7017059.....	25, 29
70007851.....	33	70008293.....	329	70024906.....	165, 192	7017067.....	25, 29
70007852.....	33	70008294.....	329	70024913.....	192	7017070.....	25, 29
70007853.....	33	70008296.....	192	70024917.....	191	7017080.....	25, 29
70007854.....	33	70008371.....	65	70024919.....	165	7017142.....	271
70007855.....	33	70008372.....	65	70024920.....	191	7017159.....	271
70007856.....	33	70008373.....	65	70024961.....	165	7017162.....	271
70007857.....	33	70008374.....	65	70025082.....	161	7017163.....	271
70007858.....	33	70008375.....	65	70025084.....	161, 162	7017164.....	271
70007859.....	33	70008376.....	65	70025086.....	162	7017172.....	271
70007860.....	33	70008377.....	65	70025088.....	161	7017192.....	271
70007861.....	33	70008378.....	65	70025091.....	161	7017195.....	271
70007862.....	33	70008379.....	65	70025121.....	162	7017410.....	47
70007863.....	33	70008380.....	65	70025123.....	161, 162	7017467.....	331
70007864.....	33	70008381.....	65	70025130.....	191	7017496.....	47, 331, 333
70007865.....	33	70008382.....	65	70025131.....	162	7020023.....	161, 480
70007866.....	33	70008383.....	65	70025139.....	161	7020026.....	161
70007867.....	33	70008384.....	65	70025140.....	192	7020403.....	161
70007868.....	33	70008385.....	65	70025144.....	192	7020430.....	161
70007869.....	33	70008386.....	65	70025145.....	192	7020460.....	161
70007870.....	33	70008387.....	65	70025152.....	192	7020465.....	161, 192
70007871.....	33	70008388.....	65	70025164.....	165, 191	7020468.....	161
70007872.....	33	70008389.....	65	70025231.....	165, 191	7020471.....	162
70007873.....	33	70008390.....	65	70025235.....	192	7020479.....	162
70007874.....	33	70008391.....	65	70025239.....	165, 191	7020492.....	161, 162
70007875.....	33	70008392.....	65	70025242.....	192	7021237.....	233
70007876.....	33	70008393.....	65	70025269.....	339	7021238.....	233
70007877.....	33	70008422.....	192	70025667.....	161	7021239.....	233
70007878.....	33	70008431.....	191	70025693.....	162	7021240.....	233
70007886.....	333	70008435.....	191	70025694.....	162	7021241.....	233
70007887.....	333	70008498.....	237	70026210.....	165, 191	7021242.....	233
70007888.....	333	70008502.....	237	70026441.....	329	7021243.....	233
70007889.....	333	70008504.....	237	70027088.....	339	7021248.....	233
70007890.....	333	70008507.....	237	70027405.....	191	7021249.....	31, 233
70007901.....	331	70008537.....	192	70028185.....	192	7021253.....	233
70008135.....	339	70008538.....	192	70028538.....	191	7021257.....	233
		70008543.....	191	70028540.....	165, 191		

SECTION 11 - SPECIAL OPTIONS/ACCESSORIES/KITS

7021258	233	7022399	47, 57	7024868.....	31	8405006 ...	137, 149, 171,
7021259	233	7023900	57	7024881.....	47	179, 195, 205, 213,	
7021262	233	7023907	31	7024885.....	47, 480	227, 229	
7021263	233	7023908	31	7026188.....	251	8405007 ...	143, 157, 187,
7021265	233	7023910	31	7026330.....	59	221	
7021268	233	7023936	57	7026597.....	251	8405009 ...	143, 157, 187,
7021275	31	7024182	25, 26	7026626.....	251	221	
7021276	31, 234	7024189	26	7027236.....	161	8405104 ...	143, 157, 187,
7021277	31, 234	7024190	26	7027625.....	279	221	
7021278	234	7024191	26	7027628.....	279, 480	8405202 ...	143, 157, 187,
7021281	233	7024192	26	7027790.....	162	221	
7021290	234	7024193	26	7027791.....	162	8405204 ...	143, 157, 187,
7021293	233	7024194	26	7027792.....	162	221	
7021299	234	7024196	26	7027796.....	162	8406109 ...	143, 157, 187,
7021625	47	7024197	26	7027799.....	251	221	
7021639	47	7024485	251, 480	7027903.....	162	8406110 ...	143, 157, 187,
7022300	233	7024488	251	77363233.....	421	221	
7022302	31	7024489	251	80484084.....	409, 414	8406201 ...	143, 157, 187,
7022305	31	7024565	162	80633030.....	346	221	
7022310	31	7024579	161, 166, 192	80963067.....	450	8410013 ...	121, 131, 137,
7022311	31	7024705	25	80983191.....	414	149, 205, 213	
7022312	31	7024712	25, 29	8220045.....	419, 449	8430007 ...	137, 149, 171,
7022314	31	7024713	25, 29	8220051.....	417	179, 205, 213	
7022326	31	7024714	25, 29	8220115.....	413	8760477	346
7022328	31	7024715	25, 29	8220125.....	450	8770289	346
7022341	233	7024716	25, 29	8229242.....	414, 450, 480	8786514	39
7022346	234	7024717	25	8229244.....	450, 480	88521214.....	317, 319
7022347	234	7024718	26	8229245.....	419, 480	88662523.....	98, 102
7022368	31	7024800	233	8229249.....	321, 480	8881800.....	75, 384, 388
7022371	31	7024854	31	8310070.....	385, 389	91164057.....	57
7022372	31	7024855	233	8310614.....	75	91164059.....	57
7022390	57, 331	7024857	233	8310668.....	267	91164079.....	57
7022397	47	7024858	233	8310686.....	98, 102	91203039.....	275



**Corporate Office
JLG Industries, Inc.
1 JLG Drive
McConnellsburg, PA 17233-9533 USA
☎ (717) 485-5161 (Corporate)
☎ (877) 554-5438 (Customer Support)
📠 (717) 485-6417**

**Visit our website for JLG Worldwide Locations.
www.jlg.com**



OSHKOSH™