



Illustrated Parts Manual

Model 520AJ HC3

PVC
2401

P/N
31223055

June 3, 2024 - Rev B

ANSI

CE



**UK
CA**

AS/NZS



An Oshkosh Corporation Company

REVISION LOG

January 1, 2024 - A - Original Issue of Manual (Edited to B/M 1001246976 Revision AC)

June 3, 2024 - B - Revised Manual (Edited to B/M 1001246976 Revision AD)

GENERAL INFORMATION

SECTION 6 CYLINDER

FIGURE 6-3. LIFT CYLINDER ASSEMBLY

PG# Model Designation Manual #

SECTION 6 CYLINDER

FIGURE 6-3. LIFT CYLINDER ASSEMBLY

| ITEM # | PART NUMBER | QTY | DESCRIPTION | REV |
|--------|-------------|-----|---|-----|
| | 1001140104 | Ref | LIFT CYLINDER ASSEMBLY | B |
| 1 | 0100011 | AR | Compound, Locking | |
| 2 | 0630305 | 3 | Capscrew 1/4-20 x 1-1/8 | |
| 3 | 0791003 | 1 | Screw #10-24 x 3/8 | |
| 4 | 0961897 | 1 | Bushing, Tapered | |
| 5 | 1320136 | 1 | Clamp, Cable | |
| 6 | 1683063 | 1 | Head | |
| 7 | 2220683 | 1 | Plug, O-Ring | |
| 8 | 2220685 | 2 | Plug, O-Ring | |
| 9 | 2220686 | 1 | Plug, O-Ring | |
| 10 | 3020039 | AR | Lubricant | |
| 11 | 3480282 | 1 | Piston | |
| 12 | 3760371 | 1 | Ring, Washer | |
| 13 | 3931420 | 8 | Capscrew 1/4-20 x 1-1/4 | |
| 14 | 3931824 | 8 | Capscrew 1/2-13 x 1-1/2 | |
| 15 | 3951003 | 1 | Setscrew #10-24 x 3/8 | |
| 16 | 4100099 | 1 | Spacer | |
| 17 | 4640999 | 1 | Cartridge, Holding Valve (Non Vented) | |
| 18 | 4641248 | 1 | Cartridge, Countbalance Valve (Non Vented) | |
| 19 | 70004186 | 1 | Kit, Seal - 4641248 Cartridge Valve | |
| 20 | 1001117991 | 1 | Sensor, Cylinder Length | |
| 21 | 1001118070 | 1 | Cap, Retainer | |
| 22 | 1001118084 | 1 | Barrel | |
| 21A | 0961950 | 2 | Bushing | |
| 22 | 1001118086 | 1 | Rod | |
| 22A | 0961950 | 2 | Bushing | |
| 100 | 1001139996 | 1 | Kit, Seal (Includes Items 101-109) | |
| 101 | See Note | 2 | Ring, Wear (Note: Use p/n 1001139996) | |
| 102 | See Note | 1 | Ring, Back-Up (Note: Use p/n 1001139996) | |
| 103 | See Note | 2 | Ring, Lock (Note: Use p/n 1001139996) | |
| 104 | See Note | 2 | Ring, Back-Up (Note: Use p/n 1001139996) | |
| 105 | See Note | 2 | O-Ring (Note: Use p/n 1001139996) | |
| 106 | See Note | 1 | O-Ring (Note: Use p/n 1001139996) | |
| 107 | See Note | 1 | Seal (Note: Use p/n 1001139996) | |
| 108 | See Note | 1 | Wiper, Rod (Note: Use p/n 1001139996) | |
| 109 | See Note | 2 | Seal (Note: Use p/n 1001139996) | |
| 200 | 1001119105 | 1 | Kit, Sensor Magnet (Includes Items 201-203) | |
| 201 | See Note | | Sleeve, Spacer (Note: Use p/n 1001119105) | |
| 202 | 1001118066 | | Magnet, Sensor | |
| 203 | 1001118069 | 1 | Ring, Internal Retaining | |

Manual # Model Designation PG#

1) MACHINE IDENTIFICATION

Machines are identified by model and in some cases a combination of models, serial number (SN) or regional standard (i.e ANSI, CE, CSA). Components may also be identified by SN or manufacturer. Common components that may be identified by these characteristics are engines and hydraulic components.

2) PARTS MANUAL ORGANIZATION

Product information in this manual is organized under section titles. Frame, Cylinder, Hydraulic and Electrical are a few examples. Each section is organized by figure and page number. The information within the Figure is then organized by item number, part number, description and corresponding illustration (s).

3) TABLE OF CONTENTS (NOT SHOWN)

A table of contents is found toward the beginning of the manual. Figure number, description and page number are provided for quick reference to the page containing the related information.

4) RECOMMENDED SPARE PARTS (NOT SHOWN)

The Recommended Spare Parts List, located near the end of the manual, reference most frequently used maintenance parts.

5) PART NUMBER INDEX (NOT SHOWN)

A numerical index listing all part numbers and the corresponding page number(s) appears at the back of the manual.

GENERAL INFORMATION

6) NON-SERVICED PARTS

In some instances, it is necessary to display non-serviced parts, assemblies or installations. In the case of assemblies and installations there will be a Ref in the Qty. column. In case of parts that are not available for service within assemblies or components, there will be a NSS (Not Sold Separately) or NLA (No Longer Available) listed in the Qty. column of the manual.

7) PARTS LIST ITEM NUMBERS

Numbers shown in the item# column correspond to numbers used in the associated illustration (s). Item numbers which are missing from the sequence in the parts list are not used on that page.

8) INDENTED PARTS DESCRIPTION

An indented part description is included in the item under which it is indented.

9) ABBREVIATION AND SYMBOLS

| | | | |
|-------------|--|--------------|---------------------------------|
| AC..... | Alternating Current | L..... | Liter |
| ADE..... | Advanced Design Electronics | LB(LBS)..... | Pounds |
| AG..... | Agricultural | LCD..... | Liquid Crystal Display |
| ANSI..... | American National Standards Institute | LED..... | Light Emitting Diodes |
| AR..... | As Required | LH..... | Left Hand |
| ASSY..... | Assembly | LRC..... | Low Rated Countries |
| AUS..... | Australia | LSS..... | Load Sensing System |
| AUX..... | Auxiliary | M(m)..... | Metric/Meter |
| AWG..... | American Wire Gauge | MM(mm)..... | Milimeter |
| B/M..... | Bill of Material | mA..... | Miliamps |
| CAC..... | Charge Air Cooler | NLA..... | No Longer Available |
| CE..... | European Conformity | NPT..... | National Pipe Threads |
| CCW..... | Counter Clockwise | NSS..... | Not Sold Separately |
| CM..... | Centimeter | OD..... | Outside Diameter |
| CW..... | Clockwise | ORB..... | O-Ring Boss |
| CSA..... | Canadian Standards Association | ORFS..... | O-Ring Face Seal |
| CYL..... | Cylinder | OZ (oz)..... | Ounces |
| DIA..... | Diameter | PG..... | Page |
| DC..... | Direct Current | PN..... | Part Number |
| DEF..... | Diesel Exhaust Fluid | QT(qt.)..... | Quarts |
| EMS..... | Emergency Stop | QTY..... | Quantity |
| ENG..... | Engine | REF..... | Reference |
| FT(ft)..... | Feet | REV..... | Revision Level |
| GA(Ga)..... | Gauge | RH..... | Right Hand |
| HRC..... | High Rated Countries | SAE..... | Society of Automotive Engineers |
| HVAC..... | Heating, Ventilating, and Air Conditioning | SN..... | Serial Number |
| HYD..... | Hydraulic | SPEC(S)..... | Specifications |
| Hz..... | Hertz | T/T..... | Turntable |
| ID..... | Inside Diameter | UGM..... | Universal Ground Module |
| IN..... | inches | V..... | Volts |
| ISO..... | International Organization for Standards | W..... | Watts |
| JIC..... | Joint Industry Council | #..... | Number |
| KG..... | Kilogram | | |

10) ILLUSTRATION REFERENCE LETTERS

When necessary, illustrations may contain reference letters that are intended to track information (i. e. hoses, harnesses) from one point to another or to track visual enlargement of components to show details that may be located in another area on the illustration.

Note: Due to continuous product improvements, JLG Industries, Inc. reserves the right to make specification changes without prior notification. Contact JLG Industries, Inc. for updated information.

TABLE OF CONTENTS

| | |
|--|-----|
| SECTION 1 - FRAME..... | 13 |
| FIGURE 1-1. AXLE INSTALLATION | 14 |
| FIGURE 1-2. STEER INSTALLATION..... | 16 |
| FIGURE 1-3. WHEEL DRIVE INSTALLATION..... | 18 |
| FIGURE 1-4. DRIVE MOTOR ASSEMBLY | 20 |
| FIGURE 1-5. DRIVE HUB ASSEMBLY | 22 |
| FIGURE 1-6. FRAME SHIELD INSTALLATION | 26 |
| FIGURE 1-7. TIRE AND WHEEL INSTALLATION - 14 X17.5 FOAM FILLED | 28 |
| FIGURE 1-8. TIRE AND WHEEL INSTALLATION - 14 X17.5 FOAM FILLED NON-MARKING | 30 |
| FIGURE 1-9. TIRE AND WHEEL INSTALLATION - 33 X 12-20 FOAM FILLED | 32 |
| FIGURE 1-10. TIRE AND WHEEL INSTALLATION - 33 X 12-20 SOLID NON-MARKING | 34 |
| FIGURE 1-11. VALVES INSTALLATION - FRAME MOUNTED..... | 36 |
| FIGURE 1-12. TRACTION VALVE ASSEMBLY..... | 38 |
| SECTION 2 - TURNTABLE..... | 41 |
| FIGURE 2-1. VALVES INSTALLATION - TURNTABLE MOUNTED | 42 |
| FIGURE 2-2. MAIN VALVE ASSEMBLY | 44 |
| FIGURE 2-3. AUXILIARY PUMP ASSEMBLY..... | 46 |
| FIGURE 2-4. SWING DRIVE AND TURNTABLE BEARING INSTALLATION..... | 48 |
| FIGURE 2-5. SWING MOTOR ASSEMBLY | 50 |
| FIGURE 2-6. TURNTABLE BEARING ASSEMBLY | 52 |
| FIGURE 2-7. TURNTABLE COVERS INSTALLATION | 54 |
| FIGURE 2-8. TURNTABLE LOCK INSTALLATION..... | 56 |
| FIGURE 2-9. TANKS INSTALLATION (HYDRAULIC TANK WITH 4 INCH BREATHER)..... | 58 |
| FIGURE 2-10. TANKS INSTALLATION (HYDRAULIC TANK WITH 6 INCH BREATHER)..... | 60 |
| FIGURE 2-11. HYDRAULIC TANK ASSEMBLY - WITH 4 INCH BREATHER | 62 |
| FIGURE 2-12. DRIVE ORIENTATION INSTALLATION | 64 |
| FIGURE 2-13. GROUND CONTROL ASSEMBLY (ANSI EXPORT AND AUSTRALIAN SPECS)..... | 66 |
| FIGURE 2-14. GROUND CONTROL ASSEMBLY (CE(LRC), CIS/EAC & UK CA SPECS)..... | 68 |
| FIGURE 2-15. GROUND CONTROL ASSEMBLY (CE & UK CA SPECS)..... | 70 |
| FIGURE 2-16. LIGHT PANEL INSTALLATION - GROUND CONTROL..... | 72 |
| FIGURE 2-17. ELECTRICAL SYSTEM INSTALLATION..... | 74 |
| FIGURE 2-18. BATTERY AND CABLE INSTALLATION..... | 78 |
| FIGURE 2-19. BEACON LIGHT INSTALLATION - AMBER | 80 |
| FIGURE 2-20. BEACON LIGHT INSTALLATION - BLUE | 82 |
| FIGURE 2-21. BEACON LIGHT INSTALLATION - RED | 84 |
| FIGURE 2-22. HOODS INSTALLATION (ABS)..... | 86 |
| FIGURE 2-23. HOODS INSTALLATION (STEEL)..... | 90 |
| FIGURE 2-24. HOOD ASSEMBLY (ABS) - ENGINE SIDE | 94 |
| FIGURE 2-25. HOOD ASSEMBLY (ABS) - TANK SIDE | 96 |
| FIGURE 2-26. HOOD ASSEMBLY (STEEL) - ENGINE SIDE | 98 |
| FIGURE 2-27. HOOD ASSEMBLY (STEEL) - TANK SIDE | 100 |
| FIGURE 2-28. WHITE NOISE AMBIENT ALARM INSTALLATION..... | 102 |
| FIGURE 2-29. WHITE NOISE ALARM INSTALLATION..... | 104 |

TABLE OF CONTENTS

| | |
|--|-----|
| SECTION 3 - ENGINE | 107 |
| FIGURE 3-1. ENGINE INSTALLATION - DEUTZ D2011 (WITHOUT ARCTIC PACKAGE) (ANSI EXPORT, AUSTRALIAN, CE (LRC), CIS/EAC & UK CA SPECS)..... | 108 |
| FIGURE 3-2. ENGINE AND PUMP SUB-ASSEMBLY - DEUTZ D2011 (WITHOUT ARCTIC PACKAGE) (ANSI EXPORT, AUSTRALIAN, CE (LRC), CIS/EAC & UK CA SPECS) | 112 |
| FIGURE 3-3. ENGINE ASSEMBLY - DEUTZ D2011 (WITHOUT ARCTIC PACKAGE) (ANSI EXPORT, AUSTRALIAN, CE (LRC), CIS/EAC & UK CA SPECS) | 114 |
| FIGURE 3-4. ENGINE INSTALLATION - DEUTZ D2011 ENGINE (WITHOUT ARCTIC PACKAGE) (WITH PMP PUMP)..... | 118 |
| FIGURE 3-5. ENGINE AND PUMP SUB-ASSEMBLY - DEUTZ D2011 ENGINE (WITHOUT ARCTIC PACKAGE) (WITH PMP PUMP)..... | 122 |
| FIGURE 3-6. ENGINE COMPONENTS - DEUTZ D2011..... | 124 |
| FIGURE 3-7. ENGINE COMPONENTS - DEUTZ D2.9L4 ERM5 ENGINE (ANSI, ANSI EXPORT AND CSA SPECS) | 128 |
| FIGURE 3-8. ENGINE INSTALLATION - DEUTZ D2.9L4 ERM5 ENGINE (WITHOUT ARCTIC PACKAGE) (ANSI, ANSI EXPORT, CSA AND JAPANESE SPECS) | 132 |
| FIGURE 3-9. ENGINE AND PUMP SUB-ASSEMBLY - DEUTZ D2.9L4 ERM5 ENGINE(WITHOUT ARCTIC PACKAGE) (ANSI, ANSI EXPORT AND CSA SPECS)..... | 136 |
| FIGURE 3-10. ENGINE AND PUMP SUB-ASSEMBLY - DEUTZ D2.9L4 ERM5 ENGINE(WITH ARCTIC PACKAGE) (ANSI AND CSA SPECS) | 138 |
| FIGURE 3-11. ENGINE INSTALLATION - DEUTZ D2.9L4 (STAGE V) (CE & UK CA SPECS) | 140 |
| FIGURE 3-12. ENGINE AND PUMP SUB-ASSEMBLY-DEUTZ (STAGE V) (CE & UK CA SPECS)..... | 146 |
| FIGURE 3-13. ENGINE INSTALLATION - DEUTZ D2.9L4 ENGINE (STAGE V) (WITH PMP PUMP)..... | 148 |
| FIGURE 3-14. ENGINE AND PUMP SUB-ASSEMBLY - DEUTZ D2011 ENGINE (STAGE V) | 154 |
| FIGURE 3-15. ENGINE ASSEMBLY - DEUTZ STAGE V ENGINE (CE & UK CA SPECS)..... | 156 |
| FIGURE 3-16. ENGINE ASSEMBLY - DEUTZ STAGE V ENGINE (CE & UK CA SPECS)..... | 158 |
| FIGURE 3-17. ENGINE COMPONENTS - DEUTZ D2.9L4 (STAGE V) (CE & UK CA SPECS) | 162 |
| FIGURE 3-18. ENGINE INSTALLATION - DEUTZ D2.9L4 ENGINE (CHINA IV) (WITH PMP PUMP)..... | 166 |
| FIGURE 3-19. ENGINE INSTALLATION - DEUTZ D2.9L4 ENGINE (CHINA IV) (WITH PMP PUMP)..... | 168 |
| FIGURE 3-20. ENGINE INSTALLATION - DEUTZ D2.9L4 ENGINE (CHINA IV) (WITH PMP PUMP)..... | 170 |
| FIGURE 3-21. ENGINE AND PUMP SUB-ASSEMBLY - DEUTZ D2.9L4 ENGINE (CHINA IV) | 174 |
| FIGURE 3-22. ENGINE ASSEMBLY - DEUTZ D2.9L4 (CHINA IV) | 176 |
| FIGURE 3-23. ENGINE ASSEMBLY - DEUTZ D2.9L4 (CHINA IV) | 178 |
| FIGURE 3-24. DEUTZ D2.9L4 ENGINE COMPONENTS (CHINA IV) | 182 |
| FIGURE 3-25. BRACKET ASSEMBLY - FUEL PUMP AND FILTER (DEUTZ D2.9L4 CHINA IV ENGINE) | 184 |
| FIGURE 3-26. FUEL/WATER SEPARATOR ASSEMBLY | 186 |
| FIGURE 3-27. MOTOR MOUNT INSTALLATION (STAGE V ENGINES WITHOUT GENERATOR)..... | 188 |
| FIGURE 3-28. MOTOR MOUNT INSTALLATION (STAGE V ENGINES WITH GENERATOR) | 190 |
| FIGURE 3-29. BRACKET ASSEMBLY - FUEL PUMP AND FILTER (DEUTZ D2.9L4 ENGINE) (STAGE V)..... | 192 |
| FIGURE 3-30. BREATHER HEATER INSTALLATION - DEUTZ D2.9L4 ENGINES (STAGE V) (CE SPECS) | 194 |
| FIGURE 3-31. PUMP COUPLING KIT - DEUTZ ENGINES | 196 |
| FIGURE 3-32. PISTON PUMP ASSEMBLY..... | 198 |
| FIGURE 3-33. CLOSED PUMP LOOP ASSEMBLY | 202 |
| FIGURE 3-34. SPARK ARRESTOR INSTALLATION - DEUTZ D2011 ENGINE | 204 |
| FIGURE 3-35. ENGINE BAFFLE INSTALLATION - WITH DEUTZ ENGINES..... | 206 |
| FIGURE 3-36. GENERATOR INSTALLATION - 4000W/50HZ (DEUTZ D2011 ENGINE)..... | 208 |
| FIGURE 3-37. GENERATOR INSTALLATION - 4000W/50HZ (DEUTZ (STAGE V) ENGINE) | 212 |
| FIGURE 3-38. GENERATOR INSTALLATION - 7500W/50HZ (DEUTZ D2011 ENGINE)..... | 216 |
| SECTION 4 - BOOM..... | 221 |

TABLE OF CONTENTS

| | |
|--|-----|
| FIGURE 4-1. BOOMS AND CYLINDERS INSTALLATION | 222 |
| FIGURE 4-2. JIB INSTALLATION | 224 |
| FIGURE 4-3. MAIN BOOM ASSEMBLY | 226 |
| FIGURE 4-4. TOWER BOOM ASSEMBLY | 228 |
| FIGURE 4-5. ROTATOR ASSEMBLY | 230 |
| FIGURE 4-6. PLATFORM SUPPORT INSTALLATION | 232 |
| FIGURE 4-7. VALVES INSTALLATION - BOOM MOUNTED | 234 |
| FIGURE 4-8. UPRIGHT VALVE ASSEMBLY | 236 |
| FIGURE 4-9. BOOM VALVE ASSEMBLY | 238 |
| SECTION 5 - PLATFORM..... | 241 |
| FIGURE 5-1. PLATFORM ASSEMBLY - 30IN X 3FT- SIDE DROP BAR ENTRY | 242 |
| FIGURE 5-2. PLATFORM ASSEMBLY - 30IN X 4FT- SIDE DROP BAR ENTRY | 244 |
| FIGURE 5-3. PLATFORM ASSEMBLY - 30IN X 5FT- SIDE DROP BAR ENTRY | 246 |
| FIGURE 5-4. PLATFORM ASSEMBLY - 30IN X 5FT- SIDE GATE ENTRY | 248 |
| FIGURE 5-5. PLATFORM ASSEMBLY - 30IN X 5FT (76CM X 1.22M) - FALL ARREST REAR ENTRY | 250 |
| FIGURE 5-6. PLATFORM ASSEMBLY - 30IN X 6FT- SIDE DROP BAR ENTRY | 252 |
| FIGURE 5-7. PLATFORM ASSEMBLY - 30IN X 6FT- SIDE GATE ENTRY | 254 |
| FIGURE 5-8. CONSOLE BOX INSTALLATION | 256 |
| FIGURE 5-9. PLATFORM CONSOLE BOX ASSEMBLY | 258 |
| FIGURE 5-10. LIGHT PANEL INSTALLATION - PLATFORM CONSOLE | 260 |
| FIGURE 5-11. FALL ARREST INSTALLATION (BOLT-ON) (5FT/1.52M PLATFORM) | 262 |
| FIGURE 5-12. FOOTSWITCH ASSEMBLY..... | 264 |
| FIGURE 5-13. TRAY ASSEMBLY | 266 |
| FIGURE 5-14. SKYEYE INSTALLATION | 268 |
| FIGURE 5-15. SKYGUARD BAR INSTALLATION | 270 |
| FIGURE 5-16. SKYLINE INSTALLATION | 272 |
| FIGURE 5-17. SKYGLAZIER INSTALLATION | 274 |
| FIGURE 5-18. SOFT TOUCH INSTALLATION (WITHOUT FALL ARREST) | 276 |
| FIGURE 5-19. SOFT TOUCH INSTALLATION (WITH FALL ARREST)..... | 278 |
| FIGURE 5-20. USB CHARGER INSTALLATION | 280 |
| SECTION 6 - CYLINDER..... | 283 |
| FIGURE 6-1. AXLE LOCKOUT CYLINDER ASSEMBLY | 284 |
| FIGURE 6-2. JIB CYLINDER ASSEMBLY | 286 |
| FIGURE 6-3. LEVEL CYLINDER ASSEMBLY | 288 |
| FIGURE 6-4. LIFT CYLINDER ASSEMBLY | 290 |
| FIGURE 6-5. MASTER CYLINDER ASSEMBLY..... | 292 |
| FIGURE 6-6. STEER CYLINDER ASSEMBLY..... | 294 |
| FIGURE 6-7. TELESCOPE CYLINDER ASSEMBLY | 296 |
| FIGURE 6-8. TOWER LIFT CYLINDER ASSEMBLY | 298 |
| SECTION 7 - HYDRAULIC | 301 |
| FIGURE 7-1. HYDRAULIC SYSTEM INSTALLATION | 302 |
| SECTION 8 - ELECTRICAL | 309 |

TABLE OF CONTENTS

| | |
|---|-----|
| FIGURE 8-1. AC BOX AT PLATFORM INSTALLATION - 110V IEC YELLOW (CE, CIS/EAC & UK CA SPECS WITH 4000W/50HZ GENERATOR) | 310 |
| FIGURE 8-2. AC BOX AT PLATFORM INSTALLATION - 110V IEC 60309 YELLOW WITHOUT 2500W GENERATOR (CE, CIS/EAC & UK CA SPECS) | 312 |
| FIGURE 8-3. AC BOX AT PLATFORM INSTALLATION - 220V IEC BLUE (CE, CIS/EAC & UK CA SPECS WITH 4000W/50HZ GENERATOR) | 314 |
| FIGURE 8-4. AC BOX AT PLATFORM INSTALLATION - 220V IEC 60309 BLUE WITHOUT 2500W GENERATOR (CE, CIS/EAC & UK CA SPECS)..... | 316 |
| FIGURE 8-5. AC BOX AT PLATFORM INSTALLATION - 220V CEE7 POST GROUND (2X4 BOX) WITHOUT 2500W GENERATOR (CE, CIS/EAC & UK CA SPECS) | 318 |
| FIGURE 8-6. AC BOX AT PLATFORM INSTALLATION - 220V CEE7 SIDE GROUND (2X4 BOX) WITHOUT 2500W GENERATOR (CE, CIS/EAC & UK CA SPECS) | 320 |
| FIGURE 8-7. AC BOX AT PLATFORM INSTALLATION - 220V CEE7 2IN X 4IN POST GROUND (CE, CIS/EAC & UK CA SPECS WITH 4000W/50HZ GENERATOR) | 322 |
| FIGURE 8-8. AC BOX AT PLATFORM INSTALLATION - 220V CEE7 2IN X 4IN SIDE GROUND (CE, CIS/EAC & UK CA SPECS WITH 4000W/50HZ GENERATOR) | 324 |
| FIGURE 8-9. AC BOX AT PLATFORM INSTALLATION - 220V AFSINT107 (CE, CIS/EAC & UK CA SPECS WITH 4000W/50HZ GENERATOR) | 326 |
| FIGURE 8-10. AC BOX AT PLATFORM INSTALLATION - 220V AFSINT 107 KEYED GROUND (2X4 BOX) WITHOUT 2500W GENERATOR (CE, CIS/EAC & UK CA SPECS) | 328 |
| FIGURE 8-11. AC BOX AT PLATFORM INSTALLATION - 220V CUSTOMER SUPPLIED COMPONENTS (ALL SPECS)..... | 330 |
| FIGURE 8-12. AC CABLE INSTALLATION - WITH TWO BREAKERS (CE, CIS/EAC & UK CA SPECS) | 332 |
| FIGURE 8-13. AC CABLE INSTALLATION - WITH TWO BREAKERS (MACHINES WITH SN STARTING WITH B3)..... | 334 |
| FIGURE 8-14. AC CABLE INSTALLATION - WITH THREE BREAKERS (CE, CIS/EAC & UK CA SPECS)..... | 336 |
| FIGURE 8-15. BATTERY DISCONNECT SWITCH | 338 |
| FIGURE 8-16. BEACON JUMPER HARNESS | 340 |
| FIGURE 8-17. BEACON LIGHT HARNESS (BLUE AND RED BEACON LIGHT) | 342 |
| FIGURE 8-18. BOOM CABLES & CLAMPS INSTALLATION (4000W GENERATOR)..... | 344 |
| FIGURE 8-19. BOOM CABLES & CLAMPS INSTALLATION (7500W SKYPOWER GENERATOR) | 348 |
| FIGURE 8-20. BOOM HARNESS - MAIN BOOM | 352 |
| FIGURE 8-21. BOOM HARNESS - MAIN BOOM (8/5 4000W GENERATOR) | 354 |
| FIGURE 8-22. BOOM HARNESS - TOWER BOOM..... | 356 |
| FIGURE 8-23. BOOM HARNESS - TOWER BOOM (8/5 4000W GENERATOR)..... | 358 |
| FIGURE 8-24. BOOM SENSORS INSTALLATION..... | 360 |
| FIGURE 8-25. BOOM SENSOR HARNESS | 362 |
| FIGURE 8-26. BREAKER BOX KIT WITH SINGLE DOUBLE POLE BREAKER (CE, CIS/EAC & UK CA SPEC) | 364 |
| FIGURE 8-27. BREAKER BOX KIT WITH THREE BREAKERS (CE, CIS/EAC & UK CA SPEC) | 366 |
| FIGURE 8-28. BREAKER BOX KIT - 30MA/16 AMP | 368 |
| FIGURE 8-29. BREAKER BOX KIT | 370 |
| FIGURE 8-30. CAPACITY HARNESS | 372 |
| FIGURE 8-31. CHASSIS SOLENOID HARNESS | 374 |
| FIGURE 8-32. ENGINE HARNESS - DEUTZ D2011 | 376 |
| FIGURE 8-33. ENGINE HARNESS..... | 378 |
| FIGURE 8-34. ENGINE HARNESS - DEUTZ D2.9L4 (CHINA IV) | 382 |
| FIGURE 8-35. FUEL HARNESS - DEUTZ D2.9L4 ENGINE | 386 |
| FIGURE 8-36. GENERATOR HARNESS - 2500W GENERATOR (50HZ) | 388 |
| FIGURE 8-37. GENERATOR HARNESS - 4000W GENERATOR | 390 |
| FIGURE 8-38. GROUND CONTROL PANEL HARNESS | 392 |
| FIGURE 8-39. HOUR METER JUMPER HARNESS..... | 394 |

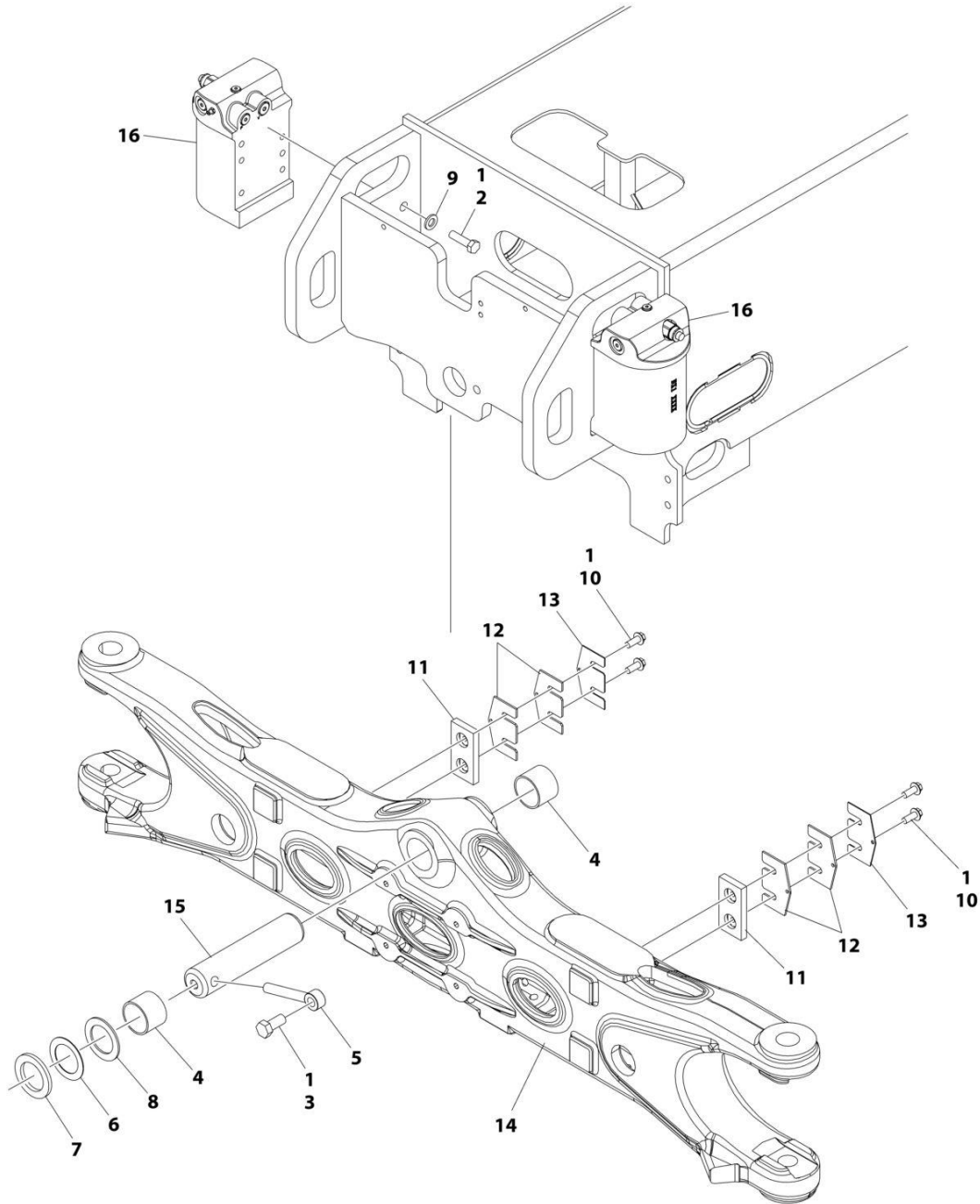
TABLE OF CONTENTS

| | |
|--|-----|
| FIGURE 8-40. PLATFORM CONSOLE BOX HARNESS | 396 |
| FIGURE 8-41. PLATFORM INTERFACE HARNESS | 398 |
| FIGURE 8-42. RECEPTACLE BOX KIT - 110V IEC YELLOW (CE, CIS/EAC & UK CA SPEC) | 400 |
| FIGURE 8-43. RECEPTACLE BOX KIT - 220V IEC BLUE (CE, CIS/EAC & UK CA SPEC) | 402 |
| FIGURE 8-44. RECEPTACLE BOX KIT - 220V CEE7 POST GROUND 2IN X 4IN BOX (CE, CIS/EAC & UK CA SPEC) | 404 |
| FIGURE 8-45. RECEPTACLE BOX KIT - 220V CEE7 SIDE GROUND 2IN X 4IN BOX (CE, CIS/EAC & UK CA SPEC) | 406 |
| FIGURE 8-46. RECEPTACLE BOX KIT - 220V AFSINT 107 (CE, CIS/EAC & UK CA SPEC) | 408 |
| FIGURE 8-47. SKYEYE INTERMEDIATE HARNESS..... | 410 |
| FIGURE 8-48. SKYEYE RECEIVER HARNESS | 412 |
| FIGURE 8-49. SKYEYE EMITTER HARNESS..... | 414 |
| FIGURE 8-50. SKYLINE HARNESS..... | 416 |
| FIGURE 8-51. TRANSPORT HARNESS..... | 418 |
| FIGURE 8-52. TURNTABLE HARNESS | 420 |
| FIGURE 8-53. VALVE HARNESS - BOOM VALVE..... | 424 |
| FIGURE 8-54. VALVE HARNESS - MAIN VALVE..... | 426 |
| FIGURE 8-55. VALVE HARNESS - PLATFORM VALVE | 428 |
| SECTION 9 - DECALS..... | 431 |
| FIGURE 9-1. DECAL INSTALLATION - ANSI EXPORT (ENGLISH LANGUAGE) | 432 |
| FIGURE 9-2. DECAL INSTALLATION - AUSTRALIAN SPEC (ENGLISH LANGUAGE) | 434 |
| FIGURE 9-3. DECAL INSTALLATION - CE, CIS/EAC & UK CA SPEC (ENGLISH LANGUAGE) | 436 |
| FIGURE 9-4. DECAL INSTALLATION - ANSI EXPORT (CHINESE/ENGLISH LANGUAGES) | 438 |
| FIGURE 9-5. DECAL INSTALLATION - OPTIONS | 440 |
| SECTION 10 - RECOMMENDED SERVICE PARTS STOCK | 443 |
| FIGURE 10-1. RECOMMENDED SERVICE PARTS STOCK | 444 |
| SECTION 11 - SPECIAL OPTIONS..... | 447 |
| FIGURE 11-1. SPECIAL OPTIONS/ACCESORIES/KITS | 448 |
| PART NUMBER INDEX | 451 |

SECTION 1 - FRAME

SECTION 1 - FRAME

FIGURE 1-1. AXLE INSTALLATION



ART_1001264981

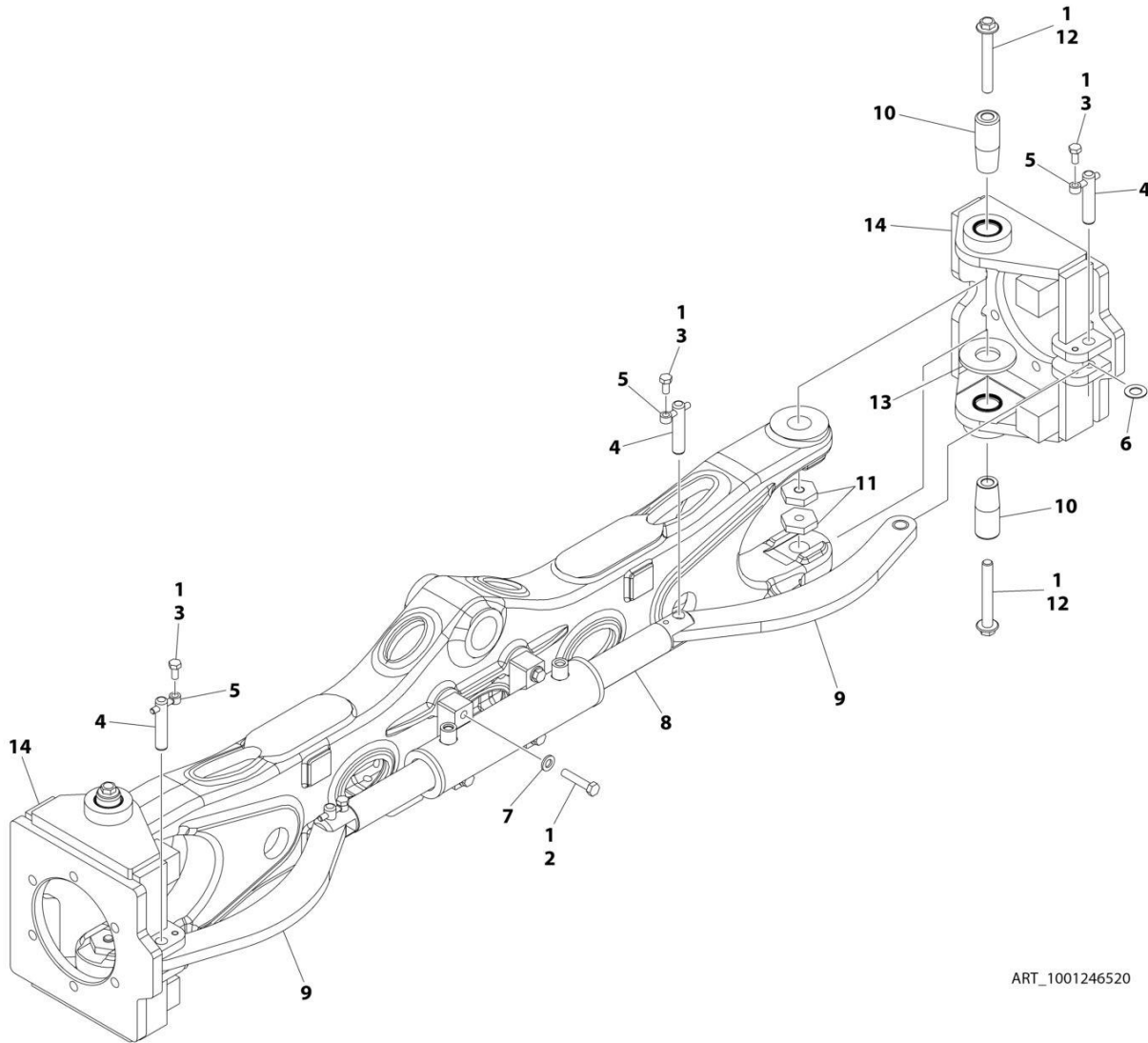
SECTION 1 - FRAME

FIGURE 1-1. AXLE INSTALLATION

| ITEM | PART NUMBER | QTY | DESCRIPTION | REV |
|------|-------------|-----|---|-----|
| | 1001264981 | Ref | AXLE INSTALLATION | B |
| 1 | 0100011 | AR | Compound, Locking | |
| 2 | 0701217 | 8 | Bolt M12 x 45 | |
| 3 | 0761615 | 1 | Bolt M16 x 35 | |
| 4 | 0961950 | 2 | Bearing | |
| 5 | 3841258 | 1 | Keeper, Pin | |
| 6 | 4071101 | AR | Shim | |
| 7 | 4740158 | AR | Washer | |
| 8 | 4740229 | AR | Washer | |
| 9 | 5241200 | 8 | Washer M12 | |
| 10 | 5251012 | 4 | Bolt M10 x 25 | |
| 11 | 1001118511 | 2 | Pad, Wear | |
| 12 | 1001118518 | AR | Shim 11Ga | |
| 13 | 1001118519 | AR | Shim 16Ga | |
| 14 | 1001162995 | 1 | Axle | |
| 15 | 1001185030 | 1 | Pin | |
| 16 | 1001256179 | 2 | Axle Lockout Cylinder Assembly (See Separate Breakdown in CYLINDER Section) | |

SECTION 1 - FRAME

FIGURE 1-2. STEER INSTALLATION



ART_1001246520

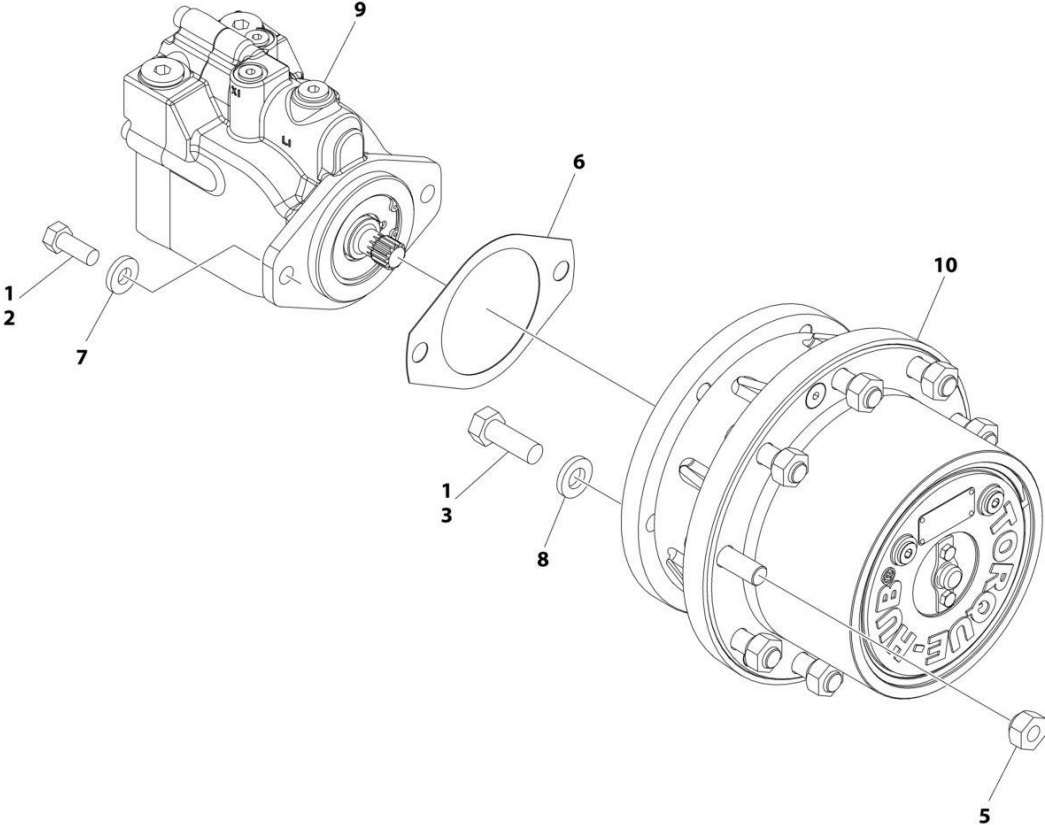
SECTION 1 - FRAME

FIGURE 1-2. STEER INSTALLATION

| ITEM | PART NUMBER | QTY | DESCRIPTION | REV |
|------|-------------|-----|--|-----|
| | 1001246520 | Ref | STEER INSTALLATION - WITHOUT TOW PACKAGE | A |
| 1 | 0100011 | AR | Compound, Locking | |
| 2 | 0711220 | 4 | Bolt M12 x 60 Grade 10.9 | |
| 3 | 0761011 | 4 | Bolt M10 x 22 | |
| 4 | 3423304 | 4 | Pin | |
| 5 | 3841520 | 4 | Keeper | |
| 6 | 4740086 | 4 | Washer | |
| 7 | 5241200 | 4 | Washer M12 | |
| 8 | 1001163178 | 1 | Steer Cylinder Assembly (See Separate Breakdown in CYLINDER Section) | |
| 9 | 1001163179 | 2 | Link | |
| 9 | 1001164209 | 4 | Bearing (2 Per Link) | |
| 10 | 1001163405 | 4 | Kingpin | |
| 11 | 1001176848 | 4 | Nut M16 | |
| 12 | 1001190368 | 4 | Bolt M16 x 120 | |
| 13 | 1001233139 | 2 | Bearing, Thrust | |
| 14 | 1001246551 | 2 | Spindle | |
| 14 | 0961948 | 4 | Bearing (2 Per Spindle) | |
| 14 | 1001163716 | 2 | Seal (1 Per Spindle) | |

SECTION 1 - FRAME

FIGURE 1-3. WHEEL DRIVE INSTALLATION



ART_1001254652

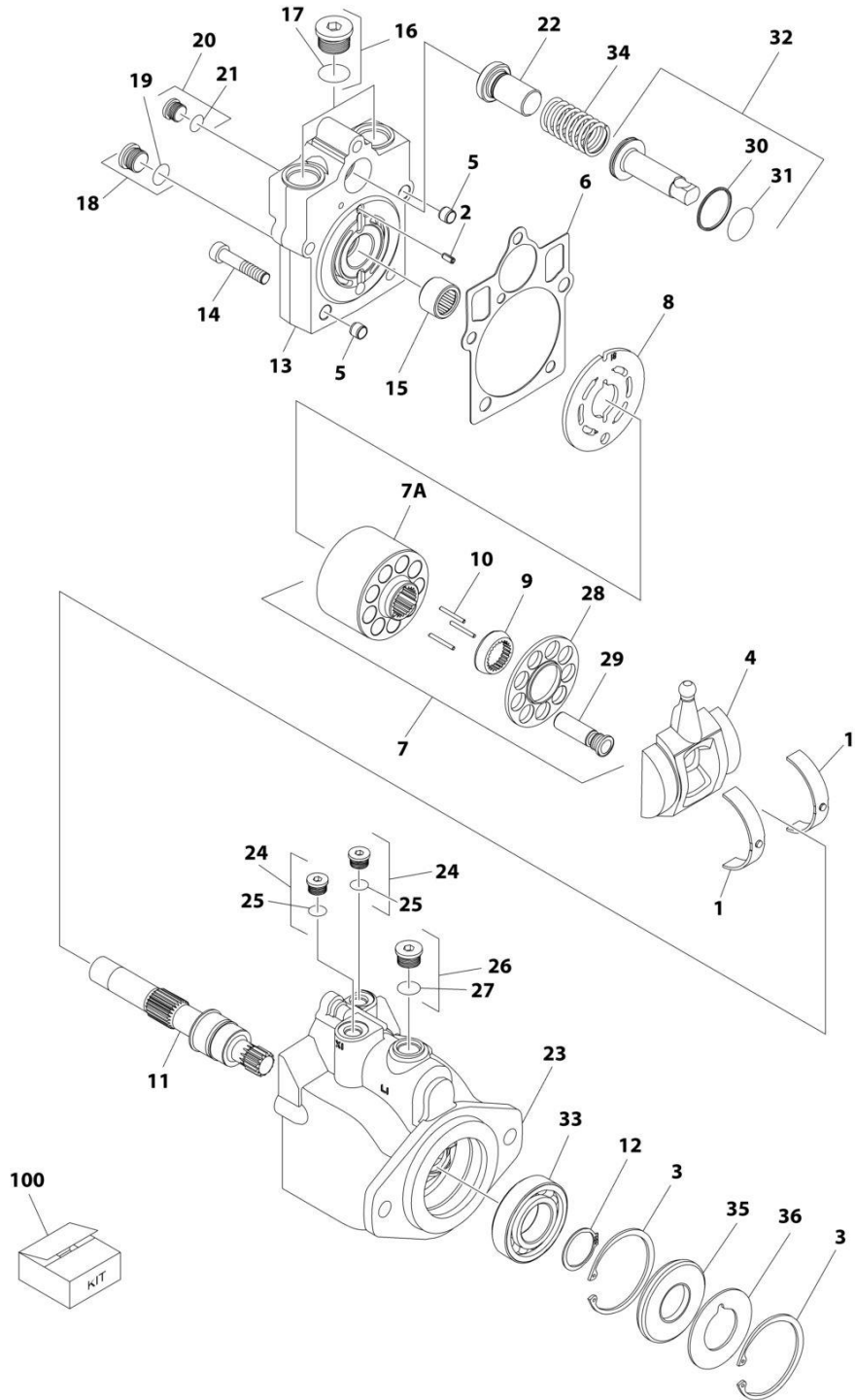
SECTION 1 - FRAME

FIGURE 1-3. WHEEL DRIVE INSTALLATION

| ITEM | PART NUMBER | QTY | DESCRIPTION | REV |
|------|-------------|-----|---|-----|
| | 1001254652 | Ref | WHEEL DRIVE INSTALLATION (4WD) | C |
| 1 | 0100011 | AR | Compound, Locking | |
| 2 | 0681810 | 8 | Bolt 1/2 x 1-1/4 Grade 8 | |
| 3 | 0682013 | 24 | Bolt 5/8 x 1-5/8 Grade 8 | |
| 4 | 3020008 | AR | Lubricant, Gear (Not Shown) | |
| 5 | 3300106 | 36 | Lugnut | |
| 6 | 3960526 | 4 | Gasket, Brake | |
| 7 | 4891800 | 8 | Washer 1/2 | |
| 8 | 4892000 | 24 | Washer 5/8 | |
| 9 | 1001245759 | 4 | Drive Motor Assembly (See Separate Breakdown in this Section) | |
| 10 | 1001252541 | 4 | Drive Hub Assembly (See Separate Breakdown in this Section) | |

SECTION 1 - FRAME

FIGURE 1-4. DRIVE MOTOR ASSEMBLY



ART_1001245759

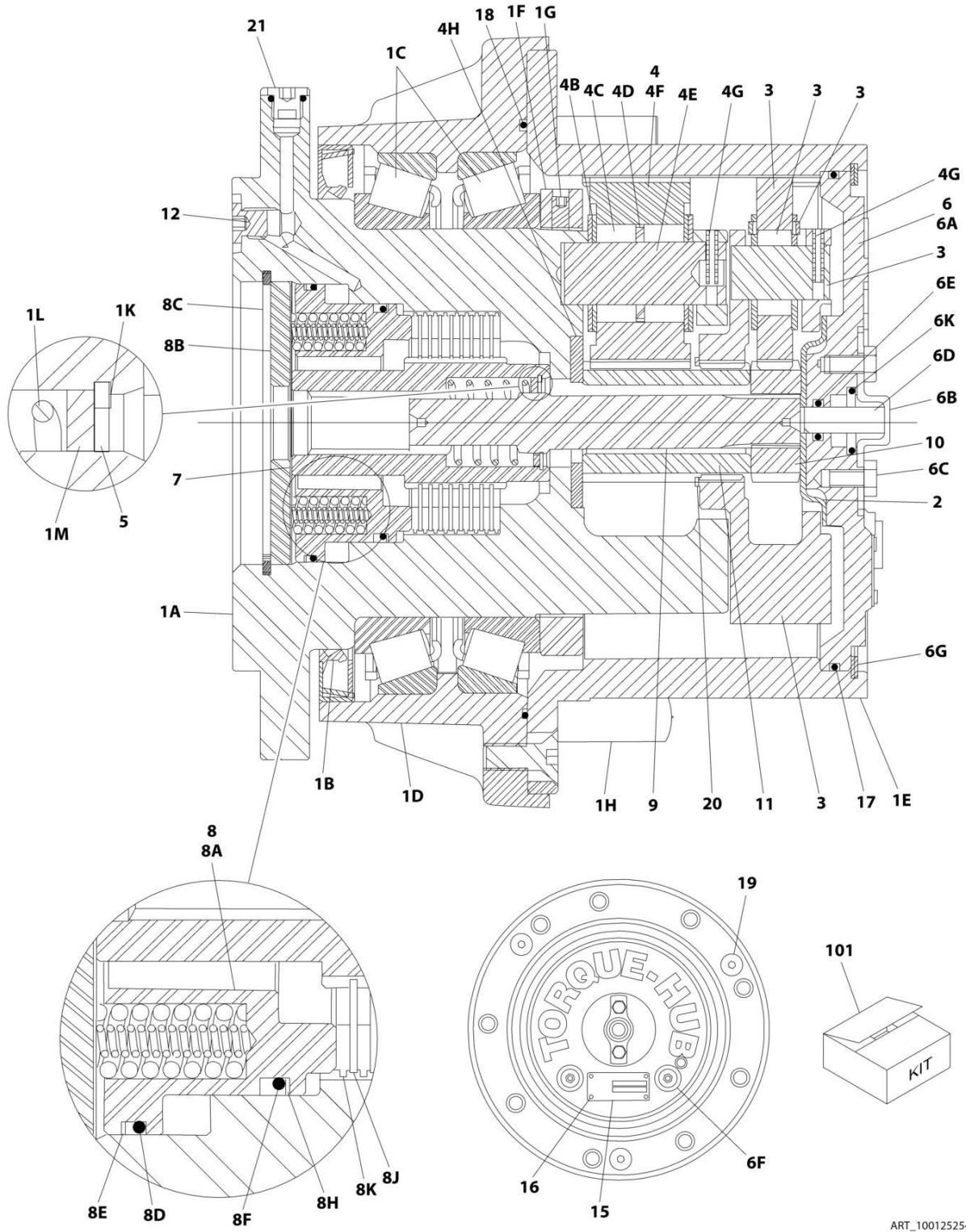
SECTION 1 - FRAME

FIGURE 1-4. DRIVE MOTOR ASSEMBLY

| ITEM | PART NUMBER | QTY | DESCRIPTION | REV |
|------|-------------|-----|--|-----|
| | 1001245759 | Ref | DRIVE MOTOR ASSEMBLY | C |
| 1 | 70007145 | 1 | Bearing Kit | |
| 2 | 7007446 | 1 | Pin | |
| 3 | 7007438 | 2 | Ring, Retaining | |
| 4 | 70000794 | 1 | Swash Plate | |
| 5 | 70003628 | 2 | Pin | |
| 6 | See Note | NSS | Gasket (Note: Use Item 100) | |
| 7 | 7027740 | 1 | Cylinder Block Kit (Includes Items 7A, 9, 28 & 29) | |
| 7A | 70007146 | 1 | Block, Cylinder | |
| 8 | 70000854 | 1 | Plate, Valve | |
| 9 | 70000856 | 1 | Guide, Slipper Retainer | |
| 10 | 7021275 | 3 | Pin, Slipper Hold Down | |
| 11 | 7023910 | 1 | Shaft | |
| 12 | 7007439 | 1 | Ring, Retaining | |
| 13 | 70000795 | 1 | Cap, End - Axial | |
| 14 | 7022368 | 5 | Screw | |
| 15 | 7021249 | 1 | Bearing, Needle | |
| 16 | 7007419 | 1 | Plug (Includes Item 17) | |
| 17 | See Note | NSS | O-Ring (Note: Use Item 17 or 100) | |
| 18 | 7022321 | 1 | Plug (Includes Item 19) | |
| 19 | See Note | NSS | O-Ring (Note: Use Item 19 or 100) | |
| 20 | 2220883 | 1 | Plug (Includes Item 21) | |
| 21 | See Note | NSS | O-Ring (Note: Use Item 21 or 100) | |
| 22 | 70007142 | 1 | Seat, Spring | |
| 23 | 70001932 | 1 | Housing | |
| 24 | 7007420 | 2 | Plug (Includes Item 25) | |
| 25 | See Note | NSS | O-Ring (Note: Use Item 25 or 100) | |
| 26 | 7022321 | 1 | Plug (Includes Item 27) | |
| 27 | See Note | NSS | O-Ring (Note: Use Item 27 or 100) | |
| 28 | 7000857 | 1 | Retainer, Slipper | |
| 29 | 7024865 | 9 | Piston Assembly | |
| 30 | See Note | NSS | O-Ring (Note: Use Item 100) | |
| 31 | See Note | NSS | Ring, Seal (Note: Use Item 100) | |
| 32 | 7024871 | 1 | Piston, Servo (Includes Items 30 & 31) | |
| 33 | 70007143 | 1 | Bearing | |
| 34 | 7022326 | 1 | Spring | |
| 35 | See Note | 1 | Seal, Lip (Note: Use Item 100) | |
| 36 | 7022371 | 1 | Washer, Support | |
| 37 | | Ref | KIT OPTIONS: | |
| 100 | 7022328 | 1 | Seal Kit (Includes Items 6, 17, 19, 21, 25, 27, 30 & 35) | |

SECTION 1 - FRAME

FIGURE 1-5. DRIVE HUB ASSEMBLY



ART_1001252541

SECTION 1 - FRAME

FIGURE 1-5. DRIVE HUB ASSEMBLY

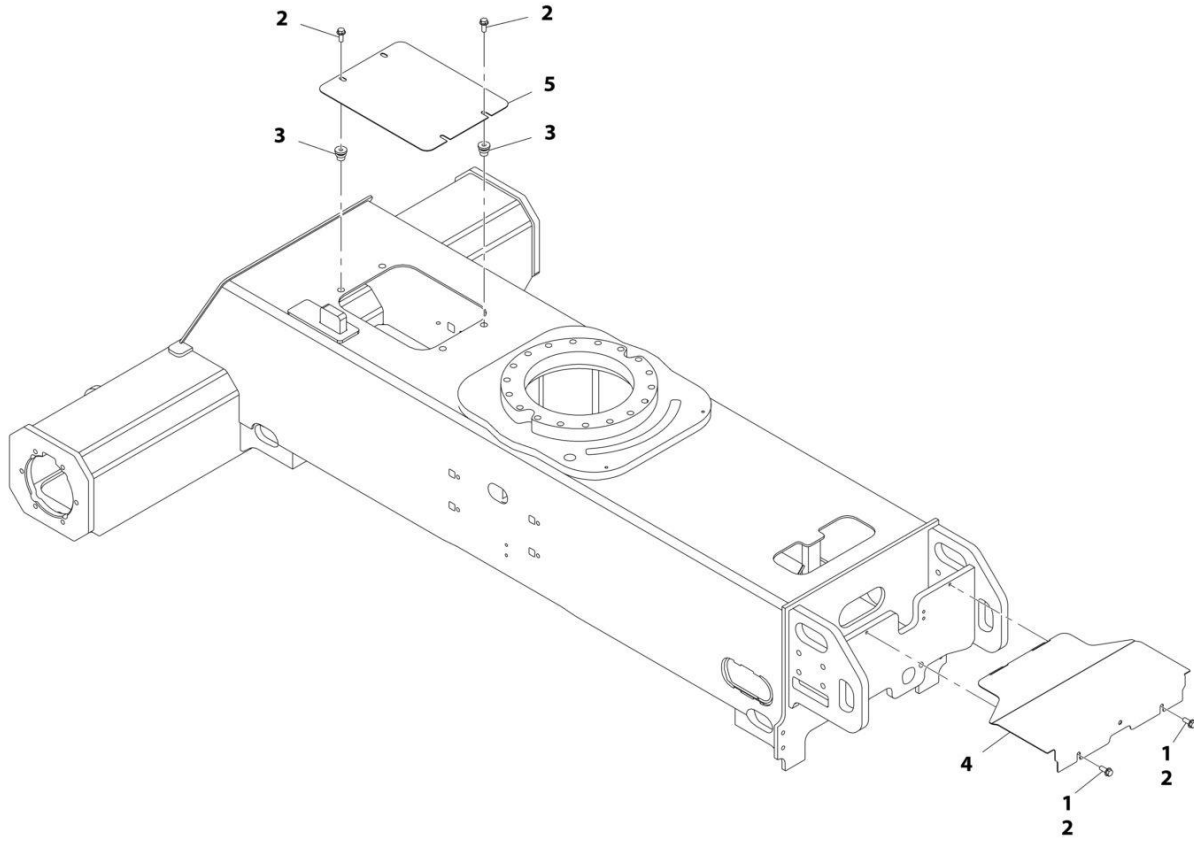
| ITEM | PART NUMBER | QTY | DESCRIPTION | REV |
|------|-------------|-----|---|-----|
| | 1001252541 | Ref | DRIVE HUB AND BRAKE ASSEMBLY | C |
| 1 | See Note | Ref | Spindle Sub-Assembly (Note : Not Shown - Not Available as Assembly. Purchase Individual Components) | |
| 1A | 7024729 | 1 | Spindle | |
| 1B | 70001119 | 1 | Seal, Lip | |
| 1C | 7024735 | 2 | Bearing, Tapered | |
| 1D | See Note | NSS | Housing (Note: Not Available for Purchase) | |
| 1E | 7024730 | 1 | Gear, Ring | |
| 1F | 70003000 | 1 | Nut, Bearing | |
| 1G | 70002996 | 2 | Screw | |
| 1H | 7007640 | 9 | Stud | |
| 1K | 70005613 | 1 | Ring, Retaining (Internal) | |
| 1L | 7024124 | 1 | Spring | |
| 1M | 7024129 | 1 | Thrust washer | |
| 2 | 7024741 | 1 | Spacer, Thrust | |
| 3 | 70007171 | 1 | Carrier, Sub-Assembly (Note: Sold as an Assembly Only) | |
| 4 | 70007172 | 1 | Planet Gear Sub-Assembly | |
| 4B | 7024740 | 12 | Thrust washer | |
| 4C | 7024734 | 84 | Bearing, Needle | |
| 4D | 7024736 | 3 | Spacer, Thrust | |
| 4E | 7024726 | 3 | Shaft, Planet | |
| 4F | See Note | NSS | Gear, Planet (Note : Use PN 70007172) | |
| 4G | 7001913 | 3 | Pin, Roll | |
| 4H | 7024742 | 1 | Thrust washer | |
| 5 | 7017027 | 1 | Ring, Retaining (External) | |
| 6 | 70001368 | 1 | Cover Gear Sub-Assembly | |
| 6A | See Note | NSS | Flange, Plate/Cover (Note: Use Item 6) | |
| 6B | 7017093 | 1 | Cap, Disengage | |
| 6C | 7000216 | 2 | Bolt 1/4 x 1/2 | |
| 6D | 7024739 | 1 | Pin, Dowel | |
| 6E | 7017095 | 1 | O-Ring | |
| 6F | 7017072 | 2 | Plug | |
| 6G | 7024738 | 1 | Ring, Retaining (Internal) | |
| 6K | See Note | NSS | O-Ring (Note: Not Available for Purchase) | |
| 7 | 70007170 | 1 | Coupling Sub-Assembly | |
| 8 | 70007173 | 1 | Brake Sub-Assembly | |
| 8A | See Note | NSS | Housing, Brake (Note: Use PN 70007173) | |
| 8B | See Note | NSS | Spacer | |
| 8C | 70004039 | 1 | Ring, Retaining | |
| 8D | 70002070 | 1 | O-Ring | |
| 8E | 70002071 | 1 | Ring, Back-up | |
| 8F | 70002073 | 1 | O-Ring | |
| 8H | 70002072 | 1 | Ring, Back-up | |
| 8J | 70007175 | 8 | Rotor, Brake | |
| 8K | 70007176 | 9 | Stator, Brake | |
| 9 | 70005606 | 1 | Shaft, Input | |
| 10 | 70007174 | 1 | Gear, Sun | |
| 11 | 7024723 | 1 | Gear, Sun | |
| 12 | 7017082 | 1 | Plug | |
| 15 | See Note | NSS | Plate, ID (Note: Not Available for Purchase) | |

SECTION 1 - FRAME

| ITEM | PART NUMBER | QTY | DESCRIPTION | REV |
|------|-------------|-----|---|-----|
| 16 | See Note | NSS | Rivet (Note: Not Available for Purchase) | |
| 17 | 7024134 | 1 | O-Ring | |
| 18 | 70002997 | 1 | O-Ring | |
| 19 | 7017022 | 5 | Bolt (Not Shown) | |
| 20 | 7024737 | 1 | Ring, Retaining (External) | |
| 21 | 70007177 | 1 | Plug | |
| 101 | 7024744 | 1 | Seal Kit (Includes Items 1B, 1F, 1G, 17, 18 & 19) | |

SECTION 1 - FRAME

FIGURE 1-6. FRAME SHIELD INSTALLATION



ART_1001162105

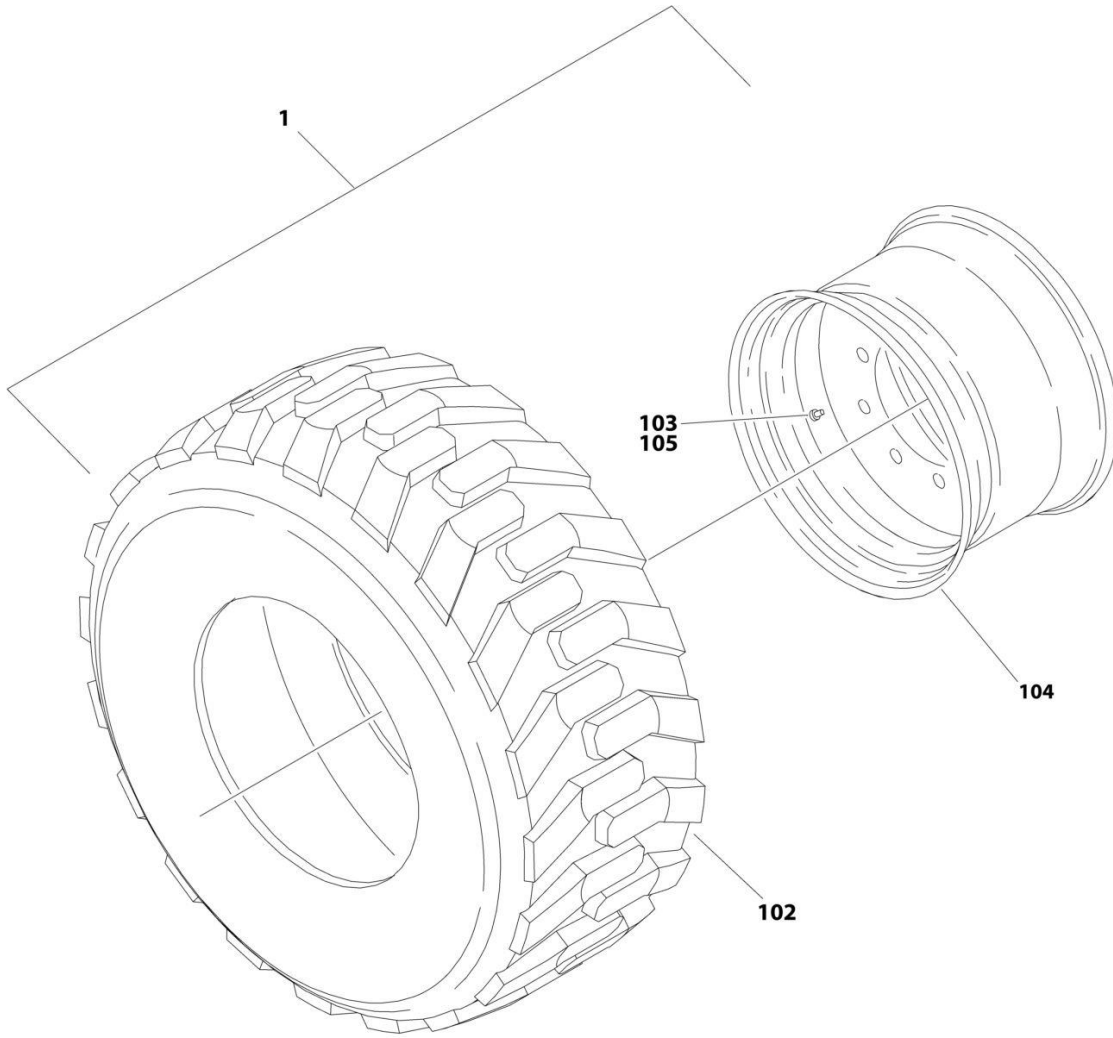
SECTION 1 - FRAME

FIGURE 1-6. FRAME SHIELD INSTALLATION

| ITEM | PART NUMBER | QTY | DESCRIPTION | REV |
|------|-------------|-----|---------------------------|-----|
| | 1001162105 | Ref | FRAME SHIELD INSTALLATION | B |
| 1 | 0100011 | AR | Compound, Locking | |
| 2 | 5251012 | 6 | Bolt, M10 x 25 | |
| 3 | 1001180916 | 4 | Nut | |
| 4 | 1001162107 | 1 | Plate, Valve Cover | |
| 5 | 1001165968 | 1 | Plate, Cover | |

SECTION 1 - FRAME

FIGURE 1-7. TIRE AND WHEEL INSTALLATION - 14 X17.5 FOAM FILLED



ART_0271998

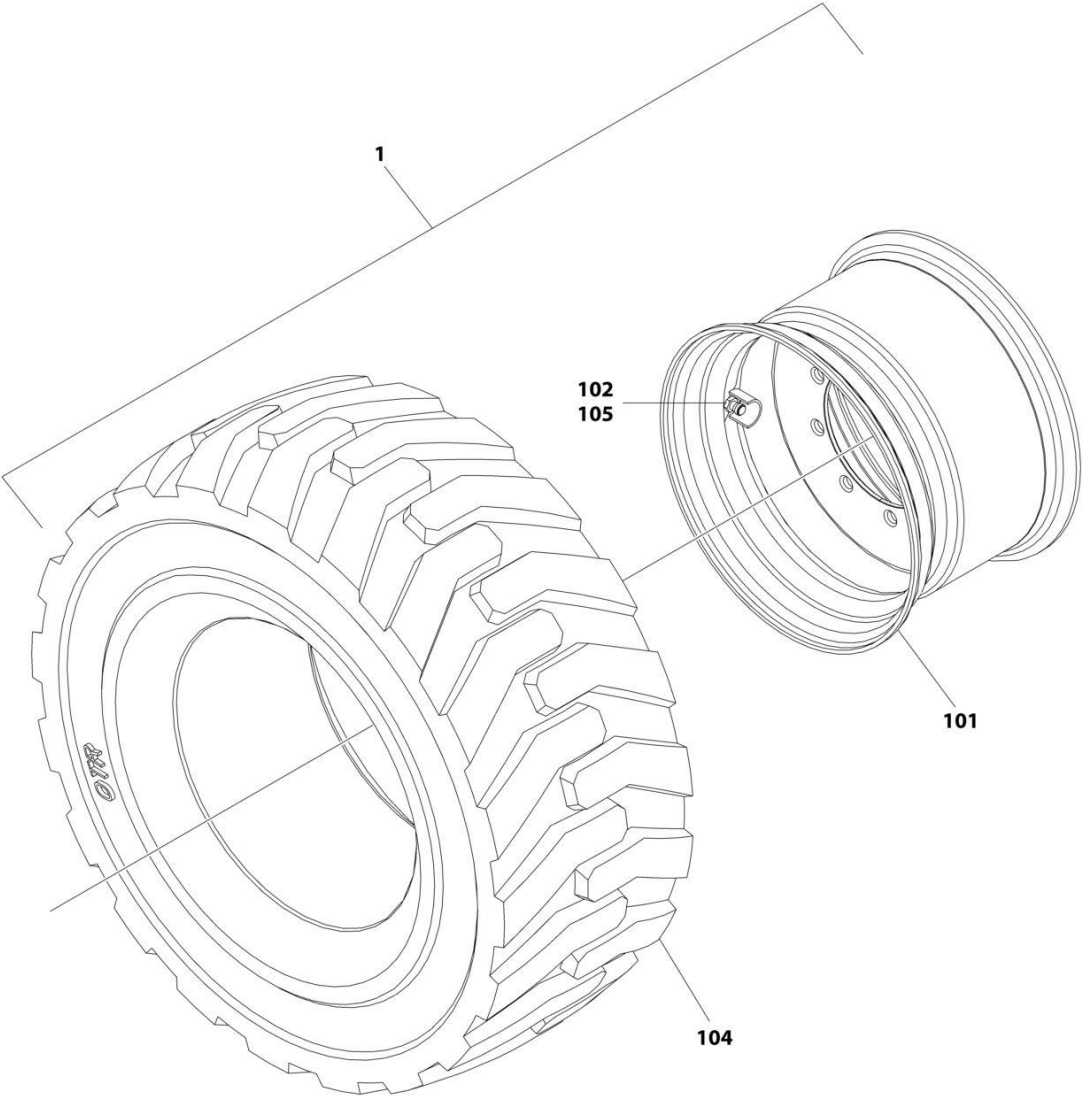
SECTION 1 - FRAME

FIGURE 1-7. TIRE AND WHEEL INSTALLATION - 14 X17.5 FOAM FILLED

| ITEM | PART NUMBER | QTY | DESCRIPTION | REV |
|------|-------------|-----|--|-----|
| | 0271998 | Ref | TIRE AND WHEEL INSTALLATION - 14 X 17.5 FOAM FILLED | B |
| | | Ref | Note: Assemblies may require ballast/foam filling to manufacturer's specifications prior to installing on a machine. Refer to Operation and Safety or Service and Maintenance Manuals. Purchase individual tire and/or rim only if able to foam fill tire and wheel assembly, otherwise, purchase complete assembly. | |
| 1 | 1001148875 | Ref | Tire and Wheel Assembly - 14 x 17.5 (RH Side) | F |
| 1 | 1001148876 | Ref | Tire and Wheel Assembly - 14 x 17.5 (LH Side) | F |
| 102 | 4520259 | 4 | Tire - 14 x 17.5 | |
| 103 | 4641122 | 4 | Valve | |
| 104 | 1001146397 | 4 | Rim, Wheel | |
| 105 | 1001149953 | 4 | Cap, Valve Stem | |

SECTION 1 - FRAME

FIGURE 1-8. TIRE AND WHEEL INSTALLATION - 14 X17.5 FOAM FILLED NON-MARKING



ART_1001258898

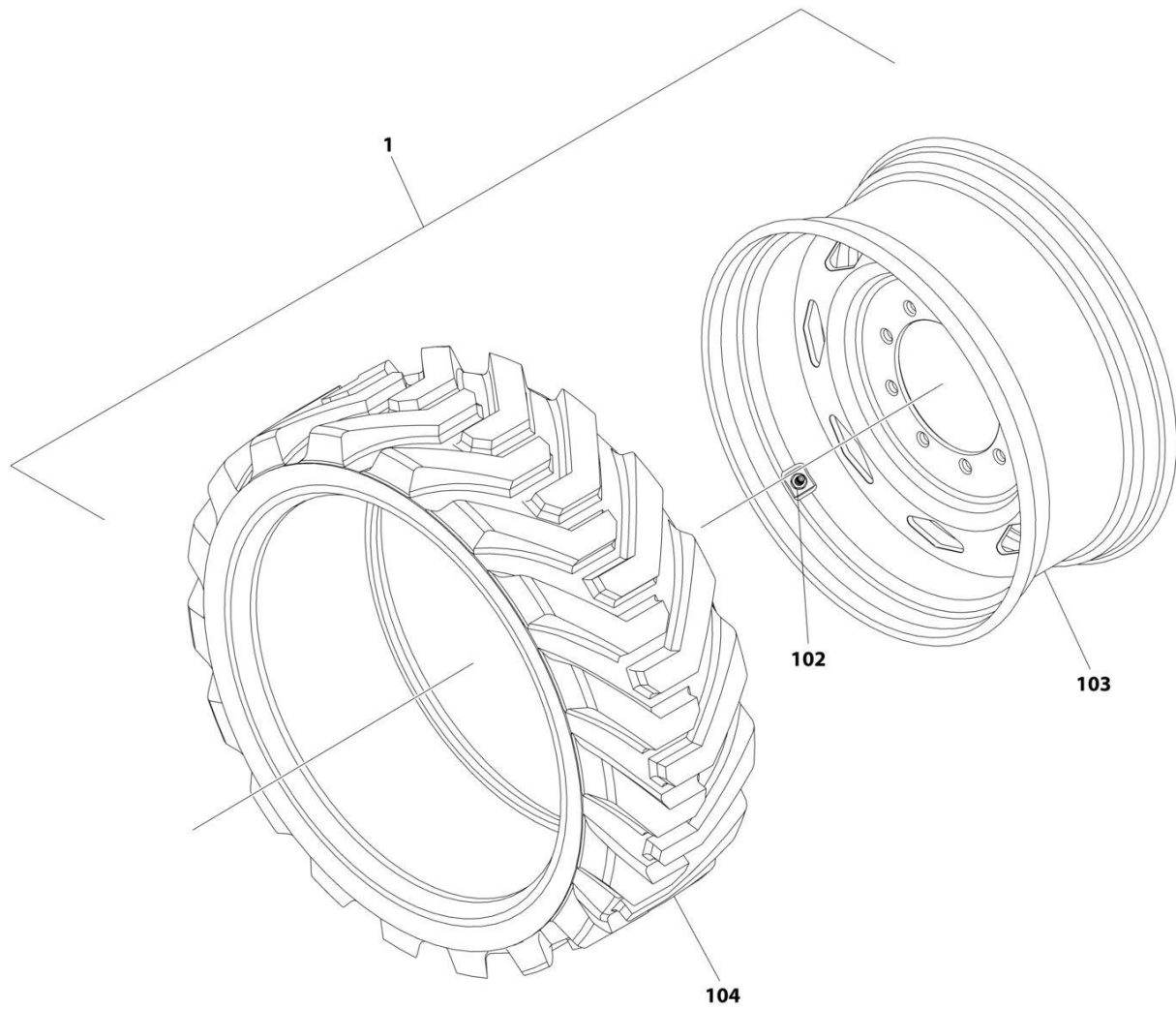
SECTION 1 - FRAME

FIGURE 1-8. TIRE AND WHEEL INSTALLATION - 14 X17.5 FOAM FILLED NON-MARKING

| ITEM | PART NUMBER | QTY | DESCRIPTION | REV |
|------|-------------|-----|--|-----|
| | 1001258898 | Ref | TIRE AND WHEEL INSTALLATION - 14 X 17.5 FF NON-MARKING | A |
| | | Ref | Note: Assemblies may require ballast/foam filling to manufacturer's specifications prior to installing on a machine. Refer to Operation and Safety or Service and Maintenance Manuals. Purchase individual tire and/or rim only if able to foam fill tire and wheel assembly, otherwise, purchase complete assembly. | |
| 1 | 1001258896 | 1 | Tire and Wheel Assembly - Right Side | H |
| 1 | 1001258897 | 1 | Tire and Wheel Assembly - Left Side | H |
| 101 | 1001146397 | 1 | Rim, Wheel | |
| 102 | 1001149953 | 1 | Cap, Valve Stem | |
| 104 | 1001258895 | 1 | Tire 14 x 17.5 Non-Marking | |
| 105 | 4641122 | 1 | Valve | |

SECTION 1 - FRAME

FIGURE 1-9. TIRE AND WHEEL INSTALLATION - 33 X 12-20 FOAM FILLED



ART_1001245211

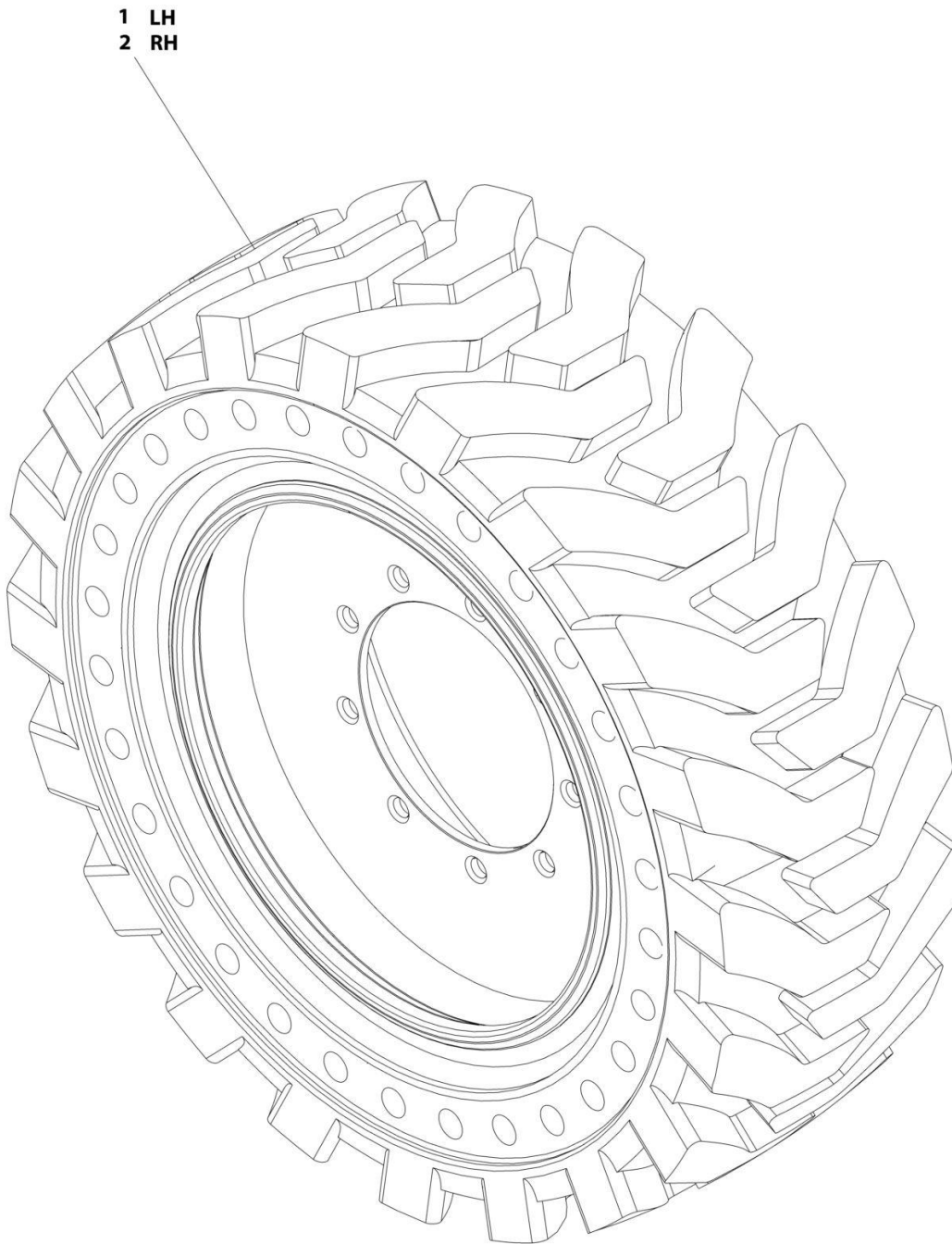
SECTION 1 - FRAME

FIGURE 1-9. TIRE AND WHEEL INSTALLATION - 33 X 12-20 FOAM FILLED

| ITEM | PART NUMBER | QTY | DESCRIPTION | REV |
|------|-------------|-----|--|-----|
| | 1001245211 | Ref | TIRE AND WHEEL INSTALLATION - 33 x 12D610 FOAM-FILLED | A |
| | | Ref | Note: Assemblies may require ballast/foam filling to manufacturer's specifications prior to installing on a machine. Refer to Operation and Safety or Service and Maintenance Manuals. | |
| | | Ref | Note: Purchase individual tire and/or rim only if able to foam fill tire and wheel assembly, otherwise, purchase complete assembly. | |
| 1 | 1001245197 | 2 | Tire and Wheel Assembly - 33 x 12 (RH Side) | |
| 1 | 1001245198 | 2 | Tire and Wheel Assembly - 33 x 12 (LH Side) | |
| 102 | 4641122 | 1 | Valve | |
| 103 | 1001245195 | 1 | Wheel | |
| 104 | 1001245196 | 1 | Tire - 33 x 12 | |

SECTION 1 - FRAME

FIGURE 1-10. TIRE AND WHEEL INSTALLATION - 33 X 12-20 SOLID NON-MARKING



ART_1001169062

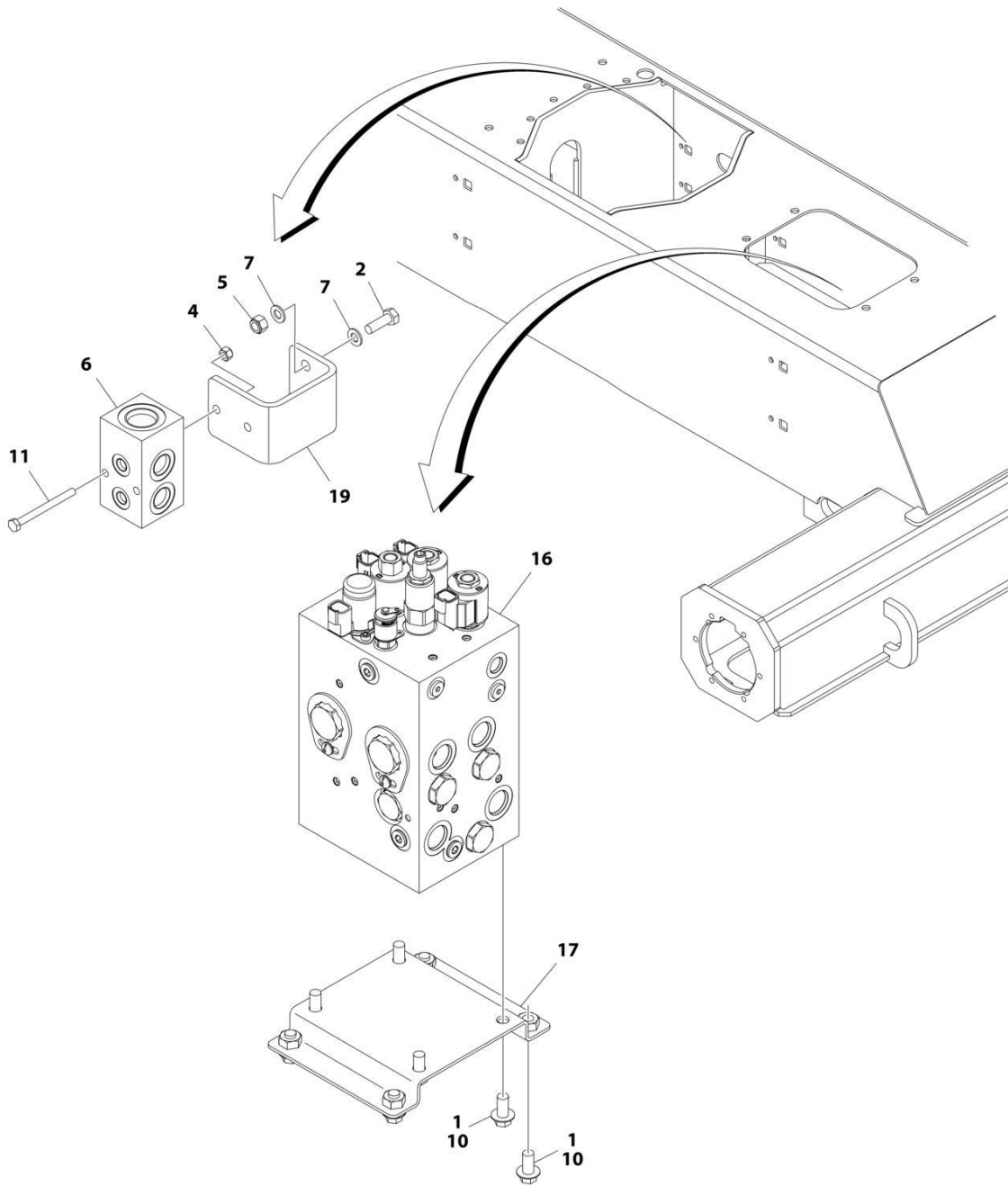
SECTION 1 - FRAME

FIGURE 1-10. TIRE AND WHEEL INSTALLATION - 33 X 12-20 SOLID NON-MARKING

| ITEM | PART NUMBER | QTY | DESCRIPTION | REV |
|-------------|--------------------|------------|--|------------|
| | 1001169062 | Ref | TIRE AND WHEEL INSTALLATION - 33 X 12-20 SOLID NON-MARKING | A |
| | | Ref | Note: Due to critical stable weights, only replace tire and wheel assemblies with like components. | |
| 1 | 1001170098 | 2 | Tire and Wheel Assembly - 33 x 12-20 Solid Non-Marking (LH Side) | |
| 2 | 1001170099 | 2 | Tire and Wheel Assembly - 33 x 12-20 Solid Non-Marking (RH Side) | |

SECTION 1 - FRAME

FIGURE 1-11. VALVES INSTALLATION - FRAME MOUNTED



ART_1001271795_10F3

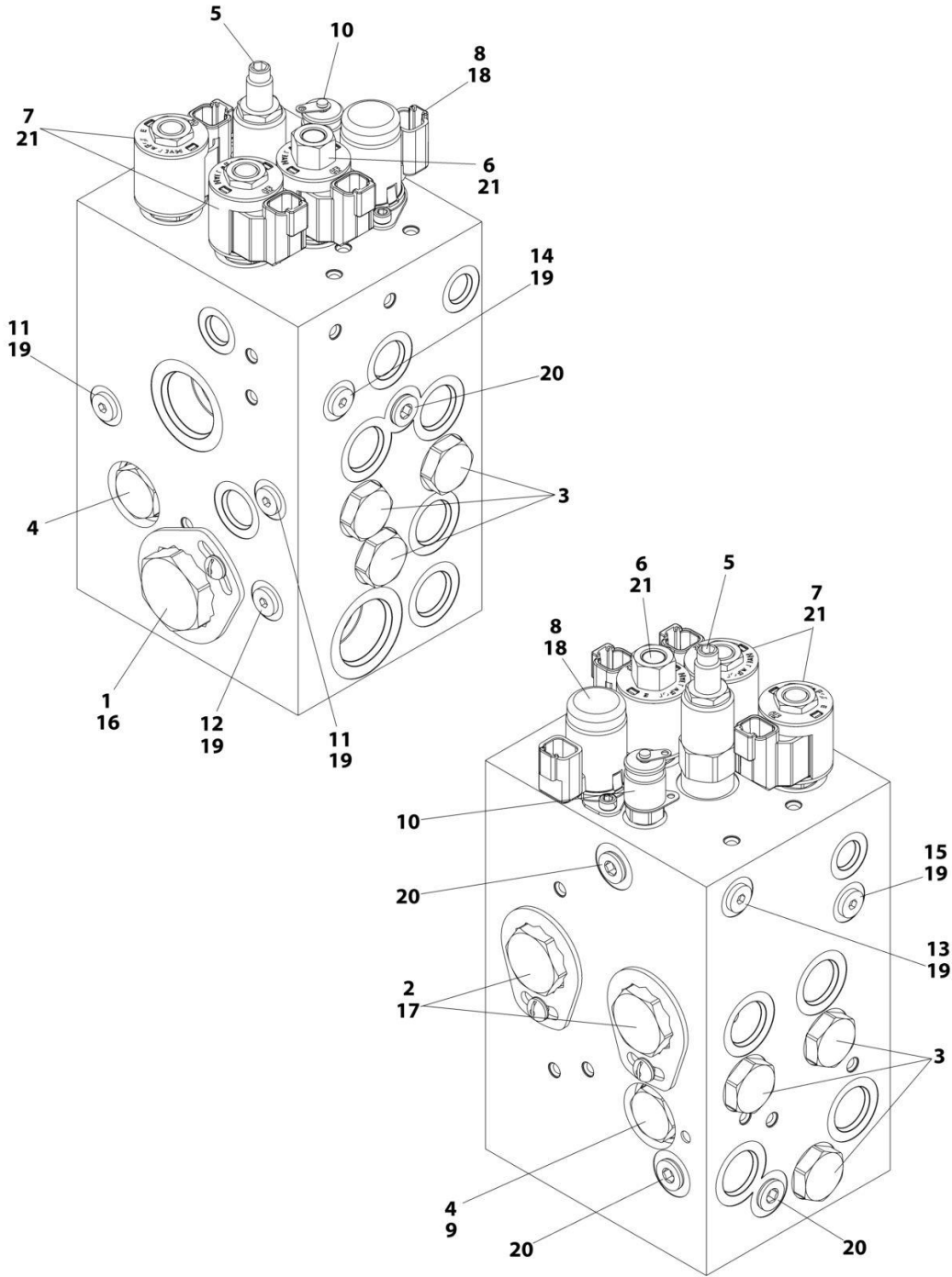
SECTION 1 - FRAME

FIGURE 1-11. VALVES INSTALLATION - FRAME MOUNTED

| ITEM | PART NUMBER | QTY | DESCRIPTION | REV |
|------|-------------|-----|--|-----|
| | 1001271795 | Ref | 4WD VALVES INSTALLATION - BOOM MOUNTED | B |
| 1 | 0100011 | AR | Compound, Locking | |
| 2 | 0760812 | 2 | Bolt M8 x 25 | |
| 4 | 3290605 | 2 | Nut M6 | |
| 5 | 3290805 | 2 | Nut M8 | |
| 6 | 4641155 | 1 | Junction Valve Assembly | |
| 7 | 4811900 | 4 | Washer M8 | |
| 10 | 5251010 | 15 | Bolt M10 x 25 | |
| 11 | 1001096653 | 2 | Bolt M6 x 70 | |
| 16 | 1001162539 | 1 | Traction Valve Assembly (See Separate Breakdown in this Section) | |
| 17 | 1001179517 | 1 | Bracket | |
| 19 | 1001197221 | 1 | Bracket | |

SECTION 1 - FRAME

FIGURE 1-12. TRACTION VALVE ASSEMBLY



ART_1001162539

SECTION 1 - FRAME

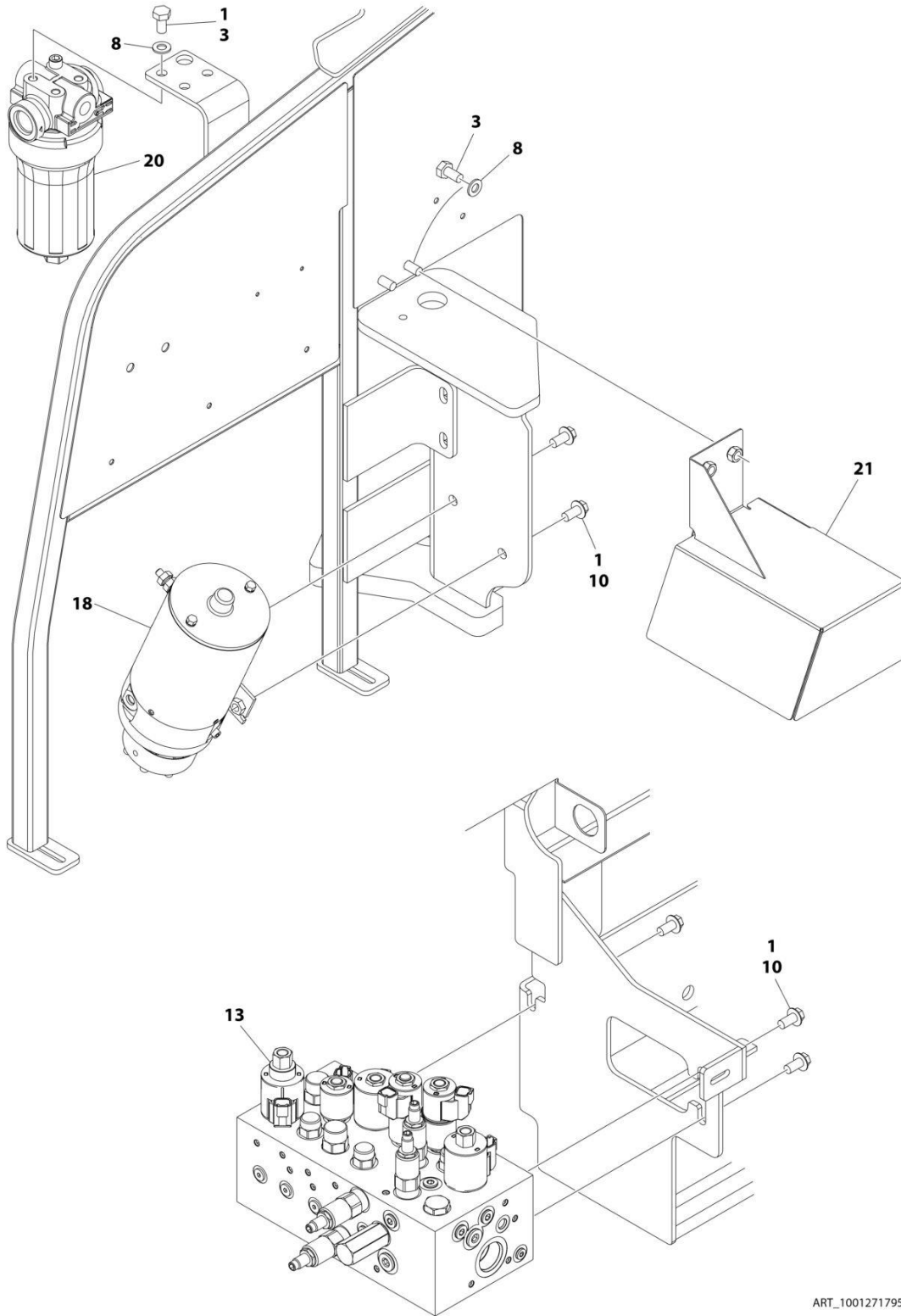
FIGURE 1-12. TRACTION VALVE ASSEMBLY

| ITEM | PART NUMBER | QTY | DESCRIPTION | REV |
|------|-------------|-----|-------------------------------|-----|
| | 1001162539 | Ref | TRACTION VALVE ASSEMBLY - 4WD | D |
| 1 | 70004017 | 1 | Cartridge, Flow Divider | |
| 1 | 7021625 | 1 | Seal Kit - 70004017 Valve | |
| 2 | 70004885 | 2 | Cartridge, Flow Divider | |
| 2 | 70004577 | 2 | Seal Kit - 70004885 Valve | |
| 3 | 7022397 | 6 | Cartridge, Check Valve | |
| 3 | 7022399 | 6 | Seal Kit - 7022397 Valve | |
| 4 | 7021639 | 2 | Cartridge, Check Valve | |
| 4 | 2900756 | 2 | Seal Kit - 7021639 Valve | |
| 5 | 70004886 | 1 | Cartridge, Relief Valve | |
| 5 | 7017496 | 1 | Seal Kit - 70004886 Valve | |
| 6 | 7017410 | 1 | Cartridge, Solenoid Less Coil | |
| 6 | 7012967 | 1 | Seal Kit - 7017410 Valve | |
| 7 | 7012974 | 2 | Cartridge, Solenoid Less Coil | |
| 7 | 7010543 | 2 | Seal Kit - 7012974 Valve | |
| 8 | 70004887 | 1 | Cartridge, Solenoid Less Coil | |
| 8 | 70023606 | 1 | Seal Kit - 70004887 Valve | |
| 8 | 7024885 | 1 | Coil | |
| 9 | 7024881 | 1 | Piston, Pilot | |
| 10 | 2221086 | 1 | Fitting, Diagnostic | |
| 11 | 70003975 | 2 | Orifice | |
| 12 | 70002209 | 1 | Orifice | |
| 13 | 70002063 | 1 | Orifice | |
| 14 | 70004884 | 1 | Orifice | |
| 15 | 70004883 | 1 | Orifice | |
| 16 | 70000781 | 1 | Locking Kit | |
| 17 | 70002962 | 2 | Locking Kit | |
| 18 | 70004888 | 2 | Screw | |
| 19 | 2220883 | 6 | Plug #4 | |
| 20 | 2220885 | 5 | Plug #6 | |
| 21 | 70002386 | 3 | Coil | |

SECTION 2 - TURNTABLE

SECTION 2 - TURNTABLE

FIGURE 2-1. VALVES INSTALLATION - TURNTABLE MOUNTED



ART_1001271795_2OF3

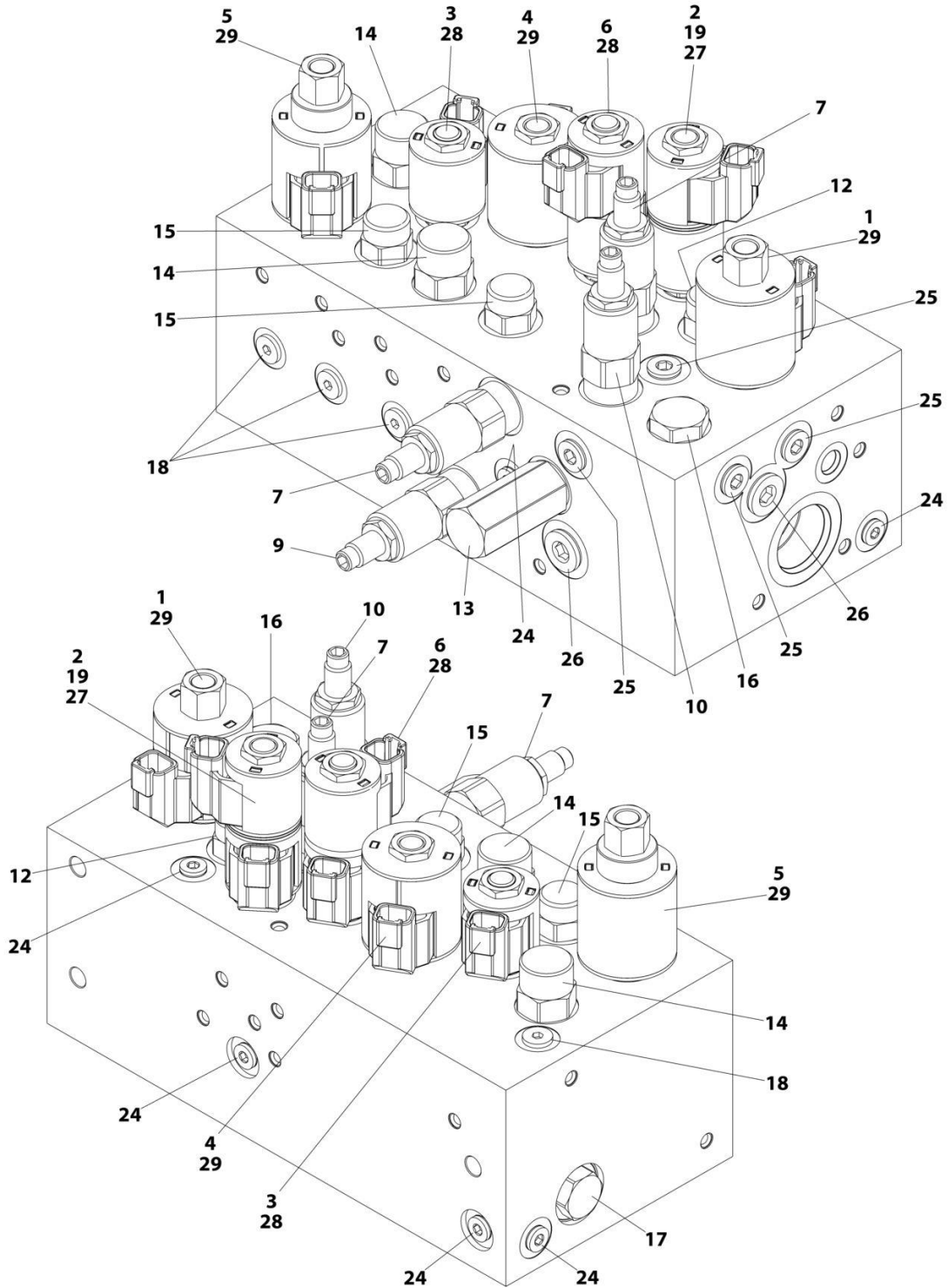
SECTION 2 - TURNTABLE

FIGURE 2-1. VALVES INSTALLATION - TURNTABLE MOUNTED

| ITEM | PART NUMBER | QTY | DESCRIPTION | REV |
|------|-------------|-----|--|-----|
| | 1001271795 | Ref | 4WD VALVES INSTALLATION - BOOM MOUNTED | B |
| 1 | 0100011 | AR | Compound, Locking | |
| 3 | 0761010 | 5 | Bolt M10 x 20 | |
| 8 | 4812000 | 5 | Washer M10 | |
| 10 | 5251010 | 15 | Bolt M10 x 25 | |
| 13 | 1001162534 | 1 | Main Valve Assembly (See Separate Breakdown in this Section) | |
| 18 | 1001185821 | 1 | Auxiliary Pump Assembly (See Separate Breakdown in this Section) | |
| 20 | 1001208874 | 1 | Filter, Charge Pump | |
| 20 | 70010383 | 1 | Element, Filter (Includes O-Ring) | |
| 21 | 1001265186 | 1 | Cover | |

SECTION 2 - TURNTABLE

FIGURE 2-2. MAIN VALVE ASSEMBLY



ART_1001162534

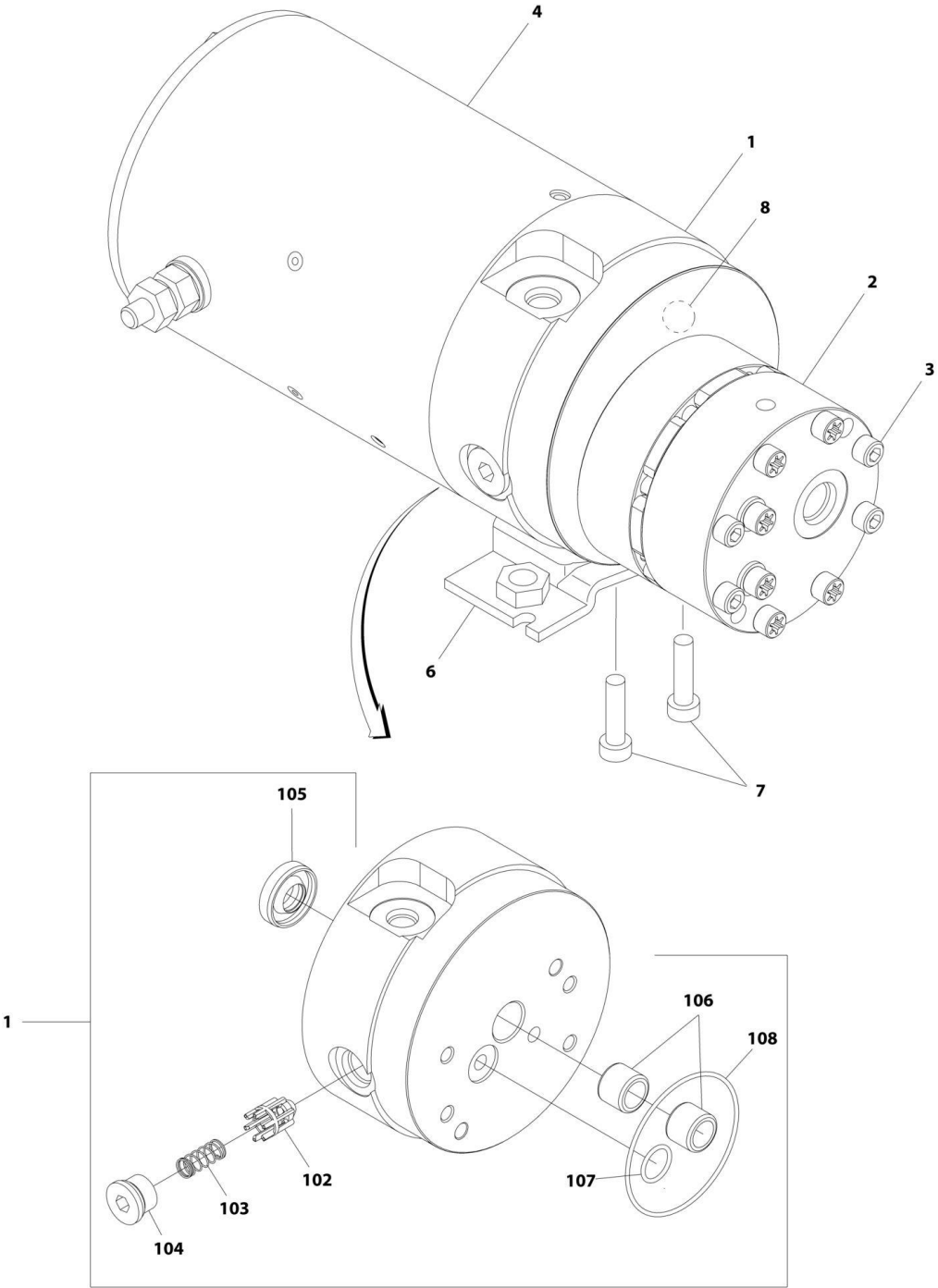
SECTION 2 - TURNTABLE

FIGURE 2-2. MAIN VALVE ASSEMBLY

| ITEM | PART NUMBER | QTY | DESCRIPTION | REV |
|------|-------------|-----|--|-----|
| | 1001162534 | Ref | MAIN VALVE ASSEMBLY | F |
| 1 | 70005069 | 1 | Cartridge, Solenoid Less Coil (Main Dump) | |
| 1 | 7022399 | 1 | Seal Kit - 70005069 Valve | |
| 1 | 70003977 | 1 | Nut, Coil | |
| 2 | 70005217 | 1 | Cartridge, Solenoid Less Coil (Steer) | |
| 2 | 70005071 | 1 | Seal Kit - 70005217 Valve | |
| 2 | 7022390 | 1 | Nut, Coil | |
| 3 | 70005094 | 1 | Cartridge, Solenoid Less Coil (Main Lift Up) | |
| 3 | 7023936 | 1 | Seal Kit - 70005094 Valve | |
| 3 | 7022390 | 1 | Nut, Coil | |
| 4 | 70005076 | 1 | Cartridge, Solenoid Less Coil (Tower Lift Up) | |
| 4 | 7022399 | 1 | Seal Kit - 70005076 Valve | |
| 4 | 7022390 | 1 | Nut, Coil | |
| 5 | 70005095 | 1 | Cartridge, Solenoid Less Coil (Flow Control) | |
| 5 | 7022399 | 1 | Seal Kit - 70005095 Valve | |
| 5 | 70003977 | 1 | Nut, Coil | |
| 6 | 70005096 | 1 | Cartridge, Solenoid Less Coil (Swing) | |
| 6 | 70005071 | 1 | Seal Kit - 70005096 Valve | |
| 7 | 70005097 | 1 | Cartridge, Solenoid Less Coil | |
| 7 | 70005082 | 2 | Seal Kit - 70005097 Valve | |
| 9 | 70005098 | 1 | Cartridge, Relief Valve | |
| 9 | 7023936 | 1 | Seal Kit - 70005098 Valve | |
| 10 | 70005080 | 1 | Cartridge, Relief Valve | |
| 10 | 7022399 | 1 | Seal Kit - 70005080 Valve | |
| 12 | 70005218 | 1 | Cartridge, Valve | |
| 12 | 70005082 | 1 | Seal Kit - 70005218 Valve | |
| 13 | 70005084 | 1 | Cartridge, Valve | |
| 13 | 70005085 | 1 | Seal Kit - 70005084 Valve | |
| 14 | 70005099 | 2 | Cartridge, Valve | |
| 14 | 70005087 | 2 | Seal Kit - 70005099 Valve | |
| 15 | 70005088 | 2 | Cartridge, Valve | |
| 15 | 7023900 | 2 | Seal Kit - 70005088 Valve | |
| 16 | 70005100 | 1 | Cartridge, Check Valve | |
| 16 | 7022399 | 1 | Seal Kit - 70005100 Valve | |
| 17 | 70005089 | 1 | Cartridge, Check Valve | |
| 17 | 7023936 | 1 | Seal Kit - 70005089 Valve | |
| 18 | 70005090 | 5 | Cartridge, Check Valve | |
| 18 | 70005092 | 5 | Seal Kit - 70005092 Valve | |
| 19 | See Note | 1 | Disc, Check Valve (Note: Not Available for Purchase) | |
| 24 | 91164059 | 7 | Plug | |
| 25 | 91164079 | 4 | Plug | |
| 26 | 91164057 | 2 | Plug | |
| 27 | 70005219 | 2 | Coil | |
| 28 | 70002386 | 3 | Coil | |
| 29 | 70003788 | 3 | Coil | |

SECTION 2 - TURNTABLE

FIGURE 2-3. AUXILIARY PUMP ASSEMBLY



ART_1001185821

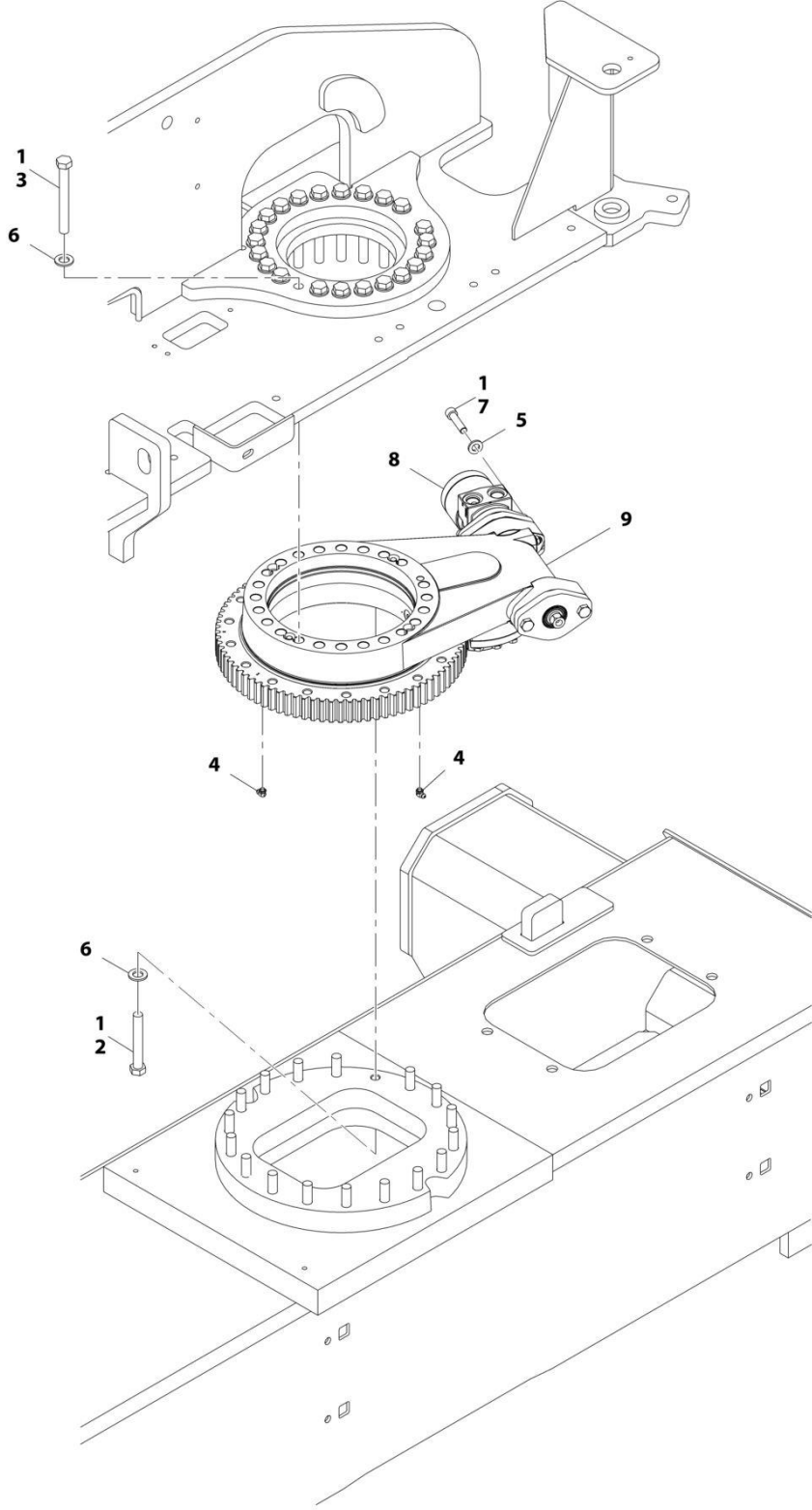
SECTION 2 - TURNTABLE

FIGURE 2-3. AUXILIARY PUMP ASSEMBLY

| ITEM | PART NUMBER | QTY | DESCRIPTION | REV |
|------|-------------|-----|--|-----|
| | 1001185821 | Ref | AUXILIARY PUMP ASSEMBLY | B |
| 1 | 70005065 | 1 | Base Assembly (See Items 102-108 for Breakdown) | |
| 2 | 70005066 | 1 | Pump Assembly (Note: No Seal Kit or Internal Components are Available - Purchase Complete Pump Assembly) | |
| 3 | 70005067 | 4 | Capscrew 1/4 x 2-3/4 | |
| 4 | 70004013 | 1 | Motor Assembly (Note: No Internal Components are Available - Purchase Complete Motor Assembly) | |
| 6 | 70004014 | 1 | Bracket | |
| 7 | 70004000 | 2 | Capscrew 3/8 x 1 | |
| 8 | 70005068 | 1 | Relief Valve Assembly | |
| | 70005065 | Ref | BASE ASSEMBLY | |
| 102 | See Note | NSS | Poppet, Check (Note: Use p/n 70005065) | |
| 103 | See Note | NSS | Spring (Note: Use p/n 70005065) | |
| 104 | See Note | NSS | Plug (Note: Use p/n 70005065) | |
| 105 | 7026330 | 1 | Seal, Shaft | |
| 106 | 70005139 | 2 | Bearing | |
| 107 | 70003612 | 1 | O-Ring | |
| 108 | 70004267 | 1 | O-Ring | |

SECTION 2 - TURNTABLE

FIGURE 2-4. SWING DRIVE AND TURNTABLE BEARING INSTALLATION



ART_1001294215

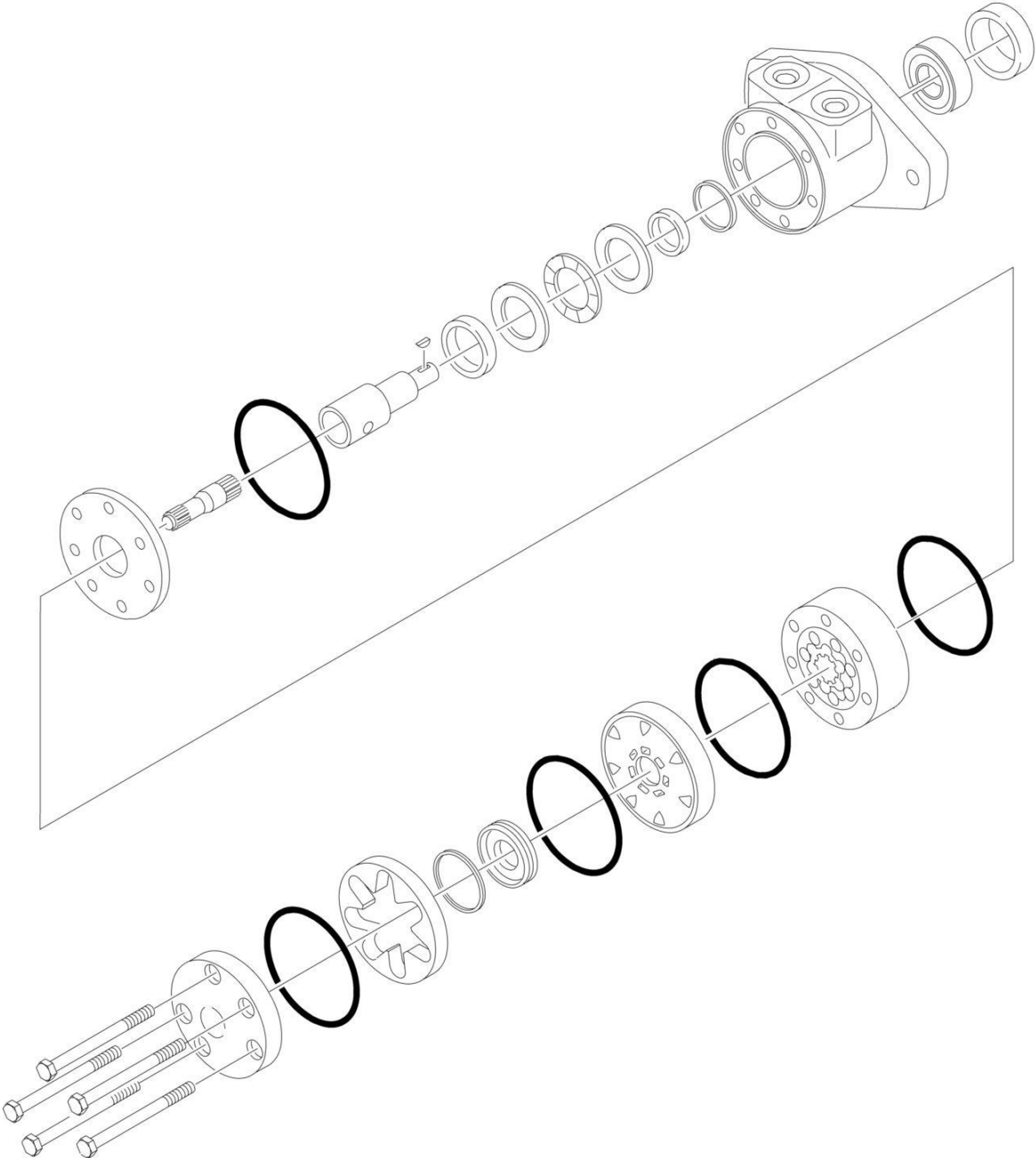
SECTION 2 - TURNTABLE

FIGURE 2-4. SWING DRIVE AND TURNTABLE BEARING INSTALLATION

| ITEM | PART NUMBER | QTY | DESCRIPTION | REV |
|------|-------------|-----|---|-----|
| | 1001294215 | Ref | SWING DRIVE AND TURNTABLE BEARING INSTALLATION | A |
| 1 | 0100019 | AR | Compound, Locking | |
| 2 | 0711628 | 18 | Bolt M16 x 110 Grade 10.9 | |
| 3 | 0711631 | 23 | Bolt M16 x 140 | |
| 4 | 2160001 | 2 | Fitting, Grease 90 | |
| 5 | 5241200 | 2 | Washer M12 | |
| 6 | 5241600 | 41 | Washer M16 | |
| 7 | 5272114 | 2 | Capscrew M12 x 50 Grade 12.9 | |
| 8 | 1001286019 | 1 | Swing Motor Assembly (See Separate Breakdown in this Section) | |
| 9 | 1001133972 | 1 | Turntable Bearing Assembly (See Separate Breakdown in this Section) | |

SECTION 2 - TURNTABLE

FIGURE 2-5. SWING MOTOR ASSEMBLY



ART_1001286019

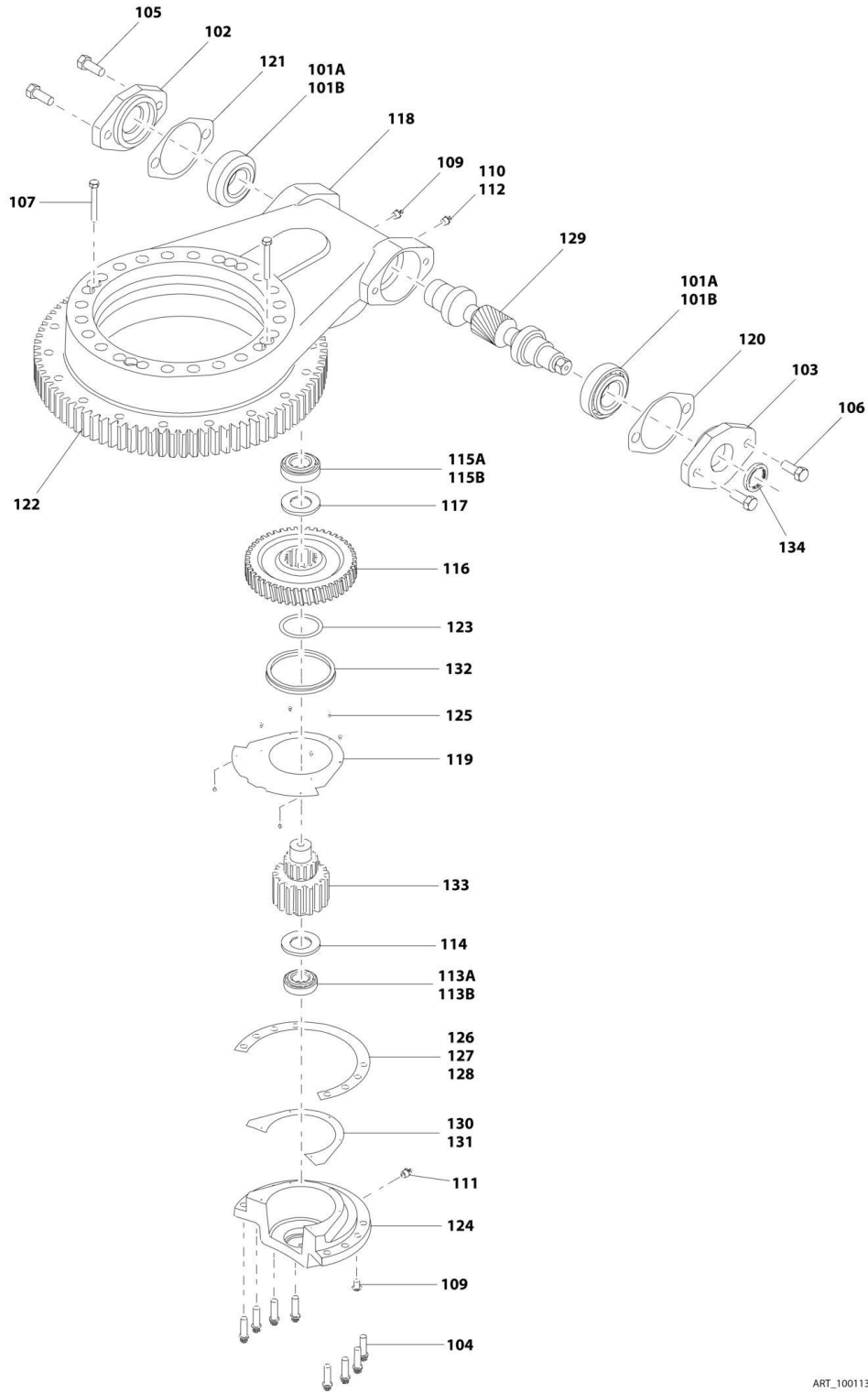
SECTION 2 - TURNTABLE

FIGURE 2-5. SWING MOTOR ASSEMBLY

| ITEM | PART NUMBER | QTY | DESCRIPTION | REV |
|------|------------------------|------------|--|-----|
| 1 | 1001286019 See Note | Ref Ref | SWING MOTOR ASSEMBLY Note: No Service Parts Available at Time of Printing | B |

SECTION 2 - TURNTABLE

FIGURE 2-6. TURNTABLE BEARING ASSEMBLY



ART_1001133972

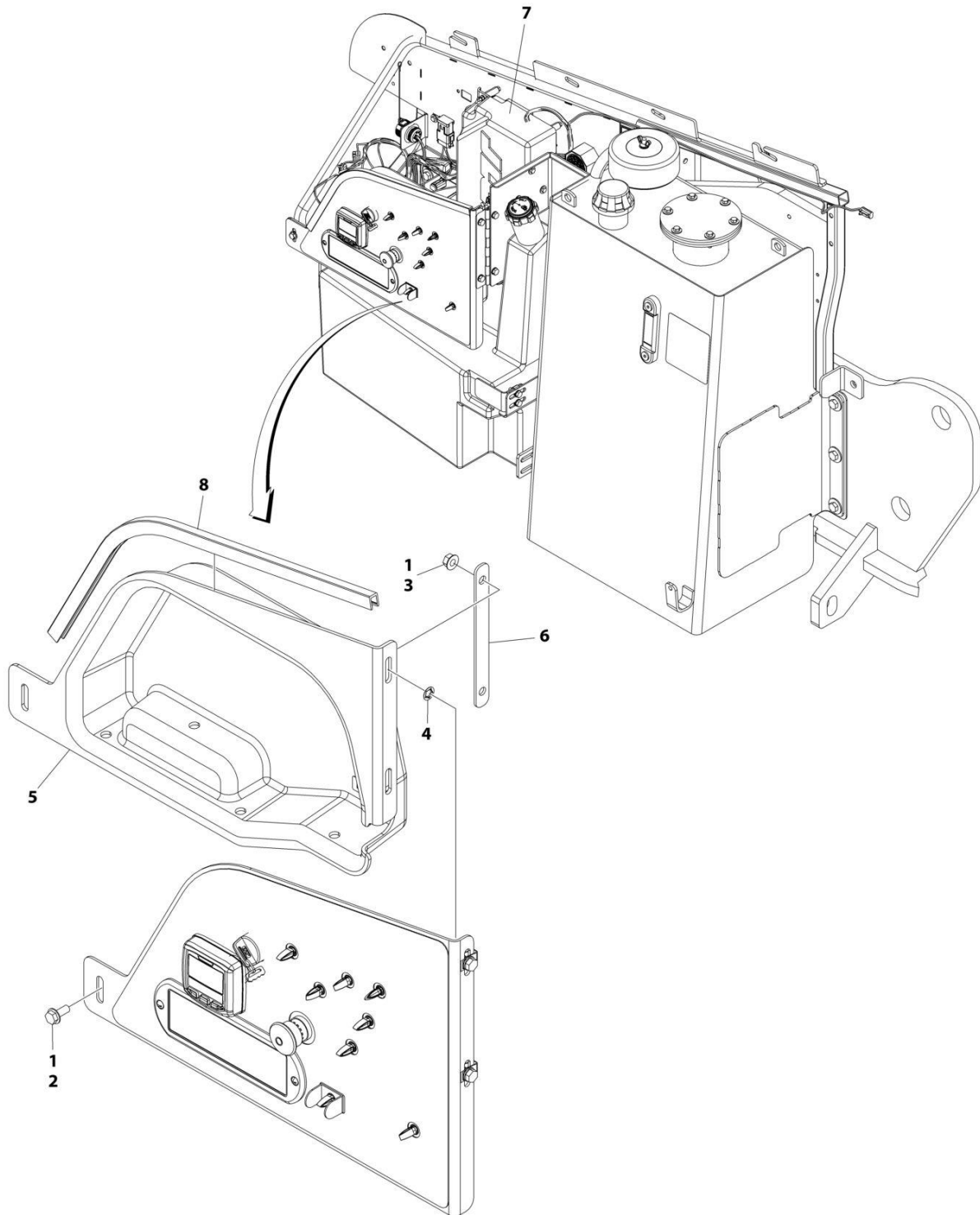
SECTION 2 - TURNTABLE

FIGURE 2-6. TURNTABLE BEARING ASSEMBLY

| ITEM | PART NUMBER | QTY | DESCRIPTION | REV |
|------|-------------|-----|--|-----|
| | 1001133972 | Ref | TURNTABLE BEARING ASSEMBLY | D |
| 101A | 7026042 | 2 | Cup, Bearing | |
| 101B | 7026043 | 2 | Cone, Bearing | |
| 102 | 7027356 | 1 | Adapter, Motor | |
| 103 | 7027354 | 1 | Cap, Worm | |
| 104 | 70004249 | 8 | Bolt M10 x 35 Grade 10.9 | |
| 105 | 70004250 | 2 | Bolt M12 x 30 Grade 10.9 | |
| 106 | 70004251 | 2 | Bolt M12 x 40 Grade 10.9 | |
| 107 | 70004252 | 2 | Bolt M8 x 65mm | |
| 109 | 70000865 | 1 | Plug | |
| 110 | 70002649 | 1 | Vent, Pressure | |
| 111 | 70002651 | 1 | Fitting, Grease | |
| 112 | 7026044 | 1 | Bushing, Reducer | |
| 113A | 7026045 | 1 | Cup, Bearing | |
| 113B | 7026047 | 1 | Cone, Bearing | |
| 114 | 7026046 | 1 | Ring, Grease | |
| 115A | 7026048 | 1 | Cup, Bearing | |
| 115B | 7026049 | 1 | Cone, Bearing | |
| 116 | 7026050 | 1 | Worm-Gear | |
| 117 | 7026052 | 1 | Spacer, Washer | |
| 118 | See Note | 1 | Housing (Note: Not Available - Purchase Complete Assembly) | |
| 119 | 7026053 | 1 | Cover, Gear | |
| 120 | 7027350 | AR | Shim, Blue (.005in) | |
| 120 | 7027351 | AR | Shim, Clear (.0075in) | |
| 120 | 7027352 | AR | Shim, Brown (.010in) | |
| 121 | 7027353 | | Shim, Yellow (.020in) | |
| 122 | 70004253 | 1 | Bearing, Turntable | |
| 123 | 70004254 | 1 | O-Ring | |
| 124 | 70004255 | 1 | Cap, Gear | |
| 125 | 70004256 | 8 | Bolt M4 x 8 | |
| 126 | 70004257 | AR | Shim, Green (.003) | |
| 127 | 70004258 | AR | Shim, Blue (.005) | |
| 128 | 70004259 | AR | Shim, Natural (.0075) | |
| 129 | 7026057 | 1 | Gear, Worm | |
| 130 | 70004260 | AR | Shim, Blue (.005) | |
| 131 | 70004261 | AR | Shim, Yellow (.020) | |
| 132 | 70004262 | 1 | Seal, Oil | |
| 133 | 7026051 | 1 | Pinion, Output | |
| 134 | 70004263 | 1 | Seal, Oil | |

SECTION 2 - TURNTABLE

FIGURE 2-7. TURNTABLE COVERS INSTALLATION



ART_1001219129

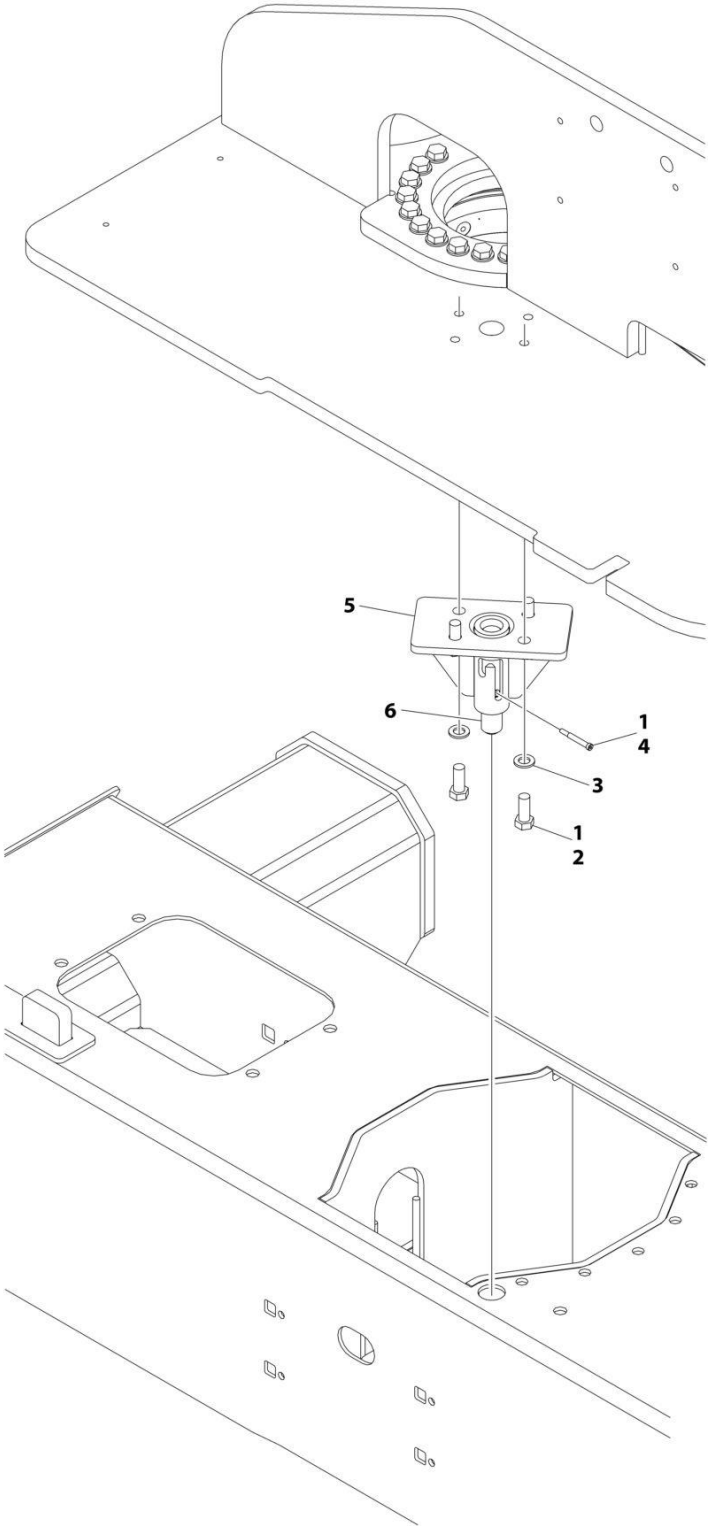
SECTION 2 - TURNTABLE

FIGURE 2-7. TURNTABLE COVERS INSTALLATION

| ITEM | PART NUMBER | QTY | DESCRIPTION | REV |
|-------------|--------------------|------------|-------------------------------|------------|
| | 1001219129 | Ref | TURNTABLE COVERS INSTALLATION | A |
| 1 | 0100011 | AR | Compound, Locking | |
| 2 | 5250812 | 1 | Bolt M8 x 25 | |
| 3 | 5260800 | 2 | Nut M8 | |
| 4 | 1001119228 | 2 | Nut M8 | |
| 5 | 1001218533 | 1 | Cover | |
| 6 | 1001218535 | 1 | Plate, Mounting | |
| 7 | 1001218537 | 1 | Cover | |
| 8 | 4060806 | 2 ft/0.6m | Shield, Flex | |

SECTION 2 - TURNTABLE

FIGURE 2-8. TURNTABLE LOCK INSTALLATION



ART_1001275935

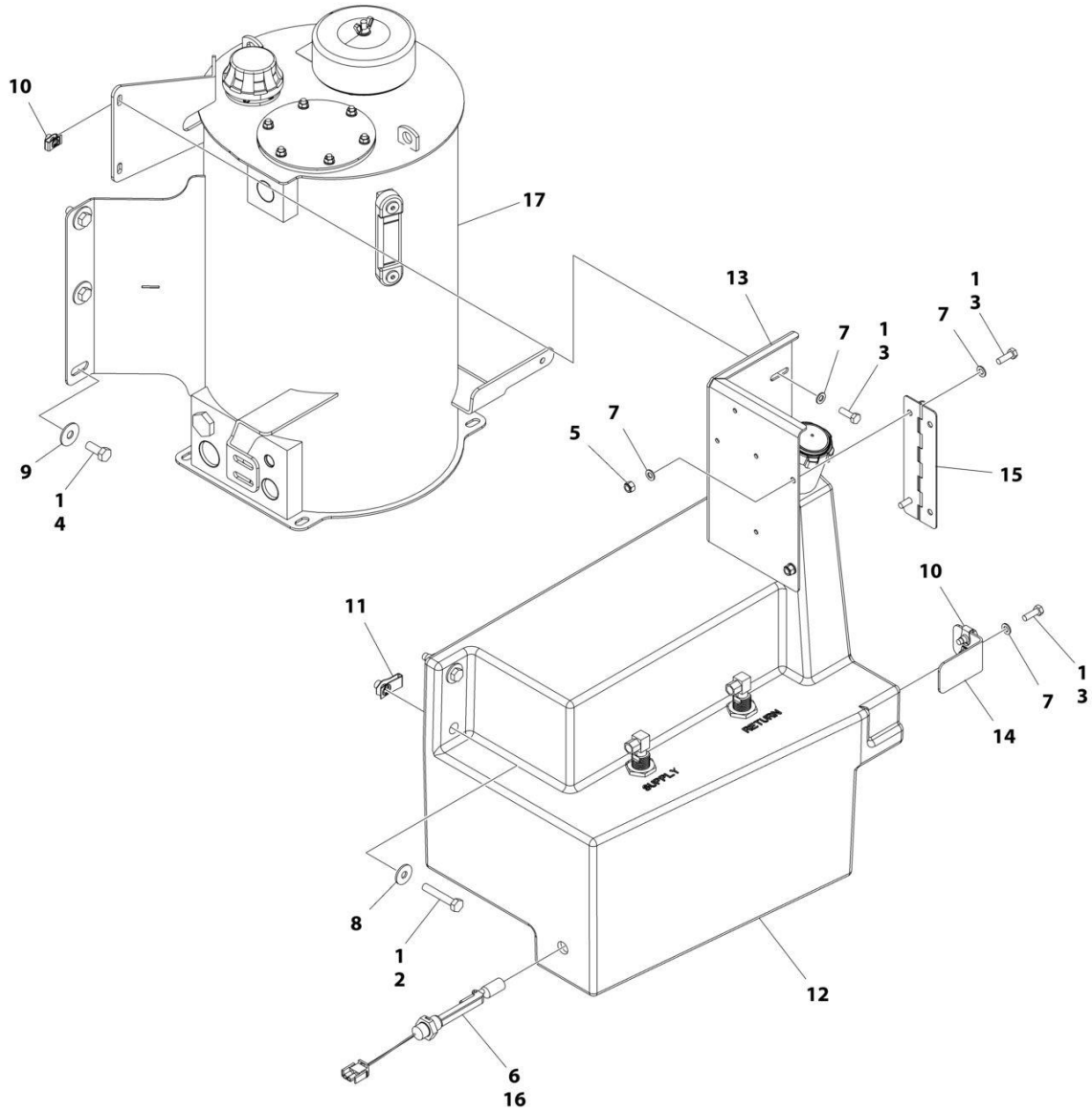
SECTION 2 - TURNTABLE

FIGURE 2-8. TURNTABLE LOCK INSTALLATION

| ITEM | PART NUMBER | QTY | DESCRIPTION | REV |
|-------------|--------------------|------------|----------------------------------|------------|
| | 1001275935 | Ref | TURNTABLE LOCK INSTALLATION | A |
| 1 | 0100011 | AR | Compound, Locking | |
| 2 | 0701616 | 4 | Bolt M16 x 40 | |
| 3 | 4812300 | 4 | Washer M16 | |
| 4 | 1001157466 | 1 | Bolt M10 x 30 | |
| 5 | 1001177821 | 1 | Support, Lock | |
| 6 | 1001177834 | 1 | Pin, Lock | |
| 7 | 1001275936 | 1 | Decal - Lift Diagram (Not Shown) | |

SECTION 2 - TURNTABLE

FIGURE 2-9. TANKS INSTALLATION (HYDRAULIC TANK WITH 4 INCH BREATHER)



ART_1001282831

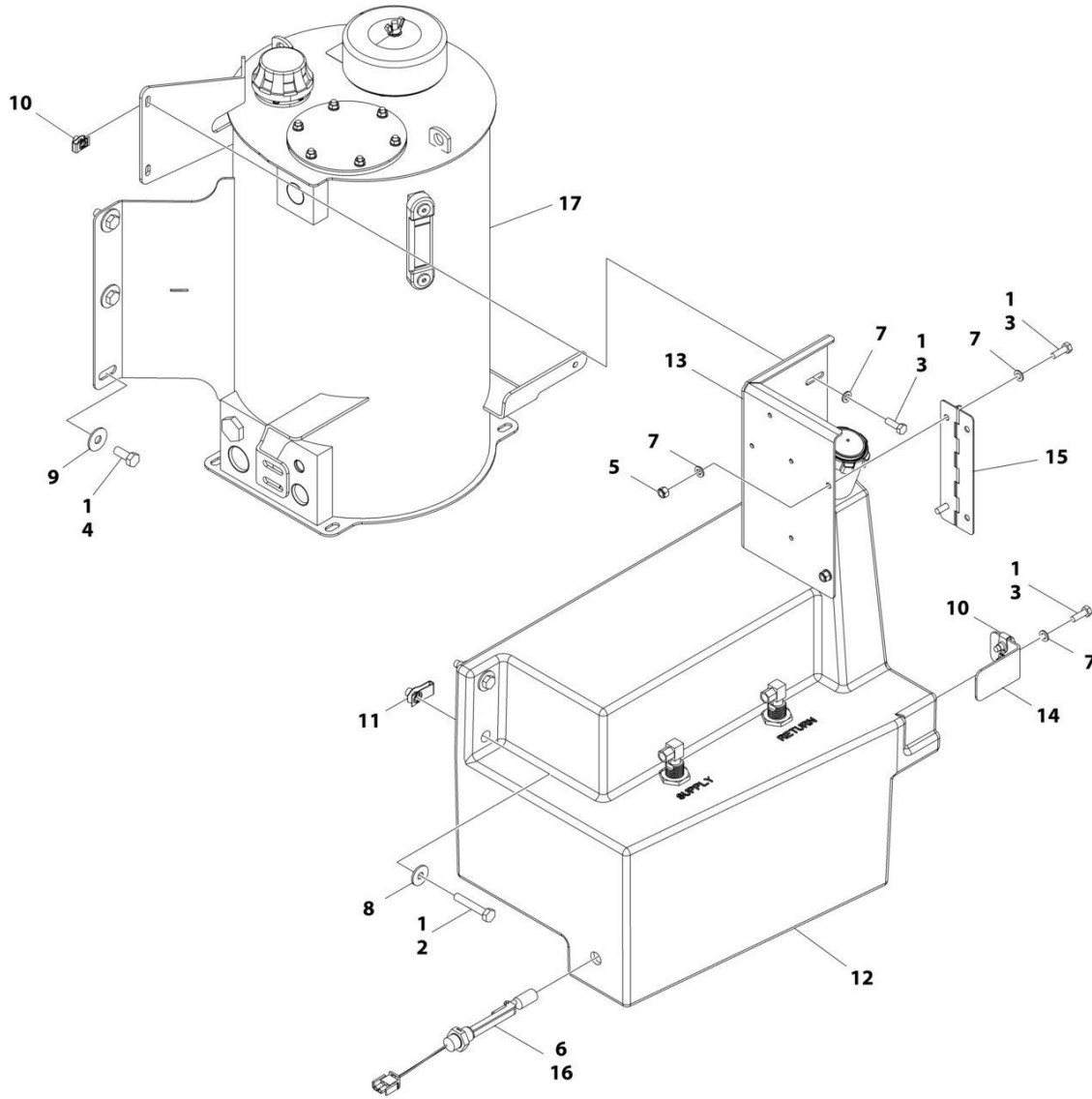
SECTION 2 - TURNTABLE

FIGURE 2-9. TANKS INSTALLATION (HYDRAULIC TANK WITH 4 INCH BREATHER)

| ITEM | PART NUMBER | QTY | DESCRIPTION | REV |
|------|-------------|-----|--|-----|
| | 1001282831 | Ref | TANKS INSTALLATION - DIESEL MACHINES | A |
| 1 | 0100011 | AR | Compound, Locking | |
| 2 | 0701020 | 2 | Bolt M10 x 60 | |
| 3 | 0760812 | 6 | Bolt M8 x 25 | |
| 4 | 0761214 | 6 | Bolt M12 x 30 | |
| 5 | 3290805 | 2 | Nut M8 | |
| 6 | 4360436 | 1 | Switch, Fuel Level | |
| 6 | 4460320 | 1 | Plug, Male - 2 Position | |
| 6 | 4460267 | 1 | Pin, Male | |
| 7 | 4811900 | 8 | Washer M8 | |
| 8 | 4812002 | 2 | Washer M10 | |
| 9 | 4812102 | 6 | Washer M12 | |
| 10 | 1001118274 | 4 | Nut M8 | |
| 11 | 1001118972 | 2 | Nut M10 | |
| 12 | 1001163061 | 1 | Fuel Tank Assembly | |
| 12 | 1001193336 | 1 | Cap, Fuel | |
| 12 | 70004876 | 2 | Tube, Pick-up | |
| 12 | 0100020 | AR | Compound, Locking | |
| 13 | 1001169898 | 1 | Support, Ground Control | |
| 14 | 1001170480 | 1 | Support, Tank | |
| 15 | 1001179339 | 1 | Hinge | |
| 16 | 1001182997 | AR | Adhesive | |
| 17 | 1001274525 | 1 | Hydraulic Tank Assembly (See Separate Breakdown in this Section) | |

SECTION 2 - TURNTABLE

FIGURE 2-10. TANKS INSTALLATION (HYDRAULIC TANK WITH 6 INCH BREATHER)



ART_1001207347

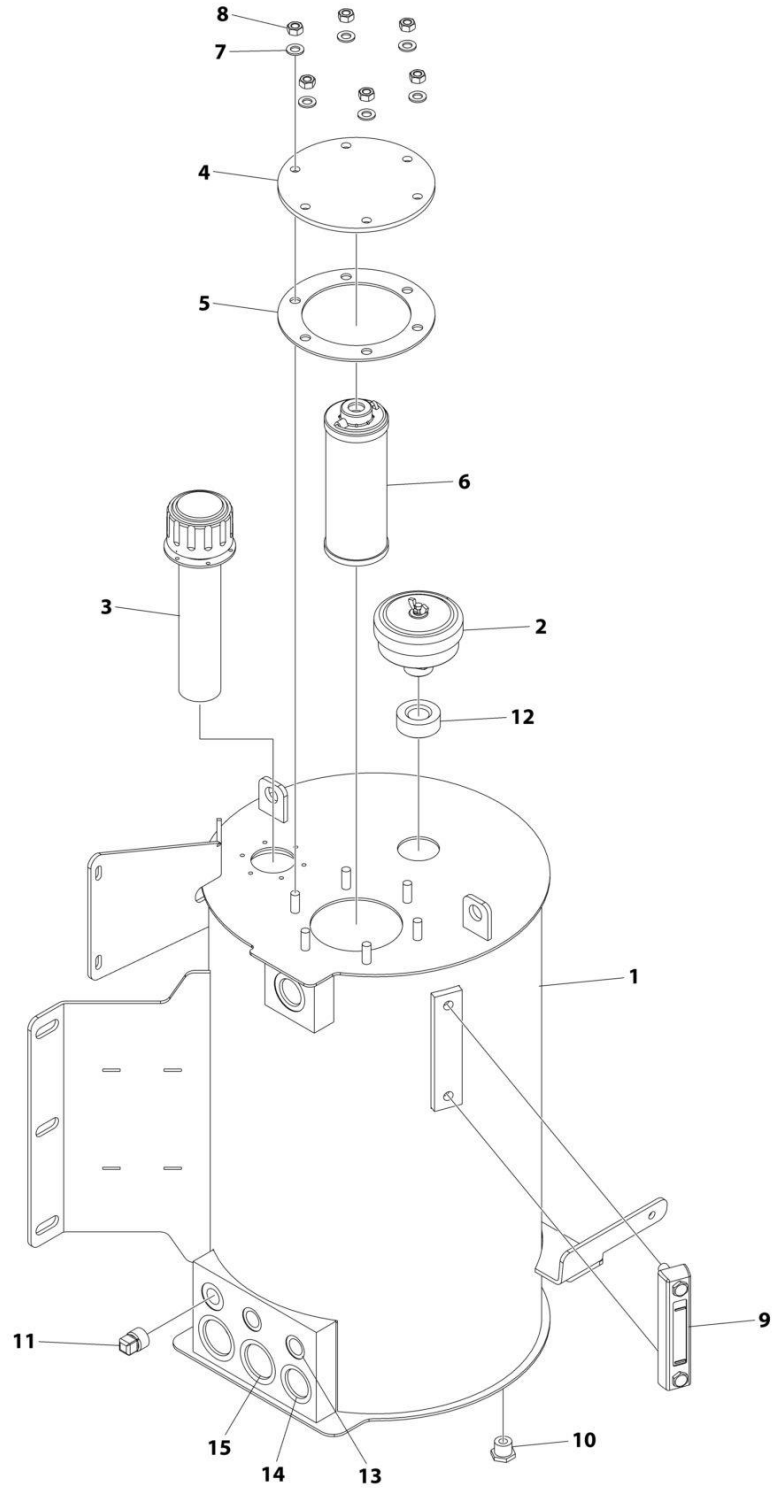
SECTION 2 - TURNTABLE

FIGURE 2-10. TANKS INSTALLATION (HYDRAULIC TANK WITH 6 INCH BREATHER)

| ITEM | PART NUMBER | QTY | DESCRIPTION | REV |
|------|-------------|-----|--|-----|
| | 1001207347 | Ref | TANKS INSTALLATION - DIESEL MACHINES | B |
| 1 | 0100011 | AR | Compound, Locking | |
| 2 | 0701020 | 2 | Bolt M10 x 60 | |
| 3 | 0760812 | 6 | Bolt M8 x 25 | |
| 4 | 0761214 | 6 | Bolt M12 x 30 | |
| 5 | 3290805 | 2 | Nut M8 | |
| 6 | 4360436 | 1 | Switch, Fuel Level | |
| 6 | 4460320 | 1 | Plug, Male - 2 Position | |
| 6 | 4460267 | 1 | Pin, Male | |
| 7 | 4811900 | 8 | Washer M8 | |
| 8 | 4812002 | 2 | Washer M10 | |
| 9 | 4812102 | 6 | Washer M12 | |
| 10 | 1001118274 | 4 | Nut M8 | |
| 11 | 1001118972 | 2 | Nut M10 | |
| 12 | 1001163061 | 1 | Fuel Tank Assembly | |
| 12 | 1001193336 | 1 | Cap, Fuel | |
| 12 | 70004876 | 2 | Tube, Pick-up | |
| 12 | 0100020 | AR | Compound, Locking | |
| 13 | 1001169898 | 1 | Support, Ground Control | |
| 14 | 1001170480 | 1 | Support, Tank | |
| 15 | 1001179339 | 1 | Hinge | |
| 16 | 1001182997 | AR | Adhesive | |
| 17 | 1001206916 | 1 | Hydraulic Tank Assembly | |
| 17 | 70003614 | 1 | Filter Kit (Includes Hydraulic Element, Breather Element and Gasket) | |
| 17 | 70002838 | 1 | Fill Cap Assembly (Includes Cap, Chain and Fill Basket) | |
| 17 | 7024441 | 1 | Gauge, Sight | |
| 17 | 70002112 | 1 | Plug, Drain | |

SECTION 2 - TURNTABLE

FIGURE 2-11. HYDRAULIC TANK ASSEMBLY - WITH 4 INCH BREATHER



ART_1001274525

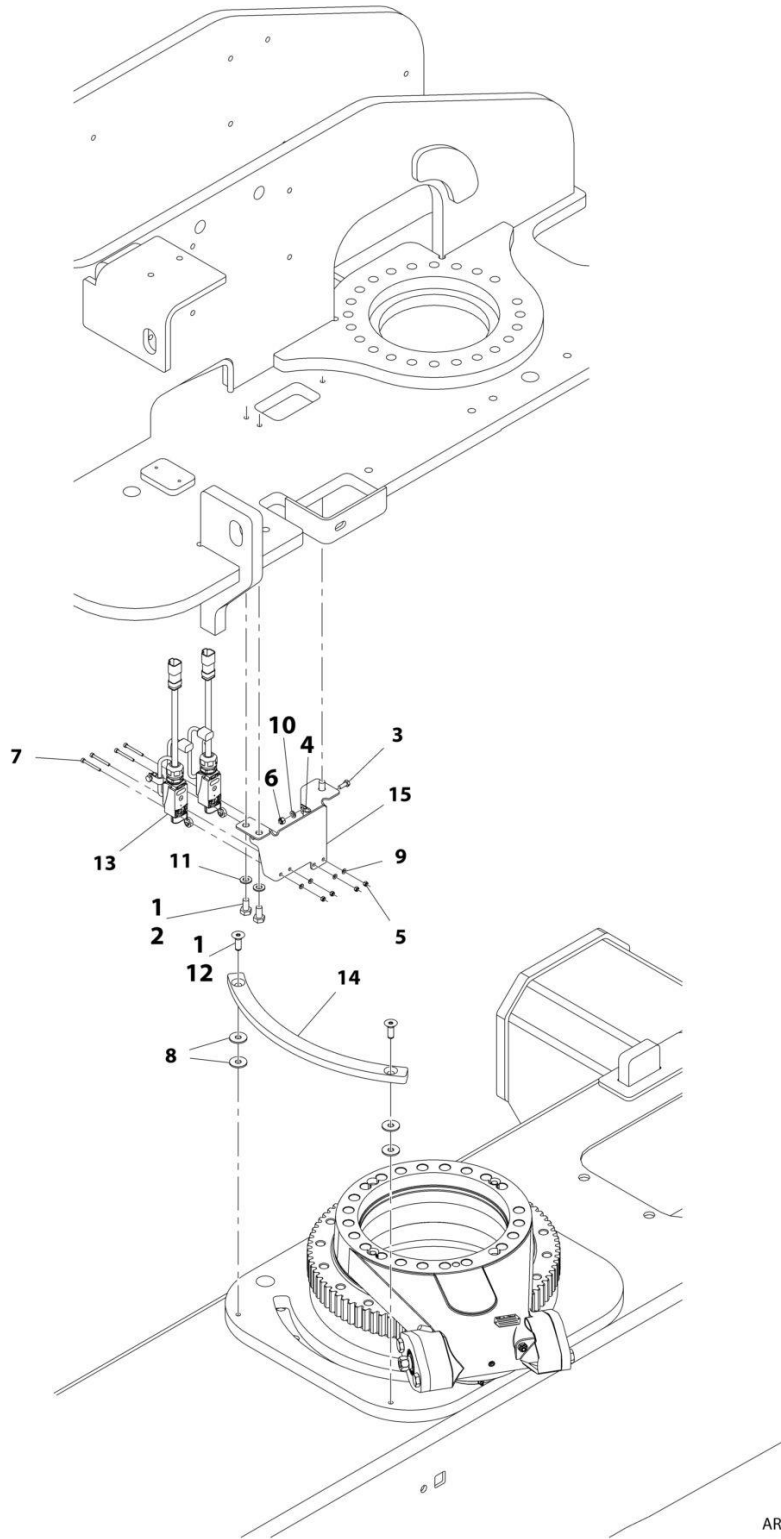
SECTION 2 - TURNTABLE

FIGURE 2-11. HYDRAULIC TANK ASSEMBLY - WITH 4 INCH BREATHER

| ITEM | PART NUMBER | QTY | DESCRIPTION | REV |
|------|-------------|-----|---|-----|
| | 1001274525 | Ref | HYDRAULIC TANK ASSEMBLY | A |
| 1 | See Note | NSS | Tank (Note: Not Available for Purchase) | |
| 2 | 70008258 | 1 | Breather | |
| 3 | 70008253 | 1 | Cap, Fill | |
| 4 | 70008259 | 1 | Cover | |
| 5 | 70008260 | 1 | Gasket | |
| 6 | 70008261 | 1 | Filter | |
| 7 | 70008262 | 6 | Washer | |
| 8 | 70008263 | 6 | Nut M10 | |
| 9 | 70008264 | 1 | Gauge, Level | |
| 10 | 70008254 | 1 | Plug 7/8 | |
| 11 | 70008265 | 1 | Plug | |
| 12 | 70008266 | 1 | O-Ring | |
| 13 | 70008256 | 2 | Cover 3/4 | |
| 14 | 70008267 | 2 | Cover 1-5/16 | |
| 15 | 70008268 | 2 | Cover 1-5/8 | |

SECTION 2 - TURNTABLE

FIGURE 2-12. DRIVE ORIENTATION INSTALLATION



ART_1001166767

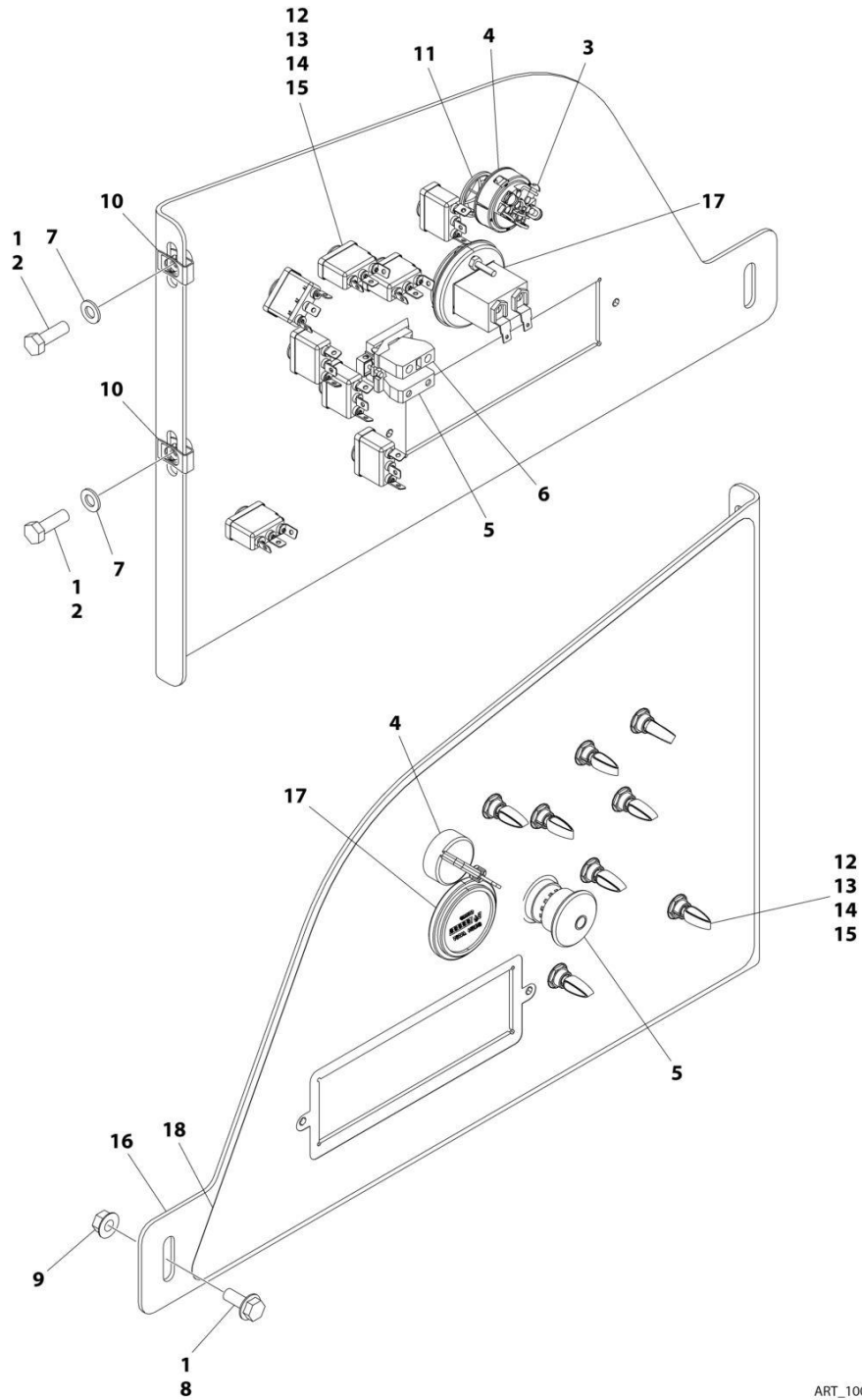
SECTION 2 - TURNTABLE

FIGURE 2-12. DRIVE ORIENTATION INSTALLATION

| ITEM | PART NUMBER | QTY | DESCRIPTION | REV |
|------|-------------|-----|---------------------------------|-----|
| | 1001166767 | Ref | DRIVE ORIENTATION INSTALLATION | F |
| 1 | 0100011 | AR | Compound, Locking | |
| 2 | 0761010 | 3 | Bolt M10 x 20 | |
| 3 | 0760608 | 2 | Bolt M6 x 16 | |
| 4 | 1321293 | 2 | Clamp, Cable | |
| 5 | 3290405 | 4 | Nut M4 | |
| 6 | 3290605 | 2 | Nut M6 | |
| 7 | 4031512 | 4 | Capscrew M4 x 40 | |
| 8 | 4812002 | 4 | Washer M10 | |
| 9 | 4811400 | 4 | Washer M4 | |
| 10 | 4811700 | 2 | Washer M6 | |
| 11 | 4812000 | 3 | Washer M10 | |
| 12 | 8310614 | 2 | Screw M10 x 30 | |
| 13 | 1001119176 | 2 | Switch, Limit | |
| 13 | 1001129407 | 1 | Receptacle, Female - 4 Position | |
| 13 | 4460464 | 4 | Pin, Male | |
| 14 | 1001162106 | 1 | Cam | |
| 15 | 1001166768 | 1 | Bracket | |
| 16 | 8881800 | AR | Tie-Strap (Not Shown) | |

SECTION 2 - TURNTABLE

FIGURE 2-13. GROUND CONTROL ASSEMBLY (ANSI EXPORT AND AUSTRALIAN SPECS)



ART_1001246450_D

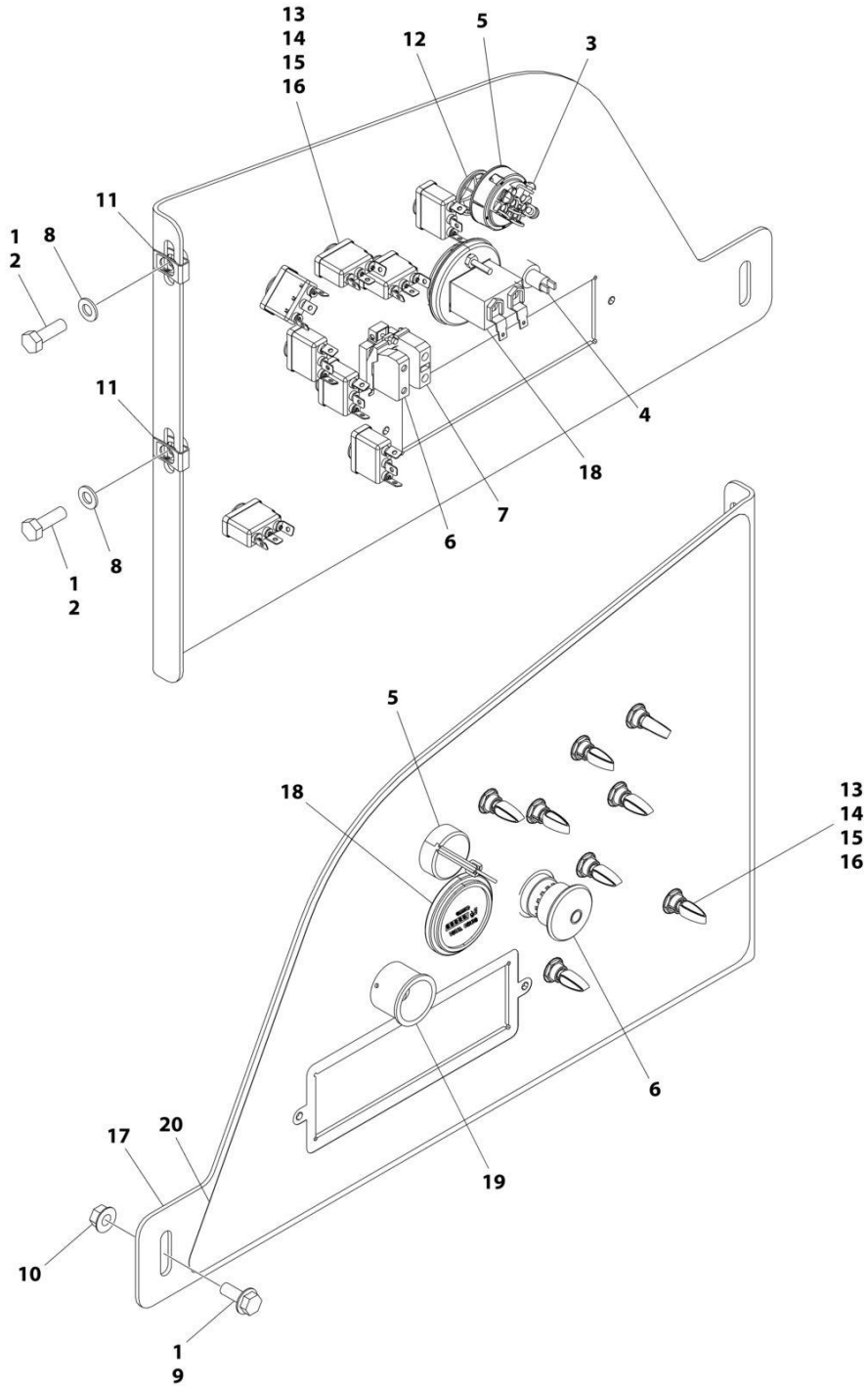
SECTION 2 - TURNTABLE

FIGURE 2-13. GROUND CONTROL ASSEMBLY (ANSI EXPORT AND AUSTRALIAN SPECS)

| ITEM | PART NUMBER | QTY | DESCRIPTION | REV |
|------|-------------|-----|-------------------------|-----|
| | 1001246450 | Ref | GROUND CONTROL ASSEMBLY | D |
| 1 | 0100011 | AR | Compound, Locking | |
| 2 | 0760812 | 2 | Bolt M8 x 25 | |
| 3 | 3910804 | 3 | Screw M8 x 1/4 | |
| 4 | 4360469 | 1 | Switch, Key | |
| 4 | 2860030 | 1 | Key, Replacement | |
| 5 | 1001274559 | 1 | Switch, Emergency | |
| 6 | 4360476 | 1 | Block, Contact | |
| 7 | 4811900 | 2 | Washer M8 | |
| 8 | 5250810 | 1 | Bolt M8 x 20 | |
| 9 | 5260800 | 1 | Nut M8 | |
| 10 | 1001118274 | 2 | Nut M8 | |
| 11 | 1001151393 | 1 | Shim .063 | |
| 12 | 1001155043 | 8 | Washer | |
| 13 | 1001155044 | 8 | Nut, Special 15/32-32 | |
| 14 | 1001155045 | 8 | Switch, Toggle | |
| 15 | 1001162807 | 8 | Washer | |
| 16 | 1001297389 | 1 | Panel, Ground Control | |
| 17 | 10836804 | 1 | Gauge, Display | |
| 18 | 1001264733 | 1 | Decal - Ground Control | |

SECTION 2 - TURNTABLE

FIGURE 2-14. GROUND CONTROL ASSEMBLY (CE(LRC), CIS/EAC & UK CA SPECS)



ART_1001246451_D

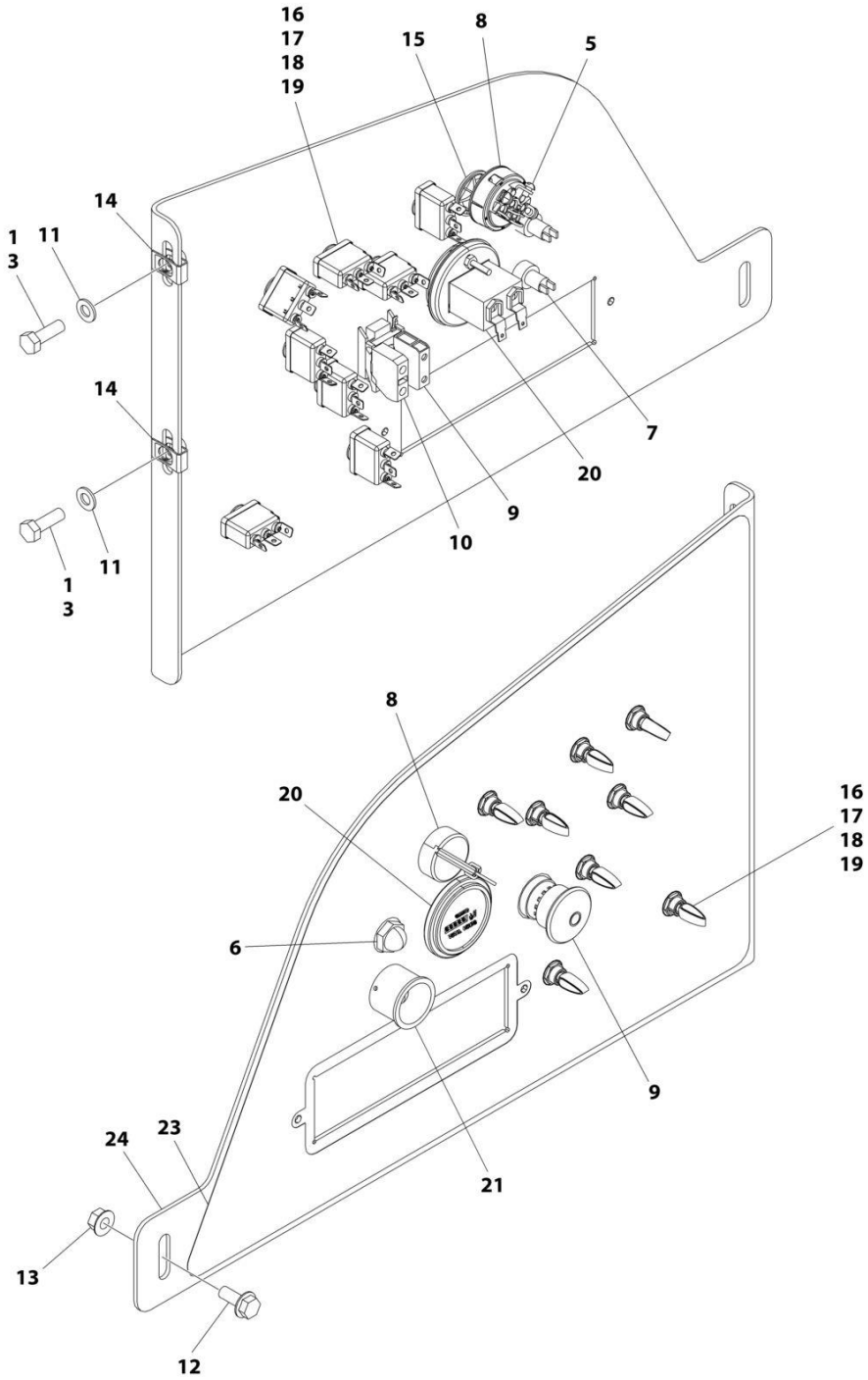
SECTION 2 - TURNTABLE

FIGURE 2-14. GROUND CONTROL ASSEMBLY (CE(LRC), CIS/EAC & UK CA SPECS)

| ITEM | PART NUMBER | QTY | DESCRIPTION | REV |
|------|-------------|-----|-------------------------|-----|
| | 1001246451 | Ref | GROUND CONTROL ASSEMBLY | D |
| 1 | 0100011 | AR | Compound, Locking | |
| 2 | 0760812 | 2 | Bolt M8 x 25 | |
| 3 | 3910804 | 3 | Screw M8 x 1/4 | |
| 4 | 4360387 | 1 | Switch, Push Button | |
| 5 | 4360469 | 1 | Switch, Key | |
| 5 | 2860030 | 1 | Key, Replacement | |
| 6 | 1001274559 | 1 | Switch, Emergency | |
| 7 | 4360476 | 1 | Block, Contact | |
| 8 | 4811900 | 2 | Washer M8 | |
| 9 | 5250810 | 1 | Bolt M8 x 20 | |
| 10 | 5260800 | 1 | Nut M8 | |
| 11 | 1001118274 | 2 | Nut M8 | |
| 12 | 1001151393 | 1 | Shim .063 | |
| 13 | 1001155043 | 8 | Washer | |
| 14 | 1001155044 | 8 | Nut, Special 15/32-32 | |
| 15 | 1001155045 | 8 | Switch, Toggle | |
| 16 | 1001162807 | 8 | Washer | |
| 17 | 1001297389 | 1 | Panel, Ground Control | |
| 18 | 10836804 | 1 | Gauge, Display | |
| 19 | 1001176469 | 1 | Shroud, Switch | |
| 20 | 1001264732 | 1 | Decal - Ground Control | |

SECTION 2 - TURNTABLE

FIGURE 2-15. GROUND CONTROL ASSEMBLY (CE & UK CA SPECS)



ART_1001245656_E

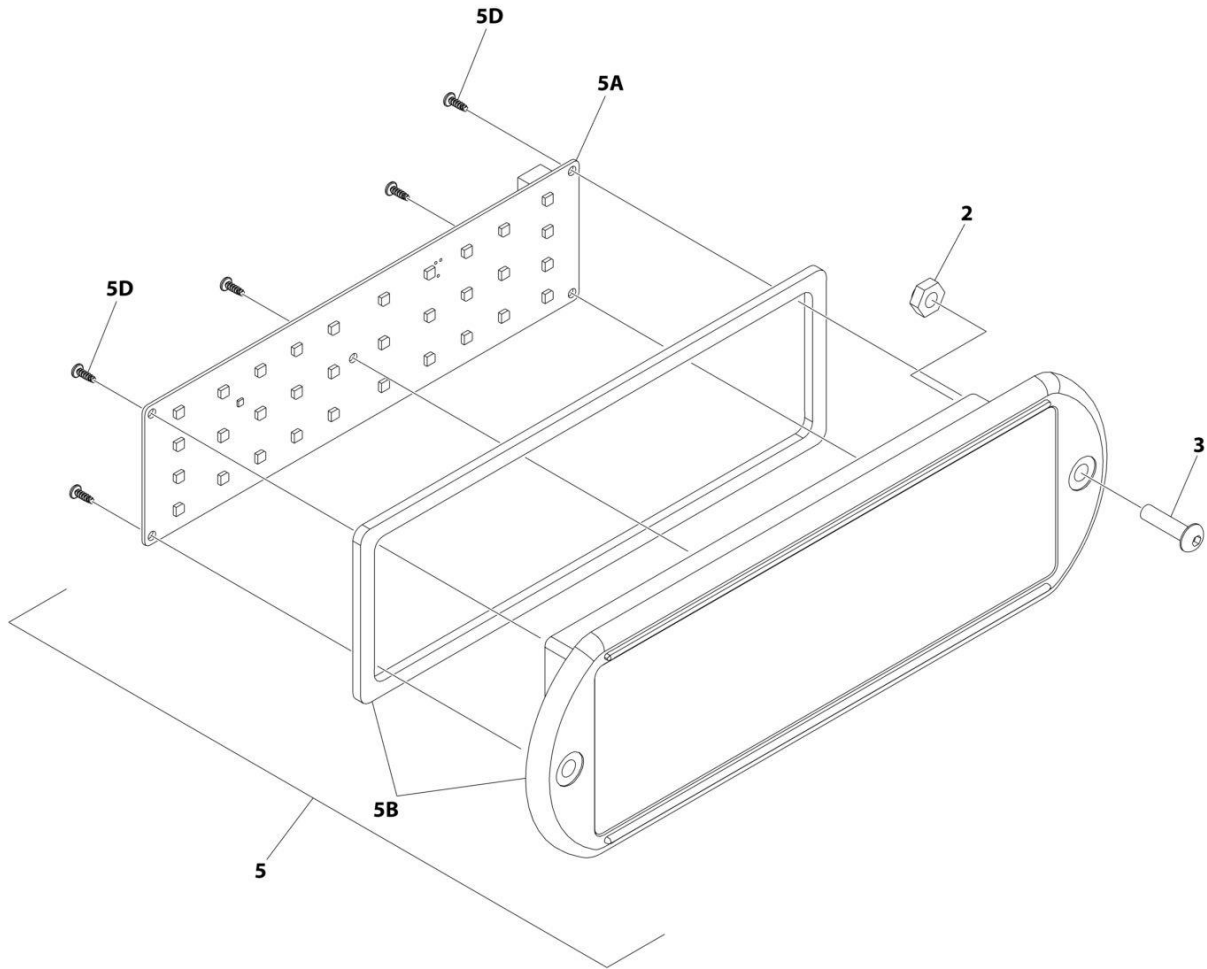
SECTION 2 - TURNTABLE

FIGURE 2-15. GROUND CONTROL ASSEMBLY (CE & UK CA SPECS)

| ITEM | PART NUMBER | QTY | DESCRIPTION | REV |
|------|-------------|-----|-------------------------|-----|
| | 1001245656 | Ref | GROUND CONTROL ASSEMBLY | E |
| 1 | 0100011 | AR | Compound, Locking | |
| 3 | 0760812 | 2 | Bolt M8 x 25 | |
| 5 | 3910804 | 3 | Screw M8 x 1/4 | |
| 6 | 4360274 | 1 | Switch, Push Button | |
| 7 | 4360387 | 1 | Switch, Push Button | |
| 8 | 4360469 | 1 | Switch, Key | |
| 9 | 1001274559 | 1 | Switch, Emergency | |
| 10 | 4360476 | 1 | Block, Contact | |
| 11 | 4811900 | 2 | Washer M8 | |
| 12 | 5250810 | 1 | Bolt M8 x 20 | |
| 13 | 5260800 | 1 | Nut M8 | |
| 14 | 1001118274 | 2 | Nut M8 | |
| 15 | 1001151393 | 1 | Shim .063 | |
| 16 | 1001155043 | 8 | Washer | |
| 17 | 1001155044 | 8 | Nut, Special 15/32-32 | |
| 18 | 1001155045 | 8 | Switch, Toggle | |
| 19 | 1001162807 | 8 | Washer | |
| 20 | 10836804 | 1 | Gauge, Display | |
| 21 | 1001176469 | 1 | Shroud, Switch | |
| 23 | 1001264731 | 1 | Decal - Ground Control | |
| 24 | 1001297389 | 1 | Panel, Ground Control | |

SECTION 2 - TURNTABLE

FIGURE 2-16. LIGHT PANEL INSTALLATION - GROUND CONTROL



ART_1001241398_D_10F2

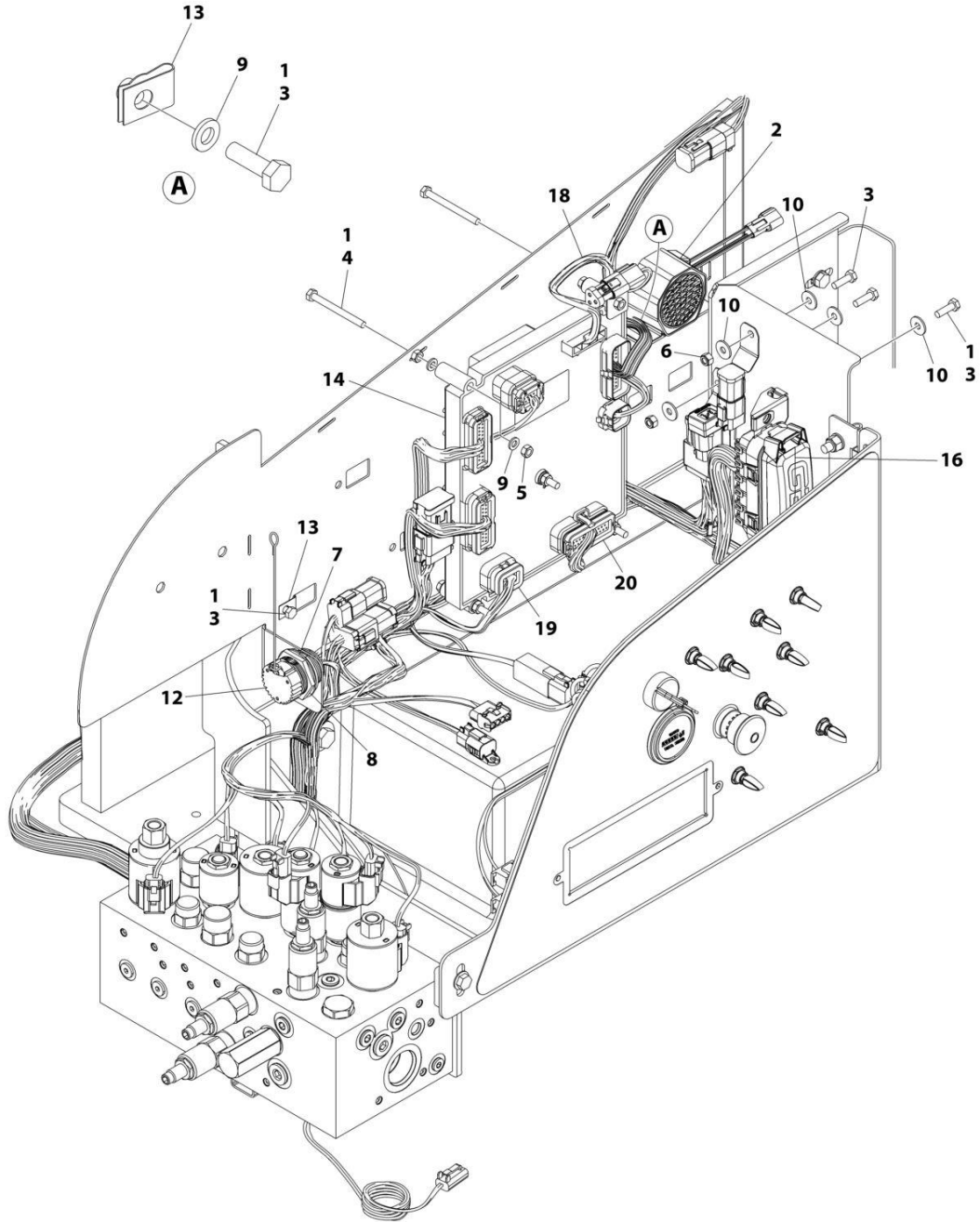
SECTION 2 - TURNTABLE

FIGURE 2-16. LIGHT PANEL INSTALLATION - GROUND CONTROL

| ITEM | PART NUMBER | QTY | DESCRIPTION | REV |
|-------------|--------------------|------------|------------------------------|------------|
| | 1001241398 | Ref | LIGHT PANEL INSTALLATION | D |
| 2 | 3300408 | 2 | Nut, Nylon Insert | |
| 3 | 0630518 | 2 | Screw #10 x 3/4 | |
| 5 | 1001237546 | 1 | Light Panel Assembly | J |
| 5A | 1001282106 | 1 | Panel, LED Light | |
| 5B | 1001236091 | 1 | Lens, Icon (Includes Gasket) | |
| 5D | | Ref | Screw | |

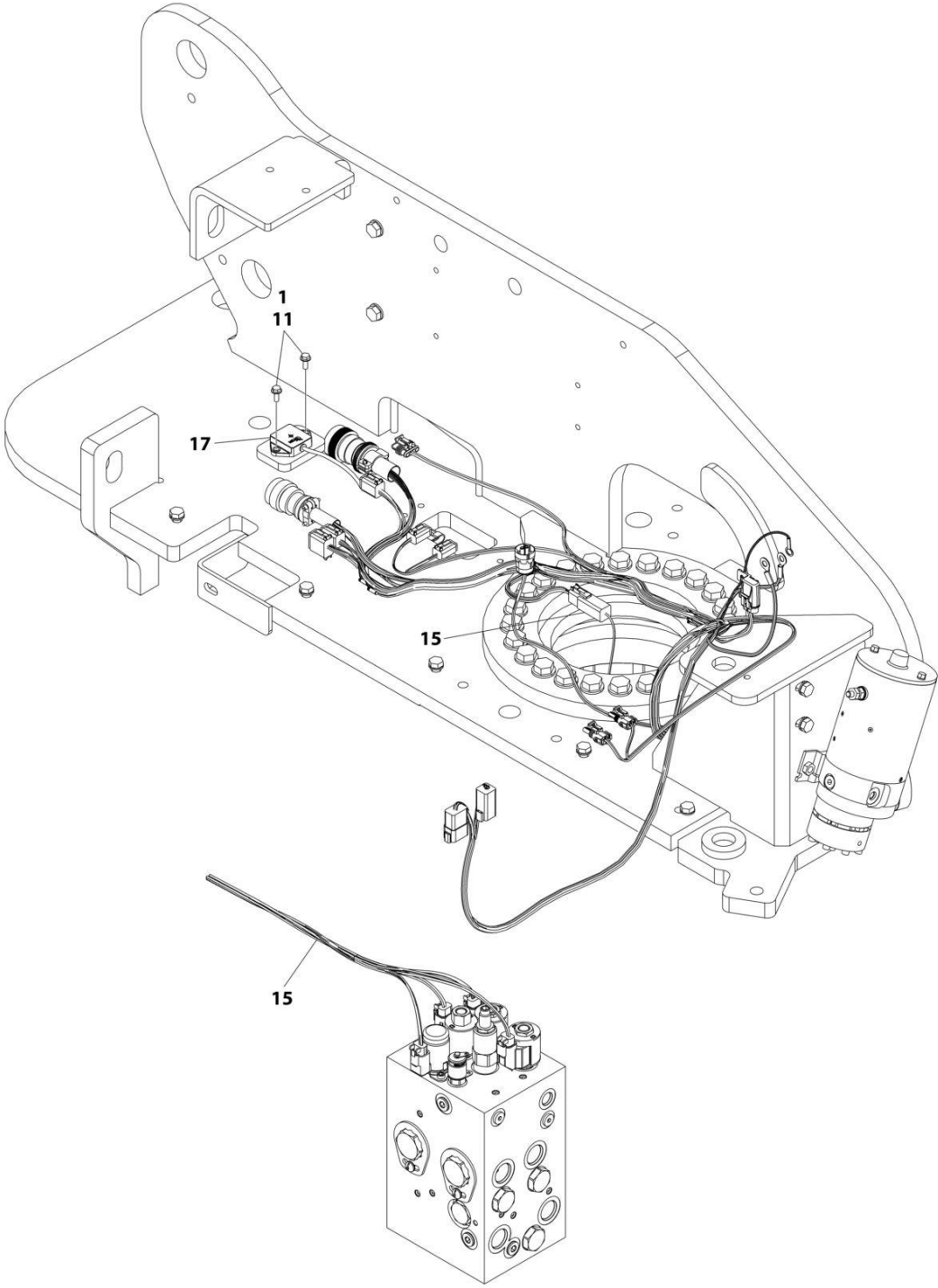
SECTION 2 - TURNTABLE

FIGURE 2-17. ELECTRICAL SYSTEM INSTALLATION



ART_1001246369_E_10F2

SECTION 2 - TURNTABLE



DETAIL OF TRACTION VALVE

ART_1001246369_E_2OF2

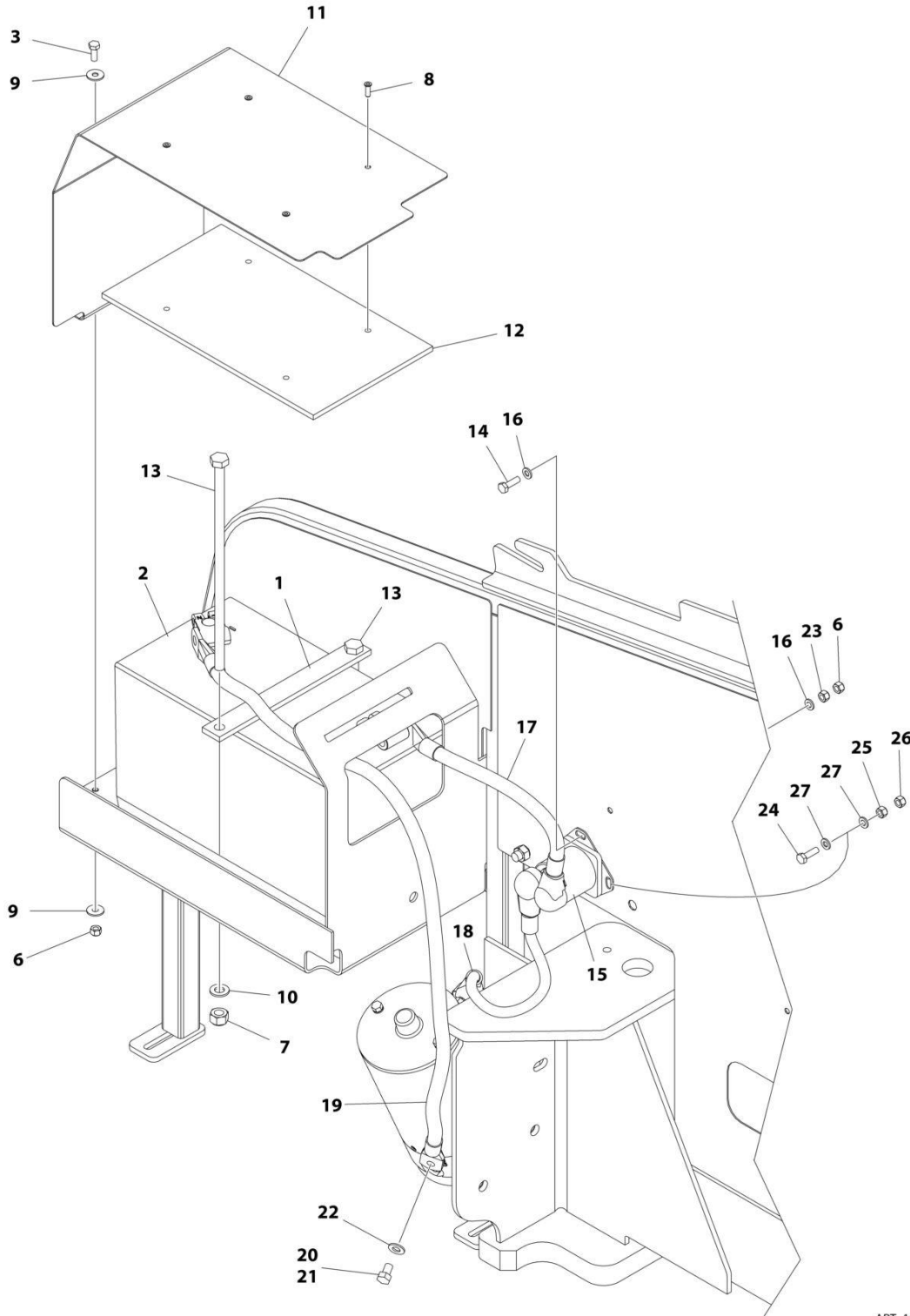
SECTION 2 - TURNTABLE

FIGURE 2-17. ELECTRICAL SYSTEM INSTALLATION

| ITEM | PART NUMBER | QTY | DESCRIPTION | REV |
|------|-------------|-----|---|-----|
| | 1001246369 | Ref | ELECTRICAL SYSTEM INSTALLATION | E |
| 1 | 0100011 | AR | Compound, Locking | |
| 2 | 0140043 | 1 | Alarm | |
| 3 | 0760610 | 7 | Bolt M6 x 20 | |
| 4 | 0760621 | 5 | Bolt M6 x 65 | |
| 5 | 3290601 | 10 | Nut M6 | |
| 6 | 3290605 | 2 | Nut M6 | |
| 7 | 4460496 | 1 | Washer, Terminal | |
| 8 | 4460497 | 1 | Nut, Terminal | |
| 9 | 4811700 | 12 | Washer M6 | |
| 10 | 4811702 | 7 | Washer M6 | |
| 11 | 5250608 | 2 | Bolt M6 x 16 | |
| 12 | 1001106736 | 1 | Cap, Dust | |
| 13 | 1001130220 | 3 | Nut, Tinnerman M6 | |
| 14 | 1001280340 | 1 | Module, Ground Control (Note: Re-calibration Required when Replaced) | |
| 15 | 1001179236 | 1 | Chassis Solenoid Harness (See Separate Breakdown in ELECTRICAL Section) | |
| 16 | 1001196637 | 1 | Decal - Fuse Box | |
| 17 | 1001219601 | 1 | Sensor | |
| 17 | 1001103013 | 1 | Connector | |
| 18 | 1001282492 | 1 | Turntable Harness (See Separate Breakdown in ELECTRICAL Section) | |
| 19 | 1001282533 | 1 | Valve Harness - Main Valve (See Separate Breakdown in ELECTRICAL Section) | |
| 20 | 1001299782 | 1 | Ground Control Panel Harness (See Separate Breakdown in ELECTRICAL Section) | |
| 22 | 4240032 | AR | Tie-Strap (Not Shown) | |
| 23 | 4460234 | AR | Mount, Tie-Strap (Not Shown) | |
| 25 | 1001213448 | 1 | Cap, Dust (Not Shown) | |

SECTION 2 - TURNTABLE

FIGURE 2-18. BATTERY AND CABLE INSTALLATION



ART_1001166316_H

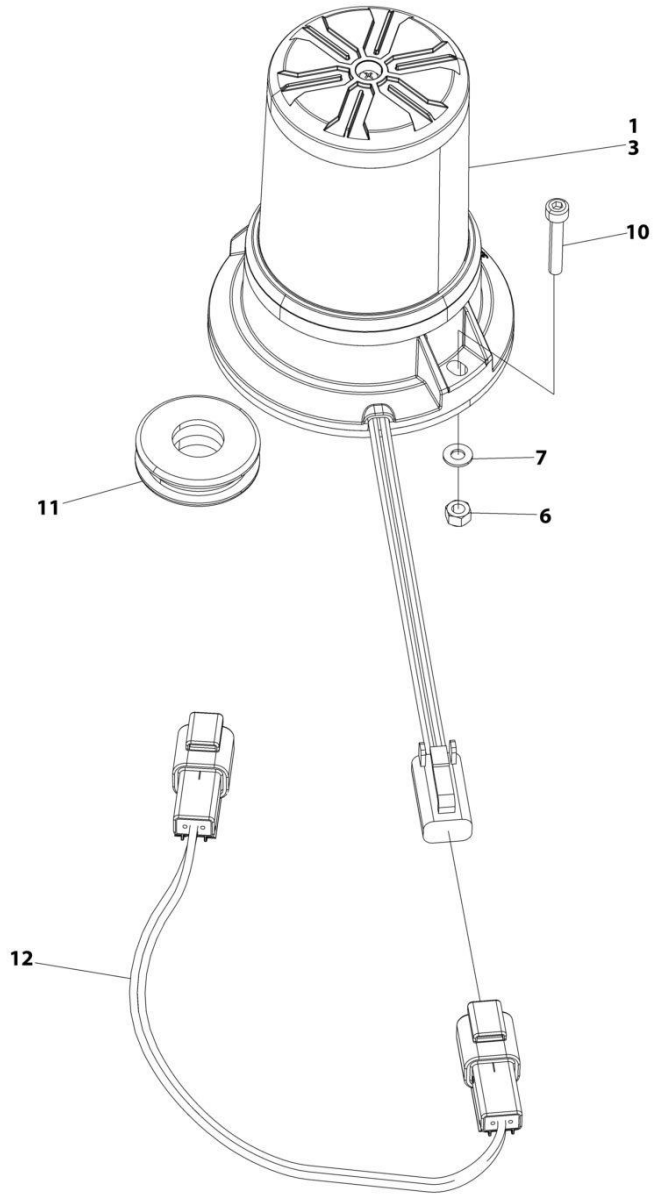
SECTION 2 - TURNTABLE

FIGURE 2-18. BATTERY AND CABLE INSTALLATION

| ITEM | PART NUMBER | QTY | DESCRIPTION | REV |
|------|-------------|-----|--|-----|
| | 1001166316 | Ref | BATTERY AND CABLE INSTALLATION | H |
| 1 | 0361810 | 1 | Bar, Hold-down | |
| 2 | 0400075 | 1 | Battery | |
| 3 | 0760610 | 2 | Bolt M6 x 20 | |
| 6 | 3290605 | 3 | Nut M6 | |
| 7 | 3291005 | 2 | Nut M10 | |
| 8 | 3820032 | 4 | Rivet | |
| 9 | 4811702 | 4 | Washer M6 | |
| 10 | 4812000 | 2 | Washer M10 | |
| 11 | 1001117240 | 1 | Cover | |
| 12 | 1001119278 | 1 | Insulation | |
| 13 | 1001119280 | 2 | Bolt M16 x 260 | |
| 14 | 0760612 | 1 | Bolt M6 x 25 | |
| 15 | 3740067 | 1 | Relay | |
| 15 | 3300220 | 2 | Nut 3/8 | |
| 15 | 1001111424 | 2 | Washer 3/8 | |
| 15 | 3321001 | 1 | Nut #10 | |
| 15 | 4761000 | 1 | Washer #10 | |
| 16 | 4811700 | 2 | Washer M6 | |
| 17 | 1001171678 | 1 | Cable, Battery (Positive + to Aux Relay) | |
| 18 | 1001171679 | 1 | Cable, Battery (Aux Relay to Aux Pump) | |
| 19 | 1001171680 | 1 | Cable, Battery (Negative - to Aux Pump) | |
| 20 | 0100011 | AR | Compound, Locking | |
| 21 | 0641504 | 1 | Bolt 5/16 x 1/2 | |
| 22 | 4711500 | 1 | Washer 5/16 | |
| 23 | 3290601 | 2 | Nut M6 | |
| 24 | 0760512 | 1 | Bolt M5 x 25 | |
| 25 | 3290501 | 1 | Nut M5 | |
| 26 | 3290505 | 1 | Nut M5 | |
| 27 | 4811600 | 2 | Washer M5 | |

SECTION 2 - TURNTABLE

FIGURE 2-19. BEACON LIGHT INSTALLATION - AMBER



ART_1001174976_F

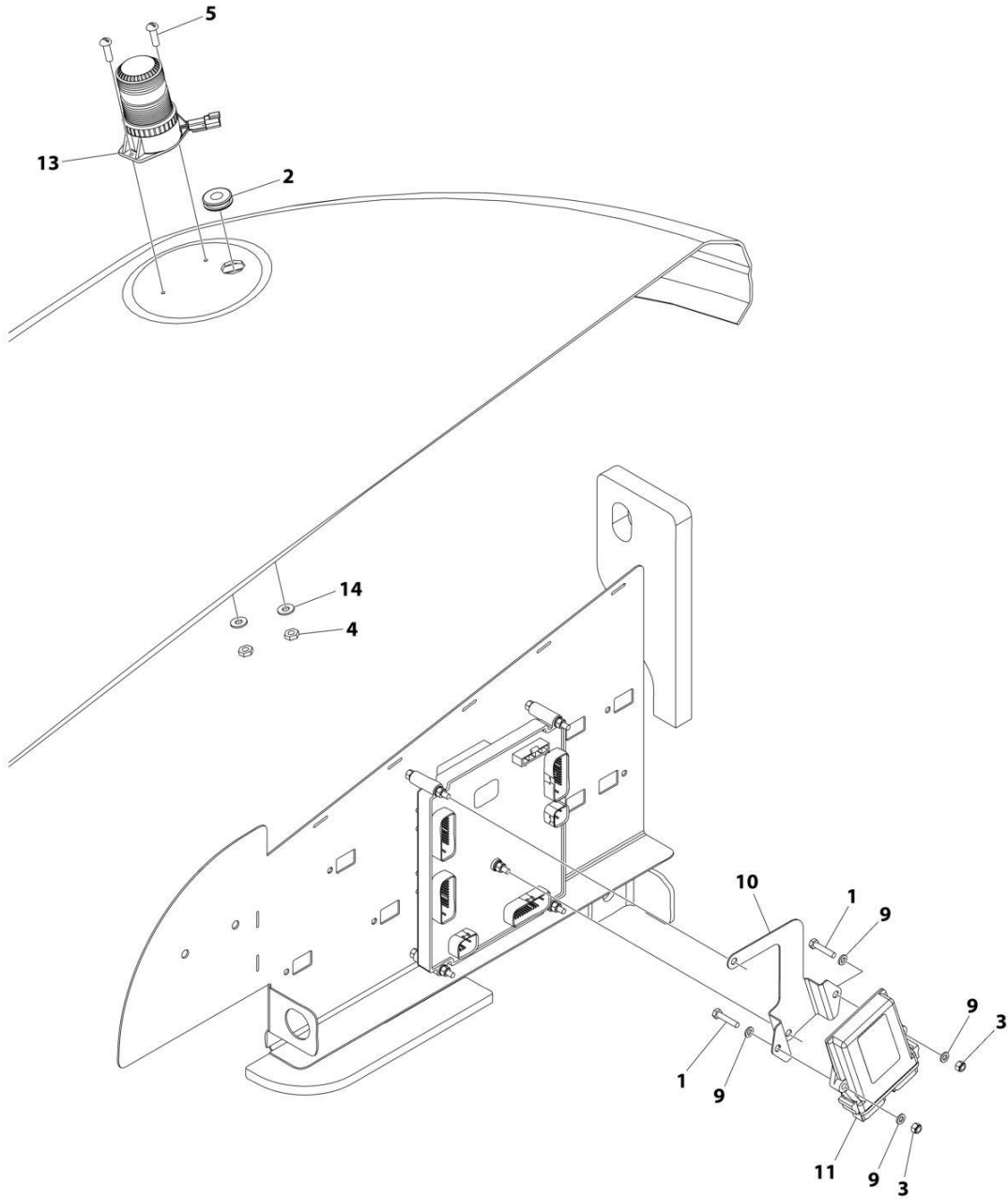
SECTION 2 - TURNTABLE

FIGURE 2-19. BEACON LIGHT INSTALLATION - AMBER

| ITEM | PART NUMBER | QTY | DESCRIPTION | REV |
|------|-------------|-----|---|-----|
| | 1001174976 | Ref | BEACON LIGHT INSTALLATION - AMBER | F |
| 1 | 0100048 | AR | Compound, Silicone | |
| 3 | 1001270594 | 1 | Lamp, Strobe | |
| 3 | 4460891 | 1 | Connector | |
| 3 | 4460465 | 2 | Socket | |
| 6 | 3290405 | 2 | Nut, Lock M4 | |
| 7 | 4811400 | 2 | Washer M4 | |
| 8 | 4240032 | AR | Tie-Strap (Not Shown) | |
| 9 | 4460234 | AR | Mount, Tie-Strap (Noth Shown) | |
| 10 | 4031509 | 1 | Capscrew M4 x25 | |
| 11 | 2540020 | 1 | Grommet | |
| 12 | 1001283776 | 1 | Harness, Beacon Jumper (See Separate Breakdown in ELECTRICAL Section) | |

SECTION 2 - TURNTABLE

FIGURE 2-20. BEACON LIGHT INSTALLATION - BLUE



ART_1001242855_C

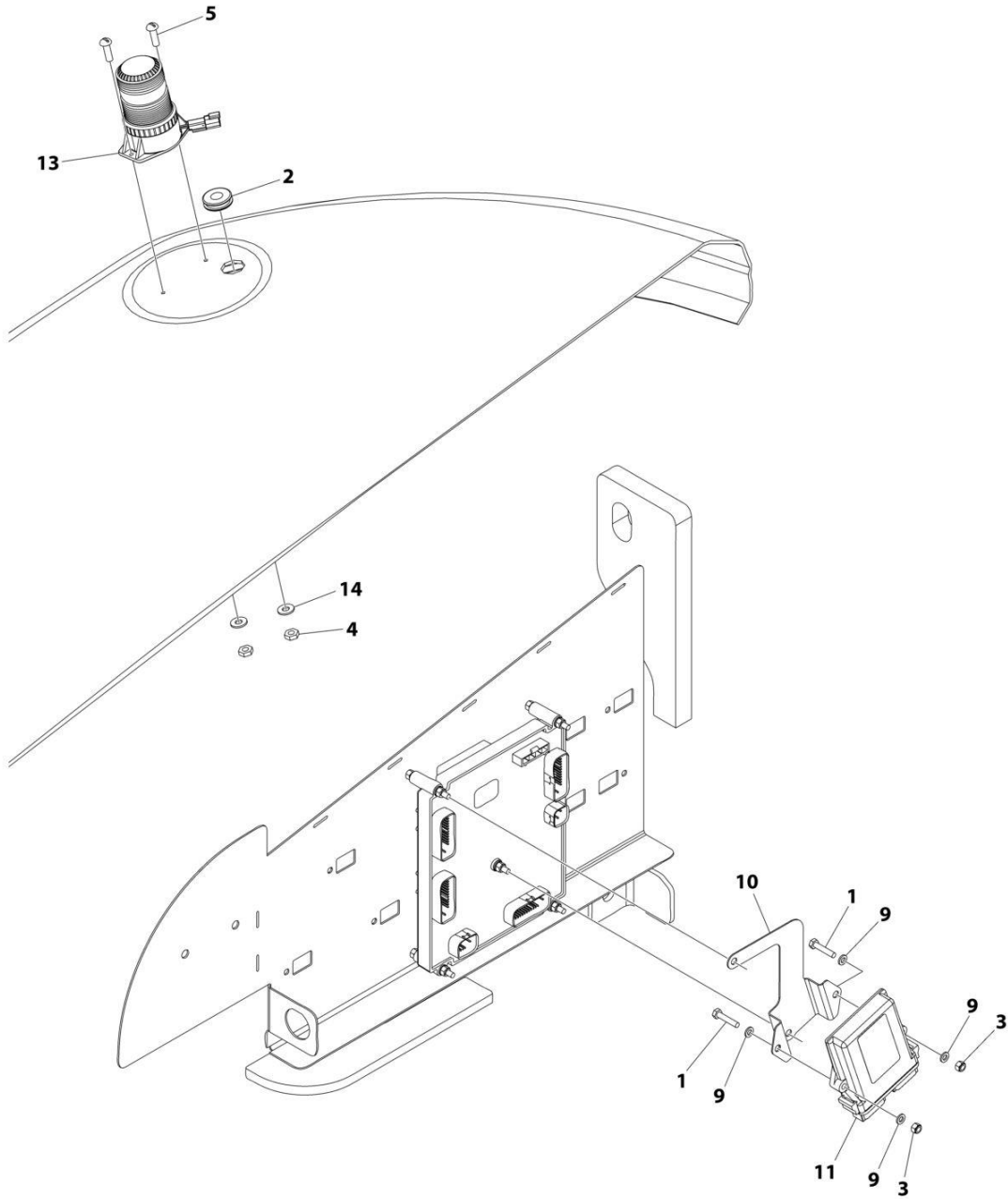
SECTION 2 - TURNTABLE

FIGURE 2-20. BEACON LIGHT INSTALLATION - BLUE

| ITEM | PART NUMBER | QTY | DESCRIPTION | REV |
|------|-------------|-----|--|-----|
| | 1001242855 | Ref | BEACON LIGHT INSTALLATION - BLUE | C |
| 1 | 0760614 | 2 | Bolt M6 x 30 | |
| 2 | 2540020 | 1 | Grommet | |
| 3 | 3290605 | 2 | Nut, Lock M6 | |
| 4 | 3290405 | 2 | Nut, Lock M4 | |
| 5 | 4031509 | 2 | Capscrew M4 x 25 | |
| 6 | 4240032 | AR | Tie-Strap (Not Shown) | |
| 7 | 4460488 | AR | Mount, Tie-Strap (Not Shown) | |
| 9 | 4811700 | 4 | Washer M6 | |
| 10 | 1001276626 | 1 | Mount, Module | |
| 11 | 1001142683 | 1 | Module, Control | |
| 12 | 1001142736 | 1 | Harness, Beacon (Not Shown - See Separate Breakdown in ELECTRICAL Section) | |
| 13 | 1001272681 | 1 | Lamp, Strobe | |
| 13 | 4460897 | 1 | Connector | |
| 13 | 4460464 | 2 | Pin | |
| 14 | 4811400 | 2 | Washer M4 | |

SECTION 2 - TURNTABLE

FIGURE 2-21. BEACON LIGHT INSTALLATION - RED



ART_1001242856_C

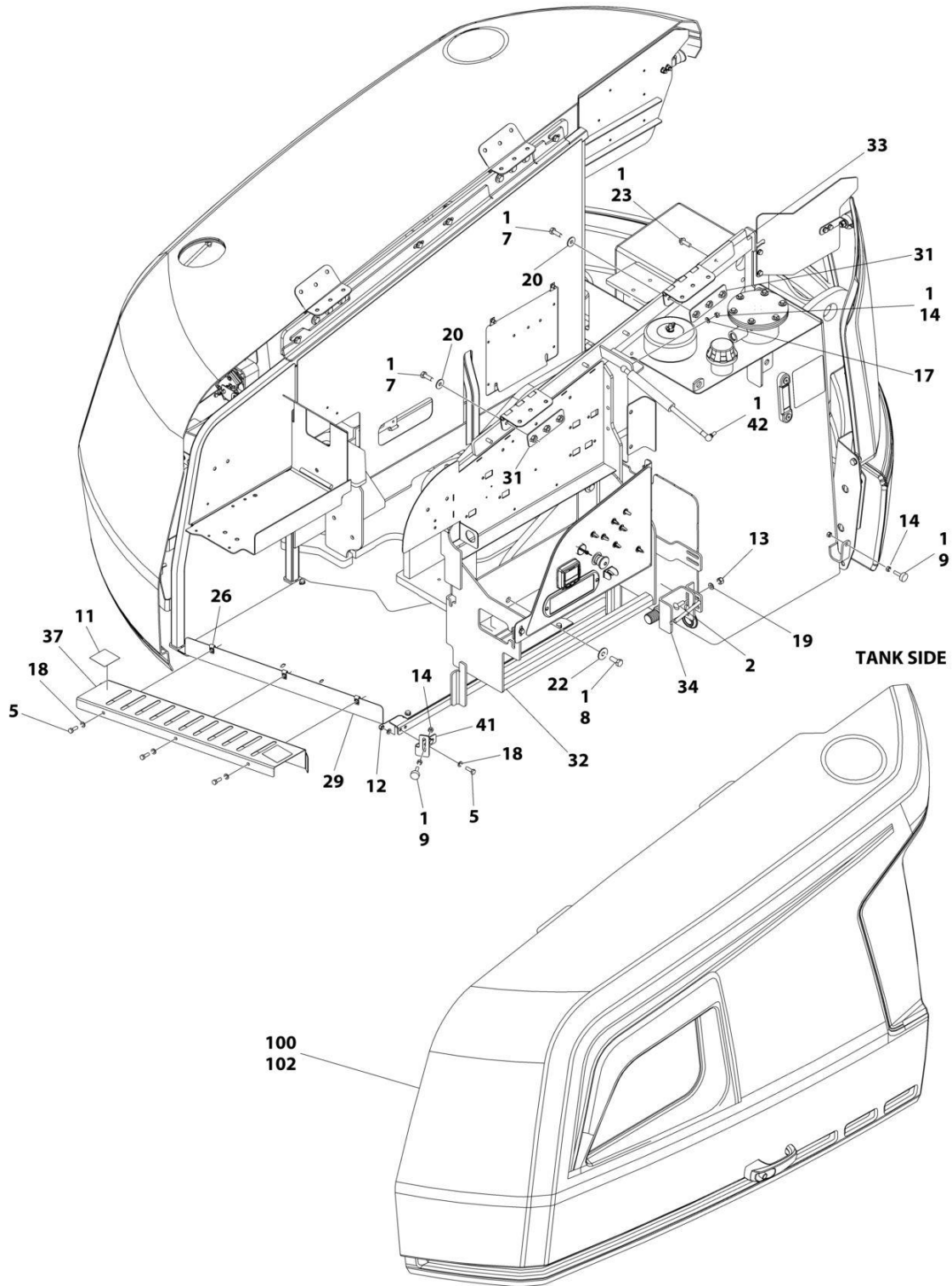
SECTION 2 - TURNTABLE

FIGURE 2-21. BEACON LIGHT INSTALLATION - RED

| ITEM | PART NUMBER | QTY | DESCRIPTION | REV |
|------|-------------|-----|--|-----|
| | 1001242856 | Ref | BEACON LIGHT INSTALLATION - RED | C |
| 1 | 0760614 | 2 | Bolt M6 x 30 | |
| 2 | 2540020 | 1 | Grommet | |
| 3 | 3290605 | 2 | Nut, Lock M6 | |
| 4 | 3290405 | 2 | Nut, Lock M4 | |
| 5 | 4031509 | 2 | Capscrew M4 x 25 | |
| 6 | 4240032 | AR | Tie-Strap (Not Shown) | |
| 7 | 4460488 | AR | Mount, Tie-Strap (Not Shown) | |
| 9 | 4811700 | 4 | Washer M6 | |
| 10 | 1001276626 | 1 | Mount, Module | |
| 11 | 1001142683 | 1 | Module, Control | |
| 12 | 1001142736 | 1 | Harness, Beacon (Not Shown - See Separate Breakdown in ELECTRICAL Section) | |
| 13 | 1001272682 | 1 | Lamp, Strobe | |
| 13 | 4460897 | 1 | Connector | |
| 13 | 4460464 | 2 | Pin | |
| 14 | 4811400 | 2 | Washer M4 | |

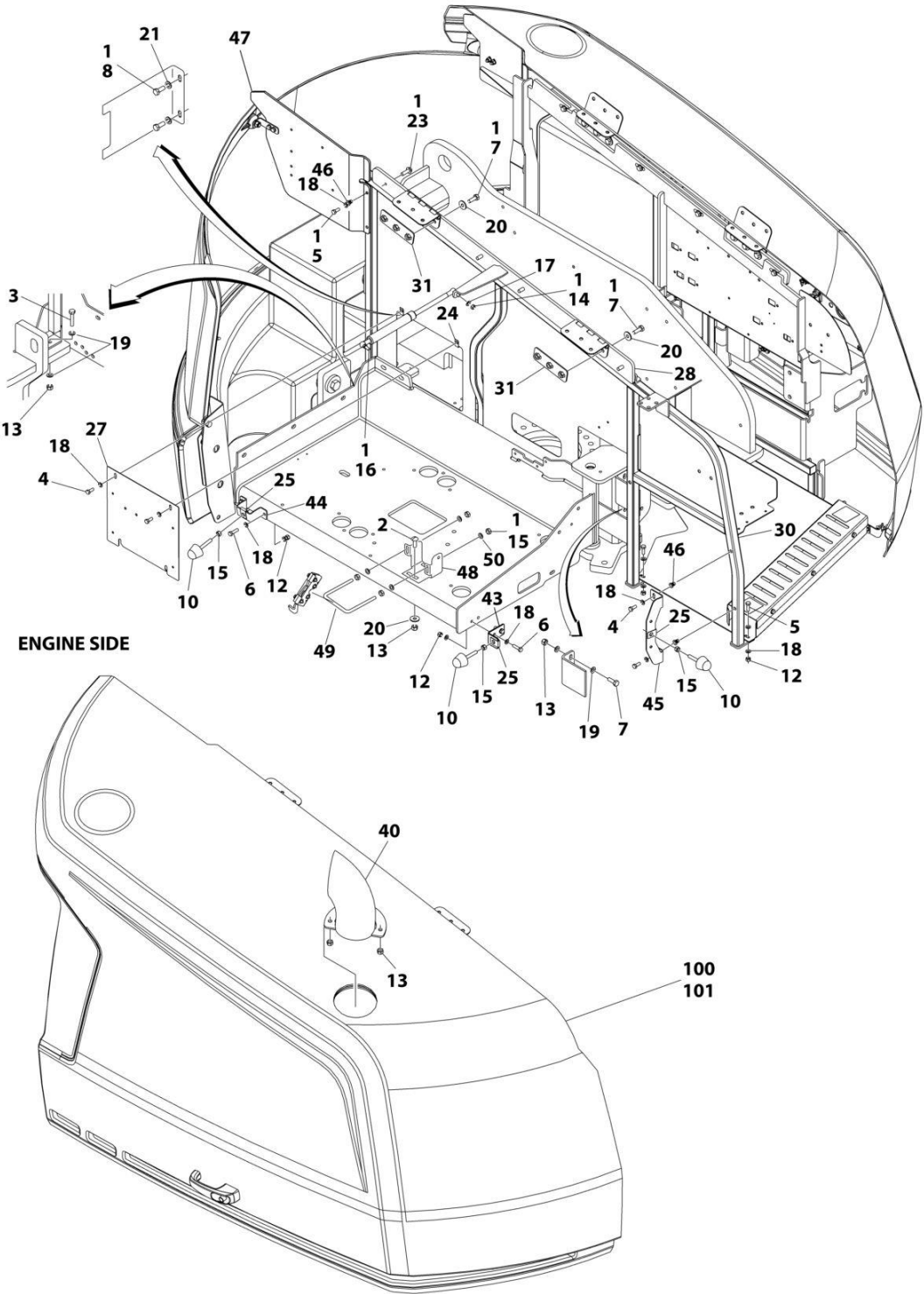
SECTION 2 - TURNTABLE

FIGURE 2-22. HOODS INSTALLATION (ABS)



ART_1001241286_D_10F2

SECTION 2 - TURNTABLE



ART_1001241286_D_20F2

SECTION 2 - TURNTABLE

FIGURE 2-22. HOODS INSTALLATION (ABS)

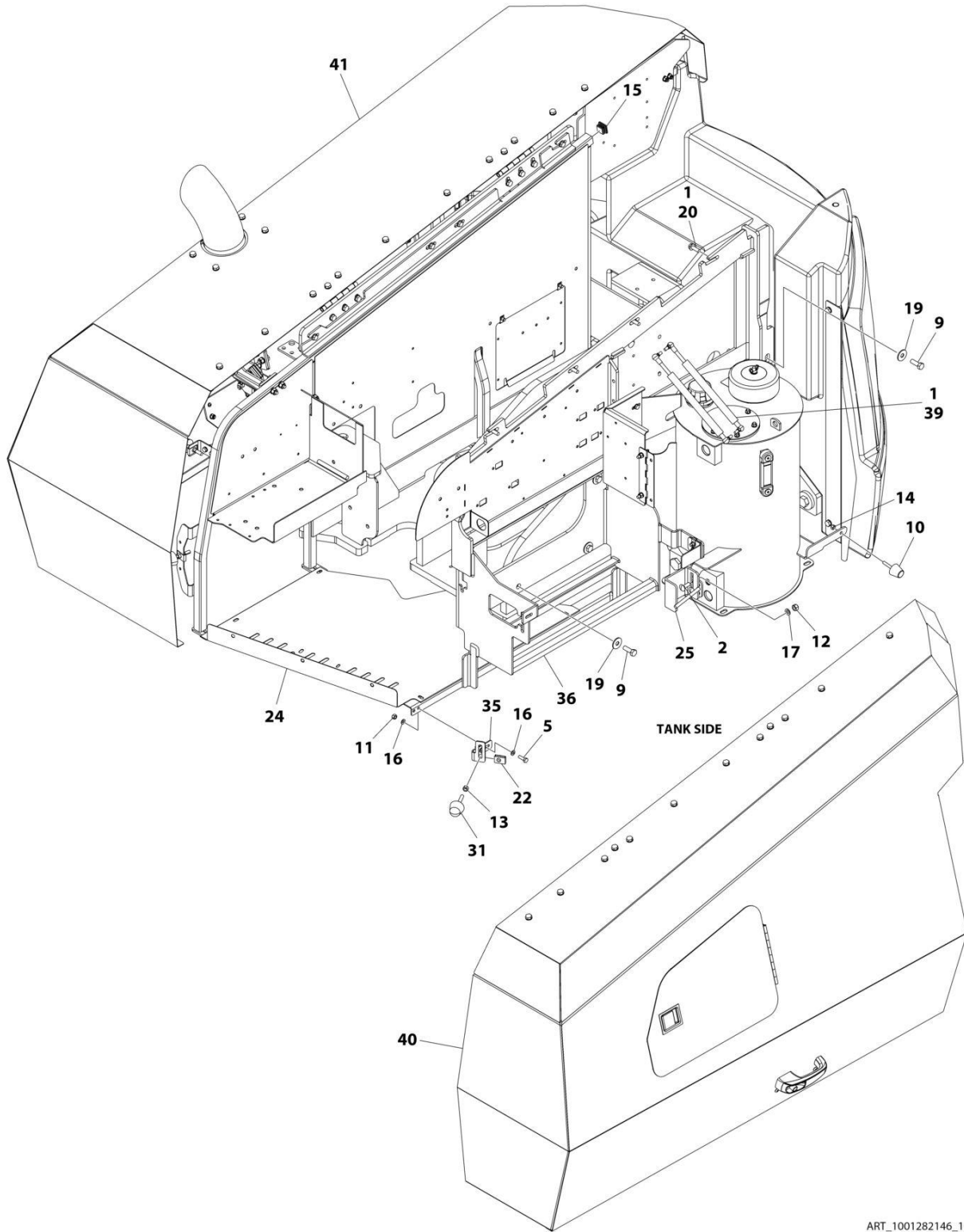
| ITEM | PART NUMBER | QTY | DESCRIPTION | REV |
|------|-------------|-----|--|-----|
| | 1001241286 | Ref | HOODS INSTALLATION | D |
| 1 | 0100011 | AR | Compound, Locking | |
| 2 | 0630613 | 4 | Bolt M10 x 30 | |
| 3 | 0701018 | 5 | Bolt M10 x 50 | |
| 4 | 0760810 | 4 | Bolt M8 x 20 | |
| 5 | 0760812 | 11 | Bolt M8 x 25 | |
| 6 | 0760814 | 4 | Bolt M8 x 30 | |
| 7 | 0761014 | 14 | Bolt M10 x 30 | |
| 8 | 0761214 | 6 | Bolt M12 x 30 | |
| 9 | 0940049 | 2 | Bumper | |
| 10 | 0940071 | 3 | Bumper | |
| 11 | 1701691 | 2 | Decal - No Step | |
| 12 | 3290805 | 10 | Nut M8 | |
| 13 | 3291005 | 14 | Nut M10 | |
| 14 | 3311501 | 6 | Nut 5/16 | |
| 15 | 3311601 | 7 | Nut 3/8 | |
| 16 | 4160182 | 1 | Spring, Gas | |
| 17 | 4711500 | 2 | Washer 5/16 | |
| 18 | 4811900 | 29 | Washer M8 | |
| 19 | 4812000 | 16 | Washer M10 | |
| 20 | 4812002 | 14 | Washer M10 | |
| 21 | 4812100 | 2 | Washer M12 | |
| 22 | 4812102 | 4 | Washer M12 | |
| 23 | 5251014 | 8 | Bolt M10 x 30 | |
| 24 | 8310686 | 2 | Nut, Retainer M8 | |
| 25 | 88662523 | 3 | Nut, Tinnerman | |
| 26 | 1001118274 | 3 | Nut M8 | |
| 27 | 1001167149 | 1 | Panel, Filler | |
| 28 | 1001167159 | 1 | Mount | |
| 29 | 1001167163 | 1 | Tray | |
| 30 | 1001167169 | 1 | Mount | |
| 31 | 1001169046 | 4 | Nut | |
| 32 | 1001211716 | 1 | Support, Hood | |
| 33 | 1001170018 | 1 | Mount | |
| 34 | 1001170022 | 1 | Mount | |
| 37 | 1001171216 | 1 | Cover | |
| 40 | 1001233899 | 1 | Pipe, Exhaust | |
| 41 | 1001179904 | 1 | Mount | |
| 42 | 1001182169 | 1 | Spring, Gas | |
| 43 | 1001182875 | 1 | Mount | |
| 44 | 1001182877 | 1 | Mount | |
| 45 | 1001182879 | 1 | Mount | |
| 46 | 1001191832 | 4 | Rivnut M8 | |
| 47 | 1001211717 | 1 | Panel, Filler | |
| 48 | 1001250291 | 1 | Bracket | |
| 49 | 1001243414 | 1 | U-Bolt | |
| 50 | 4891600 | 4 | Washer 3/8 | |
| 100 | 1001285789 | 1 | Hood Kit (Includes Items 101-102) | D |
| 101 | 1001241295 | 1 | Hood Assembly - Engine Side (See Separate Breakdown in this Section) | |

SECTION 2 - TURNTABLE

| ITEM | PART NUMBER | QTY | DESCRIPTION | REV |
|-------------|--------------------|------------|--|------------|
| 102 | 1001285788 | 1 | Hood Assembly - Tank Side (See Separate Breakdown in this Section) | |

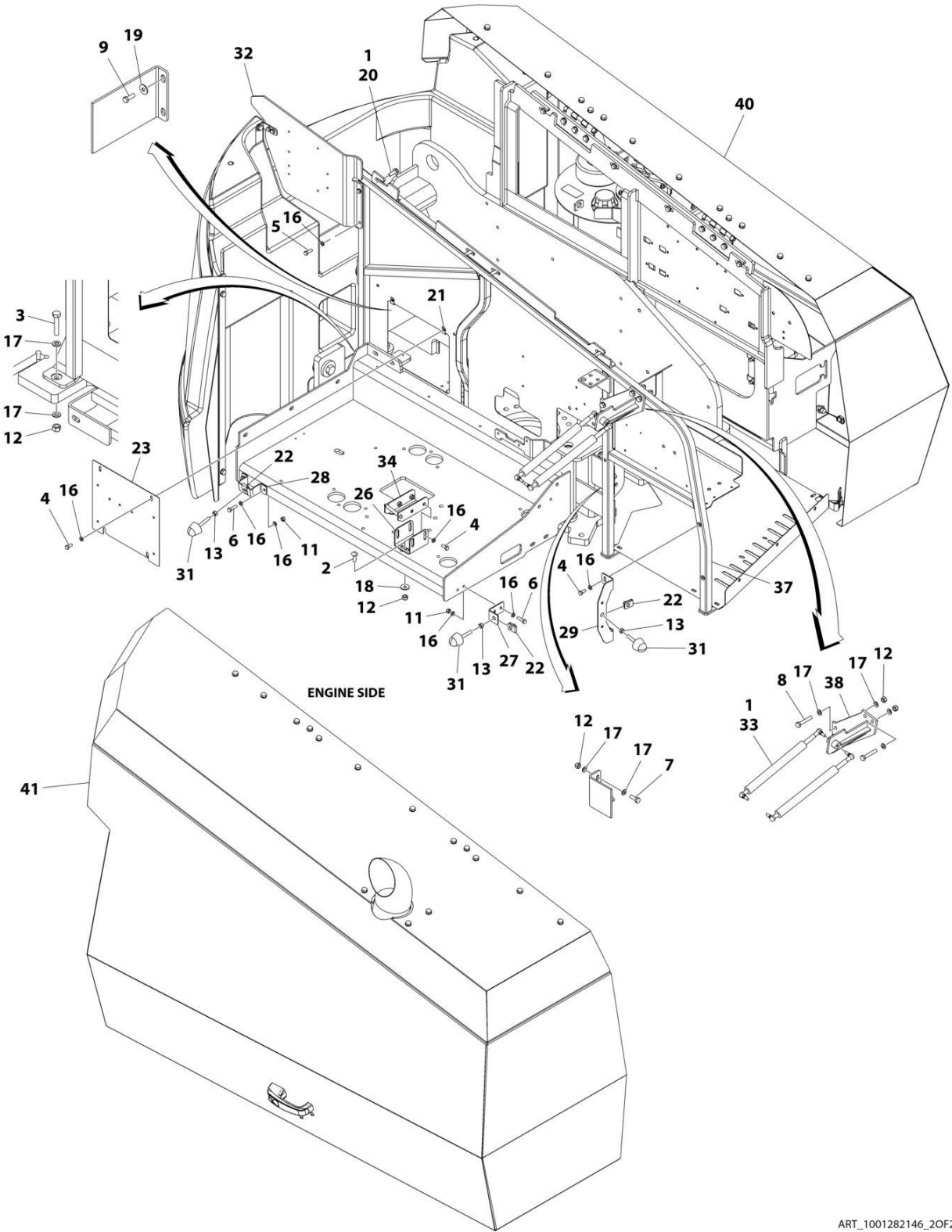
SECTION 2 - TURNTABLE

FIGURE 2-23. HOODS INSTALLATION (STEEL)



ART_1001282146_1OF2

SECTION 2 - TURNTABLE



ART_1001282146_2OF2

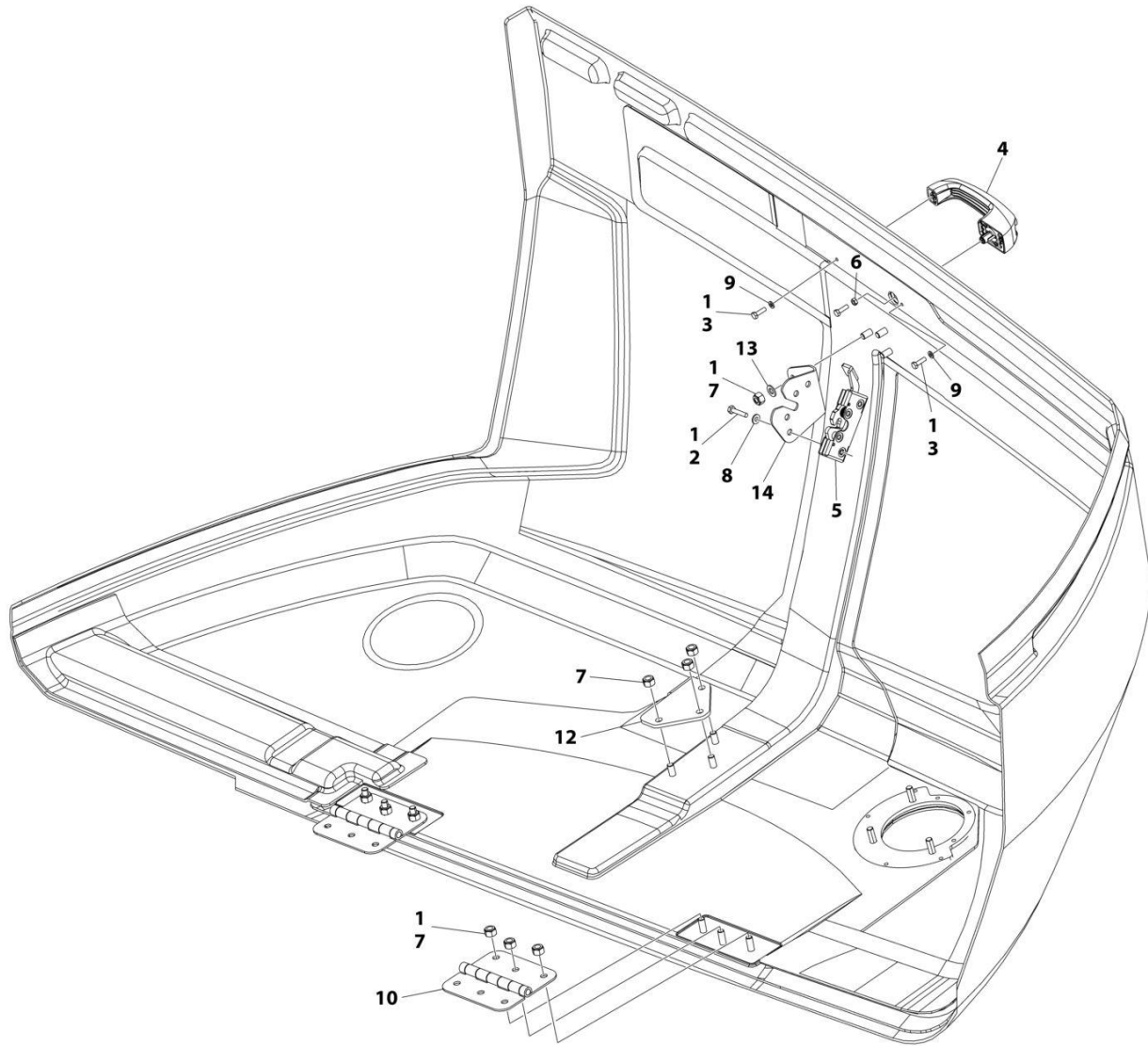
SECTION 2 - TURNTABLE

FIGURE 2-23. HOODS INSTALLATION (STEEL)

| ITEM | PART NUMBER | QTY | DESCRIPTION | REV |
|------|-------------|-----|--|-----|
| | 1001282146 | Ref | HOODS INSTALLATION (STEEL) | D |
| 1 | 0100011 | AR | Compound, Locking | |
| 2 | 0630613 | 4 | Bolt M10 x 30 | |
| 3 | 0701018 | 5 | Bolt M10 x 50 | |
| 4 | 0760810 | 8 | Bolt M8 x 20 | |
| 5 | 0760812 | 4 | Bolt M8 x 25 | |
| 6 | 0760814 | 4 | Bolt M8 x 30 | |
| 7 | 0761014 | 2 | Bolt M10 x 30 | |
| 8 | 0761020 | 4 | Bolt M12 x 60 | |
| 9 | 0761215 | 6 | Bolt M12 x 35 | |
| 10 | 0940088 | 1 | Bumper | |
| 11 | 3290805 | 6 | Nut M8 | |
| 12 | 3291005 | 15 | Nut M10 | |
| 13 | 3311601 | 4 | Nut 3/8 | |
| 14 | 3321501 | 1 | Nut 5/16 | |
| 15 | 3520072 | 1 | Plug | |
| 16 | 4811900 | 22 | Washer M8 | |
| 17 | 4812000 | 24 | Washer M10 | |
| 18 | 4812002 | 2 | Washer M10 | |
| 19 | 4812102 | 6 | Washer M12 | |
| 20 | 5251014 | 8 | Bolt M10 x 30 | |
| 21 | 8310686 | 2 | Nut, Retainer M8 | |
| 22 | 88662523 | 4 | Nut, Tinnerman | |
| 23 | 1001167149 | 1 | Panel, Filler | |
| 24 | 1001167163 | 1 | Tray | |
| 25 | 1001170022 | 1 | Mount | |
| 26 | 1001170859 | 1 | Mount | |
| 27 | 1001182875 | 1 | Mount | |
| 28 | 1001182877 | 1 | Mount | |
| 29 | 1001182879 | 1 | Mount | |
| 31 | 1001206314 | 4 | Bumper | |
| 32 | 1001211717 | 1 | Panel, Filler | |
| 33 | 1001213794 | 2 | Spring, Gas | |
| 34 | 1001223777 | 1 | Support, Striker | |
| 35 | 1001269476 | 1 | Mount | |
| 36 | 1001279651 | 1 | Support, Hood | |
| 37 | 1001280240 | 1 | Mount | |
| 38 | 1001280242 | 1 | Mount | |
| 39 | 1001280549 | 2 | Spring, Gas | |
| 40 | 1001285988 | 1 | Hood Assembly - Tank Side (See Separate Breakdown in this Section) | |
| 41 | 1001282143 | 1 | Hood Assembly - Engine Side (See Separate Breakdown in this Section) | |

SECTION 2 - TURNTABLE

FIGURE 2-24. HOOD ASSEMBLY (ABS) - ENGINE SIDE



NOTE: REPLACEMENT DECALS MUST BE ORDERED SEPARATELY - SEE DECAL SECTION.

ART_1001241295

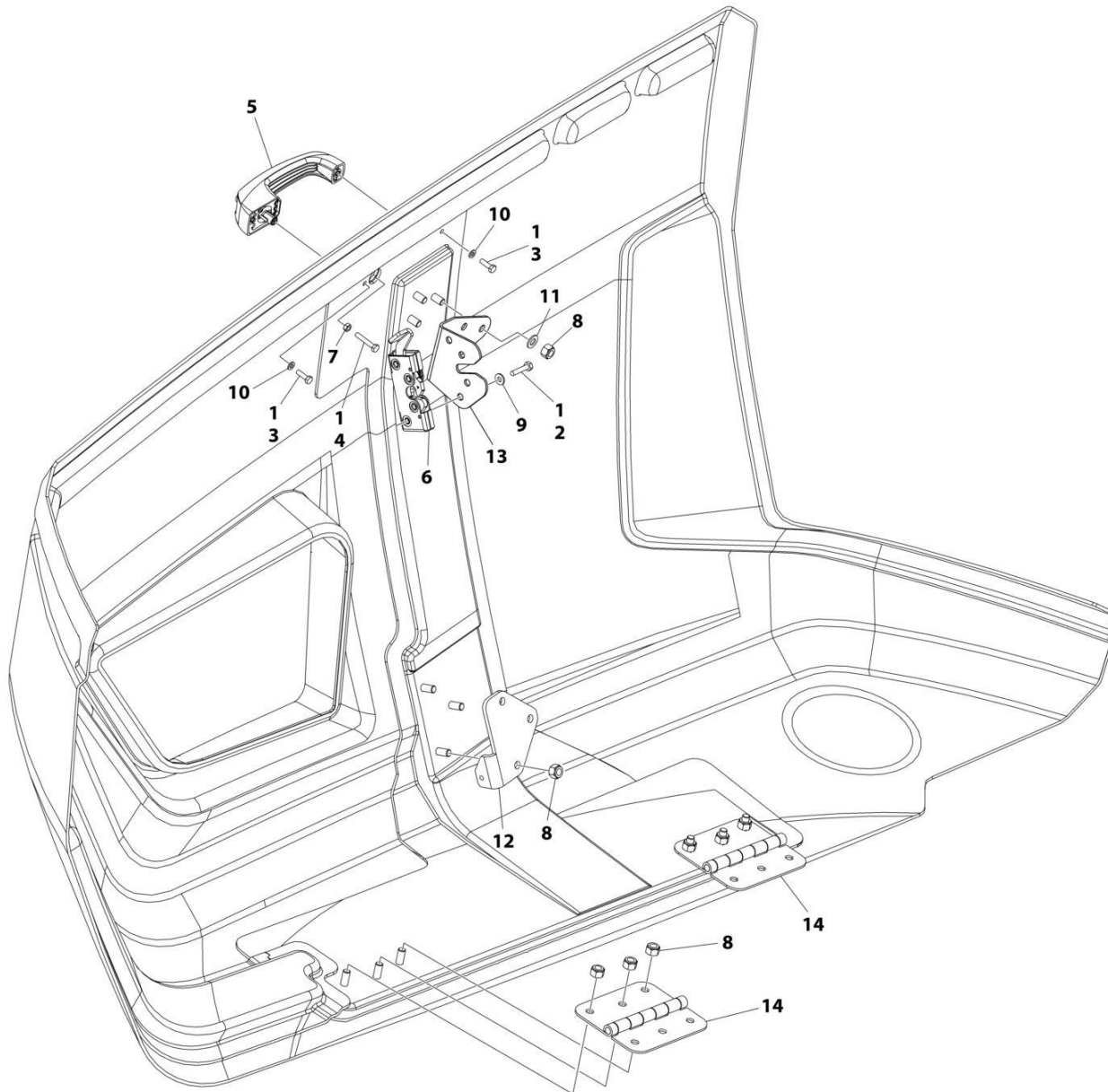
SECTION 2 - TURNTABLE

FIGURE 2-24. HOOD ASSEMBLY (ABS) - ENGINE SIDE

| ITEM | PART NUMBER | QTY | DESCRIPTION | REV |
|------|-------------|-----|-----------------------------|-----|
| | 1001241295 | Ref | HOOD ASSEMBLY - ENGINE SIDE | C |
| 1 | 0100011 | AR | Compound, Locking | |
| 2 | 0641410 | 4 | Bolt 1/4 x 1-1/4 | |
| 3 | 0760610 | 3 | Bolt M6 x 20 | |
| 4 | 2560187 | 1 | Handle | |
| 5 | 2940173 | 1 | Latch | |
| 6 | 3290601 | 1 | Nut M6 | |
| 7 | 3291005 | 12 | Nut M10 | |
| 8 | 4711400 | 4 | Washer 1/4 | |
| 9 | 4811700 | 2 | Washer M6 | |
| 10 | 1001259230 | 2 | Hinge | |
| 12 | 1001178228 | 1 | Bracket | |
| 13 | 4812000 | 3 | Washer M10 | |
| 14 | 1001202830 | 1 | Support | |

SECTION 2 - TURNTABLE

FIGURE 2-25. HOOD ASSEMBLY (ABS) - TANK SIDE



NOTE: REPLACEMENT DECALS MUST BE ORDERED SEPARATELY - SEE DECAL SECTION.

ART_1001285788

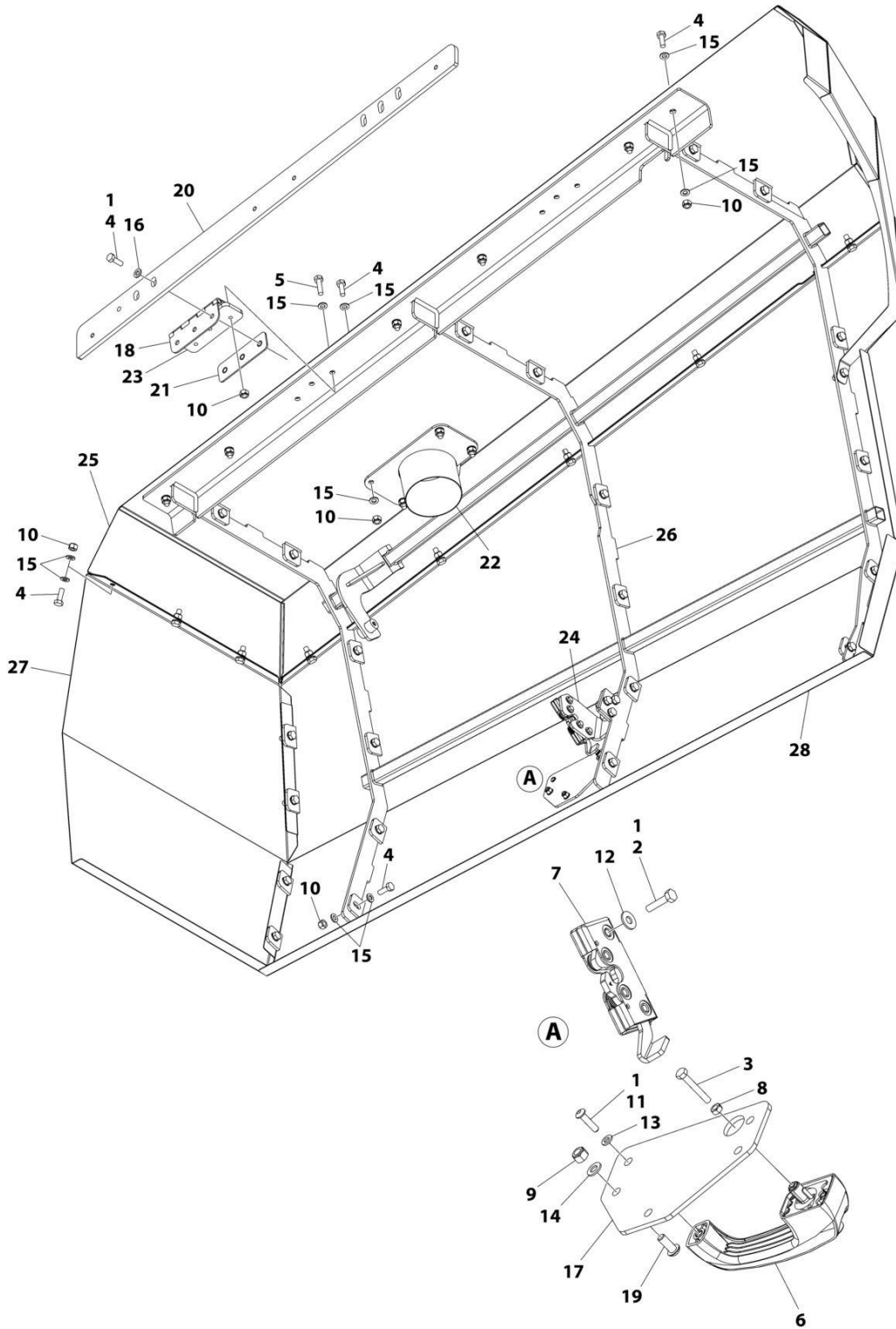
SECTION 2 - TURNTABLE

FIGURE 2-25. HOOD ASSEMBLY (ABS) - TANK SIDE

| ITEM | PART NUMBER | QTY | DESCRIPTION | REV |
|------|-------------|-----|---------------------------|-----|
| | 1001285788 | Ref | HOOD ASSEMBLY - TANK SIDE | D |
| 1 | 0100011 | AR | Compound, Locking | |
| 2 | 0641410 | 4 | Bolt 1/4 x 1-1/4 | |
| 3 | 0760610 | 2 | Bolt M6 x 20 | |
| 4 | 0760615 | 1 | Bolt M6 x 35 | |
| 5 | 2560187 | 1 | Handle | |
| 6 | 2940173 | 1 | Latch | |
| 7 | 3290601 | 1 | Nut M6 | |
| 8 | 3291005 | 12 | Nut, Lock M10 | |
| 9 | 4711400 | 4 | Washer 1/4 | |
| 10 | 4811700 | 2 | Washer M6 | |
| 11 | 4812000 | 3 | Washer M10 | |
| 12 | 1001170475 | 1 | Bracket | |
| 13 | 1001203322 | 1 | Support | |
| 13 | 1001308137 | 1 | SUPPORT,HOOD LATCH | |
| 14 | 1001259230 | 2 | Hinge | |

SECTION 2 - TURNTABLE

FIGURE 2-26. HOOD ASSEMBLY (STEEL) - ENGINE SIDE



ART_1001282143

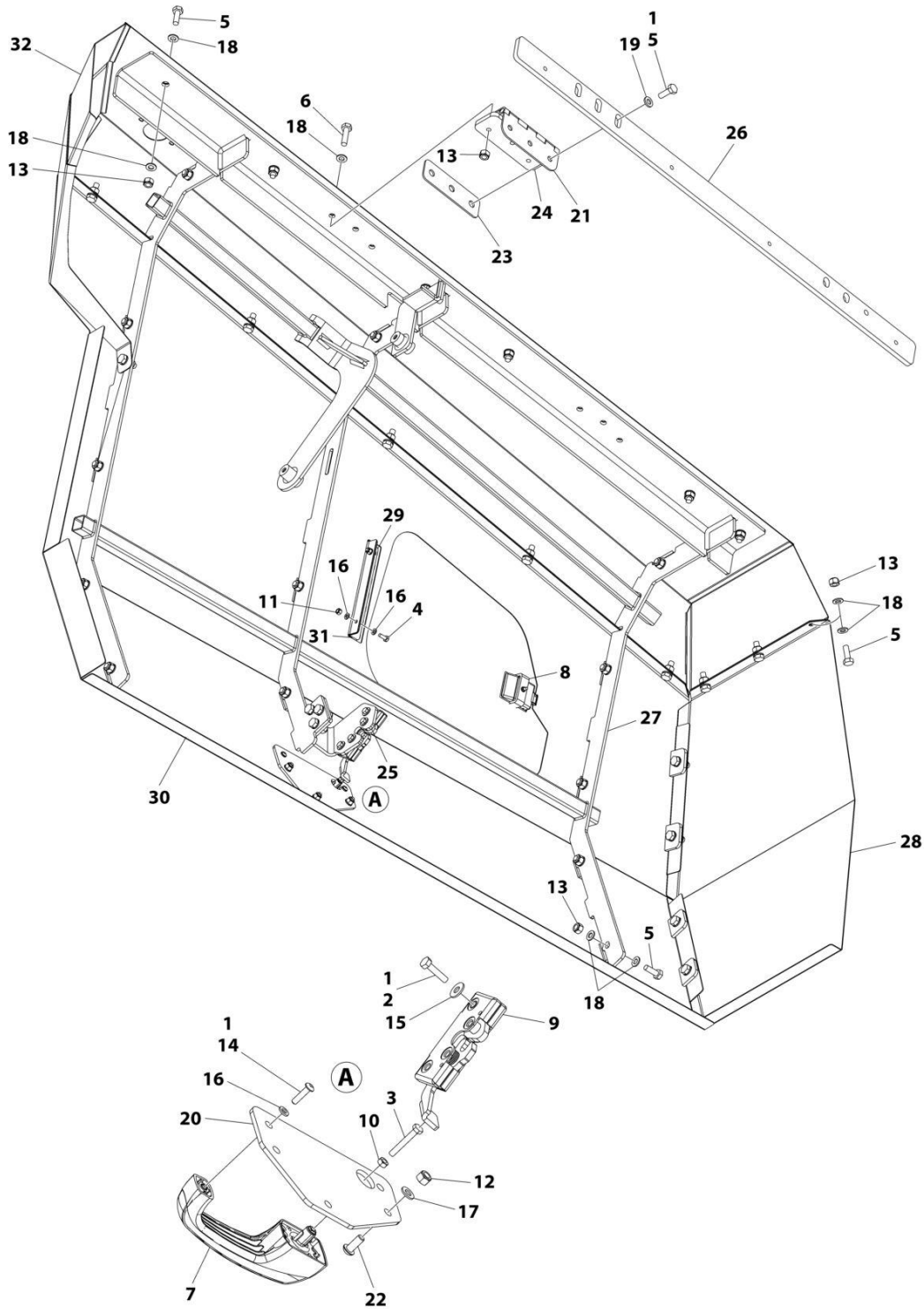
SECTION 2 - TURNTABLE

FIGURE 2-26. HOOD ASSEMBLY (STEEL) - ENGINE SIDE

| ITEM | PART NUMBER | QTY | DESCRIPTION | REV |
|------|-------------|-----|-------------------------------------|-----|
| | 1001282143 | Ref | HOOD ASSEMBLY (STEEL) - ENGINE SIDE | B |
| 1 | 0100011 | AR | Compound, Locking | |
| 2 | 0641409 | 4 | Bolt 1/4 x 1/8 | |
| 3 | 0700616 | 1 | Bolt M6 x 40 | |
| 4 | 0761014 | 50 | Bolt M10 x 30 | |
| 5 | 0761016 | 6 | Bolt M10 x 40 | |
| 6 | 2560187 | 1 | Handle | |
| 7 | 2940173 | 1 | Latch | |
| 8 | 3290601 | 1 | Nut M6 | |
| 9 | 3290805 | 3 | Nut M8 x 1-1/4 | |
| 10 | 3291005 | 50 | Nut M10 x 1-1/2 | |
| 11 | 3900363 | 2 | Screw M6 x 25 | |
| 12 | 4751400 | 4 | Washer 1/4 | |
| 13 | 4811700 | 2 | Washer M6 | |
| 14 | 4811900 | 3 | Washer M8 | |
| 15 | 4812000 | 94 | Washer M10 | |
| 16 | 5241000 | 6 | Washer M10 | |
| 17 | 1001116290 | 1 | Plate | |
| 18 | 1001139384 | 2 | Hinge | |
| 19 | 1001164726 | 3 | Screw M8 x 20 | |
| 20 | 1001167157 | 1 | Mount, Hood | |
| 21 | 1001169046 | 2 | Nut | |
| 22 | 1001194888 | 1 | Pipe, Exhaust | |
| 23 | 1001202333 | 2 | Plate, Nut | |
| 24 | 1001263664 | 1 | Bracket | |
| 25 | 1001263669 | 1 | Panel (Top) | |
| 26 | 1001263677 | 1 | Bracket | |
| 27 | 1001263693 | 1 | Panel (End) | |
| 28 | 1001265389 | 1 | Panel (Side) | |

SECTION 2 - TURNTABLE

FIGURE 2-27. HOOD ASSEMBLY (STEEL) - TANK SIDE



ART_1001285988

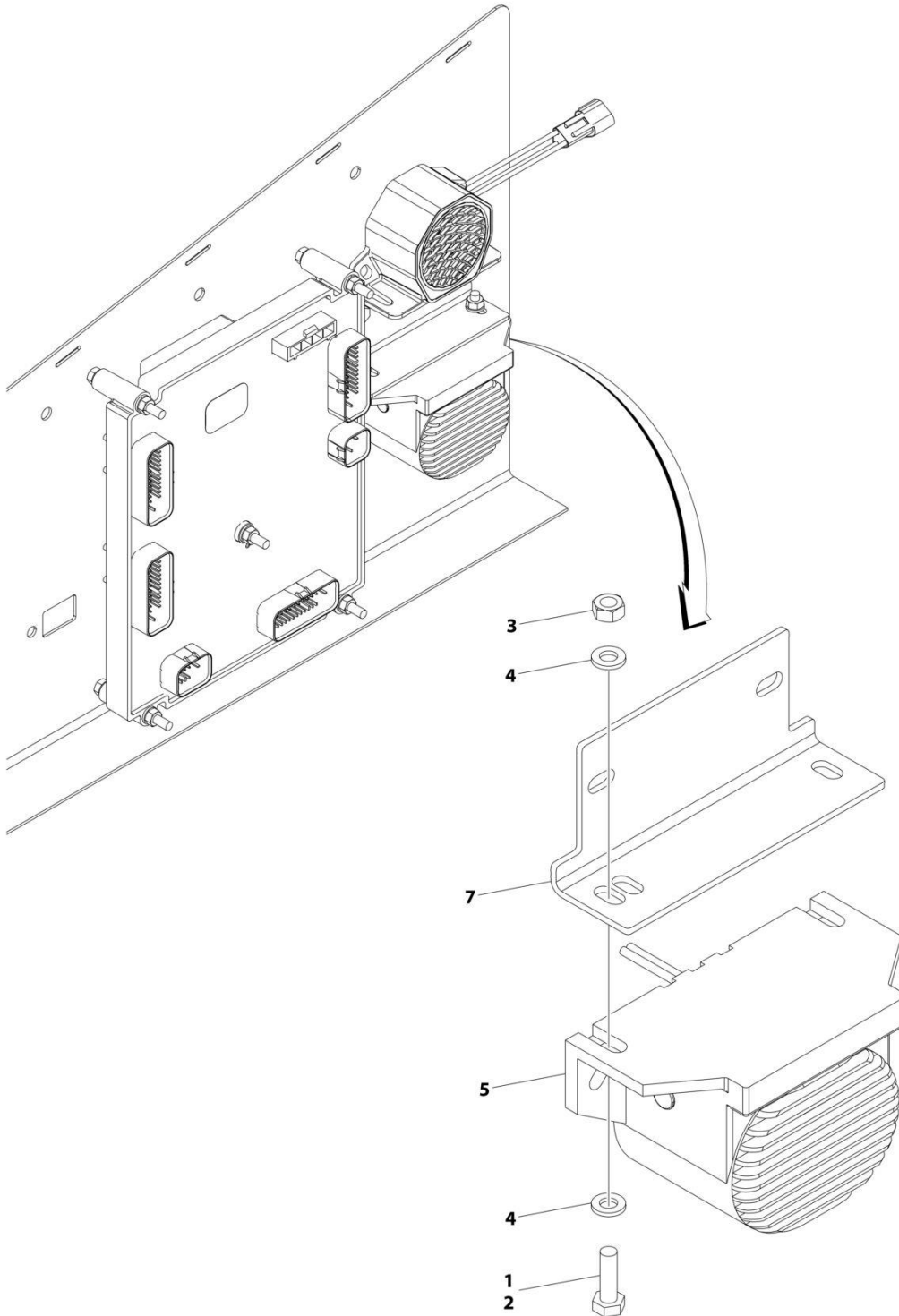
SECTION 2 - TURNTABLE

FIGURE 2-27. HOOD ASSEMBLY (STEEL) - TANK SIDE

| ITEM | PART NUMBER | QTY | DESCRIPTION | REV |
|------|-------------|------------------|-----------------------------------|-----|
| | 1001285988 | Ref | HOOD ASSEMBLY (STEEL) - TANK SIDE | B |
| 1 | 0100011 | AR | Compound, Locking | |
| 2 | 0641409 | 4 | Bolt 1/4 x 1/8 | |
| 3 | 0700616 | 1 | Bolt M6 x 40 | |
| 4 | 0760608 | 2 | Bolt M6 x 16 | |
| 5 | 0761014 | 42 | Bolt M10 x 30 | |
| 6 | 0761016 | 6 | Bolt M10 x 40 | |
| 7 | 2560187 | 1 | Handle | |
| 8 | 2940045 | 1 | Latch | |
| 9 | 2940173 | 1 | Latch | |
| 10 | 3290601 | 1 | Nut M6 | |
| 11 | 3290605 | 2 | Nut M6 | |
| 12 | 3290805 | 3 | Nut M8 x 1-1/4 | |
| 13 | 3291005 | 42 | Nut M10 x 1-1/2 | |
| 14 | 3900363 | 2 | Screw M6 x 25 | |
| 15 | 4751400 | 4 | Washer 1/4 | |
| 16 | 4811700 | 6 | Washer M6 | |
| 17 | 4811900 | 3 | Washer M8 | |
| 18 | 4812000 | 78 | Washer M10 | |
| 19 | 5241000 | 6 | Washer M10 | |
| 20 | 1001116290 | 1 | Plate | |
| 21 | 1001139384 | 2 | Hinge | |
| 22 | 1001164726 | 3 | Screw M8 x 20 | |
| 23 | 1001169046 | 2 | Nut | |
| 24 | 1001202333 | 2 | Plate, Nut | |
| 25 | 1001263663 | 1 | Bracket | |
| 26 | 1001263668 | 1 | Plate, Hinge | |
| 27 | 1001263678 | 1 | Bracket | |
| 28 | 1001263694 | 1 | Panel (End) | |
| 29 | 1001263787 | 1 | Door | |
| 30 | 1001265390 | 1 | Panel (Side) | |
| 31 | 1001281623 | 4.88 ft/1.49m | Seal | |
| 32 | 1001285640 | 1 | Panel (Top) | |

SECTION 2 - TURNTABLE

FIGURE 2-28. WHITE NOISE AMBIENT ALARM INSTALLATION



ART_1001209617

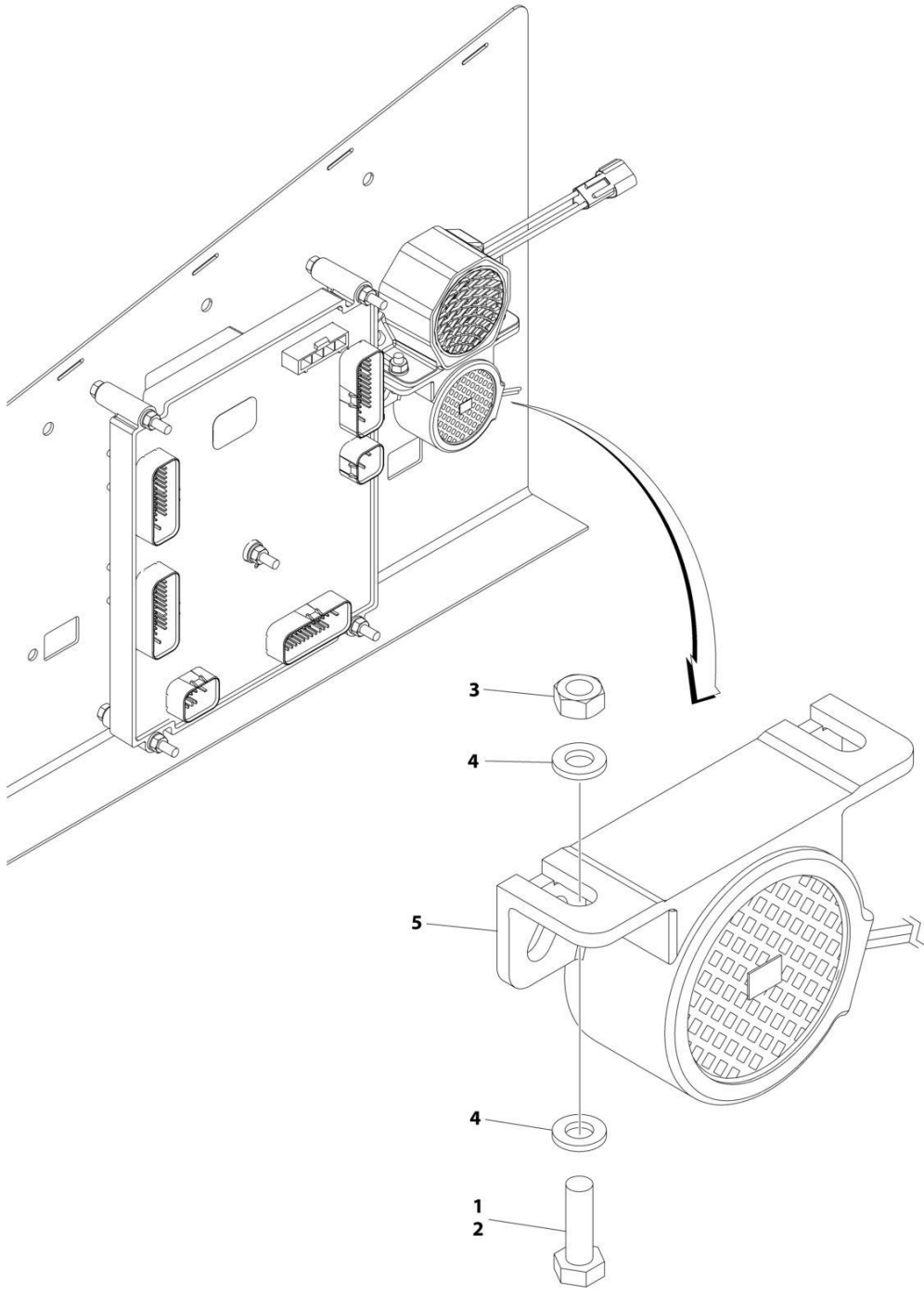
SECTION 2 - TURNTABLE

FIGURE 2-28. WHITE NOISE AMBIENT ALARM INSTALLATION

| ITEM | PART NUMBER | QTY | DESCRIPTION | REV |
|-------------|--------------------|------------|--|------------|
| | 1001209617 | Ref | WHITE NOISE AMBIENT ALARM INSTALLATION | C |
| 1 | 0100011 | AR | Compound, Locking | |
| 2 | 0760610 | 2 | Bolt M6 x 20 | |
| 3 | 3290601 | 2 | Nut M6 | |
| 4 | 4811700 | 4 | Washer M6 | |
| 5 | 1001182806 | 1 | Alarm | |
| 6 | 1001190663 | 1 | Harness, Jumper (Not Shown) | |
| 6 | 4460891 | 1 | Connector – 2 Position | |
| 6 | 4460465 | 2 | Socket, Female | |
| 6 | 4460871 | 2 | Socket, Female | |
| 7 | 1001231886 | 1 | Plate | |

SECTION 2 - TURNTABLE

FIGURE 2-29. WHITE NOISE ALARM INSTALLATION



ART_1001263174

SECTION 2 - TURNTABLE

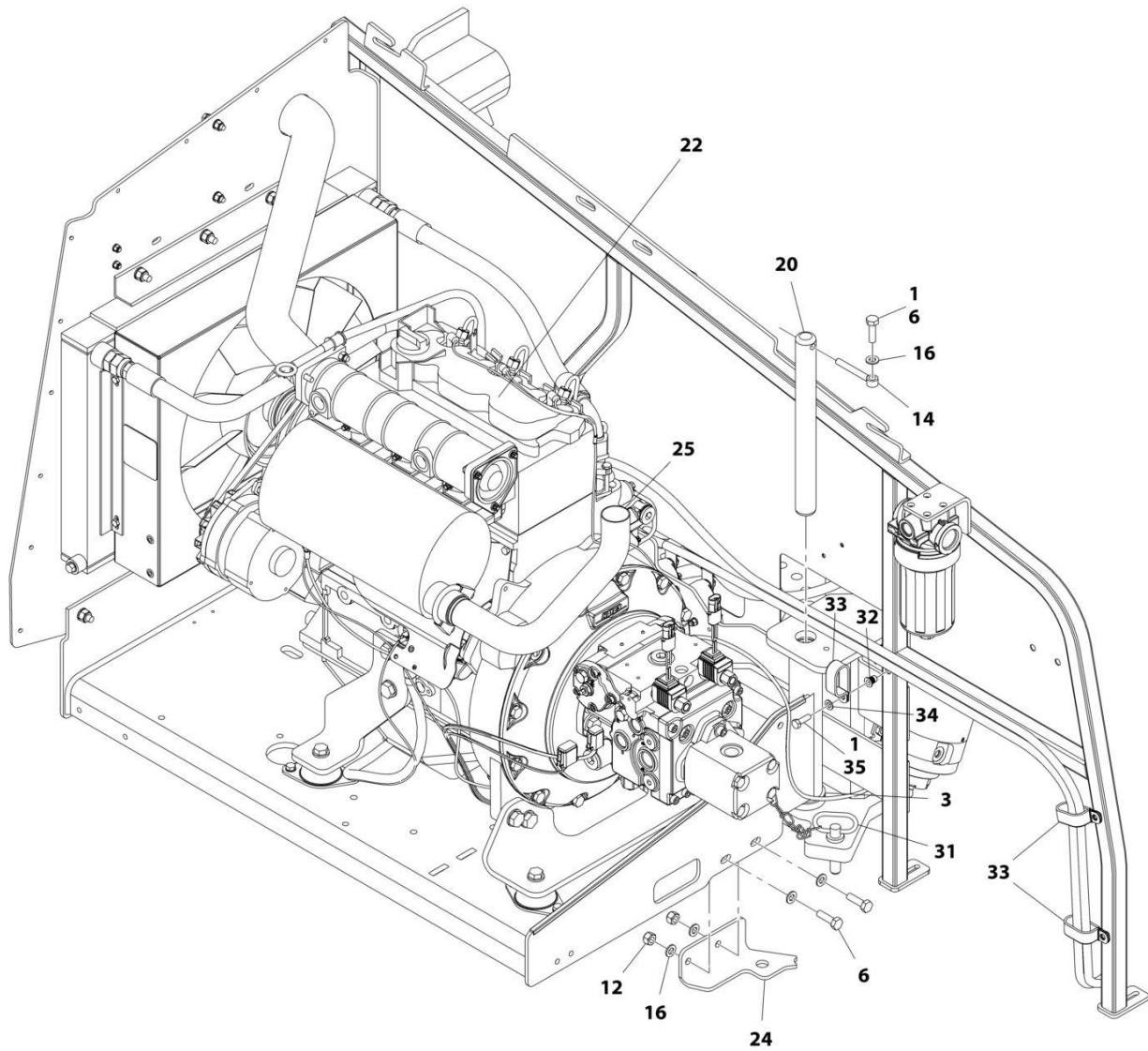
FIGURE 2-29. WHITE NOISE ALARM INSTALLATION

| ITEM | PART NUMBER | QTY | DESCRIPTION | REV |
|-------------|--------------------|------------|--------------------------------|------------|
| | 1001263174 | Ref | WHITE NOISE ALARM INSTALLATION | A |
| 1 | 0100011 | AR | Compound, Locking | |
| 2 | 0760610 | 2 | Bolt M6 x 20 | |
| 3 | 3290601 | 2 | Nut M6 | |
| 4 | 4811700 | 4 | Washer M6 | |
| 5 | 1001184682 | 1 | Alarm | |
| 6 | 1001190663 | 1 | Harness, Jumper (Not Shown) | |
| 6 | 4460891 | 1 | Connector – 2 Position | |
| 6 | 4460465 | 2 | Socket, Female | |
| 6 | 4460871 | 2 | Socket, Female | |

SECTION 3 - ENGINE

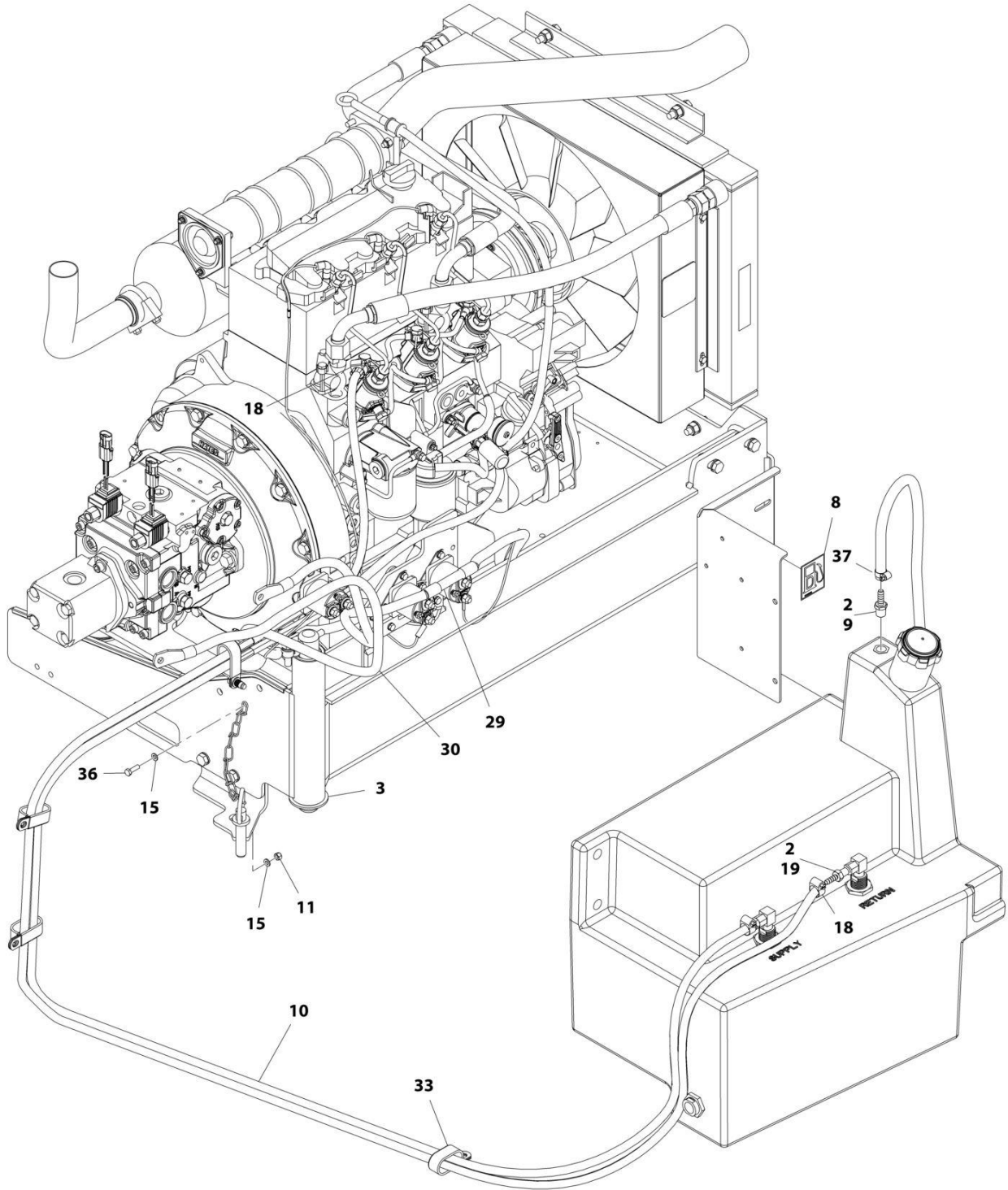
SECTION 3 - ENGINE

FIGURE 3-1. ENGINE INSTALLATION - DEUTZ D2011 (WITHOUT ARCTIC PACKAGE) (ANSI EXPORT, AUSTRALIAN, CE (LRC), CIS/EAC & UK CA SPECS)



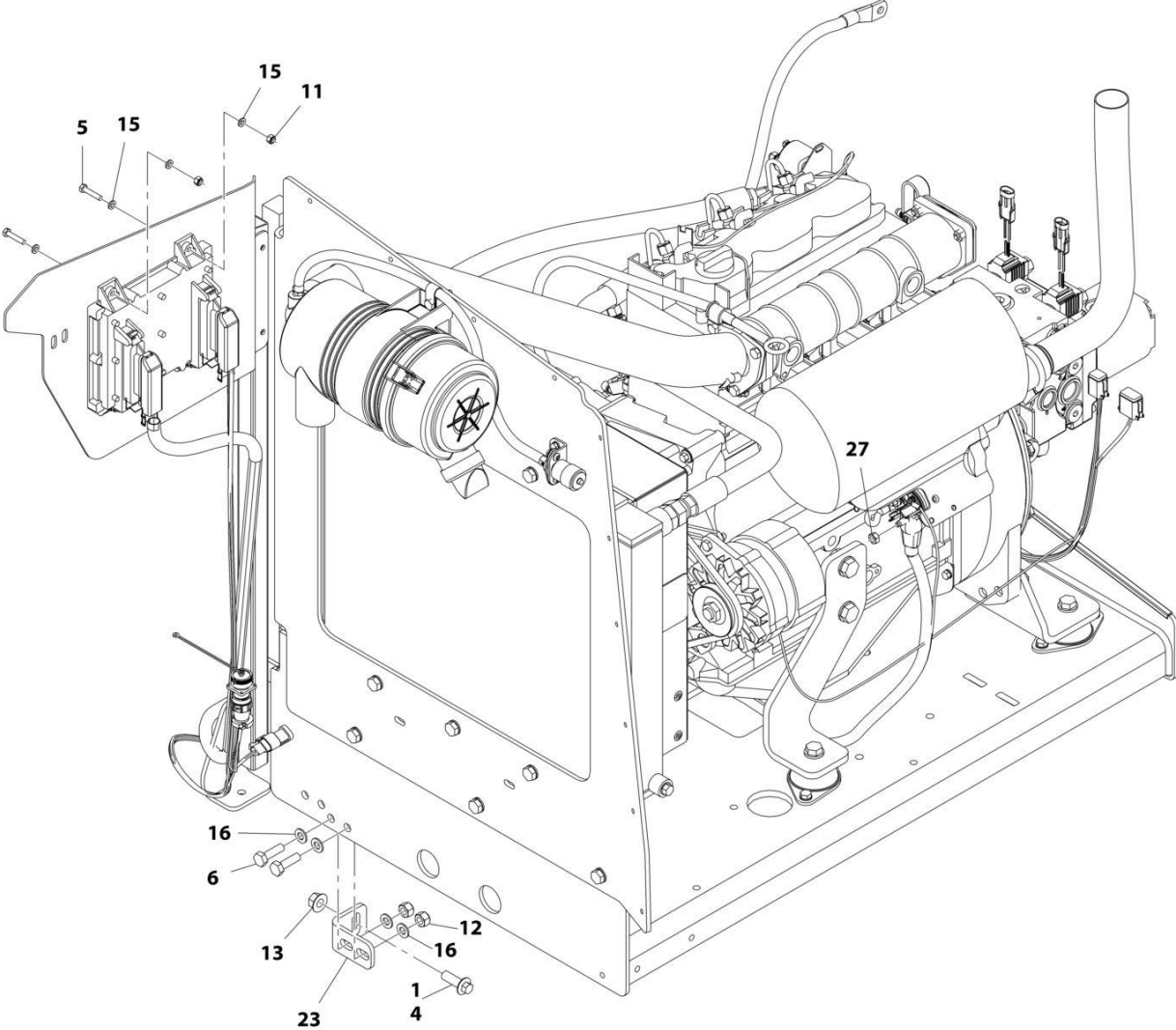
ART_1001166305_1OF3

SECTION 3 - ENGINE



ART_1001166305_2OF3

SECTION 3 - ENGINE



ART_1001166305_3OF3

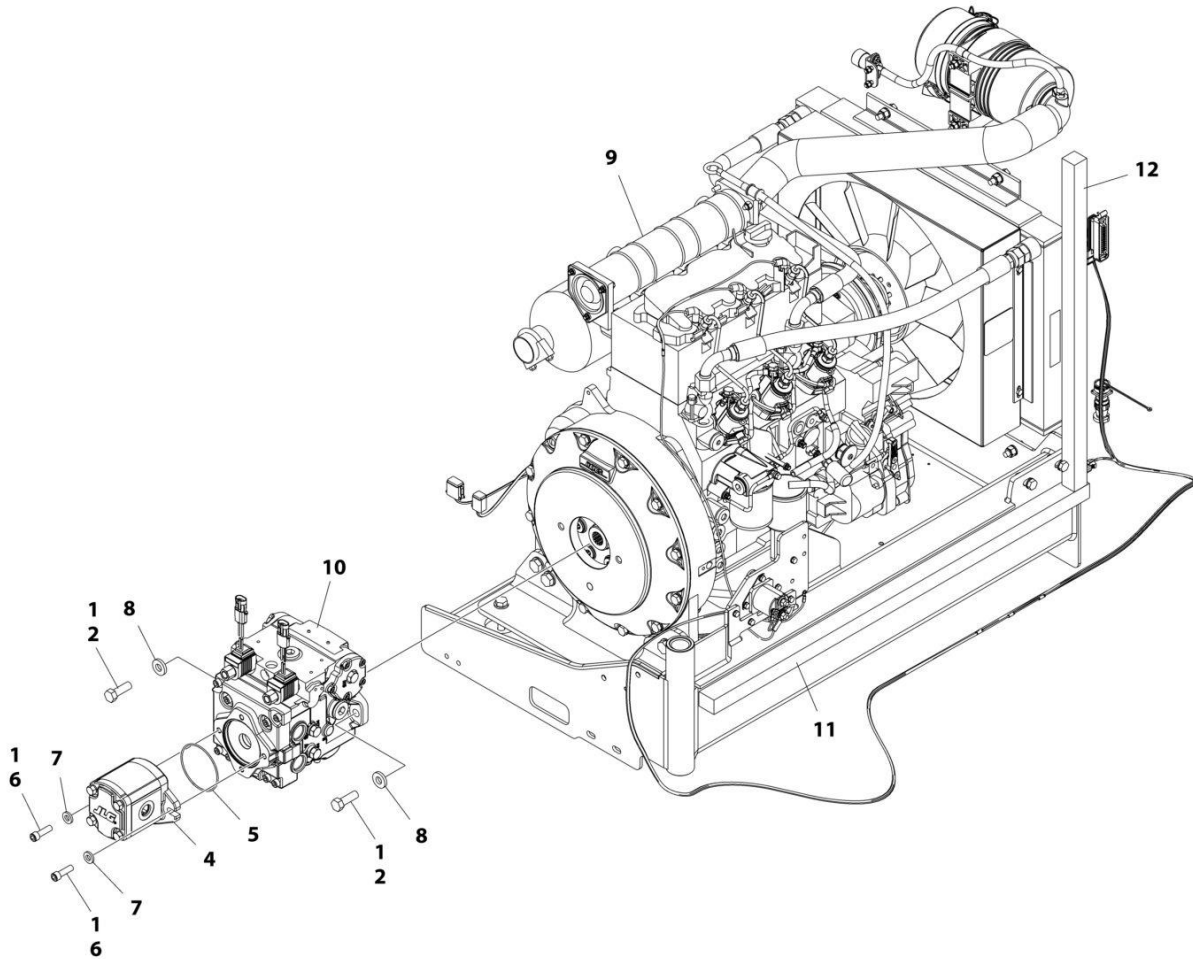
SECTION 3 - ENGINE

FIGURE 3-1. ENGINE INSTALLATION - DEUTZ D2011 (WITHOUT ARCTIC PACKAGE) (ANSI EXPORT, AUSTRALIAN, CE (LRC), CIS/EAC & UK CA SPECS)

| ITEM | PART NUMBER | QTY | DESCRIPTION | REV |
|------|-------------|----------------|--|-----|
| | 1001166305 | Ref | ENGINE INSTALLATION - DEUTZ D2011 ENGINE (WITHOUT ARCTIC PACKAGE) | F |
| 1 | 0100011 | AR | Compound, Locking | |
| 2 | 0100020 | AR | Sealant, Pipe | |
| 3 | 0440162 | 1 | Bearing | |
| 4 | 5251215 | 1 | Bolt M12 x 35 | |
| 5 | 0760614 | 4 | Bolt M6 x 30 | |
| 6 | 0761015 | 5 | Bolt M10 x 35 | |
| 7 | 1704972 | 1 | Decal - Warning Explosion/Fire | |
| 8 | 1701505 | 1 | Decal - Diesel Fuel | |
| 9 | 2180876 | 1 | Fitting, Barbed | |
| 10 | 2720058 | 22 ft /6.7m | Hose | |
| 11 | 3290605 | 5 | Nut M6 | |
| 12 | 3291005 | 4 | Nut M10 | |
| 13 | 5261200 | 1 | Nut, Flange M12 Grade 10.9 | |
| 14 | 3841143 | 1 | Keeper, Pin | |
| 15 | 4811700 | 10 | Washer M6 | |
| 16 | 4812000 | 9 | Washer M10 | |
| 18 | 8410013 | 4 | Clamp | |
| 19 | 2180348 | 2 | Fitting, Barbed | |
| 20 | 1001135196 | 1 | Pin | |
| 22 | 1001166021 | 1 | Engine and Pump Sub-Assembly - Deutz D2011 (Without Arctic Package) (See Separate Breakdown in this Section) | |
| 23 | 1001167512 | 1 | Bracket, Engine | |
| 24 | 1001169823 | 1 | Bracket, Engine | |
| 25 | 1001172202 | 1 | Pipe, Exhaust | |
| 27 | 3290801 | 1 | Nut M8 | |
| 29 | 1001171681 | 1 | Cable, Battery (Red) (Battery Positive to Auxiliary Power Relay) | |
| 30 | 1001171682 | 1 | Cable, Battery (Black) (Battery Negative to Auxiliary Power Pump) | |
| 31 | 3422532 | 1 | Pin | |
| 32 | 1001191832 | 1 | Nut, Rivet, M8 | |
| 33 | 1321716 | 4 | Clamp | |
| 34 | 4811900 | 1 | Washer M8 | |
| 35 | 0760812 | 1 | Bolt M8 x 25 | |
| 36 | 0760610 | 1 | Bolt M6 x 20 | |
| 37 | 1320022 | 1 | Clamp | |

SECTION 3 - ENGINE

**FIGURE 3-2. ENGINE AND PUMP SUB-ASSEMBLY - DEUTZ D2011 (WITHOUT ARCTIC PACKAGE)
(ANSI EXPORT, AUSTRALIAN, CE (LRC), CIS/EAC & UK CA SPECS)**



ART_1001166021_G

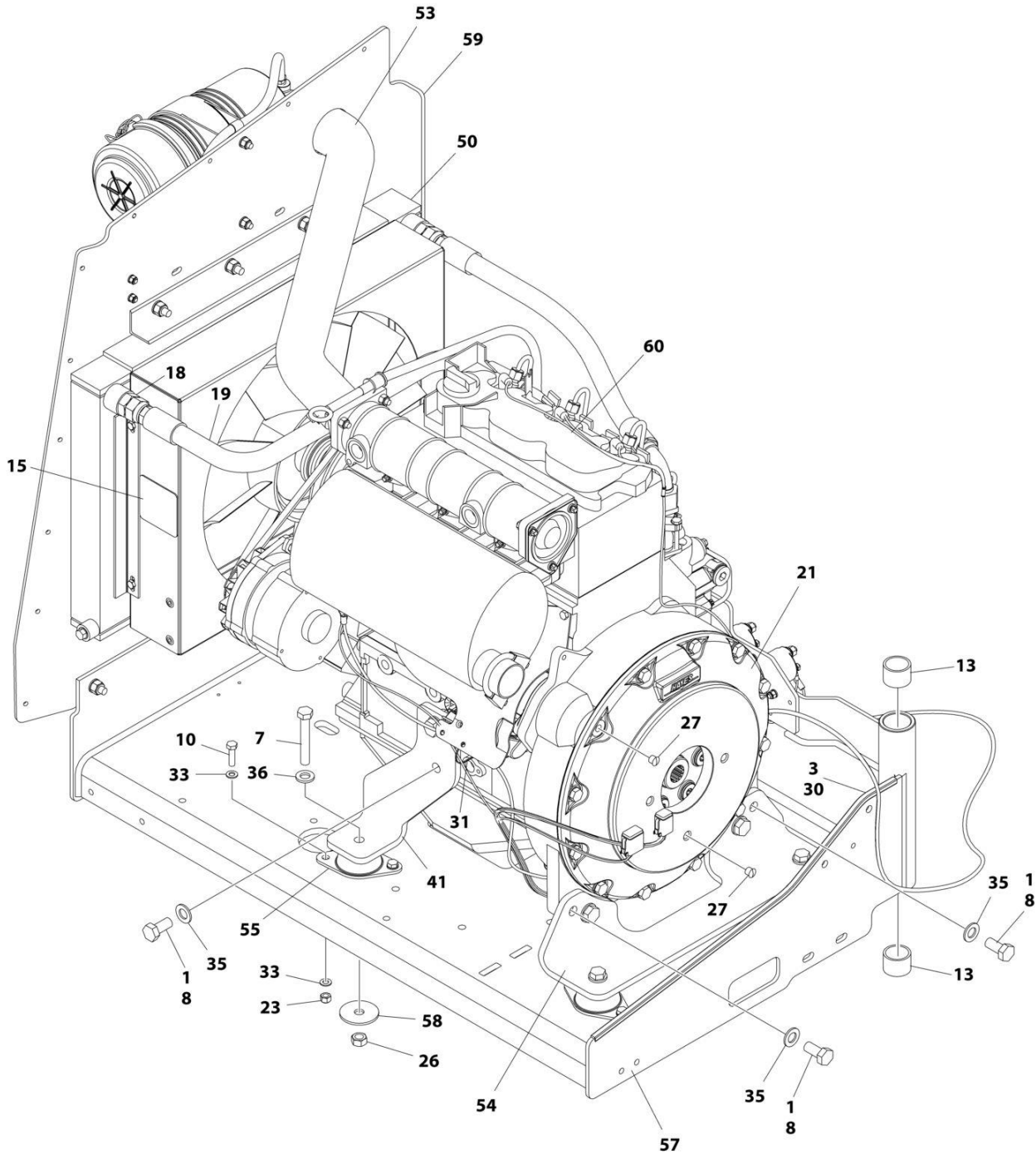
SECTION 3 - ENGINE

**FIGURE 3-2. ENGINE AND PUMP SUB-ASSEMBLY - DEUTZ D2011 (WITHOUT ARCTIC PACKAGE)
(ANSI EXPORT, AUSTRALIAN, CE (LRC), CIS/EAC & UK CA SPECS)**

| ITEM | PART NUMBER | QTY | DESCRIPTION | REV |
|------|-------------|-----|---|-----|
| | 1001166021 | Ref | ENGINE AND PUMP SUB-ASSEMBLY - DEUTZ D2011 (WITHOUT ARCTIC PACKAGE) | G |
| 1 | 0100011 | AR | Compound, Locking | |
| 2 | 0641812 | 2 | Bolt 1/2 x 1-1/2 | |
| 4 | 1001214207 | 1 | Gear Pump Assembly | |
| 4 | 70006356 | 1 | Seal Kit | |
| 5 | 3790152 | 1 | O-Ring | |
| 6 | 3931618 | 2 | Capscrew 3/8 x 1-1/8 | |
| 7 | 4891600 | 2 | Washer 3/8 Hardened | |
| 8 | 4891800 | 2 | Washer 1/2 Hardened | |
| 9 | 1001166020 | 1 | Engine Assembly - Deutz D2011 Engine (Without Arctic Package) (See Separate Breakdown in this Section) | |
| 10 | 1001167036 | 1 | Piston Pump Assembly (See Separate Breakdown in this Section) | |
| 11 | 1001171953 | 1 | Seal | |
| 12 | 1001171954 | 1 | Seal | |

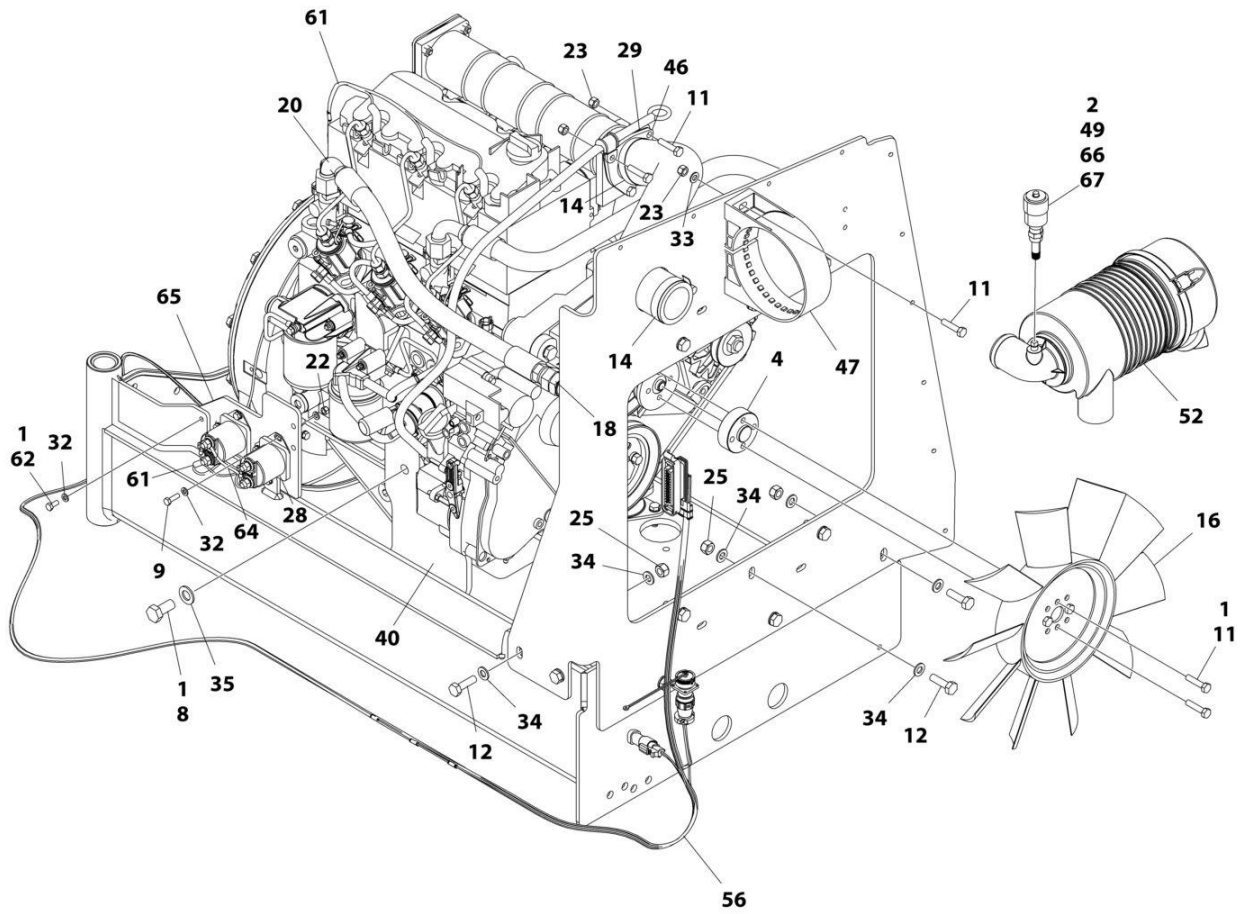
SECTION 3 - ENGINE

FIGURE 3-3. ENGINE ASSEMBLY - DEUTZ D2011 (WITHOUT ARCTIC PACKAGE) (ANSI EXPORT, AUSTRALIAN, CE (LRC), CIS/EAC & UK CA SPECS)



ART_1001166020_P_10F2

SECTION 3 - ENGINE



ART_1001166020_P_20F2

SECTION 3 - ENGINE

FIGURE 3-3. ENGINE ASSEMBLY - DEUTZ D2011 (WITHOUT ARCTIC PACKAGE) (ANSI EXPORT, AUSTRALIAN, CE (LRC), CIS/EAC & UK CA SPECS)

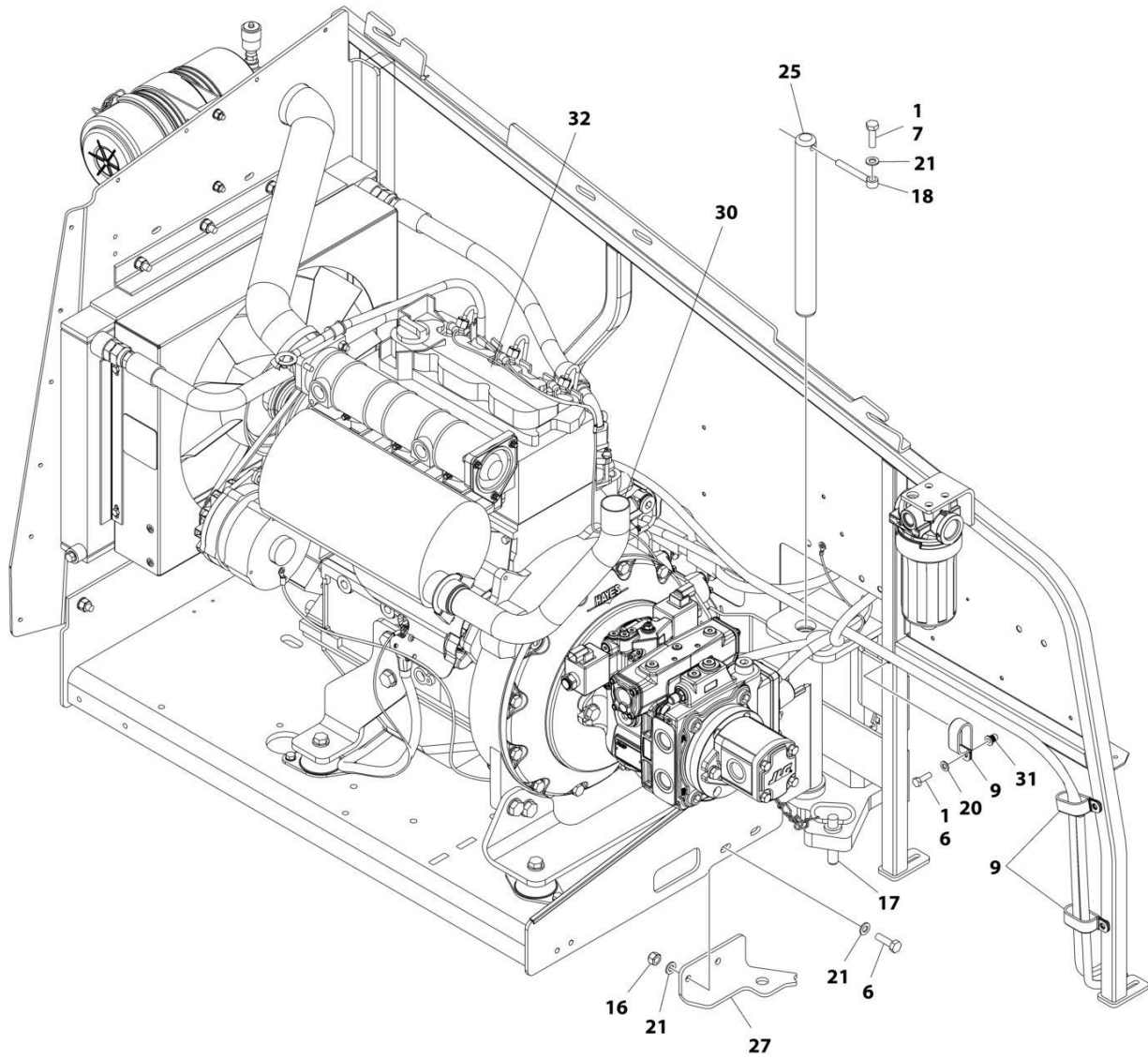
| ITEM | PART NUMBER | QTY | DESCRIPTION | REV |
|------|-------------|-------------------|---|-----|
| | 1001166020 | Ref | ENGINE ASSEMBLY - DEUTZ D2011 ENGINE (WITHOUT ARCTIC PACKAGE) | P |
| 1 | 0100011 | AR | Compound, Locking | |
| 2 | 0100020 | AR | Sealant, Pipe | |
| 3 | 0100081 | AR | Adhesive | |
| 4 | 0080231 | 1 | Spacer, Fan | |
| 7 | 0711224 | 4 | Bolt M12 x 80 Class 10.9 | |
| 8 | 0771414 | 8 | Bolt M14 x 30 Class 10.9 | |
| 9 | 0760610 | 4 | Bolt M6 x 20 | |
| 10 | 0760814 | 8 | Bolt M8 x 30 | |
| 11 | 0760815 | 9 | Bolt M8 x 35 | |
| 12 | 0761015 | 11 | Bolt M10 x 35 | |
| 13 | 0961951 | 2 | Bushing | |
| 14 | 1320016 | 2 | Clamp | |
| 15 | 1703162 | 2 | Decal - Caution Fan | |
| 16 | 2060025 | 1 | Fan | |
| 18 | 2220451 | 2 | Fitting, Straight JIC/ORB | |
| 19 | 2720398 | 1 | Hose | |
| 20 | 2720447 | 1 | Hose | |
| 21 | 2902065 | 1 | Pump Coupling Kit (See Separate Breakdown in this Section) | |
| 22 | 3290605 | 4 | Nut M6 x 1 | |
| 23 | 3290805 | 13 | Nut M8 x 1-1/4 | |
| 25 | 3291005 | 11 | Nut M10 x 1-1/2 | |
| 26 | 3331215 | 4 | Nut M12 x 1-3/4 | |
| 27 | 3520054 | 2 | Plug | |
| 28 | 3740067 | 2 | Relay Assembly | |
| 28 | 3300220 | 2 | Nut | |
| 28 | 3321001 | 1 | Nut #10 | |
| 28 | 3740140 | 1 | Relay | |
| 28 | 4761000 | 1 | Washer #10 | |
| 28 | 1001111424 | 2 | Washer | |
| 29 | 3960407 | 1 | Gasket | |
| 30 | 4060805 | 2.25 ft/ 0.69m | Trim-Flex | |
| 31 | 4240099 | AR | Tie-Strap | |
| 32 | 4811700 | 11 | Washer M6 | |
| 33 | 4811900 | 20 | Washer M8 | |
| 34 | 4812000 | 22 | Washer M10 | |
| 35 | 4812200 | 8 | Washer M14 | |
| 36 | 5241200 | 4 | Washer M12 | |
| 40 | 1001132195 | 1 | Bracket, Engine Mount | |
| 41 | 1001132196 | 1 | Bracket, Engine Mount | |
| 46 | 1001139819 | 1 | Adapter, Air Intake | |
| 47 | 1001141694 | 1 | Clamp, Air Cleaner | |
| 49 | 1001143390 | 1 | Indicator | |
| 50 | 1001150998 | 1 | Radiator | |
| 52 | 1001165388 | 1 | Air Cleaner Assembly | |
| 52 | 70003783 | 1 | Element, Air Cleaner | |
| 53 | 1001165389 | 1 | Hose | |

SECTION 3 - ENGINE

| ITEM | PART NUMBER | QTY | DESCRIPTION | REV |
|------|-------------|-----|---|-----|
| 54 | 1001166717 | 1 | Bracket, Engine Mount | |
| 55 | 1001166718 | 4 | Isolator, Engine Mount | |
| 56 | 1001167111 | 1 | Harness Engine - Deutz D2011 (See Separate Breakdown in ELECTRICAL Section) | |
| 57 | 1001167520 | 1 | Tray, Engine | |
| 58 | 1001168018 | 4 | Washer, Snubbing | |
| 59 | 1001168059 | 1 | Plate, Radiator Mounting | |
| 60 | 1001170693 | 1 | Engine, Deutz D2011 (See Separate Breakdown in this Section) | |
| 61 | 4923451 | 1 | Harness, Glow Plugs | |
| 62 | 0760614 | 3 | Bolt M6 x 30 | |
| 64 | 1001178859 | 1 | Cable, Alternator | |
| 65 | 1001214975 | 1 | Bracket | |
| 66 | 2200261 | 1 | Fitting | |
| 67 | 1001277432 | 1 | Spacer | |

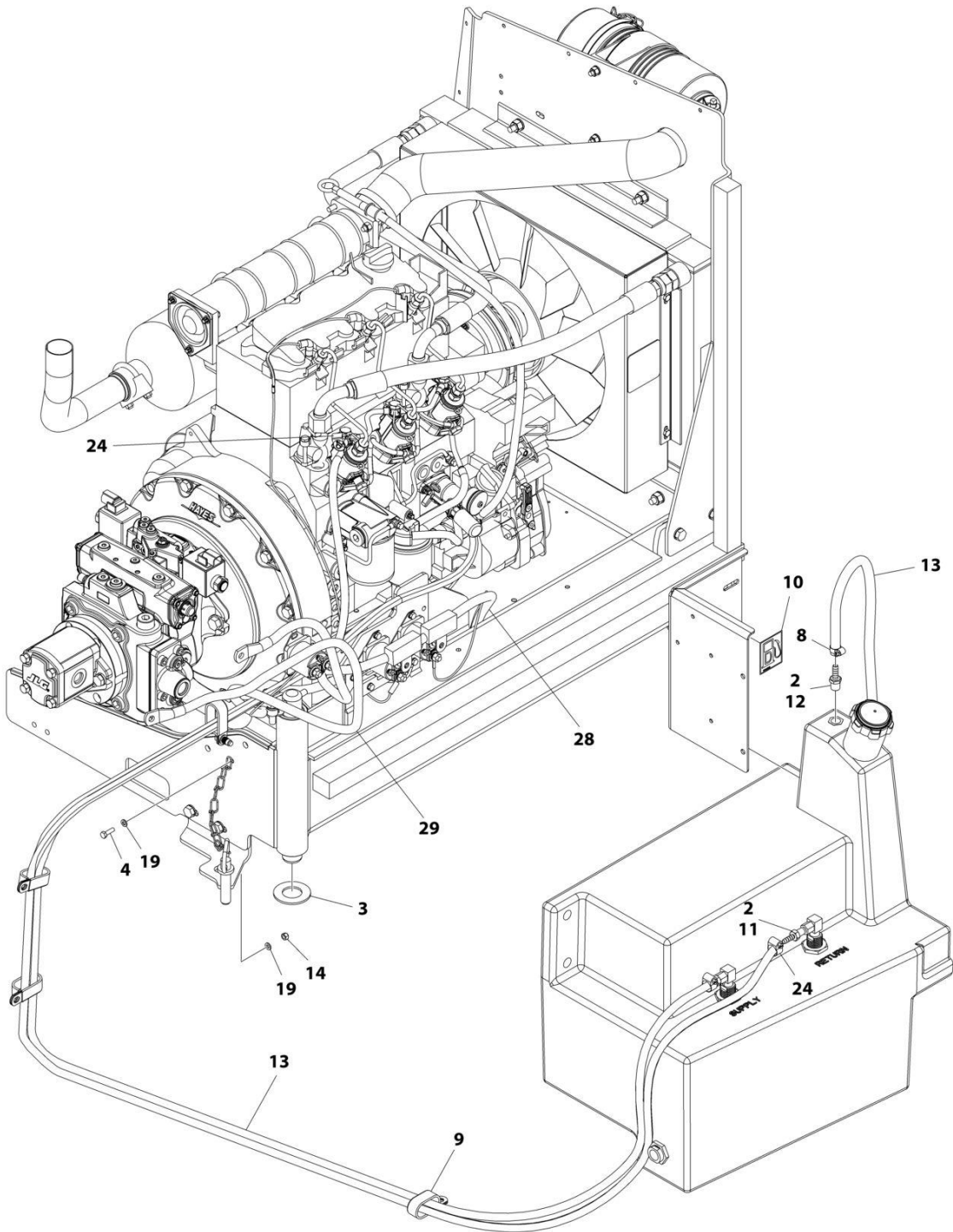
SECTION 3 - ENGINE

FIGURE 3-4. ENGINE INSTALLATION - DEUTZ D2011 ENGINE (WITHOUT ARCTIC PACKAGE) (WITH PMP PUMP)



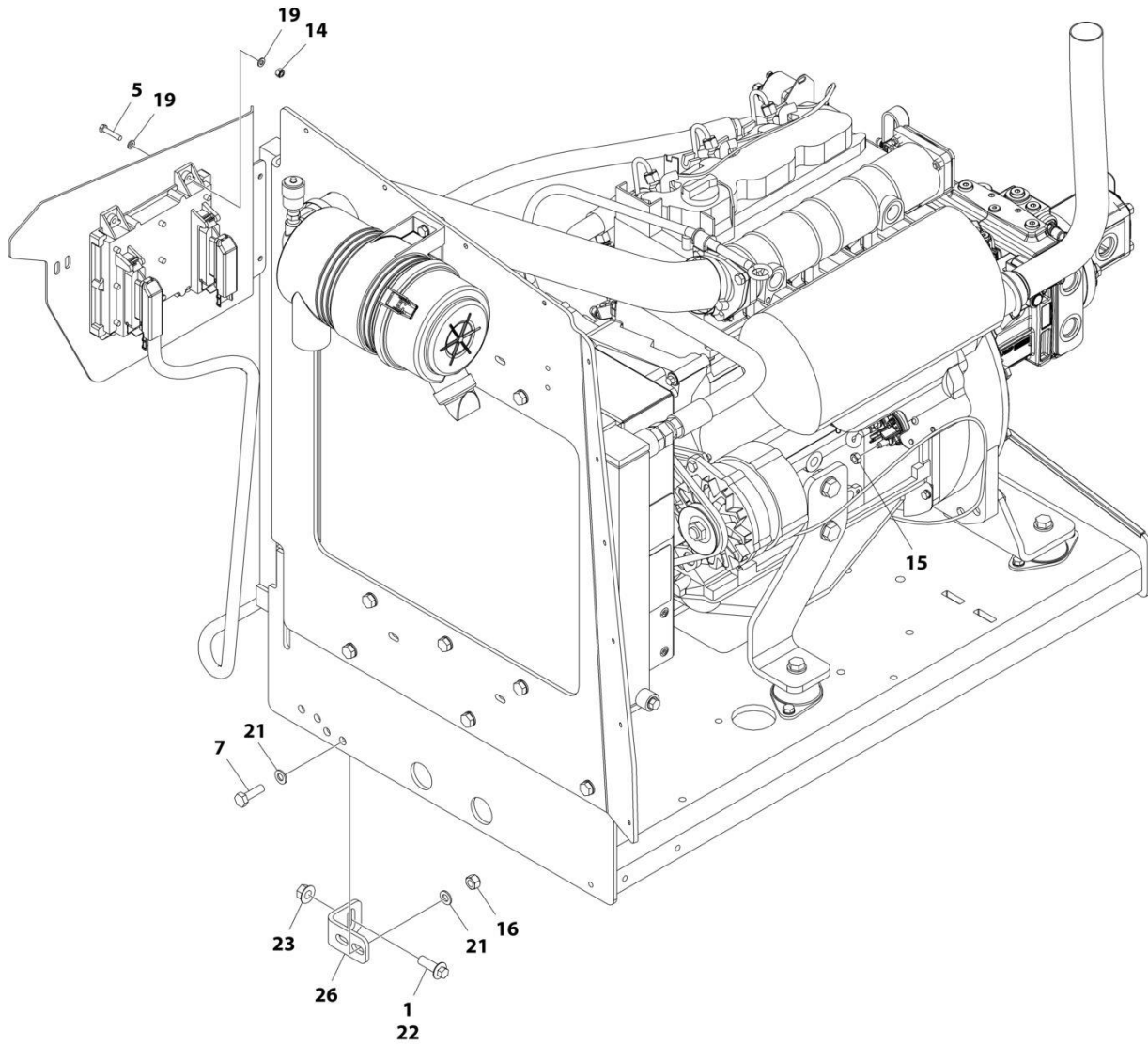
ART_1001301505_1OF3

SECTION 3 - ENGINE



ART_1001301505_2OF3

SECTION 3 - ENGINE



ART_1001301505_3OF3

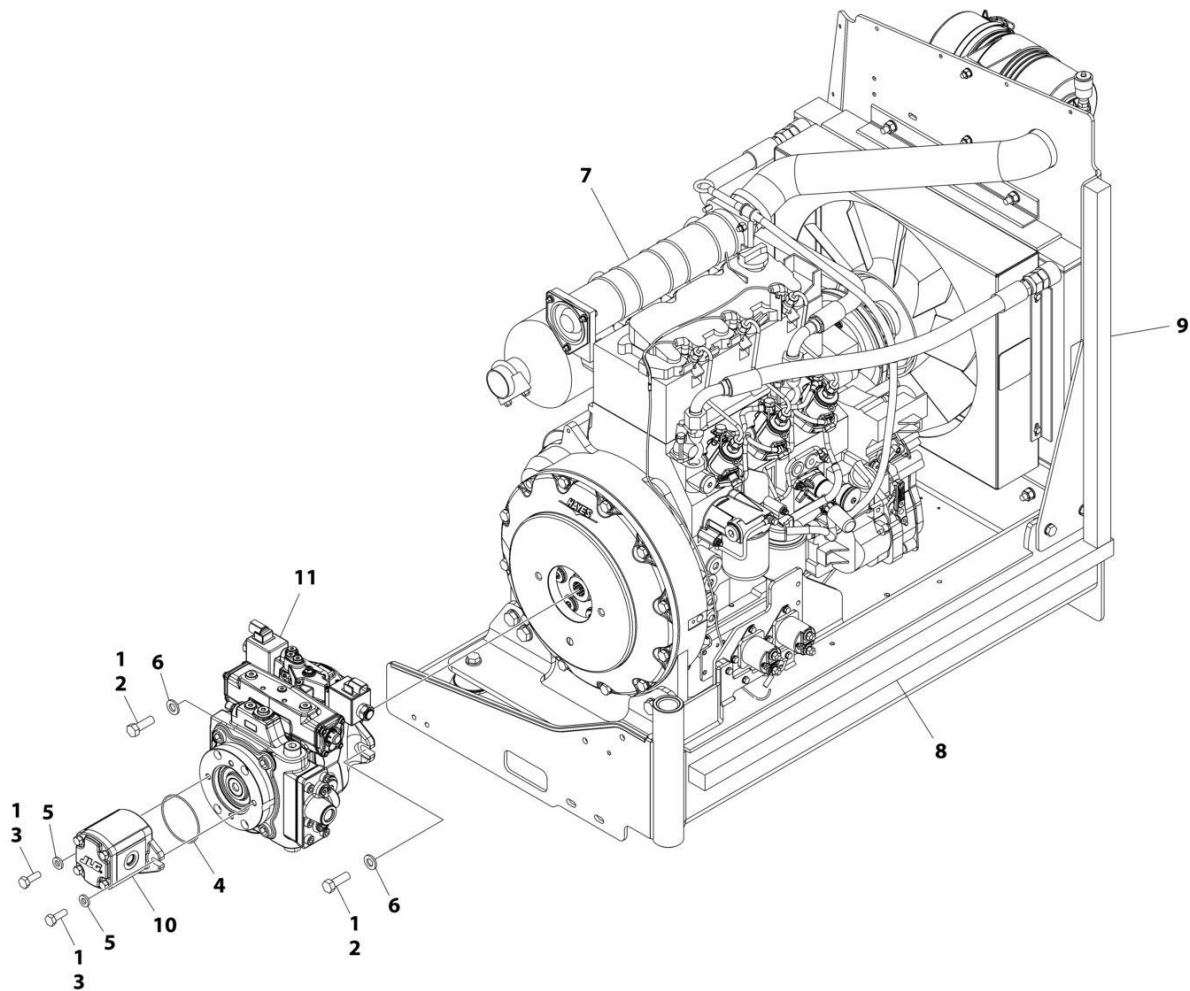
SECTION 3 - ENGINE

FIGURE 3-4. ENGINE INSTALLATION - DEUTZ D2011 ENGINE (WITHOUT ARCTIC PACKAGE) (WITH PMP PUMP)

| ITEM | PART NUMBER | QTY | DESCRIPTION | REV |
|------|-------------|--------------|---|-----|
| | 1001301505 | Ref | ENGINE INSTALLATION - DEUTZ D2011 ENGINE (WITHOUT ARCTIC PACKAGE) (WITH PMP PUMP) | A |
| 1 | 0100011 | AR | Compound, Locking | |
| 2 | 0100020 | AR | Sealant, Pipe | |
| 3 | 0440162 | 1 | Bearing | |
| 4 | 0760610 | 1 | Bolt M6 x 20 | |
| 5 | 0760614 | 4 | Bolt M6 x 30 | |
| 6 | 0760812 | 1 | Bolt M8 x 25 | |
| 7 | 0761015 | 5 | Bolt M10 x 35 | |
| 8 | 1320022 | 1 | Clamp | |
| 9 | 1321716 | 4 | Clamp | |
| 10 | 1701505 | 1 | Decal - Diesel | |
| 11 | 2180348 | 2 | Fitting, Barbed | |
| 12 | 2180876 | 1 | Fitting, Barbed | |
| 13 | 2720058 | 22 ft/ 6.7 m | Hose | |
| 14 | 3290605 | 5 | Nut M6 | |
| 15 | 3290801 | 1 | Nut M8 | |
| 16 | 3291005 | 4 | Nut M10 | |
| 17 | 3422532 | 1 | Pin | |
| 18 | 3841143 | 1 | Keeper, Pin | |
| 19 | 4811700 | 10 | Washer M6 | |
| 20 | 4811900 | 1 | Washer M8 | |
| 21 | 4812000 | 9 | Washer M10 | |
| 22 | 5251215 | 1 | Bolt M12 x 35 | |
| 23 | 5261200 | 1 | Nut M12 | |
| 24 | 8410013 | 4 | Clamp | |
| 25 | 1001135196 | 1 | Pin | |
| 26 | 1001167512 | 1 | Bracket, Engine | |
| 27 | 1001169823 | 1 | Plate | |
| 28 | 1001171681 | 1 | Cable, Battery (Red) (Battery Positive to Auxiliary Power Relay) | |
| 29 | 1001171682 | 1 | Cable, Battery (Black) (Battery Negative to Auxiliary Power Pump) | |
| 30 | 1001172202 | 1 | Pipe, Exhaust | |
| 31 | 1001191832 | 1 | Nut, Rivet M8 | |
| 32 | 1001301504 | 1 | Engine and Pump Sub-Assembly (See Separate Breakdown in this Section) | |

SECTION 3 - ENGINE

FIGURE 3-5. ENGINE AND PUMP SUB-ASSEMBLY - DEUTZ D2011 ENGINE (WITHOUT ARCTIC PACKAGE) (WITH PMP PUMP)



ART_1001301504

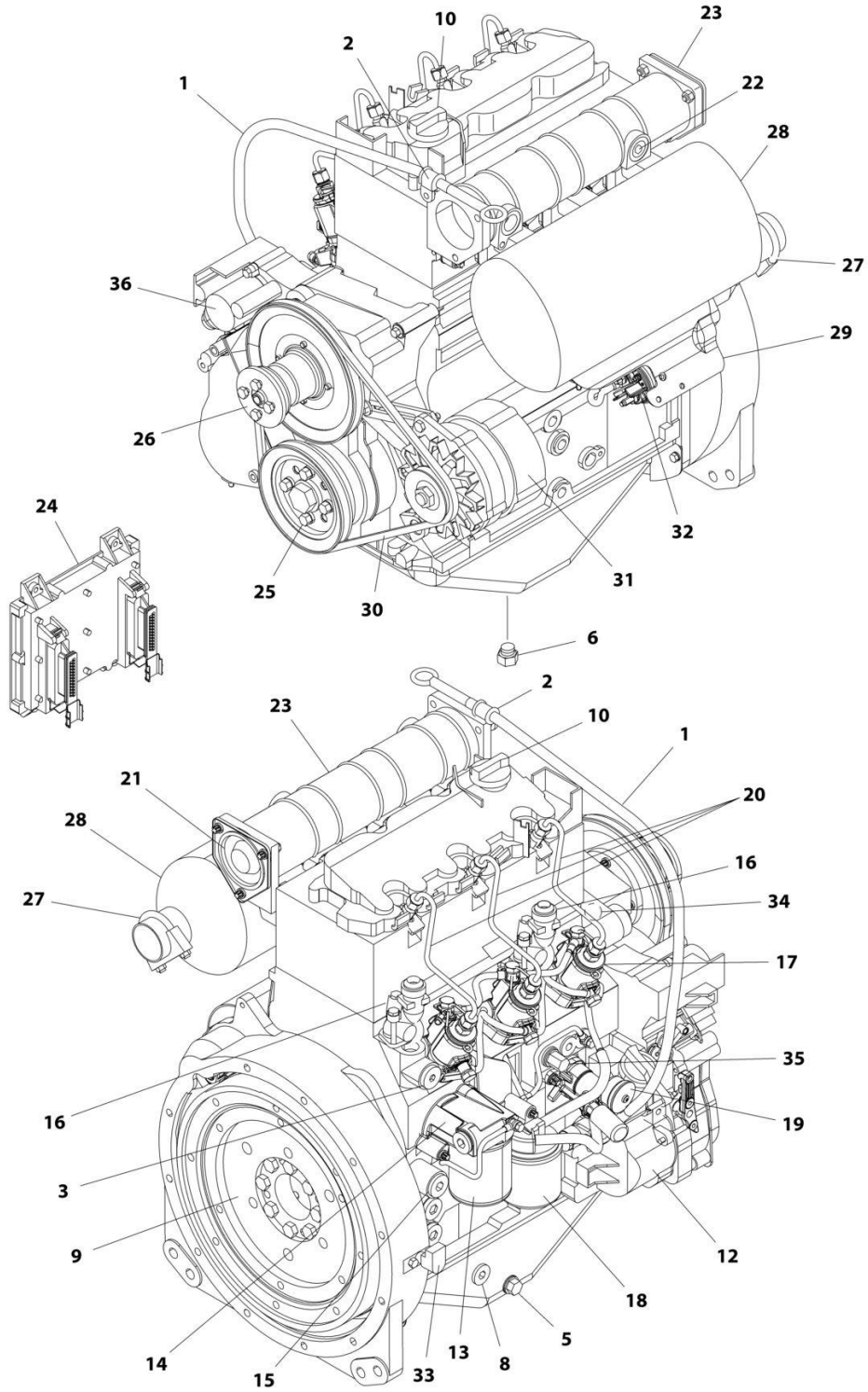
SECTION 3 - ENGINE

FIGURE 3-5. ENGINE AND PUMP SUB-ASSEMBLY - DEUTZ D2011 ENGINE (WITHOUT ARCTIC PACKAGE) (WITH PMP PUMP)

| ITEM | PART NUMBER | QTY | DESCRIPTION | REV |
|------|-------------|-----|---|-----|
| | 1001301504 | Ref | ENGINE AND PUMP SUB-ASSEMBLY - DEUTZ D2011 (WITHOUT ARCTIC PACKAGE) (WITH PMP PUMP) | A |
| 1 | 0100011 | AR | Compound, Locking | |
| 2 | 0641812 | 2 | Bolt 1/2 x 1-1/2 | |
| 3 | 0761014 | 2 | Bolt M10 x 30 | |
| 4 | 3790152 | 1 | O-Ring | |
| 5 | 4891600 | 2 | Washer 3/8 | |
| 6 | 5241200 | 2 | Washer M12 | |
| 7 | 1001166020 | 1 | Engine Assembly (See Separate Breakdown in this Section) | |
| 8 | 1001171953 | 1 | Seal | |
| 9 | 1001171954 | 1 | Seal | |
| 10 | 1001214207 | 1 | Gear Pump Assembly | |
| 10 | 70006356 | 1 | Seal Kit - 1001214207 Pump | |
| 11 | 1001285632 | 1 | Closed Pump Loop Assembly (See Separate Breakdown in this Section) | |

SECTION 3 - ENGINE

FIGURE 3-6. ENGINE COMPONENTS - DEUTZ D2011



ART_1001170693

SECTION 3 - ENGINE

FIGURE 3-6. ENGINE COMPONENTS - DEUTZ D2011

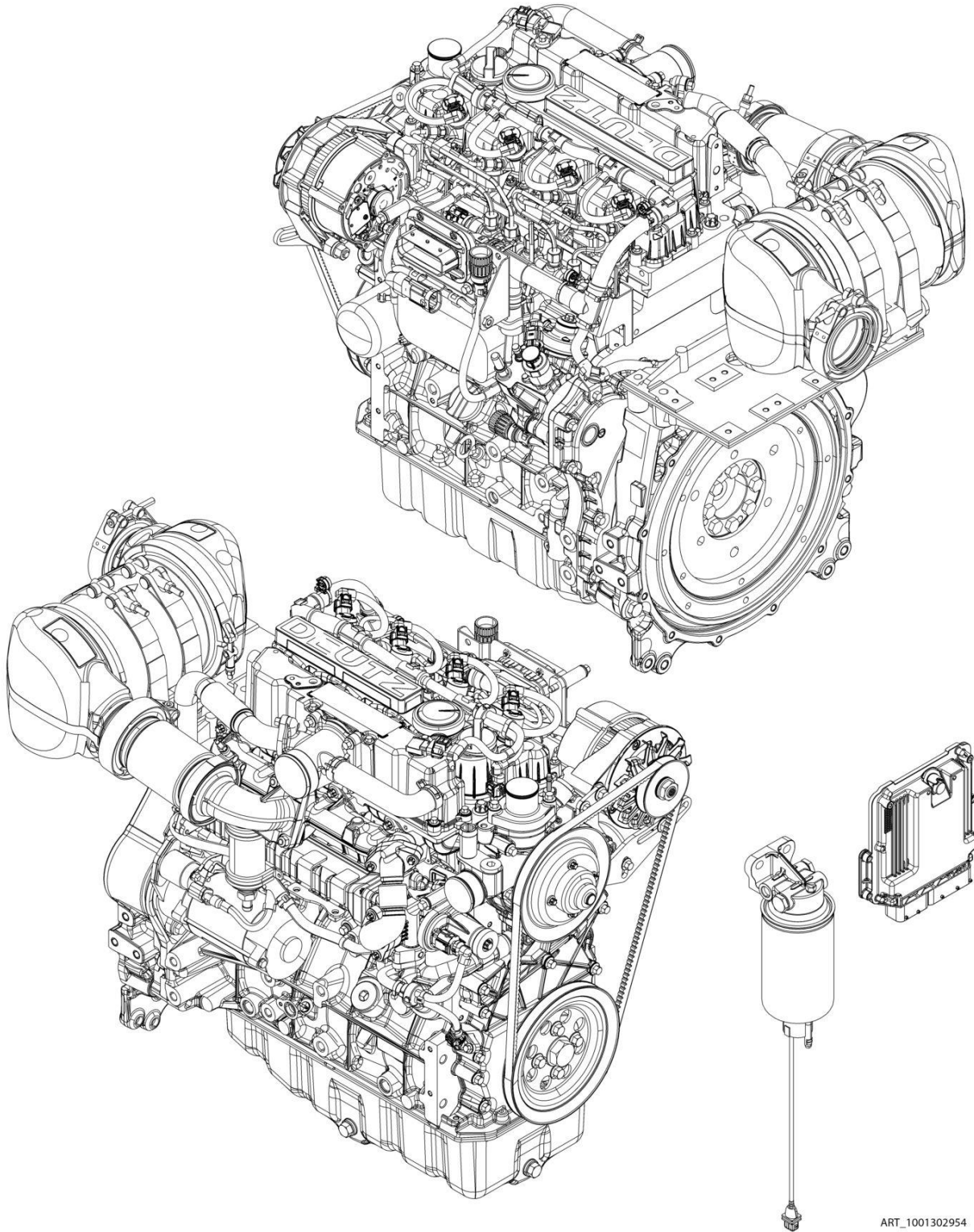
| ITEM | PART NUMBER | QTY | DESCRIPTION | REV |
|------|-------------|-----|---|-----|
| | 1001170693 | Ref | ENGINE COMPONENTS - DEUTZ D2011 | C |
| 1 | 70001002 | 1 | Tube, Dipstick | |
| 1 | 7020403 | 1 | Seal, Tube | |
| 1 | 7020026 | 1 | Dipstick | |
| 2 | 70001654 | 1 | Clamp | |
| 2 | 70001655 | 1 | Bolt | |
| 3 | 70003475 | 1 | Thermostat | |
| 3 | 7020460 | 1 | Spring | |
| 4 | | Ref | Seal and Gasket Options (Not Shown): | |
| 4 | 70002718 | 1 | Seal, Rear Main | |
| 4 | 7020430 | 1 | Gasket, Valve Cover | |
| 4 | 70003479 | 1 | Gasket, Head - 1 Notch | |
| 4 | 70003480 | 1 | Gasket, Head - 2 Notch | |
| 4 | 70003481 | 1 | Gasket, Head - 3 Notch | |
| 5 | 70025088 | 1 | Plug | |
| 6 | 70025667 | 1 | Plug | |
| 7 | 70025123 | 22 | Bolt, Torx (Oil Pan Bolts) (Not Shown) | |
| 8 | 7020492 | 1 | Seal | |
| 8 | 70025084 | 1 | Plug | |
| 9 | 70001870 | 1 | Flywheel | |
| 9 | 7024579 | 1 | Ring Gear (Part of Flywheel) | |
| 9 | 70025139 | 8 | Bolt | |
| 10 | 7020465 | 1 | Cap, Oil Fill | |
| 11 | 70000800 | 1 | Timing Belt/Idler Kit (Includes Timing Belt, Tensioner and Tensioner Bolt) (Not Shown) | |
| 12 | 70001850 | 1 | Pump, Lubricating | |
| 12 | 7020468 | 1 | Seal, Pump to Engine Block (Not Shown) | |
| 13 | 7016331 | 1 | Filter, Oil | |
| 14 | 70003472 | 1 | Bracket, Oil Filter (Includes Plug with Seal, Temperature Sensor, Control Valve and Compression Spring) | |
| 14 | 7027236 | 1 | Sensor, Temperature | |
| 14 | 70025082 | 1 | Seal, Plug | |
| 14 | 70025091 | 1 | Plug | |
| 14 | 70003473 | 1 | Gasket, Bracket to Engine Block (Not Shown) | |
| 15 | 70001181 | 1 | Valve | |
| 15 | 70025091 | 1 | Plug | |
| 15 | 70025082 | 1 | Seal, Plug | |
| 16 | 70004268 | 2 | Connector, Radiator Neck | |
| 16 | 70004269 | 2 | Seal, Radiator Neck to Engine Block | |
| 17 | 70000912 | 3 | Pump, Fuel Injector - A Spec | |
| 17 | 70000913 | 3 | Pump, Fuel Injector - B Spec | |
| 17 | 70000914 | 3 | Pump, Fuel Injector - C Spec | |
| 17 | 70000915 | 3 | Pump, Fuel Injector - D Spec | |
| 17 | 70003464 | 3 | O-Ring, Pump to Engine Block | |
| 18 | 7020023 | 1 | Filter, Fuel | |
| 18 | 70003463 | 1 | Filter, Fuel - RME Resistant | |
| 18 | 70001423 | 1 | Bracket, Fuel Filter | |
| 19 | 70000916 | 1 | Pump Fuel Supply | |
| 19 | 70000917 | 1 | O-Seal Between Fuel Pump and Engine Block | |
| 19 | 70000918 | 1 | Sealing Ring Between Hand Pump and Supply Pump | |

SECTION 3 - ENGINE

| ITEM | PART NUMBER | QTY | DESCRIPTION | REV |
|------|-------------|-----|--|-----|
| 19 | 70000919 | 1 | Pump, Hand | |
| 19 | 70001435 | 1 | Repair Kit | |
| 19 | 70025694 | 2 | Bolt, Torx | |
| 20 | 70000931 | 3 | Pipe, High Pressure | |
| 21 | 70003469 | 1 | Flange, Intake | |
| 21 | 70003468 | 1 | Seal | |
| 22 | 70025084 | 1 | Plug | |
| 22 | 7020492 | 1 | Seal, Plug | |
| 23 | 7027903 | 1 | Manifold, Air Intake | |
| 23 | 70001871 | 3 | Gasket Between Manifold and Engine Block | |
| 24 | See Note | 1 | Module, Engine Control (Note: Not Currently Available) | |
| 24 | 7027796 | 1 | Cable, Electrical Between Module and Engine Harness (Not Shown) | |
| 24 | 70001872 | 1 | Harness, Engine (Connects to p/n 70004060) (Not Shown) | |
| 24 | 70004060 | 1 | Plug, Connector Located on Cable Near Module (Not Shown) | |
| 24 | 70004059 | 1 | Plug, Analyzer (Not Shown) | |
| 25 | 70025123 | 4 | Bolt, Torx | |
| 26 | 70000787 | 1 | Support, Fan (Includes Support, Internal Shaft, Bearings and Circlip) | |
| 27 | 70001844 | 1 | Clamp | |
| 28 | See Note | 1 | Muffler (Note: See Separate Breakdown in this Section) | |
| 28 | 7020471 | 3 | Gasket, Exhaust Between Muffler and Engine Block | |
| 28 | 70004270 | 6 | Stud, Muffler | |
| 29 | 70001498 | 1 | Shield, Starter | |
| 29 | 70025693 | 3 | Bolt | |
| 30 | 70004102 | 1 | V-Belt | |
| 31 | 70004056 | 1 | Alternator (Includes Voltage Regulator and Gaskets, Fan and Fan Mounting Hardware) | |
| 31 | 70001868 | 1 | Regulator, Voltage | |
| 31 | 70001866 | 1 | Gasket Set, Voltage Regulator | |
| 31 | 70025131 | 1 | Fan | |
| 31 | 70025086 | 1 | Nut, Fan | |
| 31 | 70000851 | 1 | Bracket, Alternator Mounting | |
| 31 | 70002234 | 1 | Bracket, Alternator Adjustment | |
| 31 | 70004103 | 1 | Harness, Alternator (Not Shown) | |
| 32 | 7020479 | 1 | Starter | |
| 32 | 70025121 | 2 | Bolt, Starter Mounting | |
| 32 | 70004058 | 1 | Relay | |
| 32 | 70004062 | 1 | Harness, Starter (Not Shown) | |
| 33 | 7024565 | 1 | Sensor, Speed | |
| 33 | 70003931 | 1 | Bolt | |
| 33 | 70003932 | 1 | Spacer, Sleeve | |
| 34 | 7027791 | 1 | Sensor, Temperature | |
| 35 | 7027790 | 1 | Sensor, Oil Pressure | |
| 36 | 7027792 | 1 | Actuator | |
| 37 | 70000345 | 3 | Plug, Glow (Not Shown) | |

SECTION 3 - ENGINE

FIGURE 3-7. ENGINE COMPONENTS - DEUTZ D2.9L4 ERM5 ENGINE (ANSI, ANSI EXPORT AND CSA SPECS)



ART_1001302954

SECTION 3 - ENGINE

FIGURE 3-7. ENGINE COMPONENTS - DEUTZ D2.9L4 ERM5 ENGINE (ANSI, ANSI EXPORT AND CSA SPECS)

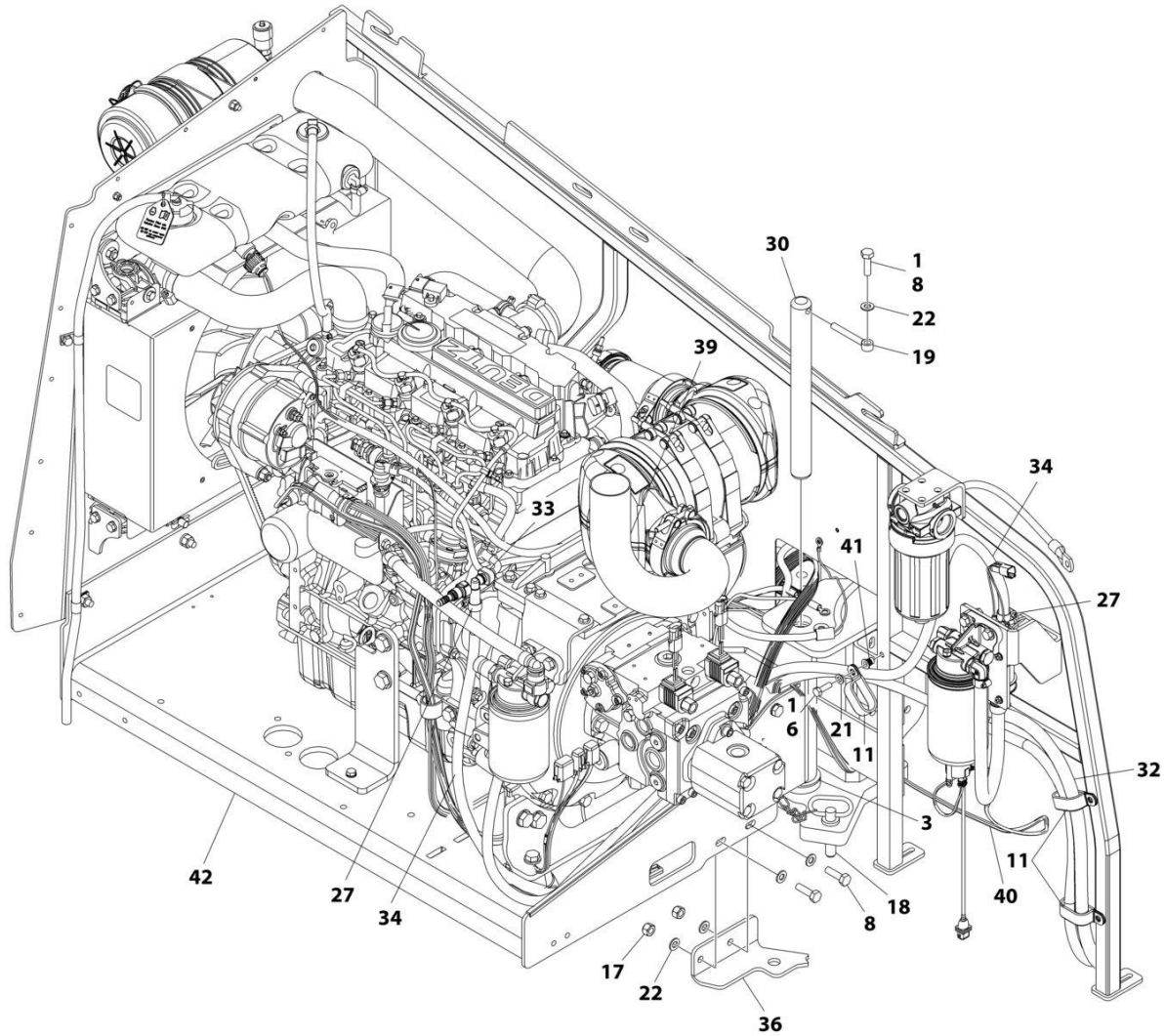
| ITEM | PART NUMBER | QTY | DESCRIPTION | REV |
|------|-------------|-----|--|-----|
| | 1001302954 | Ref | ENGINE COMPONENTS - DEUTZ D2.9L4 ERM5 ENGINE | A |
| | See Note | Ref | Note: Contact JLG Customer Service for availability for addition components. | |
| | | Ref | AIR INTAKE SYSTEM | |
| | 70005180 | 1 | Breather Line | |
| | 70005182 | 1 | Charge Air Elbow | |
| | | Ref | COOLING SYSTEM COMPONENTS | |
| | 70030360 | 1 | Pump, Coolant | |
| | 70007603 | 1 | Thermostat | |
| | | Ref | ELECTRICAL COMPONENT | |
| | 70031144 | 1 | Starter | |
| | NPN | 1 | Generator | |
| | 70024507 | 1 | Sensor, Pressure (Air Intake) | |
| | 70026210 | 1 | Sensor, Speed | |
| | 70025231 | 1 | Harness, Glow Plug | |
| | 70024919 | 1 | Sensor, Fuel Filter | |
| | 70024504 | 1 | Sensor, Pressure | |
| | 70028540 | 1 | Transmitter, Temperature | |
| | 70029512 | 1 | Module, Engine Control | |
| | 70031143 | 1 | Regulator, Voltage | |
| | | Ref | EXHAUST COMPONENT | |
| | 70004282 | 1 | Exhaust Manifold | |
| | 70031136 | 1 | Pipe, Exhaust | |
| | 70012257 | 1 | Valve, Exhaust | |
| | 70004508 | 1 | Valve, Volume Control | |
| | | Ref | FUEL SYSTEM COMPONENT | |
| | 70030381 | 1 | Pump, High Pressure | |
| | 70004281 | 1 | Injector, Fuel | |
| | NPN | 1 | Pump, Fuel Supply (Includes qty 2 Clamps) | |
| | 70024961 | 1 | Filter, Fuel | |
| | 1001225430 | 1 | Filter, Fuel (Pre-Filter) | |
| | 70024513 | 1 | Cable, Sensor | |
| | 70025239 | 1 | Seal | |
| | 70029451 | 1 | Filter, Fuel | |
| | 1001225431 | 1 | Filter, Fuel (Spin-On) | |
| | 70024502 | 1 | Pipe, Fuel | |
| | | Ref | GASKET AND SEAL COMPONENT | |
| | 70024905 | 2 | Seal, Dipstick | |
| | 70005942 | 1 | Seal, Oil Plug | |
| | 70005171 | 1 | Gasket, Valve Cover | |
| | 70024906 | 1 | Gasket, Head | |
| | 70002718 | 1 | Seal, Rear Main | |
| | 70005177 | 1 | Gasket, Charge Air Housing | |
| | 70005184 | 1 | O-Ring, Thermostat | |
| | 70005931 | 1 | Seal, Thermostat | |
| | 70025164 | 1 | Gasket, Exhaust Manifold to Head | |
| | 70007326 | 1 | Gasket, EGR Valve | |
| | 70031095 | 1 | Gasket, Exhaust Return Pipe | |
| | 70007354 | 1 | Gasket, Short Exhaust Pipe | |

SECTION 3 - ENGINE

| ITEM | PART NUMBER | QTY | DESCRIPTION | REV |
|------|-------------|-----|-------------------------------|-----|
| | | Ref | OTHER COMPONENT | |
| | 70001870 | 1 | Flywheel (Includes Ring Gear) | |
| | 7024579 | 1 | Gear, Ring | |
| | | Ref | OIL LUBE SYSTEM | |
| | 70024904 | 1 | Dipstick | |
| | 70024905 | 1 | Cap, Oil Fill | |
| | 70005941 | 1 | Plug, Oil | |
| | 70005172 | 1 | Pump, Oil Lube | |
| | 7016331 | 1 | Filter, Oil | |
| | 70024494 | 1 | Oil Cooler | |

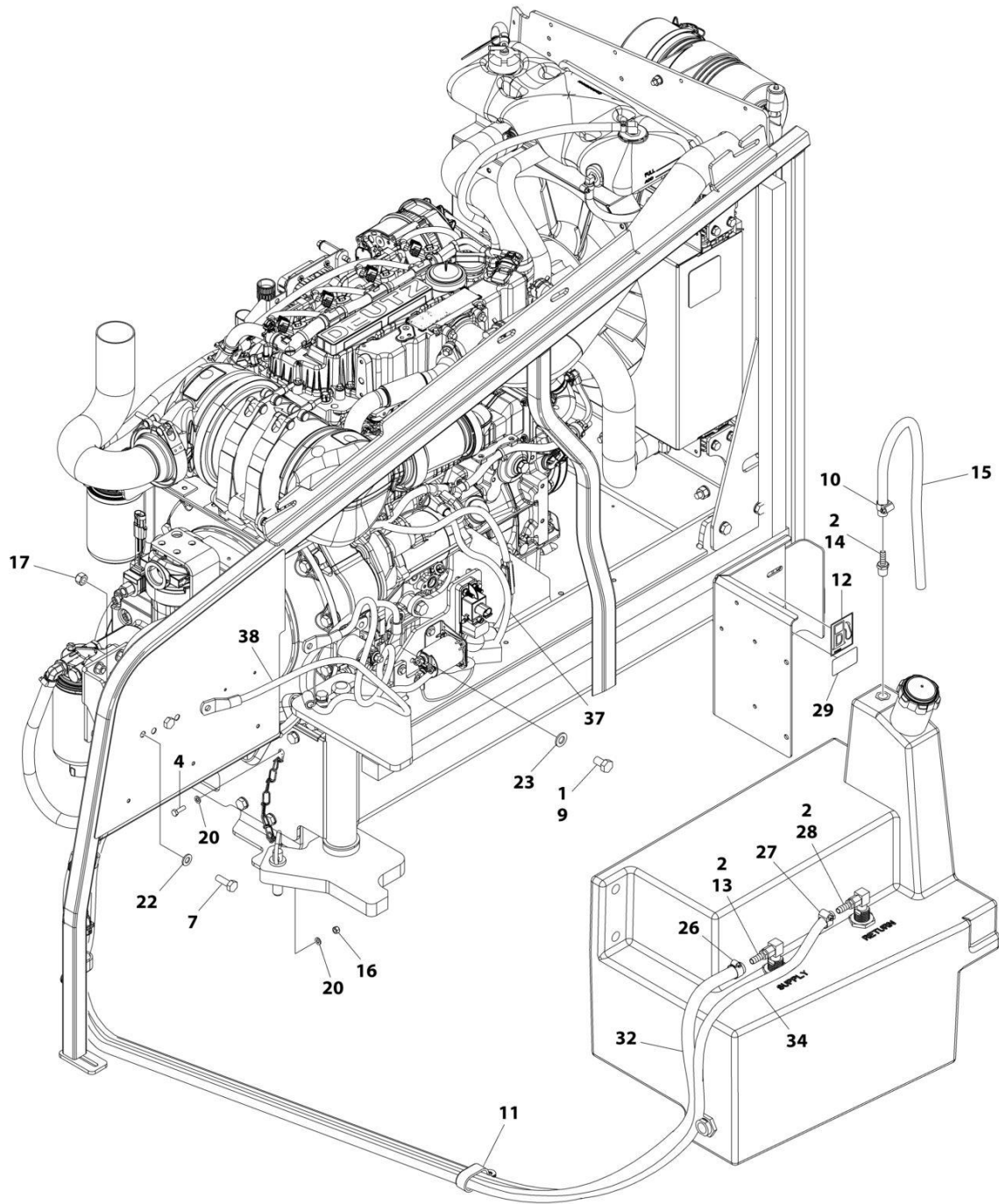
SECTION 3 - ENGINE

FIGURE 3-8. ENGINE INSTALLATION - DEUTZ D2.9L4 ERM5 ENGINE (WITHOUT ARCTIC PACKAGE)
(ANSI, ANSI EXPORT, CSA AND JAPANESE SPECS)



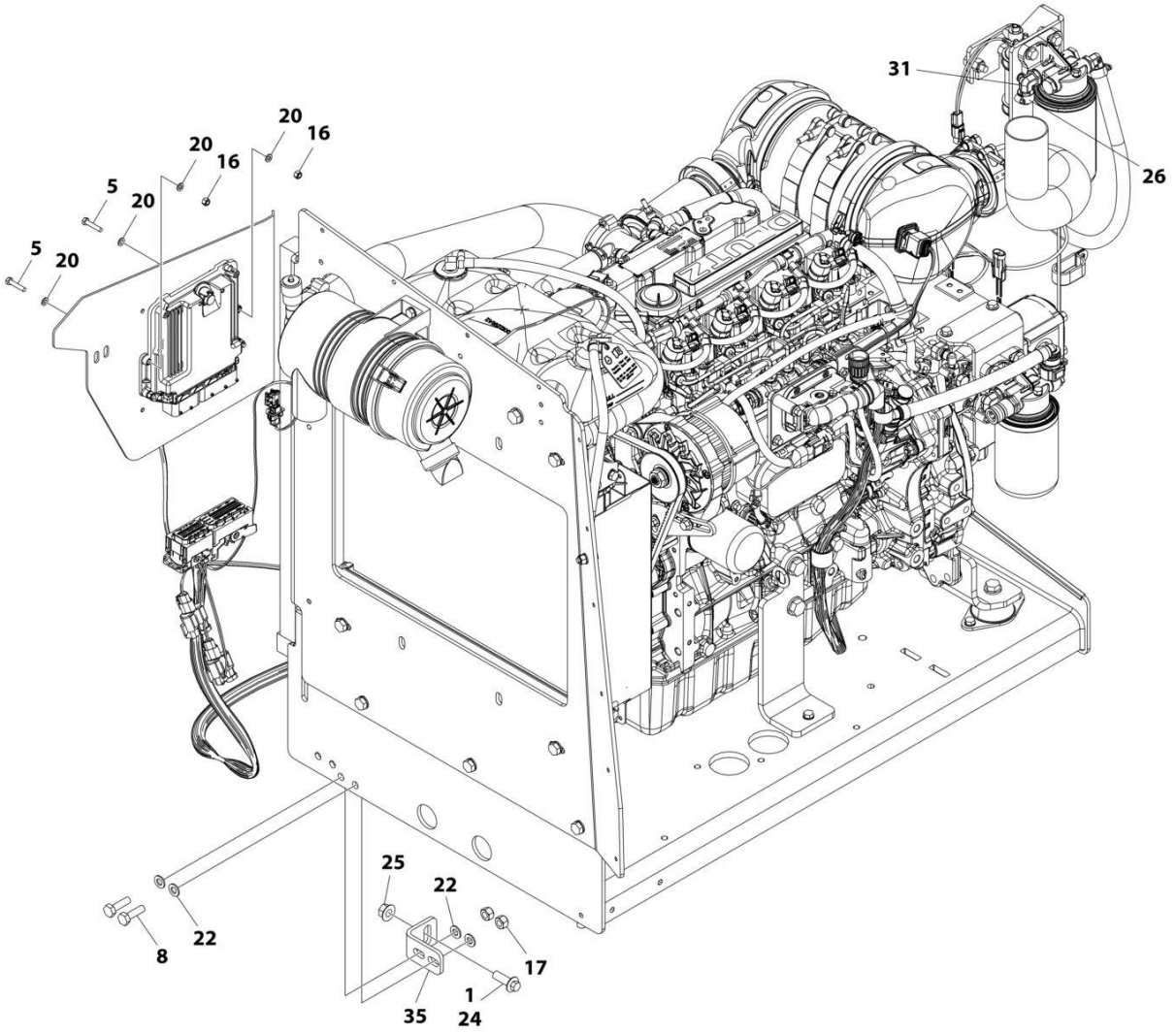
ART_1001302970_10F3

SECTION 3 - ENGINE



ART_1001302970_20F3

SECTION 3 - ENGINE



ART_1001302970_3OF3

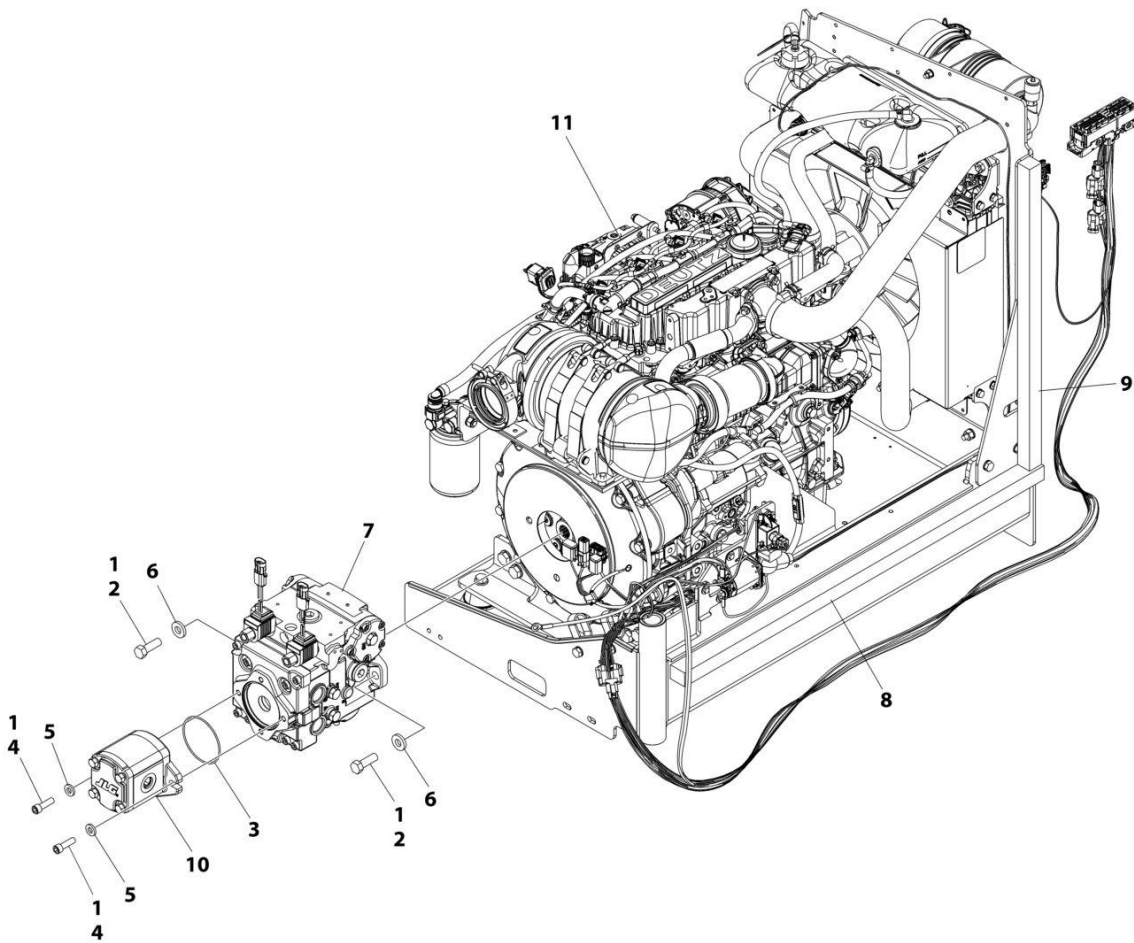
SECTION 3 - ENGINE

**FIGURE 3-8. ENGINE INSTALLATION - DEUTZ D2.9L4 ERM5 ENGINE (WITHOUT ARCTIC PACKAGE)
(ANSI, ANSI EXPORT, CSA AND JAPANESE SPECS)**

| ITEM | PART NUMBER | QTY | DESCRIPTION | REV |
|------|-------------|------------|---|-----|
| | 1001302970 | Ref | ENGINE ASSEMBLY - DEUTZ D2.9L4 ERM5 ENGINE | A |
| 1 | 0100011 | AR | Compound, Locking | |
| 2 | 0100020 | AR | Sealant, Pipe | |
| 3 | 0440162 | 1 | Bearing | |
| 4 | 0760610 | 1 | Bolt M6 x 20 | |
| 5 | 0760614 | 4 | Bolt M6 x 30 | |
| 6 | 0760812 | 1 | Bolt M8 x 25 | |
| 7 | 0761014 | 2 | Bolt M10 x 30 | |
| 8 | 0761015 | 5 | Bolt M10 x 35 | |
| 9 | 0761210 | 1 | Bolt M12 x 20 | |
| 10 | 1320022 | 1 | Clamp | |
| 11 | 1321716 | 4 | Clamp | |
| 12 | 1701505 | 1 | Decal - Diesel | |
| 13 | 2180832 | 1 | Fitting, Barbed | |
| 14 | 2180876 | 1 | Fitting, Barbed | |
| 15 | 2720058 | 2 ft/0.6 m | Hose | |
| 16 | 3290605 | 5 | Nut M6 | |
| 17 | 3291005 | 6 | Nut M10 | |
| 18 | 3422532 | 1 | Pin | |
| 19 | 3841143 | 1 | Keeper, Pin | |
| 20 | 4811700 | 10 | Washer M6 | |
| 21 | 4811900 | 1 | Washer M8 | |
| 22 | 4812000 | 11 | Washer M10 | |
| 23 | 4812100 | 1 | Washer M12 | |
| 24 | 5251215 | 1 | Bolt M12 x 35 | |
| 25 | 5261200 | 1 | Nut M12 | |
| 26 | 8405006 | 2 | Clamp | |
| 27 | 8410013 | 4 | Clamp | |
| 28 | 8430007 | 1 | Coupling | |
| 29 | 1001125387 | 1 | Decal - Ultra Low Sulfur Diesel | |
| 30 | 1001135196 | 1 | Pin | |
| 31 | 1001142501 | 1 | Fitting, Barbed 90 | |
| 32 | 1001154405 | 7 ft /2 m | Hose | |
| 33 | 1001155823 | 1 | Plate | |
| 34 | 1001165035 | 17 ft /6 m | Hose | |
| 35 | 1001167512 | 1 | Bracket | |
| 36 | 1001169823 | 1 | Plate | |
| 37 | 1001171683 | 1 | Cable, Battery (Red) (Battery Positive to Auxiliary Power Relay) | |
| 38 | 1001171684 | 1 | Cable, Battery (Black) (Battery Negative to Auxiliary Power Pump) | |
| 39 | 1001172736 | 1 | Pipe, Exhaust | |
| 40 | 1001181358 | 1 | Harness, Fuel Pump (See Separate Breakdown in ELECTRICAL Section) | |
| 41 | 1001191832 | 1 | Rivet | |
| 42 | 1001302961 | 1 | Engine and Pump Assembly - Deutz D2.9L4 (Without Arctic Package) (See Separate Breakdown in this Section) | |

SECTION 3 - ENGINE

FIGURE 3-9. ENGINE AND PUMP SUB-ASSEMBLY - DEUTZ D2.9L4 ERM5 ENGINE(WITHOUT ARCTIC PACKAGE) (ANSI, ANSI EXPORT AND CSA SPECS)



ART_1001302961

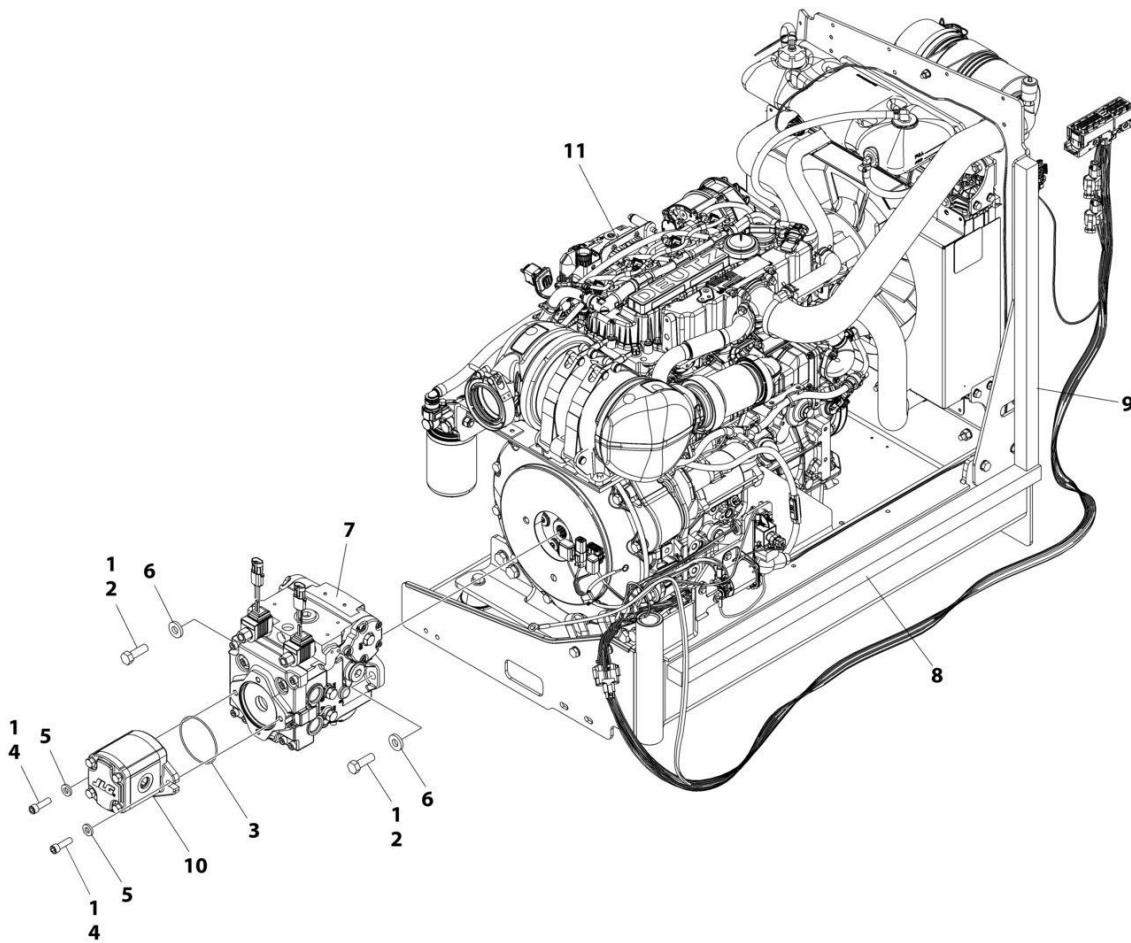
SECTION 3 - ENGINE

FIGURE 3-9. ENGINE AND PUMP SUB-ASSEMBLY - DEUTZ D2.9L4 ERM5 ENGINE(WITHOUT ARCTIC PACKAGE) (ANSI, ANSI EXPORT AND CSA SPECS)

| ITEM | PART NUMBER | QTY | DESCRIPTION | REV |
|------|-------------|-----|--|-----|
| | 1001302961 | Ref | ENGINE AND PUMP SUB-ASSEMBLY - DEUTZ D2.9L4 ERM5 | A |
| 1 | 0100011 | AR | Compound, Locking | |
| 2 | 0641812 | 2 | Bolt 1/2 x 1-1/2 | |
| 3 | 3790152 | 1 | O-Ring | |
| 4 | 3931618 | 2 | Capscrew 3/8 x 1-1/8 | |
| 5 | 4891600 | 2 | Washer 3/8 | |
| 6 | 4891800 | 2 | Washer 1/2 | |
| 7 | 1001167036 | 1 | Piston Pump Assembly (See Separate Breakdow in this Section) | |
| 8 | 1001171953 | 1 | Seal | |
| 9 | 1001171954 | 1 | Seal | |
| 10 | 1001214207 | 1 | Gear Pump Assembly | |
| 10 | 70006356 | 1 | Seal Kit - 1001214207 Pump | |
| 11 | 1001302955 | 1 | Engine Assembly - Deutz D2.9L4 ERM5 Engine (Without Arctic Package) (See Separate Breakdown in this Section) | |

SECTION 3 - ENGINE

FIGURE 3-10. ENGINE AND PUMP SUB-ASSEMBLY - DEUTZ D2.9L4 ERM5 ENGINE(WITH ARCTIC PACKAGE) (ANSI AND CSA SPECS)



ART_1001302963

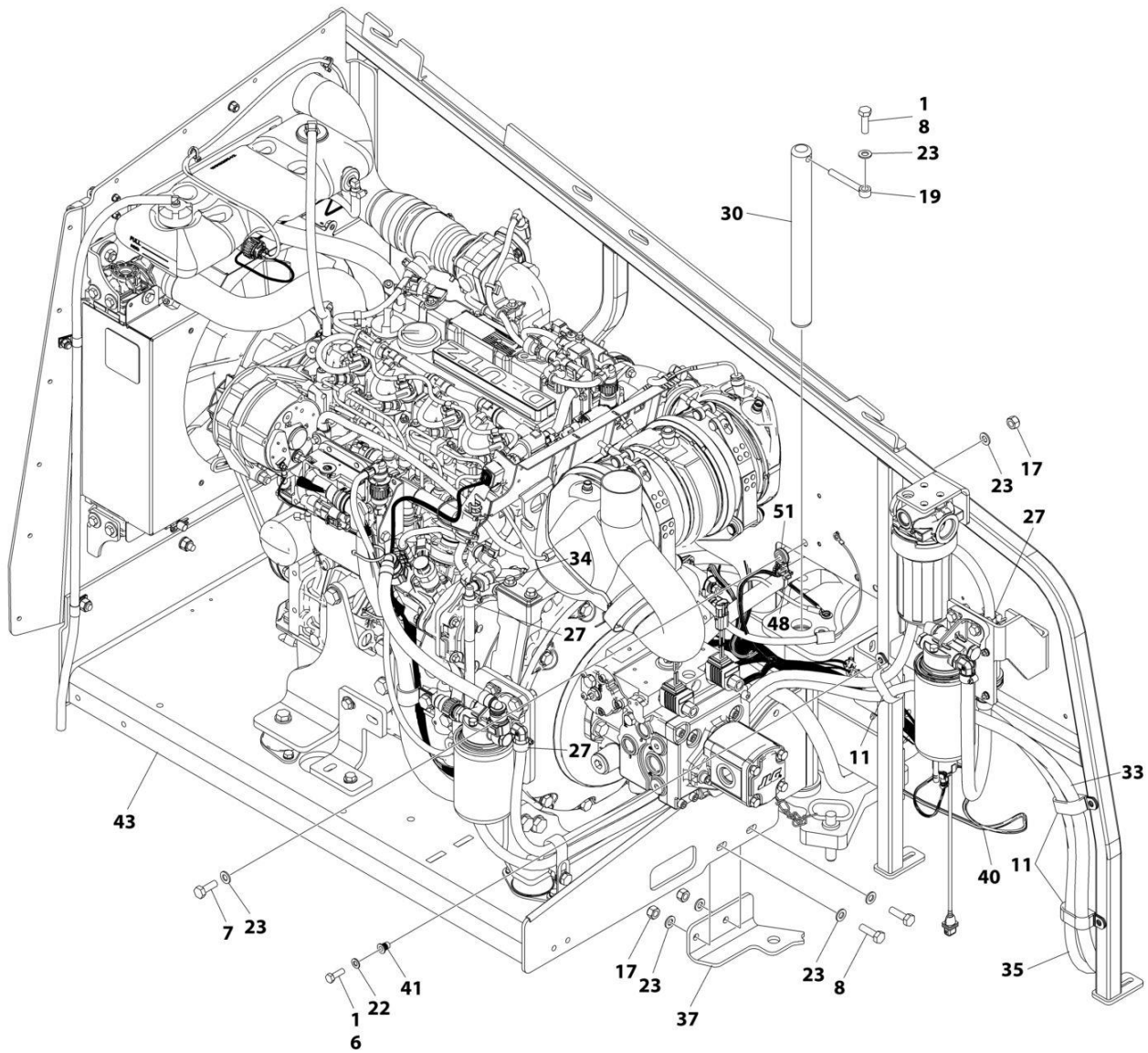
SECTION 3 - ENGINE

FIGURE 3-10. ENGINE AND PUMP SUB-ASSEMBLY - DEUTZ D2.9L4 ERM5 ENGINE(WITH ARCTIC PACKAGE) (ANSI AND CSA SPECS)

| ITEM | PART NUMBER | QTY | DESCRIPTION | REV |
|------|-------------|-----|---|-----|
| | 1001302963 | Ref | ENGINE AND PUMP SUB-ASSEMBLY - DEUTZ D2.9L4 ERM5 | A |
| 1 | 0100011 | AR | Compound, Locking | |
| 2 | 0641812 | 2 | Bolt 1/2 x 1-1/2 | |
| 3 | 3790152 | 1 | O-Ring | |
| 4 | 3931618 | 2 | Capscrew 3/8 x 1-1/8 | |
| 5 | 4891600 | 2 | Washer 3/8 | |
| 6 | 4891800 | 2 | Washer 1/2 | |
| 7 | 1001167036 | 1 | Piston Pump Assembly (See Separate Breakdown in this Section) | |
| 8 | 1001171953 | 1 | Seal | |
| 9 | 1001171954 | 1 | Seal | |
| 10 | 1001214207 | 1 | Gear Pump Assembly | |
| 10 | 70006356 | 1 | Seal Kit - 1001214207 Pump | |
| 11 | 1001302956 | 1 | Engine Assembly - Deutz D2.9L4 ERM5 Engine (With Arctic Package) (See Separate Breakdown in this Section) | |

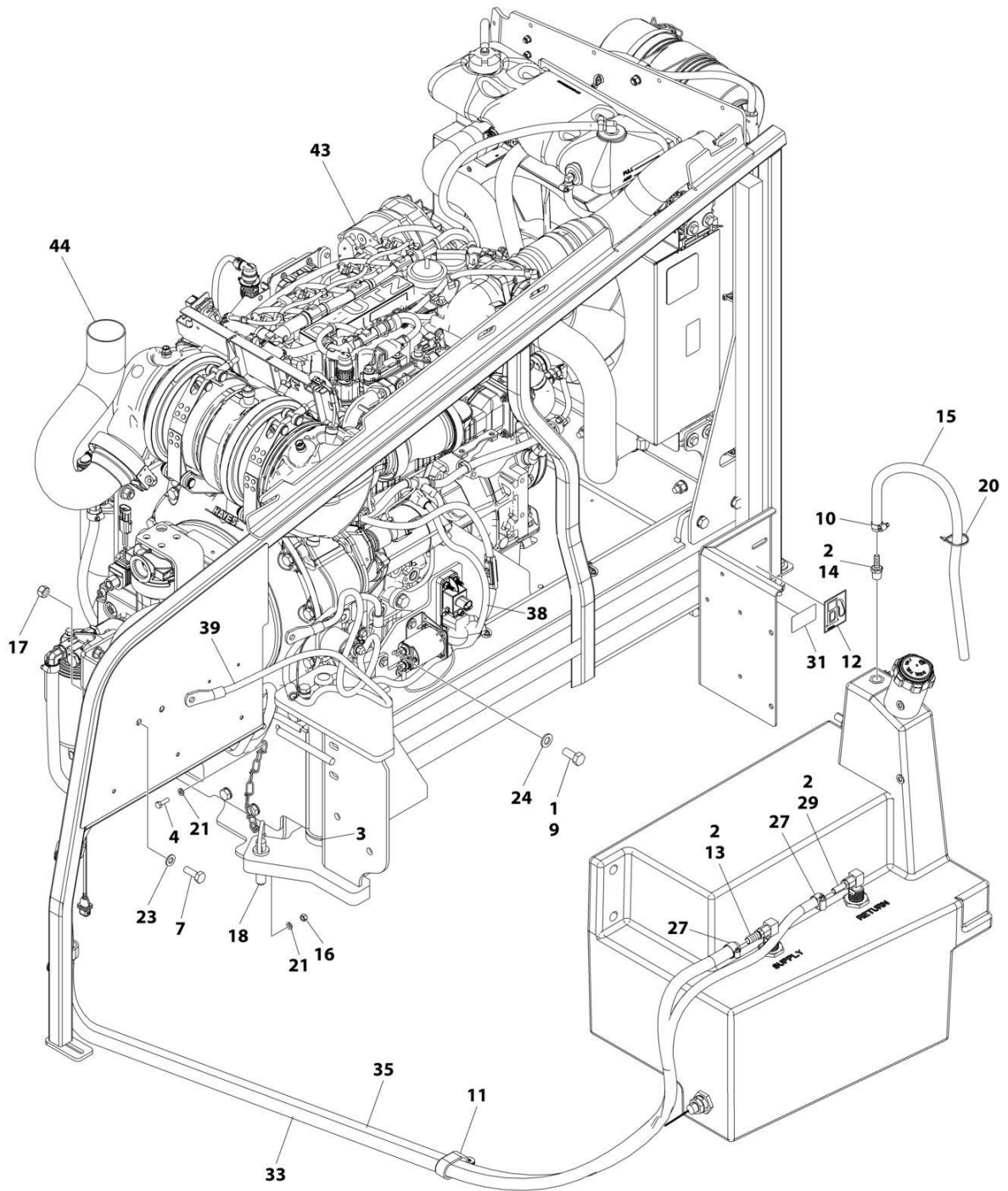
SECTION 3 - ENGINE

FIGURE 3-11. ENGINE INSTALLATION - DEUTZ D2.9L4 (STAGE V) (CE & UK CA SPECS)



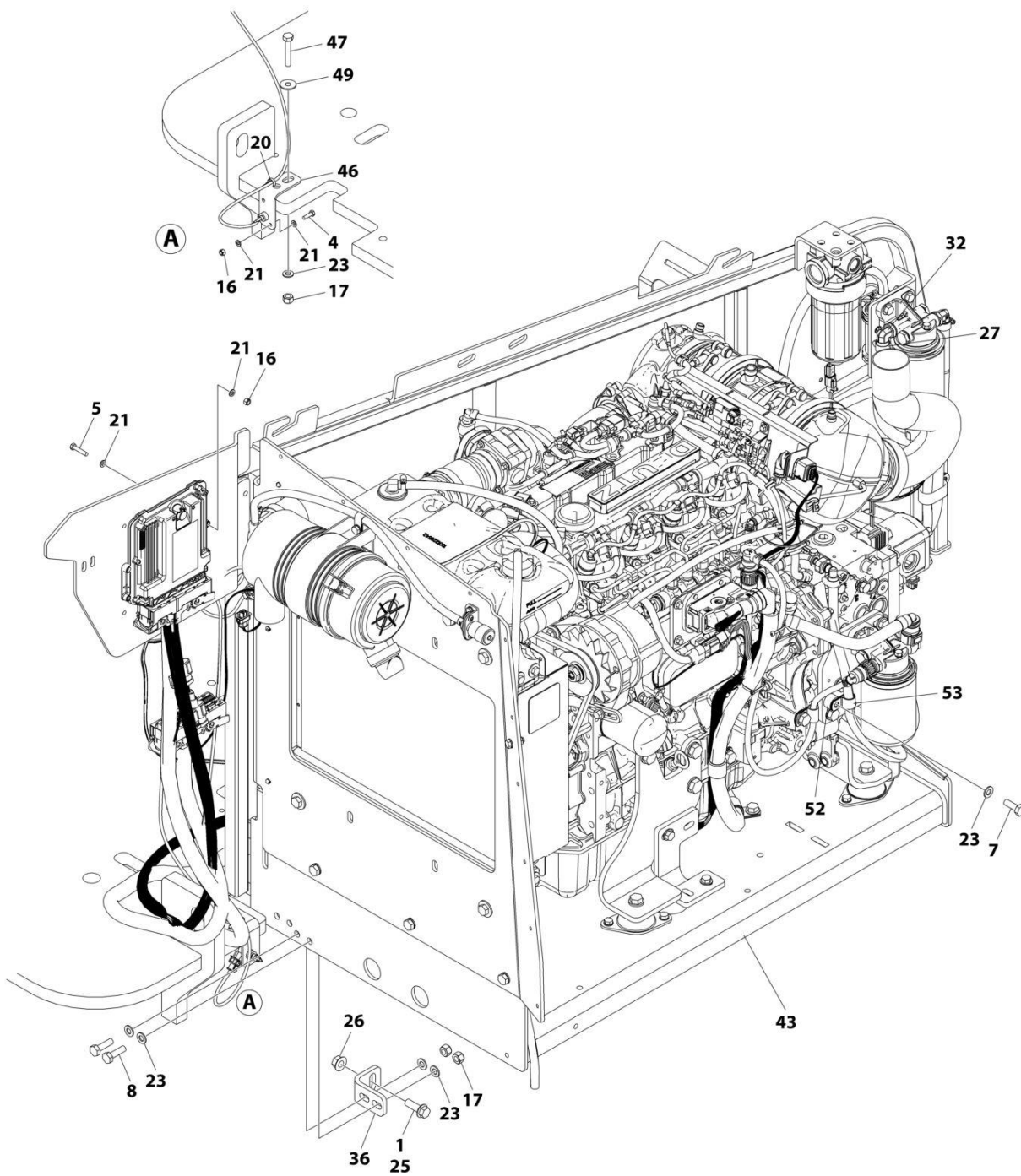
ART_1001244287_H_10F3

SECTION 3 - ENGINE



ART_1001244287_H_20F3

SECTION 3 - ENGINE



ART_1001244287_H_30F3

SECTION 3 - ENGINE

FIGURE 3-11. ENGINE INSTALLATION - DEUTZ D2.9L4 (STAGE V) (CE & UK CA SPECS)

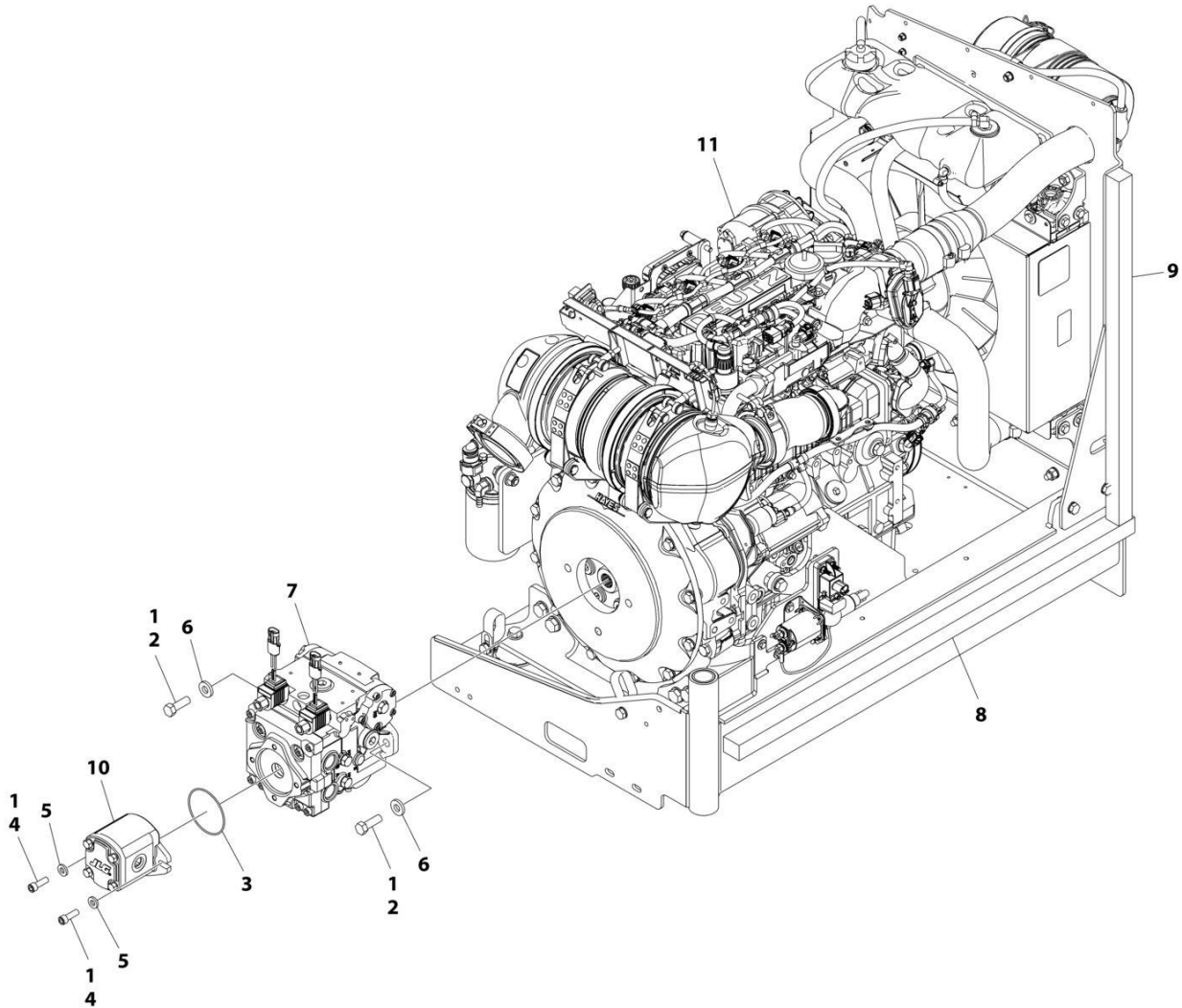
| ITEM | PART NUMBER | QTY | DESCRIPTION | REV |
|------|-------------|-----------------|---|-----|
| | 1001244287 | Ref | ENGINE INSTALLATION - DEUTZ D2.9L4 ENGINE (STAGE V) | H |
| 1 | 0100011 | AR | Compound, Locking | |
| 2 | 0100020 | AR | Sealant, Pipe | |
| 3 | 0440162 | 1 | Bearing | |
| 4 | 0760610 | 2 | Bolt M6 x 20 | |
| 5 | 0760614 | 4 | Bolt M6 x 30 | |
| 6 | 0760812 | 1 | Bolt M8 x 25 | |
| 7 | 0761014 | 4 | Bolt M10 x 30 | |
| 8 | 0761015 | 5 | Bolt M10 x 35 | |
| 9 | 0771212 | 1 | Bolt M12 x 25 | |
| 10 | 1320022 | 1 | Clamp | |
| 11 | 1321716 | 4 | Clamp | |
| 12 | 1701505 | 1 | Decal - Diesel Fuel | |
| 13 | 2180832 | 1 | Fitting, Barbed | |
| 14 | 2180876 | 1 | Fitting, Barbed | |
| 15 | 2720058 | 2 ft /0.6m | Hose | |
| 16 | 3290605 | 6 | Nut M6 | |
| 17 | 3291005 | 8 | Nut M10 | |
| 18 | 3422532 | 1 | Pin | |
| 19 | 3841143 | 1 | Keeper, Pin | |
| 20 | 4240099 | AR | Tie-Strap | |
| 21 | 4811700 | 12 | Washer M6 | |
| 22 | 4811900 | 1 | Washer M8 | |
| 23 | 4812000 | 15 | Washer M10 | |
| 24 | 4812100 | 1 | Washer M12 | |
| 25 | 5251215 | 1 | Bolt M12 x 35 | |
| 26 | 5261200 | 1 | Nut, Flange M12 Grade 10.9 | |
| 27 | 8405006 | 6 | Clamp | |
| 29 | 2220767 | AR | Fitting, Barbed 90 | |
| 29 | 8430007 | AR | Fitting, Barbed | |
| 30 | 1001135196 | 1 | Pin | |
| 31 | 1001139654 | 1 | Decal - Ultra Low Sulfur Diesel | |
| 32 | 1001142501 | 1 | Fitting, Barbed 90 | |
| 33 | 1001154405 | 7.25 ft /2.21m | Hose | |
| 34 | 1001155823 | 1 | Coupling, Quick Disconnect 90 | |
| 35 | 1001165035 | 17.25 ft /5.26m | Hose | |
| 36 | 1001167512 | 1 | Bracket | |
| 37 | 1001169823 | 1 | Plate, Engine Lock | |
| 38 | 1001171683 | 1 | Cable, Battery (Red) (Battery Positive to Auxiliary Power Relay) | |
| 39 | 1001171684 | 1 | Cable, Battery (Black) (Battery Negative to Auxiliary Power Pump) | |
| 40 | 1001181358 | 1 | Harness, Fuel Pump (See Separate Breakdown in ELECTRICAL SECTION) | |
| 41 | 1001191832 | 1 | Nut, Rivet M8 | |
| 43 | 1001277600 | 1 | Engine and Pump Sub-Assembly - Deutz D2.9L4 (Without Arctic Package) (See Separate Breakdown in this Section) | |
| 44 | 1001247440 | 1 | Pipe, Exhaust | |
| 46 | 1001256879 | 1 | Bracket | |
| 47 | 0701020 | 1 | Bolt M10 x 60 | |

SECTION 3 - ENGINE

| ITEM | PART NUMBER | QTY | DESCRIPTION | REV |
|------|-------------|-----|-------------|-----|
| 48 | 1062255 | 1 | Tie-Strap | |
| 49 | 4812002 | 1 | Washer M10 | |
| 51 | 1001156107 | 1 | Holder | |
| 52 | 1001220266 | 1 | Spacer | |
| 53 | 1320061 | 1 | Clamp | |

SECTION 3 - ENGINE

FIGURE 3-12. ENGINE AND PUMP SUB-ASSEMBLY-DEUTZ (STAGE V) (CE & UK CA SPECS)



ART_1001277600

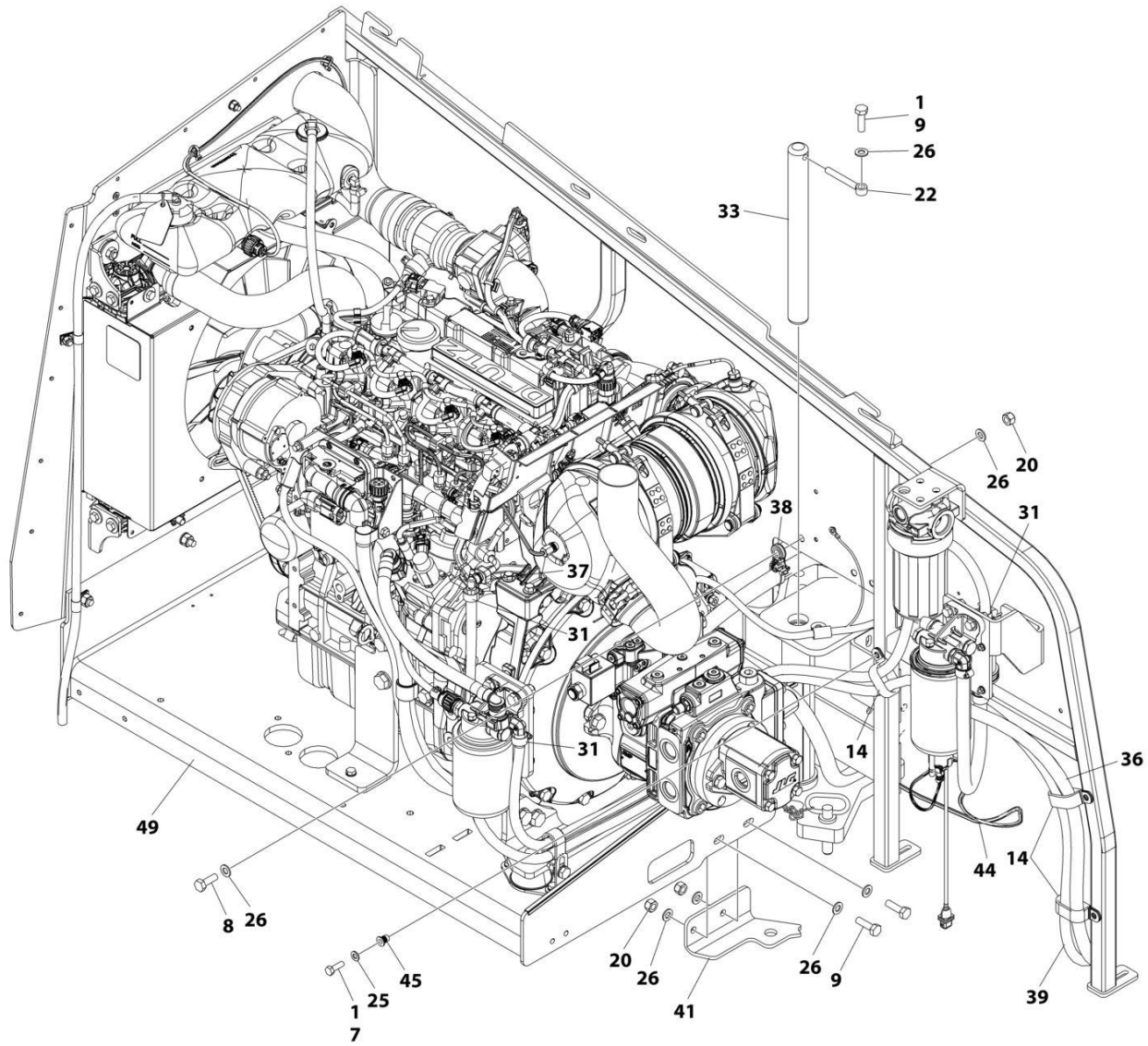
SECTION 3 - ENGINE

FIGURE 3-12. ENGINE AND PUMP SUB-ASSEMBLY-DEUTZ (STAGE V) (CE & UK CA SPECS)

| ITEM | PART NUMBER | QTY | DESCRIPTION | REV |
|------|-------------|-----|---|-----|
| | 1001277600 | Ref | ENGINE AND PUMP SUB-ASSEMBLY - DEUTZ (STAGE V) ENGINE | B |
| 1 | 0100011 | AR | Compound, Locking | |
| 2 | 0641812 | 2 | Bolt 1/2 x 1-1/2 | |
| 3 | 3790152 | 1 | O-Ring | |
| 4 | 3931618 | 2 | Capscrew 3/8 x 1-1/8 | |
| 5 | 4891600 | 2 | Washer 3/8 Hardened | |
| 6 | 4891800 | 2 | Washer 1/2 Hardened | |
| 7 | 1001167036 | 1 | Piston Pump Assembly (See Separate Breakdown in this Section) | |
| 8 | 1001171953 | 1 | Seal | |
| 9 | 1001171954 | 1 | Seal | |
| 10 | 1001214207 | 1 | Gear Pump Assembly | |
| 10 | 70006356 | 1 | Seal Kit - 1001214207 Pump | |
| 11 | 1001277594 | 1 | Engine Assembly, Deutz (Stage V) Engine (See Separate Breakdown in this Section) | |

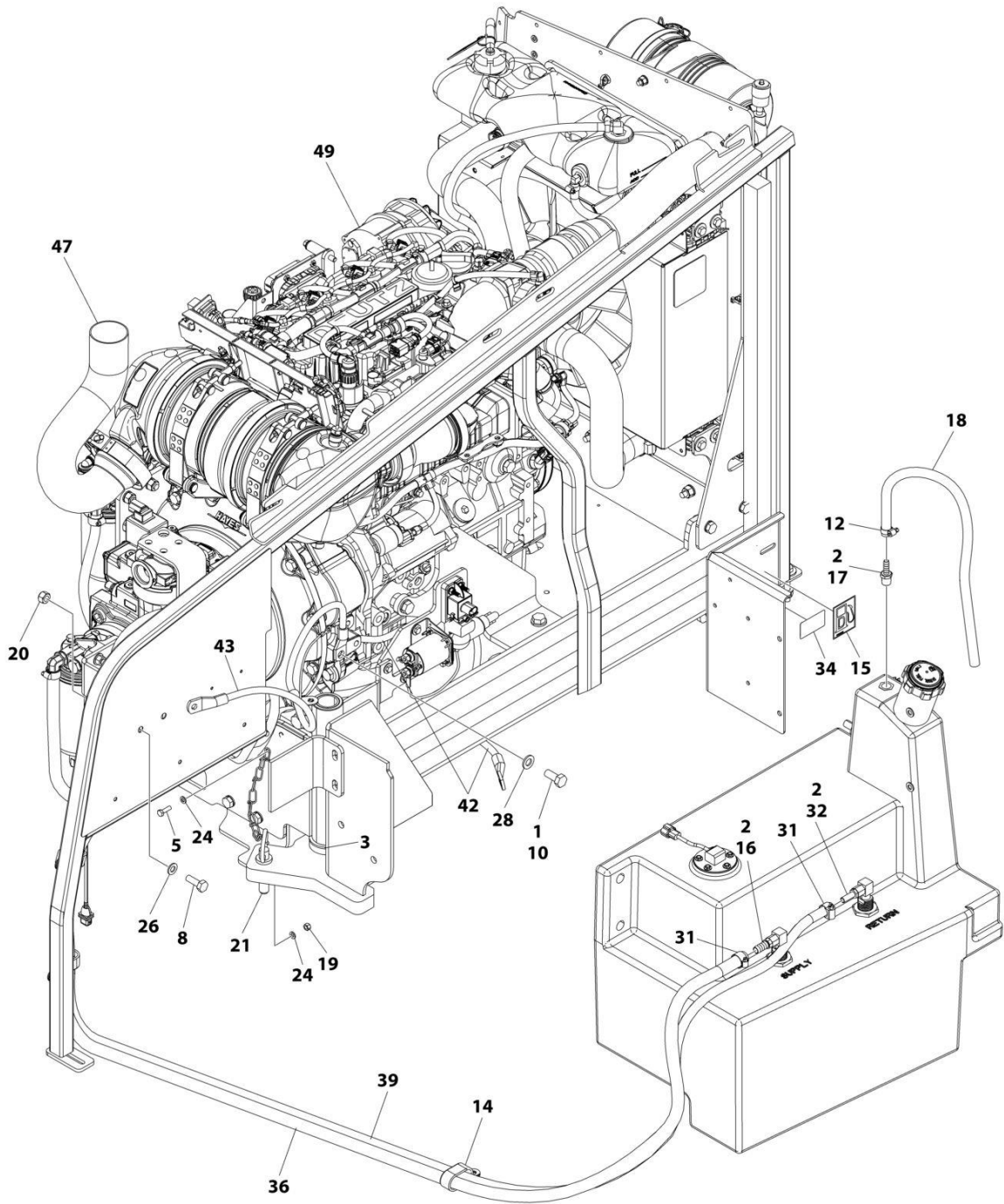
SECTION 3 - ENGINE

FIGURE 3-13. ENGINE INSTALLATION - DEUTZ D2.9L4 ENGINE (STAGE V) (WITH PMP PUMP)



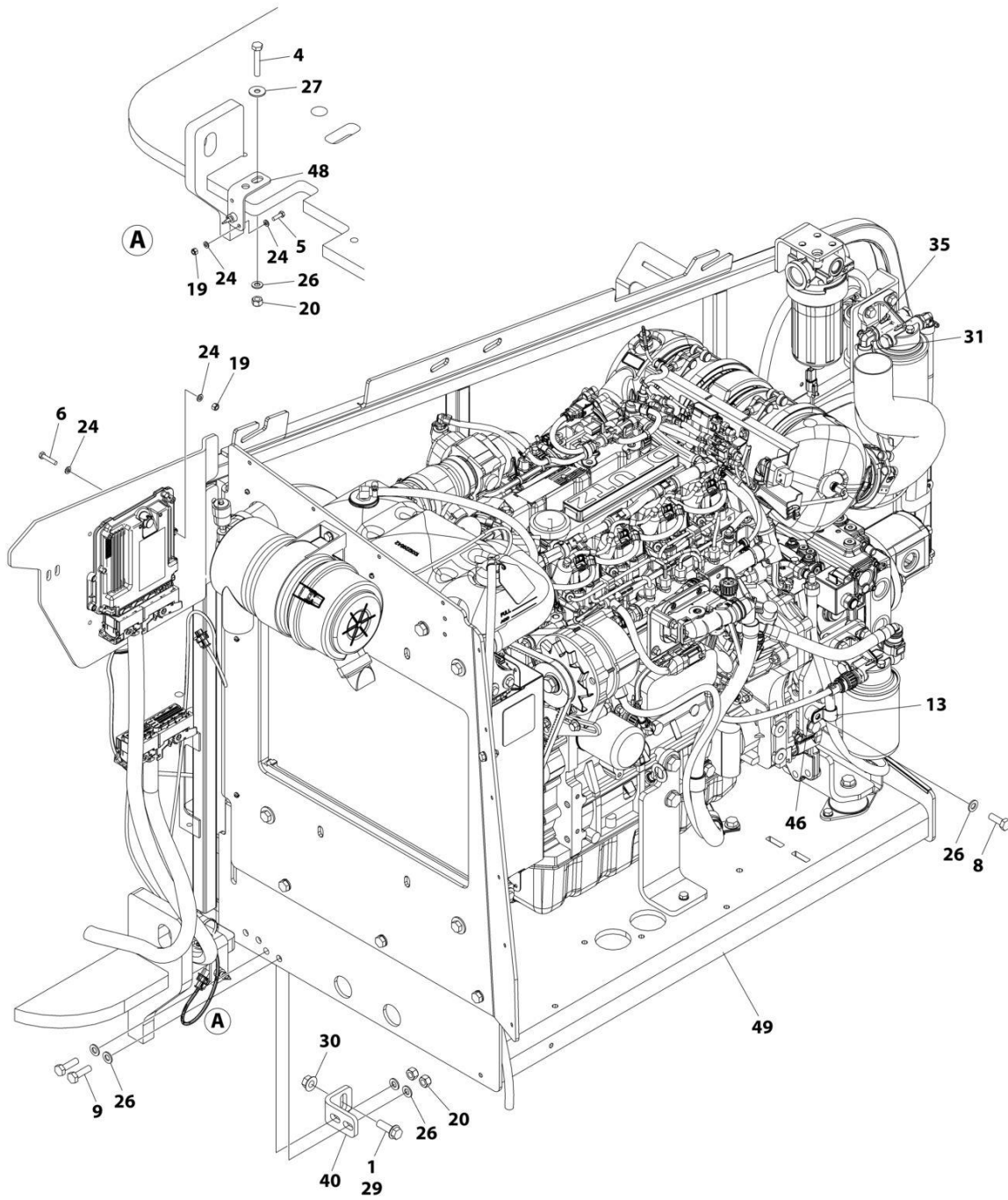
ART_1001300787_1OF3

SECTION 3 - ENGINE



ART_1001300787_2OF3

SECTION 3 - ENGINE



ART_1001300787_30F3

SECTION 3 - ENGINE

FIGURE 3-13. ENGINE INSTALLATION - DEUTZ D2.9L4 ENGINE (STAGE V) (WITH PMP PUMP)

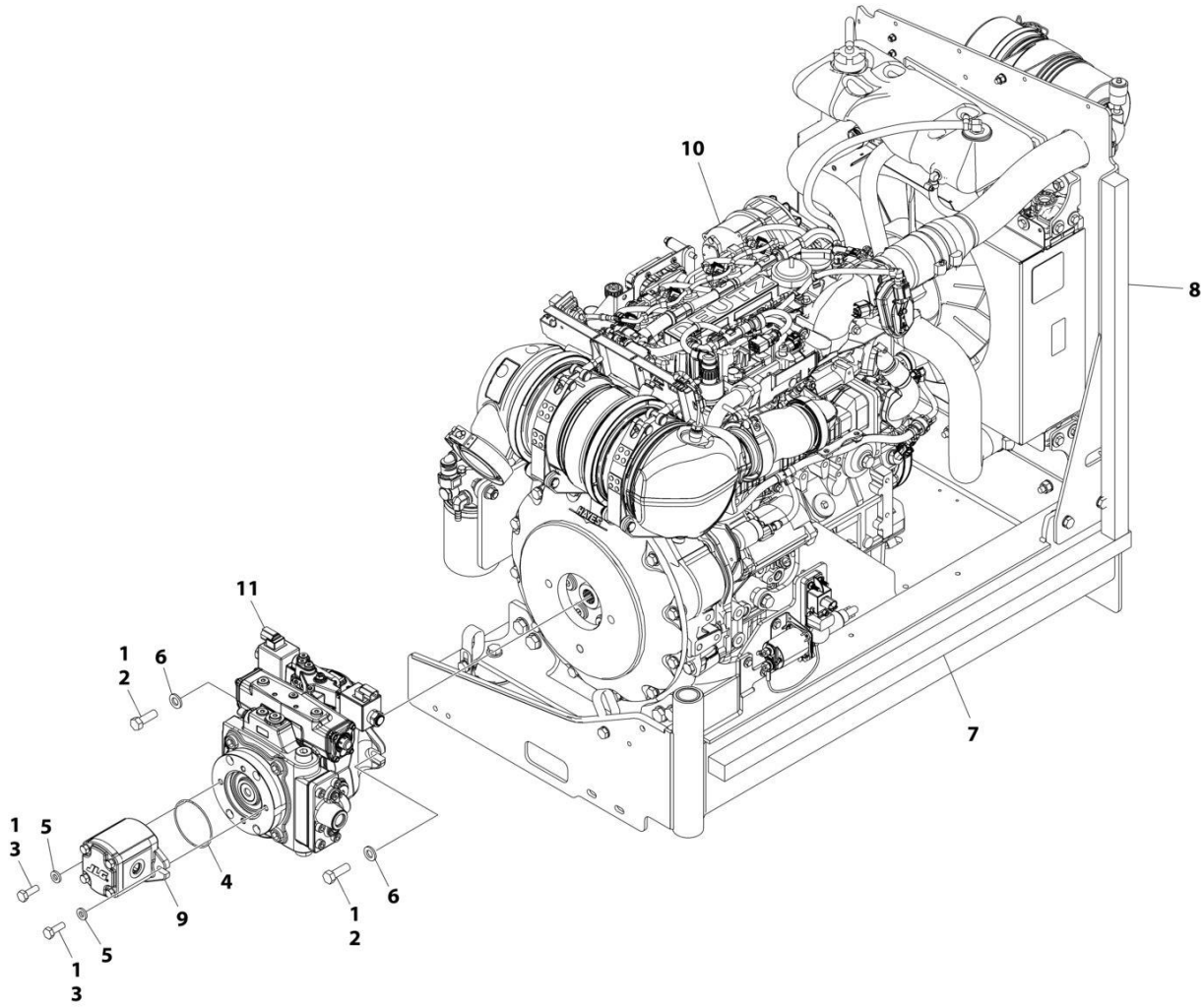
| ITEM | PART NUMBER | QTY | DESCRIPTION | REV |
|------|-------------|------------------|--|-----|
| | 1001300787 | Ref | ENGINE INSTALLATION - DEUTZ D2.9L4 ENGINE (STAGE V) (WITH PMP PUMP) | A |
| 1 | 0100011 | AR | Compound, Locking | |
| 2 | 0100020 | AR | Sealant, Pipe | |
| 3 | 0440162 | 1 | Bearing | |
| 4 | 0701020 | 1 | Bolt M10 x 60 | |
| 5 | 0760610 | 2 | Bolt M6 x 20 | |
| 6 | 0760614 | 4 | Bolt M6 x 30 | |
| 7 | 0760812 | 1 | Bolt M8 x 25 | |
| 8 | 0761014 | 4 | Bolt M10 x 30 | |
| 9 | 0761015 | 5 | Bolt M10 x 35 | |
| 10 | 0771212 | 1 | Bolt M12 x 25 | |
| 11 | 1062255 | AR | Tie-Strap (Not Shown) | |
| 12 | 1320022 | 1 | Clamp | |
| 13 | 1320061 | 1 | Clamp | |
| 14 | 1321716 | 4 | Clamp | |
| 15 | 1701505 | 1 | Decal - Diesel | |
| 16 | 2180832 | 1 | Fitting, Barbed | |
| 17 | 2180876 | 1 | Fitting, NPT/Barbed | |
| 18 | 2720058 | 22 in/ 56 cm | Hose | |
| 19 | 3290605 | 6 | Nut M6 | |
| 20 | 3291005 | 8 | Nut M10 | |
| 21 | 3422532 | 1 | Pin | |
| 22 | 3841143 | 1 | Keeper, Pin | |
| 23 | 4240099 | AR | Tie-Strap (Not Shown) | |
| 24 | 4811700 | 12 | Washer M6 | |
| 25 | 4811900 | 1 | Washer M8 | |
| 26 | 4812000 | 15 | Washer M10 | |
| 27 | 4812002 | 1 | Washer M10 | |
| 28 | 4812100 | 1 | Washer M12 | |
| 29 | 5251215 | 1 | Bolt M12 x 35 | |
| 30 | 5261200 | 1 | Nut M12 | |
| 31 | 8405006 | 6 | Clamp | |
| 32 | 8430007 | AR | Fitting, Barbed | |
| 33 | 1001135196 | 1 | Pin | |
| 34 | 1001139654 | 1 | Decal - Ultra Low Sulfur Diesel | |
| 35 | 1001142501 | 1 | Fitting, 90 Barbed | |
| 36 | 1001154405 | 7.2 ft/ 2.2 m | Hose | |
| 37 | 1001155823 | 1 | Coupling, Quick Disconnect 90 | |
| 38 | 1001156107 | 1 | Holder | |
| 39 | 1001165035 | 17 ft/ 5.2 m | Hose | |
| 40 | 1001167512 | 1 | Bracket | |
| 41 | 1001169823 | 1 | Plate | |
| 42 | 1001171683 | 1 | Cable, Battery (Red) (Battery Positive to Auxiliary Power Relay) | |
| 43 | 1001171684 | 1 | Cable, Battery (Black) (Battery Negative to Auxiliary Power Pump) | |
| 44 | 1001181358 | 1 | Harness, Fuel Pump (See Separate Breakdown in ELECTRICAL Section) | |
| 45 | 1001191832 | 1 | Nut, Rivet M8 | |

SECTION 3 - ENGINE

| ITEM | PART NUMBER | QTY | DESCRIPTION | REV |
|------|-------------|-----|---|-----|
| 46 | 1001220266 | 1 | Spacer | |
| 47 | 1001247440 | 1 | Pipe, Exhaust | |
| 48 | 1001256879 | 1 | Bracket | |
| 49 | 1001300788 | 1 | Engine and Pump Sub-Assembly (See Separate Breakdown in this Section) | |

SECTION 3 - ENGINE

FIGURE 3-14. ENGINE AND PUMP SUB-ASSEMBLY - DEUTZ D2011 ENGINE (STAGE V)



ART_1001300788

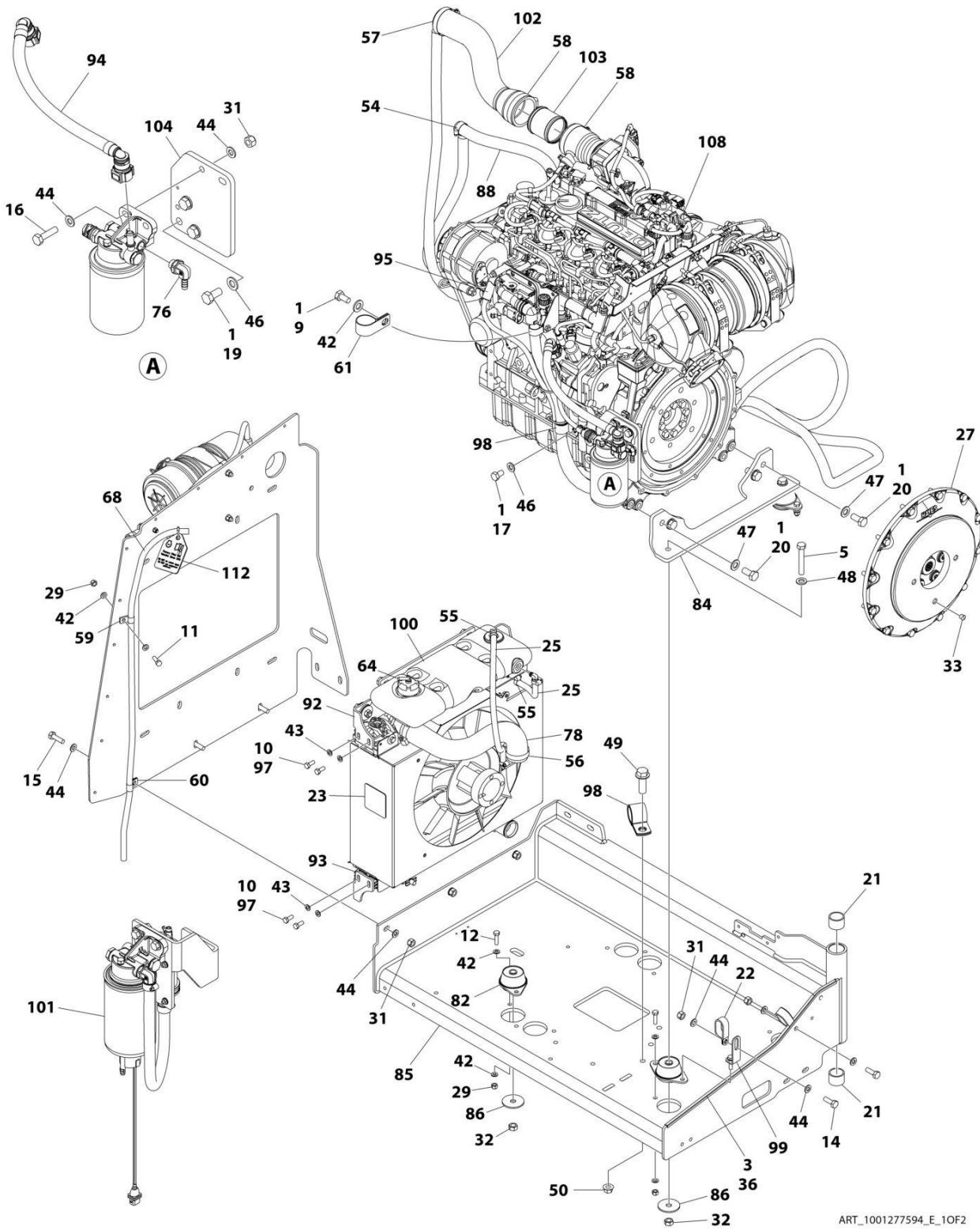
SECTION 3 - ENGINE

FIGURE 3-14. ENGINE AND PUMP SUB-ASSEMBLY - DEUTZ D2011 ENGINE (STAGE V)

| ITEM | PART NUMBER | QTY | DESCRIPTION | REV |
|------|-------------|-----|---|-----|
| | 1001300788 | Ref | ENGINE AND PUMP SUB-ASSEMBLY - DEUTZ D2011 ENGINE (STAGE V) | A |
| 1 | 0100011 | AR | Compound, Locking | |
| 2 | 0641812 | 2 | Bolt 1/2 x 1-1/2 | |
| 3 | 0761014 | 2 | Bolt M10 x 30 | |
| 4 | 3790152 | 1 | O-Ring | |
| 5 | 4891600 | 2 | Washer 3/8 | |
| 6 | 5241200 | 2 | Washer M12 | |
| 7 | 1001171953 | 1 | Seal | |
| 8 | 1001171954 | 1 | Seal | |
| 9 | 1001214207 | 1 | Gear Pump Assembly | |
| 9 | 70006356 | 1 | Seal Kit - 1001214207 Pump | |
| 10 | 1001277594 | 1 | Engine Assembly (STAGE V) Engine (See Separate Breakdown in this Section) | |
| 11 | 1001285632 | 1 | Closed Pump Loop Assembly (See Separate Breakdown in this Section) | |

SECTION 3 - ENGINE

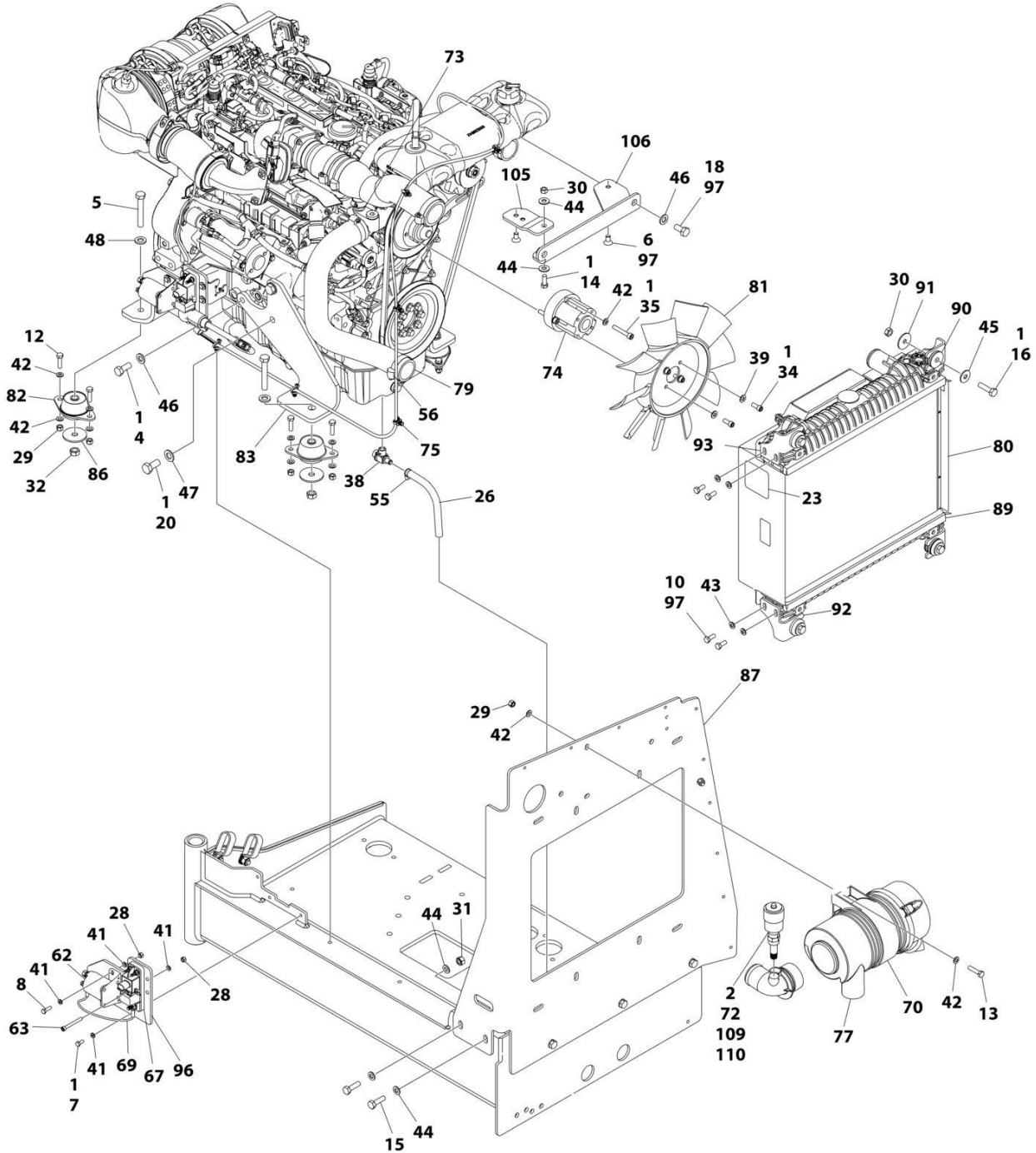
FIGURE 3-15. ENGINE ASSEMBLY - DEUTZ STAGE V ENGINE (CE & UK CA SPECS)



ART_1001277594_E_10F2

SECTION 3 - ENGINE

FIGURE 3-16. ENGINE ASSEMBLY - DEUTZ STAGE V ENGINE (CE & UK CA SPECS)



ART_1001277594_E_20F2

SECTION 3 - ENGINE

FIGURE 3-16. ENGINE ASSEMBLY - DEUTZ STAGE V ENGINE (CE & UK CA SPECS)

| ITEM | PART NUMBER | QTY | DESCRIPTION | REV |
|------|-------------|-----------|--|-----|
| | 1001277594 | Ref | ENGINE ASSEMBLY - DEUTZ D2.9L4 (STAGE V) | E |
| 1 | 0100011 | AR | Compound, Locking | |
| 2 | 0100020 | AR | Sealant, Pipe | |
| 3 | 0100081 | AR | Adhesive | |
| 4 | 0711214 | 1 | Bolt M12 x 30 Class 10.9 | |
| 5 | 0711224 | 3 | Bolt M12 x 80 Class 10.9 | |
| 6 | 0741606 | 2 | Screw 3/8 x 3/4 | |
| 7 | 0760607 | 3 | Bolt M6 x 14 | |
| 8 | 0760610 | 2 | Bolt M6 x 20 | |
| 9 | 0760808 | 1 | Bolt M8 x 16 | |
| 10 | 0760810 | 8 | Bolt M8 x 20 | |
| 11 | 0760812 | 1 | Bolt M8 x 25 | |
| 12 | 0760814 | 6 | Bolt M8 x 30 | |
| 13 | 0760815 | 2 | Bolt M8 x 35 | |
| 14 | 0761014 | 3 | Bolt M10 x 30 | |
| 15 | 0761015 | 5 | Bolt M8 x 35 | |
| 16 | 0761016 | 6 | Bolt M10 x 40 | |
| 17 | 0761210 | 1 | Bolt M12 x 20 | |
| 18 | 0761212 | 2 | Bolt M12 x 25 | |
| 19 | 0771212 | 3 | Bolt M12 x 25 | |
| 20 | 0771414 | 6 | Bolt M14 x 30 Class 10.9 | |
| 21 | 0961951 | 2 | Bushing | |
| 22 | 1321716 | 2 | Clamp | |
| 23 | 1703162 | 2 | Decal - Caution Fan | |
| 25 | 2720015 | 2 ft /1 m | Hose | |
| 26 | 2720340 | 1 ft/1 m | Hose | |
| 27 | 2902065 | 1 | Pump Coupling Kit (See Separate Breakdown in this Section) | |
| 28 | 3290605 | 3 | Nut M6 | |
| 29 | 3290805 | 9 | Nut M8 | |
| 30 | 3291001 | 5 | Nut M10 | |
| 31 | 3291005 | 9 | Nut M10 | |
| 32 | 3331215 | 3 | Nut M12 x 1.75 | |
| 33 | 3520054 | 1 | Plug | |
| 34 | 3931512 | 4 | Capscrew, 5/16 x 3/4 | |
| 35 | 4031914 | 4 | Bolt M8 x 50 | |
| 36 | 4060805 | 3 ft /1 m | Flex-Trim | |
| 37 | 4240099 | AR | Tie-Strap (Not Shown) | |
| 38 | 4640751 | 1 | Valve, Oil Drain | |
| 39 | 4711500 | 4 | Washer 5/16 | |
| 40 | 4811700 | 2 | Washer M6 | |
| 41 | 4811702 | 8 | Washer M6 | |
| 42 | 4811900 | 23 | Washer M8 | |
| 43 | 4811902 | 8 | Washer M8 | |
| 44 | 4812000 | 20 | Washer M10 | |
| 45 | 4812002 | 4 | Washer M10 | |
| 46 | 4812100 | 7 | Washer M12 | |
| 47 | 4812200 | 6 | Washer M14 | |
| 48 | 5241200 | 3 | Washer M12 | |
| 49 | 5251215 | 1 | Bolt M12 x 35 | |
| 50 | 5261200 | 1 | Nut, Flange M12 Class10 | |

SECTION 3 - ENGINE

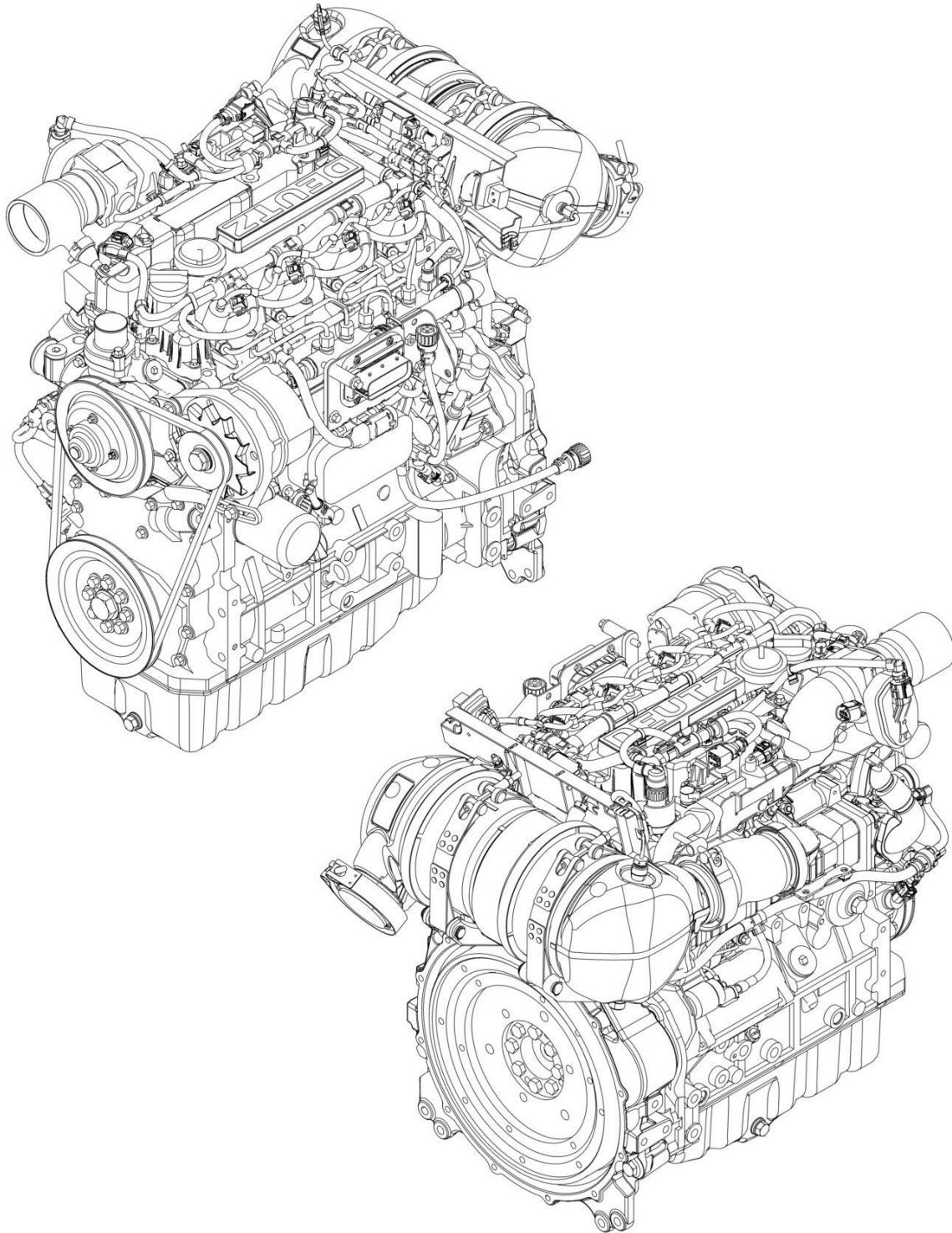
| ITEM | PART NUMBER | QTY | DESCRIPTION | REV |
|------|-------------|----------|--|-----|
| 54 | 8405007 | 2 | Clamp | |
| 55 | 8405009 | 5 | Clamp | |
| 56 | 8405104 | 4 | Clamp | |
| 57 | 8405202 | 1 | Clamp | |
| 58 | 8405204 | 2 | Clamp | |
| 59 | 8406109 | 1 | Clip | |
| 60 | 8406110 | 1 | Clip | |
| 61 | 8406201 | 1 | Clip | |
| 62 | 1001117308 | 1 | Relay, 200Amp | |
| 63 | 1001118878 | 1 | Bolt M6 x 55 | |
| 64 | 1001136834 | 1 | Cap, Tank | |
| 67 | 1001138228 | 1 | Relay, Power Module | |
| 68 | 1001138248 | 4 ft/1 m | Tube | |
| 69 | 1001141304 | 1 | Harness, Glow Plug | |
| 70 | 1001141694 | 1 | Clamp, Air Cleaner | |
| 72 | 1001143390 | 1 | Indicator | |
| 73 | 1001143797 | 1 | Fitting, Barbed | |
| 74 | 1001144116 | 1 | Spacer, Fan | |
| 75 | 1001146588 | AR | Tie-Strap (Not Shown) | |
| 76 | 1001152489 | 1 | Fitting, Barbed 90 | |
| 77 | 1001165388 | 1 | Air Cleaner Assembly | |
| 78 | 1001165405 | 1 | Hose, Upper Radiator | |
| 79 | 1001165406 | 1 | Hose, Lower Radiator | |
| 80 | 1001165722 | 1 | Radiator | |
| 81 | 1001165849 | 1 | Fan | |
| 82 | 1001166718 | 3 | Mount, Motor | |
| 83 | 1001166921 | 1 | Plate, Engine Mount | |
| 84 | 1001166924 | 1 | Plate, Engine Mount | |
| 85 | 1001167520 | 1 | Tray, Engine | |
| 86 | 1001168018 | 3 | Washer, Special | |
| 87 | 1001168026 | 1 | Plate, Radiator Mounting | |
| 88 | 1001168099 | 1 | Hose | |
| 89 | 1001168166 | 2 | Seal | |
| 90 | 1001169054 | 4 | Isolator | |
| 91 | 1001169138 | 4 | Washer, Snubbing | |
| 92 | 1001169967 | 2 | Bracket | |
| 93 | 1001170035 | 2 | Bracket | |
| 94 | 1001177359 | 1 | Hose | |
| 95 | 1001178788 | 1 | Cable, Alternator | |
| 96 | 1001179903 | 1 | Bracket | |
| 97 | 1001180620 | AR | Adhesive | |
| 98 | 1001191620 | 2 | Clamp | |
| 99 | 1001223122 | 1 | Support | |
| 100 | 1001230635 | 1 | Tank, Surge (Includes Items 62, 70, & 73) | |
| 101 | 1001235949 | 1 | Bracket (See Separate Breakdown in this Section) | |
| 102 | 1001236780 | 1 | Hose, Air Intake | |
| 103 | 1001238911 | 1 | Pipe, Air Intake | |
| 104 | 1001258804 | 1 | Mount, Fuel Filter | |
| 105 | 1001260412 | 1 | Bracket | |
| 106 | 1001260420 | 1 | Bracket (note: may require P/N 1001260412) | |
| 107 | 1001276643 | 1 | Harness, Engine (Not Shown - See Separate Breakdown in ELECTRICAL Section) | |

SECTION 3 - ENGINE

| ITEM | PART NUMBER | QTY | DESCRIPTION | REV |
|------|-------------|-----|--|-----|
| 108 | 1001277589 | 1 | Engine, Deutz 2.9L4 (Stage V) (See Separate Breakdown in this Section) | |
| 109 | 2200261 | 1 | Fitting | |
| 110 | 1001277432 | 1 | Spacer | |
| 111 | 4240032 | 1 | Tie-Strap (Not Shown) | |
| 112 | 1001291401 | 1 | Tag, Coolant | |

SECTION 3 - ENGINE

FIGURE 3-17. ENGINE COMPONENTS - DEUTZ D2.9L4 (STAGE V) (CE & UK CA SPECS)



ART_1001277589

SECTION 3 - ENGINE

FIGURE 3-17. ENGINE COMPONENTS - DEUTZ D2.9L4 (STAGE V) (CE & UK CA SPECS)

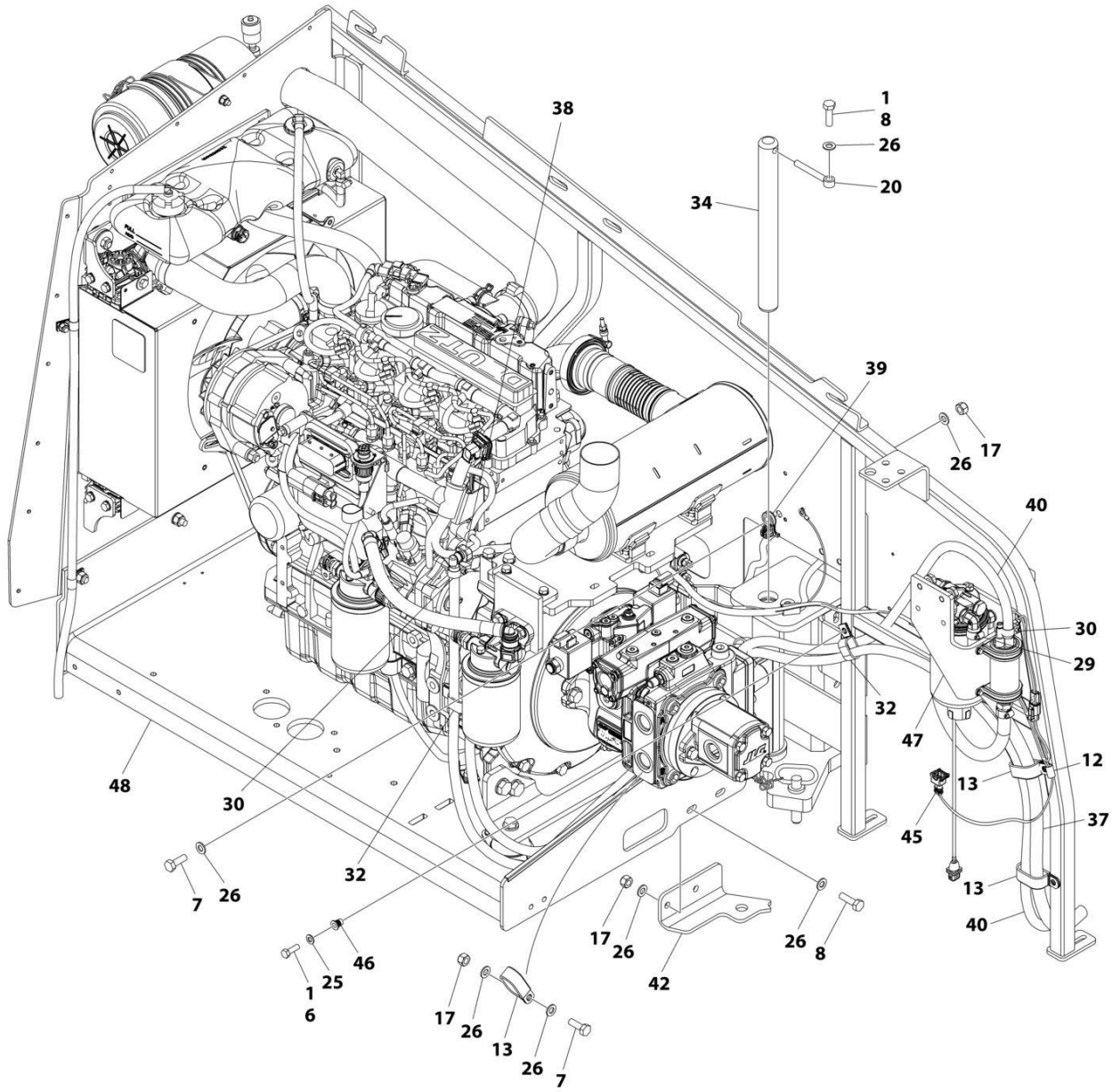
| ITEM | PART NUMBER | QTY | DESCRIPTION | REV |
|------|-------------|-----|--|-----|
| | 1001277589 | Ref | DEUTZ ENGINE COMPONENTS | B |
| | SEE NOTE | 1 | Note: Additional components may be available. Contact JLG Customer Service for more details. | |
| | | Ref | COOLING SYSTEM COMPONENTS | |
| | 70031474 | 1 | Cooler, Oil | |
| | 70031388 | 1 | Seal, Oil Cooler | |
| | 70030360 | 1 | Pump, Coolant (Includes Gaskets & Seals) | |
| | 70031055 | 1 | O-Ring, Coolant Pump | |
| | 70007325 | 1 | Gasket | |
| | 70007603 | 1 | Thermostat | |
| | 70005184 | 1 | O-Ring, Thermostat | |
| | 70005931 | 1 | Gasket, Thermostat | |
| | | Ref | ELECTRICAL SYSTEM COMPONENTS | |
| | 70024513 | 1 | Cable, Primary Fuel Filter Sensor (Includes Seal) | |
| | 70025239 | 1 | Seal | |
| | 70028538 | 1 | Sensor, Fuel Pressure (at Filter) (Includes Seal) | |
| | 70024920 | 1 | Seal | |
| | 70029512 | 1 | Module, ECU/ECM | |
| | 70027405 | 1 | Senor, Exhaust Temperature | |
| | 70031144 | 1 | Starter | |
| | 70008435 | 1 | Generator (includes Regulator) | |
| | 70031143 | 1 | Regulator | |
| | 70000345 | 4 | Plug, Glow | |
| | 70025231 | 1 | Harness, Glow Pug | |
| | 70008553 | 1 | Cable, Interconnect | |
| | 70008558 | 1 | Harness, Engine | |
| | 1001211556 | 1 | Sensor, Temperature (Includes O-Seal) | |
| | 70005507 | 1 | O-Seal | |
| | 70028540 | 1 | Sensor, Temperature (in Cylinder Head) | |
| | 70024504 | 1 | Sensor, Oil Pressure (Side of Block) (Includes Seal) | |
| | 70024920 | 1 | Seal | |
| | 70026210 | 2 | Sensor, Speed (Includes O-Ring/Seal) | |
| | 70005191 | 1 | O-Ring | |
| | 70024917 | 1 | Seal | |
| | 70008559 | 1 | Sensor, Air Pressure (Air Exchange Manifold) (Includes O-Ring) | |
| | 70008561 | 1 | Sensor, Air Pressure (Air Exchange Manifold) (Includes O-Ring) | |
| | 70024505 | 1 | Sender, Exhaust Temperature | |
| | 70029409 | 1 | Sender, Exhaust Temperature | |
| | 70008431 | 1 | Sensor, Exhaust Pressure | |
| | | Ref | EXHAUST SYSTEM COMPONENTS | |
| | 70025130 | 8 | Bolt, Exhaust Manifold | |
| | 70025164 | 1 | Gasket, Exhaust Manifold to Head | |
| | 70005505 | 2 | O-Seal | |
| | 70008543 | 1 | Pipe, Exhaust | |
| | 70008544 | 1 | O-Seal, Exhaust (Venturi Tube to Exhaust Pipe) | |
| | 70008545 | 1 | Gasket, Square Exhaust | |
| | 70005504 | 1 | Sensor, Exhaust Pressure (Includes O-Seals) | |
| | 70031136 | 1 | Gasket, Exhaust (Upper) | |
| | 70007354 | 1 | Gasket, Exhaust (Lower) | |
| | 70008547 | 1 | Module, EGR (Includes Gasket) | |

SECTION 3 - ENGINE

| ITEM | PART NUMBER | QTY | DESCRIPTION | REV |
|------|-------------|-----|---|-----|
| | 70007326 | 1 | Gasket | |
| | 70025242 | 2 | Gasket, Compensator | |
| | 70004504 | 1 | Compensator | |
| | 70008564 | 1 | Catalyst | |
| | | Ref | FUEL SYSTEM COMPONENTS | |
| | 1001225430 | 1 | Filter, Primary Fuel | |
| | 1001225431 | 1 | Filter, Fuel | |
| | 70030381 | 1 | Pump, High Pressure | |
| | 70025152 | 1 | O-Ring (Between Pump AND Spacer) | |
| | 70004505 | 1 | Valve, Overflow (Includes O-Rings) | |
| | 70004506 | 1 | O-Ring | |
| | 70004507 | 1 | O-Ring | |
| | 70004508 | 1 | Valve, Volume Control (Includes O-Ring & Gasket) | |
| | 70004509 | 1 | O-Ring | |
| | 70004510 | 1 | Gasket | |
| | 70004281 | 4 | Injector, Fuel (Includes Sealing Washer & O-Ring) | |
| | 70025140 | 1 | Washer, Sealing | |
| | 70025145 | 1 | O-Rin | |
| | 70008422 | 1 | Pump, Fuel Supply (Includes Clamps) | |
| | 70025144 | 2 | Clamp | |
| | 70008537 | 1 | Valve, Throttle (Includes Gasket) | |
| | 70008538 | 1 | Gasket | |
| | | Ref | GASKETS & SEAL & KITS | |
| | 70024906 | 1 | Gasket, Head | |
| | 70005171 | 1 | Gasket, Valve Cover | |
| | 70002718 | 1 | Seal, Rear Main | |
| | 70028185 | 1 | Gasket, Front Cover | |
| | 70008296 | 1 | Seal, Front Main | |
| | 70025235 | 1 | Kit, Repair - Fuel Rail | |
| | 70005176 | 1 | O-Ring, Charge Exchange Manifold | |
| | 70005177 | 1 | Gasket, Charge Exchange Manifold | |
| | 70005938 | 1 | Gasket Kit | |
| | | Ref | LUBRICATION SYSTEM COMPONENTS | |
| | 7016331 | 1 | Filter, Oil | |
| | 70024904 | 1 | Dipstick (Includes O-Ring) | |
| | 70024905 | 1 | O-Ring, Dipstick | |
| | 7020465 | 2 | Cap, Oil Fill | |
| | 70005941 | 1 | Plug, Oil Drain | |
| | 70005942 | 1 | Washer, Oil Drain Plug | |
| | 70005172 | 1 | Pump, Oil Lube (Includes Gasket & O-Ring) | |
| | | Ref | MECHANICAL COMPONENTS | |
| | 70001870 | 1 | Flywheel (Includes Ring Gear) | |
| | 7024579 | 1 | Gear, Ring | |
| | 70024913 | 1 | V-Belt | |

SECTION 3 - ENGINE

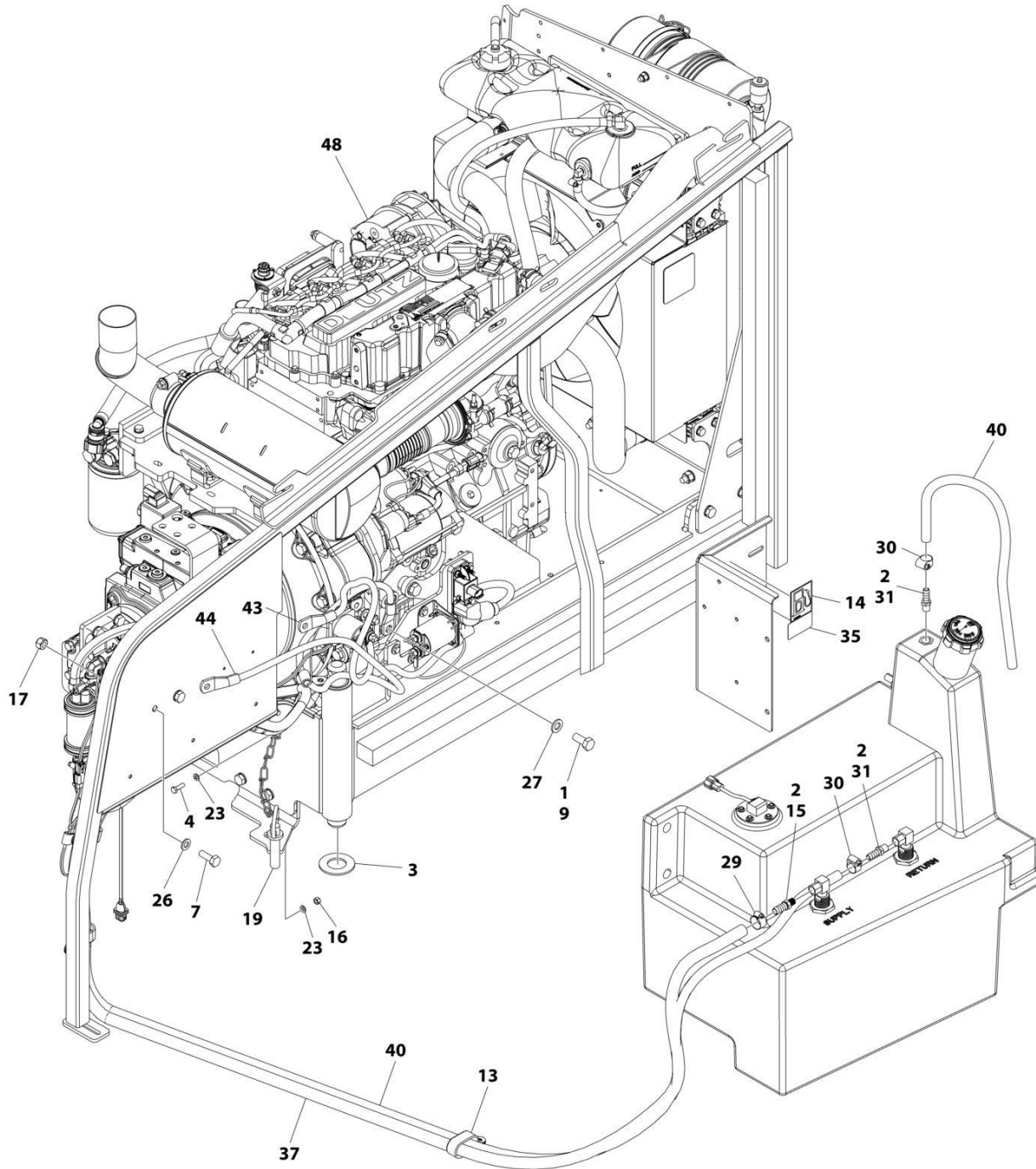
FIGURE 3-18. ENGINE INSTALLATION - DEUTZ D2.9L4 ENGINE (CHINA IV) (WITH PMP PUMP)



ART_1001300789_10F3

SECTION 3 - ENGINE

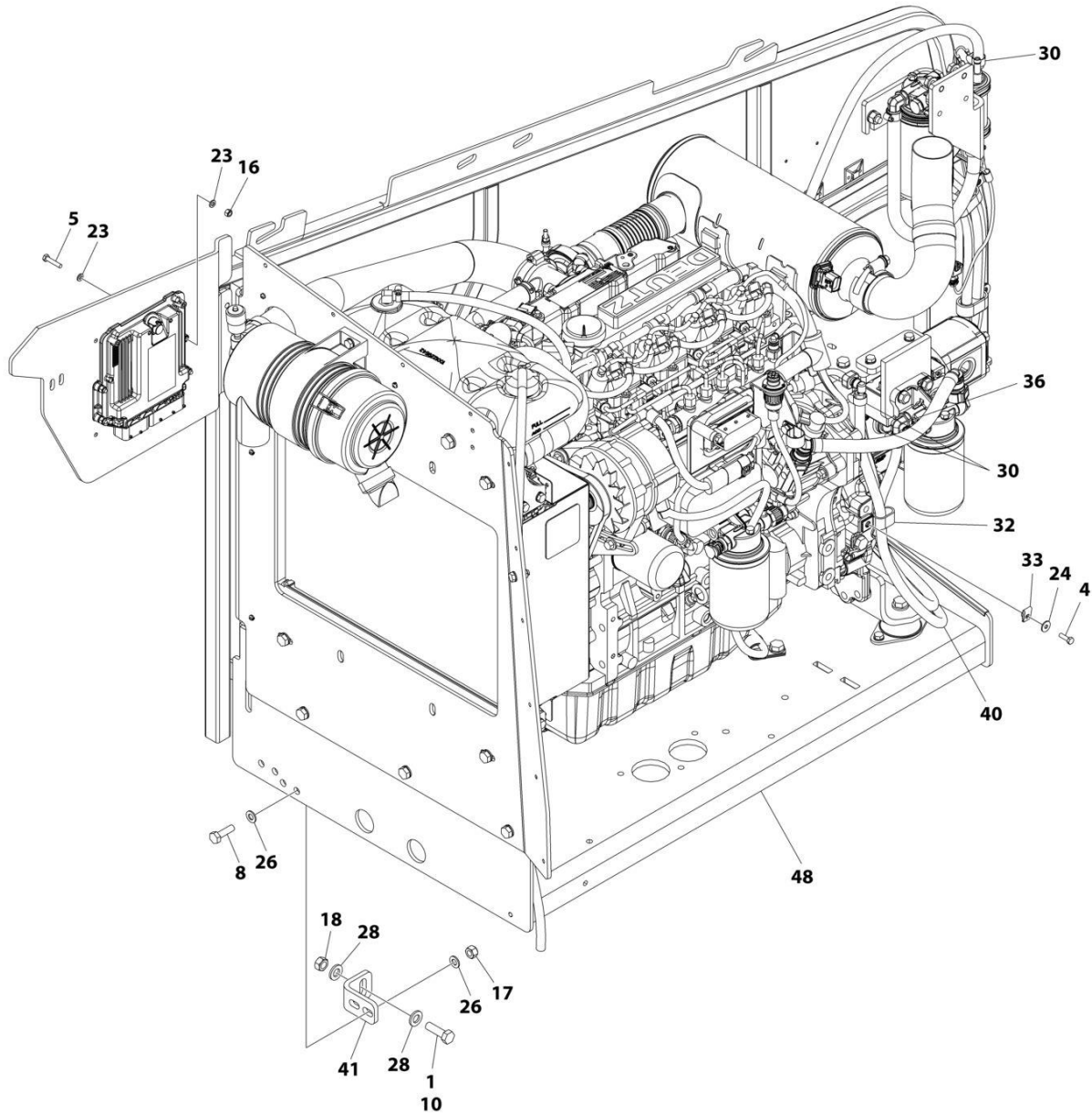
FIGURE 3-19. ENGINE INSTALLATION - DEUTZ D2.9L4 ENGINE (CHINA IV) (WITH PMP PUMP)



ART_1001300789_2OF3

SECTION 3 - ENGINE

FIGURE 3-20. ENGINE INSTALLATION - DEUTZ D2.9L4 ENGINE (CHINA IV) (WITH PMP PUMP)



ART_1001300789_3OF3

SECTION 3 - ENGINE

FIGURE 3-20. ENGINE INSTALLATION - DEUTZ D2.9L4 ENGINE (CHINA IV) (WITH PMP PUMP)

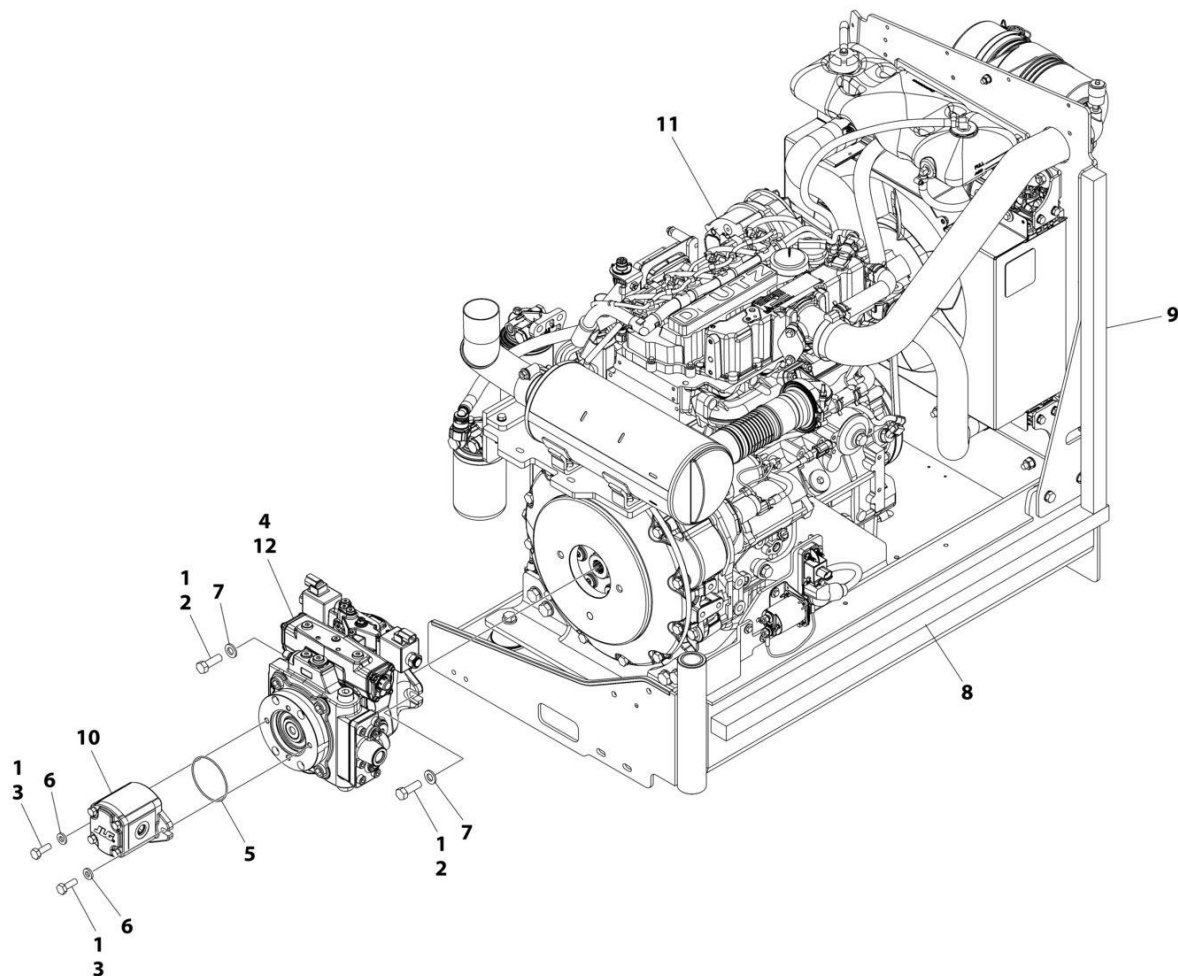
| ITEM | PART NUMBER | QTY | DESCRIPTION | REV |
|------|-------------|-------------------|---|-----|
| | 1001300789 | Ref | ENGINE INSTALLATION - DEUTZ D2.9L4 ENGINE (CHINA IV) (WITH PMP PUMP) | A |
| 1 | 0100011 | AR | Compound, Locking | |
| 2 | 0100020 | AR | Sealant, Pipe | |
| 3 | 0440162 | 1 | Bearing | |
| 4 | 0760610 | 2 | Bolt M6 x 20 | |
| 5 | 0760614 | 4 | Bolt M6 x 30 | |
| 6 | 0760812 | 1 | Bolt M8 x 25 | |
| 7 | 0761014 | 5 | Bolt M10 x 30 | |
| 8 | 0761015 | 5 | Bolt M10 x 35 | |
| 9 | 0761210 | 1 | Bolt M12 x 20 | |
| 10 | 0761216 | 1 | Bolt M12 x 40 | |
| 11 | 1062255 | AR | Tie-Strap (Not Shown) | |
| 12 | 1320263 | 1 | Clamp | |
| 13 | 1321716 | 5 | Clamp | |
| 14 | 1701505 | 1 | Decal - Diesel | |
| 15 | 2180832 | 1 | Fitting, Barbed | |
| 16 | 3290605 | 5 | Nut M6 | |
| 17 | 3291005 | 9 | Nut M10 | |
| 18 | 3331215 | 1 | Nut M12 | |
| 19 | 3422532 | 1 | Pin | |
| 20 | 3841143 | 1 | Keeper, Pin | |
| 21 | 4240099 | AR | Tie-Strap (Not Shown) | |
| 22 | 4460488 | 2 | Terminal (Not shown) | |
| 23 | 4811700 | 10 | Washer M6 | |
| 24 | 4811702 | 1 | Washer M6 | |
| 25 | 4811900 | 1 | Washer M8 | |
| 26 | 4812000 | 19 | Washer M10 | |
| 27 | 4812100 | 1 | Washer M12 | |
| 28 | 5241200 | 2 | Washer M12 | |
| 29 | 8405006 | 2 | Clamp | |
| 30 | 8410013 | 5 | Clamp | |
| 31 | 8430007 | 2 | Fitting, Barbed | |
| 32 | 1001026127 | 2 | Clamp | |
| 33 | 1001130220 | 1 | Nut, Tinnerman M6 | |
| 34 | 1001135196 | 1 | Pin | |
| 35 | 1001139654 | 1 | Decal - Ultra Low Sulphur Fuel | |
| 36 | 1001152489 | 1 | Fitting, 90 Barbed | |
| 37 | 1001154405 | 7.4 ft/ 2.3 m | Hose | |
| 38 | 1001155823 | 1 | Coupling, Quick Disconnect 90 | |
| 39 | 1001156107 | 1 | Holder, Cable | |
| 40 | 1001165035 | 20.5 ft/ 6.3 m | Hose | |
| 41 | 1001167512 | 1 | Bracket | |
| 42 | 1001169823 | 1 | Plate | |
| 43 | 1001171683 | 1 | Cable, Battery (Red) (Battery Positive to Auxiliary Power Relay) | |
| 44 | 1001171684 | 1 | Cable, Battery (Black) (Battery Negative to Auxiliary Power Pump) | |
| 45 | 1001181358 | 1 | Harness, Fuel Pump (See Separate Breakdown in ELECTRICAL Section) | |

SECTION 3 - ENGINE

| ITEM | PART NUMBER | QTY | DESCRIPTION | REV |
|------|-------------|-----|---|-----|
| 46 | 1001191832 | 1 | Nut, Rivet M8 | |
| 47 | 1001258385 | 1 | Fuel Filter (See Separate Breakdown in this section) | |
| 48 | 1001300790 | 1 | Engine and Pump Sub-Assembly (See Separate Breakdown in this Section) | |

SECTION 3 - ENGINE

FIGURE 3-21. ENGINE AND PUMP SUB-ASSEMBLY - DEUTZ D2.9L4 ENGINE (CHINA IV)



ART_1001300790

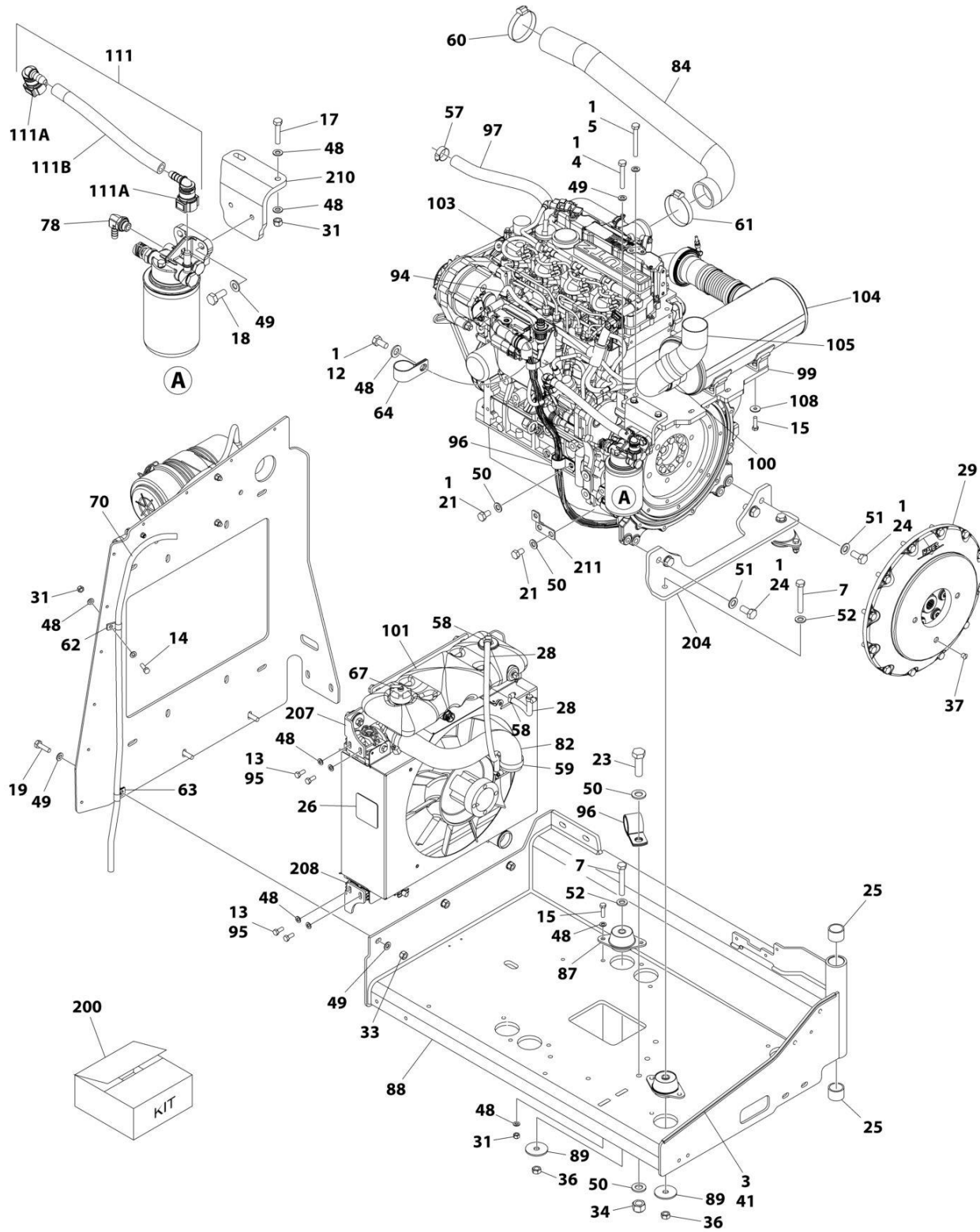
SECTION 3 - ENGINE

FIGURE 3-21. ENGINE AND PUMP SUB-ASSEMBLY - DEUTZ D2.9L4 ENGINE (CHINA IV)

| ITEM | PART NUMBER | QTY | DESCRIPTION | REV |
|------|-------------|-----|--|-----|
| | 1001300790 | Ref | ENGINE AND PUMP SUB-ASSEMBLY - DEUTZ D2.9L4 ENGINE (CHINA IV) | A |
| 1 | 0100011 | AR | Compound, Locking | |
| 2 | 0641812 | 2 | Bolt 1/2 x 1-1/2 | |
| 3 | 0761014 | 2 | Bolt M10 x 30 | |
| 4 | 3020037 | AR | Grease | |
| 5 | 3790152 | 1 | O-Ring | |
| 6 | 4891600 | 2 | Washer 3/8 | |
| 7 | 5241200 | 2 | Washer M12 | |
| 8 | 1001171953 | 1 | Seal | |
| 9 | 1001171954 | 1 | Seal | |
| 10 | 1001214207 | 1 | Gear Pump Assembly | |
| 10 | 70006356 | 1 | Seal Kit - 1001214207 Pump | |
| 11 | 1001258337 | 1 | Engine Assembly (China IV) Engine (See Separate Breakdown in this Section) | |
| 12 | 1001285632 | 1 | Closed Pump Loop Assembly (See Separate Breakdown in this Section) | |

SECTION 3 - ENGINE

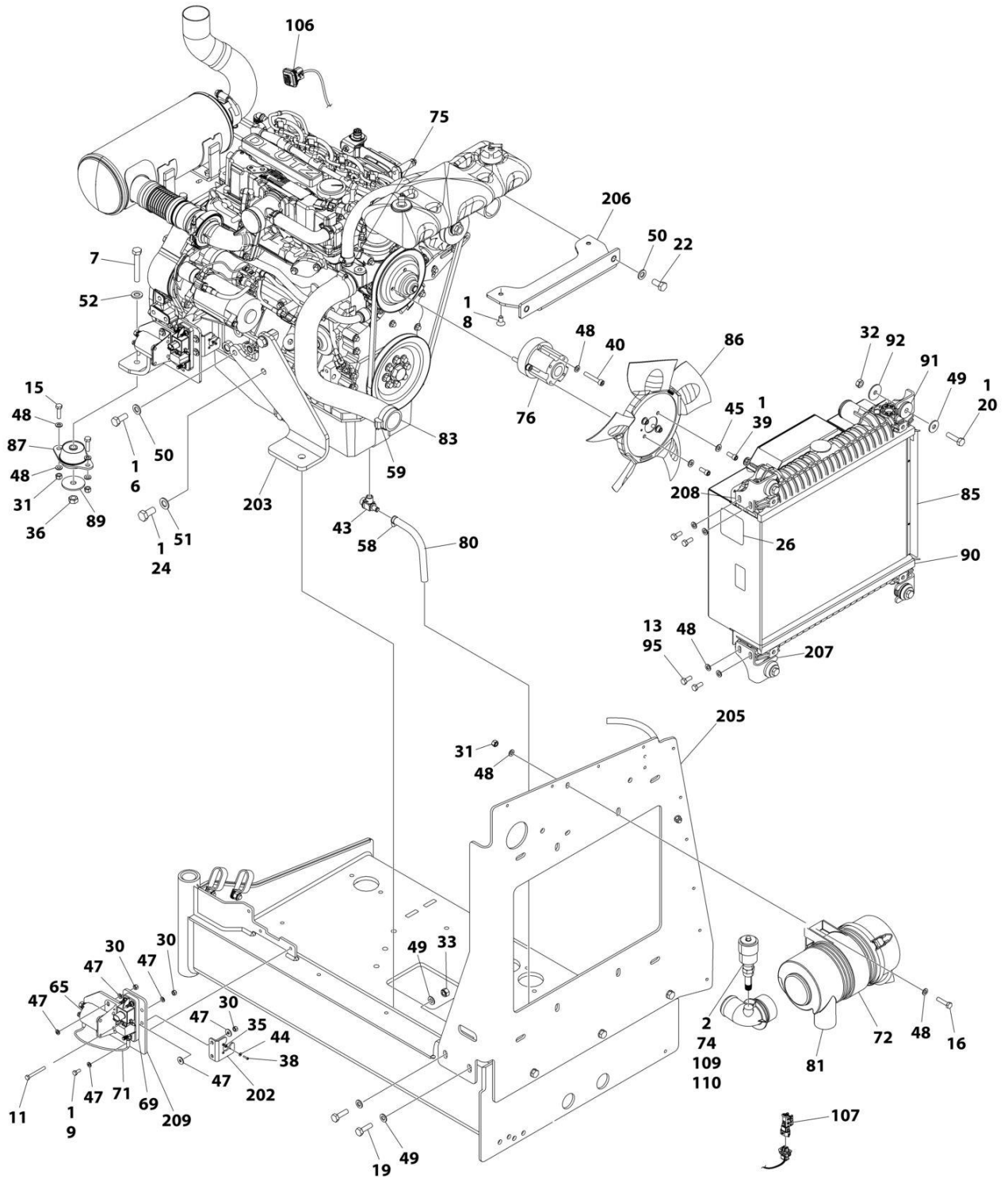
FIGURE 3-22. ENGINE ASSEMBLY - DEUTZ D2.9L4 (CHINA IV)



ART_1001258337_F_10F2

SECTION 3 - ENGINE

FIGURE 3-23. ENGINE ASSEMBLY - DEUTZ D2.9L4 (CHINA IV)



ART_1001258337_F_20F2

SECTION 3 - ENGINE

FIGURE 3-23. ENGINE ASSEMBLY - DEUTZ D2.9L4 (CHINA IV)

| ITEM | PART NUMBER | QTY | DESCRIPTION | REV |
|------|-------------|-------------------|--|-----|
| | 1001258337 | Ref | ENGINE ASSEMBLY - DEUTZ D2.9L4 (CHINA IV) | F |
| 1 | 0100011 | AR | Compound, Locking | |
| 2 | 0100020 | AR | Sealant, Pipe | |
| 3 | 0100081 | AR | Adhesive | |
| 4 | 0701022 | 2 | Bolt M10 x 70 | |
| 5 | 0701025 | 2 | Bolt M10 x 85 | |
| 6 | 0711214 | 1 | Bolt M12 x 30 Class 10.9 | |
| 7 | 0711224 | 3 | Bolt M12 x 80 Class 10.9 | |
| 8 | 0741606 | 2 | Screw 3/8 x 3/4 | |
| 9 | 0760607 | 3 | Bolt M6 x 14 | |
| 10 | 0760610 | 4 | Bolt M6 x 20 | |
| 11 | 0760619 | 1 | Bolt M6 x 55 | |
| 12 | 0760808 | 1 | Bolt M8 x 16 | |
| 13 | 0760810 | 8 | Bolt M8 x 20 | |
| 14 | 0760812 | 1 | Bolt M8 x 25 | |
| 15 | 0760814 | 10 | Bolt M8 x 30 | |
| 16 | 0760815 | 2 | Bolt M8 x 35 | |
| 17 | 0760816 | 2 | Bolt M8 x 40 | |
| 18 | 0761012 | 2 | Bolt M10 x 25 | |
| 19 | 0761015 | 5 | Bolt M8 x 35 | |
| 20 | 0761016 | 4 | Bolt M10 x 40 | |
| 21 | 0761210 | 3 | Bolt M12 x 20 | |
| 22 | 0761212 | 2 | Bolt M12 x 25 | |
| 23 | 0761216 | 1 | Bolt M12 x 40 | |
| 24 | 0771414 | 6 | Bolt M14 x 30 Class 10.9 | |
| 25 | 0961951 | 2 | Bushing | |
| 26 | 1703162 | 2 | Decal - Caution Fan | |
| 28 | 2720015 | 2.17 ft /0.64m | Hose | |
| 29 | 2902065 | 1 | Pump Coupling Kit (See Separate Breakdown in this Section) | |
| 30 | 3290605 | 5 | Nut, Lock M6 | |
| 31 | 3290805 | 11 | Nut, Lock M8 | |
| 32 | 3291001 | 4 | Nut M10 | |
| 33 | 3291005 | 5 | Nut, Lock M10 | |
| 34 | 3291205 | 1 | Nut, Lock M12 | |
| 35 | 3310401 | 4 | Nut #4 | |
| 36 | 3331215 | 3 | Nut M12 x 1.75 | |
| 37 | 3520054 | 1 | Plug | |
| 38 | 3910408 | 3 | Screw #4 x 1/2 | |
| 39 | 3931512 | 4 | Capscrew 5/16 x 3/4 | |
| 40 | 4031914 | 4 | Bolt M8 x 50 | |
| 41 | 4060805 | 2.02 ft /0.62m | Flex-Trim | |
| 42 | 4240099 | AR | Tie-Strap (Not Shown) | |
| 43 | 4640751 | 1 | Valve, Oil Drain | |
| 44 | 4710400 | 3 | Washer #4 | |
| 45 | 4711500 | 4 | Washer 5/16 | |
| 46 | 4811700 | 1 | Washer M6 | |
| 47 | 4811702 | 12 | Washer M6 | |
| 48 | 4811900 | 35 | Washer M8 | |

SECTION 3 - ENGINE

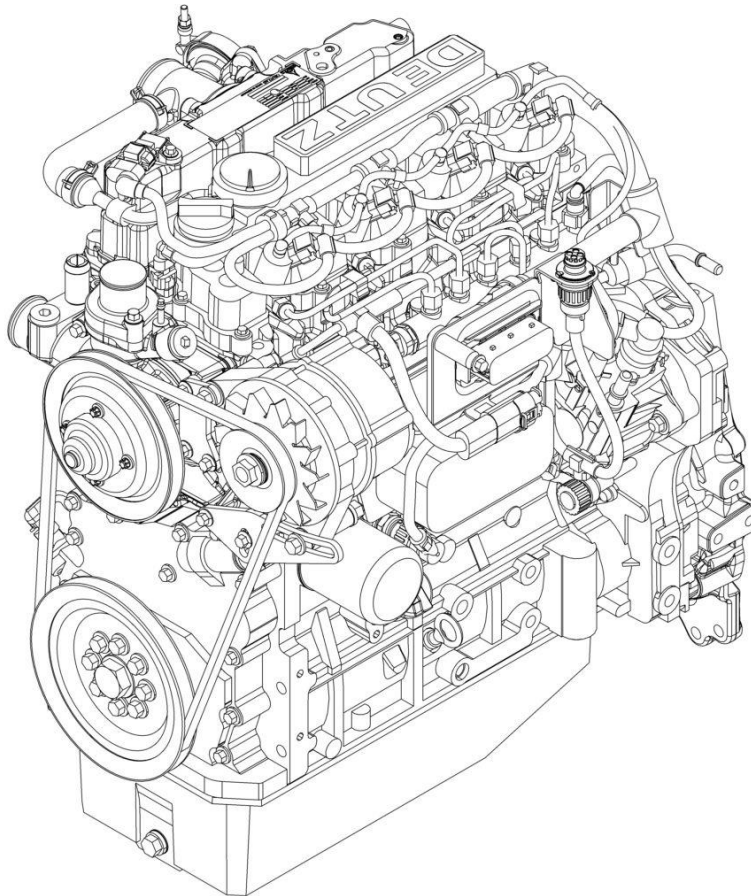
| ITEM | PART NUMBER | QTY | DESCRIPTION | REV |
|------|-------------|------------------|--|-----|
| 49 | 4812000 | 20 | Washer M10 | |
| 50 | 4812100 | 8 | Washer M12 | |
| 51 | 4812200 | 6 | Washer M14 | |
| 52 | 5241200 | 3 | Washer M12 | |
| 57 | 8405007 | 2 | Clamp | |
| 58 | 8405009 | 5 | Clamp | |
| 59 | 8405104 | 4 | Clamp | |
| 60 | 8405202 | 1 | Clamp | |
| 61 | 8405204 | 1 | Clamp | |
| 62 | 8406109 | 1 | Clip | |
| 63 | 8406110 | 1 | Clip | |
| 64 | 8406201 | 1 | Clip | |
| 65 | 1001117308 | 1 | Relay, 200Amp | |
| 67 | 1001136834 | 1 | Cap, Tank | |
| 69 | 1001138228 | 1 | Relay, Power Module | |
| 70 | 1001138248 | 3.5 ft /1.1m | Tube | |
| 71 | 1001141304 | 1 | Harness, Glow Plug | |
| 72 | 1001141694 | 1 | Clamp, Air Cleaner | |
| 74 | 1001143390 | 1 | Indicator | |
| 75 | 1001143797 | 1 | Fitting, Barbed | |
| 76 | 1001286568 | 1 | Spacer Fan | |
| 77 | 1001146588 | AR | Tie-Strap (Not Shown) | |
| 78 | 1001152489 | 1 | Fitting, Barbed 90 | |
| 80 | 1001165035 | 7.09 in /18cm | Hose, Fuel | |
| 81 | 1001165388 | 1 | Air Cleaner Assembly | |
| 81 | 70003783 | 1 | Element, Air Cleaner | |
| 82 | 1001165405 | 1 | Hose, Upper Radiator | |
| 83 | 1001165406 | 1 | Hose, Lower Radiator | |
| 84 | 1001165721 | 1 | Hose, Air Intake | |
| 85 | 1001287643 | 1 | Radiator | |
| 86 | 1001288266 | 1 | Fan | |
| 87 | 1001166718 | 3 | Mount, Motor | |
| 88 | 1001167520 | 1 | Tray, Engine | |
| 89 | 1001168018 | 3 | Washer, Special | |
| 90 | 1001168166 | 2 | Seal | |
| 91 | 1001169054 | 4 | Isolator | |
| 92 | 1001169138 | 4 | Washer, Snubbing | |
| 94 | 1001178788 | 1 | Cable, Alternator | |
| 95 | 1001180620 | AR | Adhesive | |
| 96 | 1001191620 | 2 | Clamp | |
| 97 | 1001193049 | 1.31 ft /.40m | Hose, Coolant | |
| 99 | 1001221203 | 1 | Bracket | |
| 100 | 1001221212 | 1 | Clamp | |
| 101 | 1001230635 | 1 | Tank, Surge | |
| 102 | 1001290660 | 1 | Harness, Engine (Not Shown - See Separate Breakdown in ELECTRICAL Section) | |
| 103 | 1001258112 | 1 | Engine, Deutz 2.9L4 (China IV) (See Separate Breakdown in this Section) | |
| 104 | 1001280270 | 1 | Muffler | |

SECTION 3 - ENGINE

| ITEM | PART NUMBER | QTY | DESCRIPTION | REV |
|------|-------------|-----|--------------------|-----|
| 104 | 1001299212 | 1 | Muffler | |
| 105 | 1001260575 | 1 | Pipe, Exhaust | |
| 106 | 1001281985 | 1 | Connector | |
| 107 | 1001281986 | 1 | Connector | |
| 108 | 4811902 | 4 | Washer M8 | |
| 109 | 2200261 | 1 | Fitting | |
| 110 | 1001277432 | 1 | Spacer | |
| 111 | 1001177359 | 1 | Fuel Hose Assembly | |
| 111A | 1001170982 | 1 | Adapter | |
| 111B | 1001192294 | 1 | Hose, Fuel | |
| 200 | 1001258629 | 1 | Kit, Engine Parts | |
| 202 | 1001139240 | 1 | Bracket | |
| 203 | 1001166921 | 1 | Plate | |
| 204 | 1001166924 | 1 | Plate | |
| 205 | 1001168026 | 1 | Plate | |
| 206 | 1001168950 | 1 | Bracket | |
| 207 | 1001169967 | 2 | Bracket | |
| 208 | 1001170035 | 2 | Bracket | |
| 209 | 1001179903 | 1 | Bracket | |
| 210 | 1001288366 | 1 | Bracket | |
| 211 | 1001258502 | 1 | Bracket | |

SECTION 3 - ENGINE

FIGURE 3-24. DEUTZ D2.9L4 ENGINE COMPONENTS (CHINA IV)



ART_1001258112

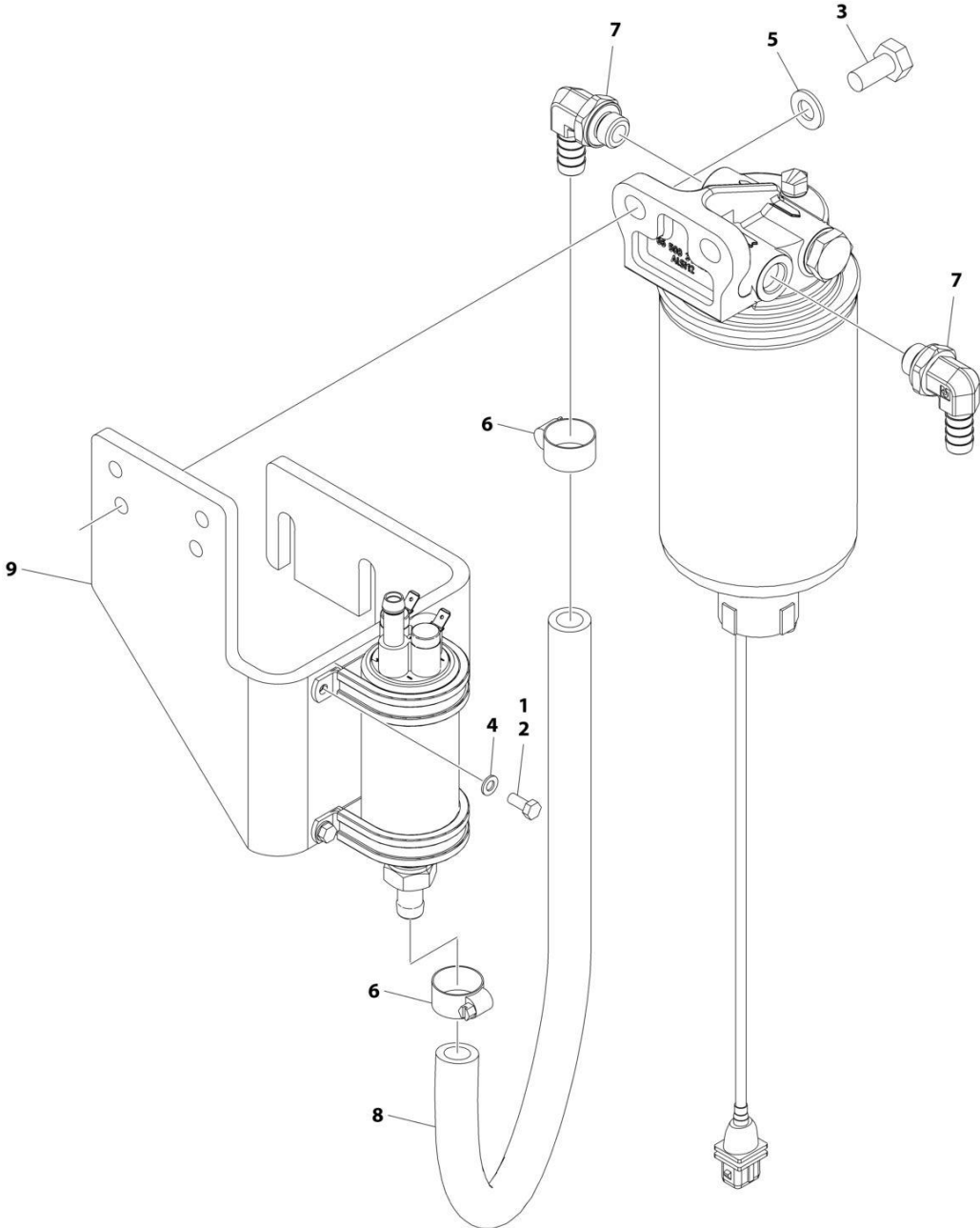
SECTION 3 - ENGINE

FIGURE 3-24. DEUTZ D2.9L4 ENGINE COMPONENTS (CHINA IV)

| ITEM | PART NUMBER | QTY | DESCRIPTION | REV |
|------|-------------|-----|---|-----|
| | 1001258112 | Ref | DEUTZ D2.9L4 ENGINE COMPONENTS | B |
| | See Note | Ref | Note: No Service Parts Available at Time of Printing. | |

SECTION 3 - ENGINE

FIGURE 3-25. BRACKET ASSEMBLY - FUEL PUMP AND FILTER (DEUTZ D2.9L4 CHINA IV ENGINE)



ART_1001258385

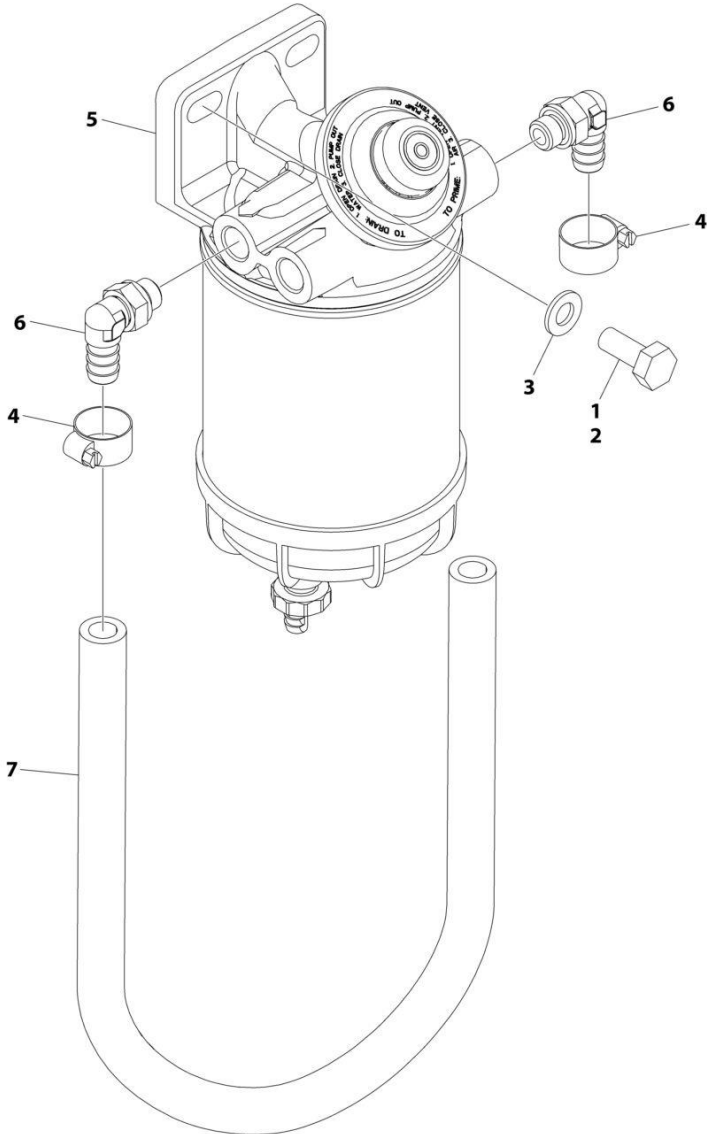
SECTION 3 - ENGINE

FIGURE 3-25. BRACKET ASSEMBLY - FUEL PUMP AND FILTER (DEUTZ D2.9L4 CHINA IV ENGINE)

| ITEM | PART NUMBER | QTY | DESCRIPTION | REV |
|------|-------------|------------------|--|-----|
| | 1001258385 | Ref | BRACKET ASSEMBLY - FUEL PUMP AND FILTER (DEUTZ D2.9L4 CHINA IV ENGINE) | B |
| 1 | 0100011 | AR | Compound, Locking | |
| 2 | 0760506 | 4 | Bolt M5 x 12 | |
| 3 | 0761011 | 2 | Bolt M10 x 22 | |
| 4 | 4811600 | 4 | Washer M5 | |
| 5 | 4812000 | 2 | Washer M10 | |
| 6 | 8405006 | 2 | Clamp | |
| 7 | 1001142501 | 2 | Fitting, Elbow Barbed | |
| 8 | 1001154405 | 1.64 ft /.50m | Hose | |
| 9 | 1001298141 | 1 | Bracket | |

SECTION 3 - ENGINE

FIGURE 3-26. FUEL/WATER SEPARATOR ASSEMBLY



ART_1001258406

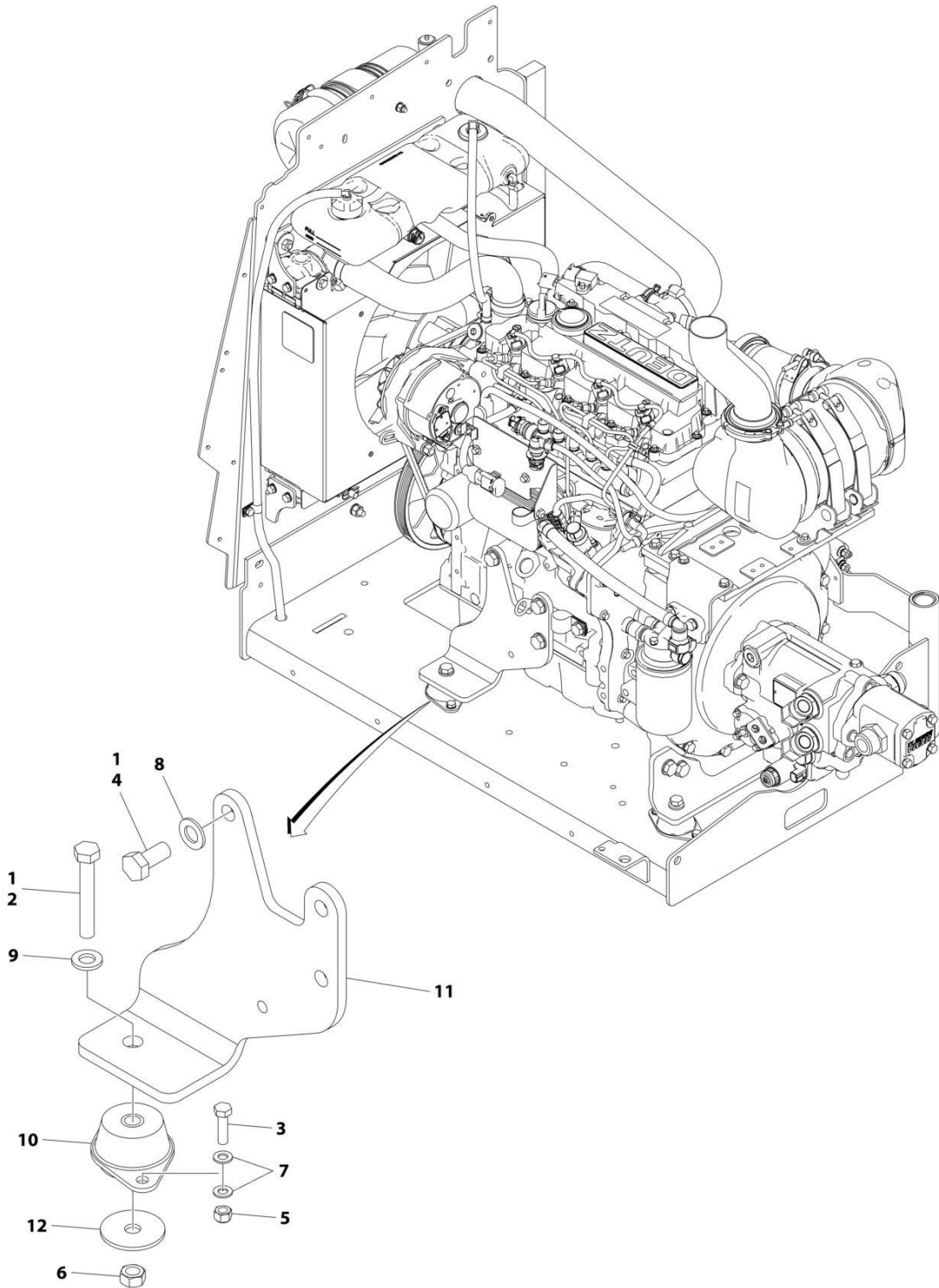
SECTION 3 - ENGINE

FIGURE 3-26. FUEL/WATER SEPARATOR ASSEMBLY

| ITEM | PART NUMBER | QTY | DESCRIPTION | REV |
|------|-------------|-----------------|-------------------------------|-----|
| | 1001258406 | Ref | FUEL/WATER SEPARATOR ASSEMBLY | A |
| 1 | 0100011 | AR | Compound, Locking | |
| 2 | 0761012 | 2 | Bolt M10 x 25 | |
| 3 | 4812000 | 2 | Washer M10 | |
| 4 | 8405006 | 2 | Clamp | |
| 5 | 1001149452 | 1 | Filter, Water Separator | |
| 6 | 1001258505 | 2 | Fitting, Barbed | |
| 7 | 1001154405 | 2.13 ft/.65m | Hose | |

SECTION 3 - ENGINE

FIGURE 3-27. MOTOR MOUNT INSTALLATION (STAGE V ENGINES WITHOUT GENERATOR)



ART_1001244024

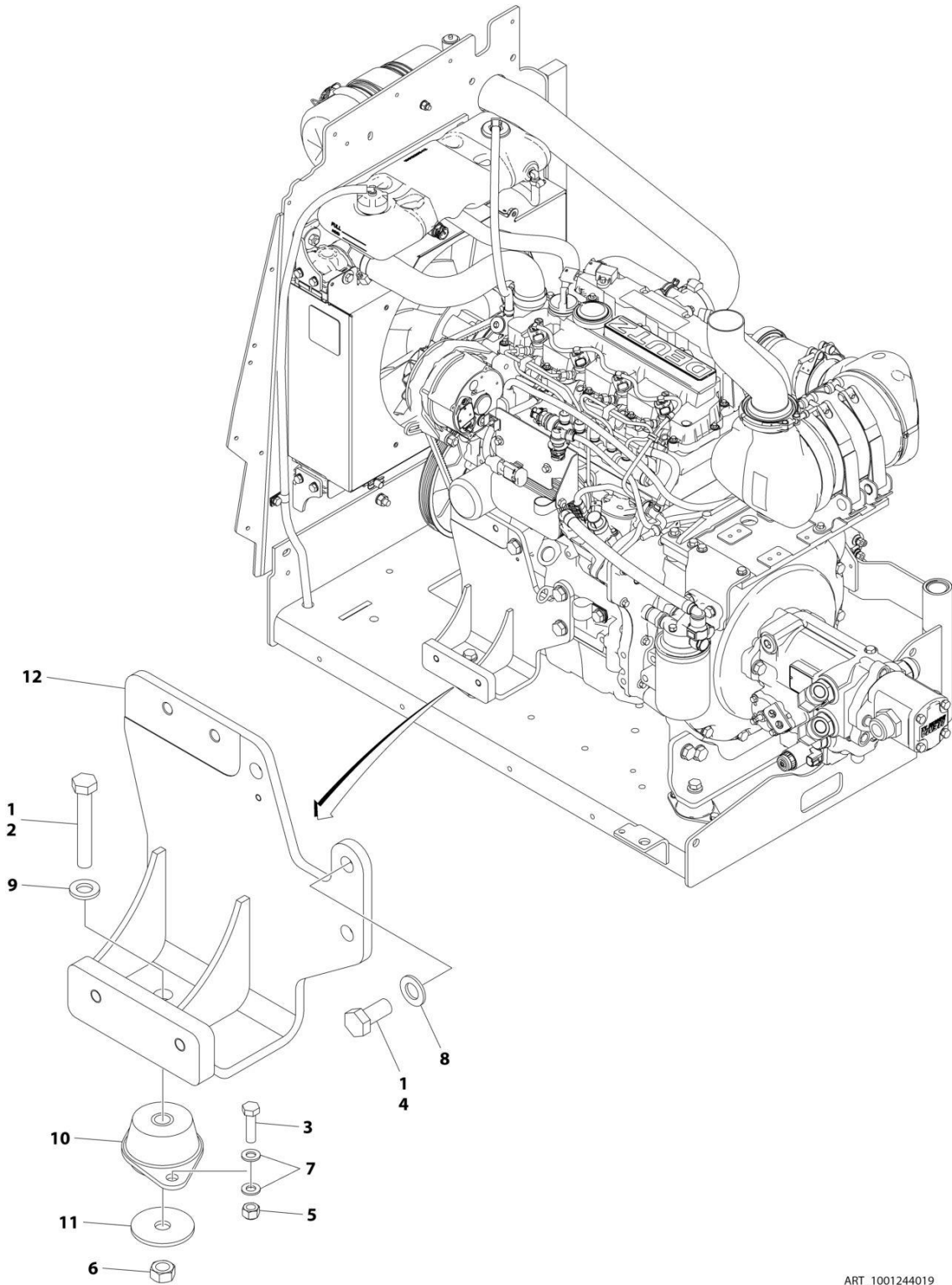
SECTION 3 - ENGINE

FIGURE 3-27. MOTOR MOUNT INSTALLATION (STAGE V ENGINES WITHOUT GENERATOR)

| ITEM | PART NUMBER | QTY | DESCRIPTION | REV |
|------|-------------|-----|--------------------------|-----|
| | 1001244024 | Ref | MOTOR MOUNT INSTALLATION | A |
| 1 | 0100011 | AR | Compound, Locking | |
| 2 | 0711224 | 1 | Bolt M12 x 80 | |
| 3 | 0760814 | 2 | Bolt M8 x 30 | |
| 4 | 0771414 | 3 | Bolt M14 x 30 | |
| 5 | 3290805 | 2 | Nut M8 | |
| 6 | 3331211 | 1 | Nut M12 | |
| 7 | 4811900 | 4 | Washer M8 | |
| 8 | 4812200 | 3 | Washer M14 | |
| 9 | 5241200 | 1 | Washer M12 | |
| 10 | 1001166718 | 1 | Mount, Motor | |
| 11 | 1001166922 | 1 | Mount | |
| 12 | 1001168018 | 1 | Washer | |

SECTION 3 - ENGINE

FIGURE 3-28. MOTOR MOUNT INSTALLATION (STAGE V ENGINES WITH GENERATOR)



ART_1001244019

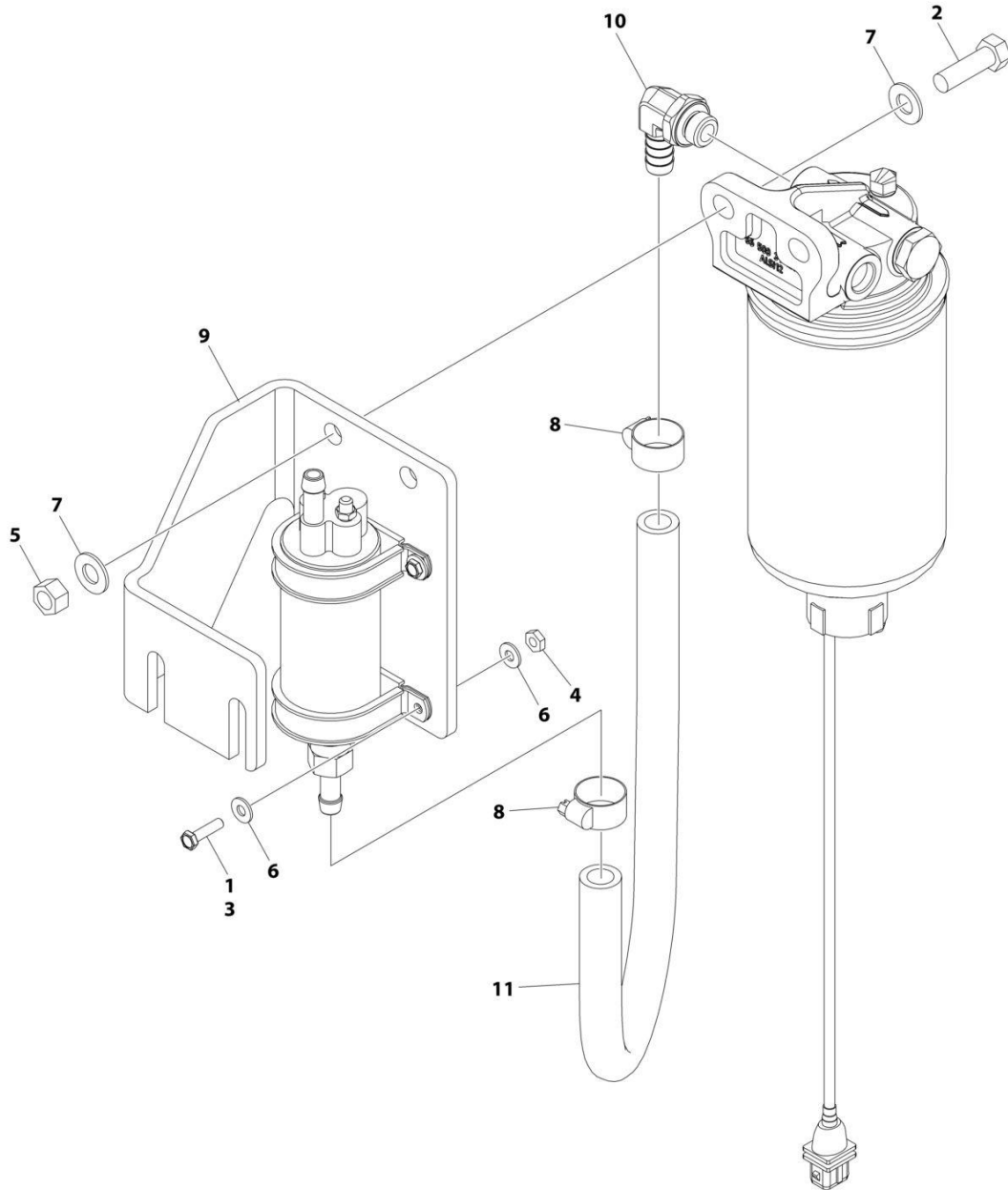
SECTION 3 - ENGINE

FIGURE 3-28. MOTOR MOUNT INSTALLATION (STAGE V ENGINES WITH GENERATOR)

| ITEM | PART NUMBER | QTY | DESCRIPTION | REV |
|------|-------------|-----|--------------------------|-----|
| | 1001244019 | Ref | MOTOR MOUNT INSTALLATION | A |
| 1 | 0100011 | AR | Compound, Locking | |
| 2 | 0711224 | 1 | Bolt M12 x 80 | |
| 3 | 0760814 | 2 | Bolt M8 x 30 | |
| 4 | 0771414 | 3 | Bolt M14 x 30 | |
| 5 | 3290805 | 2 | Nut M8 | |
| 6 | 3331211 | 1 | Nut M12 | |
| 7 | 4811900 | 4 | Washer M8 | |
| 8 | 4812200 | 3 | Washer M14 | |
| 9 | 5241200 | 1 | Washer M12 | |
| 10 | 1001166718 | 1 | Mount, Motor | |
| 11 | 1001168018 | 1 | Washer | |
| 12 | 1001168207 | 1 | Mount | |

SECTION 3 - ENGINE

FIGURE 3-29. BRACKET ASSEMBLY - FUEL PUMP AND FILTER (DEUTZ D2.9L4 ENGINE) (STAGE V)



ART_1001235949

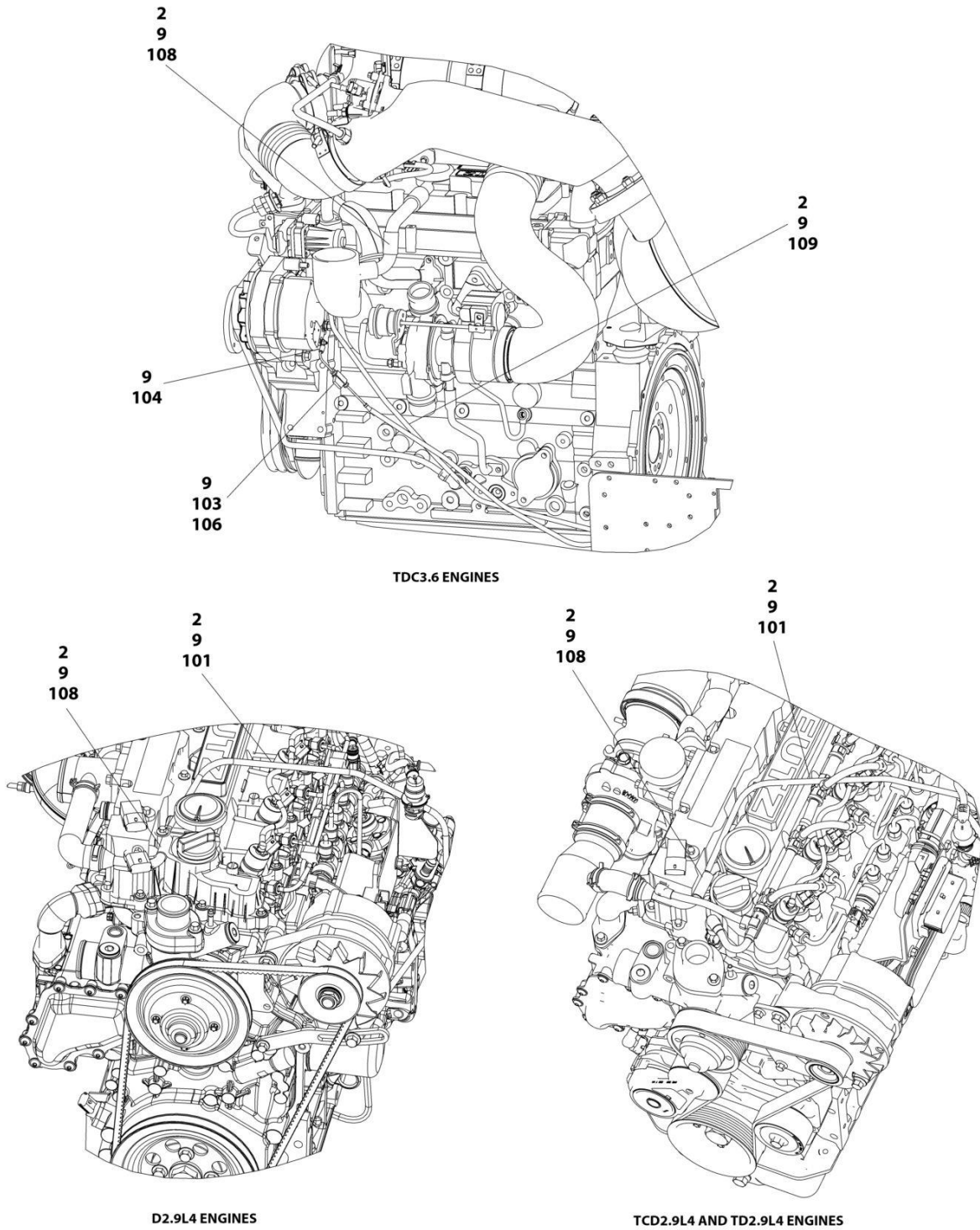
SECTION 3 - ENGINE

FIGURE 3-29. BRACKET ASSEMBLY - FUEL PUMP AND FILTER (DEUTZ D2.9L4 ENGINE) (STAGE V)

| ITEM | PART NUMBER | QTY | DESCRIPTION | REV |
|------|-------------|-----------------|---|-----|
| | 1001235949 | Ref | BRACKET ASSEMBLY - FUEL PUMP AND FILTER (DEUTZ D2.9L4 (STAGE V) ENGINE) | A |
| 1 | 0100035 | AR | Compound, Locking | |
| 2 | 0641610 | 2 | Bolt 3/8 x 1-1/4 | |
| 3 | 0721006 | 4 | Bolt #10 x 3/4 | |
| 4 | 3311001 | 4 | Nut #10 | |
| 5 | 3311605 | 2 | Nut 3/8 | |
| 6 | 4711000 | 8 | Washer #10 | |
| 7 | 4711600 | 4 | Washer 3/8 | |
| 8 | 8405006 | 2 | Clamp | |
| 9 | 1001141870 | 1 | Plate, Fuel Pump Mount | |
| 10 | 1001142501 | 1 | Fitting, Elbow Barbed | |
| 11 | 1001154405 | 1.5 ft /0.4m | Hose | |

SECTION 3 - ENGINE

FIGURE 3-30. BREATHER HEATER INSTALLATION - DEUTZ D2.9L4 ENGINES (STAGE V) (CE SPECS)



ART_1001233763

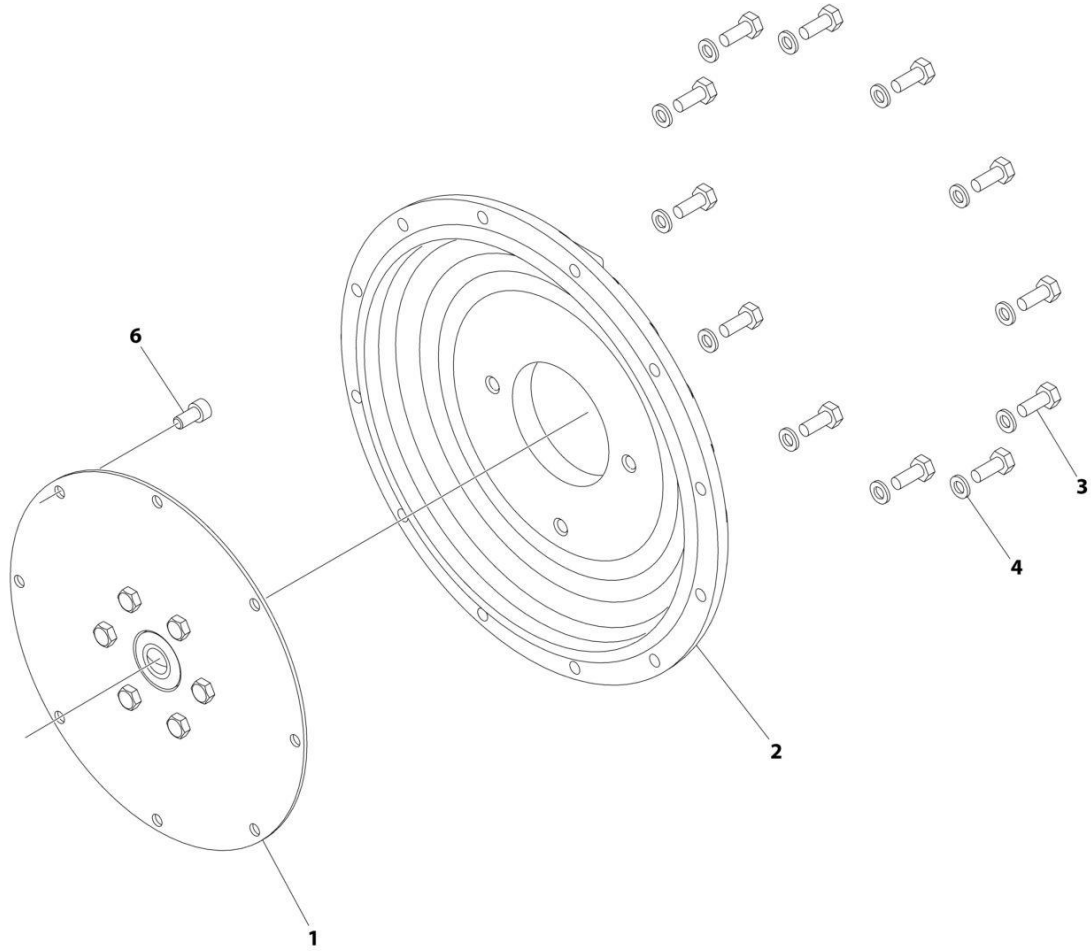
SECTION 3 - ENGINE

FIGURE 3-30. BREATHER HEATER INSTALLATION - DEUTZ D2.9L4 ENGINES (STAGE V) (CE SPECS)

| ITEM | PART NUMBER | QTY | DESCRIPTION | REV |
|------|-------------|-----|--|-----|
| | 1001233763 | Ref | BREATHER HEATER INSTALLATION - DEUTZ ENGINES | D |
| 2 | 4240099 | AR | Tie-Strap | |
| 9 | 1001243895 | 1 | Breather Heater Harness | C |
| 101 | 2820035 | AR | Insulation | |
| 103 | 2400060 | 1 | Fuseholder with Cover | |
| 104 | 4460043 | 1 | Terminal, Ring | |
| 105 | 4460722 | 1 | Terminal, Ring (Not Shown) | |
| 106 | 1001196634 | 1 | Fuse - 2 Amp | |
| 108 | 1001232842 | 1 | Breather Heater Kit | |

SECTION 3 - ENGINE

FIGURE 3-31. PUMP COUPLING KIT – DEUTZ ENGINES



ART_2902065

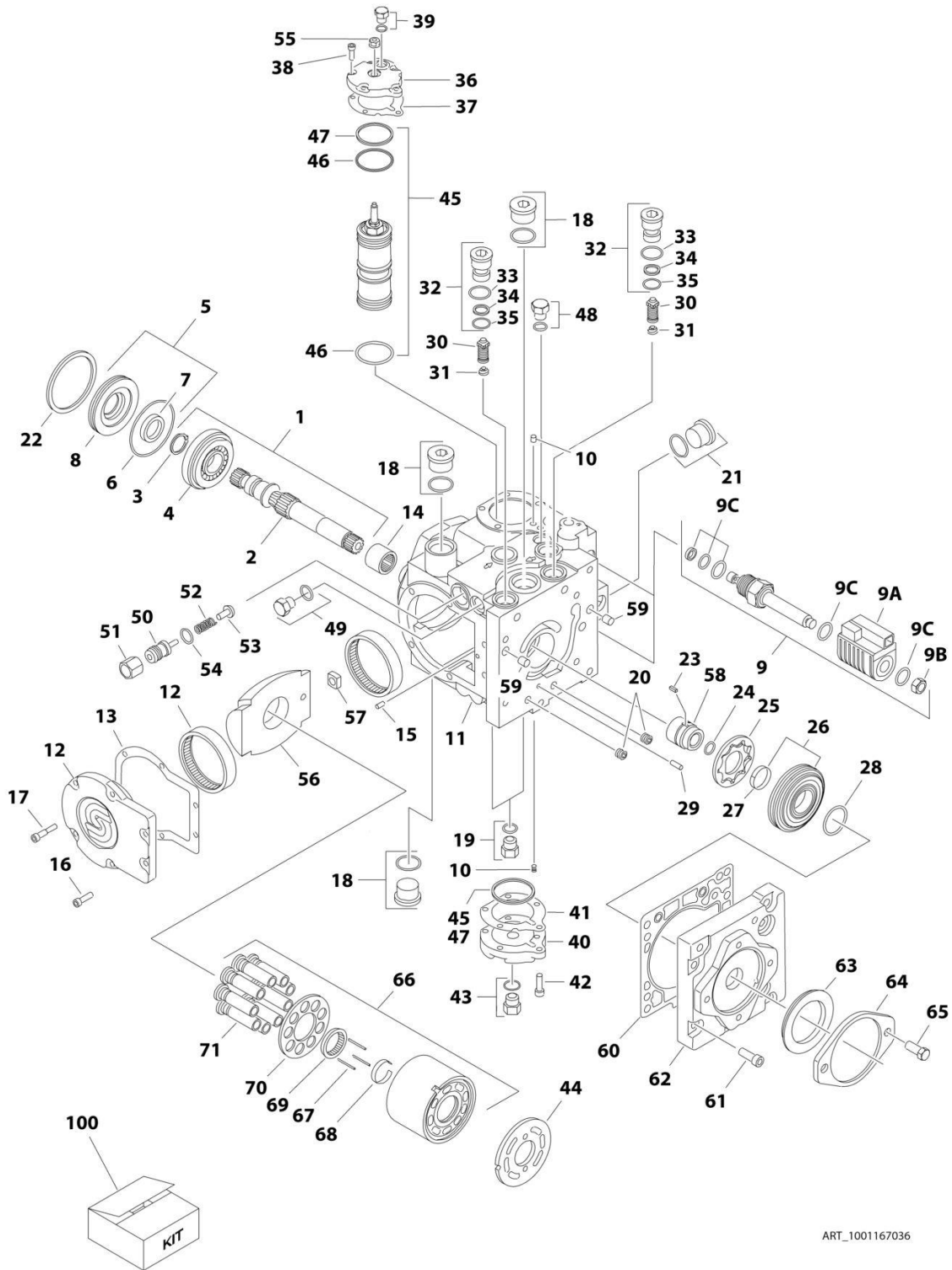
SECTION 3 - ENGINE

FIGURE 3-31. PUMP COUPLING KIT – DEUTZ ENGINES

| ITEM | PART NUMBER | QTY | DESCRIPTION | REV |
|------|-------------|-----|--|-----|
| | 2902065 | Ref | PUMP COUPLING KIT | L |
| 1 | 70000793 | 1 | Coupling, Hayes | |
| 2 | See Note | NSS | Plate, Pump Adapter (Note: Use p/n 2902065) | |
| 3 | See Note | NSS | Bolt M10 x 30 Grade 10.9 (Note: Use p/n 2902065) | |
| 4 | See Note | NSS | Washer M10 (Note: Use p/n 2902065) | |
| 6 | See Note | NSS | Bolt M10 x 20 Grade 10.9 (Note: Use p/n 2902065) | |

SECTION 3 - ENGINE

FIGURE 3-32. PISTON PUMP ASSEMBLY



ART_1001167036

FIGURE 3-32. PISTON PUMP ASSEMBLY

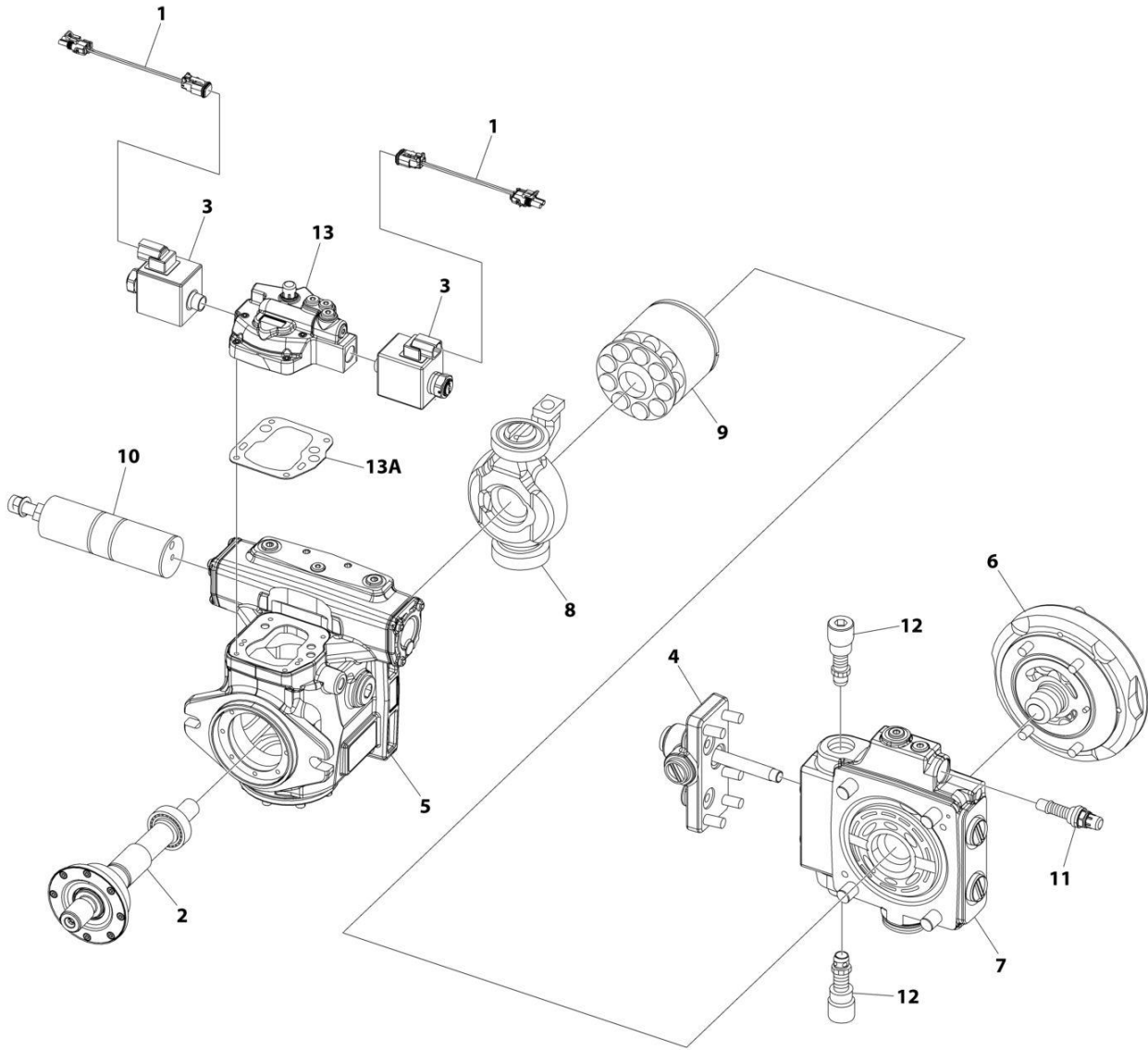
| ITEM | PART NUMBER | QTY | DESCRIPTION | REV |
|------|-------------|-----|---|-----|
| | 1001167036 | Ref | PISTON PUMP ASSEMBLY | B |
| 1 | 7021240 | 1 | Shaft Assembly (Includes Items 2-4) | |
| 2 | 7021237 | 1 | Shaft | |
| 3 | 7021238 | 1 | Ring, Retaining | |
| 4 | 7021239 | 1 | Bearing, Roller | |
| 5 | 70004896 | 1 | Shaft Seal Kit (Includes Items 6-8) | |
| 6 | 7021241 | 1 | O-Ring | |
| 7 | 7021242 | 1 | Seal, Lip | |
| 8 | 7021243 | 1 | Carrier, Seal Shaft | |
| 9 | 7024855 | 2 | Solenoid Assembly | |
| 9A | 70004897 | 2 | Coil (1 Per Assembly) | |
| 9B | 7024857 | 2 | Nut (1 Per Assembly) | |
| 9C | 7024858 | 2 | Seal Kit - 7024855 Cartridge (1 Per Assembly) | |
| 10 | 70004889 | 2 | Orifice | |
| 11 | See Note | NSS | Housing Assembly (Note: Not Available for Purchase) | |
| 12 | 7021248 | 1 | Side Cover Assembly (Includes Item 13) | |
| 13 | 70004891 | 1 | Gasket | |
| 14 | 7021249 | 1 | Bearing, Needle | |
| 15 | See Note | NSS | Pin (Note: Not Available for Purchase) | |
| 16 | 70004890 | 2 | Screw | |
| 17 | 70004892 | 4 | Screw | |
| 18 | 7007419 | 2 | Plug Assembly (Includes O-Ring) | |
| 19 | 7007420 | 2 | Plug Assembly (Includes O-Ring) | |
| 20 | See Note | NSS | Plug (Note: Not Available for Purchase) | |
| 21 | 7007419 | 1 | Plug Assembly (Includes O-Ring) | |
| 22 | 7021257 | 1 | Ring, Retaining | |
| 23 | 70004893 | 1 | Key | |
| 24 | 7022341 | 1 | Ring, Retaining | |
| 25 | 7021258 | 1 | Gerotor | |
| 26 | 70004894 | 1 | Gerotor Cover Assembly (Includes Item 27) | |
| 27 | 7021259 | 1 | Bearing, Journal | |
| 28 | 7021262 | 1 | O-Ring | |
| 29 | See Note | NSS | Pin (Note: Not Available for Purchase) | |
| 30 | 7021263 | 2 | Bypass Valve Assembly | |
| 31 | 7024800 | 2 | Spring | |
| 32 | 7021265 | 2 | Bypass Valve Assembly (Includes Items 32-34) | |
| 33 | 7007415 | 2 | O-Ring | |
| 34 | 7021293 | 2 | Ring, Back-up | |
| 35 | 7022300 | 2 | O-Ring | |
| 36 | 70004895 | 1 | Cover, Servo | |
| 37 | 7021253 | 1 | Gasket | |
| 38 | 70004892 | 5 | Screw | |
| 39 | 7007420 | 1 | Plug Assembly (Includes O-Ring) | |
| 40 | 7021268 | 1 | Cover, Servo | |
| 41 | 7021253 | 1 | Gasket | |
| 42 | 70004892 | 5 | Screw | |
| 43 | 7007420 | 1 | Plug Assembly (Includes O-Ring) | |
| 44 | 7021281 | 1 | Plate, Valve | |
| 45 | 70004898 | 1 | Servo Piston Kit (Includes Items 46 & 47) | |
| 46 | 7007495 | 2 | O-Ring | |

SECTION 3 - ENGINE

| ITEM | PART NUMBER | QTY | DESCRIPTION | REV |
|------|-------------|-----|---|-----|
| 47 | 7007493 | 2 | O-Ring | |
| 48 | 7007420 | 1 | Plug Assembly (Includes O-Ring) | |
| 49 | 70004900 | 1 | Plug Assembly (Includes O-Ring) | |
| 50 | 7022346 | 1 | Adjuster | |
| 51 | 7021290 | 1 | Nut | |
| 52 | 7022347 | 1 | Spring | |
| 53 | 70004901 | 1 | Poppet | |
| 54 | 7007415 | 1 | O-Ring | |
| 55 | 70004902 | 1 | Nut, Seal | |
| 56 | 70004903 | 1 | Swash Plate | |
| 57 | 70004904 | 1 | Bearing Assembly | |
| 58 | 70004905 | 1 | Coupling | |
| 59 | 7001481 | 2 | Pin | |
| 60 | 70002257 | 1 | Gasket | |
| 61 | 70004906 | 8 | Screw | |
| 62 | 70004907 | 1 | Cover, Charge Pump | |
| 63 | 70004908 | 1 | Seal | |
| 64 | 7021299 | 1 | Plate, Cover | |
| 65 | 7007289 | 2 | Screw | |
| 66 | 70004909 | 1 | Cylinder Block Assembly (Includes Items 67-71) | |
| 67 | 70004910 | 3 | Pin, Slipper Hold Down | |
| 68 | 7021276 | 1 | Retainer, Hold Down Pin | |
| 69 | 7021277 | 1 | Guide, Slipper Retainer | |
| 70 | 7021278 | 1 | Retainer, Slipper | |
| 71 | 70004911 | 1 | Piston Assembly | |
| 100 | 70004899 | 1 | Seal Kit (Includes Items 5-8, 33-35, 37, 41, 46, 47 & 54) | |

SECTION 3 - ENGINE

FIGURE 3-33. CLOSED PUMP LOOP ASSEMBLY



ART_1001285632

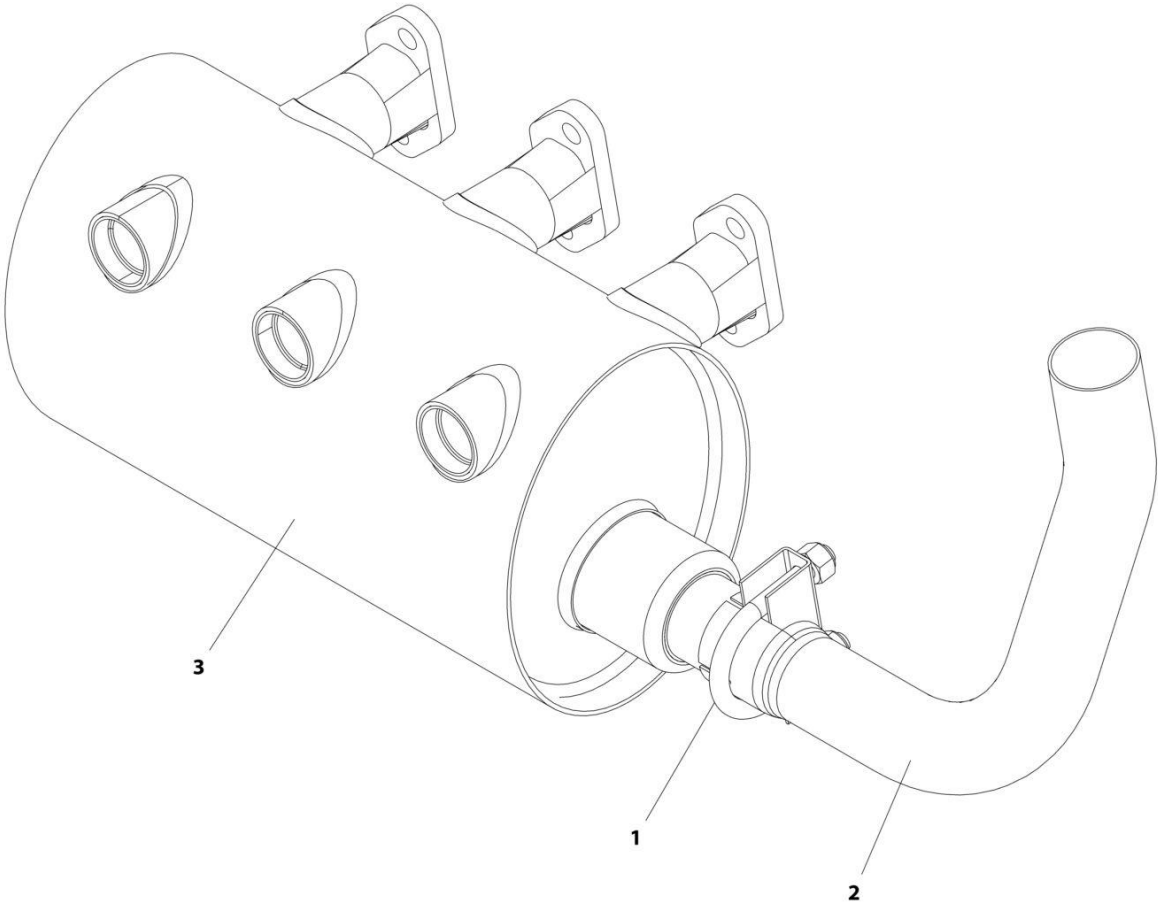
SECTION 3 - ENGINE

FIGURE 3-33. CLOSED PUMP LOOP ASSEMBLY

| ITEM | PART NUMBER | QTY | DESCRIPTION | REV |
|------|-------------|-----|--|-----|
| | 1001285632 | Ref | PUMP ASSEMBLY | A |
| 1 | 70008628 | 2 | Harness | |
| 2 | 70008627 | 1 | Shaft Assembly (Sold as assembly only) | |
| 3 | 70008498 | 2 | Coil | |
| 4 | See Note | NSS | Body, Fitting (Note: Use PN 1001285632) | |
| 5 | See Note | NSS | Body, Pump (Note: Use PN 1001285632) | |
| 6 | 70008626 | 1 | Gerolator Assembly (Sold as assembly only) | |
| 7 | 70008625 | 1 | Distributor Assembly (Sold as assembly only) | |
| 8 | 70008624 | 1 | Swashplate Assembly (Sold as assembly only) | |
| 9 | 70008623 | 1 | Rotor Assembly (Sold as assembly only) | |
| 10 | 70008502 | 1 | Servo Assembly (Sold as assembly only) | |
| 11 | 70008622 | 1 | Valve, Cartridge - Relief | |
| 12 | 70008600 | 2 | Valve, Cartridge - Relief | |
| 13 | 70008504 | 1 | Valve, Control (Sold as assembly only) | |
| 13A | 70008507 | 1 | Gasket | |

SECTION 3 - ENGINE

FIGURE 3-34. SPARK ARRESTOR INSTALLATION - DEUTZ D2011 ENGINE



ART_1001174378

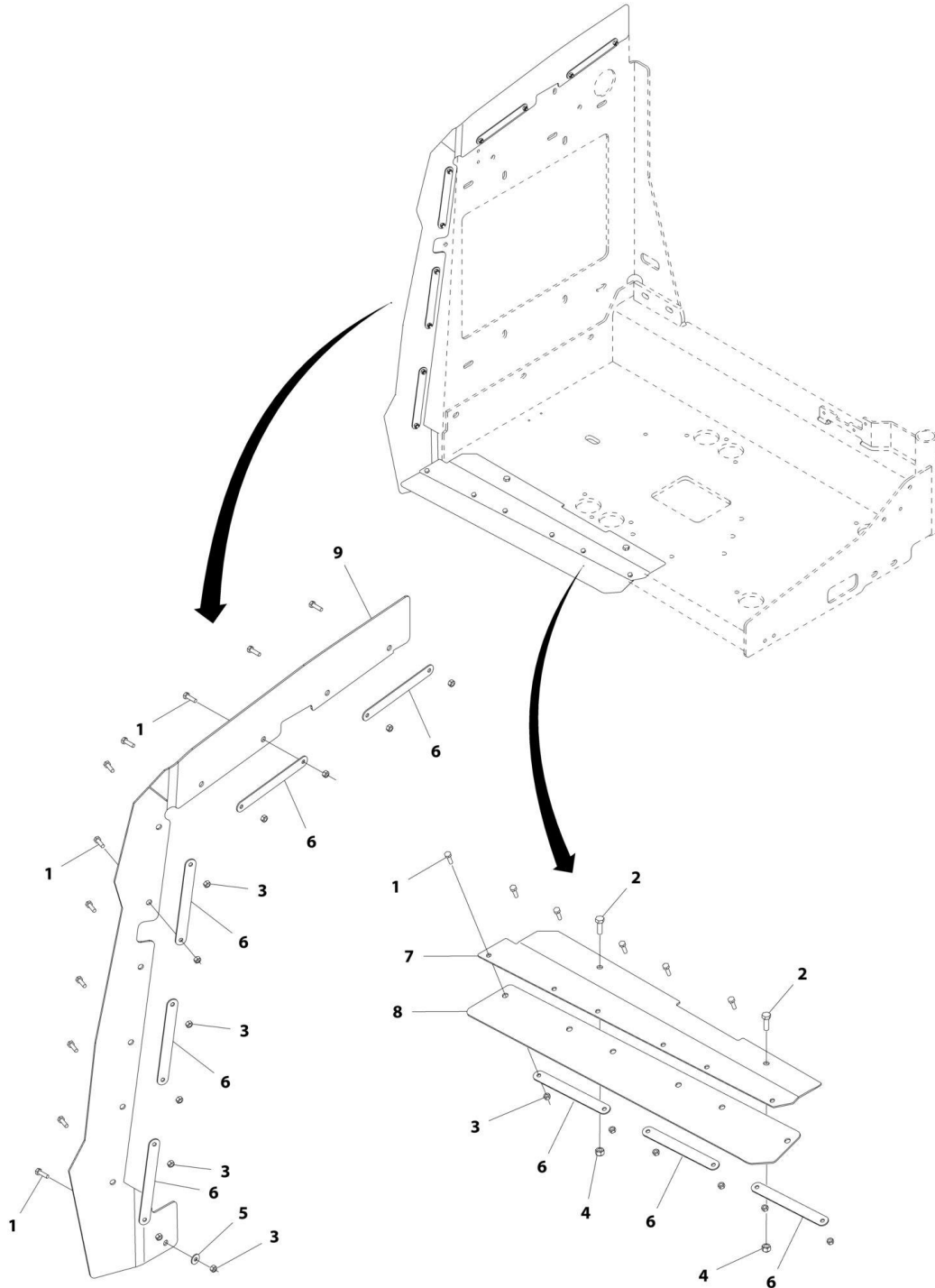
SECTION 3 - ENGINE

FIGURE 3-34. SPARK ARRESTOR INSTALLATION - DEUTZ D2011 ENGINE

| ITEM | PART NUMBER | QTY | DESCRIPTION | REV |
|------|-------------|-----|--|-----|
| | 1001174378 | Ref | SPARK ARRESTOR INSTALLATION - DEUTZ D2011 ENGINE | A |
| 1 | 1320176 | 1 | Clamp | |
| 2 | 1001169525 | 1 | Pipe, Exhaust | |
| 3 | 1001170224 | 1 | Muffler, Spark Arresting | |

SECTION 3 - ENGINE

FIGURE 3-35. ENGINE Baffle INSTALLATION - WITH DEUTZ ENGINES



ART_1001172265

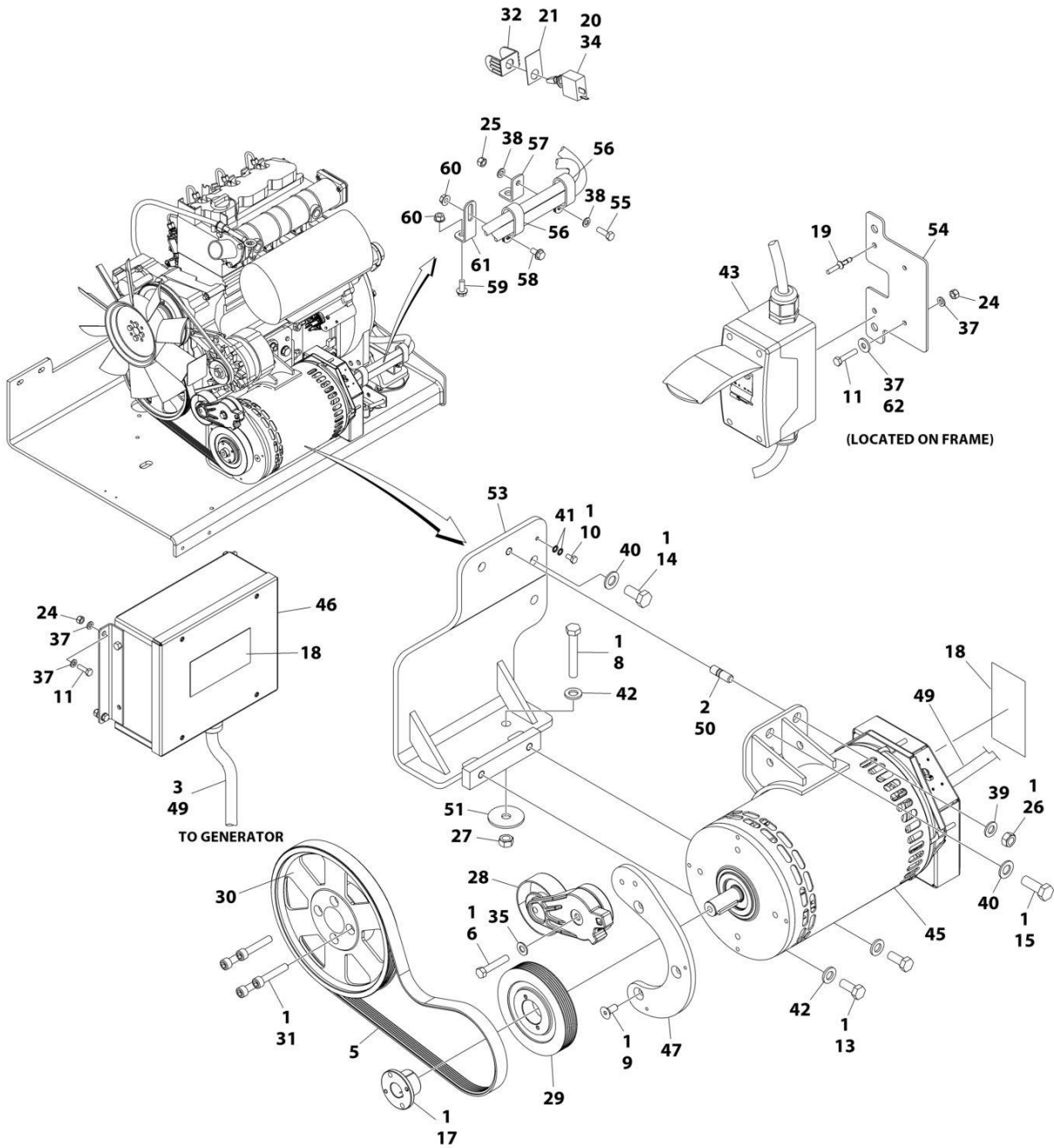
SECTION 3 - ENGINE

FIGURE 3-35. ENGINE BAFFLE INSTALLATION - WITH DEUTZ ENGINES

| ITEM | PART NUMBER | QTY | DESCRIPTION | REV |
|------|-------------|-----|--|-----|
| | 1001172265 | Ref | ENGINE BAFFLE INSTALLATION - WITH DEUTZ/GM ENGINES | B |
| 1 | 0760610 | 17 | Bolt M6 x 20 | |
| 2 | 0760812 | 2 | Bolt M8 x 25 | |
| 3 | 3290605 | 17 | Nut M6 | |
| 4 | 3290805 | 2 | Nut M8 | |
| 5 | 4811702 | 1 | Washer M6 | |
| 6 | 1001167164 | 8 | Plate, Support | |
| 7 | 1001170663 | 1 | Bracket | |
| 8 | 1001170664 | 1 | Seal | |
| 9 | 1001172264 | 1 | Seal | |

SECTION 3 - ENGINE

FIGURE 3-36. GENERATOR INSTALLATION - 4000W/50HZ (DEUTZ D2011 ENGINE)



ART_1001173984

SECTION 3 - ENGINE

FIGURE 3-36. GENERATOR INSTALLATION - 4000W/50HZ (DEUTZ D2011 ENGINE)

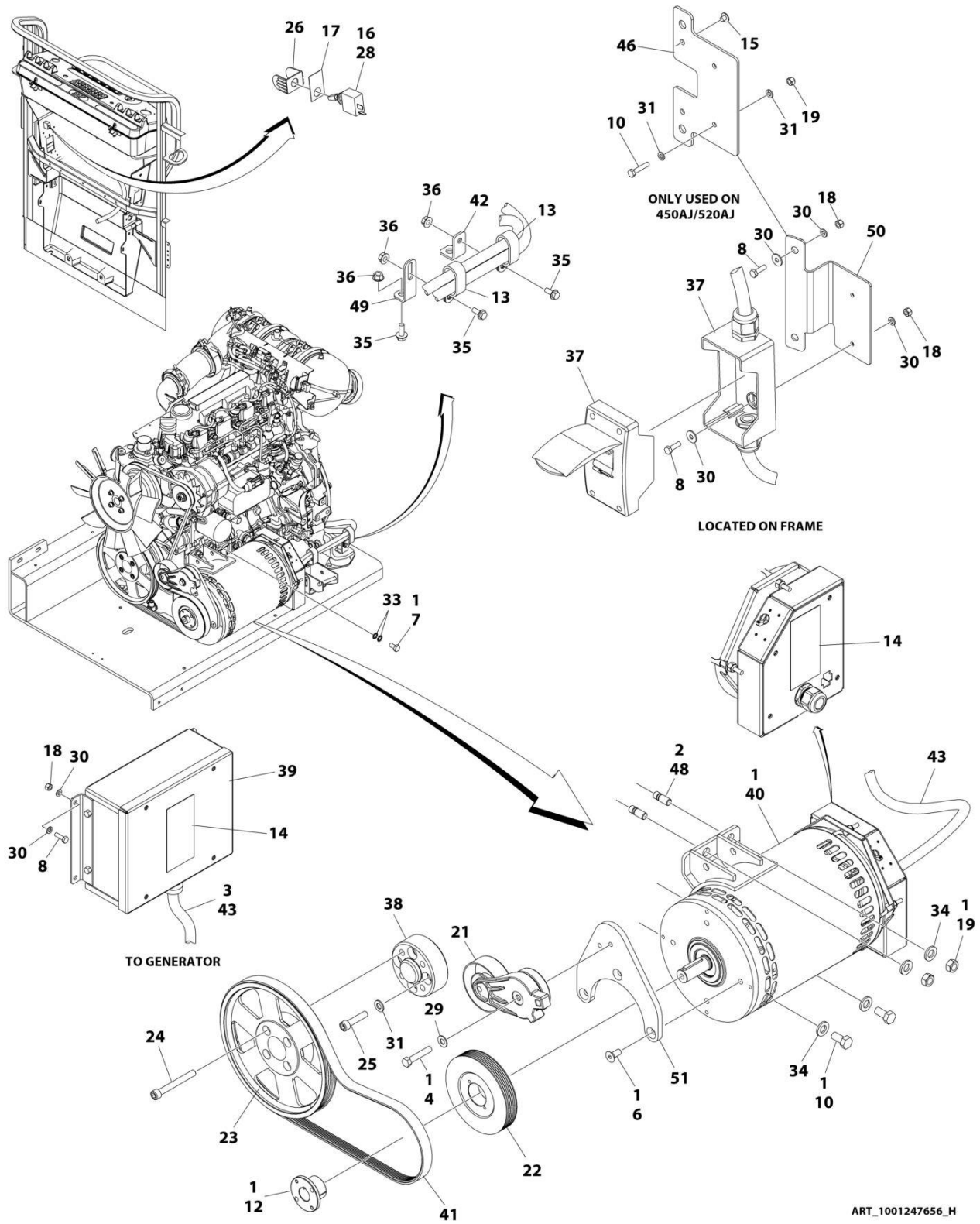
| ITEM | PART NUMBER | QTY | DESCRIPTION | REV |
|------|-------------|-----|---|-----|
| | 1001173984 | Ref | GENERATOR INSTALLATION - 4000W/50HZ (DEUTZ D2011 ENGINE) | J |
| 1 | 0100011 | AR | Compound, Locking | |
| 2 | 0100019 | AR | Compound, Locking | |
| 3 | 0100048 | AR | Grease, Dielectric | |
| 4 | 0100079 | AR | Sealant (Not Shown) | |
| 5 | 0480126 | 1 | Belt | |
| 6 | 0641616 | 1 | Bolt 3/8 x 2 | |
| 8 | 0711224 | 1 | Bolt M12 x 80 Grade 10.9 | |
| 9 | 0741607 | 3 | Screw 3/8 x 7/8 | |
| 10 | 0760606 | 1 | Bolt M6 x 12 | |
| 11 | 0760610 | AR | Bolt M6 x 20 | |
| 11 | 0760614 | AR | Bolt M6 x 30 | |
| 13 | 0761214 | 2 | Bolt M12 x 30 | |
| 14 | 0771414 | 2 | Bolt M14 x 30 Grade 10.9 | |
| 15 | 0771416 | 1 | Bolt M14 x 40 | |
| 17 | 0962520 | 1 | Bushing | |
| 18 | 1705489 | AR | Decal - Hazardous Voltage | |
| 19 | 2080040 | 2 | Fastener, Huck | |
| 20 | 2820031 | AR | Heat Shrink | |
| 21 | See Note | 1 | Nameplate (Note: Not Available for Purchase) | |
| 24 | 3290605 | 6 | Nut M6 | |
| 25 | 3290805 | 1 | Nut M8 | |
| 26 | 3291201 | 1 | Nut M12 | |
| 27 | 3331211 | 1 | Nut M12 | |
| 28 | 3580317 | 1 | Pulley | |
| 29 | 3580319 | 1 | Pulley | |
| 30 | 3580320 | 1 | Pulley | |
| 31 | 4032015 | 4 | Bolt M10 x 55 | |
| 32 | 4060802 | 1 | Guard, Switch | |
| 33 | 4240099 | AR | Tie-Strap (Not Shown) | |
| 34 | 4360336 | 1 | Switch, Toggle | |
| 35 | 4711600 | 1 | Washer 3/8 | |
| 37 | 4811700 | AR | Washer M6 | |
| 38 | 4811900 | 1 | Washer M8 | |
| 39 | 4812100 | 1 | Washer M12 | |
| 40 | 4812200 | 3 | Washer M14 | |
| 41 | 4871700 | 2 | Washer M6 | |
| 42 | 5241200 | 3 | Washer M12 Hardened | |
| 43 | 1001096070 | 1 | Breaker Box Kit (50Hz) (See Separate Breakdown in ELECTRICAL Section) | |
| 45 | 1001138565 | 1 | Generator Assembly | |
| 45 | 70003709 | 1 | Ring, Retaining (External) | |
| 45 | 70003708 | 1 | Ring, Retaining (Internal) | |
| 45 | 70001966 | 1 | Bearing | |
| 45 | 70004092 | 1 | Endbell (Shaft End) | |
| 45 | 70004171 | 1 | Key | |
| 45 | 70004676 | 1 | Rotor | |
| 45 | 70004677 | 1 | Stator | |
| 45 | 70004678 | 1 | Endbell (Rear) | |

SECTION 3 - ENGINE

| ITEM | PART NUMBER | QTY | DESCRIPTION | REV |
|------|-------------|-----|---|-----|
| 45 | 70004679 | 1 | Cover, Endbell (Rear) | |
| 45 | 70004680 | 1 | Enclosure, Wiring | |
| 45 | 70004681 | 1 | Cover, Enclosure | |
| 45 | 70004682 | 1 | Switch, Reset (Located on Enclosure Cover) | |
| 45 | 70004683 | 1 | Connector, Strain Relief (Located on Enclosure Cover) | |
| 46 | 1001138566 | 1 | Box, Control | |
| 46 | 70006552 | 1 | Capacitor | |
| 46 | 70006553 | 1 | Relay | |
| 47 | 1001139357 | 1 | Mount, Tensioner | |
| 49 | 1001152532 | 1 | Harness, Generator (See Separate Breakdown in ELECTRICAL Section) | |
| 50 | 1001196382 | 1 | Stud | |
| 51 | 1001168018 | 1 | Washer, Snubbing | |
| 53 | 1001173925 | 1 | Mount | |
| 54 | 1001174158 | 1 | Mount | |
| 55 | 0760812 | 1 | Bolt M8 x 25 | |
| 56 | 1321716 | 2 | Clamp | |
| 57 | 1001148641 | 1 | Bracket | |
| 58 | 5250808 | 1 | Bolt M8 x 16 | |
| 59 | 5250810 | 1 | Bolt M8 x 20 | |
| 60 | 5260800 | 2 | Nut M8 | |
| 61 | 1001223122 | 1 | Support | |
| 62 | 4811702 | AR | Washer M6 | |

SECTION 3 - ENGINE

FIGURE 3-37. GENERATOR INSTALLATION - 4000W/50HZ (DEUTZ (STAGE V) ENGINE)



SECTION 3 - ENGINE

FIGURE 3-37. GENERATOR INSTALLATION - 4000W/50HZ (DEUTZ (STAGE V) ENGINE)

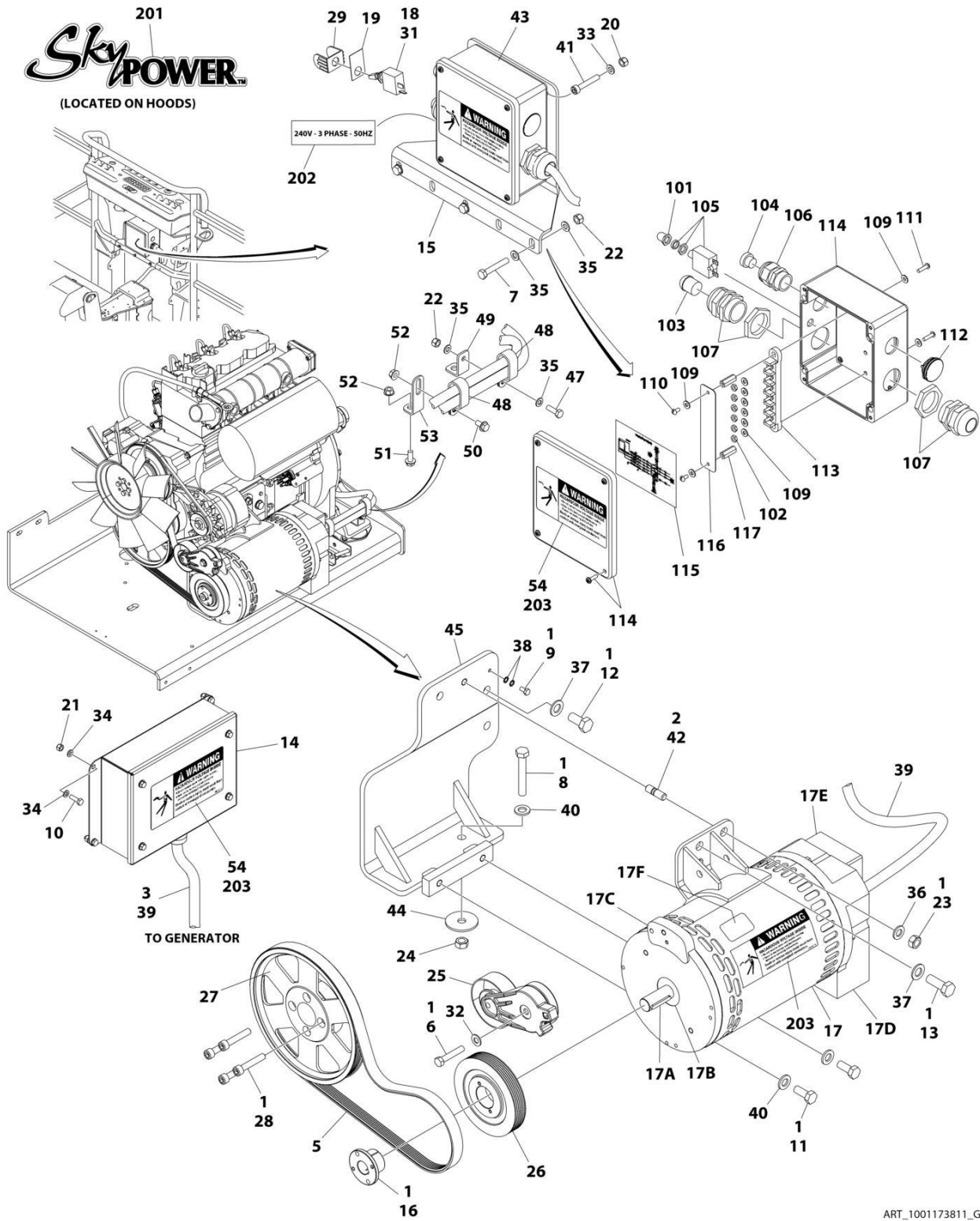
| ITEM | PART NUMBER | QTY | DESCRIPTION | REV |
|------|-------------|-------------------|---|-----|
| | 1001247656 | Ref | GENERATOR INSTALLATION - 4000W/50HZ | H |
| 1 | 0100011 | AR | Compound, Locking | |
| 2 | 0100019 | AR | Compound, Locking | |
| 3 | 0100048 | AR | Grease, Dielectric | |
| 4 | 0641616 | 1 | Bolt 3/8 x 2 | |
| 6 | 0741607 | 3 | Screw 3/8 x 7/8 | |
| 7 | 0760606 | 1 | Bolt M6 x 12 | |
| 8 | 0760610 | 10 | Bolt M6 x 20 | |
| 10 | 0761212 | 2 | Bolt M12 x 25 | |
| 12 | 0962520 | 1 | Bushing | |
| 13 | 1321716 | 2 | Clamp | |
| 14 | 1705489 | 2 | Decal - Hazardous Voltage | |
| 15 | 2080040 | 2 | Fastener, Huck | |
| 16 | 2820031 | 0.33 ft /0.10m | Heat Shrink | |
| 17 | 3251102 | 1 | Nameplate, Generator | |
| 18 | 3290605 | 10 | Nut M6 | |
| 19 | 3291201 | 2 | Nut M12 | |
| 21 | 3580317 | 1 | Pulley | |
| 22 | 3580319 | 1 | Pulley | |
| 23 | 1001281192 | 1 | Pulley | |
| 24 | 1001261085 | 4 | Capscrew M10 x 85 | |
| 25 | 1001261045 | 4 | Capscrew M10 x 45 | |
| 26 | 4060802 | 1 | Guard, Switch | |
| 27 | 4240099 | AR | Tie-Strap (Not Shown) | |
| 28 | 4360336 | 1 | Switch, Toggle | |
| 29 | 4711600 | 1 | Washer 3/8 | |
| 30 | 4811700 | 18 | Washer M6 | |
| 31 | 4812000 | 4 | Washer M14 | |
| 33 | 4871700 | 2 | Washer M6 | |
| 34 | 5241200 | 4 | Washer M12 Hardened | |
| 35 | 5250810 | 3 | Bolt M8 x 20 | |
| 36 | 5260800 | 3 | Nut M8 | |
| 37 | 1001096070 | 1 | Breaker Box Kit (50Hz) (See Separate Breakdown in ELECTRICAL Section) | |
| 38 | 1001258800 | 1 | Adapter | |
| 39 | 1001138566 | 1 | Box, Control | |
| 40 | 1001140347 | 1 | Generator, 4000W/ 50HZ - Deutz Engine | |
| 40 | 70003709 | 1 | Ring, Retaining (External) | |
| 40 | 70003708 | 1 | Ring, Retaining (Internal) | |
| 40 | 70001966 | 1 | Bearing | |
| 40 | 70004092 | 1 | Endbell (Shaft End) | |
| 40 | 70004099 | 1 | Key | |
| 40 | 70004676 | 1 | Rotor | |
| 40 | 70004686 | 1 | Stator | |
| 40 | 70004678 | 1 | Endbell (Rear) | |
| 40 | 70004679 | 1 | Cover, Endbell (Rear) | |
| 40 | 70004680 | 1 | Enclosure, Wiring | |
| 40 | 70004681 | 1 | Cover, Enclosure | |
| 40 | 70004682 | 1 | Switch, Reset (Located on Enclosure Cover) | |

SECTION 3 - ENGINE

| ITEM | PART NUMBER | QTY | DESCRIPTION | REV |
|------|-------------|-----|---|-----|
| 40 | 70004683 | 1 | Connector, Strain Relief (Located on Enclosure Cover) | |
| 41 | 1001148059 | 1 | Belt, Generator | |
| 42 | 1001148641 | 1 | Bracket | |
| 43 | 1001152532 | 1 | Harness, Generator (See Separate Breakdown in ELECTRICAL Section) | |
| 46 | 1001174158 | 1 | Mount | |
| 47 | 1001174675 | 1 | Wiring Diagram (Not Shown) | |
| 48 | 1001196382 | 2 | Stud | |
| 49 | 1001223122 | 1 | Support | |
| 50 | 1001293086 | 1 | Bracket | |
| 51 | 1001248190 | 1 | Support | |
| 52 | 4811702 | 2 | Washer M6 | |
| | | Ref | ELECTRICAL DIAGRAM COMPONENTS | |
| 101 | 4922641 | 1 | Generator Switch Harness (Not Shown) | |

SECTION 3 - ENGINE

FIGURE 3-38. GENERATOR INSTALLATION - 7500W/50HZ (DEUTZ D2011 ENGINE)



ART_1001173811_G

SECTION 3 - ENGINE

FIGURE 3-38. GENERATOR INSTALLATION - 7500W/50HZ (DEUTZ D2011 ENGINE)

| ITEM | PART NUMBER | QTY | DESCRIPTION | REV |
|------|-------------|-----|--|-----|
| | 1001173811 | Ref | GENERATOR INSTALLATION - 7500W/50HZ (DEUTZ D2011 ENGINE) | G |
| 1 | 0100011 | AR | Compound, Locking | |
| 2 | 0100019 | AR | Compound, Locking | |
| 3 | 0100048 | AR | Grease, Dielectric | |
| 4 | 0100079 | AR | Sealant (Not Shown) | |
| 5 | 0480126 | 1 | Belt | |
| 6 | 0641616 | 1 | Bolt 3/8 x 2 | |
| 7 | 0700818 | 3 | Bolt M8 x 50 | |
| 8 | 0711224 | 1 | Bolt M12 x 80 Grade 10.9 | |
| 9 | 0760606 | 1 | Bolt M6 x 12 | |
| 10 | 0760610 | 4 | Bolt M6 x 20 | |
| 11 | 0761214 | 2 | Bolt M12 x 30 | |
| 12 | 0771414 | 2 | Bolt M14 x 30 Grade 10.9 | |
| 13 | 0771416 | 1 | Bolt M14 x 40 | |
| 14 | 0861572 | 1 | Control Box Assembly | |
| 14 | 7024488 | 1 | Card, Circuit - Generator Power | |
| 14 | See Note | NSS | Fuse (Note: Not Available - Purchase Locally) | |
| 14 | 7024489 | 1 | Card, Circuit - Control | |
| 14 | 70000619 | 1 | Harness, Control Box (Internal) | |
| 15 | 0902888 | 1 | Bracket | |
| 16 | 0962520 | 1 | Bushing | |
| 17 | 2460048 | 1 | Generator Assembly | |
| 17 | 70001100 | 1 | Rotor (Includes p/n 70001384 & 70000863) (Not Shown) | |
| 17 | 70001384 | 1 | Bearing, Ball Radial (Not Shown) | |
| 17 | 70000863 | 1 | Fan (Not Shown) | |
| 17 | 70002088 | 1 | Stator (Not Shown) | |
| 17 | 70002297 | 1 | Stud | |
| 17 | 70003631 | 1 | Brushholder Assembly (Not Shown) | |
| 17A | 70004171 | 1 | Key | |
| 17B | 70001966 | 1 | Bearing, Ball Radial (Located in Belt Tensioner Endbell) | |
| 17B | 70003708 | 1 | Ring, Internal Retaining (Located in Belt Tensioner Endbell) | |
| 17B | 70003709 | 1 | Ring, External Retaining (Located in Belt Tensioner Endbell) | |
| 17C | 70001953 | 1 | Endbell, Belt Tensioner | |
| 17D | 70004169 | 1 | Endbell, Brush Block | |
| 17E | 70004169 | 1 | Shroud | |
| 17E | See Note | NSS | Insulator, Endbell (Note: Not Available for Purchase) | |
| 17E | 7027799 | 1 | Block, Connector 6 Position (Not Shown) | |
| 17E | 70002460 | 1 | Nut, Brass (Attaches p/n 7027799 to Cover) (Not Shown) | |
| 17E | 7024485 | 1 | Breaker, Circuit 30Amp (Not Shown) | |
| 17E | 70001696 | 1 | Boot, Breaker (Not Shown) | |
| 17E | 7026626 | 1 | Connector, 6 Position (Includes Seal) (Not Shown - Plugs into Item 39) | |
| 17E | 7026597 | 1 | Connector, with Leads (Not Shown) | |
| 17E | 7026188 | 1 | Clamp, Cable Options (Not Shown) | |
| 17E | 70004169 | 1 | Plate, End Panel | |
| 17E | 70001974 | 1 | Decal - Terminal Connections | |
| 17F | 70001973 | 1 | Decal - Warning Moving Parts | |
| 18 | 2820031 | AR | Heat Shrink | |
| 19 | 3252764 | 1 | Nameplate | |

SECTION 3 - ENGINE

| ITEM | PART NUMBER | QTY | DESCRIPTION | REV |
|------|-------------|-----|--|-----|
| 20 | 3290505 | 4 | Nut M5 | |
| 21 | 3290605 | 4 | Nut M6 | |
| 22 | 3290805 | 4 | Nut M8 | |
| 23 | 3291201 | 1 | Nut M12 | |
| 24 | 3331211 | 1 | Nut M12 | |
| 25 | 3580317 | 1 | Pulley | |
| 26 | 3580319 | 1 | Pulley | |
| 27 | 3580320 | 1 | Pulley | |
| 28 | 4032015 | 4 | Bolt M10 x 55 | |
| 29 | 4060802 | 1 | Guard, Switch | |
| 30 | 4240099 | AR | Tie-Strap (Not Shown) | |
| 31 | 4360336 | 1 | Switch, Toggle | |
| 32 | 4711600 | 1 | Washer 3/8 | |
| 33 | 4811600 | 4 | Washer M5 | |
| 34 | 4811700 | 8 | Washer M6 | |
| 35 | 4811900 | 8 | Washer M8 | |
| 36 | 4812100 | 1 | Washer M12 | |
| 37 | 4812200 | 3 | Washer M14 | |
| 38 | 4871700 | 2 | Washer M6 | |
| 39 | 4922925 | 1 | Harness, Generator | |
| 39 | 4460225 | 1 | Plug, Male 6 Position (Plugs into Generator) | |
| 39 | See Note | NSS | Socket, Female (Use with 4460225) | |
| 39 | See Note | NSS | Seal, Plug (Use with 4460225) | |
| 39 | See Note | NSS | Seal, Interface (Use with 4460225) | |
| 40 | 5241200 | 3 | Washer M12 Hardened | |
| 41 | 1001104029 | 4 | Screw M5 x 30 | |
| 42 | 1001196382 | 1 | Stud | |
| 43 | 1001157525 | 1 | Junction Box Assembly (See Items 101-117 for Breakdown) | |
| 44 | 1001168018 | 1 | Washer, Snubbing | |
| 45 | 1001173925 | 1 | Mount | |
| 46 | 1001174675 | 1 | Wiring Diagram (Not Shown) | |
| 46 | 4922641 | 1 | Harness, On/Off Switch (Not Shown - Located at Platform) | |
| 47 | 0760812 | 1 | Bolt M8 x 25 | |
| 48 | 1321716 | 2 | Clamp | |
| 49 | 1001148641 | 1 | Bracket | |
| 50 | 5250808 | 1 | Bolt M8 x 16 | |
| 51 | 5250810 | 1 | Bolt M8 x 20 | |
| 52 | 5260800 | 2 | Nut M8 | |
| 53 | 1001223122 | 1 | Support | |
| 54 | 1705489 | 2 | Decal - Hazardous Voltage | |
| | 1001157525 | Ref | JUNCTION BOX ASSEMBLY | B |
| 101 | 3300396 | 1 | Cover, Fuse | |
| 102 | 3311001 | 6 | Nut #10 | |
| 103 | 3520189 | 1 | Plug | |
| 104 | 3520192 | 1 | Plug | |
| 105 | 4360070 | 1 | Circuit Breaker - 15Amp | |
| 106 | 4460425 | 1 | Connector, Strain Relief | |
| 107 | 4460426 | 2 | Connector, Strain Relief | |
| 109 | 4711000 | 10 | Flatwasher #10 | |
| 110 | 10702077 | 2 | Screw #10 x 3/8 | |
| 111 | 10702082 | 2 | Screw #10 x 3/4 | |

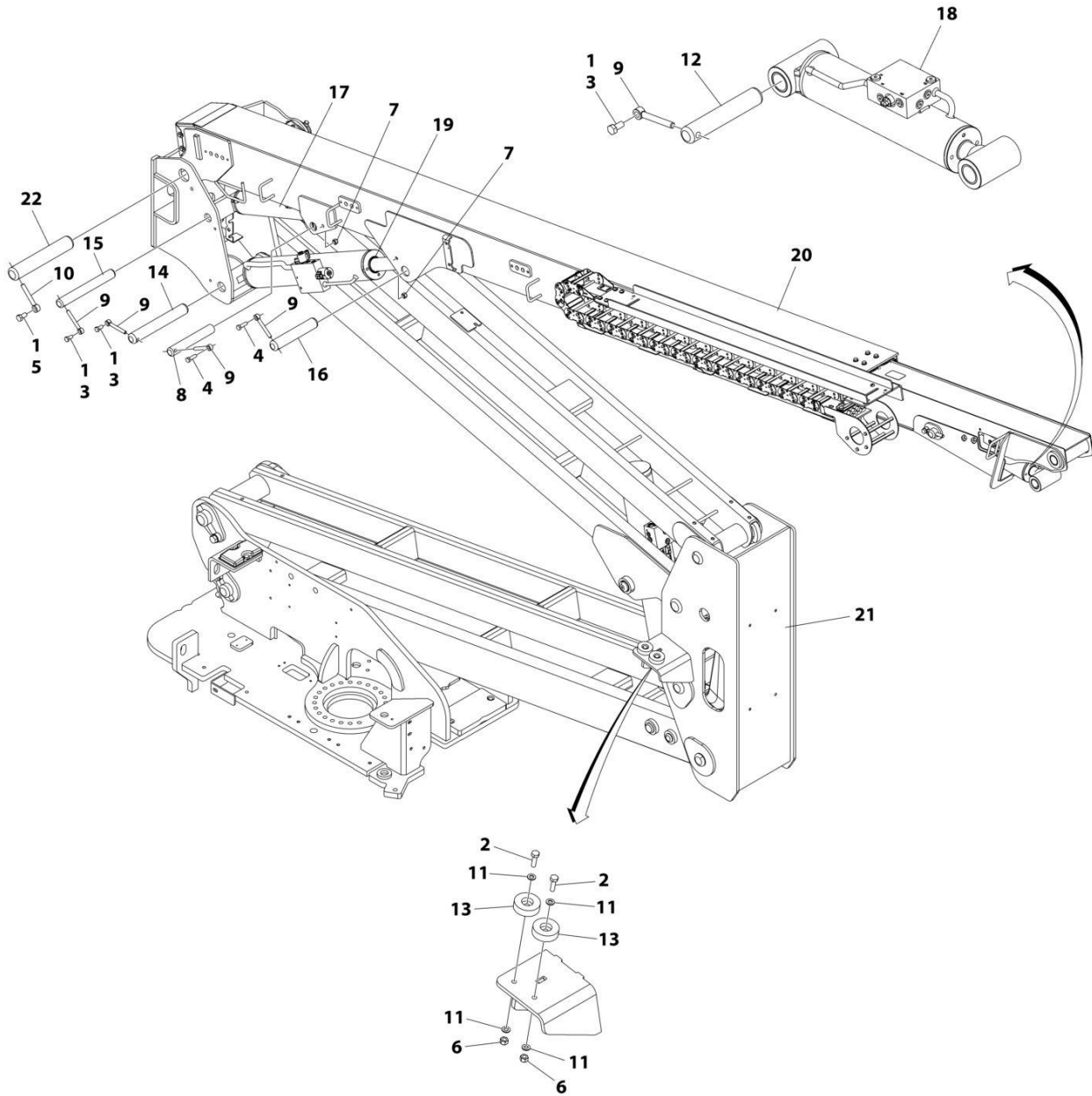
SECTION 3 - ENGINE

| ITEM | PART NUMBER | QTY | DESCRIPTION | REV |
|------|-------------|-----|-------------------------------|-----|
| 112 | 1001152525 | 1 | Plug | |
| 113 | 1001157520 | 1 | Block, Terminal | |
| 114 | 1001157521 | 1 | Box, Junction | |
| 115 | 1001157528 | 1 | Decal - Wiring Schematic | |
| 116 | 1001158007 | 1 | Cover, PVC | |
| 117 | 1001158008 | 2 | Stand-Off | |
| | 0272589 | Ref | DECAL INSTALLATION | A |
| 201 | 1705460 | 2 | Decal - SkyPower | |
| 202 | 1705461 | 1 | Decal - 240V - 3 Phase - 50Hz | |
| 203 | 1705489 | 3 | Decal - Hazardous Voltage | |

SECTION 4 - BOOM

SECTION 4 - BOOM

FIGURE 4-1. BOOMS AND CYLINDERS INSTALLATION



ART_1001256093

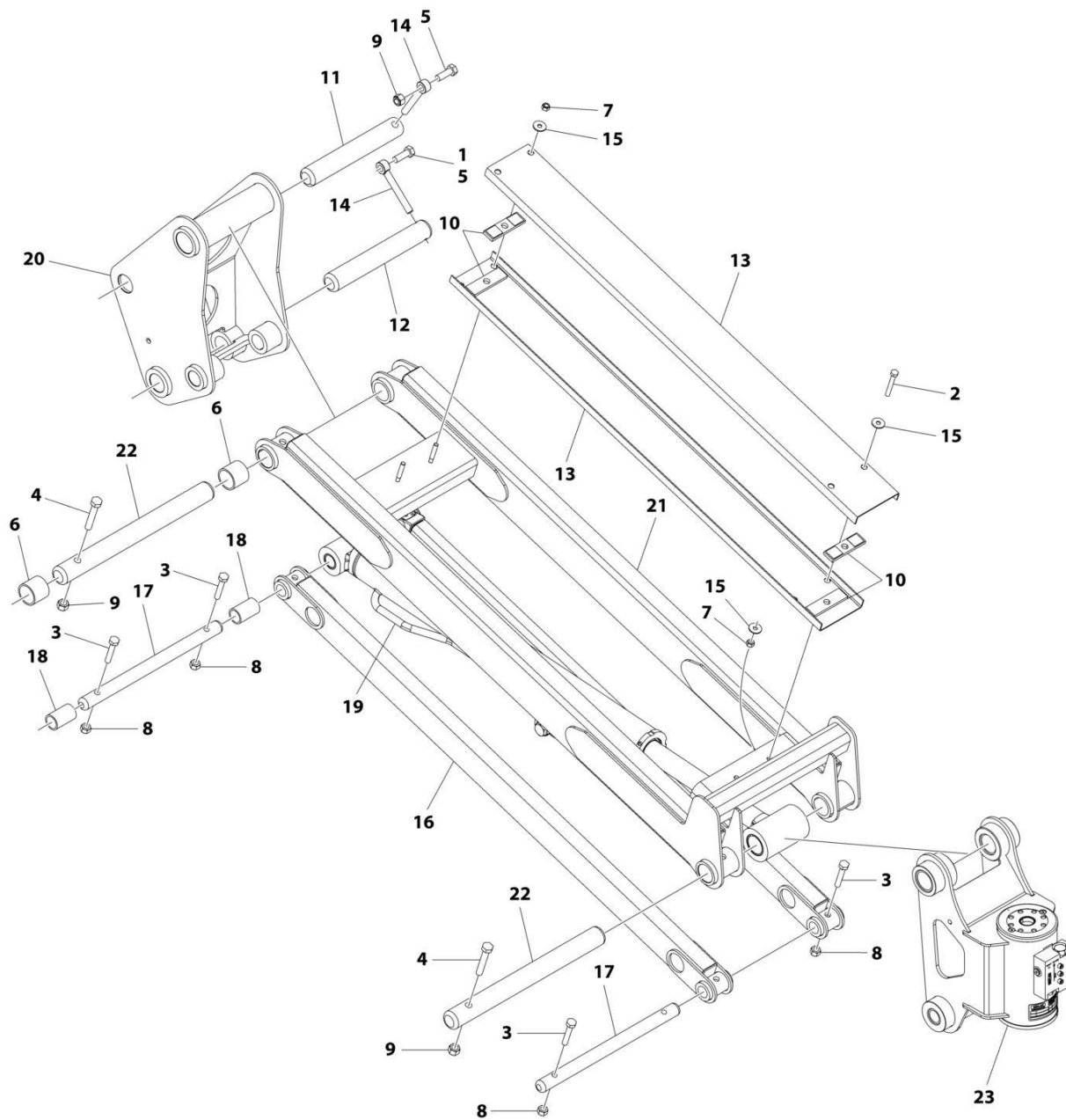
SECTION 4 - BOOM

FIGURE 4-1. BOOMS AND CYLINDERS INSTALLATION

| ITEM | PART NUMBER | QTY | DESCRIPTION | REV |
|------|-------------|-----|---|-----|
| | 1001256093 | Ref | BOOM INSTALLATION | A |
| 1 | 0100011 | AR | Compound, Locking | |
| 2 | 0761015 | 2 | Bolt M10 x 35 | |
| 3 | 0761212 | 3 | Bolt M12 x 25 | |
| 4 | 0761216 | 2 | Bolt M12 x 40 | |
| 5 | 0761614 | 1 | Bolt M16 x 30 | |
| 6 | 3291005 | 2 | Nut M10 | |
| 7 | 3291205 | 2 | Nut M12 | |
| 8 | 3422793 | 1 | Pin | |
| 9 | 3841203 | 5 | Keeper, Pin | |
| 10 | 3841258 | 1 | Keeper, Pin | |
| 11 | 4812000 | 4 | Washer M10 | |
| 12 | 1001109528 | 1 | Pin | |
| 13 | 1001112607 | 2 | Block, Boom Rest | |
| 14 | 1001116546 | 1 | Pin | |
| 15 | 1001169247 | 1 | Pin | |
| 16 | 1001237949 | 1 | Pin | |
| 17 | 1001255970 | 1 | Master Cylinder Assembly (See Separate Breakdown in CYLINDER Section) | |
| 18 | 1001255971 | 1 | Level Cylinder Assembly (See Separate Breakdown in CYLINDER Section) | |
| 19 | 1001255973 | 1 | Upper Lift Cylinder Assembly (See Separate Breakdown in CYLINDER Section) | |
| 20 | 1001256095 | 1 | Main Boom Assembly (See Separate Breakdown in this Section) | |
| 21 | 1001256096 | 1 | Tower Boom Assembly (See Separate Breakdown in this Section) | |
| 22 | 1001256910 | 1 | Pin | |

SECTION 4 - BOOM

FIGURE 4-2. JIB INSTALLATION



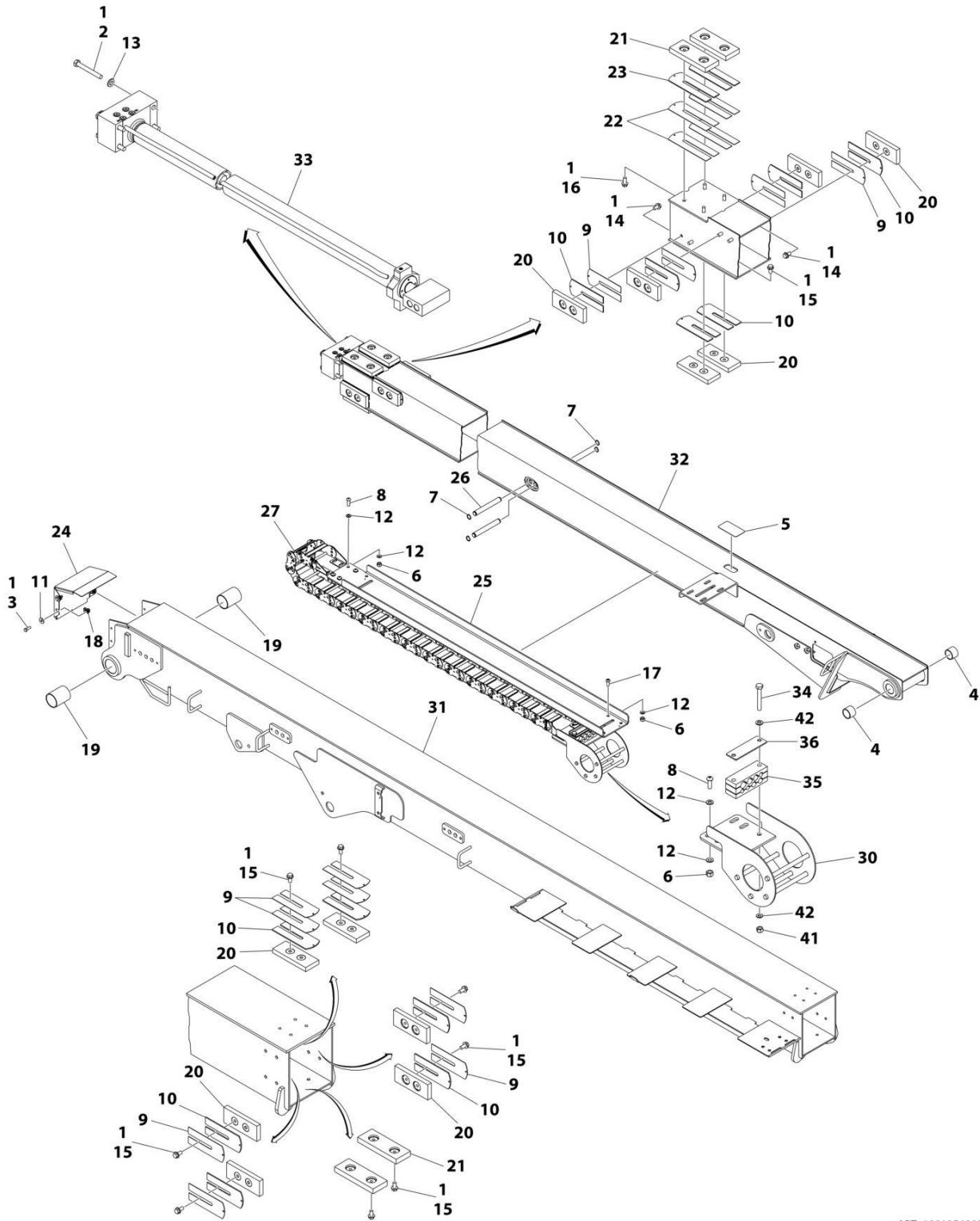
ART_1001259058

FIGURE 4-2. JIB INSTALLATION

| ITEM | PART NUMBER | QTY | DESCRIPTION | REV |
|------|-------------|-----|--|-----|
| | 1001259058 | Ref | JIB INSTALLATION | B |
| 1 | 0100011 | AR | Compound, Locking | |
| 2 | 0700820 | 2 | Bolt M8 x 60 | |
| 3 | 0701019 | 4 | Bolt M10 x 55 | |
| 4 | 0701222 | 2 | Bolt M12 x 70 | |
| 5 | 0761215 | 2 | Bolt M12 x 35 | |
| 6 | 0962272 | 2 | Bearing | |
| 7 | 3290805 | 4 | Nut M8 | |
| 8 | 3291005 | 4 | Nut M10 | |
| 9 | 3291205 | 3 | Nut M12 | |
| 10 | 3340860 | 4 | Pad, Rubber | |
| 11 | 3422793 | 1 | Pin | |
| 12 | 3422814 | 1 | Pin | |
| 13 | 3572551 | 2 | Channel | |
| 14 | 3841203 | 2 | Keeper, Pin | |
| 15 | 4811902 | 6 | Washer M8 | |
| 16 | 1001259196 | 2 | Link (Lower) | |
| 17 | 1001182064 | 2 | Pin | |
| 18 | 1001182695 | 2 | Bearing, Composite | |
| 19 | 1001255969 | 1 | Jib Cylinder Assembly (See Separate Breakdown in CYLINDER Section) | |
| 20 | 1001255991 | 1 | Pivot | |
| 21 | 1001256002 | 1 | Link (Upper) | |
| 22 | 1001256790 | 2 | Pin | |
| 23 | 1001270730 | 1 | Rotator Assembly (See Separate Breakdown in this Section) | |

SECTION 4 - BOOM

FIGURE 4-3. MAIN BOOM ASSEMBLY



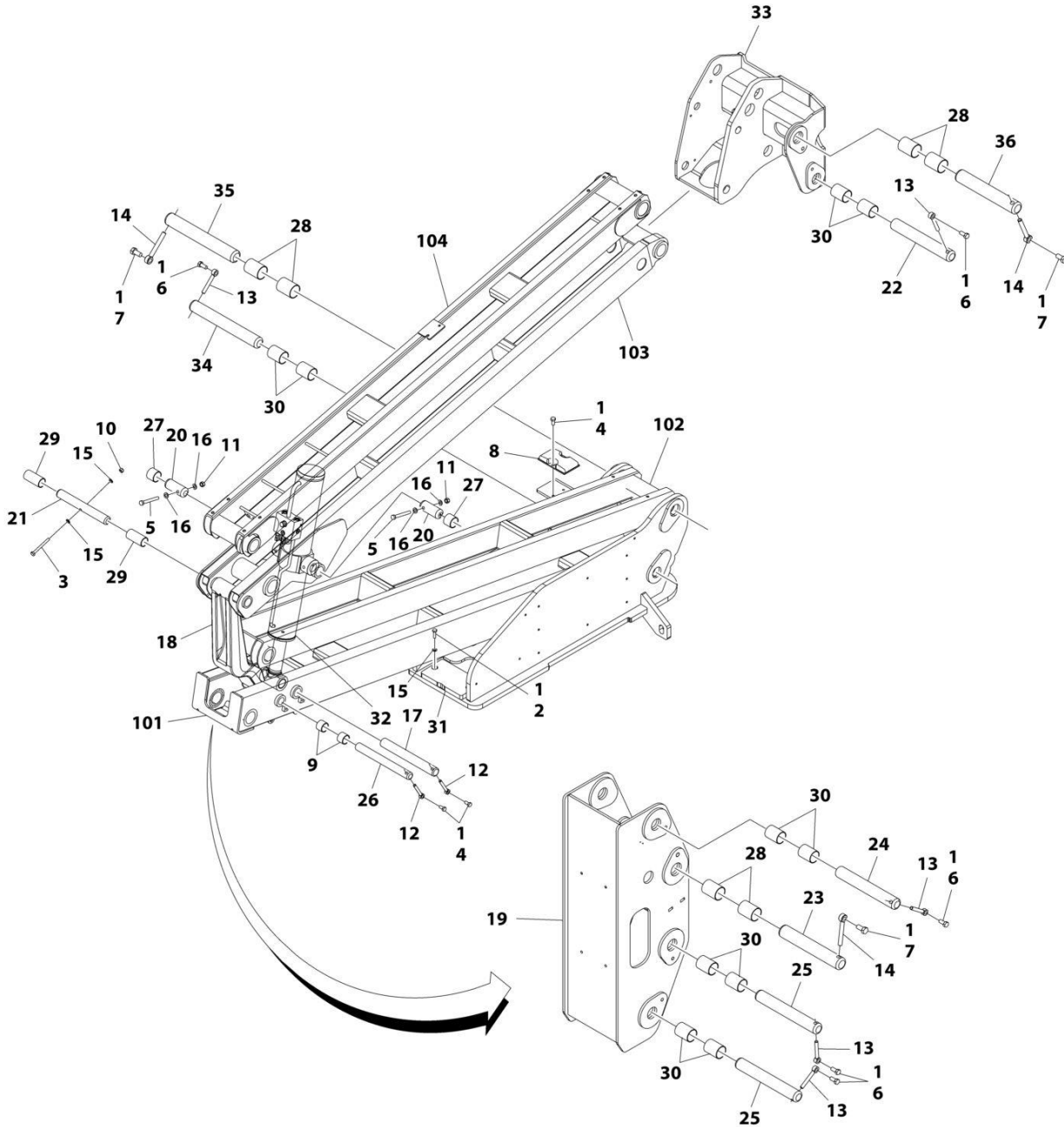
ART_1001256095

FIGURE 4-3. MAIN BOOM ASSEMBLY

| ITEM | PART NUMBER | QTY | DESCRIPTION | REV |
|------|-------------|-----|--|-----|
| | 1001256095 | Ref | MAIN BOOM ASSEMBLY | E |
| 1 | 0100011 | AR | Compound, Locking | |
| 2 | 0711227 | 4 | Bolt M12 x 100 | |
| 3 | 0760812 | 4 | Bolt M8 x 25 | |
| 4 | 0961948 | 2 | Bearing | |
| 5 | 1670836 | 1 | Cover | |
| 6 | 3291005 | 10 | Nut M10 | |
| 7 | 3760351 | 4 | Ring, Retaining | |
| 8 | 3900351 | 8 | Bolt M10 x 30 | |
| 9 | 4070897 | 12 | Shim | |
| 10 | 4070898 | 12 | Shim | |
| 11 | 4811902 | 4 | Washer M8 | |
| 12 | 4812000 | 18 | Washer M10 | |
| 13 | 5241200 | 4 | Washer M12 | |
| 14 | 5251009 | 8 | Bolt M10 x 18 | |
| 15 | 5251010 | 20 | Bolt M10 x 20 | |
| 16 | 5251012 | 4 | Bolt M10 x 25 | |
| 17 | 8310668 | 2 | Bolt M10 x 25 | |
| 18 | 1001118274 | 4 | Nut M8 | |
| 19 | 1001169302 | 2 | Bearing | |
| 20 | 1001169304 | 12 | Pad, Wear | |
| 21 | 1001169305 | 4 | Pad, Wear | |
| 22 | 1001169402 | 4 | Shim | |
| 23 | 1001169403 | 2 | Shim | |
| 24 | 1001170226 | 1 | Cover, Upper Boom | |
| 25 | 1001170334 | 1 | Push Tube, Hose Cover | |
| 26 | 1001180541 | 2 | Pin | |
| 27 | 1001224894 | 1 | Power Track | |
| 30 | 1001255329 | 1 | Mount, Weldment Carrier Tube | |
| 31 | 1001256125 | 1 | Boom, Base Weldment | |
| 32 | 1001256126 | 1 | Boom, Fly Weldment | |
| 33 | 1001266711 | 1 | Telescopic Cylinder (See Separate Breakdown in CYLINDER Section) | |
| 34 | 0700822 | 2 | Bolt M8 x 70 | |
| 35 | 1001273302 | 1 | Clamp | |
| 36 | 1001273303 | 1 | Plate | |
| 41 | 3290805 | 2 | Nut, Lock M8 | |
| 42 | 4811900 | 4 | Washer M8 | |

SECTION 4 - BOOM

FIGURE 4-4. TOWER BOOM ASSEMBLY



ART_1001256096

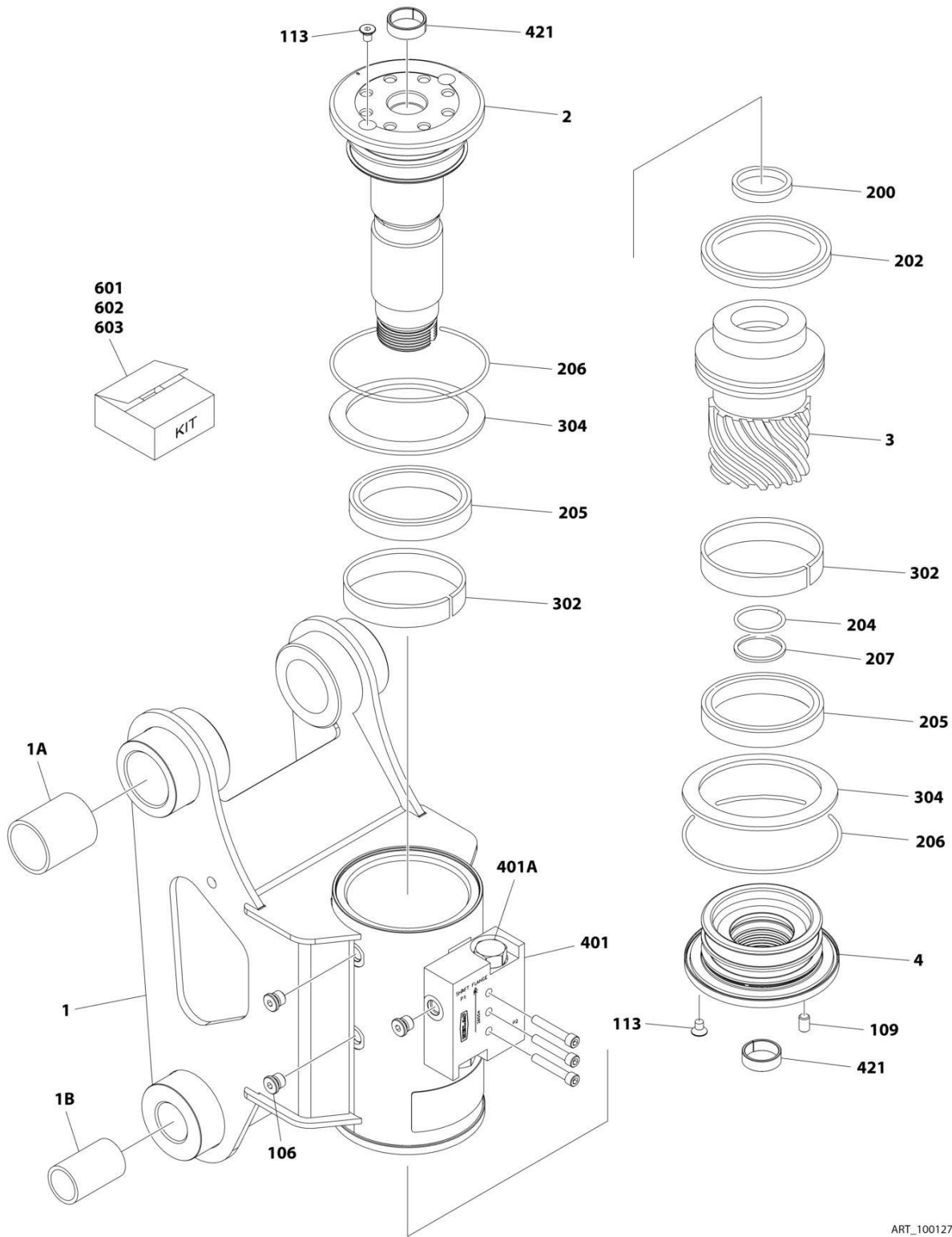
SECTION 4 - BOOM

FIGURE 4-4. TOWER BOOM ASSEMBLY

| ITEM | PART NUMBER | QTY | DESCRIPTION | REV |
|------|-------------|-----|--|-----|
| | 1001256096 | Ref | TOWER BOOM ASSEMBLY | A |
| 1 | 0100011 | AR | Compound, Locking | |
| 2 | 0701015 | 2 | Bolt M10 x 35 | |
| 3 | 0701027 | 1 | Bolt M10 x 100 | |
| 4 | 0761212 | 4 | Bolt M12 x 25 | |
| 5 | 0761227 | 2 | Bolt M12 x 100 | |
| 6 | 0761615 | 5 | Bolt M16 x 35 | |
| 7 | 0762016 | 3 | Bolt M20 x 40 | |
| 8 | 0940048 | 1 | Bumper | |
| 9 | 0961948 | 2 | Bearing | |
| 10 | 3291005 | 1 | Nut M10 | |
| 11 | 3291205 | 2 | Nut M12 | |
| 12 | 3841203 | 2 | Keeper, Pin | |
| 13 | 3841258 | 5 | Keeper, Pin | |
| 14 | 3841287 | 3 | Keeper, Pin | |
| 15 | 4812000 | 4 | Washer M10 | |
| 16 | 4812100 | 4 | Washer M12 | |
| 17 | 1001155093 | 1 | Pin | |
| 18 | 1001166096 | 1 | Link, Timing | |
| 19 | 1001166853 | 1 | Upright, Lower | |
| 20 | 1001169240 | 2 | Pin | |
| 21 | 1001169241 | 1 | Pin | |
| 22 | 1001169242 | 1 | Pin | |
| 23 | 1001169295 | 1 | Pin | |
| 24 | 1001169296 | 1 | Pin | |
| 25 | 1001169297 | 2 | Pin | |
| 26 | 1001169298 | 1 | Pin | |
| 27 | 1001169299 | 2 | Bearing | |
| 28 | 1001169300 | 6 | Bearing | |
| 29 | 1001169301 | 2 | Bearing | |
| 30 | 1001169302 | 10 | Bearing | |
| 31 | 1001180056 | 1 | Pad, Wear | |
| 32 | 1001255968 | 1 | Tower Lift Cylinder (See Separate Breakdown in CYLINDER Section) | |
| 33 | 1001256098 | 1 | Upright, Upper | |
| 34 | 1001256911 | 1 | Pin | |
| 35 | 1001258264 | 1 | Pin | |
| 36 | 1001258265 | 1 | Pin | |
| 100 | 1001256099 | 1 | Tower Boom Kit (Not Shown - Includes Items 101-104) | |
| 101 | 1001256100 | 1 | Boom, Lower Tower | |
| 102 | 1001256101 | 1 | Boom, Lower Link | |
| 103 | 1001256102 | 1 | Boom, Upper Tower | |
| 104 | 1001256103 | 1 | Boom, Upper Link | |

SECTION 4 - BOOM

FIGURE 4-5. ROTATOR ASSEMBLY



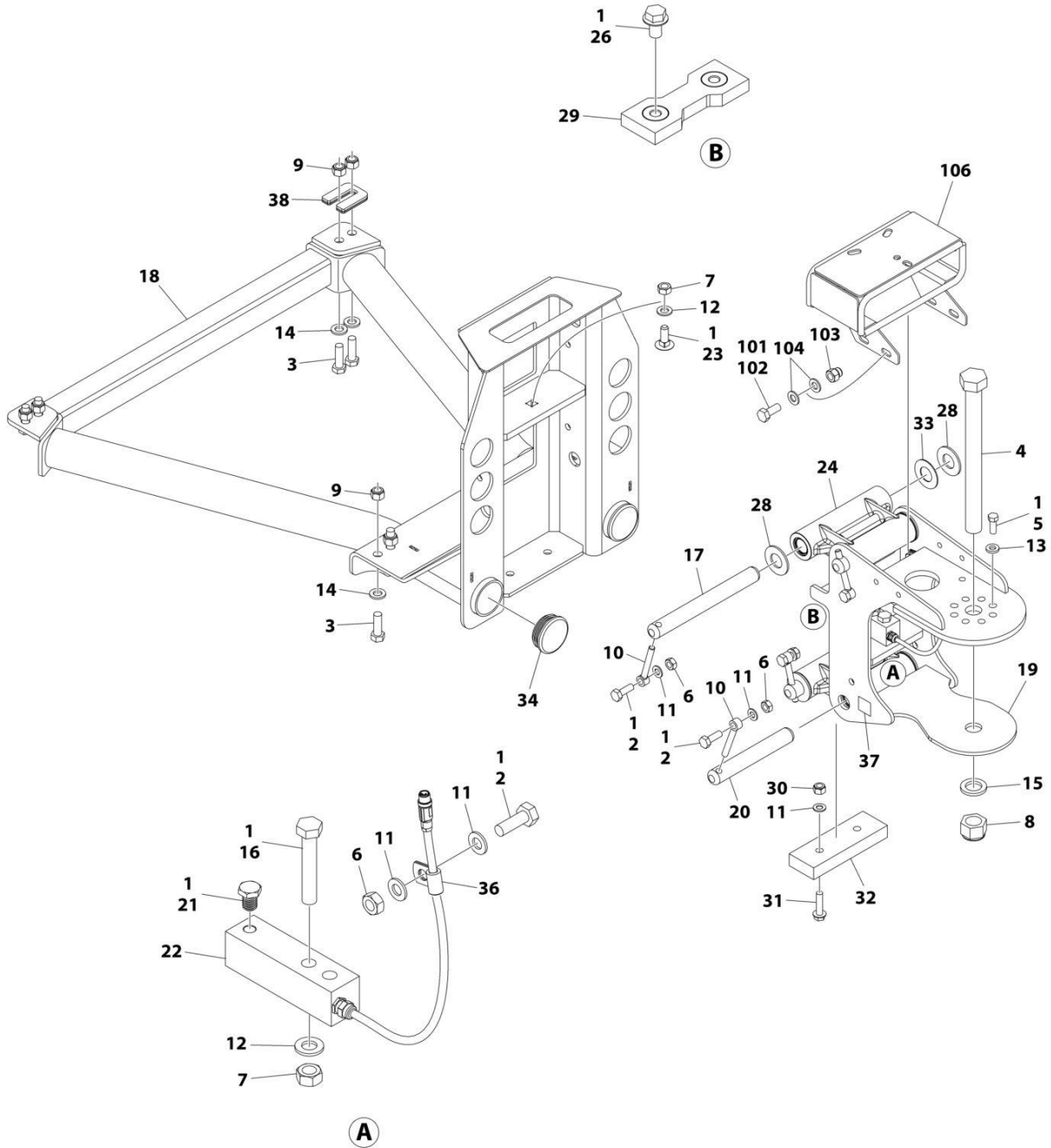
ART_1001270730

FIGURE 4-5. ROTATOR ASSEMBLY

| ITEM | PART NUMBER | QTY | DESCRIPTION | REV |
|------|-------------|-----|---|-----|
| | 1001270730 | Ref | ROTATOR ASSEMBLY | A |
| 1 | See Note | NSS | Housing (Note: Purchase Complete Assembly) | |
| 1A | 1001182695 | 2 | Bushing | |
| 1B | 0962348 | 2 | Bushing | |
| 2 | 7017162 | 1 | Shaft | |
| 3 | 7017163 | 1 | Piston | |
| 4 | 7017164 | 1 | Cap, End | |
| 106 | See Note | NSS | Plug (Note: Purchase P/N 7017142) | |
| 109 | See Note | NSS | Pin (Note: Purchase P/N 7017142) | |
| 113 | See Note | NSS | Screw (Note: Purchase P/N 7017142) | |
| 200 | See Note | NSS | Seal, Piston (Note: Purchase P/N 70000342) | |
| 202 | See Note | NSS | Seal, Piston (Note: Purchase P/N 70000342) | |
| 204 | See Note | NSS | O-Ring (Note: Use P/N 70000342) | |
| 205 | See Note | NSS | Seal, Shaft (Note: Purchase P/N 70000342) | |
| 206 | See Note | NSS | O-Ring (Note: Use P/N 70000342) | |
| 207 | See Note | NSS | Ring, Back-up (Note: Purchase P/N 70000342) | |
| 302 | See Note | NSS | Bearing, Shaft (Note: Purchase P/N 7017159) | |
| 304 | See Note | NSS | Washer, Thrust (Note: Purchase P/N 7017159) | |
| 401 | 7017172 | 1 | Counterbalance Valve Assembly | |
| 401A | 7017192 | 2 | Valve Cartridge (No Seal Kit Available) | |
| 421 | 7017195 | 2 | Bushing | |
| 601 | 70000342 | NSS | Seal Kit (Includes Items 200-207) | |
| 602 | 7017159 | NSS | Bearing Kit (Includes Items 302 & 304) | |
| 603 | 7017142 | NSS | Hardware Kit (Includes Items 106-113) | |

SECTION 4 - BOOM

FIGURE 4-6. PLATFORM SUPPORT INSTALLATION



ART_1001167596_N

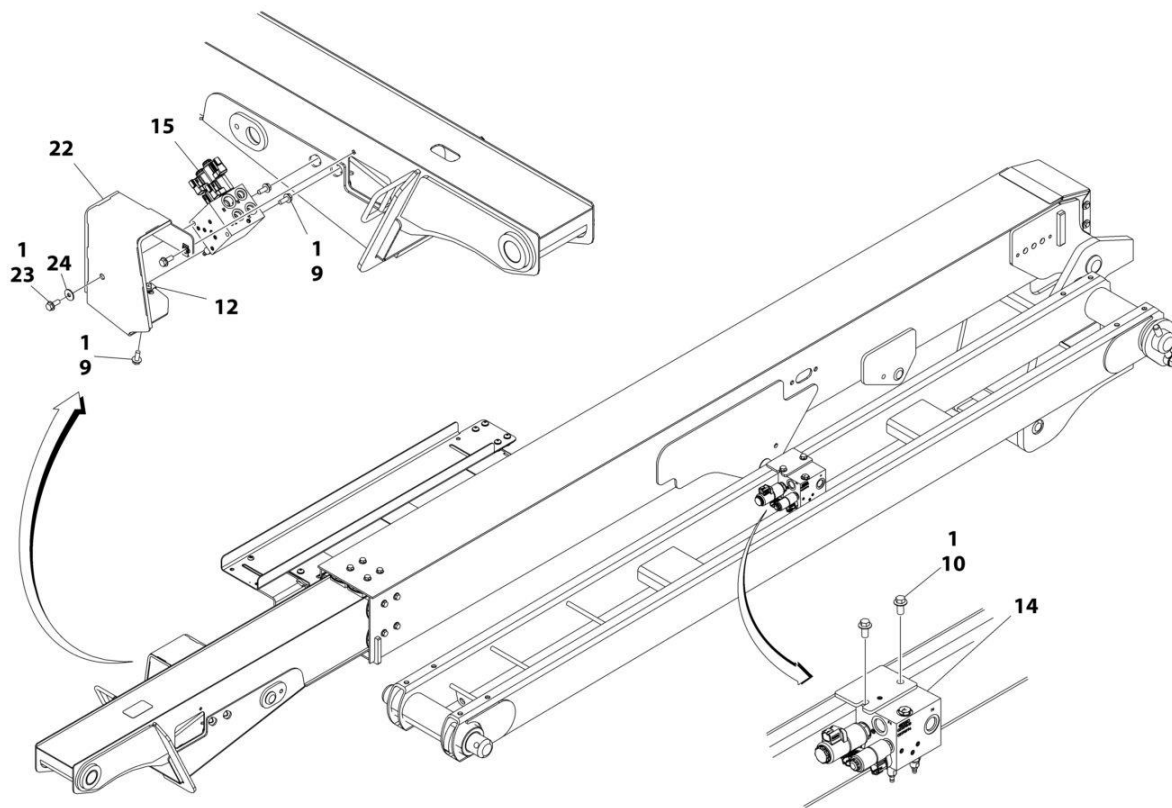
SECTION 4 - BOOM

FIGURE 4-6. PLATFORM SUPPORT INSTALLATION

| ITEM | PART NUMBER | QTY | DESCRIPTION | REV |
|------|-------------|-----|------------------------------------|-----|
| | 1001167596 | Ref | PLATFORM SUPPORT INSTALLATION | N |
| 1 | 0100011 | AR | Compound, Locking | |
| 2 | 0761014 | 5 | Bolt M10 x 30 | |
| 3 | 0761216 | 8 | Bolt M12 x 40 | |
| 4 | 1001255133 | 1 | Bolt 1 x 11 GRD8 | |
| 5 | 0681608 | 8 | Bolt 3/8 x 1 GRD8 | |
| 6 | 3291001 | 5 | Nut M10 | |
| 7 | 3291201 | 3 | Nut M12 | |
| 8 | 1001174040 | 1 | Nut 1 | |
| 9 | 3291205 | 8 | Nut M12 | |
| 10 | 3841143 | 4 | Keeper, Pin | |
| 11 | 4812000 | 8 | Washer M10 | |
| 12 | 4812100 | 3 | Washer M12 | |
| 13 | 4891600 | 8 | Washer 3/8 | |
| 14 | 5241200 | 8 | Washer M12 | |
| 15 | 4892600001 | 1 | Washer 1 | |
| 16 | 1001098828 | 2 | Bolt M12 x 70 CL10.9 | |
| 17 | 1001167565 | 2 | Pin | |
| 18 | 1001200494 | 1 | Support, Platform | |
| 19 | 1001167567 | 1 | Support, Rotator | |
| 20 | 1001168402 | 2 | Pin | |
| 21 | 1001188622 | 1 | Screw | |
| 22 | 1001247468 | 1 | Loadcell | |
| 23 | 1001188844 | 1 | Bolt M12 x 35 | |
| 24 | 1001201351 | 2 | Link | |
| 24 | 1001187382 | 4 | Bearing | |
| 24 | 1001187383 | 4 | Seal | |
| 26 | 5251008 | 2 | Bolt M10 x 16 CL10.9 | |
| 28 | 1001189002 | 8 | Bearing | |
| 29 | 1001190985 | 1 | Pad, Wear | |
| 30 | 3291005 | 2 | Nut M10 | |
| 31 | 5251016 | 2 | Bolt M10 x 40 CL10.9 | |
| 32 | 1001200491 | 1 | Pad, Wear | |
| 33 | 1001189001 | 4 | Bearing | |
| 34 | 1001204725 | 2 | Plug | |
| 36 | 91203039 | 1 | Clamp | |
| 37 | 1001216630 | 2 | Decal - Tie Down/No Lift | |
| 38 | 1001238421 | Ref | Kit, Platform Leveling (Not Shown) | |
| | 1001202687 | Ref | VALVE MOUNT INSTALLATION | B |
| 101 | 0100011 | AR | Compound, Locking | |
| 102 | 0760810 | 4 | Bolt M8 x 20 | |
| 103 | 3290806 | 4 | Nut M8 | |
| 104 | 4811900 | 8 | Washer M8 | |
| 106 | 1001208994 | 1 | Mount, Valve | |

SECTION 4 - BOOM

FIGURE 4-7. VALVES INSTALLATION - BOOM MOUNTED



ART_1001271795_30F3

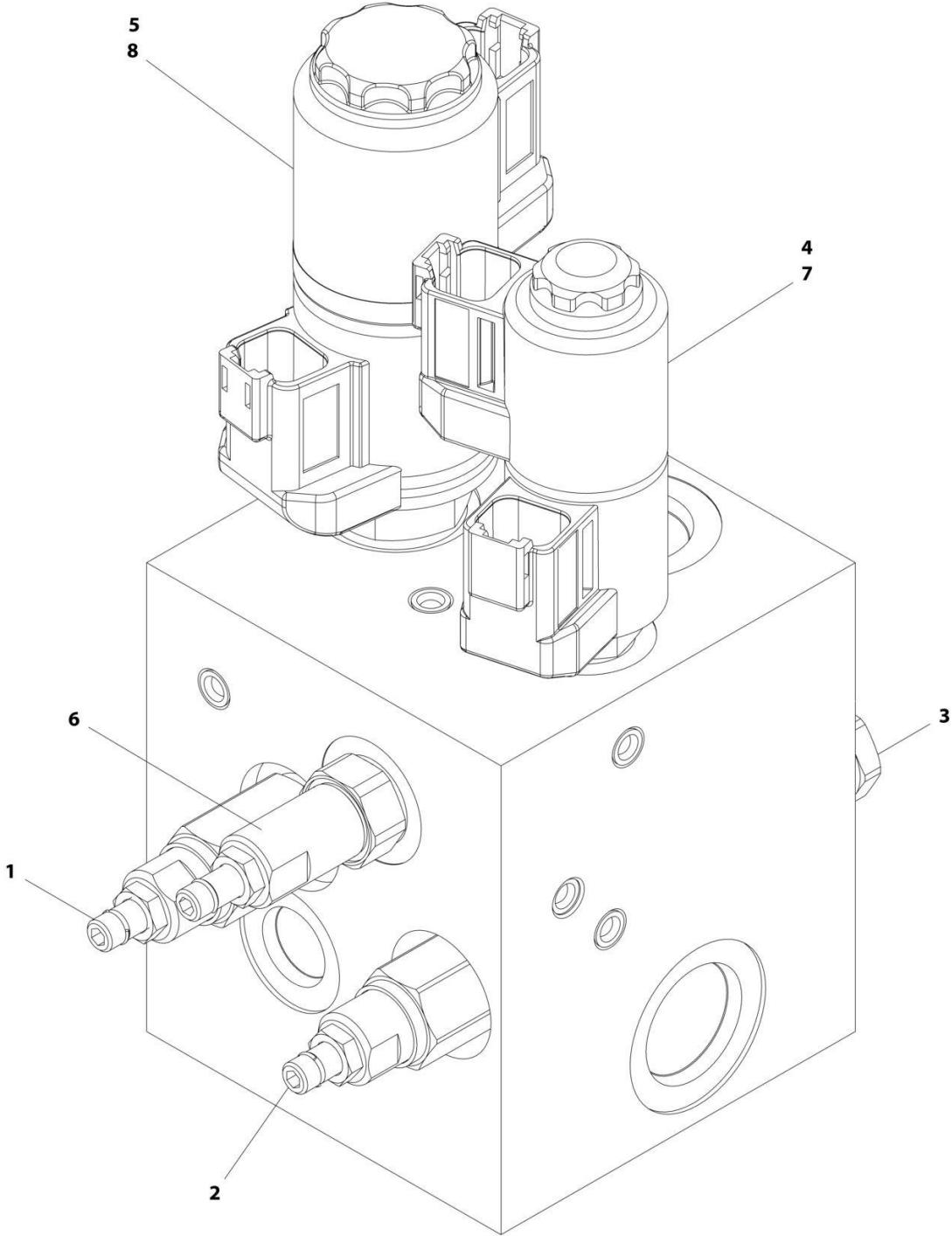
SECTION 4 - BOOM

FIGURE 4-7. VALVES INSTALLATION - BOOM MOUNTED

| ITEM | PART NUMBER | QTY | DESCRIPTION | REV |
|------|-------------|-----|---|-----|
| | 1001271795 | Ref | 4WD VALVES INSTALLATION - BOOM MOUNTED | B |
| 1 | 0100011 | AR | Compound, Locking | |
| 9 | 5250810 | 4 | Bolt M8 x 20 Class 10.9 | |
| 10 | 5251010 | 15 | Bolt M10 x 25 Class 10.9 | |
| 12 | 1001118274 | 2 | Nut, Tinnerman M8 | |
| 14 | 1001162535 | 1 | Upright Valve Assembly (See Separate Breakdown in this Section) | |
| 15 | 1001162536 | 1 | Boom Valve Assembly (See Separate Breakdown in this Section) | |
| 22 | 1001265186 | 1 | Shield, Fly Boom Valve | |
| 23 | 0770810 | 1 | Bolt M8 x 20 Class 10.9 | |
| 24 | 4811902 | 1 | Washer M8 | |

SECTION 4 - BOOM

FIGURE 4-8. UPRIGHT VALVE ASSEMBLY



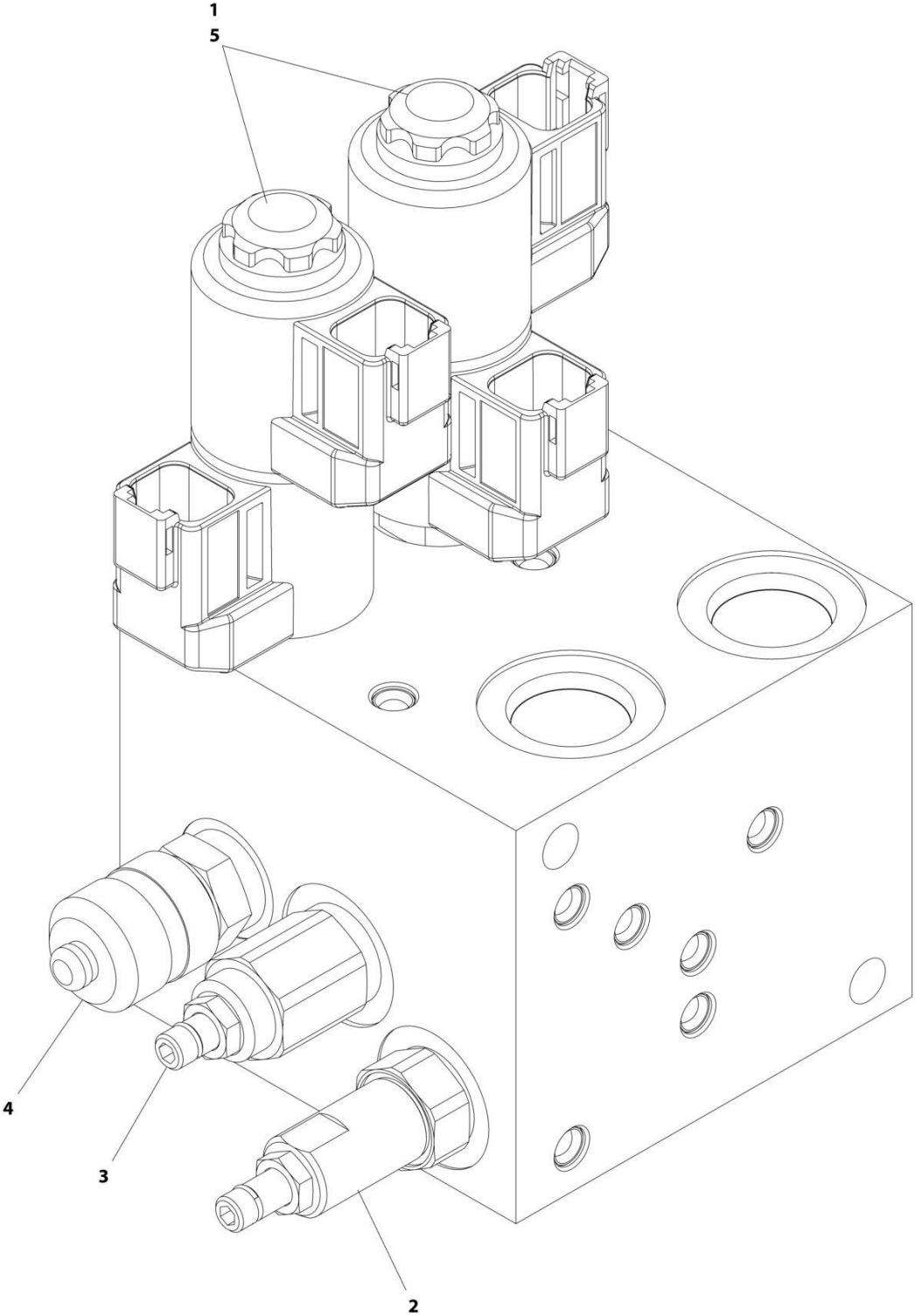
ART_1001162535

FIGURE 4-8. UPRIGHT VALVE ASSEMBLY

| ITEM | PART NUMBER | QTY | DESCRIPTION | REV |
|------|-------------|-----|-------------------------------------|-----|
| | 1001162535 | Ref | UPRIGHT VALVE ASSEMBLY | D |
| 1 | 70004864 | 1 | Cartridge, Valve | |
| 1 | 70004875 | 1 | Seal Kit - 70004864 Valve | |
| 2 | 70004865 | 1 | Cartridge, Valve | |
| 2 | 70004875 | 1 | Seal Kit - 70004865 Valve | |
| 3 | 70004866 | 1 | Cartridge, Relief Valve | |
| 3 | 70004867 | 1 | Seal Kit - 70004866 Valve | |
| 4 | 70004868 | 1 | Cartridge, Solenoid Valve Less Coil | |
| 4 | 70004869 | 1 | Seal Kit - 70004868 Valve | |
| 5 | 7027625 | 1 | Cartridge, Solenoid Valve Less Coil | |
| 5 | 70000100 | 1 | Seal Kit - 7027625 Valve | |
| 6 | 70006660 | 1 | Cartridge, Valve | |
| 6 | 70004867 | 1 | Seal Kit - 70006660 Valve | |
| 7 | 70004871 | 2 | Coil | |
| 8 | 7027628 | 2 | Coil | |

SECTION 4 - BOOM

FIGURE 4-9. BOOM VALVE ASSEMBLY



ART_1001162536_G

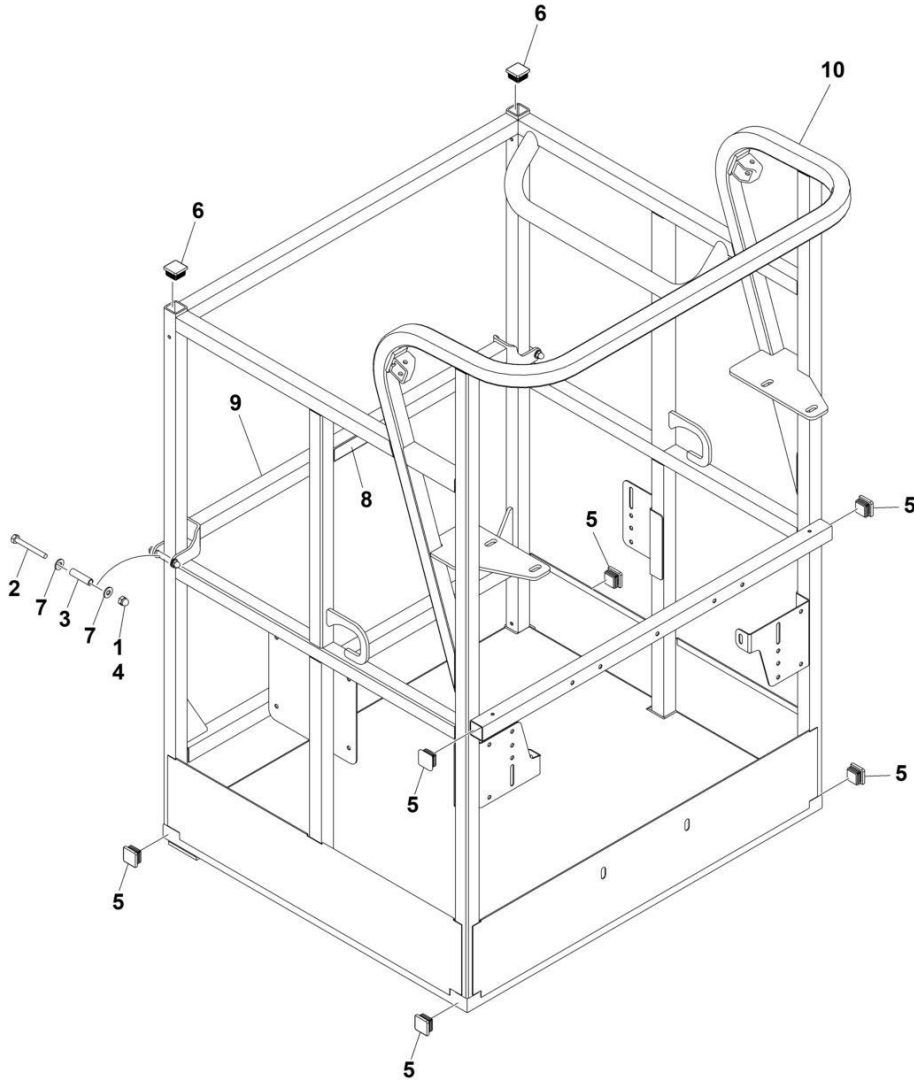
FIGURE 4-9. BOOM VALVE ASSEMBLY

| ITEM | PART NUMBER | QTY | DESCRIPTION | REV |
|------|-------------|-----|-------------------------------------|-----|
| | 1001162536 | Ref | BOOM VALVE ASSEMBLY | G |
| 1 | 70005243 | 2 | Cartridge, Solenoid Valve Less Coil | |
| 1 | 70004869 | 2 | Seal Kit - 70005243 Valve | |
| 2 | 70004873 | 1 | Cartridge, Valve | |
| 2 | 70004867 | 1 | Seal Kit - 70004873 Valve | |
| 3 | 70007556 | 1 | Cartridge, Valve | |
| 3 | 70004867 | 1 | Seal Kit - 70006970 Valve | |
| 4 | 2221086 | 1 | Fitting, Test | |
| 5 | 70004871 | 4 | Coil | |

SECTION 5 - PLATFORM

SECTION 5 - PLATFORM

FIGURE 5-1. PLATFORM ASSEMBLY - 30IN X 3FT- SIDE DROP BAR ENTRY



ART_1001228215

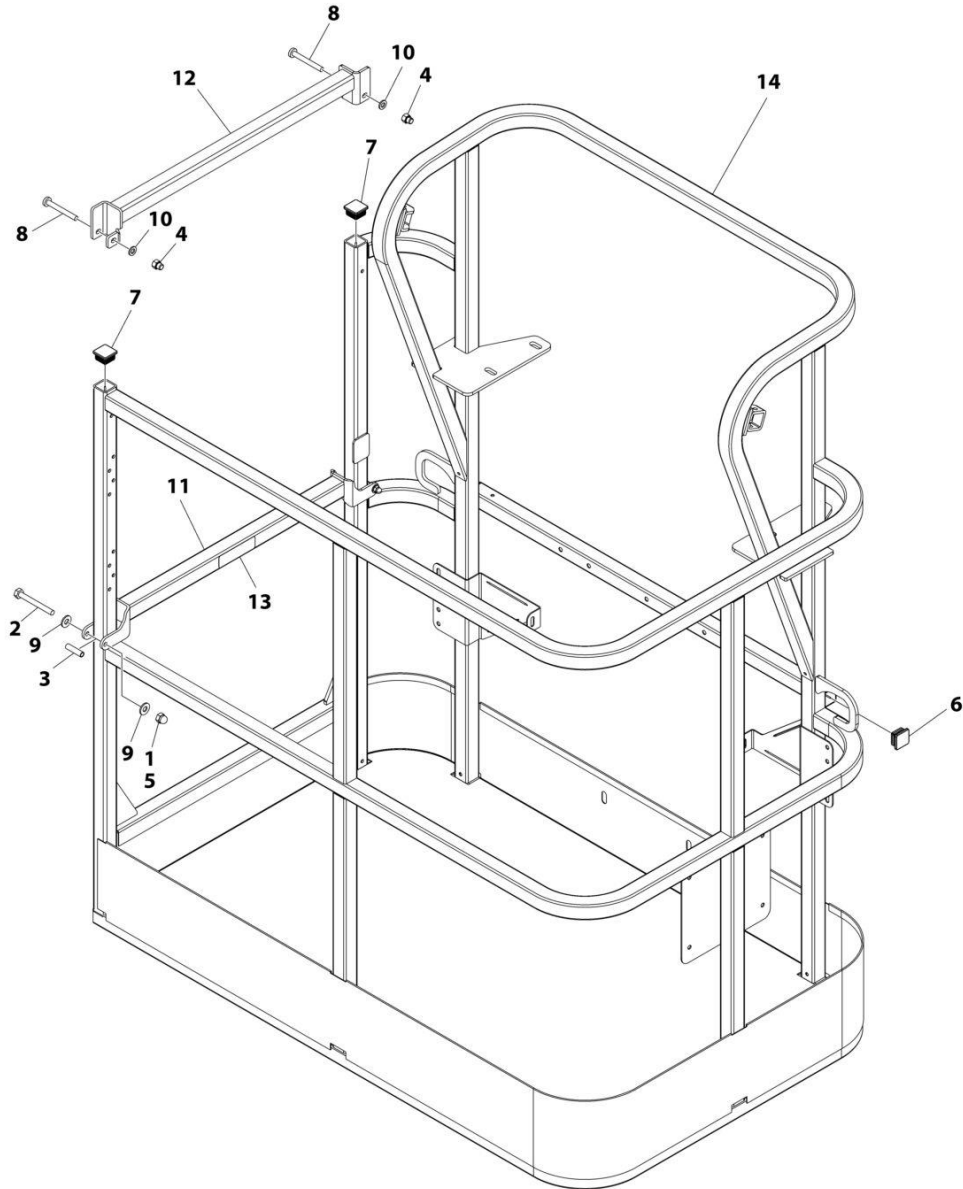
SECTION 5 - PLATFORM

FIGURE 5-1. PLATFORM ASSEMBLY - 30IN X 3FT- SIDE DROP BAR ENTRY

| ITEM | PART NUMBER | QTY | DESCRIPTION | REV |
|------|-------------|-----|---|-----|
| | 1001228215 | Ref | PLATFORM ASSEMBLY | A |
| | See Note | Ref | Note: Platform and Mesh must be ordered separately for Platforms with Mesh. See SPECIAL OPTIONS SECTION for Mesh Installations. | |
| | See Note | Ref | Note: Replacement Decals Must be Ordered Separately - See DECAL SECTION. | |
| 1 | 0100011 | AR | Compound, Locking | |
| 2 | 0641418 | 2 | Bolt 1/4 x 2-1/4 | |
| 3 | 0961845 | 2 | Bushing | |
| 4 | 3300151 | 2 | Nut 1/4 | |
| 5 | 3520072 | 6 | Cap, Plug | |
| 6 | 3520198 | 2 | Cap, Plug | |
| 7 | 4711400 | 4 | Washer 1/4 | |
| 8 | 1001140429 | 1 | Decal - Drop Bar | |
| 9 | 1001226872 | 1 | Bar, Drop | |
| 10 | See Note | NSS | Platform (Note: Not Available - Purchase Platform Assembly) | |

SECTION 5 - PLATFORM

FIGURE 5-2. PLATFORM ASSEMBLY - 30IN X 4FT- SIDE DROP BAR ENTRY



ART_1001186375

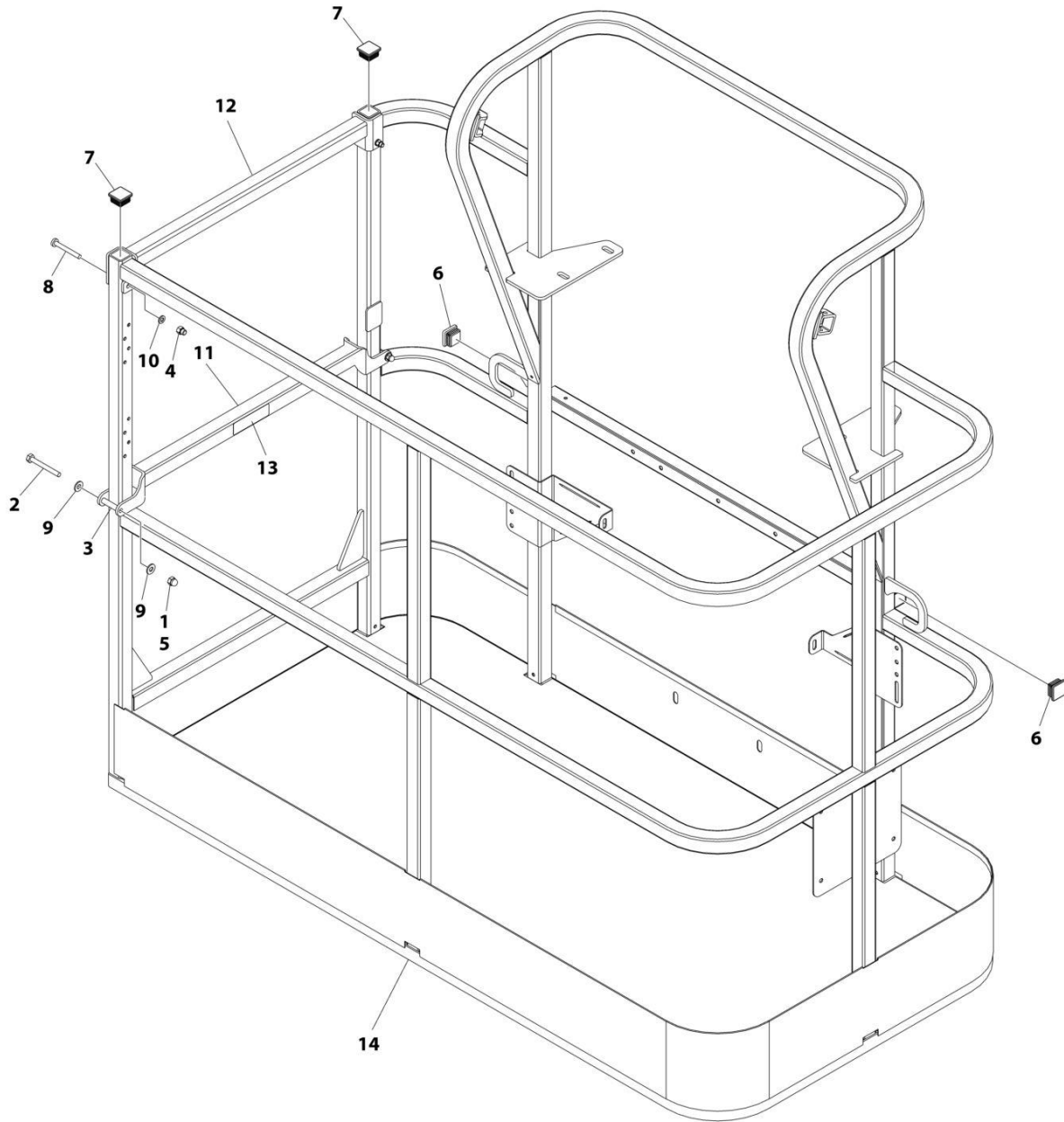
SECTION 5 - PLATFORM

FIGURE 5-2. PLATFORM ASSEMBLY - 30IN X 4FT- SIDE DROP BAR ENTRY

| ITEM | PART NUMBER | QTY | DESCRIPTION | REV |
|------|-------------|-----|---|-----|
| | 1001186375 | Ref | PLATFORM ASSEMBLY | B |
| | | Ref | Note: Platform and Mesh must be ordered separately for Platforms with Mesh. See SPECIAL OPTIONS SECTION for Mesh Installations. | |
| | | Ref | Note: Replacement Decals Must be Ordered Separately - See DECALS SECTION. | |
| 1 | 0100011 | AR | Compound, Locking | |
| 2 | 0641418 | 2 | Bolt 1/4 x 2-1/4 | |
| 3 | 0961845 | 2 | Bushing | |
| 4 | 3290606 | 2 | Nut M6 | |
| 5 | 3300151 | 2 | Nut 1/4 | |
| 6 | 3520072 | 2 | Plug | |
| 7 | 3520198 | 2 | Plug | |
| 8 | 4010618 | 2 | Screw M6 x 50 | |
| 9 | 4711400 | 4 | Washer 1/4 | |
| 10 | 4811700 | 2 | Washer M6 | |
| 11 | 1001138494 | 1 | Bar, Drop | |
| 12 | 1001138514 | 1 | Rail - Top | |
| 13 | 1001140429 | 1 | Decal - Drop Bar | |
| 14 | See Note | 1 | Platform (Note: Not Available - Purchase Platform Assembly) | |

SECTION 5 - PLATFORM

FIGURE 5-3. PLATFORM ASSEMBLY - 30IN X 5FT- SIDE DROP BAR ENTRY



ART_1001186377

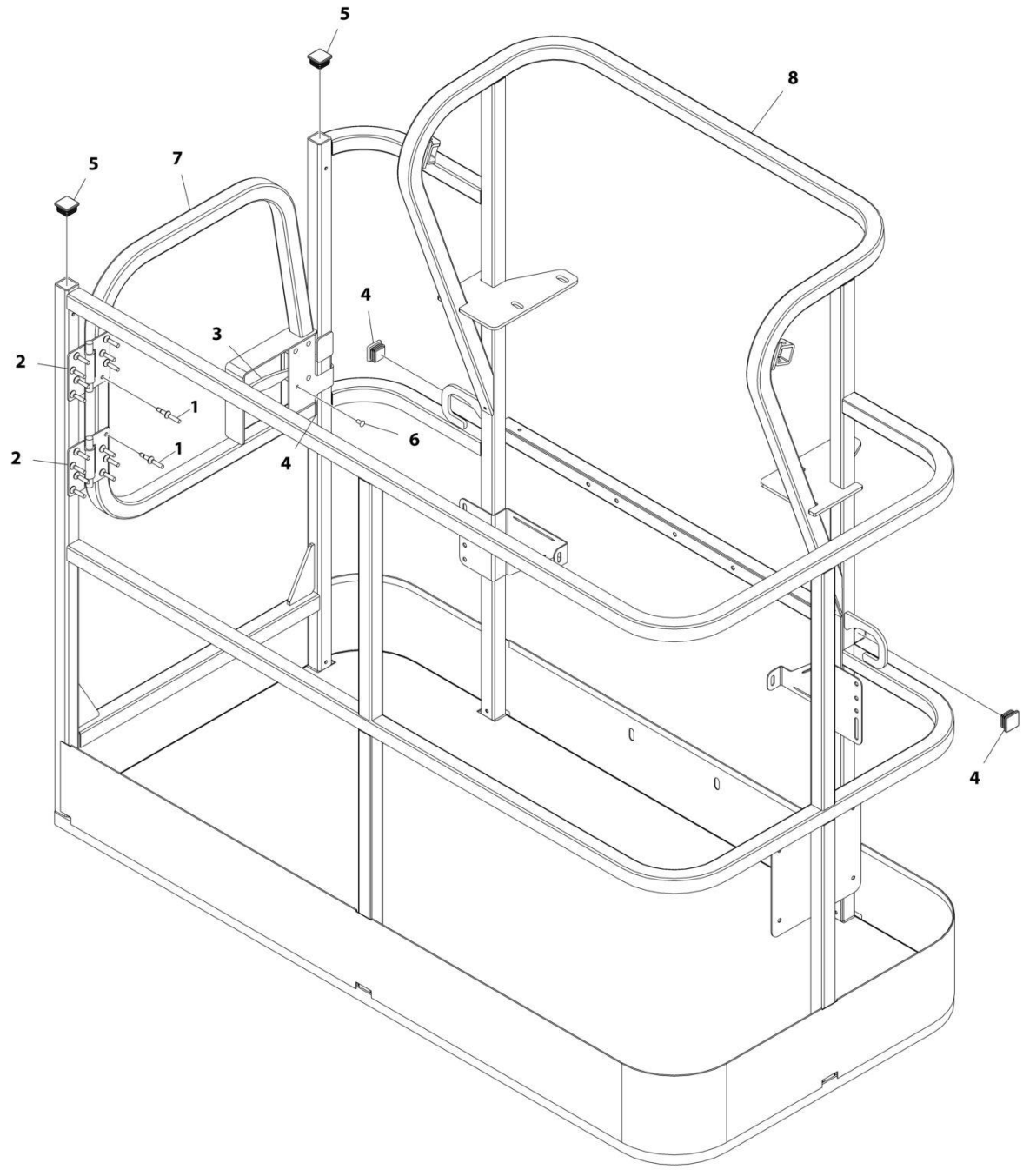
SECTION 5 - PLATFORM

FIGURE 5-3. PLATFORM ASSEMBLY - 30IN X 5FT- SIDE DROP BAR ENTRY

| ITEM | PART NUMBER | QTY | DESCRIPTION | REV |
|------|-------------|-----|---|-----|
| | 1001186377 | Ref | PLATFORM ASSEMBLY | C |
| | | Ref | Note: Platform and Mesh must be ordered separately for Platforms with Mesh. See SPECIAL OPTIONS SECTION for Mesh Installations. | |
| | | Ref | Note: Replacement Decals Must be Ordered Separately - See DECALS SECTION. | |
| 1 | 0100011 | AR | Compound, Locking | |
| 2 | 0641420 | 2 | Bolt 1/4 x 2-1/2 | |
| 3 | 0961845 | 2 | Bushing | |
| 4 | 3290606 | 2 | Nut M6 | |
| 5 | 3300151 | 2 | Nut 1/4 | |
| 6 | 3520072 | 2 | Plug | |
| 7 | 3520198 | 2 | Plug | |
| 8 | 4010618 | 2 | Screw M6 x 50 | |
| 9 | 4711400 | 4 | Washer 1/4 | |
| 10 | 4811700 | 2 | Washer M6 | |
| 11 | 1001138494 | 1 | Bar, Drop | |
| 12 | 1001138514 | 1 | Rail (Top) | |
| 13 | 1001140429 | 1 | Decal - Drop Bar | |
| 14 | See Note | NSS | Platform (Note: Not Available - Purchase Platform Assembly) | |

SECTION 5 - PLATFORM

FIGURE 5-4. PLATFORM ASSEMBLY - 30IN X 5FT- SIDE GATE ENTRY



ART_1001186386

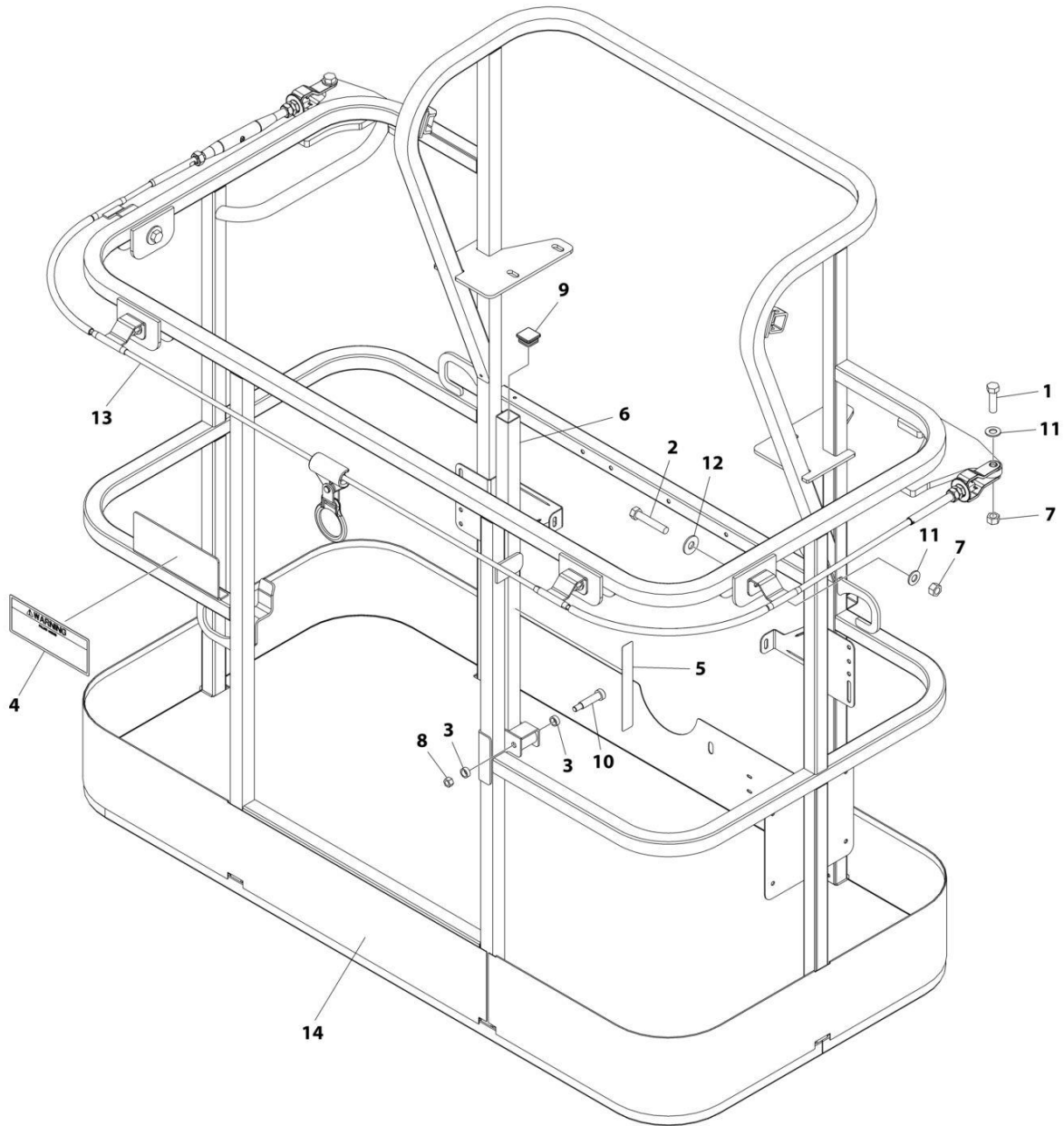
SECTION 5 - PLATFORM

FIGURE 5-4. PLATFORM ASSEMBLY - 30IN X 5FT- SIDE GATE ENTRY

| ITEM | PART NUMBER | QTY | DESCRIPTION | REV |
|------|-------------|-----|---|-----|
| | 1001186386 | Ref | PLATFORM ASSEMBLY | C |
| | | Ref | Note: Platform and Mesh must be ordered separately for Platforms with Mesh. See SPECIAL OPTIONS SECTION for Mesh Installations. | |
| | | Ref | Note: Replacement Decals Must be Ordered Separately - See DECALS SECTION. | |
| 1 | 2080040 | 16 | Fastener, Huck | |
| 2 | 2600281 | 2 | Hinge, Self-Closing | |
| 3 | 2940074 | 1 | Latch | |
| 4 | 3520072 | 3 | Plug | |
| 5 | 3520198 | 2 | Plug | |
| 6 | 3820020 | 4 | Rivet | |
| 7 | 1001144629 | 1 | Gate | |
| 8 | See Note | NSS | Platform (Note: Not Available - Purchase Platform Assembly) | |

SECTION 5 - PLATFORM

FIGURE 5-5. PLATFORM ASSEMBLY - 30IN X 5FT (76CM X 1.22M) - FALL ARREST REAR ENTRY



ART_1001186388

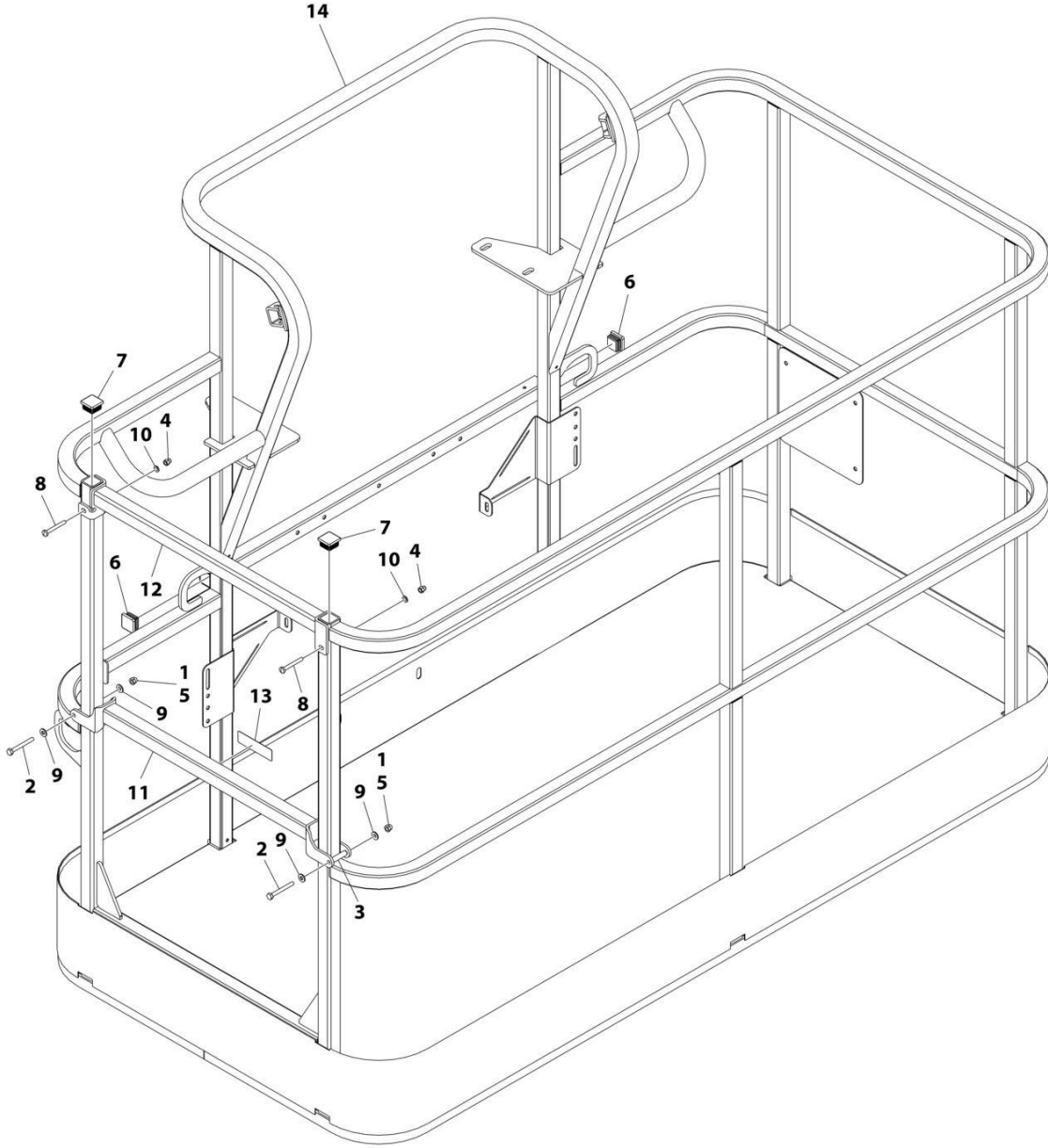
SECTION 5 - PLATFORM

FIGURE 5-5. PLATFORM ASSEMBLY - 30IN X 5FT (76CM X 1.22M) - FALL ARREST REAR ENTRY

| ITEM | PART NUMBER | QTY | DESCRIPTION | REV |
|------|-------------|-----|---|-----|
| | 1001186388 | Ref | PLATFORM ASSEMBLY | C |
| | See Note | Ref | Note: Replacement Decals Must be Ordered Separately - See DECALS SECTION. | |
| 1 | 0681814 | 2 | Bolt 1/2 x 1-3/4 (Grade 8) | |
| 2 | 0681822 | 4 | Bolt 1/2 x 2-3/4 (Grade 8) | |
| 3 | 0962270 | 2 | Bearing | |
| 4 | 1705014 | 1 | Decal - Safety | |
| 5 | 1706385 | 1 | Decal - Drop Bar | |
| 6 | 2410014 | 1 | Gate, Weldment | |
| 7 | 3271805 | 6 | Nut 1/2 | |
| 8 | 3311605 | 1 | Nut 3/8 | |
| 9 | 3520072 | 1 | Cap, Plug | |
| 10 | 3900054 | 1 | Bolt 1/2 x 1-3/4 | |
| 11 | 4711800 | 6 | Washer 1/2 | |
| 12 | 4751800 | 4 | Washer 1/2 | |
| 13 | 1001203654 | 1 | Lanyard | |
| 14 | See Note | NSS | Platform (Note: Not Available - Purchase Platform Assembly) | |

SECTION 5 - PLATFORM

FIGURE 5-6. PLATFORM ASSEMBLY - 30IN X 6FT- SIDE DROP BAR ENTRY



ART_1001186378

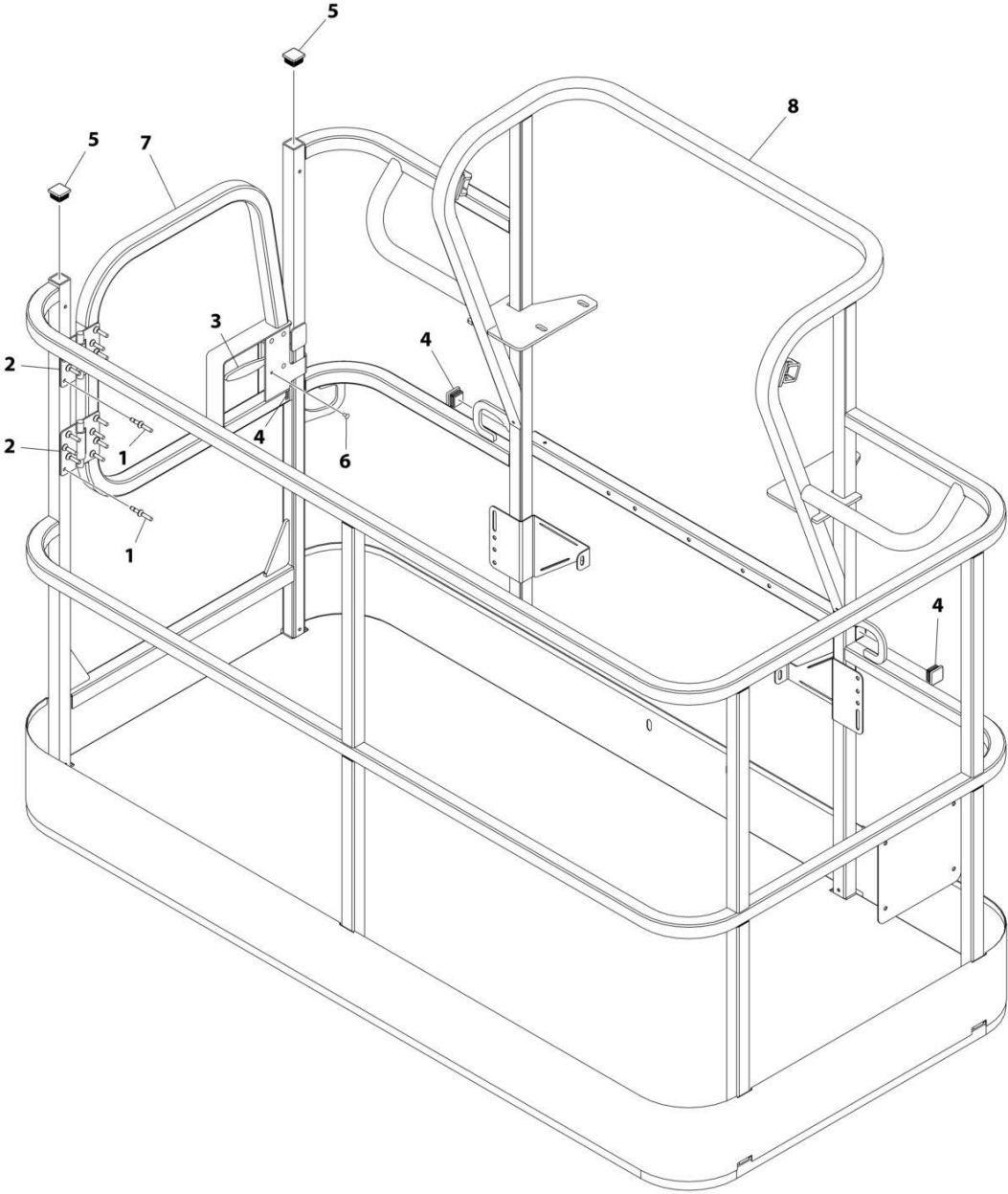
SECTION 5 - PLATFORM

FIGURE 5-6. PLATFORM ASSEMBLY - 30IN X 6FT- SIDE DROP BAR ENTRY

| ITEM | PART NUMBER | QTY | DESCRIPTION | REV |
|------|-------------|-----|---|-----|
| | 1001186378 | Ref | PLATFORM ASSEMBLY | C |
| | | Ref | Note: Platform and Mesh must be ordered separately for Platforms with Mesh. See SPECIAL OPTIONS SECTION for Mesh Installations. | |
| | | Ref | Note: Replacement Decals Must be Ordered Separately - See DECALS SECTION. | |
| 1 | 0100011 | AR | Compound, Locking | |
| 2 | 0641418 | 2 | Bolt 1/4 x 2-1/4 | |
| 3 | 0961845 | 2 | Bushing | |
| 4 | 3290606 | 2 | Nut M6 | |
| 5 | 3300151 | 2 | Nut 1/4 | |
| 6 | 3520072 | 2 | Plug | |
| 7 | 3520198 | 2 | Plug | |
| 8 | 4010618 | 2 | Screw M6 x 50 | |
| 9 | 4711400 | 4 | Washer 1/4 | |
| 10 | 4811700 | 2 | Washer M6 | |
| 11 | 1001138494 | 1 | Bar, Drop | |
| 12 | 1001138514 | 1 | Rail (Top) | |
| 13 | 1001140429 | 1 | Decal - Drop Bar | |
| 14 | See Note | NSS | Platform (Note: Not Available - Purchase Platform Assembly) | |

SECTION 5 - PLATFORM

FIGURE 5-7. PLATFORM ASSEMBLY - 30IN X 6FT- SIDE GATE ENTRY



ART_1001186385

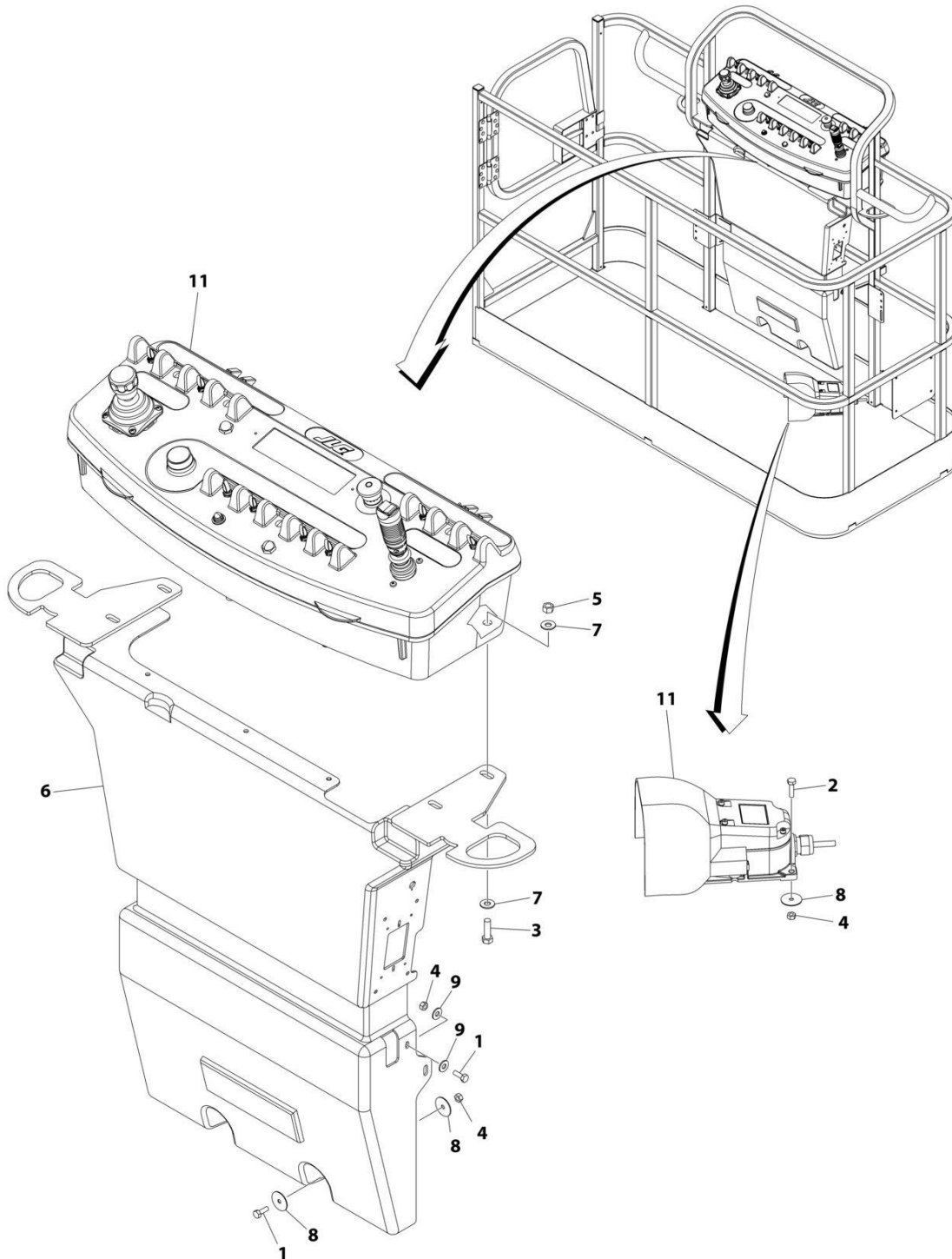
SECTION 5 - PLATFORM

FIGURE 5-7. PLATFORM ASSEMBLY - 30IN X 6FT- SIDE GATE ENTRY

| ITEM | PART NUMBER | QTY | DESCRIPTION | REV |
|------|-------------|-----|---|-----|
| | 1001186385 | Ref | PLATFORM ASSEMBLY | D |
| | | Ref | Note: Platform and Mesh must be ordered separately for Platforms with Mesh. See SPECIAL OPTIONS SECTION for Mesh Installations. | |
| | | Ref | Note: Replacement Decals Must be Ordered Separately - See DECALS SECTION. | |
| 1 | 2080040 | 16 | Fastener, Huck | |
| 2 | 2600281 | 2 | Hinge | |
| 3 | 2940074 | 1 | Latch | |
| 4 | 3520072 | 3 | Plug | |
| 5 | 3520198 | 2 | Plug | |
| 6 | 3820020 | 4 | Rivet | |
| 7 | 1001144629 | 1 | Gate | |
| 8 | See Note | NSS | Platform (Note: Not Available - Purchase Platform Assembly) | |

SECTION 5 - PLATFORM

FIGURE 5-8. CONSOLE BOX INSTALLATION



ART_1001246436

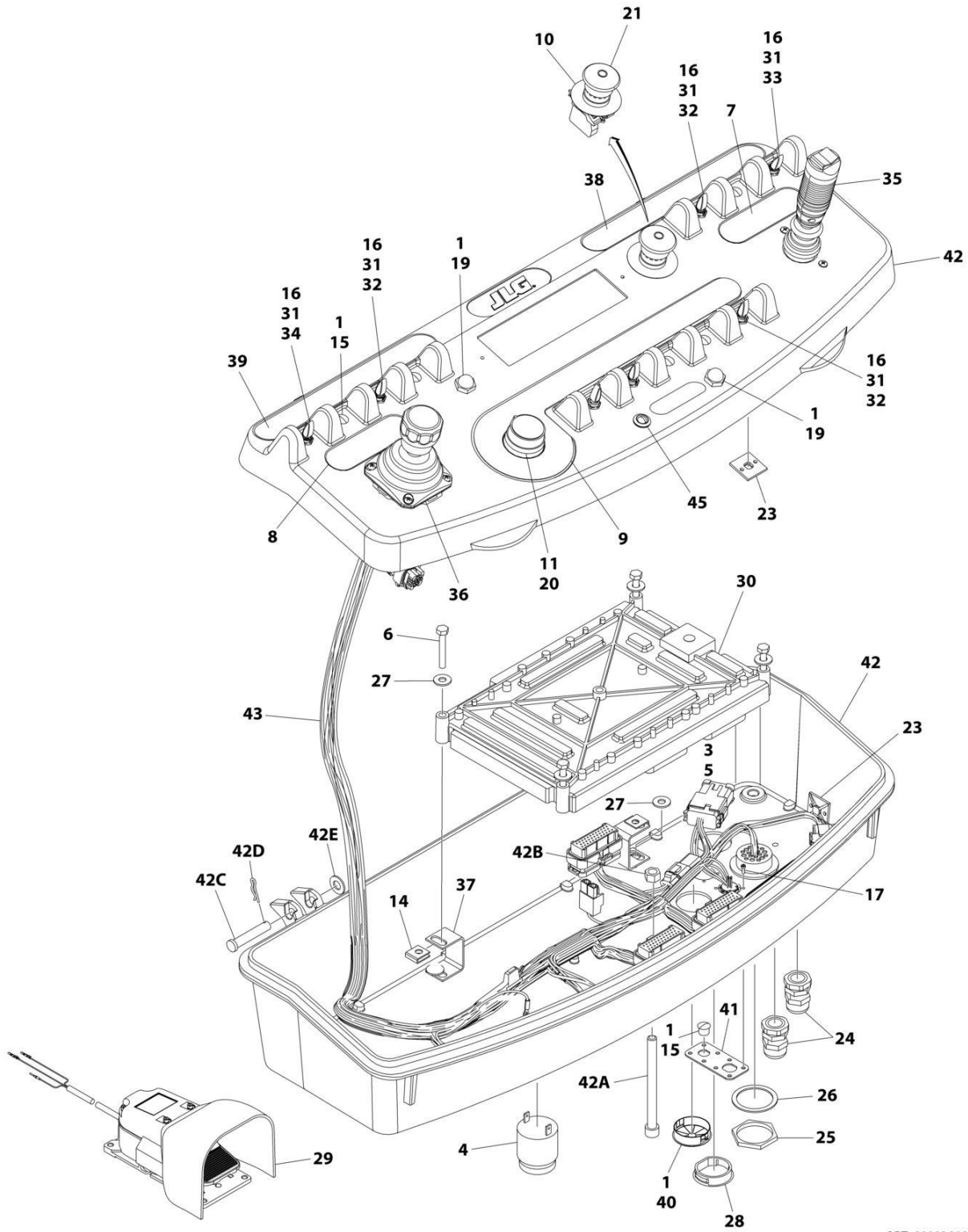
SECTION 5 - PLATFORM

FIGURE 5-8. CONSOLE BOX INSTALLATION

| ITEM | PART NUMBER | QTY | DESCRIPTION | REV |
|------|-------------|-----|--|-----|
| | 1001246436 | Ref | CONSOLE BOX INSTALLATION | A |
| 1 | 0641406 | 4 | Bolt 1/4 x 3/4 | |
| 2 | 0641408 | 3 | Bolt 1/4 x 1 | |
| 3 | 0641610 | 4 | Bolt 3/8 x 1-1/4 | |
| 4 | 3311405 | 7 | Nut Lock 1/4 | |
| 5 | 3311605 | 4 | Nut Lock 3/8 | |
| 6 | 3380434 | 1 | Panel, Decal Mount | |
| 7 | 4751600 | 8 | Washer 3/8 | |
| 8 | 4740362 | 7 | Washer 1/4 | |
| 9 | 4751400 | 4 | Washer 1/4 | |
| 10 | 1001164728 | 1 | Harness, Platform Valve (Not Shown - See Separate Breakdown in ELECTRICAL SECTION) | |
| 11 | 1001246435 | 1 | Platform Console Box Assembly (See Separate Breakdown in this Section) | |

SECTION 5 - PLATFORM

FIGURE 5-9. PLATFORM CONSOLE BOX ASSEMBLY



ART_1001246435_D

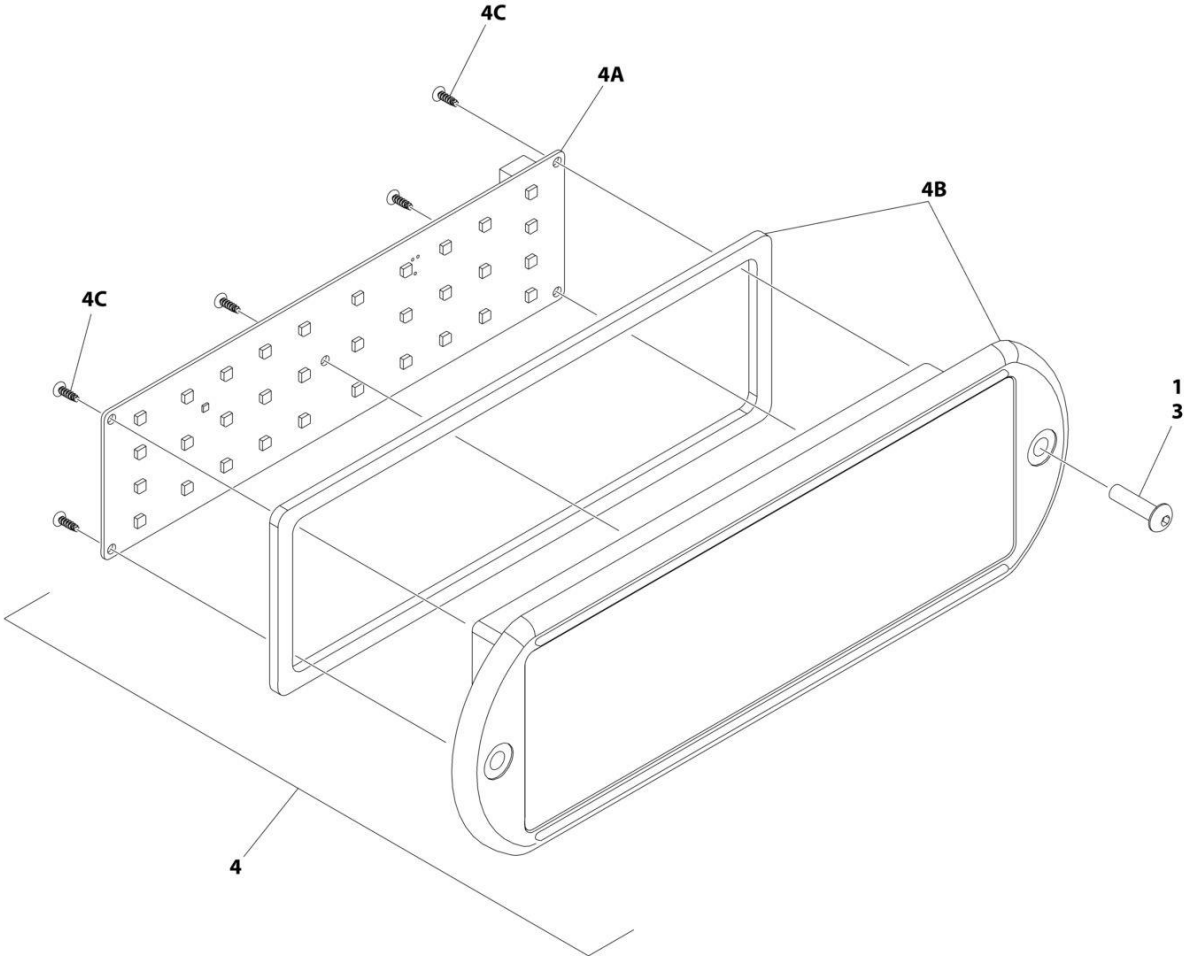
SECTION 5 - PLATFORM

FIGURE 5-9. PLATFORM CONSOLE BOX ASSEMBLY

| ITEM | PART NUMBER | QTY | DESCRIPTION | REV |
|------|-------------|-----|--|-----|
| | 1001246435 | Ref | PLATFORM CONSOLE BOX ASSEMBLY | D |
| 1 | 0100009 | AR | Sealant | |
| 3 | 0100035 | AR | Compound, Locking | |
| 4 | 0140011 | 1 | Alarm | |
| 5 | 0641405 | 4 | Bolt 1/4 x 5/8 | |
| 6 | 0641414 | 4 | Bolt 1/4 x 1-3/4 | |
| 7 | 1702565 | 1 | Decal - Drive and Steer | |
| 8 | 1702566 | 1 | Decal - Lift and Swing | |
| 9 | 1702567 | 1 | Decal - Function Speed | |
| 10 | 1704260 | 1 | Decal - EMS | |
| 11 | 2560136 | 1 | Handle, Knob | |
| 14 | 3300353 | 4 | Nut | |
| 15 | 3520054 | 5 | Plug | |
| 16 | 3790012 | 8 | O-Ring | |
| 17 | 3900349 | 8 | Screw | |
| 18 | 4240099 | AR | Tie-Strap (Not Shown) | |
| 19 | 4360387 | 2 | Switch, Pushbutton | |
| 20 | 4360407 | 1 | Switch, Potentiometer | |
| 21 | 1001274559 | 1 | Switch, Emergency | |
| 23 | 4460234 | 6 | Mount, Tie-Strap | |
| 24 | 4460428 | 2 | Connector, Strain Relief | |
| 25 | 4460470 | 1 | Nut | |
| 26 | 4460471 | 1 | Washer | |
| 27 | 4751400 | 8 | Washer 1/4 | |
| 28 | 1001110434 | 1 | Plug | |
| 29 | 1001117174 | 1 | Footswitch Assembly (See Separate Breakdown in this Section) | |
| 30 | 1001118412 | 1 | Module, Control | |
| 31 | 1001155044 | 8 | Nut 15/32 | |
| 32 | 1001155045 | 6 | Switch, Toggle | |
| 33 | 1001159256 | 1 | Switch, Toggle | |
| 34 | 1001161709 | 1 | Switch, Toggle | |
| 35 | 1001275628 | 1 | Controller Assembly (Drive and Steer) | |
| 36 | 1001275629 | 1 | Controller Assembly (Lift and Swing) | |
| 37 | 1001172760 | 4 | Bracket | |
| 38 | 1001184618 | 1 | Decal - Stop | |
| 39 | 1001184626 | 1 | Decal - Horn | |
| 40 | 1001185281 | 1 | Plug | |
| 41 | 1001213882 | 1 | Connector, Mounting | |
| 42 | 1001215228 | 1 | Platform Console Box | |
| 42A | 0630568 | 1 | Capscrew 3/8 x 4-1/2 | |
| 42B | 3311601 | 1 | Nut 3/8 | |
| 42C | 3430616 | 2 | Pin, Clevis | |
| 42D | 3470003 | 2 | Hairpin | |
| 42E | 4711600 | 2 | Washer 3/8 | |
| 43 | 1001238254 | 1 | Harness, Platform Console Box (See Separate Breakdown in ELECTRICAL Section) | |
| 45 | 1001206532 | 1 | Lamp, Indicator | |

SECTION 5 - PLATFORM

FIGURE 5-10. LIGHT PANEL INSTALLATION - PLATFORM CONSOLE



ART_1001241398_D_2OF2

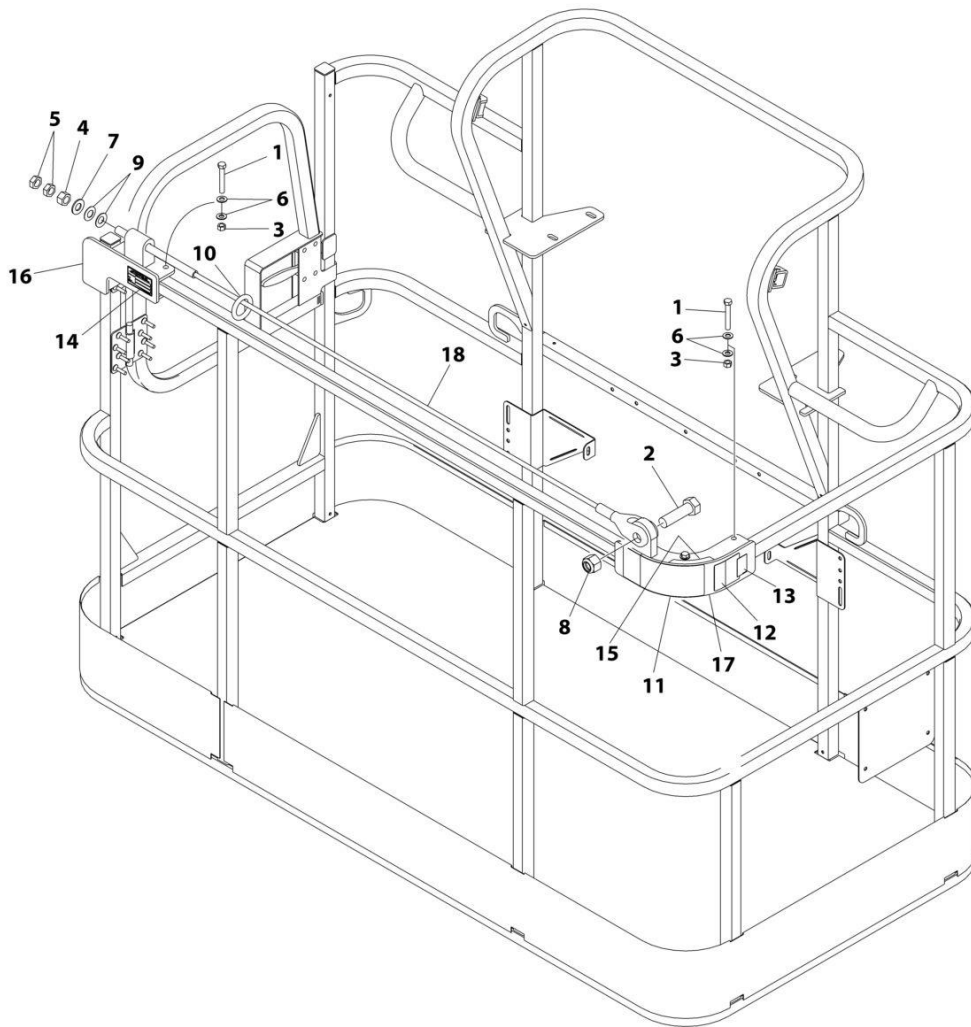
SECTION 5 - PLATFORM

FIGURE 5-10. LIGHT PANEL INSTALLATION - PLATFORM CONSOLE

| ITEM | PART NUMBER | QTY | DESCRIPTION | REV |
|------|-------------|-----|---|-----|
| | 1001241398 | Ref | LIGHT PANEL INSTALLATION - PLATFORM CONSOLE | D |
| 1 | 0100035 | AR | Compound, Locking | |
| 3 | 0630518 | 2 | Screw #10 x 3/4 | |
| 4 | 1001284583 | 1 | Light Panel Assembly | A |
| 4A | 1001282106 | 1 | Panel, LED Light | |
| 4B | 1001284582 | 1 | Lens, Icon (Includes Gasket) | |
| 4C | | Ref | Screw | |

SECTION 5 - PLATFORM

FIGURE 5-11. FALL ARREST INSTALLATION (BOLT-ON) (5FT/1.52M PLATFORM)



ART_1001257275

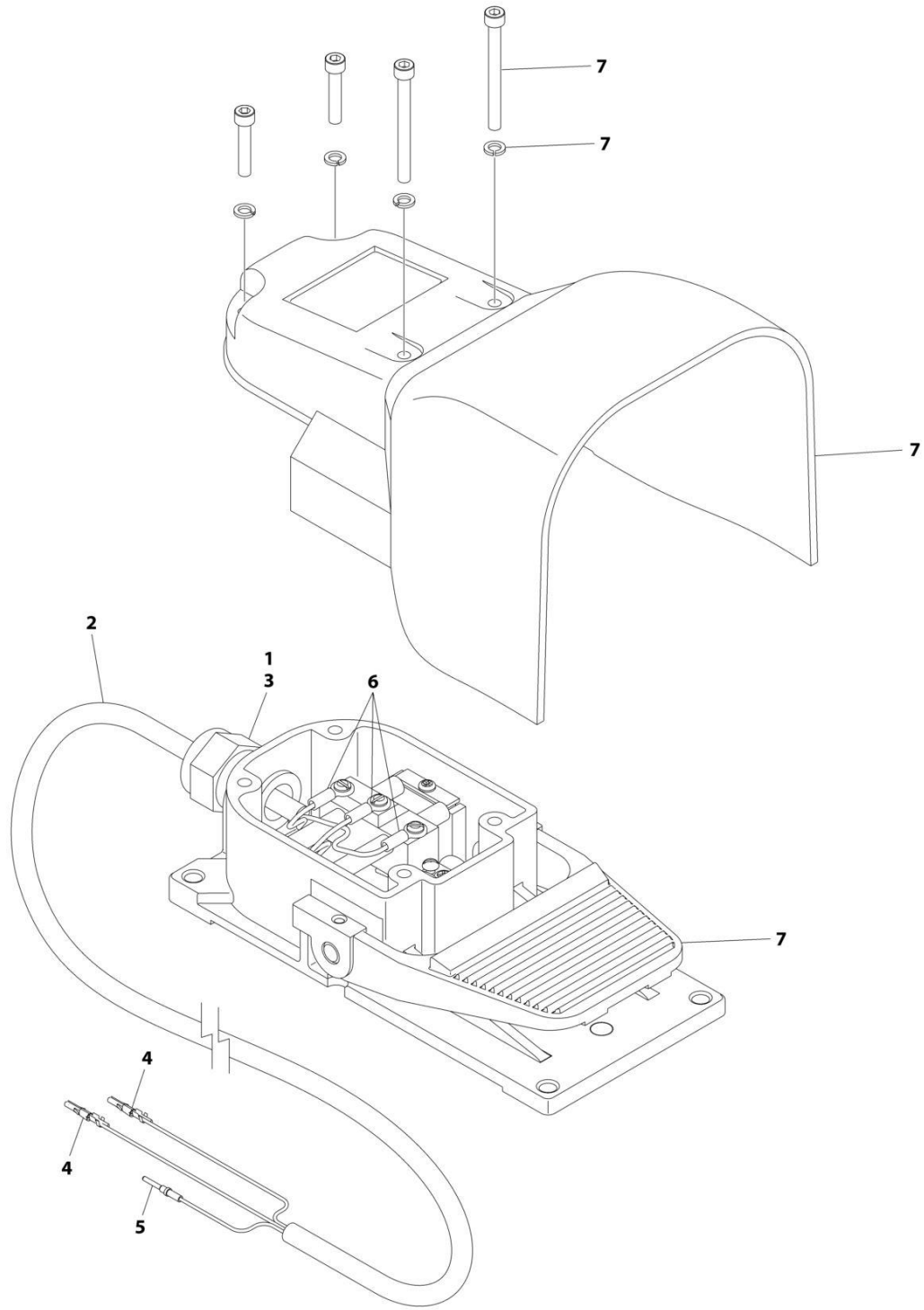
SECTION 5 - PLATFORM

FIGURE 5-11. FALL ARREST INSTALLATION (BOLT-ON) (5FT/1.52M PLATFORM)

| ITEM | PART NUMBER | QTY | DESCRIPTION | REV |
|------|-------------|-----|--|-----|
| | 1001257275 | Ref | FALL ARREST INSTALLATION (BOLT - ON) 6FT/1.82M PLATFORM | A |
| 1 | 0681620 | 6 | Bolt 3/8 x 2-1/2 | |
| 2 | 0682424 | 1 | Bolt 7/8 x 3 | |
| 3 | 3271605 | 6 | Nut 3/8 | |
| 4 | 3272001 | 1 | Nut 5/8 | |
| 5 | 3312002 | 2 | Nut 5/8 | |
| 6 | 4711600 | 12 | Washer 3/8 | |
| 7 | 4712000 | 1 | Washer 5/8 | |
| 8 | 88521214 | 1 | Nut 7/8 | |
| 9 | 1001236891 | 2 | Washer | |
| 10 | 1001236895 | 1 | Ring | |
| 11 | 1001238263 | 1 | Decal - Warning Falling Hazard | |
| 12 | 1001248140 | 1 | Decal - Bolt Fall Arrest Re-Cert | |
| 13 | 1001248141 | 1 | Decal - Incription | |
| 14 | See Note | NSS | Nameplate - Manufacturers Serial Number (Note: Not Available for Purchase) | |
| 15 | 1001252629 | 1 | Decal - Weight | |
| 16 | 1001257271 | 1 | Bracket (RH) | |
| 17 | 1001257274 | 1 | Bracket (LH) | |
| 18 | 1001258005 | 1 | Rope | |

SECTION 5 - PLATFORM

FIGURE 5-12. FOOTSWITCH ASSEMBLY



ART_1001117174

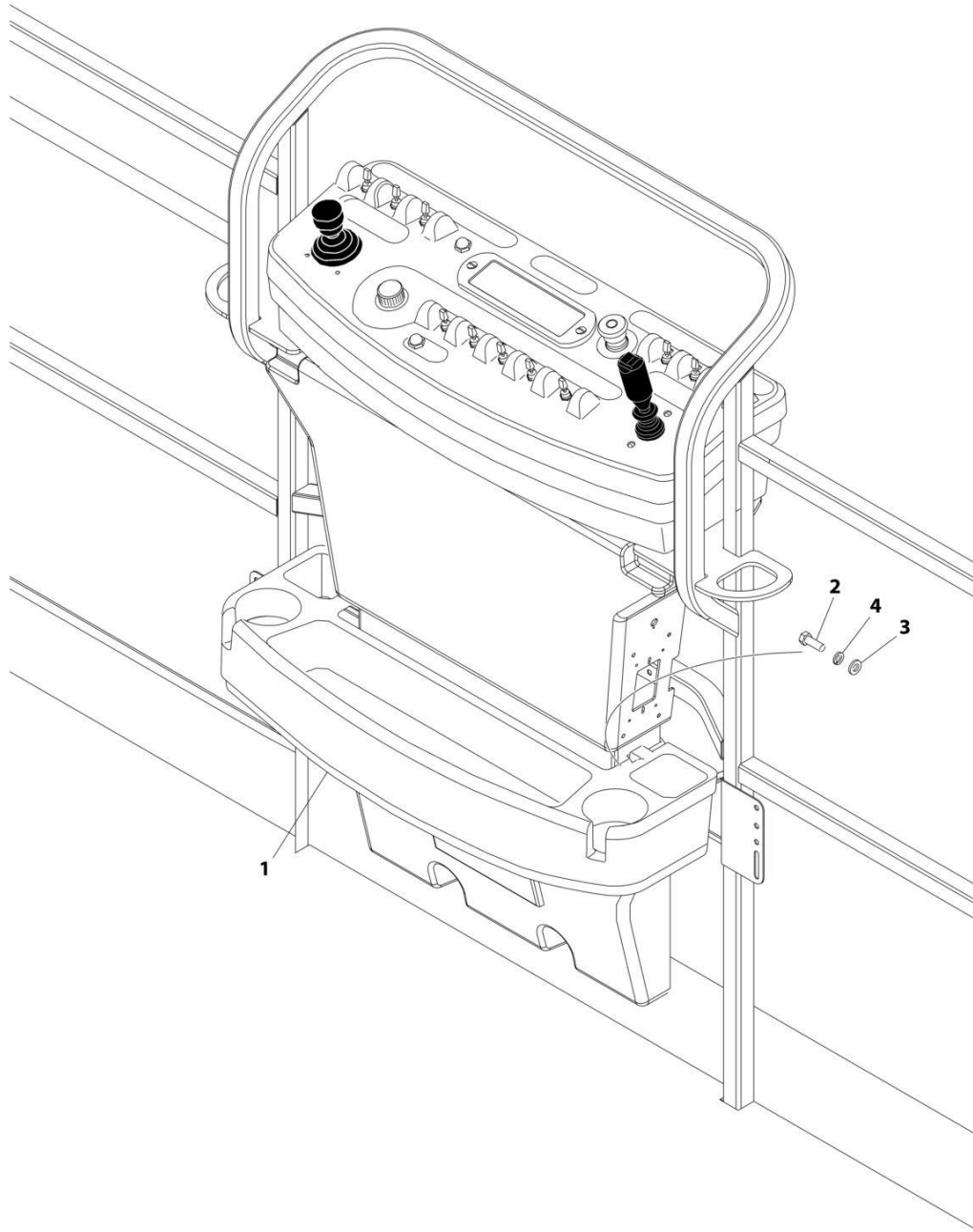
SECTION 5 - PLATFORM

FIGURE 5-12. FOOTSWITCH ASSEMBLY

| ITEM | PART NUMBER | QTY | DESCRIPTION | REV |
|------|-------------|-----------------|--------------------------|-----|
| | 1001117174 | Ref | FOOTSWITCH ASSEMBLY | C |
| 1 | 0100020 | AR | Sealant | |
| 2 | 1060918 | 7.5 ft/ 2.3m | Cable, Electrical - 18/3 | |
| 3 | 4460071 | 1 | Connector, Strain Relief | |
| 4 | 4460226 | 2 | Socket, Female | |
| 5 | 4460464 | 1 | Pin, Male | |
| 6 | 1001098122 | 3 | Terminal | |
| 7 | 1001117172 | 1 | Footswitch | |
| 7 | 70002902 | 1 | Switch, 20Amp | |
| 7 | 70002903 | 1 | Gasket | |
| 7 | 70002905 | 1 | Cover | |
| 7 | 70002904 | 1 | Kit, Replacement Bolt | |

SECTION 5 - PLATFORM

FIGURE 5-13. TRAY ASSEMBLY



ART_1580012

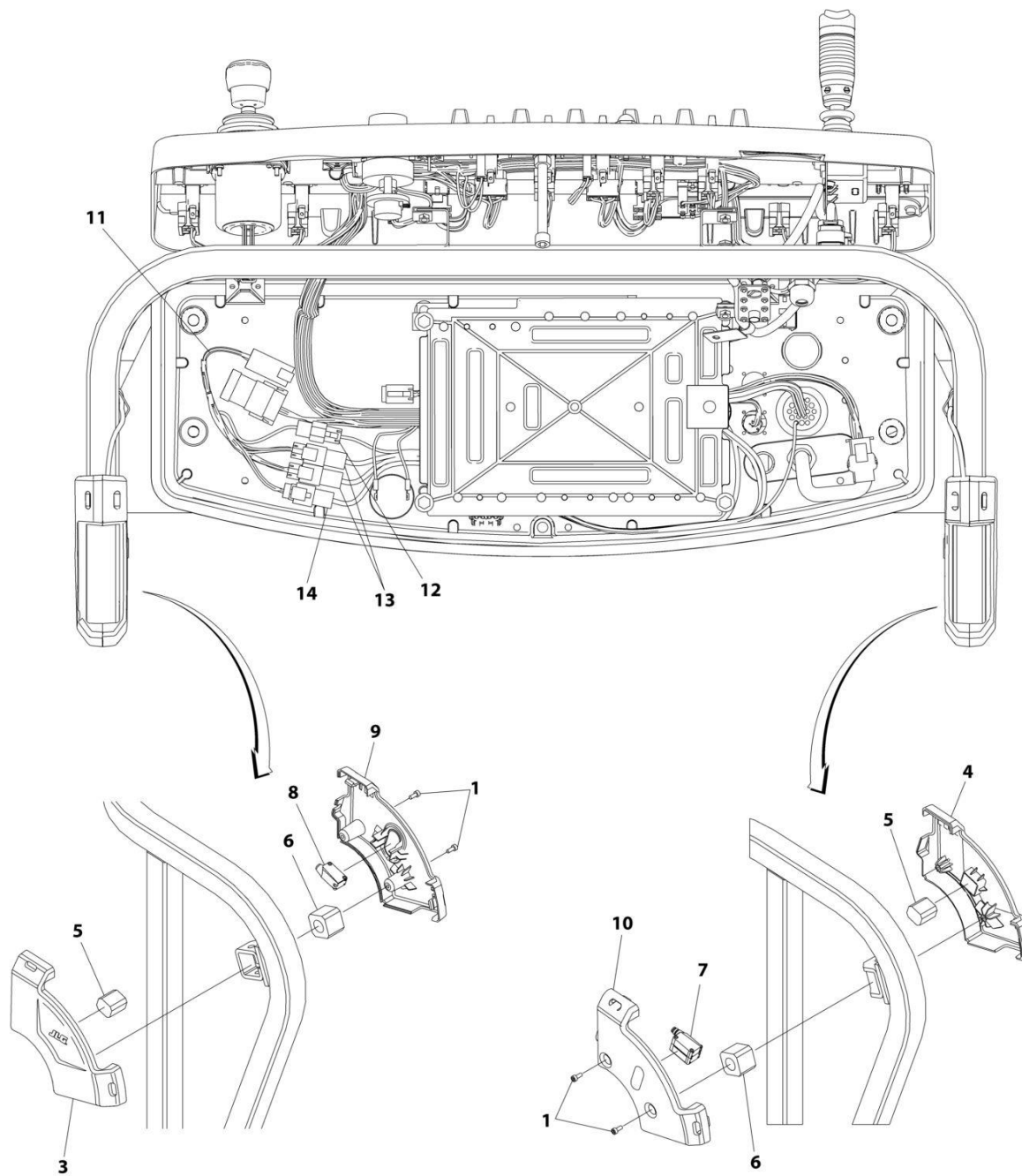
SECTION 5 - PLATFORM

FIGURE 5-13. TRAY ASSEMBLY

| ITEM | PART NUMBER | QTY | DESCRIPTION | REV |
|------|-------------|-----|---|-----|
| | 1580012 | Ref | TRAY ASSEMBLY | C |
| 1 | See Note | NSS | Tray, Storage (Center) (Note: Purchase p/n 1580012) | |
| 2 | 0641406 | 2 | Bolt 1/4 x 3/4 | |
| 3 | 4751400 | 2 | Washer 1/4 | |
| 4 | 4761400 | 2 | Washer 1/4 | |

SECTION 5 - PLATFORM

FIGURE 5-14. SKYEYE INSTALLATION



ART_1001229341

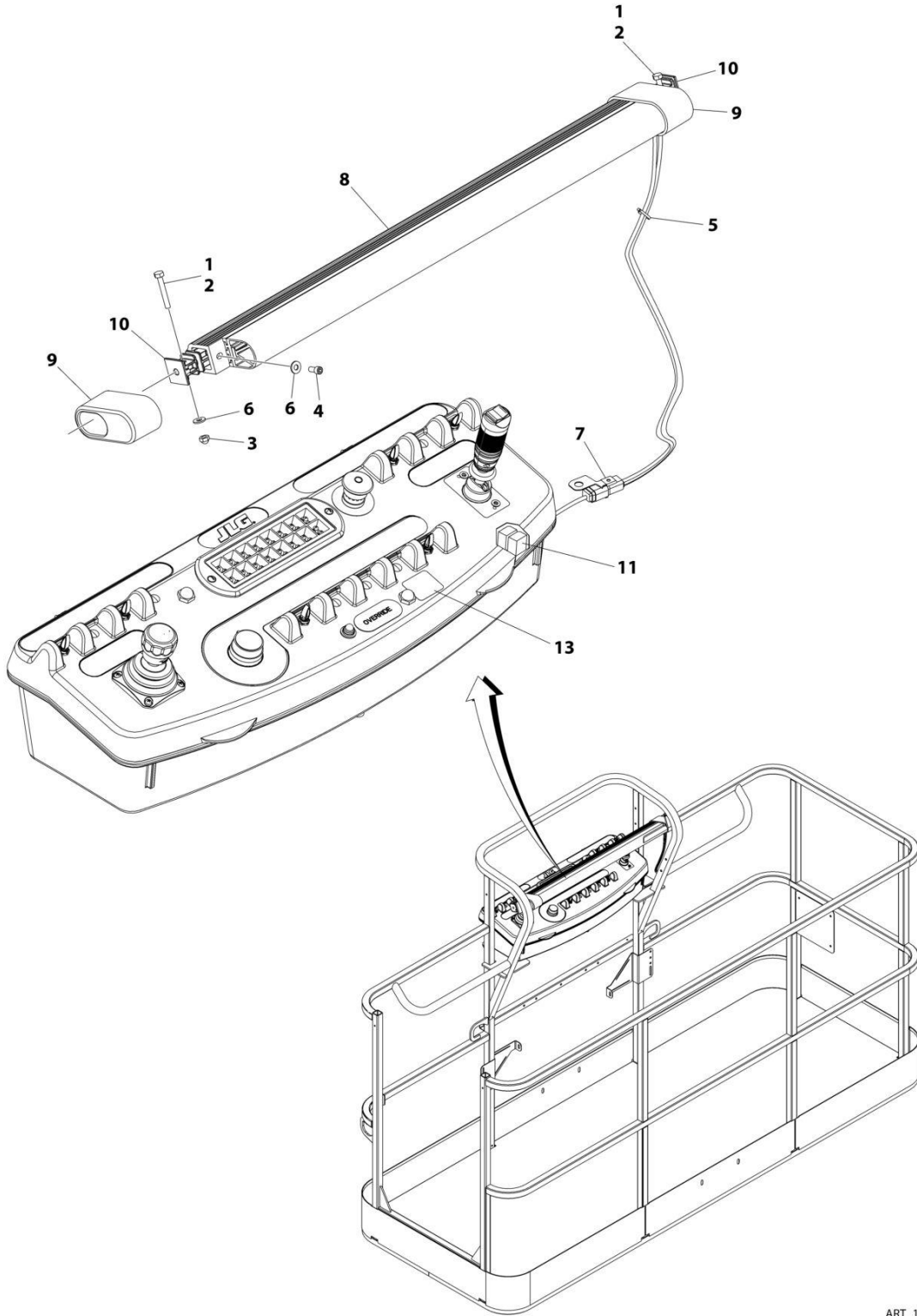
SECTION 5 - PLATFORM

FIGURE 5-14. SKYEYE INSTALLATION

| ITEM | PART NUMBER | QTY | DESCRIPTION | REV |
|------|-------------|-----|--|-----|
| | 1001229341 | Ref | SKYEYE INSTALLATION | B |
| 1 | 4031505 | 4 | Bolt M4 x 10 | |
| 2 | 4240033 | AR | Tie-Strap (Not Shown) | |
| 3 | 1001227633 | 1 | Housing, LH Outer | |
| 4 | 1001227634 | 1 | Housing, RH Outer | |
| 5 | 1001227985 | 2 | Shim | |
| 6 | 1001227987 | 2 | Shim | |
| 7 | 1001228224 | 2 | Sensor, Receiver | |
| 8 | 1001228225 | 1 | Sensor, Emitter | |
| 9 | 1001232164 | 1 | Housing, LH Inner | |
| 10 | 1001232165 | 1 | Housing, RH Inner | |
| 11 | 1001237865 | 1 | Harness, Skyeeye Intermediate (See Separate Breakdown in ELECTRICAL Section) | |
| 12 | 1001238319 | NLA | Harness, Skyeeye Drain Jumper | |
| 12 | 1001187674 | 1 | Plug, Male - 2 Position | |
| 12 | 4460942 | 1 | Terminal | |
| 12 | 4460466 | 1 | Plug, Terminal | |
| 12 | 4460508 | 1 | Pin, Male | |
| 13 | 1001237863 | 2 | Harness, Skyeeye Receiver (See Separate Breakdown in ELECTRICAL Section) | |
| 14 | 1001237864 | 1 | Harness, Skyeeye Emitter (See Separate Breakdown in ELECTRICAL Section) | |

SECTION 5 - PLATFORM

FIGURE 5-15. SKYGUARD BAR INSTALLATION



ART_1001238495

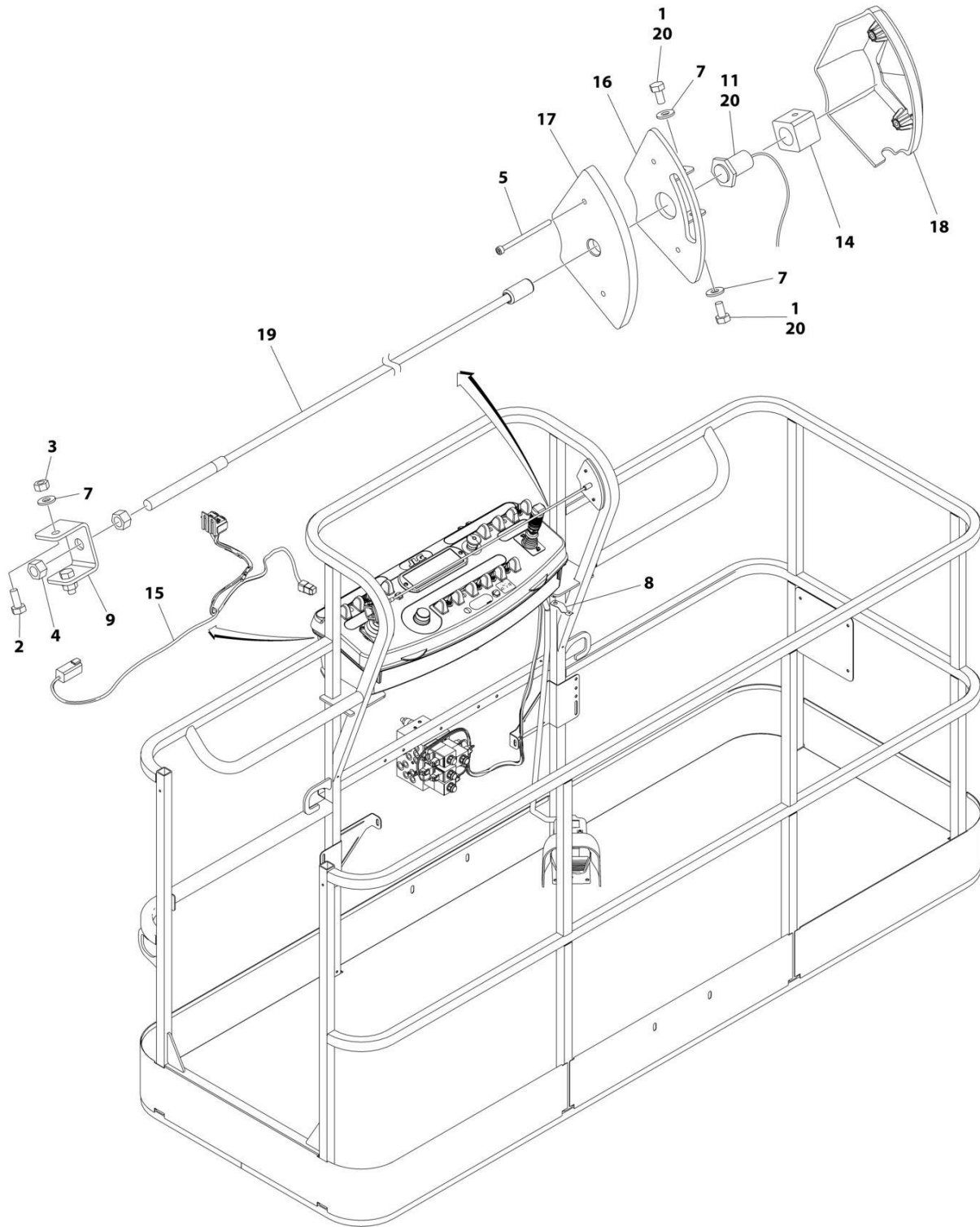
SECTION 5 - PLATFORM

FIGURE 5-15. SKYGUARD BAR INSTALLATION

| ITEM | PART NUMBER | QTY | DESCRIPTION | REV |
|------|-------------|-----|--|-----|
| | 1001238495 | Ref | SKYGUARD BAR INSTALLATION | A |
| 1 | 0100011 | AR | Compound, Locking | |
| 2 | 0641414 | 2 | Bolt 1/4 x 1-3/4 | |
| 3 | 3300430 | 2 | Nut 1/4 | |
| 4 | 3931408 | 2 | Capscrew 1/4 x 1/2 | |
| 5 | 4240033 | 8 | Tie-Strap | |
| 6 | 4711400 | 6 | Washer 1/4 | |
| 7 | 1001120328 | 1 | Mount | |
| 8 | 1001137673 | 1 | SkyGuard Switch Assembly | |
| 9 | 1001186517 | 2 | Cover, Platform Sensor | |
| 10 | 1001209664 | 2 | Support, Block | |
| 11 | 1001186431 | 2 | Relay | |
| 12 | 1001225580 | 1 | Interface Harness Assembly (Not Shown - Located Inside Console Box) (See Separate Breakdown in ELECTRICAL Section) | |
| 13 | 1001144433 | 1 | Decal - No Weight SkyGuard | |

SECTION 5 - PLATFORM

FIGURE 5-16. SKYLINE INSTALLATION



ART_1001238559_D

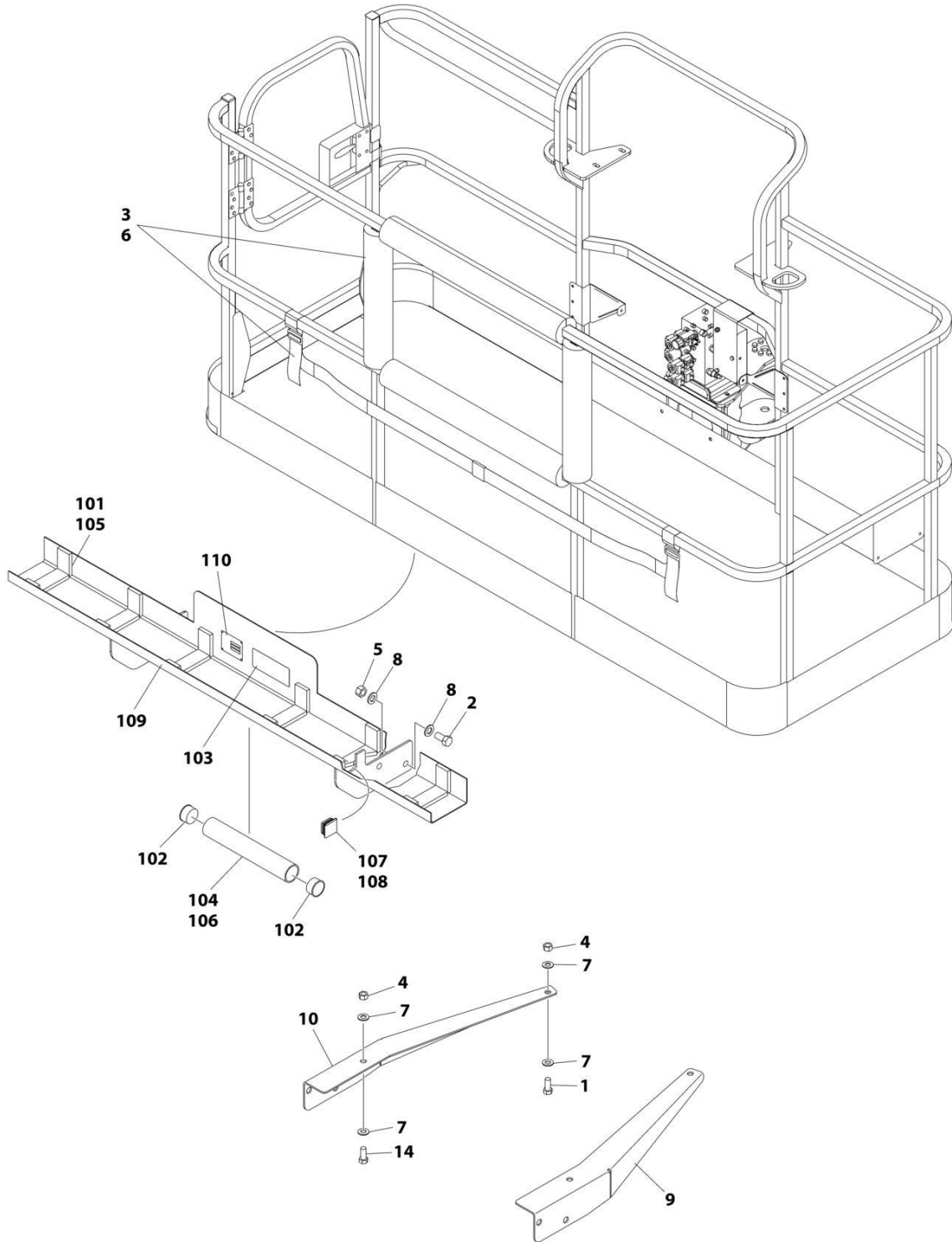
SECTION 5 - PLATFORM

FIGURE 5-16. SKYLINE INSTALLATION

| ITEM | PART NUMBER | QTY | DESCRIPTION | REV |
|------|-------------|-----|---|-----|
| | 1001238559 | Ref | SKYLINE INSTALLATION | D |
| 1 | 0641404 | 2 | Bolt 1/4 x 1/2 | |
| 2 | 0641405 | 2 | Bolt 1/4 x 5/8 | |
| 3 | 3311405 | 2 | Nut 1/4 | |
| 4 | 3311601 | 2 | Nut 3/8 | |
| 5 | 4031516 | 2 | Capscrew M4 x 60 | |
| 6 | 4240033 | AR | Tie-Strap (Not Shown) | |
| 7 | 4711400 | 4 | Washer 1/4 | |
| 8 | 1001120328 | 1 | Mount | |
| 9 | 1001232642 | 1 | Bracket | |
| 11 | 1001232667 | 1 | Sensor, Proximity | |
| 11 | 1001311034 | 1 | Sensor, Proximity | |
| 14 | 1001236552 | 1 | Block | |
| 15 | 1001238418 | 1 | Harness, Skyline (See Separate Breakdown in ELECTRICAL Section) | |
| 16 | 1001238472 | 1 | Mount | |
| 17 | 1001254473 | 1 | Housing, LH | |
| 18 | 1001241965 | 1 | Housing, RH | |
| 19 | 1001254472 | 1 | Rod | |
| 20 | 0100011 | AR | Compound, Locking | |

SECTION 5 - PLATFORM

FIGURE 5-17. SKYGLAZIER INSTALLATION



ART_1001172578_D

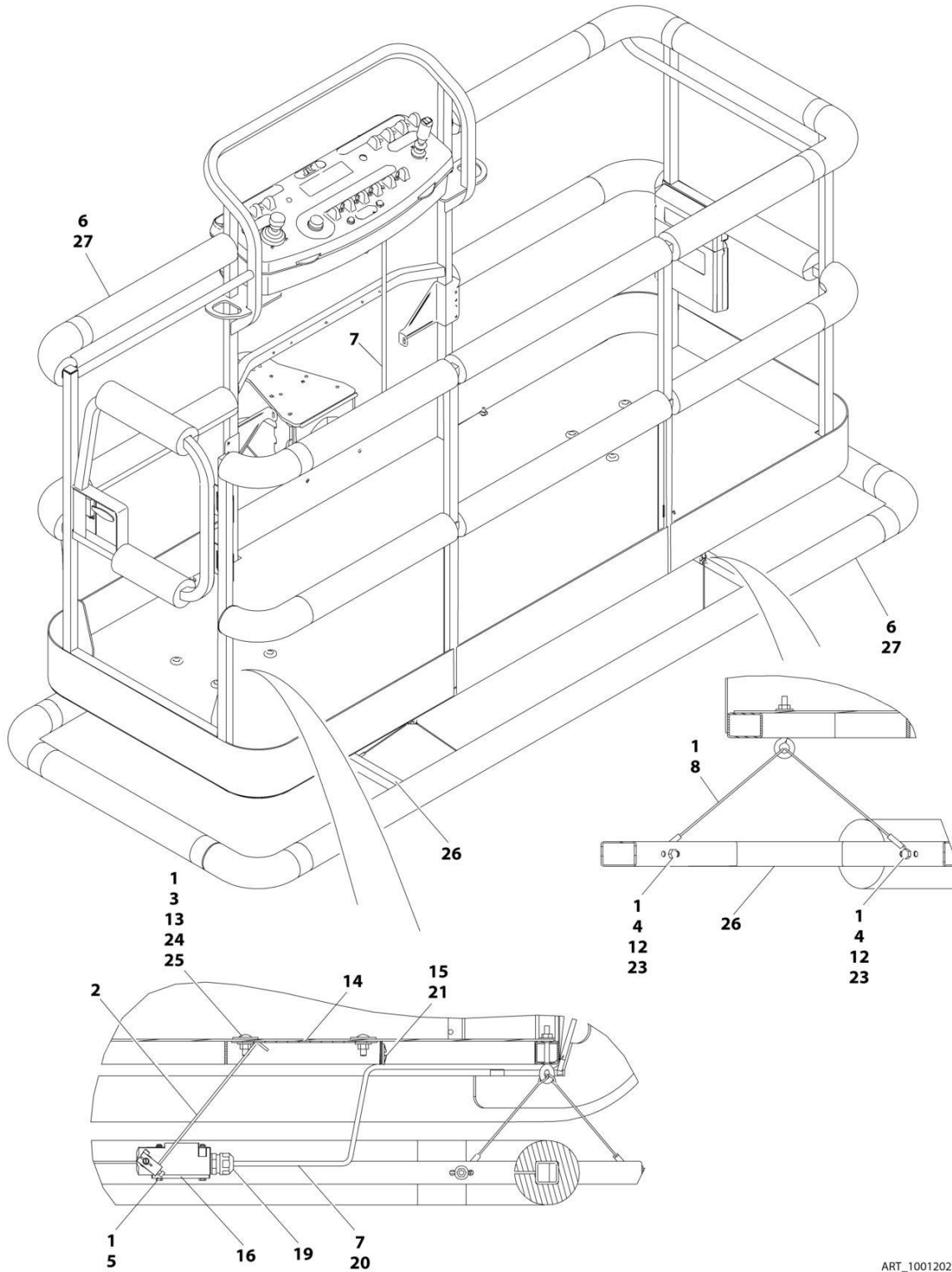
SECTION 5 - PLATFORM

FIGURE 5-17. SKYGLAZIER INSTALLATION

| ITEM | PART NUMBER | QTY | DESCRIPTION | REV |
|------|-------------|-----|---|-----|
| | 1001172578 | Ref | SKYGLAZIER INSTALLATION | D |
| 1 | 0642012 | 2 | Bolt 5/8 x 1-1/2 | |
| 2 | 0642212 | 4 | Bolt 3/4 x 1-1/2 | |
| 3 | 2902212 | 1 | Bumpers and Strap Kit | |
| 3 | 0940102 | 1 | Bumper Only | |
| 3 | 4240149 | 1 | Strap Only | |
| 4 | 3312005 | 1 | Nut 5/8 | |
| 5 | 3312205 | 4 | Nut 3/4 | |
| 6 | 4420014 | AR | Tape | |
| 7 | 4712000 | 6 | Washer 5/8 | |
| 8 | 4712200 | 8 | Washer 3/4 | |
| 9 | 1001099366 | 1 | Support | |
| 10 | 1001099367 | 1 | Support | |
| 13 | 1001303430 | 1 | Tray Assembly (Not Shown) (See Items 101-110 for Breakdown) | |
| 14 | 8310129 | 2 | Bolt 3/4 x 2-1/2 | |
| | 1001303430 | Ref | TRAY ASSEMBLY | A |
| 101 | 0100081 | AR | Adhesive | |
| 102 | 1120555 | 2 | Cap, Tube | |
| 103 | 1701509 | 1 | Decal - Manual | |
| 104 | 3124242 | 1 | Manual - Accessories | |
| 105 | 3340956 | 1 | Pad Kit | |
| 106 | 3460334 | 1 | Pipe | |
| 107 | 3520071 | 2 | Plug | |
| 108 | 4420066 | AR | Tape, Double Sided | |
| 109 | 4846562 | 1 | Weld, Glazier Shelf | |
| 110 | 1001253726 | 1 | Decal - Accessory | |

SECTION 5 - PLATFORM

FIGURE 5-18. SOFT TOUCH INSTALLATION (WITHOUT FALL ARREST)



ART_1001202744_C

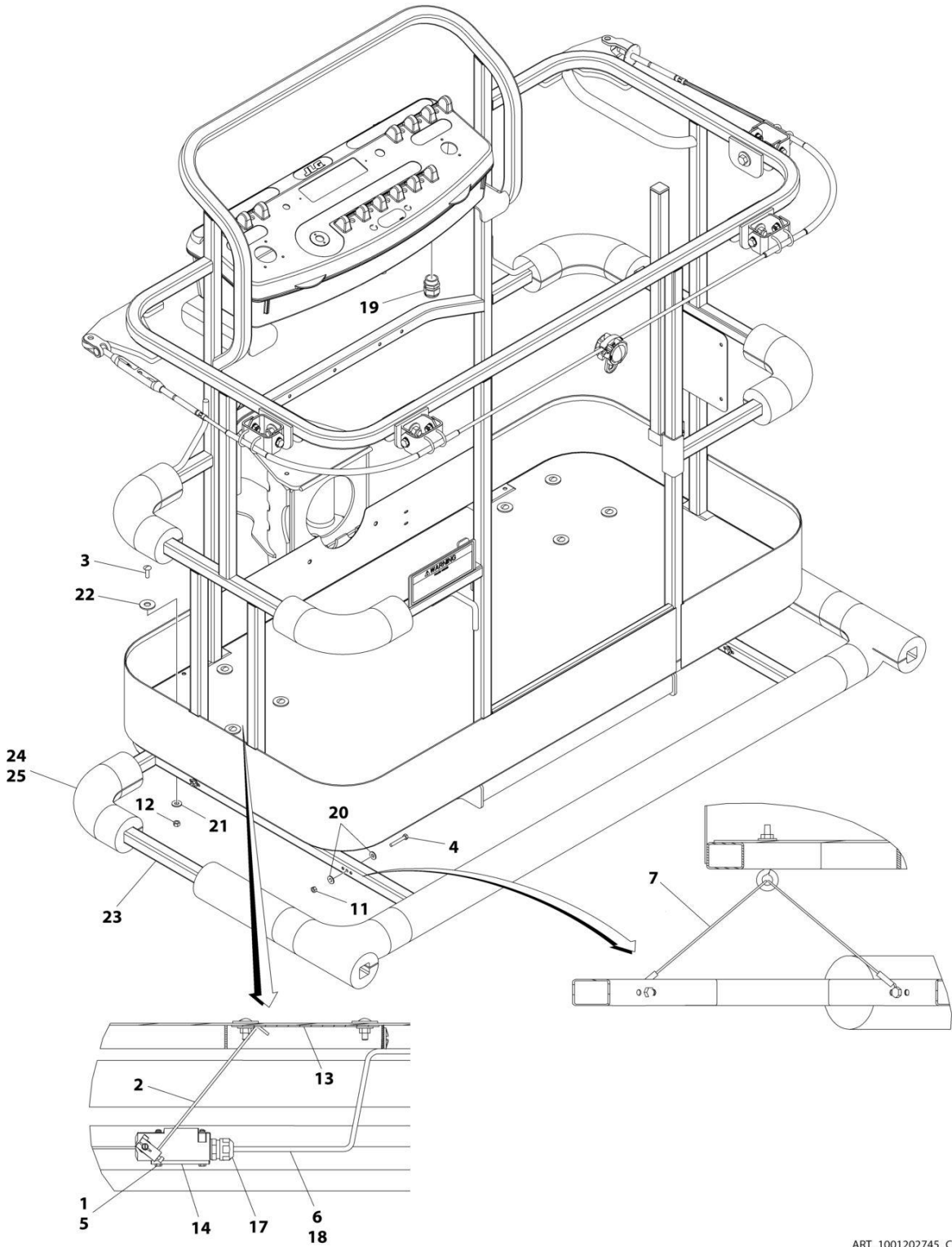
SECTION 5 - PLATFORM

FIGURE 5-18. SOFT TOUCH INSTALLATION (WITHOUT FALL ARREST)

| ITEM | PART NUMBER | QTY | DESCRIPTION | REV |
|------|-------------|-----------------|--|-----|
| | 1001202744 | Ref | SOFT TOUCH INSTALLATION - 6FT/1.8M PLATFORM | C |
| 1 | 0100011 | AR | Compound, Locking | |
| 2 | 0200048 | 2 | Arm, Switch | |
| 3 | 0630462 | 8 | Bolt, Carriage | |
| 4 | 0641414 | 8 | Bolt 1/4 x 1-3/4 | |
| 5 | 0721005 | 4 | Bolt #10 x 5/8 | |
| 6 | 0940167 | 1 | Bumper Kits (Includes Corners and Enough Straight Material for One Platform) | |
| 7 | 1060341 | 15 ft /4.57m | Cable, Electrical - 16/2 | |
| 8 | 1060903 | 4 | Wire Rope and Eyebolt Assembly | |
| 12 | 3311401 | 8 | Nut 1/4 | |
| 13 | 3311501 | 8 | Nut 5/16 | |
| 14 | 3575705 | 2 | Plate, Switch Strike | |
| 15 | 4240099 | AR | Tie-Strap | |
| 16 | 4360057 | 2 | Switch, Limit | |
| 19 | 4460049 | 2 | Connector, Strain Relief | |
| 20 | 4460226 | 4 | Socket, Female | |
| 21 | 4460234 | 2 | Tie-Strap Mount | |
| 22 | 4460425 | 1 | Connector, Strain Relief (Not Shown - Located on bottom of console box) | |
| 23 | 4751400 | 16 | Washer 1/4 | |
| 24 | 4751500 | 8 | Washer 5/16 | |
| 25 | 4751800 | 8 | Washer 1/2 | |
| 26 | 4846370 | 1 | Rail, Soft Touch | |
| 27 | 1001197017 | AR | Tie-Strap | |

SECTION 5 - PLATFORM

FIGURE 5-19. SOFT TOUCH INSTALLATION (WITH FALL ARREST)



ART_1001202745_C

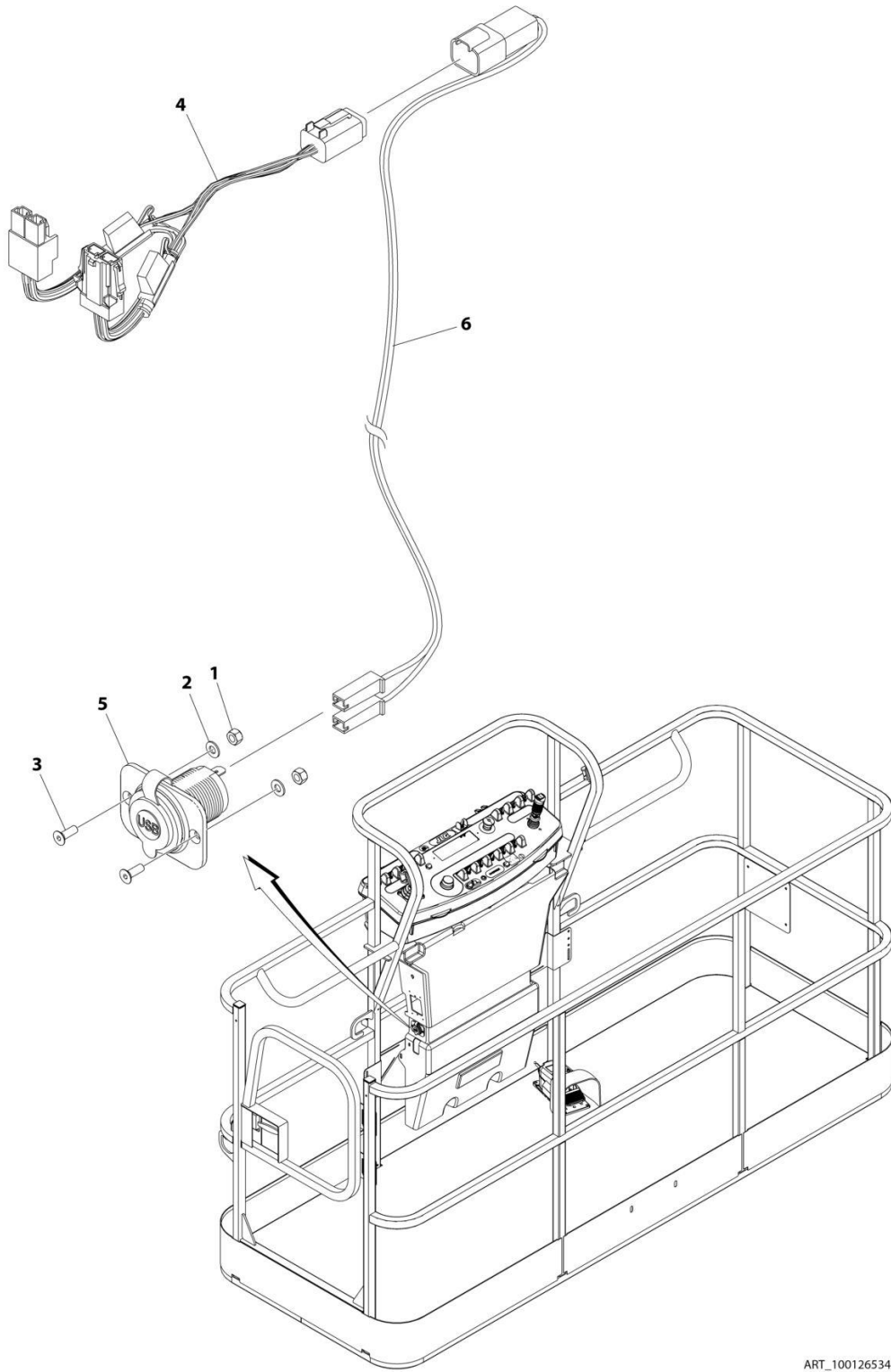
SECTION 5 - PLATFORM

FIGURE 5-19. SOFT TOUCH INSTALLATION (WITH FALL ARREST)

| ITEM | PART NUMBER | QTY | DESCRIPTION | REV |
|------|-------------|-----------------|--|-----|
| | 1001202745 | Ref | SOFT TOUCH INSTALLATION - 5FT/1.52M PLATFORM WITH FALL ARREST | C |
| 1 | 0100011 | AR | Compound, Locking | |
| 2 | 0200048 | 2 | Arm, Switch | |
| 3 | 0630462 | 8 | Bolt, Carriage | |
| 4 | 0641414 | 8 | Bolt 1/4 x 1-3/4 | |
| 5 | 0721005 | 4 | Bolt #10 x 5/8 | |
| 6 | 1060341 | 15 ft /4.57m | Cable, Electrical - 16/2 | |
| 7 | 1060903 | 4 | Wire Rope and Eyebolt Assembly | |
| 11 | 3311405 | 8 | Nut 1/4 | |
| 12 | 3311501 | 8 | Nut 5/16 | |
| 13 | 3575705 | 2 | Plate, Switch Strike | |
| 14 | 4360057 | 2 | Switch, Limit | |
| 17 | 4460049 | 2 | Connector, Strain Relief | |
| 18 | 4460226 | 4 | Socket, Female | |
| 19 | 4460425 | 1 | Connector, Strain Relief | |
| 20 | 4751400 | 16 | Washer 1/4 | |
| 21 | 4751500 | 8 | Washer 5/16 | |
| 22 | 4751800 | 8 | Washer 1/2 | |
| 23 | 1001115641 | 1 | Rail, Soft Touch | |
| 24 | 1001115848 | 1 | Bumper Kits (Includes Corners and Enough Straight Material for One Platform) | |
| 25 | 1001197017 | AR | Tie-Strap | |

SECTION 5 - PLATFORM

FIGURE 5-20. USB CHARGER INSTALLATION



ART_1001265342

SECTION 5 - PLATFORM

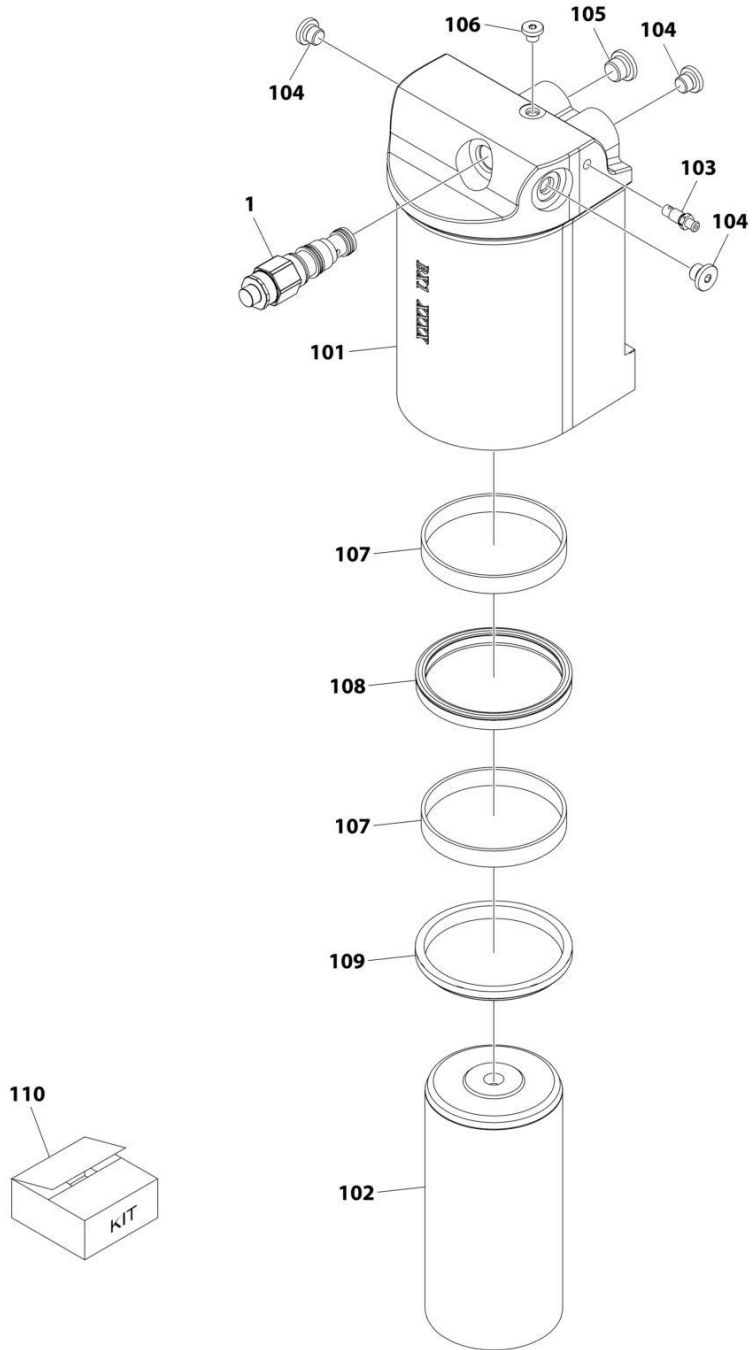
FIGURE 5-20. USB CHARGER INSTALLATION

| ITEM | PART NUMBER | QTY | DESCRIPTION | REV |
|------|-------------|-----|----------------------------------|-----|
| | 1001265342 | Ref | USB CHARGER INSTALLATION | A |
| 1 | 3290405 | 2 | Nut M4 | |
| 2 | 4811400 | 2 | Washer M4 | |
| 3 | 1001097244 | 2 | Screw M4 x 12 | |
| 4 | 1001120484 | 1 | Harness, Work Lights | |
| 4 | 4460879 | 1 | Plug, Male - 2 Position | |
| 4 | 4460887 | 2 | Terminal | |
| 4 | 2400060 | 2 | Fuseholder Includes Cover | |
| 4 | 8229249 | 2 | Fuse, 3 Amp | |
| 4 | 4460884 | 1 | Connector - 4 Position | |
| 4 | 4460465 | 4 | Socket, Female | |
| 4 | 1001120471 | 1 | Connector - 2 Position | |
| 4 | 1001120477 | 2 | Terminal | |
| 5 | 1001210636 | 1 | Receptacle, USB | |
| 6 | 1001265163 | 1 | Harness, USB | A |
| 6 | 4460260 | 2 | Cover, Terminal | |
| 6 | 4460259 | 2 | Terminal | |
| 6 | 4460932 | 1 | Receptacle, Bussbar - 4 Position | |
| 6 | 4460464 | 2 | Pin, Male | |
| 6 | 4460466 | 2 | Plug, Terminal | |

SECTION 6 - CYLINDER

SECTION 6 - CYLINDER

FIGURE 6-1. AXLE LOCKOUT CYLINDER ASSEMBLY



ART_1001256179

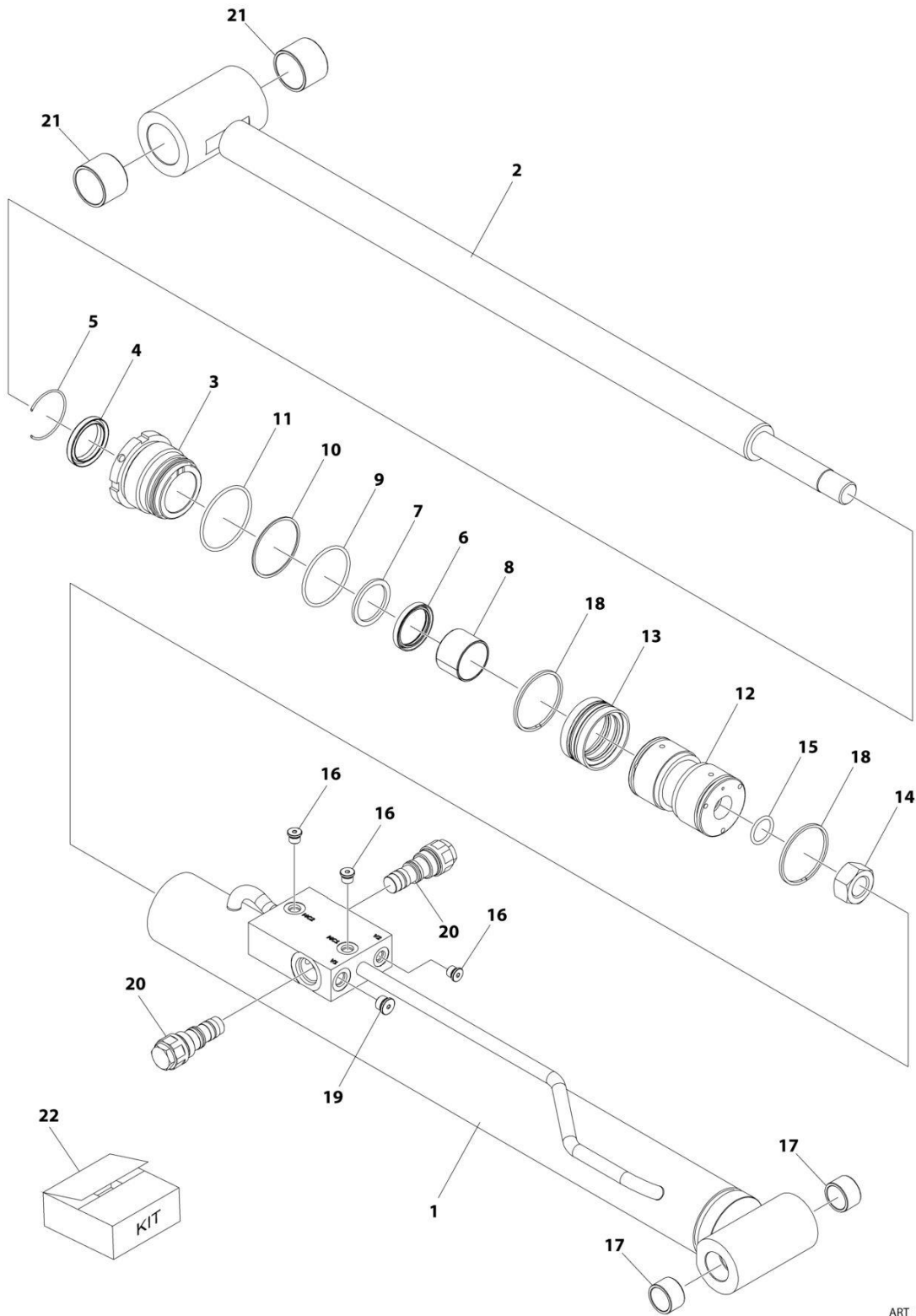
SECTION 6 - CYLINDER

FIGURE 6-1. AXLE LOCKOUT CYLINDER ASSEMBLY

| ITEM | PART NUMBER | QTY | DESCRIPTION | REV |
|------|-------------|-----|---|-----|
| | 1001256179 | Ref | MASTER CYLINDER ASSEMBLY | A |
| | | Ref | Note: Original Cylinder May Have Been Replaced with Service Replacement. Identify PN Stamped on Cylinder Before Ordering Parts. | |
| 1 | 1001117372 | 1 | Cartridge, Valve | |
| 1 | 70002842 | 1 | Seal Kit - 1001117372 | |
| 101 | See Note | NSS | Tube (Note: Not Available for Purchase) | |
| 102 | 70008244 | 1 | Rod | |
| 103 | 70008246 | 1 | Plug, Bleeder | |
| 104 | 2220883 | 3 | Plug 7/16 | |
| 105 | 2220885 | 1 | Plug 9/16 | |
| 106 | 2220881 | 1 | Plug 5/16 | |
| 107 | See Note | NSS | Ring, Wear (Note: Use Item 110) | |
| 108 | See Note | NSS | Seal, Rod (Note: Use Item 110) | |
| 109 | See Note | NSS | Wiper, Rod (Note: Use Item 110) | |
| 110 | 70008247 | 1 | Seal Kit (Includes Items 107-109) | |

SECTION 6 - CYLINDER

FIGURE 6-2. JIB CYLINDER ASSEMBLY



ART_1001255969

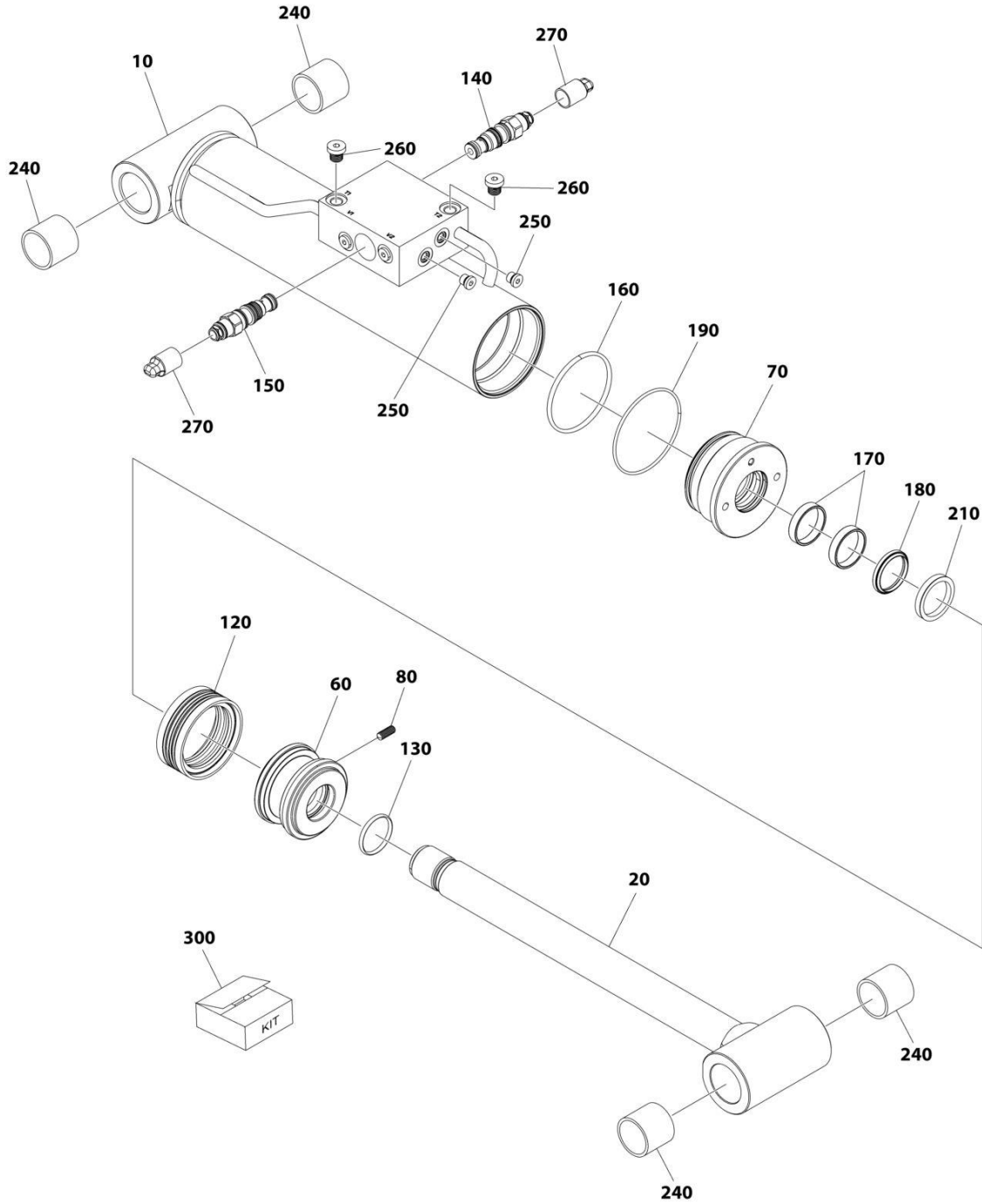
SECTION 6 - CYLINDER

FIGURE 6-2. JIB CYLINDER ASSEMBLY

| ITEM | PART NUMBER | QTY | DESCRIPTION | REV |
|------|-------------|-----|---|-----|
| | 1001255969 | Ref | LIFT CYLINDER ASSEMBLY - JIB | B |
| | | Ref | Note: Original Cylinder May Have Been Replaced with Service Replacement. Identify PN Stamped on Cylinder Before Ordering Parts. | |
| 1 | NSS | 1 | Barrel | |
| 2 | 70007738 | 1 | Rod | |
| 3 | 70007739 | 1 | Head | |
| 4 | See Note | 1 | Wiper (Note: Use Item 220) | |
| 5 | 70002373 | 1 | Ring, Retaining | |
| 6 | See Note | 1 | Seal, Rod (Note: Use Item 220) | |
| 7 | See Note | 1 | Ring, Back-up (Note: Use Item 220) | |
| 8 | 70005143 | 1 | Bearing, Dry | |
| 9 | See Note | 1 | O-Ring (Note: Use Item 220) | |
| 10 | See Note | 1 | Ring, Back-up (Note: Use Item 220) | |
| 11 | See Note | 1 | O-Ring (Note: Use Item 220) | |
| 12 | 70007740 | 1 | Piston | |
| 13 | See Note | 1 | Seal, Piston (Note: Use Item 220) | |
| 14 | 70002335 | 1 | Nut | |
| 15 | See Note | 1 | O-Ring (Note: Use Item 220) | |
| 16 | 2220883 | 3 | Plug | |
| 17 | 0962292 | 2 | Bearing | |
| 18 | 70007741 | 2 | Ring, Piston | |
| 19 | 2220885 | 1 | Plug | |
| 20 | 4640509 | 2 | Cartridge, Valve | |
| 20 | 2900792 | 2 | Seal Kit - 4640509 Valve | |
| 21 | 0961948 | 2 | Bearing | |
| 22 | 70007742 | 1 | Seal Kit (Includes Items 4,6,7,9-11,13 & 15) | |

SECTION 6 - CYLINDER

FIGURE 6-3. LEVEL CYLINDER ASSEMBLY



ART_1001255971

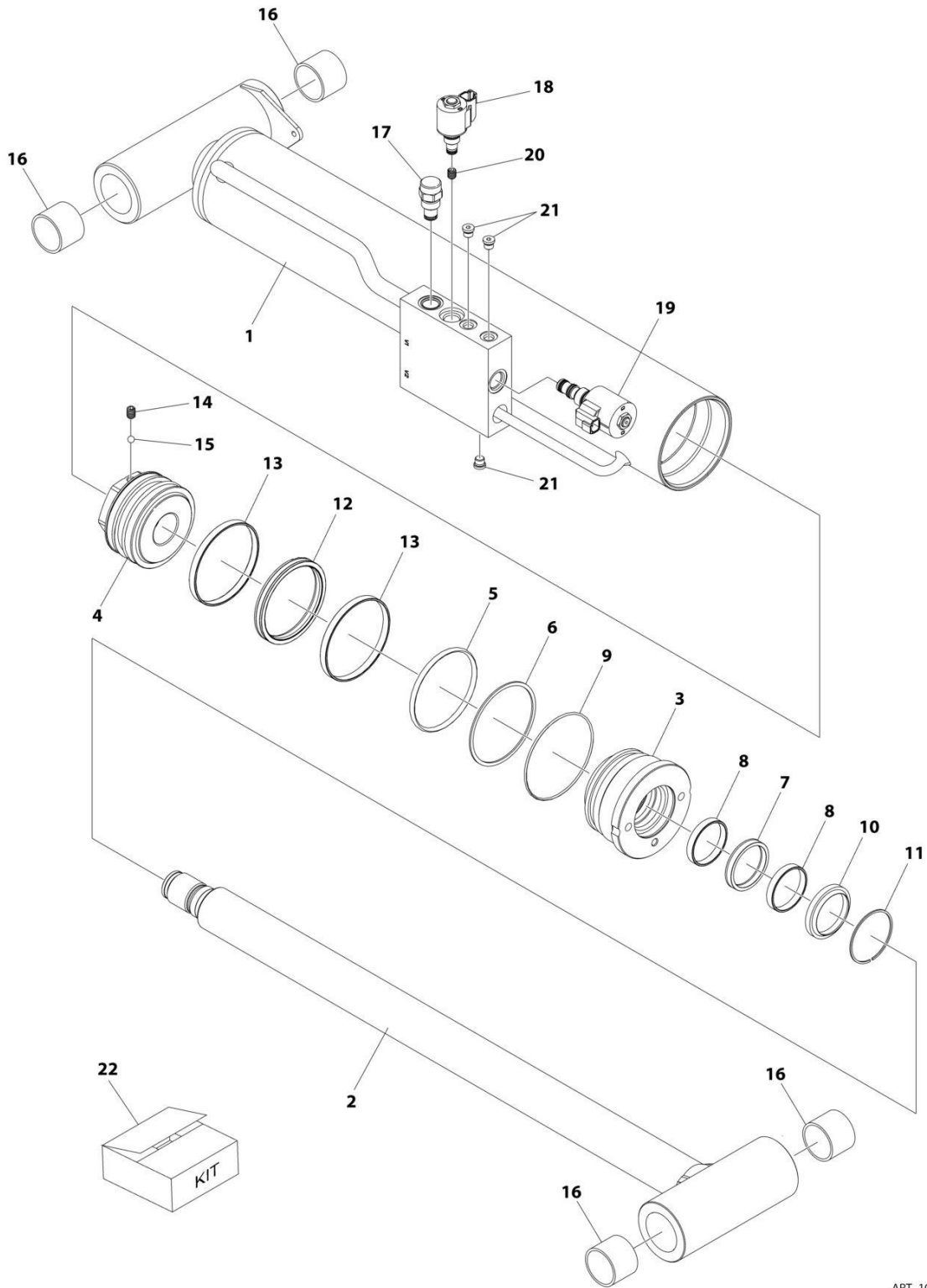
SECTION 6 - CYLINDER

FIGURE 6-3. LEVEL CYLINDER ASSEMBLY

| ITEM | PART NUMBER | QTY | DESCRIPTION | REV |
|------|-------------|-----|---|-----|
| | 1001255971 | Ref | CYLINDER ASSEMBLY | B |
| | | Ref | Note: Original Cylinder May Have Been Replaced with Service Replacement. Identify PN Stamped on Cylinder Before Ordering Parts. | |
| 10 | See Note | NSS | Barrel | |
| 20 | 70007728 | 1 | Rod | |
| 60 | 70007720 | 1 | Piston Head | |
| 70 | 70007721 | 1 | Screwed Gland | |
| 80 | 70007722 | 1 | Screw M8 | |
| 120 | See Note | NSS | Piston Seal (Note: Use Item 300) | |
| 130 | See Note | NSS | O-Ring (Note: Use Item 300) | |
| 140 | 1001168209 | 1 | Counterbalance, Valve | |
| 140 | 2900770 | 1 | Seal Kit - 1001168209 Valve | |
| 150 | 1001168210 | 1 | Counterbalance, Valve | |
| 150 | 2900770 | 1 | Seal Kit - 1001168210 Valve | |
| 160 | See Note | NSS | O-Ring (Note: Use Item 300) | |
| 170 | See Note | NSS | Ring (Note: Use Item 300) | |
| 180 | See Note | NSS | Seal (Note: Use Item 300) | |
| 190 | See Note | NSS | O-Ring (Note: Use Item 300) | |
| 210 | See Note | NSS | Wiper (Note: Use Item 300) | |
| 240 | 70007723 | 4 | Bushing | |
| 250 | 70025619 | 2 | Plug | |
| 260 | 70024262 | 2 | Plug | |
| 300 | 70007729 | 1 | Seal Kit - 1001255971 Cylinder (Includes Items 120 ,130 & 160-210) | |

SECTION 6 - CYLINDER

FIGURE 6-4. LIFT CYLINDER ASSEMBLY



ART_1001255973

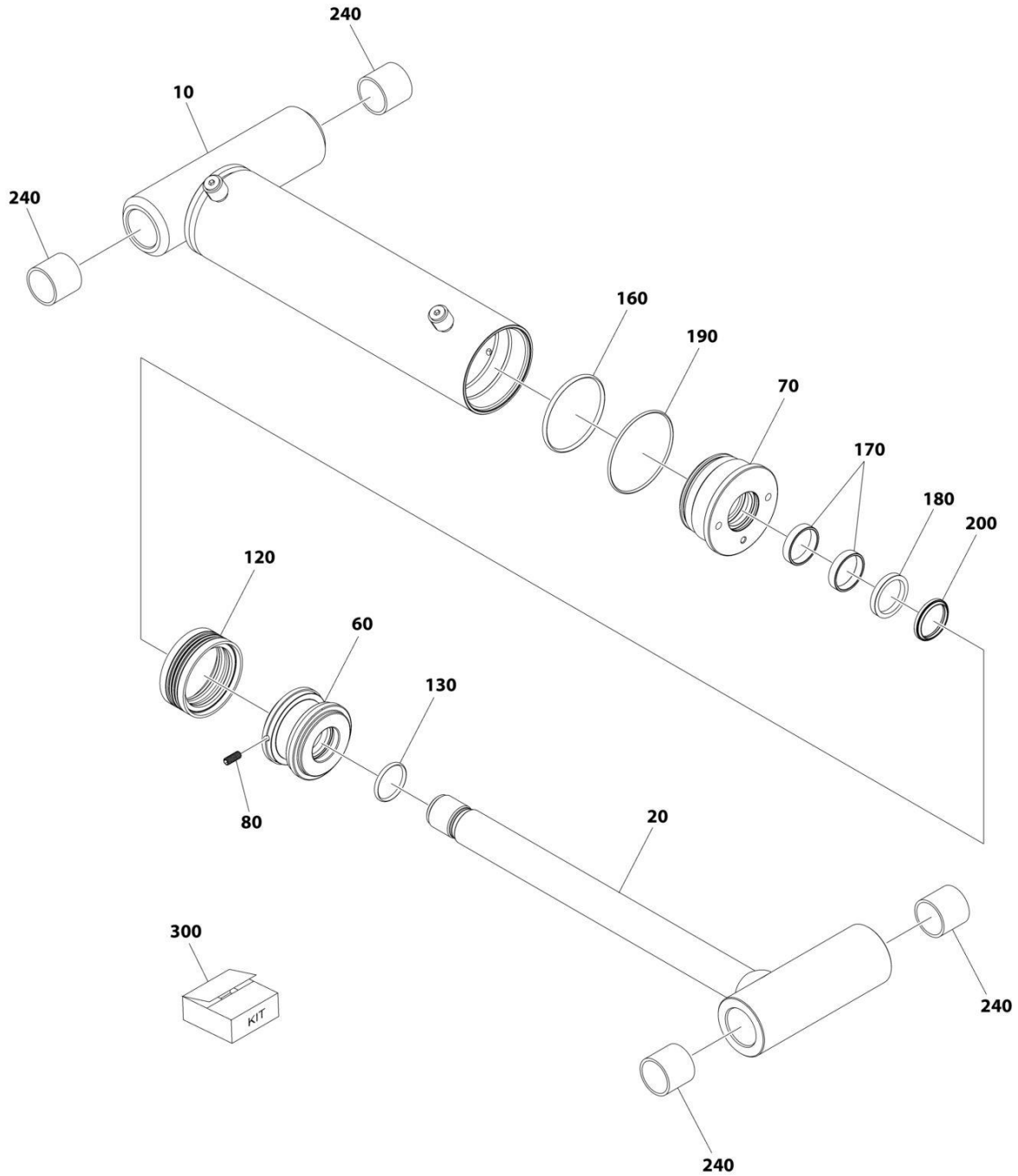
SECTION 6 - CYLINDER

FIGURE 6-4. LIFT CYLINDER ASSEMBLY

| ITEM | PART NUMBER | QTY | DESCRIPTION | REV |
|------|-------------|-----|---|-----|
| | 1001255973 | Ref | LIFT CYLINDER ASSEMBLY - UPPER LIFT | B |
| | | Ref | Note: Original Cylinder May Have Been Replaced with Service Replacement. Identify PN Stamped on Cylinder Before Ordering Parts. | |
| 1 | NSS | 1 | Barrel | |
| 2 | 70007731 | 1 | Rod | |
| 3 | 70007732 | 1 | Head | |
| 4 | 70007733 | 1 | Piston | |
| 5 | See Note | 1 | O-Ring (Note: Use Item 22) | |
| 6 | See Note | 1 | Ring, Back-up (Note: Use Item 22) | |
| 7 | See Note | 1 | Seal, Rod (Note: Use Item 22) | |
| 8 | See Note | 2 | Ring, Bearing (Note: Use Item 22) | |
| 9 | See Note | 1 | O-Ring (Note: Use Item 22) | |
| 10 | See Note | 1 | Wiper (Note: Use Item 22) | |
| 11 | 70025627 | 1 | Ring, Snap | |
| 12 | See Note | 1 | Seal, Piston (Note: Use Item 22) | |
| 13 | See Note | 2 | Ring, Bearing (Note: Use Item 22) | |
| 14 | 70007734 | 1 | Setscrew | |
| 15 | 70025614 | 1 | Ball | |
| 16 | 70007735 | 4 | Bushing | |
| 17 | 4641390 | 1 | Cartridge, Check Valve | |
| 17 | 7017496 | 1 | Seal Kit - 4641390 Valve | |
| 18 | 1001164709 | 1 | Cartridge, Solenoid Valve (Includes Coil) | |
| 18 | 70002386 | 1 | Coil | |
| 18 | 7017467 | 1 | Cartridge, Solenoid Valve Less Coil | |
| 18 | 7012967 | 1 | Seal Kit - 1001164709 & 7017467 Valves | |
| 19 | 1001206625 | 1 | Cartridge, Solenoid Valve (Includes Coil) | |
| 19 | 70003788 | 1 | Coil | |
| 19 | 70006104 | 1 | Cartridge, Solenoid Valve Less Coil | |
| 19 | 70006105 | 1 | Seal Kit - 1001206625 & 70006104 Valves | |
| 19 | 7022390 | 1 | Nut, Coil | |
| 20 | 70007736 | 1 | Plug, Orifice | |
| 21 | 70025619 | 3 | Plug | |
| 22 | 70007737 | 1 | Seal Kit (Includes Items 5-10, 12 & 13) | |

SECTION 6 - CYLINDER

FIGURE 6-5. MASTER CYLINDER ASSEMBLY



ART_1001255970

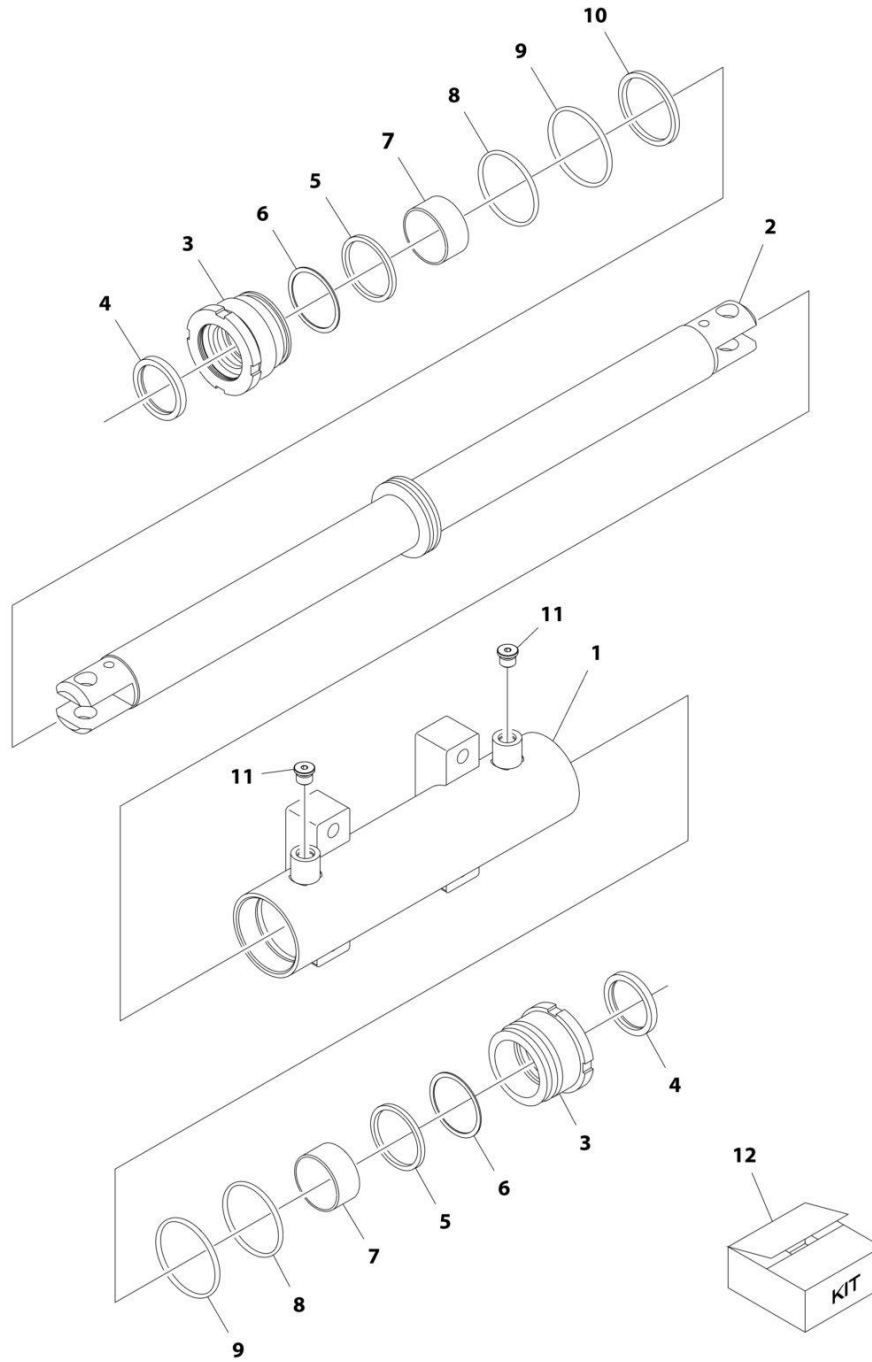
SECTION 6 - CYLINDER

FIGURE 6-5. MASTER CYLINDER ASSEMBLY

| ITEM | PART NUMBER | QTY | DESCRIPTION | REV |
|------|-------------|-----|---|-----|
| | 1001255970 | Ref | CYLINDER ASSEMBLY | B |
| | | Ref | Note: Original Cylinder May Have Been Replaced with Service Replacement. Identify PN Stamped on Cylinder Before Ordering Parts. | |
| 10 | See Note | NSS | Barrel | |
| 20 | 70007719 | 1 | Rod | |
| 60 | 70007720 | 1 | Piston Head | |
| 70 | 70007721 | 1 | Screwed Gland | |
| 80 | 70007722 | 1 | Screw M8 | |
| 120 | See Note | NSS | Piston Seal (Note: Use Item 300) | |
| 130 | See Note | NSS | O-Ring (Note: Use Item 300) | |
| 160 | See Note | NSS | O-Ring (Note: Use Item 300) | |
| 170 | See Note | NSS | Ring (Note: Use Item 300) | |
| 180 | See Note | NSS | Seal (Note: Use Item 300) | |
| 190 | See Note | NSS | O-Ring (Note: Use Item 300) | |
| 200 | See Note | NSS | Wiper (Note: Use Item 300) | |
| 240 | 70007723 | 4 | Bushing | |
| 300 | 70007724 | 1 | Seal Kit - 1001255971 Cylinder (Includes Items 120 ,130 & 160-200) | |

SECTION 6 - CYLINDER

FIGURE 6-6. STEER CYLINDER ASSEMBLY



ART_1001163178

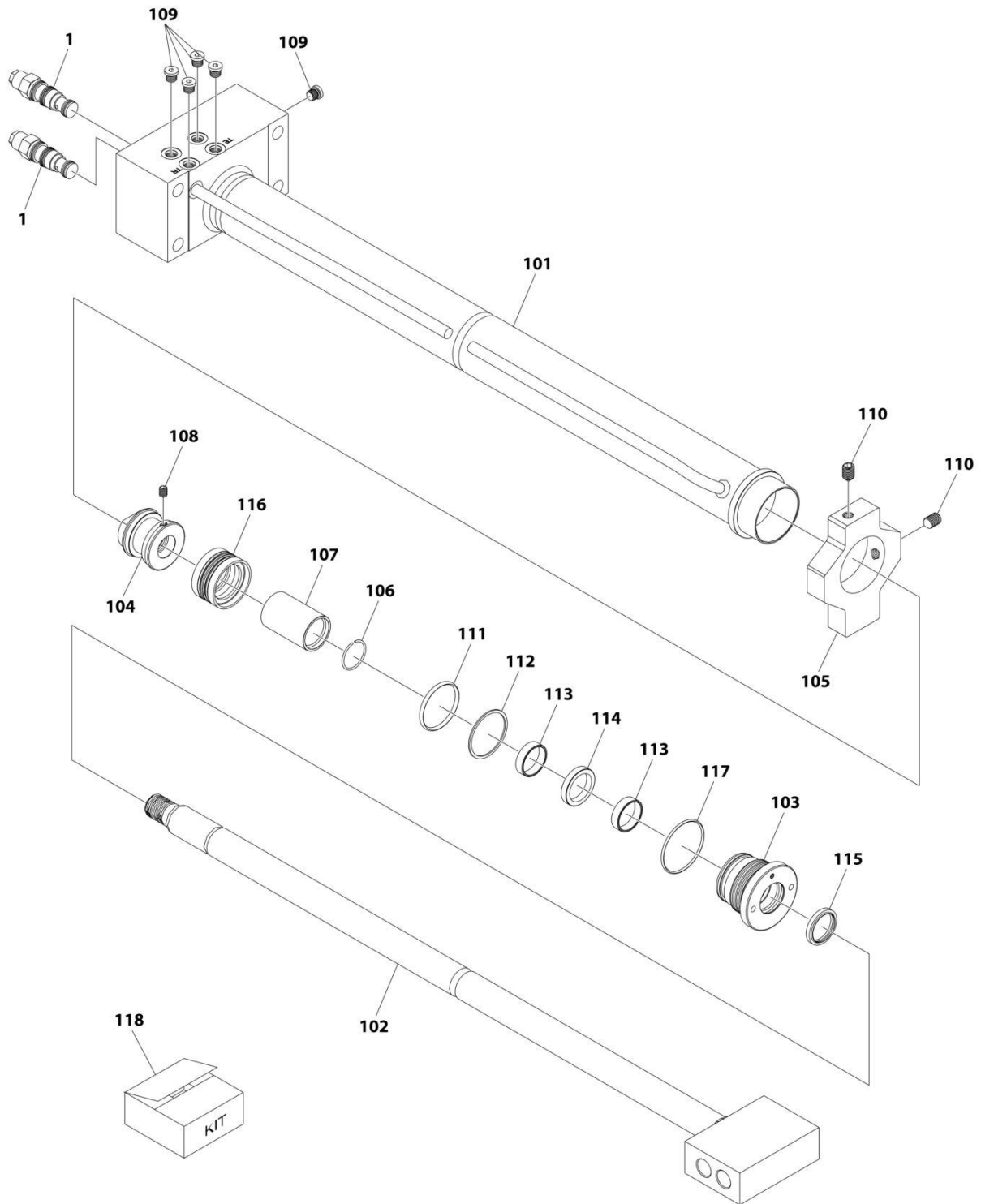
SECTION 6 - CYLINDER

FIGURE 6-6. STEER CYLINDER ASSEMBLY

| ITEM | PART NUMBER | QTY | DESCRIPTION | REV |
|------|-------------|-----|---|-----|
| | 1001163178 | Ref | STEER CYLINDER ASSEMBLY | E |
| | | Ref | Note: Original Cylinder May Have Been Replaced with Service Replacement. Identify PN Stamped on Cylinder Before Ordering Parts. | |
| 1 | 70005150 | 1 | Barrel | |
| 2 | 70005151 | 1 | Rod | |
| 3 | 70005152 | 2 | Head | |
| 4 | See Note | NSS | Wiper (Note: Use Item 12) | |
| 5 | See Note | NSS | Seal, Rod (Note: Use Item 12) | |
| 6 | See Note | NSS | Ring, Back-up (Note: Use Item 12) | |
| 7 | 70005153 | 2 | Bearing, Dry | |
| 8 | See Note | NSS | O-Ring (Note: Use Item 12) | |
| 9 | See Note | NSS | O-Ring (Note: Use Item 12) | |
| 10 | See Note | NSS | Seal, Piston (Note: Use Item 12) | |
| 11 | See Note | 2 | Plug 9/16 (Note: Not Available for Purchase) | |
| 12 | 70005154 | 1 | Seal Kit - 1001163178 Cylinder (Includes Items 4-6 & 8-10) | |

SECTION 6 - CYLINDER

FIGURE 6-7. TELESCOPE CYLINDER ASSEMBLY



ART_1001266711

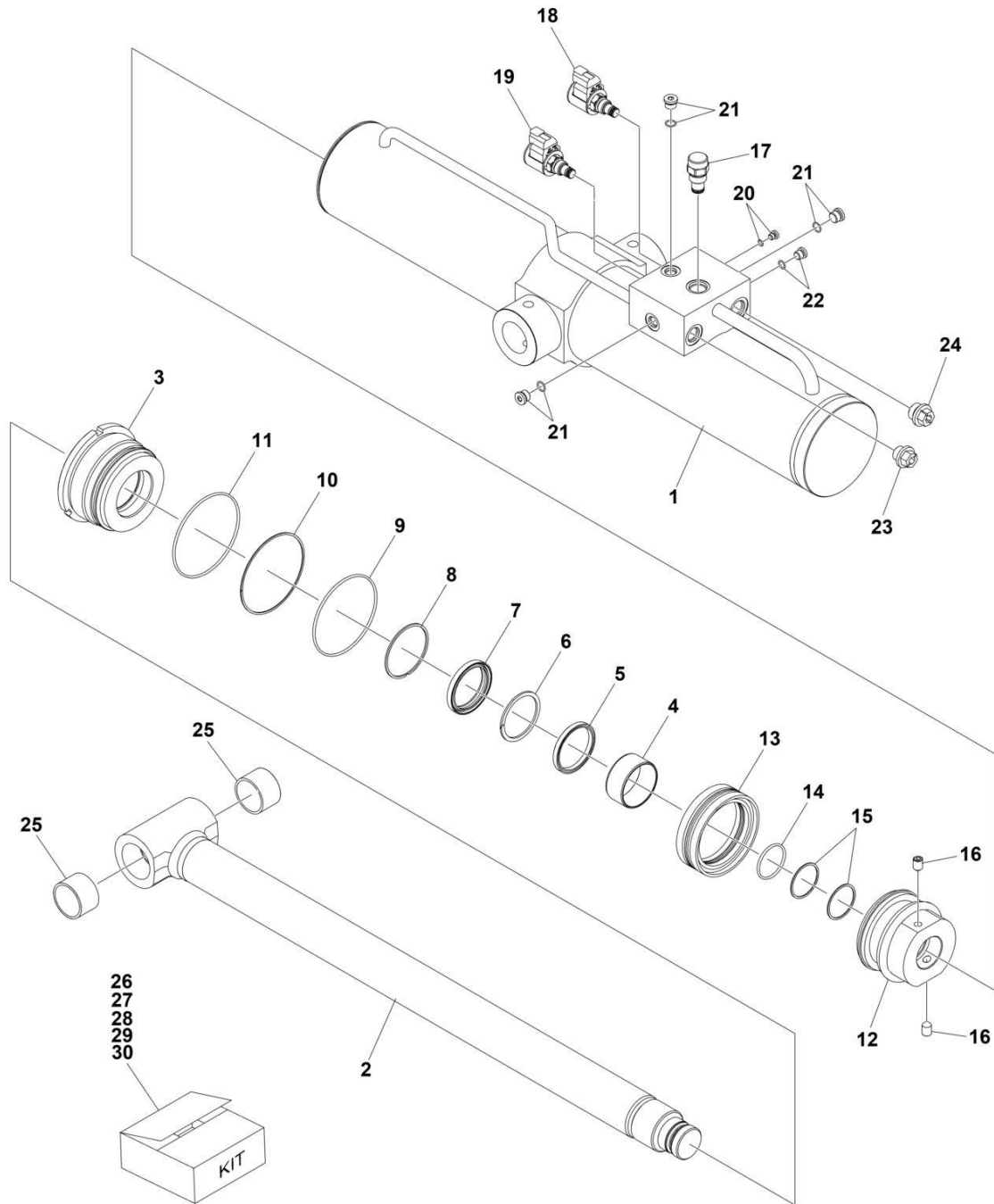
SECTION 6 - CYLINDER

FIGURE 6-7. TELESCOPE CYLINDER ASSEMBLY

| ITEM | PART NUMBER | QTY | DESCRIPTION | REV |
|------|-------------|-----|---|-----|
| | 1001266711 | Ref | TELESCOPE CYLINDER ASSEMBLY | B |
| | | Ref | Note: Original Cylinder May Have Been Replaced with Service Replacement. Identify PN Stamped on Cylinder Before Ordering Parts. | |
| 1 | 4640771 | 2 | Valve, Motor Control | |
| 1 | 2900770 | 2 | Seal Kit - 4640771 Valve | |
| 101 | See Note | NSS | Barrel (Note: Not Available for Purchase) | |
| 102 | See Note | NSS | Rod (Note: Not Available for Purchase) | |
| 103 | 70008135 | 1 | Head | |
| 104 | 70008136 | 1 | Piston | |
| 105 | 70008137 | 1 | Mount | |
| 106 | 70008138 | 1 | Ring, Wire | |
| 107 | 70008139 | 1 | Spacer | |
| 108 | 70027088 | 1 | Setscrew | |
| 109 | 70025619 | 5 | Plug | |
| 110 | 70008140 | 2 | Setscrew | |
| 111 | See Note | NSS | O-Ring (Note: Use Item 118) | |
| 112 | See Note | NSS | Ring, Backup (Note: Use Item 118) | |
| 113 | See Note | NSS | Ring (Note: Use Item 118) | |
| 114 | See Note | NSS | Seal, Head (Note: Use Item 118) | |
| 115 | See Note | NSS | Seal, Wiper (Note: Use Item 118) | |
| 116 | See Note | NSS | Seal (Note: Use Item 118) | |
| 117 | See Note | NSS | O-Ring (Note: Use Item 118) | |
| 118 | 70008141 | 1 | Seal Kit (Includes Items 111-117) | |

SECTION 6 - CYLINDER

FIGURE 6-8. TOWER LIFT CYLINDER ASSEMBLY



ART_1001255968

SECTION 6 - CYLINDER

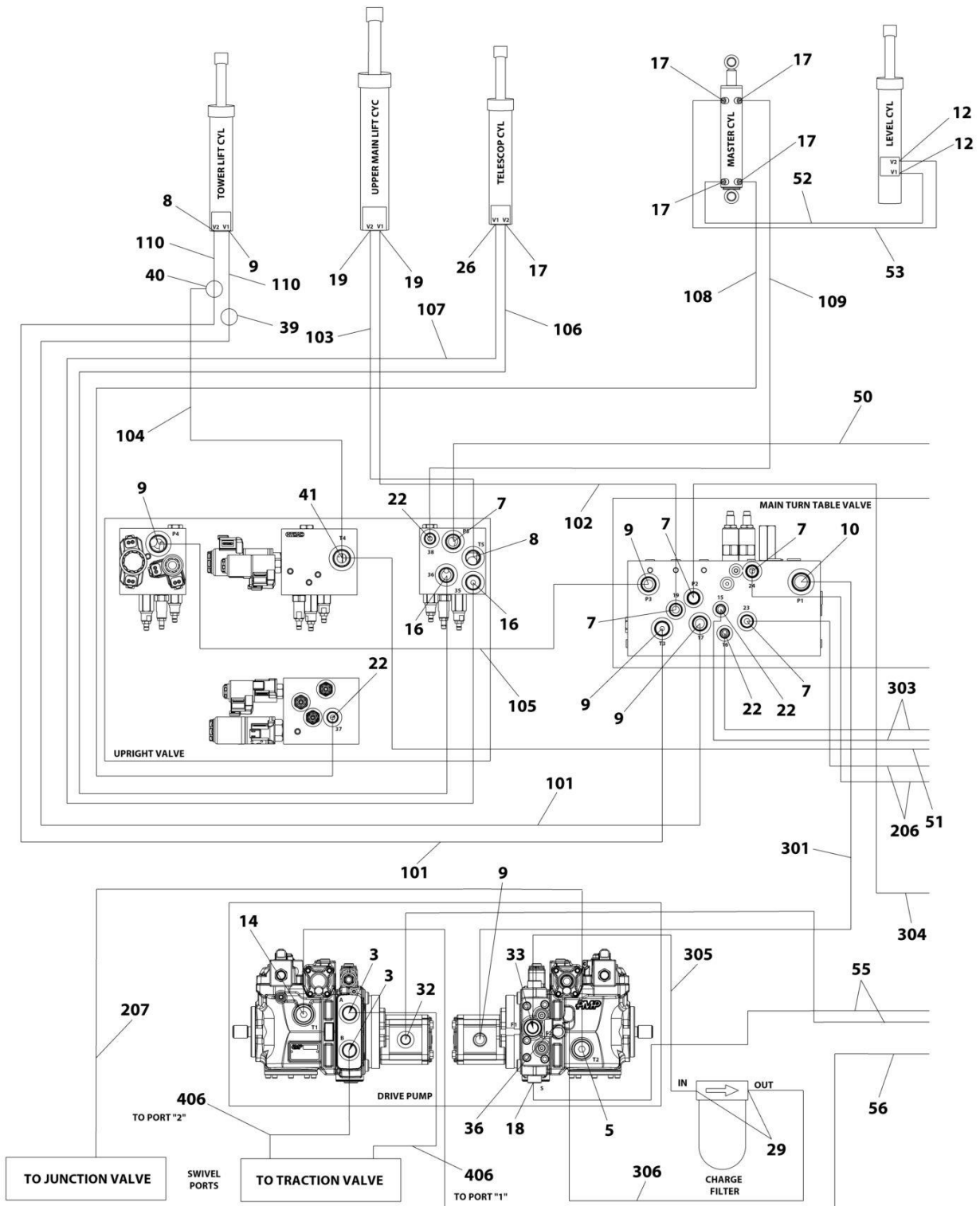
FIGURE 6-8. TOWER LIFT CYLINDER ASSEMBLY

| ITEM | PART NUMBER | QTY | DESCRIPTION | REV |
|------|-------------|-----|--|-----|
| | 1001255968 | Ref | TOWER LIFT CYLINDER | D |
| 1 | NSS | 1 | Barrel | |
| 2 | NSS | 1 | Rod (Note: Use Item 26) | |
| 3 | NSS | 1 | Head (Note: Use Item 27) | |
| 4 | NSS | 1 | Bushing (Note: Use Item 27) | |
| 5 | NSS | 1 | Seal Kit (Note: Use Item 28) | |
| 6 | NSS | 1 | Ring (Note: Use Item 28) | |
| 7 | NSS | 1 | Wiper (Note: Use Item 28) | |
| 8 | NSS | 1 | Ring, Retaining (Note: Use Item 28) | |
| 9 | NSS | 1 | O-Ring (Note: Use Item 28) | |
| 10 | NSS | 1 | Ring, Back-up (Note: Use Item 28) | |
| 11 | NSS | 1 | O-Ring (Note: Use Item 28) | |
| 12 | NSS | 1 | Piston (Note: Use Item 28) | |
| 13 | NSS | 1 | Seal (Note: Use Item 28) | |
| 14 | NSS | 1 | O-Ring (Note: Use Item 28) | |
| 15 | NSS | 1 | Ring, Back-up (Note: Use Item 28) | |
| 16 | NSS | 1 | Setscrew (Note: Use Item 28) | |
| 17 | 4641390 | 1 | Cartridge, Check Valve | |
| 17 | 7017496 | 1 | Seal Kit - 4641390 Valve | |
| 18 | 1001164709 | 1 | Cartridge, Solenoid Valve (Including Coil) | |
| 18 | 7017467 | 1 | Cartridge, Solenoid Valve (Less Coil) | |
| 18 | 7012998 | 1 | Seal Kit - 1001164709 & 7017467 Valves | |
| 18 | 70002386 | 1 | Coil | |
| 19 | 1001166208 | 1 | Cartridge, Solenoid Valve (Including Coil) | |
| 19 | 7024884 | 1 | Cartridge, Solenoid Valve (Less Coil) | |
| 19 | 7012967 | 1 | Seal Kit - 1001166208& 7024884 Valves | |
| 20 | NSS | 1 | Plug + O-Ring (Note: Use Item 30) | |
| 21 | NSS | 1 | Plug + O-Ring (Note: Use Item 30) | |
| 22 | NSS | 1 | Plug + O-Ring (Note: Use Item 30) | |
| 23 | NSS | 1 | Dust Cap | |
| 24 | NSS | 1 | Dust Cap | |
| 25 | NSS | 1 | Bushing (Note: Use Item 26) | |
| 26 | 70007743 | 1 | Rod Kit (Includes Items 2 & 25) | |
| 27 | 70007744 | 1 | Head Kit (Includes Items 3 & 4) | |
| 28 | 70007745 | 1 | Seal Kit (Includes Items 5-11 & 13-15) | |
| 29 | 70007746 | 1 | Piston Kit (Includes Items 12 & 16) | |
| 30 | 70007747 | 1 | Plug Kit (Includes Items 20 - 22) | |

SECTION 7 - HYDRAULIC

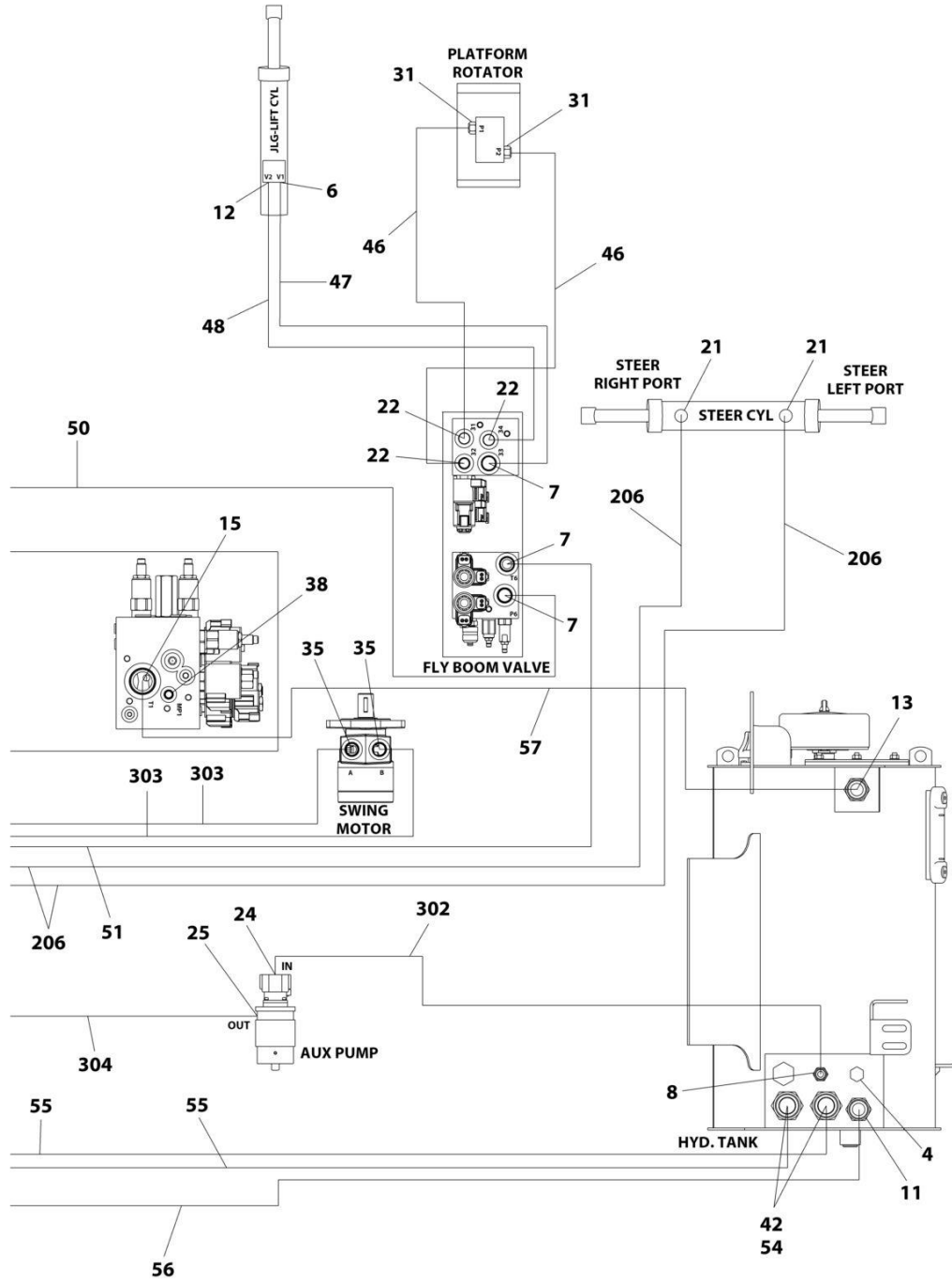
SECTION 7 - HYDRAULIC

FIGURE 7-1. HYDRAULIC SYSTEM INSTALLATION



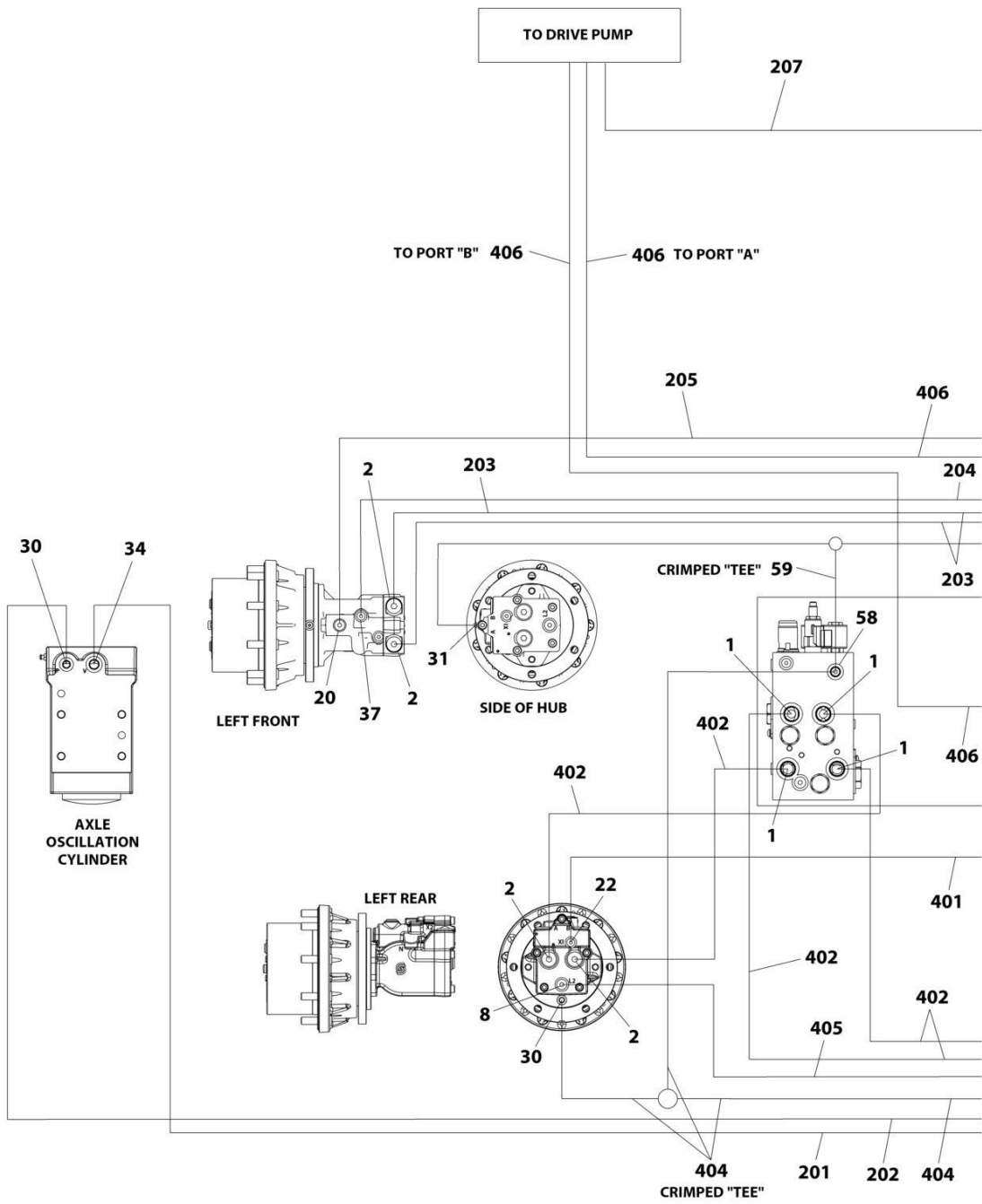
ART_1001301594_10F4

SECTION 7 - HYDRAULIC



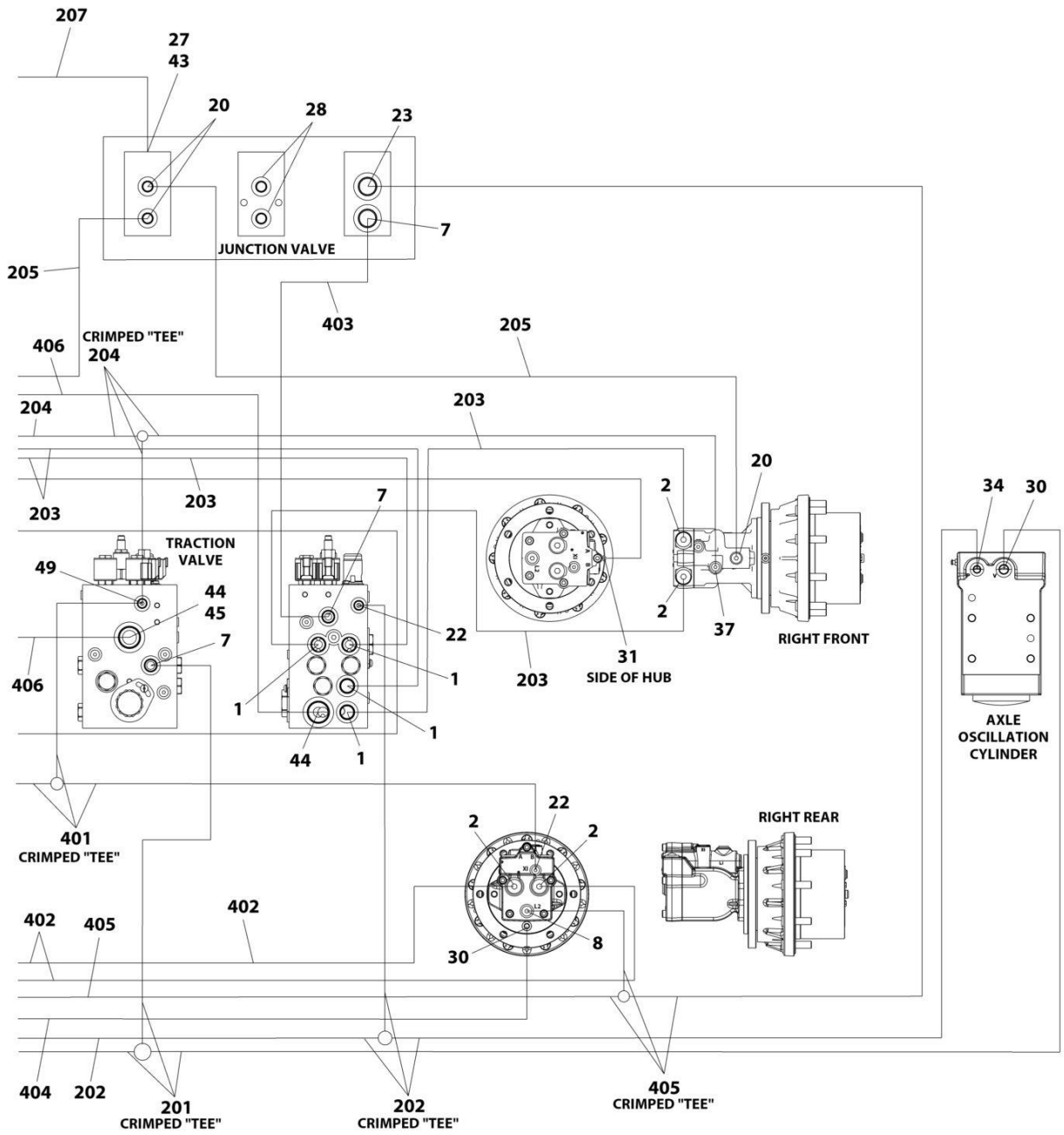
ART_1001301594_2OF4

SECTION 7 - HYDRAULIC



ART_1001301594_30F4

SECTION 7 - HYDRAULIC



ART_1001301594_4OF4

SECTION 7 - HYDRAULIC

FIGURE 7-1. HYDRAULIC SYSTEM INSTALLATION

| ITEM | PART NUMBER | QTY | DESCRIPTION | REV |
|------|-------------|-----|-------------------------------|-----|
| | 1001301594 | Ref | HYDRAULIC SYSTEM INSTALLATION | A |
| 1 | 2110810 | 8 | Fitting, Straight ORFS/ORB | |
| 2 | 2110812 | 8 | Fitting, Straight ORFS/ORB | |
| 3 | 2131212 | 2 | Fitting, 90 ORFS/ORB | |
| 4 | 2220238 | 1 | Fitting, Plug ORB | |
| 5 | 2220366 | 1 | Fitting, 90 JIC/ORB | |
| 6 | 2220371 | 1 | Fitting, Straight JIC/ORB | |
| 7 | 2220372 | 11 | Fitting, Straight JIC/ORB | |
| 8 | 2220373 | 5 | Fitting, Straight JIC/ORB | |
| 9 | 2220374 | 6 | Fitting, Straight JIC/ORB | |
| 10 | 2220375 | 1 | Fitting, Straight JIC/ORB | |
| 11 | 2220377 | 1 | Fitting, Straight JIC/ORB | |
| 12 | 2220415 | 3 | Fitting, Straight JIC/ORB | |
| 13 | 2220435 | 1 | Fitting, Straight JIC/ORB | |
| 14 | 2220451 | 1 | Fitting, Straight JIC/ORB | |
| 15 | 2220465 | 1 | Fitting, 90 JIC/ORB | |
| 16 | 2220468 | 2 | Fitting, Straight JIC/ORB | |
| 17 | 2220472 | 5 | Fitting, 90 JIC/ORB | |
| 18 | 2220479 | 1 | Fitting, Straight JIC/ORB | |
| 19 | 2220497 | 2 | Fitting, Straight JIC/ORB | |
| 20 | 2220500 | 4 | Fitting, 45 JIC/ORB | |
| 21 | 2220501 | 2 | Fitting, 45 JIC/ORB | |
| 22 | 2220582 | 10 | Fitting, Straight JIC/ORB | |
| 23 | 2220596 | 1 | Fitting, 90 JIC/ORB | |
| 24 | 2220600 | 1 | Fitting, Straight JIC/ORB | |
| 25 | 2220603 | 1 | Fitting, Straight JIC/ORB | |
| 26 | 2220628 | 1 | Fitting, 90 JIC/ORB | |
| 27 | 2220811 | 1 | Fitting, Straight FORB/ORB | |
| 28 | 2220883 | 2 | O-Ring | |
| 29 | 2220906 | 2 | Fitting, 90 JIC/ORB | |
| 30 | 2220923 | 4 | Fitting, Straight JIC/ORB | |
| 31 | 2220940 | 4 | Fitting, 90 JIC/ORB | |
| 32 | 2220946 | 1 | Fitting, Straight JIC/ORB | |
| 33 | 2220947 | 1 | Fitting, Straight JIC/ORB | |
| 34 | 2220998 | 2 | Fitting, Straight JIC/ORB | |
| 35 | 2221033 | 2 | Fitting, Straight JIC/ORB | |
| 36 | 2221036 | 1 | Fitting, 90 JIC/ORB | |
| 37 | 2221040 | 2 | Fitting, 45 JIC/ORB | |
| 38 | 2221086 | 1 | Fitting, Diagnostic | |
| 39 | 2230025 | 1 | Fitting, Straight JIC/JIC | |
| 40 | 8760477 | 1 | Fitting, Tee JIC/JIC/JIC | |
| 41 | 8770289 | 1 | Fitting, Tee JIC/ORB/JIC | |
| 42 | 80633030 | 2 | Clamp | |
| 43 | 1001119627 | 1 | Fitting, Straight JIC/ORB | |
| 44 | 1001142679 | 2 | Fitting, Straight ORFS/ORB | |
| 45 | 1001143936 | 1 | Fitting, 90 FORB/ORB | |
| 46 | 1001173046 | 2 | Hose | |
| 47 | 1001173048 | 1 | Hose | |
| 48 | 1001173049 | 1 | Hose | |
| 49 | 1001175024 | 1 | Fitting, Tee JIC/JIC/ORB | |

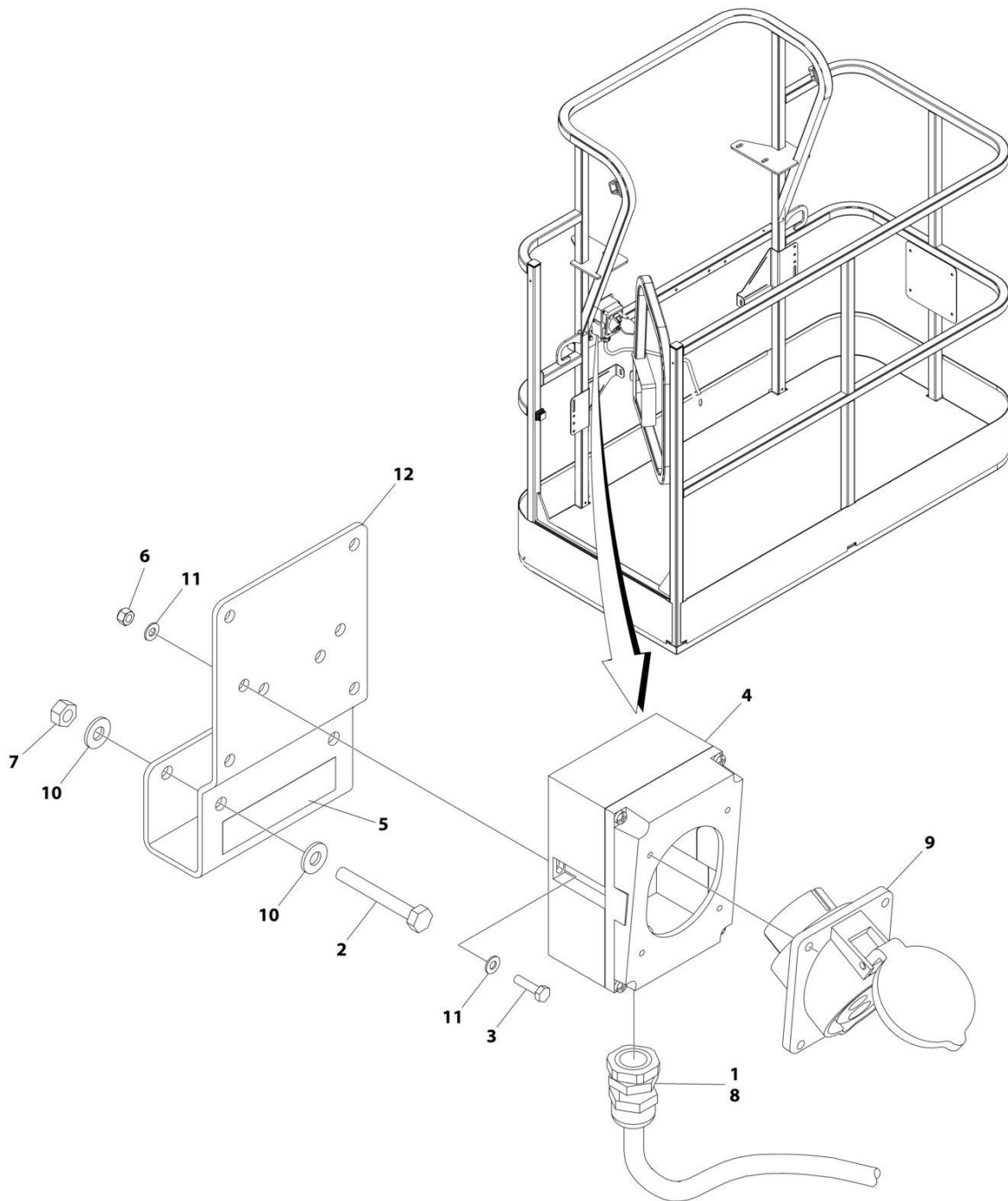
SECTION 7 - HYDRAULIC

| ITEM | PART NUMBER | QTY | DESCRIPTION | REV |
|------|-------------|-----|-----------------------------------|-----|
| 50 | 1001176299 | 1 | Hose | |
| 51 | 1001176300 | 1 | Hose | |
| 52 | 1001176301 | 1 | Hose | |
| 53 | 1001176302 | 1 | Hose | |
| 54 | 1001202910 | 2 | Fitting, Straight MORB | |
| 55 | 1001207335 | 2 | Hose | |
| 56 | 1001207336 | 1 | Hose | |
| 57 | 1001210356 | 1 | Tube | |
| 58 | 1001210823 | 1 | Fitting, Tee JIC/ORB/JIC | |
| 59 | 1001255930 | 1 | Hose | |
| 100 | 1001194424 | 1 | Hose Kit - Lower Boom (Not Shown) | |
| 101 | 1001173006 | 2 | Hose | |
| 102 | 1001173034 | 1 | Hose | |
| 103 | 1001173035 | 1 | Hose | |
| 104 | 1001173036 | 1 | Hose | |
| 105 | 1001173037 | 1 | Hose | |
| 106 | 1001173038 | 1 | Hose | |
| 107 | 1001173039 | 1 | Hose | |
| 108 | 1001173042 | 1 | Hose | |
| 109 | 1001173043 | 1 | Hose | |
| 110 | 1001180035 | 2 | Hose | |
| 200 | 1001300962 | 1 | Hose Kit - Front (Not Shown) | |
| 201 | 1001173053 | 1 | Hose | |
| 202 | 1001173054 | 4 | Hose | |
| 203 | 1001173055 | 1 | Hose | |
| 204 | 1001173056 | 1 | Hose | |
| 205 | 1001173057 | 1 | Hose | |
| 206 | 1001173058 | 2 | Hose | |
| 207 | 1001300957 | 1 | Hose | |
| 300 | 1001300963 | 1 | Hose Kit - Turntable (Not Shown) | |
| 301 | 2752504 | 1 | Hose | |
| 302 | 2752519 | 1 | Hose | |
| 303 | 1001173027 | 2 | Hose | |
| 304 | 1001173028 | 1 | Hose | |
| 305 | 1001300958 | 1 | Hose | |
| 306 | 1001300959 | 1 | Hose | |
| 400 | 1001301601 | 1 | Hose Kit - Rear (Not Shown) | |
| 401 | 1001173052 | 1 | Hose | |
| 402 | 1001173059 | 4 | Hose | |
| 403 | 1001197039 | 1 | Hose | |
| 404 | 1001267275 | 1 | Hose | |
| 405 | 1001267277 | 1 | Hose | |
| 406 | 1001300956 | 2 | Hose | |

SECTION 8 - ELECTRICAL

SECTION 8 - ELECTRICAL

FIGURE 8-1. AC BOX AT PLATFORM INSTALLATION - 110V IEC YELLOW (CE, CIS/EAC & UK CA SPECS WITH 4000W/50HZ GENERATOR)



ART_1001194203

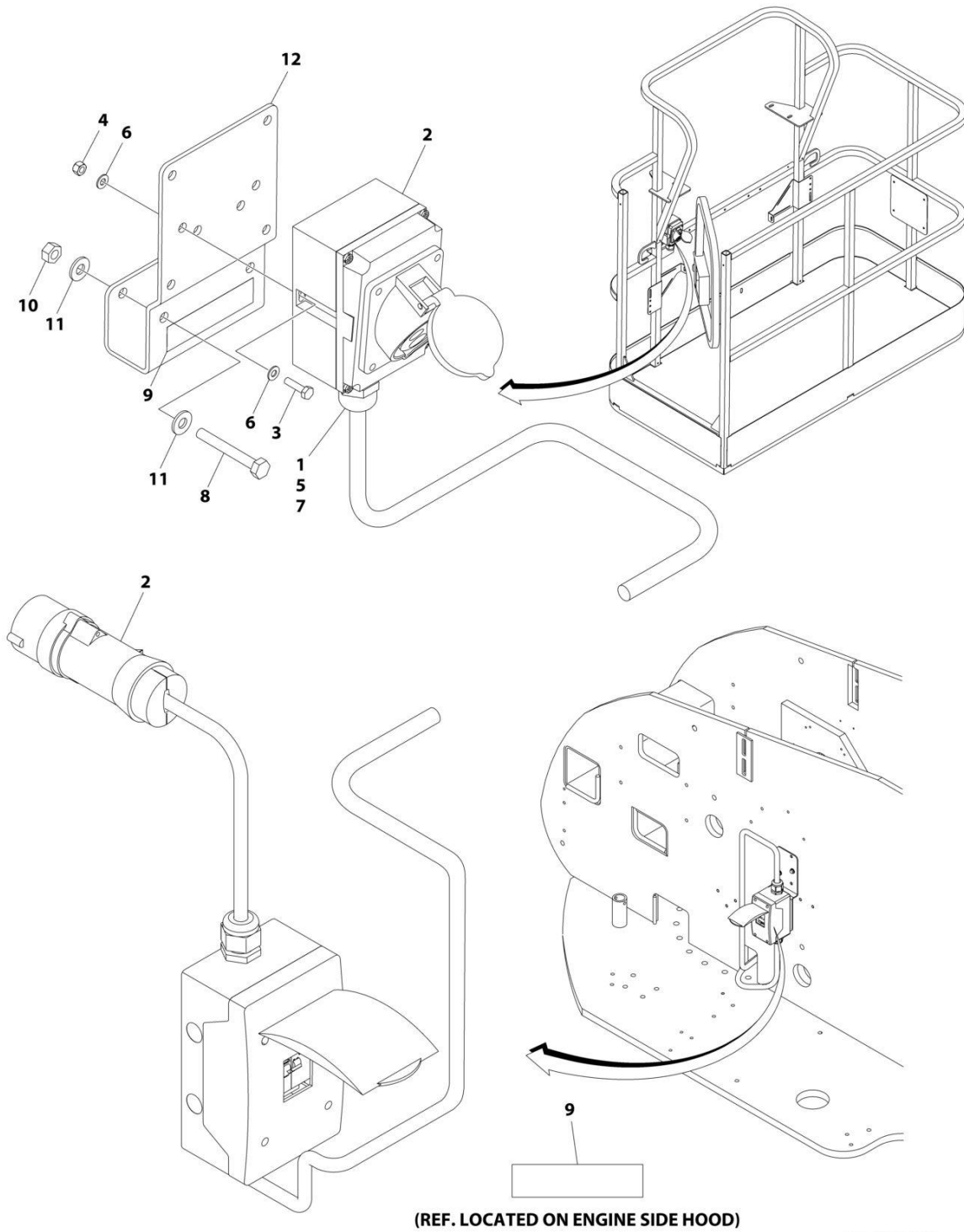
SECTION 8 - ELECTRICAL

FIGURE 8-1. AC BOX AT PLATFORM INSTALLATION - 110V IEC YELLOW (CE, CIS/EAC & UK CA SPECS WITH 4000W/50HZ GENERATOR)

| ITEM | PART NUMBER | QTY | DESCRIPTION | REV |
|------|-------------|-----|---------------------------------|-----|
| | 1001194203 | Ref | AC BOX AT PLATFORM INSTALLATION | B |
| 1 | 0100020 | AR | Sealant, Pipe | |
| 2 | 0641416 | 2 | Bolt 1/4 x 2 | |
| 3 | 0700408 | 2 | Bolt M4 x 16 | |
| 4 | 0861781 | 1 | Box, Switch | |
| 5 | 1705325 | 1 | Decal - 110V | |
| 6 | 3290405 | 2 | Nut M4 | |
| 7 | 3311405 | 2 | Nut 1/4 | |
| 8 | 4460968 | 1 | Connector, Strain Relief | |
| 9 | 4461198 | 1 | Receptacle | |
| 10 | 4711400 | 4 | Washer 1/4 | |
| 11 | 4811400 | 4 | Washer M4 | |
| 12 | 1001193018 | 1 | Bracket, AC Receptacle | |

SECTION 8 - ELECTRICAL

FIGURE 8-2. AC BOX AT PLATFORM INSTALLATION - 110V IEC 60309 YELLOW WITHOUT 2500W GENERATOR (CE, CIS/EAC & UK CA SPECS)



ART_1001091969

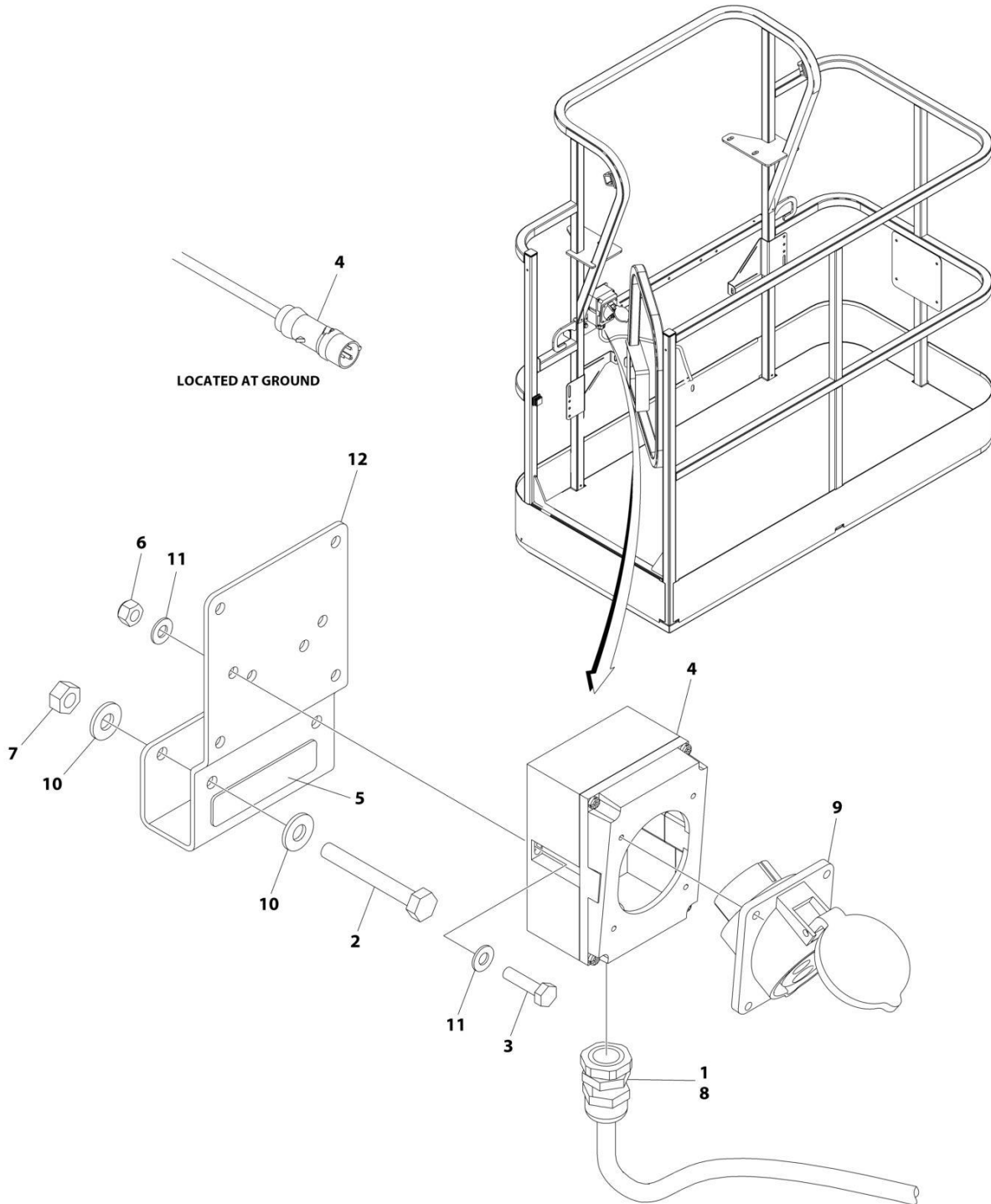
SECTION 8 - ELECTRICAL

FIGURE 8-2. AC BOX AT PLATFORM INSTALLATION - 110V IEC 60309 YELLOW WITHOUT 2500W GENERATOR (CE, CIS/EAC & UK CA SPECS)

| ITEM | PART NUMBER | QTY | DESCRIPTION | REV |
|------|-------------|-----|---|-----|
| | 1001091969 | Ref | AC BOX AT PLATFORM INSTALLATION - 110V IEC YELLOW | D |
| 1 | 0100020 | AR | Sealant, Pipe | |
| 2 | 0275216 | 1 | Receptacle Box Kit (See Separate Breakdown in this Section) | |
| 3 | 0700408 | 2 | Bolt M4 x 16 | |
| 4 | 3290405 | 2 | Nut M4 | |
| 5 | 1001101196 | 1 | Adapter | |
| 6 | 4811400 | 4 | Washer M4 | |
| 7 | 1001101191 | 1 | Connector, Strain Relief | |
| 8 | 0641416 | 2 | Bolt 1/4 x 2 | |
| 9 | 1705325 | 2 | Decal - 110V | |
| 10 | 3311405 | 2 | Nut 1/4 | |
| 11 | 4711400 | 4 | Washer 1/4 | |
| 12 | 1001193018 | 1 | Bracket | |

SECTION 8 - ELECTRICAL

FIGURE 8-3. AC BOX AT PLATFORM INSTALLATION - 220V IEC BLUE (CE, CIS/EAC & UK CA SPECS WITH 4000W/50HZ GENERATOR)



ART_1001194204

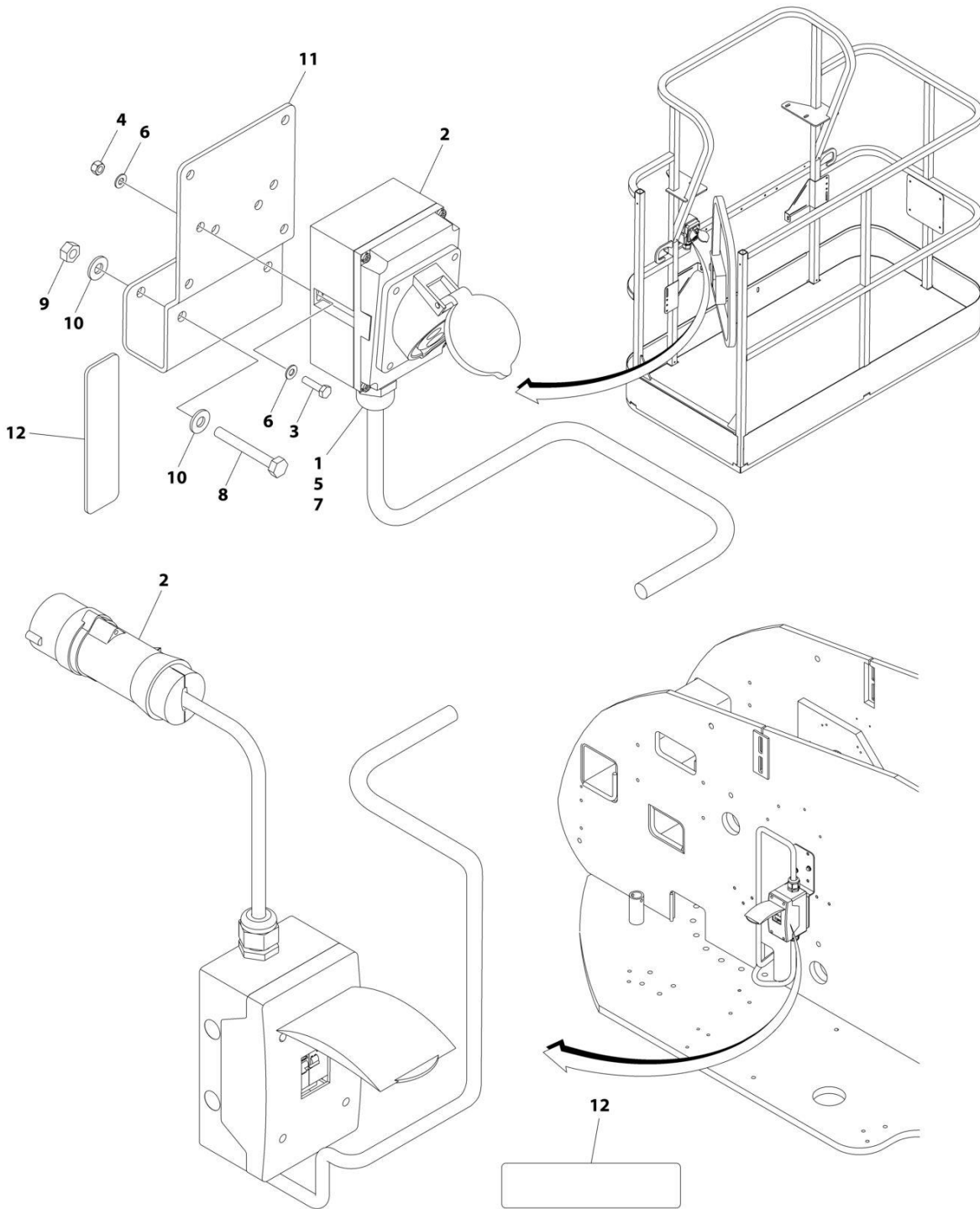
SECTION 8 - ELECTRICAL

FIGURE 8-3. AC BOX AT PLATFORM INSTALLATION - 220V IEC BLUE (CE, CIS/EAC & UK CA SPECS WITH 4000W/50HZ GENERATOR)

| ITEM | PART NUMBER | QTY | DESCRIPTION | REV |
|------|-------------|-----|---------------------------------|-----|
| | 1001194204 | Ref | AC BOX AT PLATFORM INSTALLATION | B |
| 1 | 0100020 | AR | Sealant, Pipe | |
| 2 | 0641416 | 2 | Bolt 1/4 x 2 | |
| 3 | 0700408 | 2 | Bolt M4 x 16 | |
| 4 | 0861781 | 1 | Box, Switch | |
| 5 | 3251242 | 1 | Decal - 240V/50Hz | |
| 6 | 3290405 | 2 | Nut M4 | |
| 7 | 3311405 | 2 | Nut 1/4 | |
| 8 | 4460968 | 1 | Connector, Strain Relief | |
| 9 | 4461201 | 1 | Receptacle | |
| 10 | 4711400 | 4 | Washer 1/4 | |
| 11 | 4811400 | 4 | Washer M4 | |
| 12 | 1001193018 | 1 | Bracket, AC Receptacle | |

SECTION 8 - ELECTRICAL

FIGURE 8-4. AC BOX AT PLATFORM INSTALLATION - 220V IEC 60309 BLUE WITHOUT 2500W GENERATOR (CE, CIS/EAC & UK CA SPECS)



(REF. LOCATED ON ENGINE SIDE HOOD)

ART_1001091970

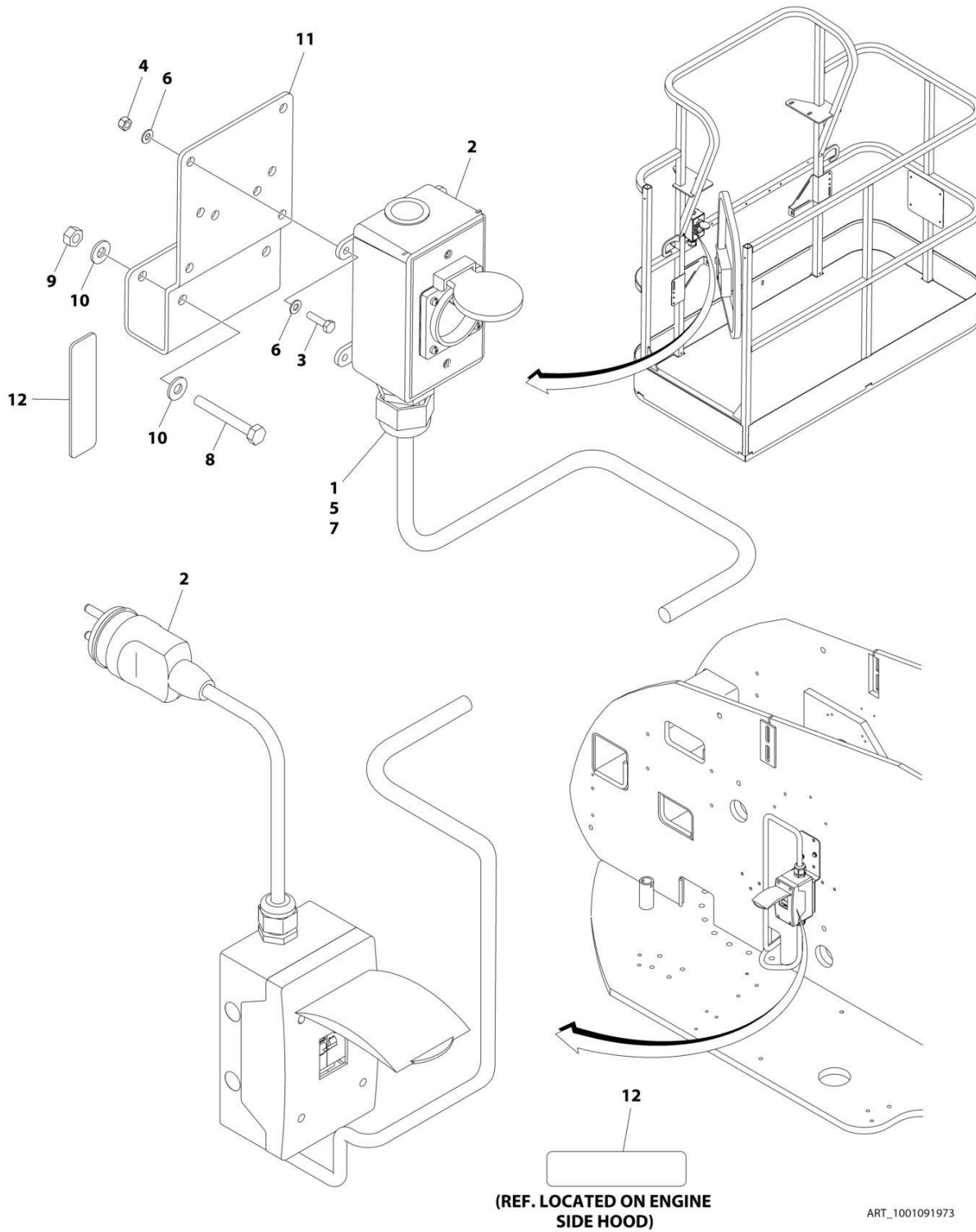
SECTION 8 - ELECTRICAL

FIGURE 8-4. AC BOX AT PLATFORM INSTALLATION - 220V IEC 60309 BLUE WITHOUT 2500W GENERATOR (CE, CIS/EAC & UK CA SPECS)

| ITEM | PART NUMBER | QTY | DESCRIPTION | REV |
|------|-------------|-----|---|-----|
| | 1001091970 | Ref | AC BOX AT PLATFORM INSTALLATION - 220V IEC BLUE | D |
| 1 | 0100020 | AR | Sealant, Pipe | |
| 2 | 0275217 | 1 | Receptacle Box Kit (See Separate Breakdown in this Section) | |
| 3 | 0700408 | 2 | Bolt M4 x 16 | |
| 4 | 3290405 | 2 | Nut M4 | |
| 5 | 1001101196 | 1 | Adapter | |
| 6 | 4811400 | 4 | Washer M4 | |
| 7 | 1001101191 | 1 | Connector, Strain Relief | |
| 8 | 0641416 | 2 | Bolt 1/4 x 2 | |
| 9 | 3311405 | 2 | Nut 1/4 | |
| 10 | 4711400 | 4 | Washer 1/4 | |
| 11 | 1001193018 | 1 | Bracket | |
| 12 | 3251242 | 2 | Decal - 240V/50Hz | |

SECTION 8 - ELECTRICAL

**FIGURE 8-5. AC BOX AT PLATFORM INSTALLATION - 220V CEE7 POST GROUND (2X4 BOX)
WITHOUT 2500W GENERATOR (CE, CIS/EAC & UK CA SPECS)**



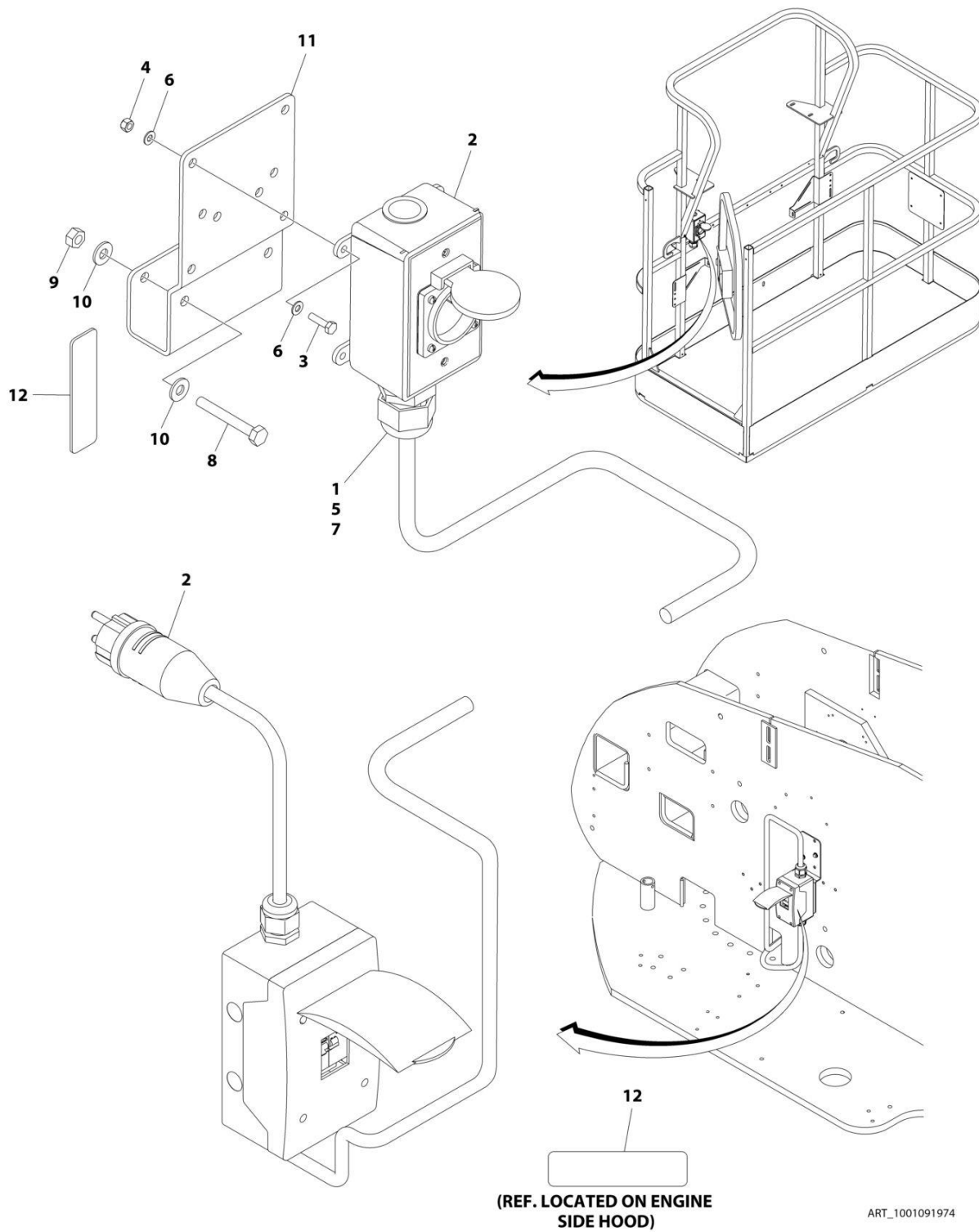
SECTION 8 - ELECTRICAL

**FIGURE 8-5. AC BOX AT PLATFORM INSTALLATION - 220V CEE7 POST GROUND (2X4 BOX)
WITHOUT 2500W GENERATOR (CE, CIS/EAC & UK CA SPECS)**

| ITEM | PART NUMBER | QTY | DESCRIPTION | REV |
|------|-------------|-----|--|-----|
| | 1001091973 | Ref | AC BOX AT PLATFORM INSTALLATION - 220V CEE7 2X4 BOX POST GROUND | F |
| 1 | 0100020 | AR | Sealant, Pipe | |
| 2 | 0275452 | 1 | Receptacle Box Kit (See Separate Breakdown in this Section) | |
| 3 | 0700408 | 4 | Bolt M4 x 16 | |
| 4 | 3290405 | 4 | Nut M4 | |
| 5 | 1001101197 | 1 | Adapter | |
| 6 | 4811400 | 8 | Washer M4 | |
| 7 | 1001101191 | 1 | Connector, Strain Relief | |
| 8 | 0641416 | 2 | Bolt 1/4 x 2 | |
| 9 | 3311405 | 2 | Nut 1/4 | |
| 10 | 4711400 | 4 | Washer 1/4 | |
| 11 | 1001193018 | 1 | Bracket | |
| 12 | 3251242 | 2 | Decal - 240V/50Hz | |
| 13 | 4460806 | 2 | Terminal, Fork (Not Shown) | |
| 14 | 1001205958 | 1 | Terminal (Not Shown) | |

SECTION 8 - ELECTRICAL

**FIGURE 8-6. AC BOX AT PLATFORM INSTALLATION - 220V CEE7 SIDE GROUND (2X4 BOX)
WITHOUT 2500W GENERATOR (CE, CIS/EAC & UK CA SPECS)**



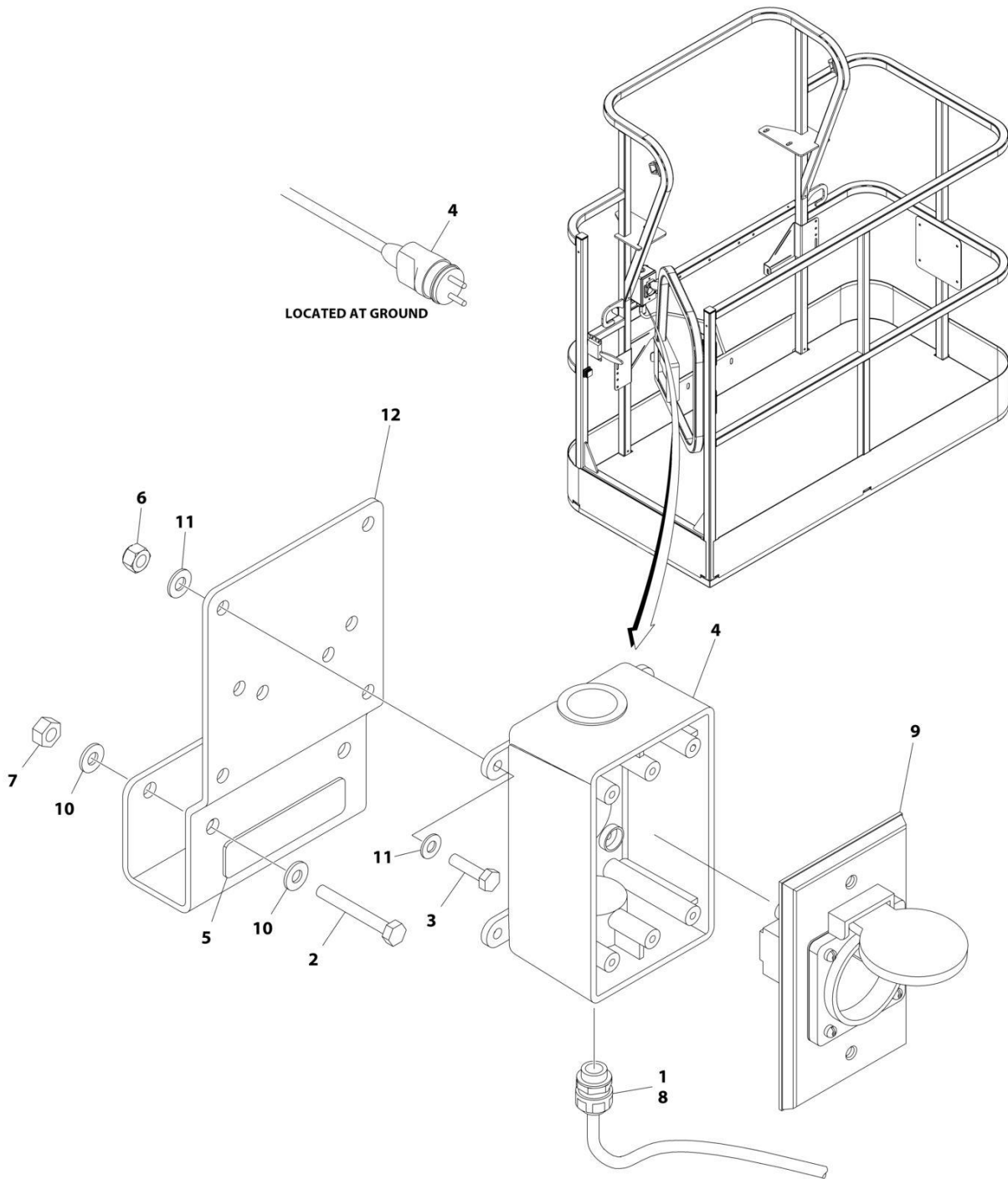
SECTION 8 - ELECTRICAL

**FIGURE 8-6. AC BOX AT PLATFORM INSTALLATION - 220V CEE7 SIDE GROUND (2X4 BOX)
WITHOUT 2500W GENERATOR (CE, CIS/EAC & UK CA SPECS)**

| ITEM | PART NUMBER | QTY | DESCRIPTION | REV |
|------|-------------|-----|--|-----|
| | 1001091974 | Ref | AC BOX AT PLATFORM INSTALLATION - 220V CEE7 2X4 BOX SIDE GROUND | F |
| 1 | 0100020 | AR | Sealant, Pipe | |
| 2 | 0275453 | 1 | Receptacle Box Kit (See Separate Breakdown in this Section) | |
| 3 | 0700408 | 4 | Bolt M4 x 16 | |
| 4 | 3290405 | 4 | Nut M4 | |
| 5 | 1001101197 | 1 | Adapter | |
| 6 | 4811400 | 8 | Washer M4 | |
| 7 | 1001101191 | 1 | Connector, Strain Relief | |
| 8 | 0641416 | 2 | Bolt 1/4 x 2 | |
| 9 | 3311405 | 2 | Nut 1/4 | |
| 10 | 4711400 | 4 | Washer 1/4 | |
| 11 | 1001193018 | 1 | Bracket | |
| 12 | 3251242 | 2 | Decal - 240V/50Hz | |
| 13 | 4460806 | 2 | Terminal, Fork (Not Shown) | |
| 14 | 1001205958 | 1 | Terminal (Not Shown) | |

SECTION 8 - ELECTRICAL

FIGURE 8-7. AC BOX AT PLATFORM INSTALLATION - 220V CEE7 2IN X 4IN POST GROUND (CE, CIS/EAC & UK CA SPECS WITH 4000W/50HZ GENERATOR)



ART_1001194197

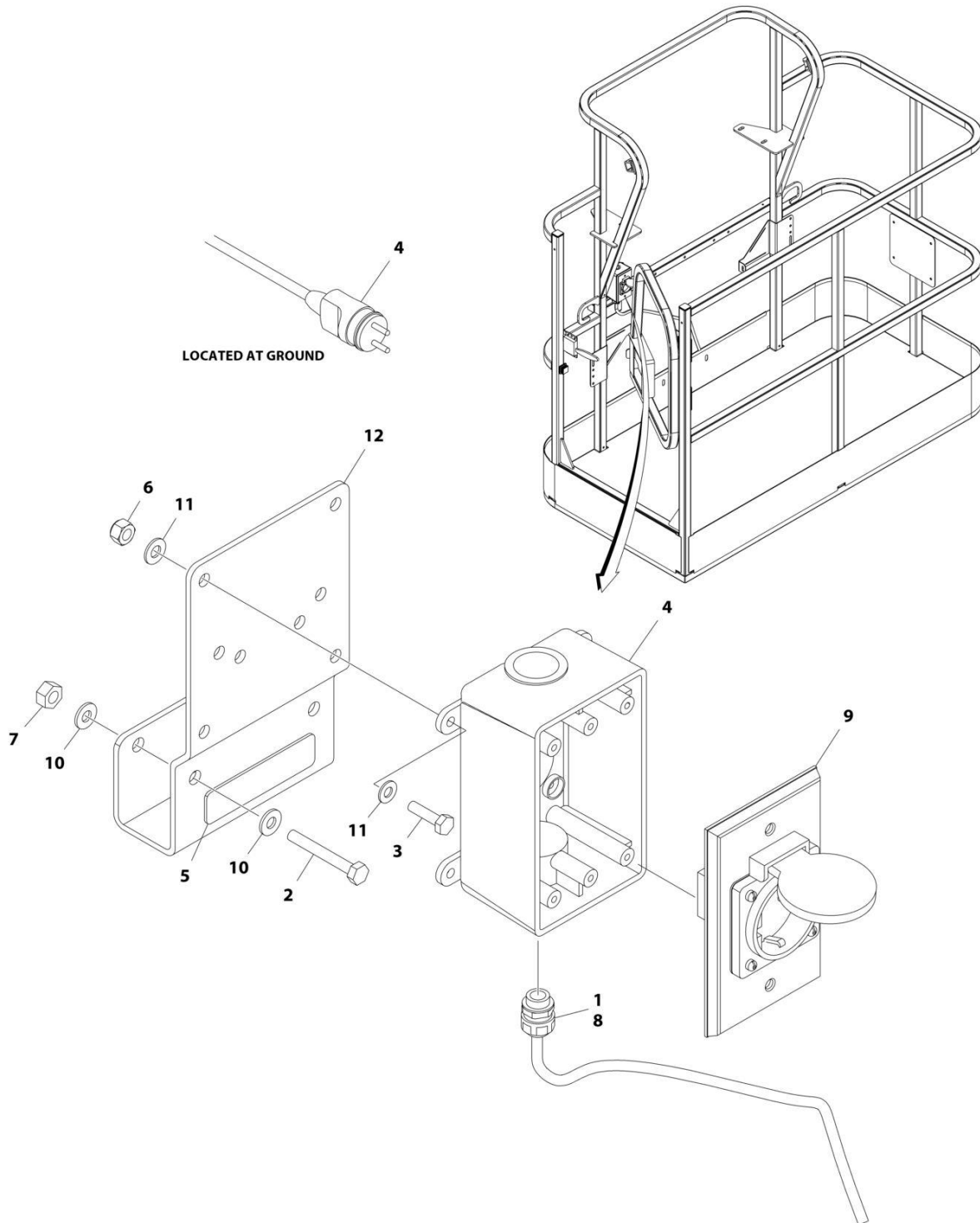
SECTION 8 - ELECTRICAL

FIGURE 8-7. AC BOX AT PLATFORM INSTALLATION - 220V CEE7 2IN X 4IN POST GROUND (CE, CIS/EAC & UK CA SPECS WITH 4000W/50HZ GENERATOR)

| ITEM | PART NUMBER | QTY | DESCRIPTION | REV |
|------|-------------|-----|---------------------------------|-----|
| | 1001194197 | Ref | AC BOX AT PLATFORM INSTALLATION | B |
| 1 | 0100020 | AR | Sealant, Pipe | |
| 2 | 0641416 | 2 | Bolt 1/4 x 2 | |
| 3 | 0700408 | 4 | Bolt M4 x 16 | |
| 4 | 0861731 | 1 | Box, Switch | |
| 5 | 3251242 | 1 | Decal - 240V/50Hz | |
| 6 | 3290405 | 4 | Nut M4 | |
| 7 | 3311405 | 2 | Nut 1/4 | |
| 8 | 4460662 | 1 | Connector, Strain Relief | |
| 9 | 4461244 | 1 | Receptacle | |
| 10 | 4711400 | 4 | Washer 1/4 | |
| 11 | 4811400 | 8 | Washer M4 | |
| 12 | 1001193018 | 1 | Bracket, AC Receptacle | |
| 13 | 4460806 | 2 | Terminal, Fork (Not Shown) | |
| 14 | 1001205958 | 1 | Terminal (Not Shown) | |

SECTION 8 - ELECTRICAL

FIGURE 8-8. AC BOX AT PLATFORM INSTALLATION - 220V CEE7 2IN X 4IN SIDE GROUND (CE, CIS/EAC & UK CA SPECS WITH 4000W/50HZ GENERATOR)



ART_1001194198

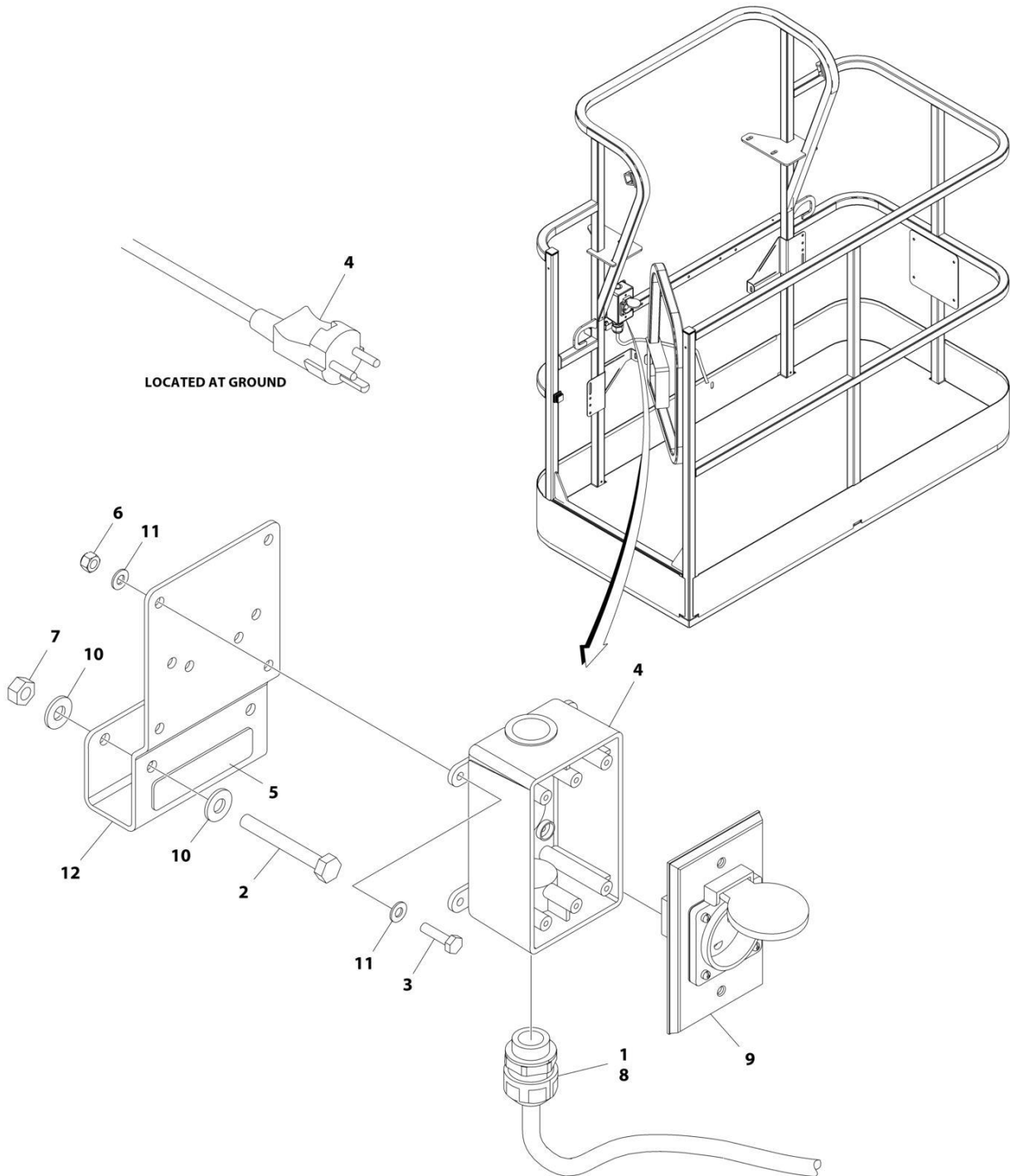
SECTION 8 - ELECTRICAL

FIGURE 8-8. AC BOX AT PLATFORM INSTALLATION - 220V CEE7 2IN X 4IN SIDE GROUND (CE, CIS/EAC & UK CA SPECS WITH 4000W/50HZ GENERATOR)

| ITEM | PART NUMBER | QTY | DESCRIPTION | REV |
|------|-------------|-----|---------------------------------|-----|
| | 1001194198 | Ref | AC BOX AT PLATFORM INSTALLATION | B |
| 1 | 0100020 | AR | Sealant, Pipe | |
| 2 | 0641416 | 2 | Bolt 1/4 x 2 | |
| 3 | 0700408 | 4 | Bolt M4 x 16 | |
| 4 | 0861731 | 1 | Box, Switch | |
| 5 | 3251242 | 1 | Decal - 240V/50Hz | |
| 6 | 3290405 | 4 | Nut M4 | |
| 7 | 3311405 | 2 | Nut 1/4 | |
| 8 | 4460662 | 1 | Connector, Strain Relief | |
| 9 | 4461245 | 1 | Receptacle | |
| 10 | 4711400 | 4 | Washer 1/4 | |
| 11 | 4811400 | 8 | Washer M4 | |
| 12 | 1001193018 | 1 | Bracket, AC Receptacle | |
| 13 | 4460806 | 2 | Terminal, Fork (Not Shown) | |
| 14 | 1001205958 | 1 | Terminal (Not Shown) | |

SECTION 8 - ELECTRICAL

FIGURE 8-9. AC BOX AT PLATFORM INSTALLATION - 220V AFSINT107 (CE, CIS/EAC & UK CA SPECS WITH 4000W/50HZ GENERATOR)



ART_1001194200

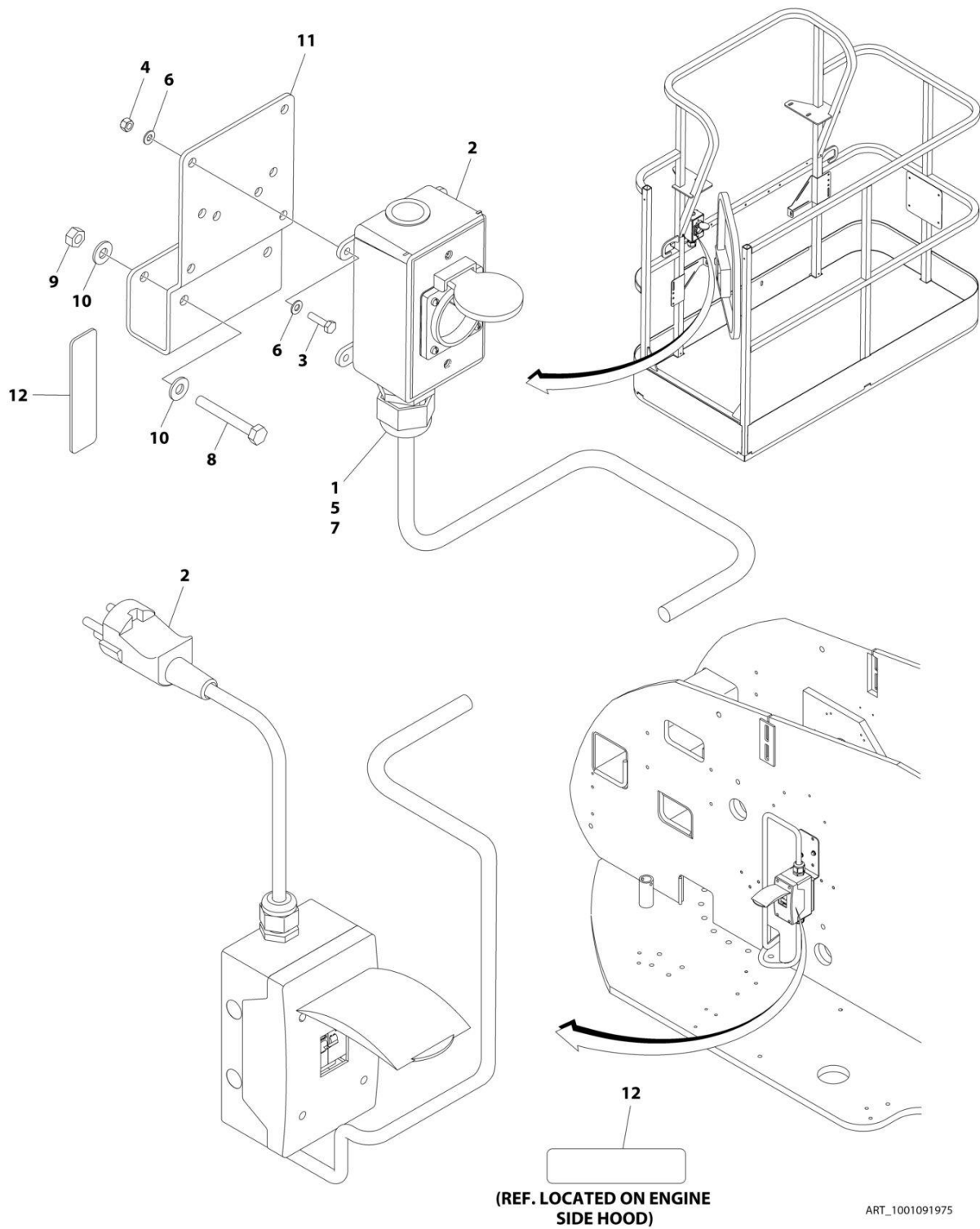
SECTION 8 - ELECTRICAL

FIGURE 8-9. AC BOX AT PLATFORM INSTALLATION - 220V AFSINT107 (CE, CIS/EAC & UK CA SPECS WITH 4000W/50HZ GENERATOR)

| ITEM | PART NUMBER | QTY | DESCRIPTION | REV |
|------|-------------|-----|---------------------------------|-----|
| | 1001194200 | Ref | AC BOX AT PLATFORM INSTALLATION | B |
| 1 | 0100020 | AR | Sealant, Pipe | |
| 2 | 0641416 | 2 | Bolt 1/4 x 2 | |
| 3 | 0700408 | 4 | Bolt M4 x 16 | |
| 4 | 0861731 | 1 | Box, Switch | |
| 5 | 3251242 | 1 | Decal - 240V/50Hz | |
| 6 | 3290405 | 4 | Nut M4 | |
| 7 | 3311405 | 2 | Nut 1/4 | |
| 8 | 4460662 | 1 | Connector, Strain Relief | |
| 9 | 4461246 | 1 | Receptacle | |
| 10 | 4711400 | 4 | Washer 1/4 | |
| 11 | 4811400 | 8 | Washer M4 | |
| 12 | 1001193018 | 1 | Bracket, AC Receptacle | |
| 13 | 1001205958 | 1 | Terminal (Not Shown) | |

SECTION 8 - ELECTRICAL

FIGURE 8-10. AC BOX AT PLATFORM INSTALLATION - 220V AFSINT 107 KEYED GROUND (2X4 BOX) WITHOUT 2500W GENERATOR (CE, CIS/EAC & UK CA SPECS)



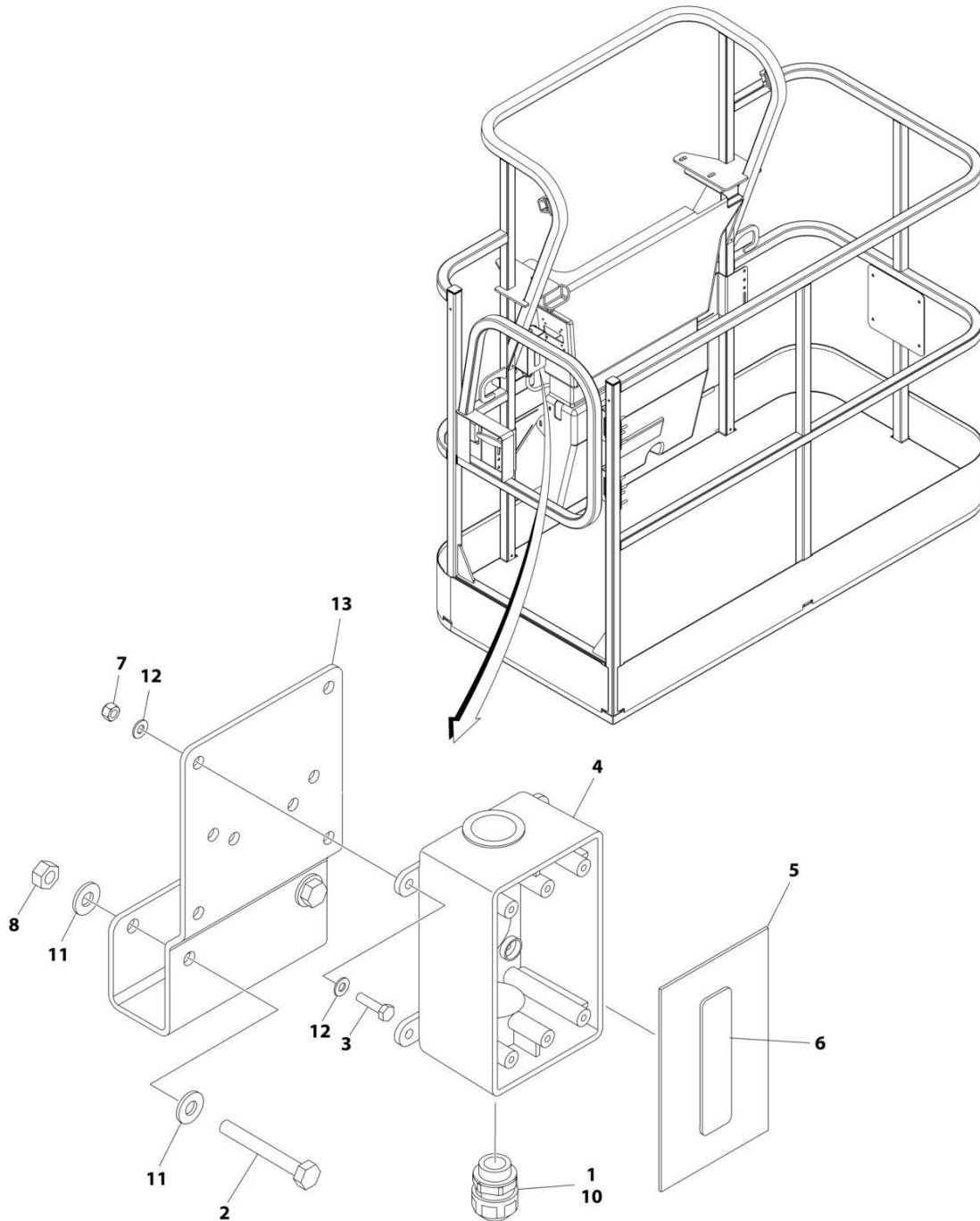
SECTION 8 - ELECTRICAL

FIGURE 8-10. AC BOX AT PLATFORM INSTALLATION - 220V AFSINT 107 KEYED GROUND (2X4 BOX) WITHOUT 2500W GENERATOR (CE, CIS/EAC & UK CA SPECS)

| ITEM | PART NUMBER | QTY | DESCRIPTION | REV |
|------|-------------|-----|--|-----|
| | 1001091975 | Ref | AC BOX AT PLATFORM INSTALLATION - 220V AFSINT 107 2X4 BOX KEYED GROUND | F |
| 1 | 0100020 | AR | Sealant, Pipe | |
| 2 | 0275454 | 1 | Receptacle Box Kit (See Separate Breakdown in this Section) | |
| 3 | 0700408 | 4 | Bolt M4 x 16 | |
| 4 | 3290405 | 4 | Nut M4 | |
| 5 | 1001101197 | 1 | Adapter | |
| 6 | 4811400 | 8 | Washer M4 | |
| 7 | 1001101191 | 1 | Connector, Strain Relief | |
| 8 | 0641416 | 2 | Bolt 1/4 x 2 | |
| 9 | 3311405 | 2 | Nut 1/4 | |
| 10 | 4711400 | 4 | Washer 1/4 | |
| 11 | 1001193018 | 1 | Bracket | |
| 12 | 3251242 | 2 | Decal - 240V/50Hz | |
| 13 | 1001205958 | 3 | Terminal (Not Shown) | |

SECTION 8 - ELECTRICAL

FIGURE 8-11. AC BOX AT PLATFORM INSTALLATION - 220V CUSTOMER SUPPLIED COMPONENTS
(ALL SPECS)



ART_1001194365

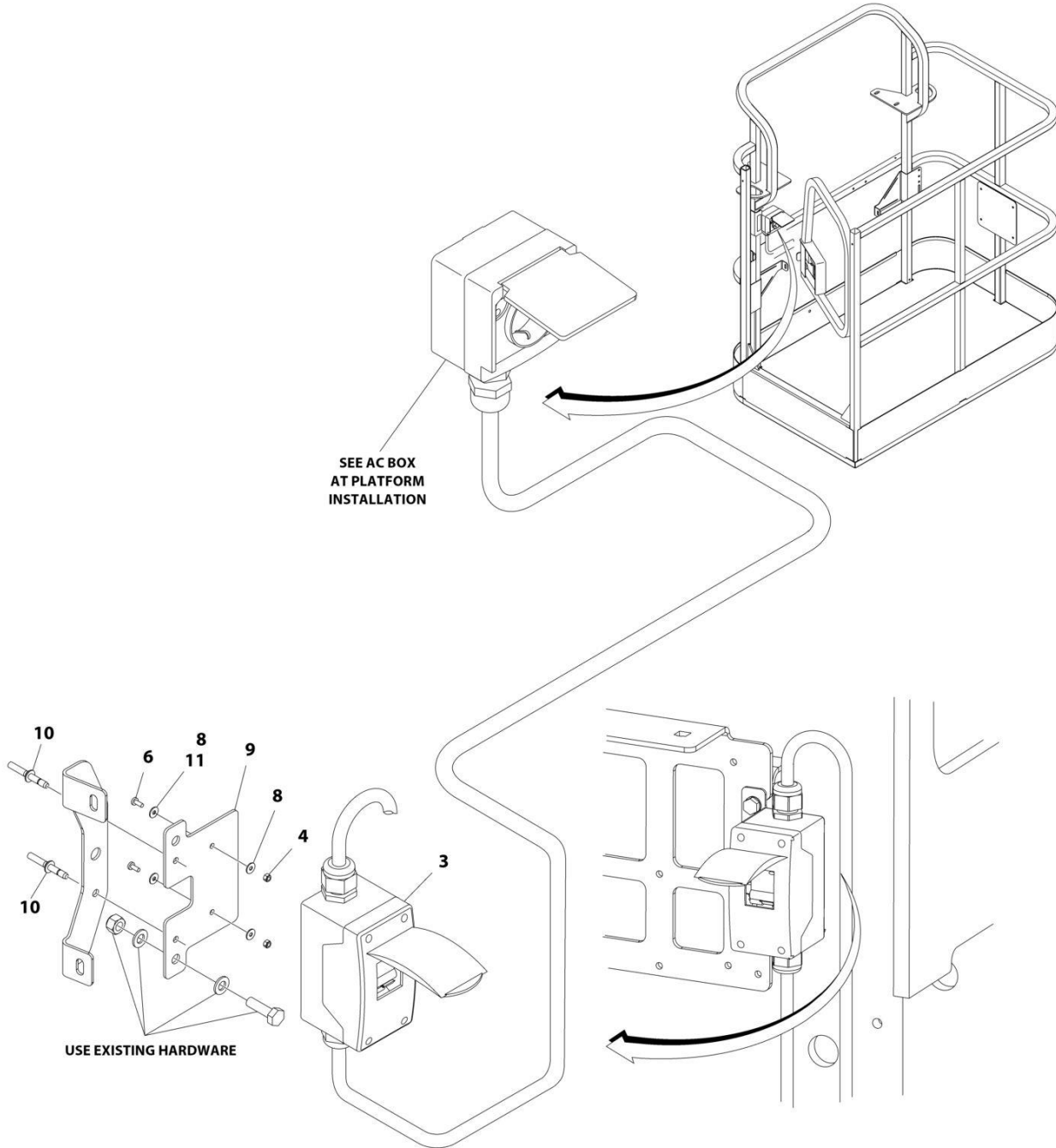
SECTION 8 - ELECTRICAL

**FIGURE 8-11. AC BOX AT PLATFORM INSTALLATION - 220V CUSTOMER SUPPLIED COMPONENTS
(ALL SPECS)**

| ITEM | PART NUMBER | QTY | DESCRIPTION | REV |
|------|-------------|-----|---|-----|
| | 1001194365 | Ref | AC BOX AT PLATFORM INSTALLATION - BOX WITH COVER (2X4 BOX) | A |
| 1 | 0100020 | AR | Sealant | |
| 2 | 0641416 | 2 | Bolt 1/4 x 2 | |
| 3 | 0700408 | 4 | Bolt M4 x 16 | |
| 4 | 0861731 | 1 | Box, Switch | |
| 5 | 1670603 | 1 | Cover | |
| 6 | 3251242 | 1 | Decal - 240V/50Hz | |
| 7 | 3290405 | 4 | Nut M4 | |
| 8 | 3311405 | 2 | Nut 1/4 | |
| 9 | 4460384 | 3 | Terminal (Not Shown) | |
| 10 | 4460662 | 1 | Connector, Strain Relief | |
| 11 | 4711400 | 4 | Washer 1/4 | |
| 12 | 4811400 | 8 | Washer M4 | |
| 13 | 1001193018 | 1 | Bracket, AC Receptacle | |

SECTION 8 - ELECTRICAL

FIGURE 8-12. AC CABLE INSTALLATION - WITH TWO BREAKERS (CE, CIS/EAC & UK CA SPECS)



ART_1001167312

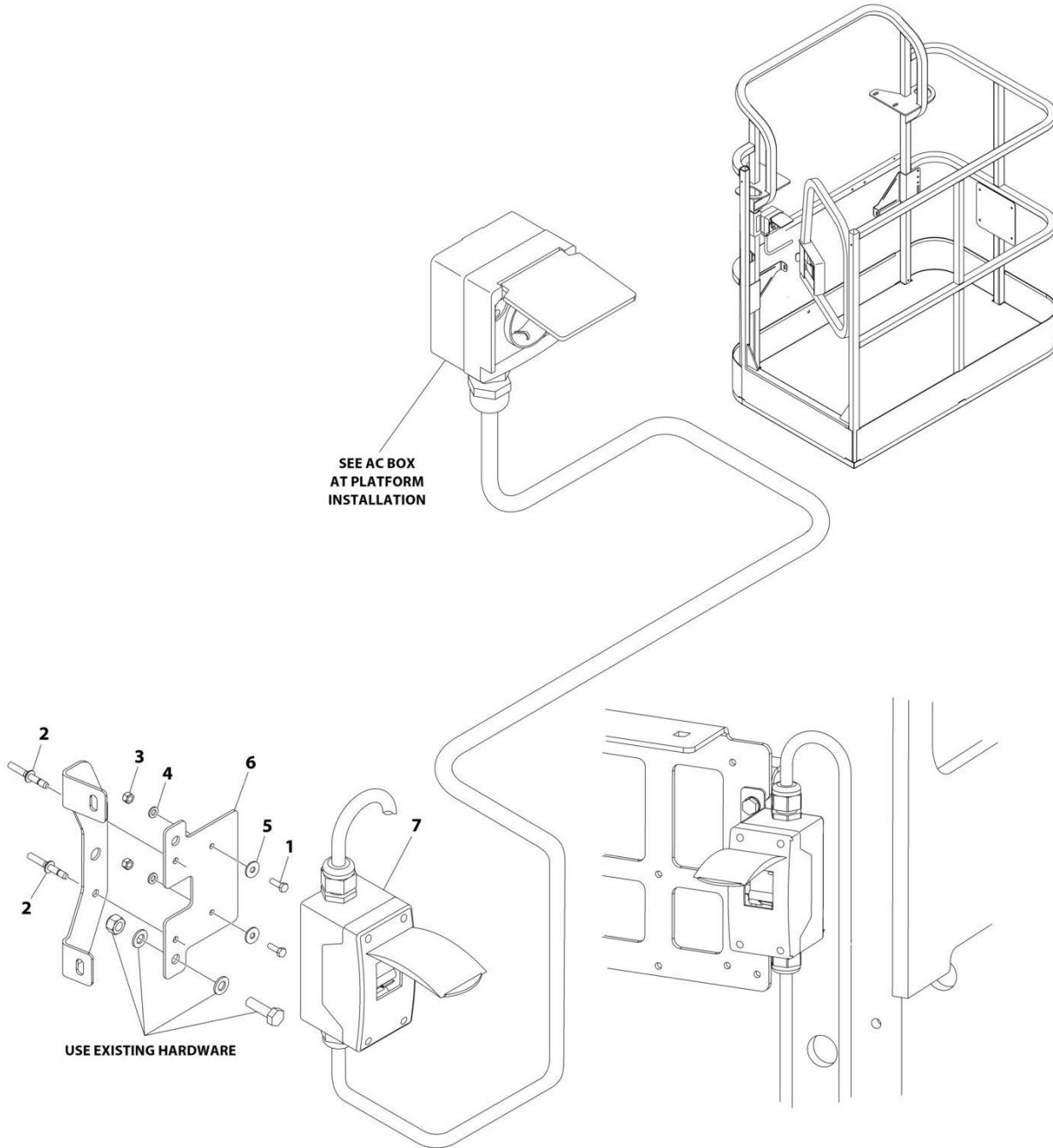
SECTION 8 - ELECTRICAL

FIGURE 8-12. AC CABLE INSTALLATION - WITH TWO BREAKERS (CE, CIS/EAC & UK CA SPECS)

| ITEM | PART NUMBER | QTY | DESCRIPTION | REV |
|------|-------------|-----|--|-----|
| | 1001167312 | Ref | AC CABLE INSTALLATION - WITH TWO BREAKERS | G |
| 3 | 2902549 | 1 | Breaker Box Kit - CE Spec (See Separate Breakdown in this Section) | |
| 4 | 3290405 | 2 | Nut M4 | |
| 4 | 3290605 | 2 | Nut M6 | |
| 6 | 4010405 | AR | Screw M4 x 10 | |
| 6 | 0760610 | AR | Screw M6 x 20 | |
| 6 | 0760614 | AR | Screw M6 x 30 | |
| 8 | 1001091102 | 2 | Washer M4 | |
| 8 | 4811700 | AR | Washer M6 | |
| 9 | 1001174158 | 1 | Bracket | |
| 10 | 2080040 | 2 | Fastener, Huck | |
| 11 | 4811702 | 2 | Washer M6 | |

SECTION 8 - ELECTRICAL

FIGURE 8-13. AC CABLE INSTALLATION - WITH TWO BREAKERS (MACHINES WITH SN STARTING WITH B3)



ART_1001291599

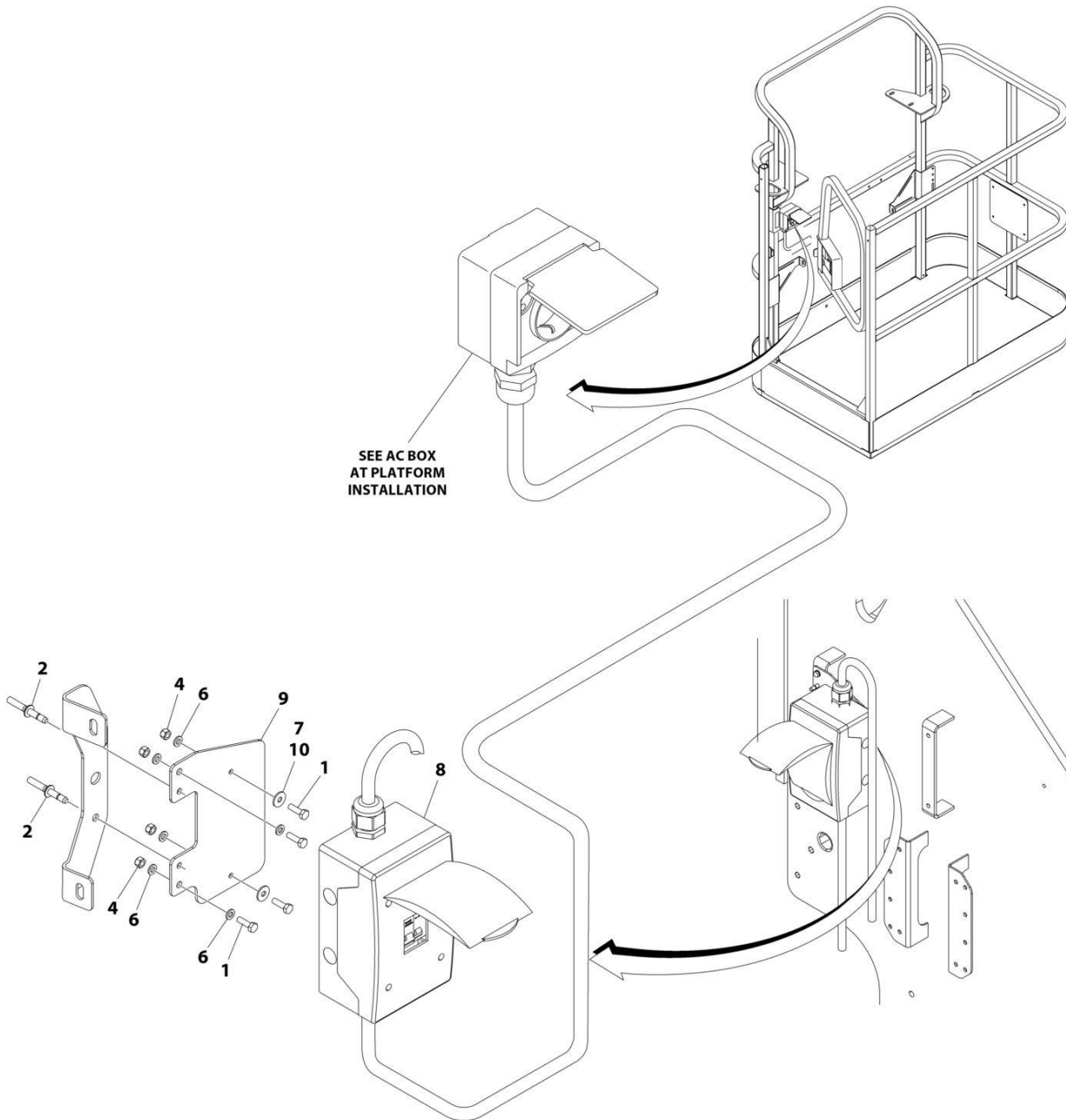
SECTION 8 - ELECTRICAL

FIGURE 8-13. AC CABLE INSTALLATION - WITH TWO BREAKERS (MACHINES WITH SN STARTING WITH B3)

| ITEM | PART NUMBER | QTY | DESCRIPTION | REV |
|------|-------------|-----|--|-----|
| | 1001291599 | Ref | AC CABLE INSTALLATION - WITH TWO BREAKERS | A |
| 1 | 0760610 | 2 | Screw M6 x 20 | |
| 2 | 2080040 | 2 | Fastener, Huck | |
| 3 | 3290605 | 2 | Nut M6 | |
| 4 | 4811700 | 2 | Washer M6 | |
| 5 | 4811702 | 2 | Washer M6 | |
| 6 | 1001174158 | 1 | Bracket | |
| 7 | 1001289592 | 1 | Breaker Box Kit - CE Spec (See Separate Breakdown in this Section) | |

SECTION 8 - ELECTRICAL

FIGURE 8-14. AC CABLE INSTALLATION - WITH THREE BREAKERS (CE, CIS/EAC & UK CA SPECS)



ART_1001209677

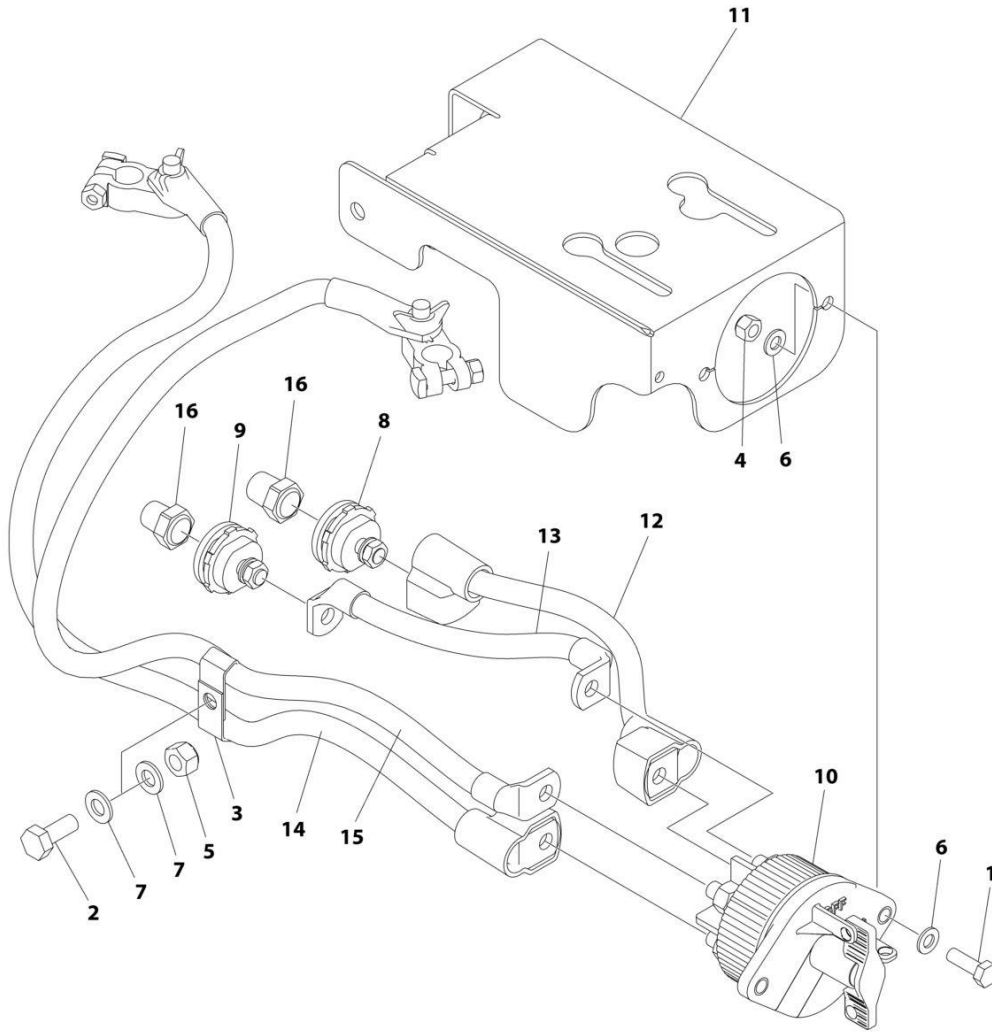
SECTION 8 - ELECTRICAL

FIGURE 8-14. AC CABLE INSTALLATION - WITH THREE BREAKERS (CE, CIS/EAC & UK CA SPECS)

| ITEM | PART NUMBER | QTY | DESCRIPTION | REV |
|------|-------------|-----|--|-----|
| | 1001209677 | Ref | AC CABLE INSTALLATION - WITH THREE BREAKERS | B |
| 1 | 0760610 | AR | Bolt M6 x 20 | |
| 1 | 4010405 | AR | Bolt M4 x 10 | |
| 2 | 2080040 | AR | Fastener, Huck | |
| 4 | 3290605 | AR | Nut M6 | |
| 6 | 4811700 | 4 | Washer M6 | |
| 7 | 1001091102 | AR | Washer M4 | |
| 8 | 1001152485 | 1 | Breaker Box Kit (See Separate Breakdown in this Section) | |
| 9 | 1001209832 | 1 | Bracket | |
| 10 | 4811702 | AR | Washer M6 | |

SECTION 8 - ELECTRICAL

FIGURE 8-15. BATTERY DISCONNECT SWITCH



ART_1001214397

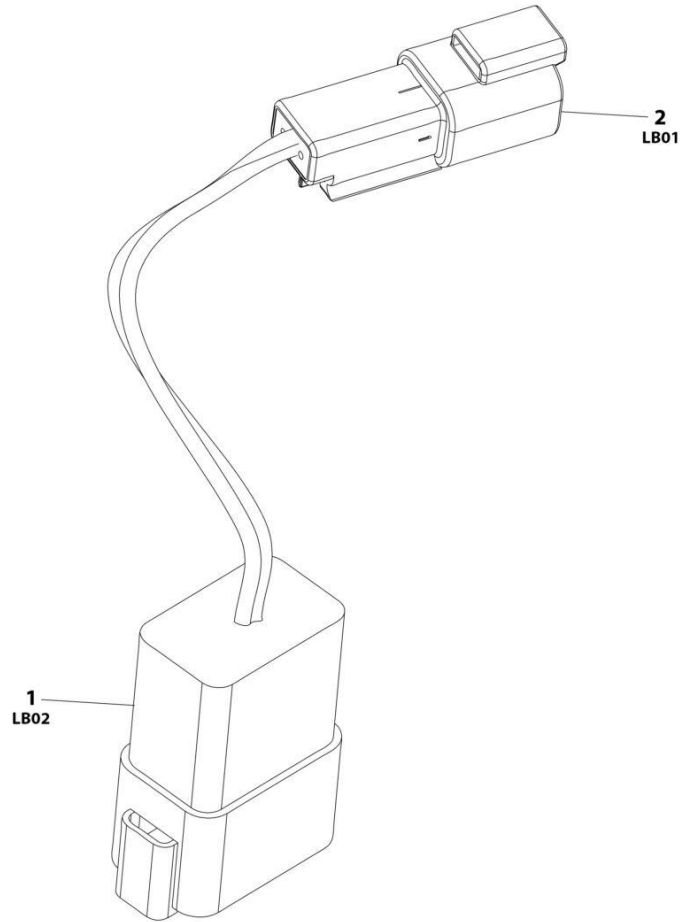
SECTION 8 - ELECTRICAL

FIGURE 8-15. BATTERY DISCONNECT SWITCH

| ITEM | PART NUMBER | QTY | DESCRIPTION | REV |
|------|-------------|-----|--------------------------------------|-----|
| | 1001214397 | Ref | BATTERY DISCONNECT SWITCH | A |
| 1 | 0760812 | 2 | Bolt M8 x 25 | |
| 2 | 0761012 | 1 | Bolt M10 x 25 | |
| 3 | 1320223 | 2 | Clamp | |
| 4 | 3290805 | 2 | Nut M8 | |
| 5 | 3291005 | 1 | Nut M10 | |
| 6 | 4811900 | 4 | Washer M8 | |
| 7 | 4812000 | 2 | Washer M10 | |
| 8 | 1001214570 | 1 | Connector (Red) | |
| 9 | 1001214571 | 1 | Connector (Black) | |
| 10 | 1001225346 | 1 | Switch | |
| 11 | 1001226530 | 1 | Mount | |
| 12 | 1001237878 | 1 | Cable, Battery Disconnect (Positive) | |
| 13 | 1001237879 | 1 | Cable, Battery Disconnect (Negative) | |
| 14 | 1001237880 | 1 | Cable (Positive) | |
| 15 | 1001237881 | 1 | Cable (Negative) | |
| 16 | 1001206476 | 1 | Connector | |

SECTION 8 - ELECTRICAL

FIGURE 8-16. BEACON JUMPER HARNESS



ART_1001283776

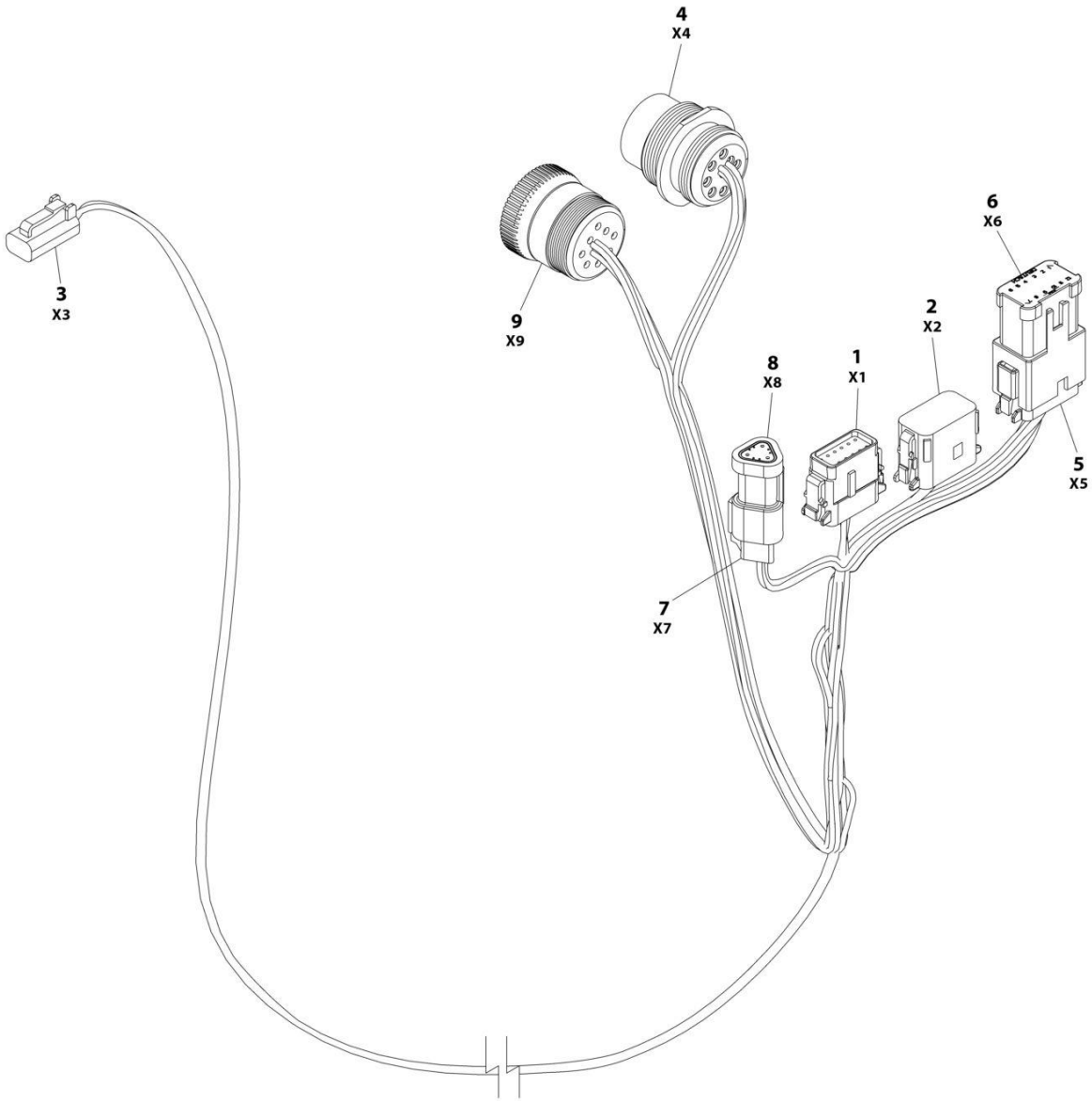
SECTION 8 - ELECTRICAL

FIGURE 8-16. BEACON JUMPER HARNESS

| ITEM | PART NUMBER | QTY | DESCRIPTION | REV |
|------|-------------|-----|------------------------------|-----|
| | 1001283776 | Ref | STROBE LIGHT HARNESS (AMBER) | A |
| 1 | 4460931 | 1 | Connector | |
| 1 | 4460464 | 2 | Pin | |
| 1 | 4460466 | 6 | Plug | |
| 2 | 4460897 | 1 | Connector | |
| 2 | 4460464 | 2 | Pin | |

SECTION 8 - ELECTRICAL

FIGURE 8-17. BEACON LIGHT HARNESS (BLUE AND RED BEACON LIGHT)



ART_1001142736

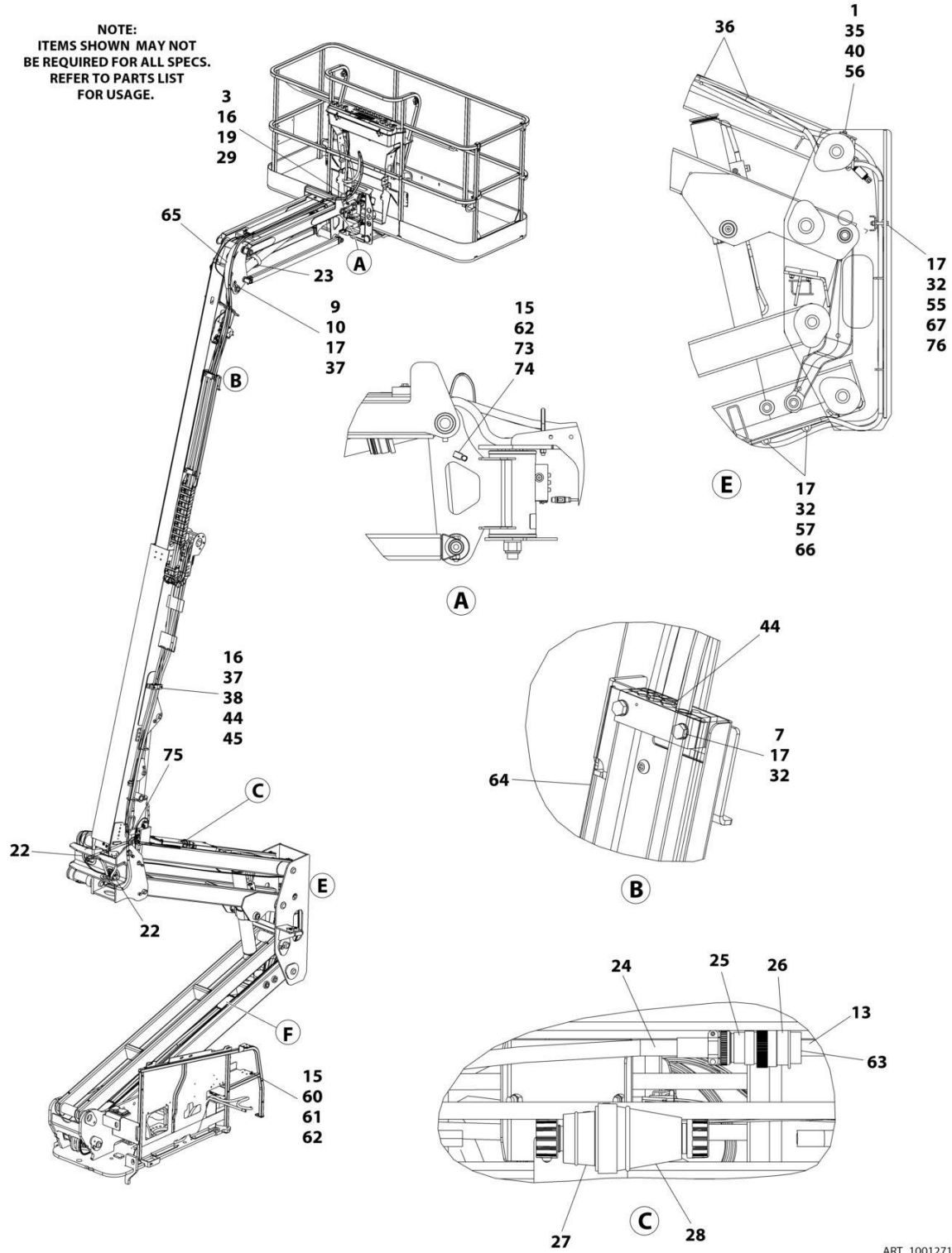
SECTION 8 - ELECTRICAL

FIGURE 8-17. BEACON LIGHT HARNESS (BLUE AND RED BEACON LIGHT)

| ITEM | PART NUMBER | QTY | DESCRIPTION | REV |
|------|-------------|-----|--------------------------|-----|
| | 1001142736 | Ref | STROBE LIGHT HARNESS | F |
| 1 | 1001116808 | 1 | Plug, Male - 12 Position | |
| 1 | 4460928 | 3 | Socket, Female | |
| 1 | 4460518 | 9 | Plug, Terminal | |
| 2 | 1001116774 | 1 | Plug, Male - 12 Position | |
| 2 | 4460928 | 3 | Socket, Female | |
| 2 | 4460518 | 9 | Plug, Terminal | |
| 3 | 4460891 | 1 | Plug, Male - 2 Position | |
| 3 | 4460465 | 2 | Socket, Female | |
| 4 | 1001112612 | 1 | Connector - 9 Position | |
| 4 | 4460464 | 6 | Pin, Male | |
| 4 | 4460466 | 3 | Plug, Terminal | |
| 5 | 4460933 | 1 | Plug, Male - 12 Position | |
| 5 | 4460465 | 12 | Socket, Female | |
| 6 | 1001119020 | 1 | Bussbar - 12 Position | |
| 7 | 4461095 | 1 | Plug, Male - 3 Position | |
| 7 | 4460465 | 3 | Socket, Female | |
| 8 | 4461070 | 1 | Bussbar - 3 Position | |
| 9 | 1001112796 | 1 | Connector - 9 Position | |
| 9 | 4460465 | 6 | Socket, Female | |
| 9 | 4460466 | 3 | Plug, Terminal | |

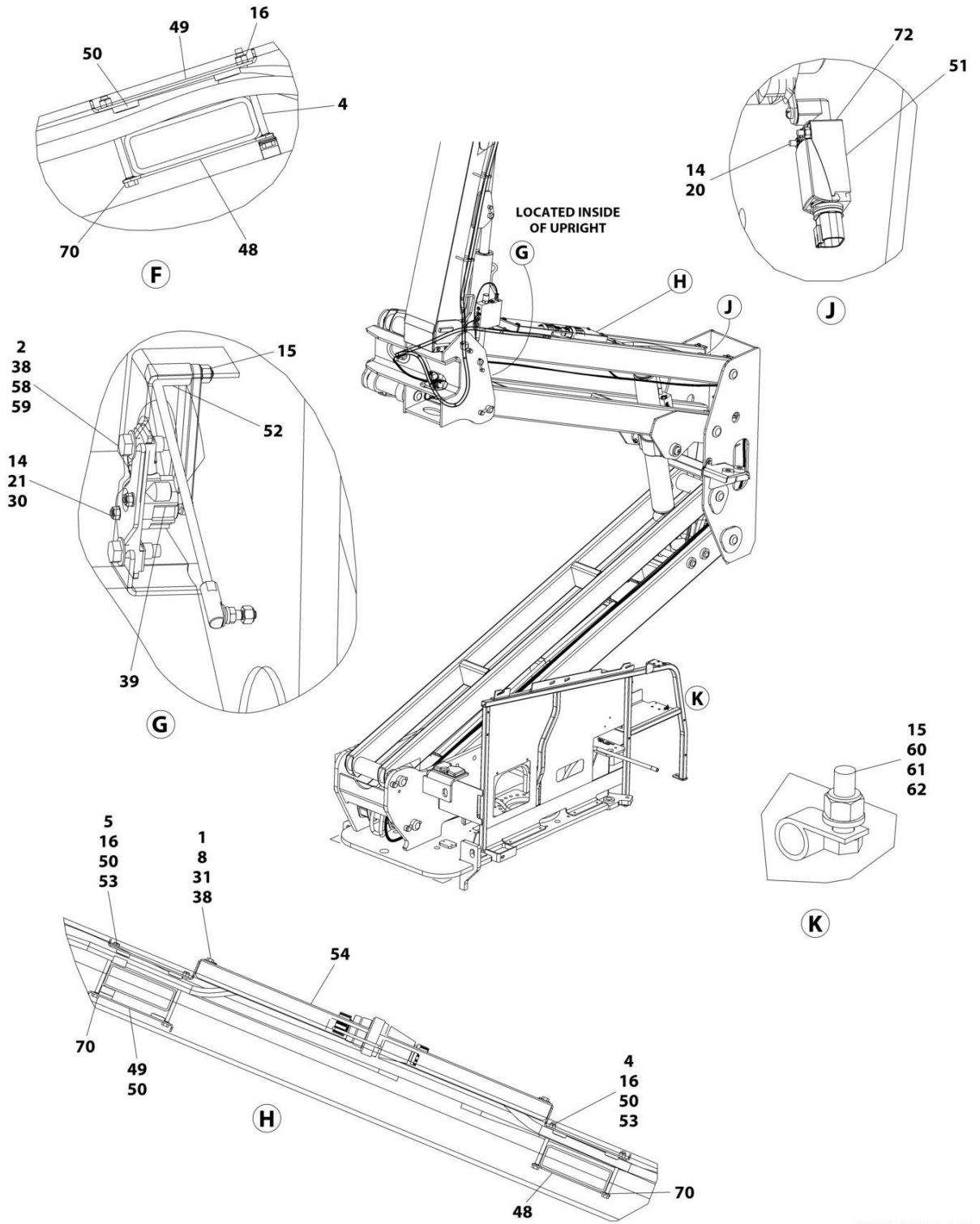
SECTION 8 - ELECTRICAL

FIGURE 8-18. BOOM CABLES & CLAMPS INSTALLATION (4000W GENERATOR)



ART_1001271179_10F2

SECTION 8 - ELECTRICAL



ART_1001271179_2OF2

SECTION 8 - ELECTRICAL

FIGURE 8-18. BOOM CABLES & CLAMPS INSTALLATION (4000W GENERATOR)

| ITEM | PART NUMBER | QTY | DESCRIPTION | REV |
|------|-------------|------------------|---|-----|
| | 1001271179 | 1 | BOOM CABLES AND CLAMPS INSTALLATION | F |
| 1 | 0100011 | AR | Compound, Locking | |
| 2 | 0100081 | AR | Adhesive | |
| 3 | 0760814 | 2 | Bolt M8 x 30 | |
| 4 | 0700827 | 6 | Bolt M8 x 100 | |
| 5 | 0700828 | 2 | Bolt M8 x 110 | |
| 7 | 0701024 | 4 | Bolt M10 x 80 | |
| 8 | 0760812 | 4 | Bolt M8 x 25 | |
| 9 | 0761012 | 1 | Bolt M10 x 25 | |
| 10 | 1320130 | 1 | Clamp | |
| 13 | 2820031 | AR | Heat Shrink | |
| 14 | 3290405 | 4 | Nut M4 | |
| 15 | 3290605 | 5 | Nut M6 | |
| 16 | 3290805 | 12 | Nut M8 | |
| 17 | 3291005 | 9 | Nut M10 | |
| 19 | 3841340 | 1 | Loop, Hose | |
| 20 | 4010418 | 2 | Screw M4 x 50 | |
| 21 | 4031511 | 2 | Capscrew M4 x 35 | |
| 22 | 4060808 | 27.5 in /8.4m | Flex-Trim | |
| 23 | 4240156 | 1 | Strap, Clinch | |
| 24 | 4460473 | AR | Clamp, Cable | |
| 25 | 4460865 | 1 | Connector - 19 Position | |
| 26 | 4460866 | 1 | Connector - 19 Position | |
| 29 | 4811900 | 4 | Washer M8 | |
| 30 | 4811400 | 2 | Washer M4 | |
| 31 | 4811902 | 4 | Washer M8 | |
| 32 | 4812000 | 13 | Washer M10 | |
| 33 | 1001176951 | 1 | Harness, Tower Boom (See Separate Breakdown in this Section) | |
| 34 | 1001174749 | 1 | Harness, Tower Boom AC Cable (See Separate Breakdown in this Section) | |
| 35 | 5251014 | 2 | Bolt M10 x 30 | |
| 36 | 8881800 | AR | Tie-Strap | |
| 37 | 5281918 | 2 | Screw M8 x 70 | |
| 38 | 1001118274 | AR | Nut M8 | |
| 39 | 1001118971 | 1 | Sensor, Angle | |
| 39 | 70005667 | 1 | Arm | |
| 40 | 1001118972 | 2 | Nut M10 | |
| 43 | 1001164738 | 1 | Harness, Boom Valve (See Separate Breakdown in this Section) | |
| 44 | 1001273302 | 3 | Block, Clamping | |
| 45 | 1001273303 | 1 | Plate | |
| 48 | 1001171553 | 3 | Plate, Clamping | |
| 49 | 1001171555 | 3 | Plate, Clamping | |
| 50 | 1001171559 | 10 | Pad | |
| 51 | 1001172271 | 1 | Switch, Limit | |
| 52 | 1001238466 | 1 | Link, Sensor (Note: Sold as Assembly Only) | |
| 53 | 1001178448 | 2 | Plate, Clamping | |
| 54 | 1001178449 | 1 | Cover | |
| 55 | 1001178644 | 1 | Plate | |
| 56 | 1001260306 | 1 | Bracket | |

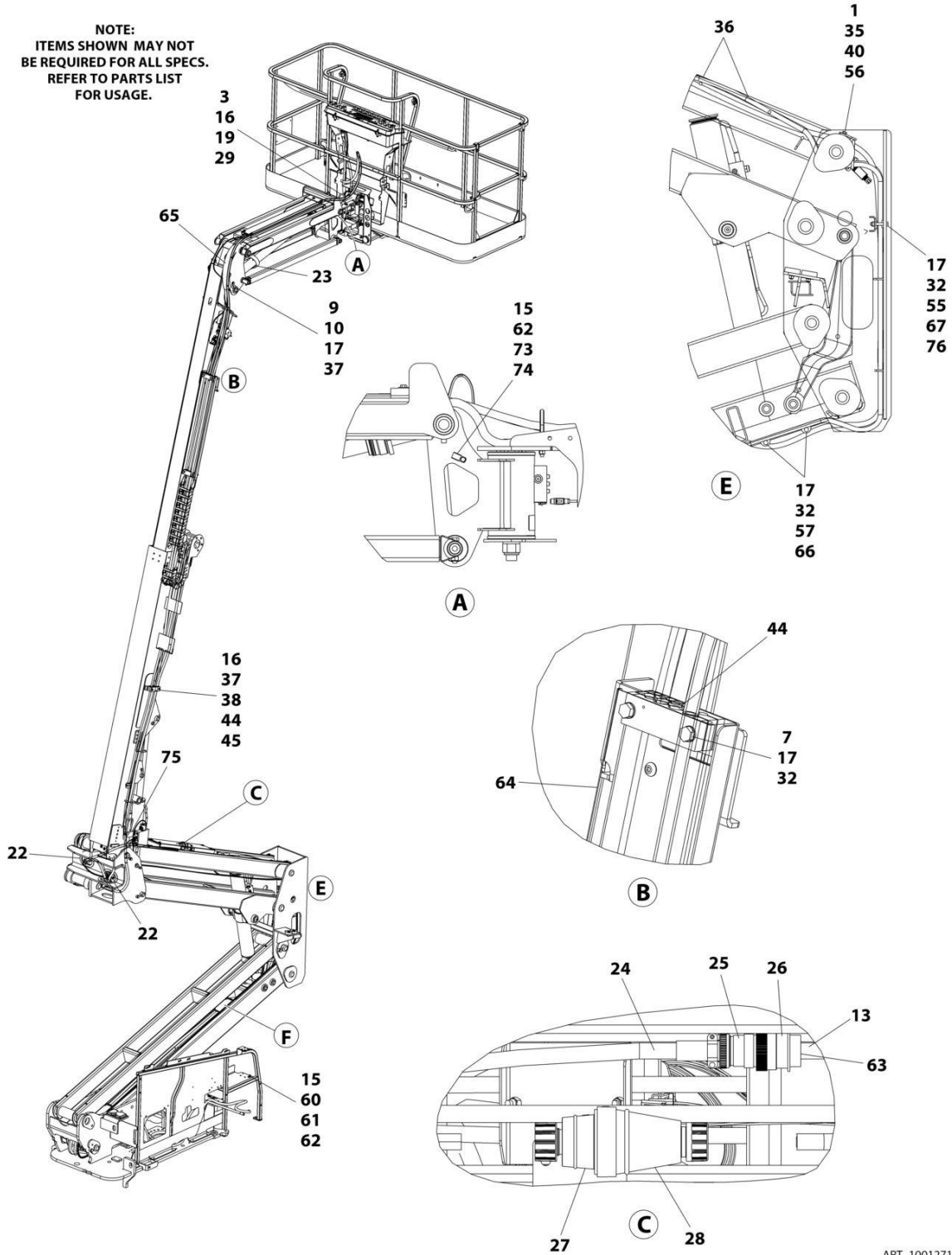
SECTION 8 - ELECTRICAL

| ITEM | PART NUMBER | QTY | DESCRIPTION | REV |
|------|-------------|-----|-----------------|-----|
| 57 | 1001182561 | 2 | Roller | |
| 58 | 5250812 | 2 | Bolt M8 x 25 | |
| 59 | 1001179266 | 1 | Plate, Mounting | |
| 60 | 0760610 | 1 | Bolt M6 x 20 | |
| 61 | 1320043 | 1 | Clamp | |
| 62 | 4811700 | 5 | Washer M6 | |
| 63 | 4460466 | AR | Plug, Terminal | |
| 64 | 1001181875 | 1 | Cover | |
| 65 | 1001181923 | 1 | Shield, Hose | |
| 66 | 1001119280 | 2 | Bolt M10 x 260 | |
| 67 | 1001185747 | 2 | Pad | |
| 70 | 1001119228 | 8 | Nut M8 | |
| 72 | 4750800 | AR | Washer #8 | |
| 73 | 1320041 | 2 | Clamp | |
| 74 | 0760612 | 2 | Bolt M6 x 25 | |
| 75 | 1001143645 | 1 | Strap | |
| 76 | 0701022 | AR | Bolt M10 x 70 | |

SECTION 8 - ELECTRICAL

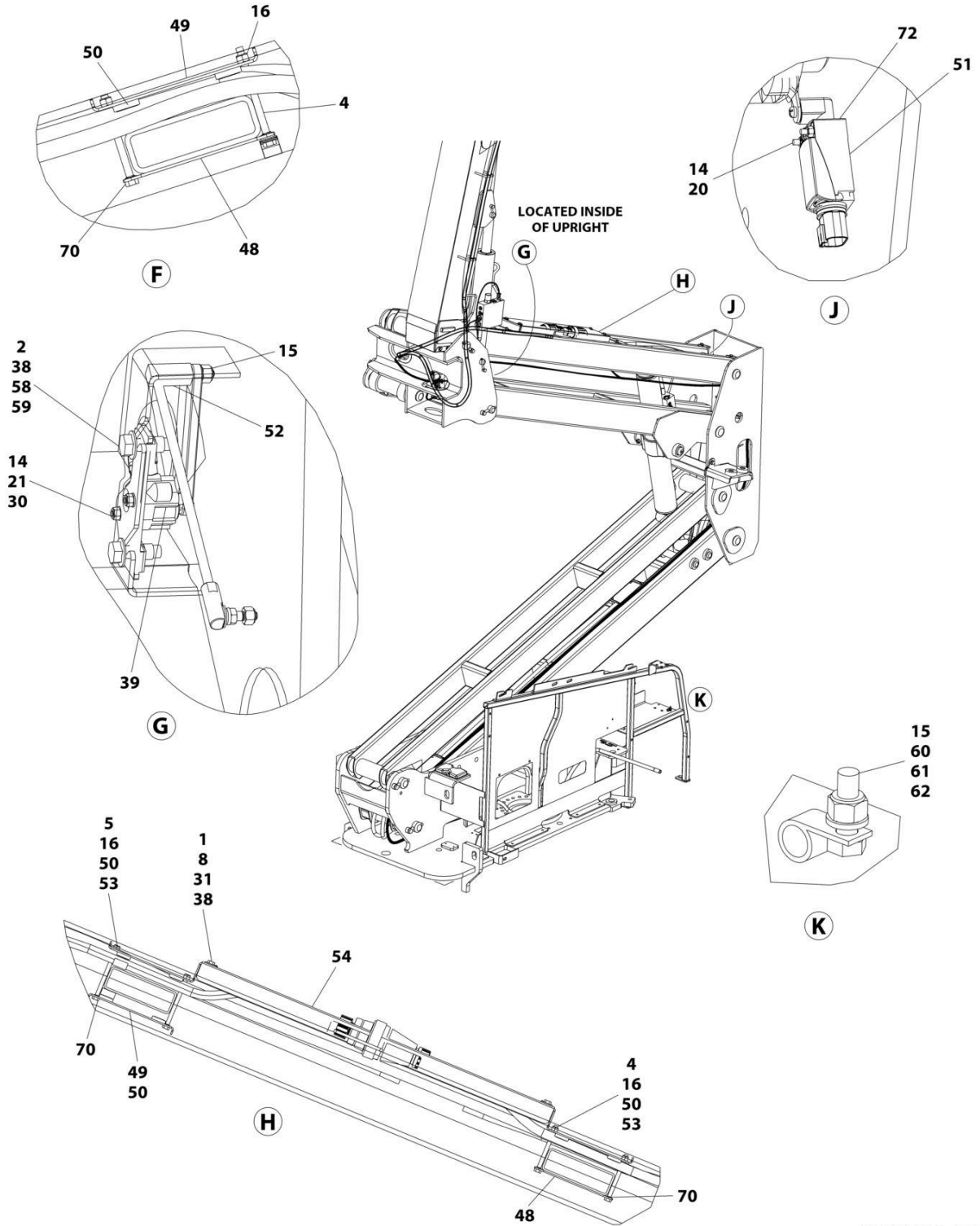
FIGURE 8-19. BOOM CABLES & CLAMPS INSTALLATION (7500W SKYPOWER GENERATOR)

NOTE:
ITEMS SHOWN MAY NOT
BE REQUIRED FOR ALL SPECS.
REFER TO PARTS LIST
FOR USAGE.



ART_1001271180_10F2

SECTION 8 - ELECTRICAL



ART_1001271180_2OF2

SECTION 8 - ELECTRICAL

FIGURE 8-19. BOOM CABLES & CLAMPS INSTALLATION (7500W SKYPOWER GENERATOR)

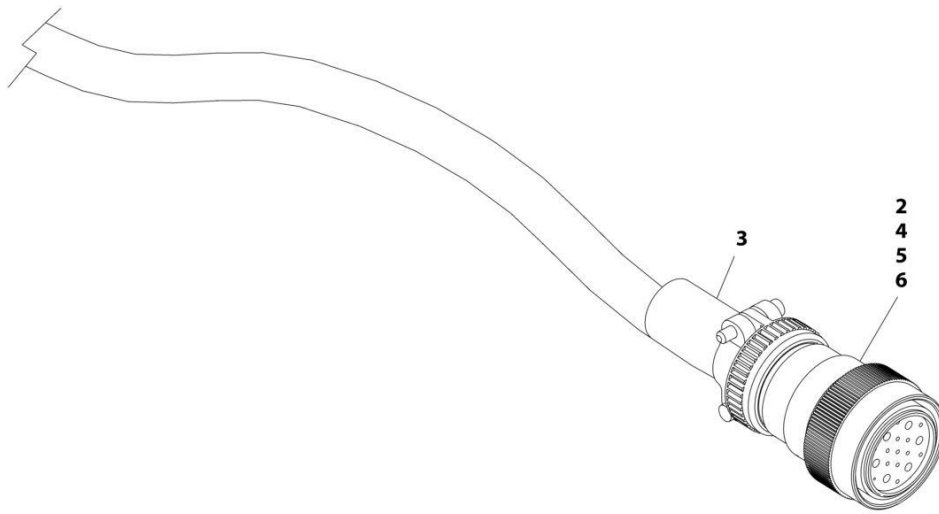
| ITEM | PART NUMBER | QTY | DESCRIPTION | REV |
|------|-------------|-------------------|--|-----|
| | 1001271180 | Ref | BOOM CABLES AND CLAMPS INSTALLATION | F |
| 1 | 0100011 | AR | Compound, Locking | |
| 2 | 0100081 | AR | Adhesive | |
| 3 | 0760814 | 2 | Bolt M8 x 30 | |
| 4 | 0700827 | 6 | Bolt M8 x 100 | |
| 5 | 0700828 | 2 | Bolt M8 x 110 | |
| 7 | 0701024 | 4 | Bolt M10 x 80 | |
| 8 | 0760812 | 4 | Bolt M8 x 25 | |
| 9 | 0761012 | 1 | Bolt M10 x 25 | |
| 10 | 1320130 | 1 | Clamp | |
| 13 | 2820031 | AR | Heat Shrink | |
| 14 | 3290405 | 4 | Nut M4 | |
| 15 | 3290605 | 4 | Nut M6 | |
| 16 | 3290805 | 12 | Nut M8 | |
| 17 | 3291005 | 9 | Nut M10 | |
| 19 | 3841340 | 1 | Loop, Hose | |
| 20 | 4010418 | 2 | Screw M4 x 50 | |
| 21 | 4031511 | 2 | Capscrew M4 x 35 | |
| 22 | 4060808 | 27.5 in/ 8.38m | Flex-Trim | |
| 23 | 4240156 | 1 | Strap, Clinch | |
| 24 | 4460473 | AR | Clamp, Cable | |
| 25 | 4460865 | 1 | Connector - 19 Position | |
| 26 | 4460866 | 1 | Connector - 19 Position | |
| 27 | 1001218622 | 1 | Terminal, Turnlock Plug | |
| 28 | 1001218623 | 1 | Terminal, Turnlock Connector | |
| 29 | 4811900 | 4 | Washer M8 | |
| 30 | 4811400 | 2 | Washer M4 | |
| 31 | 4811902 | 4 | Washer M8 | |
| 32 | 4812000 | 13 | Washer M10 | |
| 33 | 1001176951 | 1 | Harness, Tower Boom (Not Shown - See Separate Breakdown in this Section) | |
| 34 | 4922929 | 1 | Harness, Tower Boom – 8/5 – Lower Generator Cable (Not Shown) | |
| 35 | 5251014 | 2 | Bolt M10 x 30 | |
| 36 | 8881800 | AR | Tie-Strap | |
| 37 | 5281918 | 2 | Screw M8 x 70 | |
| 38 | 1001118274 | AR | Nut M8 | |
| 39 | 1001118971 | 1 | Sensor, Angle | |
| 39 | 70005667 | 1 | Arm | |
| 40 | 1001118972 | 2 | Nut M10 | |
| 41 | 1001172335 | 1 | Harness, Main Boom (Not Shown - See Separate Breakdown in this Section) | |
| 42 | 1001172343 | 1 | Harness, Main Boom – 8/5 – Upper Generator Cable (Not Shown) | |
| 43 | 1001164738 | 1 | Harness, Boom Valve (Not Shown - See Separate Breakdown in this Section) | |
| 44 | 1001273302 | 3 | Block, Clamping | |
| 45 | 1001273303 | 1 | Plate | |
| 48 | 1001171553 | 3 | Plate, Clamping | |
| 49 | 1001171555 | 3 | Plate, Clamping | |
| 50 | 1001171559 | 10 | Pad | |

SECTION 8 - ELECTRICAL

| ITEM | PART NUMBER | QTY | DESCRIPTION | REV |
|------|-------------|-----|--|-----|
| 51 | 1001172271 | 1 | Switch, Limit | |
| 52 | 1001238466 | 1 | Link, Sensor (Note: Sold as Assembly Only) | |
| 53 | 1001178448 | 2 | Plate, Clamping | |
| 54 | 1001178449 | 1 | Cover | |
| 55 | 1001178644 | 1 | Plate | |
| 56 | 1001260306 | 1 | Bracket | |
| 57 | 1001182561 | 2 | Roller | |
| 58 | 5250812 | 2 | Bolt M8 x 25 | |
| 59 | 1001179266 | 1 | Plate, Mounting | |
| 62 | 4811700 | 4 | Washer M6 | |
| 63 | 4460466 | AR | Plug, Terminal | |
| 64 | 1001181875 | 1 | Cover | |
| 65 | 1001181923 | 1 | Shield, Hose | |
| 66 | 1001119280 | 2 | Bolt M10 x 260 | |
| 67 | 1001185747 | 2 | Pad | |
| 70 | 1001119228 | 8 | Nut M8 | |
| 72 | 4750800 | AR | Washer #8 | |
| 73 | 1320041 | 2 | Clamp | |
| 74 | 0760612 | 2 | Bolt M6 x 25 | |
| 75 | 1001143645 | 1 | Strap | |
| 76 | 0701022 | AR | Bolt M10 x 70 | |

SECTION 8 - ELECTRICAL

FIGURE 8-20. BOOM HARNESS - MAIN BOOM



ART_1001172335

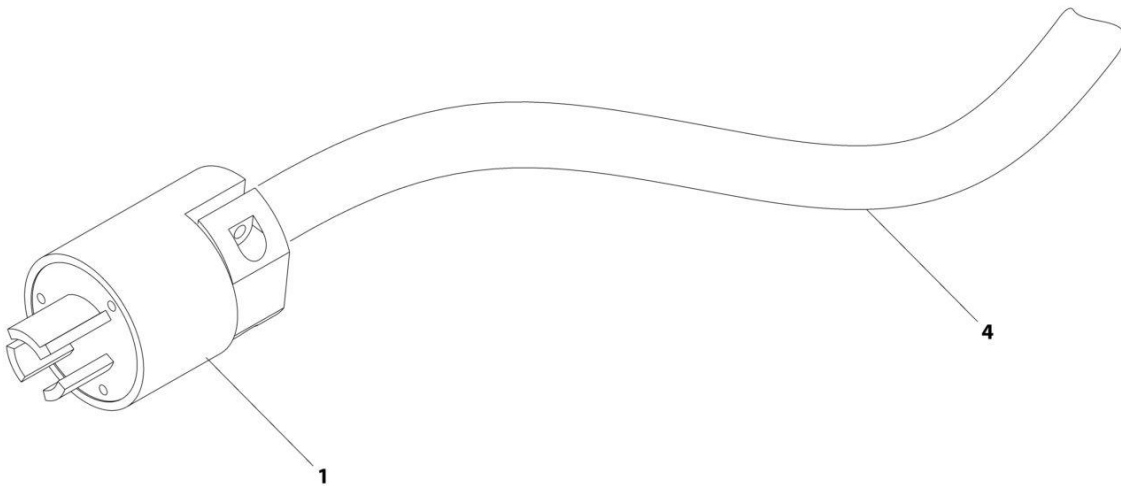
SECTION 8 - ELECTRICAL

FIGURE 8-20. BOOM HARNESS - MAIN BOOM

| ITEM | PART NUMBER | QTY | DESCRIPTION | REV |
|------|-------------|-----|---------------------------------|-----|
| | 1001172335 | Ref | BOOM HARNESS - 450A (MAIN BOOM) | E |
| 2 | 4460865 | 1 | Connector - 19 Position | |
| 3 | 4460473 | 1 | Clamp | |
| 4 | 4460465 | 20 | Socket, Female | |
| 5 | 4460509 | 8 | Socket, Female | |
| 6 | 4460466 | 5 | Plug, Socket | |

SECTION 8 - ELECTRICAL

FIGURE 8-21. BOOM HARNESS - MAIN BOOM (8/5 4000W GENERATOR)



ART_1001172336

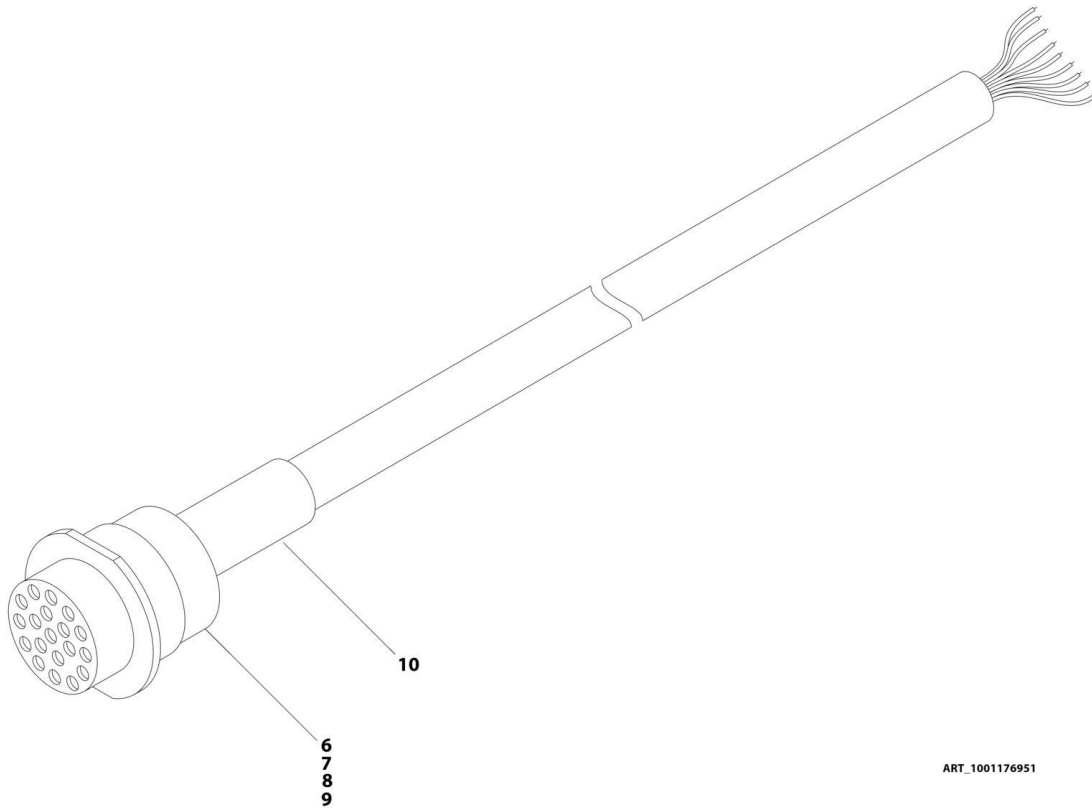
SECTION 8 - ELECTRICAL

FIGURE 8-21. BOOM HARNESS - MAIN BOOM (8/5 4000W GENERATOR)

| ITEM | PART NUMBER | QTY | DESCRIPTION | REV |
|------|-------------|------------------|--|-----|
| 1 | 1001172336 | Ref | BOOM HARNESS - 450A (MAIN BOOM AC CABLE) | C |
| 4 | 1001120204 | 1 | Plug, Male | |
| | 1060461 | 494 in /12.6m | Cable, Electrical - 12/3 | |

SECTION 8 - ELECTRICAL

FIGURE 8-22. BOOM HARNESS - TOWER BOOM



ART_1001176951

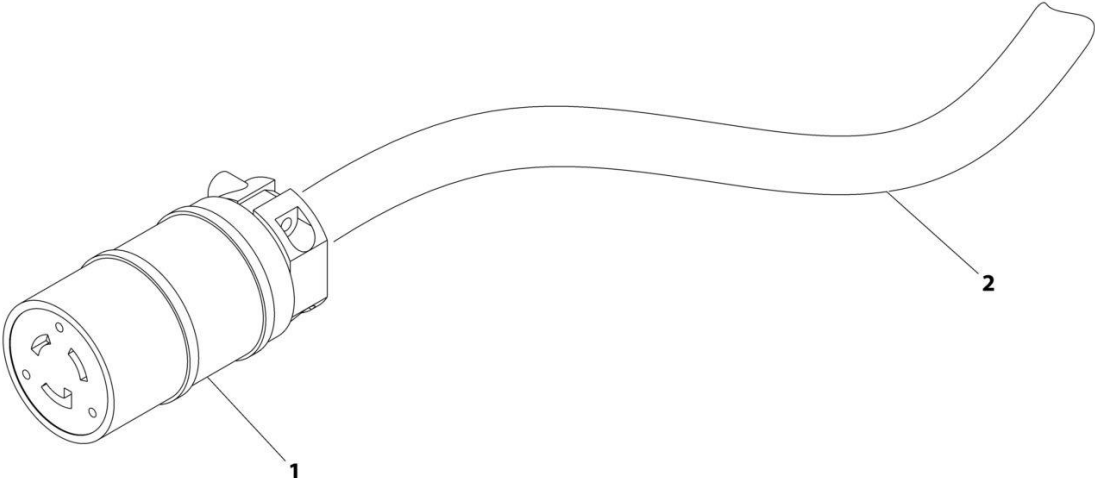
SECTION 8 - ELECTRICAL

FIGURE 8-22. BOOM HARNESS - TOWER BOOM

| ITEM | PART NUMBER | QTY | DESCRIPTION | REV |
|------|-------------|-----|---------------------------|-----|
| | 1001176951 | Ref | BOOM HARNESS - TOWER BOOM | E |
| 6 | 4460466 | 5 | Plug, Terminal | |
| 7 | 4460464 | 20 | Pin, Male | |
| 8 | 4460508 | 8 | Pin, Male | |
| 9 | 4460866 | 1 | Connector - 19 Position | |
| 10 | 2820031 | AR | Heat Shrink | |

SECTION 8 - ELECTRICAL

FIGURE 8-23. BOOM HARNESS - TOWER BOOM (8/5 4000W GENERATOR)



ART_1001174749

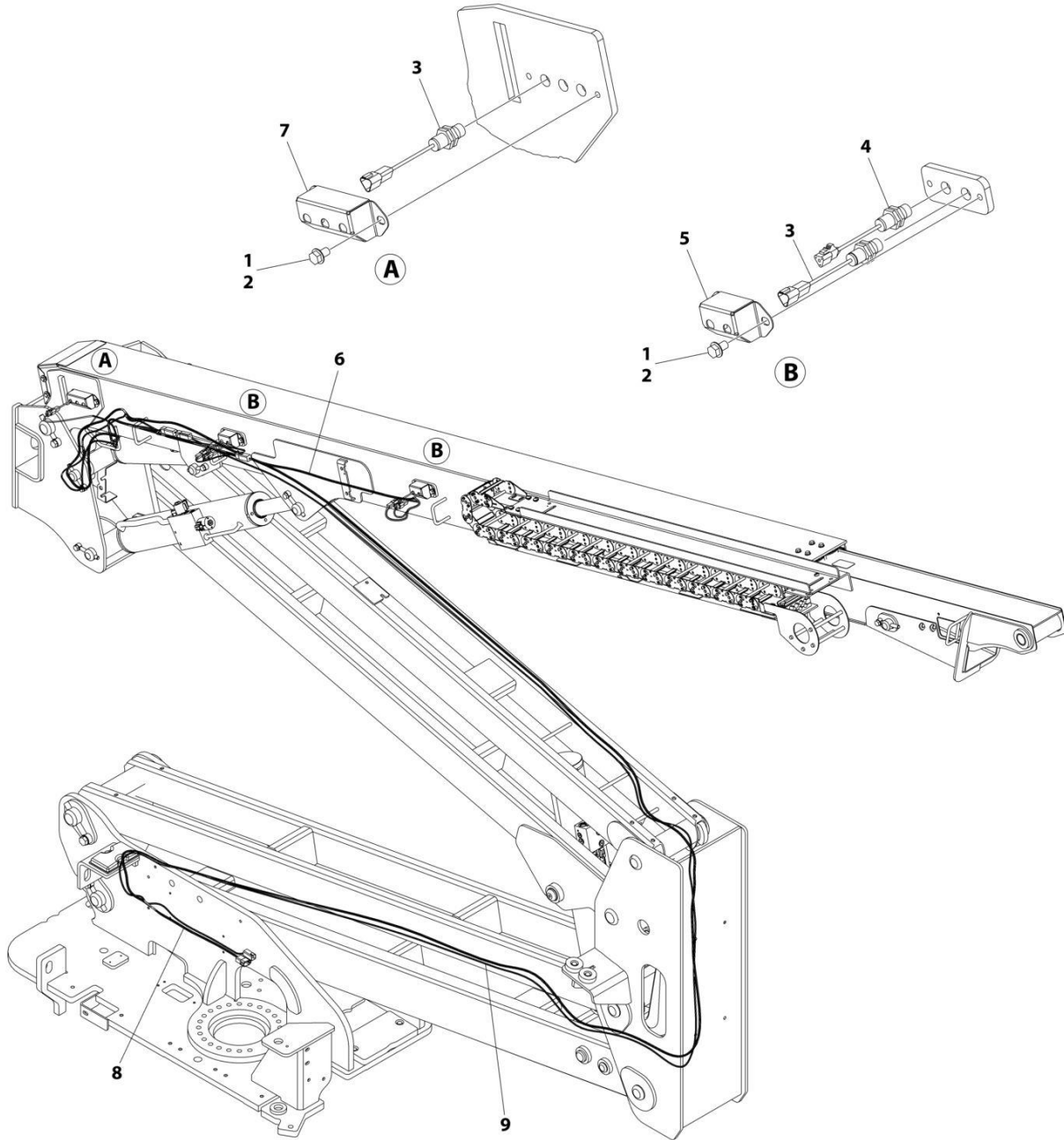
SECTION 8 - ELECTRICAL

FIGURE 8-23. BOOM HARNESS - TOWER BOOM (8/5 4000W GENERATOR)

| ITEM | PART NUMBER | QTY | DESCRIPTION | REV |
|------|-------------|----------------|------------------------------------|-----|
| | 1001174749 | Ref | BOOM HARNESS - TOWER BOOM AC CABLE | C |
| 1 | 1001120205 | 1 | Connector, Female | |
| 2 | 1060461 | 28 ft/ 8.5m | Electrical Cable, 12/3 | |

SECTION 8 - ELECTRICAL

FIGURE 8-24. BOOM SENSORS INSTALLATION



ART_1001266649

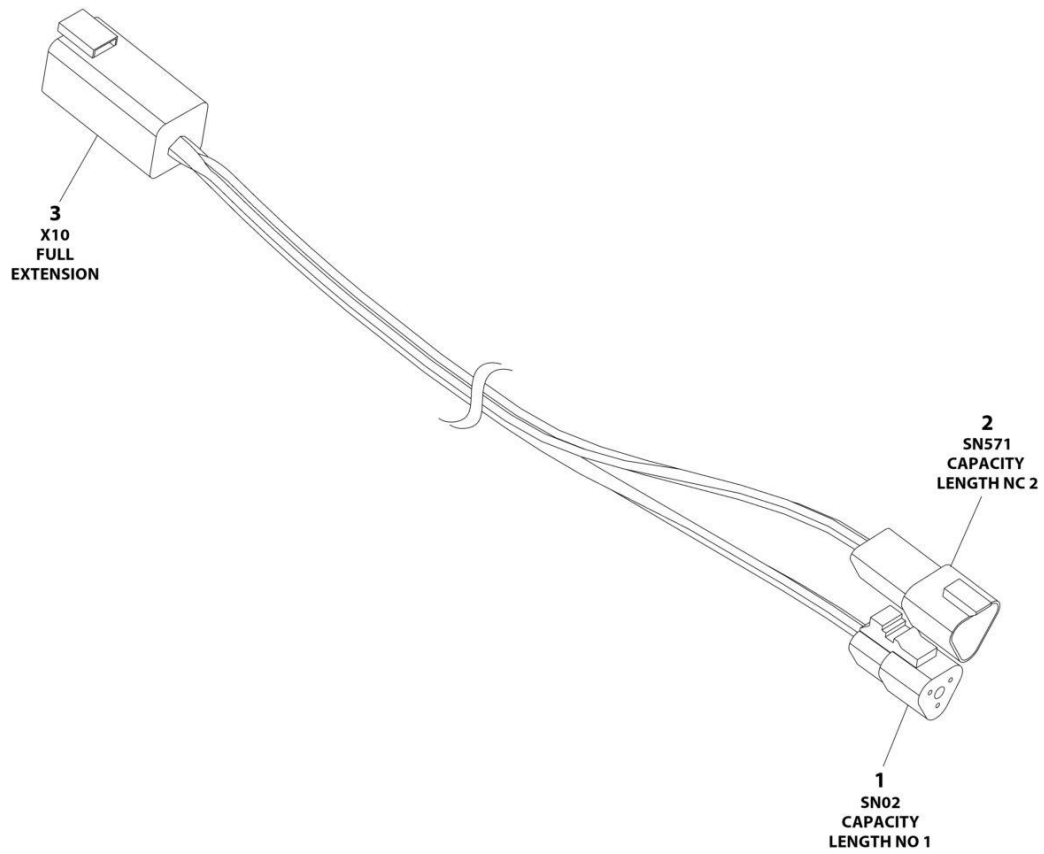
SECTION 8 - ELECTRICAL

FIGURE 8-24. BOOM SENSORS INSTALLATION

| ITEM | PART NUMBER | QTY | DESCRIPTION | REV |
|------|-------------|-----|---|-----|
| | 1001266649 | Ref | BOOM SENSORS INSTALLATION | C |
| 1 | 0100011 | AR | Compound, Locking | |
| 2 | 5251008 | 6 | Bolt M10 x 16 | |
| 3 | 1001170847 | 3 | Sensor, Proximity | |
| 4 | 1001182570 | 2 | Sensor, Proximity | |
| 5 | 1001204715 | 2 | Bracket | |
| 6 | 1001238192 | 1 | Harness, Boom Sensor (See Separate Breakdown in this Section) | |
| 7 | 1001256527 | 1 | Bracket | |
| 8 | 1001263007 | 1 | Harness, Capacity (See Separate Breakdown in this Section) | |
| 9 | 1001263008 | 1 | Harness, Transport (See Separate Breakdown in this Section) | |

SECTION 8 - ELECTRICAL

FIGURE 8-25. BOOM SENSOR HARNESS



ART_1001238192

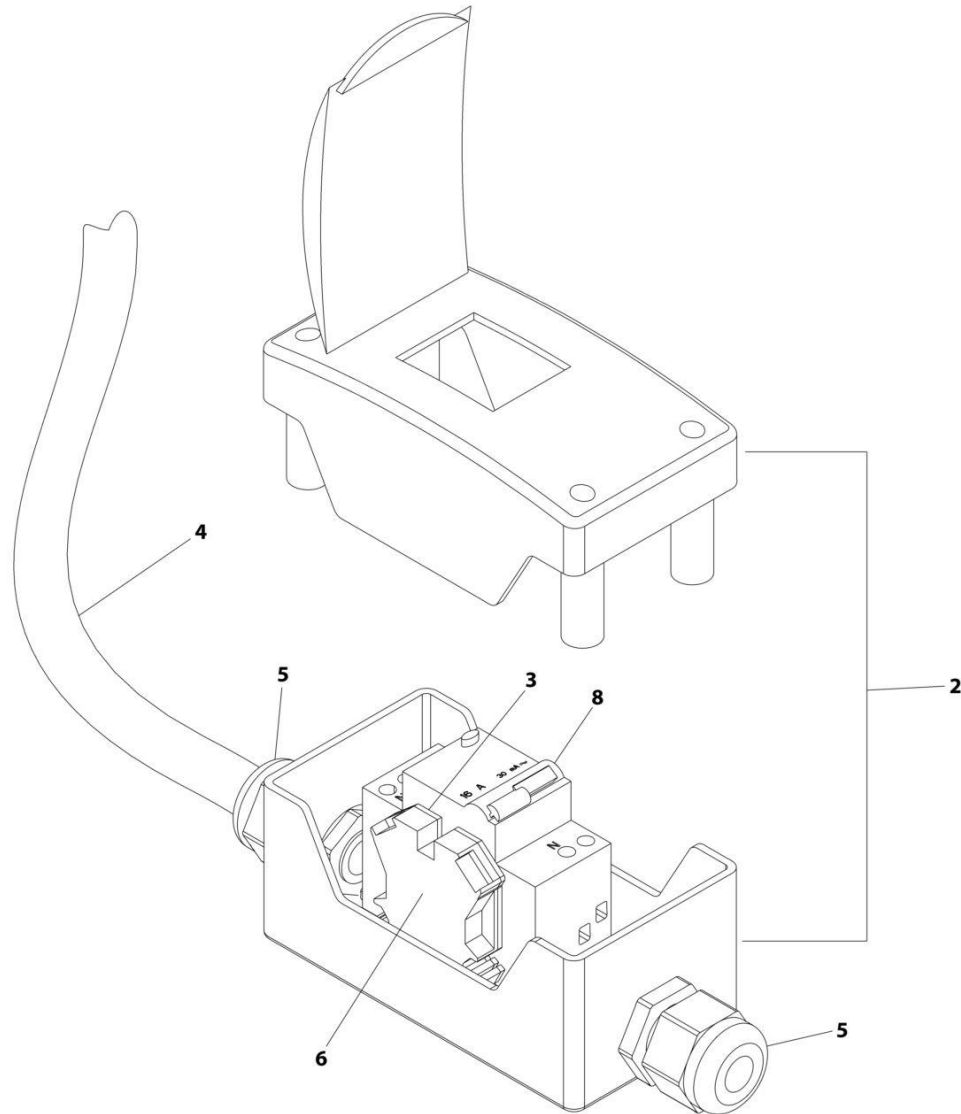
SECTION 8 - ELECTRICAL

FIGURE 8-25. BOOM SENSOR HARNESS

| ITEM | PART NUMBER | QTY | DESCRIPTION | REV |
|------|-------------|-----|--|-----|
| | 1001238192 | Ref | BOOM SENSOR / CAPACITY PROXIMITY HARNESS | B |
| 1 | 4460539 | 1 | Plug, Male - 3 Position | |
| 1 | 4460465 | 3 | Socket, Female | |
| 2 | 4460536 | 1 | Receptacle, Female - 3 Position | |
| 2 | 4640464 | 3 | Pin, Male | |
| 3 | 4460899 | 1 | Receptacle, Female - 6 Position | |
| 3 | 4460464 | 6 | Pin, Male | |

SECTION 8 - ELECTRICAL

FIGURE 8-26. BREAKER BOX KIT WITH SINGLE DOUBLE POLE BREAKER (CE, CIS/EAC & UK CA SPEC)



ART_2902549

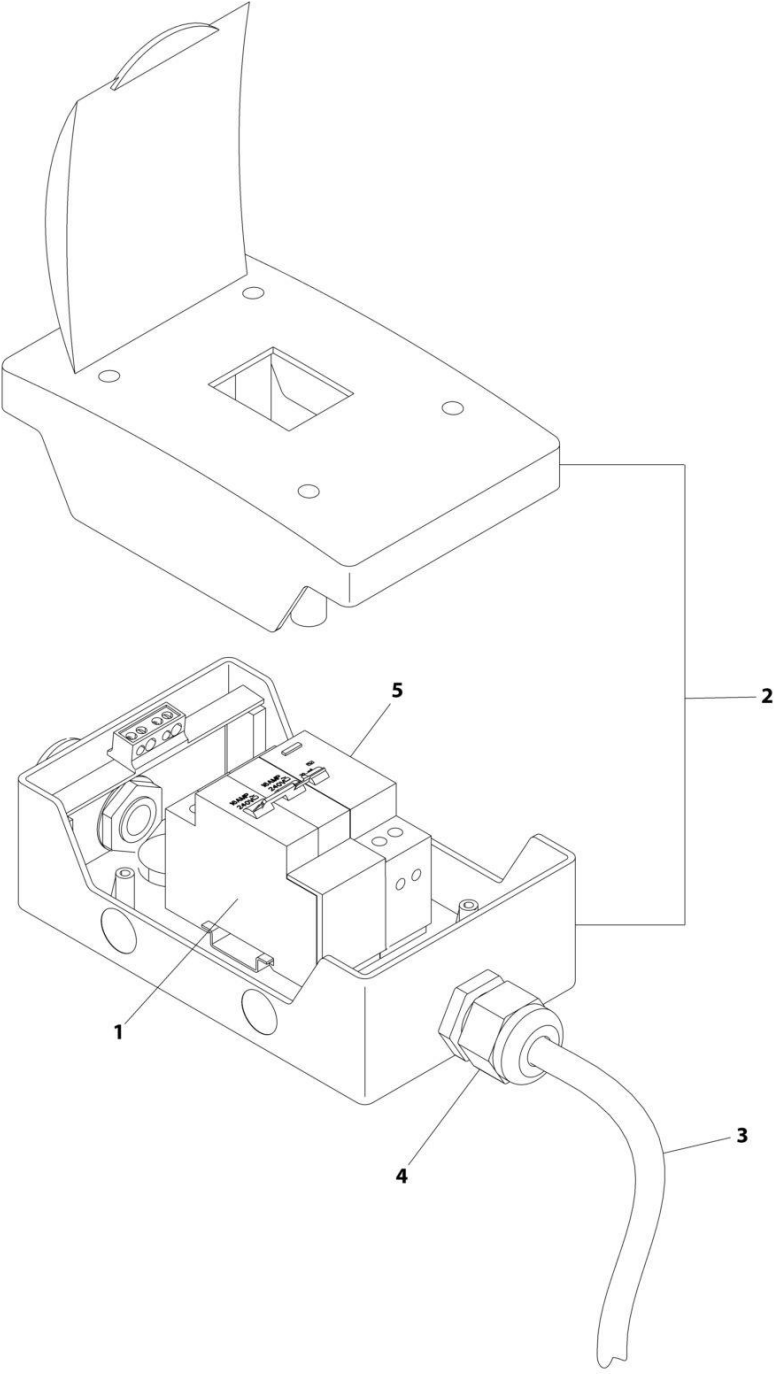
SECTION 8 - ELECTRICAL

FIGURE 8-26. BREAKER BOX KIT WITH SINGLE DOUBLE POLE BREAKER (CE, CIS/EAC & UK CA SPEC)

| ITEM | PART NUMBER | QTY | DESCRIPTION | REV |
|------|-------------|-----------|--|-----|
| | 2902549 | Ref | BREAKER BOX KIT - 110/220V 16AMP BREAKER | F |
| 2 | 0861880 | 1 | Box | |
| 3 | 4460956 | 1 | Barrier, Terminal | |
| 4 | 1060908 | 6 ft/1.8m | Cable, 12/3 | |
| 5 | 1001097150 | 2 | Connector, Strain Relief | |
| 6 | 4460957 | 1 | Block, Terminal | |
| 8 | 1001181045 | 1 | Breaker, Combination 16Amp/30mAmp | |

SECTION 8 - ELECTRICAL

FIGURE 8-27. BREAKER BOX KIT WITH THREE BREAKERS (CE, CIS/EAC & UK CA SPEC)



ART_1001152485_F

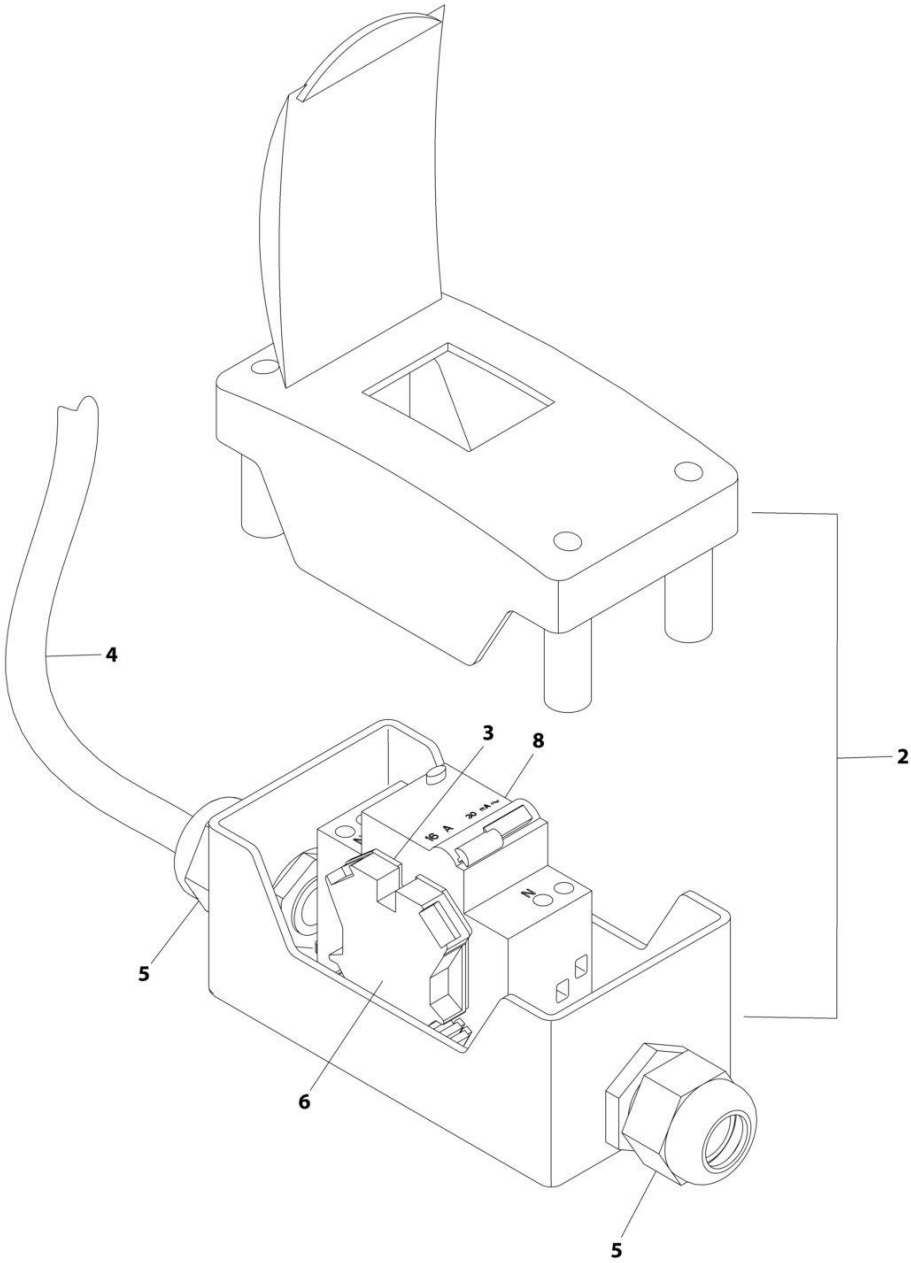
SECTION 8 - ELECTRICAL

FIGURE 8-27. BREAKER BOX KIT WITH THREE BREAKERS (CE, CIS/EAC & UK CA SPEC)

| ITEM | PART NUMBER | QTY | DESCRIPTION | REV |
|------|-------------|-----------|-----------------------------------|-----|
| | 1001152485 | Ref | BREAKER BOX KIT WITH TWO BREAKERS | F |
| 1 | 1001189172 | 1 | Breaker 16Amp Double | |
| 2 | 1001152483 | 1 | Box | |
| 3 | 1060908 | 6 ft/1.8m | Cable, 12/3 | |
| 4 | 1001097150 | 2 | Connector, Strain Relief | |
| 5 | 1001189171 | 1 | Breaker, 30mA | |

SECTION 8 - ELECTRICAL

FIGURE 8-28. BREAKER BOX KIT - 30MA/16 AMP



ART_1001096070

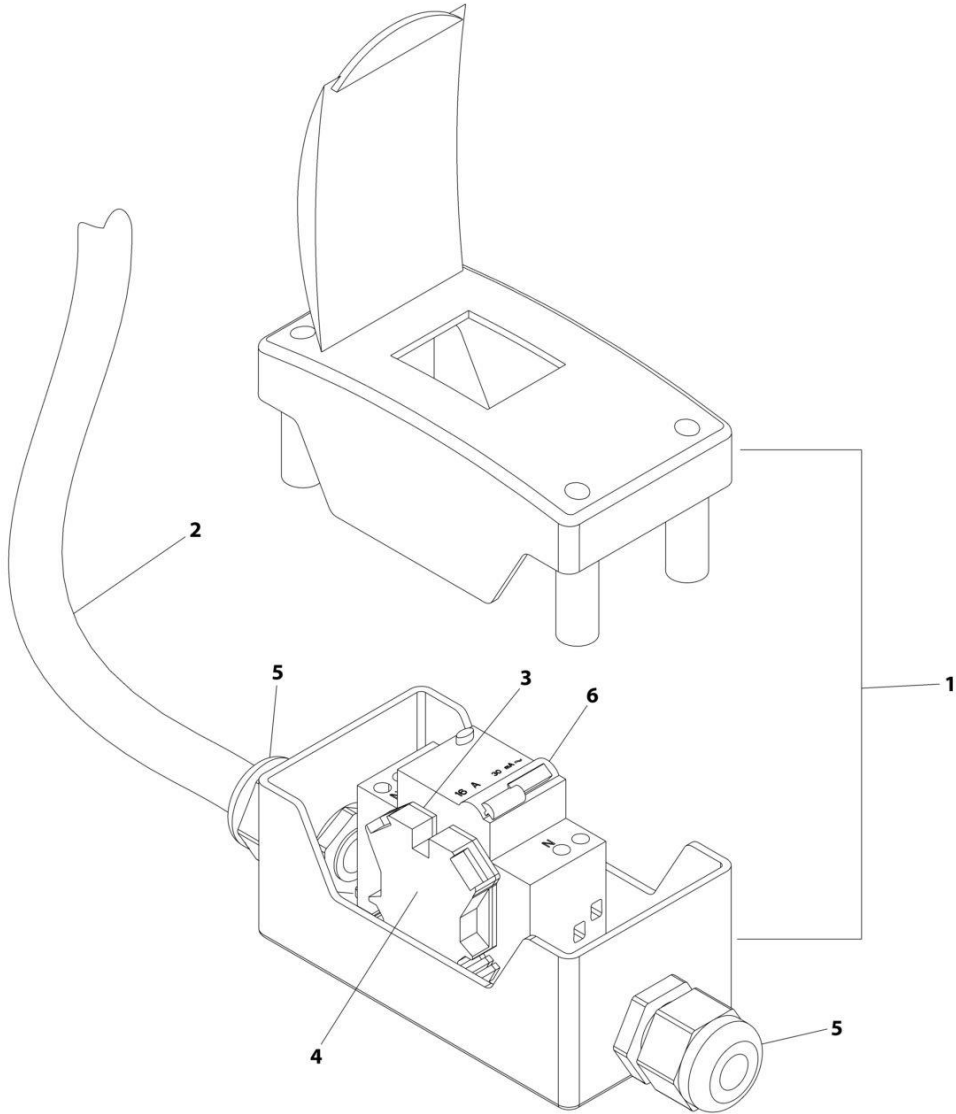
SECTION 8 - ELECTRICAL

FIGURE 8-28. BREAKER BOX KIT - 30MA/16 AMP

| ITEM | PART NUMBER | QTY | DESCRIPTION | REV |
|------|-------------|----------------|-----------------------------|-----|
| | 1001096070 | Ref | BREAKER BOX KIT | E |
| 2 | 0861880 | 1 | Box | |
| 3 | 4460956 | 1 | Barrier, Terminal Block End | |
| 4 | 1060908 | 12 ft/ 3.6m | Cable, 12/3 | |
| 5 | 1001097150 | 2 | Connector, Strain Relief | |
| 6 | 4460957 | 1 | Block, Terminal | |
| 8 | 1001181045 | 1 | Breaker, 16Amp | |

SECTION 8 - ELECTRICAL

FIGURE 8-29. BREAKER BOX KIT



ART_1001289592

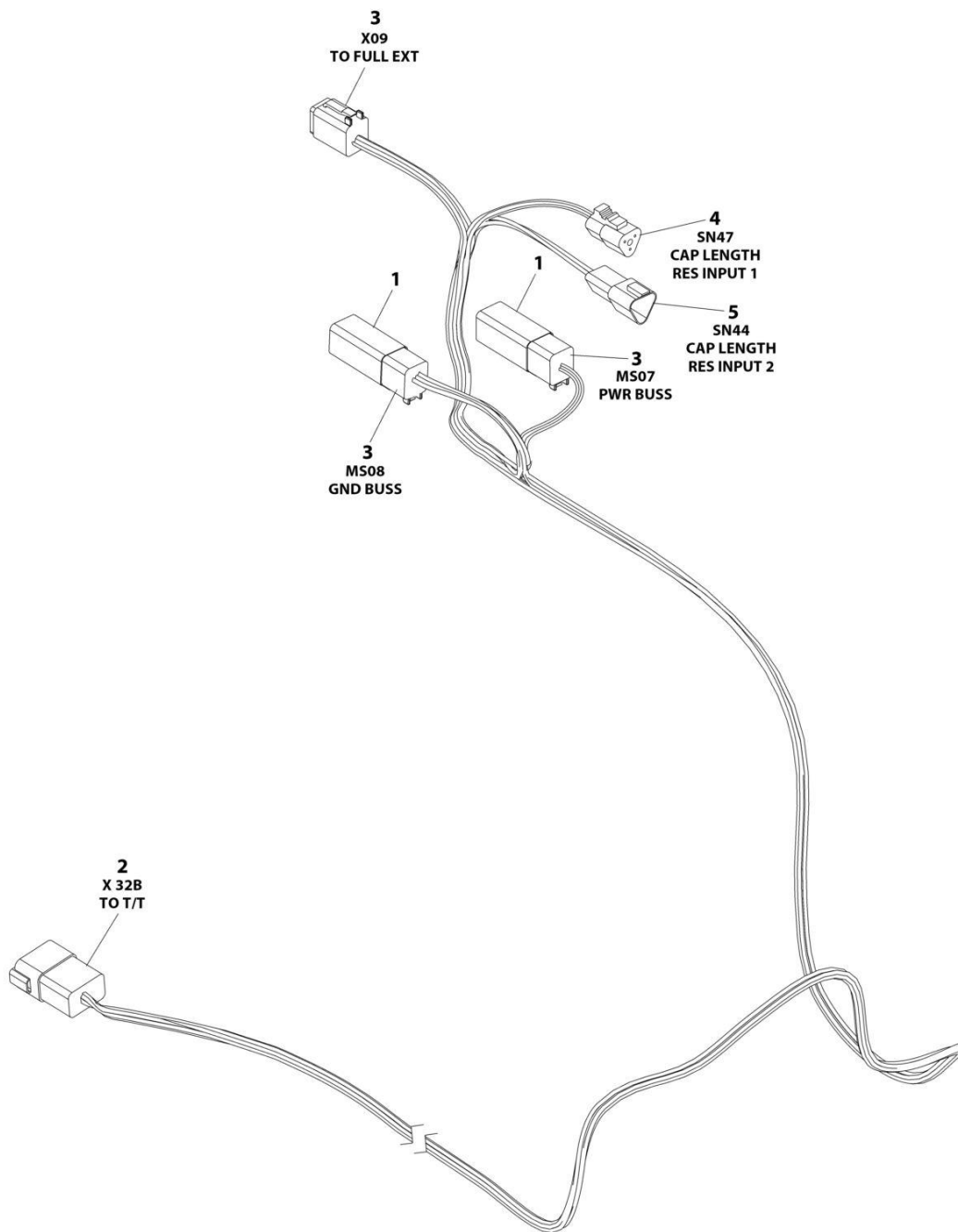
SECTION 8 - ELECTRICAL

FIGURE 8-29. BREAKER BOX KIT

| ITEM | PART NUMBER | QTY | DESCRIPTION | REV |
|------|-------------|-----------|--------------------------|-----|
| | 1001289592 | Ref | BREAKER BOX KIT | A |
| 1 | 0861880 | 1 | Box | |
| 2 | 1060908 | 6 ft/1.8m | Cable 12/3 | |
| 3 | 4460956 | 1 | Barrier, Terminal | |
| 4 | 4460957 | 2 | Block, Terminal | |
| 5 | 1001097150 | 2 | Connector, Strain Relief | |
| 6 | 1001289589 | 1 | Breaker, 16Amp | |

SECTION 8 - ELECTRICAL

FIGURE 8-30. CAPACITY HARNESS



ART_1001263007

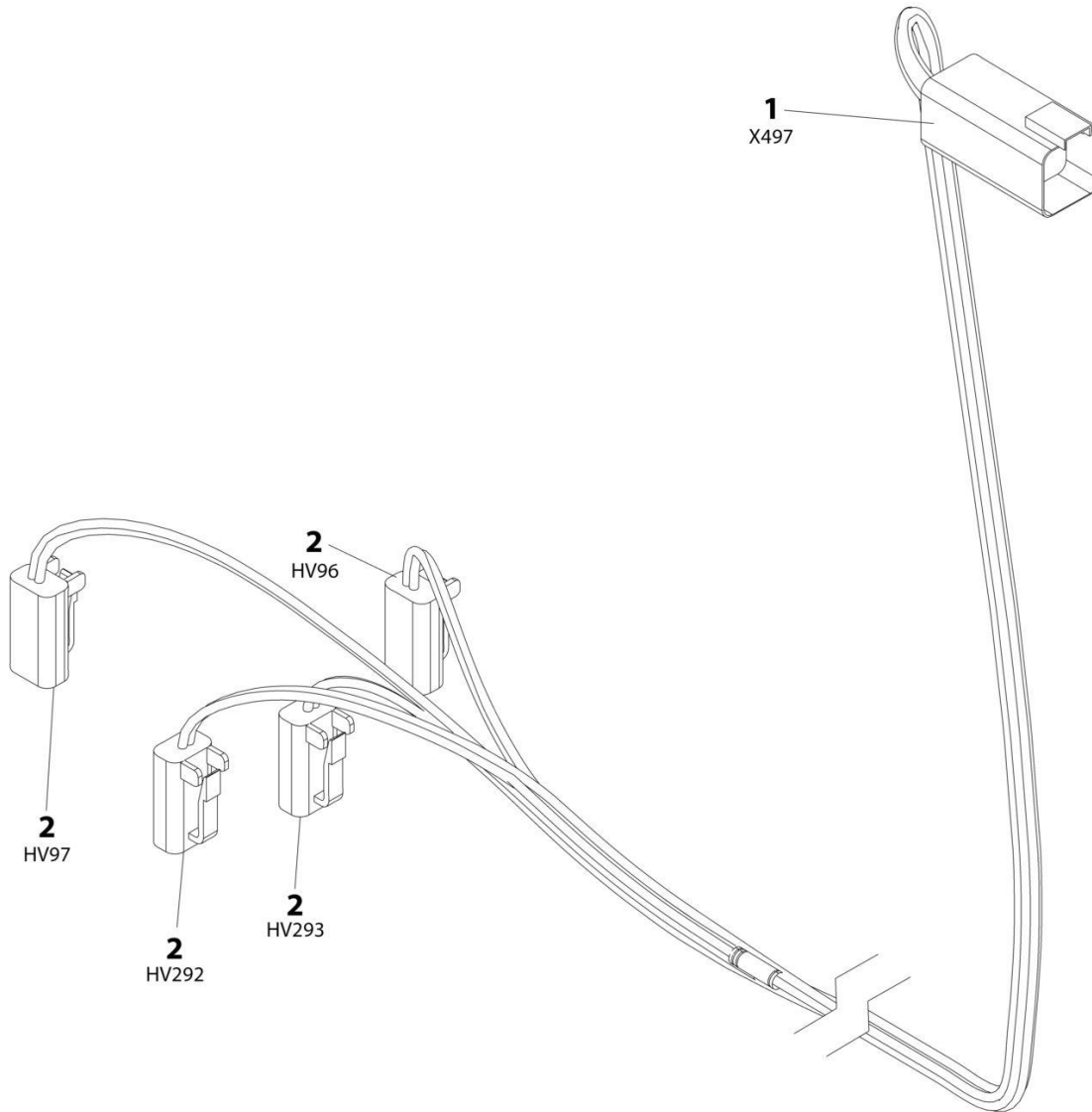
SECTION 8 - ELECTRICAL

FIGURE 8-30. CAPACITY HARNESS

| ITEM | PART NUMBER | QTY | DESCRIPTION | REV |
|------|-------------|-----|---------------------------------|-----|
| | 1001263007 | Ref | CAPACITY HARNESS | C |
| 1 | 4460892 | 2 | Bussbar - 6 Position | |
| 2 | 4460931 | 1 | Receptacle, Female - 8 Position | |
| 2 | 4460464 | 6 | Pin, Male | |
| 2 | 4460466 | 2 | Plug, Terminal | |
| 3 | 4460894 | 3 | Plug, Male - 6 Position | |
| 3 | 4460465 | 16 | Socket, Female | |
| 3 | 4460466 | 2 | Plug, Terminal | |
| 4 | 4460539 | 1 | Plug, Male - 3 Position | |
| 4 | 4460465 | 3 | Socket, Female | |
| 5 | 4460536 | 1 | Receptacle, Female | |
| 5 | 4460464 | 3 | Pin, Male | |

SECTION 8 - ELECTRICAL

FIGURE 8-31. CHASSIS SOLENOID HARNESS



ART_1001179236

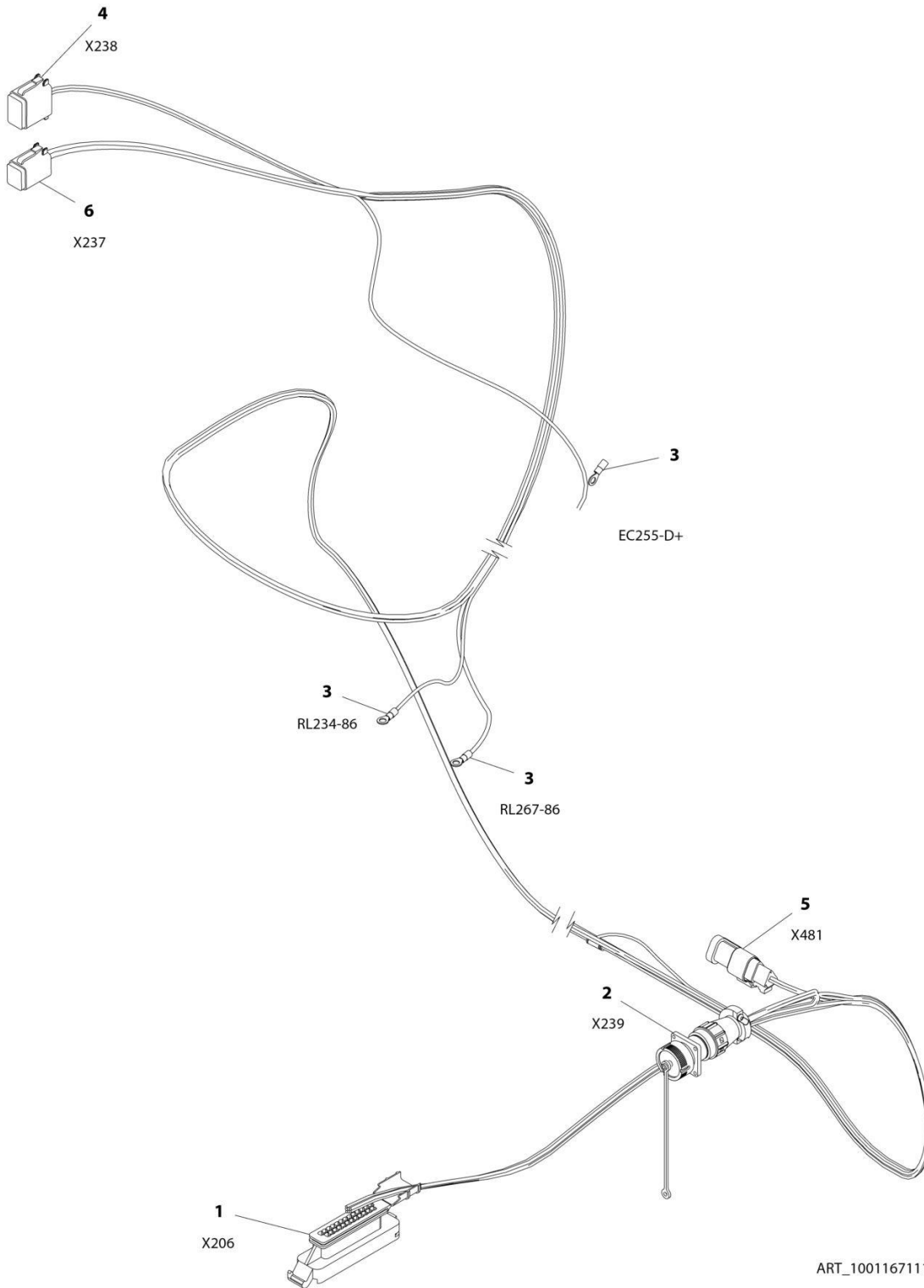
SECTION 8 - ELECTRICAL

FIGURE 8-31. CHASSIS SOLENOID HARNESS

| ITEM | PART NUMBER | QTY | DESCRIPTION | REV |
|------|-------------|-----|---------------------------------|-----|
| | 1001179236 | Ref | CHASSIS SOLENOID HARNESS | A |
| 1 | 4460899 | 1 | Receptacle, Female - 6 Position | |
| 1 | 4460464 | 6 | Pin, Male | |
| 2 | 4460891 | 4 | Plug, Male - 2 Position | |
| 2 | 4460465 | 8 | Socket, Female | |

SECTION 8 - ELECTRICAL

FIGURE 8-32. ENGINE HARNESS - DEUTZ D2011



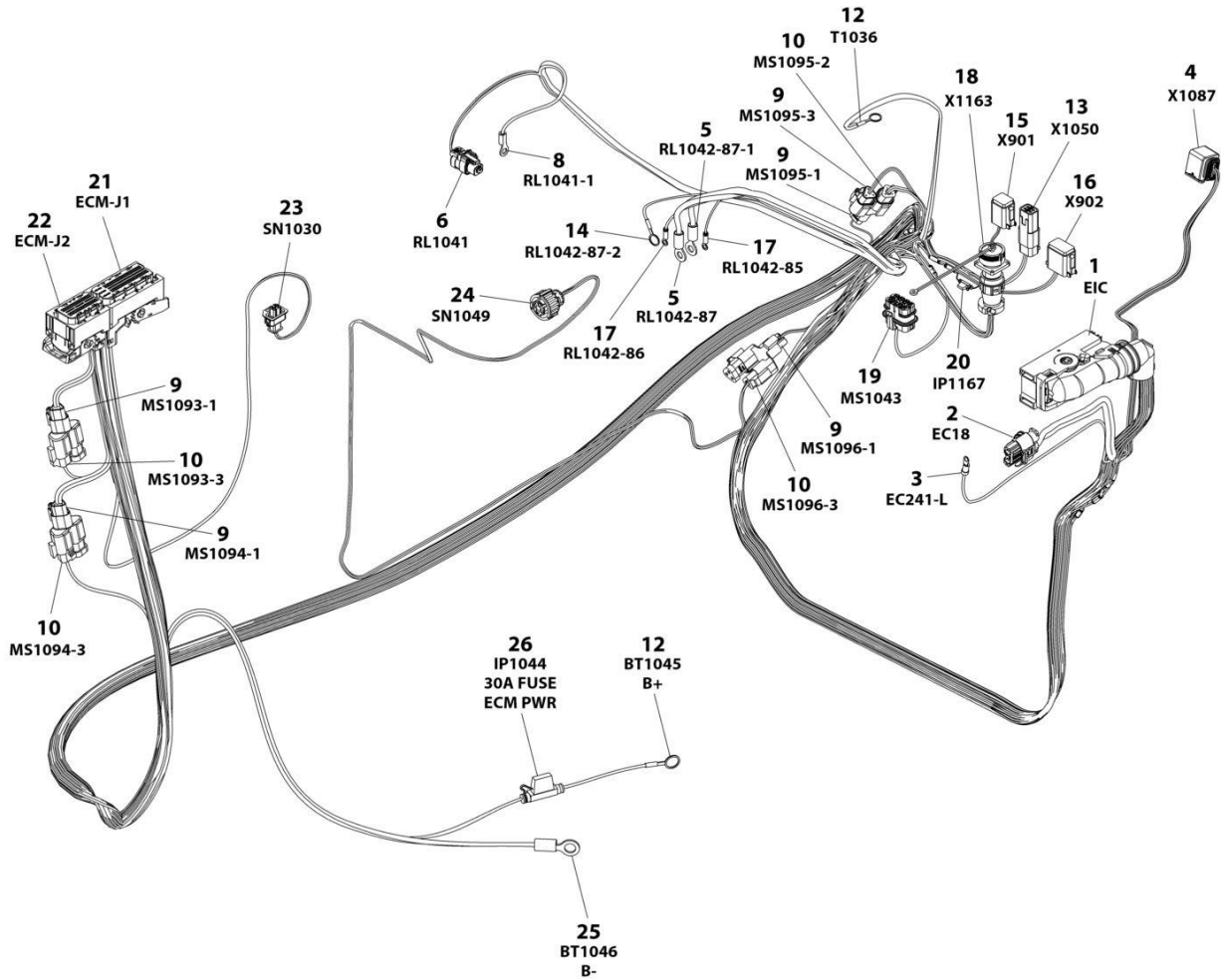
SECTION 8 - ELECTRICAL

FIGURE 8-32. ENGINE HARNESS - DEUTZ D2011

| ITEM | PART NUMBER | QTY | DESCRIPTION | REV |
|------|-------------|-----|-------------------------------------|-----|
| | 1001167111 | Ref | ENGINE HARNESS - DEUTZ D2011 | B |
| 1 | 4461052 | 1 | Connector - 25 Position | |
| 1 | 4461005 | 7 | Terminal | |
| 1 | 4461008 | 18 | Plug, Terminal | |
| 2 | 2902443 | 1 | Receptacle Kit | |
| 2 | 4461071 | 8 | Socket, Female | |
| 2 | 4461072 | 1 | Receptacle with Flange - 8 Position | |
| 2 | 4461073 | 1 | Cap, Dust | |
| 2 | 4461074 | 1 | Shell, Black | |
| 3 | 4460313 | 3 | Terminal, Ring | |
| 4 | 4460930 | 1 | Plug, Male - 8 Position | |
| 4 | 4460465 | 2 | Socket, Female | |
| 4 | 4460466 | 6 | Seal, Terminal | |
| 5 | 4461095 | 1 | Plug, Male - 3 Position | |
| 5 | 4460465 | 3 | Socket, Female | |
| 6 | 4460894 | 1 | Plug, Male - 6 Position | |
| 6 | 4460465 | 6 | Socket, Female | |

SECTION 8 - ELECTRICAL

FIGURE 8-33. ENGINE HARNESS



ART_1001276643

SECTION 8 - ELECTRICAL

FIGURE 8-33. ENGINE HARNESS

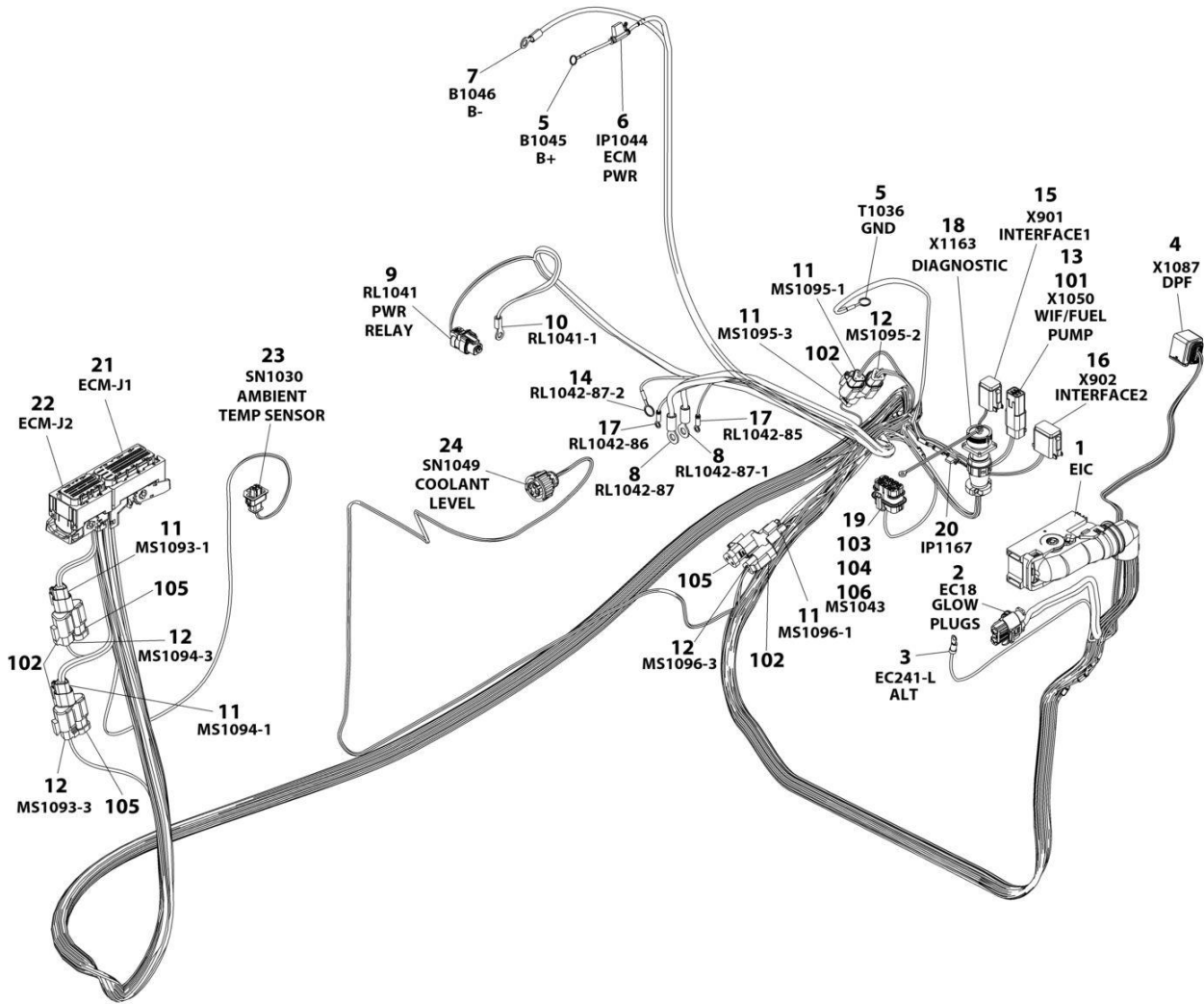
| ITEM | PART NUMBER | QTY | DESCRIPTION | REV |
|------|-------------|-----|--|-----|
| | 1001276643 | Ref | ENGINE HARNESS - DEUTZ D2.9L4 (STAGE V) ENGINE | B |
| 1 | 1001126362 | 1 | Connector | |
| 1 | 1001126363 | 37 | Socket | |
| 1 | 1001126391 | 7 | Plug, Terminal | |
| 1 | 1001126392 | 12 | Socket | |
| 1 | 4461008 | 4 | Plug, Terminal | |
| 1 | 1001167632 | 2 | Socket | |
| 1 | 1001126364 | 37 | Plug, Terminal | |
| 1 | 1001223459 | 12 | Seal | |
| 1 | 4461054 | 2 | Seal | |
| 2 | 1001142938 | 1 | Connector | |
| 2 | 1001142940 | 2 | Socket | |
| 2 | 1001142941 | 2 | Seal | |
| 3 | 4460042 | 1 | Terminal, Ring | |
| 4 | 1001239202 | 1 | Connector | |
| 4 | 1001126363 | 7 | Socket | |
| 4 | 1001126391 | 1 | Plug, Terminal | |
| 4 | 1001126364 | 7 | Plug, Terminal | |
| 5 | 1001117107 | 2 | Terminal, Ring | |
| 6 | 1001116952 | 1 | Connector | |
| 6 | 4460465 | 2 | Socket | |
| 8 | 4460043 | 1 | Terminal, Ring | |
| 9 | 1001116812 | 5 | Connector | |
| 9 | 4460944 | 10 | Socket | |
| 9 | 4460466 | 5 | Plug, Terminal | |
| 10 | 4460539 | 4 | Connector | |
| 10 | 4460944 | 8 | Socket | |
| 10 | 4460466 | 4 | Plug, Terminal | |
| 12 | 4460019 | 2 | Terminal, Ring | |
| 13 | 4460884 | 1 | Connector | |
| 13 | 4460465 | 2 | Socket | |
| 13 | 4460942 | 2 | Socket | |
| 14 | 4460703 | 1 | Terminal, Ring | |
| 15 | 4460894 | 1 | Connector | |
| 15 | 4460466 | 2 | Plug, Terminal | |
| 15 | 4460465 | 2 | Socket | |
| 15 | 4460944 | 2 | Socket | |
| 16 | 4460930 | 1 | Connector | |
| 16 | 4460465 | 1 | Socket | |
| 16 | 4460466 | 7 | Plug, Terminal | |
| 17 | 4460247 | 2 | Terminal, Ring | |
| 18 | 2902443 | 1 | Receptacle Kit | |
| 18 | 4461071 | 8 | Socket | |
| 18 | 4461072 | 1 | Receptacle with Flange - 8 Position | |
| 18 | 4461073 | 1 | Cap, Dust | |
| 18 | 4461074 | 1 | Shell, Black | |
| 19 | 80484084 | 1 | Connector | |
| 19 | 4460748 | 4 | Plug, Socket | |
| 19 | 4460746 | 3 | Socket | |
| 19 | 1001234800 | 1 | Socket | |

SECTION 8 - ELECTRICAL

| ITEM | PART NUMBER | QTY | DESCRIPTION | REV |
|------|-------------|-----|------------------------------|-----|
| 19 | 4460458 | 4 | Seal | |
| 20 | 1001170764 | 1 | Holder, Fuse | |
| 20 | 1001197719 | 1 | Fuse 0.5 Watt | |
| 21 | 1001133956 | 1 | Connector | |
| 21 | 1001182361 | 6 | Socket | |
| 21 | 1001126351 | 3 | Socket | |
| 21 | 1001230934 | 23 | Socket | |
| 21 | 1001230935 | 57 | Pin | |
| 21 | 1001230936 | 1 | Pin | |
| 21 | 1001252527 | 4 | Socket | |
| 21 | 1001182365 | 6 | Seal | |
| 22 | 1001133957 | 1 | Connector | |
| 22 | 1001230936 | 11 | Pin | |
| 22 | 1001126351 | 13 | Socket | |
| 22 | 1001230935 | 10 | Pin | |
| 22 | 1001230934 | 26 | Socket | |
| 23 | 1001126487 | 1 | Connector | |
| 23 | 1001167635 | 2 | Socket | |
| 23 | 1001126485 | 2 | Seal | |
| 24 | 1001133714 | 1 | Connector | |
| 24 | 1001133715 | 3 | Socket | |
| 24 | 1001135651 | 1 | Plug, Terminal | |
| 24 | 1001135650 | 2 | Seal | |
| 25 | 4460115 | 1 | Terminal, Ring | |
| 26 | 1001172064 | 1 | Fuse Holder (Includes Cover) | |
| 26 | 1001172065 | 1 | Fuse 30Amp | |

SECTION 8 - ELECTRICAL

FIGURE 8-34. ENGINE HARNESS - DEUTZ D2.9L4 (CHINA IV)



ART_1001290660

SECTION 8 - ELECTRICAL

FIGURE 8-34. ENGINE HARNESS - DEUTZ D2.9L4 (CHINA IV)

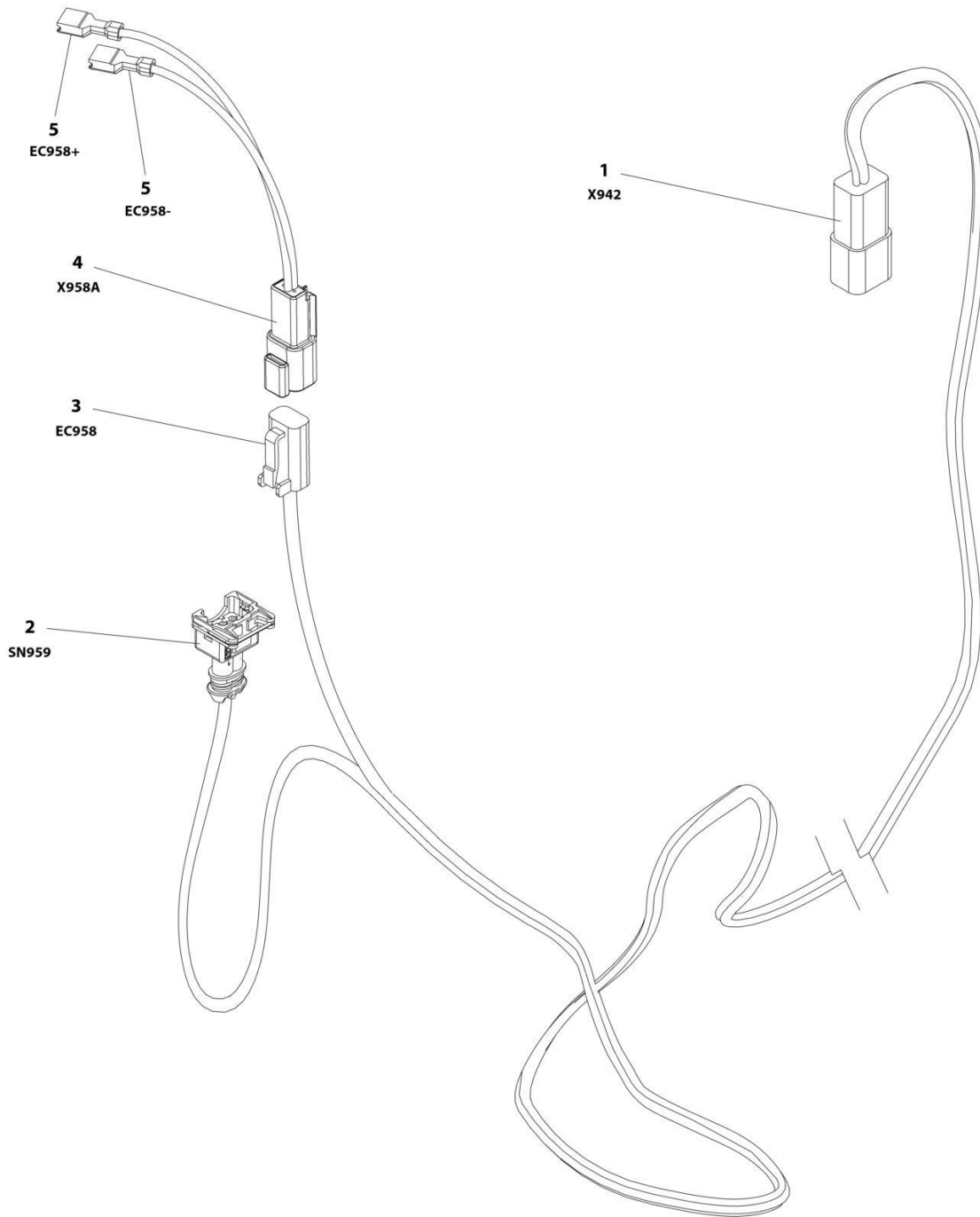
| ITEM | PART NUMBER | QTY | DESCRIPTION | REV |
|------|-------------|-----|---|-----|
| | 1001290660 | Ref | ENGINE HARNESS - DEUTZ D2.9L4 (CHINA IV) | A |
| 1 | 1001126362 | 1 | Connector | |
| 1 | 1001126363 | 37 | Socket (20-17Awg - Gold) | |
| 1 | 1001126391 | 7 | Plug (3.6mm) | |
| 1 | 1001126392 | 12 | Socket (16Awg - Tin) | |
| 1 | 4461008 | 4 | Plug (5.6mm) | |
| 1 | 1001167632 | 2 | Socket (0.5-1.0mm2 - Tin) | |
| 1 | 1001126364 | 37 | Seal, Terminal (Use with Socket 1001126363) | |
| 1 | 1001223459 | 12 | Seal, Terminal (Use with Socket 1001126392) | |
| 1 | 4461054 | 2 | Seal, Terminal (Use with Socket 1001167632) | |
| 1 | 1001151856 | 1 | Elbow, Connector | |
| 2 | 1001142938 | 1 | Connector | |
| 2 | 1001142940 | 2 | Socket | |
| 2 | 1001142941 | 2 | Seal, Terminal | |
| 3 | 4460042 | 1 | Terminal, Ring | |
| 4 | 1001239202 | 1 | Connector | |
| 4 | 1001126363 | 7 | Socket | |
| 4 | 1001126391 | 1 | Plug | |
| 4 | 1001126364 | 7 | Seal, Terminal | |
| 5 | 4460019 | 2 | Terminal, Ring | |
| 6 | 1001172064 | 1 | Fuseholder | |
| 6 | 1001172065 | 1 | Fuse 30Amp | |
| 7 | 8220115 | 1 | Terminal, Ring | |
| 8 | 1001117107 | 2 | Terminal, Ring | |
| 9 | 1001116952 | 1 | Connector | |
| 9 | 4460465 | 2 | Socket | |
| 10 | 4460043 | 1 | Terminal, Ring | |
| 11 | 1001116812 | 5 | Connector | |
| 11 | 4460944 | 10 | Socket | |
| 11 | 4460466 | 5 | Plug | |
| 12 | 4460539 | 4 | Connector | |
| 12 | 4460944 | 8 | Socket | |
| 12 | 4460466 | 4 | Plug | |
| 13 | 4460884 | 1 | Connector | |
| 13 | 4460465 | 2 | Socket (20-16Awg) | |
| 13 | 4460942 | 2 | Socket (16-14Awg) | |
| 14 | 4460703 | 1 | Terminal, Ring | |
| 15 | 4460894 | 1 | Connector | |
| 15 | 4460465 | 2 | Socket (Nickel) | |
| 15 | 4460944 | 2 | Socket (Gold) | |
| 15 | 4460466 | 2 | Plug | |
| 16 | 4460930 | 1 | Connector | |
| 16 | 4460465 | 1 | Socket | |
| 16 | 4460466 | 7 | Plug | |
| 17 | 4460247 | 2 | Terminal, Ring | |
| 18 | 2902443 | 1 | Receptacle Kit | |
| 18 | 4461071 | 8 | Socket | |
| 18 | 4461072 | 1 | Connector | |
| 18 | 4461073 | 1 | Cap, Dust | |
| 18 | 4461074 | 1 | Backshell | |

SECTION 8 - ELECTRICAL

| ITEM | PART NUMBER | QTY | DESCRIPTION | REV |
|------|-------------|-----|---------------------|-----|
| 19 | 80484084 | 1 | Connector | |
| 19 | 4460746 | 3 | Socket (20-17Awg) | |
| 19 | 1001234800 | 1 | Socket (16Awg) | |
| 19 | 4460748 | 4 | Plug | |
| 19 | 4460458 | 4 | Seal, Terminal | |
| 20 | 1001170764 | 1 | Fuseholder | |
| 20 | 1001197719 | 1 | Resistor 1/2Watt | |
| 21 | 1001133956 | 1 | Connector | |
| 21 | 1001182361 | 6 | Socket (1.5-2.5mm2) | |
| 21 | 1001126351 | 3 | Socket (18-15Awg) | |
| 21 | 1001230934 | 23 | Socket (0.75mm2) | |
| 21 | 1001230935 | 57 | Plug (1.5mm) | |
| 21 | 1001252527 | 4 | Socket (0.85mm2) | |
| 21 | 1001230936 | 1 | Plug (1.85mm) | |
| 21 | 1001182365 | 6 | Seal, Terminal | |
| 22 | 1001133957 | 1 | Connector | |
| 22 | 1001230936 | 11 | Plug (1.85mm) | |
| 22 | 1001126351 | 13 | Socket (18-15Awg) | |
| 22 | 1001230935 | 10 | Plug (1.5mm) | |
| 22 | 1001230934 | 26 | Socket (0.75mm2) | |
| 23 | 1001126487 | 1 | Connector | |
| 23 | 1001167635 | 2 | Socket | |
| 23 | 1001126485 | 2 | Seal, Terminal | |
| 24 | 1001133714 | 1 | Connector | |
| 24 | 1001133715 | 3 | Socket | |
| 24 | 1001135651 | 1 | Plug | |
| 24 | 1001135650 | 2 | Seal, Terminal | |
| 101 | 4460932 | 1 | Connector, Female | |
| 102 | 4460945 | 4 | Connector, 3-Way | |
| 103 | 8229242 | 1 | Fuse 5Amp | |
| 104 | 80983191 | 1 | Fuse 10Amp | |
| 105 | 1001116815 | 3 | Connector | |
| 106 | 1001147264 | 1 | Cap | |

SECTION 8 - ELECTRICAL

FIGURE 8-35. FUEL HARNESS - DEUTZ D2.9L4 ENGINE



ART_1001181358

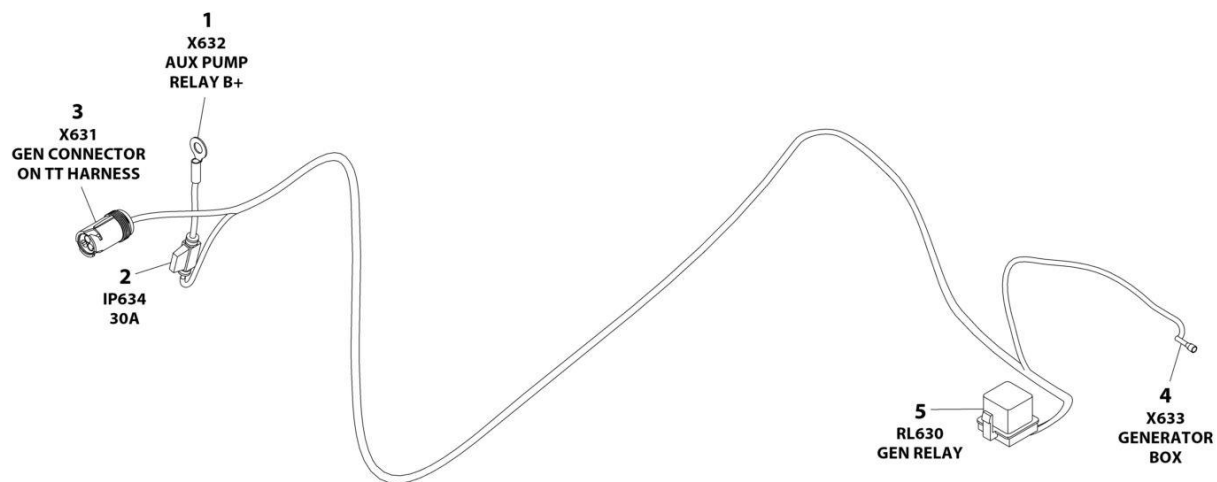
SECTION 8 - ELECTRICAL

FIGURE 8-35. FUEL HARNESS - DEUTZ D2.9L4 ENGINE

| ITEM | PART NUMBER | QTY | DESCRIPTION | REV |
|------|-------------|-----|------------------------------------|-----|
| | 1001181358 | Ref | FUEL HARNESS - DEUTZ D2.9L4 ENGINE | D |
| 1 | 4460932 | 1 | Receptacle, Female - 4 Position | |
| 1 | 4460464 | 2 | Pin, Male | |
| 1 | 4460941 | 2 | Pin, Male | |
| 2 | 1001116983 | 1 | Plug, Male - 2 Position | |
| 2 | 4461060 | 2 | Socket, Female | |
| 2 | 4461054 | 2 | Seal | |
| 3 | 4460891 | 1 | Plug, Male - 2 Position | |
| 3 | 4460942 | 2 | Socket, Female | |
| 4 | 4460897 | 1 | Receptacle, Female - 2 Position | |
| 4 | 4460941 | 2 | Pin, Male | |
| 5 | 8220051 | 2 | Coupler, Female | |

SECTION 8 - ELECTRICAL

FIGURE 8-36. GENERATOR HARNESS - 2500W GENERATOR (50HZ)



ART_1001187352

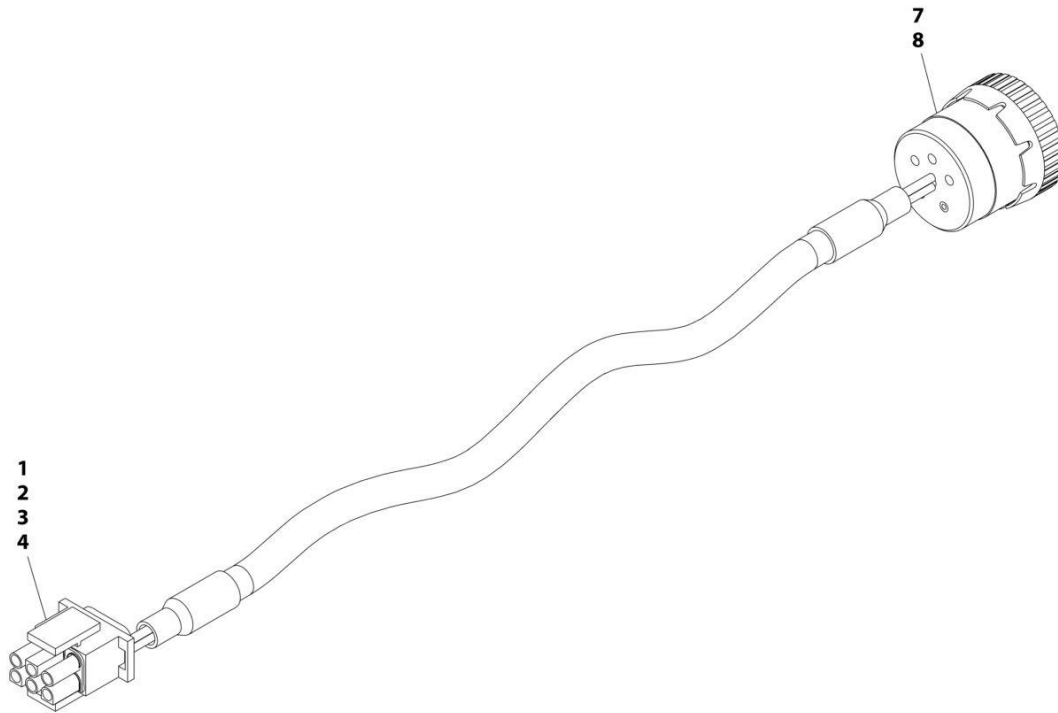
SECTION 8 - ELECTRICAL

FIGURE 8-36. GENERATOR HARNESS - 2500W GENERATOR (50HZ)

| ITEM | PART NUMBER | QTY | DESCRIPTION | REV |
|------|-------------|-----|--|-----|
| | 1001187352 | Ref | GENERATOR HARNESS - 2500W GENERATOR (50HZ) | A |
| 1 | 8220045 | 1 | Terminal, Ring | |
| 2 | 2400060 | 1 | Holder, Fuse | |
| 2 | 8229245 | 1 | Fuse 30Amp | |
| 3 | 1001154726 | 1 | Connector - 3 Position | |
| 3 | 4460464 | 2 | Pin, Male | |
| 3 | 4460466 | 1 | Plug, Terminal | |
| 4 | 1001100231 | 1 | Terminal | |
| 5 | 1001117057 | 1 | Plug, Relay | |
| 5 | 1001116734 | 2 | Terminal | |
| 5 | 1001116732 | 2 | Terminal | |

SECTION 8 - ELECTRICAL

FIGURE 8-37. GENERATOR HARNESS - 4000W GENERATOR



ART_1001152532

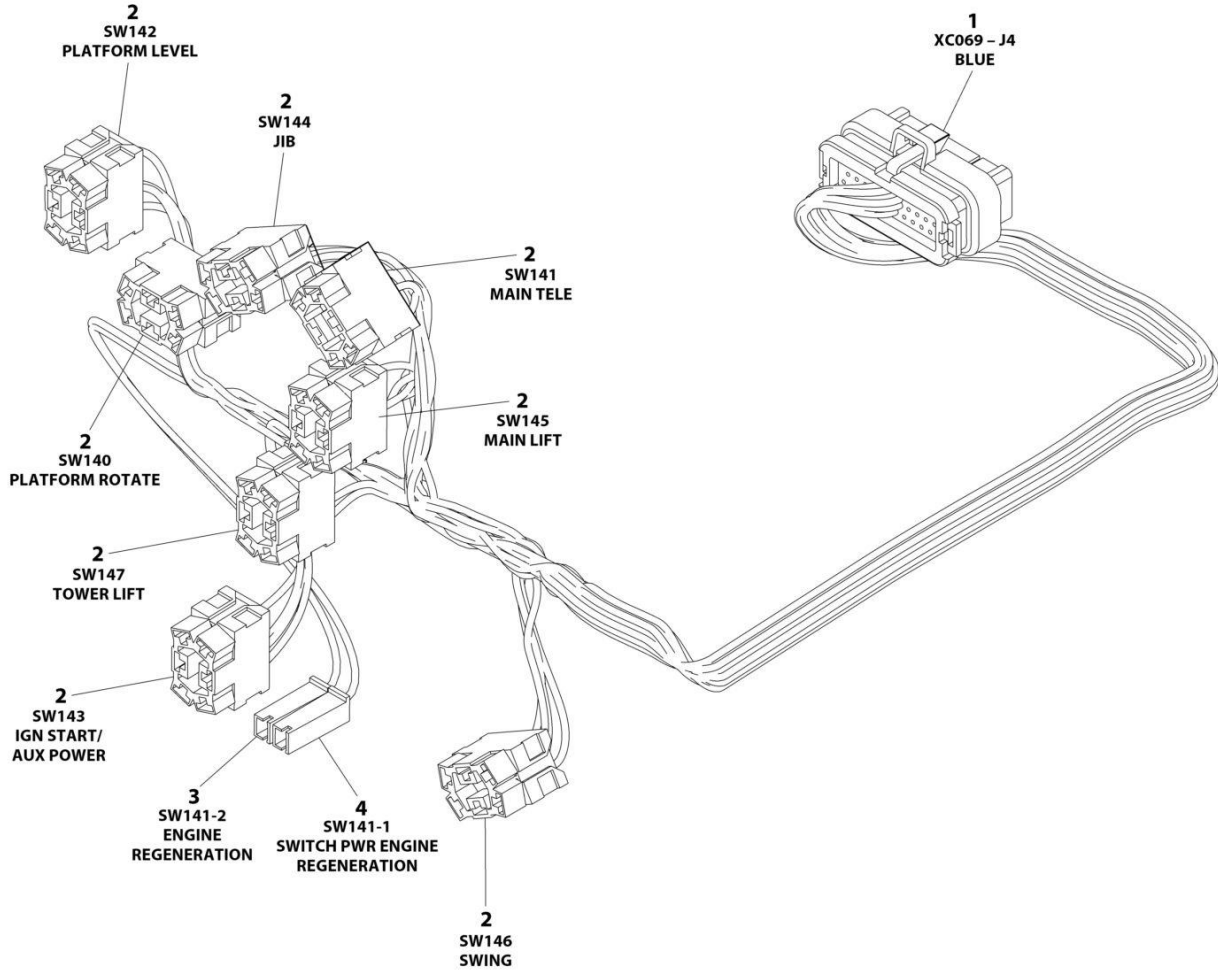
SECTION 8 - ELECTRICAL

FIGURE 8-37. GENERATOR HARNESS - 4000W GENERATOR

| ITEM | PART NUMBER | QTY | DESCRIPTION | REV |
|------|-------------|-----|------------------------|-----|
| | 1001152532 | Ref | GENERATOR HARNESS | A |
| 1 | 4460225 | 1 | Connector - 6 Position | |
| 2 | 4460268 | 2 | Socket, Female | |
| 3 | 4460807 | 1 | Seal | |
| 4 | 4460808 | 1 | Seal | |
| 7 | 4460465 | 2 | Socket, Female | |
| 8 | 77363233 | 1 | Connector - 6 Position | |

SECTION 8 - ELECTRICAL

FIGURE 8-38. GROUND CONTROL PANEL HARNESS



ART_1001244295

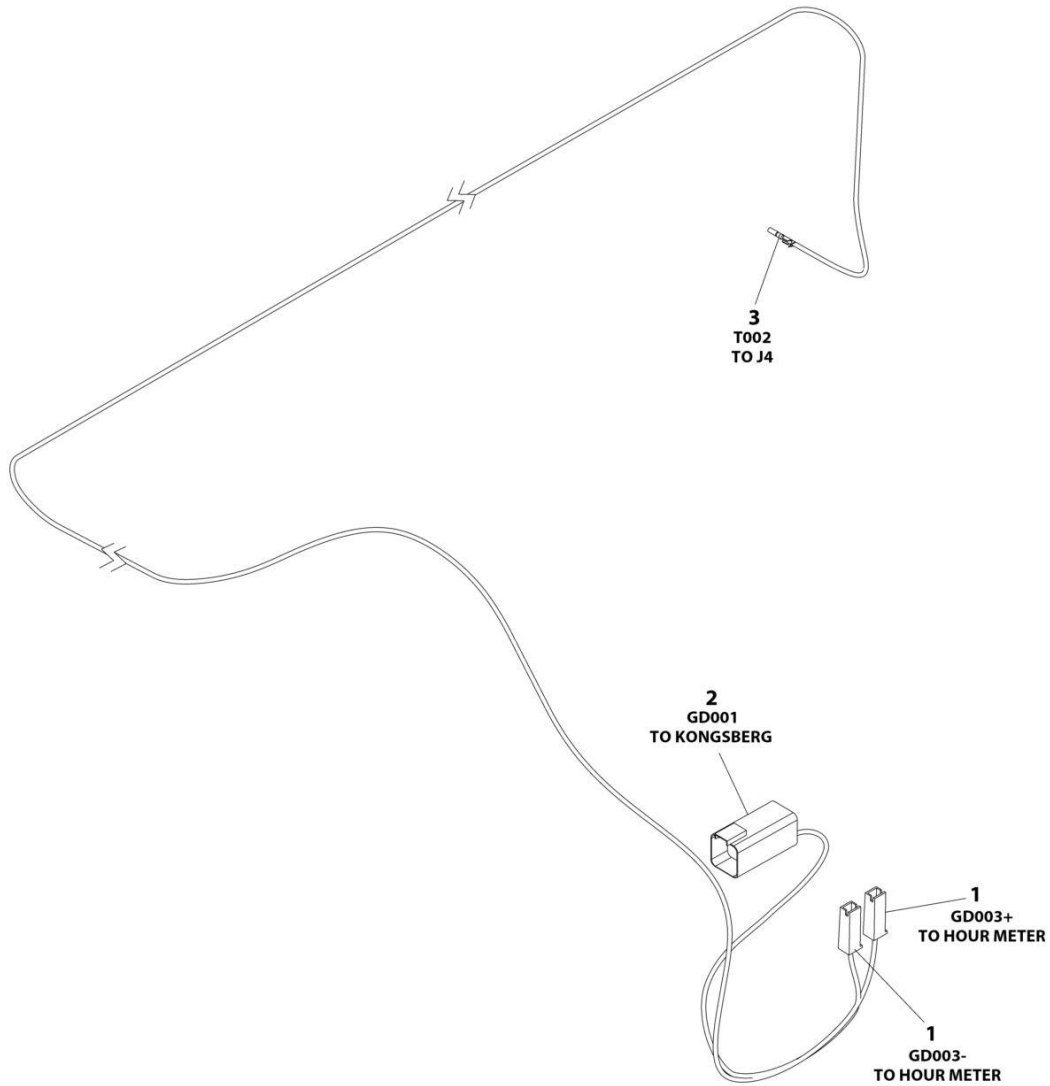
SECTION 8 - ELECTRICAL

FIGURE 8-38. GROUND CONTROL PANEL HARNESS

| ITEM | PART NUMBER | QTY | DESCRIPTION | REV |
|------|-------------|-----|------------------------------|-----|
| | 1001244295 | Ref | GROUND CONTROL PANEL HARNESS | C |
| 1 | 4460876 | 1 | Connector - 35 Position | |
| 1 | 4460871 | 18 | Socket, Female | |
| 1 | 4460905 | 17 | Plug, Terminal | |
| 2 | 4460418 | 8 | Connector - 6 Position | |
| 2 | 4460419 | 16 | Terminal | |
| 2 | 1001159186 | 16 | Terminal | |
| 3 | 4460260 | 2 | Housing, Terminal | |
| 3 | 4460259 | 2 | Terminal | |
| 4 | 4460260 | 1 | Terminal, Housing | |
| 4 | 4460259 | 1 | Terminal | |

SECTION 8 - ELECTRICAL

FIGURE 8-39. HOUR METER JUMPER HARNESS



ART_1001296426

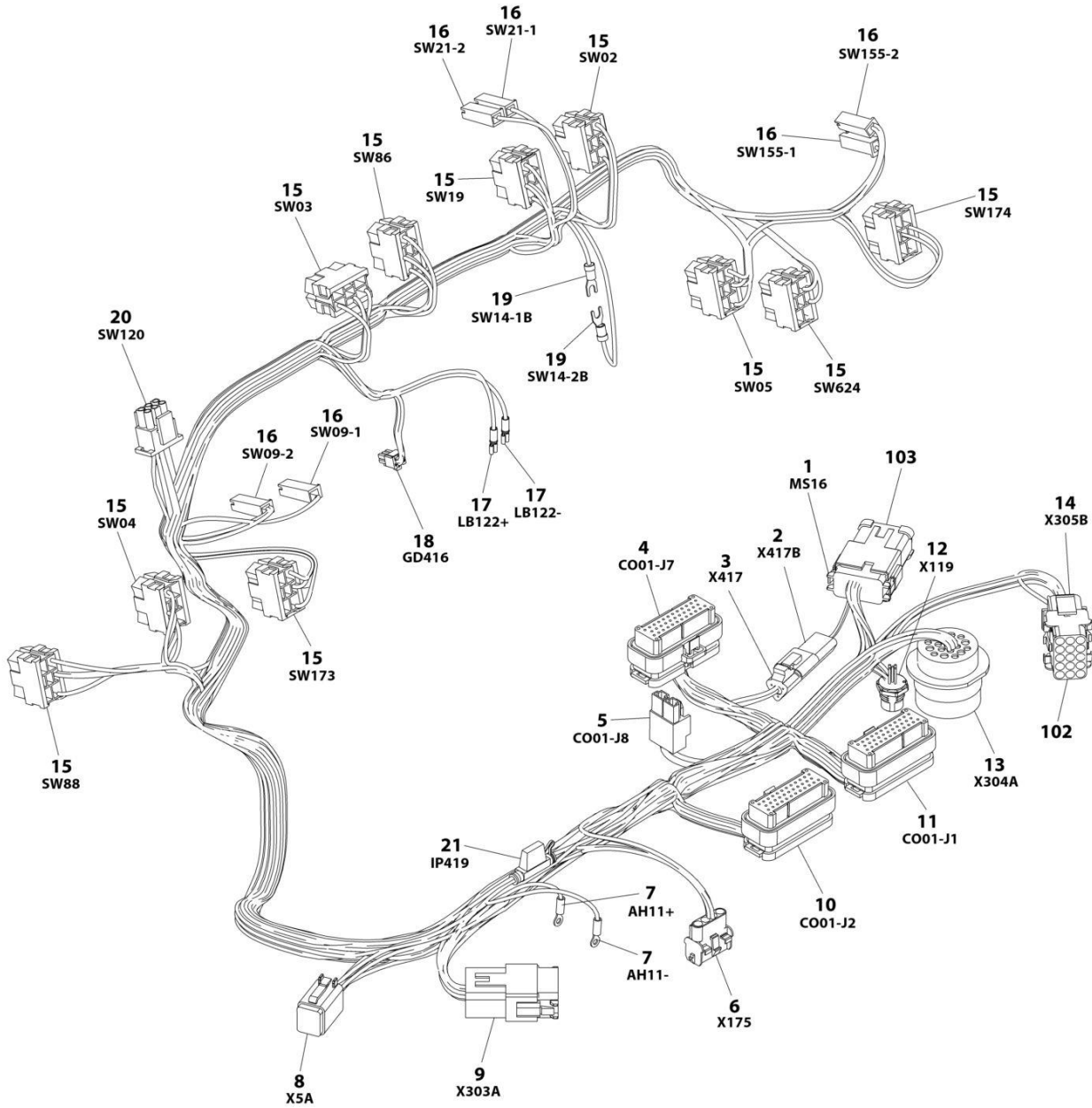
SECTION 8 - ELECTRICAL

FIGURE 8-39. HOUR METER JUMPER HARNESS

| ITEM | PART NUMBER | QTY | DESCRIPTION | REV |
|------|-------------|-----|---------------------------|-----|
| | 1001296426 | Ref | HOUR METER JUMPER HARNESS | A |
| 1 | 4460260 | 2 | Connector | |
| 2 | 4460899 | 1 | Connector | |
| 3 | 4460871 | 1 | Socket | |

SECTION 8 - ELECTRICAL

FIGURE 8-40. PLATFORM CONSOLE BOX HARNESS



ART_1001238254

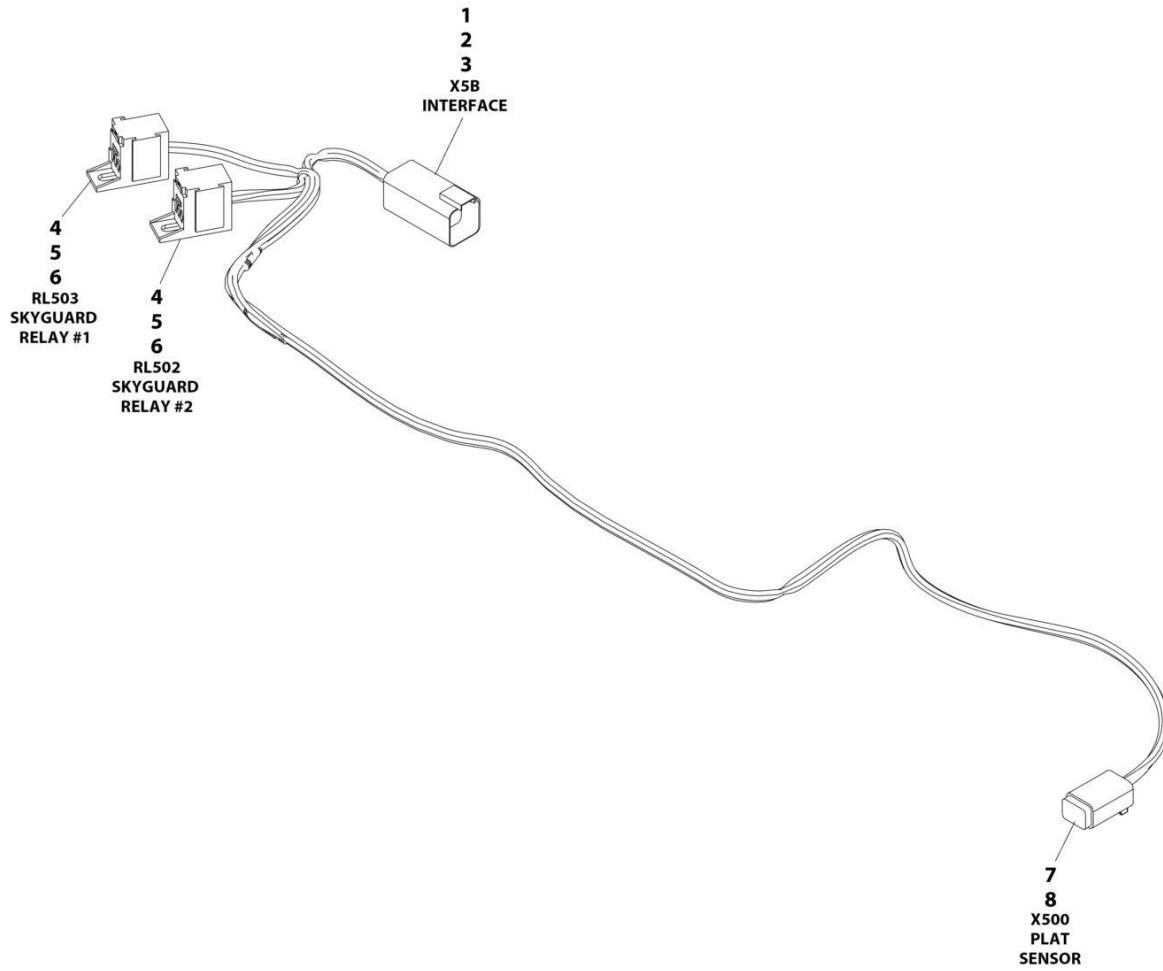
SECTION 8 - ELECTRICAL

FIGURE 8-40. PLATFORM CONSOLE BOX HARNESS

| ITEM | PART NUMBER | QTY | DESCRIPTION | REV |
|------|-------------|-----|--|-----|
| | 1001238254 | Ref | PLATFORM CONSOLE BOX HARNESS | I |
| 1 | 4460933 | 1 | Plug, Male - 12 Position | |
| 1 | 4460465 | 10 | Socket, Female | |
| 1 | 4460466 | 2 | Plug, Terminal | |
| 2 | 4460536 | 1 | Receptacle, Female - 3 Position | |
| 2 | 4460464 | 2 | Pin, Male | |
| 2 | 4460466 | 1 | Plug, Terminal | |
| 3 | 4460539 | 1 | Plug, Male - 3 Position | |
| 3 | 4460465 | 2 | Socket, Female | |
| 3 | 4460466 | 1 | Plug, Terminal | |
| 4 | 4460873 | 1 | Connector - 35 Position | |
| 4 | 4460871 | 21 | Socket, Female | |
| 4 | 4460905 | 14 | Plug, Terminal | |
| 5 | 4460879 | 1 | Plug, Male - 2 Position | |
| 5 | 4460887 | 2 | Terminal | |
| 6 | 4460761 | 1 | Receptacle, Female - 4 Position | |
| 6 | 4460267 | 4 | Pin, Male | |
| 7 | 1001098122 | 2 | Terminal, Ring | |
| 8 | 4460894 | 1 | Plug, Male - 6 Position | |
| 8 | 4460465 | 6 | Socket, Female | |
| 9 | 4460970 | 1 | Receptacle, Female - 12 Position | |
| 9 | 1001116693 | 11 | Pin, Male | |
| 9 | 4460466 | 1 | Plug, Terminal | |
| 10 | 4460875 | 1 | Connector - 35 Position | |
| 10 | 4460871 | 12 | Socket, Female | |
| 10 | 4460905 | 23 | Plug, Terminal | |
| 11 | 4460874 | 1 | Connector - 35 Position | |
| 11 | 4460871 | 27 | Socket, Female | |
| 11 | 4460905 | 8 | Plug, Terminal | |
| 12 | 1001213447 | 1 | Connector - 4 Position | |
| 12 | See Note | NSS | Terminal (Note: Purchase p/n 1001213447) | |
| 13 | 4460866 | 1 | Connector - 19 Position | |
| 13 | 4460464 | 5 | Pin, Male | |
| 13 | 4460466 | 11 | Plug, Terminal | |
| 13 | 4460508 | 1 | Pin, Male | |
| 14 | 4460434 | 1 | Connector - 15 Position | |
| 14 | 4460267 | 8 | Pin. Male | |
| 15 | 4460418 | 10 | Connector - 6 Position | |
| 15 | 4460419 | 45 | Terminal | |
| 16 | 4460260 | 6 | Housing, Terminal | |
| 16 | 4460259 | 8 | Terminal | |
| 17 | 1001271497 | 2 | Terminal | |
| 18 | 1001237667 | 1 | Plug, Male - 6 Position | |
| 18 | 1001237668 | 4 | Terminal | |
| 19 | 4460183 | 2 | Terminal, Fork | |
| 20 | 4460225 | 1 | Plug, Male - 6 Position | |
| 20 | 4460227 | 6 | Pin, Male (Note: Used on Pump Potentiometer Connection Only) | |
| 21 | 2400060 | 1 | Fuse Holder | |
| 102 | 4460708 | 1 | Connector, Bussbar - 15 Position | |
| 103 | 1001125677 | 1 | Connector, Bussbar - 12 Position | |

SECTION 8 - ELECTRICAL

FIGURE 8-41. PLATFORM INTERFACE HARNESS



ART_1001225580

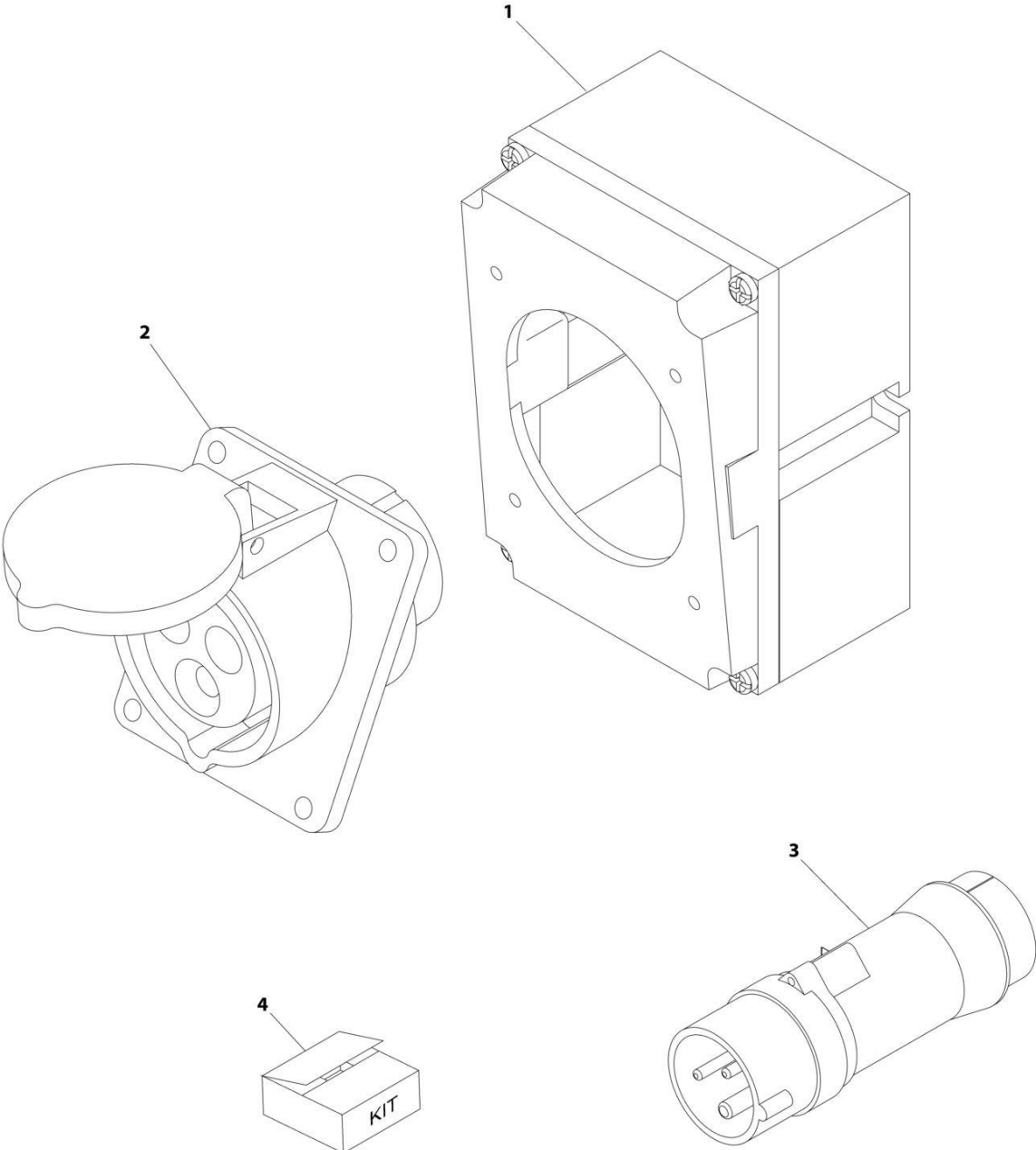
SECTION 8 - ELECTRICAL

FIGURE 8-41. PLATFORM INTERFACE HARNESS

| ITEM | PART NUMBER | QTY | DESCRIPTION | REV |
|------|-------------|-----|-------------------------------------|-----|
| | 1001225580 | Ref | INTERFACE HARNESS - WITH 1 CELL LSS | D |
| 1 | 4460899 | 1 | Connector | |
| 2 | 4460464 | 4 | Terminal | |
| 3 | 4460466 | 2 | Plug | |
| 4 | 1001186432 | 2 | Connector | |
| 5 | 1001116720 | 4 | Terminal | |
| 6 | 1001118388 | 4 | Terminal | |
| 7 | 4460884 | 1 | Connector | |
| 8 | 4460465 | 4 | Terminal | |

SECTION 8 - ELECTRICAL

FIGURE 8-42. RECEPTACLE BOX KIT - 110V IEC YELLOW (CE, CIS/EAC & UK CA SPEC)



ART_0275216

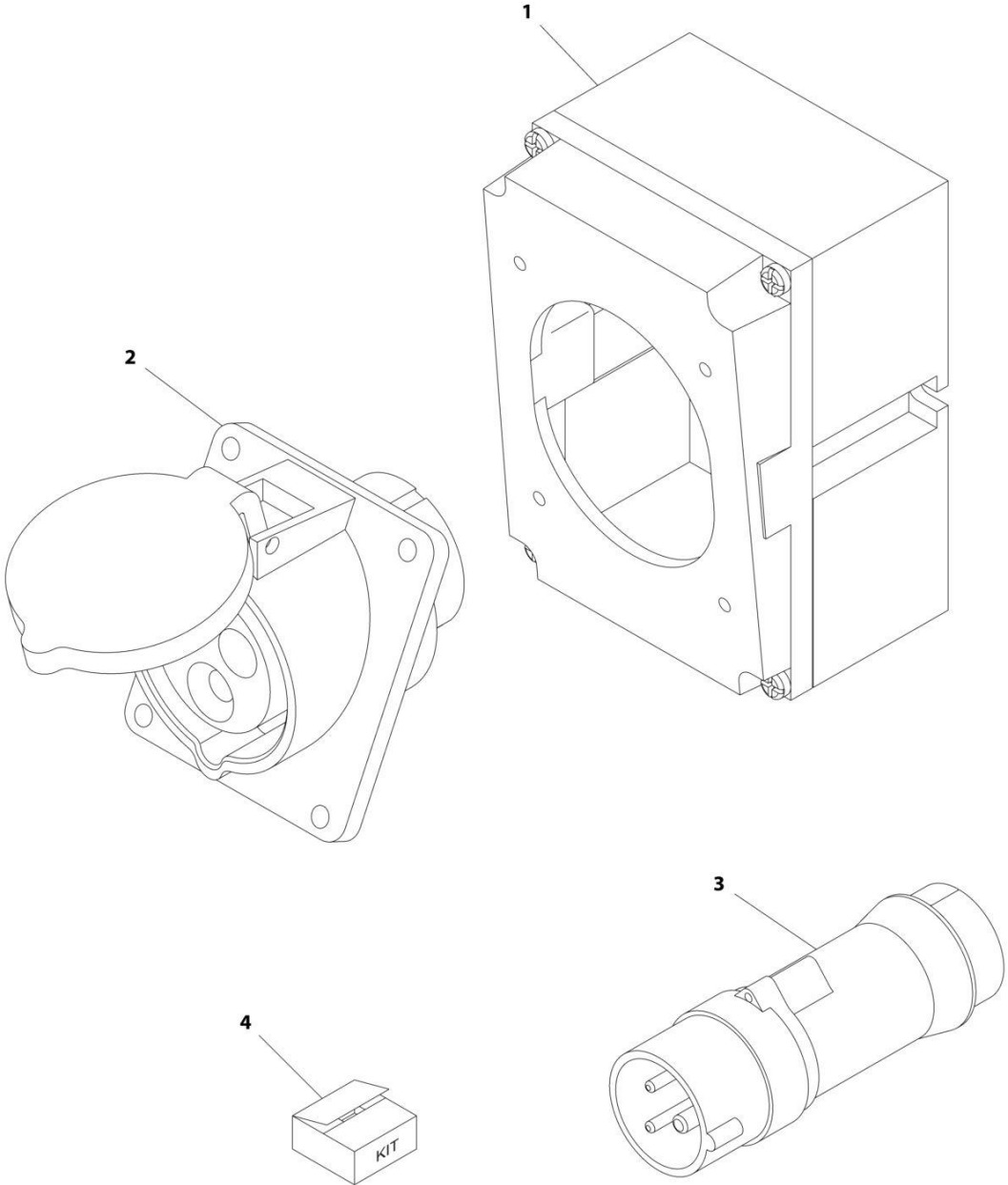
SECTION 8 - ELECTRICAL

FIGURE 8-42. RECEPTACLE BOX KIT - 110V IEC YELLOW (CE, CIS/EAC & UK CA SPEC)

| ITEM | PART NUMBER | QTY | DESCRIPTION | REV |
|------|-------------|-----|--|-----|
| | 0275216 | Ref | RECEPTACLE BOX KIT - 110V IEC YELLOW | B |
| 1 | 0861781 | 1 | Box, Switch | |
| 2 | 4461198 | 1 | Receptacle | |
| 3 | 4461196 | 1 | Plug, Male | |
| 4 | 1001100341 | 1 | Plug and Socket Kit (Includes Items 1-3 and Female Plug p/n 4461197) | |

SECTION 8 - ELECTRICAL

FIGURE 8-43. RECEPTACLE BOX KIT - 220V IEC BLUE (CE, CIS/EAC & UK CA SPEC)



ART_0275217

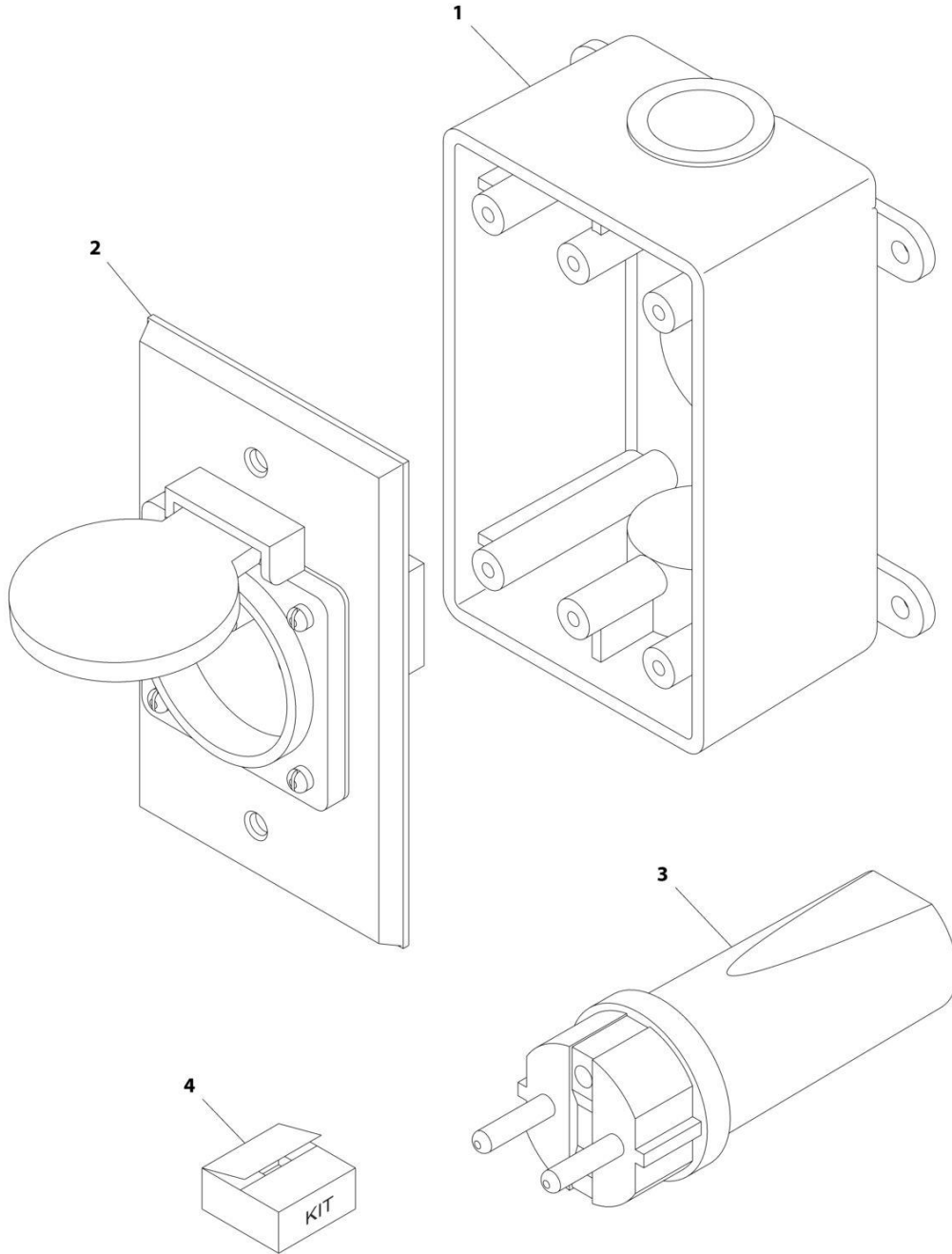
SECTION 8 - ELECTRICAL

FIGURE 8-43. RECEPTACLE BOX KIT - 220V IEC BLUE (CE, CIS/EAC & UK CA SPEC)

| ITEM | PART NUMBER | QTY | DESCRIPTION | REV |
|------|-------------|-----|--|-----|
| | 0275217 | Ref | RECEPTACLE BOX KIT - 220V IEC BLUE | B |
| 1 | 0861781 | 1 | Box, Switch | |
| 2 | 4461201 | 1 | Receptacle | |
| 3 | 4461199 | 1 | Plug, Male | |
| 4 | 1001100342 | 1 | Plug and Socket Kit (Includes Items 1-3 and Female Plug p/n 4461200) | |

SECTION 8 - ELECTRICAL

FIGURE 8-44. RECEPTACLE BOX KIT - 220V CEE7 POST GROUND 2IN X 4IN BOX (CE, CIS/EAC & UK CA SPEC)



ART_0275452

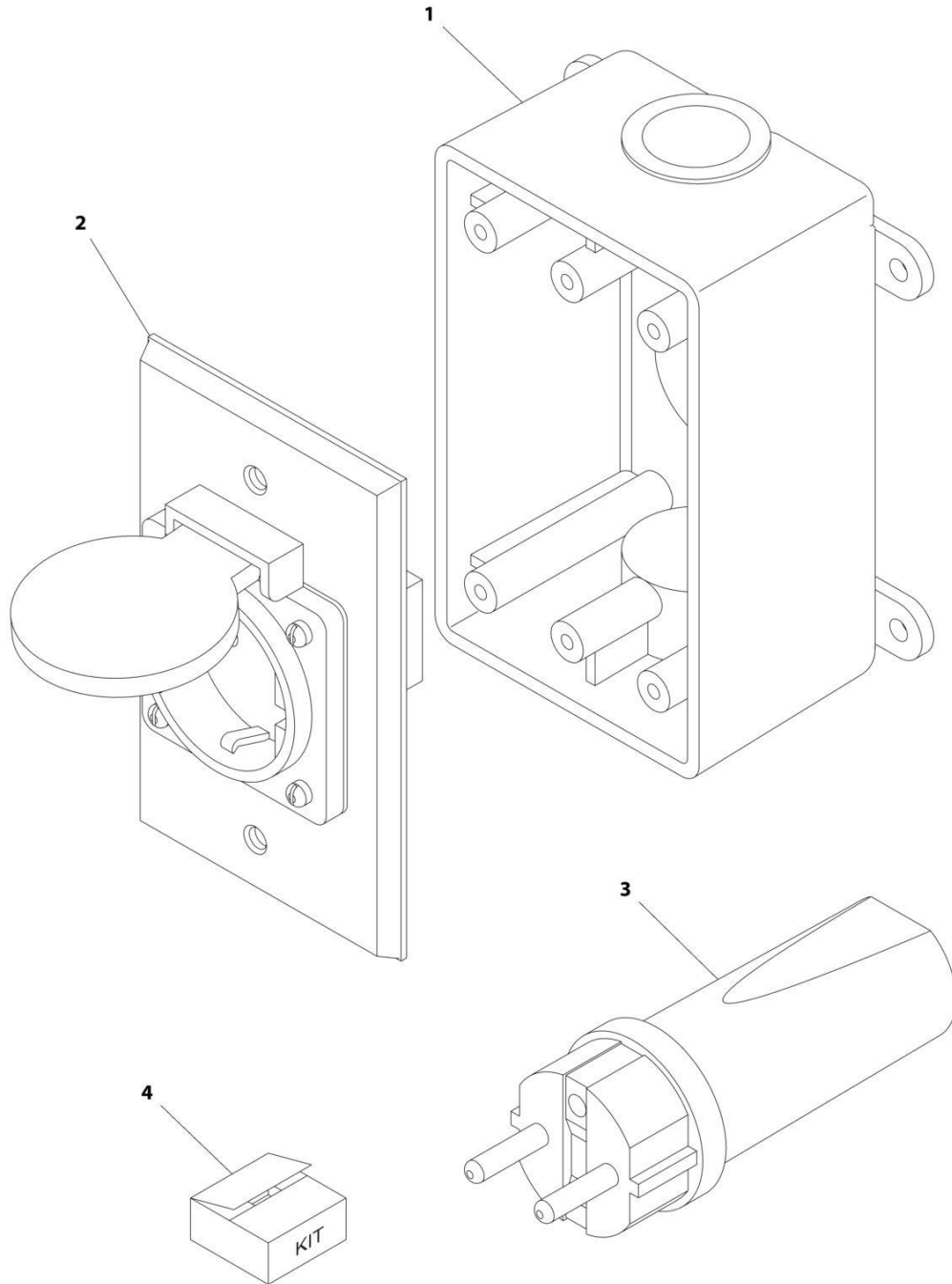
SECTION 8 - ELECTRICAL

FIGURE 8-44. RECEPTACLE BOX KIT - 220V CEE7 POST GROUND 2IN X 4IN BOX (CE, CIS/EAC & UK CA SPEC)

| ITEM | PART NUMBER | QTY | DESCRIPTION | REV |
|------|-------------|-----|--|-----|
| | 0275452 | Ref | RECEPTACLE BOX KIT - 220V CEE7 POST GROUND | C |
| 1 | 0861731 | 1 | Box, Switch | |
| 2 | 4461244 | 1 | Receptacle | |
| 3 | 4461205 | 1 | Plug, Male | |
| 4 | 1001100345 | 1 | Plug and Socket Kit (Includes Items 1-3 and Female Plug p/n 4461206) | |

SECTION 8 - ELECTRICAL

FIGURE 8-45. RECEPTACLE BOX KIT - 220V CEE7 SIDE GROUND 2IN X 4IN BOX (CE, CIS/EAC & UK CA SPEC)



ART_0275453

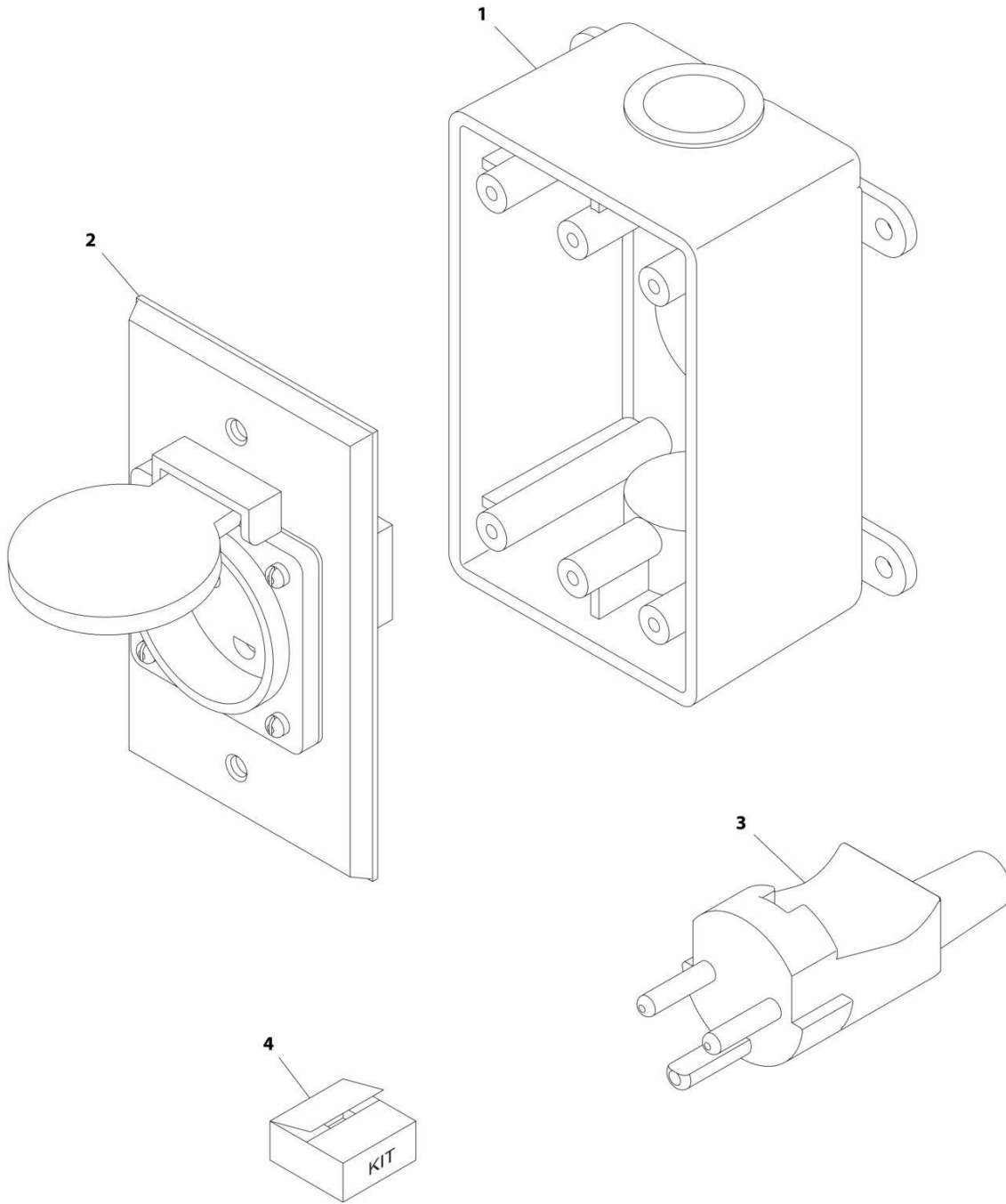
SECTION 8 - ELECTRICAL

FIGURE 8-45. RECEPTACLE BOX KIT - 220V CEE7 SIDE GROUND 2IN X 4IN BOX (CE, CIS/EAC & UK CA SPEC)

| ITEM | PART NUMBER | QTY | DESCRIPTION | REV |
|------|-------------|-----|--|-----|
| | 0275453 | Ref | RECEPTACLE BOX KIT - 220V CEE7 SIDE GROUND | B |
| 1 | 0861731 | 1 | Box, Switch | |
| 2 | 4461245 | 1 | Receptacle | |
| 3 | 4461205 | 1 | Plug, Male | |
| 4 | 1001100347 | 1 | Plug and Socket Kit (Includes Items 1-3 and Female Plug p/n 4461206) | |

SECTION 8 - ELECTRICAL

FIGURE 8-46. RECEPTACLE BOX KIT - 220V AFSINT 107 (CE, CIS/EAC & UK CA SPEC)



ART_0275454

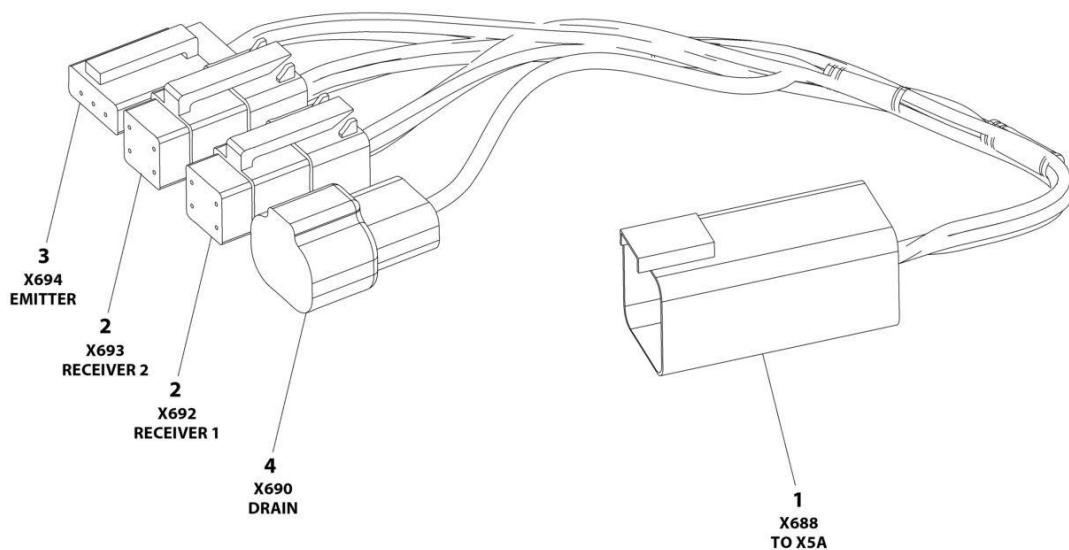
SECTION 8 - ELECTRICAL

FIGURE 8-46. RECEPTACLE BOX KIT - 220V AFSINT 107 (CE, CIS/EAC & UK CA SPEC)

| ITEM | PART NUMBER | QTY | DESCRIPTION | REV |
|------|-------------|-----|--|-----|
| | 0275454 | Ref | RECEPTACLE BOX KIT - 220V AFSINT 107 | B |
| 1 | 0861731 | 1 | Box, Switch | |
| 2 | 4461246 | 1 | Receptacle | |
| 3 | 4461249 | 1 | Plug, Male | |
| 4 | 1001100346 | 1 | Plug and Socket Kit (Includes Items 1-3 and Female Plug p/n 4461250) | |

SECTION 8 - ELECTRICAL

FIGURE 8-47. SKYEYE INTERMEDIATE HARNESS



ART_1001237865

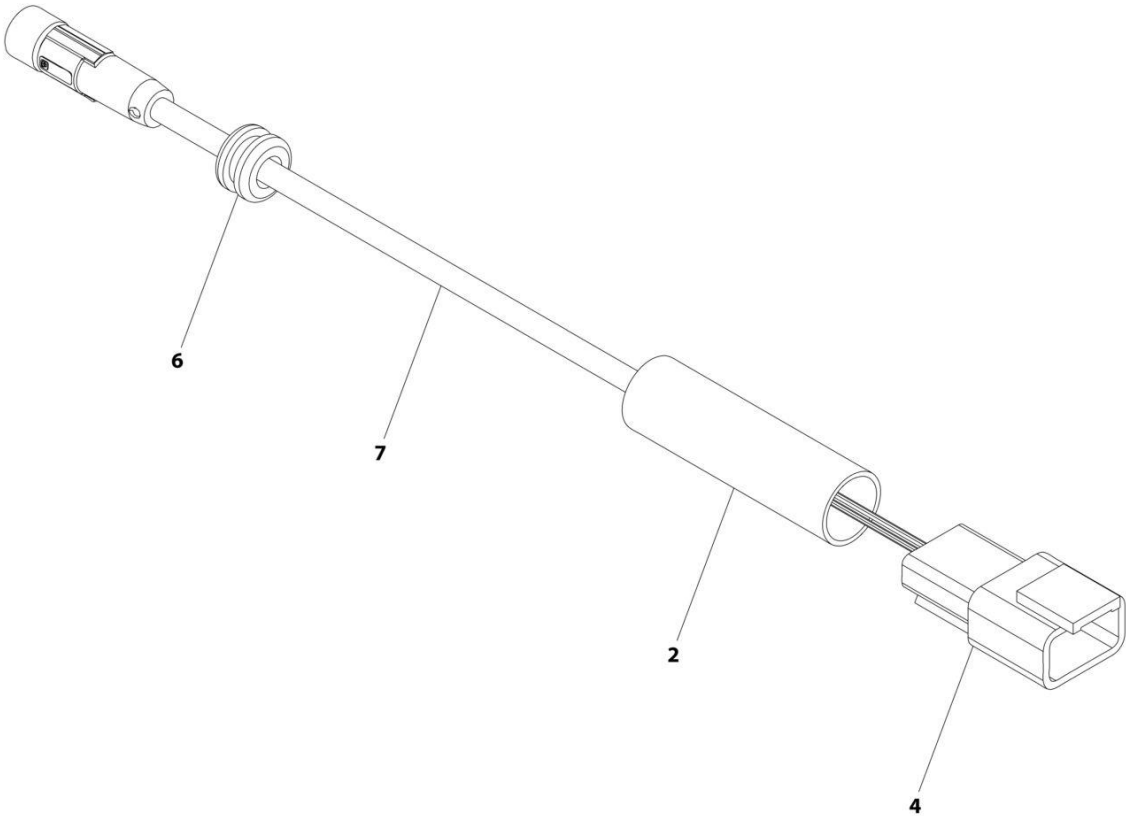
SECTION 8 - ELECTRICAL

FIGURE 8-47. SKYEYE INTERMEDIATE HARNESS

| ITEM | PART NUMBER | QTY | DESCRIPTION | REV |
|------|-------------|-----|-----------------------------|-----|
| | 1001237865 | Ref | SKYEYE INTERMEDIATE HARNESS | A |
| 1 | 4460899 | 1 | Connector - 6 Position | |
| 1 | 4460943 | 4 | Pin, Male | |
| 1 | 4460466 | 2 | Plug, Terminal | |
| 2 | 4461077 | 2 | Connector - 4 Position | |
| 2 | 1001119619 | 8 | Socket, Female | |
| 3 | 4460911 | 1 | Connector - 3 Position | |
| 3 | 1001119619 | 3 | Socket, Female | |
| 4 | 1001187681 | 1 | Connector - 2 Position | |
| 4 | 4460941 | 1 | Pin, Male | |
| 4 | 4460466 | 1 | Plug, Terminal | |

SECTION 8 - ELECTRICAL

FIGURE 8-48. SKYEYE RECEIVER HARNESS



ART_1001237863_B

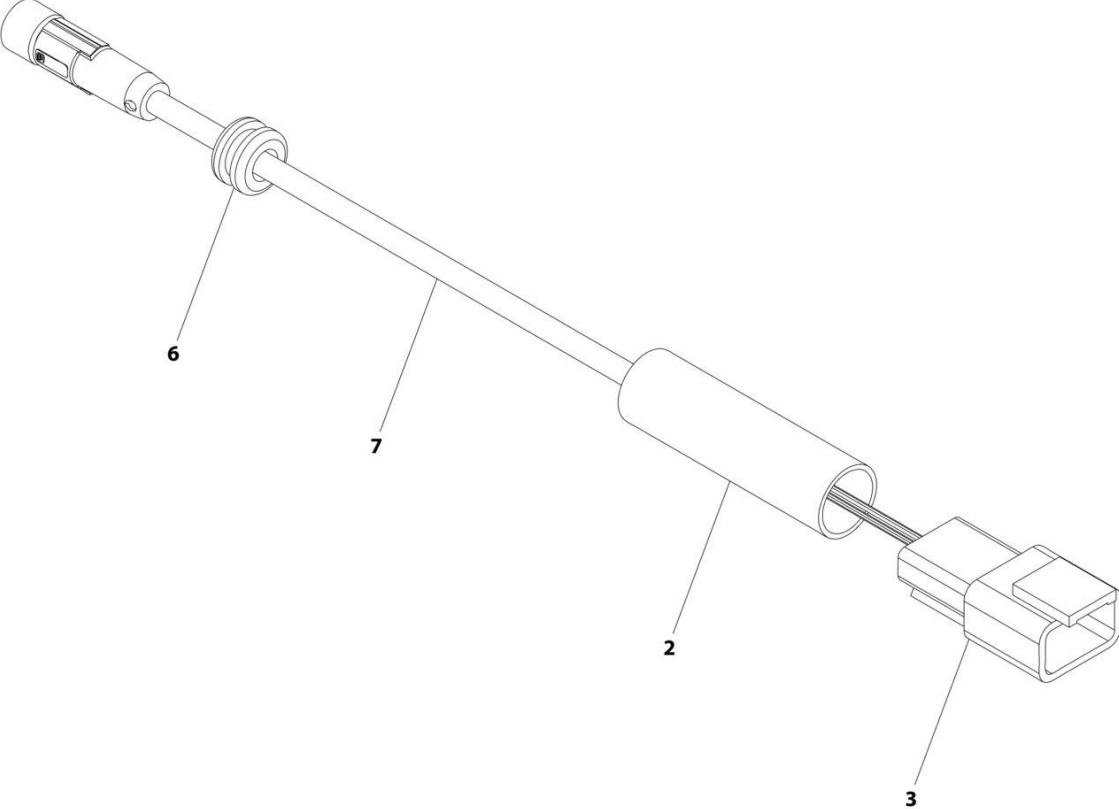
SECTION 8 - ELECTRICAL

FIGURE 8-48. SKYEYE RECEIVER HARNESS

| ITEM | PART NUMBER | QTY | DESCRIPTION | REV |
|------|-------------|-----|--------------------------|-----|
| | 1001237863 | Ref | SKYEYE RECEIVER HARNESS | B |
| 2 | 2820247 | AR | Tubing, Heat Shrink | |
| 4 | 1001097051 | 1 | Connector - 4 Position | |
| 4 | 1001119620 | 4 | Pin, Male | |
| 6 | 1001227996 | 1 | Grommet | |
| 7 | 1001258495 | 1 | Cable, M8 Female Cordset | |

SECTION 8 - ELECTRICAL

FIGURE 8-49. SKYEYE EMITTER HARNESS



ART_1001237864_B

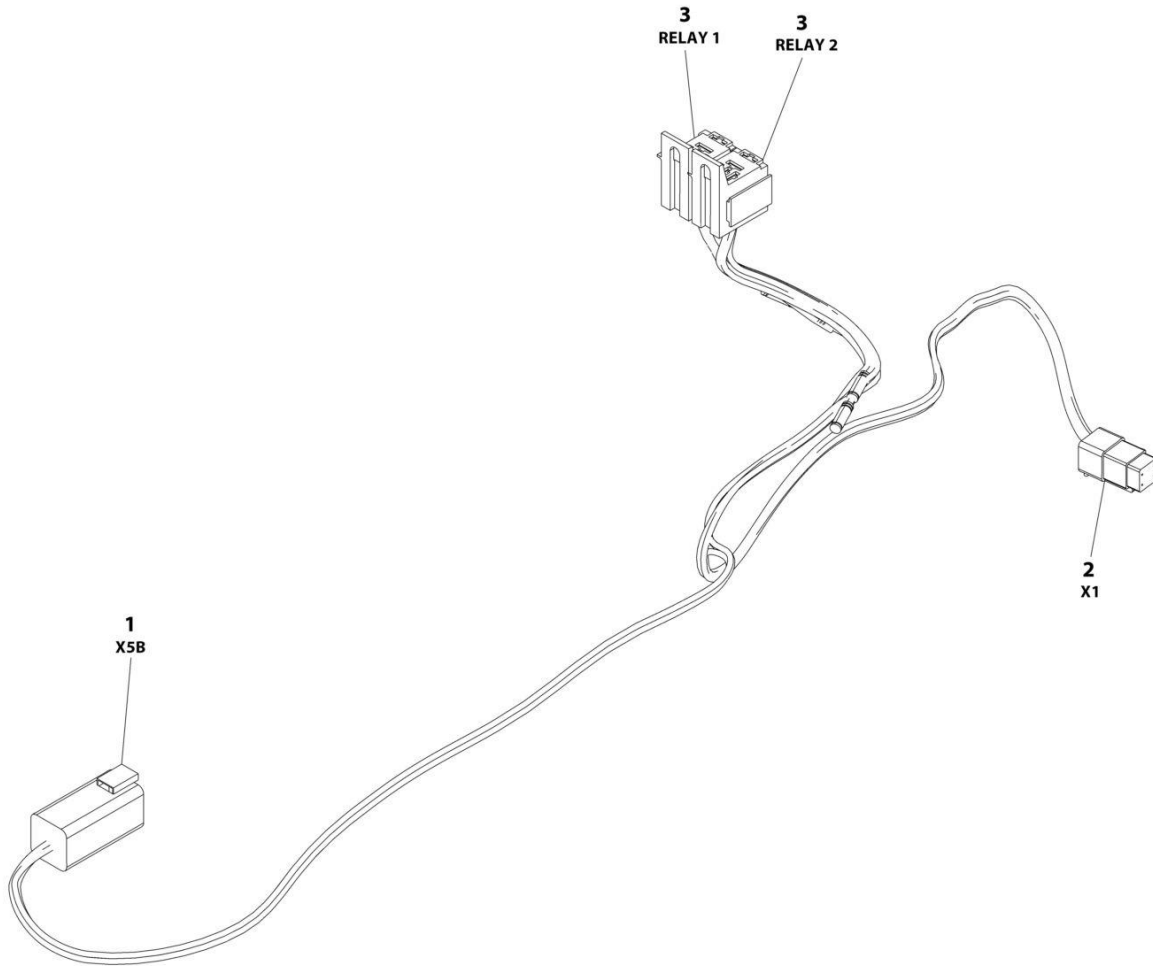
SECTION 8 - ELECTRICAL

FIGURE 8-49. SKYEYE EMITTER HARNESS

| ITEM | PART NUMBER | QTY | DESCRIPTION | REV |
|------|-------------|-----|--------------------------|-----|
| | 1001237864 | Ref | SKYEYE EMITTER HARNESS | B |
| 2 | 2820247 | AR | Tubing, Heat Shrink | |
| 3 | 4460910 | 1 | Connector - 3 Position | |
| 3 | 1001119620 | 3 | Pin, Male | |
| 6 | 1001227996 | 1 | Grommet | |
| 7 | 1001258495 | 1 | Cable, M8 Female Cordset | |

SECTION 8 - ELECTRICAL

FIGURE 8-50. SKYLINE HARNESS



ART_1001238418

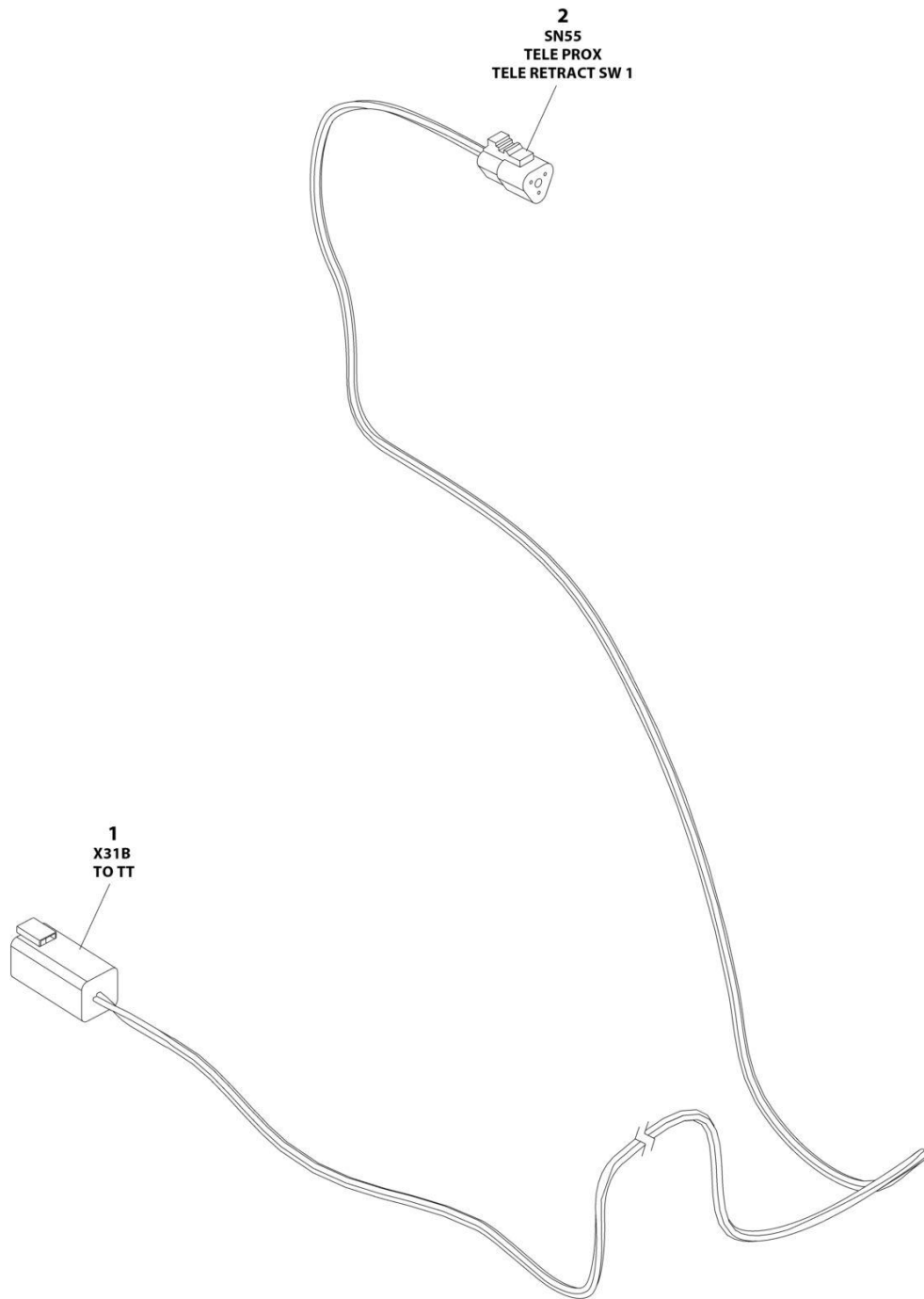
SECTION 8 - ELECTRICAL

FIGURE 8-50. SKYLINE HARNESS

| ITEM | PART NUMBER | QTY | DESCRIPTION | REV |
|------|-------------|-----|------------------------|-----|
| | 1001238418 | Ref | SKYLINE HARNESS | B |
| 1 | 4460899 | 1 | Connector - 6 Position | |
| 1 | 4460464 | 4 | Pin, Male | |
| 1 | 4460466 | 2 | Plug, Terminal | |
| 2 | 4461077 | 1 | Connector - 4 Position | |
| 2 | 1001126009 | 4 | Socket, Female | |
| 3 | 1001186432 | 2 | Plug, Relay | |
| 3 | 1001118388 | 5 | Terminal | |
| 3 | 1001118384 | 3 | Terminal | |
| 3 | 3740086 | 2 | Relay | |

SECTION 8 - ELECTRICAL

FIGURE 8-51. TRANSPORT HARNESS



ART_1001263008

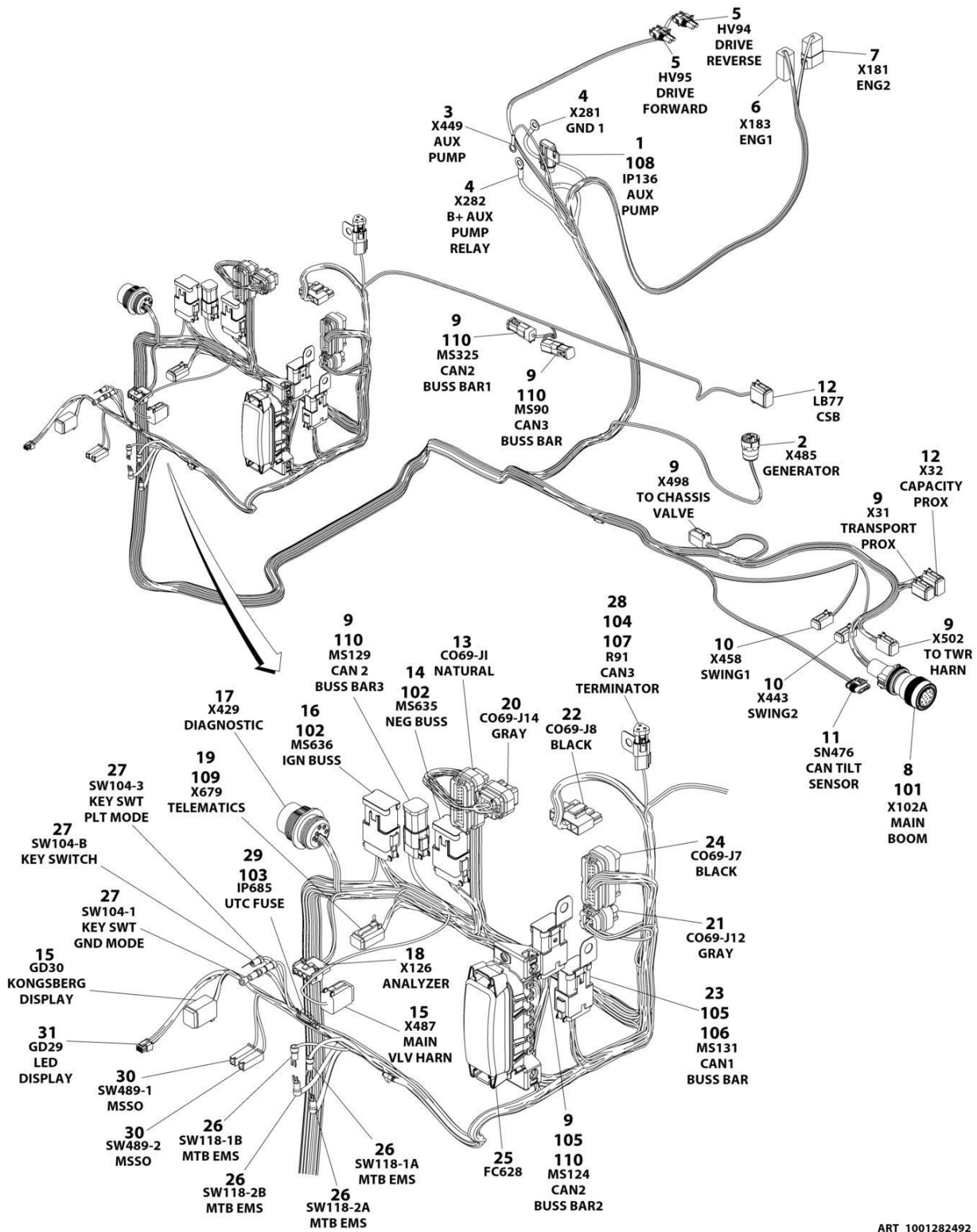
SECTION 8 - ELECTRICAL

FIGURE 8-51. TRANSPORT HARNESS

| ITEM | PART NUMBER | QTY | DESCRIPTION | REV |
|------|-------------|-----|---------------------------------|-----|
| | 1001263008 | Ref | TRANSPORT HARNESS | B |
| 1 | 4460899 | 1 | Receptacle, Female - 6 Position | |
| 1 | 4460464 | 3 | Pin, Male | |
| 1 | 4460466 | 3 | Plug, Terminal | |
| 2 | 4460539 | 1 | Plug, Male - 3 Position | |
| 2 | 4460465 | 3 | Socket, Female | |

SECTION 8 - ELECTRICAL

FIGURE 8-52. TURNTABLE HARNESS



ART_1001282492

SECTION 8 - ELECTRICAL

FIGURE 8-52. TURNTABLE HARNESS

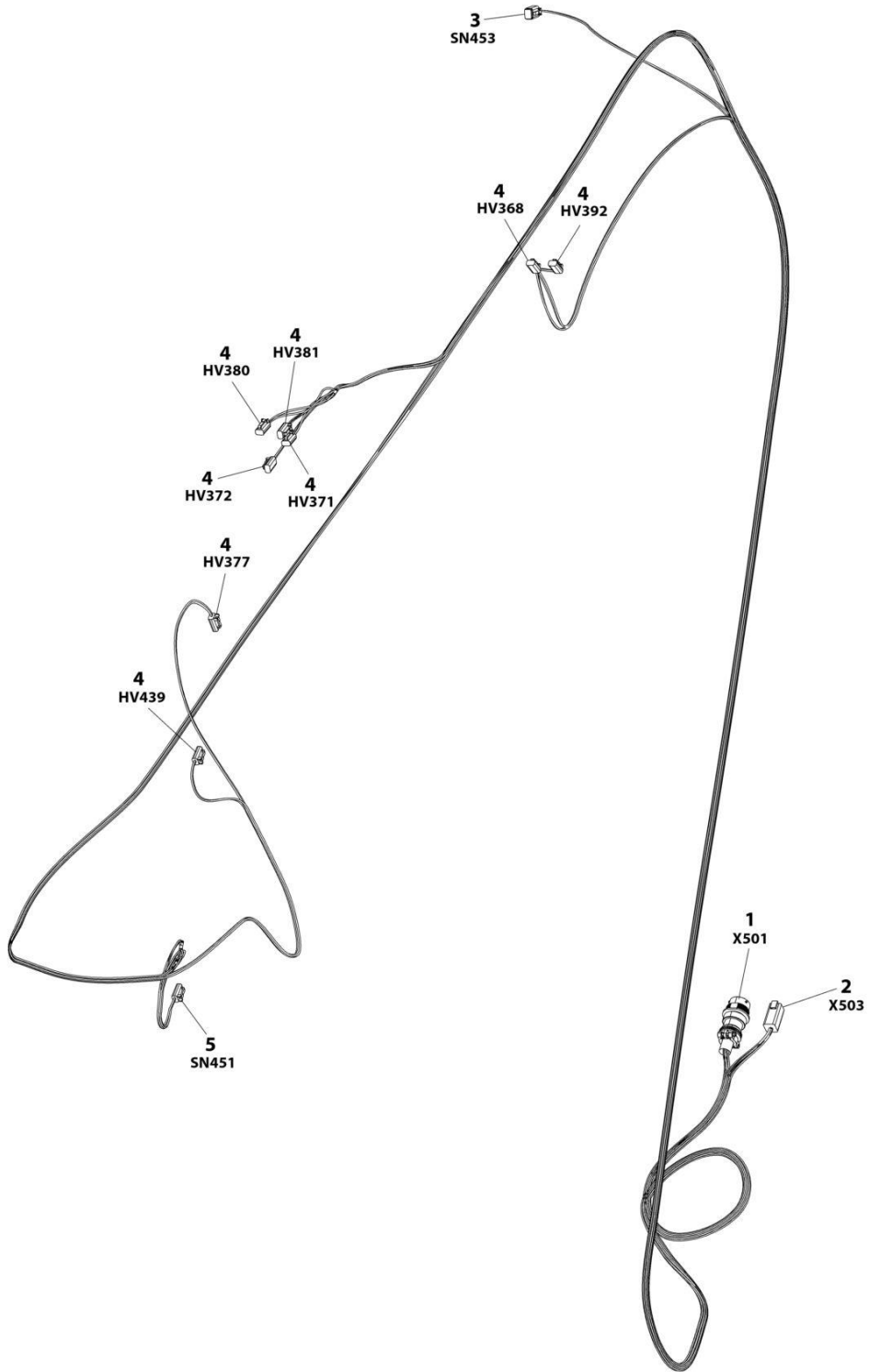
| ITEM | PART NUMBER | QTY | DESCRIPTION | REV |
|------|-------------|-----|----------------------------------|-----|
| | 1001282492 | Ref | TURNTABLE HARNESS | B |
| 1 | 1001117070 | 1 | Fuseholder (Includes 30Amp Fuse) | |
| 1 | 1001116734 | 2 | Socket | |
| 2 | 4460967 | 1 | Connector | |
| 2 | 4460465 | 3 | Socket | |
| 3 | 4460247 | 1 | Terminal, Ring | |
| 4 | 8220045 | 2 | Terminal, Ring | |
| 5 | 4460742 | 2 | Connector | |
| 5 | 4460743 | 4 | Socket | |
| 5 | 4460458 | 4 | Seal, Terminal | |
| 6 | 4460899 | 1 | Connector | |
| 6 | 4460464 | 5 | Pin | |
| 6 | 4460466 | 1 | Plug | |
| 7 | 4460931 | 1 | Connecot | |
| 7 | 4460464 | 5 | Pin | |
| 7 | 4460466 | 3 | Plug | |
| 8 | 4460865 | 1 | Connector | |
| 8 | 4460465 | 6 | Socket (20-16Awg) | |
| 8 | 4460509 | 2 | Socket (14-12Awg) | |
| 8 | 4460466 | 11 | Plug | |
| 9 | 4460894 | 7 | Connector | |
| 9 | 4460465 | 42 | Socket | |
| 10 | 4460884 | 2 | Connector | |
| 10 | 4460465 | 4 | Socket | |
| 10 | 4460466 | 4 | Plug | |
| 11 | 1001103012 | 1 | Connector | |
| 11 | 1001107854 | 4 | Socket | |
| 11 | 1001104498 | 4 | Seal, Terminal | |
| 12 | 4460930 | 2 | Connector | |
| 12 | 4460465 | 13 | Socket | |
| 12 | 4460466 | 3 | Plug | |
| 13 | 4460874 | 1 | Connector | |
| 13 | 4460871 | 21 | Socket | |
| 13 | 4460905 | 14 | Plug | |
| 14 | 4460836 | 1 | Connector | |
| 14 | 4460465 | 9 | Socket | |
| 14 | 4460466 | 3 | Plug | |
| 15 | 4460894 | 2 | Connector | |
| 15 | 4460465 | 7 | Socket | |
| 15 | 4460466 | 5 | Plug | |
| 16 | 4460836 | 1 | Connector | |
| 16 | 1001157890 | 1 | Socket (16-12Awg) | |
| 16 | 4460465 | 5 | Socket (20-16Awg) | |
| 16 | 4460466 | 6 | Plug | |
| 17 | 1001112612 | 1 | Connector | |
| 17 | 4460464 | 3 | Pin | |
| 17 | 4460466 | 4 | Plug | |
| 18 | 4460761 | 1 | Connector | |
| 18 | 4460267 | 4 | Pin | |
| 19 | 4460884 | 1 | Connector | |

SECTION 8 - ELECTRICAL

| ITEM | PART NUMBER | QTY | DESCRIPTION | REV |
|------|-------------|-----|---|-----|
| 19 | 4460465 | 4 | Socket | |
| 20 | 1001246859 | 1 | Connector | |
| 20 | 4460871 | 4 | Socket | |
| 20 | 4460905 | 10 | Plug | |
| 21 | 1001113961 | 1 | Connector | |
| 21 | 4460871 | 5 | Socket | |
| 21 | 4460905 | 3 | Plug | |
| 22 | 4460878 | 1 | Connector | |
| 22 | 1001237383 | 1 | Socket (12-10Awg) | |
| 22 | 4460887 | 4 | Socket (8Awg) | |
| 23 | 4460933 | 1 | Connector | |
| 23 | 4460465 | 8 | Socket | |
| 23 | 4460466 | 4 | Plug | |
| 24 | 4460873 | 1 | Connector | |
| 24 | 4460871 | 28 | Socket | |
| 24 | 4460905 | 7 | Plug | |
| 25 | 1001185964 | 1 | Fuse Box Assembly | |
| 25 | 8229242 | 4 | Fuse 5Amp | |
| 25 | 8229244 | 2 | Fuse 15Amp | |
| 25 | 1001095704 | 1 | Relay | |
| 25 | 1001129285 | 2 | Fuse with Diode | |
| 25 | 1001196635 | 1 | Fuse 3Amp | |
| 25 | 1001116728 | 14 | Socket (18-16Awg) | |
| 25 | 8220125 | 9 | Socket (12-10Awg) | |
| 25 | 4460748 | 25 | Plug | |
| 25 | 4460458 | 14 | Seal, Terminal (Use with Socket 1001116728) | |
| 25 | 80963067 | 9 | Seal, Terminal (Use with Socket 8220125) | |
| 26 | 4460806 | 4 | Terminal, Fork | |
| 27 | 4460142 | 3 | Terminal, Ring | |
| 28 | 1001144147 | 1 | Connector | |
| 28 | 4460943 | 2 | Pin | |
| 28 | 4460466 | 1 | Plug | |
| 29 | 2400060 | 1 | Fuseholder | |
| 30 | 4460260 | 2 | Connector | |
| 30 | 4460259 | 2 | Socket | |
| 31 | 1001237667 | 1 | Connector | |
| 31 | 1001237668 | 5 | Socket | |
| 101 | 1321647 | 1 | Clamp | |
| 102 | 1001271323 | 2 | Connector, Bussbar | |
| 103 | 8229242 | 1 | Fuse 5Amp | |
| 104 | 1001116815 | 1 | Connector (Includes Resistor) | |
| 105 | 1001120328 | 2 | Mount, Connector | |
| 106 | 1001125677 | 1 | Connector, Bussbar | |
| 107 | 1001155967 | 1 | Mount, Connector | |
| 108 | 1001172065 | 1 | Fuse 30Amp | |
| 109 | 1001192401 | 1 | Cap, Dust | |
| 110 | 1001226541 | 4 | Connecotr, Bussbar | |

SECTION 8 - ELECTRICAL

FIGURE 8-53. VALVE HARNESS - BOOM VALVE



ART_1001164738

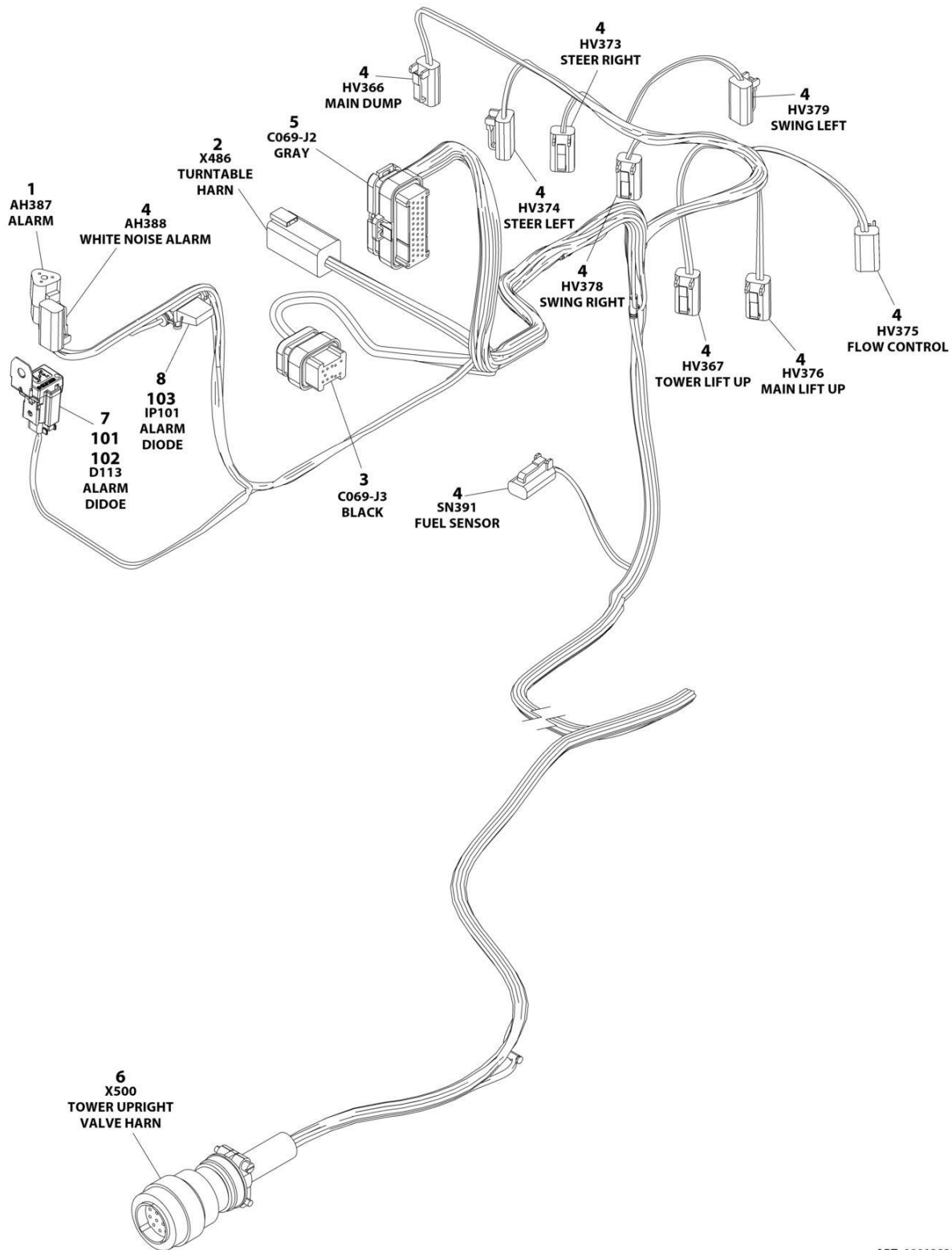
SECTION 8 - ELECTRICAL

FIGURE 8-53. VALVE HARNESS - BOOM VALVE

| ITEM | PART NUMBER | QTY | DESCRIPTION | REV |
|------|-------------|-----|-------------------------|-----|
| | 1001164738 | Ref | BOOM VALVE HARNESS | 1 |
| 1 | 1001156541 | 1 | Connector - 19 Position | |
| 1 | 4460464 | 13 | Pin, Male | |
| 1 | 4460466 | 1 | Plug, Terminal | |
| 2 | 4460899 | 1 | Connector - 6 Position | |
| 2 | 4460464 | 6 | Pin, Male | |
| 3 | 4460884 | 1 | Plug, Male - 4 Position | |
| 3 | 4460465 | 2 | Socket, Female | |
| 3 | 4460466 | 2 | Plug, Terminal | |
| 4 | 4460891 | 8 | Plug, Male - 2 Position | |
| 4 | 4460465 | 16 | Socket, Female | |
| 5 | 1001230931 | 1 | Plug, Male - 6 Position | |
| 5 | 1001116748 | 6 | Terminal | |

SECTION 8 - ELECTRICAL

FIGURE 8-54. VALVE HARNESS - MAIN VALVE



ART_1001282533

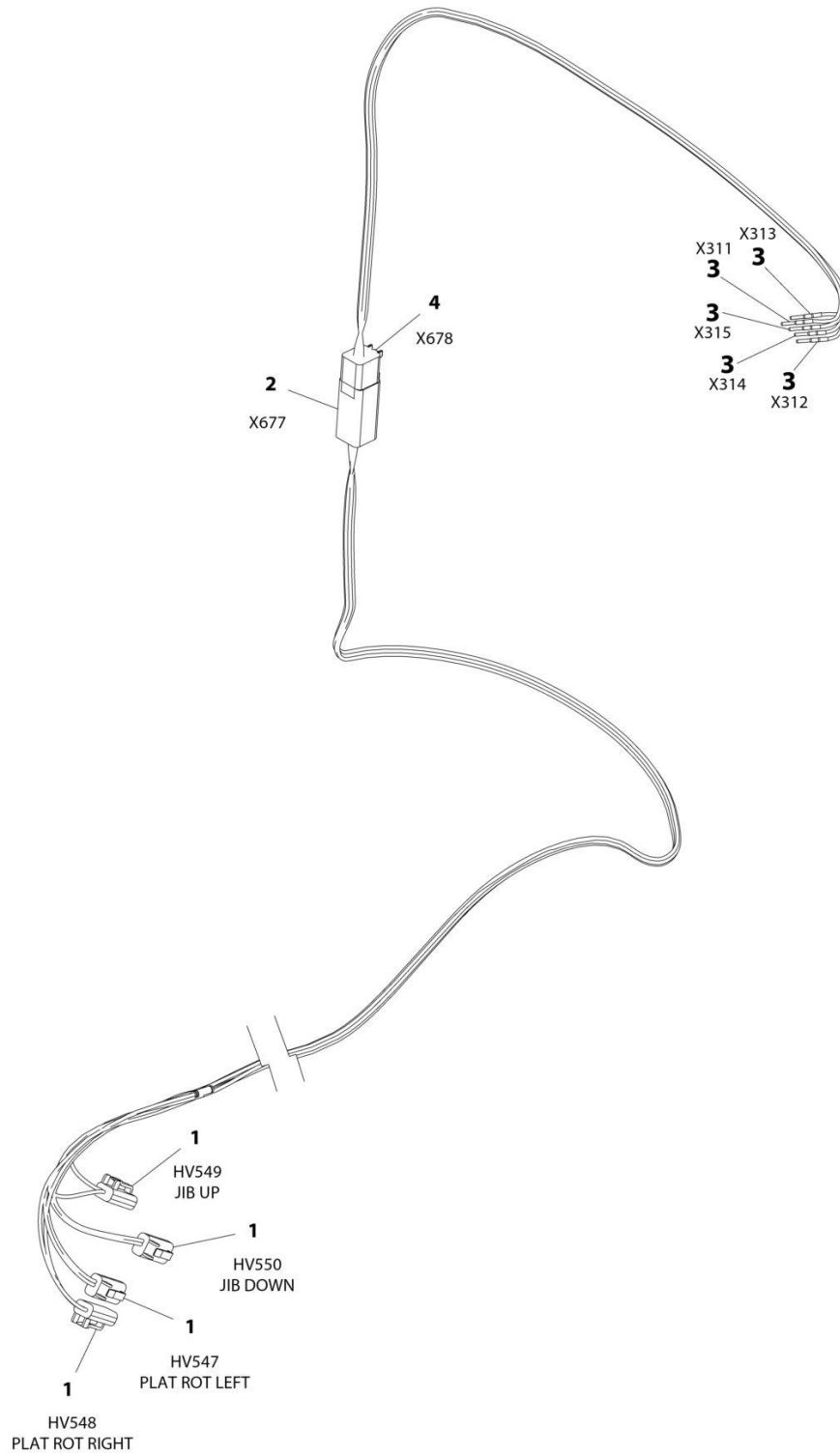
SECTION 8 - ELECTRICAL

FIGURE 8-54. VALVE HARNESS - MAIN VALVE

| ITEM | PART NUMBER | QTY | DESCRIPTION | REV |
|------|-------------|-----|----------------------------|-----|
| | 1001282533 | Ref | MAIN VALVE HARNESS | A |
| 1 | 4460539 | 1 | Connector | |
| 1 | 4460465 | 3 | Socket | |
| 2 | 4460899 | 1 | Connector | |
| 2 | 4460464 | 5 | Pin | |
| 2 | 4460466 | 1 | Plug | |
| 3 | 4460872 | 1 | Connector | |
| 3 | 4460871 | 9 | Socket | |
| 3 | 4460905 | 5 | Plug | |
| 4 | 4460891 | 10 | Connector | |
| 4 | 4460465 | 20 | Socket | |
| 5 | 4460875 | 1 | Connector | |
| 5 | 4460871 | 26 | Socket | |
| 5 | 4460905 | 9 | Plug | |
| 6 | 4460754 | 1 | Connector | |
| 6 | 4460465 | 13 | Socket | |
| 6 | 4460466 | 1 | Plug | |
| 7 | 4460884 | 1 | Connector | |
| 7 | 4460465 | 4 | Socket | |
| 8 | 1001170764 | 1 | Fuseholder | |
| 101 | 1001152266 | 1 | Connector (Includes Diode) | |
| 102 | 1001155743 | 1 | Mount, Connector | |
| 103 | 1001196636 | 1 | Diode 1Amp | |

SECTION 8 - ELECTRICAL

FIGURE 8-55. VALVE HARNESS - PLATFORM VALVE



ART_1001164728

SECTION 8 - ELECTRICAL

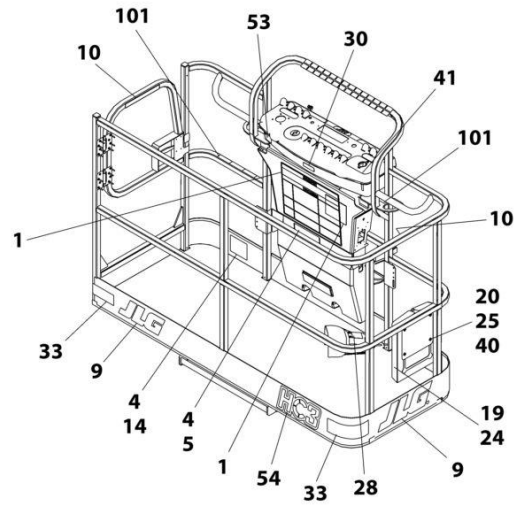
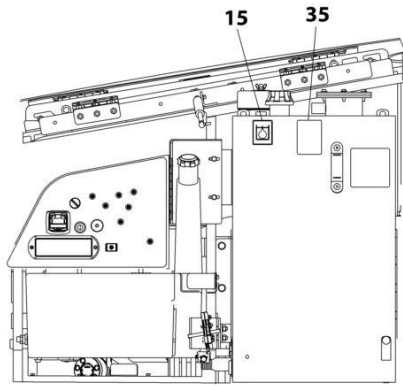
FIGURE 8-55. VALVE HARNESS - PLATFORM VALVE

| ITEM | PART NUMBER | QTY | DESCRIPTION | REV |
|------|-------------|-----|---------------------------------|-----|
| | 1001164728 | Ref | VALVE HARNESS - PLATFORM VALVE | D |
| 1 | 4460891 | 4 | Plug, Male - 2 Position | |
| 1 | 4460465 | 8 | Socket, Female | |
| 2 | 4460899 | 1 | Receptacle, Female - 6 Position | |
| 2 | 4460464 | 5 | Pin, Male | |
| 2 | 4460466 | 1 | Plug, Terminal | |
| 3 | 4460465 | 5 | Socket, Female | |
| 4 | 4460894 | 1 | Plug, Male - 6 Position | |
| 4 | 4460465 | 5 | Socket, Female | |
| 4 | 4460466 | 1 | Plug, Terminal | |

SECTION 9 - DECALS

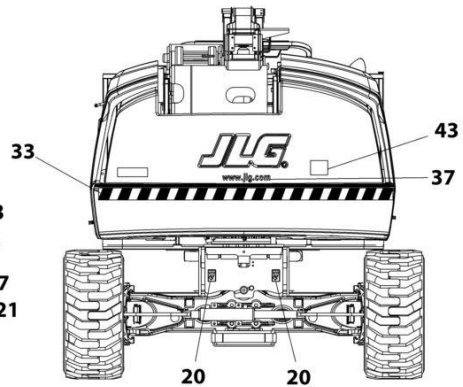
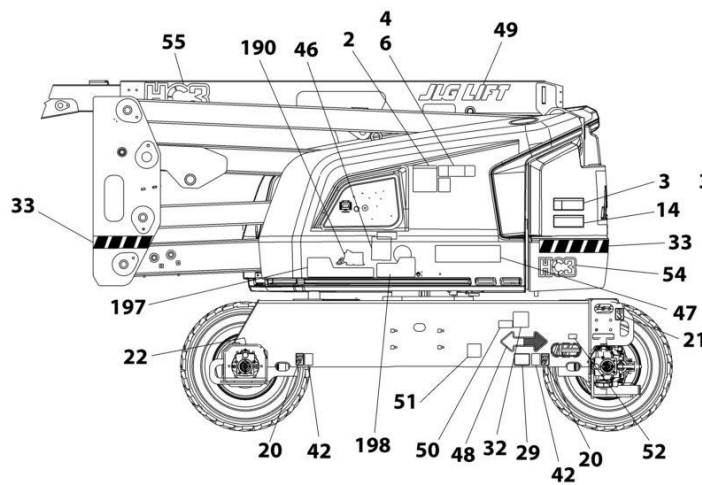
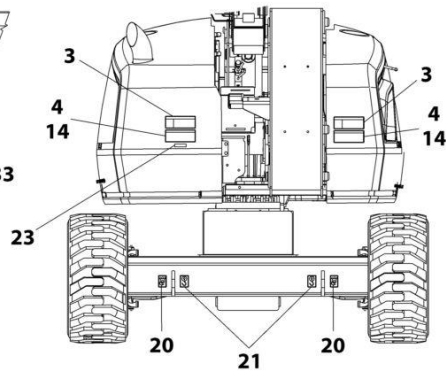
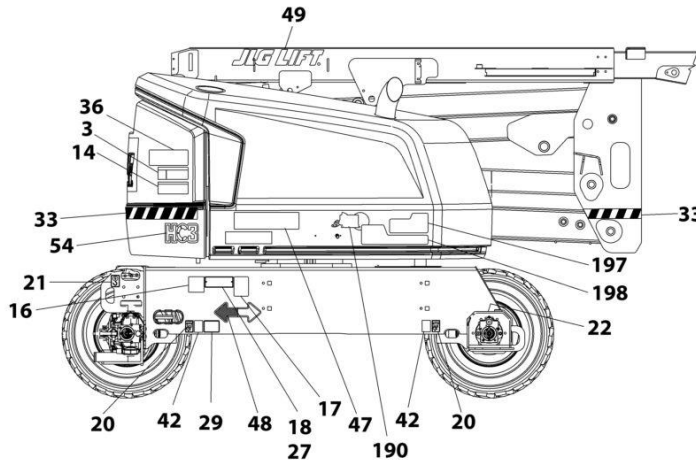
SECTION 9 - DECALS

FIGURE 9-1. DECAL INSTALLATION - ANSI EXPORT (ENGLISH LANGUAGE)



NOTE: SOME DECALS ARE CALLED OUT ON DECAL INSTALLATION - OPTIONS.

NOTE: ITEMS SHOWN MAY NOT BE REQUIRED FOR ALL SPECS. REFER TO PARTS LIST FOR USAGE.



ART_1001254300

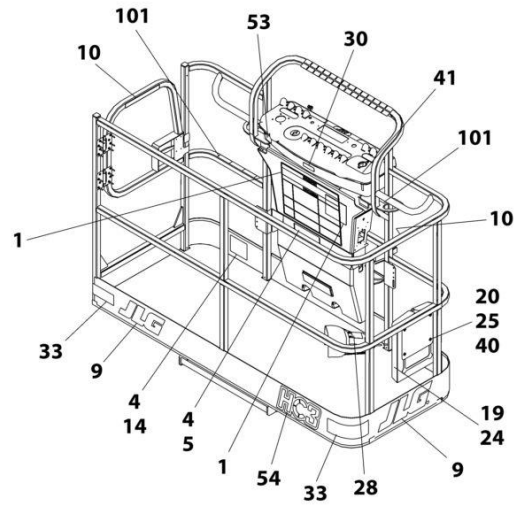
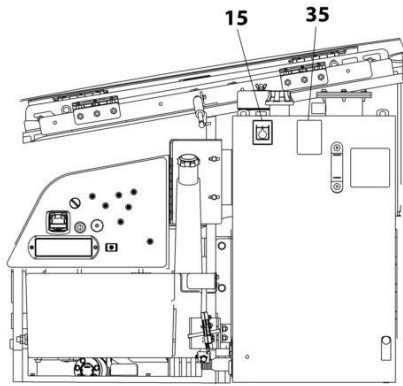
SECTION 9 - DECALS

FIGURE 9-1. DECAL INSTALLATION - ANSI EXPORT (ENGLISH LANGUAGE)

| ITEM | PART NUMBER | QTY | DESCRIPTION | REV |
|------|-------------|-----|---|-----|
| | 1001254314 | Ref | DECAL INSTALLATION - REFERENCE CHART | C |
| | 1001254300 | Ref | DECAL INSTALLATION | D |
| 1 | 1703797 | 1 | Decal - Danger/Warning | |
| 2 | 1705336 | 1 | Decal - Danger/Warning | |
| 3 | 1703805 | 4 | Decal - Danger/Electrocution | |
| 4 | 1703804 | 4 | Decal - Warning/Crushing | |
| 5 | 1001234425 | 1 | Decal - Warning | |
| 6 | 1001234426 | 1 | Decal - Warning | |
| 10 | 1702868 | 2 | Decal - No Hands | |
| 14 | 1703953 | 2 | Decal - Warning/Crushing | |
| 15 | 1701504 | 1 | Decal - Hydraulic Oil | |
| 16 | See Note | NSS | Decal - Bar Code (Note: Not Available for Purchase) | |
| 17 | 1001131269 | 1 | Decal - Patent | |
| 18 | | Ref | Nameplate - Manufacturers Serial Number | |
| 19 | 1701509 | 1 | Decal - Manual | |
| 20 | 1702300 | 8 | Decal - Tie Down /Lift | |
| 21 | 1701500 | 4 | Decal - Tie Down /Lift | |
| 22 | 1703687 | 2 | Decal - Arrow | |
| 23 | 3251243 | 1 | Nameplate 120V-60Hz | |
| 24 | 0860520 | 1 | Box, Manual Storage | |
| 25 | 4751400 | 4 | Washer 1/4 | |
| 26 | 3311405 | 4 | Nut 1/4 | |
| 27 | 3820001 | 2 | Rivet | |
| 28 | 3252347 | 1 | Decal - Footswitch | |
| 35 | 1704412 | 1 | Decal - Hydraulic Fluid | |
| 36 | 1001274782 | 1 | Decal - Lift Diagram | |
| 37 | 1704885 | 1 | Decal - Website | |
| 40 | 0641406 | 4 | Bolt 1/4 x 3/4 | |
| 41 | 1705351 | 1 | Decal - Drive/Steer | |
| 42 | 1701499 | 4 | Decal - Tie Down /Lift | |
| 43 | 3251813 | 1 | Decal - USA | |
| 48 | 1701529 | 2 | Decal - Arrow | |
| 51 | 1001223055 | 1 | Decal - Yearly Inspection | |
| 52 | 1001223453 | 1 | Decal - ICES (Canada) | |
| 100 | 1001232026 | 1 | Decal - Platform Lanyard Kit (Not Shown) | |
| 101 | 1704277 | 3 | Decal - Attach Lanyard Here | |

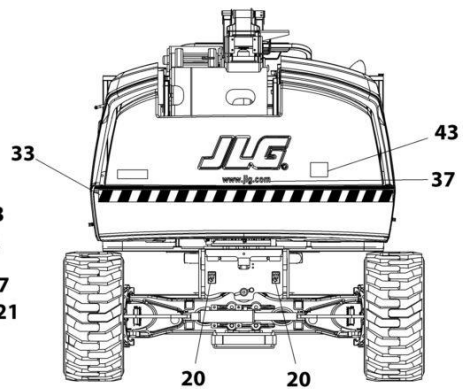
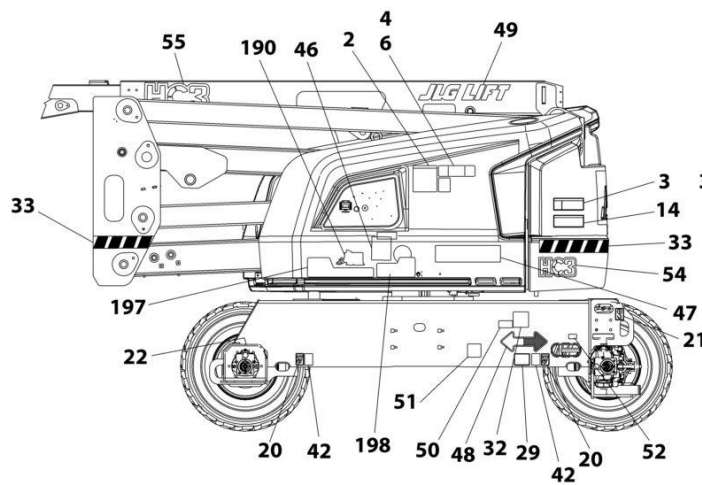
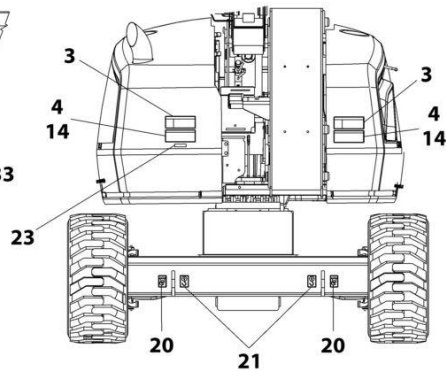
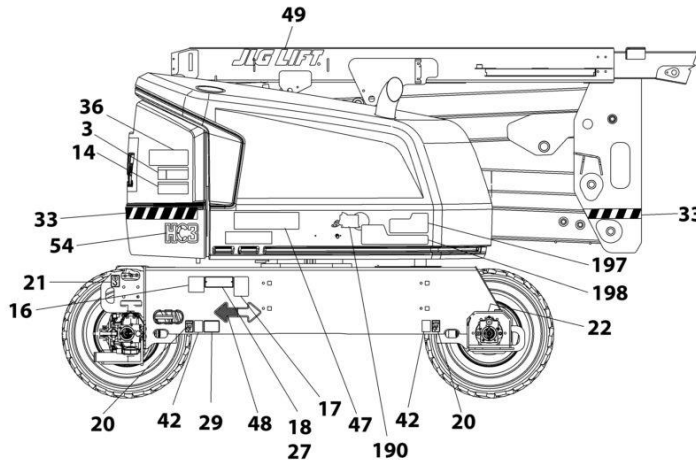
SECTION 9 - DECALS

FIGURE 9-2. DECAL INSTALLATION - AUSTRALIAN SPEC (ENGLISH LANGUAGE)



NOTE: SOME DECALS ARE CALLED OUT ON DECAL INSTALLATION - OPTIONS.

NOTE: ITEMS SHOWN MAY NOT BE REQUIRED FOR ALL SPECS. REFER TO PARTS LIST FOR USAGE.



ART_1001254301

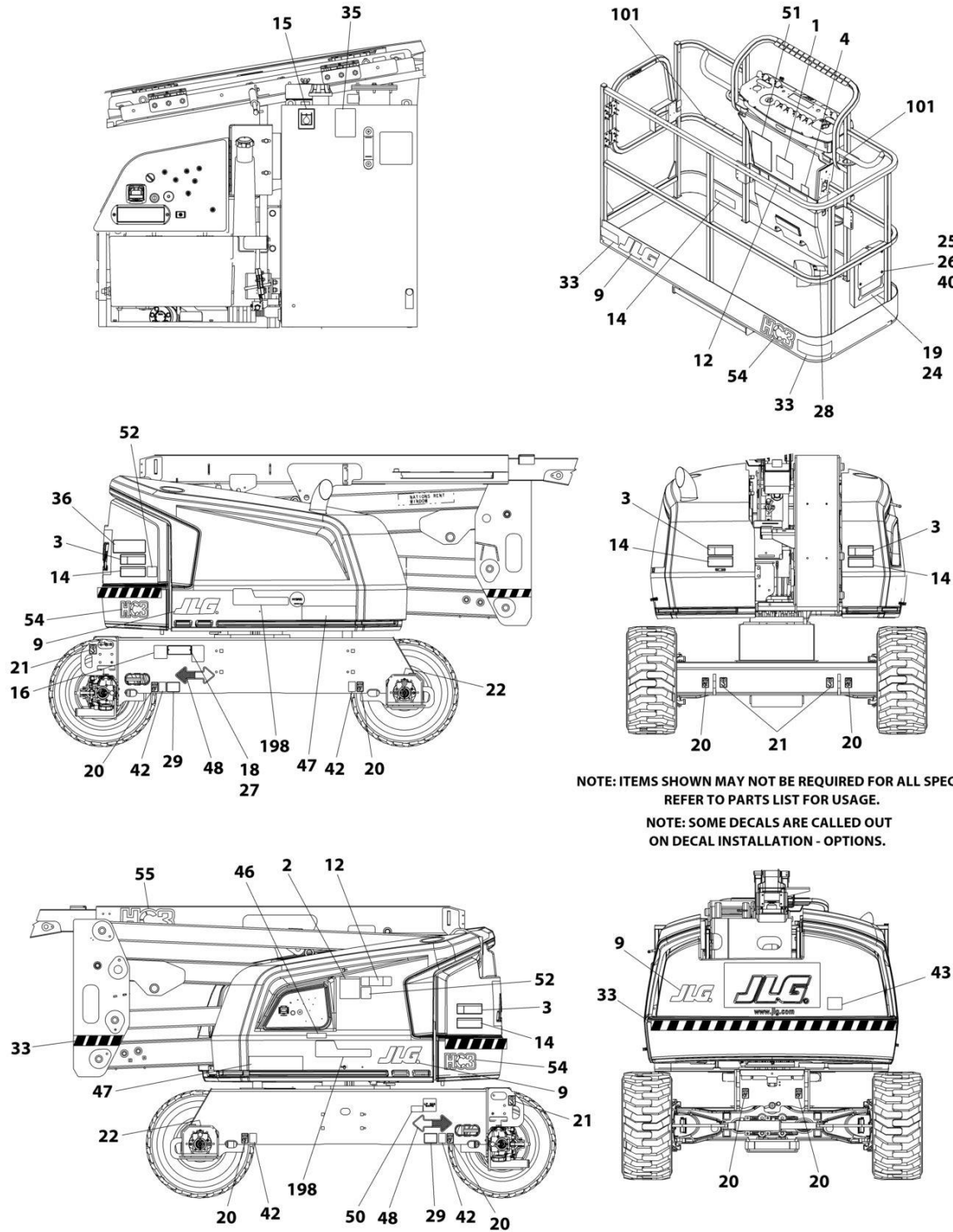
SECTION 9 - DECALS

FIGURE 9-2. DECAL INSTALLATION - AUSTRALIAN SPEC (ENGLISH LANGUAGE)

| ITEM | PART NUMBER | QTY | DESCRIPTION | REV |
|------|-------------|-----|---|-----|
| | 1001254314 | Ref | DECAL INSTALLATION - REFERENCE CHART | C |
| | 1001254301 | Ref | DECAL INSTALLATION | E |
| 1 | 1705921 | 1 | Decal - Tipping/Electrocution | |
| 2 | 1705822 | 1 | Decal - Electrocution/Safety Manual | |
| 3 | 1705961 | 4 | Decal - Danger/Electrocution | |
| 4 | 1001234439 | 2 | Decal - Warning | |
| 14 | 1701518 | 6 | Decal - Warning/Crushing | |
| 15 | 1701504 | 1 | Decal - Hydraulic Oil | |
| 16 | See Note | NSS | Decal - Bar Code (Note: Not Available for Purchase) | |
| 18 | | Ref | Nameplate - Manufacturers Serial Number | |
| 19 | 1701509 | 1 | Decal - Manual | |
| 20 | 1702300 | 8 | Decal - Tie Down /Lift | |
| 21 | 1701500 | 4 | Decal - Tie Down /Lift | |
| 22 | 1703687 | 2 | Decal - Arrow | |
| 24 | 0860520 | 1 | Box, Manual Storage | |
| 25 | 4751400 | 4 | Washer 1/4 | |
| 26 | 3311405 | 4 | Nut 1/4 | |
| 27 | 3820001 | 2 | Rivet | |
| 28 | 1705828 | 1 | Decal - Footswitch | |
| 35 | 1704412 | 1 | Decal - Hydraulic Fluid | |
| 36 | 1001274782 | 1 | Decal - Lift Diagram | |
| 37 | 1704885 | 1 | Decal - Website | |
| 40 | 0641406 | 4 | Bolt 1/4 x 3/4 | |
| 42 | 1701499 | 4 | Decal - Tie Down /Lift | |
| 43 | 1001204510 | 1 | Decal - Sound Power Level | |
| 46 | 1001112551 | 1 | Decal - Emergency Controls | |
| 48 | 1701529 | 2 | Decal - Arrow | |
| 100 | 1001232026 | 1 | Decal - Platform Lanyard Kit (Not Shown) | |
| 101 | 1704277 | 3 | Decal - Attach Lanyard Here | |

SECTION 9 - DECALS

FIGURE 9-3. DECAL INSTALLATION - CE, CIS/EAC & UK CA SPEC (ENGLISH LANGUAGE)



NOTE: ITEMS SHOWN MAY NOT BE REQUIRED FOR ALL SPECS.
REFER TO PARTS LIST FOR USAGE.
NOTE: SOME DECALS ARE CALLED OUT
ON DECAL INSTALLATION - OPTIONS.

ART_1001254307

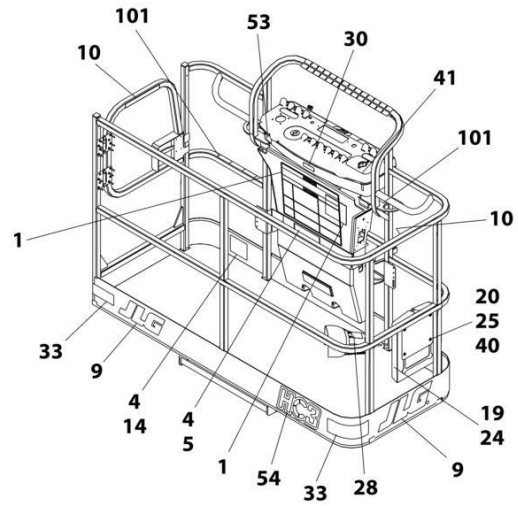
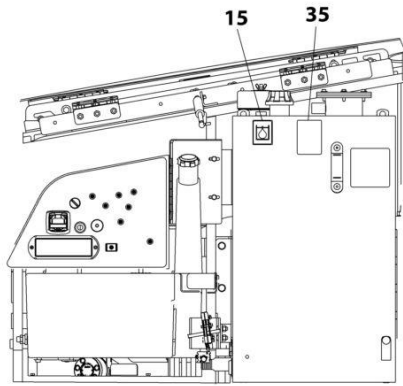
SECTION 9 - DECALS

FIGURE 9-3. DECAL INSTALLATION - CE, CIS/EAC & UK CA SPEC (ENGLISH LANGUAGE)

| ITEM | PART NUMBER | QTY | DESCRIPTION | REV |
|------|-------------|-----|---|-----|
| | 1001254315 | Ref | DECAL INSTALLATION - REFERENCE CHART | B |
| | 1001254307 | Ref | DECAL INSTALLATION | E |
| 1 | 1705921 | 1 | Decal - Tipping/Electrocution | |
| 2 | 1705822 | 1 | Decal - Electrocution/Safety Manual | |
| 3 | 1705961 | 4 | Decal - Danger Electrocution | |
| 4 | 1001244301 | 1 | Decal - No Platform to Ground | |
| 9 | 1702773 | 4 | Decal - JLG | |
| 12 | 1001234439 | 2 | Decal - Max Capacity | |
| 14 | 1701518 | 6 | Decal - Warning/Crushing | |
| 15 | 1701504 | 1 | Decal - Hydraulic Oil | |
| 16 | See Note | NSS | Decal - Bar Code (Note: Not Available for Purchase) | |
| 18 | | Ref | Nameplate - Manufacturers Serial Number | |
| 19 | 1701509 | 1 | Decal - Manual | |
| 20 | 1702300 | 8 | Decal - Tie Down /Lift | |
| 21 | 1701500 | 4 | Decal - Tie Down /Lift | |
| 22 | 1703687 | 2 | Decal - Arrow | |
| 24 | 0860520 | 1 | Box, Manual Storage | |
| 25 | 4751400 | 4 | Washer 1/4 | |
| 26 | 3311405 | 4 | Nut 1/4 | |
| 27 | 3820001 | 2 | Rivet | |
| 28 | 1705828 | 1 | Decal - Footswitch | |
| 35 | 1704412 | 1 | Decal - Hydraulic Fluid | |
| 36 | 1001274782 | 1 | Decal - Lift Diagram | |
| 40 | 0641406 | 4 | Bol 1/4 x 3/4 | |
| 42 | 1701499 | 4 | Decal - No Tie Down/Lift | |
| 46 | 1001189882 | 1 | Decal - MSSO | |
| 48 | 1701529 | 2 | Decal - Arrow | |
| 52 | 1001244298 | 2 | Decal - Wechat | |
| 54 | 1001244212 | 3 | Decal - HC3 | |
| 55 | 1001256906 | 1 | Decal - HC3 | |
| 100 | 1001232026 | 1 | Decal - Platform Lanyard Kit (Not Shown) | |
| 101 | 1704277 | 3 | Decal - Attach Lanyard Here | |

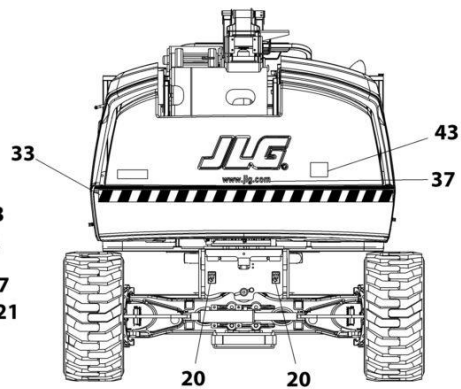
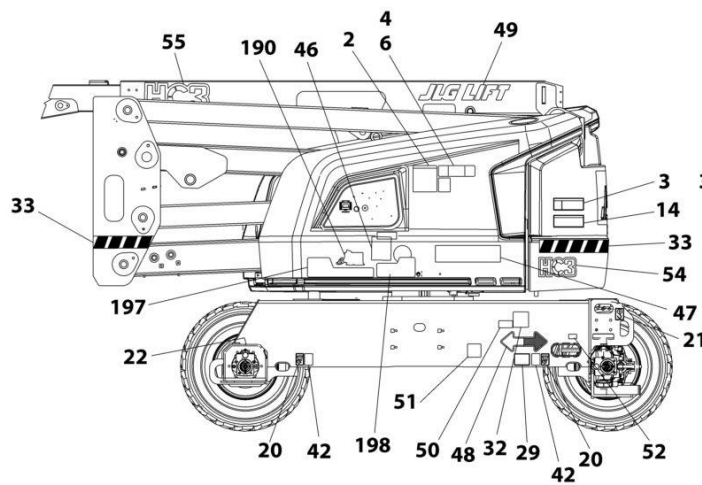
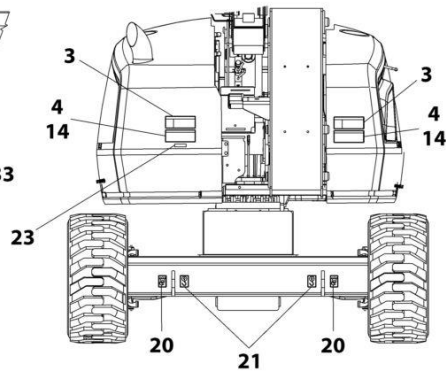
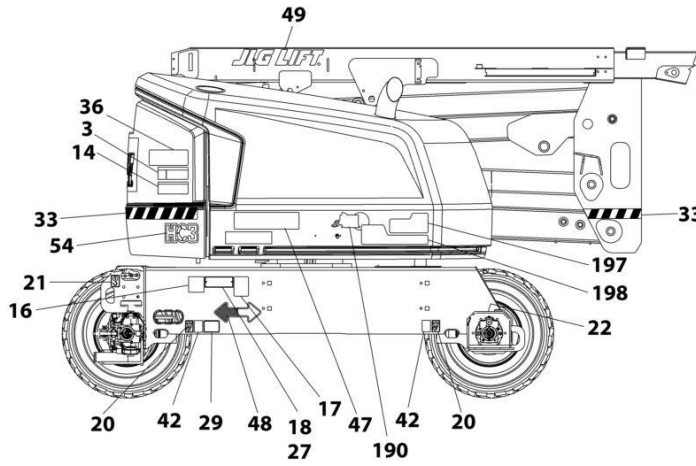
SECTION 9 - DECALS

FIGURE 9-4. DECAL INSTALLATION - ANSI EXPORT (CHINESE/ENGLISH LANGUAGES)



NOTE: SOME DECALS ARE CALLED OUT ON DECAL INSTALLATION - OPTIONS.

NOTE: ITEMS SHOWN MAY NOT BE REQUIRED FOR ALL SPECS. REFER TO PARTS LIST FOR USAGE.



ART_1001254305

SECTION 9 - DECALS

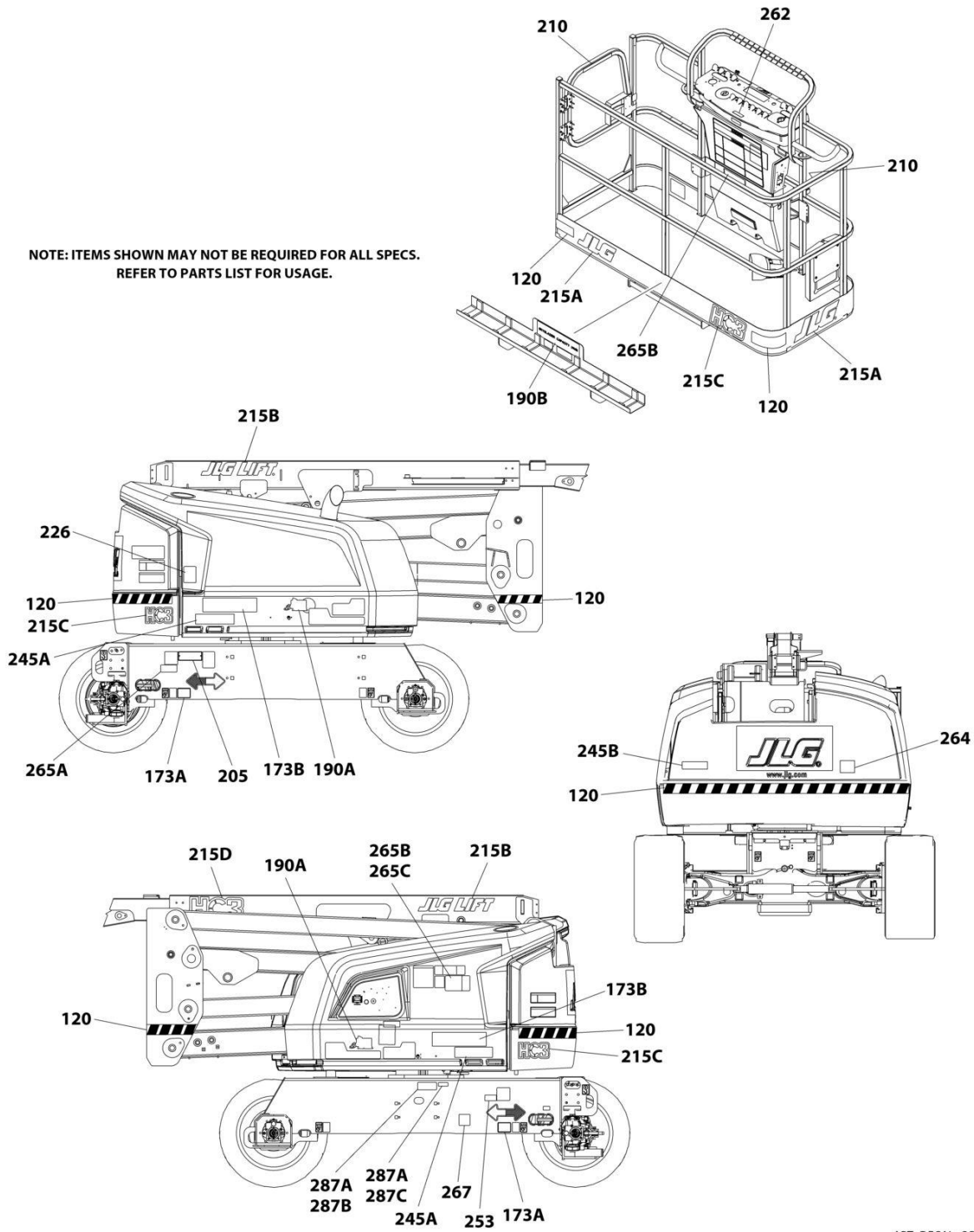
FIGURE 9-4. DECAL INSTALLATION - ANSI EXPORT (CHINESE/ENGLISH LANGUAGES)

| ITEM | PART NUMBER | QTY | DESCRIPTION | REV |
|------|-------------|-----|---|-----|
| | 1001254314 | Ref | DECAL INSTALLATION - REFERENCE CHART | C |
| | 1001254305 | Ref | DECAL INSTALLATION | D |
| 1 | 1703925 | 1 | Decal - Danger/Warning | |
| 2 | 1001116849 | 1 | Decal - Warning Inspection | |
| 3 | 1703937 | 4 | Decal - Danger Electrocution | |
| 4 | 1703949 | 4 | Decal - Warning/Crushing | |
| 5 | 1001234435 | 1 | Decal - Warning | |
| 6 | 1001234436 | 1 | Decal - Warning | |
| 10 | 1705968 | 2 | Decal - No Hands | |
| 14 | 1703943 | 2 | Decal - Warning/Crushing | |
| 15 | 1701504 | 1 | Decal - Hydraulic Oil | |
| 16 | See Note | NSS | Decal - Bar Code (Note: Not Available for Purchase) | |
| 18 | | Ref | Nameplate - Manufacturers Serial Number | |
| 19 | 1701509 | 1 | Decal - Manual | |
| 20 | 1702300 | 8 | Decal - Tie Down /Lift | |
| 21 | 1701500 | 4 | Decal - Tie Down /Lift | |
| 22 | 1703687 | 2 | Decal - Arrow | |
| 24 | 0860520 | 1 | Box, Manual Storage | |
| 25 | 4751400 | 4 | Washer 1/4 | |
| 26 | 3311405 | 4 | Nut 1/4 | |
| 27 | 3820001 | 2 | Rivet | |
| 28 | 1703982 | 1 | Decal - Footswitch | |
| 35 | 1704412 | 1 | Decal - Hydraulic Fluid | |
| 36 | 1001274782 | 1 | Decal - Lift Diagram | |
| 37 | 1704885 | 1 | Decal - Website | |
| 40 | 0641406 | 4 | Bolt 1/4 x 3/4 | |
| 41 | 1705430 | 1 | Decal - Drive/Steer | |
| 42 | 1701499 | 4 | Decal - No Tie Down/Lift | |
| 48 | 1701529 | 2 | Decal - Arrow | |
| 51 | 1001224050 | 1 | Decal - Yearly Inspection | |
| 100 | 1001232026 | 1 | Decal - Platform Lanyard Kit (Not Shown) | |
| 101 | 1704277 | 3 | Decal - Attach Lanyard Here | |

SECTION 9 - DECALS

FIGURE 9-5. DECAL INSTALLATION - OPTIONS

NOTE: ITEMS SHOWN MAY NOT BE REQUIRED FOR ALL SPECS.
REFER TO PARTS LIST FOR USAGE.



ART_DECAL_OPTIONS

SECTION 9 - DECALS

FIGURE 9-5. DECAL INSTALLATION - OPTIONS

| ITEM | PART NUMBER | QTY | DESCRIPTION | REV |
|------|-------------|-------------------|---|-----|
| | 1001254314 | Ref | DECAL INSTALLATION - REFERENCE CHART (ALL SPECS EXCEPT CE SPECS) | C |
| | 1001254315 | Ref | DECAL INSTALLATION - REFERENCE CHART (CE SPECS) | B |
| | 1001246976 | Ref | DECAL INSTALLATION - OPTIONS | F |
| 120 | 1001188883 | Ref | Warning Stripes Installation | A |
| 120 | 4420051 | 21.5 ft /6.55m | Tape, Safety | |
| 173 | 1001255846 | Ref | Model Decal Installation | C |
| 173A | 1001255850 | 2 | Decal - Max Tire Load | |
| 173B | 1001267313 | 2 | Decal - 520AJ HC3 | |
| 190 | 1001262105 | Ref | SkyGlazier Decal Installaion (Australian Specs) | A |
| 190A | 1705358 | 2 | Decal - SkyGlazier | |
| 190B | 1001262117 | 2 | Decal - SkyGlazier Capacity | |
| 205 | See Note | 1 | Nameplate - Manufacturers Serial Number (Note: Not Available for Purchase) | |
| 210 | 1705968 | 2 | Decal - No Hands (China Specs) | |
| 215 | 1001254311 | Ref | JLG Logo Installation | C |
| 215A | 1702773 | 2 | Decal - JLG | |
| 215B | 1702774 | 2 | Decal - JLG Lift (3in) | |
| 215C | 1001244212 | 3 | Decal - HC3 | |
| 215D | 1001256906 | 1 | Decal - HC3 | |
| 226 | 1706098 | 1 | Decal - Warning Explosion/Fire | |
| 245 | 1001127096 | Ref | Decal - ClearSky | |
| 245A | 1001116208 | 2 | Decal - ClearSky | |
| 245A | 1001120989 | 1 | Decal - Radio Frequency | |
| 245B | 1001294864 | 1 | ClearSky Smart Fleet Decal Installation | |
| 245B | 1001120989 | 1 | Decal - Radio Frequency | |
| 245B | 1001294815 | 2 | Decal - ClearSky | |
| 253 | 1001143852 | 1 | Decal - Emissions Compliance (Deutz D2011 Engines/Deutz D2011 Engines (Stage V)/Deutz D2.9L4 Engines (Stage V)) | |
| 262 | 1001141300 | 1 | Decal - SkyGuard Override | |
| 262 | 1001141302 | 1 | Decal - SkyGuard Override with Soft Touch | |
| 264 | 1001204510 | 1 | Decal - Sound Power (102 Db) | |
| 264 | 1001130492 | 1 | Decal - Sound Power (105 Db) | |
| 265 | 1001271605 | Ref | Soft -Touch Decal Installation (Without Fall Arrest) (Pictograph) | |
| 265 | 1001271588 | Ref | Soft -Touch Decal Installation (Without Fall Arrest) (English Language) | |
| 265 | 1001276688 | Ref | Soft -Touch Decal Installation (Without Fall Arrest) (English/Chinese Languages) | |
| 265 | 1001276692 | Ref | Soft -Touch Decal Installation (Without Fall Arrest) (English/Spanish Languages) | |
| 265 | 1001276690 | Ref | Soft -Touch Decal Installation (Without Fall Arrest) (Spanish/Portuguese Languages) | |
| 265 | 1001271606 | Ref | Soft -Touch Decal Installation (With Fall Arrest) (Pictograph) | |
| 265 | 1001271589 | Ref | Soft -Touch Decal Installation (With Fall Arrest) (English Language) | |
| 265 | 1001276689 | Ref | Soft -Touch Decal Installation (With Fall Arrest) (English/Chinese Languages) | |
| 265 | 1001276693 | Ref | Soft -Touch Decal Installation (With Fall Arrest) (English/Spanish Languages) | |
| 265 | 1001276691 | Ref | Soft -Touch Decal Installation (Without Fall Arrest) (Spanish/Portuguese Languages) | |

SECTION 9 - DECALS

| ITEM | PART NUMBER | QTY | DESCRIPTION | REV |
|------|-------------|-----|--|-----|
| 265A | 1001195490 | 1 | Decal - Soft-Touch (Pictograph) | |
| 265A | 1001195491 | 1 | Decal - Soft-Touch (English Language) | |
| 265A | 1001271708 | 1 | Decal - Soft-Touch (English/Chinese Languages) | |
| 265A | 1001271711 | 1 | Decal - Soft-Touch (English/Spanish Languages) | |
| 265A | 1001271707 | 1 | Decal - Soft-Touch (Spanish/Portuguese Languages) | |
| 265B | 1001277484 | 1 | Decal - Warning (Without Fall Arrest) (Pictograph) | |
| 265B | 1001277481 | 1 | Decal - Warning (Without Fall Arrest) (English Language) | |
| 265B | 1001278197 | 1 | Decal - Warning (Without Fall Arrest) (English/Chinese Languages) | |
| 265B | 1001278249 | 1 | Decal - Warning (Without Fall Arrest) (English/Spanish Languages) | |
| 265B | 1001278209 | 1 | Decal - Warning (Without Fall Arrest) (Spanish/Portuguese Languages) | |
| 265B | 1001277485 | 1 | Decal - Warning (With Fall Arrest) (Pictograph) | |
| 265B | 1001277483 | 1 | Decal - Warning (With Fall Arrest) (English Language) | |
| 265B | 1001278199 | 1 | Decal - Warning (With Fall Arrest) (English/Chinese Languages) | |
| 265B | 1001278251 | 1 | Decal - Warning (With Fall Arrest) (English/Spanish Languages) | |
| 265B | 1001278216 | 1 | Decal - Warning (With Fall Arrest) (Spanish/Portuguese Languages) | |
| 265C | 1001277482 | 1 | Decal - Warning (Without Fall Arrest) (English Language) | |
| 265C | 1001278198 | 1 | Decal - Warning (Without Fall Arrest) (English/Chinese Languages) | |
| 265C | 1001278250 | 1 | Decal - Warning (Without Fall Arrest) (English/Spanish Languages) | |
| 265C | 1001278215 | 1 | Decal - Warning (Without Fall Arrest) (Spanish/Portuguese Languages) | |
| 265C | 1001277486 | 1 | Decal - Warning (With Fall Arrest) (English Language) | |
| 265C | 1001278208 | 1 | Decal - Warning (With Fall Arrest) (English/Chinese Languages) | |
| 265C | 1001278252 | 1 | Decal - Warning (With Fall Arrest) (English/Spanish Languages) | |
| 265C | 1001278217 | 1 | Decal - Warning (With Fall Arrest) (Spanish/Portuguese Languages) | |
| 267 | 1001200131 | 1 | Decal - Quick Start Reference (Loxam Rental) (Danish Spec) | |
| 267 | 1001200129 | 1 | Decal - Quick Start Reference (Loxam Rental) (Dutch Spec) | |
| 267 | 1001181145 | 1 | Decal - Quick Start Reference (Loxam Rental) (English Spec) | |
| 267 | 1001200128 | 1 | Decal - Quick Start Reference (Loxam Rental) (French Spec) | |
| 267 | 1001200130 | 1 | Decal - Quick Start Reference (Loxam Rental) (German Spec) | |
| 267 | 1001200134 | 1 | Decal - Quick Start Reference (Loxam Rental) (Norwegians Spec) | |
| 267 | 1001200133 | 1 | Decal - Quick Start Reference (Loxam Rental) (Spanish Spec) | |
| 267 | 1001200132 | 1 | Decal - Quick Start Reference (Loxam Rental) (Swedish Spec) | |
| 287 | 1001239371 | Ref | Eco Label Installation (China Specs Only) | A |
| 287A | 3820001 | 8 | Rivet | |
| 287B | 1001232904 | 1 | Decal - Eco Label | |
| 287C | 1001236396 | 1 | Plate, Mein Code | |

SECTION 10 - RECOMMENDED SERVICE PARTS STOCK

SECTION 10 - RECOMMENDED SERVICE PARTS STOCK

SECTION 10 - RECOMMENDED SERVICE PARTS STOCK

FIGURE 10-1. RECOMMENDED SERVICE PARTS STOCK

| ITEM | PART NUMBER | QTY | DESCRIPTION | REV |
|------|-------------|-----|---|-----|
| | | Ref | Note: The following list will service one machine (built to current production per date on the front cover) with emergency repair parts which can be installed in the field. Parts from the list should be replaced when inventory is depleted to keep service parts stock supplied. For further information, contact your JLG dealer or the JLG Industries Parts Department. | |
| | 1001181045 | 1 | Breaker, Combination 16Amp/30mAmp (Breaker Box with Single Breaker) | |
| | 1001189172 | 1 | Breaker 16Amp Double (Breaker Box with Three Breakers) | |
| | 1001189171 | 1 | Breaker, 30mA (Breaker Box with Three Breakers) | |
| | 7024485 | 1 | Breaker, Circuit 30Amp (7500W/50HZ Generator) | |
| | 4360070 | 1 | Circuit Breaker - 15Amp (7500W/50HZ Generator) | |
| | 7024885 | 1 | Coil (Traction Valve) | |
| | 70002386 | 1 | Coil (Traction & Main Control Valves) | |
| | 70005219 | 1 | Coil (Main Control Valve) | |
| | 70003788 | 1 | Coil (Main Control Valve) | |
| | 70004897 | 1 | Coil (Piston Pump) | |
| | 70004871 | 1 | Coil (Upright & Boom Valves) | |
| | 7027628 | 1 | Coil (Upright Valve) | |
| | 1001275628 | 1 | Controller Assembly (Drive and Steer) | |
| | 1001275629 | 1 | Controller Assembly (Lift and Swing) | |
| | 4360407 | 1 | Controller, Speed (Platform Controls) | |
| | | Ref | Engine - Deutz D2011 | |
| | 70003783 | 12 | Element, Air Cleaner | |
| | 7020023 | 12 | Filter, Fuel | |
| | 70003463 | 12 | Filter, Fuel - RME Resistant | |
| | 7016331 | 12 | Filter, Oil | |
| | 3740140 | 1 | Relay, 100Amp | |
| | 70004058 | 1 | Relay | |
| | | Ref | Engine - Deutz D2.9L4 (Stage V) | |
| | 1001197719 | 2 | Fuse 0.5 Watt | |
| | 1001196634 | 2 | Fuse - 2 Amp | |
| | 1001117308 | 1 | Relay, 200Amp | |
| | 1001138228 | 1 | Relay, Power Module | |
| | 70003614 | 1 | Filter Kit (Includes Hydraulic Element, Breather Element and Gasket) (Hydraulic Tank) | |
| | 70010383 | 1 | Element, Filter (Charge Pump) | |
| | 1001117174 | 1 | Footswitch Assembly | |
| | 1001196635 | 2 | Fuse, 3Amp (Turntable Harness) | |
| | 8229249 | 2 | Fuse, 3 Amp (USB Charger) | |
| | 8229242 | 2 | Fuse, 5Amp (Turntable Harness) | |
| | 8229244 | 2 | Fuse, 15Amp (Turntable Harness) | |
| | 8229245 | 2 | Fuse, 30Amp (2500W/50HZ Generator) | |
| | 1001129285 | 2 | Fuse with Diode (Turntable Harness) | |
| | 2860030 | 1 | Key, Replacement | |
| | 2940074 | 1 | Latch (Platforms with Side Entry) | |
| | 1001170094 | 1 | Module, Ground Control | |
| | 1001142683 | 1 | Module, Control (Blue and Red Beacons) | |
| | 1001118412 | 1 | Module, Control (Platform Console Box) | |
| | 70006553 | 1 | Relay (4000W/50HZ Generator) | |

SECTION 10 - RECOMMENDED SERVICE PARTS STOCK

| ITEM | PART NUMBER | QTY | DESCRIPTION | REV |
|------|-------------|-----|---|-----|
| | 1001186431 | 1 | Relay (SkyGuard) | |
| | 3740086 | 1 | Relay (SkyLine) | |
| | 1001095704 | 1 | Relay (Turntable Harness) | |
| | 1001219601 | 1 | Sensor (Turntable) | |
| | 1001228225 | 1 | Sensor, Emitter (SkyEye) | |
| | 1001228224 | 1 | Sensor, Receiver (SkyEye) | |
| | 1001232667 | 1 | Sensor, Proximity (SkyLine) | |
| | 1001118971 | 1 | Sensor, Angle (Boom) | |
| | 1001170847 | 1 | Sensor (HC3 Sensor) | |
| | 1001182570 | 1 | Sensor (HC3 Sensor) | |
| | 1001119176 | 1 | Switch, Limit (Drive Orientation) | |
| | 4360469 | 1 | Switch, Key (Ground Controls) | |
| | 4360475 | 1 | Switch, Emergency Stop (Ground & Platform Controls) | |
| | 4360476 | 1 | Switch, Contact Block (Ground & Platform Controls) | |
| | 4360387 | 1 | Switch, Push Button (Ground & Platform Controls) | |
| | 4360274 | 1 | Switch, Push Button (CE Specs) (Ground Controls) | |
| | 4360336 | 1 | Switch, Toggle (Generator) | |
| | 1001159256 | 1 | Switch, Toggle (Platform Controls) | |
| | 1001161709 | 1 | Switch, Toggle (Platform Controls) | |
| | 1001155045 | 1 | Switch, Toggle (Ground & Platform Controls) | |

SECTION 11 - SPECIAL OPTIONS

SECTION 11 - SPECIAL OPTIONS

FIGURE 11-1. SPECIAL OPTIONS/ACCESSORIES/KITS

| ITEM | PART NUMBER | QTY | DESCRIPTION | REV |
|------|-------------|-----|---|-----|
| | Note | Ref | Note: This list is to accommodate machines ordered with special equipment. Options may not be applicable to all models. For more specific parts information contact JLG Parts Department. | |
| | | Ref | MISCELLANEOUS SPECIAL OPTIONS/ACCESSORIES/KITS | |
| | 1001174661 | Ref | Airline Installation | |
| | 1001264942 | Ref | Bellows Installation | |
| | 1001266660 | Ref | Boom Wiper Installation | |
| | 1001236123 | Ref | Boom Wiper Cover Installation | |
| | 1001233763 | Ref | Breather Heater Installation (Factory Installed) | |
| | 1001233047 | Ref | Breather Heater Add-On Kit (Dealer Installed) | |
| | 1001172045 | Ref | Cable Carrier Tray Installation | |
| | | Ref | ClearSky Telematics (Factory Installed) | |
| | 1001228960 | Ref | ClearSky (Telematics) Installation (Factory Installed) 3G Canbus Connection (ANSI Export, CE & UK CA Specs) | |
| | 1001227278 | Ref | ClearSky (Telematics) Installation (Factory Installed) 4G Canbus Connection (All Specs) | |
| | 1001233237 | Ref | ClearSky (Telematics) Installation (Factory Installed) 3-Wire Connection (With Ground Control Module 1001239829) (CE & UK CA Specs) | |
| | 1001276610 | Ref | ClearSky (Telematics) Installation (Factory Installed) 3-Wire Connection (With Ground Control Module 1001277695) (All Specs except China) | |
| | 1001246433 | Ref | ClearSky (Telematics) Installation (Factory Installed) 3-Wire Connection (Australian Specs) | |
| | 1001286266 | 1 | ClearSky (Telematics) Smart Fleet Installation | |
| | 1001246434 | Ref | ClearSky (Telematics) Installation (Factory Installed) 3-Wire Connection (China Specs) | |
| | | Ref | ClearSky (Telematics) Installations (Dealer Installed) | |
| | 1001243183 | Ref | ClearSky (Telematics) Added-on Kit (Dealer Installed) (ANSI Export, CE & UK CA Specs) | |
| | 1001243184 | Ref | ClearSky (Telematics) Added-on Kit (Dealer Installed) (CE & UK CA Specs) | |
| | 1001276923 | Ref | ClearSky (Telematics) Add-on Kit (Dealer Installed) (Contact JLG for Approved Countries) | |
| | 1001242639 | Ref | ClearSky (Telematics) Access Control Installation Kit (Dealer Installed) (ANSI, ANSI Export, CSA, CE & UK CA Specs) | |
| | 1001246142 | Ref | ClearSky (Telematics) Service Kit (Dealer Installed) (Australian Specs) | |
| | 1001255807 | Ref | Cold Weather Package - Deutz D2.9L4 Engines (Stage V) | |
| | 1001174767 | Ref | Cold Weather Package - Deutz D2011 Engines | |
| | 1001282099 | Ref | Cold Weather Package - Deutz D2.9L4 Engines (China IV) | |
| | 1001186976 | Ref | Cold Weather Transformer Installation (Required with Deutz D2011 Engines) | |
| | 0272031 | Ref | Container/Transport Wheels Installation - 33/1550 x 16.5 Tires | |
| | 1001290271 | Ref | ECU Power Jumper Kit - Stage V Engines Only | |
| | 1001243331 | Ref | Fan Cover Installation - Deutz D2011 Engines | |
| | 1001172751 | Ref | Fan Guard Installation - Deutz D2.9L4 Engines (Stage V) (CE & UK CA Specs) | |
| | 1001139099 | Ref | Fire Extinguisher Installation | |
| | 1001274833 | Ref | Floor Mat Add-on Kit (30x48 Platform) (Dealer Installed) | |
| | 1001274832 | Ref | Floor Mat Add-on Kit (30x60 Platform) (Dealer Installed) | |
| | 1001274831 | Ref | Floor Mat Add-on Kit (30x72 Platform) (Dealer Installed) | |

SECTION 11 - SPECIAL OPTIONS

| ITEM | PART NUMBER | QTY | DESCRIPTION | REV |
|------|-------------|-----|--|-----|
| | 1001117294 | Ref | Foot Switch Shield Installation | |
| | 1001202749 | Ref | Fuel Cap Cover (Black) | |
| | 1001220003 | Ref | Ground Control and UGM Covers Add-On Kit (Dealer Installed) | |
| | 1001285811 | Ref | Hood Plugs Installation | |
| | 1001266662 | Ref | Hostile Weather Package | |
| | 1001296425 | Ref | Hostile Environment Kit | |
| | 1001258231 | Ref | Hydraulic Load Installation | |
| | 1001265688 | Ref | Hydraulic Tank Lock Installation | |
| | 1001172001 | Ref | Lights Installation - Headlights and Taillights | |
| | 1001120466 | Ref | Lights Installation - Platform Worklights | |
| | 1001183407 | Ref | Low Temperature Cutout Installation (Russian Specs) | |
| | 1001253618 | Ref | Module Box Assembly Kit (Service Kit for P/N 1001246867) | |
| | 1001253619 | Ref | Module Box Assembly Kit (Service Kit for P/N 1001246860) | |
| | 1001173664 | Ref | Oil Cooler Installation - Deutz D2011 Engines | |
| | 1001164493 | Ref | Oil Cooler Installation - Deutz D2.9L4 Engines (Stage V) | |
| | 1001272166 | Ref | Pipe Rack Kit | |
| | 1001110974 | Ref | Platform Console Cover Installation | |
| | 1580013 | Ref | Platform Corner Storage Tray | |
| | 1001267283 | Ref | Platform Hose/Cable Protection | |
| | 1001238421 | Ref | Platform Leveling Kit | |
| | 0274095 | Ref | Platform Rail Extension Installation - 30in x 72in Platforms | |
| | 1001209059 | Ref | Platform Work Surface Installation | |
| | 1001282215 | Ref | Platform Worklights Kit | |
| | 1001233080 | Ref | Pump Rotation Kit (Re-orient Gear Pump 90 Degrees) | |
| | 1001247800 | Ref | Quad Tracks Replacement Kit | |
| | 1001292585 | Ref | Strobe Light (Amber) Hood Kit | |
| | 1001293299 | Ref | Strobe Light (Amber) Kit | |
| | 1001204110 | Ref | Service Kits | AB |
| | 1001247073 | Ref | SkyEye Retrofit Kit | |
| | 1001241547 | Ref | SkyEye LH Housing Retrofit Kit | |
| | 1001241548 | Ref | SkyEye RH Retrofit Kit | |
| | 1001250595 | Ref | SkyGuard 6 Pin Retrofit Kit | |
| | 1001203510 | Ref | SkyGuard - Without Beacon | |
| | 1001203511 | Ref | SkyGuard Beacon Kit (Blue Light) | |
| | 1001210036 | Ref | SkyGuard Beacon Kit (Red Light) | |
| | 1001250035 | Ref | SkyGuard Platform Sensor Kit | |
| | 1001249052 | Ref | SkyGuard Retrofit Kit | |
| | 1001262016 | Ref | SkyLine Add-On Kit (Dealer Installed) | |
| | 1001289831 | Ref | SkySense (EDS) Level 1 Booms Installation (Factory Installed) | |
| | 1001289832 | Ref | SkySense (EDS) Level 2 Booms Installation (Factory Installed) | |
| | 1001289905 | Ref | SkySense Enhanced Detection System (EDS) Level 1 (2-Bar) Add-on Kit (Dealer Installed) | |
| | 1001289906 | Ref | SkySense Enhanced Detection System (EDS) Level 2 (3-Bar) Add-on Kit (Dealer Installed) | |
| | 1001275643 | Ref | Platform Bumper Padding (30x72) | |
| | 1001275644 | Ref | Platform Bumper Padding (30x60) | |
| | 1001282461 | Ref | Platform Bumper Padding (30x48) | |
| | | Ref | Tools: | |
| | 1001249695 | Ref | Analyzer and Cable Kit | |
| | 1001249941 | Ref | Analyzer and Cable Kit (Battery Powered) | |
| | 1001206436 | Ref | Turntable Bearing Kit | |

SECTION 11 - SPECIAL OPTIONS

| ITEM | PART NUMBER | QTY | DESCRIPTION | REV |
|------|-------------|-----|--|-----|
| | 1001277839 | Ref | UGM Retrofit Kit (For Use with 1001170094 Ground Control Module) | |
| | 1001262959 | Ref | Voltage Regulator Relocation Kit | |
| | 1001270716 | Ref | White Noise Alarm Add-On Kit (Dealer Installed) | |
| | 1001270755 | Ref | White Noise Alarm (Ambient) Add-On Kit (Dealer Installed) | |

PART NUMBER INDEX

SECTION 11 - SPECIAL OPTIONS

| | | | |
|----------------------------|----------------------------|---------------------------|--------------------------|
| 0080231.....116 | 0641610.....193, 257 | 121, 135, 143, 151, | 1001091969.....313 |
| 0100009.....259 | 0641616....209, 213, 217 | 159, 171, 179, 207, | 1001091970.....317 |
| 0100011....15, 17, 19, 27, | 0641812...113, 123, 137, | 210, 218, 227, 339, | 1001091973.....319 |
| 37, 43, 55, 57, 59, 61, | 139, 147, 155, 175 | 346, 350 | 1001091974.....321 |
| 65, 67, 69, 71, 76, 79, | 0642012.....275 | 076081488, 92, 116, 159, | 1001091975.....329 |
| 88, 92, 95, 97, 99, 101, | 0642212.....275 | 179, 189, 191, 346, 350 | 1001095704.....422, 445 |
| 103, 105, 111, 113, | 0681608.....233 | 0760815116, 159, 179 | 1001096070.....209, 213, |
| 116, 121, 123, 135, | 0681620.....263 | 0760816179 | 369 |
| 137, 139, 143, 147, | 0681810.....19 | 076101043, 65 | 1001096653.....37 |
| 151, 155, 159, 171, | 0681814.....251 | 076101117, 185 | 1001097051.....413 |
| 175, 179, 185, 187, | 0681822.....251 | 0761012 ...179, 187, 339, | 1001097150.....365, 367, |
| 189, 191, 209, 213, | 0682013.....19 | 346, 350 | 369, 371 |
| 217, 223, 225, 227, | 0682424.....263 | 0761014 .88, 92, 99, 101, | 1001097244.....281 |
| 229, 233, 235, 243, | 0700408...311, 313, 315, | 123, 135, 143, 151, | 1001098122.....265, 397 |
| 245, 247, 253, 271, | 317, 319, 321, 323, | 155, 159, 171, 175, 233 | 1001098828.....233 |
| 273, 277, 279, 346, | 325, 327, 329, 331 | 0761015 ...111, 116, 121, | 1001099366.....275 |
| 350, 361 | 0700616.....99, 101 | 135, 143, 151, 159, | 1001099367.....275 |
| 0100019.....49, 209, 213, | 0700818.....217 | 171, 179, 223 | 1001100231.....389 |
| 217 | 0700820.....225 | 076101699, 101, 159, | 1001100341.....401 |
| 010002059, 61, 111, 116, | 0700822.....227 | 179 | 1001100342.....403 |
| 121, 135, 143, 151, | 0700827346, 350 | 076102092 | 1001100345.....405 |
| 159, 171, 179, 265, | 0700828346, 350 | 0761210 ...135, 159, 171, | 1001100346.....409 |
| 311, 313, 315, 317, | 0701015.....229 | 179 | 1001100347.....407 |
| 319, 321, 323, 325, | 0701018.....88, 92 | 0761212 ...159, 179, 213, | 1001101191.....313, 317, |
| 327, 329, 331 | 0701019.....225 | 223, 229 | 319, 321, 329 |
| 0100035.....193, 259, 261 | 0701020 .59, 61, 143, 151 | 0761214 .59, 61, 88, 209, | 1001101196.....313, 317 |
| 0100048.....81, 209, 213, | 0701022179, 347, 351 | 217 | 1001101197.....319, 321, |
| 217 | 0701024.....346, 350 | 076121592, 225 | 329 |
| 0100079.....209, 217 | 0701025.....179 | 0761216 ...171, 179, 223, | 1001103012.....421 |
| 0100081....116, 159, 179, | 0701027.....229 | 233 | 1001103013.....76 |
| 275, 346, 350 | 070121715 | 0761227229 | 1001104029.....218 |
| 0140011.....259 | 0701222225 | 0761614223 | 1001104498.....421 |
| 0140043.....76 | 070161657 | 076161515, 229 | 1001106736.....76 |
| 0200048.....277, 279 | 0711214159, 179 | 0762016229 | 1001107854.....421 |
| 0271998.....29 | 071122017 | 0770810235 | 1001109528.....223 |
| 0272031.....448 | 0711224 ...116, 159, 179, | 0771212143, 151, 159 | 1001110434.....259 |
| 0272589.....219 | 189, 191, 209, 217 | 0771414 ...116, 159, 179, | 1001110974.....449 |
| 0274095.....449 | 0711227227 | 189, 191, 209, 217 | 1001111424.....79, 116 |
| 0275216.....313, 401 | 071162849 | 0771416209, 217 | 1001112551.....435 |
| 0275217.....317, 403 | 071163149 | 0860520 ...433, 435, 437, | 1001112607.....223 |
| 0275452.....319, 405 | 0721005277, 279 | 439 | 1001112612.....343, 421 |
| 0275453.....321, 407 | 0721006193 | 0861572217 | 1001112796.....343 |
| 0275454.....329, 409 | 0741606159, 179 | 0861731 ...323, 325, 327, | 1001113961.....422 |
| 0361810.....79 | 0741607209, 213 | 331, 405, 407, 409 | 1001115641.....279 |
| 0400075.....79 | 0760506185 | 0861781 ...311, 315, 401, | 1001115848.....279 |
| 0440162....111, 121, 135, | 076051279 | 403 | 1001116208.....441 |
| 143, 151, 171 | 0760606209, 213, 217 | 0861880365, 369, 371 | 1001116290.....99, 101 |
| 0480126.....209, 217 | 0760607159, 179 | 0902888217 | 1001116546.....223 |
| 0630462.....277, 279 | 076060865, 101 | 0940048229 | 1001116693.....397 |
| 0630518.....73, 261 | 0760610 ...76, 79, 95, 97, | 094004988 | 1001116720.....399 |
| 0630568.....259 | 103, 105, 111, 116, | 094007188 | 1001116728.....422 |
| 0630613.....88, 92 | 121, 135, 143, 151, | 094008892 | 1001116732.....389 |
| 0641404.....273 | 159, 171, 179, 207, | 0940102275 | 1001116734.....389, 421 |
| 0641405.....259, 273 | 209, 213, 217, 333, | 0940167277 | 1001116748.....425 |
| 0641406....257, 267, 433, | 335, 337, 347 | 0961845 ...243, 245, 247, | 1001116774.....343 |
| 435, 437, 439 | 076061279, 347, 351 | 253 | 1001116808.....343 |
| 0641408.....257 | 076061483, 85, 111, 117, | 096194817, 227, 229, | 1001116812.....379, 383 |
| 0641409.....99, 101 | 121, 135, 143, 151, | 287 | 1001116815.....384, 422 |
| 0641410.....95, 97 | 171, 209, 333 | 096195015 | 1001116849.....439 |
| 0641414....259, 271, 277, | 076061597 | 0961951116, 159, 179 | 1001116952.....379, 383 |
| 279 | 0760619179 | 0962270251 | 1001116983.....387 |
| 0641416....311, 313, 315, | 076062176 | 0962272225 | 1001117057.....389 |
| 317, 319, 321, 323, | 0760808159, 179 | 0962292287 | 1001117070.....421 |
| 325, 327, 329, 331 | 076081088, 92, 159, 179, | 0962348231 | 1001117107.....379, 383 |
| 0641418.....243, 245, 253 | 233 | 0962520209, 213, 217 | 1001117172.....265 |
| 0641420.....247 | 0760812 ...37, 59, 61, 67, | 1001026127171 | 1001117174.....259, 265, |
| 0641504.....79 | 69, 71, 88, 92, 111, | 1001091102333, 337 | 444 |

SECTION 11 - SPECIAL OPTIONS

| | | | |
|--|---|---|--|
| 1001117240..... 79 | 1001138228..... 160, 180, 444 | 1001155043.....67, 69, 71 | 1001166768..... 65 |
| 1001117294..... 449 | 1001138248..... 160, 180 | 1001155044.....67, 69, 71, 259 | 1001166853..... 229 |
| 1001117308..... 160, 180, 444 | 1001138494.....245, 247, 253 | 1001155045.....67, 69, 71, 259, 445 | 1001166921..... 160, 181 |
| 1001117372..... 285 | 1001138514.....245, 247, 253 | 1001155093.....229 | 1001166922..... 189 |
| 1001118274... 59, 61, 67, 69, 71, 88, 227, 235, 346, 350 | 1001138565.....209 | 1001155743.....427 | 1001166924..... 160, 181 |
| 1001118384..... 417 | 1001138566.....210, 213 | 1001155823.....135, 143, 151, 171 | 1001167111..... 117, 377 |
| 1001118388..... 399, 417 | 1001139099.....448 | 1001155967.....422 | 1001167149..... 88, 92 |
| 1001118412..... 259, 444 | 1001139240.....181 | 1001156107.....144, 151, 171 | 1001167157..... 99 |
| 1001118511..... 15 | 1001139357.....210 | 1001156541.....425 | 1001167159..... 88 |
| 1001118518..... 15 | 1001139384..... 99, 101 | 1001157466.....57 | 1001167163..... 88, 92 |
| 1001118519..... 15 | 1001139654.....143, 151, 171 | 1001157520.....219 | 1001167164..... 207 |
| 1001118878..... 160 | 1001139819.....116 | 1001157521.....219 | 1001167169..... 88 |
| 1001118971..... 346, 350, 445 | 1001140347.....213 | 1001157525.....218 | 1001167312..... 333 |
| 1001118972.. 59, 61, 346, 350 | 1001140429.....243, 245, 247, 253 | 1001157528.....219 | 1001167512..... 111, 121, 135, 143, 151, 171 |
| 1001119020..... 343 | 1001141300.....441 | 1001157890.....421 | 1001167520..... 117, 160, 180 |
| 1001119176..... 65, 445 | 1001141302.....441 | 1001158007.....219 | 1001167565..... 233 |
| 1001119228 55, 347, 351 | 1001141304..... 160, 180 | 1001158008.....219 | 1001167567..... 233 |
| 1001119278..... 79 | 1001141694.....116, 160, 180 | 1001159186.....393 | 1001167596..... 233 |
| 1001119280 79, 347, 351 | 1001141870.....193 | 1001159256.....259, 445 | 1001167632..... 379, 383 |
| 1001119619..... 411 | 1001142501.....135, 143, 151, 185, 193 | 1001161709.....259, 445 | 1001167635..... 380, 384 |
| 1001119620..... 413, 415 | 1001142679.....306 | 1001162105.....27 | 1001168018..... 117, 160, 180, 189, 191, 210, 218 |
| 1001119627..... 306 | 1001142683... 83, 85, 444 | 1001162106.....65 | 1001168026..... 160, 181 |
| 1001120204..... 355 | 1001142736... 83, 85, 343 | 1001162107.....27 | 1001168059..... 117 |
| 1001120205..... 359 | 1001142938..... 379, 383 | 1001162534.....43, 45 | 1001168099..... 160 |
| 1001120328..... 271, 273, 422 | 1001142940..... 379, 383 | 1001162535.....235, 237 | 1001168166..... 160, 180 |
| 1001120466..... 449 | 1001142941..... 379, 383 | 1001162539.....37, 39 | 1001168207..... 191 |
| 1001120471..... 281 | 1001143390.....116, 160, 180 | 1001162807.....67, 69, 71 | 1001168209..... 289 |
| 1001120477..... 281 | 1001143645..... 347, 351 | 1001162995.....15 | 1001168210..... 289 |
| 1001120484..... 281 | 1001143797..... 160, 180 | 1001163061.....59, 61 | 1001168402..... 233 |
| 1001120989..... 441 | 1001143852.....441 | 1001163178.....17, 295 | 1001168950..... 181 |
| 1001125387..... 135 | 1001143936.....306 | 1001163179.....17 | 1001169046.. 88, 99, 101 |
| 1001125677..... 397, 422 | 1001144116.....160 | 1001163405.....17 | 1001169054..... 160, 180 |
| 1001126009..... 417 | 1001144147.....422 | 1001163716.....17 | 1001169062..... 35 |
| 1001126351..... 380, 384 | 1001144433.....271 | 1001164209.....17 | 1001169138..... 160, 180 |
| 1001126362..... 379, 383 | 1001144629..... 249, 255 | 1001164493.....449 | 1001169240..... 229 |
| 1001126363..... 379, 383 | 1001146397.....29, 31 | 1001164709.....291, 299 | 1001169241..... 229 |
| 1001126364..... 379, 383 | 1001146588..... 160, 180 | 1001164726.....99, 101 | 1001169242..... 229 |
| 1001126391..... 379, 383 | 1001147264.....384 | 1001164728.....257, 429 | 1001169247..... 223 |
| 1001126392..... 379, 383 | 1001148059.....214 | 1001164738.....346, 350, 425 | 1001169295..... 229 |
| 1001126485..... 380, 384 | 1001148641.....210, 214, 218 | 1001165035.....135, 143, 151, 171, 180 | 1001169296..... 229 |
| 1001126487..... 380, 384 | 1001148875.....29 | 1001165388.....116, 160, 180 | 1001169297..... 229 |
| 1001127096..... 441 | 1001148876.....29 | 1001165389.....116 | 1001169298..... 229 |
| 1001129285..... 422, 444 | 1001149452.....187 | 1001165405.....160, 180 | 1001169299..... 229 |
| 1001129407..... 65 | 1001149953.....29, 31 | 1001165406.....160, 180 | 1001169300..... 229 |
| 1001130220..... 76, 171 | 1001150998.....116 | 1001165721.....180 | 1001169301..... 229 |
| 1001130492..... 441 | 1001151393..... 67, 69, 71 | 1001165722.....160 | 1001169302..... 227, 229 |
| 1001131269..... 433 | 1001151856.....383 | 1001165849.....160 | 1001169304..... 227 |
| 1001131295..... 116 | 1001152266.....427 | 1001165968.....27 | 1001169305..... 227 |
| 1001132196..... 116 | 1001152483.....367 | 1001166020.....113, 116, 123 | 1001169402..... 227 |
| 1001133714..... 380, 384 | 1001152485.....337, 367 | 1001166021.....111, 113 | 1001169403..... 227 |
| 1001133715..... 380, 384 | 1001152489.....160, 171, 180 | 1001166096.....229 | 1001169525..... 205 |
| 1001133956..... 380, 384 | 1001152525.....219 | 1001166208.....299 | 1001169823..... 111, 121, 135, 143, 151, 171 |
| 1001133957..... 380, 384 | 1001152532.....210, 214, 391 | 1001166305.....111 | 1001169898..... 59, 61 |
| 1001133972..... 49, 53 | 1001154405.....135, 143, 151, 171, 185, 187, 193 | 1001166316.....79 | 1001169967..... 160, 181 |
| 1001135196..... 111, 121, 135, 143, 151, 171 | 1001154726.....389 | 1001166717.....117 | 1001170018..... 88 |
| 1001135650..... 380, 384 | | 1001166718.....117, 160, 180, 189, 191 | 1001170022..... 88, 92 |
| 1001135651..... 380, 384 | | 1001166767.....65 | 1001170035..... 160, 181 |
| 1001136834..... 160, 180 | | | 1001170094..... 444 |
| 1001137673..... 271 | | | 1001170098..... 35 |
| | | | 1001170099..... 35 |
| | | | 1001170224..... 205 |

SECTION 11 - SPECIAL OPTIONS

| | | | |
|---|---|--|---|
| 1001170226.....227 | 1001173664..... 449 | 1001185747 347, 351 | 1001200491.....233 |
| 1001170334.....227 | 1001173811 217 | 1001185821 43, 47 | 1001200494.....233 |
| 1001170475.....97 | 1001173925 210, 218 | 1001185964 422 | 1001201351.....233 |
| 1001170480.....59, 61 | 1001173984 209 | 1001186375 245 | 1001202333.....99, 101 |
| 1001170663.....207 | 1001174040 233 | 1001186377 247 | 1001202687.....233 |
| 1001170664.....207 | 1001174158 210, 214, 333, 335 | 1001186378 253 | 1001202744.....277 |
| 1001170693.....117, 125 | 1001174378 205 | 1001186385 255 | 1001202745.....279 |
| 1001170764.....380, 384, 427 | 1001174661 448 | 1001186386 249 | 1001202749.....449 |
| 1001170847.....361, 445 | 1001174675 214, 218 | 1001186388 251 | 1001202830.....95 |
| 1001170859.....92 | 1001174749 346, 359 | 1001186431 271, 445 | 1001202910.....307 |
| 1001170982.....181 | 1001174767 448 | 1001186432 399, 417 | 1001203322.....97 |
| 1001171216.....88 | 1001174976 81 | 1001186517 271 | 1001203510.....449 |
| 1001171553.....346, 350 | 1001175024 306 | 1001186976 448 | 1001203511.....449 |
| 1001171555.....346, 350 | 1001176299 307 | 1001187352 389 | 1001203654.....251 |
| 1001171559.....346, 350 | 1001176300 307 | 1001187382 233 | 1001204110.....449 |
| 1001171678.....79 | 1001176301 307 | 1001187383 233 | 1001204510.....435, 441 |
| 1001171679.....79 | 1001176302 307 | 1001187674 269 | 1001204715.....361 |
| 1001171680.....79 | 1001176469 69, 71 | 1001187681 411 | 1001204725.....233 |
| 1001171681.....111, 121 | 1001176848 17 | 1001188622 233 | 1001205958.....319, 321, 323, 325, 327, 329 |
| 1001171682.....111, 121 | 1001176951 346, 350, 357 | 1001188844 233 | 1001206314.....92 |
| 1001171683.....135, 143, 151, 171 | 1001177359 160, 181 | 1001188883 441 | 1001206436.....449 |
| 1001171684.....135, 143, 151, 171 | 1001177821 57 | 1001189001 233 | 1001206476.....339 |
| 1001171953.....113, 123, 137, 139, 147, 155, 175 | 1001177834 57 | 1001189002 233 | 1001206532.....259 |
| 1001171954.....113, 123, 137, 139, 147, 155, 175 | 1001178228 95 | 1001189171 367, 444 | 1001206625.....291 |
| 1001172001.....449 | 1001178448 346, 351 | 1001189172 367, 444 | 1001206916.....61 |
| 1001172045.....448 | 1001178449 346, 351 | 1001189882 437 | 1001207335.....307 |
| 1001172064.....380, 383 | 1001178644 346, 351 | 1001190368 17 | 1001207336.....307 |
| 1001172065.....380, 383, 422 | 1001178788 160, 180 | 1001190663 103, 105 | 1001207347.....61 |
| 1001172202.....111, 121 | 1001178859 117 | 1001190985 233 | 1001207374.....43 |
| 1001172264.....207 | 1001179236 76, 375 | 1001191620 160, 180 | 1001208874.....233 |
| 1001172265.....207 | 1001179266 347, 351 | 1001191832 88, 111, 121, 135, 143, 151, 172 | 1001208994.....449 |
| 1001172271.....346, 351 | 1001179339 59, 61 | 1001192294 181 | 1001209059.....103 |
| 1001172335.....350, 353 | 1001179517 37 | 1001192401 422 | 1001209617.....271 |
| 1001172336.....355 | 1001179903 160, 181 | 1001193018 311, 313, 315, 317, 319, 321, 323, 325, 327, 329, 331 | 1001209664.....337 |
| 1001172343.....350 | 1001179904 88 | 1001193049 180 | 1001209832.....337 |
| 1001172578.....275 | 1001180035 307 | 1001193336 59, 61 | 1001210036.....449 |
| 1001172736.....135 | 1001180056 229 | 1001194197 323 | 1001210356.....307 |
| 1001172751.....448 | 1001180541 227 | 1001194198 325 | 1001210636.....281 |
| 1001172760.....259 | 1001180620 160, 180 | 1001194199 327 | 1001210823.....307 |
| 1001173006.....307 | 1001180916 27 | 1001194200 311 | 1001211556.....163 |
| 1001173027.....307 | 1001181045 365, 369, 444 | 1001194203 311 | 1001211716.....88 |
| 1001173028.....307 | 1001181145 442 | 1001194204 315 | 1001211717.....88, 92 |
| 1001173034.....307 | 1001181358 135, 143, 151, 171, 387 | 1001194365 331 | 1001213447.....397 |
| 1001173035.....307 | 1001181875 347, 351 | 1001194424 307 | 1001213448.....76 |
| 1001173036.....307 | 1001181923 347, 351 | 1001194888 99 | 1001213794.....92 |
| 1001173037.....307 | 1001182064 225 | 1001195490 442 | 1001213882.....259 |
| 1001173038.....307 | 1001182169 88 | 1001195491 442 | 1001214207.....113, 123, 137, 139, 147, 155, 175 |
| 1001173039.....307 | 1001182361 380, 384 | 1001196382 210, 214, 218 | 1001214397.....339 |
| 1001173042.....307 | 1001182365 380, 384 | 1001196634 195, 444 | 1001214570.....339 |
| 1001173043.....307 | 1001182561 347, 351 | 1001196635 422, 444 | 1001214571.....339 |
| 1001173044.....306 | 1001182570 361, 445 | 1001196636 427 | 1001214975.....117 |
| 1001173046.....306 | 1001182695 225, 231 | 1001196637 76 | 1001215228.....259 |
| 1001173048.....306 | 1001182806 103 | 1001197017 277, 279 | 1001216630.....233 |
| 1001173049.....306 | 1001182875 88, 92 | 1001197039 307 | 1001218533.....55 |
| 1001173052.....307 | 1001182877 88, 92 | 1001197221 37 | 1001218535.....55 |
| 1001173053.....307 | 1001182879 88, 92 | 1001197719 380, 384, 444 | 1001218537.....55 |
| 1001173054.....307 | 1001182997 59, 61 | 1001200128 442 | 1001218622.....350 |
| 1001173055.....307 | 1001183407 449 | 1001200129 442 | 1001218623.....350 |
| 1001173056.....307 | 1001184618 259 | 1001200130 442 | 1001219129.....55 |
| 1001173057.....307 | 1001184626 259 | 1001200131 442 | 1001219601.....76, 445 |
| 1001173058.....307 | 1001184682 105 | 1001200132 442 | 1001220003.....449 |
| 1001173059.....307 | 1001185030 15 | 1001200133 442 | 1001220266.....144, 152 |
| | 1001185281 259 | 1001200134 442 | 1001221203.....180 |
| | | | 1001221212.....180 |
| | | | 1001223055.....433 |

SECTION 11 - SPECIAL OPTIONS

| | | | |
|--|--------------------------|--|---------------------------|
| 1001223122 160, 210, 214, 218 | 1001237879..... 339 | 1001249941 449 | 1001258800 213 |
| 1001223453 433 | 1001237880..... 339 | 1001250035 449 | 1001258804 160 |
| 1001223459 379, 383 | 1001237881..... 339 | 1001250291 88 | 1001258895 31 |
| 1001223777 92 | 1001237949..... 223 | 1001250595 449 | 1001258896 31 |
| 1001224050 439 | 1001238192..... 361, 363 | 1001252527 380, 384 | 1001258897 31 |
| 1001224894 227 | 1001238254..... 259, 397 | 1001252541 19, 23 | 1001258898 31 |
| 1001225346 339 | 1001238263..... 263 | 1001252629 263 | 1001259058 225 |
| 1001225430 129, 164 | 1001238319..... 269 | 1001253618 449 | 1001259196 225 |
| 1001225431 129, 164 | 1001238418..... 273, 417 | 1001253619 449 | 1001259230 95, 97 |
| 1001225580 271, 399 | 1001238421..... 233, 449 | 1001253726 275 | 1001260306 346, 351 |
| 1001226530 339 | 1001238466..... 346, 351 | 1001254300 433 | 1001260412 160 |
| 1001226541 422 | 1001238472..... 273 | 1001254301 435 | 1001260420 160 |
| 1001226872 243 | 1001238495..... 271 | 1001254305 439 | 1001260575 181 |
| 1001227278 448 | 1001238559..... 273 | 1001254307 437 | 1001261045 213 |
| 1001227633 269 | 1001238911..... 160 | 1001254311 441 | 1001261085 213 |
| 1001227634 269 | 1001239202..... 379, 383 | 1001254314 433, 435, 439, 441 | 1001262016 449 |
| 1001227985 269 | 1001239371..... 442 | 1001254315 437, 441 | 1001262105 441 |
| 1001227987 269 | 1001241286..... 88 | 1001254472 273 | 1001262117 441 |
| 1001227996 413, 415 | 1001241295..... 88, 95 | 1001254473 273 | 1001262959 450 |
| 1001228215 243 | 1001241398..... 73, 261 | 1001254652 19 | 1001263007 361, 373 |
| 1001228224 269, 445 | 1001241547..... 449 | 1001254652 19 | 1001263008 361, 419 |
| 1001228225 269, 445 | 1001241548..... 449 | 1001255133 233 | 1001263174 105 |
| 1001228960 448 | 1001241965..... 273 | 1001255329 227 | 1001263663 101 |
| 1001229341 269 | 1001242639..... 448 | 1001255807 448 | 1001263664 99 |
| 1001230635 160, 180 | 1001242855..... 83 | 1001255846 441 | 1001263668 101 |
| 1001230931 425 | 1001242856..... 85 | 1001255850 441 | 1001263669 99 |
| 1001230934 380, 384 | 1001243183..... 448 | 1001255930 307 | 1001263677 99 |
| 1001230935 380, 384 | 1001243184..... 448 | 1001255968 229, 299 | 1001263678 101 |
| 1001230936 380, 384 | 1001243331..... 448 | 1001255969 225, 287 | 1001263693 99 |
| 1001231886 103 | 1001243414..... 88 | 1001255970 223, 293 | 1001263694 101 |
| 1001232026 433, 435, 437, 439 | 1001243895..... 195 | 1001255971 223, 289 | 1001263787 101 |
| 1001232164 269 | 1001244019..... 191 | 1001255973 223, 291 | 1001264731 71 |
| 1001232165 269 | 1001244024..... 189 | 1001255991 225 | 1001264732 69 |
| 1001232642 273 | 1001244212..... 437, 441 | 1001256002 225 | 1001264733 67 |
| 1001232667 273, 445 | 1001244287..... 143 | 1001256093 223 | 1001264942 448 |
| 1001232842 195 | 1001244295..... 393 | 1001256095 223, 227 | 1001264981 15 |
| 1001232904 442 | 1001244298..... 437 | 1001256096 223, 229 | 1001265163 281 |
| 1001233047 448 | 1001244301..... 437 | 1001256098 229 | 1001265186 43, 235 |
| 1001233080 449 | 1001245195..... 33 | 1001256099 229 | 1001265342 281 |
| 1001233139 17 | 1001245196..... 33 | 1001256100 229 | 1001265389 99 |
| 1001233237 448 | 1001245197..... 33 | 1001256101 229 | 1001265390 101 |
| 1001233763 195, 448 | 1001245198..... 33 | 1001256102 229 | 1001265688 449 |
| 1001233899 88 | 1001245211..... 33 | 1001256103 229 | 1001266649 361 |
| 1001234425 433 | 1001245656..... 71 | 1001256125 227 | 1001266660 448 |
| 1001234426 433 | 1001245759..... 19, 21 | 1001256126 227 | 1001266662 449 |
| 1001234435 439 | 1001246142..... 448 | 1001256179 15, 285 | 1001266711 227, 297 |
| 1001234436 439 | 1001246369..... 76 | 1001256527 361 | 1001267275 307 |
| 1001234439 435, 437 | 1001246433..... 448 | 1001256790 225 | 1001267277 307 |
| 1001234800 379, 384 | 1001246434..... 448 | 1001256879 143, 152 | 1001267283 449 |
| 1001235949 160, 193 | 1001246435..... 257, 259 | 1001256906 437, 441 | 1001267313 441 |
| 1001236091 73 | 1001246436..... 257 | 1001256910 223 | 1001269476 92 |
| 1001236123 448 | 1001246450..... 67 | 1001256911 229 | 1001270594 81 |
| 1001236396 442 | 1001246451..... 69 | 1001257271 263 | 1001270716 450 |
| 1001236552 273 | 1001246520..... 17 | 1001257274 263 | 1001270730 225, 231 |
| 1001236780 160 | 1001246551..... 17 | 1001257275 263 | 1001270755 450 |
| 1001236891 263 | 1001246859..... 422 | 1001258005 263 | 1001271179 346 |
| 1001236895 263 | 1001246976..... 441 | 1001258112 180, 183 | 1001271180 350 |
| 1001237383 422 | 1001247073..... 449 | 1001258231 449 | 1001271323 422 |
| 1001237546 73 | 1001247440..... 143, 152 | 1001258264 229 | 1001271497 397 |
| 1001237667 397, 422 | 1001247468..... 233 | 1001258265 229 | 1001271588 441 |
| 1001237668 397, 422 | 1001247656..... 213 | 1001258337 175, 179 | 1001271589 441 |
| 1001237863 269, 413 | 1001247800..... 449 | 1001258385 172, 185 | 1001271605 441 |
| 1001237864 269, 415 | 1001248140..... 263 | 1001258406 187 | 1001271606 441 |
| 1001237865 269, 411 | 1001248141..... 263 | 1001258495 413, 415 | 1001271707 442 |
| 1001237878 339 | 1001248190..... 214 | 1001258502 181 | 1001271708 442 |
| | 1001249052..... 449 | 1001258505 187 | 1001271711 442 |
| | 1001249695..... 449 | 1001258629 181 | 1001271795 .. 37, 43, 235 |

SECTION 11 - SPECIAL OPTIONS

| | | | |
|--------------------------------------|---------------------------------------|--|--|
| 1001272166.....449 | 1001282106..... 73, 261 | 1001308137 97 | 1704277.... 433, 435, 437, 439 |
| 1001272681..... 83 | 1001282143..... 92, 99 | 1001311034 273 | 1704412.... 433, 435, 437, 439 |
| 1001272682..... 85 | 1001282146..... 92 | 1060341 277, 279 | 1704885.... 433, 435, 439 |
| 1001273302.....227, 346, 350 | 1001282215..... 449 | 1060461 355, 359 | 1704972.....111 |
| 1001273303.....227, 346, 350 | 1001282461..... 449 | 1060903 277, 279 | 1705014.....251 |
| 1001274525.....59, 63 | 1001282492..... 76, 421 | 1060908 ... 365, 367, 369, 371 | 1705325.....311, 313 |
| 1001274559....67, 69, 71, 259 | 1001282533..... 76, 427 | 1060918 265 | 1705336.....433 |
| 1001274782.....433, 435, 437, 439 | 1001282831..... 59 | 1062255 ... 144, 151, 171 | 1705351.....433 |
| 1001274831.....448 | 1001283776..... 81, 341 | 10702077 218 | 1705358.....441 |
| 1001274832.....448 | 1001284582..... 261 | 10702082 218 | 1705430.....439 |
| 1001274833.....448 | 1001284583..... 261 | 10836804 67, 69, 71 | 1705460.....219 |
| 1001275628.....259, 444 | 1001285632 123, 155, 175, 203 | 1120555 275 | 1705461.....219 |
| 1001275629.....259, 444 | 1001285640..... 101 | 1320016 116 | 1705489.... 209, 213, 218, 219 |
| 1001275643.....449 | 1001285788..... 89, 97 | 1320022 ... 111, 121, 135, 143, 151 | 1705822..... 435, 437 |
| 1001275644.....449 | 1001285789..... 88 | 1320041 347, 351 | 1705828..... 435, 437 |
| 1001275935.....57 | 1001285811 449 | 1320043 347 | 1705921..... 435, 437 |
| 1001275936.....57 | 1001285988..... 92, 101 | 1320061 144, 151 | 1705961..... 435, 437 |
| 1001276610.....448 | 1001286019 49, 51 | 1320130 346, 350 | 1705968..... 439, 441 |
| 1001276626..... 83, 85 | 1001286266 448 | 1320176 205 | 1706098.....441 |
| 1001276643..... 160, 379 | 1001286568 180 | 1320223 339 | 1706385.....251 |
| 1001276688.....441 | 1001287643 180 | 1320263 171 | 2060025.....116 |
| 1001276689.....441 | 1001288266 180 | 1321293 65 | 2080040.... 209, 213, 249, 255, 333, 335, 337 |
| 1001276690.....441 | 1001288366 181 | 1321647 422 | 2110810..... 306 |
| 1001276691.....441 | 1001289589 371 | 1321716 ... 111, 121, 135, 143, 151, 159, 171, 210, 213, 218 | 2110812.....306 |
| 1001276692.....441 | 1001289592 335, 371 | 1580012 267 | 2131212.....306 |
| 1001276693.....441 | 1001289831 449 | 1580013 449 | 2160001.....49 |
| 1001276923.....448 | 1001289832 449 | 1670603 331 | 2180348..... 111, 121 |
| 1001277432..... 117, 161, 181 | 1001289905 449 | 1670836 227 | 2180832.... 135, 143, 151, 171 |
| 1001277481.....442 | 1001289906 449 | 1701499 ... 433, 435, 437, 439 | 2180876.... 111, 121, 135, 143, 151 |
| 1001277482.....442 | 1001289907 449 | 1701500 ... 433, 435, 437, 439 | 2200261.... 117, 161, 181 |
| 1001277483.....442 | 1001290271 448 | 1701504 ... 433, 435, 437, 439 | 2220238.....306 |
| 1001277484.....442 | 1001290660 180, 383 | 1701505 ... 111, 121, 135, 143, 151, 171 | 2220366.....306 |
| 1001277485.....442 | 1001291401 161 | 1701509 ... 275, 433, 435, 437, 439 | 2220371.....306 |
| 1001277486.....442 | 1001291599 335 | 1701518 435, 437 | 2220372.....306 |
| 1001277589..... 161, 163 | 1001292585 449 | 1701529 ... 433, 435, 437, 439 | 2220373.....306 |
| 1001277594.....147, 155, 159 | 1001293086 214 | 1701691 88 | 2220374.....306 |
| 1001277600..... 143, 147 | 1001293299 449 | 1702300 ... 433, 435, 437, 439 | 2220375.....306 |
| 1001277839.....450 | 1001294215 49 | 1702565 259 | 2220377.....306 |
| 1001278197.....442 | 1001294815 441 | 1702566 259 | 2220415.....306 |
| 1001278198.....442 | 1001294864 441 | 1702567 259 | 2220435.....306 |
| 1001278199.....442 | 1001296425 449 | 1702773 437, 441 | 2220451..... 116, 306 |
| 1001278208.....442 | 1001296426 395 | 1702774 441 | 2220465.....306 |
| 1001278209.....442 | 1001297389 67, 69, 71 | 1702868 433 | 2220468.....306 |
| 1001278215.....442 | 100129782 76 | 1703162 116, 159, 179 | 2220472.....306 |
| 1001278216.....442 | 1001299212 181 | 1703687 ... 433, 435, 437, 439 | 2220479.....306 |
| 1001278217.....442 | 1001299782 76 | 1703797 433 | 2220497.....306 |
| 1001278249.....442 | 1001300787 151 | 1703804 433 | 2220500.....306 |
| 1001278250.....442 | 1001300788 152, 155 | 1703805 433 | 2220501.....306 |
| 1001278251.....442 | 1001300789 171 | 1703925 439 | 2220582.....306 |
| 1001278252.....442 | 1001300790 172, 175 | 1703937 439 | 2220596.....306 |
| 1001279651..... 92 | 1001300799 172, 175 | 1703943 439 | 2220600.....306 |
| 1001280240..... 92 | 1001300956 307 | 1703949 439 | 2220603.....306 |
| 1001280242..... 92 | 1001300957 307 | 1703953 433 | 2220628.....306 |
| 1001280270..... 180 | 1001300958 307 | 1703982 439 | 2220767.....143 |
| 1001280340..... 76 | 1001300959 307 | 1704260 259 | 2220811.....306 |
| 1001280549..... 92 | 1001300962 307 | | 2220881.....285 |
| 1001281192.....213 | 1001300963 307 | | 2220883 21, 39, 285, 287, 306 |
| 1001281623..... 101 | 1001301504 121, 123 | | 2220885..... 39, 285, 287 |
| 1001281985..... 181 | 1001301505 121 | | 2220906.....306 |
| 1001281986..... 181 | 1001301594 306 | | 2220923.....306 |
| 1001282099.....448 | 1001301601 307 | | |
| | 1001302954 129 | | |
| | 1001302955 137 | | |
| | 1001302956 139 | | |
| | 1001302961 135, 137 | | |
| | 1001302963 139 | | |
| | 1001302970 135 | | |
| | 1001303430 275 | | |

SECTION 11 - SPECIAL OPTIONS

| | | | | | | |
|------------------------|-----------------|-------------------------|------------------|----------------|-----------------|----------------|
| 2220940 | 306 | 159, 171, 179, 207, | 3520192..... | 218 | 4360336 ... | 209, 213, 218, |
| 2220946 | 306 | 209, 213, 218, 333, | 3520198.... | 243, 245, 247, | 445 | |
| 2220947 | 306 | 335, 337, 346, 350 | 249, 253, 255 | 4360387.69, | 71, 259, 445 | |
| 2220998 | 306 | 3290606 | 245, 247, 253 | 4360407 | 259, 444 | |
| 2221033 | 306 | 3290801 | 111, 121 | 4360436 | 59, 61 | |
| 2221036 | 306 | 3290805 ... | 37, 59, 61, 88, | 4360469 ... | 67, 69, 71, 445 | |
| 2221040 | 306 | 92, 99, 101, 116, 159, | | 4360475 | 445 | |
| 2221086 | 39, 239, 306 | 179, 189, 191, 207, | | 4360476 ... | 67, 69, 71, 445 | |
| 2230025 | 306 | 209, 218, 225, 227, | | 4420014 | 275 | |
| 2400060 ... | 195, 281, 389, | 339, 346, 350 | | 4420051 | 441 | |
| 397, 422 | | 3290806 | 233 | 4420066 | 275 | |
| 2410014 | 251 | 3291001 ... | 159, 179, 233 | 4460019 | 379, 383 | |
| 2460048 | 217 | 3291005 ... | 79, 88, 92, 95, | 4460042 | 379, 383 | |
| 2540020 | 81, 83, 85 | 97, 99, 101, 111, 116, | | 4460043 | 195, 379, 383 | |
| 2560136 | 259 | 121, 135, 143, 151, | | 4460049 | 277, 279 | |
| 2560187 .. | 95, 97, 99, 101 | 159, 171, 179, 223, | | 4460071 | 265 | |
| 2600281 | 249, 255 | 225, 227, 229, 233, | | 4460115 | 380 | |
| 2720015 | 159, 179 | 339, 346, 350 | | 4460142 | 422 | |
| 2720058 ... | 111, 121, 135, | 3291201 ... | 209, 213, 218, | 4460183 | 397 | |
| 143, 151 | | 233 | | 4460225 | 218, 391, 397 | |
| 2720340 | 159 | 3291205 ... | 179, 223, 225, | 4460226 | 265, 277, 279 | |
| 2720398 | 116 | 229, 233 | | 4460227 | 397 | |
| 2720447 | 116 | 3300106 | 19 | 4460234.76, | 81, 259, 277 | |
| 2752504 | 307 | 3300151 ... | 243, 245, 247, | 4460247 ... | 379, 383, 421 | |
| 2752519 | 307 | 253 | | 4460259 ... | 281, 393, 397, | |
| 2820031 ... | 209, 213, 217, | 3300220 | 79, 116 | 422 | | |
| 346, 350, 357 | | 3300353 | 259 | 4460260 ... | 281, 393, 395, | |
| 2820035 | 195 | 3300396 | 218 | 397, 422 | | |
| 2820247 | 413, 415 | 3300408 | 73 | 4460267.59, | 61, 397, 421 | |
| 2860030 | 67, 69, 444 | 3300430 | 271 | 4460268 | 391 | |
| 2900756 | 39 | 3310401 | 179 | 4460313 | 377 | |
| 2900770 | 289, 297 | 3311001 | 193, 218 | 4460320 | 59, 61 | |
| 2900792 | 287 | 3311401 | 277 | 4460384 | 331 | |
| 2902065 ... | 116, 159, 179, | 3311405 ... | 257, 273, 279, | 4460418 | 393, 397 | |
| 197 | | 311, 313, 315, 317, | | 4460419 | 393, 397 | |
| 2902212 | 275 | 319, 321, 323, 325, | | 4460425 | 218, 277, 279 | |
| 2902443 | 377, 379, 383 | 327, 329, 331, 433, | | 4460426 | 218 | |
| 2902549 | 333, 365 | 435, 437, 439 | | 4460428 | 259 | |
| 2940045 | 101 | 3311501 | 88, 277, 279 | 4460434 | 397 | |
| 2940074 ... | 249, 255, 444 | 3311601 | 88, 92, 259, 273 | 4460458 ... | 380, 384, 421, | |
| 2940173 .. | 95, 97, 99, 101 | 3311605 | 193, 251, 257 | 422 | | |
| 3020008 | 19 | 3312002 | 263 | 4460464. 65, | 83, 85, 265, | |
| 3020037 | 175 | 3312005 | 275 | 281, 341, 343, | 357, | |
| 3124242 | 275 | 3312205 | 275 | 363, 373, 375, | 387, | |
| 3251102 | 213 | 3321001 | 79, 116 | 389, 397, 399, | 417, | |
| 3251242 ... | 315, 317, 319, | 3321501 | 92 | 419, 421, 425, | 427, 429 | |
| 321, 323, 325, 327, | | 3331211 ... | 189, 191, 209, | 4460465 | 81, 103, 105, | |
| 329, 331 | | 218 | | 281, 343, 353, | 363, | |
| 3251243 | 433 | 3331215 ... | 116, 159, 171, | 373, 375, 377, | 379, | |
| 3251813 | 433 | 179 | | 383, 391, 397, | 399, | |
| 3252347 | 433 | 3340860 | 225 | 419, 421, 422, | 425, | |
| 3252764 | 217 | 3340956 | 275 | 427, 429 | | |
| 3271605 | 263 | 3380434 | 257 | 4460466 ... | 269, 281, 341, | |
| 3271805 | 251 | 3422532 ... | 111, 121, 135, | 343, 347, 351, | 353, | |
| 3272001 | 263 | 143, 151, 171 | | 357, 373, 377, | 379, | |
| 3290405 ... | 65, 81, 83, 85, | 3422793 | 223, 225 | 383, 389, 397, | 399, | |
| 281, 311, 313, 315, | | 3422814 | 225 | 411, 417, 419, | 421, | |
| 317, 319, 321, 323, | | 3423304 | 17 | 422, 425, 427, | 429 | |
| 325, 327, 329, 331, | | 3430616 | 259 | 4460470 | 259 | |
| 333, 346, 350 | | 3460334 | 275 | 4460471 | 259 | |
| 3290501 | 79 | 3470003 | 259 | 4460473 ... | 346, 350, 353 | |
| 3290505 | 79, 218 | 3520054 ... | 116, 159, 179, | 4460488 | 83, 85, 171 | |
| 3290601 ... | 76, 79, 95, 97, | 259 | | 4460496 | 76 | |
| 99, 101, 103, 105 | | 3520071 | 275 | 4460497 | 76 | |
| 3290605 ... | 37, 65, 76, 79, | 3520072 | 92, 243, 245, | 4460508 | 269, 357, 397 | |
| 83, 85, 101, 111, 116, | | 247, 249, 251, 253, 255 | | 4460509 | 353, 421 | |
| 121, 135, 143, 151, | | 3520189 | 218 | 4460518 | 343 | |

SECTION 11 - SPECIAL OPTIONS

| | | | |
|-----------------------------|-----------------------------|-----------------------------|---------------------------|
| 4460536.....363, 373, 397 | 4461008 377, 379, 383 | 253, 333, 335, 337, | 5272114.....49 |
| 4460539....363, 373, 379, | 4461052.....377 | 347, 351 | 5281918.....346, 350 |
| 383, 397, 419, 427 | 4461054 379, 383, 387 | 481170276, 79, 159, 171, | 70000100.....237 |
| 4460662.....323, 325, 327, | 4461060.....387 | 179, 207, 210, 214, | 70000342.....231 |
| 331 | 4461070.....343 | 333, 335, 337 | 70000345.....126, 163 |
| 4460703.....379, 383 | 4461071 377, 379, 383 | 4811900 ... 37, 59, 61, 67, | 70000619.....217 |
| 4460708.....397 | 4461072 377, 379, 383 | 69, 71, 88, 92, 99, 101, | 70000781.....39 |
| 4460722.....195 | 4461073 377, 379, 383 | 111, 116, 121, 135, | 70000787.....126 |
| 4460742.....421 | 4461074 377, 379, 383 | 143, 151, 159, 171, | 70000793.....197 |
| 4460743.....421 | 4461077 411, 417 | 179, 189, 191, 209, | 70000794.....21 |
| 4460746.....379, 384 | 4461095 343, 377 | 218, 227, 233, 339, | 70000795.....21 |
| 4460748.....379, 384, 422 | 4461196 401 | 346, 350 | 70000800.....125 |
| 4460754.....427 | 4461198 311, 401 | 4811902 ... 159, 181, 225, | 70000851.....126 |
| 4460761.....397, 421 | 4461199 403 | 227, 235, 346, 350 | 70000854.....21 |
| 4460806....319, 321, 323, | 4461201 315, 403 | 4812000 ... 43, 65, 79, 88, | 70000856.....21 |
| 325, 422 | 4461205 405, 407 | 92, 95, 97, 99, 101, | 70000863.....217 |
| 4460807.....391 | 4461244 323, 405 | 111, 116, 121, 135, | 70000865.....53 |
| 4460808.....391 | 4461245 325, 407 | 143, 151, 159, 171, | 70000912.....125 |
| 4460836.....421 | 4461246 327, 409 | 180, 185, 187, 213, | 70000913.....125 |
| 4460865....346, 350, 353, | 4461249 409 | 223, 227, 229, 233, | 70000914.....125 |
| 421 | 4520259 29 | 339, 346, 350 | 70000915.....125 |
| 4460866....346, 350, 357, | 4640464 363 | 4812002 ... 59, 61, 65, 88, | 70000916.....125 |
| 397 | 4640509 287 | 92, 144, 151, 159 | 70000917.....125 |
| 4460871....103, 105, 393, | 4640751 159, 179 | 4812100 88, 135, 143, | 70000918.....125 |
| 395, 397, 421, 422, 427 | 4640771 297 | 151, 159, 171, 180, | 70000919.....126 |
| 4460872.....427 | 4641122 29, 31, 33 | 209, 218, 229, 233 | 70000931.....126 |
| 4460873.....397, 422 | 4641155 37 | 4812102 59, 61, 88, 92 | 70001002.....125 |
| 4460874.....397, 421 | 4641390 291, 299 | 4812200 ... 116, 159, 180, | 70001100.....217 |
| 4460875.....397, 427 | 4710400 179 | 189, 191, 209, 218 | 70001119.....23 |
| 4460876.....393 | 4711000 193, 218 | 4812300 57 | 70001181.....125 |
| 4460878.....422 | 471140095, 97, 243, 245, | 4846370 277 | 70001368.....23 |
| 4460879.....281, 397 | 247, 253, 271, 273, | 4846562 275 | 70001384.....217 |
| 4460884....281, 379, 383, | 311, 313, 315, 317, | 4871700 209, 213, 218 | 70001423.....125 |
| 399, 421, 425, 427 | 319, 321, 323, 325, | 4891600 88, 113, 123, | 70001435.....126 |
| 4460887 281, 397, 422 | 327, 329, 331 | 137, 139, 147, 155, | 70001498.....126 |
| 4460891 81, 103, 105, | 4711500 .79, 88, 159, 179 | 175, 233 | 70001654.....125 |
| 343, 375, 387, 425, | 4711600 ... 193, 209, 213, | 4891800 19, 113, 137, | 70001655.....125 |
| 427, 429 | 218, 259, 263 | 139, 147 | 70001696.....217 |
| 4460892.....373 | 4711800 251 | 4892000 19 | 70001844.....126 |
| 4460894....373, 377, 379, | 4712000 263, 275 | 4892600001 233 | 70001850.....125 |
| 383, 397, 421, 429 | 4712200 275 | 4922641 214, 218 | 70001866.....126 |
| 4460897 .83, 85, 341, 387 | 4740086 17 | 4922925 218 | 70001868.....126 |
| 4460899....363, 375, 395, | 4740158 15 | 4922929 350 | 70001870... 125, 130, 164 |
| 399, 411, 417, 419, | 4740229 15 | 4923451 117 | 70001871.....126 |
| 421, 425, 427, 429 | 4740362 257 | 5241000 99, 101 | 70001872.....126 |
| 4460905....393, 397, 421, | 4750800 347, 351 | 5241200 . 15, 17, 49, 116, | 70001932.....21 |
| 422, 427 | 4751400 99, 101, 257, | 123, 155, 159, 171, | 70001953.....217 |
| 4460910.....415 | 259, 267, 277, 279, | 175, 180, 189, 191, | 70001966... 209, 213, 217 |
| 4460911.....411 | 433, 435, 437, 439 | 209, 213, 218, 227, 233 | 70001973.....217 |
| 4460928.....343 | 4751500 277, 279 | 5241600 49 | 70001974.....217 |
| 4460930....377, 379, 383, | 4751600 257 | 5250608 76 | 70002063.....39 |
| 421 | 4751800 ... 251, 277, 279 | 5250808 210, 218 | 70002070.....23 |
| 4460931 341, 373, 421 | 4761000 79, 116 | 5250810 . 67, 69, 71, 210, | 70002071.....23 |
| 4460932....281, 384, 387 | 4761400 267 | 213, 218, 235 | 70002072.....23 |
| 4460933....343, 397, 422 | 4811400 ... 65, 81, 83, 85, | 5250812 55, 347, 351 | 70002073.....23 |
| 4460941.....387, 411 | 281, 311, 313, 315, | 5251008 233, 361 | 70002088.....217 |
| 4460942....269, 379, 383, | 317, 319, 321, 323, | 5251009 227 | 70002112.....61 |
| 387 | 325, 327, 329, 331, | 5251010 37, 43, 227, 235 | 7000216.....23 |
| 4460943.....411, 422 | 346, 350 | 5251012 15, 27, 227 | 70002209.....39 |
| 4460944.....379, 383 | 4811600 79, 185, 218 | 5251014 88, 92, 346, 350 | 70002234.....126 |
| 4460945.....384 | 4811700 ... 65, 76, 79, 83, | 5251016 233 | 70002257.....200 |
| 4460956....365, 369, 371 | 85, 95, 97, 99, 101, | 5251215 ... 111, 121, 135, | 70002297.....217 |
| 4460957 365, 369, 371 | 103, 105, 111, 116, | 143, 151, 159 | 70002335.....287 |
| 4460967 421 | 121, 135, 143, 151, | 5260800 ... 55, 67, 69, 71, | 70002373.....287 |
| 4460968.....311, 315 | 159, 171, 179, 209, | 210, 213, 218 | 70002386.....39, 45, 291, |
| 4460970.....397 | 213, 218, 245, 247, | 5261200 ... 111, 121, 135, | 299, 444 |
| 4461005.....377 | | 143, 151, 159 | 70002460.....217 |

SECTION 11 - SPECIAL OPTIONS

| | | | | | | | |
|----------------|---------------|----------------|---------------|----------------|--------------------------------------|----------------|----------|
| 70002649 | 53 | 70004268 | 125 | 70005076 | 45 | 70007354 | 129, 163 |
| 70002651 | 53 | 70004269 | 125 | 70005080 | 45 | 70007556 | 239 |
| 70002718 .. | 125, 129, 164 | 70004270 | 126 | 70005082 | 45 | 70007603 | 129, 163 |
| 70002838 | 61 | 70004281 | 129, 164 | 70005084 | 45 | 70007719 | 293 |
| 70002842 | 285 | 70004282 | 129 | 70005085 | 45 | 70007720 | 289, 293 |
| 70002902 | 265 | 70004504 | 164 | 70005087 | 45 | 70007721 | 289, 293 |
| 70002903 | 265 | 70004505 | 164 | 70005088 | 45 | 70007722 | 289, 293 |
| 70002904 | 265 | 70004506 | 164 | 70005089 | 45 | 70007723 | 289, 293 |
| 70002905 | 265 | 70004507 | 164 | 70005090 | 45 | 70007724 | 293 |
| 70002962 | 39 | 70004508 | 129, 164 | 70005092 | 45 | 70007728 | 289 |
| 70002996 | 23 | 70004509 | 164 | 70005094 | 45 | 70007729 | 289 |
| 70002997 | 24 | 70004510 | 164 | 70005095 | 45 | 70007731 | 291 |
| 70003000 | 23 | 70004577 | 39 | 70005096 | 45 | 70007732 | 291 |
| 70003463 | 125, 444 | 70004676 | 209, 213 | 70005097 | 45 | 70007733 | 291 |
| 70003464 | 125 | 70004677 | 209 | 70005098 | 45 | 70007734 | 291 |
| 70003468 | 126 | 70004678 | 209, 213 | 70005099 | 45 | 70007735 | 291 |
| 70003469 | 126 | 70004679 | 210, 213 | 70005100 | 45 | 70007736 | 291 |
| 70003472 | 125 | 70004680 | 210, 213 | 70005139 | 47 | 70007737 | 291 |
| 70003473 | 125 | 70004681 | 210, 213 | 70005143 | 287 | 70007738 | 287 |
| 70003475 | 125 | 70004682 | 210, 213 | 70005150 | 295 | 70007739 | 287 |
| 70003479 | 125 | 70004683 | 210, 214 | 70005151 | 295 | 70007740 | 287 |
| 70003480 | 125 | 70004686 | 213 | 70005152 | 295 | 70007741 | 287 |
| 70003481 | 125 | 70004864 | 237 | 70005153 | 295 | 70007742 | 287 |
| 70003612 | 47 | 70004865 | 237 | 70005154 | 295 | 70007743 | 299 |
| 70003614 | 61, 444 | 70004866 | 237 | 70005171 | 129, 164 | 70007744 | 299 |
| 70003628 | 21 | 70004867 | 237, 239 | 70005172 | 130, 164 | 70007745 | 299 |
| 70003631 | 217 | 70004868 | 237 | 70005176 | 164 | 70007746 | 299 |
| 70003708 .. | 209, 213, 217 | 70004869 | 237, 239 | 70005177 | 129, 164 | 70007747 | 299 |
| 70003709 .. | 209, 213, 217 | 70004871 .. | 237, 239, 444 | 70005180 | 129 | 70008135 | 297 |
| 70003783 .. | 116, 180, 444 | 70004873 | 239 | 70005182 | 129 | 70008136 | 297 |
| 70003788 ... | 45, 291, 444 | 70004875 | 237 | 70005184 | 129, 163 | 70008137 | 297 |
| 70003931 | 126 | 70004876 | 59, 61 | 70005191 | 163 | 70008138 | 297 |
| 70003932 | 126 | 70004883 | 39 | 70005217 | 45 | 70008139 | 297 |
| 70003975 | 39 | 70004884 | 39 | 70005218 | 45 | 70008140 | 297 |
| 70003977 | 45 | 70004885 | 39 | 70005219 | 45, 444 | 70008141 | 297 |
| 70004000 | 47 | 70004886 | 39 | 70005243 | 239 | 70008244 | 285 |
| 70004013 | 47 | 70004887 | 39 | 70005504 | 163 | 70008246 | 285 |
| 70004014 | 47 | 70004888 | 39 | 70005505 | 163 | 70008247 | 285 |
| 70004017 | 39 | 70004889 | 199 | 70005507 | 163 | 70008253 | 63 |
| 70004039 | 23 | 70004890 | 199 | 70005606 | 23 | 70008254 | 63 |
| 70004056 | 126 | 70004891 | 199 | 70005613 | 23 | 70008256 | 63 |
| 70004058 | 126, 444 | 70004892 | 199 | 70005667 | 346, 350 | 70008258 | 63 |
| 70004059 | 126 | 70004893 | 199 | 70005931 | 129, 163 | 70008259 | 63 |
| 70004060 | 126 | 70004894 | 199 | 70005938 | 164 | 70008260 | 63 |
| 70004062 | 126 | 70004895 | 199 | 70005941 | 130, 164 | 70008261 | 63 |
| 70004092 | 209, 213 | 70004896 | 199 | 70005942 | 129, 164 | 70008262 | 63 |
| 70004099 | 213 | 70004897 | 199, 444 | 70006104 | 291 | 70008263 | 63 |
| 70004102 | 126 | 70004898 | 199 | 70006105 | 291 | 70008264 | 63 |
| 70004103 | 126 | 70004899 | 200 | 70006356 .. | 113, 123, 137, 139, 147, 155, 175 | 70008265 | 63 |
| 70004169 | 217 | 70004900 | 200 | 70006552 | 210 | 70008266 | 63 |
| 70004171 | 209, 217 | 70004901 | 200 | 70006553 | 210, 444 | 70008267 | 63 |
| 70004249 | 53 | 70004902 | 200 | 70006660 | 237 | 70008268 | 63 |
| 70004250 | 53 | 70004903 | 200 | 70007142 | 21 | 70008296 | 164 |
| 70004251 | 53 | 70004904 | 200 | 70007143 | 21 | 70008422 | 164 |
| 70004252 | 53 | 70004905 | 200 | 70007145 | 21 | 70008431 | 163 |
| 70004253 | 53 | 70004906 | 200 | 70007146 | 21 | 70008435 | 163 |
| 70004254 | 53 | 70004907 | 200 | 70007170 | 23 | 70008498 | 203 |
| 70004255 | 53 | 70004908 | 200 | 70007171 | 23 | 70008502 | 203 |
| 70004256 | 53 | 70004909 | 200 | 70007172 | 23 | 70008504 | 203 |
| 70004257 | 53 | 70004910 | 200 | 70007173 | 23 | 70008507 | 203 |
| 70004258 | 53 | 70004911 | 200 | 70007174 | 23 | 70008537 | 164 |
| 70004259 | 53 | 70005065 | 47 | 70007175 | 23 | 70008538 | 164 |
| 70004260 | 53 | 70005066 | 47 | 70007176 | 23 | 70008543 | 163 |
| 70004261 | 53 | 70005067 | 47 | 70007177 | 24 | 70008544 | 163 |
| 70004262 | 53 | 70005068 | 47 | 70007325 | 163 | 70008545 | 163 |
| 70004263 | 53 | 70005069 | 45 | 70007326 | 129, 164 | 70008547 | 163 |
| 70004267 | 47 | 70005071 | 45 | | | 70008553 | 163 |

SECTION 11 - SPECIAL OPTIONS

| | | | | | | | |
|----------------|---------------|---------------|-----------------------|--------------|---------------|---------------|--------------------------------------|
| 70008558..... | 163 | 70030360..... | 129, 163 | 7021265..... | 199 | 7026050..... | 53 |
| 70008559..... | 163 | 70030381..... | 129, 164 | 7021268..... | 199 | 7026051..... | 53 |
| 70008561..... | 163 | 70031055..... | 163 | 7021275..... | 21 | 7026052..... | 53 |
| 70008564..... | 164 | 70031095..... | 129 | 7021276..... | 200 | 7026053..... | 53 |
| 7000857..... | 21 | 70031136..... | 129, 163 | 7021277..... | 200 | 7026057..... | 53 |
| 70008600..... | 203 | 70031143..... | 129, 163 | 7021278..... | 200 | 7026188..... | 217 |
| 70008622..... | 203 | 70031144..... | 129, 163 | 7021281..... | 199 | 7026330..... | 47 |
| 70008623..... | 203 | 70031388..... | 163 | 7021290..... | 200 | 7026597..... | 217 |
| 70008624..... | 203 | 70031474..... | 163 | 7021293..... | 199 | 7026626..... | 217 |
| 70008625..... | 203 | 7007289..... | 200 | 7021299..... | 200 | 7027236..... | 125 |
| 70008626..... | 203 | 7007415..... | 199, 200 | 7021625..... | 39 | 7027350..... | 53 |
| 70008627..... | 203 | 7007419..... | 21, 199 | 7021639..... | 39 | 7027351..... | 53 |
| 70008628..... | 203 | 7007420..... | 21, 199, 200 | 7022300..... | 199 | 7027352..... | 53 |
| 70010383..... | 43, 444 | 7007438..... | 21 | 7022321..... | 21 | 7027353..... | 53 |
| 70012257..... | 129 | 7007439..... | 21 | 7022326..... | 21 | 7027354..... | 53 |
| 7001481..... | 200 | 7007446..... | 21 | 7022328..... | 21 | 7027356..... | 53 |
| 7001913..... | 23 | 7007493..... | 200 | 7022341..... | 199 | 7027625..... | 237 |
| 70023606..... | 39 | 7007495..... | 199 | 7022346..... | 200 | 7027628..... | 237, 444 |
| 70024262..... | 289 | 7007640..... | 23 | 7022347..... | 200 | 7027740..... | 21 |
| 70024494..... | 130 | 7010543..... | 39 | 7022368..... | 21 | 7027790..... | 126 |
| 70024502..... | 129 | 7012967..... | 39, 291, 299 | 7022371..... | 21 | 7027791..... | 126 |
| 70024504..... | 129, 163 | 7012974..... | 39 | 7022390..... | 45, 291 | 7027792..... | 126 |
| 70024505..... | 163 | 7012998..... | 299 | 7022397..... | 39 | 7027796..... | 126 |
| 70024507..... | 129 | 7016331 ... | 125, 130, 164, 444 | 7022399..... | 39, 45 | 7027799..... | 217 |
| 70024513..... | 129, 163 | 7017022..... | 24 | 7023900..... | 45 | 7027903..... | 126 |
| 70024904..... | 130, 164 | 7017027..... | 23 | 7023910..... | 21 | 77363233..... | 391 |
| 70024905... .. | 129, 130, 164 | 7017072..... | 23 | 7023936..... | 45 | 80484084..... | 379, 384 |
| 70024906..... | 129, 164 | 7017082..... | 23 | 7024124..... | 23 | 80633030..... | 306 |
| 70024913..... | 164 | 7017093..... | 23 | 7024129..... | 23 | 80963067..... | 422 |
| 70024917..... | 163 | 7017099..... | 23 | 7024134..... | 24 | 80983191..... | 384 |
| 70024919..... | 129 | 7017095..... | 23 | 7024441..... | 61 | 8220045..... | 389, 421 |
| 70024920..... | 163 | 7017142..... | 231 | 7024485..... | 217, 444 | 8220051..... | 387 |
| 70024961..... | 129 | 7017159..... | 231 | 7024488..... | 217 | 8220115..... | 383 |
| 70025082..... | 125 | 7017162..... | 231 | 7024489..... | 217 | 8220125..... | 422 |
| 70025084..... | 125, 126 | 7017163..... | 231 | 7024565..... | 126 | 8229242..... | 384, 422, 444 |
| 70025086..... | 126 | 7017164..... | 231 | 7024579 ... | 125, 130, 164 | 8229244..... | 422, 444 |
| 70025088..... | 125 | 7017172..... | 231 | 7024723..... | 23 | 8229245..... | 389, 444 |
| 70025091..... | 125 | 7017192..... | 231 | 7024726..... | 23 | 8229249..... | 281, 444 |
| 70025121..... | 126 | 7017195..... | 231 | 7024729..... | 23 | 8310129..... | 275 |
| 70025123..... | 125, 126 | 7017410..... | 39 | 7024730..... | 23 | 8310614..... | 65 |
| 70025130..... | 163 | 7017467..... | 291, 299 | 7024734..... | 23 | 8310668..... | 227 |
| 70025131..... | 126 | 7017496..... | 39, 291, 299 | 7024735..... | 23 | 8310686..... | 88, 92 |
| 70025139..... | 125 | 7020023..... | 125, 444 | 7024736..... | 23 | 8405006... .. | 135, 143, 151, 171, 185, 187, 193 |
| 70025140..... | 164 | 7020026..... | 125 | 7024737..... | 24 | 8405007..... | 160, 180 |
| 70025144..... | 164 | 7020403..... | 125 | 7024738..... | 23 | 8405009..... | 160, 180 |
| 70025145..... | 164 | 7020430..... | 125 | 7024739..... | 23 | 8405104..... | 160, 180 |
| 70025152..... | 164 | 7020460..... | 125 | 7024740..... | 23 | 8405202..... | 160, 180 |
| 70025164..... | 129, 163 | 7020465..... | 125, 164 | 7024741..... | 23 | 8405204..... | 160, 180 |
| 70025231..... | 129, 163 | 7020468..... | 125 | 7024742..... | 23 | 8406109..... | 160, 180 |
| 70025235..... | 164 | 7020471..... | 126 | 7024744..... | 24 | 8406110..... | 160, 180 |
| 70025239..... | 129, 163 | 7020479..... | 126 | 7024800..... | 199 | 8406201..... | 160, 180 |
| 70025242..... | 164 | 7020492..... | 125, 126 | 7024855..... | 199 | 8410013... .. | 111, 121, 135, 171 |
| 70025614..... | 291 | 7021237..... | 199 | 7024857..... | 199 | 8430007... .. | 135, 143, 151, 171 |
| 70025619... .. | 289, 291, 297 | 7021238..... | 199 | 7024858..... | 199 | 8760477..... | 306 |
| 70025627..... | 291 | 7021239..... | 199 | 7024865..... | 21 | 8770289..... | 306 |
| 70025667..... | 125 | 7021240..... | 199 | 7024871..... | 21 | 88521214..... | 263 |
| 70025693..... | 126 | 7021241..... | 199 | 7024881..... | 39 | 88662523..... | 88, 92 |
| 70025694..... | 126 | 7021242..... | 199 | 7024884..... | 299 | 8881800..... | 65, 346, 350 |
| 70026210..... | 129, 163 | 7021243..... | 199 | 7024885..... | 39, 444 | 91164057..... | 45 |
| 70027088..... | 297 | 7021248..... | 199 | 7026042..... | 53 | 91164059..... | 45 |
| 70027405..... | 163 | 7021249..... | 21, 199 | 7026043..... | 53 | 91164079..... | 45 |
| 70028185..... | 164 | 7021253..... | 199 | 7026044..... | 53 | 91203039..... | 233 |
| 70028538..... | 163 | 7021257..... | 199 | 7026045..... | 53 | | |
| 70028540..... | 129, 163 | 7021258..... | 199 | 7026046..... | 53 | | |
| 70029409..... | 163 | 7021259..... | 199 | 7026047..... | 53 | | |
| 70029451..... | 129 | 7021262..... | 199 | 7026048..... | 53 | | |
| 70029512..... | 129, 163 | 7021263..... | 199 | 7026049..... | 53 | | |



**Corporate Office
JLG Industries, Inc.
1 JLG Drive
McConnellsburg, PA 17233-9533 USA
☎ (717) 485-5161 (Corporate)
☎ (877) 554-5438 (Customer Support)
📠 (717) 485-6417**

**Visit our website for JLG Worldwide Locations.
www.jlg.com**



OSHKOSH™