



Illustrated Parts Manual

Models **600S HC3** **660SJ HC3**

PVC
2401

P/N
31223058

June 3, 2024 - Rev B

ANSI

CE



**UK
CA**

AS/NZS



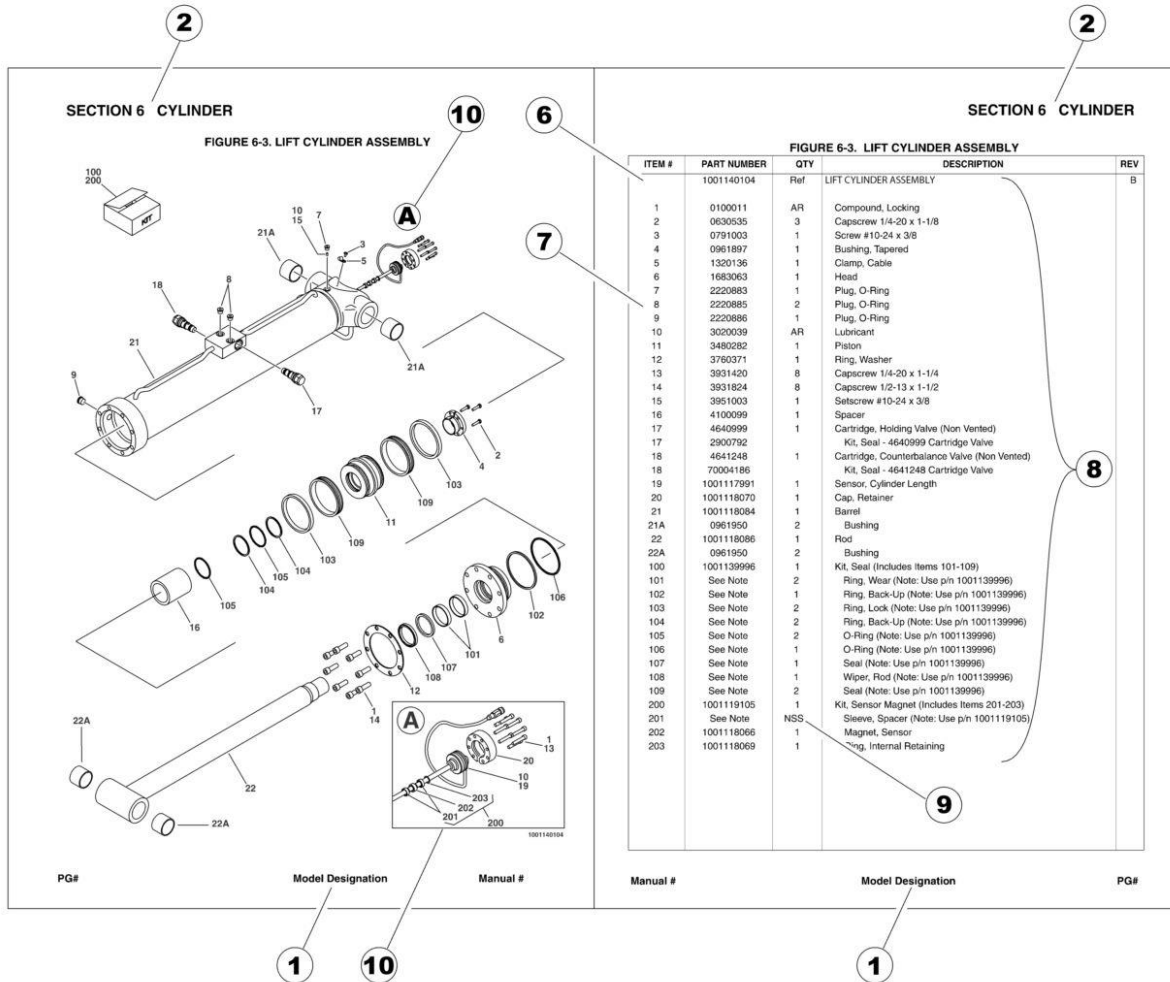
An Oshkosh Corporation Company

REVISION LOG

January 1, 2024 - A - Original Issue of Manual (Edited to B/M 1001246000 Revision AE)

June 3, 2024 - B - Revised Manual (Edited to B/M 1001246000 Revision AF)

GENERAL INFORMATION



1) MACHINE IDENTIFICATION

Machines are identified by model and in some cases a combination of models, serial number (SN) or regional standard (i.e ANSI, CE, CSA). Components may also be identified by SN or manufacturer. Common components that may be identified by these characteristics are engines and hydraulic components.

2) PARTS MANUAL ORGANIZATION

Product information in this manual is organized under section titles. Frame, Cylinder, Hydraulic and Electrical are a few examples. Each section is organized by figure and page number. The information within the Figure is then organized by item number, part number, description and corresponding illustration (s).

3) TABLE OF CONTENTS (NOT SHOWN)

A table of contents is found toward the beginning of the manual. Figure number, description and page number are provided for quick reference to the page containing the related information.

4) RECOMMENDED SPARE PARTS (NOT SHOWN)

The Recommended Spare Parts List, located near the end of the manual, reference most frequently used maintenance parts.

5) PART NUMBER INDEX (NOT SHOWN)

A numerical index listing all part numbers and the corresponding page number(s) appears at the back of the manual.

GENERAL INFORMATION

6) NON-SERVICED PARTS

In some instances, it is necessary to display non-serviced parts, assemblies or installations. In the case of assemblies and installations there will be a Ref in the Qty. column. In case of parts that are not available for service within assemblies or components, there will be a NSS (Not Sold Separately) or NLA (No Longer Available) listed in the Qty. column of the manual.

7) PARTS LIST ITEM NUMBERS

Numbers shown in the item# column correspond to numbers used in the associated illustration (s). Item numbers which are missing from the sequence in the parts list are not used on that page.

8) INDENTED PARTS DESCRIPTION

An indented part description is included in the item under which it is indented.

9) ABBREVIATION AND SYMBOLS

AC.....	Alternating Current	L.....	Liter
ADE.....	Advanced Design Electronics	LB(LBS).....	Pounds
AG.....	Agricultural	LCD.....	Liquid Crystal Display
ANSI.....	American National Standards Institute	LED.....	Light Emitting Diodes
AR.....	As Required	LH.....	Left Hand
ASSY.....	Assembly	LRC.....	Low Rated Countries
AUS.....	Australia	LSS.....	Load Sensing System
AUX.....	Auxiliary	M(m).....	Metric/Meter
AWG.....	American Wire Gauge	MM(mm).....	Milimeter
B/M.....	Bill of Material	mA.....	Miliamps
CAC.....	Charge Air Cooler	NLA.....	No Longer Available
CE.....	European Conformity	NPT.....	National Pipe Threads
CCW.....	Counter Clockwise	NSS.....	Not Sold Separately
CM.....	Centimeter	OD.....	Outside Diameter
CW.....	Clockwise	ORB.....	O-Ring Boss
CSA.....	Canadian Standards Association	ORFS.....	O-Ring Face Seal
CYL.....	Cylinder	OZ (oz).....	Ounces
DIA.....	Diameter	PG.....	Page
DC.....	Direct Current	PN.....	Part Number
DEF.....	Diesel Exhaust Fluid	QT(qt.).....	Quarts
EMS.....	Emergency Stop	QTY.....	Quantity
ENG.....	Engine	REF.....	Reference
FT(ft).....	Feet	REV.....	Revision Level
GA(Ga).....	Gauge	RH.....	Right Hand
HRC.....	High Rated Countries	SAE.....	Society of Automotive Engineers
HVAC.....	Heating, Ventilating, and Air Conditioning	SN.....	Serial Number
HYD.....	Hydraulic	SPEC(S).....	Specifications
Hz.....	Hertz	T/T.....	Turntable
ID.....	Inside Diameter	UGM.....	Universal Ground Module
IN.....	inches	V.....	Volts
ISO.....	International Organization for Standards	W.....	Watts
JIC.....	Joint Industry Council	#.....	Number
KG.....	Kilogram		

10) ILLUSTRATION REFERENCE LETTERS

When necessary, illustrations may contain reference letters that are intended to track information (i. e. hoses, harnesses) from one point to another or to track visual enlargement of components to show details that may be located in another area on the illustration.

Note: Due to continuous product improvements, JLG Industries, Inc. reserves the right to make specification changes without prior notification. Contact JLG Industries, Inc. for updated information.

TABLE OF CONTENTS

SECTION 1 - FRAME.....	17
FIGURE 1-1. AXLE INSTALLATION (MACHINES WITH SN STARTING WITH 03).....	18
FIGURE 1-2. AXLE INSTALLATION (MACHINES WITH SN STARTING WITH B3).....	20
FIGURE 1-3. STEER INSTALLATION - WITHOUT TOW PACKAGE	22
FIGURE 1-4. STEER INSTALLATION - WITH TOW PACKAGE.....	24
FIGURE 1-5. WHEEL DRIVE INSTALLATION - 4WD/2WS (MACHINES WITH SN STARTING WITH 03) (600S HC3).....	26
FIGURE 1-6. WHEEL DRIVE INSTALLATION - 4WD/2WS MACHINES WITH SN STARTING WITH 03) (660SJ HC3)	28
FIGURE 1-7. WHEEL DRIVE INSTALLATION - 4WD/2WS (MACHINES WITH SN STARTING WITH B3)	30
FIGURE 1-8. DRIVE MOTOR ASSEMBLY (600S HC3).....	32
FIGURE 1-9. DRIVE MOTOR ASSEMBLY (660SJ HC3).....	34
FIGURE 1-10. DRIVE HUB ASSEMBLY (600S HC3)	36
FIGURE 1-11. DRIVE HUB ASSEMBLY (660SJ HC3).....	40
FIGURE 1-12. TRACTION VALVE ASSEMBLY	44
FIGURE 1-13. TRACTION VALVE ASSEMBLY	46
FIGURE 1-14. TIRE & WHEEL INSTALLATION - IN355-55 D625 FOAM FILLED (AVAILABLE ON ALL SPECS)	48
FIGURE 1-15. TIRE & WHEEL INSTALLATION - IN355-55 D625 FOAM FILLED NON-MARKING (AVAILABLE ON ALL SPECS)	50
FIGURE 1-16. TIRE & WHEEL INSTALLATION - 41-18LL X 22.5 FOAM FILLED TURF & SAND (AVAILABLE ON ALL SPECS EXCEPT AUSTRALIAN, RUSSIA, CE & UK CA SPECS)	52
FIGURE 1-17. MATTRACKS INSTALLATION	54
FIGURE 1-18. MATTRACKS INSTALLATION	56
FIGURE 1-19. LP TANKS AND BRACKETS INSTALLATION (FORD ENGINES).....	62
FIGURE 1-20. FRAME COVERS INSTALLATION - 2WS	64
FIGURE 1-21. TOW BAR INSTALLATION (OPTIONAL)	66
SECTION 2 - TURNTABLE	69
FIGURE 2-1. VALVE INSTALLATION (600S HC3).....	70
FIGURE 2-2. VALVE INSTALLATION (660SJ HC3)	72
FIGURE 2-3. AXLE VALVE ASSEMBLY	74
FIGURE 2-4. MAIN VALVE ASSEMBLY - 2WS	76
FIGURE 2-5. SWING DRIVE INSTALLATION (Prior to SN B300025373, Prior to SN 0300315038, Except SN B300025177 through B300025283, Excluding B300025170)	78
FIGURE 2-6. SWING DRIVE INSTALLATION (SN 0300315038 to Present, SN B300025373 to Present, SN B300025177 through B300025283, Including B300025170).....	80
FIGURE 2-7. SWING MOTOR/HUB ASSEMBLY (Prior to SN B300025373, Prior to SN 0300315038, Except SN B300025177 through B300025283, Excluding B300025170)	82
FIGURE 2-8. SWING MOTOR/HUB ASSEMBLY (SN 0300315038 to Present, SN B300025373 to Present, SN B300025177 through B300025283, Including B300025170)	86
FIGURE 2-9. TURNTABLE BEARING AND LUBE INSTALLATION	88
FIGURE 2-10. TURNTABLE LOCK INSTALLATION.....	90
FIGURE 2-11. ROTARY COUPLING INSTALLATION	92
FIGURE 2-12. ROTARY COUPLING ASSEMBLY	94
FIGURE 2-13. TANKS INSTALLATION - DIESEL MACHINES (POLY FUEL TANK) (HYDRAULIC TANK WITH 6 INCH BREATHER) (600S HC3).....	96
FIGURE 2-14. TANKS INSTALLATION - DIESEL MACHINES (POLY FUEL TANK) (HYDRAULIC TANK WITH 4 INCH BREATHER) (600S HC3).....	98
FIGURE 2-15. TANKS INSTALLATION - DIESEL MACHINES (POLY FUEL TANK) (HYDRAULIC TANK WITH 6 INCH BREATHER) (660SJ HC3)	100

TABLE OF CONTENTS

FIGURE 2-16. TANKS INSTALLATION - DIESEL MACHINES (POLY FUEL TANK) (HYDRAULIC TANK WITH 4 INCH BREATHER) (660SJ HC3).....	102
FIGURE 2-17. TANKS INSTALLATION - DIESEL MACHINES (STEEL FUEL TANK) (HYDRAULIC TANK WITH 6 INCH BREATHER) (600S HC3).....	104
FIGURE 2-18. TANKS INSTALLATION - DIESEL MACHINES (STEEL FUEL TANK) (HYDRAULIC TANK WITH 4 INCH BREATHER) (600S HC3).....	106
FIGURE 2-19. TANKS INSTALLATION - DIESEL MACHINES (STEEL FUEL TANK) (HYDRAULIC TANK WITH 6 INCH BREATHER) (660SJ HC3).....	108
FIGURE 2-20. TANKS INSTALLATION - DIESEL MACHINES (STEEL FUEL TANK) (HYDRAULIC TANK WITH 4 INCH BREATHER) (660SJ HC3).....	110
FIGURE 2-21. TANKS INSTALLATION - GAS MACHINES (HYDRAULIC TANK WITH 6 INCH BREATHER) (600S HC3).....	112
FIGURE 2-22. TANKS INSTALLATION - GAS MACHINES (HYDRAULIC TANK WITH 4 INCH BREATHER) (600S HC3).....	114
FIGURE 2-23. TANKS INSTALLATION - GAS MACHINES (HYDRAULIC TANK WITH 6 INCH BREATHER) (660SJ HC3).....	116
FIGURE 2-24. TANKS INSTALLATION - GAS MACHINES (HYDRAULIC TANK WITH 4 INCH BREATHER) (660SJ HC3).....	118
FIGURE 2-25. HYDRAULIC TANK ASSEMBLY (HYDRAULIC TANK WITH 6 INCH BREATHER).....	120
FIGURE 2-26. HYDRAULIC TANK ASSEMBLY (HYDRAULIC TANK WITH 4 INCH BREATHER).....	122
FIGURE 2-27. BATTERY AND AUXILIARY PUMP INSTALLATION (MACHINES WITH SN STARTING WITH 03).....	124
FIGURE 2-28. BATTERY AND AUXILIARY PUMP INSTALLATION (MACHINES WITH SN STARTING WITH B3).....	126
FIGURE 2-29. BATTERY AND AUXILIARY PUMP WITH DISCONNECT SWITCH INSTALLATION (MACHINES WITH SN STARTING WITH 03).....	128
FIGURE 2-30. BATTERY AND AUXILIARY PUMP INSTALLATION WITH DISCONNECT SWITCH (MACHINES WITH SN STARTING WITH B3).....	130
FIGURE 2-31. AUXILIARY MOTOR/PUMP ASSEMBLY (MACHINES WITH SN STARTING WITH B3).....	132
FIGURE 2-32. ELECTRICAL COMPONENTS INSTALLATION (ALL SPECS EXCEPT AUSTRALIAN, CE & UK CA (ULS) SPECS) (600S HC3) (Prior to SN B300024393, Prior to SN 0300312944, Excluding B300024064).....	134
FIGURE 2-33. ELECTRICAL COMPONENTS INSTALLATION (ALL SPECS EXCEPT AUSTRALIAN, CE & UK CA (ULS) SPECS) (600S HC3) (SN B300024393 to Present, SN 0300312944 to Present, Including B300024064).....	136
FIGURE 2-34. ELECTRICAL COMPONENTS INSTALLATION (CE & UK CA (ULS) SPECS) (600S HC3) (Prior to SN B300024393, Prior to SN 0300312944, Excluding B300024064).....	138
FIGURE 2-35. ELECTRICAL COMPONENTS INSTALLATION (CE & UK CA (ULS) SPECS) (600S HC3) (SN B300024393 to Present, SN 0300312944 to Present, Including B300024064).....	140
FIGURE 2-36. ELECTRICAL COMPONENTS INSTALLATION (CE & UK CA (ULS) SPECS) (660SJ HC3) (Prior to SN B300024393, Prior to SN 0300312944, Excluding B300024064).....	142
FIGURE 2-37. ELECTRICAL COMPONENTS INSTALLATION (CE & UK CA (ULS) SPECS) (660SJ HC3) (SN B300024393 to Present, SN 0300312944 to Present, Including B300024064).....	144
FIGURE 2-38. ELECTRICAL COMPONENTS INSTALLATION - STANDARD WITH 2WS.....	146
FIGURE 2-39. GROUND CONTROL ASSEMBLY - (MACHINES WITH SN STARTING WITH 03 ALL SPECS EXCEPT AUSTRALIAN, CE & UK CA (ULS) SPECS) (600S HC3).....	148
FIGURE 2-40. GROUND CONTROL ASSEMBLY - (MACHINES WITH SN STARTING WITH 03 CE & UK CA (ULS) SPECS) (600S HC3).....	150
FIGURE 2-41. GROUND CONTROL ASSEMBLY - (MACHINES WITH SN STARTING WITH 03 CE & UK CA (ULS) SPECS) (660SJ HC3).....	152
FIGURE 2-42. LIGHT PANEL INSTALLATION.....	154
FIGURE 2-43. KEYSWITCH INSTALLATION - (ANSI, ANSI EXPORT, CHINA, CSA AND JAPANESE SPECS) (600S HC3).....	156
FIGURE 2-44. KEYSWITCH INSTALLATION - (RUSSIA, CE & UK CA SPECS) (600S HC3).....	158
FIGURE 2-45. KEYSWITCH INSTALLATION - (ANSI, ANSI EXPORT, AUSTRALIAN, CHINA, CSA AND JAPANESE SPECS) (660SJ HC3).....	160
FIGURE 2-46. KEYSWITCH INSTALLATION - (RUSSIA, CE & UK CA SPECS) (660SJ HC3).....	162
FIGURE 2-47. KEYSWITCH INSTALLATION - (WITHOUT JIB) (WITH MSSO) (CE & UK CA SPECS) (660SJ HC3).....	164
FIGURE 2-48. KEYSWITCH INSTALLATION - (WITH JIB) (WITH MSSO) (CE & UK CA SPECS) (660SJ HC3).....	166
FIGURE 2-49. HOOD PLUG INSTALLATION - NO STROBE.....	168

TABLE OF CONTENTS

FIGURE 2-50. HOODS INSTALLATIONS - ABS - DEUTZ D2011, DEUTZ TD 2.9L4 67HP AND FORD ENGINES	170
FIGURE 2-51. HOODS INSTALLATIONS - ABS - DEUTZ TD 2.2L3 AND DEUTZ TD 2.9L4 49HP ENGINES	174
FIGURE 2-52. HOOD ASSEMBLY - ENGINE SIDE (ABS)	178
FIGURE 2-53. HOOD ASSEMBLY - TANK SIDE (ABS)	180
FIGURE 2-54. HOODS INSTALLATIONS - STEEL - DEUTZ D2011, DEUTZ TD 2.9L4 67HP AND FORD ENGINES (SN STARTING WITH 03)	182
FIGURE 2-55. HOODS INSTALLATIONS - STEEL - DEUTZ TD 2.2L3 AND DEUTZ TD 2.9L4 49HP ENGINES.....	186
FIGURE 2-56. HOOD ASSEMBLY - ENGINE SIDE (STEEL) - DEUTZ D2011, DEUTZ TD2.3L3 DEUTZ TD 2.9L4 49HP & 67HP AND FORD ENGINES.....	190
FIGURE 2-57. HOOD ASSEMBLY - TANK SIDE (STEEL) - DEUTZ D2011, DEUTZ TD2.3L3 DEUTZ TD 2.9L4 49HP & 67HP AND FORD ENGINES.....	192
FIGURE 2-58. HOODS INSTALLATIONS - STEEL - DEUTZ D2011 WITH ARCTIC AND DEUTZ TD2.2L3 ENGINES (SN STARTING WITH B3) (660SJ HC3)	194
FIGURE 2-59. HOODS INSTALLATION - STEEL (MACHINES WITH SN STARTING WITH B3) (DEUTZ D2.9L4 (CHINA IV) ENGINES)	198
FIGURE 2-60. HOOD ASSEMBLY - ENGINE SIDE (STEEL) - DEUTZ D2011 WITH ARCTIC AND DEUTZ TD2.2L3 ENGINES (660SJ HC3).....	202
FIGURE 2-61. HOOD ASSEMBLY - TANK SIDE (STEEL) - DEUTZ D2011 WITH ARCTIC AND DEUTZ TD2.2L3 ENGINES (660SJ HC3).....	204
FIGURE 2-62. HOOD ASSEMBLY - ENGINE SIDE (STEEL) - DEUTZ D2.9L4 ENGINES (MACHINES WITH SN STARTING WITH B3).....	206
FIGURE 2-63. NOISE REDUCTION PACKAGE (600S HC3)	208
FIGURE 2-64. NOISE REDUCTION PACKAGE (660SJ HC3).....	210
FIGURE 2-65. STROBE LIGHT INSTALLATION - AMBER	212
FIGURE 2-66. STROBE LIGHT INSTALLATION - BLUE.....	214
FIGURE 2-67. STROBE LIGHT INSTALLATION - RED.....	216
FIGURE 2-68. TURNTABLE COVERS INSTALLATION	218
FIGURE 2-69. WHITE NOISE ALARM INSTALLATION (AMBIENT)	220
FIGURE 2-70. WHITE NOISE ALARM INSTALLATION (CONSTANT).....	222
SECTION 3 - ENGINE	225
FIGURE 3-1. DEUTZ D2011 ENGINE INSTALLATION - WITHOUT ARCTIC PACKAGE (MACHINES WITH SN STARTING WITH 03) (600S HC3).....	226
FIGURE 3-2. DEUTZ D2011 ENGINE INSTALLATION - WITHOUT ARCTIC PACKAGE (MACHINES WITH SN STARTING WITH 03) (660SJ HC3).....	228
FIGURE 3-3. DEUTZ D2011 ENGINE INSTALLATION - WITHOUT ARCTIC PACKAGE (MACHINES WITH SN STARTING WITH B3) (660SJ HC3)	230
FIGURE 3-4. DEUTZ D2011 ENGINE AND PUMPS SUB-ASSEMBLY - WITHOUT ARCTIC PACKAGE (600S HC3/660SJ HC3) (MACHINES WITH SN STARTING WITH 03)	232
FIGURE 3-5. DEUTZ D2011 ENGINE AND PUMPS SUB-ASSEMBLY - WITHOUT ARCTIC PACKAGE (MACHINES WITH SN STARTING WITH B3) (660SJ HC3)	234
FIGURE 3-6. DEUTZ D2011 ENGINE ASSEMBLY - WITHOUT ARCTIC PACKAGE (600S HC3/660SJ HC3)	236
FIGURE 3-7. DEUTZ D2011 ENGINE INSTALLATION - WITH ARCTIC PACKAGE (MACHINES WITH SN STARTING WITH 03) (600S HC3).....	240
FIGURE 3-8. DEUTZ D2011 ENGINE INSTALLATION - WITH ARCTIC PACKAGE (MACHINES WITH SN STARTING WITH 03) (660SJ HC3).....	244
FIGURE 3-9. DEUTZ D2011 ENGINE INSTALLATION - WITH ARCTIC PACKAGE (MACHINES WITH SN STARTING WITH B3) (660SJ HC3).....	248
FIGURE 3-10. DEUTZ D2011 ENGINE AND PUMPS SUB-ASSEMBLY - WITH ARCTIC PACKAGE (600S HC3/660SJ HC3) (MACHINES WITH SN STARTING WITH 03)	252
FIGURE 3-11. DEUTZ D2011 ENGINE AND PUMPS SUB-ASSEMBLY - WITH ARCTIC PACKAGE (MACHINES WITH SN STARTING WITH B3) (660SJ HC3)	254

TABLE OF CONTENTS

FIGURE 3-12. DEUTZ D2011 ENGINE ASSEMBLY - WITH ARCTIC PACKAGE (600S HC3/660SJ HC3)	256
FIGURE 3-13. DEUTZ D2011 ENGINE COMPONENTS (600S HC3/660SJ HC3).....	260
FIGURE 3-14. DEUTZ TD 2.2L3 (STAGE V) ENGINE INSTALLATION	264
FIGURE 3-15. DEUTZ TD 2.2L3 (STAGE V) ENGINE INSTALLATION (660SJ HC3)	268
FIGURE 3-16. DEUTZ TD2.2L3 (STAGE V) ENGINE AND PUMPS SUB-ASSEMBLY	272
FIGURE 3-17. DEUTZ TD2.2L3 (STAGE V) ENGINE ASSEMBLY (600S HC3/660SJ HC3)	274
FIGURE 3-18. DEUTZ TD2.2L3 (STAGE V) ENGINE COMPONENTS	278
FIGURE 3-19. DEUTZ D2.9L4 - EMR5 (49HP) 600S HC3 ENGINE INSTALLATION WITHOUT ARCTIC PACKAGE (600S HC3)	280
FIGURE 3-20. DEUTZ D2.9L4 - EMR5 (49HP) 660SJ HC3 ENGINE INSTALLATION WITHOUT ARCTIC PACKAGE (660SJ HC3).....	284
FIGURE 3-21. DEUTZ D2.9L4 - EMR5 (49HP) ENGINE AND PUMPS SUB-ASSEMBLY WITHOUT ARCTIC PACKAGE	288
FIGURE 3-22. DEUTZ D2.9L4 - EMR5 (49HP) ENGINE ASSEMBLY WITHOUT ARCTIC PACKAGE (Prior to SN B300022256, Prior to SN 0300307194).....	290
FIGURE 3-23. DEUTZ D2.9L4 - EMR5 (49HP) ENGINE ASSEMBLY WITHOUT ARCTIC PACKAGE (SN 0300307194 to Present, SN B300022256 to Present)	296
FIGURE 3-24. DEUTZ D2.9L4 - EMR5 (49HP) 600S HC3 ENGINE INSTALLATION WITH ARCTIC PACKAGE (600S HC3).....	302
FIGURE 3-25. DEUTZ D2.9L4 - EMR5 (49HP) 660SJ HC3 ENGINE INSTALLATION WITH ARCTIC PACKAGE (660SJ HC3)	306
FIGURE 3-26. DEUTZ D2.9L4 - EMR5 (49HP) ENGINE AND PUMPS SUB-ASSEMBLY WITH ARCTIC PACKAGE	310
FIGURE 3-27. DEUTZ D2.9L4 - EMR5 (49HP) ENGINE ASSEMBLY WITH ARCTIC PACKAGE	312
FIGURE 3-28. ENGINE COMPONENTS - DEUTZ D2.9L4 EMR5 ENGINE (ANSI, ANSI EXPORT AND CSA SPECS).....	318
FIGURE 3-29. DEUTZ D2.9L4 - EMR5 (67HP) 660SJ HC3 ENGINE INSTALLATION WITH ARCTIC PACKAGE (660SJ HC3)	322
FIGURE 3-30. DEUTZ D2.9L4 - EMR5 (67HP) 600S HC3 ENGINE INSTALLATION WITH ARCTIC PACKAGE (600S HC3).....	326
FIGURE 3-31. DEUTZ D2.9L4 - EMR5 (67HP) ENGINE AND PUMPS SUB-ASSEMBLY WITH ARCTIC PACKAGE	330
FIGURE 3-32. DEUTZ D2.9L4 - EMR5 (67HP) ENGINE ASSEMBLY WITH ARCTIC PACKAGE	332
FIGURE 3-33. DEUTZ D2.9L4 - EMR5 (67HP) 660SJ HC3 ENGINE INSTALLATION WITHOUT ARCTIC PACKAGE (660SJ HC3).....	338
FIGURE 3-34. DEUTZ D2.9L4 - EMR5 (67HP) 600S HC3 ENGINE INSTALLATION WITHOUT ARCTIC PACKAGE (600S HC3)	342
FIGURE 3-35. DEUTZ D2.9L4 - EMR5 (67HP) ENGINE AND PUMPS SUB-ASSEMBLY WITHOUT ARCTIC PACKAGE	346
FIGURE 3-36. DEUTZ D2.9L4 - EMR5 (67HP) ENGINE ASSEMBLY WITHOUT ARCTIC PACKAGE	348
FIGURE 3-37. ENGINE COMPONENTS - DEUTZ D2.9L4 EMR5 (67HP) ENGINE.....	354
FIGURE 3-38. RADIATOR ASSEMBLY	356
FIGURE 3-39. DEUTZ D2.9L4 ENGINE INSTALLATION	358
FIGURE 3-40. DEUTZ D2.9L4 ENGINE AND PUMP SUB-ASSEMBLY	362
FIGURE 3-41. DEUTZ D2.9L4 ENGINE ASSEMBLY	364
FIGURE 3-42. DEUTZ D2.9L4 ENGINE COMPONENTS	370
FIGURE 3-43. BREATHER HEATER INSTALLATION - DEUTZ D2.9L4 - 49HP AND DEUTZ TD2.9L4 - 67HP ENGINES WITH ARCTIC PACKAGE.....	372
FIGURE 3-44. FORD ENGINE INSTALLATION - WITHOUT ARCTIC PACKAGE	374
FIGURE 3-45. FORD ENGINE INSTALLATION - WITHOUT ARCTIC PACKAGE (660SJ HC3)	378
FIGURE 3-46. FORD ENGINE AND PUMPS SUB-ASSEMBLY WITHOUT ARCTIC PACKAGE	382
FIGURE 3-47. FORD ENGINE ASSEMBLY - WITHOUT ARCTIC PACKAGE (600S HC3/660SJ HC3)	384
FIGURE 3-48. FORD ENGINE INSTALLATION – WITH ARCTIC PACKAGE.....	390
FIGURE 3-49. FORD ENGINE INSTALLATION - WITH ARCTIC PACKAGE (660SJ HC3).....	394
FIGURE 3-50. FORD ENGINE AND PUMPS SUB-ASSEMBLY WITH ARCTIC PACKAGE	398

TABLE OF CONTENTS

FIGURE 3-51. FORD ENGINE ASSEMBLY - WITH ARCTIC PACKAGE (600S HC3/660SJ HC3)	400
FIGURE 3-52. FORD ENGINE PREP ASSEMBLY (600S HC3/660SJ HC3)	406
FIGURE 3-53. FORD ENGINE COMPONENTS (600S HC3/660SJ HC3)	408
FIGURE 3-54. PUMP COUPLING KIT (DEUTZ ENGINES)	412
FIGURE 3-55. PISTON PUMP ASSEMBLY - ALL ENGINES EXCEPT DUETZ D2011 ENGINES ON MACHINES WITH SN STARTING WITH B3.....	414
FIGURE 3-56. PISTON PUMP ASSEMBLY - DUETZ D2011 ENGINES ON MACHINES WITH SN STARTING WITH B3.....	418
FIGURE 3-57. FUEL FILTER INSTALLATION (POLY FUEL TANK).....	420
FIGURE 3-58. FUEL FILTER INSTALLATION (STEEL FUEL TANK) (DEUTZ D2011 ENGINES)	422
FIGURE 3-59. FUEL FILTER INSTALLATION (STEEL FUEL TANK) (DEUTZ DT2.9L4 ENGINES)	424
FIGURE 3-60. FUEL FILTER INSTALLATION (STEEL FUEL TANK) (DEUTZ D2.9L4 ENGINES)	426
FIGURE 3-61. MUFFLER INSTALLATION - SPARK ARRESTING (DEUTZ D2011 ENGINES).....	428
FIGURE 3-62. EXHAUST PIPE INSTALLATION - (DEUTZ D2011 ENGINES)	430
FIGURE 3-63. MOTOR MOUNT INSTALLATION - WITHOUT GENERATOR (DEUTZ D2011 ENGINES).....	432
FIGURE 3-64. MOTOR MOUNT INSTALLATION - WITHOUT GENERATOR (DEUTZ TD 2.9L4 ENGINES).....	434
FIGURE 3-65. MOTOR MOUNT INSTALLATION - WITH GENERATOR (DEUTZ D2011 ENGINES)	436
FIGURE 3-66. MOTOR MOUNT INSTALLATION - WITH GENERATOR (DEUTZ TD 2.9L4 ENGINES)	438
FIGURE 3-67. MOTOR MOUNT INSTALLATION - WITH GENERATOR (STAGE V) (DEUTZ TD 2.2L3 ENGINES)	440
FIGURE 3-68. MOTOR MOUNT INSTALLATION - WITHOUT GENERATOR (STAGE V) (DEUTZ TD 2.2L3 ENGINES).....	442
FIGURE 3-69. MOTOR MOUNT INSTALLATION - WITH GENERATOR (DEUTZ TD 2.9L4 49HP ENGINES)	444
FIGURE 3-70. MOTOR MOUNT INSTALLATION - WITHOUT GENERATOR (DEUTZ TD 2.9L4 49HP ENGINES).....	446
FIGURE 3-71. BELT WITHOUT GENERATOR INSTALLATION (FORD ENGINES).....	448
FIGURE 3-72. TRAY JACK INSTALLATION	450
FIGURE 3-73. TRAY JACK INSTALLATION (STAGE V)	452
FIGURE 3-74. ENGINE HOOD BAFFLES INSTALLATION - ABS HOODS	454
FIGURE 3-75. ENGINE HOOD BAFFLES INSTALLATION - STEEL HOODS.....	456
FIGURE 3-76. ENGINE HOOD BAFFLES INSTALLATION - ABS HOODS (DEUTZ TD 2.2L3 ENGINES AND TD 2.9L4 49HP ENGINES)	458
FIGURE 3-77. ENGINE HOOD BAFFLES INSTALLATION - STEEL HOODS (DEUTZ TD 2.2L3 ENGINES AND TD 2.9L4 49HP ENGINES)	460
FIGURE 3-78. 2500W GENERATOR INSTALLATION - 110V/60HZ (DEUTZ D2011 ENGINES)	462
FIGURE 3-79. 2500W GENERATOR INSTALLATION - 110V/60HZ (DEUTZ TD2.9L4 ENGINES)	464
FIGURE 3-80. 2500W GENERATOR INSTALLATION - 110V/60HZ (FORD ENGINES).....	468
FIGURE 3-81. 2500W GENERATOR INSTALLATION - 220V/50HZ (DEUTZ D2011 ENGINES)	470
FIGURE 3-82. 2500W GENERATOR INSTALLATION - 120V/60HZ (DEUTZ TD2.9L4 ENGINES)	472
FIGURE 3-83. 4000W GENERATOR INSTALLATION - 110V/60HZ (DEUTZ D2011 ENGINES)	476
FIGURE 3-84. 4000W GENERATOR INSTALLATION - 110V/60HZ (DEUTZ TD2.9L4 ENGINES)	480
FIGURE 3-85. 4000W GENERATOR INSTALLATION - 220V/50HZ (DEUTZ D2011 ENGINES)	484
FIGURE 3-86. 4000W GENERATOR INSTALLATION - 220V/50HZ (DEUTZ TD2.2L3 ENGINES) (SKYPOWER)	488
FIGURE 3-87. 4000W GENERATOR INSTALLATION - 220V/60HZ (DEUTZ TD2.9L4 ENGINES) (SKYPOWER)	490
FIGURE 3-88. 7500W GENERATOR INSTALLATION - 220V/60HZ (DEUTZ TD2.9L4 ENGINES) (SKYPOWER)	494
FIGURE 3-89. 7500W SKYPOWER GENERATOR INSTALLATION - 110/60HZ (DEUTZ D2011 ENGINES)	498
FIGURE 3-90. 7500W SKYPOWER GENERATOR INSTALLATION - 110V/60HZ (DEUTZ TD2.9L4 ENGINES).....	502
FIGURE 3-91. 7500W SKYPOWER GENERATOR INSTALLATION - 110V/60HZ (FORD ENGINES)	506
FIGURE 3-92. 7500W SKYPOWER GENERATOR INSTALLATION - 220V/50HZ (DEUTZ D2011 ENGINES).....	510
FIGURE 3-93. QUICKFIT OIL DRAIN (DEUTZ ENGINES)	514

TABLE OF CONTENTS

SECTION 4 - BOOM.....	517
FIGURE 4-1. BOOM INSTALLATION (600S HC3)	518
FIGURE 4-2. BOOM INSTALLATION (660SJ HC3)	522
FIGURE 4-3. BOOM ASSEMBLY (600S HC3)	526
FIGURE 4-4. BOOM ASSEMBLY (660SJ HC3).....	530
FIGURE 4-5. JIB ASSEMBLY (660SJ HC3)	534
FIGURE 4-6. PLATFORM ROTATOR ASSEMBLY (600S HC3)	536
FIGURE 4-7. PLATFORM ROTATOR ASSEMBLY (660SJ HC3).....	538
FIGURE 4-8. POWER TRACK INSTALLATION (600S HC3).....	540
FIGURE 4-9. POWER TRACK ASSEMBLY - (WITH SN STARTING WITH 03) (660SJ HC3)	542
FIGURE 4-10. POWER TRACK ASSEMBLY - (WITH SN STARTING WITH B3) (660SJ HC3).....	544
FIGURE 4-11. VALVE INSTALLATION (600S HC3).....	546
FIGURE 4-12. BOOM VALVES INSTALLATION (660SJ HC3).....	548
FIGURE 4-13. PLATFORM VALVE ASSEMBLY (600S HC3)	550
FIGURE 4-14. PLATFORM VALVE ASSEMBLY (660SJ HC3).....	552
FIGURE 4-15. BOOM SENSORS INSTALLATION (600S HC3).....	554
FIGURE 4-16. BOOM SENSORS INSTALLATION (660SJ HC3)	556
FIGURE 4-17. PLATFORM SUPPORT INSTALLATION	558
SECTION 5 - PLATFORM	561
FIGURE 5-1. PLATFORM ASSEMBLY - 30IN X 3FT (76CM X .91M) - DROP BAR ENTRY	562
FIGURE 5-2. PLATFORM ASSEMBLY - 30IN X 4FT (76CM X 1.22M) WITH SWING GATE	564
FIGURE 5-3. PLATFORM ASSEMBLY - 30IN X 4FT (76CM X 1.22M) WITH DROP BAR	566
FIGURE 5-4. PLATFORM ASSEMBLY - 30IN X 5FT (76CM X 1.52M) WITH SWING GATE	568
FIGURE 5-5. PLATFORM ASSEMBLY - 30IN X 5FT (76CM X 1.52M) WITH DROP BAR	570
FIGURE 5-6. PLATFORM ASSEMBLY - 36IN X 6FT (91.5CM X 1.83M) WITH SWING GATE	572
FIGURE 5-7. PLATFORM ASSEMBLY - 36IN X 6FT (91.5CM X 1.83M) WITH DROP BAR	574
FIGURE 5-8. PLATFORM ASSEMBLY - 36IN X 6FT (91.5CM X 1.83M) WITH FALL ARREST (ANSI, ANSI EXPORT, CHINA AND CSA SPECS).....	576
FIGURE 5-9. PLATFORM ASSEMBLY - 36IN X 6FT (91.5CM X 1.83M) TRI-ENTRY WITH SWING GATE	578
FIGURE 5-10. PLATFORM ASSEMBLY - 36IN X 6FT (91.5CM X 1.83M) TRI-ENTRY WITH DROP BAR	580
FIGURE 5-11. PLATFORM ASSEMBLY - 36IN X 8FT (91.5CM X 2.44M) WITH SWING GATE	582
FIGURE 5-12. PLATFORM ASSEMBLY - 36IN X 8FT (91.5CM X 2.44M) WITH DROP BAR	584
FIGURE 5-13. PLATFORM ASSEMBLY - 36IN X 8FT (91.5CM X 2.44M) WITH FALL ARREST (ANSI, ANSI EXPORT, CHINA AND CSA SPECS).....	586
FIGURE 5-14. PLATFORM ASSEMBLY - 36IN X 8FT (91.5CM X 2.44M) TRI-ENTRY WITH SWING GATE	588
FIGURE 5-15. PLATFORM ASSEMBLY - 36IN X 8FT (91.5CM X 2.44M) TRI-ENTRY WITH DROP BAR	590
FIGURE 5-16. PLATFORM POWER USB	592
FIGURE 5-17. TRAY ASSEMBLY	594
FIGURE 5-18. PLATFORM CONSOLE AND FOOTSWITCH INSTALLATION (600S HC3).....	596
FIGURE 5-19. PLATFORM CONSOLE AND FOOTSWITCH INSTALLATION (660SJ HC3)	598
FIGURE 5-20. CONSOLE BOX ASSEMBLY	600
FIGURE 5-21. FOOTSWITCH ASSEMBLY	604
FIGURE 5-22. LIGHT PANEL INSTALLATION.....	606
FIGURE 5-23. SKYLINE INSTALLATION.....	608
FIGURE 5-24. SKYWELDER INSTALLATION (50HZ).....	610

TABLE OF CONTENTS

FIGURE 5-25. SKYWELDER INSTALLATION (60HZ).....	612
FIGURE 5-26. SKYWELDER PREP PACKAGE (60HZ)	614
FIGURE 5-27. WELDER ASSEMBLY	616
FIGURE 5-28. SKYGLAZIER INSTALLATION	618
FIGURE 5-29. SOFT TOUCH INSTALLATION - 6FT (1.83M) PLATFORM.....	620
FIGURE 5-30. SOFT TOUCH INSTALLATION - 6FT (1.83M) FALL ARREST PLATFORM (600S HC3)	622
FIGURE 5-31. SOFT TOUCH INSTALLATION - 8FT (2.4M) PLATFORM.....	624
FIGURE 5-32. SOFT TOUCH INSTALLATION - 8FT (2.4M) FALL ARREST PLATFORM (600S)	626
FIGURE 5-33. FALL ARREST INSTALLATION (BOLT-ON EXTERNAL) (6FT/1.82M PLATFORM)	628
FIGURE 5-34. FALL ARREST INSTALLATION (BOLT-ON EXTERNAL) (6FT/1.82M TRI-ENTRY PLATFORM)	630
FIGURE 5-35. FALL ARREST INSTALLATION (BOLT-ON EXTERNAL) (2.5FT/1.22M PLATFORM)	632
FIGURE 5-36. FALL ARREST INSTALLATION (BOLT-ON EXTERNAL) (2.5FT/1.52M PLATFORM)	634
FIGURE 5-37. FALL ARREST INSTALLATION (BOLT-ON EXTERNAL) (8FT/2.4M PLATFORM)	636
SECTION 6 - CYLINDER.....	639
FIGURE 6-1. AXLE LOCKOUT CYLINDER ASSEMBLY (MACHINES WITH SN STARTING WITH 03).....	640
FIGURE 6-2. AXLE LOCKOUT CYLINDER ASSEMBLY (MACHINES WITH SN STARTING WITH B3)	642
FIGURE 6-3. LEVEL CYLINDER ASSEMBLY - PLATFORM SLAVE (600S HC3)	644
FIGURE 6-4. LEVEL CYLINDER ASSEMBLY - PLATFORM SLAVE (660SJ HC3).....	646
FIGURE 6-5. LIFT CYLINDER ASSEMBLY BOOM (600S HC3)	648
FIGURE 6-6. LIFT CYLINDER ASSEMBLY BOOM (660SJ HC3).....	650
FIGURE 6-7. LIFT CYLINDER ASSEMBLY - JIB (660SJ HC3)	652
FIGURE 6-8. LIFT CYLINDER ASSEMBLY - JIB (660SJ HC3)	654
FIGURE 6-9. LIFT CYLINDER ASSEMBLY - JIB (660SJ HC3)	656
FIGURE 6-10. STEER CYLINDER ASSEMBLY.....	658
FIGURE 6-11. TELESCOPE CYLINDER ASSEMBLY	660
SECTION 7 - HYDRAULIC	663
FIGURE 7-1. DRIVE HYDRAULIC DIAGRAM (2WS WITHOUT ARCTIC PACKAGE) (600S HC3).....	664
FIGURE 7-2. DRIVE HYDRAULIC DIAGRAM (2WS WITHOUT ARCTIC PACKAGE) (660SJ HC3).....	668
FIGURE 7-3. DRIVE HYDRAULIC DIAGRAM (2WS WITH ARCTIC PACKAGE) (600S HC3)	672
FIGURE 7-4. DRIVE HYDRAULIC DIAGRAM (2WS WITH ARCTIC PACKAGE) (660SJ HC3)	676
FIGURE 7-5. STANDARD HYDRAULIC DIAGRAM (600S HC3)	680
FIGURE 7-6. STANDARD HYDRAULIC DIAGRAM (MACHINES WITH SN STARTING WITH 03) (660SJ HC3).....	686
FIGURE 7-7. STANDARD HYDRAULIC DIAGRAM (MACHINES WITH SN STARTING WITH B3) (660SJ HC3)	692
SECTION 8 - ELECTRICAL	699
FIGURE 8-1. ELECTRICAL LAYOUT.....	700
FIGURE 8-2. AC BOX AT PLATFORM INSTALLATION - 110V (ALL SPECS EXCEPT AUSTRALIAN, RUSSIA, CE & UK CA SPECS)	714
FIGURE 8-3. AC BOX AT PLATFORM INSTALLATION - 110V IEC YELLOW (RUSSIA, CE & UK CA SPECS WITHOUT 4000W/50HZ GENERATOR).....	716
FIGURE 8-4. AC BOX AT PLATFORM INSTALLATION - 110V IEC YELLOW (RUSSIA, CE & UK CA SPECS WITH 4000W/50HZ GENERATOR).....	718
FIGURE 8-5. AC BOX AT PLATFORM INSTALLATION - 220V IEC BLUE (RUSSIA, CE & UK CA SPECS WITHOUT 4000W/50HZ GENERATOR).....	720
FIGURE 8-6. AC BOX AT PLATFORM INSTALLATION - 220V IEC BLUE (RUSSIA, CE & UK CA SPECS WITH 4000W/50HZ GENERATOR).....	722

TABLE OF CONTENTS

FIGURE 8-7. AC BOX AT PLATFORM INSTALLATION - 220V CEE7 2IN X 4IN POST GROUND (RUSSIA, CE & UK CA SPECS WITHOUT 4000W/50HZ GENERATOR).....	724
FIGURE 8-8. AC BOX AT PLATFORM INSTALLATION - 220V CEE7 2IN X 4IN POST GROUND (RUSSIA, CE & UK CA SPECS WITH 4000W/50HZ GENERATOR)	726
FIGURE 8-9. AC BOX AT PLATFORM INSTALLATION - 220V CEE7 2IN X 4IN SIDE GROUND (RUSSIA, CE & UK CA SPECS WITHOUT 4000W/50HZ GENERATOR).....	728
FIGURE 8-10. AC BOX AT PLATFORM INSTALLATION - 220V CEE7 2IN X 4IN SIDE GROUND (RUSSIA, CE & UK CA SPECS WITH 4000W/50HZ GENERATOR)	730
FIGURE 8-11. AC BOX AT PLATFORM INSTALLATION - 220V AFSINT107 (RUSSIA, CE & UK CA SPECS WITHOUT 4000W/50HZ GENERATOR)	732
FIGURE 8-12. AC BOX AT PLATFORM INSTALLATION - 220V AFSINT107 (RUSSIA, CE & UK CA SPECS WITH 4000W/50HZ GENERATOR)	734
FIGURE 8-13. AC BOX AT PLATFORM INSTALLATION - 220V CUSTOMER SUPPLIED COMPONENTS (ANSI EXPORT, AUSTRALIAN, RUSSIA, CHINA, CE & UK CA SPECS).....	736
FIGURE 8-14. AC BOX AT PLATFORM INSTALLATION - 240V (WITH 4000W GENERATOR).....	738
FIGURE 8-15. AC BOX AT PLATFORM INSTALLATION - 240V (WITH 7500W SKYPOWER GENERATOR)	740
FIGURE 8-16. AC BREAKER BOX INSTALLATION - SINGLE DOUBLE POLE BREAKER	742
FIGURE 8-17. AC BREAKER BOX INSTALLATION - SINGLE DOUBLE POLE BREAKER (MACHINES WITH SN STARTING WITH B3)	744
FIGURE 8-18. AC BREAKER BOX INSTALLATION - 3 BREAKERS	746
FIGURE 8-19. AC CABLES AND CLAMPS INSTALLATION - WITHOUT GENERATOR (ANSI, CSA & JAPANESE SPECS) (600S HC3)	748
FIGURE 8-20. AC CABLES AND CLAMPS INSTALLATION - WITHOUT GENERATOR (ANSI EXPORT,CE, RUSSIA CIS, CHINA & UK CA SPECS) (600S HC3).....	750
FIGURE 8-21. AC CABLES AND CLAMPS INSTALLATION - WITH 2500W GENERATOR (ANSI, ANSI EXPORT, CHINA, CSA AND JAPANESE SPECS) (600S HC3).....	752
FIGURE 8-22. AC CABLES AND CLAMPS INSTALLATION - WITH 4000W/50HZ GENERATOR (ANSI EXPORT, CE, CHINA, RUSSIAN CIS & UK CA SPECS) (600S HC3).....	754
FIGURE 8-23. AC CABLES AND CLAMPS INSTALLATION - WITH 4000W/60HZ GENERATOR (ANSI, ANSI EXPORT, CSA AND JAPANESE SPECS) (600S HC3).....	756
FIGURE 8-24. AC CABLES AND CLAMPS INSTALLATION - WITH 7500W GENERATOR (ANSI, ANSI EXPORT, CHINA, CSA, RUSSIAN CIS AND JAPANESE SPECS) (600S HC3).....	758
FIGURE 8-25. AC CABLES AND CLAMPS INSTALLATION - WITHOUT GENERATOR (ANSI, CSA AND JAPANESE SPECS) (660SJ HC3)	760
FIGURE 8-26. AC CABLES AND CLAMPS INSTALLATION - WITHOUT GENERATOR (ANSI EXPORT, AUSTRALIAN, RUSSIA CIS, CHINA, CE & UK CA SPECS) (660SJ HC3).....	762
FIGURE 8-27. AC CABLES AND CLAMPS INSTALLATION - WITH 2500W GENERATOR (ANSI, ANSI EXPORT, CHINA, CSA AND JAPANESE SPECS) (660SJ HC3).....	764
FIGURE 8-28. AC CABLES AND CLAMPS INSTALLATION - WITH 4000W/50HZ GENERATOR (ANSI EXPORT, AUSTRALIAN, RUSSIA CIS, CHINA, CE & UK CA SPECS) (660SJ HC3).....	766
FIGURE 8-29. AC CABLES AND CLAMPS INSTALLATION - WITH 4000W/60HZ GENERATOR (ANSI, ANSI EXPORT, CSA AND JAPANESE SPECS) (660SJ HC3).....	768
FIGURE 8-30. AC CABLES AND CLAMPS INSTALLATION - WITH 7500W GENERATOR (ANSI, ANSI EXPORT, AUSTRALIAN, CHINA, CSA, RUSSIAN CIS, AND JAPANESE SPECS) (660SJ HC3).....	770
FIGURE 8-31. BATTERY DISCONNECT SWITCH INSTALLATION.....	772
FIGURE 8-32. BEACON JUMPER HARNESS	774
FIGURE 8-33. BREAKER BOX KIT - SINGLE DOUBLE POLE BREAKER (WITHOUT 4000W/50HZ GENERATOR)	776
FIGURE 8-34. BREAKER BOX KIT - SINGLE DOUBLE POLE BREAKER (WITH 4000W/50HZ GENERATOR).....	778
FIGURE 8-35. BREAKER BOX KIT - SINGLE DOUBLE POLE BREAKER (WITHOUT 4000W/50HZ GENERATOR) (MACHINES WITH SN STARTING WITH B3)	780
FIGURE 8-36. BREAKER BOX KIT - 3 BREAKERS.....	782
FIGURE 8-37. BOOM ANGLE SENSOR HARNESS	784

TABLE OF CONTENTS

FIGURE 8-38. BOOM CABLE - LOWER	786
FIGURE 8-39. BOOM CABLE - UPPER (600S HC3)	788
FIGURE 8-40. BOOM CABLE - UPPER (660SJ HC3)	790
FIGURE 8-41. CLEARSKY INSTALLATION - 3G (ANSI EXPORT, RUSSIA, CE & UK CA SPECS).....	792
FIGURE 8-42. CLEARSKY INSTALLATION - 3G (AUSTRALIAN AND RUSSIA SPECS).....	794
FIGURE 8-43. CLEARSKY INSTALLATION - 4G (ALL SPECS EXCEPT AUSTRALIA AND CHINA SPECS).....	796
FIGURE 8-44. CLEARSKY INSTALLATION - 4G (CHINA SPECS).....	798
FIGURE 8-45. CLEARSKY INSTALLATION - 3 WIRE CONNECTION (ALL SPECS EXCEPT CHINA SPECS).....	800
FIGURE 8-46. CLEARSKY HARNESS - 3G & 4G.....	802
FIGURE 8-47. CLEARSKY HARNESS - 3 WIRE	804
FIGURE 8-48. CAPACITY PROXIMITY HARNESS (1000LBS)	806
FIGURE 8-49. CAPACITY PROXIMITY HARNESS (750 LBS)	808
FIGURE 8-50. ECU POWER JUMPER HARNESS	810
FIGURE 8-51. ELECTRICAL COMPONENTS INSTALLATION (ALL SPECS EXCEPT AUSTRALIAN, CE & UK CA (ULS) SPECS) (600S HC3) (Prior to SN B300024393, Prior to SN 0300312944, Excluding B300024064)	812
FIGURE 8-52. ELECTRICAL COMPONENTS INSTALLATION (ALL SPECS EXCEPT AUSTRALIAN, CE & UK CA (ULS) SPECS) (600S HC3) (SN B300024393 to Present, SN 0300312944 to Present, Including B300024064)	816
FIGURE 8-53. ELECTRICAL COMPONENTS INSTALLATION (CE & UK CA (ULS) SPECS) (600S HC3) (Prior to SN B300024393, Prior to SN 0300312944, Excluding B300024064)	820
FIGURE 8-54. ELECTRICAL COMPONENTS INSTALLATION (CE & UK CA (ULS) SPECS) (600S HC3) (SN B300024393 to Present, SN 0300312944 to Present, Including B300024064)	822
FIGURE 8-55. ELECTRICAL COMPONENTS INSTALLATION (CE & UK CA (ULS) SPECS) (660SJ HC3) (Prior to SN B300024393, Prior to SN 0300312944, Excluding B300024064)	824
FIGURE 8-56. ELECTRICAL COMPONENTS INSTALLATION (CE & UK CA (ULS) SPECS) (660SJ HC3) (SN B300024393 to Present, SN 0300312944 to Present, Including B300024064)	826
FIGURE 8-57. ELECTRICAL COMPONENTS INSTALLATION - WITH 2WS (660SJ HC3)	828
FIGURE 8-58. ENGINE HARNESS - DEUTZ D2011 ENGINES	830
FIGURE 8-59. ENGINE HARNESS - DEUTZ TD2.2L3 ENGINES	832
FIGURE 8-60. ENGINE HARNESS - DEUTZ D2.9L4 - 49HP AND DEUTZ TD2.9L4 - 67HP ENGINES	836
FIGURE 8-61. ENGINE HARNESS - DEUTZ TD2.9L4 (EMR ENGINE).....	840
FIGURE 8-62. ENGINE HARNESS - FORD ENGINES.....	844
FIGURE 8-63. ENGINE HARNESS - DEUTZ D2.9L4 (CHINA IV)	846
FIGURE 8-64. FUEL FILTER HARNESS - DEUTZ TD2.2L3 (STAGE V) ENGINES	850
FIGURE 8-65. FUEL PUMP HARNESS - DEUTZ D2.9L4 - 49HP AND DEUTZ TD2.9L4 - 67HP ENGINES	852
FIGURE 8-66. GENERATOR HARNESS - 2500W.....	854
FIGURE 8-67. GENERATOR HARNESS - 4000W.....	856
FIGURE 8-68. GENERATOR HARNESS - 7500W SKYPOWER.....	858
FIGURE 8-69. GENERATOR TO ENGINE HARNESS - 7500W SKYPOWER GENERATOR (DEUTZ D2011 ONLY)	860
FIGURE 8-70. GROUND CONTROL HARNESS (Prior to SN B300024393, Prior to SN 0300312944, Excluding B300024064)	862
FIGURE 8-71. GROUND CONTROL HARNESS (SN B300024393 to Present, SN 0300312944 to Present, Including B300024064)	864
FIGURE 8-72. GROUND CONTROL HARNESS (CE & UK CA (ULS) SPECS)	866
FIGURE 8-73. HOUR METER JUMPER HARNESS	868
FIGURE 8-74. LIFT CYLINDER HARNESS	870
FIGURE 8-75. PLATFORM BOX HARNESS.....	872
FIGURE 8-76. RECEPTACLE BOX KIT - 110V IEC YELLOW (RUSSIA, CE & UK CA SPECS).....	876
FIGURE 8-77. RECEPTACLE BOX KIT - 220V IEC BLUE (RUSSIA, CE & UK CA SPECS)	878
FIGURE 8-78. RECEPTACLE BOX KIT - 220V CEE7 POST GROUND 2X4 BOX (RUSSIA, CE & UK CA SPECS).....	880

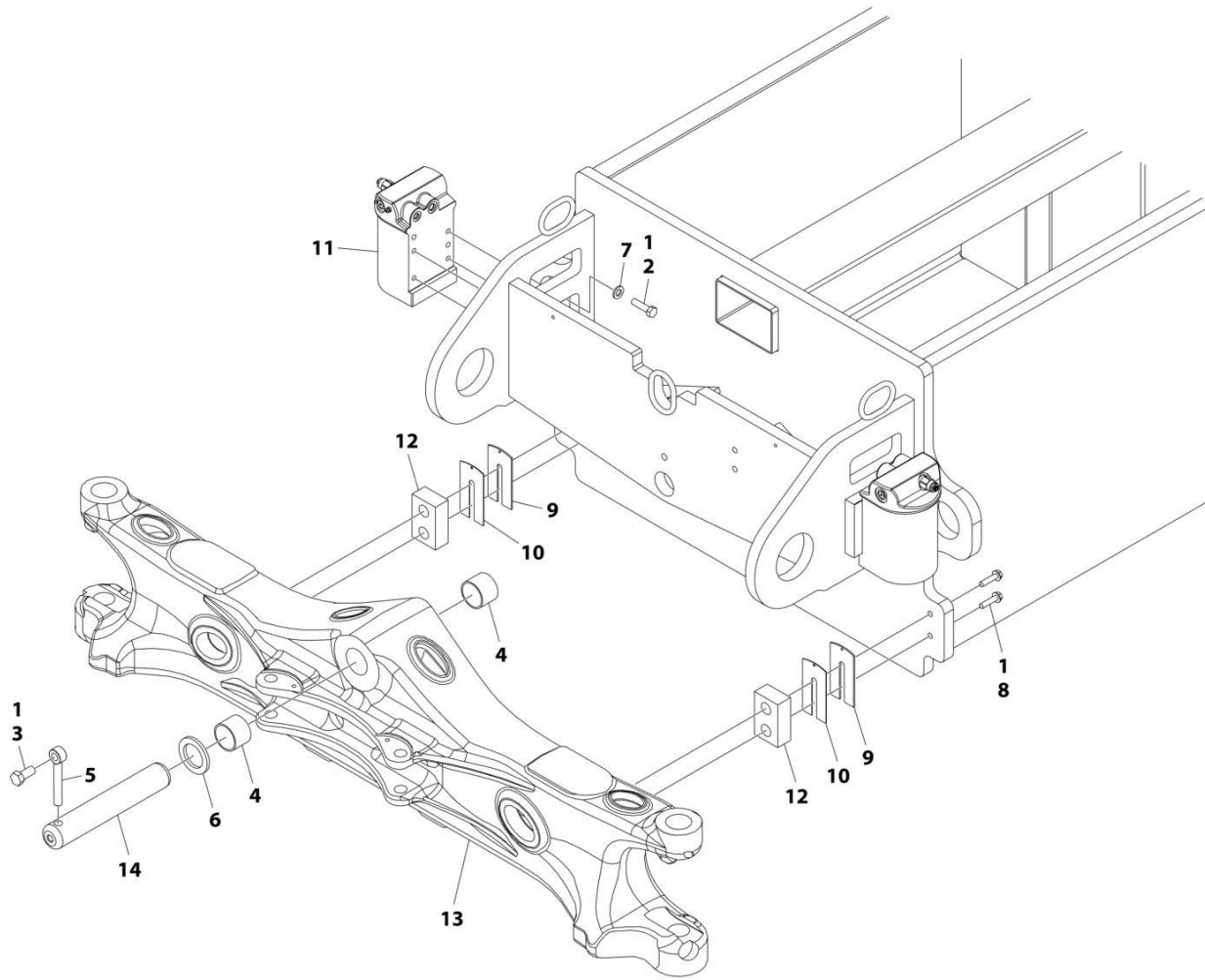
TABLE OF CONTENTS

FIGURE 8-79. RECEPTACLE BOX KIT - 220V CEE7 SIDE GROUND (RUSSIA, CE & UK CA SPECS).....	882
FIGURE 8-80. RECEPTACLE BOX KIT - 220V AFSINT 107 (RUSSIA, CE & UK CA SPECS)	884
FIGURE 8-81. RELAY & FUEL PUMP HARNESS.....	886
FIGURE 8-82. SKYEYE EMITTER HARNESS	888
FIGURE 8-83. SKYEYE INTERMEDIATE HARNESS	890
FIGURE 8-84. SKYEYE RECEIVER HARNESS.....	892
FIGURE 8-85. SKYGUARD INTERFACE HARNESS.....	894
FIGURE 8-86. SKYLINE HARNESS	896
FIGURE 8-87. STROBE LIGHT HARNESS (RED AND BLUE BEACON LIGHTS)	898
FIGURE 8-88. STROBE LIGHT JUMPER HARNESS	900
FIGURE 8-89. TELE PROXIMITY HARNESS.....	902
FIGURE 8-90. TRANSPORT SWITCH HARNESS (660SJ HC3)	904
FIGURE 8-91. TURNTABLE HARNESS	906
FIGURE 8-92. VALVE CABLE - PLATFORM VALVE	910
FIGURE 8-93. VALVE HARNESS - MAIN VALVE (Prior to SN B300025469, Prior to SN 0300315613, Excluding B300025382)	912
FIGURE 8-94. VALVE HARNESS - MAIN CONTROL (2WS) (SN B300025469 to Present, SN 0300315613 to Present, Including B300025382).....	914
FIGURE 8-95. VALVE HARNESS - PLATFORM VALVE - 600S HC3 (600S HC3)	916
FIGURE 8-96. VALVE HARNESS - PLATFORM VALVE (660SJ HC3).....	918
FIGURE 8-97. WHITE NOISE ALARM HARNESS	920
SECTION 9 - DECALS	923
FIGURE 9-1. DECAL INSTALLATION (ANSI SPECS - ENGLISH LANGUAGE).....	924
FIGURE 9-2. DECAL INSTALLATION (AUSTRALIAN SPECS - ENGLISH LANGUAGE).....	926
FIGURE 9-3. DECAL INSTALLATION (BRAZIL SPECS - PORTUGUESE/SPANISH LANGUAGES)	928
FIGURE 9-4. DECAL INSTALLATION (CE & UK CA SPECS - ENGLISH LANGUAGE).....	930
FIGURE 9-5. DECAL INSTALLATION (CHINESE SPECS - ENGLISH/SIMPLIFIED CHINESE LANGUAGES)	932
FIGURE 9-6. DECAL INSTALLATION (CHINESE SPECS - ENGLISH/TRADITIONAL CHINESE LANGUAGES)	934
FIGURE 9-7. DECAL INSTALLATION (CSA SPECS - ENGLISH/FRENCH LANGUAGES)	936
FIGURE 9-8. DECAL INSTALLATION (JAPANESE SPECS - ENGLISH/JAPANESE LANGUAGES)	938
FIGURE 9-9. DECAL INSTALLATION (KOREAN SPECS - ENGLISH/KOREAN LANGUAGES)	940
FIGURE 9-10. DECAL INSTALLATION - LATIN AMERICAN SPECS - ENGLISH/SPANISH LANGUAGES)	942
FIGURE 9-11. DECALS INSTALLATION - OPTIONS.....	944
FIGURE 9-12. DECAL INSTALLATION - SKYWELDER (50HZ)	948
FIGURE 9-13. DECAL INSTALLATION - SKYWELDER (60HZ)	950
FIGURE 9-14. DECAL INSTALLATION - TOW (ANSI SPECS).....	952
FIGURE 9-15. DECAL INSTALLATION - TOW (ANSI EXPORT, RUSSIA, CHINA, CE & UK CA SPECS).....	954
FIGURE 9-16. DECAL INSTALLATION - TOW (CSA SPECS).....	956
SECTION 10 - RECOMMENDED SERVICE PARTS STOCK.....	959
FIGURE 10-1. RECOMMENDED SERVICE PARTS STOCK.....	960
SECTION 11 - SPECIAL OPTIONS/ACCESSORIES/KITS.....	963
FIGURE 11-1. SPECIAL OPTIONS/ACCESSORIES/KITS.....	964
PART NUMBER INDEX.....	969

SECTION 1 - FRAME

SECTION 1 - FRAME

FIGURE 1-1. AXLE INSTALLATION (MACHINES WITH SN STARTING WITH 03)



ART_1001181774

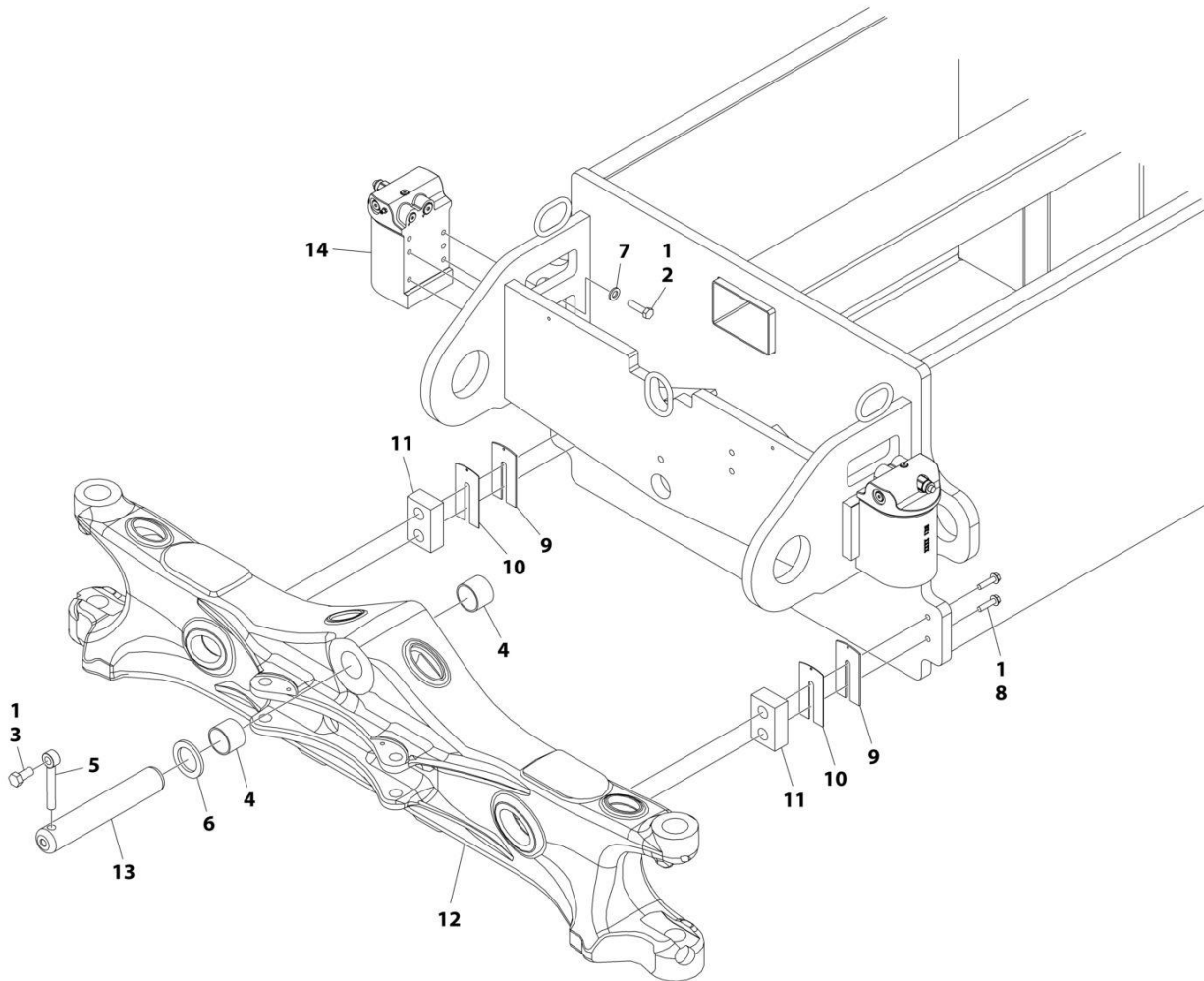
SECTION 1 - FRAME

FIGURE 1-1. AXLE INSTALLATION (MACHINES WITH SN STARTING WITH 03)

ITEM	PART NUMBER	QTY	DESCRIPTION	REV
	1001181774	Ref	AXLE INSTALLATION	B
1	0100011	AR	Compound, Locking	
2	0701217	8	Bolt M12 x 45	
3	0761615	1	Bolt M16 x 35	
4	0961950	2	Bearing	
5	3841258	1	Keeper, Pin	
6	4740158	1	Washer	
7	5241200	8	Washer M12	
8	5251016	4	Bolt M10 x 40	
9	1001150324	2	Shim (3mm)	
10	1001150326	2	Shim (1.2mm)	
11	1001219040	2	Axle Lockout Cylinder (See Separate Breakdown in CYLINDER SECTION)	
12	1001166563	2	Pad, Wear	
13	1001184209	1	Axle	
14	1001185030	1	Pin	

SECTION 1 - FRAME

FIGURE 1-2. AXLE INSTALLATION (MACHINES WITH SN STARTING WITH B3)



ART_1001265535

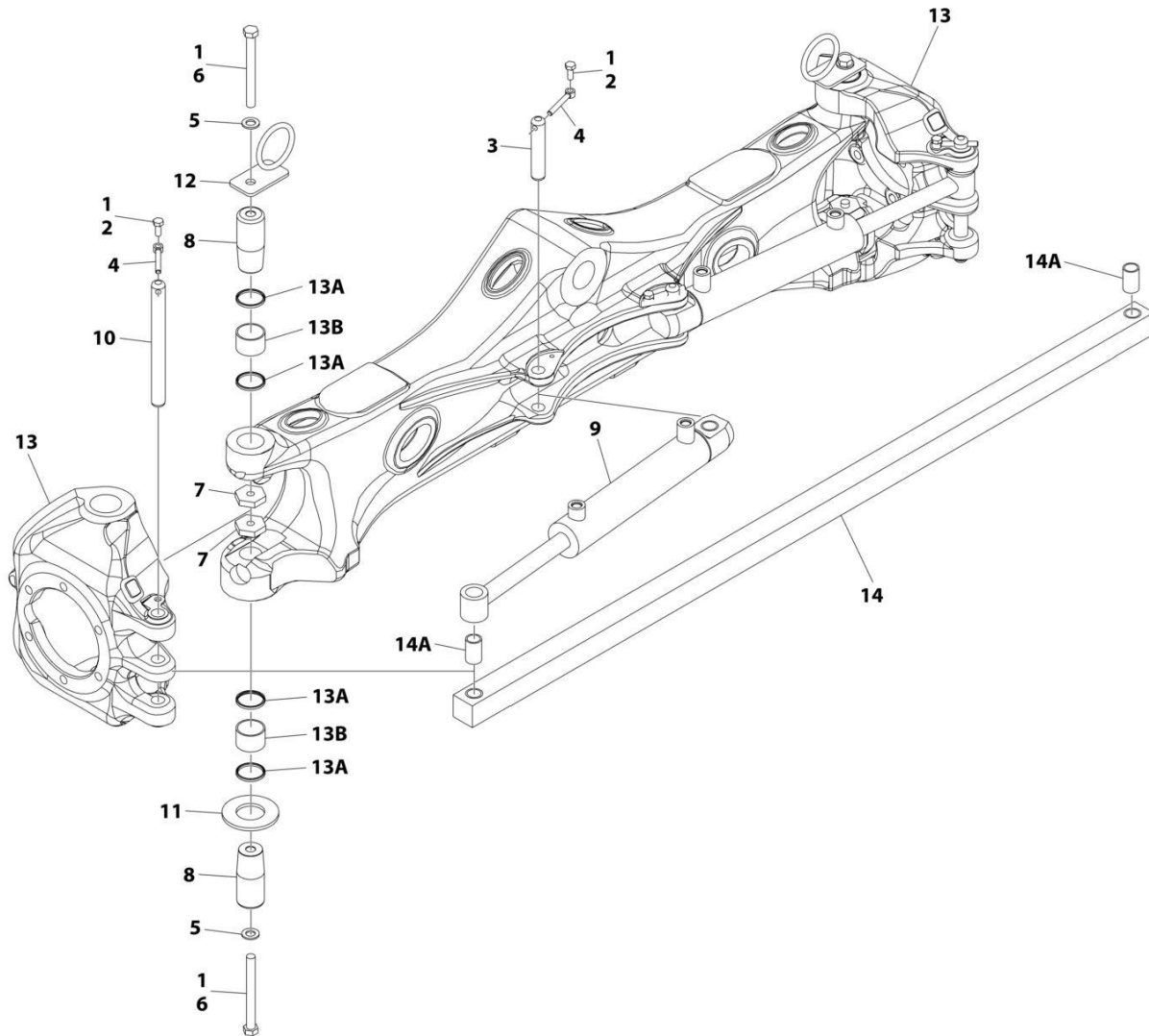
SECTION 1 - FRAME

FIGURE 1-2. AXLE INSTALLATION (MACHINES WITH SN STARTING WITH B3)

ITEM	PART NUMBER	QTY	DESCRIPTION	REV
	1001265535	Ref	AXLE INSTALLATION	A
1	0100011	AR	Compound, Locking	
2	0701217	8	Bolt M12 x 45	
3	0761615	1	Bolt M16 x 35	
4	0961950	2	Bearing	
5	3841258	1	Keeper, Pin	
6	4740158	1	Washer	
7	5241200	8	Washer M12	
8	5251016	4	Bolt M10 x 40	
9	1001150324	AR	Shim (3mm)	
10	1001150326	AR	Shim (1.2mm)	
11	1001166563	2	Pad, Wear	
12	1001184209	1	Axle	
13	1001185030	1	Pin	
14	1001256180	2	Axle Lockout Cylinder (See Separate Breakdown in CYLINDER Section)	

SECTION 1 - FRAME

FIGURE 1-3. STEER INSTALLATION - WITHOUT TOW PACKAGE



ART_1001250106_D

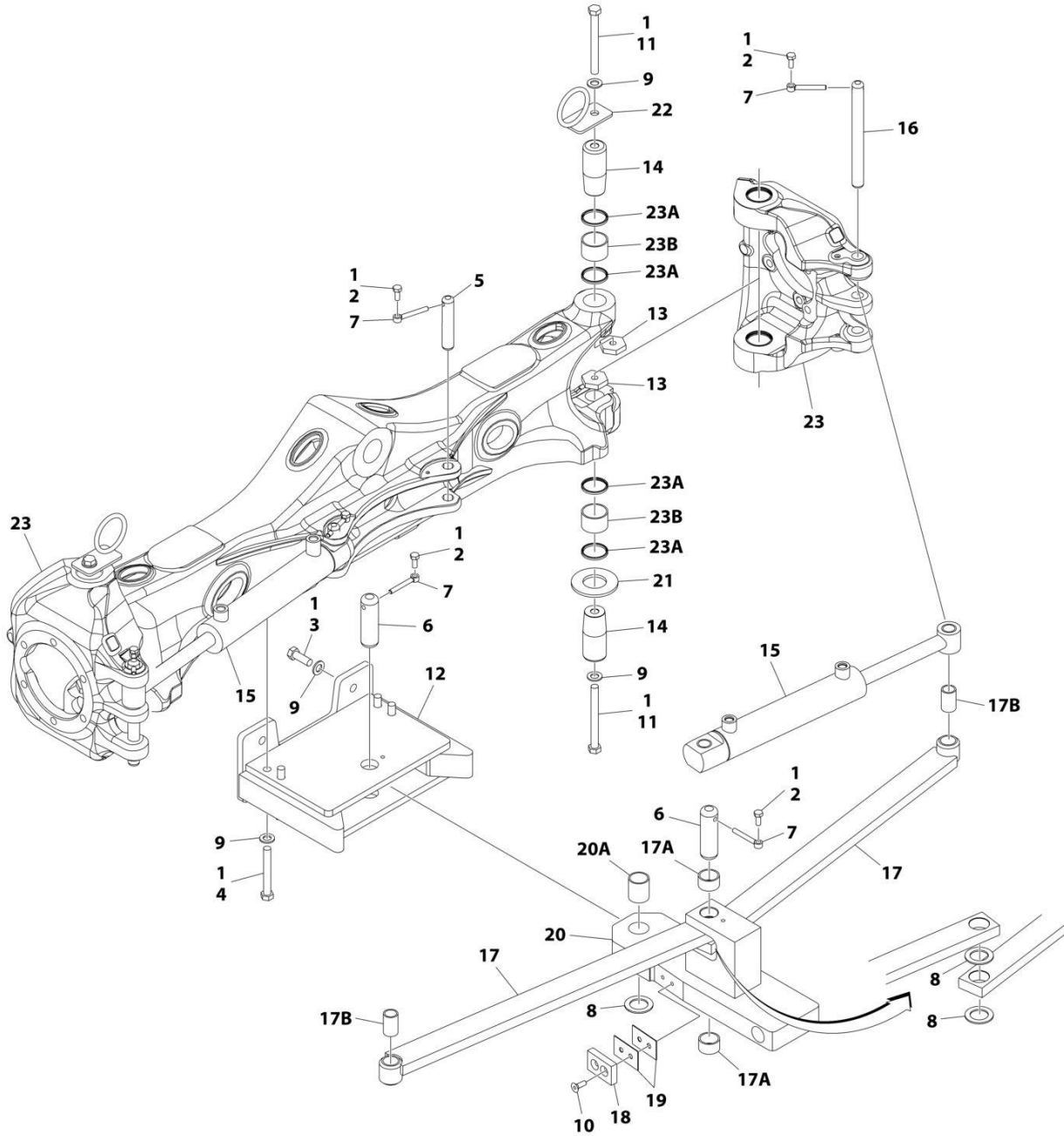
SECTION 1 - FRAME

FIGURE 1-3. STEER INSTALLATION - WITHOUT TOW PACKAGE

ITEM	PART NUMBER	QTY	DESCRIPTION	REV
	1001250106	Ref	STEER INSTALLATION	D
1	0100011	AR	Compound, Locking	
2	0701012	4	Bolt M10 x 25	
3	3422351	2	Pin	
4	3841143	4	Keeper, Pin	
5	5241600	4	Washer M16	
6	1001096456	4	Bolt M16 x 160	
7	1001176848	4	Nut M16	
8	1001181790	4	Kingpin	
9	1001181792	2	Steer Cylinder Assembly (See Separate Breakdown in CYLINDER Section)	
10	1001182697	2	Pin	
11	1001190194	2	Bearing	
12	1001196390	2	Bracket	
13	1001263271	1	Knuckle	
13A	1001181791	8	Seal (4 Per Assembly)	
13B	1001182694	4	Bearing (2 Per Assembly)	
14	1001181793	1	Tie-Rod	
14A	1001182695	2	Bearing	

SECTION 1 - FRAME

FIGURE 1-4. STEER INSTALLATION - WITH TOW PACKAGE



ART_1001250362_D

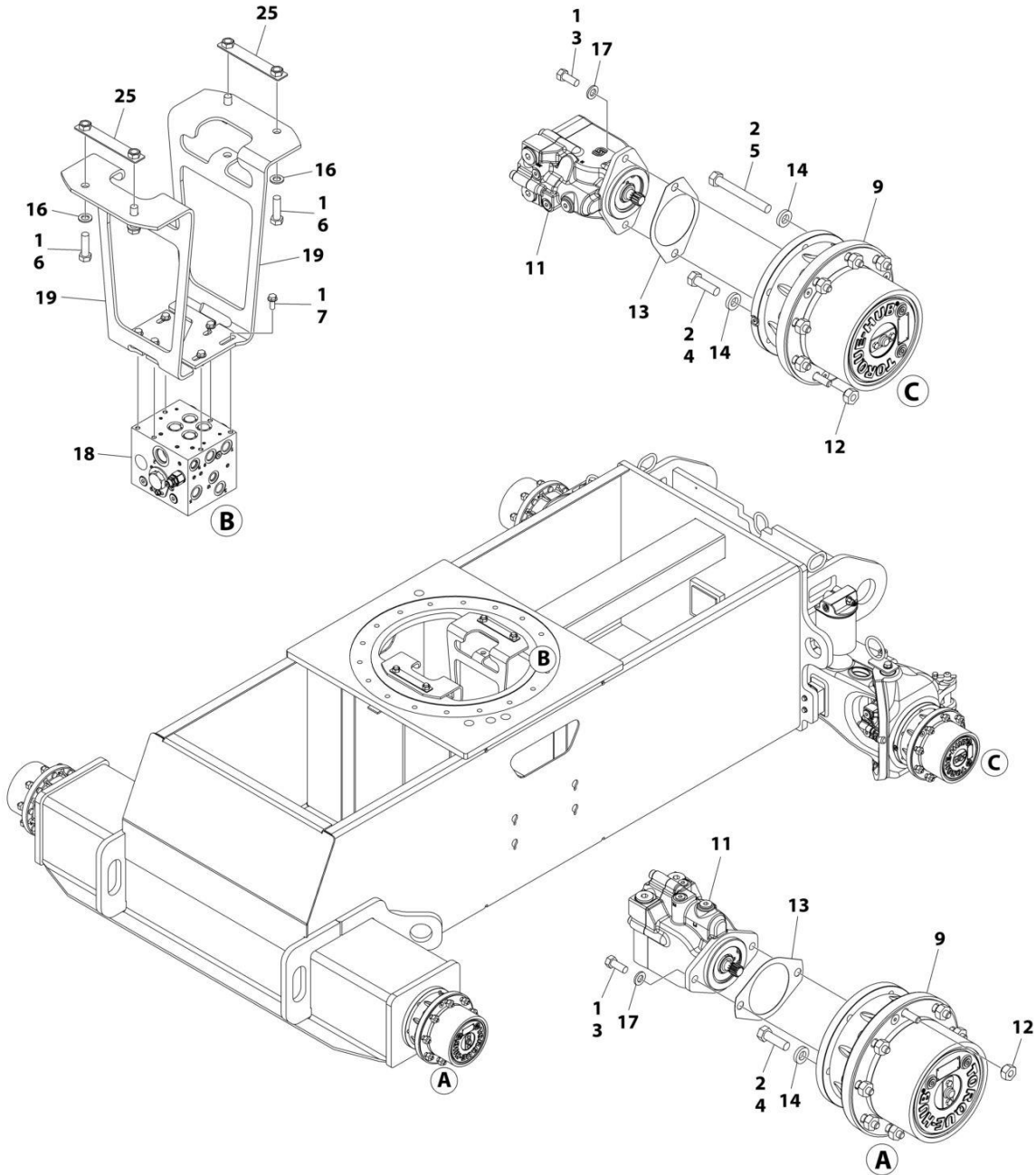
SECTION 1 - FRAME

FIGURE 1-4. STEER INSTALLATION - WITH TOW PACKAGE

ITEM	PART NUMBER	QTY	DESCRIPTION	REV
	1001250362	Ref	STEER INSTALLATION	D
1	0100011	AR	Compound, Locking	
2	0701012	6	Bolt M10 x 25	
3	0701617	2	Bolt M16 x 45	
4	0711629	4	Bolt M16 x 120	
5	3422351	2	Pin	
6	3422848	2	Pin	
7	3841143	6	Keeper, Pin	
8	4740155	3	Washer	
9	5241600	10	Washer M16	
10	8310614	4	Screw M10 x 30	
11	1001096456	4	Bolt M16 x 160	
12	1001163717	1	Bracket	
13	1001176848	4	Nut M16	
14	1001181790	4	Kingpin	
15	1001181792	2	Steer Cylinder Assembly (See Separate Breakdown in CYLINDER Section)	
16	1001182697	2	Pin	
17	1001184213	2	Link	
17A	0962181	2	Bushing 1-1/2in ID	
17B	1001182695	2	Bearing 1in ID	
18	1001185906	2	Block, Stop	
19	1001185907	4	Shim (1.5mm)	
20	1001188503	1	Link	
20A	0962348	1	Bearing	
21	1001190194	2	Bearing	
22	1001196390	2	Bracket	
23	1001263271	1	Knuckle	
23A	1001181791	8	Seal (4 Per Assembly)	
23B	1001182694	4	Bearing (2 Per Assembly)	

SECTION 1 - FRAME

FIGURE 1-5. WHEEL DRIVE INSTALLATION - 4WD/2WS (MACHINES WITH SN STARTING WITH 03)
(600S HC3)



ART_1001186443_K

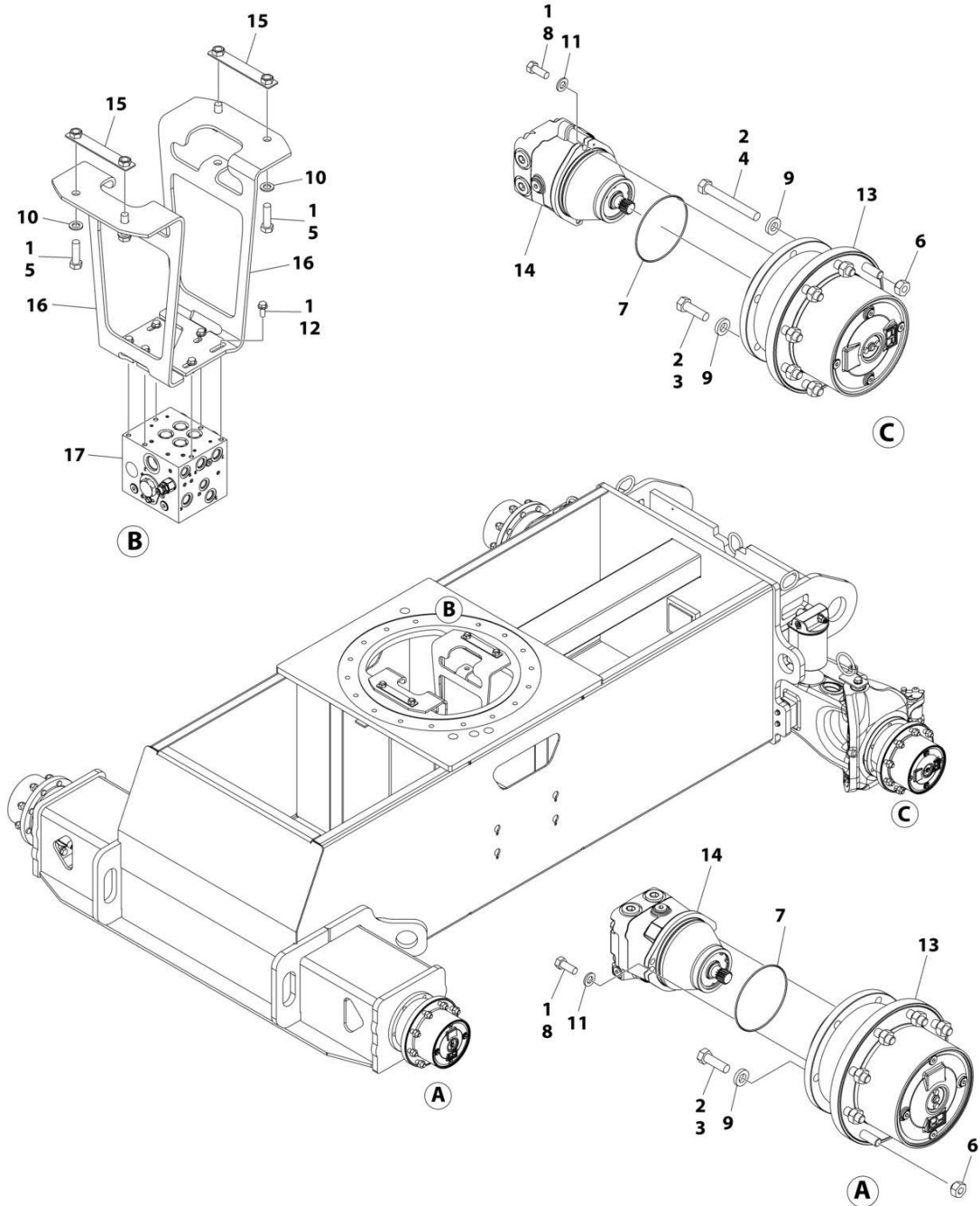
SECTION 1 - FRAME

**FIGURE 1-5. WHEEL DRIVE INSTALLATION - 4WD/2WS (MACHINES WITH SN STARTING WITH 03)
(600S HC3)**

ITEM	PART NUMBER	QTY	DESCRIPTION	REV
	1001186443	Ref	WHEEL DRIVE INSTALLATION	K
1	0100011	AR	Compound, Locking	
2	0100019	AR	Compound, Locking	
3	0681810	8	Bolt 1/2 x 1-1/4 Grade 8	
4	0682016	20	Bolt 5/8 x 2 Grade 8	
5	0682040	4	Bolt 5/8 x 5 Grade 8	
5	0682036	4	Bolt 5/8 x 4 Grade 8	
6	0701619	4	Bolt M16 x 55	
7	5251012	6	Bolt M10 x 25	
9	2780269	4	Drive Hub Assembly (See Separate Breakdown in this Section)	
11	3160350	4	Drive Motor Assembly (See Separate Breakdown in this Section)	
12	3300106	36	Lugnut	
13	3960526	4	Gasket	
14	4740393	24	Washer	
16	4812300	4	Washer M16	
17	5241200	8	Washer M12	
18	1001293329	1	Traction Valve Assembly (See Separate Breakdown in this Section)	
19	1001232292	2	Bracket	
25	1001198631	2	Bracket	

SECTION 1 - FRAME

FIGURE 1-6. WHEEL DRIVE INSTALLATION - 4WD/2WS MACHINES WITH SN STARTING WITH 03)
(660SJ HC3)



ART_1001300550

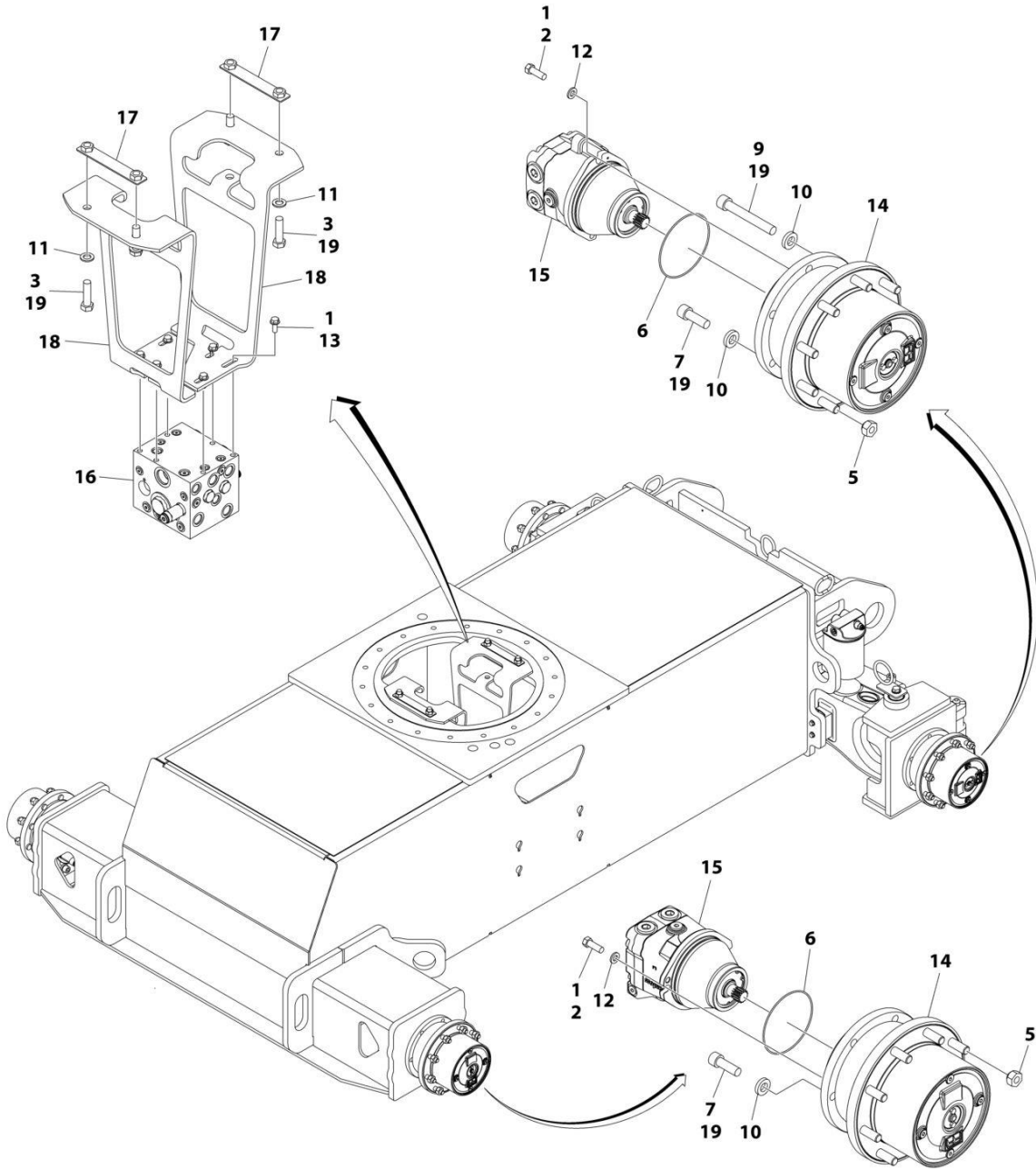
SECTION 1 - FRAME

**FIGURE 1-6. WHEEL DRIVE INSTALLATION - 4WD/2WS MACHINES WITH SN STARTING WITH 03)
(660SJ HC3)**

ITEM	PART NUMBER	QTY	DESCRIPTION	REV
	1001300550	Ref	WHEEL DRIVE INSTALLATION	A
1	0100011	AR	Compound, Locking	
2	0100019	AR	Compound, Locking	
3	0682015	20	Bolt 5/8 x 1-7/8	
4	0682036	4	Bolt 5/8 x 4-1/2	
5	0701619	4	Bolt M16 x 55	
6	3300106	36	Lugnut	
7	3790158	4	O-Ring	
8	3931720	8	Capscrew 7/16 x 1-1/4	
9	4740393	24	Washer	
10	4812300	4	Washer M16	
11	5241000	8	Washer M10	
12	5251012	6	Bolt M10 x 25	
13	1001113984	4	Drive Hub Assembly (See Separate Breakdown in this Section)	
14	1001135600	4	Drive Motor Assembly (See Separate Breakdown in this Section)	
15	1001198631	2	Bracket	
16	1001232292	2	Bracket	
17	1001293329	1	Traction Valve Assembly (See Separate Breakdown in this Section)	

SECTION 1 - FRAME

FIGURE 1-7. WHEEL DRIVE INSTALLATION - 4WD/2WS (MACHINES WITH SN STARTING WITH B3)



ART_1001249985

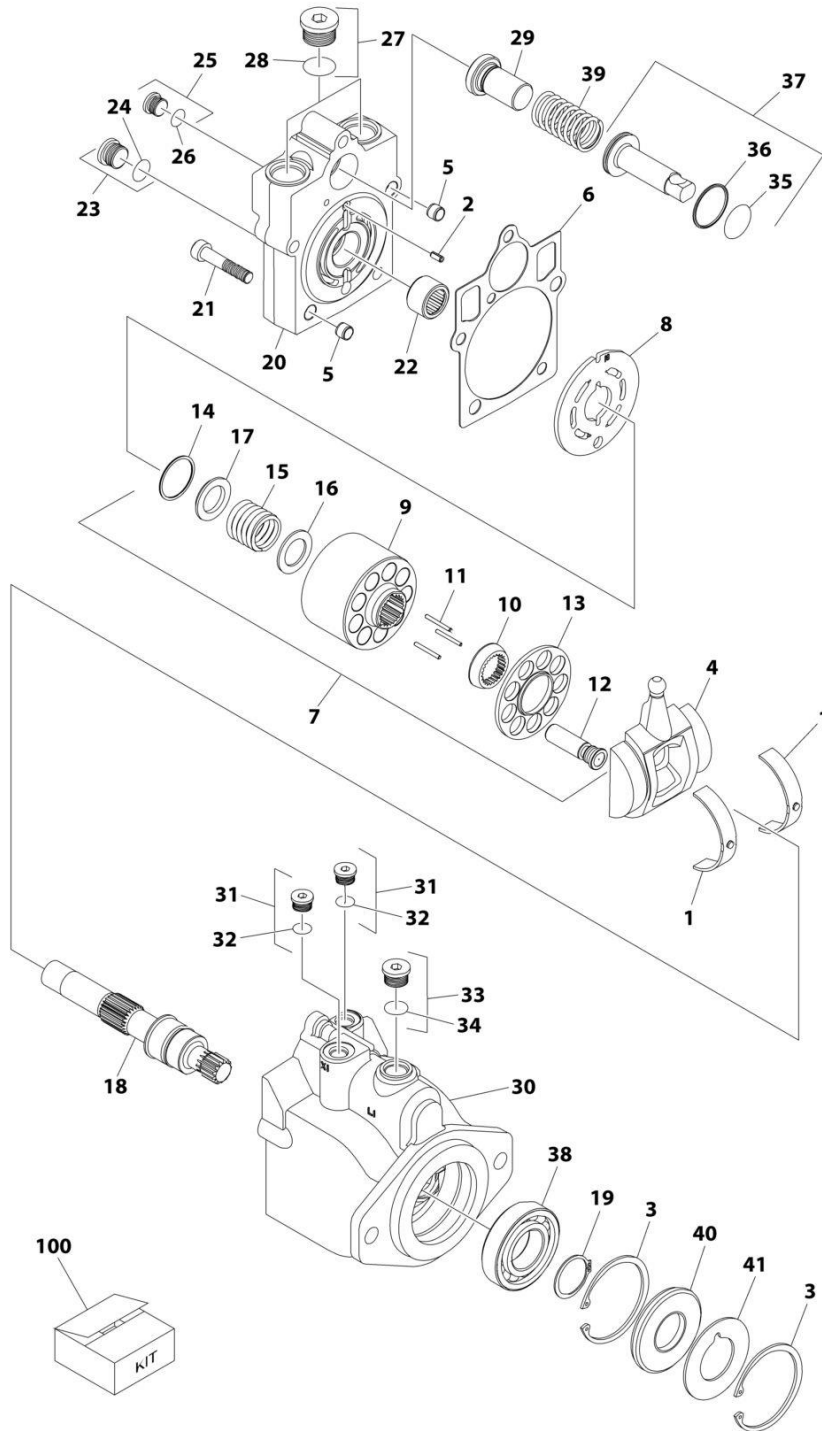
SECTION 1 - FRAME

FIGURE 1-7. WHEEL DRIVE INSTALLATION - 4WD/2WS (MACHINES WITH SN STARTING WITH B3)

ITEM	PART NUMBER	QTY	DESCRIPTION	REV
	1001249985	Ref	WHEEL DRIVE INSTALLATION	E
1	0100011	AR	Compound, Locking	
2	0681710	8	Bolt 7/16 x 1-1/4	
3	0701620	4	Bolt M16 x 60	
5	3300106	36	Lugnut	
6	3790158	4	O-Ring	
7	3932030	20	Capscrew 5/8 x 1-7/8	
8	3932032	8	Capscrew 5/8 x 2	
9	3932072	4	Capscrew 5/8 x 4-1/2	
10	4740393	24	Washer	
11	4812300	4	Washer M16	
12	5241000	8	Washer	
13	5251012	6	Bolt M10 x 25	
14	1001113984	4	Drive Hub Assembly (See Separate Breakdown in this Section)	
15	1001135600	4	Drive Motor Assembly (See Separate Breakdown in this Section)	
16	1001187521	1	Traction Valve Assembly (See Separate Breakdown in this Section)	
17	1001198631	2	Bracket	
18	1001232292	2	Bracket	
19	0100019	AR	Compound, Locking	

SECTION 1 - FRAME

FIGURE 1-8. DRIVE MOTOR ASSEMBLY (600S HC3)



ART_3160350

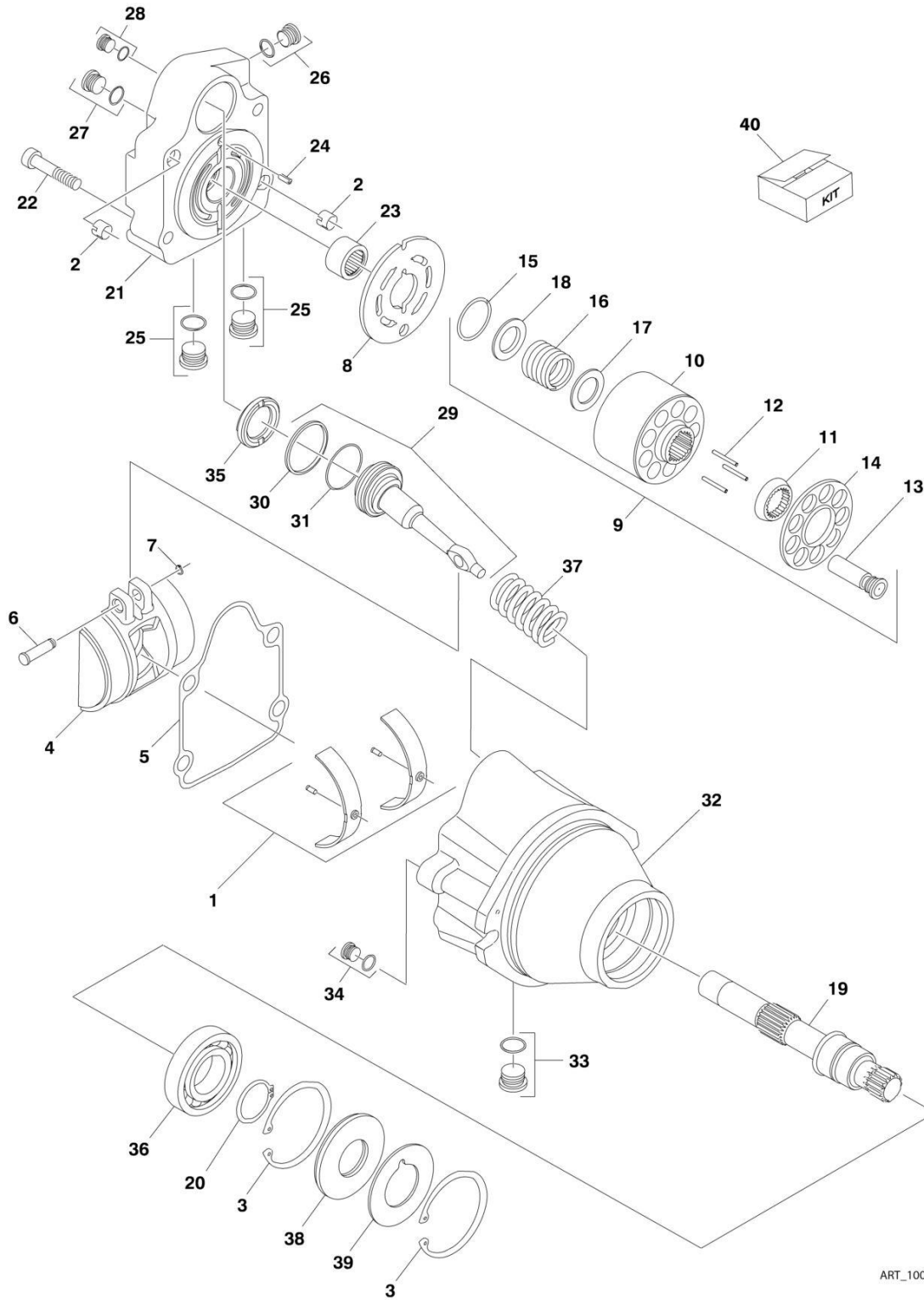
SECTION 1 - FRAME

FIGURE 1-8. DRIVE MOTOR ASSEMBLY (600S HC3)

ITEM	PART NUMBER	QTY	DESCRIPTION	REV
	3160350	Ref	DRIVE MOTOR ASSEMBLY	D
1	7022302	2	Bearing, Journal	
2	7007446	1	Pin	
3	7007438	2	Ring, Retaining	
4	70000794	1	Swash Plate	
5	See Note	NSS	Pin (Note: Not Available for Purchase)	
6	See Note	NSS	Gasket (Note: Use Item 42)	
7	7027740	1	Cylinder Block Kit (Includes Items 9-17)	
8	7024862	1	Plate, Valve	
9	See Note	NSS	Block, Cylinder	
10	See Note	NSS	Guide, Slipper Retainer	
11	7021275	3	Pin, Slipper Hold Down	
12	7024865	9	Piston Assembly	
13	See Note	NSS	Retainer, Slipper	
14	7022311	1	Ring, Retaining	
15	7024867	1	Spring	
16	7022313	1	Washer	
17	7022314	1	Retainer, Spring	
18	7023910	1	Shaft	
19	7007439	1	Ring, Retaining	
20	70000795	1	Cap, End - Axial	
21	7022368	5	Screw	
22	7021249	1	Bearing, Needle	
23	2220886	1	Plug (Includes Item 24)	
24	See Note	NSS	O-Ring (Note: Use Item 23 or 42)	
25	2220883	1	Plug (Includes Item 26)	
26	See Note	NSS	O-Ring (Note: Use Item 25 or 42)	
27	7027419	2	Plug (Includes Item 28)	
28	See Note	NSS	O-Ring (Note: Use Item 27 or 42)	
29	7022372	1	Seat, Spring	
30	See Note	NSS	Housing (Note: Not Available - Purchase Complete Assembly)	
31	2220883	2	Plug (Includes Item 32)	
32	See Note	NSS	O-Ring (Note: Use Item 31 or 42)	
33	2220886	1	Plug (Includes Item 34)	
34	See Note	NSS	O-Ring (Note: Use Item 33 or 42)	
35	See Note	NSS	O-Ring (Note: Use Item 42)	
36	See Note	NSS	Ring, Seal (Note: Use Item 42)	
37	7024871	1	Piston, Servo	
38	7007437	1	Bearing	
39	7022326	1	Spring	
40	See Note	NSS	Seal, Lip (Note: Use Item 42)	
41	7022371	1	Washer, Support	
100	7022328	1	Seal Kit (Includes Items 6, 24, 26, 28, 32, 34, 35, 36 & 40)	

SECTION 1 - FRAME

FIGURE 1-9. DRIVE MOTOR ASSEMBLY (660SJ HC3)



ART_1001135600

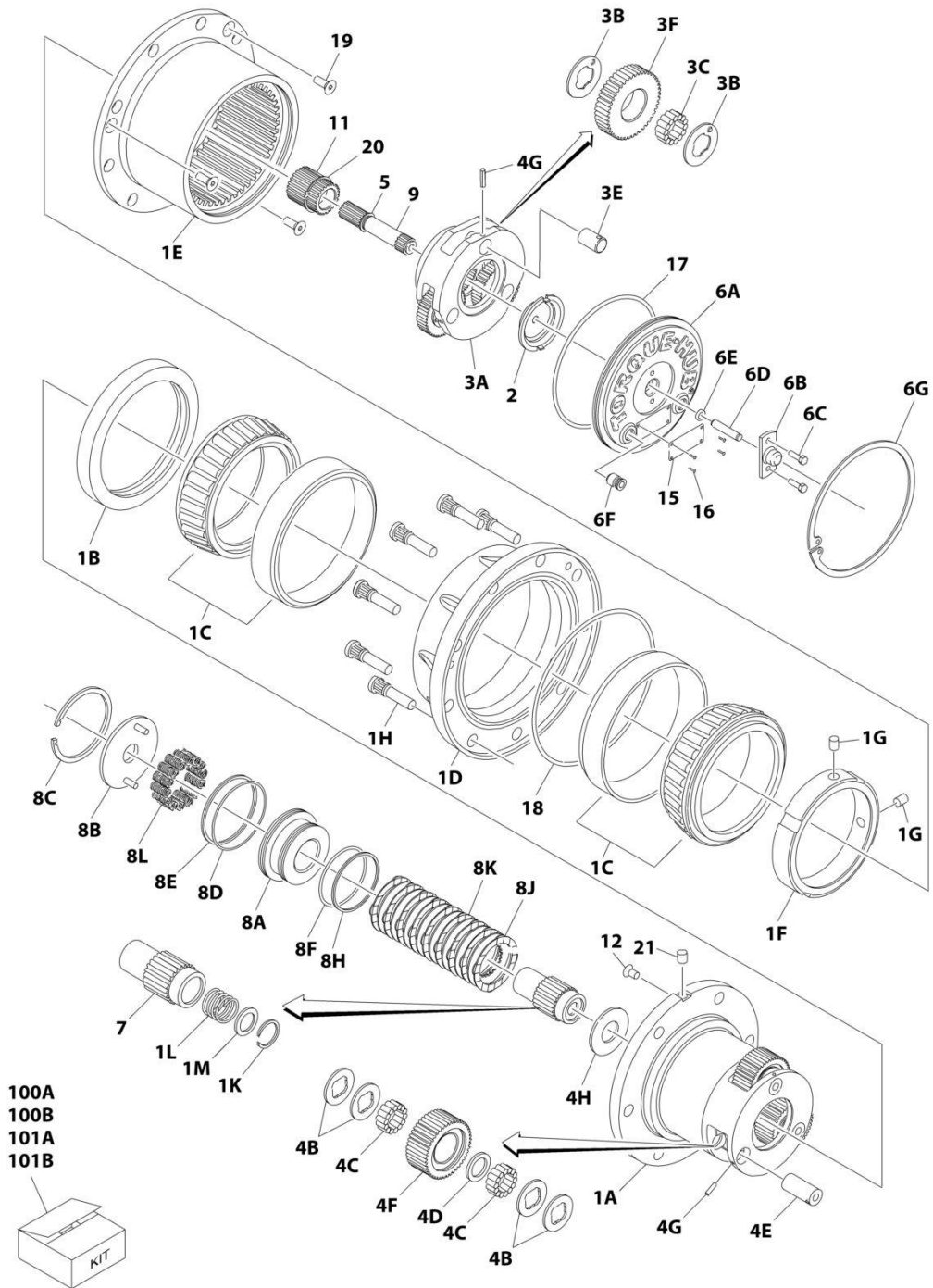
SECTION 1 - FRAME

FIGURE 1-9. DRIVE MOTOR ASSEMBLY (660SJ HC3)

ITEM	PART NUMBER	QTY	DESCRIPTION	REV
	1001135600	Ref	DRIVE MOTOR ASSEMBLY	C
1	70000852	1	Swash Plate Bearing Kit	
2	70003628	2	Pin	
3	70007438	2	Ring, Retaining	
4	70000853	1	Swash Plate	
5	See Note	NSS	Gasket (Note: Use Item 40)	
6	70004201	1	Pin	
7	70004202	1	Ring, Retaining	
8	70000854	1	Plate, Valve	
9	7027740	1	Cylinder Block Kit (Includes Items 10-18)	
10	7027740	1	Block, Cylinder	
11	70000854	1	Guide, Slipper Retainer	
12	7021275	3	Pin, Slipper Hold Down	
13	70004203	9	Piston Assembly	
14	70000857	1	Retainer, Slipper	
15	7022311	1	Ring, Retaining	
16	7024867	1	Spring	
17	7024868	1	Washer	
18	7022314	1	Retainer, Spring	
19	70000858	1	Shaft	
20	7007439	1	Ring, Retaining	
21	70004204	1	Cap, End - Axial	
22	7022368	4	Capscrew	
23	7021249	1	Bearing, Needle	
24	7007446	1	Pin	
25	7007419	2	Plug with O-Ring	
25	See Note	NSS	O-Ring (Note: Not Sold Separately - Purchase Item 25 or 40)	
26	7007420	1	Plug with O-Ring	
26	70000862	1	O-Ring (Note: Not Sold Separately - Purchase Item 26 or 40)	
27	7022321	1	Plug with O-Ring	
27	70000862	1	O-Ring (Note: Not Sold Separately - Purchase Item 27 or 40)	
28	7007420	1	Plug with O-Ring	
28	70000862	1	O-Ring (Note: Not Sold Separately - Purchase Item 28 or 40)	
29	70004205	1	Servo - 4WD	
30	See Note	NSS	Ring, Piston (Note: Not Sold Separately - Purchase Item 29 or 40)	
31	See Note	NSS	O-Ring (Note: Not Sold Separately - Purchase Item 29 or 40)	
32	See Note	NSS	Housing (Note: Not Available - Purchase Complete Motor)	
33	7022321	1	Plug with O-Ring	
33	70000862	1	O-Ring (Note: Not Sold Separately - Purchase Item 33 or 40)	
34	70002133	1	Plug with O-Ring	
34	70000862	1	O-Ring (Note: Not Sold Separately - Purchase Item 34 or 40)	
35	70004205	1	Stop (4WD Motor Only)	
36	70002176	1	Bearing	
37	70000861	1	Spring	
38	See Note	NSS	Seal, Lip (Note: Use Item 40)	
39	7022371	1	Washer, Support	
40	70000862	1	Seal Kit (Includes Items 5, 30, 31, 38 and Plug O-Rings)	

SECTION 1 - FRAME

FIGURE 1-10. DRIVE HUB ASSEMBLY (600S HC3)



ART_2780269

SECTION 1 - FRAME

FIGURE 1-10. DRIVE HUB ASSEMBLY (600S HC3)

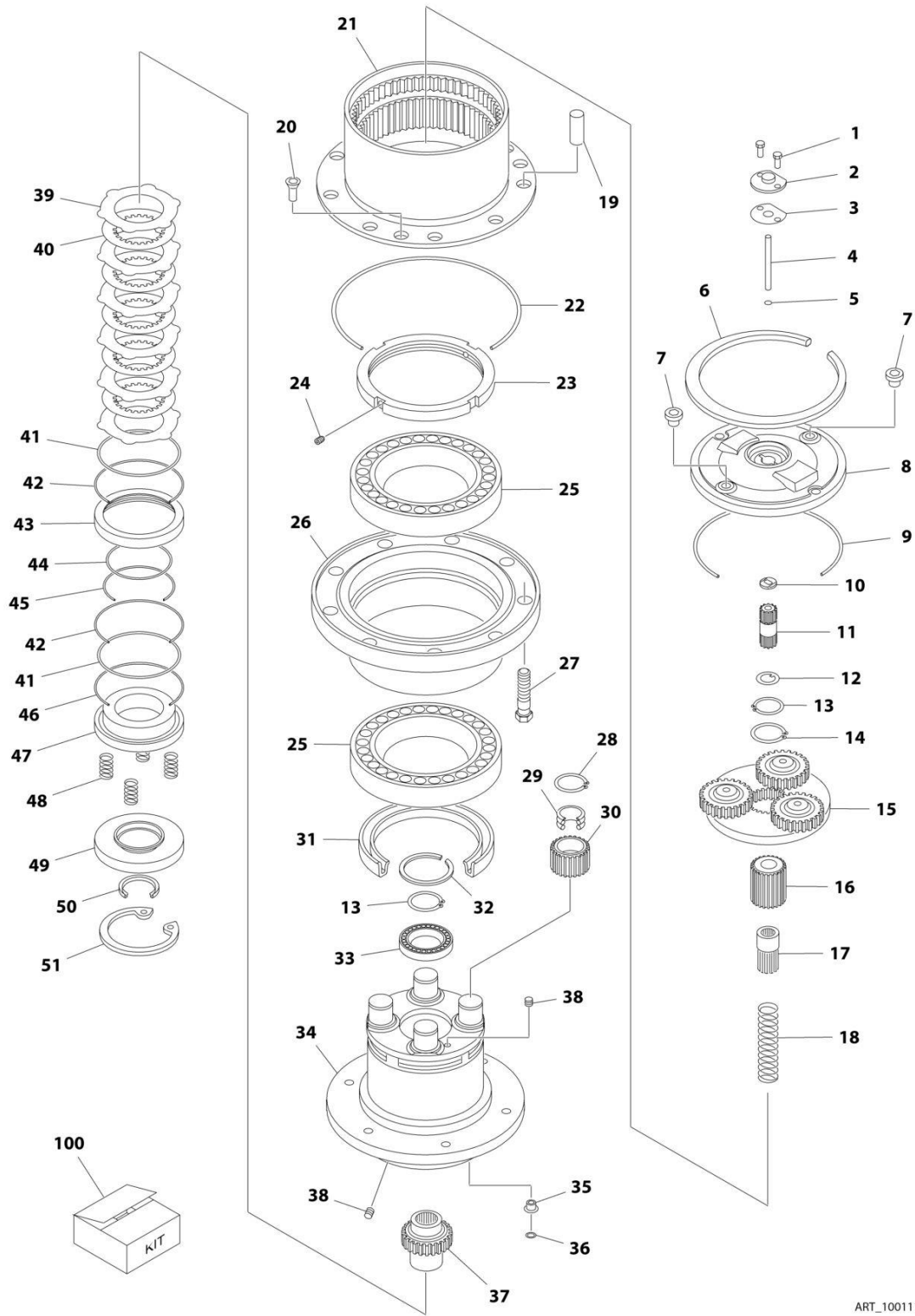
ITEM	PART NUMBER	QTY	DESCRIPTION	REV
	2780269	Ref	DRIVE HUB/BRAKE ASSEMBLY	E
1	See Note	NSS	Spindle/Housing Assembly (Note: Not Available - Purchase Individual Components)	
1A	7024729	1	Spindle	
1B	70001119	1	Seal, Lip	
1C	7024735	2	Bearing (Includes Cup and Cone)	
1D	2780269	1	Housing (Note: Not Available for Purchase)	
1E	7024730	1	Ring, Gear	
1F	7024744	1	Nut, Bearing	
1G	See Note	NSS	Setscrew 1/4 x 1/2 (Note: Use Item 26A, 26B, 27A or 27B)	
1H	7024732	9	Stud, Wheel	
1K	7024125	1	Ring, Retaining	
1L	7024124	1	Spring	
1M	7024129	1	Thrustwasher	
2	7024741	1	Thrustwasher	
3	See Note	NSS	Carrier Assembly (Note: Not Available - Purchase Individual Components)	
3A	7024725	1	Carrier	
3B	7024127	6	Thrustwasher	
3C	7024733	42	Bearing, Needle	
3E	7024724	3	Shaft, Planet	
3F	7024727	3	Gear, Planet	
4	See Note	NSS	Planet Gear Sub-Assembly (Note: Not Available - Purchase Individual Components)	
4B	7024740	12	Thrustwasher	
4C	7024734	84	Bearing, Needle	
4D	7024736	3	Spacer, Thrust	
4E	7024726	3	Shaft, Planet	
4F	7024728	3	Gear, Planet	
4G	7001913	6	Roll Pin	
4H	7024742	1	Thrustwasher	
5	7017027	1	Ring, Retaining	
6	See Note	NSS	Cover Assembly (Note: Not Available - Purchase Individual Components)	
6A	7024731	1	Plate, Cover	
6B	7017093	1	Cap, Disengage	
6C	7000216	2	Bolt 1/2in-20NC x 1/2in	
6D	7024739	1	Pin, Dowel	
6E	7017095	1	O-Ring	
6F	7017072	2	Plug, Pipe	
6G	7024738	1	Ring, Retaining	
7	7024722	1	Coupling	
8	See Note	NSS	Brake, Input (Note: Not Available - Purchase Individual Components)	
8A	70000782	1	Piston, Brake	
8B	7024743	1	Plate, Pressure	
8C	See Note	NSS	Ring, Retaining (Note: Use Item 26B, 27A or 27B)	
8D	See Note	NSS	O-Ring (Note: Use Item 26B or 27A)	
8E	See Note	NSS	Ring, Back-up (Note: Use Item 26B or 27A)	
8F	See Note	NSS	O-Ring (Note: Use Item 26B or 27A)	
8H	See Note	NSS	Ring, Back-up (Note: Use Item 26B or 27A)	

SECTION 1 - FRAME

ITEM	PART NUMBER	QTY	DESCRIPTION	REV
8J	See Note	NSS	Rotor, Brake (Note: Use Item 27A)	
8K	See Note	NSS	Stator, Brake (Note: Use Item 27A)	
8L	See Note	NSS	Spring, Brake (Note: Use Item 27B)	
9	7024721	1	Shaft, Input	
11	7024723	1	Gear, Sun	
12	See Note	NSS	Plug (Note: Not Available for Purchase)	
15	See Note	NSS	Plate, ID (Not Shown) (Note: Not Available for Purchase)	
16	7000281	4	Screw, Drive	
17	7024134	1	O-Ring	
18	See Note	NSS	O-Ring (Note: Use Item 26A)	
19	7017022	3	Screw, Countersunk 3/8in-16NC	
20	7024737	1	Ring, Retaining	
21	See Note	NSS	Plug (Note: Not Available - Purchase Locally)	
26		Ref	Seal Kit Options:	
26A	7024744	1	Hub Seal Kit (Includes Items 1B, 1F, 1G, 17, 18 & 19)	
26B	7024765	1	Brake Seal Kit (Includes Items 1G, 8C, 8D, 8E, 8F & 8H)	
27		Ref	Repair Kit Options:	
27A	7024764	1	Brake Lining Kit (Includes Items 1G, 8C, 8D, 8E, 8F, 8H, 8J & 8K)	
27B	7024766	1	Brake Spring Kit (Includes Items 1G, 8C & 8L)	

SECTION 1 - FRAME

FIGURE 1-11. DRIVE HUB ASSEMBLY (660SJ HC3)



ART_1001113984

SECTION 1 - FRAME

FIGURE 1-11. DRIVE HUB ASSEMBLY (660SJ HC3)

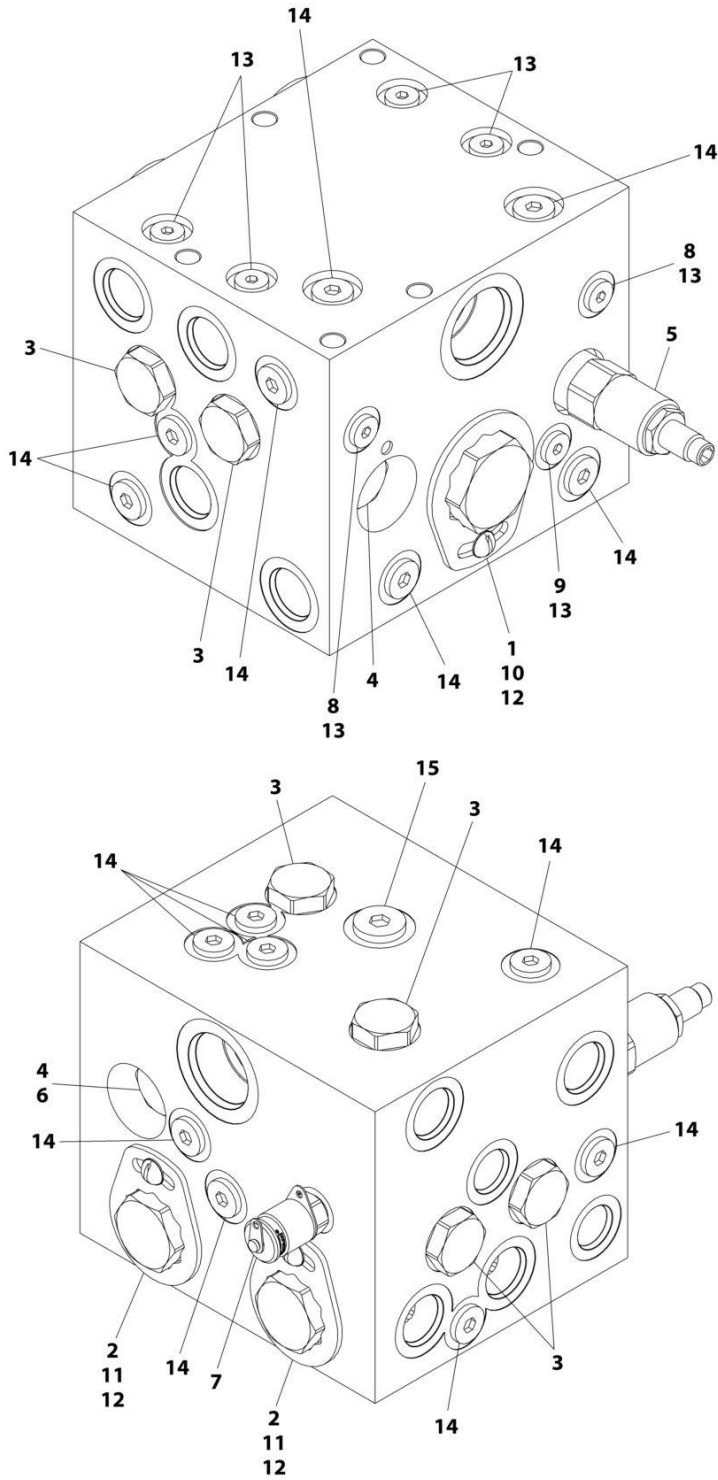
ITEM	PART NUMBER	QTY	DESCRIPTION	REV
	1001113984	Ref	DRIVE HUB ASSEMBLY	E
1	70004353	2	Screw	
2	70005298	1	Cover, Disengagement	
3	70002201	1	Gasket	
4	70002059	1	Pin, Disengagement	
5	See Note	NSS	O-Ring (Note: Use Item 100)	
6	70005299	1	Ring	
7	70002057	4	Plug	
8	70005300	1	Cover	
9	See Note	NSS	O-Ring (Note: Use Item 100)	
10	70002054	1	Shim	
11	70005301	1	Pinion	
12	70005302	1	Shim	
13	70004355	2	Ring, Outer Retention	
14	70004356	1	Ring, Inner Retention	
15	70005303	1	Reduction Gear Assembly	
16	70005304	1	Pinion	
17	70005305	1	Coupling, Disengagement Half	
18	70005306	1	Spring, Disengagement	
19	70005307	9	Plug	
20	70004361	3	Screw	
21	70005308	1	Ring, Planetary	
22	See Note	NSS	O-Ring (Note: Use Item 100)	
23	70005309	1	Nut, Ring	
24	70004363	2	Screw	
25	70005311	2	Bearing	
26	70004365	1	Support, Hub	
27	70005312	9	Column	
28	70004367	4	Ring, Outer Retention	
29	70005313	4	Bearing	
30	70004369	4	Wheel, Planet	
31	See Note	NSS	Seal, Oil (Note: Use Item 100)	
32	70004370	1	Ring	
33	70004371	1	Bearing	
34	70005314	1	Axle, Stub	
35	70005315	1	Plug	
36	See Note	NSS	O-Ring (Note: Use Item 100)	
37	70005316	1	Shaft, Input	
38	70004447	2	Plug	
39	70002027	6	Disc, Steel	
40	70002026	5	Disc, Sintered	
41	See Note	NSS	Seal (Note: Use Item 100)	
42	See Note	NSS	O-Ring (Note: Use Item 100)	
43	70005317	1	Spacer	
44	See Note	NSS	Seal (Note: Use Item 100)	
45	See Note	NSS	O-Ring (Note: Use Item 100)	
46	See Note	NSS	O-Ring (Note: Use Item 100)	
47	70005318	1	Piston	
48	70002020	6	Spring, Brake	
49	70005319	1	Spacer	

SECTION 1 - FRAME

ITEM	PART NUMBER	QTY	DESCRIPTION	REV
50	See Note	NSS	Seal, Oil (Note: Use Item 100)	
51	70005320	1	Ring, Inner Retention	
100	70005321	1	Seal Kit (Includes Items 5, 9, 22, 31, 36, 41, 42, 44, 45, 46 & 50)	

SECTION 1 - FRAME

FIGURE 1-12. TRACTION VALVE ASSEMBLY



ART_1001187521

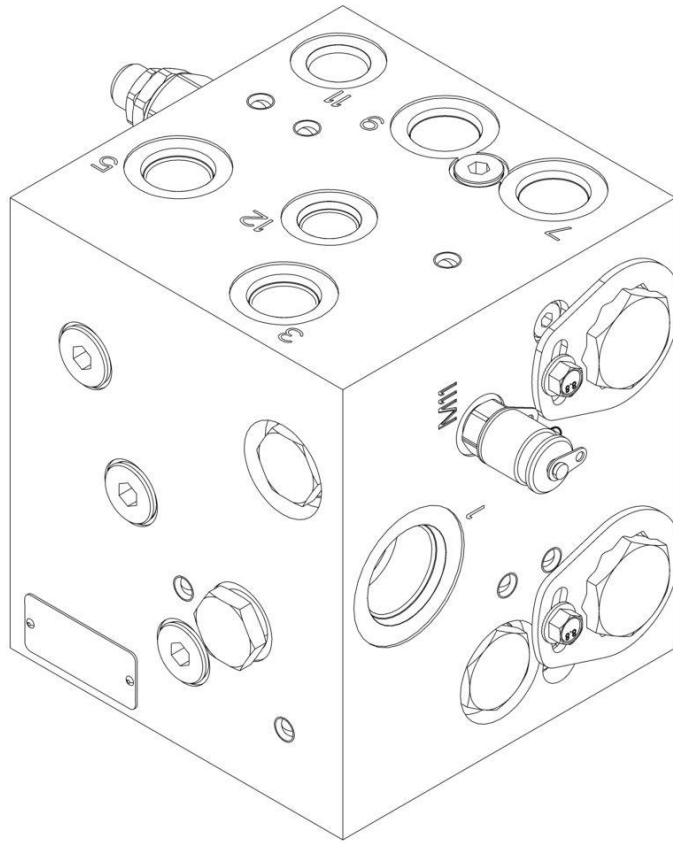
SECTION 1 - FRAME

FIGURE 1-12. TRACTION VALVE ASSEMBLY

ITEM	PART NUMBER	QTY	DESCRIPTION	REV
	1001187521	Ref	TRACTION VALVE ASSEMBLY	H
1	70005668	1	Valve, Flow Divider	
1	7021625	1	Seal Kit - 70005668 Valve	
2	70005669	2	Valve, Flow Divider	
2	70004577	2	Seal Kit - 70005669 Valve	
3	70026444	6	Valve, Check	
3	7022399	6	Seal Kit - 7022397 Valve	
4	70002390	2	Valve, Check	
4	7022399	2	Seal Kit - 70002390 Valve	
5	70007507	1	Valve, Relief	
5	7012998	1	Seal Kit - 70007507 Valve	
6	7024881	1	Piston	
7	2221086	1	Fitting, Test	
8	70003975	2	Orifice	
9	70002209	1	Orifice	
10	70000781	1	Lock Down Kit	
11	70002962	2	Lock Down Kit	
12	70004888	3	Screw	
13	2220883	7	Plug	
14	2220885	15	Plug	
15	2220886	1	Plug	

SECTION 1 - FRAME

FIGURE 1-13. TRACTION VALVE ASSEMBLY



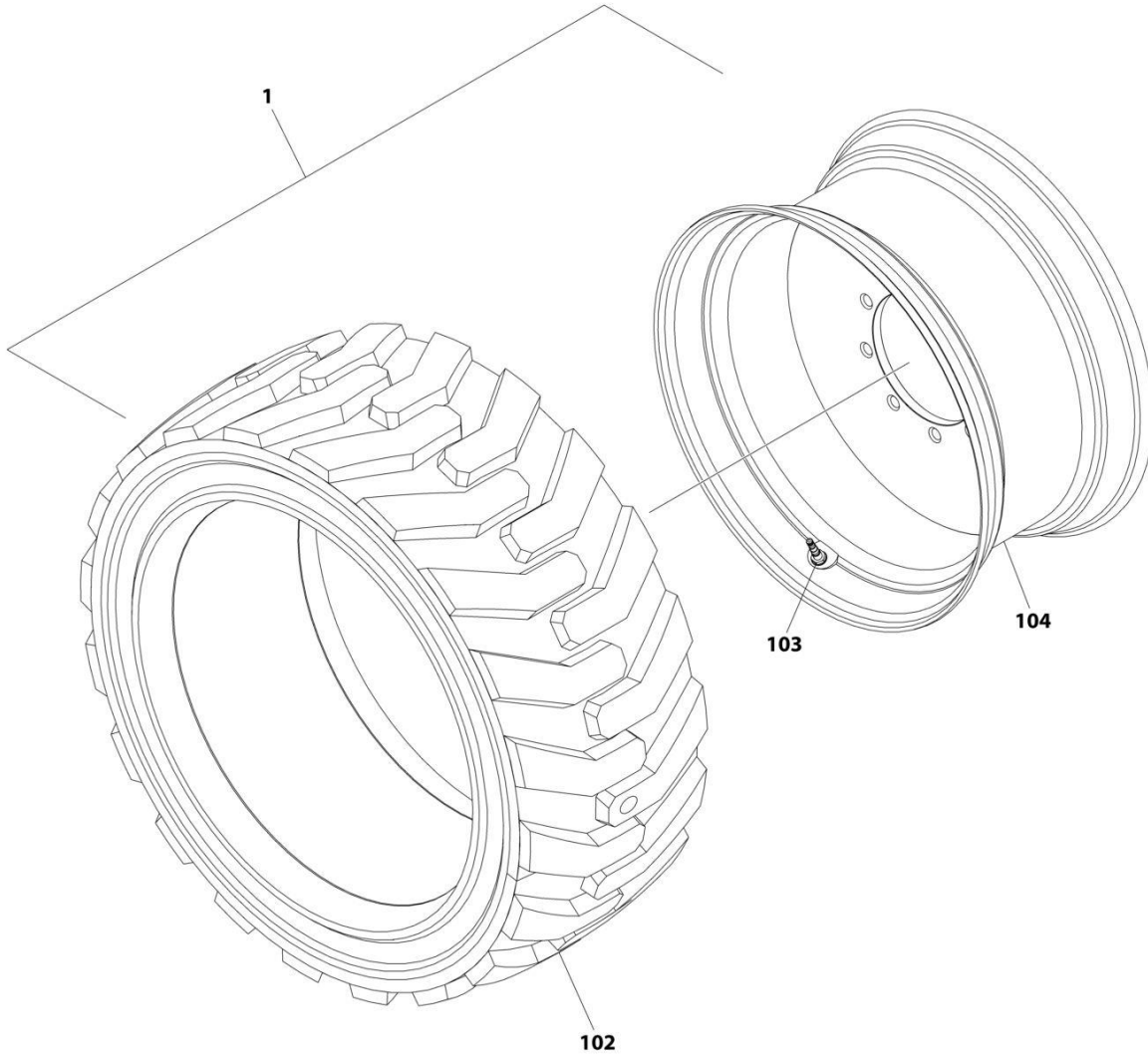
ART_1001293329

FIGURE 1-13. TRACTION VALVE ASSEMBLY

ITEM	PART NUMBER	QTY	DESCRIPTION	REV
	1001293329 See Note	Ref Ref	TRACTION VALVE ASSEMBLY Note: No Service Parts Available at Time of Printing	A

SECTION 1 - FRAME

FIGURE 1-14. TIRE & WHEEL INSTALLATION - IN355-55 D625 FOAM FILLED (AVAILABLE ON ALL SPECS)



ART_1001185596

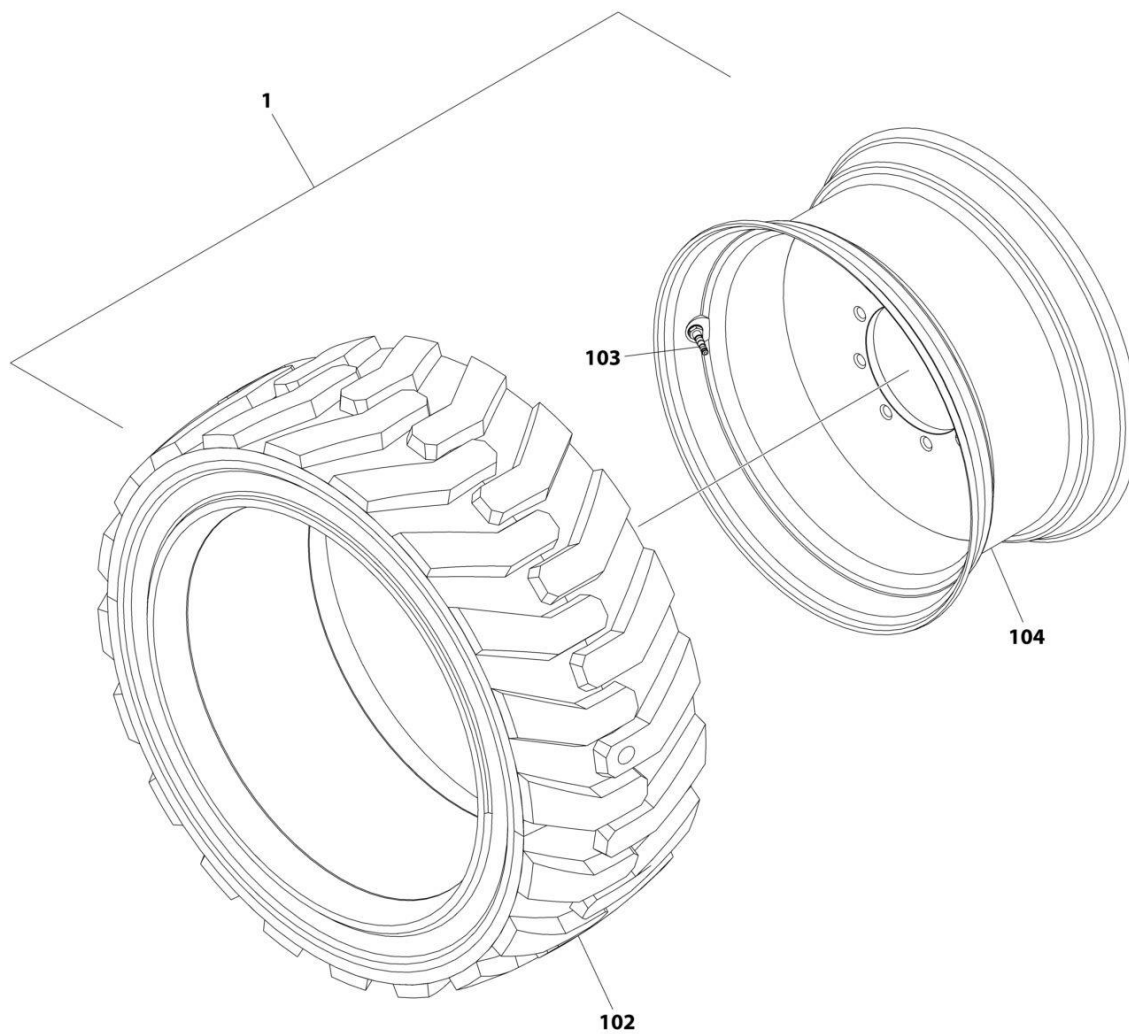
SECTION 1 - FRAME

FIGURE 1-14. TIRE & WHEEL INSTALLATION - IN355-55 D625 FOAM FILLED (AVAILABLE ON ALL SPECS)

ITEM	PART NUMBER	QTY	DESCRIPTION	REV
	1001185596	Ref	TIRE & WHEEL INSTALLATION	A
		Ref	Note: Assemblies may require ballast/foam filling to manufacturer's specifications prior to installing on a machine. Refer to Operation and Safety or Service and Maintenance Manuals.	
		Ref	Note: Purchase individual tire and/or rim only if able to foam fill tire and wheel assembly, otherwise, purchase complete assembly.	
1	1001181795	Ref	Tire and Wheel Assembly (LH Side)	D
1	1001181796	Ref	Tire and Wheel Assembly (RH Side)	D
102	4520288	4	Tire - IN355-55 D625	
103	4641122	4	Valve	
104	1001181797	4	Rim, Wheel	

SECTION 1 - FRAME

FIGURE 1-15. TIRE & WHEEL INSTALLATION - IN355-55 D625 FOAM FILLED NON-MARKING
(AVAILABLE ON ALL SPECS)



ART_1001185597

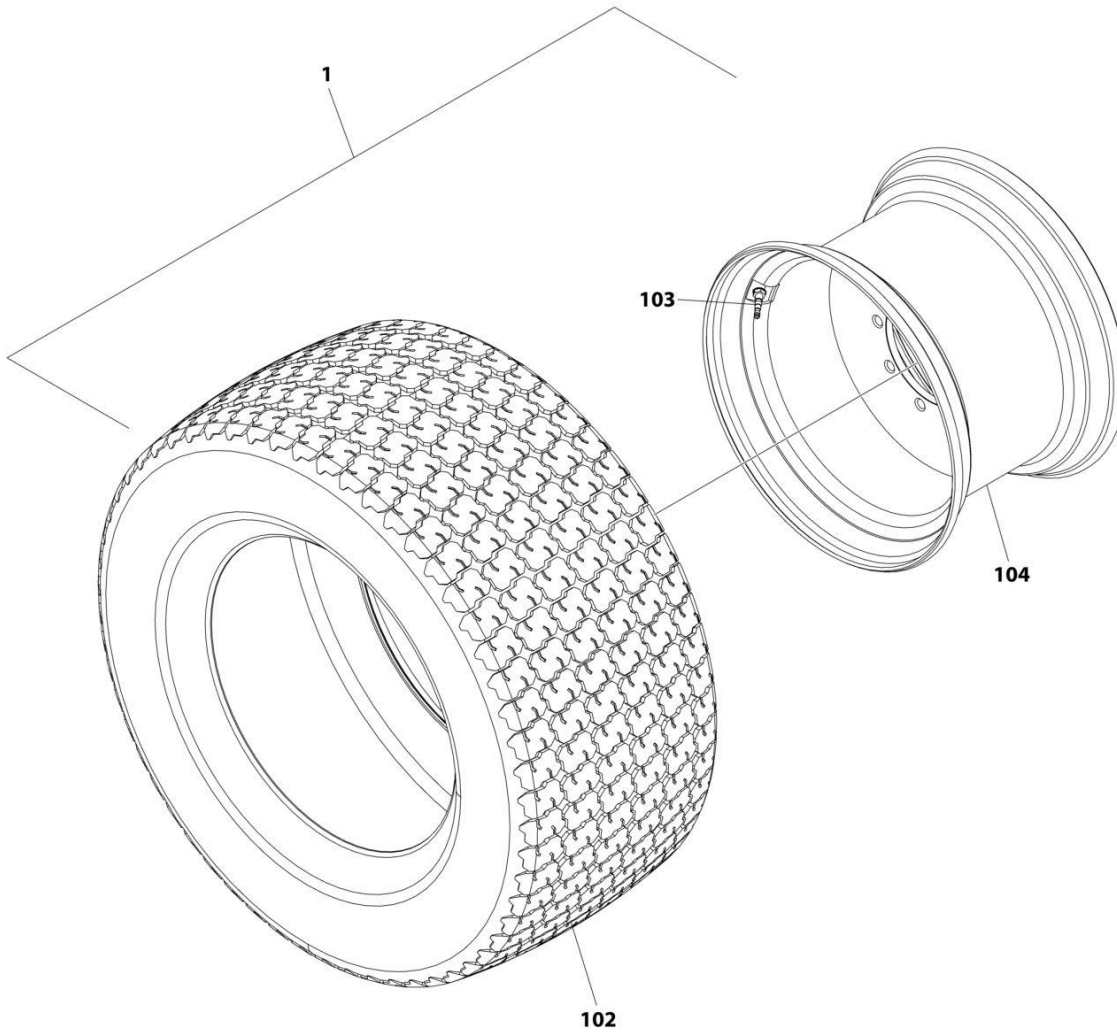
SECTION 1 - FRAME

**FIGURE 1-15. TIRE & WHEEL INSTALLATION - IN355-55 D625 FOAM FILLED NON-MARKING
(AVAILABLE ON ALL SPECS)**

ITEM	PART NUMBER	QTY	DESCRIPTION	REV
	1001185597	Ref	TIRE & WHEEL INSTALLATION	A
		Ref	Note: Assemblies may require ballast/foam filling to manufacturer's specifications prior to installing on a machine. Refer to Operation and Safety or Service and Maintenance Manuals.	
		Ref	Note: Purchase individual tire and/or rim only if able to foam fill tire and wheel assembly, otherwise, purchase complete assembly.	
1	1001184727	Ref	Tire and Wheel Assembly (RH Side)	E
1	1001184728	1	Tire and Wheel Assembly (LH Side)	E
102	1001184881	4	Tire - IN355-55 D625	
103	4641122	4	Valve	
104	1001181797	4	Rim, Wheel	

SECTION 1 - FRAME

**FIGURE 1-16. TIRE & WHEEL INSTALLATION - 41-18LL X 22.5 FOAM FILLED TURF & SAND
(AVAILABLE ON ALL SPECS EXCEPT AUSTRALIAN, RUSSIA, CE & UK CA SPECS)**



ART_1001216195

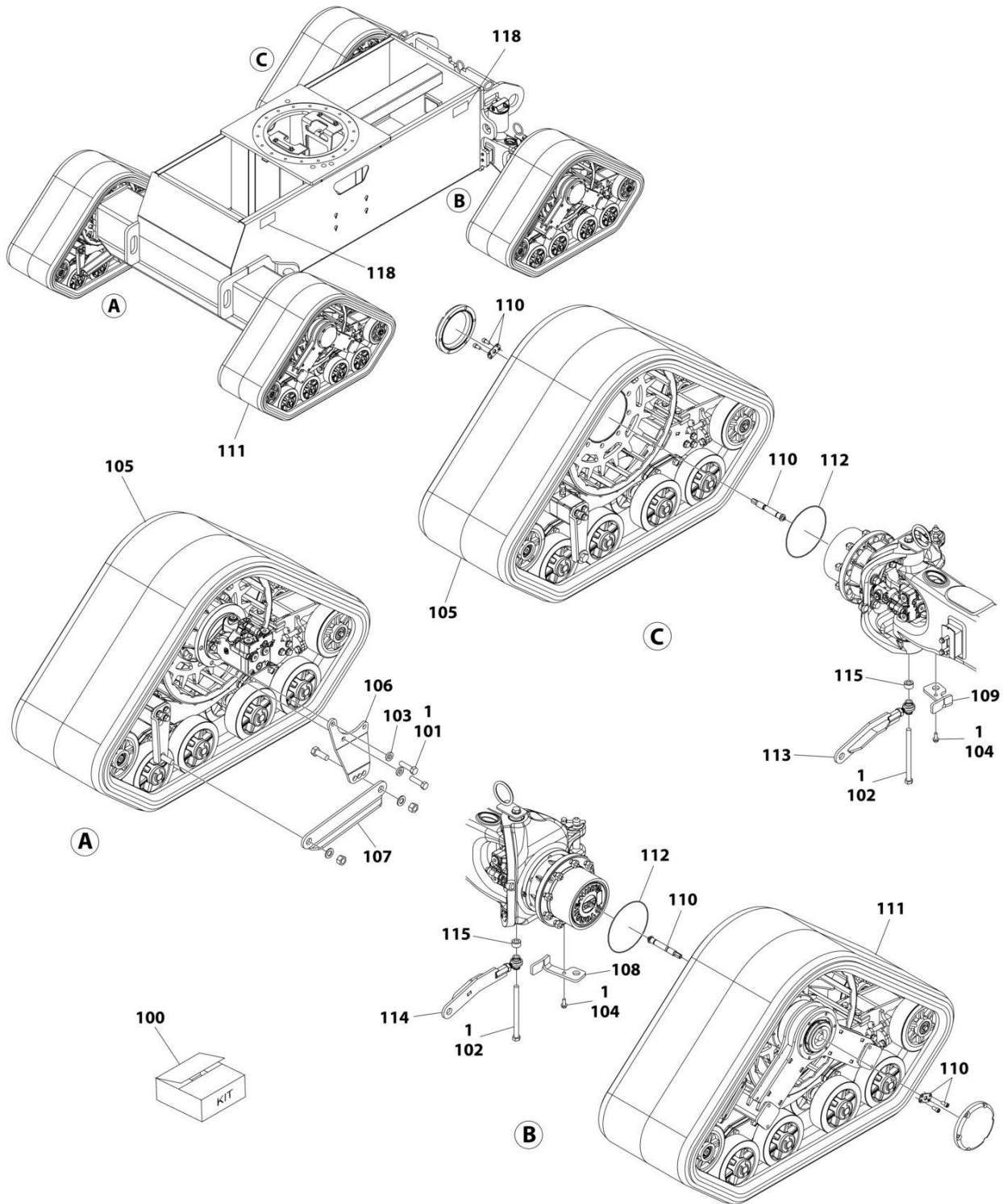
SECTION 1 - FRAME

**FIGURE 1-16. TIRE & WHEEL INSTALLATION - 41-18LL X 22.5 FOAM FILLED TURF & SAND
(AVAILABLE ON ALL SPECS EXCEPT AUSTRALIAN, RUSSIA, CE & UK CA SPECS)**

ITEM	PART NUMBER	QTY	DESCRIPTION	REV
	1001216195	Ref	TIRE & WHEEL INSTALLATION	A
		Ref	Note: Not Available on Shipyard Machines.	
		Ref	Note: Turf/Sand Tires Required Additional Chassis Counterweight. See SPECIAL OPTIONS SECTION Before Installing this Option.	
		Ref	Note: Assemblies may require ballast/foam filling to manufacturer's specifications prior to installing on a machine. Refer to Operation and Safety or Service and Maintenance Manuals.	
		Ref	Note: Purchase individual tire and/or rim only if able to foam fill tire and wheel assembly, otherwise, purchase complete assembly.	
1	1001216196	Ref	Tire and Wheel Assembly - Turf and Sand	C
102	4520256	4	Tire - 41-18LL x 22.5	
103	4641122	4	Valve	
104	1001208017	4	Rim, Wheel	

SECTION 1 - FRAME

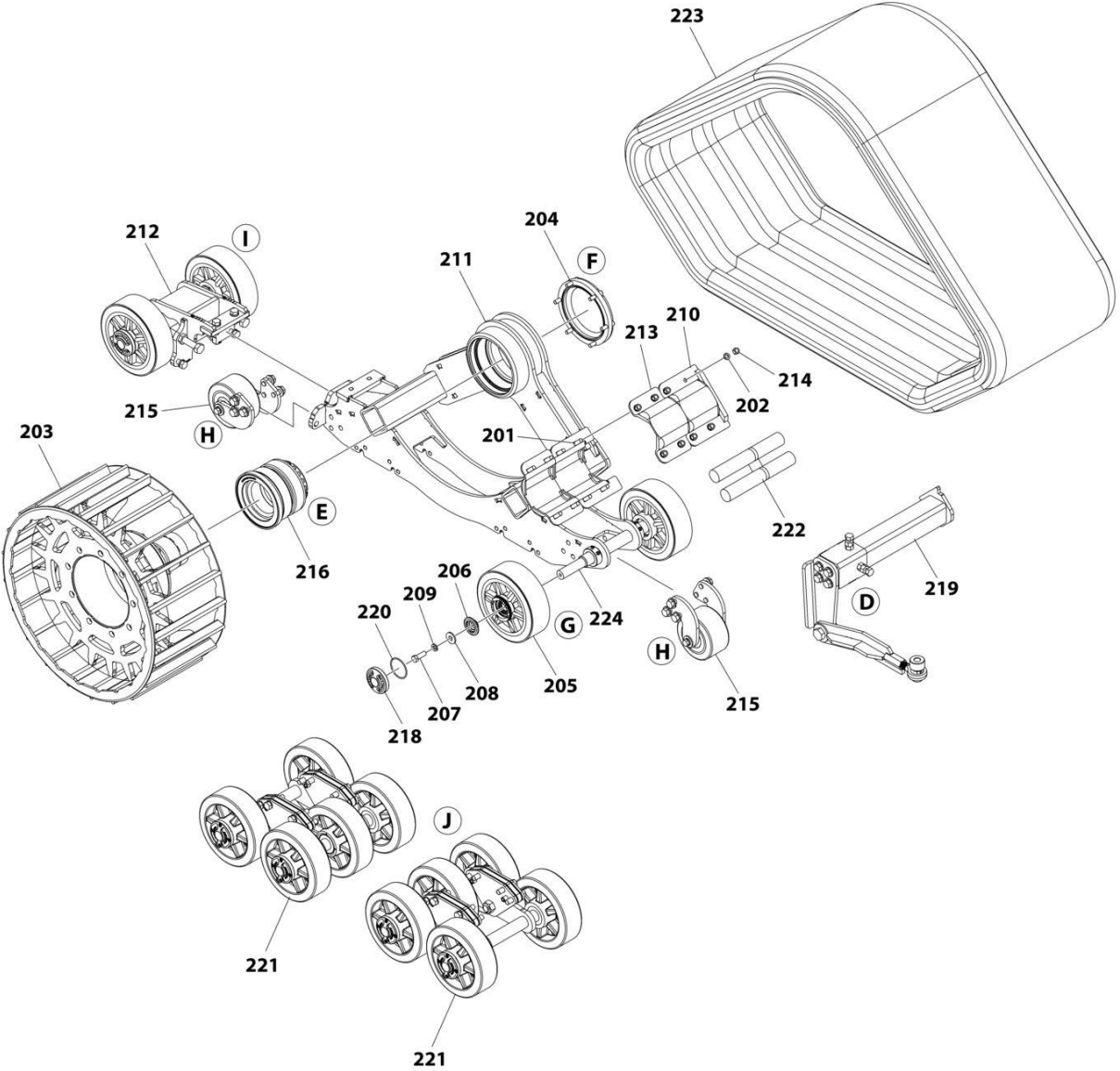
FIGURE 1-17. MATTRACKS INSTALLATION



ART_1001243431_C_10F4

SECTION 1 - FRAME

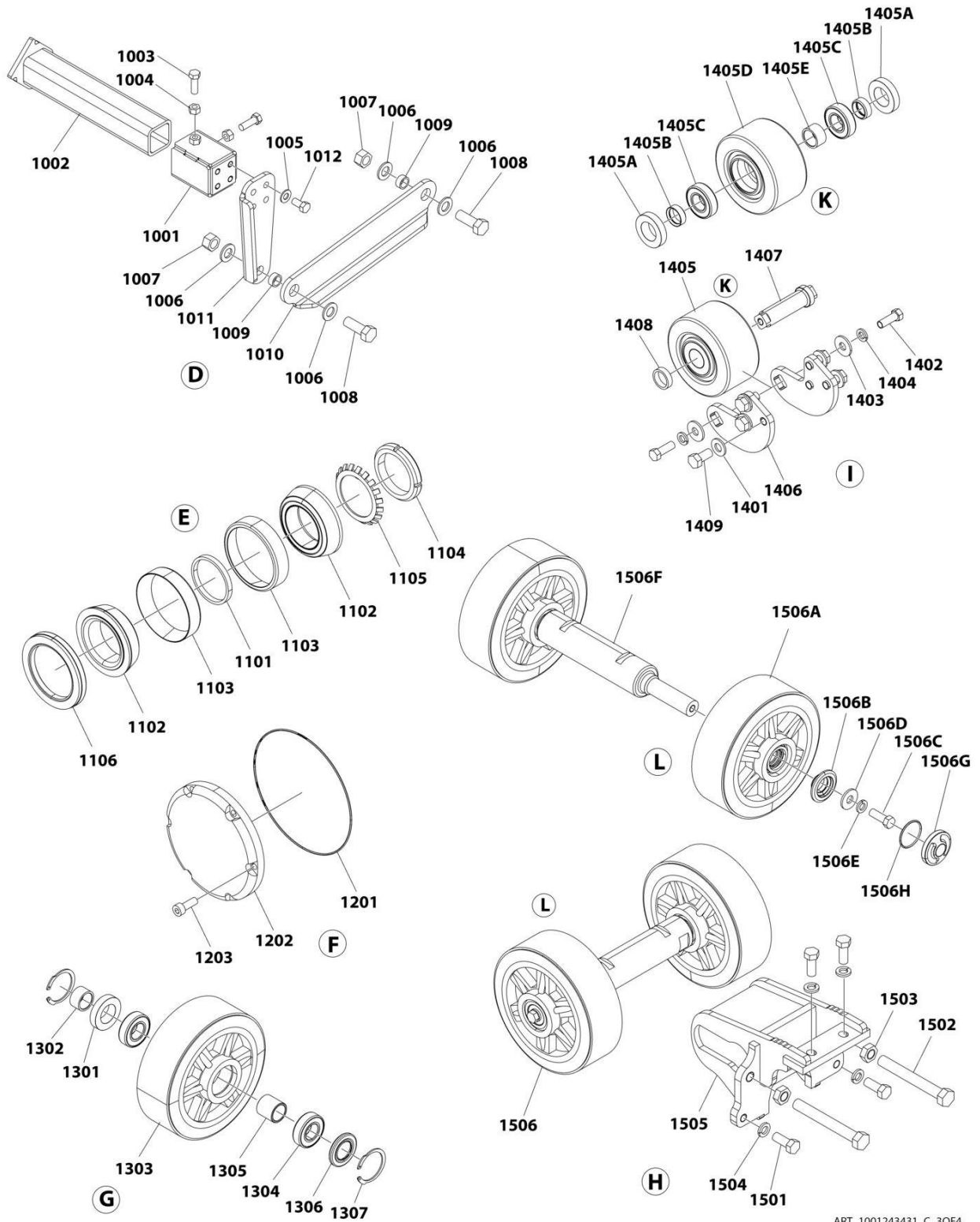
**RH SIDE FRONT
(LH SIDE TYPICAL)**



ART_1001243431_C_20F4

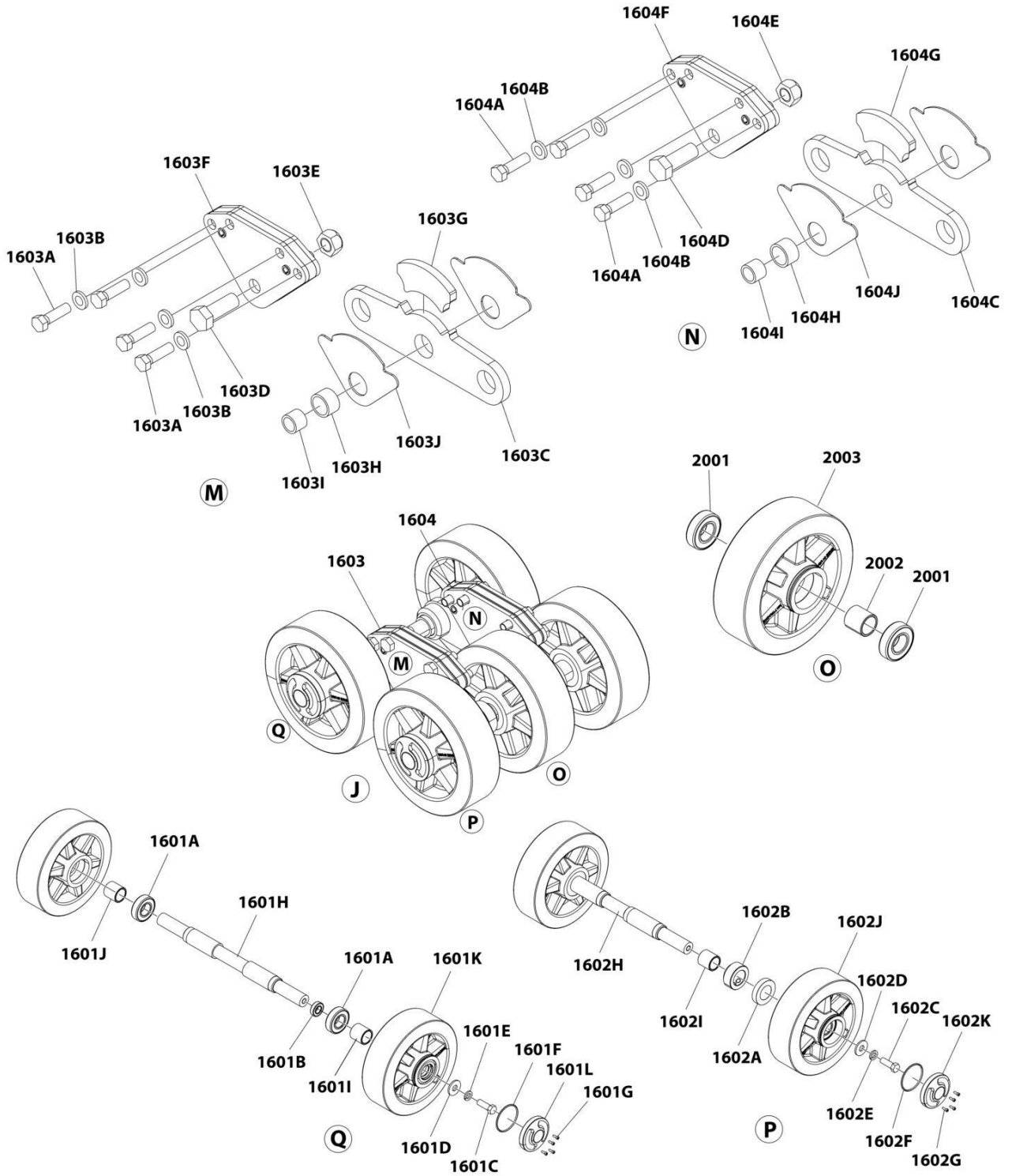
SECTION 1 - FRAME

FIGURE 1-18. MATTRACKS INSTALLATION



ART_1001243431_C_30F4

SECTION 1 - FRAME



ART_1001243431_C_40F4

SECTION 1 - FRAME

FIGURE 1-18. MATTRACKS INSTALLATION

ITEM	PART NUMBER	QTY	DESCRIPTION	REV
	1001243431	Ref	MATTRACKS INSTALLATION	C
1	0100011	AR	Compound, Locking	
100	1001277880	1	Mattracks Kit	B
101	0682019	6	Bolt 5/8 x 2-3/8	
102	0701639	2	Bolt M16 x 220	
103	4740393	6	Washer	
104	5201012	2	Bolt M10 x 25	
105	1001231957	2	Track Assembly (LH) (See Items 201-223)	
106	1001238851	2	Plate, Hub	
107	1001238858	2	Plate	
108	1001239295	1	Plate, Stopper (RH)	
109	1001239296	1	Plate, Stopper (LH)	
110	1001292406	4	Pin	
111	1001242991	2	Track Assembly (RH) (See Items 201-223)	
112	1001248720	4	O-Ring	
113	1001253468	1	Link (LH)	
114	1001253469	1	Link (RH)	
115	1001253470	2	Sleeve	
117	1001293465	1	Manual (Not Shown)	
118	1001293730	4	Decal, Max Track Load	
	1001231957	Ref	TRACK ASSEMBLY (LH)	B
	1001242991	Ref	TRACK ASSEMBLY (RH)	B
		Ref	Note: Quantity Shown is for Quantity 1 Track Assembly.	
201	70007680	8	Screw 3/8 x 1-1/4	
202	70007681	8	Washer 3/8	
203	70007682	1	Spindle/Sprocket	
204	70007683	1	Spindle/Cap Assembly (Includes Items 1201-1203)	
205	70007684	2	Wheel, 8 x 250 (Includes Items 1301-1307)	
206	70007685	2	Washer	
207	70007686	2	Bolt 7/16 x 1-1/4	
208	70007687	2	Washer 1/2	
209	70007688	2	Washer 7/16	
210	70007689	1	Clamp	
211	70007690	1	Frame (LH) (Not Shown)	
211	70007702	1	Frame (RH)	
212	70007691	1	Nose Assembly (Includes Items 1501-1506)	
213	70007692	1	Clamp	
214	70007693	8	Nut 3/8	
215	70007694	2	Guide Wheel Assembly (Includes Items 1401-1408)	
216	70007695	1	Bearing (1 Set) (Includes Items 1101-1106)	
218	70007696	2	Cap, Wheel	
219	70007964	1	Torque/Slide Tube Arm Assembly (LH) (Not Shown) (Includes Items 1001-1012)	
219	70007697	1	Torque/Slide Tube Arm Assembly (RH) (Includes Items 1001-1012)	
220	70007698	2	O-Ring	
221	70007699	2	Rocker Assembly (Includes Items 1601-1604)	
222	70007700	1	Cushions Assembly	
223	70007701	1	Track	
224	70008279	1	Shaft, Frame	

SECTION 1 - FRAME

ITEM	PART NUMBER	QTY	DESCRIPTION	REV
1001	See Note	NSS	Tube (Note: Not Available for Purchase)	
1002	See Note	NSS	Tube (Note: Not Available for Purchase)	
1003	70008297	1	Bolt 1/2 x 1-1/2 Grade 8	
1004	70008298	2	Nut 1/2	
1005	70008299	4	Washer 1/2	
1006	70008300	2	Washer 3/4	
1007	70008301	2	Nut 3/4	
1008	70008302	2	Bolt 3/4 Grade 8	
1009	70008303	2	Bushing	
1010	70008304	1	Link	
1011	70008305	1	Link	
1012	70008306	4	Bolt 1/2 x 1 Grade 8	
1101	70008308	1	Spacer	
1102	70008309	2	Bearing, Cone	
1103	70008310	2	Bearing, Cup	
1104	70008311	1	Nut	
1105	70008312	1	Nut	
1106	70008313	1	Seal	
1201	70008314	1	O-Ring	
1202	See Note	NSS	Cap, Spindle (Note: Not Available for Purchase)	
1203	70008315	6	Bolt 3/8 x 1-1/4	
1301	70008277	1	Seal	
1302	70008282	1	O-Ring	
1303	See Note	1	Wheel	
1304	70008278	2	Bearing	
1305	70008307	1	Spacer	
1306	70008316	1	Seal	
1307	70008317	2	Ring, Snap	
1401	70008341	6	Washer 1/2	
1402	70007686	2	Bolt 7/16 x 1-1/4	
1403	70007687	2	Washer 1/2	
1404	70007688	2	Washer 7/16	
1405	70008318	1	Bearing/ Wheel Guide	
1405A	70008277	2	Seal	
1405B	70008282	2	O-Ring	
1405C	70008278	2	Bearing	
1405D	See Note	1	Guide, Wheel (Note: Not Available for Purchase)	
1405E	70008319	1	Spacer	
1406	See Note	NSS	Plate (Note: Not Available for Purchase)	
1407	70008320	1	Guide, Wheel	
1408	70008321	1	Spacer	
1409	70008306	6	Bolt 1/2 x 1 Grade 8	
1501	70008326	4	Bolt 1/2 x 1-1/4 Grade 8	
1502	70008327	2	Bolt 5/8 x 5	
1503	70008328	2	Nut 5/8 Grade 8	
1504	70008299	4	Washer 1/2	
1505	70008329	1	Housing, Axle	
1506	70008322	1	Axle Wheel Assembly	
1506A	70007684	2	Wheel	
1506B	70007685	2	Washer	
1506C	70007686	2	Bolt 7/16 x 1-1/4	

SECTION 1 - FRAME

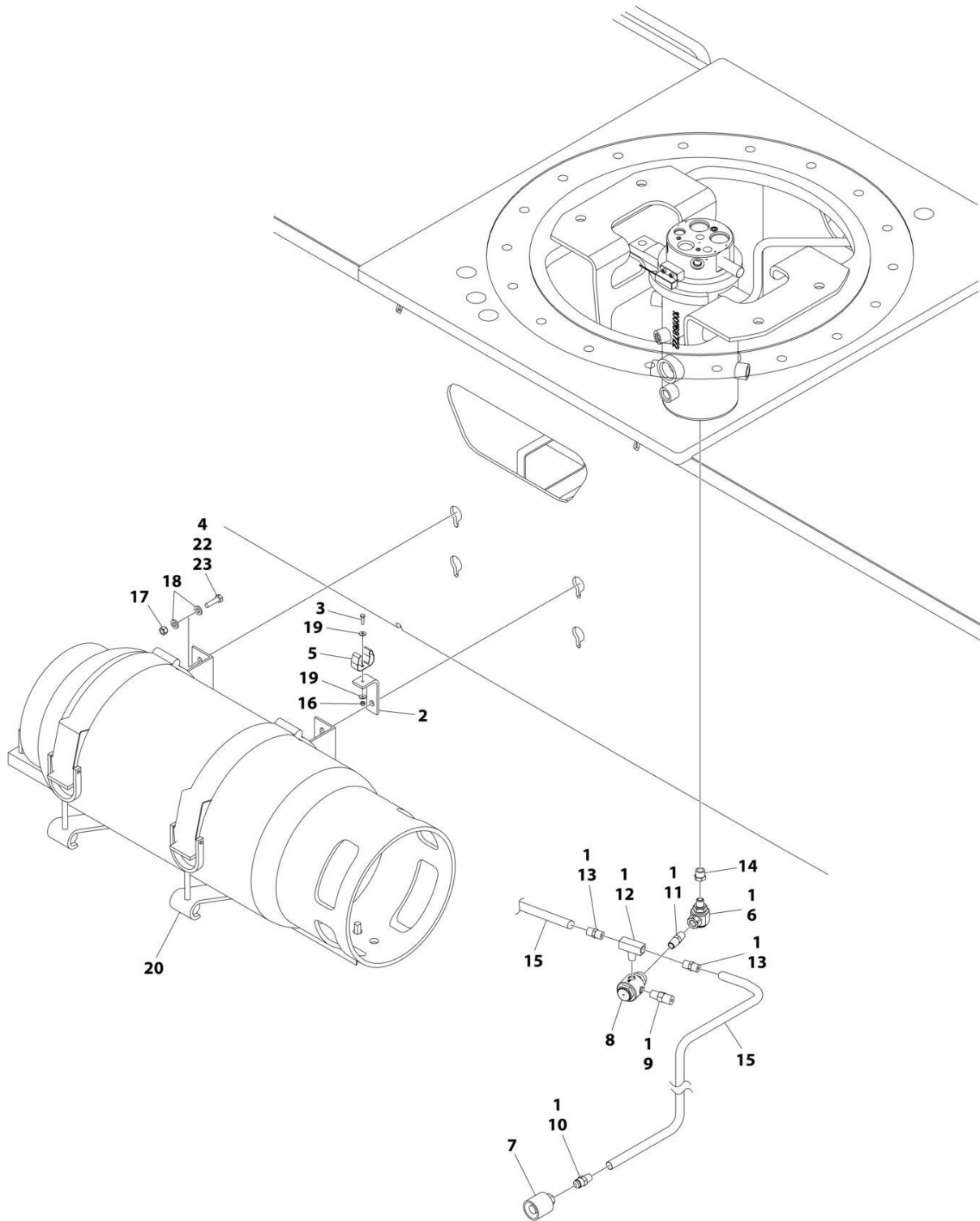
ITEM	PART NUMBER	QTY	DESCRIPTION	REV
1506D	70007687	2	Washer 1/2	
1506E	70007688	2	Washer 7/16	
1506F	70008324	1	Adjuster	
1506G	70007696	2	Cap, Wheel	
1506H	70007698	2	O-Ring	
1601	See Note	NSS	Wheel and Axle (Note: Not Available for Purchase)	
1601A	70008277	4	Seal	
1601B	70008282	4	O-Ring	
1601C	70007686	2	Bolt 7/16 x 1-1/4	
1601D	70007687	2	Washer 1/2	
1601E	70007688	2	Washer 7/16	
1601F	70008283	2	O-Ring	
1601G	70008284	8	Bolt 3/2 x 1/2	
1601H	70008285	1	Rocker	
1601I	70008286	2	Spacer	
1601J	70008287	1	Spacer	
1601K	70008288	3	Wheel (Includes Items 2001-2003)	
1601L	70007276	2	Cap, Wheel	
1602	70008330	1	Wheel and Axle	
1602A	70008277	2	Cap, Wheel	
1602B	70008282	2	O-Ring	
1602C	70007686	2	Bolt 7/16 x 1-1/4	
1602D	70007687	2	Washer 1/2	
1602E	70007688	2	Washer 7/16	
1602F	70008283	2	O-Ring	
1602G	70008284	8	Bolt 10 x 1/2	
1602H	70008159	1	Axle, Rocker	
1602I	70008286	2	Spacer	
1602J	70008288	2	Wheel (Includes Items 2001-2003)	
1602K	70008276	2	Cap, Wheel	
1603	70008339	1	Rocker, Cushion	
1603A	70008332	4	Bolt 1/2 x 1-3/4	
1603B	70008333	4	Washer 1/2	
1603C	See Note	NSS	Plate (Note: Not Available for Purchase)	
1603D	70008334	1	Bolt 3/4 x 2	
1603E	70008301	1	Nut 3/4	
1603F	See Note	NSS	Rocker (Note: Not Available for Purchase)	
1603G	70008335	1	Cushion, Rocker	
1603H	70008336	1	Bushing	
1603I	70008337	2	Bushing	
1603J	70008338	2	Spacer	
1604	70008331	1	Rocker, Cushion	
1604A	70008332	4	Bolt 1/2 x 1-3/4 Grade 8	
1604B	70008333	4	Washer 1/2	
1604C	See Note	NSS	Plate (Note: Not Available for Purchase)	
1604D	70008334	1	Bolt 3/4 x 2	
1604E	70008301	1	Nut 3/4	
1604F	See Note	NSS	Rocker (Note: Not Available for Purchase)	
1604G	70008335	1	Cushion	
1604H	70008336	1	Bushing	
1604I	70008337	2	Bushing	

SECTION 1 - FRAME

ITEM	PART NUMBER	QTY	DESCRIPTION	REV
1604J	70008338	2	Spacer	
2001	70008278	2	Bearing	
2002	70008307	1	Spacer	
2003	See Note	NSS	Wheel (Note: Not Available for Purchase)	

SECTION 1 - FRAME

FIGURE 1-19. LP TANKS AND BRACKETS INSTALLATION (FORD ENGINES)



ART_1001185598

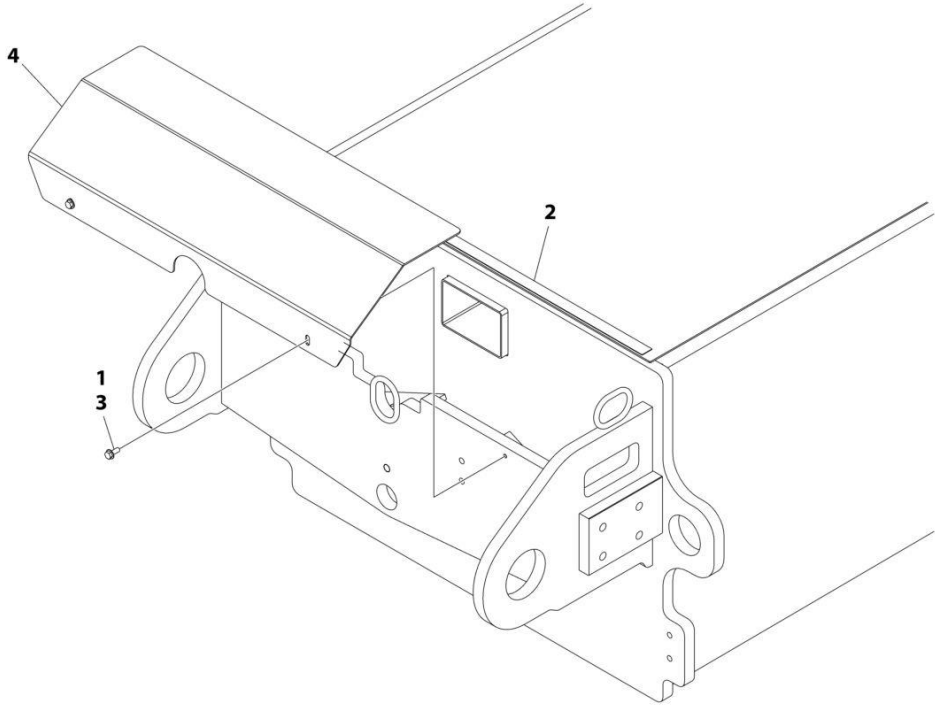
SECTION 1 - FRAME

FIGURE 1-19. LP TANKS AND BRACKETS INSTALLATION (FORD ENGINES)

ITEM	PART NUMBER	QTY	DESCRIPTION	REV
	1001185598	Ref	LP TANK AND BRACKETS INSTALLATION	D
1	0100020	AR	Sealant	
2	0181949	2	Angle	
3	0760408	2	Bolt M4 x 16	
4	0760816	8	Bolt M8 x 40	
5	1320218	2	Clamp	
6	1001247358	1	Fitting, 90	
7	2180387	2	Fitting, Tank Connector	
8	2180388	1	Fitting, Bulkhead	
9	2180389	1	Valve, Relief	
10	2180418	2	Fitting, Straight	
11	2220261	1	Fitting, Nipple	
12	2220418	1	Fitting, Tee	
13	2221024	2	Fitting, Ball Check	
14	2221197	1	Fitting, Straight	
15	2720144	2	Hose	
16	3290405	2	Nut M4	
17	3290805	8	Nut M8	
18	5240800	16	Washer M8	
19	1001091102	4	Washer M4	
20	1001184725	2	Clamp Kit	
20	1320127	2	Clamp, Toggle (1 Per Strap)	
21	4240018	2	Tie-Strap (Not Shown)	
22	0100011	AR	Compound, Locking	
23	0760814	8	Bolt M8 x 30	
100	4400275	2	Tank, LP	

SECTION 1 - FRAME

FIGURE 1-20. FRAME COVERS INSTALLATION - 2WS



ART_1001187864

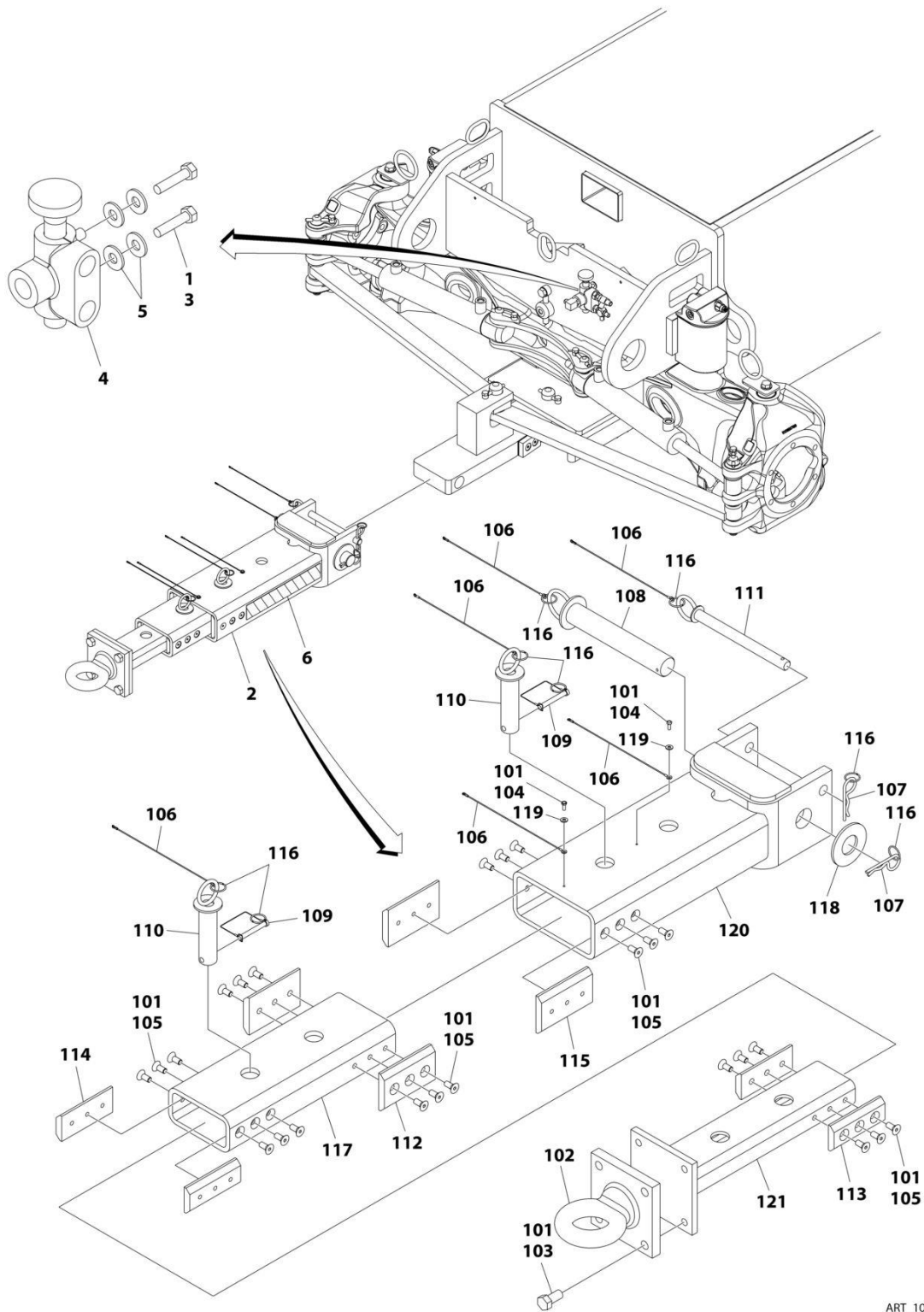
SECTION 1 - FRAME

FIGURE 1-20. FRAME COVERS INSTALLATION - 2WS

ITEM	PART NUMBER	QTY	DESCRIPTION	REV
	1001187864	Ref	FRAME COVERS INSTALLATION	B
1	0100011	AR	Compound, Locking	
2	4280296	32 in/ 80cm	Tape	
3	5250810	2	Bolt M8 x 20	
4	1001187870	1	Cover	

SECTION 1 - FRAME

FIGURE 1-21. TOW BAR INSTALLATION (OPTIONAL)



ART_1001188893

SECTION 1 - FRAME

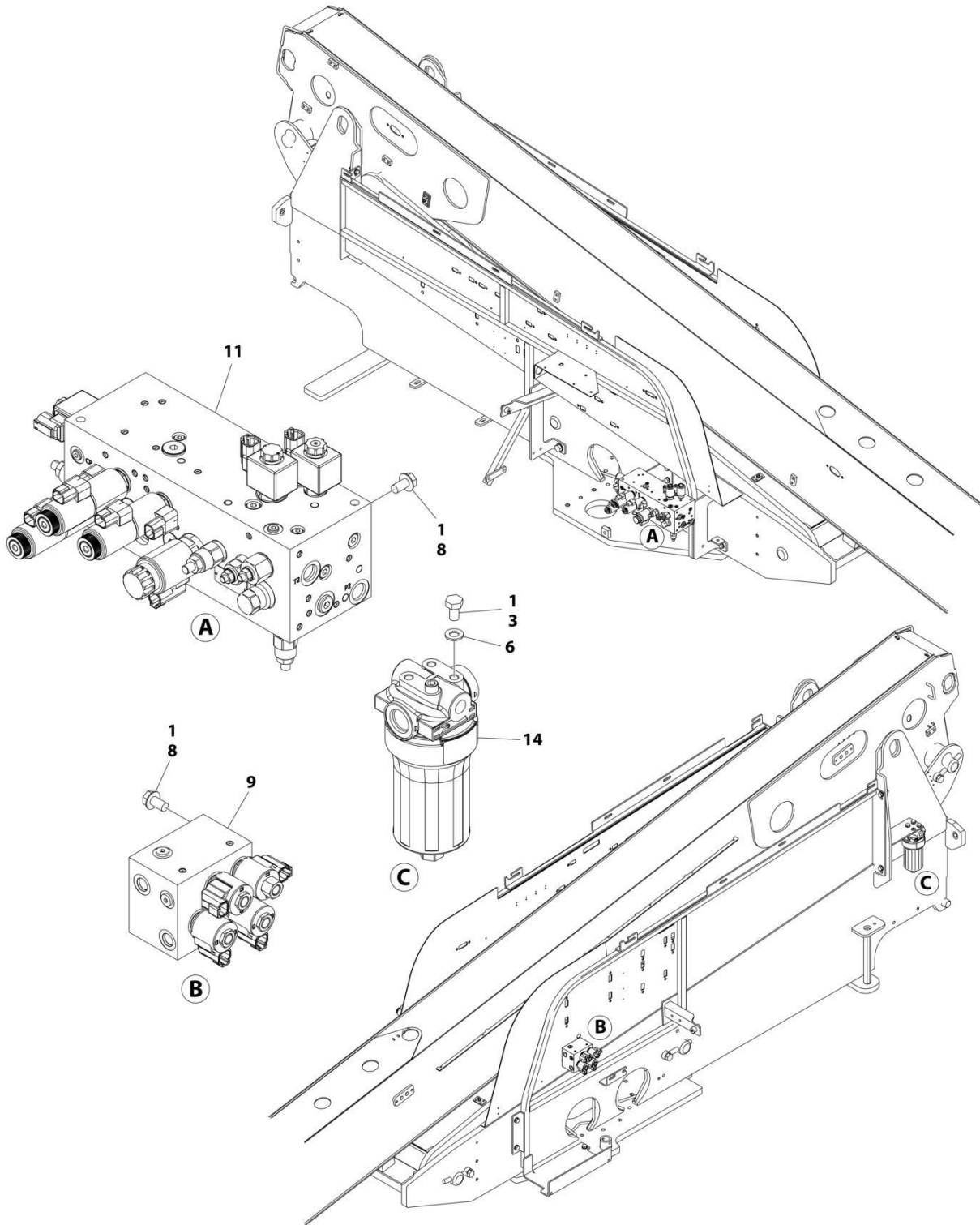
FIGURE 1-21. TOW BAR INSTALLATION (OPTIONAL)

ITEM	PART NUMBER	QTY	DESCRIPTION	REV
	1001188893	Ref	TOW BAR INSTALLATION	B
		Ref	MACHINES WITH SN STARTING WITH 03:	
	1001150571	Ref	ANSI Spec	D
	1001150570	Ref	CSA Spec	D
	1001150569	Ref	CE & UK CA Spec	A
		Ref	MACHINES WITH SN STARTING WITH B3:	
	1001150571	Ref	ANSI Export Spec	D
1	0100011	AR	Compound, Locking	
2	0270528	1	Tow Bar Assembly (See Items 101-121 for Breakdown)	
3	0641511	2	Bolt 5/6 x 1-3/8	
4	4640261	1	Valve, Select	
5	4751500	4	Washer 5/16	
6	4420051	2 ft/.61m	Tape, Safety	
	0270528	Ref	Tow Bar Assembly	B
101	0100011	AR	Compound, Locking	
102	0362910	1	Pintle, Draw Eye	
103	0642010	4	Bolt 5/8 x 1-1/4	
104	0721004	2	Screw	
105	0741607	24	Screw 3/8 x 7/8	
106	1060584	6	Lanyard	
107	3420372	2	Pin, Cotter	
108	3420447	1	Pin	
109	3421565	2	Snap - Pin	
110	3422841	2	Pin	
111	3422847	1	Pin	
112	3572009	2	Plate, Slide Stop	
113	3572010	2	Plate, Slide Stop	
114	3572011	2	Plate, Slide Stop	
115	3572012	2	Plate, Slide Stop	
116	3760170	8	Ring, Split	
117	4568133	1	Tube, Tow Bar	
118	4740036	1	Washer	
119	4751000	2	Washer #10	
120	4846295	1	Tube, Tow Bar Attach	
121	4846296	1	Tube, Pintle Attach	

SECTION 2 - TURNTABLE

SECTION 2 - TURNTABLE

FIGURE 2-1. VALVE INSTALLATION (600S HC3)



ART_1001265701_10F2

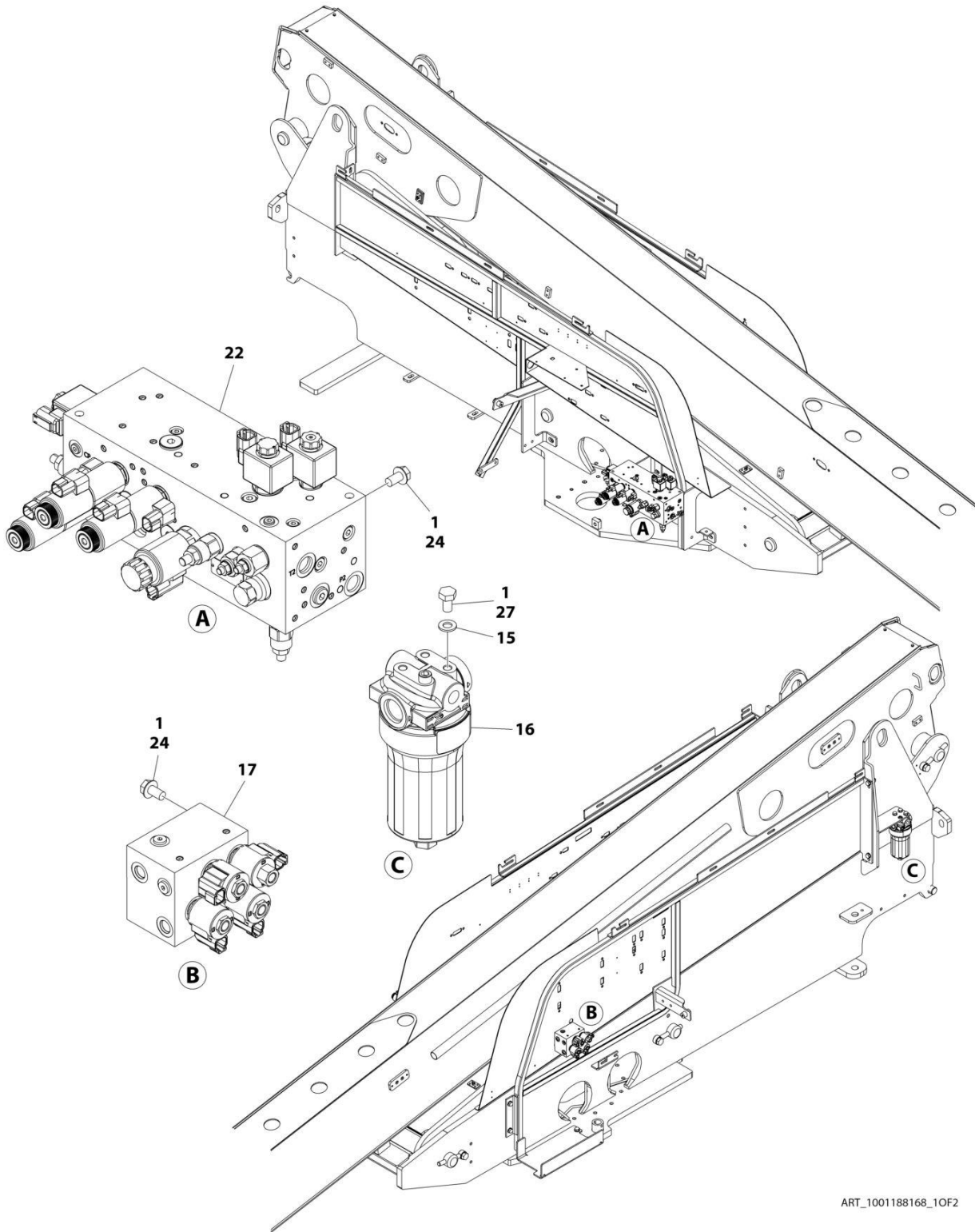
SECTION 2 - TURNTABLE

FIGURE 2-1. VALVE INSTALLATION (600S HC3)

ITEM	PART NUMBER	QTY	DESCRIPTION	REV
	1001265701	Ref	VALVE INSTALLATION	A
1	0100011	AR	Compound, Locking	
3	0761009	6	Bolt M10 x 18	
6	4812000	6	Washer M10	
8	5251009	6	Bolt M10 x 18	
9	1001162538	1	Axle Valve Assembly (See Separate Breakdown in this Section)	
11	1001190169	1	Main Valve Assembly (See Separate Breakdown in this Section)	
14	1001208874	1	Filter, Hydraulic	
14	70010383	1	Element, Filter	

SECTION 2 - TURNTABLE

FIGURE 2-2. VALVE INSTALLATION (660SJ HC3)



ART_1001188168_10F2

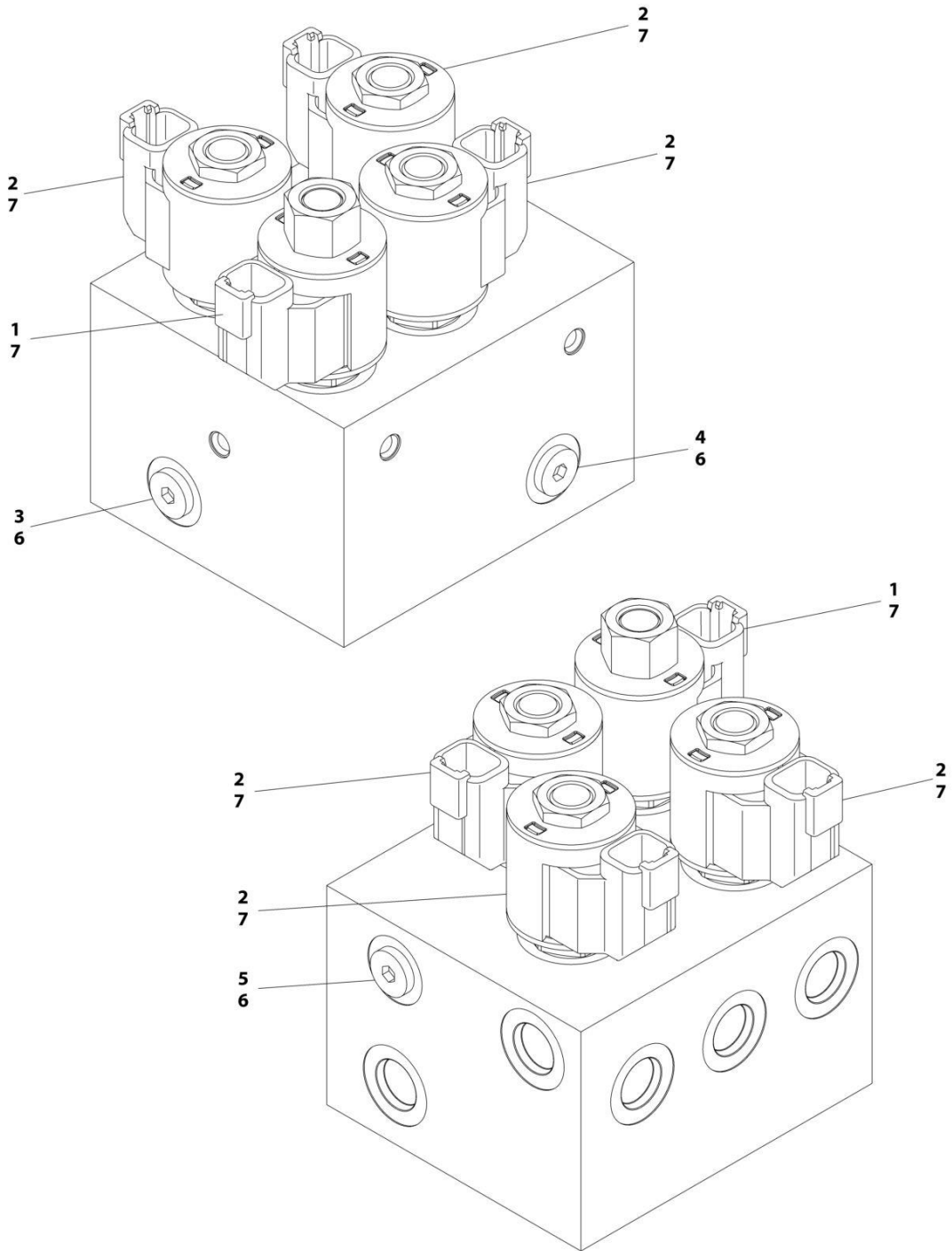
SECTION 2 - TURNTABLE

FIGURE 2-2. VALVE INSTALLATION (660SJ HC3)

ITEM	PART NUMBER	QTY	DESCRIPTION	REV
	1001188168	Ref	VALVE INSTALLATION	G
1	0100011	AR	Compound, Locking	
15	4812000	3	Washer M10	
16	1001208874	1	Filter, Hydraulic	
16	70010383	1	Element, Filter	
17	1001162538	1	Axle Valve Assembly (See Separate Breakdown in this Section)	
22	1001190169	1	Main Valve Assembly (See Separate Breakdown in this Section)	
24	5251009	6	Bolt M10 x 18	
27	0761009	3	Bolt M10 x 18	

SECTION 2 - TURNTABLE

FIGURE 2-3. AXLE VALVE ASSEMBLY



ART_1001162538

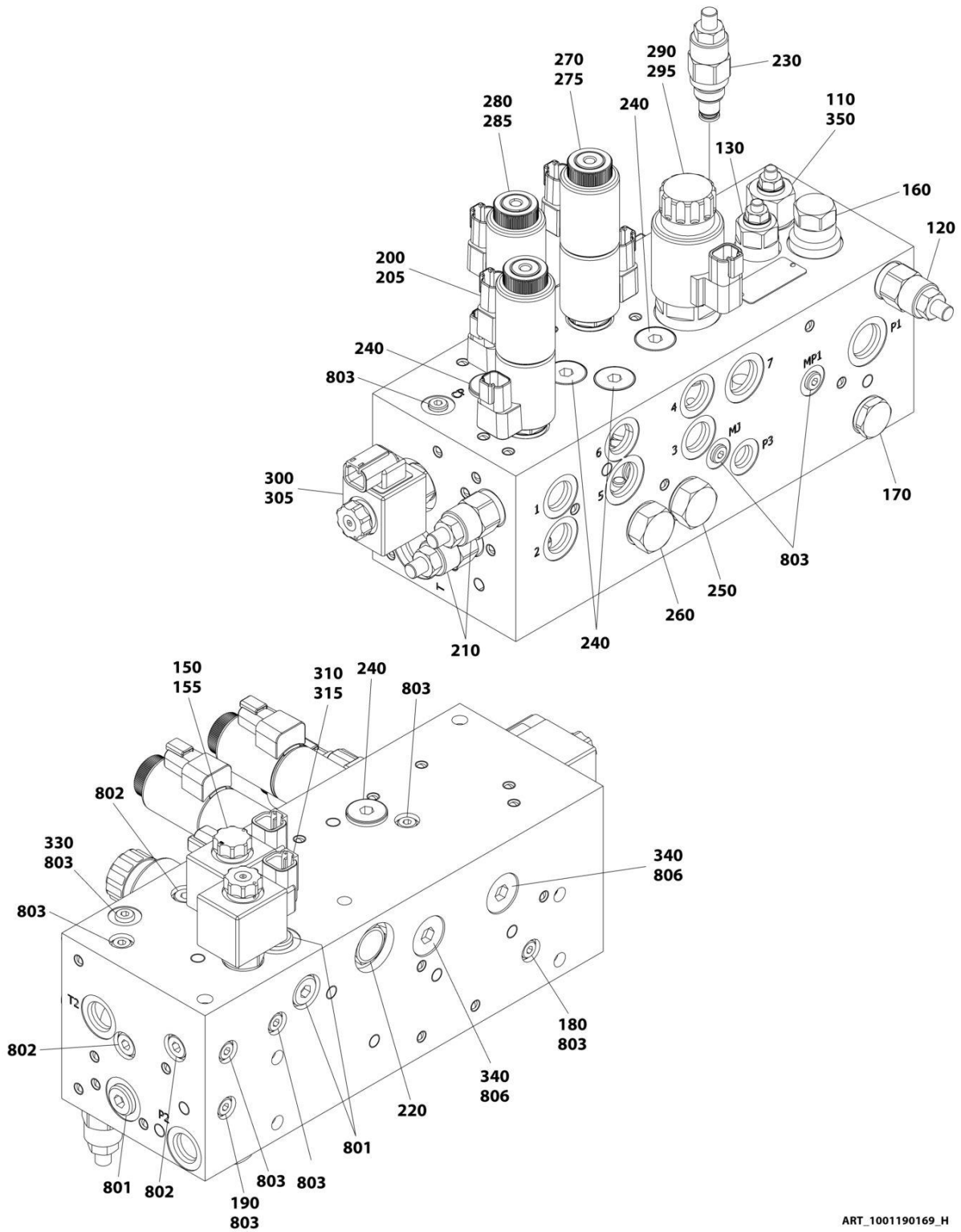
SECTION 2 - TURNTABLE

FIGURE 2-3. AXLE VALVE ASSEMBLY

ITEM	PART NUMBER	QTY	DESCRIPTION	REV
	1001162538	Ref	AXLE VALVE ASSEMBLY	D
1	7017410	1	Cartridge, Solenoid Valve Less Coil (Secondary Axle Release)	
1	7012967	1	Seal Kit - 7017410 Valve	
2	7012941	3	Cartridge, Solenoid Valve Less Coil (Brake Release, Primary Axle Release and 2 Speed)	
2	7010543	3	Seal Kit - 7012941 Valve	
3	70004883	1	Orifice	
4	70004884	1	Orifice	
5	70002063	1	Orifice	
6	2220883	3	Plug, O-Ring #4	
7	70002386	4	Coil	

SECTION 2 - TURNTABLE

FIGURE 2-4. MAIN VALVE ASSEMBLY - 2WS



ART_1001190169_H

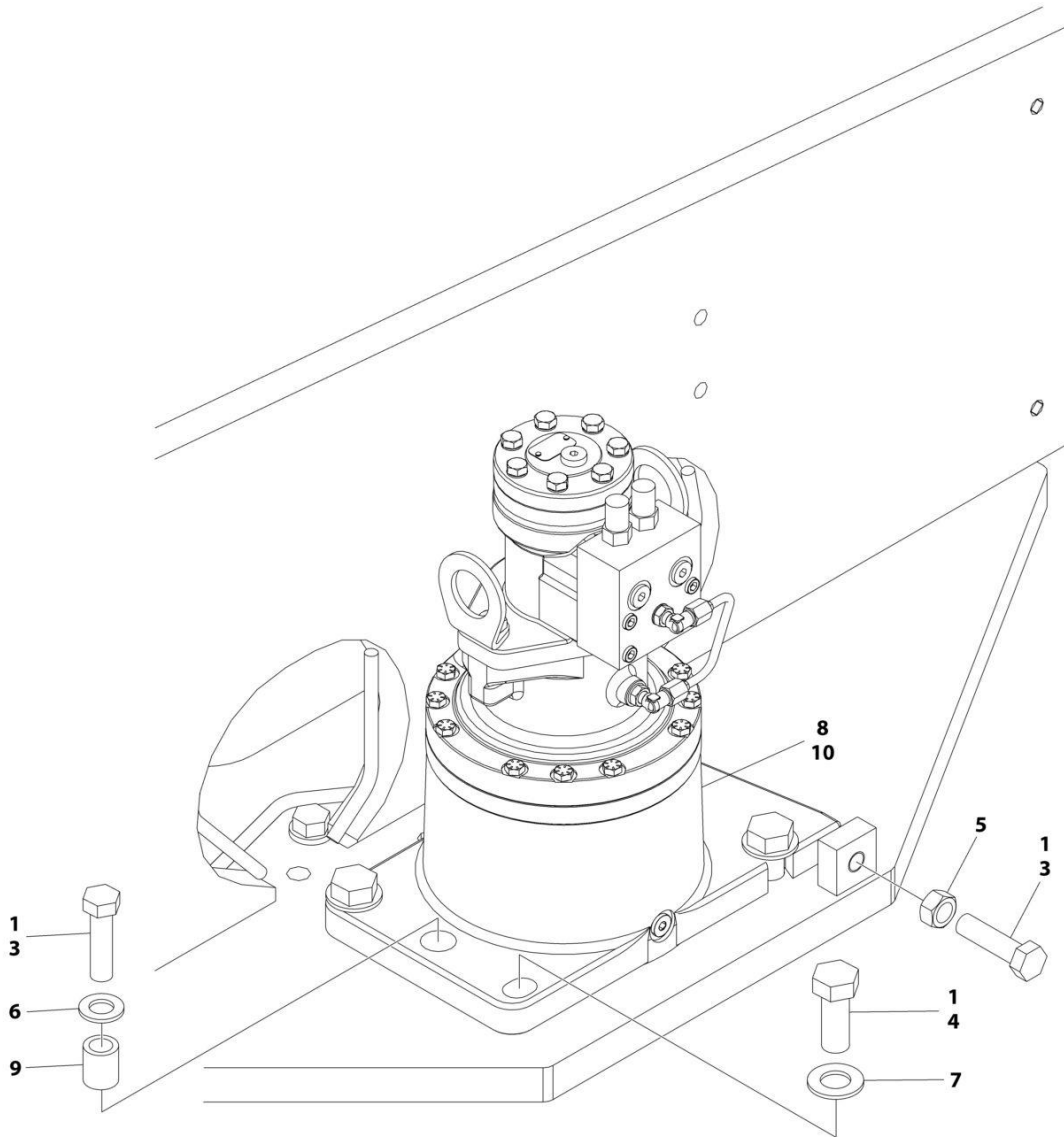
SECTION 2 - TURNTABLE

FIGURE 2-4. MAIN VALVE ASSEMBLY - 2WS

ITEM	PART NUMBER	QTY	DESCRIPTION	REV
	1001190169	Ref	MAIN VALVE ASSEMBLY	H
110	70006109	1	Valve, Flow/Pressure Control	
110	70006110	1	Cap	
120	70003019	1	Valve, Relief	
130	70004607	1	Valve, Relief	
150	70007783	1	Valve, Solenoid	
150	70007604	1	Nut, Coil	
155	70007504	1	Coil	
160	70006112	1	Valve, Load Sense	
170	70005952	1	Valve, Check	
180	7022527	1	Orifice 2mm	
190	7022527	1	Orifice 2mm	
200	70004659	1	Valve, Solenoid Without Coil (Steer)	
200	70004661	1	Nut, Coil	
200	70024457	1	O-Ring at Coil Nut	
200	70004662	1	O-Ring at Bottom of Pole Tube	
205	80434249	2	Coil	
210	70003019	2	Valve, Relief	
220	70003027	1	Valve, Flow/Pressure Control	
230	70003019	1	Valve, Relief	
240	70023859	5	Valve, Relief	
250	70006114	1	Valve, Pressure Compensator	
260	70006114	1	Valve, Pressure Compensator	
270	70006115	1	Valve, Solenoid Without Coil (Swing)	
270	70004661	1	Nut, Coil	
270	70024457	1	O-Ring at Coil Nut	
270	70004662	1	O-Ring at Bottom of Pole Tube	
275	80434249	2	Coil	
280	70006117	1	Valve, Solenoid Without Coil (Tele)	
280	70004661	1	Nut, Coil	
280	70024457	1	O-Ring at Coil Nut	
280	70004662	1	O-Ring at Bottom of Pole Tube	
285	80434249	2	Coil	
290	70008440	1	Valve, Solenoid (Lift)	
290	70004597	1	Nut, Coil	
290	70004596	1	O-Ring at Coil Nut	
295	70004595	1	Coil	
300	70007617	1	Valve, Solenoid (Lift)	
300	70008441	1	Coil Nut & Pole Tube O-Ring Kit	
305	70007504	1	Coil	
310	70007475	1	Valve, Solenoid (Lift)	
310	70004051	1	Coil Nut & Pole Tube O-Ring Kit	
315	70007504	1	Coil	
330	7023821	1	Orifice 0.8mm	
340	70006119	2	Valve, Check	
350	70006357	1	Orifice 4mm	
801	70002759	3	Plug	
802	70004617	3	Plug	
803	70002758	10	Plug	
806	70006120	2	Plug	

SECTION 2 - TURNTABLE

FIGURE 2-5. SWING DRIVE INSTALLATION (Prior to SN B300025373, Prior to SN 0300315038, Except SN B300025177 through B300025283, Excluding B300025170)



ART_1001185842

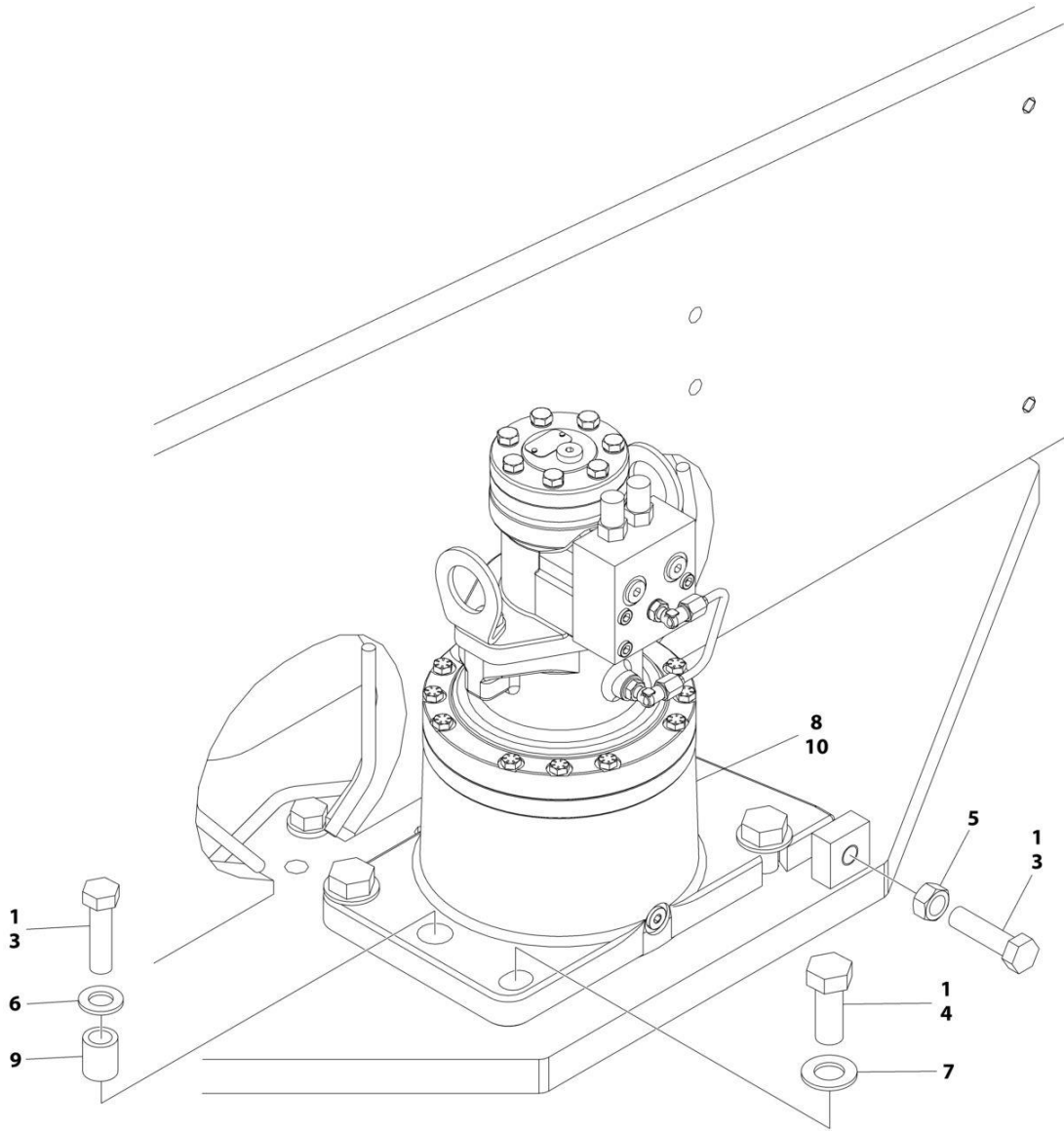
SECTION 2 - TURNTABLE

FIGURE 2-5. SWING DRIVE INSTALLATION (Prior to SN B300025373, Prior to SN 0300315038, Except SN B300025177 through B300025283, Excluding B300025170)

ITEM	PART NUMBER	QTY	DESCRIPTION	REV
	1001185842	Ref	SWING DRIVE INSTALLATION	B
1	0100019	AR	Compound, Locking	
3	0771620	2	Bolt M16 x 60	
4	0772018	4	Bolt M20 x 50	
5	3291601	1	Nut M16	
6	5241600	1	Washer M16	
7	5242000	4	Washer M20	
8	1001125492	1	Shim	
9	1001134543	1	Spacer	
10	1001187855	1	Swing Motor/Hub Assembly (See Separate Breakdown in this Section)	

SECTION 2 - TURNTABLE

FIGURE 2-6. SWING DRIVE INSTALLATION (SN 0300315038 to Present, SN B300025373 to Present, SN B300025177 through B300025283, Including B300025170)



ART_1001185842_C

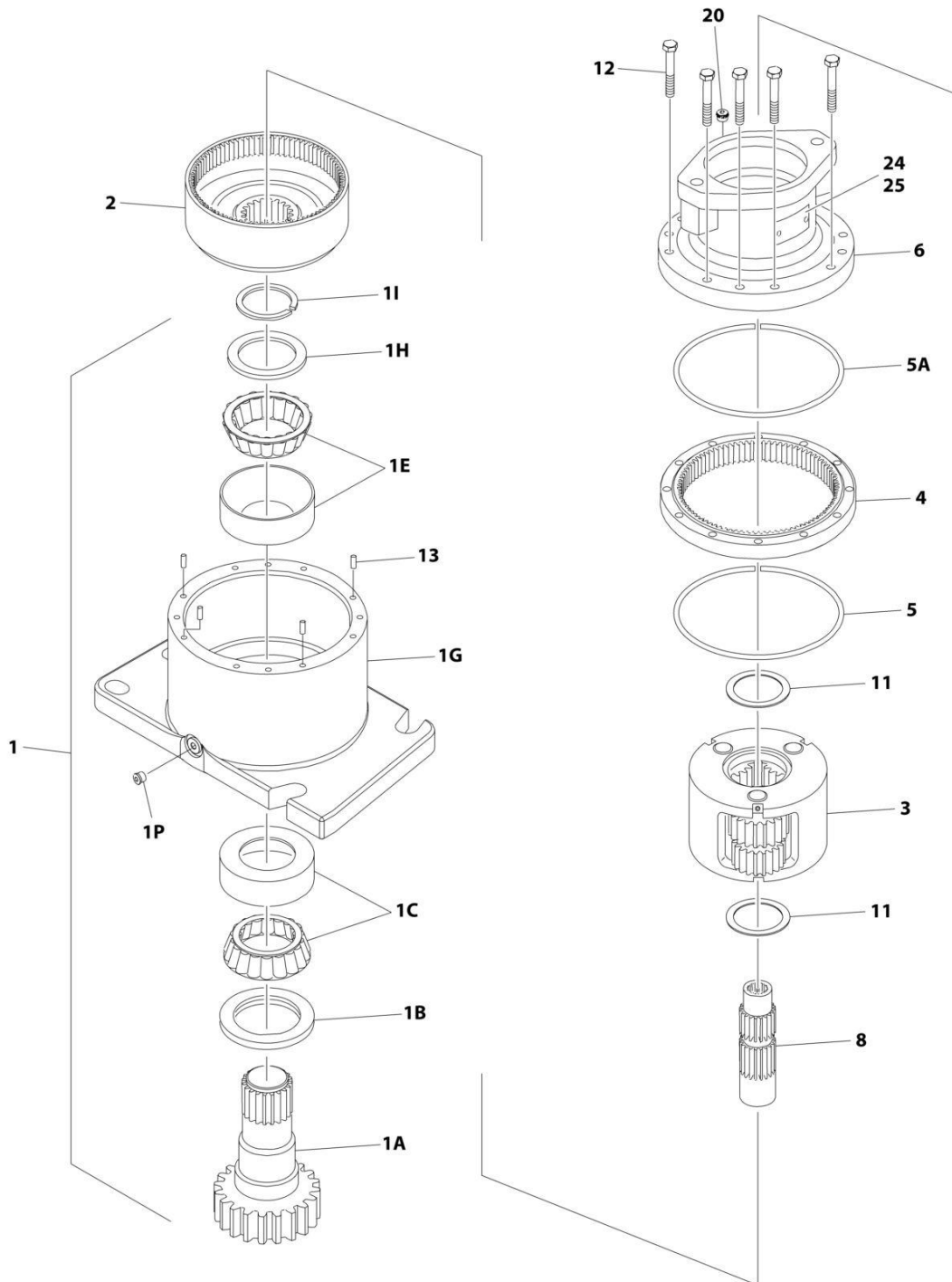
SECTION 2 - TURNTABLE

FIGURE 2-6. SWING DRIVE INSTALLATION (SN 0300315038 to Present, SN B300025373 to Present, SN B300025177 through B300025283, Including B300025170)

ITEM	PART NUMBER	QTY	DESCRIPTION	REV
	1001185842	Ref	SWING DRIVE INSTALLATION	C
1	0100019	AR	Compound, Locking	
3	0771620	2	Bolt M16 x 60	
4	0772018	4	Bolt M20 x 50	
5	3291601	1	Nut M16	
6	5241600	1	Washer M16	
7	5242000	4	Washer M20	
8	1001125492	1	Shim	
9	1001134543	1	Spacer	
10	1001306804	1	Swing Motor/Hub Assembly (See Separate Breakdown in this Section)	

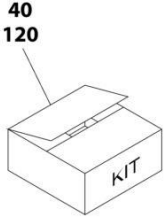
SECTION 2 - TURNTABLE

FIGURE 2-7. SWING MOTOR/HUB ASSEMBLY (Prior to SN B300025373, Prior to SN 0300315038, Except SN B300025177 through B300025283, Excluding B300025170)

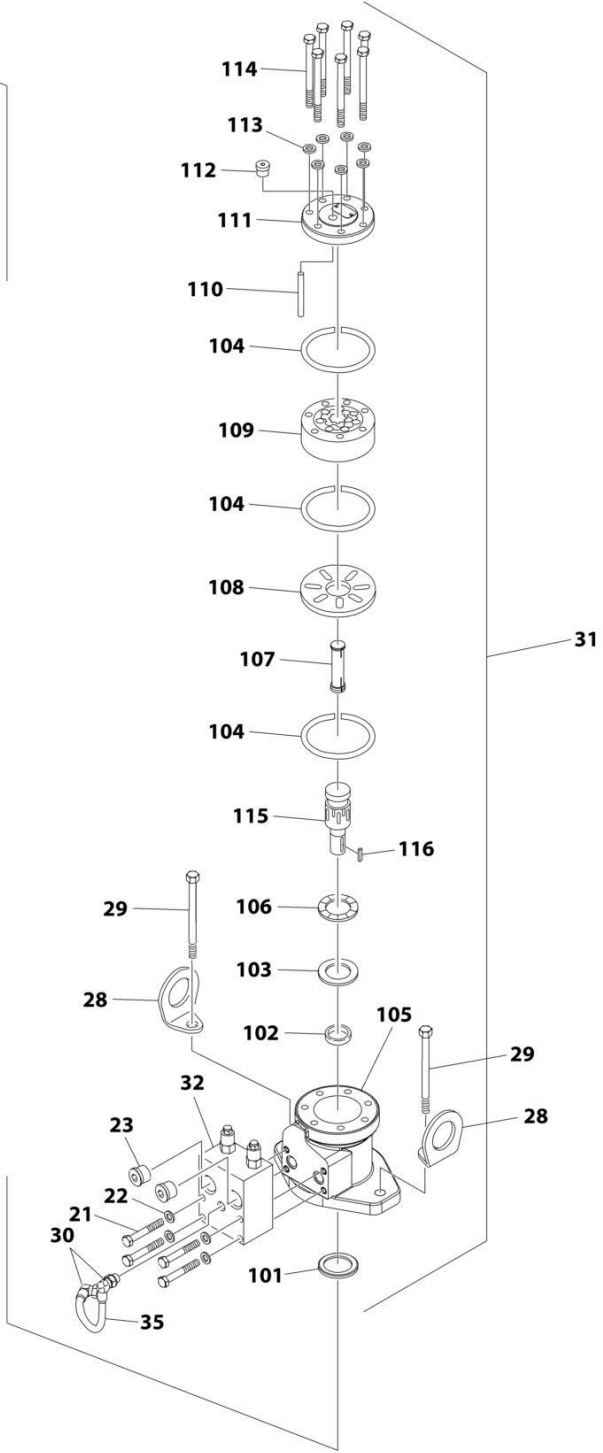
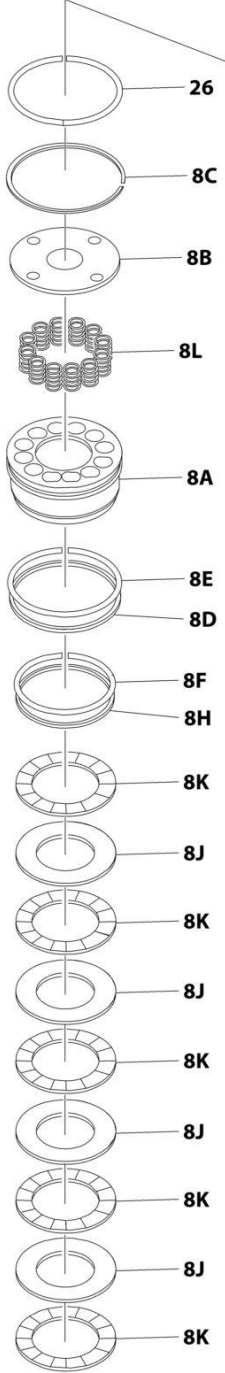


ART_1001187855_10F2

SECTION 2 - TURNTABLE



40
120



ART_1001187855_2OF2

SECTION 2 - TURNTABLE

FIGURE 2-7. SWING MOTOR/HUB ASSEMBLY (Prior to SN B300025373, Prior to SN 0300315038, Except SN B300025177 through B300025283, Excluding B300025170)

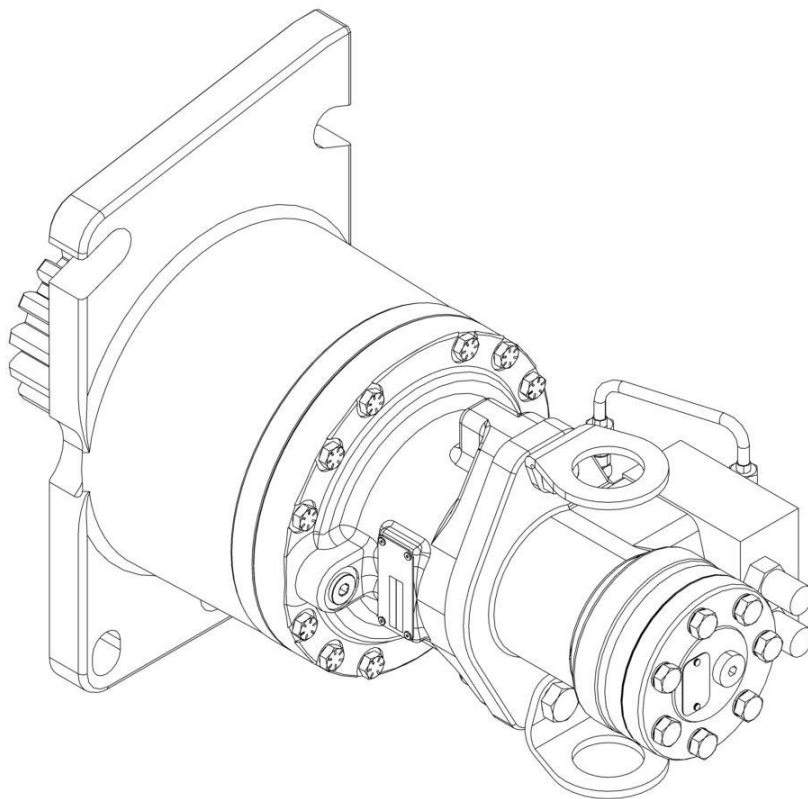
ITEM	PART NUMBER	QTY	DESCRIPTION	REV
	1001187855	Ref	SWING MOTOR/HUB ASSEMBLY	D
1	See Note	NSS	Housing/Shaft Assembly (Note: Not Available - Purchase Complete Swing Motor/Hub Assembly)	
1A	7010492	1	Shaft, Output	
1B	7000228	1	Seal, Lip	
1C	7000255	1	Bearing Kit (Includes Cup and Cone)	
1E	7000257	1	Bearing Kit (Includes Cup and Cone)	
1G	See Note	1	Housing (Note: Not Available for Purchase)	
1H	7007633	1	Thrustwasher	
1I	7000229	1	Ring, Retaining	
1P	7017072	1	Plug, Pipe	
2	7000246	1	Gear, Internal	
3	7000247	1	Carrier Assembly	
3A	7001931	1	Carrier	
3B	7001985	6	Washer, Tanged	
3C	7001909	96	Bearing, Needle	
3D	7000263	3	Thrustwasher	
3E	7001911	3	Shaft, Planet	
3F	7001912	3	Gear, Cluster	
3G	7010474	3	Roll Pin	
4	7000248	1	Gear, Ring	
5	7000230	1	O-Ring (Black)	
5A	7017070	1	O-Ring (White)	
6	See Note	NSS	Housing, Brake (Note: Not Available for Purchase)	
7	70005203	1	Gear, Sun	
8		Ref	Brake Components	
8A	70004037	1	Piston, Brake	
8B	7024743	1	Plate, Pressure	
8C	70004039	1	Ring, Retaining	
8D	70004041	1	O-Ring	
8E	70004044	1	Ring, Back-up	
8F	70004042	1	O-Ring	
8H	70004043	1	Ring, Back-up	
8J	See Note	NSS	Rotor, Brake (Note: Use p/n 70002085)	
8K	See Note	NSS	Stator, Brake (Note: Use p/n 70002085)	
8L	70002066	7	Spring, Brake	
11	7000253	2	Thrustwasher	
12	7000217	12	Bolt, 5/16 x 2-1/4 Grade 8	
13	7017080	4	Pin, Dowel	
20	7017072	1	Plug, Pipe	
21	7024704	4	Bolt 5/16 x 2 Grade 8	
22	70004045	4	Lockwasher	
23	7017023	2	Plug, Pipe	
24	See Note	NSS	Plate, ID (Note: Not Available for Purchase)	
25	See Note	NSS	Rivet	
26	7024763	1	O-Ring	
28	See Note	NSS	Lug, Lifting (Note: Not Available for Purchase)	
29	70004040	2	Bolt 1/2 x 1-1/2 Grade 8	
30	7017085	2	Elbow	

SECTION 2 - TURNTABLE

ITEM	PART NUMBER	QTY	DESCRIPTION	REV
31	70006304	1	Motor Assembly (See Items 101-120 for Breakdown)	
32	7024784	1	Valve (No Serviceable Parts)	
33	7017082	1	Plug, Pipe (Not Shown)	
35	70004047	1	Tube	
40	7024100	1	Seal Kit - Hub (Includes Items 1B, 1I, 5, 5A & 11)	
	70006304	Ref	Motor Assembly	
101	See Note	NSS	Seal, Dust (Note: Use Item 120)	
102	See Note	NSS	Seal, Shaft (Note: Use Item 120)	
103	See Note	NSS	Thrustwasher (Note: Use Item 120)	
104	See Note	NSS	Seal, Ring (Note: Use Item 120)	
105	See Note	NSS	Housing (Note: Purchase Complete Assembly)	
106	70006306	1	Bearing, Thrust	
107	7005889	1	Link, Drive	
108	70006307	1	Plate, Wear	
109	70006310	1	Rotor Set	
110	7005891	1	Pin	
111	70006308	1	Cover, End	
112	See Note	NSS	Plug (Note: Purchase Complete Assembly)	
113	70006309	1	Washer Kit (Includes 7 Washers)	
114	70006313	1	Bolt Kit (Includes 7 Bolts)	
115	See Note	NSS	Shaft (Note: Purchase Complete Assembly)	
116	See Note	NSS	Key (Note: Purchase Complete Assembly)	
120	70006305	1	Seal Kit - Motor (Includes Items 101-104)	

SECTION 2 - TURNTABLE

FIGURE 2-8. SWING MOTOR/HUB ASSEMBLY (SN 0300315038 to Present, SN B300025373 to Present, SN B300025177 through B300025283, Including B300025170)



ART_1001306804

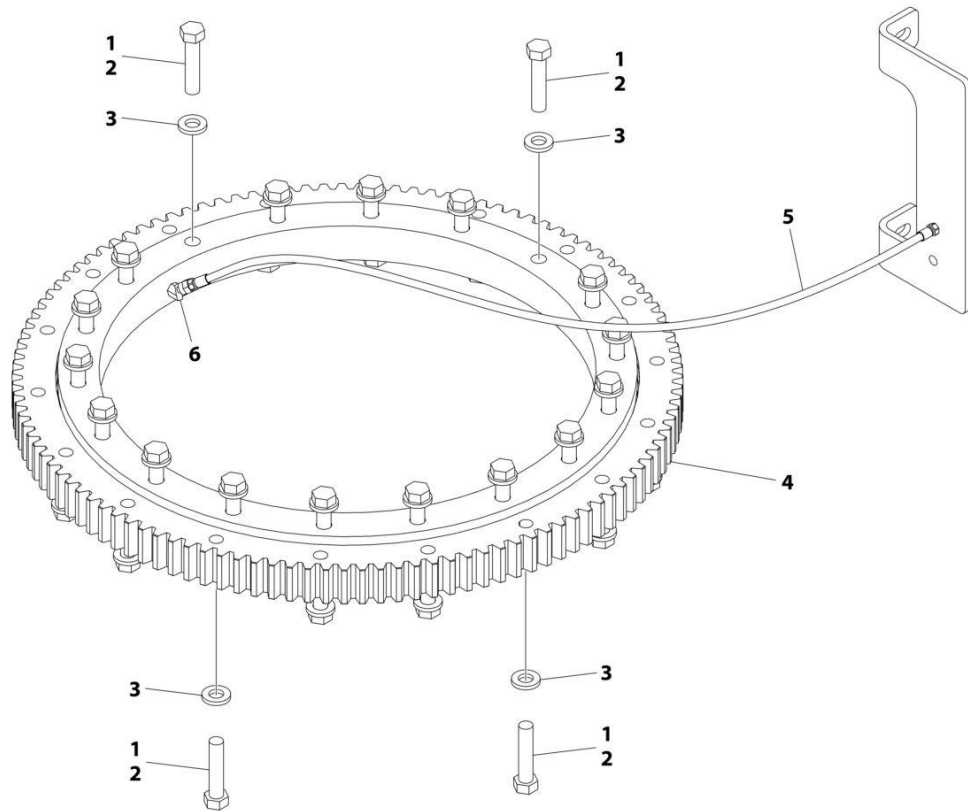
SECTION 2 - TURNTABLE

FIGURE 2-8. SWING MOTOR/HUB ASSEMBLY (SN 0300315038 to Present, SN B300025373 to Present, SN B300025177 through B300025283, Including B300025170)

ITEM	PART NUMBER	QTY	DESCRIPTION	REV
	1001306804 See Note	Ref NSS	SWING MOTOR/HUB ASSEMBLY Note: No Service Parts Available at Time of Printing	A

SECTION 2 - TURNTABLE

FIGURE 2-9. TURNTABLE BEARING AND LUBE INSTALLATION



ART_1001185709

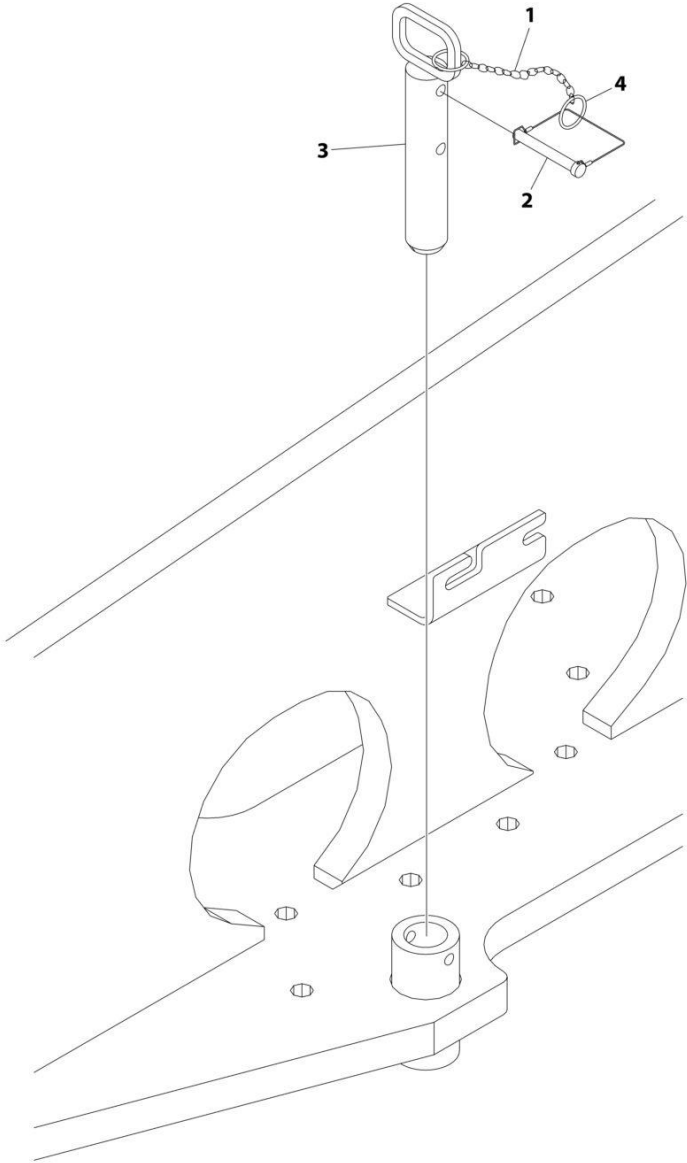
SECTION 2 - TURNTABLE

FIGURE 2-9. TURNTABLE BEARING AND LUBE INSTALLATION

ITEM	PART NUMBER	QTY	DESCRIPTION	REV
	1001185709	Ref	TURNTABLE BEARING AND LUBE INSTALLATION	D
1	0100019	AR	Compound, Locking	
2	0682023	36	Bolt 5/8 x 2-7/8	
3	4892000	36	Washer 5/8	
4	0440233	1	Bearing, Turntable	
5	1001188125	1	Hose	
6	2220124	1	Fitting, 45	

SECTION 2 - TURNTABLE

FIGURE 2-10. TURNTABLE LOCK INSTALLATION



ART_1001187022_B

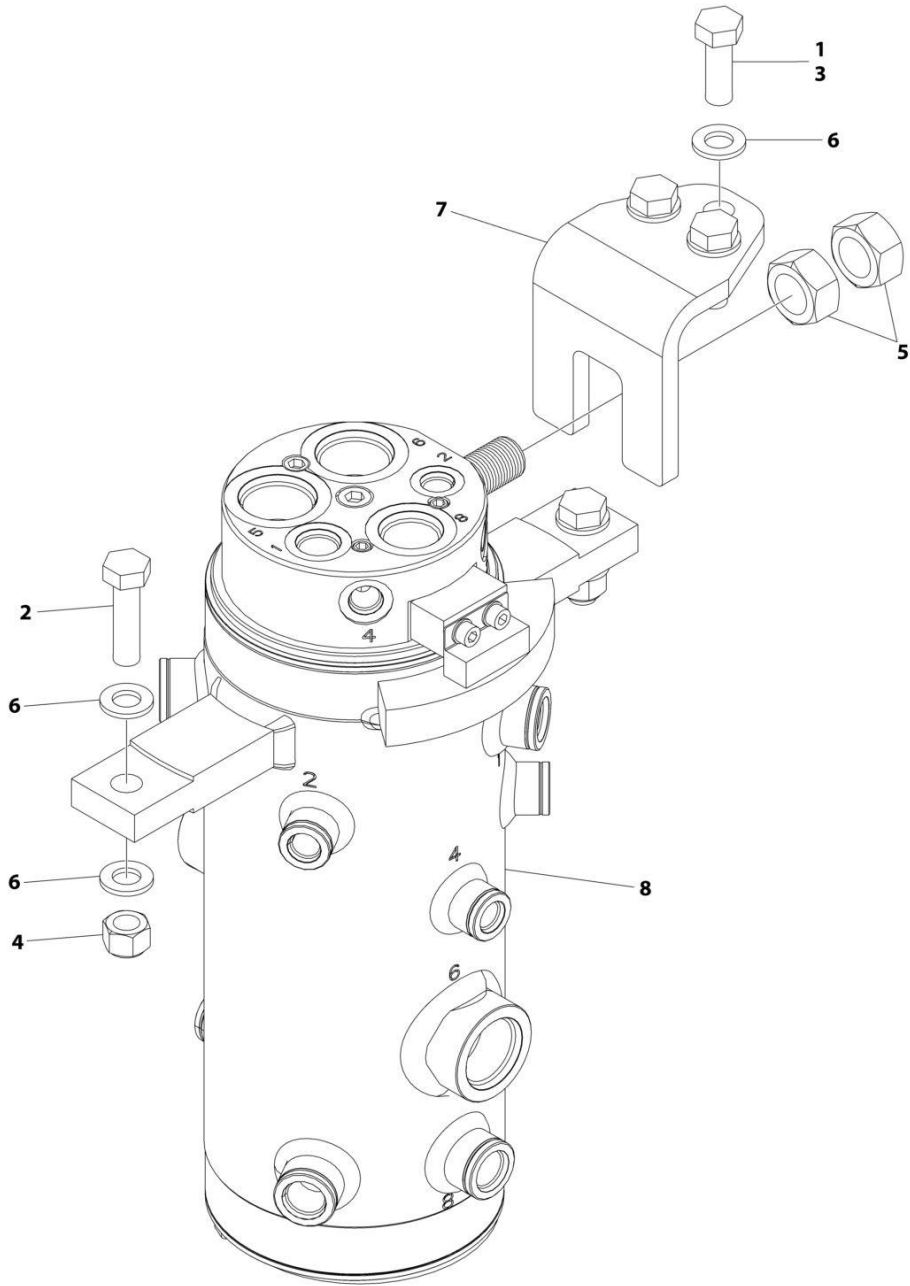
SECTION 2 - TURNTABLE

FIGURE 2-10. TURNTABLE LOCK INSTALLATION

ITEM	PART NUMBER	QTY	DESCRIPTION	REV
	1001187022	Ref	TURNTABLE LOCK INSTALLATION	B
1	1260017	9 in/23cm	Chain	
2	3421565	1	Snap-Pin	
3	1001169582	1	Pin, Lock	
4	3760170	2	Ring	

SECTION 2 - TURNTABLE

FIGURE 2-11. ROTARY COUPLING INSTALLATION



ART_1001188337

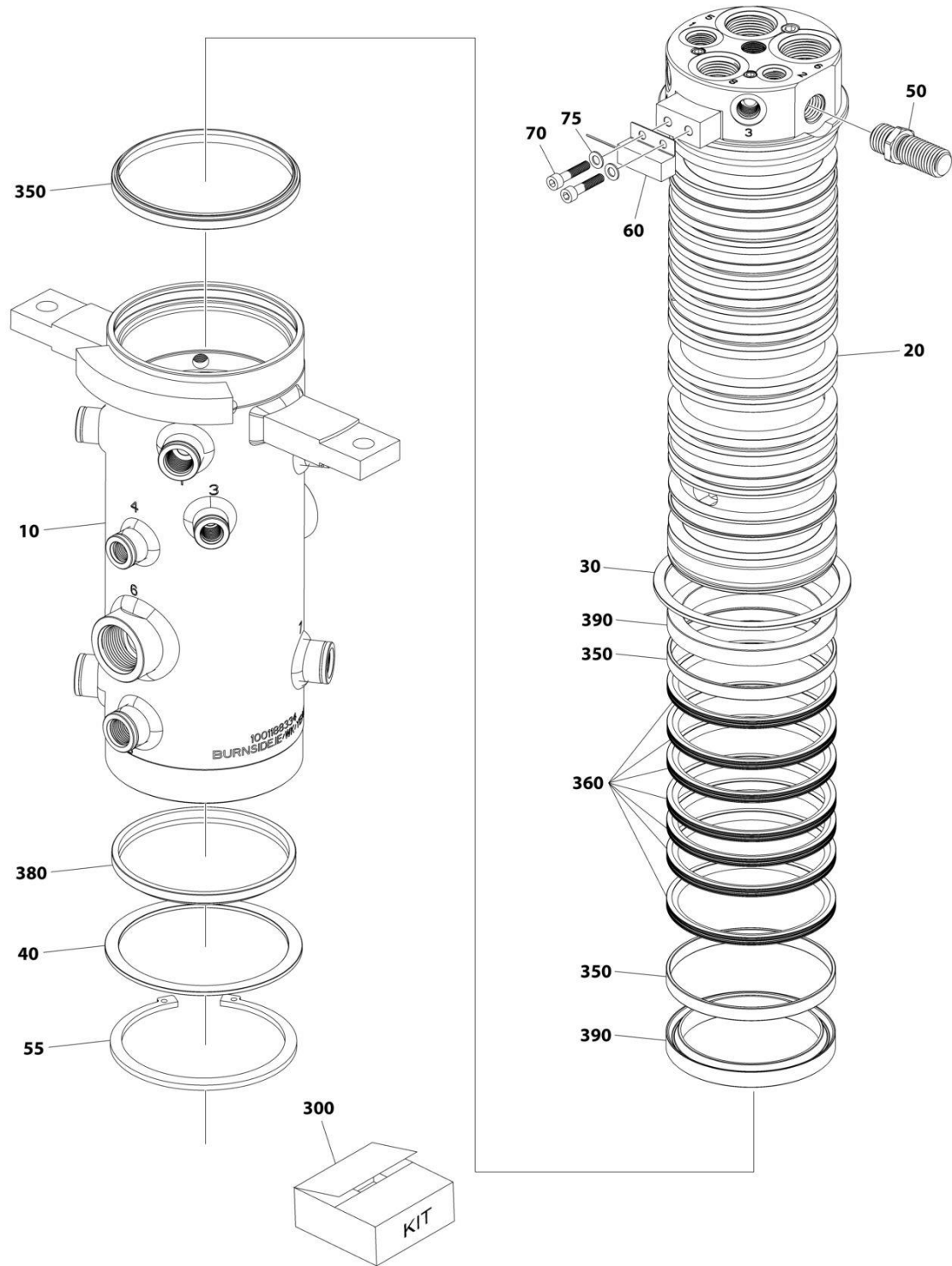
SECTION 2 - TURNTABLE

FIGURE 2-11. ROTARY COUPLING INSTALLATION

ITEM	PART NUMBER	QTY	DESCRIPTION	REV
	1001188337	Ref	ROTARY COUPLING INSTALLATION	B
1	0100011	AR	Compound, Locking	
2	0701217	2	Bolt M12 x 45	
3	0761215	3	Bolt M12 x 35	
4	3291205	2	Nut M12	
5	3292001	2	Nut M20	
6	4812100	7	Washer M12	
7	1001187953	1	Mount	
8	1001188334	1	Rotary Coupling Assembly (See Separate Breakdown in this Section)	

SECTION 2 - TURNTABLE

FIGURE 2-12. ROTARY COUPLING ASSEMBLY



ART_1001188334

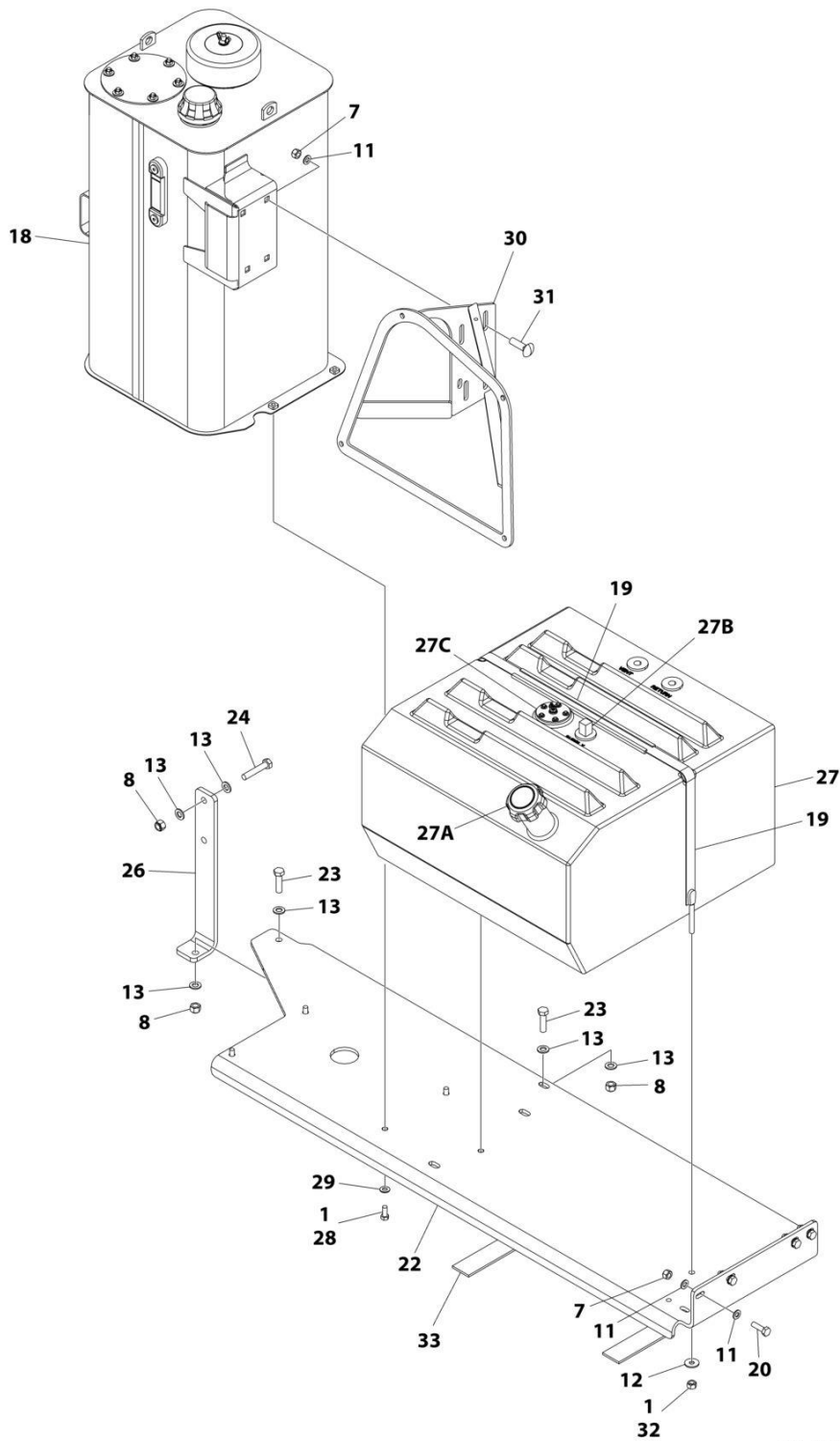
SECTION 2 - TURNTABLE

FIGURE 2-12. ROTARY COUPLING ASSEMBLY

ITEM	PART NUMBER	QTY	DESCRIPTION	REV
	1001188334	Ref	ROTARY COUPLING ASSEMBLY	G
10	See Note	NSS	Housing (Note: Purchase Complete Assembly)	
20	See Note	NSS	Shaft (Note: Purchase Complete Assembly)	
30	70005710	1	Spacer	
40	70005711	1	Spacer	
50	70005712	1	Fitting	
55	70005713	1	Circlip	
60	4360517	1	Sensor	
60	4460320	1	Plug, Male - 2 Position	
60	4460227	2	Socket, Female	
70	70006537	2	Bolt	
75	70006538	2	Washer	
300	70005716	1	Seal Kit (Includes Items 350-390)	
350	See Note	NSS	Ring, Wear (Note: Use Item 300)	
360	See Note	NSS	Seal (Note: Use Item 300)	
370	See Note	NSS	Wiper (Note: Use Item 300) (Not Shown)	
380	See Note	NSS	Wiper (Note: Use Item 300)	
390	See Note	NSS	Seal, Rod (Note: Use Item 300)	

SECTION 2 - TURNTABLE

FIGURE 2-13. TANKS INSTALLATION - DIESEL MACHINES (POLY FUEL TANK) (HYDRAULIC TANK WITH 6 INCH BREATHER) (600S HC3)



ART_1001188257_L

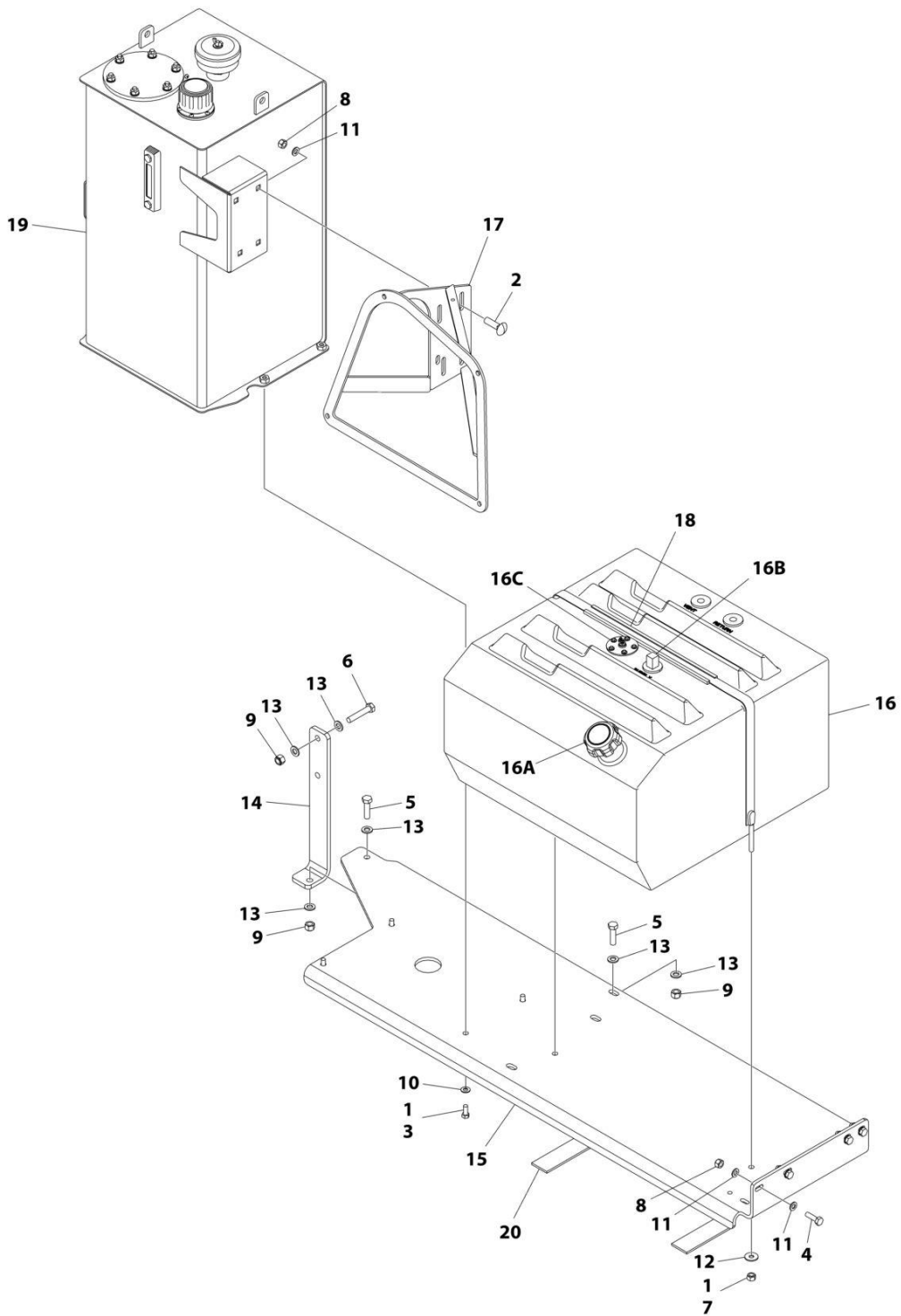
SECTION 2 - TURNTABLE

FIGURE 2-13. TANKS INSTALLATION - DIESEL MACHINES (POLY FUEL TANK) (HYDRAULIC TANK WITH 6 INCH BREATHER) (600S HC3)

ITEM	PART NUMBER	QTY	DESCRIPTION	REV
	1001188257	Ref	TANKS INSTALLATION	L
1	0100011	AR	Compound, Locking	
7	3291005	8	Nut M10	
8	3291205	4	Nut M12	
11	4812000	12	Washer M10	
12	4812002	2	Washer M10	
13	4812100	8	Washer M12	
18	1001178057	1	Hydraulic Tank Assembly (See Separate Breakdown in this Section)	
19	1001238954	1	Strap Assembly	
19	1001189119	1	Strap	
19	4280295	48 in/ 122cm	Strip, Protector	
20	0701015	4	Bolt M10 x 35	
22	1001199933	1	Tray	
23	0701217	2	Bolt M12 x 45	
24	0701221	2	Bolt M12 x 65	
26	1001199883	1	Support	
27	1001201325	1	Tank, Fuel	
27A	70004414	1	Cap, Fill	
27B	7020043	1	Tube, Pickup	
27C	1001148607	1	Sender, Fuel Level	
27C	0731005	5	Screw #10 x 5/8	
27C	4751000	5	Washer #10	
28	0641608	4	Bolt 3/8 x 1	
29	4711600	4	Washer 3/8	
30	1001213251	1	Support, Ground Control	
31	0630613	4	Bolt M10 x 30	
32	3291001	2	Nut M10	
33	4420038	AR	Tape	

SECTION 2 - TURNTABLE

FIGURE 2-14. TANKS INSTALLATION - DIESEL MACHINES (POLY FUEL TANK) (HYDRAULIC TANK WITH 4 INCH BREATHER) (600S HC3)



ART_1001267284

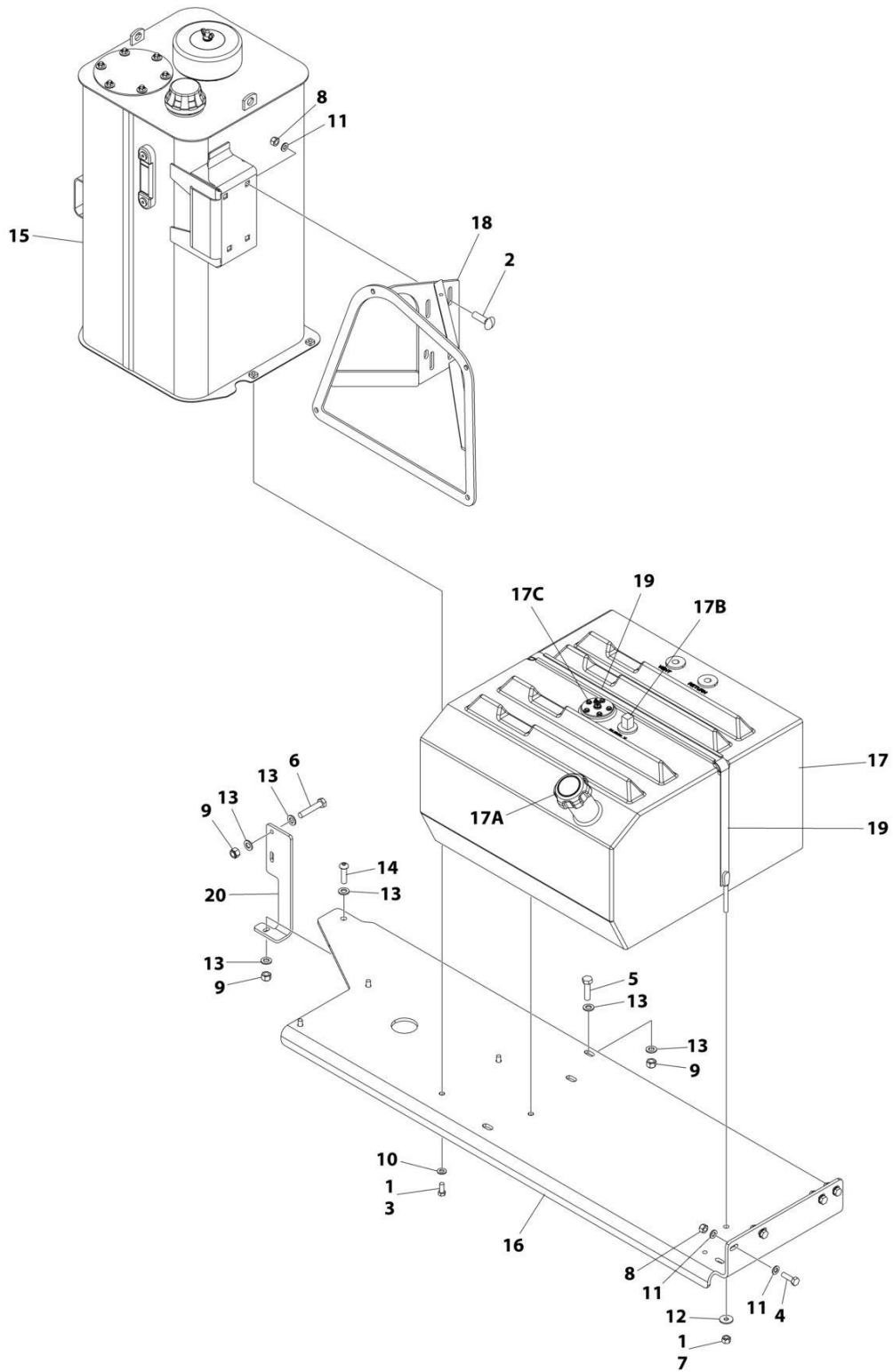
SECTION 2 - TURNTABLE

FIGURE 2-14. TANKS INSTALLATION - DIESEL MACHINES (POLY FUEL TANK) (HYDRAULIC TANK WITH 4 INCH BREATHER) (600S HC3)

ITEM	PART NUMBER	QTY	DESCRIPTION	REV
	1001267284	Ref	TANKS INSTALLATION – DIESEL MACHINES	A
1	0100011	AR	Compound, Locking	
2	0630613	4	Bolt M10 x 30	
3	0641608	4	Bolt 3/8 x 1	
4	0701015	4	Bolt M10 x 35	
5	0701217	2	Bolt M12 x 45	
6	0701221	2	Bolt M12 x 65	
7	3291001	2	Nut M10	
8	3291005	8	Nut M10	
9	3291205	4	Nut M12	
10	4711600	4	Washer 3/8	
11	4812000	12	Washer M10	
12	4812002	2	Washer M10	
13	4812100	8	Washer M12	
14	1001199883	1	Support	
15	1001199933	1	Tray	
16	1001201325	1	Tank, Fuel	
16A	70004414	1	Cap, Fill	
16B	7020043	1	Tube, Pickup	
16C	1001148607	1	Sender, Fuel Level	
16C	0731005	5	Screw #10 x 5/8	
16C	4751000	5	Washer #10	
17	1001213251	1	Support, Ground Control	
18	1001238954	1	Strap Assembly	
18	1001189119	1	Strap	
18	4280295	48 in/ 122 cm	Strip, Protector	
19	1001267678	1	Hydraulic Tank Assembly	
20	4420038	30 in/ 76.2 cm	Tape, Rubber	

SECTION 2 - TURNTABLE

FIGURE 2-15. TANKS INSTALLATION - DIESEL MACHINES (POLY FUEL TANK) (HYDRAULIC TANK WITH 6 INCH BREATHER) (660SJ HC3)



ART_1001258172

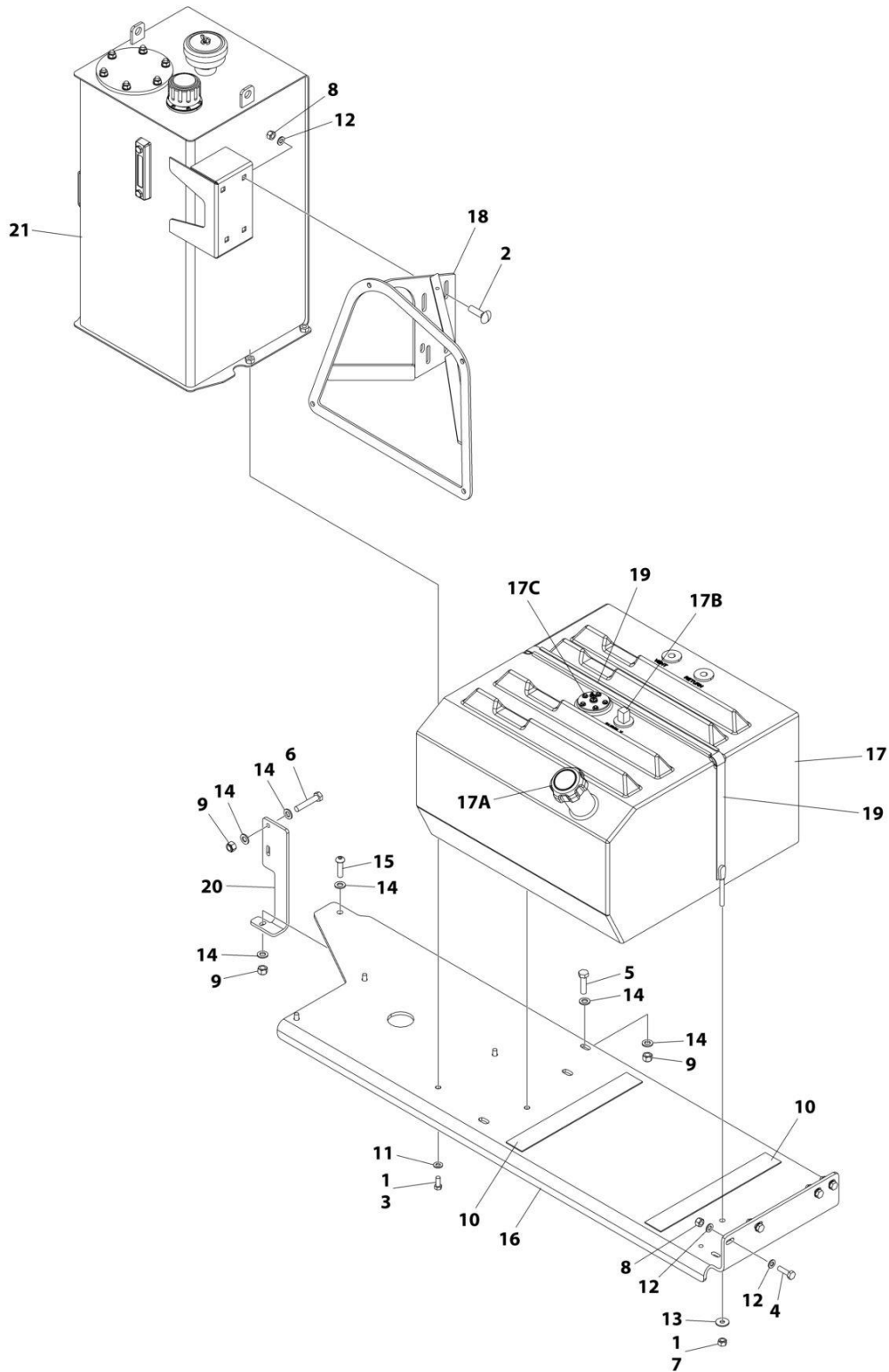
SECTION 2 - TURNTABLE

FIGURE 2-15. TANKS INSTALLATION - DIESEL MACHINES (POLY FUEL TANK) (HYDRAULIC TANK WITH 6 INCH BREATHER) (660SJ HC3)

ITEM	PART NUMBER	QTY	DESCRIPTION	REV
	1001258172	Ref	TANKS INSTALLATION	A
1	0100011	AR	Compound, Locking	
2	0630613	4	Bolt M10 x 30	
3	0641608	4	Bolt 3/8 x 1	
4	0701015	4	Bolt M10 x 35	
5	0701217	1	Bolt M12 x 45	
6	0701221	2	Bolt M12 x 65	
7	3291001	2	Nut M10	
8	3291005	8	Nut, Lock M10	
9	3291205	4	Nut, Lock M12	
10	4711600	4	Washer 3/8	
11	4812000	12	Washer M10	
12	4812002	2	Washer M10	
13	4812100	8	Washer M12	
14	1001102978	1	Screw M12 X 45	
15	1001178057	1	Hydraulic Tank Assembly (See Separate Breakdown in this Section)	
16	1001199933	1	Tray	
17	1001201325	1	Tank, Fuel	
17A	70004414	1	Cap, Fill	
17B	7020043	1	Tube, Pickup	
17C	1001148607	1	Sender, Fuel Level	
17C	0731005	5	Screw #10 x 5/8	
17C	4751000	5	Washer #10	
18	1001213251	1	Support, Ground Control	
19	1001238954	1	Strap Assembly	
19	1001189119	1	Strap	
19	4280295	48 in/ 122cm	Strip, Protector	
20	1001256667	1	Support	

SECTION 2 - TURNTABLE

FIGURE 2-16. TANKS INSTALLATION - DIESEL MACHINES (POLY FUEL TANK) (HYDRAULIC TANK WITH 4 INCH BREATHER) (660SJ HC3)



ART_1001284975

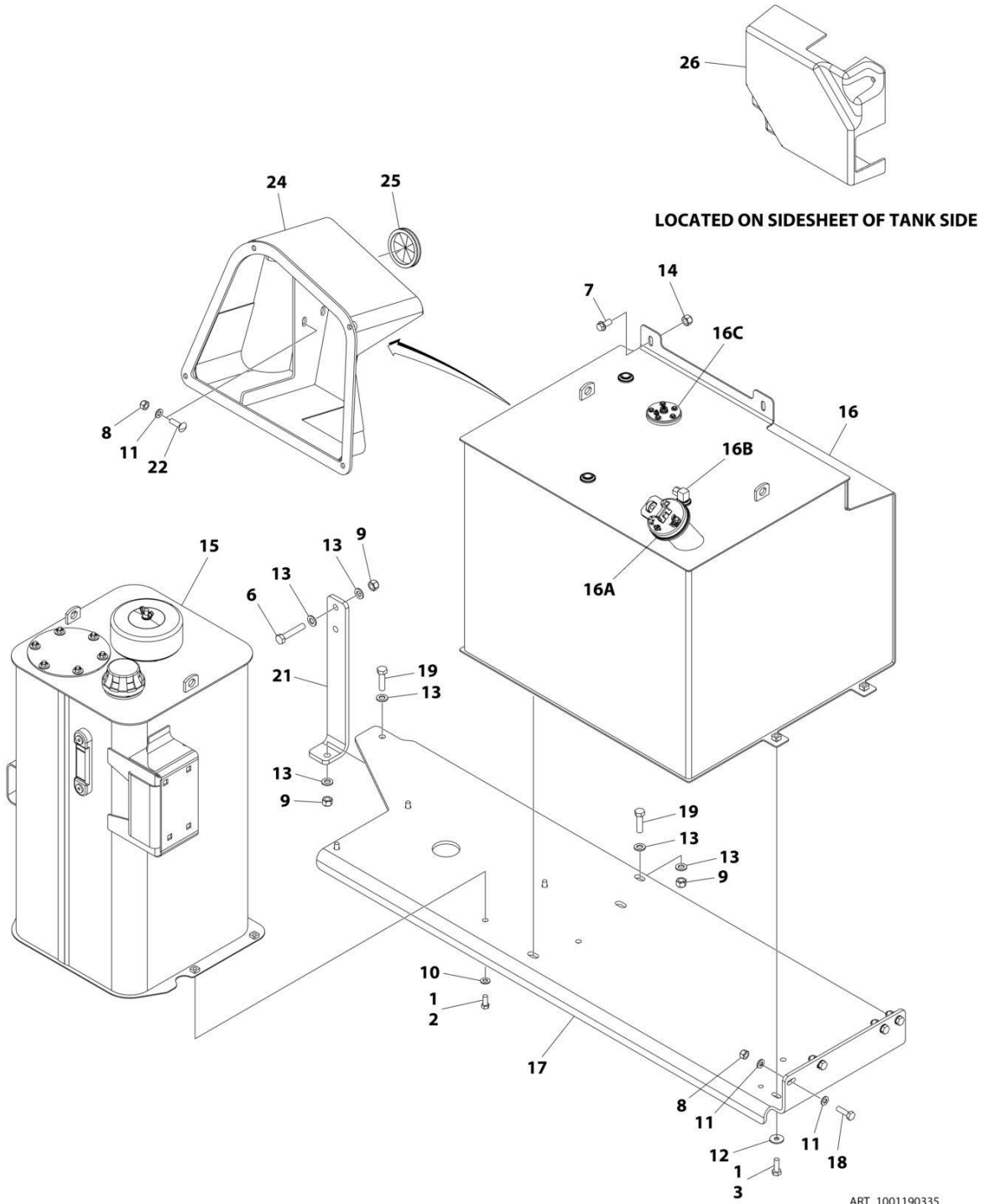
SECTION 2 - TURNTABLE

FIGURE 2-16. TANKS INSTALLATION - DIESEL MACHINES (POLY FUEL TANK) (HYDRAULIC TANK WITH 4 INCH BREATHER) (660SJ HC3)

ITEM	PART NUMBER	QTY	DESCRIPTION	REV
	1001284975	Ref	TANKS INSTALLATION	A
1	0100011	AR	Compound, Locking	
2	0630613	4	Bolt M10 x 30	
3	0641608	4	Bolt 3/8 x 1	
4	0701015	4	Bolt M10 x 35	
5	0701217	1	Bolt M12 x 45	
6	0701221	2	Bolt M12 x 65	
7	3291001	2	Nut M10	
8	3291005	8	Nut, Lock M10	
9	3291205	4	Nut, Lock M12	
10	4420038	AR	Tape	
11	4711600	4	Washer 3/8	
12	4812000	12	Washer M10	
13	4812002	2	Washer M10	
14	4812100	8	Washer M12	
15	1001102978	1	Screw M12 x 45	
16	1001199933	1	Tray	
17	1001201325	1	Tank, Fuel	
17A	70004414	1	Cap, Fill	
17B	7020043	1	Tube, Pickup	
17C	1001148607	1	Sender, Fuel Level	
17C	0731005	5	Screw #10 x 5/8	
17C	4751000	5	Washer #10	
18	1001213251	1	Support, Ground Control	
19	1001238954	1	Strap Assembly	
19	1001189119	1	Strap	
19	4280295	48 in/ 122cm	Strip, Protector	
20	1001256667	1	Support	
21	1001267678	1	Hydraulic Tank Assembly (See Separate Breakdown in this Section)	

SECTION 2 - TURNTABLE

FIGURE 2-17. TANKS INSTALLATION - DIESEL MACHINES (STEEL FUEL TANK) (HYDRAULIC TANK WITH 6 INCH BREATHER) (600S HC3)



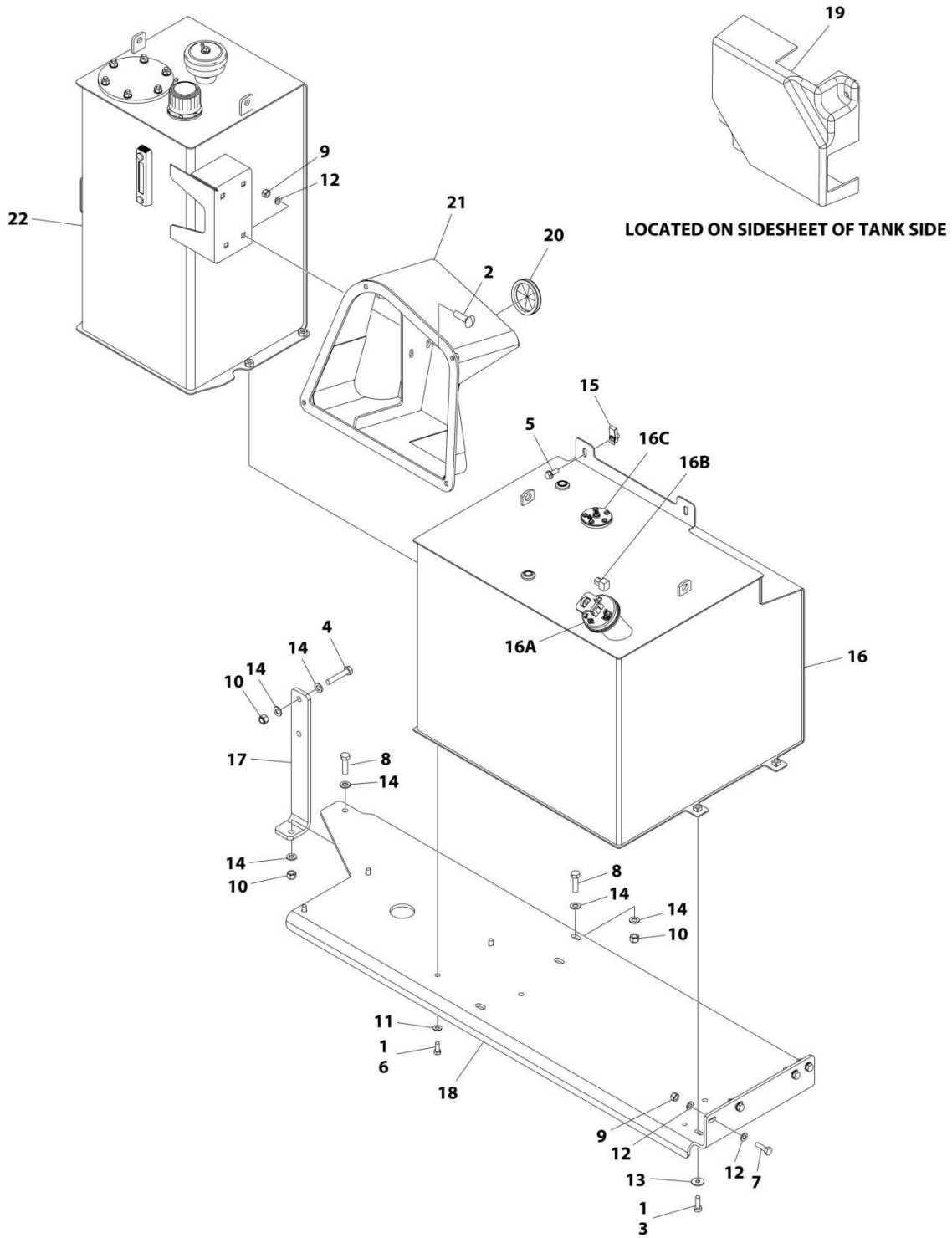
SECTION 2 - TURNTABLE

FIGURE 2-17. TANKS INSTALLATION - DIESEL MACHINES (STEEL FUEL TANK) (HYDRAULIC TANK WITH 6 INCH BREATHER) (600S HC3)

ITEM	PART NUMBER	QTY	DESCRIPTION	REV
	1001190335	Ref	TANKS INSTALLATION	I
1	0100011	AR	Compound, Locking	
2	0641607	4	Bolt 3/8 x 7/8	
2	0641608	4	Bolt 3/8 x 1	
3	0761014	4	Bolt M10 x 30	
6	0701221	2	Bolt M12 x 65	
7	5251012	2	Bolt M10 x 25	
8	3291005	8	Nut M10	
9	3291205	4	Nut M12	
10	4711600	4	Washer 3/8	
11	4812000	12	Washer M10	
12	4812002	4	Washer M10	
13	4812100	8	Washer M12	
14	1001118972	1	Nut, Tinnerman M10	
15	1001178057	1	Hydraulic Tank Assembly (See Separate Breakdown in this Section)	
16	1001189764	1	Tank, Fuel	
16A	1001080707	1	Cap, Fill	
16B	70006314	1	Tube, Pickup	
16C	1001189800	1	Sender, Fuel Level	
16C	0731005	5	Screw #10 x 5/8	
16C	4751000	5	Washer #10	
17	1001199933	1	Tray	
18	0701015	4	Bolt M10 x 35	
19	0701217	2	Bolt M12 x 45	
21	1001199883	1	Support	
22	1001228406	4	Bolt M10 x 35	
22	0630613	4	Bolt M10 x 30	
24	1001229572	1	Mount, Ground Control	
25	1001218676	1	Grommet	
26	1001218539	1	Cover	

SECTION 2 - TURNTABLE

FIGURE 2-18. TANKS INSTALLATION - DIESEL MACHINES (STEEL FUEL TANK) (HYDRAULIC TANK WITH 4 INCH BREATHER) (600S HC3)



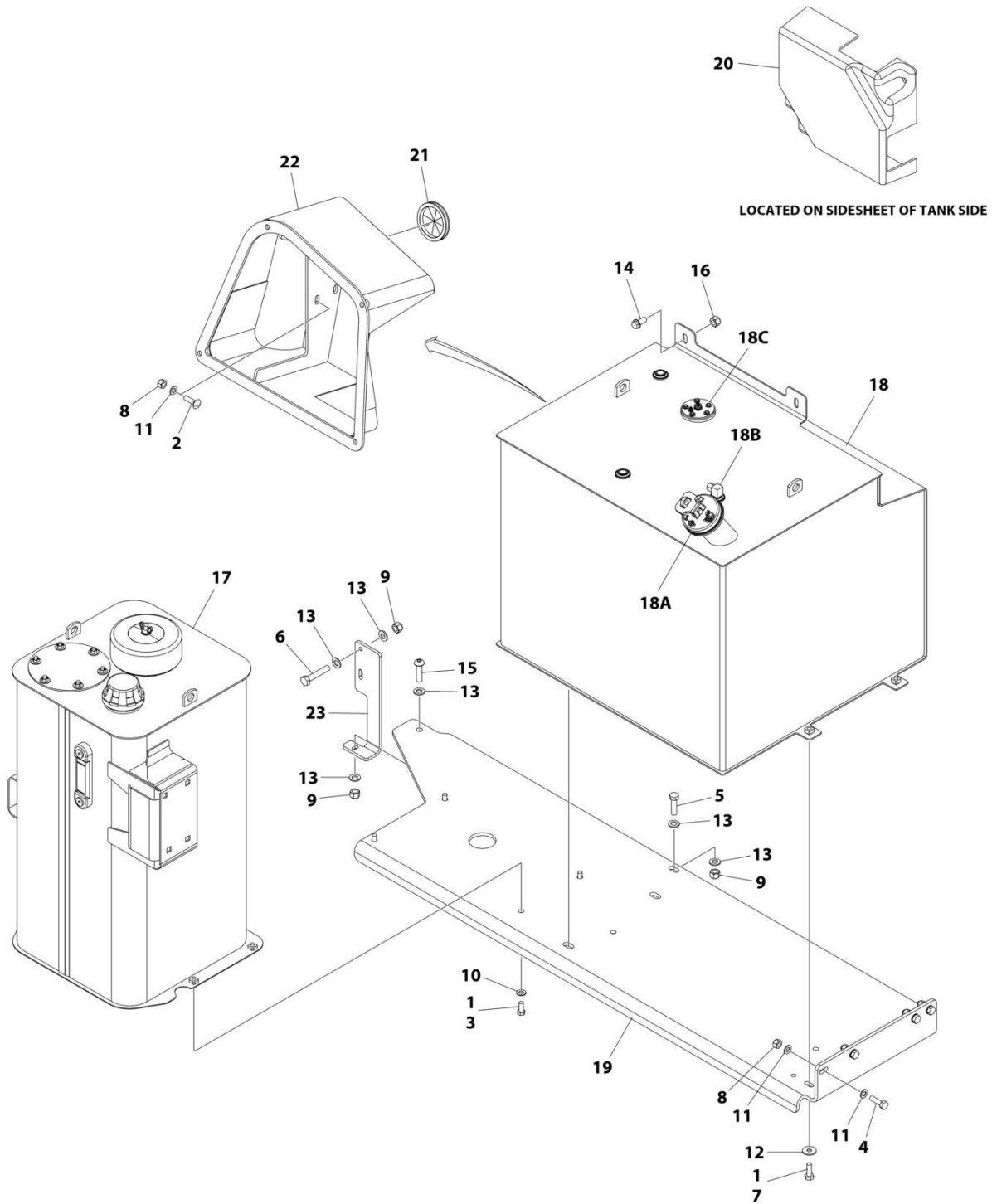
SECTION 2 - TURNTABLE

FIGURE 2-18. TANKS INSTALLATION - DIESEL MACHINES (STEEL FUEL TANK) (HYDRAULIC TANK WITH 4 INCH BREATHER) (600S HC3)

ITEM	PART NUMBER	QTY	DESCRIPTION	REV
	1001267285	Ref	TANKS INSTALLATION – DIESEL MACHINES	A
1	0100011	AR	Compound, Locking	
2	0630613	4	Bolt M10 x 30	
3	0761014	4	Bolt M10 x 30	
4	0701221	2	Bolt M12 x 65	
5	5251012	1	Bolt M10 x 25	
6	0641608	4	Bolt 3/8 x 1	
7	0701015	4	Bolt M10 x 35	
8	0701217	2	Bolt M12 x 45	
9	3291005	8	Nut M10	
10	3291205	4	Nut M12	
11	4711600	4	Washer 3/8	
12	4812000	12	Washer M10	
13	4812002	4	Washer M10	
14	4812100	8	Washer M12	
15	1001118972	1	Nut, Tinnerman M10	
16	1001189764	1	Tank, Fuel	
16A	1001080707	1	Cap, Fill	
16B	70006314	1	Tube, Pickup	
16C	1001189800	1	Sender, Fuel Level	
16C	0731005	5	Screw #10 x 5/8	
16C	4751000	5	Washer #10	
17	1001199883	1	Support	
18	1001199933	1	Tray	
19	1001218539	1	Cover	
20	1001218676	1	Grommet	
21	1001229572	1	Mount, Ground Control	
22	1001267678	1	Hydraulic Tank Assembly	

SECTION 2 - TURNTABLE

FIGURE 2-19. TANKS INSTALLATION - DIESEL MACHINES (STEEL FUEL TANK) (HYDRAULIC TANK WITH 6 INCH BREATHER) (660SJ HC3)



ART_1001258174

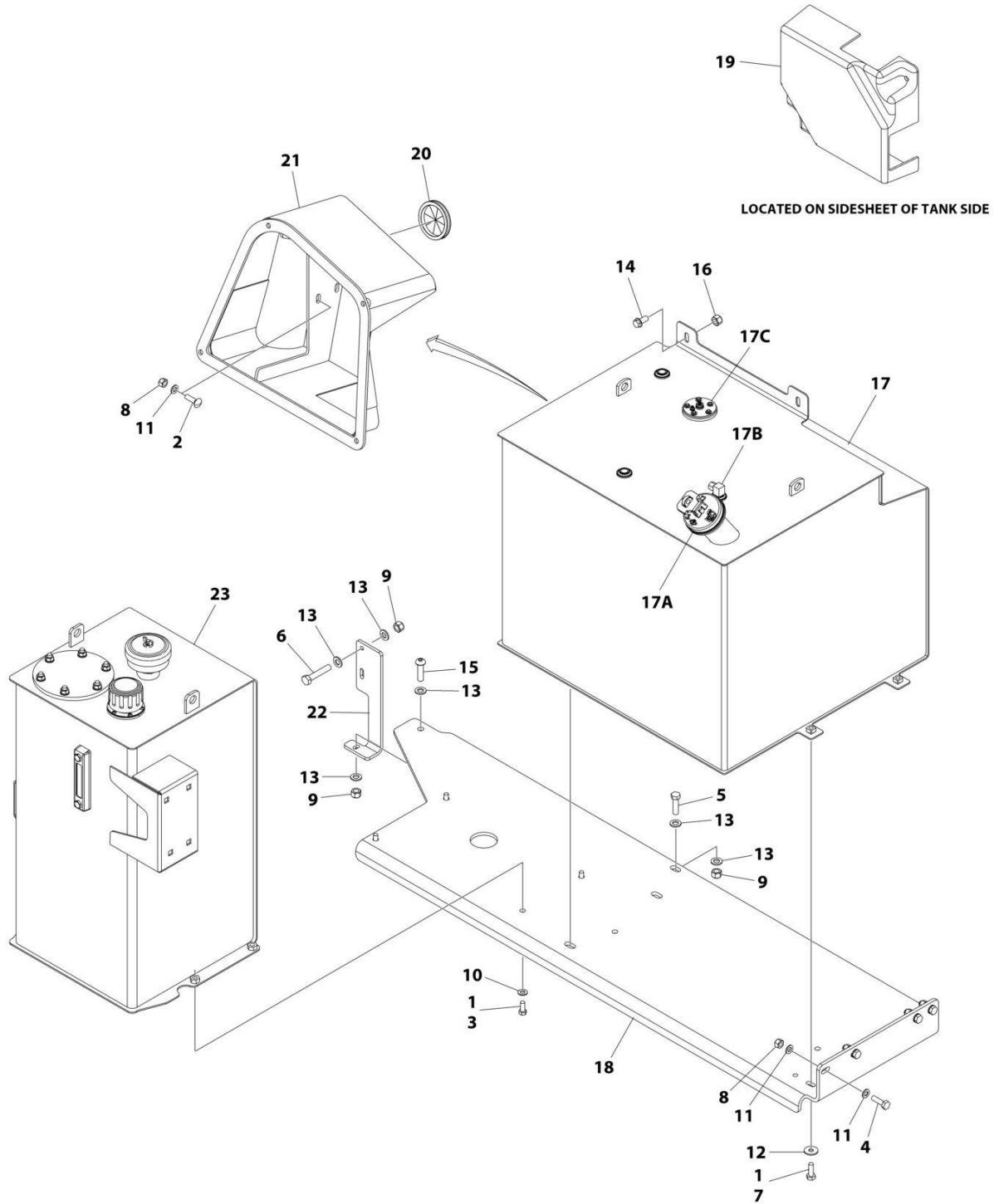
SECTION 2 - TURNTABLE

FIGURE 2-19. TANKS INSTALLATION - DIESEL MACHINES (STEEL FUEL TANK) (HYDRAULIC TANK WITH 6 INCH BREATHER) (660SJ HC3)

ITEM	PART NUMBER	QTY	DESCRIPTION	REV
	1001258174	Ref	TANKS INSTALLATION	A
1	0100011	AR	Compound, Locking	
2	0630613	4	Bolt M10 x 30	
3	0641608	4	Bolt 3/8 x 1	
4	0701015	4	Bolt M10 x 35	
5	0701217	1	Bolt M12 x 45	
6	0701221	2	Bolt M12 x 65	
7	0761014	4	Bolt M10 x 30	
8	3291005	8	Nut M10	
9	3291205	4	Nut M12	
10	4711600	4	Washer 3/8	
11	4812000	12	Washer M10	
12	4812002	4	Washer M10	
13	4812100	8	Washer M12	
14	5251012	1	Bolt M10 x 25	
15	1001102978	1	Screw M12 X 45	
16	1001118972	1	Nut, Tinnerman M10	
17	1001178057	1	Hydraulic Tank Assembly (See Separate Breakdown in this Section)	
18	1001189764	1	Tank, Fuel	
18A	1001080707	1	Cap, Fill	
18B	70006314	1	Tube, Pickup	
18C	1001189800	1	Sender, Fuel Level	
18C	0731005	5	Screw #10 x 5/8	
18C	4751000	5	Washer #10	
19	1001199933	1	Tray	
20	1001218539	1	Cover	
21	1001218676	1	Grommet	
22	1001229572	1	Mount, Ground Control	
23	1001256667	1	Support	

SECTION 2 - TURNTABLE

FIGURE 2-20. TANKS INSTALLATION - DIESEL MACHINES (STEEL FUEL TANK) (HYDRAULIC TANK WITH 4 INCH BREATHER) (660SJ HC3)



ART_1001284977

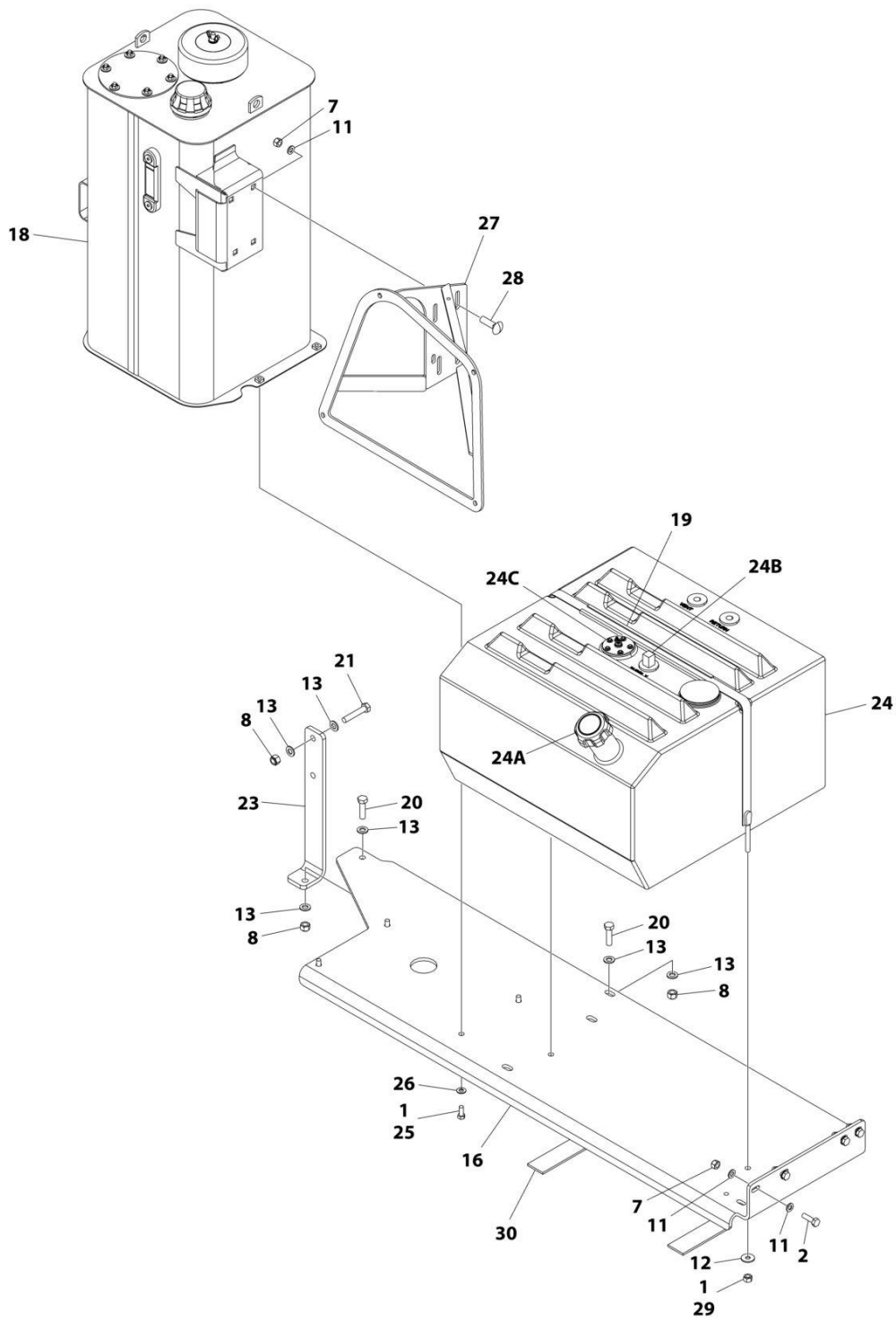
SECTION 2 - TURNTABLE

FIGURE 2-20. TANKS INSTALLATION - DIESEL MACHINES (STEEL FUEL TANK) (HYDRAULIC TANK WITH 4 INCH BREATHER) (660SJ HC3)

ITEM	PART NUMBER	QTY	DESCRIPTION	REV
	1001284977	Ref	TANKS INSTALLATION	A
1	0100011	AR	Compound, Locking	
2	0630613	4	Bolt M10 x 30	
3	0641608	4	Bolt 3/8 x 1	
4	0701015	4	Bolt M10 x 35	
5	0701217	1	Bolt M12 x 45	
6	0701221	2	Bolt M12 x 65	
7	0761014	4	Bolt M10 x 30	
8	3291005	8	Nut, Lock M10	
9	3291205	4	Nut, Lock M12	
10	4711600	4	Washer 3/8	
11	4812000	12	Washer M10	
12	4812002	4	Washer M10	
13	4812100	8	Washer M12	
14	5251012	1	Bolt M10 x 25	
15	1001102978	1	Screw M12 X 45	
16	1001118972	1	Nut, Tinnerman M10	
17	1001189764	1	Tank, Fuel	
17A	1001080707	1	Cap, Fill	
17B	70006314	1	Tube, Pickup	
17C	1001189800	1	Sender, Fuel Level	
17C	0731005	5	Screw #10 x 5/8	
17C	4751000	5	Washer #10	
18	1001199933	1	Tray	
19	1001218539	1	Cover	
20	1001218676	1	Grommet	
21	1001229572	1	Mount, Ground Control	
22	1001256667	1	Support	
23	1001267678	1	Hydraulic Tank Assembly (See Separate Breakdown in this Section)	

SECTION 2 - TURNTABLE

FIGURE 2-21. TANKS INSTALLATION - GAS MACHINES (HYDRAULIC TANK WITH 6 INCH BREATHER) (600S HC3)



ART_1001189228

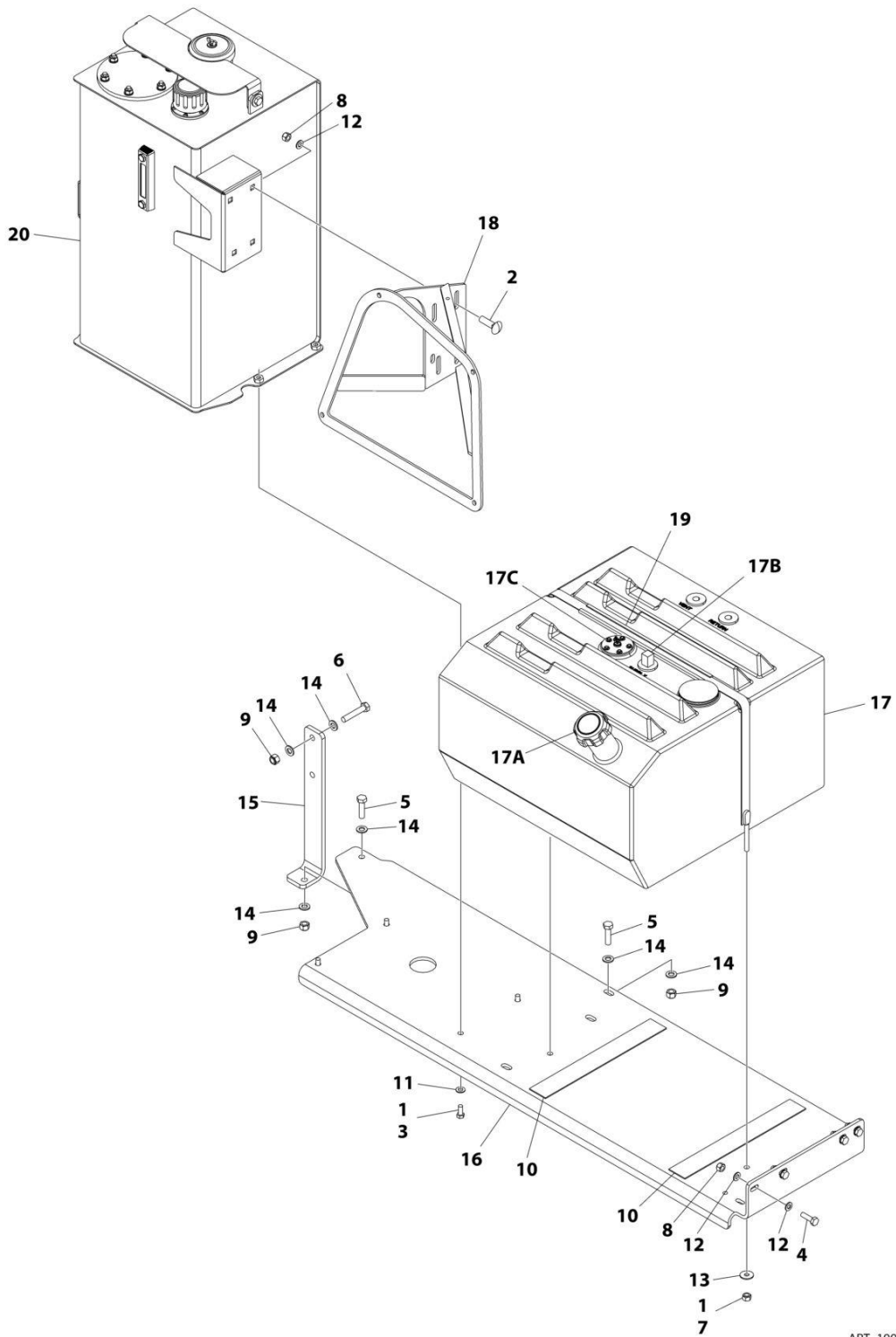
SECTION 2 - TURNTABLE

FIGURE 2-21. TANKS INSTALLATION - GAS MACHINES (HYDRAULIC TANK WITH 6 INCH BREATHER) (600S HC3)

ITEM	PART NUMBER	QTY	DESCRIPTION	REV
	1001189228	Ref	TANKS INSTALLATION	I
1	0100011	AR	Compound, Locking	
2	0701015	4	Bolt M10 x 35	
7	3291005	8	Nut M10	
8	3291205	4	Nut M12	
11	4812000	12	Washer M10	
12	4812002	2	Washer M10	
13	4812100	8	Washer M12	
16	1001199933	1	Tray	
18	1001178057	1	Hydraulic Tank Assembly (See Separate Breakdown in this Section)	
19	1001238954	1	Strap Assembly	
19	1001189119	1	Strap, Tank	
19	4280295	48 in/ 122cm	Strip, Protector	
20	0701217	2	Bolt M12 x 45	
21	0701221	2	Bolt M12 x 65	
23	1001199883	1	Support	
24	1001201326	1	Tank, Fuel	
24A	70001103	1	Cap, Fill	
24B	7020043	1	Tube, Pickup	
24C	1001148607	1	Sender, Fuel Level	
24C	0731005	5	Screw #10 x 5/8	
24C	4751000	5	Washer #10	
25	0641607	4	Bolt 3/8 x 7/8	
25	0641608	4	Bolt 3/8 x 1	
26	4711600	4	Washer 3/8	
27	1001213251	1	Support, Ground Control	
28	1001228406	4	Bolt M10 x 35	
28	0630613	4	Bolt M10 x 30	
29	3291005	2	Nut M10	
29	3291001	2	Nut M10	
30	4420038	30 in/ 76.2 cm	Tape, Rubatex	

SECTION 2 - TURNTABLE

FIGURE 2-22. TANKS INSTALLATION - GAS MACHINES (HYDRAULIC TANK WITH 4 INCH BREATHER) (600S HC3)



ART_1001284974

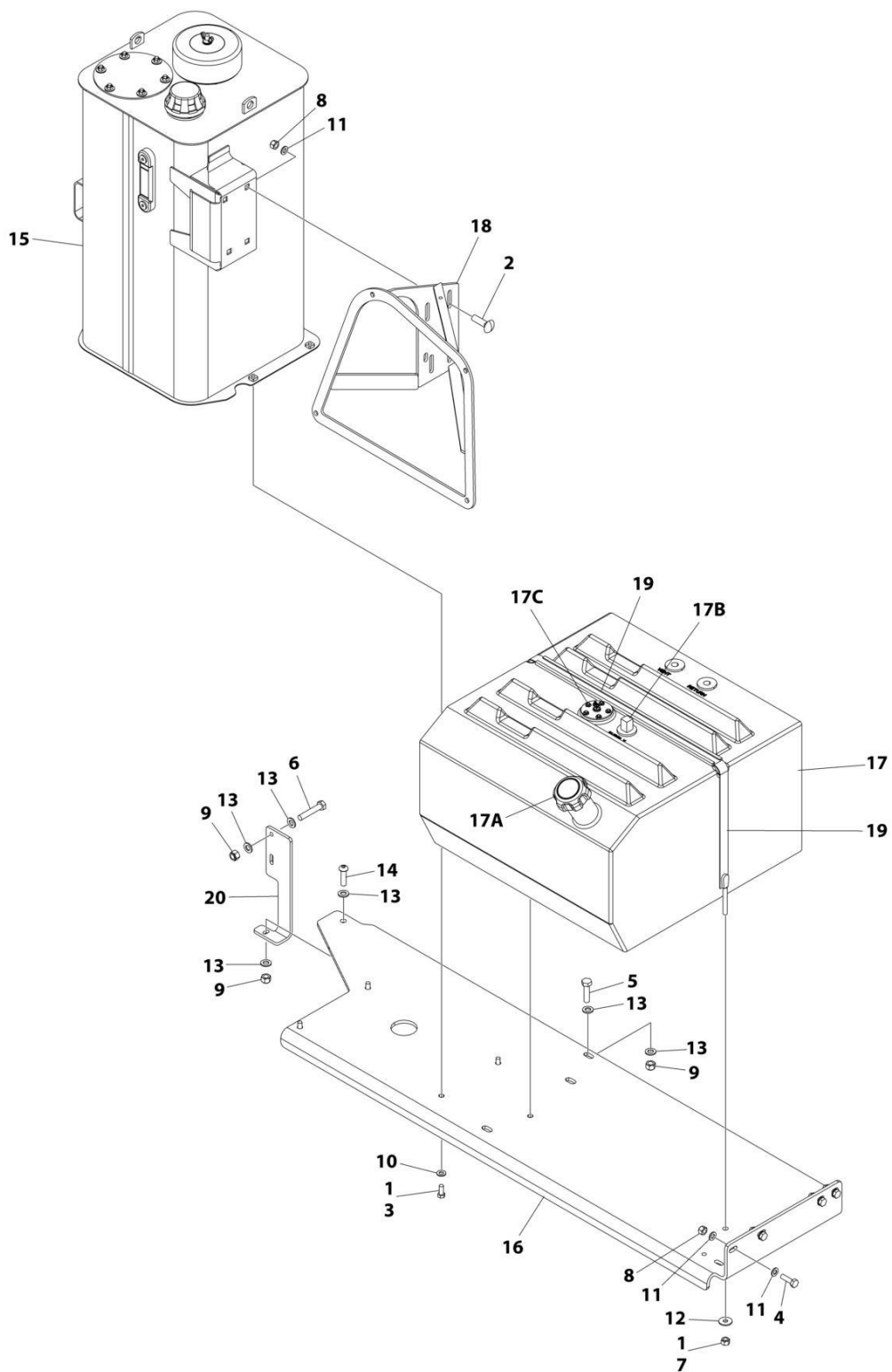
SECTION 2 - TURNTABLE

FIGURE 2-22. TANKS INSTALLATION - GAS MACHINES (HYDRAULIC TANK WITH 4 INCH BREATHER) (600S HC3)

ITEM	PART NUMBER	QTY	DESCRIPTION	REV
	1001284974	Ref	TANKS INSTALLATION	A
1	0100011	AR	Compound, Locking	
2	0630613	4	Bolt M10 x 30	
3	0641608	4	Bolt 3/8 x 1	
4	0701015	4	Bolt M10 x 35	
5	0701217	2	Bolt M12 x 45	
6	0701221	2	Bolt M12 x 65	
7	3291001	2	Nut M10	
8	3291005	8	Nut, Lock M10	
9	3291205	4	Nut, Lock M12	
10	4420038	30 in /76.2 cm	Tape	
11	4711600	4	Washer 3/8	
12	4812000	12	Washer M10	
13	4812002	2	Washer M10	
14	4812100	8	Washer M12	
15	1001199883	1	Support	
16	1001199933	1	Tray	
17	1001201326	1	Tank, Fuel	
17A	70001103	1	Cap, Fill	
17B	7020043	1	Tube, Pickup	
17C	1001148607	1	Sender, Fuel Level	
17C	0731005	5	Screw #10 x 5/8	
17C	4751000	5	Washer #10	
18	1001213251	1	Support, Ground Control	
19	1001238954	1	Strap Assembly	
19	1001189119	1	Strap, Tank	
19	4280295	48 in /122cm	Strip, Protector	
20	1001267678	1	Hydraulic Tank Assembly (See Separate Breakdown in this Section)	

SECTION 2 - TURNTABLE

FIGURE 2-23. TANKS INSTALLATION - GAS MACHINES (HYDRAULIC TANK WITH 6 INCH BREATHER) (660SJ HC3)



ART_1001258173

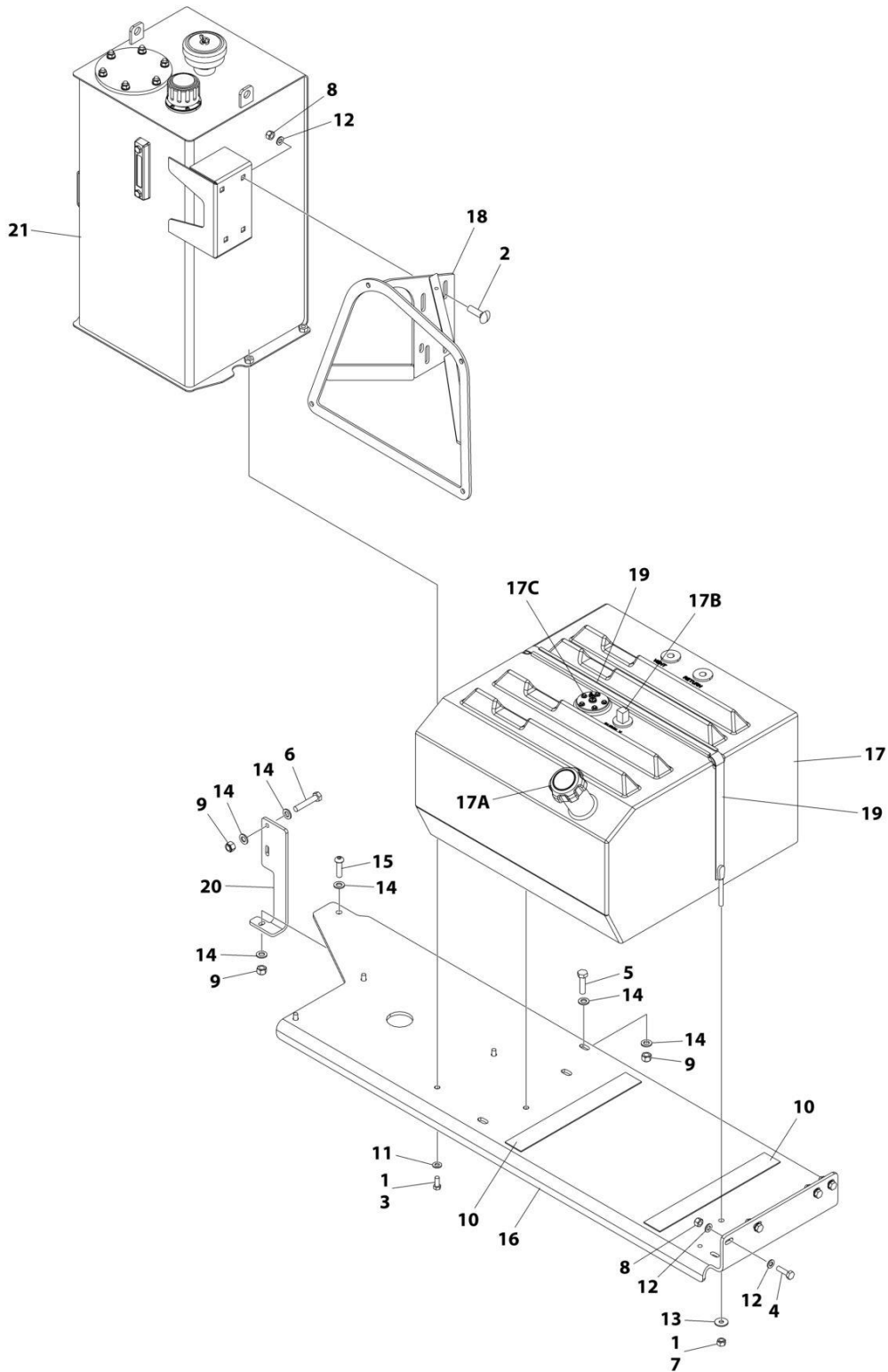
SECTION 2 - TURNTABLE

FIGURE 2-23. TANKS INSTALLATION - GAS MACHINES (HYDRAULIC TANK WITH 6 INCH BREATHER) (660SJ HC3)

ITEM	PART NUMBER	QTY	DESCRIPTION	REV
	1001258173	Ref	TANKS INSTALLATION	A
1	0100011	AR	Compound, Locking	
2	0630613	4	Bolt M10 x 30	
3	0641608	4	Bolt 3/8 x 1	
4	0701015	4	Bolt M10 x 35	
5	0701217	1	Bolt M12 x 45	
6	0701221	2	Bolt M12 x 65	
7	3291001	2	Nut M10	
8	3291005	8	Nut M10	
9	3291205	4	Nut M12	
10	4711600	4	Washer 3/8	
11	4812000	12	Washer M10	
12	4812002	2	Washer M10	
13	4812100	8	Washer M12	
14	1001102978	1	Screw M12 X 45	
15	1001178057	1	Hydraulic Tank Assembly (See Separate Breakdown in this Section)	
16	1001199933	1	Tray	
17	1001201326	1	Tank, Fuel	
17A	70001103	1	Cap, Fill	
17B	7020043	1	Tube, Pickup	
17C	1001148607	1	Sender, Fuel Level	
17C	0731005	5	Screw #10 x 5/8	
17C	4751000	5	Washer #10	
18	1001213251	1	Support, Ground Control	
19	1001238954	1	Strap Assembly	
19	1001189119	1	Strap, Tank	
19	4280295	48 in/ 122cm	Strip, Protector	
20	1001256667	1	Support	

SECTION 2 - TURNTABLE

FIGURE 2-24. TANKS INSTALLATION - GAS MACHINES (HYDRAULIC TANK WITH 4 INCH BREATHER) (660SJ HC3)



ART_1001284976

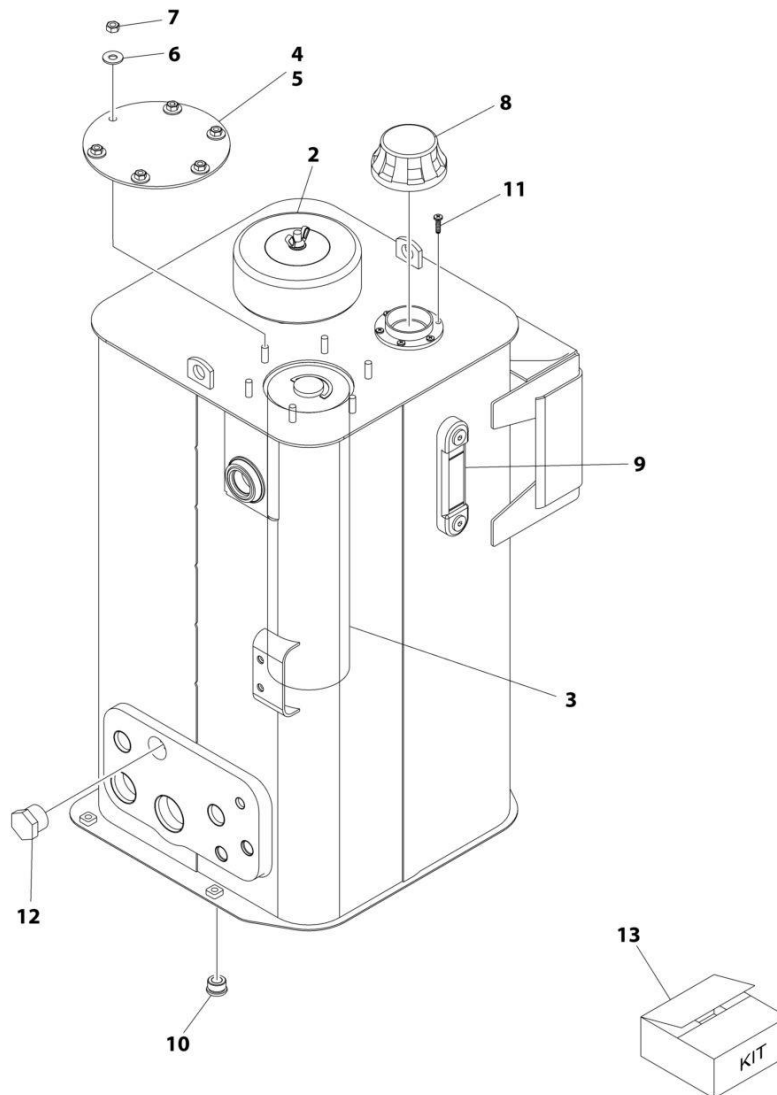
SECTION 2 - TURNTABLE

FIGURE 2-24. TANKS INSTALLATION - GAS MACHINES (HYDRAULIC TANK WITH 4 INCH BREATHER) (660SJ HC3)

ITEM	PART NUMBER	QTY	DESCRIPTION	REV
	1001284976	Ref	TANKS INSTALLATION	A
1	0100011	AR	Compound, Locking	
2	0630613	4	Bolt M10 x 30	
3	0641608	4	Bolt 3/8 x 1	
4	0701015	4	Bolt M10 x 35	
5	0701217	1	Bolt M12 x 45	
6	0701221	2	Bolt M12 x 65	
7	3291001	2	Nut M10	
8	3291005	8	Nut, Lock M10	
9	3291205	4	Nut, Lock M12	
10	4420038	AR	Tape	
11	4711600	4	Washer 3/8	
12	4812000	12	Washer M10	
13	4812002	2	Washer M10	
14	4812100	8	Washer M12	
15	1001102978	1	Bolt M12 x 45 Class 10.9	
16	1001199933	1	Tray	
17	1001201326	1	Tank, Fuel	
17A	70001103	1	Cap, Fill	
17B	7020043	1	Tube, Pickup	
17C	1001148607	1	Sender, Fuel Level	
17C	0731005	5	Screw #10 x 5/8	
17C	4751000	5	Washer #10	
18	1001213251	1	Support, Ground Control	
19	1001238954	1	Strap Assembly	
19	1001189119	1	Strap	
19	4280295	48 in/ 122cm	Strip, Protector	
20	1001256667	1	Support	
21	1001267678	1	Hydraulic Tank Assembly (See Separate Breakdown in this Section)	

SECTION 2 - TURNTABLE

FIGURE 2-25. HYDRAULIC TANK ASSEMBLY (HYDRAULIC TANK WITH 6 INCH BREATHER)



ART_1001178057

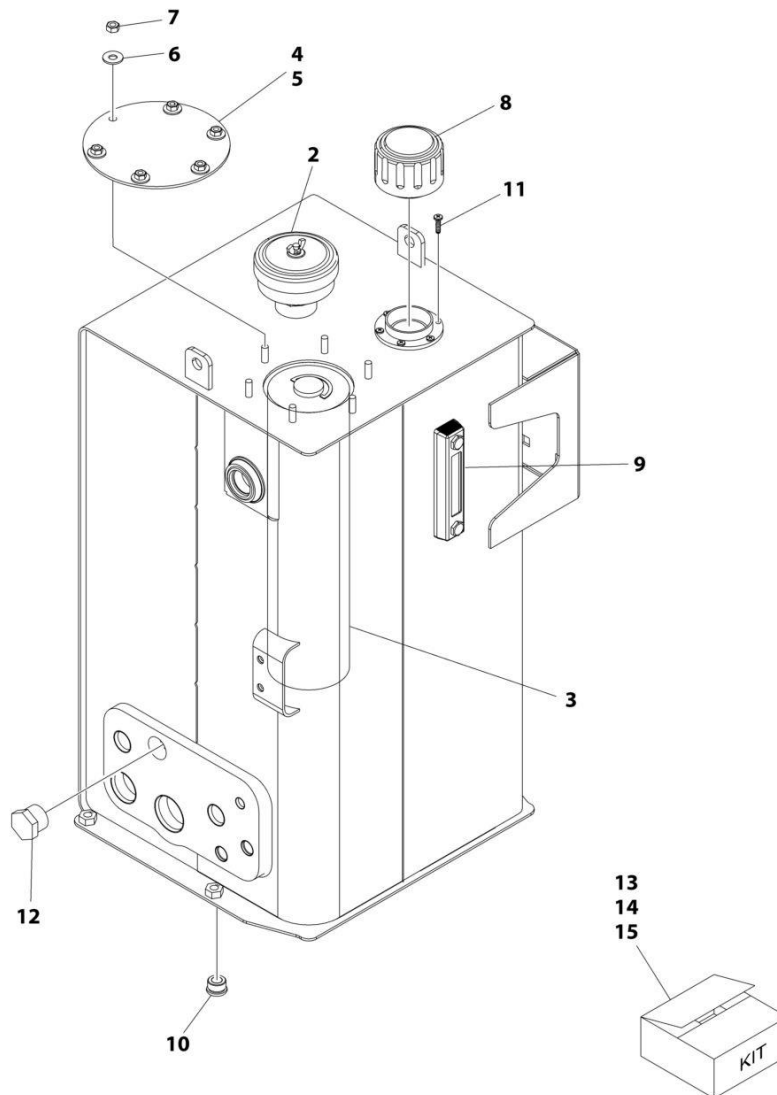
SECTION 2 - TURNTABLE

FIGURE 2-25. HYDRAULIC TANK ASSEMBLY (HYDRAULIC TANK WITH 6 INCH BREATHER)

ITEM	PART NUMBER	QTY	DESCRIPTION	REV
	1001178057	Ref	HYDRAULIC TANK ASSEMBLY	D
2	70005708	1	Breather Assembly (Includes Breather, Element and Wingnut)	
2	See Note	NSS	Element, Breather (Note: Use p/n 70005708 or Item 13)	
3	See Note	NSS	Element, Hydraulic (Note: Use Item 13)	
4	70002839	1	Gasket	
5	See Note	NSS	Cover (Note: Not Available for Purchase)	
6	83304173	6	Washer 5/16	
7	70004199	6	Nut 5/16	
8	70002838	1	Cap, Fill	
9	7024441	1	Gauge, Level	
10	70002112	1	Plug	
11	70004795	6	Screw #10 x 3/4	
12	See Note	NSS	Plug (Note: Not Available - Purchase Locally)	
13	70002814	1	Hydraulic Tank Service Kit (Includes Items 2-4)	

SECTION 2 - TURNTABLE

FIGURE 2-26. HYDRAULIC TANK ASSEMBLY (HYDRAULIC TANK WITH 4 INCH BREATHER)



ART_1001267678

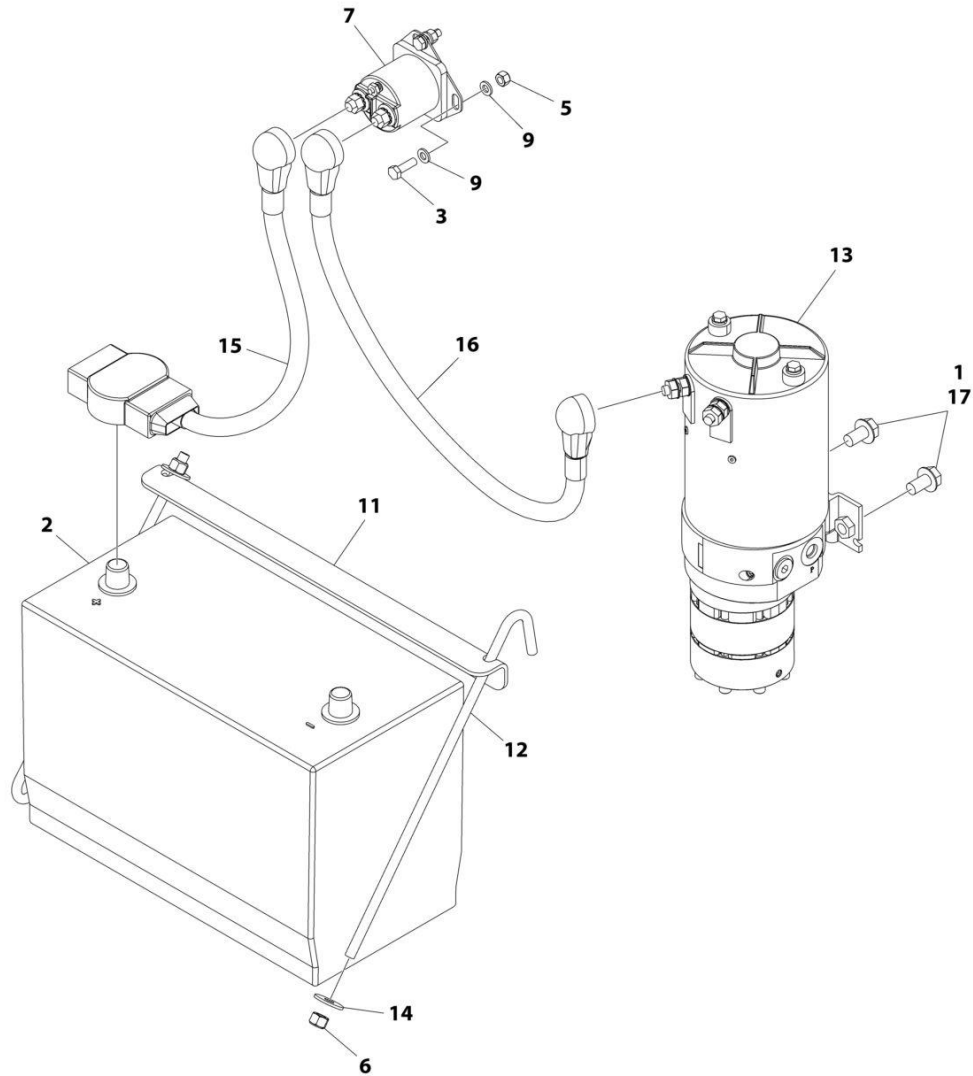
SECTION 2 - TURNTABLE

FIGURE 2-26. HYDRAULIC TANK ASSEMBLY (HYDRAULIC TANK WITH 4 INCH BREATHER)

ITEM	PART NUMBER	QTY	DESCRIPTION	REV
	1001267678	REF	HYDRAULIC TANK ASSEMBLY	A
1	See Note	NSS	Hydraulic Tank Weldment (Not Shown) (Note: Not Available for Purchase)	
2	See Note	NSS	Breather Assembly (Note: Use Item 13)	
3	See Note	NSS	Element, Filter (Note: Use Item Use Item 14)	
4	70002839	1	Gasket	
5	See Note	NSS	Cover (Note: Not Available for Purchase)	
6	83304173	6	Washer 1/4	
7	70004199	6	Nut 5/16	
8	70002838	1	Cap, Fill	
9	70024441	1	Gauge, Level	
10	70002112	1	Plug	
11	70004795	6	Screw 10 x 3/4	
12	See Note	NSS	Plug (Note: Not Available for Purchase)	
13	70007726	1	Breather Kit (Note: Includes Item 2)	
14	70007727	1	Return Filter Kit (Note: Includes Item 3)	
15	70007725	1	Level Gauge Kit	

SECTION 2 - TURNTABLE

FIGURE 2-27. BATTERY AND AUXILIARY PUMP INSTALLATION (MACHINES WITH SN STARTING WITH 03)



ART_1001186346

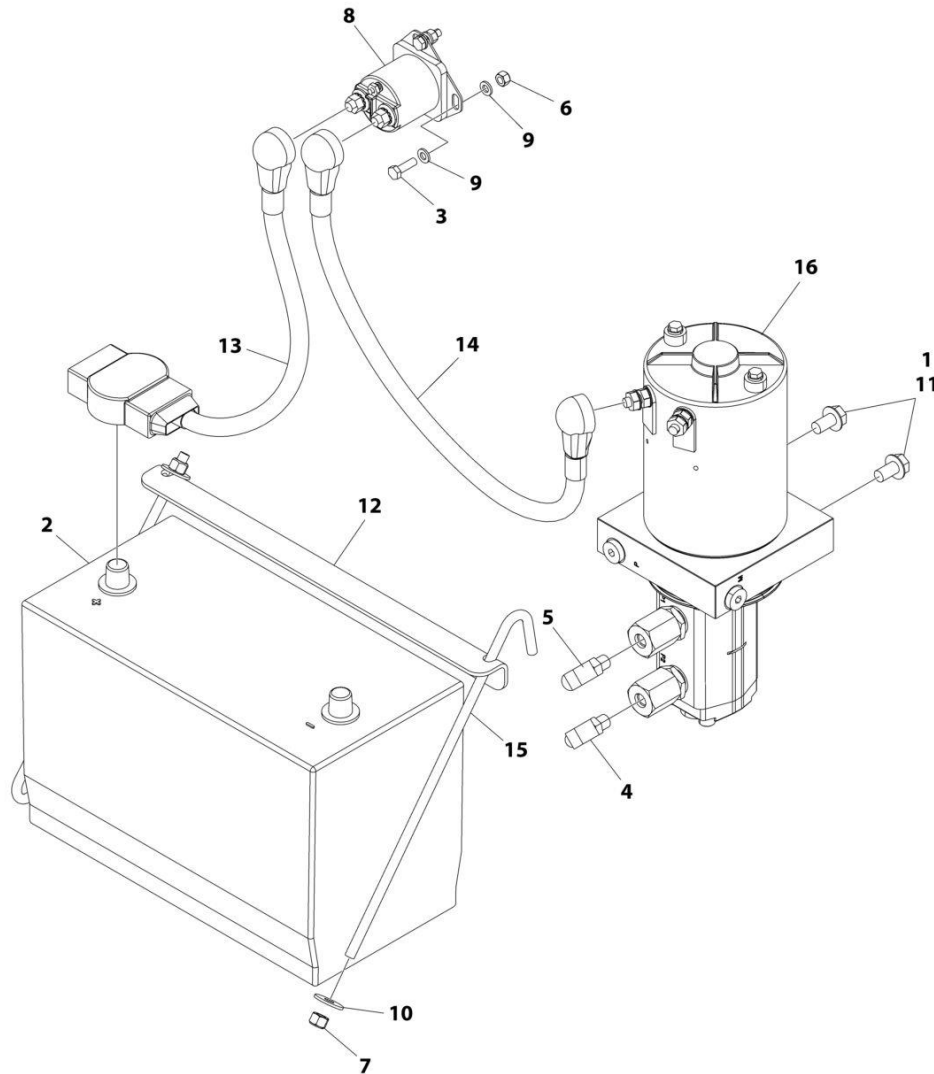
SECTION 2 - TURNTABLE

FIGURE 2-27. BATTERY AND AUXILIARY PUMP INSTALLATION (MACHINES WITH SN STARTING WITH 03)

ITEM	PART NUMBER	QTY	DESCRIPTION	REV
	1001186346	Ref	BATTERY AND AUXILIARY PUMP INSTALLATION	G
1	0100011	AR	Compound, Locking	
2	0400075	1	Battery	
3	0700610	2	Bolt M6 x 20	
5	3290605	2	Nut M6	
6	3290805	2	Nut M8	
7	3740067	1	Relay	
9	4811700	4	Washer M6	
11	91401281	1	Bracket, Hold Down	
12	1001192012	2	J-Bolt	
13	1001187808	1	Auxiliary Pump/Motor Assembly (Note: Replacement Motor is only Service Component Available. For Other Components, Replace Complete Assembly.)	
13	70003998	1	Motor, Replacement	
14	4811902	2	Washer M8	
15	1001188664	1	Cable, Battery (+)	
16	1001188666	1	Cable, Aux Relay to Aux Pump	
17	5251009	2	Bolt M10 x 18	

SECTION 2 - TURNTABLE

FIGURE 2-28. BATTERY AND AUXILIARY PUMP INSTALLATION (MACHINES WITH SN STARTING WITH B3)



ART_1001256239

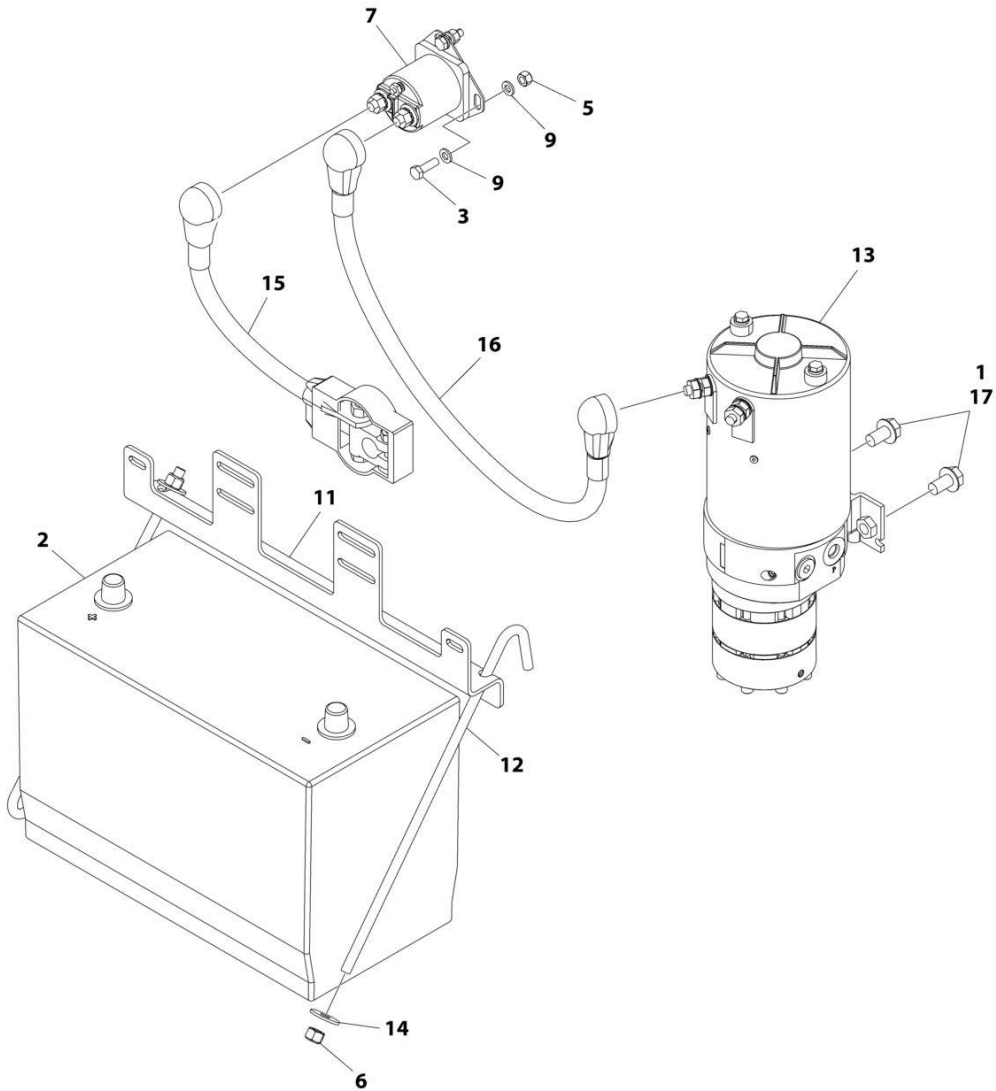
SECTION 2 - TURNTABLE

FIGURE 2-28. BATTERY AND AUXILIARY PUMP INSTALLATION (MACHINES WITH SN STARTING WITH B3)

ITEM	PART NUMBER	QTY	DESCRIPTION	REV
	1001256239	Ref	BATTERY AND AUXILIARY PUMP INSTALLATION	A
1	0100011	AR	Compound, Locking	
2	0400075	1	Battery	
3	0700610	2	Bolt M6 x 20	
4	2220466	1	Fitting, 90 JIC/ORB	
5	2220775	1	Fitting, 90 JIC/ORB	
6	3290605	2	Nut M6	
7	3290805	2	Nut M8	
8	3740067	1	Relay	
9	4811700	4	Washer M6	
10	4811902	2	Washer M8	
11	5251009	2	Bolt M10 x 18	
12	91401281	1	Bracket, Hold Down	
13	1001188664	1	Cable, Battery (+)	
14	1001188666	1	Cable, Aux Relay to Aux Pump	
15	1001192012	2	J-Bolt	
16	1001256238	1	Auxiliary Motor/Pump Assembly (See Separate Breakdown in this Section)	

SECTION 2 - TURNTABLE

FIGURE 2-29. BATTERY AND AUXILIARY PUMP WITH DISCONNECT SWITCH INSTALLATION
(MACHINES WITH SN STARTING WITH 03)



ART_1001238663

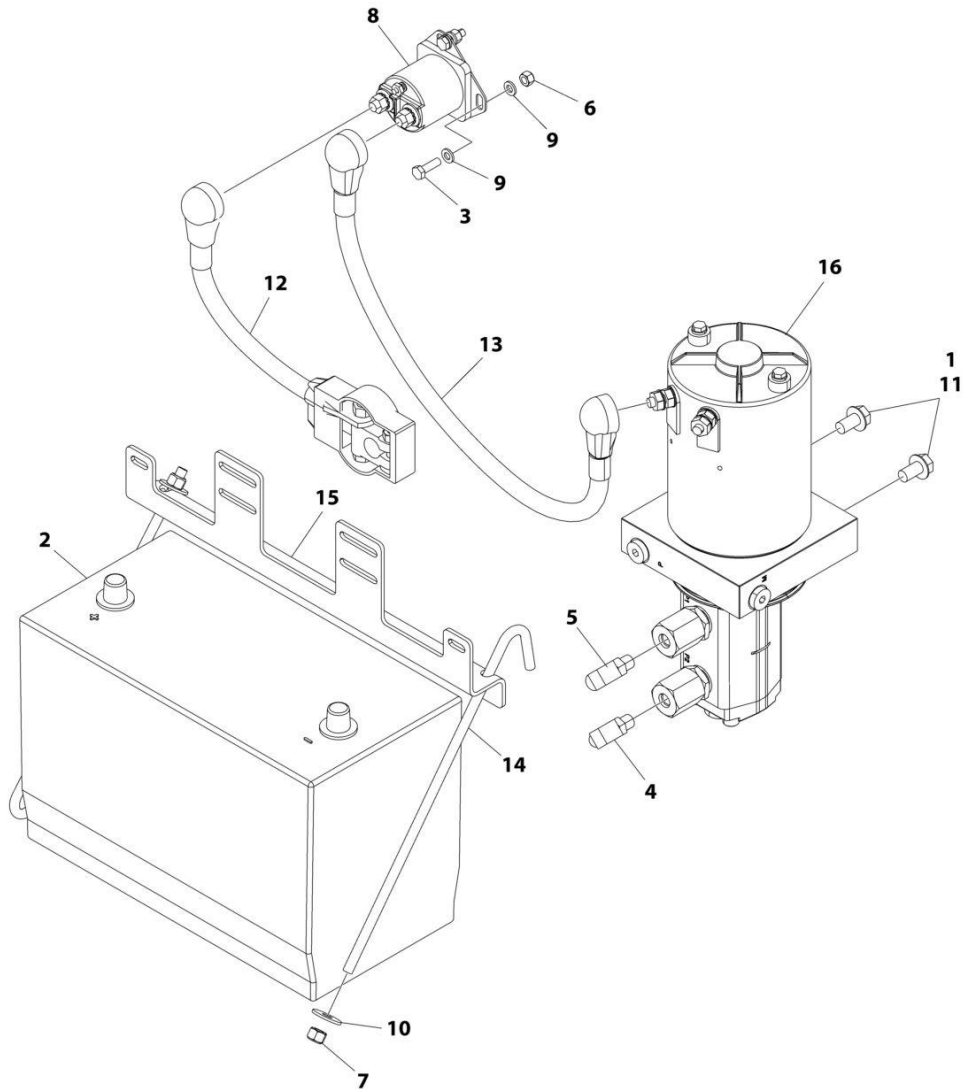
SECTION 2 - TURNTABLE

**FIGURE 2-29. BATTERY AND AUXILIARY PUMP WITH DISCONNECT SWITCH INSTALLATION
(MACHINES WITH SN STARTING WITH 03)**

ITEM	PART NUMBER	QTY	DESCRIPTION	REV
	1001238663	Ref	BATTERY AND AUXILIARY PUMP W/DISCONNECT SWITCH INSTALLATION	B
1	0100011	AR	Compound, Locking	
2	0400075	1	Battery	
3	0700610	2	Bolt M6 x 20	
5	3290605	2	Nut M6	
6	3290805	2	Nut M8	
7	3740067	1	Relay	
9	4811700	4	Washer M6	
11	1001236303	1	Bracket, Hold Down	
12	1001192012	2	J-Bolt	
13	1001187808	1	Auxiliary Pump/Motor Assembly (Note: Replacement Motor is only Service Component Available. For Other Components, Replace Complete Assembly.)	
13	70003998	1	Motor, Replacement	
14	4811902	2	Washer M8	
15	1001188664	1	Cable, Battery (+)	
16	1001188666	1	Cable, Aux Relay to Aux Pump	
17	5251009	2	Bolt M10 x 18	

SECTION 2 - TURNTABLE

FIGURE 2-30. BATTERY AND AUXILIARY PUMP INSTALLATION WITH DISCONNECT SWITCH
(MACHINES WITH SN STARTING WITH B3)



ART_1001263810

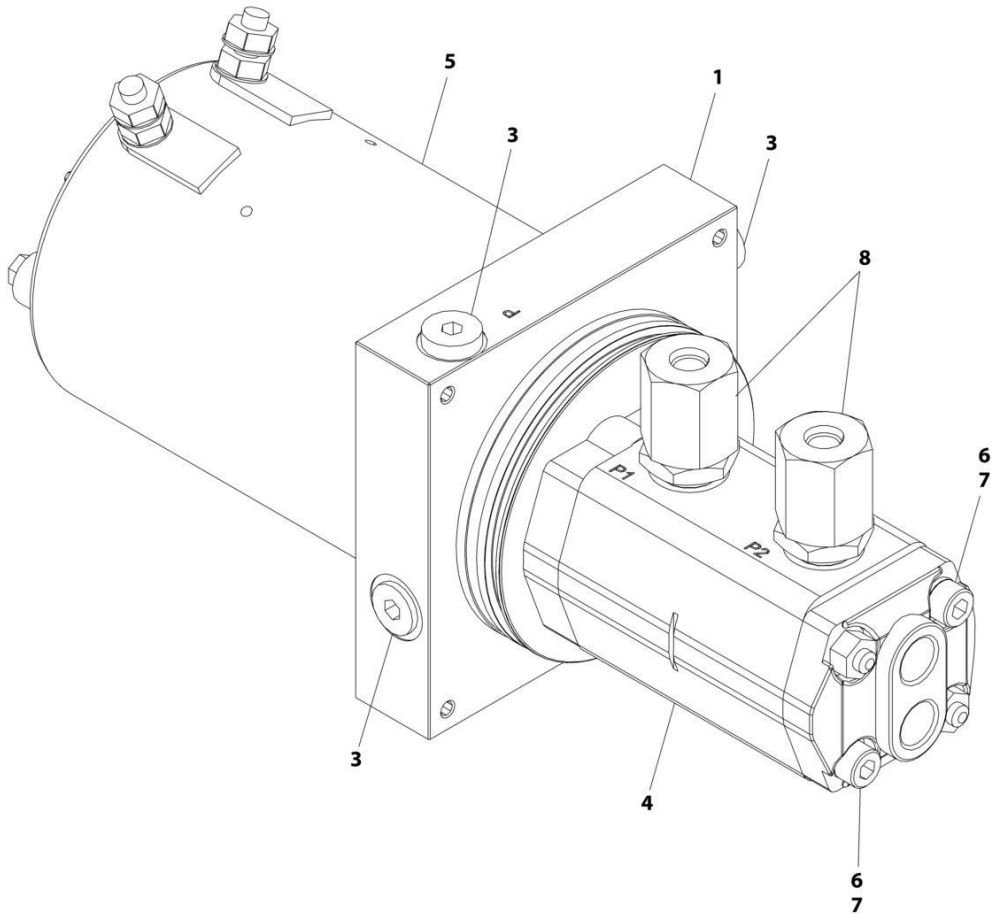
SECTION 2 - TURNTABLE

**FIGURE 2-30. BATTERY AND AUXILIARY PUMP INSTALLATION WITH DISCONNECT SWITCH
(MACHINES WITH SN STARTING WITH B3)**

ITEM	PART NUMBER	QTY	DESCRIPTION	REV
	1001263810	Ref	BATTERY AND AUXILIARY PUMP INSTALLATION	A
1	0100011	AR	Compound, Locking	
2	0400075	1	Battery	
3	0700610	2	Bolt M6 x 20	
4	2220466	1	Fitting, 90 JIC/ORB	
5	2220775	1	Fitting, 90 JIC/ORB	
6	3290605	2	Nut M6	
7	3290805	2	Nut M8	
8	3740067	1	Relay	
9	4811700	4	Washer M6	
10	4811902	2	Washer M8	
11	5251009	2	Bolt M10 x 18	
12	1001188664	1	Cable, Battery (+)	
13	1001188666	1	Cable, Aux Relay to Aux Pump	
14	1001192012	2	J-Bolt	
15	1001236303	1	Bracket, Hold Down	
16	1001256238	1	Auxiliary Motor/Pump Assembly (See Separate Breakdown in this Section)	

SECTION 2 - TURNTABLE

FIGURE 2-31. AUXILIARY MOTOR/PUMP ASSEMBLY (MACHINES WITH SN STARTING WITH B3)



ART_1001256238

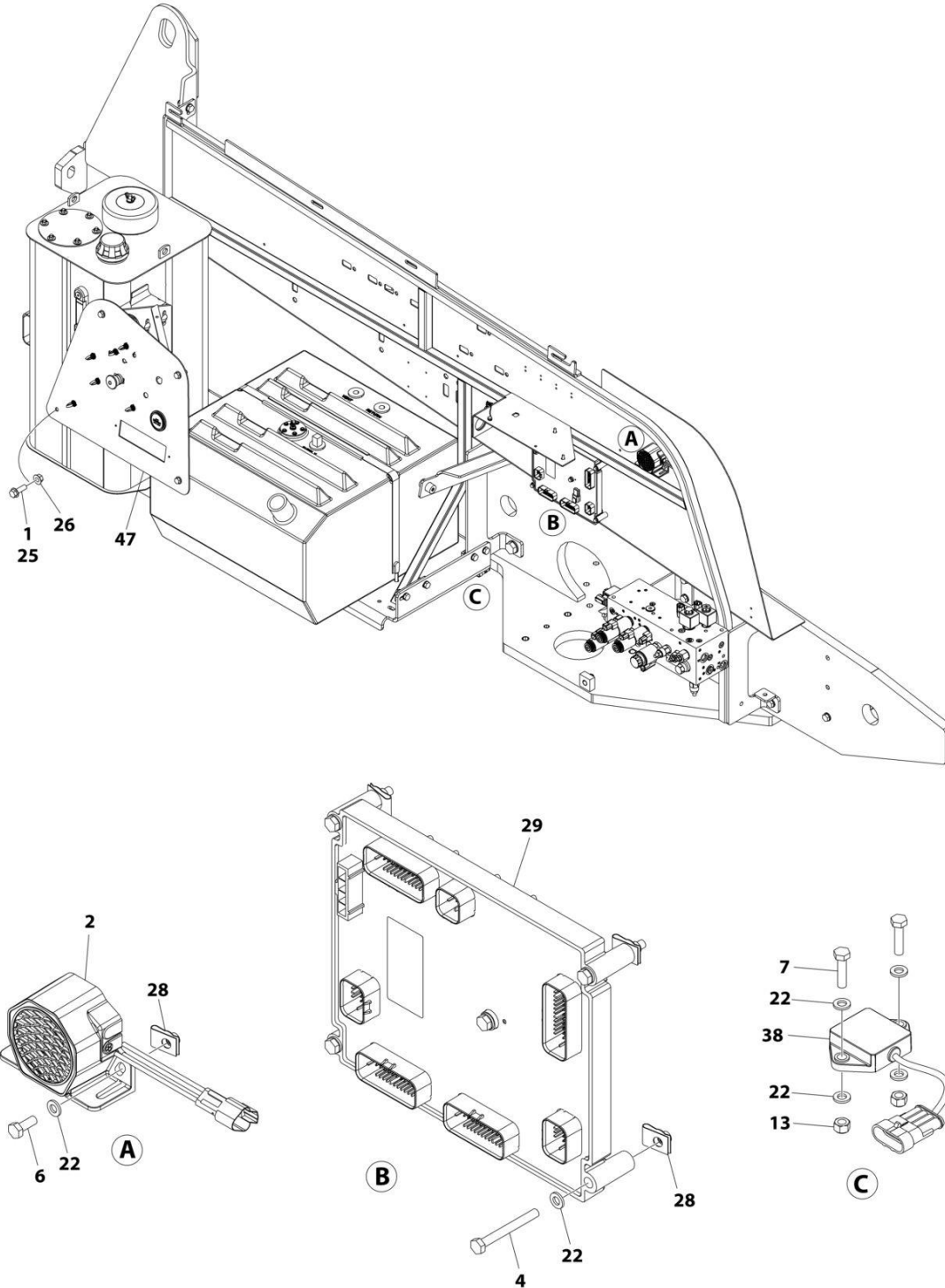
SECTION 2 - TURNTABLE

FIGURE 2-31. AUXILIARY MOTOR/PUMP ASSEMBLY (MACHINES WITH SN STARTING WITH B3)

ITEM	PART NUMBER	QTY	DESCRIPTION	REV
	1001256238	Ref	AUXILIARY MOTOR/PUMP ASSEMBLY	A
1	70008396	1	Block, Valve	
2	70008397	1	Shaft, Connecting (Not Shown)	
3	See Note	NSS	Plug (Note: Not Sold Separately)	
4	70008398	1	Pump	
5	70008399	1	Motor	
6	70008400	2	Washer M8	
7	70008401	2	Capscrew M8 x 140	
8	70008402	2	Valve, One-Way	

SECTION 2 - TURNTABLE

FIGURE 2-32. ELECTRICAL COMPONENTS INSTALLATION (ALL SPECS EXCEPT AUSTRALIAN, CE & UK CA (ULS) SPECS) (600S HC3) (Prior to SN B300024393, Prior to SN 0300312944, Excluding B300024064)



ART_1001235143_G_10F2

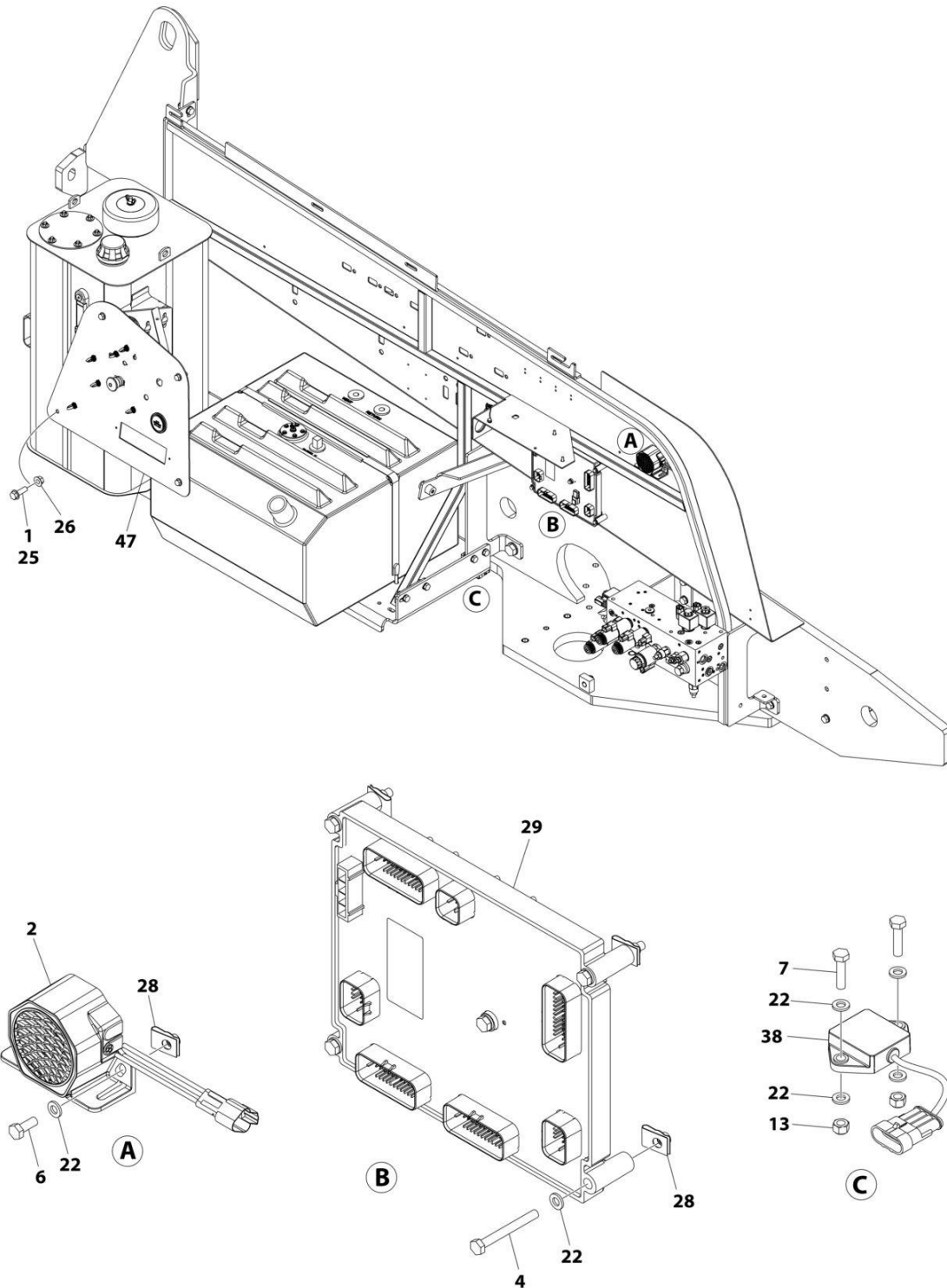
SECTION 2 - TURNTABLE

FIGURE 2-32. ELECTRICAL COMPONENTS INSTALLATION (ALL SPECS EXCEPT AUSTRALIAN, CE & UK CA (ULS) SPECS) (600S HC3) (Prior to SN B300024393, Prior to SN 0300312944, Excluding B300024064)

ITEM	PART NUMBER	QTY	DESCRIPTION	REV
	1001235143	Ref	ELECTRICAL COMPONENTS INSTALLATION	G
1	0100011	AR	Compound, Locking	
2	0140043	1	Alarm	
4	0700619	5	Bolt M6 x 55	
6	0700608	2	Bolt M6 x 16	
7	0760612	2	Bolt M6 x 25	
13	3290605	2	Nut, Lock M6	
22	4811700	6	Washer M6	
25	5251014	4	Bolt M10 x 30	
26	5261000	4	Nut M10 Class 10	
28	1001130220	7	Nut, Tinnerman M6	
29	1001280340	1	Module, Ground Control (Note: Re-calibration Required when Replaced)	
38	1001219601	1	Sensor	
47	1001241588	1	Ground Control Panel Assembly (See Separate Breakdown in this Section)	
58	1001296426	1	Harness, Hourmeter Jumper (Not Shown) (See Separate Breakdown in ELECTRICAL Section)	

SECTION 2 - TURNTABLE

FIGURE 2-33. ELECTRICAL COMPONENTS INSTALLATION (ALL SPECS EXCEPT AUSTRALIAN, CE & UK CA (ULS) SPECS) (600S HC3) (SN B300024393 to Present, SN 0300312944 to Present, Including B300024064)



ART_1001235143_H_10F2

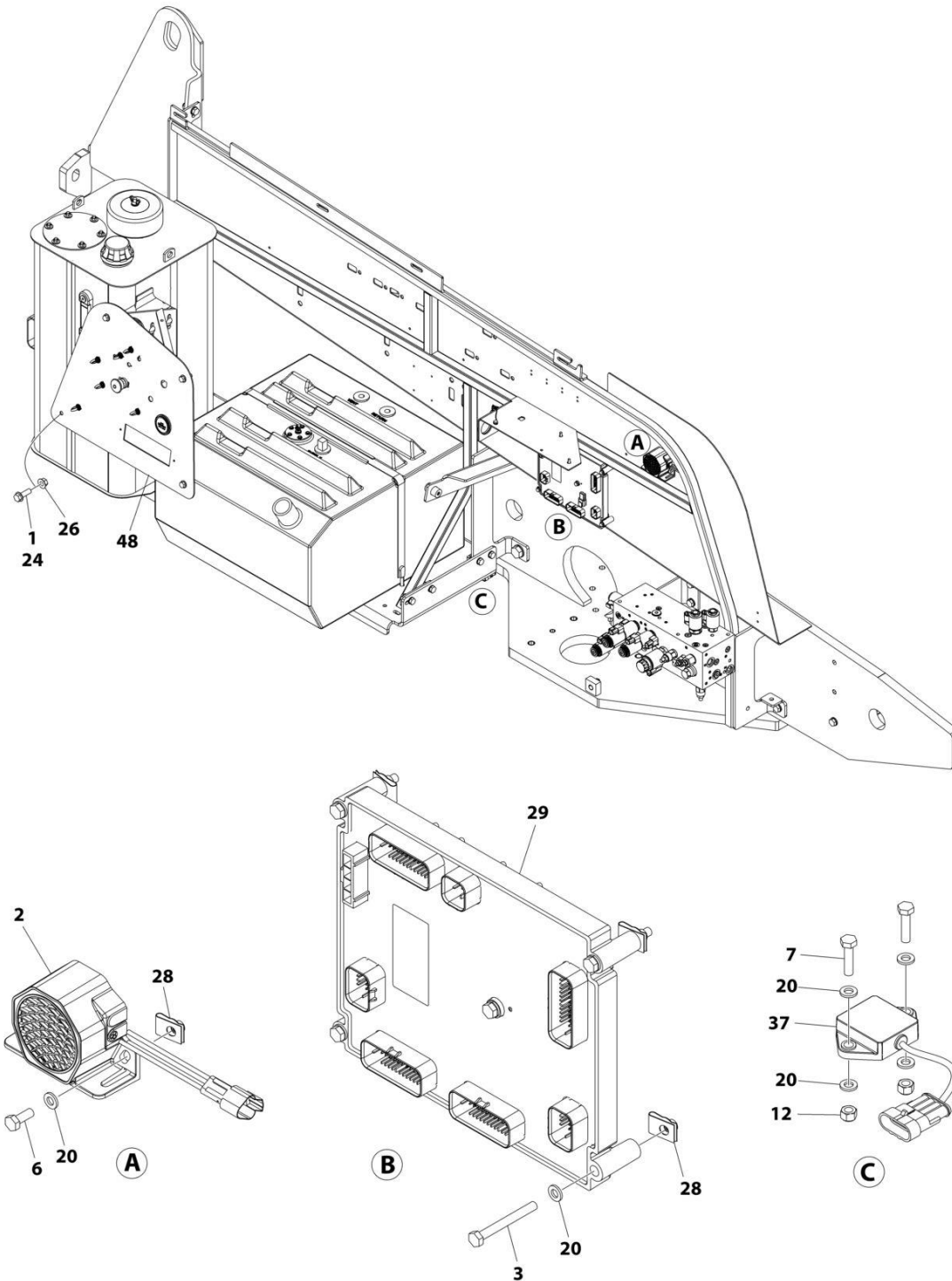
SECTION 2 - TURNTABLE

FIGURE 2-33. ELECTRICAL COMPONENTS INSTALLATION (ALL SPECS EXCEPT AUSTRALIAN, CE & UK CA (ULS) SPECS) (600S HC3) (SN B300024393 to Present, SN 0300312944 to Present, Including B300024064)

ITEM	PART NUMBER	QTY	DESCRIPTION	REV
	1001235143	Ref	ELECTRICAL COMPONENTS INSTALLATION	H
1	0100011	AR	Compound, Locking	
2	0140043	1	Alarm	
4	0700619	5	Bolt M6 x 55	
6	0700608	2	Bolt M6 x 16	
7	0760612	2	Bolt M6 x 25	
13	3290605	2	Nut, Lock M6	
22	4811700	6	Washer M6	
25	5251014	4	Bolt M10 x 30	
26	5261000	4	Nut M10 Class 10	
28	1001130220	7	Nut, Tinnerman M6	
29	1001280340	1	Module, Ground Control (Note: Re-calibration Required when Replaced)	
38	1001219601	1	Sensor	
47	1001241588	1	Ground Control Panel Assembly (See Separate Breakdown in this Section)	

SECTION 2 - TURNTABLE

FIGURE 2-34. ELECTRICAL COMPONENTS INSTALLATION (CE & UK CA (ULS) SPECS) (600S HC3)
(Prior to SN B300024393, Prior to SN 0300312944, Excluding B300024064)



ART_1001262633_E_10F2

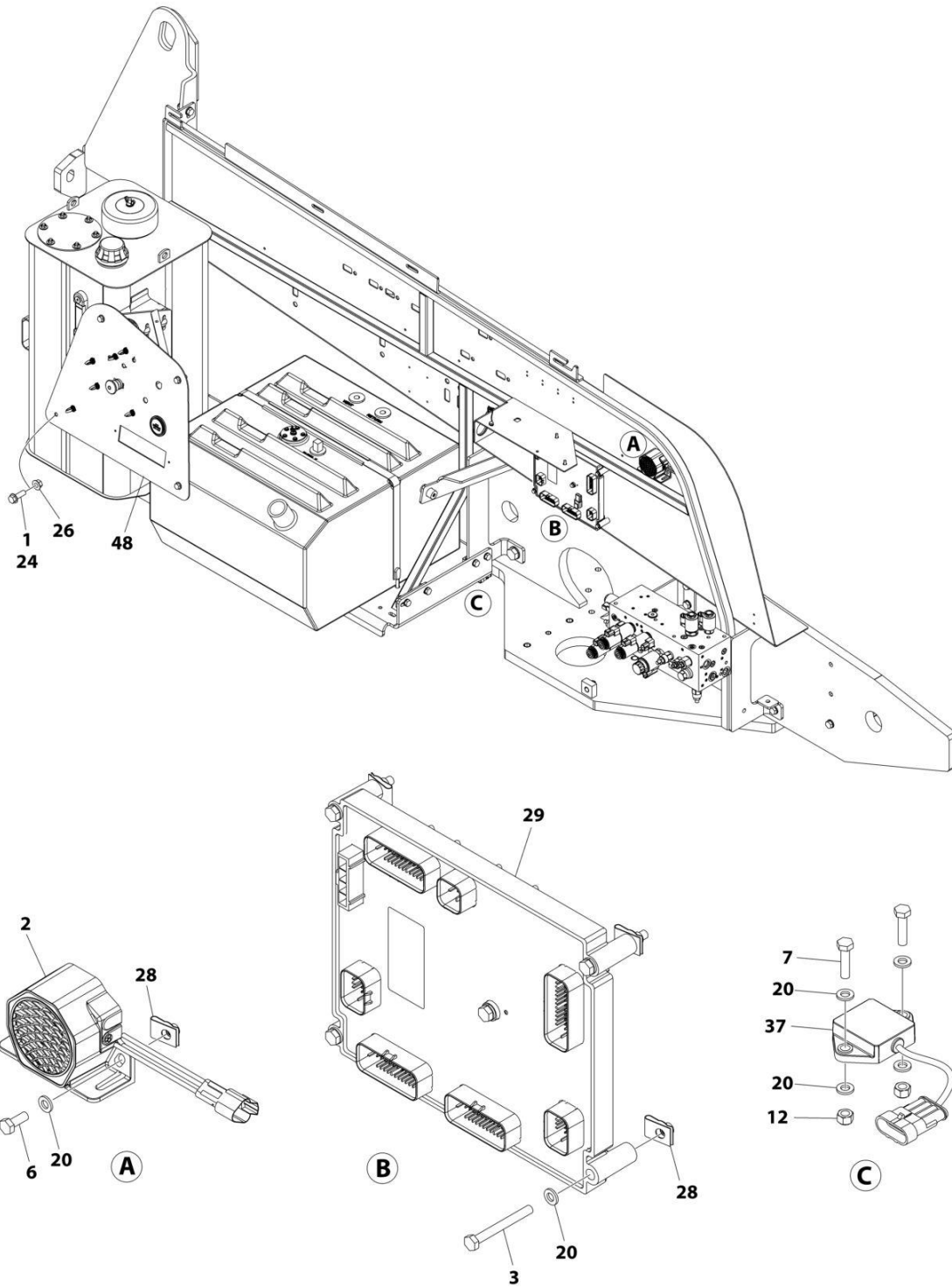
SECTION 2 - TURNTABLE

**FIGURE 2-34. ELECTRICAL COMPONENTS INSTALLATION (CE & UK CA (ULS) SPECS) (600S HC3)
(Prior to SN B300024393, Prior to SN 0300312944, Excluding B300024064)**

ITEM	PART NUMBER	QTY	DESCRIPTION	REV
	1001262633	Ref	ELECTRICAL COMPONENTS INSTALLATION	E
1	0100011	AR	Compound, Locking	
2	0140043	1	Alarm	
3	0700619	5	Bolt M6 x 55	
6	0760608	2	Bolt M6 x 16	
7	0760612	2	Bolt M6 x 25	
12	3290605	2	Nut, Lock M6	
20	4811700	11	Washer M6	
24	5251014	4	Bolt M10 x 30	
26	5261000	5	Nut M10 Class 10	
28	1001130220	7	Nut, Tinnerman M6	
29	1001280340	1	Module, Ground Control (Note: Re-calibration Required when Replaced)	
37	1001219601	1	Sensor	
48	1001245774	1	Ground Control Panel Assembly (See Separate Breakdown in this Section)	
58	1001296426	1	Harness, Hourmeter Jumper (Not Shown) (See Separate Breakdown in ELECTRICAL Section)	

SECTION 2 - TURNTABLE

FIGURE 2-35. ELECTRICAL COMPONENTS INSTALLATION (CE & UK CA (ULS) SPECS) (600S HC3)
(SN B300024393 to Present, SN 0300312944 to Present, Including B300024064)



ART_1001262633_F_10F2

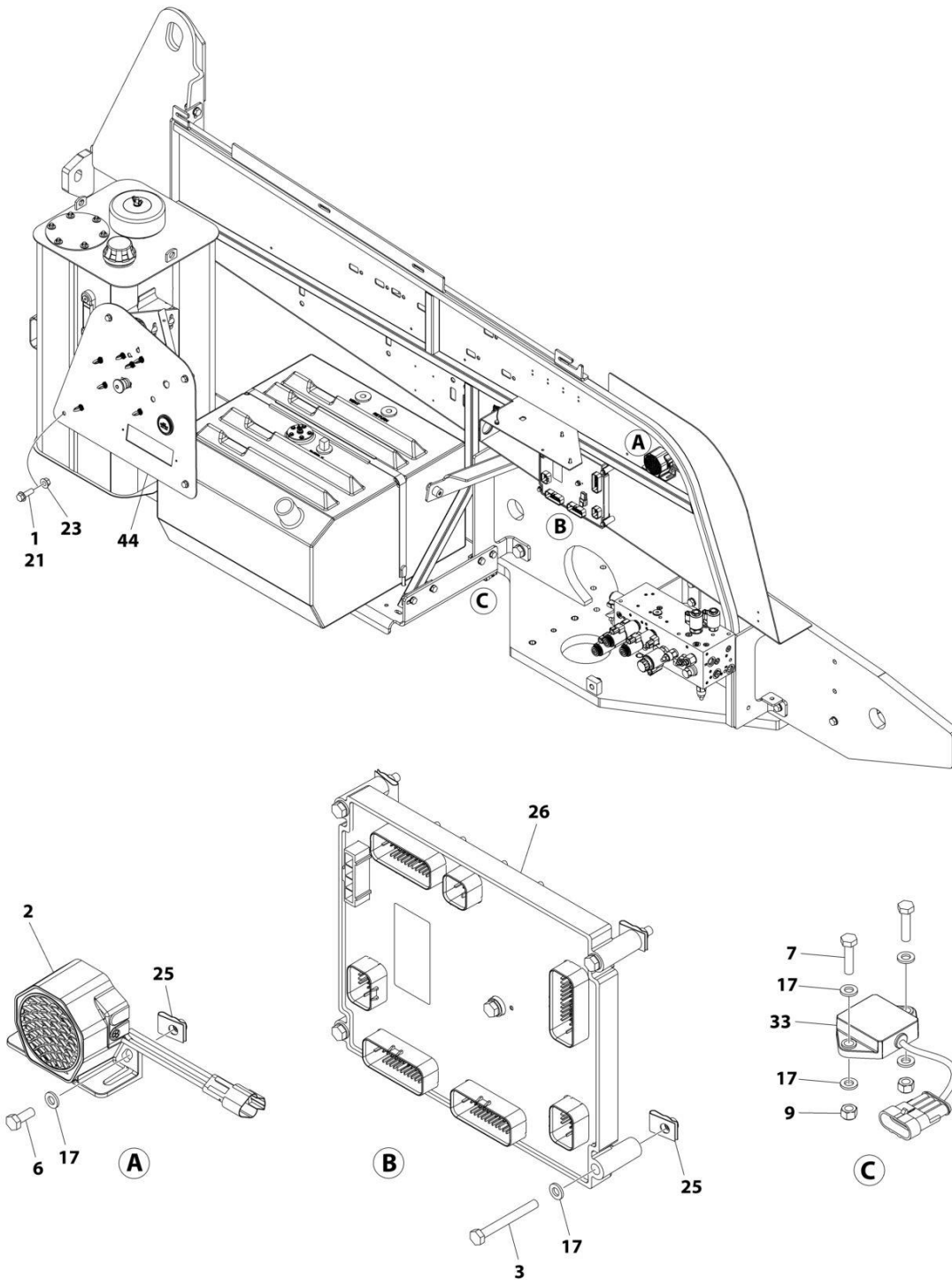
SECTION 2 - TURNTABLE

**FIGURE 2-35. ELECTRICAL COMPONENTS INSTALLATION (CE & UK CA (ULS) SPECS) (600S HC3)
(SN B300024393 to Present, SN 0300312944 to Present, Including B300024064)**

ITEM	PART NUMBER	QTY	DESCRIPTION	REV
	1001262633	Ref	ELECTRICAL COMPONENTS INSTALLATION	F
1	0100011	AR	Compound, Locking	
2	0140043	1	Alarm	
3	0700619	5	Bolt M6 x 55	
6	0760608	2	Bolt M6 x 16	
7	0760612	2	Bolt M6 x 25	
12	3290605	2	Nut, Lock M6	
20	4811700	11	Washer M6	
24	5251014	4	Bolt M10 x 30	
26	5261000	5	Nut M10 Class 10	
28	1001130220	7	Nut, Tinnerman M6	
29	1001280340	1	Module, Ground Control (Note: Re-calibration Required when Replaced)	
37	1001219601	1	Sensor	
48	1001245774	1	Ground Control Panel Assembly (See Separate Breakdown in this Section)	

SECTION 2 - TURNTABLE

FIGURE 2-36. ELECTRICAL COMPONENTS INSTALLATION (CE & UK CA (ULS) SPECS) (660SJ HC3)
(Prior to SN B300024393, Prior to SN 0300312944, Excluding B300024064)



ART_1001262634_E_10F2

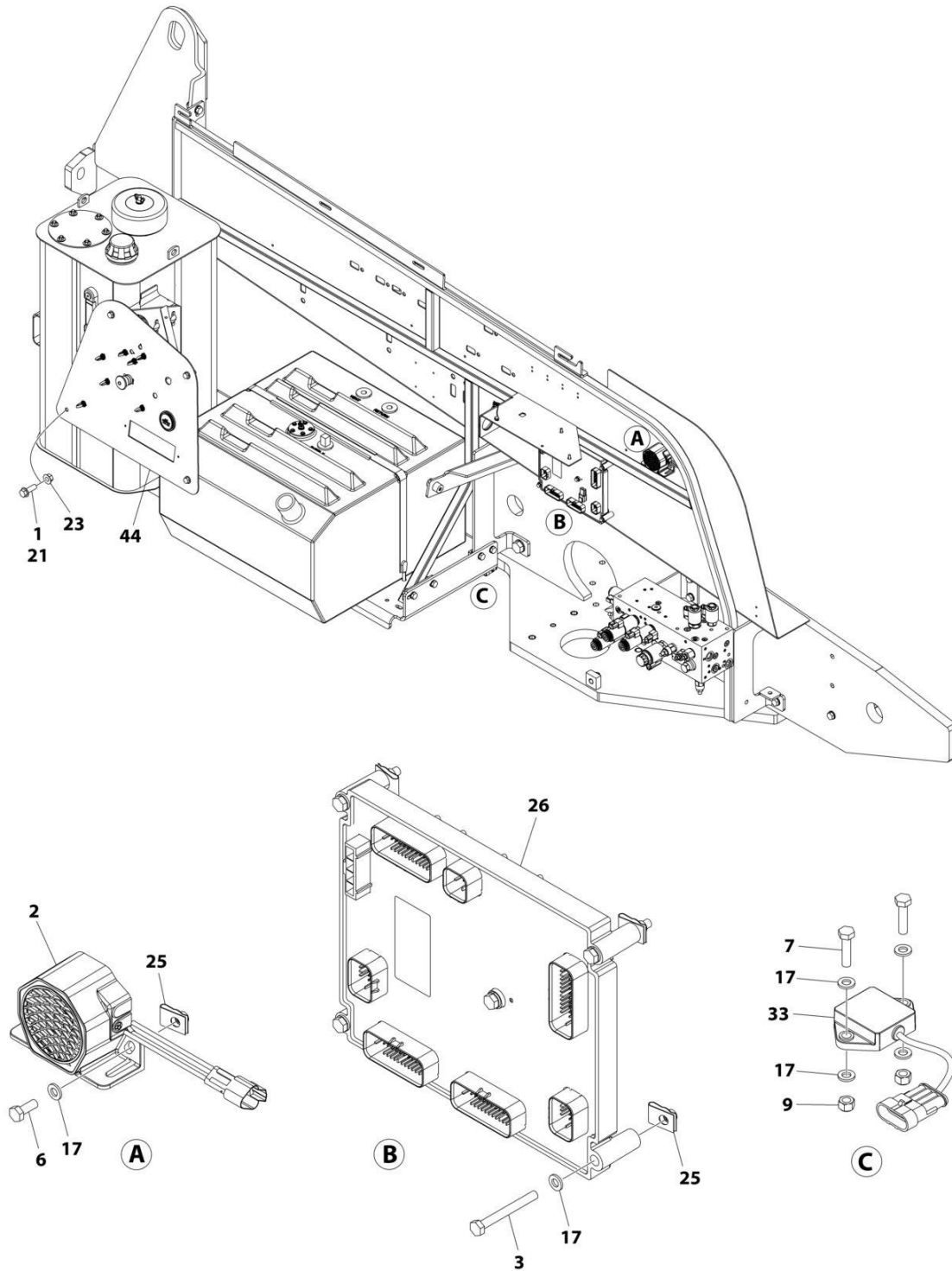
SECTION 2 - TURNTABLE

**FIGURE 2-36. ELECTRICAL COMPONENTS INSTALLATION (CE & UK CA (ULS) SPECS) (660SJ HC3)
(Prior to SN B300024393, Prior to SN 0300312944, Excluding B300024064)**

ITEM	PART NUMBER	QTY	DESCRIPTION	REV
	1001262634	Ref	ELECTRICAL COMPONENTS INSTALLATION	E
1	0100011	AR	Compound, Locking	
2	0140043	1	Alarm	
3	0700619	5	Bolt M6 x 55	
6	0700608	2	Bolt M6 x 16	
7	0760612	2	Bolt M6 x 25	
9	3290605	2	Nut, Lock M6	
17	4811700	11	Washer M6	
21	5251014	4	Bolt M10 x 30	
23	5261000	5	Nut M10 Class 10	
25	1001130220	7	Nut, Tinnerman M6	
26	1001280340	1	Module, Ground Control (Note: Re-calibration Required when Replaced)	
33	1001219601	1	Sensor	
44	1001245775	1	Ground Control Panel Assembly (See Separate Breakdown in this Section)	
49	1001296426	1	Harness, Hourmeter Jumper (Not Shown) (See Separate Breakdown in ELECTRICAL Section)	

SECTION 2 - TURNTABLE

FIGURE 2-37. ELECTRICAL COMPONENTS INSTALLATION (CE & UK CA (ULS) SPECS) (660SJ HC3)
(SN B300024393 to Present, SN 0300312944 to Present, Including B300024064)



ART_1001262634_F_10F2

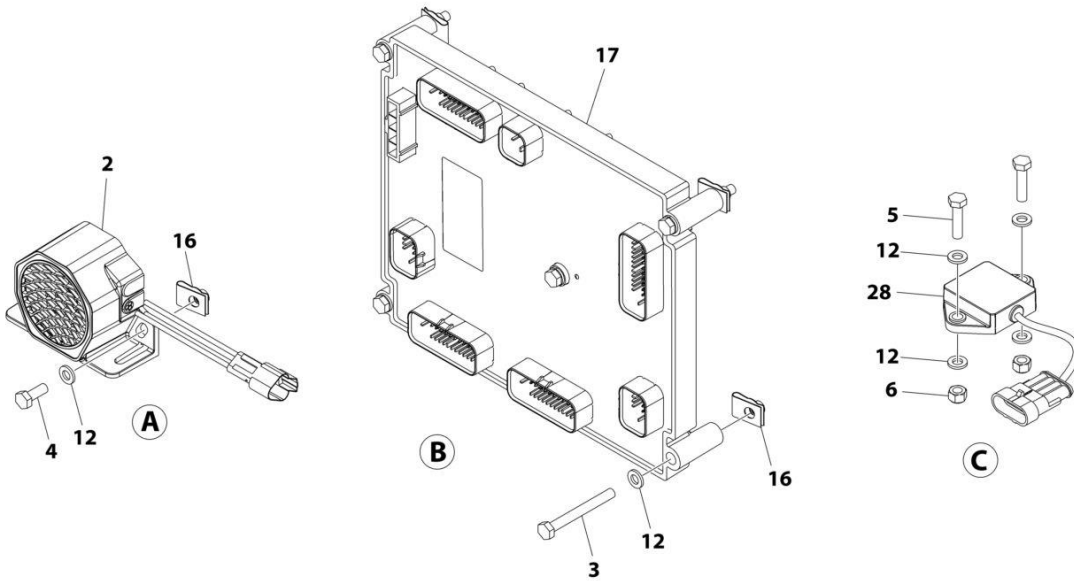
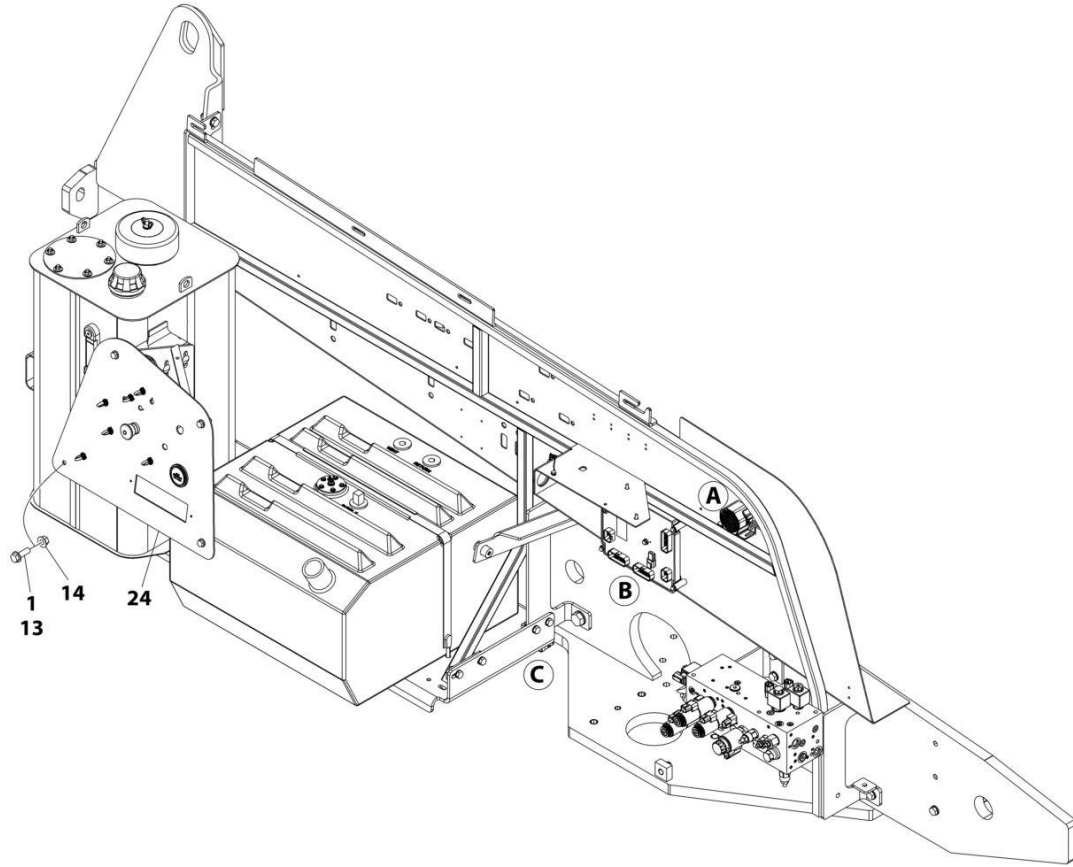
SECTION 2 - TURNTABLE

**FIGURE 2-37. ELECTRICAL COMPONENTS INSTALLATION (CE & UK CA (ULS) SPECS) (660SJ HC3)
(SN B300024393 to Present, SN 0300312944 to Present, Including B300024064)**

ITEM	PART NUMBER	QTY	DESCRIPTION	REV
	1001262634	Ref	ELECTRICAL COMPONENTS INSTALLATION	F
1	0100011	AR	Compound, Locking	
2	0140043	1	Alarm	
3	0700619	5	Bolt M6 x 55	
6	0700608	2	Bolt M6 x 16	
7	0760612	2	Bolt M6 x 25	
9	3290605	2	Nut, Lock M6	
17	4811700	11	Washer M6	
21	5251014	4	Bolt M10 x 30	
23	5261000	5	Nut M10 Class 10	
25	1001130220	7	Nut, Tinnerman M6	
26	1001280340	1	Module, Ground Control (Note: Re-calibration Required when Replaced)	
33	1001219601	1	Sensor	
44	1001245775	1	Ground Control Panel Assembly (See Separate Breakdown in this Section)	

SECTION 2 - TURNTABLE

FIGURE 2-38. ELECTRICAL COMPONENTS INSTALLATION - STANDARD WITH 2WS



ART_1001243969_H_10F2

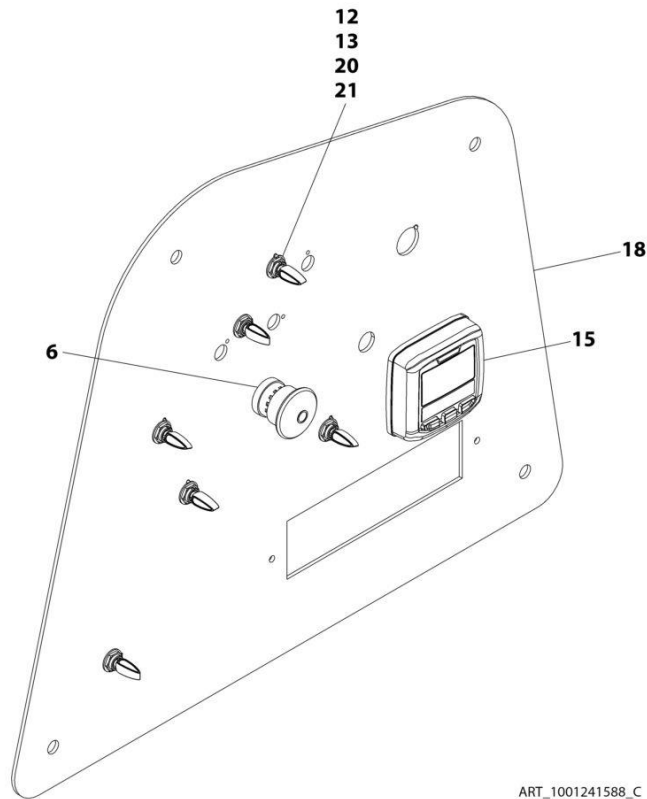
SECTION 2 - TURNTABLE

FIGURE 2-38. ELECTRICAL COMPONENTS INSTALLATION - STANDARD WITH 2WS

ITEM	PART NUMBER	QTY	DESCRIPTION	REV
	1001243969	Ref	ELECTRICAL COMPONENTS INSTALLATION	H
1	0100011	AR	Compound, Locking	
2	0140043	1	Alarm	
3	0700619	5	Bolt M6 x 55	
4	0700608	2	Bolt M6 x 16	
5	0760612	2	Bolt M6 x 25	
6	3290605	2	Nut M6	
12	4811700	6	Washer M6	
13	5251014	4	Bolt M10 x 30	
14	5261000	4	Nut M10 Class 10	
16	1001130220	7	Nut, Tinnerman M6	
17	1001187200	1	Module, Ground Control (Note: Re-calibration Required when Replaced)	
17	1001280340	1	Module, Ground Control (Note: Re-calibration Required when Replaced)	
24	1001250273	1	Ground Control Panel Assembly (See Separate Breakdown in this Section)	
28	1001219601	1	Sensor	
46	1001296426	1	Harness, Hourmeter Jumper (Not Shown) (See Separate Breakdown in ELECTRICAL Section)	

SECTION 2 - TURNTABLE

FIGURE 2-39. GROUND CONTROL ASSEMBLY - (MACHINES WITH SN STARTING WITH 03 ALL SPECS EXCEPT AUSTRALIAN, CE & UK CA (ULS) SPECS) (600S HC3)



ART_1001241588_C

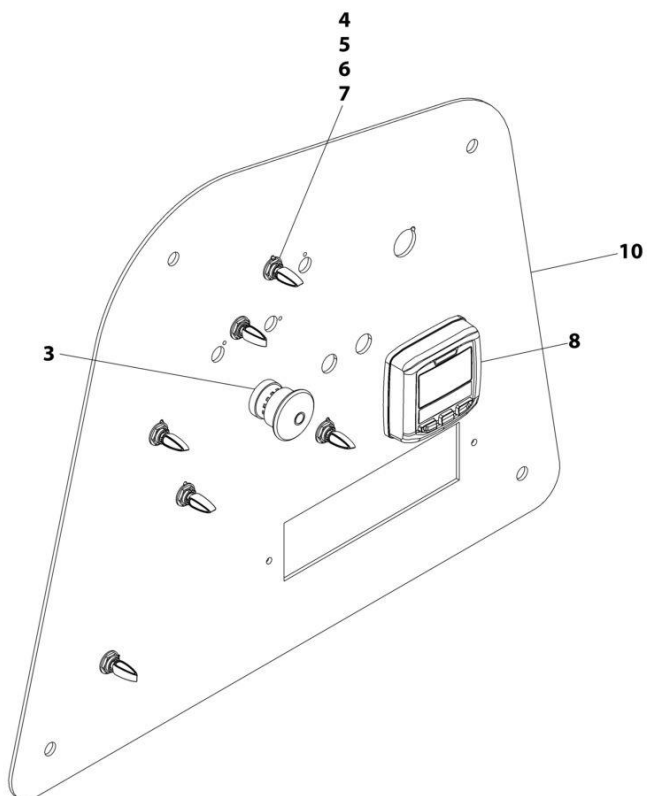
SECTION 2 - TURNTABLE

FIGURE 2-39. GROUND CONTROL ASSEMBLY - (MACHINES WITH SN STARTING WITH 03 ALL SPECS EXCEPT AUSTRALIAN, CE & UK CA (ULS) SPECS) (600S HC3)

ITEM	PART NUMBER	QTY	DESCRIPTION	REV
	1001241588	Ref	GROUND CONTROL PANEL ASSEMBLY	C
6	1001274559	1	Switch, Emergency Stop	
12	1001155043	6	Washer	
13	1001155044	6	Nut 15/32	
15	1001171482	1	Gauge	
18	1001191126	1	Plate	
20	4740397	6	Washer	
21	1001155045	6	Switch, Toggle	

SECTION 2 - TURNTABLE

FIGURE 2-40. GROUND CONTROL ASSEMBLY - (MACHINES WITH SN STARTING WITH 03 CE & UK CA (ULS) SPECS) (600S HC3)



ART_1001245774

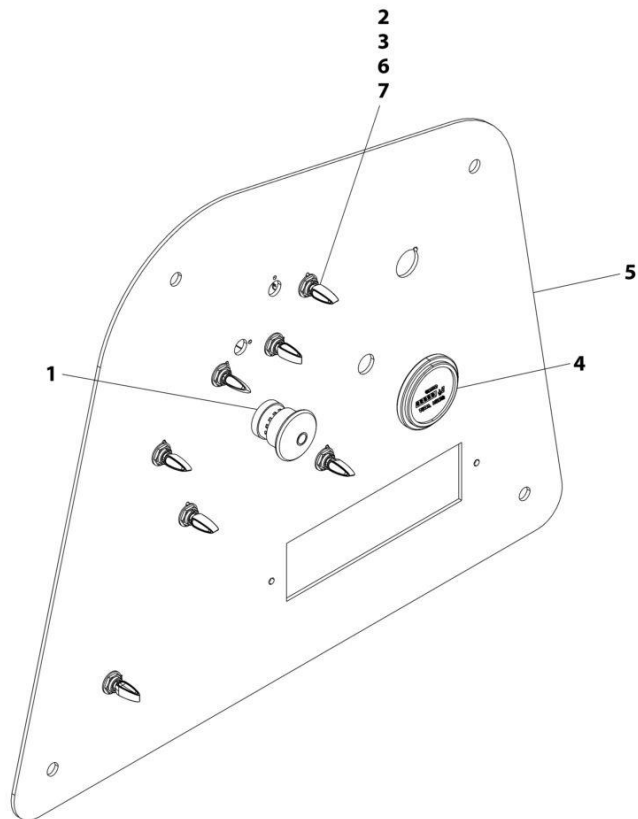
SECTION 2 - TURNTABLE

FIGURE 2-40. GROUND CONTROL ASSEMBLY - (MACHINES WITH SN STARTING WITH 03 CE & UK CA (ULS) SPECS) (600S HC3)

ITEM	PART NUMBER	QTY	DESCRIPTION	REV
	1001245774	Ref	GROUND CONTROL PANEL ASSEMBLY	B
3	4360475	1	Switch, Emergency Stop	
3	7020175	1	Cap	
3	7020176	1	Block, Contact	
4	4740397	6	Washer	
5	1001155043	6	Washer	
6	1001155044	6	Nut 15/32	
7	1001155045	6	Switch, Toggle	
8	1001171482	1	Gauge	
10	1001245773	1	Plate	

SECTION 2 - TURNTABLE

FIGURE 2-41. GROUND CONTROL ASSEMBLY - (MACHINES WITH SN STARTING WITH 03 CE & UK CA (ULS) SPECS) (660SJ HC3)



**NOTE: FOR LIGHT PANEL COMPONENTS, SEE SEPARATE BREAKDOWN
IN ELECTRICAL INSTALLATION OR LIGHT PANEL INSTALLATION.**

ART_1001250273_D

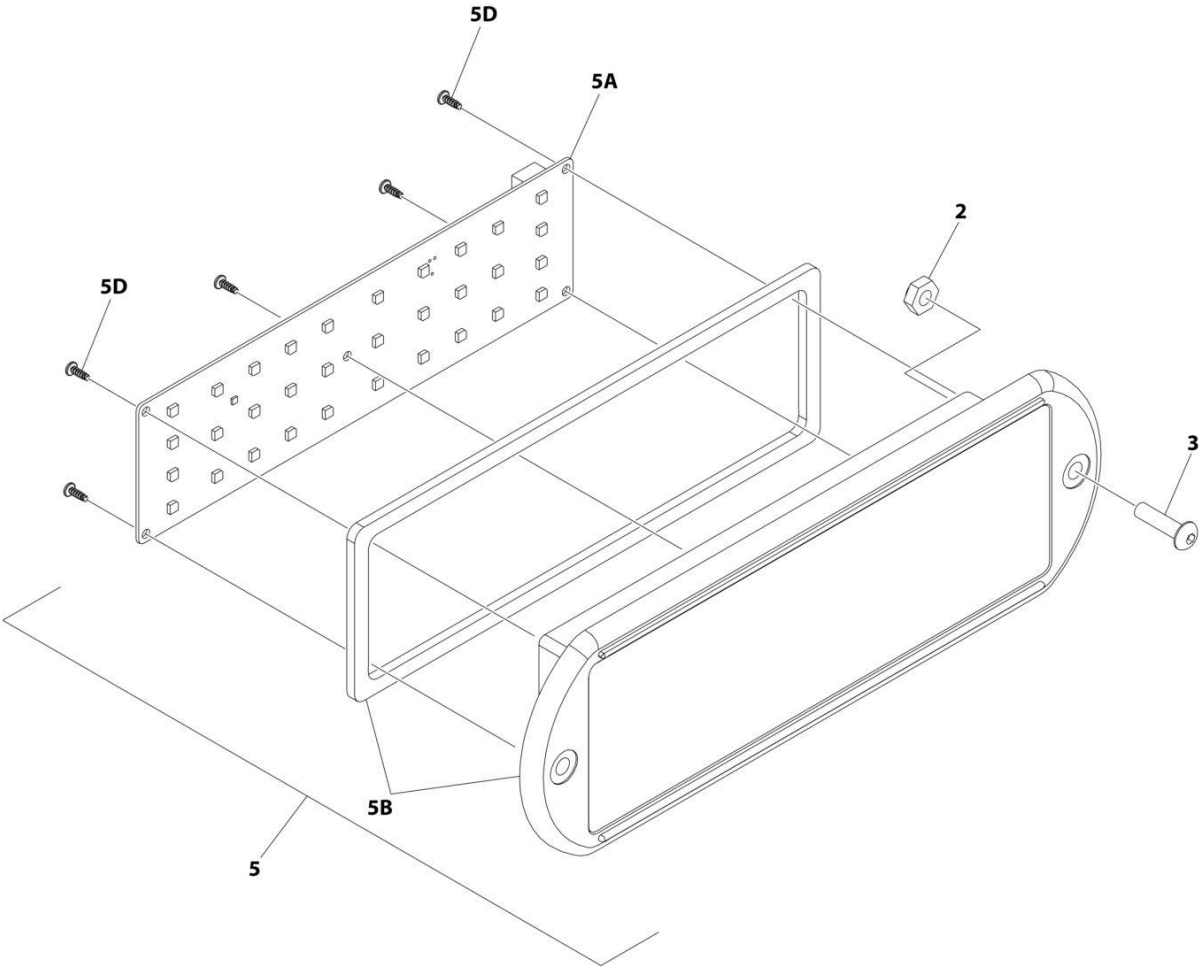
SECTION 2 - TURNTABLE

FIGURE 2-41. GROUND CONTROL ASSEMBLY - (MACHINES WITH SN STARTING WITH 03 CE & UK CA (ULS) SPECS) (660SJ HC3)

ITEM	PART NUMBER	QTY	DESCRIPTION	REV
	1001250273	Ref	GROUND CONTROL PANEL ASSEMBLY	D
1	1001274559	1	Switch, Emergency Stop	
2	1001155043	7	Washer	
3	1001155044	7	Nut 15/32	
4	10836804	1	Gauge	
5	1001297383	1	Plate	
6	4740397	7	Washer	
7	1001155045	7	Switch, Toggle	
8	4460234	AR	Mount, Tie Strap (Not Shown)	

SECTION 2 - TURNTABLE

FIGURE 2-42. LIGHT PANEL INSTALLATION



ART_1001233959_D_10F2

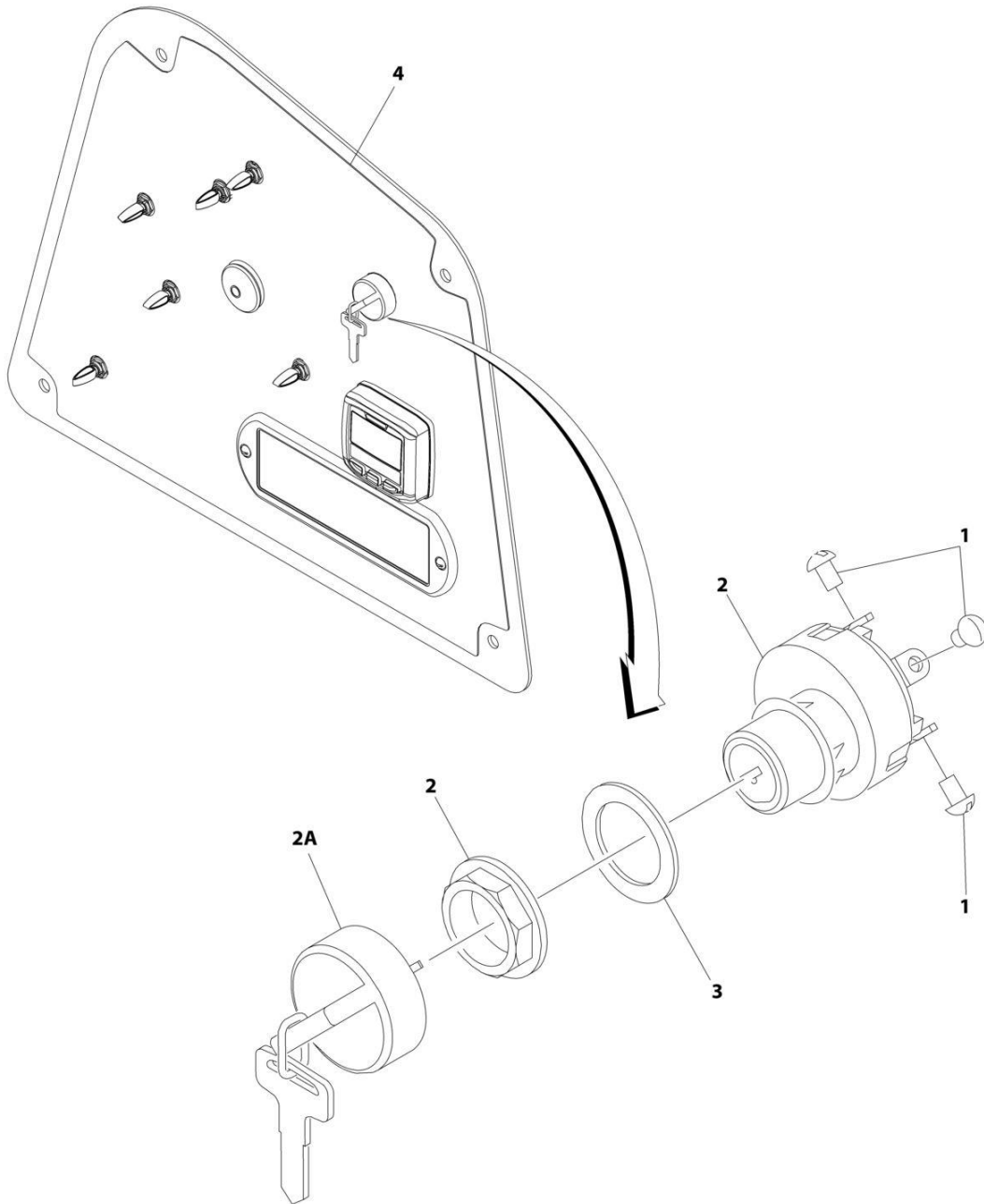
SECTION 2 - TURNTABLE

FIGURE 2-42. LIGHT PANEL INSTALLATION

ITEM	PART NUMBER	QTY	DESCRIPTION	REV
	1001233959	Ref	LIGHT PANEL INSTALLATION	D
2	3300408	2	Nut, Nylon Insert	
3	0630518	2	Screw #10 x 3/4	
5	1001237546	1	Light Panel Assembly	J
5A	1001282106	1	Panel, LED Light	
5B	1001236091	1	Lens, Icon (Includes Gasket)	
5D		Ref	Screw	

SECTION 2 - TURNTABLE

FIGURE 2-43. KEYSWITCH INSTALLATION - (ANSI, ANSI EXPORT, CHINA, CSA AND JAPANESE SPECS) (600S HC3)



ART_1001239448

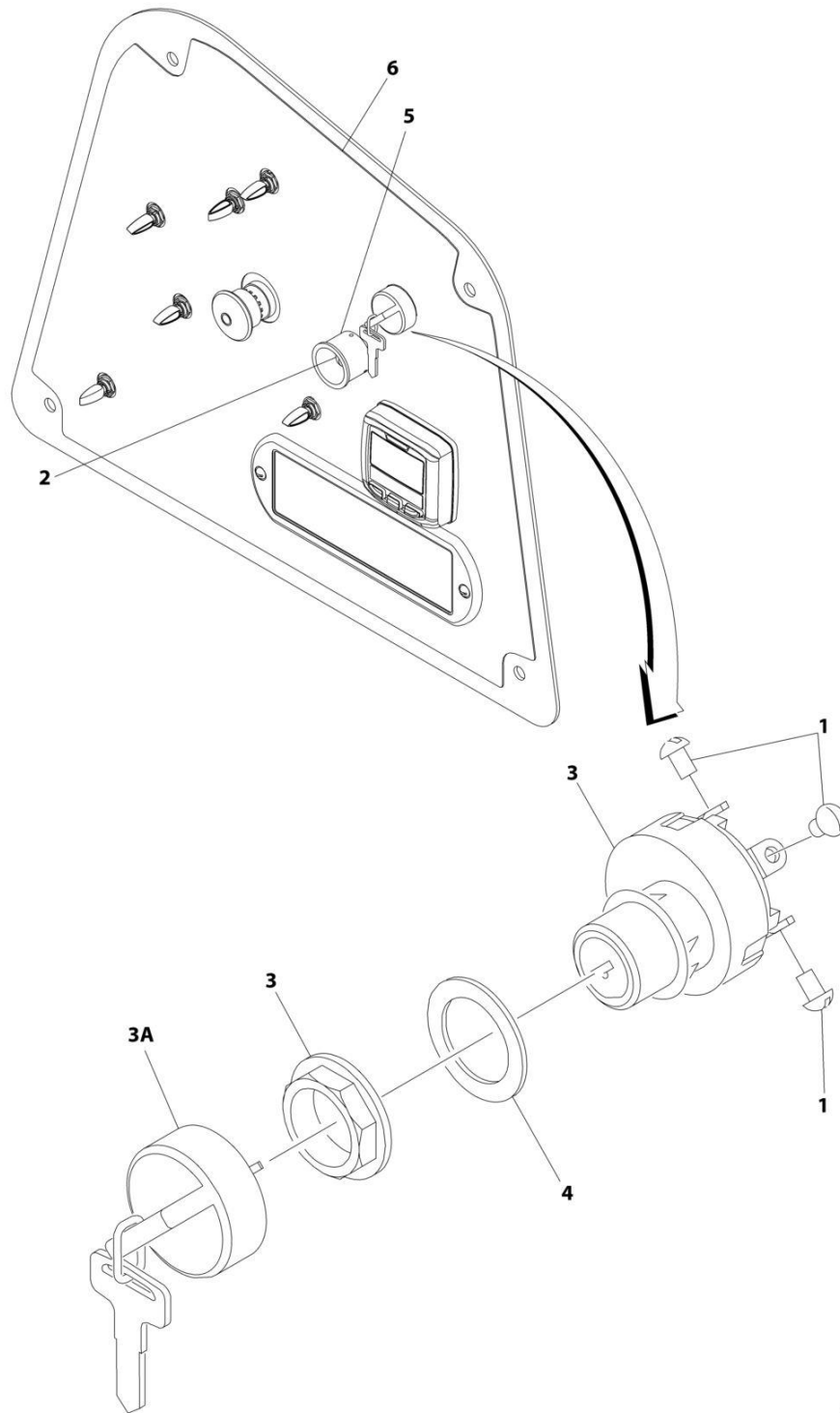
SECTION 2 - TURNTABLE

FIGURE 2-43. KEYSWITCH INSTALLATION - (ANSI, ANSI EXPORT, CHINA, CSA AND JAPANESE SPECS) (600S HC3)

ITEM	PART NUMBER	QTY	DESCRIPTION	REV
	1001239448	Ref	KEYSWITCH INSTALLATION	B
1	3910804	6	Screw #8 x 1/4	
2	4360469	1	Switch, Key	
2A	2860030	1 Set	Key, Replacement	
3	1001151393	1	Shim	
4	1001239450	1	Decal - Ground Control Panel	

SECTION 2 - TURNTABLE

FIGURE 2-44. KEYSWITCH INSTALLATION - (RUSSIA, CE & UK CA SPECS) (600S HC3)



ART_1001239449

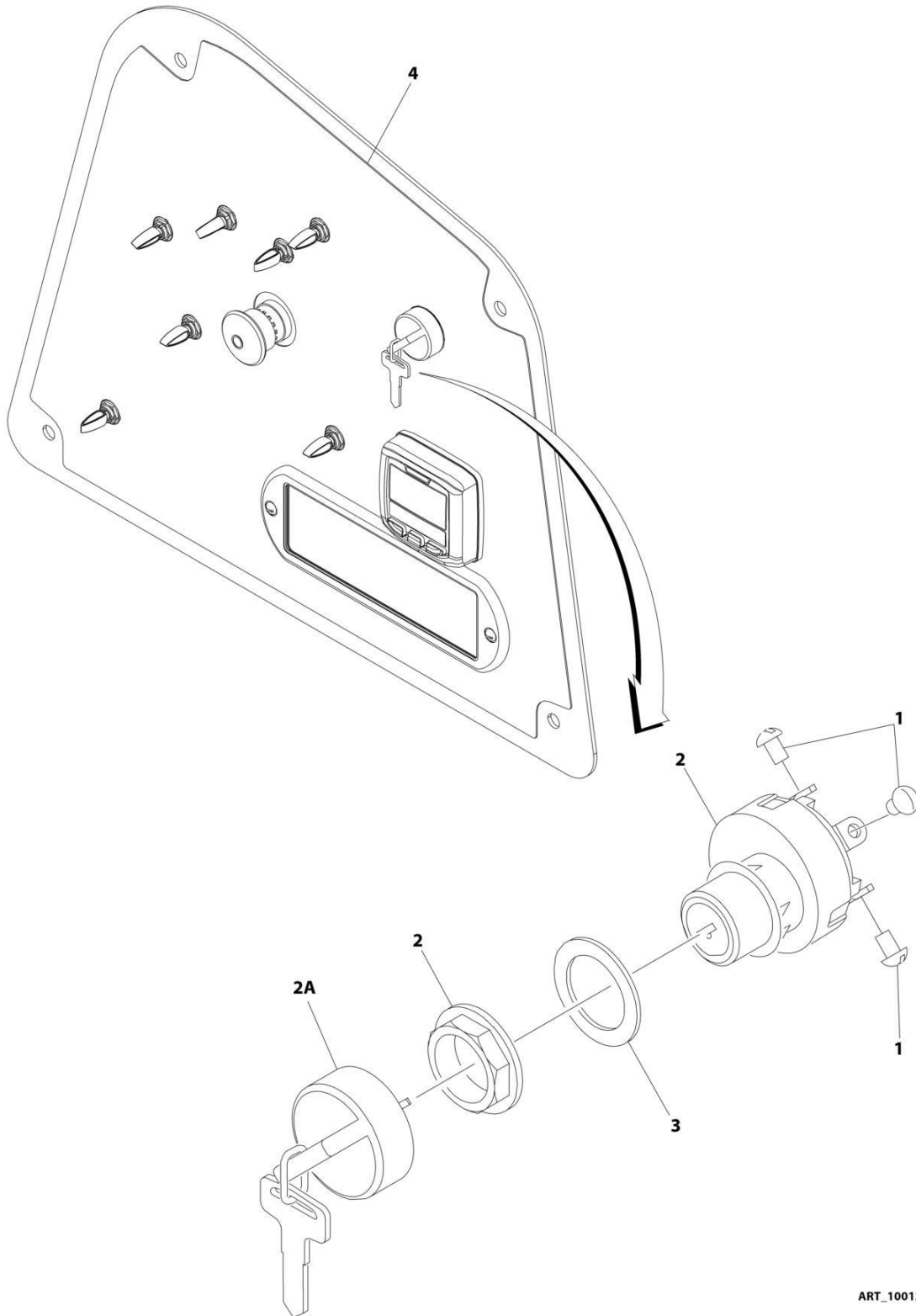
SECTION 2 - TURNTABLE

FIGURE 2-44. KEYSWITCH INSTALLATION - (RUSSIA, CE & UK CA SPECS) (600S HC3)

ITEM	PART NUMBER	QTY	DESCRIPTION	REV
	1001239449	Ref	KEYSWITCH INSTALLATION	B
1	3910804	6	Screw #8-32 x 1/4	
2	4360387	1	Switch, Push Button	
3	4360469	1	Switch, Key	
3A	2860030	1 Set	Key, Replacement	
4	1001151393	1	Shim	
5	1001176469	1	Shroud, Switch	
6	1001239451	1	Decal - Ground Control Panel	

SECTION 2 - TURNTABLE

FIGURE 2-45. KEYSWITCH INSTALLATION - (ANSI, ANSI EXPORT, AUSTRALIAN, CHINA, CSA AND JAPANESE SPECS) (660SJ HC3)



ART_1001230196

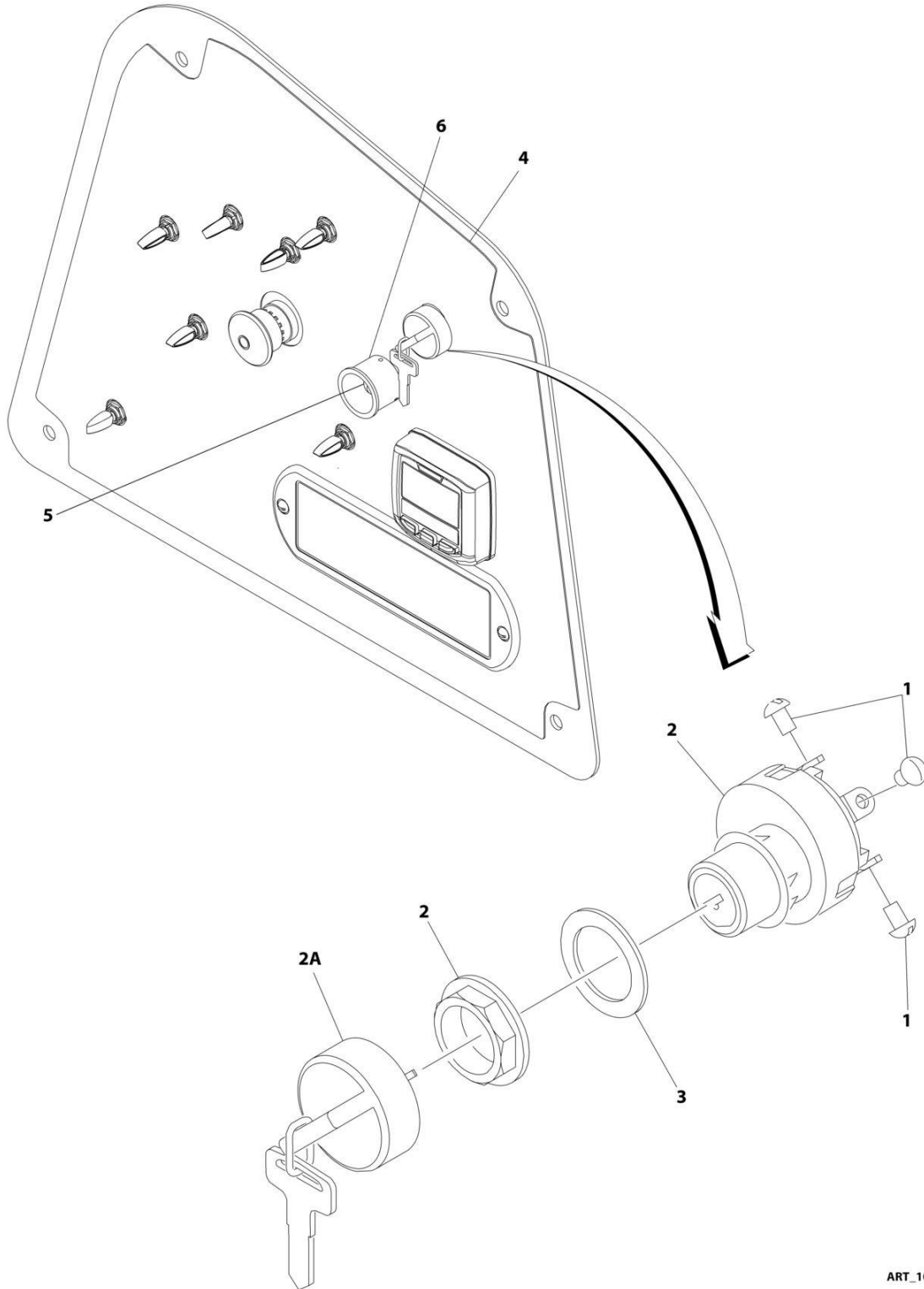
SECTION 2 - TURNTABLE

FIGURE 2-45. KEYSWITCH INSTALLATION - (ANSI, ANSI EXPORT, AUSTRALIAN, CHINA, CSA AND JAPANESE SPECS) (660SJ HC3)

ITEM	PART NUMBER	QTY	DESCRIPTION	REV
	1001250196	Ref	KEYSWITCH INSTALLATION	A
1	3910804	6	Screw #8 x 1/4	
2	4360469	1	Switch, Key	
2A	2860030	1 Set	Key, Replacement	
3	1001151393	1	Shim	
4	1001250193	1	Decal - Ground Control Panel	

SECTION 2 - TURNTABLE

FIGURE 2-46. KEYSWITCH INSTALLATION - (RUSSIA, CE & UK CA SPECS) (660SJ HC3)



ART_1001250197

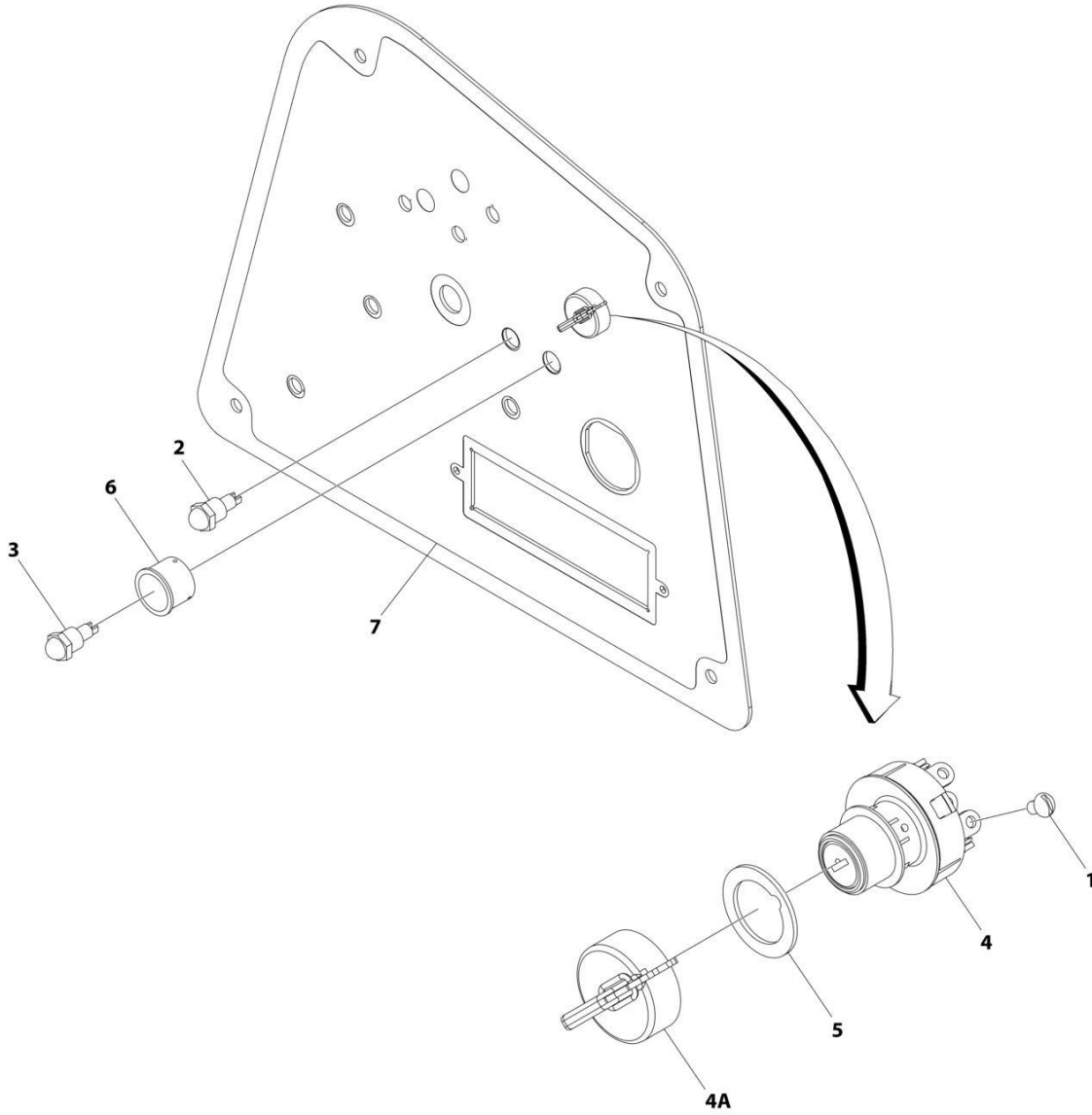
SECTION 2 - TURNTABLE

FIGURE 2-46. KEYSWITCH INSTALLATION - (RUSSIA, CE & UK CA SPECS) (660SJ HC3)

ITEM	PART NUMBER	QTY	DESCRIPTION	REV
	1001250197	Ref	KEYSWITCH INSTALLATION	A
1	3910804	6	Screw #8 x 1/4	
2	4360469	1	Switch, Key	
2A	2860030	1 Set	Key, Replacement	
3	1001151393	1	Shim	
4	1001250194	1	Decal - Ground Control Panel	
5	4360387	1	Switch, Push Button	
6	1001176469	1	Shroud, Switch	

SECTION 2 - TURNTABLE

FIGURE 2-47. KEYSWITCH INSTALLATION - (WITHOUT JIB) (WITH MSSO) (CE & UK CA SPECS)
(660SJ HC3)



ART_1001245782

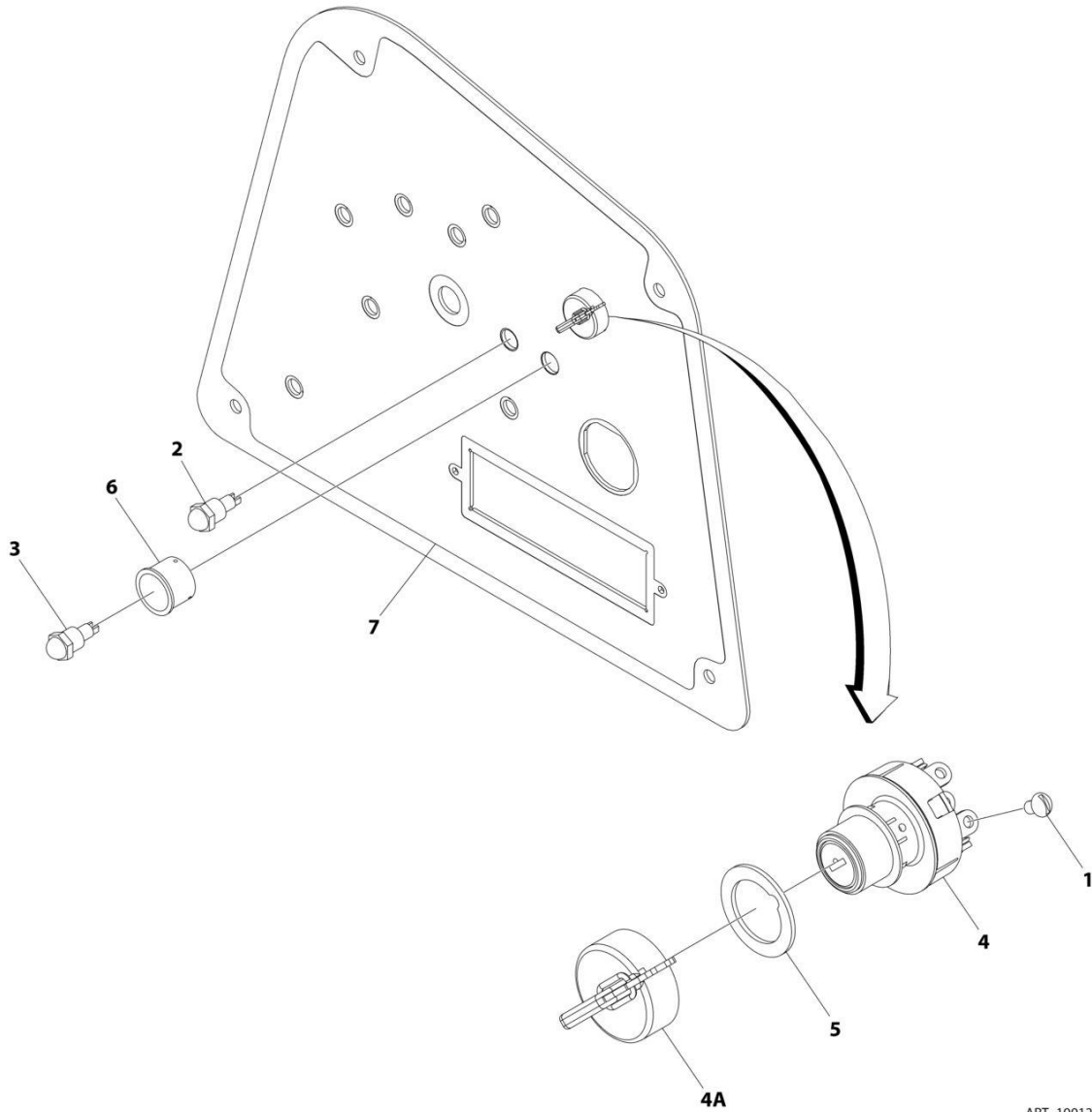
SECTION 2 - TURNTABLE

**FIGURE 2-47. KEYSWITCH INSTALLATION - (WITHOUT JIB) (WITH MSSO) (CE & UK CA SPECS)
(660SJ HC3)**

ITEM	PART NUMBER	QTY	DESCRIPTION	REV
	1001245782	Ref	KEYSWITCH INSTALLATION	B
1	3910804	6	Screw #8 x 1/4	
2	4360274	1	Switch, Push Button	
3	4360387	1	Switch, Push Button	
4	4360469	1	Switch, Key	
4A	2860030	Set	Key, Replacement	
5	1001151393	1	Shim	
6	1001176469	1	Shroud, Switch	
7	1001245769	1	Decal - Ground Control Panel	

SECTION 2 - TURNTABLE

FIGURE 2-48. KEYSWITCH INSTALLATION - (WITH JIB) (WITH MSSO) (CE & UK CA SPECS) (660SJ HC3)



ART_1001245783

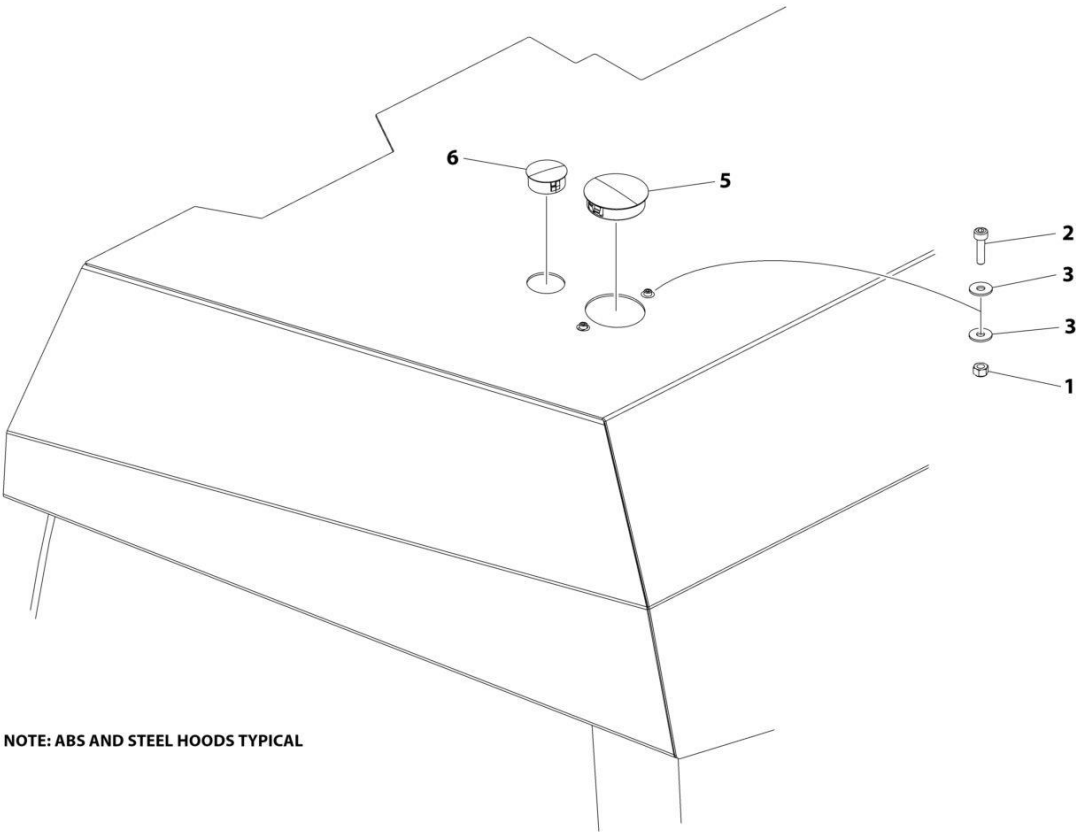
SECTION 2 - TURNTABLE

FIGURE 2-48. KEYSWITCH INSTALLATION - (WITH JIB) (WITH MSSO) (CE & UK CA SPECS) (660SJ HC3)

ITEM	PART NUMBER	QTY	DESCRIPTION	REV
	1001245783	Ref	KEYSWITCH INSTALLATION	B
1	3910804	6	Screw #8 x 1/4	
2	4360274	1	Switch, Push Button	
3	4360387	1	Switch, Push Button	
4	4360469	1	Switch, Key	
4A	2860030	1 Set	Key, Replacement	
5	1001151393	1	Shim	
6	1001176469	1	Shroud, Switch	
7	1001245770	1	Decal - Ground Control Panel	

SECTION 2 - TURNTABLE

FIGURE 2-49. HOOD PLUG INSTALLATION - NO STROBE



NOTE: ABS AND STEEL HOODS TYPICAL

ART_1001285811

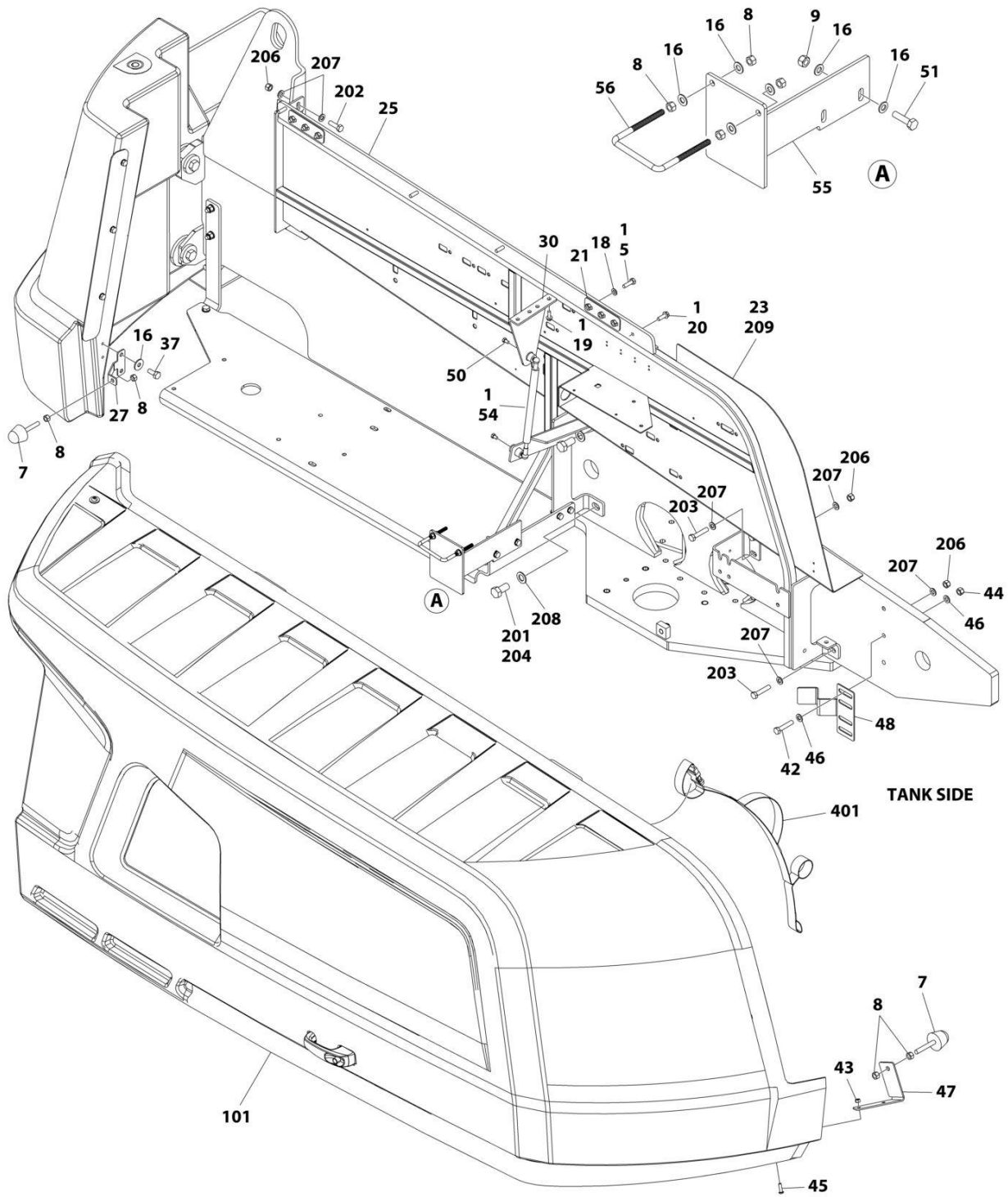
SECTION 2 - TURNTABLE

FIGURE 2-49. HOOD PLUG INSTALLATION - NO STROBE

ITEM	PART NUMBER	QTY	DESCRIPTION	REV
	1001285811	Ref	HOOD PLUGS INSTALLATION	A
1	3290405	2	Nut M4	
2	4031507	2	Capscrew M4 x 16	
3	1001091102	4	Washer M6	
4	1001244462	1	Cap, Dust (Not Shown)	
5	1001285891	1	Plug	
6	1001285892	1	Plug	

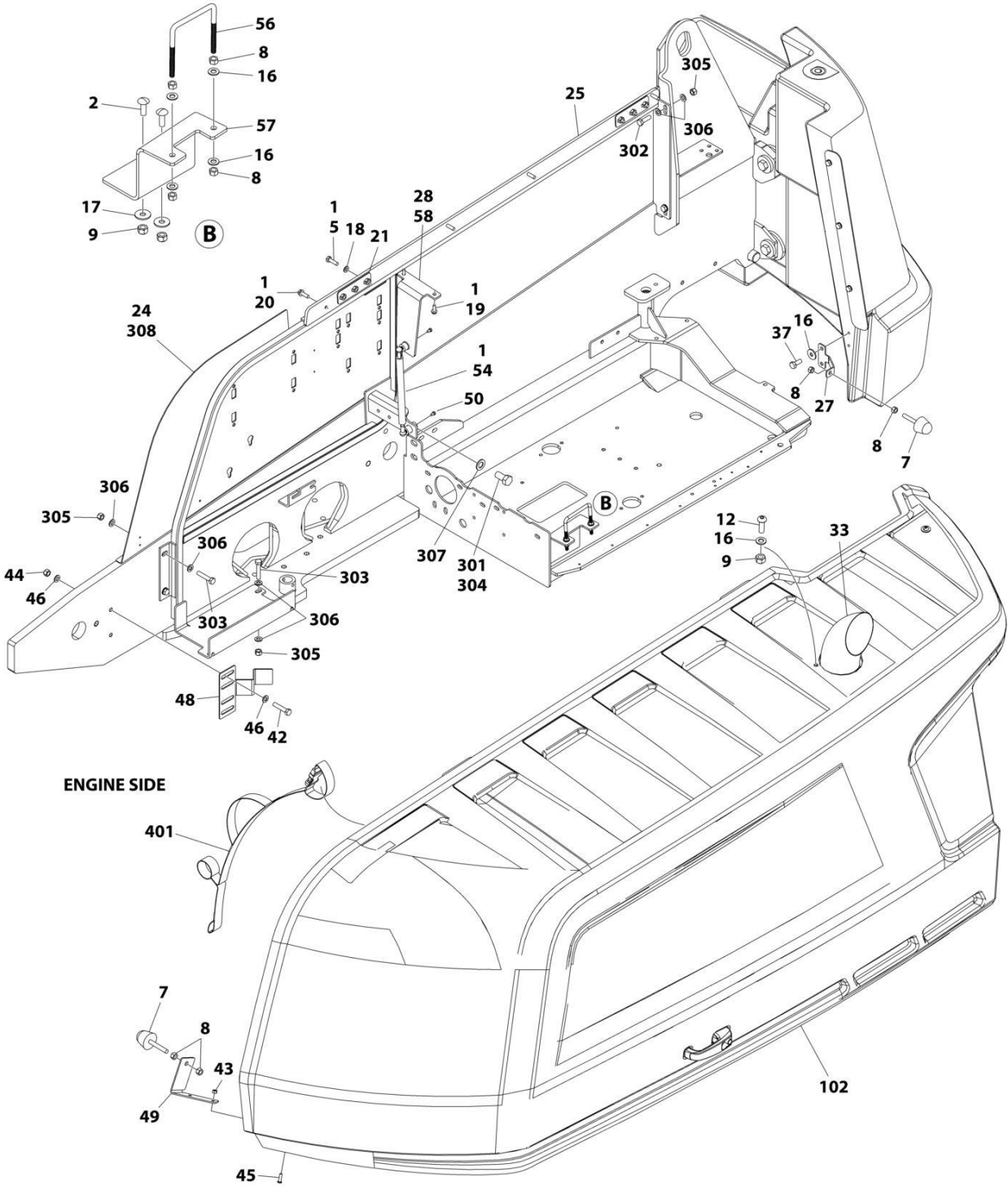
SECTION 2 - TURNTABLE

FIGURE 2-50. HOODS INSTALLATIONS - ABS - DEUTZ D2011, DEUTZ TD 2.9L4 67HP AND FORD ENGINES



ART_1001186186_I_10F2

SECTION 2 - TURNTABLE



ART_1001186186_L_20F2

SECTION 2 - TURNTABLE

FIGURE 2-50. HOODS INSTALLATIONS - ABS - DEUTZ D2011, DEUTZ TD 2.9L4 67HP AND FORD ENGINES

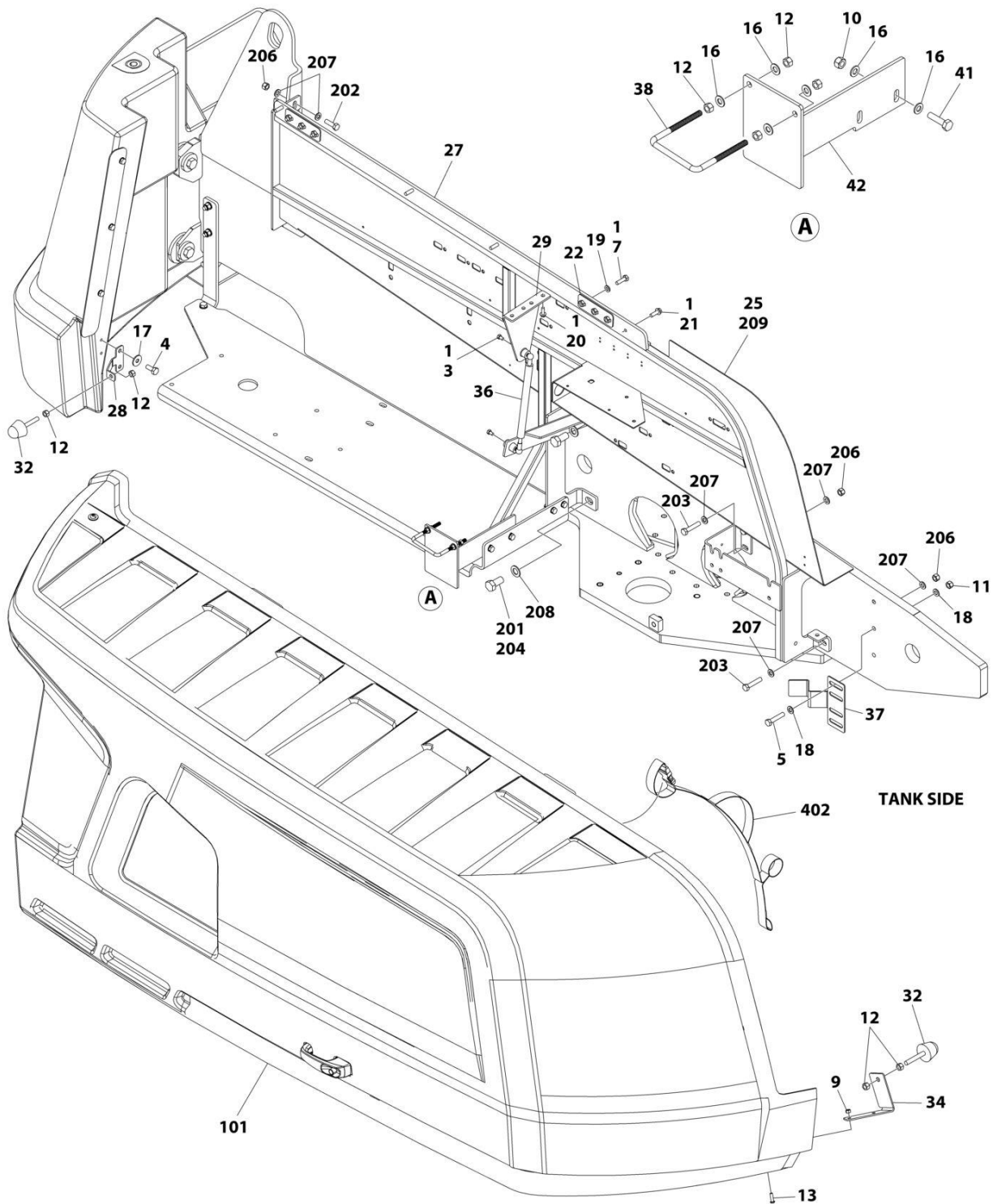
ITEM	PART NUMBER	QTY	DESCRIPTION	REV
	1001186186	Ref	HOODS INSTALLATIONS	I
1	0100011	AR	Compound, Locking	
2	0630613	2	Bolt M10 x 30	
5	0761015	12	Bolt M10 x 35	
7	1001206314	4	Bumper	
8	3311601	16	Nut 3/8	
9	3291005	6	Nut M10	
12	1001174673	2	Screw M10 x 30	
16	4812000	14	Washer M10	
17	4812002	4	Washer M10	
18	5241000	12	Washer M10	
19	5250812	4	Bolt M8 x 25	
20	5251014	8	Bolt M10 x 30	
21	1001169046	4	Nut, Hinge	
23	1001187950	1	Side-Sheet Assembly - Tank Side (See Items 201-209 for Breakdown)	
24	1001187951	1	Side-Sheet Assembly - Engine Side (See Items 301-308 for Breakdown)	
25	1001189067	2	Mount	
27	1001190338	2	Bracket	
30	1001192841	1	Bracket	
33	1001193760	1	Pipe, Exhaust	
37	0701012	2	Bolt M10 x 25	
42	0701220	2	Bolt M12 x 60	
43	3290605	4	Nut M6	
44	3291205	2	Nut M12	
45	3900364	4	Screw M6 x 20	
46	4812100	4	Washer M12	
47	1001213543	1	Bracket	
48	1001231310	2	Bracket	
49	1001213744	1	Bracket	
50	0641504	4	Bolt 5/16 x 1/2	
51	0701016	2	Bolt M10 x 40	
54	1001213794	2	Spring, Gas	
55	1001243171	1	Support	
56	1001243414	2	U-Bolt 3/8	
57	1001243522	1	Bracket	
58	1001243654	1	Bracket	
100	1001285344	1	Hood Kit (Not Shown)	
101	1001285343	1	Hood Assembly - Tank Side (See Separate Breakdown in this Section)	
102	1001195455	1	Hood Assembly - Engine Side (See Separate Breakdown in this Section)	
	1001187950	Ref	SIDE-SHEET ASSEMBLY - TANK SIDE	C
201	0100011	AR	Compound, Locking	
202	0701216	2	Bolt M12 x 40	
203	0701220	4	Bolt M12 x 60	
204	0762016	2	Bolt M20 x 40	
206	3291205	6	Nut M12	
207	4812100	12	Washer M12	

SECTION 2 - TURNTABLE

ITEM	PART NUMBER	QTY	DESCRIPTION	REV
208	4812500	2	Washer M20	
209	1001188194	1	Side-Sheet, Tank Side	
	1001187951	Ref	SIDE-SHEET ASSEMBLY - ENGINE SIDE	B
301	0100011	AR	Compound, Locking	
302	0701216	2	Bolt M12 x 40	
303	0701220	3	Bolt M12 x 60	
304	0762016	1	Bolt M20 x 40	
305	3291205	5	Nut M12	
306	4812100	10	Washer M12	
307	4812500	1	Washer M20	
308	1001188187	1	Side-Sheet, Engine Side	
	1001253940	Ref	STRAP INSTALLATION	A
401	1001160505	2	Strap, Hand	

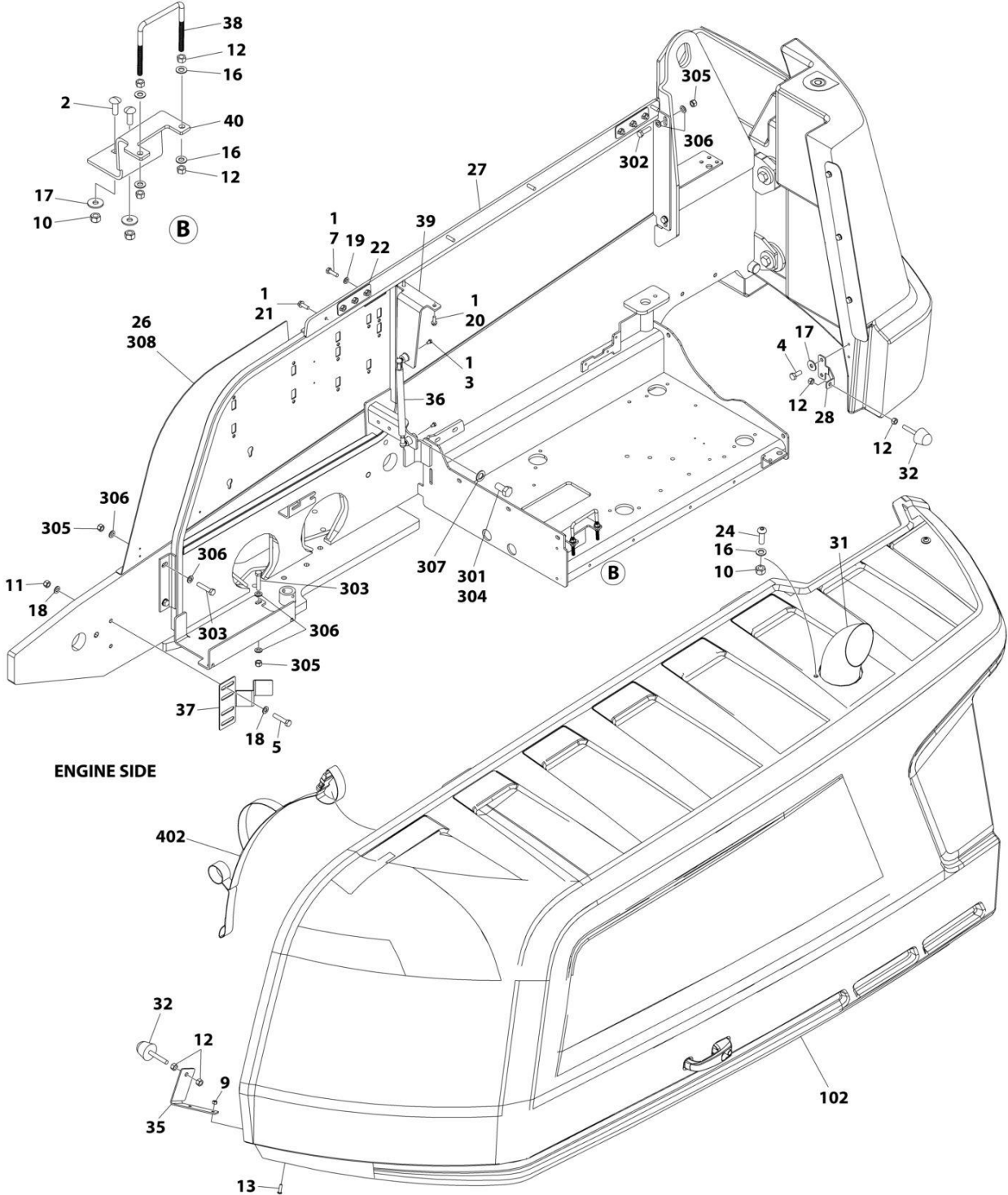
SECTION 2 - TURNTABLE

FIGURE 2-51. HOODS INSTALLATIONS - ABS - DEUTZ TD 2.2L3 AND DEUTZ TD 2.9L4 49HP ENGINES



ART_1001244902_D_10F2

SECTION 2 - TURNTABLE



ART_1001244902_D_2OF2

SECTION 2 - TURNTABLE

FIGURE 2-51. HOODS INSTALLATIONS - ABS - DEUTZ TD 2.2L3 AND DEUTZ TD 2.9L4 49HP ENGINES

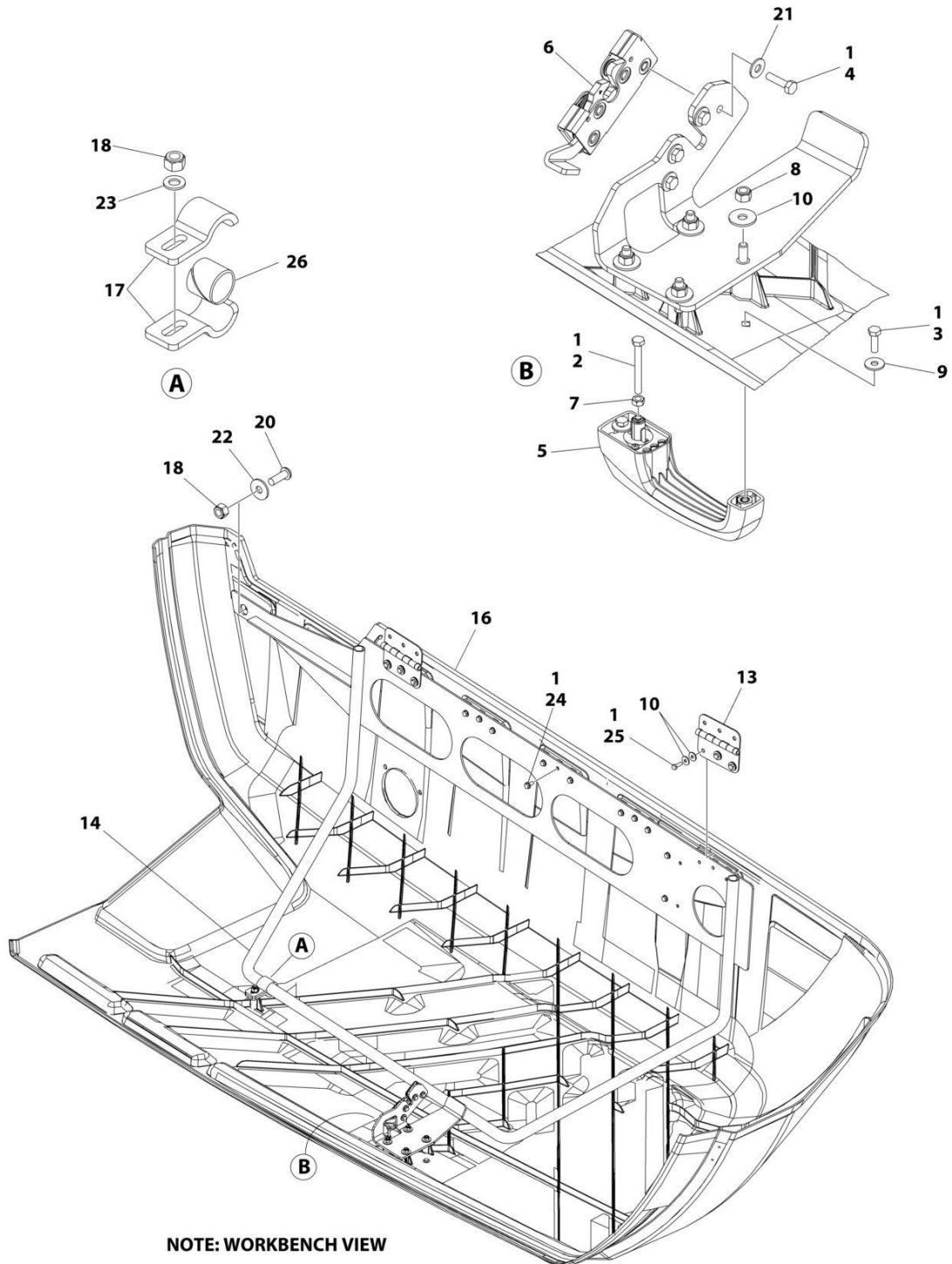
ITEM	PART NUMBER	QTY	DESCRIPTION	REV
	1001244902	Ref	HOODS INSTALLATIONS	D
1	0100011	AR	Compound, Locking	
2	0630613	2	Bolt M10 x 30	
3	0641504	4	Bolt 5/16 x 1/2	
4	0701012	2	Bolt M10 x 25	
5	0701220	2	Bolt M12 x 60	
7	0761015	12	Bolt M10 x 35	
9	3290605	4	Nut M6	
10	3291005	6	Nut M10	
11	3291205	2	Nut M12	
12	3311601	16	Nut 3/8	
13	3900364	4	Screw M6 x 20	
16	4812000	14	Washer M10	
17	4812002	4	Washer M10	
18	4812100	4	Washer M12	
19	5241000	12	Washer M10	
20	5250812	4	Bolt M8 x 25	
21	5251014	8	Bolt M10 x 30	
22	1001169046	4	Nut, Hinge	
24	1001174673	2	Screw M10 x 30	
25	1001187950	1	Side-Sheet Assembly - Tank Side (See Items 201-209 for Breakdown)	
26	1001187951	1	Side-Sheet Assembly - Engine Side (See Items 301-308 for Breakdown)	
27	1001189067	2	Mount	
28	1001190338	2	Bracket	
29	1001192841	1	Bracket	
31	1001193760	1	Pipe, Exhaust	
32	1001206314	4	Bumper	
34	1001213543	1	Bracket	
35	1001213744	1	Bracket	
36	1001213794	2	Spring, Gas	
37	1001231310	2	Bracket	
38	1001243414	2	Bolt, U-Bolt	
39	1001243654	1	Bracket	
40	1001244878	1	Bracket	
41	0701016	2	Bolt M10 x 40	
42	1001243171	1	Support	
100	1001285344	1	Hood Kit (Not Shown)	
101	1001285343	1	Hood Assembly - Tank Side (See Separate Breakdown in this Section)	
102	1001195455	1	Hood Assembly - Engine Side (See Separate Breakdown in this Section)	
	1001187950	Ref	SIDE-SHEET ASSEMBLY - TANK SIDE	C
201	0100011	AR	Compound, Locking	
202	0701216	2	Bolt M12 x 40	
203	0701220	4	Bolt M12 x 60	
204	0762016	2	Bolt M20 x 40	
206	3291205	6	Nut M12	
207	4812100	12	Washer M12	

SECTION 2 - TURNTABLE

ITEM	PART NUMBER	QTY	DESCRIPTION	REV
208	4812500	2	Washer M20	
209	1001188194	1	Side-Sheet, Tank Side	
	1001187951	Ref	SIDE-SHEET ASSEMBLY - ENGINE SIDE	B
301	0100011	AR	Compound, Locking	
302	0701216	2	Bolt M12 x 40	
303	0701220	3	Bolt M12 x 60	
304	0762016	1	Bolt M20 x 40	
305	3291205	5	Nut M12	
306	4812100	10	Washer M12	
307	4812500	1	Washer M20	
308	1001188187	1	Side-Sheet, Engine Side	
	1001270242	Ref	STRAP INSTALLATION	A
402	1001160505	2	Strap, Hand	

SECTION 2 - TURNTABLE

FIGURE 2-52. HOOD ASSEMBLY - ENGINE SIDE (ABS)



ART_1001195455

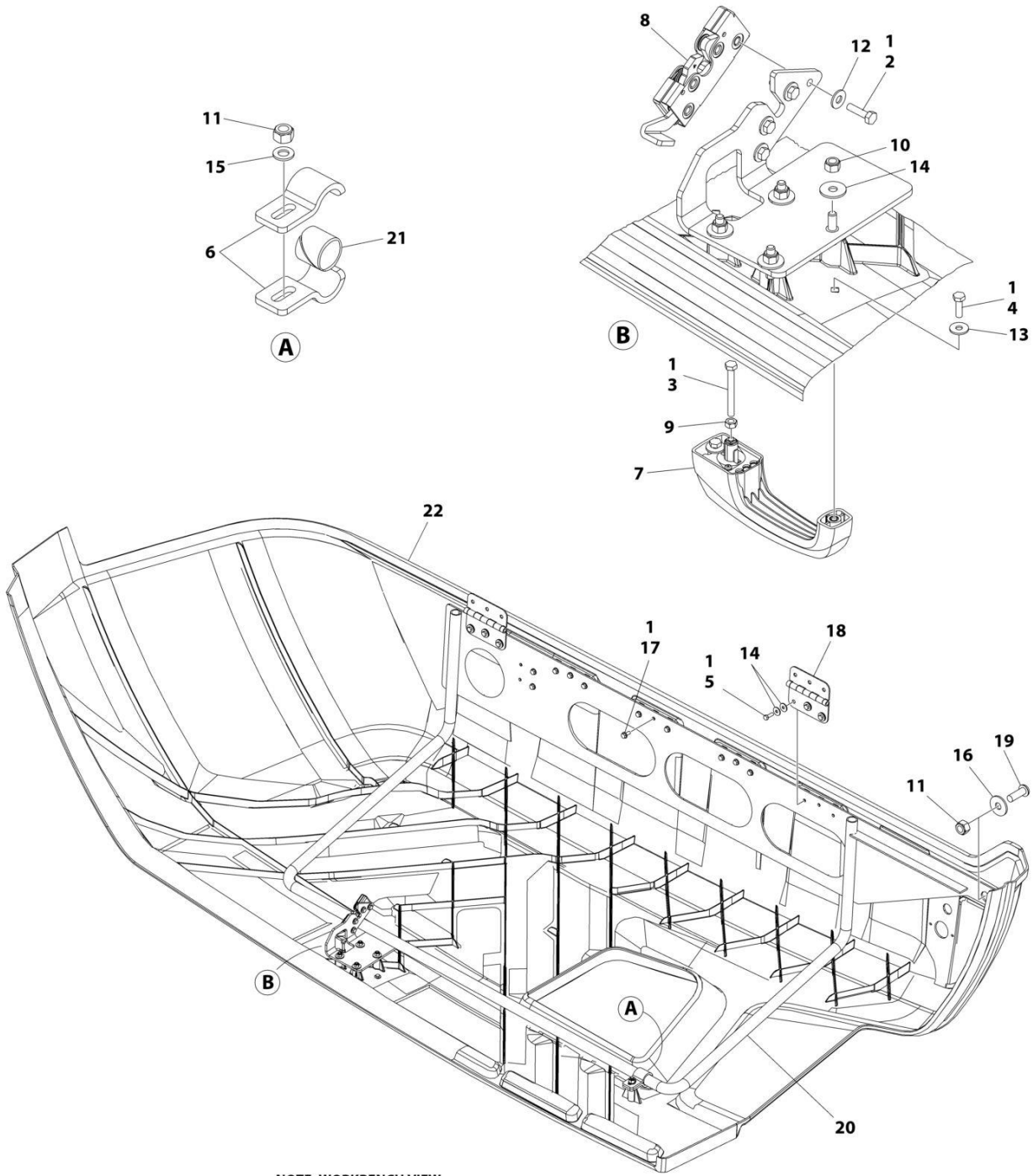
SECTION 2 - TURNTABLE

FIGURE 2-52. HOOD ASSEMBLY - ENGINE SIDE (ABS)

ITEM	PART NUMBER	QTY	DESCRIPTION	REV
	1001195455	Ref	HOOD ASSEMBLY	H
1	0100011	AR	Compound, Locking	
2	0700619	1	Bolt M6 x 55	
3	0760610	2	Bolt M6 x 20	
4	0641408	4	Bolt 1/4 x 1	
5	2560187	1	Handle, Push Button	
6	2940173	1	Latch, Rotary	
7	3290601	1	Nut M6	
8	3290805	4	Nut M8	
9	4811702	2	Washer M6	
10	4811902	16	Washer M8	
13	1001139384	2	Hinge	
14	1001204251	1	Support	
16	1001193169	1	Hood	
17	1321384	2	Clamp	
18	3291005	2	Nut M10	
20	1001174673	1	Screw M10 x 30	
21	4751400	4	Washer 1/4	
22	4812002	1	Washer M10	
23	4812000	1	Washer M10	
24	5250810	11	Bolt M8 x 20	
25	0760812	6	Bolt M8 x 25	
26	1001227367	1	Bearing	

SECTION 2 - TURNTABLE

FIGURE 2-53. HOOD ASSEMBLY - TANK SIDE (ABS)



ART_1001285343

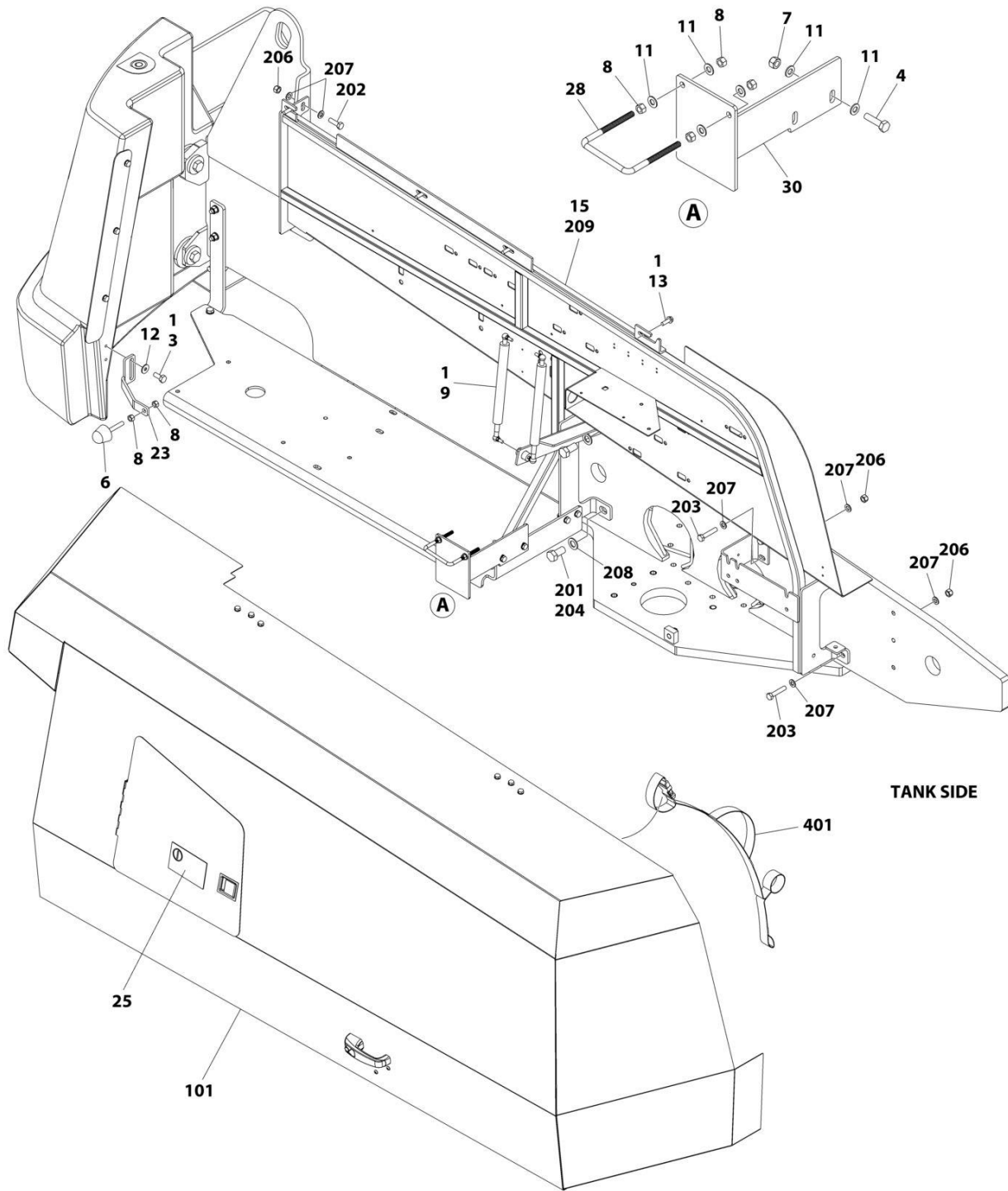
SECTION 2 - TURNTABLE

FIGURE 2-53. HOOD ASSEMBLY - TANK SIDE (ABS)

ITEM	PART NUMBER	QTY	DESCRIPTION	REV
	1001285343	Ref	HOOD ASSEMBLY	A
1	0100011	AR	Compound, Locking	
2	0641408	4	Bolt 1/4 x 1	
3	0700619	1	Bolt M6 x 55	
4	0760610	2	Bolt M6 x 20	
5	0760812	6	Bolt M8 x 25	
6	1321384	2	Clamp	
7	2560187	1	Handle, Push Button	
8	2940173	1	Latch, Rotary	
9	3290601	1	Nut M6	
10	3290805	4	Nut M8	
11	3291005	2	Nut M10	
12	4751400	4	Washer 1/4	
13	4811702	2	Washer M6	
14	4811902	16	Washer M8	
15	4812000	1	Washer M10	
16	4812002	1	Washer M10	
17	5250810	11	Bolt M8 x 20	
18	1001139384	2	Hinge	
19	1001174673	1	Screw M10 x 30	
20	1001204303	1	Support	
21	1001227367	1	Bearing	
22	1001285342	1	Hood	

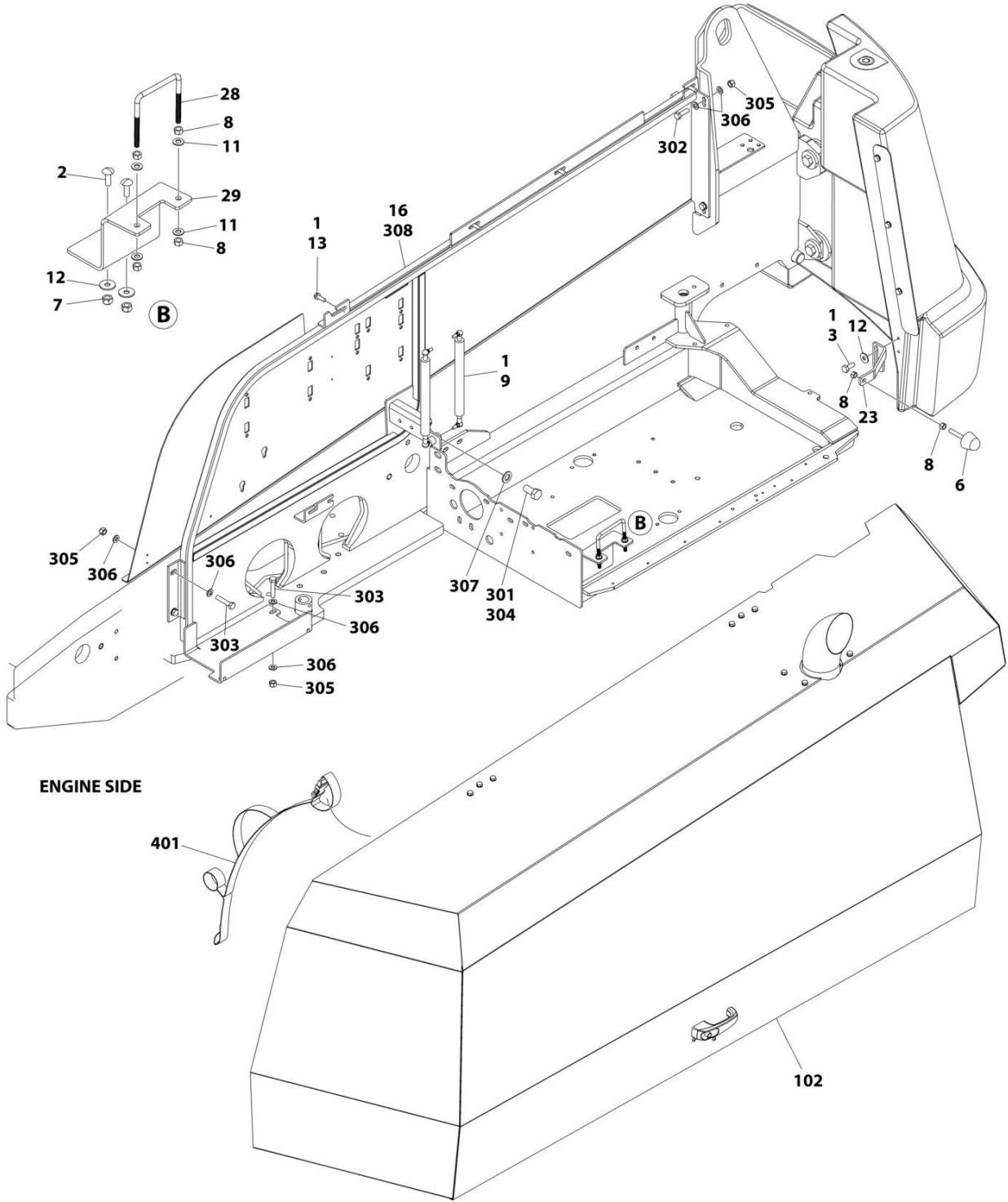
SECTION 2 - TURNTABLE

FIGURE 2-54. HOODS INSTALLATIONS - STEEL - DEUTZ D2011, DEUTZ TD 2.9L4 67HP AND FORD ENGINES (SN STARTING WITH 03)



ART_1001184327_M_10F2

SECTION 2 - TURNTABLE



ENGINE SIDE

ART_1001184327_M_20F2

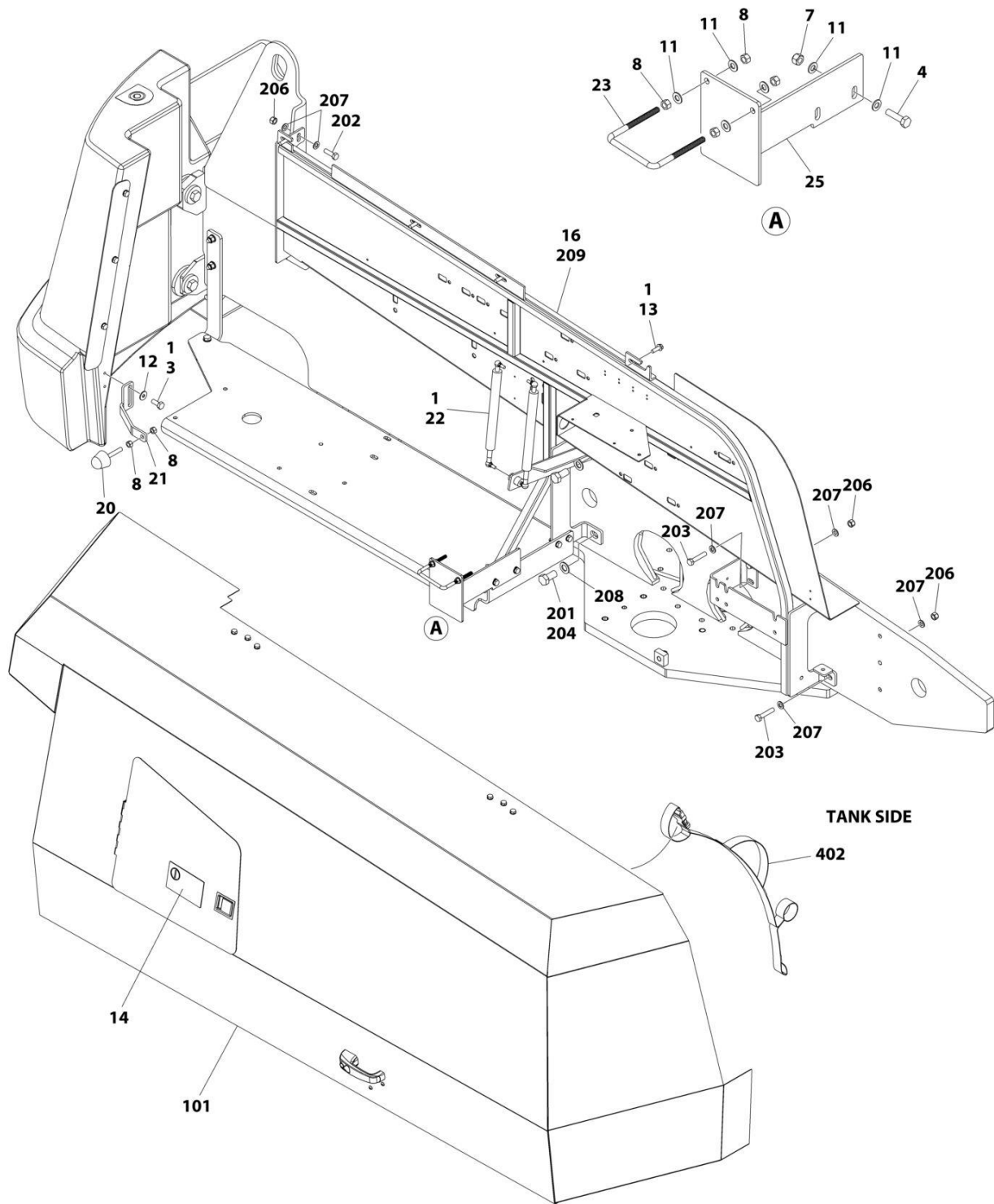
SECTION 2 - TURNTABLE

FIGURE 2-54. HOODS INSTALLATIONS - STEEL - DEUTZ D2011, DEUTZ TD 2.9L4 67HP AND FORD ENGINES (SN STARTING WITH 03)

ITEM	PART NUMBER	QTY	DESCRIPTION	REV
	1001184327	Ref	HOODS INSTALLATIONS	M
1	0100011	AR	Compound, Locking	
2	0630613	2	Bolt M10 x 30	
3	0701012	2	Bolt M10 x 25	
4	0701016	2	Bolt M10 x 40	
6	1001206314	2	Bumper	
7	3291005	4	Nut M10	
8	3311601	12	Nut 3/8	
9	1001219138	4	Spring, Gas	
11	4812000	12	Washer M10	
12	4812002	4	Washer M10	
13	5251014	8	Bolt M10 x 30	
15	1001187950	1	Side-Sheet Assembly - Tank Side (See Items 201-209 for Breakdown)	
16	1001187951	1	Side-Sheet Assembly - Engine Side (See Items 301-308 for Breakdown)	
23	1001212333	2	Bracket	
25	1001117307	1	Decal - Emergency Stop	
28	1001243414	2	U-Bolt 3/8	
29	1001243522	1	Bracket	
30	1001243171	1	Support	
100	1001285146	1	Hood Kit (Not Shown)	
101	1001285145	1	Hood Assembly - Tank Side (See Separate Breakdown in this Section)	
102	1001211774	1	Hood Assembly - Engine Side (See Separate Breakdown in this Section)	
	1001187950	Ref	SIDE-SHEET ASSEMBLY - TANK SIDE	C
201	0100011	AR	Compound, Locking	
202	0701216	2	Bolt M12 x 40	
203	0701220	4	Bolt M12 x 60	
204	0762016	2	Bolt M20 x 40	
206	3291205	6	Nut M12	
207	4812100	12	Washer M12	
208	4812500	2	Washer M20	
209	1001188194	1	Side-Sheet, Tank Side	
	1001187951	Ref	SIDE-SHEET ASSEMBLY - ENGINE SIDE	B
301	0100011	AR	Compound, Locking	
302	0701216	2	Bolt M12 x 40	
303	0701220	3	Bolt M12 x 60	
304	0762016	1	Bolt M20 x 40	
305	3291205	5	Nut M12	
306	4812100	10	Washer M12	
307	4812500	1	Washer M20	
308	1001188187	1	Side-Sheet, Engine Side	
	1001253953	Ref	STRAP INSTALLATION	B
401	1001160505	2	Strap, Hand	

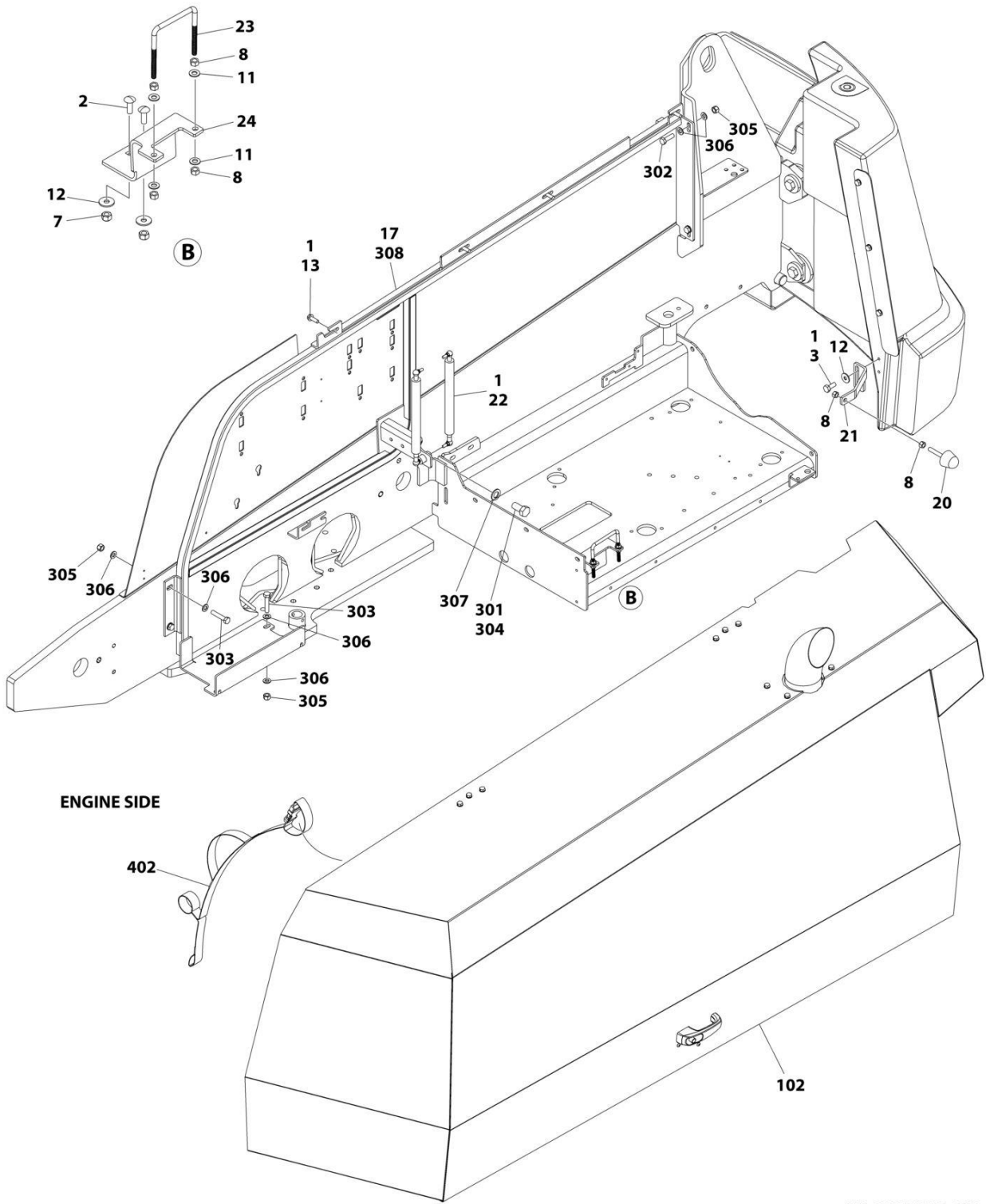
SECTION 2 - TURNTABLE

FIGURE 2-55. HOODS INSTALLATIONS - STEEL - DEUTZ TD 2.2L3 AND DEUTZ TD 2.9L4 49HP ENGINES



ART_1001245076_D_10F2

SECTION 2 - TURNTABLE



ART_1001245076_D_20F2

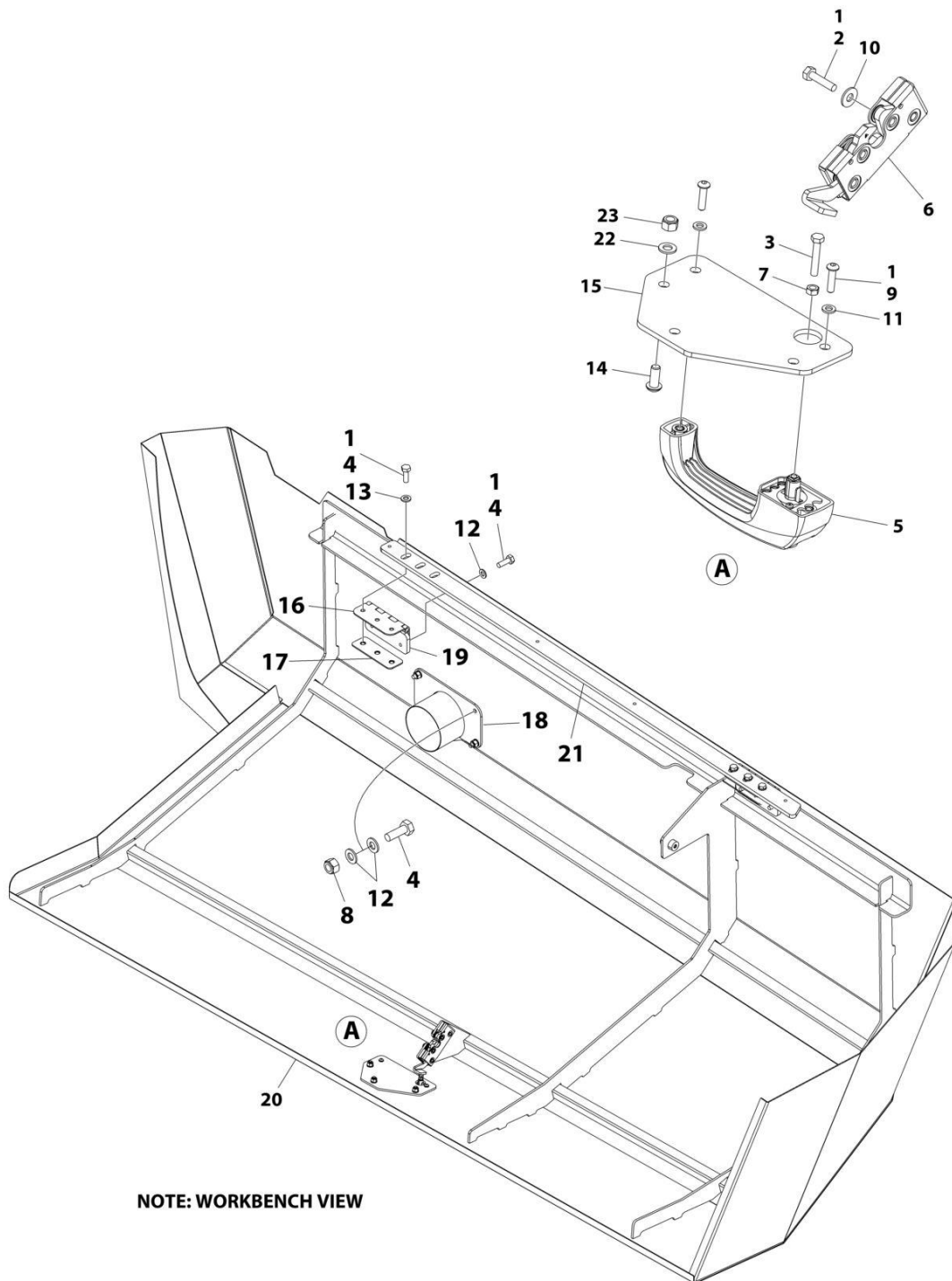
SECTION 2 - TURNTABLE

FIGURE 2-55. HOODS INSTALLATIONS - STEEL - DEUTZ TD 2.2L3 AND DEUTZ TD 2.9L4 49HP ENGINES

ITEM	PART NUMBER	QTY	DESCRIPTION	REV
	1001245076	Ref	HOODS INSTALLATIONS	D
1	0100011	AR	Compound, Locking	
2	0630613	2	Bolt M10 x 30	
3	0701012	2	Bolt M10 x 25	
4	0701016	2	Bolt M10 x 40	
7	3291005	4	Nut M10	
8	3311601	12	Nut 3/8	
11	4812000	12	Washer M10	
12	4812002	4	Washer M10	
13	5251014	8	Bolt M10 x 30	
14	1001117307	1	Decal - Emergency Stop	
16	1001187950	1	Side Sheet Assembly - Tank Side (See Items 201-209 for Breakdown)	
17	1001187951	1	Side Sheet Assembly - Engine Side (See Items 301-308 for Breakdown)	
20	1001206314	2	Bumper	
21	1001212333	2	Bracket	
22	1001219138	4	Spring, Gas	
23	1001243414	2	Bolt, U-Bolt	
24	1001244878	1	Bracket	
25	1001243171	1	Support	
100	1001285146	1	Hood Kit (Not Shown)	
101	1001285145	1	Hood Assembly - Tank Side (See Separate Breakdown in this Section)	
102	1001211774	1	Hood Assembly - Engine Side (See Separate Breakdown in this Section)	
	1001187950	Ref	SIDE-SHEET ASSEMBLY - TANK SIDE	C
201	0100011	AR	Compound, Locking	
202	0701216	2	Bolt M12 x 40	
203	0701220	4	Bolt M12 x 60	
204	0762016	2	Bolt M20 x 40	
206	3291205	6	Nut M12	
207	4812100	12	Washer M12	
208	4812500	2	Washer M20	
209	1001188194	1	Side-Sheet, Tank Side	
	1001187951	Ref	SIDE-SHEET ASSEMBLY - ENGINE SIDE	B
301	0100011	AR	Compound, Locking	
302	0701216	2	Bolt M12 x 40	
303	0701220	3	Bolt M12 x 60	
304	0762016	1	Bolt M20 x 40	
305	3291205	5	Nut M12	
306	4812100	10	Washer M12	
307	4812500	1	Washer M20	
308	1001188187	1	Side-Sheet, Engine Side	
	1001270243	Ref	STRAP INSTALLATION	B
402	1001160505	2	Strap, Hand	

SECTION 2 - TURNTABLE

FIGURE 2-56. HOOD ASSEMBLY - ENGINE SIDE (STEEL) - DEUTZ D2011, DEUTZ TD2.3L3 DEUTZ TD 2.9L4 49HP & 67HP AND FORD ENGINES



NOTE: WORKBENCH VIEW

ART_1001211774

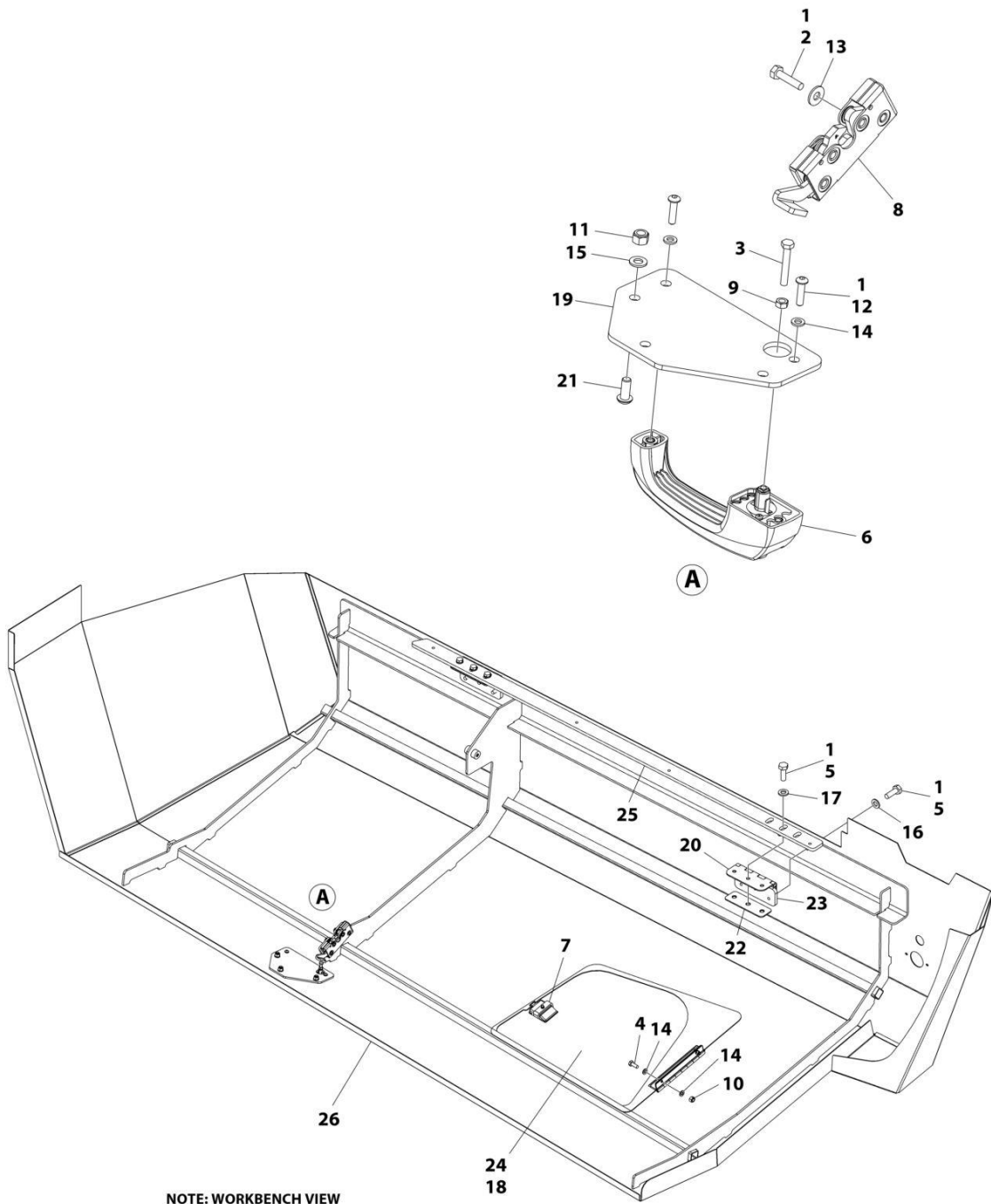
SECTION 2 - TURNTABLE

FIGURE 2-56. HOOD ASSEMBLY - ENGINE SIDE (STEEL) - DEUTZ D2011, DEUTZ TD2.3L3 DEUTZ TD 2.9L4 49HP & 67HP AND FORD ENGINES

ITEM	PART NUMBER	QTY	DESCRIPTION	REV
	1001211774	Ref	HOOD ASSEMBLY	J
1	0100011	AR	Compound, Locking	
2	0641409	4	Bolt 1/4 x 1-1/8	
3	0700615	1	Bolt M6 x 35	
4	0761014	16	Bolt M10 x 30	
5	2560187	1	Handle , Push Button	
6	2940173	1	Latch, Rotary	
7	3290601	1	Nut M6	
8	3291005	4	Nut M10	
9	3900363	2	Screw M6 x 25	
10	4751400	4	Washer 1/4	
11	4811700	2	Washer M6	
12	4812000	14	Washer M10	
13	5241000	6	Washer M10	
14	1001164726	3	Screw M8 x 20	
15	1001116290	1	Plate	
16	1001139384	2	Hinge	
17	1001169046	2	Nut, Hinge	
18	1001194888	1	Pipe, Exhaust	
19	1001202333	2	Plate, Nut	
20	1001211767	1	Hood	
21	1001211773	1	Plate	
22	4811900	3	Washer M8	
23	3290805	3	Nut M8	

SECTION 2 - TURNTABLE

FIGURE 2-57. HOOD ASSEMBLY - TANK SIDE (STEEL) - DEUTZ D2011, DEUTZ TD2.3L3 DEUTZ TD 2.9L4 49HP & 67HP AND FORD ENGINES



ART_1001285145

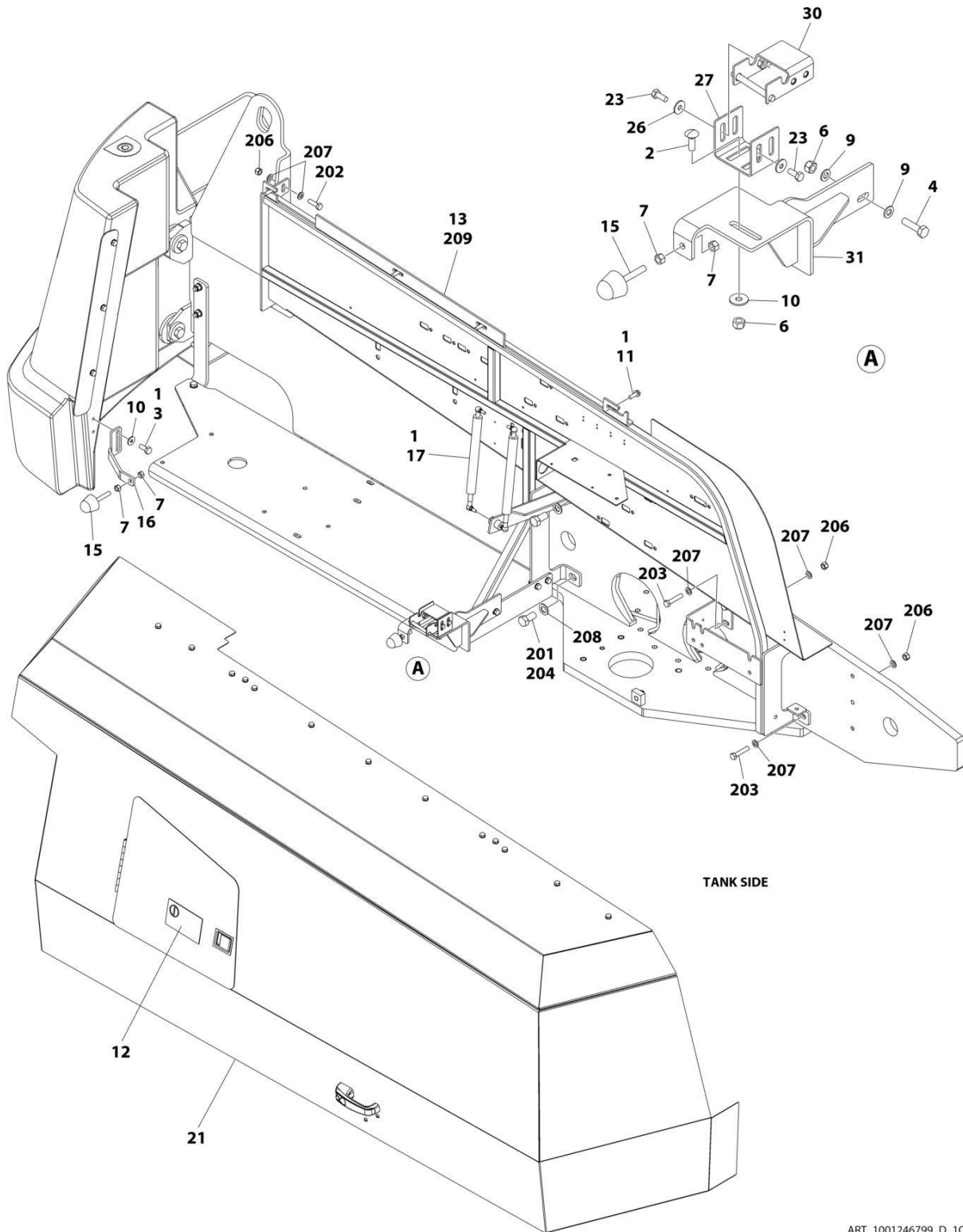
SECTION 2 - TURNTABLE

FIGURE 2-57. HOOD ASSEMBLY - TANK SIDE (STEEL) - DEUTZ D2011, DEUTZ TD2.3L3 DEUTZ TD 2.9L4 49HP & 67HP AND FORD ENGINES

ITEM	PART NUMBER	QTY	DESCRIPTION	REV
	1001285145	Ref	HOOD ASSEMBLY	A
1	0100011	AR	Compound, Locking	
2	0641409	4	Bolt 1/4 x 1-1/8	
3	0700616	1	Bolt M6 x 40	
4	0760608	2	Bolt M6 x 16	
5	0761014	12	Bolt M10 x 30	
6	2560187	1	Handle, Push Button	
7	2940045	1	Latch, Paddle	
8	2940173	1	Latch, Rotary	
9	3290601	1	Nut M6	
10	3290605	2	Nut M6	
11	3290805	3	Nut M8	
12	3900363	2	Screw M6 x 25	
13	4751400	4	Washer 1/4	
14	4811700	6	Washer M6	
15	4811900	3	Washer M8	
16	4812000	6	Washer M10	
17	5241000	6	Washer M10	
18	1001113047	78 in /2 m	Seal	
19	1001116290	1	Plate	
20	1001139384	2	Hinge	
21	1001164726	3	Screw M8 x 20	
22	1001169046	2	Nut, Hinge	
23	1001202333	2	Plate, Nut	
24	1001211760	1	Door	
25	1001211761	1	Plate	
26	1001285144	1	Hood	

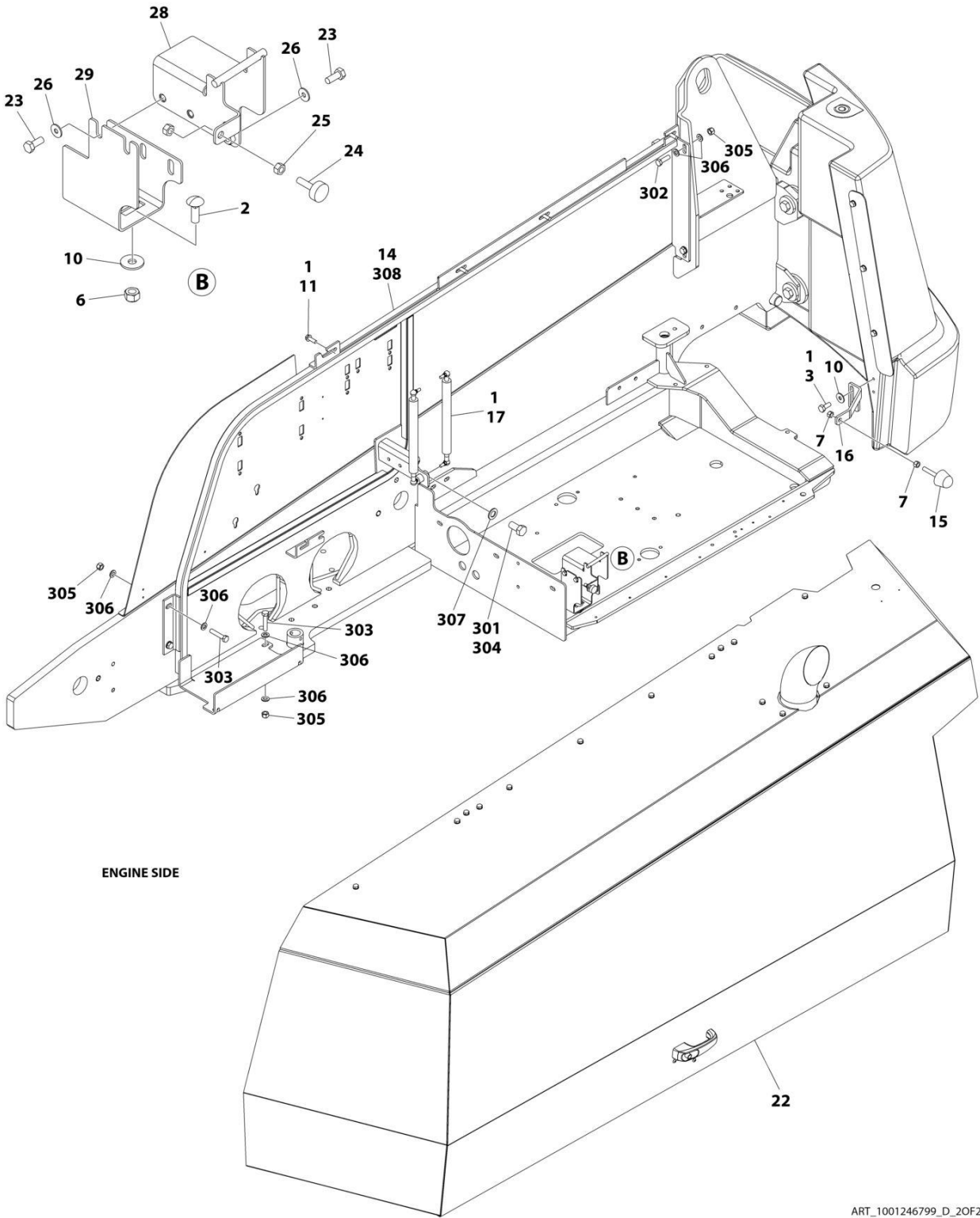
SECTION 2 - TURNTABLE

FIGURE 2-58. HOODS INSTALLATIONS - STEEL - DEUTZ D2011 WITH ARCTIC AND DEUTZ TD2.2L3 ENGINES (SN STARTING WITH B3) (660SJ HC3)



ART_1001246799_D_10F2

SECTION 2 - TURNTABLE



ART_1001246799_D_20F2

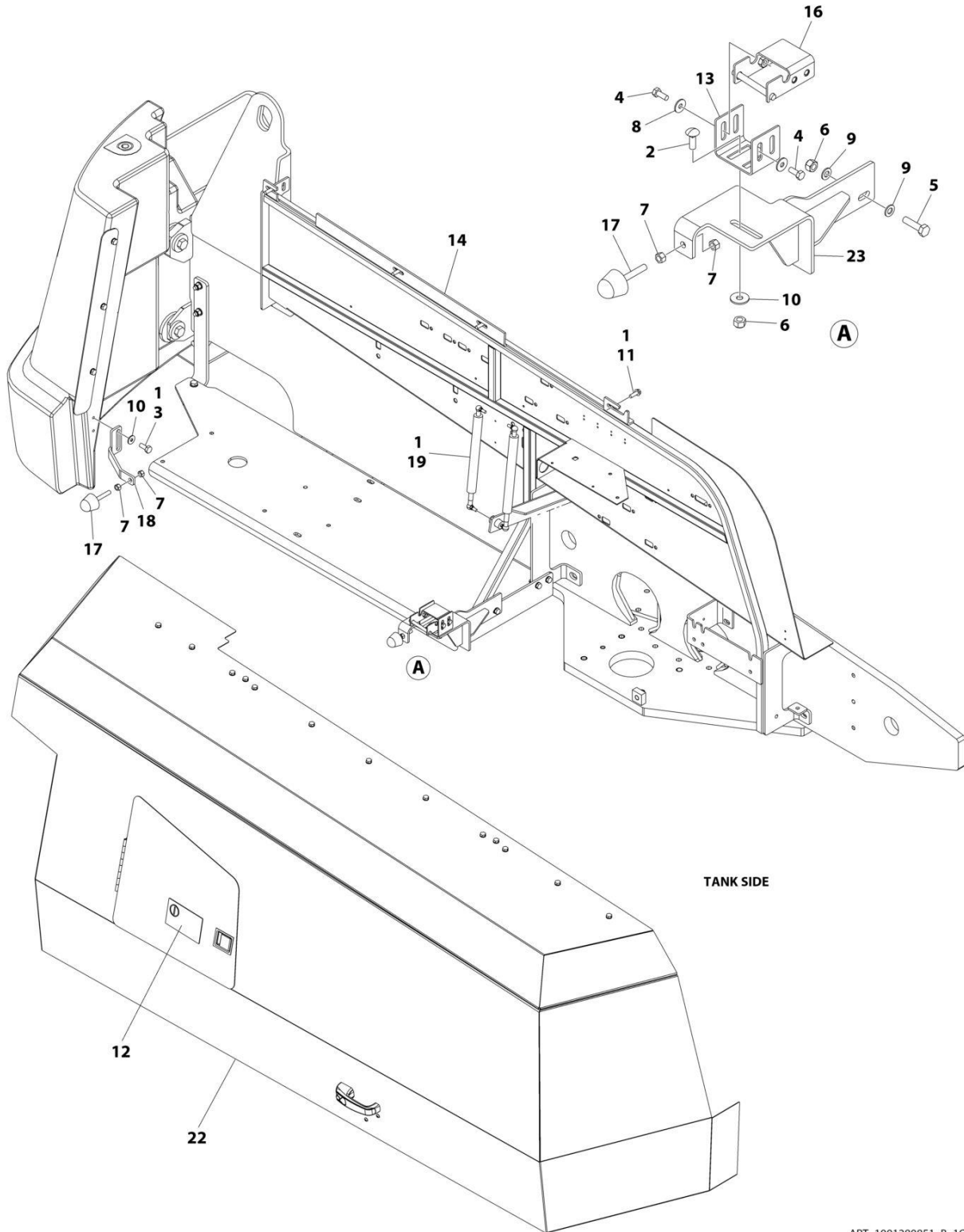
SECTION 2 - TURNTABLE

FIGURE 2-58. HOODS INSTALLATIONS - STEEL - DEUTZ D2011 WITH ARCTIC AND DEUTZ TD2.2L3 ENGINES (SN STARTING WITH B3) (660SJ HC3)

ITEM	PART NUMBER	QTY	DESCRIPTION	REV
	1001246799	Ref	HOODS INSTALLATIONS	D
1	0100011	AR	Compound, Locking	
2	0630613	AR	Bolt M10 x 30	
3	0701012	2	Bolt M10 x 25	
4	0701016	2	Bolt M10 x 40	
6	3291005	AR	Nut M10	
7	3311601	AR	Nut 3/8	
9	4812000	AR	Washer M10	
10	4812002	AR	Washer M10	
11	5251014	8	Bolt M10 x 30	
12	1001117307	1	Decal - Emergency Stop	
13	1001187950	1	Side-Sheet Assembly - Tank Side (See Items 201-209 for Breakdown)	
14	1001187951	1	Side-Sheet Assembly - Engine Side (See Items 301-308 for Breakdown)	
15	1001206314	3	Bumper	
16	1001212333	2	Bracket	
17	1001219138	4	Spring, Gas	
21	1001285355	1	Hood Assembly - Tank Side (See Separate Breakdown in this Section)	
22	1001246798	1	Hood Assembly - Engine Side (See Separate Breakdown in this Section)	
23	0760810	8	Bolt M8 x 20	
24	0940049	1	Stopper, Hood	
25	3311501	2	Nut M8	
26	4811902	AR	Washer M8	
27	1001172615	1	Mount, Hood Latch	
28	1001190756	1	Support, Striker	
29	1001192842	1	Mount, Hood Latch	
30	1001192843	1	Support, Striker	
31	1001270668	1	Support, Striker Mount	
	1001187950	Ref	SIDE-SHEET ASSEMBLY - TANK SIDE	C
201	0100011	AR	Compound, Locking	
202	0701216	2	Bolt M12 x 40	
203	0701220	4	Bolt M12 x 60	
204	0762016	2	Bolt M20 x 40	
206	3291205	6	Nut M12	
207	4812100	12	Washer M12	
208	4812500	2	Washer M20	
209	1001188194	1	Side-Sheet, Tank Side	
	1001187951	Ref	SIDE-SHEET ASSEMBLY - ENGINE SIDE	B
301	0100011	AR	Compound, Locking	
302	0701216	2	Bolt M12 x 40	
303	0701220	3	Bolt M12 x 60	
304	0762016	1	Bolt M20 x 40	
305	3291205	5	Nut M12	
306	4812100	10	Washer M12	
307	4812500	1	Washer M20	
308	1001188187	1	Side-Sheet, Engine Side	

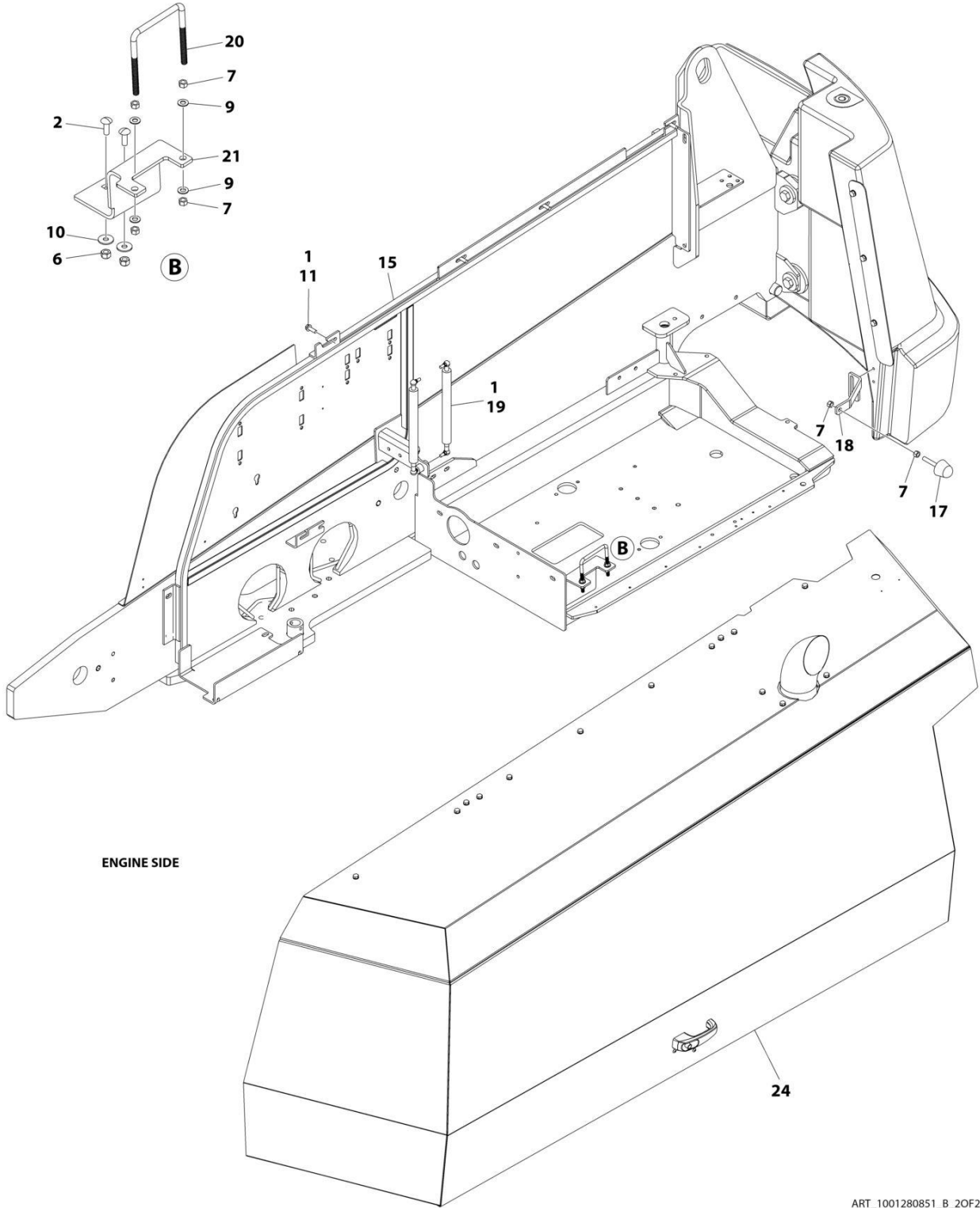
SECTION 2 - TURNTABLE

FIGURE 2-59. HOODS INSTALLATION - STEEL (MACHINES WITH SN STARTING WITH B3) (DEUTZ D2.9L4 (CHINA IV) ENGINES)



ART_1001280851_B_10F2

SECTION 2 - TURNTABLE



ENGINE SIDE

ART_1001280851_B_20F2

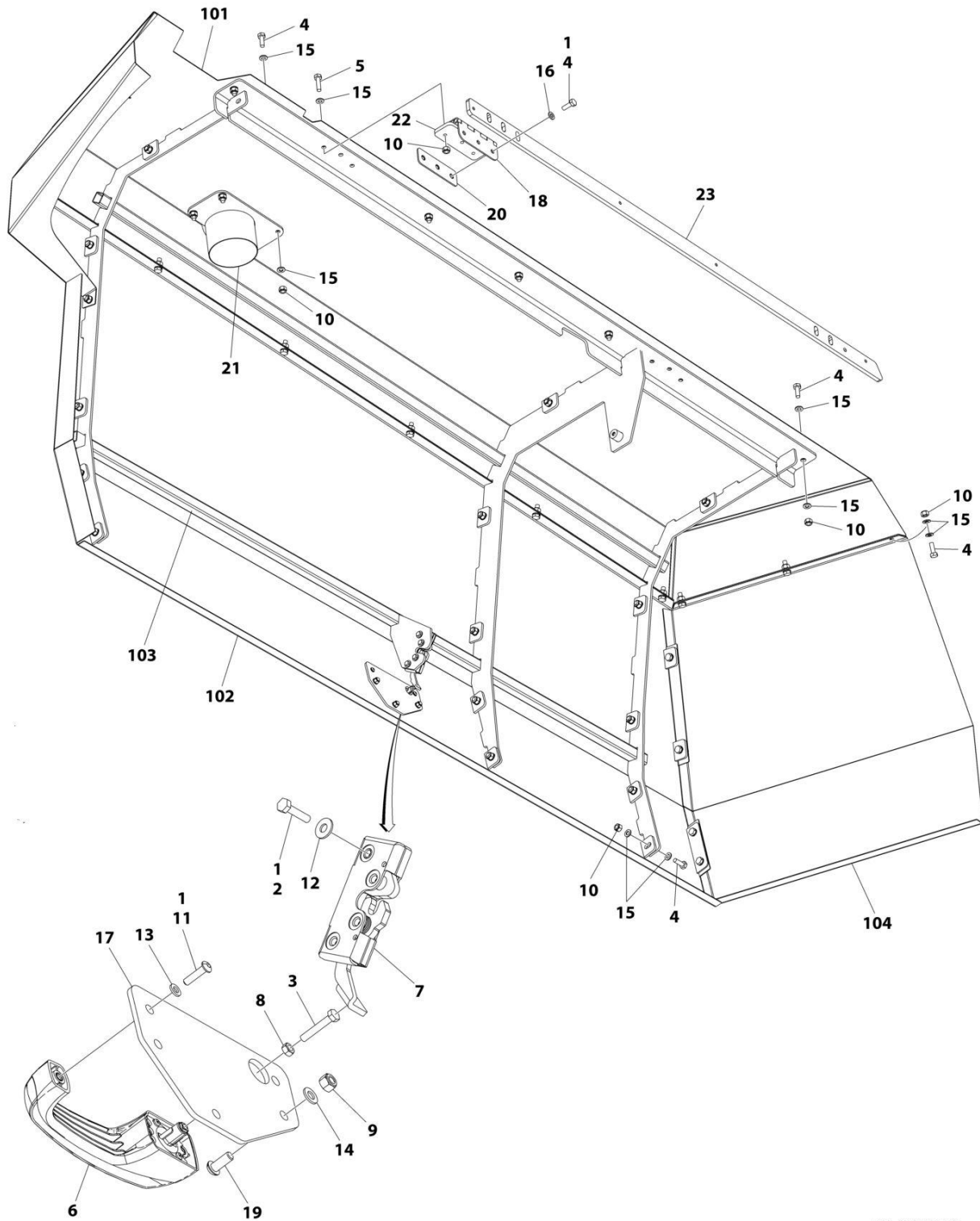
SECTION 2 - TURNTABLE

FIGURE 2-59. HOODS INSTALLATION - STEEL (MACHINES WITH SN STARTING WITH B3) (DEUTZ D2.9L4 (CHINA IV) ENGINES)

ITEM	PART NUMBER	QTY	DESCRIPTION	REV
	1001280851	Ref	HOODS INSTALLATION	B
1	0100011	AR	Compound, Locking	
2	0630613	4	Bolt M10 x 30	
3	0701012	2	Bolt M10 x 25	
4	0760810	4	Bolt M8 x 20	
5	0761016	2	Compound, Locking	
6	3291005	6	Nut, Lock M10	
7	3311601	10	Nut 3/8	
8	4811902	4	Washer M8	
9	4812000	8	Washer M10	
10	4812002	6	Washer M10	
11	5251014	8	Bolt M10 x 30	
12	1001117307	1	Decal - Emergency Stop	
13	1001172615	1	Mount	
14	1001187950	1	Side-Sheet Assembly - Tank Side (See Separate Breakdown in this Section)	
15	1001187951	1	Side-Sheet Assembly - Engine Side (See Separate Breakdown in this Section)	
16	1001192843	1	Support	
17	1001206314	3	Bumper	
18	1001212333	2	Bracket	
19	1001219138	4	Spring, Gas	
20	1001243414	1	U-Bolt 3/8	
21	1001244878	1	Bracket	
22	1001285355	1	Hood Assembly - Tank Side (See Separate Breakdown in this Section)	
23	1001270668	1	Support	
24	1001281595	1	Hood Assembly - Engine Side (See Separate Breakdown in this Section)	

SECTION 2 - TURNTABLE

FIGURE 2-60. HOOD ASSEMBLY - ENGINE SIDE (STEEL) - DEUTZ D2011 WITH ARCTIC AND DEUTZ TD2.2L3 ENGINES (660SJ HC3)



ART_1001246798

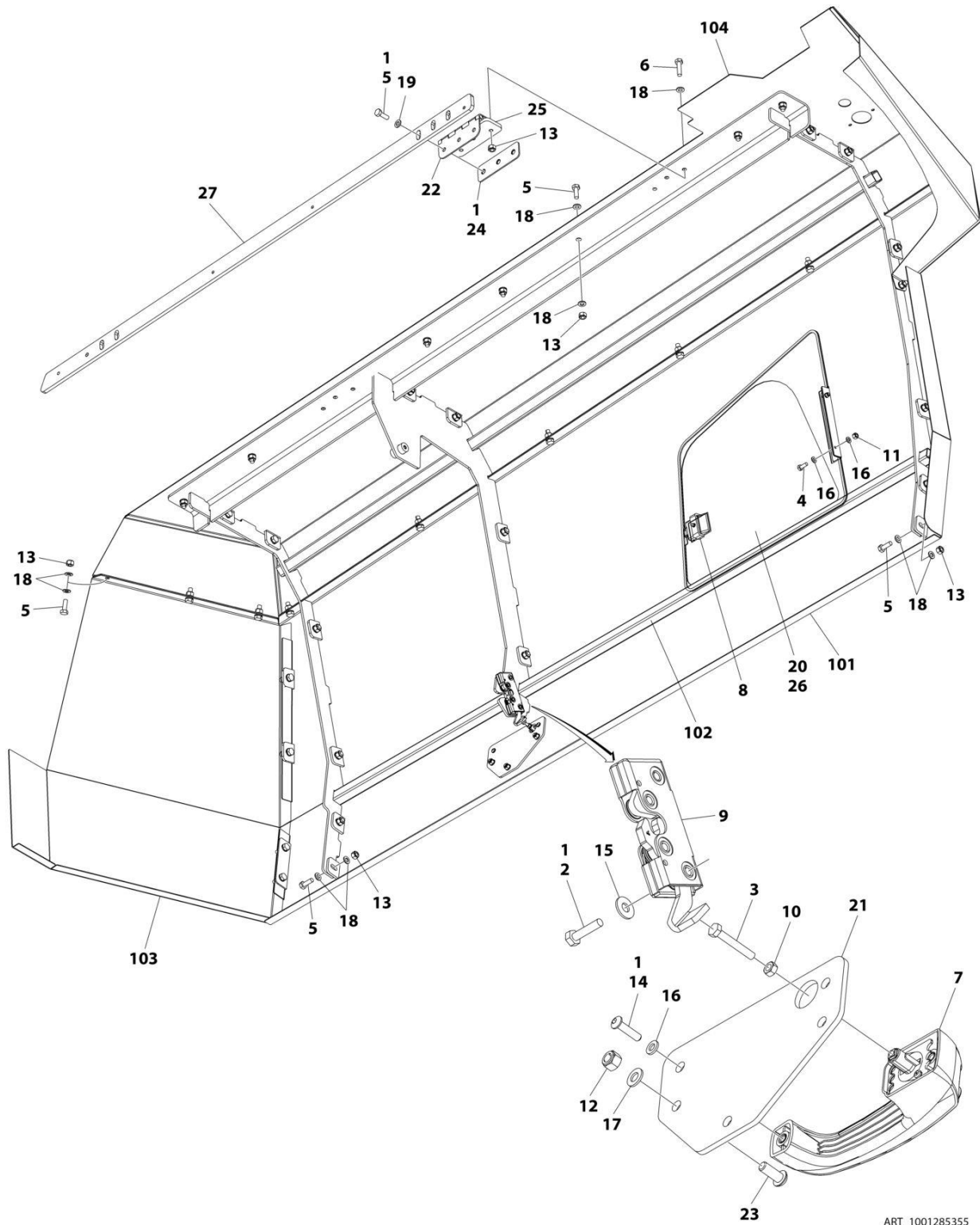
SECTION 2 - TURNTABLE

FIGURE 2-60. HOOD ASSEMBLY - ENGINE SIDE (STEEL) - DEUTZ D2011 WITH ARCTIC AND DEUTZ TD2.2L3 ENGINES (660SJ HC3)

ITEM	PART NUMBER	QTY	DESCRIPTION	REV
	1001246798	Ref	HOOD ASSEMBLY - ENGINE SIDE (STEEL)	A
1	0100011	AR	Compound, Locking	
2	0641409	4	Bolt 1/4 x 1/8	
3	0700615	1	Bolt M6 x 35	
4	0761014	44	Bolt M10 x 30	
5	0761016	6	Bolt M10 x 40	
6	2560187	1	Handle, Push Button	
7	2940173	1	Handle, Rotary	
8	3290601	1	Nut M6	
9	3290805	3	Nut M8	
10	3291005	44	Nut M10	
11	3900363	2	Screw M6 x 25	
12	4751400	4	Washer 1/4	
13	4811700	2	Washer M6	
14	4811900	3	Washer M8	
15	4812000	82	Washer M10	
16	5241000	6	Washer M10	
17	1001116290	1	Plate	
18	1001139384	2	Hinge	
19	1001164726	3	Screw M8 x 20	
20	1001169046	2	Nut	
21	1001194888	1	Pipe, Exhaust	
22	1001202333	2	Plate, Nut	
23	1001211773	1	Plate	
100	1001249313	1	Hood Kit (Engine Side) (Not Shown)	
101	1001246796	1	Panel (Top)	
102	1001246795	1	Panel (Side)	
103	1001246794	1	Bracket	
104	1001246789	1	Panel (End)	

SECTION 2 - TURNTABLE

FIGURE 2-61. HOOD ASSEMBLY - TANK SIDE (STEEL) - DEUTZ D2011 WITH ARCTIC AND DEUTZ TD2.2L3 ENGINES (660SJ HC3)



ART_1001285355

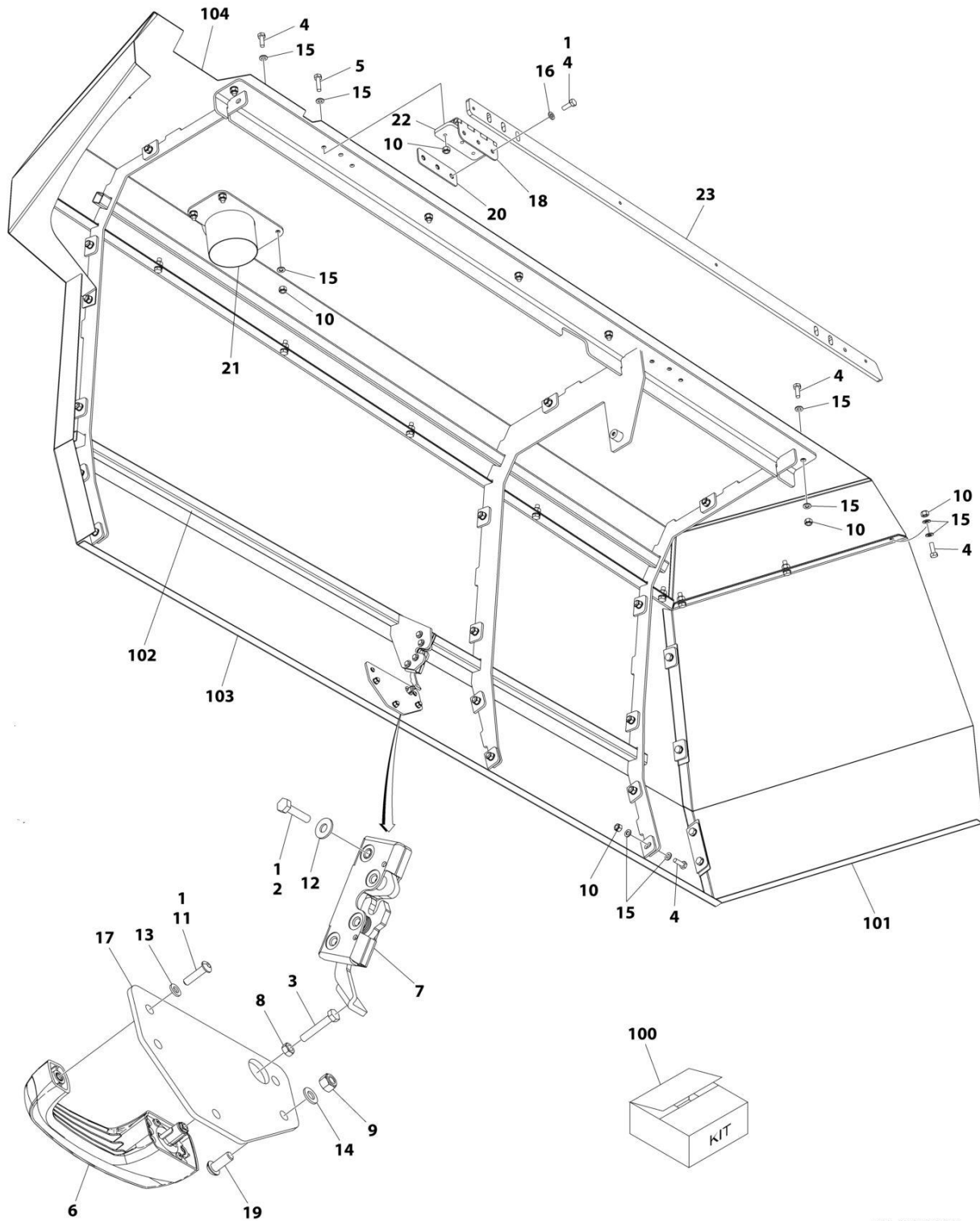
SECTION 2 - TURNTABLE

FIGURE 2-61. HOOD ASSEMBLY - TANK SIDE (STEEL) - DEUTZ D2011 WITH ARCTIC AND DEUTZ TD2.2L3 ENGINES (660SJ HC3)

ITEM	PART NUMBER	QTY	DESCRIPTION	REV
	1001285355	Ref	HOOD ASSEMBLY - TANK SIDE (STEEL)	A
1	0100011	AR	Compound, Locking	
2	0641409	4	Bolt 1/4 x 1/8	
3	0700616	1	Bolt M6 x 40	
4	0760608	2	Bolt M6 x 16	
5	0761014	44	Bolt M10 x 30	
6	0761016	6	Bolt M10 x 40	
7	2560187	1	Handle, Push Button	
8	2940045	1	Latch, Paddle	
9	2940173	1	Latch, Rotary	
10	3290601	1	Nut M6	
11	3290605	2	Nut M6	
12	3290805	3	Nut M8	
13	3291005	44	Nut M10	
14	3900363	2	Screw M6 x 25	
15	4751400	4	Washer 1/4	
16	4811700	6	Washer M6	
17	4811900	3	Washer M8	
18	4812000	82	Washer M10	
19	5241000	6	Washer M10	
20	1001113047	7 ft /2 m	Seal	
21	1001116290	1	Plate	
22	1001139384	2	Hinge	
23	1001164726	3	Capscrew M8 x 20	
24	1001169046	2	Nut	
25	1001202333	2	Plate, Nut	
26	1001211760	1	Door	
27	1001211761	1	Plate	
100	1001285354	1	Hood Kit (Tank Side) (Not Shown)	
101	1001246563	1	Panel (Side)	
102	1001246565	1	Bracket	
103	1001246574	1	Panel (End)	
104	1001285353	1	Panel (Top)	

SECTION 2 - TURNTABLE

FIGURE 2-62. HOOD ASSEMBLY - ENGINE SIDE (STEEL) - DEUTZ D2.9L4 ENGINES (MACHINES WITH SN STARTING WITH B3)



ART_1001281595

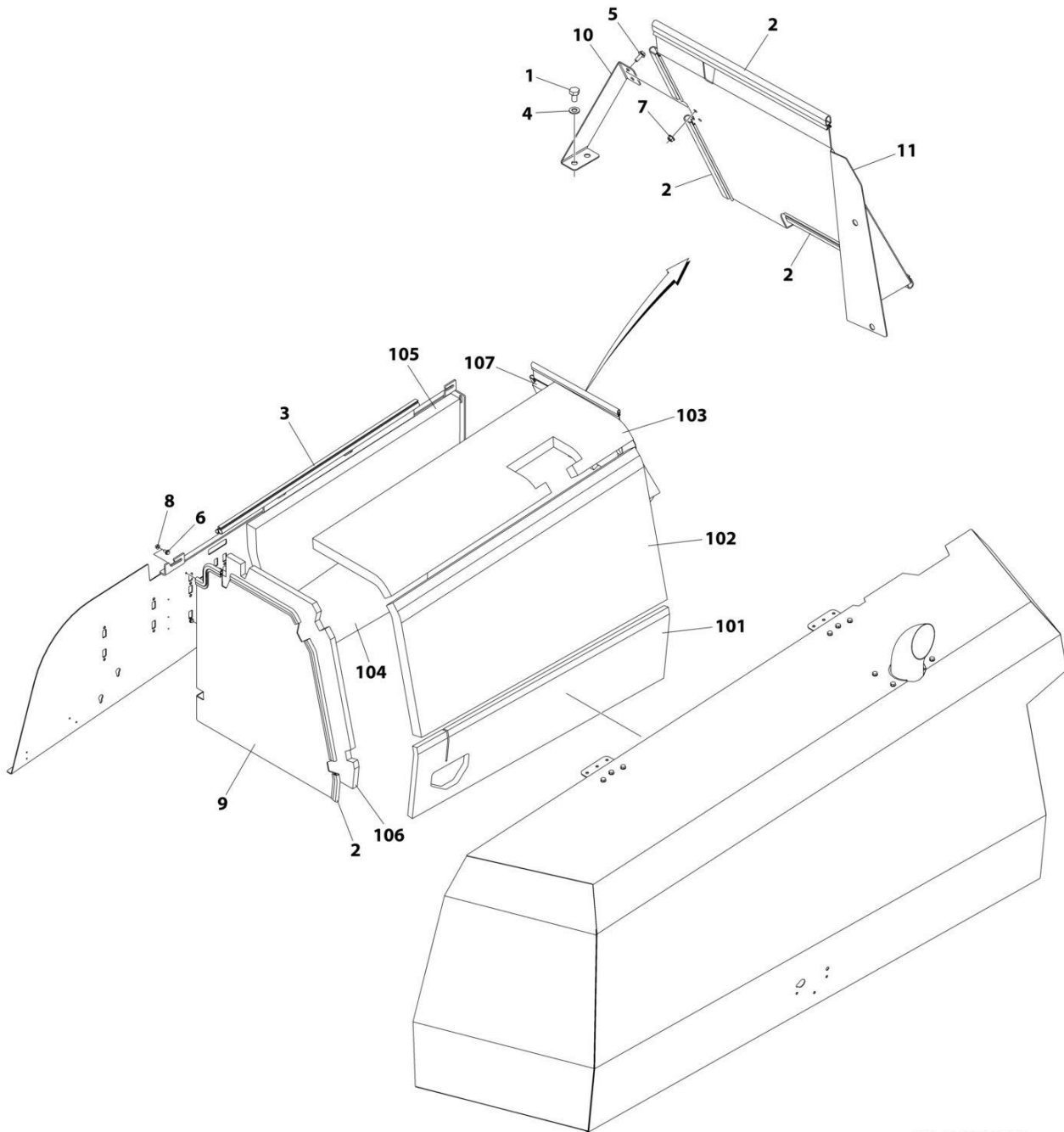
SECTION 2 - TURNTABLE

FIGURE 2-62. HOOD ASSEMBLY - ENGINE SIDE (STEEL) - DEUTZ D2.9L4 ENGINES (MACHINES WITH SN STARTING WITH B3)

ITEM	PART NUMBER	QTY	DESCRIPTION	REV
	1001281595	Ref	HOOD ASSEMBLY - ENGINE SIDE (STEEL)	A
1	0100011	AR	Compound, Locking	
2	0641409	4	Bolt 1/4 x 1/8	
3	0700615	1	Bolt M6 x 35	
4	0761014	44	Bolt M10 x 30	
5	0761016	6	Bolt M10 x 40	
6	2560187	1	Handle, Push Button	
7	2940173	1	Handle, Rotary	
8	3290601	1	Nut M6	
9	3290805	3	Nut, Lock M8	
10	3291005	44	Nut, Lock M10	
11	3900363	2	Screw M6 x 25	
12	4751400	4	Washer 1/4	
13	4811700	2	Washer M6	
14	4811900	3	Washer M8	
15	4812000	82	Washer M10	
16	5241000	6	Washer M10	
17	1001116290	1	Plate	
18	1001139384	2	Hinge	
19	1001164726	3	Screw M8 x 20	
20	1001169046	2	Nut, Hinge	
21	1001194888	1	Pipe, Exhaust	
22	1001202333	2	Plate, Nut	
23	1001211773	1	Plate	
100	1001281572	1	Hood Kit (Engine Side)	
101	1001246789	1	Panel (End)	
102	1001246794	1	Bracket	
103	1001281553	1	Panel (Side)	
104	1001281588	1	Panel (Top)	

SECTION 2 - TURNTABLE

FIGURE 2-63. NOISE REDUCTION PACKAGE (600S HC3)



ART_1001234080_B

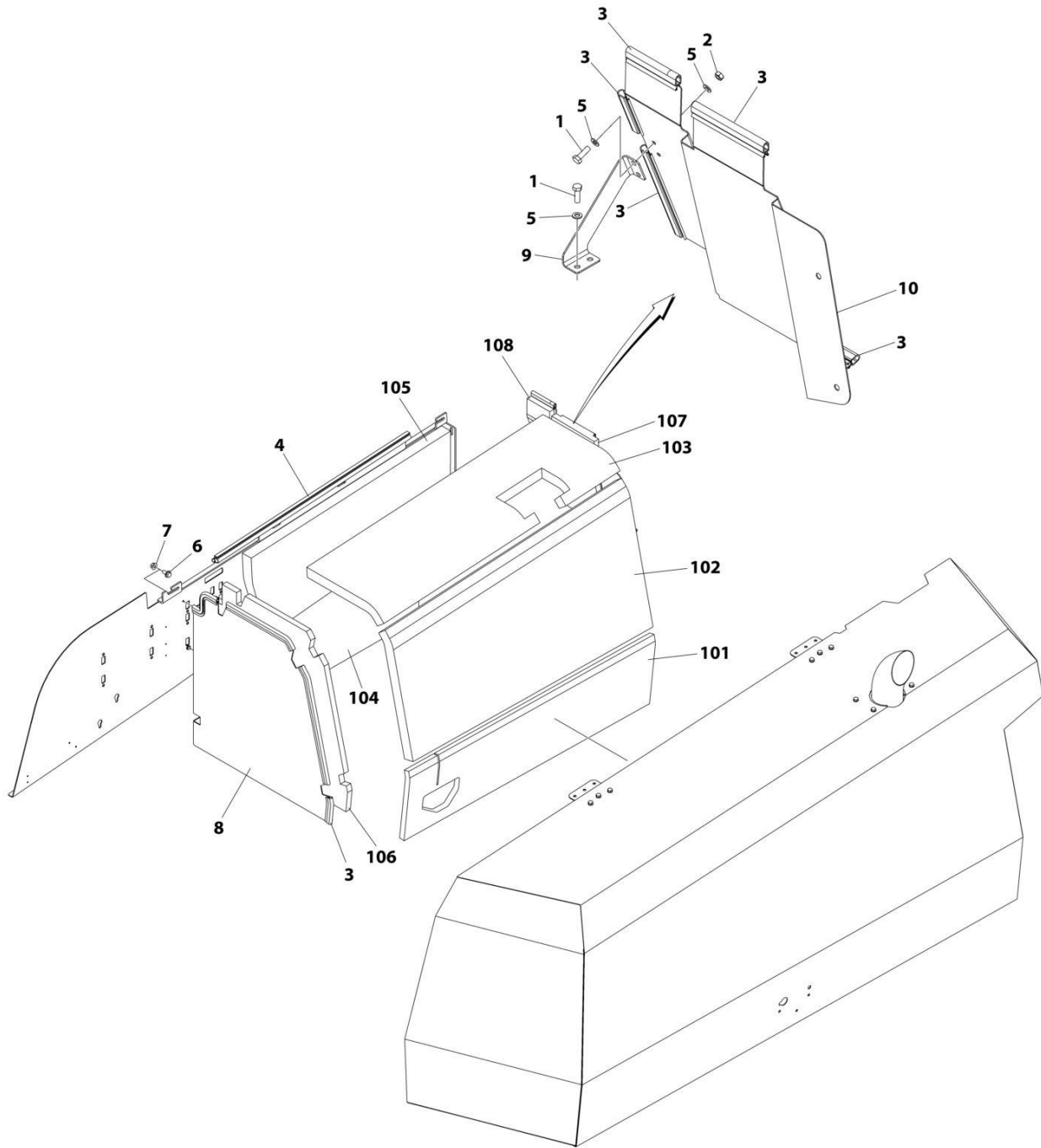
SECTION 2 - TURNTABLE

FIGURE 2-63. NOISE REDUCTION PACKAGE (600S HC3)

ITEM	PART NUMBER	QTY	DESCRIPTION	REV
	1001234080	Ref	SOUND REDUCTION PACKAGE	B
1	0761009	2	Bolt M10 x 18	
2	3960389	8.2 ft/ 2.49m	Seal	
3	3960464	3.6 ft/ 1.10m	Seal	
4	4812000	2	Washer M10	
5	5250608	2	Bolt M6 x 16	
6	5250808	2	Bolt M8 x 16	
7	5260600	2	Nut M6	
8	5260800	2	Nut M8	
9	1001241729	1	Plate	
10	1001233948	1	Bracket	
11	1001233949	1	Plate	
100	1001237550	1	Sound Foam Insulate Kit (Includes Items 101-107)	B
101	1001233953	1	Insulate	
102	1001233954	1	Insulate	
103	1001233955	1	Insulate	
104	1001233966	1	Insulate	
105	1001233967	1	Insulate	
106	1001234269	1	Insulate	
107	1001234270	1	Insulate	

SECTION 2 - TURNTABLE

FIGURE 2-64. NOISE REDUCTION PACKAGE (660SJ HC3)



ART_1001252519

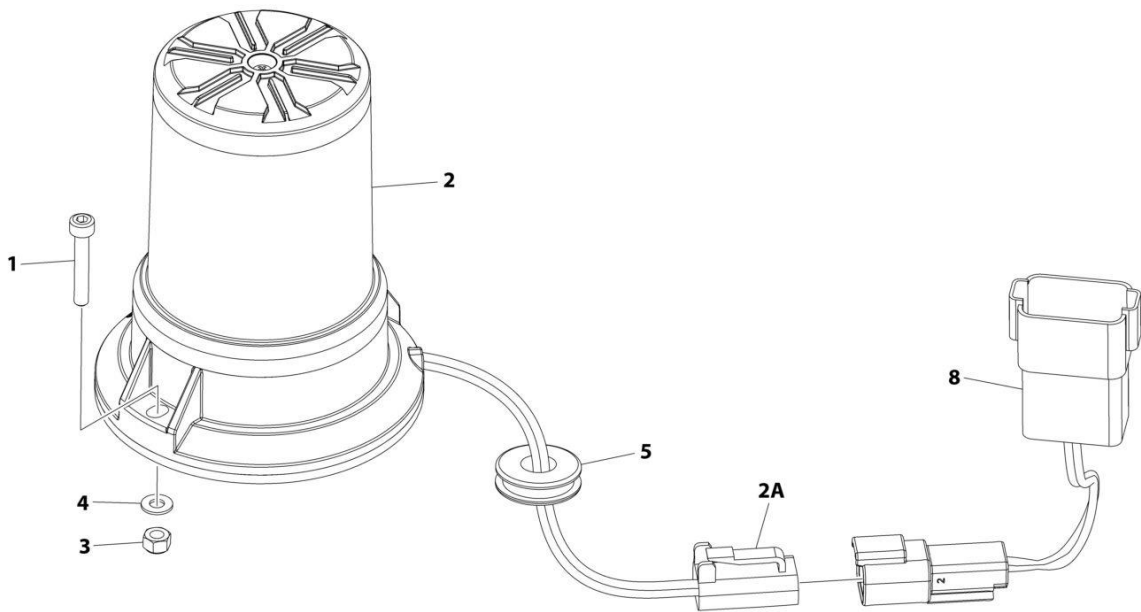
SECTION 2 - TURNTABLE

FIGURE 2-64. NOISE REDUCTION PACKAGE (660SJ HC3)

ITEM	PART NUMBER	QTY	DESCRIPTION	REV
	1001252519	Ref	SOUND REDUCTION PACKAGE	A
1	0760812	4	Bolt M8 x 25	
2	3290801	2	Nut M8	
3	3960389	8 ft /2.44m	Seal	
4	3960464	3.6 ft /1.10m	Seal	
5	4811900	6	Washer M8	
6	5250808	2	Bolt M8 x 16	
7	5260800	2	Nut M8	
8	1001241729	1	Plate	
9	1001253115	1	Bracket	
10	1001253117	1	Plate	
100	1001255619	1	Sound Foam Insulate Kit (Includes Items 101-108)	A
101	1001233953	1	Insulate	
102	1001233954	1	Insulate	
103	1001233955	1	Insulate	
104	1001233966	1	Insulate	
105	1001233967	1	Insulate	
106	1001234269	1	Insulate	
107	1001253116	1	Insulate	
108	1001253459	1	Insulate	

SECTION 2 - TURNTABLE

FIGURE 2-65. STROBE LIGHT INSTALLATION - AMBER



ART_1001191557_F

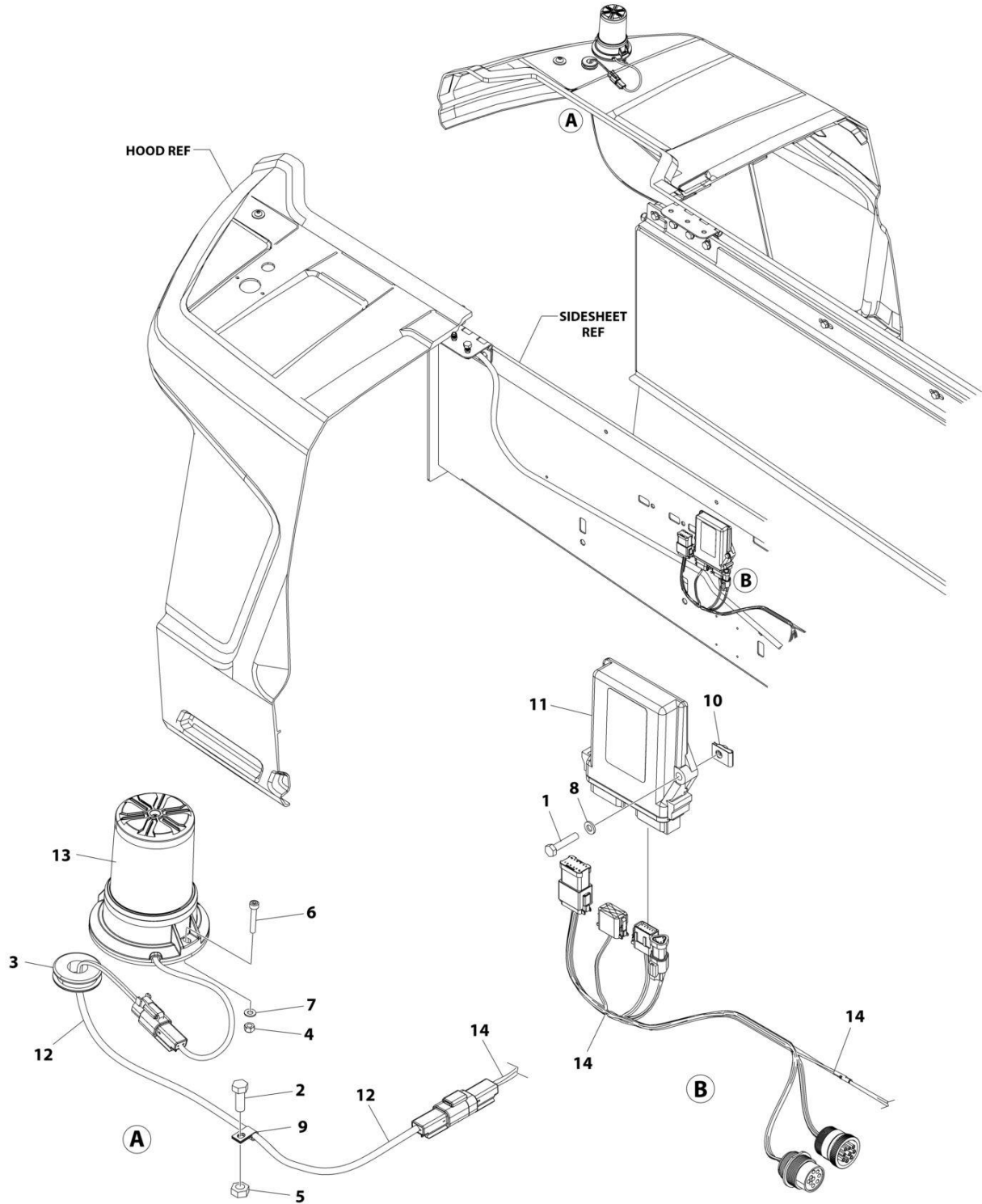
SECTION 2 - TURNTABLE

FIGURE 2-65. STROBE LIGHT INSTALLATION - AMBER

ITEM	PART NUMBER	QTY	DESCRIPTION	REV
	1001191557	Ref	STROBE LIGHT INSTALLATION	F
1	4031509	2	Screw M4 x 25	
2	1001270594	1	Light Strobe (Amber)	
2A	4460891	1	Plug, Male - 2 Position	
2A	4460465	2	Socket, Female	
3	3290405	2	Nut, Lock M4	
4	4811400	2	Washer M4	
5	2540020	1	Grommet	
7	4240099	AR	Tie-Strap (Not Shown)	
8	1001283776	1	Strobe Jumper Harness (See Separate Breakdown in ELECTRICAL Section)	

SECTION 2 - TURNTABLE

FIGURE 2-66. STROBE LIGHT INSTALLATION - BLUE



ART_1001243464_C

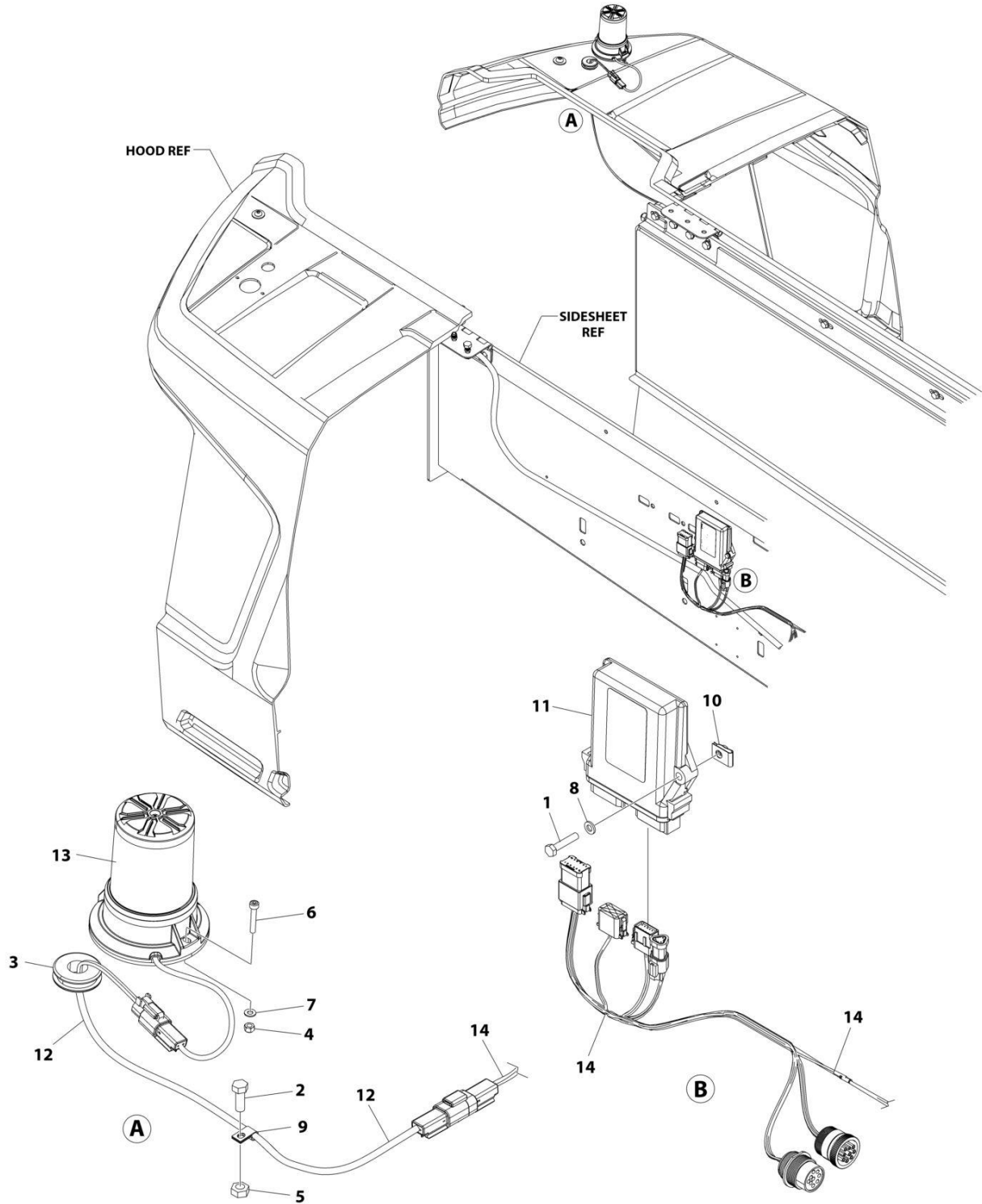
SECTION 2 - TURNTABLE

FIGURE 2-66. STROBE LIGHT INSTALLATION - BLUE

ITEM	PART NUMBER	QTY	DESCRIPTION	REV
	1001243464	Ref	STROBE LIGHT INSTALLATION	C
1	0760614	2	Bolt M6 x 30	
2	0761016	1	Bolt M10 x 40	
3	2540020	1	Grommet	
4	3290405	2	Nut, Lock M4	
5	3291005	1	Nut, Lock M10	
6	4031509	2	Screw M4 x 25	
7	4811400	2	Washer M4	
8	4811700	2	Washer M6	
9	8406110	1	Clip	
10	1001130220	2	Nut, Tinnerman M6	
11	1001142683	1	Module, Beacon Control	
12	1001142736	1	Strobe Light Control Harness (See Separate Breakdown in ELECTRICAL Section)	
13	1001272681	1	Light, Strobe (Blue)	
13	4460897	2	Receptacle, Female - 2 Position	
13	4460464	4	Pin, Male	
14	1001285733	1	Strobe Jumper Harness (See Separate Breakdown in ELECTRICAL Section)	

SECTION 2 - TURNTABLE

FIGURE 2-67. STROBE LIGHT INSTALLATION - RED



ART_1001243465_C

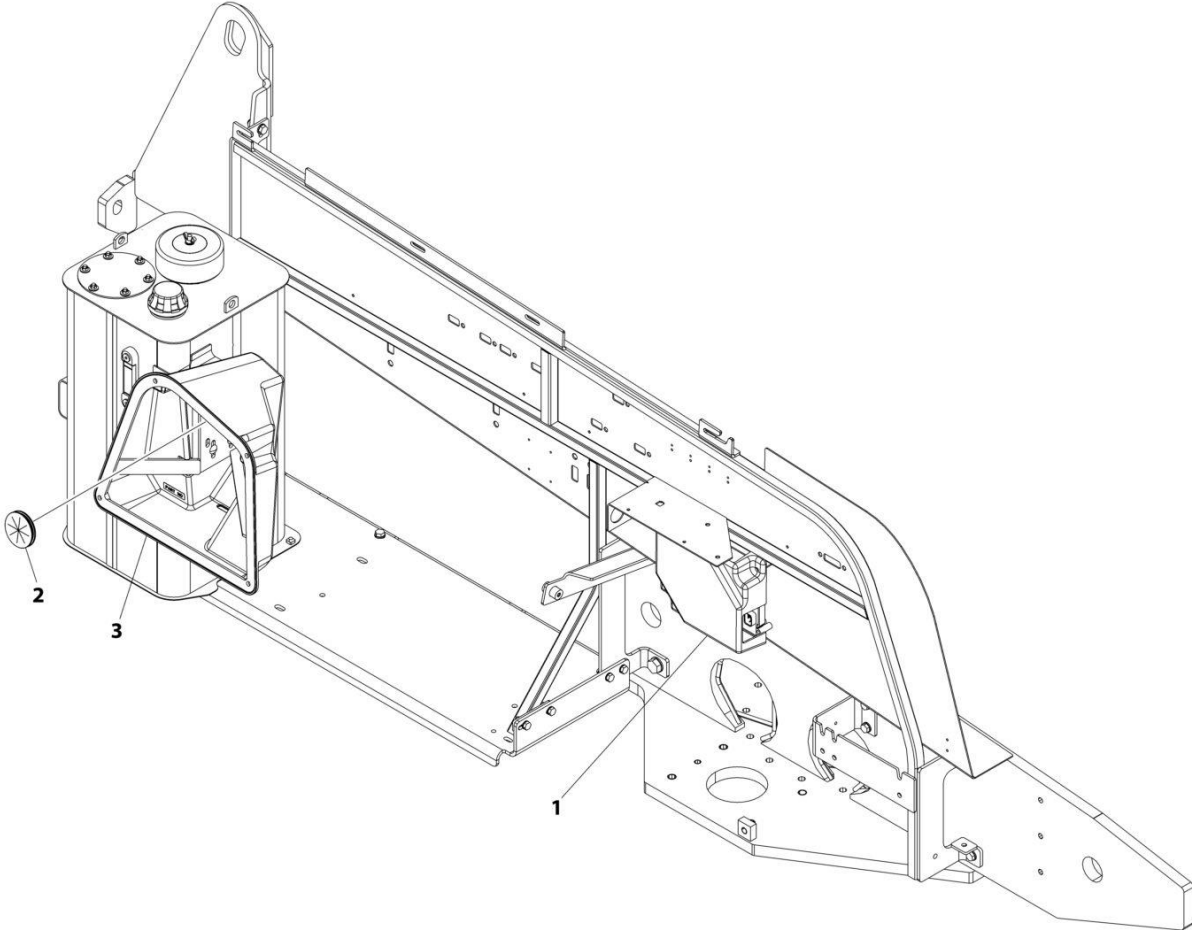
SECTION 2 - TURNTABLE

FIGURE 2-67. STROBE LIGHT INSTALLATION - RED

ITEM	PART NUMBER	QTY	DESCRIPTION	REV
	1001243465	Ref	STROBE LIGHT INSTALLATION	C
1	0760614	2	Bolt M6 x 30	
2	0761016	1	Bolt M10 x 40	
3	2540020	1	Grommet	
4	3290405	2	Nut, Lock M4	
5	3291005	1	Nut, Lock M10	
6	4031509	2	Screw M4 x 25	
7	4811400	2	Washer M4	
8	4811700	2	Washer M6	
9	8406110	1	Clip	
10	1001130220	2	Nut, Tinnerman M6	
11	1001142683	1	Module, Beacon Control	
12	1001142736	1	Strobe Light Control Harness (See Separate Breakdown in ELECTRICAL Section)	
13	1001272682	1	Light, Strobe (Red)	
13	4460897	2	Receptacle, Female - 2 Position	
13	4460464	4	Pin, Male	
14	1001285733	1	Strobe Jumper Harness (See Separate Breakdown in ELECTRICAL Section)	

SECTION 2 - TURNTABLE

FIGURE 2-68. TURNTABLE COVERS INSTALLATION



ART_1001219128

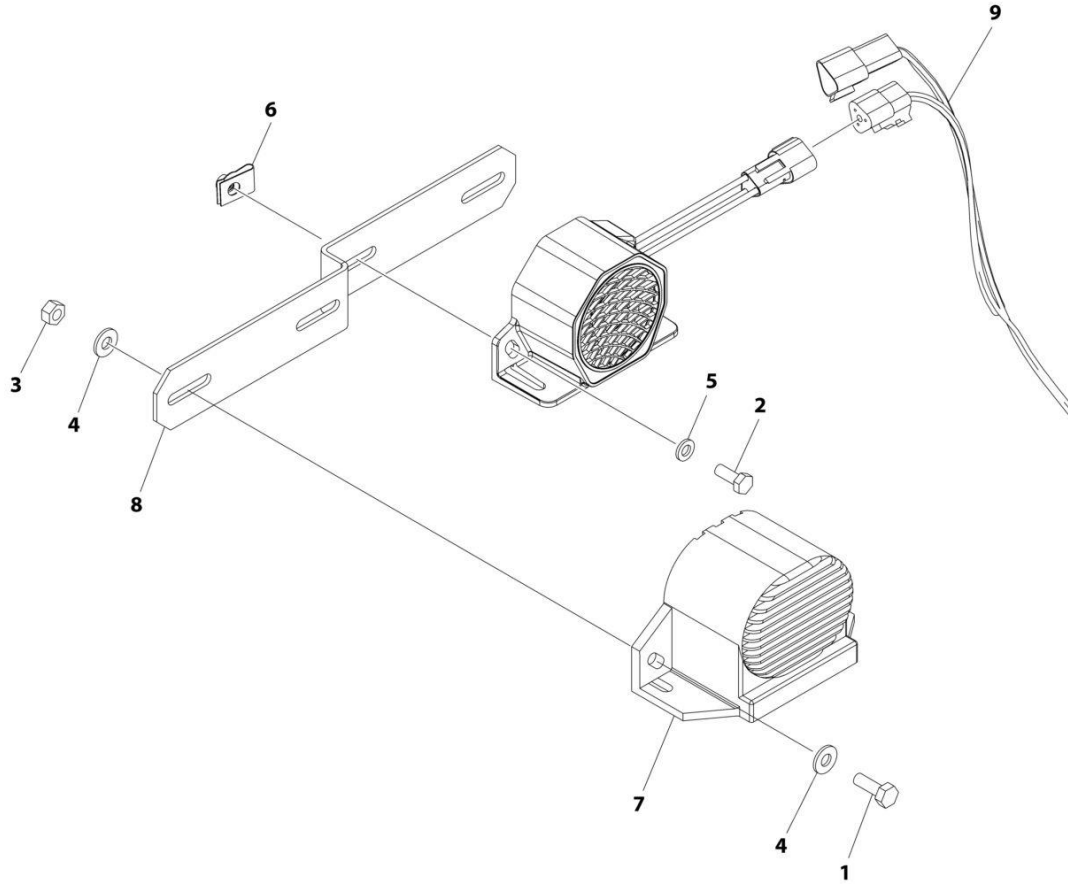
SECTION 2 - TURNTABLE

FIGURE 2-68. TURNTABLE COVERS INSTALLATION

ITEM	PART NUMBER	QTY	DESCRIPTION	REV
	1001219128	Ref	COVERS INSTALLATION	A
1	1001218539	1	Cover, Controller	
2	1001218676	1	Grommet	
3	1001220638	1	Cover, Ground Control	

SECTION 2 - TURNTABLE

FIGURE 2-69. WHITE NOISE ALARM INSTALLATION (AMBIENT)



ART_1001247386

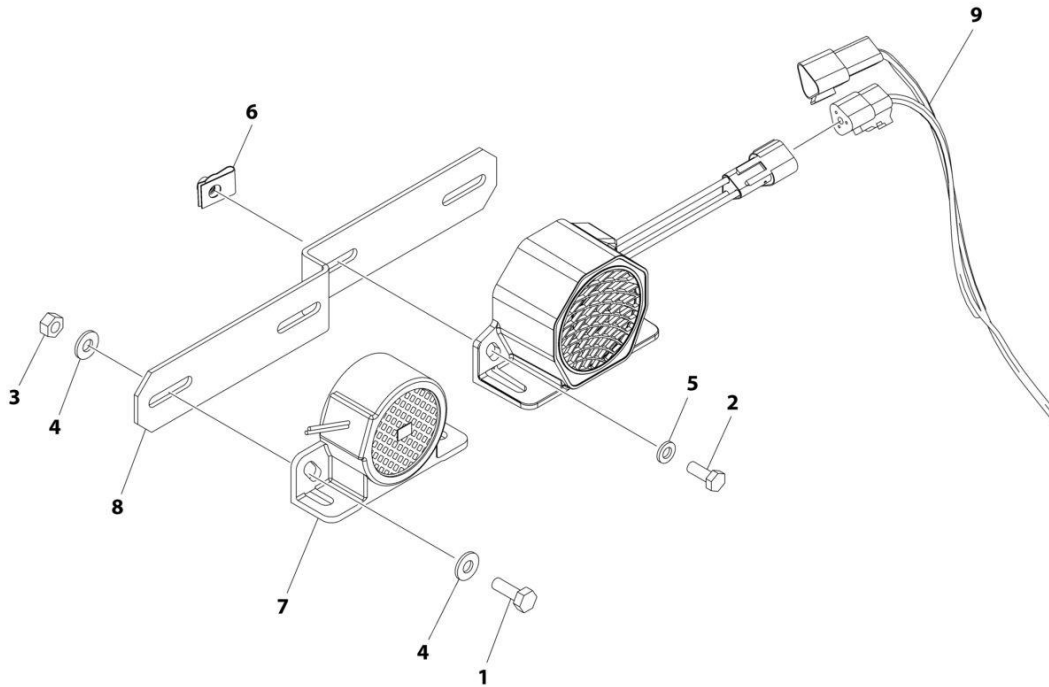
SECTION 2 - TURNTABLE

FIGURE 2-69. WHITE NOISE ALARM INSTALLATION (AMBIENT)

ITEM	PART NUMBER	QTY	DESCRIPTION	REV
	1001247386	Ref	WHITE NOISE ALARM INSTALLATION	A
1	0641406	2	Bolt 1/4 x 3/4	
2	0760608	2	Bolt M6 x 16	
3	3311405	2	Nut 1/4	
4	4711400	4	Washer 1/4	
5	4811700	2	Washer M6	
6	1001130220	2	Nut, Tinnerman M6	
7	1001182806	1	Alarm	
8	1001231711	1	Bracket	
9	1001243682	1	White Noise Alarm Harness (See Separate Breakdown in ELECTRICAL SECTION)	

SECTION 2 - TURNTABLE

FIGURE 2-70. WHITE NOISE ALARM INSTALLATION (CONSTANT)



ART_1001263173

SECTION 2 - TURNTABLE

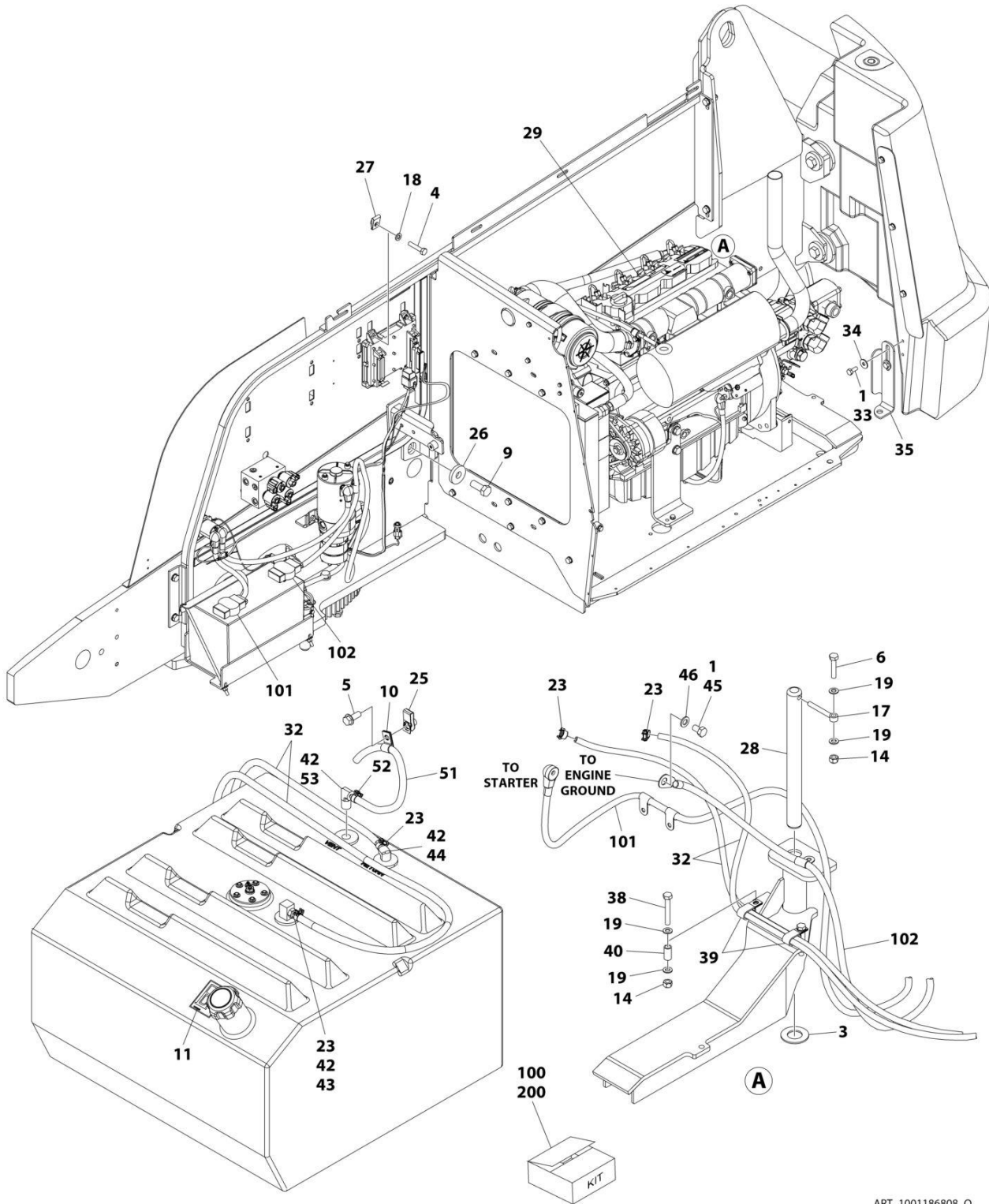
FIGURE 2-70. WHITE NOISE ALARM INSTALLATION (CONSTANT)

ITEM	PART NUMBER	QTY	DESCRIPTION	REV
	1001263173	Ref	WHITE NOISE ALARM (CONSTANT) INSTALLATION	A
1	0641406	2	Bolt 1/4 x 3/4	
2	0760608	2	Bolt M6 x 16	
3	3311405	2	Nut 1/4	
4	4711400	4	Washer 1/4	
5	4811700	2	Washer M6	
6	1001130220	2	Nut, Tinnerman M6	
7	1001184682	1	Alarm	
8	1001231711	1	Bracket	
9	1001243682	1	White Noise Alarm Harness (See Separate Breakdown in ELECTRICAL SECTION)	

SECTION 3 - ENGINE

SECTION 3 - ENGINE

FIGURE 3-1. DEUTZ D2011 ENGINE INSTALLATION - WITHOUT ARCTIC PACKAGE (MACHINES WITH SN STARTING WITH 03) (600S HC3)



ART_1001186808_O

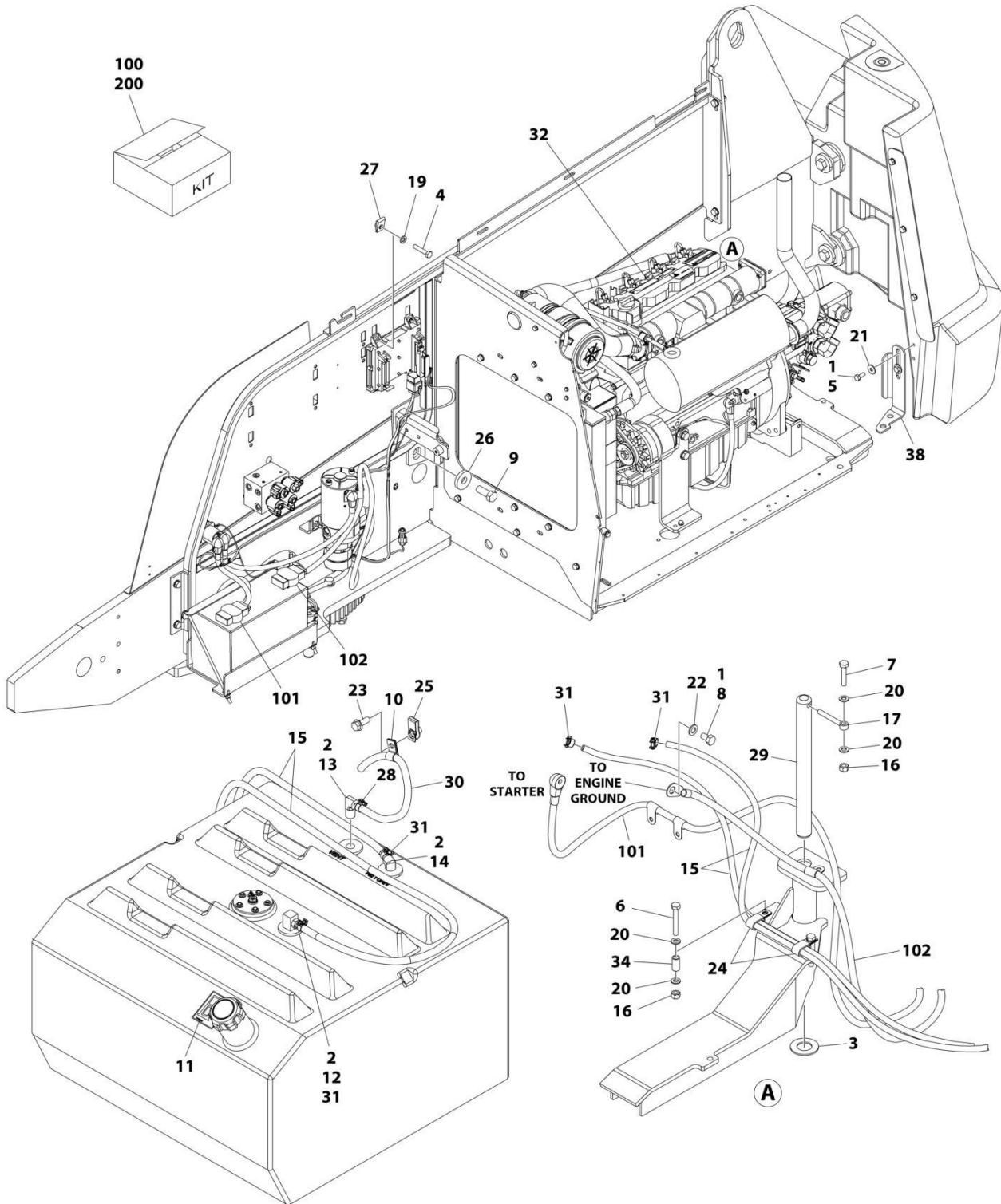
SECTION 3 - ENGINE

FIGURE 3-1. DEUTZ D2011 ENGINE INSTALLATION - WITHOUT ARCTIC PACKAGE (MACHINES WITH SN STARTING WITH 03) (600S HC3)

ITEM	PART NUMBER	QTY	DESCRIPTION	REV
	1001186808	Ref	DEUTZ D2011 ENGINE INSTALLATION	O
1	0100011	AR	Compound, Locking	
3	0440162	1	Bearing	
4	0700614	4	Bolt M6 x 30	
5	5251012	1	Bolt M10 x 25	
6	0711018	1	Bolt M10 x 50	
9	0772018	1	Bolt M20 x 50	
10	1320061	1	Clamp	
11	1701505	1	Decal - Diesel Fuel	
14	3291005	3	Nut M10	
17	3841143	1	Keeper, Pin	
18	4811700	4	Washer M6	
19	4812000	6	Washer M10	
23	1001174486	4	Clamp	
25	1001118972	1	Nut, Tinnerman M10	
26	1001119051	1	Washer	
27	1001130220	4	Nut, Tinnerman M6	
28	1001155094	1	Pin	
29	1001186815	1	Deutz D2011 Engine and Pumps Sub-Assembly (See Separate Breakdown in this Section)	
32	2720058	288 in/ 7.3m	Hose, Fuel	
33	0701012	2	Bolt M10 x 70	
34	4812002	2	Washer M10	
35	1001196398	1	Bracket	
38	0701022	2	Bolt M10 x 70	
39	1001026127	2	Clamp	
40	1001200731	2	Tube	
41	4240099	5	Tie-Strap (Not Shown)	
42	0100020	AR	Sealant	
43	2180348	1	Fitting, Straight NPT x Barb	
44	2221176	1	Fitting, 90 Barbed	
45	0761210	1	Bolt M12 x 20	
46	4812100	1	Washer M12	
51	1001165035	20 in/ 0.5m	Hose	
52	1001136975	1	Clamp	
53	2220313	1	Fitting, 90 NPTF/Barb	
100	1001235699	1	Battery Cable Kit	
101	1001188667	1	Cable, Battery (+) to Aux Relay to Starter	
102	1001188670	1	Cable, Battery (-) to Aux Pump and Ground	
200	1001269919	1	Hose Assembly Kit	
201	1001192690	1	Hose (Case Drain) (Drive Pump Case Gauge Port to Tank) (Not Shown)	
202	1001203431	1	Hose (Case Drain) (Drive Pump Case Outlet Port to Tank) (Not Shown)	
203	1001203432	1	Hose (Function Suction) (Not Shown)	
204	1001203433	1	Hose (Drive Suction) (Not Shown)	

SECTION 3 - ENGINE

FIGURE 3-2. DEUTZ D2011 ENGINE INSTALLATION - WITHOUT ARCTIC PACKAGE (MACHINES WITH SN STARTING WITH 03) (660SJ HC3)



ART_1001258167

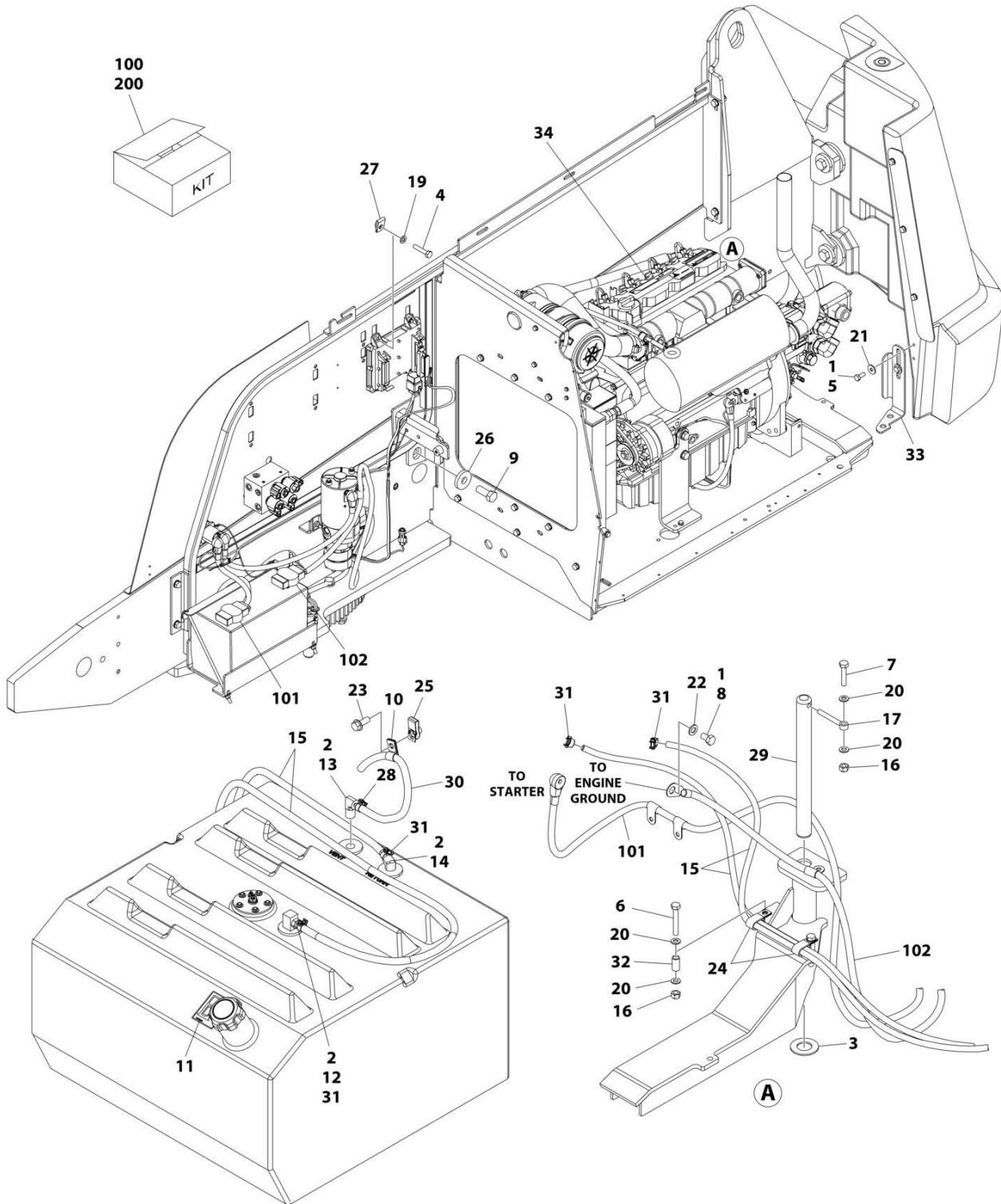
SECTION 3 - ENGINE

FIGURE 3-2. DEUTZ D2011 ENGINE INSTALLATION - WITHOUT ARCTIC PACKAGE (MACHINES WITH SN STARTING WITH 03) (660SJ HC3)

ITEM	PART NUMBER	QTY	DESCRIPTION	REV
	1001258167	Ref	DEUTZ D2011 ENGINE INSTALLATION	B
1	0100011	AR	Compound, Locking	
2	0100020	AR	Sealant	
3	0440162	1	Bearing	
4	0700614	4	Bolt M6 x 30	
5	0701012	2	Bolt M10 x 70	
6	0701022	2	Bolt M10 x 70	
7	0711018	1	Bolt M10 x 50 Class 10.9	
8	0761210	1	Bolt M12 x 20	
9	0772018	1	Bolt M20 x 50	
10	1320061	1	Clamp	
11	1701505	1	Decal - Diesel Fuel	
12	2180348	1	Fitting, Straight NPT x Barb	
13	2220313	1	Fitting, 90 NPTF/Barb	
14	2221176	1	Fitting, 90 Barbed	
15	2720058	288 in/ 7.3m	Hose, Fuel	
16	3291005	3	Nut, Lock M10	
17	3841143	1	Keeper, Pin	
18	4240099	AR	Tie-Strap (Not Shown)	
19	4811700	4	Washer M6	
20	4812000	6	Washer M10	
21	4812002	2	Washer M10	
22	4812100	1	Washer M12	
23	5251012	1	Bolt M10 x 25	
24	1001026127	2	Clamp	
25	1001118972	1	Nut, Tinnerman M10	
26	1001119051	1	Washer	
27	1001130220	4	Nut, Tinnerman M6	
28	1001136975	1	Clamp	
29	1001155094	1	Pin	
30	1001165035	20 in/0.5m	Hose	
31	1001174486	4	Clamp	
32	1001186815	1	Deutz D2011 Engine and Pumps Sub-Assembly (See Separate Breakdown in this Section)	
34	1001200731	2	Tube	
38	1001258175	1	Bracket	
100	1001235699	1	Battery Cable Kit	
101	1001188667	1	Cable, Battery (+) to Aux Relay to Starter	
102	1001188670	1	Cable, Battery (-) to Aux Pump and Ground	
200	1001269920	1	Engine Hose Kit	
201	1001192690	1	Hose (Case Drain) (Drive Pump Case Gauge Port to Tank) (Not Shown)	
202	1001203431	1	Hose (Case Drain) (Drive Pump Case Outlet Port to Tank) (Not Shown)	
203	1001258156	1	Hose (Function Suction) (Not Shown)	
204	1001258157	1	Hose (Drive Suction) (Not Shown)	

SECTION 3 - ENGINE

FIGURE 3-3. DEUTZ D2011 ENGINE INSTALLATION - WITHOUT ARCTIC PACKAGE (MACHINES WITH SN STARTING WITH B3) (660SJ HC3)



ART_1001285082

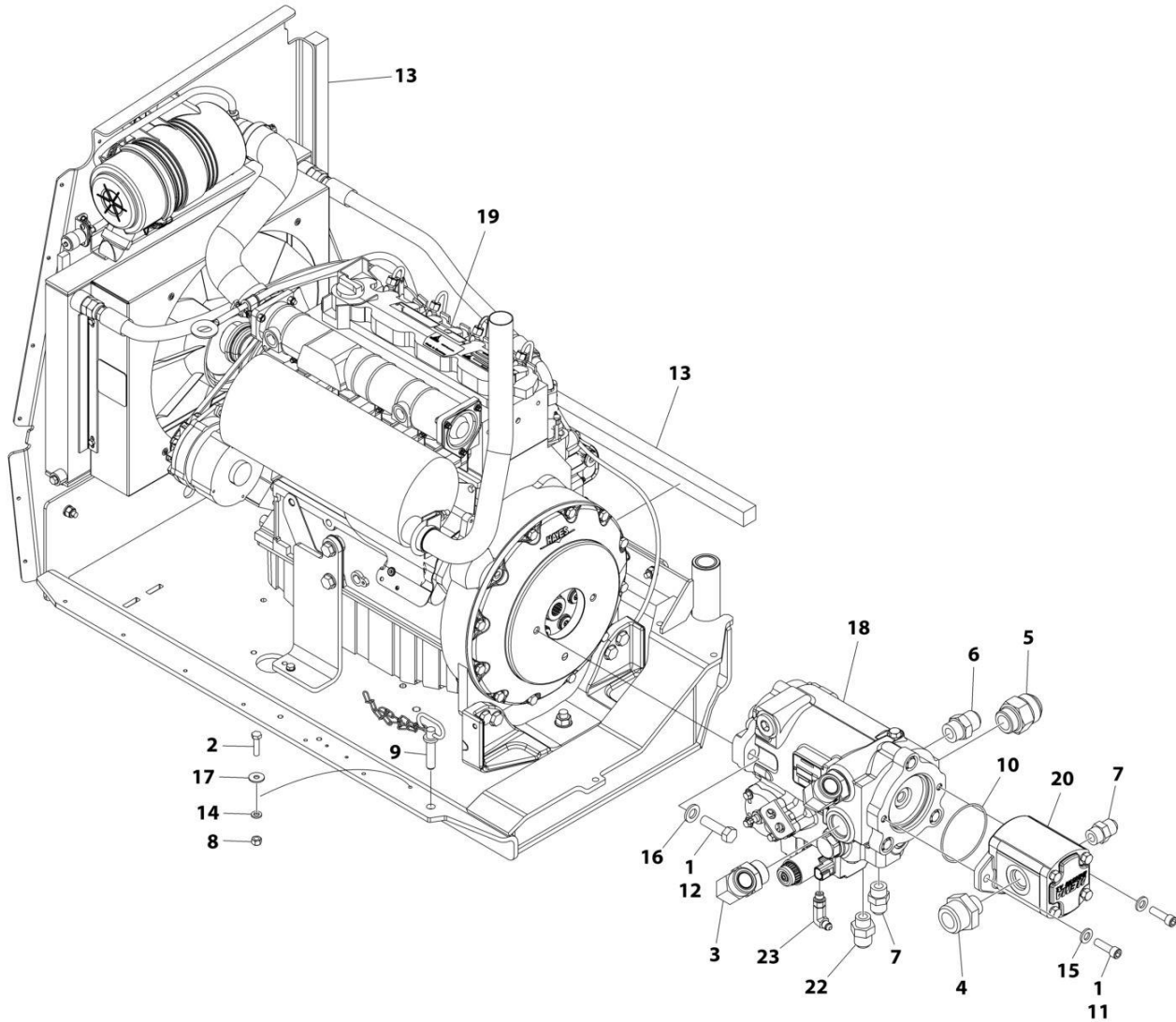
SECTION 3 - ENGINE

FIGURE 3-3. DEUTZ D2011 ENGINE INSTALLATION - WITHOUT ARCTIC PACKAGE (MACHINES WITH SN STARTING WITH B3) (660SJ HC3)

ITEM	PART NUMBER	QTY	DESCRIPTION	REV
	1001285082	Ref	DEUTZ D2011 ENGINE INSTALLATION	A
1	0100011	AR	Compound, Locking	
2	0100020	AR	Sealant	
3	0440162	1	Bearing	
4	0700614	4	Bolt M6 x 30	
5	0701012	2	Bolt M10 x 70	
6	0701022	2	Bolt M10 x 70	
7	0711018	1	Bolt M10 x 50 Class 10.9	
8	0761210	1	Bolt M12 x 20	
9	0772018	1	Bolt M20 x 50	
10	1320061	1	Clamp	
11	1701505	1	Decal - Diesel Fuel	
12	2180348	1	Fitting, Straight NPT x Barb	
13	2220313	1	Fitting, 90 NPTF/Barb	
14	2221176	1	Fitting, 90 Barbed	
15	2720058	288 in/ 7.3m	Hose, Fuel	
16	3291005	3	Nut, Lock M10	
17	3841143	1	Keeper, Pin	
18	4240099	AR	Tie-Strap (Not Shown)	
19	4811700	4	Washer M6	
20	4812000	6	Washer M10	
21	4812002	2	Washer M10	
22	4812100	1	Washer M12	
23	5251012	1	Bolt M10 x 25	
24	1001026127	2	Clamp	
25	1001118972	1	Nut, Tinnerman M10	
26	1001119051	1	Washer	
27	1001130220	4	Nut, Tinnerman M6	
28	1001136975	1	Clamp	
29	1001155094	1	Pin	
30	1001165035	20 in/0.5m	Hose	
31	1001174486	4	Clamp	
32	1001200731	2	Tube	
33	1001258175	1	Bracket	
34	1001285072	1	Deutz D2011 Engine and Pumps Sub-Assembly (See Separate Breakdown in this Section)	
100	1001235699	1	Battery Cable Kit	
101	1001188667	1	Cable, Battery (+) to Aux Relay to Starter	
102	1001188670	1	Cable, Battery (-) to Aux Pump and Ground	
200	1001269920	1	Engine Hose Kit	
201	1001192690	1	Hose (Case Drain) (Drive Pump Case Gauge Port to Tank) (Not Shown)	
202	1001203431	1	Hose (Case Drain) (Drive Pump Case Outlet Port to Tank) (Not Shown)	
203	1001258156	1	Hose (Function Suction) (Not Shown)	
204	1001258157	1	Hose (Drive Suction) (Not Shown)	

SECTION 3 - ENGINE

FIGURE 3-4. DEUTZ D2011 ENGINE AND PUMPS SUB-ASSEMBLY - WITHOUT ARCTIC PACKAGE
(600S HC3/660SJ HC3) (MACHINES WITH SN STARTING WITH 03)



ART_1001186815_G

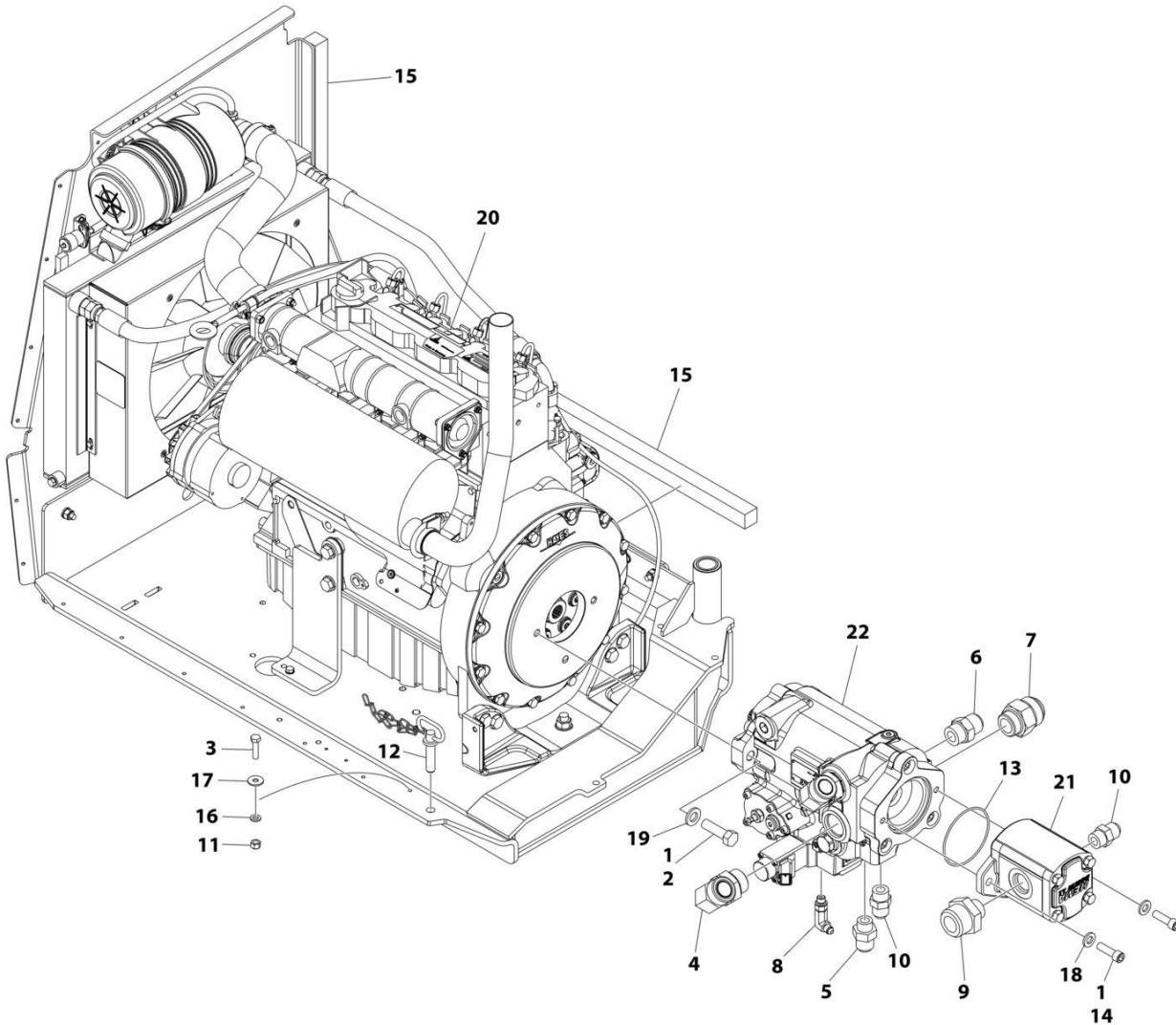
SECTION 3 - ENGINE

**FIGURE 3-4. DEUTZ D2011 ENGINE AND PUMPS SUB-ASSEMBLY - WITHOUT ARCTIC PACKAGE
(600S HC3/660SJ HC3) (MACHINES WITH SN STARTING WITH 03)**

ITEM	PART NUMBER	QTY	DESCRIPTION	REV
	1001186815	Ref	DEUTZ D2011 ENGINE AND PUMPS SUB-ASSEMBLY	G
1	0100011	AR	Compound, Locking	
2	0760612	1	Bolt M6 x 25	
3	2131616	2	Fitting, 90 ORFS/ORB	
4	2220946	1	Fitting, Straight JIC/ORB	
5	2220479	1	Fitting, Straight JIC/ORB	
6	2220451	1	Fitting, Straight JIC/ORB	
7	2220947	2	Fitting, Straight JIC/ORB	
8	3290605	1	Nut M6	
9	3422532	1	Pin	
10	3790152	1	O-Ring	
11	3931620	2	Capscrew 3/8 x 1-1/4	
11	3931618	2	Capscrew 3/8 x 1-1/8	
12	0641814	2	Bolt 1/2 x 1-3/4	
13	3960469	2	Seal	
14	4811700	1	Washer M6	
15	5241000	2	Washer M10	
16	5241200	2	Washer M12	
17	4811702	1	Washer M6	
18	1001184930	1	Piston Pump Assembly (See Separate Breakdown in this Section)	
19	1001186816	1	Deutz D2011 Engine Assembly (See Separate Breakdown in this Section)	
20	1001190143	1	Gear Pump Assembly	
20	70006356	1	Seal Kit - 1001190143 Pump	
22	2220408	1	Fitting, Straight JIC/ORB	
23	2220940	1	Fitting, 90 JIC/ORB	

SECTION 3 - ENGINE

FIGURE 3-5. DEUTZ D2011 ENGINE AND PUMPS SUB-ASSEMBLY - WITHOUT ARCTIC PACKAGE
(MACHINES WITH SN STARTING WITH B3) (660SJ HC3)



ART_1001285072

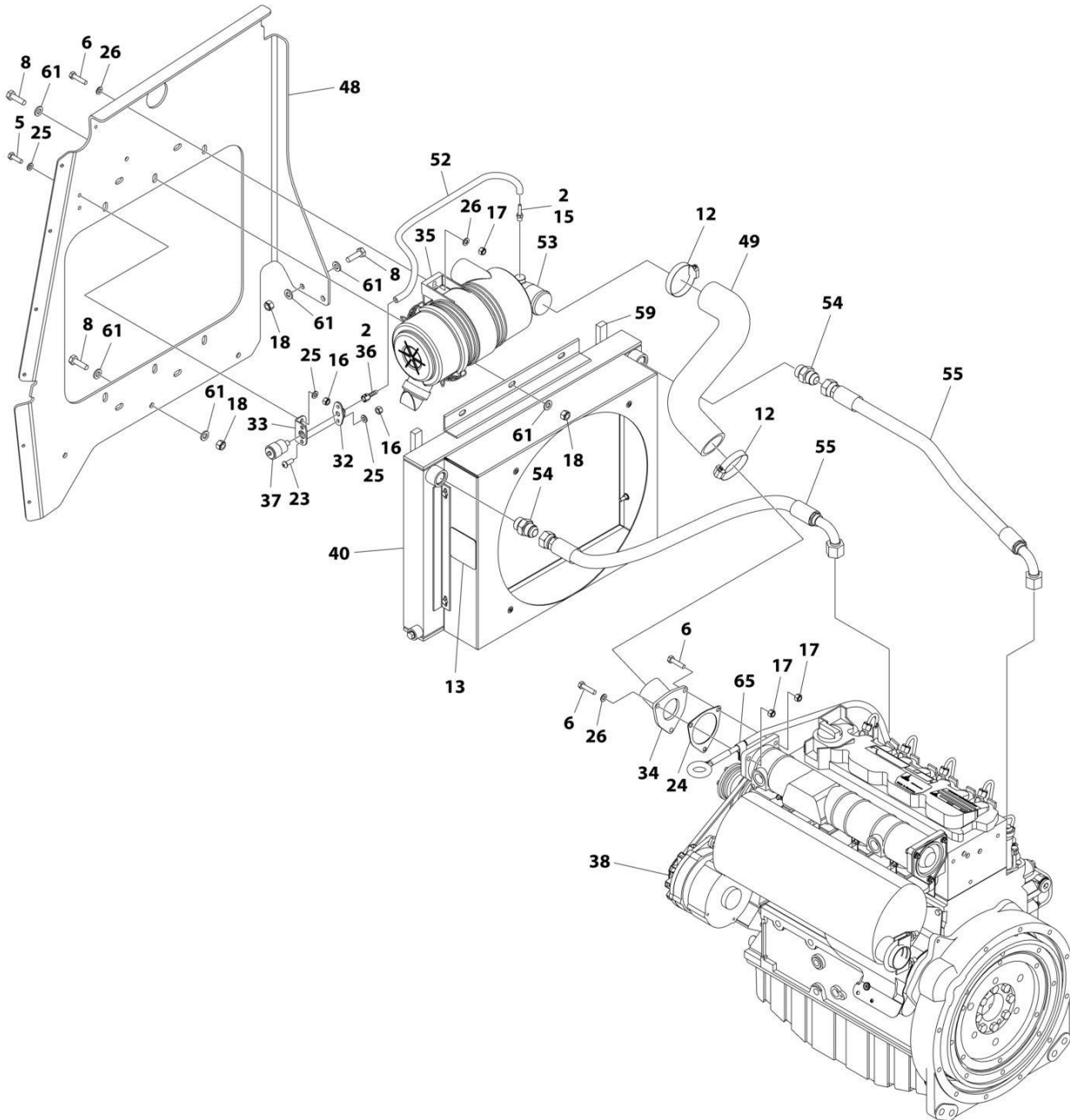
SECTION 3 - ENGINE

**FIGURE 3-5. DEUTZ D2011 ENGINE AND PUMPS SUB-ASSEMBLY - WITHOUT ARCTIC PACKAGE
(MACHINES WITH SN STARTING WITH B3) (660SJ HC3)**

ITEM	PART NUMBER	QTY	DESCRIPTION	REV
	1001285072	Ref	DEUTZ D2011 ENGINE AND PUMPS SUB-ASSEMBLY	B
1	0100011	AR	Compound, Locking	
2	0641814	2	Bolt 1/2 x 1-3/4	
3	0760612	1	Bolt M6 x 25	
4	2131616	2	Fitting, 90 ORFS/ORB	
5	2220408	1	Fitting, Straight JIC/ORB	
6	2220451	1	Fitting, Straight JIC/ORB	
7	2220479	1	Fitting, Straight JIC/ORB	
8	2220940	1	Fitting, 90 JIC/ORB	
9	2220946	1	Fitting, Straight JIC/ORB	
10	2220947	2	Fitting, Straight JIC/ORB	
11	3290605	1	Nut M6	
12	3422532	1	Pin	
13	70007827	1	O-Ring (Part of Item 22)	
14	3931618	2	Capscrew 3/8 x 1-1/8	
15	3960469	2	Seal	
16	4811700	1	Washer M6	
17	4811702	1	Washer M6	
18	5241000	2	Washer M10	
19	5241200	2	Washer M12	
20	1001186816	1	Deutz D2011 Engine Assembly (See Separate Breakdown in this Section)	
21	1001190143	1	Gear Pump Assembly	
21	70006356	1	Seal Kit - 1001190143 Pump	
22	1001284471	1	Piston Pump Assembly (See Separate Breakdown in this Section)	

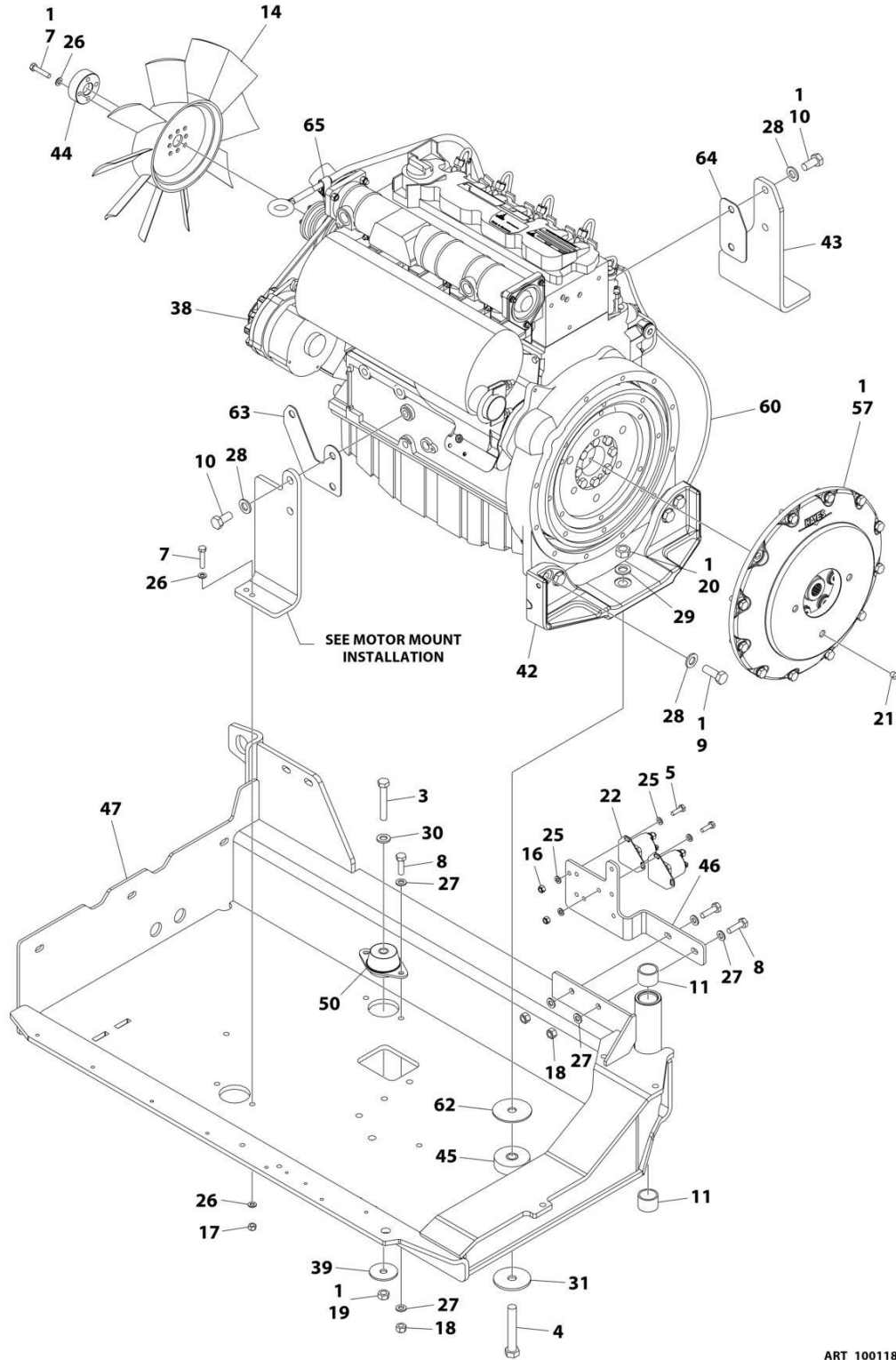
SECTION 3 - ENGINE

FIGURE 3-6. DEUTZ D2011 ENGINE ASSEMBLY - WITHOUT ARCTIC PACKAGE (600S HC3/660SJ HC3)



ART_1001186816_X_10F2

SECTION 3 - ENGINE



ART_1001186816_X_20F2

SECTION 3 - ENGINE

FIGURE 3-6. DEUTZ D2011 ENGINE ASSEMBLY - WITHOUT ARCTIC PACKAGE (600S HC3/660SJ HC3)

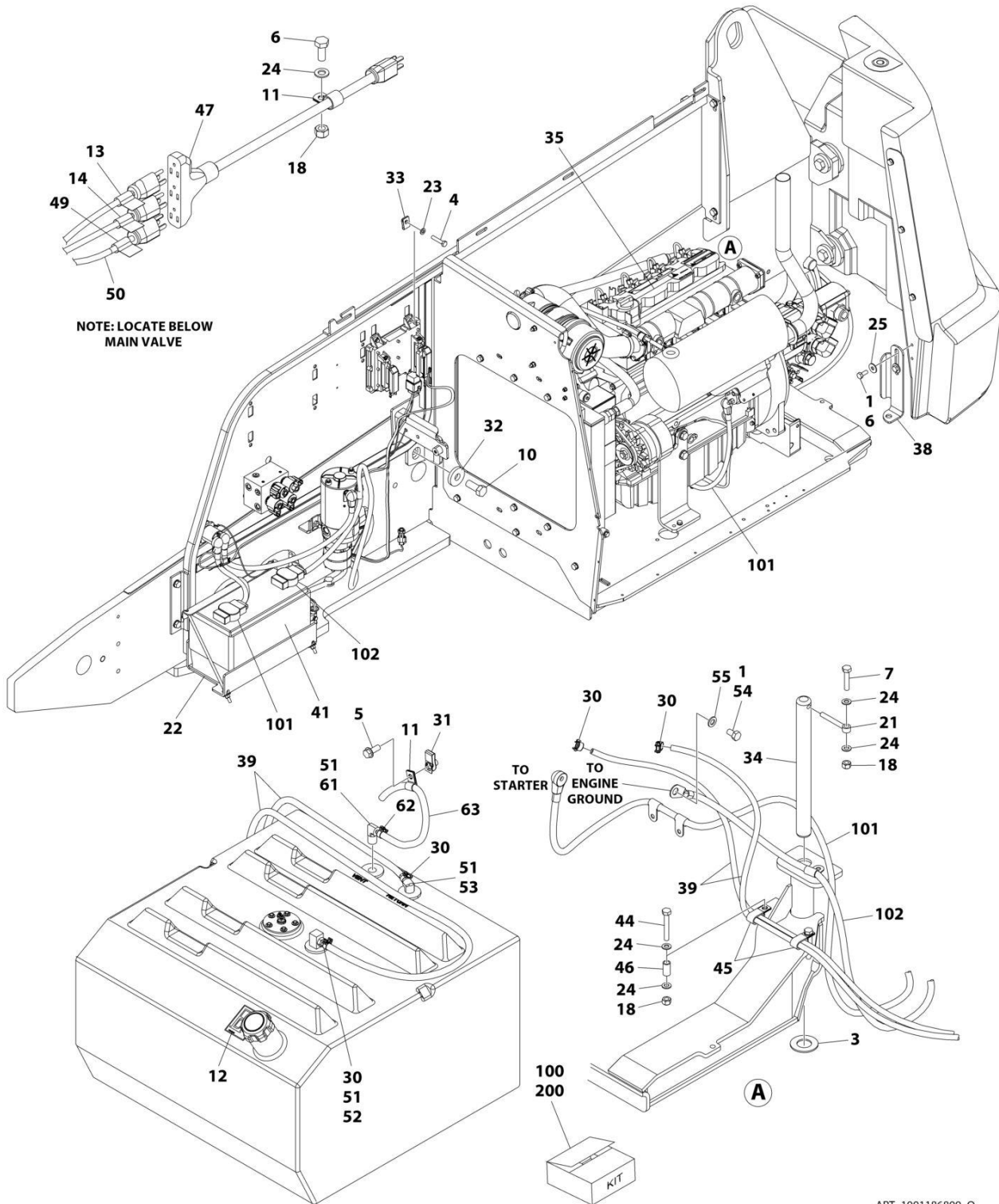
ITEM	PART NUMBER	QTY	DESCRIPTION	REV
	1001186816	Ref	DEUTZ D2011 ENGINE ASSEMBLY	X
1	0100011	AR	Compound, Locking	
2	0100020	AR	Sealant	
3	0711224	1	Bolt M12 x 80	
4	0711627	1	Bolt M16 x 100	
5	0760610	6	Bolt M6 x 20	
6	0760815	5	Bolt M8 x 35	
7	0760816	5	Bolt M8 x 40	
8	0761015	15	Bolt M10 x 35	
9	0771416	4	Bolt M14 x 40	
10	0771414	4	Bolt M14 x 30	
11	0961951	2	Bushing	
12	8405202	2	Clamp	
13	1703162	2	Decal - Fan Blade	
14	2060025	1	Fan	
15	2220315	1	Fitting, Straight Barbed	
16	3290605	8	Nut M6	
17	3290805	6	Nut M8	
18	3291005	15	Nut M10	
19	3331211	1	Nut M12	
20	3331611	1	Nut M16	
21	3520054	2	Plug	
22	3740067	2	Relay	
23	3900357	2	Screw M6 x 16	
24	3960407	1	Gasket, Air Intake Adapter	
25	4811700	14	Washer M6	
26	4811900	11	Washer M8	
27	4812000	8	Washer M10	
28	5241400	8	Washer M14	
29	4812300	1	Washer M16	
30	5241200	1	Washer M12	
31	7300435	1	Washer	
32	1001138173	1	Support	
33	1001138175	1	Bracket	
34	1001139819	1	Adapter	
35	1001141694	1	Clamp, Air Cleaner	
36	1001141995	1	Fitting, Straight NPT/Barbed	
37	1001143390	1	Indicator, Air Filter Service	
38	1001146368	1	Deutz D2011 Engine (See Separate Breakdown in this Section)	
39	1001168018	1	Washer	
40	1001187082	1	Radiator	
41	1001188236	1	Engine Harness - Deutz D2011 Engines (Not Shown) (See Separate Breakdown in ELECTRICAL SECTION)	
42	1001188535	1	Bracket, Engine - Rear	
43	1001189026	1	Bracket, Engine - Right	
44	1001189161	1	Adapter, Fan	
45	1001190164	1	Mount, Motor	
46	1001203885	1	Plate	
47	1001200435	1	Tray	

SECTION 3 - ENGINE

ITEM	PART NUMBER	QTY	DESCRIPTION	REV
48	1001236499	1	Support, Radiator	
49	1001191271	1	Hose	
50	1001191610	1	Mount, Motor	
52	1001138248	21.7 in/ 0.6m	Tube	
53	1001165388	1	Filter, Air	
53	70003783	1	Element, Filter	
54	2220451	2	Fitting, Straight ORB/JIC	
55	2720398	2	Hose	
57	2902065	1	Pump Coupling Kit (See Separate Breakdown in this Section)	
59	1001168166	2	Seal	
60	1001234396	1	Glow Plug Harness	
61	5241000	22	Washer M10	
62	1001197725	1	Spacer	
63	1001201843	1	Shim .079	
64	1001201844	1	Shim .079	
65	1320070	1	Clamp	

SECTION 3 - ENGINE

FIGURE 3-7. DEUTZ D2011 ENGINE INSTALLATION - WITH ARCTIC PACKAGE (MACHINES WITH SN STARTING WITH 03) (600S HC3)



SECTION 3 - ENGINE

FIGURE 3-7. DEUTZ D2011 ENGINE INSTALLATION - WITH ARCTIC PACKAGE (MACHINES WITH SN STARTING WITH 03) (600S HC3)

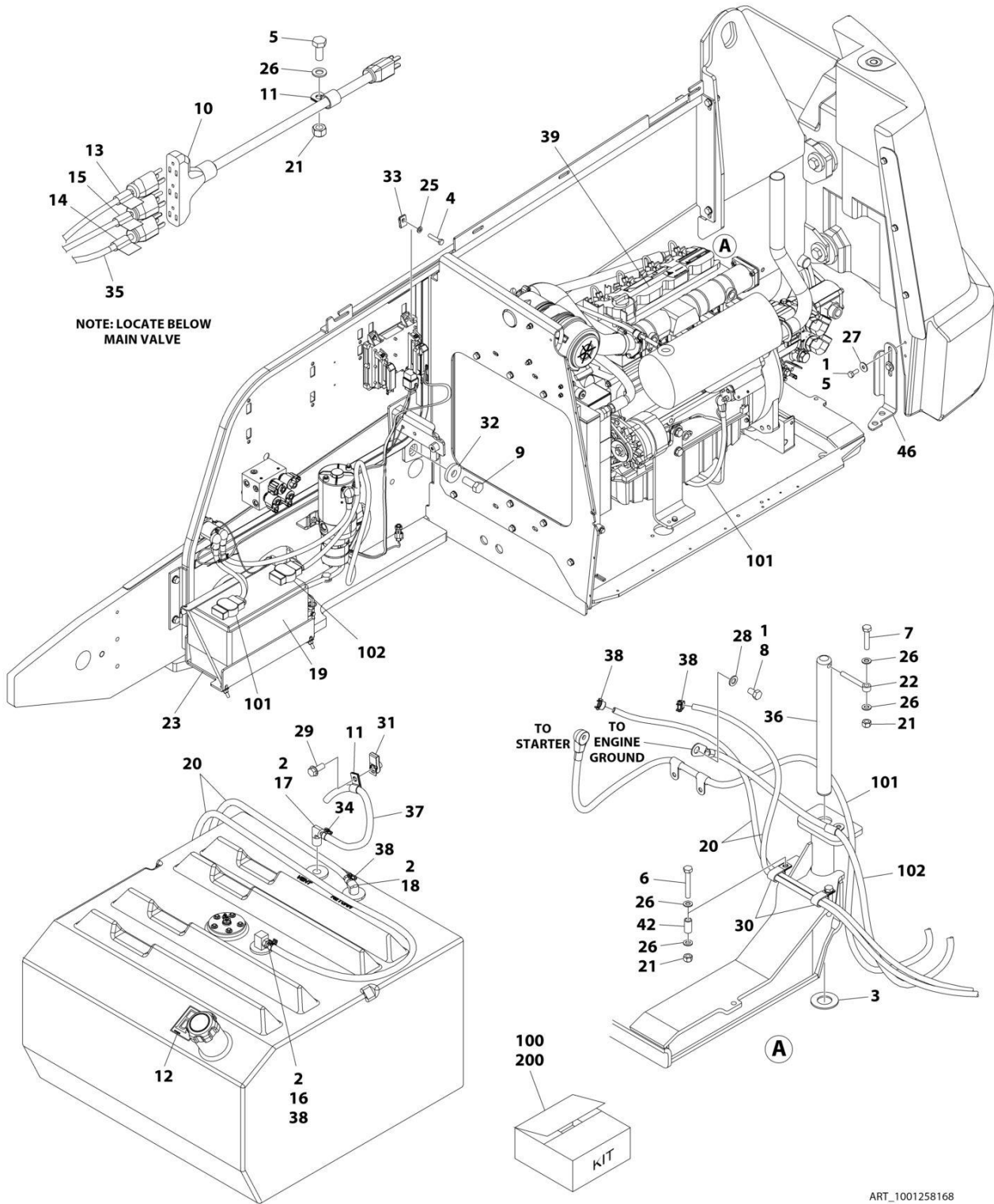
ITEM	PART NUMBER	QTY	DESCRIPTION	REV
	1001186809	Ref	DEUTZ D2011 ENGINE INSTALLATION	O
1	0100011	AR	Compound, Locking	
3	0440162	1	Bearing	
4	0700614	4	Bolt M6 x 30	
5	5251012	1	Bolt M10 x 25	
6	0701012	3	Bolt M10 x 25	
7	0711018	1	Bolt M10 x 50	
10	0772018	1	Bolt M20 x 50	
11	1320061	2	Clamp	
12	1701505	1	Decal - Diesel Fuel	
13	1702941	1	Decal - Battery Heater	
14	1702943	1	Decal - Hydraulic Tank Heater	
17	1001188972	1	Heater, Immersion (Not Shown - Located on Hydraulic Tank)	
18	3291005	4	Nut M10	
21	3841143	1	Keeper, Pin	
22	3980007	1	Seal, Battery	
23	4811700	4	Washer M6	
24	4812000	7	Washer M10	
25	4812002	2	Washer M10	
30	1001174486	4	Clamp	
31	1001118972	1	Nut, Tinnerman M10	
32	1001119051	1	Washer	
33	1001130220	4	Nut, Tinnerman M6	
34	1001155094	1	Pin	
35	1001186817	1	Deutz D2011 Engine and Pumps Sub-Assembly (See Separate Breakdown in this Section)	
38	1001196398	1	Bracket	
39	2720058	208 in/ 7.3m	Hose, Fuel	
41	2580024	1	Heater, Battery	
44	0701022	2	Bolt M10 x 70	
45	1001026127	2	Clamp	
46	1001200731	2	Tube	
47	1060626	1	Plug, 3 Way	
48	4240099	5	Tie-Strap (Not Shown)	
49	1702942	1	Decal - Engine Block Heater	
50	1001150918	1	Cable, Extension	
51	0100020	AR	Sealant	
52	2180348	1	Fitting, Straight NPT/Barbed	
53	2221176	1	Fitting, 90 Barbed	
54	0761210	1	Bolt M12 x 20	
55	4812100	1	Washer M12	
61	2220313	1	Fitting, 90 NPTF/Barb	
62	1001136975	1	Clamp	
63	1001165035	20 in/ 0.5m	Hose	
100	1001235699	1	Battery Cable Kit	
101	1001188667	1	Cable, Battery (+) to Aux Relay to Starter	
102	1001188670	1	Cable, Battery (-) to Aux Pump and Ground	

SECTION 3 - ENGINE

ITEM	PART NUMBER	QTY	DESCRIPTION	REV
200	1001269919	1	Hose Assembly Kit	
201	1001192690	1	Hose (Case Drain) (Drive Pump Case Gauge Port to Tank) (Not Shown)	
202	1001203431	1	Hose (Case Drain) (Drive Pump Case Outlet Port to Tank) (Not Shown)	
203	1001203432	1	Hose (Function Suction) (Not Shown)	
204	1001203433	1	Hose (Drive Suction) (Not Shown)	

SECTION 3 - ENGINE

FIGURE 3-8. DEUTZ D2011 ENGINE INSTALLATION - WITH ARCTIC PACKAGE (MACHINES WITH SN STARTING WITH 03) (660SJ HC3)



SECTION 3 - ENGINE

FIGURE 3-8. DEUTZ D2011 ENGINE INSTALLATION - WITH ARCTIC PACKAGE (MACHINES WITH SN STARTING WITH 03) (660SJ HC3)

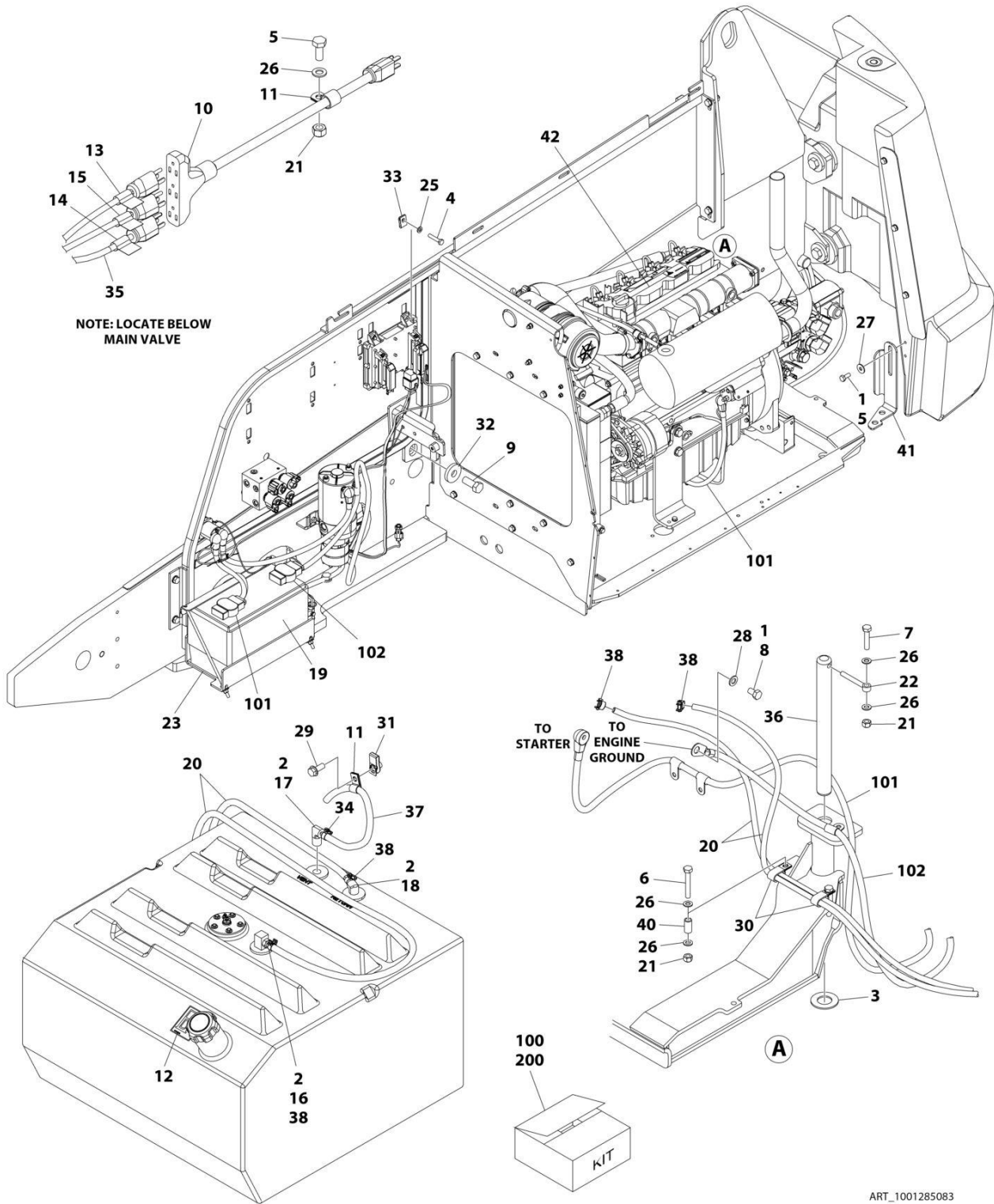
ITEM	PART NUMBER	QTY	DESCRIPTION	REV
	1001258168	Ref	DEUTZ D2011 ENGINE INSTALLATION	B
1	0100011	AR	Compound, Locking	
2	0100020	AR	Sealant	
3	0440162	1	Bearing	
4	0700614	4	Bolt M6 x 30	
5	0701012	3	Bolt M10 x 25	
6	0701022	2	Bolt M10 x 70	
7	0711018	1	Bolt M10 x 50 Class 10.9	
8	0761210	1	Bolt M12 x 20	
9	0772018	1	Bolt M20 x 50	
10	1060626	1	Plug, 3 Way	
11	1320061	2	Clamp	
12	1701505	1	Decal - Diesel Fuel	
13	1702941	1	Decal - Battery Heater	
14	1702942	1	Decal - Engine Block Heater	
15	1702943	1	Decal - Hydraulic Tank Heater	
16	2180348	1	Fitting, Straight NPT/Barbed	
17	2220313	1	Fitting, 90 NPTF/Barb	
18	2221176	1	Fitting, 90 Barbed	
19	2580024	1	Heater, Battery	
20	2720058	208 in/ 7.3m	Hose, Fuel	
21	3291005	4	Nut, Lock M10	
22	3841143	1	Keeper, Pin	
23	3980007	1	Seal, Battery	
24	4240099	AR	Tie-Strap (Not Shown)	
25	4811700	4	Washer M6	
26	4812000	7	Washer M10	
27	4812002	2	Washer M10	
28	4812100	1	Washer M12	
29	5251012	1	Bolt M10 x 25	
30	1001026127	2	Clamp	
31	1001118972	1	Nut, Tinnerman M10	
32	1001119051	1	Washer	
33	1001130220	4	Nut, Tinnerman M6	
34	1001136975	1	Clamp	
35	1001150918	1	Cable, Extension	
36	1001155094	1	Pin	
37	1001165035	20 in/ 0.5m	Hose	
38	1001174486	4	Clamp	
39	1001186817	1	Deutz D2011 Engine and Pumps Sub-Assembly (See Separate Breakdown in this Section)	
40	1001188972	1	Heater, Immersion (Not Shown - Located on Hydraulic Tank)	
42	1001200731	2	Tube	
46	1001258175	1	Bracket	
100	1001235699	1	Battery Cable Kit	
101	1001188667	1	Cable, Battery (+) to Aux Relay to Starter	
102	1001188670	1	Cable, Battery (-) to Aux Pump and Ground	

SECTION 3 - ENGINE

ITEM	PART NUMBER	QTY	DESCRIPTION	REV
200	1001269920	1	Engine Hose Kit	
201	1001192690	1	Hose (Case Drain) (Drive Pump Case Gauge Port to Tank) (Not Shown)	
202	1001203431	1	Hose (Case Drain) (Drive Pump Case Outlet Port to Tank) (Not Shown)	
203	1001258156	1	Hose (Function Suction) (Not Shown)	
204	1001258157	1	Hose (Drive Suction) (Not Shown)	

SECTION 3 - ENGINE

FIGURE 3-9. DEUTZ D2011 ENGINE INSTALLATION - WITH ARCTIC PACKAGE (MACHINES WITH SN STARTING WITH B3) (660SJ HC3)



ART_1001285083

SECTION 3 - ENGINE

FIGURE 3-9. DEUTZ D2011 ENGINE INSTALLATION - WITH ARCTIC PACKAGE (MACHINES WITH SN STARTING WITH B3) (660SJ HC3)

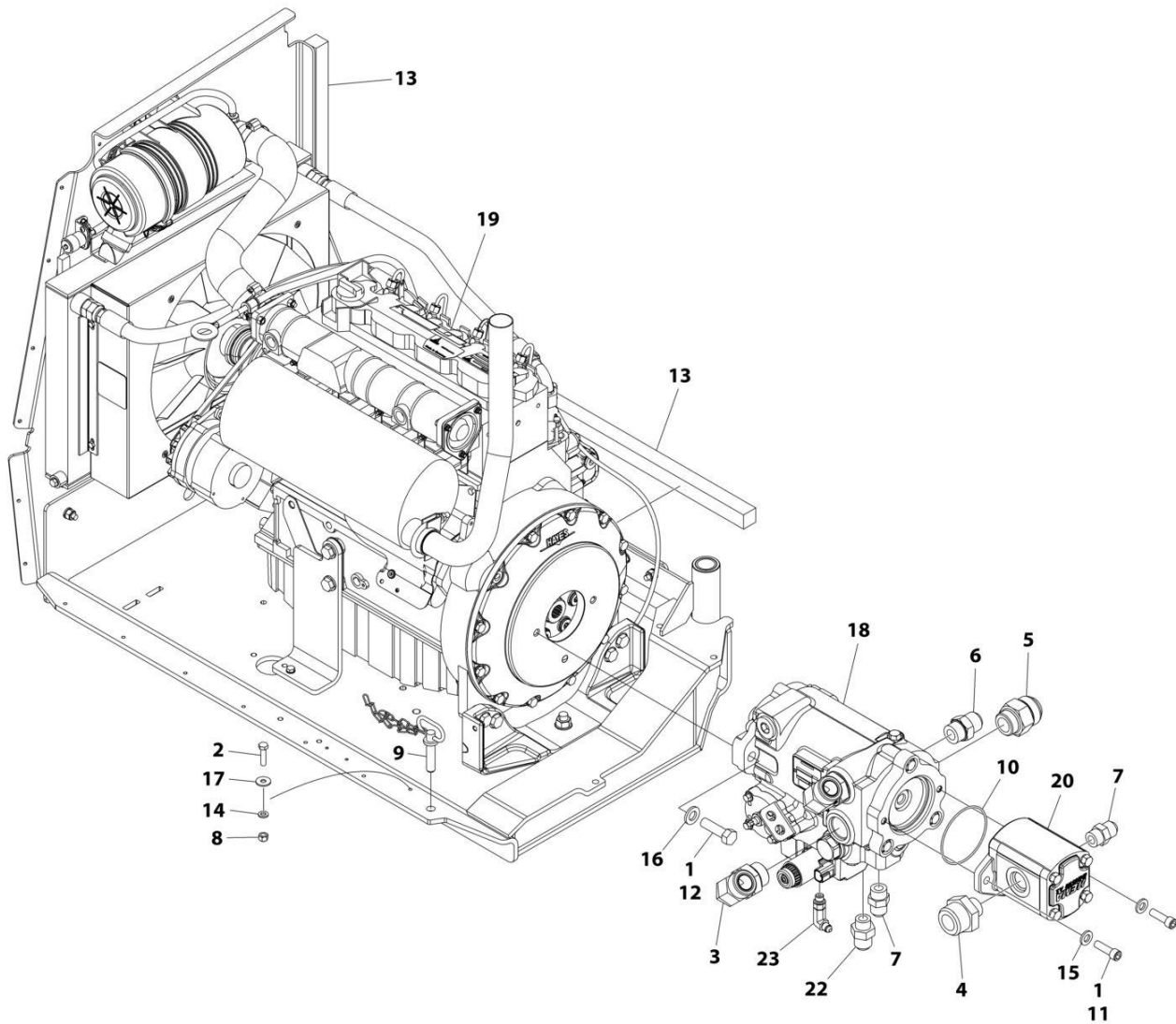
ITEM	PART NUMBER	QTY	DESCRIPTION	REV
	1001285083	Ref	DEUTZ D2011 ENGINE INSTALLATION	A
1	0100011	AR	Compound, Locking	
2	0100020	AR	Sealant	
3	0440162	1	Bearing	
4	0700614	4	Bolt M6 x 30	
5	0701012	3	Bolt M10 x 25	
6	0701022	2	Bolt M10 x 70	
7	0711018	1	Bolt M10 x 50 Class 10.9	
8	0761210	1	Bolt M12 x 20	
9	0772018	1	Bolt M20 x 50	
10	1060626	1	Plug, 3 Way	
11	1320061	2	Clamp	
12	1701505	1	Decal - Diesel Fuel	
13	1702941	1	Decal - Battery Heater	
14	1702942	1	Decal - Engine Block Heater	
15	1702943	1	Decal - Hydraulic Tank Heater	
16	2180348	1	Fitting, Straight NPT/Barbed	
17	2220313	1	Fitting, 90 NPTF/Barb	
18	2221176	1	Fitting, 90 Barbed	
19	2580024	1	Heater, Battery	
20	2720058	208 in/ 7.3m	Hose, Fuel	
21	3291005	4	Nut, Lock M10	
22	3841143	1	Keeper, Pin	
23	3980007	1	Seal, Battery	
24	4240099	AR	Tie-Strap (Not Shown)	
25	4811700	4	Washer M6	
26	4812000	7	Washer M10	
27	4812002	2	Washer M10	
28	4812100	1	Washer M12	
29	5251012	1	Bolt M10 x 25	
30	1001026127	2	Clamp	
31	1001118972	1	Nut, Tinnerman M10	
32	1001119051	1	Washer	
33	1001130220	4	Nut, Tinnerman M6	
34	1001136975	1	Clamp	
35	1001150918	1	Cable, Extension	
36	1001155094	1	Pin	
37	1001165035	20 in/ 0.5m	Hose	
38	1001174486	4	Clamp	
39	1001188972	1	Heater, Immersion (Not Shown - Located on Hydraulic Tank)	
40	1001200731	2	Tube	
41	1001258175	1	Bracket	
42	1001285074	1	Deutz D2011 Engine and Pumps Sub-Assembly (See Separate Breakdown in this Section)	
100	1001235699	1	Battery Cable Kit	
101	1001188667	1	Cable, Battery (+) to Aux Relay to Starter	
102	1001188670	1	Cable, Battery (-) to Aux Pump and Ground	

SECTION 3 - ENGINE

ITEM	PART NUMBER	QTY	DESCRIPTION	REV
200	1001269920	1	Engine Hose Kit	
201	1001192690	1	Hose (Case Drain) (Drive Pump Case Gauge Port to Tank) (Not Shown)	
202	1001203431	1	Hose (Case Drain) (Drive Pump Case Outlet Port to Tank) (Not Shown)	
203	1001258156	1	Hose (Function Suction) (Not Shown)	
204	1001258157	1	Hose (Drive Suction) (Not Shown)	

SECTION 3 - ENGINE

FIGURE 3-10. DEUTZ D2011 ENGINE AND PUMPS SUB-ASSEMBLY - WITH ARCTIC PACKAGE (600S HC3/660SJ HC3) (MACHINES WITH SN STARTING WITH 03)



ART_1001186817_G

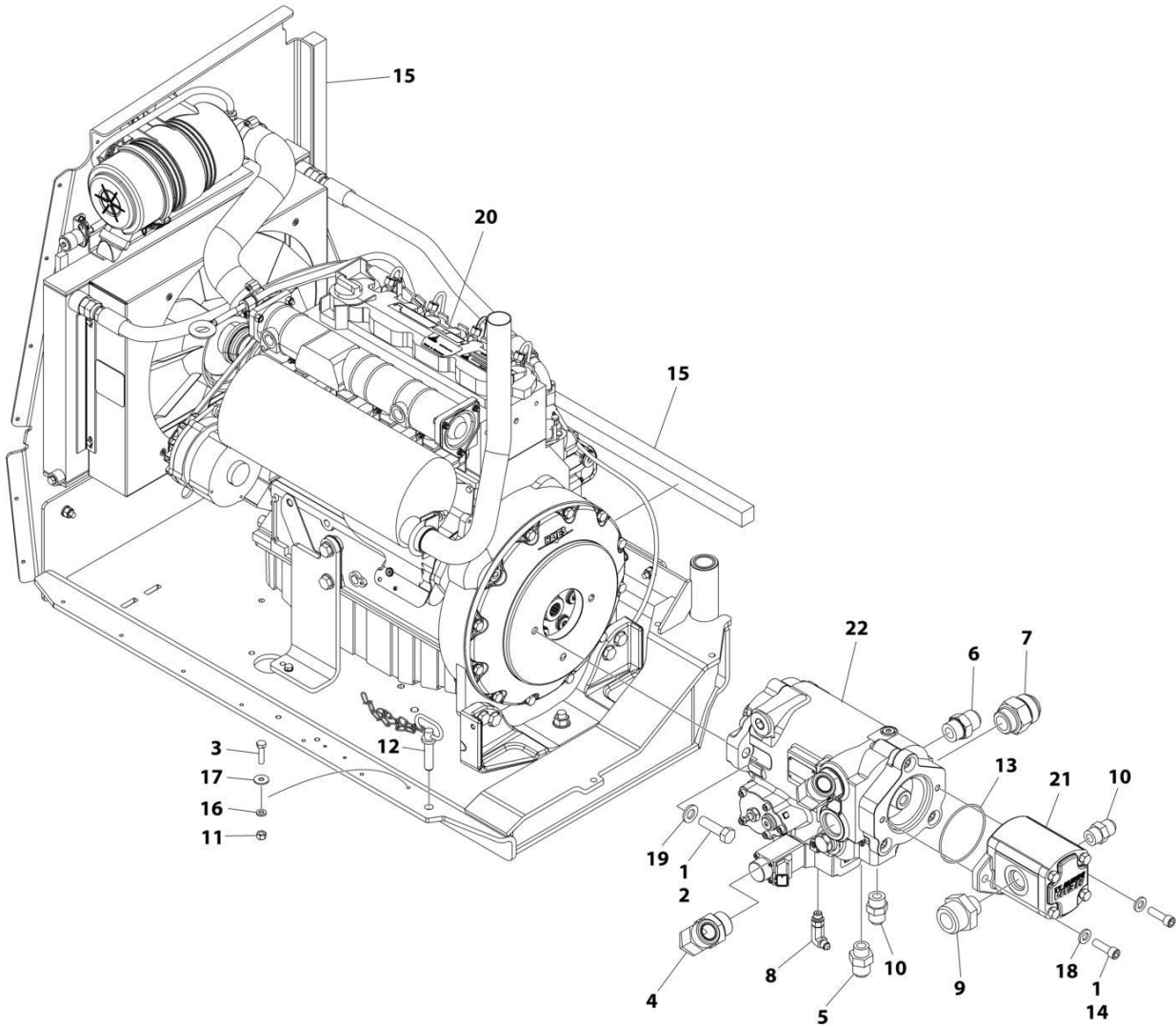
SECTION 3 - ENGINE

FIGURE 3-10. DEUTZ D2011 ENGINE AND PUMPS SUB-ASSEMBLY - WITH ARCTIC PACKAGE (600S HC3/660SJ HC3) (MACHINES WITH SN STARTING WITH 03)

ITEM	PART NUMBER	QTY	DESCRIPTION	REV
	1001186817	Ref	DEUTZ D2011 ENGINE AND PUMPS SUB-ASSEMBLY	G
1	0100011	AR	Compound, Locking	
2	0760612	1	Bolt M6 x 25	
3	2131616	2	Fitting, 90 ORFS/ORB	
4	2220946	1	Fitting, Straight JIC/ORB	
5	2220479	1	Fitting, Straight JIC/ORB	
6	2220451	1	Fitting, Straight JIC/ORB	
7	2220947	2	Fitting, Straight JIC/ORB	
8	3290605	1	Nut M6	
9	3422532	1	Pin	
10	3790152	1	O-Ring	
11	3931620	2	Capscrew 3/8 x 1-1/4	
11	3931618	2	Capscrew 3/8 x 1-1/8	
12	0641814	2	Bolt 1/2 x 1-3/4	
13	3960469	2	Seal	
14	4811700	1	Washer M6	
15	5241000	2	Washer M10	
16	5241200	2	Washer M12	
17	4811702	1	Washer M6	
18	1001184930	1	Piston Pump Assembly (See Separate Breakdown in this Section)	
19	1001186818	1	Deutz D2011 Engine Assembly (See Separate Breakdown in this Section)	
20	1001190143	1	Gear Pump Assembly	
20	70006356	1	Seal Kit - 1001190143 Pump	
22	2220408	1	Fitting, Straight JIC/ORB	
23	2220940	1	Fitting, 90 JIC/ORB	

SECTION 3 - ENGINE

FIGURE 3-11. DEUTZ D2011 ENGINE AND PUMPS SUB-ASSEMBLY - WITH ARCTIC PACKAGE
(MACHINES WITH SN STARTING WITH B3) (660SJ HC3)



ART_1001285074

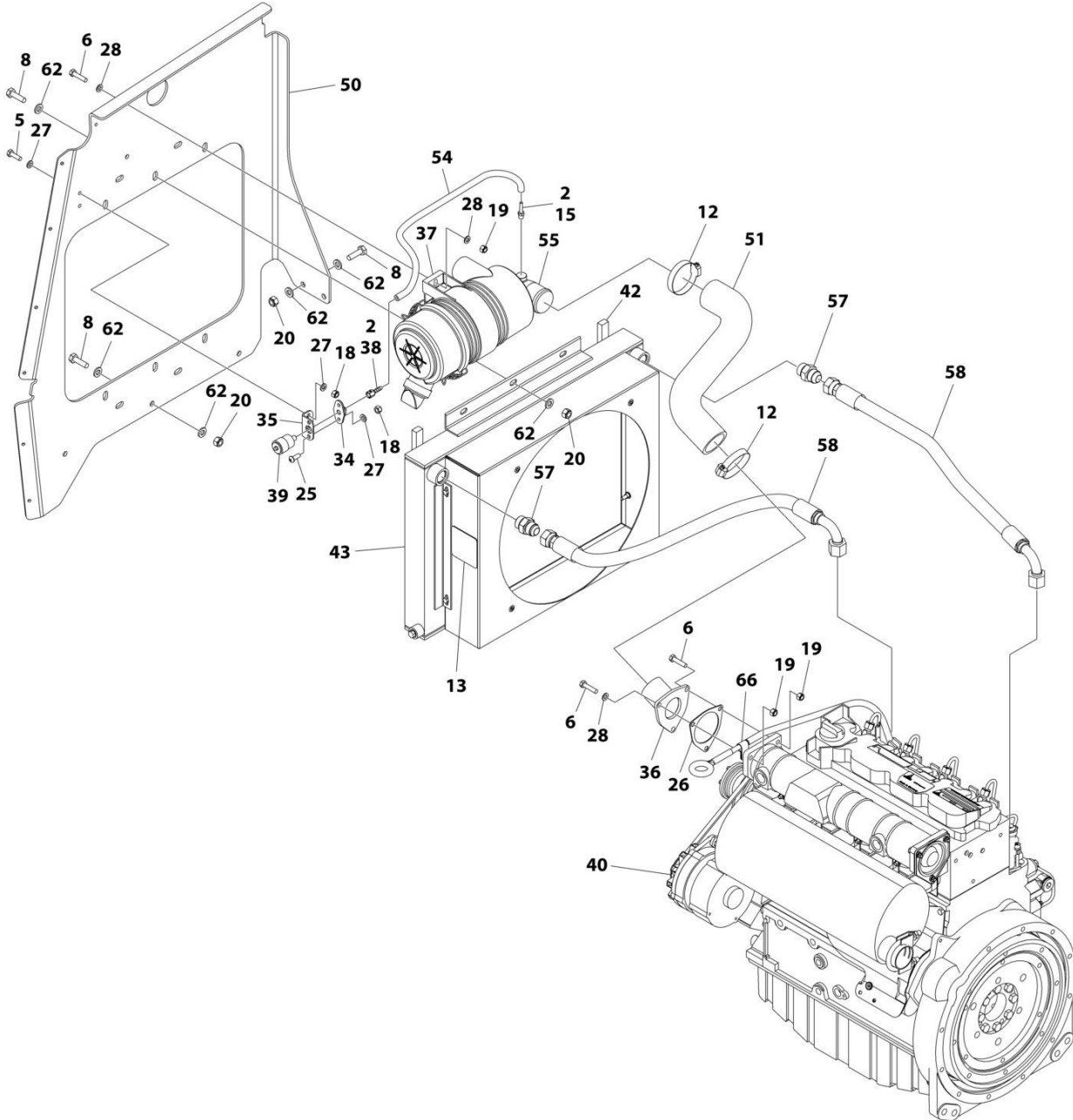
SECTION 3 - ENGINE

**FIGURE 3-11. DEUTZ D2011 ENGINE AND PUMPS SUB-ASSEMBLY - WITH ARCTIC PACKAGE
(MACHINES WITH SN STARTING WITH B3) (660SJ HC3)**

ITEM	PART NUMBER	QTY	DESCRIPTION	REV
	1001285074	Ref	DEUTZ D2011 ENGINE AND PUMPS SUB-ASSEMBLY	B
1	0100011	AR	Compound, Locking	
2	0641814	2	Bolt 1/2 x 1-3/4	
3	0760612	1	Bolt M6 x 25	
4	2131616	2	Fitting, 90 ORFS/ORB	
5	2220408	1	Fitting, Straight JIC/ORB	
6	2220451	1	Fitting, Straight JIC/ORB	
7	2220479	1	Fitting, Straight JIC/ORB	
8	2220940	1	Fitting, 90 JIC/ORB	
9	2220946	1	Fitting, Straight JIC/ORB	
10	2220947	2	Fitting, Straight JIC/ORB	
11	3290605	1	Nut M6	
12	3422532	1	Pin	
14	70007827	1	O-Ring (Part of Item 22)	
14	3931618	2	Capscrew 3/8 x 1-1/8	
15	3960469	2	Seal	
16	4811700	1	Washer M6	
17	4811702	1	Washer M6	
18	5241000	2	Washer M10	
19	5241200	2	Washer M12	
20	1001186818	1	Deutz D2011 Engine Assembly (See Separate Breakdown in this Section)	
21	1001190143	1	Gear Pump Assembly	
21	70006356	1	Seal Kit - 1001190143 Pump	
22	1001284471	1	Piston Pump Assembly (See Separate Breakdown in this Section)	

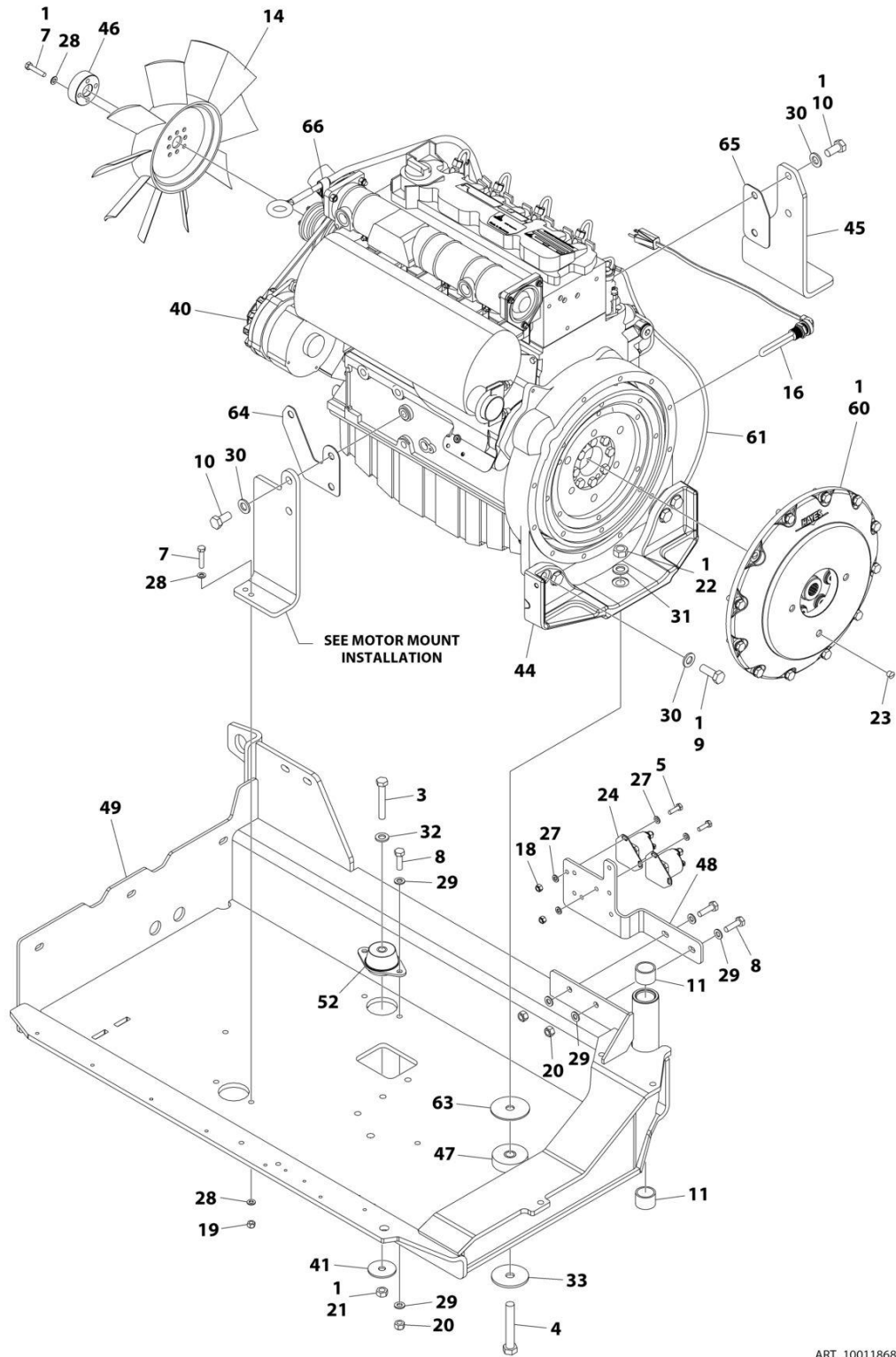
SECTION 3 - ENGINE

FIGURE 3-12. DEUTZ D2011 ENGINE ASSEMBLY - WITH ARCTIC PACKAGE (600S HC3/660SJ HC3)



ART_1001186818_W_10F2

SECTION 3 - ENGINE



ART_1001186818_W_2OF2

SECTION 3 - ENGINE

FIGURE 3-12. DEUTZ D2011 ENGINE ASSEMBLY - WITH ARCTIC PACKAGE (600S HC3/660SJ HC3)

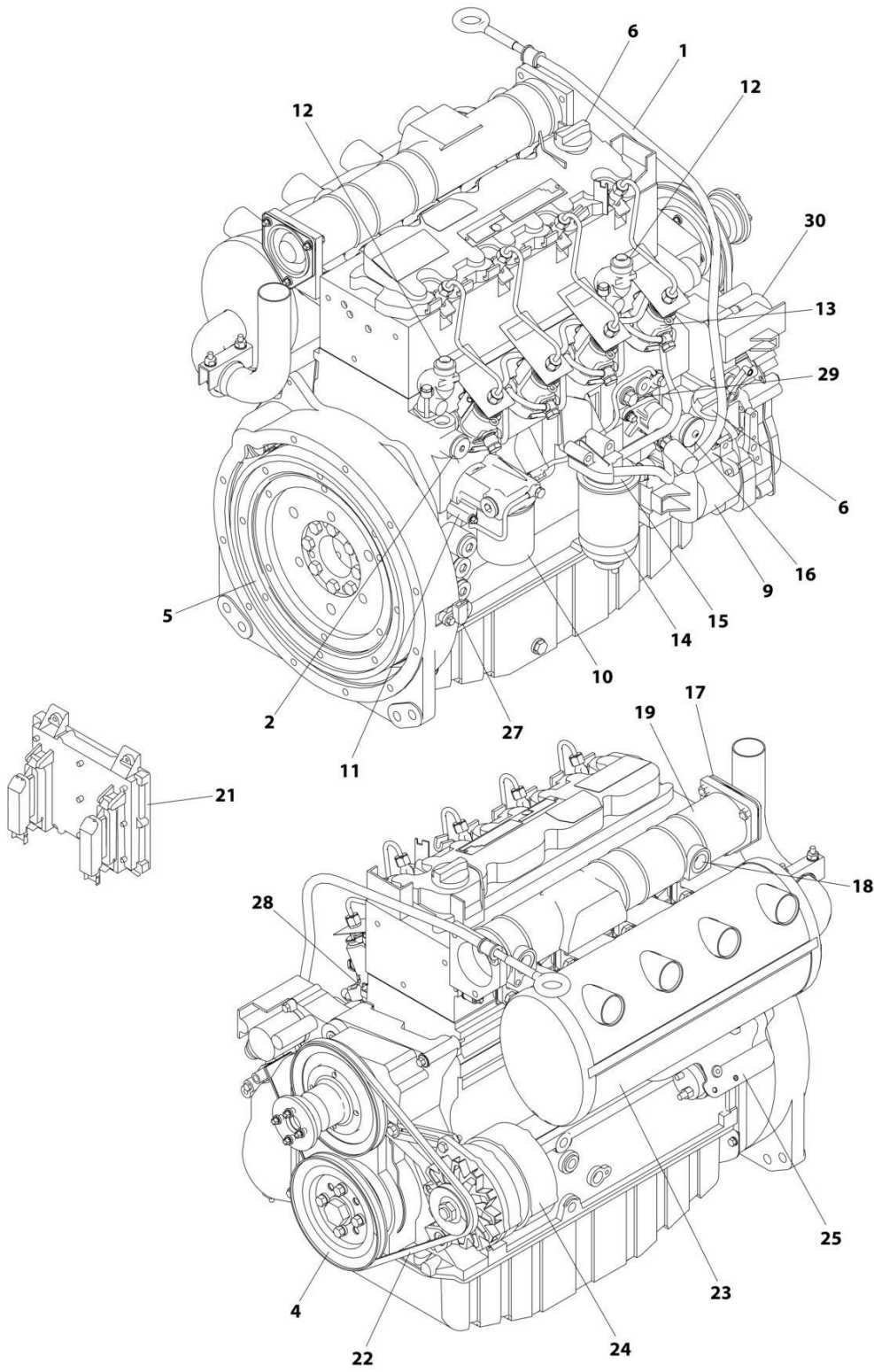
ITEM	PART NUMBER	QTY	DESCRIPTION	REV
	1001186818	Ref	DEUTZ D2011 ENGINE ASSEMBLY	W
1	0100011	AR	Compound, Locking	
2	0100020	AR	Sealant	
3	0711224	1	Bolt M12 x 80	
4	0711627	1	Bolt M16 x 100	
5	0760610	6	Bolt M6 x 20	
6	0760815	5	Bolt M8 x 35	
7	0760816	5	Bolt M8 x 40	
8	0761015	15	Bolt M10 x 35	
9	0771416	4	Bolt M14 x 40	
10	0771414	4	Bolt M14 x 30	
11	0961951	2	Bushing	
12	8405202	2	Clamp	
13	1703162	2	Decal - Fan Blade	
14	2060025	1	Fan	
15	2220315	1	Fitting, Straight Barbed	
16	2580062	1	Heater, Engine Block	
18	3290605	8	Nut M6	
19	3290805	6	Nut M8	
20	3291005	15	Nut M10	
21	3331211	1	Nut M12	
22	3331611	1	Nut M16	
23	3520054	2	Plug	
24	3740067	2	Relay	
25	3900357	2	Screw M6 x 16	
26	3960407	1	Gasket, Air Intake Adapter	
27	4811700	14	Washer M6	
28	4811900	11	Washer M8	
29	4812000	8	Washer M10	
30	5241400	8	Washer M14	
31	4812300	1	Washer M16	
32	5241200	1	Washer M12	
33	7300435	1	Washer	
34	1001138173	1	Support	
35	1001138175	1	Bracket	
36	1001139819	1	Adapter	
37	1001141694	1	Clamp, Air Cleaner	
38	1001141995	1	Fitting, Straight NPT/Barbed	
39	1001143390	1	Indicator, Air Filter Service	
40	1001146368	1	Deutz D2011 Engine (See Separate Breakdown in this Section)	
41	1001168018	1	Washer	
42	1001168166	2	Seal	
43	1001187082	1	Radiator	
44	1001188535	1	Bracket, Engine - Rear	
45	1001189026	1	Bracket, Engine - Right	
46	1001189161	1	Adapter, Fan	
47	1001190164	1	Mount, Motor	
48	1001203885	1	Plate	
49	1001200435	1	Tray	
50	1001236499	1	Support, Radiator	

SECTION 3 - ENGINE

ITEM	PART NUMBER	QTY	DESCRIPTION	REV
51	1001191271	1	Hose	
52	1001191610	1	Mount, Motor	
54	1001138248	2 ft/1 m	Tube	
55	1001165388	1	Filter, Air Cleaner	
55	70003783	1	Element, Filter	
56	1001188236	1	Engine Harness - Deutz D2011 Engines (Not Shown) (See Separate Breakdown in ELECTRICAL Section)	
57	2220451	2	Fitting, Straight ORB/JIC	
58	2720398	2	Hose	
60	2902065	1	Pump Coupling Kit (See Separate Breakdown in this Section)	
61	1001234396	1	Glow Plug Harness	
62	5241000	22	Washer M10	
63	1001197725	1	Spacer	
64	1001201843	1	Shim .079	
65	1001201844	1	Shim .079	
66	1320070	1	Clamp	

SECTION 3 - ENGINE

FIGURE 3-13. DEUTZ D2011 ENGINE COMPONENTS (600S HC3/660SJ HC3)



ART_1001146368

SECTION 3 - ENGINE

FIGURE 3-13. DEUTZ D2011 ENGINE COMPONENTS (600S HC3/660SJ HC3)

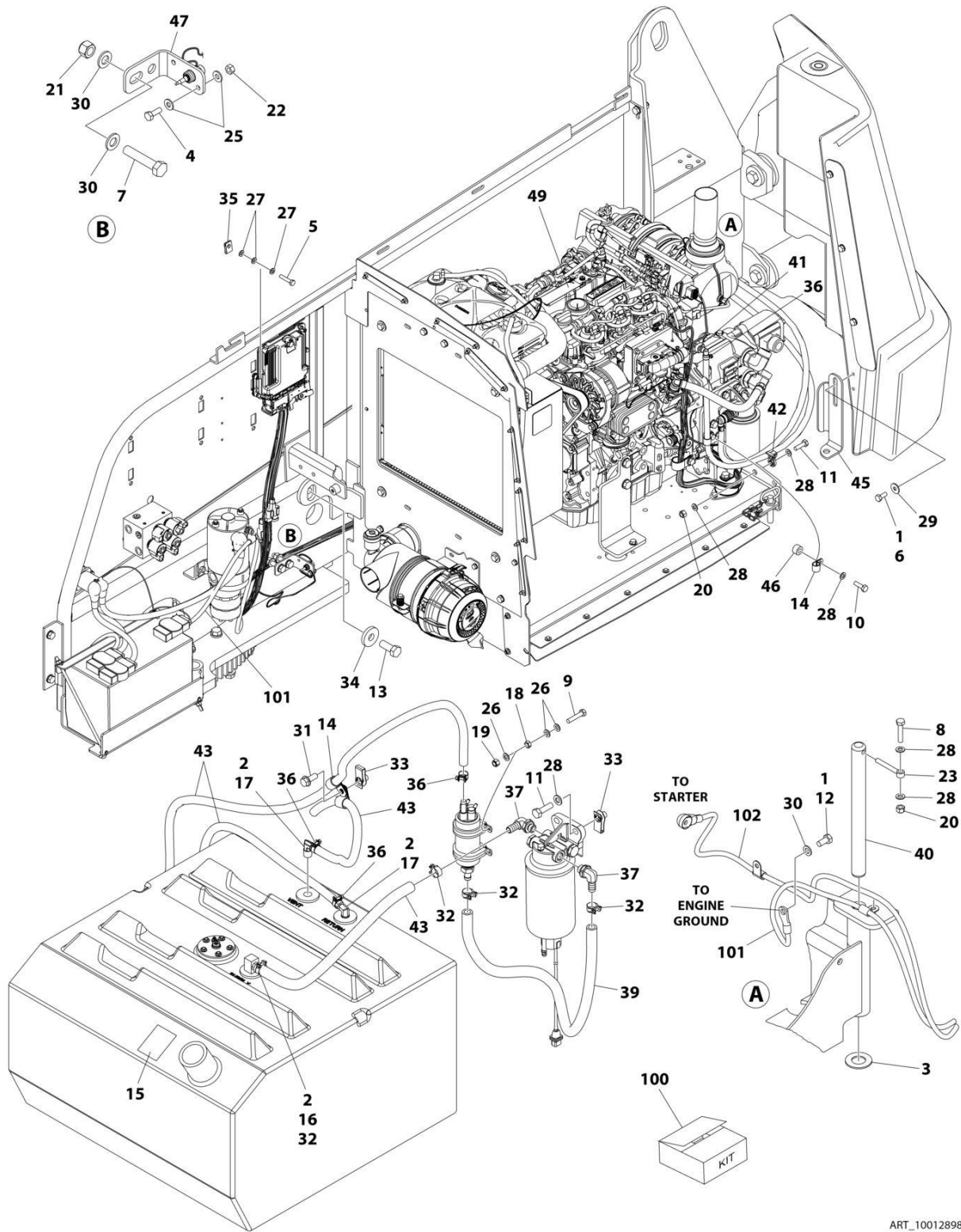
ITEM	PART NUMBER	QTY	DESCRIPTION	REV
	1001146368	Ref	DEUTZ D2011 ENGINE COMPONENTS	E
1	7026631	1	Dipstick	
1	7020487	1	O-Ring, Dipstick	
1	70001002	1	Tube, Dipstick	
1	7020403	1	Seal, Dipstick Tube	
2	70003475	1	Thermostat	
2	7020460	1	Spring, Compression	
3	70002718	1	Seal, Rear Main (Not Shown)	
4	70005479	1	Pulley	
5	70001870	1	Flywheel	
5	7024579	1	Ring Gear	
6	7020465	2	Cap, Filler	
7	70003456	1	Gasket, Head (Not Shown)	
7	70003457	1	Gasket, Head (Not Shown)	
7	70003003	1	Gasket, Head (Not Shown)	
8	7020431	1	Gasket, Valve Cover (Not Shown)	
9	70001850	1	Pump, Oil Lube	
9	7020468	1	Seal Between Oil Pump and Engine Block (Not Shown)	
10	7016331	1	Filter, Oil	
11	70003472	1	Bracket, Oil Filter (Includes Spring, Control Valve, Temperature Sensor, Seal and Plug)	
11	7027236	1	Sensor, Temperature	
11	70003473	1	Gasket, Oil Filter Bracket to Engine Block	
12	70004268	2	Fitting, Radiator Connector (Located Between Item 220 and Engine Block)	
12	70004269	2	Seal for Radiator Connector Fitting	
13	70003478	4	Injector, Fuel	
13	70003136	4	Seal	
13		Ref	Pump, Injector Options:	
13	70000912	1	Series A Injector	
13	70000913	4	Series B Injector	
13	70000914	1	Series C Injector	
13	70000915	1	Series D Injector	
14	7016328	1	Filter, Fuel	
15	70001423	1	Bracket, Fuel Filter	
16	70000916	1	Pump Fuel Supply	
16	70001435	1	Repair Kit for Pump	
16	70000919	1	Hand Pump	
16	70000918	1	Seal, Hand Pump	
16	70000917	1	O-Seal Between Fuel Pump and Engine Block (Not Shown)	
17	70003469	1	Flange	
17	70003468	1	O-Seal	
18	70025084	1	Plug	
19	70003470	1	Manifold, Intake	
19	70001871	4	Gasket, Intake Manifold to Engine Block (Not Shown)	
20	70001847	1	Breather Valve (Not Shown - Located on Front Cover)	
20	70001126	1	Seal, Breather Valve	
21	7027795	1	Module, Control	
22	7020408	1	V-Belt	
23	7000695	1	Muffler (Includes Saddle Clamp)	

SECTION 3 - ENGINE

ITEM	PART NUMBER	QTY	DESCRIPTION	REV
23	7020471	4	Gasket, Exhaust Manifold (Not Shown)	
23	70004270	8	Stud, Exhaust Manifold (Not Shown)	
24	70004056	1	Alternator	
24	70001868	1	Regulator, Voltage Options (Not Shown)	
24	70001866	1	Gasket for Voltage Regulator (Not Shown)	
24	70002234	1	Bracket, Adjusting (Not Shown)	
24	70000851	1	Bracket, Mounting (Not Shown)	
25	7020479	1	Starter	
25	70004058	1	Relay	
25	70001498	1	Shield, Starter Heat	
26	70004059	1	Plug- In Connector for Analyzer (Not Shown)	
26	7027796	1	Harness, Module to Engine Harness (Not Shown)	
26	70004060	1	Plug- In Connector on p/n 7027796 Harness (Not Shown)	
26	70001872	1	Harness, Engine (Not Shown)	
26	70004103	1	Harness, Alternator (Not Shown)	
26	70004271	1	Harness, Starter (Not Shown)	
27	70004272	1	Sensor, Speed	
27	70003932	1	Spacer	
28	7027791	1	Transmitter, Temperature	
29	7027790	1	Sensor, Oil Pressure	
30	7027792	1	Actuator, Throttle	
30	7027276	1	Spring, Actuator	
31	70000345	4	Plug, Glow (Not Shown)	
32	70004273	1	Set, Engine Gasket (Not Shown)	

SECTION 3 - ENGINE

FIGURE 3-14. DEUTZ TD 2.2L3 (STAGE V) ENGINE INSTALLATION



ART_1001289890

SECTION 3 - ENGINE

FIGURE 3-14. DEUTZ TD 2.2L3 (STAGE V) ENGINE INSTALLATION

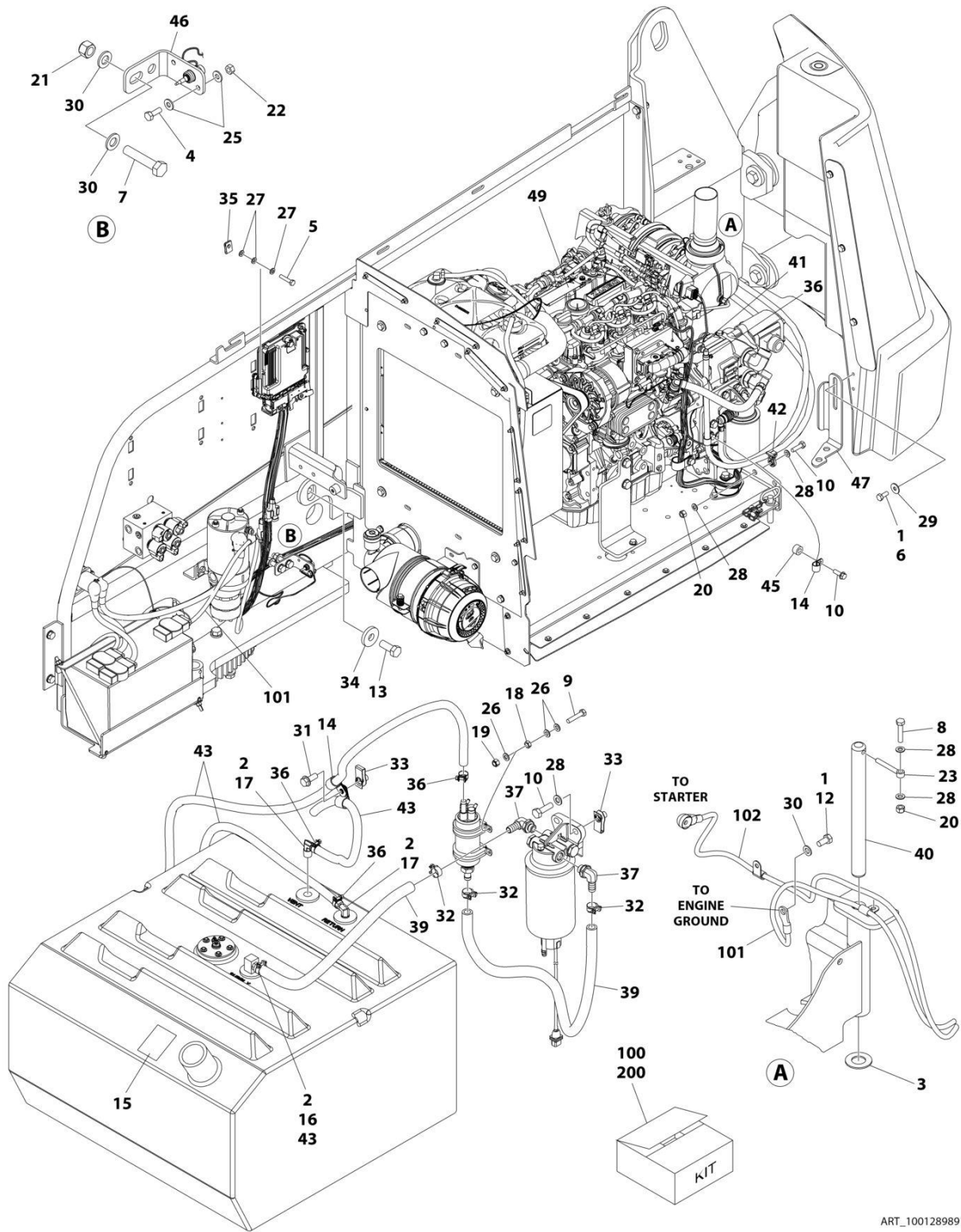
ITEM	PART NUMBER	QTY	DESCRIPTION	REV
	1001289890	Ref	DEUTZ TD2.2L3 (STAGE V) ENGINE INSTALLATION	A
1	0100011	AR	Compound, Locking	
2	0100020	AR	Sealant	
3	0440162	1	Bearing	
4	0641406	1	Bolt 1/4 x 3/4	
5	0700614	4	Bolt M6 x 30	
6	0701012	2	Bolt M10 x 25	
7	0701220	2	Bolt M12 x 60	
8	0711018	1	Bolt M10 x 50	
9	0760512	4	Bolt M5 x 25	
10	0761014	1	Bolt M10 x 30	
11	0761015	3	Bolt M10 x 35	
12	0771212	1	Bolt M12 x 25	
13	0772018	1	Bolt M20 x 50	
14	1320061	3	Clamp	
15	1701505	1	Decal - Diesel Fuel	
16	2180832	1	Fitting, Straight Barbed	
17	2220313	2	Fitting, 90 NPTF/Barb	
18	3290501	4	Nut M5	
19	3290505	4	Nut M5	
20	3291005	2	Nut M10	
21	3291205	2	Nut M12	
22	3311405	1	Nut 1/4	
23	3841143	1	Keeper, Pin	
24	4240099	AR	Tie-Strap (Not Shown)	
25	4711400	2	Washer 1/4	
26	4811600	12	Washer M5	
27	4811700	12	Washer M6	
28	4812000	7	Washer M10	
29	4812002	2	Washer M10	
30	4812100	5	Washer M12	
31	5251012	1	Bolt M10 x 25	
32	8405006	4	Clamp	
33	1001118972	3	Nut M10	
34	1001119051	1	Washer	
35	1001130220	4	Nut, Tinnerman M6	
36	1001136975	5	Clamp	
37	1001142501	2	Fitting, 90 Barbed	
38	1001146588	1	Tie-Strap (Not Shown)	
39	1001154405	3 ft /1 m	Hose	
40	1001155094	1	Pin	
41	1001155823	1	Fitting, 90 Quick Connect	
42	1001156107	1	Holder, Cable	
43	1001165035	27 ft /9 m	Hose	
44	1001190444	1	Fuel Pump Harness - Deutz TD2.2L3 (Stage V) Engine (Not Shown - See Separate Breakdown in ELECTRICAL Section)	
45	1001196398	1	Bracket	
46	1001220266	1	Spacer	
47	1001253879	1	Bracket	

SECTION 3 - ENGINE

ITEM	PART NUMBER	QTY	DESCRIPTION	REV
48	1001289594	1	ECU Power Jumper Harness (Not Shown) (See Separate Breakdown in ELECTRICAL Section)	
49	1001289892	1	Deutz TD2.2L3 (Stage V) Engine and Pump Sub-Assembly (See Separate Breakdown in this Section)	
100	1001235532	1	Battery Cable Kit	
101	1001188668	1	Cable, Battery (-) to Aux Pump and Ground	
102	1001188669	1	Cable, Battery (+) to Aux Relay to Starter	
200	1001269919	1	Hose Kit (Not Shown)	
201	1001192690	1	Hose (Case Drain) (Drive Pump Case Gauge Port to Tank) (Not Shown)	
202	1001203431	1	Hose (Case Drain) (Drive Pump Case Outlet Port to Tank) (Not Shown)	
203	1001203432	1	Hose (Function Suction) (Not Shown)	
204	1001203433	1	Hose (Drive Suction) (Not Shown)	

SECTION 3 - ENGINE

FIGURE 3-15. DEUTZ TD 2.2L3 (STAGE V) ENGINE INSTALLATION (660SJ HC3)



ART_1001289891

SECTION 3 - ENGINE

FIGURE 3-15. DEUTZ TD 2.2L3 (STAGE V) ENGINE INSTALLATION (660SJ HC3)

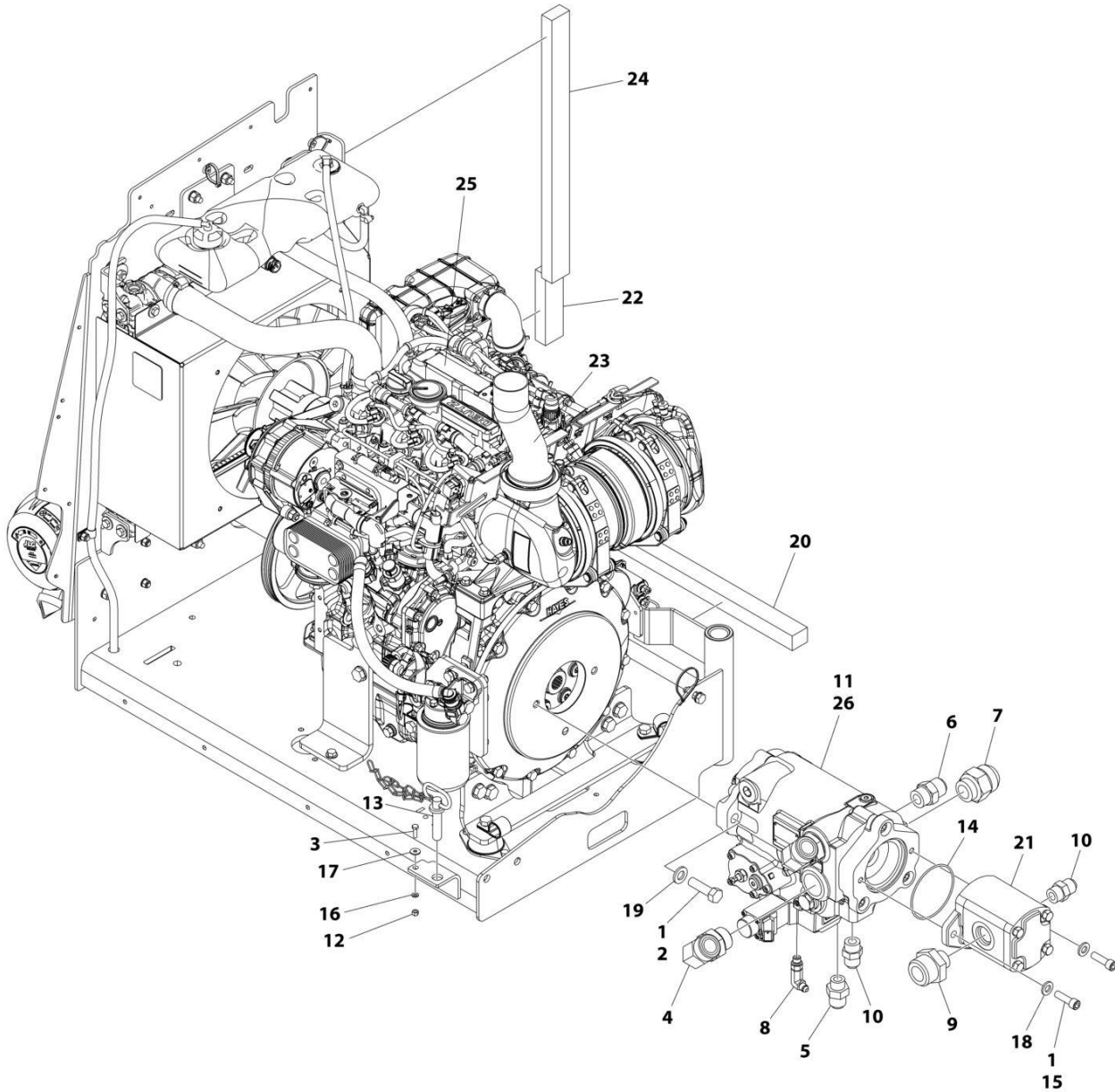
ITEM	PART NUMBER	QTY	DESCRIPTION	REV
	1001289891	Ref	DEUTZ TD2.2L3 (STAGE V) ENGINE INSTALLATION	A
1	0100011	AR	Compound, Locking	
2	0100020	AR	Sealant	
3	0440162	1	Bearing	
4	0641406	1	Bolt 1/4 x 3/4	
5	0700614	4	Bolt M6 x 30	
6	0701012	2	Bolt M10 x 25	
7	0701220	2	Bolt M12 x 60	
8	0711018	1	Bolt M10 x 50	
9	0760512	4	Bolt M5 x 25	
10	0761014	1	Bolt M10 x 30	
11	0761015	3	Bolt M10 x 35	
12	0771212	1	Bolt M12 x 25	
13	0772018	1	Bolt M20 x 50	
14	1320061	3	Clamp	
15	1701505	1	Decal - Diesel	
16	2180832	1	Fitting, Straight Barbed	
17	2220313	2	Fitting, 90 NPTF/Barb	
18	3290501	4	Nut M5	
19	3290505	4	Nut M5	
20	3291005	2	Nut M10	
21	3291205	2	Nut M12	
22	3311405	1	Nut 1/4	
23	3841143	1	Keeper, Pin	
24	4240099	AR	Tie-Strap (Not Shown)	
25	4711400	2	Washer 1/4	
26	4811600	12	Washer M5	
27	4811700	12	Washer M6	
28	4812000	7	Washer M10	
29	4812002	2	Washer M10	
30	4812100	5	Washer M12	
31	5251012	1	Bolt M10 x 25	
32	8405006	4	Clamp	
33	1001118972	3	Nut, Tinnerman M10	
34	1001119051	1	Washer	
35	1001130220	4	Nut, Tinnerman M6	
36	1001136975	5	Clamp	
37	1001142501	2	Fitting, 90 Barbed	
38	1001146588	1	Tie-Strap (Not Shown)	
39	1001154405	3 ft /1 m	Hose	
40	1001155094	1	Pin	
41	1001155823	1	Coupling	
42	1001156107	1	Holder, Cable	
43	1001165035	27 ft /9 m	Hose	
44	1001190444	1	Fuel Pump Harness - Deutz TD2.2L3 (Stage V) Engine (Not Shown) (See Separate Breakdown in ELECTRICAL Section)	
45	1001196398	1	Bracket	
46	1001220266	1	Spacer	
47	1001256879	1	Bracket	

SECTION 3 - ENGINE

ITEM	PART NUMBER	QTY	DESCRIPTION	REV
48	1001289594	1	ECU Power Jumper Harness (Not Shown) (See Separate Breakdown in ELECTRICAL Section)	
49	1001289892	1	Deutz TD2.2L3 (Stage V) Engine and Pump Sub-Assembly (See Separate Breakdown in this Section)	
100	1001235532	1	Battery Cable Kit	
101	1001188668	1	Cable, Battery (-) to Aux Pump and Ground	
102	1001188669	1	Cable, Battery (+) to Aux Relay to Starter	
200	1001269920	1	Hose Kit	
201	1001192690	1	Hose (Case Drain) (Drive Pump Case Gauge Port to Tank) (Not Shown)	
202	1001203431	1	Hose (Case Drain) (Drive Pump Case Outlet Port to Tank) (Not Shown)	
203	1001258156	1	Hose (Function Suction) (Not Shown)	
204	1001258157	1	Hose (Drive Suction) (Not Shown)	

SECTION 3 - ENGINE

FIGURE 3-16. DEUTZ TD2.2L3 (STAGE V) ENGINE AND PUMPS SUB-ASSEMBLY



ART_1001289892

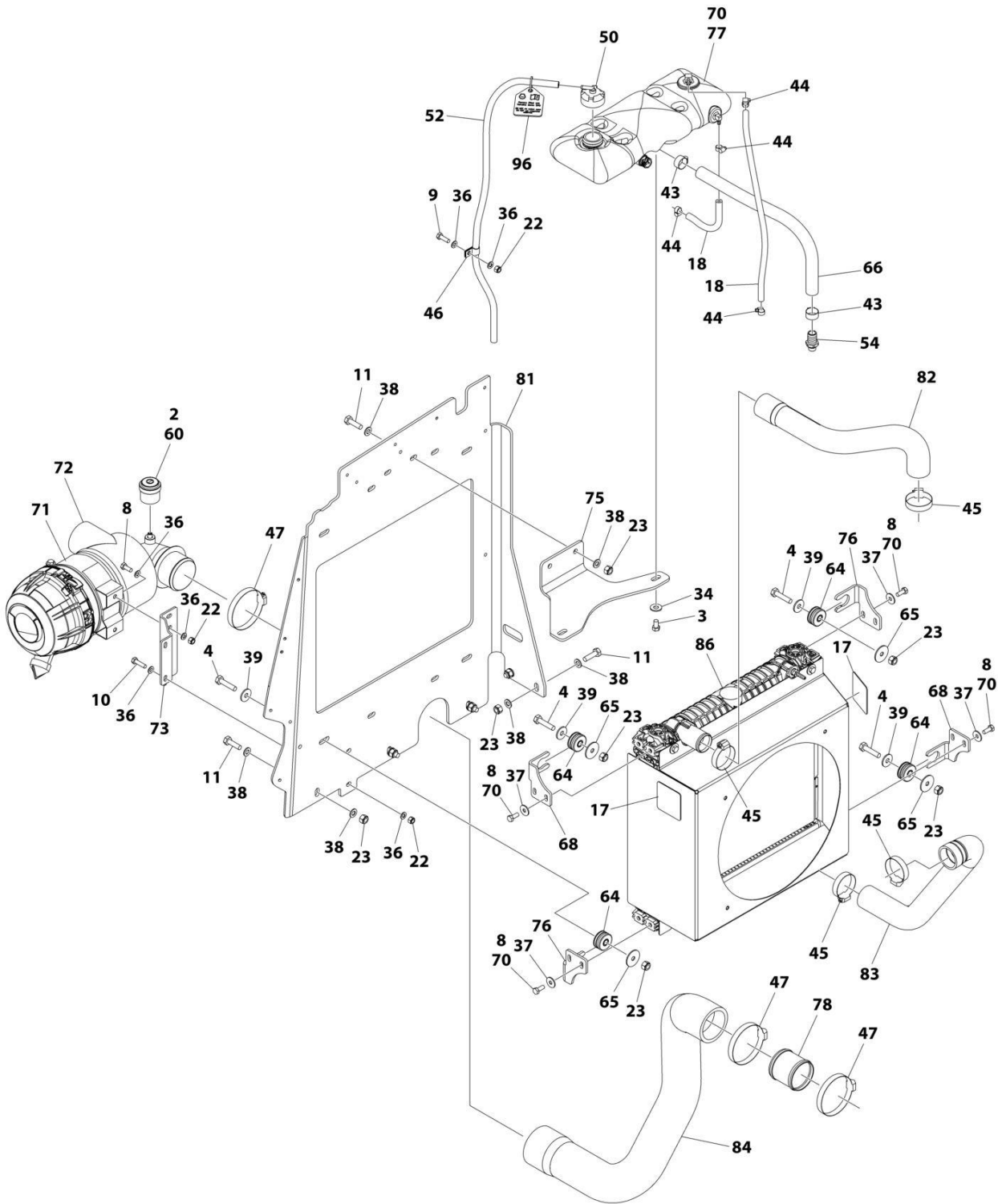
SECTION 3 - ENGINE

FIGURE 3-16. DEUTZ TD2.2L3 (STAGE V) ENGINE AND PUMPS SUB-ASSEMBLY

ITEM	PART NUMBER	QTY	DESCRIPTION	REV
	1001289892	Ref	DEUTZ TD2.2L3 (STAGE V) ENGINE AND PUMPS SUB-ASSEMBLY	C
1	0100011	AR	Compound, Locking	
2	0641814	2	Bolt 1/2 x 1-3/4	
3	0760610	1	Bolt M6 x 20	
4	2131616	2	Fitting, 90 ORFS/ORB	
5	2220408	1	Fitting, Straight JIC/ORB	
6	2220451	1	Fitting, Straight JIC/ORB	
7	2220479	1	Fitting, Straight JIC/ORB	
8	2220940	1	Fitting, 90 JIC/ORB	
9	2220946	1	Fitting, Straight JIC/ORB	
10	2220947	2	Fitting, Straight JIC/ORB	
11	3020037	AR	Lube, Coupling Grease	
12	3290605	1	Nut M6	
13	3422532	1	Pin	
15	3931618	2	Capscrew 3/8 x 1-1/8	
16	4811700	1	Washer M6	
17	4811702	1	Washer M6	
18	5241000	2	Washer M10	
19	5241200	2	Washer M12	
20	1001171953	1	Seal	
21	1001190143	1	Gear Pump Assembly	
21	70006356	1	Seal Kit - 1001190143 Pump	
22	1001244508	1	Seal	
23	1001253906	1	Pipe, Exhaust	
24	1001254279	1	Seal	
25	1001277596	1	Deutz TD2.2L3 Engine Assembly (See Separate Breakdown in this Section)	
26	1001284471	1	Piston Pump Assembly (See Separate Breakdown in this Section)	

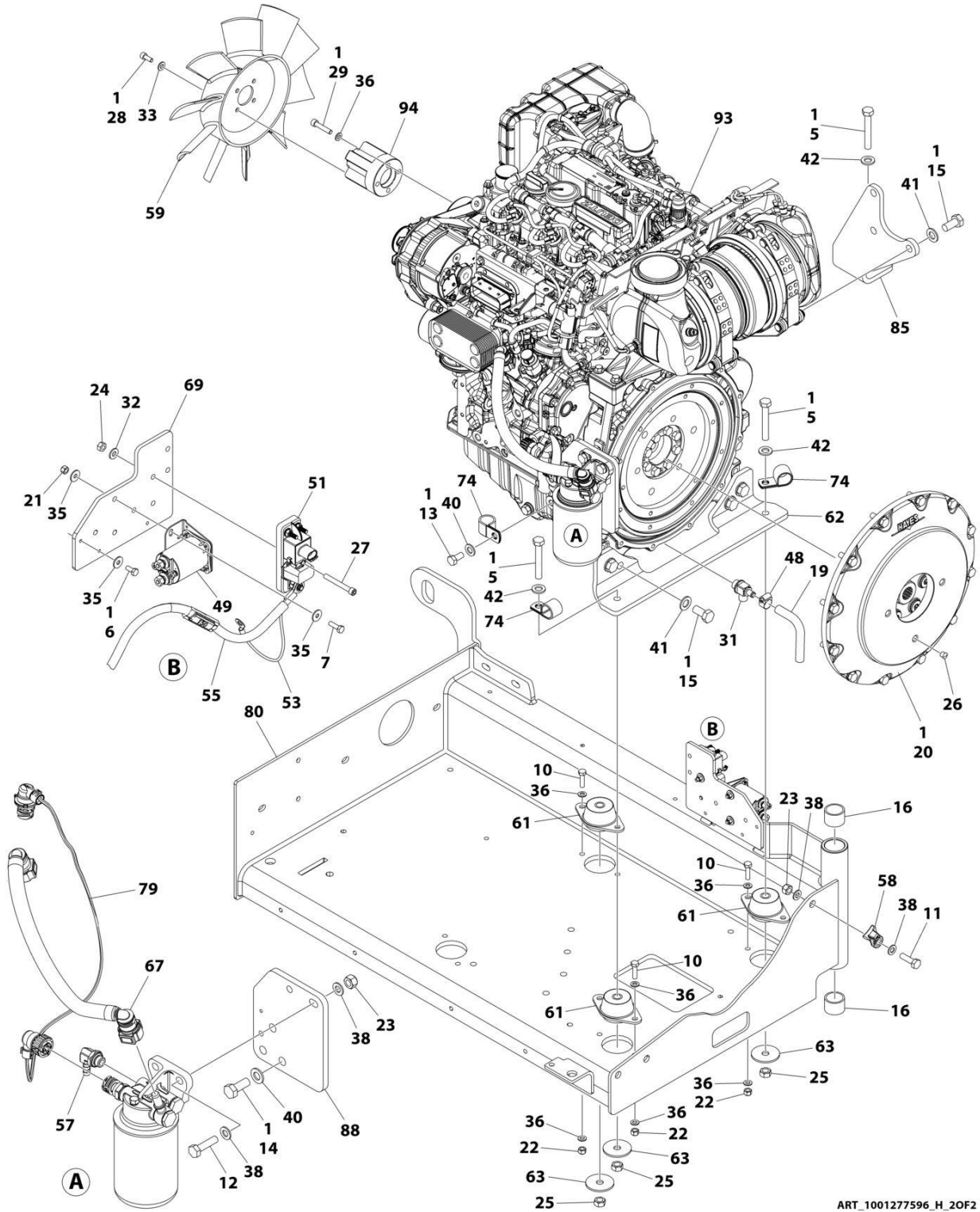
SECTION 3 - ENGINE

FIGURE 3-17. DEUTZ TD2.2L3 (STAGE V) ENGINE ASSEMBLY (600S HC3/660SJ HC3)



ART_1001277596_H_10F2

SECTION 3 - ENGINE



ART_1001277596_H_20F2

SECTION 3 - ENGINE

FIGURE 3-17. DEUTZ TD2.2L3 (STAGE V) ENGINE ASSEMBLY (600S HC3/660SJ HC3)

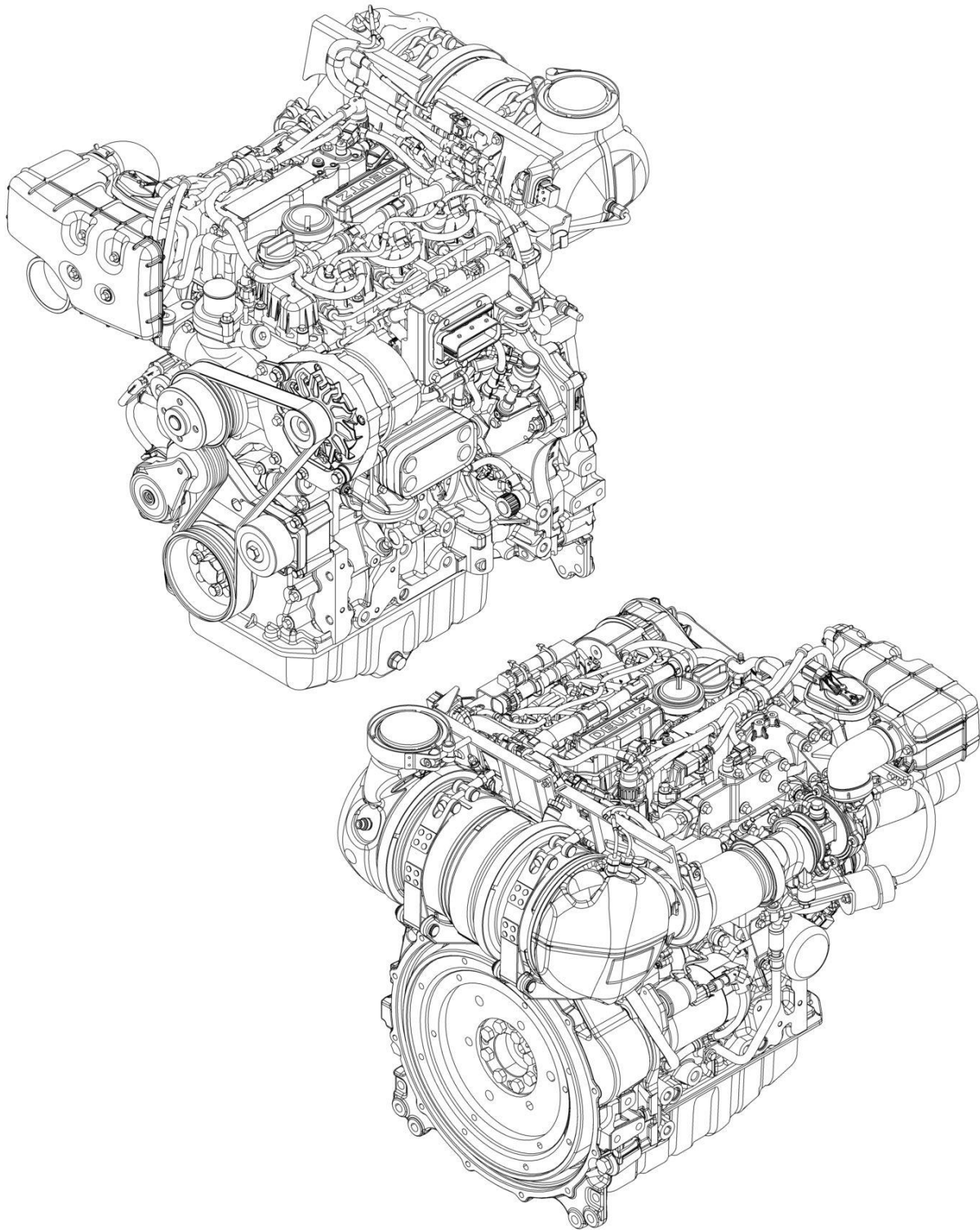
ITEM	PART NUMBER	QTY	DESCRIPTION	REV
	1001277596	Ref	DEUTZ TD2.2L3 (STAGE V) ENGINE ASSEMBLY	H
1	0100011	AR	Compound, Locking	
2	0100020	AR	Sealant	
3	0681605	2	Bolt 3/8 x 5/8	
4	0701017	4	Bolt M10 x 25	
5	0711224	3	Bolt M12 x 80	
6	0760607	3	Bolt M6 x 14	
7	0760610	2	Bolt M6 x 20	
8	0760810	10	Bolt M8 x 20	
9	0760812	1	Bolt M8 x 25	
10	0760814	8	Bolt M8 x 30	
11	0761015	8	Bolt M10 x 35	
12	0761016	2	Bolt M10 x 40	
13	0761212	1	Bolt M12 x 25	
14	0761214	3	Bolt M12 x 30	
15	0771414	7	Bolt M14 x 30	
16	0961951	2	Bushing	
17	1703162	2	Decal - Fan Blade	
18	2720015	3 ft /1 m	Hose	
19	2720340	5 in /12 cm	Hose	
20	2902065	1	Pump Coupling Kit (See Separate Breakdown in this Section)	
21	3290605	2	Nut M6	
22	3290805	11	Nut M8	
23	3291005	14	Nut M10	
24	3311405	1	Nut 1/4	
25	3331211	3	Nut M12	
26	3520054	1	Plug	
27	3931432	1	Bolt 1/4 x 20	
28	4031908	4	Bolt M8 x 20	
29	4031912	4	Bolt M8 x 40	
30	4240099	1	Tie-Strap (Not Shown)	
31	4640751	1	Valve, Oil Drain	
32	4711400	1	Washer 1/4	
33	4711500	4	Washer 5/16	
34	4751600	2	Washer 3/8	
35	4811702	7	Washer M6	
36	4811900	26	Washer M8	
37	4811902	8	Washer	
38	4812000	20	Washer M10	
39	4812002	4	Washer M10	
40	4812100	4	Washer M12	
41	4812200	7	Washer M14	
42	5241200	3	Washer M12	
43	8405007	2	Clamp	
44	8405009	4	Clamp	
45	8405104	4	Clamp	
46	8406109	1	Clip	
47	8410011	3	Clamp	
48	8410013	1	Clamp	

SECTION 3 - ENGINE

ITEM	PART NUMBER	QTY	DESCRIPTION	REV
49	1001117308	1	Contactora	
50	1001136834	1	Cap, Tank	
51	1001138228	1	Relay	
52	1001138248	4 ft /1 m	Tube Nylon	
53	1001141304	1	Wire, Glow Plug Fuse	
54	1001143797	1	Fitting, Straight Barbed	
55	1001143907	1	Cable	
56	1001146588	5	Tie-Strap (Not Shown)	
57	1001152489	1	Fitting, 90 Barbed	
58	1001156107	1	Holder, Cable	
59	1001165849	1	Fan	
60	1001166716	1	Restriction, Indicator	
61	1001166718	3	Isolator	
62	1001166924	1	Bracket, Engine - Rear	
63	1001168018	3	Washer	
64	1001169054	4	Isolator	
65	1001169138	4	Pad, Snubbing	
66	1001176511	1	Hose	
67	1001177359	1	Hose	
68	1001178223	2	Bracket	
69	1001179903	1	Bracket	
70	1001180620	AR	Adhesive	
71	1001186426	1	Clamp	
72	1001189979	1	Filter, Air Cleaner	
72	70005008	1	Element, Filter	
73	1001190942	1	Support	
74	1001191620	3	Clamp	
75	1001192400	1	Bracket	
76	1001204325	2	Bracket	
77	1001230635	1	Tank, Surge	
77	1001134488	1	Fitting, 90 Barbed	
77	1001138827	1	Sensor, Coolant Level	
77	1001140564	1	Fitting, 90 Barbed	
78	1001238911	1	Pipe	
79	1001245913	1	Harness, Fuel Filter (Deutz TD2.2L3 (Stage V) Engine) (See Separate Breakdown in ELECTRICAL Section)	
80	1001299946	1	Support, Engine Tray	
81	1001248819	1	Plate	
82	1001253849	1	Hose, Radiator (Top)	
83	1001253863	1	Hose, Radiator (Bottom)	
84	1001253870	1	Hose	
85	1001254878	1	Bracket, Engine - Right	
86	1001256930	1	Radiator	
88	1001258804	1	Mount, Fuel Filter	
92	1001276645	1	Engine Harness - Deutz TD2.2L3 (Stage V) Engine (Not Shown - See Separate Breakdown in ELECTRICAL Section)	
93	1001277590	1	Deutz TD2.2L3 (Stage V) Engine (See Separate Breakdown in this Section)	
94	1001278329	1	Adapter	
95	4240032	1	Tie-Strap (Not Shown)	
96	1001291401	1	Tag, Coolant	

SECTION 3 - ENGINE

FIGURE 3-18. DEUTZ TD2.2L3 (STAGE V) ENGINE COMPONENTS



ART_1001277590

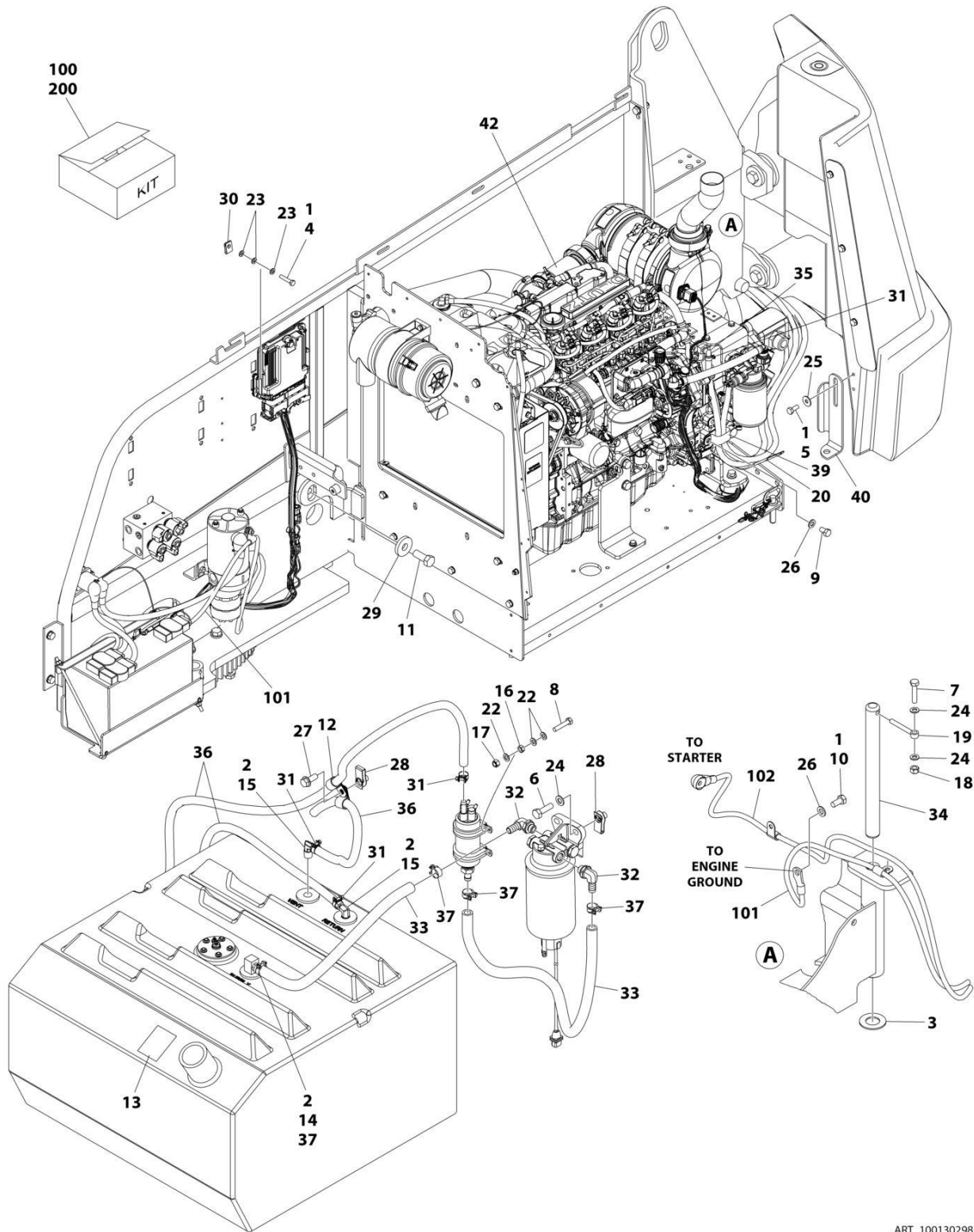
SECTION 3 - ENGINE

FIGURE 3-18. DEUTZ TD2.2L3 (STAGE V) ENGINE COMPONENTS

ITEM	PART NUMBER	QTY	DESCRIPTION	REV
	1001277590	Ref	DEUTZ ENGINE COMPONENTS	A
	See Note	Ref	Note: No Service Parts Available at Time of Printing	

SECTION 3 - ENGINE

FIGURE 3-19. DEUTZ D2.9L4 - EMR5 (49HP) 600S HC3 ENGINE INSTALLATION WITHOUT ARCTIC PACKAGE (600S HC3)



ART_1001302985

SECTION 3 - ENGINE

FIGURE 3-19. DEUTZ D2.9L4 - EMR5 (49HP) 600S HC3 ENGINE INSTALLATION WITHOUT ARCTIC PACKAGE (600S HC3)

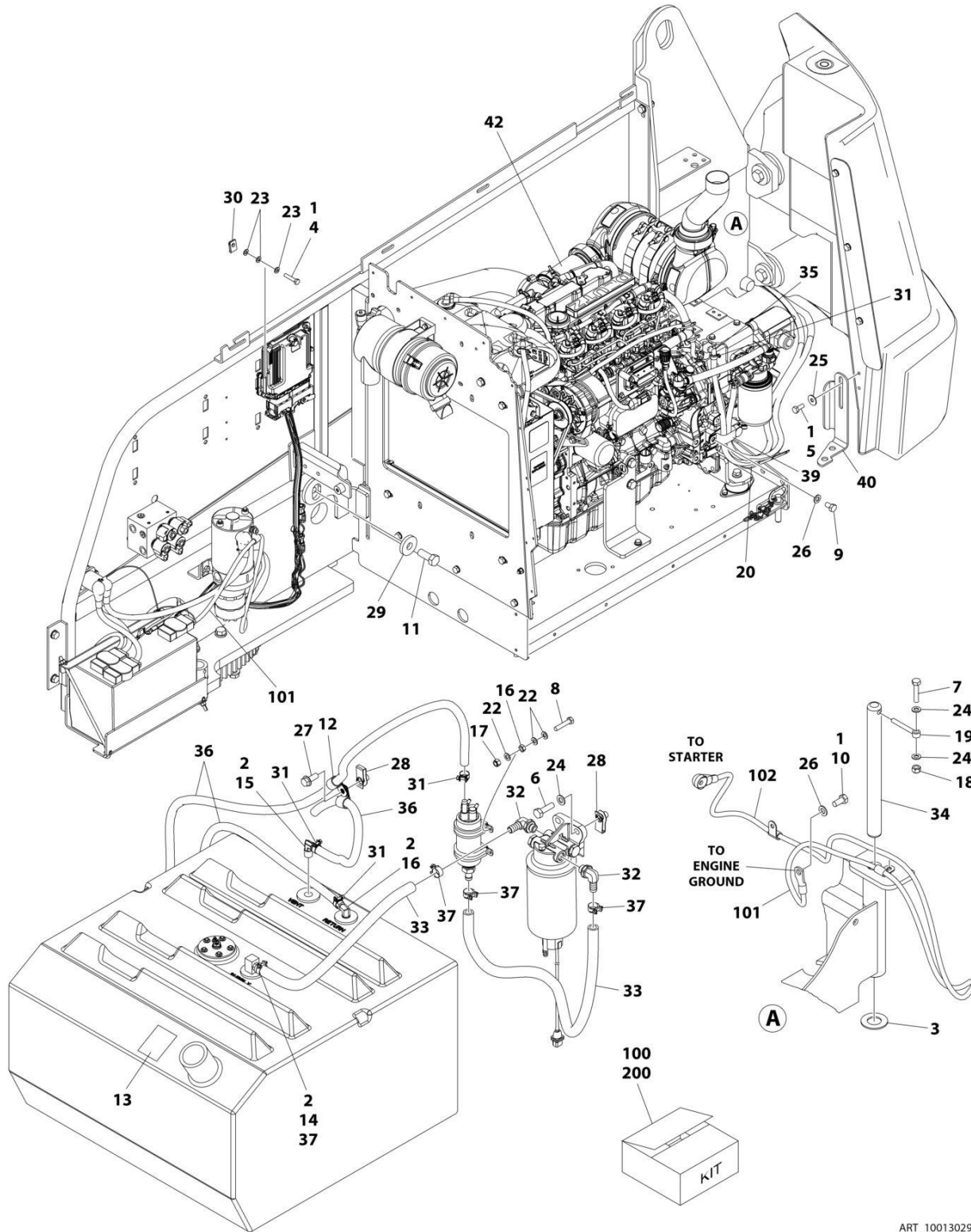
ITEM	PART NUMBER	QTY	DESCRIPTION	REV
	1001302985	Ref	ENGINE INSTALLATION EMR5 (49HP) W/O ARCTIC	A
1	0100011	AR	Compound, Locking	
2	0100020	AR	Sealant, Pipe	
3	0440162	1	Bearing	
4	0700614	4	Bolt M6 x 30	
5	0701012	2	Bolt M10 x 25	
6	0701015	2	Bolt M10 x 35	
7	0711018	1	Bolt M10 x 50	
8	0760512	4	Bolt M5 x 25	
9	0761210	1	Bolt M12 x 20	
10	0771212	1	Bolt M12 x 25	
11	0772018	1	Bolt M20 x 50	
12	1320061	2	Clamp	
13	1701505	1	Decal - Diesel	
14	2180832	1	Fitting, Straight Barbed	
15	2220313	2	Fitting, 90 NPTF/Barbed	
16	3290501	4	Nut M5	
17	3290505	4	Nut M5	
18	3291005	1	Nut M10	
19	3841143	1	Keeper, Pin	
20	4061032	1	Shield	
21	4240099	AR	Tie-Strap (Not Shown)	
22	4811600	12	Washer M5	
23	4811700	12	Washer M6	
24	4812000	4	Washer M10	
25	4812002	2	Washer M10	
26	4812100	2	Washer M12	
27	5251012	1	Bolt M10 x 25	
28	1001118972	3	Nut M10	
29	1001119051	1	Washer	
30	1001130220	4	Nut, Tinnerman M6	
31	1001136975	5	Clamp	
32	1001142501	2	Fitting, 90 Barbed	
33	1001154405	3 ft / 1 m	Hose	
34	1001155094	1	Pin	
35	1001155823	1	Fitting, 90 Quick Connect	
36	1001165035	27 ft / 9 m	Hose	
37	1001175568	4	Clip	
38	1001190444	1	Fuel Pump Harness (Not Shown) (See Separate Breakdown in ELECTRICAL Section)	
39	1001195039	1	Clamp, Double	
40	1001196398	1	Bracket	
41	1001289594	1	ECU Power Jumper Harness (Not Shown) (See Separate Breakdown in ELECTRICAL Section)	
42	1001302965	1	Deutz D2.9L4 - EMR5 (49HP) Engine and Pump Sub-Assembly (See Separate Breakdown in this Section)	
100	1001235532	1	Battery Cable Kit	
101	1001188668	1	Cable, Battery (-) to Aux Pump and Ground	
102	1001188669	1	Cable, Battery (+) to Aux Relay to Starter	

SECTION 3 - ENGINE

ITEM	PART NUMBER	QTY	DESCRIPTION	REV
200	1001269919	1	Hose Assembly Kit	
201	1001192690	1	Hose (Case Drain) (Drive Pump Case Gauge Port to Tank) (Not Shown)	
202	1001203431	1	Hose (Case Drain) (Drive Pump Case Outlet Port to Tank) (Not Shown)	
203	1001203432	1	Hose (Function Suction) (Not Shown)	
204	1001203433	1	Hose (Drive Suction) (Not Shown)	

SECTION 3 - ENGINE

FIGURE 3-20. DEUTZ D2.9L4 - EMR5 (49HP) 660SJ HC3 ENGINE INSTALLATION WITHOUT ARCTIC PACKAGE (660SJ HC3)



ART_1001302975

SECTION 3 - ENGINE

FIGURE 3-20. DEUTZ D2.9L4 - EMR5 (49HP) 660SJ HC3 ENGINE INSTALLATION WITHOUT ARCTIC PACKAGE (660SJ HC3)

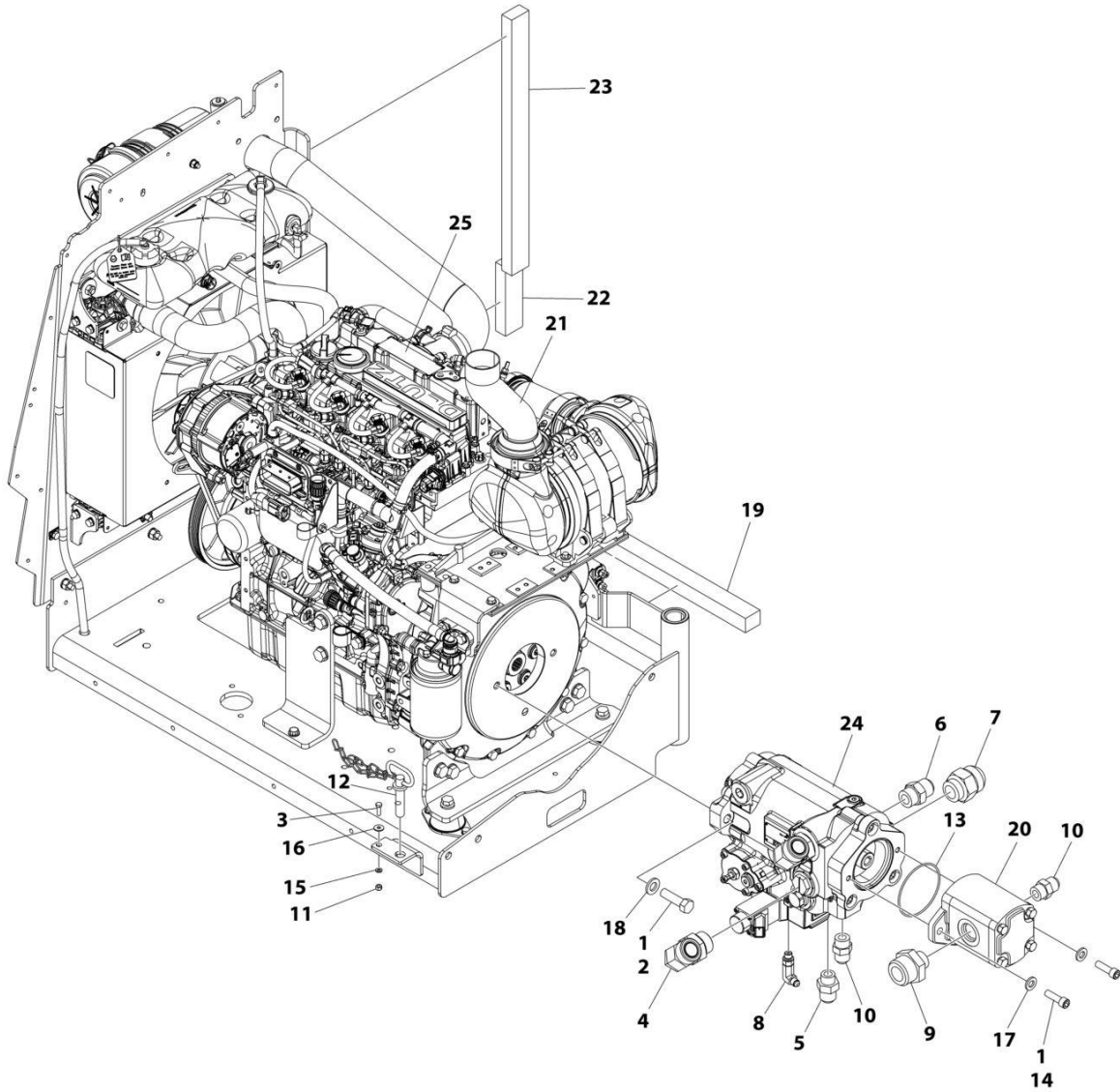
ITEM	PART NUMBER	QTY	DESCRIPTION	REV
	1001302975	Ref	ENGINE INSTALLATION EMR5 (49HP) W/O ARCTIC	A
1	0100011	AR	Compound, Locking	
2	0100020	AR	Sealant	
3	0440162	1	Bearing	
4	0700614	4	Bolt M6 x 30	
5	0701012	2	Bolt M10 x 25	
6	0701015	2	Bolt M10 x 35	
7	0711018	1	Bolt M10 x 50	
8	0760512	4	Bolt M5 x 25	
9	0761210	1	Bolt M12 x 20	
10	0771212	1	Bolt M12 x 25	
11	0772018	1	Bolt M20 x 50	
12	1320061	2	Clamp	
13	1701505	1	Decal - Diesel	
14	2180832	1	Fitting, Straight Barbed	
15	2220313	2	Fitting, 90 NPTF/Barb	
16	3290501	4	Nut M5	
17	3290505	4	Nut M5	
18	3291005	1	Nut M10	
19	3841143	1	Keeper, Pin	
20	4061032	1	Shield	
21	4240099	AR	Tie-Strap (Not Shown)	
22	4811600	12	Washer M5	
23	4811700	12	Washer M6	
24	4812000	4	Washer M10	
25	4812002	2	Washer M10	
26	4812100	2	Washer M12	
27	5251012	1	Bolt M10 x 25	
28	1001118972	3	Nut M10	
29	1001119051	1	Washer	
30	1001130220	4	Nut, Tinnerman M6	
31	1001136975	5	Clamp	
32	1001142501	2	Fitting, 90 Barbed	
33	1001154405	3 ft / 1 m	Hose	
34	1001155094	1	Pin	
35	1001155823	1	Fitting, 90 Quick Connect	
36	1001165035	27 ft / 9 m	Hose	
37	1001175568	4	Clip	
38	1001190444	1	Fuel Pump Harness (Not Shown) (See Separate Breakdown in ELECTRICAL Section)	
39	1001195039	1	Clamp	
40	1001258175	1	Bracket	
41	1001289594	1	ECU Power Jumper Harness (Not Shown) (See Separate Breakdown in ELECTRICAL Section)	
42	1001302965	1	Deutz D2.9L4 - EMR5 (49HP) Engine and Pump Sub-Assembly (See Separate Breakdown in this Section)	
100	1001235532	1	Battery Cable Kit	
101	1001188668	1	Cable, Battery (-) to Aux Pump and Ground	
102	1001188669	1	Cable, Battery (+) to Aux Relay to Starter	

SECTION 3 - ENGINE

ITEM	PART NUMBER	QTY	DESCRIPTION	REV
200	1001269920	1	Hose Assembly Kit	
201	1001192690	1	Hose (Case Drain) (Drive Pump Case Gauge Port to Tank) (Not Shown)	
202	1001203431	1	Hose (Case Drain) (Drive Pump Case Outlet Port to Tank) (Not Shown)	
203	1001258156	1	Hose (Function Suction) (Not Shown)	
204	1001258157	1	Hose (Drive Suction) (Not Shown)	

SECTION 3 - ENGINE

FIGURE 3-21. DEUTZ D2.9L4 - EMR5 (49HP) ENGINE AND PUMPS SUB-ASSEMBLY WITHOUT ARCTIC PACKAGE



ART_1001302965

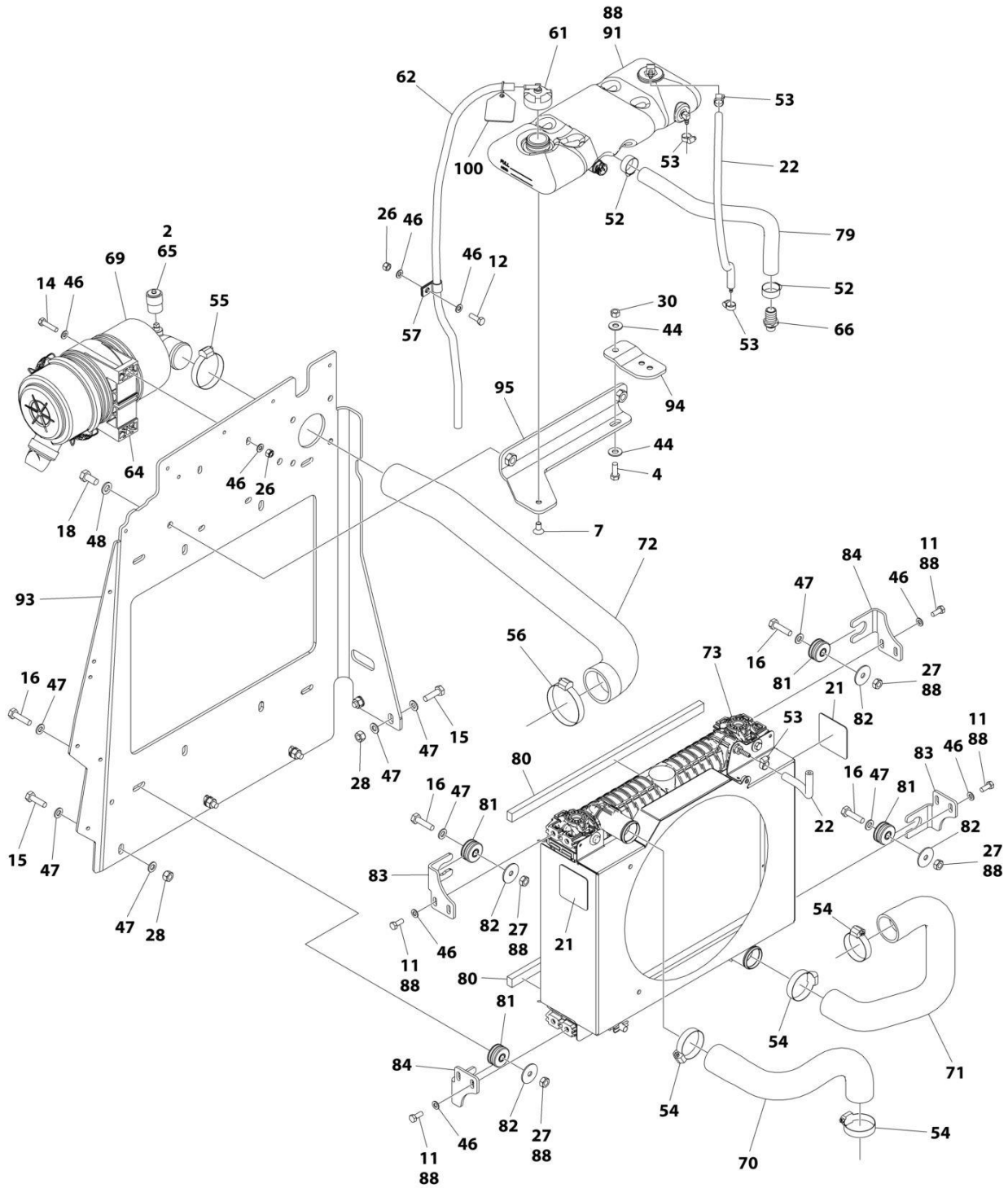
SECTION 3 - ENGINE

FIGURE 3-21. DEUTZ D2.9L4 - EMR5 (49HP) ENGINE AND PUMPS SUB-ASSEMBLY WITHOUT ARCTIC PACKAGE

ITEM	PART NUMBER	QTY	DESCRIPTION	REV
	1001302965	Ref	ENGINE AND PUMPS SUB-ASSEMBLY - EMR5 (49HP)	B
1	0100011	AR	Compound, Locking	
2	0641814	2	Bolt 1/2 x 1-3/4	
3	0760610	1	Bolt M6 x 20	
4	2131616	2	Fitting, 90 ORFS/ORB	
5	2220408	1	Fitting, Straight JIC/ORB	
6	2220451	1	Fitting, Straight JIC/ORB	
7	2220479	1	Fitting, Straight JIC/ORB	
8	2220940	1	Fitting, 90 JIC/ORB	
9	2220946	1	Fitting, Straight JIC/ORB	
10	2220947	2	Fitting, Straight JIC/ORB	
11	3290605	1	Nut M6	
12	3422532	1	Pin	
14	3931618	2	Capscrew 3/8 x 1-1/8	
15	4811700	1	Washer M6	
16	4811702	1	Washer M6	
17	5241000	2	Washer M10	
18	5241200	2	Washer M12	
19	1001171953	1	Seal	
20	1001190143	1	Gear Pump Assembly	
20	70006356	1	Seal Kit - 1001190143 Pump	
21	1001241366	1	Pipe, Exhaust	
22	1001244508	1	Seal	
23	1001254279	1	Seal	
24	1001284471	1	Piston Pump Assembly (See Separate Breakdown in this Section)	
25	1001302957	1	Deutz D2.9L4 - EMR5 (49HP) Engine Assembly (See Separate Breakdown in this Section)	

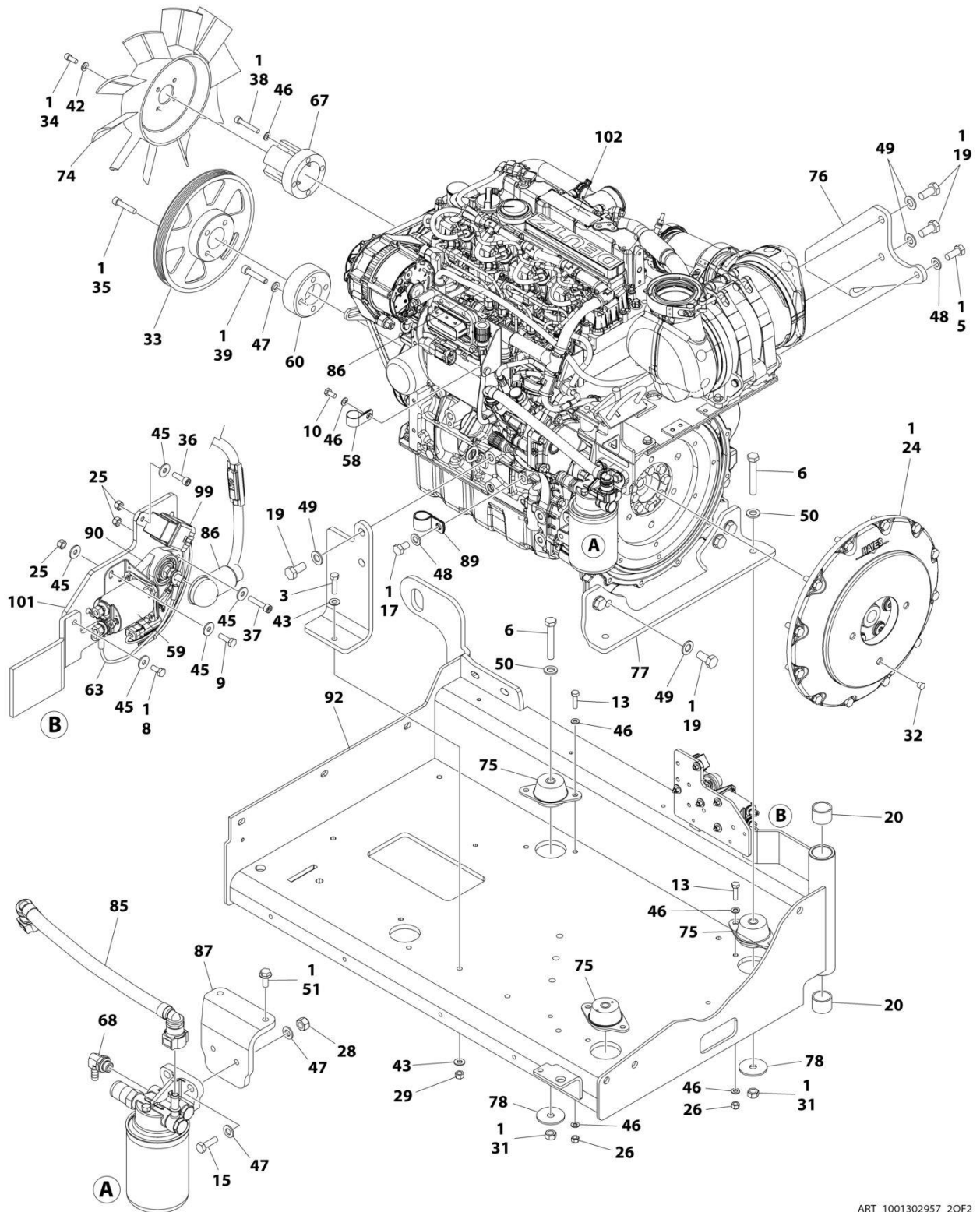
SECTION 3 - ENGINE

FIGURE 3-22. DEUTZ D2.9L4 - EMR5 (49HP) ENGINE ASSEMBLY WITHOUT ARCTIC PACKAGE
(Prior to SN B300022256, Prior to SN 0300307194)



ART_1001302957_1OF2

SECTION 3 - ENGINE



ART_1001302957_20F2

SECTION 3 - ENGINE

**FIGURE 3-22. DEUTZ D2.9L4 - EMR5 (49HP) ENGINE ASSEMBLY WITHOUT ARCTIC PACKAGE
(Prior to SN B300022256, Prior to SN 0300307194)**

ITEM	PART NUMBER	QTY	DESCRIPTION	REV
	1001302957	Ref	ENGINE AND PUMPS SUB-ASSEMBLY - EMR5 (49HP)	A
1	0100011	AR	Compound, Locking	
2	0100020	AR	Sealant, Pipe	
3	0641611	1	Bolt 3/8 x 1-3/8	
4	0681608	1	Bolt 3/8 x 1	
5	0711214	1	Bolt M12 x 30	
6	0711224	3	Bolt M12 x 80	
7	0741606	2	Screw 3/8 x 7/8	
8	0760607	3	Bolt M6 x 14	
9	0760610	2	Bolt M6 x 20	
10	0760808	1	Bolt M8 x 16	
11	0760810	8	Bolt M8 x 20	
12	0760812	1	Bolt M8 x 25	
13	0760814	6	Bolt M8 x 30	
14	0760815	2	Bolt M8 x 35	
15	0761015	7	Bolt M10 x 35	
16	0761016	4	Bolt M10 x 40	
17	0761210	1	Bolt M12 x 20	
18	0761212	2	Bolt M12 x 25	
19	0771414	8	Bolt M14 x 30	
20	0961951	2	Bushing	
21	1703162	2	Decal - Fan Blade	
22	2720015	24 in /60 cm	Hose	
23	2820152	1	Heat Shrink (Not Shown)	
24	2902065	1	Pump Coupling Kit (See Separate Breakdown in this Section)	
25	3290605	5	Nut M6	
26	3290805	9	Nut M8	
27	3291001	4	Nut M10	
28	3291005	7	Nut M10	
29	3311601	1	Nut 3/8	
30	3311605	1	Nut 3/8	
31	3331211	3	Nut M12	
32	3520054	1	Plug	
33	3580320	1	Pulley	
34	3931512	4	Capscrew 5/16 x 3/4	
35	3931628	4	Capscrew 3/8 x 1-3/4	
36	4031708	1	Capscrew M6 x 20	
37	4031710	2	Capscrew M6 x 30	
38	4031914	4	Capscrew M8 x 50	
39	4032014	4	Capscrew M10 x 50	
40	4240032	1	Tie-Strap (Not Shown)	
41	4240099	AR	Tie-Strap (Not Shown)	
42	4711500	4	Washer 5/16	
43	4711600	2	Washer 3/8	
44	4751600	2	Washer 3/8	
45	4811702	10	Washer M6	
46	4811900	31	Washer M8	
47	4812000	22	Washer M10	

SECTION 3 - ENGINE

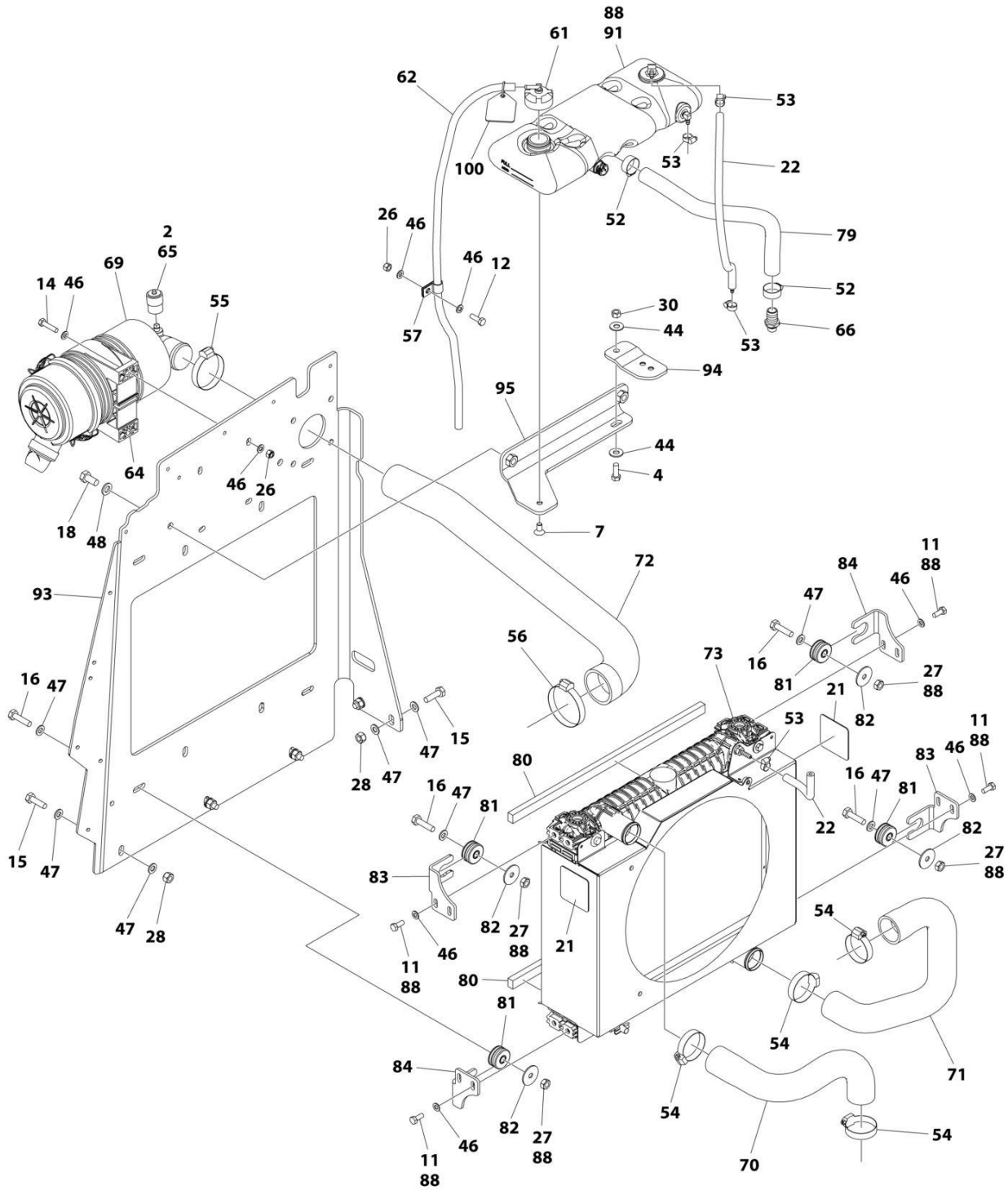
ITEM	PART NUMBER	QTY	DESCRIPTION	REV
48	4812100	4	Washer M12	
49	4812200	8	Washer M14	
50	5241200	3	Washer M12	
51	5250810	2	Bolt M8 x 20	
52	8405007	2	Clamp	
53	8405009	4	Clamp	
54	8405104	4	Clamp	
55	8405202	1	Clamp	
56	8405204	1	Clamp	
57	8406109	1	Clip	
58	8406201	1	Clip	
59	1001117308	1	Contactora	
60	1001135679	1	Adapter	
61	1001136834	1	Cap, Tank	
62	1001138248	4 ft /1.2 m	Hose	
63	1001141304	1	Harness, Glow Fuse	
64	1001141694	1	Clamp	
65	1001143390	1	Indicator	
66	1001143797	1	Fitting, Straight Barbed	
67	1001144116	1	Adapter	
68	1001152489	1	Fitting, 90 Barbed	
69	1001165388	1	Filter	
70	1001165405	1	Hose, Upper Radiator	
71	1001165406	1	Hose, Lower Radiator	
72	1001165721	1	Hose	
73	1001165722	1	Radiator	
74	1001165849	1	Fan	
75	1001166718	3	Mount	
76	1001166921	1	Plate	
77	1001166924	1	Plate	
78	1001168018	3	Washer	
79	1001168099	1	Hose	
80	1001168166	2	Seal	
81	1001169054	4	Isolator	
82	1001169138	4	Pad	
83	1001169967	2	Bracket	
84	1001170035	2	Bracket	
85	1001177359	1	Hose	
86	1001178788	1	Cable, Alternator Power	
87	1001178876	1	Mount	
88	1001180620	AR	Adhesive	
89	1001191620	1	Clamp	
90	1001212359	1	Stud	
91	1001230635	1	Tank	
91	1001134488	1	Fitting, 90 Barbed	
91	1001138827	1	Sensor, Coolant Level	
91	1001140564	1	Fitting, 90 Barbed	
92	1001243656	1	Support	
93	1001243850	1	Support, Radiator	
94	1001260412	1	Bracket	
95	1001260420	1	Bracket	

SECTION 3 - ENGINE

ITEM	PART NUMBER	QTY	DESCRIPTION	REV
96	1001276644	1	Engine Harness (Not Shown) (See Separate Breakdown in ELECTRICAL Section)	
97	1001281985	1	Connector (Not Shown)	
98	1001281986	1	Connector (Not Shown)	
99	1001291079	1	Relay & Fuel Pump Harness (See Separate Breakdown in ELECTRICAL Section)	
100	1001291401	1	Tag, Coolant	
101	1001292628	1	Bracket	
102	1001302954	1	Deutz D2.9L4 - EMR5 (49HP) Engine (See Separate Breakdown in this Section)	

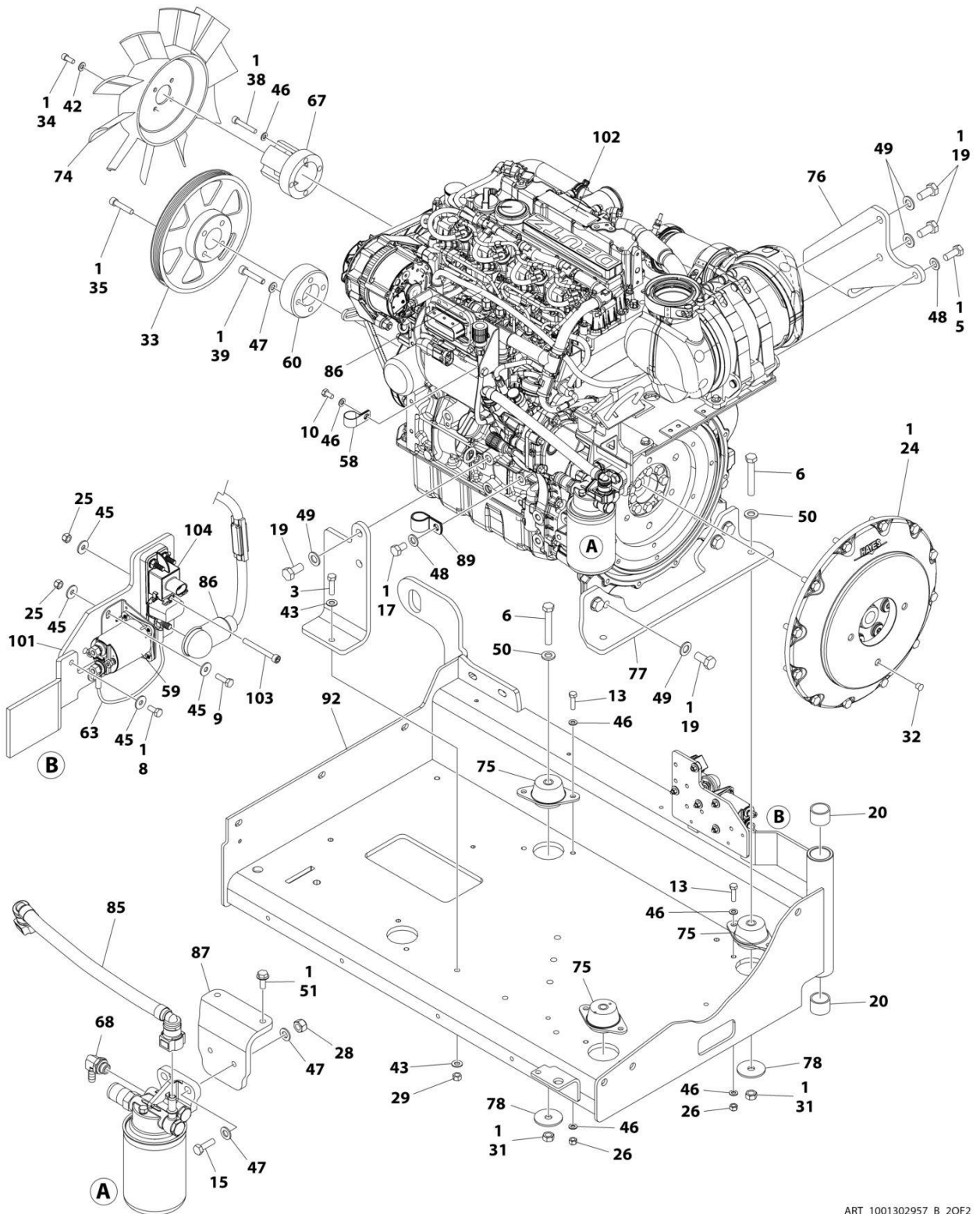
SECTION 3 - ENGINE

FIGURE 3-23. DEUTZ D2.9L4 - EMR5 (49HP) ENGINE ASSEMBLY WITHOUT ARCTIC PACKAGE (SN 0300307194 to Present, SN B300022256 to Present)



ART_1001302957_B_1OF2

SECTION 3 - ENGINE



ART_1001302957_B_20F2

SECTION 3 - ENGINE

FIGURE 3-23. DEUTZ D2.9L4 - EMR5 (49HP) ENGINE ASSEMBLY WITHOUT ARCTIC PACKAGE (SN 0300307194 to Present, SN B300022256 to Present)

ITEM	PART NUMBER	QTY	DESCRIPTION	REV
	1001302957	Ref	ENGINE AND PUMPS SUB-ASSEMBLY - EMR5 (49HP)	B
1	0100011	AR	Compound, Locking	
2	0100020	AR	Sealant, Pipe	
3	0641611	1	Bolt 3/8 x 1-3/8	
4	0681608	1	Bolt 3/8 x 1	
5	0711214	1	Bolt M12 x 30	
6	0711224	3	Bolt M12 x 80	
7	0741606	2	Screw 3/8 x 7/8	
8	0760607	3	Bolt M6 x 14	
9	0760610	2	Bolt M6 x 20	
10	0760808	1	Bolt M8 x 16	
11	0760810	8	Bolt M8 x 20	
12	0760812	1	Bolt M8 x 25	
13	0760814	6	Bolt M8 x 30	
14	0760815	2	Bolt M8 x 35	
15	0761015	7	Bolt M10 x 35	
16	0761016	4	Bolt M10 x 40	
17	0761210	1	Bolt M12 x 20	
18	0761212	2	Bolt M12 x 25	
19	0771414	8	Bolt M14 x 30	
20	0961951	2	Bushing	
21	1703162	2	Decal - Fan Blade	
22	2720015	24 in /60 cm	Hose	
24	2902065	1	Pump Coupling Kit (See Separate Breakdown in this Section)	
25	3290605	3	Nut M6	
26	3290805	9	Nut M8	
27	3291001	4	Nut M10	
28	3291005	7	Nut M10	
29	3311601	1	Nut 3/8	
30	3311605	1	Nut 3/8	
31	3331211	3	Nut M12	
32	3520054	1	Plug	
33	3580320	1	Pulley	
34	3931512	4	Capscrew 5/16 x 3/4	
35	3931628	4	Capscrew 3/8 x 1-3/4	
38	4031914	4	Capscrew M8 x 50	
39	4032014	4	Capscrew M10 x 50	
40	4240032	1	Tie-Strap (Not Shown)	
41	4240099	AR	Tie-Strap (Not Shown)	
42	4711500	4	Washer 5/16	
43	4711600	2	Washer 3/8	
44	4751600	2	Washer 3/8	
45	4811702	8	Washer M6	
46	4811900	31	Washer M8	
47	4812000	22	Washer M10	
48	4812100	4	Washer M12	
49	4812200	8	Washer M14	
50	5241200	3	Washer M12	

SECTION 3 - ENGINE

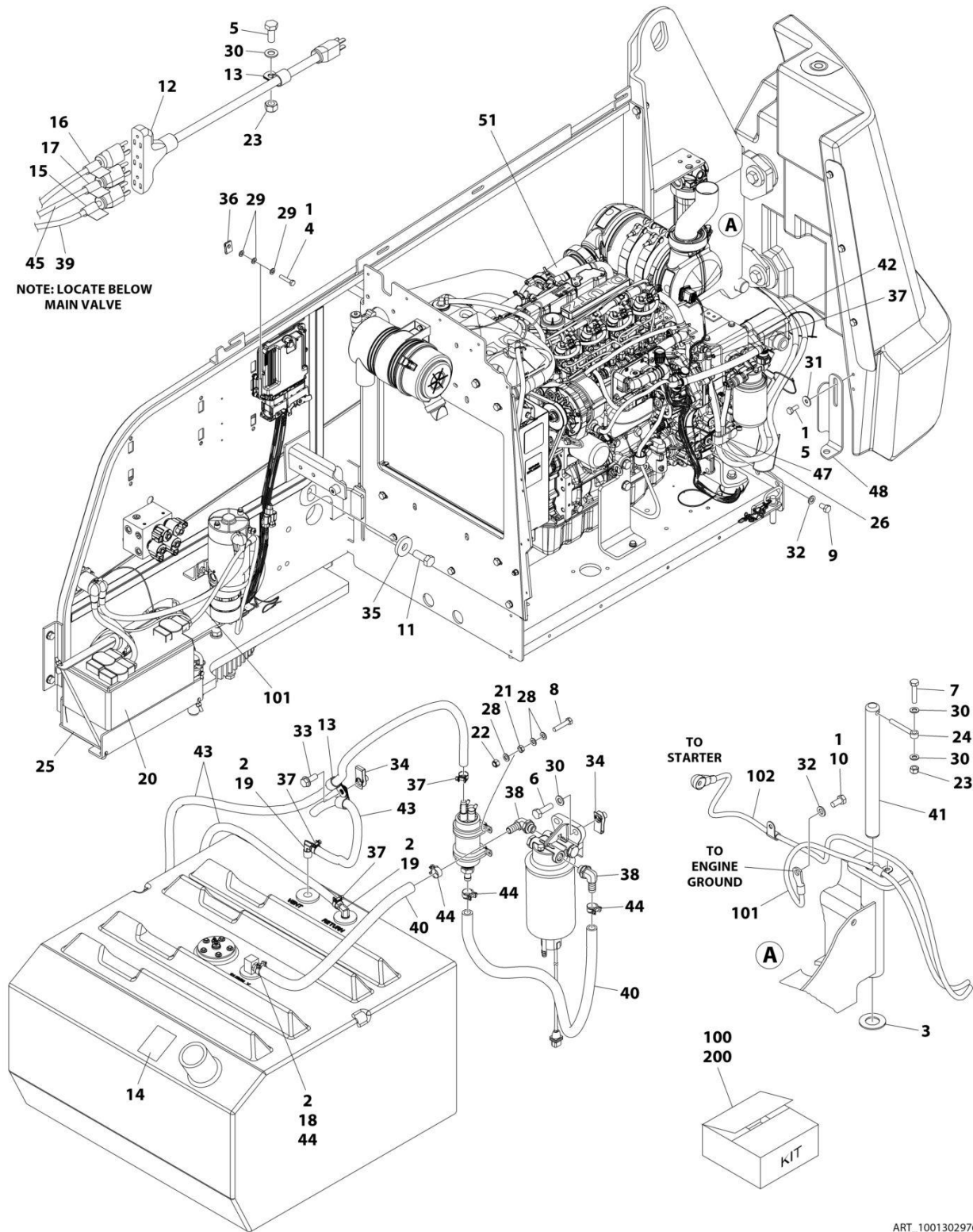
ITEM	PART NUMBER	QTY	DESCRIPTION	REV
51	5250810	2	Bolt M8 x 20	
52	8405007	2	Clamp	
53	8405009	4	Clamp	
54	8405104	4	Clamp	
55	8405202	1	Clamp	
56	8405204	1	Clamp	
57	8406109	1	Clip	
58	8406201	1	Clip	
59	1001117308	1	Contactora	
60	1001135679	1	Adapter	
61	1001136834	1	Cap, Tank	
62	1001138248	4 ft /1.2 m	Hose	
63	1001141304	1	Harness, Glow Fuse	
64	1001141694	1	Clamp	
65	1001143390	1	Indicator	
66	1001143797	1	Fitting, Straight Barbed	
67	1001144116	1	Adapter	
68	1001152489	1	Fitting, 90 Barbed	
69	1001165388	1	Filter	
70	1001165405	1	Hose, Upper Radiator	
71	1001165406	1	Hose, Lower Radiator	
72	1001165721	1	Hose	
73	1001165722	1	Radiator	
74	1001165849	1	Fan	
75	1001166718	3	Mount	
76	1001166921	1	Plate	
77	1001166924	1	Plate	
78	1001168018	3	Washer	
79	1001168099	1	Hose	
80	1001168166	2	Seal	
81	1001169054	4	Isolator	
82	1001169138	4	Pad	
83	1001169967	2	Bracket	
84	1001170035	2	Bracket	
85	1001177359	1	Hose	
86	1001178788	1	Cable, Alternator Power	
87	1001178876	1	Mount	
88	1001180620	AR	Adhesive	
89	1001191620	1	Clamp	
91	1001230635	1	Tank	
91	1001134488	1	Fitting, 90 Barbed	
91	1001138827	1	Sensor, Coolant Level	
91	1001140564	1	Fitting, 90 Barbed	
92	1001243656	1	Support	
93	1001243850	1	Support, Radiator	
94	1001260412	1	Bracket	
95	1001260420	1	Bracket	
96	1001276644	1	Engine Harness (Not Shown) (See Separate Breakdown in ELECTRICAL Section)	
97	1001281985	1	Connector (Not Shown)	
98	1001281986	1	Connector (Not Shown)	
100	1001291401	1	Tag, Coolant	

SECTION 3 - ENGINE

ITEM	PART NUMBER	QTY	DESCRIPTION	REV
101	1001179903	1	Bracket	
102	1001302954	1	Deutz D2.9L4 - EMR5 (49HP) Engine (See Separate Breakdown in this Section)	
103	1001118878	1	Bolt M6 x 55	
104	1001138228	1	Relay, Power Module	

SECTION 3 - ENGINE

FIGURE 3-24. DEUTZ D2.9L4 - EMR5 (49HP) 600S HC3 ENGINE INSTALLATION WITH ARCTIC PACKAGE (600S HC3)



ART_1001302976

SECTION 3 - ENGINE

FIGURE 3-24. DEUTZ D2.9L4 - EMR5 (49HP) 600S HC3 ENGINE INSTALLATION WITH ARCTIC PACKAGE (600S HC3)

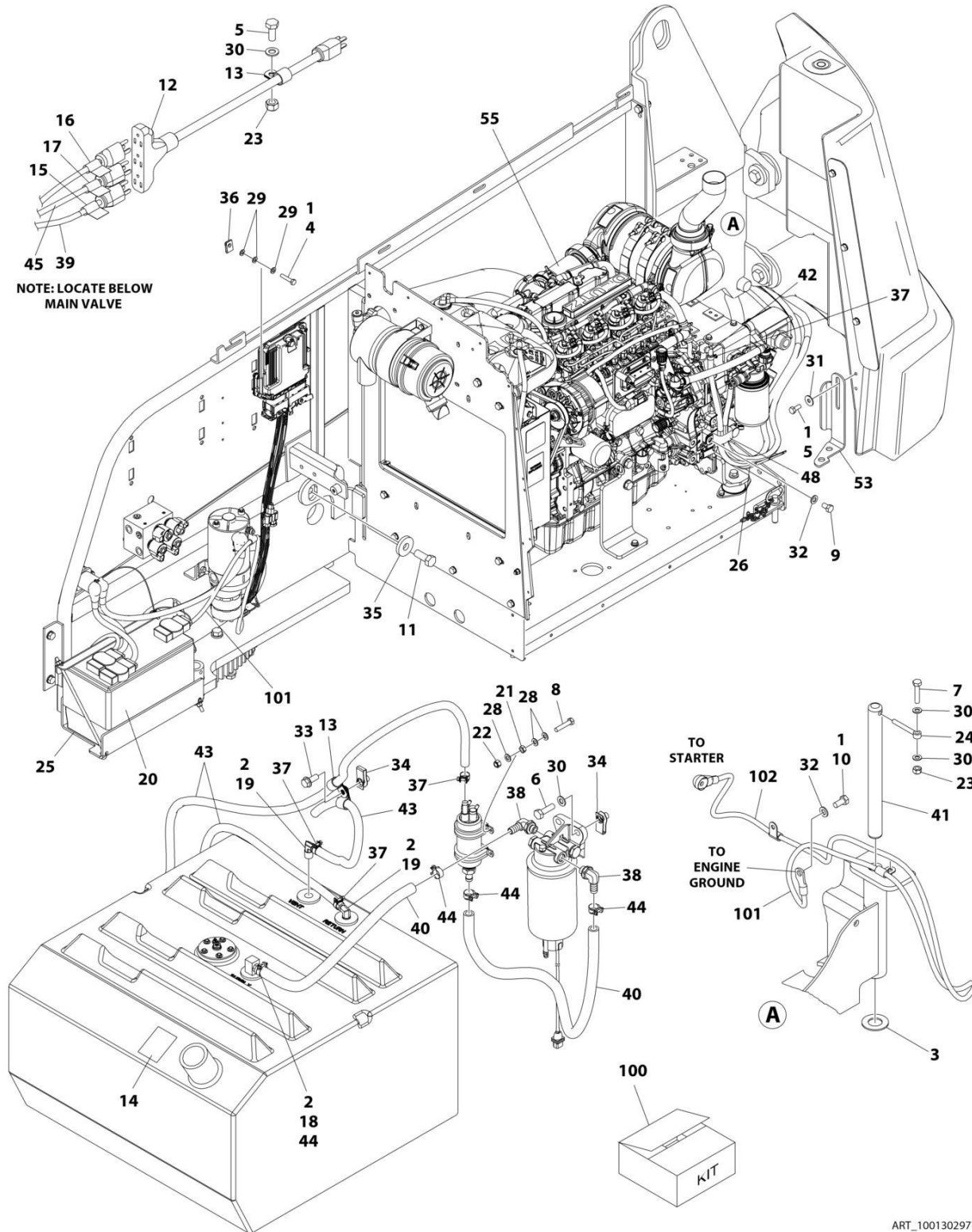
ITEM	PART NUMBER	QTY	DESCRIPTION	REV
	1001302976	Ref	ENGINE INSTALLATION EMR5 (49HP) W/ ARCTIC	A
1	0100011	AR	Compound, Locking	
2	0100020	AR	Sealant, Pipe	
3	0440162	1	Bearing	
4	0700614	4	Bolt M6 x 30	
5	0701012	3	Bolt M10 x 25	
6	0701015	2	Bolt M10 x 35	
7	0711018	1	Bolt M10 x 50	
8	0760512	4	Bolt M5 x 25	
9	0761210	1	Bolt M12 x 20	
10	0771212	1	Bolt M12 x 25	
11	0772018	1	Bolt M20 x 50	
12	1060626	1	Plug, 3-Way	
13	1320061	3	Clamp	
14	1701505	1	Decal - Diesel	
15	1702941	1	Decal - Battery Heater	
16	1702942	1	Decal - Engine Block Heater	
17	1702943	1	Decal - Hydraulic Tank Heater	
18	2180832	1	Fitting, Straight Barbed	
19	2220313	2	Fitting, 90 NPTF/Barb	
20	2580024	1	Heater, Battery	
21	3290501	4	Nut M5	
22	3290505	4	Nut M5	
23	3291005	2	Nut M10	
24	3841143	1	Keeper, Pin	
25	3980007	1	Seat, Battery	
26	4061032	1	Shield	
27	4240099	AR	Tie-Strap (Not Shown)	
28	4811600	12	Washer M5	
29	4811700	12	Washer M6	
30	4812000	5	Washer M10	
31	4812002	2	Washer M10	
32	4812100	2	Washer M12	
33	5251012	1	Bolt M10 x 25	
34	1001118972	3	Nut M10	
35	1001119051	1	Washer	
36	1001130220	4	Nut, Tinnerman M6	
37	1001136975	5	Clamp	
38	1001142501	2	Fitting, 90 Barbed	
39	1001150918	1	Cord, Extension	
40	1001154405	33 in /84 cm	Hose	
41	1001155094	1	Pin	
42	1001155823	1	Fitting, 90 Quick Connect	
43	1001165035	27 ft /8.3 m	Hose	
44	1001175568	4	Clip	
45	1001188972	1	Heater, Immersion	

SECTION 3 - ENGINE

ITEM	PART NUMBER	QTY	DESCRIPTION	REV
46	1001190444	1	Fuel Pump Harness (Not Shown) (See Separate Breakdown in ELECTRICAL Section)	
47	1001195039	1	Clamp, Double	
48	1001196398	1	Bracket	
49	1001233763	1	Breather Heater Installation (Not Shown) (See Separate Breakdown in this Section)	
50	1001289594	1	ECU Power Jumper Harness (Not Shown) (See Separate Breakdown in ELECTRICAL Section)	
51	1001302966	1	Deutz D2.9L4 - EMR5 (49HP) Engine and Pump Sub-Assembly (See Separate Breakdown in this Section)	
100	1001235532	1	Battery Cable Kit	
101	1001188668	1	Cable, Battery (-) to Aux Pump and Ground	
102	1001188669	1	Cable, Battery (+) to Aux Relay to Starter	
200	1001269919	1	Hose Assembly Kit	
201	1001192690	1	Hose (Case Drain) (Drive Pump Case Gauge Port to Tank) (Not Shown)	
202	1001203431	1	Hose (Case Drain) (Drive Pump Case Outlet Port to Tank) (Not Shown)	
203	1001203432	1	Hose (Function Suction) (Not Shown)	
204	1001203433	1	Hose (Drive Suction) (Not Shown)	

SECTION 3 - ENGINE

FIGURE 3-25. DEUTZ D2.9L4 - EMR5 (49HP) 660SJ HC3 ENGINE INSTALLATION WITH ARCTIC PACKAGE (660SJ HC3)



ART_1001302977

SECTION 3 - ENGINE

FIGURE 3-25. DEUTZ D2.9L4 - EMR5 (49HP) 660SJ HC3 ENGINE INSTALLATION WITH ARCTIC PACKAGE (660SJ HC3)

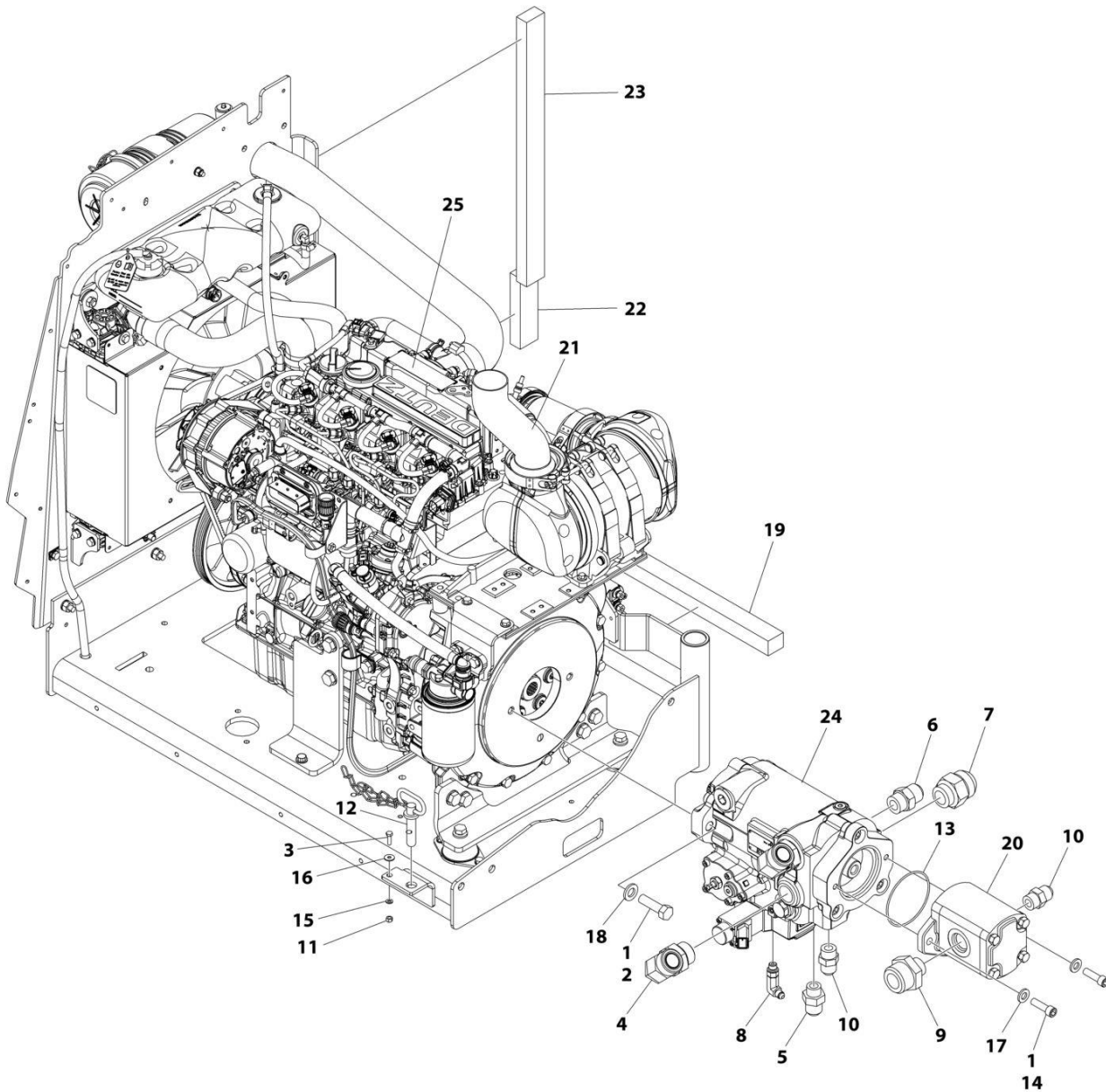
ITEM	PART NUMBER	QTY	DESCRIPTION	REV
	1001302977	Ref	ENGINE INSTALLATION EMR5 (49HP) W/ ARCTIC	A
1	0100011	AR	Compound, Locking	
2	0100020	AR	Sealant	
3	0440162	1	Bearing	
4	0700614	4	Bolt M6 x 30	
5	0701012	3	Bolt M10 x 25	
6	0701015	2	Bolt M10 x 35	
7	0711018	1	Bolt M10 x 50	
8	0760512	4	Bolt M5 x 25	
9	0761210	1	Bolt M12 x 20	
10	0771212	1	Bolt M12 x 25	
11	0772018	1	Bolt M20 x 50	
12	1060626	1	Plug, 3-Way	
13	1320061	3	Clamp	
14	1701505	1	Decal - Diesel	
15	1702941	1	Decal - Battery Heater	
16	1702942	1	Decal - Engine Block Heater	
17	1702943	1	Decal - Hydraulic Tank Heater	
18	2180832	1	Fitting, Straight Barbed	
19	2220313	2	Fitting, 90 NPTF/Barbed	
20	2580024	1	Heater, Battery	
21	3290501	4	Nut M5	
22	3290505	4	Nut M5	
23	3291005	2	Nut M10	
24	3841143	1	Keeper, Pin	
25	3980007	1	Seat, Battery	
26	4061032	1	Shield	
27	4240099	AR	Tie-Strap (Not Shown)	
28	4811600	12	Washer M5	
29	4811700	12	Washer M6	
30	4812000	5	Washer M10	
31	4812002	2	Washer M10	
32	4812100	2	Washer M12	
33	5251012	1	Bolt M10 x 25	
34	1001118972	3	Nut M10	
35	1001119051	1	Washer	
36	1001130220	4	Nut, Tinnerman M6	
37	1001136975	5	Clamp	
38	1001142501	2	Fitting, 90 Barbed	
39	1001150918	1	Cable, Extension	
40	1001154405	3 ft /1 m	Hose	
41	1001155094	1	Pin	
42	1001155823	1	Fitting, 90 Quick Connect	
43	1001165035	27 ft /9 m	Hose	
44	1001175568	4	Clip	
45	1001188972	1	Heater, Immersion	
46	1001190444	1	Fuel Pump Harness (Not Shown) (See Separate Breakdown in ELECTRICAL Section)	

SECTION 3 - ENGINE

ITEM	PART NUMBER	QTY	DESCRIPTION	REV
47	1001192690	1	Hose (Case Drain) (Drive Pump Case Gauge Port to Tank) (Not Shown)	
48	1001195039	1	Clamp	
49	1001203431	1	Hose (Case Drain) (Drive Pump Case Outlet Port to Tank) (Not Shown)	
50	1001233763	1	Breather Heater Installation (Not Shown) (See Separate Breakdown in this Section)	
51	1001258156	1	Hose (Function Suction) (Not Shown)	
52	1001258157	1	Hose (Drive Suction) (Not Shown)	
53	1001258175	1	Bracket	
54	1001289594	1	ECU Power Jumper Harness (Not Shown) (See Separate Breakdown in ELECTRICAL Section)	
55	1001302966	1	Deutz D 2.9L4 - EMR5 (49HP) Engine and Pump Sub-Assembly (See Separate Breakdown in this Section)	
100	1001235532	1	Battery Cable Kit	
101	1001188668	1	Cable, Battery (-) to Aux Pump and Ground	
102	1001188669	1	Cable, Battery (+) to Aux Relay to Starter	

SECTION 3 - ENGINE

FIGURE 3-26. DEUTZ D2.9L4 - EMR5 (49HP) ENGINE AND PUMPS SUB-ASSEMBLY WITH ARCTIC PACKAGE



ART_1001302966

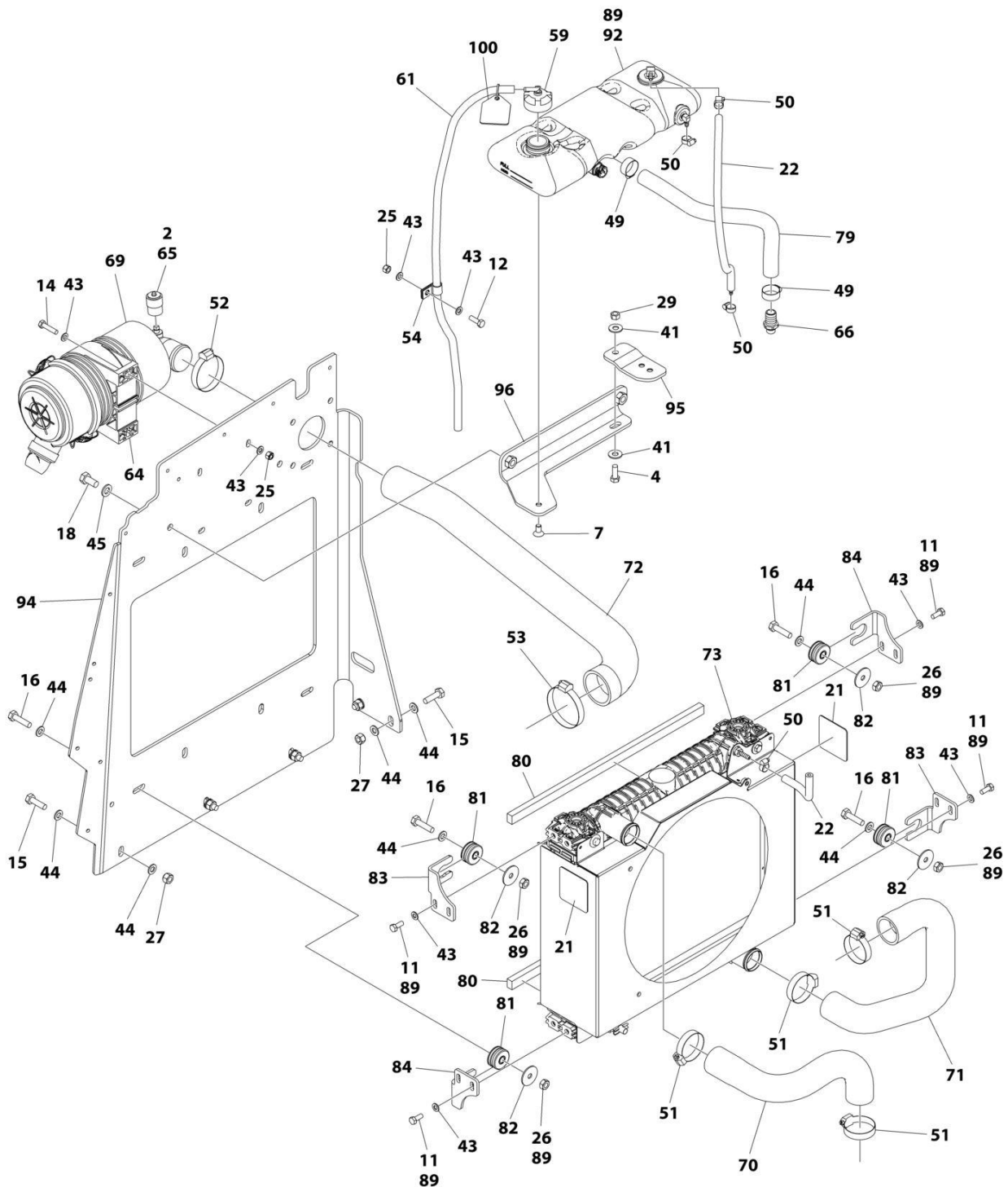
SECTION 3 - ENGINE

FIGURE 3-26. DEUTZ D2.9L4 - EMR5 (49HP) ENGINE AND PUMPS SUB-ASSEMBLY WITH ARCTIC PACKAGE

ITEM	PART NUMBER	QTY	DESCRIPTION	REV
	1001302966	Ref	ENGINE AND PUMPS SUB-ASSEMBLY - EMR5 (49HP)	B
1	0100011	AR	Compound, Locking	
2	0641814	2	Bolt 1/2 x 1-3/4	
3	0760610	1	Bolt M6 x 20	
4	2131616	2	Fitting, 90 ORFS/ORB	
5	2220408	1	Fitting, Straight JIC/ORB	
6	2220451	1	Fitting, Straight JIC/ORB	
7	2220479	1	Fitting, Straight JIC/ORB	
8	2220940	1	Fitting, 90 JIC/ORB	
9	2220946	1	Fitting, Straight JIC/ORB	
10	2220947	2	Fitting, Straight JIC/ORB	
11	3290605	1	Nut M6	
12	3422532	1	Pin	
14	3931618	2	Capscrew 3/8 x 1-1/8	
15	4811700	1	Washer M6	
16	4811702	1	Washer M6	
17	5241000	2	Washer M10	
18	5241200	2	Washer M12	
19	1001171953	1	Seal	
20	1001190143	1	Gear Pump Assembly	
20	70006356	1	Seal Kit - 1001190143 Pump	
21	1001241366	1	Pipe, Exhaust	
22	1001244508	1	Seal	
23	1001254279	1	Seal	
24	1001284471	1	Piston Pump Assembly (See Separate Breakdown in this Section)	
25	1001302958	1	Deutz D2.9L4 - EMR5 (49HP) Engine Assembly (See Separate Breakdown in this Section)	

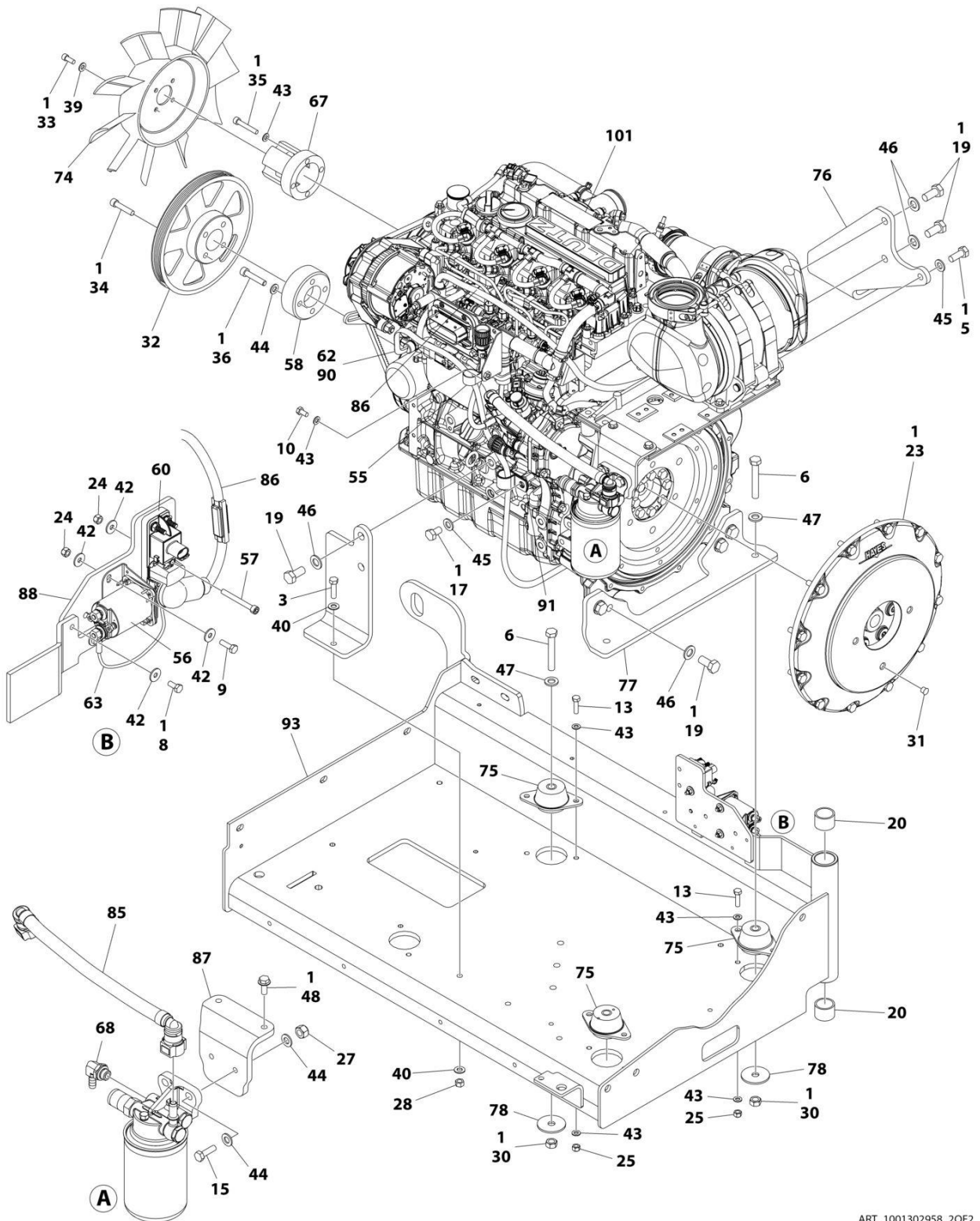
SECTION 3 - ENGINE

FIGURE 3-27. DEUTZ D2.9L4 - EMR5 (49HP) ENGINE ASSEMBLY WITH ARCTIC PACKAGE



ART_1001302958_1OF2

SECTION 3 - ENGINE



ART_1001302958_2OF2

SECTION 3 - ENGINE

FIGURE 3-27. DEUTZ D2.9L4 - EMR5 (49HP) ENGINE ASSEMBLY WITH ARCTIC PACKAGE

ITEM	PART NUMBER	QTY	DESCRIPTION	REV
	1001302958	Ref	ENGINE AND PUMPS SUB-ASSEMBLY - EMR5 (49HP)	A
1	0100011	AR	Compound, Locking	
2	0100020	AR	Sealant, Pipe	
3	0641611	1	Bolt 3/8 x 1-3/8	
4	0681608	1	Bolt 3/8 x 1	
5	0711214	1	Bolt M12 x 30	
6	0711224	3	Bolt M12 x 80	
7	0741606	2	Screw 3/8 x 3/4	
8	0760607	3	Bolt M6 x 14	
9	0760610	2	Bolt M6 x 20	
10	0760808	1	Bolt M8 x 16	
11	0760810	8	Bolt M8 x 20	
12	0760812	1	Bolt M8 x 25	
13	0760814	6	Bolt M8 x 30	
14	0760815	2	Bolt M8 x 35	
15	0761015	7	Bolt M10 x 35	
16	0761016	4	Bolt M10 x 40	
17	0761210	1	Bolt M12 x 20	
18	0761212	2	Bolt M12 x 25	
19	0771414	8	Bolt M14 x 30	
20	0961951	2	Bushing	
21	1703162	2	Decal - Fan Blade	
22	2720015	24 in /60 cm	Hose	
23	2902065	1	Pump Coupling Kit (See Separate Breakdown in this Section)	
24	3290605	3	Nut M6	
25	3290805	9	Nut M8	
26	3291001	4	Nut M10	
27	3291005	7	Nut M10	
28	3311601	1	Nut 3/8	
29	3311605	1	Nut 3/8	
30	3331211	3	Nut M12	
31	3520054	1	Plug	
32	3580320	1	Pulley	
33	3931512	4	Capscrew 5/16 x 3/4	
34	3931628	4	Capscrew 3/8 x 1-3/4	
35	4031914	4	Capscrew M8 x 50	
36	4032014	4	Capscrew M10 x 50	
37	4240032	AR	Tie-Strap (Not Shown)	
38	4240099	AR	Tie-Strap (Not Shown)	
39	4711500	4	Washer 5/16	
40	4711600	2	Washer 3/8	
41	4751600	2	Washer 3/8	
42	4811702	8	Washer M6	
43	4811900	31	Washer M8	
44	4812000	22	Washer M10	
45	4812100	4	Washer M12	
46	4812200	8	Washer M14	
47	5241200	3	Washer M12	
48	5250810	2	Bolt M8 x 20	

SECTION 3 - ENGINE

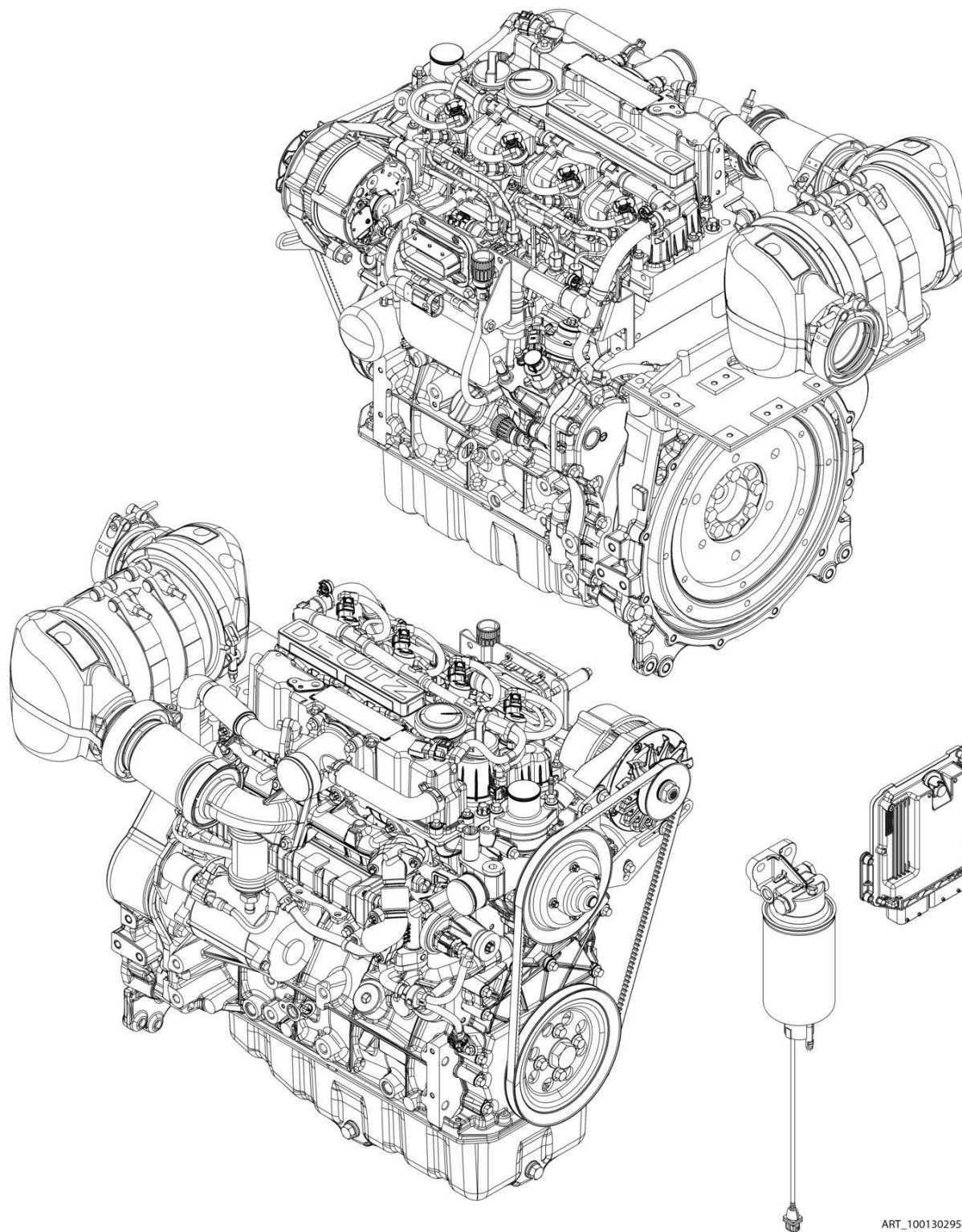
ITEM	PART NUMBER	QTY	DESCRIPTION	REV
49	8405007	2	Clamp	
50	8405009	4	Clamp	
51	8405104	4	Clamp	
52	8405202	1	Clamp	
53	8405204	1	Clamp	
54	8406109	1	Clip	
55	8406201	1	Clip	
56	1001117308	1	Contactora	
57	1001118878	1	Bolt M6 x 55	
58	1001135679	1	Adapter	
59	1001136834	1	Cap, Tank	
60	1001138228	1	Relay	
61	1001138248	4 ft /1.2 m	Hose	
62	1001140312	1	Heater, Engine Block	
63	1001141304	1	Harness, Glow Fuse	
64	1001141694	1	Clamp	
65	1001143390	1	Indicator	
66	1001143797	1	Fitting, Straight Barbed	
67	1001144116	1	Adapter	
68	1001152489	1	Fitting, 90 Barbed	
69	1001165388	1	Filter	
70	1001165405	1	Hose, Upper	
71	1001165406	1	Hose, Lower	
72	1001165721	1	Hose	
73	1001165722	1	Radiator	
74	1001165849	1	Fan	
75	1001166718	3	Isolator, Mount	
76	1001166921	1	Plate	
77	1001166924	1	Plate	
78	1001168018	3	Washer	
79	1001168099	1	Hose	
80	1001168166	2	Seal	
81	1001169054	4	Isolator	
82	1001169138	4	Pad	
83	1001169967	2	Bracket	
84	1001170035	2	Bracket	
85	1001177359	1	Hose	
86	1001178788	1	Cable, Alternator Power	
87	1001178876	1	Mount	
88	1001179903	1	Bracket	
89	1001180620	AR	Adhesive	
90	1001181895	AR	Adhesive	
91	1001191620	1	Clamp	
92	1001230635	1	Tank, Surge	
92	1001134488	1	Fitting, 90 Barbed	
92	1001138827	1	Sensor, Coolant Level	
92	1001140564	1	Fitting, 90 Barbed	
93	1001243656	1	Support	
94	1001243850	1	Support, Radiator	
95	1001260412	1	Bracket	
96	1001260420	1	Bracket	

SECTION 3 - ENGINE

ITEM	PART NUMBER	QTY	DESCRIPTION	REV
97	1001276644	1	Engine Harness (Not Shown) (See Separate Breakdown in ELECTRICAL Section)	
98	1001281985	1	Connector (Not Shown)	
99	1001281986	1	Connector (Not Shown)	
100	1001291401	1	Tag, Coolant	
101	1001302954	1	Deutz D2.9L4 - EMR5 (49HP) Engine (See Separate Breakdown in this Section)	

SECTION 3 - ENGINE

FIGURE 3-28. ENGINE COMPONENTS - DEUTZ D2.9L4 EMR5 ENGINE (ANSI, ANSI EXPORT AND CSA SPECS)



ART_1001302954

SECTION 3 - ENGINE

FIGURE 3-28. ENGINE COMPONENTS - DEUTZ D2.9L4 EMR5 ENGINE (ANSI, ANSI EXPORT AND CSA SPECS)

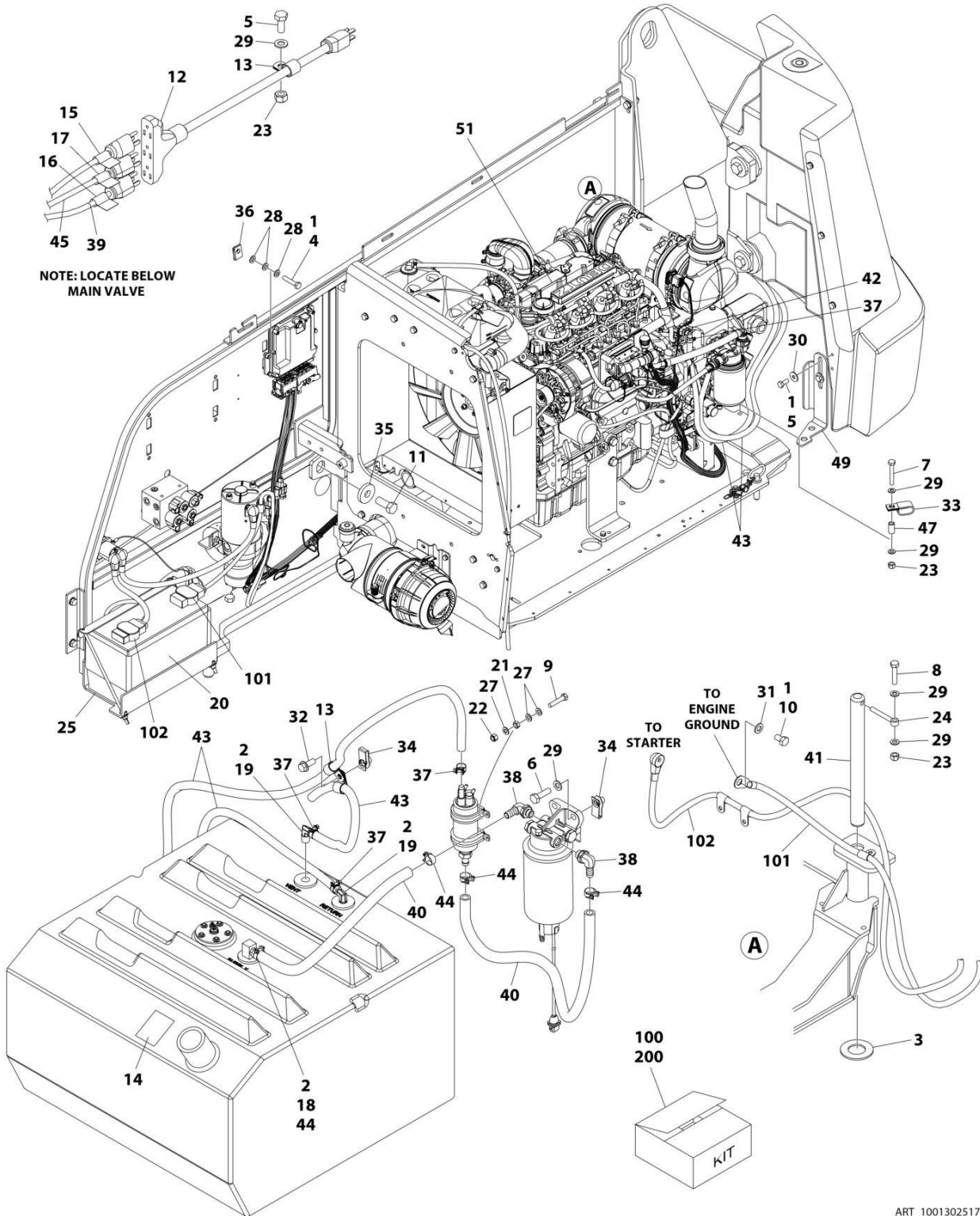
ITEM	PART NUMBER	QTY	DESCRIPTION	REV
	1001302954	Ref	ENGINE COMPONENTS - DEUTZ D2.9L4 EMR5 ENGINE	A
	See Note	Ref	Note: Contact JLG Customer Service for availability for addition components.	
		Ref	AIR INTAKE SYSTEM	
	70005180	1	Breather Line	
	70005182	1	Charge Air Elbow	
		Ref	COOLING SYSTEM COMPONENTS	
	70030360	1	Pump, Coolant	
	70007603	1	Thermostat	
		Ref	ELECTRICAL COMPONENT	
	70031144	1	Starter	
	NPN	1	Generator	
	70024507	1	Sensor, Pressure (Air Intake)	
	70026210	1	Sensor, Speed	
	70025231	1	Harness, Glow Plug	
	70024919	1	Sensor, Fuel Filter	
	70024504	1	Sensor, Pressure	
	70028540	1	Transmitter, Temperature	
	70029512	1	Module, Engine Control	
	70031143	1	Regulator, Voltage	
		Ref	EXHAUST COMPONENT	
	70004282	1	Exhaust Manifold	
	70031136	1	Pipe, Exhaust	
	70012257	1	Valve, Exhaust	
	70004508	1	Valve, Volume Control	
		Ref	FUEL SYSTEM COMPONENT	
	70030381	1	Pump, High Pressure	
	70004281	1	Injector, Fuel	
	NPN	1	Pump, Fuel Supply (Includes qty 2 Clamps)	
	70024961	1	Filter, Fuel	
	1001225430	1	Filter, Fuel (Pre-Filter)	
	70024513	1	Cable, Sensor	
	70025239	1	Seal	
	70029451	1	Filter, Fuel	
	1001225431	1	Filter, Fuel (Spin-On)	
	70024502	1	Pipe, Fuel	
		Ref	GASKET AND SEAL COMPONENT	
	70024905	2	Seal, Dipstick	
	70005942	1	Seal, Oil Plug	
	70005171	1	Gasket, Valve Cover	
	70024906	1	Gasket, Head	
	70002718	1	Seal, Rear Main	
	70005177	1	Gasket, Charge Air Housing	
	70005184	1	O-Ring, Thermostat	
	70005931	1	Seal, Thermostat	
	70025164	1	Gasket, Exhaust Manifold to Head	
	70007326	1	Gasket, EGR Valve	
	70031095	1	Gasket, Exhaust Return Pipe	
	70007354	1	Gasket, Short Exhaust Pipe	

SECTION 3 - ENGINE

ITEM	PART NUMBER	QTY	DESCRIPTION	REV
		Ref	OTHER COMPONENT	
	70001870	1	Flywheel (Includes Ring Gear)	
	7024579	1	Gear, Ring	
		Ref	OIL LUBE SYSTEM	
	70024904	1	Dipstick	
	70024905	1	Cap, Oil Fill	
	70005941	1	Plug, Oil	
	70005172	1	Pump, Oil Lube	
	7016331	1	Filter, Oil	
	70024494	1	Oil Cooler	

SECTION 3 - ENGINE

FIGURE 3-29. DEUTZ D2.9L4 - EMR5 (67HP) 660SJ HC3 ENGINE INSTALLATION WITH ARCTIC PACKAGE (660SJ HC3)



SECTION 3 - ENGINE

FIGURE 3-29. DEUTZ D2.9L4 - EMR5 (67HP) 660SJ HC3 ENGINE INSTALLATION WITH ARCTIC PACKAGE (660SJ HC3)

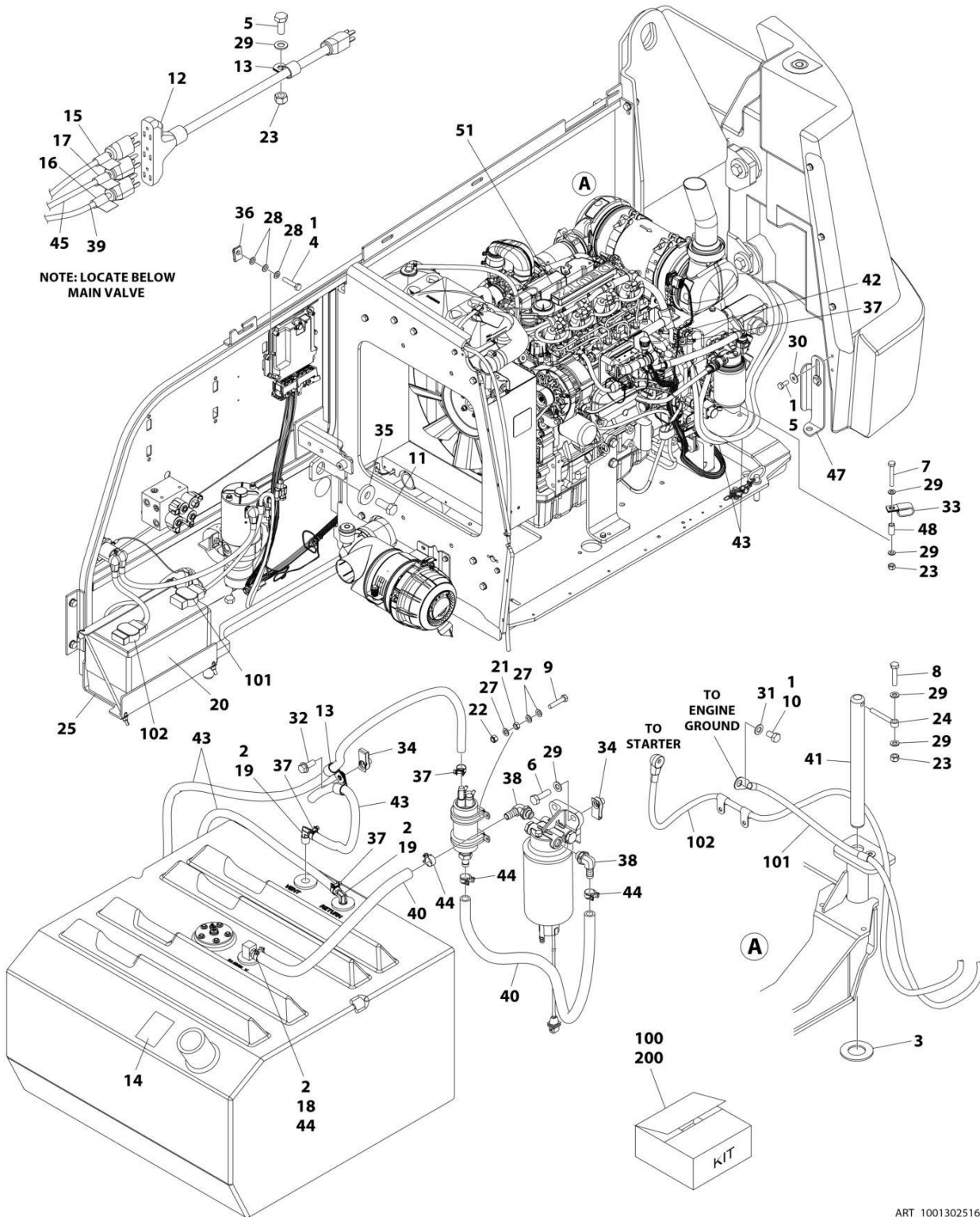
ITEM	PART NUMBER	QTY	DESCRIPTION	REV
	1001302517	Ref	ENGINE INSTALLATION EMR5 (67HP) W/ ARCTIC	A
1	0100011	AR	Compound, Locking	
2	0100020	AR	Sealant, Pipe	
3	0440162	1	Bearing	
4	0700614	4	Bolt M6 x 30	
5	0701012	3	Bolt M10 x 25	
6	0701015	2	Bolt M10 x 35	
7	0701022	1	Bolt M10 x 70	
8	0711018	1	Bolt M10 x 50	
9	0760512	4	Bolt M5 x 25	
10	0761210	1	Bolt M12 x 20	
11	0772018	1	Bolt M20 x 50	
12	1060626	1	Plug, 3-Way	
13	1320061	3	Clamp	
14	1701505	1	Decal - Diesel	
15	1702941	1	Decal - Battery Heater	
16	1702942	1	Decal - Engine Block Heater	
17	1702943	1	Decal - Hydraulic Tank Heater	
18	2180832	1	Fitting, Straight Barbed	
19	2220313	2	Fitting, 90 NPTF/Barbed	
20	2580024	1	Heater, Battery	
21	3290501	4	Nut M5	
22	3290505	4	Nut M5	
23	3291005	3	Nut M10	
24	3841143	1	Keeper, Pin	
25	3980007	1	Seat, Battery	
26	4240099	AR	Tie-Strap (Not Shown)	
27	4811600	12	Washer M5	
28	4811700	12	Washer M6	
29	4812000	7	Washer M10	
30	4812002	2	Washer M10	
31	4812100	1	Washer M12	
32	5251012	1	Bolt M10 x 25	
33	1001026127	1	Clamp	
34	1001118972	3	Nut M10	
35	1001119051	1	Washer	
36	1001130220	4	Nut, Tinnerman M6	
37	1001136975	5	Clamp	
38	1001142501	2	Fitting, 90 Barbed	
39	1001150918	1	Cable, Extension	
40	1001154405	3 ft /1 m	Hose	
41	1001155094	1	Pin	
42	1001155823	1	Fitting, 90 Quick Connect	
43	1001165035	27 ft /9 m	Hose	
44	1001175568	4	Clip	
45	1001188972	1	Heater, Immersion (Not Shown)	
46	1001190444	1	Fuel Pump Harness (Not Shown) (See Separate Breakdown in ELECTRICAL Section)	
47	1001200731	1	Tube	

SECTION 3 - ENGINE

ITEM	PART NUMBER	QTY	DESCRIPTION	REV
48	1001233763	1	Breather Heater Installation (Not Shown) (See Separate Breakdown in this Section)	
49	1001258175	1	Bracket	
50	1001289594	1	ECU Power Jumper Harness (Not Shown) (See Separate Breakdown in ELECTRICAL Section)	
51	1001302446	1	Deutz D2.9L4 - EMR5 (67HP) Engine and Pump Sub-Assembly (See Separate Breakdown in this Section)	
100	1001235532	1	Battery Cable Kit	
101	1001188668	1	Cable, Battery (-) to Aux Pump and Ground	
102	1001188669	1	Cable, Battery (+) to Aux Relay to Starter	
200	1001269920	1	Hose Assembly Kit	
201	1001192690	1	Hose (Case Drain) (Drive Pump Case Gauge Port to Tank) (Not Shown)	
202	1001203431	1	Hose (Case Drain) (Drive Pump Case Outlet Port to Tank) (Not Shown)	
203	1001258156	1	Hose (Function Suction) (Not Shown)	
204	1001258157	1	Hose (Drive Suction) (Not Shown)	

SECTION 3 - ENGINE

FIGURE 3-30. DEUTZ D2.9L4 - EMR5 (67HP) 600S HC3 ENGINE INSTALLATION WITH ARCTIC PACKAGE (600S HC3)



SECTION 3 - ENGINE

FIGURE 3-30. DEUTZ D2.9L4 - EMR5 (67HP) 600S HC3 ENGINE INSTALLATION WITH ARCTIC PACKAGE (600S HC3)

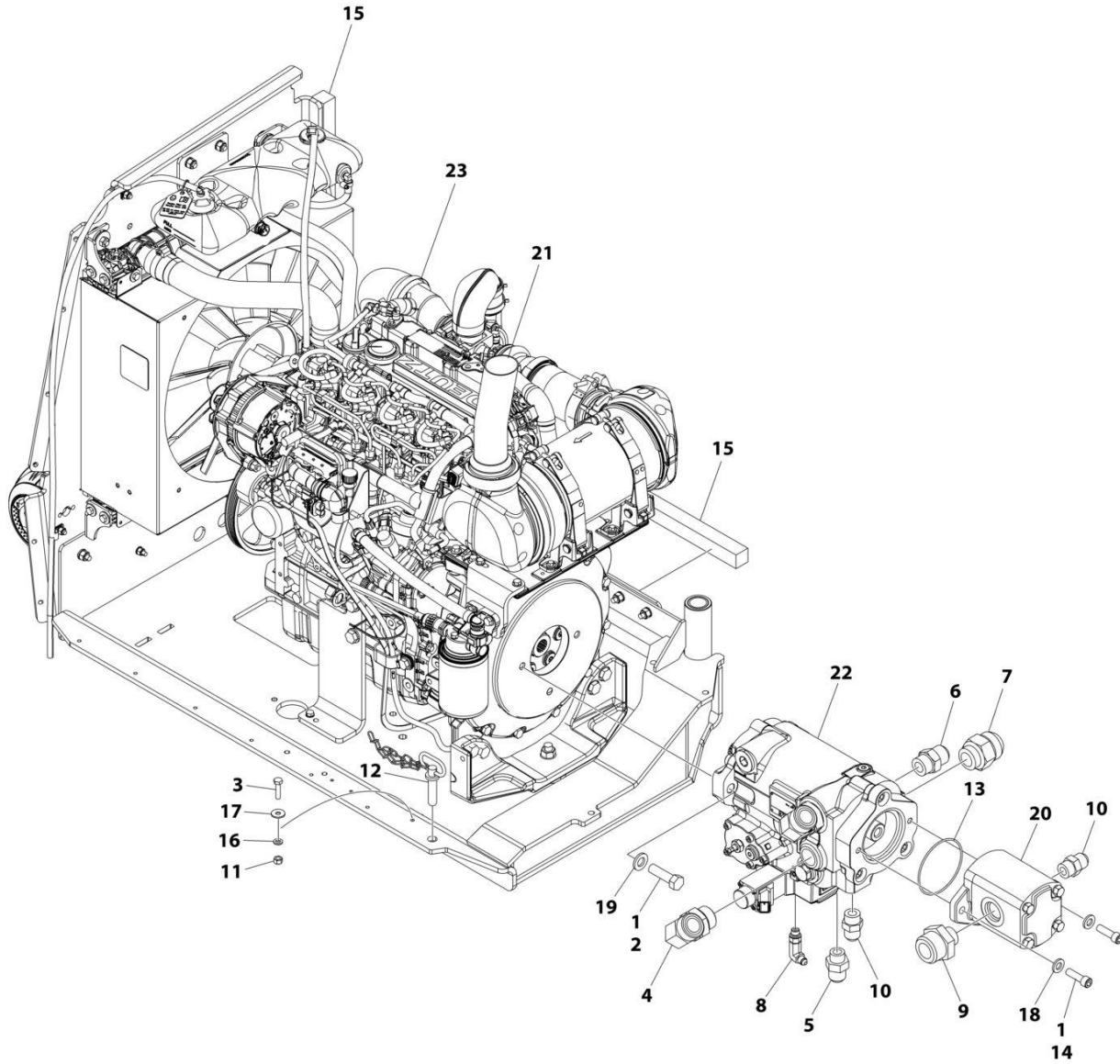
ITEM	PART NUMBER	QTY	DESCRIPTION	REV
	1001302516	Ref	ENGINE INSTALLATION EMR5 (67HP) W/ ARCTIC	A
1	0100011	AR	Compound, Locking	
2	0100020	AR	Sealant, Pipe	
3	0440162	1	Bearing	
4	0700614	4	Bolt M6 x 30	
5	0701012	3	Bolt M10 x 25	
6	0701015	2	Bolt M10 x 35	
7	0701022	1	Bolt M10 x 70	
8	0711018	1	Bolt M10 x 50	
9	0760512	4	Bolt M5 x 25	
10	0761210	1	Bolt M12 x 20	
11	0772018	1	Bolt M20 x 50	
12	1060626	1	Plug, 3-Way	
13	1320061	3	Clamp	
14	1701505	1	Decal - Diesel	
15	1702941	1	Decal - Battery Heater	
16	1702942	1	Decal - Engine Block Heater	
17	1702943	1	Decal - Hydraulic Tank Heater	
18	2180832	1	Fitting, Straight Barbed	
19	2220313	2	Fitting, 90 NPTF/Barb	
20	2580024	1	Heater, Battery	
21	3290501	4	Nut M5	
22	3290505	4	Nut M5	
23	3291005	3	Nut M10	
24	3841143	1	Keeper, Pin	
25	3980007	1	Seat, Battery	
26	4240099	AR	Tie-Strap (Not Shown)	
27	4811600	12	Washer M5	
28	4811700	12	Washer M6	
29	4812000	7	Washer M10	
30	4812002	2	Washer M10	
31	4812100	1	Washer M12	
32	5251012	1	Bolt M10 x 25	
33	1001026127	1	Clamp	
34	1001118972	3	Nut M10	
35	1001119051	1	Washer	
36	1001130220	4	Nut, Tinnerman M6	
37	1001136975	5	Clamp	
38	1001142501	2	Fitting, 90 Barbed	
39	1001150918	1	Cable, Extension	
40	1001154405	3 ft /1 m	Hose	
41	1001155094	1	Pin	
42	1001155823	1	Fitting, 90 Quick Connect	
43	1001165035	27 ft /9 m	Hose	
44	1001175568	4	Clip	
45	1001188972	1	Heater, Immersion	
46	1001190444	1	Fuel Pump Harness (Not Shown) (See Separate Breakdown in ELECTRICAL Section)	
47	1001196398	1	Bracket	

SECTION 3 - ENGINE

ITEM	PART NUMBER	QTY	DESCRIPTION	REV
48	1001200731	1	Tube	
49	1001233763	1	Breather Heater Installation (Not Shown) (See Separate Breakdown in this Section)	
50	1001289594	1	ECU Power Jumper Harness (Not Shown) (See Separate Breakdown in ELECTRICAL Section)	
51	1001302446	1	Deutz D2.9L4 - EMR5 (67HP) Engine and Pump Sub-Assembly (See Separate Breakdown in this Section)	
100	1001235532	1	Battery Cable Kit	
101	1001188668	1	Cable, Battery (-) to Aux Pump and Ground	
102	1001188669	1	Cable, Battery (+) to Aux Relay to Starter	
200	1001269919	1	Hose Assembly Kit	
201	1001192690	1	Hose (Case Drain) (Drive Pump Case Gauge Port to Tank) (Not Shown)	
202	1001203431	1	Hose (Case Drain) (Drive Pump Case Outlet Port to Tank) (Not Shown)	
203	1001203432	1	Hose (Function Suction) (Not Shown)	
204	1001203433	1	Hose (Drive Suction) (Not Shown)	

SECTION 3 - ENGINE

FIGURE 3-31. DEUTZ D2.9L4 - EMR5 (67HP) ENGINE AND PUMPS SUB-ASSEMBLY WITH ARCTIC PACKAGE



ART_1001302446

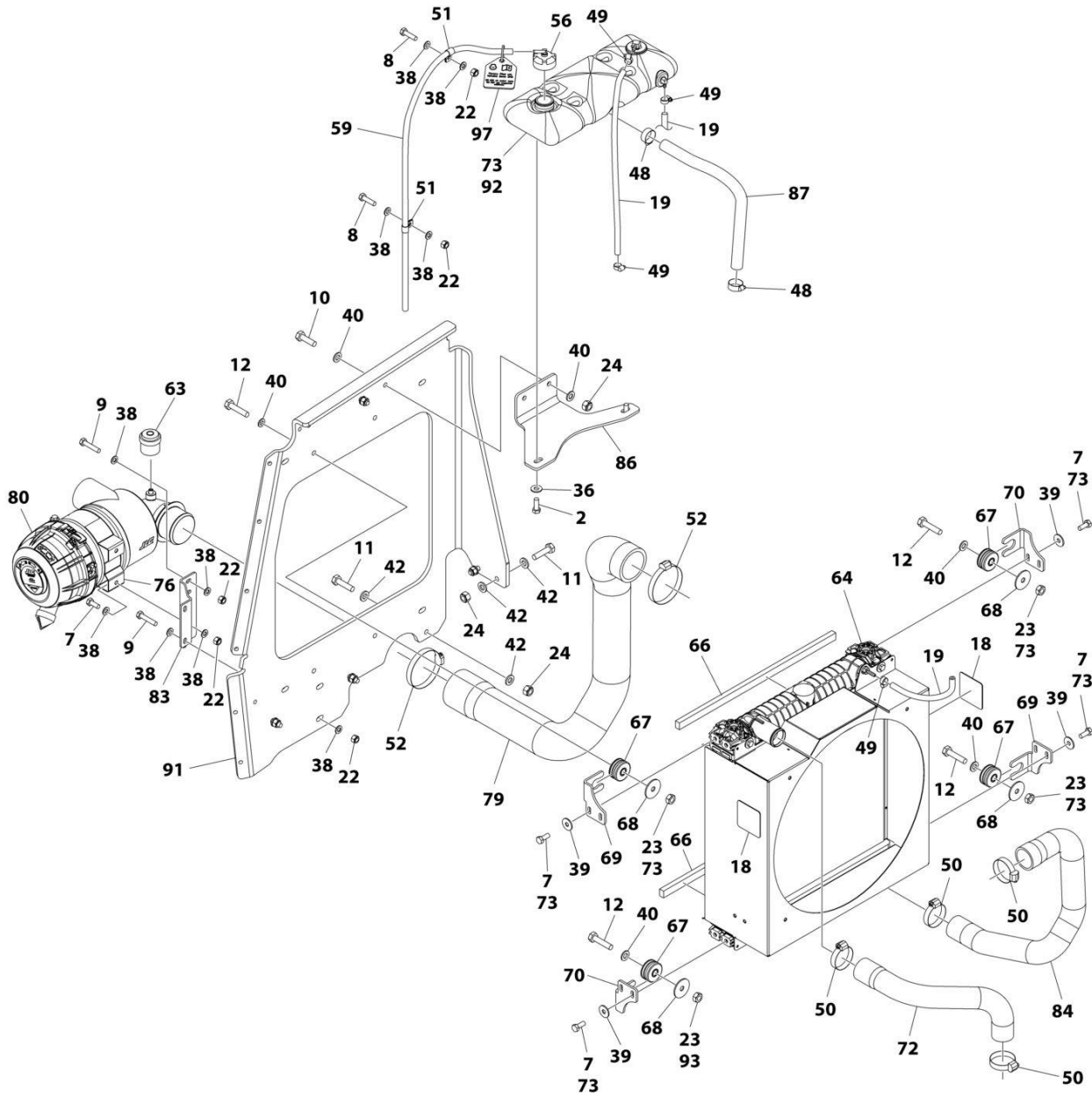
SECTION 3 - ENGINE

FIGURE 3-31. DEUTZ D2.9L4 - EMR5 (67HP) ENGINE AND PUMPS SUB-ASSEMBLY WITH ARCTIC PACKAGE

ITEM	PART NUMBER	QTY	DESCRIPTION	REV
	1001302446	Ref	ENGINE AND PUMPS SUB-ASSEMBLY - EMR5 (67HP)	B
1	0100011	AR	Compound, Locking	
2	0641814	2	Bolt 1/2 x 1-3/4	
3	0760612	1	Bolt M6 x 25	
4	2131616	2	Fitting, 90 ORFS/ORB	
5	2220408	1	Fitting, Straight JIC/ORB	
6	2220451	1	Fitting, Straight JIC/ORB	
7	2220479	1	Fitting, Straight JIC/ORB	
8	2220940	1	Fitting, 90 JIC/ORB	
9	2220946	1	Fitting, Straight JIC/ORB	
10	2220947	2	Fitting, Straight JIC/ORB	
11	3290605	1	Nut M6	
12	3422532	1	Pin	
14	3931618	2	Capscrew 3/8 x 1-1/8	
15	3960469	2	Seal	
16	4811700	1	Washer M6	
17	4811702	1	Washer M6	
18	5241000	2	Washer M10	
19	5241200	2	Washer M12	
20	1001190143	1	Gear Pump Assembly	
20	70006356	1	Seal Kit - 1001190143 Pump	
21	1001239207	1	Pipe, Exhaust	
22	1001284471	1	Piston Pump Assembly (See Separate Breakdown in this Section)	
23	1001302437	1	Deutz D2.9L4 - EMR5 (67HP) Engine Assembly (See Separate Breakdown in this Section)	

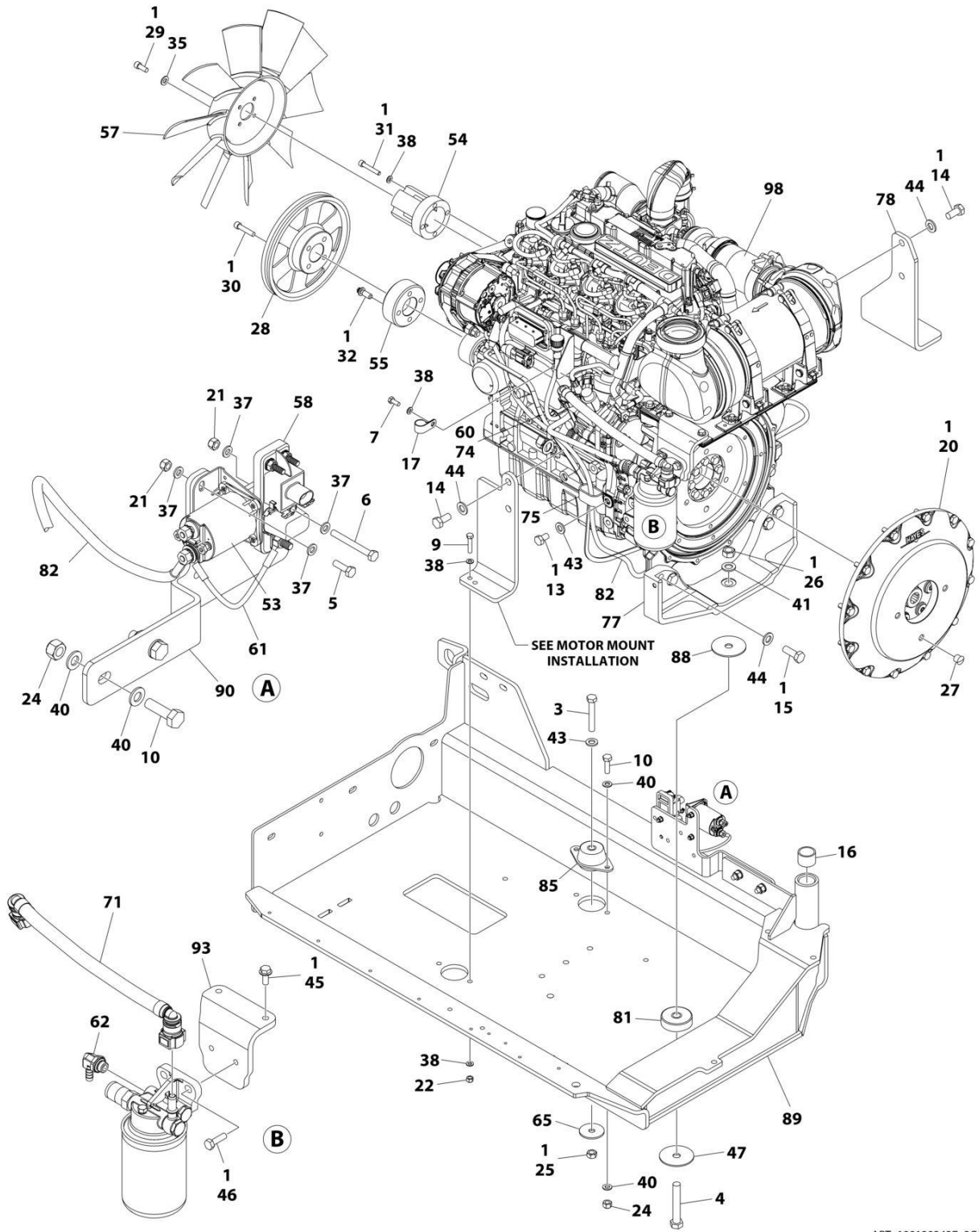
SECTION 3 - ENGINE

FIGURE 3-32. DEUTZ D2.9L4 - EMR5 (67HP) ENGINE ASSEMBLY WITH ARCTIC PACKAGE



ART_1001302437_10F2

SECTION 3 - ENGINE



ART_1001302437_20F2

SECTION 3 - ENGINE

FIGURE 3-32. DEUTZ D2.9L4 - EMR5 (67HP) ENGINE ASSEMBLY WITH ARCTIC PACKAGE

ITEM	PART NUMBER	QTY	DESCRIPTION	REV
	1001302437	Ref	ENGINE AND PUMPS SUB-ASSEMBLY - EMR5 (67HP)	A
1	0100011	AR	Compound, Locking	
2	0681608	2	Bolt 3/8 x 1	
3	0711224	1	Bolt M12 x 80	
4	0711627	1	Bolt M16 x 100	
5	0760610	2	Bolt M6 x 20	
6	0760619	1	Bolt M6 x 55	
7	0760810	11	Bolt M8 x 20	
8	0760814	2	Bolt M8 x 30	
9	0760816	3	Bolt M8 x 40	
10	0761015	6	Bolt M10 x 35	
11	0761016	5	Bolt M10 x 40	
12	0761017	4	Bolt M10 x 45	
13	0761210	1	Bolt M12 x 20	
14	0771414	4	Bolt M14 x 30	
15	0771416	4	Bolt M14 x 40	
16	0961951	2	Bushing	
17	1320202	1	Clamp	
18	1703162	2	Decal - Fan Blade	
19	2720015	30 in /77 cm	Hose	
20	2902065	1	Pump Coupling Kit (See Separate Breakdown in this Section)	
21	3290605	3	Nut M6	
22	3290805	7	Nut M8	
23	3291001	4	Nut M10	
24	3291005	11	Nut M10	
25	3331211	1	Nut M12	
26	3331611	1	Nut M16	
27	3520054	1	Plug	
28	3580320	1	Pulley	
29	3931512	4	Capscrew 5/16 x 3/4	
30	3931628	4	Capscrew 3/8 x 1-3/4	
31	4031914	4	Capscrew M8 x 50	
32	4032014	4	Capscrew M10 x 50	
33	4240032	AR	Tie-Strap (Not Shown)	
34	4240099	AR	Tie-Strap (Not Shown)	
35	4711500	4	Washer 5/16	
36	4751600	2	Washer 3/8	
37	4811700	6	Washer M6	
38	4811900	19	Washer M8	
39	4811902	8	Washer M8	
40	4812000	20	Washer M10	
41	4812300	1	Washer M16	
42	5241000	10	Washer M10	
43	5241200	2	Washer M12	
44	5241400	8	Washer M14	
45	5250810	2	Bolt M8 x 20	
46	5251012	2	Bolt M10 x 25	
47	7300435	1	Washer	
48	8405007	2	Clamp	

SECTION 3 - ENGINE

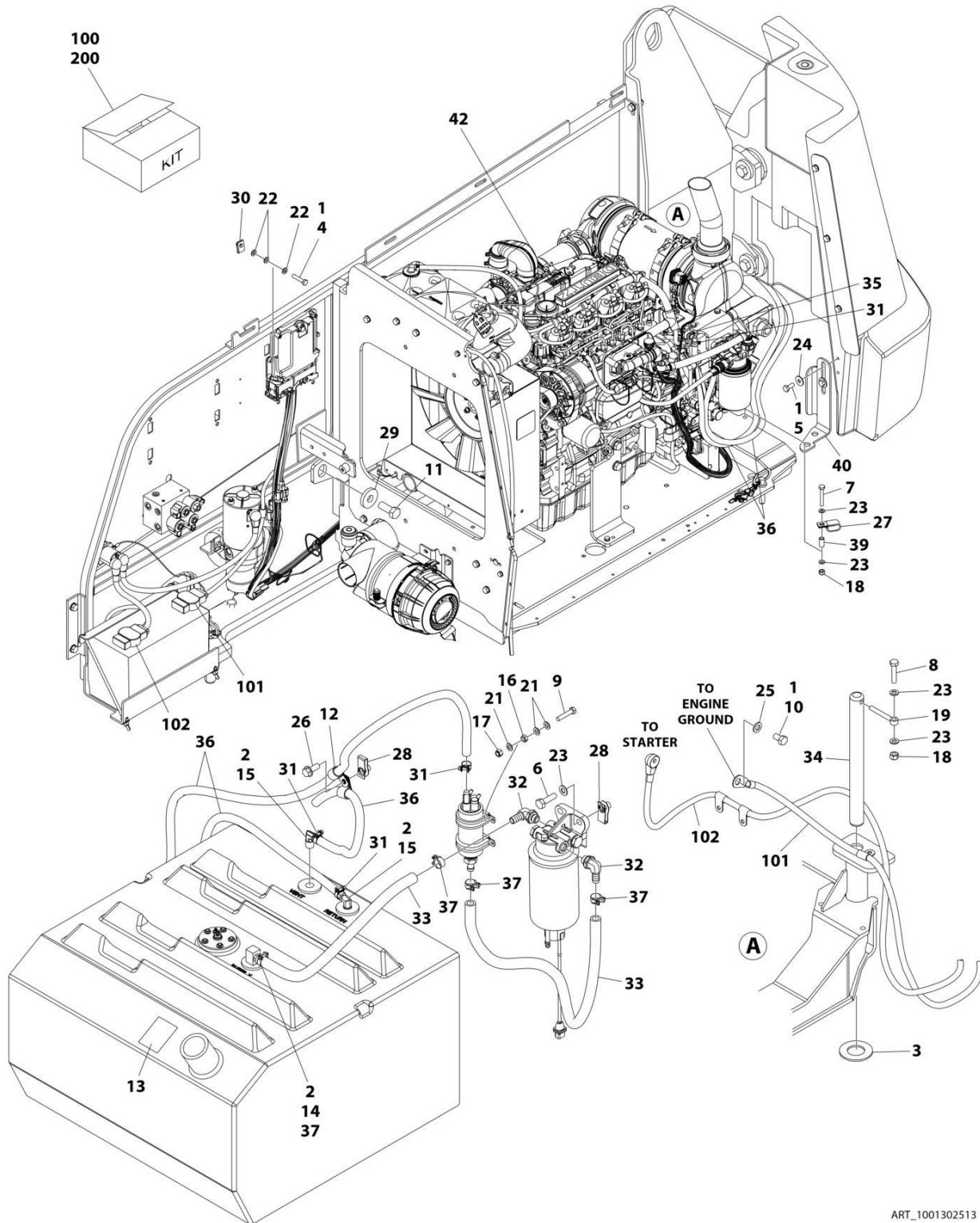
ITEM	PART NUMBER	QTY	DESCRIPTION	REV
49	8405009	4	Clamp	
50	8405104	4	Clamp	
51	8406109	1	Clip	
52	8410011	2	Clamp	
53	1001117308	1	Contactora	
54	1001135138	1	Adapter	
55	1001135679	1	Adapter	
56	1001136834	1	Cap, Tank	
57	1001137276	1	Fan	
58	1001138228	1	Relay	
59	1001138248	4 ft /1.3 m	Hose	
60	1001140312	1	Heater, Engine Block	
61	1001141304	1	Harness, Glow Fuse	
62	1001152489	1	Fitting, 90 Barbed	
63	1001166716	1	Indicator	
64	1001167042	1	Radiator	
65	1001168018	1	Washer	
66	1001168166	2	Seal	
67	1001169054	4	Isolator	
68	1001169138	4	Pad	
69	1001169967	2	Bracket	
70	1001170035	2	Bracket	
71	1001177359	1	Hose	
72	1001177844	1	Hose, Radiator (Upper)	
73	1001180620	AR	Adhesive	
74	1001181895	AR	Adhesive	
75	1001181899	1	Clamp, Double	
76	1001186426	1	Clamp	
77	1001188535	1	Bracket	
78	1001189026	1	Bracket	
79	1001189913	1	Hose	
80	1001189979	1	Filter, Air	
81	1001190164	1	Mount	
82	1001190442	1	Cable, Alternator Power	
83	1001190942	1	Support	
84	1001191025	1	Hose, Radiator (Bottom)	
85	1001191610	1	Mount	
86	1001192400	1	Bracket	
87	1001193049	1	Hose	
88	1001197725	1	Spacer	
89	1001200745	1	Tray	
90	1001203885	1	Plate	
91	1001229091	1	Support	
92	1001230635	1	Tank	
92	1001134488	1	Fitting, 90 Barbed	
92	1001138827	1	Sensor, Coolant Level	
92	1001140564	1	Fitting, 90 Barbed	
93	1001231805	1	Bracket	
94	1001276644	1	Engine Harness (Not Shown) (See Separate Breakdown in ELECTRICAL Section)	
95	1001281985	1	Connector (Not Shown)	
96	1001281986	1	Connector (Not Shown)	

SECTION 3 - ENGINE

ITEM	PART NUMBER	QTY	DESCRIPTION	REV
97	1001291401	1	Tag, Coolant	
98	1001301727	1	Deutz D2.9L4 - EMR5 Engine (See Separate Breakdown in this Section)	

SECTION 3 - ENGINE

FIGURE 3-33. DEUTZ D2.9L4 - EMR5 (67HP) 660SJ HC3 ENGINE INSTALLATION WITHOUT ARCTIC PACKAGE (660SJ HC3)



ART_1001302513

SECTION 3 - ENGINE

FIGURE 3-33. DEUTZ D2.9L4 - EMR5 (67HP) 660SJ HC3 ENGINE INSTALLATION WITHOUT ARCTIC PACKAGE (660SJ HC3)

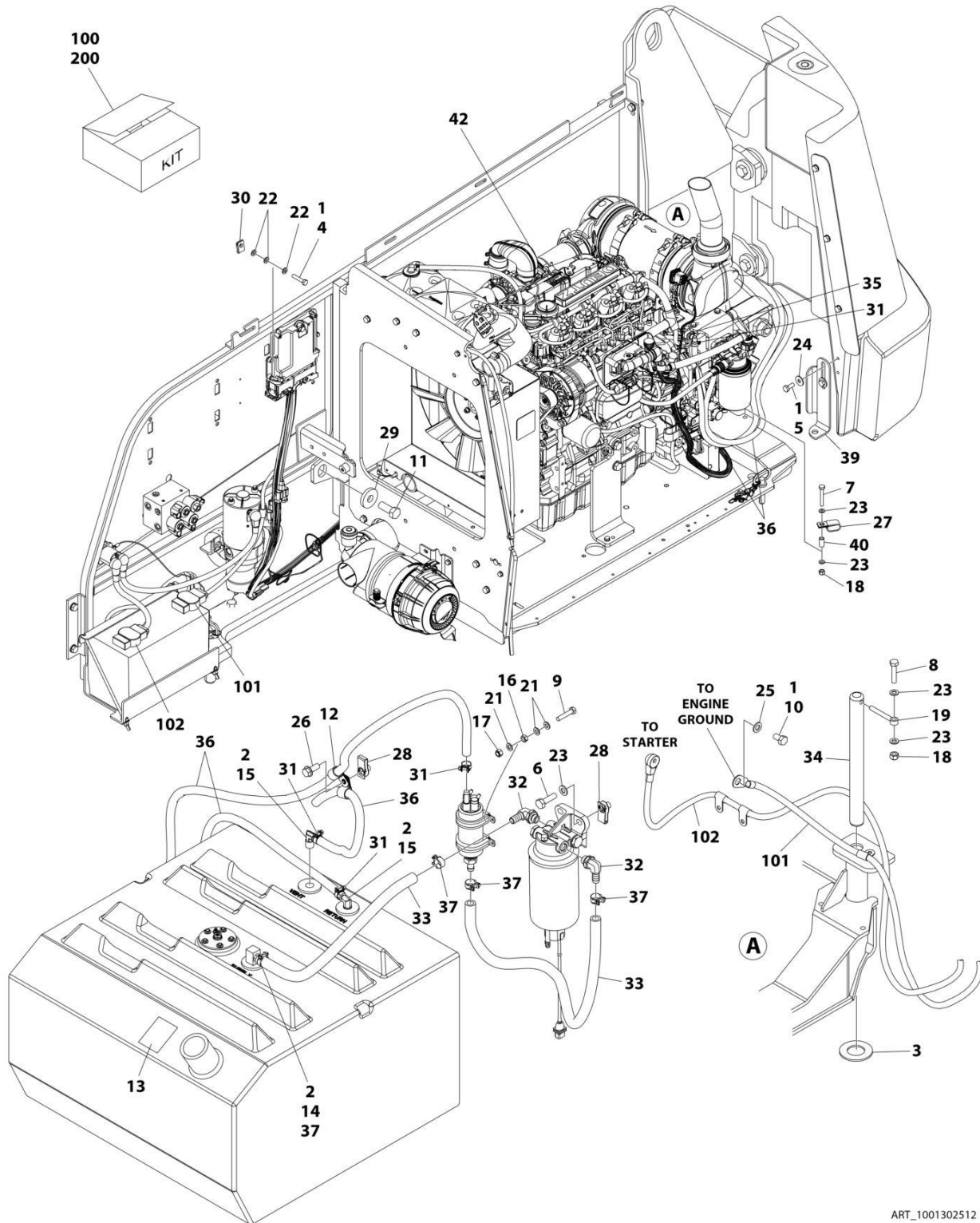
ITEM	PART NUMBER	QTY	DESCRIPTION	REV
	1001302513	Ref	ENGINE INSTALLATION EMR5 (67HP) W/O ARCTIC	A
1	0100011	AR	Compound, Locking	
2	0100020	AR	Sealant	
3	0440162	1	Bearing	
4	0700614	4	Bolt M6 x 30	
5	0701012	2	Bolt M10 x 25	
6	0701015	2	Bolt M10 x 35	
7	0701022	1	Bolt M10 x 70	
8	0711018	1	Bolt M10 x 50	
9	0760512	4	Bolt M5 x 25	
10	0761210	1	Bolt M12 x 20	
11	0772018	1	Bolt M20 x 50	
12	1320061	2	Clamp	
13	1701505	1	Decal - Diesel	
14	2180832	1	Fitting, Straight Barbed	
15	2220313	2	Fitting, 90 NPTF/Barb	
16	3290501	4	Nut M5	
17	3290505	4	Nut M5	
18	3291005	2	Nut M10	
19	3841143	1	Keeper, Pin	
20	4240099	AR	Tie-Strap (Not Shown)	
21	4811600	12	Washer M5	
22	4811700	12	Washer M6	
23	4812000	6	Washer M10	
24	4812002	2	Washer M10	
25	4812100	1	Washer M12	
26	5251012	1	Bolt M10 x 25	
27	1001026127	1	Clamp	
28	1001118972	3	Nut M10	
29	1001119051	1	Washer	
30	1001130220	4	Nut, Tinnerman M6	
31	1001136975	5	Clamp	
32	1001142501	2	Fitting, 90 Barbed	
33	1001154405	3 ft /1 m	Hose	
34	1001155094	1	Pin	
35	1001155823	1	Coupling	
36	1001165035	27 ft /9 m	Hose	
37	1001175568	4	Clip	
38	1001190444	1	Fuel Pump Harness - Deutz TD2.9L4 - 67HP Engine (Not Shown) (See Separate Breakdown in ELECTRICAL SECTION)	
39	1001200731	1	Tube	
40	1001258175	1	Bracket	
41	1001289594	1	ECU Power Jumper Harness (Not Shown) (See Separate Breakdown in ELECTRICAL Section)	
42	1001302394	1	Deutz D2.9L4 - EMR5 (67HP) Engine and Pump Sub-Assembly (See Separate Breakdown in this Section)	
100	1001235532	1	Battery Cable Kit	
101	1001188668	1	Cable, Battery (-) to Aux Pump and Ground	
102	1001188669	1	Cable, Battery (+) to Aux Relay to Starter	

SECTION 3 - ENGINE

ITEM	PART NUMBER	QTY	DESCRIPTION	REV
200	1001269920	1	Hose Assembly Kit	
201	1001192690	1	Hose (Case Drain) (Drive Pump Case Gauge Port to Tank) (Not Shown)	
202	1001203431	1	Hose (Case Drain) (Drive Pump Case Outlet Port to Tank) (Not Shown)	
203	1001258156	1	Hose (Function Suction) (Not Shown)	
204	1001258157	1	Hose (Drive Suction) (Not Shown)	

SECTION 3 - ENGINE

FIGURE 3-34. DEUTZ D2.9L4 - EMR5 (67HP) 600S HC3 ENGINE INSTALLATION WITHOUT ARCTIC PACKAGE (600S HC3)



SECTION 3 - ENGINE

FIGURE 3-34. DEUTZ D2.9L4 - EMR5 (67HP) 600S HC3 ENGINE INSTALLATION WITHOUT ARCTIC PACKAGE (600S HC3)

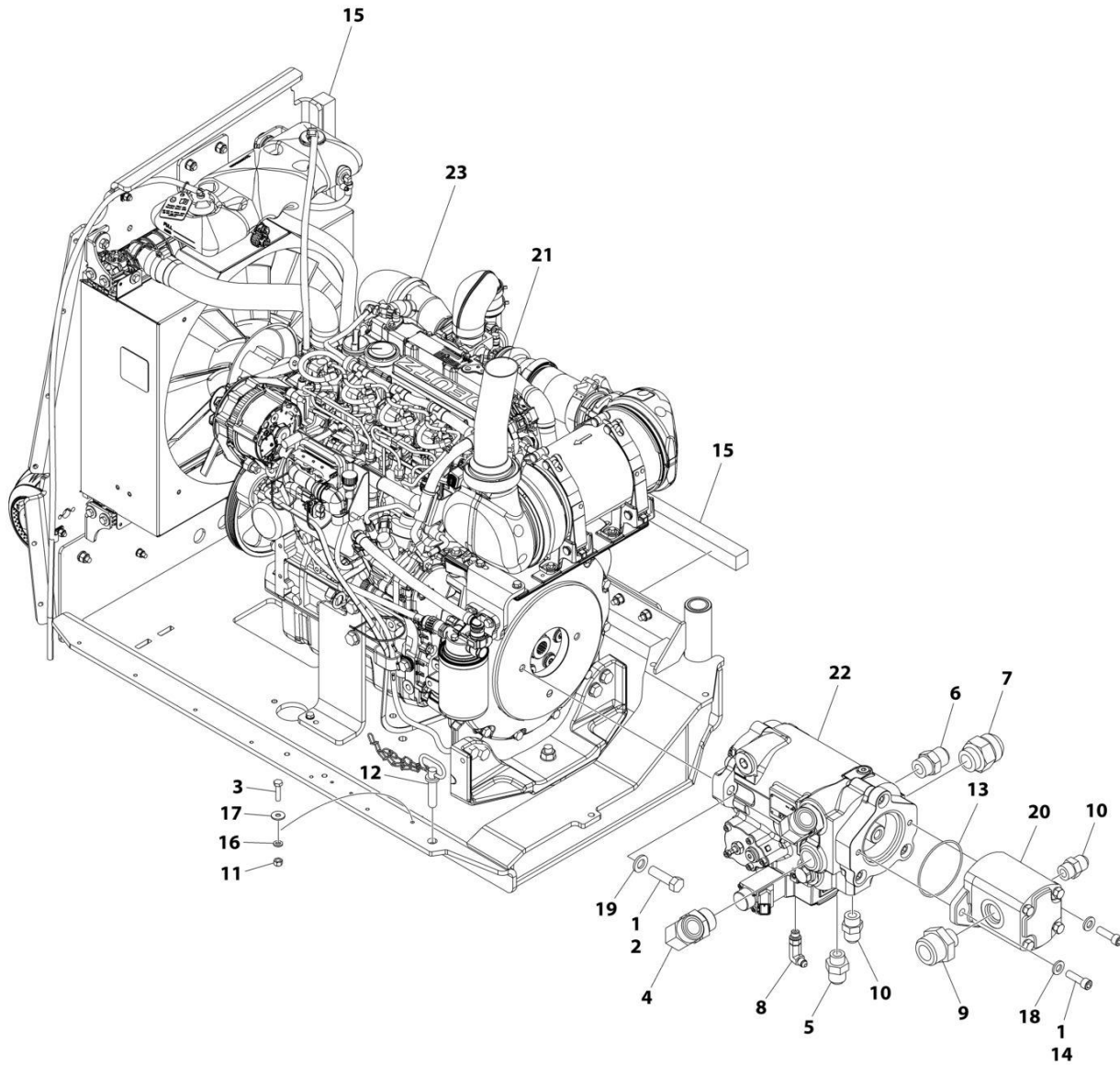
ITEM	PART NUMBER	QTY	DESCRIPTION	REV
	1001302512	Ref	ENGINE INSTALLATION EMR5 (67HP) W/O ARCTIC	A
1	0100011	AR	Compound, Locking	
2	0100020	AR	Sealant, Pipe	
3	0440162	1	Bearing	
4	0700614	4	Bolt M6 x 30	
5	0701012	2	Bolt M10 x 25	
6	0701015	2	Bolt M10 x 35	
7	0701022	1	Bolt M10 x 70	
8	0711018	1	Bolt M10 x 50	
9	0760512	4	Bolt M5 x 25	
10	0761210	1	Bolt M12 x 20	
11	0772018	1	Bolt M20 x 50	
12	1320061	2	Clamp	
13	1701505	1	Decal - Diesel	
14	2180832	1	Fitting, Straight Barbed	
15	2220313	2	Fitting, 90 NPTF/Barb	
16	3290501	4	Nut M5	
17	3290505	4	Nut M5	
18	3291005	2	Nut M10	
19	3841143	1	Keeper, Pin	
20	4240099	AR	Tie-Strap (Not Shown)	
21	4811600	12	Washer M5	
22	4811700	12	Washer M6	
23	4812000	6	Washer M10	
24	4812002	2	Washer M10	
25	4812100	1	Washer M12	
26	5251012	1	Bolt M10 x 25	
27	1001026127	1	Clamp, Double	
28	1001118972	3	Nut M10	
29	1001119051	1	Washer	
30	1001130220	4	Nut, Tinnerman M6	
31	1001136975	5	Clamp	
32	1001142501	2	Fitting, 90 Barbed	
33	1001154405	33 in /84 cm	Hose	
34	1001155094	1	Pin	
35	1001155823	1	Fitting, 90 Quick Connect	
36	1001165035	27 ft /8.3 m	Hose	
37	1001175568	4	Clip	
38	1001190444	1	Fuel Pump Harness (Not Shown) (See Separate Breakdown in ELECTRICAL Section)	
39	1001196398	1	Bracket	
40	1001200731	1	Tube	
41	1001289594	1	ECU Power Jumper Harness (Not Shown) (See Separate Breakdown in ELECTRICAL Section)	
42	1001302394	1	Deutz D2.9L4 - EMR5 (67HP) Engine and Pump Sub-Assembly (See Separate Breakdown in this Section)	
100	1001235532	1	Battery Cable Kit	
101	1001188668	1	Cable, Battery (-) to Aux Pump and Ground	

SECTION 3 - ENGINE

ITEM	PART NUMBER	QTY	DESCRIPTION	REV
102	1001188669	1	Cable, Battery (+) to Aux Relay to Starter	
200	1001269919	1	Hose Assembly Kit	
201	1001192690	1	Hose (Case Drain) (Drive Pump Case Gauge Port to Tank) (Not Shown)	
202	1001203431	1	Hose (Case Drain) (Drive Pump Case Outlet Port to Tank) (Not Shown)	
203	1001203432	1	Hose (Function Suction) (Not Shown)	
204	1001203433	1	Hose (Drive Suction) (Not Shown)	

SECTION 3 - ENGINE

FIGURE 3-35. DEUTZ D2.9L4 - EMR5 (67HP) ENGINE AND PUMPS SUB-ASSEMBLY WITHOUT ARCTIC PACKAGE



ART_1001302394

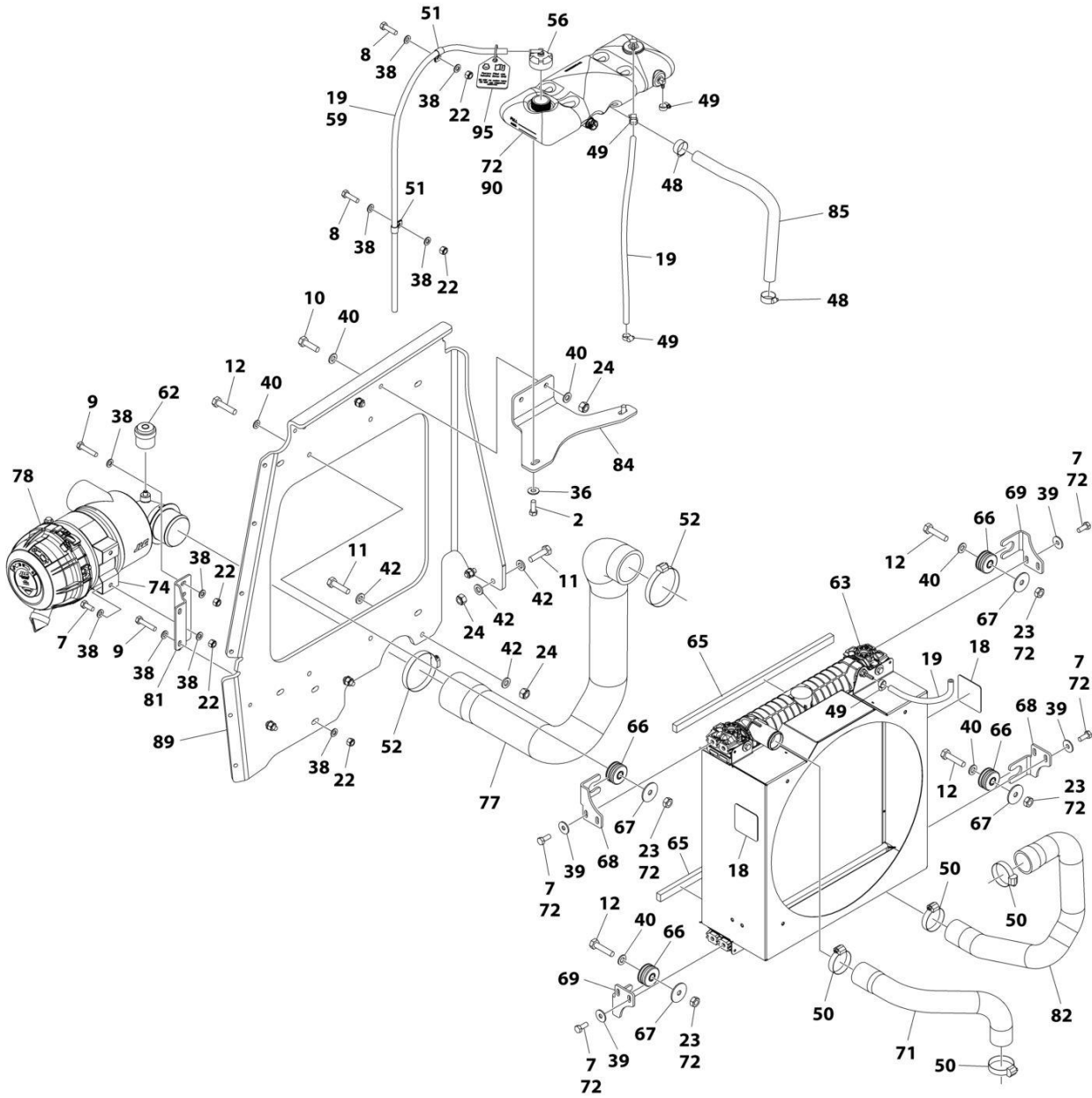
SECTION 3 - ENGINE

FIGURE 3-35. DEUTZ D2.9L4 - EMR5 (67HP) ENGINE AND PUMPS SUB-ASSEMBLY WITHOUT ARCTIC PACKAGE

ITEM	PART NUMBER	QTY	DESCRIPTION	REV
	1001302394	Ref	ENGINE AND PUMPS SUB-ASSEMBLY - EMR5 (67HP)	B
1	0100011	AR	Compound, Locking	
2	0641814	2	Bolt 1/2 x 1-3/4	
3	0760612	1	Bolt M6 x 25	
4	2131616	2	Fitting, 90 ORFS/ORB	
5	2220408	1	Fitting, Straight JIC/ORB	
6	2220451	1	Fitting, Straight JIC/ORB	
7	2220479	1	Fitting, Straight JIC/ORB	
8	2220940	1	Fitting, 90 JIC/ORB	
9	2220946	1	Fitting, Straight JIC/ORB	
10	2220947	2	Fitting, Straight JIC/ORB	
11	3290605	1	Nut M6	
12	3422532	1	Pin	
14	3931618	2	Capscrew 3/8 x 1-1/8	
15	3960469	2	Seal	
16	4811700	1	Washer M6	
17	4811702	1	Washer M6	
18	5241000	2	Washer M10	
19	5241200	2	Washer M12	
20	1001190143	1	Gear Pump Assembly	
20	70006356	1	Seal Kit - 1001190143 Pump	
21	1001239207	1	Pipe, Exhaust	
22	1001284471	1	Piston Pump Assembly (See Separate Breakdown in this Section)	
23	1001302381	1	Deutz D2.9L4 - EMR5 (67HP) Engine Assembly (See Separate Breakdown in this Section)	

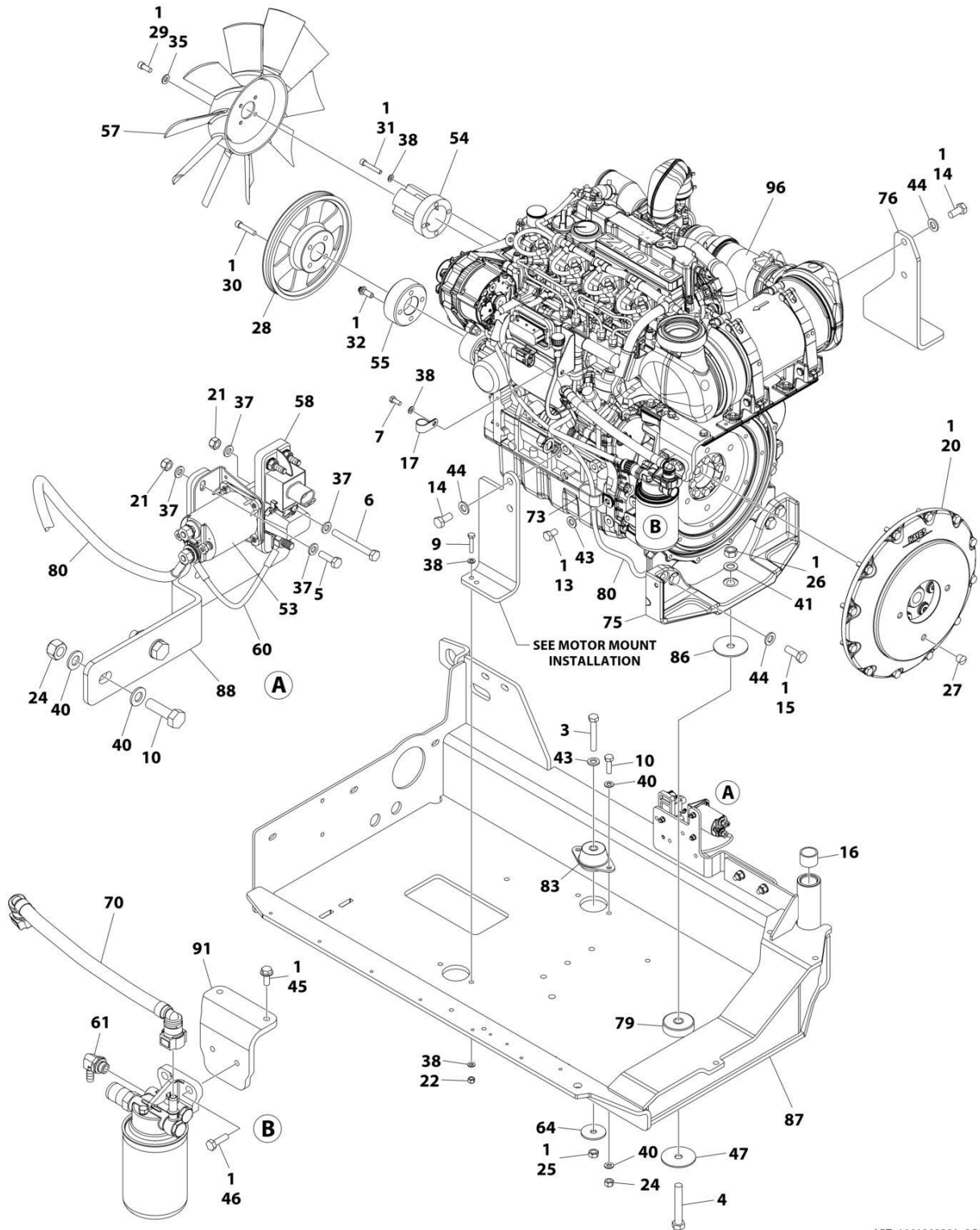
SECTION 3 - ENGINE

FIGURE 3-36. DEUTZ D2.9L4 - EMR5 (67HP) ENGINE ASSEMBLY WITHOUT ARCTIC PACKAGE



ART_1001302381_10F2

SECTION 3 - ENGINE



ART_1001302381_20F2

SECTION 3 - ENGINE

FIGURE 3-36. DEUTZ D2.9L4 - EMR5 (67HP) ENGINE ASSEMBLY WITHOUT ARCTIC PACKAGE

ITEM	PART NUMBER	QTY	DESCRIPTION	REV
	1001302381	Ref	ENGINE AND PUMPS SUB-ASSEMBLY - EMR5 (67HP)	A
1	0100011	AR	Compound, Locking	
2	0681608	2	Bolt 3/8 x 1	
3	0711224	1	Bolt M12 x 80	
4	0711627	1	Bolt M16 x 100	
5	0760610	2	Bolt M6 x 20	
6	0760619	1	Bolt M6 x 55	
7	0760810	11	Bolt M8 x 20	
8	0760814	2	Bolt M8 x 30	
9	0760816	3	Bolt M8 x 40	
10	0761015	6	Bolt M10 x 35	
11	0761016	5	Bolt M10 x 40	
12	0761017	4	Bolt M10 x 45	
13	0761210	1	Bolt M12 x 20	
14	0771414	4	Bolt M14 x 30	
15	0771416	4	Bolt M14 x 40	
16	0961951	2	Bushing	
17	1320202	1	Clamp	
18	1703162	2	Decal - Fan Blade	
19	2720015	3 ft /1 m	Hose	
20	2902065	1	Pump Coupling Kit (See Separate Breakdown in this Section)	
21	3290605	3	Nut M6	
22	3290805	7	Nut M8	
23	3291001	4	Nut M10	
24	3291005	11	Nut M10	
25	3331211	1	Nut M12	
26	3331611	1	Nut M16	
27	3520054	1	Plug	
28	3580320	1	Pulley	
29	3931512	4	Capscrew 5/16 x 3/4	
30	3931628	4	Capscrew 3/8 x 1-3/4	
31	4031914	4	Capscrew M8 x 50	
32	4032014	4	Capscrew M10 x 50	
33	4240032	AR	Tie-Strap (Not Shown)	
34	4240099	AR	Tie-Strap (Not Shown)	
35	4711500	4	Washer 5/16	
36	4751600	2	Washer 3/8	
37	4811700	6	Washer M6	
38	4811900	19	Washer M8	
39	4811902	8	Washer M8	
40	4812000	20	Washer M10	
41	4812300	1	Washer M16	
42	5241000	10	Washer M10	
43	5241200	2	Washer M12	
44	5241400	8	Washer M14	
45	5250810	2	Bolt M8 x 20	
46	5251012	2	Bolt M10 x 25	
47	7300435	1	Washer	
48	8405007	2	Clamp	
49	8405009	4	Clamp	

SECTION 3 - ENGINE

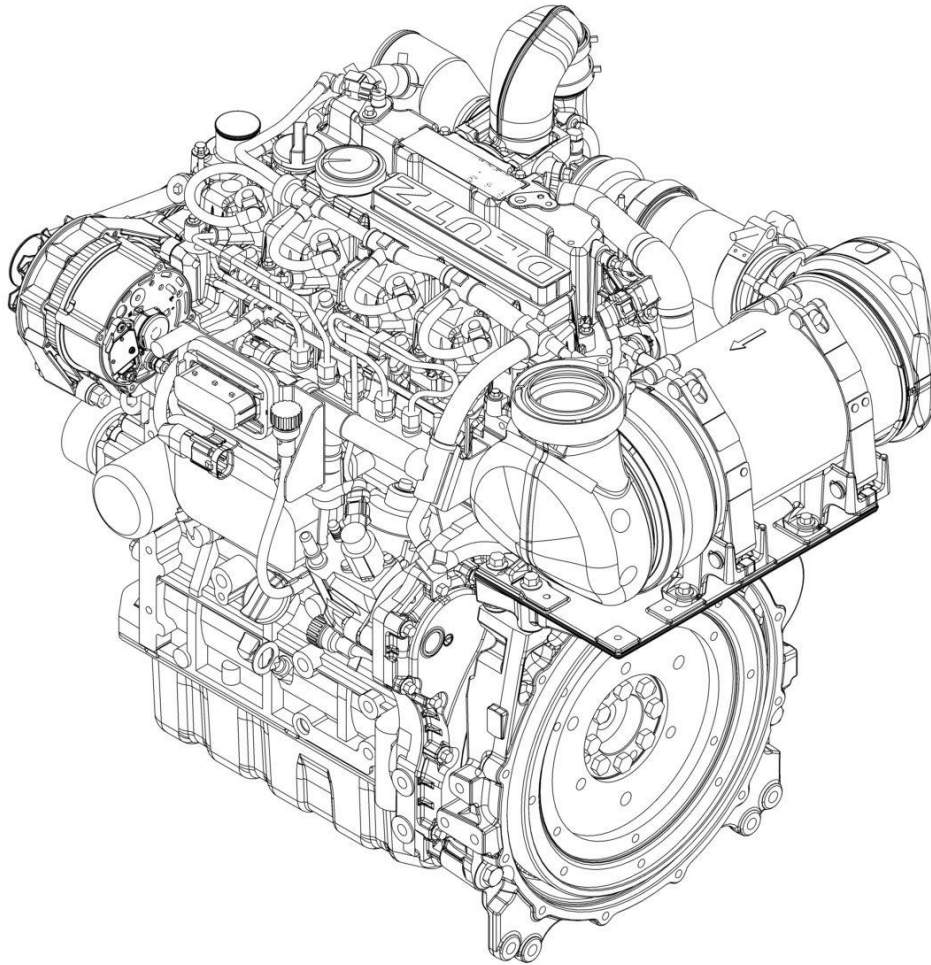
ITEM	PART NUMBER	QTY	DESCRIPTION	REV
50	8405104	4	Clamp	
51	8406109	2	Clip	
52	8410011	2	Clamp	
53	1001117308	1	Contactora	
54	1001135138	1	Adapter, Fan	
55	1001135679	1	Adapter	
56	1001136834	1	Cap, Tank	
57	1001137276	1	Fan	
58	1001138228	1	Relay	
59	1001138248	4 ft /2 m	Tube	
60	1001141304	1	Harness, Glow Fuse	
61	1001152489	1	Fitting, 90 Barbed	
62	1001166716	1	Restriction, Indicator	
63	1001167042	1	Radiator	
64	1001168018	1	Washer	
65	1001168166	2	Seal	
66	1001169054	4	Isolator	
67	1001169138	4	Pad, Snubbing	
68	1001169967	2	Bracket	
69	1001170035	2	Bracket	
70	1001177359	1	Hose	
71	1001177844	1	Hose, Upper Radiator	
72	1001180620	AR	Adhesive	
73	1001181899	1	Clamp, Double	
74	1001186426	1	Clamp	
75	1001188535	1	Bracket, Engine - Rear	
76	1001189026	1	Bracket, Engine - Right	
77	1001189913	1	Hose	
78	1001189979	1	Filter, Air	
78	70005008	1	Element, Filter	
79	1001190164	1	Mount	
80	1001190442	1	Cable, Alternator Power	
81	1001190942	1	Support	
82	1001191025	1	Hose, Radiator (Bottom)	
83	1001191610	1	Mount	
84	1001192400	1	Bracket	
85	1001193049	1	Hose	
86	1001197725	1	Spacer	
87	1001200745	1	Tray	
88	1001203885	1	Plate	
89	1001229091	1	Support	
90	1001230635	1	Tank	
90	1001134488	1	Fitting, 90 Barbed	
90	1001138827	1	Sensor, Coolant Level	
90	1001140564	1	Fitting, 90 Barbed	
91	1001231805	1	Bracket	
92	1001276644	1	Engine Harness (Not Shown - See Separate Breakdown in ELECTRICAL Section)	
93	1001281985	1	Connector (Not Shown)	
94	1001281986	1	Connector (Not Shown)	
95	1001291401	1	Tag, Coolant	

SECTION 3 - ENGINE

ITEM	PART NUMBER	QTY	DESCRIPTION	REV
96	1001301727	1	Deutz D2.9L4 - EMR5 (67HP) Engine (See Separate Breakdown in this Section)	

SECTION 3 - ENGINE

FIGURE 3-37. ENGINE COMPONENTS - DEUTZ D2.9L4 EMR5 (67HP) ENGINE



ART_1001301727

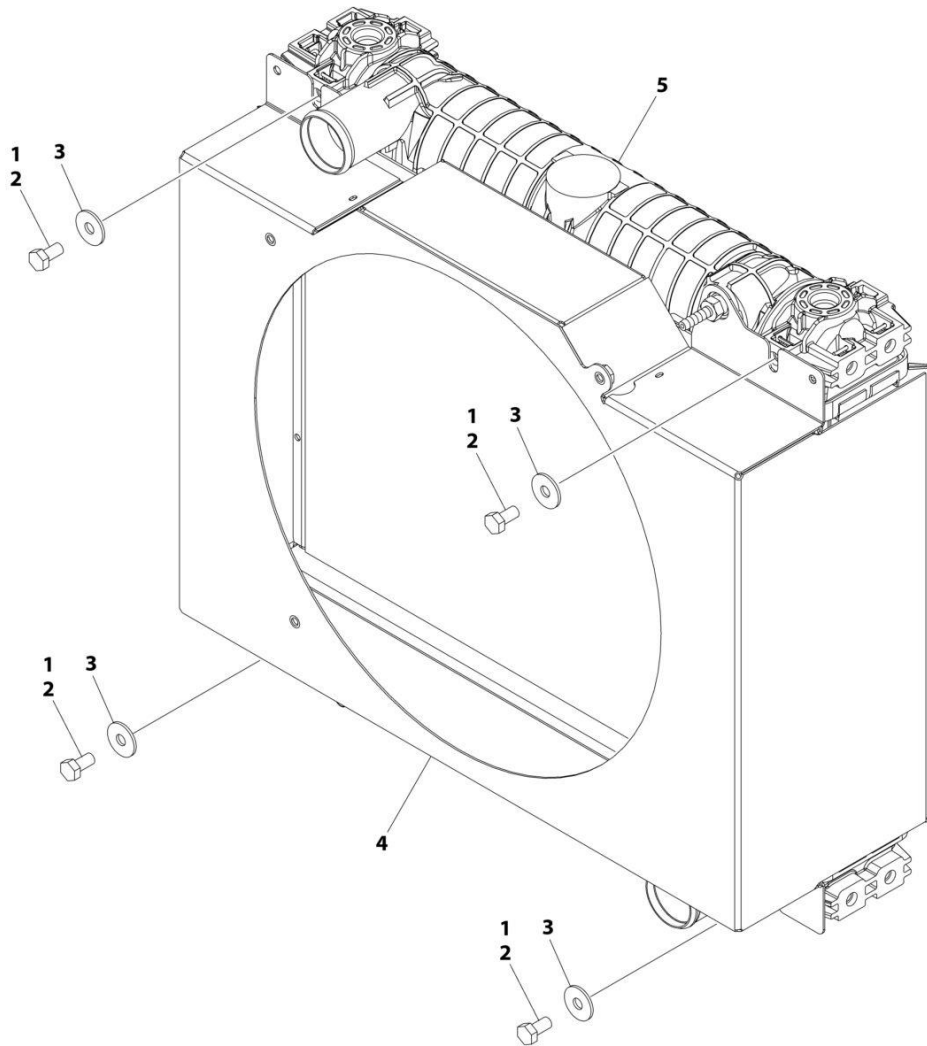
SECTION 3 - ENGINE

FIGURE 3-37. ENGINE COMPONENTS - DEUTZ D2.9L4 EMR5 (67HP) ENGINE

ITEM	PART NUMBER	QTY	DESCRIPTION	REV
	1001301727	Ref	ENGINE COMPONENTS - DEUTZ D2.9L4 EMR5 ENGINE	A
	See Note	Ref	Note: No Service Parts Available at Time of Printing	

SECTION 3 - ENGINE

FIGURE 3-38. RADIATOR ASSEMBLY



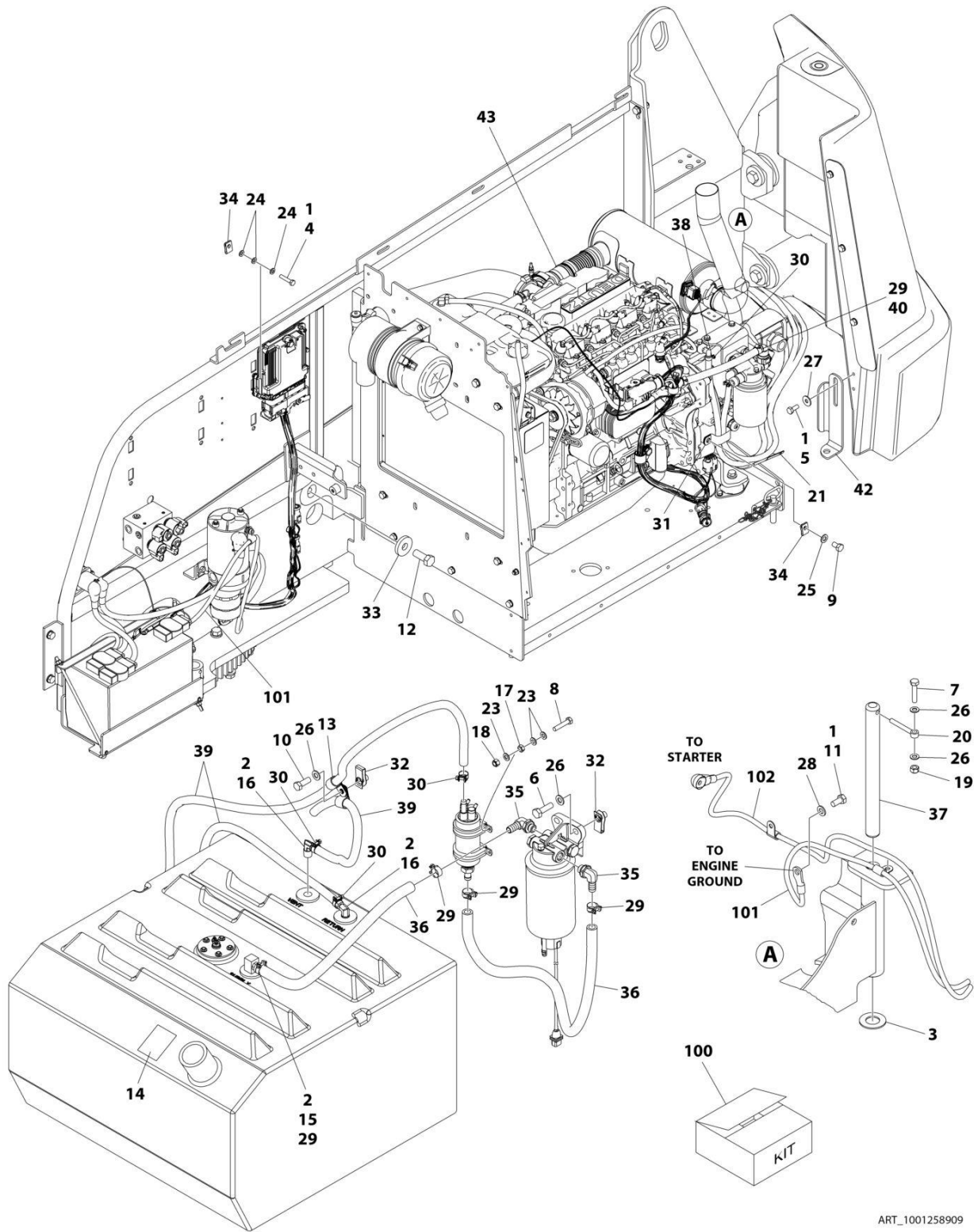
ART_1001287643

FIGURE 3-38. RADIATOR ASSEMBLY

ITEM	PART NUMBER	QTY	DESCRIPTION	REV
	1001287643	Ref	RADIATOR ASSEMBLY	A
1	0100011	AR	Compound, Locking	
2	0760808	4	Bolt M8 x 16	
3	4811902	4	Washer M8	
4	1001288267	1	Shroud	
5	1001288272	1	Radiator	

SECTION 3 - ENGINE

FIGURE 3-39. DEUTZ D2.9L4 ENGINE INSTALLATION



ART_1001258909

SECTION 3 - ENGINE

FIGURE 3-39. DEUTZ D2.9L4 ENGINE INSTALLATION

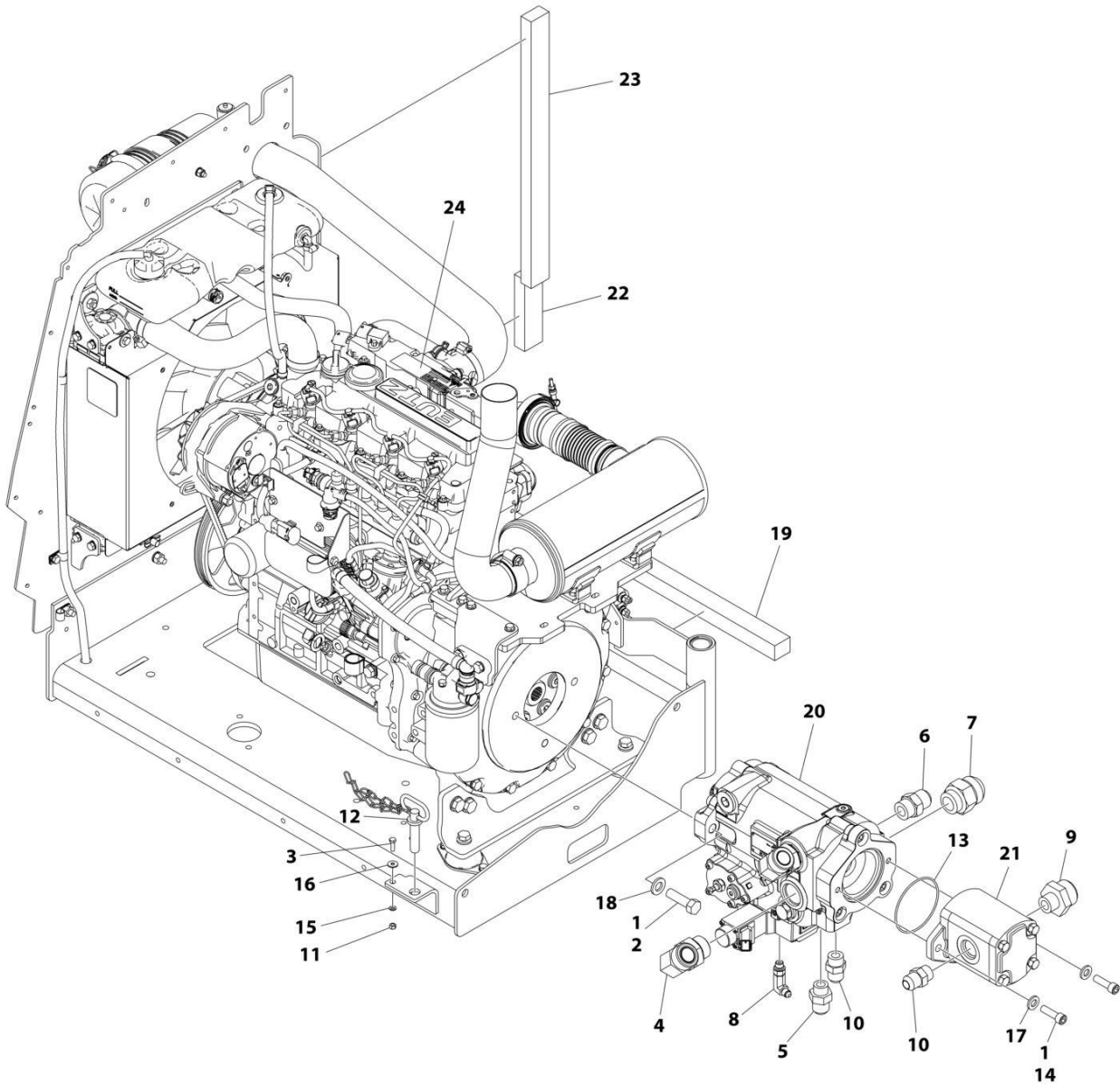
ITEM	PART NUMBER	QTY	DESCRIPTION	REV
	1001258909	Ref	DEUTZ D2.9L4 ENGINE INSTALLATION	A
1	0100011	AR	Compound, Locking	
2	0100020	AR	Sealant	
3	0440162	1	Bearing	
4	0700614	4	Bolt M6 x 30	
5	0701012	2	Bolt M10 x 25	
6	0701015	2	Bolt M10 x 35	
7	0711018	1	Bolt M10 x 50	
8	0760512	4	Bolt M5 x 25	
9	0760610	1	Bolt M6 x 20	
10	0761012	1	Bolt M10 x 25	
11	0761210	1	Bolt M12 x 20	
12	0772018	1	Bolt M20 x 50	
13	1320061	2	Clamp	
14	1701505	1	Decal - Diesel Fuel	
15	2180832	1	Fitting, Straight Barbed	
16	2220313	2	Fitting, 90 NPTF/Barb	
17	3290501	4	Nut M5	
18	3290505	4	Nut, Lock M5	
19	3291005	1	Nut, Lock M10	
20	3841143	1	Keeper, Pin	
21	4061032	1	Shield	
22	4240099	AR	Tie-Strap (Not Shown)	
23	4811600	12	Washer M5	
24	4811700	12	Washer M6	
25	4811702	1	Washer M6	
26	4812000	5	Washer M10	
27	4812002	2	Washer M10	
28	4812100	1	Washer M12	
29	8405006	6	Clamp	
30	8410013	5	Clamp	
31	1001026127	1	Clip	
32	1001118972	3	Nut, Tinnerman M10	
33	1001119051	1	Washer	
34	1001130220	5	Nut, Tinnerman M6	
35	1001142501	2	Fitting, 90 Barbed	
36	1001154405	4.37 ft/ 1.33m	Hose	
37	1001155094	1	Pin	
38	1001155823	1	Fitting, 90 Quick Connect	
39	1001165035	26.25 ft/ 8m	Hose	
40	1001170982	2	Adapter	
41	1001190444	1	Fuel Pump Harness (Not Shown) (See Separate Breakdown in ELECTRICAL Section)	
42	1001196398	1	Bracket	
43	1001258908	1	Deutz D2.9L4 (China IV) Engine And Pump Sub-Assembly (See Separate Breakdown in this Section)	
100	1001235532	1	Battery Cable Kit	
101	1001188668	1	Cable, Battery (-) to Aux Pump and Ground	

SECTION 3 - ENGINE

ITEM	PART NUMBER	QTY	DESCRIPTION	REV
102	1001188669	1	Cable, Battery (+) to Aux Relay to Starter	

SECTION 3 - ENGINE

FIGURE 3-40. DEUTZ D2.9L4 ENGINE AND PUMP SUB-ASSEMBLY



ART_1001258908

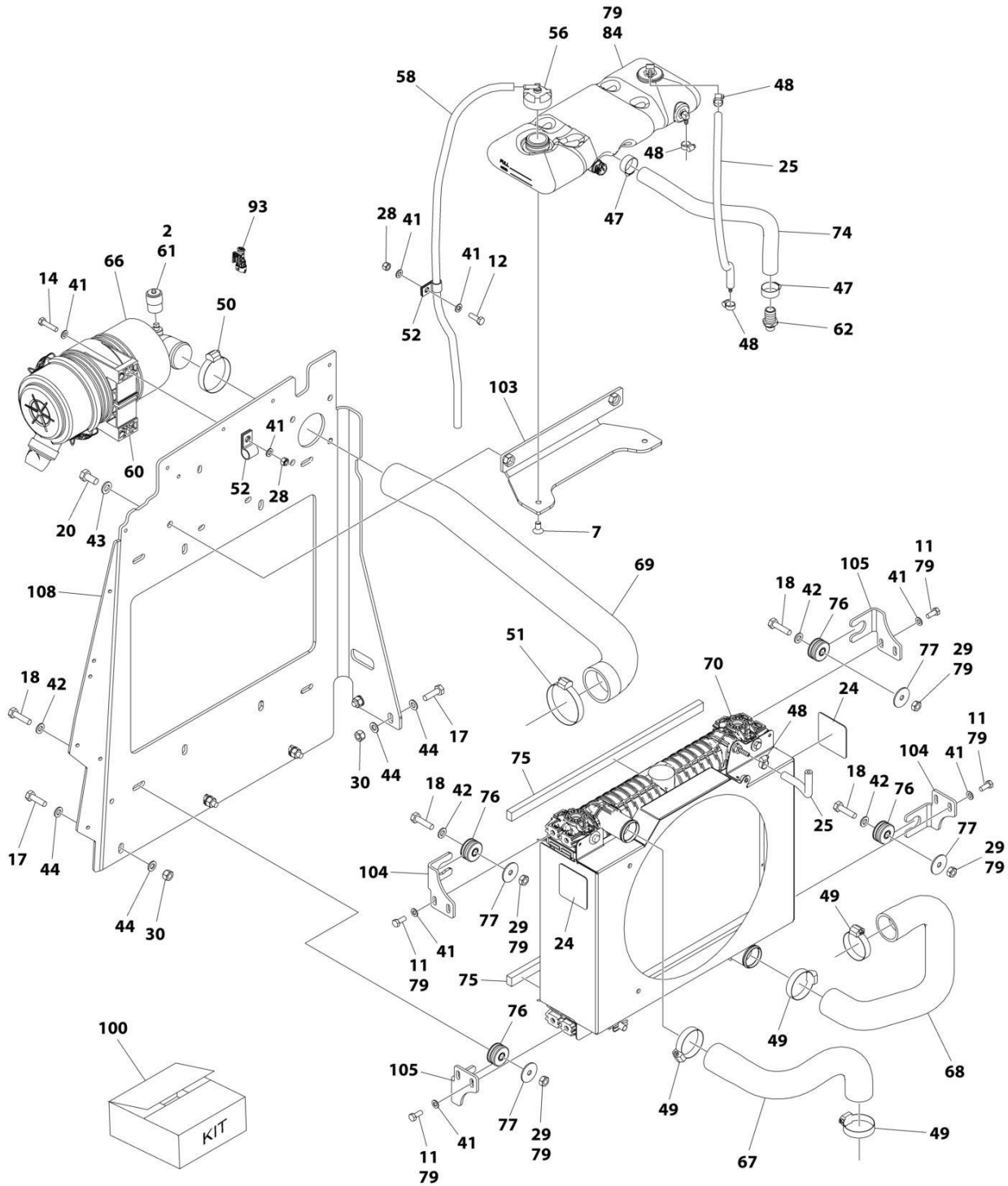
SECTION 3 - ENGINE

FIGURE 3-40. DEUTZ D2.9L4 ENGINE AND PUMP SUB-ASSEMBLY

ITEM	PART NUMBER	QTY	DESCRIPTION	REV
	1001258908	Ref	DEUTZ D2.9L4 ENGINE AND PUMP SUB-ASSEMBLY	D
1	0100011	AR	Compound, Locking	
2	0641814	2	Bolt 1/2 x 1-3/4	
3	0760610	1	Bolt M6 x 20	
4	2131616	2	Fitting, 90 ORFS/ORB	
5	2220408	1	Fitting, Straight JIC/ORB	
6	2220451	1	Fitting, Straight JIC/ORB	
7	2220479	1	Fitting, Straight JIC/ORB	
8	2220940	1	Fitting, 90 JIC/ORB	
9	2220946	1	Fitting, Straight JIC/ORB	
10	2220947	2	Fitting, Straight JIC/ORB	
11	3290605	1	Nut M6	
12	3422532	1	Pin	
15	70007827	1	O-Ring (Part of Item 20)	
14	3931618	2	Capscrew 3/8 x 1-1/8	
15	4811700	1	Washer M6	
16	4811702	1	Washer M6	
17	5241000	2	Washer M10	
18	5241200	2	Washer M12	
19	1001171953	1	Seal	
20	1001284471	1	Piston Pump Assembly (See Separate Breakdown in this Section)	
21	1001190143	1	Gear Pump Assembly	
21	70006356	1	Seal Kit - 1001190143 Pump	
22	1001244508	1	Seal	
23	1001254279	1	Seal	
24	1001258905	1	Deutz D2.9L4 (China IV) Engine Assembly (See Separate Breakdown in this Section)	

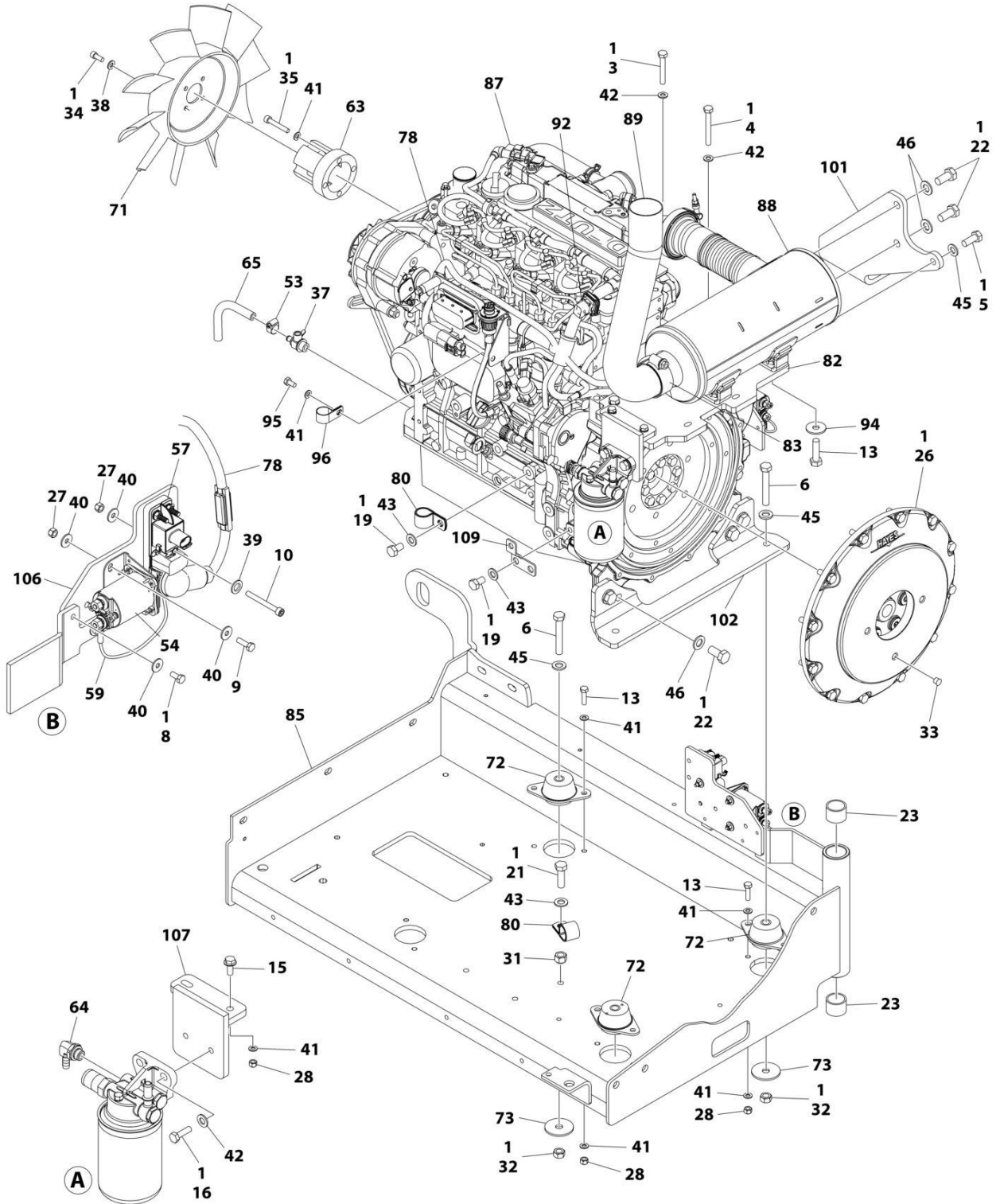
SECTION 3 - ENGINE

FIGURE 3-41. DEUTZ D2.9L4 ENGINE ASSEMBLY



ART_1001258905_E_10F2

SECTION 3 - ENGINE



ART_1001258905_E_2OF2

SECTION 3 - ENGINE

FIGURE 3-41. DEUTZ D2.9L4 ENGINE ASSEMBLY

ITEM	PART NUMBER	QTY	DESCRIPTION	REV
	1001258905	Ref	DEUTZ D2.9L4 ENGINE ASSEMBLY	E
1	0100011	AR	Compound, Locking	
2	0100020	AR	Sealant	
3	0701022	2	Bolt M10 x 70	
4	0701025	2	Bolt M10 x 85	
5	0711214	1	Bolt M12 x 30 Class 10.9	
6	0711224	3	Bolt M12 x 80 Class 10.9	
7	0741605	2	Screw 3/8 x 5/8	
8	0760607	3	Bolt M6 x 14	
9	0760610	2	Bolt M6 x 20	
10	0760619	1	Bolt M6 x 55	
11	0760810	8	Bolt M8 x 20	
12	0760812	1	Bolt M8 x 25	
13	0760814	10	Bolt M8 x 30	
14	0760815	2	Bolt M8 x 35	
15	0760816	2	Bolt M8 x 40	
16	0761012	2	Bolt M10 x 25	
17	0761016	5	Bolt M10 x 40	
18	0761017	4	Bolt M10 x 45	
19	0761210	3	Bolt M12 x 20	
20	0761214	2	Bolt M12 x 30	
21	0761216	1	Bolt M12 x 40	
22	0771414	6	Bolt M14 x 30	
23	0961951	2	Bushing	
24	1703162	2	Decal - Fan Blade	
25	2720015	AR	Hose	
26	2902065	1	Pump Coupling Kit (See Separate Breakdown in this Section)	
27	3290605	3	Nut M6	
28	3290805	11	Nut M8	
29	3291001	4	Nut M10	
30	3291005	5	Nut M10	
31	3291205	1	Nut M12	
32	3331211	3	Nut M12	
33	3520054	1	Plug	
34	3931512	4	Capscrew 5/16 x 3/4	
35	4031914	4	Capscrew M8 x 50	
36	4240099	AR	Tie-Strap (Not Shown)	
37	4640751	1	Drain, Oil	
38	4711500	4	Washer 5/16	
39	4811700	1	Washer M6	
40	4811702	8	Washer M6	
41	4811900	35	Washer M8	
42	4812000	10	Washer M10	
43	4812100	6	Washer M12	
44	5241000	10	Washer M10	
45	5241200	4	Washer M12	
46	5241400	6	Washer M14	
47	8405007	2	Clamp	
48	8405009	4	Clamp	
49	8405104	4	Clamp	

SECTION 3 - ENGINE

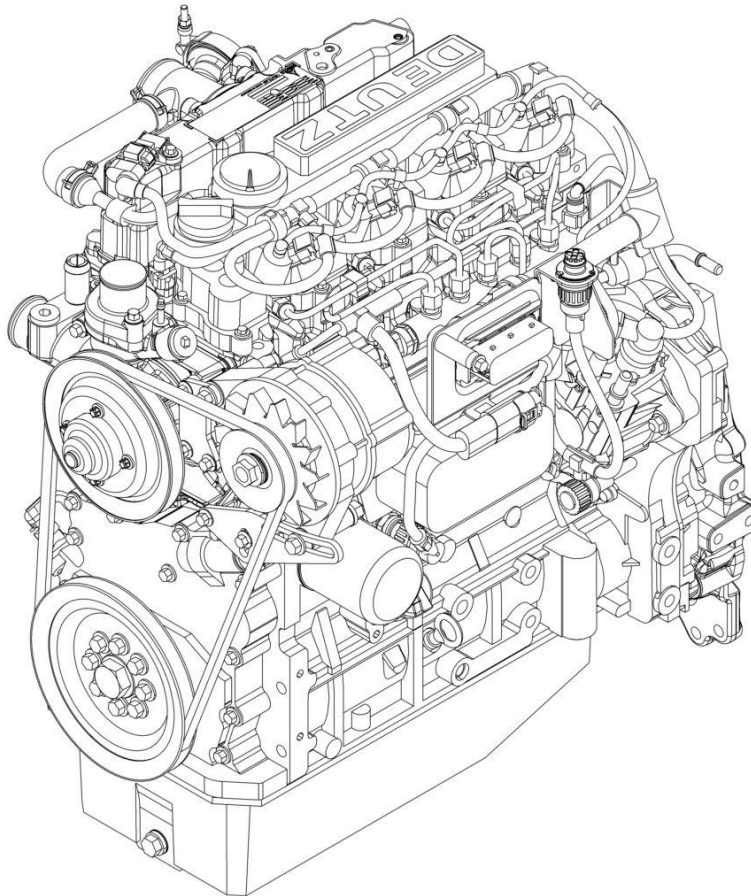
ITEM	PART NUMBER	QTY	DESCRIPTION	REV
50	8405202	1	Clamp	
51	8405204	1	Clamp	
52	8406109	2	Clip	
53	8410013	1	Clamp	
54	1001117308	1	Contactora	
56	1001136834	1	Cap, Tank	
57	1001138228	1	Relay	
58	1001138248	4.1 ft /2 m	Tube	
59	1001141304	1	Harness, Glow Fuse	
60	1001141694	1	Clamp	
61	1001143390	1	Indicator, Air Filter Service	
62	1001143797	1	Fitting, Straight Barbed	
63	1001286568	1	Adapter	
64	1001152489	1	Fitting, 90 Barbed	
65	1001165035	7 in /18 cm	Hose	
66	1001165388	1	Filter, Air Cleaner	
66	70003783	1	Element, Filter	
67	1001165405	1	Hose, Radiator (Top)	
68	1001165406	1	Hose, Radiator (Bottom)	
69	1001165721	1	Hose	
70	1001287643	1	Radiator (See Separate Breakdown in this Section)	
71	1001288266	1	Fan	
72	1001166718	3	Isolator	
73	1001168018	3	Washer	
74	1001168099	1	Hose	
75	1001168166	2	Seal	
76	1001169054	4	Isolator	
77	1001169138	4	Pad, Snubbing	
78	1001178788	1	Cable, Alternator Power	
79	1001180620	AR	Adhesive	
80	1001191620	1	Clamp	
82	1001221203	1	Bracket, Muffler	
83	1001221212	1	Clamp	
84	1001230635	1	Tank, Surge	
84	1001134488	1	Fitting, 90 Barbed	
84	1001138827	1	Sensor, Coolant Level	
84	1001140564	1	Fitting, 90 Barbed	
85	1001243656	1	Support, Engine Tray	
86	1001290660	1	Engine Harness (Not Shown) (See Separate Breakdown in ELECTRICAL Section)	
87	1001258112	1	Deutz D2.9L4 (China IV) Engine (See Separate Breakdown in this Section)	
88	1001299212	1	Muffler	
89	1001260574	1	Pipe, Exhaust	
90	4460234	AR	Mount, Tie-Strap (Not Shown)	
91	1001146588	AR	Tie Strap, Fir Tree (Not Shown)	
92	1001281985	1	Connector	
93	1001281986	1	Connector	
94	4811902	4	Washer M8	
95	0760808	1	Bolt M8 x 16	
96	8406201	1	Clip	

SECTION 3 - ENGINE

ITEM	PART NUMBER	QTY	DESCRIPTION	REV
100	1001258499	1	Engine Brackets Kit	B
101	1001166921	1	Bracket, Engine - Right	
102	1001166924	1	Bracket, Engine - Rear	
103	1001168950	1	Bracket, Surge Tank	
104	1001169967	2	Bracket	
105	1001170035	2	Bracket	
106	1001179903	1	Bracket	
107	1001288366	1	Bracket, Fuel Filter	
108	1001243850	1	Support, Radiator	
109	1001258502	1	Bracket, Fuel Hose	

SECTION 3 - ENGINE

FIGURE 3-42. DEUTZ D2.9L4 ENGINE COMPONENTS



ART_1001258112

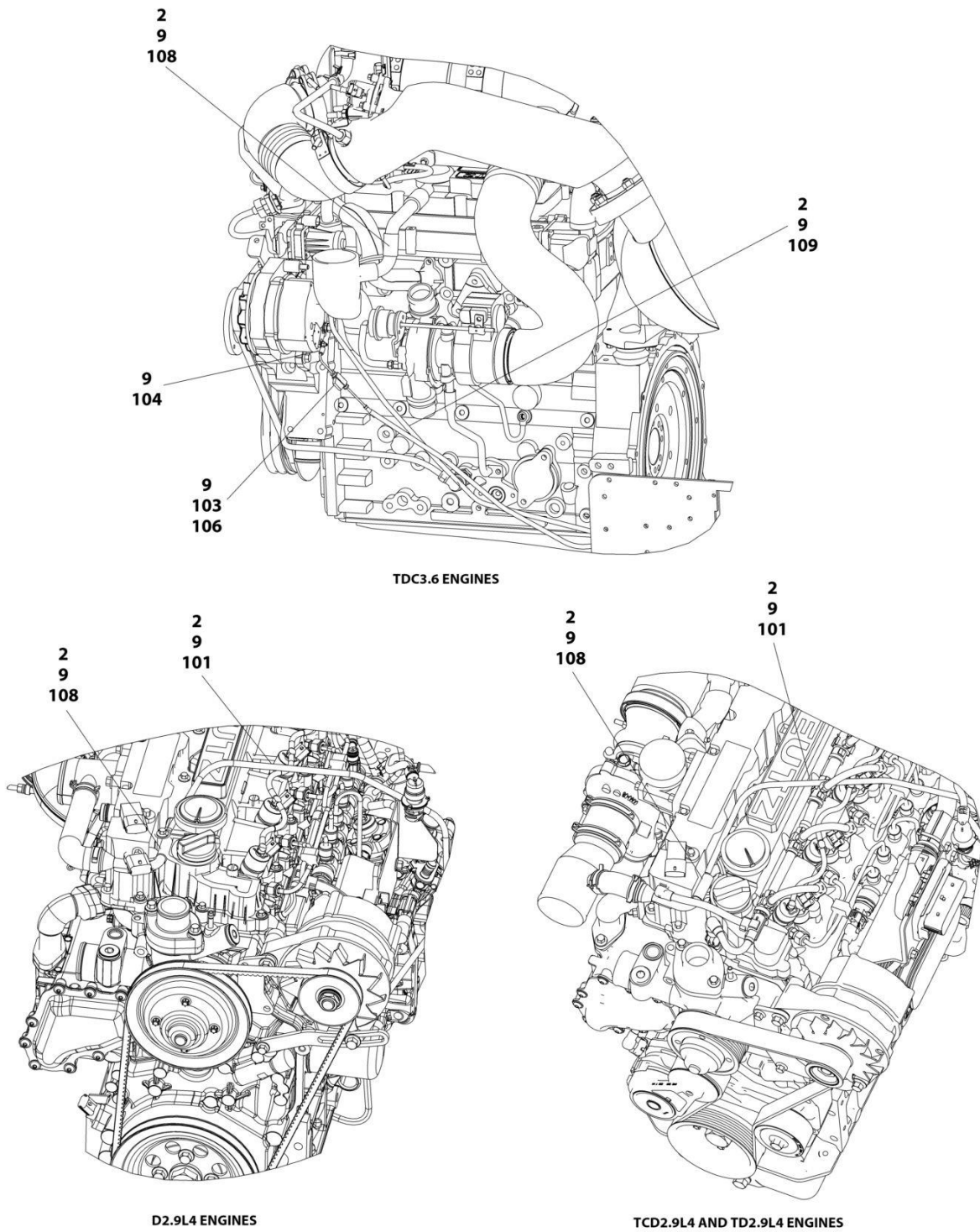
SECTION 3 - ENGINE

FIGURE 3-42. DEUTZ D2.9L4 ENGINE COMPONENTS

ITEM	PART NUMBER	QTY	DESCRIPTION	REV
	1001258112	Ref	DEUTZ D2.9L4 ENGINE COMPONENTS	B
	See Note	Ref	Note: No Service Parts Available at Time of Printing.	

SECTION 3 - ENGINE

FIGURE 3-43. BREATHER HEATER INSTALLATION - DEUTZ D2.9L4 - 49HP AND DEUTZ TD2.9L4 - 67HP ENGINES WITH ARCTIC PACKAGE



ART_1001233763

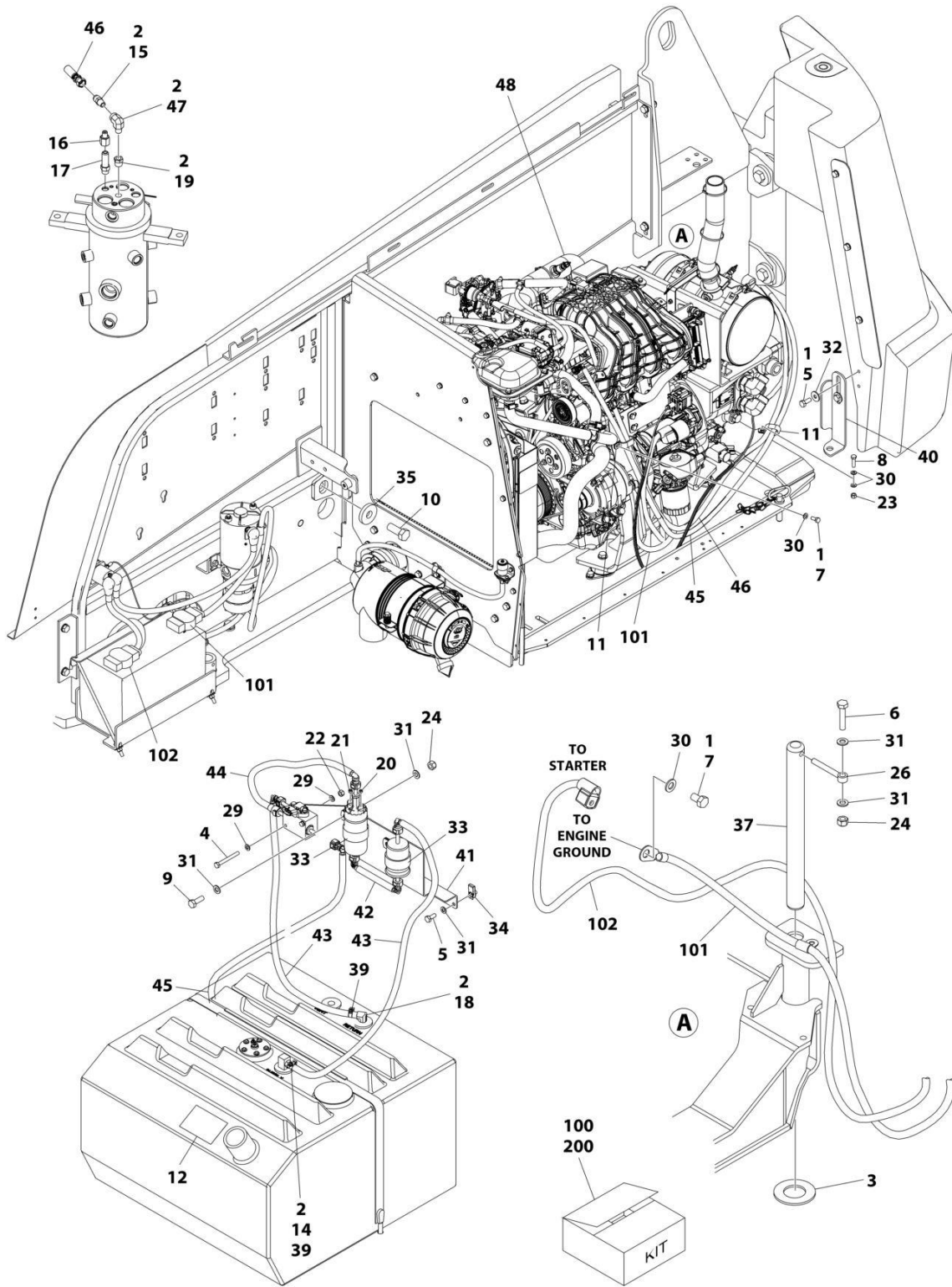
SECTION 3 - ENGINE

FIGURE 3-43. BREATHER HEATER INSTALLATION - DEUTZ D2.9L4 - 49HP AND DEUTZ TD2.9L4 - 67HP ENGINES WITH ARCTIC PACKAGE

ITEM	PART NUMBER	QTY	DESCRIPTION	REV
	1001233763	Ref	BREATHER HEATER INSTALLATION - DEUTZ ENGINES	D
2	4240099	AR	Tie-Strap	
9	1001243895	1	Breather Heater Harness	C
101	2820035	AR	Insulation	
103	2400060	1	Fuseholder with Cover	
104	4460043	1	Terminal, Ring	
105	4460722	1	Terminal, Ring (Not Shown)	
106	1001196634	1	Fuse - 2 Amp	
108	1001232842	1	Breather Heater Kit	

SECTION 3 - ENGINE

FIGURE 3-44. FORD ENGINE INSTALLATION - WITHOUT ARCTIC PACKAGE



ART_1001285077

SECTION 3 - ENGINE

FIGURE 3-44. FORD ENGINE INSTALLATION - WITHOUT ARCTIC PACKAGE

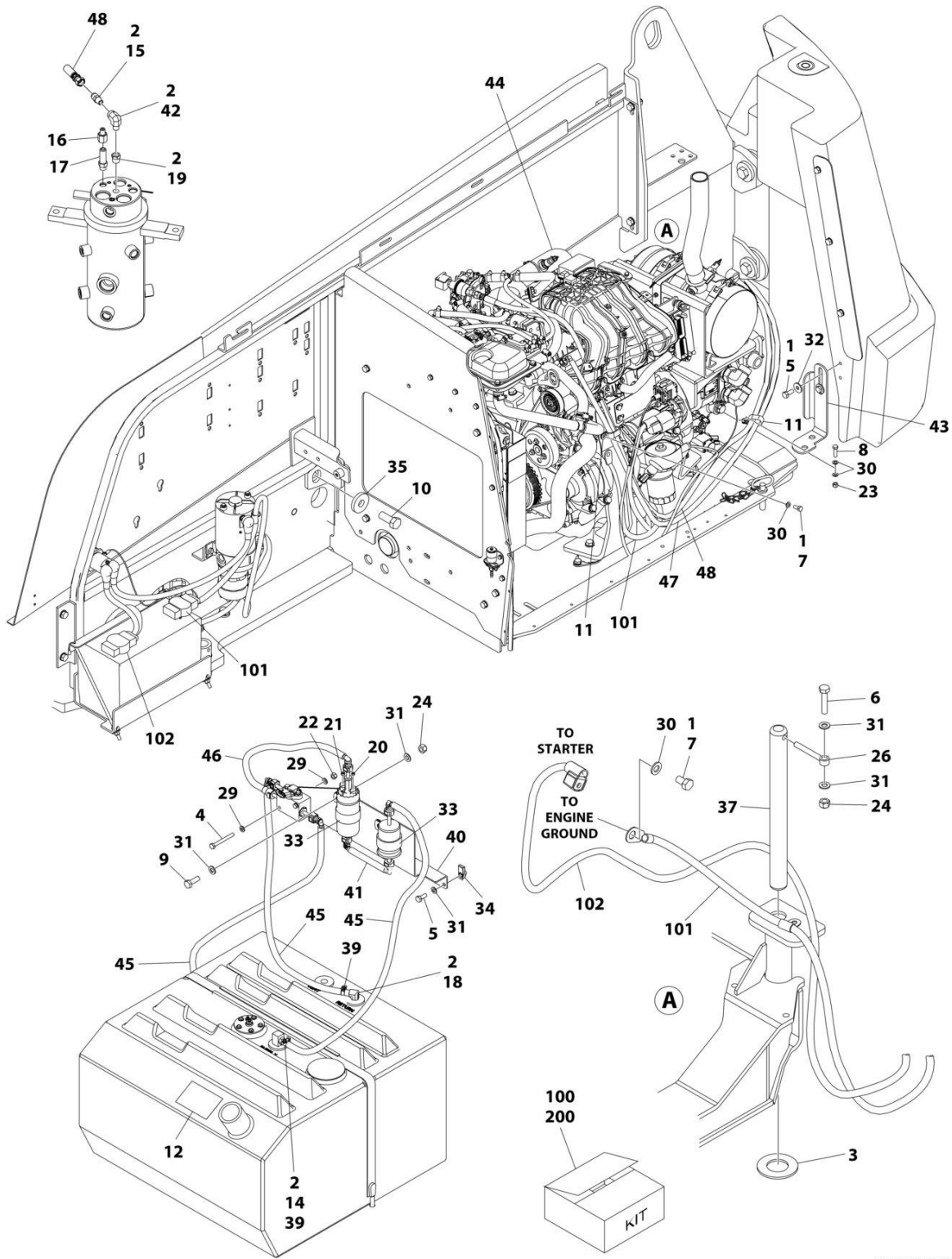
ITEM	PART NUMBER	QTY	DESCRIPTION	REV
	1001285077	Ref	FORD ENGINE INSTALLATION	B
1	0100011	AR	Compound, Locking	
2	0100020	AR	Sealant	
3	0440162	1	Bearing	
4	0700619	2	Bolt M6 x 55	
5	0701012	4	Bolt M10 x 25	
6	0711018	1	Bolt M10 x 50	
7	0760810	2	Bolt M8 x 20	
8	0760814	1	Bolt M8 x 30	
9	0761014	2	Bolt M10 x 30	
10	0772018	1	Bolt M20 x 50	
11	1321283	2	Clamp	
12	1701542	1	Decal - Gas	
13	1701543	2	Decal - LPG (Not Shown - See DECALS INSTALLATION - OPTIONS for Locations)	
14	2180348	1	Fitting, Straight NPT/BARB	
15	1001239802	1	Fitting, Straight	
16	2220609	1	Fitting, Straight JIC/FSJIC	
17	2220998	1	Fitting, Straight JIC/ORB	
18	2221176	1	Fitting, 90	
19	2221197	1	Fitting, Straight NPT	
20	3290405	1	Nut M4	
21	3290505	1	Nut M5	
22	3290605	2	Nut M6	
23	3290805	1	Nut M8	
24	3291005	3	Nut M10	
25	3790012	1	O-Ring (Not Shown - Located on Platform Console)	
26	3841143	1	Keeper, Pin	
27	4240099	AR	Tie-Strap (Not Shown)	
28	4740397	1	Spacer (Not Shown - Located on Platform Console)	
29	4811700	4	Washer M6	
30	4811900	4	Washer M8	
31	4812000	8	Washer M10	
32	4812002	2	Washer M10	
33	85941018	2	Clamp	
34	1001118972	2	Nut M10	
35	1001119051	1	Washer	
36	1001115044	1	Nut 15/32 (Not Shown - Located on Platform Console)	
37	1001155094	1	Pin	
38	1001161710	1	Switch, Toggle (Not Shown - Located on Platform Console)	
39	1001174486	2	Clamp	
40	1001196398	1	Bracket	
41	1001219005	1	Bracket	
42	1001219015	1	Hose	
43	1001219021	2	Hose	
44	1001219022	1	Hose	
45	1001219024	1	Hose	
46	1001222133	1	Hose	
48	1001285076	1	Ford Engine and Pumps Sub-Assembly (See Separate Breakdown in this Section)	

SECTION 3 - ENGINE

ITEM	PART NUMBER	QTY	DESCRIPTION	REV
100	1001236136	1	Battery Cable Kit	
101	1001215219	1	Cable, Battery (+) to Aux Ready to Starter	
102	1001215220	1	Cable, Battery (-) to Aux Pump to Ground	
200	1001269921	1	Engine Hose Kit	
201	1001203432	1	Hose (Drive Suction) (Not Shown)	
202	1001221942	1	Hose (Function Suction) (Not Shown)	
203	1001221943	1	Hose (Case Drain) (Drive Pump Case Outlet Port to Tank) (Not Shown)	
204	1001221944	1	Hose (Case Drain) (Drive Pump Case Gauge Port to Tank) (Not Shown)	

SECTION 3 - ENGINE

FIGURE 3-45. FORD ENGINE INSTALLATION - WITHOUT ARCTIC PACKAGE (660SJ HC3)



ART_1001285084

SECTION 3 - ENGINE

FIGURE 3-45. FORD ENGINE INSTALLATION - WITHOUT ARCTIC PACKAGE (660SJ HC3)

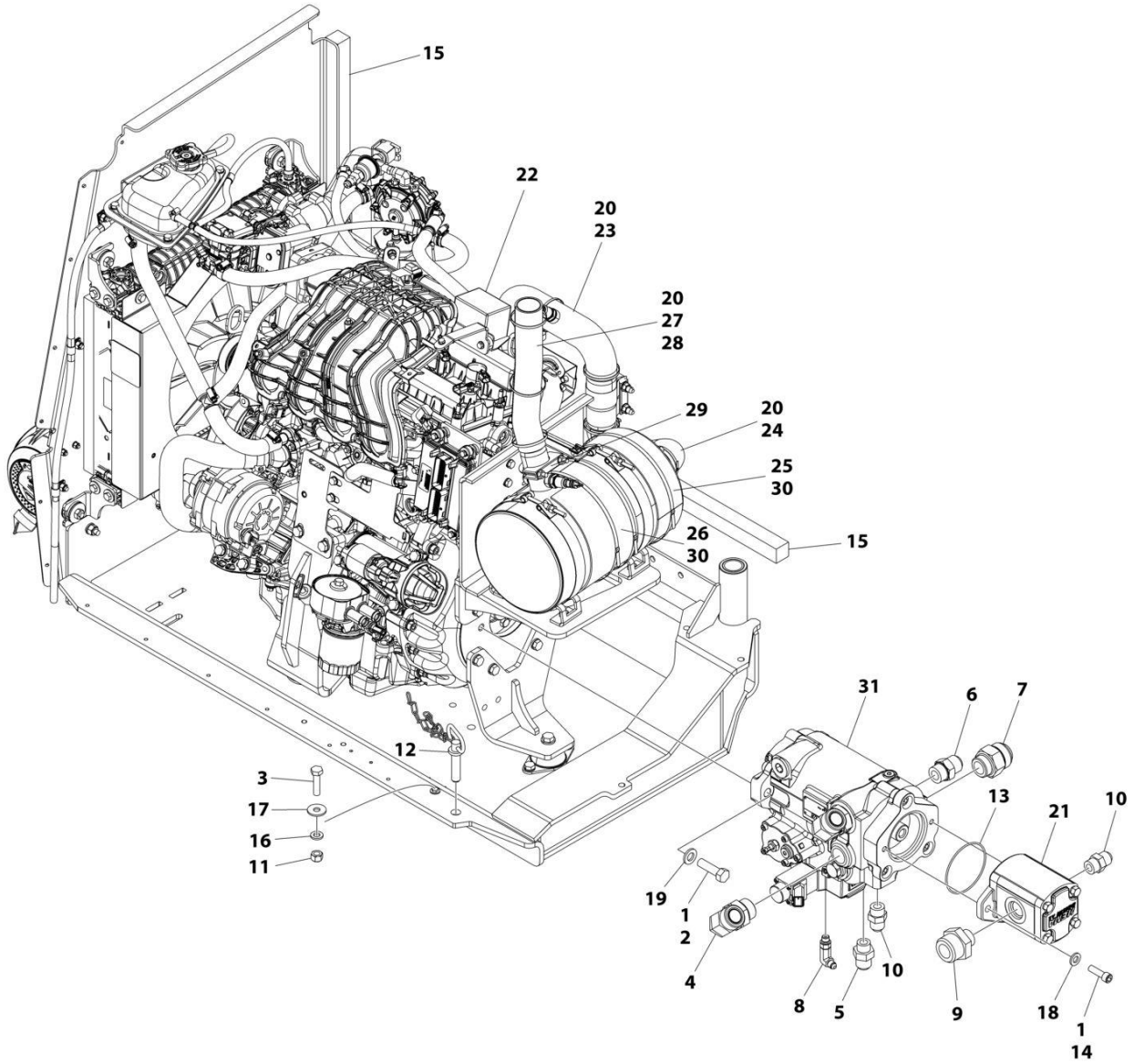
ITEM	PART NUMBER	QTY	DESCRIPTION	REV
	1001285084	Ref	FORD ENGINE INSTALLATION	B
1	0100011	AR	Compound, Locking	
2	0100020	AR	Sealant	
3	0440162	1	Bearing	
4	0700619	2	Bolt M6 x 55	
5	0701012	4	Bolt M10 x 25	
6	0711018	1	Bolt M10 x 50	
7	0760810	2	Bolt M8 x 20	
8	0760814	1	Bolt M8 x 30	
9	0761014	2	Bolt M10 x 30	
10	0772018	1	Bolt M20 x 50	
11	1321283	2	Clamp	
12	1701542	1	Decal - Gas	
13	1701543	2	Decal - LPG (Not Shown - See DECALS INSTALLATION - OPTIONS for Locations)	
14	2180348	1	Fitting, Straight NPT/BARB	
15	1001239802	1	Fitting, Straight	
16	2220609	1	Fitting, Straight JIC/FSJIC	
17	2220998	1	Fitting, Straight JIC/ORB	
18	2221176	1	Fitting, 90	
19	2221197	1	Fitting, Straight NPT	
20	3290405	1	Nut M4	
21	3290505	1	Nut M5	
22	3290605	2	Nut M6	
23	3290805	1	Nut M8	
24	3291005	3	Nut M10	
25	3790012	1	O-Ring (Not Shown - Located on Platform Console)	
26	3841143	1	Keeper, Pin	
27	4240099	1	Tie-Strap (Not Shown)	
28	4740397	1	Spacer (Not Shown - Located on Platform Console)	
29	4811700	4	Washer M6	
30	4811900	4	Washer M8	
31	4812000	8	Washer M10	
32	4812002	2	Washer M10	
33	85941018	2	Clamp	
34	1001118972	2	Nut M10	
35	1001119051	1	Washer	
36	1001115044	1	Nut 15/32 (Not Shown - Located on Platform Console)	
37	1001155094	1	Pin	
38	1001161710	1	Switch, Toggle (Not Shown - Located on Platform Console)	
39	1001174486	2	Clamp	
40	1001219005	1	Bracket	
41	1001219015	1	Hose	
43	1001258175	1	Bracket	
44	1001285076	1	Ford Engine and Pumps Sub-Assembly (See Separate Breakdown in this Section)	
45	1001219021	2	Hose	
46	1001219022	1	Hose	
47	1001219024	1	Hose	
48	1001222133	1	Hose	

SECTION 3 - ENGINE

ITEM	PART NUMBER	QTY	DESCRIPTION	REV
100	1001236136	1	Battery Cable Kit	
101	1001215219	1	Cable, Battery (+) to Aux Ready to Starter	
102	1001215220	1	Cable, Battery (-) to Aux Pump to Ground	
200	1001269922	1	Engine Hose Kit	
201	1001221942	1	Hose (Function Suction) (Not Shown)	
202	1001221943	1	Hose (Case Drain) (Drive Pump Case Outlet Port to Tank) (Not Shown)	
203	1001221944	1	Hose (Case Drain) (Drive Pump Case Gauge Port to Tank) (Not Shown)	
204	1001258263	1	Hose (Function Suction) (Not Shown)	

SECTION 3 - ENGINE

FIGURE 3-46. FORD ENGINE AND PUMPS SUB-ASSEMBLY WITHOUT ARCTIC PACKAGE



ART_1001285076

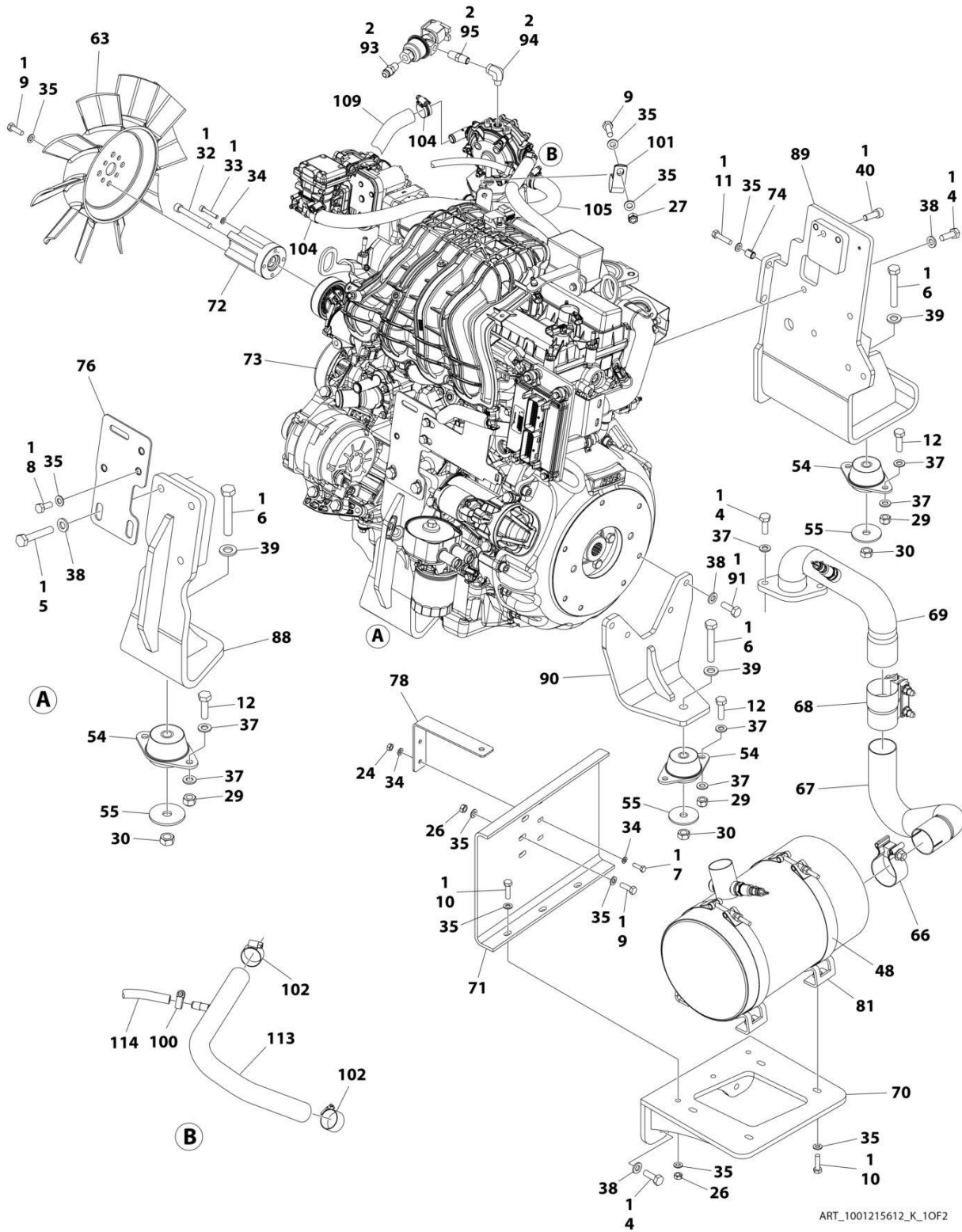
SECTION 3 - ENGINE

FIGURE 3-46. FORD ENGINE AND PUMPS SUB-ASSEMBLY WITHOUT ARCTIC PACKAGE

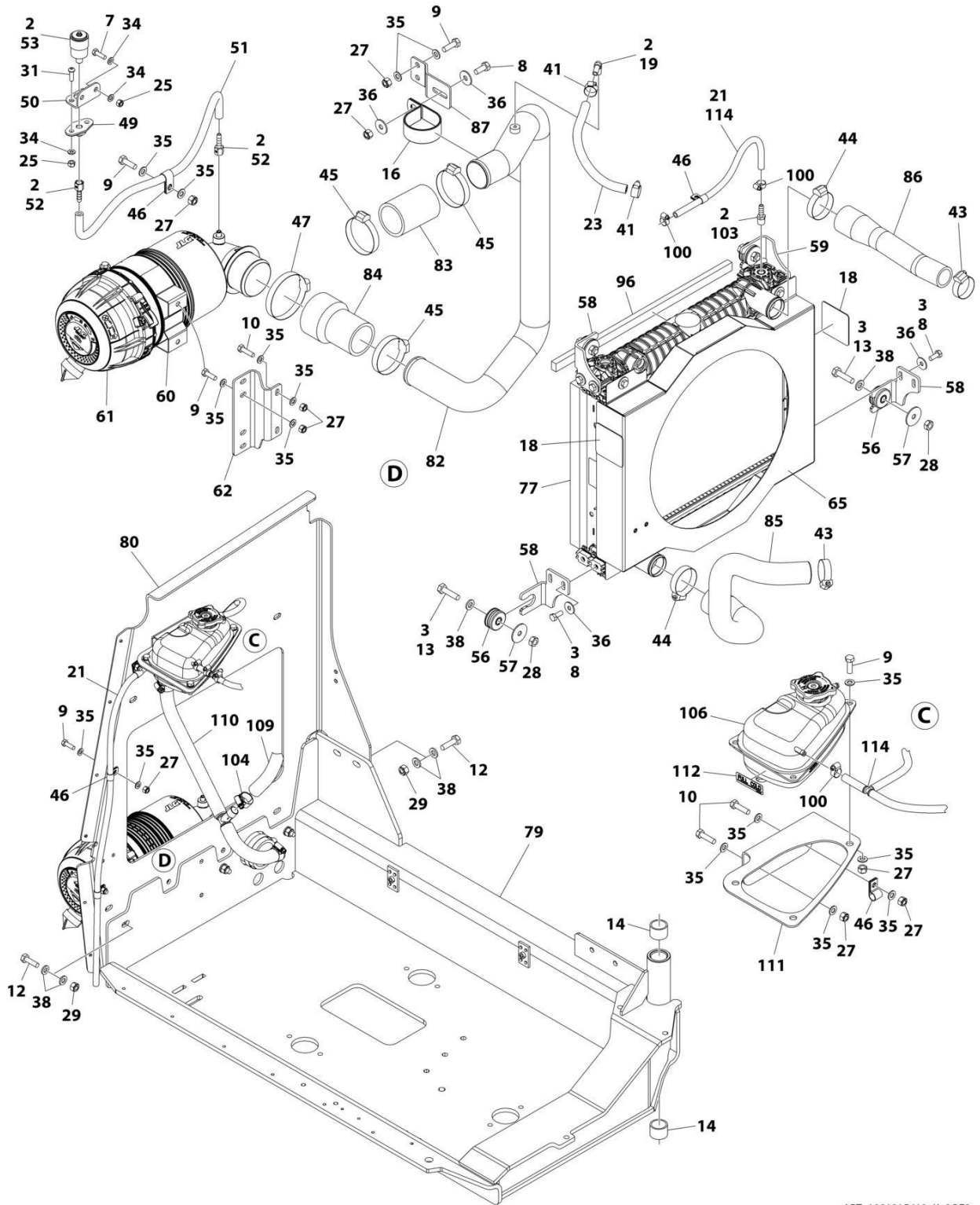
ITEM	PART NUMBER	QTY	DESCRIPTION	REV
	1001285076	Ref	FORD ENGINE AND PUMPS SUB-ASSEMBLY	B
1	0100011	AR	Compound, Locking	
2	0641814	2	Bolt 1/2 x 1-3/4	
3	0760612	1	Bolt M6 x 25	
4	2131616	2	Fitting, 90 ORFS/ORB	
5	2220408	1	Fitting, Straight JIC/ORB	
6	2220451	1	Fitting, Straight ORB/JIC	
7	2220479	1	Fitting, Straight JIC/ORB	
8	2220940	1	Fitting, 90 JIC/ORB	
9	2220946	1	Fitting, Straight JIC/ORB	
10	2220947	2	Fitting, Straight JIC/ORB	
11	3290605	1	Nut M6	
12	3422532	1	Pin	
14	3931618	2	Capscrew 3/8 x 1-1/8	
15	3960469	2	Seal	
16	4811700	1	Washer M6	
17	4811702	1	Washer M6	
18	5241000	2	Washer M10	
19	5241200	2	Washer M12	
20	1001100825	9	Strap	
21	1001190143	1	Gear Pump Assembly	
21	70006356	1	Seal Kit - 1001190143 Pump	
22	1001215612	1	Ford Engine Assembly (See Separate Breakdown in this Section)	
23	1001216532	1	Insulate, Exhaust	
24	1001216533	1	Insulate, Exhaust	
25	1001216534	1	Insulate, Muffler	
26	1001216535	1	Insulate, Muffler	
27	1001216947	1	Pipe, Exhaust	
28	1001217563	1	Insulate, Exhaust	
29	1001221397	1	Clamp	
30	1001221464	3	Strap	
31	1001284471	1	Piston Pump Assembly (See Separate Breakdown in this Section)	

SECTION 3 - ENGINE

FIGURE 3-47. FORD ENGINE ASSEMBLY - WITHOUT ARCTIC PACKAGE (600S HC3/660SJ HC3)



SECTION 3 - ENGINE



ART_1001215612_K_20F2

SECTION 3 - ENGINE

FIGURE 3-47. FORD ENGINE ASSEMBLY - WITHOUT ARCTIC PACKAGE (600S HC3/660SJ HC3)

ITEM	PART NUMBER	QTY	DESCRIPTION	REV
	1001215612	Ref	FORD ENGINE ASSEMBLY	K
1	0100011	AR	Compound, Locking	
2	0100020	AR	Sealant	
3	1001180620	AR	Adhesive	
4	0711014	10	Bolt M10 x 30	
5	0711020	3	Bolt M10 x 60	
6	0711223	3	Bolt M12 x 75	
7	0760610	4	Bolt M6 x 20	
8	0760810	11	Bolt M8 x 20	
9	0760812	18	Bolt M8 x 25	
10	0760814	11	Bolt M8 x 30	
11	0760815	2	Bolt M8 x 35	
12	0761015	11	Bolt M10 x 35	
13	0761016	4	Bolt M10 x 40	
14	0961951	2	Bushing	
16	1320110	1	Clamp	
18	1703162	2	Decal - Fan Blade	
19	2180467	1	Fitting, Straight NPT/Barb	
21	2720058	AR	Hose, Fuel	
23	1001165035	11 in/ 28cm	Hose	
24	3290601	2	Nut M6	
25	3290605	4	Nut M6	
26	3290801	5	Nut M8	
27	3290805	17	Nut M8	
28	3291001	4	Nut M10	
29	3291005	11	Nut M10	
30	3331211	3	Nut M12	
31	3900364	2	Capscrew M6 x 20	
32	3931648	1	Capscrew 3/8 x 3	
33	4031711	1	Capscrew M6 x 35	
34	4811700	14	Washer M6	
35	4811900	54	Washer M8	
36	4811902	10	Washer M8	
37	4812000	14	Washer M10	
38	5241000	30	Washer M10	
39	5241200	3	Washer M12	
40	5272010	1	Capscrew M10 x 30	
41	8405006	2	Clamp	
43	8405102	2	Clamp	
44	8405104	2	Clamp	
45	8405203	3	Clamp	
46	8406109	AR	Clip	
47	8410011	1	Clamp	
48	1001128901	2	Strap	
49	1001138173	1	Support	
50	1001138175	1	Bracket	
51	1001138248	23 in/.6m	Hose	
52	1001141995	2	Fitting, Straight NPT/Barbed	
53	1001149639	1	Indicator, Restriction	

SECTION 3 - ENGINE

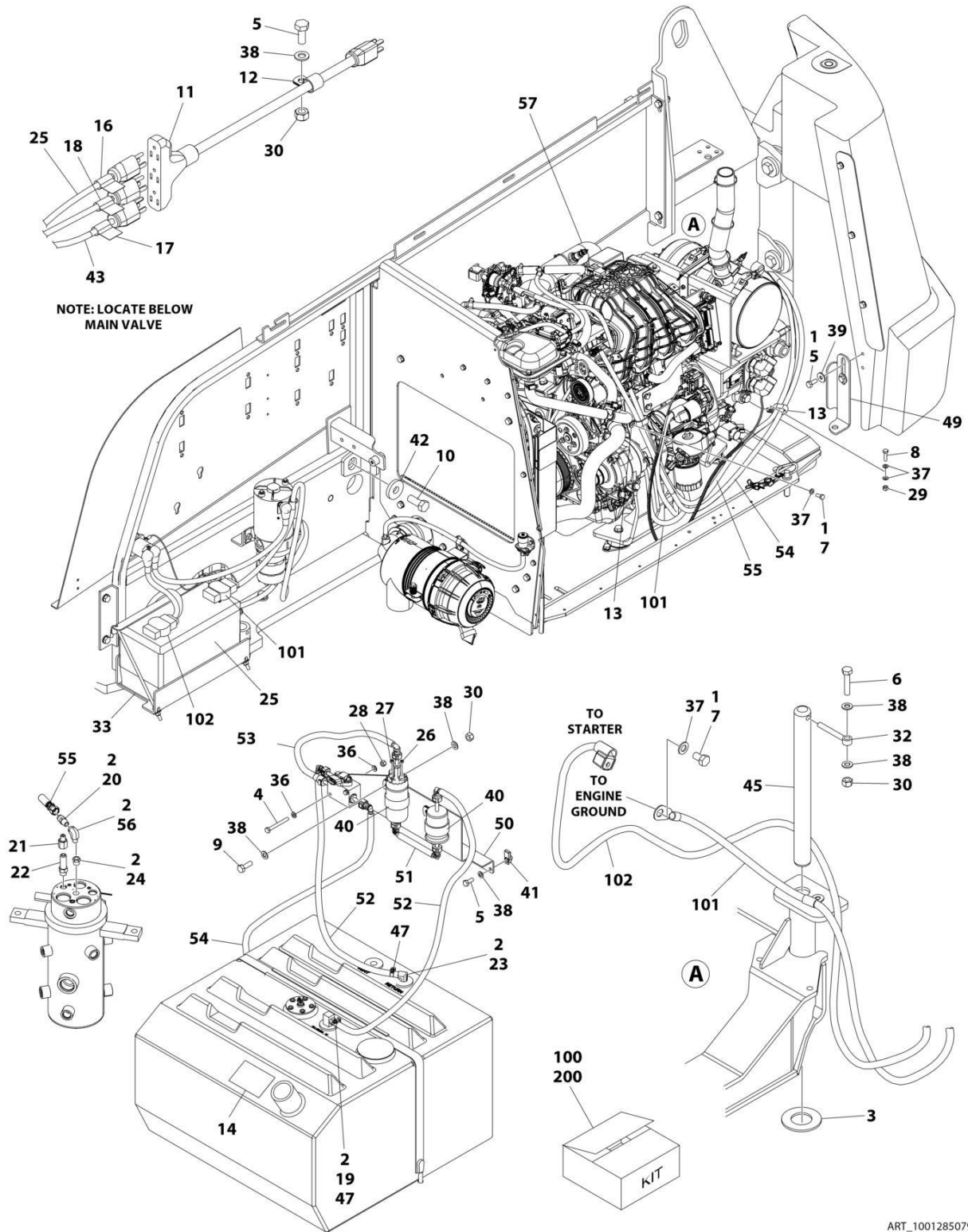
ITEM	PART NUMBER	QTY	DESCRIPTION	REV
54	1001191610	3	Mount, Motor	
55	1001168018	3	Washer	
56	1001169054	4	Isolator	
57	1001169138	4	Pad, Snubbing	
58	1001169967	3	Bracket	
59	1001170035	1	Bracket	
60	1001186426	1	Clamp	
61	1001189979	1	Filter, Air	
61	70005008	1	Element, Filter	
62	1001190942	1	Support	
63	1001223042	1	Fan	
64	1001215218	1	Engine Harness - Ford Engines (Not Shown) (See Separate Breakdown in ELECTRICAL SECTION)	
65	1001223923	1	Radiator	
66	1001215681	1	Clamp	
67	1001215899	1	Pipe, Exhaust	
68	1001215974	1	Clamp	
69	1001216075	1	Pipe, Exhaust	
70	1001216086	1	Bracket	
71	1001216092	1	Shield, Heat	
72	1001216201	1	Adapter	
73	1001216910	1	Ford Engine Prep Assembly (See Separate Breakdown in this Section)	
74	1001216919	2	Sleeve	
76	1001222033	1	Plate	
77	1001217185	2	Seal	
78	1001217186	1	Support	
79	1001217450	1	Tray	
80	1001217453	1	Support, Radiator	
81	1001217543	2	Mount	
82	1001217593	1	Pipe, Air Intake	
83	1001217594	1	Pipe, Air Intake	
84	1001217595	1	Pipe, Air Intake	
85	1001217647	1	Hose, Radiator (Lower)	
86	1001217648	1	Hose, Radiator (Upper)	
87	1001218471	1	Bracket	
88	1001218559	1	Mount, Engine (RH Front)	
89	1001218565	1	Mount, Engine (LH Front)	
90	1001218575	1	Mount, Engine (Rear)	
91	0761014	4	Bolt M10 x 30	
92	1001187781	1	Tie-Strap (Not Shown)	
93	2180418	1	Fitting	
94	1001247359	1	Fitting, 90	
95	2220261	1	Fitting	
96	1001217183	2	Seal	
100	8405009	AR	Gear	
101	8406201	1	Clip	
102	8410009	AR	Clamp	
103	8420231	1	Fitting, Barb	
104	1001173535	6	Clamp	
105	1001216531	25 in/ 63cm	Hose	

SECTION 3 - ENGINE

ITEM	PART NUMBER	QTY	DESCRIPTION	REV
106	1001223584	1	Tank, Surge	
109	1001224486	1	Hose	
110	1001224489	1	Hose	
111	1001225442	1	Bracket	
112	1001225510	1	Decal - Full Cold, Surge Tank	
113	1001227666	1	Hose	
114	1001227667	1	Hose	

SECTION 3 - ENGINE

FIGURE 3-48. FORD ENGINE INSTALLATION – WITH ARCTIC PACKAGE



SECTION 3 - ENGINE

FIGURE 3-48. FORD ENGINE INSTALLATION – WITH ARCTIC PACKAGE

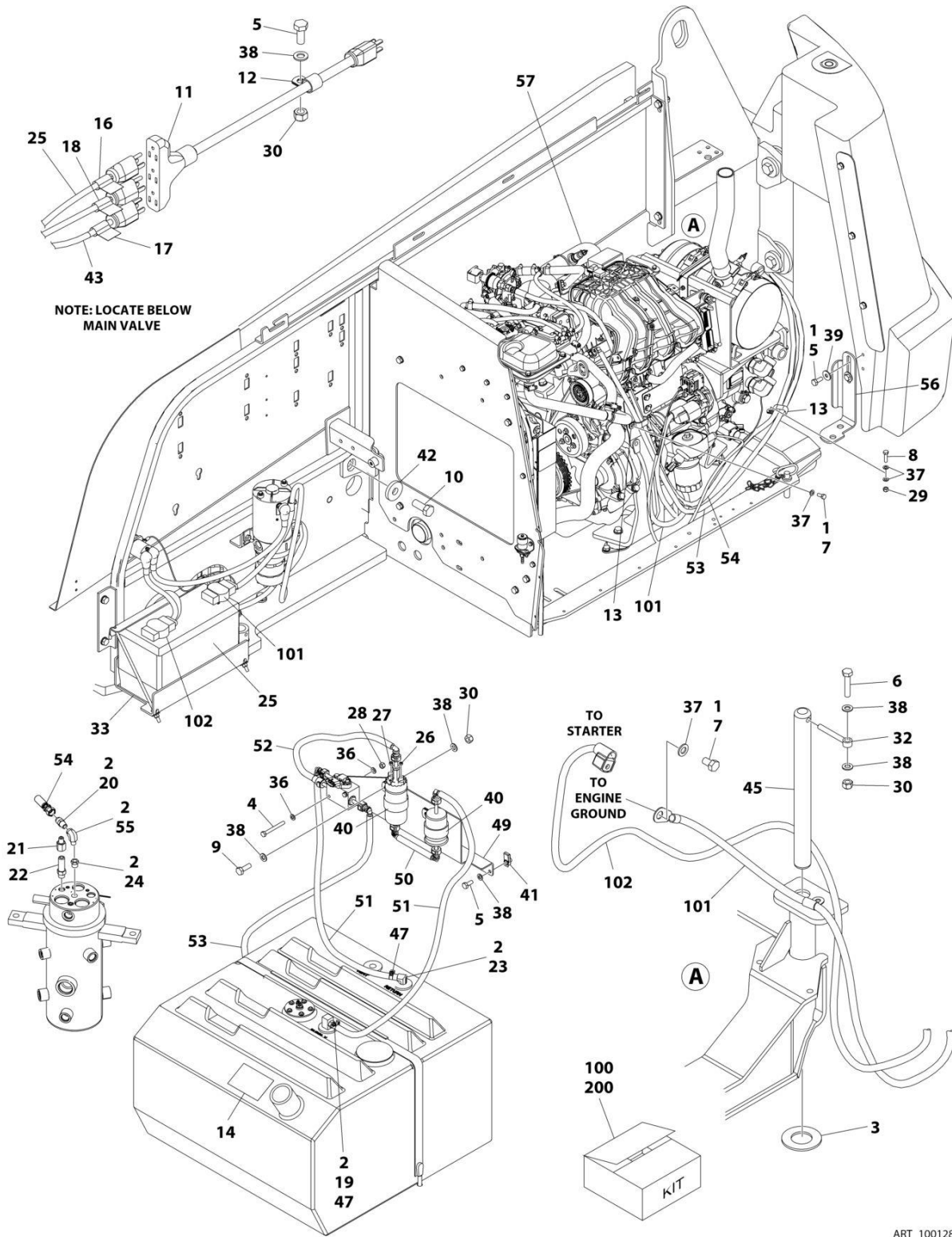
ITEM	PART NUMBER	QTY	DESCRIPTION	REV
	1001285079	Ref	FORD ENGINE INSTALLATION	B
1	0100011	AR	Compound, Locking	
2	0100020	AR	Sealant	
3	0440162	1	Bearing	
4	0700619	2	Bolt M6 x 55	
5	0701012	5	Bolt M10 x 25	
6	0711018	1	Bolt M10 x 50	
7	0760810	2	Bolt M8 x 20	
8	0760814	1	Bolt M8 x 30	
9	0761014	2	Bolt M10 x 30	
10	0772018	1	Bolt M20 x 50	
11	1060626	1	Plug, 3 Way	
12	1320061	1	Clamp	
13	1321283	2	Clamp	
14	1701542	1	Decal - Gas	
15	1701543	2	Decal - LPG (Not Shown - See DECALS INSTALLATION - OPTIONS for Locations)	
16	1702941	1	Decal - Battery Heater	
17	1702942	1	Decal - Engine Block Heater	
18	1702943	1	Decal - Hydraulic Tank Heater	
19	2180348	1	Fitting, Straight NPT/BARB	
20	2180418	1	Fitting, Straight	
20	1001239802	1	Fitting, Straight	
21	2220609	1	Fitting, Straight JIC/FSJIC	
22	2220998	1	Fitting, Straight JIC/ORB	
23	2221176	1	Fitting, 90	
24	2221197	1	Fitting, Straight NPT	
25	2580024	1	Heater, Battery	
26	3290405	1	Nut M4	
27	3290505	1	Nut M5	
28	3290605	2	Nut M6	
29	3290805	1	Nut M8	
30	3291005	4	Nut M10	
31	3790012	1	O-Ring (Not Shown - Located on Platform Console)	
32	3841143	1	Keeper, Pin	
33	3980007	1	Seat, Battery	
34	4240099	AR	Tie-Strap (Not Shown)	
35	4740397	1	Spacer (Not Shown - Located on Platform Console)	
36	4811700	4	Washer M6	
37	4811900	4	Washer M8	
38	4812000	9	Washer M10	
39	4812002	2	Washer M10	
40	85941018	2	Clamp	
41	1001118972	2	Nut M10	
42	1001119051	1	Washer	
43	1001150918	1	Cable, Extension Cord	
44	1001115044	1	Nut 15/32 (Not Shown - Located on Platform Console)	
45	1001155094	1	Pin	
46	1001161710	1	Switch, Toggle (Not Shown - Located on Platform Console)	
47	1001174486	2	Clamp	

SECTION 3 - ENGINE

ITEM	PART NUMBER	QTY	DESCRIPTION	REV
48	1001188972	1	Heater, Immersion (Not Shown - Located on Hydraulic Tank)	
49	1001196398	1	Bracket	
50	1001219005	1	Bracket	
51	1001219015	1	Hose	
52	1001219021	2	Hose	
53	1001219022	1	Hose	
54	1001219024	1	Hose	
55	1001222133	1	Hose	
57	1001285078	1	Ford Engine and Pumps Sub-Assembly (See Separate Breakdown in this Section)	
100	1001236136	1	Battery Cable Kit	
101	1001215219	1	Cable, Battery (+) to Aux Ready to Starter	
102	1001215220	1	Cable, Battery (-) to Aux Pump to Ground	
200	1001269921	1	Engine Hose Kit	
201	1001203432	1	Hose (Drive Suction) (Not Shown)	
202	1001221942	1	Hose (Function Suction) (Not Shown)	
203	1001221943	1	Hose (Case Drain) (Drive Pump Case Outlet Port to Tank) (Not Shown)	
204	1001221944	1	Hose (Case Drain) (Drive Pump Case Gauge Port to Tank) (Not Shown)	

SECTION 3 - ENGINE

FIGURE 3-49. FORD ENGINE INSTALLATION - WITH ARCTIC PACKAGE (660SJ HC3)



ART_1001285085

SECTION 3 - ENGINE

FIGURE 3-49. FORD ENGINE INSTALLATION - WITH ARCTIC PACKAGE (660SJ HC3)

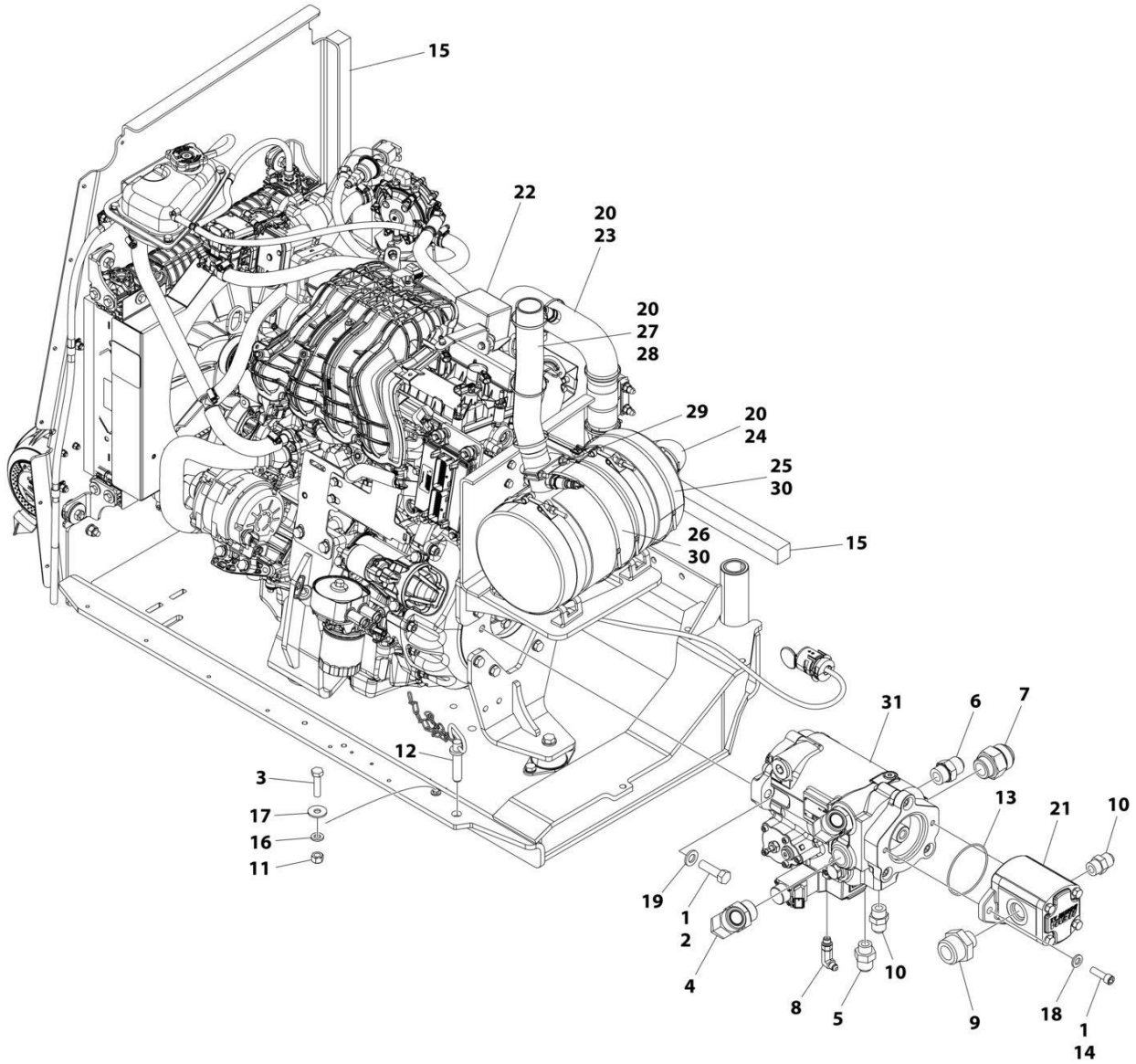
ITEM	PART NUMBER	QTY	DESCRIPTION	REV
	1001285085	Ref	FORD ENGINE INSTALLATION	B
1	0100011	AR	Compound, Locking	
2	0100020	AR	Sealant	
3	0440162	1	Bearing	
4	0700619	2	Bolt M6 x 55	
5	0701012	5	Bolt M10 x 25	
6	0711018	1	Bolt M10 x 50	
7	0760810	2	Bolt M8 x 20	
8	0760814	1	Bolt M8 x 30	
9	0761014	2	Bolt M10 x 30	
10	0772018	1	Bolt M20 x 50	
11	1060626	1	Cord, 3-Way	
12	1320061	1	Clamp	
13	1321283	2	Clamp	
14	1701542	1	Decal - Gas	
15	1701543	2	Decal - LPG (Not Shown - See DECALS INSTALLATION - OPTIONS for Locations)	
16	1702941	1	Decal - Battery Heater	
17	1702942	1	Decal - Engine Block Heater	
18	1702943	1	Decal - Hydraulic Tank Heater	
19	2180348	1	Fitting, Straight NPT/BARB	
20	1001239802	1	Fitting, Straight	
21	2220609	1	Fitting, Straight JIC/FSJIC	
22	2220998	1	Fitting, Straight JIC/ORB	
23	2221176	1	Fitting, 90	
24	2221197	1	Fitting, Straight NPT	
25	2580024	1	Heater, Battery	
26	3290405	1	Nut M4	
27	3290505	1	Nut M5	
28	3290605	2	Nut M6	
29	3290805	1	Nut M8	
30	3291005	4	Nut M10	
31	3790012	1	O-Ring (Not Shown - Located on Platform Console)	
32	3841143	1	Keeper, Pin	
33	3980007	1	Seat, Battery	
34	4240099	2	Tie-Strap (Not Shown)	
35	4740397	1	Spacer (Not Shown - Located on Platform Console)	
36	4811700	4	Washer M6	
37	4811900	4	Washer M8	
38	4812000	9	Washer M10	
39	4812002	2	Washer M10	
40	85941018	2	Clamp	
41	1001118972	2	Nut M10	
42	1001119051	1	Washer	
43	1001150918	1	Cable, Extension	
44	1001115044	1	Nut 15/32 (Not Shown - Located on Platform Console)	
45	1001155094	1	Pin	
46	1001161710	1	Switch, Toggle (Not Shown - Located on Platform Console)	
47	1001174486	2	Clamp	
48	1001188972	1	Heater, Immersion (Not Shown - Located on Hydraulic Tank)	

SECTION 3 - ENGINE

ITEM	PART NUMBER	QTY	DESCRIPTION	REV
49	1001219005	1	Bracket	
50	1001219015	1	Hose	
51	1001219021	2	Hose	
52	1001219022	1	Hose	
53	1001219024	1	Hose	
54	1001222133	1	Hose	
56	1001258175	1	Bracket	
57	1001285078	1	Ford Engine and Pumps Sub-Assembly (See Separate Breakdown in this Section)	
100	1001236136	1	Battery Cable Kit	
101	1001215219	1	Cable, Battery (+) to Aux Ready to Starter	
102	1001215220	1	Cable, Battery (-) to Aux Pump to Ground	
200	1001269922	1	Engine Hose Kit	
201	1001221942	1	Hose (Function Suction) (Not Shown)	
202	1001221943	1	Hose (Case Drain) (Drive Pump Case Outlet Port to Tank) (Not Shown)	
203	1001221944	1	Hose (Case Drain) (Drive Pump Case Gauge Port to Tank) (Not Shown)	
204	1001258263	1	Hose (Function Suction) (Not Shown)	

SECTION 3 - ENGINE

FIGURE 3-50. FORD ENGINE AND PUMPS SUB-ASSEMBLY WITH ARCTIC PACKAGE



ART_1001285078

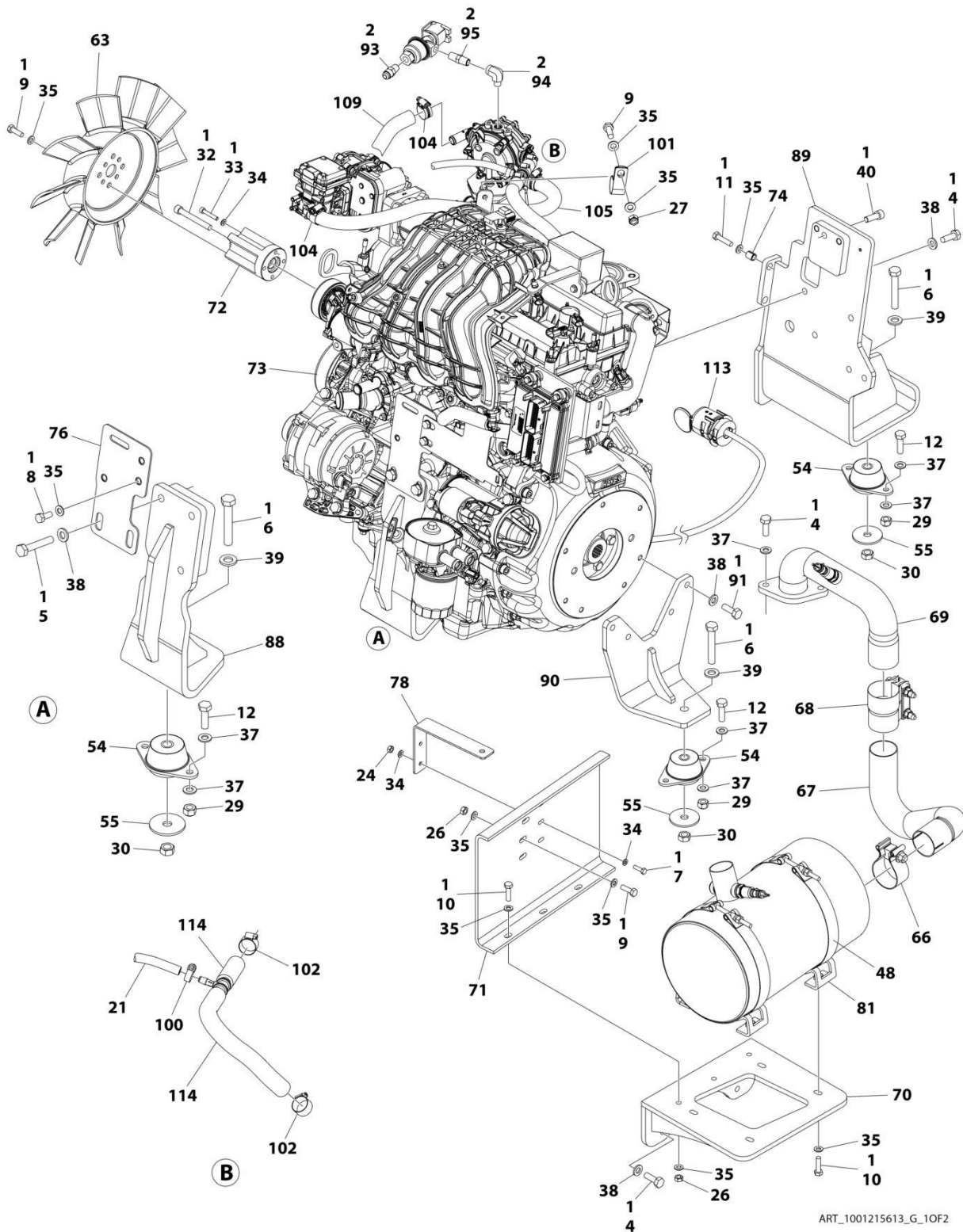
SECTION 3 - ENGINE

FIGURE 3-50. FORD ENGINE AND PUMPS SUB-ASSEMBLY WITH ARCTIC PACKAGE

ITEM	PART NUMBER	QTY	DESCRIPTION	REV
	1001285078	Ref	FORD ENGINE AND PUMPS SUB-ASSEMBLY	B
1	0100011	AR	Compound, Locking	
2	0641814	2	Bolt 1/2 x 1-3/4	
3	0760612	1	Bolt M6 x 25	
4	2131616	2	Fitting, 90 ORFS/ORB	
5	2220408	1	Fitting, Straight JIC/ORB	
6	2220451	1	Fitting, Straight ORB/JIC	
7	2220479	1	Fitting, Straight JIC/ORB	
8	2220940	1	Fitting, 90 JIC/ORB	
9	2220946	1	Fitting, Straight JIC/ORB	
10	2220947	2	Fitting, Straight JIC/ORB	
11	3290605	1	Nut M6	
12	3422532	1	Pin	
14	3931618	2	Capscrew 3/8 x 1-1/8	
15	3960469	2	Seal	
16	4811700	1	Washer M6	
17	4811702	1	Washer M6	
18	5241000	2	Washer M10	
19	5241200	2	Washer M12	
20	1001100825	9	Strap	
21	1001190143	1	Gear Pump Assembly	
21	70006356	1	Seal Kit - 1001190143 Pump	
22	1001215613	1	Ford Engine Assembly (See Separate Breakdown in this Section)	
23	1001216532	1	Insulate, Exhaust	
24	1001216533	1	Insulate, Exhaust	
25	1001216534	1	Insulate, Muffler	
26	1001216535	1	Insulate, Muffler	
27	1001216947	1	Pipe, Exhaust	
28	1001217563	1	Insulate, Exhaust	
29	1001221397	1	Clamp	
30	1001221464	3	Strap	
31	1001284471	1	Piston Pump Assembly (See Separate Breakdown in this Section)	

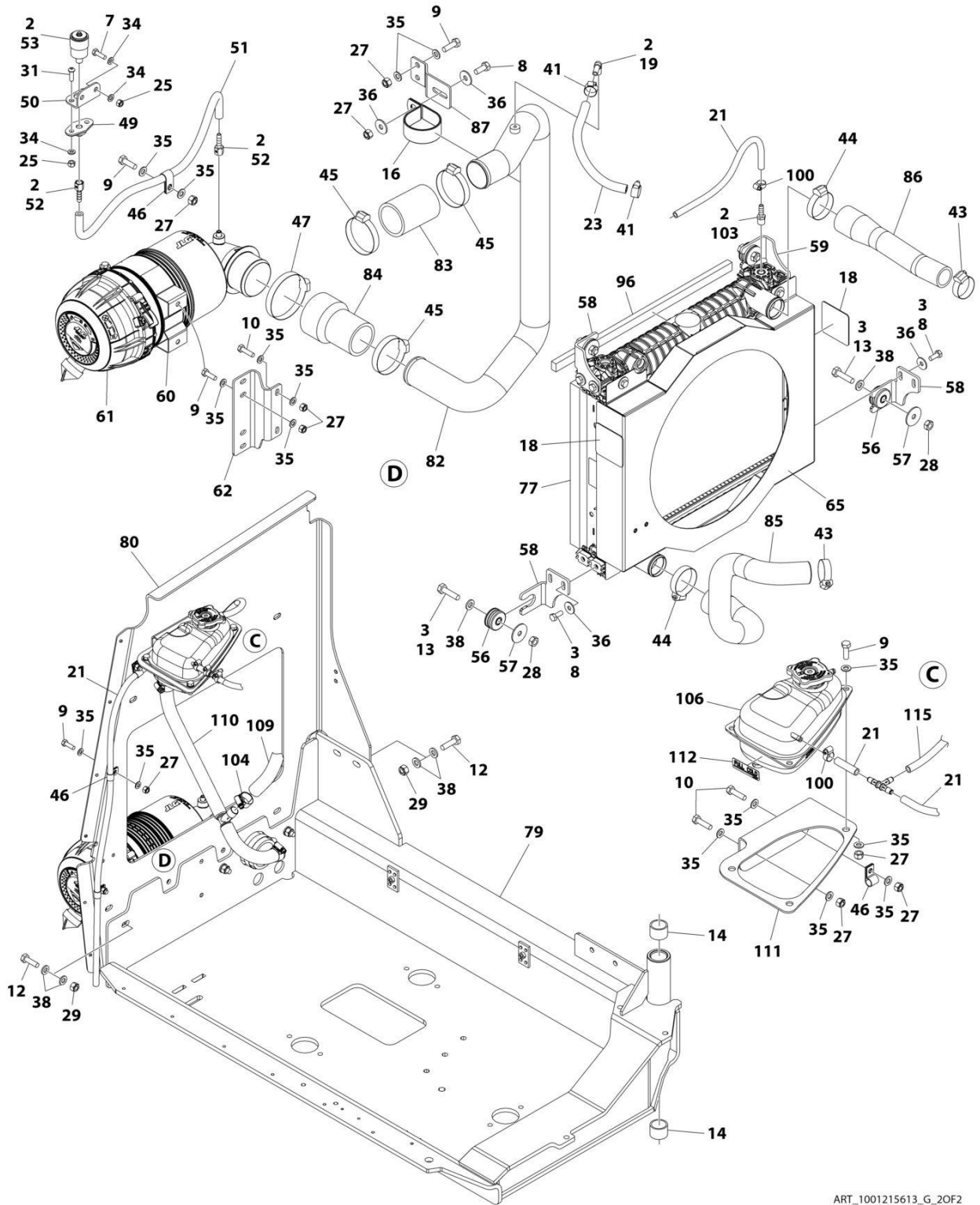
SECTION 3 - ENGINE

FIGURE 3-51. FORD ENGINE ASSEMBLY - WITH ARCTIC PACKAGE (600S HC3/660SJ HC3)



ART_1001215613_G_10F2

SECTION 3 - ENGINE



ART_1001215613_G_20F2

SECTION 3 - ENGINE

FIGURE 3-51. FORD ENGINE ASSEMBLY - WITH ARCTIC PACKAGE (600S HC3/660SJ HC3)

ITEM	PART NUMBER	QTY	DESCRIPTION	REV
	1001215613	Ref	FORD ENGINE ASSEMBLY	G
1	0100011	AR	Compound, Locking	
2	0100020	AR	Sealant	
3	1001180620	AR	Adhesive	
4	0711014	10	Bolt M10 x 30	
5	0711020	3	Bolt M10 x 60	
6	0711223	3	Bolt M12 x 75	
7	0760610	4	Bolt M6 x 20	
8	0760810	11	Bolt M8 x 20	
9	0760812	18	Bolt M8 x 25	
10	0760814	11	Bolt M8 x 30	
11	0760815	2	Bolt M8 x 35	
12	0761015	11	Bolt M10 x 35	
13	0761016	4	Bolt M10 x 40	
14	0961951	2	Bushing	
16	1320110	1	Clamp	
18	1703162	2	Decal - Fan Blade	
19	2180467	1	Fitting, Straight NPT/Barb	
21	2720058	95 in/2.5m	Hose, Fuel	
23	1001165035	1	Hose	
24	3290601	2	Nut M6	
25	3290605	4	Nut M6	
26	3290801	5	Nut M8	
27	3290805	17	Nut M8	
28	3291001	4	Nut M10	
29	3291005	11	Nut M10	
30	3331211	3	Nut M12	
31	3900364	2	Capscrew M6 x 20	
32	3931648	1	Capscrew 3/8 x 3	
33	4031711	4	Capscrew M6 x 35	
34	4811700	14	Washer M6	
35	4811900	54	Washer M8	
36	4811902	10	Washer M8	
37	4812000	14	Washer M10	
38	5241000	30	Washer M10	
39	5241200	3	Washer M12	
40	5272010	1	Capscrew M10 x 30	
41	8405006	2	Clamp	
43	8405102	2	Clamp	
44	8405104	2	Clamp	
45	8405203	3	8405203	
46	8406109	6	Clip	
47	8410011	1	Clamp	
48	1001128901	2	Strap	
49	1001138173	1	Support	
50	1001138175	1	Bracket	
51	1001138248	23 in/.6m	Hose	
52	1001141995	2	Fitting, Straight NPT/Barbed	
53	1001149639	1	Indicator, Restriction	
54	1001191610	3	Mount, Motor	

SECTION 3 - ENGINE

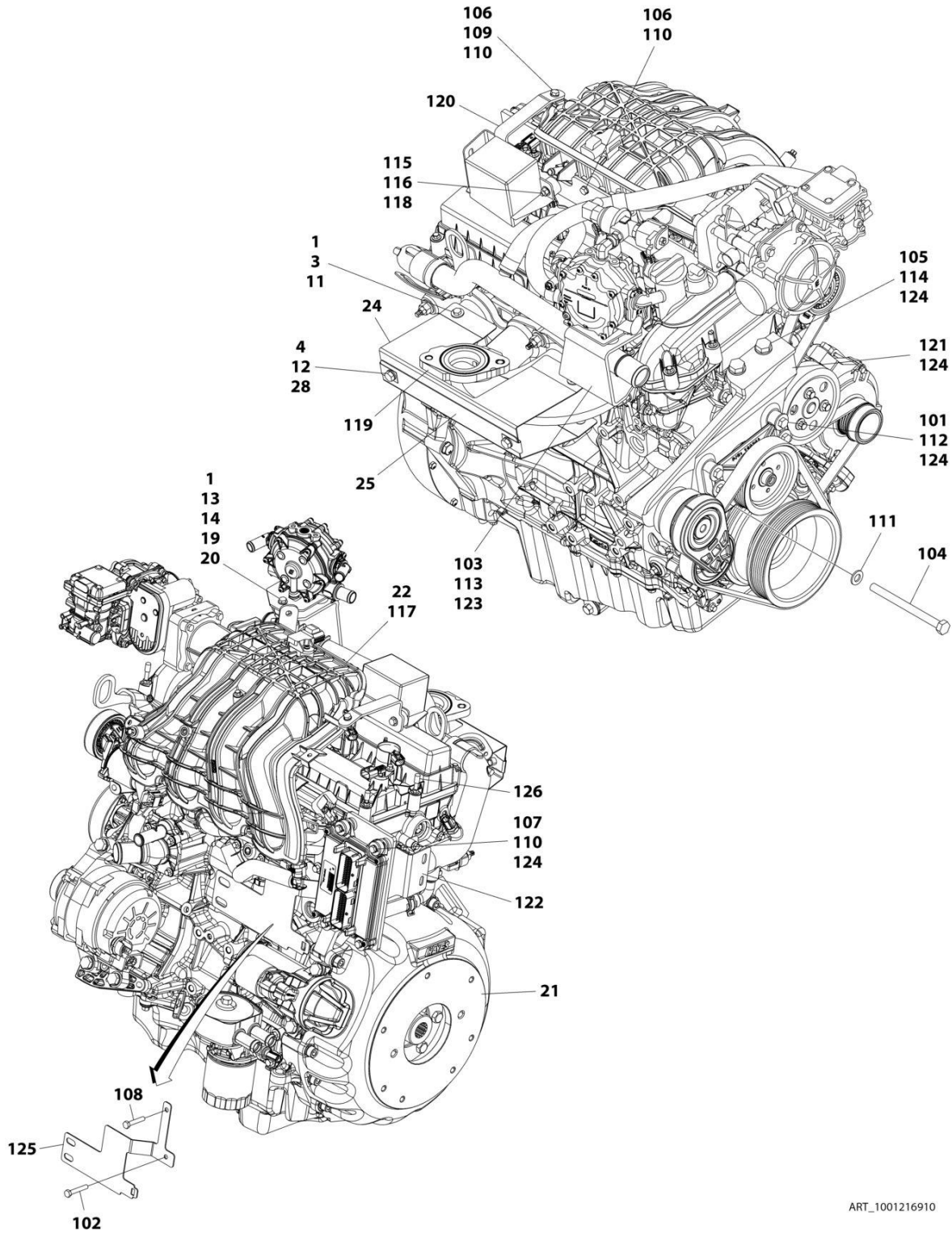
ITEM	PART NUMBER	QTY	DESCRIPTION	REV
55	1001168018	3	Washer	
56	1001169054	4	Isolator	
57	1001169138	4	Pad, Snubbing	
58	1001169967	3	Bracket	
59	1001170035	1	Bracket	
60	1001186426	1	Clamp	
61	1001189979	1	Filter, Air	
61	70005008	1	Element, Filter	
62	1001190942	1	Support	
63	1001223042	1	Fan	
64	1001215218	1	Engine Harness - Ford Engines (Not Shown) (See Separate Breakdown in ELECTRICAL SECTION)	
65	1001223923	1	Radiator	
66	1001215681	1	Clamp	
67	1001215899	1	Pipe, Exhaust	
68	1001215974	1	Clamp	
69	1001216075	1	Pipe, Exhaust	
70	1001216086	1	Bracket	
71	1001216092	1	Shield, Heat	
72	1001216201	1	Adapter	
73	1001216910	1	Ford Engine Prep Assembly (See Separate Breakdown in this Section)	
74	1001216919	2	Sleeve	
76	1001222033	1	Plate	
77	1001217185	2	Seal	
78	1001217186	1	Support	
79	1001217450	1	Tray	
80	1001217453	1	Support, Radiator	
81	1001217543	2	Mount	
82	1001217593	1	Pipe, Air Intake	
83	1001217594	1	Pipe, Air Intake	
84	1001217595	1	Pipe, Air Intake	
85	1001217647	1	Hose, Radiator (Lower)	
86	1001217648	1	Hose, Radiator (Upper)	
87	1001218471	1	Bracket	
88	1001218559	1	Mount, Engine (RH Front)	
89	1001218565	1	Mount, Engine (LH Front)	
90	1001218575	1	Mount, Engine (Rear)	
91	0761014	4	Bolt M10 x 30	
92	1001187781	1	Tie-Strap (Not Shown)	
93	2180418	1	Fitting	
94	1001247359	1	Fitting, 90	
95	2220261	1	Fitting	
96	1001217183	2	Seal	
100	8405009	3	Gear	
101	8406201	1	Clip	
102	8410009	2	Clamp	
103	8420231	1	Fitting, Barb	
104	1001173535	6	Clamp	
105	1001216531	25 in/ 63cm	Hose	
106	1001223584	1	Tank, Surge	

SECTION 3 - ENGINE

ITEM	PART NUMBER	QTY	DESCRIPTION	REV
109	1001224486	1	Hose	
110	1001224489	1	Hose	
111	1001225442	1	Bracket	
112	1001225510	1	Decal - Full Cold, Surge Tank	
113	1001216393	1	Heater, Block	
114	1001227666	1	Hose	
115	1001227667	1	Hose	

SECTION 3 - ENGINE

FIGURE 3-52. FORD ENGINE PREP ASSEMBLY (600S HC3/660SJ HC3)



ART_1001216910

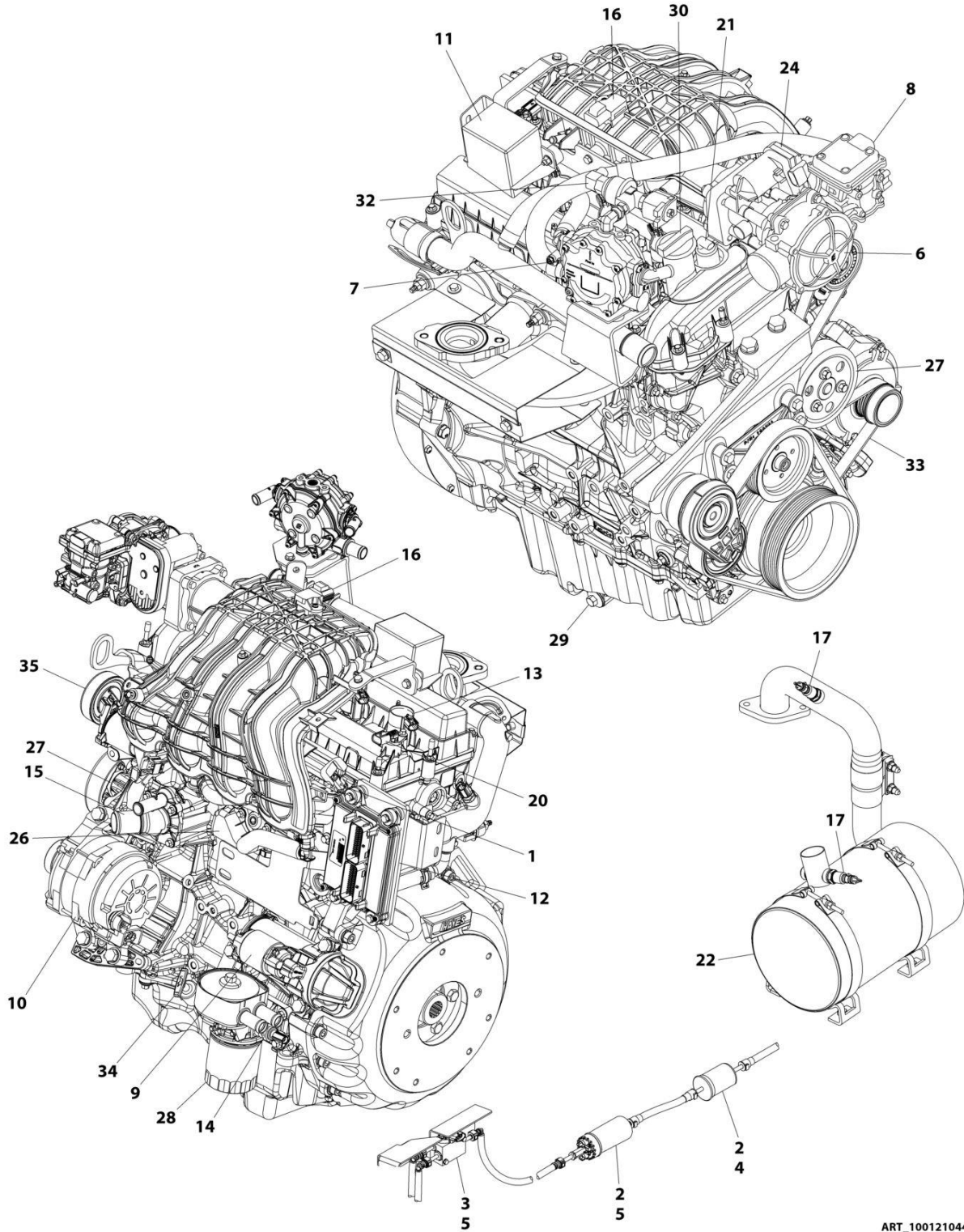
SECTION 3 - ENGINE

FIGURE 3-52. FORD ENGINE PREP ASSEMBLY (600S HC3/660SJ HC3)

ITEM	PART NUMBER	QTY	DESCRIPTION	REV
	1001216910	Ref	FORD ENGINE PREP ASSEMBLY	F
1	0100011	AR	Compound, Locking	
3	0760605	4	Bolt M6 x 10	
4	0760807	2	Bolt M8 x 14	
11	4811702	4	Washer M6	
12	4811900	2	Washer M8	
13	5250605	3	Bolt M6 x 10	
14	5260600	1	Nut M6 Class 10	
19	1001211794	3	Mount, Isolator	
20	1001227769	1	Plate	
21	1001213810	1	Pump Coupling Kit	
21	70006134	1	Coupling	
21	70006135	1	Housing	
21	70006136	1	Hardware Kit	
22	1001216065	1	Ford Engine Assembly (See Items 101-126 for Breakdown)	
24	1001216768	1	Bracket	
25	1001216769	1	Bracket	
28	1001149160	2	Nut, Tinnerman M8	
	1001216065	Ref	FORD ENGINE PREP ASSEMBLY - BRACKETS/EXHAUST MANIFOLD	M
101	0700816	4	Bolt M8 x 40	
102	0700818	1	Bolt M8 x 50	
103	0701014	2	Bolt M10 x 30	
104	0710827	1	Bolt M8 x 100 Grade 10.9	
105	0711216	2	Bolt M12 x 40	
106	0760610	3	Bolt M6 x 20	
107	0760615	4	Bolt M6 x 35	
108	0760817	1	Bolt M8 x 45	
109	3290601	1	Nut M6	
110	4811700	8	Washer M6	
111	4811900	1	Washer M8	
112	4811902	4	Washer M8	
113	4812000	1	Washer M10	
114	4812100	2	Washer M12	
115	5250605	2	Bolt M6 x 10	
116	5260600	2	Nut M6 Class 10	
117	1001210448	1	Engine, Ford 2.5L (See Separate Breakdown in this Section)	
118	1001211794	2	Mount	
119	1001214827	1	Manifold, Exhaust	
120	1001215384	1	Bracket	
121	1001216071	1	Bracket	
122	1001216144	1	Support, Muffler	
123	1001227772	1	Mount, Vaporizer	
124	0100011	AR	Compound, Locking	
125	1001221545	1	Plate	
126	1001222641	6	Cap	

SECTION 3 - ENGINE

FIGURE 3-53. FORD ENGINE COMPONENTS (600S HC3/660SJ HC3)



ART_1001210448

SECTION 3 - ENGINE

FIGURE 3-53. FORD ENGINE COMPONENTS (600S HC3/660SJ HC3)

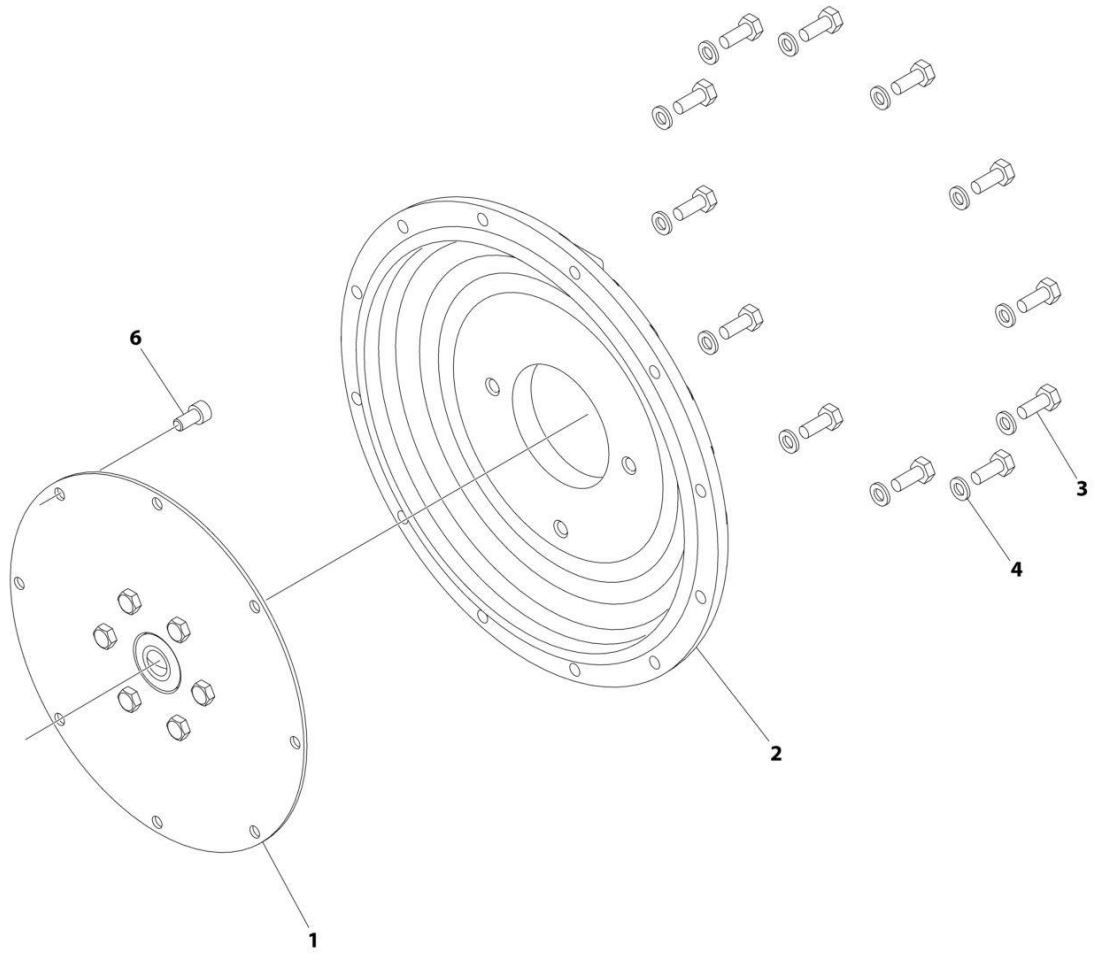
ITEM	PART NUMBER	QTY	DESCRIPTION	REV
	1001210448	Ref	FORD ENGINE COMPONENTS	H
1	70006145	4	Injector, Fuel	
1	70006147	1	Rail, Fuel	
2	70006150	1	Pump, Fuel	
2	70006154	1	Fitting M10	
3	70006151	1	Block, Fuel	
3	70006152	2	Fitting SAE6	
3	70006153	1	Fitting SAE3	
3	70006189	1	Harness, Fuel Block	
4	70006155	1	Filter, Fuel	
5	7022162	8	Clamp	
5	70006157	8	Clip, Fuel Quick Disconnect	
6	70006158	1	Mixer, LP	
6	70006168	1	Mixer Diaphragm Replacement Kit	
6	70006159	1	Adapter, Mixer to Governor	
6	70006160	1	O-Ring, Mixer to Adapter	
6	70006161	1	Seal, Mixer to Adapter	
7	70006162	1	Regulator, LP Vapor	
7	70006166	2	Fitting	
7	70006167	1	Fitting, Straight	
7	70006165	2	Isolator, Rubber	
8	70006163	1	Regulator, Direct Electronic Pressure	
8	70006164	1	Adapter, Fitting 90	
9	70006169	1	Starter	
9	70006233	1	Harness, Alternator/Starter	
10	70006170	1	Alternator	
11	70006173	1	Cover, Relay Box	
11	70006171	2	Relay (Fuel Pump & Power)	
11	70006172	1	Relay (Starter)	
11	70006175	1	Fuse - 20Amp (Starter)	
11	70006174	1	Decal - Relay Box Cover	
11	70006188	1	Harness, Engine	
11	70006165	2	Isolator, Rubber	
12	70006176	1	Module - Engine Control Unit (ECU/GCP)	
12	70006191	1	Software & Diagnostic Cable	
13	70006177	4	Coil and Boot Assembly	
13	70006178	4	Plug, Spark	
14	70006179	1	Switch, Oil Pressure	
15	70006180	1	Sensor, Knock	
16	70006181	1	Sensor, TMAP	
17	70006182	2	Sensor, O2	
18	70006183	1	Sensor, Coolant Temperature (Not Shown - Located Rear of Engine Block)	
19	70006184	1	Sensor, Crank Position (Not Shown - Located at Front RH Side of Block)	
20	70006185	1	Sensor, Cam Position	
21	70006186	1	Solenoid, Timing	
21	70006187	1	Grommet, Rubber	
22	70006194	1	Muffler	
22	70006195	1	Plug (Located at Muffler Outlet)	

SECTION 3 - ENGINE

ITEM	PART NUMBER	QTY	DESCRIPTION	REV
23		Ref	Gasket Options (Not Shown)	
23	70006196	1	Gasket, Exhaust Manifold to Head	
23	70006197	1	Gasket, Exhaust Manifold Outlet	
23	70006200	1	Gasket, Intake Manifold to Head	
23	70006219	1	Gasket Set - Camshaft Cover	
23	70006225	1	Gasket, Cylinder Head	
24	70006198	1	Governor	
24	7027404	1	Gasket, Governor Actuator	
24	70006199	1	Gasket, Governor to Intake Manifold Adapter	
25	70006203	1	Flywheel (Not Shown)	
26	70006205	1	Thermostat (Includes Housing)	
26	70006206	1	Gasket, Water Inlet	
27	70006207	1	Pump, Water	
27	70006208	1	O-Ring, Water Pump	
27	See Note	NSS	Pulley, Water Pump (Note: Not Available for Purchase at This Time)	
28	70006213	1	Filter, Oil	
29	70006215	1	Plug, Oil Drain	
29	70006217	1	Gasket, Oil Drain Plug	
30	70006221	1	Cap, Oil Fill	
31	70006232	1	Sensor, Crank (Not Shown)	
32	70006235	1	Valve, Lock-Off (Includes Filter)	
33	70006202	1	Belt	
34	70006236	1	Dipstick	
35	70007108	1	Belt Tensioner	

SECTION 3 - ENGINE

FIGURE 3-54. PUMP COUPLING KIT (DEUTZ ENGINES)



ART_2902065

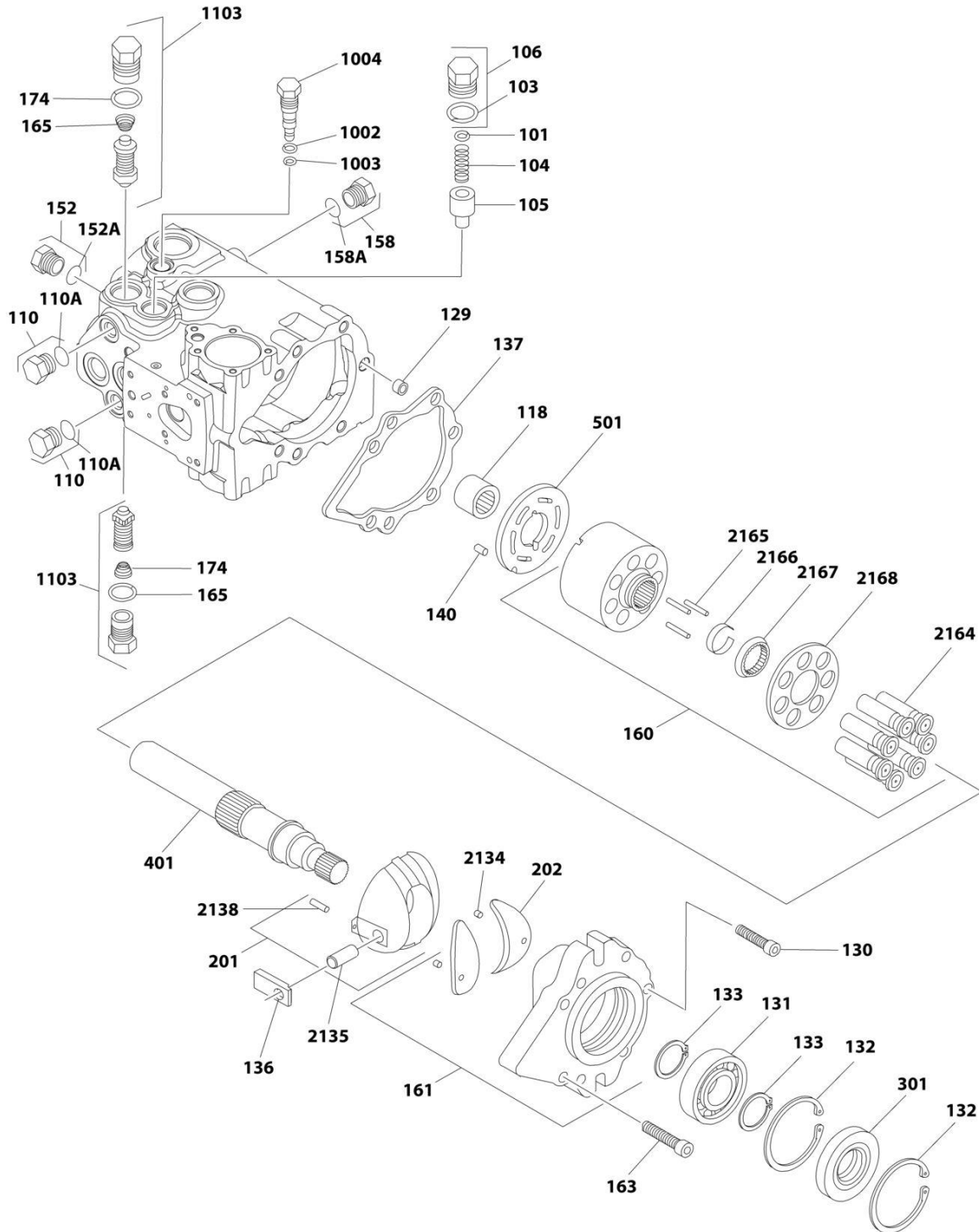
SECTION 3 - ENGINE

FIGURE 3-54. PUMP COUPLING KIT (DEUTZ ENGINES)

ITEM	PART NUMBER	QTY	DESCRIPTION	REV
	2902065	Ref	PUMP COUPLING KIT	L
1	70000793	1	Coupling, Hayes	
2	See Note	NSS	Plate, Pump Adapter (Note: Use p/n 2902065)	
3	See Note	NSS	Bolt M10 x 30 Grade 10.9 (Note: Use p/n 2902065)	
4	See Note	NSS	Washer M10 (Note: Use p/n 2902065)	
6	See Note	NSS	Bolt M10 x 20 Grade 10.9 (Note: Use p/n 2902065)	

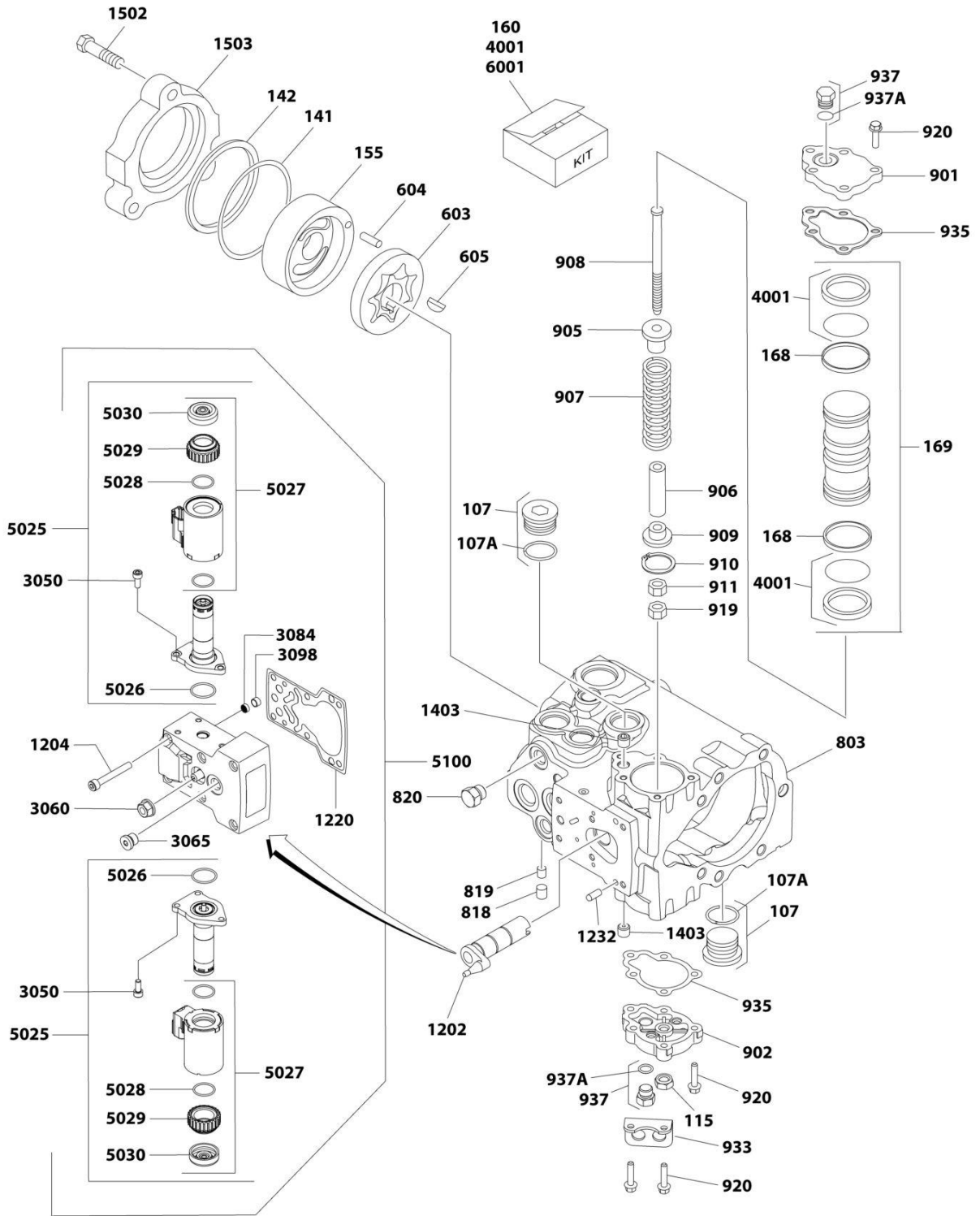
SECTION 3 - ENGINE

FIGURE 3-55. PISTON PUMP ASSEMBLY - ALL ENGINES EXCEPT DUETZ D2011 ENGINES ON MACHINES WITH SN STARTING WITH B3



ART_1001184930_10F2

SECTION 3 - ENGINE



ART_1001184930_20F2

SECTION 3 - ENGINE

FIGURE 3-55. PISTON PUMP ASSEMBLY - ALL ENGINES EXCEPT DUETZ D2011 ENGINES ON MACHINES WITH SN STARTING WITH B3

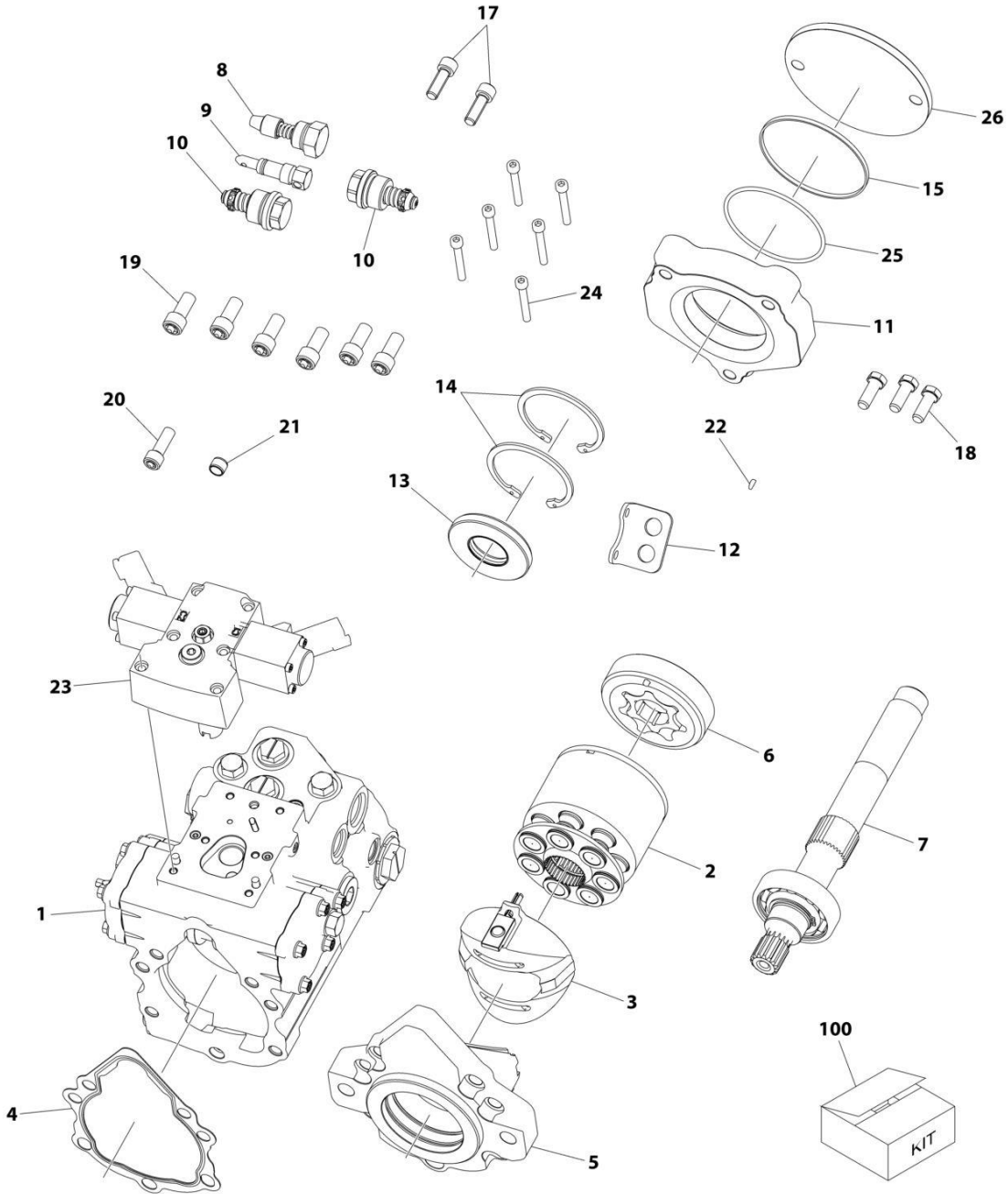
ITEM	PART NUMBER	QTY	DESCRIPTION	REV
	1001184930	Ref	PISTON PUMP ASSEMBLY	C
101	7007413	1	Shim Kit	
103	7007415	1	O-Ring (Part of Item 106)	
104	7021200	1	Spring, Relief Valve	
105	7007417	1	Valve, Relief	
106	7024874	2	Plug (Includes Item 103)	
107	7007419	2	Plug	
107A	7007418	2	O-Ring	
110	7007420	2	Plug	
110A	7021256	2	O-Ring	
115	7007423	1	Nut, Special	
118	7007425	1	Bearing, Needle	
129	7007435	1	Pin, Spring	
130	7021202	1	Screw	
131	70002176	1	Bearing, Ball	
132	7007438	2	Ring, Retainer	
133	7007439	2	Ring	
136	7007442	1	Sleeve, Bearing	
137	7007443	1	Gasket, Front Cover	
140	7007446	1	Pin	
141	7021233	1	O-Ring	
142	7007448	1	Ring, Load Temper	
152	7007420	1	Plug, Assembly	
152A	7021256	1	O-Ring	
155	70005466	1	Cover, Gerotor	
158	7007208	1	Plug	
158A	7007207	1	O-Ring	
160	7010116	1	Cylinder Block Kit (Includes Items 2164-2168)	
161	7024875	1	Cover Assembly - Front (Includes Items 202 & 2134)	
163	7021207	6	Screw	
165	70005467	2	Spring	
168	7021210	2	Bearing	
169	70005468	1	Servo Piston Assembly (Includes Items 168 & QB)	
174	7007418	2	O-Ring	
201	7007457	1	Swash Plate Assembly (Includes Items 2135 & 2138)	
202	7021212	1	Journal, Bearing	
301	7007459	1	Seal, Lip	
401	7010121	1	Shaft, Main Pump	
501	7021214	1	Plate, Valve	
603	7007463	1	Gerotor Assembly	
604	7007464	1	Pin	
605	7007465	1	Key, Woodruff	
803	See Note	NSS	Housing, Pump (Note: Use p/n 1001184930)	
818	70005469	1	Plug	
819	70005470	1	Plug	
820	70005469	1	Plug	
901	7021219	1	Cover, Servo (With Adjuster)	
902	7021220	1	Cover, Servo (Without Adjuster)	
905	7023979	1	Guide, Spring	

SECTION 3 - ENGINE

ITEM	PART NUMBER	QTY	DESCRIPTION	REV
906	7007484	1	Stop, Servo	
907	7007485	1	Spring	
908	7021221	1	Screw	
909	7007487	1	Guide, Spring	
910	7007488	1	Ring, Retaining	
911	7021222	1	Locknut	
919	7021206	1	Nut	
920	7021223	10	Screw	
933	7021201	1	Bracket, Lifting	
935	7007422	2	Gasket, Servo Cover	
937	7007420	2	Plug	
937A	7021256	2	O-Ring	
1002	7007450	1	Ring, Back-up	
1003	70005471	1	O-Ring	
1004	7024877	1	Valve, Bypass	
1103	7024851	2	Valve, Pressure Relief (Includes Items 165 & 174)	
1202	70005472	1	Sleeve	
1204	70002156	6	Screw	
1220	70002154	1	Gasket	
1232	70002157	2	Pin	
1403	7007477	2	Plug, Orifice	
1502	7007453	3	Bolt, Hex	
1503	7007476	1	Adapter, Auxiliary Pump	
2134	7021203	2	Pin, Spring	
2135	7007441	1	Handle, Pin	
2138	7007444	1	Pin	
2164	7010117	7	Piston Assembly	
2165	7007431	3	Pin, Slipper Holddown	
2166	7007430	1	Retainer	
2167	7007434	1	Guide, Retainer	
2168	7010119	1	Retainer, Slipper	
3050	70002150	6	Screw	
3060	7022301	1	Nut, Seal	
3065	70002151	1	Plug	
3084	70002134	1	Screen	
3098	70002153	1	Ring	
4001	7007412	1	Seal Kit - Servo Piston	
5025	70002147	2	Solenoid Assembly (Includes Items 5026-5030)	
5026	70002148	2	O-Ring	
5027	70002149	2	Coil Assembly (Includes Items 5028-5030)	
5028	70005474	2	O-Ring	
5029	70005475	2	Screw	
5030	70005476	2	Cap	
5100	70002146	1	EDC Assembly (Includes Items 1204, 1220, 3050-3098 & 5025-5030)	
6001	7021232	1	Seal Kit - Complete (Includes Items 103, 137, 141, 142, 168, 174, 301, 935, 1002, 1003, 4001 and Plug O-Ring)	

SECTION 3 - ENGINE

FIGURE 3-56. PISTON PUMP ASSEMBLY - DUETZ D2011 ENGINES ON MACHINES WITH SN STARTING WITH B3



ART_1001284471

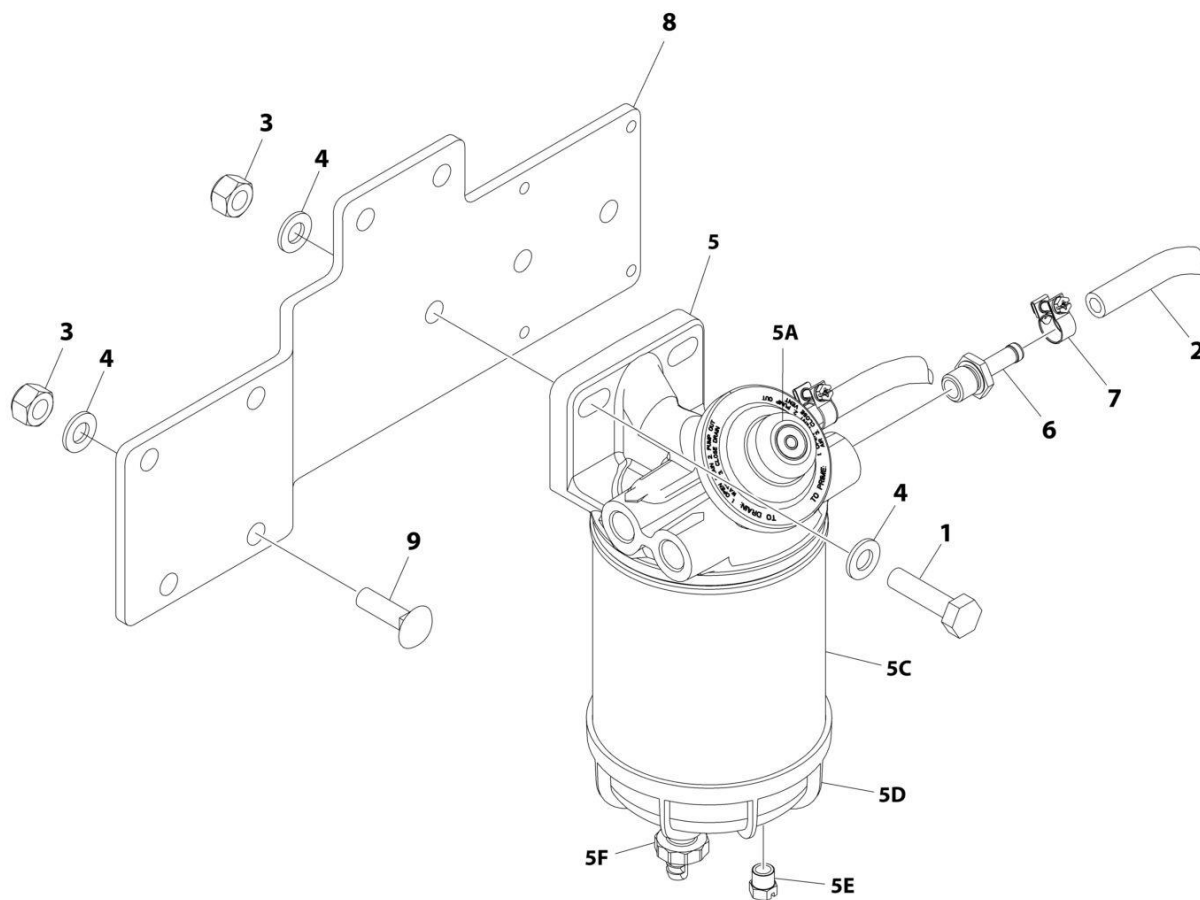
SECTION 3 - ENGINE

FIGURE 3-56. PISTON PUMP ASSEMBLY - DUETZ D2011 ENGINES ON MACHINES WITH SN STARTING WITH B3

ITEM	PART NUMBER	QTY	DESCRIPTION	REV
	1001284471	Ref	PISTON PUMP ASSEMBLY	A
1	70007804	1	Housing, Pump	
2	70007805	1	Block, Cylinder	
3	70007806	1	Swash Plate	
4	70007807	1	Gasket	
5	70007808	1	Cover, Front	
6	70007809	1	Pump, Charge	
7	70007810	1	Shaft	
8	70007811	1	Valve, Relief	
9	70007812	1	Valve, Bypass	
10	70007813	2	Valve, Relief	
11	70007814	1	Plate, Adapter	
12	70007815	1	Bracket, Lifting	
13	70007816	1	Seal	
14	70007817	2	Seal, Ring	
15	70007818	1	Ring	
17	70007819	2	Bolt 3/8 x 1-1/4	
18	70007820	3	Bolt M10 x 25	
19	70007821	6	Bolt M12 x 25	
20	70007822	3	Bolt M10 x 30	
21	70007823	1	Pin	
22	70007824	1	Key	
23	70007825	1	Valve, Control	
24	70007826	6	Bolt M6 x 45	
25	70007827	1	O-Ring	
26	70007828	1	Plate, Cover	
100	70007829	1	Seal Kit	

SECTION 3 - ENGINE

FIGURE 3-57. FUEL FILTER INSTALLATION (POLY FUEL TANK)



ART_1001224200

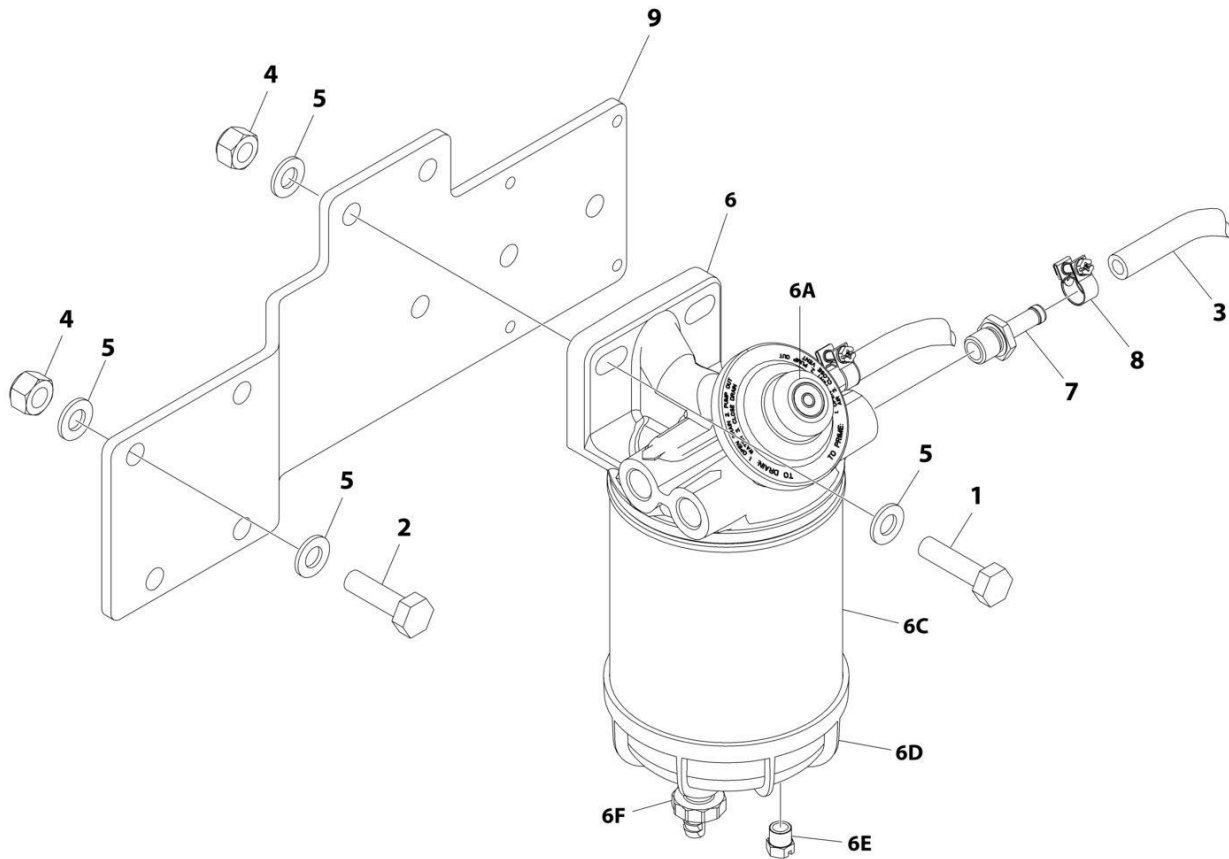
SECTION 3 - ENGINE

FIGURE 3-57. FUEL FILTER INSTALLATION (POLY FUEL TANK)

ITEM	PART NUMBER	QTY	DESCRIPTION	REV
	1001224200	Ref	FUEL FILTER INSTALLATION	B
1	0761016	2	Bolt M10 x 40	
2	2720058	46 in/1.2m	Hose, Fuel Line	
3	3291005	4	Nut M10	
4	4812000	6	Washer M10	
5	1001149452	1	Fuel Filter/Water Separator Assembly	
5A	See Note	NSS	Indicator, Restriction (Note: Use p/n 1001149452)	
5B	70004064	1	Bypass Valve Kit (Not Shown)	
5C	70004065	1	Gasket, Head to Element	
5C	70004066	1	Element, Filter	
5D	70004067	1	Gasket Element to Bowl	
5D	70004068	1	Bowl Kit (Includes Bowl, Element and Plug)	
5E	70004069	1	Plug	
5F	70004070	1	Drain	
6	1001149469	2	Fitting, Straight Barbed	
7	1001174486	2	Clamp	
8	1001224967	1	Bracket	
9	1001228406	2	Bolt M10 x 35	

SECTION 3 - ENGINE

FIGURE 3-58. FUEL FILTER INSTALLATION (STEEL FUEL TANK) (DEUTZ D2011 ENGINES)



ART_1001225054

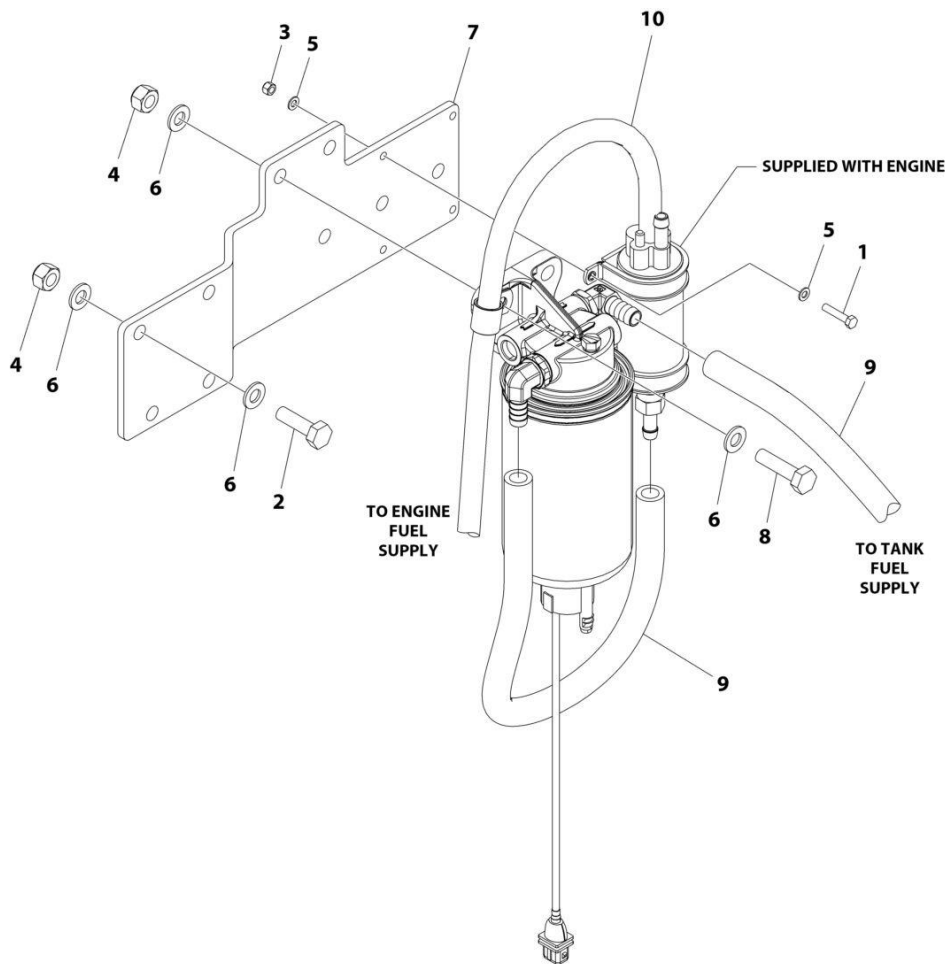
SECTION 3 - ENGINE

FIGURE 3-58. FUEL FILTER INSTALLATION (STEEL FUEL TANK) (DEUTZ D2011 ENGINES)

ITEM	PART NUMBER	QTY	DESCRIPTION	REV
	1001225054	Ref	FUEL FILTER INSTALLATION	B
1	0761016	2	Bolt M10 x 40	
2	0761015	2	Bolt M10 x 35	
2	1001228406	2	Bolt M10 x 35	
3	2720058	32 in/ 80cm	Hose, Fuel Line	
4	3291005	4	Nut M10	
5	4812000	AR	Washer M10	
6	1001149452	1	Fuel Filter/Water Separator Assembly	
6A	See Note	NSS	Indicator, Restriction (Note: Use p/n 1001149452)	
6B	70004064	1	Bypass Valve Kit (Not Shown)	
6C	70004065	1	Gasket, Head to Element	
6C	70004066	1	Element, Filter	
6D	70004067	1	Gasket, Element to Bowl	
6D	70004068	1	Bowl Kit (Includes Bowl, Element and Plug)	
6E	70004069	1	Plug	
6F	70004070	1	Drain	
7	1001149469	2	Fitting, Straight Barbed	
8	1001174486	2	Clamp	
9	1001224967	1	Bracket	

SECTION 3 - ENGINE

FIGURE 3-59. FUEL FILTER INSTALLATION (STEEL FUEL TANK) (DEUTZ DT2.9L4 ENGINES)



ART_1001204902

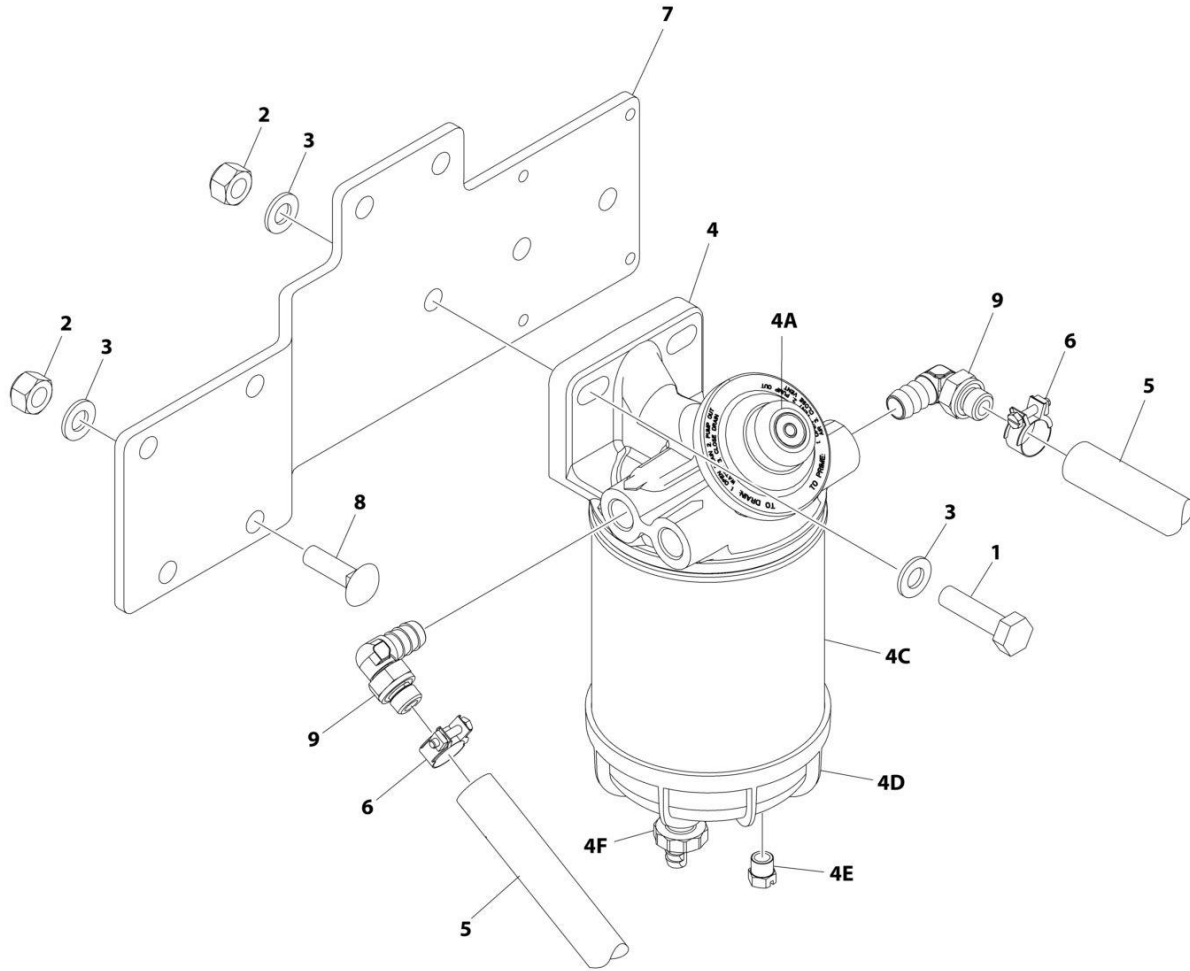
SECTION 3 - ENGINE

FIGURE 3-59. FUEL FILTER INSTALLATION (STEEL FUEL TANK) (DEUTZ DT2.9L4 ENGINES)

ITEM	PART NUMBER	QTY	DESCRIPTION	REV
	1001204902	Ref	FUEL PUMP AND FILTER INSTALLATION	D
1	0760512	4	Bolt M5 x 25	
2	0761015	2	Bolt M10 x 35	
2	1001228406	2	Bolt M10 x 35	
3	3290505	4	Nut M5	
4	3291005	4	Nut M10	
5	4811600	8	Washer M5	
6	4812000	AR	Washer M10	
7	1001224967	1	Bracket	
8	0701016	2	Bolt M10 x 40	
9	1001154405	2.3 ft/ 70cm	Hose	
10	1001165035	2.5 ft/ 75cm	Hose	

SECTION 3 - ENGINE

FIGURE 3-60. FUEL FILTER INSTALLATION (STEEL FUEL TANK) (DEUTZ D2.9L4 ENGINES)



ART_1001286194

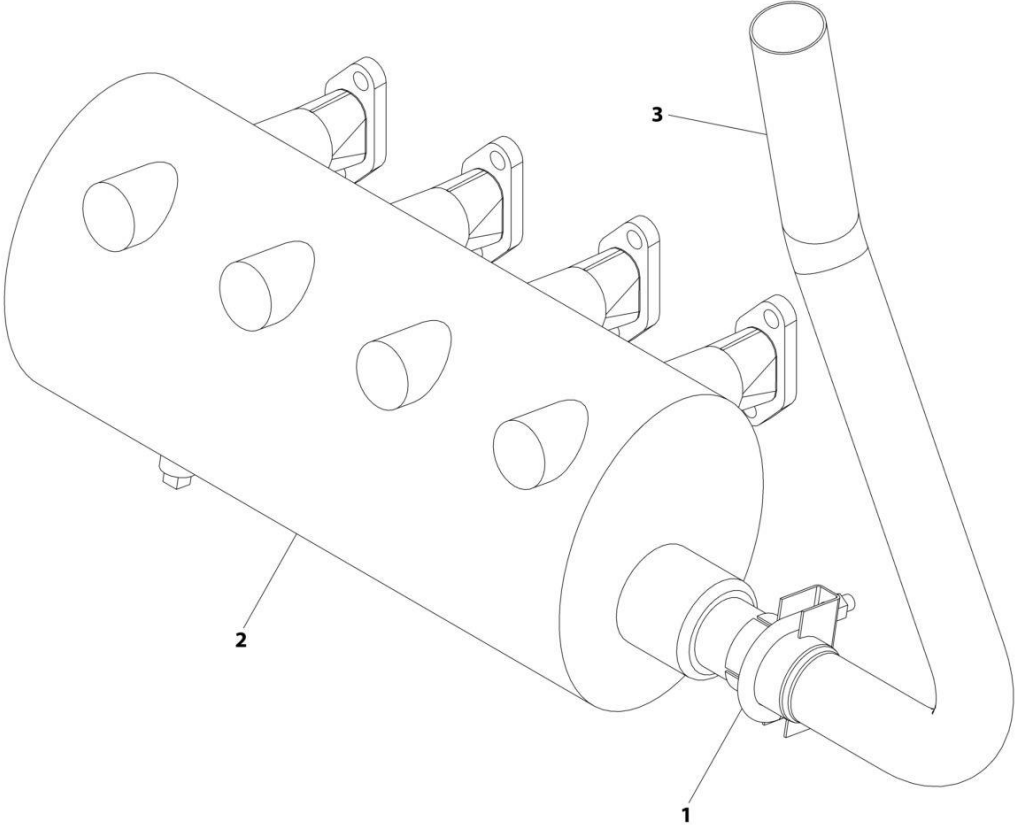
SECTION 3 - ENGINE

FIGURE 3-60. FUEL FILTER INSTALLATION (STEEL FUEL TANK) (DEUTZ D2.9L4 ENGINES)

ITEM	PART NUMBER	QTY	DESCRIPTION	REV
	1001286194	Ref	FUEL FILTER INSTALLATION	A
1	0761016	2	Bolt M10 x 40	
2	3291005	4	Nut M10	
3	4812000	6	Washer M10	
4	1001149452	1	Fuel Filter/Water Separator Assembly	
4A	See Note	NSS	Indicator, Restriction (Note: Use p/n 1001149452)	
4B	70004064	1	Bypass Valve Kit (Not Shown)	
4C	70004065	1	Gasket, Head to Element	
4C	70004066	1	Element, Filter	
4D	70004067	1	Gasket Element to Bowl	
4D	70004068	1	Bowl Kit (Includes Bowl, Element and Plug)	
4E	70004069	1	Plug	
4F	70004070	1	Drain	
5	1001154405	7 ft/ 2.12m	Hose, Fuel Line	
6	1001175568	2	Clip	
7	1001224967	1	Bracket	
8	1001228406	2	Bolt M10 x 35	
9	1001258505	2	Fitting, 90 Barbed	

SECTION 3 - ENGINE

FIGURE 3-61. MUFFLER INSTALLATION - SPARK ARRESTING (DEUTZ D2011 ENGINES)



ART_1001192284

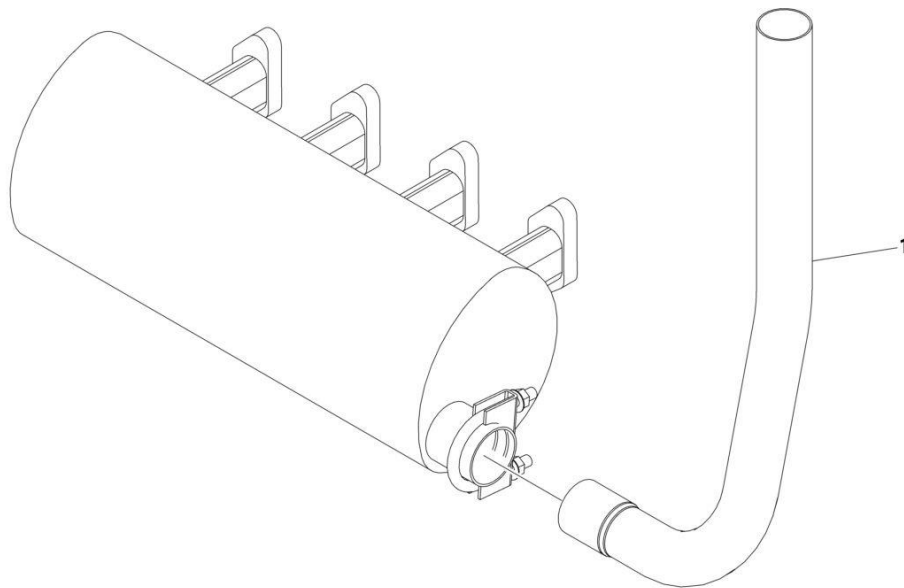
SECTION 3 - ENGINE

FIGURE 3-61. MUFFLER INSTALLATION - SPARK ARRESTING (DEUTZ D2011 ENGINES)

ITEM	PART NUMBER	QTY	DESCRIPTION	REV
	1001192284	Ref	MUFFLER INSTALLATION	B
1	1320176	1	Clamp	
2	1001191156	1	Muffler, Spark Arresting	
3	1001195763	1	Pipe, Exhaust	

SECTION 3 - ENGINE

FIGURE 3-62. EXHAUST PIPE INSTALLATION - (DEUTZ D2011 ENGINES)



ART_1001239563

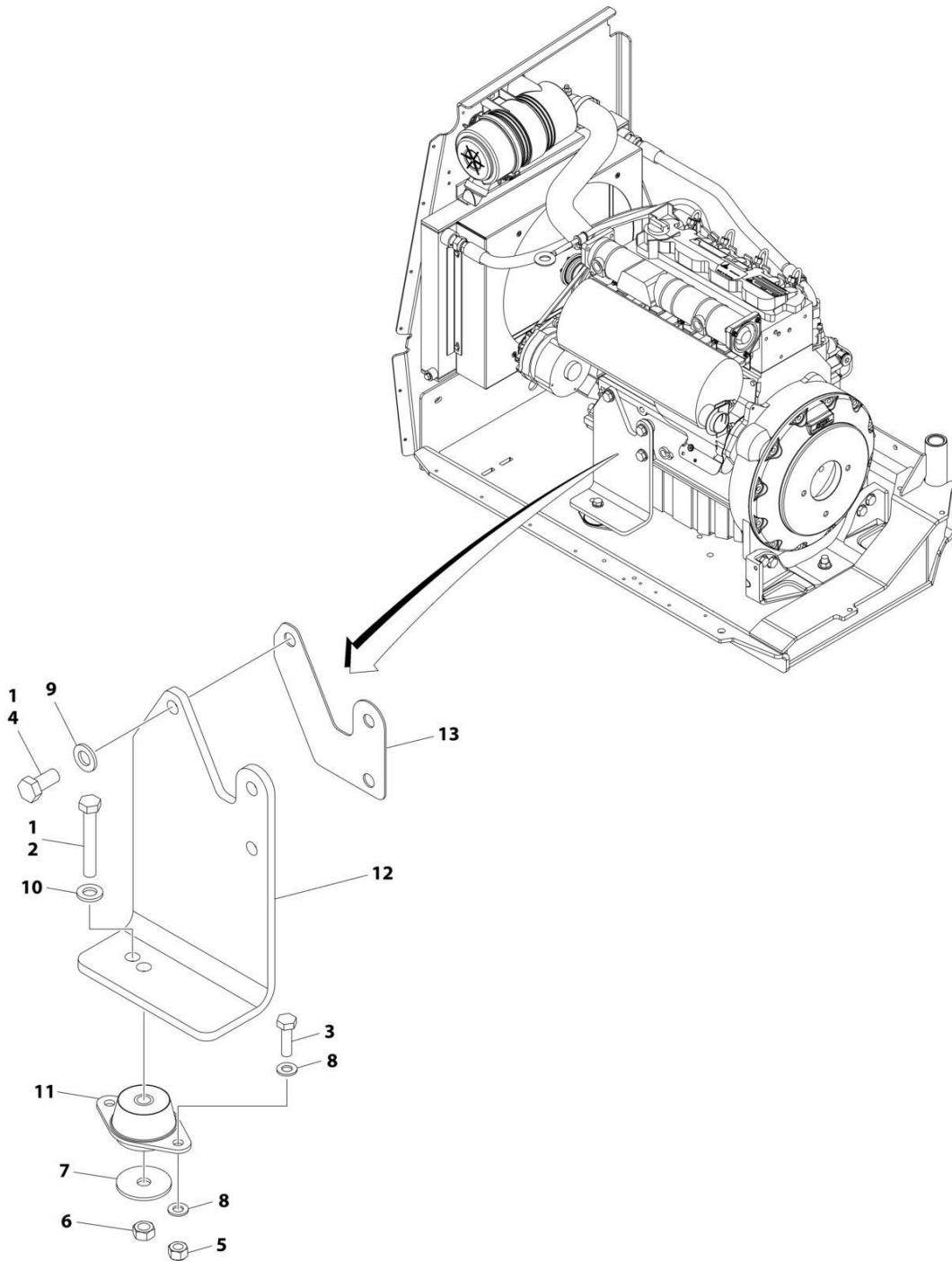
SECTION 3 - ENGINE

FIGURE 3-62. EXHAUST PIPE INSTALLATION - (DEUTZ D2011 ENGINES)

ITEM	PART NUMBER	QTY	DESCRIPTION	REV
1	1001239563 1001191273	Ref 1	MUFFLER INSTALLATION Pipe, Exhaust	A

SECTION 3 - ENGINE

FIGURE 3-63. MOTOR MOUNT INSTALLATION - WITHOUT GENERATOR (DEUTZ D2011 ENGINES)



ART_1001192443

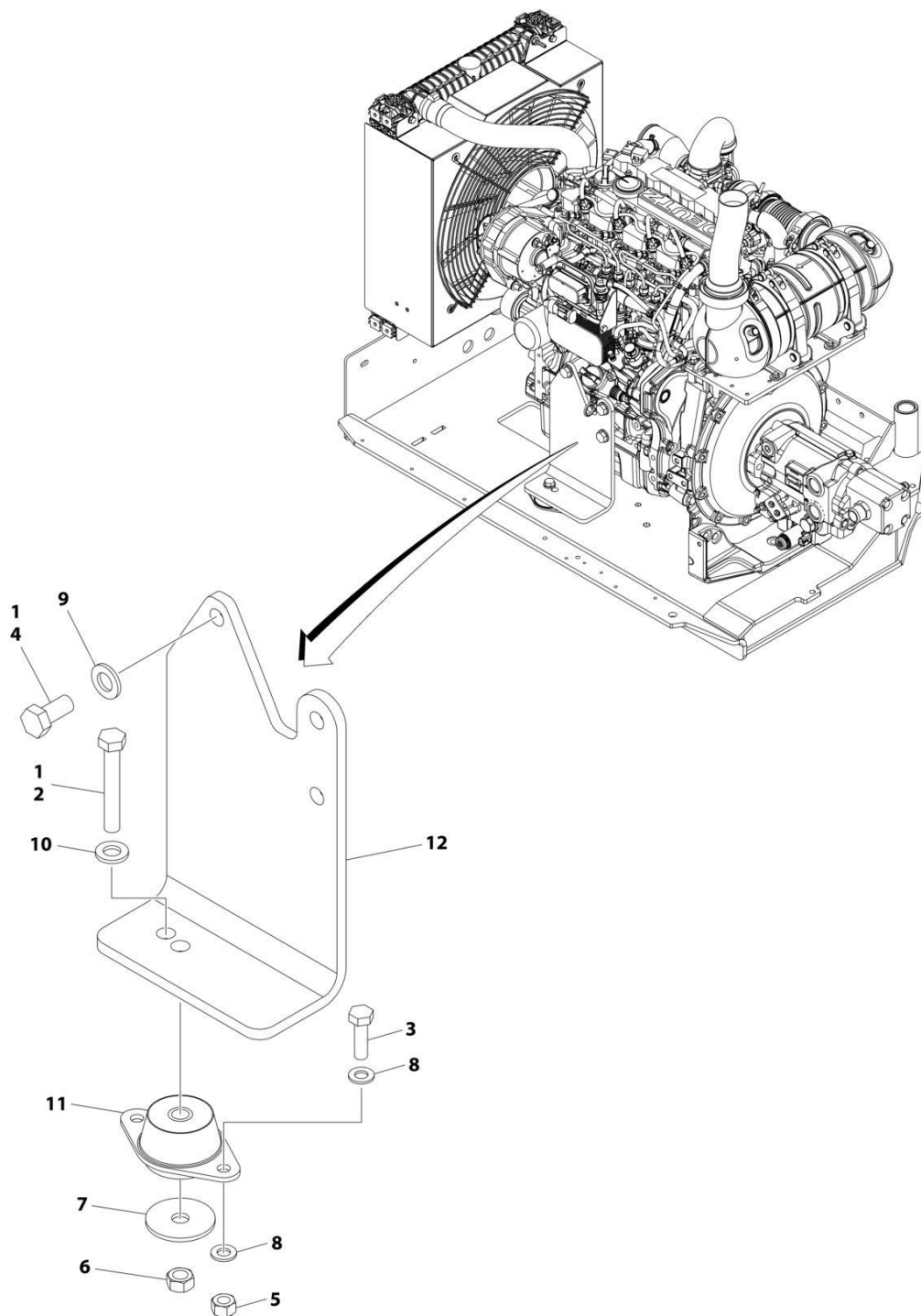
SECTION 3 - ENGINE

FIGURE 3-63. MOTOR MOUNT INSTALLATION - WITHOUT GENERATOR (DEUTZ D2011 ENGINES)

ITEM	PART NUMBER	QTY	DESCRIPTION	REV
	1001192443	Ref	MOTOR MOUNT INSTALLATION	D
1	0100011	AR	Compound, Locking	
2	0711224	1	Bolt M12 x 80	
3	0761015	2	Bolt M10 x 35	
4	0771414	3	Bolt M14 x 30	
5	3291005	2	Nut M10	
6	3331211	1	Nut M12	
7	1001168018	1	Washer	
8	4812000	4	Washer M10	
9	5241400	3	Washer M14	
10	5241200	1	Washer M12	
11	1001191610	1	Mount, Motor	
12	1001189227	1	Mount	
13	1001201843	1	Shim	

SECTION 3 - ENGINE

FIGURE 3-64. MOTOR MOUNT INSTALLATION - WITHOUT GENERATOR (DEUTZ TD 2.9L4 ENGINES)



ART_1001192442

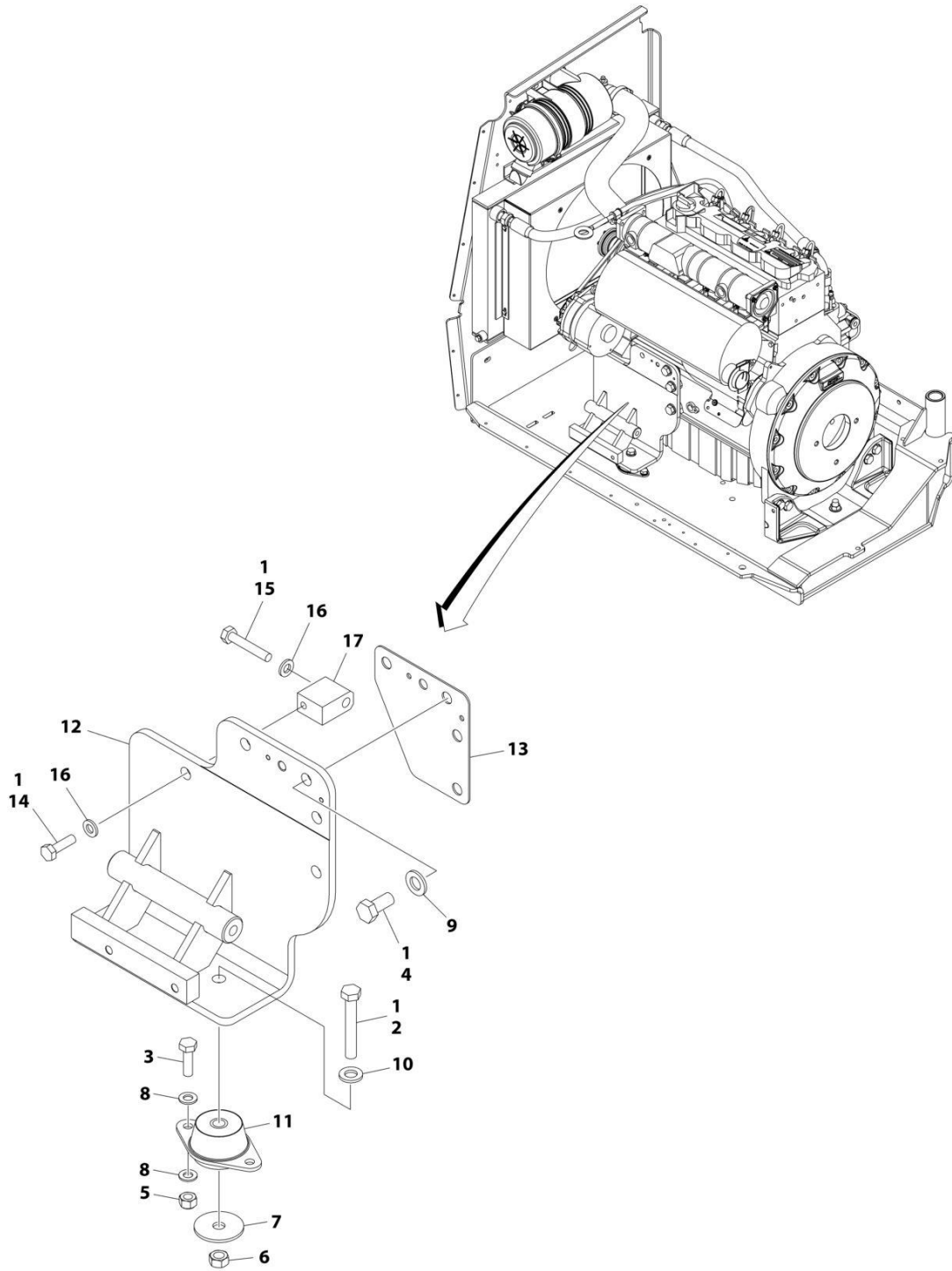
SECTION 3 - ENGINE

FIGURE 3-64. MOTOR MOUNT INSTALLATION - WITHOUT GENERATOR (DEUTZ TD 2.9L4 ENGINES)

ITEM	PART NUMBER	QTY	DESCRIPTION	REV
	1001192442	Ref	MOTOR MOUNT INSTALLATION	D
1	0100011	AR	Compound, Locking	
2	0711224	1	Bolt M12 x 80	
3	0761015	2	Bolt M10 x 35	
4	0771414	3	Bolt M14 x 30	
5	3291005	2	Nut M10	
6	3331211	1	Nut M12	
7	1001168018	1	Washer	
8	4812000	4	Washer M10	
9	5241400	3	Washer M14	
10	5241200	1	Washer M12	
11	1001191610	1	Mount, Motor	
12	1001189227	1	Mount	

SECTION 3 - ENGINE

FIGURE 3-65. MOTOR MOUNT INSTALLATION - WITH GENERATOR (DEUTZ D2011 ENGINES)



ART_1001191856

SECTION 3 - ENGINE

FIGURE 3-65. MOTOR MOUNT INSTALLATION - WITH GENERATOR (DEUTZ D2011 ENGINES)

ITEM	PART NUMBER	QTY	DESCRIPTION	REV
	1001191856	Ref	MOTOR MOUNT INSTALLATION	F
1	0100011	AR	Compound, Locking	
2	0711224	1	Bolt M12 x 80	
3	0761015	2	Bolt M10 x 35	
4	0771415	3	Bolt M14 x 35	
5	3291005	2	Nut M10	
6	3331211	1	Nut M12	
7	1001168018	1	Washer	
8	4812000	4	Washer M10	
9	5241400	3	Washer M14	
10	5241200	1	Washer M12	
11	1001191610	1	Mount, Engine	
12	1001239710	1	Bracket	
13	1001205957	1	Shim	
14	0711015	1	Bolt M10 x 35	
15	0711020	1	Bolt M10 x 60	
16	5241000	2	Washer M10	
17	1001239715	1	Block	

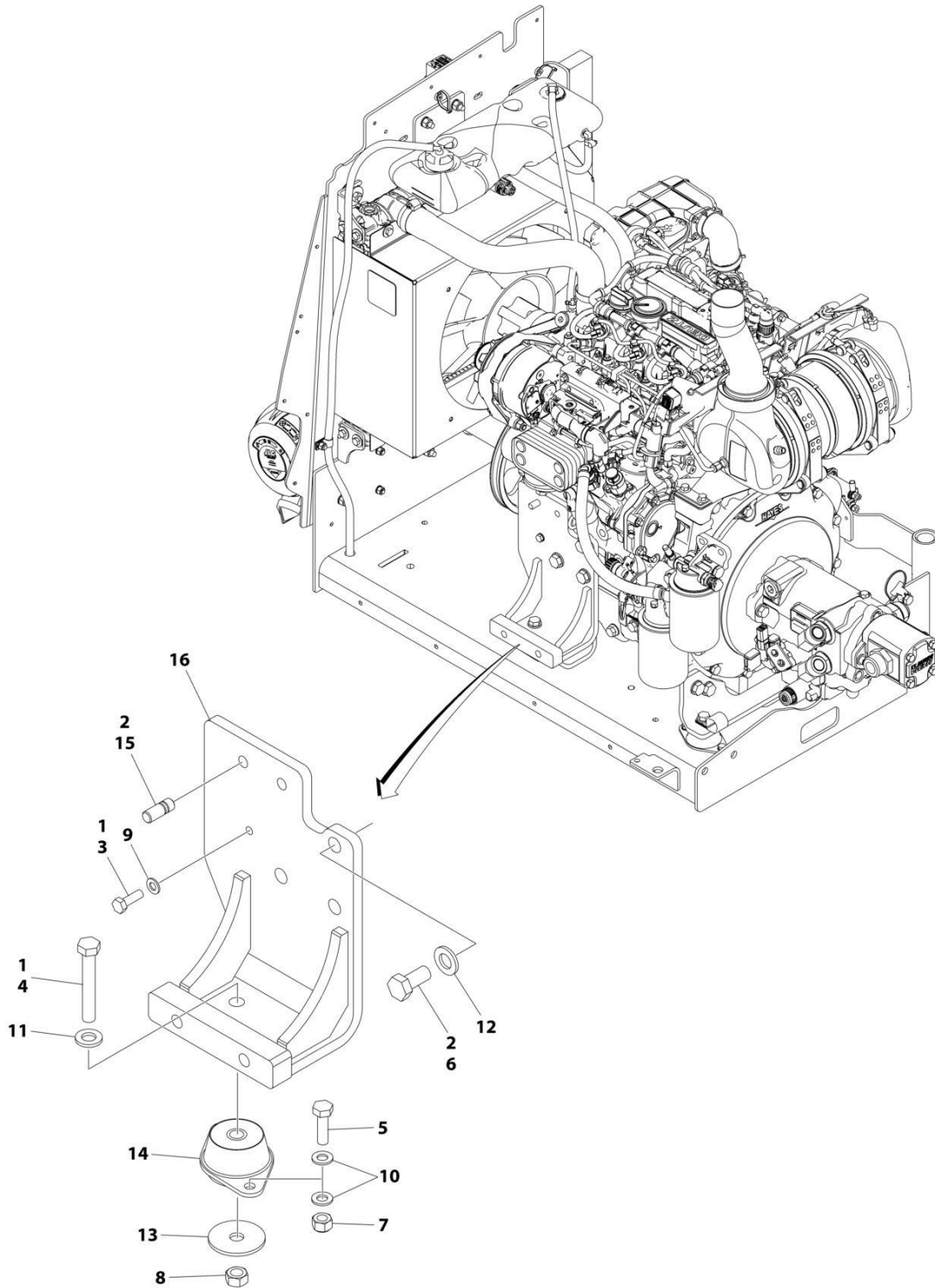
SECTION 3 - ENGINE

FIGURE 3-66. MOTOR MOUNT INSTALLATION - WITH GENERATOR (DEUTZ TD 2.9L4 ENGINES)

ITEM	PART NUMBER	QTY	DESCRIPTION	REV
	1001192008	Ref	MOTOR MOUNT INSTALLATION	F
1	0100011	AR	Compound, Locking	
2	0711224	1	Bolt M12 x 80	
3	0761015	2	Bolt M10 x 35	
4	0771415	3	Bolt M14 x 35	
5	3291005	2	Nut M10	
6	3331211	1	Nut M12	
7	1001168018	1	Washer	
8	4812000	4	Washer M10	
9	5241400	3	Washer M14	
10	5241200	1	Washer M12	
11	1001191610	1	Mount, Motor	
12	1001209016	1	Mount	
13	0770814	1	Bolt M8 x 30	
14	5240800	1	Washer M8	

SECTION 3 - ENGINE

FIGURE 3-67. MOTOR MOUNT INSTALLATION - WITH GENERATOR (STAGE V) (DEUTZ TD 2.2L3 ENGINES)



ART_1001255280

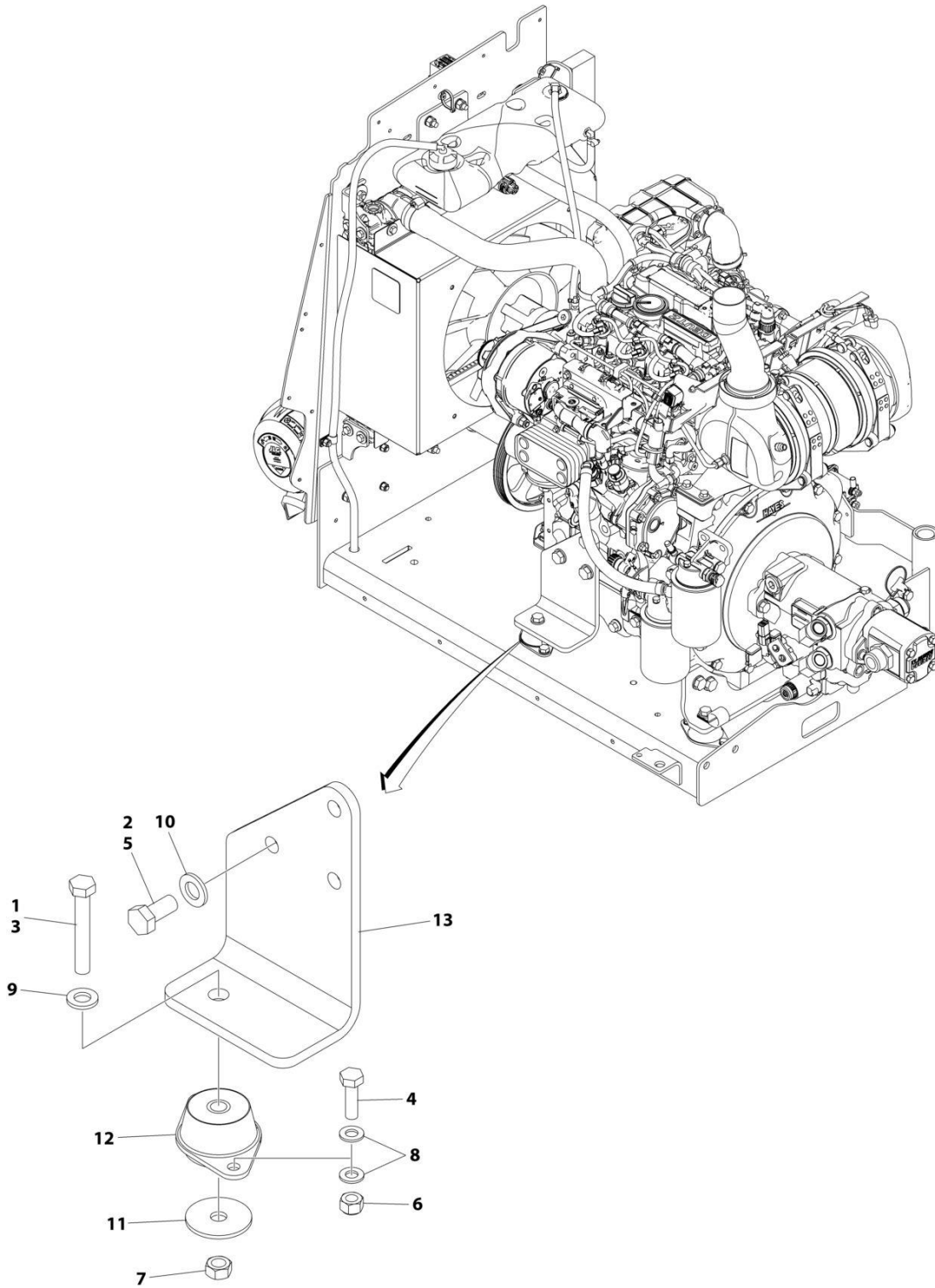
SECTION 3 - ENGINE

FIGURE 3-67. MOTOR MOUNT INSTALLATION - WITH GENERATOR (STAGE V) (DEUTZ TD 2.2L3 ENGINES)

ITEM	PART NUMBER	QTY	DESCRIPTION	REV
	1001255280	Ref	MOTOR MOUNT INSTALLATION	C
1	0100011	AR	Compound, Locking	
2	0100019	AR	Compound, Locking	
3	0700812	1	Bolt M8 x 25	
4	0711224	1	Bolt M12 x 80	
5	0761015	2	Bolt M10 x 35	
6	0771414	3	Bolt M14 x 30	
7	3291005	2	Nut M10	
8	3331211	1	Nut M12	
9	4811900	1	Washer M8	
10	4812000	4	Washer M10	
11	5241200	1	Washer M12	
12	5241400	1	Washer M14	
13	1001168018	1	Washer	
14	1001166718	1	Mount, Motor	
15	1001196382	1	Stud	
16	1001254899	1	Mount	

SECTION 3 - ENGINE

FIGURE 3-68. MOTOR MOUNT INSTALLATION - WITHOUT GENERATOR (STAGE V) (DEUTZ TD 2.2L3 ENGINES)



ART_1001255281

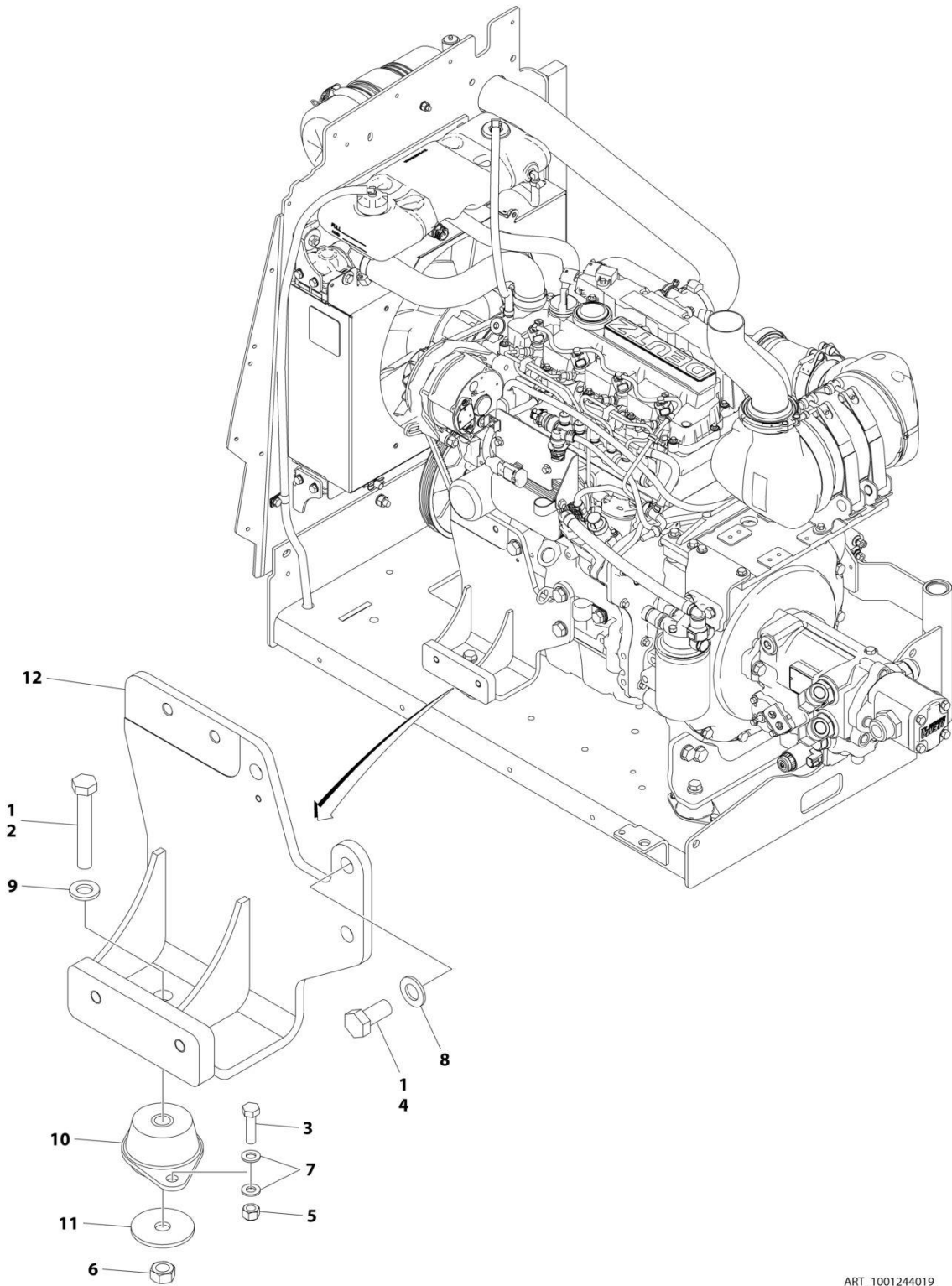
SECTION 3 - ENGINE

FIGURE 3-68. MOTOR MOUNT INSTALLATION - WITHOUT GENERATOR (STAGE V) (DEUTZ TD 2.2L3 ENGINES)

ITEM	PART NUMBER	QTY	DESCRIPTION	REV
	1001255281	Ref	MOTOR MOUNT INSTALLATION	C
1	0100011	AR	Compound, Locking	
2	0100019	AR	Compound, Locking	
3	0711224	1	Bolt M12 x 80	
4	0761015	2	Bolt M10 x 35	
5	0771414	3	Bolt M14 x 30	
6	3291005	2	Nut M10	
7	3331211	1	Nut M12	
8	4812000	4	Washer M10	
9	5241200	1	Washer M12	
10	5241400	3	Washer M14	
11	1001168018	1	Washer	
12	1001166718	1	Mount, Motor	
13	1001254423	1	Mount	

SECTION 3 - ENGINE

FIGURE 3-69. MOTOR MOUNT INSTALLATION - WITH GENERATOR (DEUTZ TD 2.9L4 49HP ENGINES)



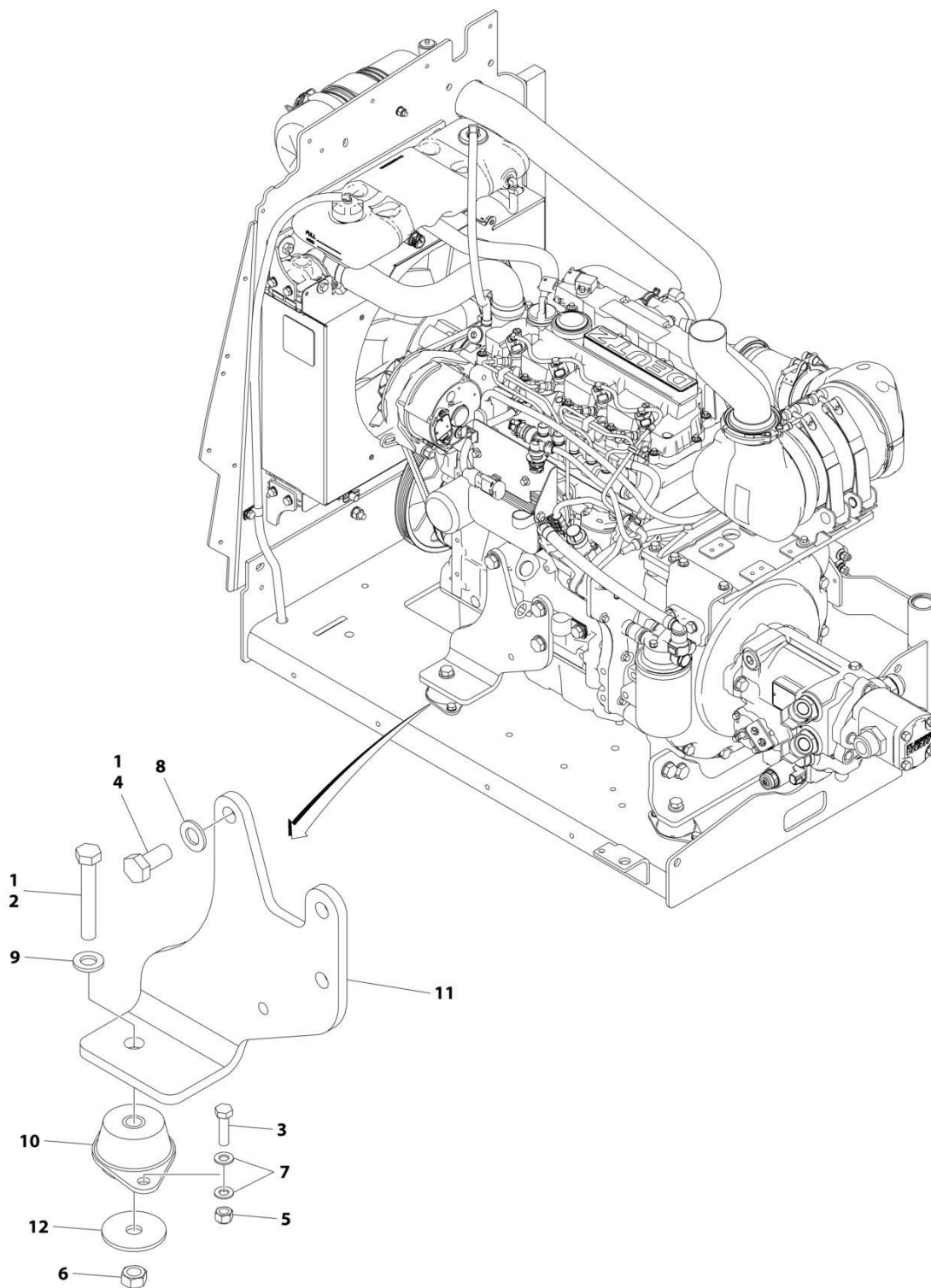
SECTION 3 - ENGINE

FIGURE 3-69. MOTOR MOUNT INSTALLATION - WITH GENERATOR (DEUTZ TD 2.9L4 49HP ENGINES)

ITEM	PART NUMBER	QTY	DESCRIPTION	REV
	1001244019	Ref	MOTOR MOUNT INSTALLATION	A
1	0100011	AR	Compound, Locking	
2	0711224	1	Bolt M12 x 80	
3	0760814	2	Bolt M8 x 30	
4	0771414	3	Bolt M14 x 30	
5	3290805	2	Nut M8	
6	3331211	1	Nut M12	
7	4811900	4	Washer M8	
8	4812200	3	Washer M14	
9	5241200	1	Washer M12	
10	1001166718	1	Mount, Motor	
11	1001168018	1	Washer	
12	1001168207	1	Mount	

SECTION 3 - ENGINE

FIGURE 3-70. MOTOR MOUNT INSTALLATION - WITHOUT GENERATOR (DEUTZ TD 2.9L4 49HP ENGINES)



ART_1001244024

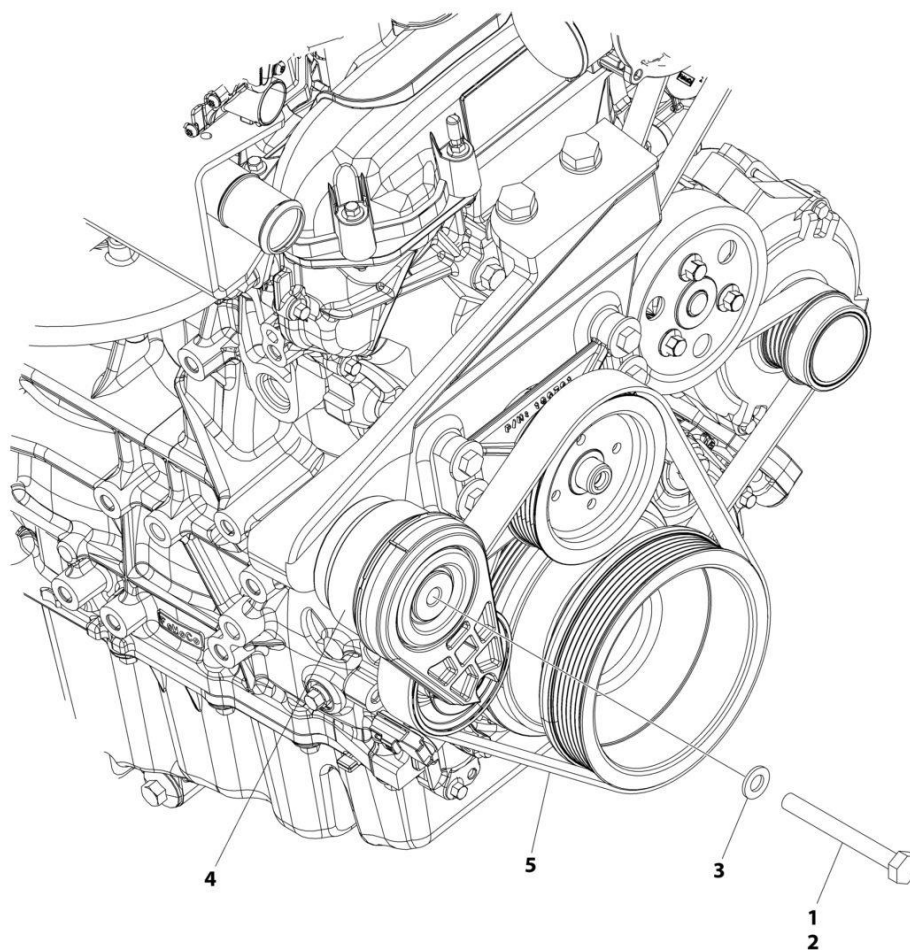
SECTION 3 - ENGINE

FIGURE 3-70. MOTOR MOUNT INSTALLATION - WITHOUT GENERATOR (DEUTZ TD 2.9L4 49HP ENGINES)

ITEM	PART NUMBER	QTY	DESCRIPTION	REV
	1001244024	Ref	MOTOR MOUNT INSTALLATION	A
1	0100011	AR	Compound, Locking	
2	0711224	1	Bolt M12 x 80	
3	0760814	2	Bolt M8 x 30	
4	0771414	3	Bolt M14 x 30	
5	3290805	2	Nut M8	
6	3331211	1	Nut M12	
7	4811900	4	Washer M8	
8	4812200	3	Washer M14	
9	5241200	1	Washer M12	
10	1001166718	1	Mount, Motor	
11	1001166922	1	Mount	
12	1001168018	1	Washer	

SECTION 3 - ENGINE

FIGURE 3-71. BELT WITHOUT GENERATOR INSTALLATION (FORD ENGINES)



ART_1001220404

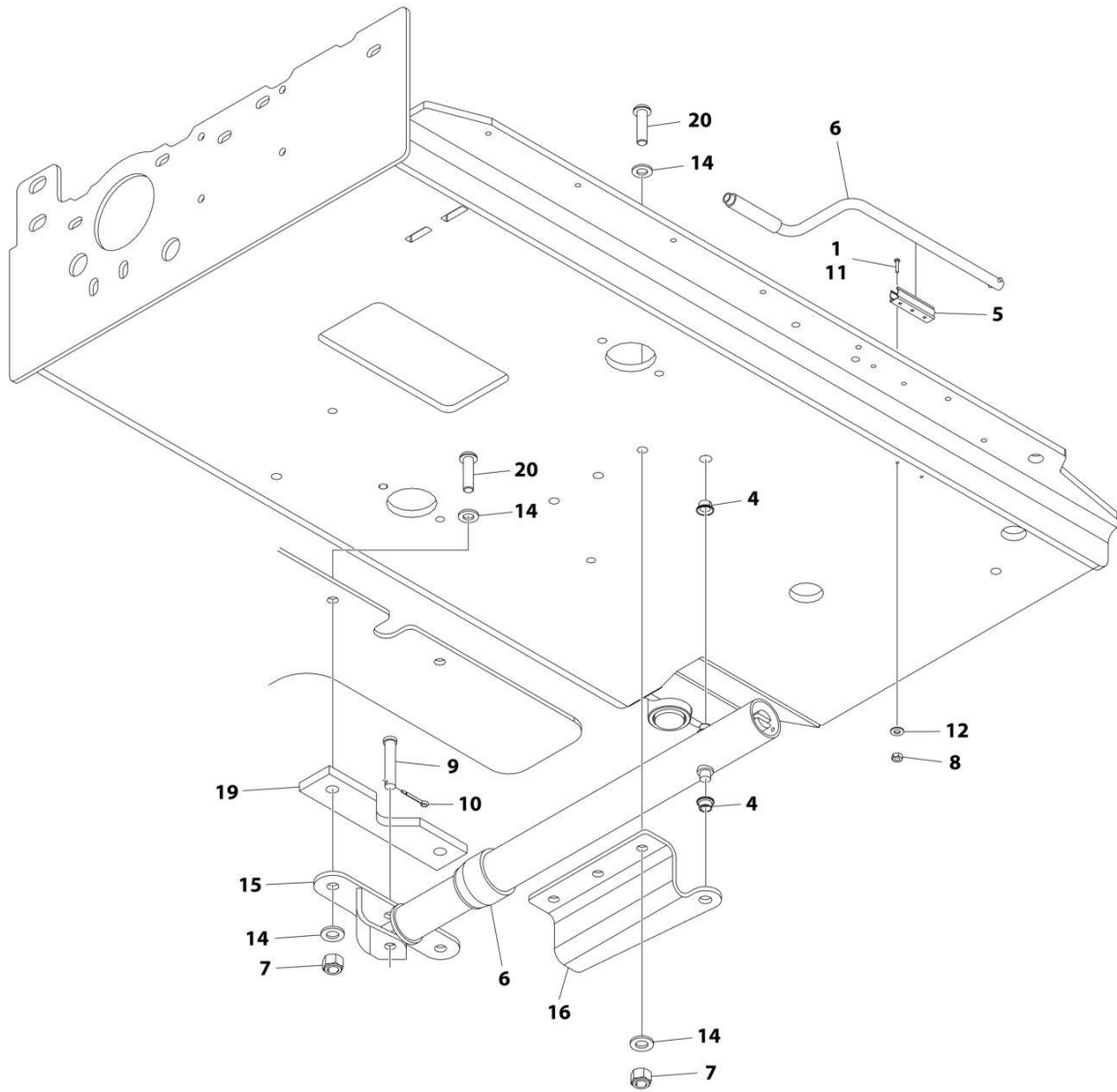
SECTION 3 - ENGINE

FIGURE 3-71. BELT WITHOUT GENERATOR INSTALLATION (FORD ENGINES)

ITEM	PART NUMBER	QTY	DESCRIPTION	REV
	1001220404	Ref	DRIVE BELT INSTALLATION	C
1	0100011	AR	Compound, Locking	
2	0701026	1	Bolt M10 x 90	
3	4812002	1	Washer M10	
4	1001216300	1	Pulley	
5	1001216619	1	V-Belt	

SECTION 3 - ENGINE

FIGURE 3-72. TRAY JACK INSTALLATION



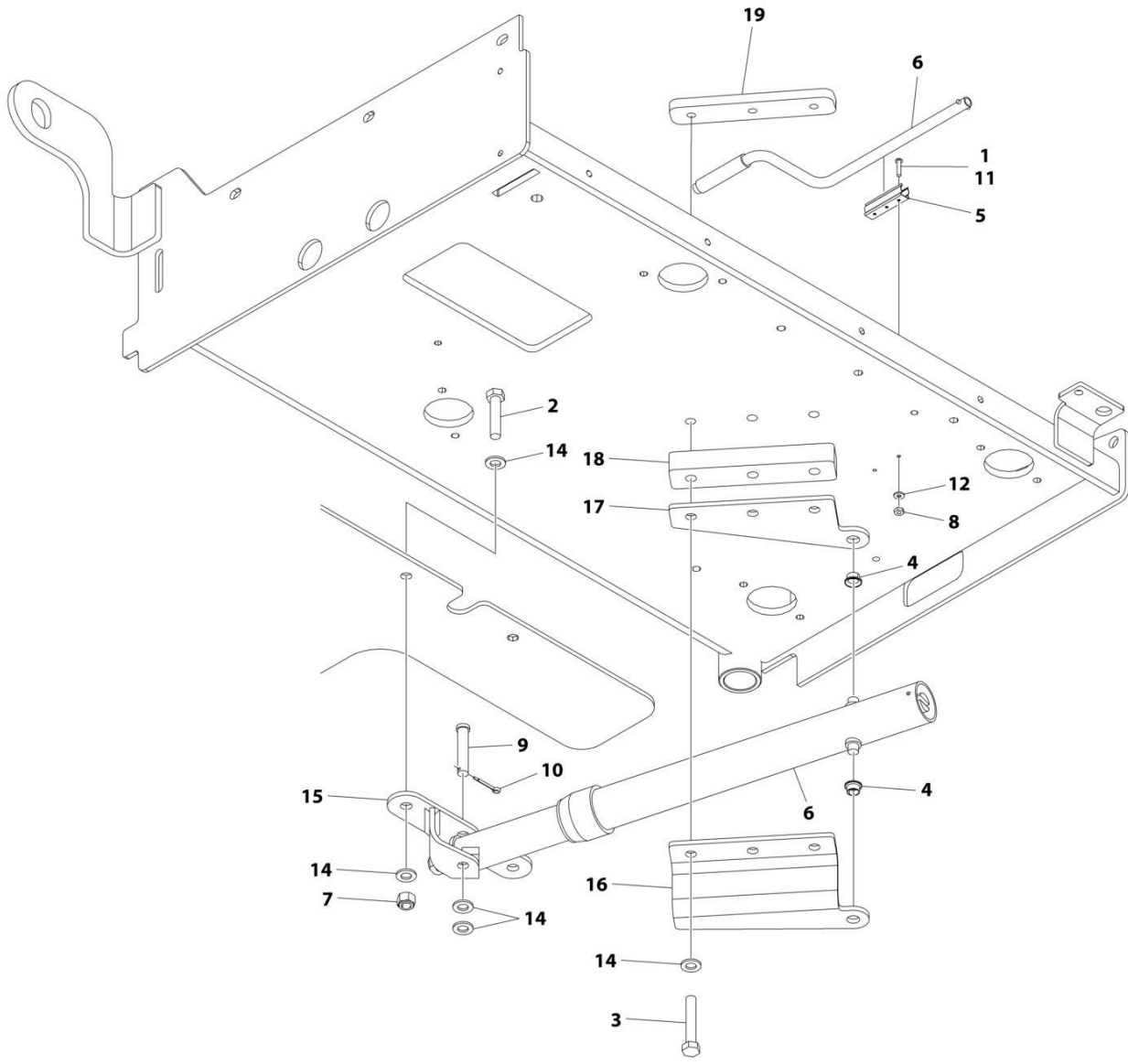
ART_1001186980_E

FIGURE 3-72. TRAY JACK INSTALLATION

ITEM	PART NUMBER	QTY	DESCRIPTION	REV
	1001186980	Ref	TRAY JACK INSTALLATION	E
1	0100011	AR	Compound, Locking	
4	0962051	2	Bearing	
5	1380147	1	Clip	
6	2840016	1	Jack and Handle Assembly	
6	7024598	1	Handle	
7	3291205	5	Nut M12	
8	3290301	2	Nut M3	
9	3430820	1	Pin	
10	1001236121	1	Pin	
11	4010308	2	Screw M3 x 16	
12	4811400	2	Washer M4	
14	4812100	10	Washer M12	
15	1001166894	1	Support	
16	1001175073	1	Support	
19	1001186981	1	Plate	
20	1001102978	5	Screw M12 x 45 Grade 10.9	

SECTION 3 - ENGINE

FIGURE 3-73. TRAY JACK INSTALLATION (STAGE V)



ART_1001244023_C

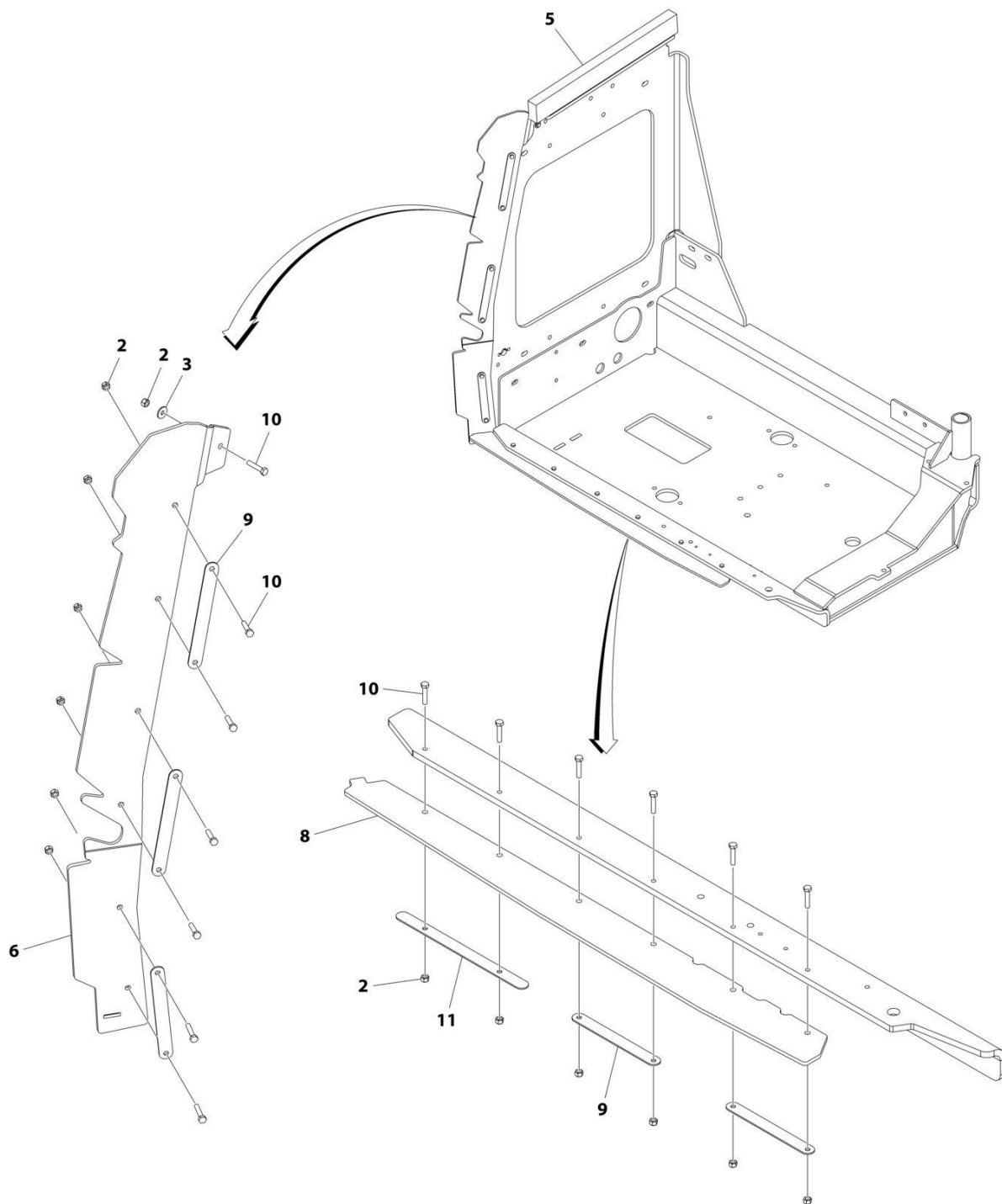
SECTION 3 - ENGINE

FIGURE 3-73. TRAY JACK INSTALLATION (STAGE V)

ITEM	PART NUMBER	QTY	DESCRIPTION	REV
	1001244023	Ref	TRAY JACK INSTALLATION	C
1	0100011	AR	Compound, Locking	
2	1001102978	2	Bolt M12 x 45	
3	0701222	3	Bolt M12 x 70	
4	0962051	2	Bearing	
5	1380147	1	Clip	
6	2840016	1	Jack and Handle Assembly	
6	7024598	1	Handle	
7	3291205	2	Nut M12	
8	3290301	2	Nut M3	
9	3430820	1	Pin	
10	1001236121	1	Pin	
11	4010308	2	Screw M3 x 16	
12	4811400	1	Washer M4	
14	4812100	9	Washer M12	
15	1001166894	1	Support	
16	1001175073	1	Support	
17	1001175074	1	Support	
18	1001244025	1	Shim	
19	1001254719	1	Plate, Nut	

SECTION 3 - ENGINE

FIGURE 3-74. ENGINE HOOD Baffles INSTALLATION - ABS HOODS



ART_1001197268_G

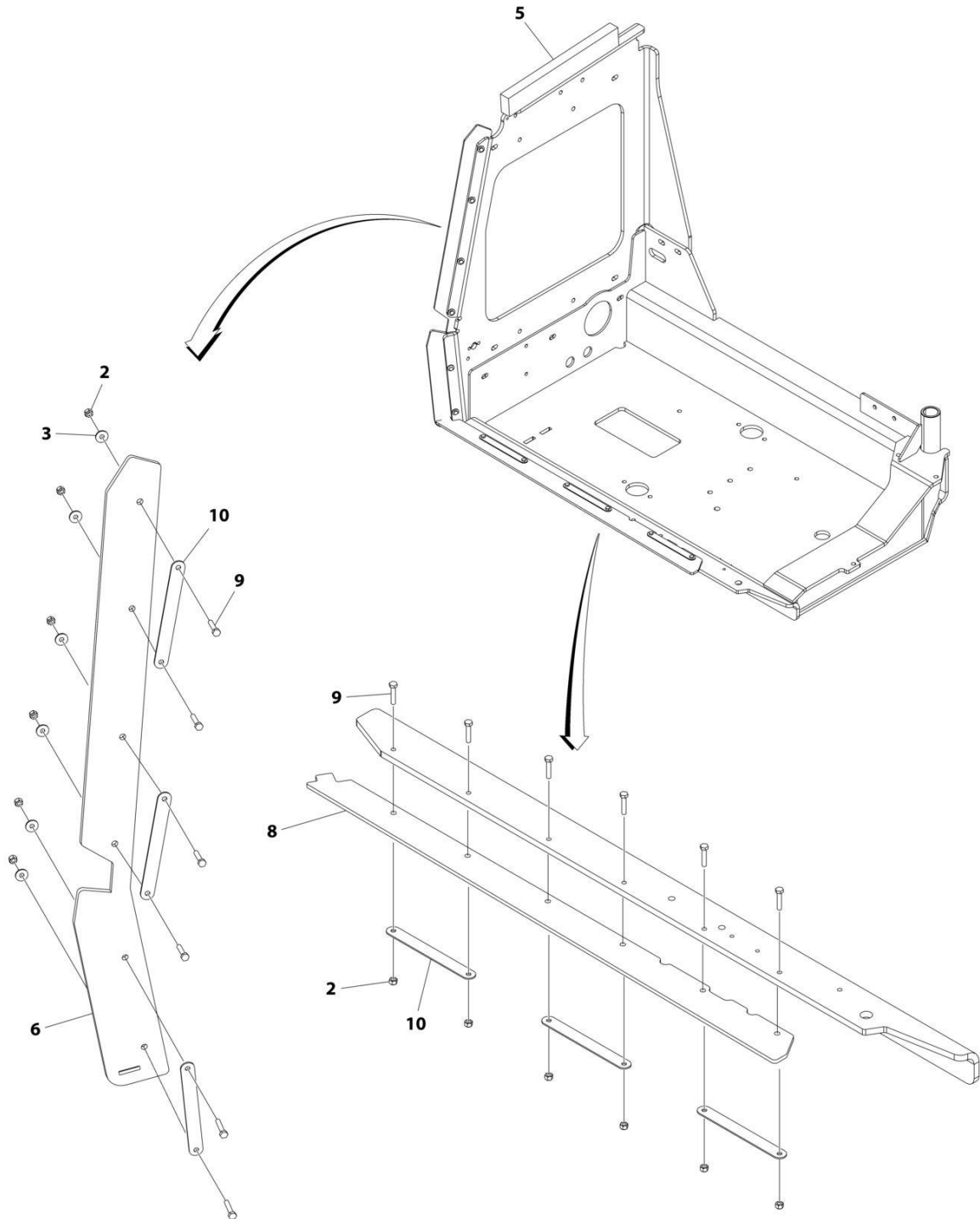
SECTION 3 - ENGINE

FIGURE 3-74. ENGINE HOOD BAFFLES INSTALLATION - ABS HOODS

ITEM	PART NUMBER	QTY	DESCRIPTION	REV
	1001197268	Ref	ENGINE HOOD BAFFLES INSTALLATION	G
2	3290605	13	Nut M6	
3	4811702	8	Washer M6	
5	1001197389	1	Seal	
6	1001234370	1	Seal	
8	1001234371	1	Seal	
9	1001167164	5	Support	
10	0760614	13	Bolt M6 x 30	
11	1001233429	1	Support	

SECTION 3 - ENGINE

FIGURE 3-75. ENGINE HOOD Baffles INSTALLATION - STEEL HOODS



ART_1001197269_F

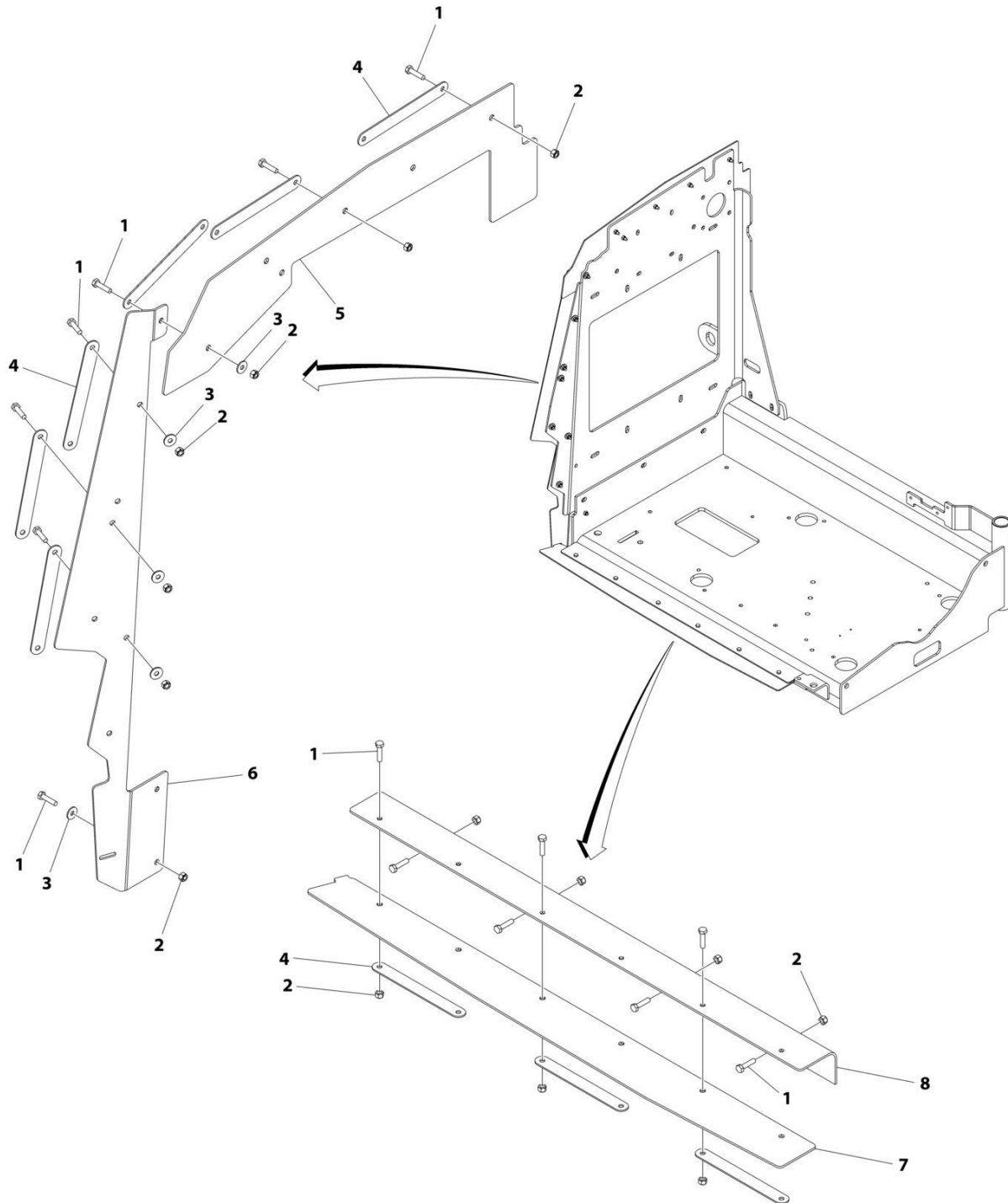
SECTION 3 - ENGINE

FIGURE 3-75. ENGINE HOOD BAFFLES INSTALLATION - STEEL HOODS

ITEM	PART NUMBER	QTY	DESCRIPTION	REV
	1001197269	Ref	ENGINE HOOD BAFFLES INSTALLATION	F
2	3290605	AR	Nut M6	
3	4811702	AR	Washer M6	
5	1001234281	1	Seal	
6	1001234299	1	Seal	
8	1001234283	1	Seal	
9	0760614	AR	Bolt M6 x 30	
10	1001167164	6	Support	

SECTION 3 - ENGINE

FIGURE 3-76. ENGINE HOOD Baffles INSTALLATION - ABS HOODS (DEUTZ TD 2.2L3 ENGINES AND TD 2.9L4 49HP ENGINES)



ART_1001244119

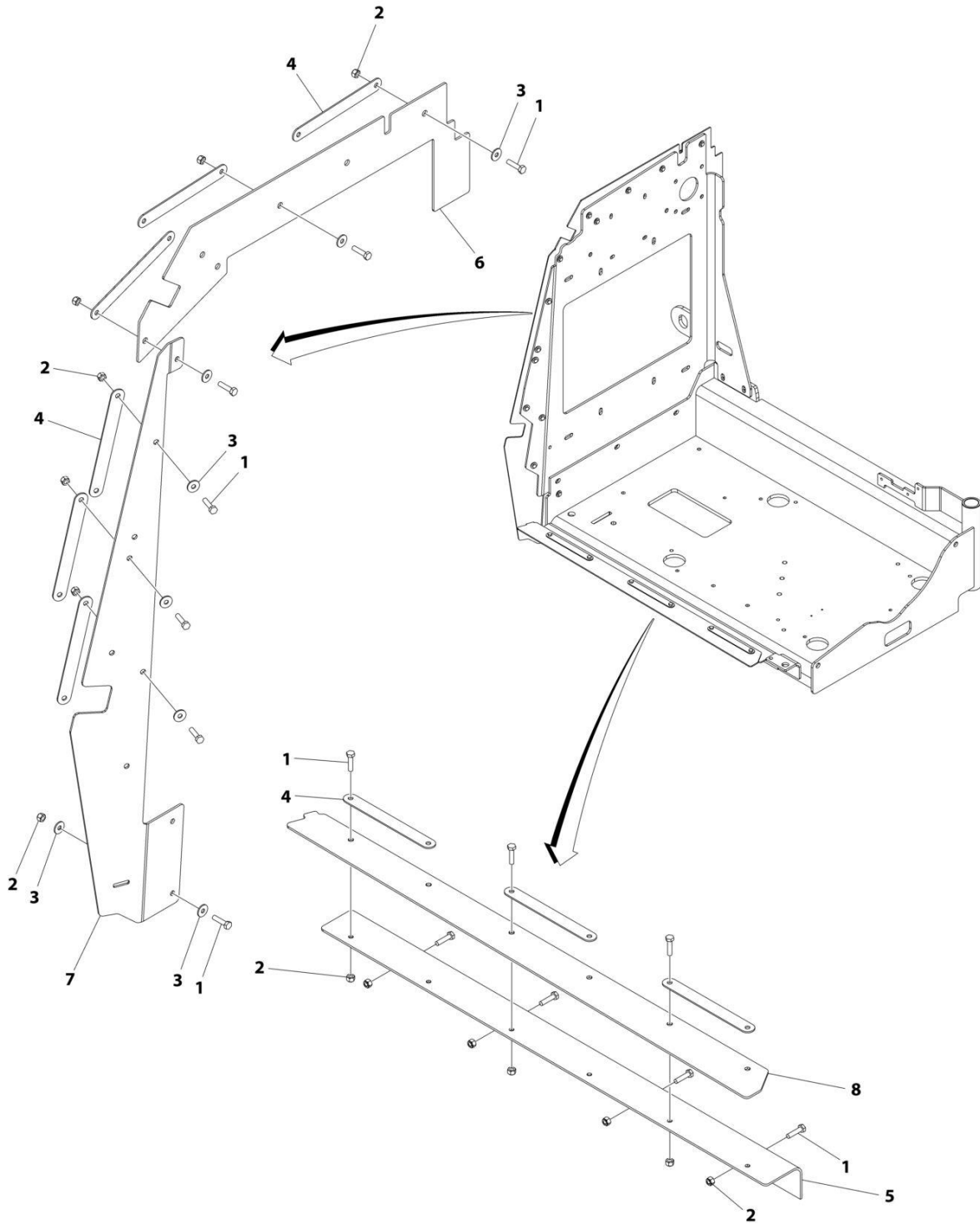
SECTION 3 - ENGINE

FIGURE 3-76. ENGINE HOOD BAFFLES INSTALLATION - ABS HOODS (DEUTZ TD 2.2L3 ENGINES AND TD 2.9L4 49HP ENGINES)

ITEM	PART NUMBER	QTY	DESCRIPTION	REV
	1001244119	Ref	ENGINE HOOD BAFFLES INSTALLATION	B
1	0760612	24	Bolt M6 x 25	
2	3290605	24	Nut M6	
3	4811702	30	Washer M6	
4	1001167164	9	Support	
5	1001244120	1	Seal	
6	1001244121	1	Seal	
7	1001244122	1	Seal	
8	1001244123	1	Plate	

SECTION 3 - ENGINE

FIGURE 3-77. ENGINE HOOD Baffles Installation - Steel Hoods (Deutz TD 2.2L3 Engines and TD 2.9L4 49HP Engines)



ART_1001244464

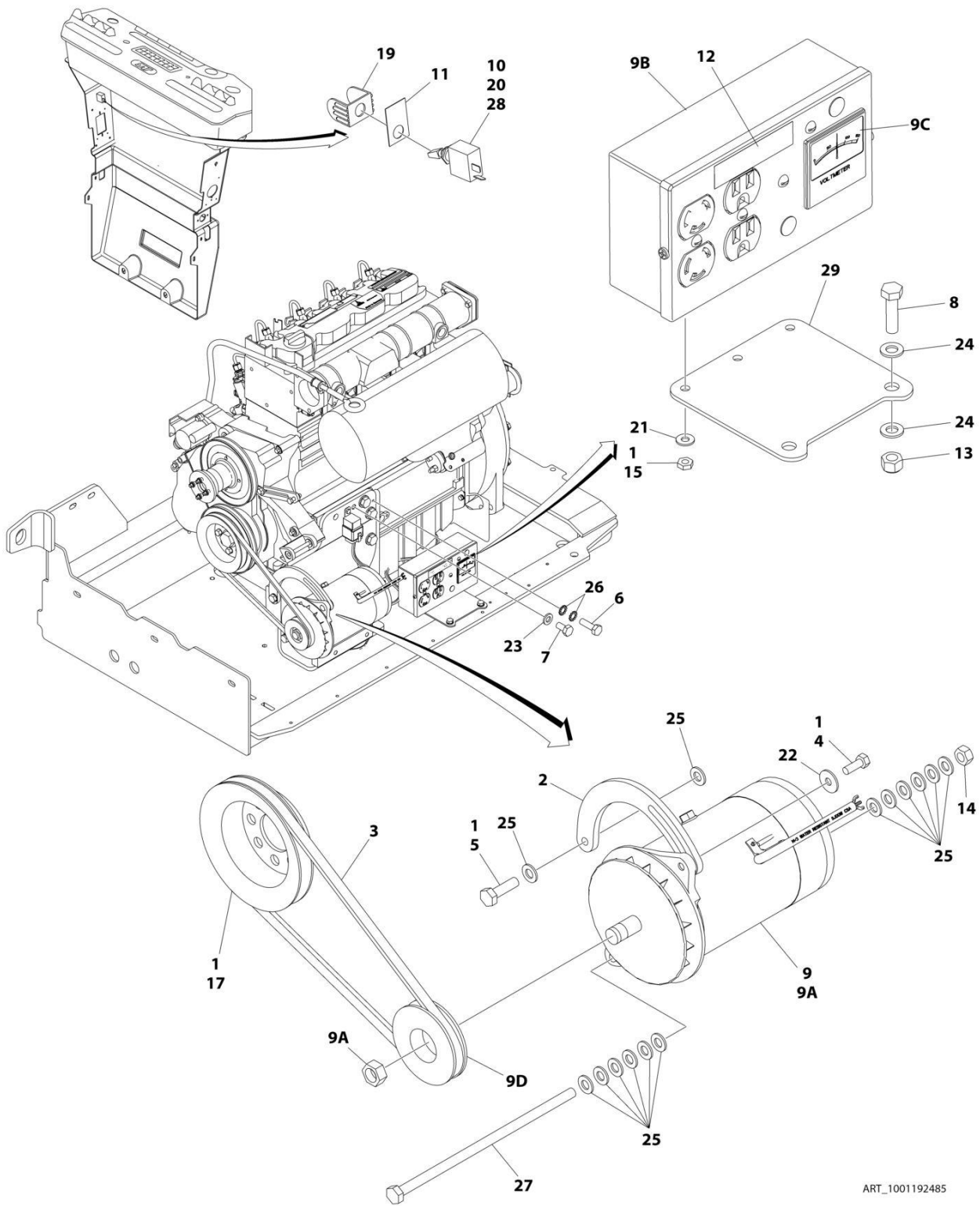
SECTION 3 - ENGINE

FIGURE 3-77. ENGINE HOOD BAFFLES INSTALLATION - STEEL HOODS (DEUTZ TD 2.2L3 ENGINES AND TD 2.9L4 49HP ENGINES)

ITEM	PART NUMBER	QTY	DESCRIPTION	REV
	1001244464	Ref	ENGINE HOOD BAFFLES INSTALLATION	B
1	0760612	24	Bolt M6 x 25	
2	3290605	24	Nut M6	
3	4811702	30	Washer M6	
4	1001167164	9	Support	
5	1001244123	1	Plate	
6	1001244468	1	Seal	
7	1001244469	1	Seal	
8	1001244470	1	Seal	

SECTION 3 - ENGINE

FIGURE 3-78. 2500W GENERATOR INSTALLATION - 110V/60HZ (DEUTZ D2011 ENGINES)



ART_1001192485

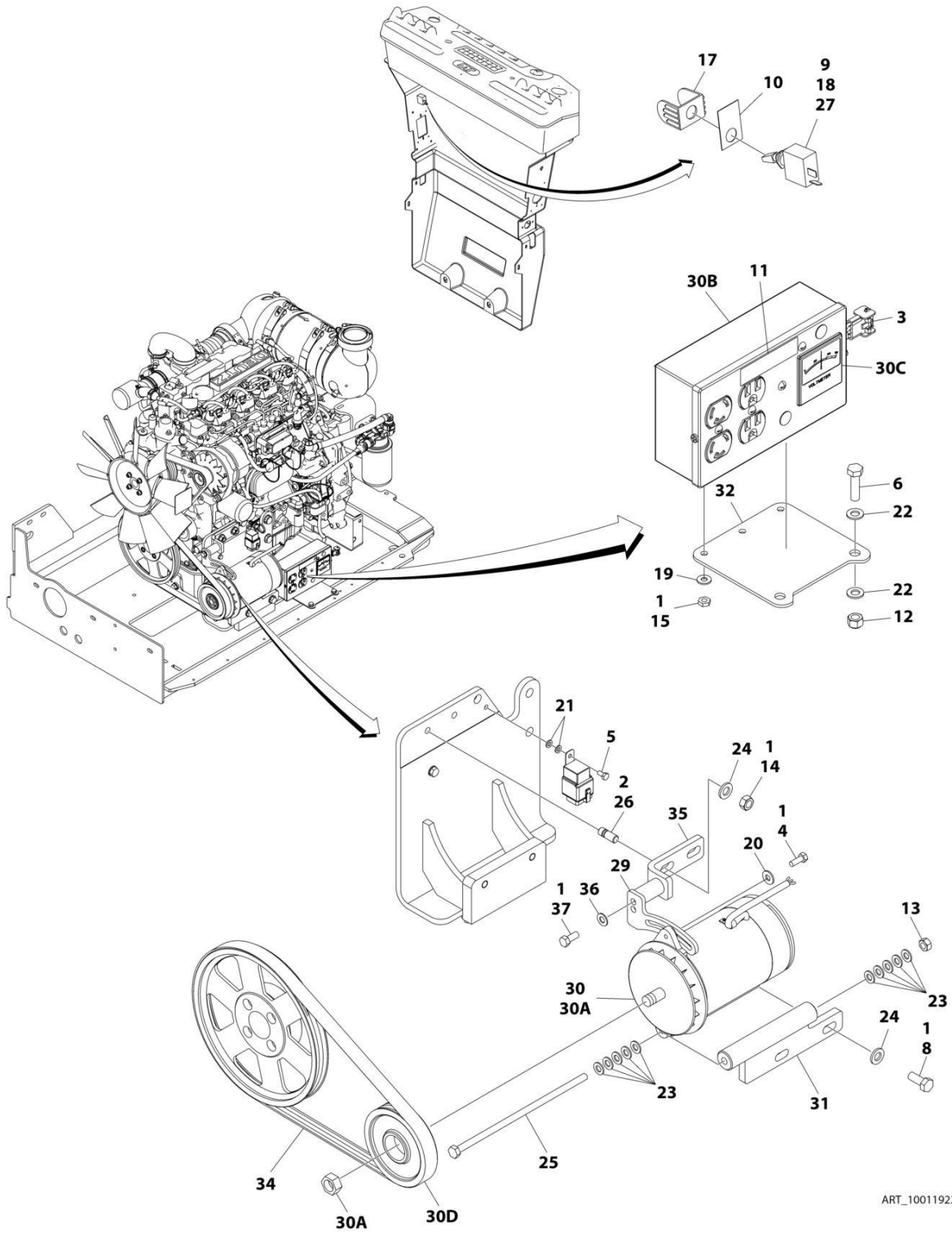
SECTION 3 - ENGINE

FIGURE 3-78. 2500W GENERATOR INSTALLATION - 110V/60HZ (DEUTZ D2011 ENGINES)

ITEM	PART NUMBER	QTY	DESCRIPTION	REV
	1001192485	Ref	2500W GENERATOR INSTALLATION	F
1	0100011	AR	Compound, Locking	
2	1001239716	1	Arm, Adjusting	
3	0480124	1	Belt	
4	0641508	1	Bolt 5/16 x 1	
5	0761012	1	Bolt M10 x 25	
6	0700610	1	Bolt M6 x 20	
7	0760606	1	Bolt M6 x 12	
8	0760814	2	Bolt M8 x 30	
9	2460055	1	Generator and Control Box Assembly	
9A	7012558	1	Generator, Replacement	
9A		Ref	Note: Replacement Generators come standard with p/n 3580134 pulley. This pulley may not be correct for all applications. Refer to pulley options below.	
9A	7012513	4	Cap, Brush Holder	
9A	7020108	4	Brush	
9A	7020109	4	Holder, Brush	
9A	7012514	1	Fan	
9A	7020190	2	Bearing	
9A	7020110	1	Bell, Front	
9A	7020111	1	Bell, Rear	
9B	7019680	1	Box, Control	
9B	4360542	1	Breaker, Circuit	
9B	4460190	AR	Receptacle, Standard	
9B	4460027	AR	Receptacle, Twistlock	
9C	2420203	1	Voltmeter	
9D	3580276	1	Pulley	
9D	7027887	1	Key, Woodruff	
10	2820031	AR	Heat Shrink	
11	3251102	1	Nameplate - Generator On/Off	
12	3251243	1	Decal - 120V-60Hz	
13	3290805	2	Nut M8	
14	3291007	1	Nut M10	
15	3311001	2	Nut #10	
17	3580158	1	Pulley	
19	4060802	1	Guard, Switch	
20	4360336	1	Switch, Toggle	
21	4751000	1	Washer #10	
22	4811902	1	Washer M8	
23	4811700	1	Washer M6	
24	4811900	4	Washer M8	
25	4812000	14	Washer M10	
26	4871700	2	Washer M6	
27	1001119280	1	Bolt M10 x 260	
28	4922641	1	Generator Switch Harness	
29	1001193167	1	Plate, Mounting	
30	1001194114	1	Generator Harness - 2500W (Not Shown) (See Separate Breakdown in ELECTRICAL SECTION)	

SECTION 3 - ENGINE

FIGURE 3-79. 2500W GENERATOR INSTALLATION - 110V/60HZ (DEUTZ TD2.9L4 ENGINES)



ART_1001192280

SECTION 3 - ENGINE

FIGURE 3-79. 2500W GENERATOR INSTALLATION - 110V/60HZ (DEUTZ TD2.9L4 ENGINES)

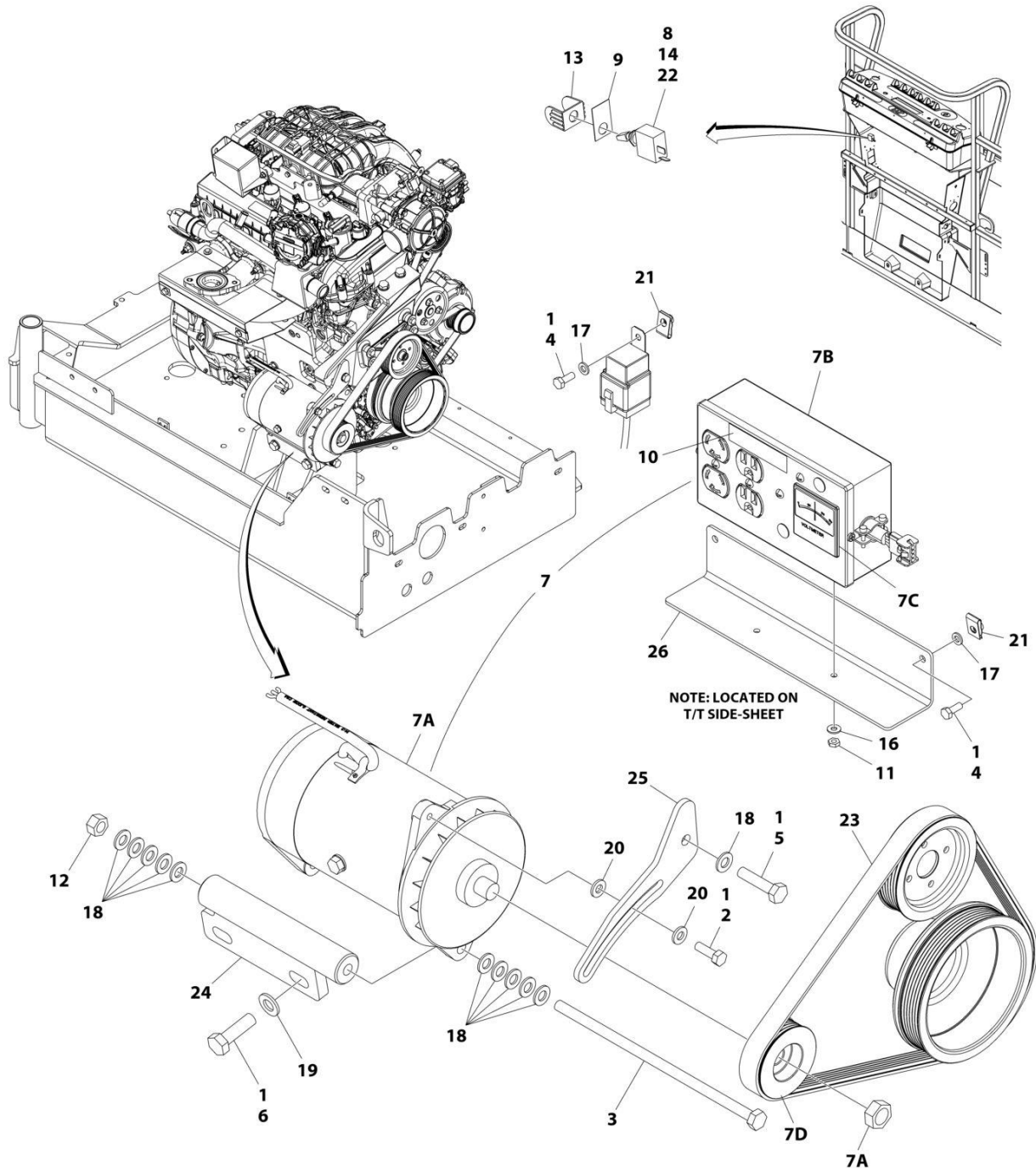
ITEM	PART NUMBER	QTY	DESCRIPTION	REV
	1001192280	Ref	2500W GENERATOR INSTALLATION	F
1	0100011	AR	Compound, Locking	
2	0100019	AR	Compound, Locking	
3	0100048	AR	Silicone	
4	0641507	1	Bolt 5/16 x 7/8	
5	0760606	1	Bolt M6 x 12	
6	0760814	2	Bolt M8 x 30	
8	0761214	2	Bolt M12 x 30	
9	2820031	AR	Heat Shrink	
10	3251102	1	Nameplate - Generator On/Off	
11	3251243	1	Decal - 120V-60Hz	
12	3290805	2	Nut M8	
13	3291007	1	Nut M10	
14	3291201	2	Nut M12	
15	3311001	2	Nut #10	
17	4060802	1	Guard, Switch	
18	4360336	1	Switch, Toggle	
19	4751000	2	Washer #10	
20	4751500	1	Washer 5/16	
21	4811700	2	Washer M6	
22	4811900	4	Washer M8	
23	4812000	10	Washer M10	
24	5241200	4	Washer M12	
25	1001119280	1	Bolt M10 x 260	
26	1001196382	2	Stud	
27	4922641	1	Generator Switch Harness	
29	1001179837	1	Arm, Adjusting	
30	1001180001	1	Generator and Control Box Assembly	
30A	7012558	1	Generator, Replacement	
30A		Ref	Note: Replacement Generators come standard with p/n 3580134 pulley. This Pulley may not be correct for all applications. Refer to Pulley options below.	
30A	7026199	1	Armature with Slip Rings	
30A	7012513	4	Cap, Brush Holder	
30A	7020108	4	Brush	
30A	7020109	4	Holder, Brush	
30A	7012514	1	Fan	
30A	7020110	1	Bell, Front	
30A	7020111	1	Bell, Rear	
30A	7020190	2	Bearing	
30B	7019680	1	Box, Control	
30B		Ref	Receptacle Options:	
30B	4460190	1	Receptacle, Standard	
30B	4460027	1	Receptacle, Twistlock	
30B	4360542	1	Breaker, Circuit	
30B	3520028	1	Plug, Hole	
30C	2420203	1	Voltmeter	
30D	3580276	1	Pulley	
30D	7027887	1	Key, Woodruff	
31	1001181243	1	Mount (Lower)	

SECTION 3 - ENGINE

ITEM	PART NUMBER	QTY	DESCRIPTION	REV
32	1001193167	1	Plate	
33	1001194114	1	Generator Harness - 2500W (Not Shown) (See Separate Breakdown in ELECTRICAL SECTION)	
34	1001148138	1	Belt	
35	1001216015	1	Mount (Upper)	
36	4711600	1	Washer 3/8	
37	0641607	1	Bolt 3/8 x 7/8	

SECTION 3 - ENGINE

FIGURE 3-80. 2500W GENERATOR INSTALLATION - 110V/60HZ (FORD ENGINES)



ART_1001219853

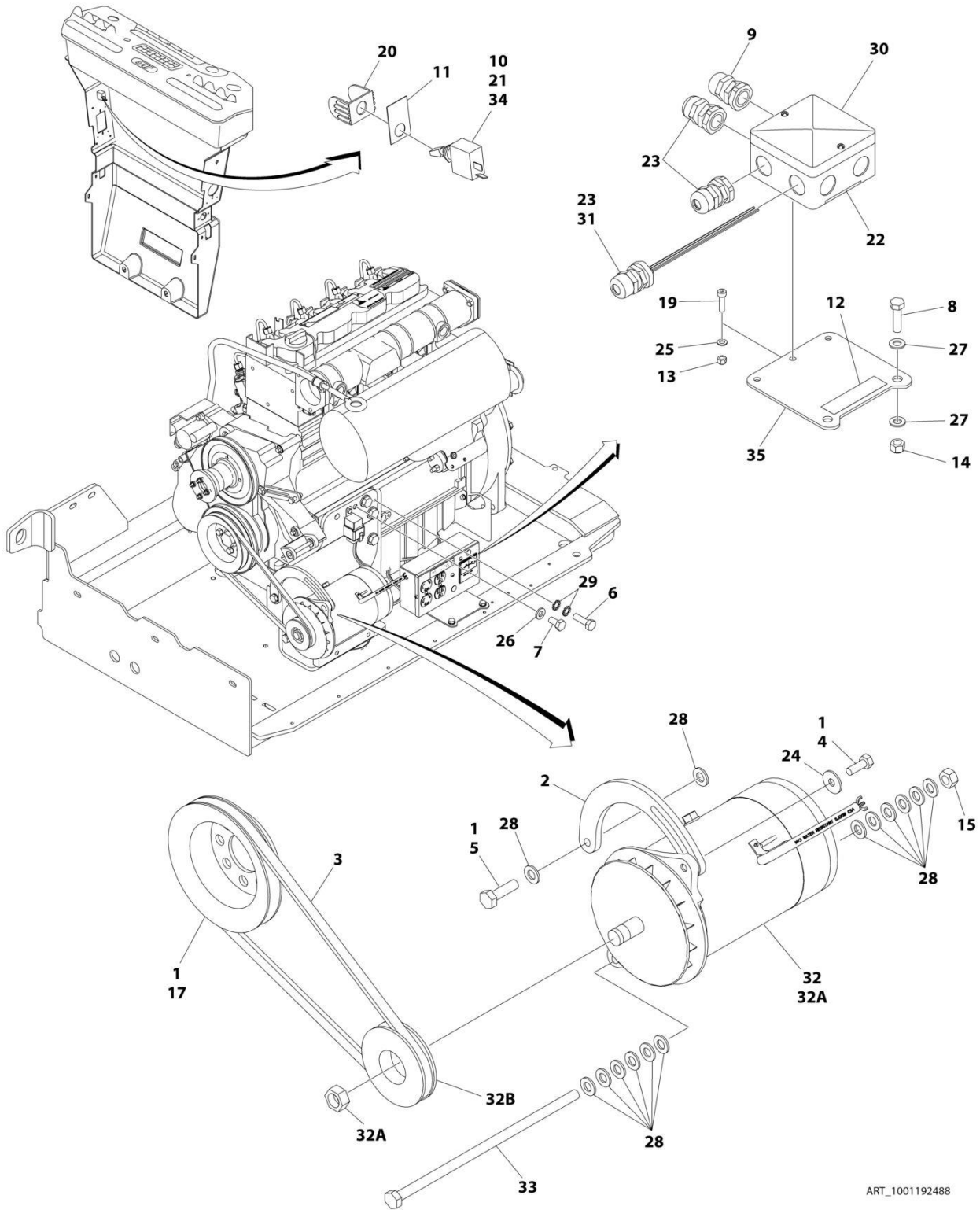
SECTION 3 - ENGINE

FIGURE 3-80. 2500W GENERATOR INSTALLATION - 110V/60HZ (FORD ENGINES)

ITEM	PART NUMBER	QTY	DESCRIPTION	REV
	1001219853	Ref	2500W GENERATOR INSTALLATION	D
1	0100011	AR	Compound, Locking	
2	0641508	1	Bolt 5/16 x 1	
3	1001119280	1	Bolt M10 x 260	
4	0760608	3	Bolt M6 x 16	
5	0761016	1	Bolt M10 x 40	
6	0761216	2	Bolt M12 x 40	
7	2460051	1	Generator and Control Box Assembly	
7A	7012558	1	Generator, Replacement	
		Ref	Note: Replacement Generators come standard with p/n 3580134 pulley. This pulley may not be correct for all applications. Refer to pulley options below.	
7A	7026199	1	Armature with Slip Rings	
7A	7012513	4	Cap, Brush Holder	
7A	7020108	4	Brush	
7A	7020109	4	Holder, Brush	
7A	7012514	1	Fan	
7A	7020110	1	Bell, Front	
7A	7020111	1	Bell, Rear	
7A	7020190	2	Bearing	
7B	7019680	1	Box, Control	
7B		Ref	Receptacle Options:	
7B	4460190	1	Receptacle, Standard	
7B	4460027	1	Receptacle, Twistlock	
7B	4360542	1	Breaker, Circuit	
7B	3520028	1	Plug, Hole	
7C	2420203	1	Voltmeter	
7D	3580324	1	Pulley	
7D	7027887	1	Key, Woodruff	
8	2820031	AR	Heat Shrink	
9	3251102	1	Nameplate - Generator On/Off	
10	3251243	1	Decal - 120V-60Hz	
11	3311005	2	Nut #10	
12	3291007	1	Nut M10	
13	4060802	1	Guard, Switch	
14	4360336	1	Switch, Toggle	
16	4751000	2	Washer #10	
17	4811700	3	Washer M6	
18	4812000	11	Washer M10	
19	4812100	2	Washer M12	
20	4891500	2	Washer 5/16	
21	1001130220	3	Nut, Tinnerman M6	
22	4922641	1	Generator Switch Harness	
23	1001216391	1	Belt	
24	1001219630	1	Mount (Lower)	
25	1001219632	1	Arm, Adjusting	
26	1001220728	1	Bracket	
27	1001194114	1	Generator Harness - 2500W (Not Shown) (See Separate Breakdown in ELECTRICAL SECTION)	

SECTION 3 - ENGINE

FIGURE 3-81. 2500W GENERATOR INSTALLATION - 220V/50HZ (DEUTZ D2011 ENGINES)



ART_1001192488

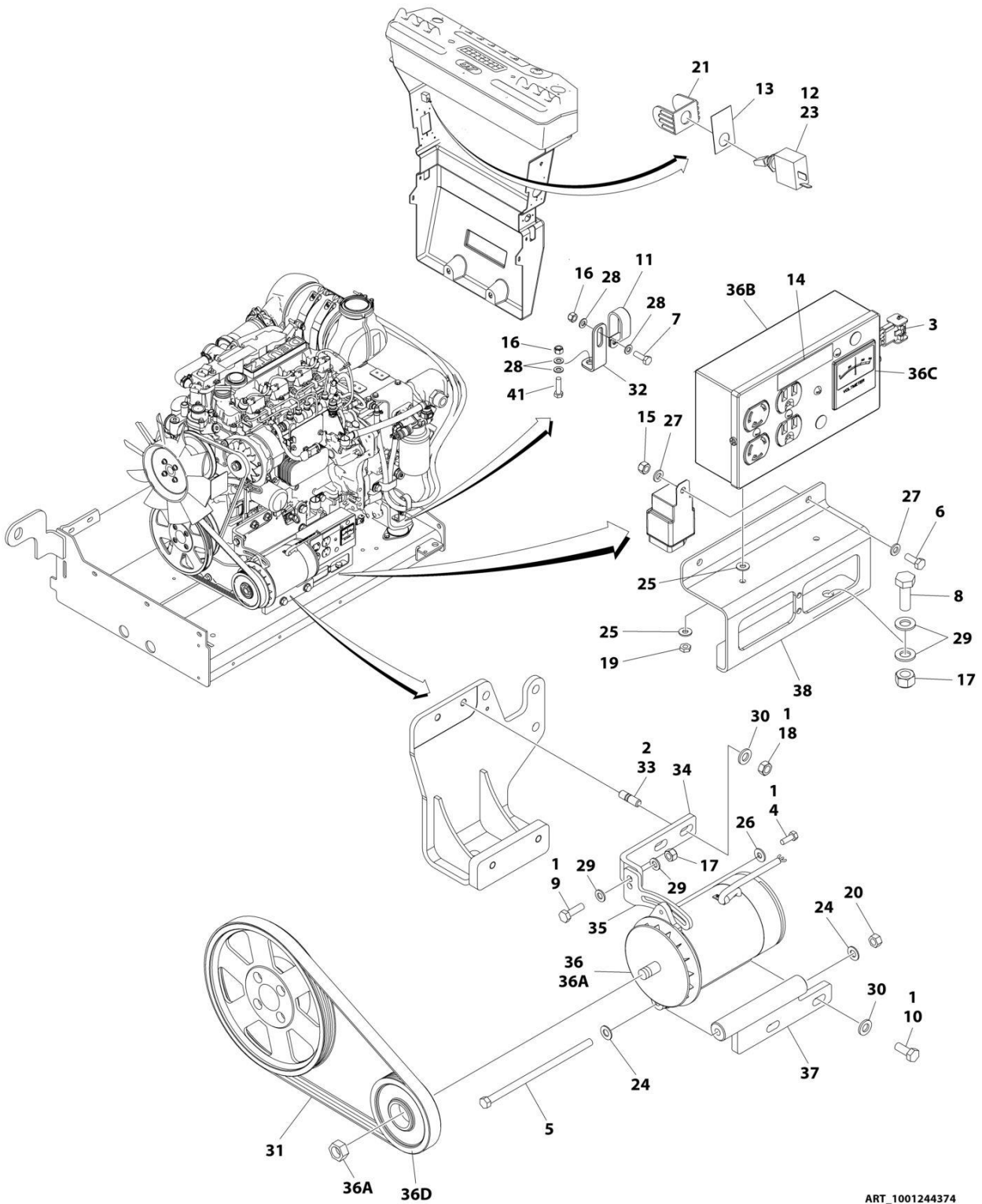
SECTION 3 - ENGINE

FIGURE 3-81. 2500W GENERATOR INSTALLATION - 220V/50HZ (DEUTZ D2011 ENGINES)

ITEM	PART NUMBER	QTY	DESCRIPTION	REV
	1001192488	Ref	2500W GENERATOR INSTALLATION	F
1	0100011	AR	Compound, Locking	
2	1001239716	1	Arm, Adjusting	
3	0480124	1	Belt, Generator	
4	0641508	1	Bolt 5/16 x 1	
5	0761012	1	Bolt M10 x 25	
6	0700610	1	Bolt M6 x 20	
7	0760606	1	Bolt M6 x 12	
8	0760814	2	Bolt M8 x 30	
9	0962449	1	Bushing	
10	2820031	AR	Heat Shrink	
11	3251102	1	Nameplate - Generator On/Off	
12	3252507	1	Decal - 220 Volt	
13	3290505	1	Nut M5	
14	3290805	2	Nut M8	
15	3291007	1	Nut M10	
17	3580158	1	Pulley	
19	4031608	1	Capscrew M5 x 20	
20	4060802	1	Guard, Switch	
21	4360336	1	Switch, Toggle	
22	4420060	1	Tape	
23	4460968	3	Connector, Strain Relief	
24	4811902	1	Washer M8	
25	4811600	1	Washer M5	
26	4811700	1	Washer M6	
27	4811900	4	Washer M8	
28	4812000	14	Washer M10	
29	4871700	2	Washer M6	
30	1001099869	1	Box, Junction	
31	1001100234	1	Lamp, Red	
32	1001100321	1	Generator Assembly	
32A		Ref	Note: Replacement Generators come standard with p/n 3580134 pulley. This pulley may not be correct for all applications. Refer to pulley options below.	
32A	70000123	1	Armature with Slip Rings	
32A	7012513	4	Cap, Brush Holder	
32A	7020108	4	Brush	
32A	7020109	4	Holder, Brush	
32A	7012514	1	Fan	
32A	7020110	1	Bell, Front	
32A	7020111	1	Bell, Rear	
32A	7020190	2	Bearing	
32B	3580134	1	Pulley	
32B	7027887	1	Key, Woodruff	
33	1001119280	1	Bolt M10 x 260	
34	4922641	1	Generator Switch Harness	
35	1001193167	1	Plate	
36	1001194114	1	Generator Harness - 2500W (Not Shown) (See Separate Breakdown in ELECTRICAL SECTION)	

SECTION 3 - ENGINE

FIGURE 3-82. 2500W GENERATOR INSTALLATION - 120V/60HZ (DEUTZ TD2.9L4 ENGINES)



ART_1001244374

SECTION 3 - ENGINE

FIGURE 3-82. 2500W GENERATOR INSTALLATION - 120V/60HZ (DEUTZ TD2.9L4 ENGINES)

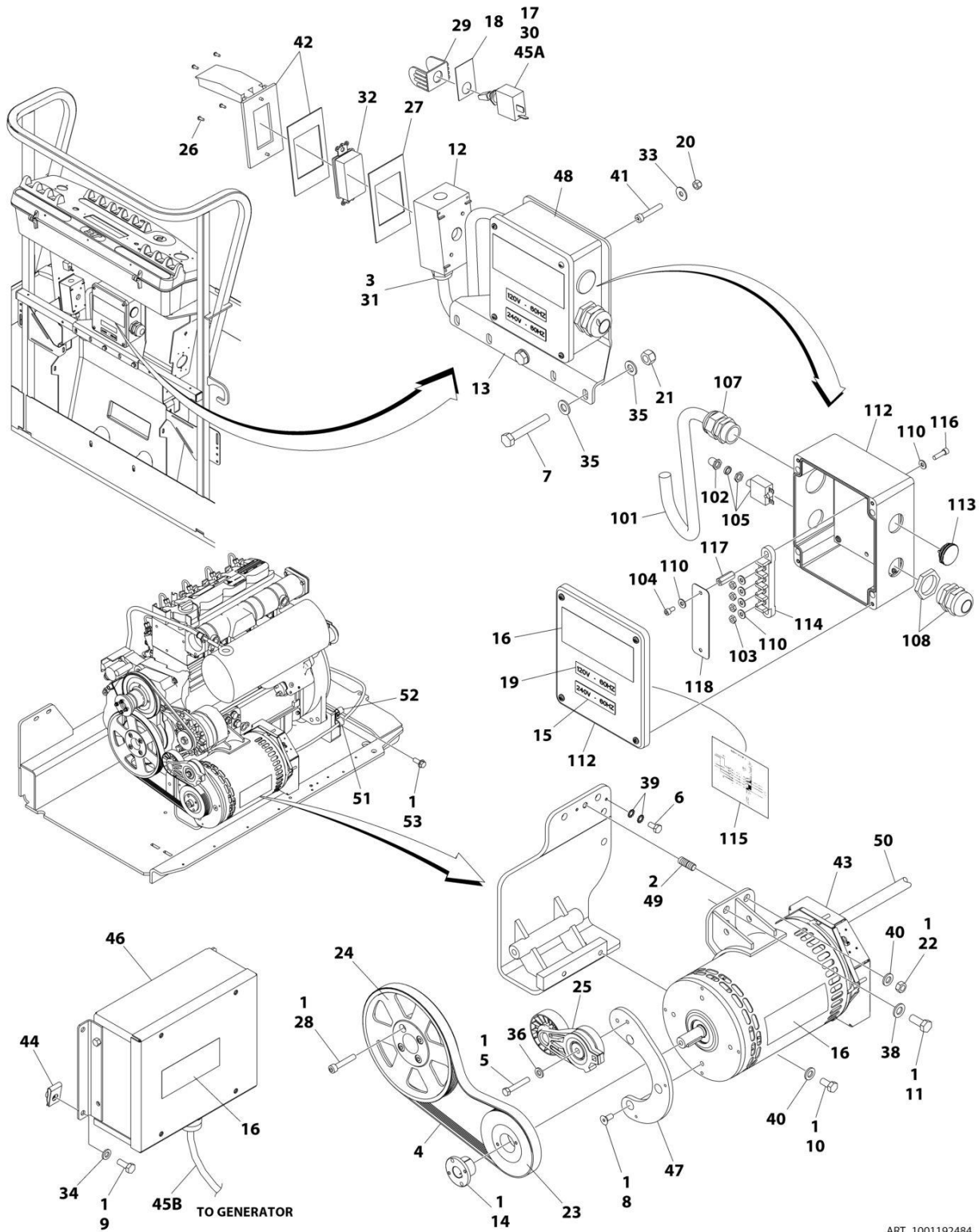
ITEM	PART NUMBER	QTY	DESCRIPTION	REV
	1001244374	Ref	2500W GENERATOR INSTALLATION	B
1	0100011	AR	Compound, Locking	
2	0100019	AR	Compound, Locking	
3	0100048	AR	Silicone	
4	0641507	1	Bolt 5/16 x 7/8	
5	0641772	1	Bolt 7/16 x 9	
6	0760608	1	Bolt M6 x 16	
7	0760812	1	Bolt M8 x 25	
8	0761014	2	Bolt M10 x 30	
9	0761015	1	Bolt M10 x 35	
10	0761214	2	Bolt M12 x 30	
11	1321716	1	Clamp	
12	2820031	AR	Heat Shrink	
13	3251102	1	Nameplate - Generator On/Off	
14	3251243	1	Decal - 120V-60Hz	
15	3290605	1	Nut M6	
16	3290805	2	Nut M8	
17	3291005	3	Nut M10	
18	3291201	2	Nut M12	
19	3311001	2	Nut #10	
20	3311705	1	Nut 7/16	
21	4060802	1	Guard, Switch	
22	4240099	AR	Tie-Strap (Not Shown)	
23	4360336	1	Switch, Toggle	
24	4711700	2	Washer 7/16	
25	4751000	4	Washer #10	
26	4751500	1	Washer 5/16	
27	4811700	2	Washer M6	
28	4811900	4	Washer M8	
29	4812000	6	Washer M10	
30	5241200	4	Washer M12	
31	1001148138	1	Belt	
32	1001223122	1	Bracket	
33	1001155041	2	Stud	
34	1001179836	1	Mount (Upper)	
35	1001179837	1	Arm, Adjusting	
36	1001180001	1	Generator and Control Box Assembly	
36A	7012558	1	Generator, Replacement	
36A		Ref	Note: Replacement Generators come standard with p/n 3580134 pulley. This Pulley may not be correct for all applications. Refer to Pulley options below.	
36A	7026199	1	Armature with Slip Rings	
36A	7012513	4	Cap, Brush Holder	
36A	7020108	4	Brush	
36A	7020109	4	Holder, Brush	
36A	7012514	1	Fan	
36A	7020110	1	Bell, Front	
36A	7020111	1	Bell, Rear	
36A	7020190	2	Bearing	
36B	7019680	1	Box, Control	

SECTION 3 - ENGINE

ITEM	PART NUMBER	QTY	DESCRIPTION	REV
36B		Ref	Receptacle Options:	
36B	4460190	1	Receptacle, Standard	
36B	4460027	1	Receptacle, Twistlock	
36B	4360542	1	Breaker, Circuit	
36B	3520028	1	Plug, Hole	
36C	2420203	1	Voltmeter	
36D	3580276	1	Pulley	
36D	7027887	1	Key, Woodruff	
37	1001181243	1	Mount (Lower)	
38	1001183477	1	Support	
40	1001194114	1	Generator Harness - 2500W (Not Shown) (See Separate Breakdown in ELECTRICAL SECTION)	
41	0760814	1	Bolt M8 x 30	

SECTION 3 - ENGINE

FIGURE 3-83. 4000W GENERATOR INSTALLATION - 110V/60HZ (DEUTZ D2011 ENGINES)



ART_1001192484

SECTION 3 - ENGINE

FIGURE 3-83. 4000W GENERATOR INSTALLATION - 110V/60HZ (DEUTZ D2011 ENGINES)

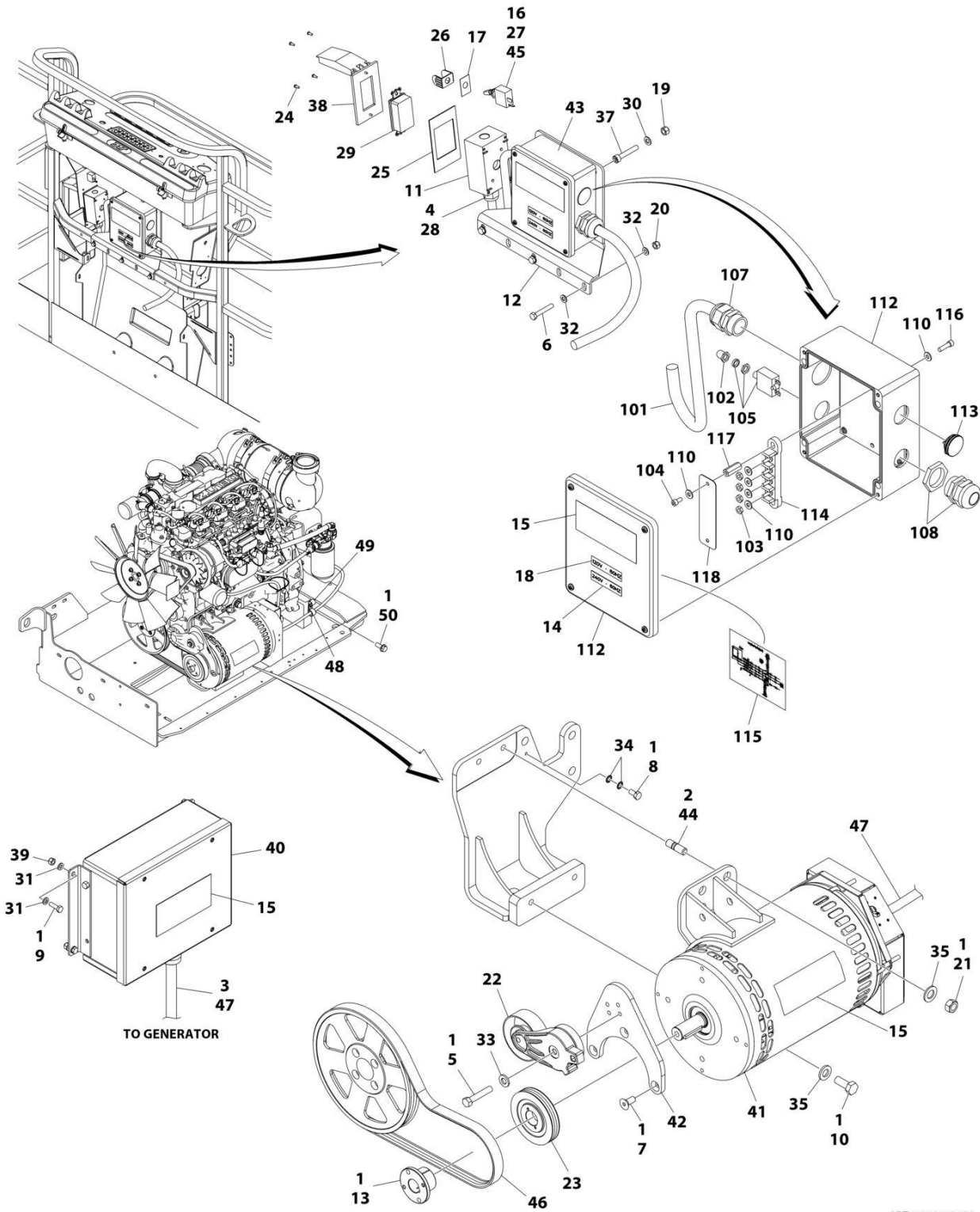
ITEM	PART NUMBER	QTY	DESCRIPTION	REV
	1001192484	Ref	4000W GENERATOR INSTALLATION	H
1	0100011	AR	Compound, Locking	
2	0100019	AR	Compound, Locking	
3	0100079	AR	Sealant	
4	1001136356	1	Belt	
5	0641618	1	Bolt 3/8 x 2-1/4	
6	0760606	1	Bolt M6 x 12	
7	0700819	1	Bolt M8 x 55	
8	0741607	3	Screw 3/8 x 7/8	
9	0760608	4	Bolt M6 x 16	
10	0761212	2	Bolt M12 x 25	
11	0771415	1	Bolt M14 x 35	
12	0860038	1	Box, Receptacle	
13	0902888	1	Bracket	
14	0962520	1	Bushing, Split	
15	1705374	1	Decal - 240V-60Hz	
16	1705387	3	Decal - Hazardous Voltage	
17	2820031	AR	Heat Shrink	
18	3251102	1	Nameplate - Generator On/Off	
19	3251243	1	Decal - 120V-60Hz	
20	3290505	4	Nut M5	
21	3290805	2	Nut M8	
22	3291201	1	Nut M12	
23	3580318	1	Pulley	
24	3580320	1	Pulley	
25	3580317	1	Tensioner, Belt	
26	3910606	4	Screw #6 x 3/8	
27	3960422	1	Gasket	
28	4032015	4	Capscrew M10 x 55	
29	4060802	1	Guard, Switch	
30	4360336	1	Switch, Toggle	
31	4460071	1	Connector, Strain Relief	
32	4460346	1	Receptacle	
33	4811602	4	Washer M5	
34	4811700	4	Washer M6	
35	4811900	4	Washer M8	
36	5241000	1	Washer M10	
38	5241400	1	Washer M14	
39	4871700	2	Washer M6	
40	5241200	3	Washer M12	
41	1001104029	4	Capscrew M5 x 30 Grade 12.9	
42	1001110873	1	Cover, Receptacle	
43	1001129858	1	Generator Assembly (60Hz)	
43	70003709	1	Ring, Retaining (External)	
43	70003708	1	Ring, Retaining (Internal)	
43	70001966	1	Bearing	
43	70004092	1	Endbell (Shaft End)	
43	70004171	1	Key	
43	70004676	1	Rotor	
43	70004684	1	Stator	

SECTION 3 - ENGINE

ITEM	PART NUMBER	QTY	DESCRIPTION	REV
43	70004678	1	Endbell (Rear)	
43	70004679	1	Cover, Endbell (Rear)	
43	70004680	1	Enclosure, Wiring	
43	70004685	1	Cover, Enclosure	
43	70004682	1	Switch, Reset (Located on Enclosure Cover)	
43	70004098	1	Connector, Strain Relief (Located on Enclosure Cover)	
44	1001130220	4	Nut, Tinnerman M6	
45A	4922641	1	Generator Switch Harness	
45B	1001153197	1	Generator to Engine Harness	
45B	4460967	1	Connector - 3 Position	
45B	4460465	2	Socket, Female	
46	1001138566	1	Box, Control	
46	70006552	1	Capacitor	
46	70006553	1	Relay	
47	1001139357	1	Mount	
48	1001152457	1	Junction Box Assembly (See Items 101-118 for Breakdown)	
49	1001196382	1	Stud	
50	1001152532	1	Generator Harness (See Separate Breakdown in ELECTRICAL SECTION)	
51	7274000040	1	Clamp	
52	1320061	1	Clamp	
53	5251012	1	Bolt M10 x 25	
	1001152457	Ref	JUNCTION BOX ASSEMBLY	
101	1001179154	2.5 ft/ 0.8m	Cable, Electrical - 12/3	
102	3300396	1	Cover, Breaker	
103	3311001	4	Nut #10	
104	3900300	2	Screw	
105	4360070	1	Breaker, Circuit - 15Amp	
107	4460425	1	Connector, Strain Relief (LH Side)	
108	4460426	1	Connector, Strain Relief (RH Side)	
110	4711000	8	Washer #10	
112	1001152456	1	Box, Junction	
113	1001152525	1	Plug	
114	1001152530	1	Terminal, Block	
115	1001153260	1	Decal - Wiring Diagram	
116	3900267	2	Screw	
117	1001158008	2	Stand-Off	
118	1001158363	1	Cover, Terminal Block	

SECTION 3 - ENGINE

FIGURE 3-84. 4000W GENERATOR INSTALLATION - 110V/60HZ (DEUTZ TD2.9L4 ENGINES)



SECTION 3 - ENGINE

FIGURE 3-84. 4000W GENERATOR INSTALLATION - 110V/60HZ (DEUTZ TD2.9L4 ENGINES)

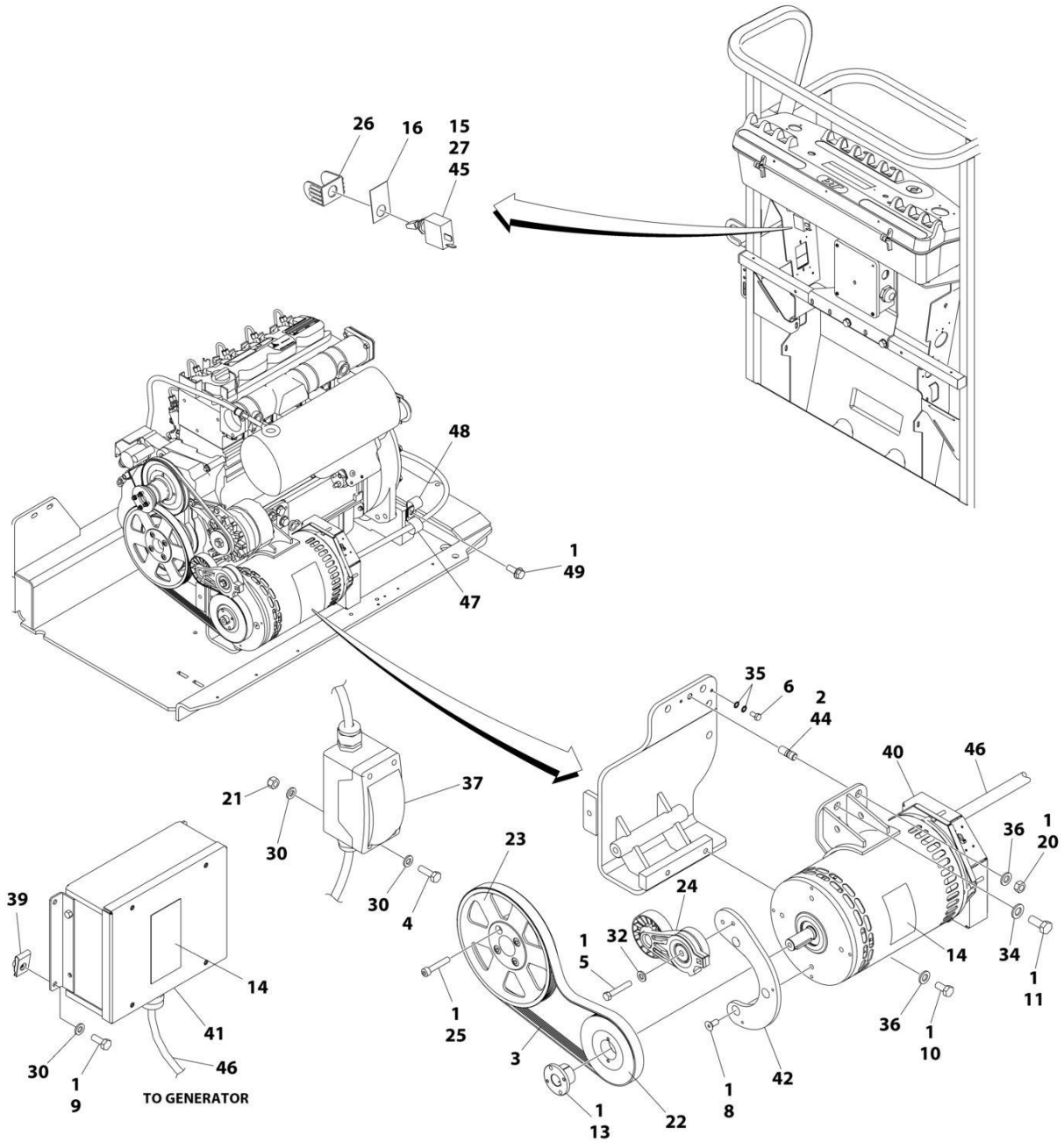
ITEM	PART NUMBER	QTY	DESCRIPTION	REV
	1001192279	Ref	4000W GENERATOR INSTALLATION	F
1	0100011	AR	Compound, Locking	
2	0100019	AR	Compound, Locking	
3	0100048	AR	Compound, Locking	
4	0100079	AR	Sealant	
5	0641616	1	Bolt 3/8 x 2	
6	0700819	2	Bolt M8 x 55	
7	0741607	3	Screw 3/8 x 7/8	
8	0760606	1	Bolt M6 x 12	
9	0760608	4	Bolt M6 x 16	
10	0761212	2	Bolt M12 x 25	
11	0860038	1	Box, Receptacle	
12	0902888	1	Bracket	
13	0962520	1	Bushing, Split	
14	1705374	1	Decal - 240V-60Hz	
15	1705387	3	Decal - Hazardous Voltage	
16	2820031	AR	Heat Shrink	
17	3251102	1	Nameplate - Generator On/Off	
18	3251243	1	Decal - 120V-60Hz	
19	3290505	4	Nut M5	
20	3290805	2	Nut M8	
21	3291201	2	Nut M12	
22	3580317	1	Tensioner, Belt	
23	3580318	1	Pulley	
24	3910606	4	Screw #6 x 3/8	
25	3960422	1	Gasket	
26	4060802	1	Guard, Switch	
27	4360336	1	Switch, Toggle	
28	4460071	1	Connector, Strain Relief	
29	4460346	1	Receptacle	
30	4811602	4	Washer M5	
31	4811700	4	Washer M6	
32	4811900	4	Washer M8	
33	5241000	1	Washer M10	
34	4871700	2	Washer M6	
35	5241200	4	Washer M12	
37	1001104029	4	Capscrew M5 x 30 Grade 12.9	
38	1001110873	1	Cover	
39	1001130220	4	Nut, Tinnerman M6	
40	1001138566	1	Box, Control	
40	70006552	1	Capacitor	
40	70006553	1	Relay	
41	1001140346	1	Generator Assembly (60Hz)	
41	70003709	1	Ring, Retaining (External)	
41	70003708	1	Ring, Retaining (Internal)	
41	70001966	1	Bearing	
41	70004092	1	Endbell (Shaft End)	
41	70004099	1	Key	
41	70004676	1	Rotor	
41	70004687	1	Stator	

SECTION 3 - ENGINE

ITEM	PART NUMBER	QTY	DESCRIPTION	REV
41	70004678	1	Endbell (Rear)	
41	70004679	1	Cover, Endbell (Rear)	
41	70004680	1	Enclosure, Wiring	
41	70004685	1	Cover, Enclosure	
41	70004682	1	Switch, Reset (Located on Enclosure Cover)	
41	70004098	1	Connector, Strain Relief (Located on Enclosure Cover)	
42	1001142643	1	Support	
43	1001152457	1	Junction Box Assembly (See Items 101-118 for Breakdown)	
44	1001196382	2	Stud	
45	4922641	1	Generator Switch Harness	
46	1001142646	1	Belt	
47	1001152532	1	Generator Harness (See Separate Breakdown in ELECTRICAL SECTION)	
48	7274000040	1	Clamp	
49	1320061	1	Clamp	
50	5251012	1	Bolt M10 x 25	
	1001152457	Ref	JUNCTION BOX ASSEMBLY	
101	1001179154	2.5 ft/ 0.8m	Cable, Electrical - 12/3	
102	3300396	1	Cover, Breaker	
103	3311001	4	Nut #10	
104	3900300	2	Screw	
105	4360070	1	Breaker, Circuit - 15Amp	
107	4460425	1	Connector, Strain Relief (LH Side)	
108	4460426	1	Connector, Strain Relief (RH Side)	
110	4711000	8	Washer #10	
112	1001152456	1	Box, Junction	
113	1001152525	1	Plug	
114	1001152530	1	Terminal, Block	
115	1001153260	1	Decal - Wiring Diagram	
116	3900267	2	Screw	
117	1001158008	2	Stand-Off	
118	1001158363	1	Cover, Terminal Block	

SECTION 3 - ENGINE

FIGURE 3-85. 4000W GENERATOR INSTALLATION - 220V/50HZ (DEUTZ D2011 ENGINES)



ART_1001192487

SECTION 3 - ENGINE

FIGURE 3-85. 4000W GENERATOR INSTALLATION - 220V/50HZ (DEUTZ D2011 ENGINES)

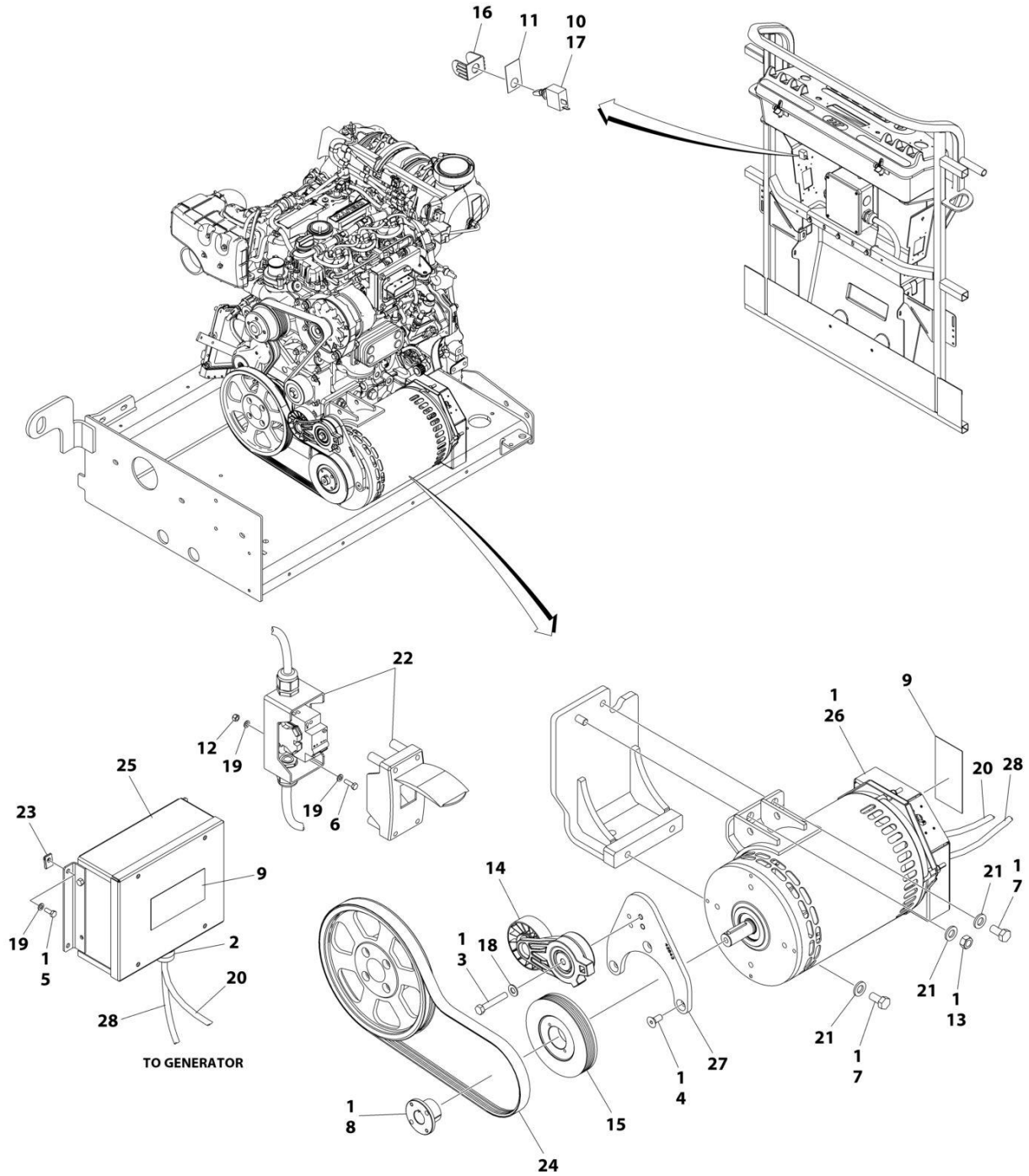
ITEM	PART NUMBER	QTY	DESCRIPTION	REV
	1001192487	Ref	4000W GENERATOR INSTALLATION	H
1	0100011	AR	Compound, Locking	
2	0100019	AR	Compound, Locking	
3	1001141814	1	Belt	
4	0760610	2	Bolt M6 x 20	
5	0641618	1	Bolt 3/8 x 2-1/4	
6	0760606	1	Bolt M6 x 12	
8	0741607	3	Screw 3/8 x 7/8	
9	0760608	4	Bolt M6 x 16	
10	0761212	2	Bolt M12 x 25	
11	0771415	1	Bolt 14 x 35	
13	0962520	1	Bushing, Split	
14	1705489	2	Decal - Hazardous Voltage	
15	2820031	AR	Heat Shrink	
16	3251102	1	Nameplate - Generator On/Off	
20	3291201	1	Nut M12	
21	3290605	2	Nut M6	
22	3580319	1	Pulley	
23	3580320	1	Pulley	
24	3580317	1	Tensioner, Belt	
25	4032015	4	Capscrew M10 x 55	
26	4060802	1	Guard, Switch	
27	4360336	1	Switch, Toggle	
30	4811700	8	Washer M6	
32	5241000	1	Washer M10	
34	5241400	1	Washer M14	
35	4871700	2	Washer M6	
36	5241200	3	Washer M12	
37	1001096070	1	Breaker Box Kit (See Separate Breakdown in ELECTRICAL SECTION)	
39	1001130220	4	Nut, Tinnerman M6	
40	1001138565	1	Generator Assembly (50Hz)	
40	70003709	1	Ring, Retaining (External)	
40	70003708	1	Ring, Retaining (Internal)	
40	70001966	1	Bearing	
40	70004092	1	Endbell (Shaft End)	
40	70004171	1	Key	
40	70004676	1	Rotor	
40	70004677	1	Stator	
40	70004678	1	Endbell (Rear)	
40	70004679	1	Cover, Endbell (Rear)	
40	70004680	1	Enclosure, Wiring	
40	70004681	1	Cover, Enclosure	
40	70004682	1	Switch, Reset (Located on Enclosure Cover)	
40	70004683	1	Connector, Strain Relief (Located on Enclosure Cover)	
41	1001138566	1	Box, Control	
41	70006552	1	Capacitor	
41	70006553	1	Relay	
42	1001139357	1	Mount	
44	1001196382	1	Stud	

SECTION 3 - ENGINE

ITEM	PART NUMBER	QTY	DESCRIPTION	REV
45	4922641	1	Generator Switch Harness	
46	1001152532	1	Generator Harness (See Separate Breakdown in ELECTRICAL SECTION)	
47	7274000040	1	Clamp	
48	1320061	1	Clamp	
49	5251012	1	Bolt M10 x 25	

SECTION 3 - ENGINE

FIGURE 3-86. 4000W GENERATOR INSTALLATION - 220V/50HZ (DEUTZ TD2.2L3 ENGINES) (SKYPOWER)



ART_1001255871

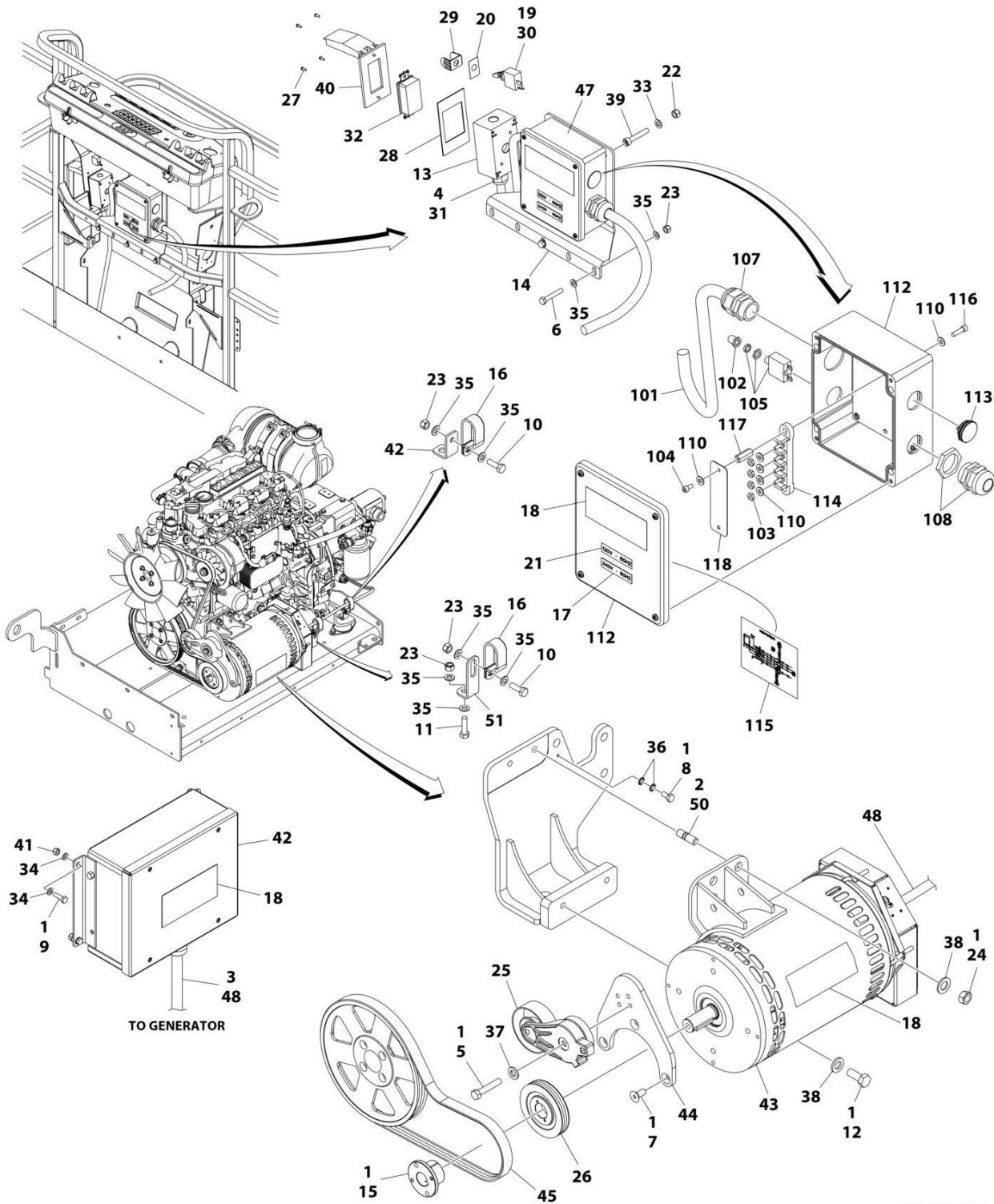
SECTION 3 - ENGINE

**FIGURE 3-86. 4000W GENERATOR INSTALLATION - 220V/50HZ (DEUTZ TD2.2L3 ENGINES)
(SKYPOWER)**

ITEM	PART NUMBER	QTY	DESCRIPTION	REV
	1001255871	Ref	4000W GENERATOR INSTALLATION	B
1	0100011	AR	Compound, Locking	
2	0100048	AR	Grease, Terminal	
3	0641618	1	Bolt 3/8 x 2-1/4	
4	0741607	3	Screw 3/8 x 7/8	
5	0760608	4	Bolt M6 x 16	
6	0760610	2	Bolt M6 x 20	
7	0761212	3	Bolt M12 x 25	
8	0962520	1	Bushing, Split	
9	1705489	2	Decal - Hazardous Voltage	
10	2820031	AR	Heatshrink	
11	3252764	1	Nameplate - AC & Weld	
12	3290605	2	Nut M6	
13	3291201	1	Nut M12	
14	3580317	1	Tensioner, Belt	
15	3580319	1	Pulley	
16	4060802	1	Guard, Switch	
17	4360336	1	Switch, Toggle	
18	4711600	1	Washer 3/8	
19	4811700	8	Washer M6	
20	4922925	1	Generator Harness (See Separate Breakdown in ELECTRICAL SECTION)	
21	5241200	4	Washer M12	
22	1001096070	1	Box & Breaker Kit (See Separate Breakdown in ELECTRICAL SECTION)	
23	1001130220	4	Nut, Tinnerman M6	
24	1001136356	1	Belt	
25	1001138566	1	Box, Control	
25	70006552	1	Capacitor	
25	70006553	1	Relay	
26	1001140347	1	Generator Assembly - 50Hz	
26	70003709	1	Ring, Retaining (External)	
26	70003708	1	Ring, Retaining (Internal)	
26	70001966	1	Bearing	
26	70004092	1	Endbell (Shaft End)	
26	70004099	1	Key	
26	70004676	1	Rotor	
26	70004686	1	Stator	
26	70004678	1	Endbell (Rear)	
26	70004679	1	Cover, Endbell (Rear)	
26	70004680	1	Enclosure, Wiring	
26	70004681	1	Cover, Enclosure	
26	70004682	1	Switch, Reset (Located on Enclosure Cover)	
26	70004683	1	Connector, Strain Relief (Located on Enclosure Cover)	
26	4460224	1	Connector - 6 Position (Located on Enclosure Cover)	
26	4460294	1	Pin, Male (Located on Enclosure Cover)	
27	1001142643	1	Support	
28	1001152532	1	Generator Harness (See Separate Breakdown in ELECTRICAL SECTION)	

SECTION 3 - ENGINE

**FIGURE 3-87. 4000W GENERATOR INSTALLATION - 220V/60HZ (DEUTZ TD2.9L4 ENGINES)
(SKYPOWER)**



ART_1001244410

SECTION 3 - ENGINE

**FIGURE 3-87. 4000W GENERATOR INSTALLATION - 220V/60HZ (DEUTZ TD2.9L4 ENGINES)
(SKYPOWER)**

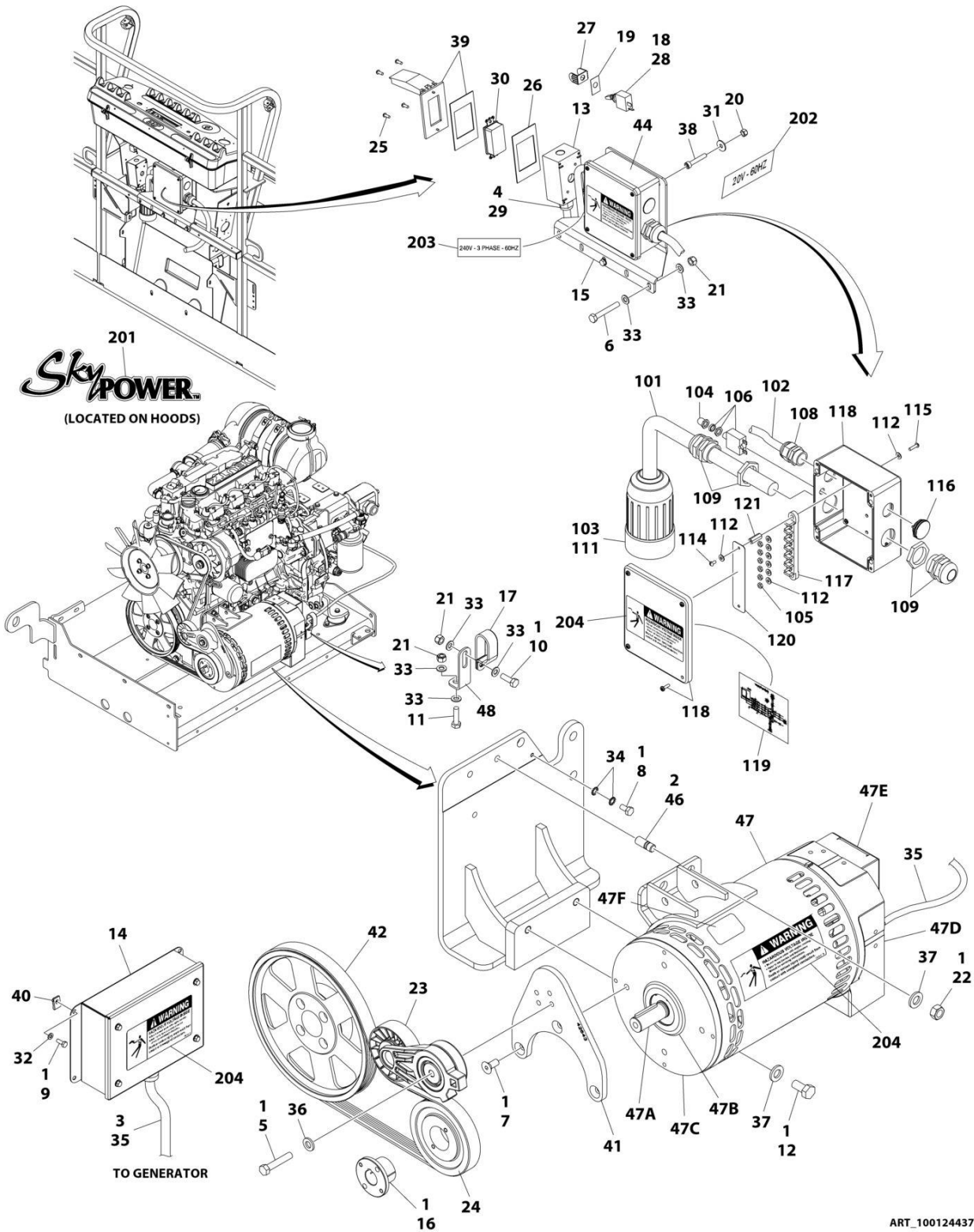
ITEM	PART NUMBER	QTY	DESCRIPTION	REV
	1001244410	Ref	4000W GENERATOR INSTALLATION	B
1	0100011	AR	Compound, Locking	
2	0100019	AR	Compound, Locking	
3	0100048	AR	Compound, Locking	
4	0100079	AR	Sealant	
5	0641616	1	Bolt 3/8 x 2	
6	0700819	2	Bolt M8 x 55	
7	0741607	3	Screw 3/8 x 7/8	
8	0760606	1	Bolt M6 x 12	
9	0760608	4	Bolt M6 x 16	
10	0760812	1	Bolt M8 x 25	
11	0760814	1	Bolt M8 x 30	
12	0761212	2	Bolt M12 x 25	
13	0860038	1	Box, Receptacle	
14	0902888	1	Bracket	
15	0962520	1	Bushing, Split	
16	1321716	1	Clamp	
17	1705374	1	Decal - 240V-60Hz	
18	1705387	3	Decal - Hazardous Voltage	
19	2820031	AR	Heat Shrink	
20	3251102	1	Nameplate - Generator On/Off	
21	3251243	1	Decal - 120V-60Hz	
22	3290505	4	Nut M5	
23	3290805	4	Nut M8	
24	3291201	2	Nut M12	
25	3580317	1	Tensioner, Belt	
26	3580318	1	Pulley	
27	3910606	4	Screw #6 x 3/8	
28	3960422	1	Gasket	
29	4060802	1	Guard, Switch	
30	4360336	1	Switch, Toggle	
31	4460071	1	Connector, Strain Relief	
32	4460346	1	Receptacle	
33	4811602	4	Washer M5	
34	4811700	4	Washer M6	
35	4811900	8	Washer M8	
36	4871700	2	Washer M6	
37	5241000	1	Washer M10	
38	5241200	4	Washer M12	
39	1001104029	4	Capscrew M5 x 30 Grade 12.9	
40	1001110873	1	Cover	
41	1001130220	4	Nut, Tinnerman M6	
42	1001138566	1	Box, Control	
42	70006552	1	Capacitor	
42	70006553	1	Relay	
43	1001140346	1	Generator Assembly (60Hz)	
43	70003709	1	Ring, Retaining (External)	
43	70003708	1	Ring, Retaining (Internal)	
43	70001966	1	Bearing	

SECTION 3 - ENGINE

ITEM	PART NUMBER	QTY	DESCRIPTION	REV
43	70004092	1	Endbell (Shaft End)	
43	70004099	1	Key	
43	70004676	1	Rotor	
43	70004687	1	Stator	
43	70004678	1	Endbell (Rear)	
43	70004679	1	Cover, Endbell (Rear)	
43	70004680	1	Enclosure, Wiring	
43	70004685	1	Cover, Enclosure	
43	70004682	1	Switch, Reset (Located on Enclosure Cover)	
43	70004098	1	Connector, Strain Relief (Located on Enclosure Cover)	
44	1001142643	1	Support	
45	1001142646	1	Belt	
47	1001152457	1	Junction Box Assembly (See Items 101-118 for Breakdown)	
48	1001152532	1	Generator Harness (See Separate Breakdown in ELECTRICAL SECTION)	
50	1001196382	2	Stud	
51	1001223122	1	Support	
	1001152457	Ref	JUNCTION BOX ASSEMBLY	
101	1001179154	2.5 ft/ 0.8m	Cable, Electrical - 12/3	
102	3300396	1	Cover, Breaker	
103	3311001	4	Nut #10	
104	3900300	2	Screw	
105	4360070	1	Breaker, Circuit - 15Amp	
107	4460425	1	Connector, Strain Relief (LH Side)	
108	4460426	1	Connector, Strain Relief (RH Side)	
110	4711000	8	Washer #10	
112	1001152456	1	Box, Junction	
113	1001152525	1	Plug	
114	1001152530	1	Terminal, Block	
115	1001153260	1	Decal - Wiring Diagram	
116	3900267	2	Screw	
117	1001158008	2	Stand-Off	
118	1001158363	1	Cover, Terminal Block	

SECTION 3 - ENGINE

FIGURE 3-88. 7500W GENERATOR INSTALLATION - 220V/60HZ (DEUTZ TD2.9L4 ENGINES) (SKYPOWER)



SECTION 3 - ENGINE

**FIGURE 3-88. 7500W GENERATOR INSTALLATION - 220V/60HZ (DEUTZ TD2.9L4 ENGINES)
(SKYPOWER)**

ITEM	PART NUMBER	QTY	DESCRIPTION	REV
	1001244375	Ref	7500W SKYPOWER GENERATOR INSTALLATION	B
1	0100011	AR	Compound, Locking	
2	0100019	AR	Compound, Locking	
3	0100048	AR	Compound Terminal	
4	0100079	AR	Sealant	
5	0641616	1	Bolt 3/8 x 2	
6	0700819	2	Bolt M8 x 55	
7	0741607	3	Screw 3/8 x 7/8	
8	0760606	1	Bolt M6 x 12	
9	0760608	4	Bolt M6 x 16	
10	0760812	1	Bolt M8 x 25	
11	0760814	1	Bolt M8 x 30	
12	0761212	2	Bolt M12 x 25	
13	0860038	1	Box, Receptacle	
14	0861538	1	Control Box Assembly	
14	7024488	1	Card, Circuit - Generator Power	
14	See Note	NSS	Fuse (Note: Not Available - Purchase Locally)	
14	7024489	1	Card, Circuit - Control	
14	70000619	1	Harness, Control Box (Internal)	
		Ref	Note: Same Circuit Card (P/N 7024489) is used for both 60Hz and 50Hz. When replacing card, rocker switch on card must be set for required application.	
15	0902888	1	Bracket	
16	0962520	1	Bushing, Split	
17	1321716	1	Clamp	
18	2820031	AR	Heat Shrink	
19	3252764	1	Nameplate - AC & Weld	
20	3290505	4	Nut M5	
21	3290805	4	Nut M8	
22	3291201	2	Nut M12	
23	3580317	1	Tensioner, Belt	
24	3580318	1	Pulley	
25	3910606	4	Screw #6 x 3/8	
26	3960422	1	Gasket	
27	4060802	1	Guard, Switch	
28	4360336	1	Switch, Toggle	
29	4460071	1	Connector, Strain Relief	
30	4460346	1	Receptacle	
31	4811602	4	Washer M5	
32	4811700	4	Washer M6	
33	4811900	8	Washer M8	
34	4871700	2	Washer M6	
35	4922925	1	Generator Harness (See Separate Breakdown in ELECTRICAL SECTION)	
36	5241000	1	Washer M10	
37	5241200	4	Washer M12	
38	1001104029	4	Capscrew M5 x 30 Grade 12.9	
39	1001110873	1	Cover	
40	1001130220	4	Nut, Tinnerman M6	

SECTION 3 - ENGINE

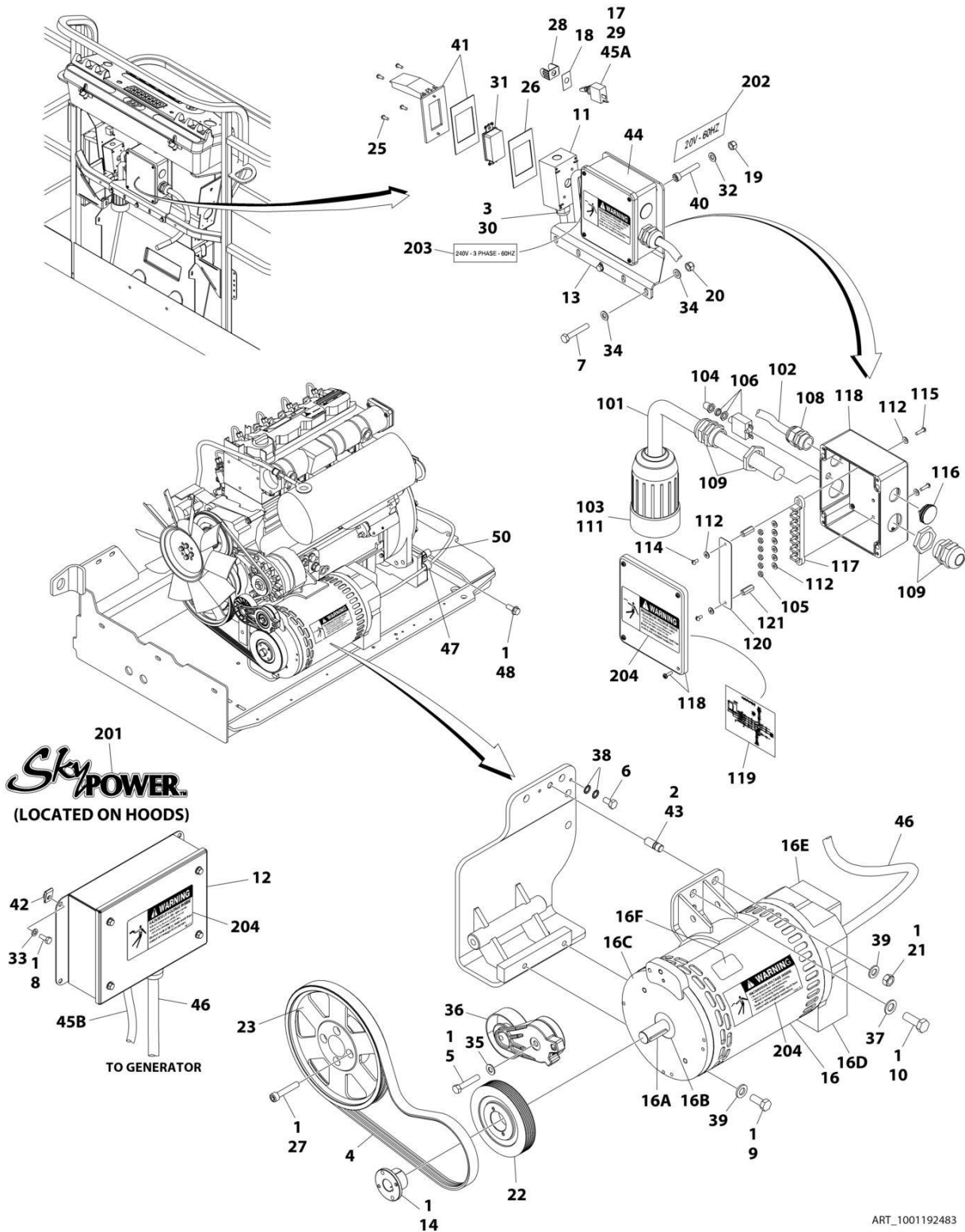
ITEM	PART NUMBER	QTY	DESCRIPTION	REV
41	1001142643	1	Support	
42	1001142646	1	Belt	
44	1001157592	1	Junction Box Assembly (See Items 101-121 for Breakdown)	
46	1001196382	2	Stud	
47	1001212223	1	Generator Assembly	
47	70001100	1	Rotor (Includes p/n 70001384 & 70000863) (Not Shown)	
47	70001384	1	Bearing, Ball Radial (Not Shown)	
47	70000863	1	Fan (Not Shown)	
47	70006093	1	Stator (Not Shown)	
47	70002297	1	Stud	
47	70003631	1	Brushholder Assembly (Not Shown) (was p/n 7024484)	
47A	70004099	1	Key	
47B	70001966	1	Bearing, Ball Radial (Located in Belt Tensioner Endbell)	
47B	70003708	1	Ring, Internal Retaining (Located in Belt Tensioner Endbell)	
47B	70003709	1	Ring, External Retaining (Located in Belt Tensioner Endbell)	
47C	70004092	1	Endbell, Belt Tensioner	
47D	70004094	1	Endbell, Brush Block	
47E	70006094	1	Shroud	
47E	70002291	1	Insulator, Endbell	
47E	7027799	1	Block, Connector - 6 Position (Not Shown)	
47E	70002460	1	Nut, Brass (Attaches p/n 7027799 to Cover) (Not Shown)	
47E	70006095	1	Breaker, Circuit 30Amp (Not Shown)	
47E	70006096	1	Boot, Breaker (Not Shown)	
47E	7026626	1	Connector, 6 Position (Includes Seal) (Not Shown - Plugs into Item 45)	
47E	7026597	1	Connector with Leads (Not Shown)	
47E	70004098	1	Clamp, Cable (Not Shown)	
47E	70006097	1	Plate, End Panel	
47E	70001974	1	Decal - Terminal Connections	
47F	70001973	1	Decal - Warning Moving Parts	
48	1001223122	1	Support	
	1001157592	Ref	JUNCTION BOX ASSEMBLY	C
101	1060343	1.5 ft/ 0.5m	Cable, Electrical 10/4	
102	1001179154	2.5 ft/ 76cm	Cable, Electrical 12/3	
103	1671092	1	Cover, Connector	
104	3300396	1	Cover, Fuse	
105	3311001	6	Nut #10	
106	4360070	1	Circuit Breaker - 15Amp	
108	4460425	1	Connector, Strain Relief	
109	4460426	2	Connector, Strain Relief	
111	4460963	1	Connector	
112	4711000	4	Washer #10	
114	10702077	2	Screw #10 x 3/8	
115	10702082	2	Screw #10 x 3/4	
116	1001152525	1	Plug	
117	1001157520	1	Block, Terminal	
118	1001157521	1	Box, Junction	
119	1001157528	1	Decal - Wiring Schematic	
120	1001158007	1	Cover, PVC	
121	1001158008	1	Stand-Off	

SECTION 3 - ENGINE

ITEM	PART NUMBER	QTY	DESCRIPTION	REV
	0272435	Ref	DECAL INSTALLATION	D
201	1705460	2	Decal - SkyPower	
202	3251243	1	Decal - 120V-60Hz	
203	1705375	1	Decal - 240V - 3 Phase - 60Hz	
204	1705387	3	Decal - Hazardous Voltage	

SECTION 3 - ENGINE

FIGURE 3-89. 7500W SKYPOWER GENERATOR INSTALLATION - 110/60HZ (DEUTZ D2011 ENGINES)



ART_1001192483

SECTION 3 - ENGINE

FIGURE 3-89. 7500W SKYPOWER GENERATOR INSTALLATION - 110/60HZ (DEUTZ D2011 ENGINES)

ITEM	PART NUMBER	QTY	DESCRIPTION	REV
	1001192483	Ref	7500W SKYPOWER GENERATOR INSTALLATION	I
1	0100011	AR	Compound, Locking	
2	0100019	AR	Compound, Locking	
3	0100079	AR	Sealant	
4	1001136356	1	Belt	
5	0641618	1	Bolt 3/8 x 2-1/4	
6	0760606	1	Bolt M6 x 12	
7	0700819	2	Bolt M8 x 55	
8	0760608	4	Bolt M6 x 16	
9	0761212	2	Bolt M12 x 25	
10	0771415	1	Bolt M14 x 35	
11	0860038	1	Box, Receptacle	
12	0861538	1	Control Box Assembly	
12	7024488	1	Card, Circuit - Generator Power	
12	See Note	NSS	Fuse (Note: Not Available - Purchase Locally)	
12	7024489	1	Card, Circuit - Control	
12	70000619	1	Harness, Control Box (Internal)	
13	0902888	1	Bracket	
14	0962520	1	Bushing, Split	
16	2460048	1	Generator Assembly	
16	70001100	1	Rotor (Includes p/n 70001384 & 70000863) (Not Shown)	
16	70001384	1	Bearing, Ball Radial (Not Shown)	
16	70000863	1	Fan (Not Shown)	
16	70002088	1	Stator (Not Shown)	
16	70002297	1	Stud	
16	70003631	1	Brushholder Assembly (Not Shown)	
16A	70004171	1	Key	
16B	70001966	1	Bearing, Ball Radial (Located in Belt Tensioner Endbell)	
16B	70003708	1	Ring, Internal Retaining (Located in Belt Tensioner Endbell)	
16B	70003709	1	Ring, External Retaining (Located in Belt Tensioner Endbell)	
16C	70001953	1	Endbell, Belt Tensioner	
16D	70004169	1	Endbell, Brush Block	
16E	70004169	1	Shroud	
16E	See Note	NSS	Insulator, Endbell (Note: Not Available for Purchase)	
16E	7027799	1	Block, Connector - 6 Position (Not Shown)	
16E	70002460	1	Nut, Brass (Attaches p/n 7027799 to Cover) (Not Shown)	
16E	7024485	1	Breaker, Circuit 30Amp (Not Shown)	
16E	70001696	1	Boot, Breaker (Not Shown)	
16E	7026626	1	Connector, 6 Position (Includes Seal) (Not Shown - Plugs into Item 39)	
16E	7026597	1	Connector, with Leads (Not Shown)	
16E	7026188	1	Clamp, Cable Options (Not Shown)	
16E	70004169	1	Plate, End Panel	
16E	70001974	1	Decal - Terminal Connections	
16F	70001973	1	Decal - Warning Moving Parts	
17	2820031	AR	Heat Shrink	
18	3252764	1	Nameplate - AC & Weld	
19	3290505	4	Nut M5	
20	3290805	2	Nut M8	
21	3291201	1	Nut M12	

SECTION 3 - ENGINE

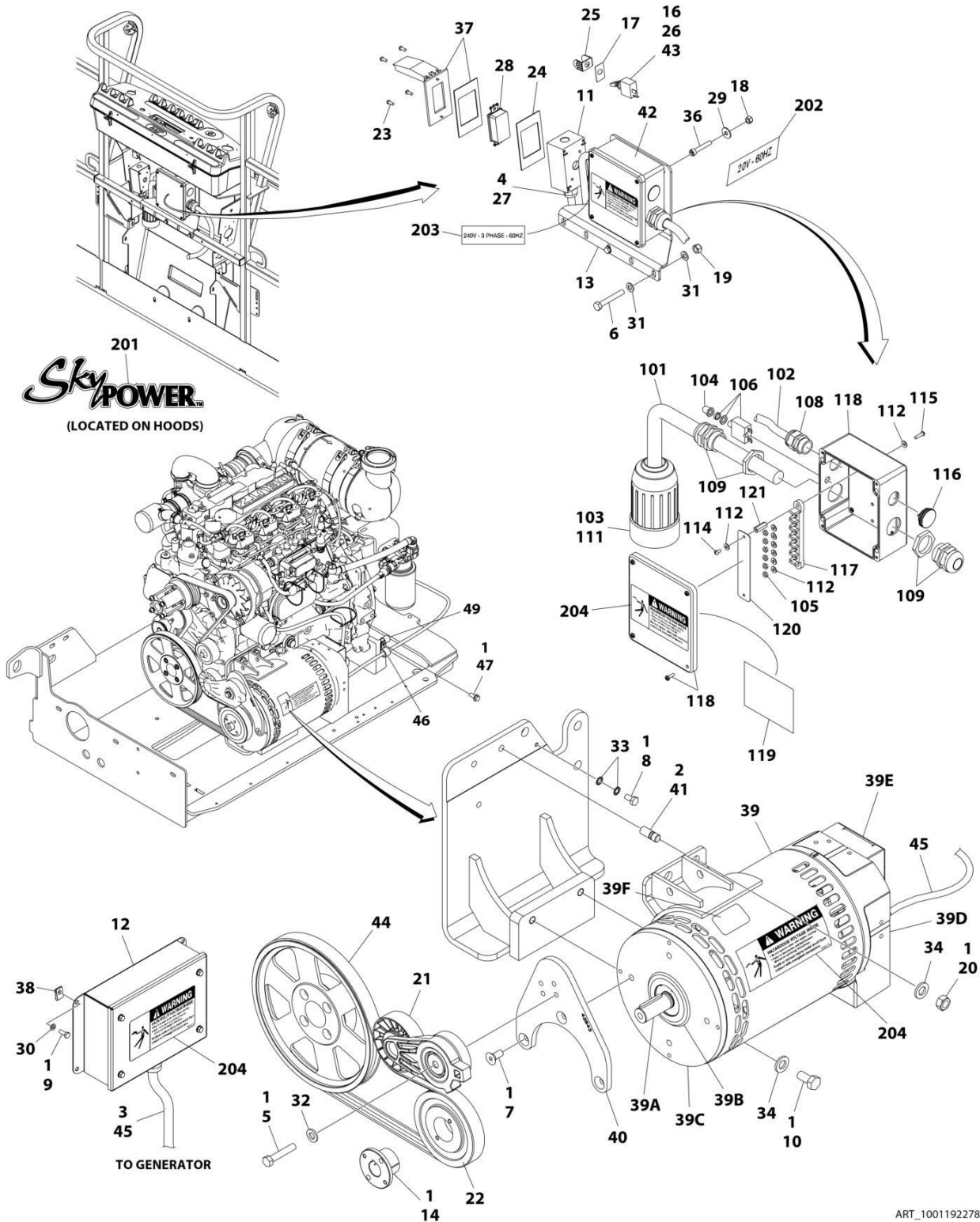
ITEM	PART NUMBER	QTY	DESCRIPTION	REV
22	3580318	1	Pulley	
23	3580320	1	Pulley	
25	3910606	4	Screw #6 x 3/8	
26	3960422	1	Gasket	
27	4032015	4	Capscrew M10 x 55	
28	4060802	1	Guard, Switch	
29	4360336	1	Switch, Toggle	
30	4460071	1	Connector, Strain Relief	
31	4460346	1	Receptacle	
32	4811602	4	Washer M5	
33	4811700	4	Washer M6	
34	4811900	4	Washer M8	
35	5241000	1	Washer M10	
36	3580317	1	Tensioner, Belt	
37	5241400	1	Washer M14	
38	4871700	2	Washer M6	
39	5241200	3	Washer M12	
40	1001104029	4	Capscrew M5 x 30 Grade 12.9	
41	1001110873	1	Cover	
42	1001130220	4	Nut, Tinnerman M6	
43	1001196382	1	Stud	
44	1001157592	1	Junction Box Assembly (See Items 101-121 for Breakdown)	
45A	4922641	1	Generator Switch Harness	
45B	1001152429	1	Generator to Engine Harness (See Separate Breakdown in ELECTRICAL SECTION)	
46	4922925	1	Generator Harness (See Separate Breakdown in ELECTRICAL SECTION)	
47	7274000040	1	Clamp	
48	5251012	1	Bolt M10 x 25	
50	1320061	1	Clamp	
	1001157592	Ref	JUNCTION BOX ASSEMBLY	C
101	1060343	1.5 ft/ 0.5m	Cable, Electrical 10/4	
102	1001179154	2.5 ft/ 0.8m	Cable, Electrical 12/3	
103	1671092	1	Cover	
104	3300396	1	Cover, Fuse	
105	3311001	6	Nut #10	
106	4360070	1	Circuit Breaker - 15Amp	
108	4460425	1	Connector, Strain Relief	
109	4460426	2	Connector, Strain Relief	
111	4460963	1	Connector	
112	4711000	10	Washer #10	
114	10702077	2	Screw #10 x 3/8	
115	10702082	2	Screw #10 x 3/4	
116	1001152525	1	Plug	
117	1001157520	1	Block, Terminal	
118	1001157521	1	Box, Junction	
119	1001157528	1	Decal - Wiring Schematic	
120	1001158007	1	Cover, PVC	
121	1001158008	2	Stand-Off	
	0272435	Ref	DECAL INSTALLATION	D

SECTION 3 - ENGINE

ITEM	PART NUMBER	QTY	DESCRIPTION	REV
201	1705460	2	Decal - SkyPower	
202	3251243	1	Decal - 120V-60Hz	
203	1705375	1	Decal - 240V - 3 Phase - 60Hz	
204	1705387	3	Decal - Hazardous Voltage	

SECTION 3 - ENGINE

FIGURE 3-90. 7500W SKYPOWER GENERATOR INSTALLATION - 110V/60HZ (DEUTZ TD2.9L4 ENGINES)



SECTION 3 - ENGINE

FIGURE 3-90. 7500W SKYPOWER GENERATOR INSTALLATION - 110V/60HZ (DEUTZ TD2.9L4 ENGINES)

ITEM	PART NUMBER	QTY	DESCRIPTION	REV
	1001192278	Ref	7500W SKYPOWER GENERATOR INSTALLATION	G
1	0100011	AR	Compound, Locking	
2	0100019	AR	Compound, Locking	
3	0100048	AR	Compound Terminal	
4	0100079	AR	Sealant	
5	0641616	1	Bolt 3/8 x 2	
6	0700819	2	Bolt M8 x 55	
7	0741607	3	Screw 3/8 x 7/8	
8	0760606	1	Bolt M6 x 12	
9	0760608	4	Bolt M6 x 16	
10	0761212	2	Bolt M12 x 25	
11	0860038	1	Box, Receptacle	
12	0861538	1	Control Box Assembly	
12	7024488	1	Card, Circuit - Generator Power	
12	See Note	NSS	Fuse (Note: Not Available - Purchase Locally)	
12	7024489	1	Card, Circuit - Control	
12	70000619	1	Harness, Control Box (Internal)	
		Ref	Note: Same Circuit Card (P/N 7024489) is used for both 60Hz and 50Hz. When replacing card, rocker switch on card must be set for required application.	
13	0902888	1	Bracket	
14	0962520	1	Bushing, Split	
16	2820031	AR	Heat Shrink	
17	3252764	1	Nameplate - AC & Weld	
18	3290505	4	Nut M5	
19	3290805	2	Nut M8	
20	3291201	2	Nut M12	
21	3580317	1	Tensioner, Belt	
22	3580318	1	Pulley	
23	3910606	4	Screw #6 x 3/8	
24	3960422	1	Gasket	
25	4060802	1	Guard, Switch	
26	4360336	1	Switch, Toggle	
27	4460071	1	Connector, Strain Relief	
28	4460346	1	Receptacle	
29	4811602	4	Washer M5	
30	4811700	4	Washer M6	
31	4811900	4	Washer M8	
32	5241000	1	Washer M10	
33	4871700	2	Washer M6	
34	5241200	4	Washer M12	
36	1001104029	1	Capscrew M5 x 30 Grade 12.9	
37	1001110873	1	Cover	
38	1001130220	4	Nut, Tinnerman M6	
39	1001212223	1	Generator Assembly	
39	70001100	1	Rotor (Includes p/n 70001384 & 70000863) (Not Shown)	
39	70001384	1	Bearing, Ball Radial (Not Shown)	
39	70000863	1	Fan (Not Shown)	

SECTION 3 - ENGINE

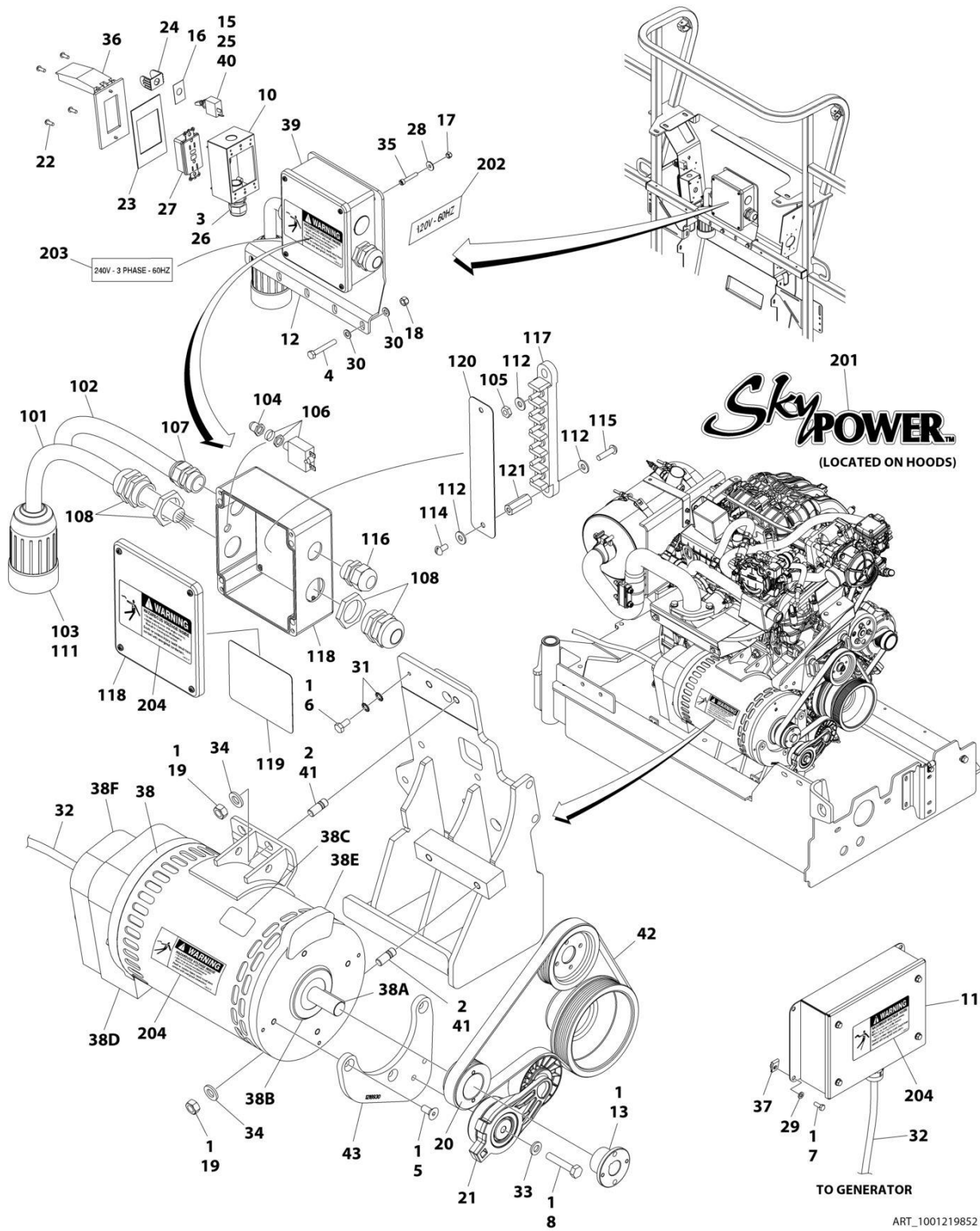
ITEM	PART NUMBER	QTY	DESCRIPTION	REV
39	70006093	1	Stator (Not Shown)	
39	70002297	1	Stud	
39	70003631	1	Brushholder Assembly (Not Shown) (was p/n 7024484)	
39A	70004099	1	Key	
39B	70001966	1	Bearing, Ball Radial (Located in Belt Tensioner Endbell)	
39B	70003708	1	Ring, Internal Retaining (Located in Belt Tensioner Endbell)	
39B	70003709	1	Ring, External Retaining (Located in Belt Tensioner Endbell)	
39C	70004092	1	Endbell, Belt Tensioner	
39D	70004094	1	Endbell, Brush Block	
39E	70006094	1	Shroud	
39E	70002291	1	Insulator, Endbell	
39E	7027799	1	Block, Connector - 6 Position (Not Shown)	
39E	70002460	1	Nut, Brass (Attaches p/n 7027799 to Cover) (Not Shown)	
39E	70006095	1	Breaker, Circuit 30Amp (Not Shown)	
39E	70006096	1	Boot, Breaker (Not Shown)	
39E	7026626	1	Connector, 6 Position (Includes Seal) (Not Shown - Plugs into Item 45)	
39E	7026597	1	Connector with Leads (Not Shown)	
39E	70004098	1	Clamp, Cable (Not Shown)	
39E	70006097	1	Plate, End Panel	
39E	70001974	1	Decal - Terminal Connections	
39F	70001973	1	Decal - Warning Moving Parts	
40	1001142643	1	Support	
41	1001196382	2	Stud	
42	1001157592	1	Junction Box Assembly (See Items 101-121 for Breakdown)	
43	4922641	1	Generator Switch Harness	
44	1001142646	1	Belt	
45	4922925	1	Generator Harness (See Separate Breakdown in ELECTRICAL SECTION)	
46	7274000040	1	Clamp	
47	5251012	1	Bolt M10 x 25	
49	1320061	1	Clamp	
	1001157592	Ref	JUNCTION BOX ASSEMBLY	C
101	1060343	1.5 ft/ 0.5m	Cable, Electrical 10/4	
102	1001179154	2.5 ft/ 76cm	Cable, Electrical 12/3	
103	1671092	1	Cover, Connector	
104	3300396	1	Cover, Fuse	
105	3311001	6	Nut #10	
106	4360070	1	Circuit Breaker - 15Amp	
108	4460425	1	Connector, Strain Relief	
109	4460426	2	Connector, Strain Relief	
111	4460963	1	Connector	
112	4711000	4	Washer #10	
114	10702077	2	Screw #10 x 3/8	
115	10702082	2	Screw #10 x 3/4	
116	1001152525	1	Plug	
117	1001157520	1	Block, Terminal	
118	1001157521	1	Box, Junction	
119	1001157528	1	Decal - Wiring Schematic	
120	1001158007	1	Cover, PVC	

SECTION 3 - ENGINE

ITEM	PART NUMBER	QTY	DESCRIPTION	REV
121	1001158008	1	Stand-Off	D
	0272435	Ref	DECAL INSTALLATION	
201	1705460	2	Decal - SkyPower	
202	3251243	1	Decal - 120V-60Hz	
203	1705375	1	Decal - 240V - 3 Phase - 60Hz	
204	1705387	3	Decal - Hazardous Voltage	

SECTION 3 - ENGINE

FIGURE 3-91. 7500W SKYPOWER GENERATOR INSTALLATION - 110V/60HZ (FORD ENGINES)



SECTION 3 - ENGINE

FIGURE 3-91. 7500W SKYPOWER GENERATOR INSTALLATION - 110V/60HZ (FORD ENGINES)

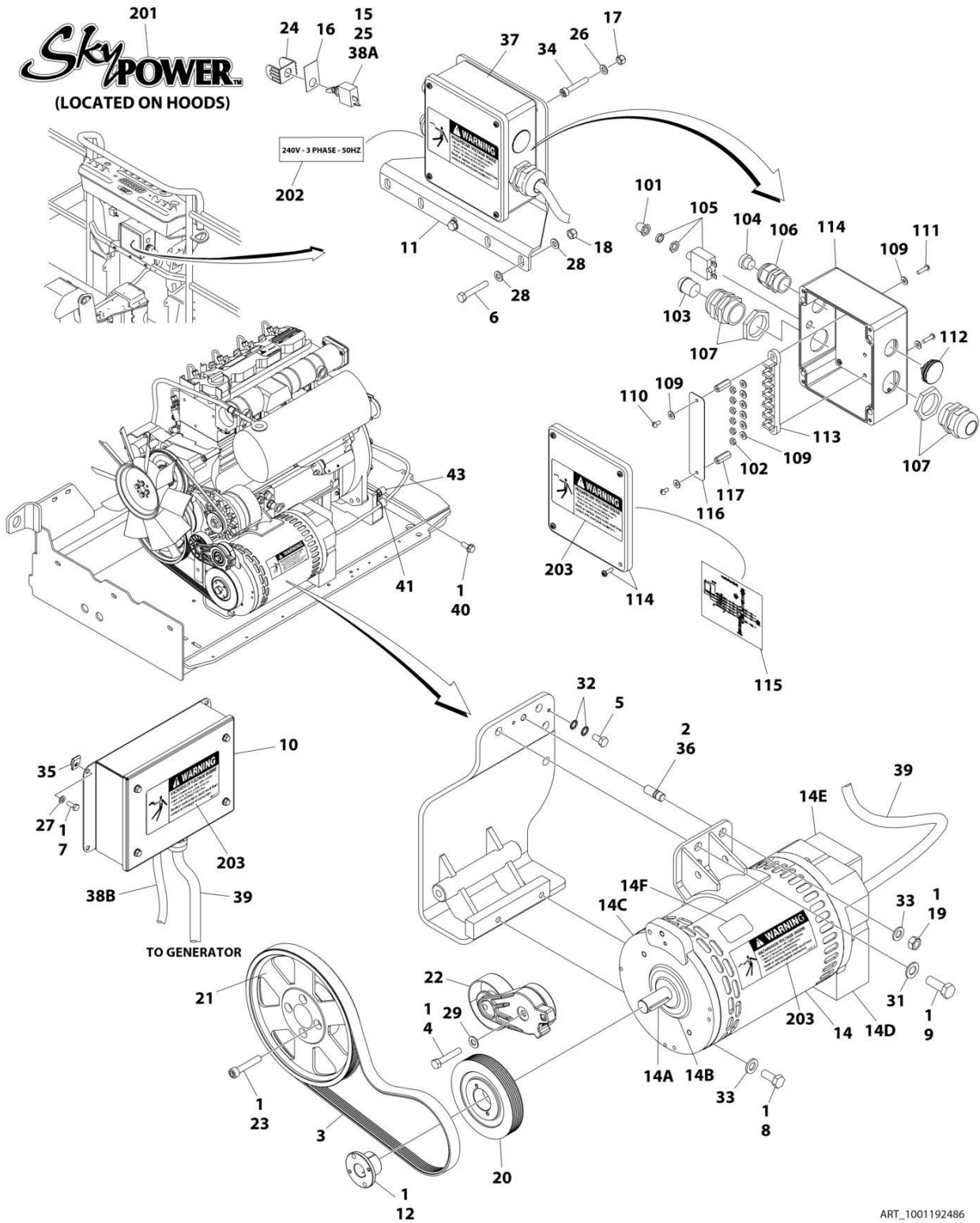
ITEM	PART NUMBER	QTY	DESCRIPTION	REV
	1001219852	Ref	7500W SKYPOWER GENERATOR INSTALLATION	C
1	0100011	AR	Compound, Locking	
2	0100019	AR	Compound, Locking	
3	0100079	AR	Sealant	
4	0700819	2	Bolt M8 x 55	
5	0741607	3	Screw 3/8 x 7/8	
6	0760606	1	Bolt M6 x 12	
7	0760608	4	Bolt M6 x 16	
8	0761019	1	Bolt M10 x 55	
10	0860038	1	Box, Receptacle	
11	0861538	1	Control Box Assembly	
11	7024488	1	Card, Circuit - Generator Power	
11	See Note	NSS	Fuse (Note: Not Available - Purchase Locally)	
11	7024489	1	Card, Circuit - Control	
11	70000619	1	Harness, Control Box (Internal)	
12	0902888	1	Bracket	
13	0962520	1	Bushing, Split	
15	2820031	AR	Heat Shrink	
16	3252764	1	Nameplate - AC & Weld	
17	3290505	4	Nut M5	
18	3290805	2	Nut M8	
19	3291201	4	Nut M12	
20	3580314	1	Pulley	
21	3580317	1	Tensioner, Belt	
22	3910606	4	Screw #6 x 3/8	
23	3960422	1	Gasket	
24	4060802	1	Guard, Switch	
25	4360336	1	Switch, Toggle	
26	4460071	1	Connector, Strain Relief	
27	4460346	1	Receptacle	
28	4811602	4	Washer M5	
29	4811700	4	Washer M6	
30	4811900	4	Washer M8	
31	4871700	2	Washer M6	
32	4922925	1	Generator Harness (See Separate Breakdown in ELECTRICAL SECTION)	
33	5241000	1	Washer M10	
34	5241200	4	Washer M12	
35	1001104029	4	Capscrew M5 x 30 Grade 12.9	
36	1001110873	1	Cover	
37	1001130220	4	Nut, Tinnerman M6	
38	1001136104	1	Generator Assembly	
38	70003631	1	Brushholder Assembly (Not Shown) (was p/n 7024484)	
38	7024485	1	Breaker, Circuit 30Amp (Not Shown)	
38	70001696	1	Boot, Breaker (was p/n 7024486 - Not Shown)	
38	70001966	1	Bearing, Ball Radial (Located in Belt Tensioner Endbell - Not Shown)	
38	7027799	1	Block, Connector - 6 Position (Not Shown)	
38	70002460	6	Nut, Brass (Attaches p/n 7027799 to Cover) (Not Shown)	
38	7026188	1	Clamp, Cable (Not Shown)	

SECTION 3 - ENGINE

ITEM	PART NUMBER	QTY	DESCRIPTION	REV
38	7026597	1	Connector, with Leads (Not Shown)	
38	7026626	1	Connector - 6 Position with Seal (Not Shown)	
38	70002088	1	Stator (Not Shown)	
38	70004169	1	Panel, End (Not Shown) (was p/n 70002255)	
38	70001974	1	Decal - Terminal Connections (Not Shown)	
38	70000863	1	Fan (Not Shown)	
38	70002297	4	Stud (Not Shown)	
38A	70004171	1	Key (was p/n 7024561)	
38A	70001100	1	Armature, Generator (Includes Radial Ball Bearing on End with Brushes and Fan)	
38A	70001384	1	Bearing, Ball Radial	
38B	70001966	1	Bearing, Radial Ball	
38B	70003708	1	Ring, Internal Retaining (Located in Belt Tensioner Endbell)	
38B	70003709	1	Ring, External Retaining (Located in Belt Tensioner Endbell)	
38C	70001973	1	Decal - Warning Moving Parts	
38D	70004169	1	Endbell, Brush Block (was p/n 70001385)	
38E	70001953	1	Endbell, Belt Tensioner	
38F	70004169	1	Endbell, Shroud Assembly (was p/n 70002290)	
39	1001157592	1	Junction Box Assembly (See Items 101-121 for Breakdown)	
40	4922641	1	Generator Switch Harness	
41	1001196382	4	Stud	
42	1001216390	1	Belt	
43	1001218930	1	Mount	
	1001157592	Ref	JUNCTION BOX ASSEMBLY	C
101	1060343	1.5 ft/ 0.5m	Cable, Electrical - 10/4	
102	1001179154	2.5 ft/ 0.8m	Cable, Electrical - 12/3	
103	1671092	1	Cover, Connector	
104	3300396	1	Cover, Fuse	
105	3311001	6	Nut #10	
106	4360070	1	Breaker, Circuit 15Amp	
107	4460425	1	Connector, Strain Relief	
108	4460426	2	Connector, Strain Relief	
111	4460963	1	Receptacle	
112	4711000	10	Washer #10	
114	10702077	2	Screw #10 x 3/8	
115	10702082	2	Screw #10 x 3/4	
116	1001152525	1	Plug, Hole	
117	1001157520	1	Block, Terminal Pole	
118	1001157521	1	Box, Junction	
119	1001157528	1	Decal - Box Junction	
120	1001158007	1	Cover	
121	1001158008	2	Stand-Off	
	0272435	Ref	DECAL INSTALLATION	D
201	1705460	2	Decal - SkyPower	
202	3251243	1	Decal - 120V/60Hz (Located on Opposite Side)	
203	1705375	1	Decal - 240V - 3 Phase	
204	1705387	3	Decal - Hazardous Voltage	

SECTION 3 - ENGINE

FIGURE 3-92. 7500W SKYPOWER GENERATOR INSTALLATION - 220V/50HZ (DEUTZ D2011 ENGINES)



SECTION 3 - ENGINE

FIGURE 3-92. 7500W SKYPOWER GENERATOR INSTALLATION - 220V/50HZ (DEUTZ D2011 ENGINES)

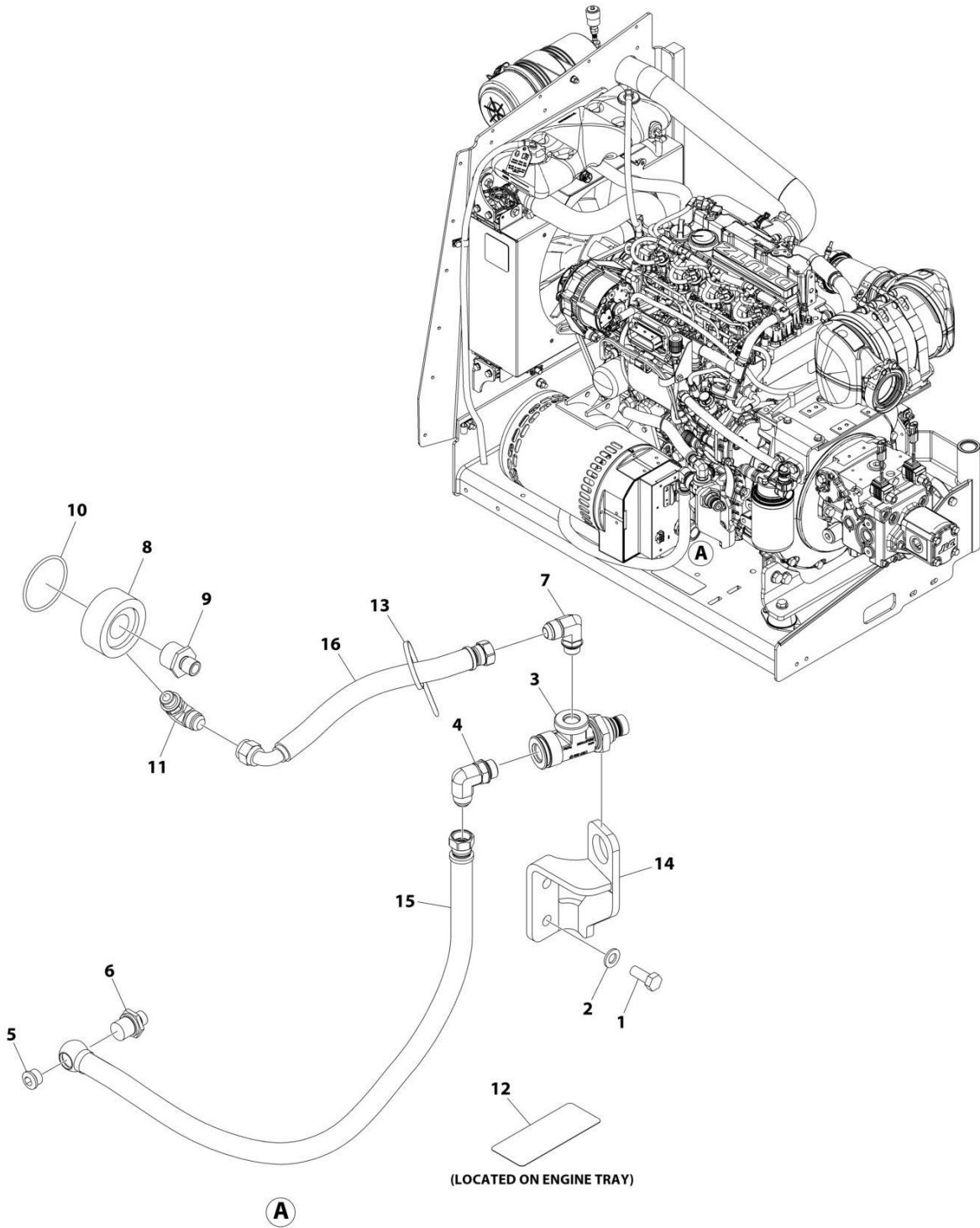
ITEM	PART NUMBER	QTY	DESCRIPTION	REV
	1001192486	Ref	7500W SKYPOWER GENERATOR INSTALLATION	I
1	0100011	AR	Compound, Locking	
2	0100019	AR	Compound, Locking	
3	1001141814	1	Belt	
4	0641618	1	Bolt 3/8 x 2-1/4	
5	0760606	1	Bolt M6 x 12	
6	0700819	2	Bolt M8 x 55	
7	0760608	4	Bolt M6 x 16	
8	0761212	2	Bolt M12 x 25	
9	0771415	1	Bolt M14 x 35	
10	0861572	1	Control Box Assembly	
10	7024488	1	Card, Circuit - Generator Power	
10	See Note	NSS	Fuse (Note: Not Available - Purchase Locally)	
10	7024489	1	Card, Circuit - Control	
10	70000619	1	Harness, Control Box (Internal)	
11	0902888	1	Bracket	
12	0962520	1	Bushing, Split	
14	2460048	1	Generator Assembly	
14	70001100	1	Rotor (Includes p/n 70001384 & 70000863) (Not Shown)	
14	70001384	1	Bearing, Ball Radial (Not Shown)	
14	70000863	1	Fan (Not Shown)	
14	70002088	1	Stator (Not Shown)	
14	70002297	1	Stud	
14	70003631	1	Brushholder Assembly (Not Shown)	
14A	70004171	1	Key	
14B	70001966	1	Bearing, Ball Radial (Located in Belt Tensioner Endbell)	
14B	70003708	1	Ring, Internal Retaining (Located in Belt Tensioner Endbell)	
14B	70003709	1	Ring, External Retaining (Located in Belt Tensioner Endbell)	
14C	70001953	1	Endbell, Belt Tensioner	
14D	70004169	1	Endbell, Brush Block	
14E	70004169	1	Shroud	
14E	See Note	NSS	Insulator, Endbell (Note: Not Available for Purchase)	
14E	7027799	1	Block, Connector 6 Position (Not Shown)	
14E	70002460	1	Nut, Brass (Attaches p/n 7027799 to Cover) (Not Shown)	
14E	7024485	1	Breaker, Circuit 30Amp (Not Shown)	
14E	70001696	1	Boot, Breaker (Not Shown)	
14E	7026626	1	Connector, 6 Position (Includes Seal) (Not Shown - Plugs into Item 39)	
14E	7026597	1	Connector, with Leads (Not Shown)	
14E	7026188	1	Clamp, Cable Options (Not Shown)	
14E	70004169	1	Plate, End Panel	
14E	70001974	1	Decal - Terminal Connections	
14F	70001973	1	Decal - Warning Moving Parts	
15	2820031	AR	Heat Shrink	
16	3252764	1	Nameplate - AC & Weld	
17	3290505	4	Nut M5	
18	3290805	2	Nut M8	
19	3291201	1	Nut M12	
20	3580319	1	Pulley	

SECTION 3 - ENGINE

ITEM	PART NUMBER	QTY	DESCRIPTION	REV
21	3580320	1	Pulley	
22	3580317	1	Tensioner, Belt	
23	4032015	4	Capscrew M10 x 55	
24	4060802	1	Guard, Switch	
25	4360336	1	Switch, Toggle	
26	4811602	4	Washer M5	
27	4811700	4	Washer M6	
28	4811900	4	Washer M8	
29	5241000	1	Washer M10	
31	5241400	1	Washer M14	
32	4871700	2	Washer M6	
33	5241200	3	Washer M12	
34	1001104029	4	Capscrew M5 x 30 Grade 12.9	
35	1001130220	4	Nut, Tinnerman M6	
36	1001196382	1	Stud	
37	1001157525	1	Junction Box Assembly (See Items 101-117 for Breakdown)	
38A	4922641	1	Generator Switch Harness	
38B	1001152429	1	Generator to Engine Harness (See Separate Breakdown in ELECTRICAL SECTION)	
39	4922925	1	Generator Harness (See Separate Breakdown in ELECTRICAL SECTION)	
40	5251012	1	Bolt M10 x 25	
41	7274000040	1	Clamp	
43	1320061	1	Clamp	
	1001157525	Ref	JUNCTION BOX ASSEMBLY	B
101	3300396	1	Cover, Fuse	
102	3311001	6	Nut #10	
103	3520189	1	Plug	
104	3520192	1	Plug	
105	4360070	1	Circuit Breaker - 15Amp	
106	4460425	1	Connector, Strain Relief	
107	4460426	2	Connector, Strain Relief	
109	4711000	10	Washer #10	
110	10702077	2	Screw #10 x 3/8	
111	10702082	2	Screw #10 x 3/4	
112	1001152525	1	Plug	
113	1001152520	1	Block, Terminal	
114	1001157521	1	Box, Junction	
115	1001157528	1	Decal - Wiring Schematic	
116	1001158007	1	Cover, PVC	
117	1001158008	2	Stand-Off	
	0272589	Ref	DECAL INSTALLATION	A
201	1705460	2	Decal - SkyPower	
202	1705461	1	Decal - 240V - 3 Phase - 50Hz	
203	1705489	3	Decal - Hazardous Voltage	

SECTION 3 - ENGINE

FIGURE 3-93. QUICKFIT OIL DRAIN (DEUTZ ENGINES)



ART_1001285636

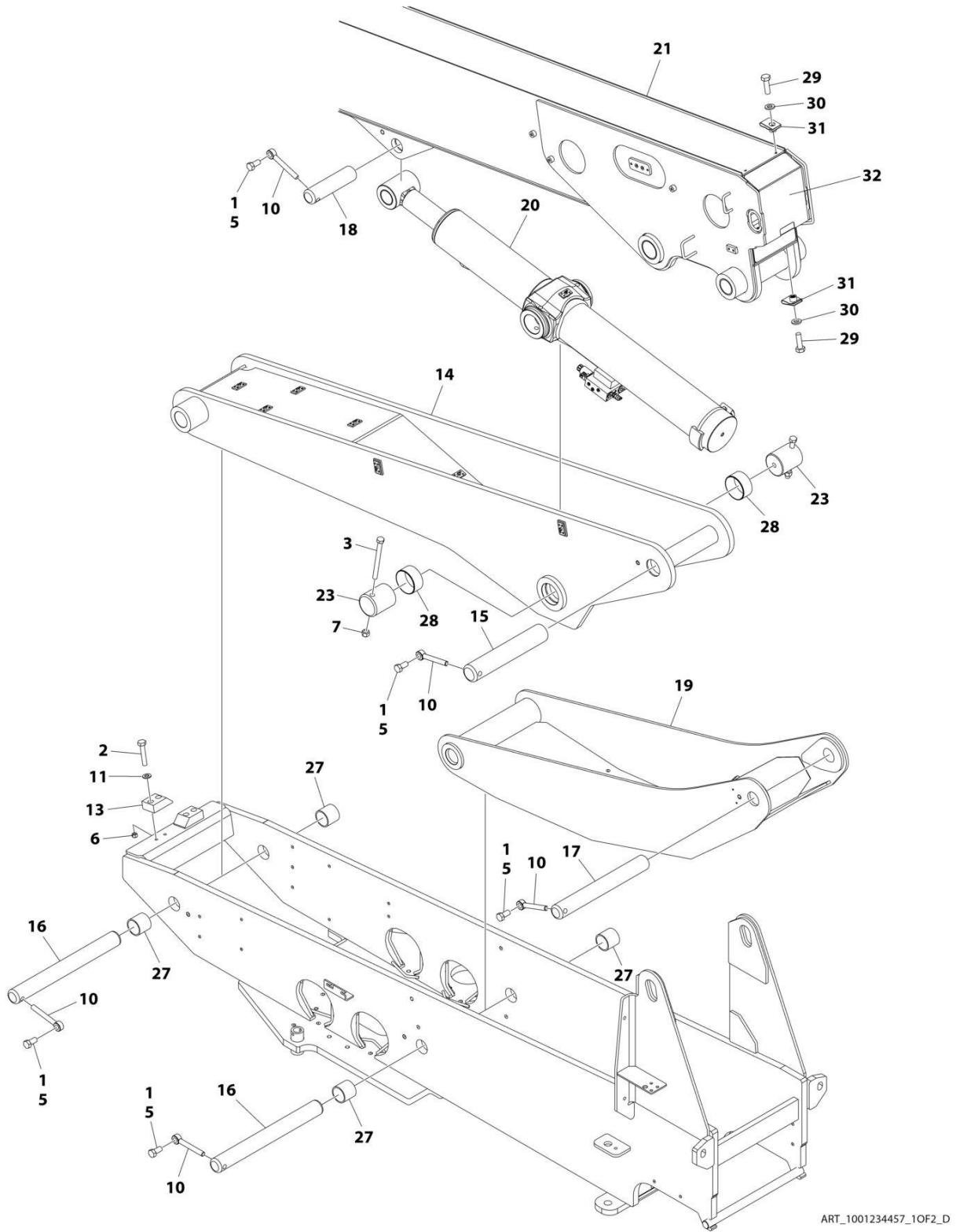
SECTION 3 - ENGINE**FIGURE 3-93. QUICKFIT OIL DRAIN (DEUTZ ENGINES)**

ITEM	PART NUMBER	QTY	DESCRIPTION	REV
	1001285636	Ref	QUICKFIT OIL DRAIN INSTALLATION	A
1	0761214	2	Bolt M12 x 30	
2	4812100	2	Washer M12	
3	1001281298	1	Valve, Quickfit	
4	1001281301	1	Fitting, 90	
5	1001281304	1	Plug	
6	1001281305	1	Fitting, Banjo	
7	1001281307	1	Fitting, 90	
8	1001281309	1	Filter, Ring	
9	1001281310	1	Fitting, Straight	
10	1001281311	1	O-Ring	
11	1001281359	1	Valve, Check	
12	1001281360	1	Decal - RPM Quickfit	
13	1001281656	1	Tie-Strap	
14	1001287536	1	Bracket	
15	1001287552	1	Hose	
16	1001288113	1	Hose	

SECTION 4 - BOOM

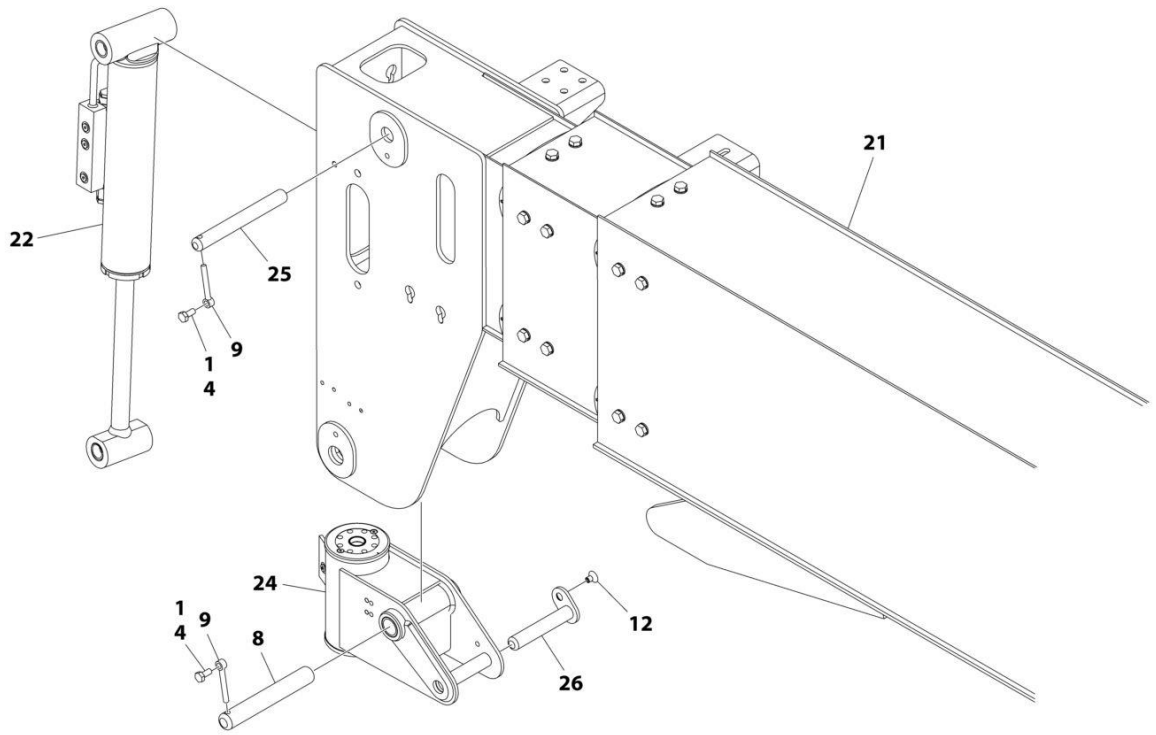
SECTION 4 - BOOM

FIGURE 4-1. BOOM INSTALLATION (600S HC3)



ART_1001234457_10F2_D

SECTION 4 - BOOM



ART_1001234457_20F2_D

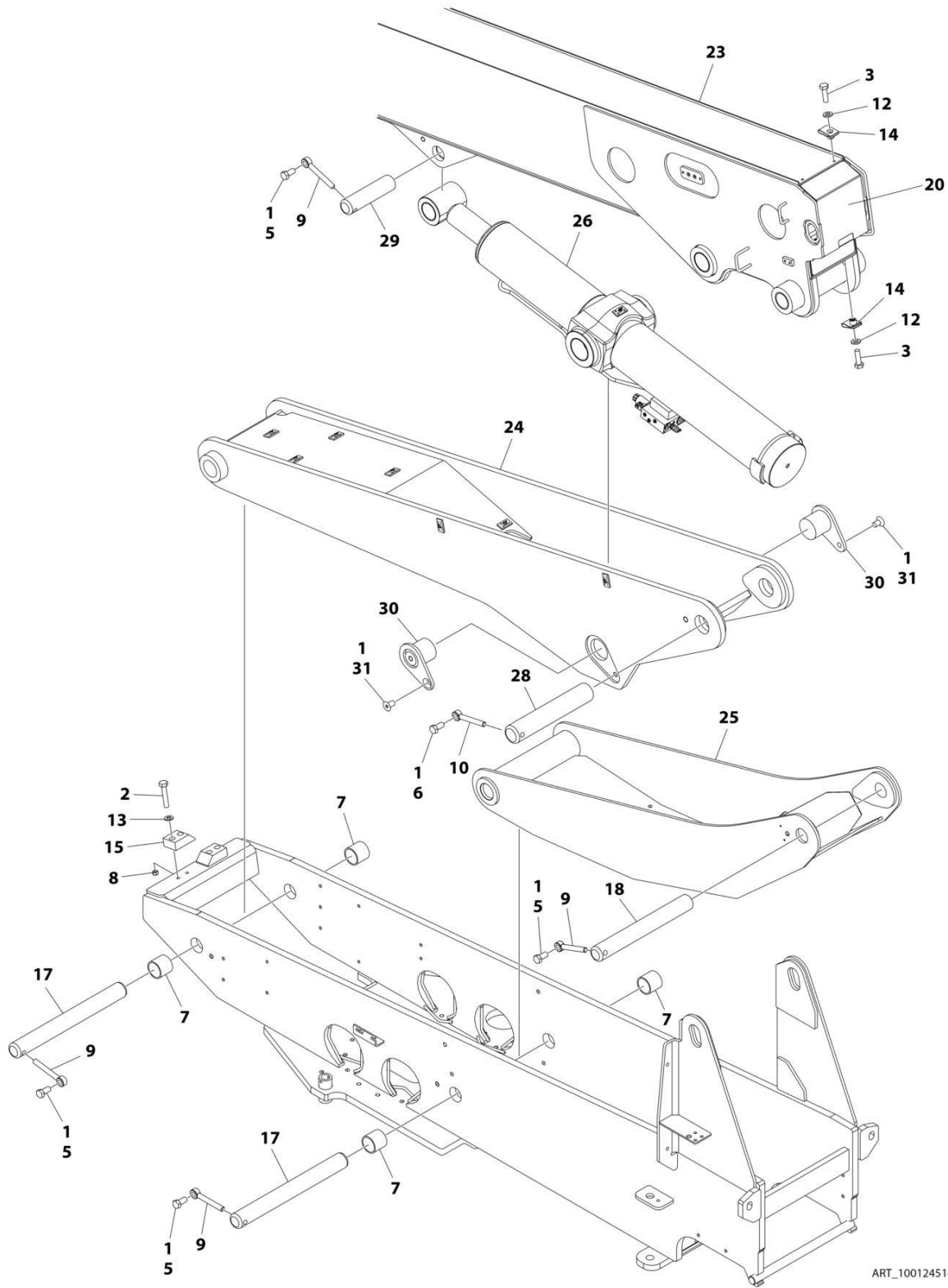
SECTION 4 - BOOM

FIGURE 4-1. BOOM INSTALLATION (600S HC3)

ITEM	PART NUMBER	QTY	DESCRIPTION	REV
	1001234457	Ref	BOOM INSTALLATION	D
1	0100011	AR	Compound, Locking	
2	0701019	4	Bolt M10 x 55	
3	0711635	2	Bolt M16 x 180	
4	0761011	2	Bolt M10 x 22	
5	0762016	5	Bolt M20 x 40	
6	3291005	4	Nut M10	
7	3291605	2	Nut M16	
8	3422582	1	Pin	
9	3841143	2	Keeper, Pin	
10	3841287	5	Keeper, Pin	
11	4812000	4	Washer M10	
12	1001137032	1	Screw M10 x 16	
13	1001138459	2	Pad	
14	1001174231	1	Link	
15	1001174250	1	Pin	
16	1001174252	2	Pin	
17	1001174253	1	Pin	
18	1001174254	1	Pin	
19	1001174256	1	Link	
20	1001272076	1	Lift Cylinder Assembly (See Separate Breakdown in CYLINDER Section)	
21	1001234458	1	Boom Assembly (See Separate Breakdown in this Section)	
22	1001184954	1	Level Cylinder Assembly - Platform Slave (See Separate Breakdown in CYLINDER Section)	
23	1001183926	2	Pin	
24	1001187348	1	Platform Rotator Assembly (See Separate Breakdown in this Section)	
25	1001192910	1	Pin	
26	1001192991	1	Pin	
27	0962423	4	Bearing	
28	1001174251	2	Bearing	
29	0760610	4	Bolt M6 x 20	
30	4811700	4	Washer M6	
31	1001130220	4	Nut, Tinnerman M6	
32	1001228177	1	Cover	

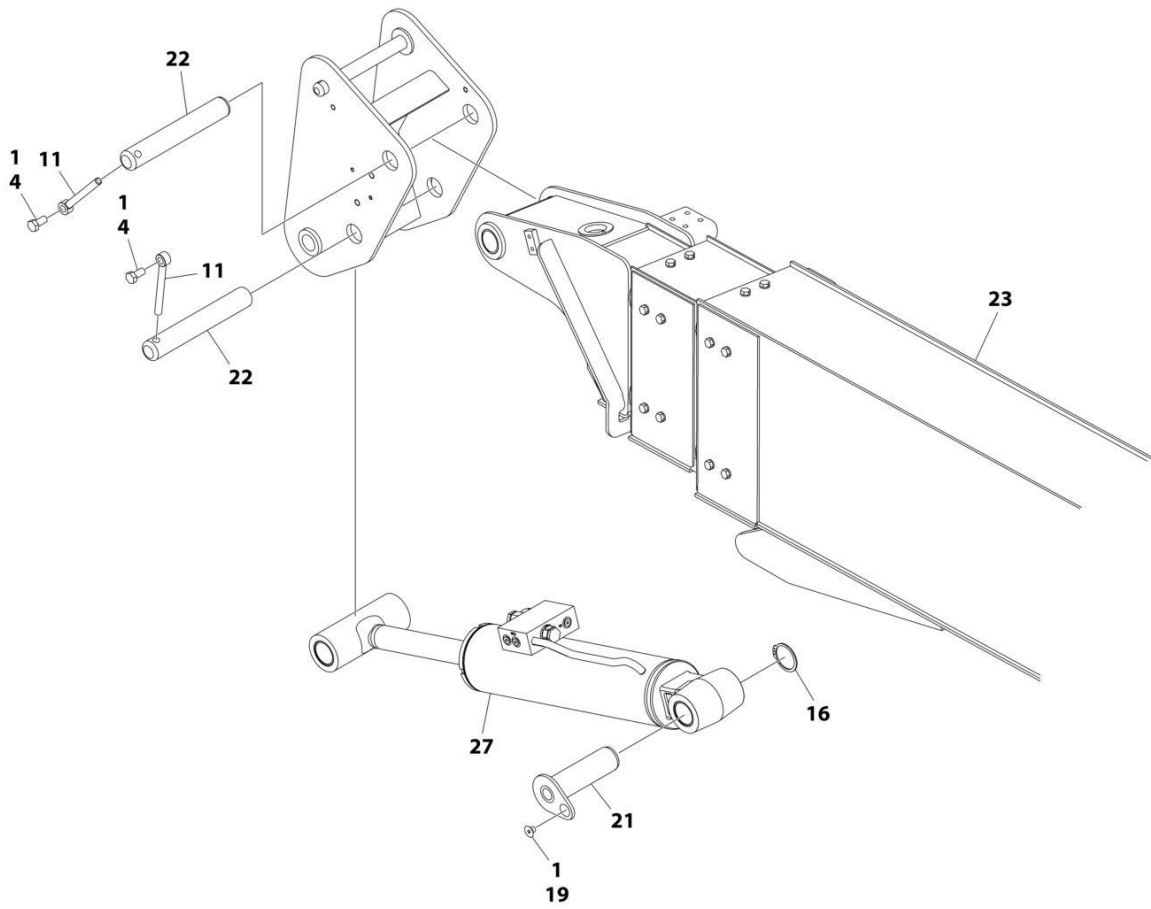
SECTION 4 - BOOM

FIGURE 4-2. BOOM INSTALLATION (660SJ HC3)



ART_1001245145_10F2_D

SECTION 4 - BOOM



ART_1001245145_20F2_D

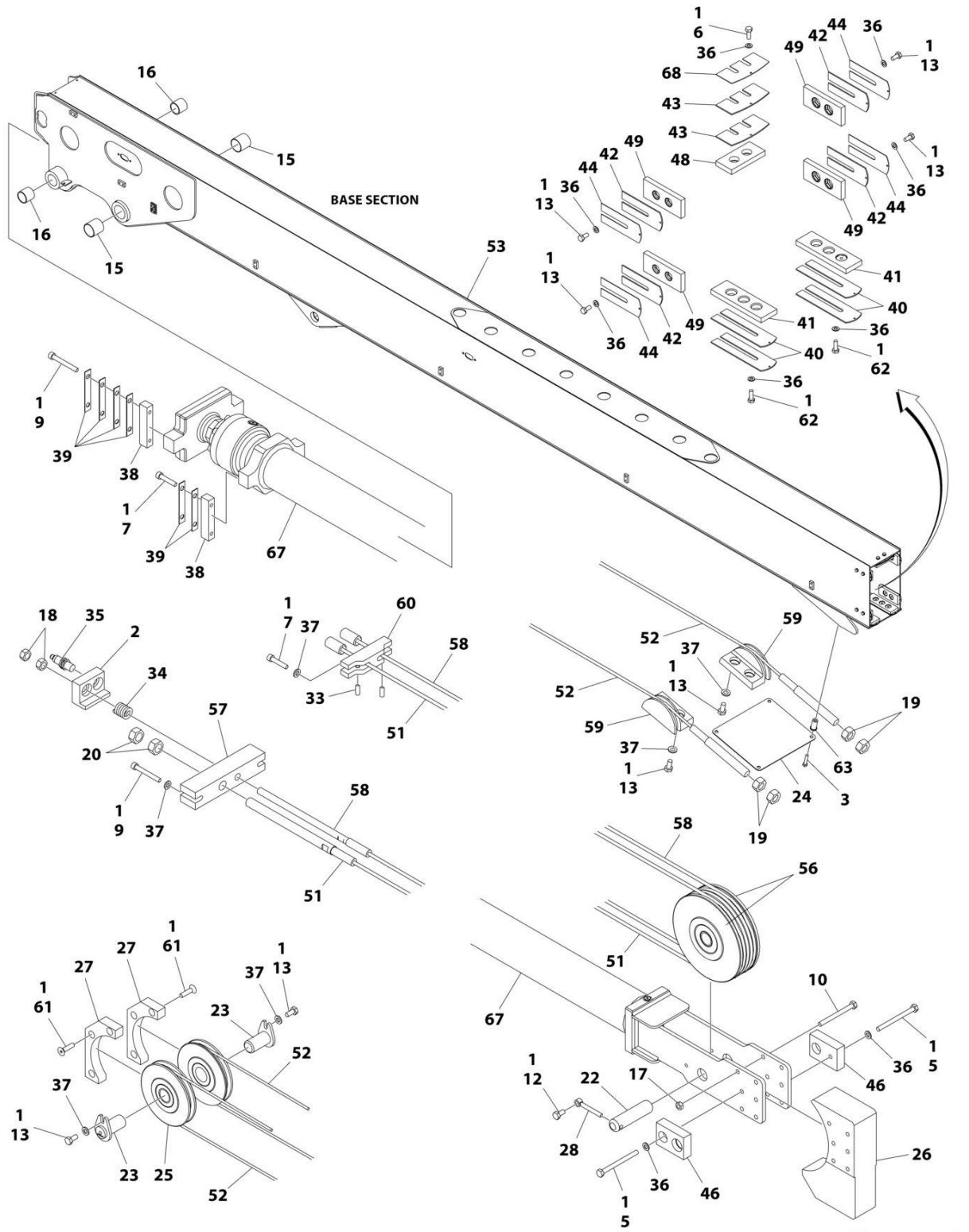
SECTION 4 - BOOM

FIGURE 4-2. BOOM INSTALLATION (660SJ HC3)

ITEM	PART NUMBER	QTY	DESCRIPTION	REV
	1001245145	Ref	BOOM INSTALLATION	D
1	0100011	AR	Compound, Locking	
2	0701019	4	Bolt M10 x 55	
3	0760610	4	Bolt M6 x 20	
4	0761212	2	Bolt M12 x 25	
5	0762016	4	Bolt M20 x 40	
6	0762418	1	Bolt M24 x 50	
7	0962423	4	Bearing	
8	3291005	4	Nut M10	
9	3841287	4	Keeper, Pin	
10	3841356	1	Keeper, Pin	
11	3841203	2	Keeper, Pin	
12	4811700	4	Washer M6	
13	4812000	4	Washer M10	
14	1001130220	4	Nut - Tinnerman M6	
15	1001138459	2	Pad	
16	1001138671	1	Ring, Retaining	
17	1001174252	2	Pin	
18	1001174253	1	Pin	
19	1001192027	1	Screw M10 x 12	
20	1001228177	1	Cover	
21	1001237142	1	Pin	
22	1001237949	2	Pin	
23	1001244771	1	Boom assembly (See separate Breakdown in this Section)	
24	1001246502	1	Link	
25	1001247260	1	Link	
26	1001272100	1	Lift Cylinder Assembly (See Separate Breakdown in CYLINDER Section)	
27	1001247466	1	Level Cylinder Assembly Platform Slave (See Separate Breakdown in CYLINDER Section)	
28	1001249454	1	Pin	
29	1001249455	1	Pin	
30	1001249458	2	Pin	
31	1001249774	2	Bolt M20 x 35	

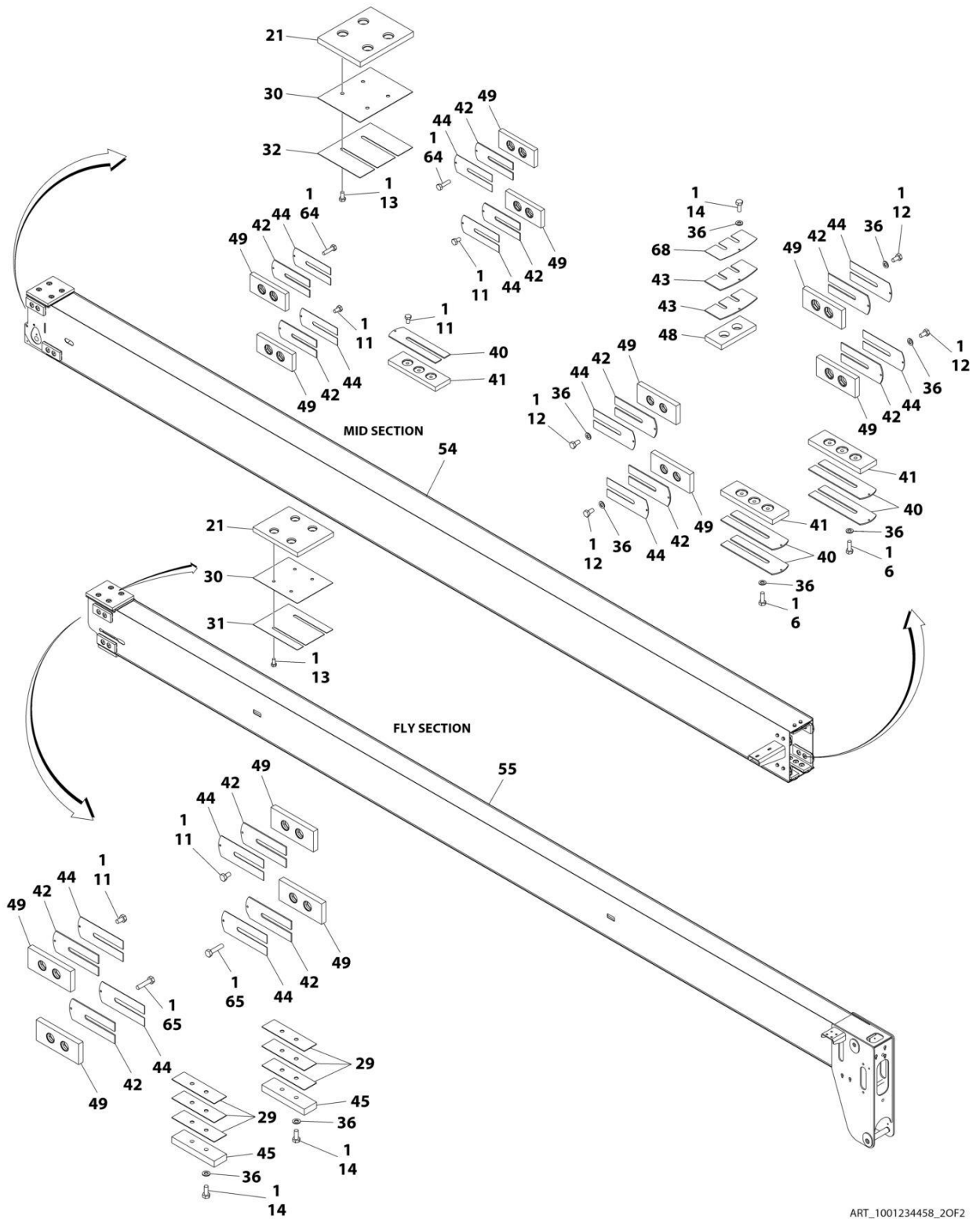
SECTION 4 - BOOM

FIGURE 4-3. BOOM ASSEMBLY (600S HC3)



ART_1001234458_10F2

SECTION 4 - BOOM



ART_1001234458_20F2

SECTION 4 - BOOM

FIGURE 4-3. BOOM ASSEMBLY (600S HC3)

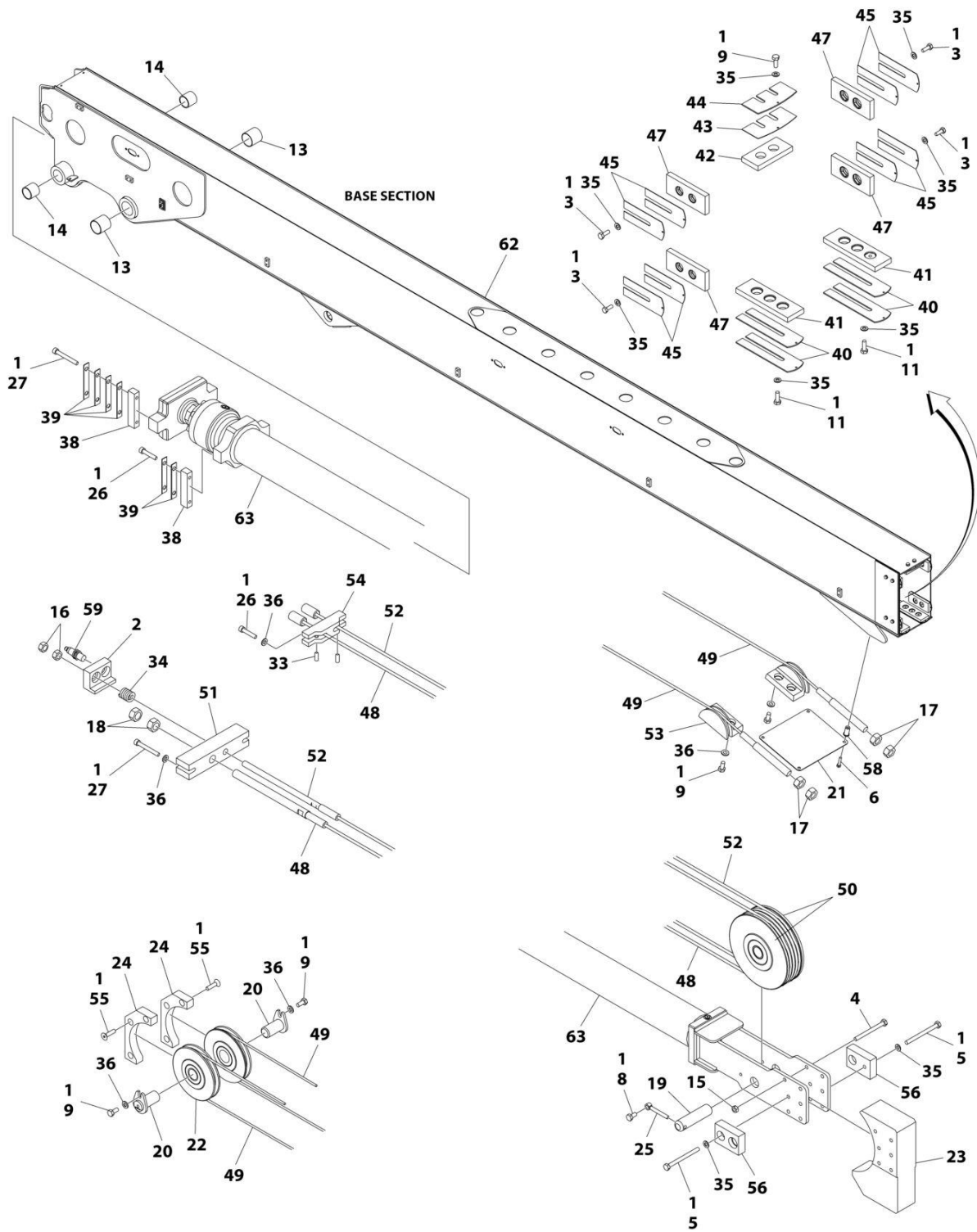
ITEM	PART NUMBER	QTY	DESCRIPTION	REV
	1001234458	Ref	BOOM ASSEMBLY	F
1	0100011	AR	Compound, Locking	
2	0561508	1	Block	
3	0760614	4	Bolt M6 x 30	
5	0701029	2	Bolt M10 x 120	
6	0701013	8	Bolt M10 x 28	
7	4032014	6	Capscrew M10 x 50	
9	4032020	6	Capscrew M10 x 80	
10	0701028	4	Bolt M10 x 110	
11	0761009	10	Bolt M10 x 18	
12	0761010	9	Bolt M10 x 20	
13	0761011	22	Bolt M10 x 22	
14	0761012	6	Bolt M10 x 25	
15	0962033	2	Bushing	
16	0962423	2	Bearing	
17	3291001	4	Nut M10	
18	3291601	2	Nut M16	
19	3292001	4	Nut M20	
20	3292201	2	Nut M22	
21	1001191385	2	Pad, Wear	
22	3422417	1	Pin	
23	3422424	2	Pin	
24	3539622	1	Cover	
25	3580243	2	Sheave, Retract	
25	0961951	2	Bushing (1 Per Sheave)	
26	3580248	1	Guard, Sheave (Extend)	
27	3580249	2	Guard, Sheave (Retract)	
28	3841143	1	Keeper, Pin	
29	4070895	6	Shim 16Ga	
30	4070896	2	Shim .06	
31	4070939	1	Shim 16Ga	
32	4070940	1	Shim 16Ga	
33	4092009	2	Setscrew M10 x 25	
34	4160149	1	Spring	
35	1001285877	1	Switch, Proximity	
36	4812000	38	Washer M10	
37	5241000	10	Washer M10	
38	1001135488	4	Block	
39	1001136571	12	Shim 16Ga	
40	1001136575	9	Shim 11Ga	
41	1001136583	5	Pad, Wear	
42	4070898	16	Shim 11Ga	
43	1001138436	4	Shim 11Ga	
44	4070897	16	Shim 18Ga	
45	1001148650	2	Pad, Wear	
46	1001191384	2	Pad, Wear	
48	1001136587	2	Pad, Wear	
49	1001153398	16	Pad, Wear	
51	1001175998	1	Rope, Wire (Extend)	
52	1001175999	2	Rope, Wire (Retract)	

SECTION 4 - BOOM

ITEM	PART NUMBER	QTY	DESCRIPTION	REV
53	1001234459	1	Base Boom	
54	1001176212	1	Mid, Boom	
55	1001180882	1	Fly, Boom	
56	1001184913	2	Sheave, Extend	
56	1001184918	2	Bushing (1 Per Sheave)	
56	1001184917	2	Sleeve, Bronze (1 Per Sheave)	
56	1001184915	2	Ring, Retaining (1 Per Sheave)	
57	1001186541	1	Block	
58	1001189859	1	Rope, Wire (Extend)	
59	1001191048	2	Sheave, Block	
60	1001191202	1	Block	
61	1001191205	6	Screw M10 x 40	
62	0761014	6	Bolt M10 x 30	
63	1001203719	4	Wellnut M6	
64	0761016	4	Bolt M10 x 40	
65	0761017	4	Bolt M10 x 45	
67	1001251079	1	Telescope Cylinder Assembly (See Separate Breakdown in CYLINDER SECTION)	
68	1001136590	2	Shim	

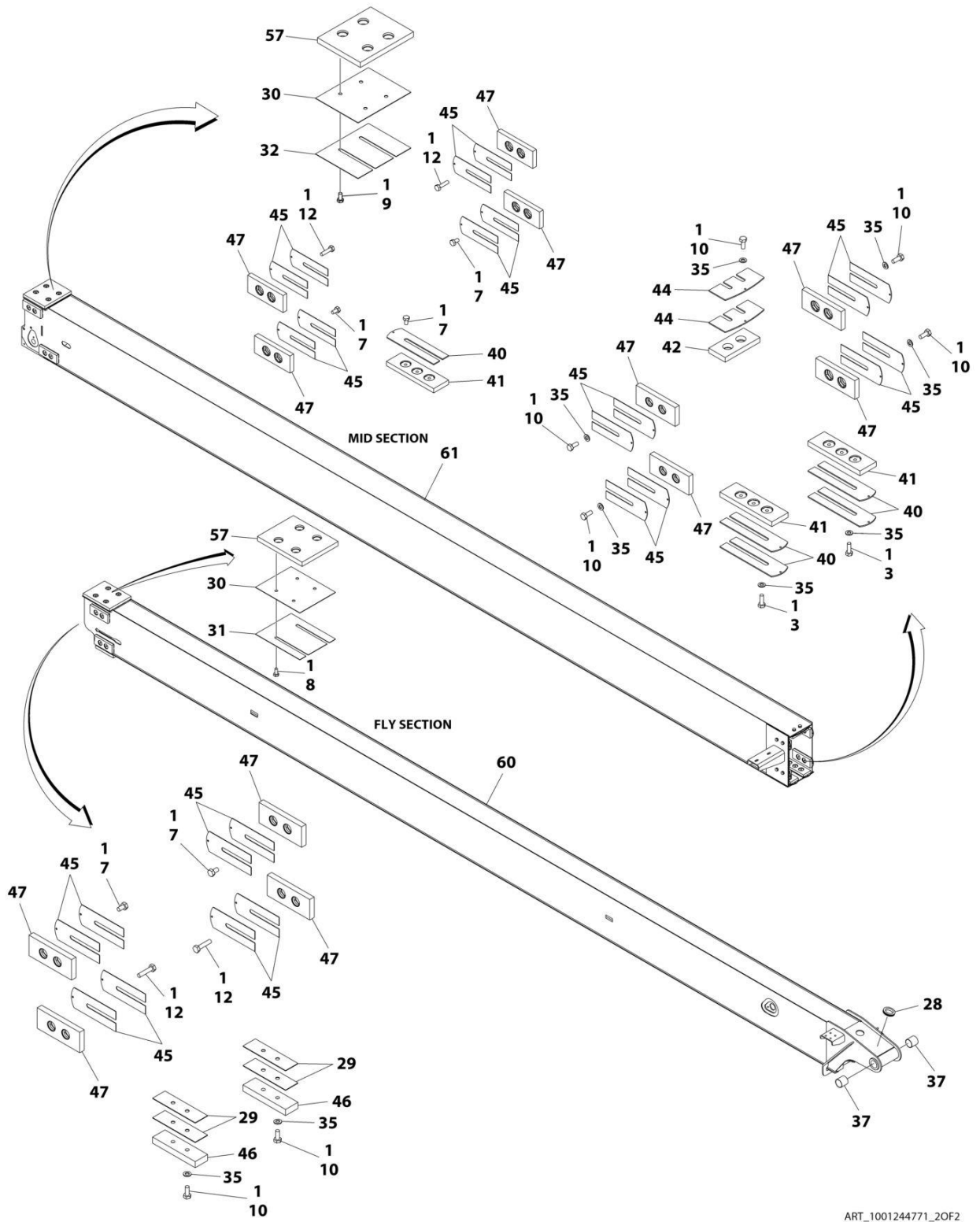
SECTION 4 - BOOM

FIGURE 4-4. BOOM ASSEMBLY (660SJ HC3)



ART_1001244771_10F2

SECTION 4 - BOOM



ART_1001244771_20F2

SECTION 4 - BOOM

FIGURE 4-4. BOOM ASSEMBLY (660SJ HC3)

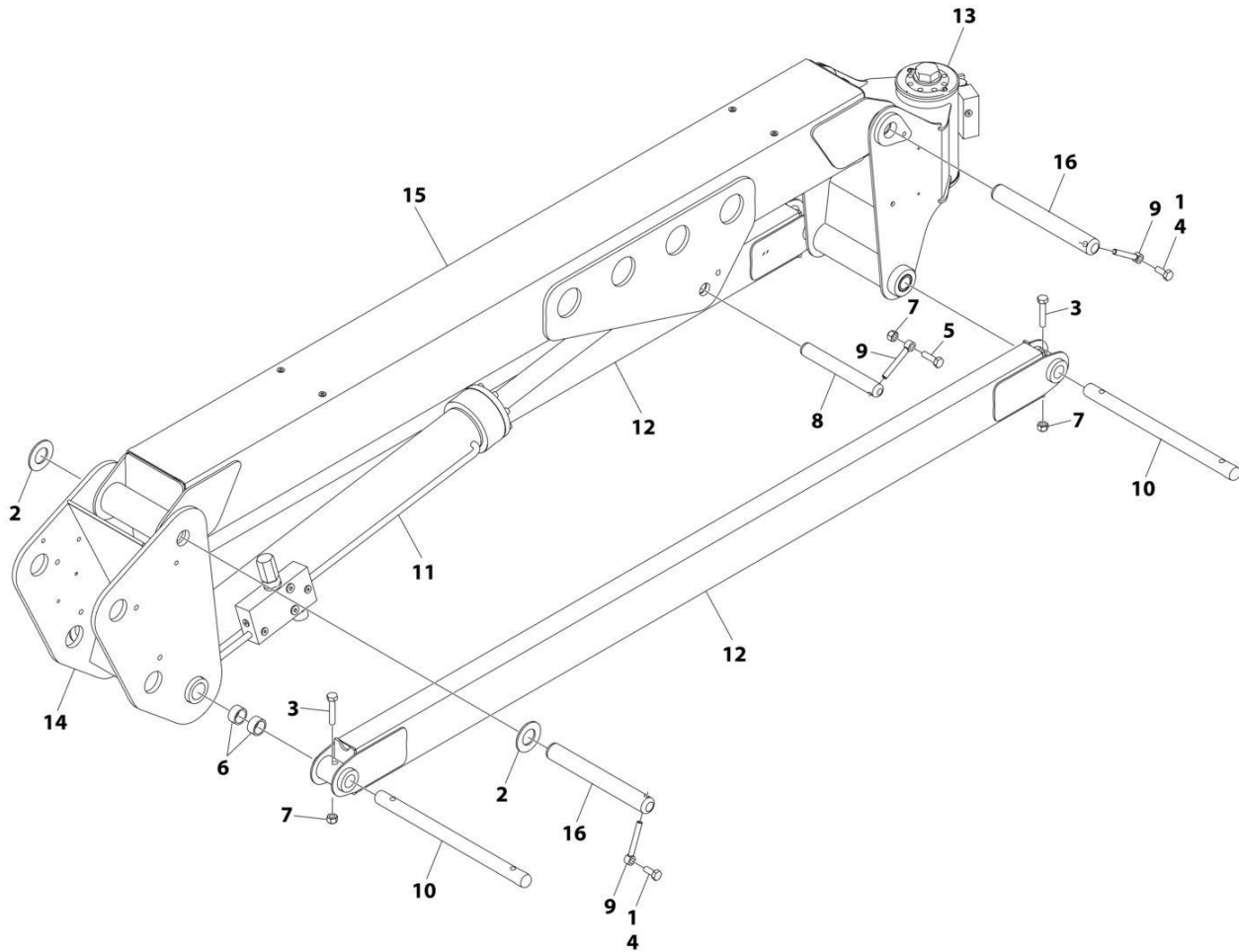
ITEM	PART NUMBER	QTY	DESCRIPTION	REV
	1001244771	Ref	BOOM ASSEMBLY	D
1	0100011	AR	Compound, Locking	
2	0561508	1	Block	
3	0701013	14	Bolt M10 x 28	
4	0701028	4	Bolt M10 x 110	
5	0701029	2	Bolt M10 x 120	
6	0760614	4	Bolt M6 x 30	
7	0761009	10	Bolt M10 x 18	
8	0761010	5	Bolt M10 x 20	
9	0761011	12	Bolt M10 x 22	
10	0761012	14	Bolt M10 x 25	
11	0761014	6	Bolt M10 x 30	
12	0761016	8	Bolt M10 x 40	
13	0962033	2	Bushing	
14	0962423	2	Bearing	
15	3291001	4	Nut M10	
16	3291601	2	Nut M16	
17	3292001	4	Nut M20	
18	3292201	2	Nut M22	
19	3422417	1	Pin	
20	3422424	2	Pin	
21	3539622	1	Cover	
22	3580243	2	Sheave, Retract	
22	0961951	2	Bushing (1 Per Sheave)	
23	3580248	1	Guard, Sheave (Extend)	
24	3580249	2	Guard, Sheave (Retract)	
25	3841143	1	Keeper, Pin	
26	4032014	6	Capscrew M10 x 50	
27	4032020	6	Capscrew M10 x 80	
28	4060805	6 in/ 16cm	Flex - Trim	
29	4070895	4	Shim 16Ga	
30	4070896	2	Shim .06	
31	4070939	1	Shim 16Ga	
32	4070940	1	Shim 16Ga	
33	4092009	2	Setscrew M10 x 25	
34	4160149	1	Spring	
35	4812000	38	Washer M10	
36	5241000	10	Washer M10	
37	1001118666	2	Bushing	
38	1001135488	4	Block	
39	1001136571	12	Shim 16Ga	
40	1001136575	9	Shim 11Ga	
41	1001136583	5	Pad, Wear	
42	1001136587	2	Pad, Wear	
43	1001136590	1	Shim	
44	1001138436	3	Shim 11Ga	
45	4070897	32	Shim 18Ga	
46	1001148650	2	Pad, Wear	
47	1001153398	16	Pad, Wear	
48	1001175998	1	Rope, Wire (Extend)	

SECTION 4 - BOOM

ITEM	PART NUMBER	QTY	DESCRIPTION	REV
49	1001175999	2	Rope, Wire (Retract)	
50	1001184913	2	Sheave, Extend	
50	1001184918	2	Bushing (1 per Sheave)	
50	1001184915	2	Ring, Retaining (1 per Sheave)	
50	1001184917	2	Sleeve, Bronze (1 per Sheave)	
51	1001186541	1	Block	
52	1001189859	1	Rope, Wire (Extend)	
53	1001191048	2	Sheave, Block	
54	1001191202	1	Block	
55	1001191205	6	Screw M10 x 40	
56	1001191384	2	Pad, Wear	
57	1001191385	2	Pad, Wear	
58	1001203719	4	Wellnut M6	
59	1001285877	1	Switch, Proximity	
60	1001244747	1	Fly, Boom	
61	1001244762	1	Mid, Boom	
62	1001244770	1	Base, Boom	
63	1001251079	1	Telescope Cylinder Assembly (See Separate Breakdown in CYLINDER SECTION)	

SECTION 4 - BOOM

FIGURE 4-5. JIB ASSEMBLY (660SJ HC3)



ART_1001238328_G

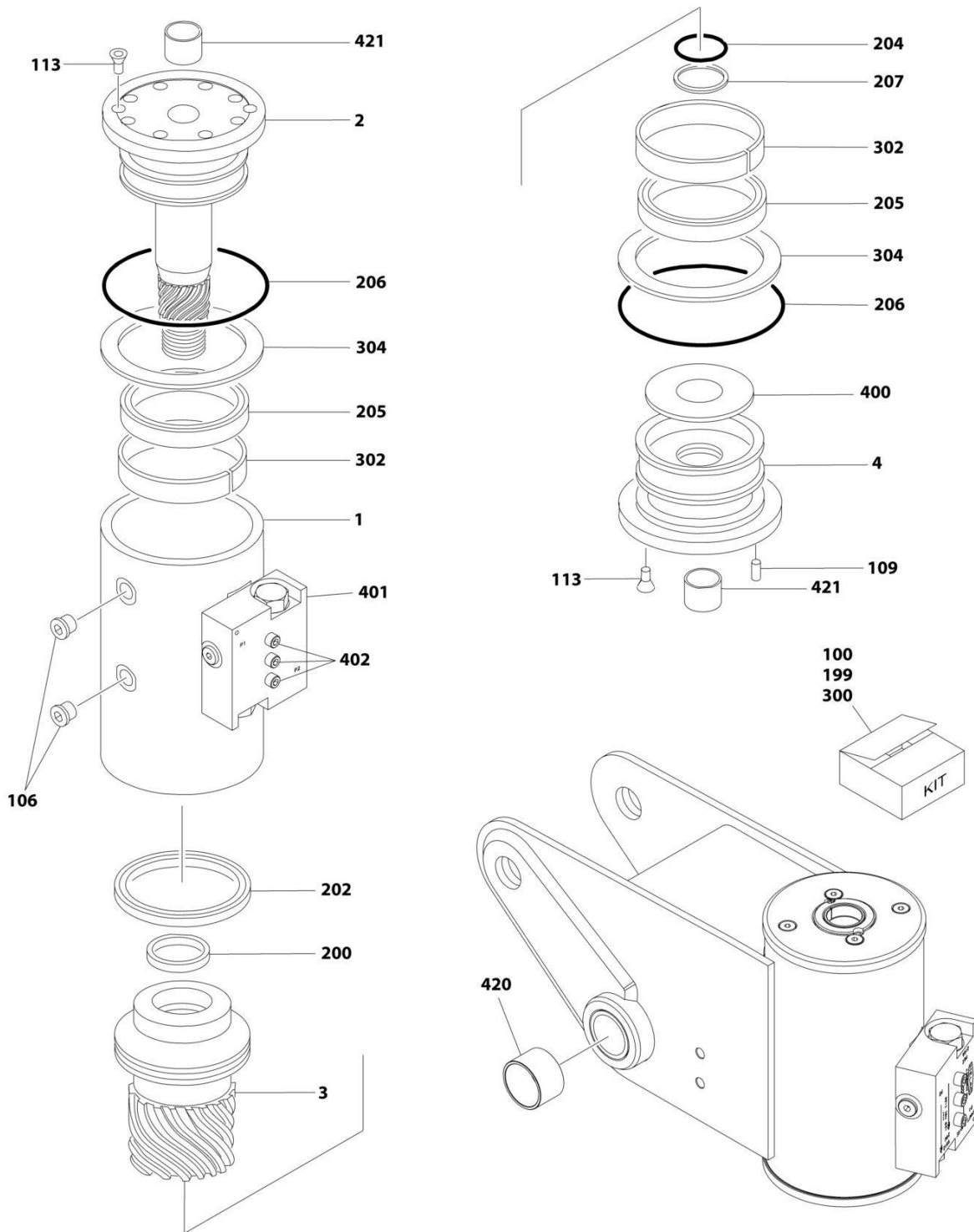
SECTION 4 - BOOM

FIGURE 4-5. JIB ASSEMBLY (660SJ HC3)

ITEM	PART NUMBER	QTY	DESCRIPTION	REV
	1001238328	Ref	JIB BOOM ASSEMBLY	G
1	0100011	AR	Compound, Locking	
2	0440237	1	Thrustwasher	
3	0701020	1	Bolt M10 x 60	
4	0761012	2	Bolt M10 x 25	
5	0761015	1	Bolt M10 x 35	
6	1001134289	4	Bearing	
7	3291005	5	Nut M10	
8	3422867	1	Pin	
9	3841143	3	Keeper, Pin	
10	3422861	1	Pin	
11	1001264991	1	Lift Cylinder Assembly - Jib (See Separate Breakdown in CYLINDER Section)	
12	4844817	1	Link	
13	1001234811	1	Rotator Assembly (See Separate Breakdown in this Section)	
14	1001238168	1	Pivot	
15	1001238333	1	Tube (Upper)	
16	1001238398	2	Pin	

SECTION 4 - BOOM

FIGURE 4-6. PLATFORM ROTATOR ASSEMBLY (600S HC3)



ART_1001187348

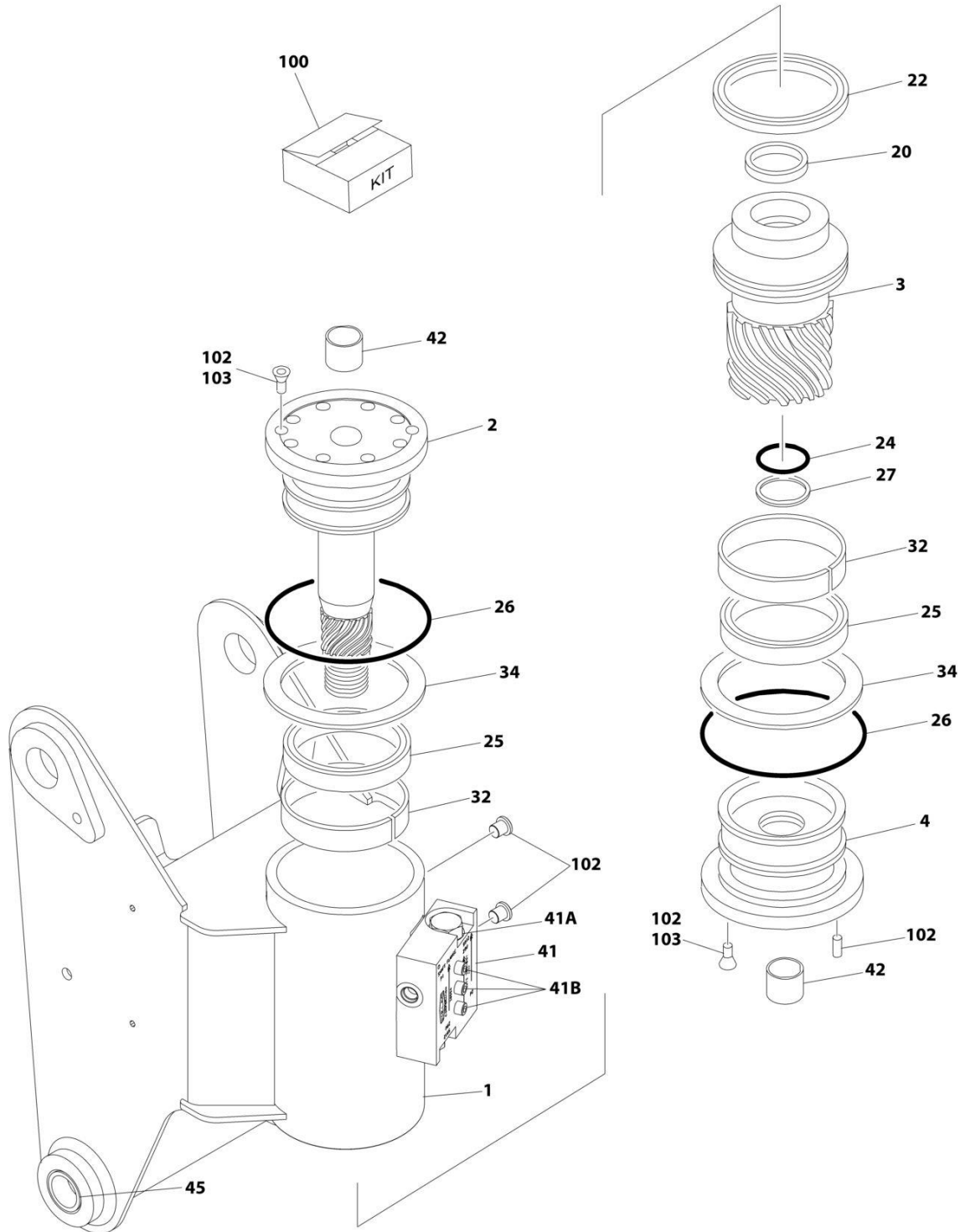
SECTION 4 - BOOM

FIGURE 4-6. PLATFORM ROTATOR ASSEMBLY (600S HC3)

ITEM	PART NUMBER	QTY	DESCRIPTION	REV
	1001187348	Ref	PLATFORM ROTATOR ASSEMBLY	E
1	See Note	NSS	Housing/Ring Gear (Note: Purchase Complete Assembly)	
2	7017162	1	Shaft	
3	7017163	1	Piston	
4	7017164	1	Cap	
100	7017142	1	Hardware Kit (Includes Items 106-109)	
106	See Note	NSS	Plug (Note: Use Item 100)	
109	See Note	NSS	Pin, Dowel (Note: Use Item 100)	
113	70001697	6	Screw 1/4 x 3/8	
199	70000342	1	Seal Kit - Low Temperature (Includes Items 200-207)	
200	See Note	NSS	T-Seal (Note: Use Item 199)	
202	See Note	NSS	T-Seal (Note: Use Item 199)	
204	See Note	NSS	O-Ring (Note: Use Item 199)	
205	See Note	NSS	Seal (Note: Use Item 199)	
206	See Note	NSS	O-Ring (Note: Use Item 199)	
207	See Note	NSS	Ring, Back-up (Note: Use Item 199)	
300	7017159	1	Bearing Kit (Includes Items 302-304)	
302	See Note	NSS	Bearing (Note: Use Item 300)	
304	See Note	NSS	Washer, Thrust (Note: Use Item 300)	
400	70005671	1	Stop	
401	7017172	1	Valve, Control (Note: Sold as Assembly Only)	
401	7017192	2	Cartridge, Valve - Counterbalance (Seal Kit Not Available)	
401	See Note	1	Cartridge, Valve - Check (Seal Kit Not Available) (Note: Use p/n 7017172)	
402	See Note	1	Bolt 1/4 x 1-1/2 Grade 8 (Note: Purchase Locally)	
420	0961951	2	Bushing	
421	7017195	2	Bushing	

SECTION 4 - BOOM

FIGURE 4-7. PLATFORM ROTATOR ASSEMBLY (660SJ HC3)



ART_1001234811

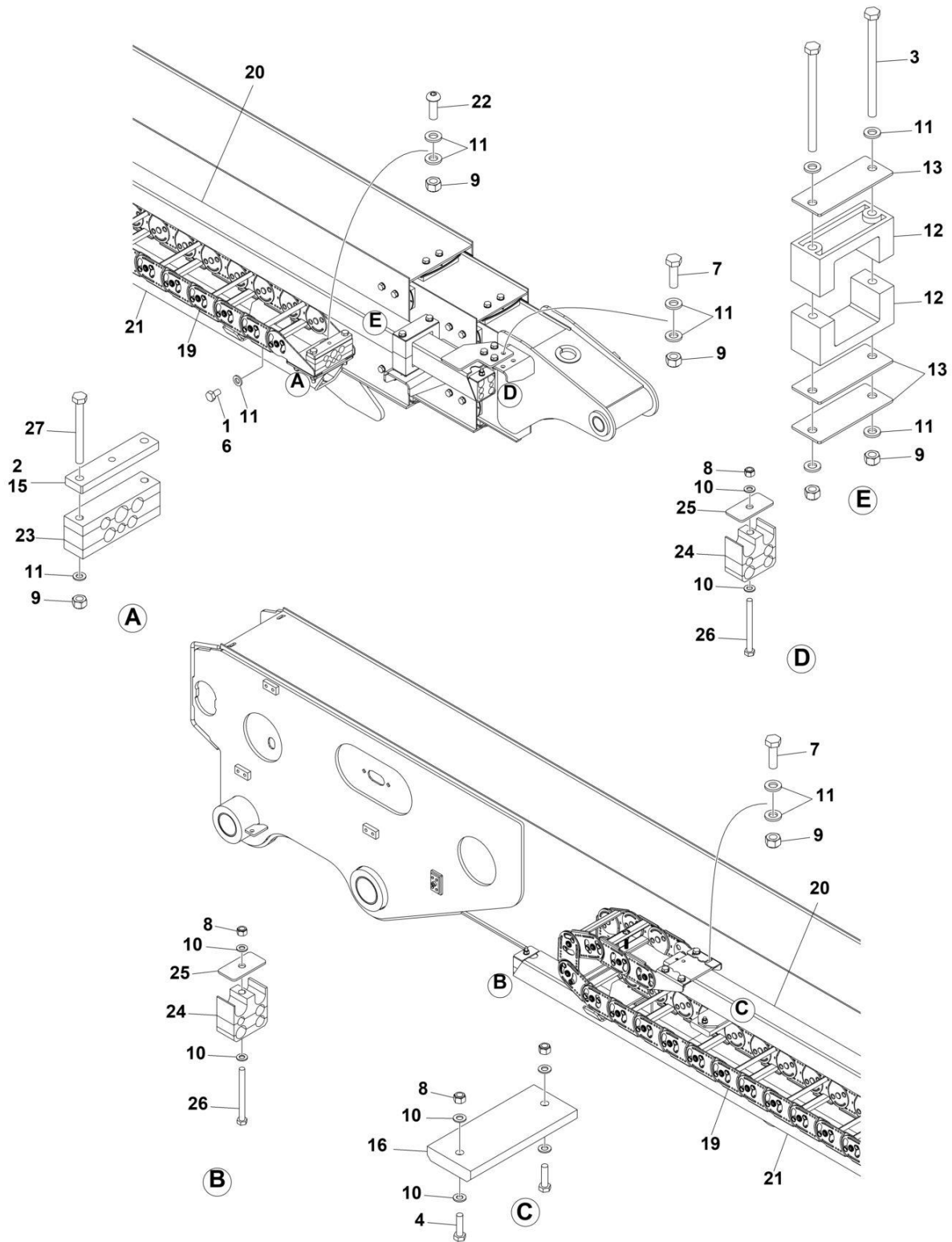
SECTION 4 - BOOM

FIGURE 4-7. PLATFORM ROTATOR ASSEMBLY (660SJ HC3)

ITEM	PART NUMBER	QTY	DESCRIPTION	REV
	1001234811	Ref	ROTATOR ASSEMBLY	B
1	See Note	NSS	Housing/Ring Gear Assembly (Note: Not Available - Purchase Complete Rotator Assembly)	
2	7017162	1	Shaft Weldment	
3	7017163	1	Piston/Sleeve Assembly	
4	7017164	1	Cap, End	
20	See Note	NSS	T-Seal (Note: Use Item 100)	
22	See Note	NSS	T-Seal (Note: Use Item 100)	
24	See Note	NSS	O-Ring (Note: Use Item 100)	
25	See Note	NSS	Seal (Note: Use Item 100)	
26	See Note	NSS	O-Ring (Note: Use Item 100)	
27	See Note	NSS	Ring, Back-up (Note: Use Item 100)	
32	See Note	NSS	Ring, Wear (Note: Use Item 101)	
34	See Note	NSS	Washer, Thrust (Note: Use Item 101)	
41	7017172	AR	Valve Assembly	
41A	7017192	2	Cartridge, Valve	
41A	See Note	NSS	Seal Kit - 7017192 Valve (Note: Not Available for Purchase)	
41B	See Note	3	Bolt 1/4-20NC x 1-1/2 Grade 8 (Note: Not Available - Purchase Locally)	
42	7017195	2	Bushing	
45	0961947	2	Bushing 1IN ID x 1.25IN OD x 5/8IN L	
45	1001134289	2	Bushing 1IN ID x 1.5IN OD x 1IN L	
100	70000342	1	Seal Kit (Includes Items 20, 22, 24, 25, 27 & 33)	
101	7017159	1	Bearing Kit (Includes Items 32 & 34)	
102	7017142	1	Hardware Kit	
103	70001697	4	Screw, Countersunk 1/4 x 3/8 Grade 8	

SECTION 4 - BOOM

FIGURE 4-8. POWER TRACK INSTALLATION (600S HC3)



ART_1001174630_L

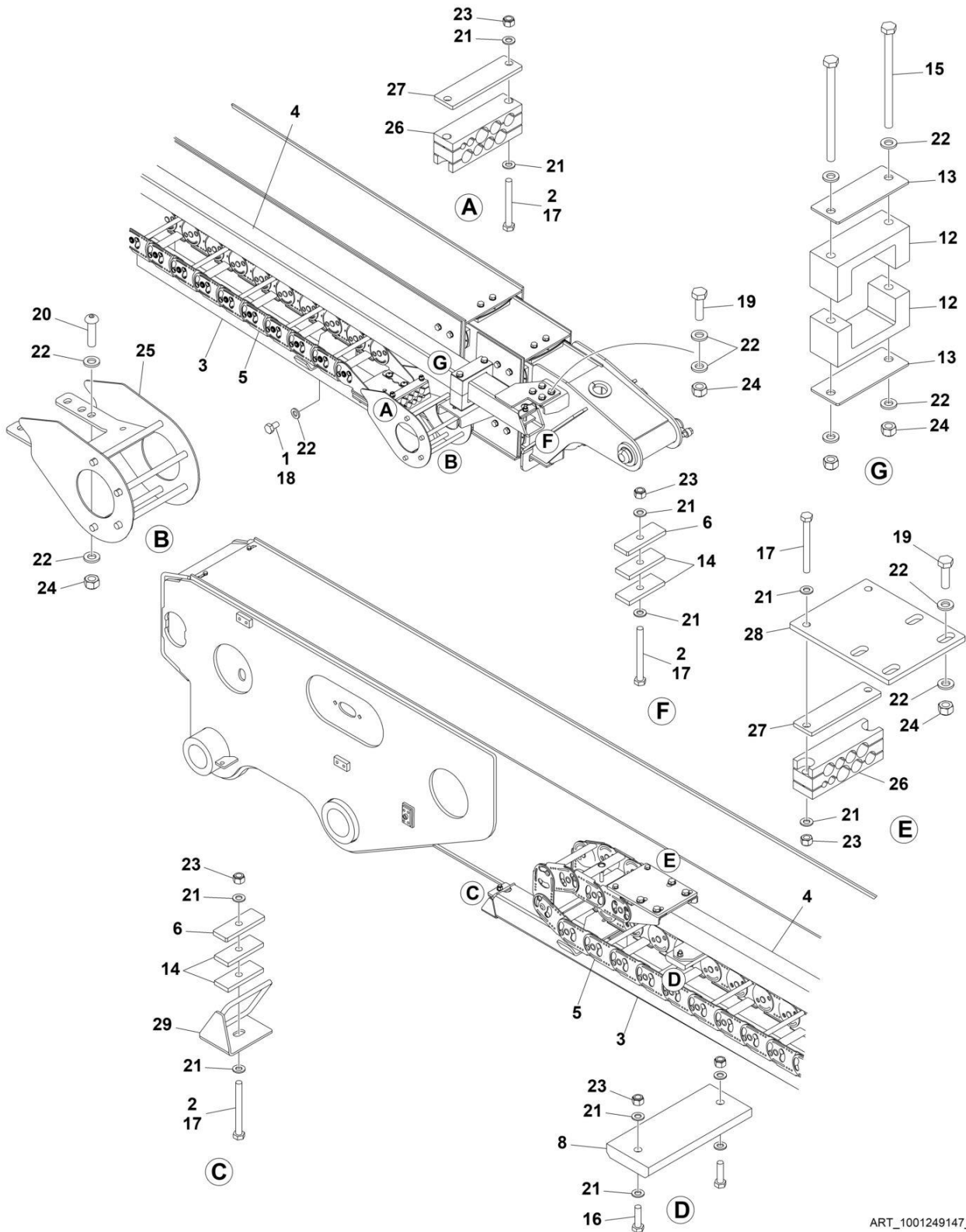
SECTION 4 - BOOM

FIGURE 4-8. POWER TRACK INSTALLATION (600S HC3)

ITEM	PART NUMBER	QTY	DESCRIPTION	REV
	1001174630	Ref	POWER TRACK INSTALLATION	L
1	0100011	AR	Compound, Locking	
2	0100081	AR	Adhesive	
3	0701032	2	Bolt M10 x 150	
4	0760814	2	Bolt M8 x 30	
6	0761009	8	Bolt M10 x 18	
7	0761015	8	Bolt M10 x 35	
8	3290805	4	Nut M8	
9	3291005	14	Nut M10	
10	4811900	10	Washer M8	
11	5241000	34	Washer M10	
12	3340764	2	Pad	
13	3538758	AR	Plate	
15	1001136461	1	Plate	
16	3340787	1	Pad, Wear	
19	1001174631	1	Powertrack Assembly	
19	70005683	AR	Repair Section - Power Track	
19	70005684	1	Mounting Kit - Power Track (Includes Mounting Feet and Hardware)	
20	1001174632	1	Tube, Push	
21	1001174636	1	Support	
22	1001174673	2	Screw M10 x 30	
23	1001281169	1	Clamp	
24	1001281188	2	Clamp	
25	1001281170	2	Bar, Clamp	
26	0700826	2	Bolt M8 x 90	
27	0761027	2	Bolt M10 x 100	

SECTION 4 - BOOM

FIGURE 4-9. POWER TRACK ASSEMBLY - (WITH SN STARTING WITH 03) (660SJ HC3)



ART_1001249147_E

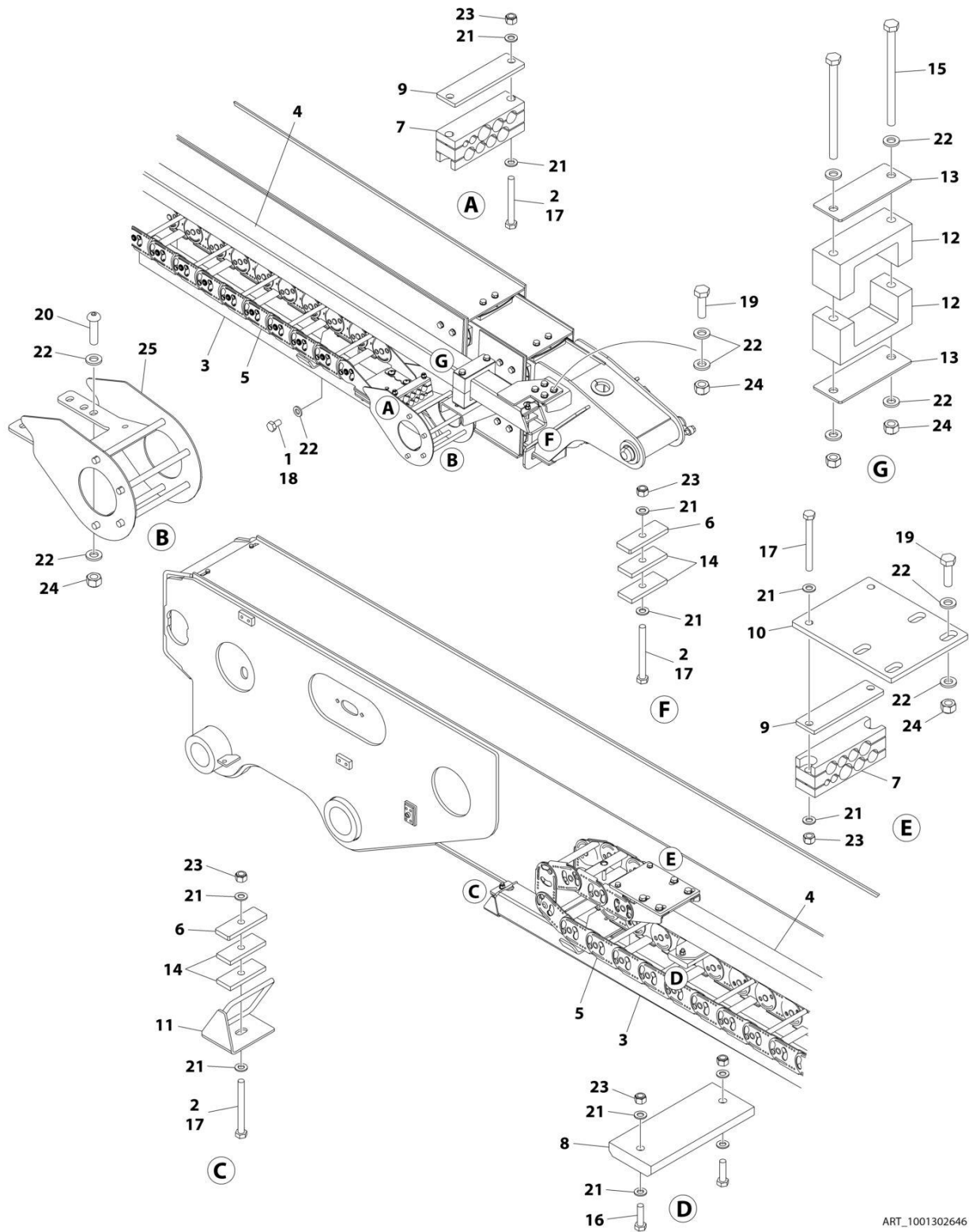
SECTION 4 - BOOM

FIGURE 4-9. POWER TRACK ASSEMBLY - (WITH SN STARTING WITH 03) (660SJ HC3)

ITEM	PART NUMBER	QTY	DESCRIPTION	REV
	1001249147	Ref	POWER TRACK INSTALLATION	E
1	0100011	AR	Compound, Locking	
2	0100081	AR	Adhesive	
3	1001174636	1	Support	
4	1001174632	1	Tube, Push	
5	1001174631	1	Powertrack Assembly	
5	70005683	AR	Repair Section - Power Track	
5	70005684	1	Mounting Kit - Power Track (Includes Mounting Feet and Hardware)	
6	1001139078	2	Plate	
8	3340787	1	Pad, Wear	
12	1001136398	2	Pad	
13	3538758	2	Plate	
14	1001136402	4	Pad	
15	0701032	2	Bolt M10 x 150	
16	0760814	2	Bolt M8 x 30	
17	0760824	6	Bolt M8 x 80	
18	0761009	8	Bolt M10 x 18	
19	0761015	8	Bolt M10 x 35	
20	3900394	4	Bolt M10 x 40	
21	4811900	18	Washer M8	
22	5241000	36	Washer M10	
23	3290805	10	Nut M8	
24	3291005	14	Nut M10	
25	1001243755	1	Mount	
26	1001249823	2	Clamp	
27	1001249824	2	Plate, Clamp Block	
28	1001249825	1	Plate	
29	1001293256	1	Bracket	

SECTION 4 - BOOM

FIGURE 4-10. POWER TRACK ASSEMBLY - (WITH SN STARTING WITH B3) (660SJ HC3)



ART_1001302646

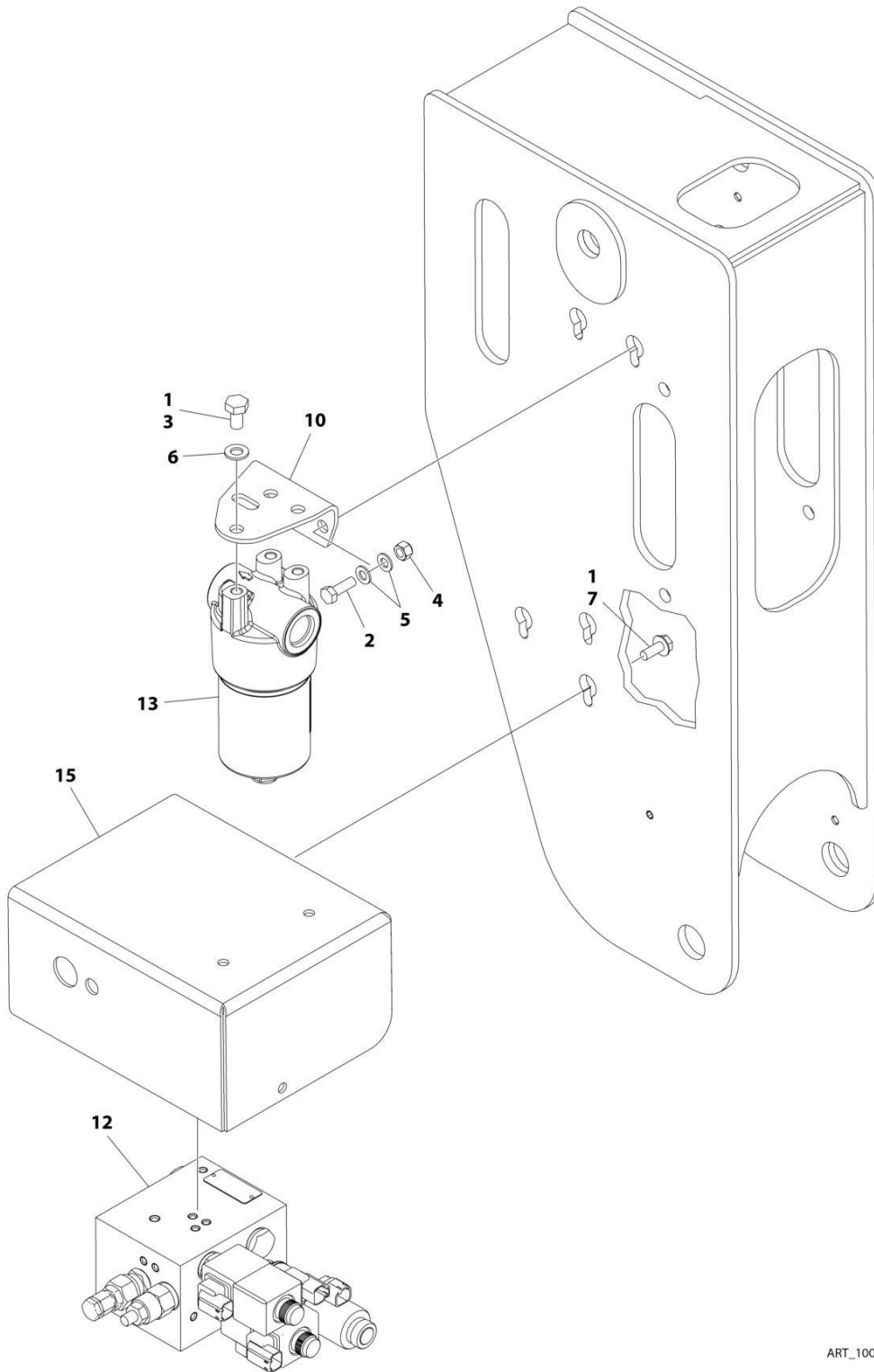
SECTION 4 - BOOM

FIGURE 4-10. POWER TRACK ASSEMBLY - (WITH SN STARTING WITH B3) (660SJ HC3)

ITEM	PART NUMBER	QTY	DESCRIPTION	REV
	1001302646	Ref	POWER TRACK INSTALLATION	B
1	0100011	AR	Compound, Locking	
2	0100081	AR	Adhesive	
3	1001174636	1	Support	
4	1001174632	1	Tube, Push	
5	1001288406	1	Powertrack Assembly	
5	See Note	AR	Repair Section - Power Track (Not available at time of printing)	
5	See Note	1	Mounting Kit - Power Track (Includes Mounting Feet and Hardware) (Not available at time of printing)	
6	1001139078	2	Plate	
7	1001249823	2	Clamp	
8	3340787	1	Pad, Wear	
9	1001249824	2	Plate, Clamp Block	
10	1001249825	1	Plate	
11	1001293256	1	Bracket	
12	1001136398	2	Pad	
13	3538758	2	Plate	
14	1001136402	4	Pad	
15	0701032	2	Bolt M10 x 150	
16	0760814	2	Bolt M8 x 30	
17	0760824	6	Bolt M8 x 80	
18	0761009	8	Bolt M10 x 18	
19	0761015	8	Bolt M10 x 35	
20	3900394	4	Bolt M10 x 40	
21	4811900	18	Washer M8	
22	5241000	36	Washer M10	
23	3290805	10	Nut M8	
24	3291005	14	Nut M10	
25	1001243755	1	Mount	

SECTION 4 - BOOM

FIGURE 4-11. VALVE INSTALLATION (600S HC3)



ART_1001265701_20F2

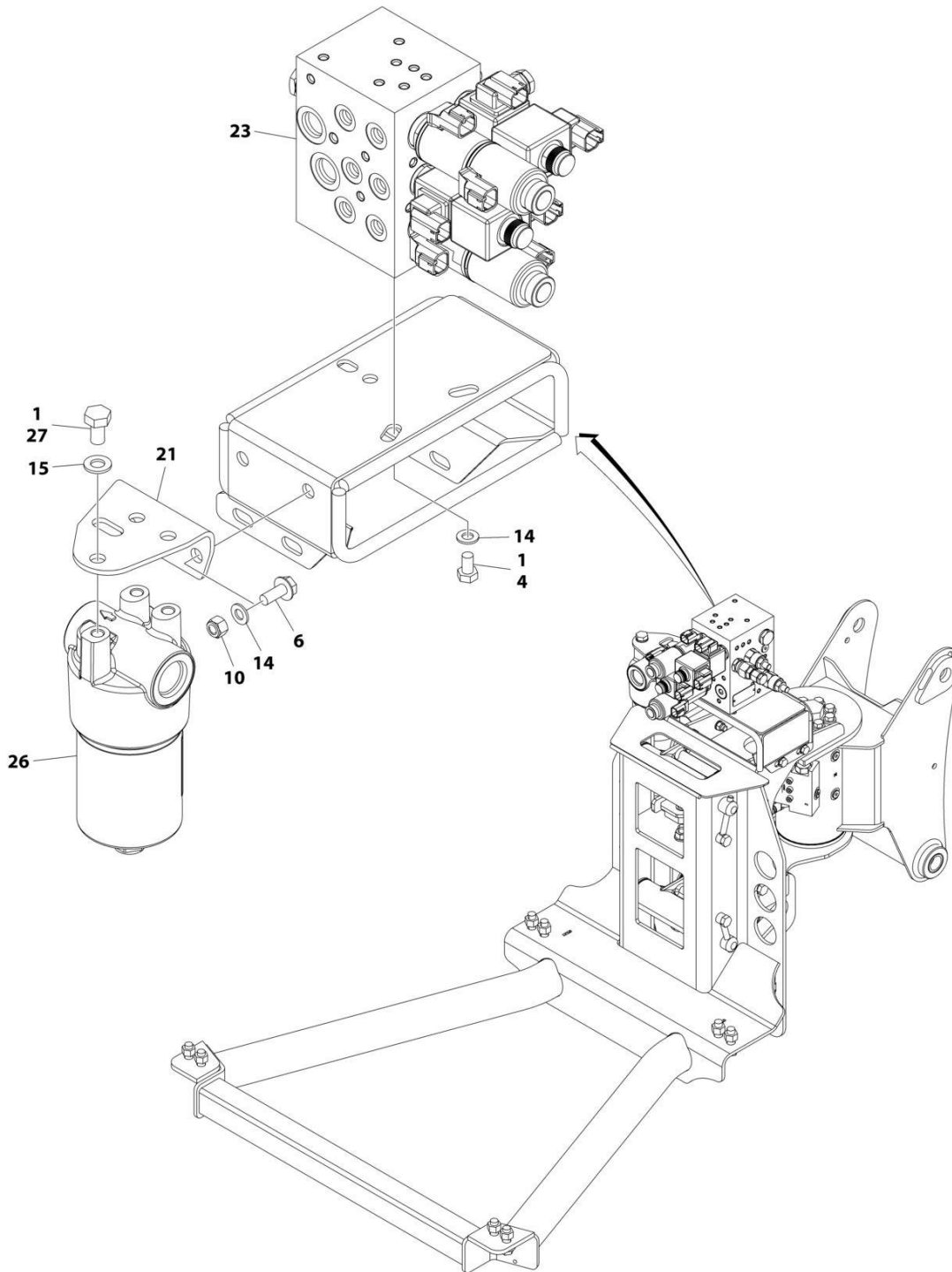
SECTION 4 - BOOM

FIGURE 4-11. VALVE INSTALLATION (600S HC3)

ITEM	PART NUMBER	QTY	DESCRIPTION	REV
	1001265701	Ref	BOOM VALVES INSTALLATION	A
1	0100011	AR	Compound, Locking	
2	0760814	2	Bolt M8 x 30	
3	0761009	6	Bolt M10 x 18	
4	3290805	2	Nut M8	
5	4811900	4	Washer M8	
6	4812000	6	Washer M10	
7	5250810	3	Bolt M8 x 20	
10	1001188302	1	Plate	
12	1001190287	1	Platform Valve Assembly (See Separate Breakdown in this Section)	
13	1001201511	1	Filter, High Pressure	
13	70005335	1	Element, Filter	
13	70005682	1	Repair Kit (Includes Element O-Ring, Bowl O-Ring & Back-up Ring)	
15	1001260460	1	Cover, Valve Weldment	

SECTION 4 - BOOM

FIGURE 4-12. BOOM VALVES INSTALLATION (660SJ HC3)



ART_1001188168_2OF2

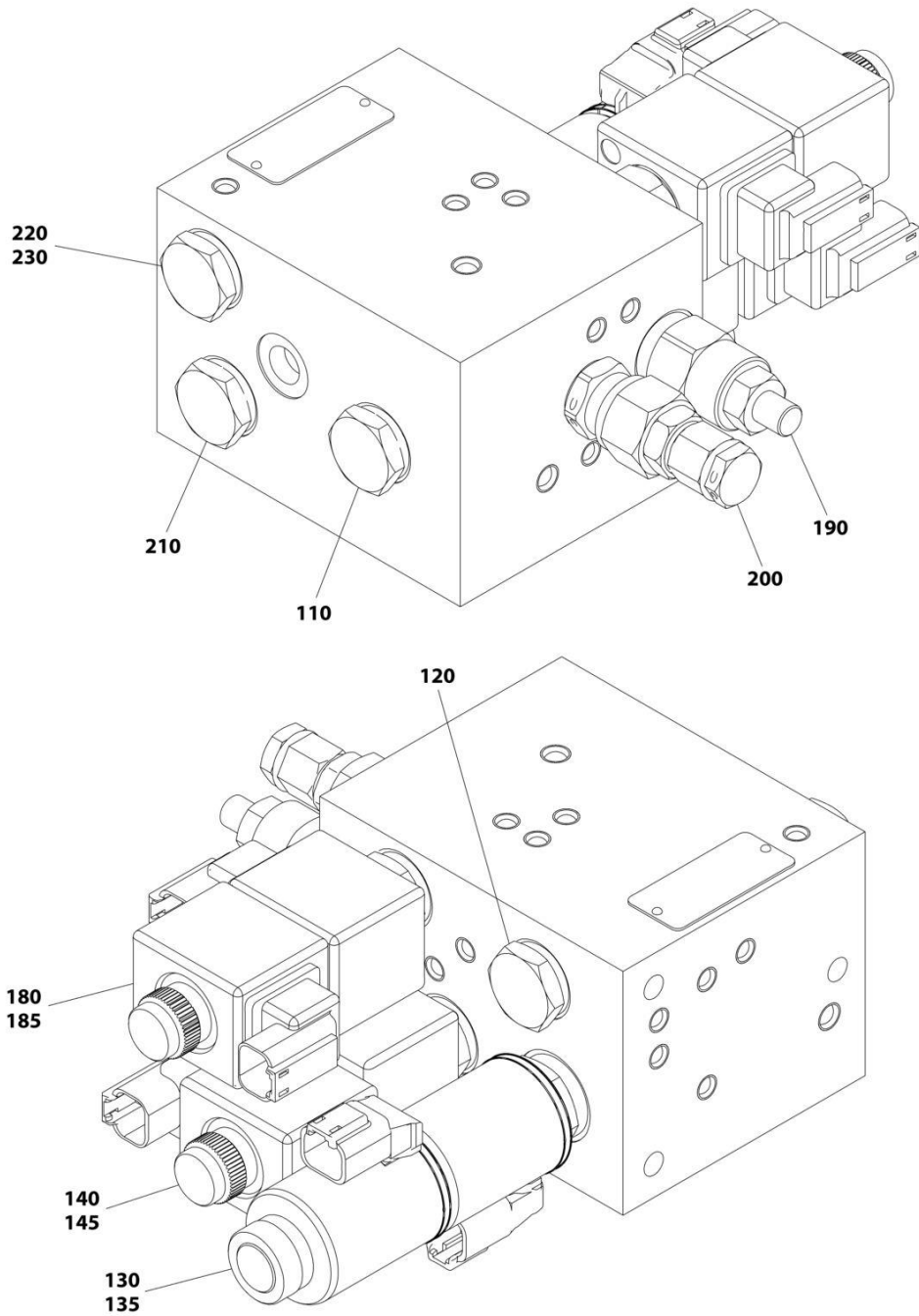
SECTION 4 - BOOM

FIGURE 4-12. BOOM VALVES INSTALLATION (660SJ HC3)

ITEM	PART NUMBER	QTY	DESCRIPTION	REV
	1001188168	Ref	BOOM VALVES INSTALLATION	G
1	0100011	AR	Compound, Locking	
4	0760807	3	Bolt M8 x 14	
6	5250810	2	Bolt M8 x 20	
10	3290805	2	Nut M8	
14	4811900	5	Washer M8	
15	4812000	3	Washer M10	
21	1001188302	1	Plate	
23	1001190286	1	Platform Valve Assembly (See Separate Breakdown in this Section)	
26	1001201511	1	Filter, High Pressure	
26	70005335	1	Element, Filter	
26	70005682	1	Repair Kit (Includes Element O-Ring, Bowl O-Ring & Back-up Ring)	
27	0761009	3	Bolt M10 x 18	

SECTION 4 - BOOM

FIGURE 4-13. PLATFORM VALVE ASSEMBLY (600S HC3)



ART_1001190287

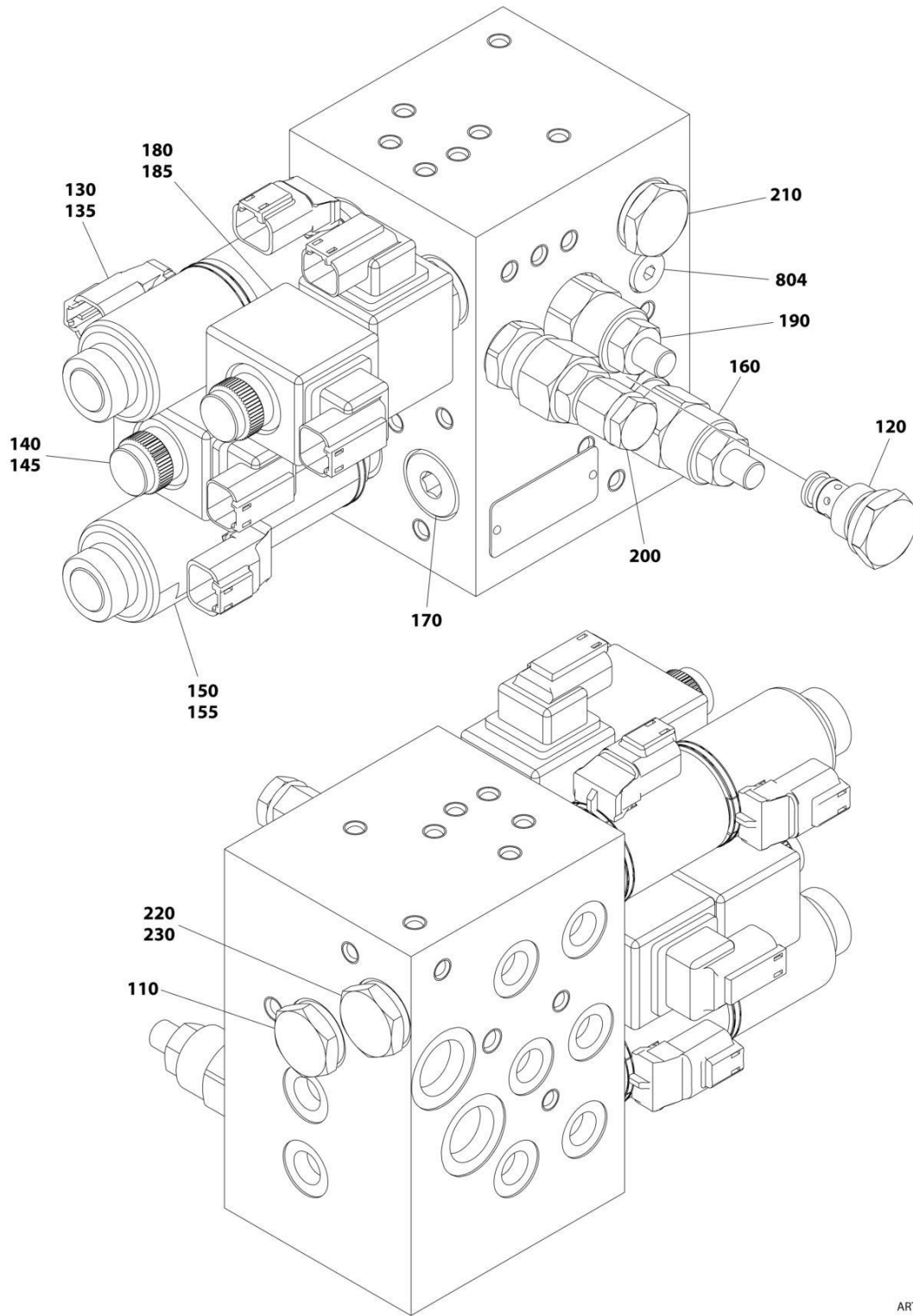
SECTION 4 - BOOM

FIGURE 4-13. PLATFORM VALVE ASSEMBLY (600S HC3)

ITEM	PART NUMBER	QTY	DESCRIPTION	REV
	1001190287	Ref	PLATFORM VALVE ASSEMBLY	E
110	70005951	1	Valve, Check	
110	70004052	1	Seal Kit - 70005951 Valve	
120	70003027	1	Valve, Flow/Pressure Control	
120	70004052	1	Seal Kit - 70003027 Valve	
130	70006121	1	Valve, Solenoid (Platform Level)	
130	70006116	1	Seal Kit - 70006121 Valve	
135	70006122	2	Coil	
140	70005627	1	Valve, Solenoid (Platform Swing)	
140	70004053	1	Seal Kit - 70005627 Valve	
140	70006123	1	Coil Nut & Pole Tube O-Ring Kit	
145	70004653	2	Coil	
180	70006124	1	Valve, Solenoid	
180	70023862	1	Seal Kit - 70006124 Valve	
180	70006123	1	Coil Nut & Pole Tube O-Ring Kit	
185	70004653	2	Coil	
190	70003019	1	Valve, Relief	
190	70004052	1	Seal Kit - 70003019 Valve	
200	70006125	1	Valve, Relief	
200	70006126	1	Seal Kit - 70006125 Valve	
210	70005952	1	Valve, Check	
210	70004052	1	Seal Kit - 70005952 Valve	
220	7022524	1	Orifice 0.5mm	
230	70005952	1	Valve, Check	
230	70004052	1	Seal Kit - 70005952 Valve	

SECTION 4 - BOOM

FIGURE 4-14. PLATFORM VALVE ASSEMBLY (660SJ HC3)



ART_1001190286

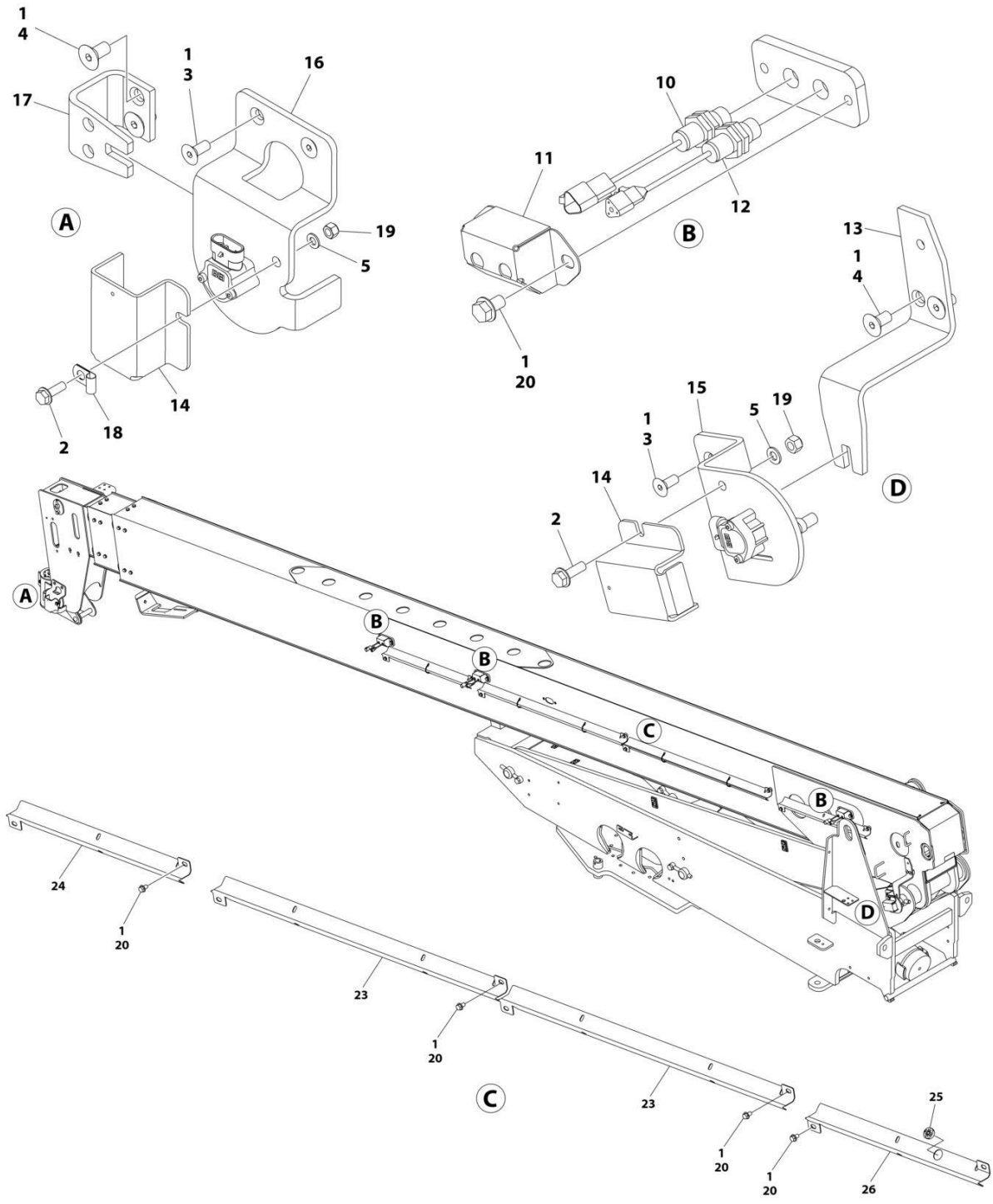
SECTION 4 - BOOM

FIGURE 4-14. PLATFORM VALVE ASSEMBLY (660SJ HC3)

ITEM	PART NUMBER	QTY	DESCRIPTION	REV
	1001190286	Ref	PLATFORM VALVE ASSEMBLY	D
110	70005951	1	Valve, Check	
110	70004052	1	Seal Kit - 70005951 Valve	
120	70003027	1	Valve, Flow/Pressure Control	
120	70004052	1	Seal Kit - 70003027 Valve	
130	70006121	1	Valve, Solenoid (Platform Level)	
130	70006116	1	Seal Kit - 70006121 Valve	
135	70006122	2	Coil	
140	70005627	1	Valve, Solenoid (Platform Swing)	
140	70004053	1	Seal Kit - 70005627 Valve	
140	70006123	1	Coil Nut & Pole Tube O-Ring Kit	
145	70004653	2	Coil	
150	70006121	1	Valve, Solenoid (JIB Up/Down)	
150	70006116	1	Seal Kit - 70006121 Valve	
155	70006122	2	Coil	
160	70003019	1	Valve, Relief	
160	70004052	1	Seal Kit - 70003019 Valve	
170	70004613	1	Valve, Relief	
170	70023860	1	Seal Kit - 70004613 Valve	
180	70006124	1	Valve, Solenoid	
180	70023862	1	Seal Kit - 70006124 Valve	
180	70006123	1	Coil Nut & Pole Tube O-Ring Kit	
185	70004653	2	Coil	
190	70003019	1	Valve, Relief	
190	70004052	1	Seal Kit - 70003019 Valve	
200	70006125	1	Valve, Relief	
200	70006126	1	Seal Kit - 70006125 Valve	
210	70005952	1	Valve, Check	
210	70004052	1	Seal Kit - 70003019 Valve	
220	7022524	1	Orifice 0.5mm	
230	70005952	1	Valve, Check	
230	70004052	1	Seal Kit - 70005952 Valve	
804	70005200	1	Plug	

SECTION 4 - BOOM

FIGURE 4-15. BOOM SENSORS INSTALLATION (600S HC3)



ART_1001234585_E

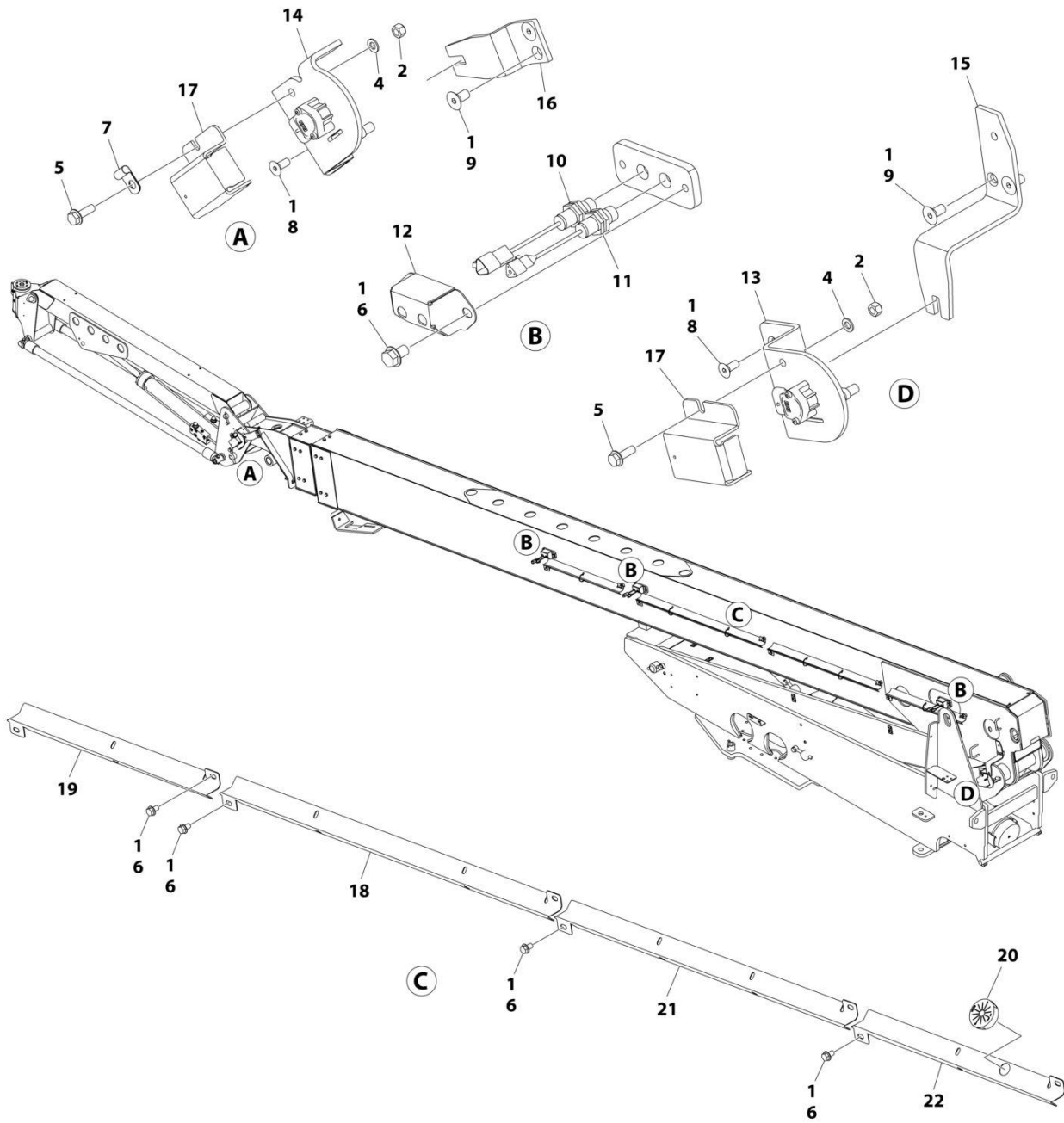
SECTION 4 - BOOM

FIGURE 4-15. BOOM SENSORS INSTALLATION (600S HC3)

ITEM	PART NUMBER	QTY	DESCRIPTION	REV
	1001234585	Ref	BOOM SENSORS INSTALLATION	E
1	0100011	AR	Compound, Locking	
2	5250812	2	Bolt M8 x 25	
3	1001137125	4	Screw M8 x 20	
4	1001155441	4	Screw M10 x 20 Grade 10.9	
5	4811900	2	Washer M8	
10	1001170847	3	Sensor, Proximity	
11	1001204715	3	Bracket	
12	1001182570	3	Sensor, Proximity	
13	1001211585	1	Plate	
14	1001211588	2	Shield	
15	1001211577	1	Sensor (Lower)	
15	4010303	1	Screw Posi-drive M3 x 6	
15	1001204939	1	Sensor, Angle	
15	1001211580	1	Bracket	
15	1001211582	1	Link, Angle Sensor Arm	
16	1001211578	1	Sensor (Upper)	
16	4010303	1	Screw Posi-drive M3 x 6	
16	1001191020	1	Sensor, Angle	
16	1001211581	1	Bracket	
16	1001211583	1	Link, Angle Sensor Arm	
17	1001211586	1	Plate	
18	8406003	1	Clip	
19	3290805	2	Nut M8	
20	5251008	14	Bolt M10 x 16	
21	4240033	7	Tie-Strap (Not Shown)	
23	1001238138	2	Angle	
24	1001238327	1	Angle	
25	1001169085	1	Grommet	
26	1001257436	1	Shield, Sensor Cable	

SECTION 4 - BOOM

FIGURE 4-16. BOOM SENSORS INSTALLATION (660SJ HC3)



ART_1001245308

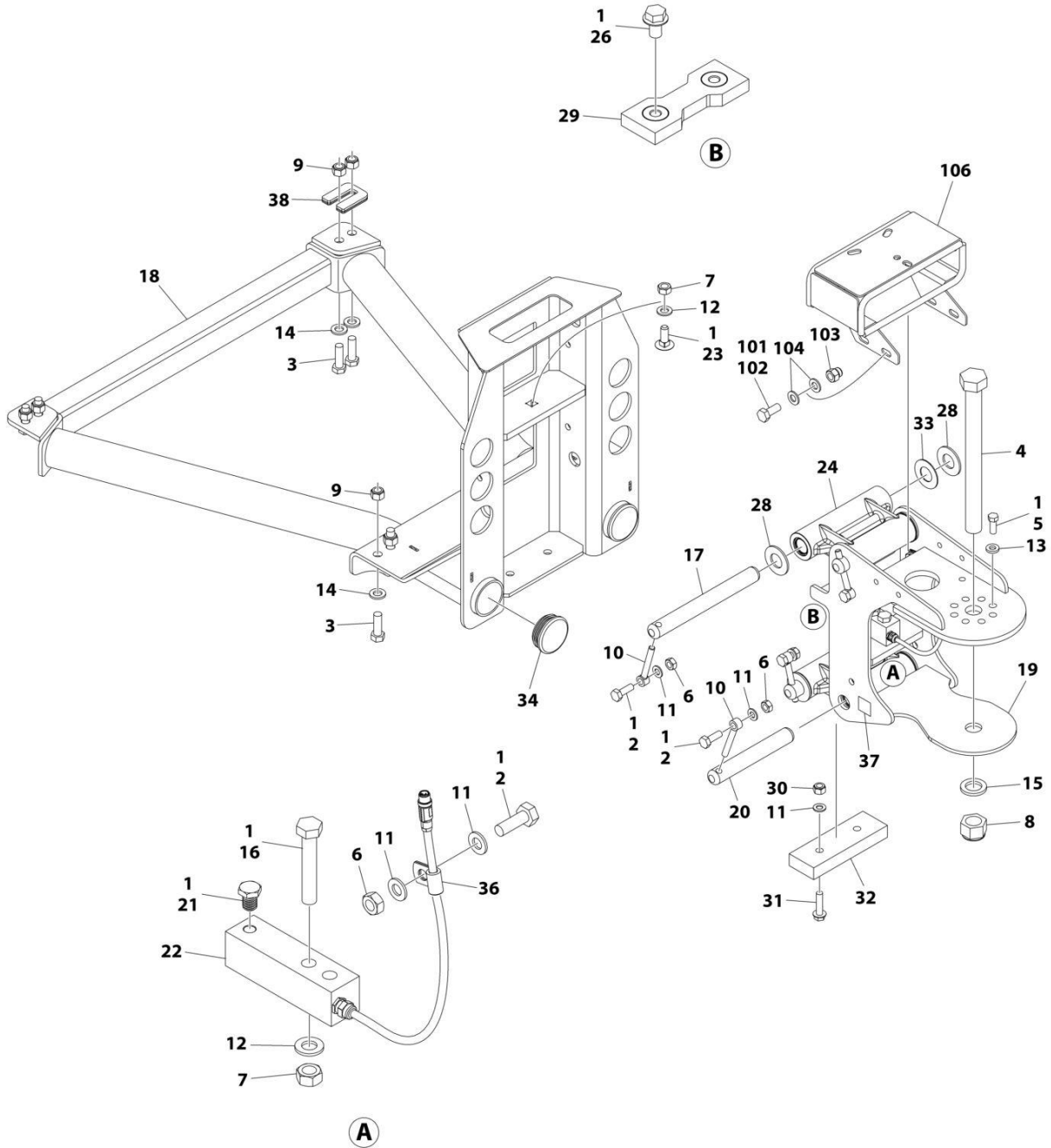
SECTION 4 - BOOM

FIGURE 4-16. BOOM SENSORS INSTALLATION (660SJ HC3)

ITEM	PART NUMBER	QTY	DESCRIPTION	REV
	1001245308	Ref	BOOM SENSORS INSTALLATION	C
1	0100011	AR	Compound, Locking	
2	3290805	2	Nut M8	
3	4240033	7	Tie-Strap (Not Shown)	
4	4811900	2	Washer M8	
5	5250812	2	Bolt M8 x 25	
6	5251008	14	Bolt M10 x 16	
8	1001137125	4	Screw M8 x 20	
7	8406003	1	Clip	
9	1001155441	4	Screw M10 x 20 Grade 10.9	
10	1001170847	3	Sensor, Proximity	
11	1001182570	3	Sensor, Proximity	
12	1001204715	3	Bracket	
13	1001211577	1	Sensor (Lower)	
13	4010303	1	Screw Posi-drive M3 x 6	
13	1001204939	1	Sensor angle	
13	1001211580	1	Bracket	
13	1001211582	1	Link, Angle Sensor Arm	
14	1001211579	1	Sensor (Upper)	
14	4010303	1	Screw Posi-drive M3 x 6	
14	1001191020	1	Sensor angle	
14	1001211581	1	Bracket	
14	1001211584	1	Link, Angle Sensor Arm	
15	1001211585	1	Plate	
16	1001211587	1	Plate	
17	1001211588	2	Shield	
18	1001238138	1	Angle	
19	1001238327	1	Angle	
20	1001169085	1	Grommet	
21	1001247453	1	Angle	
22	1001257436	1	Shield	

SECTION 4 - BOOM

FIGURE 4-17. PLATFORM SUPPORT INSTALLATION



ART_1001167596_N

SECTION 4 - BOOM

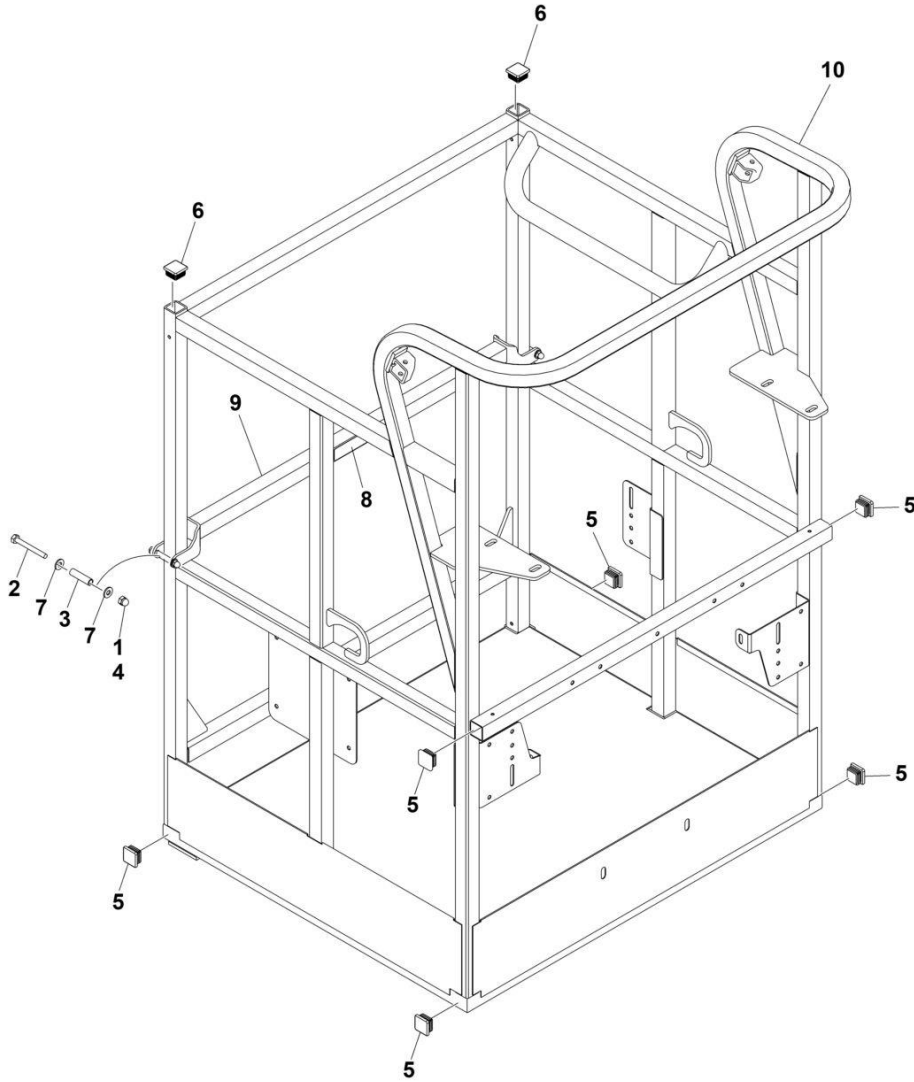
FIGURE 4-17. PLATFORM SUPPORT INSTALLATION

ITEM	PART NUMBER	QTY	DESCRIPTION	REV
	1001167596	Ref	PLATFORM SUPPORT INSTALLATION	N
1	0100011	AR	Compound, Locking	
2	0761014	5	Bolt M10 x 30	
3	0761216	8	Bolt M12 x 40	
4	1001255133	1	Bolt 1 x 11 GRD8	
5	0681608	8	Bolt 3/8 x 1 GRD8	
6	3291001	5	Nut M10	
7	3291201	3	Nut M12	
8	1001174040	1	Nut 1	
9	3291205	8	Nut M12	
10	3841143	4	Keeper, Pin	
11	4812000	8	Washer M10	
12	4812100	3	Washer M12	
13	4891600	8	Washer 3/8	
14	5241200	8	Washer M12	
15	4892600001	1	Washer 1	
16	1001098828	2	Bolt M12 x 70 CL10.9	
17	1001167565	2	Pin	
18	1001200494	1	Support, Platform	
19	1001167567	1	Support, Rotator	
20	1001168402	2	Pin	
21	1001188622	1	Screw	
22	1001247468	1	Loadcell	
23	1001188844	1	Bolt M12 x 35	
24	1001201351	2	Link	
24	1001187382	4	Bearing	
24	1001187383	4	Seal	
26	5251008	2	Bolt M10 x 16 CL10.9	
28	1001189002	8	Bearing	
29	1001190985	1	Pad, Wear	
30	3291005	2	Nut M10	
31	5251016	2	Bolt M10 x 40 CL10.9	
32	1001200491	1	Pad, Wear	
33	1001189001	4	Bearing	
34	1001204725	2	Plug	
36	91203039	1	Clamp	
37	1001216630	2	Decal - Tie Down/No Lift	
38	1001238421	Ref	Kit, Platform Leveling (Not Shown)	
	1001202687	Ref	VALVE MOUNT INSTALLATION	B
101	0100011	AR	Compound, Locking	
102	0760810	4	Bolt M8 x 20	
103	3290806	4	Nut M8	
104	4811900	8	Washer M8	
106	1001208994	1	Mount, Valve	

SECTION 5 - PLATFORM

SECTION 5 - PLATFORM

FIGURE 5-1. PLATFORM ASSEMBLY - 30IN X 3FT (76CM X .91M) - DROP BAR ENTRY



ART_1001228215

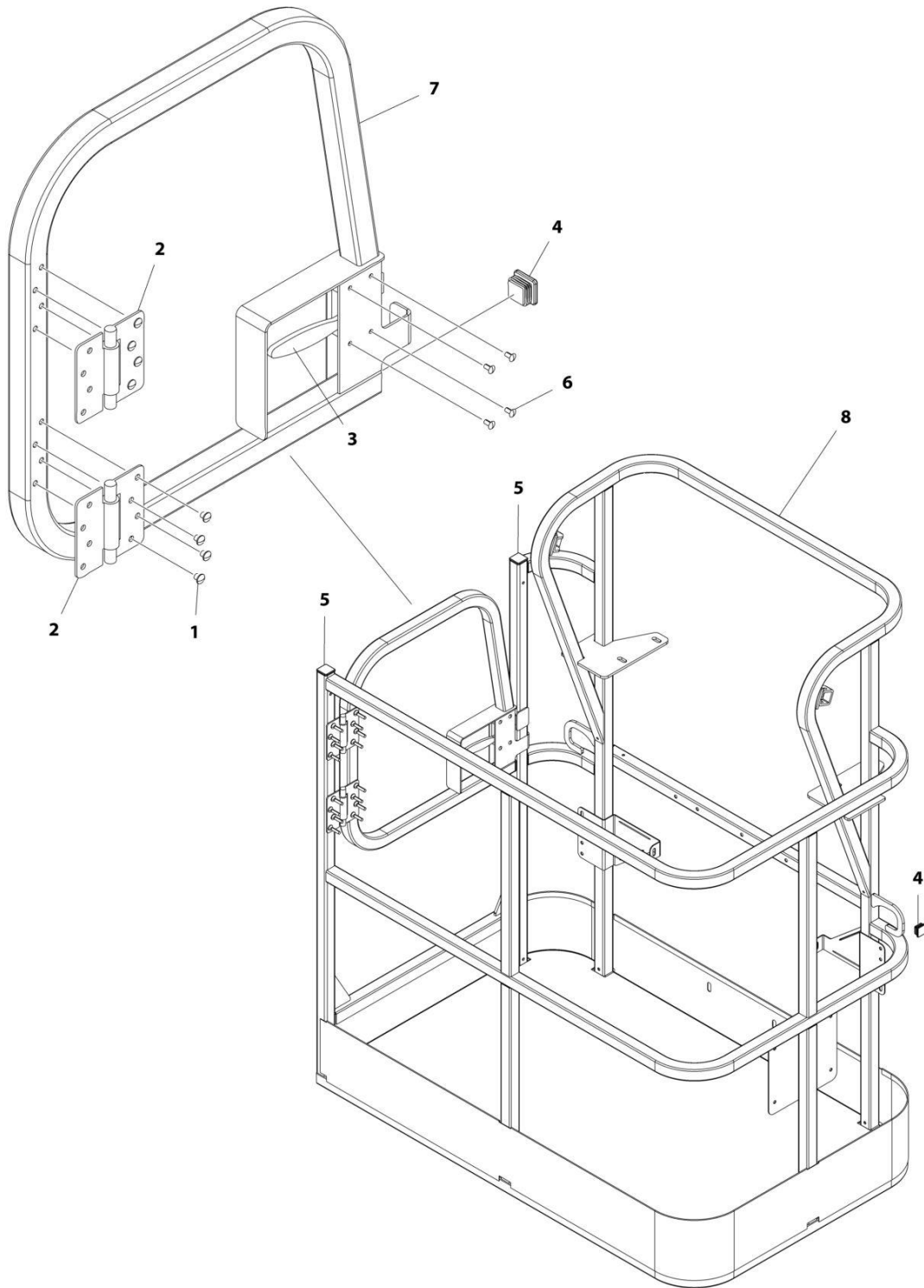
SECTION 5 - PLATFORM

FIGURE 5-1. PLATFORM ASSEMBLY - 30IN X 3FT (76CM X .91M) - DROP BAR ENTRY

ITEM	PART NUMBER	QTY	DESCRIPTION	REV
	1001228215	Ref	PLATFORM ASSEMBLY	A
	See Note	Ref	Note: Platform and Mesh must be ordered separately for Platforms with Mesh. See SPECIAL OPTIONS SECTION for Mesh Installations.	
	See Note	Ref	Note: Replacement Decals Must be Ordered Separately - See DECAL SECTION.	
1	0100011	AR	Compound, Locking	
2	0641418	2	Bolt 1/4 x 2-1/4	
3	0961845	2	Bushing	
4	3300151	2	Nut 1/4	
5	3520072	6	Cap, Plug	
6	3520198	2	Cap, Plug	
7	4711400	4	Washer 1/4	
8	1001140429	1	Decal - Drop Bar	
9	1001226872	1	Bar, Drop	
10	See Note	NSS	Platform (Note: Not Available - Purchase Platform Assembly)	

SECTION 5 - PLATFORM

FIGURE 5-2. PLATFORM ASSEMBLY - 30IN X 4FT (76CM X 1.22M) WITH SWING GATE



ART_1001186387

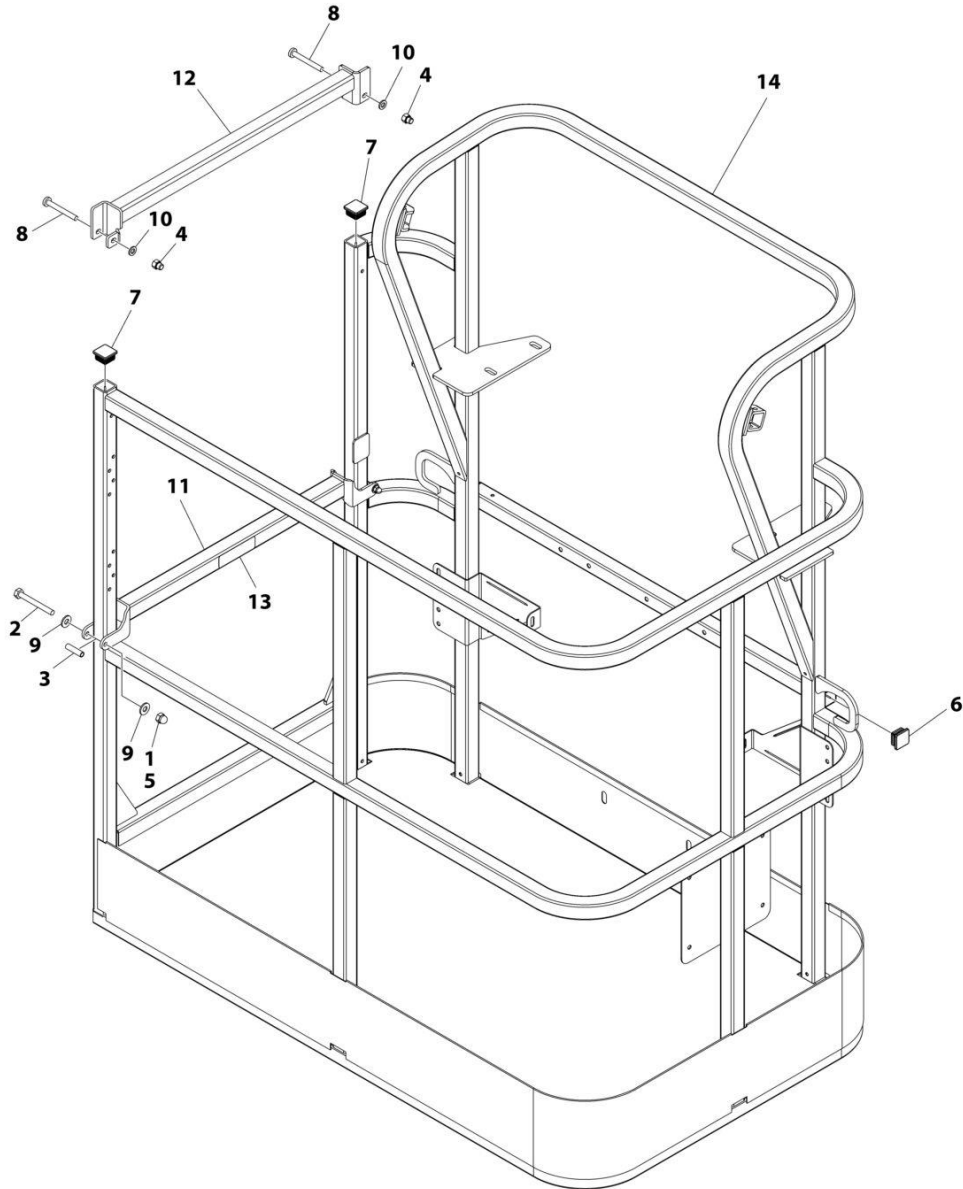
SECTION 5 - PLATFORM

FIGURE 5-2. PLATFORM ASSEMBLY - 30IN X 4FT (76CM X 1.22M) WITH SWING GATE

ITEM	PART NUMBER	QTY	DESCRIPTION	REV
	1001186387	Ref	PLATFORM ASSEMBLY	C
		Ref	Note: Platform and Mesh must be ordered separately for Platforms with Mesh. See SPECIAL OPTIONS SECTION for Mesh Installations.	
		Ref	Note: Replacement Decals Must be Ordered Separately - See DECALS SECTION.	
1	2080040	16	Fastener, Huck	
2	2600281	2	Hinge, Self-Closing	
3	2940074	1	Latch	
4	3520072	3	Plug	
5	3520198	2	Plug	
6	3820020	4	Rivet	
7	1001144629	1	Gate	
8	See Note	1	Platform (Note: Not Available - Purchase Platform Assembly)	

SECTION 5 - PLATFORM

FIGURE 5-3. PLATFORM ASSEMBLY - 30IN X 4FT (76CM X 1.22M) WITH DROP BAR



ART_1001186375

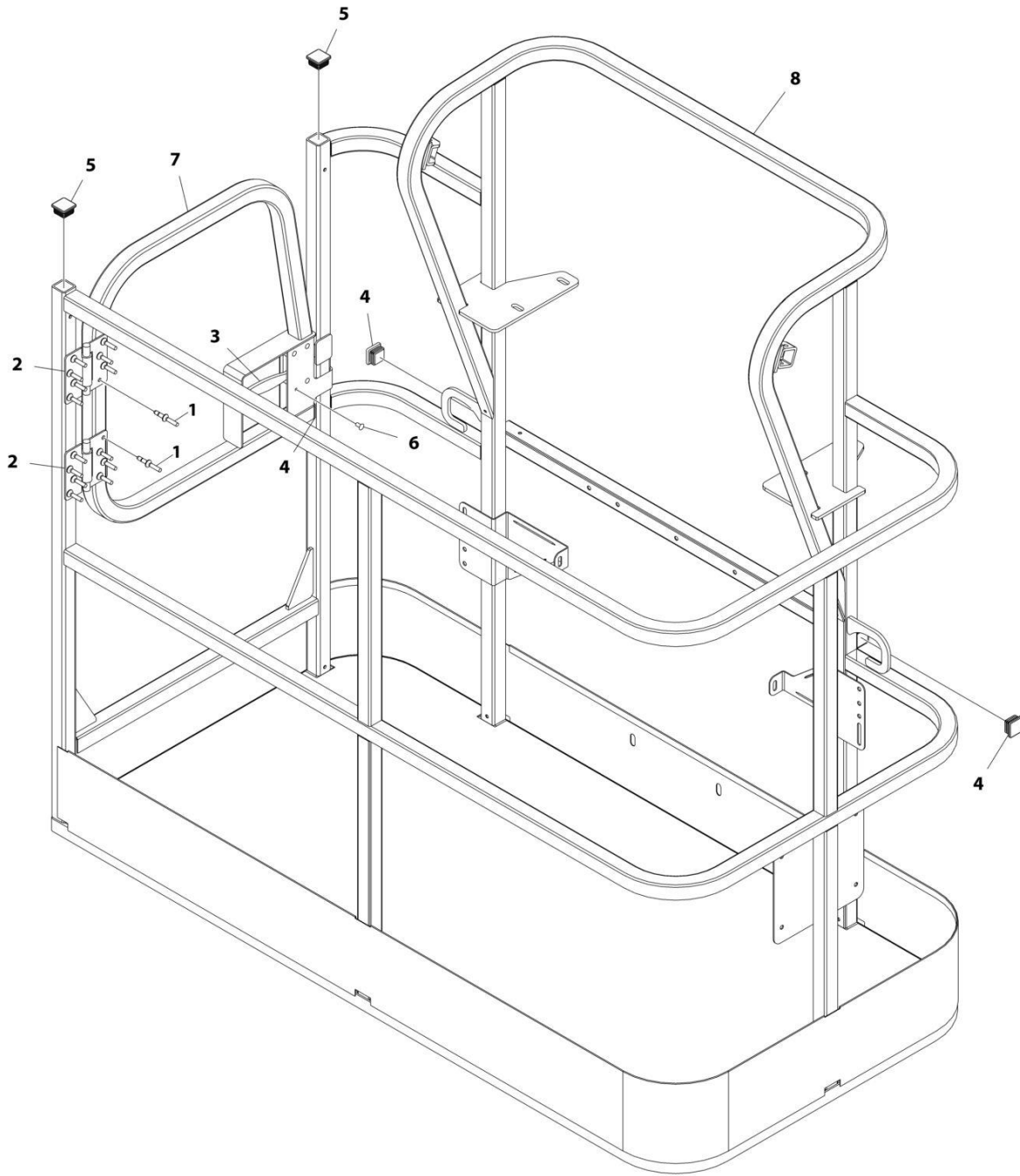
SECTION 5 - PLATFORM

FIGURE 5-3. PLATFORM ASSEMBLY - 30IN X 4FT (76CM X 1.22M) WITH DROP BAR

ITEM	PART NUMBER	QTY	DESCRIPTION	REV
	1001186375	Ref	PLATFORM ASSEMBLY	B
		Ref	Note: Platform and Mesh must be ordered separately for Platforms with Mesh. See SPECIAL OPTIONS SECTION for Mesh Installations.	
		Ref	Note: Replacement Decals Must be Ordered Separately - See DECALS SECTION.	
1	0100011	AR	Compound, Locking	
2	0641418	2	Bolt 1/4 x 2-1/4	
3	0961845	2	Bushing	
4	3290606	2	Nut M6	
5	3300151	2	Nut 1/4	
6	3520072	2	Plug	
7	3520198	2	Plug	
8	4010618	2	Screw M6 x 50	
9	4711400	4	Washer 1/4	
10	4811700	2	Washer M6	
11	1001138494	1	Bar, Drop	
12	1001138514	1	Rail - Top	
13	1001140429	1	Decal - Drop Bar	
14	See Note	1	Platform (Note: Not Available - Purchase Platform Assembly)	

SECTION 5 - PLATFORM

FIGURE 5-4. PLATFORM ASSEMBLY - 30IN X 5FT (76CM X 1.52M) WITH SWING GATE



ART_1001186386

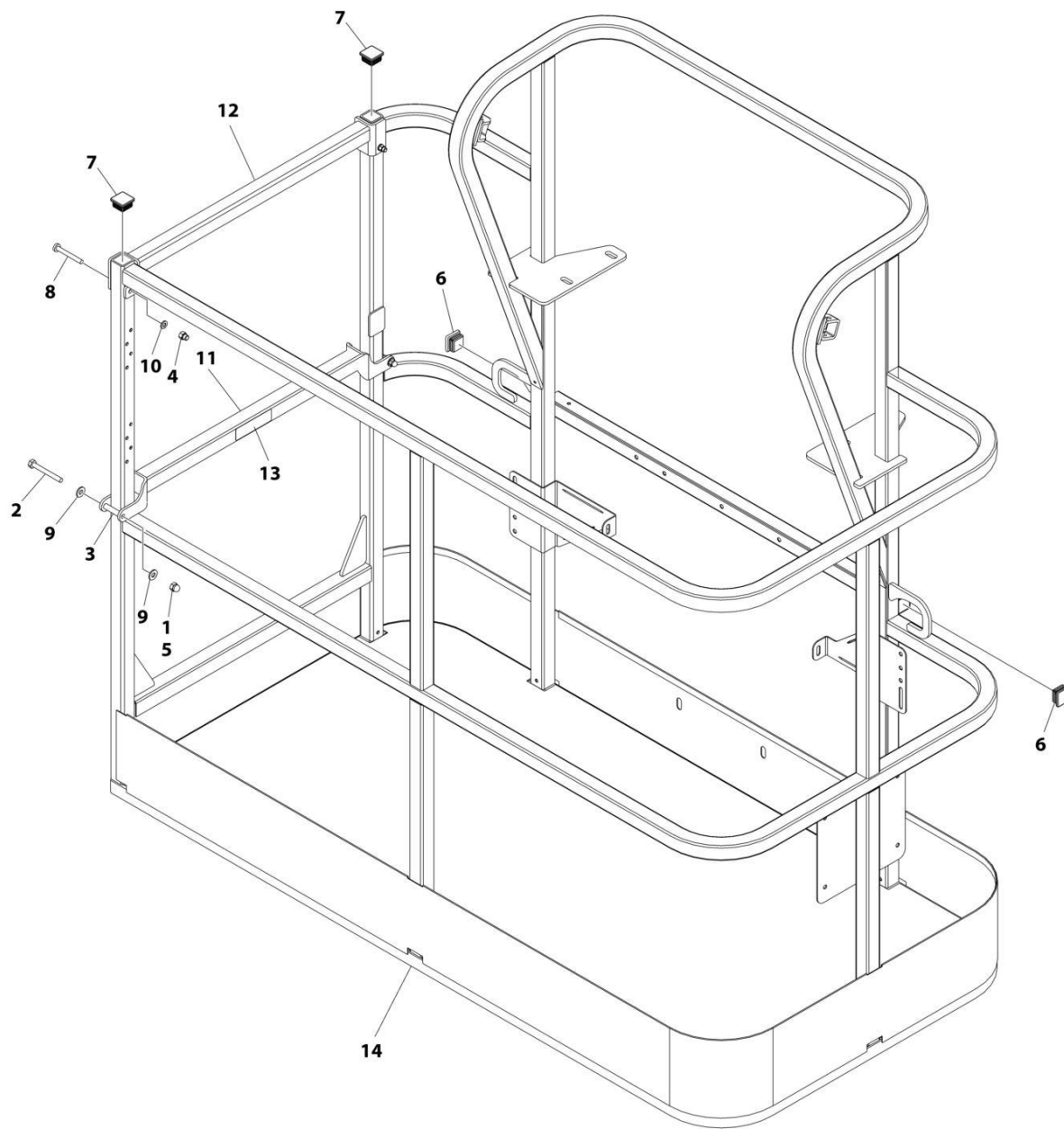
SECTION 5 - PLATFORM

FIGURE 5-4. PLATFORM ASSEMBLY - 30IN X 5FT (76CM X 1.52M) WITH SWING GATE

ITEM	PART NUMBER	QTY	DESCRIPTION	REV
	1001186386	Ref	PLATFORM ASSEMBLY	C
		Ref	Note: Platform and Mesh must be ordered separately for Platforms with Mesh. See SPECIAL OPTIONS SECTION for Mesh Installations.	
		Ref	Note: Replacement Decals Must be Ordered Separately - See DECALS SECTION.	
1	2080040	16	Fastener, Huck	
2	2600281	2	Hinge, Self-Closing	
3	2940074	1	Latch	
4	3520072	3	Plug	
5	3520198	2	Plug	
6	3820020	4	Rivet	
7	1001144629	1	Gate	
8	See Note	NSS	Platform (Note: Not Available - Purchase Platform Assembly)	

SECTION 5 - PLATFORM

FIGURE 5-5. PLATFORM ASSEMBLY - 30IN X 5FT (76CM X 1.52M) WITH DROP BAR



ART_1001186377

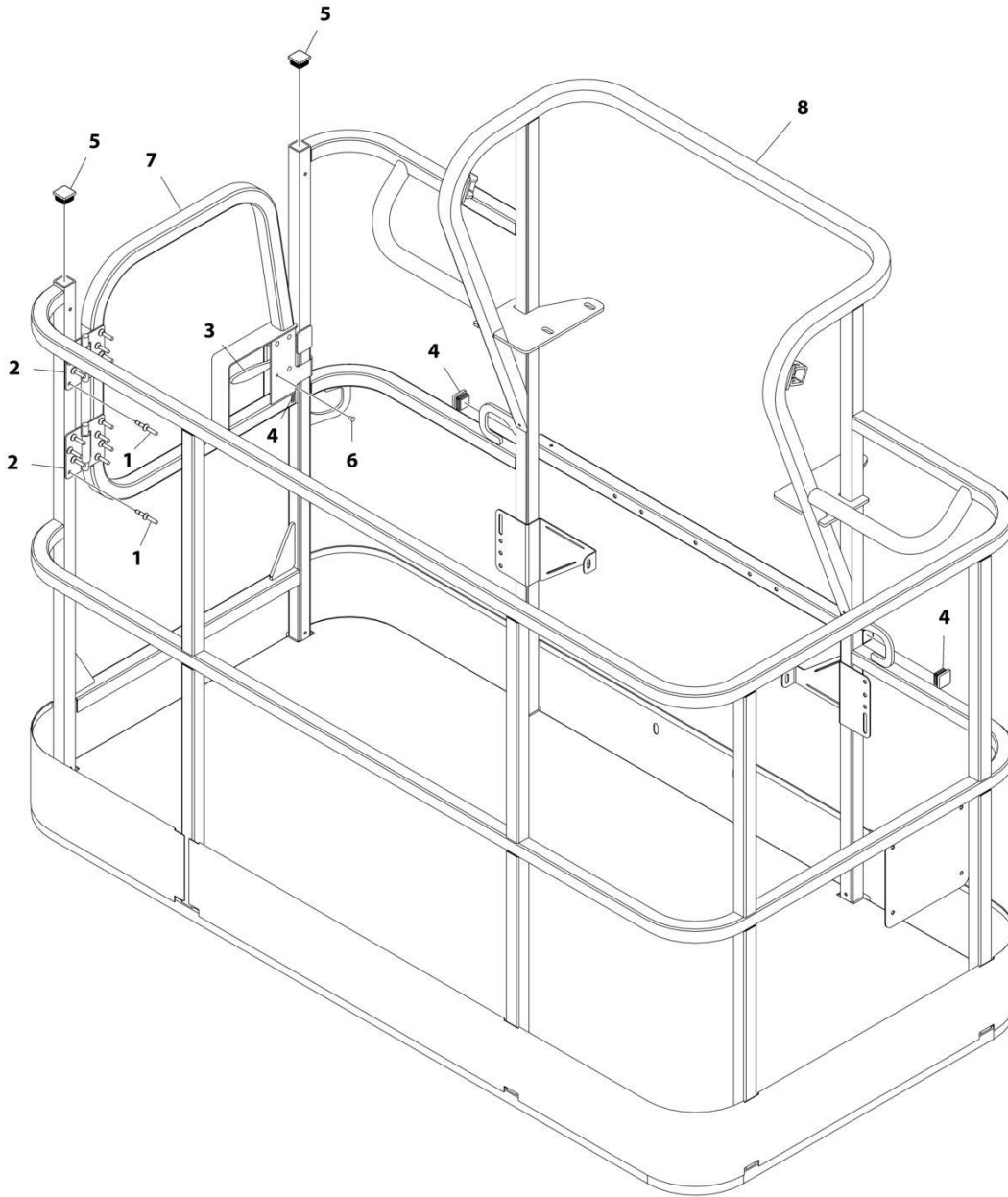
SECTION 5 - PLATFORM

FIGURE 5-5. PLATFORM ASSEMBLY - 30IN X 5FT (76CM X 1.52M) WITH DROP BAR

ITEM	PART NUMBER	QTY	DESCRIPTION	REV
	1001186377	Ref	PLATFORM ASSEMBLY	C
		Ref	Note: Platform and Mesh must be ordered separately for Platforms with Mesh. See SPECIAL OPTIONS SECTION for Mesh Installations.	
		Ref	Note: Replacement Decals Must be Ordered Separately - See DECALS SECTION.	
1	0100011	AR	Compound, Locking	
2	0641420	2	Bolt 1/4 x 2-1/2	
3	0961845	2	Bushing	
4	3290606	2	Nut M6	
5	3300151	2	Nut 1/4	
6	3520072	2	Plug	
7	3520198	2	Plug	
8	4010618	2	Screw M6 x 50	
9	4711400	4	Washer 1/4	
10	4811700	2	Washer M6	
11	1001138494	1	Bar, Drop	
12	1001138514	1	Rail (Top)	
13	1001140429	1	Decal - Drop Bar	
14	See Note	NSS	Platform (Note: Not Available - Purchase Platform Assembly)	

SECTION 5 - PLATFORM

FIGURE 5-6. PLATFORM ASSEMBLY - 36IN X 6FT (91.5CM X 1.83M) WITH SWING GATE



ART_1001186384

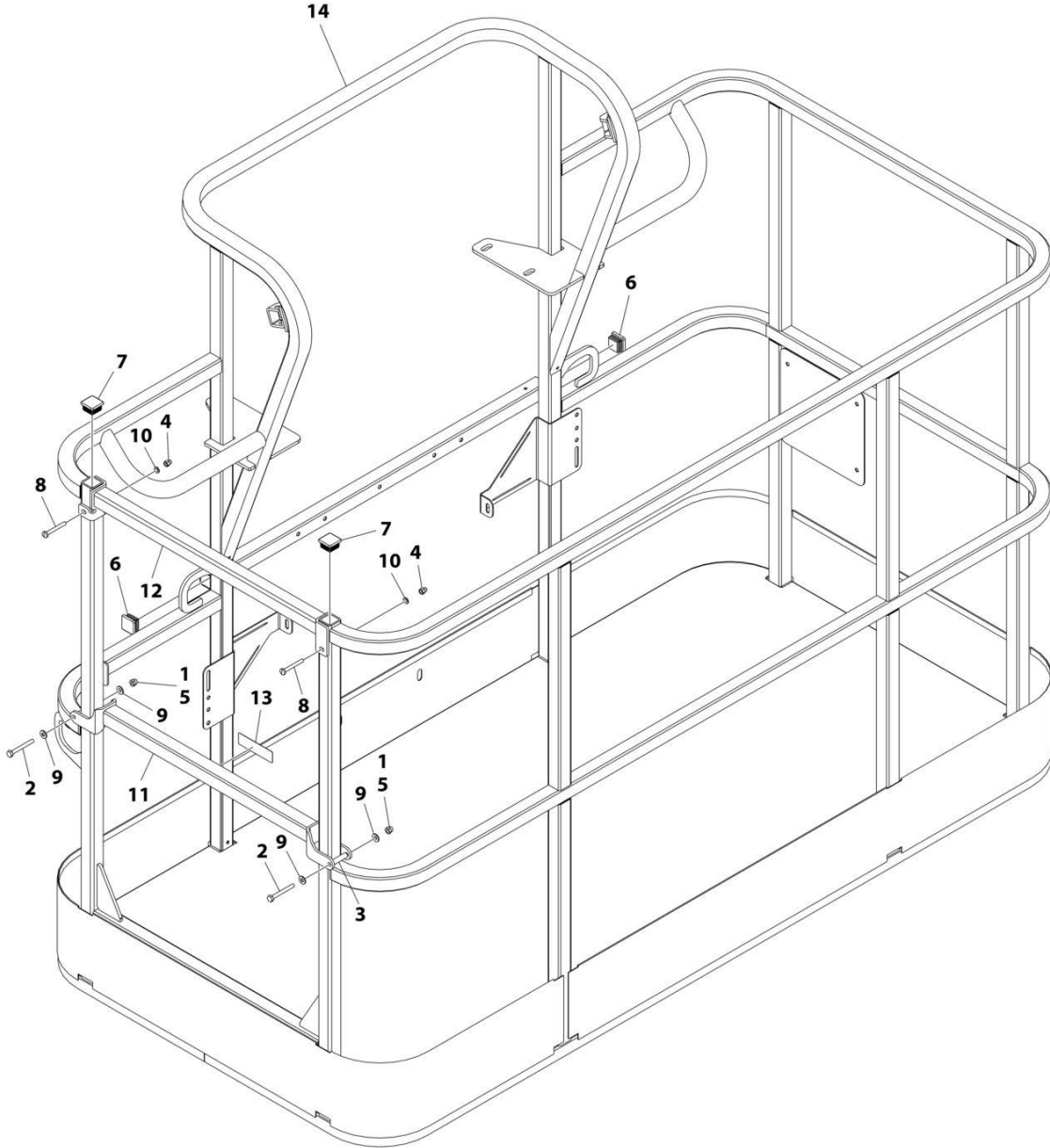
SECTION 5 - PLATFORM

FIGURE 5-6. PLATFORM ASSEMBLY - 36IN X 6FT (91.5CM X 1.83M) WITH SWING GATE

ITEM	PART NUMBER	QTY	DESCRIPTION	REV
	1001186384	Ref	PLATFORM ASSEMBLY - 36IN X 6FT (91.5CM X 1.83M) WITH SWING GATE	C
	See Note	Ref	Note: Platform and Mesh must be ordered separately for Platforms with Mesh. See SPECIAL OPTIONS SECTION for Mesh Installations.	
	See Note	Ref	Note: Replacement Decals Must be Ordered Separately - See DECALS SECTION.	
1	2080040	16	Fastener, Huck	
2	2600281	2	Hinge	
3	2940074	1	Latch	
4	3520072	3	Plug	
5	3520198	2	Plug	
6	3820020	4	Rivet	
7	1001144629	1	Gate	
8	See Note	NSS	Platform (Note: Not Available - Purchase Platform Assembly)	

SECTION 5 - PLATFORM

FIGURE 5-7. PLATFORM ASSEMBLY - 36IN X 6FT (91.5CM X 1.83M) WITH DROP BAR



ART_1001186379

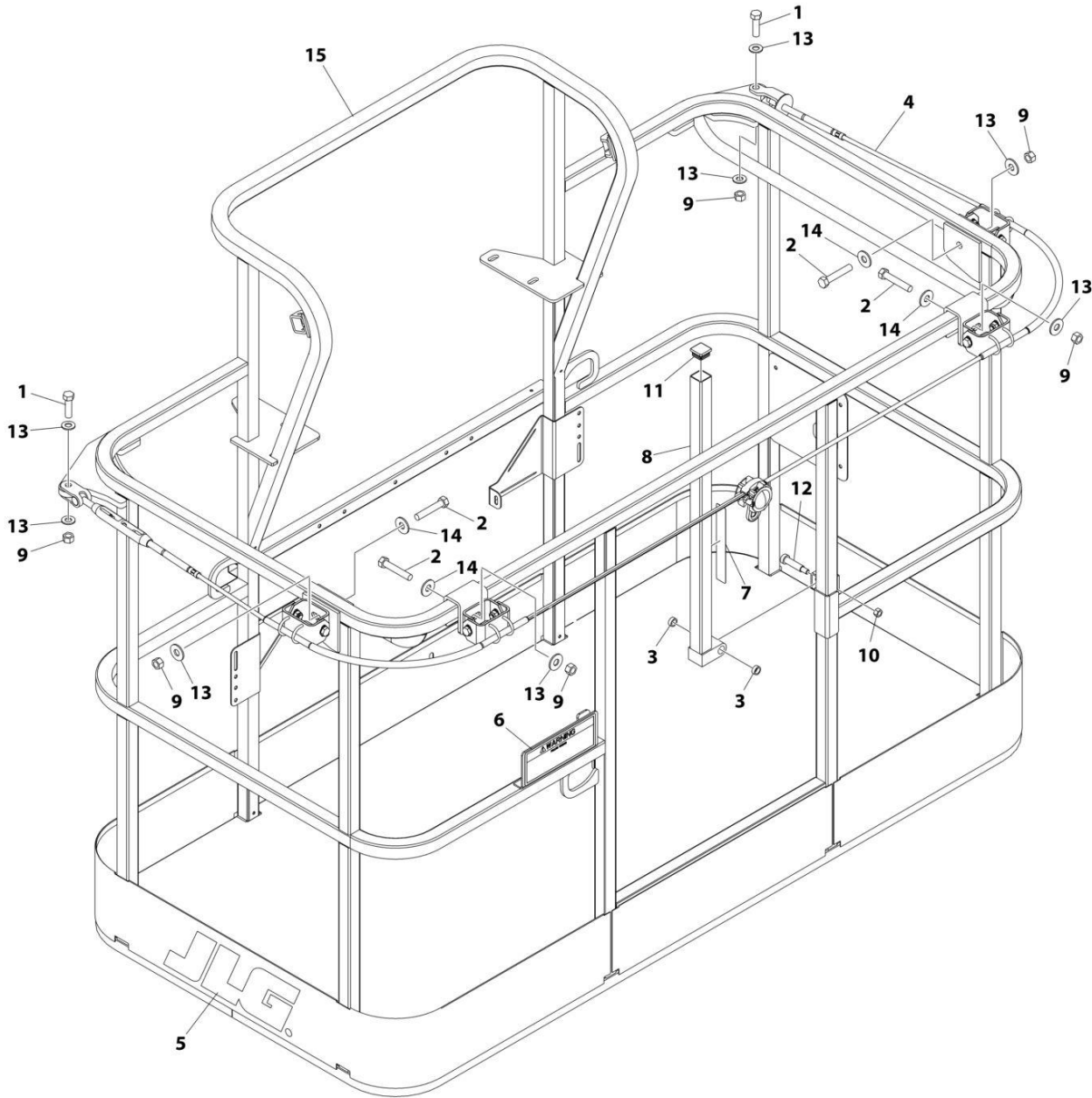
SECTION 5 - PLATFORM

FIGURE 5-7. PLATFORM ASSEMBLY - 36IN X 6FT (91.5CM X 1.83M) WITH DROP BAR

ITEM	PART NUMBER	QTY	DESCRIPTION	REV
	1001186379	Ref	PLATFORM ASSEMBLY - 36IN X 6FT (91.5CM X 1.83M) WITH DROP BAR	B
		Ref	Note: Platform and Mesh must be ordered separately for Platforms with Mesh. See SPECIAL OPTIONS SECTION for Mesh Installations.	
		Ref	Note: Replacement Decals Must be Ordered Separately - See DECALS SECTION.	
1	0100011	AR	Compound, Locking	
2	0641418	2	Bolt 1/4 x 2-1/4	
3	0961845	2	Bushing	
4	3290606	2	Nut M6	
5	3300151	2	Nut 1/4	
6	3520072	2	Plug	
7	3520198	2	Plug	
8	4010618	2	Screw M6 x 50	
9	4711400	4	Washer 1/4	
10	4811700	2	Washer M6	
11	1001138494	1	Bar, Drop	
12	1001138514	1	Rail (Top)	
13	1001140429	1	Decal - Drop Bar	
14	See Note	NSS	Platform (Note: Not Available - Purchase Platform Assembly)	

SECTION 5 - PLATFORM

FIGURE 5-8. PLATFORM ASSEMBLY - 36IN X 6FT (91.5CM X 1.83M) WITH FALL ARREST (ANSI, ANSI EXPORT, CHINA AND CSA SPECS)



ART_1001186333

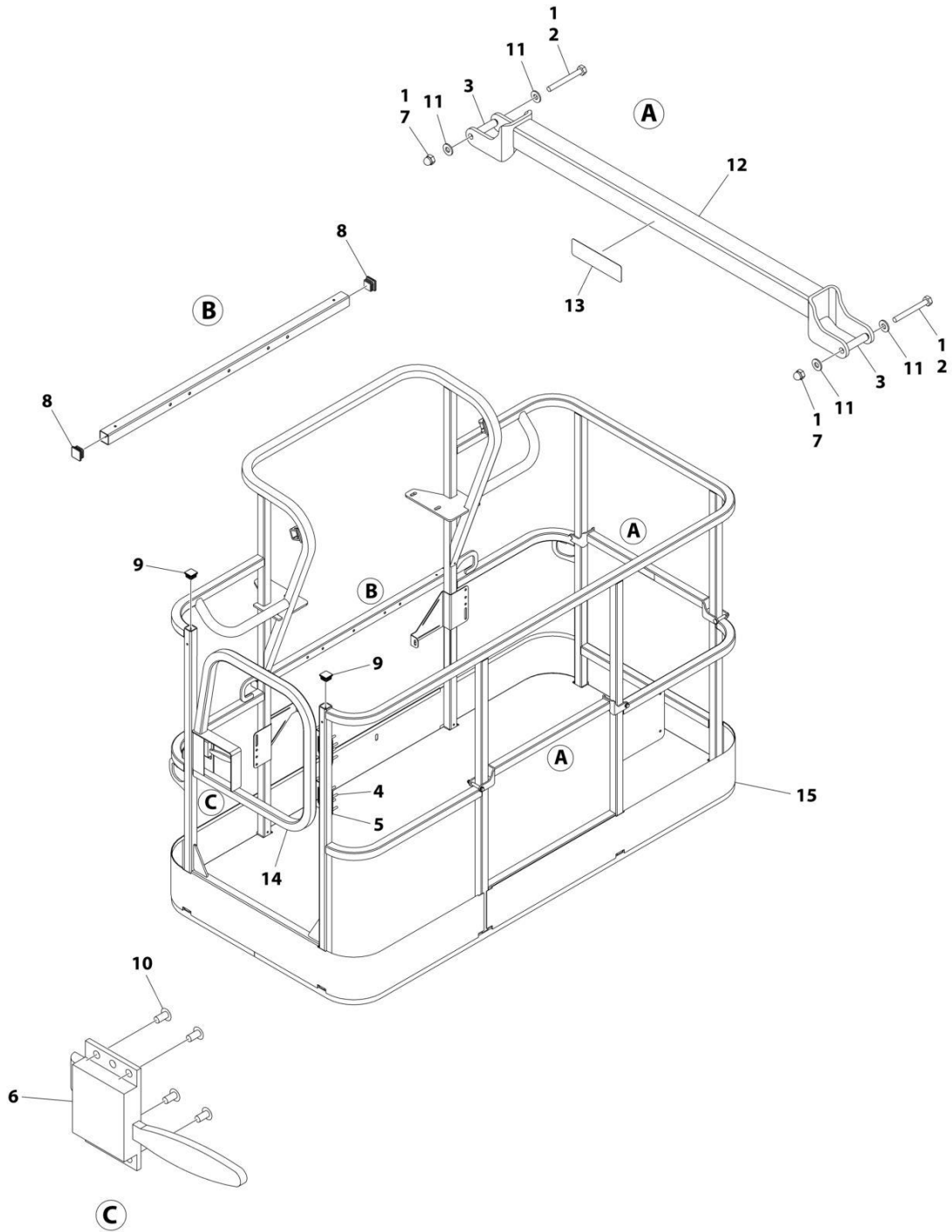
SECTION 5 - PLATFORM

FIGURE 5-8. PLATFORM ASSEMBLY - 36IN X 6FT (91.5CM X 1.83M) WITH FALL ARREST (ANSI, ANSI EXPORT, CHINA AND CSA SPECS)

ITEM	PART NUMBER	QTY	DESCRIPTION	REV
	1001186333	Ref	PLATFORM ASSEMBLY	C
		Ref	Note: Replacement Decals Must be Ordered Separately - See DECALS SECTION.	
1	0681814	2	Bolt 1/2 x 1-3/4 Grade 8	
2	0681822	4	Bolt 1/2 x 2-3/4 Grade 8	
3	0962270	2	Bearing	
4	1001203655	1	Cable	
5	1702773	1	Decal - JLG	
6	1705014	1	Decal - Safety	
7	1706385	1	Decal - Drop Bar	
8	2410014	1	Bar, Drop	
9	3271805	6	Nut 1/2 Grade 8	
10	3311605	1	Nut 3/8	
11	3520072	1	Plug	
12	3900054	1	Bolt 1/2 x 1-3/4	
13	4711800	8	Washer 1/2	
14	4751800	4	Washer 1/2	
15	See Note	NSS	Platform (Note: Not Available - Purchase Platform Assembly)	

SECTION 5 - PLATFORM

FIGURE 5-9. PLATFORM ASSEMBLY - 36IN X 6FT (91.5CM X 1.83M) TRI-ENTRY WITH SWING GATE



ART_1001228376

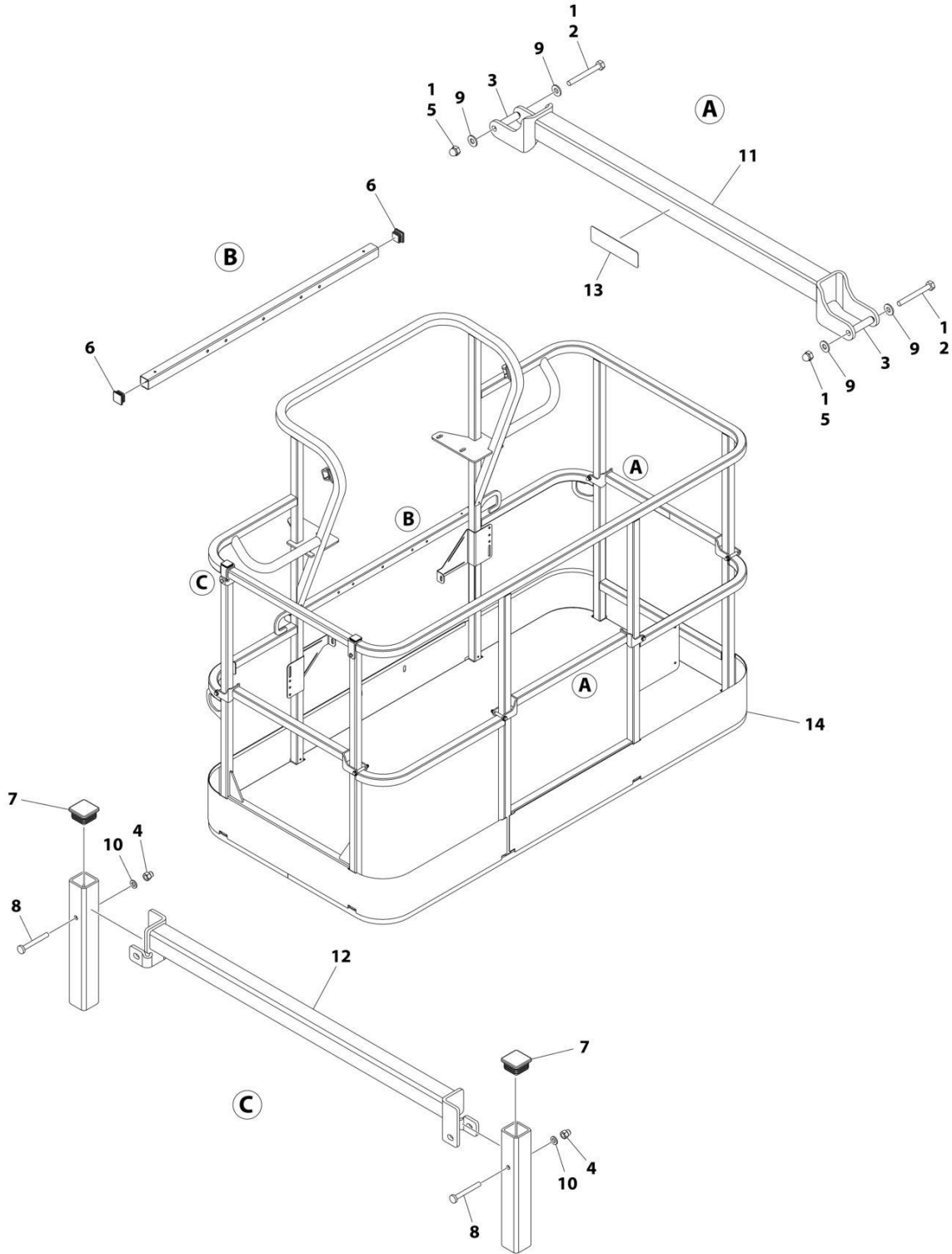
SECTION 5 - PLATFORM

FIGURE 5-9. PLATFORM ASSEMBLY - 36IN X 6FT (91.5CM X 1.83M) TRI-ENTRY WITH SWING GATE

ITEM	PART NUMBER	QTY	DESCRIPTION	REV
	1001228376	Ref	PLATFORM ASSEMBLY - 36IN x 6FT (91.5CM x 1.83M)	B
		Ref	Note: Platform and Mesh must be ordered separately for Platforms with Mesh. See SPECIAL OPTIONS SECTION for Mesh Installations.	
		Ref	Note: Replacement Decals Must be Ordered Separately - See DECAL SECTION.	
1	0100011	AR	Compound, Locking	
2	0641418	4	Bolt 1/4 x 2-1/4	
3	0961845	4	Bushing	
4	2080040	16	Fastener	
5	2600281	2	Hinge	
6	2940074	1	Latch	
7	3300151	4	Nut 1/4	
8	3520072	3	Plug	
9	3520198	2	Plug	
10	3820020	4	Rivet	
11	4711400	8	Washer 1/4	
12	1001138494	2	Bar, Drop	
13	1001140429	2	Decal - Drop Bar	
14	1001144629	1	Gate	
15	See Note	NSS	Platform (Note: Not Available - Purchase Platform Assembly)	

SECTION 5 - PLATFORM

FIGURE 5-10. PLATFORM ASSEMBLY - 36IN X 6FT (91.5CM X 1.83M) TRI-ENTRY WITH DROP BAR



ART_1001228377

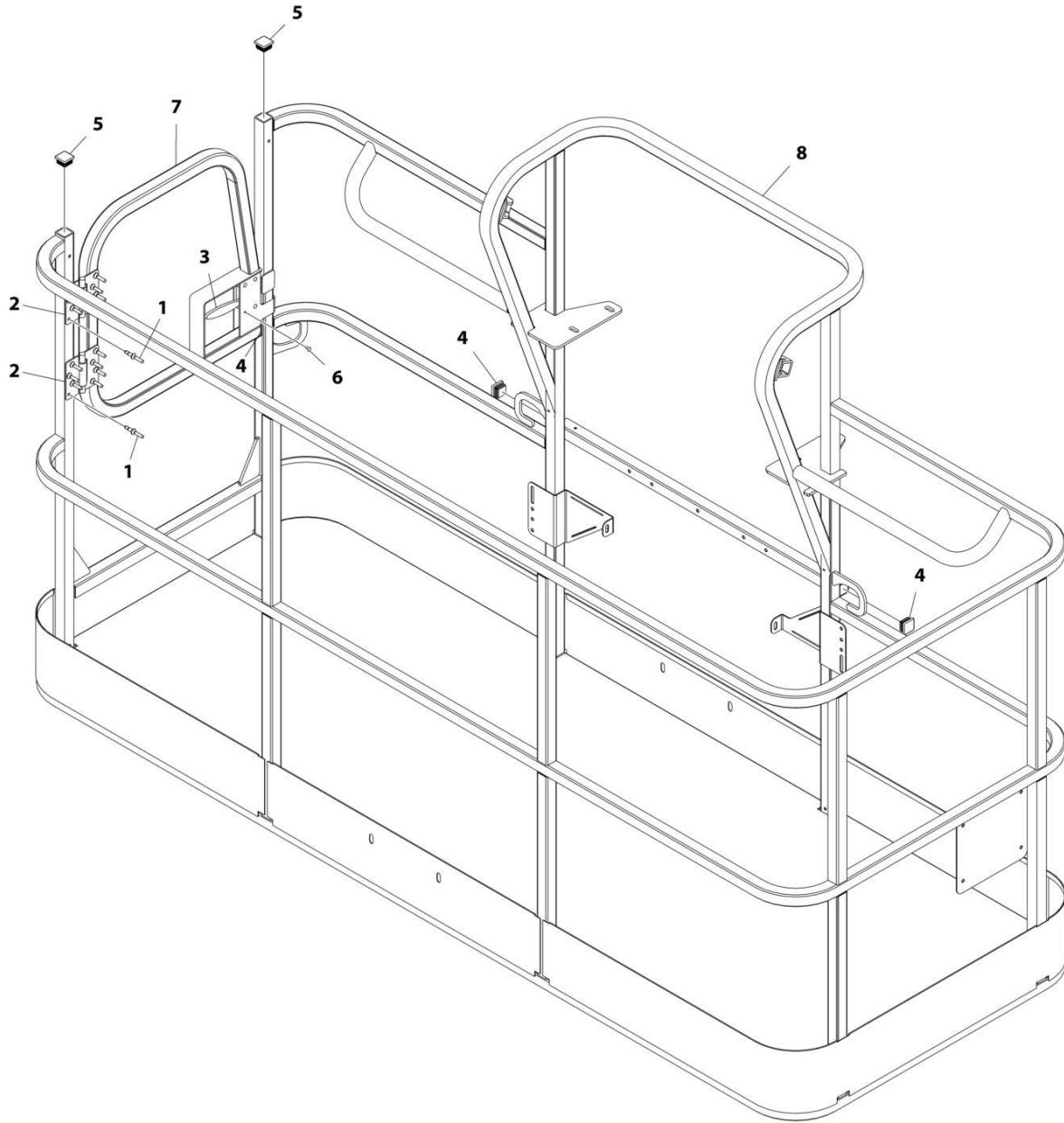
SECTION 5 - PLATFORM

FIGURE 5-10. PLATFORM ASSEMBLY - 36IN X 6FT (91.5CM X 1.83M) TRI-ENTRY WITH DROP BAR

ITEM	PART NUMBER	QTY	DESCRIPTION	REV
	1001228377	Ref	PLATFORM ASSEMBLY - 36IN x 6FT (91.5CM x 1.83M)	B
		Ref	Note: Platform and Mesh must be ordered separately for Platforms with Mesh. See SPECIAL OPTIONS SECTION for Mesh Installations.	
		Ref	Note: Replacement Decals Must be Ordered Separately - See DECAL SECTION.	
1	0100011	1	Compound, Locking	
2	0641418	6	Bolt 1/4 x 2-1/4	
3	0961845	6	Bushing	
4	3290606	2	Nut M6	
5	3300151	6	Nut 1/4	
6	3520072	2	Plug	
7	3520198	2	Plug	
8	4010618	2	Screw M6 x 50	
9	4711400	12	Washer 1/4	
10	4811700	2	Washer M6	
11	1001138494	3	Bar, Drop	
12	1001138514	1	Rail (Top)	
13	1001140429	3	Decal - Drop Bar	
14	See Note	NSS	Platform, Weldment (Note: Not Available - Purchase Platform Assembly)	

SECTION 5 - PLATFORM

FIGURE 5-11. PLATFORM ASSEMBLY - 36IN X 8FT (91.5CM X 2.44M) WITH SWING GATE



ART_1001186383

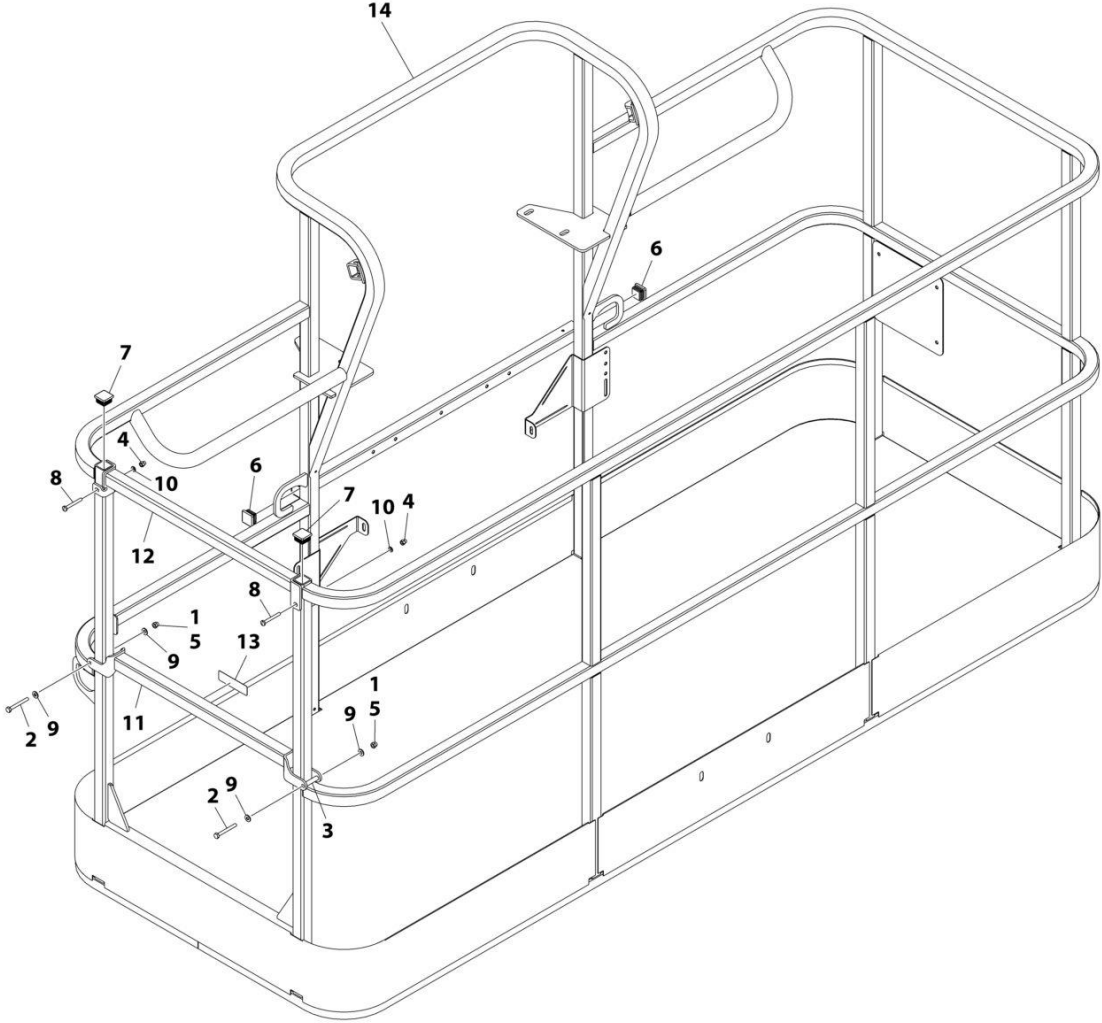
SECTION 5 - PLATFORM

FIGURE 5-11. PLATFORM ASSEMBLY - 36IN X 8FT (91.5CM X 2.44M) WITH SWING GATE

ITEM	PART NUMBER	QTY	DESCRIPTION	REV
	1001186383	Ref	PLATFORM ASSEMBLY - 36IN X 8FT (91.5CM X 2.44M) WITH SWING GATE	D
		Ref	Note: Platform and Mesh must be ordered separately for Platforms with Mesh. See SPECIAL OPTIONS SECTION for Mesh Installations.	
		Ref	Note: Replacement Decals Must be Ordered Separately - See DECALS SECTION.	
1	2080040	16	Fastener, Huck	
2	2600281	2	Hinge	
3	2940074	1	Latch	
4	3520072	3	Plug	
5	3520198	2	Plug	
6	3820020	4	Rivet	
7	1001144629	1	Gate	
8	See Note	NSS	Platform (Note: Not Available - Purchase Platform Assembly)	

SECTION 5 - PLATFORM

FIGURE 5-12. PLATFORM ASSEMBLY - 36IN X 8FT (91.5CM X 2.44M) WITH DROP BAR



ART_1001186382

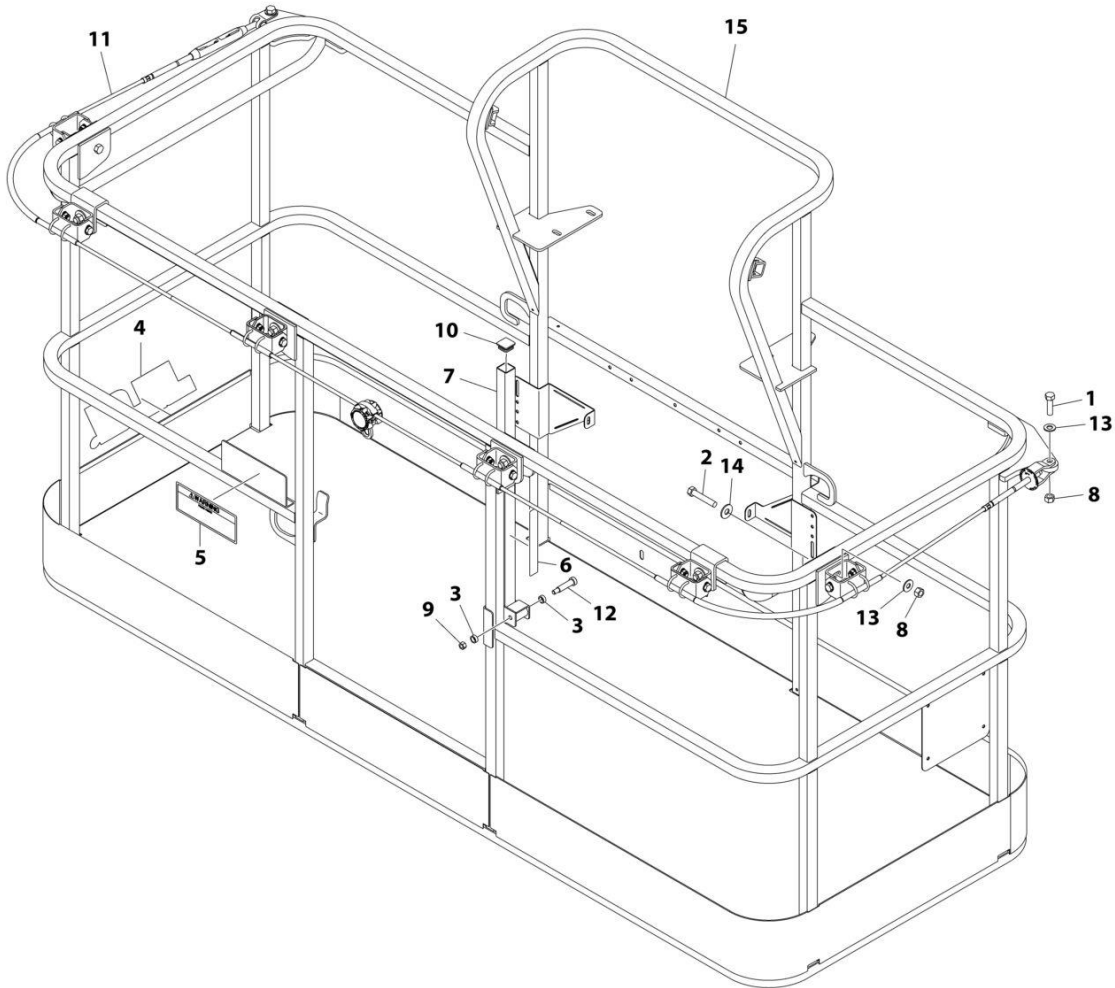
SECTION 5 - PLATFORM

FIGURE 5-12. PLATFORM ASSEMBLY - 36IN X 8FT (91.5CM X 2.44M) WITH DROP BAR

ITEM	PART NUMBER	QTY	DESCRIPTION	REV
	1001186382	Ref	PLATFORM ASSEMBLY - 36IN X 8FT (91.5CM X 2.44M) WITH DROP BAR	C
		Ref	Note: Platform and Mesh must be ordered separately for Platforms with Mesh. See SPECIAL OPTIONS SECTION for Mesh Installations.	
		Ref	Note: Replacement Decals Must be Ordered Separately - See DECALS SECTION.	
1	0100011	AR	Compound, Locking	
2	0641418	2	Bolt 1/4 x 2-1/4	
3	0961845	2	Bushing	
4	3290606	2	Nut M6	
5	3300151	2	Nut 1/4	
6	3520072	2	Plug	
7	3520198	2	Plug	
8	4010618	2	Screw M6 x 50	
9	4711400	4	Washer 1/4	
10	4811700	2	Washer M6	
11	1001138494	1	Bar, Drop	
12	1001138514	1	Rail (Top)	
13	1001140429	1	Decal - Drop Bar	
14	See Note	NSS	Platform (Note: Not Available - Purchase Platform Assembly)	

SECTION 5 - PLATFORM

FIGURE 5-13. PLATFORM ASSEMBLY - 36IN X 8FT (91.5CM X 2.44M) WITH FALL ARREST (ANSI, ANSI EXPORT, CHINA AND CSA SPECS)



ART_1001186334

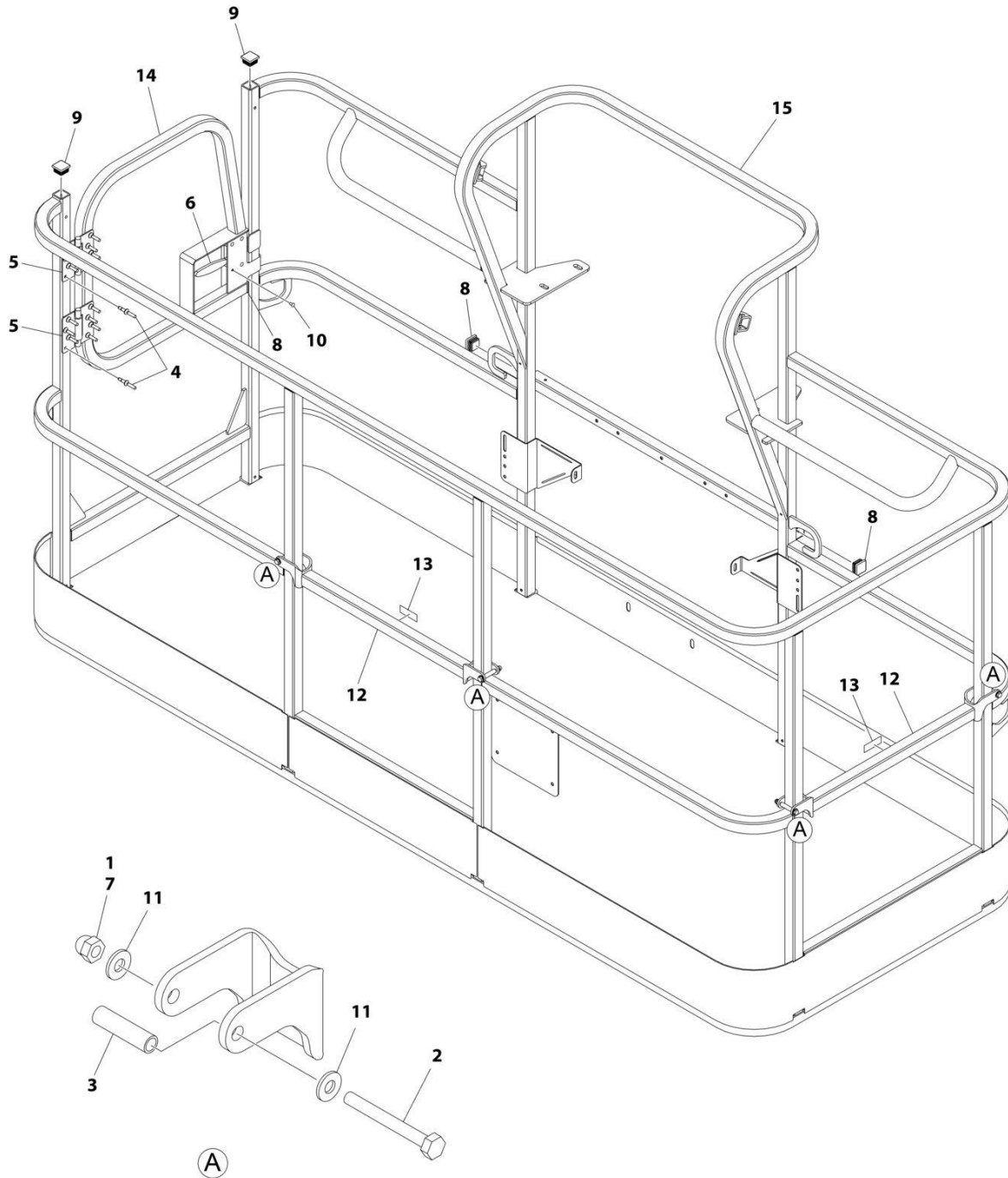
SECTION 5 - PLATFORM

FIGURE 5-13. PLATFORM ASSEMBLY - 36IN X 8FT (91.5CM X 2.44M) WITH FALL ARREST (ANSI, ANSI EXPORT, CHINA AND CSA SPECS)

ITEM	PART NUMBER	QTY	DESCRIPTION	REV
	1001186334	Ref	PLATFORM ASSEMBLY	D
		Ref	Note: Replacement Decals Must be Ordered Separately - See DECALS SECTION.	
1	0681814	2	Bolt 1/2 x 1-3/4 Grade 8	
2	0681822	6	Bolt 1/2 x 2-3/4 Grade 8	
3	0962270	2	Bearing	
4	1702773	1	Decal - JLG	
5	1705014	1	Decal - Safety	
6	1706385	1	Decal - Drop Bar	
7	2410014	1	Bar, Drop	
8	3271805	8	Nut 1/2 Grade 8	
9	3311605	1	Nut 3/8	
10	3520072	1	Plug	
11	1001203656	1	Cable	
12	3900054	1	Bolt 1/2 x 1-3/4	
13	4711800	2	Washer 1/2	
14	4751800	6	Washer 1/2	
15	See Note	NSS	Platform (Note: Purchase Platform Assembly)	

SECTION 5 - PLATFORM

FIGURE 5-14. PLATFORM ASSEMBLY - 36IN X 8FT (91.5CM X 2.44M) TRI-ENTRY WITH SWING GATE



ART_1001228243

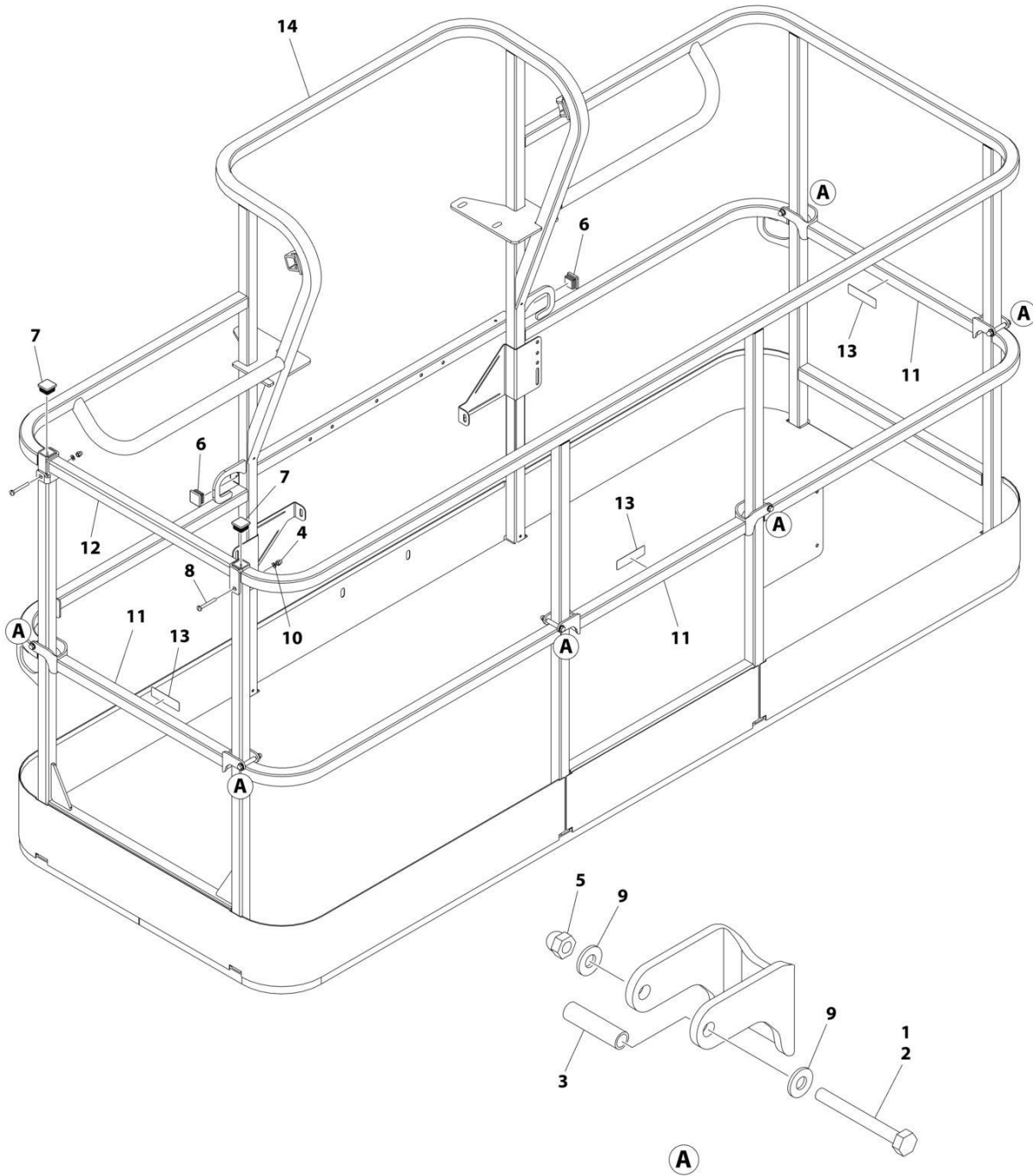
SECTION 5 - PLATFORM

FIGURE 5-14. PLATFORM ASSEMBLY - 36IN X 8FT (91.5CM X 2.44M) TRI-ENTRY WITH SWING GATE

ITEM	PART NUMBER	QTY	DESCRIPTION	REV
	1001228243	Ref	PLATFORM ASSEMBLY - 36IN X 8FT (91.5CM X 2.44M) WITH TRI-ENTRY	A
		Ref	Note: Platform and Mesh must be ordered separately for Platforms with Mesh. See SPECIAL OPTIONS SECTION for Mesh Installations.	
1	0100011	AR	Compound, Locking	
2	0641418	4	Bolt 1/4 x 2-1/4	
3	0961845	4	Bushing	
4	2080040	16	Fastener, Huck	
5	2600281	2	Hinge, Self-Closing	
6	2940074	1	Latch	
7	3300151	4	Nut 1/4	
8	3520072	3	Cap, Plug	
9	3520198	2	Cap, Plug	
10	3820020	4	Rivet	
11	4711400	8	Washer 1/4	
12	1001138494	2	Bar, Drop	
13	1001140429	2	Decal - Drop Bar	
14	1001144629	1	Gate, Weldment	
15	See Note	1	Platform (Note: Not Available - Purchase Platform Assembly)	

SECTION 5 - PLATFORM

FIGURE 5-15. PLATFORM ASSEMBLY - 36IN X 8FT (91.5CM X 2.44M) TRI-ENTRY WITH DROP BAR



ART_1001228375

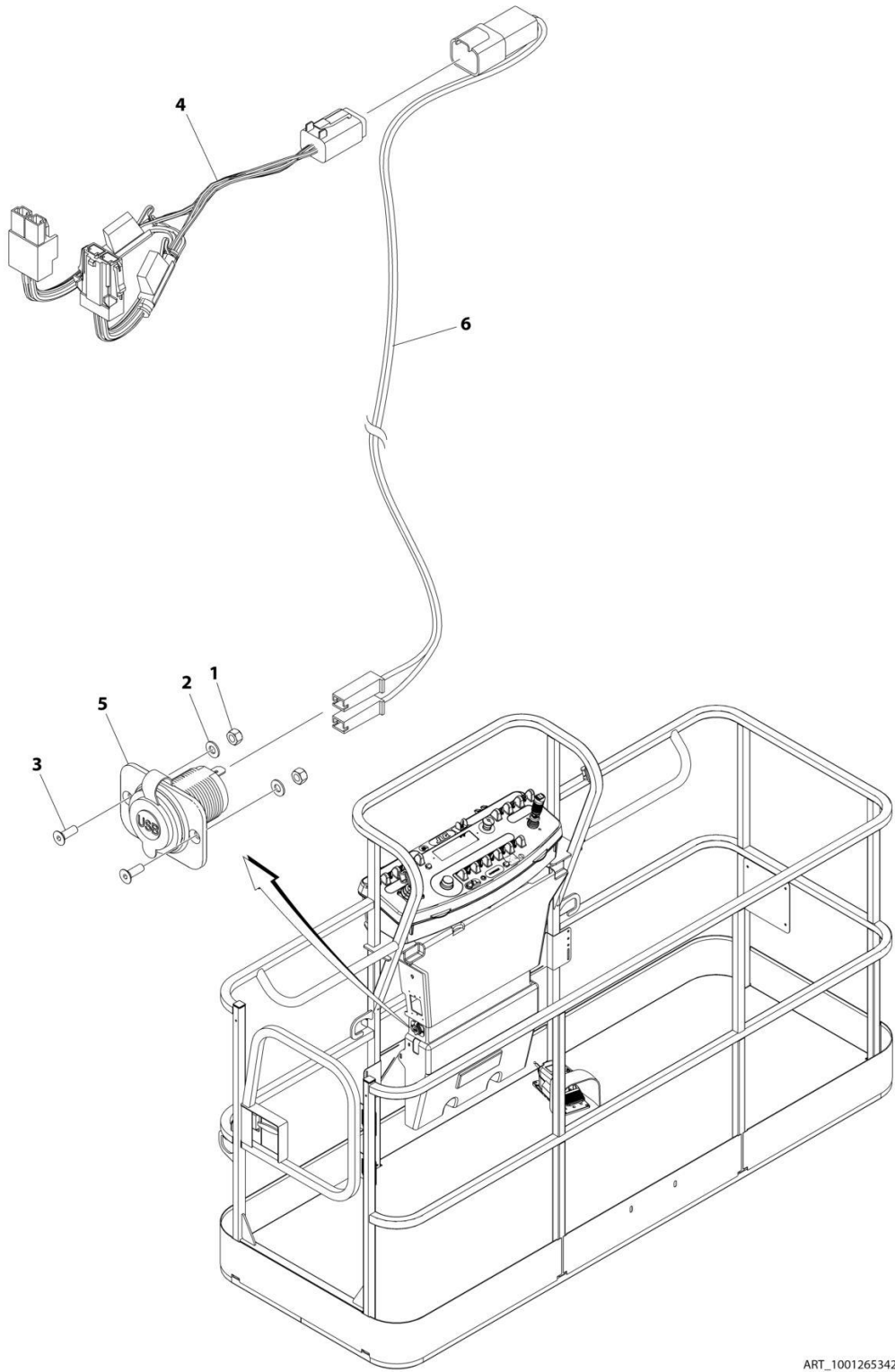
SECTION 5 - PLATFORM

FIGURE 5-15. PLATFORM ASSEMBLY - 36IN X 8FT (91.5CM X 2.44M) TRI-ENTRY WITH DROP BAR

ITEM	PART NUMBER	QTY	DESCRIPTION	REV
	1001228375	Ref	PLATFORM ASSEMBLY - 36IN X 8FT (91.5CM X 2.44M) WITH TRI-ENTRY	A
		Ref	Note: Platform and Mesh must be ordered separately for Platforms with Mesh. See SPECIAL OPTIONS SECTION for Mesh Installations.	
		Ref	Note: Replacement Decals Must be Ordered Separately - See DECAL SECTION.	
1	0100011	AR	Compound, Locking	
2	0641418	6	Bolt 1/4 x 2-1/4	
3	0961845	6	Bushing	
4	3290606	2	Nut M6 x 1	
5	3300151	6	Nut 1/4	
6	3520072	2	Cap, Plug	
7	3520198	2	Cap, Plug	
8	4010618	2	Screw M6 x 50	
9	4711400	12	Washer 1/4	
10	4811700	2	Washer M6	
11	1001138494	3	Bar, Drop	
12	1001138514	1	Rail (Top)	
13	1001140429	3	Decal - Drop Bar	
14	See Note	1	Platform (Note: Not Available - Purchase Platform Assembly)	

SECTION 5 - PLATFORM

FIGURE 5-16. PLATFORM POWER USB



ART_1001265342

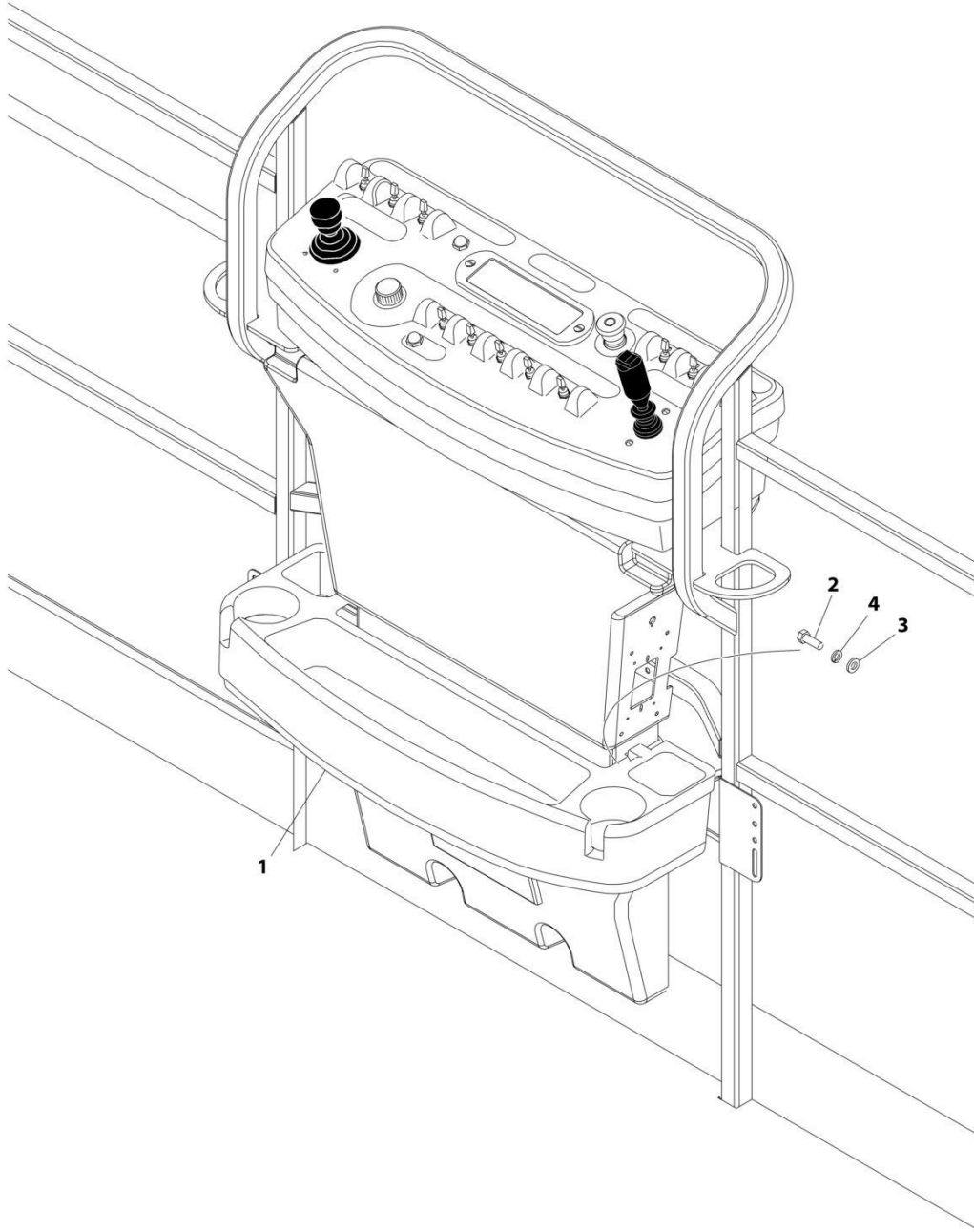
SECTION 5 - PLATFORM

FIGURE 5-16. PLATFORM POWER USB

ITEM	PART NUMBER	QTY	DESCRIPTION	REV
	1001265342	Ref	USB CHARGER INSTALLATION	A
1	3290405	2	Nut M4	
2	4811400	2	Washer M4	
3	1001097244	2	Screw M4 x 12	
4	1001120484	1	Harness, Work Lights	
4	4460879	1	Plug, Male - 2 Position	
4	4460887	2	Terminal	
4	2400060	2	Fuseholder Includes Cover	
4	8229249	2	Fuse, 3 Amp	
4	4460884	1	Connector - 4 Position	
4	4460465	4	Socket, Female	
4	1001120471	1	Connector - 2 Position	
4	1001120477	2	Terminal	
5	1001210636	1	Receptacle, USB	
6	1001265163	1	Harness, USB	A
6	4460260	2	Cover, Terminal	
6	4460259	2	Terminal	
6	4460932	1	Receptacle, Bussbar - 4 Position	
6	4460464	2	Pin, Male	
6	4460466	2	Plug, Terminal	

SECTION 5 - PLATFORM

FIGURE 5-17. TRAY ASSEMBLY



ART_1580012

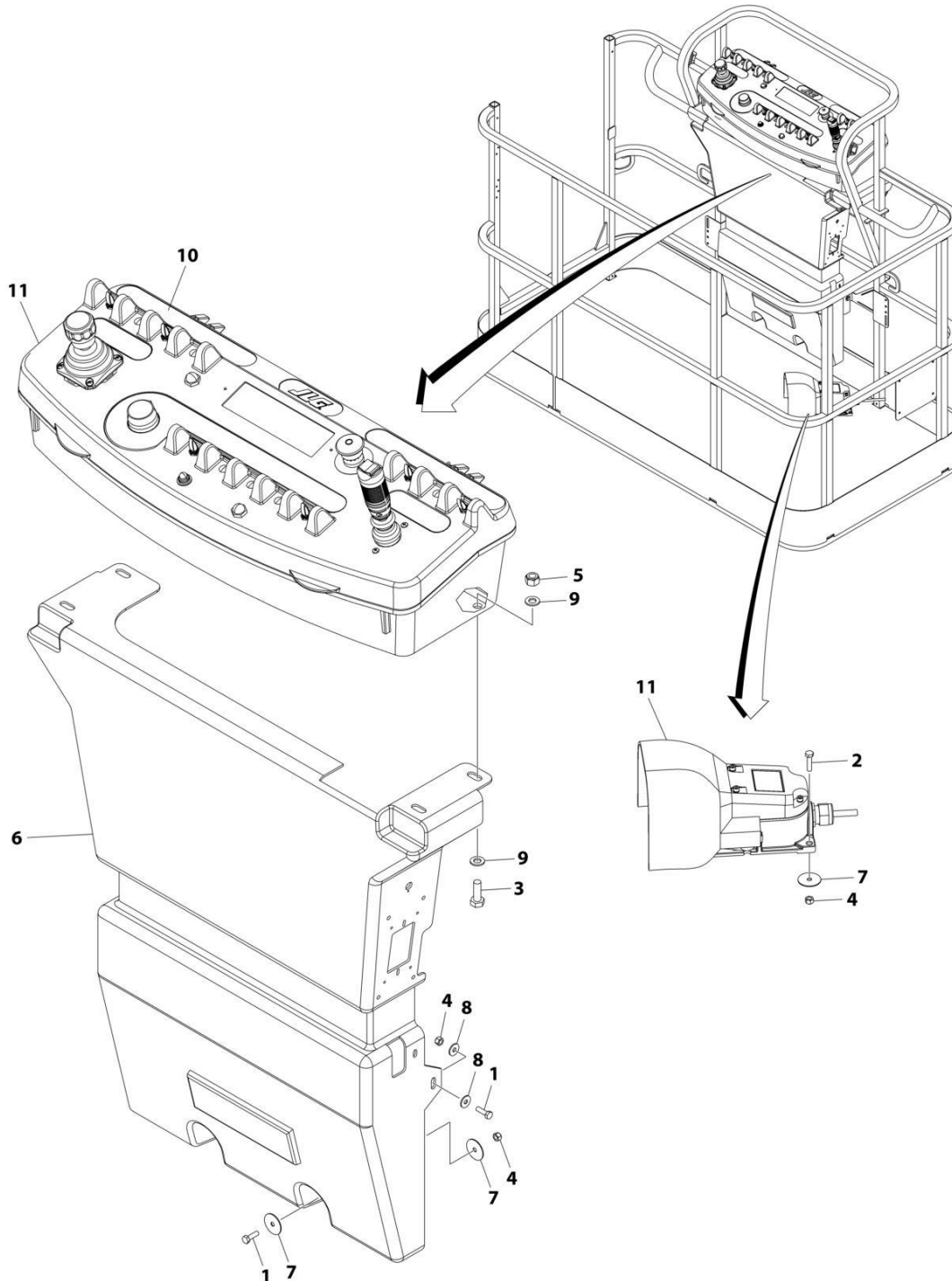
SECTION 5 - PLATFORM

FIGURE 5-17. TRAY ASSEMBLY

ITEM	PART NUMBER	QTY	DESCRIPTION	REV
	1580012	Ref	TRAY ASSEMBLY	C
1	See Note	NSS	Tray, Storage (Center) (Note: Purchase p/n 1580012)	
2	0641406	2	Bolt 1/4 x 3/4	
3	4751400	2	Washer 1/4	
4	4761400	2	Washer 1/4	

SECTION 5 - PLATFORM

FIGURE 5-18. PLATFORM CONSOLE AND FOOTSWITCH INSTALLATION (600S HC3)



ART_1001250953

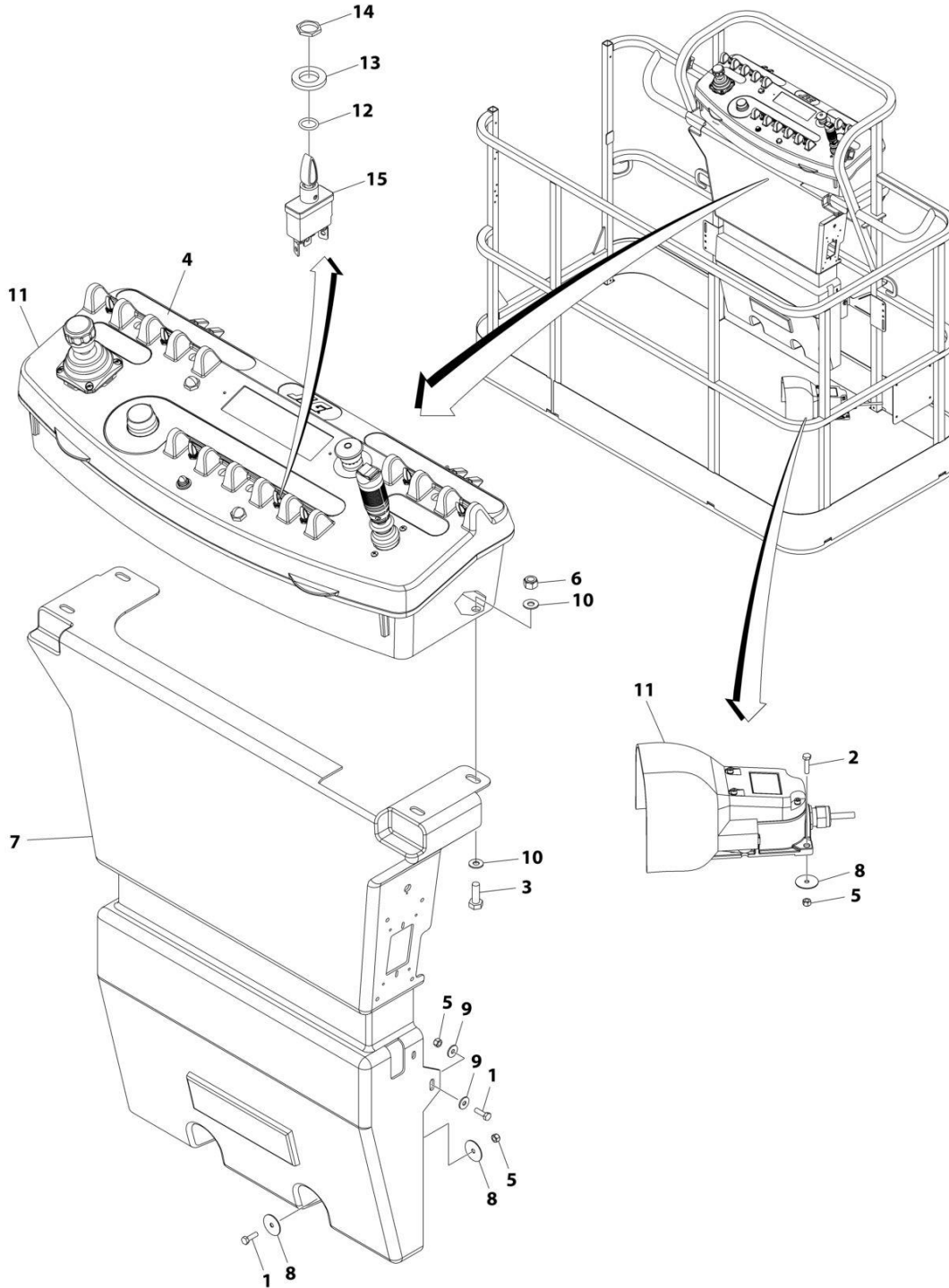
SECTION 5 - PLATFORM

FIGURE 5-18. PLATFORM CONSOLE AND FOOTSWITCH INSTALLATION (600S HC3)

ITEM	PART NUMBER	QTY	DESCRIPTION	REV
	1001250953	Ref	PLATFORM CONSOLE AND FOOTSWITCH INSTALLATION	B
1	0700610	4	Bolt M6 x 20	
2	0700612	3	Bolt M6 x 25	
3	0701015	4	Bolt M10 x 35	
4	3290605	7	Nut M6	
5	3291005	4	Nut M10	
6	3380434	1	Panel	
7	4740362	7	Washer	
8	4811702	4	Washer M6	
9	4751600	8	Washer 3/8	
10	1001184626	1	Decal - Horn	
11	1001250952	1	Platform Console Assembly (See Separate Breakdown in this Section)	

SECTION 5 - PLATFORM

FIGURE 5-19. PLATFORM CONSOLE AND FOOTSWITCH INSTALLATION (660SJ HC3)



ART_1001250011

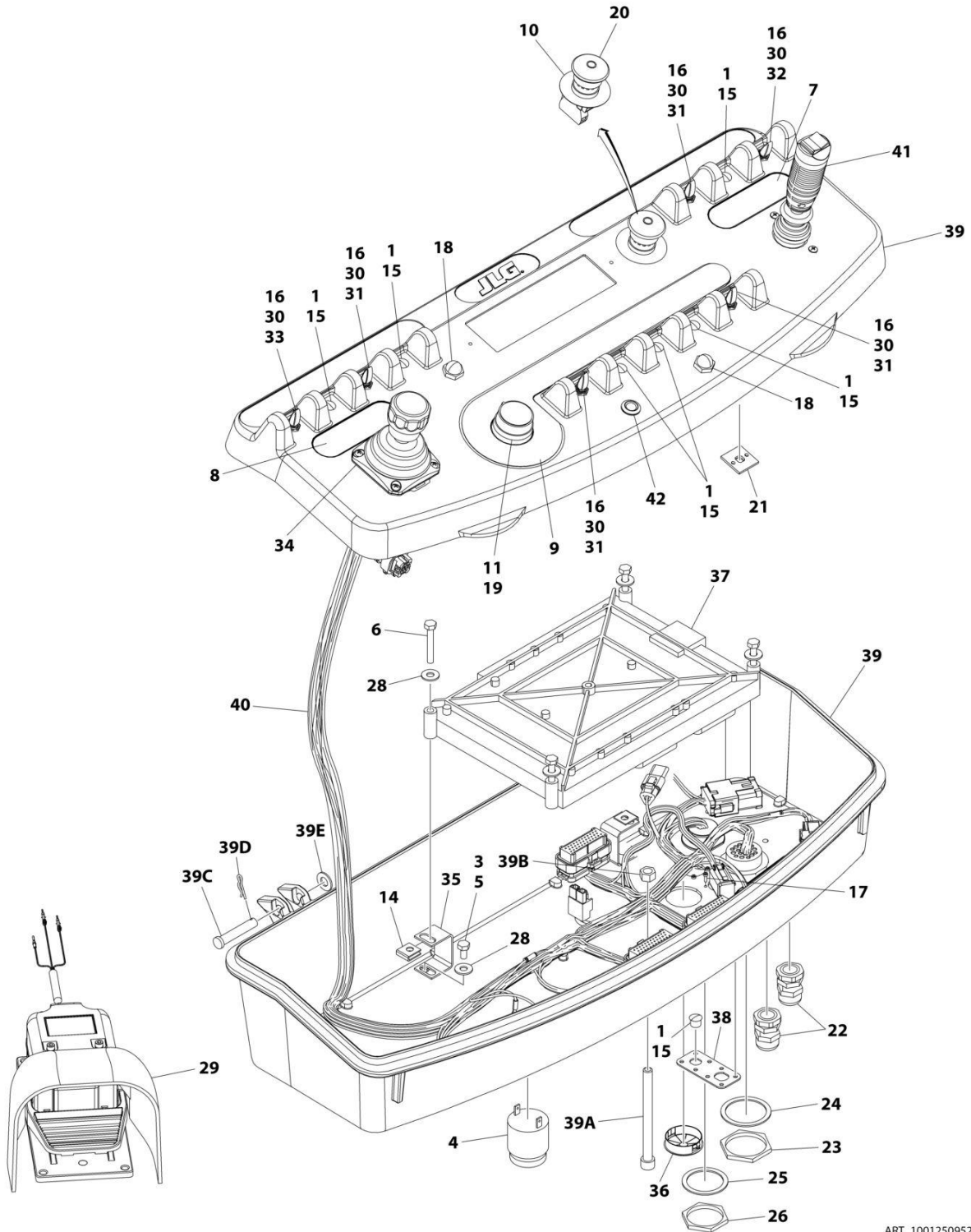
SECTION 5 - PLATFORM

FIGURE 5-19. PLATFORM CONSOLE AND FOOTSWITCH INSTALLATION (660SJ HC3)

ITEM	PART NUMBER	QTY	DESCRIPTION	REV
	1001250011	Ref	PLATFORM CONSOLE AND FOOTSWITCH INSTALLATION	C
1	0700610	4	Bolt M6 x 20	
2	0700612	3	Bolt M6 x 25	
3	0701014	4	Bolt M10 x 30	
4	1001184626	1	Decal - Horn	
5	3290605	7	Nut M6	
6	3291005	4	Nut M10	
7	3380434	1	Panel	
8	4740362	7	Washer	
9	4811702	4	Washer M6	
10	4751600	8	Washer 3/8	
11	1001250952	1	Platform Console Assembly (See Separate Breakdown in this Section)	
12	3790012	1	O-Ring	
13	4740397	1	Washer	
14	1001155044	1	Nut	
15	1001155045	1	Switch, Toggle	

SECTION 5 - PLATFORM

FIGURE 5-20. CONSOLE BOX ASSEMBLY



ART_1001250952_E

SECTION 5 - PLATFORM

FIGURE 5-20. CONSOLE BOX ASSEMBLY

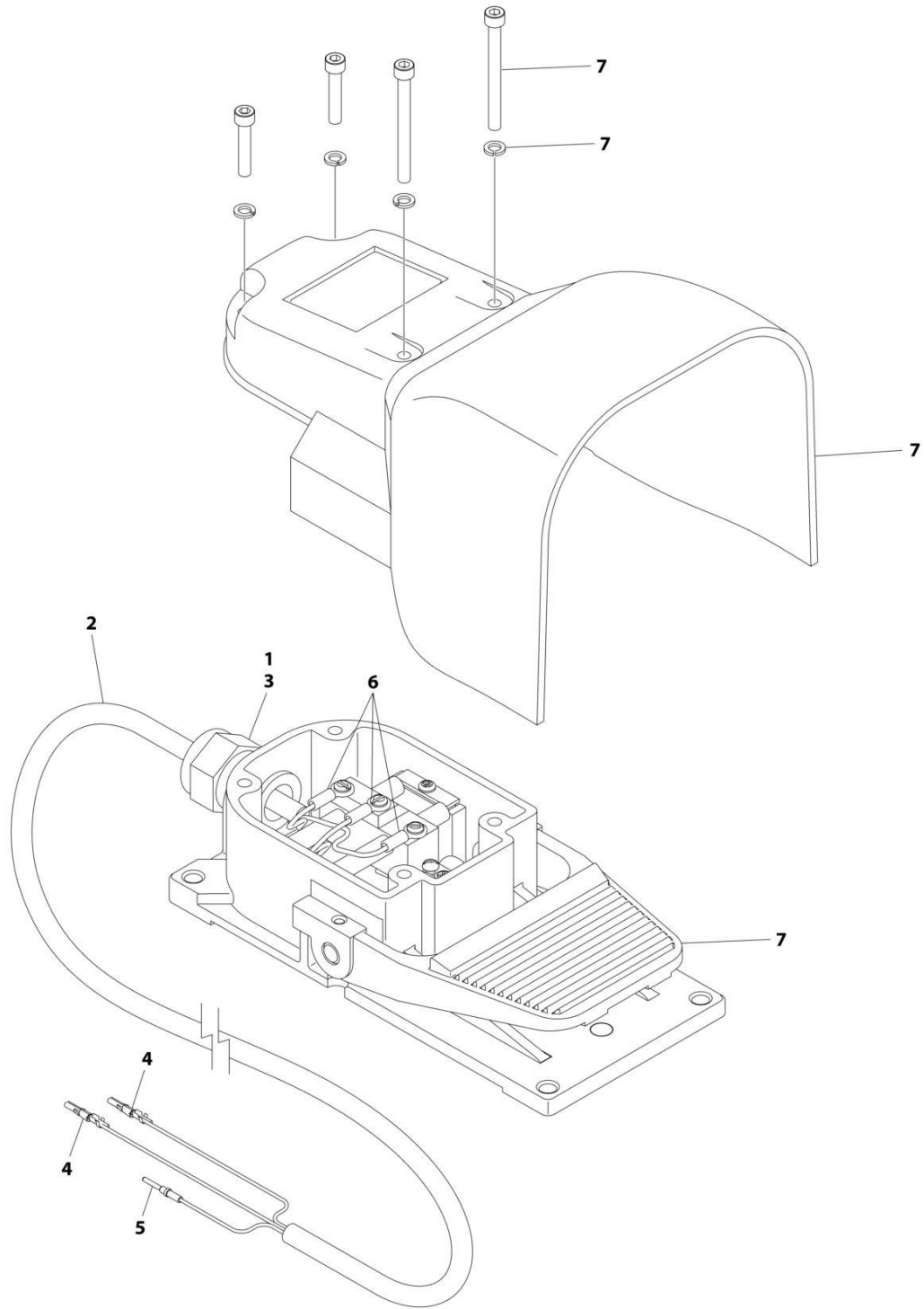
ITEM	PART NUMBER	QTY	DESCRIPTION	REV
	1001250952	Ref	CONSOLE BOX ASSEMBLY	E
1	0100009	AR	Sealant	
3	0100035	AR	Compound, Locking	
4	0140011	1	Alarm	
5	0641405	1	Bolt 1/4 x 5/8	
6	0641414	4	Bolt 1/4 x 1-3/4	
7	1702565	1	Decal - Drive and Steer	
8	1702566	1	Decal - Lift and Swing	
9	1702567	1	Decal - Function Speed	
10	1704260	1	Decal - Emergency Stop	
11	2560136	1	Handle, Knob	
14	3300353	4	Nut, Tinnerman	
15	3520054	7	Plug	
16	3790012	6	O-Ring	
17	3900349	8	Capscrew M2.5 x 8	
18	4360387	2	Switch, Push Button	
19	4360407	1	Controller, Speed	
19	4460224	1	Receptacle, Female - 6 Position	
19	4460226	6	Socket, Female	
19	See Note	1	Gasket "Top Hat" (Included with Switch) (Note: Not Available - Purchase Complete Controller)	
19	70003784	1	Seal	
20	1001274559	1	Switch, Emergency Stop	
21	4460234	6	Mount, Tie-Strap	
22	4460428	2	Connector, Strain Relief	
23	4460470	1	Nut, Terminal	
24	4460471	1	Washer, Terminal	
25	4460496	1	Washer, Terminal	
26	4460497	1	Nut, Terminal	
28	4751400	8	Washer 1/4	
29	1001117174	1	Footswitch Assembly (See Separate Breakdown in this Section)	
30	1001155044	6	Nut 15/32	
31	1001155045	4	Switch, Toggle	
32	1001159256	1	Switch, Toggle	
33	1001161709	1	Switch, Toggle	
34	1001275629	1	Controller Assembly (Lift and Swing)	
35	1001172760	4	Bracket	
36	1001185281	1	Plug	
37	1001185726	1	Module, Platform (Note: Re-calibration Required when Replaced)	
38	1001213882	1	Mount, Connector	
39	1001215228	1	Console Box Assembly	
39A	0630568	1	Capscrew 3/8 x 4-1/2	
39B	3311601	1	Nut 3/8	
39C	3430616	2	Pin	
39D	3470003	2	Hairpin	
39E	4711600	2	Washer 3/8	
40	1001238409	1	Platform Console Harness (See Separate Breakdown in ELECTRICAL Section)	
41	1001275628	1	Controller Assembly (Drive and Steer)	
42	1001206532	1	Lamp, LED Indicator Yellow	

SECTION 5 - PLATFORM

ITEM	PART NUMBER	QTY	DESCRIPTION	REV
43	4240099	AR	Tie-Strap (Not Shown)	

SECTION 5 - PLATFORM

FIGURE 5-21. FOOTSWITCH ASSEMBLY



ART_1001117174

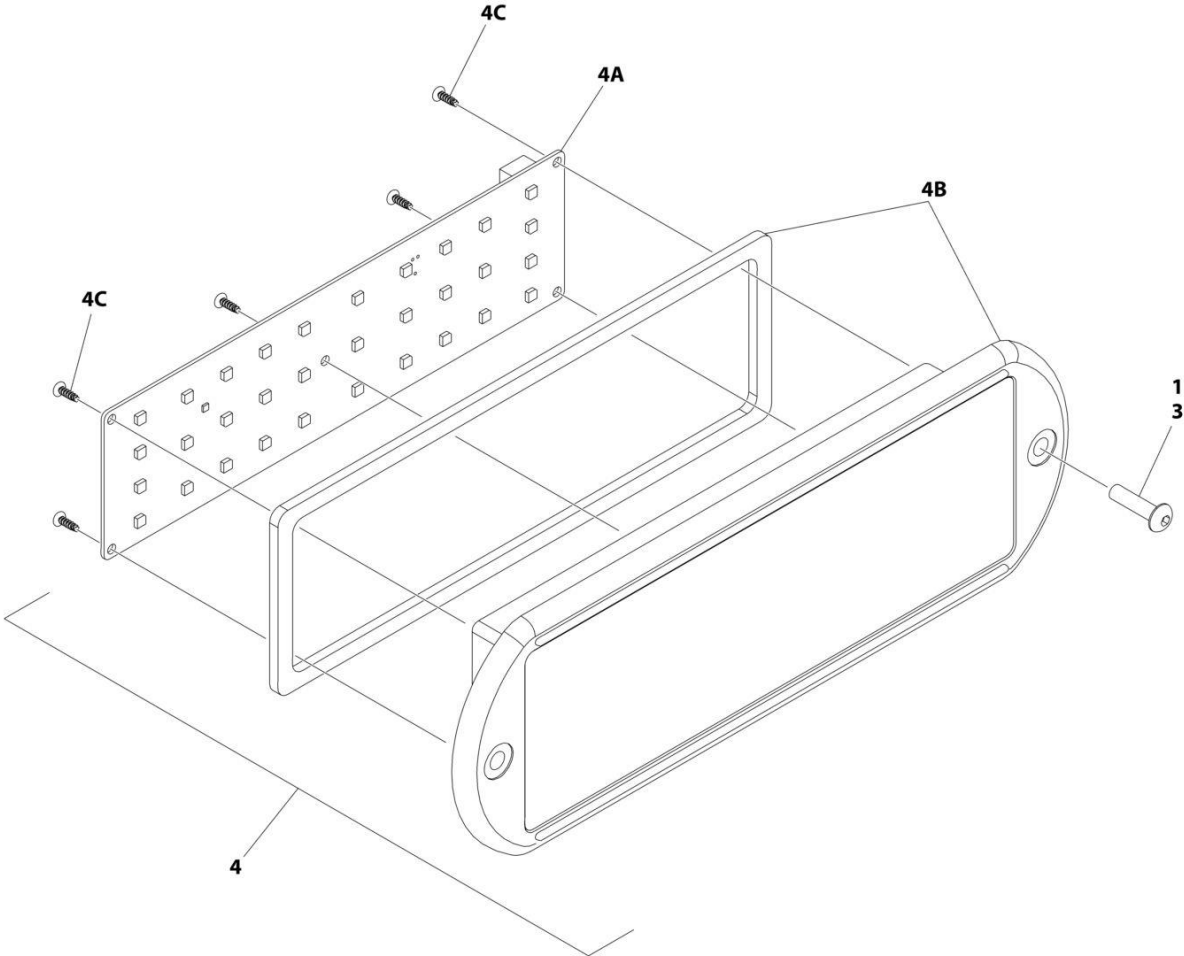
SECTION 5 - PLATFORM

FIGURE 5-21. FOOTSWITCH ASSEMBLY

ITEM	PART NUMBER	QTY	DESCRIPTION	REV
	1001117174	Ref	FOOTSWITCH ASSEMBLY	C
1	0100020	AR	Sealant	
2	1060918	7.5 ft/ 2.3m	Cable, Electrical - 18/3	
3	4460071	1	Connector, Strain Relief	
4	4460226	2	Socket, Female	
5	4460464	1	Pin, Male	
6	1001098122	3	Terminal	
7	1001117172	1	Footswitch	
7	70002902	1	Switch, 20Amp	
7	70002903	1	Gasket	
7	70002905	1	Cover	
7	70002904	1	Kit, Replacement Bolt	

SECTION 5 - PLATFORM

FIGURE 5-22. LIGHT PANEL INSTALLATION



ART_1001233959_D_20F2

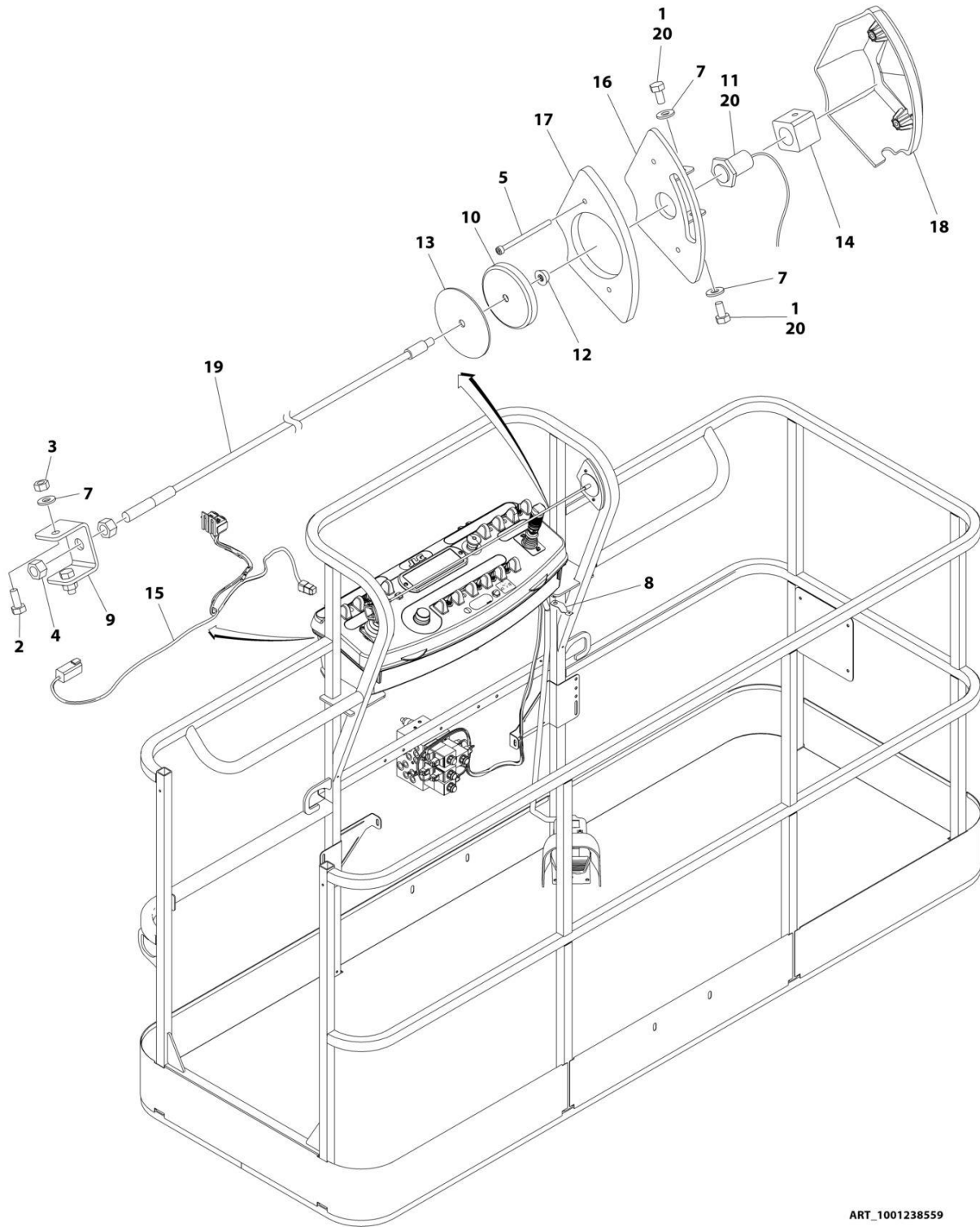
SECTION 5 - PLATFORM

FIGURE 5-22. LIGHT PANEL INSTALLATION

ITEM	PART NUMBER	QTY	DESCRIPTION	REV
	1001233959	Ref	LIGHT PANEL INSTALLATION - PLATFORM CONSOLE	D
1	0100035	AR	Compound, Locking	
3	0630518	2	Screw #10 x 3/4	
4	1001284583	1	Light Panel Assembly	A
4A	1001282106	1	Panel, LED Light	
4B	1001284582	1	Lens, Icon (Includes Gasket)	
4C		Ref	Screw	

SECTION 5 - PLATFORM

FIGURE 5-23. SKYLINE INSTALLATION



ART_1001238559

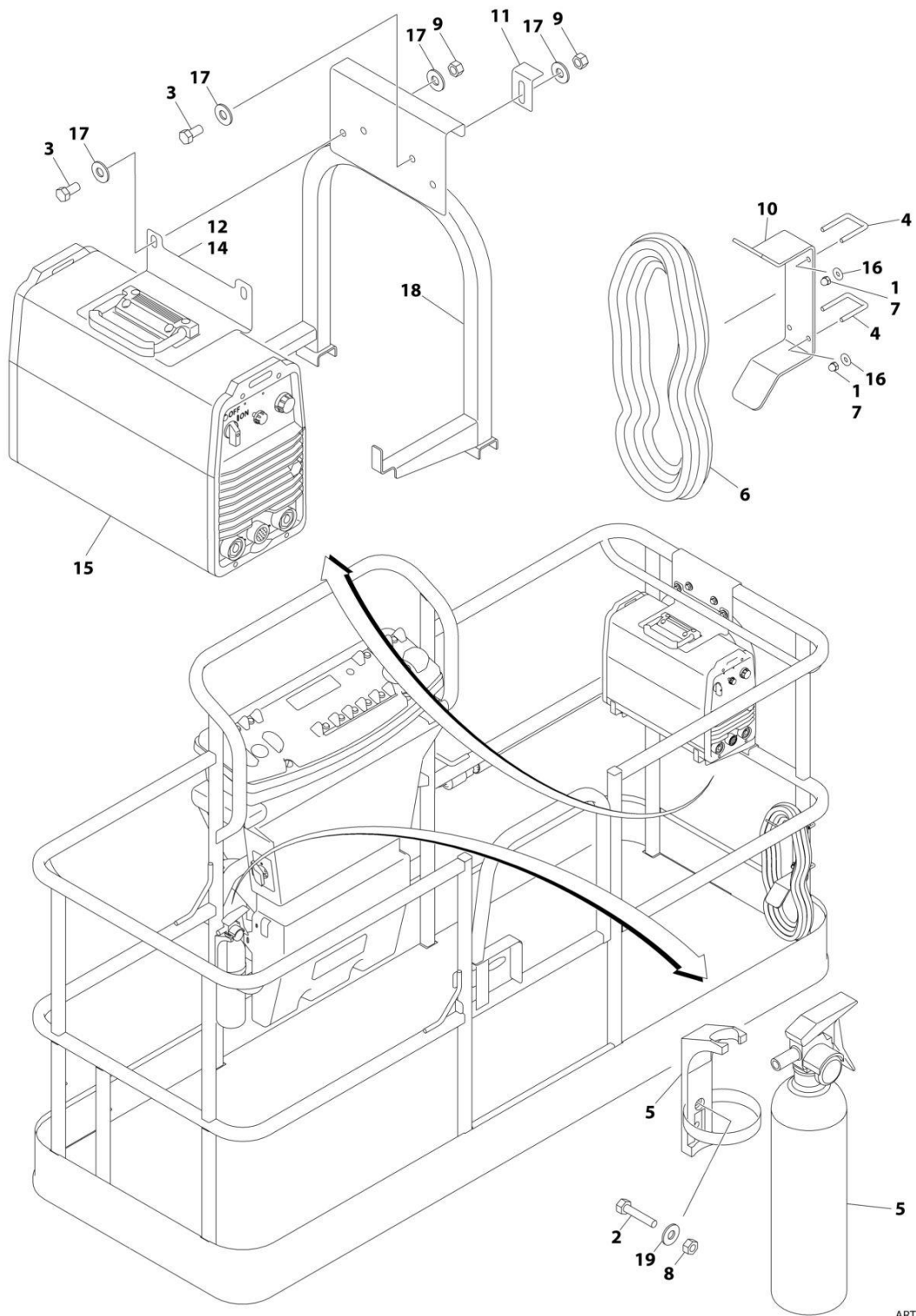
SECTION 5 - PLATFORM

FIGURE 5-23. SKYLINE INSTALLATION

ITEM	PART NUMBER	QTY	DESCRIPTION	REV
	1001238559	Ref	SKYLINE INSTALLATION	B
1	0641404	2	Bolt 1/4 x 1/2	
2	0641405	2	Bolt 1/4 x 5/8	
3	3311405	2	Nut 1/4	
4	3311601	2	Nut 3/8	
5	4031516	2	Capscrew M4 x 60	
6	4240033	AR	Tie-Strap (Not Shown)	
7	4711400	4	Washer 1/4	
8	1001120328	1	Mount	
9	1001232642	1	Bracket	
10	1001232650	1	Magnet	
11	1001232667	1	Sensor, Proximity	
12	1001235011	1	Nut	
13	1001235013	1	Washer	
14	1001236552	1	Block	
15	1001238418	1	Harness, Skyline (See Separate Breakdown in ELECTRICAL Section)	
16	1001238472	1	Mount	
17	1001238477	1	Housing, LH	
18	1001241965	1	Housing, RH	
19	1001238824	1	Rope	
20	0100011	AR	Compound, Locking	

SECTION 5 - PLATFORM

FIGURE 5-24. SKYWELDER INSTALLATION (50HZ)



ART_0272521_F

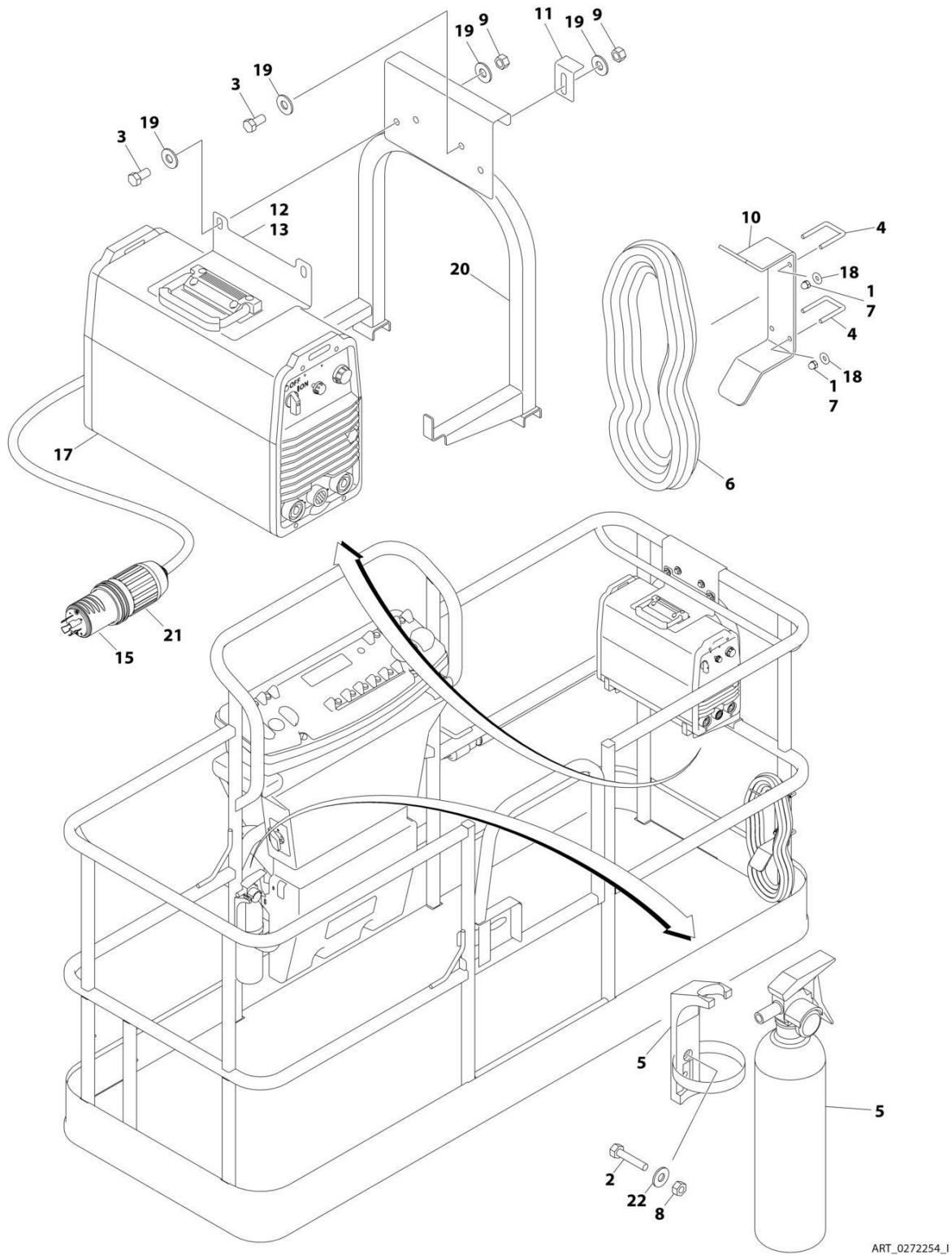
SECTION 5 - PLATFORM

FIGURE 5-24. SKYWELDER INSTALLATION (50HZ)

ITEM	PART NUMBER	QTY	DESCRIPTION	REV
	0272521	Ref	SKYWELDER INSTALLATION	F
1	0100011	AR	Compound, Locking	
2	0630518	2	Screw #10 x 3/4	
3	0641606	4	Bolt 3/8 x 3/4	
4	1320302	2	U-Clamp	
5	2030010	1	Extinguisher, Fire	
6	2902217	1	Weld Leads Kit	
7	3300151	4	Nut 1/4	
8	3311005	2	Nut #10	
9	3311605	4	Nut 3/8	
10	3573400	1	Bracket	
11	3577121	2	Angle	
12	3573642	1	Plate	
13	4240099	AR	Tie-Strap (Not Shown)	
14	4420037	AR	Tape	
15	4530028	1	Welder Assembly (See Separate Breakdown in this Section)	
16	4751400	4	Washer 1/4	
17	4751600	8	Washer 3/8	
18	4846627	1	Support	
19	4751000	2	Washer #10	

SECTION 5 - PLATFORM

FIGURE 5-25. SKYWELDER INSTALLATION (60HZ)



ART_0272254_I

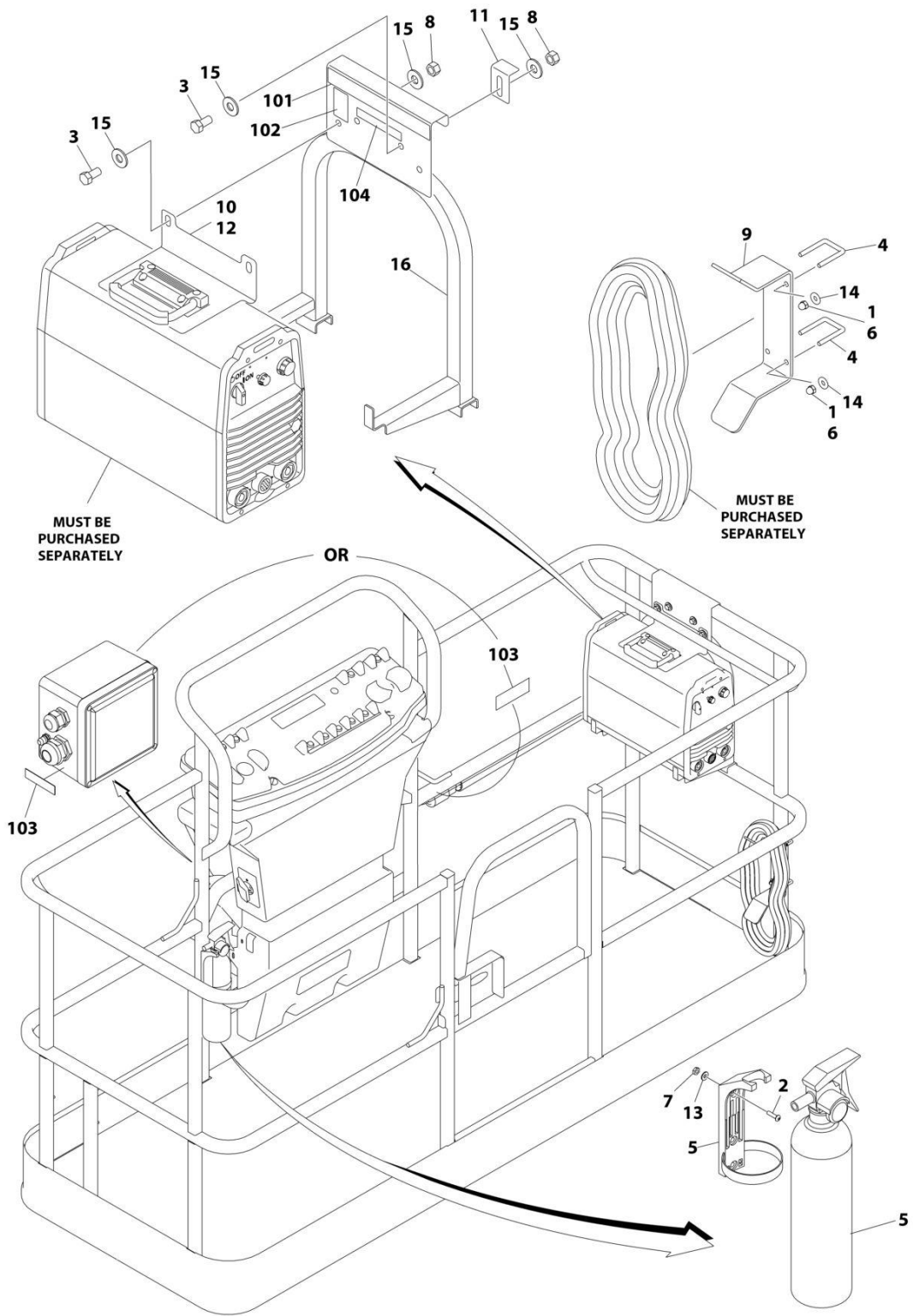
SECTION 5 - PLATFORM

FIGURE 5-25. SKYWELDER INSTALLATION (60HZ)

ITEM	PART NUMBER	QTY	DESCRIPTION	REV
	0272254	Ref	SKYWELDER INSTALLATION	1
1	0100011	AR	Compound, Locking	
2	0630518	2	Screw #10 x 3/4	
3	0641606	4	Bolt 3/8 x 3/4	
4	1320302	2	U-Clamp	
5	2030010	1	Extinguisher, Fire	
6	2902217	1	Weld Leads Kit	
7	3300151	4	Nut 1/4	
8	3311005	2	Nut #10	
9	3311605	4	Nut 3/8	
10	3573400	1	Bracket	
11	3577121	2	Angle	
12	3573642	1	Plate	
13	4420037	AR	Tape	
14	4240099	AR	Tie-Strap (Not Shown)	
15	4460962	1	Plug, Male Twistlock	
17	4530028	1	Welder Assembly (See Separate Breakdown in this Section)	
18	4751400	4	Washer 1/4	
19	4751600	8	Washer 3/8	
20	4846627	1	Support	
21	1671093	1	Cover, Plug	
22	4751000	2	Washer #10	

SECTION 5 - PLATFORM

FIGURE 5-26. SKYWELDER PREP PACKAGE (60HZ)



ART_1001128527_B

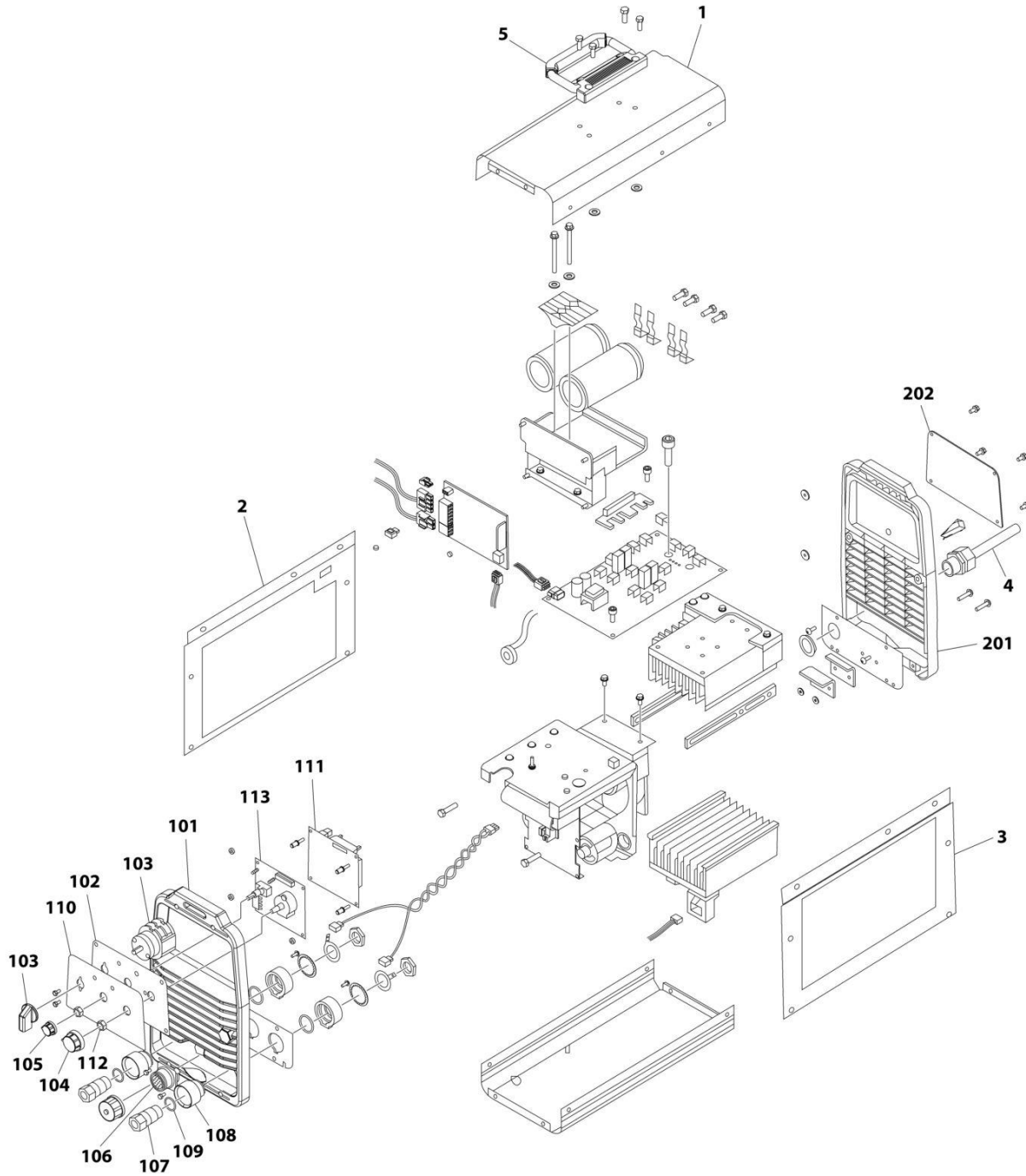
SECTION 5 - PLATFORM

FIGURE 5-26. SKYWELDER PREP PACKAGE (60HZ)

ITEM	PART NUMBER	QTY	DESCRIPTION	REV
	1001128527	Ref	SKYWELDER PREP PACKAGE	B
1	0100011	AR	Compound, Locking	
2	0630518	2	Screw #10 x 3/4	
3	0641606	4	Bolt 3/8 x 3/4	
4	1320302	2	U-Clamp	
5	2030010	1	Extinguisher, Fire	
6	3300151	4	Nut 1/4	
7	3311005	2	Nut #10	
8	3311605	4	Nut 3/8	
9	3573400	1	Bracket	
10	3573642	1	Plate	
11	3577121	2	Angle	
12	4420037	AR	Tape	
13	4751000	2	Washer #10	
14	4751400	4	Washer 1/4	
15	4751600	8	Washer 3/8	
16	4846627	1	Support	
	1001128556	Ref	SKYWELDER DECAL INSTALLATION	C
101	1702868	1	Decal - No Hands	
102	1705305	1	Decal - Weld Lead	
103	1705375	1	Decal - 240V - 3 Phase - 60Hz	
104	1001228988	1	Decal - Weight	

SECTION 5 - PLATFORM

FIGURE 5-27. WELDER ASSEMBLY



ART_4530028

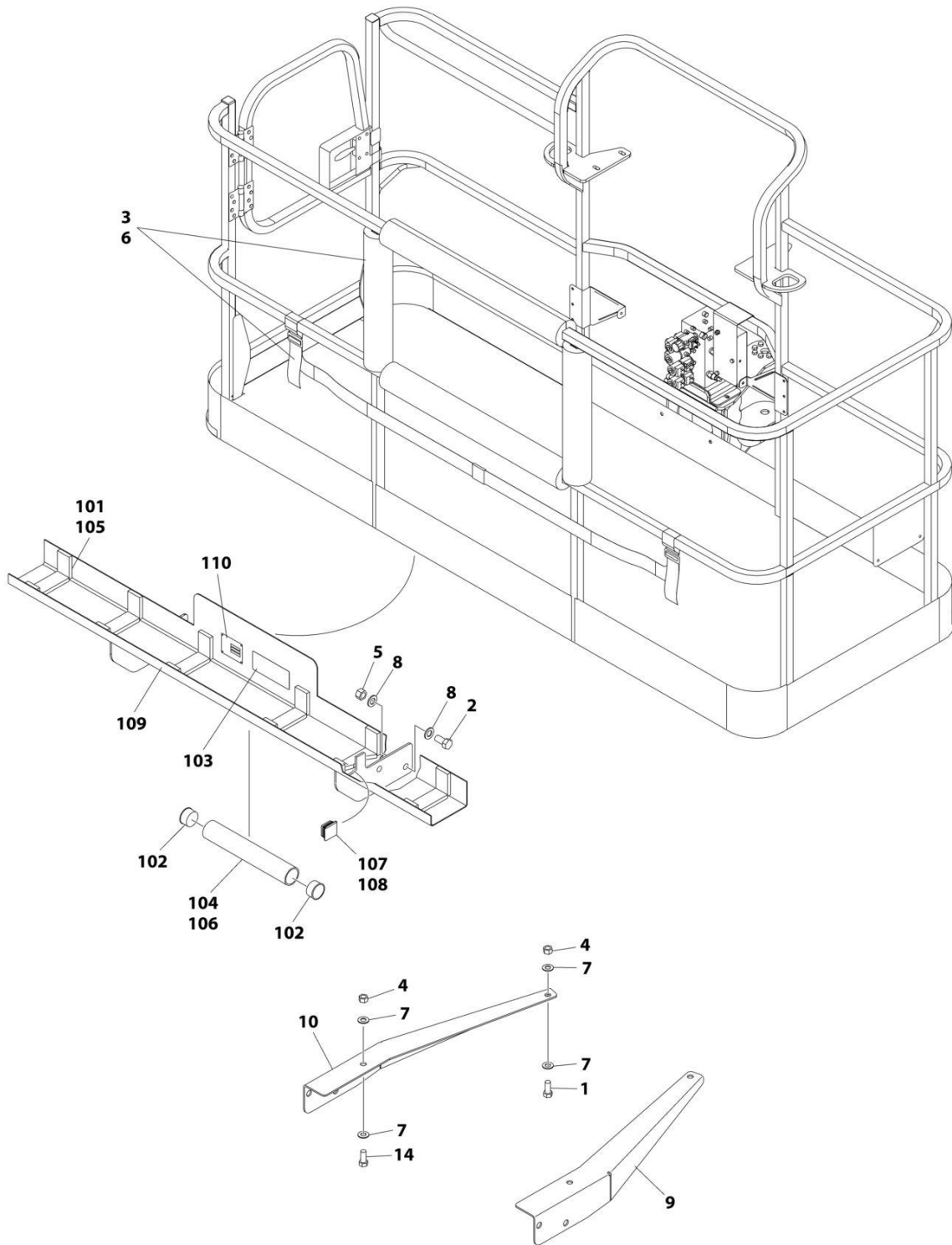
SECTION 5 - PLATFORM

FIGURE 5-27. WELDER ASSEMBLY

ITEM	PART NUMBER	QTY	DESCRIPTION	REV
	4530028	Ref	WELDER ASSEMBLY	B
		Ref	Note: For Other Components, contact your Miller Welder Dealer.	
1	7027773	1	Cover, Top	
1	7027774	1	Decal - Static Precautionary Warning	
2	See Note	NSS	Panel, LH Side (Note: Part of Item 1. Purchase Item 1)	
3	See Note	NSS	Panel, RH Side (Note: Part of Item 1. Purchase Item 1)	
4	7024467	1	Cable, Power	
4	7027775	1	Decal - Electrical Shock Warning (Not Shown)	
5	7027776	1	Handle, Carrying	
101	7024462	1	Panel, Front	
102	7024463	1	Panel, Console	
103	7024469	1	Switch with Lead	
104	7024470	1	Knob	
105	7024471	1	Knob	
106	7024472	1	Receptacle with Leads and Plugs	
107	7024473	2	Receptacle, Twistlock Female	
108	7024474	2	Insulator	
109	7024475	2	O-Ring	
110	7027777	1	Nameplate	
111	7027779	1	Circuit Card Assembly (Process Control)	
112	7024478	2	Nut	
113	7027778	1	Circuit Card Assembly (Operator Interface)	
201	7024462	1	Panel, Rear	
202	7027780	1	Panel, Cover	

SECTION 5 - PLATFORM

FIGURE 5-28. SKYGLAZIER INSTALLATION



ART_1001172578_D

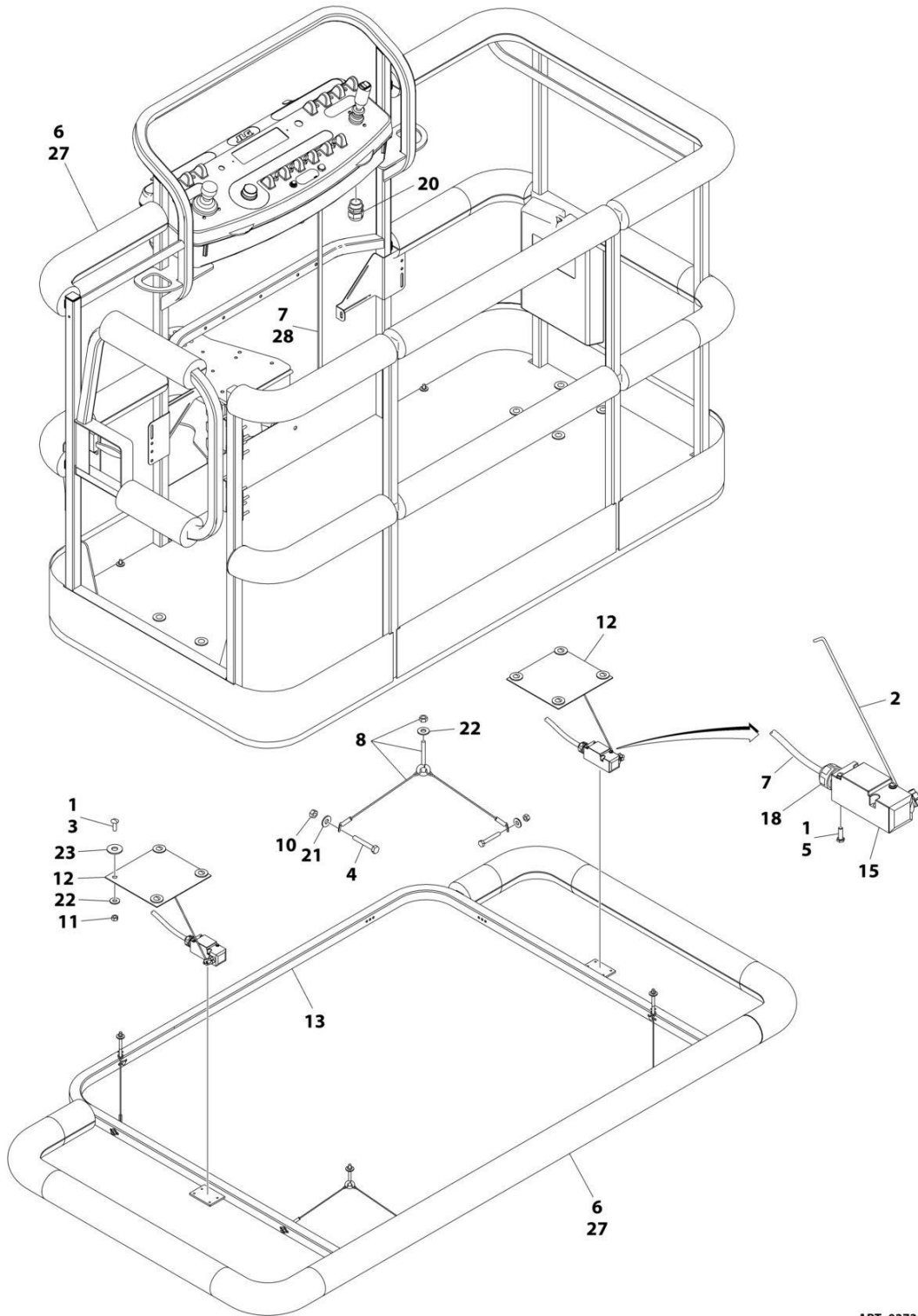
SECTION 5 - PLATFORM

FIGURE 5-28. SKYGLAZIER INSTALLATION

ITEM	PART NUMBER	QTY	DESCRIPTION	REV
	1001172578	Ref	SKYGLAZIER INSTALLATION	D
1	0642012	2	Bolt 5/8 x 1-1/2	
2	0642212	4	Bolt 3/4 x 1-1/2	
3	2902212	1	Bumpers and Strap Kit	
3	0940102	1	Bumper Only	
3	4240149	1	Strap Only	
4	3312005	1	Nut 5/8	
5	3312205	4	Nut 3/4	
6	4420014	AR	Tape	
7	4712000	6	Washer 5/8	
8	4712200	8	Washer 3/4	
9	1001099366	1	Support	
10	1001099367	1	Support	
13	1001303430	1	Tray Assembly (Not Shown) (See Items 101-110 for Breakdown)	
14	8310129	2	Bolt 3/4 x 2-1/2	
	1001303430	Ref	TRAY ASSEMBLY	A
101	0100081	AR	Adhesive	
102	1120555	2	Cap, Tube	
103	1701509	1	Decal - Manual	
104	3124242	1	Manual - Accessories	
105	3340956	1	Pad Kit	
106	3460334	1	Pipe	
107	3520071	2	Plug	
108	4420066	AR	Tape, Double Sided	
109	4846562	1	Weld, Glazier Shelf	
110	1001253726	1	Decal - Accessory	

SECTION 5 - PLATFORM

FIGURE 5-29. SOFT TOUCH INSTALLATION - 6FT (1.83M) PLATFORM



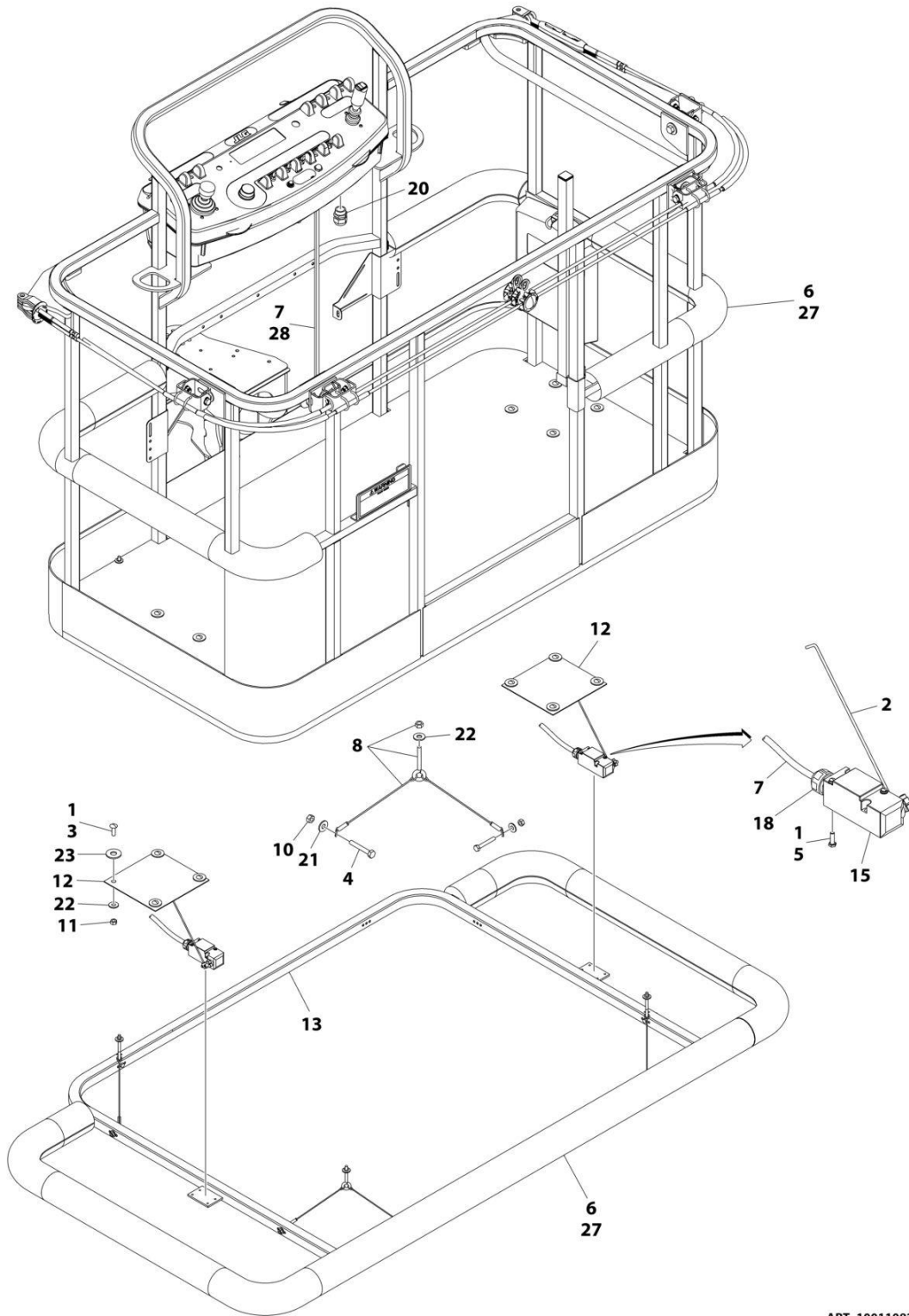
SECTION 5 - PLATFORM

FIGURE 5-29. SOFT TOUCH INSTALLATION - 6FT (1.83M) PLATFORM

ITEM	PART NUMBER	QTY	DESCRIPTION	REV
	0273824	Ref	SOFT TOUCH SYSTEM INSTALLATION	E
1	0100011	AR	Compound, Locking	
2	0200048	2	Arm, Switch	
3	0630462	8	Bolt	
4	0641414	8	Bolt 1/4 x 1-3/4	
5	0731005	4	Bolt #10 x 5/8	
6	0940134	1	Bumper Kit (Includes Corners and Enough Straight Material for One Platform)	
6	0940092	AR	Bumper (Corner)	
6	0940094	AR	Bumper (12ft Length)	
7	1060341	23 ft/7m	Cable, Soft Touch - 16/2	
8	1060903	4	Wire Rope and Eyebolt Assembly	
10	3311401	8	Nut 1/4	
11	3311501	8	Nut 5/16	
12	3575359	2	Plate, Switch Strike	
13	3641569	1	Rail, Soft Touch	
14	4240099	7	Tie-Strap (Not Shown)	
15	4360057	2	Switch, Limit	
18	4460049	2	Connector, Strain Relief	
19	4460234	7	Tie-Strap (Not Shown)	
20	4460425	1	Connector, Strain Relief	
21	4751400	8	Washer 1/4	
22	4751500	12	Washer 5/16	
23	4751800	8	Washer 1/2	
27	1001197017	AR	Tie-Strap	
28	4460226	4	Socket	

SECTION 5 - PLATFORM

FIGURE 5-30. SOFT TOUCH INSTALLATION - 6FT (1.83M) FALL ARREST PLATFORM (600S HC3)



ART_1001108256_D

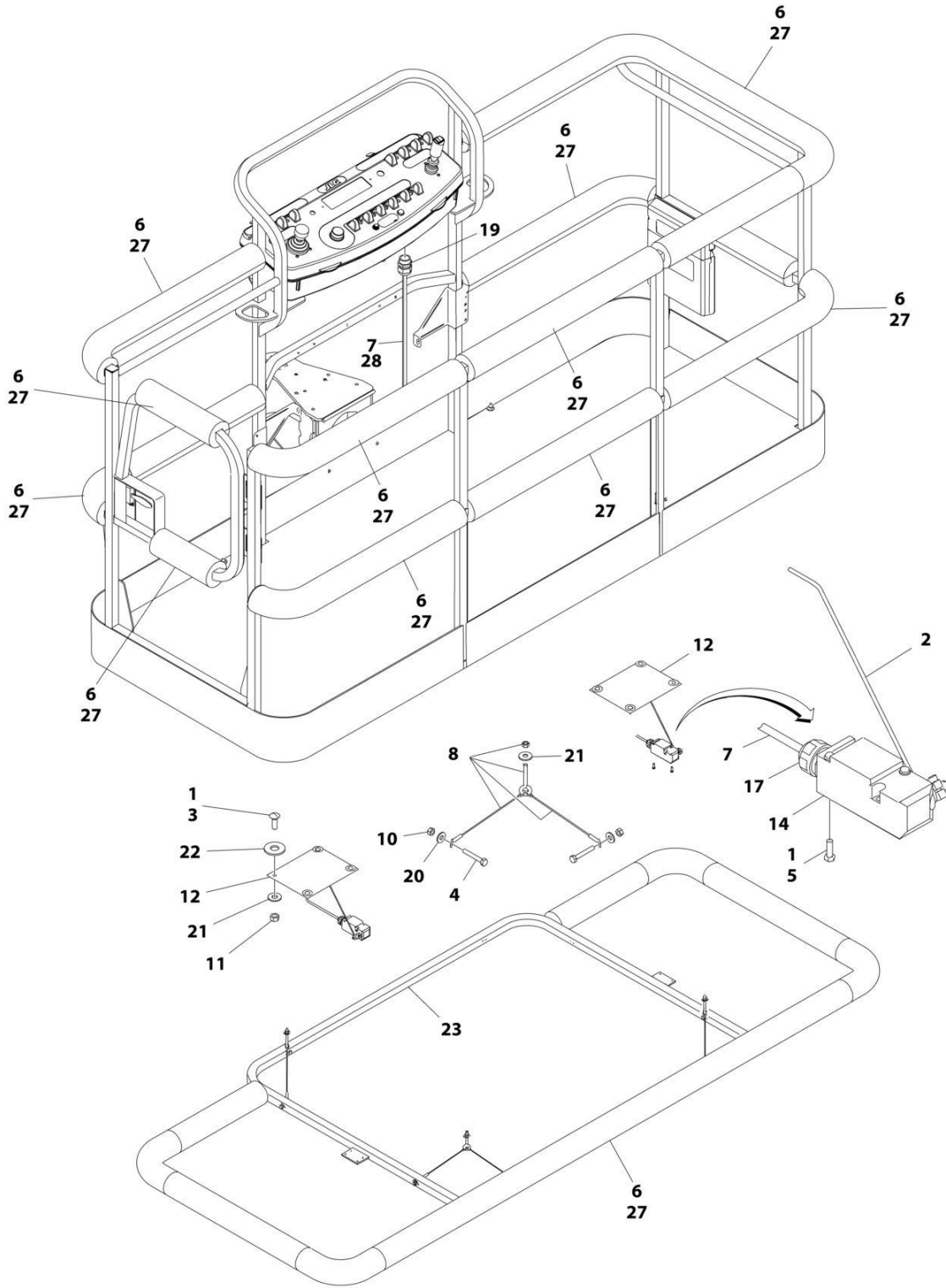
SECTION 5 - PLATFORM

FIGURE 5-30. SOFT TOUCH INSTALLATION - 6FT (1.83M) FALL ARREST PLATFORM (600S HC3)

ITEM	PART NUMBER	QTY	DESCRIPTION	REV
	1001108256	Ref	SOFT TOUCH INSTALLATION	D
1	0100011	AR	Compound, Locking	
2	0200048	2	Arm, Switch	
3	0630462	8	Bolt	
4	0641414	8	Bolt 1/4 x 1-3/4	
5	0731005	4	Bolt #10 x 5/8	
6	0940177	1	Bumper Kit (Includes Corners and Enough Straight Material for One Platform)	
6	0940092	8	Bumper (Corner)	
6	0940094	AR	Bumper (12ft Length)	
7	1060341	23 ft/7m	Cable, Soft Touch - 16/2	
8	1060903	4	Wire Rope and Eyebolt Assembly	
10	3311401	8	Nut 1/4	
11	3311501	8	Nut 5/16	
12	3575359	2	Plate, Switch Strike	
13	3641569	1	Rail, Soft Touch	
14	4240099	7	Tie-Strap (Not Shown)	
15	4360057	2	Switch, Limit	
18	4460049	2	Connector, Strain Relief	
19	4460234	7	Tie-Strap (Not Shown)	
20	4460425	1	Connector, Strain Relief	
21	4751400	8	Washer 1/4	
22	4751500	9	Washer 5/16	
23	4751800	8	Washer 1/2	
27	1001197017	AR	Strap, Cable Tie (Yellow)	
28	4460226	4	Socket	

SECTION 5 - PLATFORM

FIGURE 5-31. SOFT TOUCH INSTALLATION - 8FT (2.4M) PLATFORM



ART_0272427_H

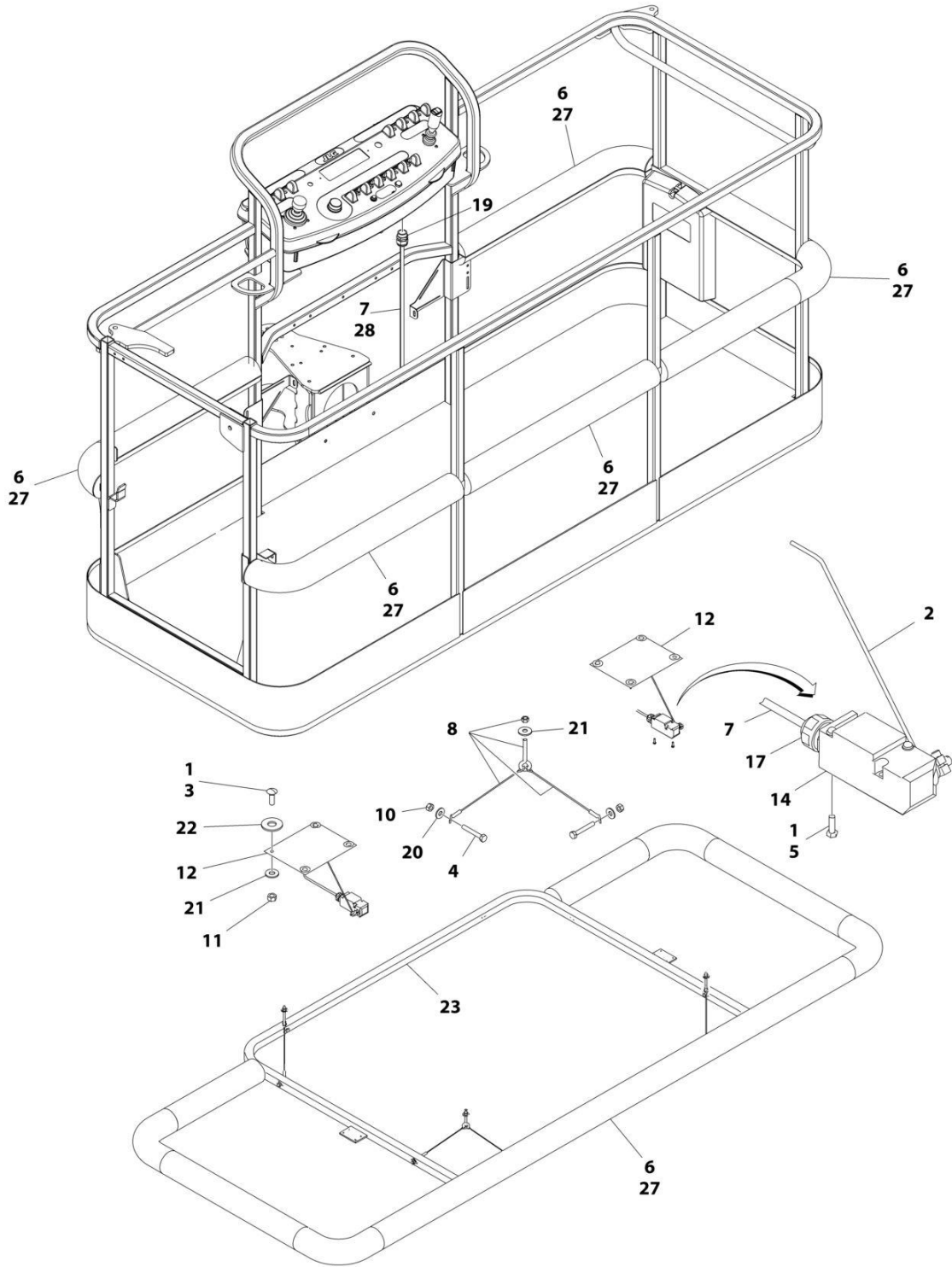
SECTION 5 - PLATFORM

FIGURE 5-31. SOFT TOUCH INSTALLATION - 8FT (2.4M) PLATFORM

ITEM	PART NUMBER	QTY	DESCRIPTION	REV
	0272427	Ref	SOFT TOUCH INSTALLATION - 36IN X 8FT (91.5CM X 2.44M) PLATFORM	H
1	0100011	AR	Compound, Locking	
2	0200048	2	Arm, Switch	
3	0630462	8	Bolt	
4	0641414	8	Bolt 1/4 x 1-3/4	
5	0721005	4	Bolt #10 x 5/8	
6	0940103	1	Bumper Kit (Includes Corners and Enough Straight Material for One Platform)	
6	0940092	12	Bumper (Corner)	
6	0940094	AR	Bumper (12ft Length)	
7	1060341	23 ft/7m	Cable, Soft Touch - 16/2	
8	1060903	4	Wire Rope and Eyebolt Assembly	
10	3311401	8	Nut 1/4	
11	3311501	8	Nut 5/16	
12	3574091	2	Plate, Switch Strike	
13	4240099	7	Tie-Strap (Not Shown)	
14	4360057	2	Switch, Limit	
17	4460049	2	Connector, Strain Relief	
18	4460234	7	Tie-Strap (Not Shown)	
19	4460425	1	Connector, Strain Relief	
20	4751400	8	Washer 1/4	
21	4751500	12	Washer 5/16	
22	4751800	8	Washer 1/2	
23	4846673	1	Rail, Soft Touch	
27	1001197017	AR	Tie-Strap	
28	4460226	1	Socket	

SECTION 5 - PLATFORM

FIGURE 5-32. SOFT TOUCH INSTALLATION - 8FT (2.4M) FALL ARREST PLATFORM (600S)



ART_0273706_E

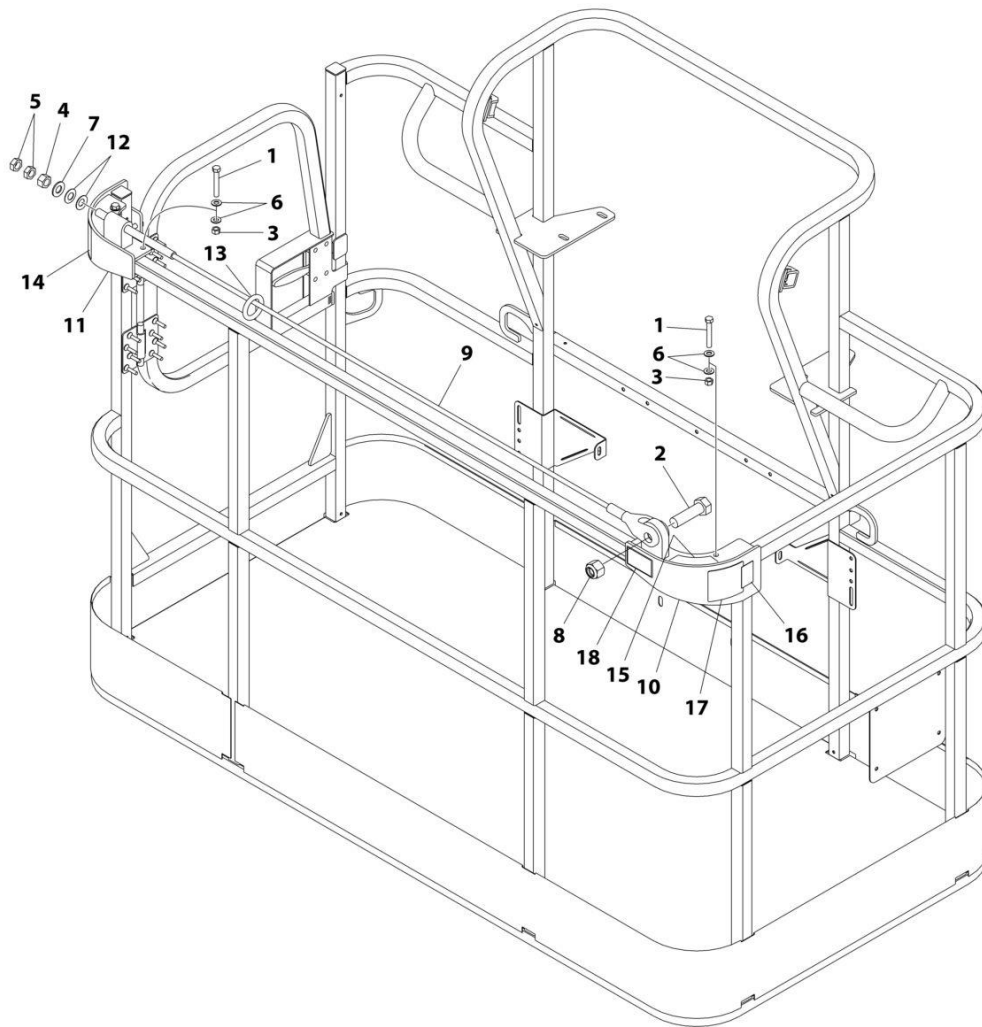
SECTION 5 - PLATFORM

FIGURE 5-32. SOFT TOUCH INSTALLATION - 8FT (2.4M) FALL ARREST PLATFORM (600S)

ITEM	PART NUMBER	QTY	DESCRIPTION	REV
	0273706	Ref	SOFT TOUCH INSTALLATION	E
1	0100011	AR	Compound, Locking	
2	0200048	2	Arm, Switch	
3	0630462	8	Bolt	
4	0641414	8	Bolt 1/4 x 1-3/4	
5	0721005	4	Bolt #10 x 5/8	
6	0940133	1	Bumper Kit (Includes Corners and Enough Straight Material for One Platform)	
6	0940092	8	Bumper (Corner)	
6	0940094	AR	Bumper (12ft Length)	
7	1060341	23 ft/7m	Cable, Soft Touch - 16/2	
8	1060903	4	Wire Rope and Eyebolt Assembly	
10	3311401	8	Nut 1/4	
11	3311501	8	Nut 5/16	
12	3574091	2	Plate, Switch Strike	
13	4240099	7	Tie-Strap (Not Shown)	
14	4360057	2	Switch, Limit	
17	4460049	2	Connector, Strain Relief	
18	4460234	7	Tie-Strap (Not Shown)	
19	4460425	1	Connector, Strain Relief	
20	4751400	8	Washer 1/4	
21	4751500	12	Washer 5/16	
22	4751800	8	Washer 1/2	
23	4846673	1	Rail, Soft Touch	
27	1001197017	AR	Tie-Strap	
28	4460226	4	Socket	

SECTION 5 - PLATFORM

FIGURE 5-33. FALL ARREST INSTALLATION (BOLT-ON EXTERNAL) (6FT/1.82M PLATFORM)



ART_1001236747

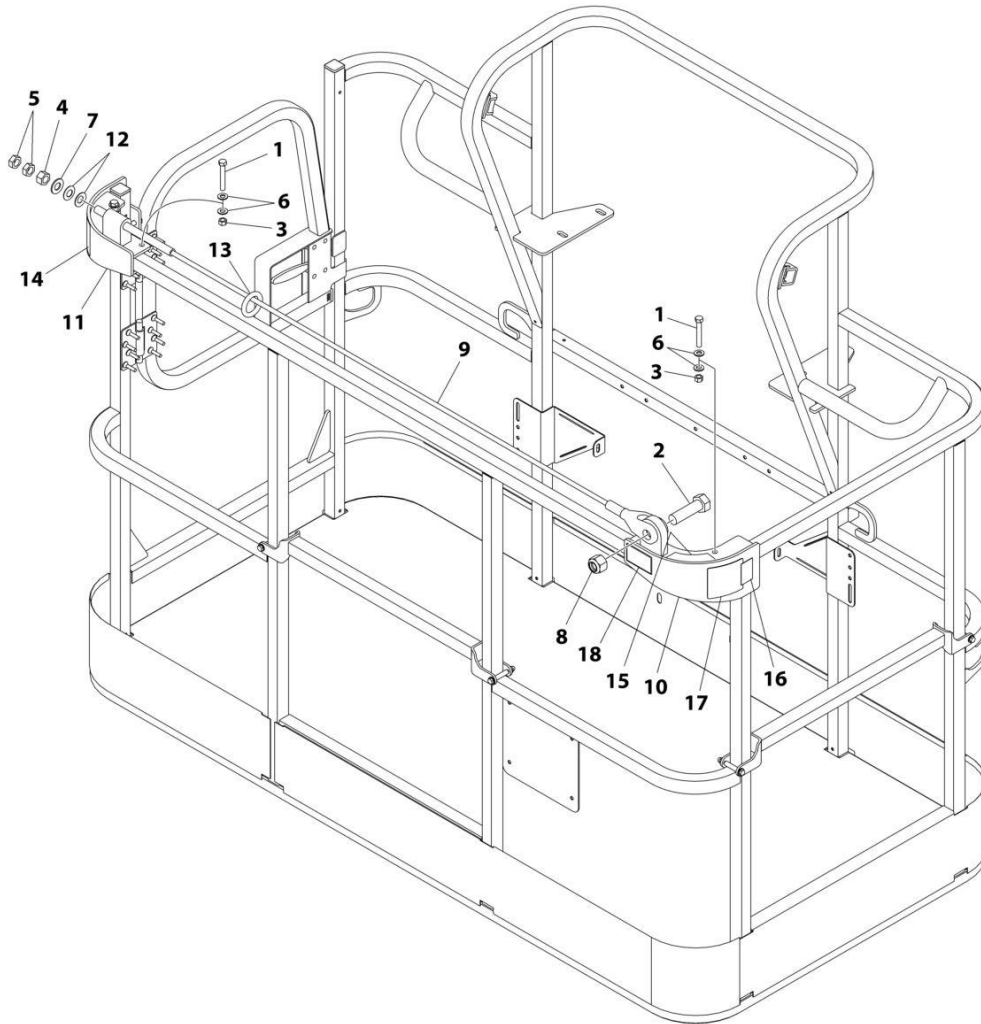
SECTION 5 - PLATFORM

FIGURE 5-33. FALL ARREST INSTALLATION (BOLT-ON EXTERNAL) (6FT/1.82M PLATFORM)

ITEM	PART NUMBER	QTY	DESCRIPTION	REV
	1001236747	Ref	FALL ARREST INSTALLATION (BOLT - ON) 6FT/1.82M PLATFORM	C
1	0681620	6	Bolt 3/8 x 2-1/2	
2	0682424	1	Bolt 7/8 x 3	
3	3271605	6	Nut 3/8	
4	3272001	1	Nut 5/8	
5	3312002	2	Nut 5/8	
6	4711600	12	Washer 3/8	
7	4712000	1	Washer 5/8	
8	88521214	1	Nut 7/8	
9	1001231950	1	Rope	
10	1001232010	1	Bracket (RH)	
11	1001232011	1	Bracket (LH)	
12	1001236891	2	Washer	
13	1001236895	1	Ring	
14	1001238263	1	Decal - Warning Falling Hazard	
15	1001252629	1	Decal - Weight	
16	1001248140	1	Decal - Bolt Fall Arrest Re-Cert	
17	1001248141	1	Decal - Inscription	

SECTION 5 - PLATFORM

FIGURE 5-34. FALL ARREST INSTALLATION (BOLT-ON EXTERNAL) (6FT/1.82M TRI-ENTRY PLATFORM)



ART_1001238463

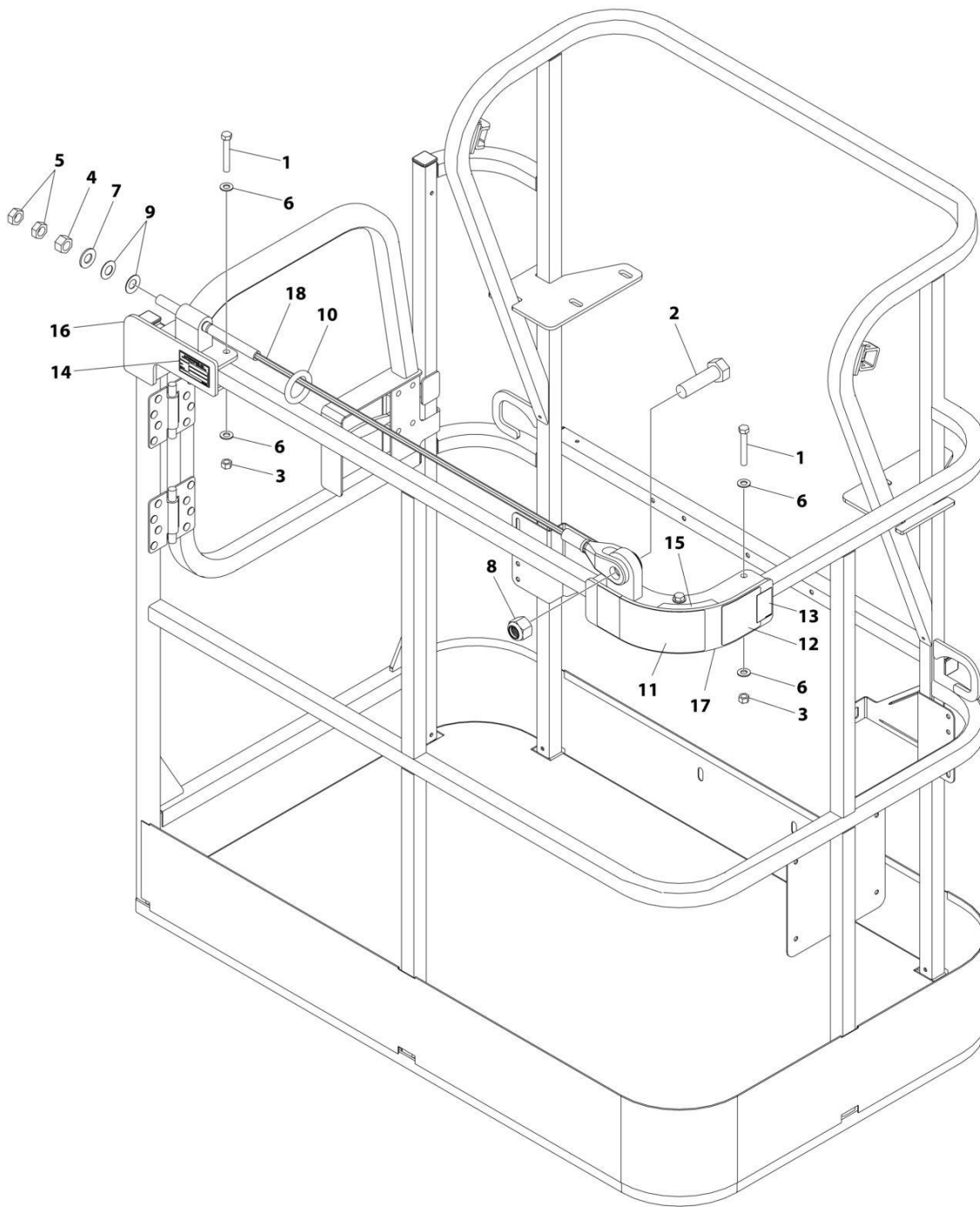
SECTION 5 - PLATFORM

FIGURE 5-34. FALL ARREST INSTALLATION (BOLT-ON EXTERNAL) (6FT/1.82M TRI-ENTRY PLATFORM)

ITEM	PART NUMBER	QTY	DESCRIPTION	REV
	1001238463	Ref	FALL ARREST INSTALLATION (BOLT - ON) 6FT/1.82M PLATFORM	C
1	0681620	6	Bolt 3/8 x 2-1/2	
2	0682424	1	Bolt 7/8 x 3	
3	3271605	6	Nut 3/8	
4	3272001	1	Nut 5/8	
5	3312002	2	Nut 5/8	
6	4711600	12	Washer 3/8	
7	4712000	1	Washer 5/8	
8	88521214	1	Nut 7/8	
9	1001231950	1	Rope	
10	1001232010	1	Bracket (RH)	
11	1001232011	1	Bracket (LH)	
12	1001236891	2	Washer	
13	1001236895	1	Ring	
14	1001238263	1	Decal - Warning Falling Hazard	
15	1001252629	1	Decal - Weight	
16	1001248140	1	Decal - Bolt Fall Arrest Re-Cert	
17	1001248141	1	Decal - Inscription	

SECTION 5 - PLATFORM

FIGURE 5-35. FALL ARREST INSTALLATION (BOLT-ON EXTERNAL) (2.5FT/1.22M PLATFORM)



ART_1001261338

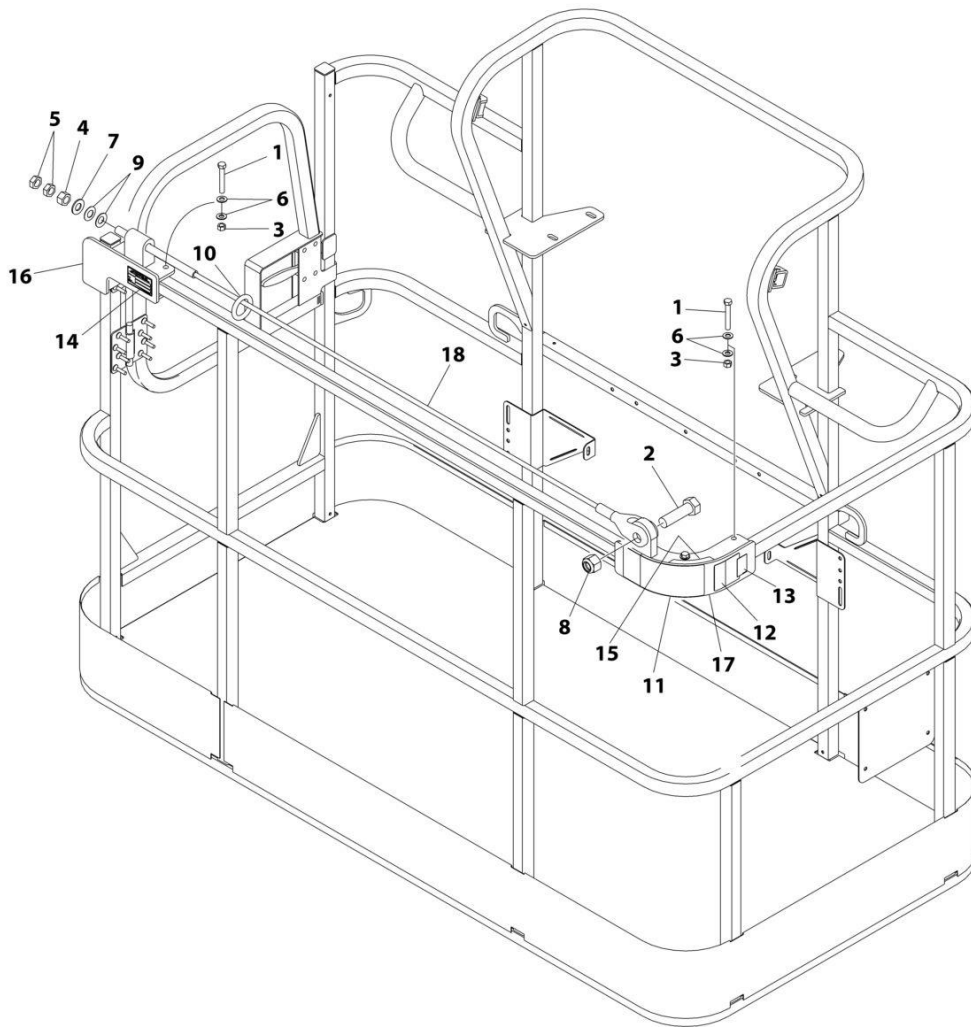
SECTION 5 - PLATFORM

FIGURE 5-35. FALL ARREST INSTALLATION (BOLT-ON EXTERNAL) (2.5FT/1.22M PLATFORM)

ITEM	PART NUMBER	QTY	DESCRIPTION	REV
	1001261338	Ref	FALL ARREST INSTALLATION	A
1	0681620	6	Bolt 3/8 x 2-1/2	
2	0682424	1	Bolt 7/8 x 3	
3	3271605	6	Nut 3/8	
4	3272001	1	Nut 5/8	
5	3312002	2	Nut 5/8	
6	4711600	12	Washer 3/8	
7	4712000	1	Washer 5/8	
8	88521214	1	Nut 7/8	
9	1001236891	2	Washer	
10	1001236895	1	Ring	
11	1001238263	1	Decal - Warning Falling Hazard	
12	1001248140	1	Decal - Bolt Fall Arrest Re-Cert	
13	1001248141	1	Decal - Incription	
14	See Note	NSS	Nameplate - Manufacturers Serial Number (Note: Not Available for Purchase)	
15	1001252629	1	Decal - Weight	
16	1001257271	1	Bracket (RH)	
17	1001257274	1	Bracket (LH)	
18	1001261335	1	Rope	

SECTION 5 - PLATFORM

FIGURE 5-36. FALL ARREST INSTALLATION (BOLT-ON EXTERNAL) (2.5FT/1.52M PLATFORM)



ART_1001257275

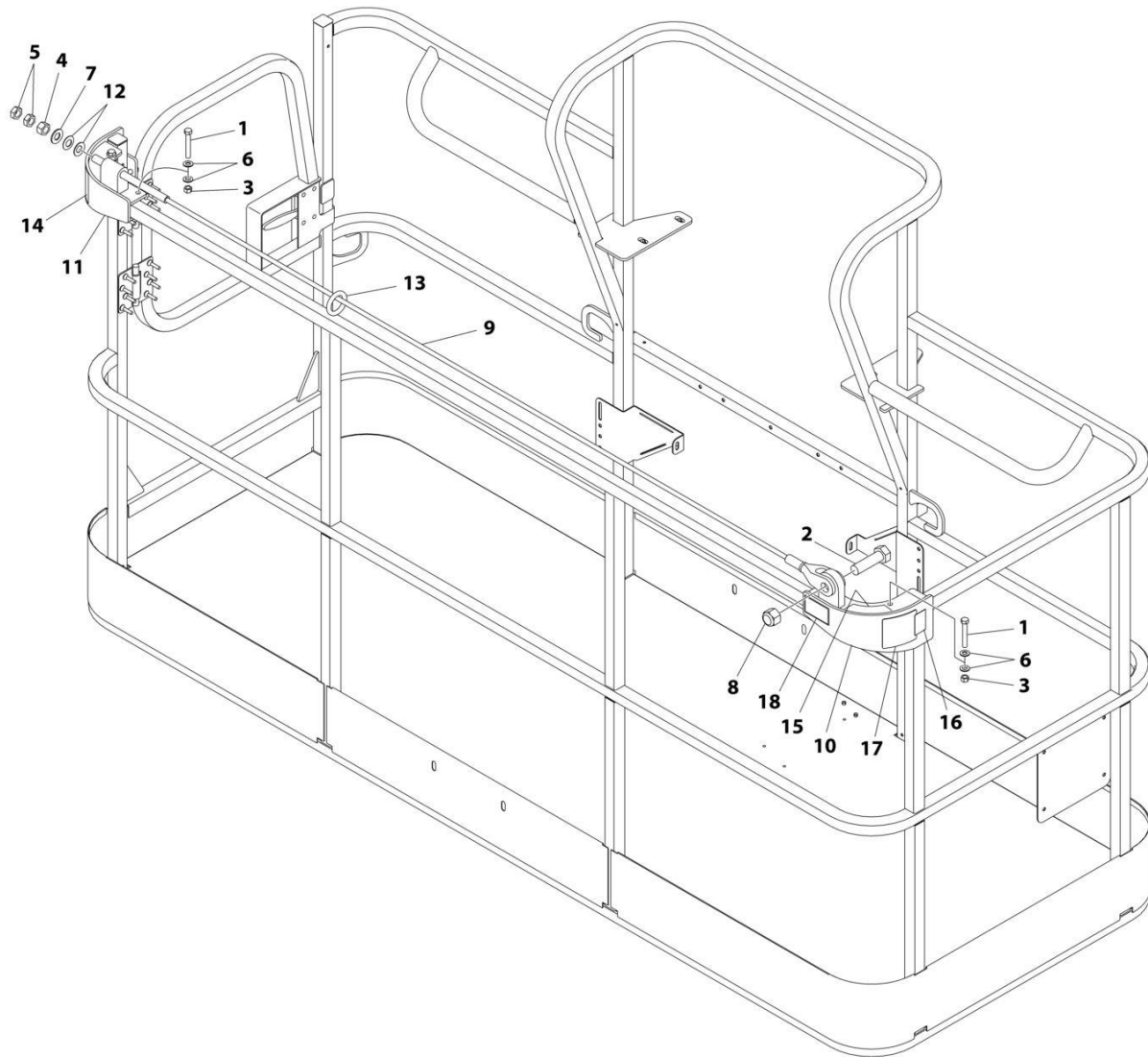
SECTION 5 - PLATFORM

FIGURE 5-36. FALL ARREST INSTALLATION (BOLT-ON EXTERNAL) (2.5FT/1.52M PLATFORM)

ITEM	PART NUMBER	QTY	DESCRIPTION	REV
	1001257275	Ref	FALL ARREST INSTALLATION (BOLT - ON) 6FT/1.82M PLATFORM	A
1	0681620	6	Bolt 3/8 x 2-1/2	
2	0682424	1	Bolt 7/8 x 3	
3	3271605	6	Nut 3/8	
4	3272001	1	Nut 5/8	
5	3312002	2	Nut 5/8	
6	4711600	12	Washer 3/8	
7	4712000	1	Washer 5/8	
8	88521214	1	Nut 7/8	
9	1001236891	2	Washer	
10	1001236895	1	Ring	
11	1001238263	1	Decal - Warning Falling Hazard	
12	1001248140	1	Decal - Bolt Fall Arrest Re-Cert	
13	1001248141	1	Decal - Incription	
14	See Note	NSS	Nameplate - Manufacturers Serial Number (Note: Not Available for Purchase)	
15	1001252629	1	Decal - Weight	
16	1001257271	1	Bracket (RH)	
17	1001257274	1	Bracket (LH)	
18	1001258005	1	Rope	

SECTION 5 - PLATFORM

FIGURE 5-37. FALL ARREST INSTALLATION (BOLT-ON EXTERNAL) (8FT/2.4M PLATFORM)



ART_1001236746

SECTION 5 - PLATFORM

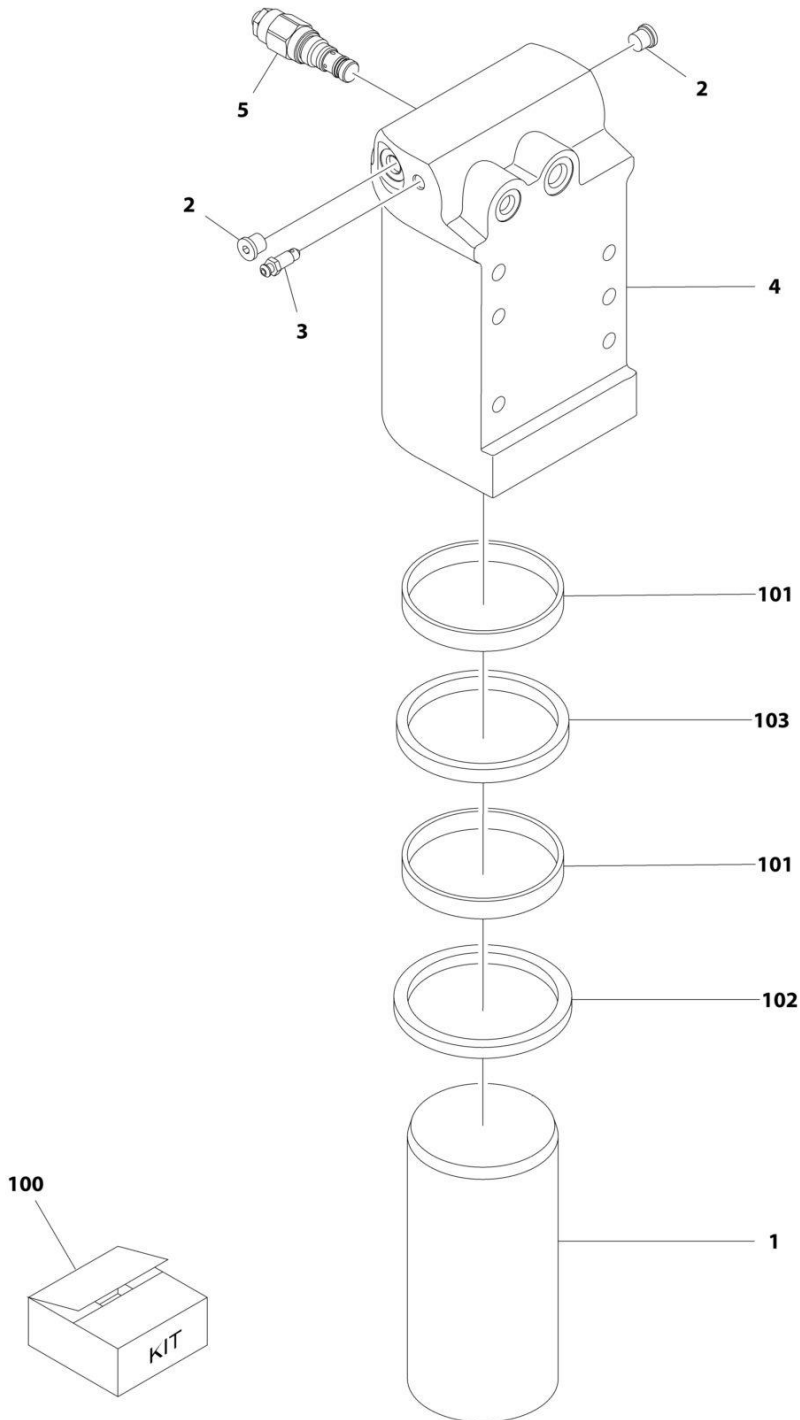
FIGURE 5-37. FALL ARREST INSTALLATION (BOLT-ON EXTERNAL) (8FT/2.4M PLATFORM)

ITEM	PART NUMBER	QTY	DESCRIPTION	REV
	1001236746	Ref	FALL ARREST INSTALLATION (BOLT - ON) 8FT/2.4M PLATFORM	C
1	0681620	6	Bolt 3/8 x 2-1/2	
2	0682424	1	Bolt 7/8 x 3	
3	3271605	6	Nut 3/8	
4	3272001	1	Nut 5/8	
5	3312002	2	Nut 5/8	
6	4711600	12	Washer 3/8	
7	4712000	1	Washer 5/8	
8	88521214	1	Nut 7/8	
9	1001231949	1	Rope	
10	1001232010	1	Bracket (RH)	
11	1001232011	1	Bracket (LH)	
12	1001236891	2	Washer	
13	1001236895	1	Ring	
14	1001238263	1	Decal - Warning Falling Hazard	
15	1001252629	1	Decal - Weight 23LBS/10.4KG	
16	1001248140	1	Decal - Bolt Fall Arrest Re-Cert	
17	1001248141	1	Decal - Inscription	

SECTION 6 - CYLINDER

SECTION 6 - CYLINDER

FIGURE 6-1. AXLE LOCKOUT CYLINDER ASSEMBLY (MACHINES WITH SN STARTING WITH 03)



ART_1001219040

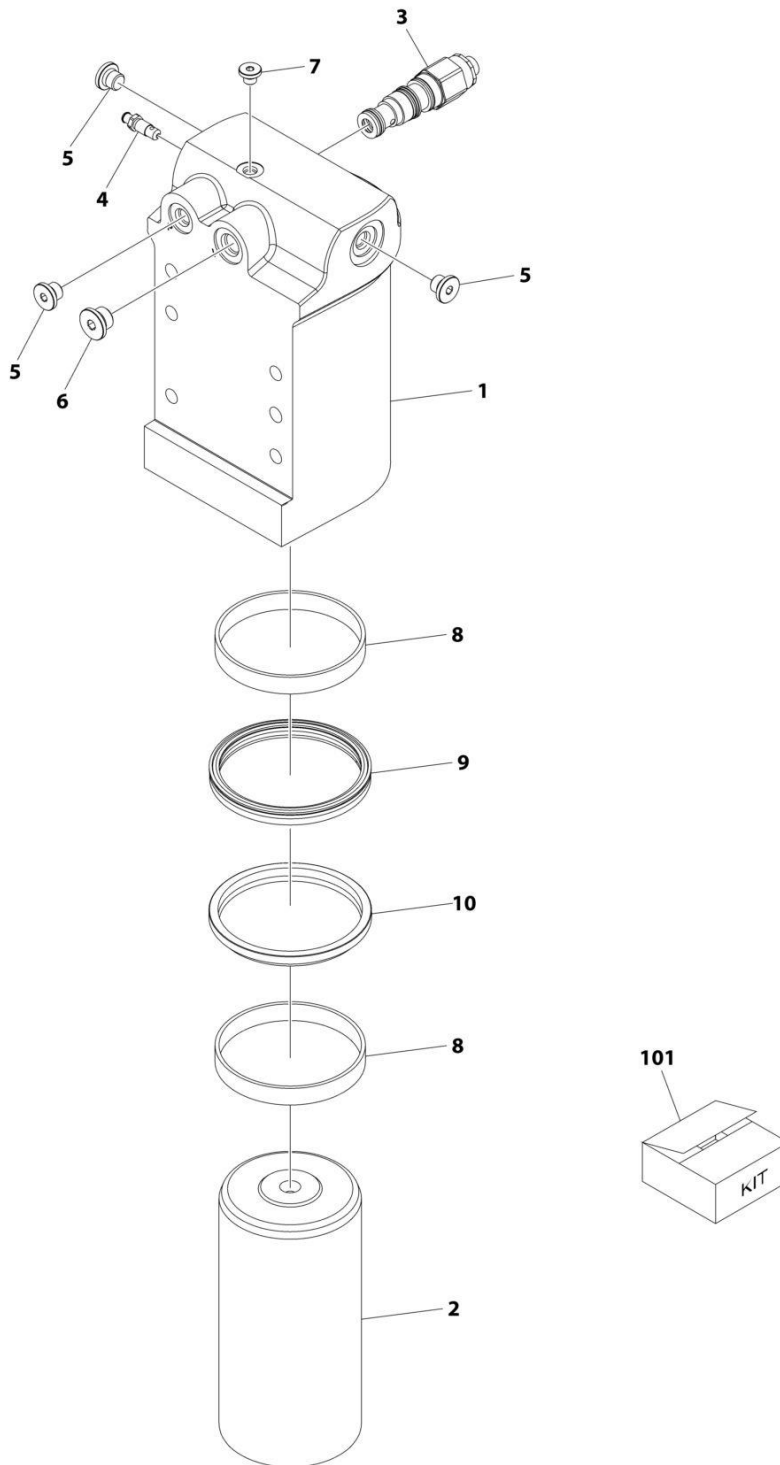
SECTION 6 - CYLINDER

FIGURE 6-1. AXLE LOCKOUT CYLINDER ASSEMBLY (MACHINES WITH SN STARTING WITH 03)

ITEM	PART NUMBER	QTY	DESCRIPTION	REV
	1001219040	Ref	AXLE LOCKOUT CYLINDER ASSEMBLY	A
1	1684290	1	Rod	
2	2220883	2	Plug #4	
3	4640858	1	Valve, Bleeder	
4	1001164817	1	Barrel	
5	1001218594	1	Cartridge, Valve	
5	70002842	1	Seal Kit - 1001218594 Valve	
100	2902266	1	Seal Kit - 1001219040 Cylinder (Includes Items 101-103)	
101	See Note	NSS	Ring, Wear	
102	See Note	NSS	Seal	
103	See Note	NSS	Wiper	

SECTION 6 - CYLINDER

FIGURE 6-2. AXLE LOCKOUT CYLINDER ASSEMBLY (MACHINES WITH SN STARTING WITH B3)



ART_1001256180

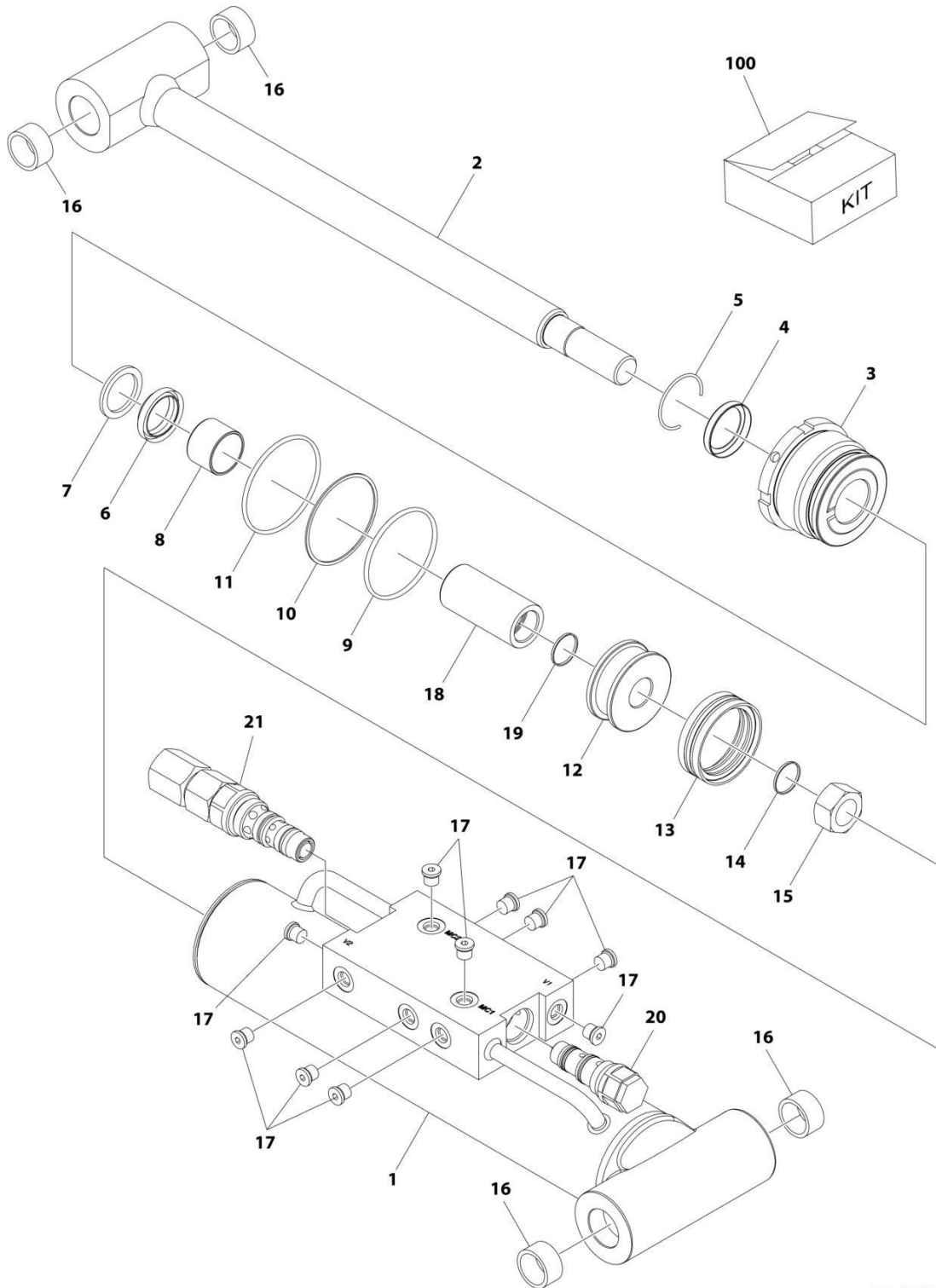
SECTION 6 - CYLINDER

FIGURE 6-2. AXLE LOCKOUT CYLINDER ASSEMBLY (MACHINES WITH SN STARTING WITH B3)

ITEM	PART NUMBER	QTY	DESCRIPTION	REV
	1001256180	Ref	AXLE LOCKOUT CYLINDER ASSEMBLY	A
		Ref	Note: Original Cylinder May Have Been Replaced with Service Replacement. Identify PN Stamped on Cylinder Before Ordering Parts.	
1	See Note	NSS	Tube (Note: Not Available for Purchase)	
2	70008244	1	Rod	
3	1001218594	1	Valve	
4	70008246	1	Plug, Bleeder	
5	2220883	3	Plug 7/16	
6	2220885	1	Plug 9/16	
7	2220881	1	Plug 5/16	
8	See Note	NSS	Ring, Wear (Note: Use Item 101)	
9	See Note	NSS	Seal, Rod (Note: Use Item 101)	
10	See Note	NSS	Wiper, Rod (Note: Use Item 101)	
101	70008274	1	Seal Kit (Includes Items 8-10)	

SECTION 6 - CYLINDER

FIGURE 6-3. LEVEL CYLINDER ASSEMBLY - PLATFORM SLAVE (600S HC3)



ART_1001184954

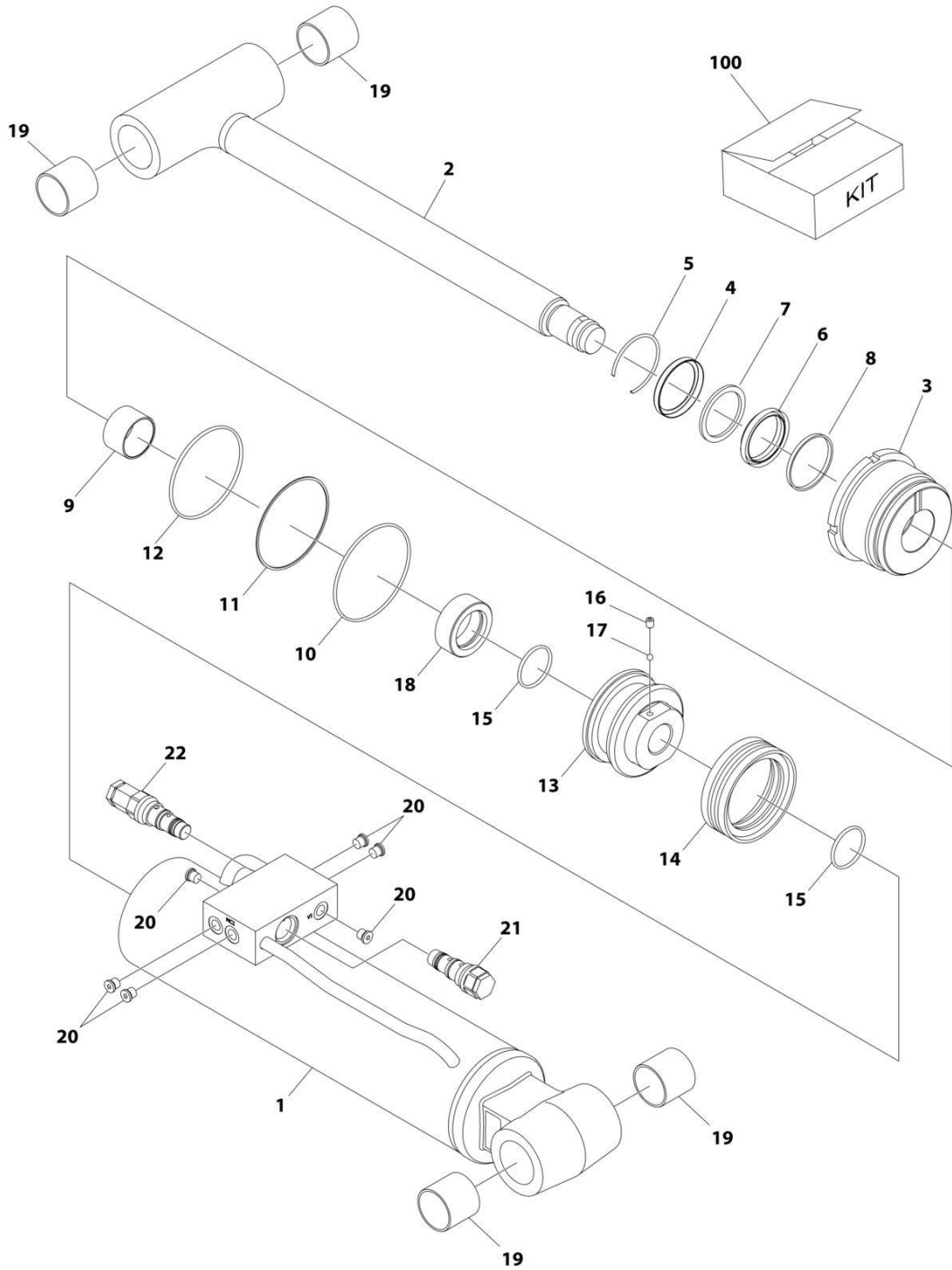
SECTION 6 - CYLINDER

FIGURE 6-3. LEVEL CYLINDER ASSEMBLY - PLATFORM SLAVE (600S HC3)

ITEM	PART NUMBER	QTY	DESCRIPTION	REV
	1001184954	Ref	LEVEL CYLINDER ASSEMBLY	E
		Ref	Note: Original Cylinder may have been replaced with Service Replacement. Identify PN Stamped on Cylinder Before Ordering Parts.	
1	70005693	1	Barrel	
2	70005694	1	Rod	
3	70003085	1	Head	
4	See Note	NSS	Wiper (Note: Use Item 100)	
5	70002366	1	Ring, Retaining	
6	See Note	NSS	Seal, Rod (Note: Use Item 100)	
7	See Note	NSS	Ring, Back-up (Note: Use Item 100)	
8	70005695	1	Bearing	
9	See Note	NSS	O-Ring (Note: Use Item 100)	
10	See Note	NSS	Ring, Back-up (Note: Use Item 100)	
11	See Note	NSS	O-Ring (Note: Use Item 100)	
12	70002381	1	Piston	
13	See Note	NSS	Seal, Piston (Note: Use Item 100)	
14	See Note	NSS	O-Ring (Note: Use Item 100)	
15	70002335	1	Nut	
16	0961947	4	Bearing	
17	2220883	10	Plug	
18	70005696	1	Spacer	
19	See Note	NSS	O-Ring (Note: Use Item 100)	
20	4640999	1	Valve, Counterbalance	
20	2900792	1	Seal Kit - 4640999 Valve	
21	1001232117	1	Valve, Counterbalance	
21	7011112	1	Seal Kit - 1001232117 Valve	
100	70005697	1	Seal Kit - 1001184954 Cylinder (Includes Items 4, 6, 7, 9, 10, 11, 13, 14 & 19)	

SECTION 6 - CYLINDER

FIGURE 6-4. LEVEL CYLINDER ASSEMBLY - PLATFORM SLAVE (660SJ HC3)



ART_1001247466

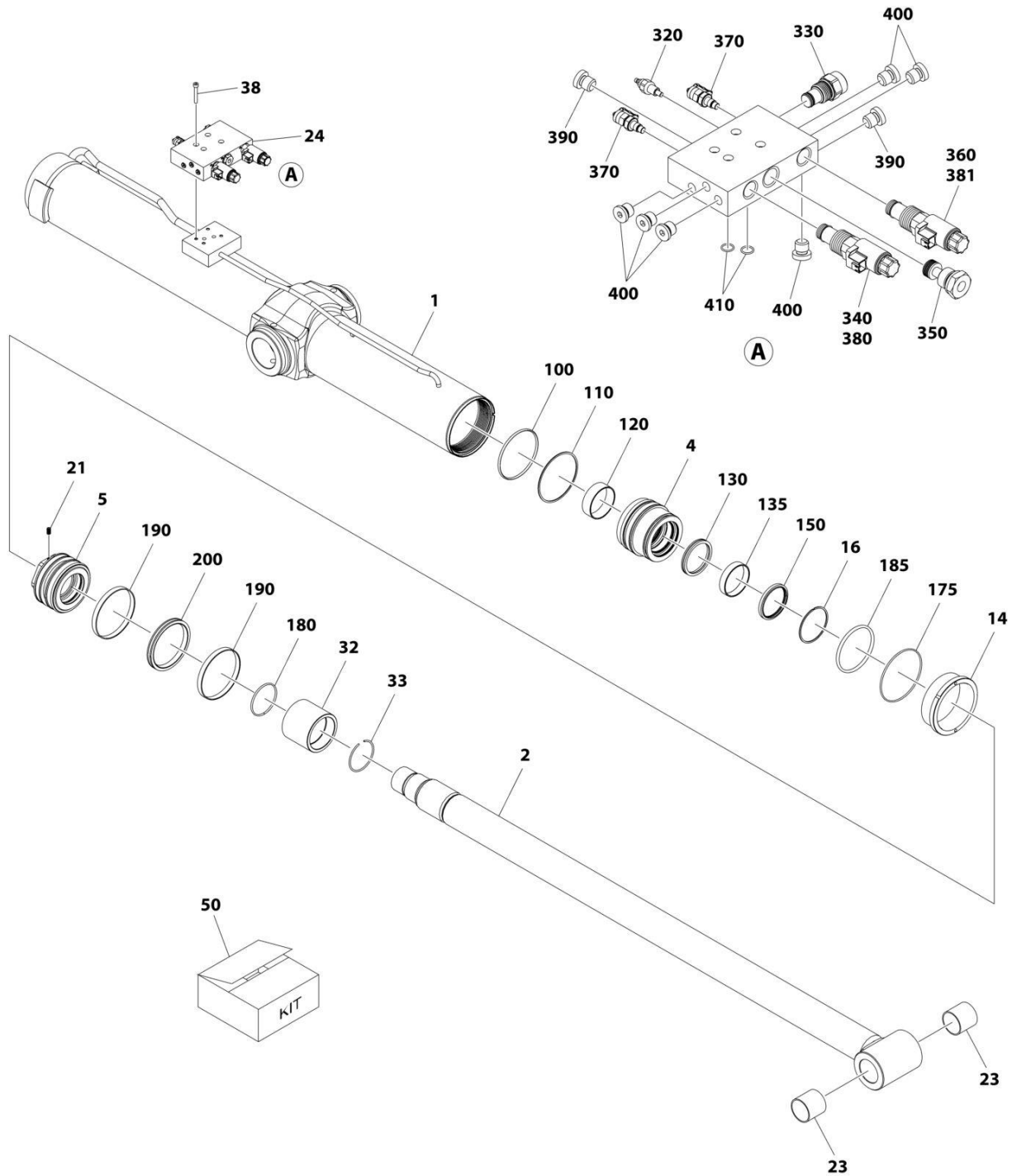
SECTION 6 - CYLINDER

FIGURE 6-4. LEVEL CYLINDER ASSEMBLY - PLATFORM SLAVE (660SJ HC3)

ITEM	PART NUMBER	QTY	DESCRIPTION	REV
	1001247466	Ref	LEVEL CYLINDER ASSEMBLY	C
		Ref	Note: Original Cylinder May Have Been Replaced with Service Replacement. Identify PN Stamped on Cylinder Before Ordering Parts.	
1	See Note	NSS	Barrel (Note: Use P/N 1001247466)	
2	70007168	1	Rod	
3	70007157	1	Head	
4	See Note	NSS	Wiper (Use Item:100)	
5	70002410	1	Ring, Retaining	
6	See Note	NSS	Seal, Rod (Use Item:100)	
7	See Note	NSS	Ring, Back Up (Use Item:100)	
8	See Note	NSS	Ring, Buffer (Use Item:100)	
9	70004237	1	Ring, Wear (Use Item:100)	
10	See Note	NSS	O-Ring (Use Item:100)	
11	See Note	NSS	Ring, Back up (Use Item:100)	
12	See Note	NSS	O-Ring (Use Item:100)	
13	70007161	1	Piston	
14	See Note	NSS	Seal, Piston (Use Item:100)	
15	See Note	NSS	O-Ring (Use Item:100)	
16	70006596	1	Setscrew	
17	70022564	1	Ball	
18	70007169	1	Spacer	
19	70007159	4	Bearing	
20	2220883	6	Plug	
21	4640999	1	Valve, Counterbalance	
21	2900792	1	Seal Kit - 4640999 Valve	
22	4640932	1	Valve, Counterbalance	
22	7011112	1	Seal Kit - 4640932 Valve	
100	70007251	1	Seal Kit, Cylinder (Include items : 4,6,7,8,10,11,12,14 & 15)	

SECTION 6 - CYLINDER

FIGURE 6-5. LIFT CYLINDER ASSEMBLY BOOM (600S HC3)



ART_1001272076

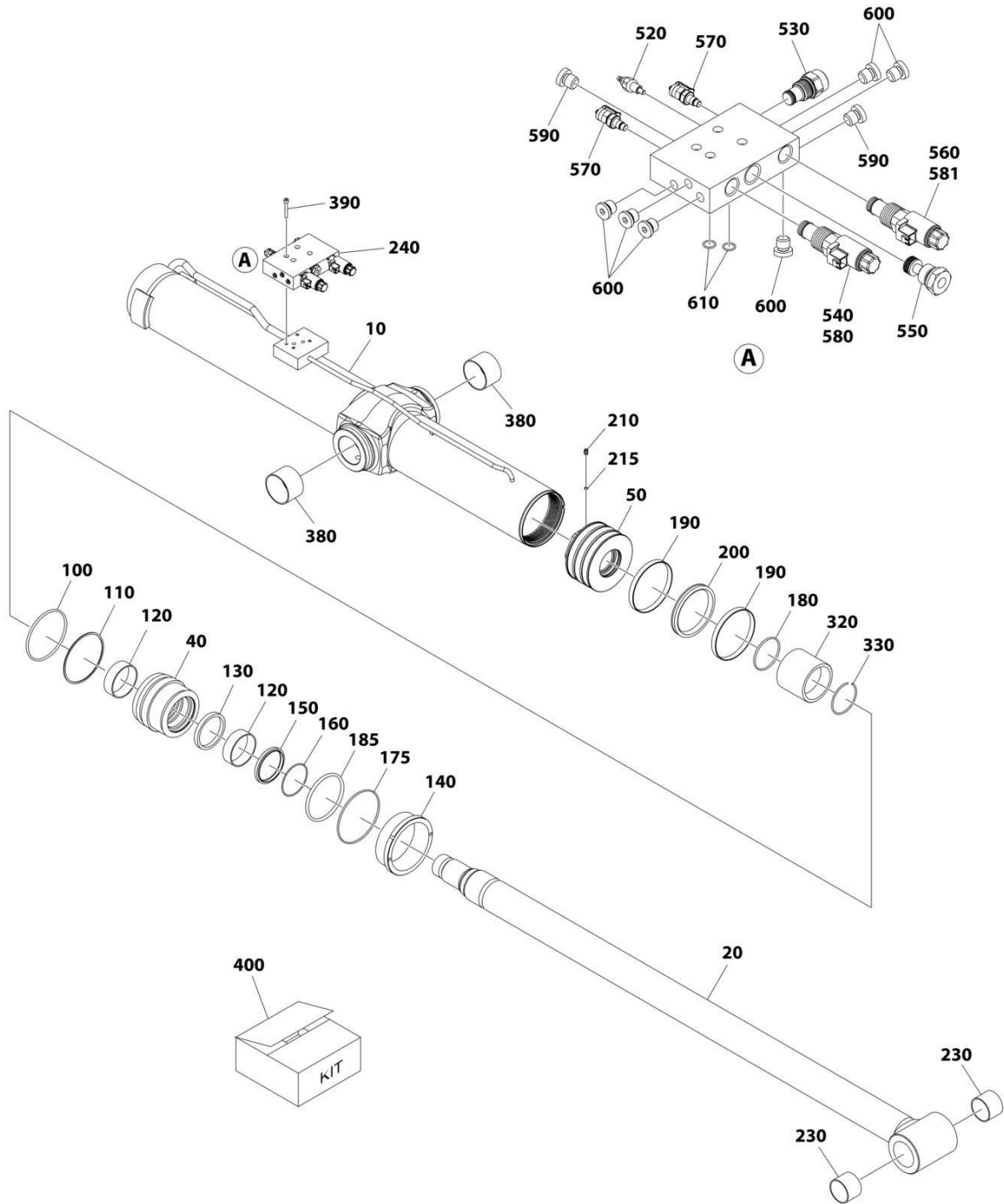
SECTION 6 - CYLINDER

FIGURE 6-5. LIFT CYLINDER ASSEMBLY BOOM (600S HC3)

ITEM	PART NUMBER	QTY	DESCRIPTION	REV
	1001272076	Ref	LIFT CYLINDER ASSEMBLY	B
		Ref	Note: Original Cylinder May Have Been Replaced with Service Replacement. Identify PN Stamped on Cylinder Before Ordering Parts.	
1	See Note	NSS	Barrel (Note: Use PN 1001272076)	
2	See Note	NSS	Rod (Note: Use PN 1001272076)	
4	70005572	1	Head	
5	70025580	1	Piston	
14	70026164	1	Lock	
16	70000699	1	Ring, Retaining	
21	70025582	1	Set Screw M10 x 20	
23	70007838	2	Bushing	
24	See Note	NSS	Valve Assembly (Note: Complete Assembly Not Available - Purchase Individual Components) (See Items 320-410)	
32	70006260	1	Spacer	
33	70005575	1	Ring, Retaining	
38	70007334	4	Capscrew M8 x 55	
50	70005563	1	Seal Kit - 1001272076 Cylinder (Includes Items 100-200)	
100	See Note	NSS	O-Ring (Note: Use Item 50)	
110	See Note	NSS	Ring, Back-Up (Note: Use Item 50)	
120	See Note	NSS	Ring, Wear (Note: Use Item 50)	
130	See Note	NSS	Seal (Note: Use Item 50)	
135	See Note	NSS	Ring, Wear (Note: Use Item 50)	
150	See Note	NSS	Wiper (Note: Use Item 50)	
175	See Note	NSS	O-Ring (Note: Use Item 50)	
180	See Note	NSS	O-Ring (Note: Use Item 50)	
185	See Note	NSS	O-Ring (Note: Use Item 50)	
190	See Note	NSS	Ring (Note: Use Item 50)	
200	See Note	NSS	Seal (Note: Use Item 50)	
320	70007341	1	Cartridge	
320	70004867	1	Seal Kit - 70007341 Valve	
330	70007342	1	Cartridge, Relief	
330	7024502	1	Seal Kit - 70007342 Valve	
340	70007343	1	Cartridge, Solenoid	
350	1001271454	1	Plug	
360	70007345	1	Cartridge, Solenoid	
360	7024503	1	Seal Kit - 70007345 Valve	
370	2221086	2	Fitting, Test	
380	70007323	1	Coil	
381	70006004	1	Coil	
390	70007346	2	Orifice	
400	70026973	6	Plug 1/8	
410	70007347	2	O-Ring	

SECTION 6 - CYLINDER

FIGURE 6-6. LIFT CYLINDER ASSEMBLY BOOM (660SJ HC3)



ART_1021072100

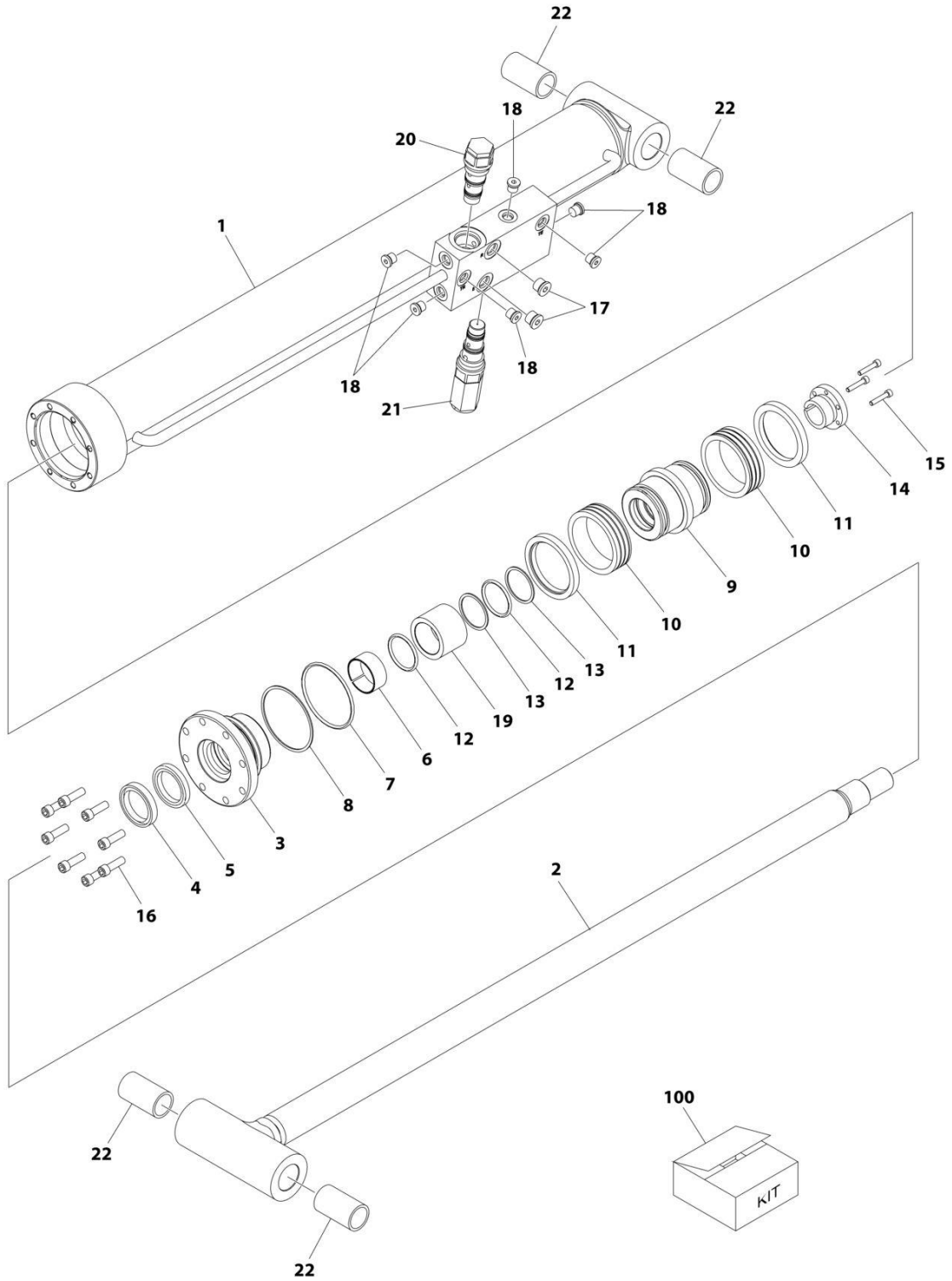
SECTION 6 - CYLINDER

FIGURE 6-6. LIFT CYLINDER ASSEMBLY BOOM (660SJ HC3)

ITEM	PART NUMBER	QTY	DESCRIPTION	REV
	1001272100	Ref	CYLINDER ASSEMBLY	B
		Ref	Note: Original Cylinder May Have Been Replaced with Service Replacement. Identify PN Stamped on Cylinder Before Ordering Parts.	
10	See Note	NSS	Barrel (Note: Use PN 1001272100)	
20	See Note	NSS	Rod (Note: Use PN 1001272100)	
40	70007336	1	Head	
50	70007337	1	Piston	
100	See Note	NSS	O-Ring	
110	See Note	NSS	Ring, Back-up (Note: Use Item 400)	
120	See Note	NSS	Ring, Wear (Note: Use Item 400)	
130	See Note	NSS	Seal, Head (Note: Use Item 400)	
140	70026179	1	Lock	
150	See Note	NSS	Wiper (Note: Use Item 400)	
160	70000699	1	Ring, Retaining	
175	See Note	NSS	O-Ring (Note: Use Item 400)	
180	See Note	NSS	O-Ring (Note: Use Item 400)	
185	See Note	NSS	O-Ring (Note: Use Item 400)	
190	See Note	NSS	Ring, Bearing (Note: Use Item 400)	
200	See Note	NSS	Seal, Piston (Note: Use Item 400)	
210	70025613	1	Screw M10 x 16	
215	70025614	1	Ball	
230	70007338	2	Bushing	
240	NPN	Ref	Valve Assembly (See Items 520-610)	
320	70006260	1	Spacer	
330	70005575	1	Ring	
380	70007339	2	Bushing	
390	70007334	4	Screw M8 x 55	
400	70008132	1	Seal Kit (Includes Items 100-130, 150 & 175-200)	
520	70007341	1	Cartridge	
520	70004867	1	Seal Kit - 70007341 Valve	
530	70007342	1	Cartridge, Relief	
530	7024502	1	Seal Kit - 70007342 Valve	
540	70007343	1	Cartridge, Solenoid	
550	1001271454	1	Plug	
560	70007345	1	Cartridge, Solenoid	
560	7024503	1	Seal Kit - 70007345 Valve	
570	2221086	2	Fitting, Test	
580	70007323	1	Coil	
581	70006004	1	Coil	
590	70007346	2	Orifice	
600	70008133	7	Plug	
610	70008134	2	O-Ring	

SECTION 6 - CYLINDER

FIGURE 6-7. LIFT CYLINDER ASSEMBLY - JIB (660SJ HC3)



ART_1001259137

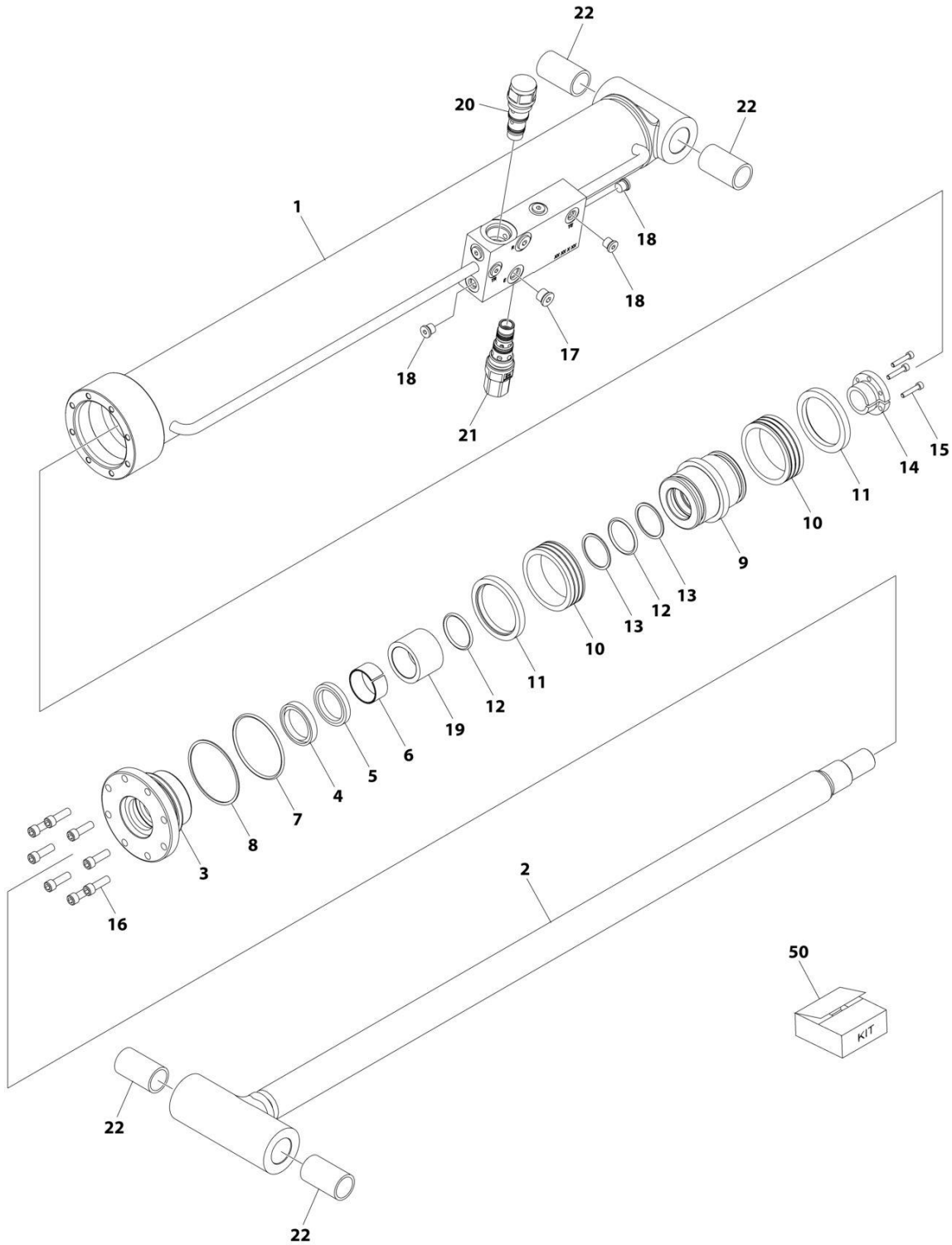
SECTION 6 - CYLINDER

FIGURE 6-7. LIFT CYLINDER ASSEMBLY - JIB (660SJ HC3)

ITEM	PART NUMBER	QTY	DESCRIPTION	REV
	1001259137	Ref	LIFT CYLINDER ASSEMBLY - JIB	B
		Ref	Note: Original Cylinder May Have Been Replaced with Service Replacement. Identify PN Stamped on Cylinder Before Ordering Parts.	
1	See Note	NSS	Barrel (Note: Not Available for Purchase)	
2	70006734	1	Rod	
3	70006649	1	Head	
4	See Note	NSS	Wiper (Note: Use Item 100)	
5	See Note	NSS	Seal, Rod (Note: Use Item 100)	
6	See Note	NSS	Ring, Wear (Note: Use Item 100)	
7	See Note	NSS	O-Ring (Note: Use Item 100)	
8	See Note	NSS	Ring, Back-up (Note: Use Item 100)	
9	70006650	1	Piston	
10	See Note	NSS	Seal (Note: Use Item 100)	
11	See Note	NSS	Ring, Lock (Note: Use Item 100)	
12	See Note	NSS	O-Ring (Note: Use Item 100)	
13	See Note	NSS	Ring, Back-up (Note: Use Item 100)	
14	0961893	1	Bushing, Tapered	
15	0630534	3	Capscrew, Socket Head #10 x 1	
16	70006735	8	Capscrew 5/16	
17	2220885	2	Plug, O-Ring	
18	2220883	6	Plug, O-Ring	
19	70006736	1	Spacer	
20	4640509	1	Cartridge, Valve	
20	2900792	1	Seal Kit - 4640509 Valve	
21	1001259138	1	Cartridge, Valve	
21	70004186	1	Seal Kit - 1001259138 Valve	
22	0962336	4	Bushing	
100	1001138795	1	Seal Kit (Includes Items 4-8 & 10-13)	

SECTION 6 - CYLINDER

FIGURE 6-8. LIFT CYLINDER ASSEMBLY - JIB (660SJ HC3)



ART_1001264302

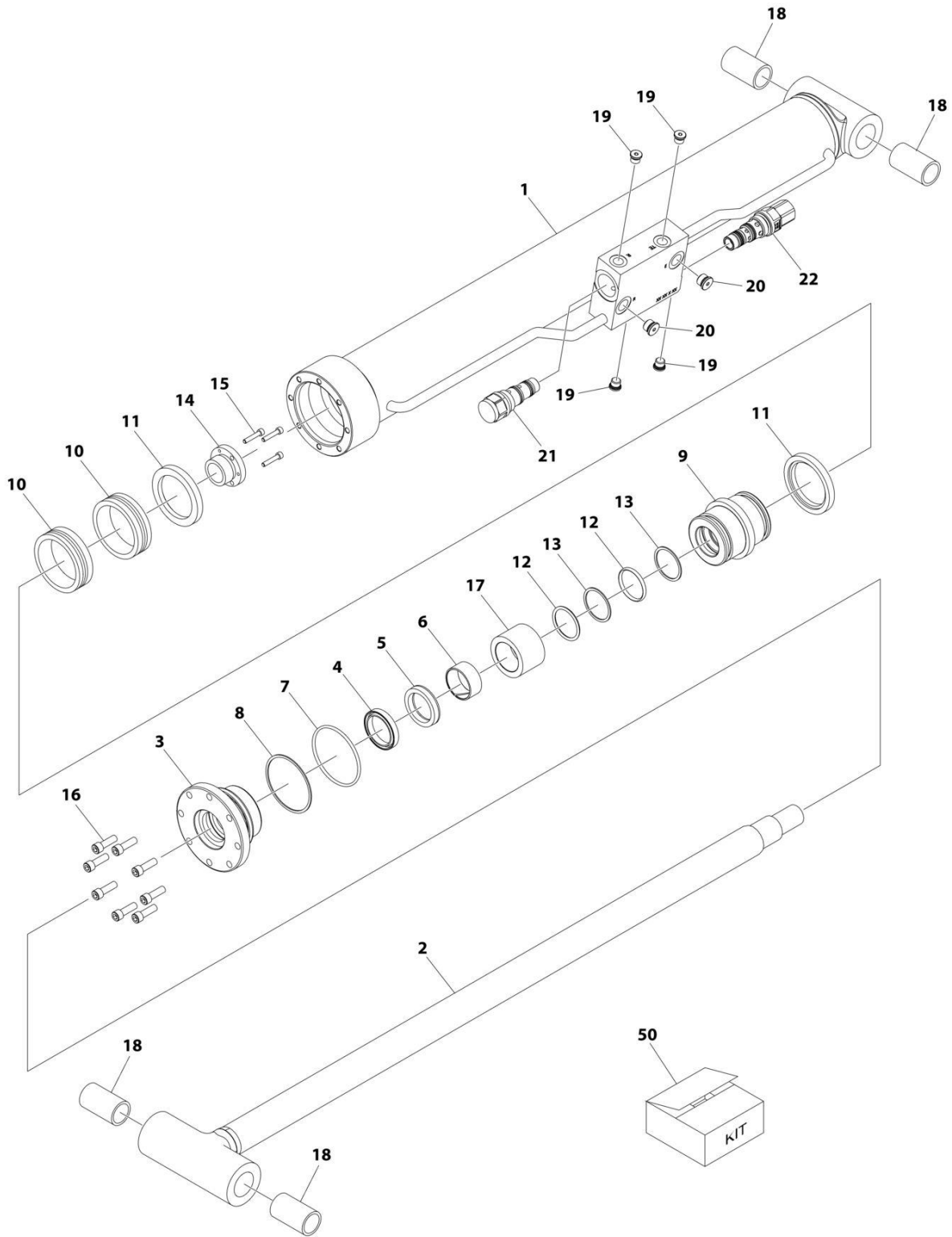
SECTION 6 - CYLINDER

FIGURE 6-8. LIFT CYLINDER ASSEMBLY - JIB (660SJ HC3)

ITEM	PART NUMBER	QTY	DESCRIPTION	REV
	1001264302	Ref	LIFT CYLINDER ASSEMBLY - JIB	B
		Ref	Note: Original Cylinder May Have Been Replaced with Service Replacement. Identify PN Stamped on Cylinder Before Ordering Parts.	
1	See Note	NSS	Barrel	
2	70006734	1	Rod	
3	70006649	1	Head	
4	See Note	NSS	Wiper (Note: Use Item 50)	
5	See Note	NSS	Seal, Rod (Note: Use Item 50)	
6	See Note	NSS	Ring, Wear (Note: Use Item 50)	
7	See Note	NSS	O-Ring (Note: Use Item 50)	
8	See Note	NSS	Ring, Back-up (Note: Use Item 50)	
9	70006650	1	Piston	
10	See Note	NSS	Seal (Note: Use Item 50)	
11	See Note	NSS	Ring, Lock (Note: Use Item 50)	
12	See Note	NSS	O-Ring (Note: Use Item 50)	
13	See Note	NSS	Ring, Back-up (Note: Use Item 50)	
14	0961893	1	Bushing, Tapered	
15	0630534	3	Capscrew	
16	70006735	8	Capscrew	
17	2220885	2	Plug	
18	2220883	6	Plug	
19	70006736	1	Spacer	
20	4640509	1	Cartridge, Counterbalance Valve	
20	2900792	1	Seal Kit - 4640509 Valve	
21	1001263800	1	Cartridge, Counterbalance Valve	
21	70004186	1	Seal Kit - 1001263800 Valve	
22	0962336	4	Bushing	
50	1001138795	1	Seal Kit (Includes Items 4-8 & 10-13)	

SECTION 6 - CYLINDER

FIGURE 6-9. LIFT CYLINDER ASSEMBLY - JIB (660SJ HC3)



ART_1001264991

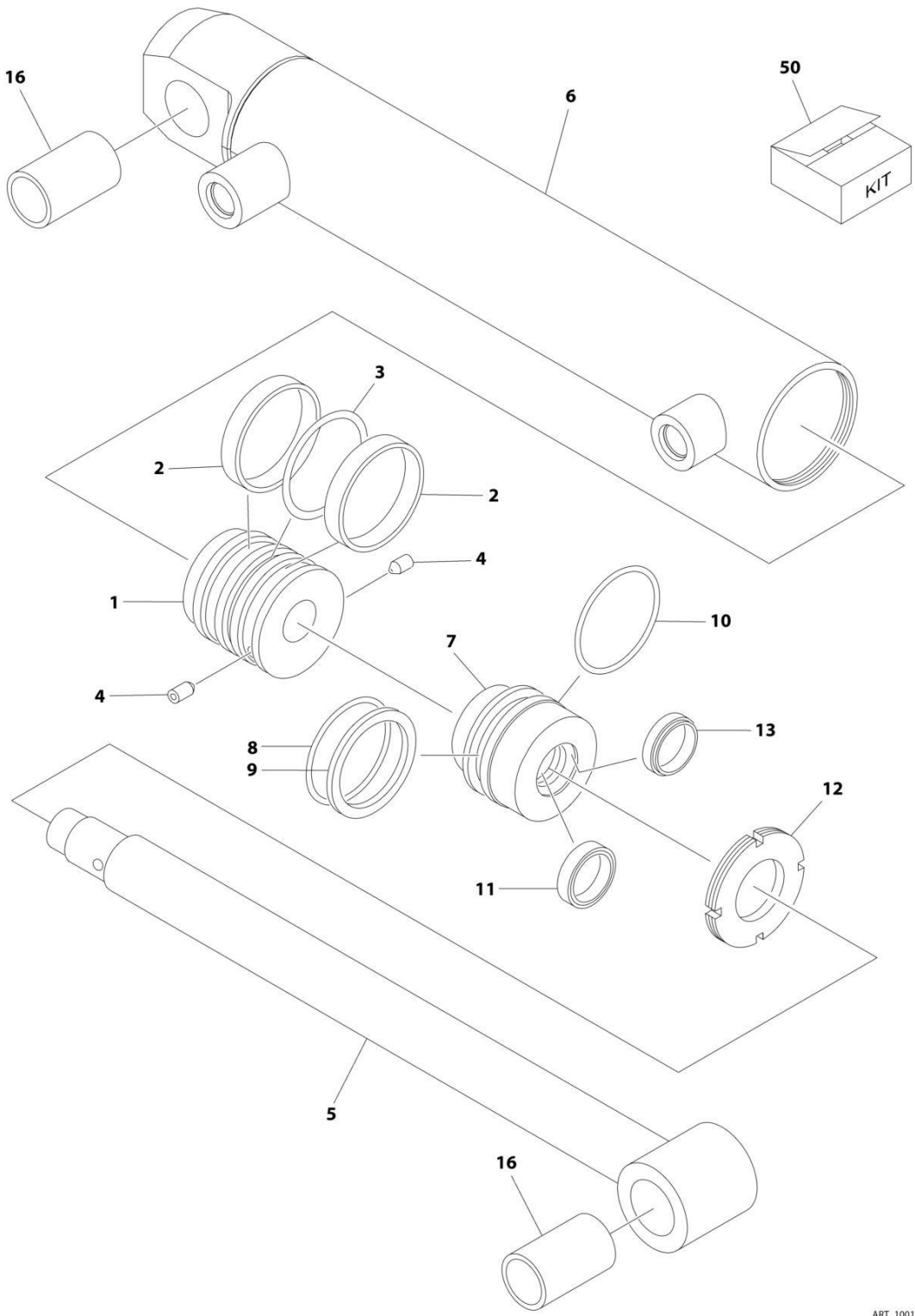
SECTION 6 - CYLINDER

FIGURE 6-9. LIFT CYLINDER ASSEMBLY - JIB (660SJ HC3)

ITEM	PART NUMBER	QTY	DESCRIPTION	REV
	1001264991	Ref	LIFT CYLINDER ASSEMBLY - JIB	B
		Ref	Note: Original Cylinder May Have Been Replaced with Service Replacement. Identify PN Stamped on Cylinder Before Ordering Parts.	
1	See Note	NSS	Barrel (Note: Use PN 1001264991)	
2	70006734	1	Rod	
3	70006649	1	Head	
4	See Note	NSS	Wiper (Note: Use Item 50)	
5	See Note	NSS	Seal, Rod (Note: Use Item 50)	
6	See Note	NSS	Ring, Wear (Note: Use Item 50)	
7	See Note	NSS	O-Ring (Note: Use Item 50)	
8	See Note	NSS	Ring, Back-up (Note: Use Item 50)	
9	70006650	1	Piston	
10	See Note	NSS	Ring, Hydro Lock (Note: Use Item 50)	
11	See Note	NSS	Ring, Guide Lock (Note: Use Item 50)	
12	See Note	NSS	O-Ring (Note: Use Item 50)	
13	See Note	NSS	Ring, Back-up (Note: Use Item 50)	
14	0961893	1	Bushing, Tapered	
15	0630534	3	Capscrew	
16	70006735	8	Capscrew	
17	70006736	1	Spacer	
18	0962336	4	Bearing	
19	70023370	4	Plug	
20	70023371	2	Plug	
21	4640509	1	Cartridge, Counterbalance Valve	
21	2900792	1	Seal Kit - 4640509 Valve	
22	1001263800	1	Cartridge, Counterbalance Valve	
22	70004186	1	Seal Kit - 1001263800 Valve	
50	1001138795	1	Seal Kit - 1001264991 Cylinder (Includes Items 4-8 & 10-13)	

SECTION 6 - CYLINDER

FIGURE 6-10. STEER CYLINDER ASSEMBLY



ART_1001181792

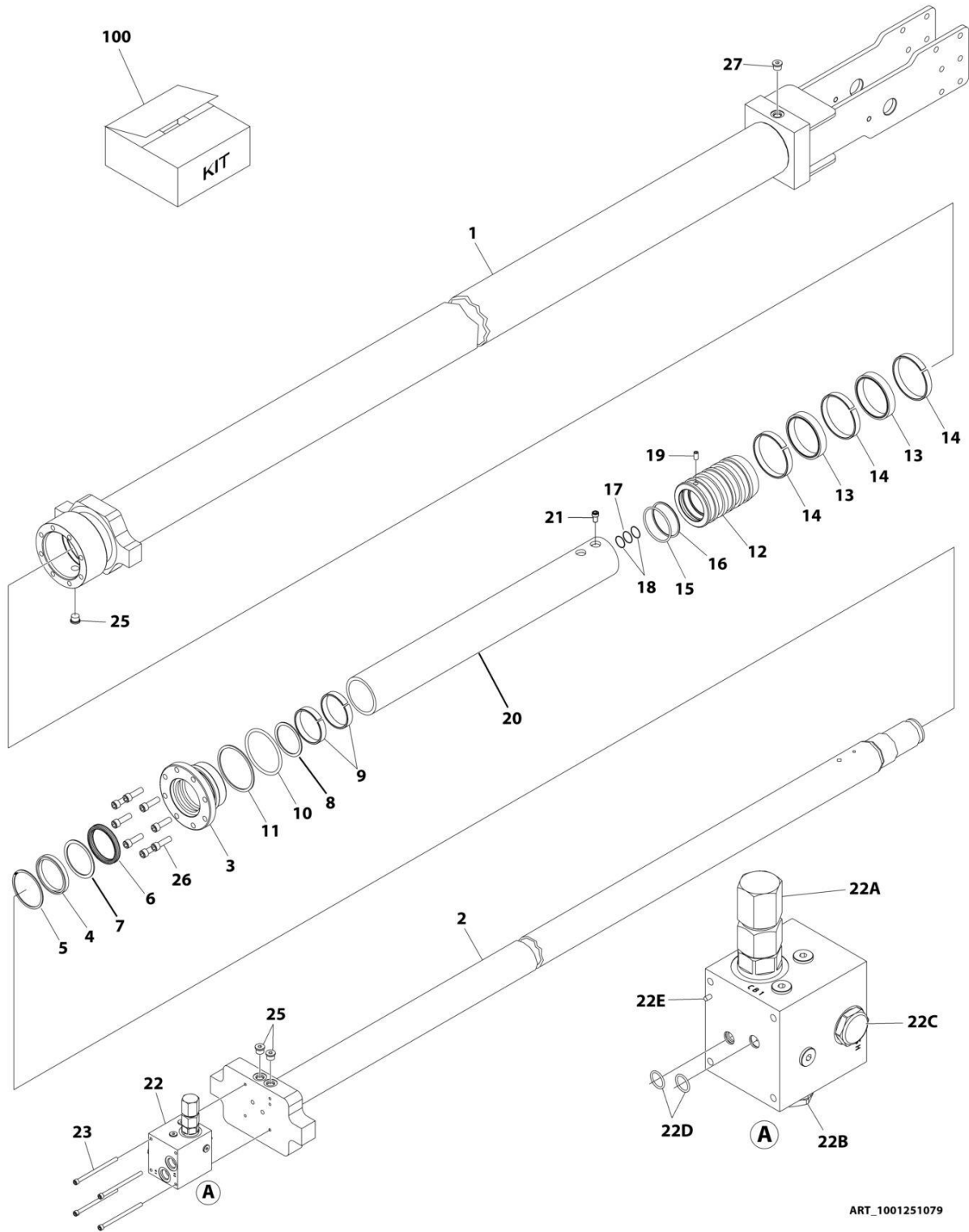
SECTION 6 - CYLINDER

FIGURE 6-10. STEER CYLINDER ASSEMBLY

ITEM	PART NUMBER	QTY	DESCRIPTION	REV
	1001181792	Ref	STEER CYLINDER ASSEMBLY	F
		Ref	Note: Original Cylinder may have been replaced with Service Replacement. Identify PN Stamped on Cylinder Before Ordering Parts.	
1	70006106	1	Piston	
2	See Note	NSS	Ring, Wear (Note: Use Item 50)	
3	See Note	NSS	Seal, Piston (Note: Use Item 50)	
4	70002745	2	Setscrew	
5	70006107	1	Rod	
6	See Note	NSS	Barrel	
7	70002755	1	Head	
8	See Note	1	O-Ring (Note: Use Item 50)	
9	See Note	NSS	Ring, Back-up (Note: Use Item 50)	
10	See Note	NSS	Ring (Note: Use Item 50)	
11	See Note	NSS	Seal, Rod (Note: Use Item 50)	
12	70002756	1	Nut, Spanner (Note: Use Item 50)	
13	See Note	NSS	Wiper (Note: Use Item 50)	
16	1001182695	2	Bearing	
50	70006108	1	Seal Kit - 1001181792 (Includes Items 2, 3, 8-11 & 13)	

SECTION 6 - CYLINDER

FIGURE 6-11. TELESCOPE CYLINDER ASSEMBLY



ART_1001251079

SECTION 6 - CYLINDER

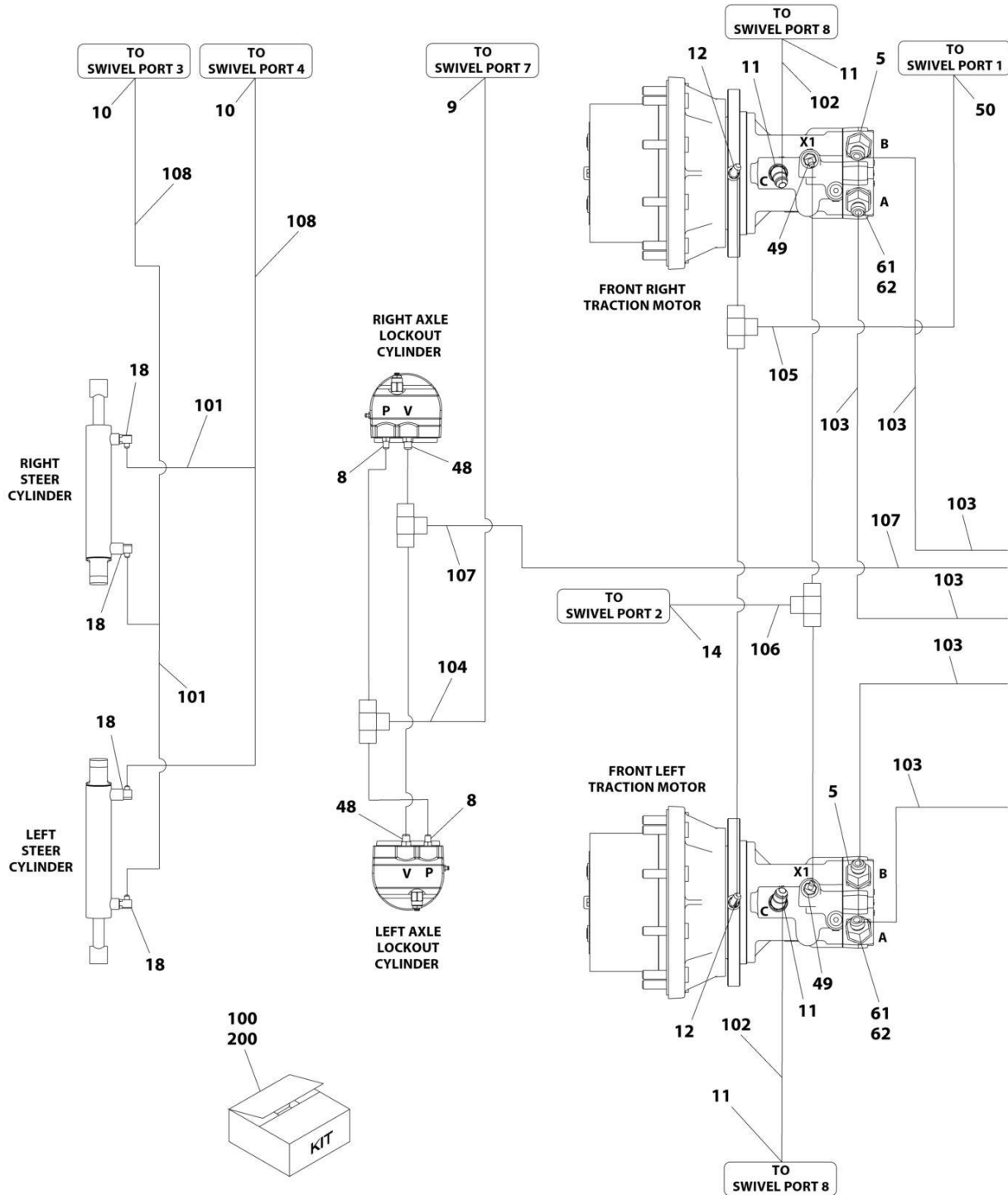
FIGURE 6-11. TELESCOPE CYLINDER ASSEMBLY

ITEM	PART NUMBER	QTY	DESCRIPTION	REV
	1001251079	Ref	TELESCOPE CYLINDER ASSEMBLY	B
	See Note	Ref	Note: Original Cylinder may have been replaced with Service Replacement. Identify PN Stamped on Cylinder Before Ordering Parts.	
1	See Note	NSS	Barrel (Note: Use PN 1001251079)	
2	70006978	1	Rod	
3	70006979	1	Head	
4	See Note	NSS	Wiper (Note: Use Item 100)	
5	70050795	1	Ring, Retaining	
6	See Note	NSS	Seal, Rod (Note: Use Item 100)	
7	See Note	NSS	Ring, Back-up (Note: Use Item 100)	
8	See Note	NSS	Ring, Buffer (Note: Use Item 100)	
9	See Note	NSS	Ring, Wear (Note: Use Item 100)	
10	See Note	NSS	O-Ring (Note: Use Item 100)	
11	See Note	NSS	Ring, Back-up (Note: Use Item 100)	
12	70006980	1	Piston	
13	See Note	NSS	Seal, Piston (Note: Use Item 100)	
14	See Note	NSS	Ring, Wear (Note: Use Item 100)	
15	See Note	NSS	O-Ring (Note: Use Item 100)	
16	See Note	NSS	Ring, Back-up (Note: Use Item 100)	
17	See Note	NSS	O-Ring (Note: Use Item 100)	
18	See Note	NSS	Ring, Back-up (Note: Use Item 100)	
19	70005839	1	Setscrew M8 x 12	
20	70006981	1	Spacer	
21	70006731	1	Bolt M8 x 12	
22	1001133245	1	Valve Assembly	
22A	70003926	1	Cartridge, Valve	
22A	70004186	1	Seal Kit - 70003926 Valve	
22B	70004155	1	Cartridge, Valve	
22B	70004186	1	Seal Kit - 70004155 Valve	
22C	70003928	1	Cartridge, Valve	
22C	70003929	1	Seal Kit - 70003928 Valve	
22D	70003982	2	Seal	
22E	70003930	1	Roll Pin	
23	70005595	4	Bolt M6 x 100	
25	2220885	3	Plug 9/16	
26	70006982	8	Bolt M10 x 45	
27	2220883	1	Plug 7/16	
100	70006983	1	Seal Kit - 1001251079 Cylinder (Includes Items 4, 6-11 & 13-18)	

SECTION 7 - HYDRAULIC

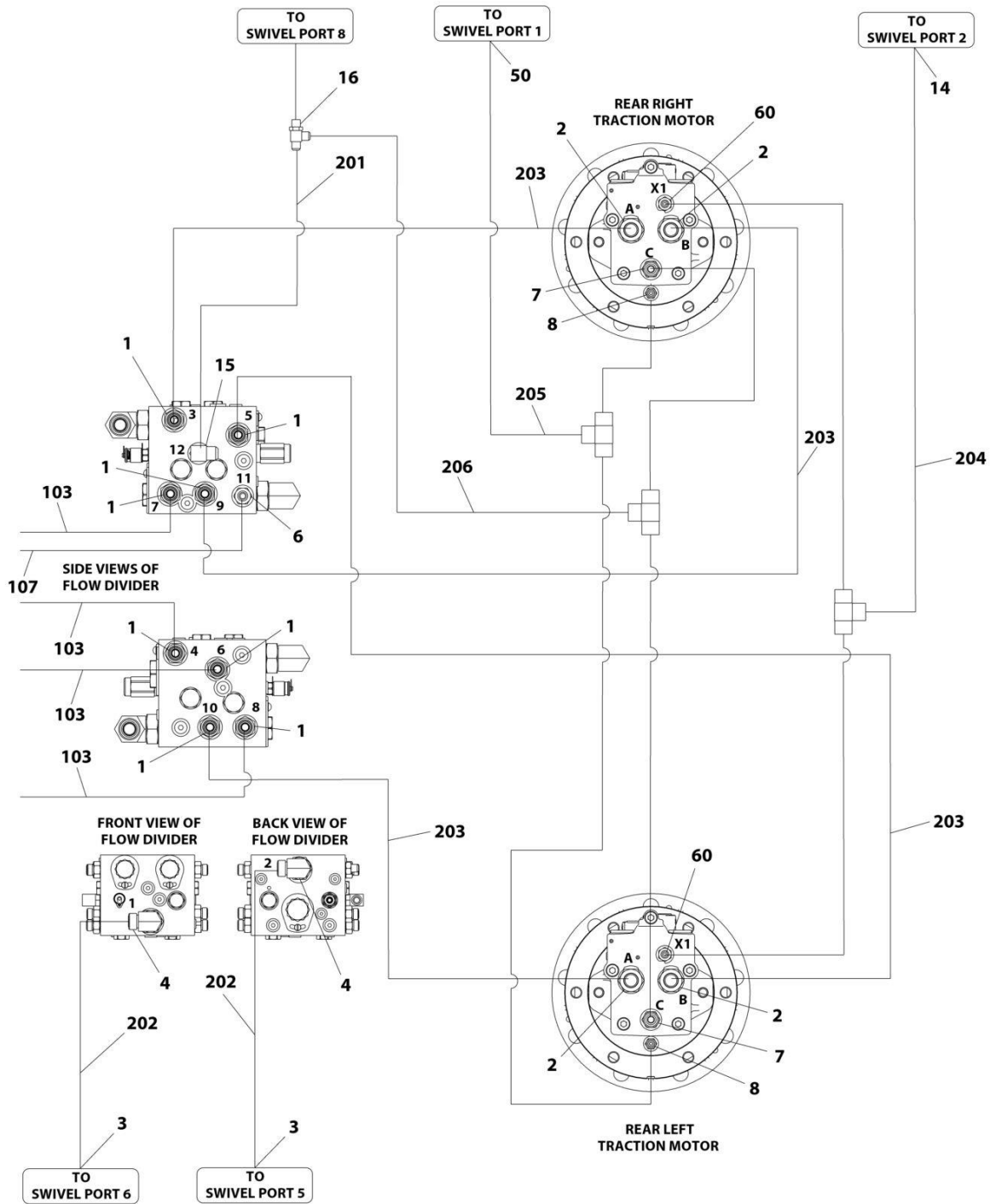
SECTION 7 - HYDRAULIC

FIGURE 7-1. DRIVE HYDRAULIC DIAGRAM (2WS WITHOUT ARCTIC PACKAGE) (600S HC3)



ART_1001188342_G_10F2

SECTION 7 - HYDRAULIC



ART_1001188342_G_2OF2

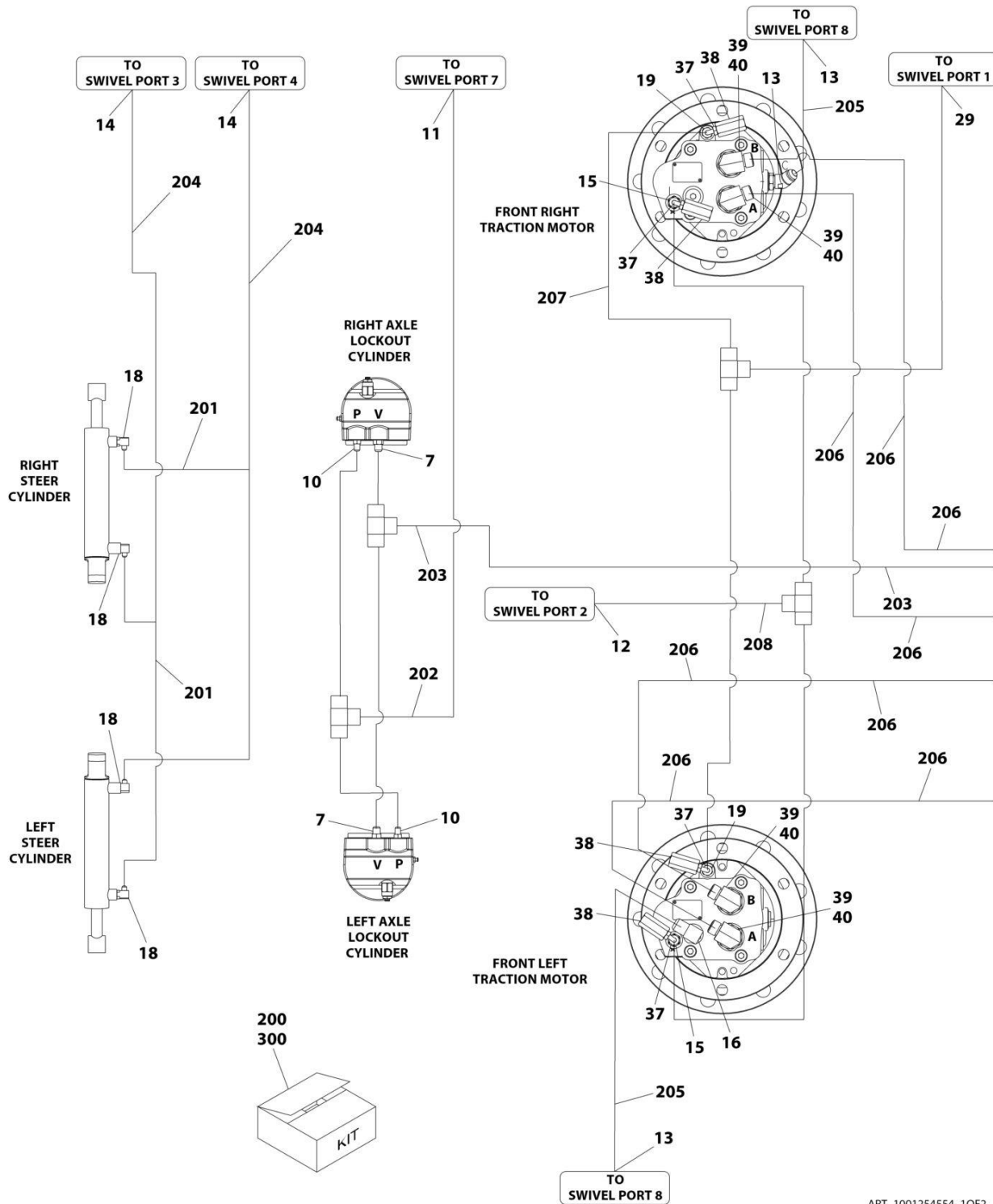
SECTION 7 - HYDRAULIC

FIGURE 7-1. DRIVE HYDRAULIC DIAGRAM (2WS WITHOUT ARCTIC PACKAGE) (600S HC3)

ITEM	PART NUMBER	QTY	DESCRIPTION	REV
	1001188342	Ref	DRIVE HYDRAULIC DIAGRAM	G
1	2110810	8	Fitting, Straight ORFS/ORB	
2	2110812	4	Fitting, Straight ORFS/ORB	
3	2111216	2	Fitting, Straight ORFS/ORB	
4	2131216	2	Fitting, 90 ORFS/ORB	
5	2150812	2	Fitting, 45 ORFS/ORB	
6	2220372	1	Fitting, Straight JIC ORB	
7	2220373	2	Fitting, Straight JIC/ORB	
8	2220415	4	Fitting, Straight JIC/ORB	
9	2220468	1	Fitting, Straight JIC/ORB	
10	2220501	2	Fitting, 45 JIC/ORB	
11	2220500	4	Fitting, 45 JIC/ORB	
12	2220502	2	Fitting, 45 JIC/ORB	
14	2220472	2	Fitting, 90 JIC/ORB	
15	2220596	1	Fitting, 90 JIC/ORB	
16	2220602	1	Fitting, Tee JIC/ORB/JIC	
18	2220628	4	Fitting, 90 JIC/ORB	
23	4240018	21	Tie-Strap (Not Shown)	
48	2220371	2	Fitting, Straight JIC/ORB	
49	2221040	2	Fitting, 45 JIC/ORB	
50	1001197045	2	Fitting, 90 JIC/ORB	
59	4240033	2	Tie-Strap (Not Shown)	
60	2220582	2	Fitting, Straight JIC/ORB	
61	2150808	2	Fitting, 45 ORFS/ORB	
62	2220811	2	Fitting, Straight FORB/ORB	
100	1001269909	1	Front Hose Kit	
101	1001187308	2	Hose	
102	1001187311	2	Hose	
103	1001187317	4	Hose	
104	1001199654	1	Hose	
105	1001199655	1	Hose	
106	1001199656	1	Hose	
107	1001199661	1	Hose	
108	1001200432	2	Hose	
200	1001269908	1	Rear Hose Kit	
201	1001187312	1	Hose	
202	1001187318	2	Hose	
203	1001188763	4	Hose	
204	1001199657	1	Hose	
205	1001199658	1	Hose	
206	1001199662	1	Hose	

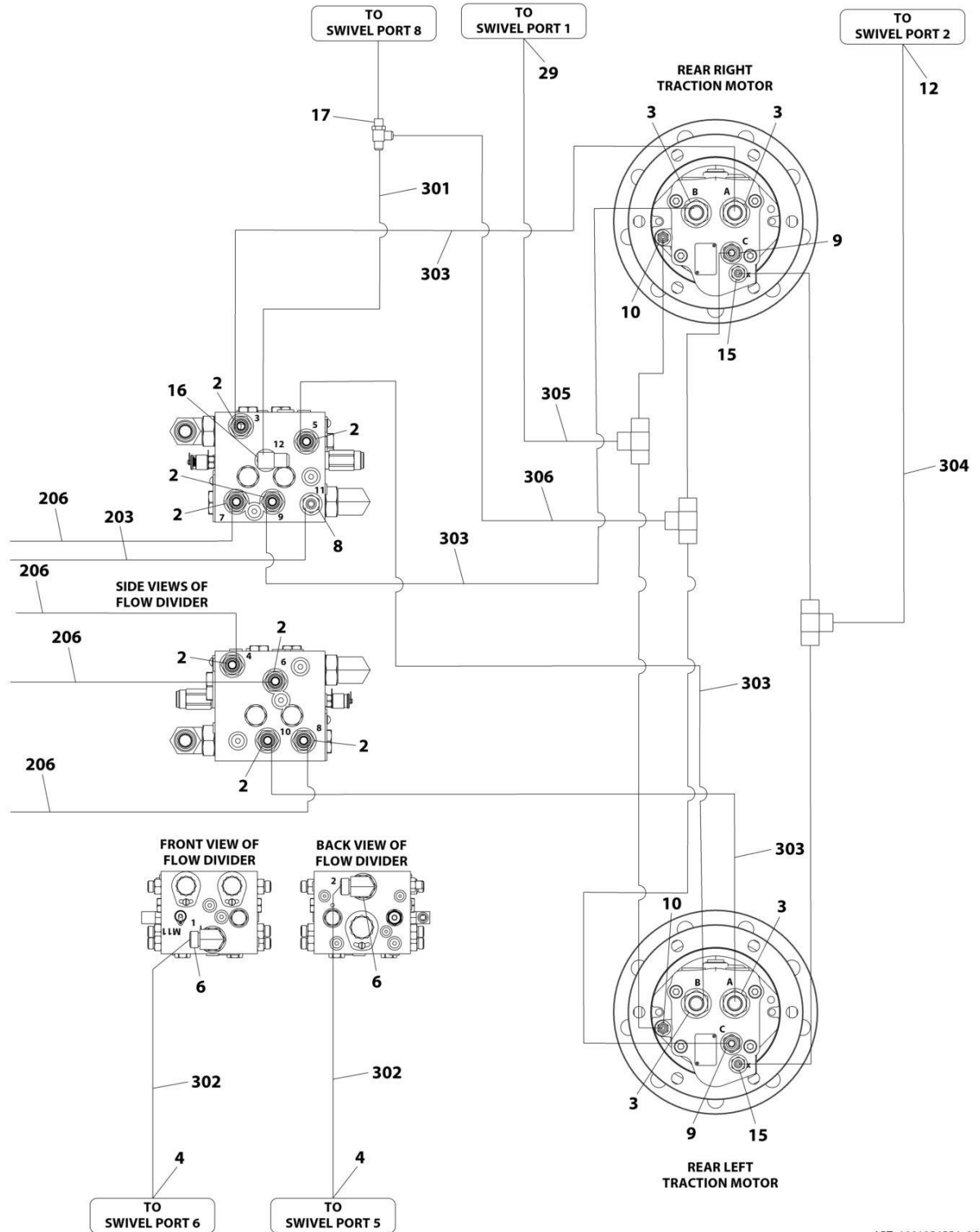
SECTION 7 - HYDRAULIC

FIGURE 7-2. DRIVE HYDRAULIC DIAGRAM (2WS WITHOUT ARCTIC PACKAGE) (660SJ HC3)



ART_1001254554_10F2

SECTION 7 - HYDRAULIC



ART_1001254554_2OF2

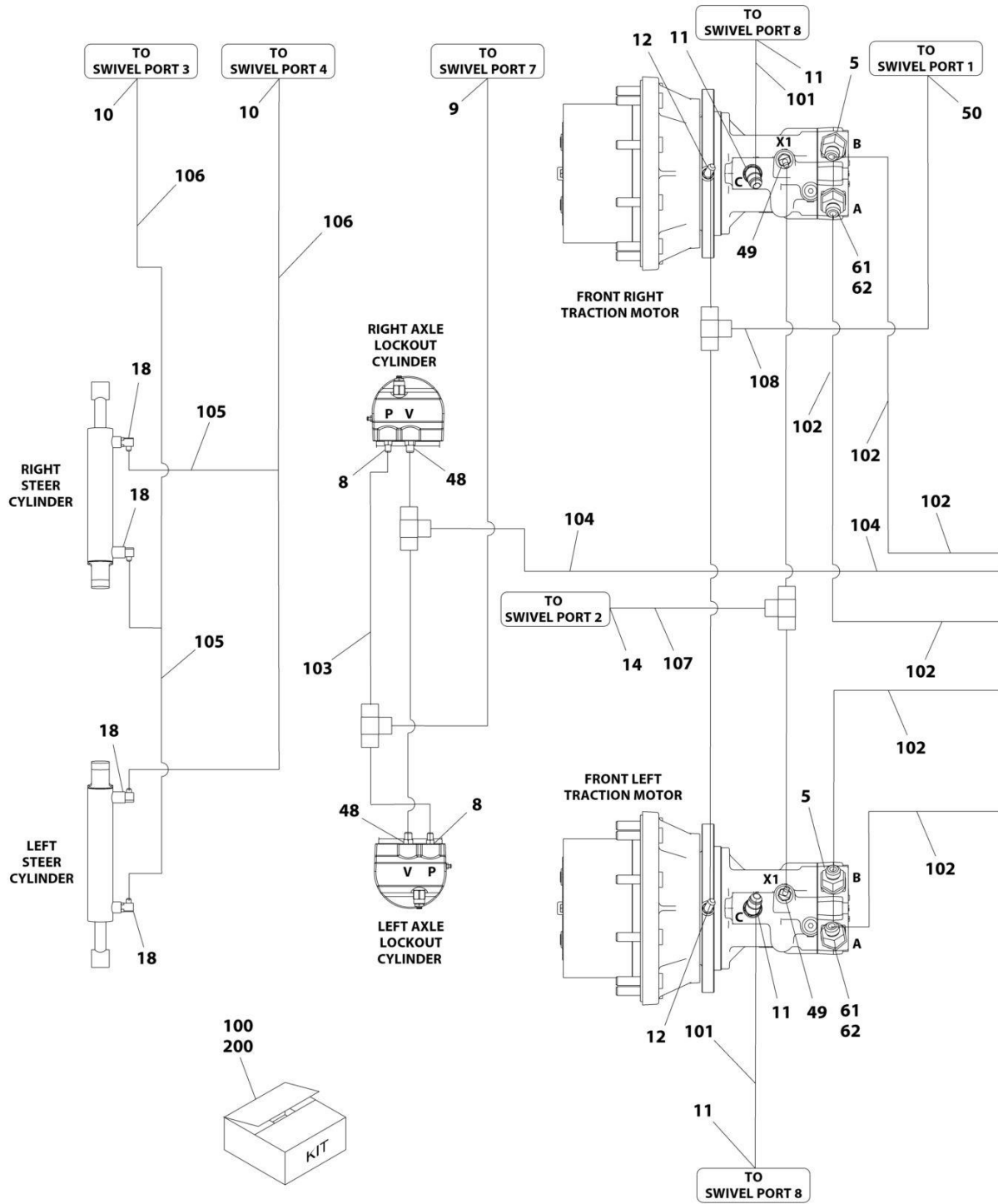
SECTION 7 - HYDRAULIC

FIGURE 7-2. DRIVE HYDRAULIC DIAGRAM (2WS WITHOUT ARCTIC PACKAGE) (660SJ HC3)

ITEM	PART NUMBER	QTY	DESCRIPTION	REV
	1001254554	Ref	DRIVE HYDRAULIC DIAGRAM	F
2	2110810	8	Fitting, Straight ORFS/ORB	
3	2110812	4	Fitting, Straight ORFS/ORB	
4	2111216	2	Fitting, Straight ORFS/ORB	
6	2131216	2	Fitting, 90 ORFS/ORB	
7	2220371	2	Fitting, Straight JIC/ORB	
8	2220372	1	Fitting, Straight JIC ORB	
9	2220373	2	Fitting, Straight JIC/ORB	
10	2220415	4	Fitting, Straight JIC/ORB	
11	2220468	1	Fitting, Straight JIC/ORB	
12	2220472	2	Fitting, 90 JIC/ORB	
13	2220500	3	Fitting, 45 JIC/ORB	
14	2220501	2	Fitting, 45 JIC/ORB	
15	2220582	4	Fitting, Straight JIC/ORB	
16	2220596	2	Fitting, 90 JIC/ORB	
17	2220602	1	Fitting, Tee JIC/ORB/JIC	
18	2220628	4	Fitting, 90 JIC/ORB	
19	2220923	2	Fitting, Straight JIC/ORB	
21	4240018	21	Tie-Strap (Not Shown)	
22	4240033	2	Tie-Strap (Not Shown)	
29	1001197045	2	Fitting, 90 JIC/ORB	
37	1001260286	4	Fitting, 90 JIC/FSJIC	
38	1001260644	4	Fitting, FQL/FJIC	
39	2220811	4	Fitting, Straight FORB/ORB	
40	2130808	4	Fitting, 90 ORFS/ORB	
200	1001269907	1	Front Hose Kit	
201	1001187308	2	Hose	
202	1001199654	1	Hose	
203	1001199661	1	Hose	
204	1001200432	2	Hose	
205	1001256429	2	Hose	
206	1001256430	4	Hose	
207	1001260077	1	Hose	
208	1001260078	1	Hose	
300	1001269908	1	Rear Hose Kit	
301	1001187312	1	Hose	
302	1001187318	2	Hose	
303	1001188763	4	Hose	
304	1001199657	1	Hose	
305	1001199658	1	Hose	
306	1001199662	1	Hose	

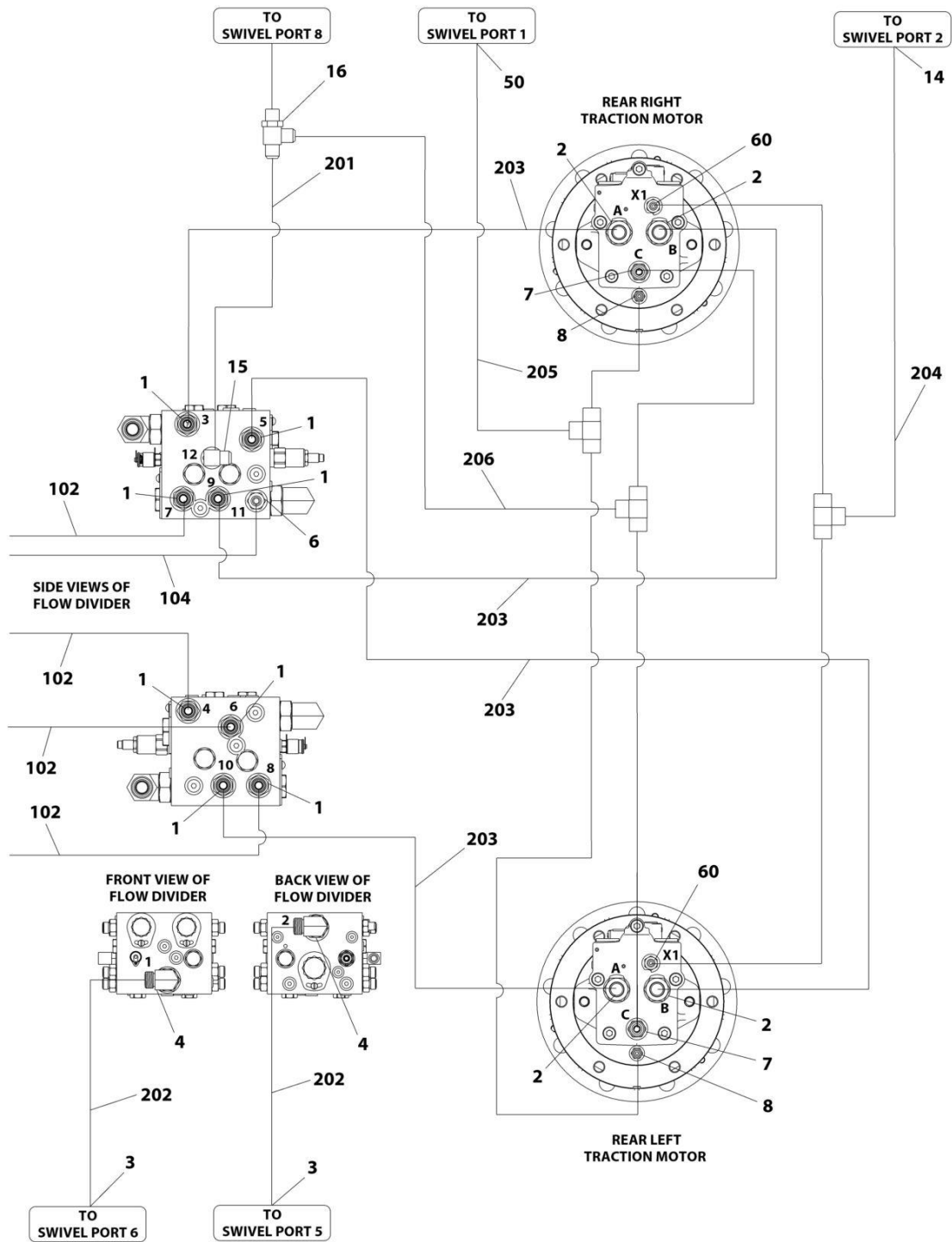
SECTION 7 - HYDRAULIC

FIGURE 7-3. DRIVE HYDRAULIC DIAGRAM (2WS WITH ARCTIC PACKAGE) (600S HC3)



ART_1001192265_F_10F2

SECTION 7 - HYDRAULIC



ART_1001192265_F_2OF2

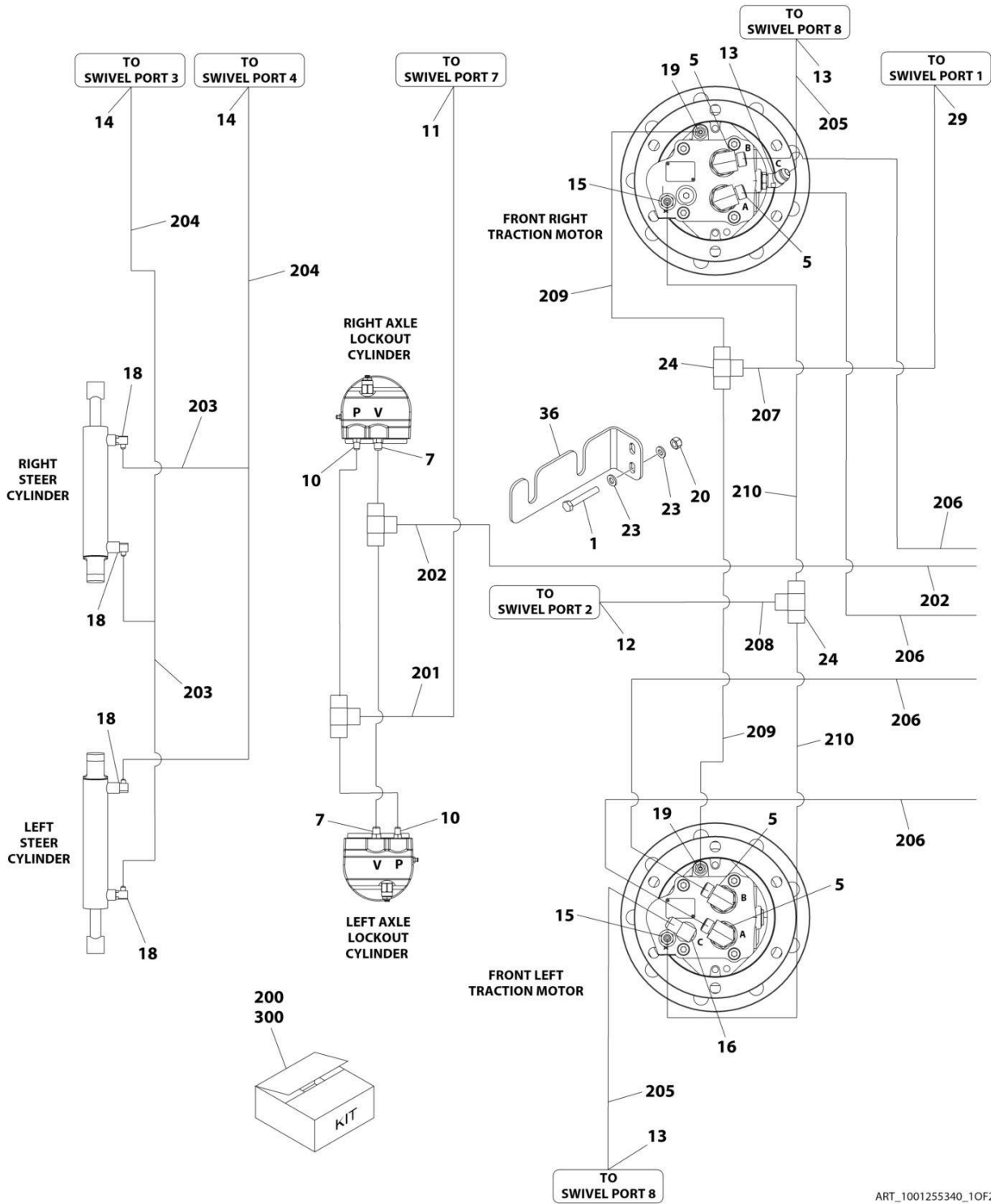
SECTION 7 - HYDRAULIC

FIGURE 7-3. DRIVE HYDRAULIC DIAGRAM (2WS WITH ARCTIC PACKAGE) (600S HC3)

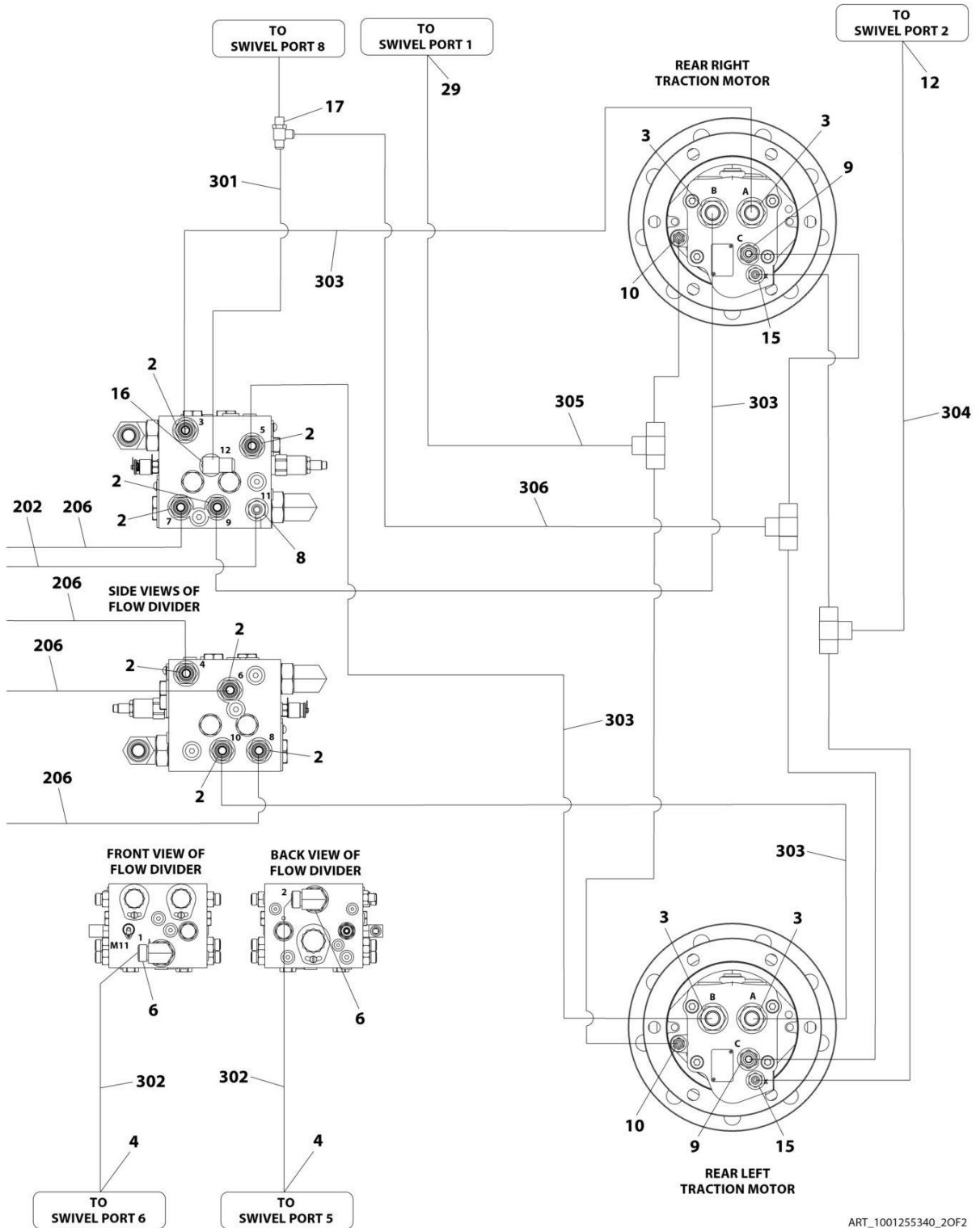
ITEM	PART NUMBER	QTY	DESCRIPTION	REV
	1001192265	Ref	DRIVE HYDRAULIC DIAGRAM	F
1	2110810	8	Fitting, Straight ORFS/ORB	
2	2110812	4	Fitting, Straight ORFS/ORB	
3	2111216	2	Fitting, Straight ORFS/ORB	
4	2131216	2	Fitting, 90 ORFS/ORB	
5	2150812	2	Fitting, 45 ORFS/ORB	
6	2220372	1	Fitting, Straight JIC/ORB	
7	2220373	2	Fitting, Straight JIC/ORB	
8	2220415	4	Fitting, Straight JIC/ORB	
9	2220468	1	Fitting, Straight JIC/ORB	
10	2220501	2	Fitting, 45 JIC/ORB	
11	2220500	4	Fitting, 45 JIC/ORB	
12	2220502	2	Fitting, 45 JIC/ORB	
14	2220472	2	Fitting, 90 JIC/ORB	
15	2220596	1	Fitting, 90 JIC/ORB	
16	2220602	1	Fitting, Tee JIC/ORB/JIC	
18	2220628	4	Fitting, 90 JIC/ORB	
23	4240018	21	Tie-Strap (Not Shown)	
48	2220371	2	Fitting, Straight JIC/ORB	
49	2221040	2	Fitting, 45 JIC/ORB	
50	1001197045	2	Fitting, 90 JIC/ORB	
59	4240033	2	Tie-Strap (Not Shown)	
60	2220582	2	Fitting, Straight JIC/ORB	
61	2150808	2	Fitting, 45 ORFS/ORB	
62	2220811	2	Fitting, Straight FORB/ORB	
100	1001269910	1	Arctic Front Hose Kit	
101	1001193610	2	Hose	
102	1001193611	4	Hose	
103	1001199654	1	Hose	
104	1001169661	1	Hose	
105	1001203853	2	Hose	
106	1001203854	2	Hose	
107	1001203859	1	Hose	
108	1001203860	1	Hose	
200	1001269908	1	Rear Hose Kit	
201	1001187312	1	Hose	
202	1001187318	2	Hose	
203	1001188763	4	Hose	
204	1001199657	1	Hose	
205	1001199658	1	Hose	
206	1001199662	1	Hose	

SECTION 7 - HYDRAULIC

FIGURE 7-4. DRIVE HYDRAULIC DIAGRAM (2WS WITH ARCTIC PACKAGE) (660SJ HC3)



SECTION 7 - HYDRAULIC



ART_1001255340_20F2

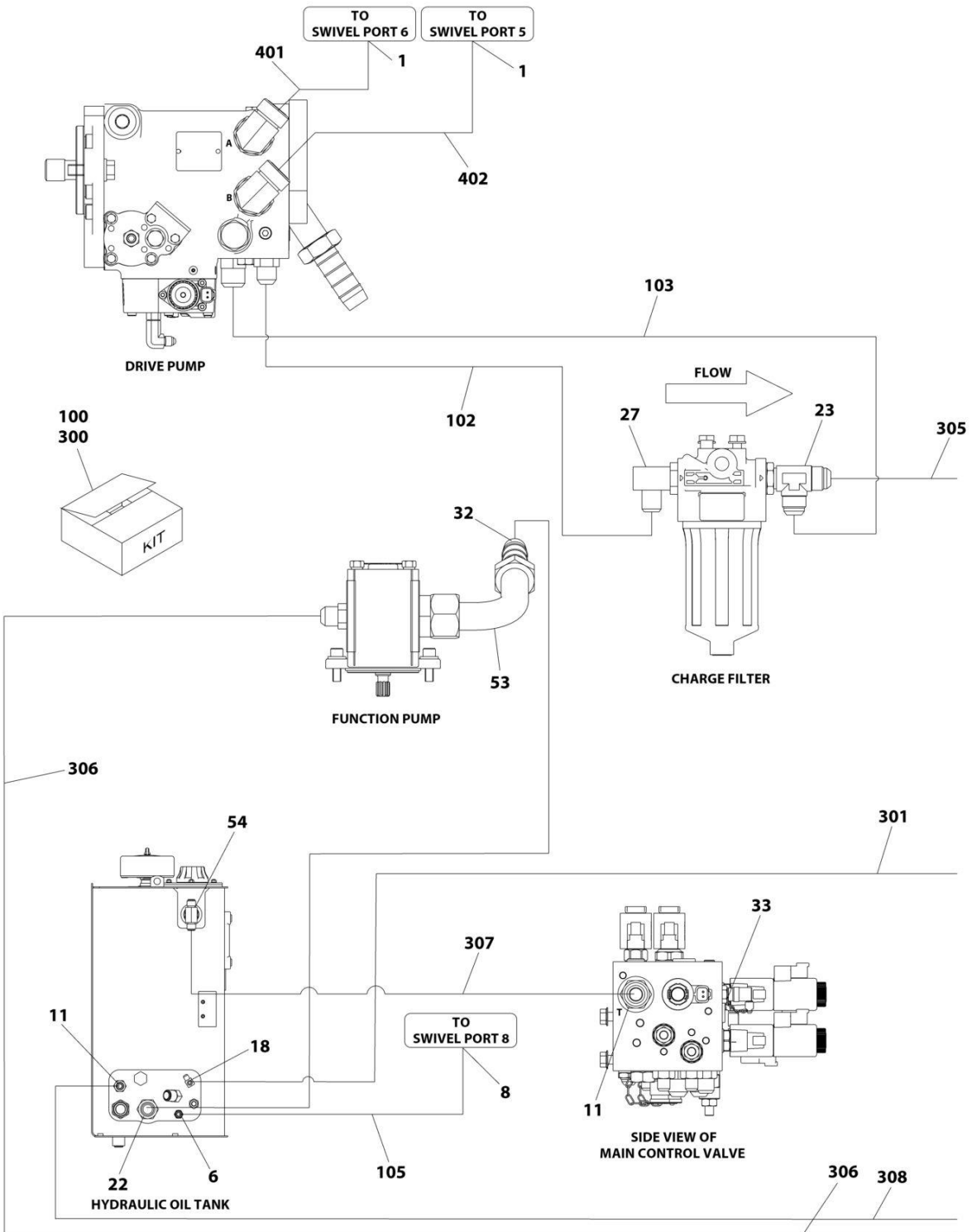
SECTION 7 - HYDRAULIC

FIGURE 7-4. DRIVE HYDRAULIC DIAGRAM (2WS WITH ARCTIC PACKAGE) (660SJ HC3)

ITEM	PART NUMBER	QTY	DESCRIPTION	REV
	1001255340	Ref	DRIVE HYDRAULIC DIAGRAM	D
1	0700616	2	Bolt M6 x 40	
2	2110810	8	Fitting, Straight ORFS/ORB	
3	2110812	4	Fitting, Straight ORFS/ORB	
4	2111216	2	Fitting, Straight ORFS/ORB	
5	2130812	4	Fitting, 90 ORFS/ORB	
6	2131216	2	Fitting, 90 ORFS/ORB	
7	2220371	2	Fitting, Straight JIC/ORB	
8	2220372	1	Fitting, Straight JIC/ORB	
9	2220373	2	Fitting, Straight JIC/ORB	
10	2220415	4	Fitting, Straight JIC/ORB	
11	2220468	1	Fitting, Straight JIC/ORB	
12	2220472	2	Fitting, 90 JIC/ORB	
13	2220500	3	Fitting, 45 JIC/ORB	
14	2220501	2	Fitting, 45 JIC/ORB	
15	2220582	4	Fitting, Straight JIC/ORB	
16	2220596	2	Fitting, 90 JIC/ORB	
17	2220602	1	Fitting, Tee JIC/ORB/JIC	
18	2220628	4	Fitting, 90 JIC/ORB	
19	2220923	2	Fitting, Straight JIC/ORB	
20	3290605	2	Nut M6	
21	4240018	21	Tie-Strap (Not Shown)	
22	4240033	2	Tie-Strap (Not Shown)	
23	4811700	4	Washer M6	
24	10728823	2	Fitting, Tee JIC/JIC/JIC	
29	1001197045	2	Fitting, 90 JIC/ORB	
36	1001256311	1	Bracket	
200	1001269912	1	Arctic Front Hose Kit	
201	1001199654	1	Hose	
202	1001169661	1	Hose	
203	1001203853	2	Hose	
204	1001203854	2	Hose	
205	1001257048	2	Hose	
206	1001257049	4	Hose	
207	1001257050	1	Hose	
208	1001257051	1	Hose	
209	1001257052	2	Hose	
210	1001257053	2	Hose	
300	1001269908	1	Rear Hose Kit	
301	1001187312	1	Hose	
302	1001187318	2	Hose	
303	1001188763	4	Hose	
304	1001199657	1	Hose	
305	1001199658	1	Hose	
306	1001199662	1	Hose	

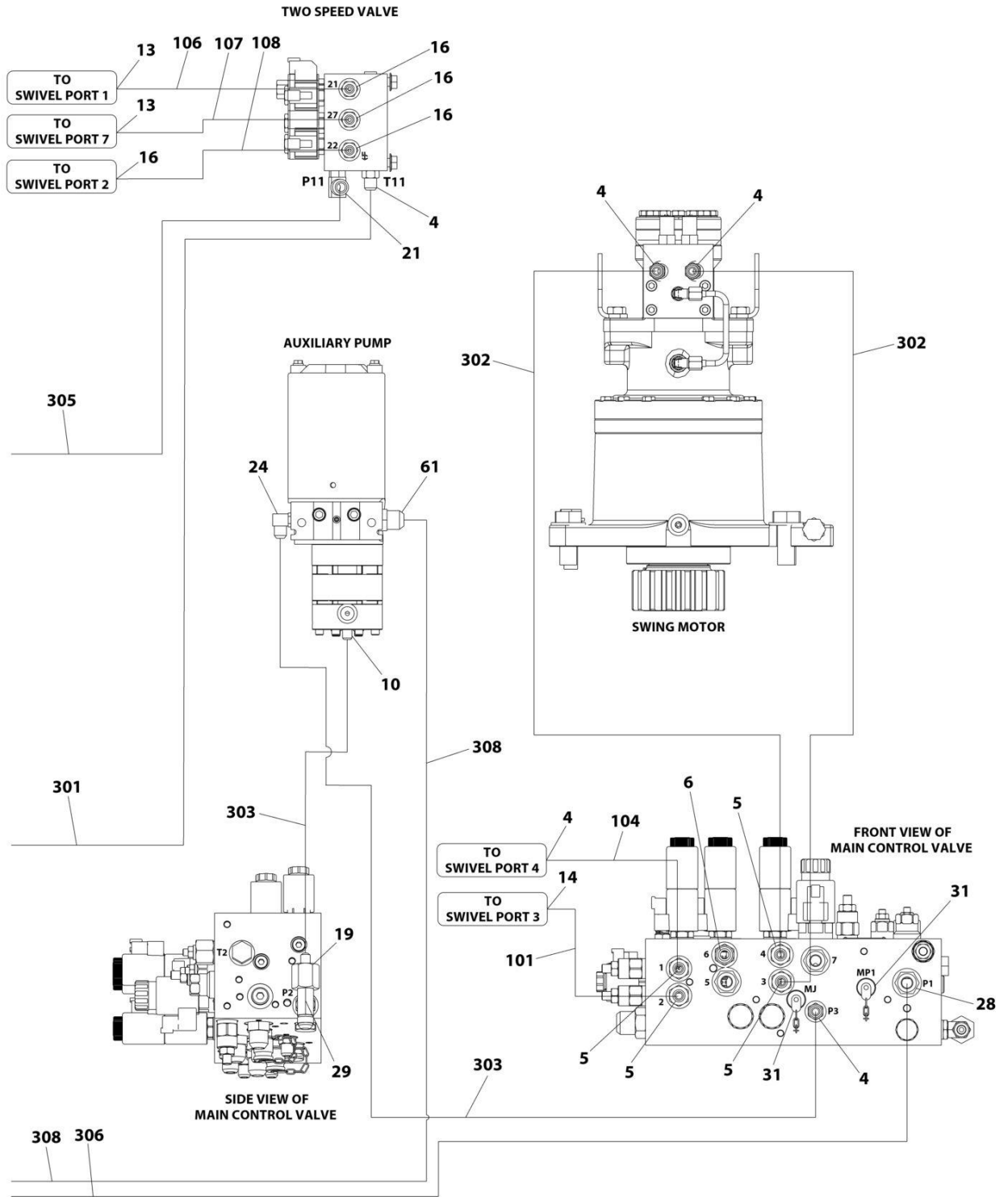
SECTION 7 - HYDRAULIC

FIGURE 7-5. STANDARD HYDRAULIC DIAGRAM (600S HC3)



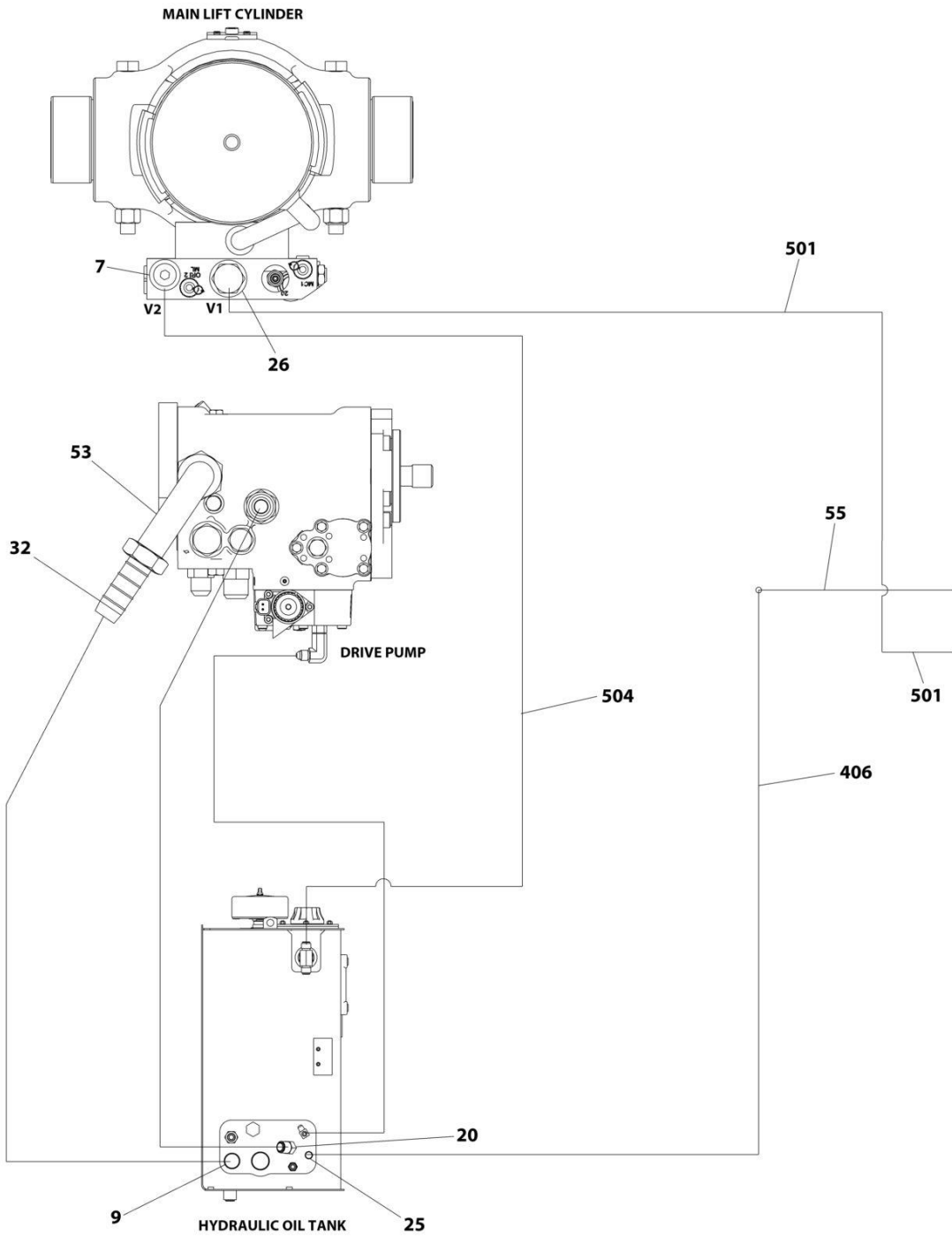
ART_1001265771_1OF4

SECTION 7 - HYDRAULIC



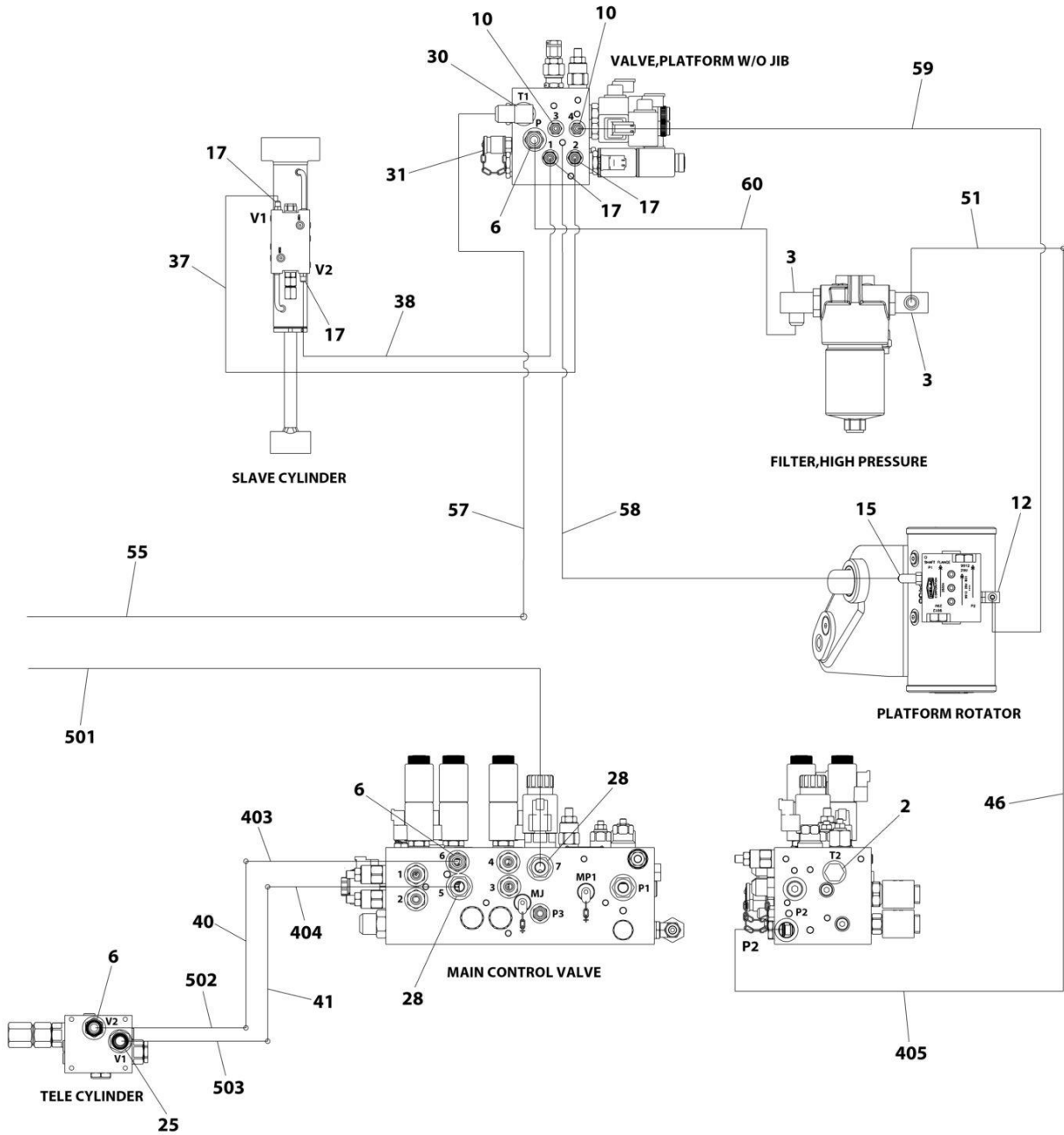
ART_1001265771_20F4

SECTION 7 - HYDRAULIC



ART_1001265771_30F4

SECTION 7 - HYDRAULIC



ART_1001265771_40F4

SECTION 7 - HYDRAULIC

FIGURE 7-5. STANDARD HYDRAULIC DIAGRAM (600S HC3)

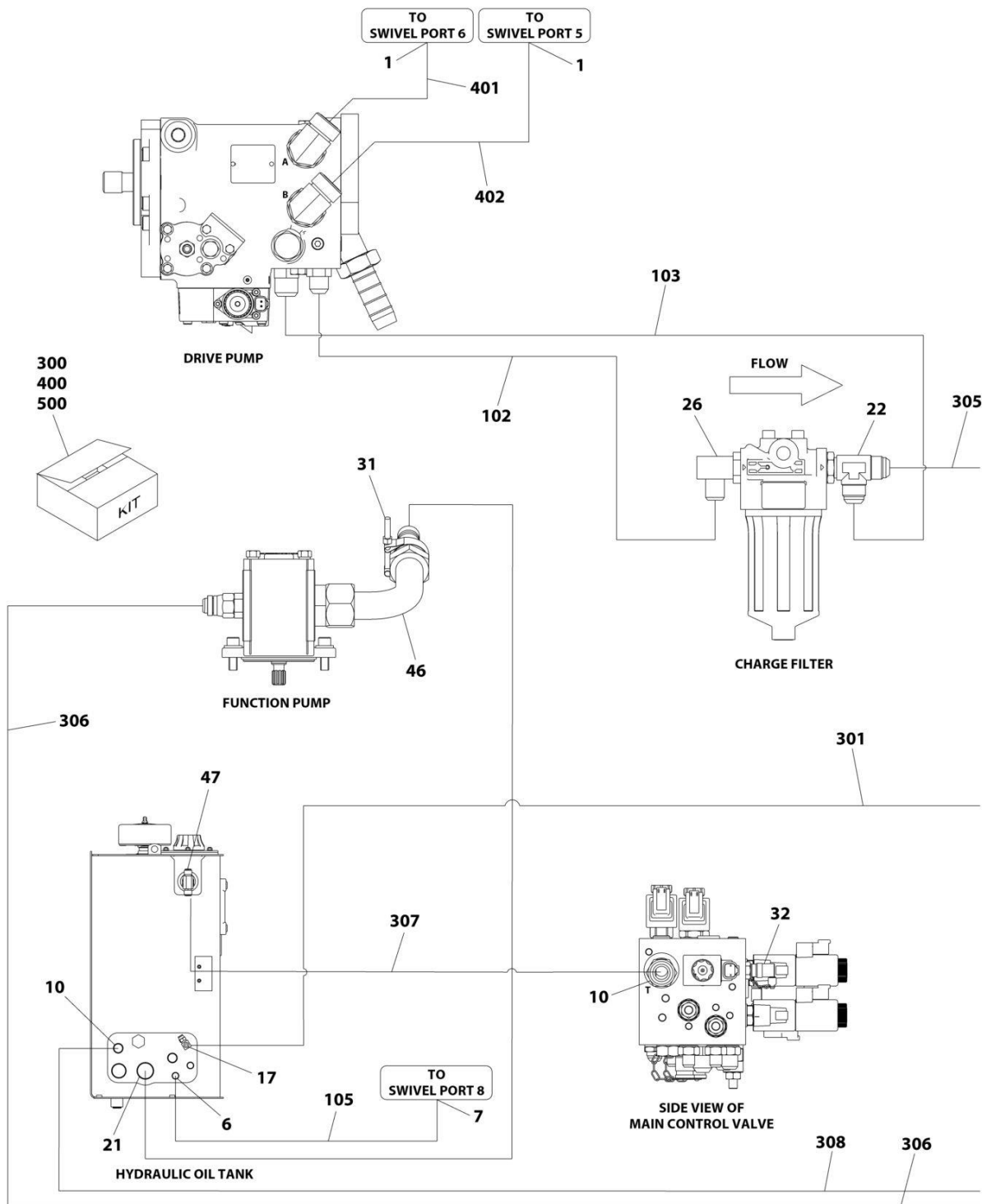
ITEM	PART NUMBER	QTY	DESCRIPTION	REV
	1001265771	Ref	STANDARD HYDRAULIC DIAGRAM	C
1	2111616	2	Fitting, Straight ORFS/ORB	
2	2220238	1	Plug	
3	2220366	2	Fitting, 90 JIC/ORB	
4	2220371	5	Fitting, Straight JIC/ORB	
5	2220372	4	Fitting, Straight JIC/ORB	
6	2220373	4	Fitting, Straight JIC/ORB	
7	2220374	1	Fitting, Straight JIC/ORB	
8	2220375	1	Fitting, Straight JIC/ORB	
9	2220380	1	Fitting, Straight JIC/ORB	
10	2220415	3	Fitting, Straight JIC/ORB	
11	2220451	2	Fitting, Straight JIC/ORB	
12	2220466	1	Fitting, 90 JIC/ORB	
13	2220468	2	Fitting, Straight JIC/ORB	
14	2220473	1	Fitting, 90 JIC/ORB	
15	2220502	1	Fitting, 45 JIC/ORB	
16	2220582	4	Fitting, Straight JIC/ORB	
17	2220603	4	Fitting, Straight JIC/ORB	
18	2220606	1	Fitting, Tee JIC/ORB/JIC	
19	2220618	1	Fitting, Straight JIC/FSJIC	
20	2220637	1	Fitting, 45 JIC/ORB	
21	2220726	1	Fitting, 90 JIC/ORB	
22	2220733	1	Fitting, Straight JIC/ORB	
23	2220738	1	Fitting, Tee JIC/ORB/JIC	
24	2220775	1	Fitting, 90 JIC/ORB	
25	2220852	2	Fitting, Straight JIC/ORB	
26	2220865	1	Fitting, Straight JIC/ORB	
27	2220906	1	Fitting, 90 JIC/ORB	
28	2220947	3	Fitting, Straight JIC/ORB	
29	2220999	1	Fitting, Tee JIC/ORB/JIC	
30	2221042	1	Fitting, 90 JIC/ORB	
31	2221086	3	Fitting, Test	
32	80633030	2	Clamp	
33	1001119455	1	Valve, Oil Sampling	
37	1001192684	1	Hose	
38	1001192685	1	Hose	
40	1001192693	1	Pipe	
41	1001192694	1	Pipe	
46	1001201255	1	Pipe	
51	1001204389	1	Hose	
53	1001205824	2	Fitting, 90 Barb	
54	1001214408	1	Fitting, Tee JIC/ORB/JIC	
55	1001220903	1	Pipe	
57	1001220941	1	Hose	
58	1001259019	1	Hose	
59	1001259020	1	Hose	
60	1001260486	1	Hose	
61	2220408	1	Fitting, Straight JIC/ORB	
100	1001250981	1	Engine Side Hose Kit	
101	1001247876	1	Hose	

SECTION 7 - HYDRAULIC

ITEM	PART NUMBER	QTY	DESCRIPTION	REV
102	1001247871	1	Hose	
103	1001247872	1	Hose	
104	1001247877	1	Hose	
105	1001247881	1	Hose	
106	1001247878	1	Hose	
107	1001247879	1	Hose	
108	1001247994	1	Hose	
300	1001274127	1	Tank Side Hose Kit	
301	1001247865	1	Hose	
302	1001247866	2	Hose	
303	1001247868	1	Hose	
304	1001247869	1	Hose	
305	1001247873	1	Hose	
306	1001247875	1	Hose	
307	1001247882	1	Hose	
308	1001274114	1	Hose	
400	1001269913	1	Hose Kit - Turntable (Not Shown)	
401	1001192661	1	Hose	
402	1001192663	1	Hose	
403	1001192695	1	Hose	
404	1001192698	1	Hose	
405	1001203424	1	Hose	
406	1001220912	1	Hose	
500	1001269914	1	Hose Kit - Boom (Not Shown)	
501	1001192641	1	Hose	
502	1001192696	1	Hose	
503	1001192699	1	Hose	
504	1001204645	1	Hose	

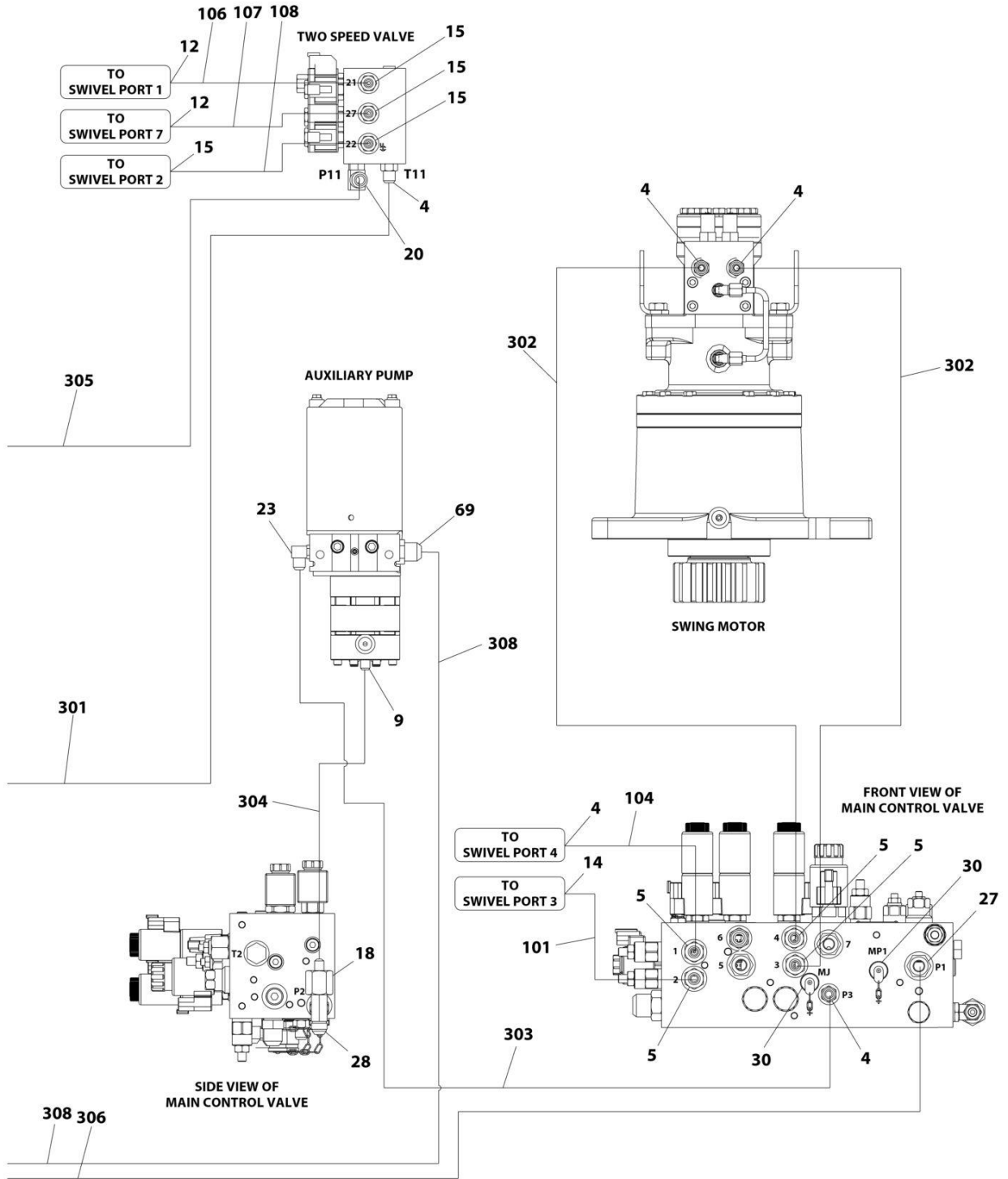
SECTION 7 - HYDRAULIC

FIGURE 7-6. STANDARD HYDRAULIC DIAGRAM (MACHINES WITH SN STARTING WITH 03) (660SJ HC3)



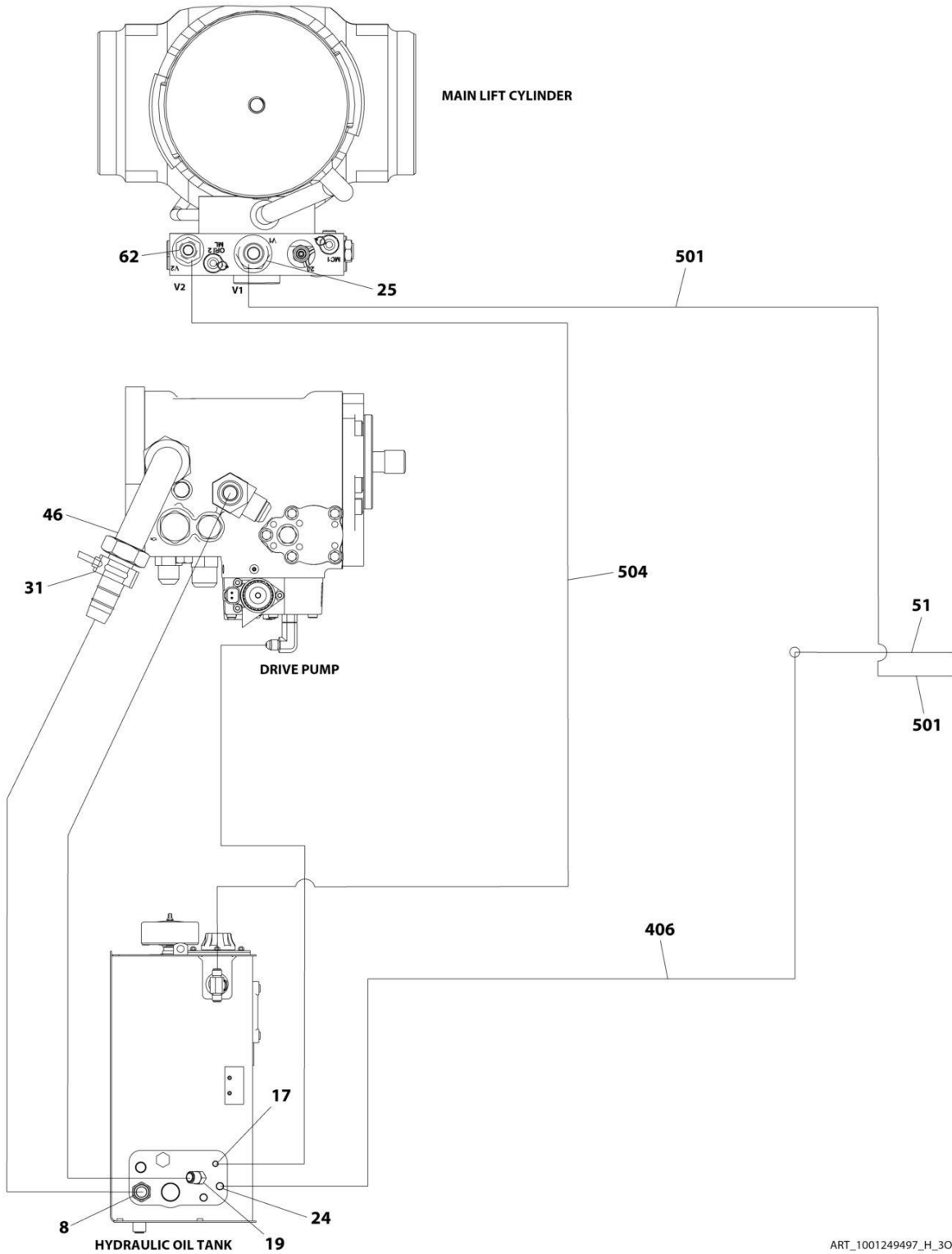
ART_1001249497_H_10F4

SECTION 7 - HYDRAULIC



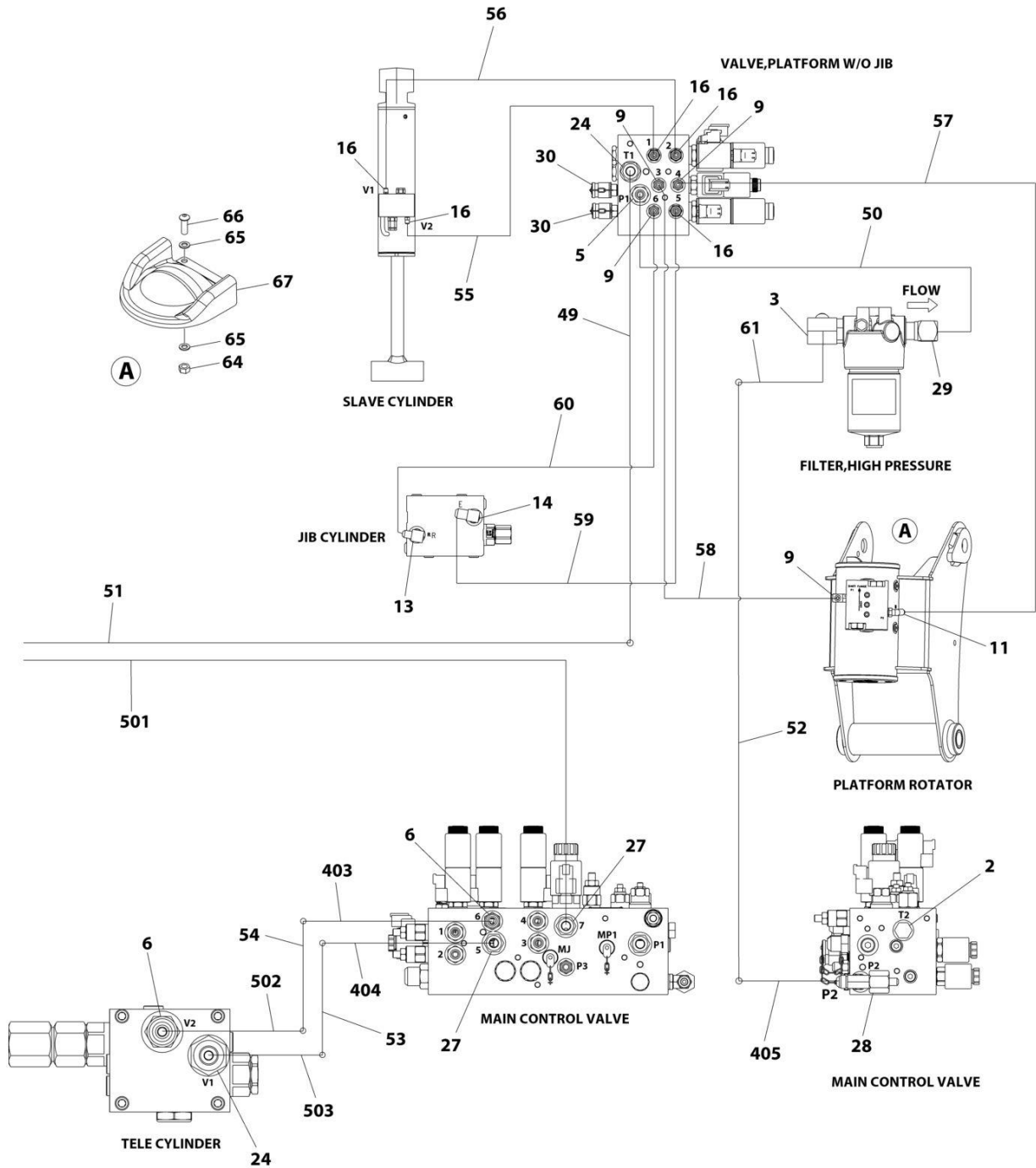
ART_1001249497_H_20F4

SECTION 7 - HYDRAULIC



ART_1001249497_H_3OF4

SECTION 7 - HYDRAULIC



ART_1001249497_H_40F4

SECTION 7 - HYDRAULIC

FIGURE 7-6. STANDARD HYDRAULIC DIAGRAM (MACHINES WITH SN STARTING WITH 03) (660SJ HC3)

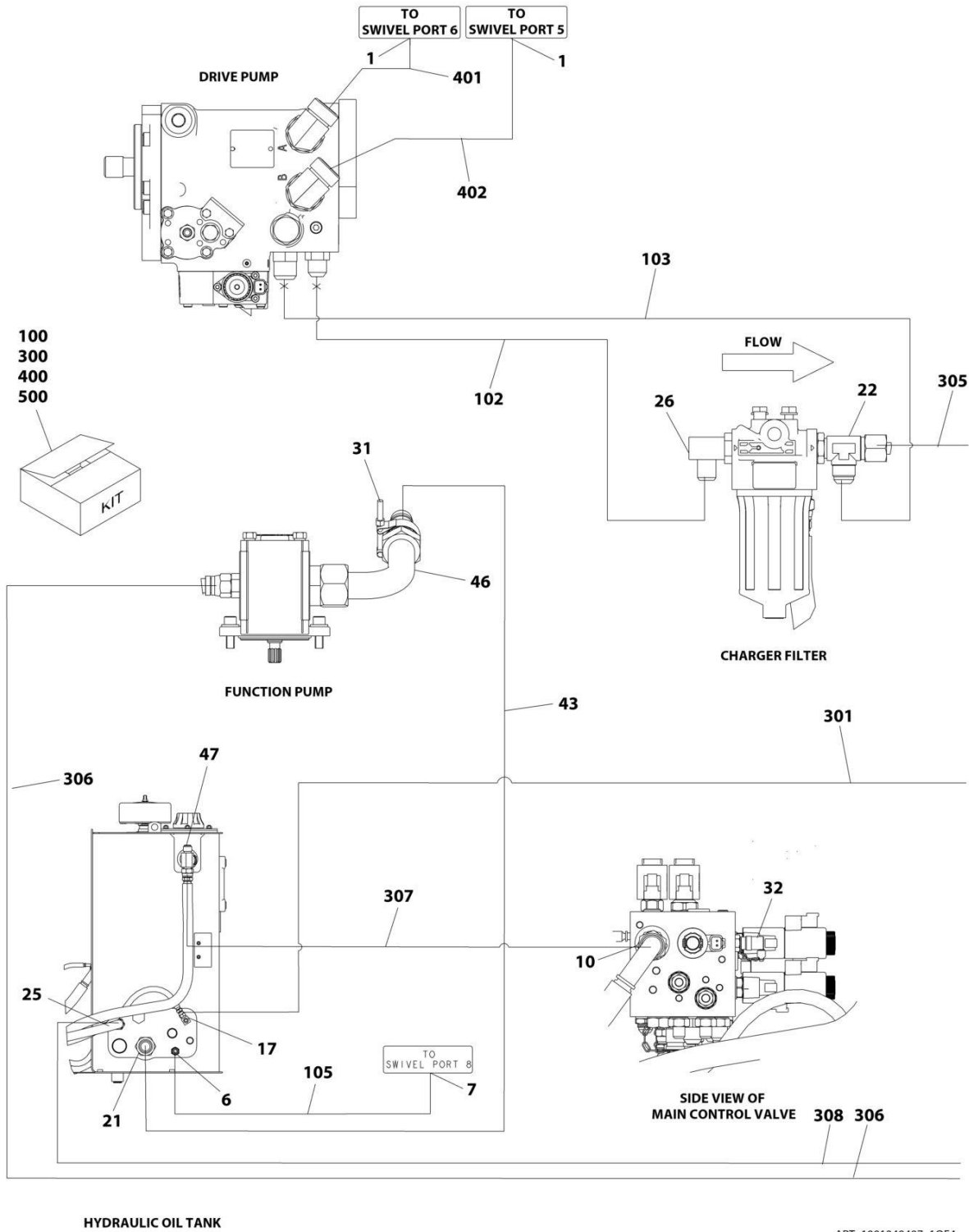
ITEM	PART NUMBER	QTY	DESCRIPTION	REV
	1001249497	Ref	STANDARD HYDRAULIC DIAGRAM	H
1	2111616	2	Fitting, Straight ORFS/ORB	
2	2220238	1	Plug	
3	2220366	1	Fitting, 90 JIC/ORB	
4	2220371	5	Fitting, Straight JIC/ORB	
5	2220372	5	Fitting, Straight JIC/ORB	
6	2220373	3	Fitting, Straight JIC/ORB	
7	2220375	1	Fitting, Straight JIC/ORB	
8	2220380	1	Fitting, Straight JIC/ORB	
9	2220415	5	Fitting, Straight JIC/ORB	
10	2220451	2	Fitting, Straight JIC/ORB	
11	2220466	1	Fitting, 90 JIC/ORB	
12	2220468	2	Fitting, Straight JIC/ORB	
13	2220472	1	Fitting, 90 JIC/ORB	
14	2220473	2	Fitting, 90 JIC/ORB	
15	2220582	4	Fitting, Straight JIC/ORB	
16	2220603	5	Fitting, Straight JIC/ORB	
17	2220606	1	Fitting, Tee JIC/ORB/JIC	
18	2220618	1	Fitting, Straight JIC/FSJIC	
19	2220637	1	Fitting, 45 JIC/ORB	
20	2220726	1	Fitting, 90 JIC/ORB	
21	2220733	1	Fitting, Straight JIC/ORB	
22	2220738	1	Fitting, Tee JIC/ORB/JIC	
23	2220775	1	Fitting, 90 JIC/ORB	
24	2220852	3	Fitting, Straight JIC/ORB	
25	2220865	1	Fitting, Straight JIC/ORB	
26	2220906	1	Fitting, 90 JIC/ORB	
27	2220947	3	Fitting, Straight JIC/ORB	
28	2220999	1	Fitting, Tee JIC/ORB/JIC	
29	2221048	1	Fitting, 90 JIC/ORB	
30	2221086	4	Fitting, Test	
31	80633030	2	Clamp	
32	1001119455	1	Valve, Oil Sampling	
46	1001205824	2	Fitting, 90 Barb	
47	1001214408	1	Fitting, Tee JIC/ORB/JIC	
49	1001221016	1	Hose	
50	1001222522	1	Hose	
51	1001249492	1	Pipe	
52	1001249493	1	Pipe	
53	1001249494	1	Pipe	
54	1001249495	1	Pipe	
55	1001193927	1	Hose	
56	1001193928	1	Hose	
57	1001193929	1	Hose	
58	1001193930	1	Hose	
59	1001269096	1	Hose	
60	1001269097	1	Hose	
61	1001203426	1	Hose	
62	2220374	1	Fitting, Straight JIC/ORB	

SECTION 7 - HYDRAULIC

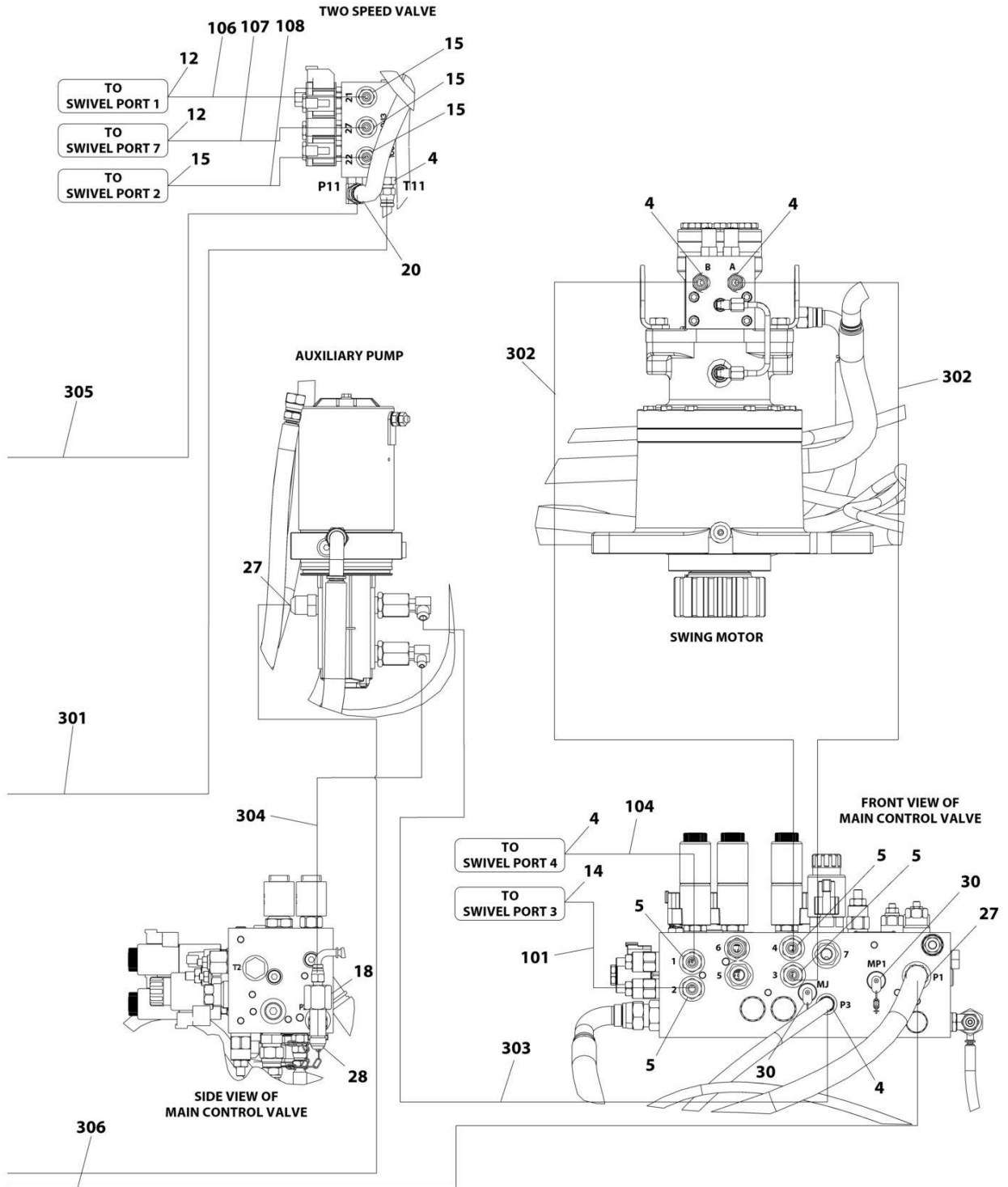
ITEM	PART NUMBER	QTY	DESCRIPTION	REV
63	4240156	2	Strap (Not Shown)	
64	3311505	2	Nut 5/16	
65	4711500	4	Washer 5/16	
66	88261024	2	Bolt 5/16 x 1	
67	1001207969	1	Cover	
68	1001136358	1	Sleeve (Not Shown)	
69	2220408	1	Fitting, Straight JIC/ORB	
100	1001250981	1	Engine Side Hose Kit	
101	1001247876	1	Hose	
102	1001247871	1	Hose	
103	1001247872	1	Hose	
104	1001247877	1	Hose	
105	1001247881	1	Hose	
106	1001247878	1	Hose	
107	1001247879	1	Hose	
108	1001247994	1	Hose	
300	1001274127	1	Tank Side Hose Kit	
301	1001247865	1	Hose	
302	1001247866	2	Hose	
303	1001247868	1	Hose	
304	1001247869	1	Hose	
305	1001247873	1	Hose	
306	1001247875	1	Hose	
307	1001247882	1	Hose	
308	1001274114	1	Hose	
400	1001269913	1	Turntable Hose Kit	
401	1001192661	1	Hose	
402	1001192663	1	Hose	
403	1001192695	1	Hose	
404	1001192698	1	Hose	
405	1001203424	1	Hose	
406	1001220912	1	Hose	
500	1001269914	1	Boom Hose Kit	
501	1001192641	1	Hose	
502	1001192696	1	Hose	
503	1001192699	1	Hose	
504	1001204645	1	Hose	

SECTION 7 - HYDRAULIC

FIGURE 7-7. STANDARD HYDRAULIC DIAGRAM (MACHINES WITH SN STARTING WITH B3) (660SJ HC3)

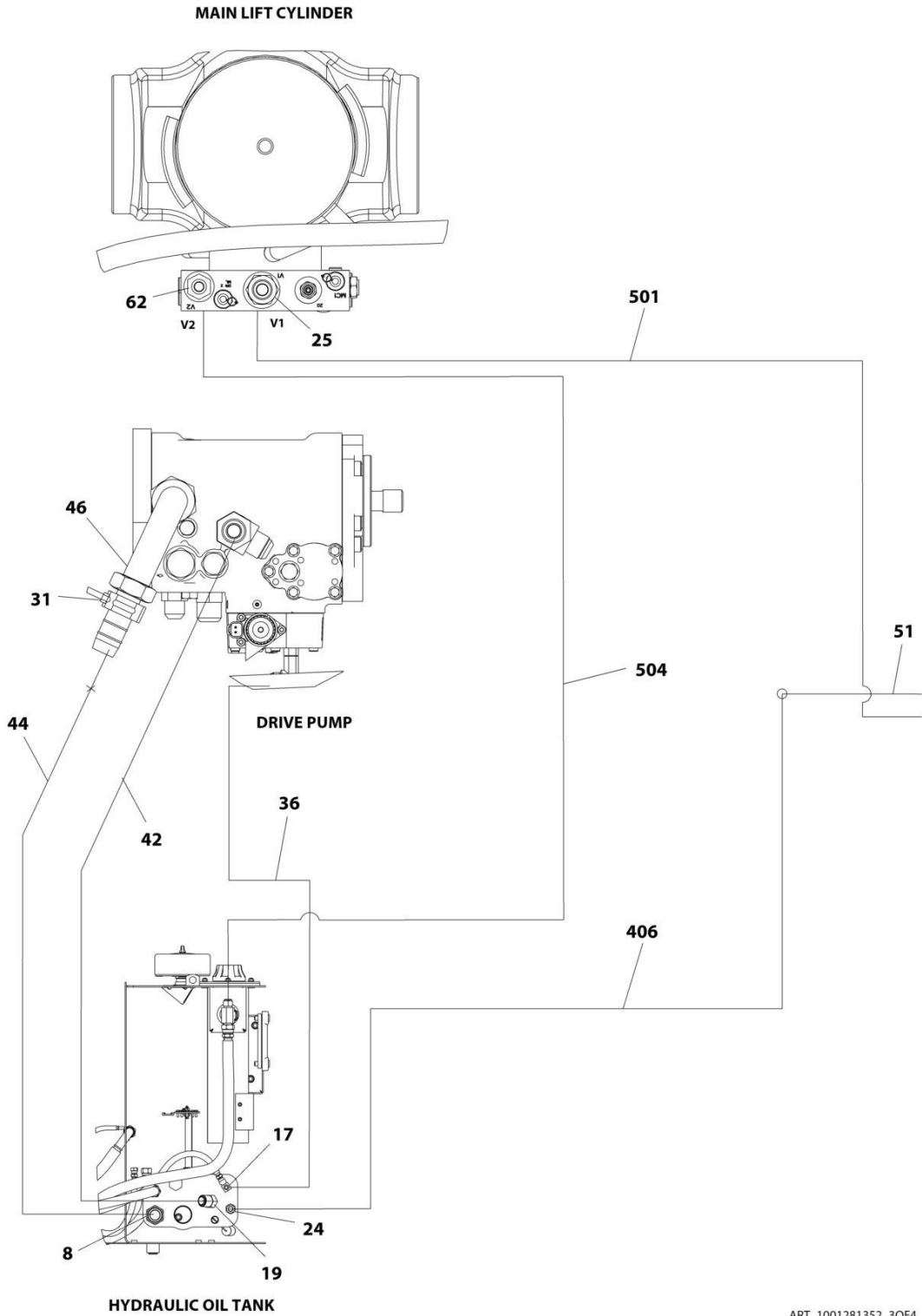


SECTION 7 - HYDRAULIC



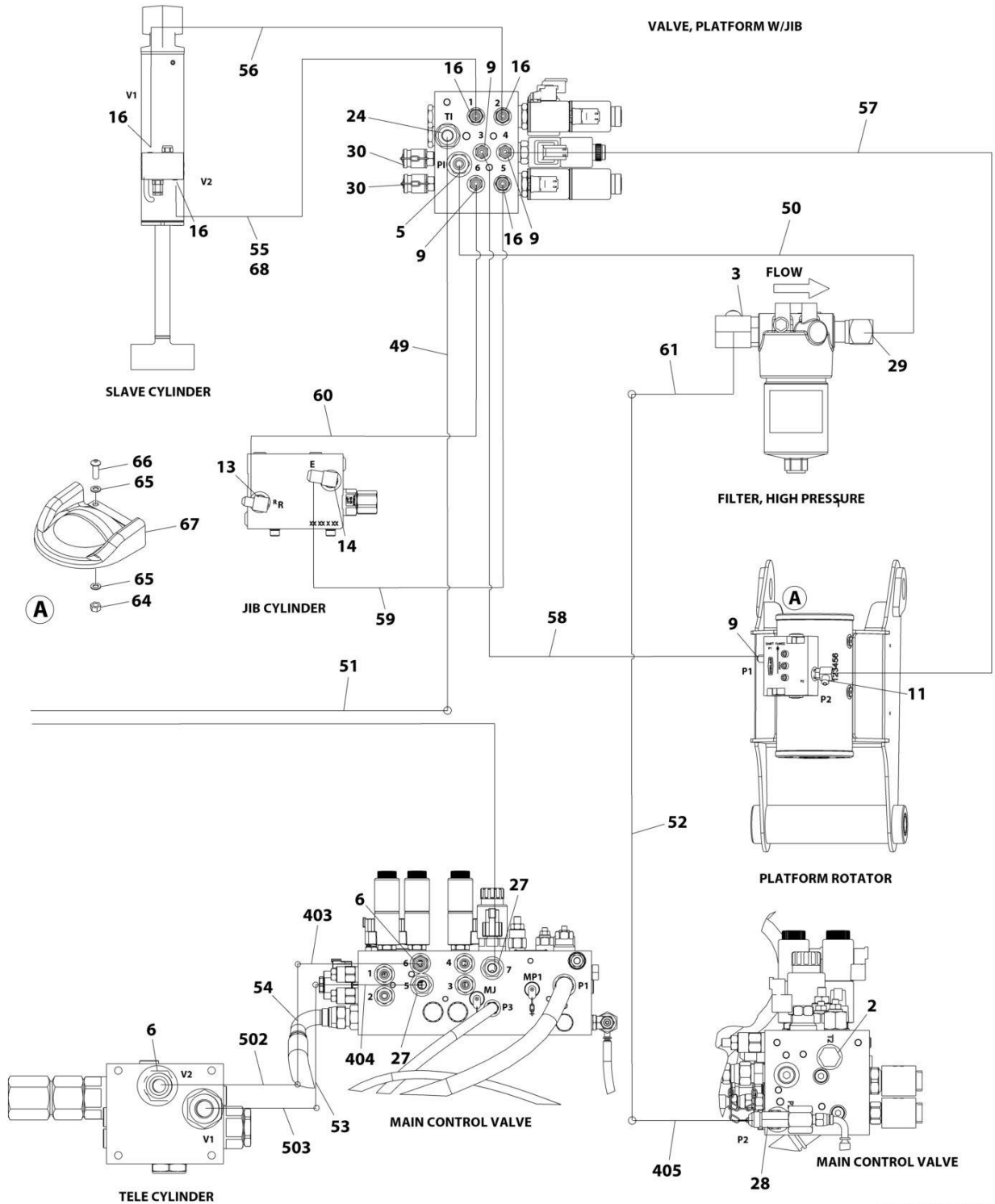
ART_1001281352_20F4

SECTION 7 - HYDRAULIC



ART_1001281352_30F4

SECTION 7 - HYDRAULIC



ART_1001281352_4OF4

SECTION 7 - HYDRAULIC

FIGURE 7-7. STANDARD HYDRAULIC DIAGRAM (MACHINES WITH SN STARTING WITH B3) (660SJ HC3)

ITEM	PART NUMBER	QTY	DESCRIPTION	REV
	1001281352	Ref	STANDARD HYDRAULIC DIAGRAM	B
1	2111616	2	Fitting, Straight ORFS/ORB	
2	2220238	1	Plug	
3	2220366	1	Fitting, 90 JIC/ORB	
4	2220371	5	Fitting, Straight JIC/ORB	
5	2220372	5	Fitting, Straight JIC/ORB	
6	2220373	3	Fitting, Straight JIC/ORB	
7	2220375	1	Fitting, Straight JIC/ORB	
8	2220380	1	Fitting, Straight JIC/ORB	
9	2220415	4	Fitting, Straight JIC/ORB	
10	2220451	1	Fitting, Straight JIC/ORB	
11	2220466	1	Fitting, 90 JIC/ORB	
12	2220468	2	Fitting, Straight JIC/ORB	
13	2220472	1	Fitting, 90 JIC/ORB	
14	2220473	2	Fitting, 90 JIC/ORB	
15	2220582	4	Fitting, Straight JIC/ORB	
16	2220603	5	Fitting, Straight JIC/ORB	
17	2220606	1	Fitting, Tee JIC/ORB/JIC	
18	2220618	1	Fitting, Straight JIC/FSJIC	
19	2220637	1	Fitting, 45 JIC/ORB	
20	2220726	1	Fitting, 90 JIC/ORB	
21	2220733	1	Fitting, Straight JIC/ORB	
22	2220738	1	Fitting, Tee JIC/ORB/JIC	
24	2220852	3	Fitting, Straight JIC/ORB	
25	2220865	2	Fitting, Straight JIC/ORB	
26	2220906	1	Fitting, 90 JIC/ORB	
27	2220947	4	Fitting, Straight JIC/ORB	
28	2220999	1	Fitting, Tee JIC/ORB/JIC	
29	2221048	1	Fitting, 90 JIC/ORB	
30	2221086	4	Fitting, Test	
31	80633030	2	Clamp	
32	1001119455	1	Valve, Oil Sampling	
36	1001192690	1	Hose	
42	1001203431	1	Hose	
43	1001258157	1	Hose	
44	1001258156	1	Hose	
46	1001205824	2	Fitting, 90 Barb	
47	1001214408	1	Fitting, Tee JIC/ORB/JIC	
49	1001221016	1	Hose	
50	1001222522	1	Hose	
51	1001249492	1	Pipe	
52	1001249493	1	Pipe	
53	1001249494	1	Pipe	
54	1001249495	1	Pipe	
55	1001193927	1	Hose	
56	1001193928	1	Hose	
57	1001193929	1	Hose	
58	1001193930	1	Hose	
59	1001269096	1	Hose	

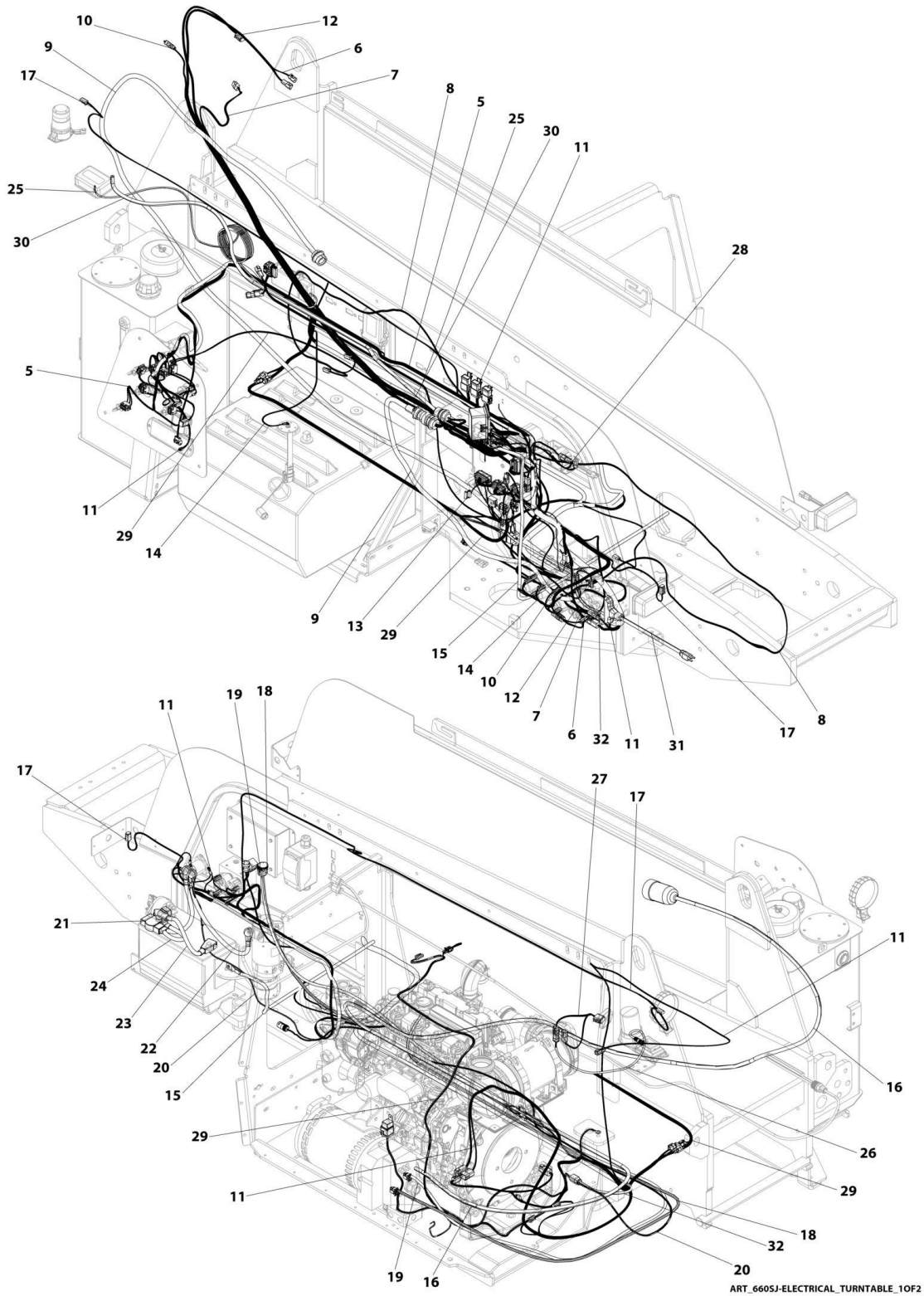
SECTION 7 - HYDRAULIC

ITEM	PART NUMBER	QTY	DESCRIPTION	REV
60	1001269097	1	Hose	
61	1001203426	1	Hose	
62	2220374	1	Fitting, Straight JIC/ORB	
63	4240156	2	Strap (Not Shown)	
64	3311505	2	Nut 5/16	
65	4711500	4	Washer 5/16	
66	88261024	2	Bolt 5/16 x 1	
67	1001207969	1	Cover	
68	1001136358	1	Sleeve (Not Shown)	
100	1001250981	1	Engine Side Hose Kit	
101	1001247876	1	Hose	
102	1001247871	1	Hose	
103	1001247872	1	Hose	
104	1001247877	1	Hose	
105	1001247881	1	Hose	
106	1001247878	1	Hose	
107	1001247879	1	Hose	
108	1001247994	1	Hose	
300	1001250982	1	Tank Side Hose Kit	
301	1001247865	1	Hose	
302	1001247866	2	Hose	
303	1001247868	1	Hose	
304	1001247869	1	Hose	
305	1001247873	1	Hose	
306	1001247875	1	Hose	
307	1001247882	1	Hose	
308	1001247867	1	Hose	
400	1001269913	1	Turntable Hose Kit	
401	1001192661	1	Hose	
402	1001192663	1	Hose	
403	1001192695	1	Hose	
404	1001192698	1	Hose	
405	1001203424	1	Hose	
406	1001220912	1	Hose	
500	1001269914	1	Boom Hose Kit	
501	1001192641	1	Hose	
502	1001192696	1	Hose	
503	1001192699	1	Hose	
504	1001204645	1	Hose	

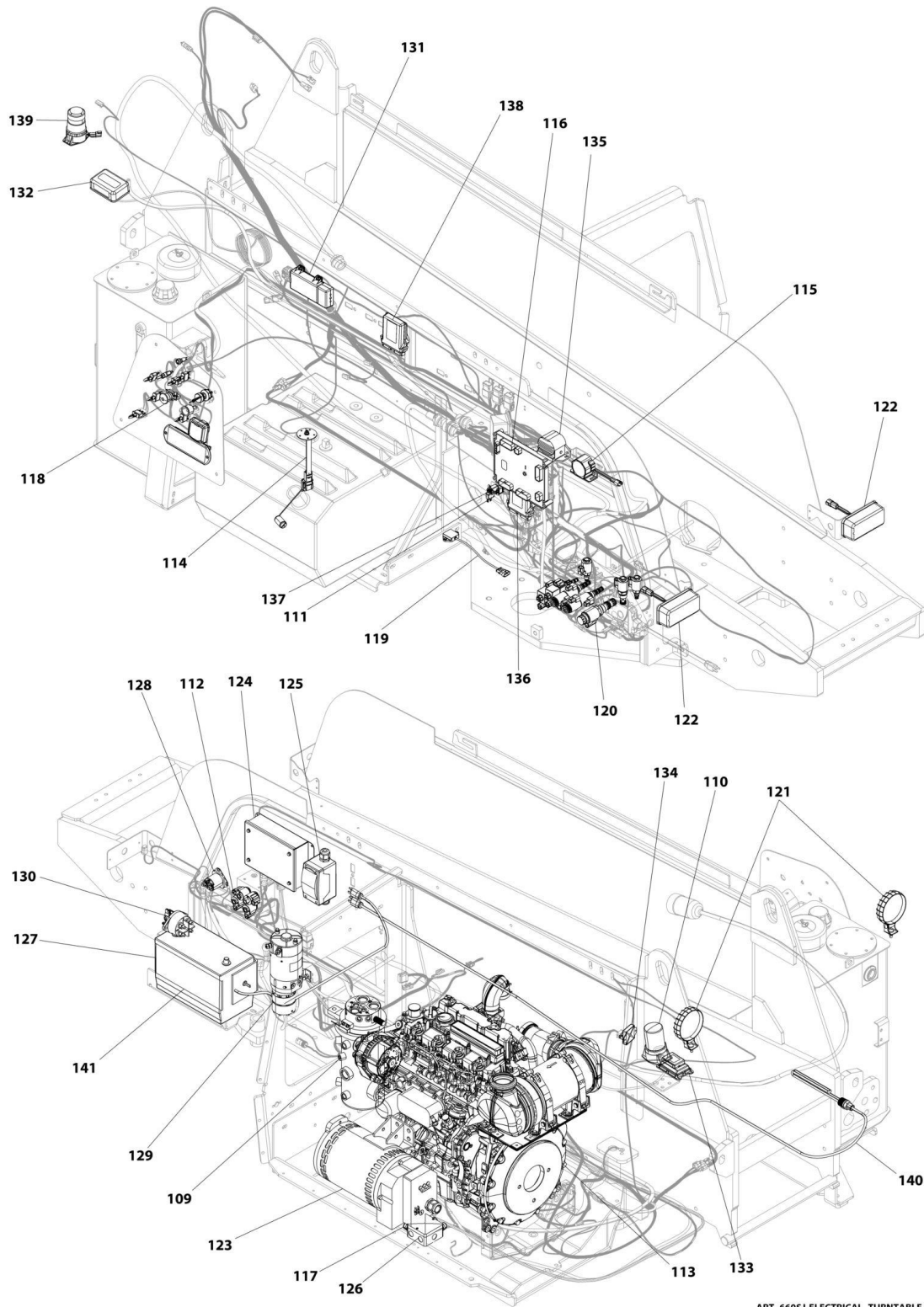
SECTION 8 - ELECTRICAL

SECTION 8 - ELECTRICAL

FIGURE 8-1. ELECTRICAL LAYOUT

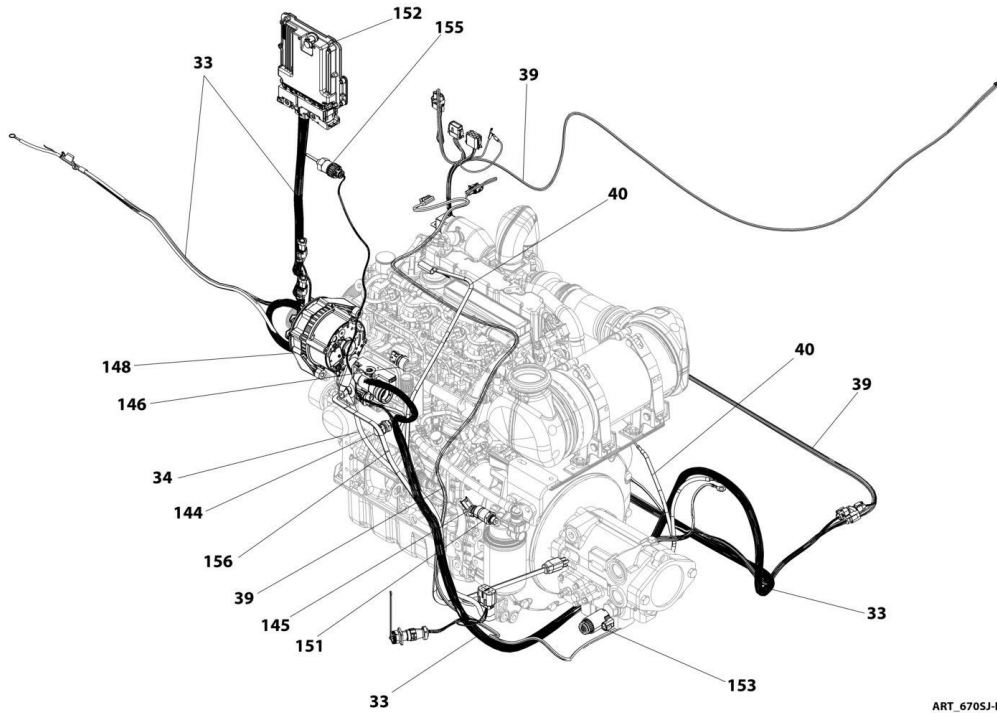
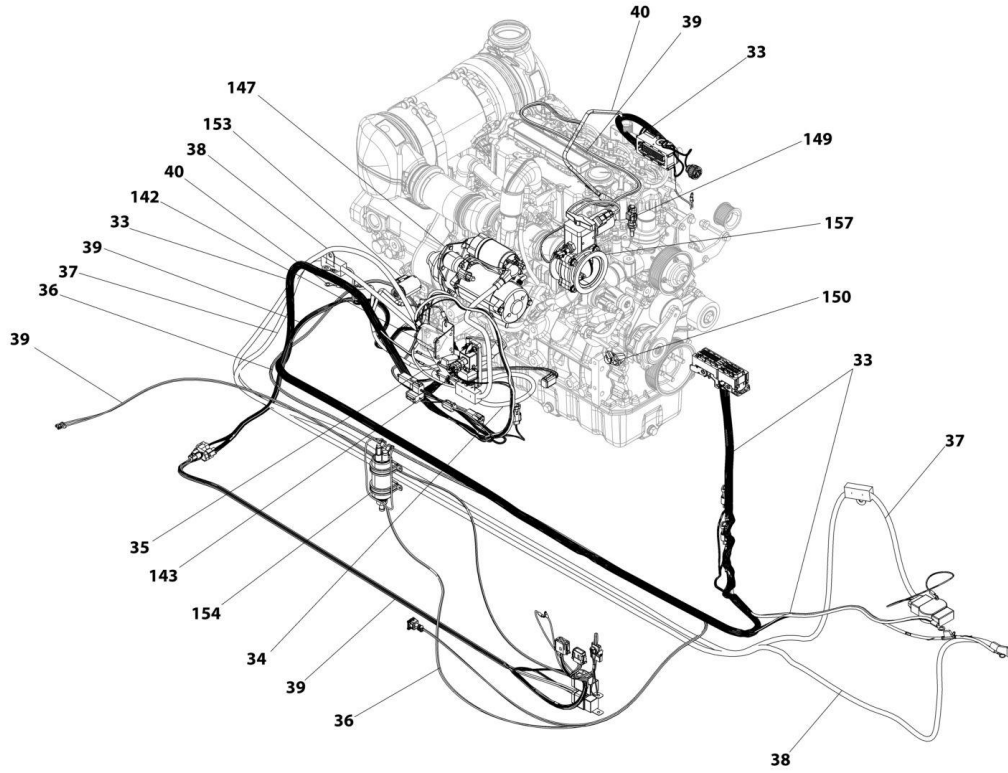


SECTION 8 - ELECTRICAL



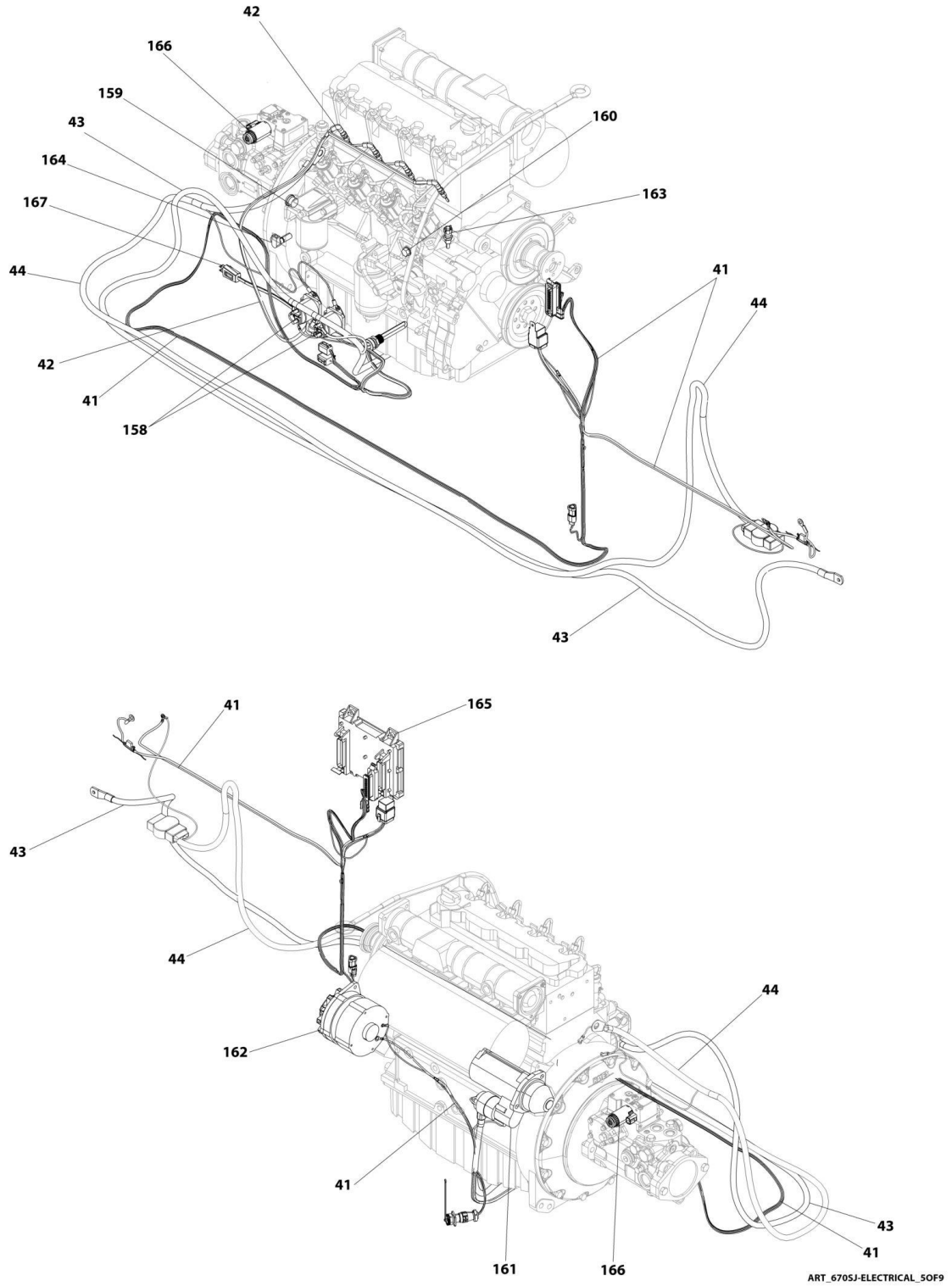
ART_660SJ-ELECTRICAL_TURNTABLE_20F2

SECTION 8 - ELECTRICAL

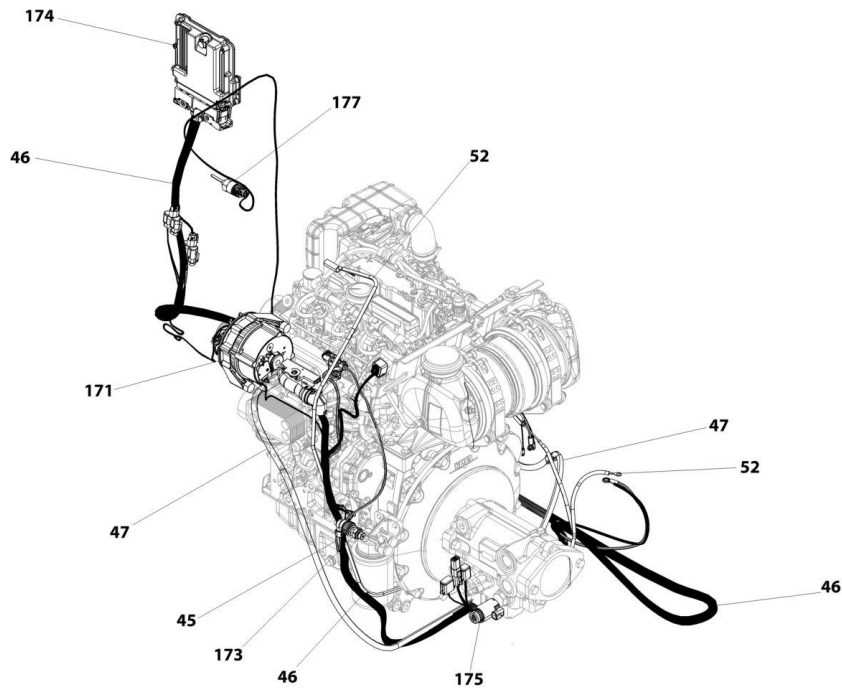
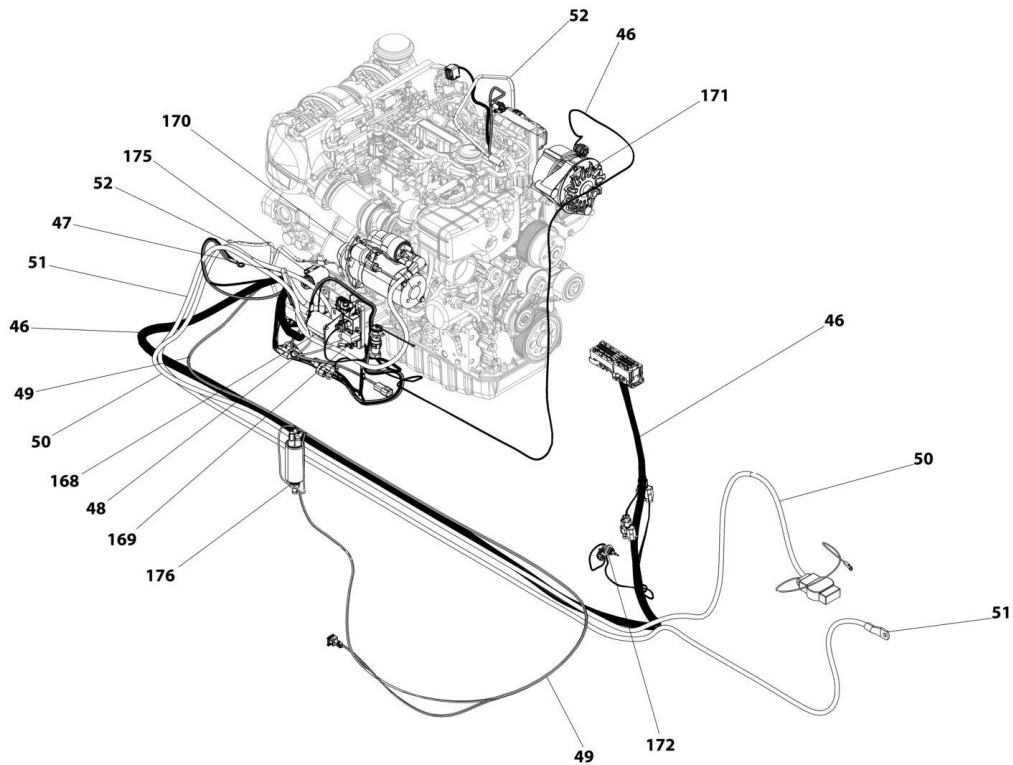


ART_6705J-ELECTRICAL_40F9

SECTION 8 - ELECTRICAL

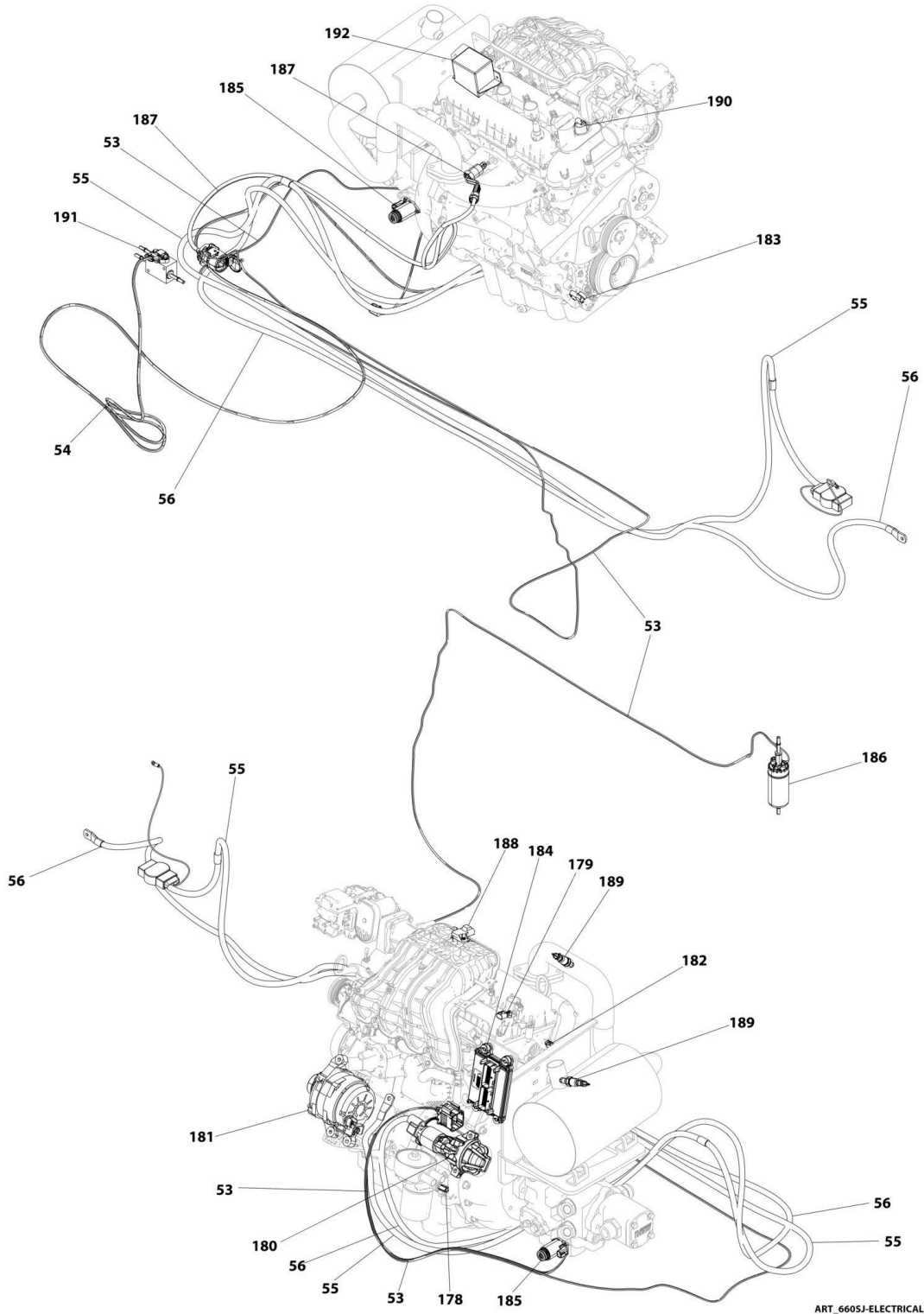


SECTION 8 - ELECTRICAL



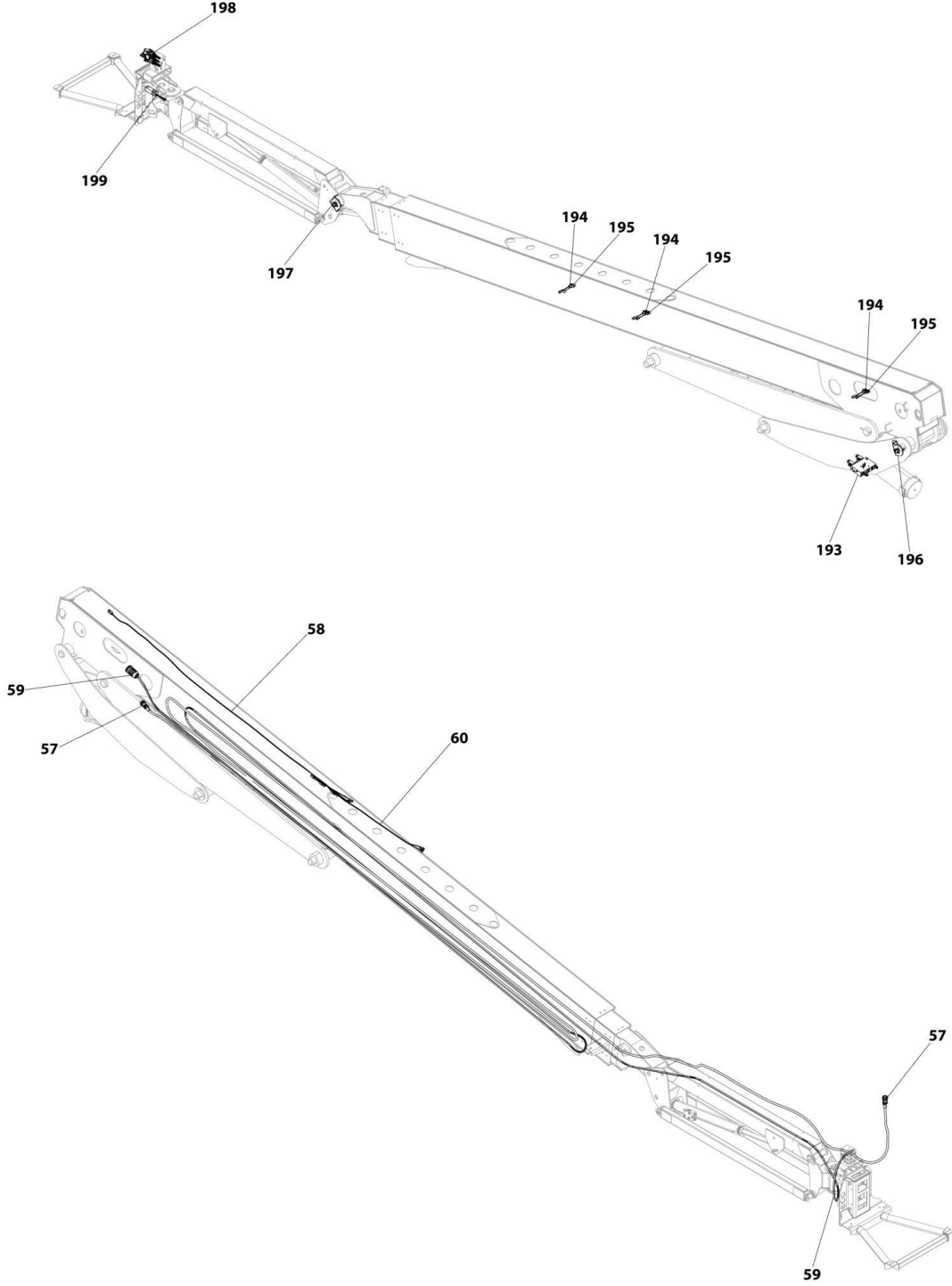
ART_6705J-ELECTRICAL_60F9

SECTION 8 - ELECTRICAL



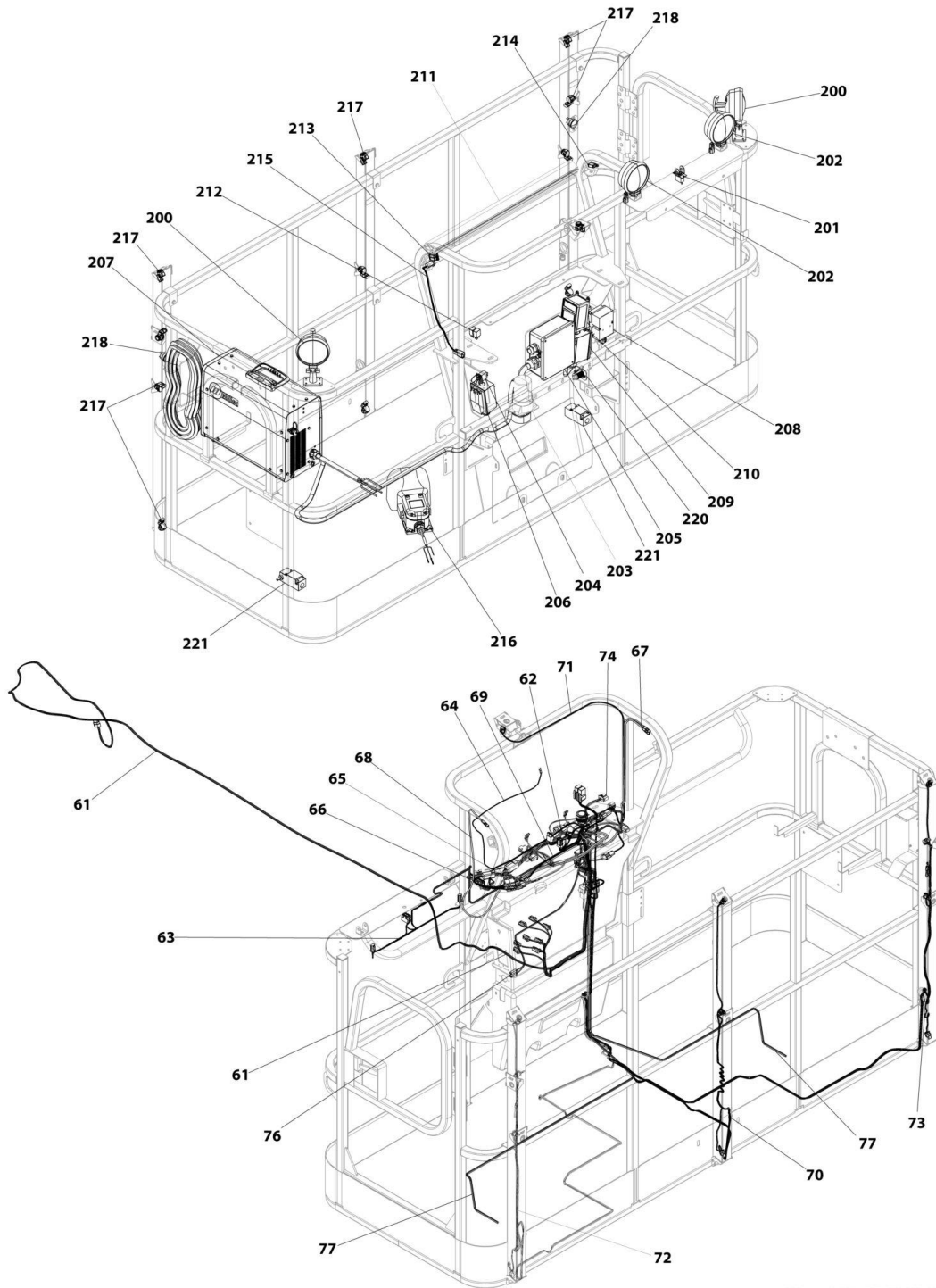
ART_660SJ-ELECTRICAL_FORD_DF

SECTION 8 - ELECTRICAL



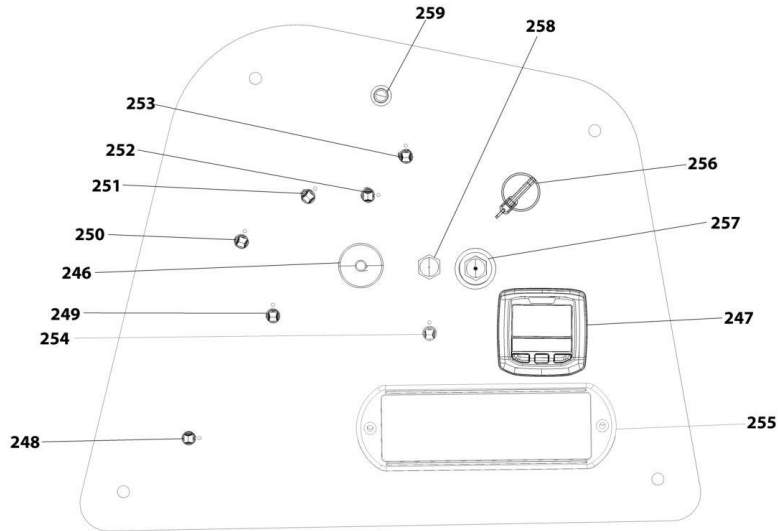
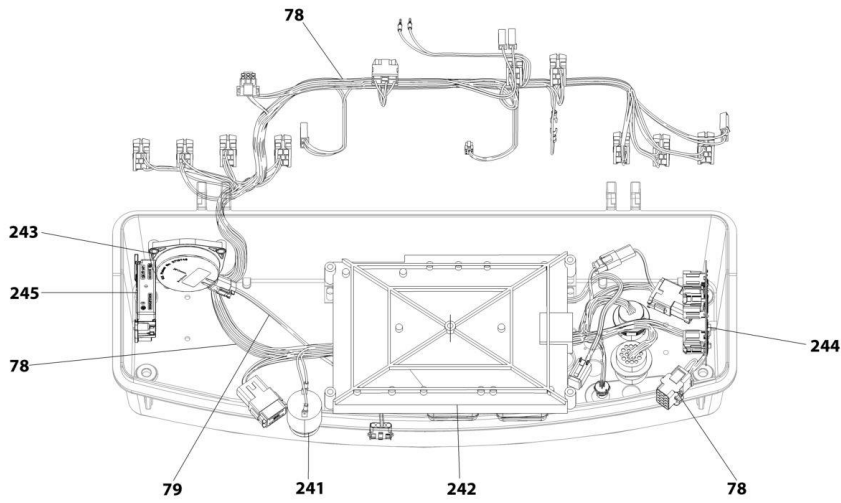
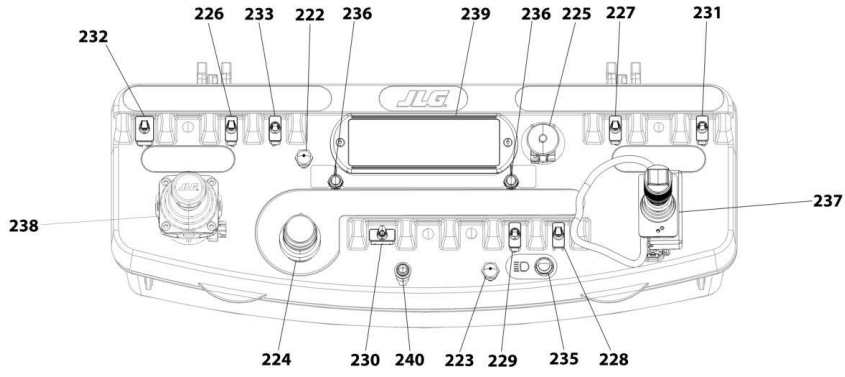
ART_660SJ_HC3-ELECTRICAL_BOOM

SECTION 8 - ELECTRICAL



ART_660SJ_HC3-ELECTRICAL_PLATFORM

SECTION 8 - ELECTRICAL



ART_660SJ_HC3-ELECTRICAL_CONTROLS

SECTION 8 - ELECTRICAL

FIGURE 8-1. ELECTRICAL LAYOUT

ITEM	PART NUMBER	QTY	DESCRIPTION	REV
		Ref	HARNESS LIST	
		Ref	Note: This figure is for part identification only.	
5		Ref	Harness, Ground Control	
6		Ref	Harness, Tele Retract	
7		Ref	Harness, Boom Angle Sensor	
8		Ref	Harness, Lift Cylinder	
9		Ref	Cable, Boom (Lower)	
10		Ref	Harness, Boom Cable Service	
11		Ref	Harness, Turntable	
12		Ref	Harness, Capacity (Lower)	
13		Ref	Harness, Cribbing	
14		Ref	Harness, Main Valve	
15		Ref	Harness, Ground Module	
16		Ref	Cable, AC Ground to Platform	
17		Ref	Harness, Head and Tail Light	
18		Ref	Harness, 7500W Generator	
19		Ref	Harness, 4000W Generator	
20		Ref	Harness, 2500W Generator	
21		Ref	Cable, Battery (+) to Aux Relay	
22		Ref	Cable, Aux Relay to Aux Pump	
23		Ref	Cable, Battery (+) to Disconnect	
24		Ref	Cable, Battery (-) to Disconnect	
25		Ref	Harness, Clearsky	
26		Ref	Harness, Telematics	
27		Ref	Harness, Xirgo Jumper	
28		Ref	Harness, White Noise Alarm	
29		Ref	Harness, ASOV	
30		Ref	Harness, Strobe Light Control	
31		Ref	3-Way Plug	
32		Ref	Cable, Extension	
33		Ref	Harness, Engine	
34		Ref	Harness, Alternator Power	
35		Ref	Harness, Glow Plug Fuse	
36		Ref	Harness, Fuel Pump	
37		Ref	Cable, Battery (-) to Aux Pump to Ground	
38		Ref	Cable, Battery (+) to Relay to Starter	
39		Ref	Harness, ASOV	
40		Ref	Breather Tube Heater	
41		Ref	Harness, Engine	
42		Ref	Harness, Glow Plug Fuse	
43		Ref	Cable, Battery (+) to Relay to Starter	
44		Ref	Cable, Battery (-) to Aux Pump to Ground	
45		Ref	Harness, Fuel Filter	
46		Ref	Harness, Engine	
47		Ref	Harness, Alternator Power	
48		Ref	Harness, Glow Plug Fuse	
49		Ref	Harness, Fuel Pump	
50		Ref	Cable, Battery (-) to Aux Pump to Ground	
51		Ref	Cable, Battery (+) to Relay to Starter	
52		Ref	Breather Tube Heater	

SECTION 8 - ELECTRICAL

ITEM	PART NUMBER	QTY	DESCRIPTION	REV
53		Ref	Harness, Engine	
54		Ref	Harness, Fuel Pump	
55		Ref	Cable, Battery (-) to Aux Pump to Ground	
56		Ref	Cable, Battery (+) to Relay to Starter	
57		Ref	Cable, Boom (Upper)	
58		Ref	Harness, Capacity (Upper)	
59		Ref	Cable, AC Ground to Platform	
60	1001238192	Ref	Harness, Capacity Proximity (Upper)	
61		Ref	Harness, Platform Valve	
62		Ref	Harness, Platform Work Light	
63		Ref	Harness, Platform Flood Light	
64		Ref	Harness, Platform Strobe Light	
65		Ref	Harness, SkyGuard	
66		Ref	Harness, SkyEye Intermediate	
67		Ref	Harness, SkyEye Receiver	
68		Ref	Harness, SkyEye Emitter	
69		Ref	Harness, SkyLine	
70		Ref	Harness, SkySense Mid Tube	
71		Ref	Harness SkySense Overhead Sensor	
72		Ref	Harness, SkySense Left Tube	
73		Ref	Harness, SkySense Right Tube	
74		Ref	Harness, SkySense Main	
76		Ref	Harness, USB	
77		Ref	Cable, Soft Touch	
78		Ref	Harness, Platform Console	
79		Ref	Harness, Tilt Sensor	
		Ref	COMPONENT LIST	
109		Ref	Rotary Coupling	
110		Ref	Light, Strobe (Amber)	
111		Ref	Switch, Cribbing	
112		Ref	Solenoids, Axle Valve	
113		Ref	Engine	
114		Ref	Sensor, Fuel Level	
115		Ref	Alarm	
116		Ref	Module, Ground Control	
117		Ref	Light, Generator	
118		Ref	Ground Control Panel	
119		Ref	Sensor, Tilt	
120		Ref	Solenoids, Main Control Valve	
121		Ref	Headlight	
122		Ref	Taillight	
123		Ref	Generator	
124		Ref	Box, Generator Control	
125		Ref	AC Breaker Box	
126		Ref	Generator Junction Box	
127		Ref	Battery	
128		Ref	Relay	
129		Ref	Auxiliary Pump/Motor	
130		Ref	Switch, Battery Disconnect	
131		Ref	Module, ClearSky Telematics CANBUS	
132		Ref	Antenna, ClearSky Telematics	

SECTION 8 - ELECTRICAL

ITEM	PART NUMBER	QTY	DESCRIPTION	REV
133		Ref	Module, ClearSky Telematics 3-Wire	
134		Ref	Voltage Regulator, ClearSky Telematics	
135		Ref	Alarm, White Noise	
136		Ref	Module, ASOV Control	
137		Ref	Switch, ASOV	
138		Ref	Module, Strobe Control	
139		Ref	Light, Strobe	
140		Ref	Heater, Immersion	
141		Ref	Heater, Battery	
142		Ref	Contactactor	
143		Ref	Relay	
144		Ref	Sensor, Oil Pressure	
145		Ref	Sensor, Speed	
146		Ref	Sensor, Fuel Rail Pressure	
147		Ref	Starter	
148		Ref	Alternator	
149		Ref	Engine Coolant Temperature Sensor	
150		Ref	Sensor, Speed	
151		Ref	Sensor, Fuel Pressure	
152		Ref	Module, Engine Control	
153		Ref	Solenoids, Piston Pump	
154		Ref	Fuel Pump	
155		Ref	Sensor, Coolant Level	
156		Ref	Heater, Engine Block	
157		Ref	Air Shut Off Valve (ASOV)	
158		Ref	Relay	
159		Ref	Sensor, Temperature	
160		Ref	Sensor, Oil Pressure	
161		Ref	Starter	
162		Ref	Alternator	
163		Ref	Engine Coolant Temperature Sensor	
164		Ref	Sensor, Speed	
165		Ref	Module, Engine Control	
166		Ref	Solenoids, Gear Pump	
167		Ref	Heater, Engine Block	
168		Ref	Contactactor	
169		Ref	Relay	
170		Ref	Starter	
171		Ref	Alternator	
172		Ref	Sensor, Ambient Air Temperature	
173		Ref	Sensor, Fuel Pressure	
174		Ref	Module, Engine Control	
175		Ref	Solenoids, Variable Pump	
176		Ref	Fuel Pump	
177		Ref	Sensor, Coolant Level	
178		Ref	Sensor, Oil Pressure	
179		Ref	Sensor, Speed	
180		Ref	Starter	
181		Ref	Alternator	
182		Ref	Engine Coolant Temperature Sensor	
183		Ref	Sensor, Speed	

SECTION 8 - ELECTRICAL

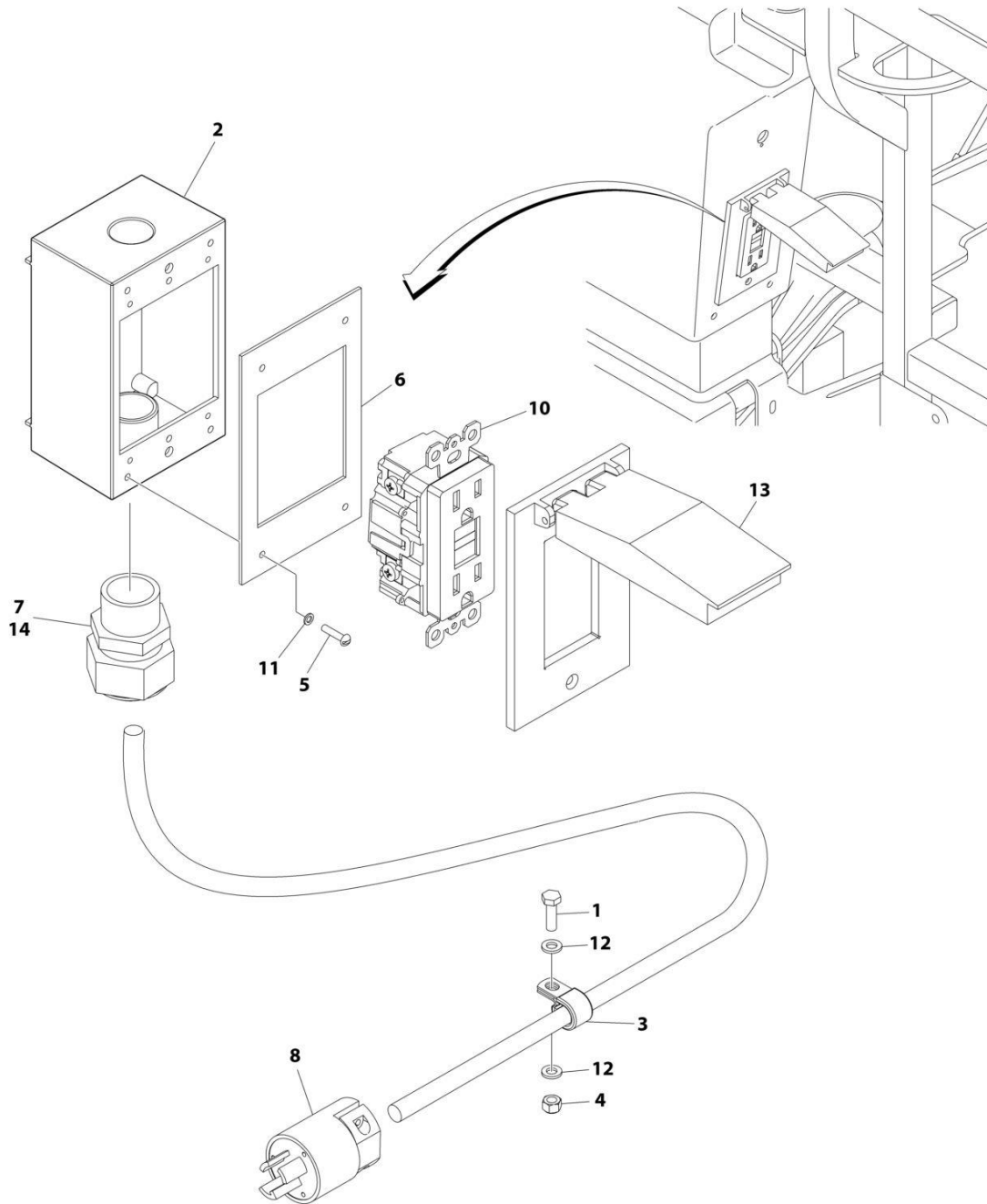
ITEM	PART NUMBER	QTY	DESCRIPTION	REV
184		Ref	Module, Engine Control	
185		Ref	Solenoids, Piston Pump	
186		Ref	Fuel Pump	
187		Ref	Heater, Engine Block	
188		Ref	Sensor, TMAP	
189		Ref	Sensor, O2	
190		Ref	Solenoid, Timing	
191		Ref	Fuel Block	
192		Ref	Fuse Box	
193		Ref	Solenoid, Lift Cylinder	
194		Ref	Sensor, Proximity	
195		Ref	Sensor, Proximity	
196		Ref	Sensor, Lower Angle	
197		Ref	Sensor, Upper Angle	
198		Ref	Solenoids, Platform Valve	
199		Ref	Cell, Load Sensing	
200		Ref	Platform Work Light	
201		Ref	Switch, Platform Flood Light	
202		Ref	Platform Flood Light	
203		Ref	Light, Platform Strobe	
204		Ref	Switch, Generator	
205		Ref	Junction Box	
206		Ref	AC Receptacle	
207		Ref	Welding Machine	
208		Ref	AC Receptacle	
209		Ref	AC Receptacle	
210		Ref	AC Receptacle/Breaker Box	
211		Ref	Switch, SkyGuard	
212		Ref	Relay	
213		Ref	Sensor, SkyEye Receiver	
214		Ref	Sensor, SkyEye Emitter	
215		Ref	Sensor, SkyLine Proximity	
216		Ref	Footswitch	
217		Ref	Sensor, SkySense	
218		Ref	Alarm	
220		Ref	USB Receptacle	
221		Ref	Switch, Soft Touch Limit	
222		Ref	Switch, Horn	
223		Ref	Switch, Soft Touch/SkyGuard/SkySense Override	
224		Ref	Switch, Function Speed Control	
225		Ref	Switch, Power/Emergency Stop	
226		Ref	Switch, Platform Leveling Override	
227		Ref	Switch, Start/Auxilliary Power	
228		Ref	Switch, Boom Telescope	
229		Ref	Switch, Jib Up/Down	
230		Ref	Switch, Platform Rotate	
231		Ref	Switch, Drive Orientation Override	
232		Ref	Switch, Drive Speed/ Torque Select	
233		Ref	Switch, Fuel Select	
235		Ref	Switch, Lights	
236		Ref	Light, SkySense Indicator	

SECTION 8 - ELECTRICAL

ITEM	PART NUMBER	QTY	DESCRIPTION	REV
237		Ref	Controller, Drive/Steer	
238		Ref	Controller, Main Lift/Swing	
239		Ref	Display, Platform	
240		Ref	Light, Soft Touch/SkyGuard/SkySense Indicator	
241		Ref	Alarm	
242		Ref	Module, Platform	
243		Ref	Sensor, Tilt	
244		Ref	Module, SkySense Control	
245		Ref	Module, SkySense Sensor	
246		Ref	Switch, Emergency Stop	
247		Ref	Display, Ground	
248		Ref	Switch, Turntable Swing	
249		Ref	Switch, Boom Lift	
250		Ref	Switch, Boom Telescope	
251		Ref	Switch, Jib Up/Down	
252		Ref	Switch, Platform Rotate	
253		Ref	Switch, Platform Leveling Override	
254		Ref	Switch, Engine Start/ Auxiliary Power	
255		Ref	Indicator Panel	
256		Ref	Switch, Key	
257		Ref	Switch, Machine Safety System Override (MSSO)	
258		Ref	Switch, Diesel Particulate Filter (DPF)	
259		Ref	Light, ASOV	

SECTION 8 - ELECTRICAL

FIGURE 8-2. AC BOX AT PLATFORM INSTALLATION - 110V (ALL SPECS EXCEPT AUSTRALIAN, RUSSIA, CE & UK CA SPECS)



ART_1001190773

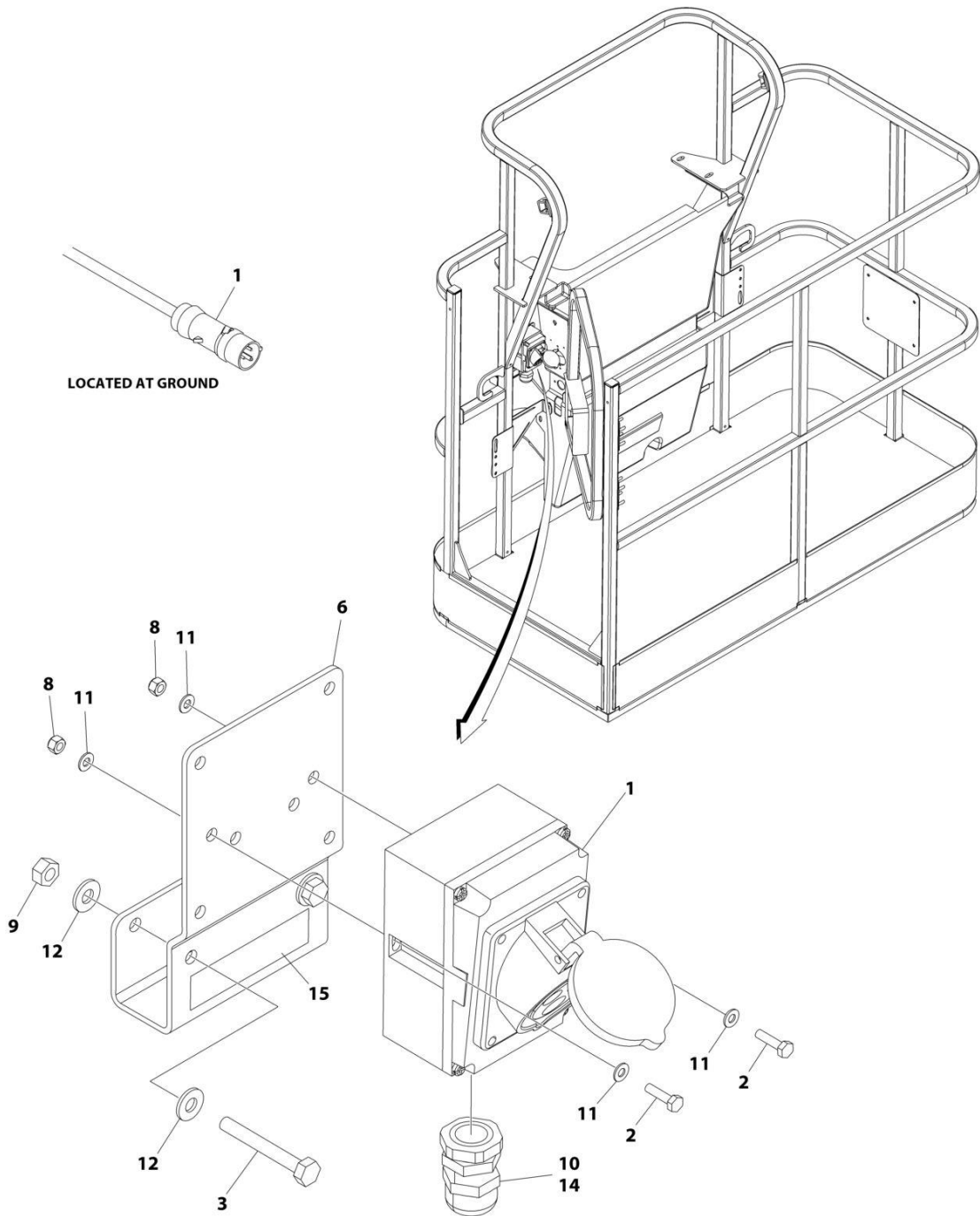
SECTION 8 - ELECTRICAL

FIGURE 8-2. AC BOX AT PLATFORM INSTALLATION - 110V (ALL SPECS EXCEPT AUSTRALIAN, RUSSIA, CE & UK CA SPECS)

ITEM	PART NUMBER	QTY	DESCRIPTION	REV
	1001190773	Ref	AC BOX AT PLATFORM INSTALLATION	C
1	0760610	1	Bolt M6 x 20	
2	0860038	1	Box, Switch	
3	1320041	1	Clamp	
4	3290605	1	Nut M6	
5	3910610	4	Screw #6 x 5/8	
6	3960422	1	Gasket	
7	4460071	1	Connector, Strain Relief	
8	4460205	1	Plug, Male	
9	4460315	1	Terminal, Spade (Not Shown)	
10	4460346	1	Receptacle	
11	4760600	4	Washer #6	
12	4811700	2	Washer M6	
13	1001110873	1	Shield, Cover	
14	0100079	AR	Sealant	

SECTION 8 - ELECTRICAL

FIGURE 8-3. AC BOX AT PLATFORM INSTALLATION - 110V IEC YELLOW (RUSSIA, CE & UK CA SPECS WITHOUT 4000W/50HZ GENERATOR)



ART_1001190493

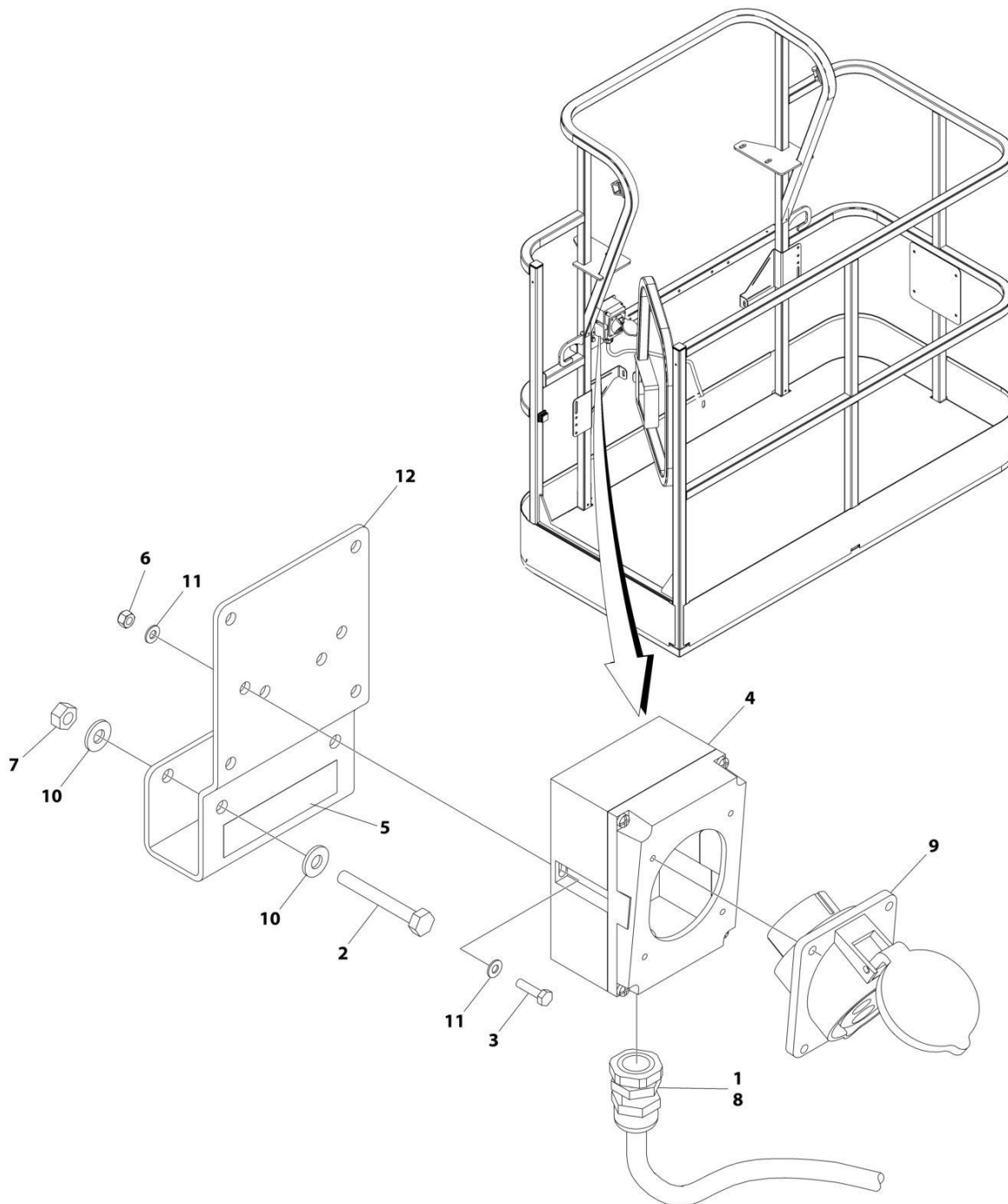
SECTION 8 - ELECTRICAL

FIGURE 8-3. AC BOX AT PLATFORM INSTALLATION - 110V IEC YELLOW (RUSSIA, CE & UK CA SPECS WITHOUT 4000W/50HZ GENERATOR)

ITEM	PART NUMBER	QTY	DESCRIPTION	REV
	1001190493	Ref	AC BOX AT PLATFORM INSTALLATION	C
1	0275216	1	Receptacle Box Kit - 110V IEC Yellow (See Separate Breakdown in this Section)	
2	0700408	2	Bolt M4 x 16	
3	0700618	2	Bolt M6 x 50	
6	1001193018	1	Bracket	
8	3290405	2	Nut M4	
9	3290605	2	Nut M6	
10	4460968	1	Connector, Strain Relief	
11	4811400	4	Washer M4	
12	4811700	4	Washer M6	
14	0100079	AR	Sealant	
15	1705325	1	Decal - 110V	

SECTION 8 - ELECTRICAL

FIGURE 8-4. AC BOX AT PLATFORM INSTALLATION - 110V IEC YELLOW (RUSSIA, CE & UK CA SPECS WITH 4000W/50HZ GENERATOR)



ART_1001194203

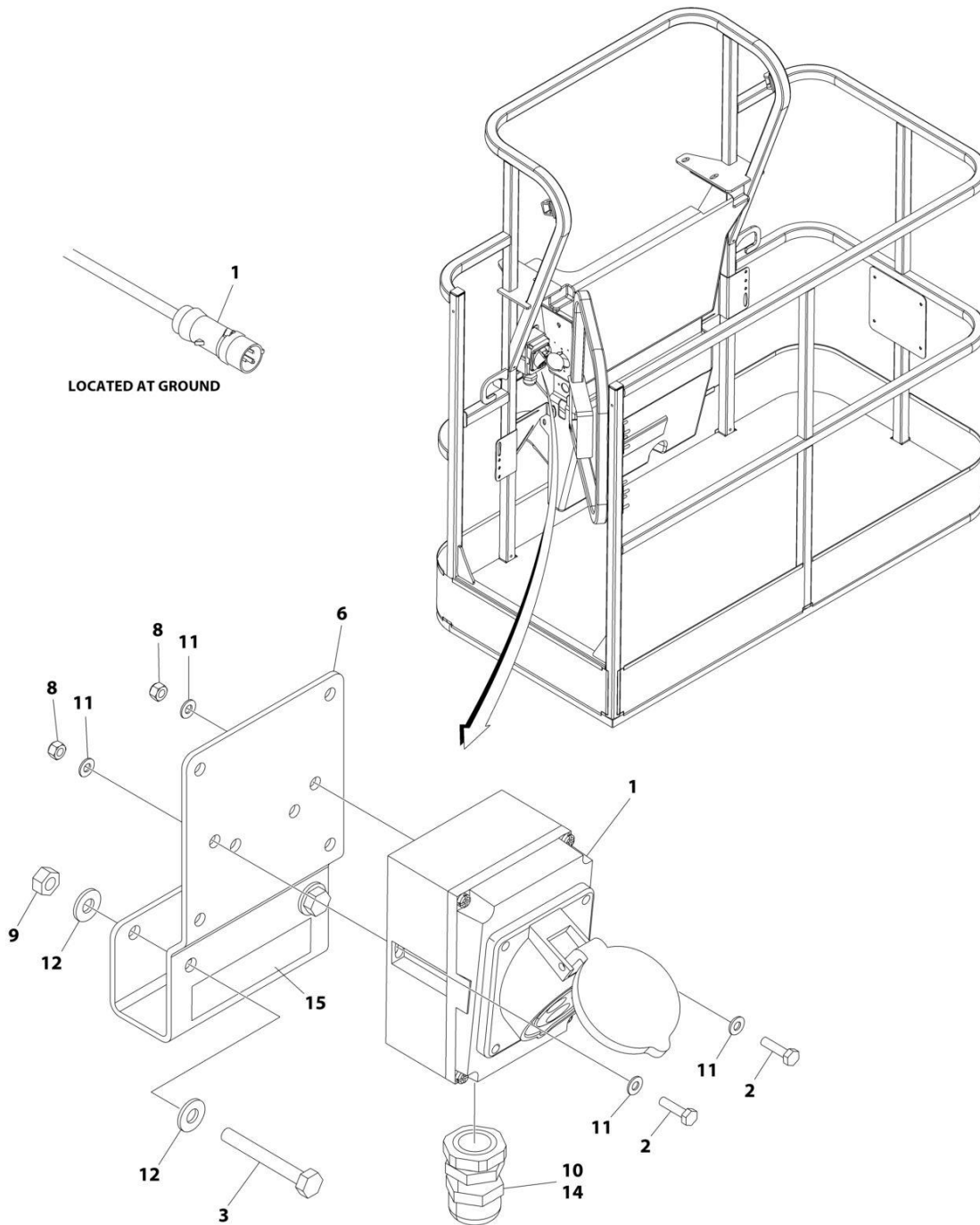
SECTION 8 - ELECTRICAL

FIGURE 8-4. AC BOX AT PLATFORM INSTALLATION - 110V IEC YELLOW (RUSSIA, CE & UK CA SPECS WITH 4000W/50HZ GENERATOR)

ITEM	PART NUMBER	QTY	DESCRIPTION	REV
	1001194203	Ref	AC BOX AT PLATFORM INSTALLATION	B
1	0100020	AR	Sealant, Pipe	
2	0641416	2	Bolt 1/4 x 2	
3	0700408	2	Bolt M4 x 16	
4	0861781	1	Box, Switch	
5	1705325	1	Decal - 110V	
6	3290405	2	Nut M4	
7	3311405	2	Nut 1/4	
8	4460968	1	Connector, Strain Relief	
9	4461198	1	Receptacle	
10	4711400	4	Washer 1/4	
11	4811400	4	Washer M4	
12	1001193018	1	Bracket, AC Receptacle	

SECTION 8 - ELECTRICAL

FIGURE 8-5. AC BOX AT PLATFORM INSTALLATION - 220V IEC BLUE (RUSSIA, CE & UK CA SPECS WITHOUT 4000W/50HZ GENERATOR)



ART_1001190495

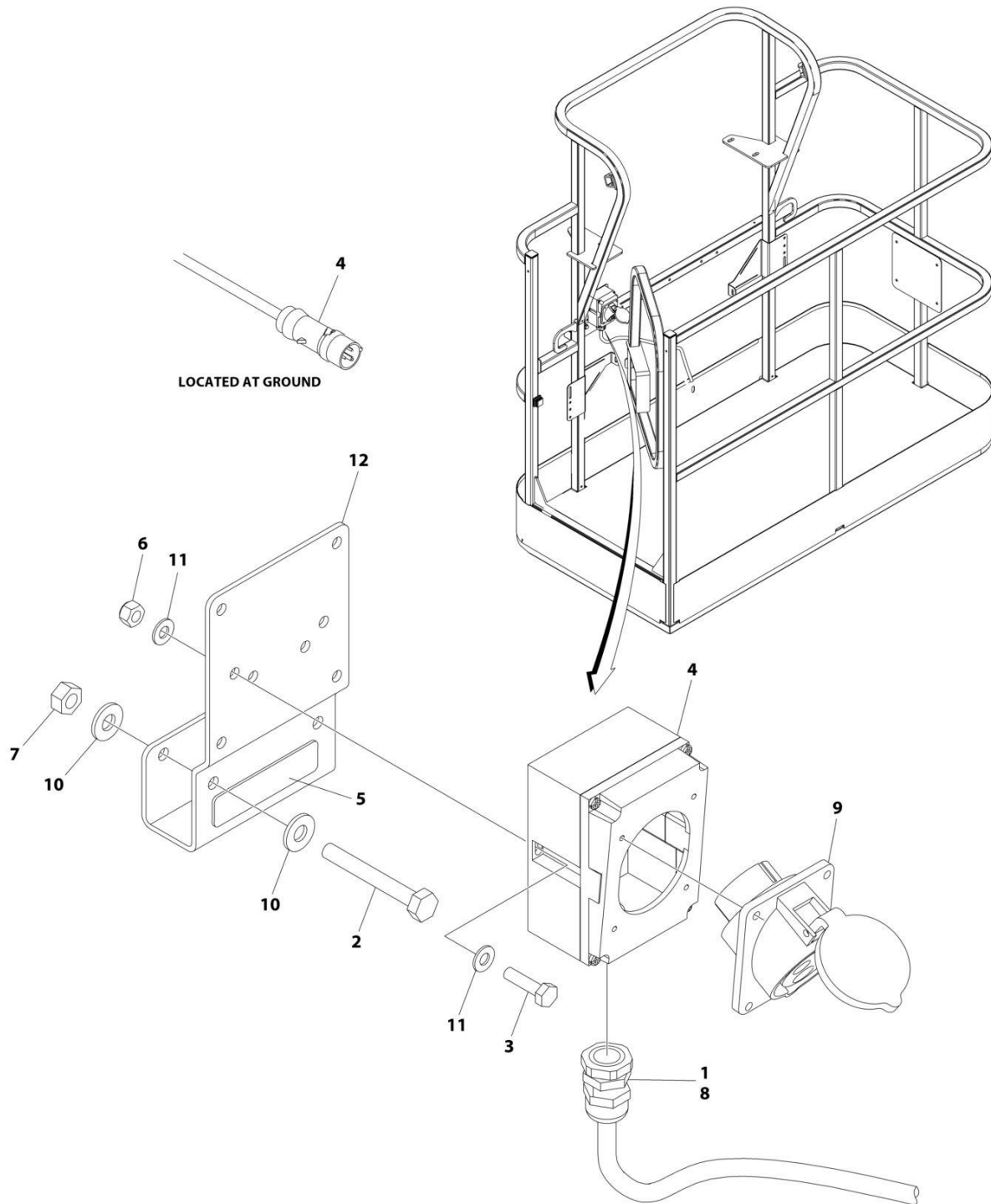
SECTION 8 - ELECTRICAL

FIGURE 8-5. AC BOX AT PLATFORM INSTALLATION - 220V IEC BLUE (RUSSIA, CE & UK CA SPECS WITHOUT 4000W/50HZ GENERATOR)

ITEM	PART NUMBER	QTY	DESCRIPTION	REV
	1001190495	Ref	AC BOX AT PLATFORM INSTALLATION	C
1	0275217	1	Receptacle Box Kit - 220V IEC Blue (See Separate Breakdown in this Section)	
2	0700408	2	Bolt M4 x 16	
3	0700618	2	Bolt M6 x 50	
6	1001193018	1	Bracket	
8	3290405	2	Nut M4	
9	3290605	2	Nut M6	
10	4460968	1	Connector, Strain Relief	
11	4811400	4	Washer M4	
12	4811700	4	Washer M6	
14	0100079	AR	Sealant	
15	3252507	1	Decal - 220 Volt	

SECTION 8 - ELECTRICAL

FIGURE 8-6. AC BOX AT PLATFORM INSTALLATION - 220V IEC BLUE (RUSSIA, CE & UK CA SPECS WITH 4000W/50HZ GENERATOR)



ART_1001194204

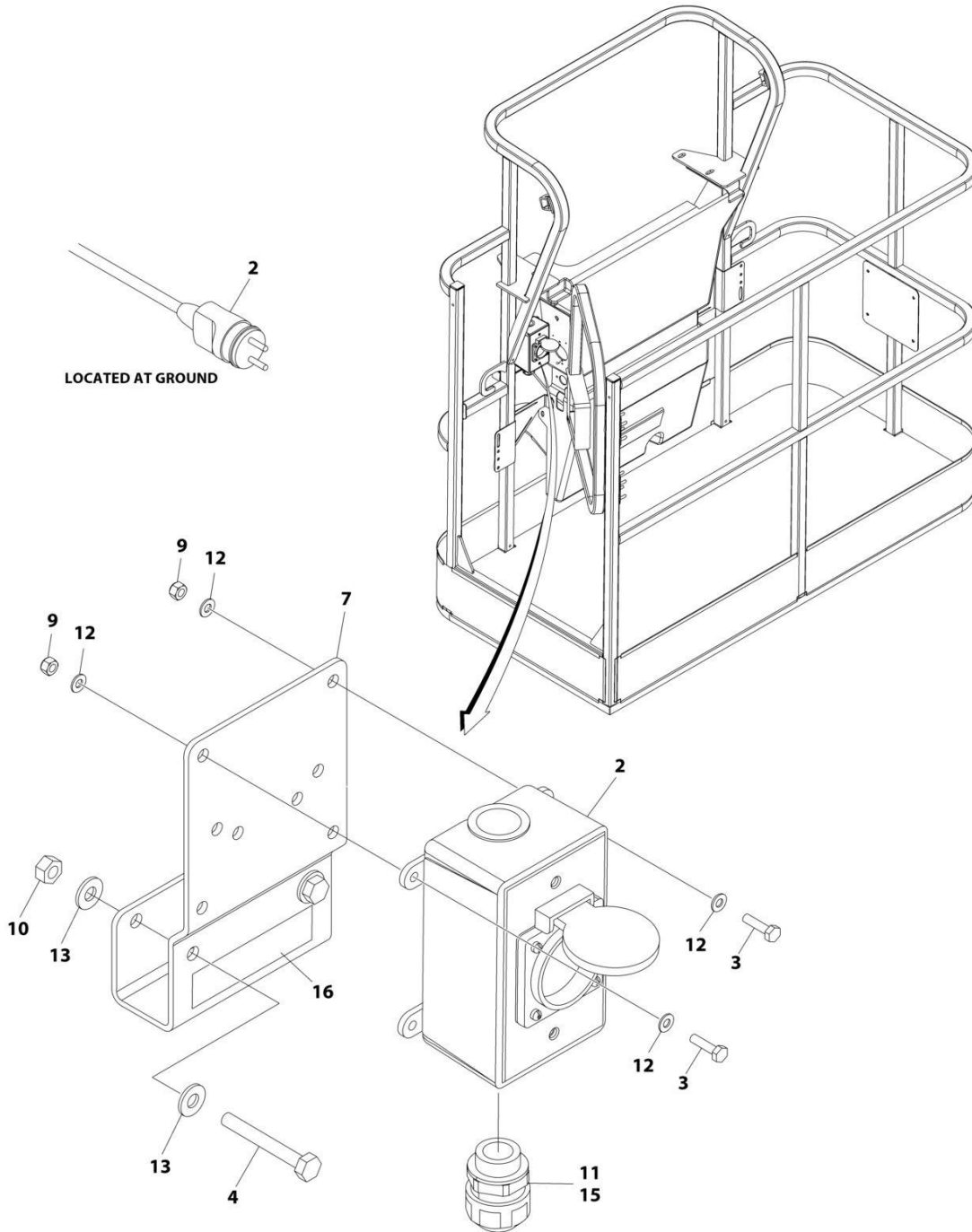
SECTION 8 - ELECTRICAL

FIGURE 8-6. AC BOX AT PLATFORM INSTALLATION - 220V IEC BLUE (RUSSIA, CE & UK CA SPECS WITH 4000W/50HZ GENERATOR)

ITEM	PART NUMBER	QTY	DESCRIPTION	REV
	1001194204	Ref	AC BOX AT PLATFORM INSTALLATION	B
1	0100020	AR	Sealant, Pipe	
2	0641416	2	Bolt 1/4 x 2	
3	0700408	2	Bolt M4 x 16	
4	0861781	1	Box, Switch	
5	3251242	1	Decal - 240V/50Hz	
6	3290405	2	Nut M4	
7	3311405	2	Nut 1/4	
8	4460968	1	Connector, Strain Relief	
9	4461201	1	Receptacle	
10	4711400	4	Washer 1/4	
11	4811400	4	Washer M4	
12	1001193018	1	Bracket, AC Receptacle	

SECTION 8 - ELECTRICAL

FIGURE 8-7. AC BOX AT PLATFORM INSTALLATION - 220V CEE7 2IN X 4IN POST GROUND
(RUSSIA, CE & UK CA SPECS WITHOUT 4000W/50HZ GENERATOR)



ART_1001190441

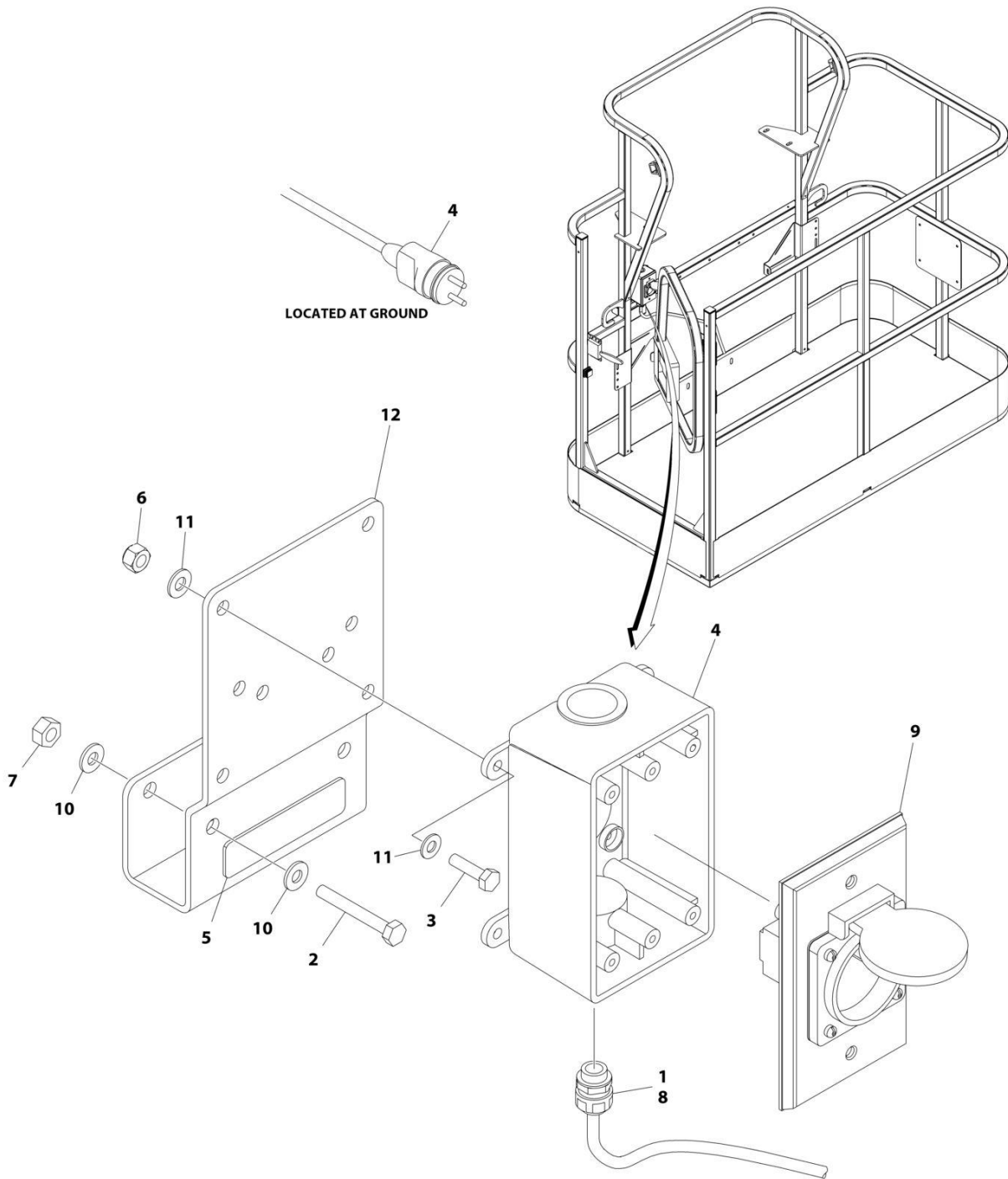
SECTION 8 - ELECTRICAL

**FIGURE 8-7. AC BOX AT PLATFORM INSTALLATION - 220V CEE7 2IN X 4IN POST GROUND
(RUSSIA, CE & UK CA SPECS WITHOUT 4000W/50HZ GENERATOR)**

ITEM	PART NUMBER	QTY	DESCRIPTION	REV
	1001190441	Ref	AC BOX AT PLATFORM INSTALLATION	D
2	0275452	1	Receptacle Box Kit - 220V CEE7 Post Ground 2in x 4in (See Separate Breakdown in this Section)	
3	0700408	4	Bolt M4 x 16	
4	0700618	2	Bolt M6 x 50	
7	1001193018	1	Bracket	
9	3290405	4	Nut M4	
10	3290605	2	Nut M6	
11	4460662	1	Connector, Strain Relief	
12	4811400	8	Washer M4	
13	4811700	4	Washer M6	
15	0100079	AR	Sealant	
16	3252507	1	Decal - 220 Volt	

SECTION 8 - ELECTRICAL

**FIGURE 8-8. AC BOX AT PLATFORM INSTALLATION - 220V CEE7 2IN X 4IN POST GROUND
(RUSSIA, CE & UK CA SPECS WITH 4000W/50HZ GENERATOR)**



ART_1001194197

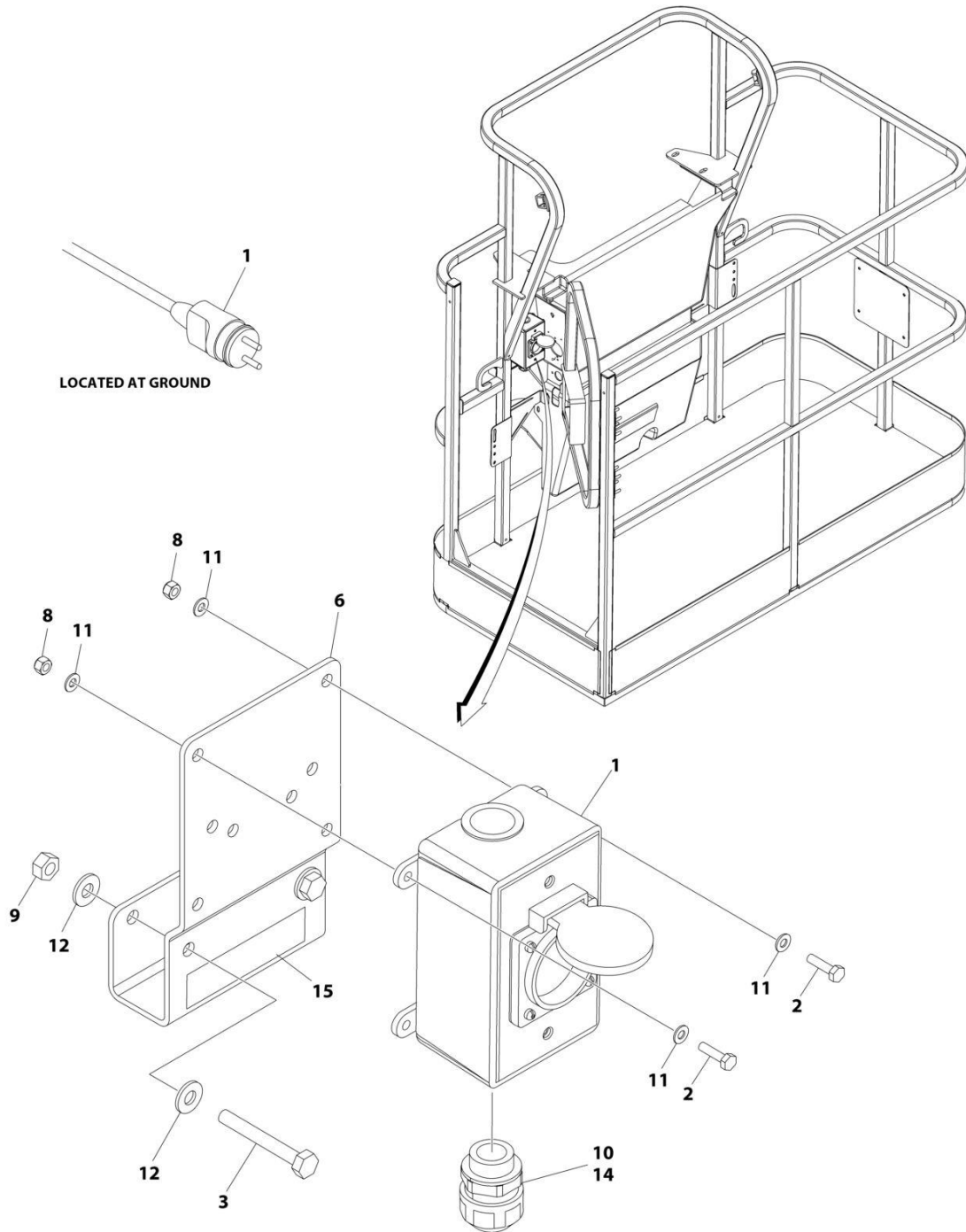
SECTION 8 - ELECTRICAL

**FIGURE 8-8. AC BOX AT PLATFORM INSTALLATION - 220V CEE7 2IN X 4IN POST GROUND
(RUSSIA, CE & UK CA SPECS WITH 4000W/50HZ GENERATOR)**

ITEM	PART NUMBER	QTY	DESCRIPTION	REV
	1001194197	Ref	AC BOX AT PLATFORM INSTALLATION	B
1	0100020	AR	Sealant, Pipe	
2	0641416	2	Bolt 1/4 x 2	
3	0700408	4	Bolt M4 x 16	
4	0861731	1	Box, Switch	
5	3251242	1	Decal - 240V/50Hz	
6	3290405	4	Nut M4	
7	3311405	2	Nut 1/4	
8	4460662	1	Connector, Strain Relief	
9	4461244	1	Receptacle	
10	4711400	4	Washer 1/4	
11	4811400	8	Washer M4	
12	1001193018	1	Bracket, AC Receptacle	
13	4460806	2	Terminal, Fork (Not Shown)	
14	1001205958	1	Terminal (Not Shown)	

SECTION 8 - ELECTRICAL

FIGURE 8-9. AC BOX AT PLATFORM INSTALLATION - 220V CEE7 2IN X 4IN SIDE GROUND (RUSSIA, CE & UK CA SPECS WITHOUT 4000W/50HZ GENERATOR)



ART_1001190484

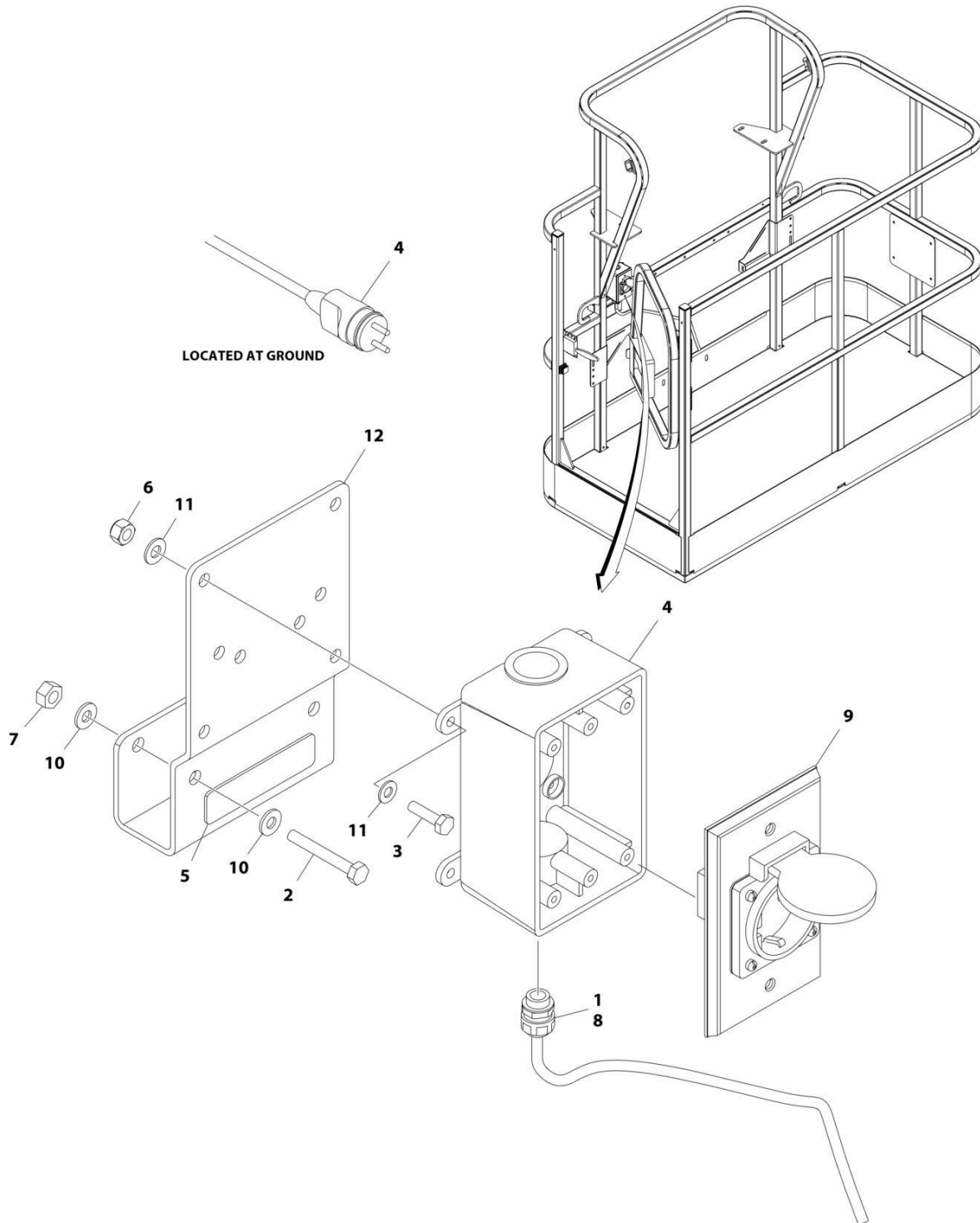
SECTION 8 - ELECTRICAL

FIGURE 8-9. AC BOX AT PLATFORM INSTALLATION - 220V CEE7 2IN X 4IN SIDE GROUND (RUSSIA, CE & UK CA SPECS WITHOUT 4000W/50HZ GENERATOR)

ITEM	PART NUMBER	QTY	DESCRIPTION	REV
	1001190484	Ref	AC BOX AT PLATFORM INSTALLATION	D
1	0275453	1	Receptacle Box Kit - 220V CEE7 Side Ground 2in x 4in (See Separate Breakdown in this Section)	
2	0700408	4	Bolt M4 x 16	
3	0700618	2	Bolt M6 x 50	
6	1001193018	1	Bracket	
8	3290405	4	Nut M4	
9	3290605	2	Nut M6	
10	4460662	1	Connector, Strain Relief	
11	4811400	8	Washer M4	
12	4811700	4	Washer M6	
14	0100079	AR	Sealant	
15	3252507	1	Decal - 220 Volt	

SECTION 8 - ELECTRICAL

**FIGURE 8-10. AC BOX AT PLATFORM INSTALLATION - 220V CEE7 2IN X 4IN SIDE GROUND
(RUSSIA, CE & UK CA SPECS WITH 4000W/50HZ GENERATOR)**



ART_1001194198

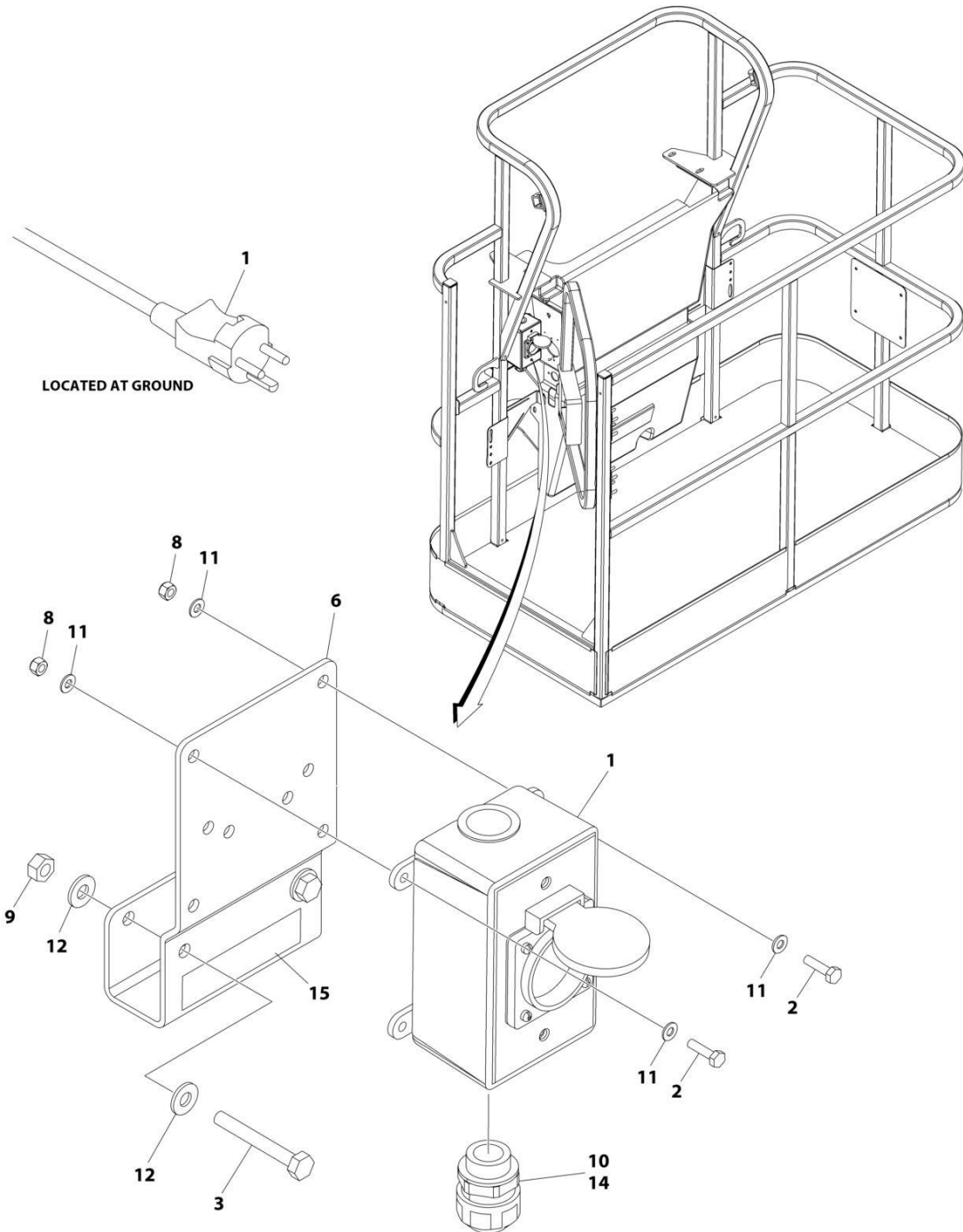
SECTION 8 - ELECTRICAL

**FIGURE 8-10. AC BOX AT PLATFORM INSTALLATION - 220V CEE7 2IN X 4IN SIDE GROUND
(RUSSIA, CE & UK CA SPECS WITH 4000W/50HZ GENERATOR)**

ITEM	PART NUMBER	QTY	DESCRIPTION	REV
	1001194198	Ref	AC BOX AT PLATFORM INSTALLATION	B
1	0100020	AR	Sealant, Pipe	
2	0641416	2	Bolt 1/4 x 2	
3	0700408	4	Bolt M4 x 16	
4	0861731	1	Box, Switch	
5	3251242	1	Decal - 240V/50Hz	
6	3290405	4	Nut M4	
7	3311405	2	Nut 1/4	
8	4460662	1	Connector, Strain Relief	
9	4461245	1	Receptacle	
10	4711400	4	Washer 1/4	
11	4811400	8	Washer M4	
12	1001193018	1	Bracket, AC Receptacle	
13	4460806	2	Terminal, Fork (Not Shown)	
14	1001205958	1	Terminal (Not Shown)	

SECTION 8 - ELECTRICAL

FIGURE 8-11. AC BOX AT PLATFORM INSTALLATION - 220V AFSINT107 (RUSSIA, CE & UK CA SPECS WITHOUT 4000W/50HZ GENERATOR)



ART_1001190485

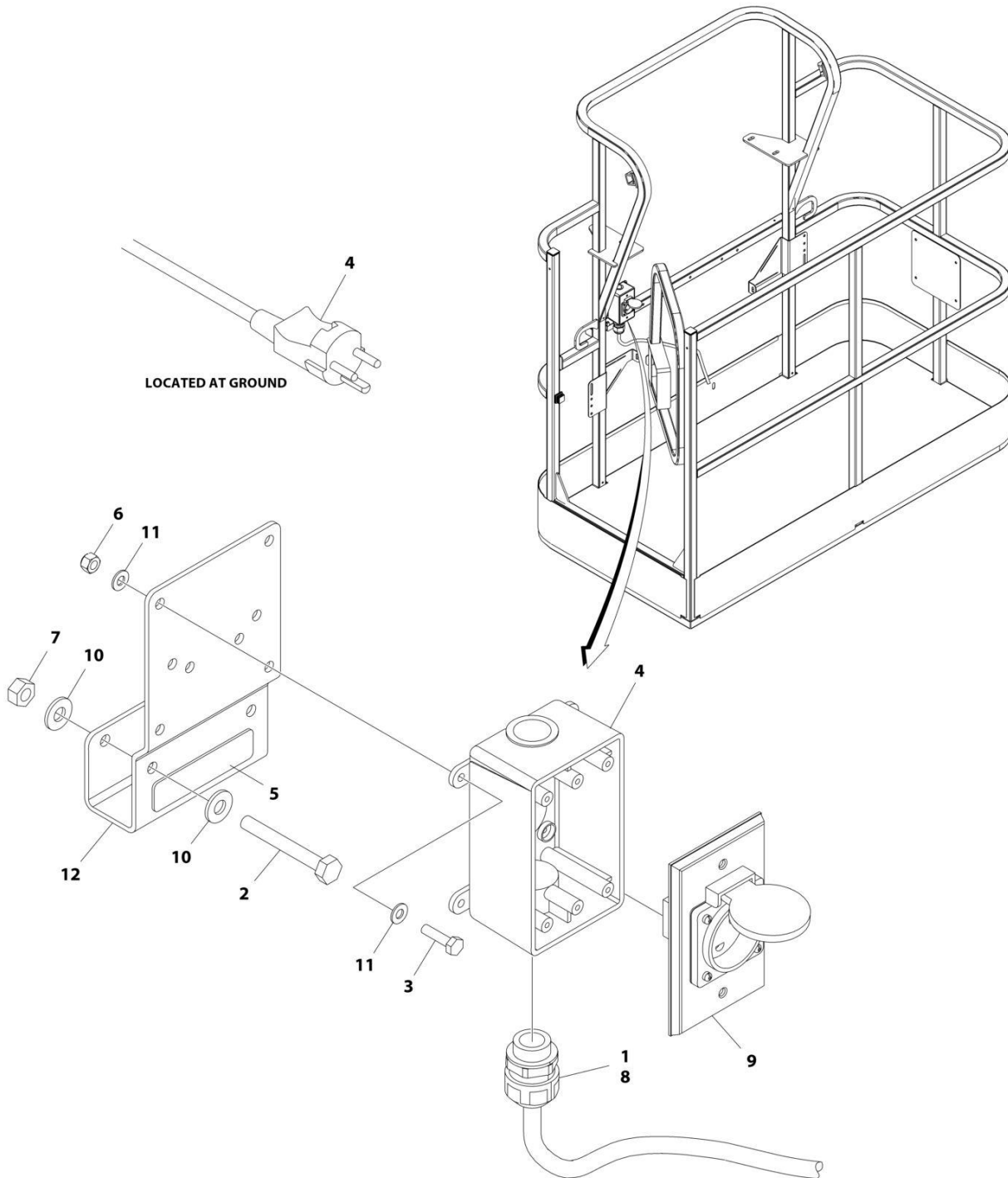
SECTION 8 - ELECTRICAL

FIGURE 8-11. AC BOX AT PLATFORM INSTALLATION - 220V AFSINT107 (RUSSIA, CE & UK CA SPECS WITHOUT 4000W/50HZ GENERATOR)

ITEM	PART NUMBER	QTY	DESCRIPTION	REV
	1001190485	Ref	AC BOX AT PLATFORM INSTALLATION	C
1	0275454	1	Receptacle Box Kit - 220V AFSINT107 (See Separate Breakdown in this Section)	
2	0700408	4	Bolt M4 x 16	
3	0700618	2	Bolt M6 x 50	
6	1001193018	1	Bracket	
8	3290405	4	Nut M4	
9	3290605	2	Nut M6	
10	4460662	1	Connector, Strain Relief	
11	4811400	8	Washer M4	
12	4811700	4	Washer M6	
14	0100079	AR	Sealant	
15	3252507	1	Decal - 220 Volt	

SECTION 8 - ELECTRICAL

FIGURE 8-12. AC BOX AT PLATFORM INSTALLATION - 220V AFSINT107 (RUSSIA, CE & UK CA SPECS WITH 4000W/50HZ GENERATOR)



ART_1001194200

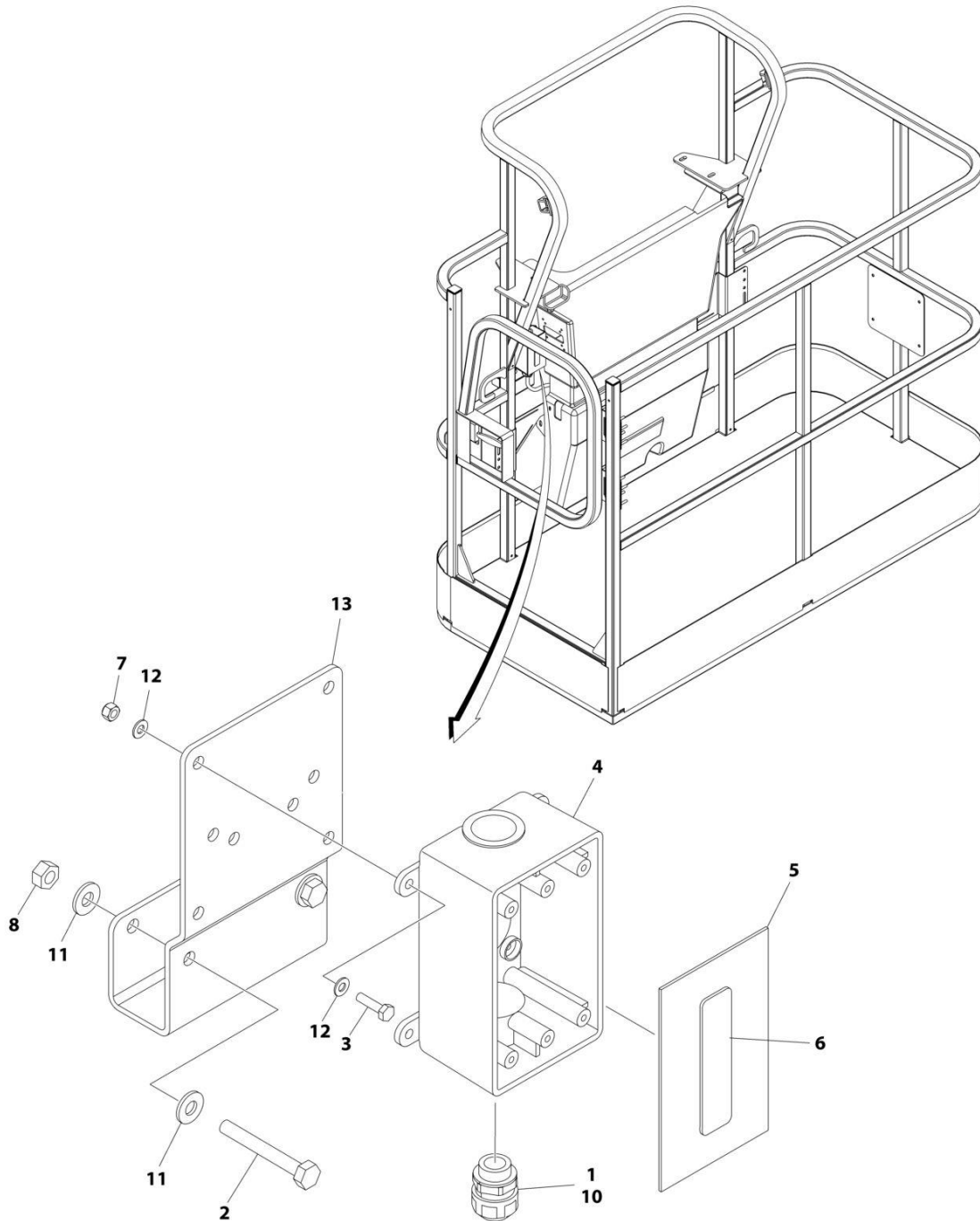
SECTION 8 - ELECTRICAL

FIGURE 8-12. AC BOX AT PLATFORM INSTALLATION - 220V AFSINT107 (RUSSIA, CE & UK CA SPECS WITH 4000W/50HZ GENERATOR)

ITEM	PART NUMBER	QTY	DESCRIPTION	REV
	1001194200	Ref	AC BOX AT PLATFORM INSTALLATION	B
1	0100020	AR	Sealant, Pipe	
2	0641416	2	Bolt 1/4 x 2	
3	0700408	4	Bolt M4 x 16	
4	0861731	1	Box, Switch	
5	3251242	1	Decal - 240V/50Hz	
6	3290405	4	Nut M4	
7	3311405	2	Nut 1/4	
8	4460662	1	Connector, Strain Relief	
9	4461246	1	Receptacle	
10	4711400	4	Washer 1/4	
11	4811400	8	Washer M4	
12	1001193018	1	Bracket, AC Receptacle	
13	1001205958	1	Terminal (Not Shown)	

SECTION 8 - ELECTRICAL

FIGURE 8-13. AC BOX AT PLATFORM INSTALLATION - 220V CUSTOMER SUPPLIED COMPONENTS
(ANSI EXPORT, AUSTRALIAN, RUSSIA, CHINA, CE & UK CA SPECS)



ART_1001194365

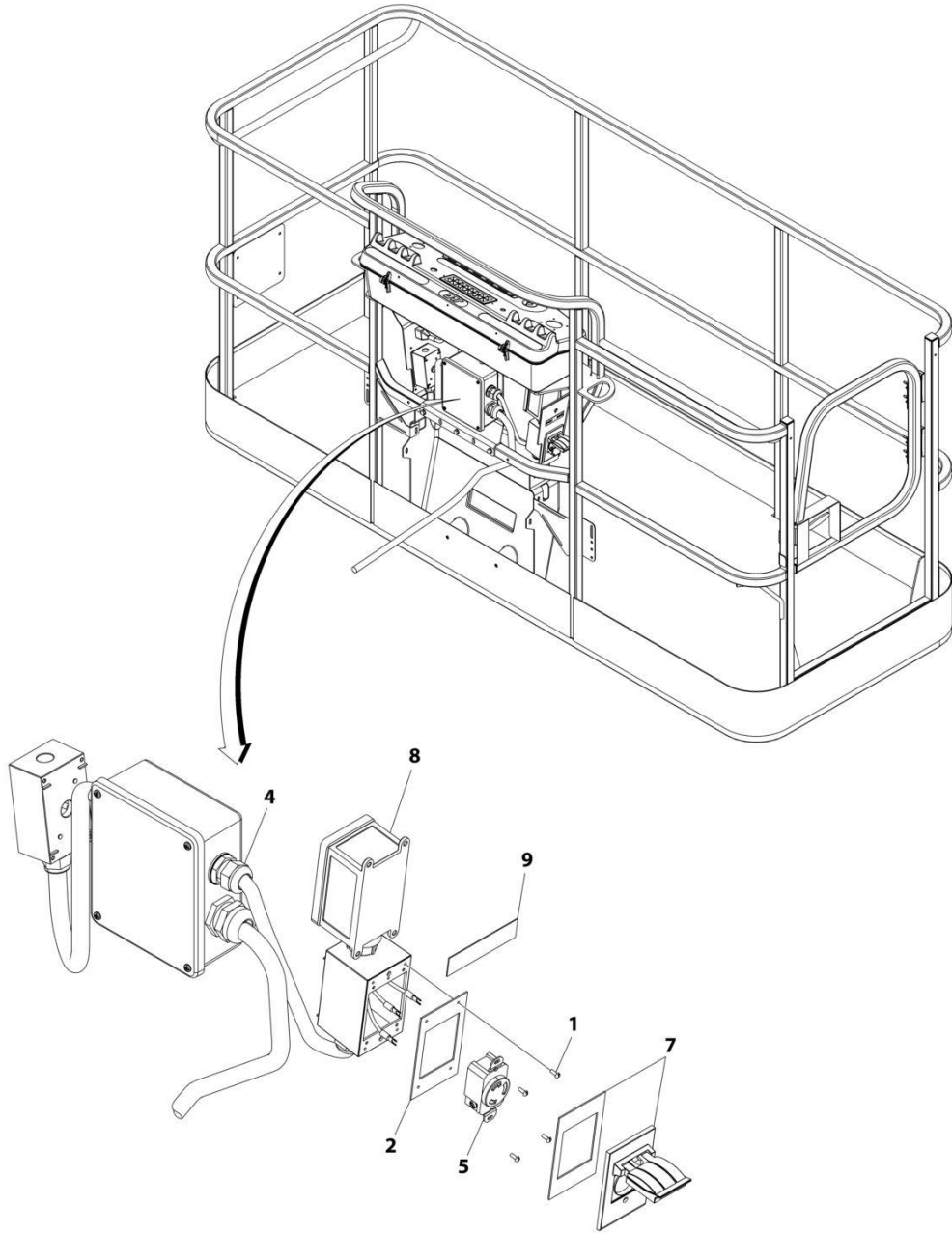
SECTION 8 - ELECTRICAL

**FIGURE 8-13. AC BOX AT PLATFORM INSTALLATION - 220V CUSTOMER SUPPLIED COMPONENTS
(ANSI EXPORT, AUSTRALIAN, RUSSIA, CHINA, CE & UK CA SPECS)**

ITEM	PART NUMBER	QTY	DESCRIPTION	REV
	1001194365	Ref	AC BOX AT PLATFORM INSTALLATION - BOX WITH COVER (2X4 BOX)	A
1	0100020	AR	Sealant	
2	0641416	2	Bolt 1/4 x 2	
3	0700408	4	Bolt M4 x 16	
4	0861731	1	Box, Switch	
5	1670603	1	Cover	
6	3251242	1	Decal - 240V/50Hz	
7	3290405	4	Nut M4	
8	3311405	2	Nut 1/4	
9	4460384	3	Terminal (Not Shown)	
10	4460662	1	Connector, Strain Relief	
11	4711400	4	Washer 1/4	
12	4811400	8	Washer M4	
13	1001193018	1	Bracket, AC Receptacle	

SECTION 8 - ELECTRICAL

FIGURE 8-14. AC BOX AT PLATFORM INSTALLATION - 240V (WITH 4000W GENERATOR)



ART_1001171131

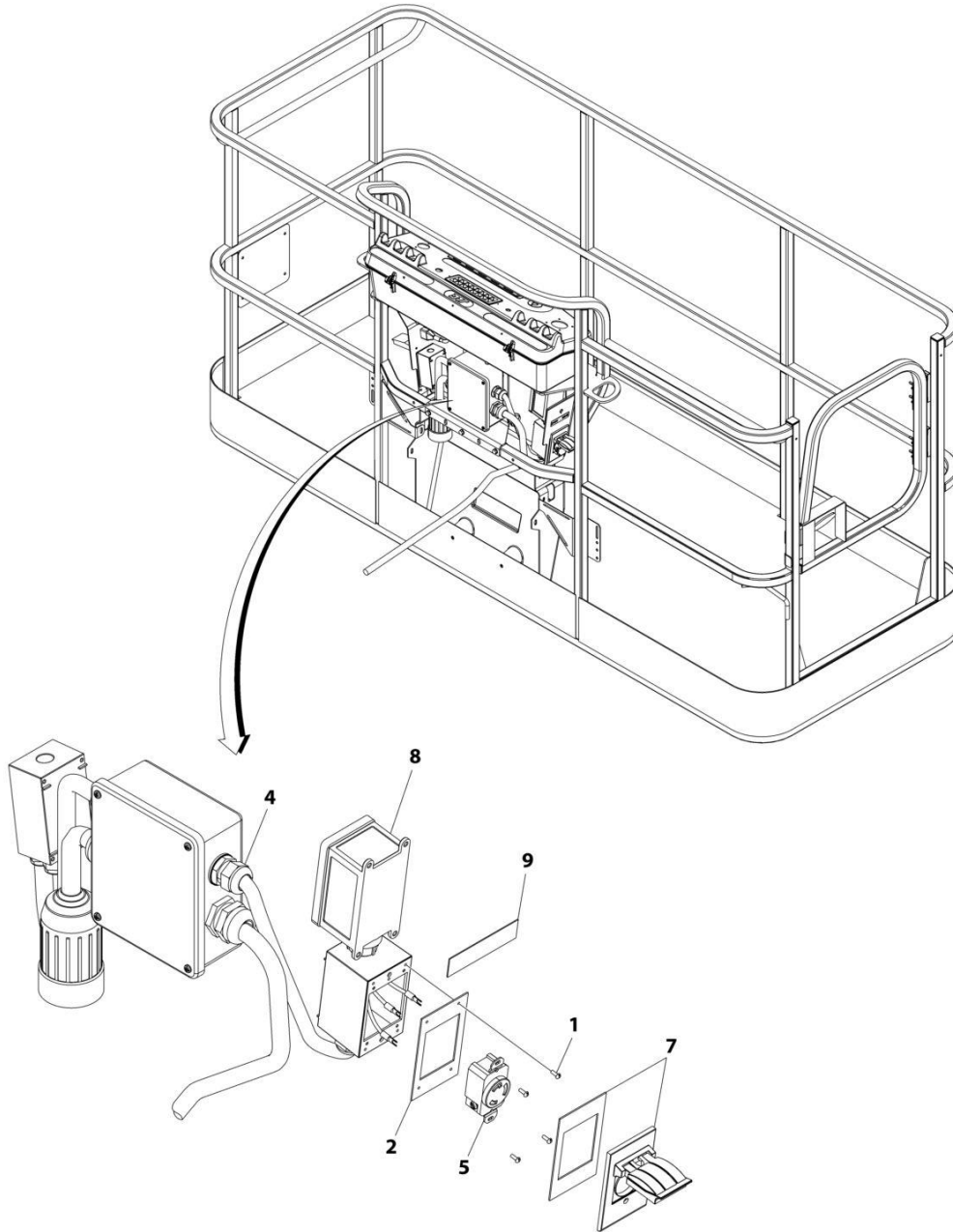
SECTION 8 - ELECTRICAL

FIGURE 8-14. AC BOX AT PLATFORM INSTALLATION - 240V (WITH 4000W GENERATOR)

ITEM	PART NUMBER	QTY	DESCRIPTION	REV
	1001171131	Ref	AC BOX AT PLATFORM INSTALLATION - 240V RECEPTACLE	B
1	3910606	4	Screw 6 x 3/8	
2	3960422	1	Gasket	
3	4240018	AR	Tie-Strap (Not Shown)	
4	4460425	1	Connector, Strain Relief	
5	1001176862	1	Receptacle	
7	1001110872	1	Cover, Receptacle	
8	1001159120	1	Receptacle/Breaker Box Assembly	
8	1001148675	1	Box, Receptacle	
8	1001159118	1	Breaker GFCI 30Amp 240VAC	
8	4460612	1	Connector, Strain Relief	
8	1001159119	1	Connector (Between Boxes)	
9	1705374	1	Decal - 240V/60Hz	

SECTION 8 - ELECTRICAL

FIGURE 8-15. AC BOX AT PLATFORM INSTALLATION - 240V (WITH 7500W SKYPOWER GENERATOR)



ART_1001159121

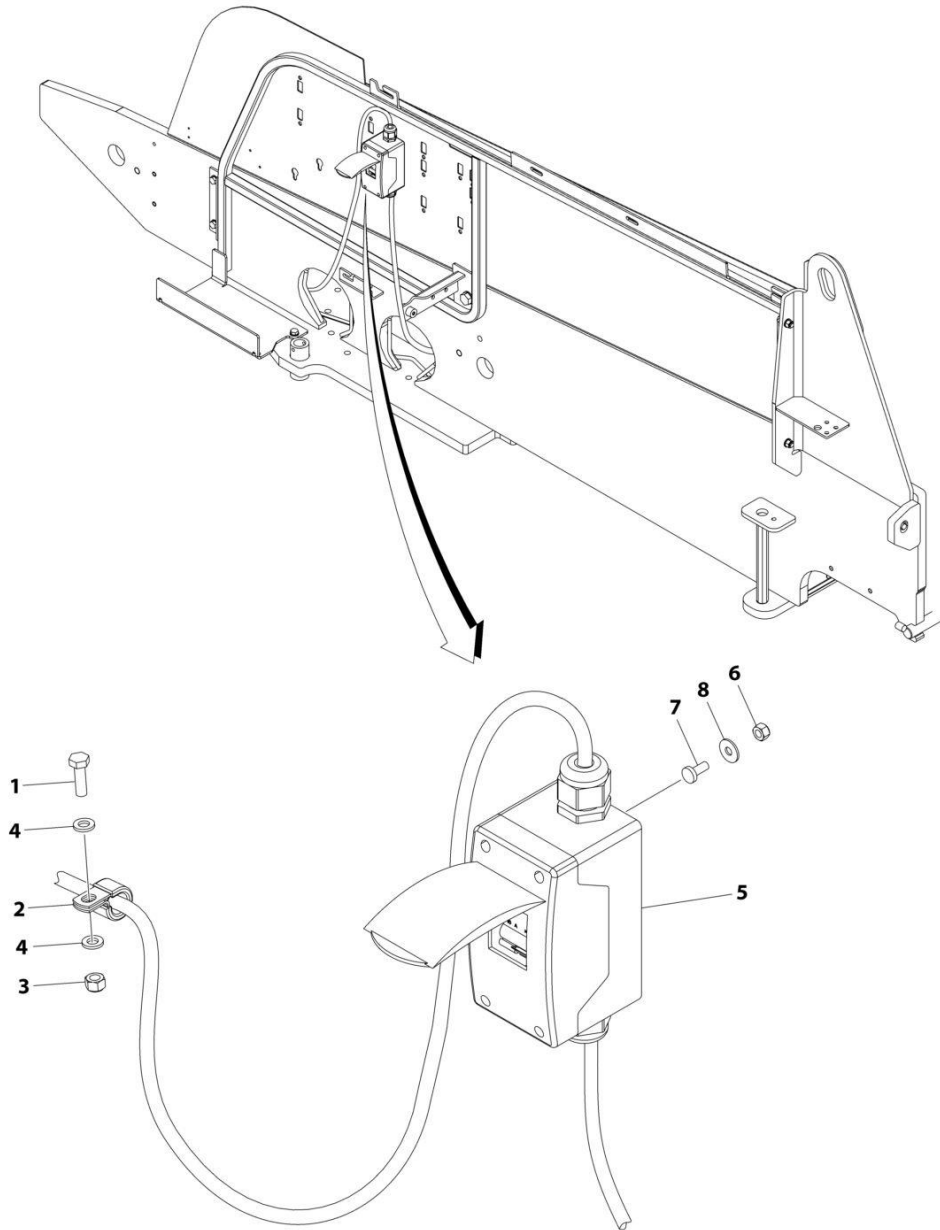
SECTION 8 - ELECTRICAL

FIGURE 8-15. AC BOX AT PLATFORM INSTALLATION - 240V (WITH 7500W SKYPOWER GENERATOR)

ITEM	PART NUMBER	QTY	DESCRIPTION	REV
	1001159121	Ref	AC BOX AT PLATFORM INSTALLATION - 240V RECEPTACLE	B
1	3910606	4	Screw 6 x 3/8	
2	3960422	1	Gasket	
3	4240018	AR	Tie-Strap (Not Shown)	
4	4460425	1	Connector, Strain Relief	
5	4460958	1	Receptacle	
7	1001110872	1	Cover, Receptacle	
8	1001159120	1	Receptacle/Breaker Box Assembly	
8	1001148675	1	Box, Receptacle	
8	1001159118	1	Breaker Box Assembly	
8	4460612	1	Connector, Strain Relief	
8	1001159119	1	Connector (Between Boxes)	
9	1705374	1	Decal - 240V/60Hz	

SECTION 8 - ELECTRICAL

FIGURE 8-16. AC BREAKER BOX INSTALLATION - SINGLE DOUBLE POLE BREAKER



ART_1001190774

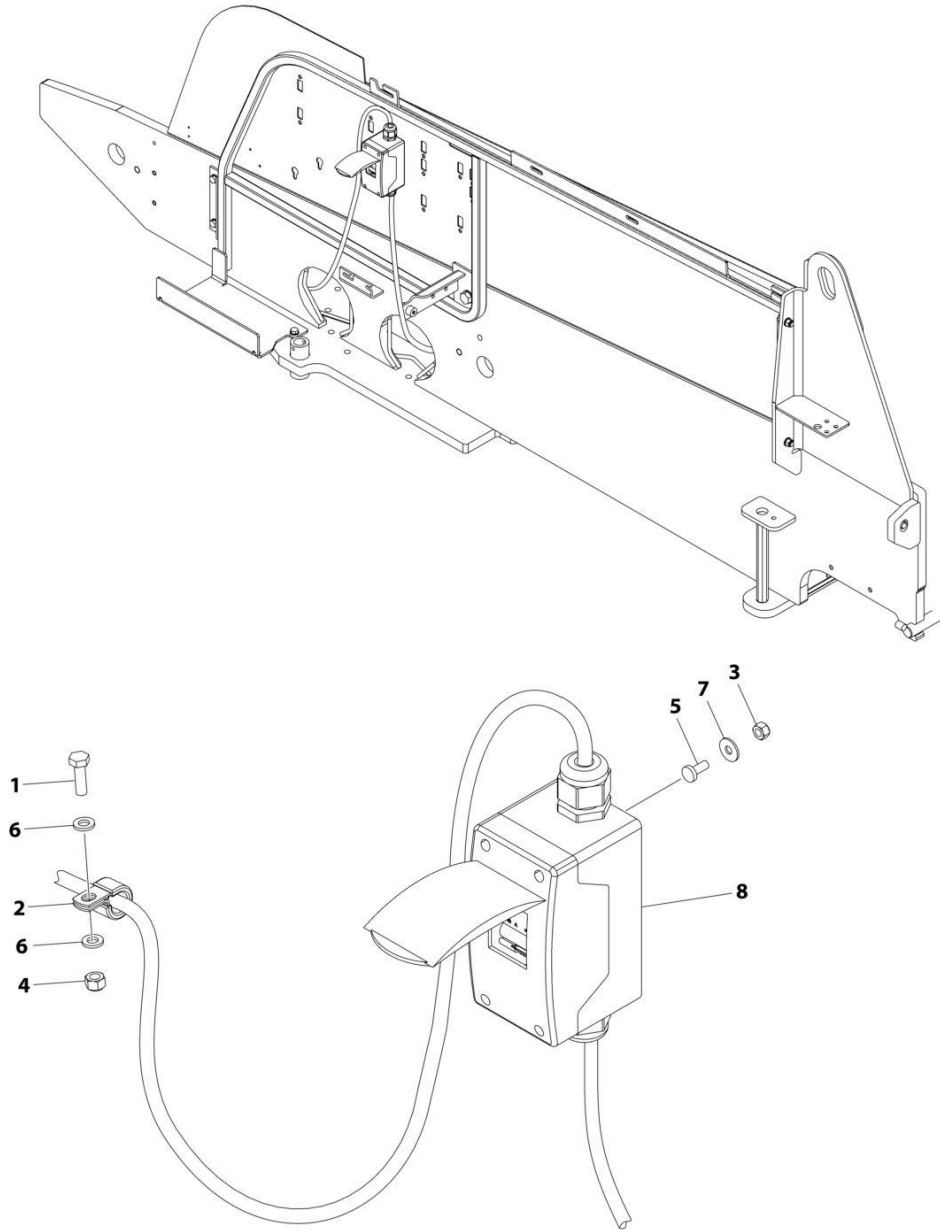
SECTION 8 - ELECTRICAL

FIGURE 8-16. AC BREAKER BOX INSTALLATION - SINGLE DOUBLE POLE BREAKER

ITEM	PART NUMBER	QTY	DESCRIPTION	REV
	1001190774	Ref	AC BREAKER BOX INSTALLATION	C
1	0760610	1	Bolt M6 x 20	
2	1320041	1	Clamp	
3	3290605	1	Nut M6	
4	4811700	2	Washer M6	
5	2902549	1	Breaker Box Kit - Single Double Pole Breaker (See Separate Breakdown in this Section)	
6	3290405	2	Nut M4	
7	4010405	2	Screw M4 x 10	
8	1001091102	2	Washer M4	

SECTION 8 - ELECTRICAL

FIGURE 8-17. AC BREAKER BOX INSTALLATION - SINGLE DOUBLE POLE BREAKER (MACHINES WITH SN STARTING WITH B3)



ART_1001291605

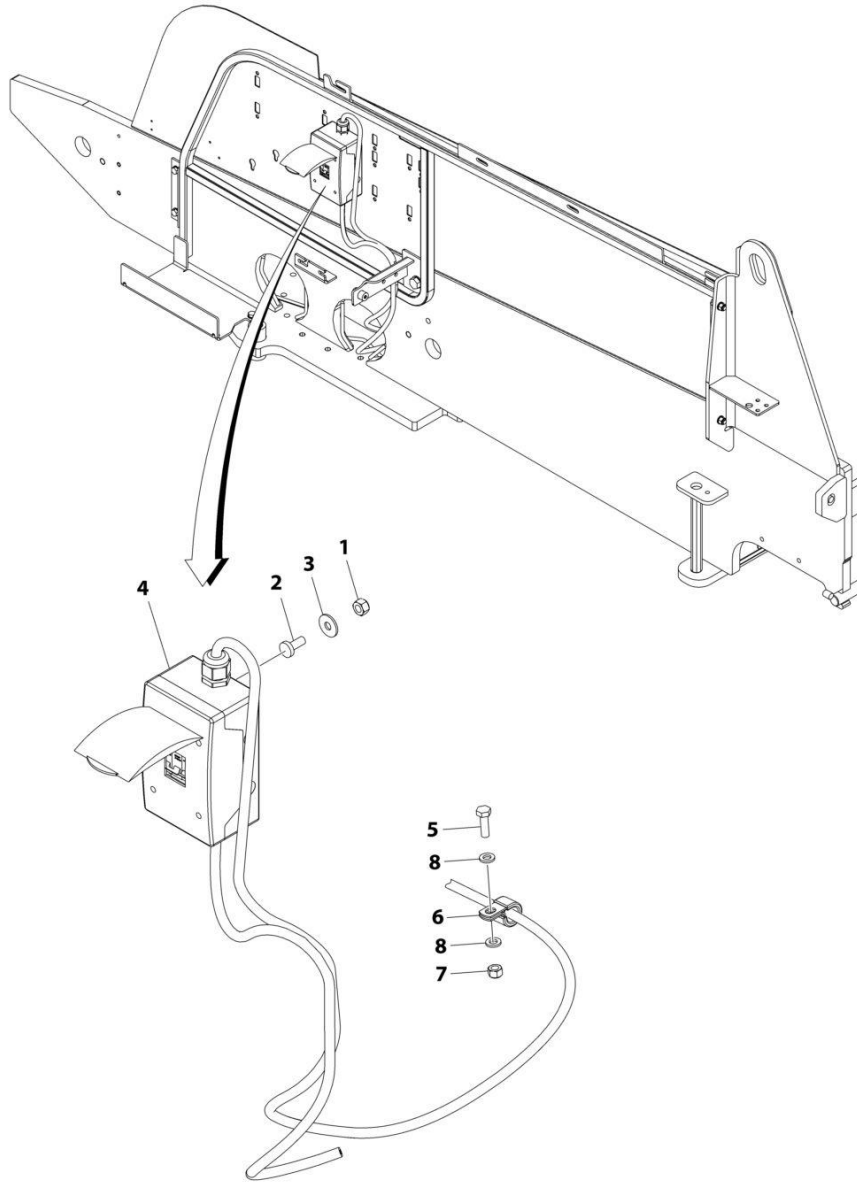
SECTION 8 - ELECTRICAL

FIGURE 8-17. AC BREAKER BOX INSTALLATION - SINGLE DOUBLE POLE BREAKER (MACHINES WITH SN STARTING WITH B3)

ITEM	PART NUMBER	QTY	DESCRIPTION	REV
	1001291605	Ref	AC BREAKER BOX INSTALLATION	A
1	0760610	1	Bolt M6 x 20	
2	1320041	1	Clamp	
3	3290405	2	Nut M4	
4	3290605	1	Nut M6	
5	4010405	2	Screw M4 x 10	
6	4811700	2	Washer M6	
7	1001091102	2	Washer M4	
8	1001289592	1	Breaker Box Kit - Single Double Pole Breaker (See Separate Breakdown in this Section)	

SECTION 8 - ELECTRICAL

FIGURE 8-18. AC BREAKER BOX INSTALLATION - 3 BREAKERS



ART_1001211049_C

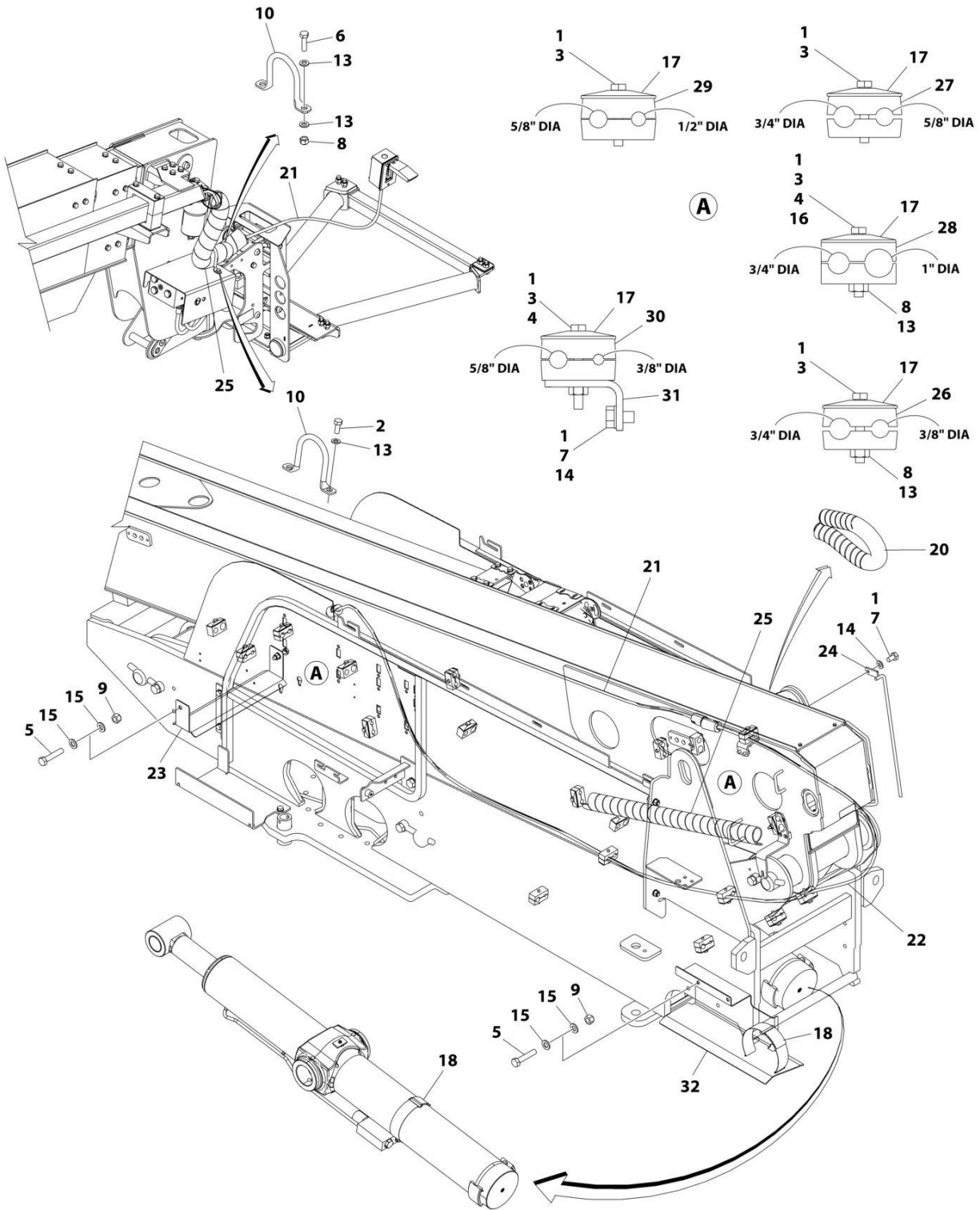
SECTION 8 - ELECTRICAL

FIGURE 8-18. AC BREAKER BOX INSTALLATION - 3 BREAKERS

ITEM	PART NUMBER	QTY	DESCRIPTION	REV
	1001211049	Ref	AC BREAKER BOX INSTALLATION	C
1	3290405	2	Nut M4	
2	4010405	2	Screw M4 x 10	
3	1001091102	2	Washer M4	
4	1001152486	1	Breaker Box Kit - 3 Breakers (See Separate Breakdown in this Section)	
5	0760610	1	Bolt M6 x 20	
6	1320041	1	Clamp	
7	3290605	1	Nut M6	
8	4811700	2	Washer M6	

SECTION 8 - ELECTRICAL

FIGURE 8-19. AC CABLES AND CLAMPS INSTALLATION - WITHOUT GENERATOR (ANSI, CSA & JAPANESE SPECS) (600S HC3)



ART_1001265756

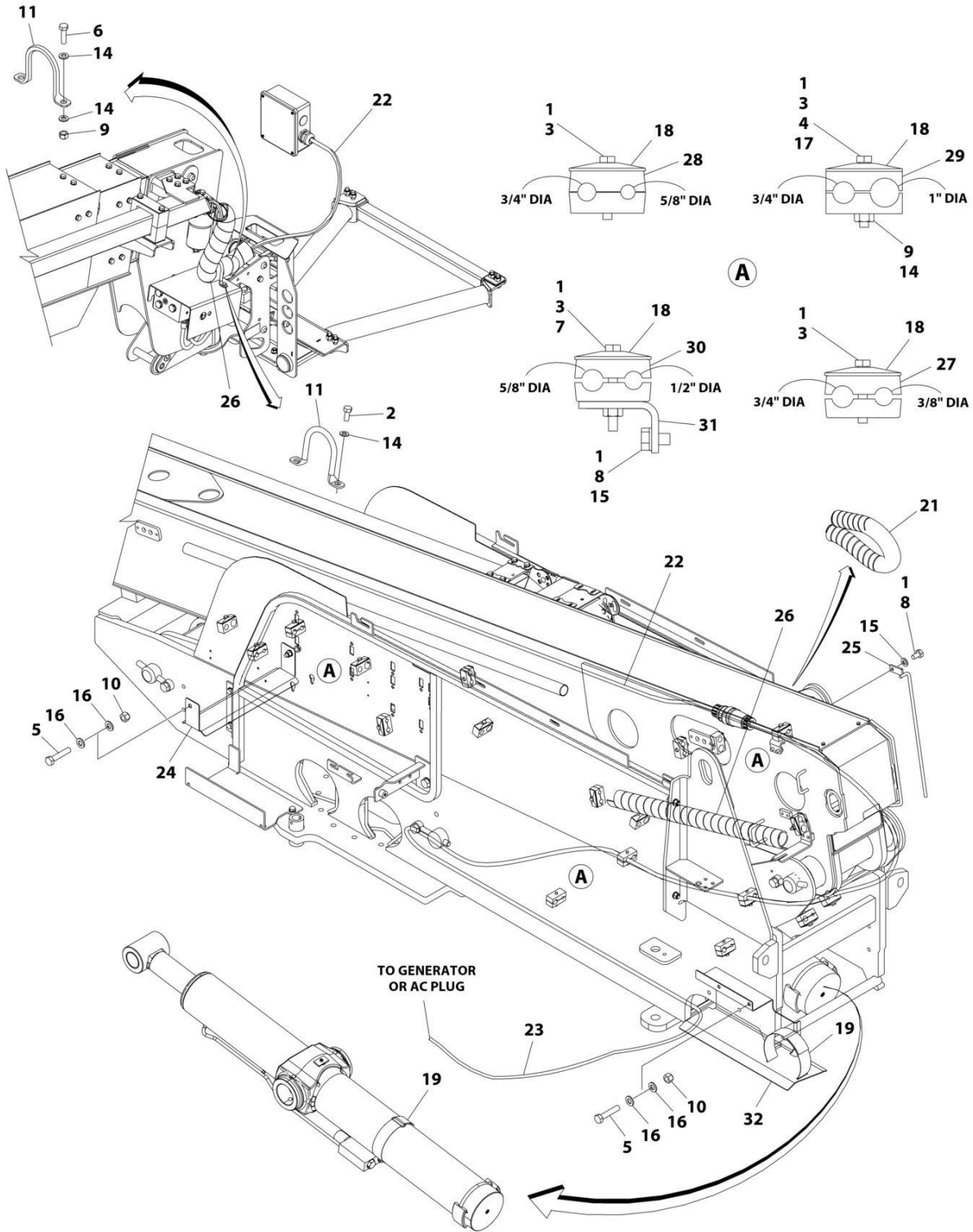
SECTION 8 - ELECTRICAL

FIGURE 8-19. AC CABLES AND CLAMPS INSTALLATION - WITHOUT GENERATOR (ANSI, CSA & JAPANESE SPECS) (600S HC3)

ITEM	PART NUMBER	QTY	DESCRIPTION	REV
	1001265756	Ref	AC CABLES AND CLAMPS INSTALLATION	A
1	0100011	AR	Compound, Locking	
2	0641506	2	Bolt 5/16 x 3/4	
3	0700818	16	Bolt M8 x 50	
4	0700822	2	Bolt M8 x 70	
5	0701220	4	Bolt M12 x 60	
6	0760814	2	Bolt M8 x 30	
7	0761009	3	Bolt M10 x 18	
8	3290805	4	Nut M8	
9	3291205	4	Nut M12	
10	3841340	2	Loop, Hose	
11	4240018	3	Tie-Strap (Not Shown)	
12	4240099	3	Tie-Strap (Not Shown)	
13	4811900	7	Washer M8	
14	4812000	3	Washer M10	
15	4812100	8	Washer M12	
16	5281918	1	Capscrew M8 x 70	
17	77133137	19	Cover, Clamp	
18	1001143645	2	Strap, Cinch	
19	1001146588	4	Tie-Strap (Not Shown)	
20	1001181923	1	Shield, Tube	
21	1001195227	1	AC Ground to Platform Cable (Upper)	
21	1001120204	1	Plug, Male	
22	1001195525	1	AC Ground to Platform Cable (Lower)	
22	1001120205	1	Receptacle, Female	
23	1001201342	1	Support	
24	1001202936	1	Guide	
25	1001204690	2	Shield, Tube	
26	1001209948	3	Clamp	
27	1001209949	3	Clamp	
28	1001209951	6	Clamp	
29	1001209953	3	Clamp	
30	1001228809	4	Clamp	
31	1001229637	1	Bracket	
32	1001252945	1	Support	

SECTION 8 - ELECTRICAL

FIGURE 8-20. AC CABLES AND CLAMPS INSTALLATION - WITHOUT GENERATOR (ANSI EXPORT,CE, RUSSIA CIS, CHINA & UK CA SPECS) (600S HC3)



ART_1001265758

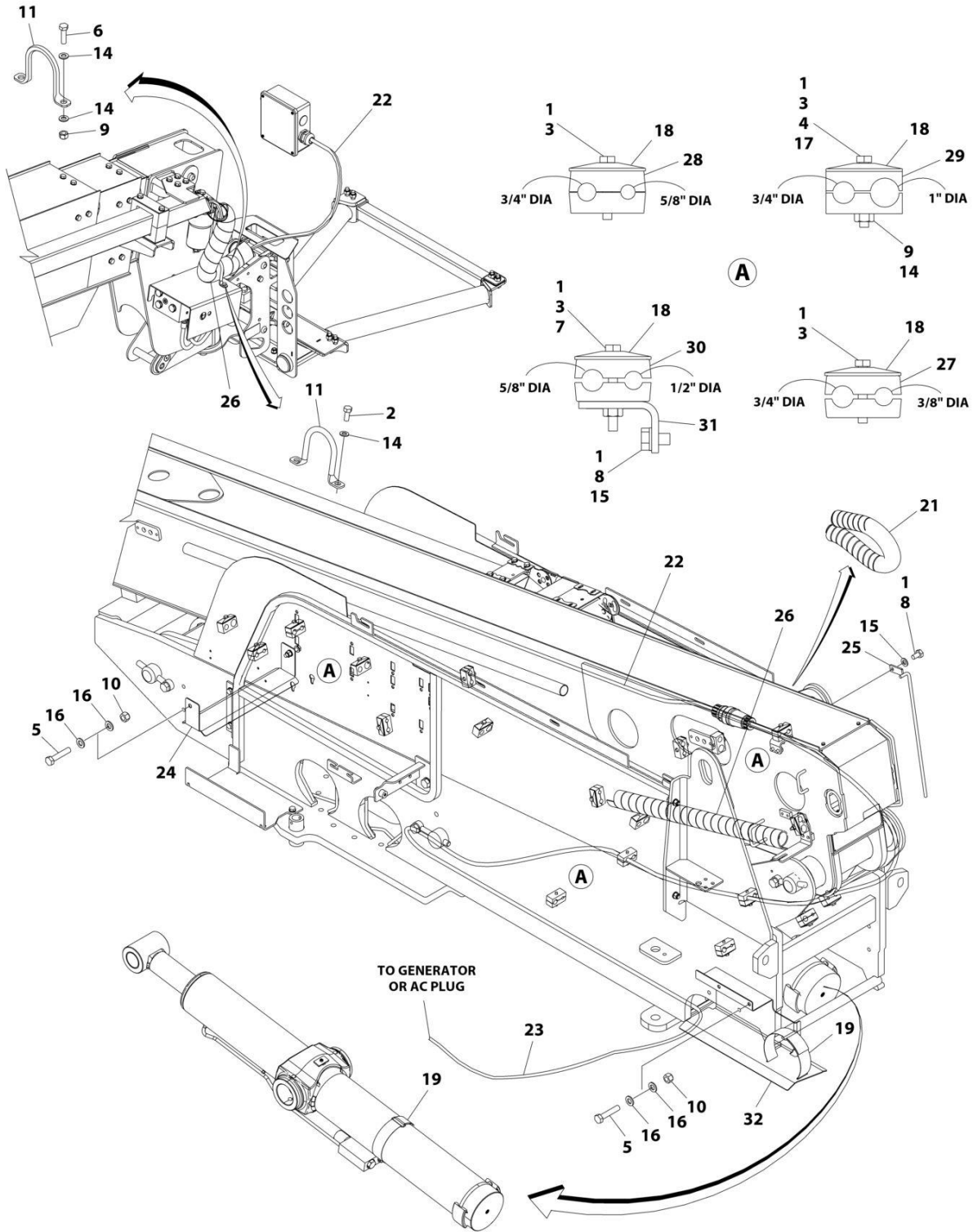
SECTION 8 - ELECTRICAL

FIGURE 8-20. AC CABLES AND CLAMPS INSTALLATION - WITHOUT GENERATOR (ANSI EXPORT,CE, RUSSIA CIS, CHINA & UK CA SPECS) (600S HC3)

ITEM	PART NUMBER	QTY	DESCRIPTION	REV
	1001265758	Ref	AC CABLES AND CLAMPS INSTALLATION	A
1	0100011	AR	Compound, Locking	
2	0641506	2	Bolt 5/16 x 3/4	
3	0700818	16	Bolt M8 x 50	
4	0700822	1	Bolt M8 x 70	
5	0701220	4	Bolt M12 x 60	
6	0760814	2	Bolt M8 x 30	
7	0760822	1	Bolt M8 x 70	
8	0761009	3	Bolt M10 x 18	
9	3290805	4	Nut M8	
10	3291205	4	Nut M12	
11	3841340	2	Loop, Hose	
12	4240018	3	Tie-Strap (Not Shown)	
13	4240099	3	Tie-Strap (Not Shown)	
14	4811900	7	Washer M8	
15	4812000	3	Washer M10	
16	4812100	8	Washer M12	
17	5281918	1	Capscrew M8 x 70	
18	77133137	19	Cover, Clamp	
19	1001143645	2	Strap, Cinch	
20	1001146588	4	Tie-Strap (Not Shown)	
21	1001181923	1	Shield, Tube	
22	1001195225	1	AC Ground to Platform Cable (Upper)	
22	1001214095	1	Plug, Male	
23	1001196368	1	AC Ground to Platform Cable (Lower)	
23	1001214096	1	Receptacle, Female	
24	1001201342	1	Support	
25	1001202936	1	Guide	
26	1001204690	2	Shield, Tube	
27	1001209948	3	Clamp	
28	1001209949	3	Clamp	
29	1001209951	6	Clamp	
30	1001209953	7	Clamp	
31	1001229637	1	Bracket	
32	1001252945	1	Support	

SECTION 8 - ELECTRICAL

FIGURE 8-21. AC CABLES AND CLAMPS INSTALLATION - WITH 2500W GENERATOR (ANSI, ANSI EXPORT, CHINA, CSA AND JAPANESE SPECS) (600S HC3)



ART_1001265758

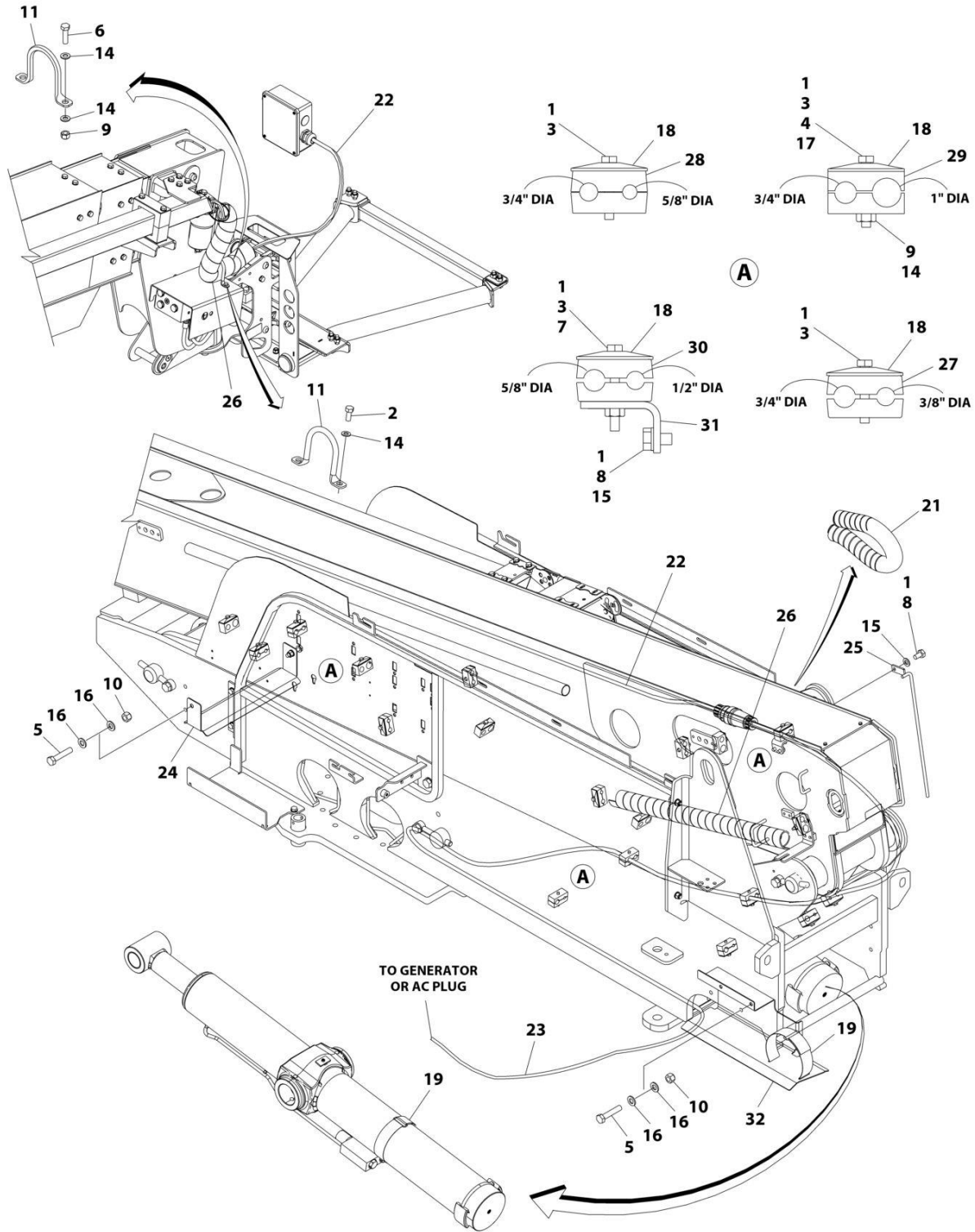
SECTION 8 - ELECTRICAL

FIGURE 8-21. AC CABLES AND CLAMPS INSTALLATION - WITH 2500W GENERATOR (ANSI, ANSI EXPORT, CHINA, CSA AND JAPANESE SPECS) (600S HC3)

ITEM	PART NUMBER	QTY	DESCRIPTION	REV
	1001265758	Ref	AC CABLES AND CLAMPS INSTALLATION	A
1	0100011	AR	Compound, Locking	
2	0641506	2	Bolt 5/16 x 3/4	
3	0700818	16	Bolt M8 x 50	
4	0700822	1	Bolt M8 x 70	
5	0701220	4	Bolt M12 x 60	
6	0760814	2	Bolt M8 x 30	
7	0760822	1	Bolt M8 x 70	
8	0761009	3	Bolt M10 x 18	
9	3290805	4	Nut M8	
10	3291205	4	Nut M12	
11	3841340	2	Loop, Hose	
12	4240018	3	Tie-Strap (Not Shown)	
13	4240099	3	Tie-Strap (Not Shown)	
14	4811900	7	Washer M8	
15	4812000	3	Washer M10	
16	4812100	8	Washer M12	
17	5281918	1	Capscrew M8 x 70	
18	77133137	19	Cover, Clamp	
19	1001143645	2	Strap, Cinch	
20	1001146588	4	Tie-Strap (Not Shown)	
21	1001181923	1	Shield, Tube	
22	1001195225	1	AC Ground to Platform Cable (Upper)	
22	1001214095	1	Plug, Male	
23	1001196368	1	AC Ground to Platform Cable (Lower)	
23	1001214096	1	Receptacle, Female	
24	1001201342	1	Support	
25	1001202936	1	Guide	
26	1001204690	2	Shield, Tube	
27	1001209948	3	Clamp	
28	1001209949	3	Clamp	
29	1001209951	6	Clamp	
30	1001209953	7	Clamp	
31	1001229637	1	Bracket	
32	1001252945	1	Support	

SECTION 8 - ELECTRICAL

FIGURE 8-22. AC CABLES AND CLAMPS INSTALLATION - WITH 4000W/50HZ GENERATOR (ANSI EXPORT, CE, CHINA, RUSSIAN CIS & UK CA SPECS) (600S HC3)



ART_1001265758

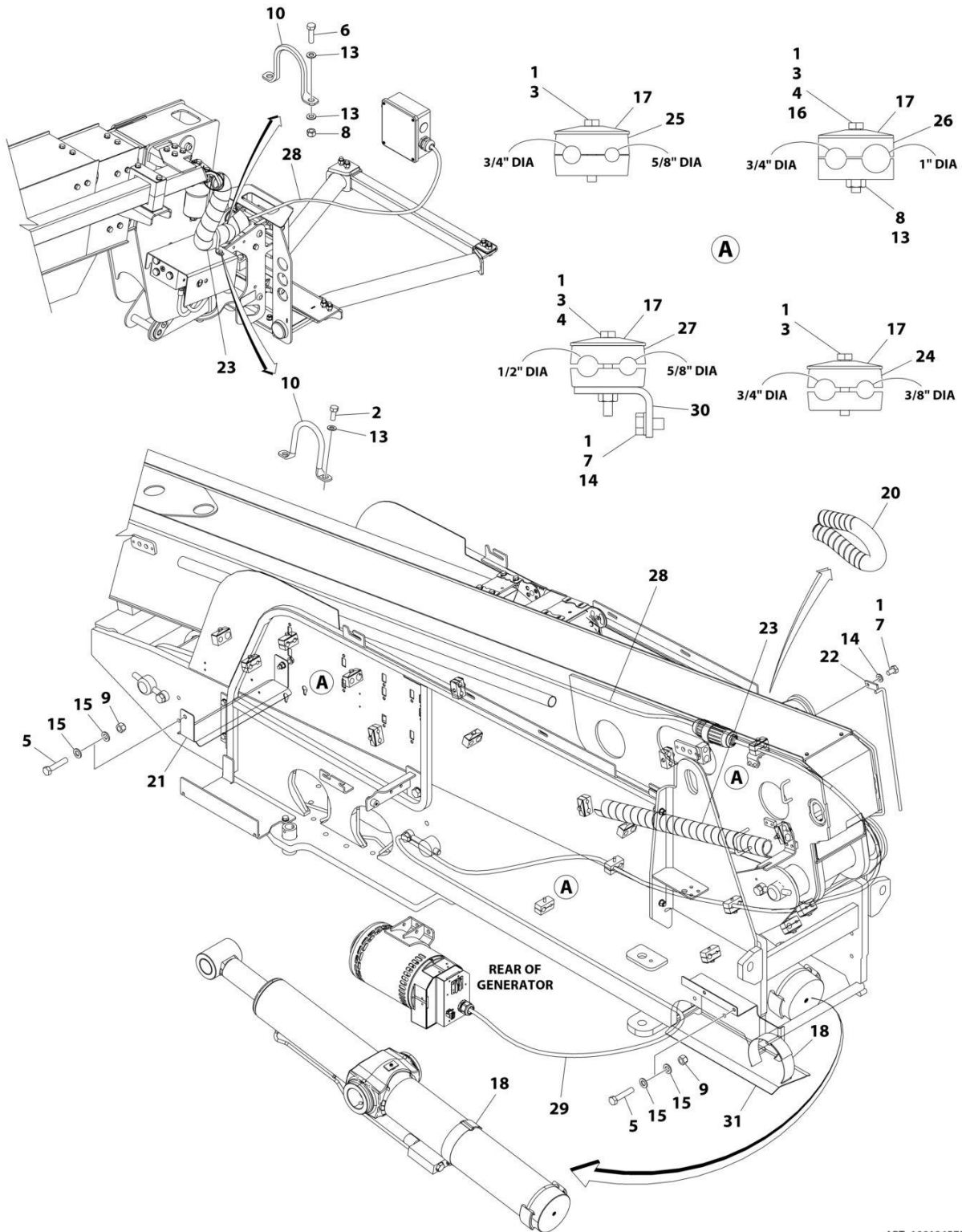
SECTION 8 - ELECTRICAL

FIGURE 8-22. AC CABLES AND CLAMPS INSTALLATION - WITH 4000W/50HZ GENERATOR (ANSI EXPORT, CE, CHINA, RUSSIAN CIS & UK CA SPECS) (600S HC3)

ITEM	PART NUMBER	QTY	DESCRIPTION	REV
	1001265758	Ref	AC CABLES AND CLAMPS INSTALLATION	A
1	0100011	AR	Compound, Locking	
2	0641506	2	Bolt 5/16 x 3/4	
3	0700818	16	Bolt M8 x 50	
4	0700822	1	Bolt M8 x 70	
5	0701220	4	Bolt M12 x 60	
6	0760814	2	Bolt M8 x 30	
7	0760822	1	Bolt M8 x 70	
8	0761009	3	Bolt M10 x 18	
9	3290805	4	Nut M8	
10	3291205	4	Nut M12	
11	3841340	2	Loop, Hose	
12	4240018	3	Tie-Strap (Not Shown)	
13	4240099	3	Tie-Strap (Not Shown)	
14	4811900	7	Washer M8	
15	4812000	3	Washer M10	
16	4812100	8	Washer M12	
17	5281918	1	Capscrew M8 x 70	
18	77133137	19	Cover, Clamp	
19	1001143645	2	Strap, Cinch	
20	1001146588	4	Tie-Strap (Not Shown)	
21	1001181923	1	Shield, Tube	
22	1001195225	1	AC Ground to Platform Cable (Upper)	
22	1001214095	1	Plug, Male	
23	1001196368	1	AC Ground to Platform Cable (Lower)	
23	1001214096	1	Receptacle, Female	
24	1001201342	1	Support	
25	1001202936	1	Guide	
26	1001204690	2	Shield, Tube	
27	1001209948	3	Clamp	
28	1001209949	3	Clamp	
29	1001209951	6	Clamp	
30	1001209953	7	Clamp	
31	1001229637	1	Bracket	
32	1001252945	1	Support	

SECTION 8 - ELECTRICAL

FIGURE 8-23. AC CABLES AND CLAMPS INSTALLATION - WITH 4000W/60HZ GENERATOR (ANSI, ANSI EXPORT, CSA AND JAPANESE SPECS) (600S HC3)



ART_1001265757

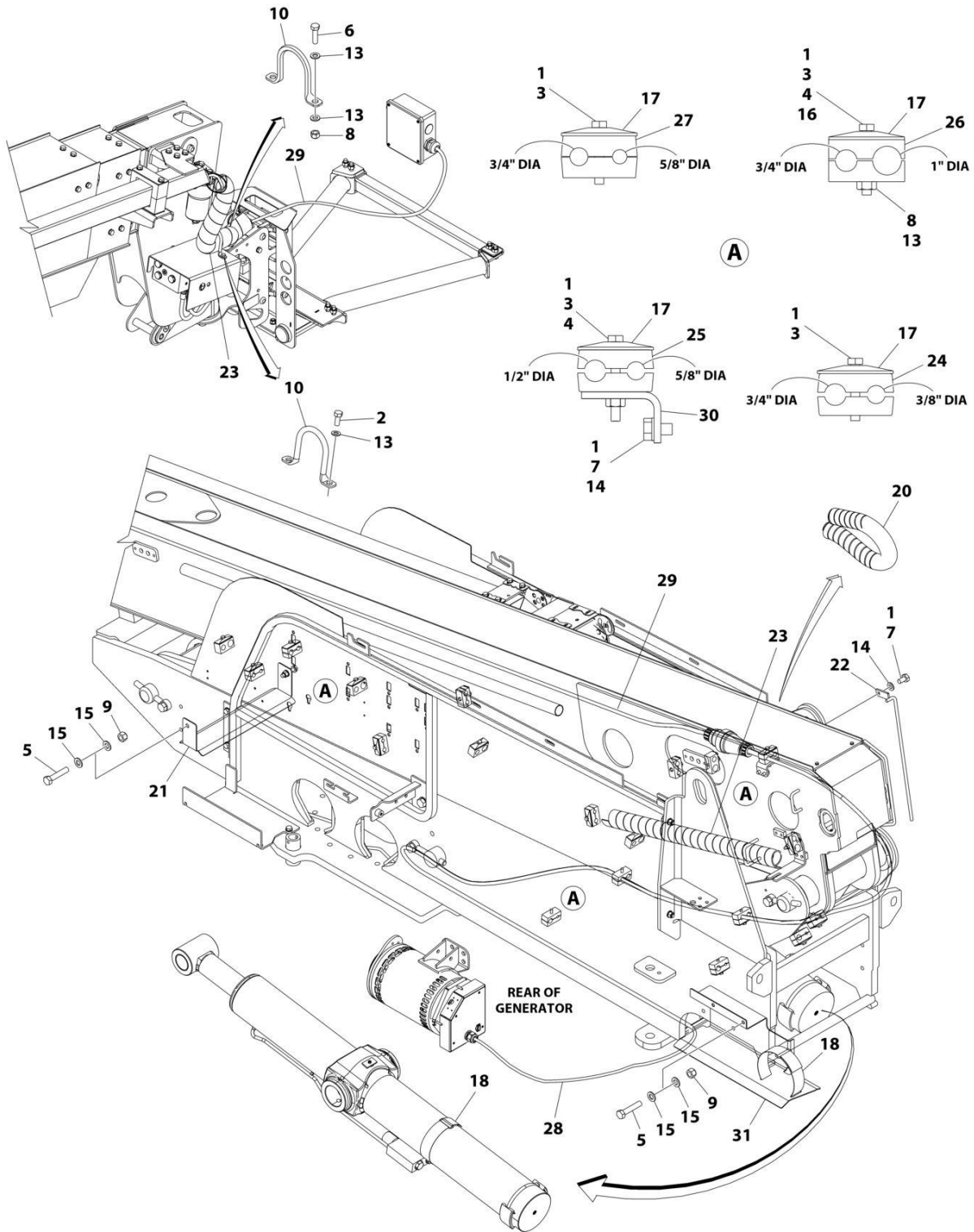
SECTION 8 - ELECTRICAL

FIGURE 8-23. AC CABLES AND CLAMPS INSTALLATION - WITH 4000W/60HZ GENERATOR (ANSI, ANSI EXPORT, CSA AND JAPANESE SPECS) (600S HC3)

ITEM	PART NUMBER	QTY	DESCRIPTION	REV
	1001265757	Ref	AC CABLES AND CLAMPS INSTALLATION	A
1	0100011	AR	Compound, Locking	
2	0641506	2	Bolt 5/16 x 3/4	
3	0700818	16	Bolt M8 x 50	
4	0700822	2	Bolt M8 x 70	
5	0701220	4	Bolt M12 x 60	
6	0760814	2	Bolt M8 x 30	
7	0761009	3	Bolt M10 x 18	
8	3290805	4	Nut M8	
9	3291205	4	Nut M12	
10	3841340	2	Loop, Hose	
11	4240018	3	Tie-Strap (Not Shown)	
12	4240099	3	Tie-Strap (Not Shown)	
13	4811900	7	Washer M8	
14	4812000	3	Washer M10	
15	4812100	8	Washer M12	
16	5281918	1	Capscrew M8 x 70	
17	77133137	19	Cover, Clamp	
18	1001143645	2	Strap, Cinch	
19	1001146588	4	Tie-Strap (Not Shown)	
20	1001181923	1	Shield, Tube	
21	1001201342	1	Support	
22	1001202936	1	Guide	
23	1001204690	2	Shield, Tube	
24	1001209948	3	Clamp	
25	1001209949	3	Clamp	
26	1001209951	6	Clamp	
27	1001209953	7	Clamp	
28	1001228186	1	AC Ground to Platform Cable (Upper)	
28	4460959	1	Plug, Male	
28	1671093	1	Cover, Plug	
29	1001228188	1	AC Ground to Platform Cable (Lower)	
29	4460960	1	Receptacle, Female	
29	1671092	1	Cover, Receptacle	
30	1001229637	1	Bracket	
31	1001252945	1	Support	

SECTION 8 - ELECTRICAL

FIGURE 8-24. AC CABLES AND CLAMPS INSTALLATION - WITH 7500W GENERATOR (ANSI, ANSI EXPORT, CHINA, CSA, RUSSIAN CIS AND JAPANESE SPECS) (600S HC3)



ART_1001265759

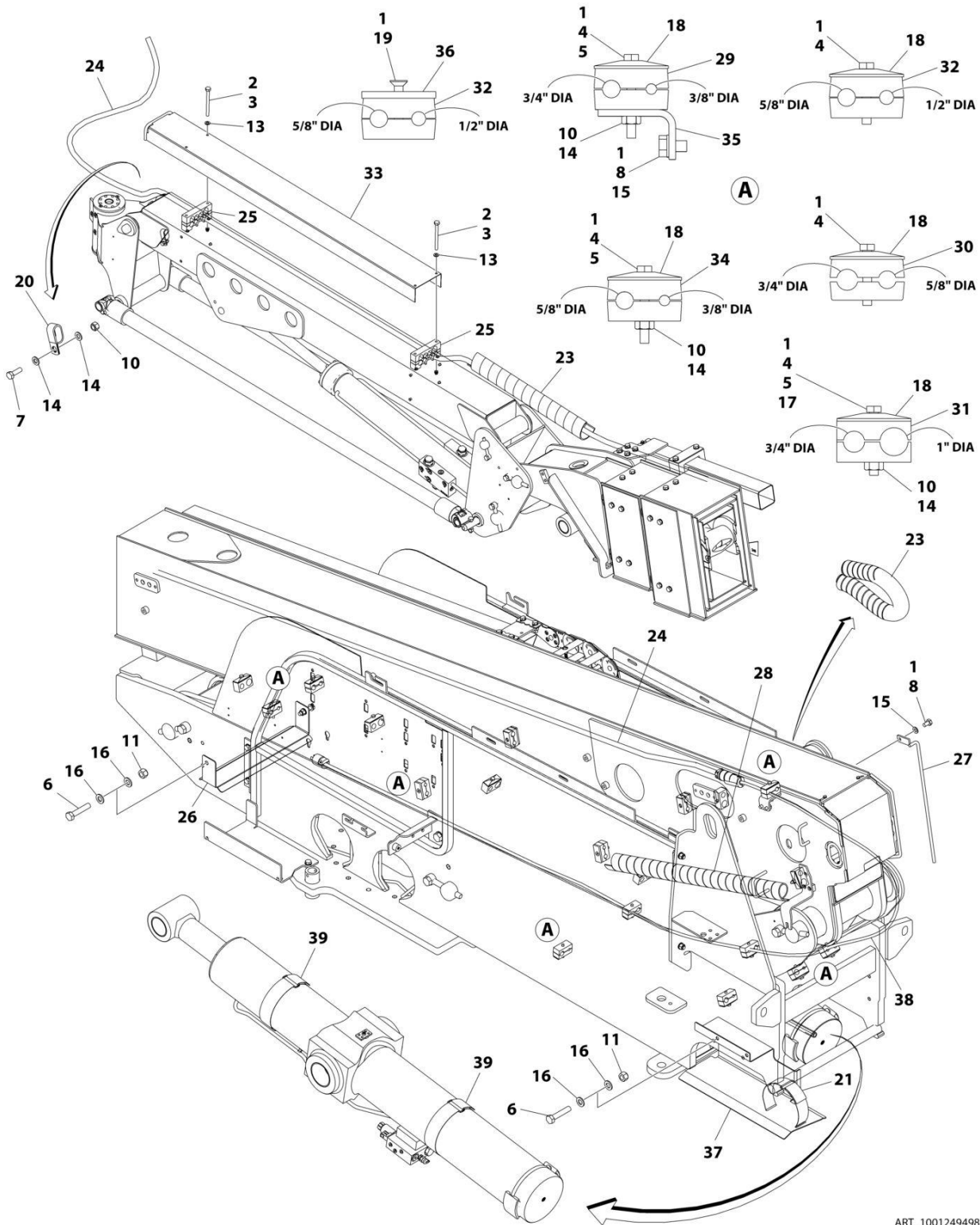
SECTION 8 - ELECTRICAL

FIGURE 8-24. AC CABLES AND CLAMPS INSTALLATION - WITH 7500W GENERATOR (ANSI, ANSI EXPORT, CHINA, CSA, RUSSIAN CIS AND JAPANESE SPECS) (600S HC3)

ITEM	PART NUMBER	QTY	DESCRIPTION	REV
	1001265759	Ref	AC CABLES AND CLAMPS INSTALLATION	A
1	0100011	AR	Compound, Locking	
2	0641506	2	Bolt 5/16 x 3/4	
3	0700818	16	Bolt M8 x 50	
4	0700822	2	Bolt M8 x 70	
5	0701220	4	Bolt M12 x 60	
6	0760814	2	Bolt M8 x 30	
7	0761009	3	Bolt M10 x 18	
8	3290805	4	Nut M8	
9	3291205	4	Nut M12	
10	3841340	2	Loop, Hose	
11	4240018	3	Tie-Strap (Not Shown)	
12	4240099	3	Tie-Strap (Not Shown)	
13	4811900	7	Washer M8	
14	4812000	3	Washer M10	
15	4812100	8	Washer M12	
16	5281918	1	Capscrew M8 x 70	
17	77133137	19	Cover, Clamp	
18	1001143645	2	Strap, Cinch	
19	1001146588	4	Tie-Strap (Not Shown)	
20	1001181923	1	Shield, Tube	
21	1001201342	1	Support	
22	1001202936	1	Guide	
23	1001204690	2	Shield, Tube	
24	1001209948	3	Clamp	
25	1001209949	7	Clamp	
26	1001209951	6	Clamp	
27	1001209953	3	Clamp	
28	1001226304	1	AC Ground to Platform Cable (Lower)	
28	4460960	1	Receptacle, Female	
28	1671092	1	Cover, Receptacle	
29	1001226305	1	AC Ground to Platform Cable (Upper)	
29	1060945	1	Cable	
29	1001218622	1	Plug	
30	1001229637	1	Bracket	
31	1001252945	1	Support	

SECTION 8 - ELECTRICAL

FIGURE 8-25. AC CABLES AND CLAMPS INSTALLATION - WITHOUT GENERATOR (ANSI, CSA AND JAPANESE SPECS) (660SJ HC3)



ART_1001249498

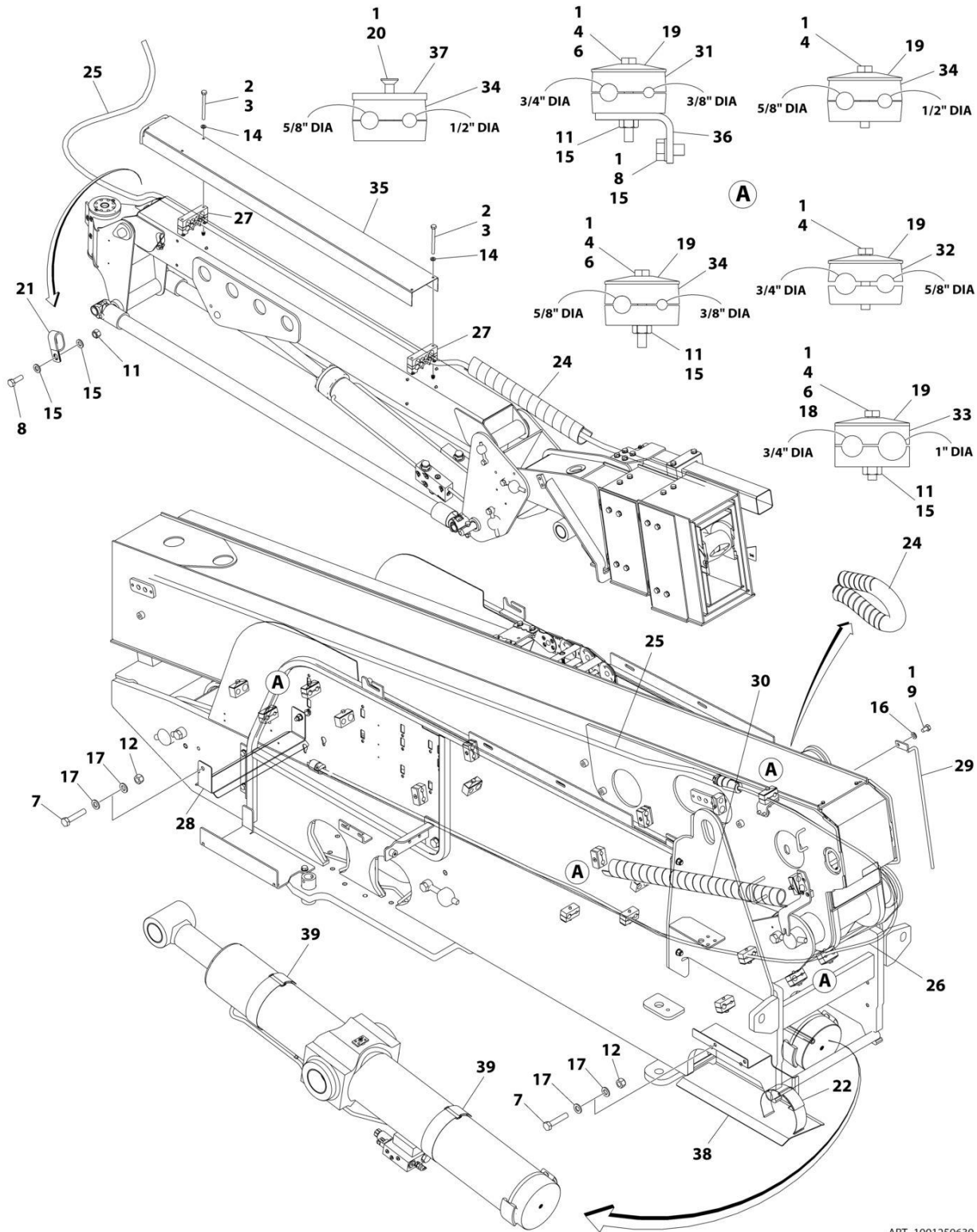
SECTION 8 - ELECTRICAL

FIGURE 8-25. AC CABLES AND CLAMPS INSTALLATION - WITHOUT GENERATOR (ANSI, CSA AND JAPANESE SPECS) (660SJ HC3)

ITEM	PART NUMBER	QTY	DESCRIPTION	REV
	1001249498	Ref	AC CABLES & CLAMPS INSTALLATION	E
1	0100011	AR	Compound, Locking	
2	0100035	AR	Compound, Locking	
3	0700624	4	Bolt M6 x 80	
4	0700818	12	Bolt M8 x 50	
5	0700822	2	Bolt M8 x 70	
6	0701220	4	Bolt M12 x 60	
7	0760812	1	Bolt M8 x 25	
8	0761009	3	Bolt M10 x 18	
10	3290805	3	Nut M8	
11	3291205	4	Nut M12	
12	4240018	4	Tie-Strap (Not Shown)	
13	4811700	4	Washer M6	
14	4811900	3	Washer M8	
15	4812000	3	Washer M10	
16	4812100	8	Washer M12	
17	5281918	1	Capscrew M8 x 70	
18	77133137	15	Cover, Clamp	
19	1001102830	4	Screw M8 x 45	
20	1001116792	1	Clamp	
21	1001143645	1	Strap, Cinch	
22	1001146588	4	Tie-Strap (Not Shown)	
23	1001181923	2	Shield, Tube	
24	1001195228	1	AC Ground to Platform Cable (Upper)	
24	1001120204	1	Plug, Male	
25	1001201090	2	Block, Clamp	
26	1001201342	1	Support	
27	1001202936	1	Guide	
28	1001204690	1	Shield, Tube	
29	1001209948	3	Clamp	
30	1001209949	3	Clamp	
31	1001209951	6	Clamp	
32	1001209953	3	Clamp	
33	1001209957	1	Cover	
34	1001228809	4	Clamp	
35	1001229637	1	Bracket	
36	1001249496	4	Plate, Clamp	
37	1001252945	1	Support	
38	1001195525	1	AC Ground to Platform Cable (Lower)	
38	1001120205	1	Receptacle, Female	
39	1001265308	2	Strap, Cinch	

SECTION 8 - ELECTRICAL

FIGURE 8-26. AC CABLES AND CLAMPS INSTALLATION - WITHOUT GENERATOR (ANSI EXPORT, AUSTRALIAN, RUSSIA CIS, CHINA, CE & UK CA SPECS) (660SJ HC3)



ART_1001250639_E

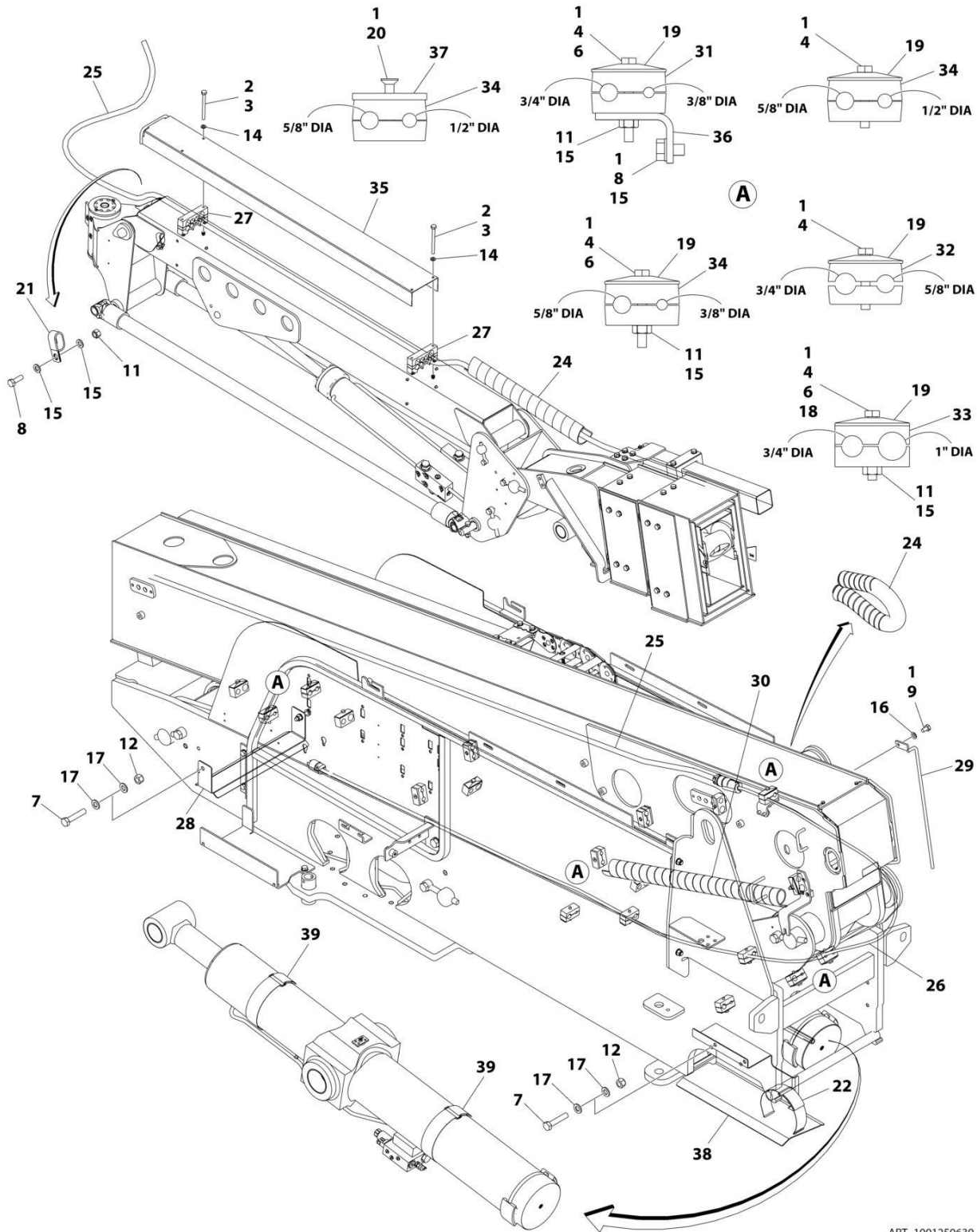
SECTION 8 - ELECTRICAL

FIGURE 8-26. AC CABLES AND CLAMPS INSTALLATION - WITHOUT GENERATOR (ANSI EXPORT, AUSTRALIAN, RUSSIA CIS, CHINA, CE & UK CA SPECS) (660SJ HC3)

ITEM	PART NUMBER	QTY	DESCRIPTION	REV
	1001250639	Ref	AC CABLES AND CLAMPS INSTALLATION	E
1	0100011	AR	Compound, Locking	
2	0100035	AR	Compound, Locking	
3	0700624	4	Bolt M6 x 80	
4	0700818	12	Bolt M8 x 50	
5	0700819	3	Bolt M8 x 55 (Not Shown)	
6	0700822	2	Bolt M8 x 70	
7	0701220	4	Bolt M12 x 60	
8	0760812	1	Bolt M8 x 25	
9	0761009	3	Bolt M10 x 18	
11	3290805	6	Nut M8	
12	3291205	4	Nut M12	
13	4240018	4	Tie-Strap (Not Shown)	
14	4811700	4	Washer M6	
15	4811900	9	Washer M8	
16	4812000	3	Washer M10	
17	4812100	8	Washer M12	
18	5281918	1	Capscrew M8 x 70	
19	77133137	15	Cover, Clamp	
20	1001102830	4	Screw M8 x 45	
21	1001116792	1	Clamp	
22	1001143645	3	Strap, Cinch	
23	1001146588	4	Tie-Strap (Not Shown)	
24	1001181923	2	Shield, Tube	
25	1001195226	1	AC Ground to Platform Cable (Upper)	
25	1001214095	1	Plug, Male	
26	1001196368	1	AC Ground to Platform Cable (Lower)	
26	1001214096	1	Receptacle, Female	
27	1001201090	2	Block, Clamp	
28	1001201342	1	Support	
29	1001202936	1	Guide	
30	1001204690	1	Shield, Tube	
31	1001209948	3	Clamp	
32	1001209949	3	Clamp	
33	1001209951	6	Clamp	
34	1001209953	7	Clamp	
35	1001209957	1	Cover	
36	1001229637	1	Bracket	
37	1001249496	4	Plate, Clamp	
38	1001252945	1	Support	
39	1001265308	2	Strap, Cinch	

SECTION 8 - ELECTRICAL

FIGURE 8-27. AC CABLES AND CLAMPS INSTALLATION - WITH 2500W GENERATOR (ANSI, ANSI EXPORT, CHINA, CSA AND JAPANESE SPECS) (660SJ HC3)



ART_1001250639_E

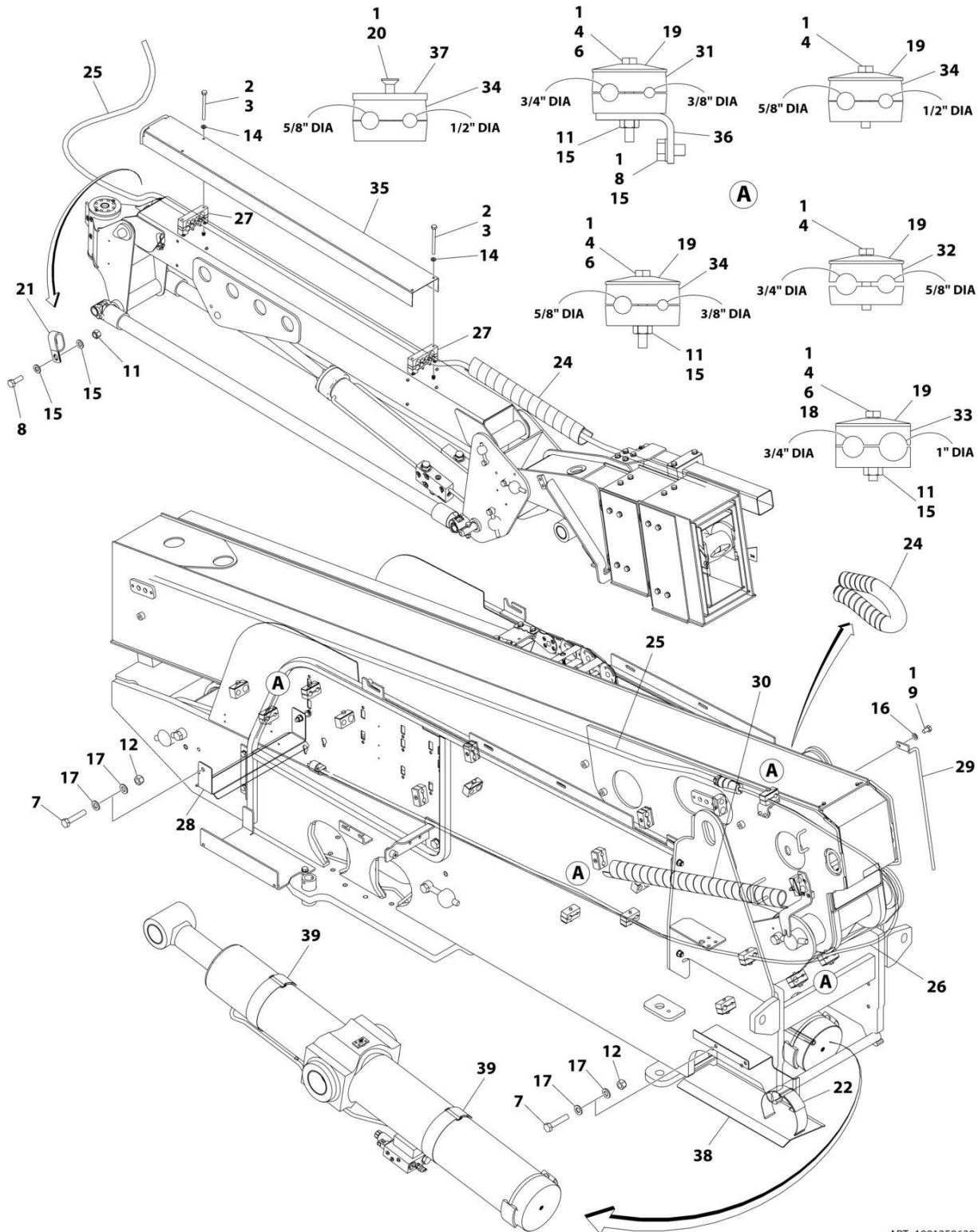
SECTION 8 - ELECTRICAL

FIGURE 8-27. AC CABLES AND CLAMPS INSTALLATION - WITH 2500W GENERATOR (ANSI, ANSI EXPORT, CHINA, CSA AND JAPANESE SPECS) (660SJ HC3)

ITEM	PART NUMBER	QTY	DESCRIPTION	REV
	1001250639	Ref	AC CABLES AND CLAMPS INSTALLATION	E
1	0100011	AR	Compound, Locking	
2	0100035	AR	Compound, Locking	
3	0700624	4	Bolt M6 x 80	
4	0700818	12	Bolt M8 x 50	
5	0700819	3	Bolt M8 x 55 (Not Shown)	
6	0700822	2	Bolt M8 x 70	
7	0701220	4	Bolt M12 x 60	
8	0760812	1	Bolt M8 x 25	
9	0761009	3	Bolt M10 x 18	
11	3290805	6	Nut M8	
12	3291205	4	Nut M12	
13	4240018	4	Tie-Strap (Not Shown)	
14	4811700	4	Washer M6	
15	4811900	9	Washer M8	
16	4812000	3	Washer M10	
17	4812100	8	Washer M12	
18	5281918	1	Capscrew M8 x 70	
19	77133137	15	Cover, Clamp	
20	1001102830	4	Screw M8 x 45	
21	1001116792	1	Clamp	
22	1001143645	3	Strap, Cinch	
23	1001146588	4	Tie-Strap (Not Shown)	
24	1001181923	2	Shield, Tube	
25	1001195226	1	AC Ground to Platform Cable (Upper)	
25	1001214095	1	Plug, Male	
26	1001196368	1	AC Ground to Platform Cable (Lower)	
26	1001214096	1	Receptacle, Female	
27	1001201090	2	Block, Clamp	
28	1001201342	1	Support	
29	1001202936	1	Guide	
30	1001204690	1	Shield, Tube	
31	1001209948	3	Clamp	
32	1001209949	3	Clamp	
33	1001209951	6	Clamp	
34	1001209953	7	Clamp	
35	1001209957	1	Cover	
36	1001229637	1	Bracket	
37	1001249496	4	Plate, Clamp	
38	1001252945	1	Support	
39	1001265308	2	Strap, Cinch	

SECTION 8 - ELECTRICAL

FIGURE 8-28. AC CABLES AND CLAMPS INSTALLATION - WITH 4000W/50HZ GENERATOR (ANSI EXPORT, AUSTRALIAN, RUSSIA CIS, CHINA, CE & UK CA SPECS) (660SJ HC3)



ART_1001250639_E

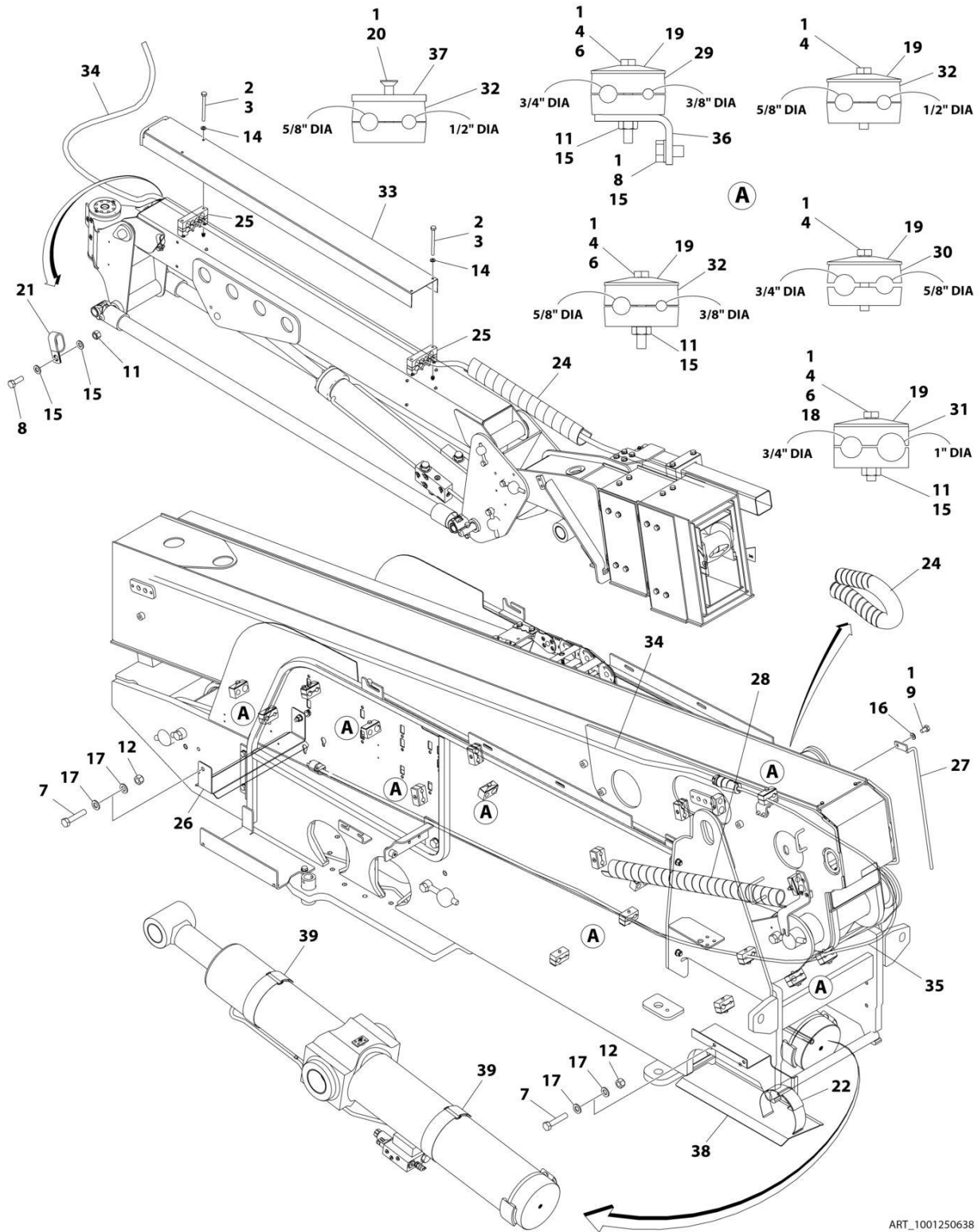
SECTION 8 - ELECTRICAL

FIGURE 8-28. AC CABLES AND CLAMPS INSTALLATION - WITH 4000W/50HZ GENERATOR (ANSI EXPORT, AUSTRALIAN, RUSSIA CIS, CHINA, CE & UK CA SPECS) (660SJ HC3)

ITEM	PART NUMBER	QTY	DESCRIPTION	REV
	1001250639	Ref	AC CABLES AND CLAMPS INSTALLATION	E
1	0100011	AR	Compound, Locking	
2	0100035	AR	Compound, Locking	
3	0700624	4	Bolt M6 x 80	
4	0700818	12	Bolt M8 x 50	
5	0700819	3	Bolt M8 x 55 (Not Shown)	
6	0700822	2	Bolt M8 x 70	
7	0701220	4	Bolt M12 x 60	
8	0760812	1	Bolt M8 x 25	
9	0761009	3	Bolt M10 x 18	
11	3290805	6	Nut M8	
12	3291205	4	Nut M12	
13	4240018	4	Tie-Strap (Not Shown)	
14	4811700	4	Washer M6	
15	4811900	9	Washer M8	
16	4812000	3	Washer M10	
17	4812100	8	Washer M12	
18	5281918	1	Capscrew M8 x 70	
19	77133137	15	Cover, Clamp	
20	1001102830	4	Screw M8 x 45	
21	1001116792	1	Clamp	
22	1001143645	3	Strap, Cinch	
23	1001146588	4	Tie-Strap (Not Shown)	
24	1001181923	2	Shield, Tube	
25	1001195226	1	AC Ground to Platform Cable (Upper)	
25	1001214095	1	Plug, Male	
26	1001196368	1	AC Ground to Platform Cable (Lower)	
26	1001214096	1	Receptacle, Female	
27	1001201090	2	Block, Clamp	
28	1001201342	1	Support	
29	1001202936	1	Guide	
30	1001204690	1	Shield, Tube	
31	1001209948	3	Clamp	
32	1001209949	3	Clamp	
33	1001209951	6	Clamp	
34	1001209953	7	Clamp	
35	1001209957	1	Cover	
36	1001229637	1	Bracket	
37	1001249496	4	Plate, Clamp	
38	1001252945	1	Support	
39	1001265308	2	Strap, Cinch	

SECTION 8 - ELECTRICAL

FIGURE 8-29. AC CABLES AND CLAMPS INSTALLATION - WITH 4000W/60HZ GENERATOR (ANSI, ANSI EXPORT, CSA AND JAPANESE SPECS) (660SJ HC3)



ART_1001250638

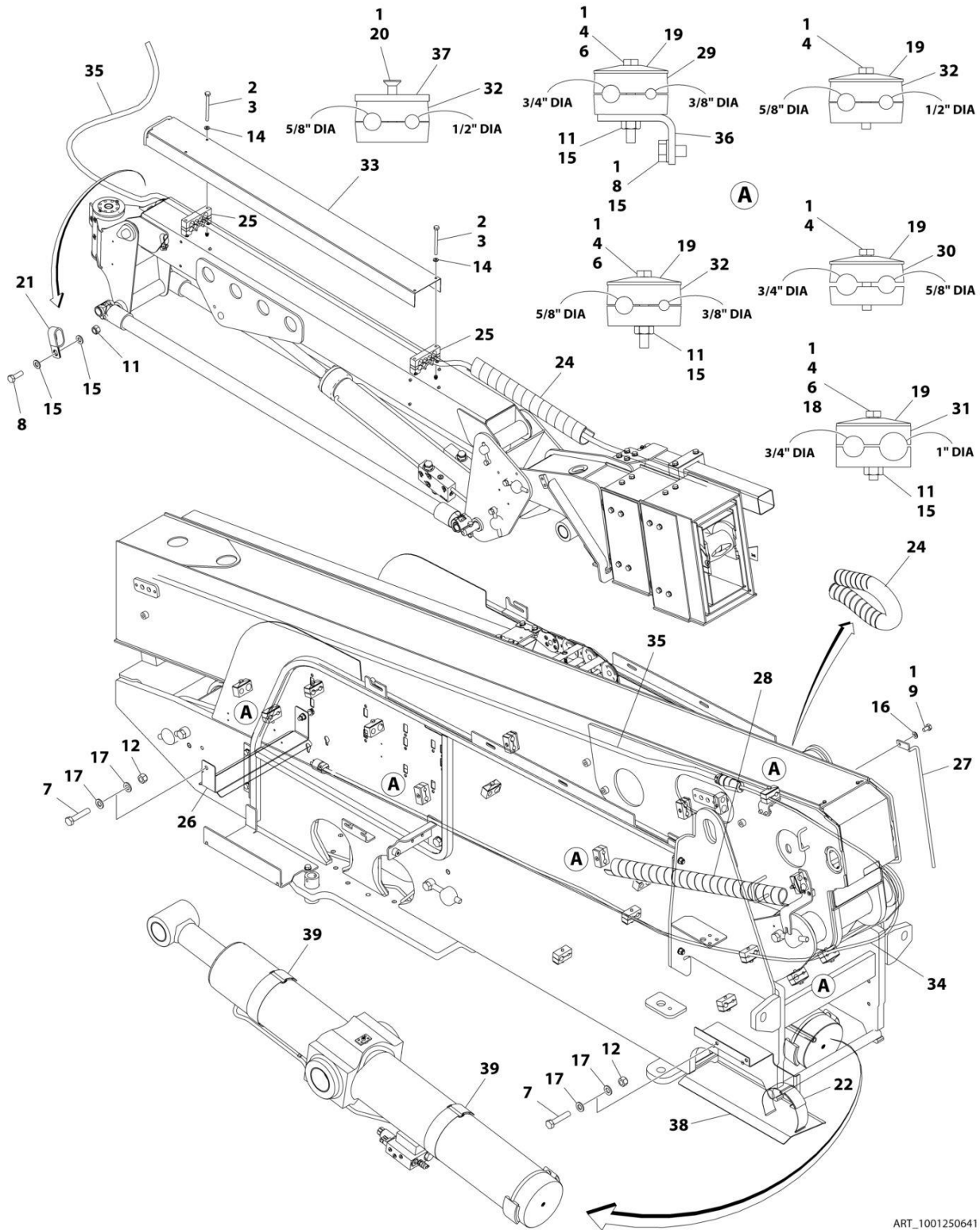
SECTION 8 - ELECTRICAL

FIGURE 8-29. AC CABLES AND CLAMPS INSTALLATION - WITH 4000W/60HZ GENERATOR (ANSI, ANSI EXPORT, CSA AND JAPANESE SPECS) (660SJ HC3)

ITEM	PART NUMBER	QTY	DESCRIPTION	REV
	1001250638	Ref	AC CABLES AND CLAMPS INSTALLATION	E
1	0100011	AR	Compound, Locking	
2	0100035	AR	Compound, Locking	
3	0700624	4	Bolt M6 x 80	
4	0700818	12	Bolt M8 x 50	
5	0700819	3	Bolt M8 x 55 (Not Shown)	
6	0700822	2	Bolt M8 x 70	
7	0701220	4	Bolt M12 x 60	
8	0760812	1	Bolt M8 x 25	
9	0761009	3	Bolt M10 x 18	
11	3290805	6	Nut M8	
12	3291205	4	Nut M12	
13	4240018	4	Tie-Strap (Not Shown)	
14	4811700	4	Washer M6	
15	4811900	9	Washer M8	
16	4812000	3	Washer M10	
17	4812100	8	Washer M12	
18	5281918	1	Capscrew M8 x 70	
19	77133137	15	Cover, Clamp	
20	1001102830	4	Screw M8 x 45	
21	1001116792	1	Clamp	
22	1001143645	1	Strap, Cinch	
23	1001146588	4	Tie-Strap (Not Shown)	
24	1001181923	2	Shield, Tube	
25	1001201090	2	Block, Clamp	
26	1001201342	1	Support	
27	1001202936	1	Guide	
28	1001204690	1	Shield, Tube	
29	1001209948	3	Clamp	
30	1001209949	3	Clamp	
31	1001209951	6	Clamp	
32	1001209953	7	Clamp	
33	1001209957	1	Cover	
34	1001228187	1	AC Ground to Platform Cable (Upper)	
34	4460959	1	Plug, Male	
34	1671093	1	Cover, Plug	
35	1001228188	1	AC Ground to Platform Cable (Lower)	
35	4460960	1	Receptacle, Female	
35	1671092	1	Cover, Receptacle	
36	1001229637	1	Bracket	
37	1001249496	4	Plate, Clamp	
38	1001252945	1	Support	
39	1001265308	2	Strap, Cinch	

SECTION 8 - ELECTRICAL

FIGURE 8-30. AC CABLES AND CLAMPS INSTALLATION - WITH 7500W GENERATOR (ANSI, ANSI EXPORT, AUSTRALIAN, CHINA, CSA, RUSSIAN CIS, AND JAPANESE SPECS) (660SJ HC3)



ART_1001250641

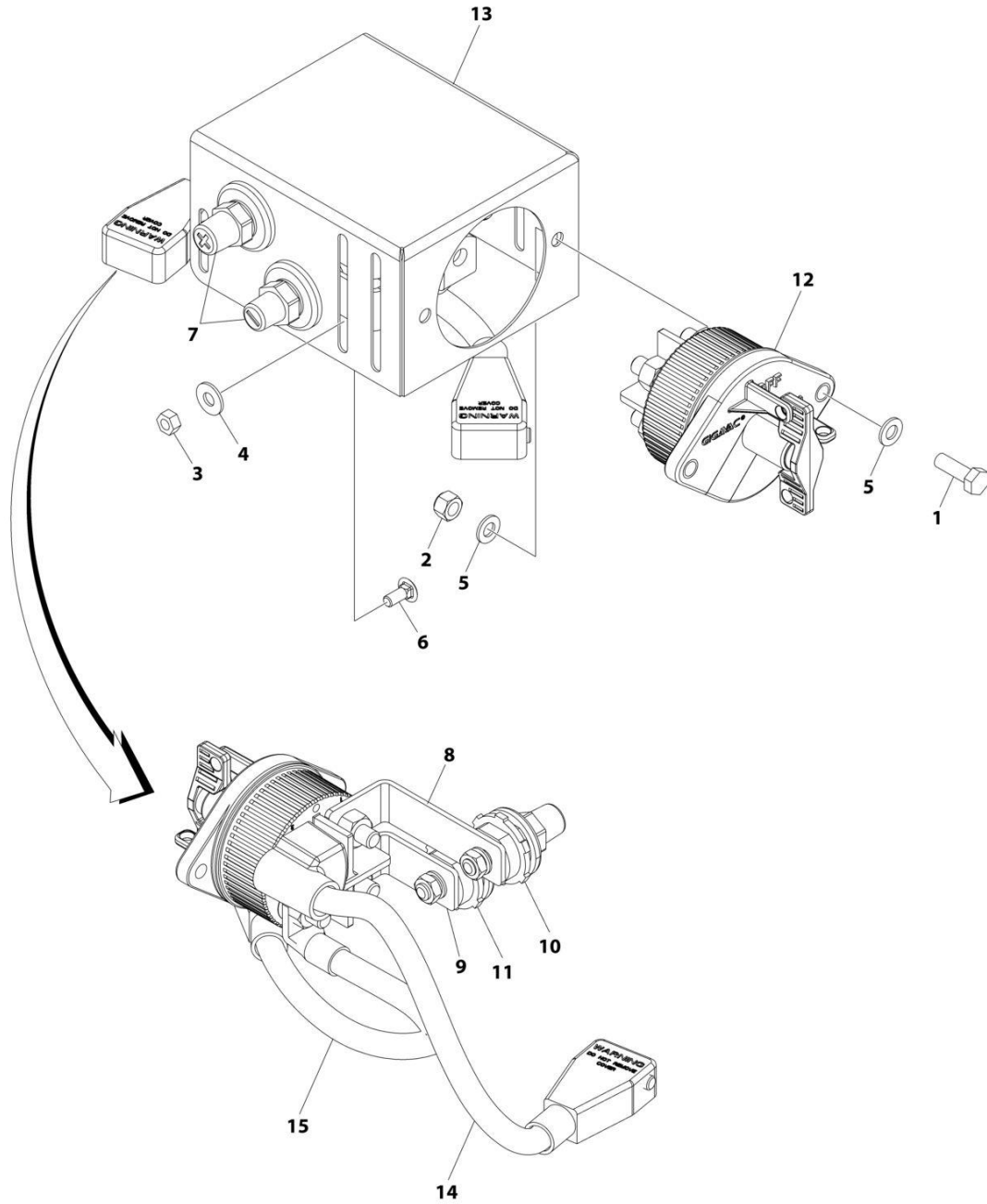
SECTION 8 - ELECTRICAL

FIGURE 8-30. AC CABLES AND CLAMPS INSTALLATION - WITH 7500W GENERATOR (ANSI, ANSI EXPORT, AUSTRALIAN, CHINA, CSA, RUSSIAN CIS, AND JAPANESE SPECS) (660SJ HC3)

ITEM	PART NUMBER	QTY	DESCRIPTION	REV
	1001250641	Ref	AC CABLES & CLAMPS INSTALLATION	E
1	0100011	AR	Compound, Locking	
2	0100035	AR	Compound, Locking	
3	0700624	4	Bolt M6 x 80	
4	0700818	12	Bolt M8 x 50	
5	0700819	3	Bolt M8 x 55 (Not Shown)	
6	0700822	2	Bolt M8 x 70	
7	0701220	4	Bolt M12 x 60	
8	0760812	1	Bolt M8 x 25	
9	0761009	3	Bolt M10 x 18	
11	3290805	6	Nut M8	
12	3291205	4	Nut M12	
13	4240018	4	Tie-Strap (Not Shown)	
14	4811700	4	Washer M6	
15	4811900	9	Washer M8	
16	4812000	3	Washer M10	
17	4812100	8	Washer M12	
18	5281918	1	Capscrew M8 x 70	
19	77133137	15	Cover, Clamp	
20	1001102830	4	Screw M8 x 45	
21	1001116792	1	Clamp	
22	1001143645	3	Strap, Cinch	
23	1001146588	4	Tie-Strap (Not Shown)	
24	1001181923	2	Shield, Tube	
25	1001201090	2	Block, Clamp	
26	1001201342	1	Support	
27	1001202936	1	Guide	
28	1001204690	1	Shield, Tube	
29	1001209948	3	Clamp	
30	1001209949	3	Clamp	
31	1001209951	3	Clamp	
32	1001209953	7	Clamp	
33	1001209957	1	Cover	
34	1001226304	1	AC Ground to Platform Cable (Upper)	
34	1001218623	1	Receptacle, Female	
35	1001227075	1	AC Ground to Platform Cable (Lower)	
35	1001218622	1	Plug, Male	
36	1001229637	1	Bracket	
37	1001249496	4	Plate, Clamp	
38	1001252945	1	Support	
39	1001265308	2	Strap, Cinch	

SECTION 8 - ELECTRICAL

FIGURE 8-31. BATTERY DISCONNECT SWITCH INSTALLATION



ART_1001236304

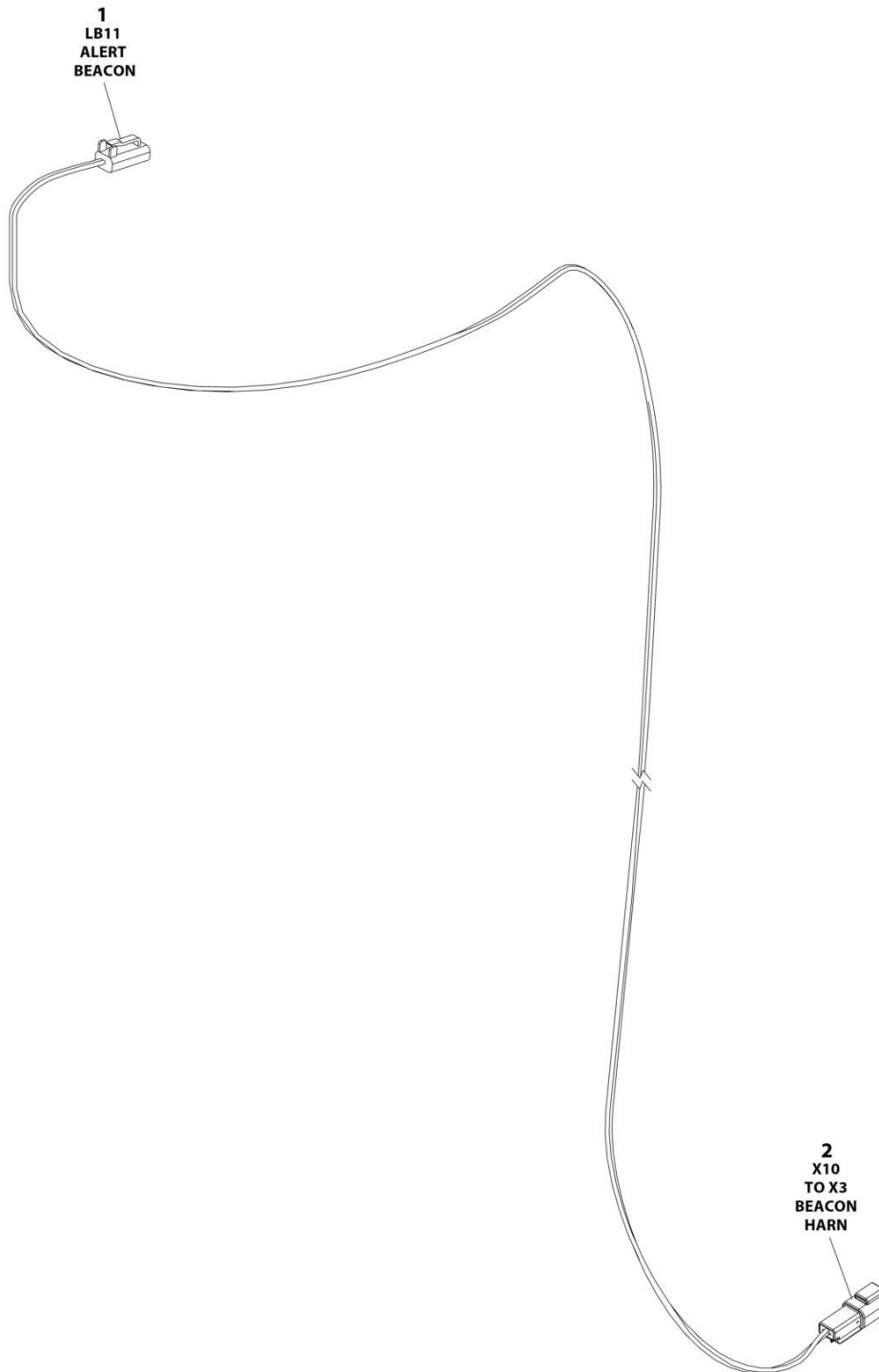
SECTION 8 - ELECTRICAL

FIGURE 8-31. BATTERY DISCONNECT SWITCH INSTALLATION

ITEM	PART NUMBER	QTY	DESCRIPTION	REV
	1001236304	Ref	BATTERY DISCONNECT SWITCH INSTALLATION	A
1	0760812	2	Bolt M8 x 25	
2	3290805	2	Nut M8	
3	3311405	3	Nut 1/4	
4	4751400	3	Washer 1/4	
5	4811900	4	Washer M8	
6	88411013	3	Bolt 1/4 x 3/4	
7	1001206476	1	Connectors, Post	
8	1001209432	1	Bussbar	
9	1001209474	1	Bussbar	
10	1001214570	1	Connector (Red)	
11	1001214571	1	Connector (Black)	
12	1001225346	1	Switch, Battery	
13	1001226531	1	Mount	
14	1001236504	1	Cable, Battery (+)	
15	1001236505	1	Cable, Battery (-)	

SECTION 8 - ELECTRICAL

FIGURE 8-32. BEACON JUMPER HARNESS



ART_1001285733

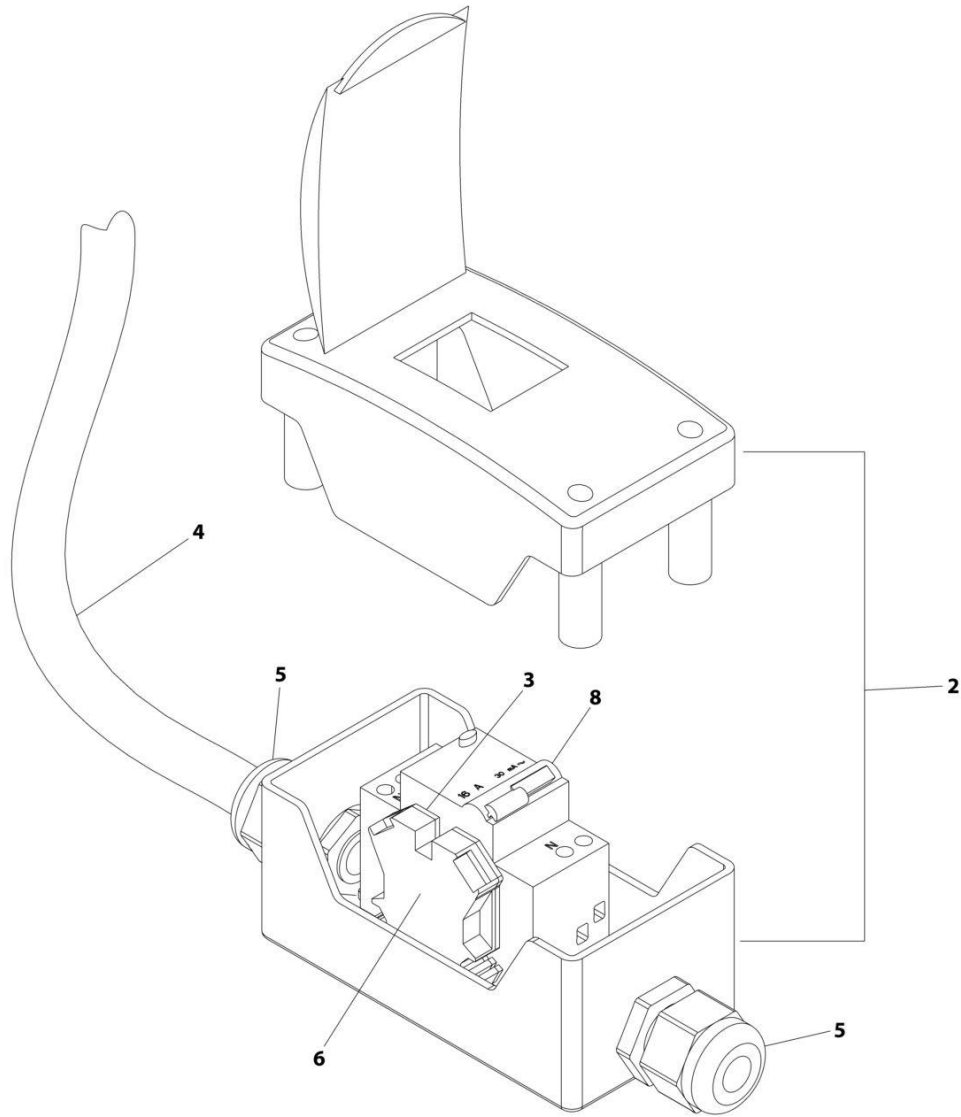
SECTION 8 - ELECTRICAL

FIGURE 8-32. BEACON JUMPER HARNESS

ITEM	PART NUMBER	QTY	DESCRIPTION	REV
	1001285733	Ref	BEACON JUMPER HARNESS	A
1	4460891	1	Connector	
1	4460465	2	Socket	
2	4460897	1	Connector	
2	4460464	2	Pin	

SECTION 8 - ELECTRICAL

FIGURE 8-33. BREAKER BOX KIT - SINGLE DOUBLE POLE BREAKER (WITHOUT 4000W/50HZ GENERATOR)



ART_2902549_F

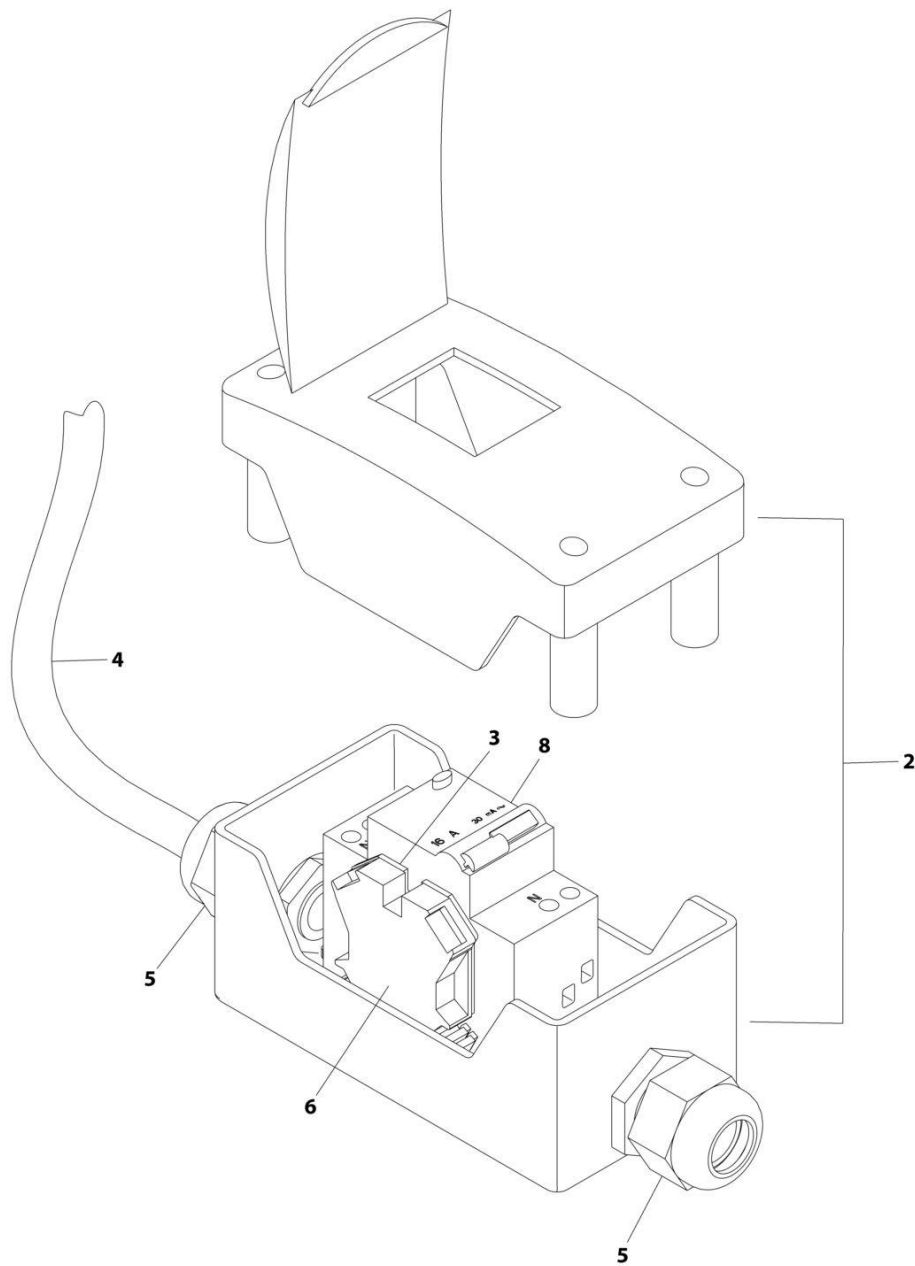
SECTION 8 - ELECTRICAL

FIGURE 8-33. BREAKER BOX KIT - SINGLE DOUBLE POLE BREAKER (WITHOUT 4000W/50HZ GENERATOR)

ITEM	PART NUMBER	QTY	DESCRIPTION	REV
	2902549	Ref	BREAKER BOX KIT	F
2	0861880	1	Box	
3	4460956	1	Barrier, Terminal	
4	1060908	6 ft/1.8m	Cable, 12/3	
5	1001097150	2	Connector, Strain Relief	
6	4460957	1	Block, Terminal	
8	1001181045	1	Breaker, 16Amp	

SECTION 8 - ELECTRICAL

FIGURE 8-34. BREAKER BOX KIT - SINGLE DOUBLE POLE BREAKER (WITH 4000W/50HZ GENERATOR)



ART_1001096070

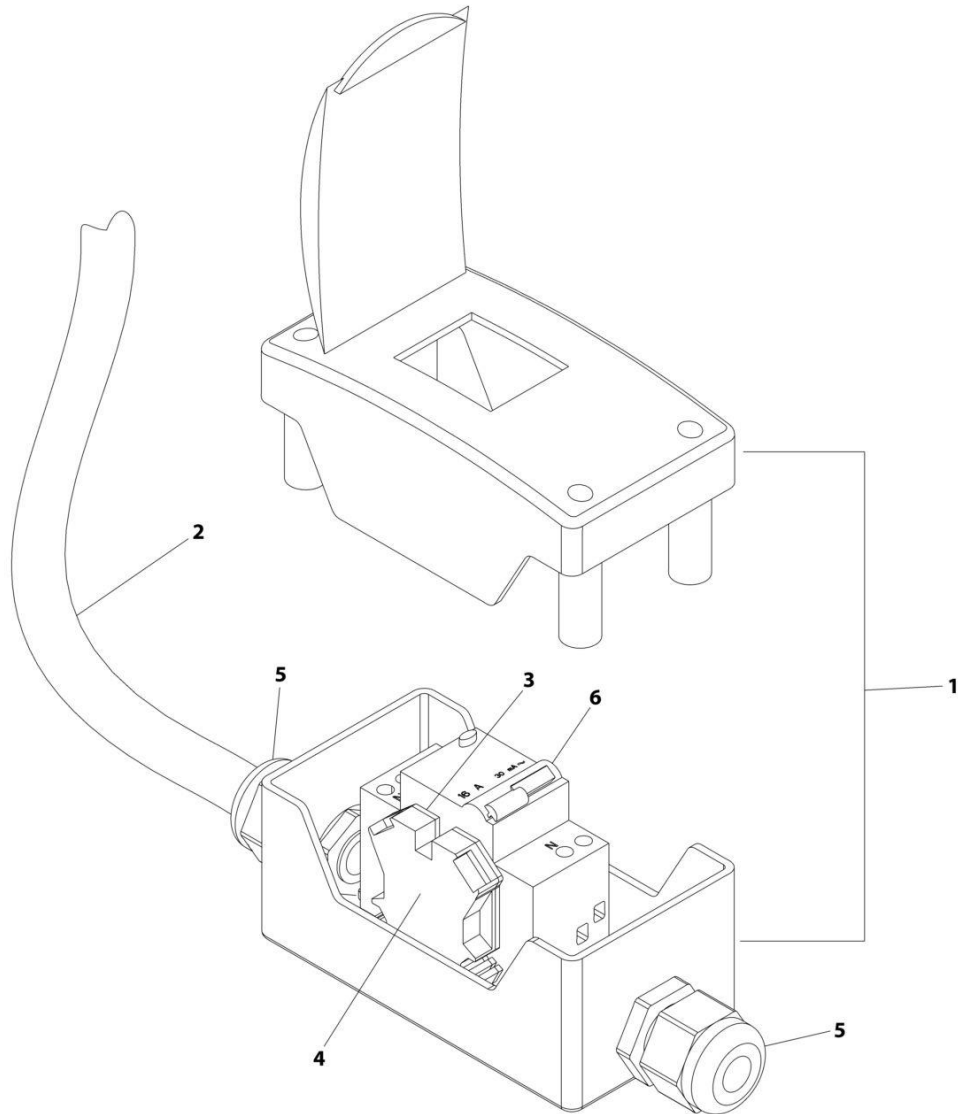
SECTION 8 - ELECTRICAL

FIGURE 8-34. BREAKER BOX KIT - SINGLE DOUBLE POLE BREAKER (WITH 4000W/50HZ GENERATOR)

ITEM	PART NUMBER	QTY	DESCRIPTION	REV
	1001096070	Ref	BREAKER BOX KIT	E
2	0861880	1	Box	
3	4460956	1	Barrier, Terminal Block End	
4	1060908	12 ft/ 3.6m	Cable, 12/3	
5	1001097150	2	Connector, Strain Relief	
6	4460957	1	Block, Terminal	
8	1001181045	1	Breaker, 16Amp	

SECTION 8 - ELECTRICAL

FIGURE 8-35. BREAKER BOX KIT - SINGLE DOUBLE POLE BREAKER (WITHOUT 4000W/50HZ GENERATOR) (MACHINES WITH SN STARTING WITH B3)



ART_1001289592

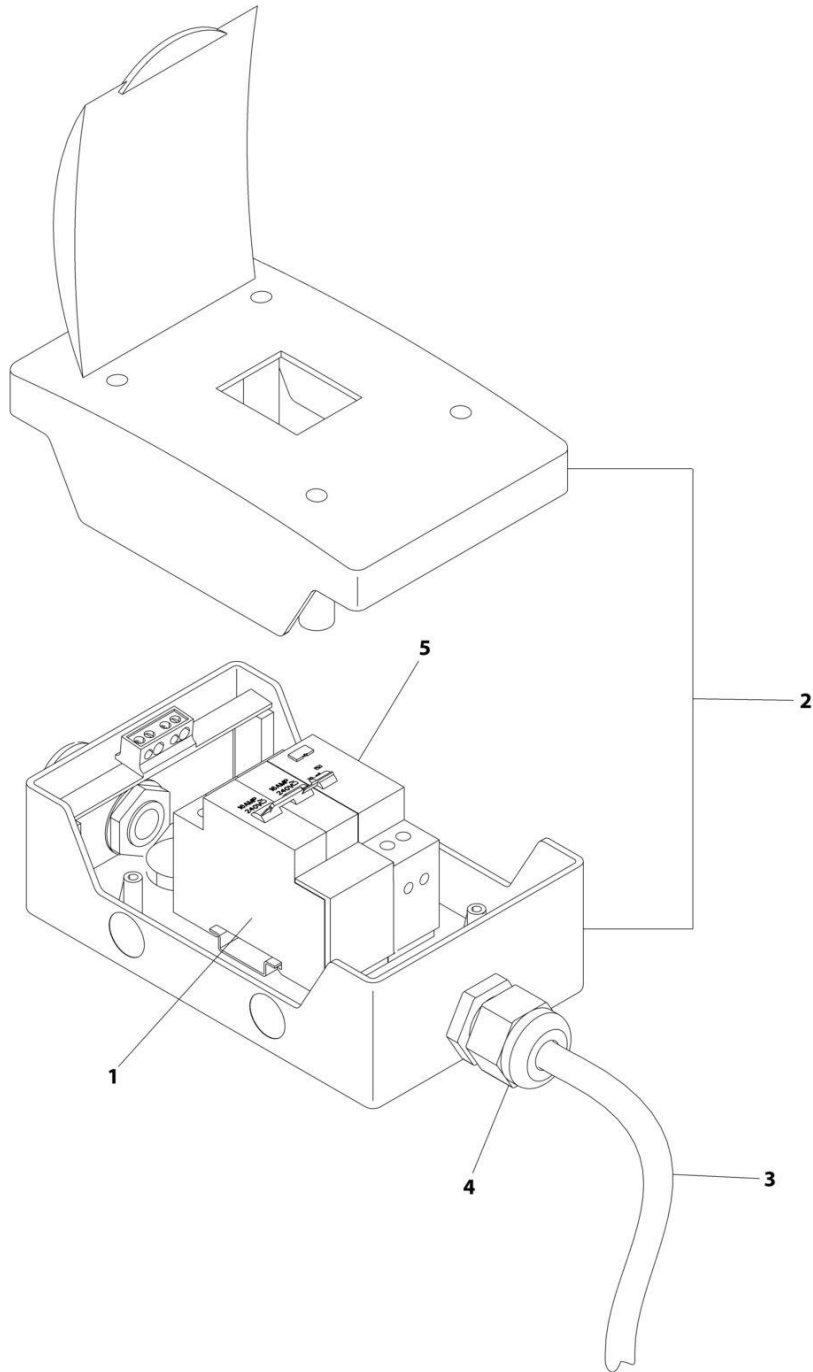
SECTION 8 - ELECTRICAL

FIGURE 8-35. BREAKER BOX KIT - SINGLE DOUBLE POLE BREAKER (WITHOUT 4000W/50HZ GENERATOR) (MACHINES WITH SN STARTING WITH B3)

ITEM	PART NUMBER	QTY	DESCRIPTION	REV
	1001289592	Ref	BREAKER BOX KIT	A
1	0861880	1	Box	
2	1060908	6 ft/1.8m	Cable 12/3	
3	4460956	1	Barrier, Terminal	
4	4460957	2	Block, Terminal	
5	1001097150	2	Connector, Strain Relief	
6	1001289589	1	Breaker, 16Amp	

SECTION 8 - ELECTRICAL

FIGURE 8-36. BREAKER BOX KIT - 3 BREAKERS



ART_1001152486_C

SECTION 8 - ELECTRICAL

FIGURE 8-36. BREAKER BOX KIT - 3 BREAKERS

ITEM	PART NUMBER	QTY	DESCRIPTION	REV
	1001152486	Ref	BREAKER BOX KIT	C
1	1001189172	1	Breaker, 16 Amp (Double)	
2	1001152483	1	Box	
3	1060908	12 ft/ 3.66m	Cable, 12/3	
4	1001097150	1	Connector, Strain Relief	
5	1001189171	1	Breaker, 30mA	

SECTION 8 - ELECTRICAL

FIGURE 8-37. BOOM ANGLE SENSOR HARNESS



ART_1001189005

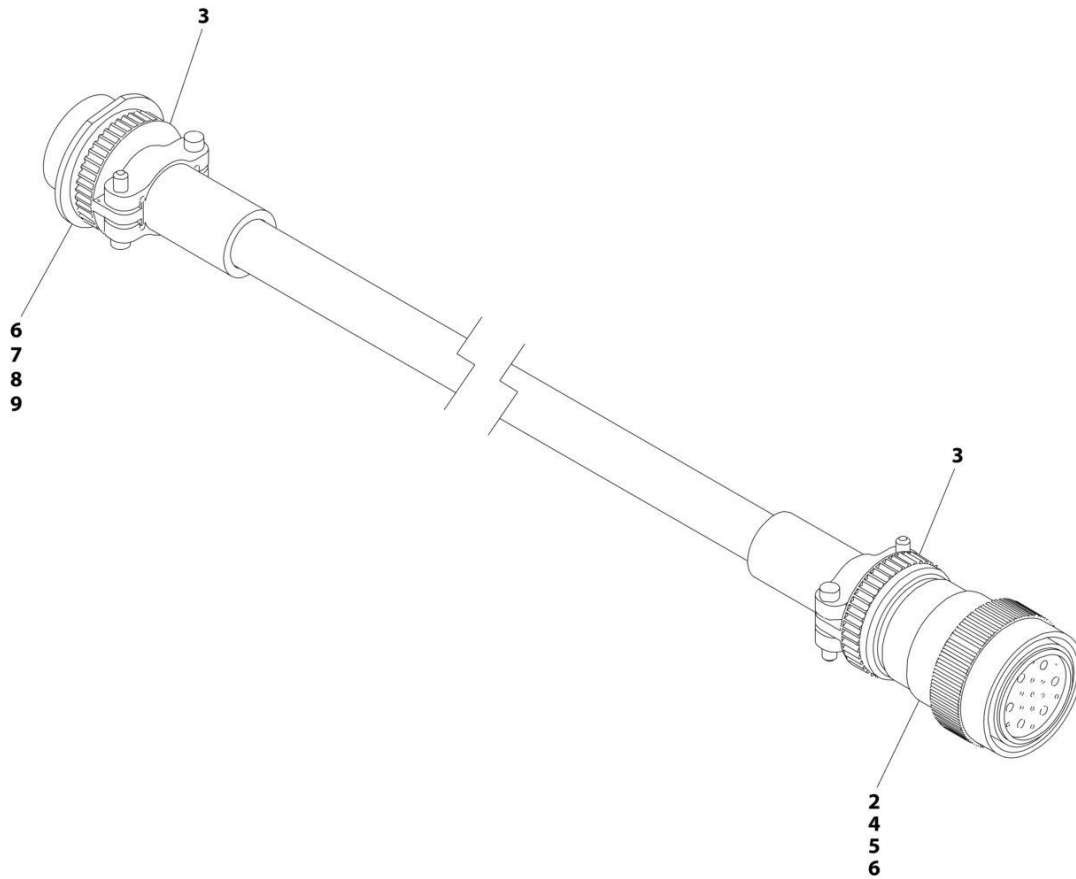
SECTION 8 - ELECTRICAL

FIGURE 8-37. BOOM ANGLE SENSOR HARNESS

ITEM	PART NUMBER	QTY	DESCRIPTION	REV
	1001189005	Ref	BOOM ANGLE SENSOR HARNESS	D
1	1001230931	1	Plug, Male - 6 Position	
1	1001116748	6	Terminal	
2	4460932	1	Receptacle, Female - 4 Position	
2	4460464	4	Pin, Male	

SECTION 8 - ELECTRICAL

FIGURE 8-38. BOOM CABLE - LOWER



ART_1001206082

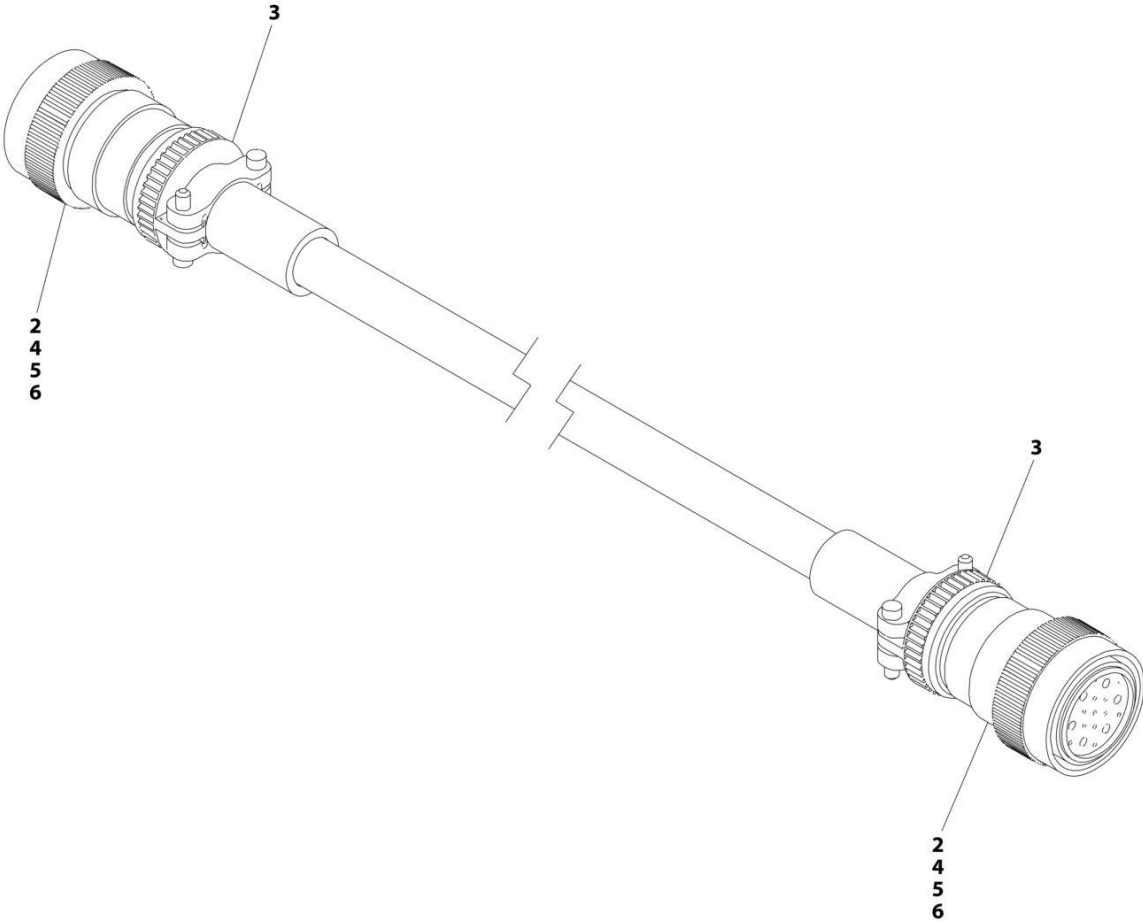
SECTION 8 - ELECTRICAL

FIGURE 8-38. BOOM CABLE - LOWER

ITEM	PART NUMBER	QTY	DESCRIPTION	REV
	1001206082	Ref	BOOM CABLE	C
2	4460865	1	Connector - 19 Position	
3	4460473	2	Clamp	
4	4460465	10	Socket, Female	
5	4460509	4	Socket, Female	
6	4460466	10	Plug, Socket	
7	4460866	1	Connector - 19 Position	
8	4460508	4	Pin, Male	
9	4460464	10	Pin, Male	

SECTION 8 - ELECTRICAL

FIGURE 8-39. BOOM CABLE - UPPER (600S HC3)



ART_1001188533

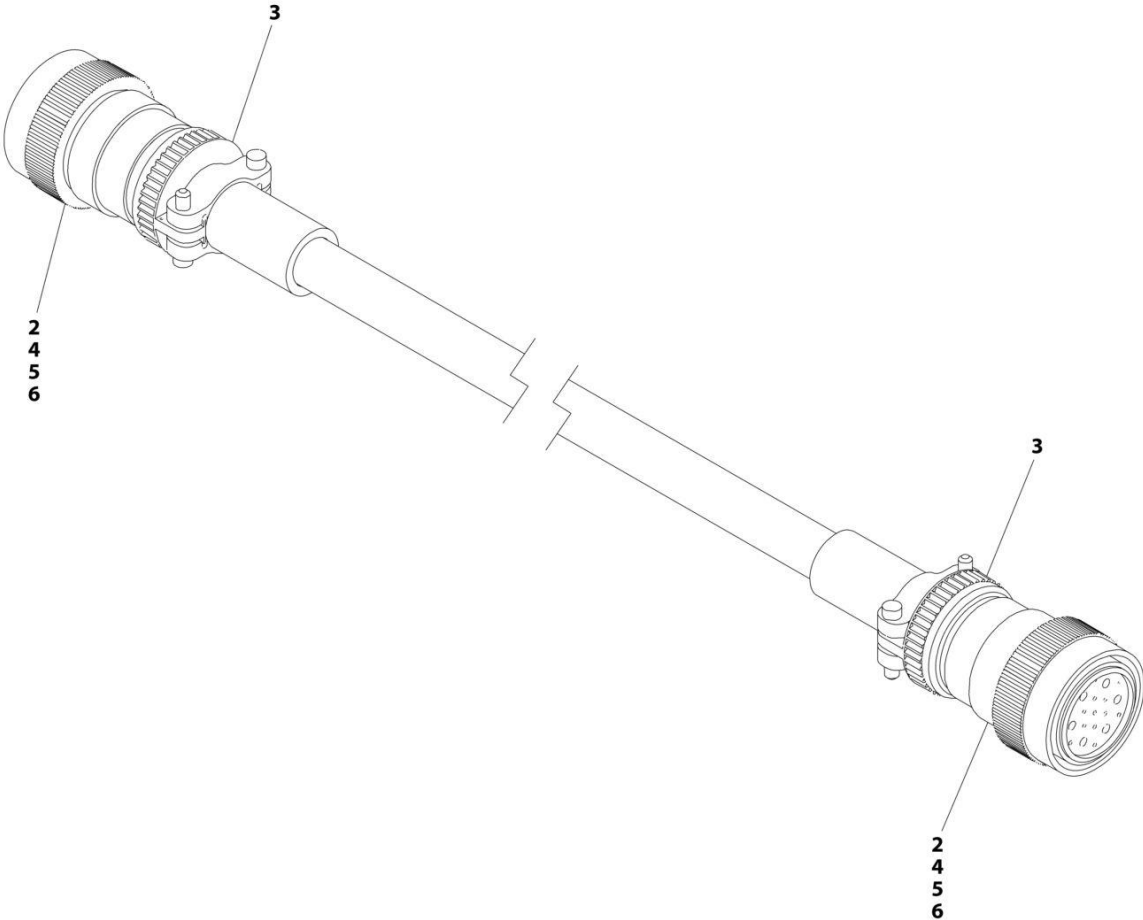
SECTION 8 - ELECTRICAL

FIGURE 8-39. BOOM CABLE - UPPER (600S HC3)

ITEM	PART NUMBER	QTY	DESCRIPTION	REV
	1001188533	Ref	BOOM CABLE	C
2	4460865	2	Connector - 19 Position	
3	4460473	2	Clamp	
4	4460465	20	Socket, Female	
5	4460509	8	Socket, Female	
6	4460466	10	Plug, Socket	
7	1001226400	2	Heat Shrink (Not Shown)	

SECTION 8 - ELECTRICAL

FIGURE 8-40. BOOM CABLE - UPPER (660SJ HC3)



ART_1001188534

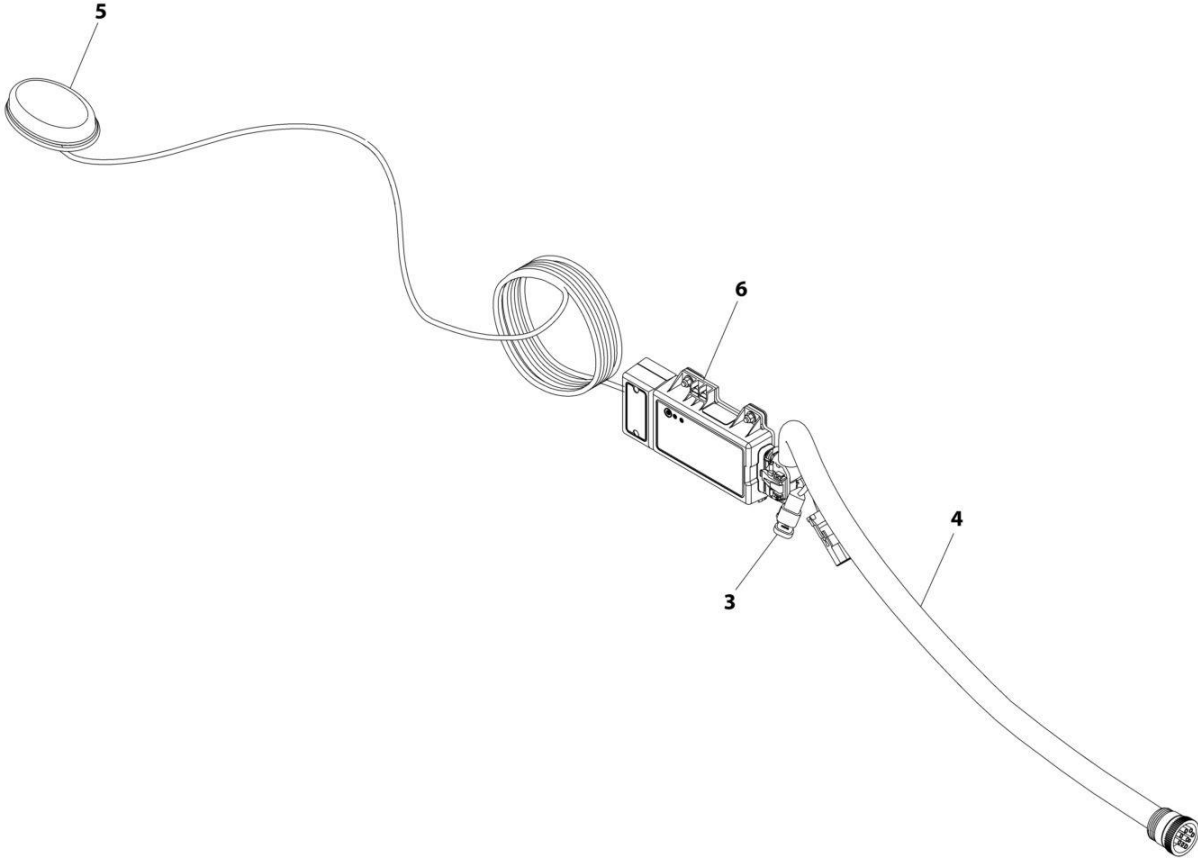
SECTION 8 - ELECTRICAL

FIGURE 8-40. BOOM CABLE - UPPER (660SJ HC3)

ITEM	PART NUMBER	QTY	DESCRIPTION	REV
	1001188534	Ref	BOOM CABLE	C
2	4460865	2	Connector - 19 Position	
3	4460473	2	Clamp	
4	4460465	20	Socket, Female	
5	4460509	8	Socket, Female	
6	4460466	10	Plug, Socket	
7	1001226400	2	Heat Shrink (Not Shown)	

SECTION 8 - ELECTRICAL

FIGURE 8-41. CLEARSKY INSTALLATION - 3G (ANSI EXPORT, RUSSIA, CE & UK CA SPECS)



ART_1001228947

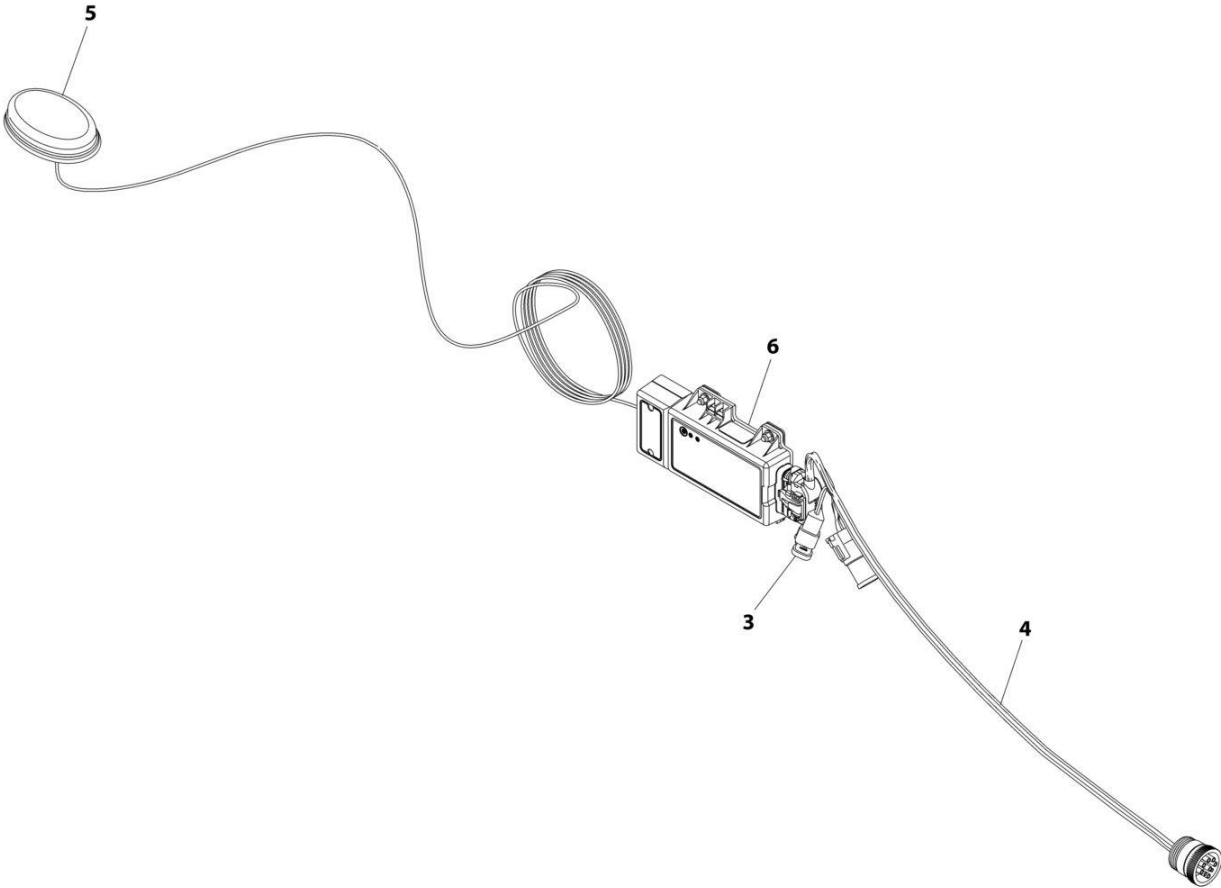
SECTION 8 - ELECTRICAL

FIGURE 8-41. CLEARSKY INSTALLATION - 3G (ANSI EXPORT, RUSSIA, CE & UK CA SPECS)

ITEM	PART NUMBER	QTY	DESCRIPTION	REV
	1001228947	Ref	CLEARSKY INSTALLATION	A
1	4240032	AR	Tie-Strap (Not Shown)	
2	4460234	AR	Mount, Tie-Strap (Not Shown)	
3	1001116815	1	Connector	
4	1001226739	1	ClearSky Harness (See Separate Breakdown in ELECTRICAL Section)	
5	1001226799	1	Antenna	
6	1001228954	1	ClearSky Module	

SECTION 8 - ELECTRICAL

FIGURE 8-42. CLEARSKY INSTALLATION - 3G (AUSTRALIAN AND RUSSIA SPECS)



ART_1001246524

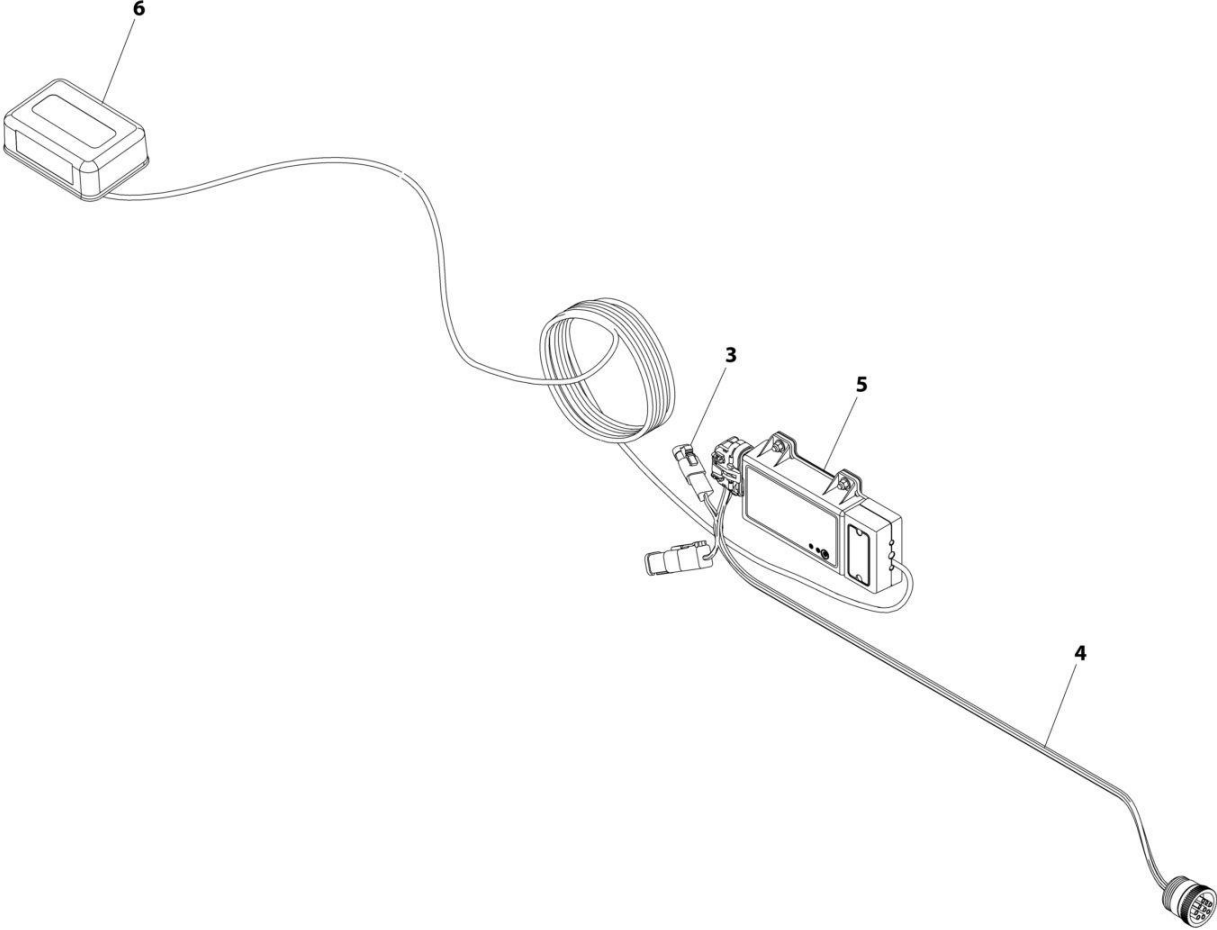
SECTION 8 - ELECTRICAL

FIGURE 8-42. CLEARSKY INSTALLATION - 3G (AUSTRALIAN AND RUSSIA SPECS)

ITEM	PART NUMBER	QTY	DESCRIPTION	REV
	1001246524	Ref	CLEARSKY INSTALLATION	A
1	4240032	AR	Tie-Strap (Not Shown)	
2	4460234	AR	Mount, Tie-Strap (Not Shown)	
3	1001116815	1	Connector	
4	1001226739	1	ClearSky Harness (See Separate Breakdown in ELECTRICAL Section)	
5	1001226799	1	Antenna	
6	1001246144	1	ClearSky Module	

SECTION 8 - ELECTRICAL

FIGURE 8-43. CLEARSKY INSTALLATION - 4G (ALL SPECS EXCEPT AUSTRALIA AND CHINA SPECS)



ART_1001227404

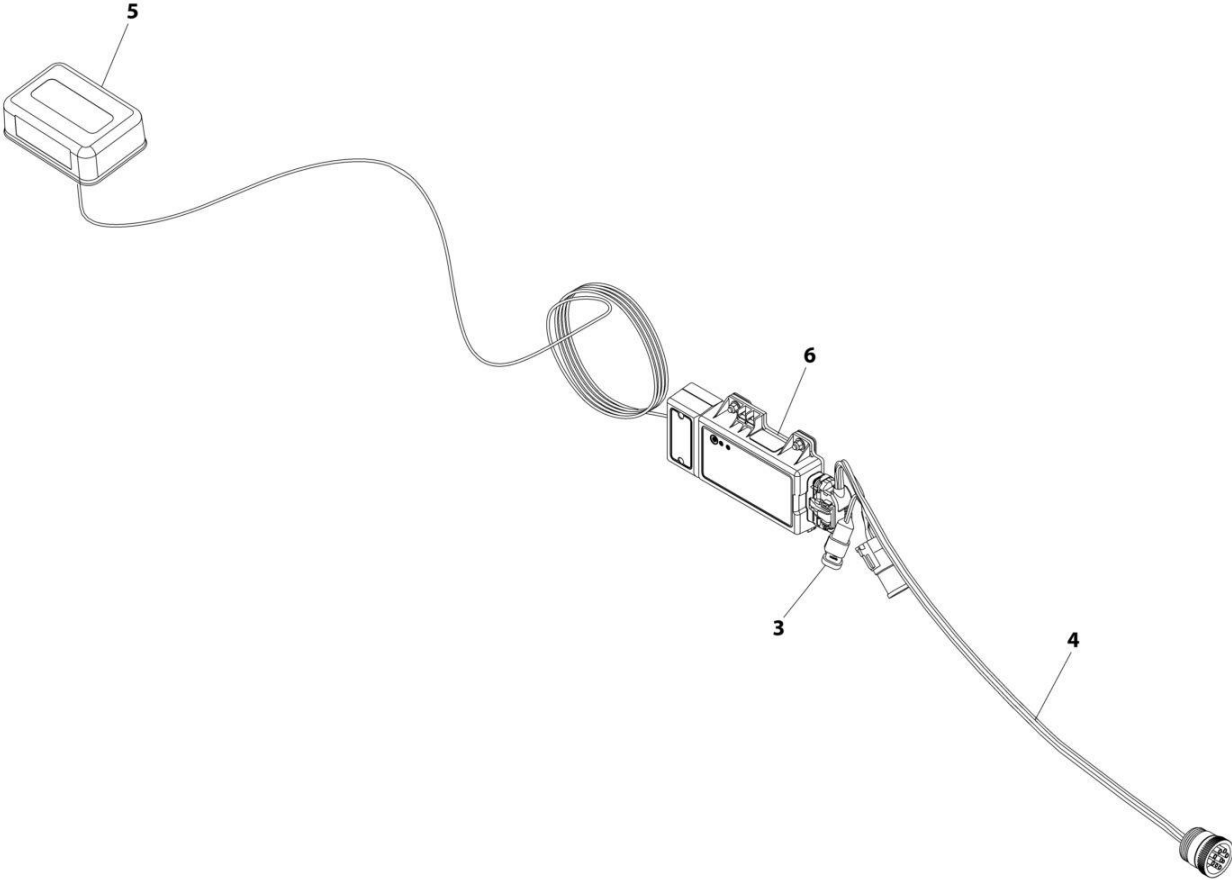
SECTION 8 - ELECTRICAL

FIGURE 8-43. CLEARSKY INSTALLATION - 4G (ALL SPECS EXCEPT AUSTRALIA AND CHINA SPECS)

ITEM	PART NUMBER	QTY	DESCRIPTION	REV
	1001227404	Ref	CLEARSKY INSTALLATION	B
1	4240032	AR	Tie-Strap (Not Shown)	
2	4460234	AR	Mount, Tie-Strap (Not Shown)	
3	1001129408	1	Connector	
4	1001226739	1	ClearSky Harness (See Separate Breakdown in ELECTRICAL Section)	
5	1001262322	1	ClearSky Module	
6	1001262326	1	Antenna	

SECTION 8 - ELECTRICAL

FIGURE 8-44. CLEARSKY INSTALLATION - 4G (CHINA SPECS)



ART_1001246525

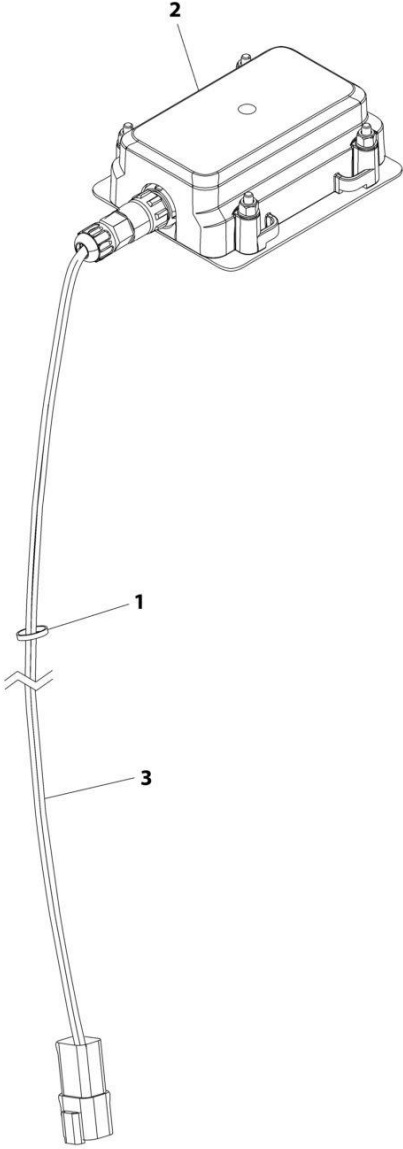
SECTION 8 - ELECTRICAL

FIGURE 8-44. CLEARSKY INSTALLATION - 4G (CHINA SPECS)

ITEM	PART NUMBER	QTY	DESCRIPTION	REV
	1001246525	Ref	CLEARSKY INSTALLATION	B
1	4240032	AR	Tie-Strap (Not Shown)	
2	4460234	AR	Mount, Tie-Strap (Not Shown)	
3	1001116815	1	Connector	
4	1001226739	1	ClearSky Harness (See Separate Breakdown in ELECTRICAL Section)	
5	1001262326	1	Antenna	
6	1001246145	1	ClearSky Module	

SECTION 8 - ELECTRICAL

FIGURE 8-45. CLEARSKY INSTALLATION - 3 WIRE CONNECTION (ALL SPECS EXCEPT CHINA SPECS)



ART_1001276610

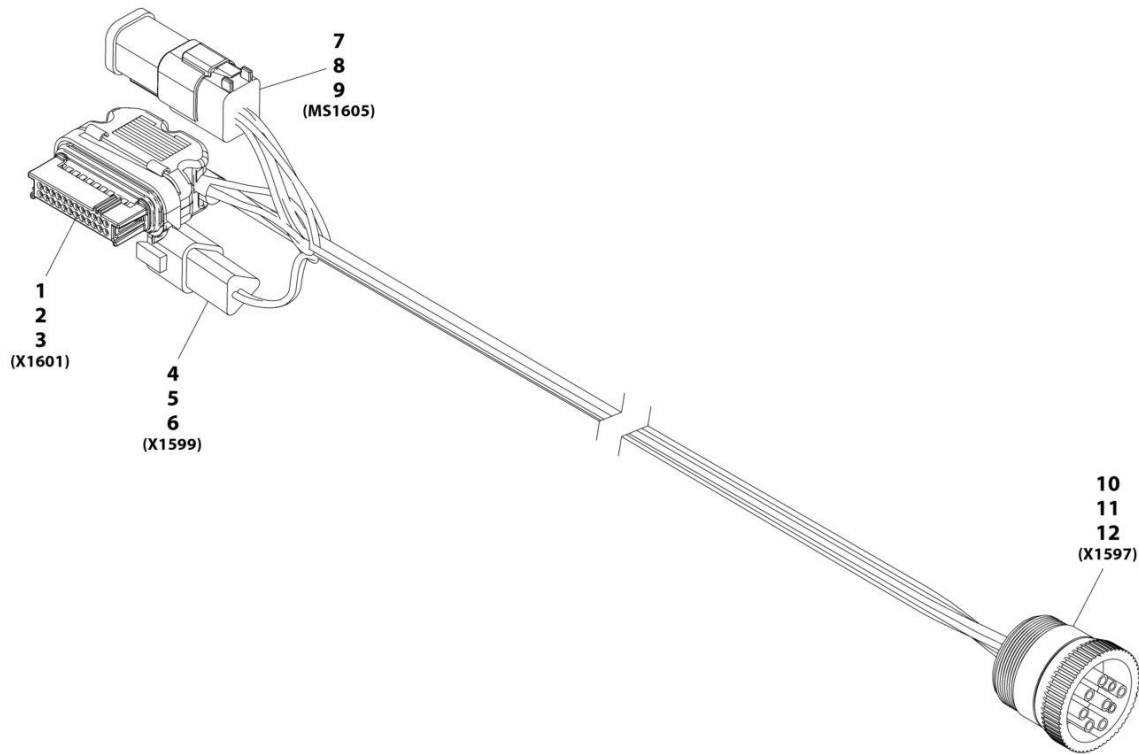
SECTION 8 - ELECTRICAL

FIGURE 8-45. CLEARSKY INSTALLATION - 3 WIRE CONNECTION (ALL SPECS EXCEPT CHINA SPECS)

ITEM	PART NUMBER	QTY	DESCRIPTION	REV
	1001276610	Ref	CLEARSKY INSTALLATION 3-WIRE CONNECTION	A
1	4240032	AR	Tie-Strap	
2	1001272659	1	Telematics Control Module Assembly (Note: Re-calibration Required when Replaced)	
3	1001273012	1	ClearSky Harness (See Separate Breakdown in this Section)	

SECTION 8 - ELECTRICAL

FIGURE 8-46. CLEARSKY HARNESS - 3G & 4G



ART_1001226739-A

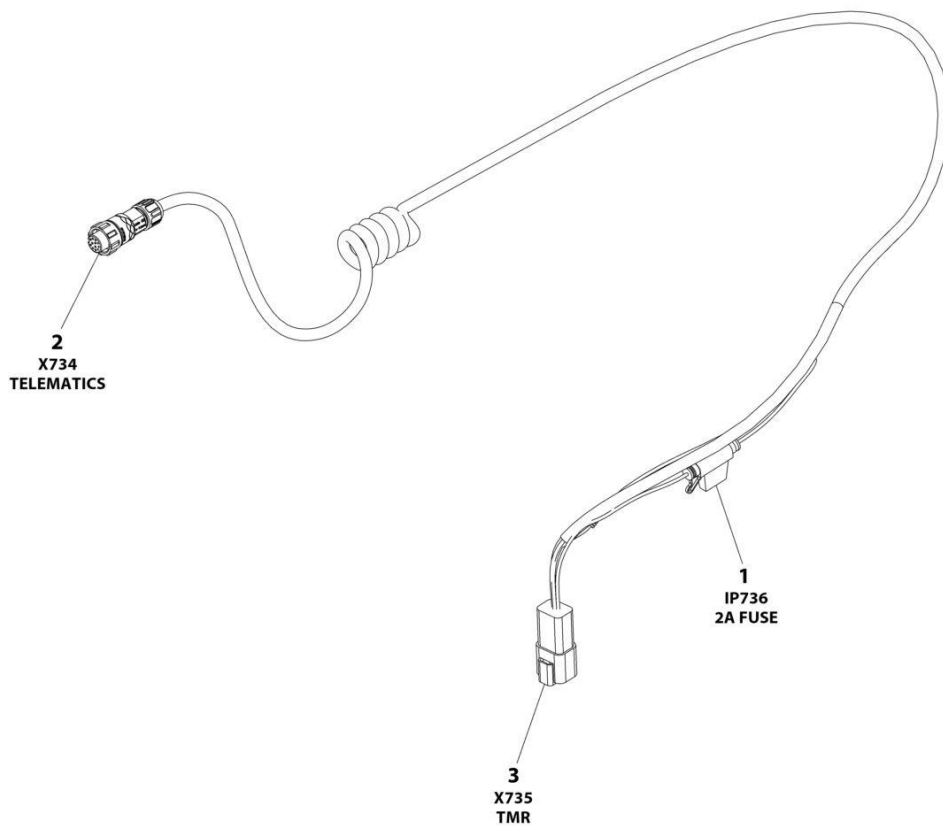
SECTION 8 - ELECTRICAL

FIGURE 8-46. CLEARSKY HARNESS - 3G & 4G

ITEM	PART NUMBER	QTY	DESCRIPTION	REV
	1001226739	Ref	Clearsky Harness	A
1	1001226636	1	Connector	
2	1001116731	16	Plug, Terminal	
3	1001226637	8	Terminal	
4	1001144147	1	Connector	
5	4460464	2	Terminal	
6	4460466	1	Plug, Terminal	
7	4460894	1	Connector	
8	4460465	6	Terminal	
9	1001226541	1	Connector- 6 Pin Bussbar	
10	1001112796	1	Connector	
11	4460465	8	Terminal	
12	4460466	1	Plug, Terminal	

SECTION 8 - ELECTRICAL

FIGURE 8-47. CLEARSKY HARNESS - 3 WIRE



ART_1001273012

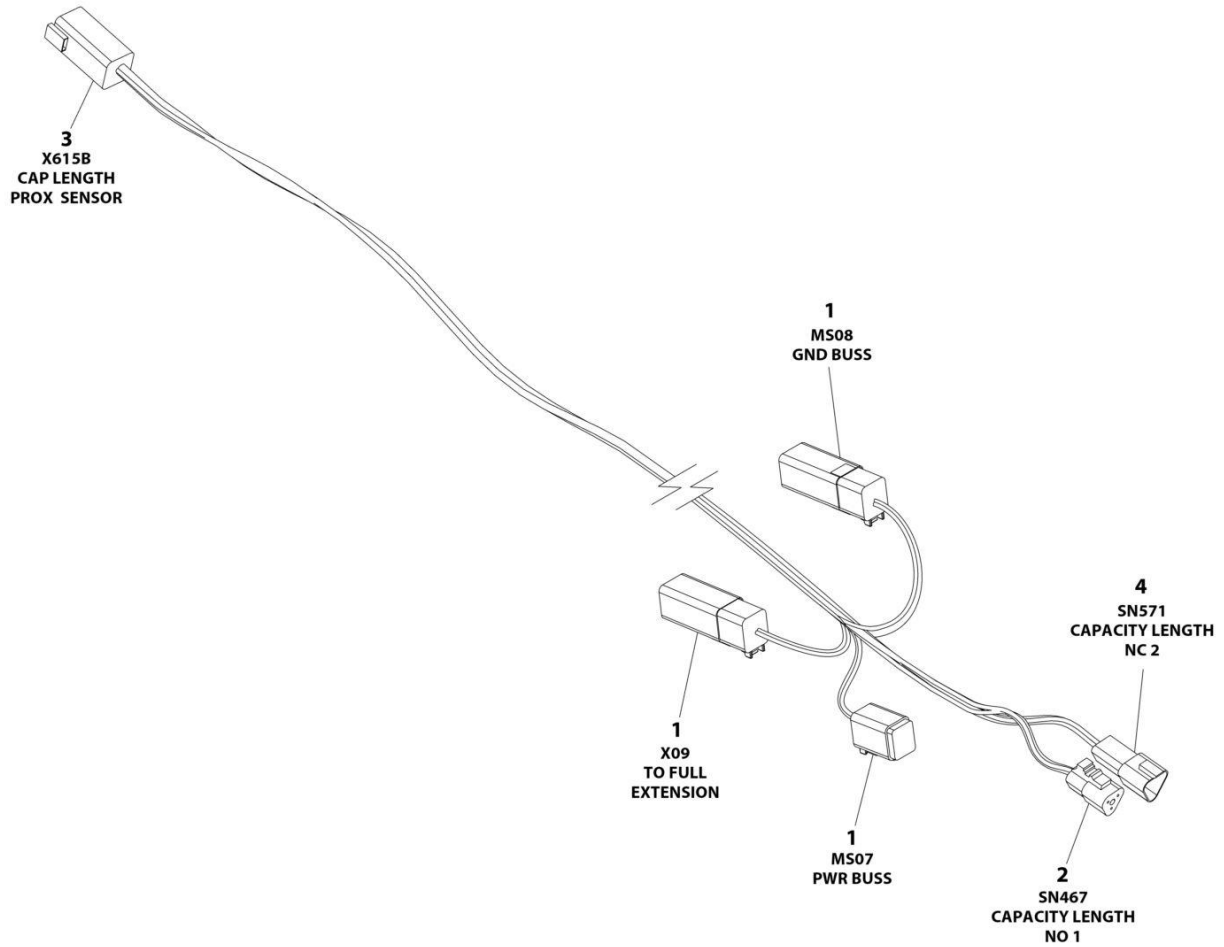
SECTION 8 - ELECTRICAL

FIGURE 8-47. CLEARSKY HARNESS - 3 WIRE

ITEM	PART NUMBER	QTY	DESCRIPTION	REV
	1001273012	Ref	CLEARSKY TELEMATICS HARNESS - GT1030	D
1	1001255901	1	Fuseholder	
1	1001196634	1	Fuse - 2Amp	
2	1001272997	1	Connector - 12 Position	
2		Ref	Terminal	
3	4460932	1	Receptacle, Female - 4 Position	
3	4460464	4	Pin, Male	

SECTION 8 - ELECTRICAL

FIGURE 8-48. CAPACITY PROXIMITY HARNESS (1000LBS)



ART_1001238191

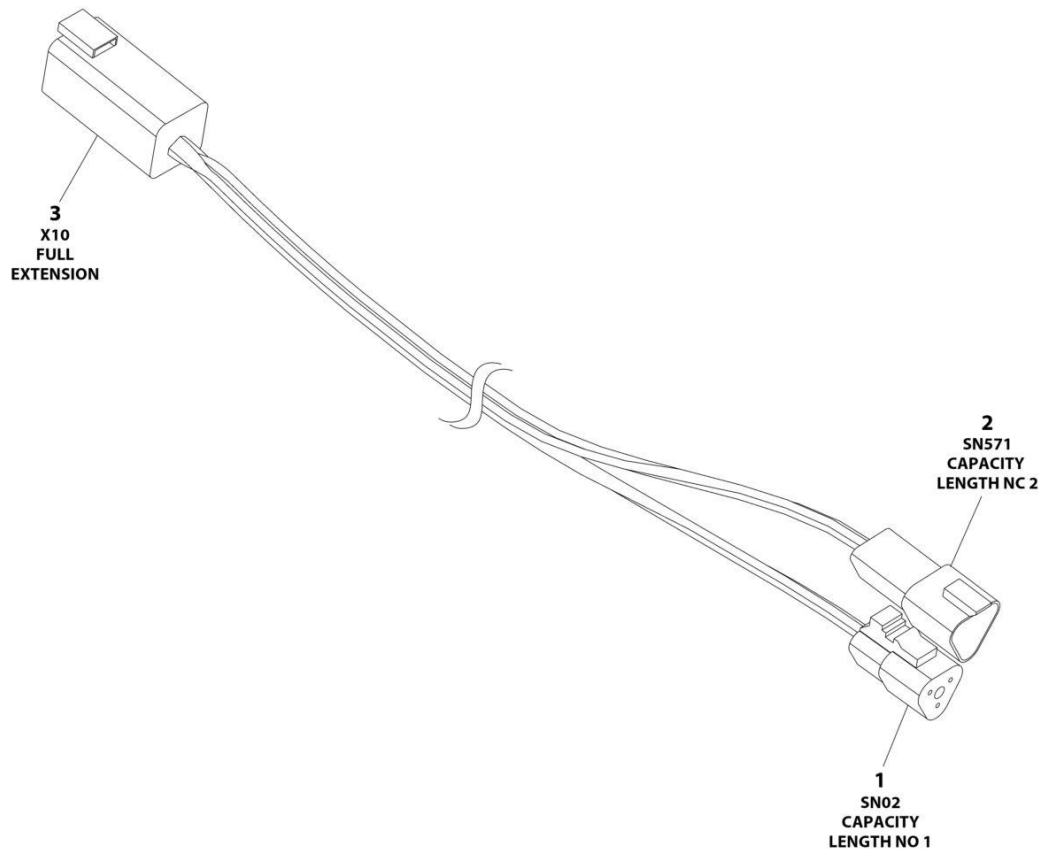
SECTION 8 - ELECTRICAL

FIGURE 8-48. CAPACITY PROXIMITY HARNESS (1000LBS)

ITEM	PART NUMBER	QTY	DESCRIPTION	REV
	1001238191	Ref	CAPACITY PROXIMITY HARNESS	D
1	4460894	3	Plug, Male - 6 Position	
1	4460465	16	Socket, Female	
1	4460466	2	Plug, Terminal	
1	4460892	2	Bussbar - 6 Position	
2	4460539	1	Plug, Male - 3 Position	
2	4460465	3	Socket, Female	
3	4460899	1	Receptacle, Female - 6 Position	
3	4460464	6	Pin, Male	
4	4460536	1	Receptacle, Female - 3 Position	
4	4640464	3	Pin, Male	

SECTION 8 - ELECTRICAL

FIGURE 8-49. CAPACITY PROXIMITY HARNESS (750 LBS)



ART_1001238192

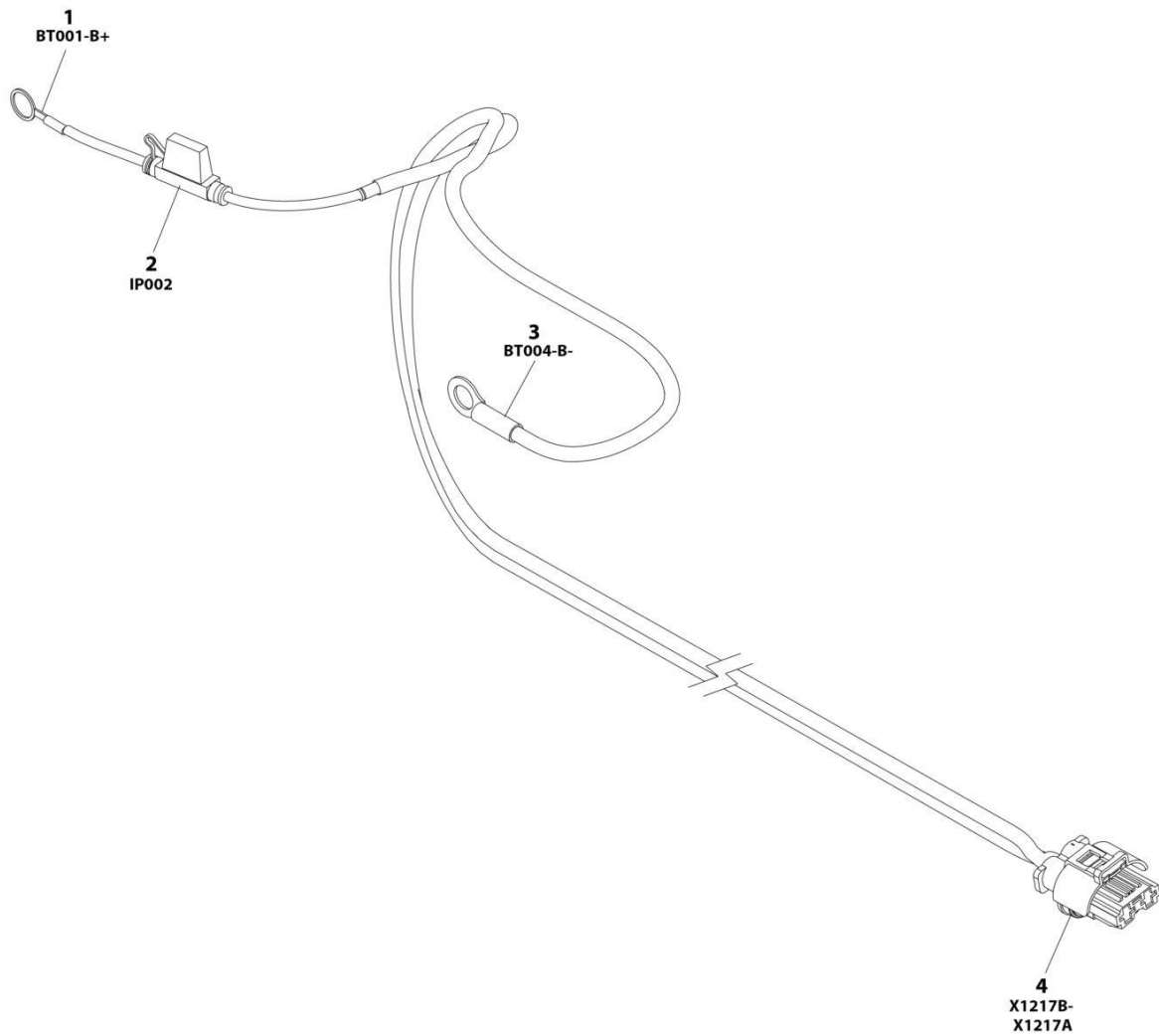
SECTION 8 - ELECTRICAL

FIGURE 8-49. CAPACITY PROXIMITY HARNESS (750 LBS)

ITEM	PART NUMBER	QTY	DESCRIPTION	REV
	1001238192	Ref	BOOM SENSOR / CAPACITY PROXIMITY HARNESS	B
1	4460539	1	Plug, Male - 3 Position	
1	4460465	3	Socket, Female	
2	4460536	1	Receptacle, Female - 3 Position	
2	4640464	3	Pin, Male	
3	4460899	1	Receptacle, Female - 6 Position	
3	4460464	6	Pin, Male	

SECTION 8 - ELECTRICAL

FIGURE 8-50. ECU POWER JUMPER HARNESS



ART_1001289594

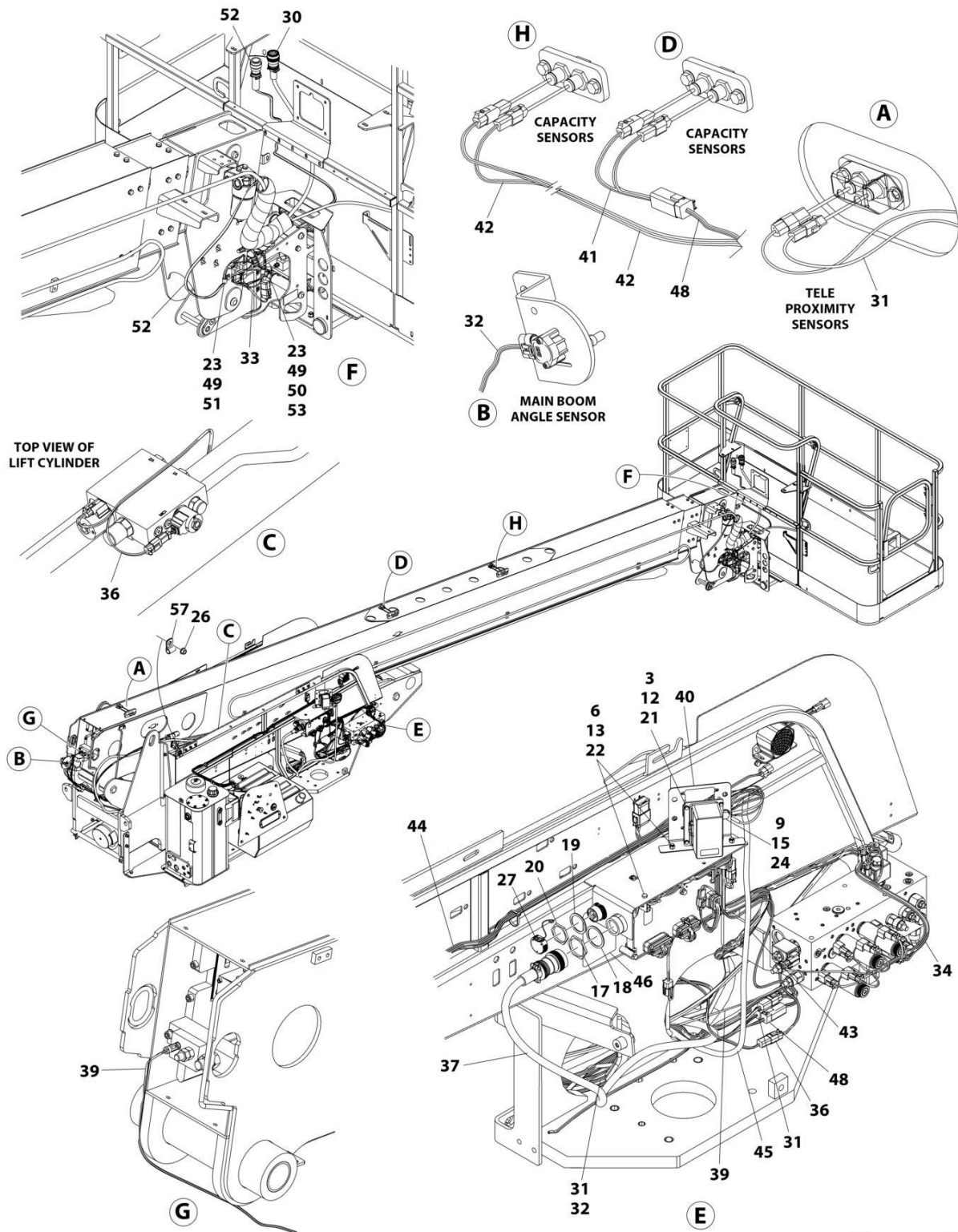
SECTION 8 - ELECTRICAL

FIGURE 8-50. ECU POWER JUMPER HARNESS

ITEM	PART NUMBER	QTY	DESCRIPTION	REV
	1001289594	Ref	ECU POWER JUMPER HARNESS	A
1	4460019	1	Terminal Ring	
2	1001172064	1	Fuse Holder	
2	1001172065	1	Fuse 30Amp	
3	8220164	1	Terminal Ring	
4	1001142938	1	Connector	
4	1001142940	2	Terminal	
4	1001142941	2	Seal	

SECTION 8 - ELECTRICAL

FIGURE 8-51. ELECTRICAL COMPONENTS INSTALLATION (ALL SPECS EXCEPT AUSTRALIAN, CE & UK CA (ULS) SPECS) (600S HC3) (Prior to SN B300024393, Prior to SN 0300312944, Excluding B300024064)



ART_1001235143_G_20F2

SECTION 8 - ELECTRICAL

FIGURE 8-51. ELECTRICAL COMPONENTS INSTALLATION (ALL SPECS EXCEPT AUSTRALIAN, CE & UK CA (ULS) SPECS) (600S HC3) (Prior to SN B300024393, Prior to SN 0300312944, Excluding B300024064)

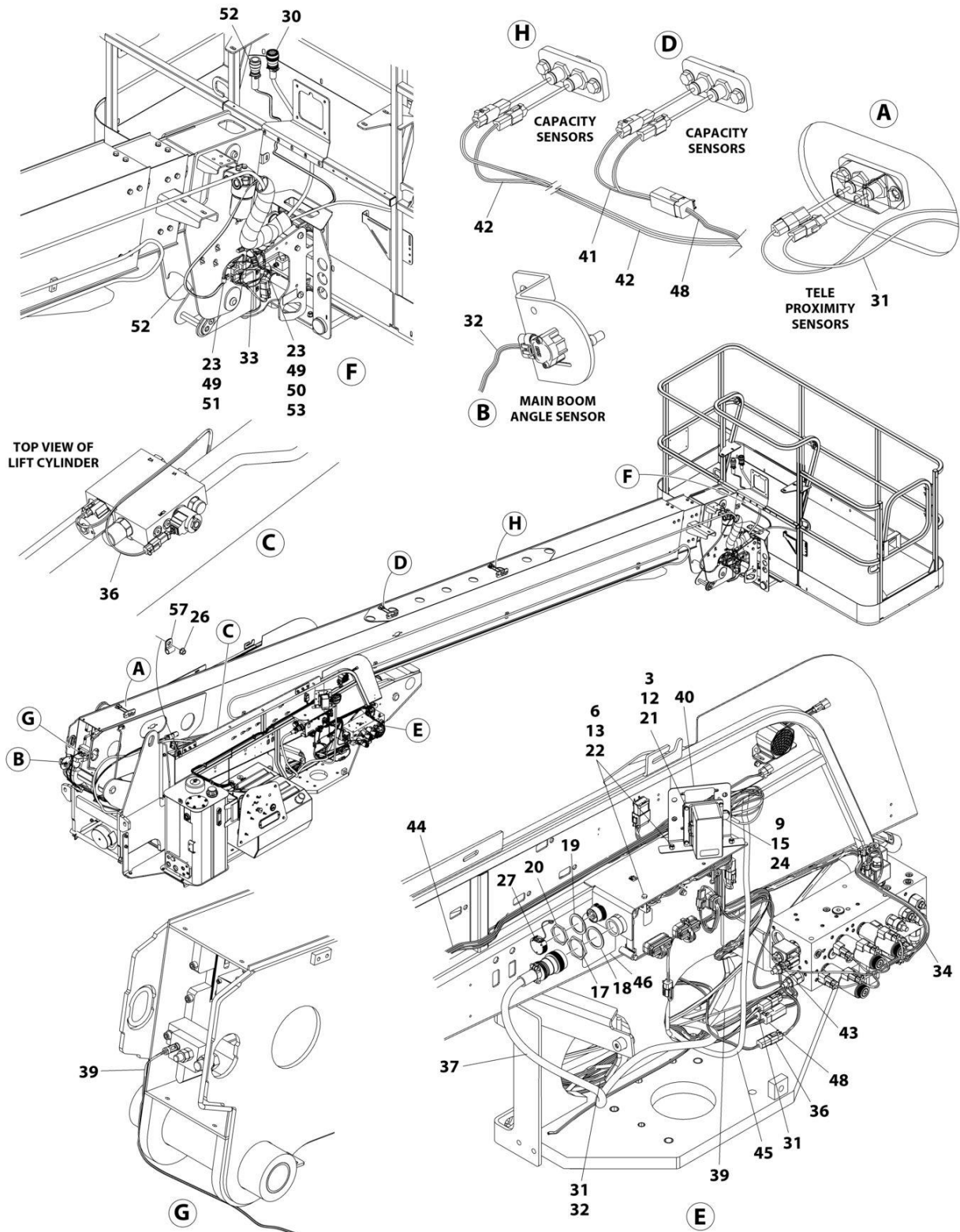
ITEM	PART NUMBER	QTY	DESCRIPTION	REV
	1001235143	Ref	ELECTRICAL COMPONENTS INSTALLATION	G
3	0700412	4	Bolt M4 x 25	
6	0760608	3	Bolt M6 x 16	
9	0761014	1	Bolt M10 x 30	
12	3290405	4	Nut, Lock M4	
13	3290605	3	Nut, Lock M6	
15	3291001	1	Nut M10	
16	4240099	AR	Tie-Strap (Not Shown)	
17	4460470	1	Nut, Terminal	
18	4460471	1	Washer, Terminal	
19	4460496	1	Washer, Terminal	
20	4460497	1	Nut, Terminal	
21	4811400	8	Washer M4	
22	4811700	11	Washer M6	
23	4811900	2	Washer M8	
24	4812000	2	Washer M10	
26	5261000	1	Nut M10	
27	1001106736	1	Cap, Dust	
30	1001188533	1	Boom Cable - Upper (See Separate Breakdown in this Section)	
31	1001189003	1	Tele Proximity Harness (See Separate Breakdown in this Section)	
32	1001189005	1	Boom Angle Sensor Harness (See Separate Breakdown in this Section)	
33	1001266276	1	Valve Harness - Platform Valve (See Separate Breakdown in this Section)	
34	1001284771	1	Valve Harness - Main Valve (See Separate Breakdown in this Section)	
36	1001205923	1	Lift Cylinder Harness (See Separate Breakdown in this Section)	
37	1001206082	1	Boom Cable - Lower (See Separate Breakdown in this Section)	
39	1001227527	1	Service Cable	
40	1001237822	1	Plate, Fuse Box	
41	1001238191	1	Capacity Proximity Harness (1000LBS) (See Separate Breakdown in this Section)	
42	1001238192	1	Capacity Proximity Harness (750LBS) (See Separate Breakdown in this Section)	
43	1001282065	1	Turntable Harness (See Separate Breakdown in this Section)	
44	1001238408	1	Ground Control Harness (See Separate Breakdown in this Section)	
45	1001239290	1	UGM Ground Cable	
46	1001239512	1	Decal - Fuse Box	
48	1001242908	1	Cable, Capacity	
48	4460894	2	Plug, Male - 6 Position	
48	4460465	12	Socket, Female	
49	8406110	2	Clamp	
50	1001149160	1	Nut, Tinnerman M8	
51	0760808	1	Bolt M8 x 16	
52	1001266277	1	Platform Valve Cable (See Separate Breakdown in this Section)	
53	0760810	1	Bolt M8 x 20	
55	4240032	AR	Tie-Strap (Not Shown)	
56	4460234	AR	Cable-Tie (Not Shown)	

SECTION 8 - ELECTRICAL

ITEM	PART NUMBER	QTY	DESCRIPTION	REV
57	1001080996	1	Clamp	

SECTION 8 - ELECTRICAL

FIGURE 8-52. ELECTRICAL COMPONENTS INSTALLATION (ALL SPECS EXCEPT AUSTRALIAN, CE & UK CA (ULS) SPECS) (600S HC3) (SN B300024393 to Present, SN 0300312944 to Present, Including B300024064)



ART_1001235143_H_20F2

SECTION 8 - ELECTRICAL

FIGURE 8-52. ELECTRICAL COMPONENTS INSTALLATION (ALL SPECS EXCEPT AUSTRALIAN, CE & UK CA (ULS) SPECS) (600S HC3) (SN B300024393 to Present, SN 0300312944 to Present, Including B300024064)

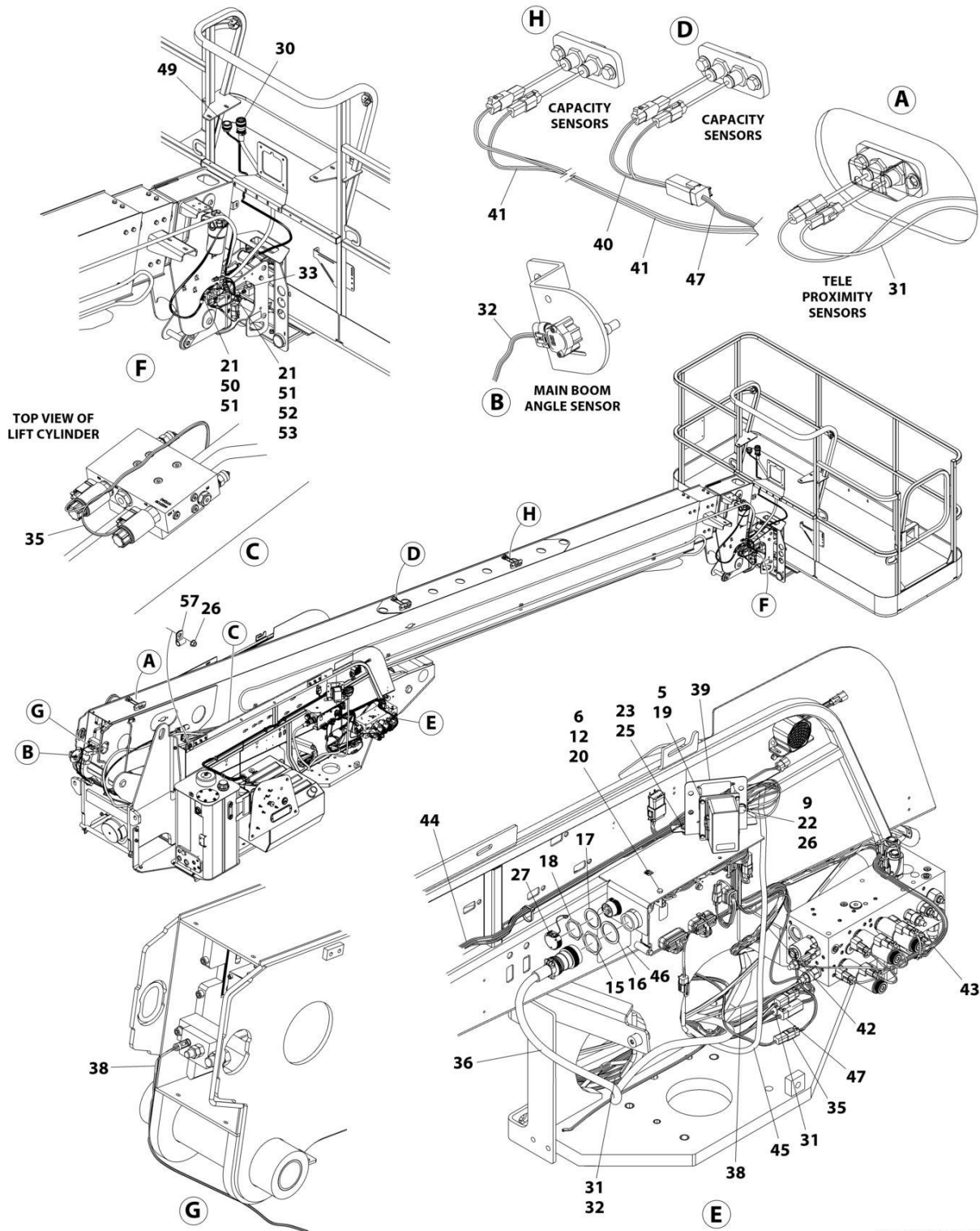
ITEM	PART NUMBER	QTY	DESCRIPTION	REV
	1001235143	Ref	ELECTRICAL COMPONENTS INSTALLATION	H
3	0700412	4	Bolt M4 x 25	
6	0760608	3	Bolt M6 x 16	
9	0761014	1	Bolt M10 x 30	
12	3290405	4	Nut M4	
13	3290605	3	Nut M6	
15	3291001	1	Nut M10	
16	4240099	AR	Tie-Strap (Not Shown)	
17	4460470	1	Nut, Terminal	
18	4460471	1	Washer, Terminal	
19	4460496	1	Washer, Terminal	
20	4460497	1	Nut, Terminal	
21	4811400	8	Washer M4	
22	4811700	11	Washer M6	
23	4811900	2	Washer M8	
24	4812000	2	Washer M10	
26	5261000	1	Nut M10	
27	1001106736	1	Cap, Dust	
30	1001188533	1	Boom Cable - Upper (See Separate Breakdown in this Section)	
31	1001189003	1	Tele Proximity Harness (See Separate Breakdown in this Section)	
32	1001189005	1	Boom Angle Sensor Harness (See Separate Breakdown in this Section)	
33	1001266276	1	Valve Harness - Platform Valve (See Separate Breakdown in this Section)	
34	1001284771	1	Valve Harness - Main Valve (See Separate Breakdown in this Section)	
36	1001205923	1	Lift Cylinder Harness (See Separate Breakdown in this Section)	
37	1001206082	1	Boom Cable - Lower (See Separate Breakdown in this Section)	
39	1001227527	1	Service Cable	
40	1001237822	1	Plate, Fuse Box	
41	1001238191	1	Capacity Proximity Harness (1000LBS) (See Separate Breakdown in this Section)	
42	1001238192	1	Capacity Proximity Harness (750LBS) (See Separate Breakdown in this Section)	
43	1001282065	1	Turntable Harness (See Separate Breakdown in this Section)	
44	1001299626	1	Ground Control Harness (See Separate Breakdown in this Section)	
45	1001239290	1	UGM Ground Cable	
46	1001239512	1	Decal - Fuse Box	
48	1001242908	1	Cable, Capacity	
48	4460894	2	Plug, Male - 6 Position	
48	4460465	12	Socket, Female	
49	8406110	2	Clamp	
50	1001149160	1	Nut, Tinnerman M8	
51	0760808	1	Bolt M8 x 16	
52	1001266277	1	Platform Valve Cable (See Separate Breakdown in this Section)	
53	0760810	1	Bolt M8 x 20	
55	4240032	AR	Tie-Strap (Not Shown)	
56	4460234	AR	Cable-Tie (Not Shown)	

SECTION 8 - ELECTRICAL

ITEM	PART NUMBER	QTY	DESCRIPTION	REV
57	1001080996	1	Clamp	
59	1001213448	1	Cap, Dust (Not Shown)	

SECTION 8 - ELECTRICAL

**FIGURE 8-53. ELECTRICAL COMPONENTS INSTALLATION (CE & UK CA (ULS) SPECS) (600S HC3)
(Prior to SN B300024393, Prior to SN 0300312944, Excluding B300024064)**



ART_1001262633_E_2OF2

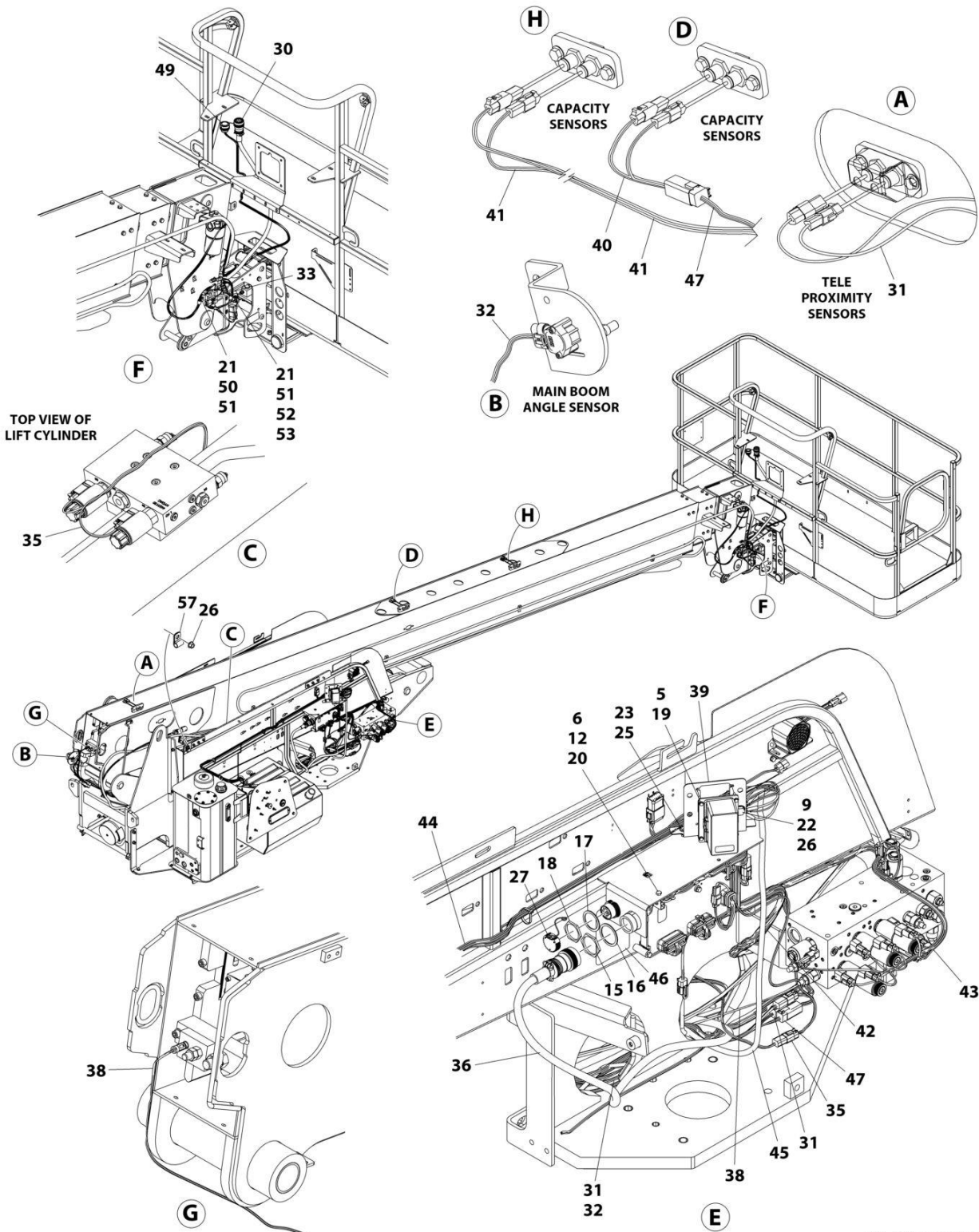
SECTION 8 - ELECTRICAL

**FIGURE 8-53. ELECTRICAL COMPONENTS INSTALLATION (CE & UK CA (ULS) SPECS) (600S HC3)
(Prior to SN B300024393, Prior to SN 0300312944, Excluding B300024064)**

ITEM	PART NUMBER	QTY	DESCRIPTION	REV
	1001262633	Ref	ELECTRICAL COMPONENTS INSTALLATION	E
5	0731005	4	Bolt 10 x 0.625	
6	0760608	1	Bolt M6 x 16	
9	0761012	1	Bolt M10 x 25	
12	3290605	1	Nut M6	
14	4240099	AR	Tie-Strap (Not Shown)	
15	4460470	1	Nut, Terminal	
16	4460471	1	Washer, Terminal	
17	4460496	1	Washer, Terminal	
18	4460497	1	Nut, Terminal	
19	4711000	4	Washer	
20	4811700	2	Washer M6	
21	4811900	2	Washer M8	
22	4812000	1	Washer M10	
23	5250608	2	Bolt M6 x 16	
25	5260600	3	Nut M6	
26	5261000	1	Nut M10 Class 10	
27	1001106736	1	Cap, Dust	
30	1001188533	1	Boom Cable - Upper (See Separate Breakdown in this Section)	
31	1001189003	1	Tele Proximity Harness (See Separate Breakdown in this Section)	
32	1001189005	1	Boom Angle Sensor Harness (See Separate Breakdown in this Section)	
33	1001266276	1	Harness, Platform Valve (See Separate Breakdown in this Section)	
35	1001205923	1	Lift Cylinder Harness (See Separate Breakdown in this Section)	
36	1001206082	1	Boom Cable - Lower (See Separate Breakdown in this Section)	
38	1001227527	1	Service Cable	
39	1001237822	1	Plate, Fuse Box	
40	1001238191	1	Capacity Proximity Harness (1000LBS) (See Separate Breakdown in this Section)	
41	1001238192	1	Capacity Proximity Harness (750LBS) (See Separate Breakdown in this Section)	
42	1001282065	1	Turntable Harness (See Separate Breakdown in this Section)	
43	1001284771	1	Valve Harness - Main Valve (See Separate Breakdown in this Section)	
44	1001238408	1	Ground Control Harness (See Separate Breakdown in this Section)	
45	1001239290	1	UGM Ground Cable	
46	1001239512	1	Decal - Fuse Box	
47	1001242908	1	Transport Switch Harness (See Separate Breakdown in this Section)	
49	1001266277	1	Platform Valve Cable (See Separate Breakdown in this Section)	
50	0760808	1	Bolt M8 x 16	
51	8406110	2	Clip	
52	1001149160	1	Nut, Tinnerman M8	
53	0760810	1	Bolt M8 x 20	
55	4240032	AR	Tie-Strap (Not Shown)	
56	4460234	AR	Cable-Tie (Not Shown)	
57	1001080996	1	Clamp	

SECTION 8 - ELECTRICAL

FIGURE 8-54. ELECTRICAL COMPONENTS INSTALLATION (CE & UK CA (ULS) SPECS) (600S HC3) (SN B300024393 to Present, SN 0300312944 to Present, Including B300024064)



ART_1001262633_F_20F2

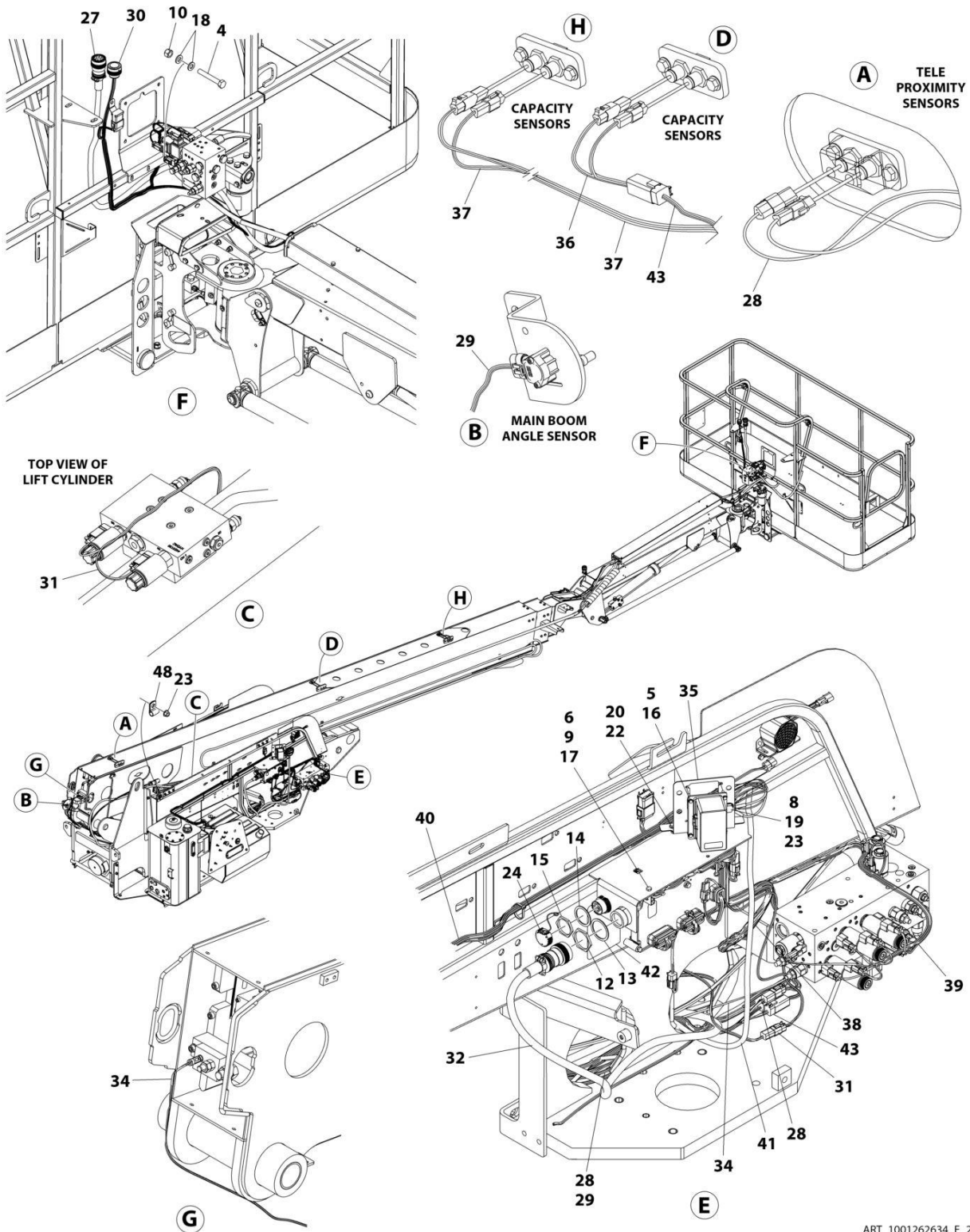
SECTION 8 - ELECTRICAL

**FIGURE 8-54. ELECTRICAL COMPONENTS INSTALLATION (CE & UK CA (ULS) SPECS) (600S HC3)
(SN B300024393 to Present, SN 0300312944 to Present, Including B300024064)**

ITEM	PART NUMBER	QTY	DESCRIPTION	REV
	1001262633	Ref	ELECTRICAL COMPONENTS INSTALLATION	F
5	0731005	4	Bolt 10 x 0.625	
6	0760608	1	Bolt M6 x 16	
9	0761012	1	Bolt M10 x 25	
12	3290605	1	Nut M6	
14	4240099	AR	Tie-Strap (Not Shown)	
15	4460470	1	Nut, Terminal	
16	4460471	1	Washer, Terminal	
17	4460496	1	Washer, Terminal	
18	4460497	1	Nut, Terminal	
19	4711000	4	Washer	
20	4811700	2	Washer M6	
21	4811900	2	Washer M8	
22	4812000	1	Washer M10	
23	5250608	2	Bolt M6 x 16	
25	5260600	3	Nut M6	
26	5261000	1	Nut M10 Class 10	
27	1001106736	1	Cap, Dust	
30	1001188533	1	Boom Cable - Upper (See Separate Breakdown in this Section)	
31	1001189003	1	Tele Proximity Harness (See Separate Breakdown in this Section)	
32	1001189005	1	Boom Angle Sensor Harness (See Separate Breakdown in this Section)	
33	1001266276	1	Harness, Platform Valve (See Separate Breakdown in this Section)	
35	1001205923	1	Lift Cylinder Harness (See Separate Breakdown in this Section)	
36	1001206082	1	Boom Cable - Lower (See Separate Breakdown in this Section)	
38	1001227527	1	Service Cable	
39	1001237822	1	Plate, Fuse Box	
40	1001238191	1	Capacity Proximity Harness (1000LBS) (See Separate Breakdown in this Section)	
41	1001238192	1	Capacity Proximity Harness (750LBS) (See Separate Breakdown in this Section)	
42	1001282065	1	Turntable Harness (See Separate Breakdown in this Section)	
43	1001284771	1	Valve Harness - Main Valve (See Separate Breakdown in this Section)	
44	1001299626	1	Ground Control Harness (See Separate Breakdown in this Section)	
45	1001239290	1	UGM Ground Cable	
46	1001239512	1	Decal - Fuse Box	
47	1001242908	1	Transport Switch Harness (See Separate Breakdown in this Section)	
49	1001266277	1	Platform Valve Cable (See Separate Breakdown in this Section)	
50	0760808	1	Bolt M8 x 16	
51	8406110	2	Clip	
52	1001149160	1	Nut, Tinnerman M8	
53	0760810	1	Bolt M8 x 20	
55	4240032	AR	Tie-Strap (Not Shown)	
56	4460234	AR	Cable-Tie (Not Shown)	
57	1001080996	1	Clamp	
59	1001213448	1	Cap, Dust (Not Shown)	

SECTION 8 - ELECTRICAL

**FIGURE 8-55. ELECTRICAL COMPONENTS INSTALLATION (CE & UK CA (ULS) SPECS) (660SJ HC3)
(Prior to SN B300024393, Prior to SN 0300312944, Excluding B300024064)**



ART_1001262634_E_2OF2

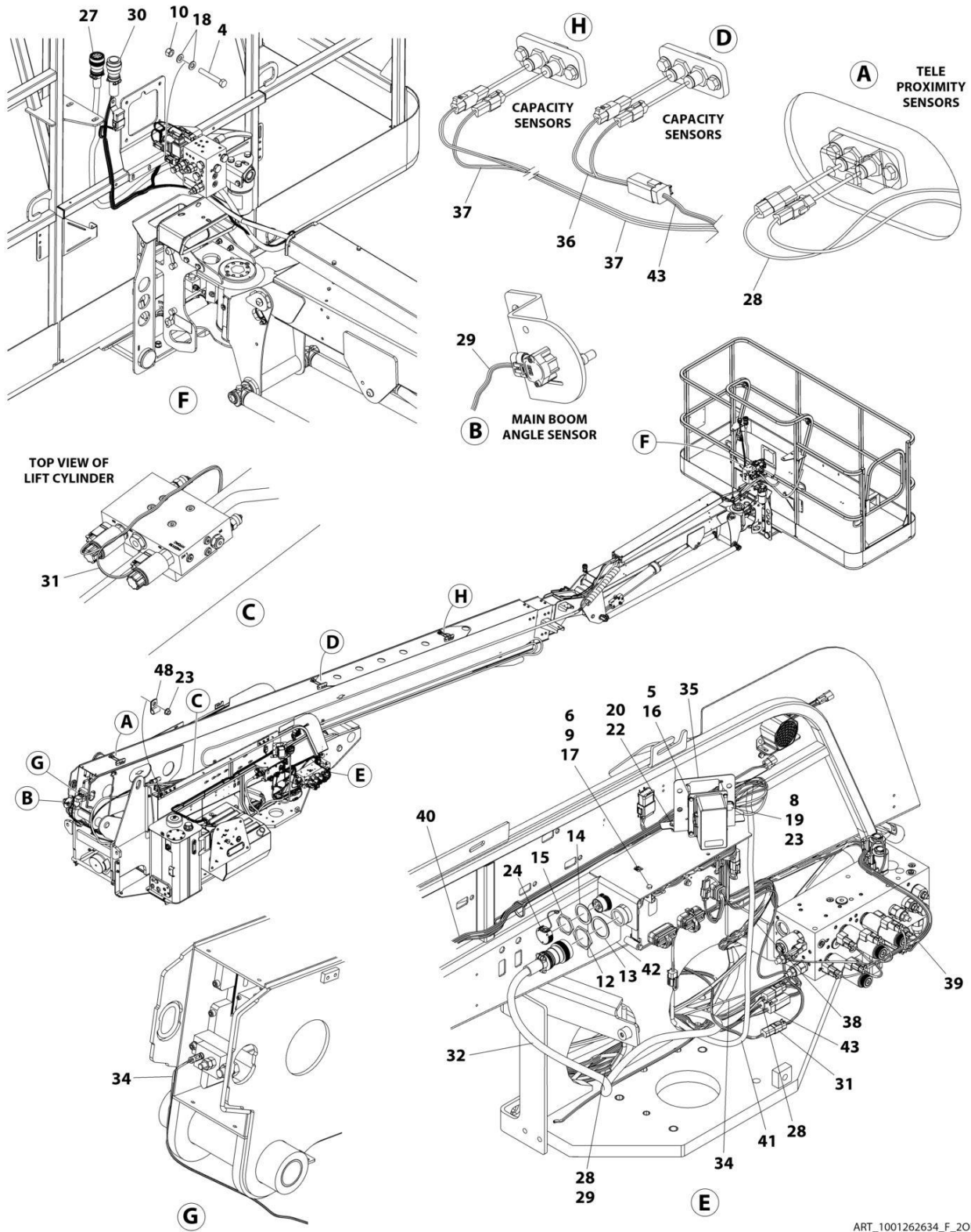
SECTION 8 - ELECTRICAL

**FIGURE 8-55. ELECTRICAL COMPONENTS INSTALLATION (CE & UK CA (ULS) SPECS) (660SJ HC3)
(Prior to SN B300024393, Prior to SN 0300312944, Excluding B300024064)**

ITEM	PART NUMBER	QTY	DESCRIPTION	REV
	1001262634	Ref	ELECTRICAL COMPONENTS INSTALLATION	E
4	0700819	1	Bolt M8 x 55	
5	0731005	4	Bolt M10	
6	0760608	1	Bolt M6 x 16	
8	0761012	1	Bolt M10 x 25	
9	3290605	1	Nut M6	
10	3290805	1	Nut M8	
11	4240099	AR	Tie-Strap (Not Shown)	
12	4460470	1	Nut, Terminal	
13	4460471	1	Washer, Terminal	
14	4460496	1	Washer, Terminal	
15	4460497	1	Nut, Terminal	
16	4711000	4	Washer	
17	4811700	2	Washer M6	
18	4811900	2	Washer M8	
19	4812000	1	Washer M10	
20	5250608	2	Bolt M6 x 16	
22	5260600	3	Nut M6	
23	5261000	1	Nut M10 Class 10	
24	1001106736	1	Cap, Dust	
27	1001188534	1	Boom Cable - Upper (See Separate Breakdown in this Section)	
28	1001189003	1	Tele Proximity Harness (See Separate Breakdown in this Section)	
29	1001189005	1	Boom Angle Sensor Harness (See Separate Breakdown in this Section)	
30	1001264338	1	Harness, Platform Valve (See Separate Breakdown in this Section)	
31	1001205923	1	Lift Cylinder Harness (See Separate Breakdown in this Section)	
32	1001206082	1	Boom Cable - Lower (See Separate Breakdown in this Section)	
34	1001227527	1	Service Cable	
35	1001237822	1	Plate	
36	1001238191	1	Capacity Proximity Harness (1000lbs) (See Separate Breakdown in this Section))	
37	1001238192	1	Capacity Proximity Harness (750lbs) (See Separate Breakdown in this Section))	
38	1001282065	1	Turntable Harness (See Separate Breakdown in this Section)	
39	1001284771	1	Valve Harness - Main Valve (See Separate Breakdown in this Section)	
40	1001238408	1	Ground Control Harness (See Separate Breakdown in this Section)	
41	1001239290	1	UGM Ground Cable	
42	1001239512	1	Decal - Fuse Box	
43	1001242908	1	Transport Switch Harness (See Separate Breakdown in this Section)	
46	4240032	1	Tie-Strap (Not Shown)	
47	4460234	1	Cable-Tie (Not Shown)	
48	1001080996	1	Clamp	

SECTION 8 - ELECTRICAL

**FIGURE 8-56. ELECTRICAL COMPONENTS INSTALLATION (CE & UK CA (ULS) SPECS) (660SJ HC3)
(SN B300024393 to Present, SN 0300312944 to Present, Including B300024064)**



ART_1001262634_F_20F2

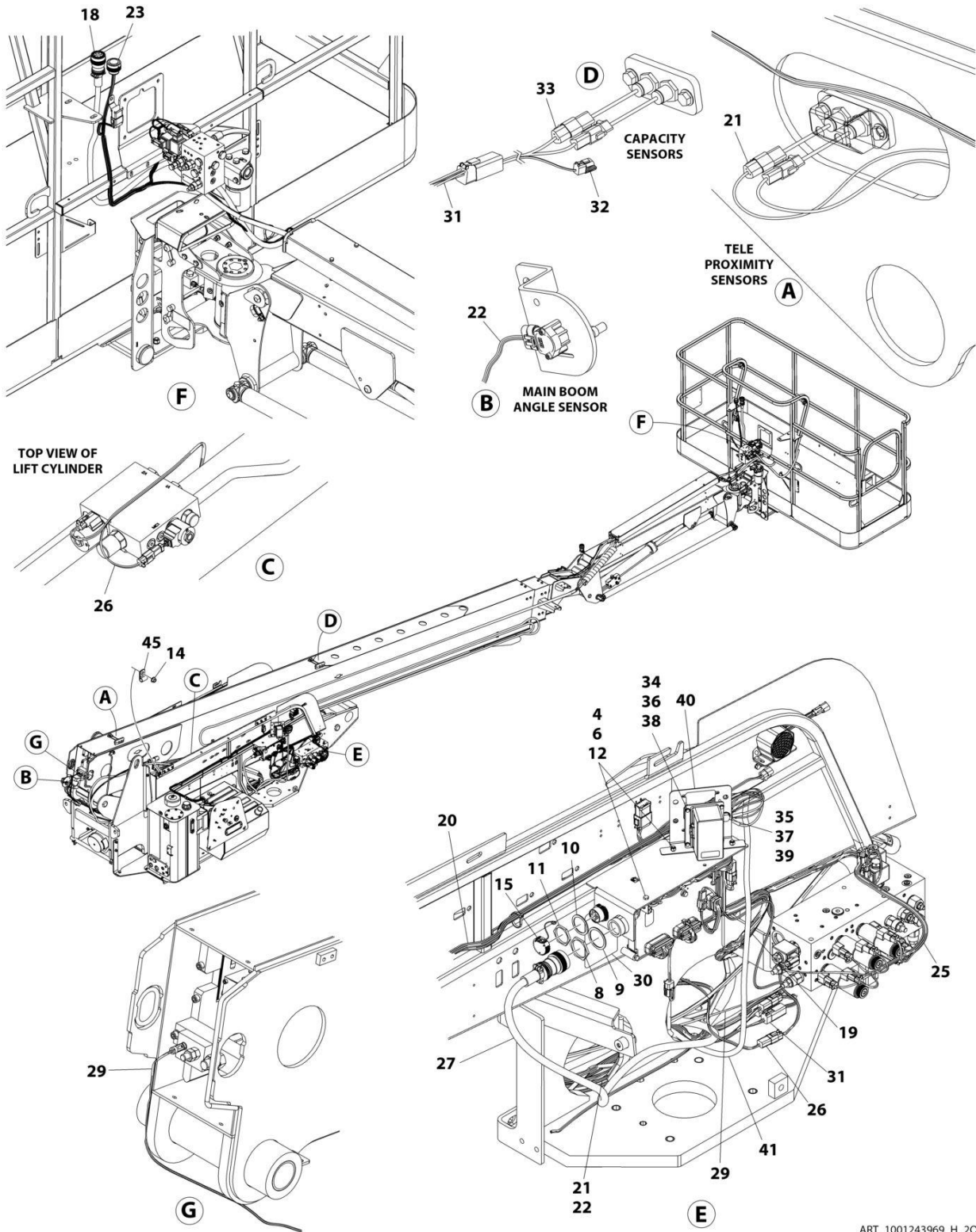
SECTION 8 - ELECTRICAL

**FIGURE 8-56. ELECTRICAL COMPONENTS INSTALLATION (CE & UK CA (ULS) SPECS) (660SJ HC3)
(SN B300024393 to Present, SN 0300312944 to Present, Including B300024064)**

ITEM	PART NUMBER	QTY	DESCRIPTION	REV
	1001262634	Ref	ELECTRICAL COMPONENTS INSTALLATION	F
4	0700819	1	Bolt M8 x 55	
5	0731005	4	Bolt M10	
6	0760608	1	Bolt M6 x 16	
8	0761012	1	Bolt M10 x 25	
9	3290605	1	Nut M6	
10	3290805	1	Nut M8	
11	4240099	AR	Tie-Strap (Not Shown)	
12	4460470	1	Nut, Terminal	
13	4460471	1	Washer, Terminal	
14	4460496	1	Washer, Terminal	
15	4460497	1	Nut, Terminal	
16	4711000	4	Washer	
17	4811700	2	Washer M6	
18	4811900	2	Washer M8	
19	4812000	1	Washer M10	
20	5250608	2	Bolt M6 x 16	
22	5260600	3	Nut M6	
23	5261000	1	Nut M10 Class 10	
24	1001106736	1	Cap, Dust	
27	1001188534	1	Boom Cable - Upper (See Separate Breakdown in this Section)	
28	1001189003	1	Tele Proximity Harness (See Separate Breakdown in this Section)	
29	1001189005	1	Boom Angle Sensor Harness (See Separate Breakdown in this Section)	
30	1001264338	1	Harness, Platform Valve (See Separate Breakdown in this Section)	
31	1001205923	1	Lift Cylinder Harness (See Separate Breakdown in this Section)	
32	1001206082	1	Boom Cable - Lower (See Separate Breakdown in this Section)	
34	1001227527	1	Service Cable	
35	1001237822	1	Plate	
36	1001238191	1	Capacity Proximity Harness (1000lbs) (See Separate Breakdown in this Section))	
37	1001238192	1	Capacity Proximity Harness (750lbs) (See Separate Breakdown in this Section))	
38	1001282065	1	Turntable Harness (See Separate Breakdown in this Section)	
39	1001284771	1	Valve Harness - Main Valve (See Separate Breakdown in this Section)	
40	1001299626	1	Ground Control Harness (See Separate Breakdown in this Section)	
41	1001239290	1	UGM Ground Cable	
42	1001239512	1	Decal - Fuse Box	
43	1001242908	1	Transport Switch Harness (See Separate Breakdown in this Section)	
46	4240032	1	Tie-Strap (Not Shown)	
47	4460234	1	Cable-Tie (Not Shown)	
48	1001080996	1	Clamp	
50	1001213448	1	Cap, Dust (Not Shown)	

SECTION 8 - ELECTRICAL

FIGURE 8-57. ELECTRICAL COMPONENTS INSTALLATION - WITH 2WS (660SJ HC3)



ART_1001243969_H_20F2

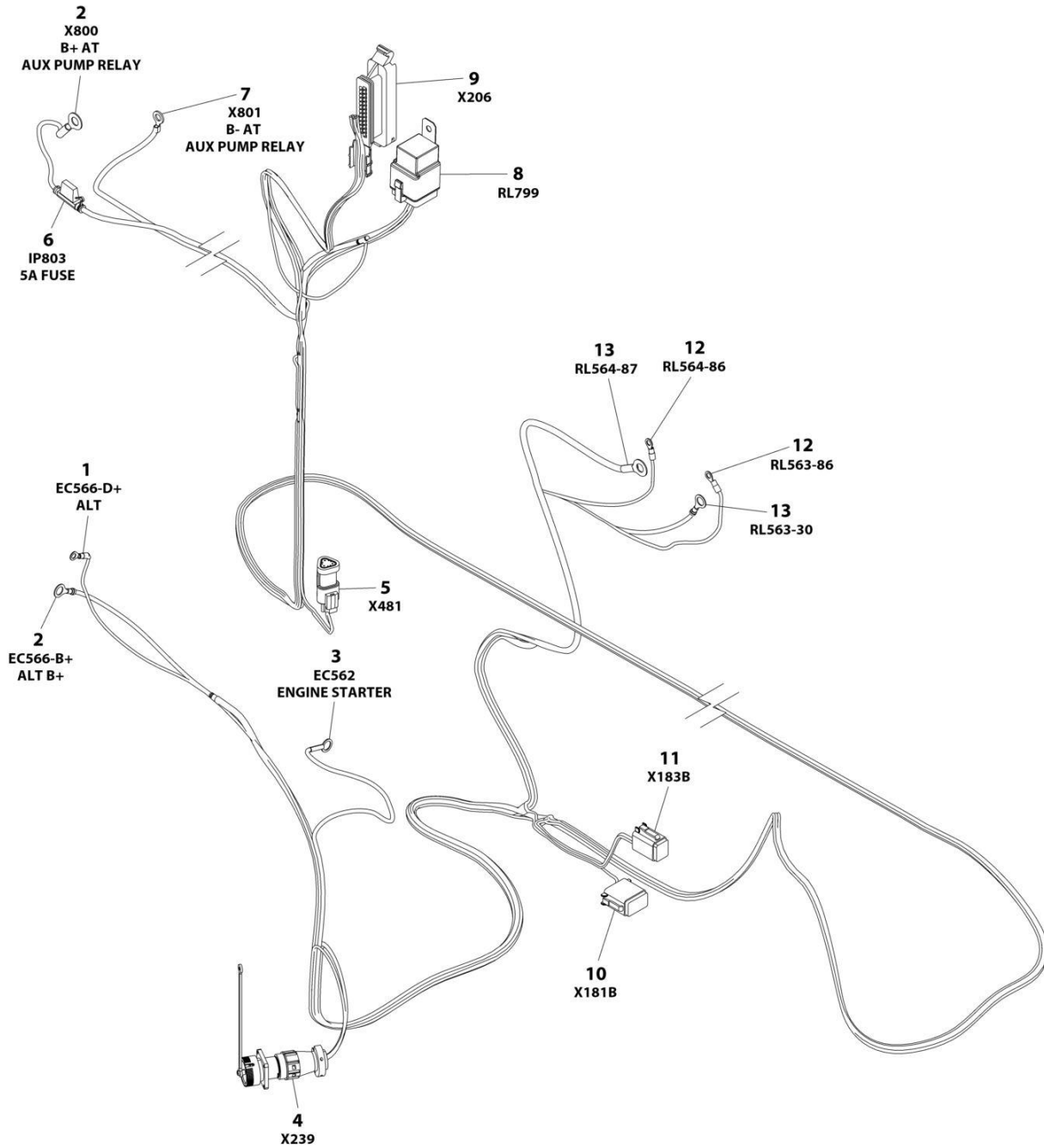
SECTION 8 - ELECTRICAL

FIGURE 8-57. ELECTRICAL COMPONENTS INSTALLATION - WITH 2WS (660SJ HC3)

ITEM	PART NUMBER	QTY	DESCRIPTION	REV
	1001243969	Ref	ELECTRICAL COMPONENTS INSTALLATION	H
4	0760608	3	Bolt M6 x 16	
6	3290605	3	Nut M6	
7	4240099	AR	Tie-Strap (Not Shown)	
8	4460470	1	Nut, Terminal	
9	4460471	1	Washer, Terminal	
10	4460496	1	Washer, Terminal	
11	4460497	1	Nut, Terminal	
12	4811700	11	Washer M6	
14	5261000	1	Nut M10 Class 10	
15	1001106736	1	Cap, Dust	
18	1001188534	1	Boom Cable - Upper (See Separate Breakdown in this Section)	
19	1001282065	1	Turntable Harness (See Separate Breakdown in this Section)	
20	1001238408	1	Ground Control Harness (See Separate Breakdown in this Section)	
21	1001189003	1	Tele Proximity Harness (See Separate Breakdown in this Section)	
22	1001189005	1	Boom Angle Sensor Harness (See Separate Breakdown in this Section)	
23	1001264338	1	Valve Harness - Platform Valve (A92.20) (See Separate Breakdown in this Section)	
25	1001284771	1	Valve Harness - Main Valve (See Separate Breakdown in this Section)	
26	1001205923	1	Lift Cylinder Harness (See Separate Breakdown in this Section)	
27	1001206082	1	Boom Cable - Lower (See Separate Breakdown in this Section)	
29	1001227527	1	Service Cable	
30	1001239512	1	Decal - Fuse Box	
31	1001242908	1	Capacity Proximity Harness (See Separate Breakdown in this Section)	
32	1001213448	1	Cap, Dust	
33	1001238191	1	Capacity Proximity Harness (See Separate Breakdown in this Section)	
34	0700412	4	Bolt M4 x 25	
35	0761014	1	Bolt M10 x 30	
36	3290405	4	Nut M4 x 0.7	
37	3291001	1	Nut M10 x 1.5	
38	4811400	8	Washer M4	
39	4812000	2	Washer M10	
40	1001237822	1	Plate	
41	1001239290	1	UGM Ground Cable	
43	4240032	AR	Tie-Strap (Not Shown)	
44	4460234	AR	Cable Tie (Not Shown)	
45	1001080996	1	Clamp	

SECTION 8 - ELECTRICAL

FIGURE 8-58. ENGINE HARNESS - DEUTZ D2011 ENGINES



ART_1001188236_F

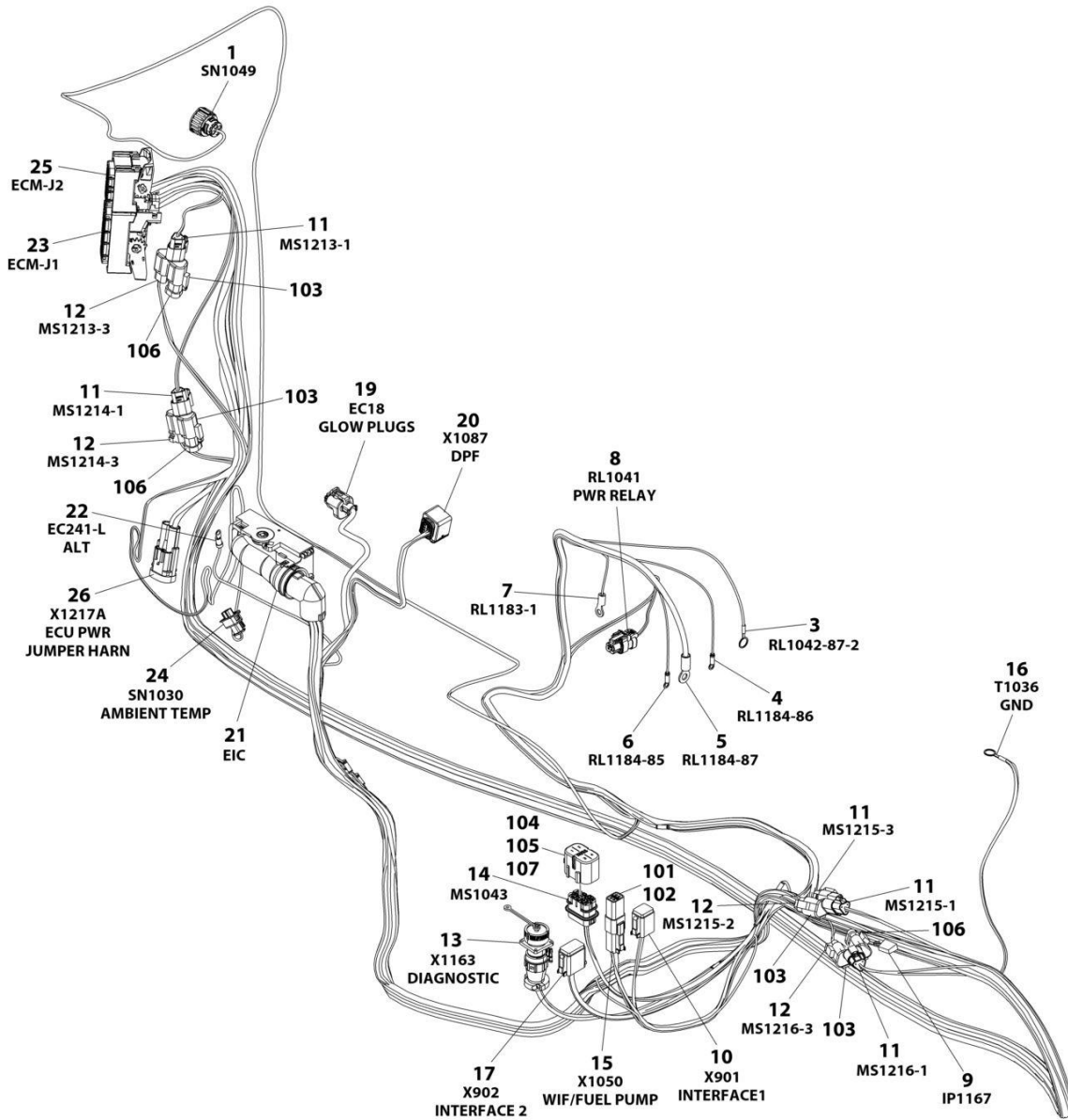
SECTION 8 - ELECTRICAL

FIGURE 8-58. ENGINE HARNESS - DEUTZ D2011 ENGINES

ITEM	PART NUMBER	QTY	DESCRIPTION	REV
	1001188236	Ref	ENGINE HARNESS	F
1	4460042	1	Terminal, Ring	
2	8220045	2	Terminal, Ring	
3	4460142	1	Terminal, Ring	
4	2902443	1	Receptacle Kit	
4	4461073	1	Cap, Dust	
5	4461095	1	Plug, Male - 3 Position	
5	4460944	2	Socket, Female	
5	4460466	1	Plug, Terminal	
5	4461070	1	Receptacle, Female - 3 Position	
5	4460943	3	Pin, Male	
6	2600066	2	Fuseholder with 5Amp Fuse	
6	See Note	NSS	Fuse - 5Amp (Note: Purchase Locally)	
7	4460312	1	Terminal, Ring	
8	1001117025	1	Plug, Relay	
8	1001116734	1	Terminal	
8	1001116732	3	Terminal	
8	1001128128	1	Plug, Terminal	
9	4461052	1	Connector - 25 Position	
9	4461060	1	Terminal	
9	4461005	6	Terminal	
9	4461008	18	Plug, Terminal	
9	4461054	1	Seal	
9	4461006	6	Seal	
9	4461053	1	Cover	
10	4460930	1	Plug, Male - 8 Position	
10	4460465	8	Socket, Female	
10	4460466	7	Plug, Terminal	
11	4460894	1	Plug, Male - 6 Position	
11	4460465	3	Socket, Female	
11	4460944	2	Socket, Female	
11	4460466	1	Plug, Terminal	
12	4460313	2	Terminal, Ring	
13	8220164	2	Terminal, Ring	

SECTION 8 - ELECTRICAL

FIGURE 8-59. ENGINE HARNESS - DEUTZ TD2.2L3 ENGINES



ART_1001276645_B

SECTION 8 - ELECTRICAL

FIGURE 8-59. ENGINE HARNESS - DEUTZ TD2.2L3 ENGINES

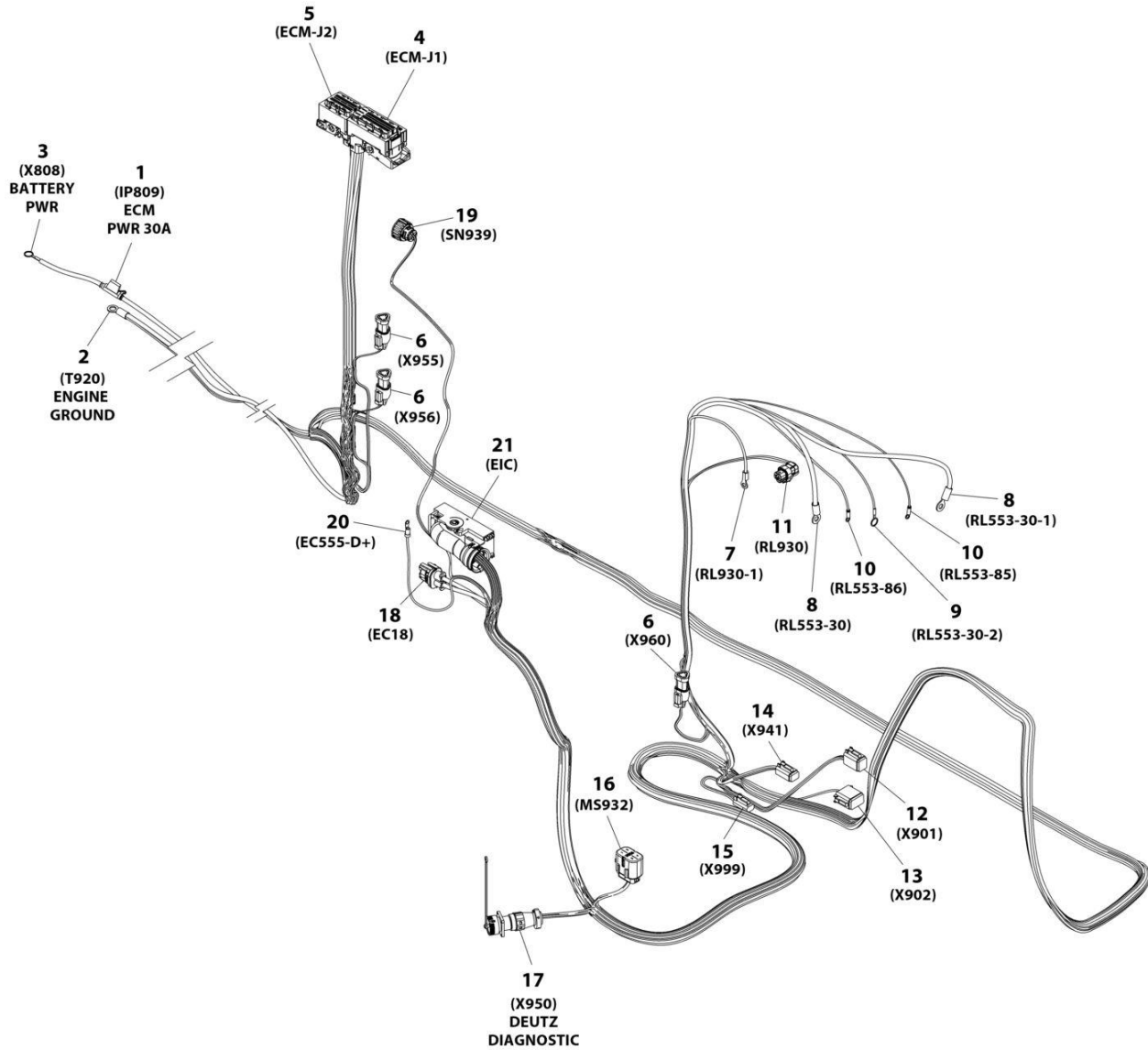
ITEM	PART NUMBER	QTY	DESCRIPTION	REV
	1001276645	Ref	ENGINE HARNESS	B
1	1001133714	1	Connector	
1	1001133715	3	Terminal	
1	1001135651	1	Plug	
1	1001135650	3	Seal	
3	4460703	1	Terminal, Ring	
4	4460247	1	Terminal, Ring	
5	1001117107	1	Terminal, Ring	
6	4460247	1	Terminal, Ring	
7	4460043	1	Terminal, Ring	
8	1001116952	1	Connector	
8	4460465	2	Socket	
9	1001170764	1	Holder, Fuse	
9	1001197719	1	Resistor 0.5 Watt	
10	4460894	1	Connector	
10	4460465	2	Socket	
10	4460944	2	Socket	
10	4460466	2	Plug	
11	1001116812	5	Connector	
11	4460944	10	Socket	
11	4460466	5	Plug, Terminal	
12	4460539	4	Connector	
12	4460944	8	Socket	
12	4460466	4	Plug	
13	2902443	1	Receptacle Kit	
13	4461071	6	Terminal	
14	80484084	1	Connector	
14	1001116728	4	Terminal	
14	1001116727	4	Plug	
14	4460458	4	Plug	
15	4460884	1	Connector	
15	4460465	2	Socket	
15	4460942	1	Socket	
16	4460019	1	Terminal, Ring	
17	4460930	1	Connector	
17	4460465	7	Socket	
17	4460466	1	Plug	
19	1001253873	1	Connector	
19	1001142940	1	Terminal	
19	1001142941	1	Seal	
20	1001239202	1	Connector	
20	1001126363	7	Terminal	
20	1001126391	1	Seal, Terminal	
20	1001126364	7	Seal, Terminal	
21	1001126362	1	Connector	
21	1001126363	37	Terminal	
21	1001126365	2	Terminal	
21	1001126391	9	Plug	
21	4461008	4	Plug	
21	1001126392	10	Terminal	

SECTION 8 - ELECTRICAL

ITEM	PART NUMBER	QTY	DESCRIPTION	REV
21	1001126364	37	Seal, Terminal	
21	1001223459	10	Seal, Terminal	
21	4461054	2	Seal	
22	4460042	1	Terminal, Ring	
23	1001133956	1	Connector	
23	1001126351	3	Terminal	
23	1001182361	6	Terminal	
23	1001252527	4	Terminal	
23	1001230934	25	Terminal	
23	1001230935	55	Plug	
23	1001230936	1	Plug	
23	1001182365	6	Seal, Terminal	
24	1001126487	1	Connector	
24	1001167635	2	Terminal	
24	1001126485	2	Seal	
25	1001133957	1	Connector	
25	1001126351	11	Terminal	
25	1001230934	26	Terminal	
25	1001230935	10	Plug	
25	1001230936	13	Plug	
26	1001289552	1	Connector	
26	1001289553	2	Socket	
26	1001142941	2	Plug	
101	4460466	4	Plug	
102	4460932	1	Connector	
103	4460945	4	Receptacle	
104	8229242	1	Fuse, 5Amp	
105	80983191	1	Fuse, 10Amp	
106	1001116815	3	Connector	
107	1001147264	1	Cap	

SECTION 8 - ELECTRICAL

FIGURE 8-60. ENGINE HARNESS - DEUTZ D2.9L4 - 49HP AND DEUTZ TD2.9L4 - 67HP ENGINES



ART_1001233895 D

SECTION 8 - ELECTRICAL

FIGURE 8-60. ENGINE HARNESS - DEUTZ D2.9L4 - 49HP AND DEUTZ TD2.9L4 - 67HP ENGINES

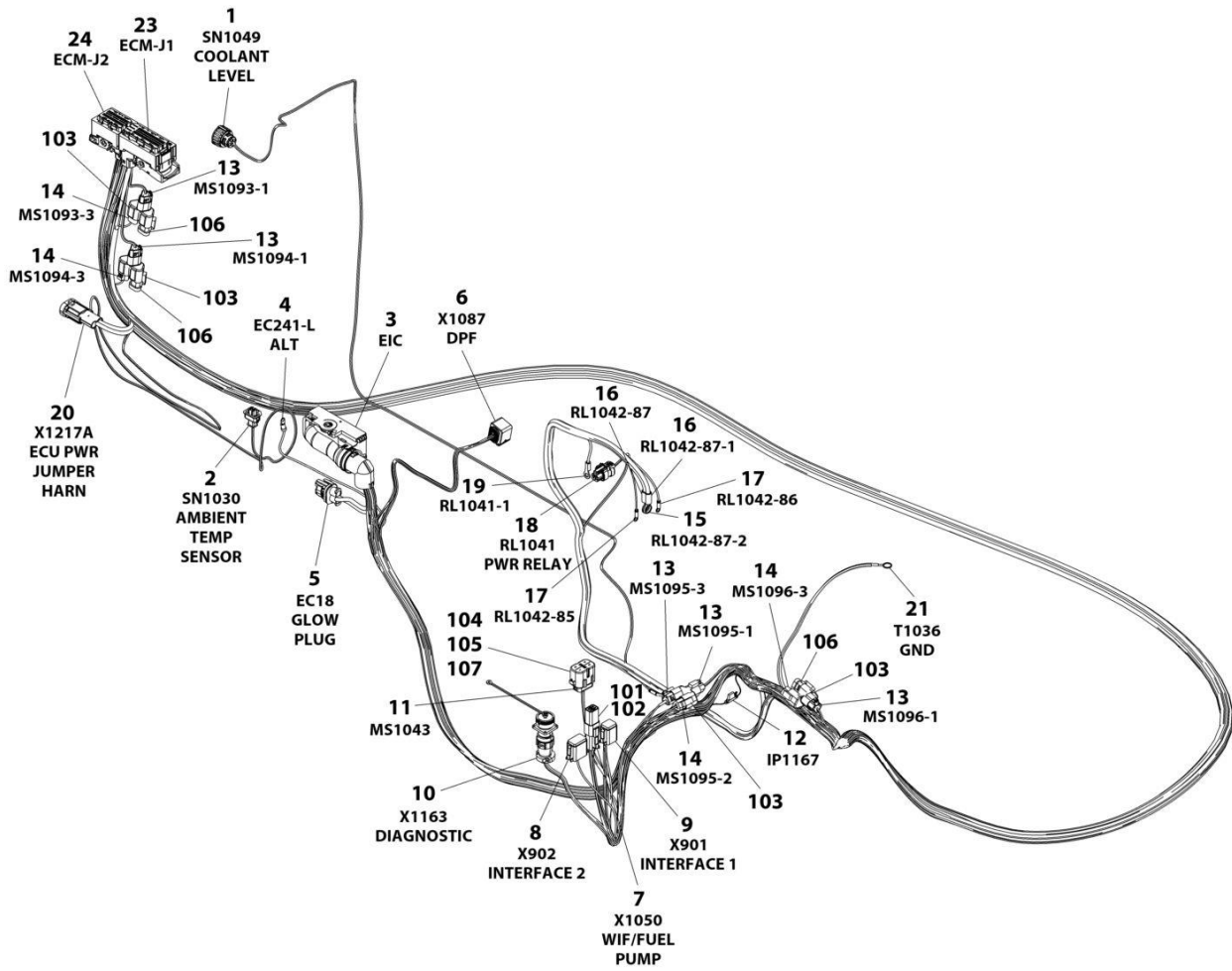
ITEM	PART NUMBER	QTY	DESCRIPTION	REV
	1001233895	Ref	ENGINE HARNESS	F
1	1001172064	1	Fuseholder with 30Amp Fuse	
1	1001172065	1	Fuse - 30A	
2	8220115	1	Terminal, Ring	
3	4460019	1	Terminal, Ring	
4	1001133956	1	Connector - 94 Position	
4	1001126351	2	Terminal	
4	1001126352	6	Terminal	
4	1001126384	21	Terminal	
4	1001126357	2	Plug, Terminal	
4	1001126356	63	Plug, Terminal	
5	1001133957	1	Connector - 60 Position	
5	1001126351	13	Terminal	
5	1001126384	17	Terminal	
5	1001126357	11	Plug, Terminal	
5	1001126356	19	Plug, Terminal	
6	4461095	3	Plug, Male - 3 Position	
6	4460944	6	Socket, Female	
6	4460466	3	Plug, Terminal	
6	4461070	3	Receptacle, Female - 3 Position	
6	4460943	9	Pin, Male	
7	4460043	1	Terminal, Ring	
8	1001117107	2	Terminal, Ring	
9	4460703	1	Terminal, Ring	
10	4460313	2	Terminal, Ring	
11	1001116952	1	Plug, Male - 2 Position	
11	4460465	2	Socket, Female	
12	4460894	1	Plug, Male - 6 Position	
12	4460465	3	Socket, Female	
12	4460944	2	Socket, Female	
12	4460466	1	Plug, Terminal	
13	4460930	1	Plug, Male - 8 Position	
13	4460465	1	Socket, Female	
13	4460466	7	Plug, Terminal	
14	1001220379	1	Plug, Male - 4 Position	
14	4460465	2	Socket, Female	
14	4460942	2	Socket, Female	
15	4460891	1	Plug, Male - 4 Position	
15	4460465	2	Socket, Female	
16	80484084	1	Plug, Male - 8 Position	
16	8229242	1	Fuse - 5Amp	
16	80983191	1	Fuse - 10Amp	
16	1001116728	4	Socket, Female	
16	1001116727	4	Plug, Terminal	
16	1001147264	1	Cap	
17	2902443	1	Receptacle Kit	
17	4461073	1	Cap, Dust	
17	4461071	6	Terminal	
18	1001142938	1	Plug, Male - 2 Position	
18	1001142940	2	Terminal	

SECTION 8 - ELECTRICAL

ITEM	PART NUMBER	QTY	DESCRIPTION	REV
18	1001142941	2	Seal	
19	1001133714	1	Connector - 4 Position	
19	1001133715	13	Terminal	
19	1001135651	11	Plug, Terminal	
20	4460042	1	Terminal, Ring	
21	1001126362	1	Connector - 62 Position	
21	1001126363	35	Terminal	
21	1001126365	2	Terminal	
21	1001126391	20	Plug, Terminal	
21	4461008	4	Plug, Terminal	
21	1001151856	1	Elbow	

SECTION 8 - ELECTRICAL

FIGURE 8-61. ENGINE HARNES - DEUTZ TD2.9L4 (EMR ENGINE)



ART_1001276644

SECTION 8 - ELECTRICAL

FIGURE 8-61. ENGINE HARNES - DEUTZ TD2.9L4 (EMR ENGINE)

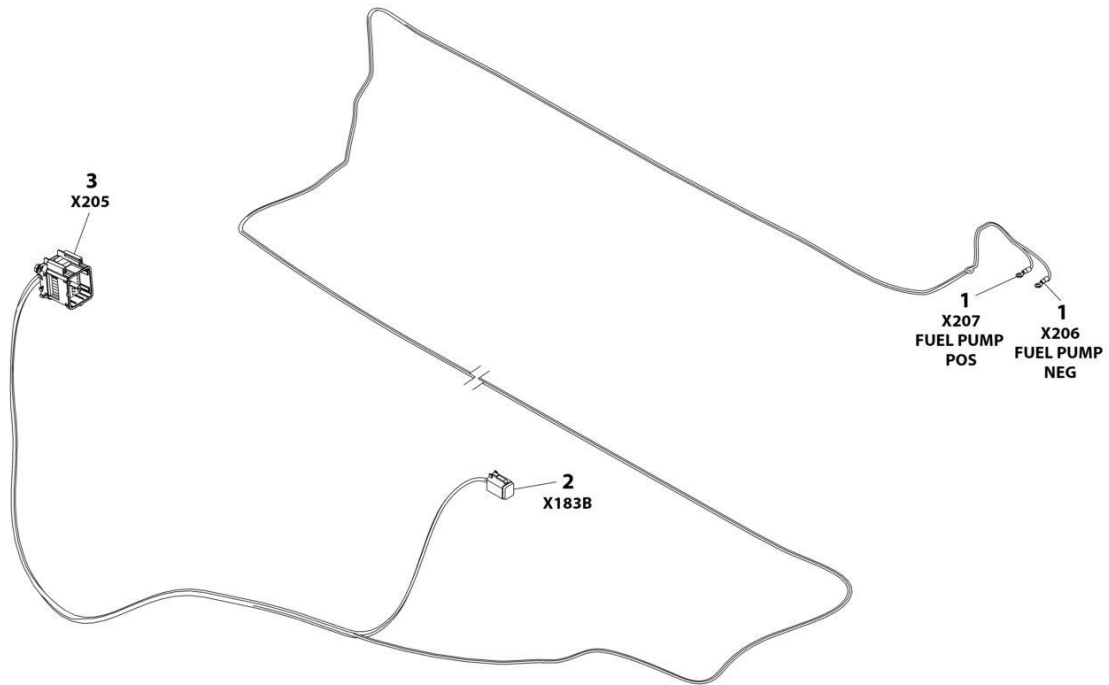
ITEM	PART NUMBER	QTY	DESCRIPTION	REV
	1001276644	Ref	Engine Harness - Deutz Engines	B
1	1001133714	1	Connector	
1	1001133715	3	Terminal	
1	1001135650	3	Seal, Terminal	
1	1001135651	1	Plug, Terminal	
2	1001126487	1	Connector	
2	1001167635	2	Terminal	
2	1001126485	2	Seal, Terminal	
3	1001126362	1	Connector	
3	1001126363	37	Terminal	
3	1001126392	12	Terminal	
3	1001126391	7	Plug, Terminal	
3	4461008	4	Plug, Terminal	
3	1001167632	2	Terminal	
3	1001126364	37	Seal, Terminal	
3	1001223459	12	Seal, Terminal	
3	4461054	2	Seal, Terminal	
4	4460042	1	Terminal, Ring	
5	1001142938	1	Plug	
5	1001142940	2	Terminal	
5	1001142941	2	Seal	
6	1001239202	1	Connector	
6	1001126363	7	Terminal	
6	1001126391	1	Plug, Terminal	
6	1001126364	7	Seal, Terminal	
7	4460884	1	Connector	
7	4460465	2	Socket	
7	4460942	2	Socket	
8	4460930	1	Plug	
8	4460465	1	Socket	
8	4460466	7	Plug, Terminal	
9	4460894	1	Plug	
9	4460465	2	Socket	
9	4460944	2	Socket	
9	4460466	2	Plug, Terminal	
10	2902443	1	Receptacle Kit	
10	4461073	1	Cap, Dust	
10	4461071	6	Terminal	
11	80484084	1	Plug	
11	4460748	4	Seal, Terminal	
11	4460746	3	Terminal	
11	1001234800	1	Terminal	
11	4460458	4	Seal, Terminal	
12	1001170764	1	Fuse Holder, Includes Resistor	
12	1001197719	1	Resistor 0.5W	
13	1001116812	5	Plug	
13	4460944	10	Socket	
13	4460466	5	Plug, Terminal	
14	4460539	4	Connector	
14	4460944	8	Socket	

SECTION 8 - ELECTRICAL

ITEM	PART NUMBER	QTY	DESCRIPTION	REV
14	4460466	4	Plug, Terminal	
15	4460703	1	Terminal, Ring	
16	1001117107	2	Terminal, Ring	
17	4460247	2	Terminal, Ring	
18	1001116952	1	Plug	
18	4460465	2	Socket	
19	4460043	1	Terminal, Ring	
20	1001289552	1	Connector	
20	1001289553	2	Socket	
20	1001142941	2	Seal	
21	4460019	1	Terminal, Ring	
23	1001133956	1	Connector	
23	1001126351	3	Terminal	
23	1001182361	6	Terminal	
23	1001230934	25	Terminal	
23	1001230935	55	Plug, Terminal	
23	1001252527	4	Terminal	
23	1001230936	1	Plug, Terminal	
23	1001182365	6	Seal, Terminal	
24	1001133957	1	Connector	
24	1001126351	13	Terminal	
24	1001230935	10	Plug, Terminal	
24	1001230934	26	Terminal	
24	1001230936	11	Plug, Terminal	
101	4460466	4	Seal, Terminal	
102	4460932	1	Connector	
103	4460945	4	Receptacle	
104	8229242	1	Fuse - 5Amp	
105	80983191	1	Fuse - 10Amp	
106	1001116815	3	Connector	
107	1001147264	1	Cap	

SECTION 8 - ELECTRICAL

FIGURE 8-62. ENGINE HARNESS - FORD ENGINES



ART_1001215218

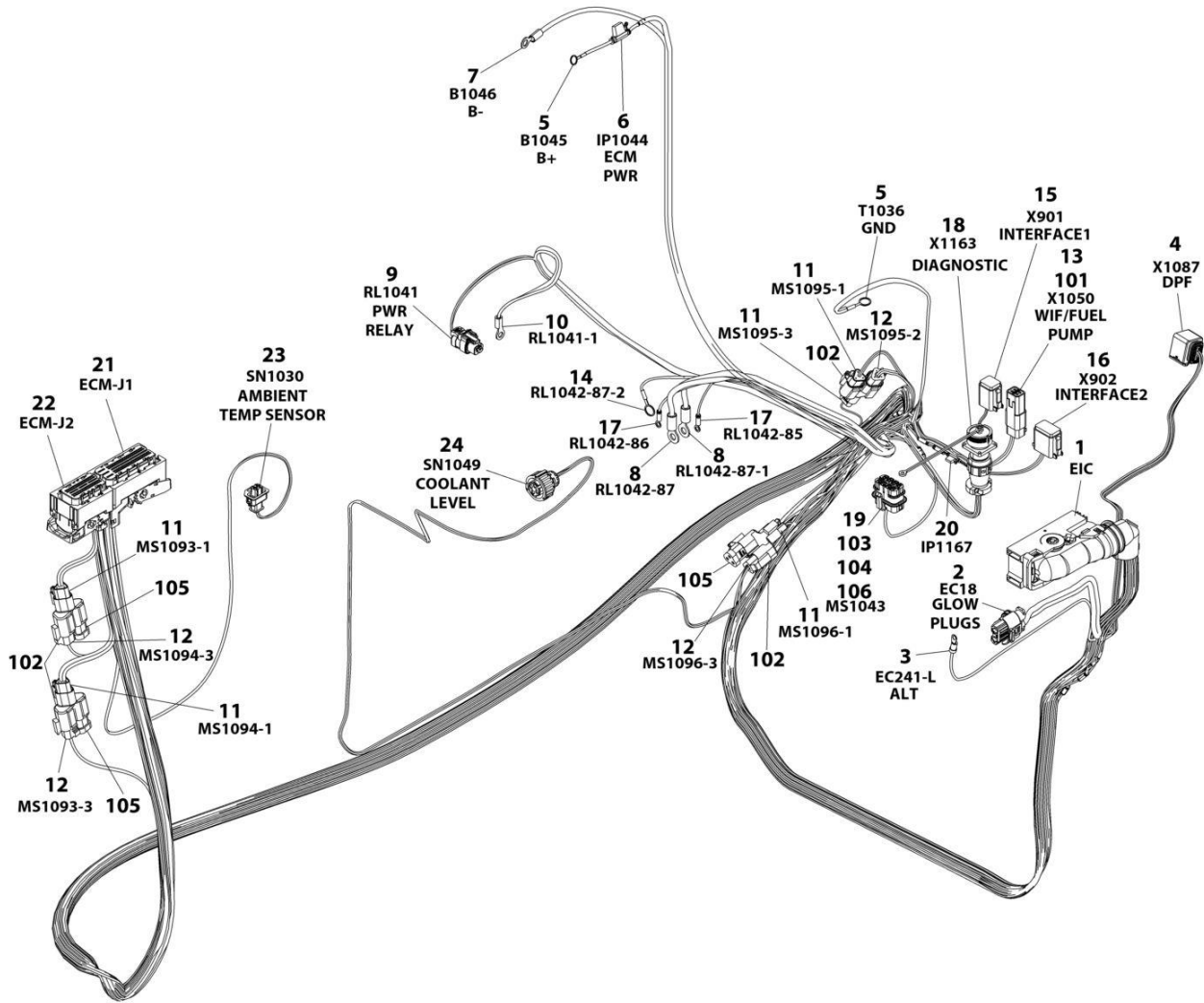
SECTION 8 - ELECTRICAL

FIGURE 8-62. ENGINE HARNESS - FORD ENGINES

ITEM	PART NUMBER	QTY	DESCRIPTION	REV
	1001215218	Ref	ENGINE HARNESS	C
1	4460042	2	Terminal, Ring	
2	4460894	1	Plug, Male - 6 Position	
2	4460465	4	Socket, Female	
2	4460466	2	Plug, Terminal	
3	1001215016	1	Connector - 42 Position	
3	1001216212	1	Terminal	
3	1001221210	2	Terminal	
3	1001215091	3	Terminal	
3	1001216213	2	Plug, Terminal	
3	1001215534	34	Plug, Terminal	

SECTION 8 - ELECTRICAL

FIGURE 8-63. ENGINE HARNESS - DEUTZ D2.9L4 (CHINA IV)



ART_1001290660

SECTION 8 - ELECTRICAL

FIGURE 8-63. ENGINE HARNESS - DEUTZ D2.9L4 (CHINA IV)

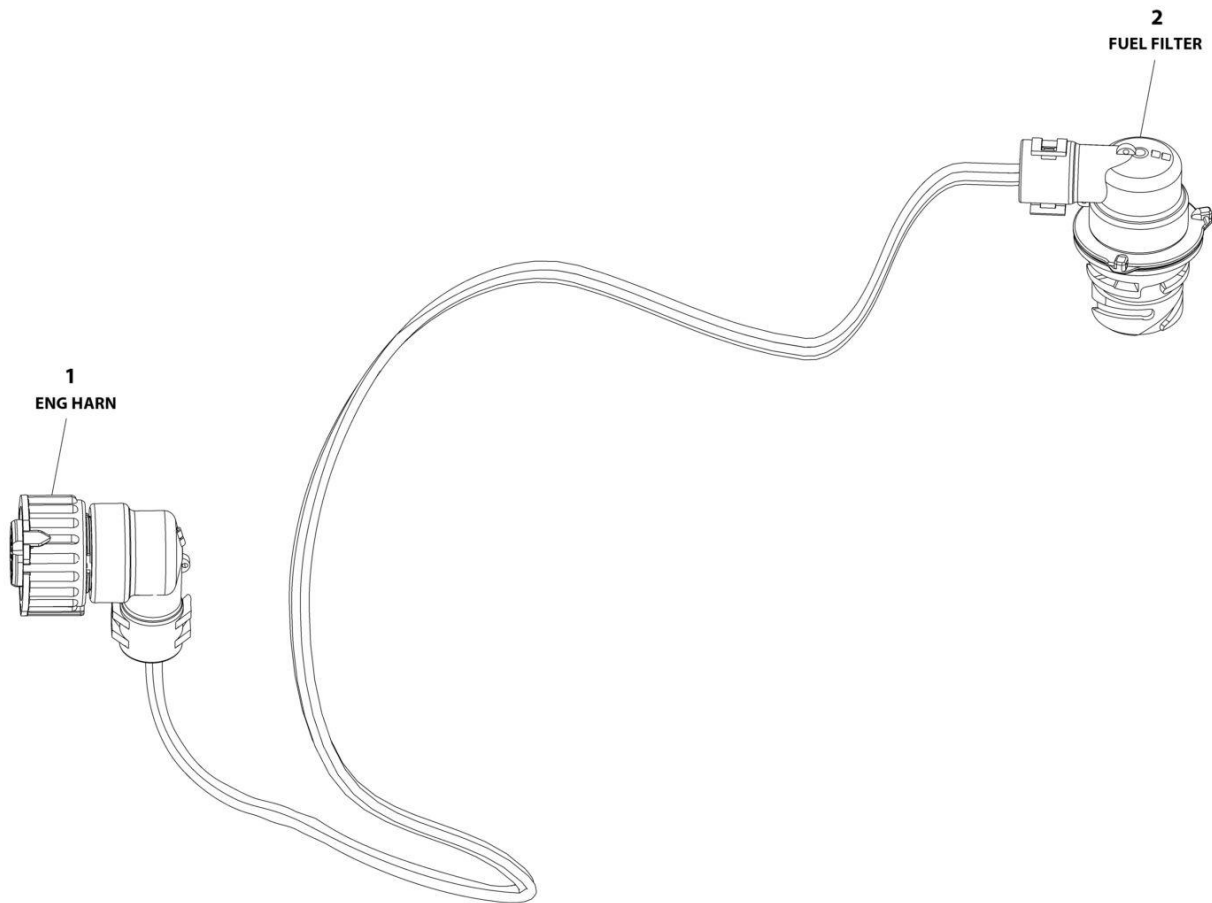
ITEM	PART NUMBER	QTY	DESCRIPTION	REV
	1001290660	Ref	ENGINE HARNESS - DEUTZ D2.9L4 (CHINA IV)	A
1	1001126362	1	Connector	
1	1001126363	37	Socket (20-17Awg - Gold)	
1	1001126391	7	Plug (3.6mm)	
1	1001126392	12	Socket (16Awg - Tin)	
1	4461008	4	Plug (5.6mm)	
1	1001167632	2	Socket (0.5-1.0mm2 - Tin)	
1	1001126364	37	Seal, Terminal (Use with Socket 1001126363)	
1	1001223459	12	Seal, Terminal (Use with Socket 1001126392)	
1	4461054	2	Seal, Terminal (Use with Socket 1001167632)	
1	1001151856	1	Elbow, Connector	
2	1001142938	1	Connector	
2	1001142940	2	Socket	
2	1001142941	2	Seal, Terminal	
3	4460042	1	Terminal, Ring	
4	1001239202	1	Connector	
4	1001126363	7	Socket	
4	1001126391	1	Plug	
4	1001126364	7	Seal, Terminal	
5	4460019	2	Terminal, Ring	
6	1001172064	1	Fuseholder	
6	1001172065	1	Fuse 30Amp	
7	8220115	1	Terminal, Ring	
8	1001117107	2	Terminal, Ring	
9	1001116952	1	Connector	
9	4460465	2	Socket	
10	4460043	1	Terminal, Ring	
11	1001116812	5	Connector	
11	4460944	10	Socket	
11	4460466	5	Plug	
12	4460539	4	Connector	
12	4460944	8	Socket	
12	4460466	4	Plug	
13	4460884	1	Connector	
13	4460465	2	Socket (20-16Awg)	
13	4460942	2	Socket (16-14Awg)	
14	4460703	1	Terminal, Ring	
15	4460894	1	Connector	
15	4460465	2	Socket (Nickel)	
15	4460944	2	Socket (Gold)	
15	4460466	2	Plug	
16	4460930	1	Connector	
16	4460465	1	Socket	
16	4460466	7	Plug	
17	4460247	2	Terminal, Ring	
18	2902443	1	Receptacle Kit	
18	4461071	8	Socket	
18	4461072	1	Connector	
18	4461073	1	Cap, Dust	
18	4461074	1	Backshell	

SECTION 8 - ELECTRICAL

ITEM	PART NUMBER	QTY	DESCRIPTION	REV
19	80484084	1	Connector	
19	4460746	3	Socket (20-17Awg)	
19	1001234800	1	Socket (16Awg)	
19	4460748	4	Plug	
19	4460458	4	Seal, Terminal	
20	1001170764	1	Fuseholder	
20	1001197719	1	Resistor 1/2Watt	
21	1001133956	1	Connector	
21	1001182361	6	Socket (1.5-2.5mm2)	
21	1001126351	3	Socket (18-15Awg)	
21	1001230934	23	Socket (0.75mm2)	
21	1001230935	57	Plug (1.5mm)	
21	1001252527	4	Socket (0.85mm2)	
21	1001230936	1	Plug (1.85mm)	
21	1001182365	6	Seal, Terminal	
22	1001133957	1	Connector	
22	1001230936	11	Plug (1.85mm)	
22	1001126351	13	Socket (18-15Awg)	
22	1001230935	10	Plug (1.5mm)	
22	1001230934	26	Socket (0.75mm2)	
23	1001126487	1	Connector	
23	1001167635	2	Socket	
23	1001126485	2	Seal, Terminal	
24	1001133714	1	Connector	
24	1001133715	3	Socket	
24	1001135651	1	Plug	
24	1001135650	2	Seal, Terminal	
101	4460932	1	Connector, Female	
102	4460945	4	Connector, 3-Way	
103	8229242	1	Fuse 5Amp	
104	80983191	1	Fuse 10Amp	
105	1001116815	3	Connector	
106	1001147264	1	Cap	

SECTION 8 - ELECTRICAL

FIGURE 8-64. FUEL FILTER HARNESS - DEUTZ TD2.2L3 (STAGE V) ENGINES



ART_1001245913

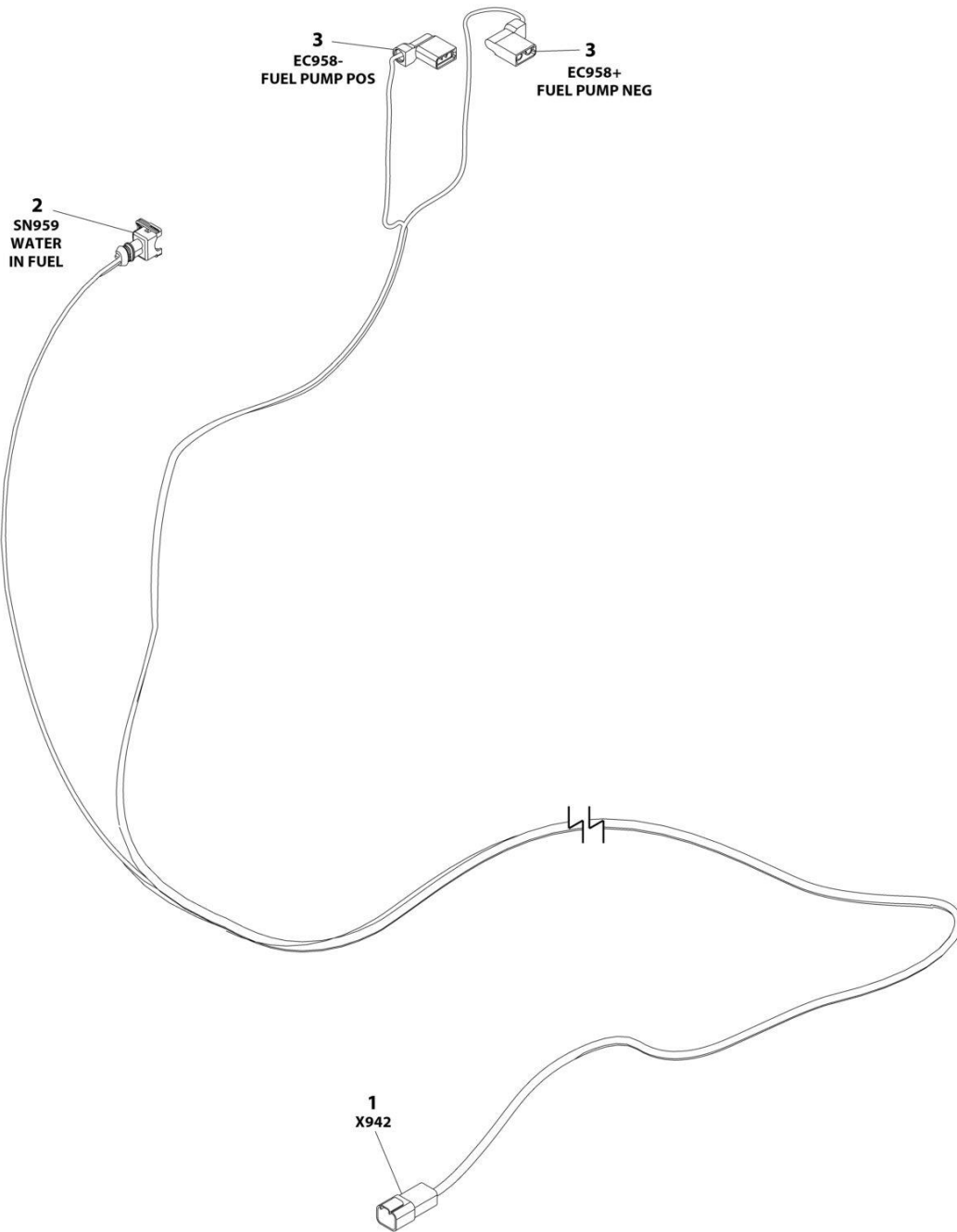
SECTION 8 - ELECTRICAL

FIGURE 8-64. FUEL FILTER HARNESS - DEUTZ TD2.2L3 (STAGE V) ENGINES

ITEM	PART NUMBER	QTY	DESCRIPTION	REV
	1001245913	Ref	FUEL HARNESS - DEUTZ (STAGE V) ENGINE	D
1	1001148842	1	Connector - 4 Position	
1	1001148841	4	Pin, Male	
1	1001135650	4	Seal	
2	1001133714	1	Plug, Male - 4 Position	
2	1001133715	4	Socket, Female	
2	1001135650	4	Seal	

SECTION 8 - ELECTRICAL

FIGURE 8-65. FUEL PUMP HARNESS - DEUTZ D2.9L4 - 49HP AND DEUTZ TD2.9L4 - 67HP ENGINES



ART_1001190444

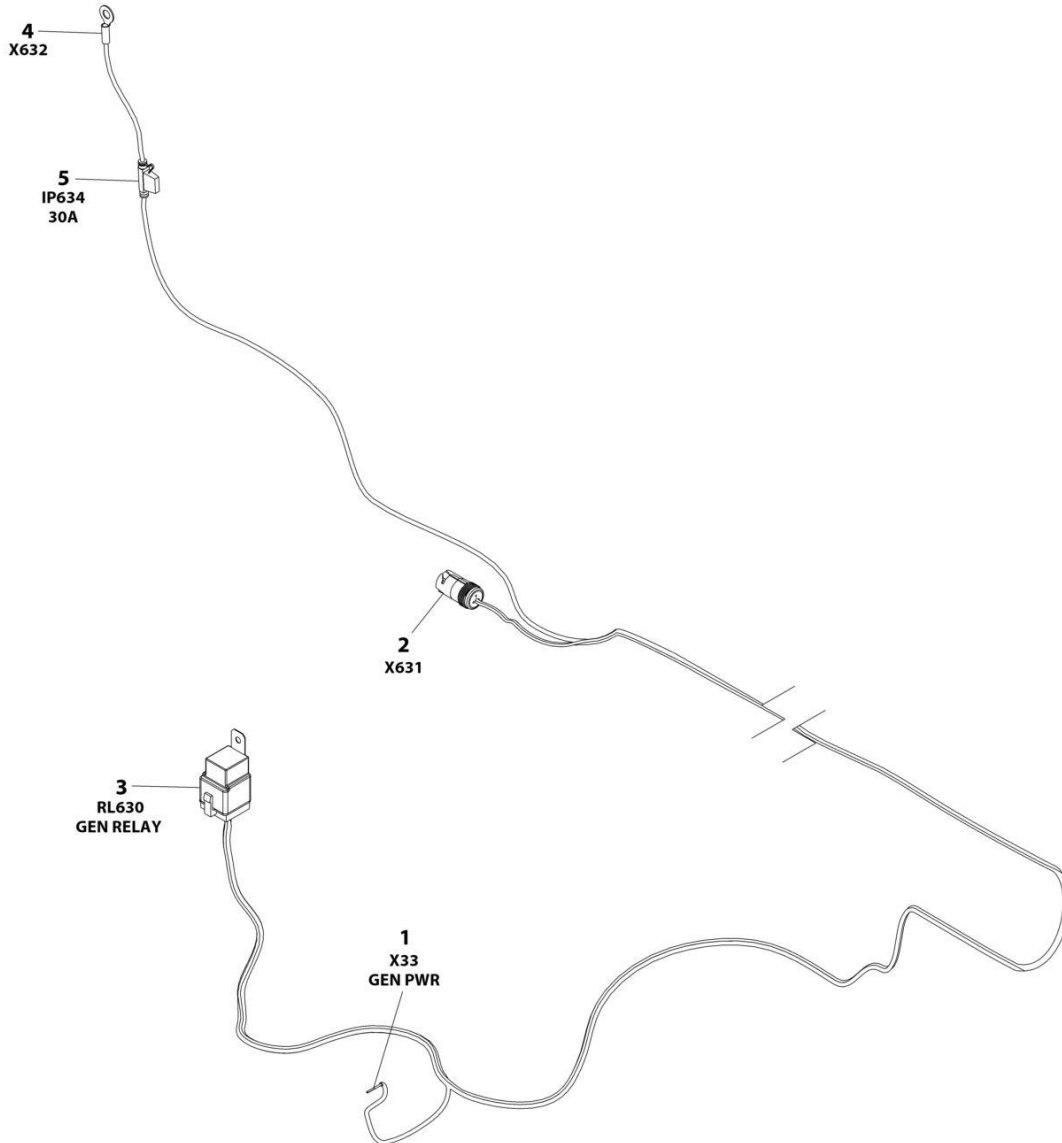
SECTION 8 - ELECTRICAL

FIGURE 8-65. FUEL PUMP HARNESS - DEUTZ D2.9L4 - 49HP AND DEUTZ TD2.9L4 - 67HP ENGINES

ITEM	PART NUMBER	QTY	DESCRIPTION	REV
	1001190444	Ref	FUEL PUMP HARNESS	D
1	4460932	1	Receptacle, Female - 4 Position	
1	4460941	4	Pin, Male	
2	1001116983	1	Plug, Male - 2 Posiiton	
2	1001227507	2	Socket, Female	
2	4461054	2	Seal	
3	1001223045	2	Connector	

SECTION 8 - ELECTRICAL

FIGURE 8-66. GENERATOR HARNESS - 2500W



ART_1001194114_B

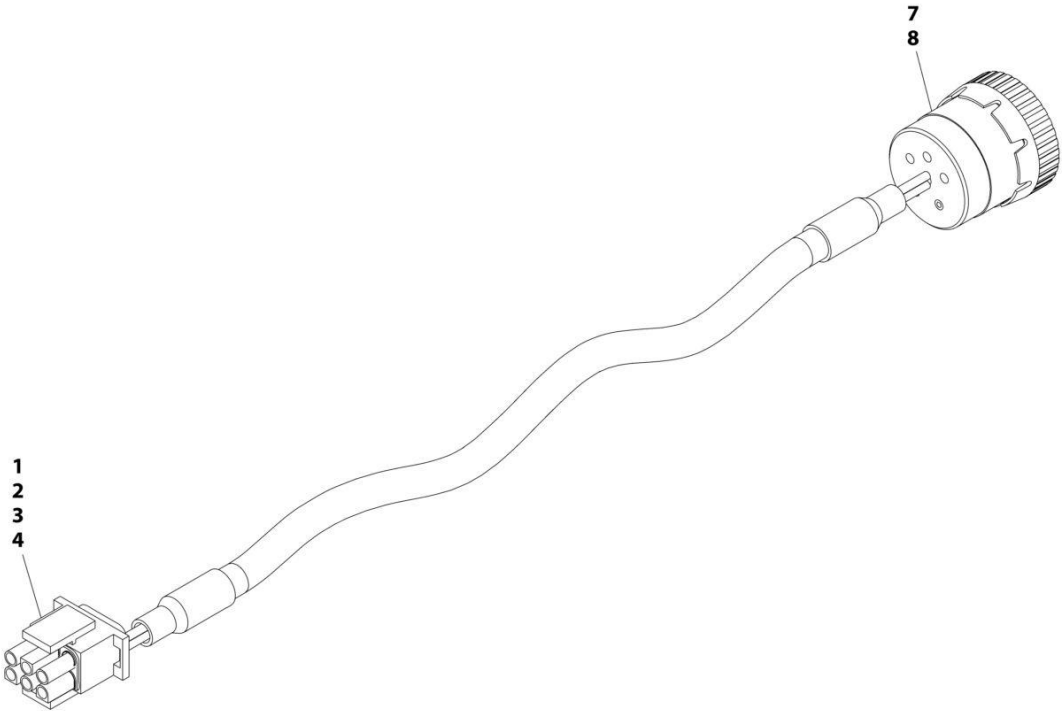
SECTION 8 - ELECTRICAL

FIGURE 8-66. GENERATOR HARNESS - 2500W

ITEM	PART NUMBER	QTY	DESCRIPTION	REV
	1001194114	Ref	GENERATOR HARNESS	B
1	4460906	1	Socket, Female	
2	1001154726	1	Receptacle, Female - 3 Position	
2	4460464	2	Pin, Male	
2	4460466	1	Plug, Terminal	
3	1001120851	1	Connector, Relay	
3	1001116734	2	Terminal	
3	1001116732	2	Terminal	
3	3740080	1	Relay	
4	8220045	1	Terminal, Ring	
5	2400060	1	Fuseholder - 30Amp (Includes Cover)	
5	8229245	1	Fuse - 30Amp	

SECTION 8 - ELECTRICAL

FIGURE 8-67. GENERATOR HARNESS - 4000W



ART_1001152532

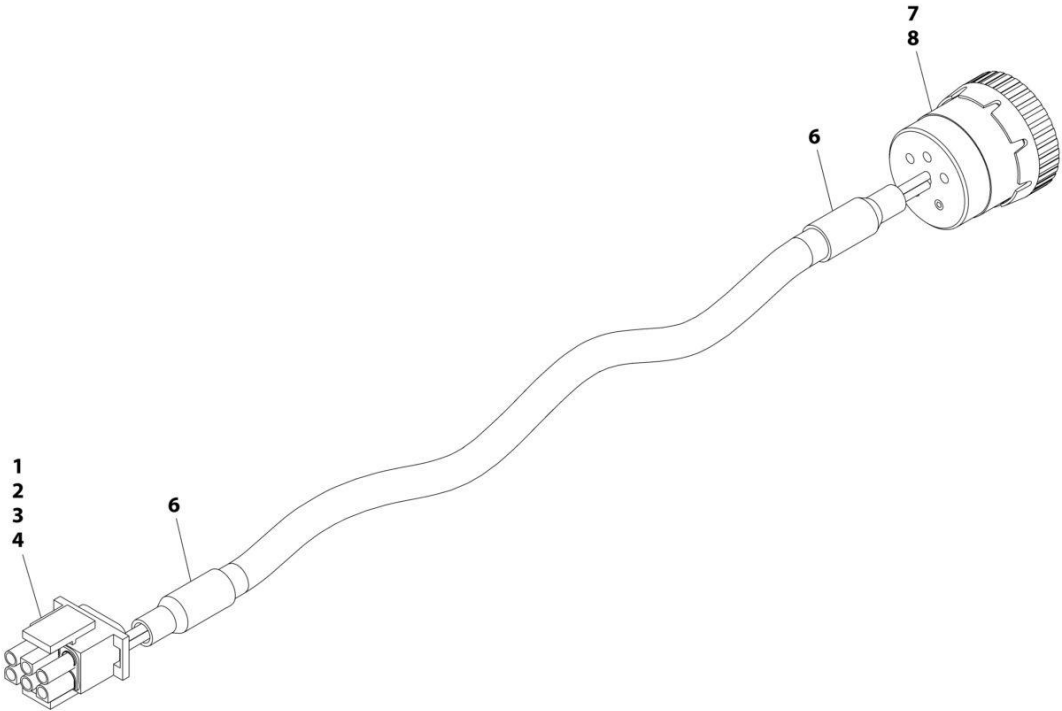
SECTION 8 - ELECTRICAL

FIGURE 8-67. GENERATOR HARNESS - 4000W

ITEM	PART NUMBER	QTY	DESCRIPTION	REV
	1001152532	Ref	GENERATOR HARNESS	A
1	4460225	1	Connector - 6 Position	
2	4460268	2	Socket, Female	
3	4460807	1	Seal	
4	4460808	1	Seal	
7	4460465	2	Socket, Female	
8	77363233	1	Connector - 6 Position	

SECTION 8 - ELECTRICAL

FIGURE 8-68. GENERATOR HARNESS - 7500W SKYPOWER



ART_4922925

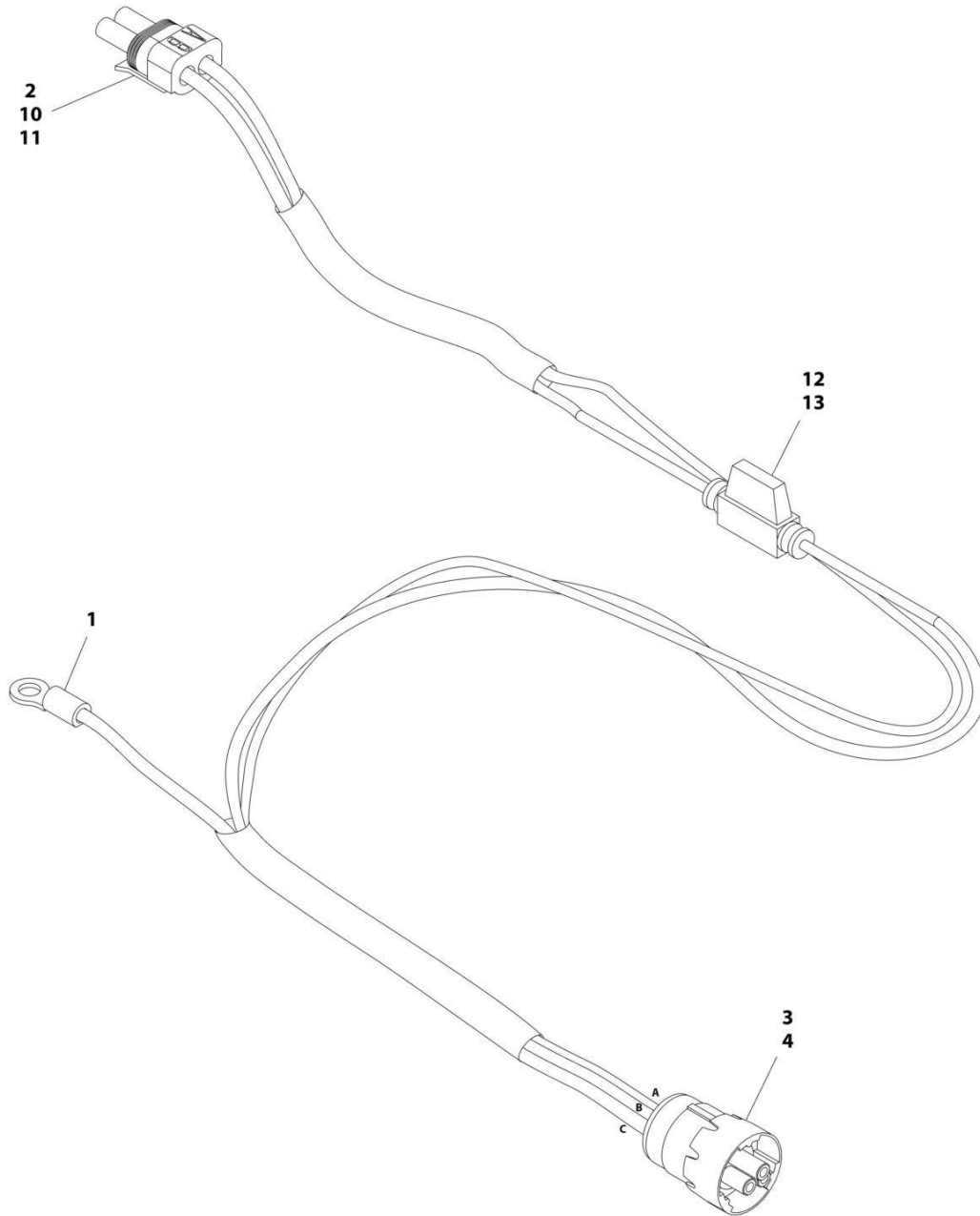
SECTION 8 - ELECTRICAL

FIGURE 8-68. GENERATOR HARNESS - 7500W SKYPOWER

ITEM	PART NUMBER	QTY	DESCRIPTION	REV
	4922925	Ref	GENERATOR TO CONTROL BOX HARNESS (7500W GENERATOR)	C
1	4460225	1	Plug, Male - 2 Position	
2	4460268	6	Socket, Female	
3	4460807	1	Seal	
4	4460808	1	Seal	
6	2820019	AR	Heat Shrink	
7	4460465	6	Socket, Female	
8	77363233	1	Connector - 6 Position	

SECTION 8 - ELECTRICAL

FIGURE 8-69. GENERATOR TO ENGINE HARNESS - 7500W SKYPOWER GENERATOR (DEUTZ D2011 ONLY)



ART_1001152429

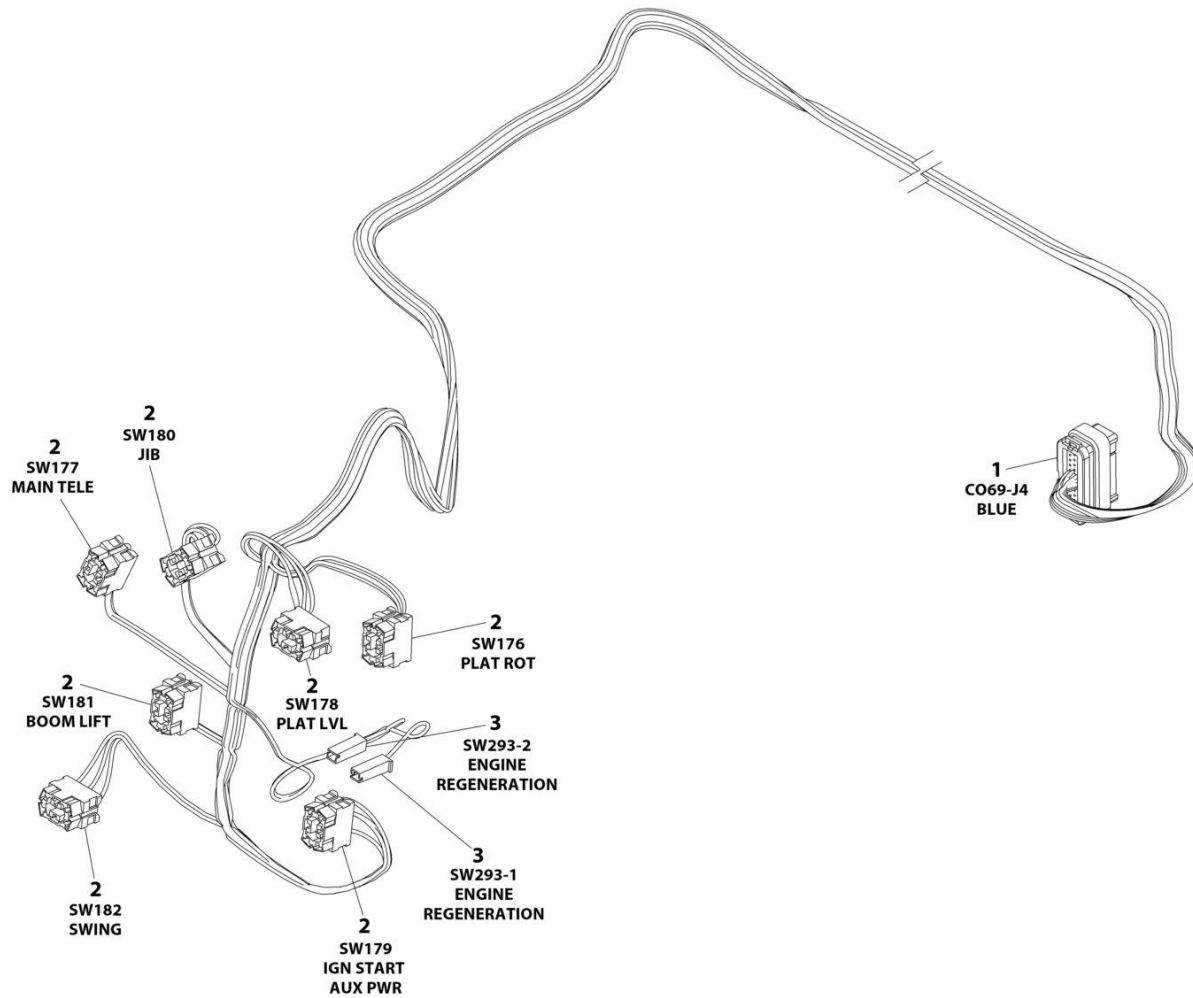
SECTION 8 - ELECTRICAL

FIGURE 8-69. GENERATOR TO ENGINE HARNESS - 7500W SKYPOWER GENERATOR (DEUTZ D2011 ONLY)

ITEM	PART NUMBER	QTY	DESCRIPTION	REV
	1001152429	Ref	GENERATOR TO ENGINE HARNESS	C
1	4460043	1	Terminal, Ring	
2	4460742	1	Plug, Male - 2 Position	
3	4460967	1	Connector - 3 Position	
4	4460465	3	Socket, Female	
10	4460743	2	Terminal, Female	
11	4460458	2	Seal	
12	2400060	1	Fuseholder (Includes Cover)	
13	2400064	1	Fuse - 5Amp	

SECTION 8 - ELECTRICAL

FIGURE 8-70. GROUND CONTROL HARNESS (Prior to SN B300024393, Prior to SN 0300312944, Excluding B300024064)



ART_1001238408

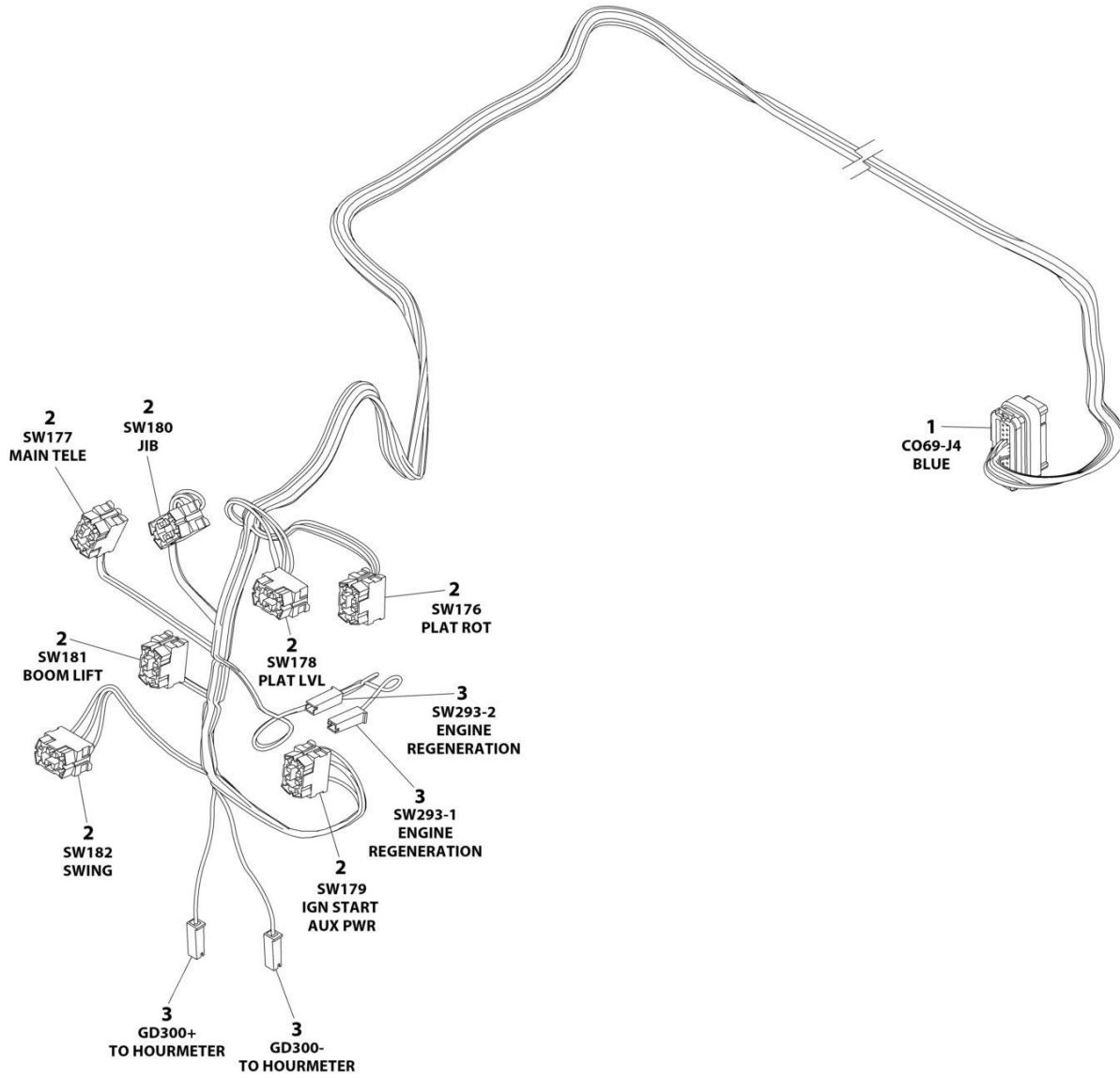
SECTION 8 - ELECTRICAL

FIGURE 8-70. GROUND CONTROL HARNESS (Prior to SN B300024393, Prior to SN 0300312944, Excluding B300024064)

ITEM	PART NUMBER	QTY	DESCRIPTION	REV
	1001238408	Ref	GROUND CONTROL HARNESS	B
1	4460876	1	Connector - 35 Position	
1	4460871	16	Socket, Female	
1	4460905	19	Plug, Terminal	
2	4460418	7	Connector, Switch	
2	4460419	14	Terminal	
2	1001159186	14	Terminal	
3	4460260	2	Terminal	
3	4460259	2	Terminal	

SECTION 8 - ELECTRICAL

FIGURE 8-71. GROUND CONTROL HARNESS (SN B300024393 to Present, SN 0300312944 to Present, Including B300024064)



ART_1001299626

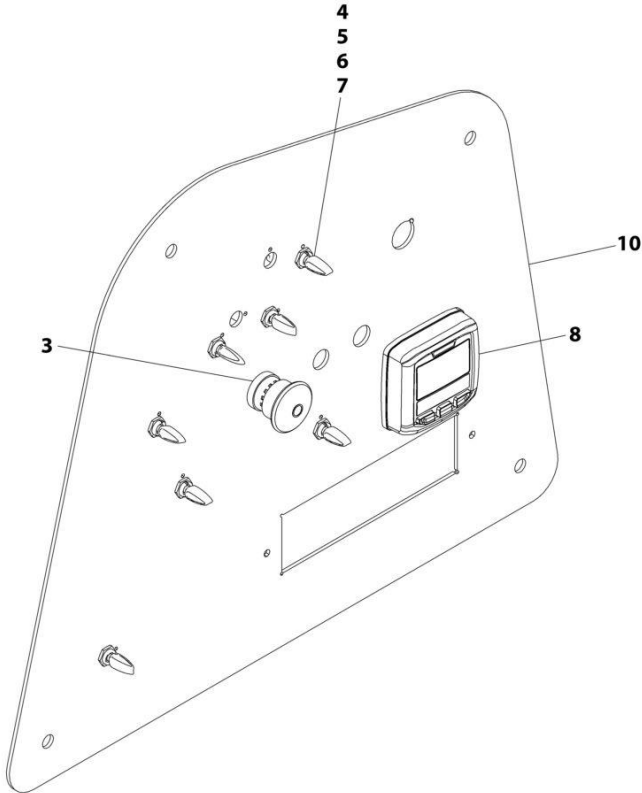
SECTION 8 - ELECTRICAL

FIGURE 8-71. GROUND CONTROL HARNESS (SN B300024393 to Present, SN 0300312944 to Present, Including B300024064)

ITEM	PART NUMBER	QTY	DESCRIPTION	REV
	1001299626	Ref	GROUND CONTROL HARNESS	A
1	4460876	1	Connector 35 Position	
1	4460871	18	Terminal (Gold)	
1	4460905	17	Plug, Terminal	
2	4460418	7	Connector 6 Position	
2	1001159186	14	Terminal	
2	4460419	14	Terminal	
3	4460260	4	Connector 1 Position	
3	4460259	4	Terminal	

SECTION 8 - ELECTRICAL

FIGURE 8-72. GROUND CONTROL HARNESS (CE & UK CA (ULS) SPECS)



ART_1001245775_C

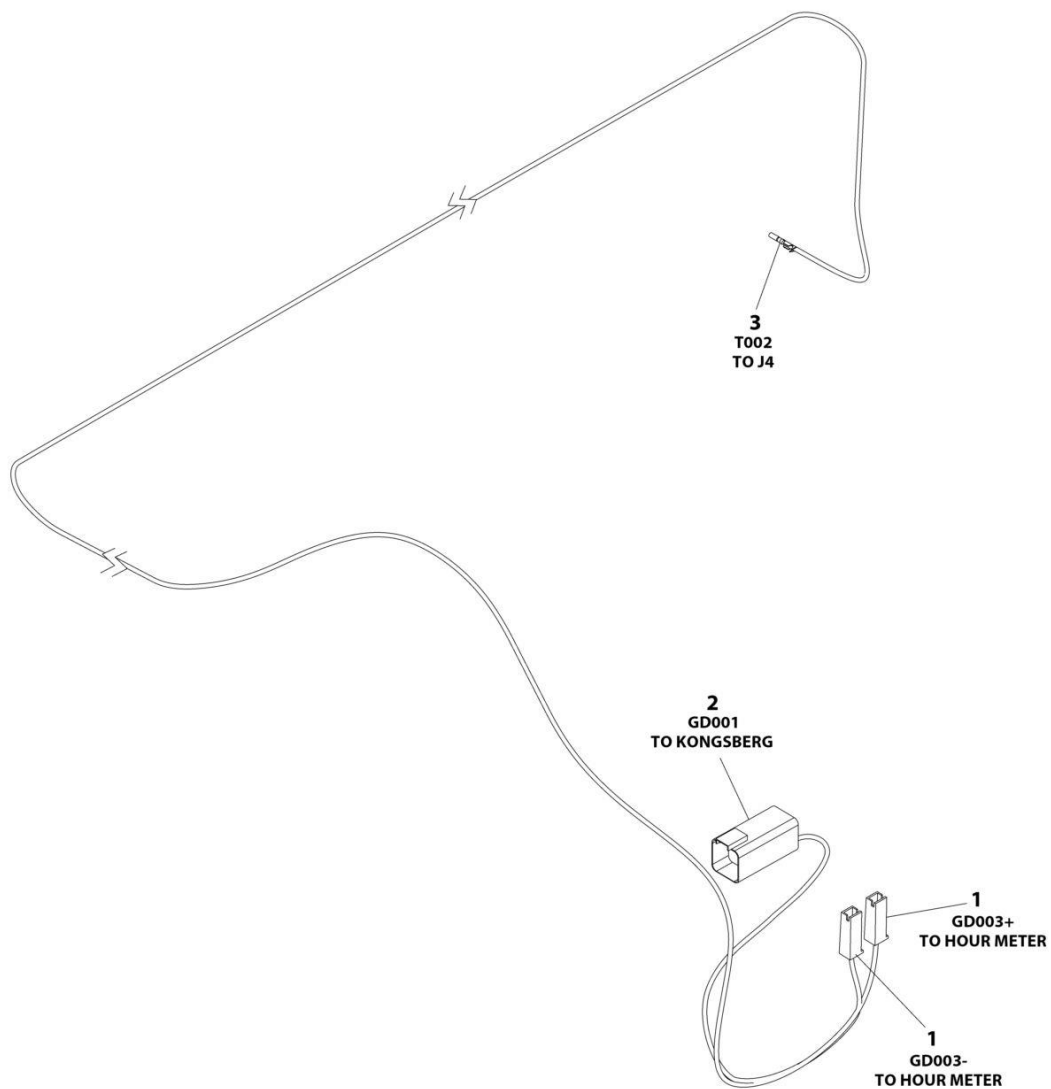
SECTION 8 - ELECTRICAL

FIGURE 8-72. GROUND CONTROL HARNESS (CE & UK CA (ULS) SPECS)

ITEM	PART NUMBER	QTY	DESCRIPTION	REV
	1001245775	Ref	GROUND CONTROL PANEL ASSEMBLY	C
3	1001274559	1	Switch, Emergency Stop	
4	4740397	7	Washer	
5	1001155043	7	Washer	
6	1001155044	7	Nut 15/32	
7	1001155045	7	Switch, Toggle	
8	1001171482	1	Gauge	
10	1001245773	1	Plate	

SECTION 8 - ELECTRICAL

FIGURE 8-73. HOUR METER JUMPER HARNESS



ART_1001296426

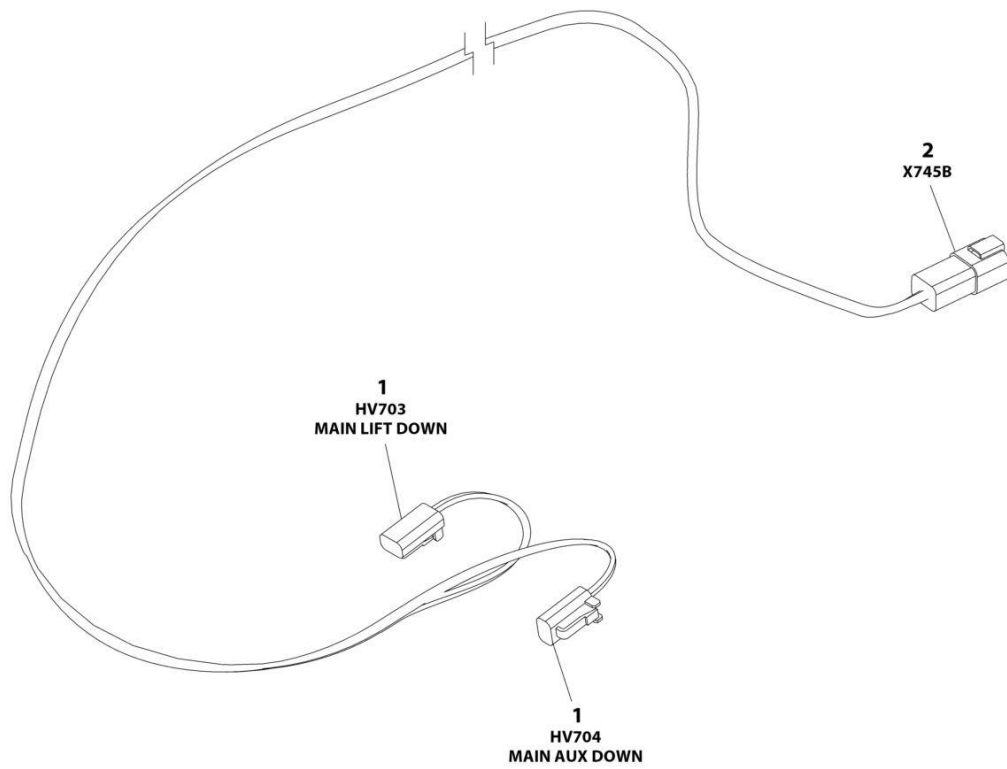
SECTION 8 - ELECTRICAL

FIGURE 8-73. HOUR METER JUMPER HARNESS

ITEM	PART NUMBER	QTY	DESCRIPTION	REV
	1001296426	Ref	HOUR METER JUMPER HARNESS	A
1	4460260	2	Connector	
2	4460899	1	Connector	
3	4460871	1	Socket	

SECTION 8 - ELECTRICAL

FIGURE 8-74. LIFT CYLINDER HARNESS



ART_1001205923

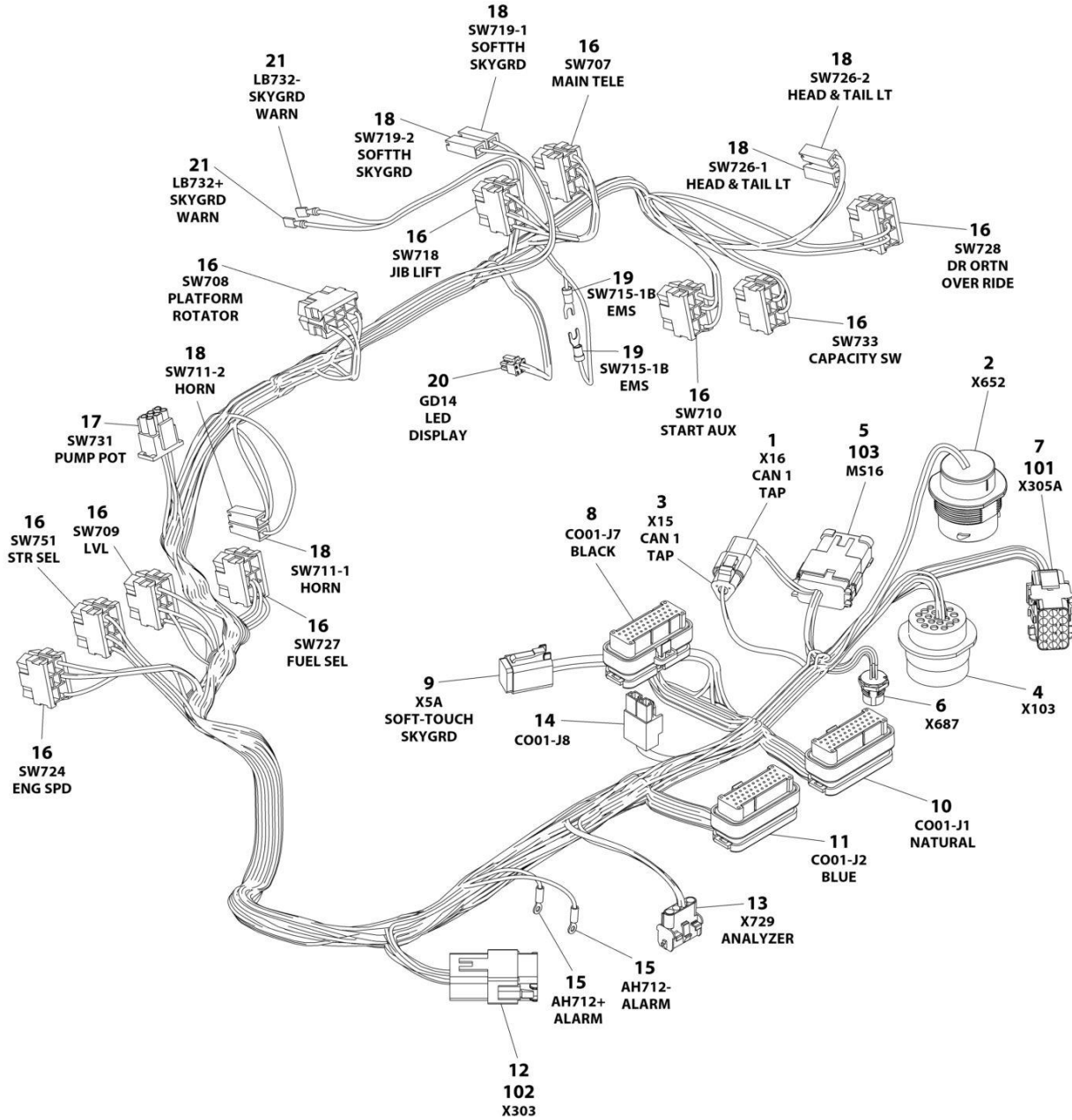
SECTION 8 - ELECTRICAL

FIGURE 8-74. LIFT CYLINDER HARNESS

ITEM	PART NUMBER	QTY	DESCRIPTION	REV
	1001205923	Ref	LIFT CYLINDER HARNESS	C
1	4460891	2	Plug, Male - 2 Position	
1	4460465	4	Socket, Female	
2	4460932	1	Receptacle, Female - 4 Position	
2	4460464	4	Pin, Male	

SECTION 8 - ELECTRICAL

FIGURE 8-75. PLATFORM BOX HARNESS



ART_1001238409

SECTION 8 - ELECTRICAL

FIGURE 8-75. PLATFORM BOX HARNESS

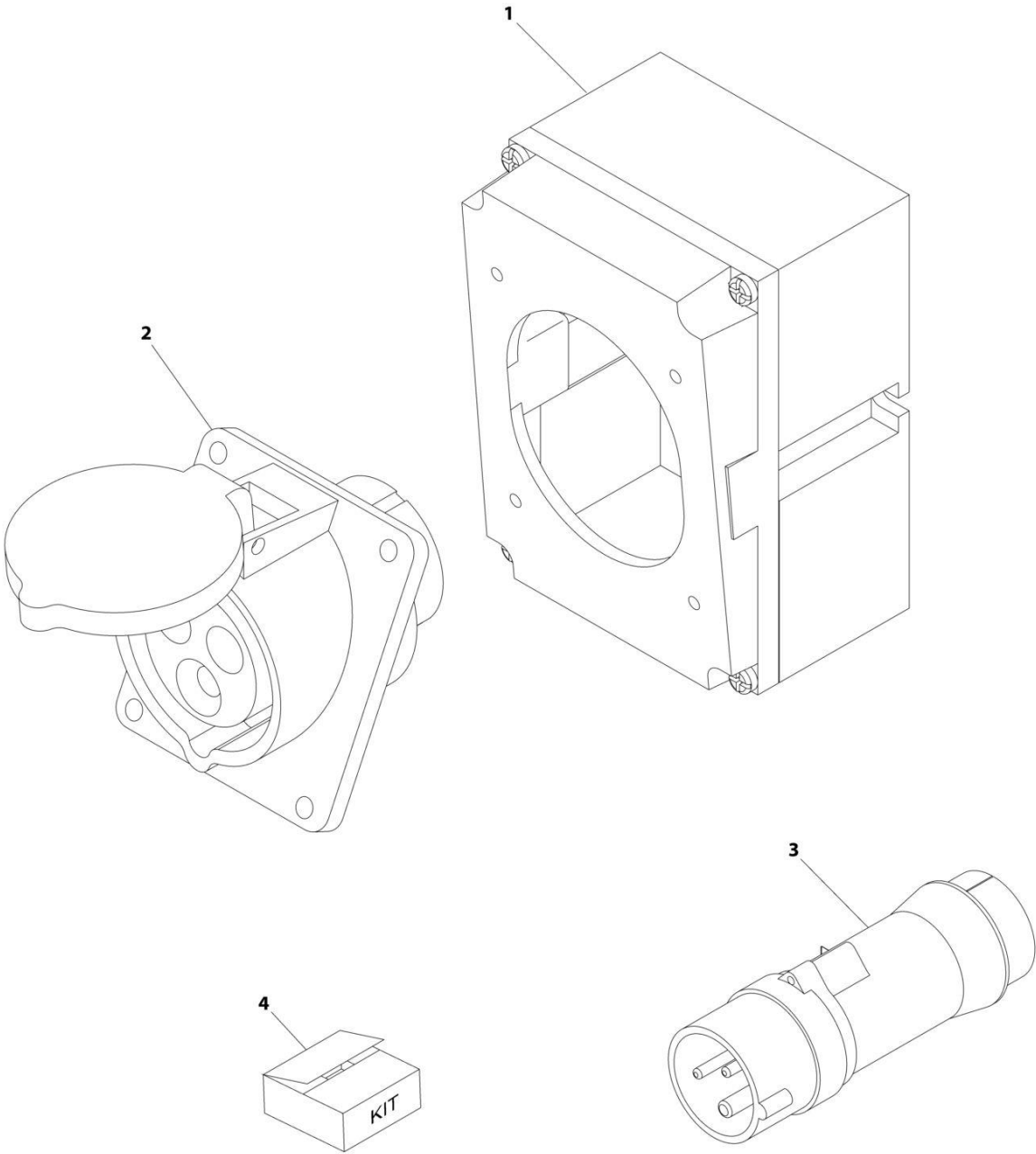
ITEM	PART NUMBER	QTY	DESCRIPTION	REV
	1001238409	Ref	PLATFORM CONSOLE HARNESS	J
1	4460536	1	Receptacle, Female - 3 Position	
1	4460943	2	Pin, Male	
1	4460466	1	Plug, Terminal	
2	4460925	1	Connector - 21 Position	
2	1001116695	15	Pin, Male	
2	4460518	6	Plug, Terminal	
3	4460539	1	Plug, Male - 3 Position	
3	4460944	2	Socket, Female	
3	4460466	1	Plug, Terminal	
4	4460866	1	Connector - 19 Position	
4	4460464	7	Pin, Male	
4	4460943	2	Pin, Male	
4	4460508	1	Pin, Male	
4	4460466	8	Plug, Terminal	
5	4460933	1	Plug, Male - 12 Position	
5	4460465	10	Socket, Female	
5	4460466	2	Plug, Terminal	
6	1001213447	1	Connector - 4 Position	
6	See Note	NSS	Terminal (Note: Purchase p/n 1001213447)	
7	4460434	1	Connector - 15 Position	
7	4460267	8	Pin, Male	
8	4460873	1	Connector - 35 Position	
8	4460871	24	Socket, Female	
8	4460905	11	Plug, Terminal	
9	4460894	1	Plug, Male - 6 Position	
9	4460465	6	Socket, Female	
10	4460874	1	Connector - 35 Position	
10	4460871	29	Socket, Female	
10	4460905	6	Plug, Terminal	
11	4460876	1	Connector - 35 Position	
11	4460871	12	Socket, Female	
11	4460905	23	Plug, Terminal	
12	4460970	1	Receptacle, Female - 12 Position	
12	1001116693	6	Pin, Male	
12	4460466	6	Plug, Terminal	
13	4460761	1	Receptacle, Female - 4 Position	
13	1001118378	4	Pin, Male	
14	4460879	1	Plug, Male - 2 Position	
14	4460887	2	Terminal	
15	1001098122	2	Terminal, Ring	
16	4460418	10	Connector - 6 Position	
16	4460419	20	Terminal	
16	1001159186	18	Terminal	
17	4460225	1	Plug, Male - 6 Position	
17	4460227	6	Pin, Male (Note: Used on Pump Potentiometer Connection Only)	
17	4460267	2	Terminal	
18	4460260	6	Housing, Terminal	
18	4460259	6	Terminal	
19	4460183	2	Terminal, Fork	

SECTION 8 - ELECTRICAL

ITEM	PART NUMBER	QTY	DESCRIPTION	REV
20	1001237667	1	Connector - 6 Position	
20	1001237668	4	Terminal	
21	1001271497	1	Terminal	
101	4460708	1	Connector - 12 Position	
102	4460933	1	Plug, Male - 12 Position	
103	1001125677	1	Connector, Bussbar	

SECTION 8 - ELECTRICAL

FIGURE 8-76. RECEPTACLE BOX KIT - 110V IEC YELLOW (RUSSIA, CE & UK CA SPECS)



ART_0275216

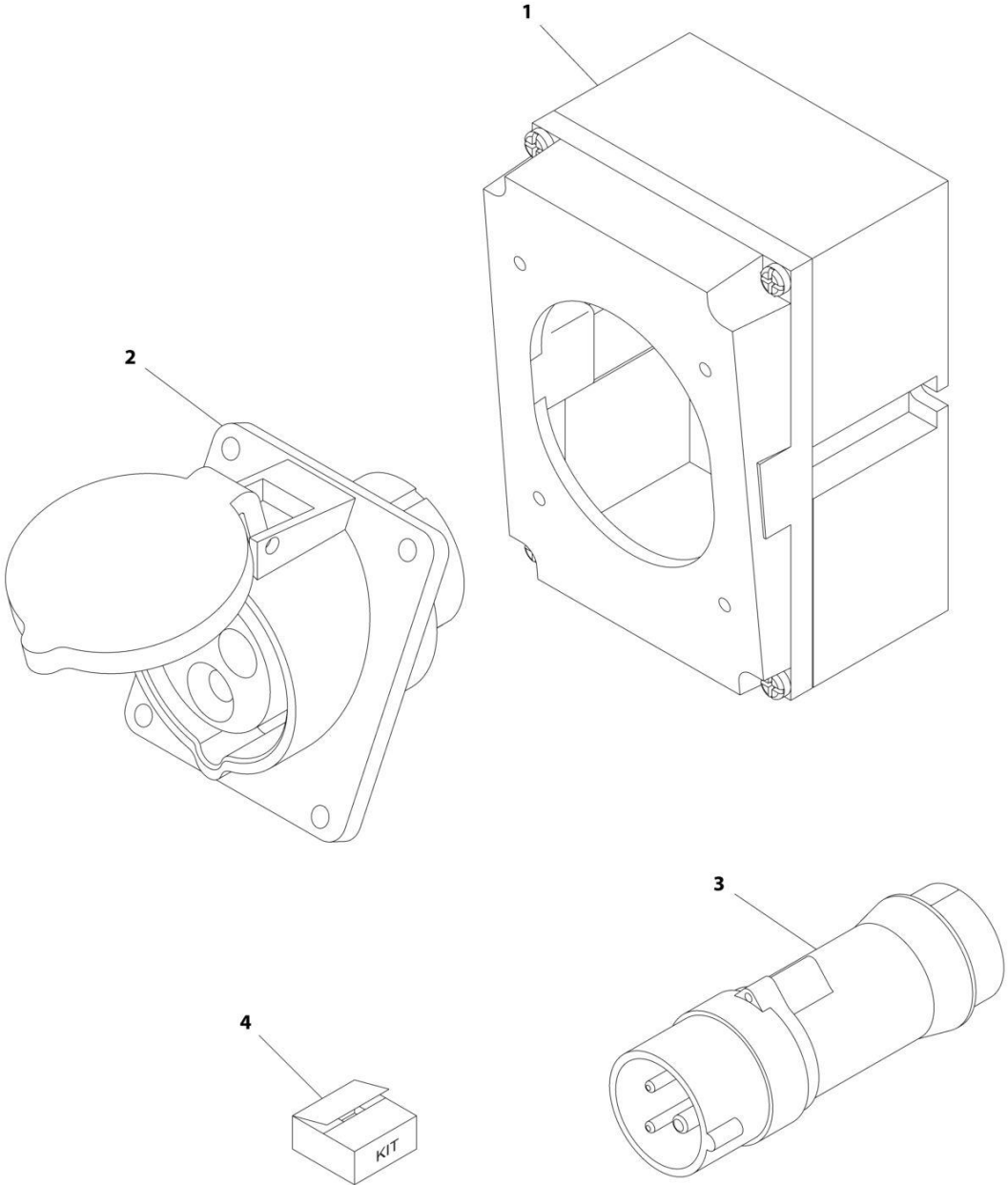
SECTION 8 - ELECTRICAL

FIGURE 8-76. RECEPTACLE BOX KIT - 110V IEC YELLOW (RUSSIA, CE & UK CA SPECS)

ITEM	PART NUMBER	QTY	DESCRIPTION	REV
	0275216	Ref	RECEPTACLE BOX KIT - 110V IEC YELLOW	B
1	0861781	1	Box, Switch	
2	4461198	1	Receptacle	
3	4461196	1	Plug, Male	
4	1001100341	1	Plug and Socket Kit (Includes Items 1-3 and Female Plug p/n 4461197)	

SECTION 8 - ELECTRICAL

FIGURE 8-77. RECEPTACLE BOX KIT - 220V IEC BLUE (RUSSIA, CE & UK CA SPECS)



ART_0275217

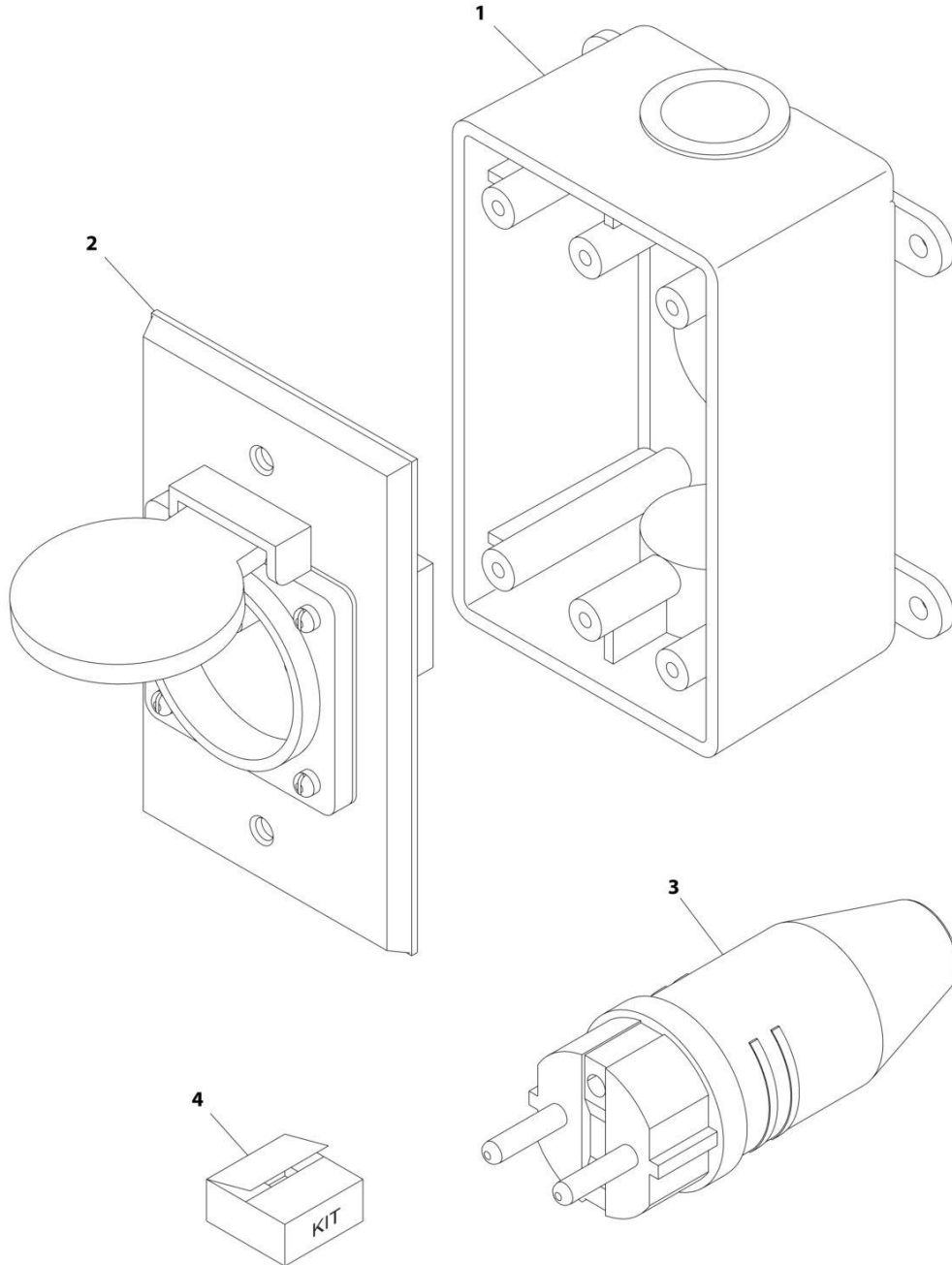
SECTION 8 - ELECTRICAL

FIGURE 8-77. RECEPTACLE BOX KIT - 220V IEC BLUE (RUSSIA, CE & UK CA SPECS)

ITEM	PART NUMBER	QTY	DESCRIPTION	REV
	0275217	Ref	RECEPTACLE BOX KIT - 220V IEC BLUE	B
1	0861781	1	Box, Switch	
2	4461201	1	Receptacle	
3	4461199	1	Plug, Male	
4	1001100342	1	Plug and Socket Kit (Includes Items 1-3 and Female Plug p/n 4461200)	

SECTION 8 - ELECTRICAL

FIGURE 8-78. RECEPTACLE BOX KIT - 220V CEE7 POST GROUND 2X4 BOX (RUSSIA, CE & UK CA SPECS)



ART_0275452-C

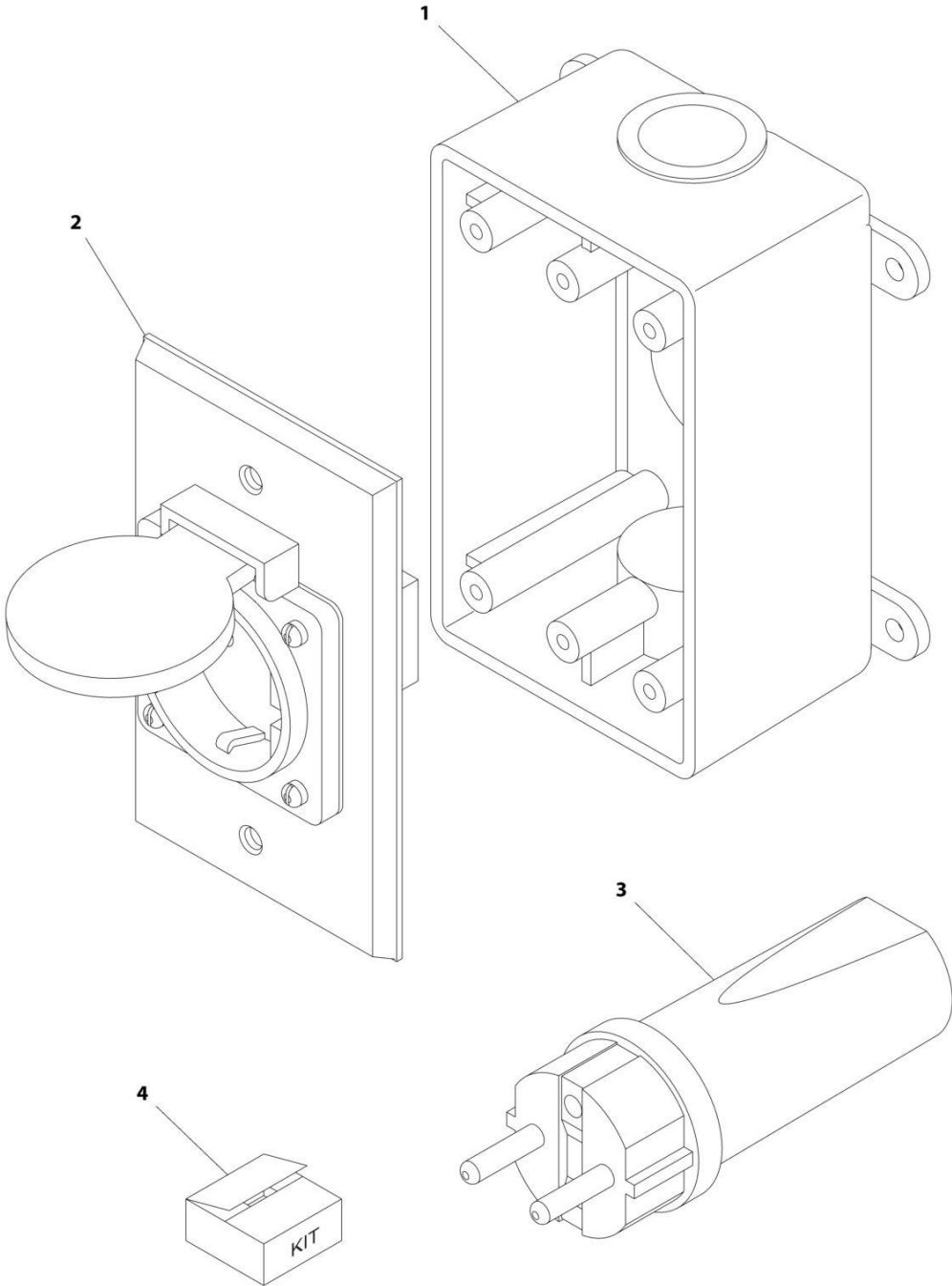
SECTION 8 - ELECTRICAL

FIGURE 8-78. RECEPTACLE BOX KIT - 220V CEE7 POST GROUND 2X4 BOX (RUSSIA, CE & UK CA SPECS)

ITEM	PART NUMBER	QTY	DESCRIPTION	REV
	0275452	Ref	RECEPTACLE BOX KIT - 220V CEE7 POST GROUND 2IN X 4IN BOX	C
1	0861731	1	Box, Switch	
2	4461244	1	Receptacle	
3	4461205	1	Plug, Male	
4	1001100345	1	Plug and Socket Kit (Includes Items 1-3 and Female Plug p/n 4461203)	

SECTION 8 - ELECTRICAL

FIGURE 8-79. RECEPTACLE BOX KIT - 220V CEE7 SIDE GROUND (RUSSIA, CE & UK CA SPECS)



ART_0275453

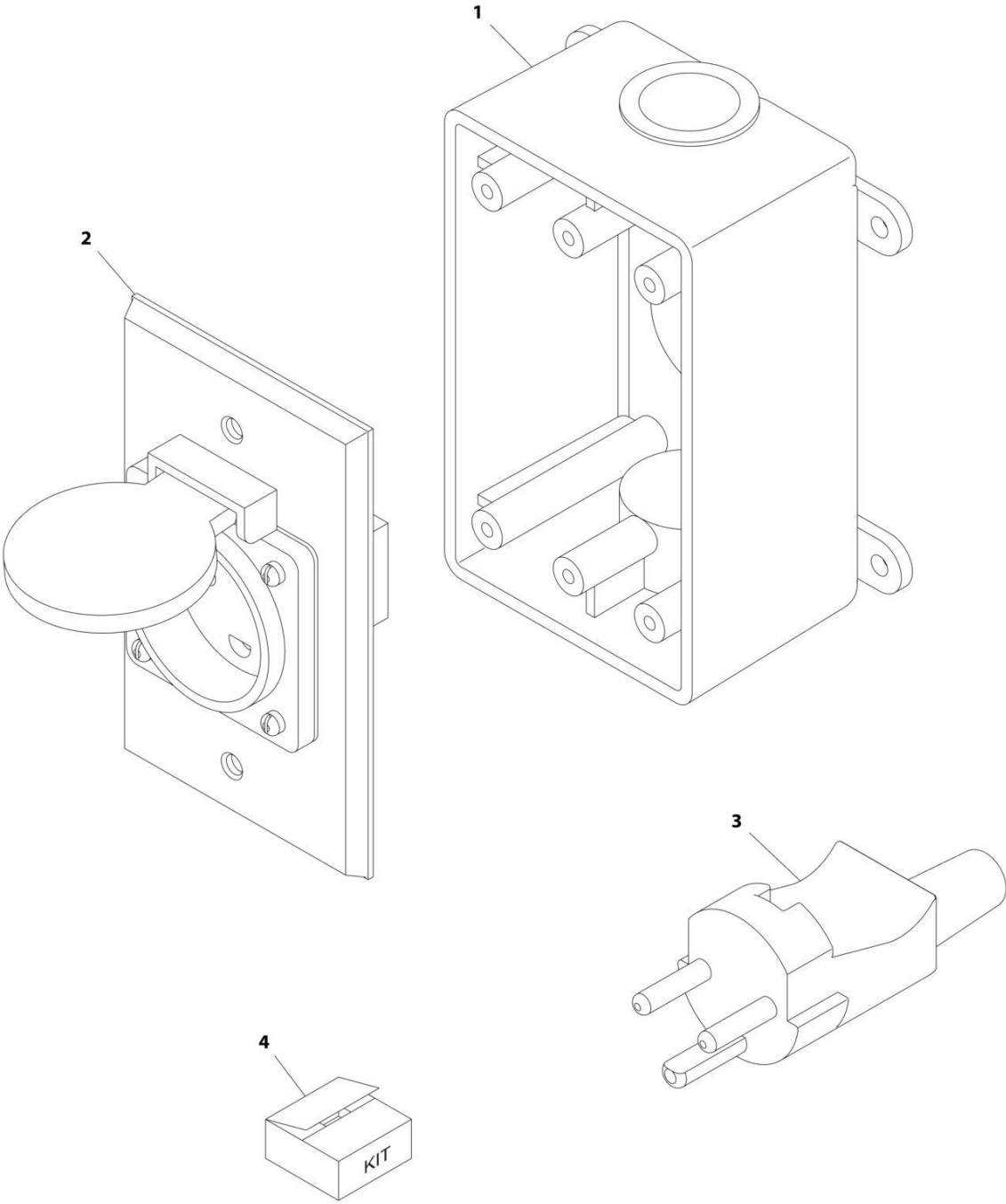
SECTION 8 - ELECTRICAL

FIGURE 8-79. RECEPTACLE BOX KIT - 220V CEE7 SIDE GROUND (RUSSIA, CE & UK CA SPECS)

ITEM	PART NUMBER	QTY	DESCRIPTION	REV
	0275453	Ref	RECEPTACLE BOX KIT - 220V CEE7 SIDE GROUND	B
1	0861731	1	Box, Switch	
2	4461245	1	Receptacle	
3	4461205	1	Plug, Male	
4	1001100347	1	Plug and Socket Kit (Includes Items 1-3 and Female Plug p/n 4461206)	

SECTION 8 - ELECTRICAL

FIGURE 8-80. RECEPTACLE BOX KIT - 220V AFSINT 107 (RUSSIA, CE & UK CA SPECS)



ART_0275454

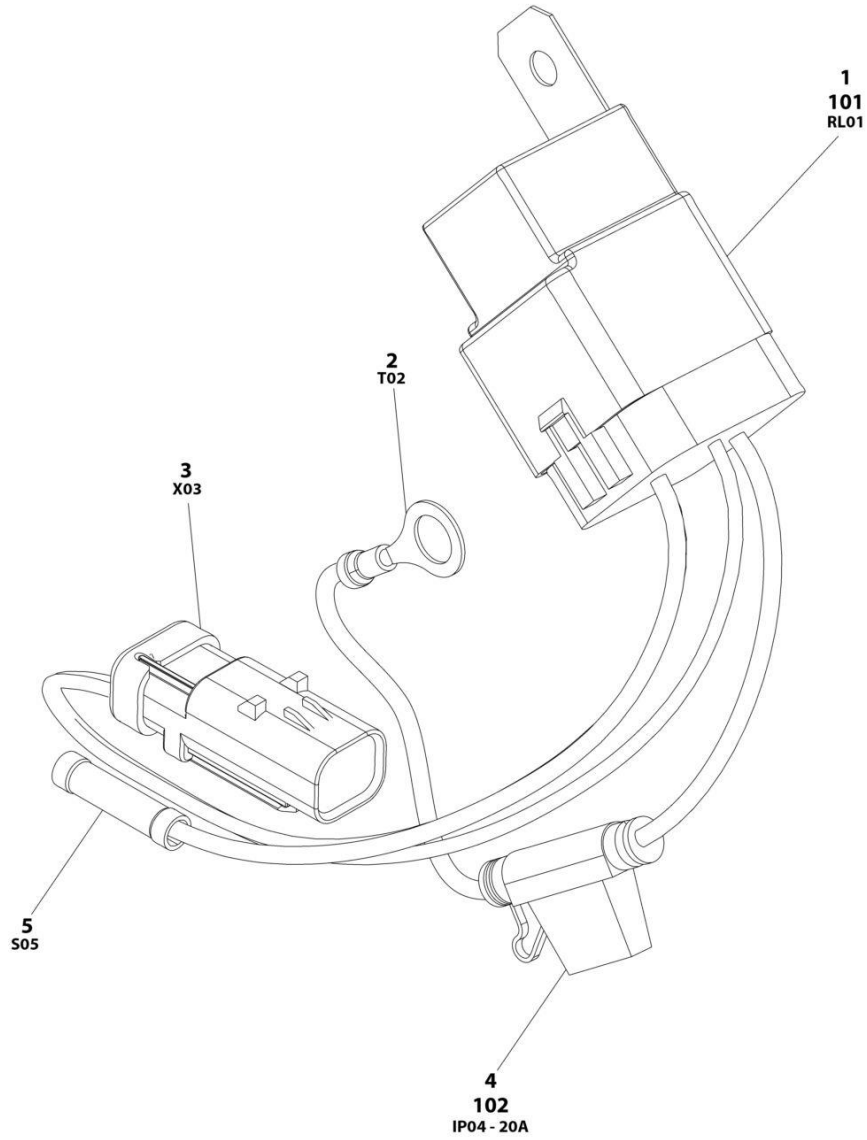
SECTION 8 - ELECTRICAL

FIGURE 8-80. RECEPTACLE BOX KIT - 220V AFSINT 107 (RUSSIA, CE & UK CA SPECS)

ITEM	PART NUMBER	QTY	DESCRIPTION	REV
	0275454	Ref	RECEPTACLE BOX KIT - 220V AFSINT 107	B
1	0861731	1	Box, Switch	
2	4461246	1	Receptacle	
3	4461249	1	Plug, Male	
4	1001100346	1	Plug and Socket Kit (Includes Items 1-3 and Female Plug p/n 4461250)	

SECTION 8 - ELECTRICAL

FIGURE 8-81. RELAY & FUEL PUMP HARNESS



ART_1001291079

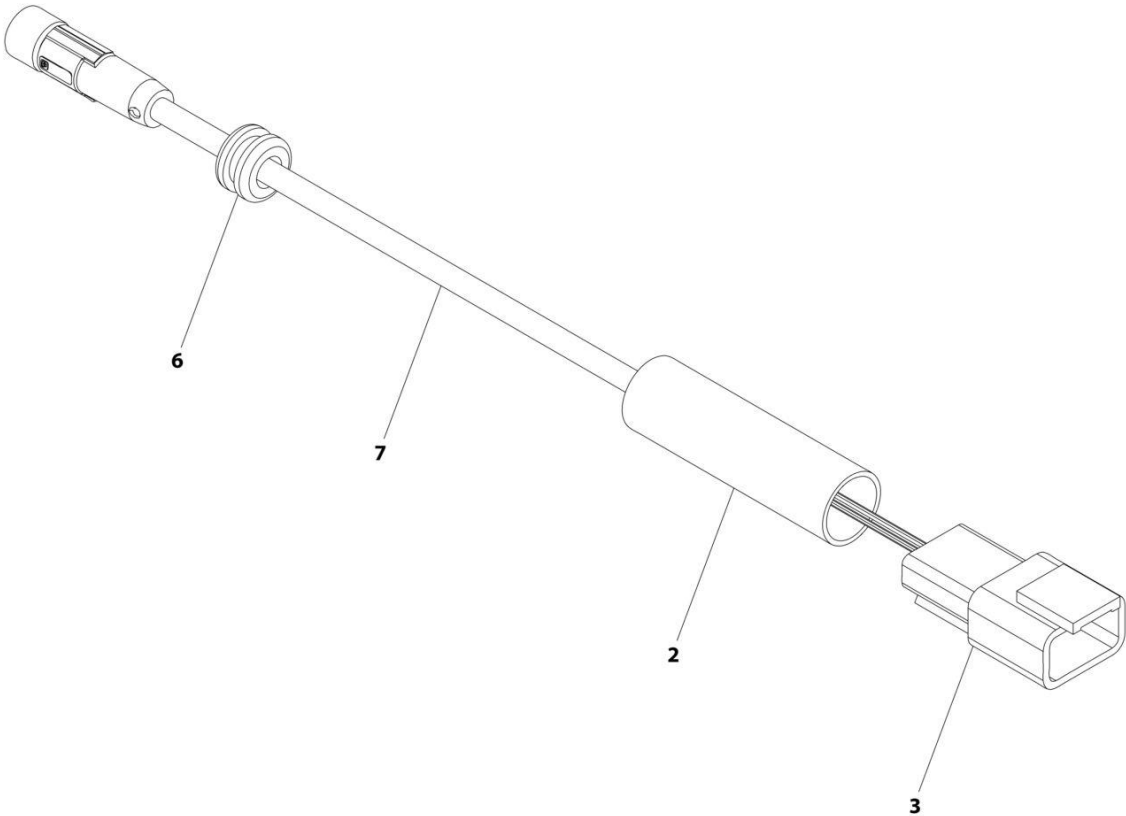
SECTION 8 - ELECTRICAL

FIGURE 8-81. RELAY & FUEL PUMP HARNESS

ITEM	PART NUMBER	QTY	DESCRIPTION	REV
	1001291079	Ref	RELAY & FUEL PUMP HARNESS	A
1	1001268472	1	Connector	
1	1001116733	2	Socket (14-17AWG)	
1	1001116732	2	Socket (18-20AWG)	
2	4460670	1	Terminal, Ring	
3	1001291083	1	Connector	
3	4460464	2	Pin	
4	2400060	1	Fuseholder	
5	4460035	1	Terminal, Butt Splice	
101	3740080	1	Relay	
102	8229246	1	Fuse 20AMP	

SECTION 8 - ELECTRICAL

FIGURE 8-82. SKYEYE EMITTER HARNESS



ART_1001237864

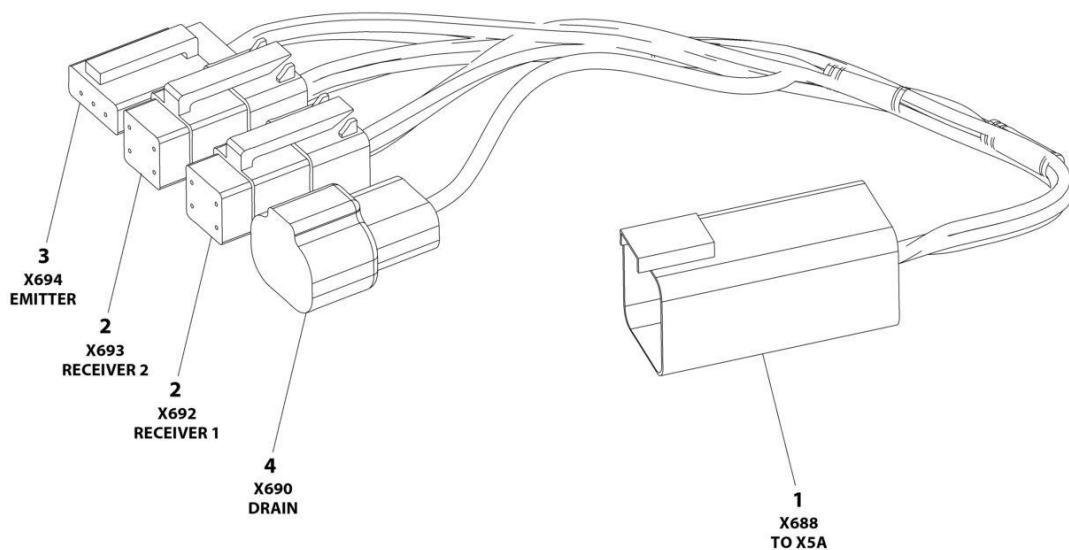
SECTION 8 - ELECTRICAL

FIGURE 8-82. SKYEYE EMITTER HARNESS

ITEM	PART NUMBER	QTY	DESCRIPTION	REV
	1001237864	Ref	SKYEYE EMITTER HARNESS	A
2	2820247	AR	Tubing, Heat Shrink	
3	4460910	1	Connector - 3 Position	
3	1001119620	3	Pin, Male	
6	1001227996	1	Grommet	
7	1001237862	1	Cable, M8 Female Cordset	

SECTION 8 - ELECTRICAL

FIGURE 8-83. SKYEYE INTERMEDIATE HARNESS



ART_1001237865

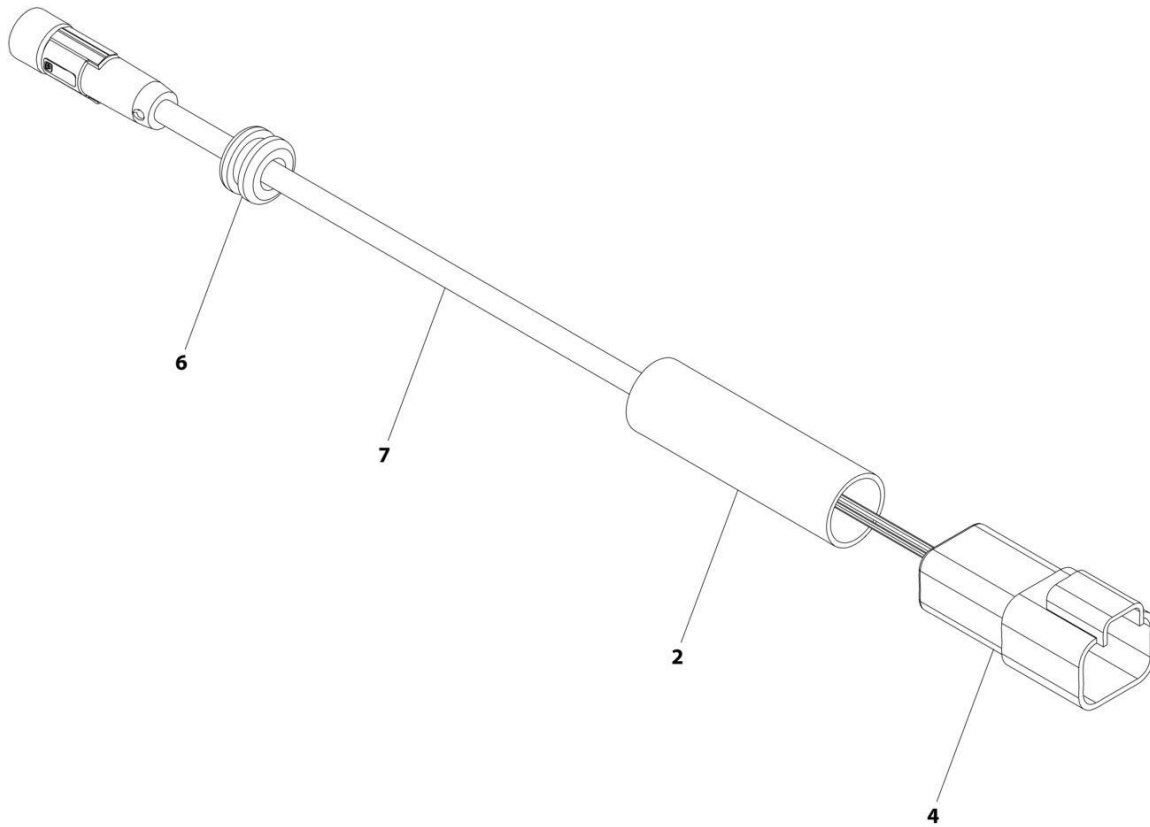
SECTION 8 - ELECTRICAL

FIGURE 8-83. SKYEYE INTERMEDIATE HARNESS

ITEM	PART NUMBER	QTY	DESCRIPTION	REV
	1001237865	Ref	SKYEYE INTERMEDIATE HARNESS	A
1	4460899	1	Connector - 6 Position	
1	4460943	4	Pin, Male	
1	4460466	2	Plug, Terminal	
2	4461077	2	Connector - 4 Position	
2	1001119619	8	Socket, Female	
3	4460911	1	Connector - 3 Position	
3	1001119619	3	Socket, Female	
4	1001187681	1	Connector - 2 Position	
4	4460941	1	Pin, Male	
4	4460466	1	Plug, Terminal	

SECTION 8 - ELECTRICAL

FIGURE 8-84. SKYEYE RECEIVER HARNESS



ART_1001237863

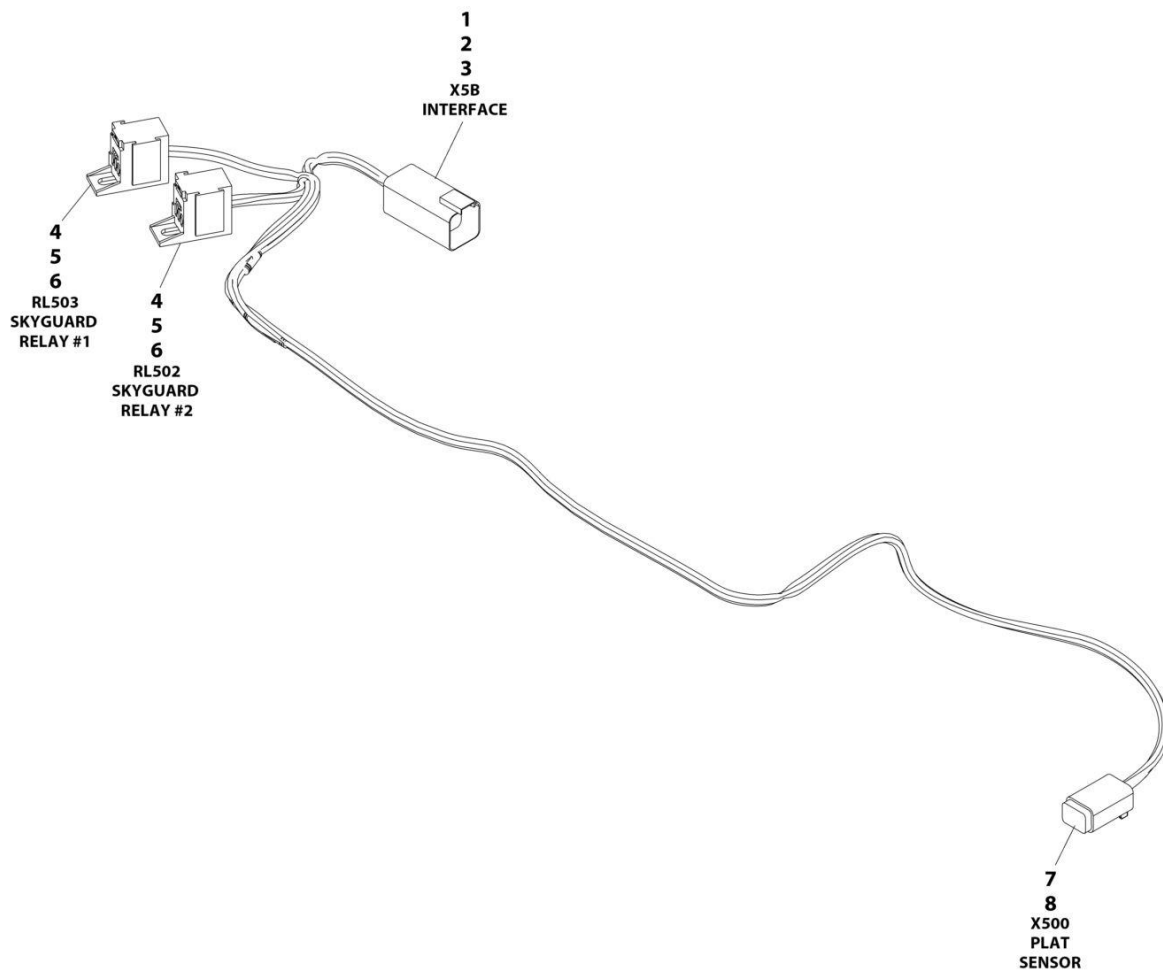
SECTION 8 - ELECTRICAL

FIGURE 8-84. SKYEYE RECEIVER HARNESS

ITEM	PART NUMBER	QTY	DESCRIPTION	REV
	1001237863	Ref	SKYEYE RECEIVER HARNESS	A
2	2820247	AR	Tubing, Heat Shrink	
4	1001097051	1	Connector - 4 Position	
4	1001119620	4	Pin, Male	
6	1001227996	1	Grommet	
7	1001237862	1	Cable, M8 Female Cordset	

SECTION 8 - ELECTRICAL

FIGURE 8-85. SKYGUARD INTERFACE HARNESS



ART_1001225580

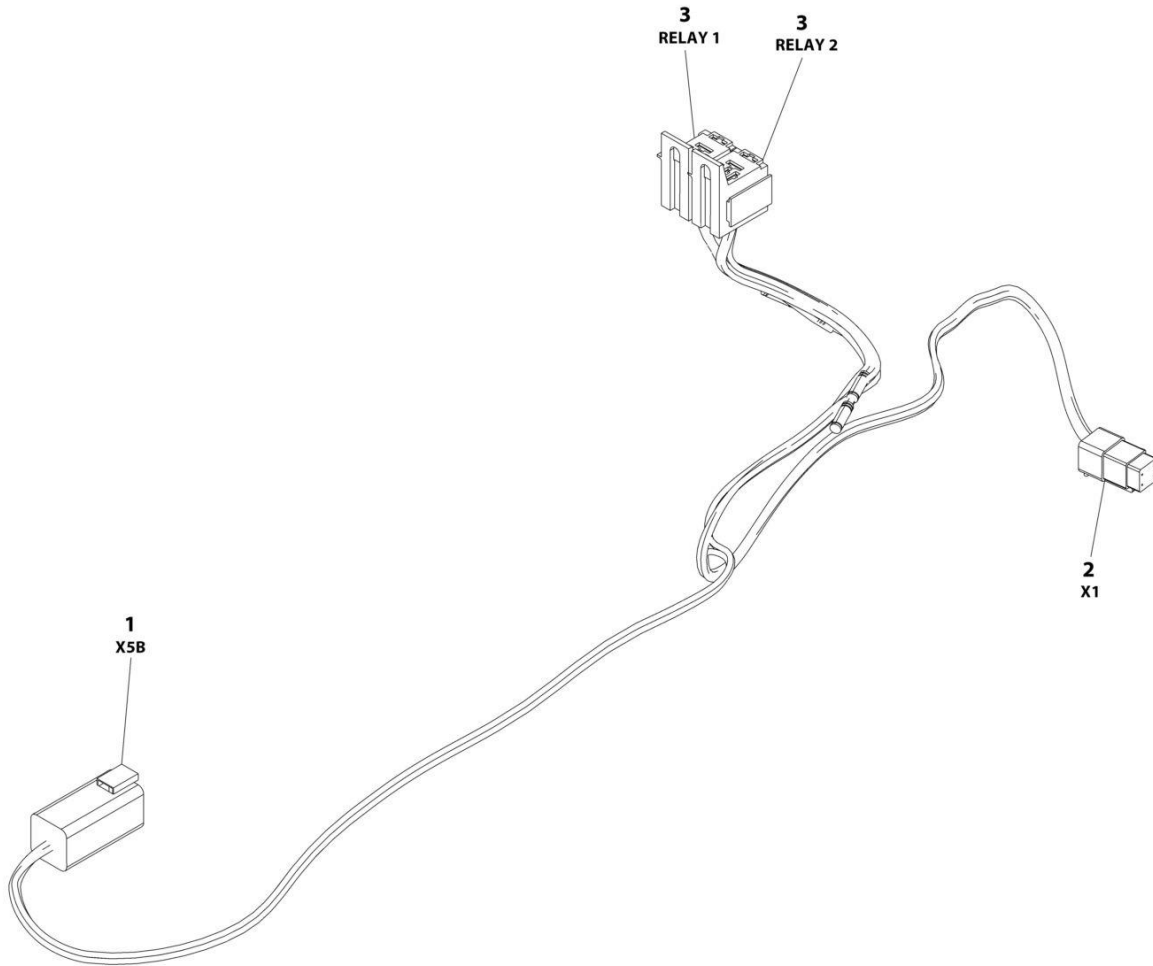
SECTION 8 - ELECTRICAL

FIGURE 8-85. SKYGUARD INTERFACE HARNESS

ITEM	PART NUMBER	QTY	DESCRIPTION	REV
	1001225580	Ref	INTERFACE HARNESS - WITH 1 CELL LSS	D
1	4460899	1	Connector	
2	4460464	4	Terminal	
3	4460466	2	Plug	
4	1001186432	2	Connector	
5	1001116720	4	Terminal	
6	1001118388	4	Terminal	
7	4460884	1	Connector	
8	4460465	4	Terminal	

SECTION 8 - ELECTRICAL

FIGURE 8-86. SKYLINE HARNESS



ART_1001238418

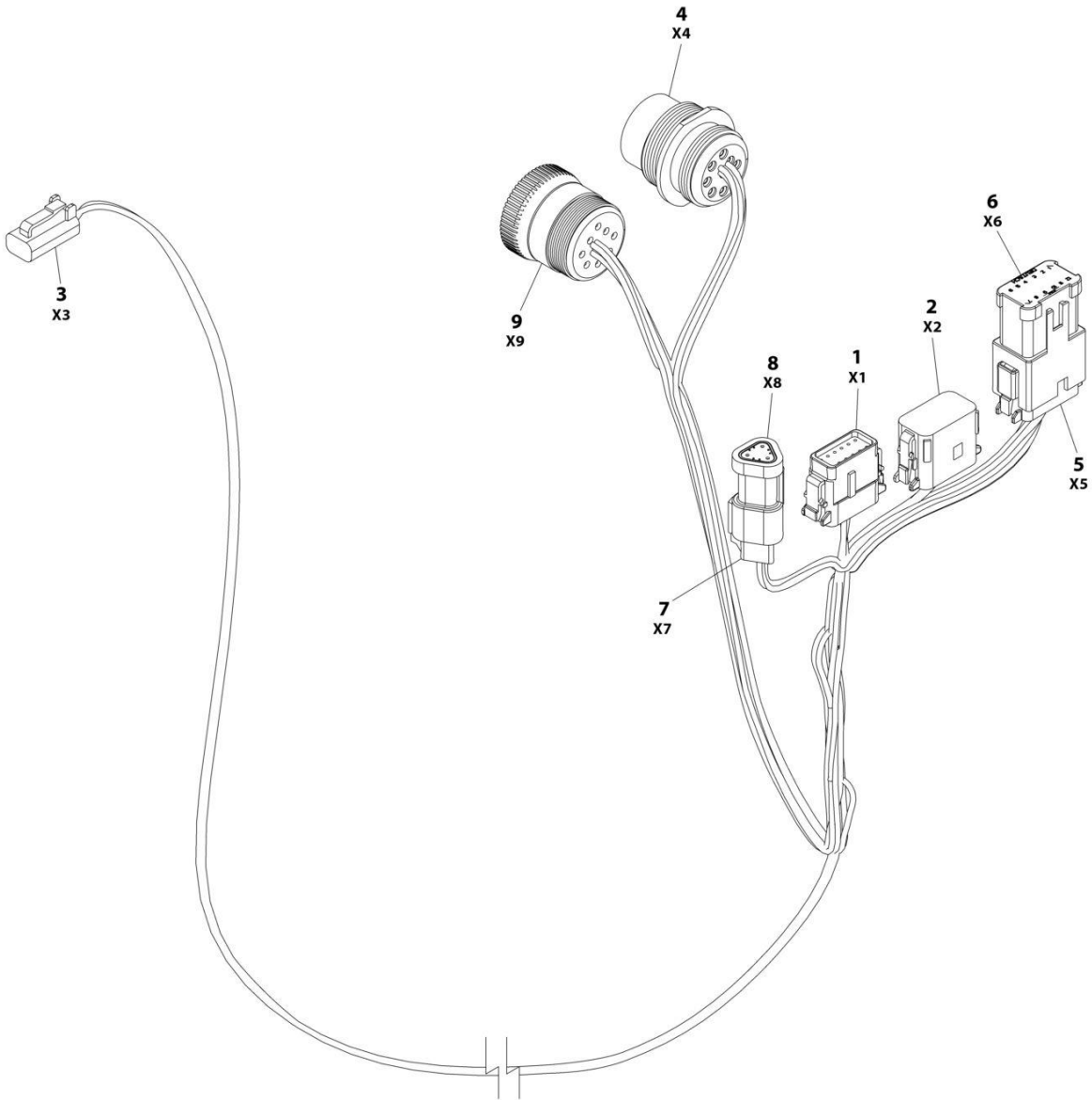
SECTION 8 - ELECTRICAL

FIGURE 8-86. SKYLINE HARNESS

ITEM	PART NUMBER	QTY	DESCRIPTION	REV
	1001238418	Ref	SKYLINE HARNESS	B
1	4460899	1	Connector - 6 Position	
1	4460464	4	Pin, Male	
1	4460466	2	Plug, Terminal	
2	4461077	1	Connector - 4 Position	
2	1001126009	4	Socket, Female	
3	1001186432	2	Plug, Relay	
3	1001118388	5	Terminal	
3	1001118384	3	Terminal	
3	3740086	2	Relay	

SECTION 8 - ELECTRICAL

FIGURE 8-87. STROBE LIGHT HARNESS (RED AND BLUE BEACON LIGHTS)



ART_1001142736

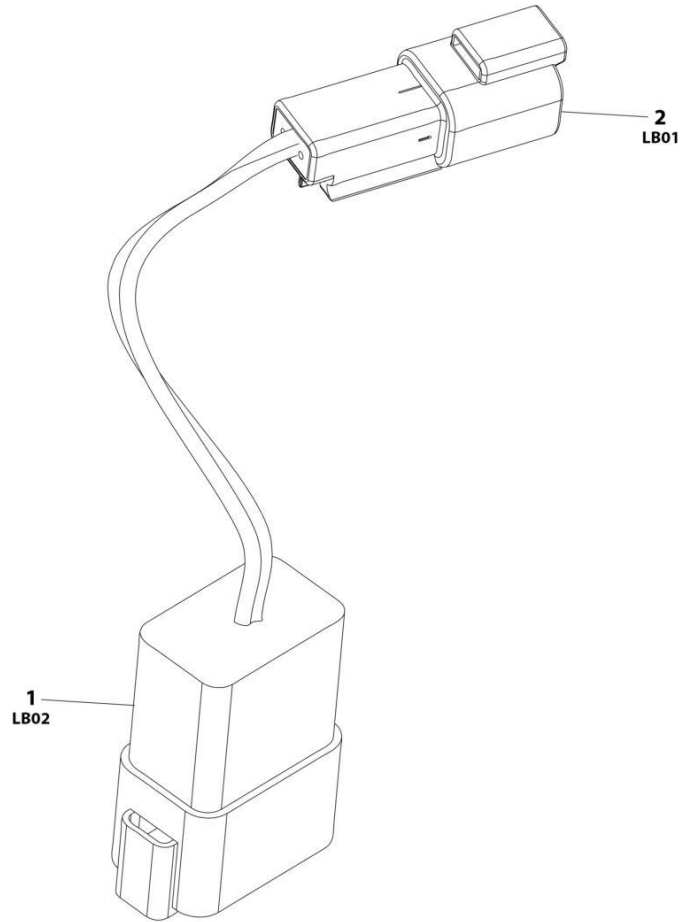
SECTION 8 - ELECTRICAL

FIGURE 8-87. STROBE LIGHT HARNESS (RED AND BLUE BEACON LIGHTS)

ITEM	PART NUMBER	QTY	DESCRIPTION	REV
	1001142736	Ref	STROBE LIGHT HARNESS	F
1	1001116808	1	Plug, Male - 12 Position	
1	4460928	3	Socket, Female	
1	4460518	9	Plug, Terminal	
2	1001116774	1	Plug, Male - 12 Position	
2	4460928	3	Socket, Female	
2	4460518	9	Plug, Terminal	
3	4460891	1	Plug, Male - 2 Position	
3	4460465	2	Socket, Female	
4	1001112612	1	Connector - 9 Position	
4	4460464	6	Pin, Male	
4	4460466	3	Plug, Terminal	
5	4460933	1	Plug, Male - 12 Position	
5	4460465	12	Socket, Female	
6	1001119020	1	Bussbar - 12 Position	
7	4461095	1	Plug, Male - 3 Position	
7	4460465	3	Socket, Female	
8	4461070	1	Bussbar - 3 Position	
9	1001112796	1	Connector - 9 Position	
9	4460465	6	Socket, Female	
9	4460466	3	Plug, Terminal	

SECTION 8 - ELECTRICAL

FIGURE 8-88. STROBE LIGHT JUMPER HARNESS



ART_1001283776

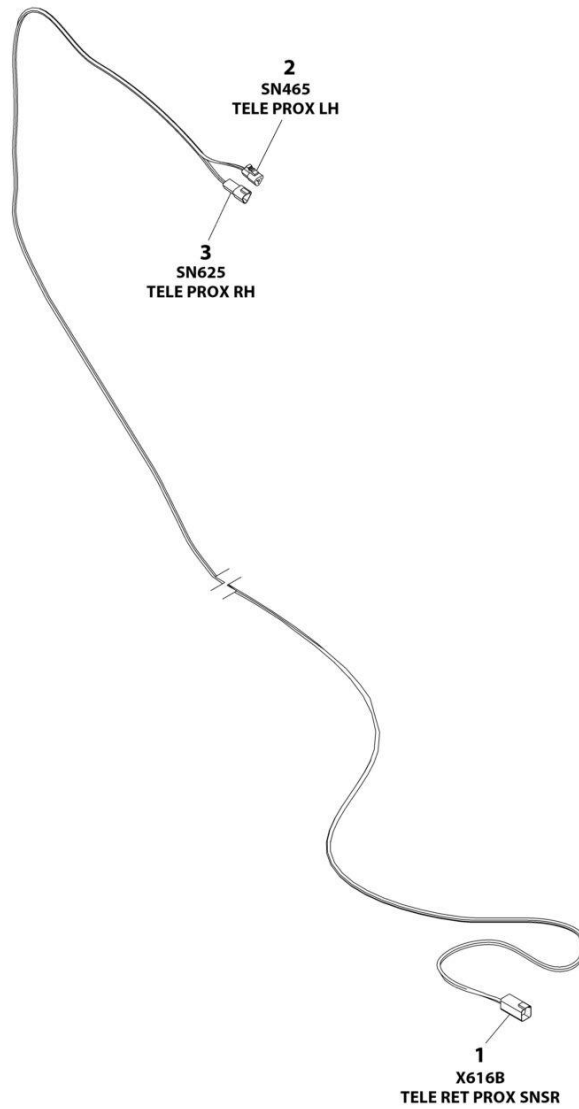
SECTION 8 - ELECTRICAL

FIGURE 8-88. STROBE LIGHT JUMPER HARNESS

ITEM	PART NUMBER	QTY	DESCRIPTION	REV
	1001283776	Ref	STROBE LIGHT HARNESS (AMBER)	A
1	4460931	1	Connector	
1	4460464	2	Pin	
1	4460466	6	Plug	
2	4460897	1	Connector	
2	4460464	2	Pin	

SECTION 8 - ELECTRICAL

FIGURE 8-89. TELE PROXIMITY HARNESS



ART_1001189003

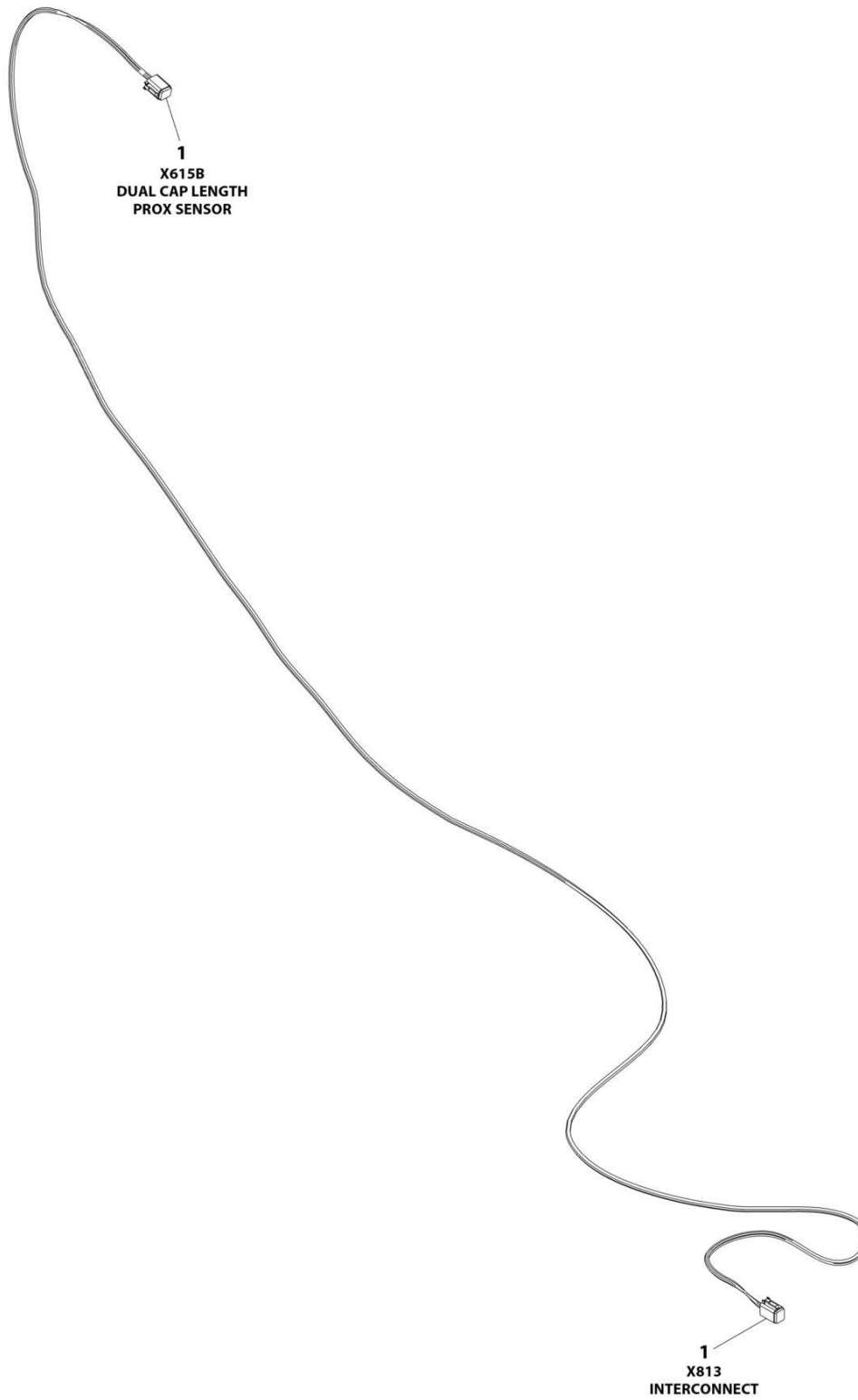
SECTION 8 - ELECTRICAL

FIGURE 8-89. TELE PROXIMITY HARNESS

ITEM	PART NUMBER	QTY	DESCRIPTION	REV
	1001189003	Ref	TELE PROXIMITY HARNESS	E
1	4460899	1	Receptacle, Female - 6 Position	
1	4460464	6	Pin, Male	
2	4460539	1	Plug, Male - 3 Position	
2	4460465	3	Socket, Female	
3	4460536	1	Receptacle, Female - 3 Position	
3	4460464	3	Pin, Male	

SECTION 8 - ELECTRICAL

FIGURE 8-90. TRANSPORT SWITCH HARNESS (660SJ HC3)



ART_1001242908

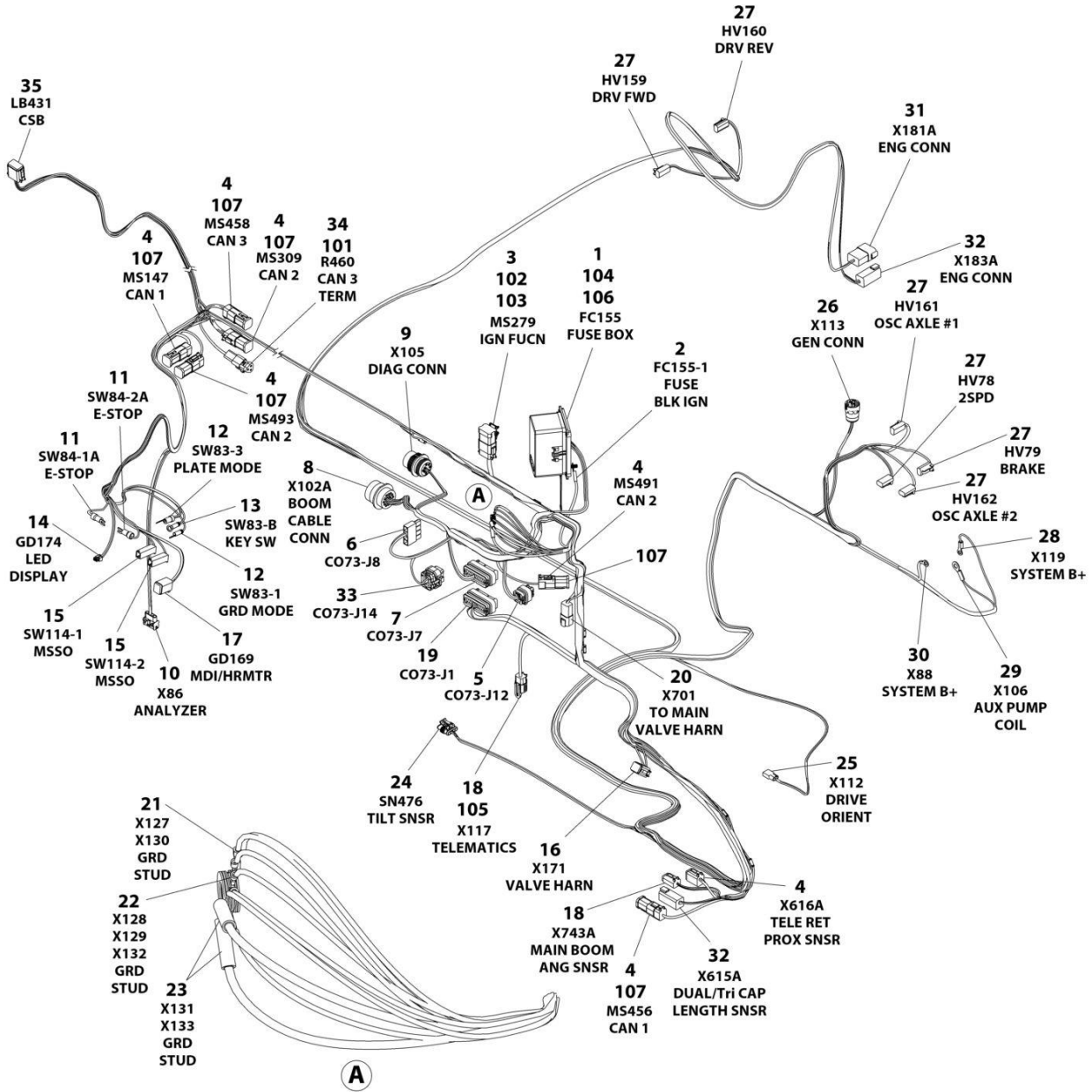
SECTION 8 - ELECTRICAL

FIGURE 8-90. TRANSPORT SWITCH HARNESS (660SJ HC3)

ITEM	PART NUMBER	QTY	DESCRIPTION	REV
	1001242908	Ref	CAPACITY PROXIMITY HARNESS	B
1	4460894	2	Plug, Male - 6 Position	
1	4460465	12	Socket, Female	

SECTION 8 - ELECTRICAL

FIGURE 8-91. TURNTABLE HARNESS



ART_1001282065

SECTION 8 - ELECTRICAL

FIGURE 8-91. TURNTABLE HARNESS

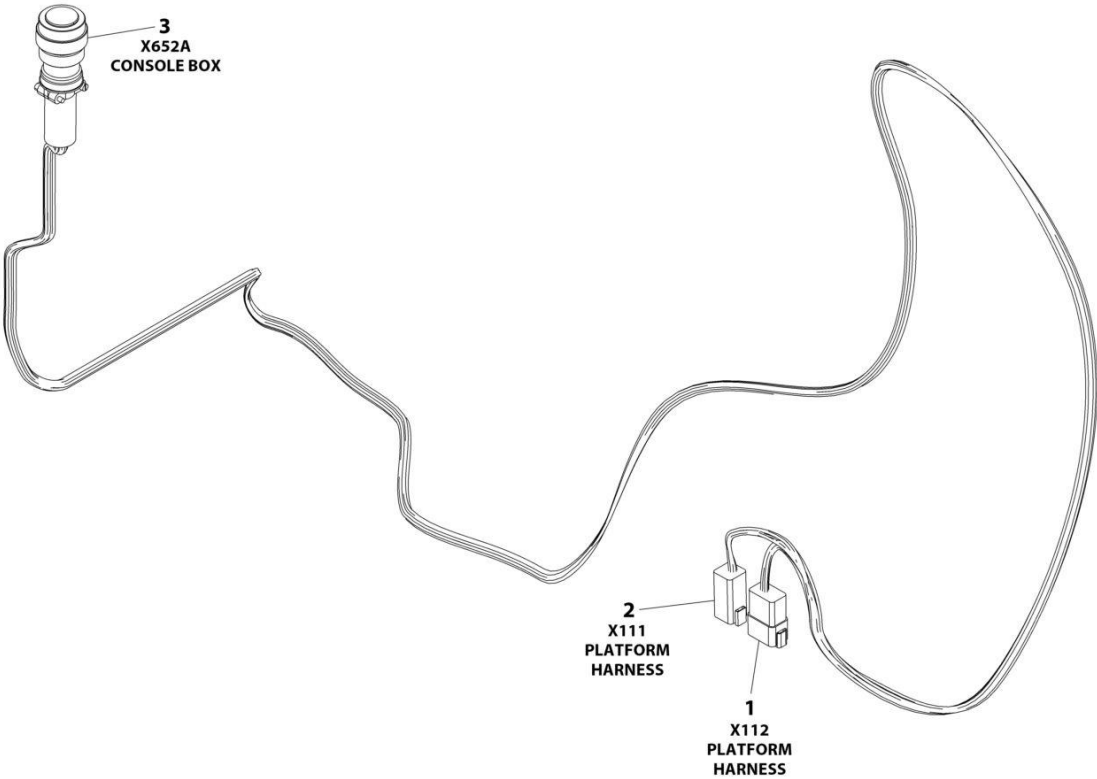
ITEM	PART NUMBER	QTY	DESCRIPTION	REV
	1001282065	Ref	TURNTABLE HARNESS	B
1	1001196602	1	Box, Fuse Less Fuses	
1	1001196604	1	Cover, Box	
1	1001190921	1	Spacer, Foam	
1	1001196634	2	Fuse 2 Amp	
1	8229242	7	Fuse 5 Amp	
1	8229244	2	Fuse 15Amp	
1	1001095704	2	Relay	
1	1001196636	2	Diode 1 Amp	
1	8220098	6	Terminal	
1	8220089	6	Seal, Terminal	
1	8220097	19	Terminal	
1	4460458	19	Seal, Terminal	
1	4460748	10	Plug, Terminal	
2	1001117106	1	Terminal, Ring	
3	4460933	1	Connector	
3	4460465	8	Socket	
3	4460466	4	Seal, Terminal	
4	4460894	7	Connector	
4	4460465	42	Socket	
5	1001113961	1	Connector	
5	4460871	5	Socket	
5	4460905	3	Plug, Terminal	
6	4460878	1	Connector	
6	4460887	2	Socket	
7	4460873	1	Connector	
7	4460871	26	Socket	
7	4460905	9	Plug, Terminal	
8	4460866	1	Connector	
8	4460464	10	Pin	
8	4460508	2	Pin	
8	4460466	7	Plug, Terminal	
9	1001112612	1	Connector	
9	4460464	5	Pin	
9	4460466	4	Plug, Terminal	
10	1001119032	1	Connector	
10	1001118378	4	Pin	
11	4460183	2	Terminal, Ring	
12	4460042	2	Terminal, Ring	
13	4460247	1	Terminal, Ring	
14	1001237667	1	Connector	
14	1001237668	5	Terminal	
15	4460260	2	Cover, Terminal	
15	4460259	2	Terminal	
16	4460930	1	Connector	
16	4460465	4	Plug, Terminal	
16	4460466	4	Plug, Terminal	
17	4460894	1	Connector	
17	4460465	4	Socket	
17	4460466	2	Plug, Terminal	

SECTION 8 - ELECTRICAL

ITEM	PART NUMBER	QTY	DESCRIPTION	REV
18	4460884	2	Connector	
18	4460465	8	Socket	
19	4460874	1	Connector	
19	4460871	21	Socket	
19	4460905	14	Plug, Terminal	
20	4460932	1	Connector	
20	4460464	4	Pin	
21	1001187078	2	Terminal, Ring	
22	1001187077	3	Terminal, Ring	
23	1001117110	2	Terminal, Ring	
24	1001103012	1	Connector	
24	1001107854	4	Socket	
25	4460424	1	Connector	
25	4460226	2	Socket	
26	4460967	1	Connector	
26	4460465	3	Socket	
27	4460891	6	Connector	
27	4460465	12	Socket	
28	4460703	1	Terminal, Ring	
29	4460702	1	Terminal, Ring	
30	8220045	1	Terminal, Ring	
31	4460931	1	Connector	
31	4460464	5	Pin	
31	4460466	3	Socket	
32	4460899	2	Connector	
32	4460464	11	Pin	
32	4460466	1	Seal, Terminal	
33	1001246859	1	Connector	
33	4460871	4	Socket	
33	4460905	10	Plug	
34	1001144147	1	Connector	
34	4460943	2	Pin	
34	4460466	1	Plug, Terminal	
35	4460930	1	Connector	
35	4460465	6	Socket	
101	1001116815	1	Connector	
102	1001121172	1	Mounting, Bracket	
103	1001125677	1	Connector	
104	1001190921	1	Seal	
105	1001192401	1	Connector	
106	1001196604	1	Cover	
107	1001226541	6	Connector, Bussbar	

SECTION 8 - ELECTRICAL

FIGURE 8-92. VALVE CABLE - PLATFORM VALVE



ART_1001266277_C

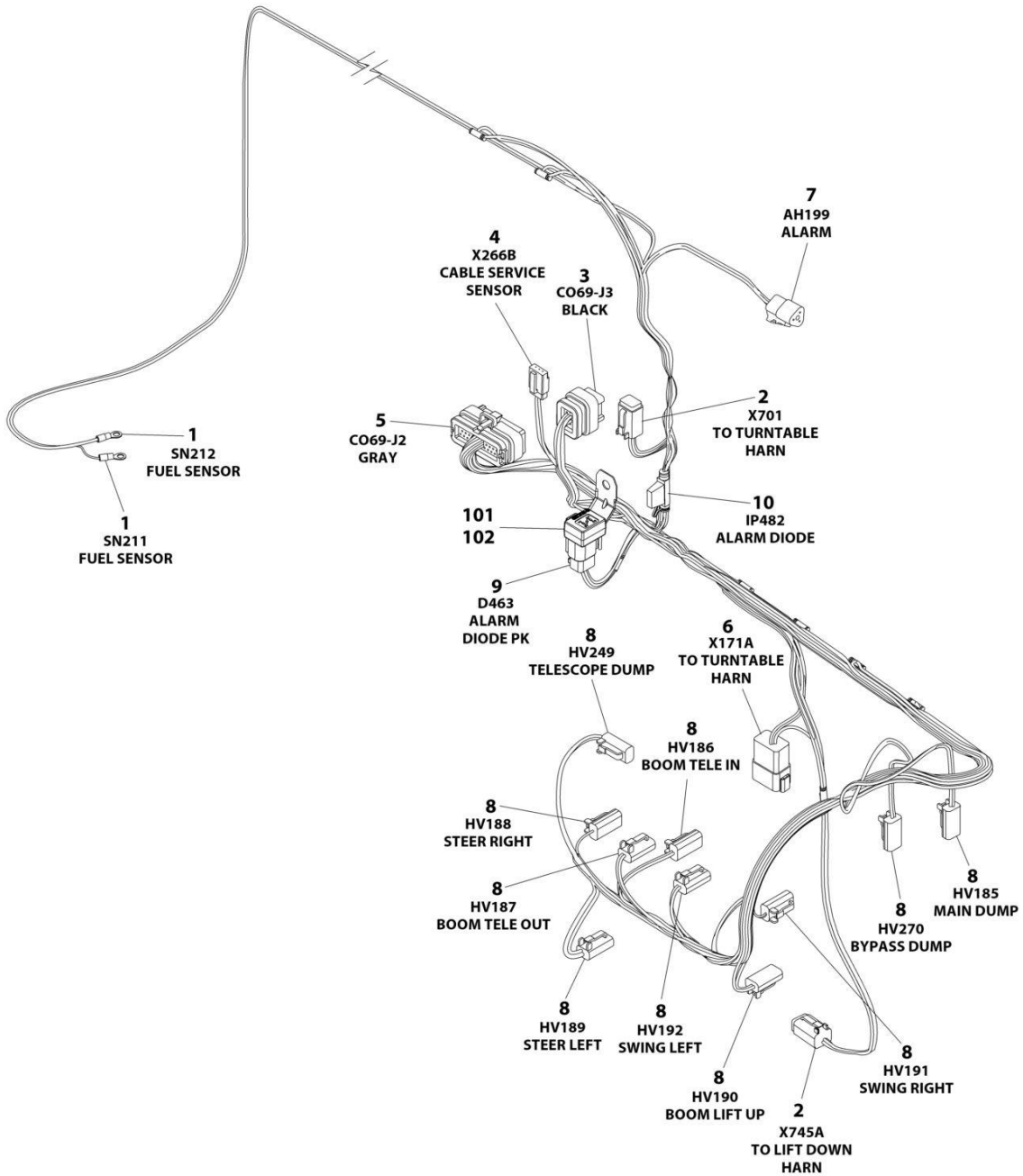
SECTION 8 - ELECTRICAL

FIGURE 8-92. VALVE CABLE - PLATFORM VALVE

ITEM	PART NUMBER	QTY	DESCRIPTION	REV
	1001266277	Ref	PLATFORM VALVE CABLE	C
1	4460931	1	Connector	
1	4460464	7	Pin	
1	4460466	1	Plug	
2	4460899	1	Connector	
2	4460464	6	Pin	
3	1001283549	1	Connector	
3	4460492	1	Clamp	
3	1001126008	13	Socket	
3	4460518	8	Plug	

SECTION 8 - ELECTRICAL

FIGURE 8-93. VALVE HARNESS - MAIN VALVE (Prior to SN B300025469, Prior to SN 0300315613, Excluding B300025382)



ART_1001284771

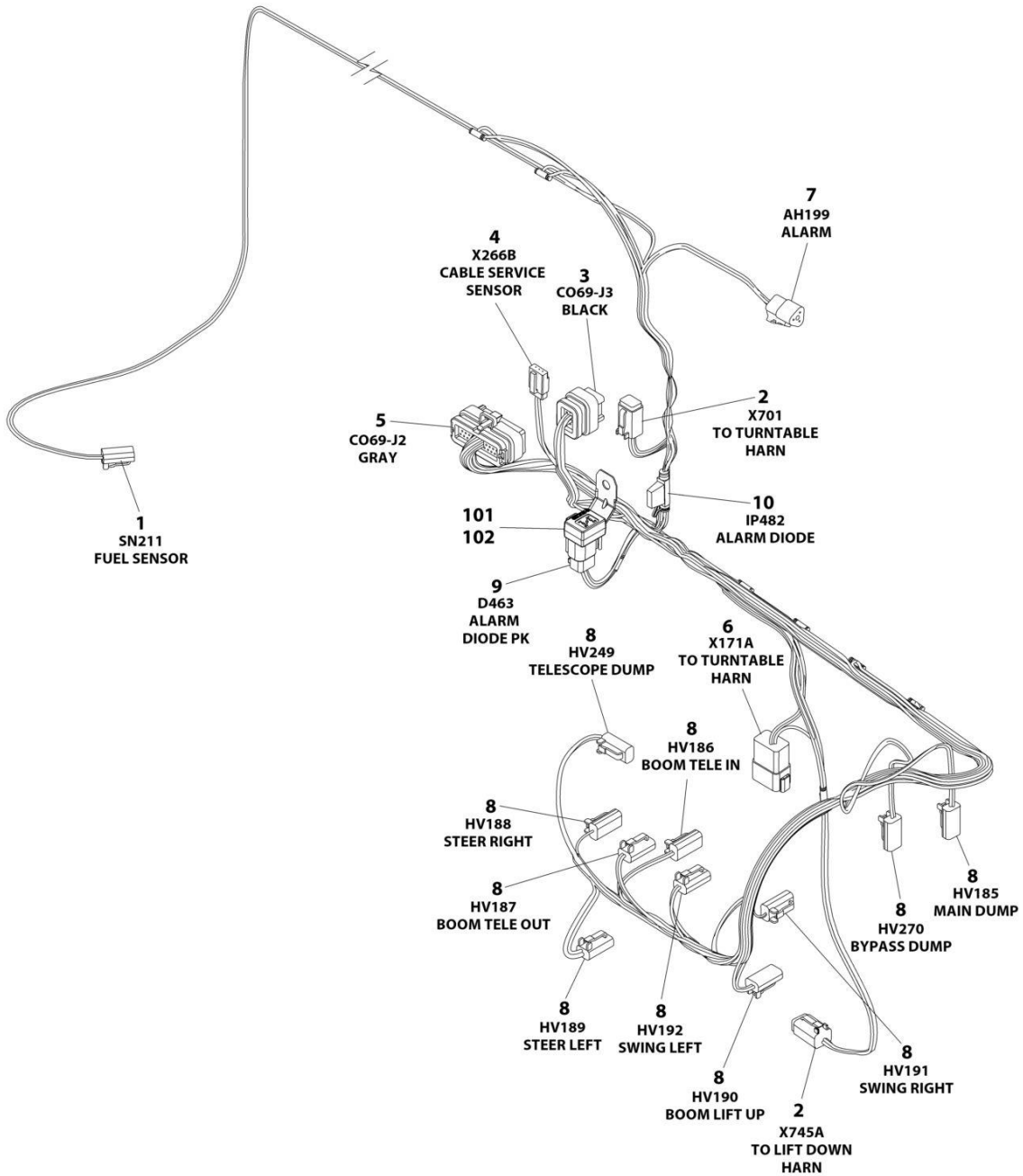
SECTION 8 - ELECTRICAL

FIGURE 8-93. VALVE HARNESS - MAIN VALVE (Prior to SN B300025469, Prior to SN 0300315613, Excluding B300025382)

ITEM	PART NUMBER	QTY	DESCRIPTION	REV
	1001284771	Ref	MAIN VALVE HARNESS	A
1	4460313	2	Terminal, Ring	
2	4460884	2	Connector	
2	4460465	8	Socket	
3	4460872	1	Connector	
3	4460871	10	Socket	
3	4460905	4	Plug	
4	4460911	1	Connector	
4	1001116694	3	Socket	
5	4460875	1	Connector	
5	4460871	28	Socket	
5	4460905	7	Plug	
6	4460931	1	Connector	
6	4460464	7	Pin	
6	4460466	1	Plug, Seal	
7	4460539	1	Connector	
7	4460465	3	Socket	
8	4460891	10	Connector	
8	4460465	20	Socket	
9	4460884	1	Connector	
9	4460465	4	Socket	
10	1001170764	1	Holder, Fuse	
10	1001197719	1	Resister 0.5 Watt	
101	1001152266	1	Connector	
102	1001155743	1	Terminal, Holder	

SECTION 8 - ELECTRICAL

FIGURE 8-94. VALVE HARNESS - MAIN CONTROL (2WS) (SN B300025469 to Present, SN 0300315613 to Present, Including B300025382)



ART_1001284771_B

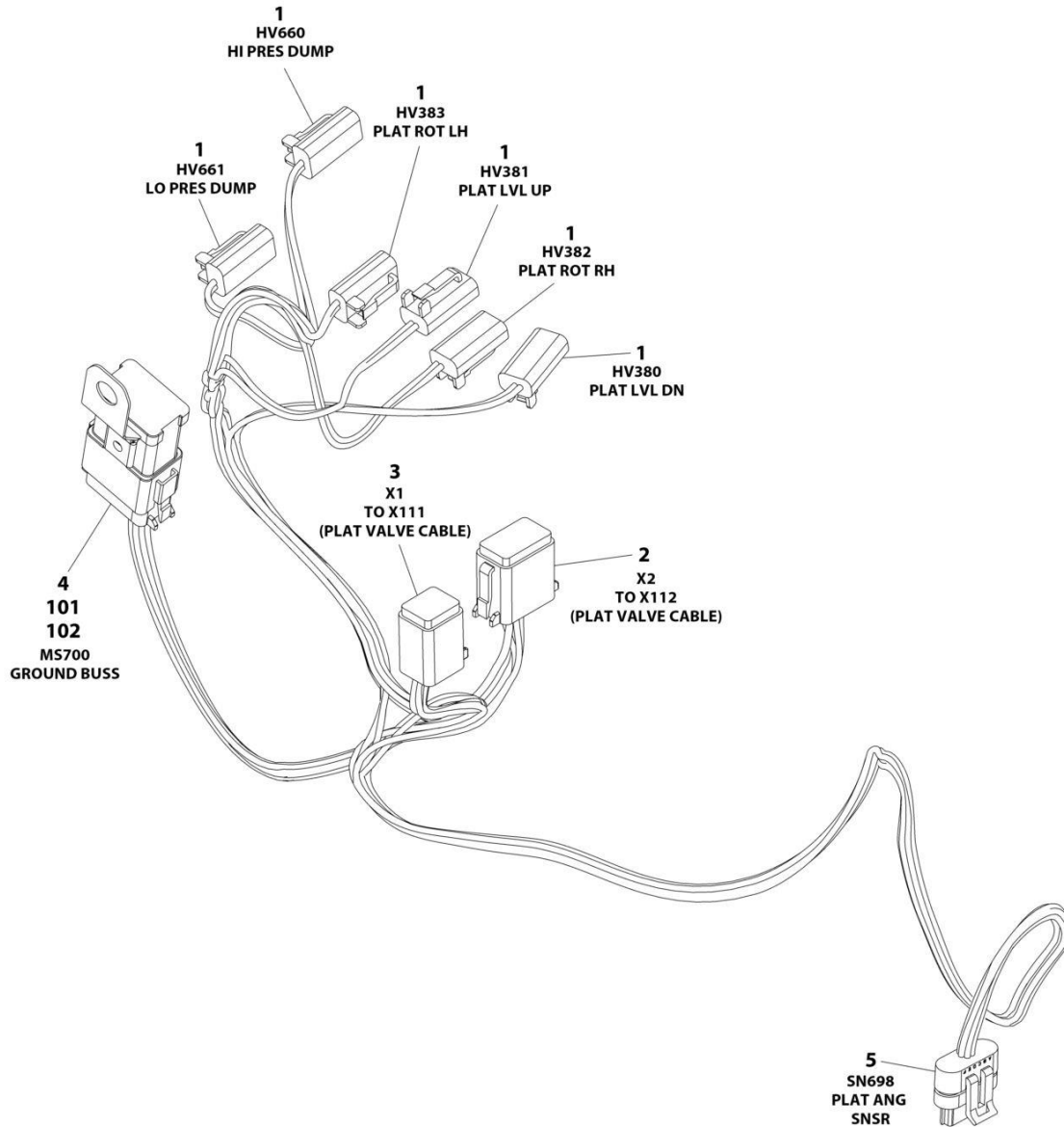
SECTION 8 - ELECTRICAL

FIGURE 8-94. VALVE HARNESS - MAIN CONTROL (2WS) (SN B300025469 to Present, SN 0300315613 to Present, Including B300025382)

ITEM	PART NUMBER	QTY	DESCRIPTION	REV
	1001284771	Ref	MAIN VALVE HARNESS	B
1	4460891	1	Connector	
1	4460465	2	Socket	
2	4460884	2	Connector	
2	4460465	8	Socket	
3	4460872	1	Connector	
3	4460871	10	Socket	
3	4460905	4	Plug	
4	4460911	1	Connector	
4	1001116694	3	Socket	
5	4460875	1	Connector	
5	4460871	28	Socket	
5	4460905	7	Plug	
6	4460931	1	Connector	
6	4460464	7	Pin	
6	4460466	1	Plug, Seal	
7	4460539	1	Connector	
7	4460465	3	Socket	
8	4460891	10	Connector	
8	4460465	20	Socket	
9	4460884	1	Connector	
9	4460465	4	Socket	
10	1001170764	1	Holder, Fuse	
10	1001197719	1	Resister 0.5 Watt	
101	1001152266	1	Connector	
102	1001155743	1	Terminal, Holder	

SECTION 8 - ELECTRICAL

FIGURE 8-95. VALVE HARNESS - PLATFORM VALVE - 600S HC3 (600S HC3)



ART_1001266276

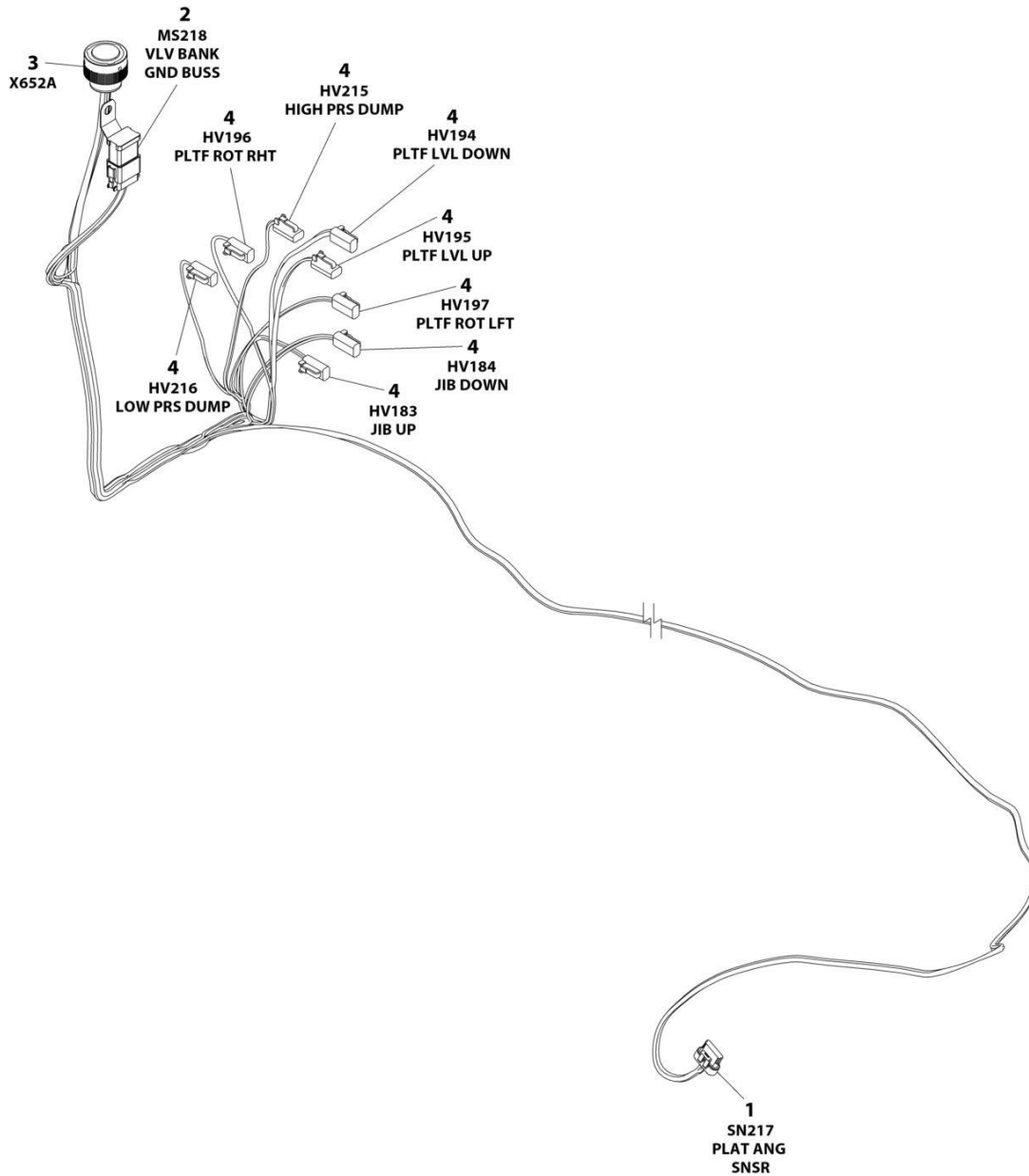
SECTION 8 - ELECTRICAL

FIGURE 8-95. VALVE HARNESS - PLATFORM VALVE - 600S HC3 (600S HC3)

ITEM	PART NUMBER	QTY	DESCRIPTION	REV
	1001266276	Ref	PLATFORM VALVE HARNESS	A
1	4460891	1	Connector	
2	4460465	2	Terminal	
3	4460891	1	Connector	
4	4460465	2	Terminal	
5	4460891	1	Connector	
6	4460465	2	Terminal	
7	4460891	1	Connector	
8	4460465	2	Terminal	
9	4460891	1	Connector	
10	4460465	2	Terminal	
11	4460891	1	Connector	
12	4460465	2	Terminal	
13	4460930	1	Connector	
14	4460465	7	Terminal	
15	4460466	1	Plug	
16	4460894	1	Connector	
17	4460465	6	Terminal	
18	4460836	1	Connector	
19	4460465	7	Terminal	
20	4460466	5	Plug	
21	1001230931	1	Connector	
22	1001116748	6	Terminal	
23	4460837	1	Connector	
24	1001120328	1	Mount	

SECTION 8 - ELECTRICAL

FIGURE 8-96. VALVE HARNESS - PLATFORM VALVE (660SJ HC3)



ART_1001264338_B

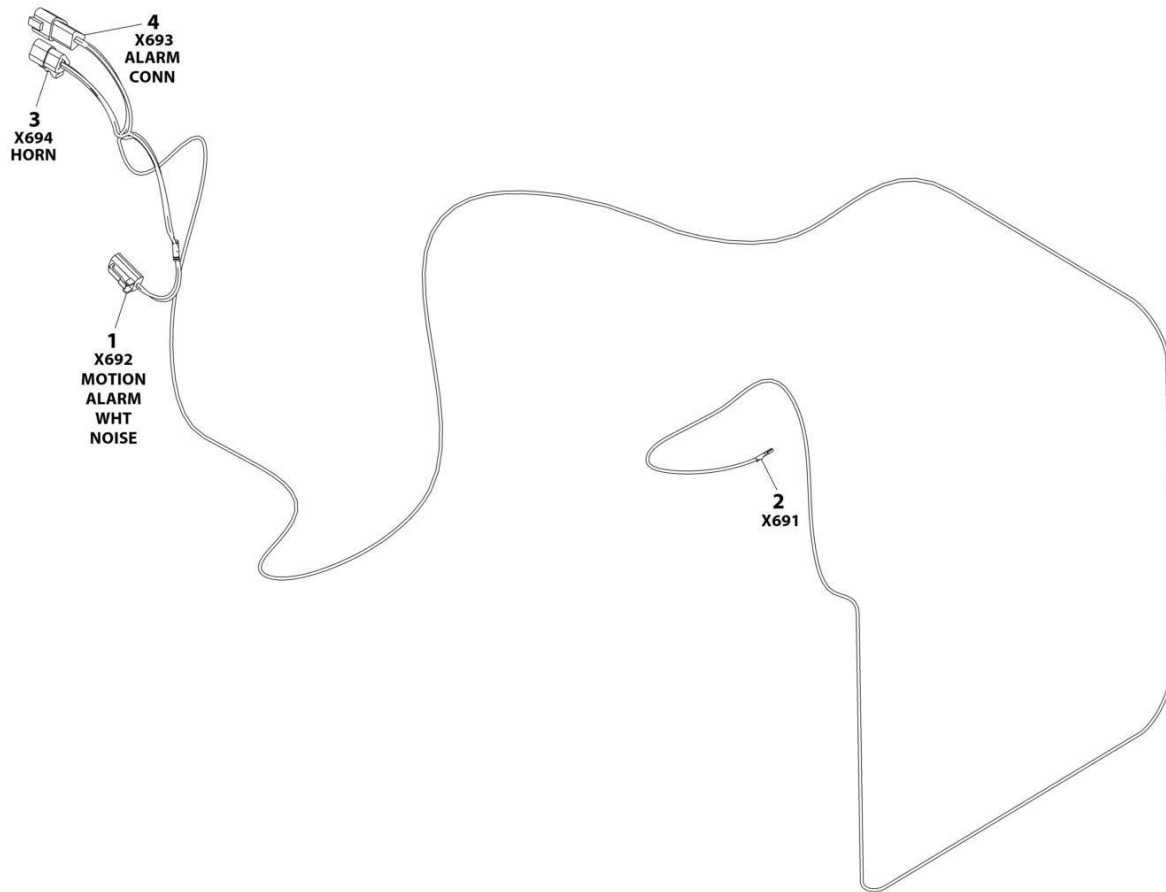
SECTION 8 - ELECTRICAL

FIGURE 8-96. VALVE HARNESS - PLATFORM VALVE (660SJ HC3)

ITEM	PART NUMBER	QTY	DESCRIPTION	REV
	1001264338	Ref	PLATFORM VALVE HARNESS	B
1	1001230931	1	Plug	
1	1001116748	6	Terminal	
2	4460836	1	Plug	
2	4460465	9	Socket	
2	4460466	3	Plug	
2	4460837	1	Connector	
2	1001120328	1	Clip, Mounting	
3	1001283549	1	Connector	
3	4460492	1	Clamp	
3	4460928	15	Socket	
3	4460518	6	Plug	
4	4460891	8	Plug	
4	4460465	16	Socket	

SECTION 8 - ELECTRICAL

FIGURE 8-97. WHITE NOISE ALARM HARNESS



ART_1001243682

SECTION 8 - ELECTRICAL

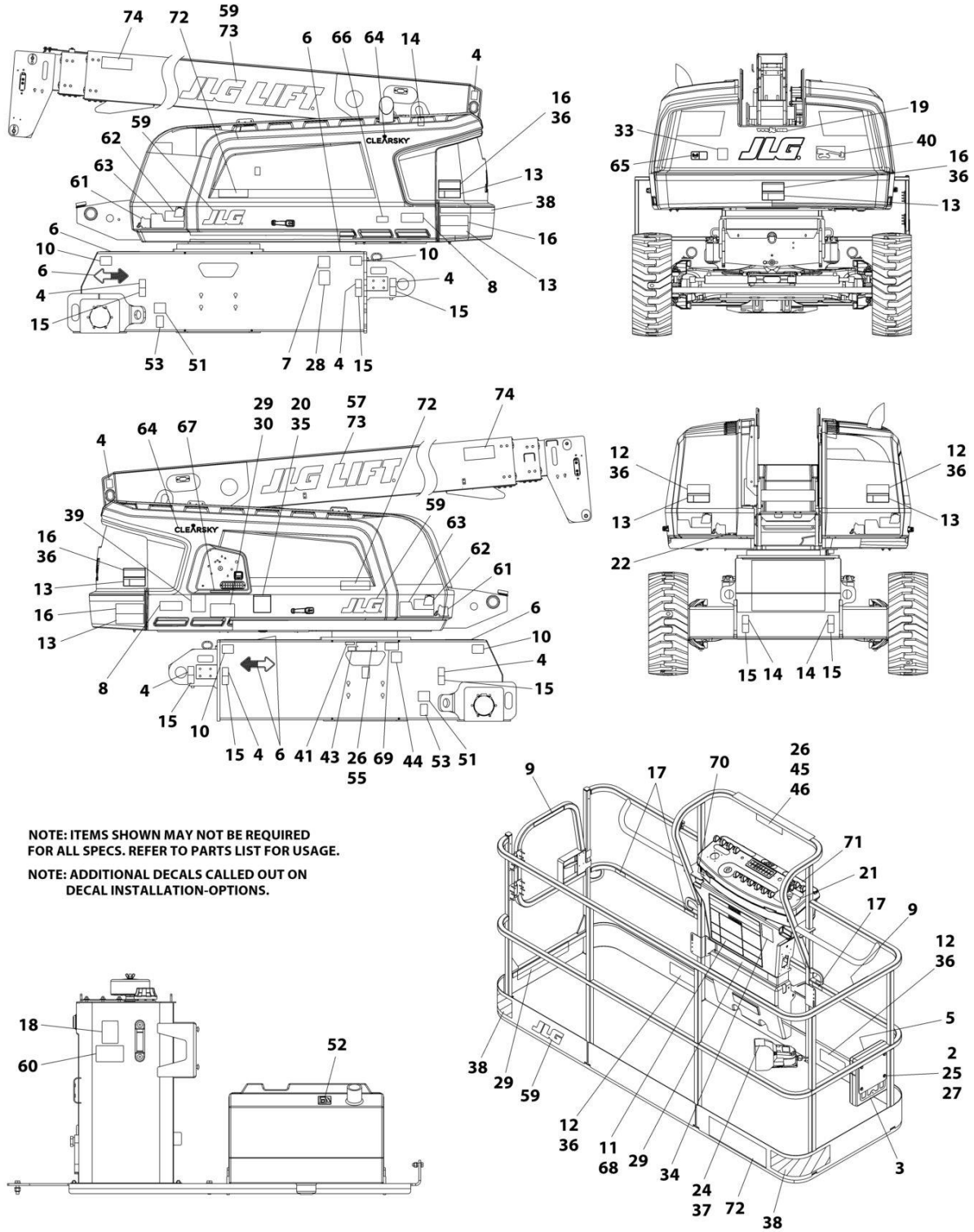
FIGURE 8-97. WHITE NOISE ALARM HARNESS

ITEM	PART NUMBER	QTY	DESCRIPTION	REV
	1001243682	Ref	WHITE NOISE ALARM HARNESS	A
1	4460891	1	Plug, Male - 2 Position	
1	4460465	2	Socket, Female	
2	4460871	1	Terminal	
3	4460539	1	Plug, Male- 3 Position	
3	4460465	3	Socket, Female	
4	4460536	1	Receptacle, Female- 3 Position	
4	4460464	3	Pin, Male	

SECTION 9 - DECALS

SECTION 9 - DECALS

FIGURE 9-1. DECAL INSTALLATION (ANSI SPECS - ENGLISH LANGUAGE)



NOTE: ITEMS SHOWN MAY NOT BE REQUIRED FOR ALL SPECS. REFER TO PARTS LIST FOR USAGE.

NOTE: ADDITIONAL DECALS CALLED OUT ON DECAL INSTALLATION-OPTIONS.

ART_1001235387

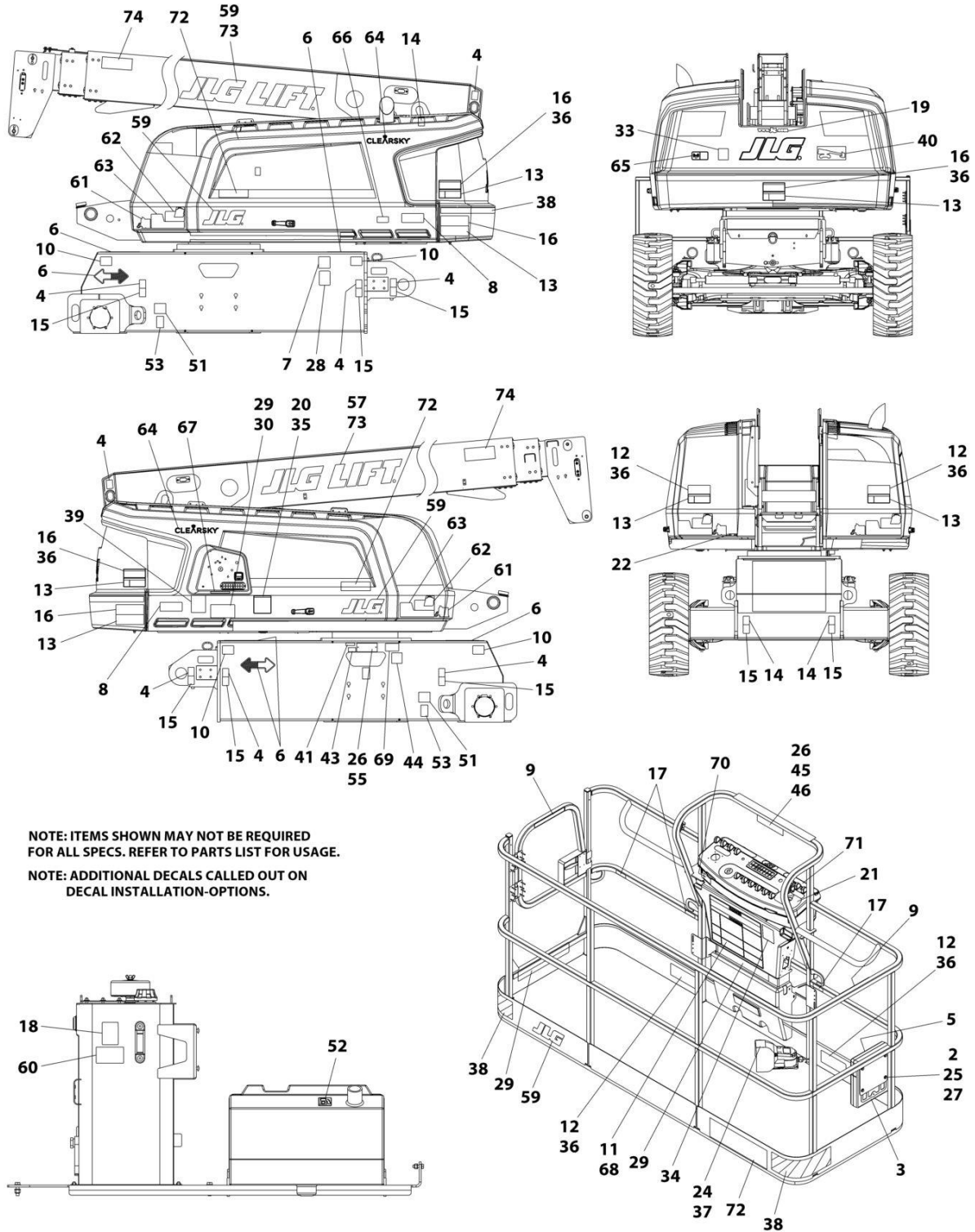
SECTION 9 - DECALS

FIGURE 9-1. DECAL INSTALLATION (ANSI SPECS - ENGLISH LANGUAGE)

ITEM	PART NUMBER	QTY	DESCRIPTION	REV
	1001235387	Ref	DECAL INSTALLATION	B
2	0700610	4	Bolt M6 x 20	
3	91403230	1	Box, Manual Storage	
4	1701499	8	Decal - No Tie Down/Lift	
5	1701509	1	Decal - Manual	
6	1701529	4	Decal - Arrow	
7	See Note	NSS	Decal - Bar Code (Note: Not Available for Purchase)	
9	1702868	2	Decal - No Hands	
11	1703797	1	Decal - Danger/Warning	
12	1703804	4	Decal - Warning/Crushing	
13	1703805	5	Decal - Electrocutation	
14	1703811	4	Decal - Lifting Lug	
15	1703814	8	Decal - Tie Down	
16	1703953	3	Decal - Warning/Crushing	
17	1704277	3	Decal - Lanyard Attach	
18	1704412	1	Decal - Hydraulic Oil	
20	1705336	1	Decal - Danger/Warning	
21	1705351	1	Decal - Drive/Steer Instruction	
22	3251243	1	Decal - 120V/60Hz	
24	3252347	1	Nameplate - Footswitch	
25	3290605	4	Nut M6	
26	3820001	2	Rivet	
27	4811700	8	Washer M6	
28	1001131269	1	Decal - Patent	
29	1001234425	1	Decal - Warning/Tri-Capacity	
30	1001234426	1	Decal - Warning/Tri-Capacity	
38	4420051	208 in /5.3m	Tape, Safety	
43	1001223453	1	Decal - ICES (Canada)	
44	1001223055	1	Decal - Yearly Inspection	
71	1001184618	1	Decal - Stop Auxiliary/Power	

SECTION 9 - DECALS

FIGURE 9-2. DECAL INSTALLATION (AUSTRALIAN SPECS - ENGLISH LANGUAGE)



ART_1001250609

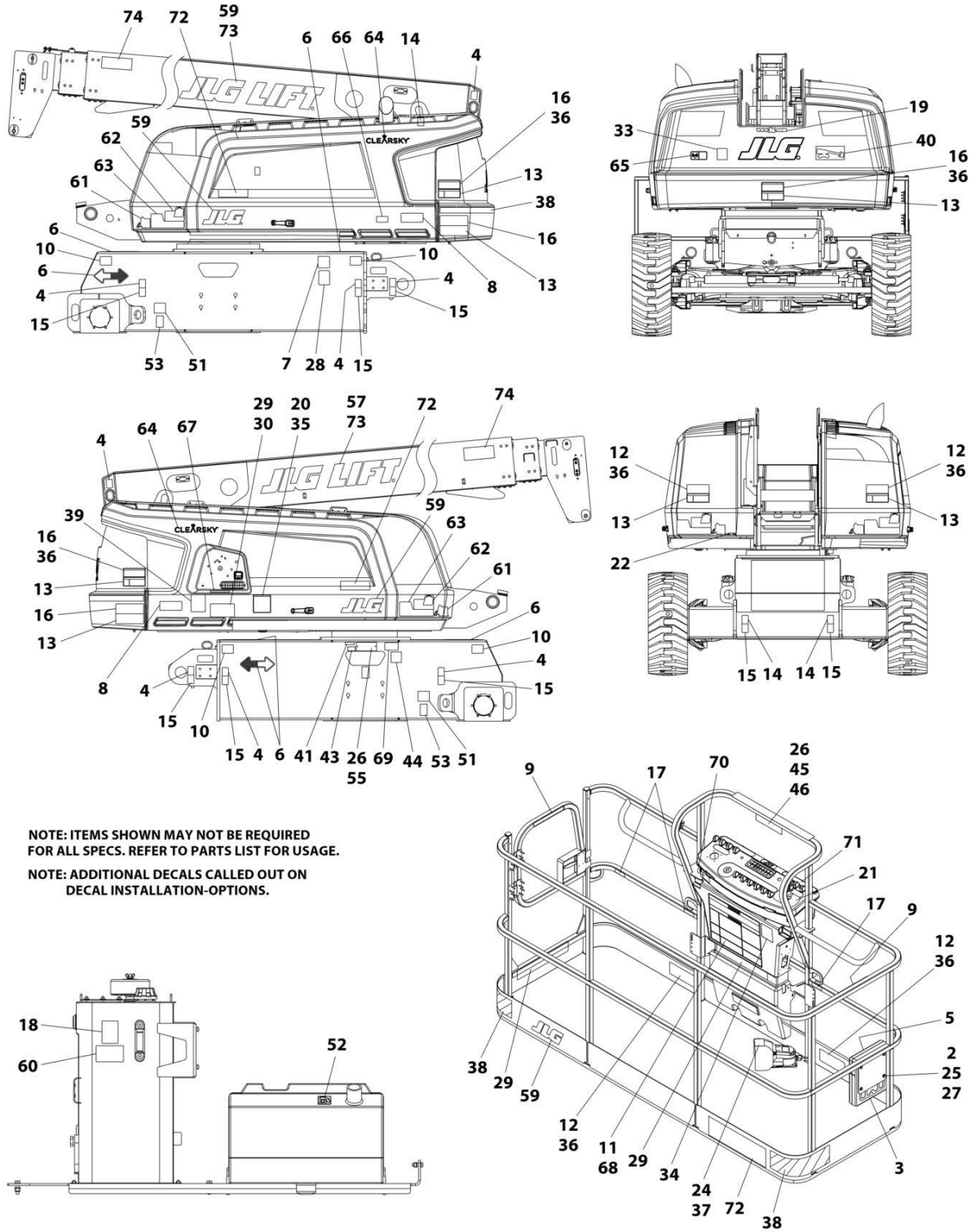
SECTION 9 - DECALS

FIGURE 9-2. DECAL INSTALLATION (AUSTRALIAN SPECS - ENGLISH LANGUAGE)

ITEM	PART NUMBER	QTY	DESCRIPTION	REV
	1001250609	Ref	DECAL INSTALLATION	C
2	0700610	4	Bolt M6 x 20	
3	91403230	1	Box, Manual Storage	
4	1701499	8	Decal - No Tie Down/Lift	
5	1701509	1	Decal - Manual	
6	1701529	4	Decal - Arrow	
7	See Note	NSS	Decal - Bar Code (Note: Not Available For Purchase)	
13	1705961	5	Decal - Electrocutation	
14	1703811	4	Decal - Lifting Lug	
15	1703814	8	Decal - Tie Down	
17	1704277	3	Decal - Lanyard Attach	
18	1704412	1	Decal - Hydraulic Oil	
25	3290605	4	Nut M6	
26	3820001	2	Rivet	
27	4811700	8	Washer M6	
29	1001234439	1	Decal - Warning/Tri - Capacity	
30	1001234439	1	Decal - Warning/Tri - Capacity	
34	1705921	1	Decal - Tipping/Electrocutation	
35	1705822	1	Decal - Electrocutation/Safety Manual	
36	1701518	7	Decal - Crushing	
37	1705828	1	Nameplate - Footswitch	
38	4420051	208 in/ 5.3m	Tape, Safety	
39	1001112551	1	Decal - Emergency Controls	
69	1001231422	1	Decal - Wheel Assembly Mass	
71	1001184618	1	Decal - Stop/Auxiliary Power	

SECTION 9 - DECALS

FIGURE 9-3. DECAL INSTALLATION (BRAZIL SPECS - PORTUGUESE/SPANISH LANGUAGES)



NOTE: ITEMS SHOWN MAY NOT BE REQUIRED FOR ALL SPECS. REFER TO PARTS LIST FOR USAGE.

NOTE: ADDITIONAL DECALS CALLED OUT ON DECAL INSTALLATION-OPTIONS.

ART_1001235446

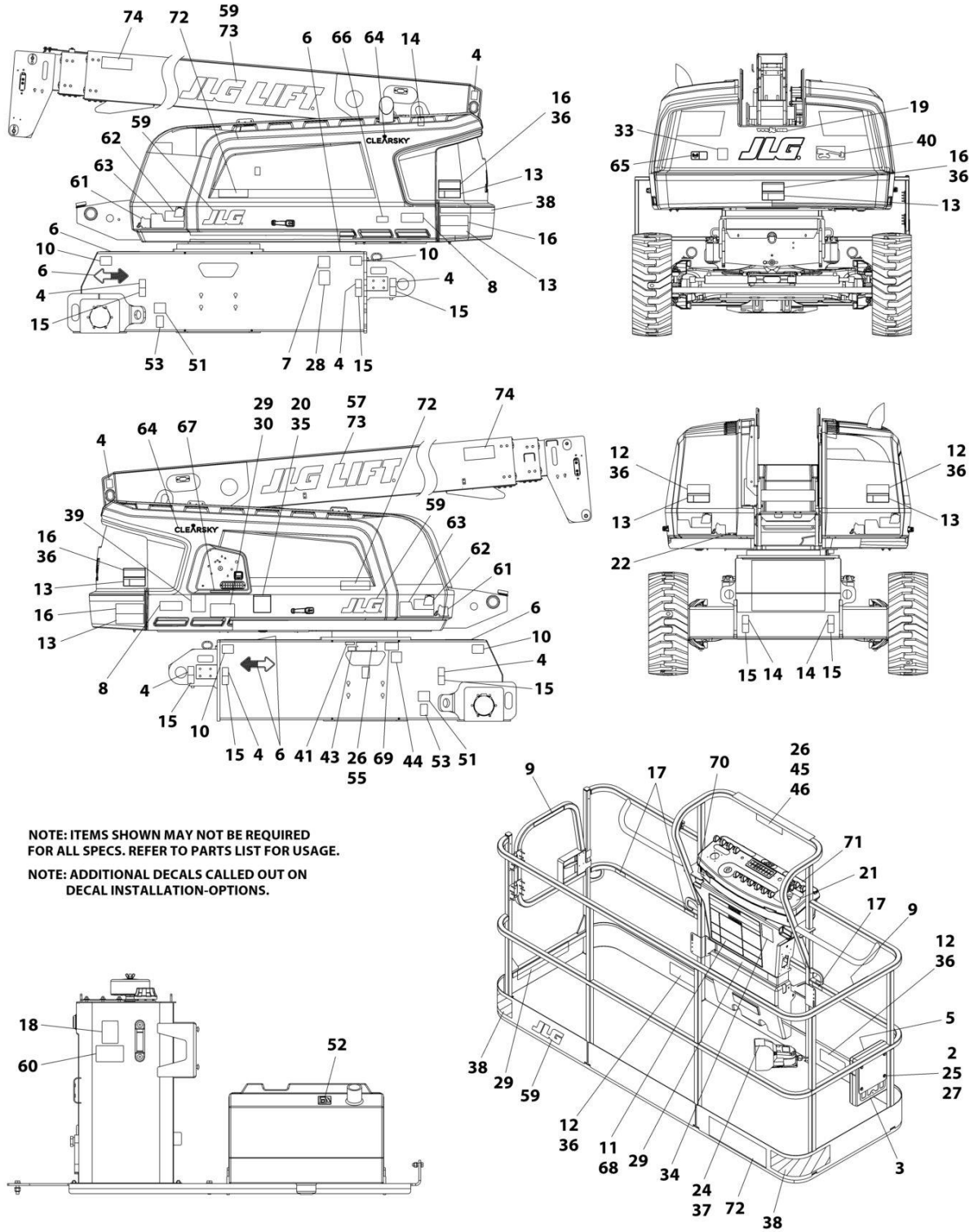
SECTION 9 - DECALS

FIGURE 9-3. DECAL INSTALLATION (BRAZIL SPECS - PORTUGUESE/SPANISH LANGUAGES)

ITEM	PART NUMBER	QTY	DESCRIPTION	REV
	1001235446	Ref	DECAL INSTALLATION	B
2	0700610	4	Bot M6 x 20	
3	91403230	1	Box, Manual Storage	
4	1701499	8	Decal - No Tie Down/Lift	
5	1701509	1	Decal - Manual	
6	1701529	4	Decal - Arrow	
7	See Note	NSS	Decal - Bar Code (Note: Not Available For Purchase)	
9	1704002	2	Decal - No Hands	
11	1703928	1	Decal - Danger/Warning	
12	1703952	4	Decal - Warning/Crushing	
13	1703940	5	Decal - Electrocution	
14	1703811	4	Decal - Lifting Lug	
15	1703814	8	Decal - Tie Down	
16	1703946	3	Decal - Warning/Crushing	
17	1704277	3	Decal - Lanyard Attach	
18	1704412	1	Decal - Hydraulic Oil	
20	1705349	1	Decal - Warning/Inspection	
21	1001113680	1	Decal - Drive/Steer Instruction	
22	3251243	1	Decal - 120V/60Hz	
24	1703985	1	Nameplate - Footswitch	
25	3290605	4	Nut M6	
26	3820001	2	Rivet	
27	4811700	8	Washer M6	
29	1001234437	2	Decal - Warning/Tri-Capacity	
30	1001234438	1	Decal - Warning/Tri-Capacity	
38	4420051	208 in /5.3m	Tape, Safety	
44	1001224052	1	Decal - Yearly Inspection	
71	1001184618	1	Decal - Stop/Auxiliary Power	

SECTION 9 - DECALS

FIGURE 9-4. DECAL INSTALLATION (CE & UK CA SPECS - ENGLISH LANGUAGE)



NOTE: ITEMS SHOWN MAY NOT BE REQUIRED FOR ALL SPECS. REFER TO PARTS LIST FOR USAGE.

NOTE: ADDITIONAL DECALS CALLED OUT ON DECAL INSTALLATION-OPTIONS.

ART_1001235449

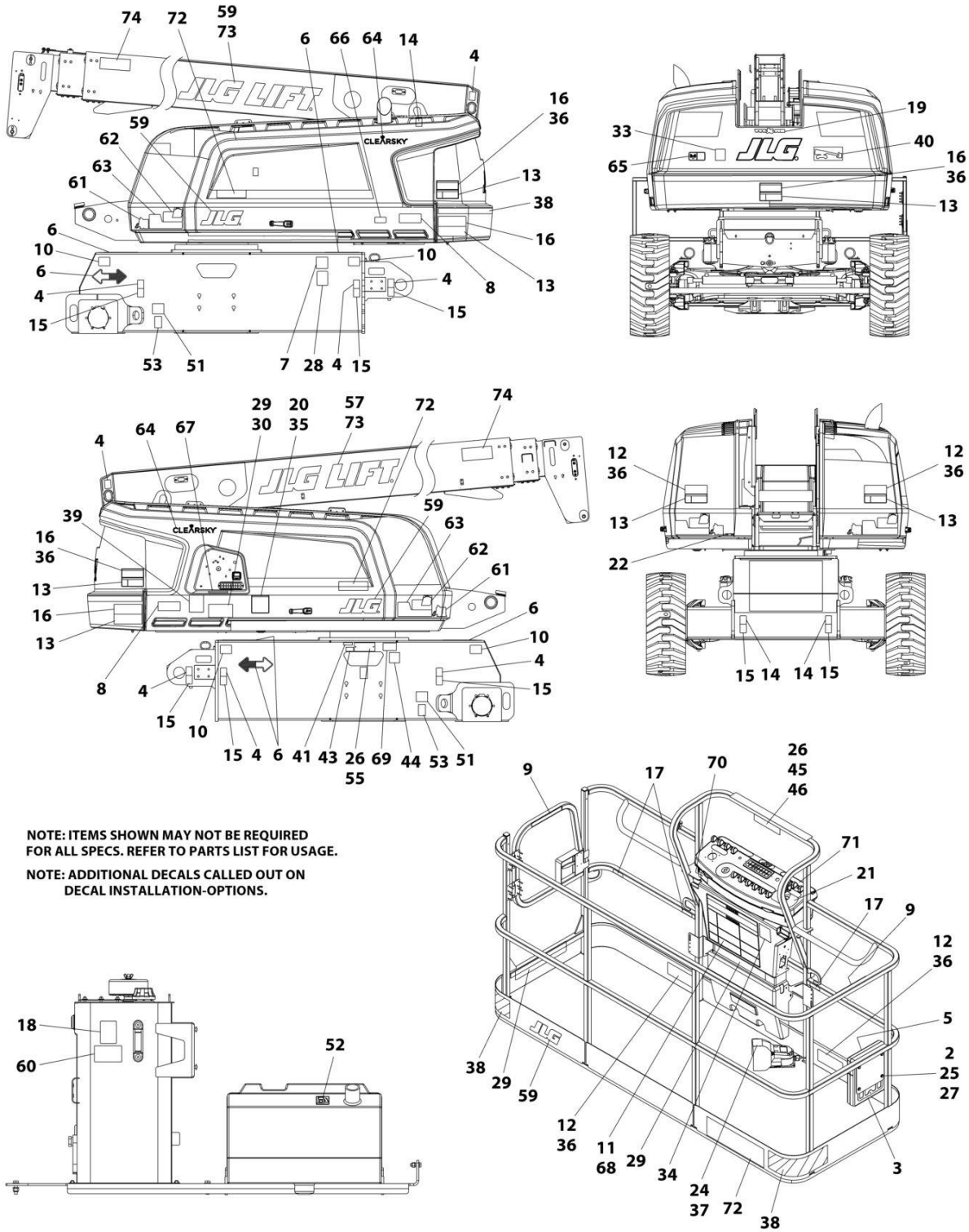
SECTION 9 - DECALS

FIGURE 9-4. DECAL INSTALLATION (CE & UK CA SPECS - ENGLISH LANGUAGE)

ITEM	PART NUMBER	QTY	DESCRIPTION	REV
	1001235449	Ref	DECAL INSTALLATION	B
2	0700610	4	Bolt M6 x 20	
3	91403230	1	Box, Manual Storage	
4	1701499	8	Decal - No Tie Down/Lift	
5	1701509	1	Decal - Manual	
6	1701529	4	Decal - Arrow	
7	See Note	NSS	Decal - Bar Code (Note: Not Available For Purchase)	
13	1705961	5	Decal - Electrocutation	
14	1703811	4	Decal - Lifting Lug	
15	1703814	8	Decal - Tie Down	
17	1704277	3	Decal - Lanyard Attach	
18	1704412	1	Decal - Hydraulic Oil	
25	3290605	4	Nut M6	
26	3820001	2	Rivet	
27	4811700	8	Washer M6	
29	1001234439	1	Decal - Warning/Tri-Capacity	
30	1001234439	1	Decal - Warning/Tri-Capacity	
34	1705921	1	Decal - Tipping/Electrocutation	
35	1705822	1	Decal - Electrocutation/Safety Manual	
36	1701518	7	Decal - Crushing	
37	1705828	1	Nameplate - Footswitch	
38	4420051	208 in/ 5.3m	Tape, Safety	
71	1001184618	1	Decal - Stop/Auxiliary Power	

SECTION 9 - DECALS

FIGURE 9-5. DECAL INSTALLATION (CHINESE SPECS - ENGLISH/SIMPLIFIED CHINESE LANGUAGES)



NOTE: ITEMS SHOWN MAY NOT BE REQUIRED FOR ALL SPECS. REFER TO PARTS LIST FOR USAGE.

NOTE: ADDITIONAL DECALS CALLED OUT ON DECAL INSTALLATION-OPTIONS.

ART_1001235445

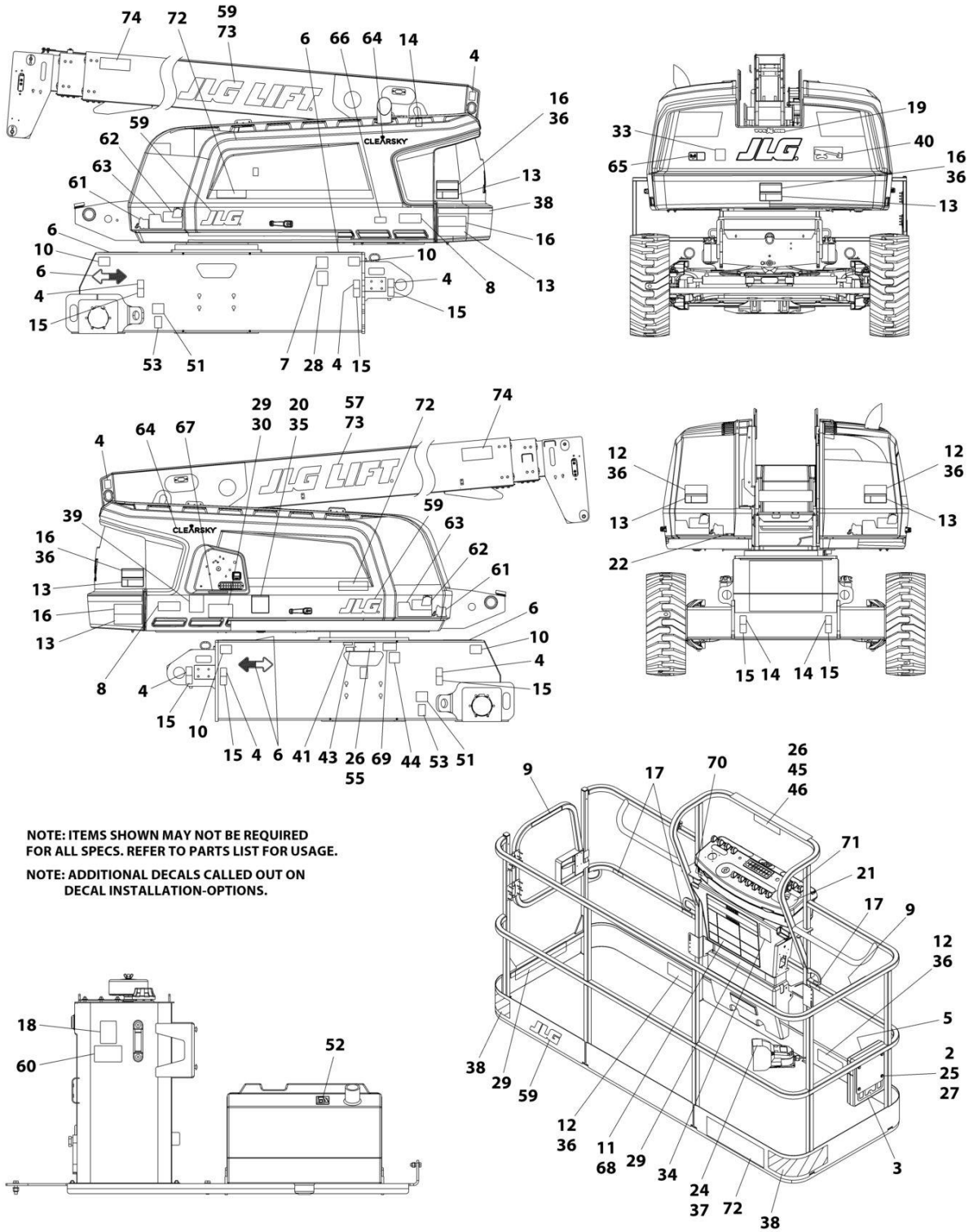
SECTION 9 - DECALS

FIGURE 9-5. DECAL INSTALLATION (CHINESE SPECS - ENGLISH/SIMPLIFIED CHINESE LANGUAGES)

ITEM	PART NUMBER	QTY	DESCRIPTION	REV
	1001235445	Ref	DECAL INSTALLATION	B
2	0700610	4	Bolt M6 x 20	
3	91403230	1	Box, Manual Storage	
4	1701499	8	Decal - No Tie Down/Lift	
5	1701509	1	Decal - Manual	
6	1701529	4	Decal - Arrow	
7	See Note	1	Decal - Bar Code (Note: Not Available for Purchase)	
9	1705968	2	Decal - No Hands	
11	1001116847	1	Decal - Warning	
12	1001116850	4	Decal - Warning/Crushing	
13	1703937	5	Decal - Electrocution	
14	1703811	4	Decal - Lifting Lug	
15	1703814	8	Decal - Tie Down	
16	1001116845	3	Decal - Warning/Crushing	
17	1704277	3	Decal - Lanyard Attach	
18	1704412	1	Decal - Hydraulic Oil	
20	1001116848	1	Decal - Warning/Inspection	
21	1705430	1	Decal - Drive Steer	
22	3251243	1	Decal - 120V/60Hz	
24	1001116852	1	Decal - Footswitch	
25	3290605	4	Nut M6	
26	3820001	2	Rivet	
27	4811700	8	Washer M6	
29	1001235401	1	Decal - Warning/Tri-Capacity	
30	1001235402	1	Decal - Warning/Tri-Capacity	
38	4420051	208 ft/ 5.3m	Tape, Safety	
44	1001224051	1	Decal - Yearly Inspection	
71	1001184618	1	Decal - Stop/Auxiliary Power	

SECTION 9 - DECALS

FIGURE 9-6. DECAL INSTALLATION (CHINESE SPECS - ENGLISH/TRADITIONAL CHINESE LANGUAGES)



NOTE: ITEMS SHOWN MAY NOT BE REQUIRED FOR ALL SPECS. REFER TO PARTS LIST FOR USAGE.

NOTE: ADDITIONAL DECALS CALLED OUT ON DECAL INSTALLATION-OPTIONS.

ART_1001235444

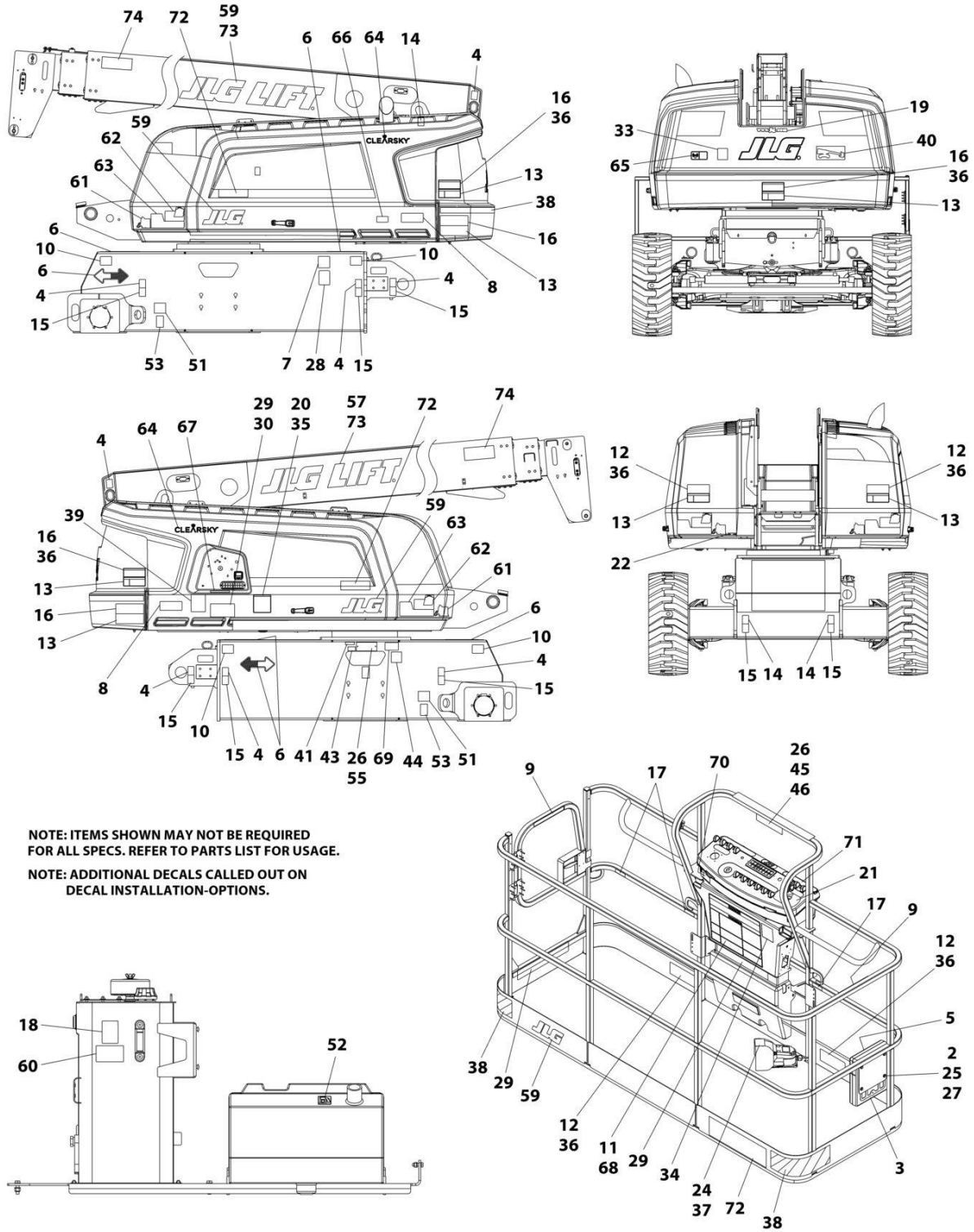
SECTION 9 - DECALS

FIGURE 9-6. DECAL INSTALLATION (CHINESE SPECS - ENGLISH/TRADITIONAL CHINESE LANGUAGES)

ITEM	PART NUMBER	QTY	DESCRIPTION	REV
	1001235444	Ref	DECAL INSTALLATION	B
2	0700610	4	Bolt M6 x 20	
3	91403230	1	Box, Manual Storage	
4	1701499	8	Decal - No Tie Down/Lift	
5	1701509	1	Decal - Manual	
6	1701529	4	Decal - Arrow	
7	See Note	1	Decal - Bar Code (Note: Not Available For Purchase)	
9	1001116846	2	Decal - No Hands	
11	1703925	1	Decal - Danger/Warning	
12	1703949	4	Decal - Crushing	
13	1001116851	5	Decal - Electrocution	
14	1703811	4	Decal - Lifting Lug	
15	1703814	8	Decal - Tie Down	
16	1703943	3	Decal - Warning/Crushing	
17	1704277	3	Decal - Lanyard Attach	
18	1704412	1	Decal - Hydraulic Oil	
20	1001116849	1	Decal - Warning/Inspection	
21	1001116863	1	Decal - Drive/Steer Instruction	
22	3251243	1	Decal - 120V/60Hz	
24	1703982	1	Nameplate - Footswitch	
25	3290605	4	Nut M6	
26	3820001	2	Rivet	
27	4811700	8	Washer M6	
29	1001234435	2	Decal - Warning/Tri-Capacity	
30	1001234436	1	Decal - Warning/Tri-Capacity	
38	4420051	208 in/ 5.3m	Tape, Safety	
44	1001224050	1	Decal - Yearly Inspection	
71	1001184618	1	Decal - Stop/Auxiliary Power	

SECTION 9 - DECALS

FIGURE 9-7. DECAL INSTALLATION (CSA SPECS - ENGLISH/FRENCH LANGUAGES)



NOTE: ITEMS SHOWN MAY NOT BE REQUIRED FOR ALL SPECS. REFER TO PARTS LIST FOR USAGE.

NOTE: ADDITIONAL DECALS CALLED OUT ON DECAL INSTALLATION-OPTIONS.

ART_1001235448

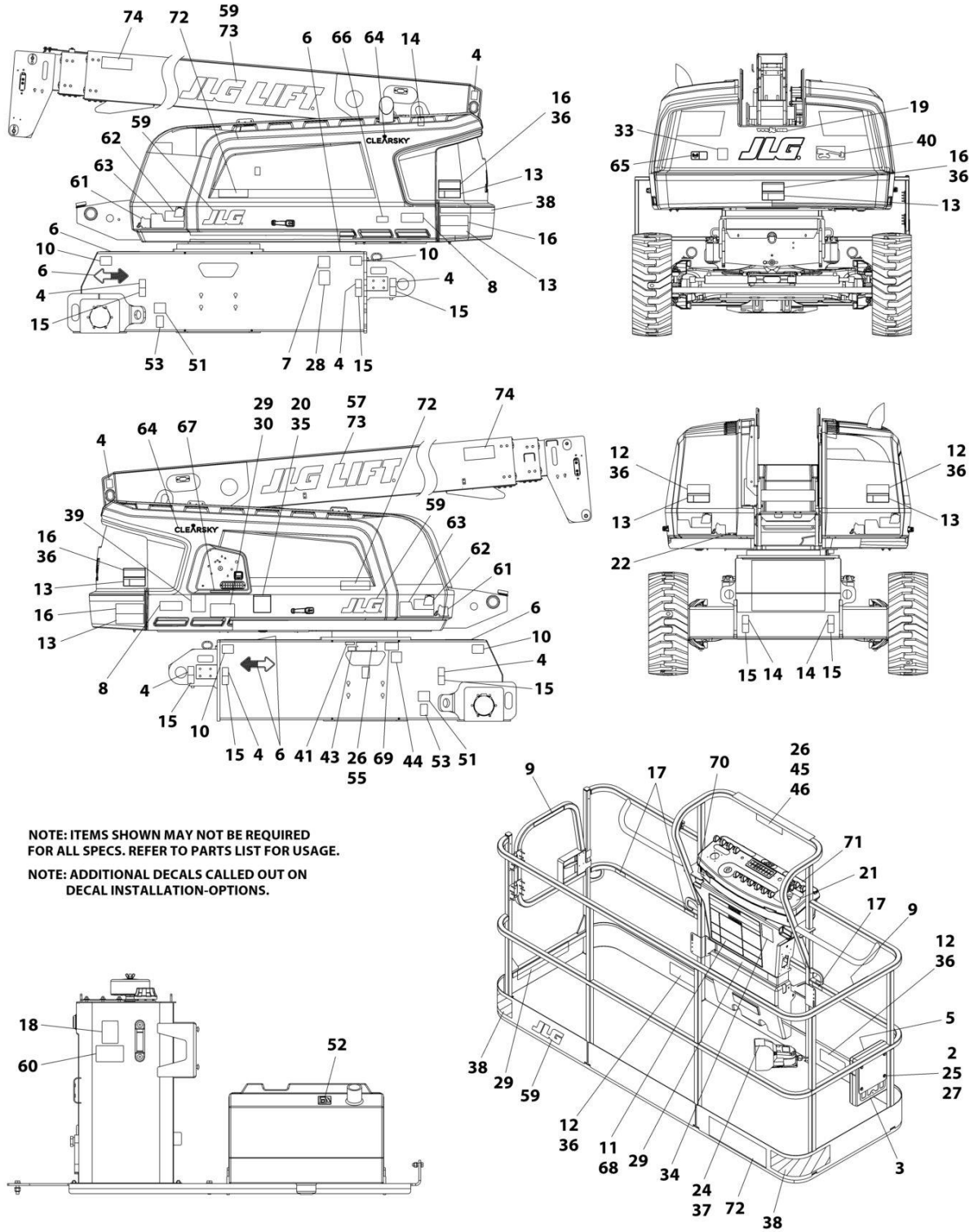
SECTION 9 - DECALS

FIGURE 9-7. DECAL INSTALLATION (CSA SPECS - ENGLISH/FRENCH LANGUAGES)

ITEM	PART NUMBER	QTY	DESCRIPTION	REV
	1001235448	Ref	DECAL INSTALLATION	B
2	0700610	4	Bolt M6 x 20	
3	91403230	1	Box, Manual Storage	
4	1701499	8	Decal - No Tie Down/Lift	
5	1701509	1	Decal - Manual	
6	1701529	4	Decal - Arrow	
7	See Note	NSS	Decal - Bar Code (Note: Not Available For Purchase)	
9	1704000	2	Decal - No Hands	
11	1703924	1	Decal - Danger/Warning	
12	1703948	4	Decal - Warning/Crushing	
13	1703936	5	Decal - Electrocuting	
14	1703811	4	Decal - Lifting Lug	
15	1703814	8	Decal - Tie Down	
16	1703942	3	Decal - Crushing	
17	1704277	3	Decal - Lanyard Attach	
18	1704412	1	Decal - Hydraulic Oil	
20	1705347	1	Decal - Warning/Inspection	
21	1705429	1	Decal - Drive/Steer Instruction	
22	3251243	1	Decal - 120V/60Hz	
24	1703984	1	Nameplate - Footswitch	
25	3290605	4	Nut M6	
26	3820001	2	Rivet	
27	4811700	8	Washer M6	
28	1001131269	1	Decal - Patent	
29	1001234433	1	Decal - Warning/Tri-Capacity	
30	1001234434	1	Decal - Warning/Tri-Capacity	
38	4420051	208 in /5.3m	Tape, Safety	
43	1001223453	1	Decal - ICES (Canada)	
44	1001223971	1	Decal - Yearly Inspection	
71	1001184618	1	Decal - Stop/Auxiliary Power	

SECTION 9 - DECALS

FIGURE 9-8. DECAL INSTALLATION (JAPANESE SPECS - ENGLISH/JAPANESE LANGUAGES)



NOTE: ITEMS SHOWN MAY NOT BE REQUIRED FOR ALL SPECS. REFER TO PARTS LIST FOR USAGE.

NOTE: ADDITIONAL DECALS CALLED OUT ON DECAL INSTALLATION-OPTIONS.

ART_1001235450

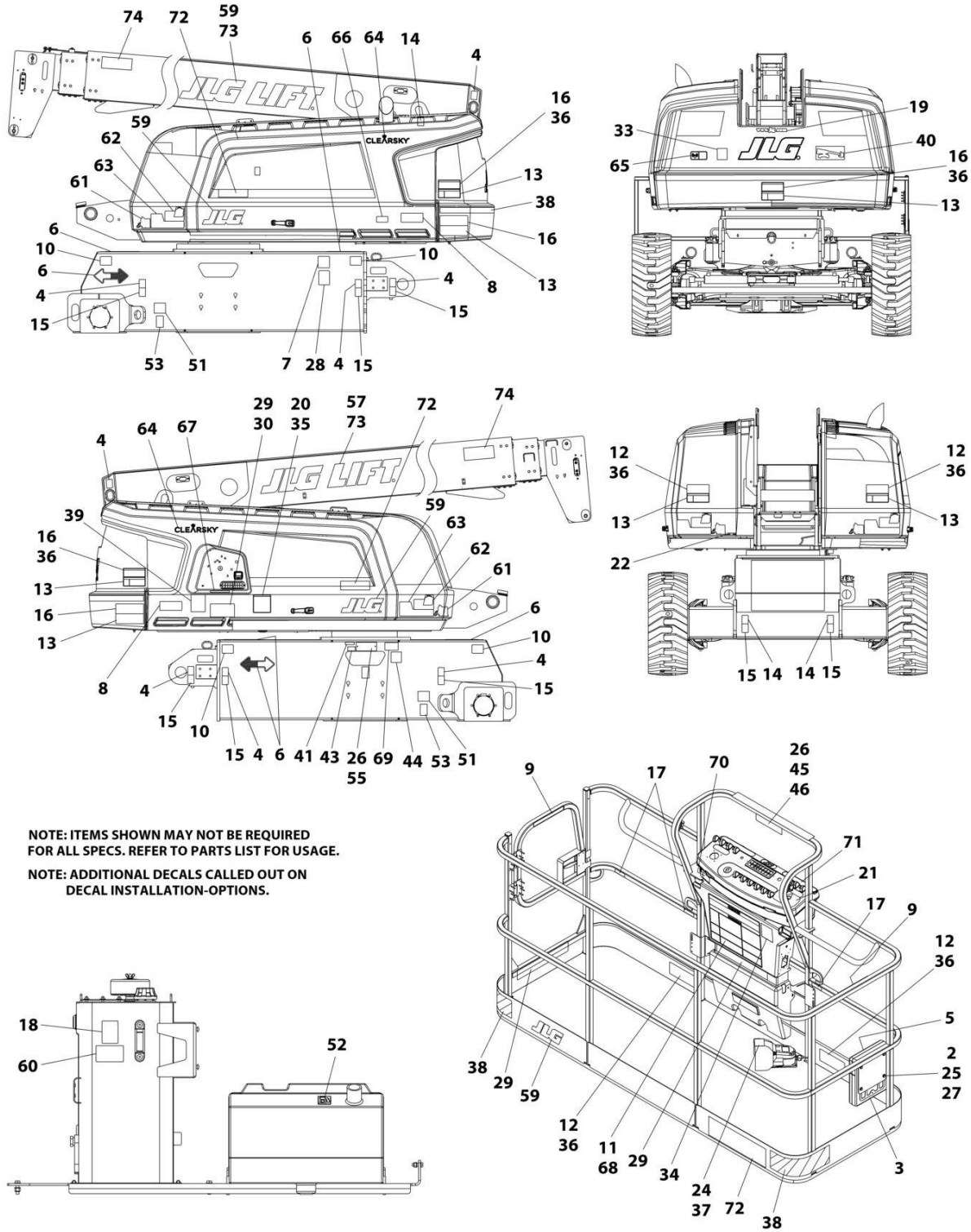
SECTION 9 - DECALS

FIGURE 9-8. DECAL INSTALLATION (JAPANESE SPECS - ENGLISH/JAPANESE LANGUAGES)

ITEM	PART NUMBER	QTY	DESCRIPTION	REV
	1001235450	Ref	DECAL INSTALLATION	B
2	0700610	4	Bolt M6 x 20	
3	91403230	1	Box, Manual Storage	
4	1701499	8	Decal - No Tie Down/Lift	
5	1701509	1	Decal - Manual	
6	1701529	4	Decal - Arrow	
7	See Note	NSS	Decal - Bar Code (Note: Not Available For Purchase)	
11	1703926	1	Decal - Danger/Warning	
12	1703950	4	Decal - Crushing	
13	1703938	5	Decal - Electrocution	
14	1703811	4	Decal - Lifting Lug	
15	1703814	8	Decal - Tie Down	
16	1703944	3	Decal - Warning/Crushing	
17	1704277	3	Decal - Lanyard Attach	
18	1704412	1	Decal - Hydraulic Oil	
20	1705344	1	Decal - Warning/Inspection	
21	1705426	1	Decal - Drive/Steer Instruction	
22	3251243	1	Decal - 120V/60Hz	
24	1703980	1	Nameplate - Footswitch	
25	3290605	4	Nut M6	
26	3820001	2	Rivet	
27	4811700	8	Washer M6	
29	1001234428	1	Decal - Warning/Tri-Capacity	
30	1001234429	1	Decal - Warning/Tri-Capacity	
38	4420051	208 in /5.3m	Tape, Safety	
44	1001224053	1	Decal - Yearly Inspection	
71	1001184618	1	Decal - Stop/Auxiliary Power	

SECTION 9 - DECALS

FIGURE 9-9. DECAL INSTALLATION (KOREAN SPECS - ENGLISH/KOREAN LANGUAGES)



NOTE: ITEMS SHOWN MAY NOT BE REQUIRED FOR ALL SPECS. REFER TO PARTS LIST FOR USAGE.

NOTE: ADDITIONAL DECALS CALLED OUT ON DECAL INSTALLATION-OPTIONS.

ART_1001235388

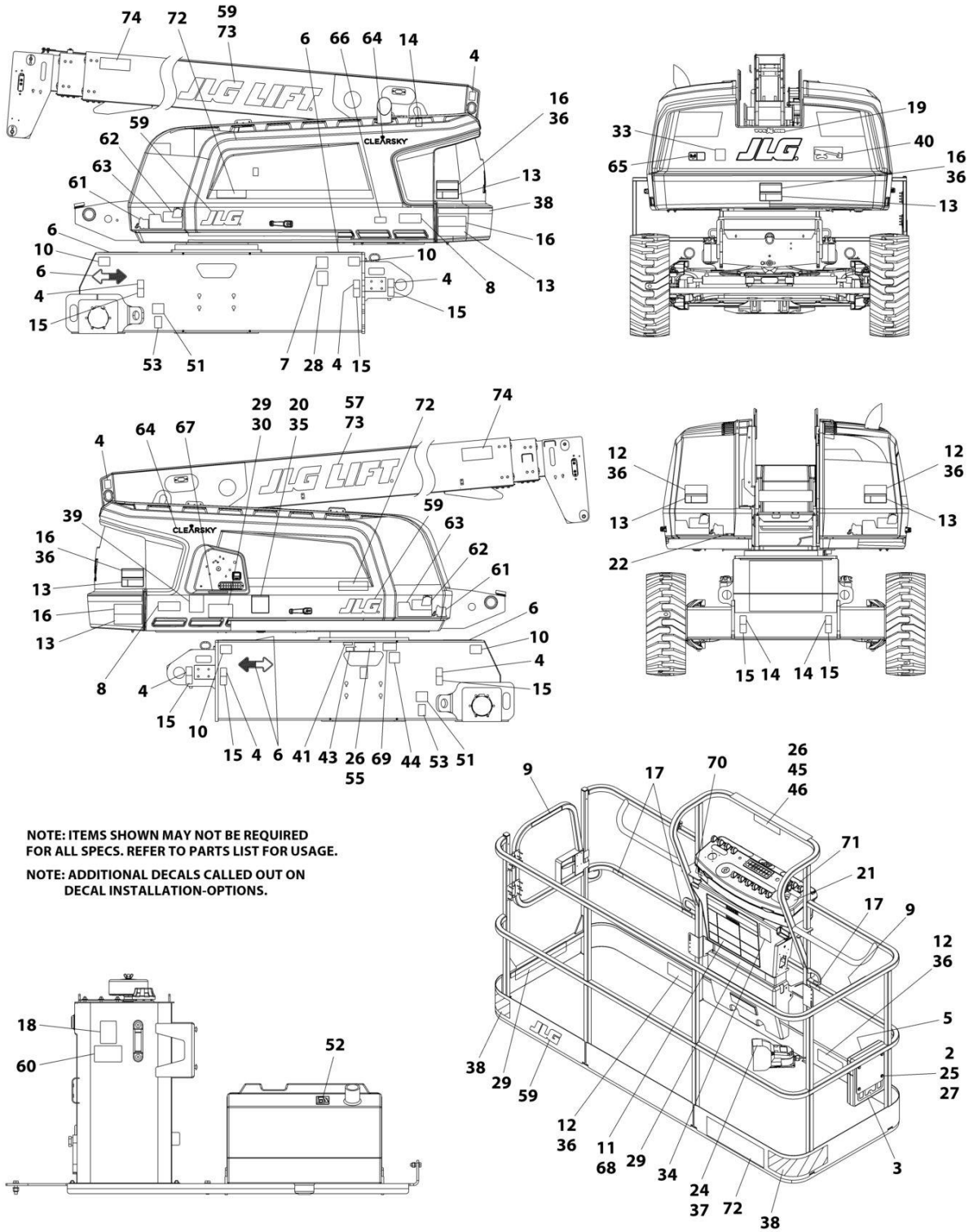
SECTION 9 - DECALS

FIGURE 9-9. DECAL INSTALLATION (KOREAN SPECS - ENGLISH/KOREAN LANGUAGES)

ITEM	PART NUMBER	QTY	DESCRIPTION	REV
	1001235388	Ref	DECAL INSTALLATION	B
2	0700610	4	Bolt M6 x 20	
3	91403230	1	Box, Manual Storage	
4	1701499	8	Decal - No Tie Down/Lift	
5	1701509	1	Decal - Manual	
6	1701529	4	Decal - Arrow	
7	See Note	NSS	Decal - Bar Code (Note: Not Available for Purchase)	
9	1705969	2	Decal - No Hands	
11	1703927	1	Decal - Warning/Danger	
12	1703951	4	Decal - Warning/Crushing	
13	1703939	5	Decal - Danger Electricution	
14	1703811	4	Decal - Lifting Lug	
15	1703814	8	Decal - Tie Down	
16	1703945	3	Decal - Warning Crushing	
17	1704277	3	Decal - Lanyard Attach Graphic	
18	1704412	1	Decal - Hydraulic Oil	
20	1705345	1	Decal - Warning/Inspection	
21	1705427	1	Decal - Drive/Steer Instruction	
24	1703981	1	Nameplate - Footswitch	
25	3290605	4	Nut M6	
26	3820001	2	Rivet	
27	4811700	8	Washer M6	
29	1001234430	1	Decal - Warning/Tri-Capacity	
30	1001235585	1	Decal - Warning/Tri-Capacity	
38	4420051	208 in /5.3m	Tape, Safety	
44	1001224048	1	Decal - Yearly Inspection	
71	1001184618	1	Decal - Stop/Auxiliary Power	

SECTION 9 - DECALS

FIGURE 9-10. DECAL INSTALLATION - LATIN AMERICAN SPECS - ENGLISH/SPANISH LANGUAGES)



NOTE: ITEMS SHOWN MAY NOT BE REQUIRED FOR ALL SPECS. REFER TO PARTS LIST FOR USAGE.

NOTE: ADDITIONAL DECALS CALLED OUT ON DECAL INSTALLATION-OPTIONS.

ART_1001235447

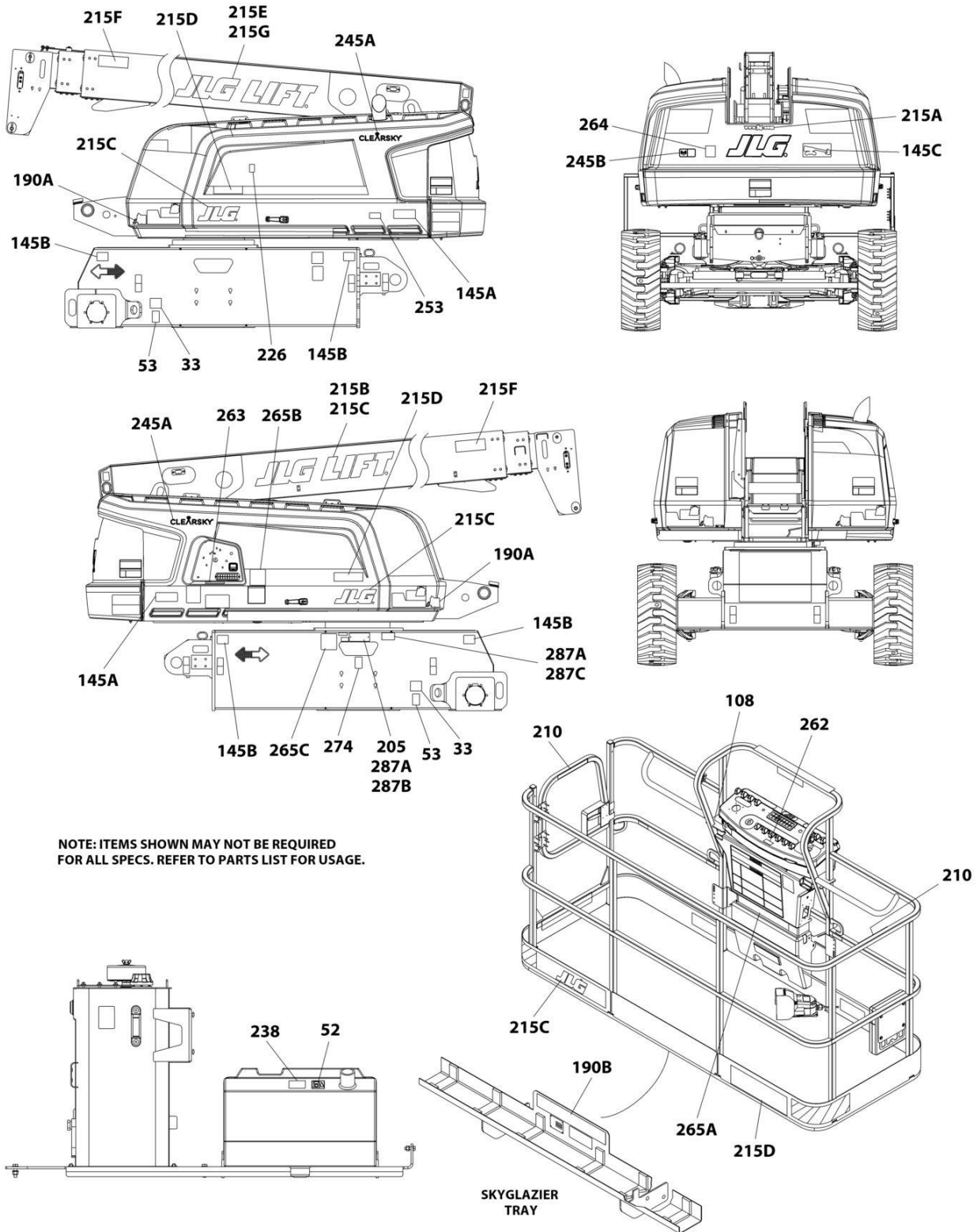
SECTION 9 - DECALS

FIGURE 9-10. DECAL INSTALLATION - LATIN AMERICAN SPECS - ENGLISH/SPANISH LANGUAGES)

ITEM	PART NUMBER	QTY	DESCRIPTION	REV
	1001235447	Ref	DECAL INSTALLATION	B
2	0700610	4	Bolt M6 x 20	
3	91403230	1	Box, Manual Storage	
4	1701499	8	Decal - No Tie Down/Lift	
5	1701509	1	Decal - Manual	
6	1701529	4	Decal - Arrow	
7	See Note	NSS	Decal - Bar Code (Note: Not Available for Purchase)	
9	1704001	2	Decal - No Hands	
11	1703923	1	Decal - Warning/Danger	
12	1703947	4	Decal - Warning/Crushing	
13	1703935	5	Decal - Electrocution	
14	1703811	4	Decal - Lifting Lug	
15	1703814	8	Decal - Tie Down	
16	1703941	3	Decal - Warning/Crushing	
17	1704277	3	Decal - Lanyard Attach	
18	1704412	1	Decal - Hydraulic Oil	
20	1705917	1	Decal - Warning/Inspection	
21	1705910	1	Decal - Drive/Steer Instruction	
22	3251243	1	Decal - 120V/60Hz	
24	1703983	1	Nameplate - Footswitch	
25	3290605	4	Nut M6	
26	3820001	2	Rivet	
27	4811700	8	Washer M6	
29	1001234431	1	Decal - Warning/Tri-Capacity	
30	1001234432	1	Decal - Warning/Tri-Capacity	
38	4420051	208 in /5.3m	Tape, Safety	
44	1001224049	1	Decal - Yearly Inspection	
71	1001184618	1	Decal - Stop/Auxiliary Power	

SECTION 9 - DECALS

FIGURE 9-11. DECALS INSTALLATION - OPTIONS



ART_DECAL_OPTIONS

SECTION 9 - DECALS

FIGURE 9-11. DECALS INSTALLATION - OPTIONS

ITEM	PART NUMBER	QTY	DESCRIPTION	REV
	1001245998	Ref	DECAL INSTALLATION - REFERENCE CHART	D
	1001246000	Ref	DECAL INSTALLATION - OPTIONS	A
33	1700818	2	Decal - LP Gas Liquid Withdrawal System (ANSI & ANSI Export Specs)	
33	1704271	2	Decal - LP Gas Liquid Withdrawal System (CSA Spec)	
33	1702720	2	Decal - LP Gas Liquid Withdrawal System (ANSI Export Specs)	
52	1701542	1	Decal - Gas	
52	1701505	1	Decal - Diesel Fuel	
53	1701543	1	Decal - LPG (Gas Machines Only)	
108	1001231801	1	Decal - Proposition 65 Warning (Diesel Engines)	
145	1001250606	Ref	Model Designation Decals (600S HC3)	
145	1001250608	Ref	Model Designation Decals (660SJ HC3)	
145A	1702815	2	Decal - 600S	
145A	1702817	2	Decal - 660SJ	
145B	1703470	4	Decal - Maximum Tire Load (600S HC3)	
145B	1001250604	4	Decal - Maximum Tire Load (660SJ HC3)	
145C	1001215615	1	Decal - Lift Diagram	
190	1001262102	Ref	Decal - SkyGlazier (ANSI and CSA Specs) (English Decals)	
190	1001262104	Ref	Decal - SkyGlazier (Brazil Specs) (Portuguese Decals)	
190B	1001269934	Ref	Decal - SkyGlazier (CE & UK CA Specs)	
190	1001262103	Ref	Decal - SkyGlazier (Latin American Specs) (Spanish Decals)	
190	1001262105	Ref	Decal - SkyGlazier (Australian Specs)	
190A	1705358	2	Decal - SkyGlazier	
190B	1001259018	2	Decal - SkyGlazier Capacity (ANSI and CSA Specs)	
190B	1001262116	2	Decal - SkyGlazier Capacity (Brazil Specs)	
190B	1001303453	1	Decal - SkyGlazier Capacity (CE & UK CA Specs)	
190B	1001262115	2	Decal - SkyGlazier Capacity (Latin American Specs)	
205	See Note	NSS	Nameplate - Manufacturers Serial Number (Note: Not Available for Purchase)	
210		Ref	Decal - No Hands Options (Machines with Platform Mesh/Soft-Touch Options):	
210	1702868	2	Decal - No Hands (ANSI, ANSI Export, Australian, CE & UK CA Specs) (English Language)	
210	1704002	2	Decal - No Hands (Brazil Specs) (Portuguese & Spanish Languages)	
210	1705968	2	Decal - No Hands (China Specs) (English & Simplified Chinese Languages)	
210	1001116846	2	Decal - No Hands (China Specs) (English & Traditional Chinese Languages)	
210	1704000	2	Decal - No Hands (CSA Specs) (English & French Languages)	
210	1705969	2	Decal - No Hands (Korean Specs) (English & Korean Languages)	
210	1704001	2	Decal - No Hands (Latin American Specs) (English & Spanish Languages)	
	1001254460	Ref	Decal Installation - JLG Logo (All Specs except CE & UK CA Specs)	B
	1001254461	Ref	Decal Installation - JLG Logo (CE & UK CA Specs)	B
215A	1704865	1	Decal Website - JLG Logo (All Specs except CE & UK CA Specs)	
215B	1702861	1	Decal - JLG Lift (All Specs except CE & UK CA Specs)	
215C	1702773	AR	Decal - JLG	
215D	1001244212	3	Decal - HC3	

SECTION 9 - DECALS

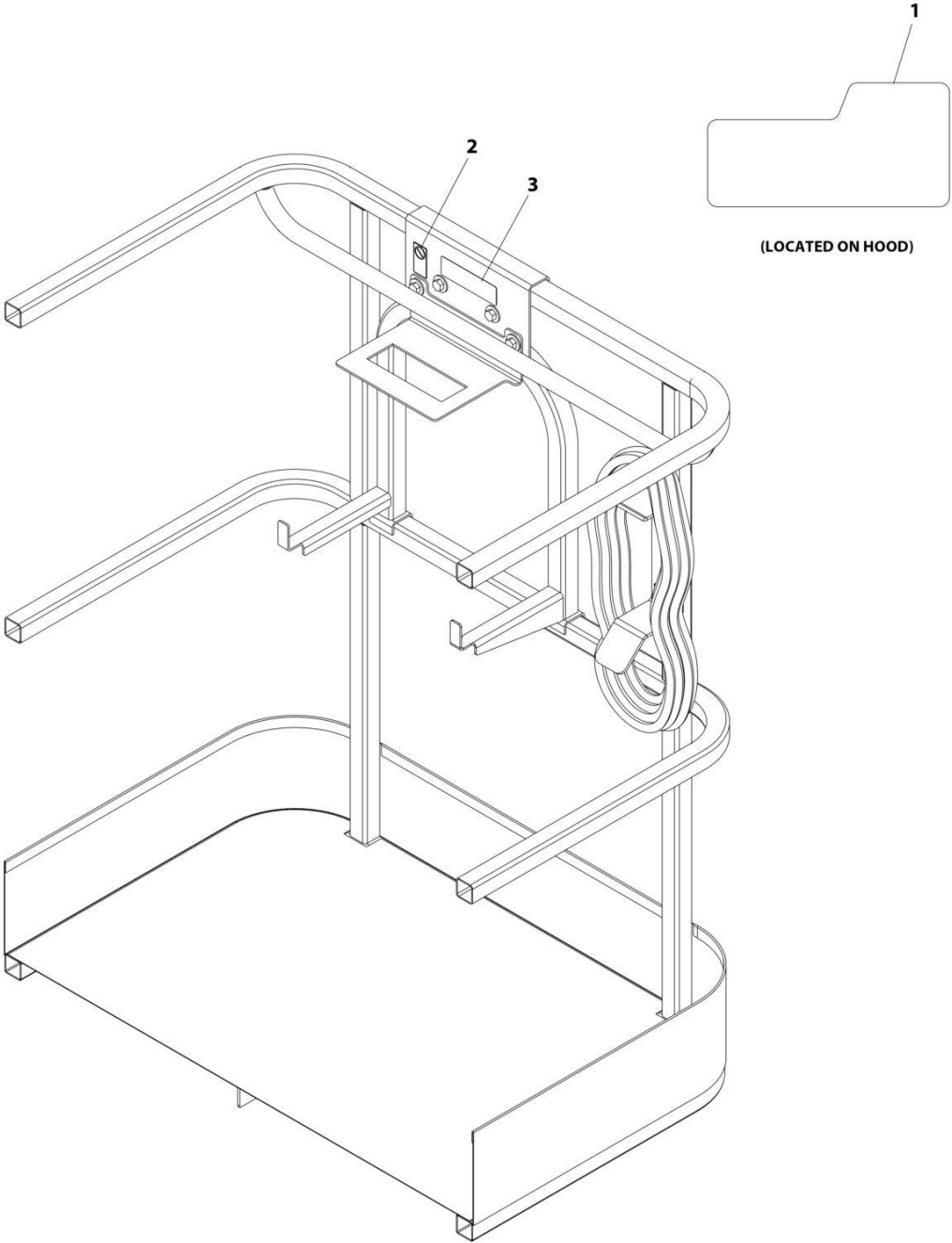
ITEM	PART NUMBER	QTY	DESCRIPTION	REV
215E	1702860	1	Decal - JLG Lift	
215F	1001250906	2	Decal - HC3	
215G	1001159323	1	Decal - JLG (CE & UK CA Specs)	
226		Ref	Decal - Warning Explosion/Fire Options (Diesel Engine Machines Only):	
226	1704972	1	Decal - Warning Explosion/Fire (ANSI/ANSI Export Spec)	
226	1706098	1	Decal - Warning Explosion/Fire (Australian, CE & UK CA Specs)	
226	1706059	1	Decal - Warning Explosion/Fire (Brazil Spec - Dual Language English/Portuguese)	
226	1706060	1	Decal - Warning Explosion/Fire (Chinese Spec - Dual Language English/Chinese)	
226	1706064	1	Decal - Warning Explosion/Fire (CSA Spec - Dual Language English/French)	
226	1706062	1	Decal - Warning Explosion/Fire (Japanese Spec - Dual Language English/Japanese)	
226	1706061	1	Decal - Warning Explosion/Fire (Korean Spec - Dual Language English/Korean)	
226	1706063	1	Decal - Warning Explosion/Fire (Latin American - Dual Language English/Spanish)	
238	1001125387	1	Decal - Ultra Low Sulfur Fuel (ANSI & CSA Specs)	
238	1001139654	1	Decal - Ultra Low Sulfur Fuel (ANSI Export HRC, Japanese, CE & UK CA Specs)	
245	1001120992	Ref	Decal Installation - ClearSky	
245A	1001116208	2	Decal - ClearSky	
245B	1001120989	1	Decal - Radio Frequency	
245	1001294766	1	ClearSky Smart Fleet Decal Installation	
245A	1001120989	1	Decal - Radio Frequency	
245B	1001294815	1	Decal - ClearSky	
253	1001143852	1	Decal - Emission Compliance (Machines with Diesel Engines) (ANSI Export, Australian, China, CE & UK CA Specs)	
262	1001141300	1	Decal - SkyGuard Override (Without Soft-Touch)	
262	1001141302	1	Decal - SkyGuard Override (With Soft-Touch)	
263	1001197408	1	Decal - MSSO (CE & UK CA Specs)	
264	1001130492	1	Decal - Sound Power (Deutz D2011 Engines) (Australian, CE & UK CA Specs)	
264	1705515	1	Decal - Sound Power (Deutz TD2.9L4 Engines) (Australian, CE & UK CA Specs)	
265	1001261342	Ref	Decal - Soft Touch (ANSI Specs) (600S HC3)	A
265	1001261343	Ref	Decal - Soft Touch (CE & UK CA Specs) (600S HC3)	A
265	1001261344	Ref	Decal - Soft Touch (ANSI Specs) (660SJ HC3)	A
265	1001261345	Ref	Decal - Soft Touch (CE & UK CA Specs) (660SJ HC3)	A
		Ref	600S HC3:	
265A	1001261347	1	Decal - Warning (ANSI Specs)	
265A	1001261586	1	Decal - Warning (CE & UK CA Specs)	
265B	1001261348	1	Decal - Warning (ANSI Specs)	
265C	1001195491	1	Decal - ANSI	
265C	1001195490	1	Decal - CE & UK CA	
		Ref	660SJ HC3:	
265A	1001261349	1	Decal - Warning (ANSI Specs)	
265A	1001261587	1	Decal - Warning (CE & UK CA Specs)	
265B	1001261350	1	Decal - Warning (ANSI Specs)	
265C	1001195491	1	Decal - ANSI	
265C	1001195490	1	Decal - CE & UK CA	
274	1001214030	Ref	Decal - EAC Installation (CIS and Russia Specs)	

SECTION 9 - DECALS

ITEM	PART NUMBER	QTY	DESCRIPTION	REV
274	1001173703	1	Decal - EAC	A
	1001239371	1	ECO Label Installation	
287A	3820001	8	Rivet	
287B	See Note	NSS	Decal - ECO Label (Note: Not Available for Purchase)	
287C	See Note	NSS	Decal - Plate Main Code (Note: Not Available for Purchase)	

SECTION 9 - DECALS

FIGURE 9-12. DECAL INSTALLATION - SKYWELDER (50HZ)



ART_0272588

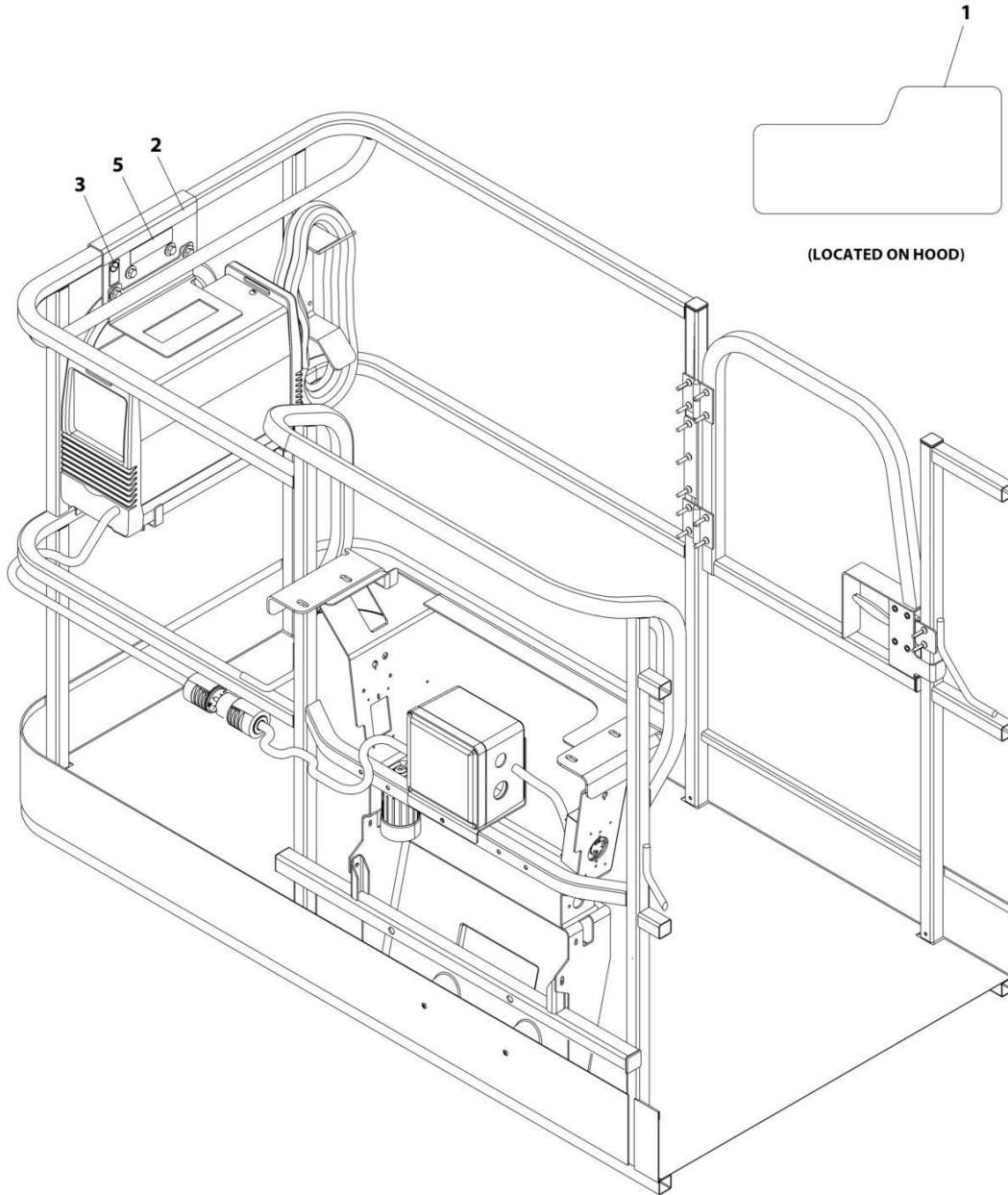
SECTION 9 - DECALS

FIGURE 9-12. DECAL INSTALLATION - SKYWELDER (50HZ)

ITEM	PART NUMBER	QTY	DESCRIPTION	REV
	0272588	Ref	SKYWELDER DECAL INSTALLATION - 50Hz	B
1	1705355	2	Decal - SkyWelder	
2	1705305	1	Decal - Weld Lead	
3	1001228988	1	Decal - Weight	

SECTION 9 - DECALS

FIGURE 9-13. DECAL INSTALLATION - SKYWELDER (60HZ)



ART_0272448_D

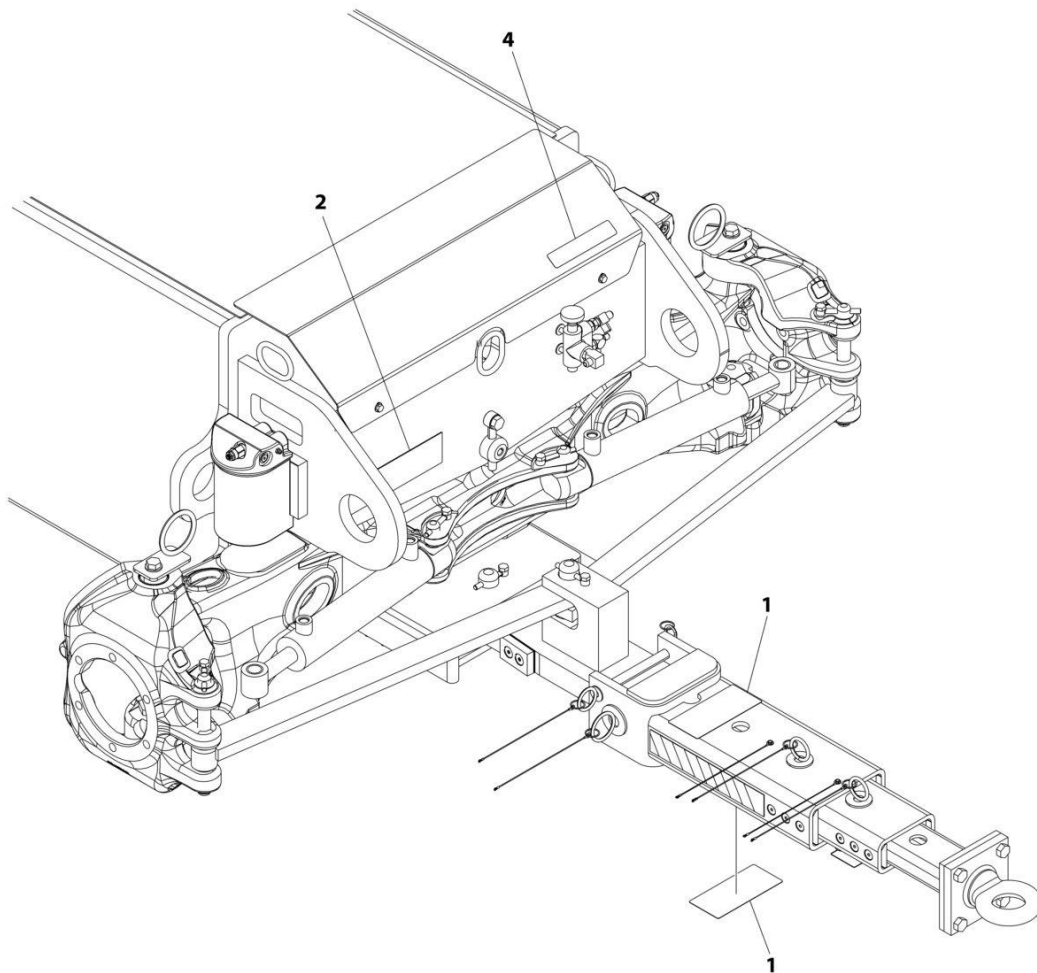
SECTION 9 - DECALS

FIGURE 9-13. DECAL INSTALLATION - SKYWELDER (60HZ)

ITEM	PART NUMBER	QTY	DESCRIPTION	REV
	0272448	Ref	SKYWELDER DECAL INSTALLATION - 60Hz	D
1	1705355	2	Decal - SkyWelder	
2	1702868	1	Decal - No Hands	
3	1705305	1	Decal - Weld Lead	
5	1001228988	1	Decal - Weight	

SECTION 9 - DECALS

FIGURE 9-14. DECAL INSTALLATION - TOW (ANSI SPECS)



ART_1001188894

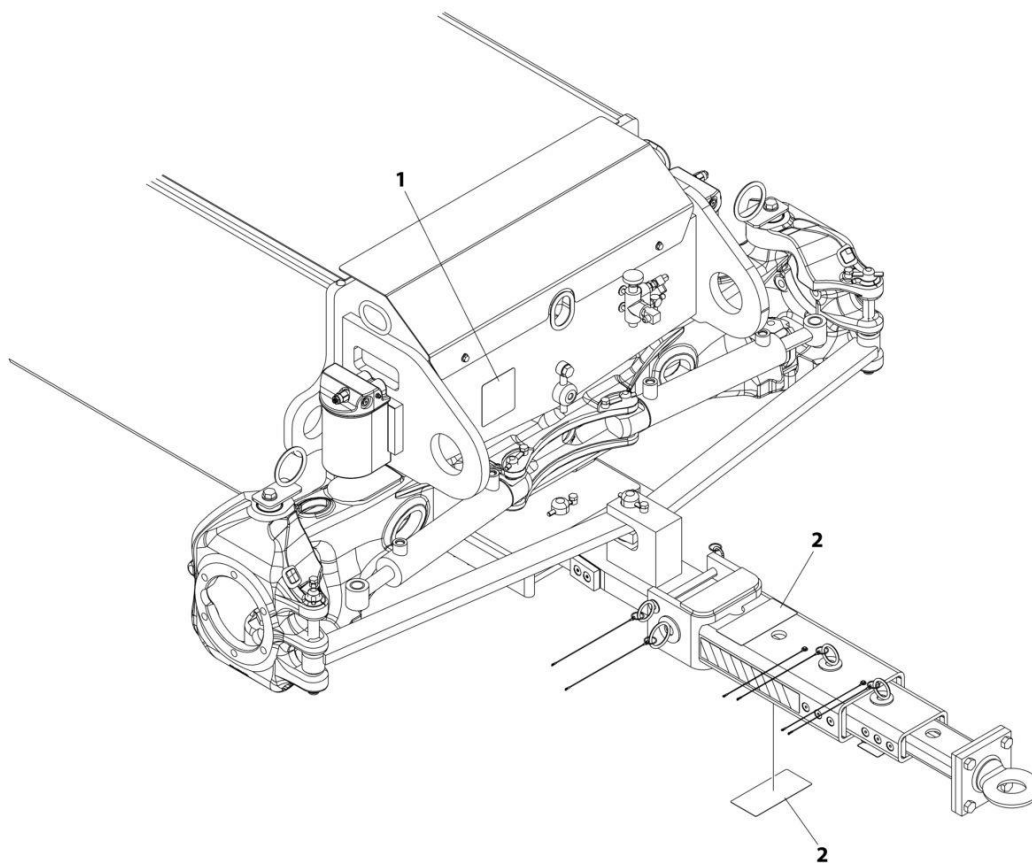
SECTION 9 - DECALS

FIGURE 9-14. DECAL INSTALLATION - TOW (ANSI SPECS)

ITEM	PART NUMBER	QTY	DESCRIPTION	REV
	1001188894	Ref	DECAL INSTALLATION	B
1	1704578	2	Decal - Crushing	
2	1705090	1	Decal - Towing Instructions	
4	1001190159	1	Decal - Steer/Tow Select Valve	

SECTION 9 - DECALS

FIGURE 9-15. DECAL INSTALLATION - TOW (ANSI EXPORT, RUSSIA, CHINA, CE & UK CA SPECS)



ART_100118896

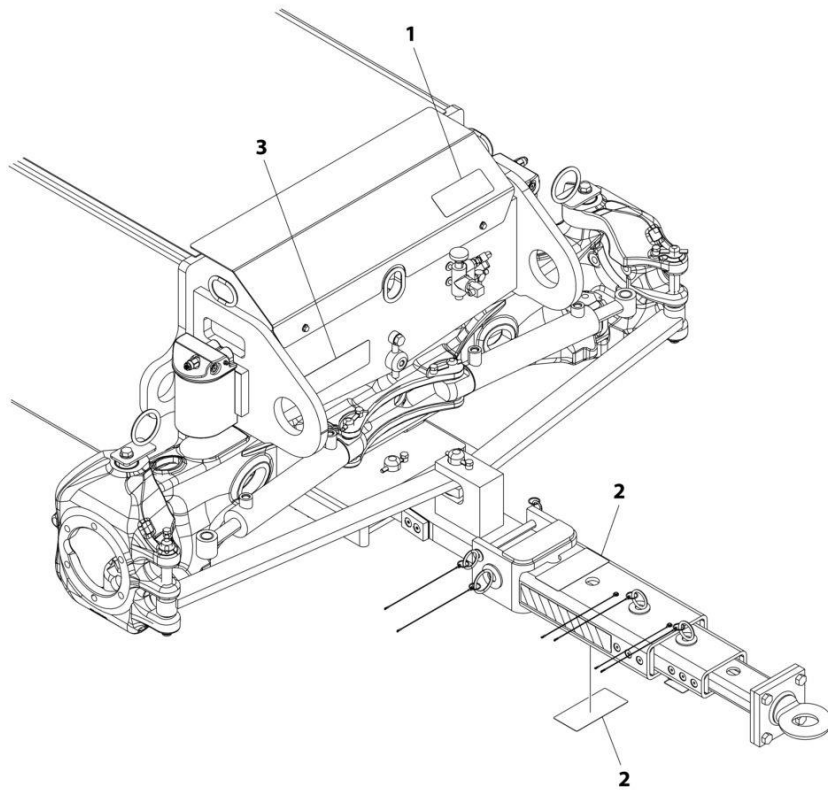
SECTION 9 - DECALS

FIGURE 9-15. DECAL INSTALLATION - TOW (ANSI EXPORT, RUSSIA, CHINA, CE & UK CA SPECS)

ITEM	PART NUMBER	QTY	DESCRIPTION	REV
	1001188896	Ref	DECAL INSTALLATION	C
1	1706957	1	Decal - Tow Bar and Steer Select	
2	1706960	2	Decal - Tow Bar Crushing	

SECTION 9 - DECALS

FIGURE 9-16. DECAL INSTALLATION - TOW (CSA SPECS)



ART_1001188895

SECTION 9 - DECALS

FIGURE 9-16. DECAL INSTALLATION - TOW (CSA SPECS)

ITEM	PART NUMBER	QTY	DESCRIPTION	REV
	1001188895	Ref	DECAL INSTALLATION	B
1	1704272	1	Decal - Steer/Tow Select Valve	
2	1704578	2	Decal - Crushing	
3	1705820	1	Decal - Towing Instructions	

SECTION 10 - RECOMMENDED SERVICE PARTS STOCK

SECTION 10 - RECOMMENDED SERVICE PARTS STOCK

SECTION 10 - RECOMMENDED SERVICE PARTS STOCK

FIGURE 10-1. RECOMMENDED SERVICE PARTS STOCK

ITEM	PART NUMBER	QTY	DESCRIPTION	REV
		Ref	Note: The following list will service one machine (built to current production per date on the front cover) with emergency repair parts which can be installed in the field. Parts from the list should be replaced when inventory is depleted to keep service parts stock supplied. For further information, contact your JLG dealer or the JLG Industries Parts Department.	
	1001152479	1	Breaker, 16 Amp	
	1001181045	1	Breaker, 30mA/16 Amp	
	1001152482	1	Breaker, 30mA	
	70004653	1	Coil	
	80434249	1	Coil	
	70004595	1	Coil	
	70002386	1	Coil	
	70006122	1	Coil	
	70007323	1	Coil	
	70006004	1	Coil	
	1001212415	1	Controller Assembly (Drive and Steer)	
	70010383	1	Element, Filter Charge Pump (Includes O-Ring)	
	70005335	1	Element, Filter High Pressure	
	70005708	1	Filter Kit (Includes Hydraulic Element, Breather Element and Gasket)	
		Ref	ENGINE COMPONENTS - DEUTZ D2011	
	7016331	12	Element, Oil Filter (Deutz D2011 Engine)	
	7016328	12	Element, Fuel Filter (Deutz D2011 Engine)	
	70003783	12	Element, Air Filter (Deutz D2011 Engine)	
		Ref	ENGINE COMPONENTS - DEUTZ D2011 (STAGE V)	
	7016331	12	Element, Oil Filter (Deutz D2011 (Stage V) Engine)	
	7016328	12	Element, Fuel Filter (Deutz D2011 (Stage V) Engine)	
	70003783	12	Element, Air Filter (Deutz D2011 (Stage V) Engine)	
		Ref	ENGINE COMPONENTS - DEUTZ D2.9L4	
	7016331	12	Element, Oil Filter (Deutz 2.9L4 Engines)	
	1001225430	12	Filter, Fuel (Deutz 2.9L4 Engines)	
	1001225431	12	Filter, Fuel (Deutz 2.9L4 Engines)	
	70005008	12	Element, Air Filter (Deutz 2.9L4 Engines)	
		Ref	ENGINE COMPONENTS - FORD COMPONENTS	
	70006155	12	Element, Fuel Filter (Ford Engine)	
	70006213	12	Element, Oil Filter (Ford Engine)	
	70005008	12	Element, Air Filter (Ford Engine)	
	70004066	12	Filter, Fuel	
	1001196634	1	Fuse - 2Amp	
	2400064	1	Fuse - 5Amp	
	8229242	1	Fuse - 5Amp	
	80983191	1	Fuse - 10Amp	
	8229244	1	Fuse - 15Amp	
	70006175	1	Fuse - 20Amp	
	8229245	1	Fuse - 30 Amp	
	1001172065	1	Fuse - 30 Amp	
	2860030	1	Key, Replacement	
	2940074	1	Latch (Machines with Gate)	
	1001187200	1	Module, Ground Control	

SECTION 10 - RECOMMENDED SERVICE PARTS STOCK

ITEM	PART NUMBER	QTY	DESCRIPTION	REV
	1001138228	1	Module, Power Relay	
	7027795	1	Module, ECU (Deutz D2011 and Deutz D2011 (Stage V) Engines)	
	70025210	1	Module, ECU (Deutz 2.9L4 Engines)	
	70006176	1	Module, ECU (Ford Engines)	
	1001142683	1	Module, Beacon Light Control	
	3740080	1	Relay (Machines with 2500W Generator)	
	3740086	1	Relay (Machines with SkyLine)	
	3740067	1	Relay	
	1001186431	1	Relay	
	1001095704	1	Relay	
	1001161710	1	Switch, Toggle (Dual Fuel Machines - Ford Engines)	
	4360336	1	Switch, Toggle (Generator Option)	
	4360057	1	Switch, Limit (Soft Touch Option)	
	4360387	1	Switch, Toggle (Soft Touch Option)	
	1001137673	1	Switch, SkyGuard Assembly	
	4360387	1	Switch, Push Button	
	4360475	1	Switch, Emergency Stop	
	4360407	1	Switch, Potentiometer	
	1001155045	1	Switch, Toggle	
	1001159256	1	Switch, Toggle	
	1001161709	1	Switch, Toggle	

SECTION 11 - SPECIAL OPTIONS/ACCESSORIES/KITS

SECTION 11 - SPECIAL OPTIONS/ACCESSORIES/KITS

SECTION 11 - SPECIAL OPTIONS/ACCESSORIES/KITS

FIGURE 11-1. SPECIAL OPTIONS/ACCESSORIES/KITS

ITEM	PART NUMBER	QTY	DESCRIPTION	REV
		Ref	Note: This list is to accommodate machines ordered with special equipment. Options may not be applicable to all models. For more specific parts information contact JLG Parts Department.	
		Ref	SPECIAL OPTIONS/ACCESSORIES/KITS	
		Ref	Airline to Platform Installation Options:	
	1001192931	Ref	Airline Installation (600S HC3)	
	1001194110	Ref	Airline Installation (600S HC3 with Arctic Package)	
	1001193215	Ref	Airline Installation (660SJ HC3)	
	1001194045	Ref	Airline Installation (660SJ HC3 with Arctic Package)	
	1001194205	Ref	Airline Installation - Dual Lines (600S HC3)	
	1001235884	Ref	Air Intake Shutoff Valve (Deutz TD2.9L4 Engines)	
	1001245144	Ref	Air Intake Shutoff Valve (Deutz TD2.9L4 49HP Engines)	
	1001205017	Ref	Arctic Package Installation Kit - With Deutz TD2.9L4 Engines and Without SkyPower (600S HC3)	
	1001205016	Ref	Arctic Package Installation Kit - With Deutz TD2.9L4 Engines and With SkyPower (600S HC3)	
	1001205021	Ref	Arctic Package Installation Kit - With Deutz TD2.9L4 Engines and Without SkyPower (660SJ HC3)	
	1001205020	Ref	Arctic Package Installation Kit - With Deutz TD2.9L4 Engines and With SkyPower (660SJ HC3)	
	1001189169	Ref	Bellows Installation - Boom (600S HC3)	
	1001251410	Ref	Bellows Installation - Boom (660SJ HC3)	
	1001181778	Ref	Bellows Installation - Chassis (2WS)	
	1001195235	Ref	Boom Wipers Installation (600S HC3) (All Specs Except Australian Specs)	
	1001254362	Ref	Boom Wipers Installation (660SJ HC3) (All Specs)	
	1001233047	Ref	Breather Heater Kit (Deutz Engines)	
	1001198884	Ref	Cable & Hose Protection Installation (Platform) (600S HC3)(All Specs Except Australian and Russia Specs)	
	1001199095	Ref	Cable & Hose Protection Installation (Platform) (660SJ HC3) (All Specs)	
	1001272836	Ref	Cable & Hose Protection Installation (Platform & Jib) (660SJ HC3) (China Spec Only)	
		Ref	ClearSky (Telematics) Add-on Kit (Dealer Installed)	
	1001265378	Ref	ClearSky (Telematics) Add-on Kit (ANSI, ANSI Export, CSA, CE & UK CA Specs)	
	1001246142	Ref	ClearSky (Telematics) Add-on Kit (Australian Specs)	
	1001243184	Ref	ClearSky (Telematics) Add-on Kit (CE & UK CA Specs)	
	1001276923	Ref	ClearSky (Telematics) GT1030 3 Wire Add-on Kit	
	1001242639	Ref	ClearSky (Telematics) Access Control Add-on Kit (ANSI, ANSI Export, CSA, CE & UK CA Specs)	
		Ref	Cold Weather Package Installation Options:	
	1001192489	Ref	Cold Weather Package Installation (Deutz TD2011L04 Engine Machines)	
	1001256385	Ref	Cold Weather Package Installation (Deutz Deutz TD2.2L3 Engine Machines)	
	1001192475	Ref	Cold Weather Package Installation (Deutz Deutz TD2.9L4 Engines Machines)	
	1001219855	Ref	Cold Weather Package Installation (Ford Engine Machines)	
	1001239526	Ref	Container Transport Installation	
	1001276007	Ref	Controller Service Kit - Drive/Steer	
	1001276008	Ref	Controller Service Kit - Lift/Swing	

SECTION 11 - SPECIAL OPTIONS/ACCESSORIES/KITS

ITEM	PART NUMBER	QTY	DESCRIPTION	REV
	1001195224	Ref	Counterweight Installation - Chassis (Required for Turf Tires)	
	1001191019	Ref	Cribbing Switch installation	
		Ref	Decal Installations Options:	
	0257195	Ref	Decal - Government Warranty	
		Ref	Decal Kits	
	1001271785	Ref	Machine Decal Kit	
	1001271786	Ref	Platform Decal Kit	
	1001271787	Ref	Platform Control Box Decal Kit	
	1001109259	Ref	Drive Orientation Kit (660SJ HC3) (ANSI Specs)	
		Ref	Electrical Connector Kits	
	1001148902	Ref	Amp/Tyco Electrical Connector Kit	
	1001148903	Ref	Deutsch DT Electrical Connector Kit	
	1001148904	Ref	Deutsch HD Electrical Connector Kit	
	1001148905	Ref	Packard Electrical Connector Kit	
	1001148906	Ref	Various Electrical Connectors Kit	
	1001220390	Ref	Engine Block Heater Installation (Ford Engine Machines)	
	1001269630	Ref	Fall Arrest (Bolt-on) Add-on Kit (4ft/1.22m Platform) (All Specs)	
	1001269629	Ref	Fall Arrest (Bolt-on) Add-on Kit (5ft/1.52m Platform) (All Specs)	
	1001269631	Ref	Fall Arrest (Bolt-on) Add-on Kit (6ft/1.82m Platform) (All Specs)	
	1001237883	Ref	Fall Arrest (Bolt-on) Add-on Kit (6ft/1.82m Platform) (ANSI, ANSI Export, China, CSA & Japanese Specs Only) (Fits Platform p/ns 1001186384 & 1001228376)	
	1001237882	Ref	Fall Arrest (Bolt-on) Add-on Kit (8ft/2.44m Platform) (ANSI, ANSI Export, China, CSA & Japanese Specs Only) (Fits Platform p/ns 1001186383)	
	1001256272	Ref	Fan & Belts Shield (Australian Spec)	
	1001192482	Ref	Fan Grille Installation (Deutz D2011 Engines)	
	1001258140	Ref	Fan Grille Installation (Deutz TD2.2L3 Engines)	
	1001192610	Ref	Fan Grille Installation (Deutz TD2.9L4 Engines)	
	1001172751	Ref	Fan Grille Installation (Deutz TD2.9L4 49HP Engines)	
		Ref	Filter Kits:	
		Ref	Combined Filter Kit (Hydraulic/Air and Fuel/Engine Oil)	
	1001238957	1	Deutz D2011 Engines	
	1001238961	1	Deutz TD2.9L4 Engines	
	1001238960	1	Ford Engines	
	1001109692	1	Hydraulic/Air Filter	
	1001110133	1	Fuel/Engine Oil Filter (Deutz Engines Only)	
	1001139099	Ref	Fire Extinguisher installation (Platform Mounted)	
	1001117294	Ref	Footswitch Shield (Note: Move Decal to Shield)	
	1001265676	Ref	Ford 42 Way Connector Kit	
	1001202749	Ref	Fuel Cap Cover Installation (Black) (Note: Lock p/n 1001102157 must be Purchased Separately)	
	1001191395	Ref	Fuel Cap Cover Installation (Green) (Diesel Machines) (Note: Lock p/n 1001102157 must be Purchased Separately)	
	1001191394	Ref	Fuel Cap Cover Installation (Red) (Gas Machines) (Note: Lock p/n 1001102157 must be Purchased Separately)	
	1001299128	1	Fuel Tank Kit	
	1001126286	Ref	Hood (Steel) Replacement Kit - Deutz Engine Machines	
	1001281467	Ref	Hood (Steel) Latch Kit (660SJ HC3)	
		Ref	Hose Kit Options:	
	1001266027	Ref	Hose Kit - Platform Valve (600S HC3) (ANSI Spec)	
	1001238906	Ref	Hose Kit - Platform Valve (660SJ HC3) (ANSI Spec)	
	1001270504	Ref	Hose Kit - Platform Valve (660SJ HC3) (All Specs)	

SECTION 11 - SPECIAL OPTIONS/ACCESSORIES/KITS

ITEM	PART NUMBER	QTY	DESCRIPTION	REV
	1001238902	Ref	Hose Kit - Upper Power Track (600S HC3) (ANSI Spec)	
	1001238904	Ref	Hose Kit - Upper Power Track (660SJ HC3) (ANSI Spec)	
		Ref	Hostile Environment Installation Options:	
	1001238927	Ref	Hostile Environment Installation (600S HC3)	
	1001281424	Ref	Hostile Environment Installation (660SJ HC3)	
	1001195237	Ref	Hostile Package (Extreme) Installation (600S HC3 & 660SJ HC3)	
	1001268752	Ref	Jib Cylinder Kit (660SJ HC3)	
	1001268737	Ref	Jib Link Service Kit (660SJ HC3)	
	1001189615	Ref	Kingpin Removal Kit	
	1001148971	Ref	Lanyard (Bolt-On) Kit Installation	
	1001253783	Ref	Lift Cylinder Kit	
		Ref	Light Options:	
	1001190761	Ref	Chassis Illumination Lights Installation	
	1001190717	Ref	Headlights & Taillights Installation	
	1001303656	Ref	Platform Floodlights Installation	
	1001178951	Ref	Platform Mounted Strobe Light Installation	
	1001266663	Ref	Beacon Light Installation	
	1001120466	Ref	Platform Worklights Installation	
	1001183407	Ref	Low Temperature Cutout Installation (Required for Russian Specs)	
		Ref	Oil Cooler Options:	
	1001195355	Ref	Oil Cooler Installation (Deutz TD2011 Engine) (600S HC3)	
	1001257491	Ref	Oil Cooler Installation (Deutz TD2011 Engine) (660SJ HC3)	
	1001254943	Ref	Oil Cooler Installation (Deutz TD2.2L3 Engine) (600S HC3 & 660SJ HC3)	
	1001195354	Ref	Oil Cooler Installation (Deutz TD2.9L4 Engine) (600S HC3)	
	1001257490	Ref	Oil Cooler Installation (Deutz TD2.9L4 Engine) (660SJ HC3)	
	1001242998	Ref	Oil Cooler Installation (Deutz TD2.9L4 49HP Engine) (600S HC3 & 660SJ HC3)	
	1001219854	Ref	Oil Cooler Installation (Ford Engine) (600S HC3)	
	1001257492	Ref	Oil Cooler Installation (Ford Engine) (660SJ HC3)	
	1001233035	Ref	Pinion Shield Installation	
	1001272166	Ref	Pipe Racks Add-on Kit (Dealer Installed)	
		Ref	Platform Console Cover Installations	
	1001195304	Ref	Platform Console Cover Installation (Clear Polycarbonate) (Factory Installed)	
	1001266290	Ref	Platform Console Cover Installation (Steel) (Factory Installed)	
	1001270482	Ref	Platform Console Cover Kit (Dealer Installed)	
		Ref	Platform Entry Kit	
	1001142504	Ref	Replace Swing Gate with Drop Bar	
	1001142505	Ref	Replace Drop Bar with Swing Gate	
		Ref	Platform Extension (Top Rail)	
	0272733	Ref	36in x 72in Platforms	
	0272725	Ref	36in x 96in Platforms	
	1001274833	Ref	Platform Floormat Add-on Kit (30x48 Platform) (Dealer Installed)	
	1001274832	Ref	Platform Floormat Add-on Kit (30x60 Platform) (Dealer Installed)	
	1001274830	Ref	Platform Floormat Add-on Kit (36x72 Platform) (Dealer Installed)	
	1001274829	Ref	Platform Floormat Add-on Kit (36x96 Platform) (Dealer Installed)	
		Ref	Platform Mesh to Top Rail Add-on Kits:	
	1001281456	Ref	30in x 4ft (76cm x 1.22m) with Gate	
	1001281455	Ref	30in x 5ft (76cm x 1.52m) with Gate	
	1001281454	Ref	30in x 6ft (91.5cm x 1.83m) with Gate	
	1001281453	Ref	36in x 6ft (91.5cm x 1.83m) with Gate	

SECTION 11 - SPECIAL OPTIONS/ACCESSORIES/KITS

ITEM	PART NUMBER	QTY	DESCRIPTION	REV
	1001214562	Ref	36in x 8ft (91.5cm x 2.44m) with Gate	
		Ref	Platform Mesh to Top Rail Installations	
	1001272182	Ref	30in x 4ft (76cm x 1.22m)	
	1001271888	Ref	30in x 5ft (76cm x 1.52m)	
	1001271642	Ref	36in x 6ft (91.5cm x 1.83m)	
	1001269187	Ref	36in x 8ft (91.5cm x 2.44m)	
		Ref	Platform Plastic Mesh to Top Rail Installations	
	1001266807	Ref	30in x 4ft (76cm x 1.22m)	
	1001266801	Ref	30in x 5ft (76cm x 1.52m)	
	1001266489	Ref	36in x 6ft (91.5cm x 1.83m)	
	1001266056	Ref	36in x 8ft (91.5cm x 2.44m)	
		Ref	Platform Mesh to Mid Rail Add-on Kits:	
	1001281461	Ref	30in x 4ft (76cm x 1.22m) with Gate	
	1001281460	Ref	30in x 5ft (76cm x 1.52m) with Gate	
	1001281458	Ref	36in x 6ft (91.5cm x 1.83m) with Gate	
	1001281457	Ref	36in x 8ft (91.5cm x 2.44m) with Gate	
		Ref	Platform Mesh to Mid Rail Installation	
	1001272274	Ref	30in x 4ft (76cm x 1.22m)	
	1001272178	Ref	30in x 5ft (76cm x 1.52m)	
	1001271760	Ref	36in x 6ft (91.5cm x 1.83m)	
	1001269389	Ref	36in x 8ft (91.5cm x 2.44m)	
		Ref	Platform Plastic Mesh to Mid Rail Installation	
	1001266969	Ref	30in x 4ft (76cm x 1.22m)	
	1001266799	Ref	30in x 5ft (76cm x 1.52m)	
	1001266284	Ref	36in x 6ft (91.5cm x 1.83m)	
	1001266098	Ref	36in x 8ft (91.5cm x 2.44m)	
	1580013	Ref	Platform Storage Tray (Corner Mounted)	
	1001247800	Ref	Quad Tracks Replacement Kit	
	1001211366	Ref	Service Kits	AH
	1001247073	Ref	SkyEye Add-on Kit (Dealer Installed)	
	1001241547	Ref	SkyEye Repair Kit (LH Side)	
	1001241548	Ref	SkyEye Repair Kit (RH Side)	
	2902232	Ref	SkyGlazier Kit (Includes 36in x 8ft (91.5cm x 2.44m) Platform)	
	1001101422	Ref	SkyGlazier Kit (Platform not Included)	
	1001249052	Ref	SkyGuard Add-on Kit (Dealer Installed)	
	1001197016	Ref	SkyGuard Installation Kit (New Style Platform)	
	1001206311	Ref	SkyGuard Blue Beacon Installation Kit	
	1001262016	Ref	SkyLine Add-on Kit (Dealer Installed)	
	1001217055	Ref	SkyPower Kit (Deutz TD2.9L4 Engine)	
	1001252033	Ref	SkySense (EDS) Level 1 Add-on Kit (Dealer Installed)	
	1001252034	Ref	SkySense (EDS) Level 2 Add-on Kit (Dealer Installed)	
	1001289831	Ref	SkySense (EDS) Level 1 Installation (Factory Installed)	
	1001289832	Ref	SkySense (EDS) Level 2 Installation (Factory Installed)	
	1001253618	Ref	SkySense (EDS) Level 1 Module (Service Kit for P/N 1001246867)	
	1001253619	Ref	SkySense (EDS) Level 2 Module (Service Kit for P/N 1001246860)	
	1001282461	Ref	SkySense Padding Installation - For 30 x 48 Platforms equipped with SkySense	
	1001275644	Ref	SkySense Padding Installation - For 30 x 60 Platforms equipped with SkySense	
	1001275642	Ref	SkySense Padding Installation - For 36 x 72 Platforms equipped with SkySense	

SECTION 11 - SPECIAL OPTIONS/ACCESSORIES/KITS

ITEM	PART NUMBER	QTY	DESCRIPTION	REV
	1001269655	Ref	SkySense Padding Installation - For 36 x 96 Platforms equipped with SkySense	
	1001231235	Ref	SkyWelder Locking Bracket Installation	
	1001303167	1	SkyWelder Extension Cord Kit	
	1001281070	Ref	Strobe Beacon Replacement Kit	
	1001294061	Ref	Strobe Light (Blue) Kit	
	1001293866	Ref	Strobe Light (Red) Kit	
	1001292585	Ref	Strobe Light (Amber) Kit	
	1001293299	Ref	Strobe Light (Amber) Kit (Chinese)	
	1001228580	Ref	Telematics Gateway (Dealer Installed)	
	1001284517	Ref	Telematics Gateway Plus (Dealer Installed)	
		Ref	Tools for Service	
	1001249695	1	Analyzer and Cable Kit	
	1001249941	1	Analyzer and Cable Kit (Battery Powered)	
	7002840	1	Anti-Rotation Pin Removal Tool	
	4460467	1	Extractor - 16-18 Gauge (For Removal of Pin/Sockets from Deutsch Connectors)	
	4460510	1	Extractor - 12-14 Gauge (For Removal of Pin/Sockets from Deutsch Connectors)	
	7016652	1	Huck Bolt FASTER (For Small Huck Bolts Only)	
	7002823	1	Pin/Socket Extractor - Universal (To Remove Pins/Sockets from Connectors)	
	7016654	1	Screwdriver, Magnetic	
	7002822	1	Screwdriver, Potentiometer (To Adjust Drive Controllers)	
	7004275	1	Seal Installation Tool - 1in	
	7004276	1	Seal Installation Tool - 1-1/2in	
	7002826	1	Seal Installation Tool - 2in	
	1001137005	1	Software Cable Kit	
	7002821	1	Wire Crimper (To install wire ends to wires)	
	7016655	1	Wire Rope Sheave Gauge	
	8896941	1	Wire Stripper	
	2915096	Ref	Turntable Bearing Kit	
	1001238898	Ref	Wear Pad Kit	
	1001238907	Ref	Wire Rope Kit	
	1001270718	Ref	White Noise Alarm (Ambient) Add-on Kit (Factory Installed)	
	1001270717	Ref	White Noise Alarm (Constant) Add-on Kit (Factory Installed)	

SECTION 11 - SPECIAL OPTIONS/ACCESSORIES/KITS

PART NUMBER INDEX

SECTION 11 - SPECIAL OPTIONS/ACCESSORIES/KITS

0100009.....601	0140011 601	0641508 463, 469, 471	761, 763, 765, 767,
010001119, 21, 23, 25,	0140043 ... 135, 137, 139,	0641511 67	769, 771
27, 29, 31, 58, 63, 65,	141, 143, 145, 147	0641606 611, 613, 615	0700819....477, 481, 491,
67, 71, 73, 93, 97, 99,	0181949 63	0641607 105, 113, 466	495, 499, 503, 507,
101, 103, 105, 107,	0200048 ... 621, 623, 625,	064160897, 99, 101, 103,	511, 763, 765, 767,
109, 111, 113, 115,	627	105, 107, 109, 111,	769, 771, 825, 827
117, 119, 125, 127,	0257195 965	113, 115, 117, 119	0700822....749, 751, 753,
129, 131, 135, 137,	0270528 67	0641611 292, 298, 314	755, 757, 759, 761,
139, 141, 143, 145,	0272254 613	0641616 ... 481, 491, 495,	763, 765, 767, 769, 771
147, 172, 173, 176,	0272427 625	503	0700826.....541
177, 179, 181, 184,	0272435 ... 497, 500, 505,	0641618 ... 477, 485, 489,	070101223, 25, 172, 176,
188, 191, 193, 196,	508	499, 511	184, 188, 196, 200,
200, 203, 205, 207,	0272448 951	0641772 473	227, 229, 231, 241,
227, 229, 231, 233,	0272521 611	0641814 ... 233, 235, 253,	245, 249, 265, 269,
235, 238, 241, 245,	0272588 949	255, 273, 289, 311,	281, 285, 303, 307,
249, 253, 255, 258,	0272589 512	331, 347, 363, 383, 399	323, 327, 339, 343,
265, 269, 273, 276,	0272725 966	0642010 67	359, 375, 379, 391, 395
281, 285, 289, 292,	0272733 966	0642012 619	0701013.....528, 532
298, 303, 307, 311,	0273706 627	0642212 619	0701014.....407, 599
314, 323, 327, 331,	0273824 621	0681605 276	070101597, 99, 101, 103,
334, 339, 343, 347,	0275216 717, 877	0681608 ... 292, 298, 314,	105, 107, 109, 111,
350, 357, 359, 363,	0275217 721, 879	334, 350, 559	113, 115, 117, 119,
366, 375, 379, 383,	0275452 725, 881	0681620 ... 629, 631, 633,	281, 285, 303, 307,
386, 391, 395, 399,	0275453 729, 883	635, 637	323, 327, 339, 343,
402, 407, 433, 435,	0275454 733, 885	0681710 31	359, 597
437, 439, 441, 443,	0362910 67	0681810 27	0701016.... 172, 176, 184,
445, 447, 449, 451,	0400075 ... 125, 127, 129,	0681814 577, 587	188, 196, 425
453, 463, 465, 469,	131	0681822 577, 587	0701017.....276
471, 473, 477, 481,	0440162 ... 227, 229, 231,	0682015 29	0701019.....520, 524
485, 489, 491, 495,	241, 245, 249, 265,	0682016 27	0701020.....535
499, 503, 507, 511,	269, 281, 285, 303,	0682019 58	0701022.... 227, 229, 231,
520, 524, 528, 532,	307, 323, 327, 339,	0682023 89	241, 245, 249, 323,
535, 541, 543, 545,	343, 359, 375, 379,	0682036 27, 29	327, 339, 343, 366
547, 549, 555, 557,	391, 395	0682040 27	0701025.....366
559, 563, 567, 571,	0440233 89	0682424 ... 629, 631, 633,	0701026.....449
575, 579, 581, 585,	0440237 535	635, 637	0701028.....528, 532
589, 591, 609, 611,	0480124 463, 471	0700408 ... 717, 719, 721,	0701029.....528, 532
613, 615, 621, 623,	0561508 528, 532	723, 725, 727, 729,	0701032.....541, 543, 545
625, 627, 749, 751,	0630462 ... 621, 623, 625,	731, 733, 735, 737	0701216.... 172, 173, 176,
753, 755, 757, 759,	627	0700412 813, 817, 829	177, 184, 188, 196
761, 763, 765, 767,	0630518 ... 155, 607, 611,	0700608 ... 135, 137, 143,	0701217.... 19, 21, 93, 97,
769, 771	613, 615	145, 147	99, 101, 103, 105, 107,
0100019....27, 29, 31, 79,	0630534 653, 655, 657	0700610 ... 125, 127, 129,	109, 111, 113, 115,
81, 89, 441, 443, 465,	0630568 601	131, 463, 471, 597,	117, 119
473, 477, 481, 485,	063061397, 99, 101, 103,	599, 925, 927, 929,	0701220.... 172, 173, 176,
491, 495, 499, 503,	105, 107, 109, 111,	931, 933, 935, 937,	177, 184, 188, 196,
507, 511	113, 115, 117, 119,	939, 941, 943	265, 269, 749, 751,
0100020.....63, 227, 229,	172, 176, 184, 188,	0700612 597, 599	753, 755, 757, 759,
231, 238, 241, 245,	196, 200	0700614 ... 227, 229, 231,	761, 763, 765, 767,
249, 258, 265, 269,	0641404 609	241, 245, 249, 265,	769, 771
276, 281, 285, 292,	0641405 601, 609	269, 281, 285, 303,	070122197, 99, 101, 103,
298, 303, 307, 314,	0641406 ... 221, 223, 265,	307, 323, 327, 339,	105, 107, 109, 111,
323, 327, 339, 343,	269, 595	343, 359	113, 115, 117, 119
359, 366, 375, 379,	0641408 179, 181	0700615 191, 203, 207	0701222.....453
386, 391, 395, 402,	0641409 ... 191, 193, 203,	0700616 193, 205, 678	0701617.....25
605, 719, 723, 727,	205, 207	0700618 ... 717, 721, 725,	0701619.....27, 29
731, 735, 737	0641414 ... 601, 621, 623,	729, 733	0701620.....31
0100035....601, 607, 761,	625, 627	0700619 ... 135, 137, 139,	0701639.....58
763, 765, 767, 769, 771	0641416 ... 719, 723, 727,	141, 143, 145, 147,	0710827.....407
0100048....465, 473, 481,	731, 735, 737	179, 181, 375, 379,	0711014.....386, 402
489, 491, 495, 503	0641418 ... 563, 567, 575,	391, 395	0711015.....437
0100079....477, 481, 491,	579, 581, 585, 589, 591	0700624 ... 761, 763, 765,	0711018.... 227, 229, 231,
495, 499, 503, 507,	0641420 571	767, 769, 771	241, 245, 249, 265,
715, 717, 721, 725,	0641504 172, 176	0700812 441	269, 281, 285, 303,
729, 733	0641506 ... 749, 751, 753,	0700816 407	307, 323, 327, 339,
0100081....541, 543, 545,	755, 757, 759	0700818 ... 407, 749, 751,	343, 359, 375, 379,
619	0641507 465, 473	753, 755, 757, 759,	391, 395

SECTION 11 - SPECIAL OPTIONS/ACCESSORIES/KITS

0711020 386, 402, 437	386, 391, 395, 402,	0761214.....276, 366, 465,	0962449 471
0711214 ... 292, 298, 314,	559, 813, 817, 821, 823	473, 515	0962520 ... 477, 481, 485,
366	0760812 ... 179, 181, 211,	0761215.....93	489, 491, 495, 499,
0711216 407	276, 292, 298, 314,	0761216.....366, 469, 559	503, 507, 511
0711223 386, 402	366, 386, 402, 473,	0761615.....19, 21	1001026127 227, 229,
0711224 ... 238, 258, 276,	491, 495, 761, 763,	0762016....172, 173, 176,	231, 241, 245, 249,
292, 298, 314, 334,	765, 767, 769, 771, 773	177, 184, 188, 196,	323, 327, 339, 343, 359
350, 366, 433, 435,	0760814 63, 276, 292,	520, 524	1001080707 105, 107,
437, 439, 441, 443,	298, 314, 334, 350,	0762418.....524	109, 111
445, 447	366, 375, 379, 386,	0770814.....439	1001080996 814, 818,
0711627 ... 238, 258, 334,	391, 395, 402, 445,	0771212....265, 269, 281,	821, 823, 825, 827, 829
350	447, 463, 465, 471,	285, 303, 307	100109110263, 169, 743,
0711629 25	474, 491, 495, 541,	0771414...238, 258, 276,	745, 747
0711635 520	543, 545, 547, 749,	292, 298, 314, 334,	1001095704 907, 961
0721004 67	751, 753, 755, 757, 759	350, 366, 433, 435,	1001096070 485, 489,
0721005 625, 627	0760815 ... 238, 258, 292,	441, 443, 445, 447	779
073100597, 99, 101, 103,	298, 314, 366, 386, 402	0771415....437, 439, 477,	1001096456 23, 25
105, 107, 109, 111,	0760816 63, 238, 258,	485, 499, 511	1001097051 893
113, 115, 117, 119,	334, 350, 366	0771416....238, 258, 334,	1001097150 777, 779,
621, 623, 821, 823,	0760817 407	350	781, 783
825, 827	0760822 751, 753, 755	0771620.....79, 81	1001097244 593
0741605 366	0760824 543, 545	077201879, 81, 227, 229,	1001098122 605, 873
0741606 292, 298, 314	076100971, 73, 209, 528,	231, 241, 245, 249,	1001098828 559
0741607 67, 477, 481,	532, 541, 543, 545,	265, 269, 281, 285,	1001099366 619
485, 489, 491, 495,	547, 549, 749, 751,	303, 307, 323, 327,	1001099367 619
503, 507	753, 755, 757, 759,	339, 343, 359, 375,	1001099869 471
0760408 63	761, 763, 765, 767,	379, 391, 395	1001100234 471
0760512 ... 265, 269, 281,	769, 771	0860038....477, 481, 491,	1001100321 471
285, 303, 307, 323,	0761010 528, 532	495, 499, 503, 507, 715	1001100341 877
327, 339, 343, 359, 425	0761011 520, 528, 532	0861538....495, 499, 503,	1001100342 879
0760605 407	0761012 ... 359, 366, 463,	507	1001100345 881
0760606 ... 463, 465, 471,	471, 528, 532, 535,	0861572.....511	1001100346 885
477, 481, 485, 491,	821, 823, 825, 827	0861731....727, 731, 735,	1001100347 883
495, 499, 503, 507, 511	0761014 ... 105, 107, 109,	737, 881, 883, 885	1001100825 383, 399
0760607 ... 276, 292, 298,	111, 191, 193, 203,	0861781....719, 723, 877,	1001101422 967
314, 366	205, 207, 265, 269,	879	1001102830 761, 763,
0760608 ... 139, 141, 193,	375, 379, 387, 391,	0861880.....777, 779, 781	765, 767, 769, 771
205, 221, 223, 469,	395, 403, 473, 529,	0902888....477, 481, 491,	1001102978 101, 103,
473, 477, 481, 485,	532, 559, 813, 817, 829	495, 499, 503, 507, 511	109, 111, 117, 119,
489, 491, 495, 499,	0761015 ... 172, 176, 238,	0940049.....196	451, 453
503, 507, 511, 813,	258, 265, 269, 276,	0940092....621, 623, 625,	1001103012 908
817, 821, 823, 825,	292, 298, 314, 334,	627	1001104029 477, 481,
827, 829	350, 386, 402, 423,	0940094....621, 623, 625,	491, 495, 500, 503,
0760610 ... 179, 181, 238,	425, 433, 435, 437,	627	507, 512
258, 273, 276, 289,	439, 441, 443, 473,	0940102.....619	1001106736 813, 817,
292, 298, 311, 314,	535, 541, 543, 545	0940103.....625	821, 823, 825, 827, 829
334, 350, 359, 363,	0761016 ... 200, 203, 205,	0940133.....627	1001107854 908
366, 386, 402, 407,	207, 215, 217, 276,	0940134.....621	1001108256 623
485, 489, 520, 524,	292, 298, 314, 334,	0940177.....623	1001109259 965
715, 743, 745, 747	350, 366, 386, 402,	0961845....563, 567, 571,	1001109692 965
0760612 ... 135, 137, 139,	421, 423, 427, 469,	575, 579, 581, 585,	1001110133 965
141, 143, 145, 147,	529, 532	589, 591	1001110872 739, 741
233, 235, 253, 255,	0761017 ... 334, 350, 366,	0961893.....653, 655, 657	1001110873 477, 481,
331, 347, 383, 399,	529	0961947.....539, 645	491, 495, 500, 503,
459, 461	0761019 507	0961950.....19, 21	507, 715
0760614 ... 215, 217, 455,	0761027 541	0961951....238, 258, 276,	1001112551 927
457, 528, 532	0761210 ... 227, 229, 231,	292, 298, 314, 334,	1001112612 899, 907
0760615 407	241, 245, 249, 281,	350, 366, 386, 402,	1001112796 803, 899
0760619 334, 350, 366	285, 292, 298, 303,	528, 532, 537	1001113047 193, 205
0760807 407, 549	307, 314, 323, 327,	0962033.....528, 532	1001113680 929
0760808 ... 292, 298, 314,	334, 339, 343, 350,	0962051.....451, 453	1001113961 907
357, 367, 813, 817,	359, 366	0962181.....25	1001113984 ... 29, 31, 41
821, 823	0761212 ... 276, 292, 298,	0962270.....577, 587	1001115044 375, 379,
0760810 ... 196, 200, 276,	314, 477, 481, 485,	0962336.....653, 655, 657	391, 395
292, 298, 314, 334,	489, 491, 495, 499,	0962348.....25	1001116208 946
350, 366, 375, 379,	503, 511, 524	0962423....520, 524, 528,	1001116290 191, 193,
		532	203, 205, 207

SECTION 11 - SPECIAL OPTIONS/ACCESSORIES/KITS

1001116693.....873	1001119455 684, 690, 696	1001133956 834, 837, 842, 848	1001139357.....478, 485
1001116694.....913, 915	1001119619..... 891	1001133957 834, 837, 842, 848	1001139384.....179, 181, 191, 193, 203, 205, 207
1001116695.....873	1001119620..... 889, 893	1001134289 535, 539	1001139654.....946
1001116720.....895	1001120204..... 749, 761	1001134488 277, 293, 299, 315, 335, 351, 367	1001139819.....238, 258
1001116727.....833, 837	1001120205..... 749, 761	1001134543 79, 81	1001140312.....315, 335
1001116728.....833, 837	1001120328 609, 917, 919	1001135138 335, 351	1001140346.....481, 491
1001116731.....803	1001120466 966	1001135488 528, 532	1001140347.....489
1001116732.....831, 855, 887	1001120471 593	1001135600 29, 31, 35	1001140429.....563, 567, 571, 575, 579, 581, 585, 589, 591
1001116733.....887	1001120477 593	1001135650 833, 841, 848, 851	1001140564.....277, 293, 299, 315, 335, 351, 367
1001116734.....831, 855	1001120484 593	1001135651 833, 838, 841, 848	1001141300.....946
1001116748.....785, 917, 919	1001120851 855	1001135679 293, 299, 315, 335, 351	1001141302.....946
1001116774.....899	1001120989 946	1001136104 507	1001141304.....277, 293, 299, 315, 335, 351, 367
1001116792.....761, 763, 765, 767, 769, 771	1001120992 946	1001136356 477, 489, 499	1001141694.....238, 258, 293, 299, 315, 367
1001116808.....899	1001121172 908	1001136358 691, 697	1001141814.....485, 511
1001116812.....833, 841, 847	1001125387 946	1001136398 543, 545	1001141995.....238, 258, 386, 402
1001116815.....793, 795, 799, 834, 842, 848, 908	1001125492 79, 81	1001136402 543, 545	1001142501.....265, 269, 281, 285, 303, 307, 323, 327, 339, 343, 359
1001116845.....933	1001125677 874, 908	1001136461 541	1001142504.....966
1001116846.....935, 945	1001126008 911	1001136571 528, 532	1001142505.....966
1001116847.....933	1001126009 897	1001136575 528, 532	1001142643.....482, 489, 492, 496, 504
1001116848.....933	1001126286 965	1001136583 528, 532	1001142646.....482, 492, 496, 504
1001116849.....935	1001126351 834, 837, 842, 848	1001136587 528, 532	1001142683.....215, 217, 961
1001116850.....933	1001126352 837	1001136590 529, 532	1001142736.....215, 217, 899
1001116851.....935	1001126356 837	1001136834 277, 293, 299, 315, 335, 351, 367	1001142938.....811, 837, 841, 847
1001116852.....933	1001126357 837	1001136975 227, 229, 231, 241, 245, 249, 265, 269, 281, 285, 303, 307, 323, 327, 339, 343	1001142940.....811, 833, 837, 841, 847
1001116863.....935	1001126362 833, 838, 841, 847	1001137005 968	1001142941.....811, 833, 834, 838, 841, 842, 847
1001116865.....935	1001126363 833, 838, 841, 847	1001137032 520	1001143390.....238, 258, 293, 299, 315, 367
1001116952.....833, 837, 842, 847	1001126364 833, 834, 841, 847	1001137125 555, 557	1001143645.....749, 751, 753, 755, 757, 759, 761, 763, 765, 767, 769, 771
1001116983.....853	1001126365 833, 838	1001137276 335, 351	1001143797.....277, 293, 299, 315, 367
1001117025.....831	1001126384 837	1001137673 961	1001143852.....946
1001117106.....907	1001126391 833, 838, 841, 847	1001138173 238, 258, 386, 402	1001143907.....277
1001117107.....833, 837, 842, 847	1001126392 833, 841, 847	1001138175 238, 258, 386, 402	1001144116.....293, 299, 315
1001117110.....908	1001126485 834, 841, 848	1001138228 277, 300, 315, 335, 351, 367, 961	1001144147.....803, 908
1001117172.....605	1001126487 834, 841, 848	1001138248 239, 259, 277, 293, 299, 315, 335, 351, 367, 386, 402	1001144629.....565, 569, 573, 579, 583, 589
1001117174.....601, 605	1001128128 831	1001138459 520, 524	1001146368.....238, 258, 261
1001117294.....965	1001128527 615	1001138494 567, 571, 575, 579, 581, 585, 589, 591	1001146588.....265, 269, 277, 367, 749, 751, 753, 755, 757, 759, 761, 763, 765, 767, 769, 771
1001117307.....184, 188, 196, 200	1001128556 615	1001138514 567, 571, 575, 581, 585, 591	1001147264.....834, 837, 842, 848
1001117308.....277, 293, 299, 315, 335, 351, 367	1001128901 386, 402	1001138565 485	1001148138.....466, 473
1001118378.....873, 907	1001129408 797	1001138566 478, 481, 485, 489, 491	
1001118384.....897	1001129858 477	1001138671 524	
1001118388.....895, 897	1001130220 135, 137, 139, 141, 143, 145, 147, 215, 217, 221, 223, 227, 229, 231, 241, 245, 249, 265, 269, 281, 285, 303, 307, 323, 327, 339, 343, 359, 469, 478, 481, 485, 489, 491, 495, 500, 503, 507, 512, 520, 524	1001138795 653, 655, 657	
1001118666.....532	1001130492 946	1001138827 277, 293, 299, 315, 335, 351, 367	
1001118878.....300, 315	1001131269 925, 937	1001139078 543, 545	
1001118972.....105, 107, 109, 111, 227, 229, 231, 241, 245, 249, 265, 269, 281, 285, 303, 307, 323, 327, 339, 343, 359, 375, 379, 391, 395	1001133245 661	1001139099 965	
1001119020.....899	1001133714 833, 838, 841, 848, 851		
1001119032.....907	1001133715 833, 838, 841, 848, 851		
1001119051.....227, 229, 231, 241, 245, 249, 265, 269, 281, 285, 303, 307, 323, 327, 339, 343, 359, 375, 379, 391, 395			
1001119280.....463, 465, 469, 471			

SECTION 11 - SPECIAL OPTIONS/ACCESSORIES/KITS

1001148607 . 97, 99, 101, 103, 113, 115, 117, 119	1001155094.....227, 229, 231, 241, 245, 249, 265, 269, 281, 285, 303, 307, 323, 327, 339, 343, 359, 375, 379, 391, 395	1001166716.....277, 335, 351	1001173535 387, 403
1001148650 528, 532	1001155441..... 555, 557	1001166718.....277, 293, 299, 315, 367, 441, 443, 445, 447	1001173703 947
1001148675 739, 741	1001155743..... 913, 915	1001166894.....451, 453	1001174040 559
1001148841 851	1001155823..... 265, 269, 281, 285, 303, 307, 323, 327, 339, 343, 359	1001166921.....293, 299, 315, 368	1001174231 520
1001148842 851	1001156107.....265, 269, 277	1001166922.....447	1001174250 520
1001148902 965	1001157520..... 496, 500, 504, 508	1001166924.....277, 293, 299, 315, 368	1001174251 520
1001148903 965	1001157521..... 496, 500, 504, 508, 512	1001167042.....335, 351	1001174252 520, 524
1001148904 965	1001157525..... 512	1001167164.....455, 457, 459, 461	1001174253 520, 524
1001148905 965	1001157528..... 496, 500, 504, 508, 512	1001167565.....559	1001174254 520
1001148906 965	1001157592..... 496, 500, 504, 508	1001167567.....559	1001174256 520
1001148971 966	1001158007..... 496, 500, 504, 508, 512	1001167596.....559	1001174486 227, 229, 231, 241, 245, 249, 375, 379, 391, 395, 421, 423
1001149160 407, 813, 817, 821, 823	1001158008..... 478, 482, 492, 496, 500, 505, 508, 512	1001167632.....841, 847	1001174630 541
1001149452 421, 423, 427	1001158363..... 478, 482, 492	1001167635.....834, 841, 848	1001174631 541, 543
1001149469 421, 423	1001159118..... 739, 741	1001168018.....238, 258, 277, 293, 299, 315, 335, 351, 367, 387, 403, 433, 435, 437, 439, 441, 443, 445, 447	1001174632 541, 543, 545
1001149639 386, 402	1001159119..... 739, 741	1001168166.....239, 258, 293, 299, 315, 335, 351, 367	1001174636 541, 543, 545
1001150324 19, 21	1001159120..... 739, 741	1001168207 445	1001174673 172, 176, 179, 181, 541
1001150326 19, 21	1001159121..... 741	1001168402 559	1001175073 451, 453
1001150569 67	1001159186..... 863, 865, 873	1001168950 368	1001175074 453
1001150570 67	1001159256..... 601, 961	1001169046..... 172, 176, 191, 193, 203, 205, 207	1001175568 281, 285, 303, 307, 323, 327, 339, 343, 427
1001150571 67	1001159323..... 946	1001169054.....277, 293, 299, 315, 335, 351, 367, 387, 403	1001175998 528, 532
1001150918 241, 245, 249, 303, 307, 323, 327, 391, 395	1001160505..... 173, 177, 184, 188	1001169085.....555, 557	1001175999 528, 533
1001151393 157, 159, 161, 163, 165, 167	1001161709..... 601, 961	1001169138.....277, 293, 299, 315, 335, 351, 367, 387, 403	1001176212 529
1001151856 838, 847	1001161710..... 375, 379, 391, 395, 961	1001169582.....91	1001176469 159, 163, 165, 167
1001152266 913, 915	1001162538..... 71, 73, 75	1001169661.....674, 678	1001176511 277
1001152429 500, 512, 861	1001163717..... 25	1001169967 293, 299, 315, 335, 351, 368, 387, 403	1001176848 23, 25
1001152456 478, 482, 492	1001164726..... 191, 193, 203, 205, 207	1001170035.....293, 299, 315, 335, 351, 368, 387, 403	1001176862 739
1001152457 478, 482, 492	1001164817..... 641	1001170764.....833, 841, 848, 913, 915	1001177359 277, 293, 299, 315, 335, 351
1001152479 960	1001165035..... 227, 229, 231, 241, 245, 249, 265, 269, 281, 285, 303, 307, 323, 327, 339, 343, 359, 367, 386, 402, 425	1001170847 555, 557	1001177844 335, 351
1001152482 960	1001165388..... 239, 259, 293, 299, 315, 367	1001170982 359	1001178057 97, 101, 105, 109, 113, 117, 121
1001152483 783	1001165405..... 293, 299, 315, 367	1001171131 739	1001178223 277
1001152486 747, 783	1001165406..... 293, 299, 315, 367	1001171482..... 149, 151, 867	1001178788 293, 299, 315, 367
1001152489 277, 293, 299, 315, 335, 351, 367	1001165721..... 293, 299, 315, 367	1001171953.....273, 289, 311, 363	1001178876 293, 299, 315
1001152520 512	1001165722..... 293, 299, 315	1001172064.....811, 837, 847	1001178951 966
1001152525 478, 482, 492, 496, 500, 504, 508, 512	1001165849..... 277, 293, 299, 315	1001172065.....811, 837, 847, 960	1001179154 478, 482, 492, 496, 500, 504, 508
1001152530 478, 482, 492	1001166563..... 19, 21	1001172578.....619	1001179836 473
1001152532 478, 482, 486, 489, 492, 857		1001172615.....196, 200	1001179837 465, 473
1001153197 478		1001172751 965	1001179903 277, 300, 315, 368
1001153260 478, 482, 492		1001172760 601	1001180001 465, 473
1001153398 528, 532			1001180620 277, 293, 299, 315, 335, 351, 367, 386, 402
1001154405 265, 269, 281, 285, 303, 307, 323, 327, 339, 343, 359, 425, 427			1001180882 529
1001154726 855			1001181045 777, 779, 960
1001155041 473			1001181243 465, 474
1001155043 149, 151, 153, 867			1001181774 19
1001155044 149, 151, 153, 599, 601, 867			1001181778 964
1001155045 149, 151, 153, 599, 601, 867, 961			1001181790 23, 25

SECTION 11 - SPECIAL OPTIONS/ACCESSORIES/KITS

1001181796.....49	1001186808..... 227	1001188668 266, 270,	1001190493..... 717
1001181797..... 49, 51	1001186809..... 241	281, 285, 304, 308,	1001190495..... 721
1001181895..... 315, 335	1001186815..... 227, 229,	324, 328, 339, 343, 359	1001190717..... 966
1001181899..... 335, 351	233	1001188669 266, 270,	1001190756..... 196
1001181923..... 749, 751,	1001186816..... 233, 235,	281, 285, 304, 308,	1001190761..... 966
753, 755, 757, 759,	238	324, 328, 339, 344, 360	1001190773..... 715
761, 763, 765, 767,	1001186817..... 241, 245,	1001188670 227, 229,	1001190774..... 743
769, 771	253	231, 241, 245, 249	1001190921..... 907, 908
1001182361..... 834, 842,	1001186818..... 253, 255,	1001188763 666, 670,	1001190942..... 277, 335,
848	258	674, 678	351, 387, 403
1001182365..... 834, 842,	1001186980..... 451	1001188844 559	1001190985..... 559
848	1001186981..... 451	1001188893 67	1001191019..... 965
1001182570..... 555, 557	1001187022..... 91	1001188894 953	1001191020..... 555, 557
1001182694..... 23, 25	1001187077..... 908	1001188895 957	1001191025..... 335, 351
1001182695..... 23, 25, 659	1001187078..... 908	1001188896 955	1001191048..... 529, 533
1001182697..... 23, 25	1001187082..... 238, 258	1001188972 241, 245,	1001191126..... 149
1001182806..... 221	1001187200..... 147, 960	249, 303, 307, 323,	1001191156..... 429
1001183407..... 966	1001187308..... 666, 670	327, 392, 395	1001191202..... 529, 533
1001183477..... 474	1001187311..... 666	1001189001 559	1001191205..... 529, 533
1001183926..... 520	1001187312..... 666, 670,	1001189002 559	1001191271..... 239, 259
1001184209..... 19, 21	674, 678	1001189003 813, 817,	1001191273..... 431
1001184213..... 25	1001187317..... 666	821, 823, 825, 827,	1001191384..... 528, 533
1001184327..... 184	1001187318..... 666, 670,	829, 903	1001191385..... 528, 533
1001184618..... 925, 927,	674, 678	1001189005 785, 813,	1001191394..... 965
929, 931, 933, 935,	1001187348..... 520, 537	817, 821, 823, 825,	1001191395..... 965
937, 939, 941, 943	1001187382..... 559	827, 829	1001191557..... 213
1001184626..... 597, 599	1001187383..... 559	1001189026 238, 258,	1001191610..... 239, 259,
1001184682..... 223	1001187521..... 31, 45	335, 351	335, 351, 387, 402,
1001184725..... 63	1001187681..... 891	1001189067 172, 176	433, 435, 437, 439
1001184727..... 51	1001187781..... 387, 403	1001189119 97, 99, 101,	1001191620..... 277, 293,
1001184728..... 51	1001187808..... 125, 129	103, 113, 115, 117, 119	299, 315, 367
1001184881..... 51	1001187855..... 79, 84	1001189161 238, 258	1001191856..... 437
1001184913..... 529, 533	1001187864..... 65	1001189169 964	1001192008..... 439
1001184915..... 529, 533	1001187870..... 65	1001189171 783	1001192012..... 125, 127,
1001184917..... 529, 533	1001187950..... 172, 176,	1001189172 783	129, 131
1001184918..... 529, 533	184, 188, 196, 200	1001189227 433, 435	1001192027..... 524
1001184930..... 233, 253,	1001187951..... 172, 173,	1001189228 113	1001192265..... 674
416	176, 177, 184, 188,	1001189615 966	1001192278..... 503
1001184954..... 520, 645	196, 200	1001189764 105, 107,	1001192279..... 481
1001185030..... 19, 21	1001187953..... 93	109, 111	1001192280..... 465
1001185281..... 601	1001188125..... 89	1001189800 105, 107,	1001192284..... 429
1001185596..... 49	1001188168..... 73, 549	109, 111	1001192400..... 277, 335,
1001185597..... 51	1001188187..... 173, 177,	1001189859 529, 533	351
1001185598..... 63	184, 188, 196	1001189913 335, 351	1001192401..... 908
1001185709..... 89	1001188194..... 173, 177,	1001189979 277, 335,	1001192442..... 435
1001185726..... 601	184, 188, 196	351, 387, 403	1001192443..... 433
1001185842..... 79, 81	1001188236..... 238, 259,	1001190143 233, 235,	1001192475..... 964
1001185906..... 25	831	253, 255, 273, 289,	1001192482..... 965
1001185907..... 25	1001188257..... 97	311, 331, 347, 363,	1001192483..... 499
1001186186..... 172	1001188302..... 547, 549	383, 399	1001192484..... 477
1001186333..... 577	1001188334..... 93, 95	1001190159 953	1001192485..... 463
1001186334..... 587	1001188337..... 93	1001190164 238, 258,	1001192486..... 511
1001186346..... 125	1001188342..... 666	335, 351	1001192487..... 485
1001186375..... 567	1001188503..... 25	1001190169 71, 73, 77	1001192488..... 471
1001186377..... 571	1001188533..... 789, 813,	1001190194 23, 25	1001192489..... 964
1001186379..... 575	817, 821, 823	1001190286 549, 553	1001192610..... 965
1001186382..... 585	1001188534..... 791, 825,	1001190287 547, 551	1001192641..... 685, 691,
1001186383..... 583	827, 829	1001190335 105	697
1001186384..... 573	1001188535..... 238, 258,	1001190338 172, 176	1001192661..... 685, 691,
1001186386..... 569	335, 351	1001190441 725	697
1001186387..... 565	1001188622..... 559	1001190442 335, 351	1001192663..... 685, 691,
1001186426..... 277, 335,	1001188664..... 125, 127,	1001190444 265, 269,	697
351, 387, 403	129, 131	281, 285, 304, 307,	1001192684..... 684
1001186431..... 961	1001188666..... 125, 127,	323, 327, 339, 343,	1001192685..... 684
1001186432..... 895, 897	129, 131	359, 853	1001192690..... 227, 229,
1001186443..... 27	1001188667..... 227, 229,	1001190484 729	231, 242, 246, 250,
1001186541..... 529, 533	231, 241, 245, 249	1001190485 733	266, 270, 282, 286,

SECTION 11 - SPECIAL OPTIONS/ACCESSORIES/KITS

304, 308, 324, 328, 340, 344, 696	1001196368.....751, 753, 755, 763, 765, 767	1001201843.....239, 259, 433	1001207969 691, 697
1001192693..... 684	1001196382..... 441, 465, 478, 482, 485, 492, 496, 500, 504, 508, 512	1001201844.....239, 259	1001208017 53
1001192694 684	1001196390..... 23, 25	1001202333..... 191, 193, 203, 205, 207	1001208874 71, 73
1001192695 685, 691, 697	1001196398..... 227, 241, 265, 269, 281, 304, 327, 343, 359, 375, 392	1001202687559	1001208994 559
1001192696 685, 691, 697	1001196602..... 907	1001202749.....965	1001209016 439
1001192698 685, 691, 697	1001196604..... 907, 908	1001202936.....749, 751, 753, 755, 757, 759, 761, 763, 765, 767, 769, 771	1001209432 773
1001192699 685, 691, 697	1001196634..... 373, 805, 907, 960	1001203424.....685, 691, 697	1001209474 773
1001192841 172, 176	1001196636..... 907	1001203426.....690, 697	1001209948 749, 751, 753, 755, 757, 759, 761, 763, 765, 767, 769, 771
1001192842 196	1001197016..... 967	1001203431.....227, 229, 231, 242, 246, 250, 266, 270, 282, 286, 304, 308, 324, 328, 340, 344, 696	1001209949 749, 751, 753, 755, 757, 759, 761, 763, 765, 767, 769, 771
1001192843 196, 200	1001197017..... 621, 623, 625, 627	1001203432.....227, 242, 266, 282, 304, 328, 344, 376, 392	1001209951 749, 751, 753, 755, 757, 759, 761, 763, 765, 767, 769, 771
1001192910 520	1001197045..... 666, 670, 674, 678	1001203433.....227, 242, 266, 282, 304, 328, 344	1001209953 749, 751, 753, 755, 757, 759, 761, 763, 765, 767, 769, 771
1001192931 964	1001197268..... 455	1001203655.....577	1001209957 761, 763, 765, 767, 769, 771
1001192991 520	1001197269..... 457	1001203656.....587	1001210448 407, 409
1001193018 717, 719, 721, 723, 725, 727, 729, 731, 733, 735, 737	1001197389..... 455	1001203719..... 529, 533	1001210636 593
1001193049 335, 351	1001197408..... 946	1001203853..... 674, 678	1001211049 747
1001193167 463, 466, 471	1001197719..... 833, 841, 848, 913, 915	1001203854..... 674, 678	1001211366 967
1001193169 179	1001197725..... 239, 259, 335, 351	1001203859..... 674	1001211577 555, 557
1001193215 964	1001198631..... 27, 29, 31	1001203860..... 674	1001211578 555
1001193610 674	1001198884..... 964	1001203885..... 238, 258, 335, 351	1001211579 557
1001193611 674	1001199095..... 964	1001204251 179	1001211580 555, 557
1001193760 172, 176	1001199654..... 666, 670, 674, 678	1001204303..... 181	1001211581 555, 557
1001193927 690, 696	1001199655..... 666	1001204325..... 277	1001211582 555, 557
1001193928 690, 696	1001199656..... 666	1001204389..... 684	1001211583 555
1001193929 690, 696	1001199657..... 666, 670, 674, 678	1001204645..... 685, 691, 697	1001211584 557
1001193930 690, 696	1001199661..... 666, 670	1001204690..... 749, 751, 753, 755, 757, 759, 761, 763, 765, 767, 769, 771	1001211585 555, 557
1001194045 964	1001199662..... 666, 670, 674, 678	1001204715..... 555, 557	1001211586 555
1001194110 964	1001199883.. 97, 99, 105, 107, 113, 115	1001204725..... 559	1001211587 557
1001194114 463, 466, 469, 471, 474, 855	1001199933.. 97, 99, 101, 103, 105, 107, 109, 111, 113, 115, 117, 119	1001204902..... 425	1001211588 555, 557
1001194197 727	1001200432..... 666, 670	1001204939..... 555, 557	1001211760 193, 205
1001194198 731	1001200435..... 238, 258	1001205016..... 964	1001211761 193, 205
1001194200 735	1001200491..... 559	1001205017..... 964	1001211767 191
1001194203 719	1001200494..... 559	1001205020..... 964	1001211773 191, 203, 207
1001194204 723	1001200731..... 227, 229, 231, 241, 245, 249, 323, 328, 339, 343	1001205021..... 964	1001211774 184, 188, 191
1001194205 964	1001200745..... 335, 351	1001205824..... 684, 690, 696	1001211794 407
1001194365 737	1001201090..... 761, 763, 765, 767, 769, 771	1001205923..... 813, 817, 821, 823, 825, 827, 829, 871	1001212223 496, 503
1001194888 191, 203, 207	1001201255..... 684	1001205957..... 437	1001212333 184, 188, 196, 200
1001195039 281, 285, 304, 308	1001201325.. 97, 99, 101, 103	1001205958..... 727, 731, 735	1001212359 293
1001195224 965	1001201326..... 113, 115, 117, 119	1001206082..... 787, 813, 817, 821, 823, 825, 827, 829	1001212415 960
1001195225 751, 753, 755	1001201342..... 749, 751, 753, 755, 757, 759, 761, 763, 765, 767, 769, 771	1001206311..... 967	1001213251 .. 97, 99, 101, 103, 113, 115, 117, 119
1001195226 763, 765, 767	1001201351..... 559	1001206314..... 172, 176, 184, 188, 196, 200	1001213447 873
1001195227 749	1001201511..... 547, 549	1001206476..... 773	1001213448 818, 823, 827, 829
1001195228 761		1001206532..... 601	1001213543 172, 176
1001195235 964			1001213744 172, 176
1001195237 966			1001213794 172, 176
1001195304 966			1001213810 407
1001195354 966			1001213882 601
1001195355 966			1001214030 946
1001195455 172, 176, 179			1001214095 751, 753, 755, 763, 765, 767
1001195490 946			
1001195491 946			
1001195525 749, 761			
1001195763 429			

SECTION 11 - SPECIAL OPTIONS/ACCESSORIES/KITS

1001214096.....751, 753, 755, 763, 765, 767	1001218471 387, 403	1001223453 925, 937	1001229637.....749, 751, 753, 755, 757, 759, 761, 763, 765, 767, 769, 771
1001214408.....684, 690, 696	1001218539..... 105, 107, 109, 111, 219	1001223459 834, 841, 847	1001230635.....277, 293, 299, 315, 335, 351, 367
1001214562.....967	1001218559 387, 403	1001223584 388, 403	1001230931.....785, 917, 919
1001214570.....773	1001218565 387, 403	1001223923 387, 403	1001230934..... 834, 842, 848
1001214571773	1001218575 387, 403	1001223971 937	1001230935..... 834, 842, 848
1001214827407	1001218594 641, 643	1001224048 941	1001230936..... 834, 842, 848
1001215016845	1001218622 759, 771	1001224049 943	1001231235.....968
1001215091845	1001218623 771	1001224050 935	1001231310..... 172, 176
1001215218.....387, 403, 845	1001218676 105, 107, 109, 111, 219	1001224051 933	1001231422.....927
1001215219.....376, 380, 392, 396	1001218930 508	1001224052 929	1001231711.....221, 223
1001215220.....376, 380, 392, 396	1001219005 375, 379, 392, 396	1001224053 939	1001231801.....945
1001215228.....601	1001219015 375, 379, 392, 396	1001224200 421	1001231805.....335, 351
1001215384.....407	1001219021 375, 379, 392, 396	1001224486 388, 404	1001231949.....637
1001215534.....845	1001219022 375, 379, 392, 396	1001224489 388, 404	1001231950.....629, 631
1001215612383, 386	1001219024 375, 379, 392, 396	1001224967 421, 423, 425, 427	1001231957.....58
1001215613399, 402	1001219040 19, 641	1001225054 423	1001232010.....629, 631, 637
1001215615945	1001219128 219	1001225346 773	1001232011.....629, 631, 637
1001215681387, 403	1001219138 184, 188, 196, 200	1001225430 319, 960	1001232117.....645
1001215899387, 403	1001219601 135, 137, 139, 141, 143, 145, 147	1001225431 319, 960	1001232292.....27, 29, 31
1001215974387, 403	1001219630 469	1001225442 388, 404	1001232642.....609
1001216015466	1001219632 469	1001225510 388, 404	1001232650.....609
1001216065407	1001219852 507	1001225580 895	1001232667.....609
1001216071407	1001219853 469	1001226304 759, 771	1001232842.....373
1001216075387, 403	1001219854 966	1001226305 759	1001233035.....966
1001216086387, 403	1001219855 964	1001226400 789, 791	1001233047.....964
1001216092387, 403	1001220266 265, 269	1001226531 773	1001233429.....455
1001216144407	1001220379 837	1001226541 803, 908	1001233763.....304, 308, 324, 328, 373
100121619553	1001220390 965	1001226636 803	1001233895.....837
100121619653	1001220404 449	1001226637 803	1001233948.....209
1001216201387, 403	1001220638 219	1001226739 793, 795, 797, 799, 803	1001233949.....209
1001216212845	1001220728 469	1001226799 793, 795	1001233953.....209, 211
1001216213845	1001220903 684	1001226872 563	1001233954.....209, 211
1001216300449	1001220912 685, 691, 697	1001227075 771	1001233955.....209, 211
1001216390508	1001220941 684	1001227367 179, 181	1001233959.....155, 607
1001216391469	1001221016 690, 696	1001227404 797	1001233966.....209, 211
1001216393404	1001221203 367	1001227507 853	1001233967.....209, 211
1001216531387, 403	1001221210 845	1001227527 813, 817, 821, 823, 825, 827, 829	1001234080.....209
1001216532383, 399	1001221212 367	1001227666 388, 404	1001234269.....209, 211
1001216533383, 399	1001221397 383, 399	1001227667 388, 404	1001234270.....209
1001216534383, 399	1001221464 383, 399	1001227769 407	1001234281.....457
1001216535383, 399	1001221545 407	1001227772 407	1001234283.....457
1001216619449	1001221942 376, 380, 392, 396	1001227996 889, 893	1001234299.....457
1001216630559	1001221943 376, 380, 392, 396	1001228177 520, 524	1001234370.....455
1001216768407	1001221944 376, 380, 392, 396	1001228186 757	1001234371.....455
1001216769407	1001222033 387, 403	1001228187 769	1001234396.....239, 259
1001216910387, 403, 407	1001222120 845	1001228188 757, 769	1001234425.....925
1001216919387, 403	1001222121 367	1001228215 563	1001234426.....925
1001216947383, 399	1001222122 367	1001228243 589	1001234428.....939
1001217055967	1001222133 375, 379, 392, 396	1001228243 589	1001234429.....939
1001217183387, 403	1001222194 376, 380, 392, 396	1001228375 591	1001234430.....941
1001217185387, 403	1001222194 376, 380, 392, 396	1001228376 579	1001234431.....943
1001217186387, 403	1001222203 387, 403	1001228377 581	1001234432.....943
1001217450387, 403	1001222213 375, 379, 392, 396	1001228406 105, 113, 421, 423, 425, 427	1001234433.....937
1001217453387, 403	1001222252 690, 696	1001228580 968	1001234434.....937
1001217454387, 403	1001222264 407	1001228809 749, 761	1001234435.....935
1001217563383, 399	1001222304 387, 403	1001228897 793	1001234436.....935
1001217593387, 403	1001222304 387, 403	1001228954 793	
1001217594387, 403	1001222305 853	1001228988 615, 949, 951	
1001217595387, 403	1001222305 925	1001229091 335, 351	
1001217647387, 403	1001222312 473, 492, 496	1001229572 105, 107, 109, 111	
1001217648387, 403			

SECTION 11 - SPECIAL OPTIONS/ACCESSORIES/KITS

1001234437 929	1001238192..... 710, 809, 813, 817, 821, 823, 825, 827	1001242998.....966	1001246524 795
1001234438 929		1001243171 172, 176, 184, 188	1001246525 799
1001234439 927, 931		1001243184.....964	1001246563 205
1001234457 520	1001238263..... 629, 631, 633, 635, 637	1001243414..... 172, 176, 184, 188, 200	1001246565 205
1001234458 520, 528		100124343158	1001246574 205
1001234459 529	1001238327..... 555, 557	1001243464215	1001246789 203, 207
1001234585 555	1001238328..... 535	1001243465217	1001246794 203, 207
1001234800 841, 848	1001238333..... 535	1001243522..... 172, 184	1001246795 203
1001234811 535, 539	1001238398..... 535	1001243654 172, 176	1001246796 203
1001235011 609	1001238408..... 813, 821, 825, 829, 863	1001243656 293, 299, 315, 367	1001246798 196, 203
1001235013 609		1001243682..... 221, 223, 921	1001246799 196
1001235143 135, 137, 813, 817	1001238409..... 601, 873	1001243755 543, 545	1001246859 908
1001235387 925	1001238418..... 609, 897	1001243850 293, 299, 315, 368	1001247073 967
1001235388 941	1001238421..... 559	1001243895 373	1001247260 524
1001235388 941	1001238463..... 631	1001243969 147, 829	1001247358 63
1001235401 933	1001238472..... 609	1001244019 445	1001247359 387, 403
1001235402 933	1001238477..... 609	1001244023 453	1001247386 221
1001235444 935	1001238559..... 609	1001244025 453	1001247453 557
1001235445 933	1001238663..... 129	1001244119 459	1001247466 524, 647
1001235446 929	1001238824..... 609	1001244120 459	1001247468 559
1001235447 943	1001238851..... 58	1001244121 459	1001247800 967
1001235448 937	1001238858..... 58	1001244122 459	1001247865 685, 691, 697
1001235449 931	1001238898..... 968	1001244123 459, 461	1001247866 685, 691, 697
1001235450 939	1001238902..... 966	1001244212 945	1001247867 697
1001235532 266, 270, 281, 285, 304, 308, 324, 328, 339, 343, 359	1001238904..... 966	1001244374 473	1001247871 685, 691, 697
1001235585 941	1001238906..... 965	1001244375 495	1001247872 685, 691, 697
1001235699 227, 229, 231, 241, 245, 249	1001238907..... 968	1001244410 491	1001247873 685, 691, 697
1001235884 964	1001238911..... 277	1001244462 169	1001247875 685, 691, 697
1001236091 155	1001238927..... 966	1001244464 461	1001247876 684, 691, 697
1001236121 451, 453	1001238954.. 97, 99, 101, 103, 113, 115, 117, 119	1001244468 461	1001247877 685, 691, 697
1001236136 376, 380, 392, 396	1001238957..... 965	1001244469 461	1001247878 685, 691, 697
1001236303 129, 131	1001238960..... 965	1001244470 461	1001247879 685, 691, 697
1001236304 773	1001238961..... 965	1001244508 273, 289, 311, 363	1001247881 685, 691, 697
1001236499 239, 258	1001239207..... 331, 347	1001244747 533	1001247882 685, 691, 697
1001236504 773	1001239290..... 813, 817, 821, 823, 825, 827, 829	1001244762 533	1001247994 685, 691, 697
1001236505 773	1001239295..... 58	1001244770 533	1001248140 629, 631, 633, 635, 637
1001236552 609	1001239296..... 58	1001244771 524, 532	1001248141 629, 631, 633, 635, 637
1001236746 637	1001239371..... 947	1001244878 176, 188, 200	1001248720 58
1001236747 629	1001239448..... 157	1001244902 176	1001248819 277
1001236891 629, 631, 633, 635, 637	1001239449..... 159	1001245076 188	1001249052 967
1001236895 629, 631, 633, 635, 637	1001239451..... 159	1001245144 964	1001249147 543
1001237142 524	1001239512..... 813, 817, 821, 823, 825, 827, 829	1001245145 524	1001249313 203
1001237546 155	1001239526..... 964	1001245308 557	1001249454 524
1001237550 209	1001239563..... 431	1001245769 165	1001249455 524
1001237667 874, 907	1001239710..... 437	1001245770 167	1001249458 524
1001237668 874, 907	1001239715..... 437	1001245773 151, 867	1001249492 690, 696
1001237822 813, 817, 821, 823, 825, 827, 829	1001239716..... 463, 471	1001245774 139, 141, 151	1001249493 690, 696
1001237862 889, 893	1001239802..... 375, 379, 391, 395	1001245775 143, 145, 867	1001249494 690, 696
1001237863 893	1001241366..... 289, 311	1001245782 165	
1001237864 889	1001241547..... 967	1001245783 167	
1001237865 891	1001241548..... 967	1001245913 277, 851	
1001237882 965	1001241588..... 135, 137, 149	1001245998 945	
1001237883 965		1001246000 945	
1001237949 524	1001241729..... 209, 211	1001246142 964	
1001238138 555, 557	1001241965..... 609	1001246144 795	
1001238168 535	1001242639..... 964	1001246145 799	
1001238191 807, 813, 817, 821, 823, 825, 827, 829	1001242908..... 813, 817, 821, 823, 825, 827, 829, 905	1001246502 524	
	1001242991..... 58		

SECTION 11 - SPECIAL OPTIONS/ACCESSORIES/KITS

1001249495.....690, 696	1001253953..... 184	1001258905 363, 366	1001266056.....967
1001249496.....761, 763, 765, 767, 769, 771	1001254279 273, 289, 311, 363	1001258908 359, 363	1001266098.....967
1001249497.....690	1001254362..... 964	1001258909 359	1001266276..... 813, 817, 821, 823, 917
1001249498.....761	1001254423..... 443	1001259018 945	1001266277..... 813, 817, 821, 823, 911
1001249695.....968	1001254460..... 945	1001259019 684	1001266284.....967
1001249774.....524	1001254461..... 945	1001259020 684	1001266290.....966
1001249823.....543, 545	1001254554..... 670	1001259137 653	1001266489.....967
1001249824.....543, 545	1001254719..... 453	1001259138 653	1001266663.....966
1001249825.....543, 545	1001254878..... 277	1001260077 670	1001266799.....967
1001249941.....968	1001254899..... 441	1001260078 670	1001266801.....967
1001249985.....31	1001254943..... 966	1001260286 670	1001266807.....967
1001250011.....599	1001255133..... 559	1001260412 293, 299, 315	1001266969.....967
1001250106.....23	1001255280..... 441	1001260420 293, 299, 315	1001267284.....99
1001250193.....161	1001255281..... 443	1001260460 547	1001267285.....107
1001250194.....163	1001255340..... 678	1001260486 684	1001267678 99, 103, 107, 111, 115, 119, 123
1001250196.....161	1001255619..... 211	1001260574 367	1001268472.....887
1001250197.....163	1001255871..... 489	1001260644 670	1001268737.....966
1001250273.....147, 153	1001255901..... 805	1001261335 633	1001268752.....966
1001250362.....25	1001256180..... 21, 643	1001261338 633	1001269096..... 690, 696
1001250604.....945	1001256238 127, 131, 133	1001261342 946	1001269097..... 690, 697
1001250606.....945	1001256239..... 127	1001261343 946	1001269187.....967
1001250608.....945	1001256272 965	1001261344 946	1001269389.....967
1001250609.....927	1001256311..... 678	1001261345 946	1001269629.....965
1001250638.....769	1001256385..... 964	1001261347 946	1001269630.....965
1001250639.....763, 765, 767	1001256429..... 670	1001261348 946	1001269631.....965
1001250641.....771	1001256430..... 670	1001261349 946	1001269655.....968
1001250906.....946	1001256667 101, 103, 109, 111, 117, 119	1001261350 946	1001269907.....670
1001250952.....597, 599, 601	1001256879..... 269	1001261586 946	1001269908..... 666, 670, 674, 678
1001250953.....597	1001256930..... 277	1001261587 946	1001269909.....666
1001250981.....684, 691, 697	1001257048..... 678	1001262016 967	1001269910.....674
1001250982.....697	1001257049..... 678	1001262102 945	1001269912.....678
1001251079.....529, 533, 661	1001257048..... 678	1001262103 945	1001269913..... 685, 691, 697
1001251410.....964	1001257050..... 678	1001262104 945	1001269914..... 685, 691, 697
1001252033.....967	1001257051..... 678	1001262105 945	1001269919.....227, 242, 266, 282, 304, 328, 344
1001252034.....967	1001257052..... 678	1001262115 945	1001269920.....229, 231, 246, 250, 270, 286, 324, 340
1001252519.....211	1001257053..... 678	1001262116 945	1001269921.....376, 392
1001252527.....834, 842, 848	1001257271 633, 635	1001262322 797	1001269922.....380, 396
1001252629.....629, 631, 633, 635, 637	1001257274 633, 635	1001262326 797, 799	1001269934.....945
1001252945.....749, 751, 753, 755, 757, 759, 761, 763, 765, 767, 769, 771	1001257275 635	1001262633 139, 141, 821, 823	1001270242.....177
1001253115.....211	1001257436 555, 557	1001262634 143, 145, 825, 827	1001270243.....188
1001253116.....211	1001257490..... 966	1001263173 223	1001270482.....966
1001253117.....211	1001257491..... 966	1001263271 23, 25	1001270504.....965
1001253459.....211	1001257492..... 966	1001263800 655, 657	1001270594.....213
1001253468.....58	1001258005..... 635	1001263810 131	1001270668..... 196, 200
1001253469.....58	1001258112 367, 371	1001264302 655	1001270717.....968
1001253470.....58	1001258140 965	1001264338 825, 827, 829, 919	1001270718.....968
1001253618.....967	1001258156 229, 231, 246, 250, 270, 286, 308, 324, 340, 696	1001264991 535, 657	1001271454..... 649, 651
1001253619.....967	1001258157 229, 231, 246, 250, 270, 286, 308, 324, 340, 696	1001265163 593	1001271497.....874
1001253726.....619	1001258167 229	1001265308 761, 763, 765, 767, 769, 771	1001271642.....967
1001253783.....966	1001258168 245	1001265342 593	1001271760.....967
1001253849.....277	1001258172 101	1001265378 964	1001271785.....965
1001253863.....277	1001258173 117	1001265535 21	1001271786.....965
1001253870.....277	1001258174 109	1001265676 965	1001271787.....965
1001253873.....833	1001258175 229, 231, 245, 249, 285, 308, 324, 339, 379, 396	1001265701 71, 547	1001271888.....967
1001253879.....265	1001258263 380, 396	1001265756 749	1001272076..... 520, 649
1001253906.....273	1001258499 368	1001265757 757	1001272100..... 524, 651
1001253940.....173	1001258502 368	1001265758 751, 753, 755	1001272166.....966
	1001258505 427	1001265759 759	1001272178.....967
	1001258804 277	1001265771 684	
		1001266027 965	

SECTION 11 - SPECIAL OPTIONS/ACCESSORIES/KITS

1001272182 967	1001281986..... 294, 299, 316, 335, 351, 367	1001289592..... 745, 781	1001306804 81, 87
1001272274 967		1001289594..... 266, 270, 281, 285, 304, 308, 324, 328, 339, 343, 811	1060341 ... 621, 623, 625, 627
1001272659 801	1001282065..... 813, 817, 821, 823, 825, 827, 829, 907	1001289831 967	1060343 ... 496, 500, 504, 508
1001272681 215		1001289832 967	1060584 67
1001272682 217	1001282106..... 155, 607	1001289890 265	1060626 ... 241, 245, 249, 303, 307, 323, 327, 391, 395
1001272836 964	1001282461 967	1001289891 269	1060903 ... 621, 623, 625, 627
1001272997 805	1001283549..... 911, 919	1001289892..... 266, 270, 273	1060908 ... 777, 779, 781, 783
1001273012 801, 805	1001283776..... 213, 901	1001290660..... 367, 847	1060918 605
1001274114 685, 691	1001284471..... 235, 255, 273, 289, 311, 331, 347, 363, 383, 399, 419	1001291079..... 294, 887	1060945 759
1001274127 685, 691	1001284517 968	1001291083 887	10702077. 496, 500, 504, 508, 512
1001274559 149, 153, 601, 867	1001284582..... 607	1001291401..... 277, 294, 299, 316, 336, 351	10702082. 496, 500, 504, 508, 512
1001274829 966	1001284583..... 607	1001291605 745	10728823 678
1001274830 966	1001284771..... 813, 817, 821, 823, 825, 827, 829, 913, 915	1001292406..... 58	10836804 153
1001274832 966		1001292585 968	1120555 619
1001274833 966	1001284974..... 115	1001292628 294	1260017 91
1001275628 601	1001284975..... 103	1001293256 543, 545	1320041 ... 715, 743, 745, 747
1001275629 601	1001284976..... 119	1001293299 968	1320061 ... 227, 229, 231, 241, 245, 249, 265, 269, 281, 285, 303, 307, 323, 327, 339, 343, 359, 391, 395, 478, 482, 486, 500, 504, 512
1001275642 967	1001284977..... 111	1001293329..... 27, 29, 47	1320070 239, 259
1001275644 967	1001285072..... 231, 235	1001293465 58	1320110 386, 402
1001276007 964	1001285074..... 249, 255	1001293730 58	1320127 63
1001276008 964	1001285076..... 375, 379, 383	1001293866 968	1320176 429
1001276610 801	1001285077..... 375	1001294061 968	1320202 334, 350
1001276644 294, 299, 316, 335, 351, 841	1001285078..... 392, 396, 399	1001294766 946	1320218 63
1001276645 277, 833	1001285079..... 391	1001294815 946	1320302 611, 613, 615
1001276923 964	1001285082..... 231	1001296426..... 135, 139, 143, 147, 869	1321283 ... 375, 379, 391, 395
1001277590 277, 279	1001285083..... 249	1001297383 153	1321384 179, 181
1001277596 273, 276	1001285084..... 379	1001299128 965	1321716 473, 491, 495
1001277880 58	1001285085..... 395	1001299212 367	1380147 451, 453
1001278329 277	1001285085..... 395	1001299626..... 817, 823, 827, 865	1580012 595
1001280340 135, 137, 139, 141, 143, 145, 147	1001285144..... 193	1001299946 277	1580013 967
1001280851 200	1001285145..... 184, 188, 193	1001300550 29	1670603 737
1001281070 968	1001285146..... 184, 188	1001301727 336, 352, 355	1671092 ... 496, 500, 504, 508, 757, 759, 769
1001281169 541	1001285342..... 181	1001302381 347, 350	1671093 613, 757, 769
1001281170 541	1001285343..... 172, 176, 181	1001302394 339, 343, 347	1684290 641
1001281188 541	1001285344..... 172, 176	1001302437 331, 334	1700818 945
1001281298 515	1001285353..... 205	1001302446 324, 328, 331	1701499 ... 925, 927, 929, 931, 933, 935, 937, 939, 941, 943
1001281301 515	1001285354..... 205	1001302512 343	1701505 ... 227, 229, 231, 241, 245, 249, 265, 269, 281, 285, 303, 307, 323, 327, 339, 343, 359, 945
1001281304 515	1001285355..... 196, 200, 205	1001302513 339	1701509 ... 619, 925, 927, 929, 931, 933, 935, 937, 939, 941, 943
1001281305 515	1001285636..... 515	1001302516 327	1701518 927, 931
1001281307 515	1001285733..... 215, 217, 775	1001302517 323	1701529 ... 925, 927, 929, 931, 933, 935, 937, 939, 941, 943
1001281309 515	1001285811..... 169	1001302646 545	
1001281310 515	1001285877..... 528, 533	1001302954 294, 300, 316, 319	
1001281311 515	1001285891..... 169	1001302957 289, 292, 298	
1001281352 696	1001285892..... 169	1001302958 311, 314	
1001281359 515	1001286194..... 427	1001302965 281, 285, 289	
1001281360 515	1001286568..... 367	1001302966 304, 308, 311	
1001281424 966	1001287536..... 515	1001302975 285	
1001281453 966	1001287552..... 515	1001302976 303	
1001281454 966	1001287643..... 357, 367	1001302977 307	
1001281455 966	1001288113..... 515	1001302985 281	
1001281456 966	1001288266..... 367	1001303167 968	
1001281457 967	1001288267..... 357	1001303430 619	
1001281458 967	1001288272..... 357	1001303453 945	
1001281460 967	1001288366..... 368	1001303656 966	
1001281461 967	1001288406..... 545		
1001281467 965	1001289552..... 834, 842		
1001281553 207	1001289553..... 834, 842		
1001281572 207	1001289589..... 781		
1001281588 207			
1001281595 200, 207			
1001281656 515			
1001281985 294, 299, 316, 335, 351, 367			

SECTION 11 - SPECIAL OPTIONS/ACCESSORIES/KITS

1701542....375, 379, 391, 395, 945	1703985 929	2110810 ... 666, 670, 674, 678	2220479....233, 235, 253, 255, 273, 289, 311, 331, 347, 363, 383, 399
1701543....375, 379, 391, 395, 945	1704000 937, 945	2110812 ... 666, 670, 674, 678	2220500....666, 670, 674, 678
1702565.....601	1704001 943, 945	2111216 ... 666, 670, 674, 678	2220501....666, 670, 674, 678
1702566.....601	1704002 929, 945	2111616 684, 690, 696	2220502....666, 674, 684
1702567.....601	1704260 601	2130808 670	2220582....666, 670, 674, 678, 684, 690, 696
1702720.....945	1704271 945	2130812 678	2220596....666, 670, 674, 678
1702773....577, 587, 945	1704272 957	2131216 ... 666, 670, 674, 678	2220602....666, 670, 674, 678
1702815.....945	1704277 ... 925, 927, 929, 931, 933, 935, 937, 939, 941, 943	2150808 666, 674	2220603....684, 690, 696
1702817.....945	1704412 ... 925, 927, 929, 931, 933, 935, 937, 939, 941, 943	2150812 666, 674	2220606....684, 690, 696
1702860.....946	1704578 953, 957	2180348 ... 227, 229, 231, 241, 245, 249, 375, 379, 391, 395	2220609....375, 379, 391, 395
1702861.....945	1704865 945	2180387 63	2220618....684, 690, 696
1702868....615, 925, 945, 951	1704972 946	2180388 63	2220628....666, 670, 674, 678
1702941....241, 245, 249, 303, 307, 323, 327, 391, 395	1705014 577, 587	2180389 63	2220637....684, 690, 696
1702942....241, 245, 249, 303, 307, 323, 327, 391, 395	1705090 953	2180418 63, 387, 391, 403	2220726....684, 690, 696
1702943....241, 245, 249, 303, 307, 323, 327, 391, 395	1705305 ... 615, 949, 951	2180467 386, 402	2220733....684, 690, 696
1703162....238, 258, 276, 292, 298, 314, 334, 350, 366, 386, 402	1705325 717, 719	2180832 ... 265, 269, 281, 285, 303, 307, 323, 327, 339, 343, 359	2220738....684, 690, 696
1703470.....945	1705336 925	2220124 89	2220775....127, 131, 684, 690
1703797.....925	1705344 939	2220238 684, 690, 696	2220811....666, 670, 674
1703804.....925	1705345 941	2220261 63, 387, 403	2220852....684, 690, 696
1703805.....925	1705347 937	2220313 ... 227, 229, 231, 241, 245, 249, 265, 269, 281, 285, 303, 307, 323, 327, 339, 343, 359	2220865....684, 690, 696
1703811....925, 927, 929, 931, 933, 935, 937, 939, 941, 943	1705349 929	2220371 ... 666, 670, 674, 678, 684, 690, 696	2220881.....643
1703814....925, 927, 929, 931, 933, 935, 937, 939, 941, 943	1705351 925	2220372 ... 666, 670, 674, 678, 684, 690, 696	2220883...33, 45, 75, 641, 643, 645, 647, 653, 655, 661
1703923.....943	1705355 949, 951	2220373 ... 666, 670, 674, 678, 684, 690, 696	2220885.....45, 643, 653, 655, 661
1703924.....937	1705358 945	2220374 684, 690, 697	2220886.....33, 45
1703925.....935	1705374 ... 477, 481, 491, 739, 741	2220375 684, 690, 696	2220906....684, 690, 696
1703926.....939	1705375 ... 497, 501, 505, 508, 615	2220380 684, 690, 696	2220923.....670, 678
1703927.....941	1705387 ... 477, 481, 491, 497, 501, 505, 508	2220408 ... 233, 235, 253, 255, 273, 289, 311, 331, 347, 363, 383, 399, 684, 691	2220940....233, 235, 253, 255, 273, 289, 311, 331, 347, 363, 383, 399
1703928.....929	1705426 939	2220415 ... 666, 670, 674, 678, 684, 690, 696	2220946....233, 235, 253, 255, 273, 289, 311, 331, 347, 363, 383, 399
1703935.....943	1705427 941	2220418 63	2220947....233, 235, 253, 255, 273, 289, 311, 331, 347, 363, 383, 399, 684, 690, 696
1703936.....937	1705429 937	2220451 ... 233, 235, 239, 253, 255, 259, 273, 289, 311, 331, 347, 363, 383, 399, 684, 690, 696	2220998....375, 379, 391, 395
1703937.....933	1705430 933	2220466 ... 666, 670, 674, 678, 684, 690, 696	2220999....684, 690, 696
1703938.....939	1705460 ... 497, 501, 505, 508, 512	2220472 ... 666, 670, 674, 678, 690, 696	2221024.....63
1703939.....941	1705461 512	2220473 684, 690, 696	2221040.....666, 674
1703940.....929	1705489 ... 485, 489, 512	2220477 ... 666, 670, 674, 678, 690, 696	2221042.....684
1703941.....943	1705515 946	2220486 ... 666, 670, 674, 678, 690, 696	2221048.....690, 696
1703942.....937	1705820 957	2220499 ... 666, 670, 674, 678, 690, 696	2221086.....45, 649, 651, 684, 690, 696
1703943.....935	1705822 927, 931	2220515 ... 666, 670, 674, 678, 690, 696	2221176....227, 229, 231, 241, 245, 249, 375, 379, 391, 395
1703944.....939	1705828 927, 931	2220516 ... 666, 670, 674, 678, 690, 696	2221197.....63, 375, 379, 391, 395
1703945.....941	1705910 943	2220520 ... 666, 670, 674, 678, 690, 696	2400060....373, 593, 855, 861, 887
1703946.....929	1705917 943	2220521 ... 666, 670, 674, 678, 690, 696	2400064.....861, 960
1703947.....943	1705921 927, 931	2220522 ... 666, 670, 674, 678, 690, 696	2410014.....577, 587
1703948.....937	1705921 927, 931	2220523 ... 666, 670, 674, 678, 690, 696	
1703949.....935	1705961 927, 931	2220524 ... 666, 670, 674, 678, 690, 696	
1703950.....939	1705968 933, 945	2220525 ... 666, 670, 674, 678, 690, 696	
1703951.....941	1705969 941, 945	2220526 ... 666, 670, 674, 678, 690, 696	
1703952.....929	1706059 946	2220527 ... 666, 670, 674, 678, 690, 696	
1703953.....925	1706060 946	2220528 ... 666, 670, 674, 678, 690, 696	
1703980.....939	1706061 946	2220529 ... 666, 670, 674, 678, 690, 696	
1703981.....941	1706062 946	2220530 ... 666, 670, 674, 678, 690, 696	
1703982.....935	1706063 946	2220531 ... 666, 670, 674, 678, 690, 696	
1703983.....943	1706064 946	2220532 ... 666, 670, 674, 678, 690, 696	
1703984.....937	1706098 946	2220533 ... 666, 670, 674, 678, 690, 696	
	1706385 577, 587	2220534 ... 666, 670, 674, 678, 690, 696	
	1706957 955	2220535 ... 666, 670, 674, 678, 690, 696	
	1706960 955	2220536 ... 666, 670, 674, 678, 690, 696	
	2030010 ... 611, 613, 615	2220537 ... 666, 670, 674, 678, 690, 696	
	2060025 238, 258	2220538 ... 666, 670, 674, 678, 690, 696	
	2080040 ... 565, 569, 573, 579, 583, 589	2220539 ... 666, 670, 674, 678, 690, 696	

SECTION 11 - SPECIAL OPTIONS/ACCESSORIES/KITS

2420203 ... 463, 465, 469, 474	3252347925	755, 757, 759, 761, 763, 765, 767, 769, 771, 773, 825, 827	723, 727, 731, 735, 737, 773
2460048 499, 511	3252507 ... 471, 721, 725, 729, 733	3290806.....559	3311501 ... 196, 621, 623, 625, 627
2460051 469	3252764 ... 489, 495, 499, 503, 507, 511	329100197, 99, 101, 103, 113, 115, 117, 119, 292, 298, 314, 334, 350, 366, 386, 402, 528, 532, 559, 813, 817, 829	3311505 691, 697
2460055 463	3271605 ... 629, 631, 633, 635, 637	329100597, 99, 101, 103, 105, 107, 109, 111, 113, 115, 117, 119, 172, 176, 179, 181, 184, 188, 191, 196, 200, 203, 205, 207, 215, 217, 227, 229, 231, 238, 241, 245, 249, 258, 265, 269, 276, 281, 285, 292, 298, 303, 307, 314, 323, 327, 334, 339, 343, 350, 359, 366, 375, 379, 386, 391, 395, 402, 421, 423, 425, 427, 433, 435, 437, 439, 441, 443, 473, 520, 524, 535, 541, 543, 545, 559, 597, 599	3311601 ... 172, 176, 184, 188, 196, 200, 292, 298, 314, 601, 609
2540020 213, 215, 217	3271805 577, 587		3311605 ... 292, 298, 314, 577, 587, 611, 613, 615
2560136 601	3272001 ... 629, 631, 633, 635, 637		3311705 473
2560187 ... 179, 181, 191, 193, 203, 205, 207	3290301 451, 453		3312002 ... 629, 631, 633, 635, 637
2580024 ... 241, 245, 249, 303, 307, 323, 327, 391, 395	3290405 63, 169, 213, 215, 217, 375, 379, 391, 395, 593, 717, 719, 721, 723, 725, 727, 729, 731, 733, 735, 737, 743, 745, 747, 813, 817, 829		3312005 619
2580062 258	3290501 ... 265, 269, 281, 285, 303, 307, 323, 327, 339, 343, 359		3312205 619
2600066 831	3290505 ... 265, 269, 281, 285, 303, 307, 323, 327, 339, 343, 359, 375, 379, 391, 395, 425, 471, 477, 481, 491, 495, 499, 503, 507, 511		3331211 ... 238, 258, 276, 292, 298, 314, 334, 350, 366, 386, 402, 433, 435, 437, 439, 441, 443, 445, 447
2600281 ... 565, 569, 573, 579, 583, 589	3290601 ... 179, 181, 191, 193, 203, 205, 207, 386, 402, 407		3331611 ... 238, 258, 334, 350
2720015 ... 276, 292, 298, 314, 334, 350, 366	3290605 ... 125, 127, 129, 131, 135, 137, 139, 141, 143, 145, 147, 172, 176, 193, 205, 233, 235, 238, 253, 255, 258, 273, 276, 289, 292, 298, 311, 314, 331, 334, 347, 350, 363, 366, 375, 379, 383, 386, 391, 395, 399, 402, 455, 457, 459, 461, 473, 485, 489, 597, 599, 678, 715, 717, 721, 725, 729, 733, 743, 745, 747, 813, 817, 821, 823, 825, 827, 829, 925, 927, 929, 931, 933, 935, 937, 939, 941, 943		3340764 541
2720058 ... 227, 229, 231, 241, 245, 249, 386, 402, 421, 423			3340787 541, 543, 545
2720144 63			3340956 619
2720340 276			3380434 597, 599
2720398 239, 259			3420372 67
2780269 27, 37			3420447 67
2820019 859			3421565 67, 91
2820031 ... 463, 465, 469, 471, 473, 477, 481, 485, 489, 491, 495, 499, 503, 507, 511			3422351 23, 25
2820035 373			3422417 528, 532
2820152 292			3422424 528, 532
2820247 889, 893			3422532 ... 233, 235, 253, 255, 273, 289, 311, 331, 347, 363, 383, 399
2840016 451, 453			3422582 520
2860030 ... 157, 159, 161, 163, 165, 167, 960			3422841 67
2900792 ... 645, 647, 653, 655, 657			3422847 67
2902065 ... 239, 259, 276, 292, 298, 314, 334, 350, 366, 413			3422848 25
2902212 619			3422861 535
2902217 611, 613			3422867 535
2902232 967			3430616 601
2902266 641			3430820 451, 453
2902443 ... 831, 833, 837, 841, 847			3460334 619
2902549 743, 777			3470003 601
2915096 968			3520028 465, 469, 474
2940045 193, 205			3520054 ... 238, 258, 276, 292, 298, 314, 334, 350, 366, 601
2940074 ... 565, 569, 573, 579, 583, 589, 960			3520071 619
2940173 ... 179, 181, 191, 193, 203, 205, 207			3520072 ... 563, 565, 567, 569, 571, 573, 575, 577, 579, 581, 583, 585, 587, 589, 591
3020037 273			3520189 512
3124242 619			3520192 512
3160350 27, 33			3520198 ... 563, 565, 567, 569, 571, 573, 575, 579, 581, 583, 585, 589, 591
3251102 ... 463, 465, 469, 471, 473, 477, 481, 485, 491			3538758 541, 543, 545
3251242 ... 723, 727, 731, 735, 737			3539622 528, 532
3251243 ... 463, 465, 469, 473, 477, 481, 491, 497, 501, 505, 508, 925, 929, 933, 935, 937, 939, 943			3572009 67
			3572010 67
			3572011 67
			3572012 67
			3573400 611, 613, 615

SECTION 11 - SPECIAL OPTIONS/ACCESSORIES/KITS

3573642.....611, 613, 615	3931512 ... 292, 298, 314,	4240032 ... 277, 292, 298,	4460142.....831
3574091.....625, 627	334, 350, 366	314, 334, 350, 793,	4460183.....873, 907
3575359.....621, 623	3931618 ... 233, 235, 253,	795, 797, 799, 801,	4460190....463, 465, 469,
3577121.....611, 613, 615	255, 273, 289, 311,	813, 817, 821, 823,	474
3580134.....471	331, 347, 363, 383, 399	825, 827, 829	4460205.....715
3580158.....463, 471	3931620.....233, 253	4240033 ... 555, 557, 609,	4460224.....489, 601
3580243.....528, 532	3931628 ... 292, 298, 314,	666, 670, 674, 678	4460225....857, 859, 873
3580248.....528, 532	334, 350	4240099 ... 213, 227, 229,	4460226....601, 605, 621,
3580249.....528, 532	3931648.....386, 402	231, 241, 245, 249,	623, 625, 627, 908
3580276....463, 465, 474	3931720.....29	265, 269, 276, 281,	4460227.....95, 873
3580314.....507	3932030.....31	285, 292, 298, 303,	4460234....153, 367, 601,
3580317....477, 481, 485,	3932032.....31	307, 314, 323, 327,	621, 623, 625, 627,
489, 491, 495, 500,	3932072.....31	334, 339, 343, 350,	793, 795, 797, 799,
503, 507, 512	3960389.....209, 211	359, 366, 373, 375,	813, 817, 821, 823,
3580318....477, 481, 491,	3960407.....238, 258	379, 391, 395, 473,	825, 827, 829
495, 500, 503	3960422 ... 477, 481, 491,	602, 611, 613, 621,	4460247....833, 842, 847,
3580319....485, 489, 511	495, 500, 503, 507,	623, 625, 627, 749,	907
3580320....292, 298, 314,	715, 739, 741	751, 753, 755, 757,	4460259....593, 863, 865,
334, 350, 477, 485,	3960464.....209, 211	759, 813, 817, 821,	873, 907
500, 512	3960469 ... 233, 235, 253,	823, 825, 827, 829	4460260....593, 863, 865,
3580324.....469	255, 331, 347, 383, 399	4240149619	869, 873, 907
3641569.....621, 623	3960526.....27	4240156691, 697	4460267.....873
3740067....125, 127, 129,	3980007 ... 241, 245, 249,	428029597, 99, 101, 103,	4460268.....857, 859
131, 238, 258, 961	303, 307, 323, 327,	113, 115, 117, 119	4460294.....489
3740080....855, 887, 961	391, 395	428029665	4460312.....831
3740086.....897, 961	4010303.....555, 557	4360057 ... 621, 623, 625,	4460313....831, 837, 913
3760170.....67, 91	4010308.....451, 453	627, 961	4460315.....715
3790012....375, 379, 391,	4010405....743, 745, 747	4360070 ... 478, 482, 492,	4460320.....95
395, 599, 601	4010618 ... 567, 571, 575,	496, 500, 504, 508, 512	4460346....477, 481, 491,
3790152.....233, 253	581, 585, 591	4360274165, 167	495, 500, 503, 507, 715
3790158.....29, 31	4031507.....169	4360336 ... 463, 465, 469,	4460384.....737
3820001....925, 927, 929,	4031509 ... 213, 215, 217	471, 473, 477, 481,	4460418....863, 865, 873
931, 933, 935, 937,	4031516.....609	485, 489, 491, 495,	4460419....863, 865, 873
939, 941, 943, 947	4031608.....471	500, 503, 507, 512, 961	4460424.....908
3820020....565, 569, 573,	4031708.....292	4360387 ... 159, 163, 165,	4460425....478, 482, 492,
579, 583, 589	4031710.....292	167, 601, 961	496, 500, 504, 508,
384114323, 25, 227, 229,	4031711.....386, 402	4360407601, 961	512, 621, 623, 625,
231, 241, 245, 249,	4031908.....276	4360469 ... 157, 159, 161,	627, 739, 741
265, 269, 281, 285,	4031912.....276	163, 165, 167	4460426....478, 482, 492,
303, 307, 323, 327,	4031914 ... 292, 298, 314,	4360475151, 961	496, 500, 504, 508, 512
339, 343, 359, 375,	334, 350, 366	436051795	4460428.....601
379, 391, 395, 520,	4032014 ... 292, 298, 314,	4360542 ... 463, 465, 469,	4460434.....873
528, 532, 535, 559	334, 350, 528, 532	474	4460458....833, 841, 848,
3841203.....524	4032015 ... 477, 485, 500,	440027563	861, 907
3841258.....19, 21	512	4420014619	4460464....215, 217, 593,
3841287.....520, 524	4032020.....528, 532	4420037611, 613, 615	605, 775, 785, 787,
3841340....749, 751, 753,	4060802 ... 463, 465, 469,	442003897, 99, 103, 113,	803, 805, 807, 809,
755, 757, 759	471, 473, 477, 481,	115, 119	855, 871, 873, 887,
3841356.....524	485, 489, 491, 495,	442005167, 925, 927,	895, 897, 899, 901,
3900054.....577, 587	500, 503, 507, 512	929, 931, 933, 935,	903, 907, 908, 911,
3900267....478, 482, 492	4060805532	937, 939, 941, 943	913, 915, 921
3900300....478, 482, 492	4061032 ... 281, 285, 303,	4420060471	4460465....213, 478, 593,
3900349.....601	307, 359	4420066619	775, 787, 789, 791,
3900357.....238, 258	4070895528, 532	4460019 ... 811, 833, 837,	803, 807, 809, 813,
3900363....191, 193, 203,	4070896528, 532	842, 847	817, 831, 833, 837,
205, 207	4070897528, 532	4460027 ... 463, 465, 469,	841, 842, 845, 847,
3900364....172, 176, 386,	4070898528	474	857, 859, 861, 871,
402	4070939528, 532	4460035887	873, 895, 899, 903,
3900394.....543, 545	4070940528, 532	4460042 ... 831, 834, 838,	905, 907, 908, 913,
3910606....477, 481, 491,	4092009528, 532	841, 845, 847, 907	915, 917, 919, 921
495, 500, 503, 507,	4160149528, 532	4460043 ... 373, 833, 837,	4460466....593, 787, 789,
739, 741	424001863, 666, 670,	842, 847, 861	791, 803, 807, 831,
3910610.....715	674, 678, 739, 741,	4460049 ... 621, 623, 625,	833, 834, 837, 841,
3910804....157, 159, 161,	749, 751, 753, 755,	627	842, 845, 847, 855,
163, 165, 167	757, 759, 761, 763,	4460071 ... 477, 481, 491,	873, 891, 895, 897,
3931432.....276	765, 767, 769, 771	495, 500, 503, 507,	899, 901, 907, 908,
		605, 715	911, 913, 915, 917, 919

SECTION 11 - SPECIAL OPTIONS/ACCESSORIES/KITS

4460467 968	4460899 ... 807, 809, 869, 891, 895, 897, 903, 908, 911	4520288.....49	4811600 ... 265, 269, 281, 285, 303, 307, 323, 327, 339, 343, 359, 425, 471
4460470 ... 601, 813, 817, 821, 823, 825, 827, 829	4460905 ... 863, 865, 873, 907, 908, 913, 915	4530028.....611, 613, 617	4811602 ... 477, 481, 491, 495, 500, 503, 507, 512
4460471 ... 601, 813, 817, 821, 823, 825, 827, 829	4460906 855	4568133.....67	4811700 ... 125, 127, 129, 131, 135, 137, 139, 141, 143, 145, 147, 191, 193, 203, 205, 207, 215, 217, 221, 223, 227, 229, 231, 233, 235, 238, 241, 245, 249, 253, 255, 258, 265, 269, 273, 281, 285, 289, 303, 307, 311, 323, 327, 331, 334, 339, 343, 347, 350, 359, 363, 366, 375, 379, 383, 386, 391, 395, 399, 402, 407, 463, 465, 469, 471, 473, 477, 481, 485, 489, 491, 495, 500, 503, 507, 512, 520, 524, 567, 571, 575, 581, 585, 591, 678, 715, 717, 721, 725, 729, 733, 743, 745, 747, 761, 763, 765, 767, 769, 771, 813, 817, 821, 823, 825, 827, 829, 925, 927, 929, 931, 933, 935, 937, 939, 941, 943
4460473 787, 789, 791	4460910 889	4640261.....67	4811702 ... 179, 181, 233, 235, 253, 255, 273, 276, 289, 292, 298, 311, 314, 331, 347, 359, 363, 366, 383, 399, 407, 455, 457, 459, 461, 597, 599
4460492 911, 919	4460911 891, 913, 915	4640464.....807, 809	4811900 ... 191, 193, 203, 205, 207, 211, 238, 258, 276, 292, 298, 314, 334, 350, 366, 375, 379, 386, 391, 395, 402, 407, 441, 445, 447, 463, 465, 471, 473, 477, 481, 491, 495, 500, 503, 507, 512, 541, 543, 545, 547, 549, 555, 557, 559, 749, 751, 753, 755, 757, 759, 761, 763, 765, 767, 769, 771, 773, 813, 817, 821, 823, 825, 827
4460496 ... 601, 813, 817, 821, 823, 825, 827, 829	4460925 873	4640509.....653, 655, 657	4811902 ... 125, 127, 129, 131, 179, 181, 196, 200, 276, 334, 350, 357, 367, 386, 402, 407, 463, 471
4460497 ... 601, 813, 817, 821, 823, 825, 827, 829	4460928 899, 919	4640751.....276, 366	4812000 ... 71, 73, 97, 99, 101, 103, 105, 107, 109, 111, 113, 115,
4460508 787, 873, 907	4460930 ... 831, 833, 837, 841, 847, 907, 908, 917	4640858.....641	
4460509 787, 789, 791	4460931 ... 901, 908, 911, 913, 915	4640932.....647	
4460510 968	4460932 ... 593, 785, 805, 834, 842, 848, 853, 871, 908	4640999.....645, 647	
4460518 ... 873, 899, 911, 919	4460933 ... 873, 874, 899, 907	4641122.....49, 51, 53	
4460536 ... 807, 809, 873, 903, 921	4460941 853, 891	4711000....478, 482, 492, 496, 500, 504, 508, 512, 821, 823, 825, 827	
4460539 ... 807, 809, 833, 841, 847, 873, 903, 913, 915, 921	4460942 ... 833, 837, 841, 847	4711400....221, 223, 265, 269, 276, 563, 567, 571, 575, 579, 581, 585, 589, 591, 609, 719, 723, 727, 731, 735, 737	
4460612 739, 741	4460943 ... 831, 837, 873, 891, 908	4711500....276, 292, 298, 314, 334, 350, 366, 691, 697	
4460662 ... 725, 727, 729, 731, 733, 735, 737	4460944 ... 831, 833, 837, 841, 847, 873	4711600....619, 629, 631, 633, 635, 637	
4460670 887	4460945 834, 842, 848	4711700.....473	
4460702 908	4460956 777, 779, 781	4711800.....577, 587	
4460703 ... 833, 837, 842, 847, 908	4460957 777, 779, 781	4712000....619, 629, 631, 633, 635, 637	
4460708 874	4460958 741	4712200.....619	
4460722 373	4460959 757, 769	4740036.....67	
4460742 861	4460960 757, 759, 769	4740155.....25	
4460743 861	4460962 613	4740158.....19, 21	
4460746 841, 848	4460963 ... 496, 500, 504, 508	4740362.....597, 599	
4460748 841, 848, 907	4460967 478, 861, 908	4740393.....27, 29, 31, 58	
4460761 873	4460968 ... 471, 717, 719, 721, 723	4740397....149, 151, 153, 375, 379, 391, 395, 599, 867	
4460806 727, 731	4460970 873	4751000...67, 97, 99, 101, 103, 105, 107, 109, 111, 113, 115, 117, 119, 463, 465, 469, 473, 611, 613, 615	
4460807 857, 859	4461005 831	4751400....179, 181, 191, 193, 203, 205, 207, 595, 601, 611, 613, 615, 621, 623, 625, 627, 773	
4460808 857, 859	4461006 831	4751500.....67, 465, 473, 621, 623, 625, 627	
4460836 917, 919	4461008 ... 831, 833, 838, 841, 847	4751600....276, 292, 298, 314, 334, 350, 597, 599, 611, 613, 615	
4460837 917, 919	4461052 831	4751800....577, 587, 621, 623, 625, 627	
4460865 787, 789, 791	4461053 831	4760600.....715	
4460866 787, 873, 907	4461054 ... 831, 834, 841, 847, 853	4761400.....595	
4460871 ... 863, 865, 869, 873, 907, 908, 913, 915, 921	4461060 831	4811400....213, 215, 217, 451, 453, 593, 717, 719, 721, 723, 725, 727, 729, 731, 733, 735, 737, 813, 817, 829	
4460872 913, 915	4461070 831, 837, 899		
4460873 873, 907	4461071 ... 833, 837, 841, 847		
4460874 873, 908	4461072 847		
4460875 913, 915	4461073 ... 831, 837, 841, 847		
4460876 863, 865, 873	4461074 847		
4460878 907	4461077 891, 897		
4460879 593, 873	4461095 831, 837, 899		
4460884 ... 593, 833, 841, 847, 895, 908, 913, 915	4461196 877		
4460887 593, 873, 907	4461198 719, 877		
4460891 ... 213, 775, 837, 871, 899, 908, 913, 915, 917, 919, 921	4461199 879		
4460892 807	4461201 723, 879		
4460894 ... 803, 807, 813, 817, 831, 833, 837, 841, 845, 847, 873, 905, 907, 917	4461205 881, 883		
4460897 ... 215, 217, 775, 901	4461244 727, 881		
	4461245 731, 883		
	4461246 735, 885		
	4461249 885		
	4520256 53		

SECTION 11 - SPECIAL OPTIONS/ACCESSORIES/KITS

117, 119, 172, 176,	4922641 ... 463, 465, 469,	813, 817, 821, 823,	70002054.....41
179, 181, 184, 188,	471, 478, 482, 486,	825, 827, 829	70002057.....41
191, 193, 196, 200,	500, 504, 508, 512	5272010 386, 402	70002059.....41
203, 205, 207, 209,	4922925 ... 489, 495, 500,	5281918 ... 749, 751, 753,	70002063.....75
227, 229, 231, 238,	504, 507, 512, 859	755, 757, 759, 761,	70002066.....84
241, 245, 249, 258,	5201012 58	763, 765, 767, 769, 771	70002088...499, 508, 511
265, 269, 276, 281,	5240800 63, 439	70000123 471	70002112..... 121, 123
285, 292, 298, 303,	524100029, 31, 172, 176,	70000342 537, 539	70002133.....35
307, 314, 323, 327,	191, 193, 203, 205,	70000345 262	70002134.....417
334, 339, 343, 350,359,	207, 233, 235, 239,	70000619 .495, 499, 503,	70002146.....417
366, 375, 379, 386,	253, 255, 259, 273,	507, 511	70002147.....417
391, 395, 402, 407,	289, 311, 331, 334,	70000699 649, 651	70002148.....417
421, 423, 425, 427,	347, 350, 363, 366,	70000781 45	70002149.....417
433, 435, 437, 439,	383, 386, 399, 402,	70000782 37	70002150.....417
441, 443, 463, 465,	437, 477, 481, 485,	70000793 413	70002151.....417
469, 471, 473, 520,	491, 495, 500, 503,	70000794 33	70002153.....417
524, 528, 532, 547,	507, 512, 528, 532,	70000795 33	70002154.....417
549, 559, 749, 751,	541, 543, 545	70000851 262	70002156.....417
753, 755, 757, 759,	5241200 . 19, 21, 27, 233,	70000852 35	70002157.....417
761, 763, 765, 767,	235, 238, 253, 255,	70000853 35	7000216.....37
769, 771, 813, 817,	258, 273, 276, 289,	70000854 35	7000217.....84
821, 823, 825, 827, 829	293, 298, 311, 314,	70000857 35	70002176.....35, 416
481200297, 99, 101, 103,	331, 334, 347, 350,	70000858 35	70002201.....41
105, 107, 109, 111,	363, 366, 383, 386,	70000861 35	70002209.....45
113, 115, 117, 119,	399, 402, 433, 435,	70000862 35	70002234.....262
172, 176, 179, 181,	437, 439, 441, 443,	70000863 .496, 499, 503,	7000228.....84
184, 188, 196, 200,	445, 447, 465, 473,	508, 511	7000229.....84
227, 229, 231, 241,	477, 481, 485, 489,	70000912 261	70002291.....496, 504
245, 249, 265, 269,	491, 495, 500, 503,	70000913 261	70002297..496, 499, 504,
276, 281, 285, 303,	507, 512, 559	70000914 261	508, 511
307, 323, 327, 339,	5241400 ... 238, 258, 334,	70000915 261	7000230.....84
343, 359, 375, 379,	350, 366, 433, 435,	70000916 261	70002335.....645
391, 395, 449	437, 439, 441, 443,	70000917 261	70002366.....645
4812100..93, 97, 99, 101,	477, 485, 500, 512	70000918 261	70002381.....645
103, 105, 107, 109,	5241600 23, 25, 79, 81	70000919 261	70002386.....75, 960
111, 113, 115, 117,	5242000 79, 81	70001002 261	70002390.....45
119, 172, 173, 176,	5250605 407	70001100 .496, 499, 503,	70002410.....647
177, 184, 188, 196,	5250608 ... 209, 821, 823,	508, 511	7000246.....84
227, 229, 231, 241,	825, 827	70001103 . 113, 115, 117,	70002460..496, 499, 504,
245, 249, 265, 269,	5250808 209, 211	119	507, 511
276, 281, 285, 293,	5250810 65, 179, 181,	70001119 37	7000247.....84
298, 303, 307, 314,	293, 299, 314, 334,	70001126 261	7000248.....84
323, 327, 339, 343,	350, 547, 549	70001384 .496, 499, 503,	7000253.....84
359, 366, 407, 451,	5250812 ... 172, 176, 555,	508, 511	7000255.....84
453, 469, 515, 559,	557	70001423 261	7000257.....84
749, 751, 753, 755,	5251008 555, 557, 559	70001435 261	7000263.....84
757, 759, 761, 763,	525100971, 73, 125, 127,	70001498 262	70002718.....261, 319
765, 767, 769, 771	129, 131	70001696 ..499, 507, 511	70002745.....659
4812200....276, 293, 298,	5251012 . 27, 29, 31, 105,	70001697 537, 539	70002755.....659
314, 445, 447	107, 109, 111, 227,	70001847 261	70002756.....659
4812300..27, 29, 31, 238,	229, 231, 241, 245,	70001850 261	70002758.....77
258, 334, 350	249, 265, 269, 281,	70001866 262	70002759.....77
4812500....173, 177, 184,	285, 303, 307, 323,	70001868 262	7000281.....38
188, 196	327, 334, 339, 343,	70001870 261, 320	70002814.....121
4844817535	350, 478, 482, 486,	70001871 261	70002838.....121, 123
4846295.....67	500, 504, 512	70001872 262	70002839.....121, 123
4846296.....67	5251014 ... 135, 137, 139,	70001953 ..499, 508, 511	70002842.....641
4846562.....619	141, 143, 145, 147,	70001966 .477, 481, 485,	70002902.....605
4846627611, 613, 615	172, 176, 184, 188,	489, 491, 496, 499,	70002903.....605
4846673625, 627	196, 200	504, 507, 508, 511	70002904.....605
4871700....463, 471, 477,	5251016 19, 21, 559	70001973 .496, 499, 504,	70002905.....605
481, 485, 491, 495,	5260600 ... 209, 407, 821,	508, 511	70002962.....45
500, 503, 507, 512	823, 825, 827	70001974 .496, 499, 504,	70003003.....261
4891500469	5260800 209, 211	508, 511	70003019.....77, 551, 553
4891600559	5261000 ... 135, 137, 139,	70002020 41	70003027.....77, 551, 553
489200089	141, 143, 145, 147,	70002026 41	70003085.....645
4892600001559		70002027 41	70003136.....261

SECTION 11 - SPECIAL OPTIONS/ACCESSORIES/KITS

70003456 261	70004199 121, 123	70005180.....319	70005952.... 77, 551, 553
70003457 261	70004201 35	70005182.....319	70006004.. 649, 651, 960
70003468 261	70004202 35	70005184.....319	70006093 496, 504
70003469 261	70004203 35	70005200.....553	70006094..... 496, 504
70003470 261	70004204 35	70005203.....84	70006095..... 496, 504
70003472 261	70004205 35	70005298.....41	70006096..... 496, 504
70003473 261	70004237 647	70005299.....41	70006097..... 496, 504
70003475 261	70004268 261	70005300.....41	70006106..... 659
70003478 261	70004269 261	70005301.....41	70006107..... 659
70003628 35	70004270 262	70005302.....41	70006108..... 659
70003631 . 496, 499, 504, 507, 511	70004271 262	70005303.....41	70006109..... 77
70003708 . 477, 481, 485, 489, 491, 496, 499, 504, 508, 511	70004272 262	70005304.....41	70006110..... 77
70003709 . 477, 481, 485, 489, 491, 496, 499, 504, 508, 511	70004273 262	70005305.....41	70006112..... 77
70003783 . 239, 259, 367, 960	70004281 319	70005306.....41	70006114..... 77
70003784 601	70004282 319	70005307.....41	70006115..... 77
70003926 661	70004353 41	70005308.....41	70006116..... 551, 553
70003928 661	70004355 41	70005309.....41	70006117 77
70003929 661	70004356 41	70005311.....41	70006119..... 77
70003930 661	70004361 41	70005312.....41	70006120..... 77
70003932 262	70004363 41	70005313.....41	70006121..... 551, 553
70003975 45	70004365 41	70005314.....41	70006122.. 551, 553, 960
70003982 661	70004367 41	70005315.....41	70006123..... 551, 553
70003998 125, 129	70004369 41	70005316.....41	70006124..... 551, 553
70004037 84	70004370 41	70005317.....41	70006125..... 551, 553
70004039 84	70004371 41	70005318.....41	70006126..... 551, 553
70004040 84	70004414 97, 99, 101, 103	70005319.....41	70006134..... 407
70004041 84	70004447 41	70005320.....42	70006135..... 407
70004042 84	70004508 319	70005321.....42	70006136..... 407
70004043 84	70004577 45	70005335... 547, 549, 960	70006145..... 409
70004044 84	70004595 77, 960	70005466.....416	70006147..... 409
70004045 84	70004596 77	70005467.....416	70006150..... 409
70004047 85	70004597 77	70005468.....416	70006151..... 409
70004051 77	70004607 77	70005469.....416	70006152..... 409
70004052 551, 553	70004607 77	70005470.....416	70006153..... 409
70004053 551, 553	70004613 553	70005471.....417	70006154..... 409
70004056 262	70004617 77	70005472.....417	70006155..... 409, 960
70004058 262	70004653 .. 551, 553, 960	70005474.....417	70006157..... 409
70004059 262	70004659 77	70005475.....417	70006158..... 409
70004060 262	70004661 77	70005476.....417	70006159..... 409
70004064 .. 421, 423, 427	70004662 77	70005479.....261	70006160..... 409
70004065 .. 421, 423, 427	70004676 . 477, 481, 485, 489, 492	70005563.....649	70006161..... 409
70004066 . 421, 423, 427, 960	70004677 485	70005572.....649	70006162..... 409
70004067 .. 421, 423, 427	70004678 . 478, 482, 485, 489, 492	70005575..... 649, 651	70006163..... 409
70004068 .. 421, 423, 427	70004679 . 478, 482, 485, 489, 492	70005595.....661	70006164..... 409
70004069 .. 421, 423, 427	70004681 485, 489	70005627..... 551, 553	70006165..... 409
70004070 .. 421, 423, 427	70004682 . 478, 482, 485, 489, 492	70005668.....45	70006166..... 409
70004092 . 477, 481, 485, 489, 492, 496, 504	70004683 485, 489	70005669.....45	70006167..... 409
70004094 496, 504	70004684 477	70005671.....537	70006168..... 409
70004098 . 478, 482, 492, 496, 504	70004685 .. 478, 482, 492	70005682..... 547, 549	70006169..... 409
70004099 . 481, 489, 492, 496, 504	70004686 489	70005683..... 541, 543	70006170..... 409
70004103 262	70004687 481, 492	70005684..... 541, 543	70006171..... 409
70004155 661	70004795 121, 123	70005693.....645	70006172..... 409
70004169 .. 499, 508, 511	70004867 649, 651	70005694.....645	70006173..... 409
70004171 . 477, 485, 499, 508, 511	70004883 75	70005695.....645	70006174..... 409
70004186 . 653, 655, 657, 661	70004884 75	70005696.....645	70006175..... 409, 960
	70004888 45	70005697.....645	70006176..... 409, 961
	70005008 . 277, 351, 387, 403, 960	70005708..... 121, 960	70006177..... 409
	70005171 319	70005710.....95	70006178..... 409
	70005172 320	70005711.....95	70006179..... 409
	70005177 319	70005712.....95	70006180..... 409
		70005713.....95	70006181..... 409
		70005716.....95	70006182..... 409
		70005839.....661	70006183..... 409
		70005931.....319	70006184..... 409
		70005941.....320	70006185..... 409
		70005942.....319	70006186..... 409
		70005951..... 551, 553	70006187..... 409

SECTION 11 - SPECIAL OPTIONS/ACCESSORIES/KITS

70006188.....	409	70007251.....	647	70007821.....	419	70008336.....	60
70006189.....	409	70007276.....	60	70007822.....	419	70008337.....	60
70006191.....	409	70007323 ..	649, 651, 960	70007823.....	419	70008338.....	60, 61
70006194.....	409	70007326.....	319	70007824.....	419	70008339.....	60
70006195.....	409	70007334.....	649, 651	70007825.....	419	70008341.....	59
70006196.....	410	70007336.....	651	70007826.....	419	70008396.....	133
70006197.....	410	70007337.....	651	70007827 ..	235, 255, 363, 419	70008397.....	133
70006198.....	410	70007338.....	651	70007828.....	419	70008398.....	133
70006199.....	410	70007339.....	651	70007829.....	419	70008399.....	133
70006200.....	410	70007341.....	649, 651	70007838.....	649	70008400.....	133
70006202.....	410	70007342.....	649, 651	70007964.....	58	70008401.....	133
70006203.....	410	70007343.....	649, 651	70008132.....	651	70008402.....	133
70006205.....	410	70007345.....	649, 651	70008133.....	651	70008440.....	77
70006206.....	410	70007346.....	649, 651	70008134.....	651	70008441.....	77
70006207.....	410	70007347.....	649	70008159.....	60	70010383.....	71, 73, 960
70006208.....	410	70007354.....	319	70008244.....	643	70012257.....	319
70006213.....	410, 960	70007438.....	35	70008246.....	643	7001909.....	84
70006215.....	410	70007475.....	77	70008274.....	643	7001911.....	84
70006217.....	410	70007504.....	77	70008276.....	60	7001912.....	84
70006219.....	410	70007507.....	45	70008277.....	59, 60	7001913.....	37
70006221.....	410	70007603.....	319	70008278.....	59, 61	7001931.....	84
70006225.....	410	70007604.....	77	70008279.....	58	7001985.....	84
70006232.....	410	70007617.....	77	70008282.....	59, 60	70022564.....	647
70006233.....	409	70007680.....	58	70008283.....	60	70023370.....	657
70006235.....	410	70007681.....	58	70008284.....	60	70023371.....	657
70006236.....	410	70007682.....	58	70008285.....	60	70023859.....	77
70006260.....	649, 651	70007683.....	58	70008286.....	60	70023860.....	553
70006304.....	85	70007684.....	58, 59	70008287.....	60	70023862.....	551, 553
70006305.....	85	70007685.....	58, 59	70008288.....	60	70024441.....	123
70006306.....	85	70007686.....	58, 59, 60	70008297.....	59	70024457.....	77
70006307.....	85	70007687.....	58, 59, 60	70008298.....	59	70024494.....	320
70006308.....	85	70007688.....	58, 59, 60	70008299.....	59	70024502.....	319
70006309.....	85	70007689.....	58	70008300.....	59	70024504.....	319
70006310.....	85	70007690.....	58	70008301.....	59, 60	70024507.....	319
70006313.....	85	70007691.....	58	70008302.....	59	70024513.....	319
70006314..	105, 107, 109, 111	70007692.....	58	70008303.....	59	70024904.....	320
70006356..	233, 235, 253, 255, 273, 289, 311, 331, 347, 363, 383, 399	70007693.....	58	70008304.....	59	70024905.....	319, 320
70006357.....	77	70007694.....	58	70008305.....	59	70024906.....	319
70006537.....	95	70007695.....	58	70008306.....	59	70024919.....	319
70006538.....	95	70007696.....	58, 60	70008307.....	59, 61	70024961.....	319
70006552..	478, 481, 485, 489, 491	70007697.....	58	70008308.....	59	70025084.....	261
70006553..	478, 481, 485, 489, 491	70007698.....	58, 60	70008309.....	59	70025164.....	319
70006596.....	647	70007699.....	58	70008310.....	59	70025210.....	961
70006649..	653, 655, 657	70007700.....	58	70008311.....	59	70025231.....	319
70006650..	653, 655, 657	70007701.....	58	70008312.....	59	70025239.....	319
70006731.....	661	70007702.....	58	70008313.....	59	70025580.....	649
70006734..	653, 655, 657	70007725.....	123	70008314.....	59	70025582.....	649
70006735..	653, 655, 657	70007726.....	123	70008315.....	59	70025613.....	651
70006736..	653, 655, 657	70007727.....	123	70008316.....	59	70025614.....	651
7000695.....	261	70007783.....	77	70008317.....	59	70026164.....	649
70006978.....	661	70007804.....	419	70008318.....	59	70026179.....	651
70006979.....	661	70007805.....	419	70008319.....	59	70026210.....	319
70006980.....	661	70007806.....	419	70008320.....	59	70026444.....	45
70006981.....	661	70007807.....	419	70008321.....	59	70026973.....	649
70006982.....	661	70007808.....	419	70008322.....	59	7002821.....	968
70006983.....	661	70007809.....	419	70008324.....	60	7002822.....	968
70007108.....	410	70007810.....	419	70008326.....	59	7002823.....	968
70007157.....	647	70007811.....	419	70008327.....	59	7002826.....	968
70007159.....	647	70007812.....	419	70008328.....	59	7002840.....	968
70007161.....	647	70007813.....	419	70008329.....	59	70028540.....	319
70007168.....	647	70007814.....	419	70008330.....	60	70029451.....	319
70007169.....	647	70007815.....	419	70008331.....	60	70029512.....	319
		70007816.....	419	70008332.....	60	70030360.....	319
		70007817.....	419	70008333.....	60	70030381.....	319
		70007818.....	419	70008334.....	60	70031095.....	319
		70007819.....	419	70008335.....	60	70031136.....	319
		70007820.....	419			70031143.....	319

SECTION 11 - SPECIAL OPTIONS/ACCESSORIES/KITS

70031144.....	319	7017022.....	38	7022311.....	33, 35	7024763.....	84
7004275.....	968	7017023.....	84	7022313.....	33	7024764.....	38
7004276.....	968	7017027.....	37	7022314.....	33, 35	7024765.....	38
70050795.....	661	7017070.....	84	7022321.....	35	7024766.....	38
7005889.....	85	7017072.....	37, 84	7022326.....	33	7024784.....	85
7005891.....	85	7017080.....	84	7022328.....	33	7024851.....	417
7007207.....	416	7017082.....	85	7022368.....	33, 35	7024862.....	33
7007208.....	416	7017085.....	84	7022371.....	33, 35	7024865.....	33
7007412.....	417	7017093.....	37	7022372.....	33	7024867.....	33, 35
7007413.....	416	7017095.....	37	7022399.....	45	7024868.....	35
7007415.....	416	7017142.....	537, 539	7022524.....	551, 553	7024871.....	33
7007417.....	416	7017159.....	537, 539	7022527.....	77	7024874.....	416
7007418.....	416	7017162.....	537, 539	7023821.....	77	7024875.....	416
7007419.....	35, 416	7017163.....	537, 539	7023910.....	33	7024877.....	417
7007420.....	35, 416, 417	7017164.....	537, 539	7023979.....	416	7024881.....	45
7007422.....	417	7017172.....	537, 539	7024100.....	85	7026188....	499, 507, 511
7007423.....	416	7017192.....	537, 539	7024124.....	37	7026199....	465, 469, 473
7007425.....	416	7017195.....	537, 539	7024125.....	37	7026597...	496, 499, 504, 508, 511
7007430.....	417	7017410.....	75	7024127.....	37	7026626...	496, 499, 504, 508, 511
7007431.....	417	7019680 ...	463, 465, 469, 473	7024129.....	37	7026631.....	261
7007434.....	417	702004397, 99, 101, 103, 113, 115, 117, 119		7024134.....	38	7027236.....	261
7007435.....	416	7020108 ...	463, 465, 469, 471, 473	7024441.....	121	7027276.....	262
7007437.....	33	7020109 ...	463, 465, 469, 471, 473	7024462.....	617	7027404.....	410
7007438.....	33, 416	7020110 ...	463, 465, 469, 471, 473	7024463.....	617	7027419.....	33
7007439.....	33, 35, 416	7020111 ...	463, 465, 469, 471, 473	7024467.....	617	7027740.....	33, 35
7007441.....	417	7020175.....	151	7024469.....	617	7027773.....	617
7007442.....	416	7020176.....	151	7024470.....	617	7027774.....	617
7007443.....	416	7020190 ...	463, 465, 469, 471, 473	7024471.....	617	7027775.....	617
7007444.....	417	7020403.....	261	7024472.....	617	7027776.....	617
7007446.....	33, 35, 416	7020408.....	261	7024473.....	617	7027777.....	617
7007448.....	416	7020431.....	261	7024474.....	617	7027778.....	617
7007450.....	417	7020460.....	261	7024475.....	617	7027779.....	617
7007453.....	417	7020465.....	261	7024478.....	617	7027780.....	617
7007457.....	416	7020468.....	261	7024485.....	499, 507, 511	7027790.....	262
7007459.....	416	7020471.....	262	7024488....	495, 499, 503, 507, 511	7027791.....	262
7007463.....	416	7020479.....	262	7024489....	495, 499, 503, 507, 511	7027792.....	262
7007464.....	416	7020487.....	261	7024502.....	649, 651	7027795.....	261, 961
7007465.....	416	7021200.....	416	7024503.....	649, 651	7027796.....	262
7007476.....	417	7021201.....	417	7024579.....	261, 320	7027799...	496, 499, 504, 507, 511
7007477.....	417	7021202.....	416	7024598.....	451, 453	7027887...	463, 465, 469, 471, 474
7007484.....	417	7021203.....	417	7024704.....	84	727400040	478, 482, 486, 500, 504, 512
7007485.....	417	7021206.....	417	7024721.....	38	7300435 ...	238, 258, 334, 350
7007487.....	417	7021207.....	416	7024722.....	37	77133137.	749, 751, 753, 755, 757, 759, 761, 763, 765, 767, 769, 771
7007488.....	417	7021210.....	416	7024723.....	38	77363233.....	857, 859
7007633.....	84	7021212.....	416	7024724.....	37	80434249.....	77, 960
7010116.....	416	7021214.....	416	7024725.....	37	80484084.	833, 837, 841, 848
7010117.....	417	7021219.....	416	7024726.....	37	80633030..	684, 690, 696
7010119.....	417	7021220.....	416	7024727.....	37	80983191.	834, 837, 842, 848, 960
7010121.....	416	7021221.....	417	7024728.....	37	8220045....	831, 855, 908
7010474.....	84	7021222.....	417	7024729.....	37	8220089.....	907
7010492.....	84	7021223.....	417	7024730.....	37	8220097.....	907
7010543.....	75	7021232.....	417	7024731.....	37	8220098.....	907
7011112.....	645, 647	7021233.....	416	7024732.....	37	8220115.....	837, 847
7012513...	463, 465, 469, 471, 473	7021249.....	33, 35	7024733.....	37	8220164.....	811, 831
7012514...	463, 465, 469, 471, 473	7021256.....	416, 417	7024734.....	37	8229242...	834, 837, 842, 848, 907, 960
7012558...	463, 465, 469, 473	7021275.....	33, 35	7024735.....	37	8229244.....	907, 960
7012941.....	75	7021625.....	45	7024736.....	37		
7012967.....	75	7022162.....	409	7024737.....	38		
7012998.....	45	7022301.....	417	7024738.....	37		
7016328.....	261, 960	7022302.....	33	7024739.....	37		
7016331....	261, 320, 960			7024740.....	37		
7016652.....	968			7024741.....	37		
7016654.....	968			7024742.....	37		
7016655.....	968			7024743.....	37, 84		
				7024744.....	37, 38		

SECTION 11 - SPECIAL OPTIONS/ACCESSORIES/KITS

8229245.....855, 960	8405102 386, 402	8406110 ... 215, 217, 813, 817, 821, 823	88521214.. 629, 631, 633, 635, 637
8229246.....887	8405104 ... 276, 293, 299, 315, 335, 351, 366, 386, 402	8406201 ... 293, 299, 315, 367, 387, 403	8896941.....968
8229249.....593	8405202 ... 238, 258, 293, 299, 315, 367	8410009 387, 403	91203039.....559
8310129.....619	8405203 386, 402	8410011 ... 276, 335, 351, 386, 402	91401281..... 125, 127
8310614.....25	8405204 ... 293, 299, 315, 367	8410013 276, 359, 367	91403230.. 925, 927, 929, 931, 933, 935, 937, 939, 941, 943
83304173.....121, 123	8406003 555, 557	8420231 387, 403	
8405006....265, 269, 359, 386, 402	8406109... 276, 293, 299, 315, 335, 351, 367, 386, 402	85941018 . 375, 379, 391, 395	
8405007....276, 293, 299, 315, 334, 350, 366		88261024 691, 697	
8405009....276, 293, 299, 315, 335, 350, 366, 387, 403		88411013 773	



**Corporate Office
JLG Industries, Inc.
1 JLG Drive
McConnellsburg, PA 17233-9533 USA
☎ (717) 485-5161 (Corporate)
☎ (877) 554-5438 (Customer Support)
📠 (717) 485-6417**

**Visit our website for JLG Worldwide Locations.
www.jlg.com**



OSHKOSH™