



---

# Illustrated Parts Manual

## Model 600AJ HC3

PVC  
2401

P/N  
31223061

June 3, 2024 - Rev B

**ANSI**

**CE**



**UK  
CA**

**AS/NZS**



---

An Oshkosh Corporation Company



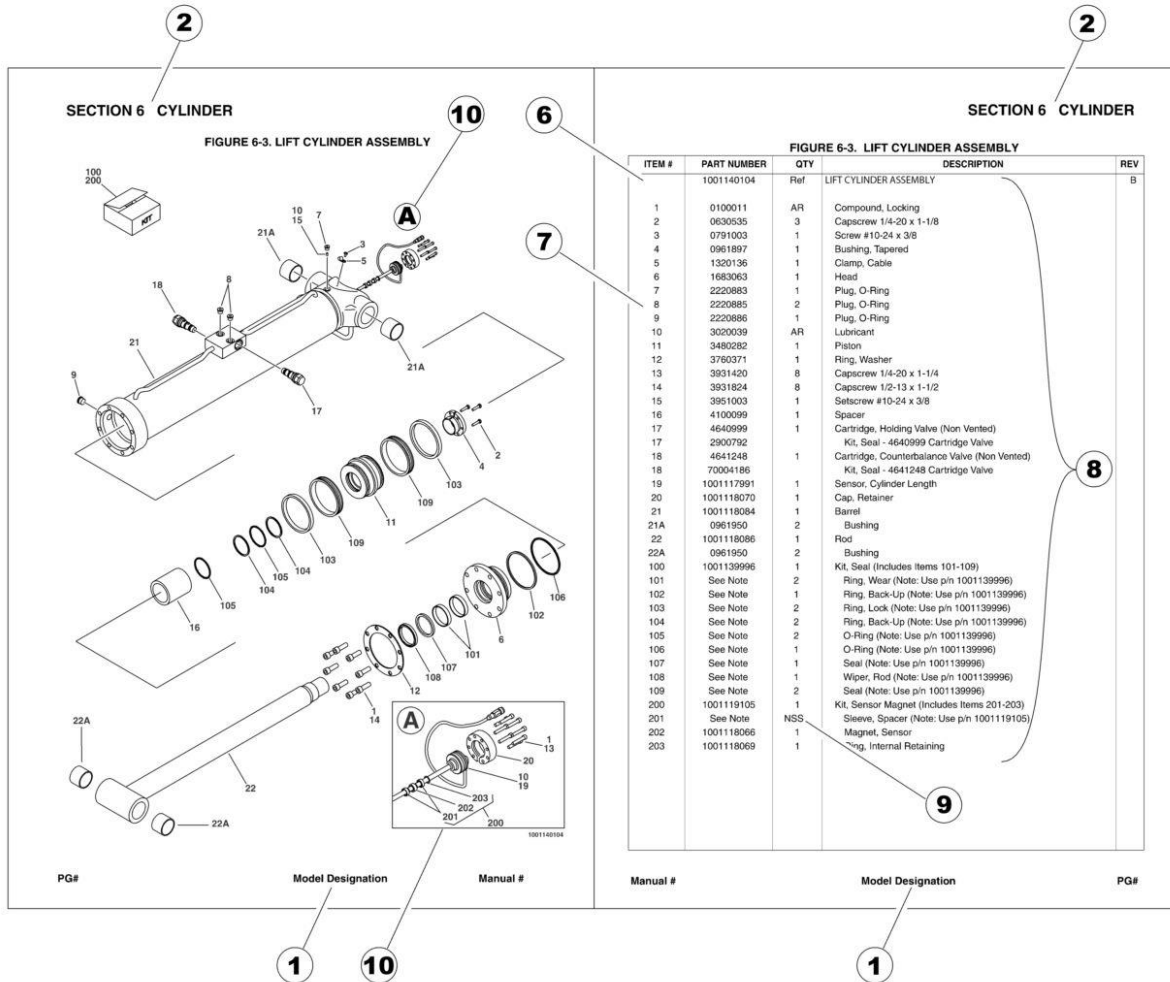


## **REVISION LOG**

January 1, 2024 - A - Original Issue of Manual (Edited to B/M 1001245251 Revision AB)

June 3, 2024 - B - Revised Manual (Edited to B/M 1001245251 Revision AB)

# GENERAL INFORMATION



## 1) MACHINE IDENTIFICATION

Machines are identified by model and in some cases a combination of models, serial number (SN) or regional standard (i.e ANSI, CE, CSA). Components may also be identified by SN or manufacturer. Common components that may be identified by these characteristics are engines and hydraulic components.

## 2) PARTS MANUAL ORGANIZATION

Product information in this manual is organized under section titles. Frame, Cylinder, Hydraulic and Electrical are a few examples. Each section is organized by figure and page number. The information within the Figure is then organized by item number, part number, description and corresponding illustration (s).

## 3) TABLE OF CONTENTS (NOT SHOWN)

A table of contents is found toward the beginning of the manual. Figure number, description and page number are provided for quick reference to the page containing the related information.

## 4) RECOMMENDED SPARE PARTS (NOT SHOWN)

The Recommended Spare Parts List, located near the end of the manual, reference most frequently used maintenance parts.

## 5) PART NUMBER INDEX (NOT SHOWN)

A numerical index listing all part numbers and the corresponding page number(s) appears at the back of the manual.

## GENERAL INFORMATION

### 6) NON-SERVICED PARTS

In some instances, it is necessary to display non-serviced parts, assemblies or installations. In the case of assemblies and installations there will be a Ref in the Qty. column. In case of parts that are not available for service within assemblies or components, there will be a NSS (Not Sold Separately) or NLA (No Longer Available) listed in the Qty. column of the manual.

### 7) PARTS LIST ITEM NUMBERS

Numbers shown in the item# column correspond to numbers used in the associated illustration (s). Item numbers which are missing from the sequence in the parts list are not used on that page.

### 8) INDENTED PARTS DESCRIPTION

An indented part description is included in the item under which it is indented.

### 9) ABBREVIATION AND SYMBOLS

|             |  |              |                                 |
|-------------|--|--------------|---------------------------------|
| AC.....     | Alternating Current                        | L.....       | Liter                           |
| ADE.....    | Advanced Design Electronics                | LB(LBS)..... | Pounds                          |
| AG.....     | Agricultural                               | LCD.....     | Liquid Crystal Display          |
| ANSI.....   | American National Standards Institute      | LED.....     | Light Emitting Diodes           |
| AR.....     | As Required                                | LH.....      | Left Hand                       |
| ASSY.....   | Assembly                                   | LRC.....     | Low Rated Countries             |
| AUS.....    | Australia                                  | LSS.....     | Load Sensing System             |
| AUX.....    | Auxiliary                                  | M(m).....    | Metric/Meter                    |
| AWG.....    | American Wire Gauge                        | MM(mm).....  | Milimeter                       |
| B/M.....    | Bill of Material                           | mA.....      | Miliamps                        |
| CAC.....    | Charge Air Cooler                          | NLA.....     | No Longer Available             |
| CE.....     | European Conformity                        | NPT.....     | National Pipe Threads           |
| CCW.....    | Counter Clockwise                          | NSS.....     | Not Sold Separately             |
| CM.....     | Centimeter                                 | OD.....      | Outside Diameter                |
| CW.....     | Clockwise                                  | ORB.....     | O-Ring Boss                     |
| CSA.....    | Canadian Standards Association             | ORFS.....    | O-Ring Face Seal                |
| CYL.....    | Cylinder                                   | OZ (oz)..... | Ounces                          |
| DIA.....    | Diameter                                   | PG.....      | Page                            |
| DC.....     | Direct Current                             | PN.....      | Part Number                     |
| DEF.....    | Diesel Exhaust Fluid                       | QT(qt.)..... | Quarts                          |
| EMS.....    | Emergency Stop                             | QTY.....     | Quantity                        |
| ENG.....    | Engine                                     | REF.....     | Reference                       |
| FT(ft)..... | Feet                                       | REV.....     | Revision Level                  |
| GA(Ga)..... | Gauge                                      | RH.....      | Right Hand                      |
| HRC.....    | High Rated Countries                       | SAE.....     | Society of Automotive Engineers |
| HVAC.....   | Heating, Ventilating, and Air Conditioning | SN.....      | Serial Number                   |
| HYD.....    | Hydraulic                                  | SPEC(S)..... | Specifications                  |
| Hz.....     | Hertz                                      | T/T.....     | Turntable                       |
| ID.....     | Inside Diameter                            | UGM.....     | Universal Ground Module         |
| IN.....     | inches                                     | V.....       | Volts                           |
| ISO.....    | International Organization for Standards   | W.....       | Watts                           |
| JIC.....    | Joint Industry Council                     | #.....       | Number                          |
| KG.....     | Kilogram                                   |              |                                 |

### 10) ILLUSTRATION REFERENCE LETTERS

When necessary, illustrations may contain reference letters that are intended to track information (i. e. hoses, harnesses) from one point to another or to track visual enlargement of components to show details that may be located in another area on the illustration.

*Note: Due to continuous product improvements, JLG Industries, Inc. reserves the right to make specification changes without prior notification. Contact JLG Industries, Inc. for updated information.*



# TABLE OF CONTENTS

|   |     |
|---|-----|
| SECTION 1 - FRAME.....  | 15  |
| FIGURE 1-1. AXLE INSTALLATION (WITHOUT TOW PACKAGE).....  | 16  |
| FIGURE 1-2. AXLE INSTALLATION (WITH TOW PACKAGE) .....  | 18  |
| FIGURE 1-3. STEERING INSTALLATION (WITHOUT TOW PACKAGE).....  | 20  |
| FIGURE 1-4. STEERING INSTALLATION (WITH TOW PACKAGE) .....  | 22  |
| FIGURE 1-5. WHEEL DRIVE INSTALLATION - 4WD/2WS .....  | 24  |
| FIGURE 1-6. DRIVE MOTOR ASSEMBLY .....  | 26  |
| FIGURE 1-7. DRIVE HUB ASSEMBLY .....  | 28  |
| FIGURE 1-8. FLOW DIVIDER ASSEMBLY .....   | 32  |
| FIGURE 1-9. TIRE AND WHEEL INSTALLATION - FOAM FILLED.....  | 34  |
| FIGURE 1-10. TIRE AND WHEEL INSTALLATION - FOAM FILLED NON-MARKING.....                               | 36  |
| FIGURE 1-11. TIRE AND WHEEL INSTALLATION - FOAM FILLED (TURF).....                                    | 38  |
| FIGURE 1-12. FRAME SHIELDS INSTALLATION – 2WS (8FT/2.4M WIDE MACHINES) .....                          | 40  |
| FIGURE 1-13. TOW PACKAGE INSTALLATION (ANSI SPECS) (OPTIONAL).....                                    | 42  |
| FIGURE 1-14. TOW PACKAGE INSTALLATION (CSA SPECS) (OPTIONAL).....                                     | 44  |
| FIGURE 1-15. TOW PACKAGE INSTALLATION (CE, RUSSIAN & UK CA SPECS) (OPTIONAL) .....                    | 46  |
| FIGURE 1-16. TOW BAR ASSEMBLY .....   | 48  |
| FIGURE 1-17. LP TANKS INSTALLATION .....  | 50  |
| SECTION 2 - TURNTABLE .....   | 53  |
| FIGURE 2-1. CONTROL VALVES INSTALLATION - DEUTZ D2011 ENGINES .....                                   | 54  |
| FIGURE 2-2. CONTROL VALVES INSTALLATION - DEUTZ DT2.9L4, DEUTZ TD2.2L3 STAGE V & FORD ENGINES.....    | 56  |
| FIGURE 2-3. MAIN VALVE BLOCK ASSEMBLY - 2WS .....   | 58  |
| FIGURE 2-4. AUXILIARY PUMP INSTALLATION.....  | 62  |
| FIGURE 2-5. AUXILIARY PUMP INSTALLATION WITH BATTERY DISCONNECT .....                                 | 64  |
| FIGURE 2-6. AUXILIARY PUMP ASSEMBLY.....  | 66  |
| FIGURE 2-7. SWING DRIVE INSTALLATION .....  | 68  |
| FIGURE 2-8. SWING MOTOR/HUB ASSEMBLY.....   | 70  |
| FIGURE 2-9. TURNTABLE BEARING INSTALLATION .....  | 74  |
| FIGURE 2-10. TURNTABLE LOCK INSTALLATION (DEUTZ D2011 & FORD ENGINE MACHINES).....                    | 76  |
| FIGURE 2-11. TURNTABLE LOCK INSTALLATION (DEUTZ TD2.9L4 & DEUTZ TD2.2L3 STAGE V ENGINE MACHINES)..... | 78  |
| FIGURE 2-12. ROTARY COUPLING INSTALLATION .....   | 80  |
| FIGURE 2-13. TANK INSTALLATION – DEUTZ D2011 ENGINE .....   | 82  |
| FIGURE 2-14. TANK INSTALLATION – DEUTZ TD2.9L4 & TD2.2L3 STAGE V ENGINES .....                        | 84  |
| FIGURE 2-15. TANK INSTALLATION – FORD ENGINE .....  | 86  |
| FIGURE 2-16. HYDRAULIC OIL TANK ASSEMBLY.....   | 88  |
| FIGURE 2-17. HYDRAULIC OIL COOLER INSTALLATION - DEUTZ D2011 ENGINES (OPTIONAL) .....                 | 90  |
| FIGURE 2-18. HYDRAULIC OIL COOLER INSTALLATION - DEUTZ TD2.2L3 STAGE V ENGINES (OPTIONAL) .....       | 92  |
| FIGURE 2-19. HYDRAULIC OIL COOLER INSTALLATION - DEUTZ TD2.9L4 ENGINES (OPTIONAL).....                | 94  |
| FIGURE 2-20. HYDRAULIC OIL COOLER INSTALLATION - FORD ENGINES (OPTIONAL) .....                        | 96  |
| FIGURE 2-21. GROUND CONTROL BOX ASSEMBLY - DEUTZ 2011 ENGINE .....                                    | 98  |
| FIGURE 2-22. GROUND CONTROL BOX ASSEMBLY - DEUTZ D2011 ENGINES AND MSSO .....                         | 102 |
| FIGURE 2-23. GROUND CONTROL BOX ASSEMBLY - DEUTZ TD2.9L4 AND DEUTZ TD2.9L4 (CHINA IV) ENGINES.....    | 106 |

# TABLE OF CONTENTS

|  |     |
|--|-----|
| FIGURE 2-24. GROUND CONTROL BOX ASSEMBLY - FORD DF 2.5 .....                                       | 110 |
| FIGURE 2-25. GROUND CONTROL BOX ASSEMBLY - DEUTZ TD2.2L3 ENGINE .....                              | 114 |
| FIGURE 2-26. GROUND CONTROL BOX ASSEMBLY - DEUTZ D2011 ENGINE AND TOWER STOW.....                  | 118 |
| FIGURE 2-27. GROUND CONTROL BOX ASSEMBLY - DEUTZ 2011 ENGINES AND TOWER STOW AND MSSO.....         | 122 |
| FIGURE 2-28. GROUND CONTROL BOX ASSEMBLY - DEUTZ TD2.9L4 AND CHINA IV ENGINES AND TOWER STOW ..... | 126 |
| FIGURE 2-29. GROUND CONTROL BOX ASSEMBLY - FORD DF 2.5L AND TOWER STOW .....                       | 130 |
| FIGURE 2-30. GROUND CONTROL BOX ASSEMBLY - DEUTZ TD2.2L3 (STAGE V) ENGINES AND TOWER STOW .....    | 134 |
| FIGURE 2-31. LIGHT PANEL INSTALLATION - GROUND CONTROL .....                                       | 138 |
| FIGURE 2-32. CRIBBING ENABLE SWITCH INSTALLATION.....  | 140 |
| FIGURE 2-33. ALARM INSTALLATION.....   | 142 |
| FIGURE 2-34. ALARM (WHITE NOISE AMBIENT) INSTALLATION.....   | 144 |
| FIGURE 2-35. ALARM (WHITE NOISE) INSTALLATION.....   | 146 |
| FIGURE 2-36. STROBE LIGHT INSTALLATION (AMBER).....  | 148 |
| FIGURE 2-37. STROBE LIGHT INSTALLATION (BLUE) .....  | 150 |
| FIGURE 2-38. STROBE LIGHT INSTALLATION (RED).....  | 152 |
| FIGURE 2-39. HOODS INSTALLATION - DEUTZ D2011 ENGINES WITHOUT NOISE REDUCTION (ABS).....           | 154 |
| FIGURE 2-40. HOODS INSTALLATION - DEUTZ D2011 ENGINES WITH NOISE REDUCTION (ABS) .....             | 158 |
| FIGURE 2-41. HOODS INSTALLATION - DEUTZ TD2.2L3 STAGE V ENGINES (ABS) .....                        | 162 |
| FIGURE 2-42. HOODS INSTALLATION - DEUTZ TD2.9L4 AND FORD DF 2.5L ENGINES (ABS) .....               | 166 |
| FIGURE 2-43. NOISE REDUCTION INSTALLATION - DEUTZ D2011 & DEUTZ TD2.9L4 ENGINES .....              | 170 |
| FIGURE 2-44. NOISE REDUCTION INSTALLATION - DEUTZ TD2.2L3 ENGINES.....                             | 172 |
| SECTION 3 - ENGINE .....   | 175 |
| FIGURE 3-1. DEUTZ D2011 ENGINE INSTALLATION – WITHOUT ARCTIC PACKAGE .....                         | 176 |
| FIGURE 3-2. DEUTZ D2011 ENGINE INSTALLATION – WITH ARCTIC PACKAGE .....                            | 178 |
| FIGURE 3-3. DEUTZ D2011 ENGINE/PUMP SUB-ASSEMBLY – WITHOUT ARCTIC PACKAGE .....                    | 180 |
| FIGURE 3-4. DEUTZ D2011 ENGINE/PUMP SUB-ASSEMBLY – WITH ARCTIC PACKAGE.....                        | 182 |
| FIGURE 3-5. DEUTZ D2011 ENGINE ASSEMBLY – WITHOUT ARCTIC PACKAGE .....                             | 184 |
| FIGURE 3-6. DEUTZ D2011 ENGINE ASSEMBLY – WITH ARCTIC PACKAGE.....                                 | 188 |
| FIGURE 3-7. DEUTZ D2011 ENGINE COMPONENTS.....   | 192 |
| FIGURE 3-8. DEUTZ TD2.2L3 (STAGE V) ENGINE INSTALLATION - (WITHOUT ARCTIC PACKAGE) .....           | 196 |
| FIGURE 3-9. DEUTZ TD2.2L3(STAGE V) ENGINE/PUMP SUB ASSEMBLY - (WITHOUT ARCTIC PACKAGE).....        | 200 |
| FIGURE 3-10. DEUTZ TD2.2L3 (STAGE V) ENGINE ASSEMBLY .....   | 202 |
| FIGURE 3-11. DEUTZ TD2.2L3 (STAGE V) ENGINE COMPONENTS.....  | 208 |
| FIGURE 3-12. BRACKET ASSEMBLY - FUEL PUMP AND FILTER (DEUTZ D2.2L3 ENGINE) .....                   | 210 |
| FIGURE 3-13. DEUTZ D2.9L4 EMR5 ENGINE INSTALLATION (WITH ARCTIC PACKAGE) .....                     | 212 |
| FIGURE 3-14. DEUTZ D2.9L4 EMR5 ENGINE/PUMP SUB ASSEMBLY (WITH ARCTIC PACKAGE) .....                | 216 |
| FIGURE 3-15. ENGINE ASSEMBLY - DEUTZ D2.9L4 EMR5 ENGINE (WITH ARCTIC PACKAGE) .....                | 218 |
| FIGURE 3-16. ENGINE COMPONENTS - DEUTZ D2.9L4 ERM5 ENGINE (49HP).....                              | 224 |
| FIGURE 3-17. DEUTZ TP2.9L4 (67HP) EMR4 ENGINE INSTALLATION - (WITHOUT ARCTIC PACKAGE).....         | 228 |
| FIGURE 3-18. DEUTZ TP2.9L4 (67HP) EMR4 ENGINE INSTALLATION - (WITH ARCTIC PACKAGE) .....           | 232 |
| FIGURE 3-19. DEUTZ TP2.9L4 (67HP) EMR4 ENGINE/PUMP SUB ASSEMBLY - (WITHOUT ARCTIC PACKAGE) .....   | 236 |
| FIGURE 3-20. DEUTZ TP2.9L4 (67HP) EMR4 ENGINE/PUMP SUB ASSEMBLY - (WITH ARCTIC PACKAGE).....       | 238 |
| FIGURE 3-21. DEUTZ TD2.9L4 - 63HP EMR4 ENGINE ASSEMBLY – WITHOUT ARCTIC PACKAGE .....              | 240 |

# TABLE OF CONTENTS

|  |     |
|--|-----|
| FIGURE 3-22. DEUTZ TD2.9L4 - 63HP EMR4 ENGINE ASSEMBLY – WITH ARCTIC PACKAGE .....                               | 246 |
| FIGURE 3-23. DEUTZ TD2.9L4 - 63HP EMR4 ENGINE COMPONENTS .....   | 252 |
| FIGURE 3-24. BRACKET ASSEMBLY - FUEL PUMP AND FILTER (DEUTZ D2.9L4 ENGINE).....                                  | 256 |
| FIGURE 3-25. BREATHER HEATER INSTALLATION - DEUTZ D2.9L4 ENGINES WITH ARCTIC PACKAGE .....                       | 258 |
| FIGURE 3-26. QUICKFIT OIL DRAIN (DEUTZ TD 2.9L) .....  | 260 |
| FIGURE 3-27. QUICKFIT OIL DRAIN (DEUTZ D ENGINES) .....  | 262 |
| FIGURE 3-28. FORD ENGINE INSTALLATION - (WITHOUT ARCTIC PACKAGE).....  | 264 |
| FIGURE 3-29. FORD ENGINE INSTALLATION - (WITH ARCTIC PACKAGE) .....  | 268 |
| FIGURE 3-30. FORD ENGINE/PUMP SUB ASSEMBLY – (WITHOUT ARCTIC PACKAGE).....                                       | 272 |
| FIGURE 3-31. FORD ENGINE/PUMP SUB ASSEMBLY - (WITH ARCTIC PACKAGE) .....   | 274 |
| FIGURE 3-32. FORD ENGINE ASSEMBLY - WITHOUT ARCTIC PACKAGE .....   | 276 |
| FIGURE 3-33. FORD ENGINE ASSEMBLY - WITH ARCTIC PACKAGE .....  | 282 |
| FIGURE 3-34. PUMP COUPLING AND FUEL SYSTEM ASSEMBLY (FORD ENGINES).....  | 288 |
| FIGURE 3-35. FORD ENGINE COMPONENTS.....   | 290 |
| FIGURE 3-36. DRIVE BELT INSTALLATION - FORD ENGINES MACHINES WITHOUT GENERATORS.....                             | 294 |
| FIGURE 3-37. PUMP COUPLING KIT - DEUTZ ENGINES .....   | 296 |
| FIGURE 3-38. PISTON PUMP ASSEMBLY - DEUTZ ENGINES - DANFOSS .....  | 298 |
| FIGURE 3-39. PISTON PUMP ASSEMBLY WITH FITTINGS - DEUTZ ENGINES - HENGLI .....                                   | 302 |
| FIGURE 3-40. PISTON PUMP AND FITTINGS ASSEMBLY .....   | 304 |
| FIGURE 3-41. PISTON PUMP ASSEMBLY .....  | 306 |
| FIGURE 3-42. GEAR PUMP ASSEMBLY .....  | 308 |
| FIGURE 3-43. SPARK ARRESTOR MUFFLER INSTALLATION - DEUTZ D2011 ENGINES .....                                     | 310 |
| FIGURE 3-44. EXHAUST PIPE INSTALLATION - FORD ENGINES .....  | 312 |
| FIGURE 3-45. FUEL-WATER SEPARATOR INSTALLATION - DEUTZ D2011 ENGINES (OPTIONAL) .....                            | 314 |
| FIGURE 3-46. RIGHT ENGINE SUPPORT INSTALLATION (DEUTZ D2011 ENGINES MACHINES WITHOUT GENERATORS)<br>.....        | 316 |
| FIGURE 3-47. RIGHT ENGINE SUPPORT INSTALLATION (DEUTZ D2011 ENGINES MACHINES WITH GENERATORS)....                | 318 |
| FIGURE 3-48. RIGHT ENGINE SUPPORT INSTALLATION (DEUTZ TD2.2L3 ENGINES MACHINES WITHOUT GENERATORS)<br>.....      | 320 |
| FIGURE 3-49. RIGHT ENGINE SUPPORT INSTALLATION (DEUTZ TD2.2L3 ENGINES MACHINES WITH GENERATORS)                  | 322 |
| FIGURE 3-50. RIGHT ENGINE SUPPORT INSTALLATION (DEUTZ TD2.9L4 ENGINES MACHINES WITHOUT GENERATORS)<br>.....      | 324 |
| FIGURE 3-51. RIGHT ENGINE SUPPORT INSTALLATION (DEUTZ TD2.9L4 ENGINES MACHINES WITH GENERATORS)                  | 326 |
| FIGURE 3-52. ENGINE TRAY JACK INSTALLATION - DEUTZ D2011 ENGINES.....  | 328 |
| FIGURE 3-53. ENGINE TRAY JACK INSTALLATION - DEUTZ TD2.9L4 & TD2.2L3 STAGE V ENGINES.....                        | 330 |
| FIGURE 3-54. ENGINE TRAY JACK INSTALLATION - FORD ENGINES.....   | 332 |
| FIGURE 3-55. 2500W/110V/60HZ GENERATOR INSTALLATION - DEUTZ D2011 ENGINES.....                                   | 334 |
| FIGURE 3-56. 2500W/220V/50HZ GENERATOR INSTALLATION - DEUTZ D2011 ENGINES.....                                   | 336 |
| FIGURE 3-57. 2500W/110V/60HZ GENERATOR INSTALLATION - DEUTZ TD2.9L4 ENGINES.....                                 | 338 |
| FIGURE 3-58. 2500W/220V/50HZ GENERATOR INSTALLATION - DEUTZ D2011 ENGINES (ANSI EXPORT AND CHINA<br>SPECS) ..... | 342 |
| FIGURE 3-59. 2500W GENERATOR INSTALLATION - FORD ENGINES .....   | 344 |
| FIGURE 3-60. 4000W/60HZ GENERATOR INSTALLATION - DEUTZ D2011 ENGINES .....                                       | 348 |
| FIGURE 3-61. 4000W/50HZ GENERATOR INSTALLATION - DEUTZ D2011 ENGINES .....                                       | 352 |
| FIGURE 3-62. 4000W/50HZ GENERATOR INSTALLATION - DEUTZ TD2.2L3 ENGINES .....                                     | 356 |
| FIGURE 3-63. 4000W/60HZ GENERATOR INSTALLATION - DEUTZ TD2.9L4 ENGINES .....                                     | 360 |

# TABLE OF CONTENTS

|   |     |
|---|-----|
| FIGURE 3-64. 4000W/50HZ GENERATOR INSTALLATION - DEUTZ TD2.9L4 ENGINES.....                             | 364 |
| FIGURE 3-65. 7500W/60HZ SKYPOWER GENERATOR INSTALLATION - DEUTZ D2011 ENGINES .....                     | 368 |
| FIGURE 3-66. 7500W/50HZ SKYPOWER GENERATOR INSTALLATION - DEUTZ D2011 ENGINES .....                     | 372 |
| FIGURE 3-67. 7500W/50HZ SKYPOWER GENERATOR INSTALLATION - DEUTZ TD2.2L3 STAGE V ENGINES .....           | 376 |
| FIGURE 3-68. 7500W/60HZ SKYPOWER GENERATOR INSTALLATION - DEUTZ TD2.9L4 ENGINES .....                   | 380 |
| FIGURE 3-69. 7500W/60HZ SKYPOWER GENERATOR INSTALLATION - FORD ENGINES .....                            | 384 |
| SECTION 4 - BOOM.....   | 389 |
| FIGURE 4-1. BOOMS AND CYLINDERS INSTALLATION .....  | 390 |
| FIGURE 4-2. TOWER BOOM ASSEMBLY .....   | 392 |
| FIGURE 4-3. MAIN BOOM ASSEMBLY .....  | 394 |
| FIGURE 4-4. JIB BOOM ASSEMBLY .....   | 396 |
| FIGURE 4-5. ROTATOR ASSEMBLY .....  | 398 |
| FIGURE 4-6. PLATFORM SUPPORT INSTALLATION .....   | 400 |
| FIGURE 4-7. POWER TRACK INSTALLATION - MAIN BOOM .....  | 402 |
| FIGURE 4-8. POWER TRACK INSTALLATION - TOWER BOOM .....   | 404 |
| FIGURE 4-9. CONTROL VALVES INSTALLATION - DEUTZ D2011 AND STAGE V ENGINES .....                         | 406 |
| FIGURE 4-10. CONTROL VALVES INSTALLATION - DEUTZ TD2.9L4 & FORD ENGINES .....                           | 408 |
| FIGURE 4-11. BOOM VALVE ASSEMBLY .....  | 410 |
| FIGURE 4-12. BOOM VALVES AND LIMIT SWITCHES INSTALLATION .....  | 412 |
| FIGURE 4-13. BOOM SENSOR INSTALLATION (TOWER STOW).....   | 414 |
| SECTION 5 - PLATFORM .....  | 417 |
| FIGURE 5-1. PLATFORM ASSEMBLY - 30IN X 4FT (76.2CM X 1.22M) WITH SWING GATE .....                       | 418 |
| FIGURE 5-2. PLATFORM ASSEMBLY - 30IN X 5FT (76CM X 1.52M) - GATE ENTRY .....                            | 420 |
| FIGURE 5-3. PLATFORM ASSEMBLY - 36IN X 6FT (91.5CM X 1.83M) WITH SWING GATE .....                       | 422 |
| FIGURE 5-4. PLATFORM ASSEMBLY - 36IN X 8FT (91.5CM X 2.44M) WITH SWING GATE .....                       | 424 |
| FIGURE 5-5. PLATFORM ASSEMBLY - 30IN X 3FT (76CM X .91M) - DROP BAR ENTRY .....                         | 426 |
| FIGURE 5-6. PLATFORM ASSEMBLY - 30IN X 4FT (76.2CM X 1.22M) WITH DROP BAR .....                         | 428 |
| FIGURE 5-7. PLATFORM ASSEMBLY - 30IN X 5FT (76CM X 1.52M) - DROP BAR ENTRY .....                        | 430 |
| FIGURE 5-8. PLATFORM ASSEMBLY - 36IN X 6FT (91.5CM X 1.83M) WITH DROP BAR .....                         | 432 |
| FIGURE 5-9. PLATFORM ASSEMBLY - 36IN X 8FT (91.5CM X 2.44M) WITH DROP BAR .....                         | 434 |
| FIGURE 5-10. PLATFORM ASSEMBLY - 36IN X 6FT (91.5CM X 1.83M) WITH FALL ARREST .....                     | 436 |
| FIGURE 5-11. PLATFORM ASSEMBLY - 36IN X 8FT (91.5CM X 2.44M) WITH FALL ARREST .....                     | 438 |
| FIGURE 5-12. PLATFORM ASSEMBLY - 36IN X 6FT (91.5CM X 1.83M) TRI-ENTRY WITH SWING GATE .....            | 440 |
| FIGURE 5-13. PLATFORM ASSEMBLY - 36IN X 8FT (91.5CM X 2.44M) TRI-ENTRY WITH SWING GATE .....            | 442 |
| FIGURE 5-14. PLATFORM ASSEMBLY - 36IN X 6FT (91.5CM X 1.83M) TRI-ENTRY WITH DROPBAR .....               | 444 |
| FIGURE 5-15. PLATFORM ASSEMBLY - 36IN X 8FT (91.5CM X 2.44M) TRI-ENTRY WITH DROPBAR .....               | 446 |
| FIGURE 5-16. TRAY ASSEMBLY .....  | 448 |
| FIGURE 5-17. CONSOLE AND FOOTSWITCH INSTALLATION .....  | 450 |
| FIGURE 5-18. CONSOLE AND FOOTSWITCH INSTALLATION (TOWER STOW).....                                      | 452 |
| FIGURE 5-19. CONSOLE BOX ASSEMBLY WITH FOOTSWITCH (WITHOUT TOWER STOW) (Prior to SN 0300316689) .....   | 454 |
| FIGURE 5-20. CONSOLE BOX ASSEMBLY WITH FOOTSWITCH (WITHOUT TOWER STOW) (SN 0300316689 to Present) ..... | 458 |
| FIGURE 5-21. CONSOLE BOX ASSEMBLY WITH FOOTSWITCH (WITH TOWER STOW) (Prior to SN 0300316689) .....      | 462 |
| FIGURE 5-22. CONSOLE BOX ASSEMBLY WITH FOOTSWITCH (WITH TOWER STOW) (SN 0300316689 to Present) .....    | 466 |
| FIGURE 5-23. FOOTSWITCH ASSEMBLY .....  | 470 |



# TABLE OF CONTENTS

|  |     |
|--|-----|
| FIGURE 5-24. CRAB STEER SWITCH INSTALLATION - 4WS (WITHOUT TOW PACKAGE) .....  | 472 |
| FIGURE 5-25. CRAB STEER SWITCH INSTALLATION - 4WS (WITH TOW PACKAGE).....  | 474 |
| FIGURE 5-26. LIGHT PANEL INSTALLATION .....  | 476 |
| FIGURE 5-27. STEER SWITCH INSTALLATION – 4WS .....   | 478 |
| FIGURE 5-28. SKYEYE INSTALLATION .....   | 480 |
| FIGURE 5-29. SKYGUARD BAR INSTALLATION .....   | 482 |
| FIGURE 5-30. SKYLINE INSTALLATION .....  | 484 |
| FIGURE 5-31. SKYGLAZIER INSTALLATION .....   | 486 |
| FIGURE 5-32. SKYGLAZIER INSTALLATION (ALL SPECS EXCEPT CHINA, JAPANESE, CE & UK CA SPECS) (OPTIONAL)<br>.....                          | 488 |
| FIGURE 5-33. SKYCUTTER INSTALLATION (OPTIONAL) .....   | 490 |
| FIGURE 5-34. PLASMA CUTTER ASSEMBLY.....   | 492 |
| FIGURE 5-35. SKYWELDER/SKYCUTTER COMBO INSTALLATION (60HZ) (OPTIONAL) .....  | 494 |
| FIGURE 5-36. SKYWELDER INSTALLATION (50HZ) (OPTIONAL).....   | 498 |
| FIGURE 5-37. SKYWELDER INSTALLATION (60HZ) (OPTIONAL).....   | 500 |
| FIGURE 5-38. WELDER ASSEMBLY .....   | 502 |
| FIGURE 5-39. SKYWELDER PREP PACKAGE (60HZ) (OPTIONAL) .....  | 504 |
| FIGURE 5-40. SKYWELDER LOCKING BRACKET INSTALLATION (OPTIONAL).....  | 506 |
| FIGURE 5-41. SOFT TOUCH SYSTEM INSTALLATION - 6FT/1.8M PLATFORMS (OPTIONAL).....   | 508 |
| FIGURE 5-42. SOFT TOUCH SYSTEM INSTALLATION - 6FT/1.8M FALL ARREST PLATFORMS (OPTIONAL).....   | 510 |
| FIGURE 5-43. SOFT TOUCH SYSTEM INSTALLATION - 8FT/2.44M PLATFORM (OPTIONAL) .....  | 512 |
| FIGURE 5-44. SOFT TOUCH SYSTEM INSTALLATION - 8FT/2.44M FALL ARREST PLATFORM (OPTIONAL) .....  | 514 |
| FIGURE 5-45. PLATFORM PADDING INSTALLATION (30IN/76CM DEPTH PLATFORMS) (ANSI, ANSI EXPORT, CSA AND<br>CHINA SPECS) (OPTIONAL).....     | 516 |
| FIGURE 5-46. FALL ARREST (BOLT-ON) INSTALLATION - 30IN X 4FT PLATFORM (ALL SPECS EXCEPT CE & UK CA<br>SPECS) (OPTIONAL).....           | 518 |
| FIGURE 5-47. FALL ARREST (BOLT-ON) INSTALLATION - 30IN X 5FT PLATFORM (ALL SPECS EXCEPT CE & UK CA<br>SPECS) (OPTIONAL).....           | 520 |
| FIGURE 5-48. FALL ARREST (BOLT-ON) INSTALLATION - 36IN X 6FT PLATFORM (ALL SPECS EXCEPT CE & UK CA<br>SPECS) (OPTIONAL).....           | 522 |
| FIGURE 5-49. FALL ARREST (BOLT-ON) INSTALLATION - 36IN X 6FT TRI-ENTRY PLATFORM (ALL SPECS EXCEPT CE &<br>UK CA SPECS) (OPTIONAL)..... | 524 |
| FIGURE 5-50. FALL ARREST (BOLT-ON) INSTALLATION - 36IN X 8FT PLATFORM (ALL SPECS EXCEPT CE & UK CA<br>SPECS) (OPTIONAL).....           | 526 |
| FIGURE 5-51. USB CHARGER INSTALLATION .....  | 528 |
| SECTION 6 - CYLINDER.....  | 531 |
| FIGURE 6-1. AXLE LOCKOUT CYLINDER ASSEMBLY .....   | 532 |
| FIGURE 6-2. LEVEL (PLATFORM SLAVE) CYLINDER ASSEMBLY .....   | 534 |
| FIGURE 6-3. LEVEL (UPRIGHT) CYLINDER ASSEMBLY .....  | 536 |
| FIGURE 6-4. LIFT CYLINDER ASSEMBLY - JIB.....  | 538 |
| FIGURE 6-5. LIFT CYLINDER ASSEMBLY - JIB.....  | 540 |
| FIGURE 6-6. LIFT CYLINDER ASSEMBLY - JIB.....  | 542 |
| FIGURE 6-7. LIFT CYLINDER ASSEMBLY - MAIN BOOM .....   | 544 |
| FIGURE 6-8. LIFT CYLINDER ASSEMBLY - MAIN BOOM .....   | 546 |
| FIGURE 6-9. MASTER CYLINDER ASSEMBLY.....  | 548 |
| FIGURE 6-10. STEER CYLINDER ASSEMBLY.....  | 550 |
| FIGURE 6-11. TELESCOPE CYLINDER ASSEMBLY - MAIN BOOM .....   | 552 |

# TABLE OF CONTENTS

|  |     |
|--|-----|
| FIGURE 6-12. TELESCOPE CYLINDER ASSEMBLY - TOWER BOOM .....  | 554 |
| SECTION 7 - HYDRAULIC .....  | 557 |
| FIGURE 7-1. DRIVE HYDRAULIC DIAGRAM - 4WD/2WS WITHOUT ARCTIC PACKAGE .....   | 558 |
| FIGURE 7-2. DRIVE HYDRAULIC DIAGRAM - 4WD/2WS WITH ARCTIC PACKAGE .....  | 562 |
| FIGURE 7-3. FLUSHING LOOP HYDRAULIC INSTALLATION - 4WD .....   | 566 |
| FIGURE 7-4. HYDRAULIC DIAGRAM - STANDARD (DEUTZ D2011 ENGINE) .....  | 568 |
| FIGURE 7-5. HYDRAULIC DIAGRAM - STANDARD (DEUTZ TD2.9L4 & DEUTZ TD2.2L3 STAGE V ENGINES) .....   | 574 |
| FIGURE 7-6. HYDRAULIC DIAGRAM - STANDARD (FORD ENGINES) .....  | 580 |
| FIGURE 7-7. HYDRAULIC DIAGRAM - OSCILLATING AXLE .....   | 586 |
| FIGURE 7-8. HYDRAULIC DIAGRAM - TOW BAR .....  | 588 |
| SECTION 8 - ELECTRICAL .....   | 591 |
| FIGURE 8-1. AC CABLE CONNECTOR INSTALLATION - 110V/220V (MACHINES NO GENERATOR) (ANSI EXPORT, AUSTRALIAN, CHINA, CE & UK CA SPECS) .....                                     | 592 |
| FIGURE 8-2. AC CABLE CONNECTOR INSTALLATION - SKYPOWER (MACHINES NO GENERATOR) (ALL SPECS) .....   | 594 |
| FIGURE 8-3. AC CABLE CONNECTOR INSTALLATION - 4000W GENERATOR (MACHINES NO GENERATOR) (ALL SPECS EXCEPT AUSTRALIAN, CE & UK CA SPECS) .....                                  | 596 |
| FIGURE 8-4. AC BOX AT PLATFORM INSTALLATION - 110V GFI RECEPTACLE (MACHINES WITH 2500W GENERATOR/NO GENERATOR OPTIONS) (ALL SPECS EXCEPT AUSTRALIAN, CE & UK CA SPECS) ..... | 598 |
| FIGURE 8-5. AC BOX AT PLATFORM INSTALLATION - 220V RECEPTACLE (MACHINES WITH 2500W GENERATOR/NO GENERATOR OPTIONS) (ANSI, CSA AND JAPANESE SPECS) .....                      | 600 |
| FIGURE 8-6. AC BOX AT PLATFORM INSTALLATION - BOX WITH COVER (2X4 BOX) (ANSI EXPORT SPECS) (4000W GENERATOR) .....   | 602 |
| FIGURE 8-7. AC BOX AT PLATFORM INSTALLATION - DUAL AC 110V GFI (MACHINES WITH 2500W GENERATOR) (ANSI EXPORT AND CHINA SPECS) .....   | 604 |
| FIGURE 8-8. AC BOX AT PLATFORM INSTALLATION - 110V IEC YELLOW (CE & UK CA SPECS) .....   | 606 |
| FIGURE 8-9. AC BOX AT PLATFORM INSTALLATION - 110V IEC 60309 YELLOW (CE & UK CA SPECS) (4000W GENERATOR) .....   | 608 |
| FIGURE 8-10. AC BOX AT PLATFORM INSTALLATION - 220V IEC BLUE (CE & UK CA SPECS) .....  | 610 |
| FIGURE 8-11. AC BOX AT PLATFORM INSTALLATION - 220V IEC BLUE (CE & UK CA SPECS) (2500W GENERATOR) .....  | 612 |
| FIGURE 8-12. AC BOX AT PLATFORM INSTALLATION - 220V IEC 60309 BLUE (CE & UK CA SPECS) (4000W GENERATOR) .....  | 614 |
| FIGURE 8-13. AC BOX AT PLATFORM INSTALLATION - 220V CEE7 POST GROUND (CE & UK CA SPECS) .....  | 616 |
| FIGURE 8-14. AC BOX AT PLATFORM INSTALLATION - 220V CEE7 POST GROUND (CE & UK CA SPECS) (2500W GENERATOR) .....  | 618 |
| FIGURE 8-15. AC BOX AT PLATFORM INSTALLATION - 220V CEE7 POST GROUND (2X4 BOX) (CE & UK CA SPECS) (4000W GENERATOR) .....  | 620 |
| FIGURE 8-16. AC BOX AT PLATFORM INSTALLATION - 220V CEE7 SIDE GROUND (CE & UK CA SPECS) .....  | 622 |
| FIGURE 8-17. AC BOX AT PLATFORM INSTALLATION - 220V CEE7 SIDE GROUND (CE & UK CA SPECS) (2500W GENERATOR) .....  | 624 |
| FIGURE 8-18. AC BOX AT PLATFORM INSTALLATION - 220V CEE7 SIDE GROUND (2X4 BOX) (CE & UK CA SPECS) (4000W GENERATOR) .....  | 626 |
| FIGURE 8-19. AC BOX AT PLATFORM INSTALLATION - 220V AFSINT 107 (CE & UK CA SPECS) .....  | 628 |
| FIGURE 8-20. AC BOX AT PLATFORM INSTALLATION - 220V AFSINT 107 (CE & UK CA SPECS) (2500W GENERATOR) .....  | 630 |
| FIGURE 8-21. AC BOX AT PLATFORM INSTALLATION - 220V AFSINT 107 KEYED GROUND (2X4 BOX) (CE & UK CA SPECS) (4000W GENERATOR) .....   | 632 |
| FIGURE 8-22. AC BOX AT PLATFORM INSTALLATION - 240V GFCI RECEPTACLE (ANSI, ANSI EXPORT, CHINA, CSA AND JAPANESE SPECS WITH 4000W SKYPOWER GENERATOR) .....                   | 634 |
| FIGURE 8-23. AC BOX AT PLATFORM INSTALLATION - 240V GFCI RECEPTACLE (ANSI AND CSA SPECS WITH 7500W SKYPOWER GENERATOR) .....   | 636 |

## TABLE OF CONTENTS

|   |     |
|---|-----|
| FIGURE 8-24. BATTERY DISCONNECT SWITCH INSTALLATION – DEUTZ D2011 ENGINES .....   | 638 |
| FIGURE 8-25. BATTERY DISCONNECT SWITCH INSTALLATION (DEUTZ TD2.9L4, DEUTZ D2.9L4, DEUTZ TD2.2L3 STAGE V AND FORD DF2.5L ENGINES)..... | 640 |
| FIGURE 8-26. BEACON LIGHT HARNESS (BLUE AND RED BEACON LIGHT).....  | 642 |
| FIGURE 8-27. BOOM CABLES INSTALLATION - WITH 2500W GENERATOR OR NO GENERATOR.....   | 644 |
| FIGURE 8-28. BOOM CABLE INSTALLATION - WITH 4000W/50HZ GENERATOR .....  | 646 |
| FIGURE 8-29. BOOM CABLES INSTALLATION - WITH 4000W/60HZ GENERATOR.....  | 648 |
| FIGURE 8-30. BOOM CABLE INSTALLATION - WITH 7500W GENERATOR.....  | 650 |
| FIGURE 8-31. BOOM CABLE - MAIN BOOM .....   | 652 |
| FIGURE 8-32. BOOM CABLE - TOWER BOOM (WITHOUT ARCTIC PACKAGE) .....   | 654 |
| FIGURE 8-33. BREAKER BOX KIT - SINGLE DOUBLE POLE BREAKER (WITH 4000W/50HZ GENERATOR) .....   | 656 |
| FIGURE 8-34. BREAKER BOX KIT - 30MA/16 AMP (WITH GENERATOR) .....   | 658 |
| FIGURE 8-35. CSB HARNESS .....  | 660 |
| FIGURE 8-36. ENGINE HARNESS ASSEMBLY (DEUTZ TD2.L4 ENGINES).....  | 662 |
| FIGURE 8-37. ENGINE HARNESS ASSEMBLY (DEUTZ D2011 ENGINES).....   | 666 |
| FIGURE 8-38. ENGINE HARNESS ASSEMBLY (DEUTZ TD2.9L4 & DEUTZ DT2.2L3 STAGE V ENGINES) .....  | 668 |
| FIGURE 8-39. ENGINE HARNESS - DEUTZ TD2.2L3 ENGINES .....   | 670 |
| FIGURE 8-40. ENGINE HARNESS - DEUTZ TD2.9L4 ENGINES .....   | 674 |
| FIGURE 8-41. ENGINE HARNESS ASSEMBLY (FORD DF2.5L ENGINES) .....  | 678 |
| FIGURE 8-42. ECU POWER JUMPER HARNESS .....   | 680 |
| FIGURE 8-43. FUEL HARNESS - DEUTZ TD2.2L3 (STAGE V) ENGINE .....  | 682 |
| FIGURE 8-44. FUEL HARNESS - DEUTZ TD2.9L4 ENGINES.....  | 684 |
| FIGURE 8-45. FULL EXTENSION PROXIMITY HARNESS.....  | 686 |
| FIGURE 8-46. GENERATOR TO CONTROL BOX HARNESS - 4000W.....  | 688 |
| FIGURE 8-47. GENERATOR TO CONTROL BOX HARNESS - 7500W GENERATOR .....   | 690 |
| FIGURE 8-48. GENERATOR HARNESS - 7500W GENERATOR (FORD ENGINES) .....   | 692 |
| FIGURE 8-49. GENERATOR HARNESS - 7500W GENERATOR (DEUTZ TD2.9L4 ENGINES).....   | 694 |
| FIGURE 8-50. GENERATOR TO ENGINE HARNESS - 2500W .....  | 696 |
| FIGURE 8-51. GENERATOR TO ENGINE HARNESS - 4000W.....   | 698 |
| FIGURE 8-52. GENERATOR TO ENGINE HARNESS - 7500W SKYPOWER GENERATOR (DEUTZ D2011 ONLY) .....  | 700 |
| FIGURE 8-53. GENERATOR TO REAR OF BOOM HARNESS - 110V.....  | 702 |
| FIGURE 8-54. GENERATOR TO REAR OF BOOM HARNESS - 220V.....  | 704 |
| FIGURE 8-55. GROUND CONTROL BOX HARNESS.....  | 706 |
| FIGURE 8-56. MID PROXIMITY HARNESS .....  | 708 |
| FIGURE 8-57. PLATFORM CONSOLE BOX HARNESS (Prior to SN 0300316689).....   | 710 |
| FIGURE 8-58. PLATFORM CONSOLE BOX HARNESS (SN 0300316689 to Present).....   | 712 |
| FIGURE 8-59. RECEPTACLE BOX KIT - 110V IEC YELLOW (CE & UK CA SPEC) .....   | 714 |
| FIGURE 8-60. RECEPTACLE BOX KIT - 220V IEC BLUE (CE & UK CA SPEC).....  | 716 |
| FIGURE 8-61. RECEPTACLE BOX KIT - 220V IEC BLUE (CE & UK CA SPECS) (2500W GENERATOR) .....  | 718 |
| FIGURE 8-62. RECEPTACLE BOX KIT - 220V CEE7 POST GROUND WITHOUT 2500W GENERATOR (2X4 BOX) (CE & UK CA SPECS) .....                    | 720 |
| FIGURE 8-63. RECEPTACLE BOX KIT - 220V CEE7 POST GROUND (2X4 BOX) (CE & UK CA SPECS) (2500W GENERATOR).....                           | 722 |
| FIGURE 8-64. RECEPTACLE BOX KIT - 220V CEE7 SIDE GROUND (CE & UK CA SPEC).....  | 724 |
| FIGURE 8-65. RECEPTACLE BOX KIT - 220V CEE7 SIDE GROUND (2X4 BOX) (CE & UK CA SPECS) (2500W GENERATOR) .....                          | 726 |

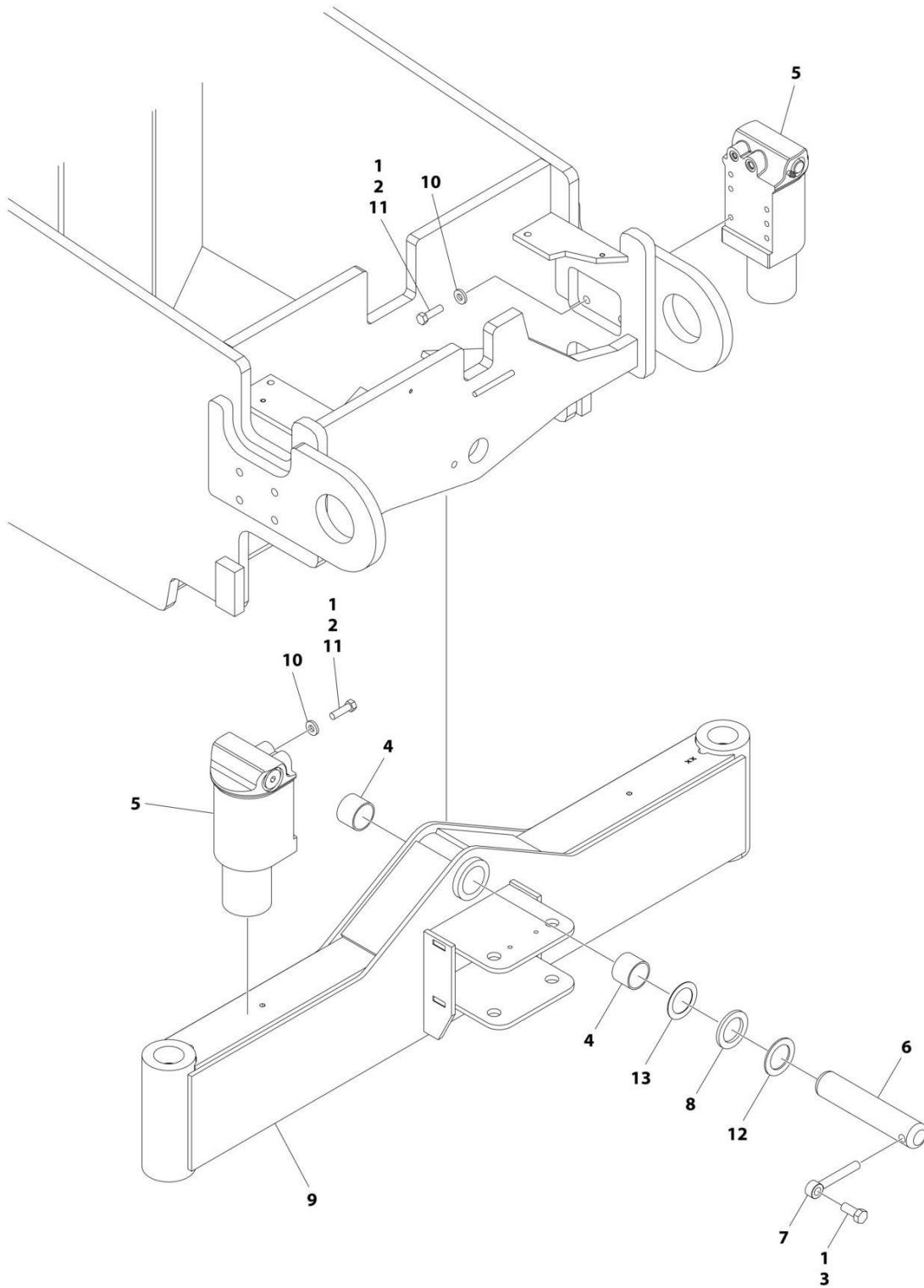
# TABLE OF CONTENTS

|   |     |
|---|-----|
| FIGURE 8-66. RECEPTACLE BOX KIT - 220V AFSINT 107 (CE & UK CA SPEC) .....   | 728 |
| FIGURE 8-67. RECEPTACLE BOX KIT - 220V AFSINT 107 KEYED GROUND (2X4 BOX) (CE & UK CA SPECS) (2500W GENERATOR) ..... | 730 |
| FIGURE 8-68. SKYEYE INTERMEDIATE HARNESS .....  | 732 |
| FIGURE 8-69. SKYEYE EMITTER HARNESS .....   | 734 |
| FIGURE 8-70. SKYEYE RECEIVER HARNESS.....   | 736 |
| FIGURE 8-71. SKYLINE HARNESS .....  | 738 |
| FIGURE 8-72. SKYGUARD INTERFACE HARNESS .....   | 740 |
| FIGURE 8-73. STROBE LIGHT JUMPER HARNESS .....  | 742 |
| FIGURE 8-74. TILT SENSOR HARNESS.....   | 744 |
| FIGURE 8-75. VALVE HARNESS - BOOM VALVE .....   | 746 |
| FIGURE 8-76. VALVE HARNESS.....   | 748 |
| FIGURE 8-77. WHITE NOISE ALARM HARNESS .....  | 750 |
| SECTION 9 - DECALS .....  | 753 |
| FIGURE 9-1. DECAL INSTALLATION - ANSI SPECS.....  | 754 |
| FIGURE 9-2. DECAL INSTALLATION - AUSTRALIAN SPECS .....   | 756 |
| FIGURE 9-3. DECAL INSTALLATION - BRAZIL SPECS .....   | 758 |
| FIGURE 9-4. DECAL INSTALLATION - CE, RUSSIAN & UK CA SPECS.....   | 760 |
| FIGURE 9-5. DECAL INSTALLATION - CHINESE SPECS (SIMPLIFIED).....  | 762 |
| FIGURE 9-6. DECAL INSTALLATION - CHINESE SPECS (TRADITIONAL).....   | 764 |
| FIGURE 9-7. DECAL INSTALLATION - CSA SPECS.....   | 766 |
| FIGURE 9-8. DECAL INSTALLATION - JAPANESE SPECS .....   | 768 |
| FIGURE 9-9. DECAL INSTALLATION - KOREAN SPECS.....  | 770 |
| FIGURE 9-10. DECAL INSTALLATION - LATIN AMERICAN SPECS.....   | 772 |
| FIGURE 9-11. DECAL INSTALLATION - OPTIONS.....  | 774 |
| FIGURE 9-12. SKYCUTTER DECAL INSTALLATION (ALL SPECS EXCEPT AUSTRALIAN, CE & JAPANESE SPECS) .....                  | 778 |
| FIGURE 9-13. SKYCUTTER DECAL INSTALLATION (JAPANESE SPECS) .....  | 780 |
| FIGURE 9-14. SKYWELDER DECAL INSTALLATION - 50HZ.....   | 782 |
| FIGURE 9-15. SKYWELDER DECAL INSTALLATION - 60HZ.....   | 784 |
| SECTION 10 - RECOMMENDED SERVICE PARTS STOCK .....  | 787 |
| FIGURE 10-1. RECOMMENDED SERVICE PART STOCK .....   | 788 |
| SECTION 11 - SPECIAL OPTIONS/ACCESSORIES/KITS.....  | 791 |
| FIGURE 11-1. SPECIAL OPTIONS/ACCESSORIES/KITS.....  | 792 |
| PART NUMBER INDEX.....  | 797 |

**SECTION 1 - FRAME**

# SECTION 1 - FRAME

## FIGURE 1-1. AXLE INSTALLATION (WITHOUT TOW PACKAGE)



ART\_1001148168

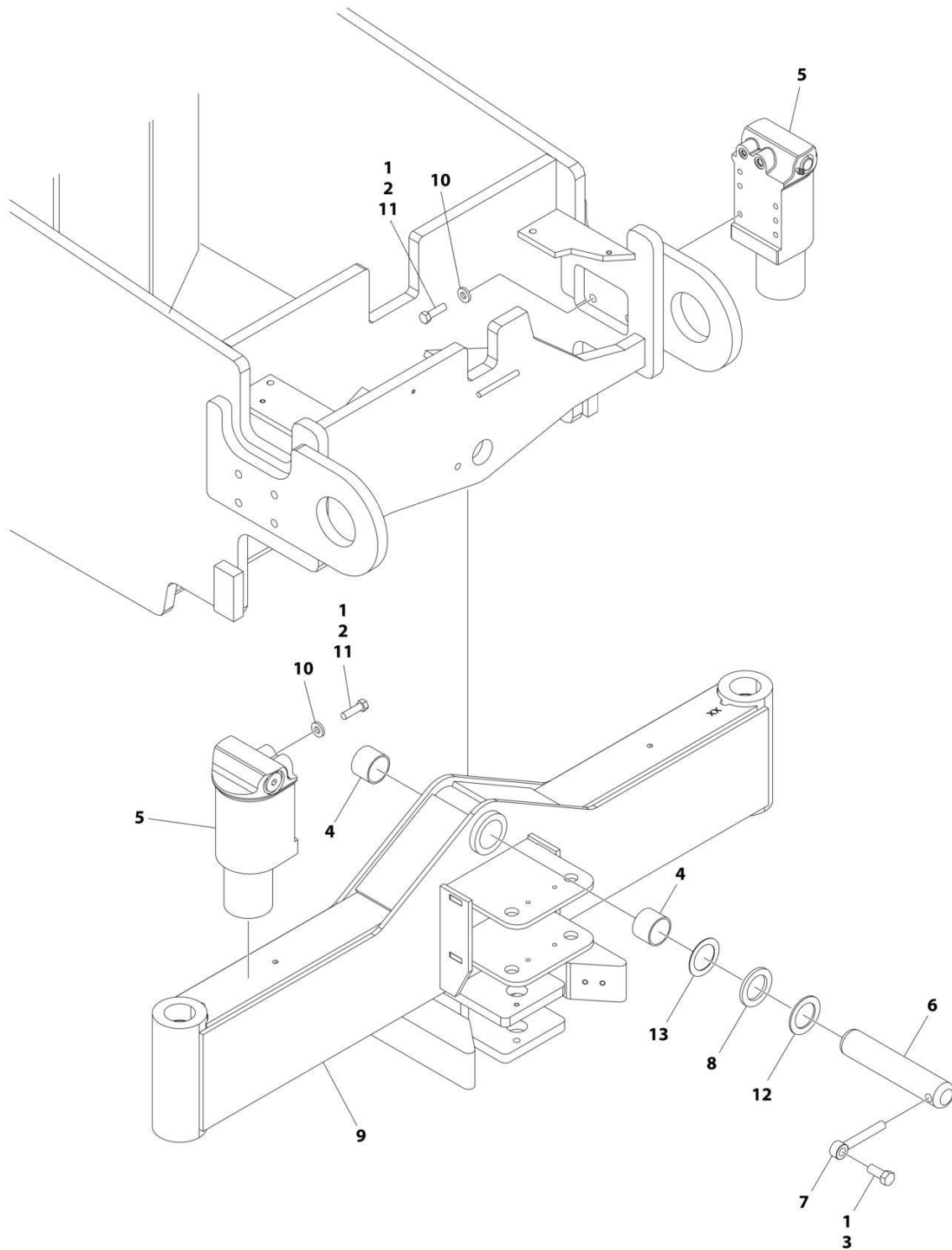
## SECTION 1 - FRAME

### FIGURE 1-1. AXLE INSTALLATION (WITHOUT TOW PACKAGE)

| ITEM | PART NUMBER | QTY | DESCRIPTION  | REV |
|------|-------------|-----|--|-----|
|      | 1001148168  | Ref | AXLE INSTALLATION - OSCILLATING  | C   |
| 1    | 0100011     | AR  | Compound, Locking  |     |
| 2    | 0641814     | 8   | Bolt 1/2 x 1-3/4   |     |
| 3    | 0642012     | 1   | Bolt 5/8 x 1-1/2   |     |
| 4    | 0961950     | 2   | Bearing  |     |
| 5    | 1684465     | 2   | Lockout Cylinder Assembly (See Separate Breakdown in CYLINDER SECTION) |     |
| 6    | 3423184     | 1   | Pin  |     |
| 7    | 3841258     | 1   | Keeper, Pin  |     |
| 8    | 4740158     | AR  | Thrustwasher   |     |
| 9    | 1001148171  | 1   | Axle Weldment  |     |
| 10   | 4891800     | 8   | Washer 1/2 Hardened  |     |
| 11   | 0100038     | AR  | Primer, Locking  |     |
| 12   | 4740229     | AR  | Thrustwasher   |     |
| 13   | 4071101     | AR  | Shim (18Ga)  |     |

# SECTION 1 - FRAME

## FIGURE 1-2. AXLE INSTALLATION (WITH TOW PACKAGE)



ART\_1001148170



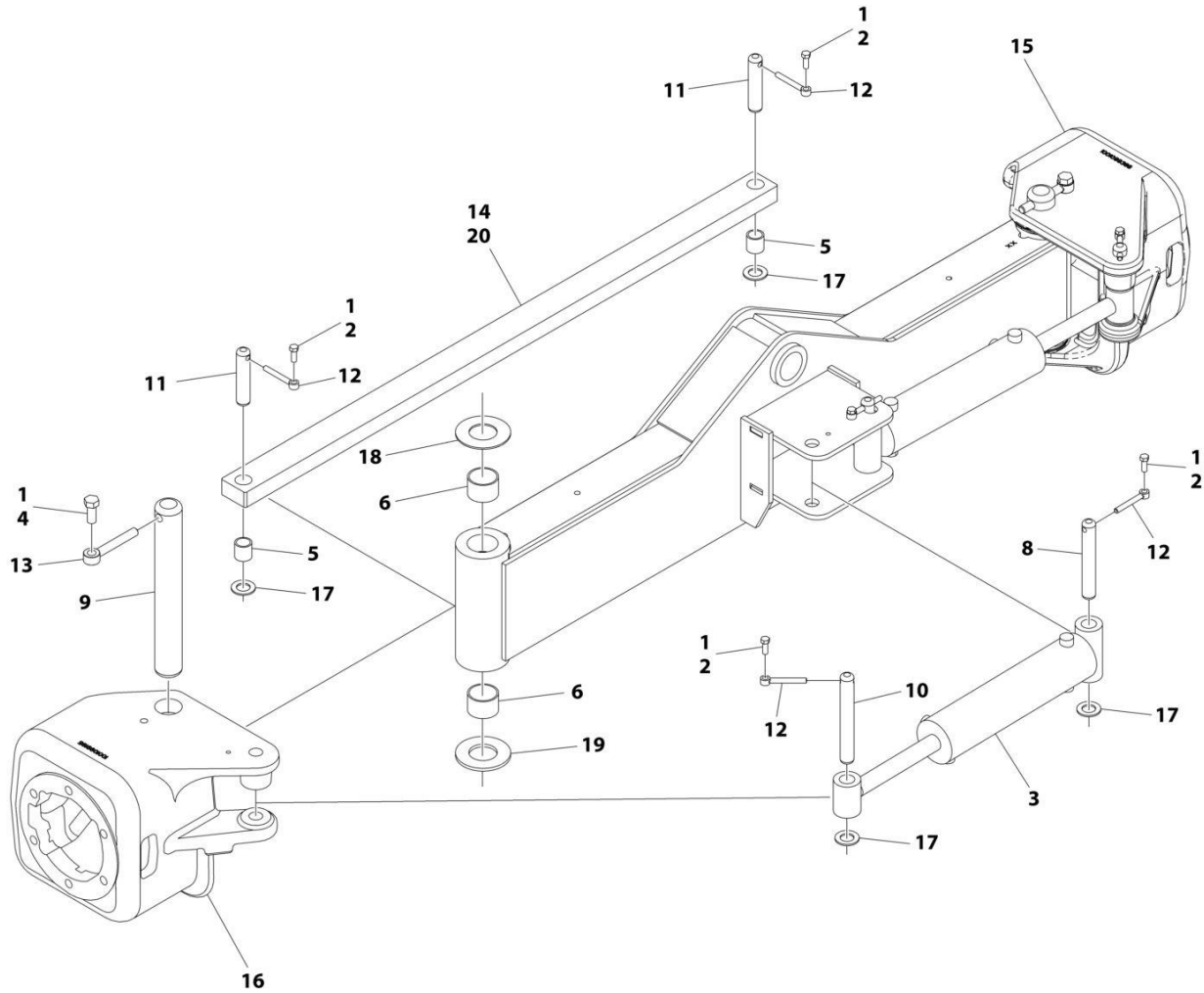
## SECTION 1 - FRAME

**FIGURE 1-2. AXLE INSTALLATION (WITH TOW PACKAGE)**

| ITEM | PART NUMBER | QTY | DESCRIPTION   | REV |
|------|-------------|-----|---|-----|
|      | 1001148170  | Ref | AXLE INSTALLATION - OSCILLATING   | C   |
| 1    | 0100011     | AR  | Compound, Locking   |     |
| 2    | 0641814     | 8   | Bolt 1/2 x 1-3/4  |     |
| 3    | 0642012     | 1   | Bolt 5/8 x 1-1/2  |     |
| 4    | 0961950     | 2   | Bearing   |     |
| 5    | 1684465     | 2   | Axle Lockout Cylinder Assembly (See Separate Breakdown in CYLINDER SECTION) |     |
| 6    | 3423184     | 1   | Pin   |     |
| 7    | 3841258     | 1   | Keeper, Pin   |     |
| 8    | 4740158     | 1   | Thrustwasher  |     |
| 9    | 1001148172  | 1   | Axle Weldment   |     |
| 10   | 4891800     | 8   | Washer 1/2 Hardened   |     |
| 11   | 0100038     | AR  | Primer, Locking   |     |
| 12   | 4071101     | AR  | Shim (18Ga)   |     |
| 13   | 4740229     | AR  | Thrustwasher  |     |

# SECTION 1 - FRAME

## FIGURE 1-3. STEERING INSTALLATION (WITHOUT TOW PACKAGE)



ART\_1001148162

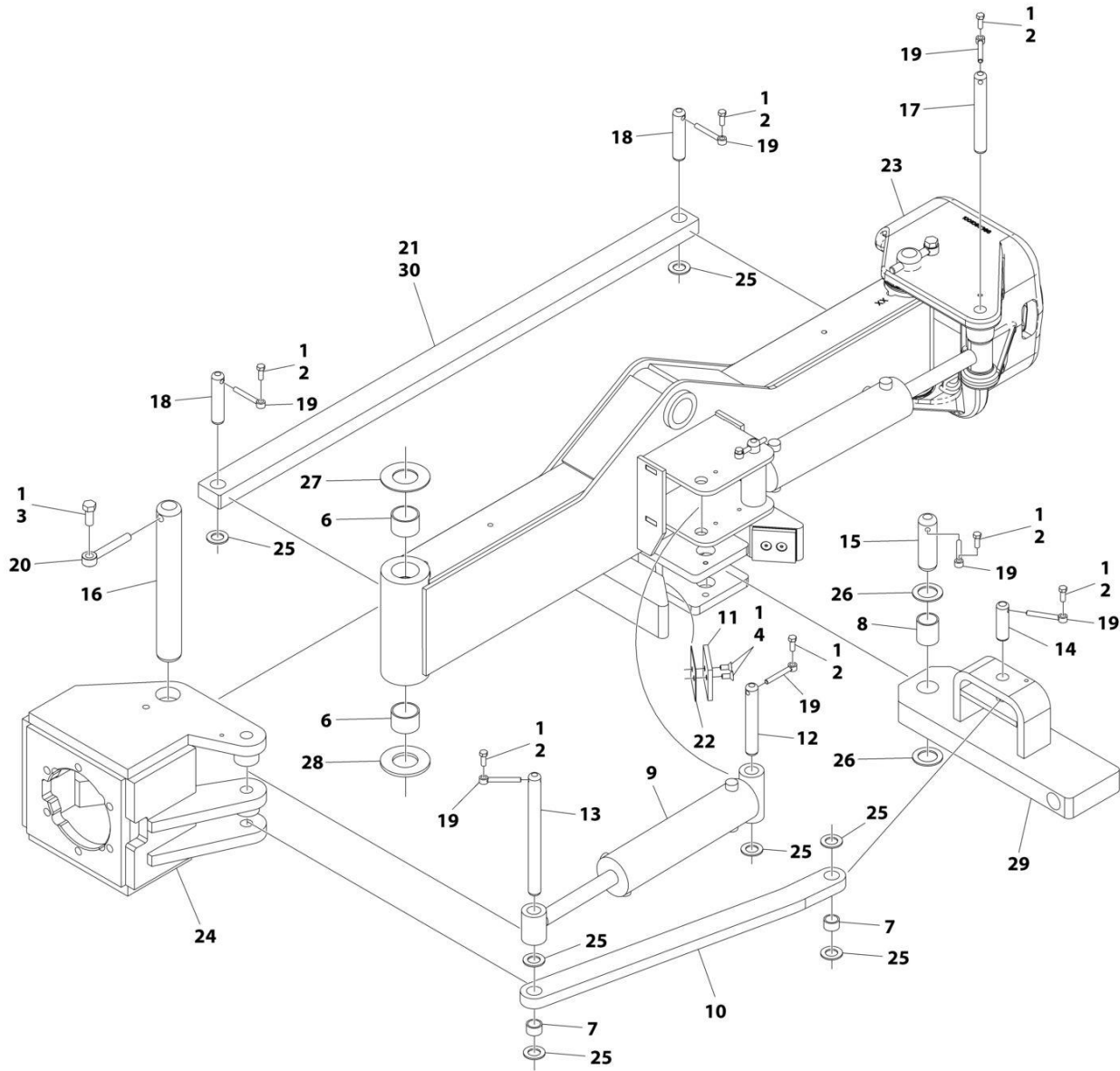
## SECTION 1 - FRAME

**FIGURE 1-3. STEERING INSTALLATION (WITHOUT TOW PACKAGE)**

| ITEM | PART NUMBER | QTY | DESCRIPTION  | REV |
|------|-------------|-----|--|-----|
|      | 1001148162  | Ref | STEERING INSTALLATION – 4WD/2WS                                      | D   |
| 1    | 0100011     | AR  | Compound, Locking  |     |
| 2    | 0641608     | 6   | Bolt 3/8 x 1   |     |
| 3    | 1001097242  | 2   | Steer Cylinder Assembly (See Separate Breakdown in CYLINDER SECTION) |     |
| 4    | 0642012     | 2   | Bolt 5/8 x 1-1/2   |     |
| 5    | 0962356     | 2   | Bushing (Part of item 20)  |     |
| 6    | 0962131     | 4   | Bushing  |     |
| 8    | 3422326     | 2   | Pin  |     |
| 9    | 3422900     | 2   | Pin  |     |
| 10   | 3422902     | 1   | Pin  |     |
| 11   | 3422903     | 2   | Pin  |     |
| 12   | 3841143     | 6   | Keeper, Pin  |     |
| 13   | 3841258     | 2   | Keeper, Pin  |     |
| 14   | 1001155574  | NLA | Tie-Rod (Part of Item 20) (Use Item 20 as replacement)               |     |
| 15   | 1001099387  | 1   | Spindle (LH)   |     |
| 16   | 1001099196  | 1   | Spindle (RH)   |     |
| 17   | 4740111     | 6   | Thrustwasher   |     |
| 18   | 4740256     | 2   | Thrustwasher   |     |
| 19   | 4740463     | 2   | Thrustwasher   |     |
| 20   | 1001276664  | 1   | Tie-Rod Assembly (Includes Items 5 & 14)                             |     |

# SECTION 1 - FRAME

## FIGURE 1-4. STEERING INSTALLATION (WITH TOW PACKAGE)



ART\_1001148164\_D

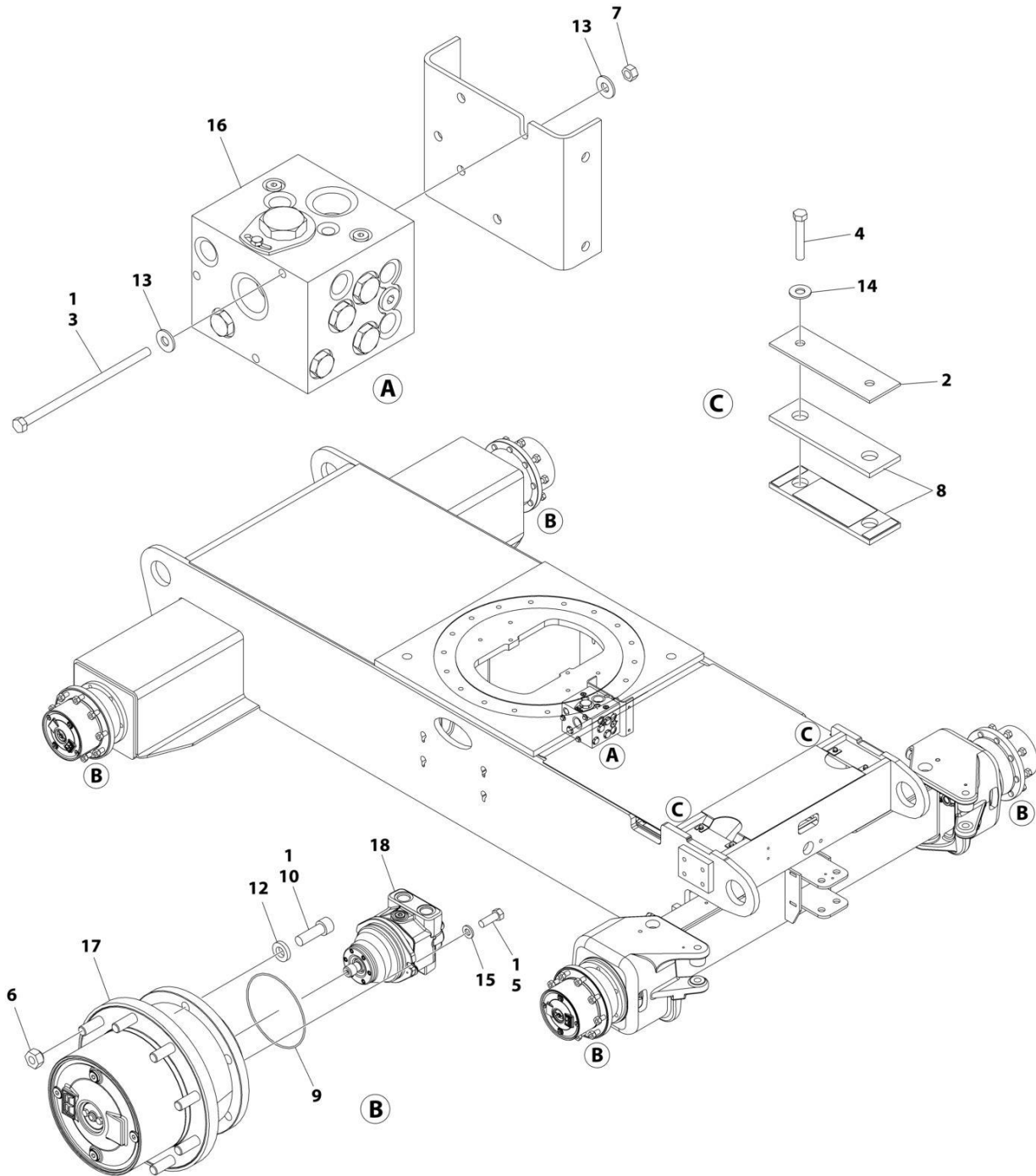
## SECTION 1 - FRAME

**FIGURE 1-4. STEERING INSTALLATION (WITH TOW PACKAGE)**

| ITEM | PART NUMBER | QTY | DESCRIPTION  | REV |
|------|-------------|-----|--|-----|
|      | 1001148164  | Ref | STEERING INSTALLATION - 4WD/2WS                                      | D   |
| 1    | 0100011     | AR  | Compound, Locking  |     |
| 2    | 0641608     | 8   | Bolt 3/8 x 1   |     |
| 3    | 0642012     | 2   | Bolt 5/8 x 1-1/2   |     |
| 4    | 0741607     | 4   | Screw 3/8 x 7/8  |     |
| 5    | 0962356     | 2   | Bearing (Part of item 30)  |     |
| 6    | 0962131     | 4   | Bushing  |     |
| 7    | 0962292     | 2   | Bushing  |     |
| 8    | 0962348     | 1   | Bushing  |     |
| 9    | 1001097242  | 2   | Steer Cylinder Assembly (See Separate Breakdown in CYLINDER Section) |     |
| 10   | 1001148178  | 1   | Link   |     |
| 11   | 3340966     | 2   | Pad  |     |
| 12   | 3422326     | 2   | Pin  |     |
| 13   | 3422567     | 1   | Pin  |     |
| 14   | 3422813     | 1   | Pin  |     |
| 15   | 3422848     | 1   | Pin  |     |
| 16   | 3422900     | 2   | Pin  |     |
| 17   | 3422902     | 1   | Pin  |     |
| 18   | 3422903     | 2   | Pin  |     |
| 19   | 3841143     | 8   | Keeper, Pin  |     |
| 20   | 3841258     | 2   | Keeper, Pin  |     |
| 21   | 1001155574  | NLA | Tie-Rod (Part of Item 30) (Use Item 30 as replacement)               |     |
| 22   | 4071059     | 2   | Shim   |     |
| 23   | 1001099387  | 1   | Spindle (LH)   |     |
| 24   | 4130399     | 1   | Spindle (RH)   |     |
| 25   | 4740111     | 9   | Thrustwasher   |     |
| 26   | 4740155     | 2   | Thrustwasher   |     |
| 27   | 4740256     | 2   | Thrustwasher   |     |
| 28   | 4740463     | 2   | Thrustwasher   |     |
| 29   | 4846935     | 1   | Pivot  |     |
| 30   | 1001276664  | 1   | Tie-Rod Assembly (Includes Items 5 & 21)                             |     |

# SECTION 1 - FRAME

## FIGURE 1-5. WHEEL DRIVE INSTALLATION - 4WD/2WS



ART\_1001286951

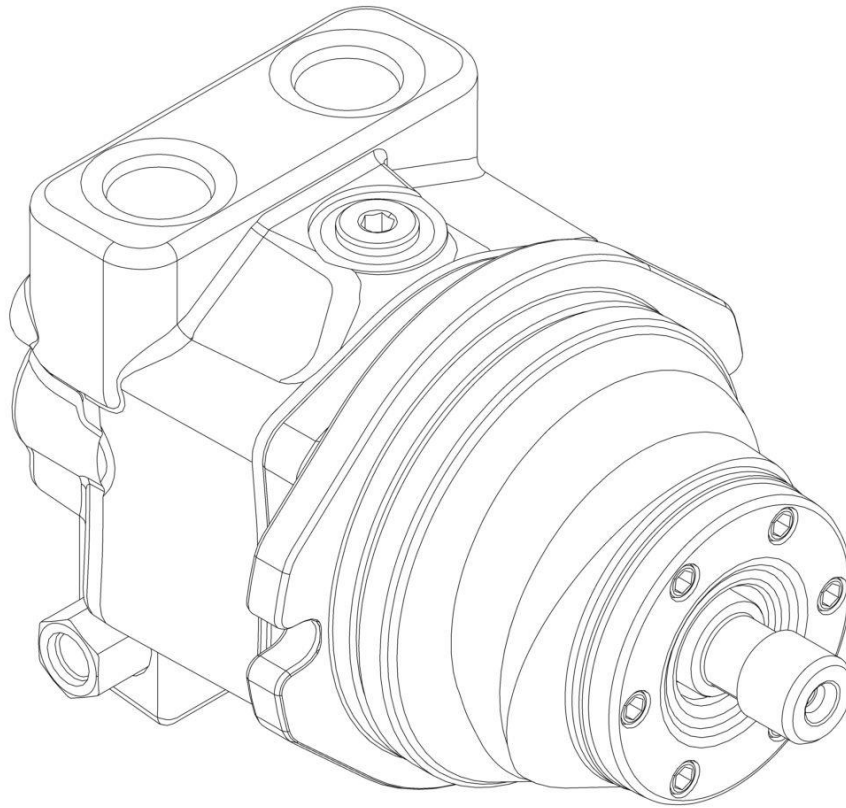
## SECTION 1 - FRAME

**FIGURE 1-5. WHEEL DRIVE INSTALLATION - 4WD/2WS**

| ITEM | PART NUMBER | QTY        | DESCRIPTION  | REV |
|------|-------------|------------|--|-----|
|      | 1001286951  | Ref        | WHEEL DRIVE INSTALLATION   | A   |
| 1    | 0100011     | AR         | Compound, Locking  |     |
| 2    | 0363012     | 2          | Clamp  |     |
| 3    | 0641552     | 3          | Bolt 5/16 x 6-1/2  |     |
| 4    | 0641618     | 4          | Bolt 3/8 x 2-1/4   |     |
| 5    | 0681710     | 8          | Bolt 7/16 x 1-1/4  |     |
| 6    | 3300106     | 36         | Nut, Wheel   |     |
| 7    | 3311505     | 3          | Nut 5/16   |     |
| 8    | 3340911     | 4          | Rubber, Clamp  |     |
| 9    | 3790158     | 4          | O-Ring   |     |
| 10   | 3932030     | 24         | Capscrew 5/8 x 1-7/8   |     |
| 11   | 4060807     | 1 ft/30 cm | Flex Trim (Not Shown)  |     |
| 12   | 4740393     | 24         | Washer 5/8   |     |
| 13   | 4751500     | 6          | Washer 5/16  |     |
| 14   | 4751600     | 4          | Washer 3/8   |     |
| 15   | 5241000     | 8          | Washer M10   |     |
| 16   | 1001098503  | 1          | Flow Divider Valve Assembly (See Separate Breakdown in this Section) |     |
| 17   | 1001113984  | 4          | Drive Hub Assembly (See Separate Breakdown in this Section)          |     |
| 18   | 1001286953  | 4          | Drive Motor Assembly (See Separate Breakdown in this Section)        |     |

# SECTION 1 - FRAME

## FIGURE 1-6. DRIVE MOTOR ASSEMBLY



ART\_1001286953

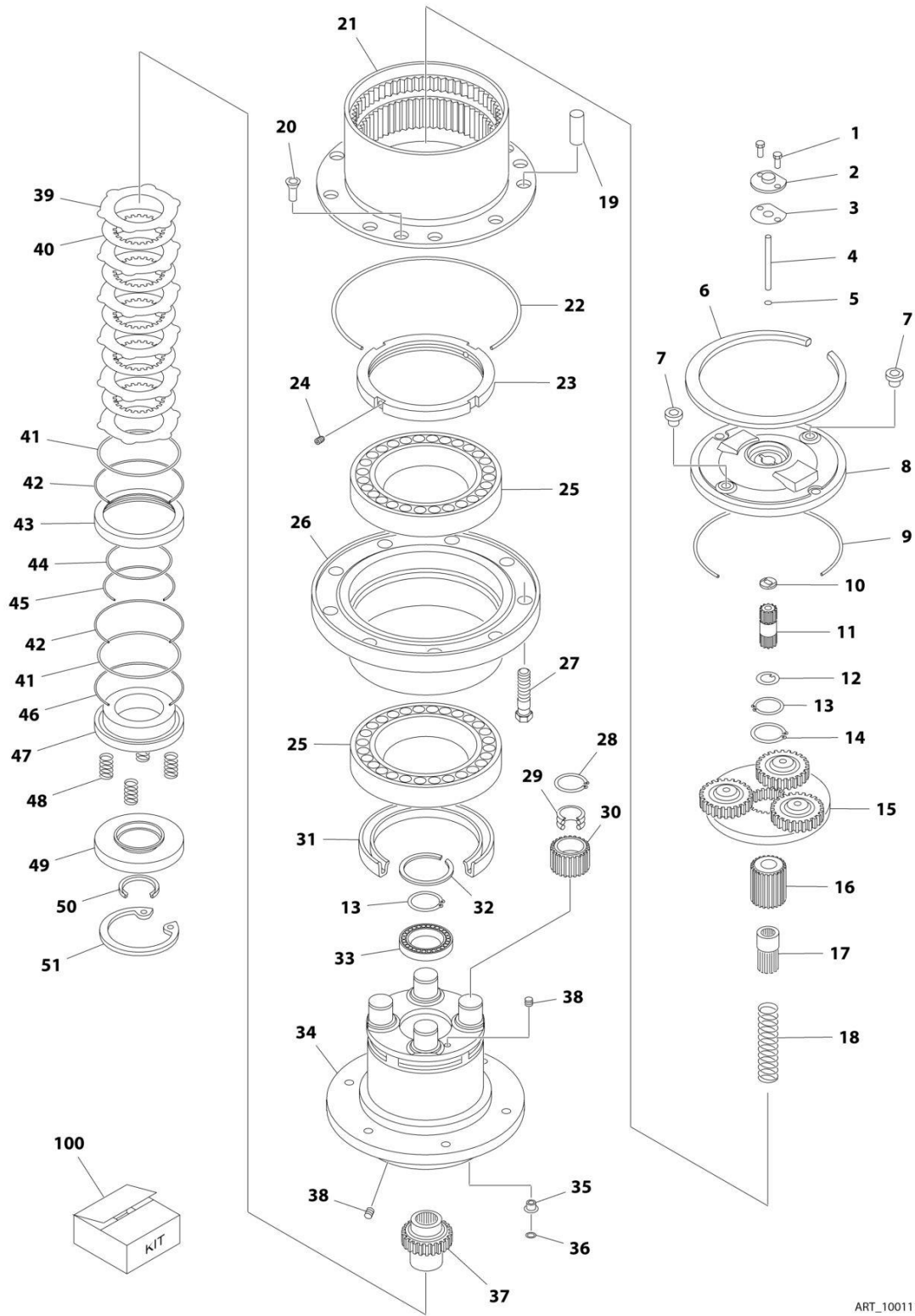


**FIGURE 1-6. DRIVE MOTOR ASSEMBLY**

| ITEM | PART NUMBER            | QTY        | DESCRIPTION  | REV |
|------|------------------------|------------|--|-----|
|      | 1001286953<br>See Note | Ref<br>Ref | DRIVE MOTOR ASSEMBLY<br>Note: No Service Parts Available at Time of Printing | A   |

# SECTION 1 - FRAME

## FIGURE 1-7. DRIVE HUB ASSEMBLY



ART\_1001113984

# SECTION 1 - FRAME

## FIGURE 1-7. DRIVE HUB ASSEMBLY

| ITEM | PART NUMBER | QTY | DESCRIPTION                    | REV |
|------|-------------|-----|--------------------------------|-----|
|      | 1001113984  | Ref | DRIVE HUB ASSEMBLY             | E   |
| 1    | 70004353    | 2   | Screw                          |     |
| 2    | 70005298    | 1   | Cover, Disengagement           |     |
| 3    | 70002201    | 1   | Gasket                         |     |
| 4    | 70002059    | 1   | Pin, Disengagement             |     |
| 5    | See Note    | NSS | O-Ring (Note: Use Item 100)    |     |
| 6    | 70005299    | 1   | Ring                           |     |
| 7    | 70002057    | 4   | Plug                           |     |
| 8    | 70005300    | 1   | Cover                          |     |
| 9    | See Note    | NSS | O-Ring (Note: Use Item 100)    |     |
| 10   | 70002054    | 1   | Shim                           |     |
| 11   | 70005301    | 1   | Pinion                         |     |
| 12   | 70005302    | 1   | Shim                           |     |
| 13   | 70004355    | 2   | Ring, Outer Retention          |     |
| 14   | 70004356    | 1   | Ring, Inner Retention          |     |
| 15   | 70005303    | 1   | Reduction Gear Assembly        |     |
| 16   | 70005304    | 1   | Pinion                         |     |
| 17   | 70005305    | 1   | Coupling, Disengagement Half   |     |
| 18   | 70005306    | 1   | Spring, Disengagement          |     |
| 19   | 70005307    | 9   | Plug                           |     |
| 20   | 70004361    | 3   | Screw                          |     |
| 21   | 70005308    | 1   | Ring, Planetary                |     |
| 22   | See Note    | NSS | O-Ring (Note: Use Item 100)    |     |
| 23   | 70005309    | 1   | Nut, Ring                      |     |
| 24   | 70004363    | 2   | Screw                          |     |
| 25   | 70005311    | 2   | Bearing                        |     |
| 26   | 70004365    | 1   | Support, Hub                   |     |
| 27   | 70005312    | 9   | Column                         |     |
| 28   | 70004367    | 4   | Ring, Outer Retention          |     |
| 29   | 70005313    | 4   | Bearing                        |     |
| 30   | 70004369    | 4   | Wheel, Planet                  |     |
| 31   | See Note    | NSS | Seal, Oil (Note: Use Item 100) |     |
| 32   | 70004370    | 1   | Ring                           |     |
| 33   | 70004371    | 1   | Bearing                        |     |
| 34   | 70005314    | 1   | Axle, Stub                     |     |
| 35   | 70005315    | 1   | Plug                           |     |
| 36   | See Note    | NSS | O-Ring (Note: Use Item 100)    |     |
| 37   | 70005316    | 1   | Shaft, Input                   |     |
| 38   | 70004447    | 2   | Plug                           |     |
| 39   | 70002027    | 6   | Disc, Steel                    |     |
| 40   | 70002026    | 5   | Disc, Sintered                 |     |
| 41   | See Note    | NSS | Seal (Note: Use Item 100)      |     |
| 42   | See Note    | NSS | O-Ring (Note: Use Item 100)    |     |
| 43   | 70005317    | 1   | Spacer                         |     |
| 44   | See Note    | NSS | Seal (Note: Use Item 100)      |     |
| 45   | See Note    | NSS | O-Ring (Note: Use Item 100)    |     |
| 46   | See Note    | NSS | O-Ring (Note: Use Item 100)    |     |
| 47   | 70005318    | 1   | Piston                         |     |
| 48   | 70002020    | 6   | Spring, Brake                  |     |
| 49   | 70005319    | 1   | Spacer                         |     |

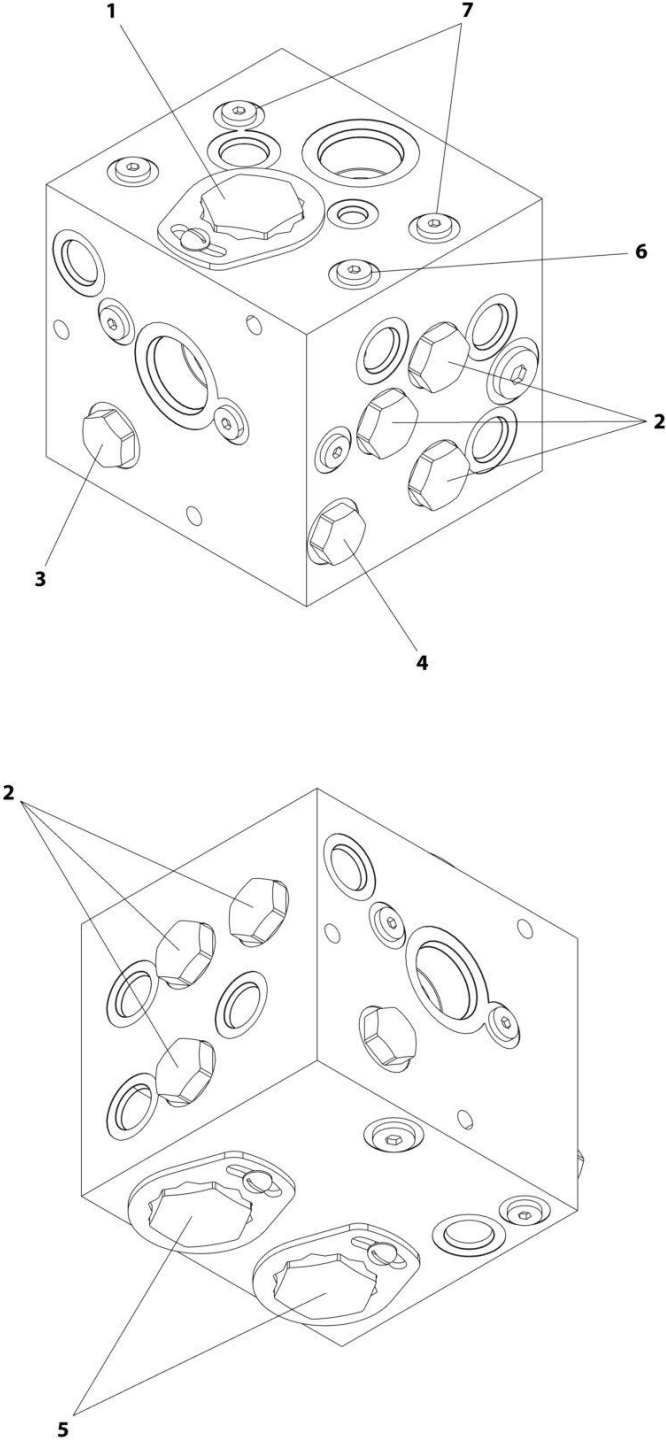
## SECTION 1 - FRAME

| ITEM | PART NUMBER | QTY | DESCRIPTION   | REV |
|------|-------------|-----|---|-----|
| 50   | See Note    | NSS | Seal, Oil (Note: Use Item 100)                                      |     |
| 51   | 70005320    | 1   | Ring, Inner Retention   |     |
| 100  | 70005321    | 1   | Seal Kit (Includes Items 5, 9, 22, 31, 36, 41, 42, 44, 45, 46 & 50) |     |



**SECTION 1 - FRAME**

**FIGURE 1-8. FLOW DIVIDER ASSEMBLY**



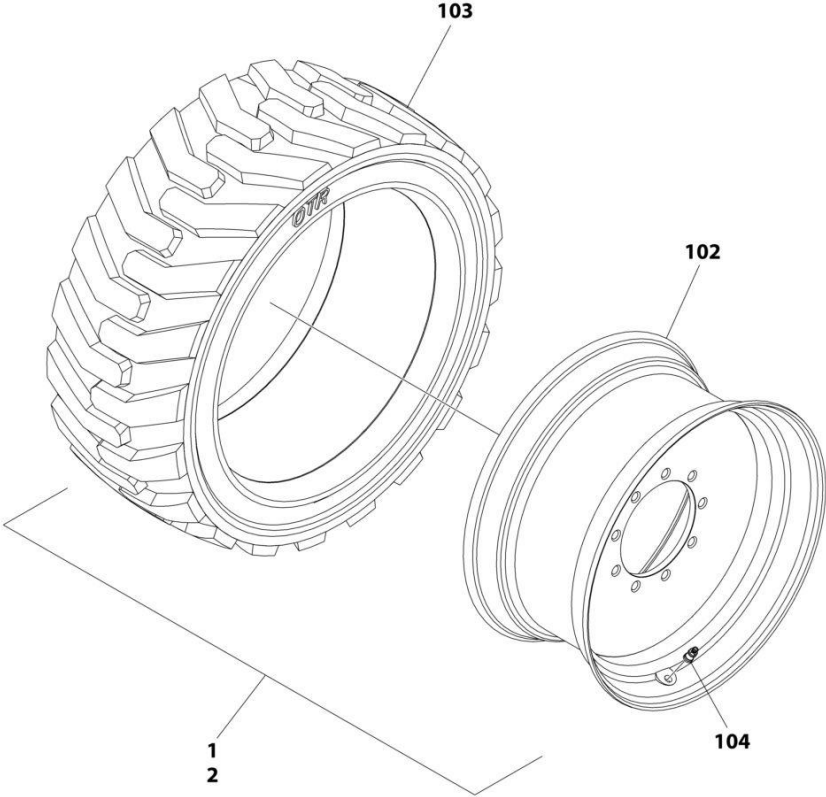
ART\_1001098503

FIGURE 1-8. FLOW DIVIDER ASSEMBLY

| ITEM | PART NUMBER | QTY | DESCRIPTION                       | REV |
|------|-------------|-----|-----------------------------------|-----|
|      | 1001098503  | Ref | FLOW DIVIDER ASSEMBLY - 4WD       | C   |
| 1    | 7023933     | 1   | Valve, Cartridge (Flow Divider)   |     |
| 1    | 7021625     | 1   | Seal Kit - Flow Divider Cartridge |     |
| 2    |             | Ref | Valve, Cartridge (Check) Options: |     |
| 2    | 7022397     | 6   | Valve p/n 4641410                 |     |
| 2    | 7022399     | 6   | Seal Kit - Check Cartridge        |     |
| 2    | 70003408    | 6   | Valve p/n 1001098503              |     |
| 2    | 7022399     | 6   | Seal Kit - Check Cartridge        |     |
| 3    | 7023935     | 1   | Valve, Cartridge (Check)          |     |
| 3    | 7023936     | 1   | Seal Kit - Check Cartridge        |     |
| 4    | 7024892     | 1   | Valve, Cartridge (Check)          |     |
| 4    | 7023936     | 1   | Seal Kit - Check Cartridge        |     |
| 5    | 7023917     | 2   | Valve, Cartridge (Flow Divider)   |     |
| 5    | 7021625     | 2   | Seal Kit - Flow Divider Cartridge |     |
| 6    | 70002063    | 1   | Plug, Orifice                     |     |
| 7    | 70002064    | 2   | Plug, Orifice                     |     |

**SECTION 1 - FRAME**

**FIGURE 1-9. TIRE AND WHEEL INSTALLATION - FOAM FILLED**



ART\_4520346



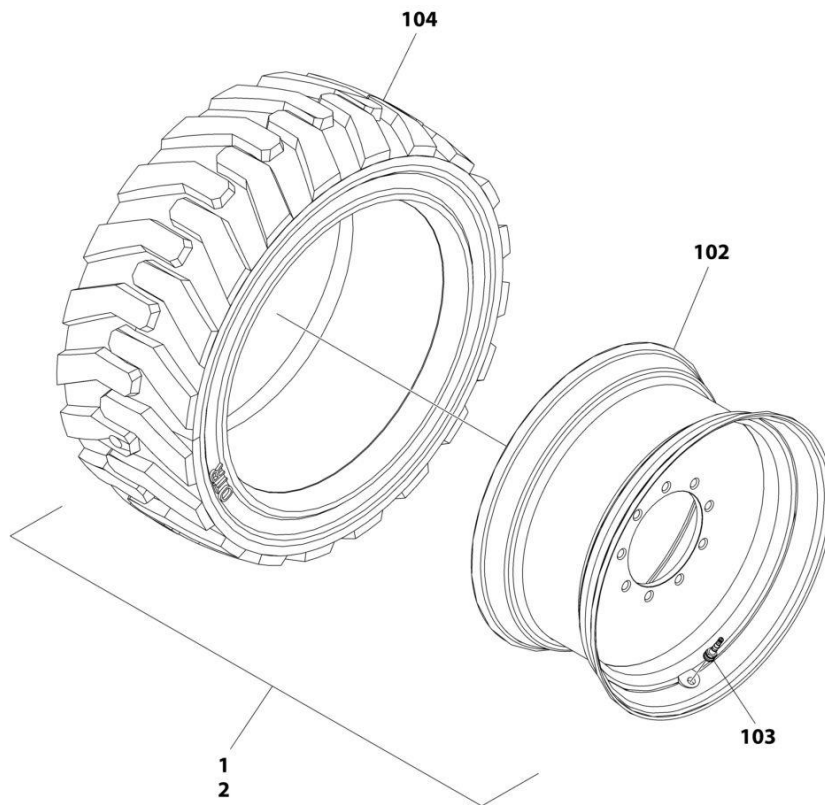
**SECTION 1 - FRAME**

**FIGURE 1-9. TIRE AND WHEEL INSTALLATION - FOAM FILLED**

| ITEM | PART NUMBER | QTY | DESCRIPTION  | REV |
|------|-------------|-----|--|-----|
|      | 4520346     | Ref | TIRE AND WHEEL INSTALLATION - FOAM FILLED  | C   |
|      |             | Ref | Note: Assemblies may require ballast/foam filling to manufacturer's specifications prior to installing on a machine. Refer to Operation and Safety or Service and Maintenance Manuals. |     |
|      |             | Ref | Note: Purchase individual tire and/or rim only if able to foam fill tire and wheel assembly, otherwise, purchase complete assembly.  |     |
| 1    | 4520344     | 2   | Tire and Wheel Assembly - Foam-Filled (Left Side)  | H   |
| 2    | 4520345     | 2   | Tire and Wheel Assembly - Foam-Filled (Right Side)   | H   |
| 102  | 4520287     | AR  | Rim, Wheel (1 Per Assembly)  |     |
| 103  | 4520288     | AR  | Tire - IN355/55D625 (1 Per Assembly)   |     |
| 104  | 4640113     | AR  | Valve, Air (1 Per Assembly)  |     |

# SECTION 1 - FRAME

FIGURE 1-10. TIRE AND WHEEL INSTALLATION - FOAM FILLED NON-MARKING



ART\_1001231678

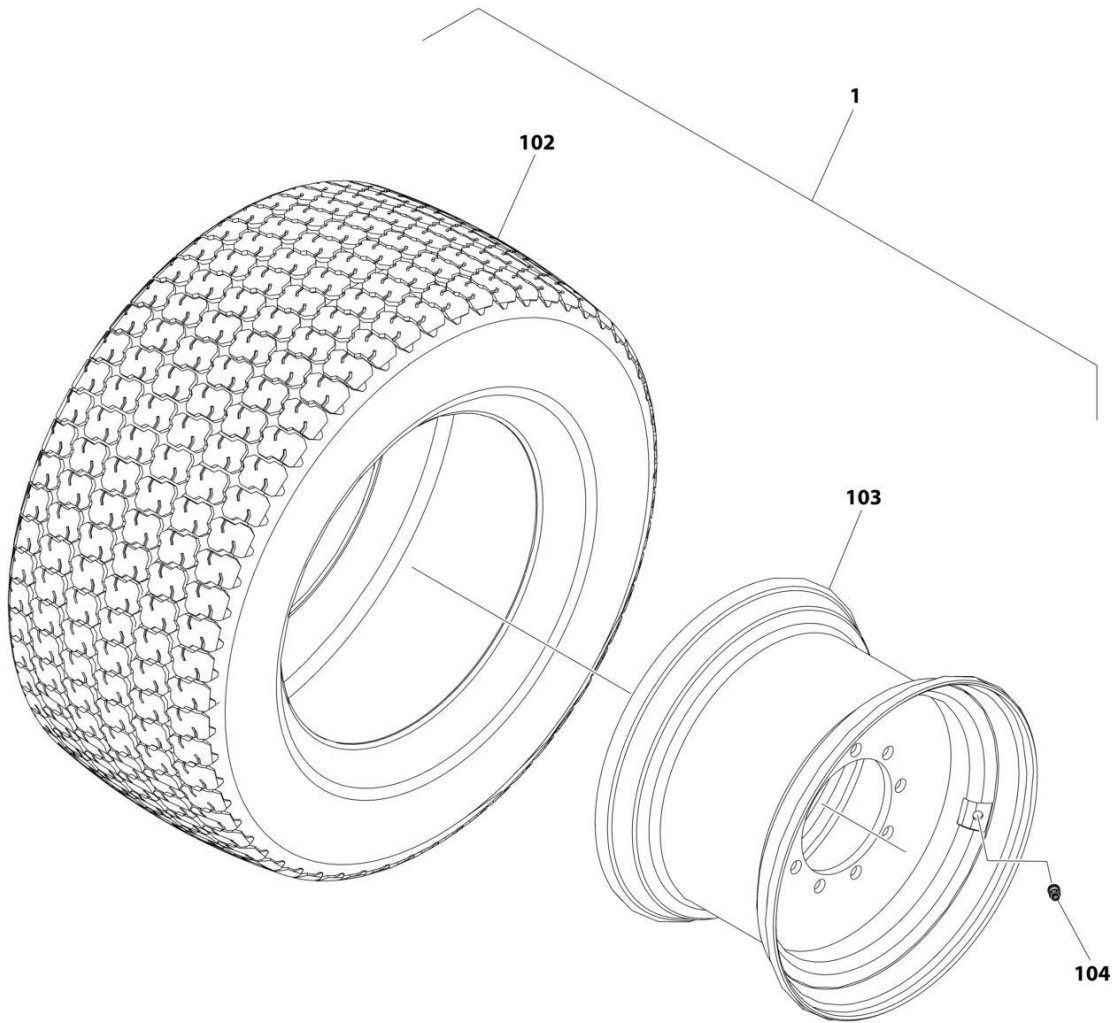
## SECTION 1 - FRAME

**FIGURE 1-10. TIRE AND WHEEL INSTALLATION - FOAM FILLED NON-MARKING**

| ITEM | PART NUMBER | QTY | DESCRIPTION  | REV |
|------|-------------|-----|--|-----|
|      | 1001231678  | Ref | TIRE AND WHEEL INSTALLATION - FOAM FILLED NON - MARKING  | A   |
|      |             | Ref | Note: Assemblies may require ballast/foam filling to manufacturer's specifications prior to installing on a machine. Refer to Operation and Safety or Service and Maintenance Manuals. |     |
|      |             | Ref | Note: Purchase individual tire and/or rim only if able to foam fill tire and wheel assembly, otherwise, purchase complete assembly.  |     |
| 1    | 1001231676  | 2   | Tire and Wheel Assembly - Foam-Filled (Left Side)  | C   |
| 2    | 1001231677  | 2   | Tire and Wheel Assembly - Foam-Filled (Right Side)   | B   |
| 102  | 4520287     | AR  | Rim, Wheel (1 Per Assembly)  |     |
| 103  | 4641122     | AR  | Valve, Air (1 Per Assembly)  |     |
| 104  | 1001184881  | AR  | Tire - IN355/55D625 (1 Per Assembly)   |     |

# SECTION 1 - FRAME

## FIGURE 1-11. TIRE AND WHEEL INSTALLATION - FOAM FILLED (TURF)



ART\_1001272547

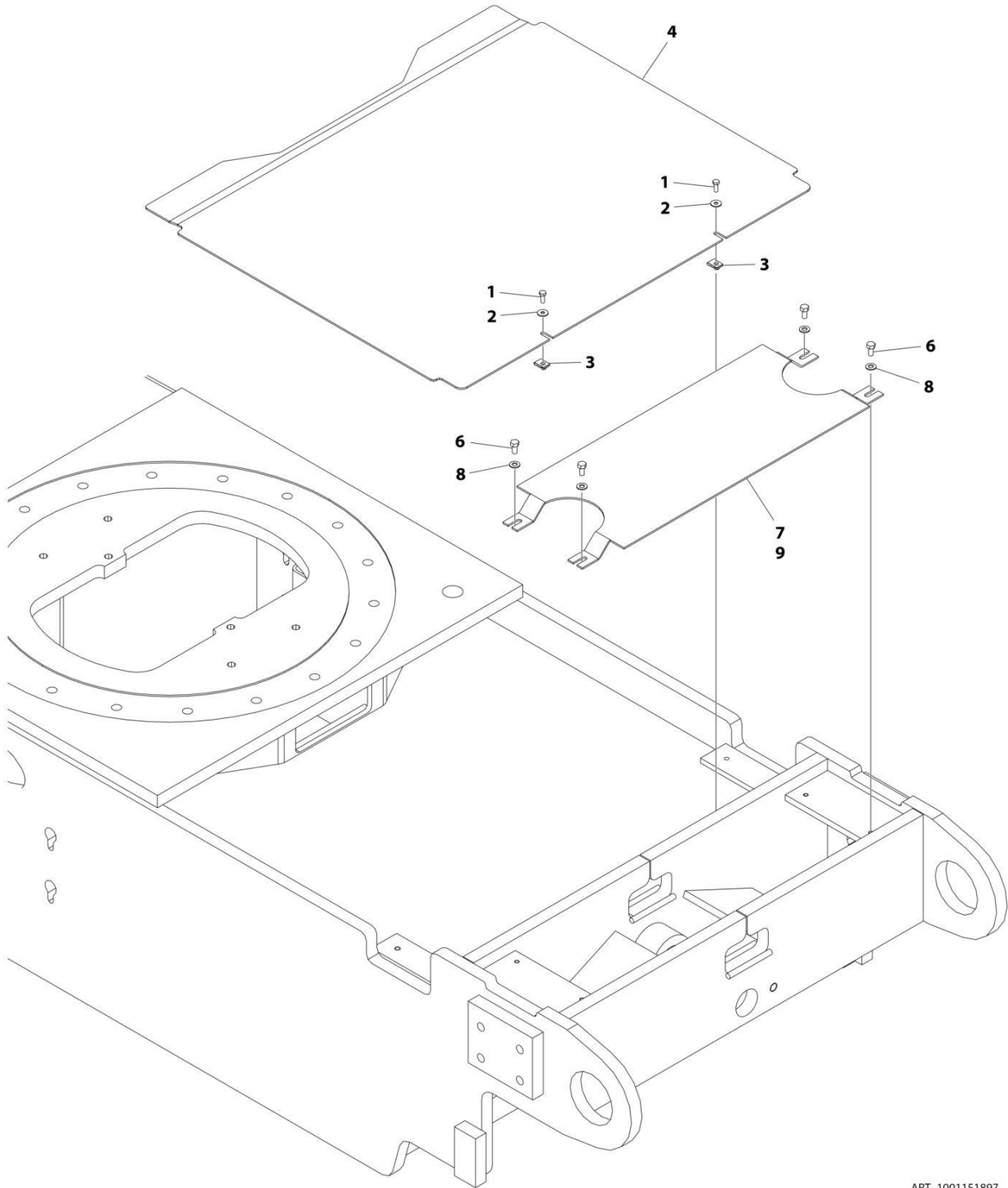
## SECTION 1 - FRAME

**FIGURE 1-11. TIRE AND WHEEL INSTALLATION - FOAM FILLED (TURF)**

| ITEM | PART NUMBER | QTY | DESCRIPTION                        | REV |
|------|-------------|-----|------------------------------------|-----|
|      | 1001272547  | Ref | TIRE AND WHEEL INSTALLATION - TURF | A   |
| 1    | 1001272546  | 4   | Tire and Wheel Assembly            |     |
| 102  | 4520256     | 1   | Tire, 41/18LL x 22.5               |     |
| 103  | 4520672     | 1   | Wheel, Sand Tire 22.5 x 14         |     |
| 104  | 4640113     | 1   | Valve, Tire                        |     |

# SECTION 1 - FRAME

FIGURE 1-12. FRAME SHIELDS INSTALLATION – 2WS (8FT/2.4M WIDE MACHINES)



ART\_1001151897

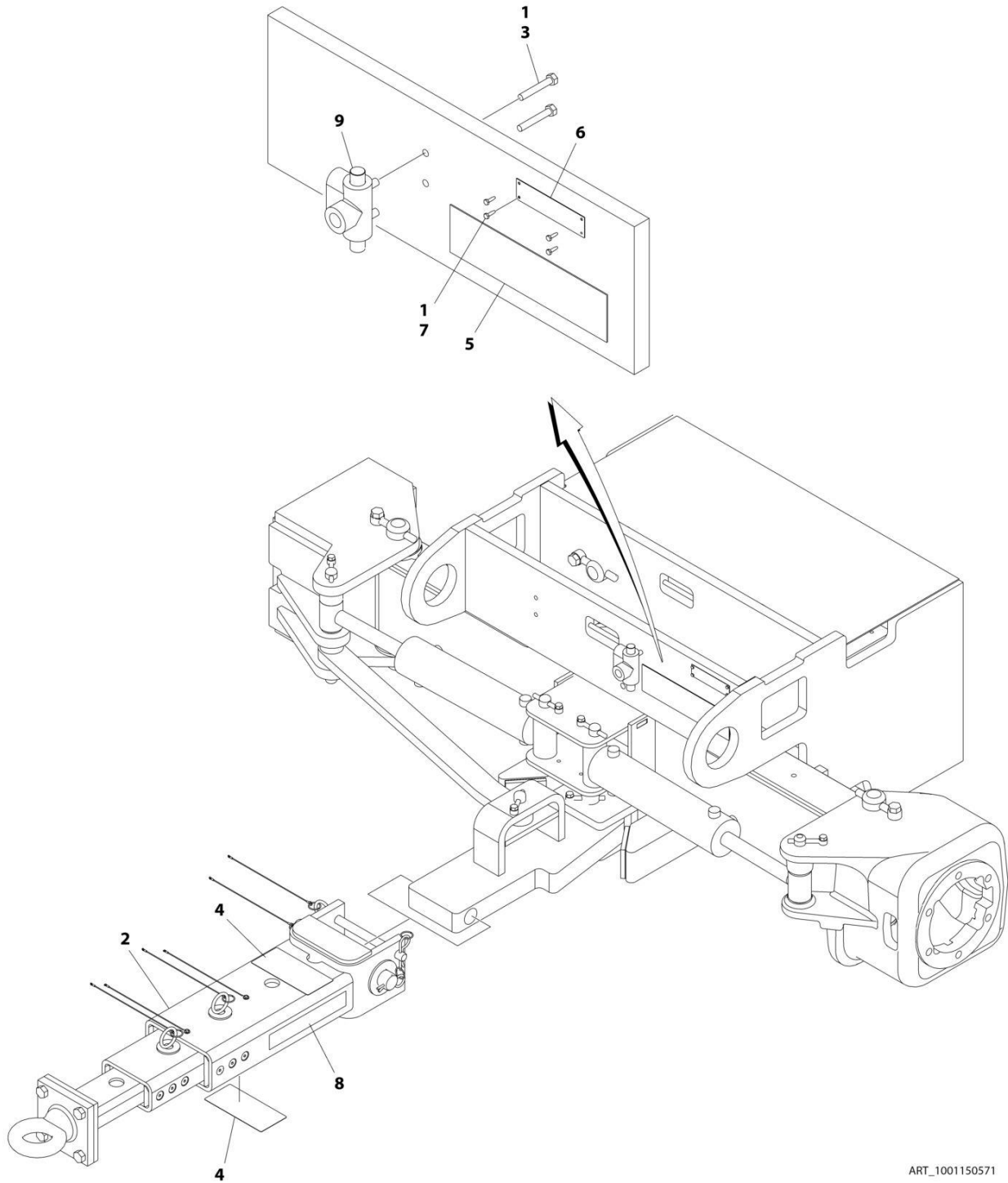
**SECTION 1 - FRAME**

**FIGURE 1-12. FRAME SHIELDS INSTALLATION – 2WS (8FT/2.4M WIDE MACHINES)**

| <b>ITEM</b> | <b>PART NUMBER</b> | <b>QTY</b> | <b>DESCRIPTION</b>         | <b>REV</b> |
|-------------|--------------------|------------|----------------------------|------------|
|             | 1001151897         | Ref        | FRAME SHIELDS INSTALLATION | C          |
| 1           | 0760608            | 2          | Bolt M6 x 16               |            |
| 2           | 4811702            | 2          | Washer M6                  |            |
| 3           | 1001130220         | 2          | Nut, Tinnerman M6          |            |
| 4           | 1001151584         | 1          | Shield, Frame - Front      |            |
| 6           | 0641505            | 4          | Bolt 5/16 x 5/8            |            |
| 7           | 4060804            | 1          | Flex-Trim                  |            |
| 8           | 4711500            | 4          | Washer 5/16                |            |
| 9           | 1001161761         | 1          | Shield, Frame - Rear       |            |

# SECTION 1 - FRAME

## FIGURE 1-13. TOW PACKAGE INSTALLATION (ANSI SPECS) (OPTIONAL)



ART\_1001150571



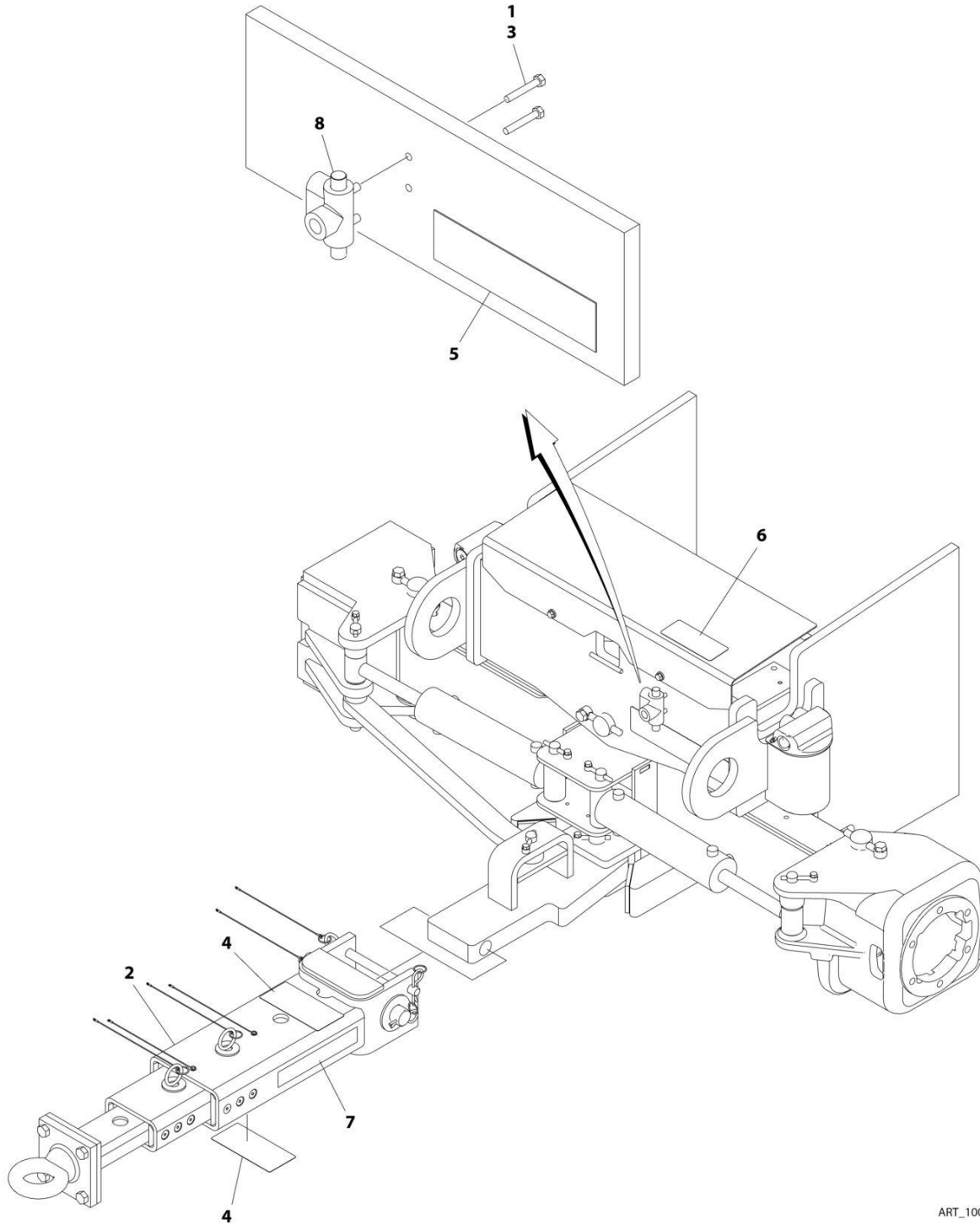
## SECTION 1 - FRAME

**FIGURE 1-13. TOW PACKAGE INSTALLATION (ANSI SPECS) (OPTIONAL)**

| ITEM | PART NUMBER | QTY | DESCRIPTION   | REV |
|------|-------------|-----|---|-----|
|      | 1001150571  | Ref | TOW BAR INSTALLATION                                      | D   |
| 1    | 0100011     | AR  | Compound, Locking   |     |
| 2    | 0270528     | 1   | Tow Bar Assembly (See Separate Breakdown in this Section) |     |
| 3    | 0641516     | 2   | Bolt 5/16 x 2   |     |
| 4    | 1704578     | 2   | Decal - Crushing  |     |
| 5    | 1705090     | 1   | Decal - Towing Instruction                                |     |
| 6    | 3250872     | 1   | Nameplate - Steer/Tow Select                              |     |
| 7    | 3940604     | 4   | Screw #6 x 1/2  |     |
| 8    | 4420051     | AR  | Tape, Safety  |     |
| 9    | 4640261     | 1   | Valve, Float Position                                     |     |

# SECTION 1 - FRAME

## FIGURE 1-14. TOW PACKAGE INSTALLATION (CSA SPECS) (OPTIONAL)



ART\_1001150570

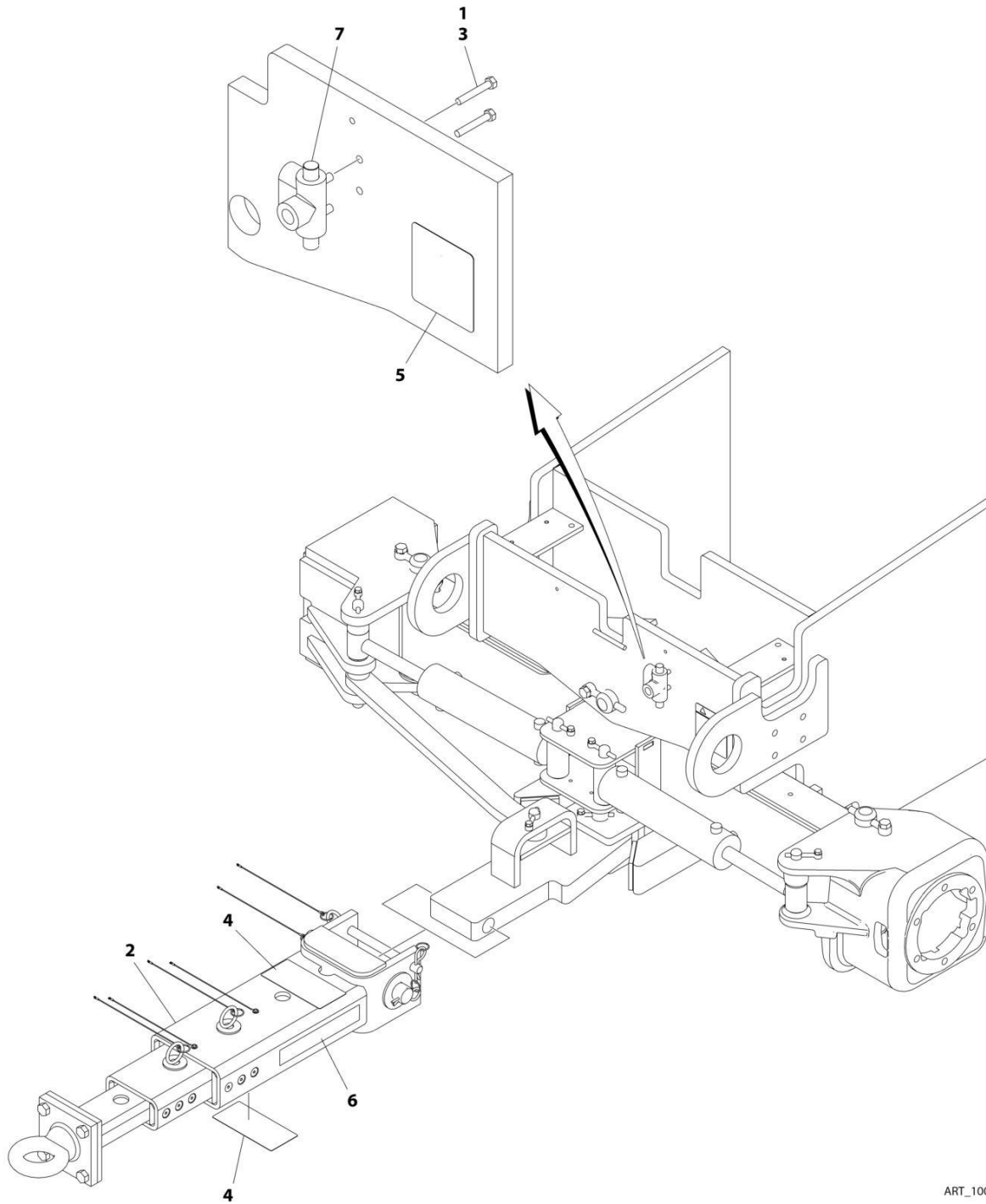
**SECTION 1 - FRAME**

**FIGURE 1-14. TOW PACKAGE INSTALLATION (CSA SPECS) (OPTIONAL)**

| <b>ITEM</b> | <b>PART NUMBER</b> | <b>QTY</b> | <b>DESCRIPTION</b>  | <b>REV</b> |
|-------------|--------------------|------------|---|------------|
|             | 1001150570         | Ref        | TOW BAR INSTALLATION                                      | D          |
| 1           | 0100011            | AR         | Compound, Locking   |            |
| 2           | 0270528            | 1          | Tow Bar Assembly (See Separate Breakdown in this Section) |            |
| 3           | 0641516            | 2          | Bolt 5/16 x 2   |            |
| 4           | 1706593            | 2          | Decal - Crushing  |            |
| 5           | 1705820            | 1          | Decal - Towing Instruction                                |            |
| 6           | 1704272            | 1          | Nameplate - Steer/Tow Select                              |            |
| 7           | 4420051            | AR         | Tape, Safety  |            |
| 8           | 4640261            | 1          | Valve, Float Position                                     |            |

# SECTION 1 - FRAME

FIGURE 1-15. TOW PACKAGE INSTALLATION (CE, RUSSIAN & UK CA SPECS) (OPTIONAL)



ART\_1001150569

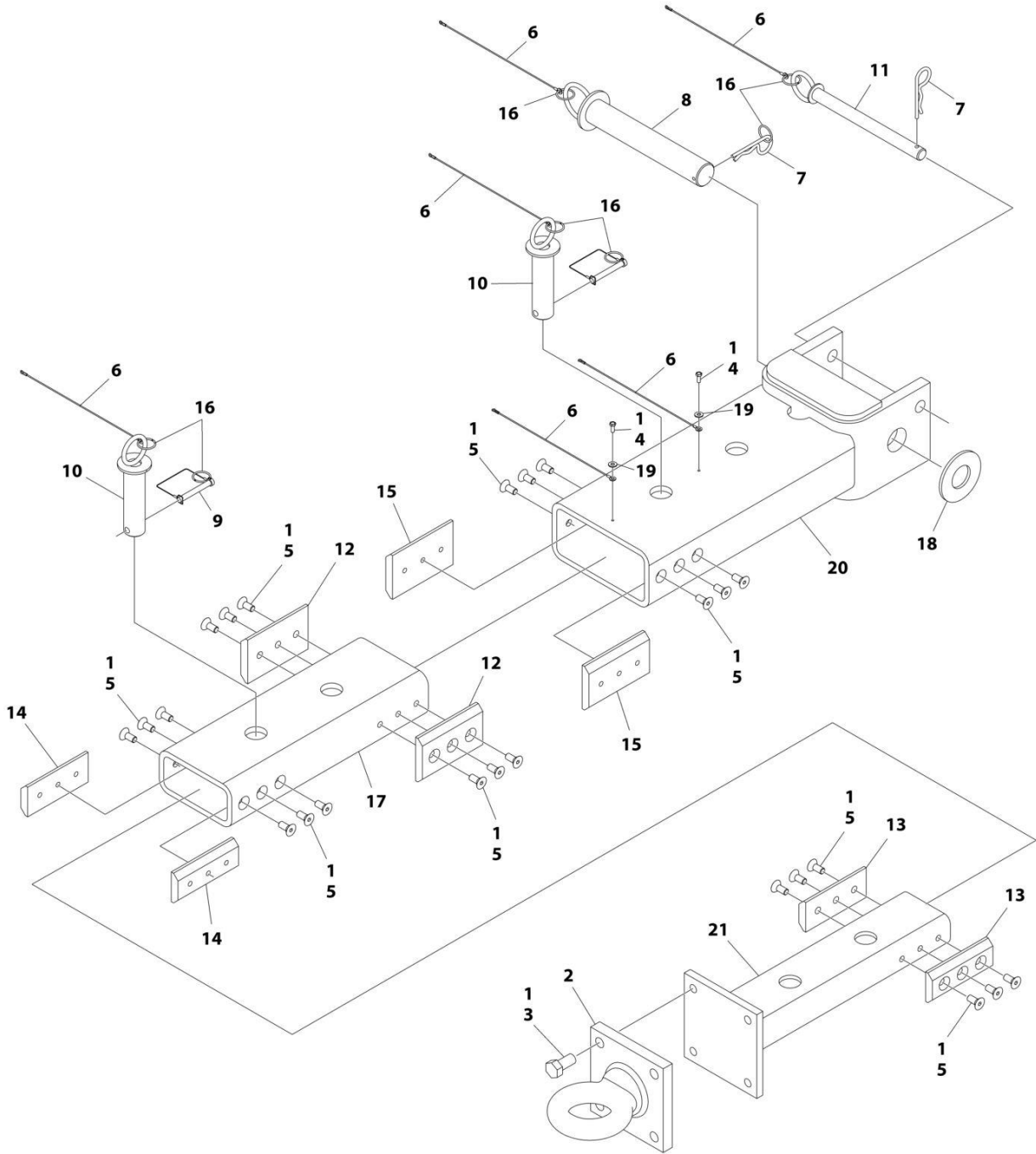
## SECTION 1 - FRAME

**FIGURE 1-15. TOW PACKAGE INSTALLATION (CE, RUSSIAN & UK CA SPECS) (OPTIONAL)**

| ITEM | PART NUMBER | QTY | DESCRIPTION   | REV |
|------|-------------|-----|---|-----|
|      | 1001150569  | Ref | TOW BAR INSTALLATION                                      | A   |
| 1    | 0100011     | AR  | Compound, Locking   |     |
| 2    | 0270528     | 1   | Tow Bar Assembly (See Separate Breakdown in this Section) |     |
| 3    | 0641516     | 2   | Bolt 5/16 x 2   |     |
| 4    | 1706960     | 2   | Decal - Crushing  |     |
| 5    | 1706957     | 1   | Decal - Towing Instruction                                |     |
| 6    | 4420051     | AR  | Tape, Safety  |     |
| 7    | 4640261     | 1   | Valve, Float Position                                     |     |

# SECTION 1 - FRAME

## FIGURE 1-16. TOW BAR ASSEMBLY



ART\_0270528

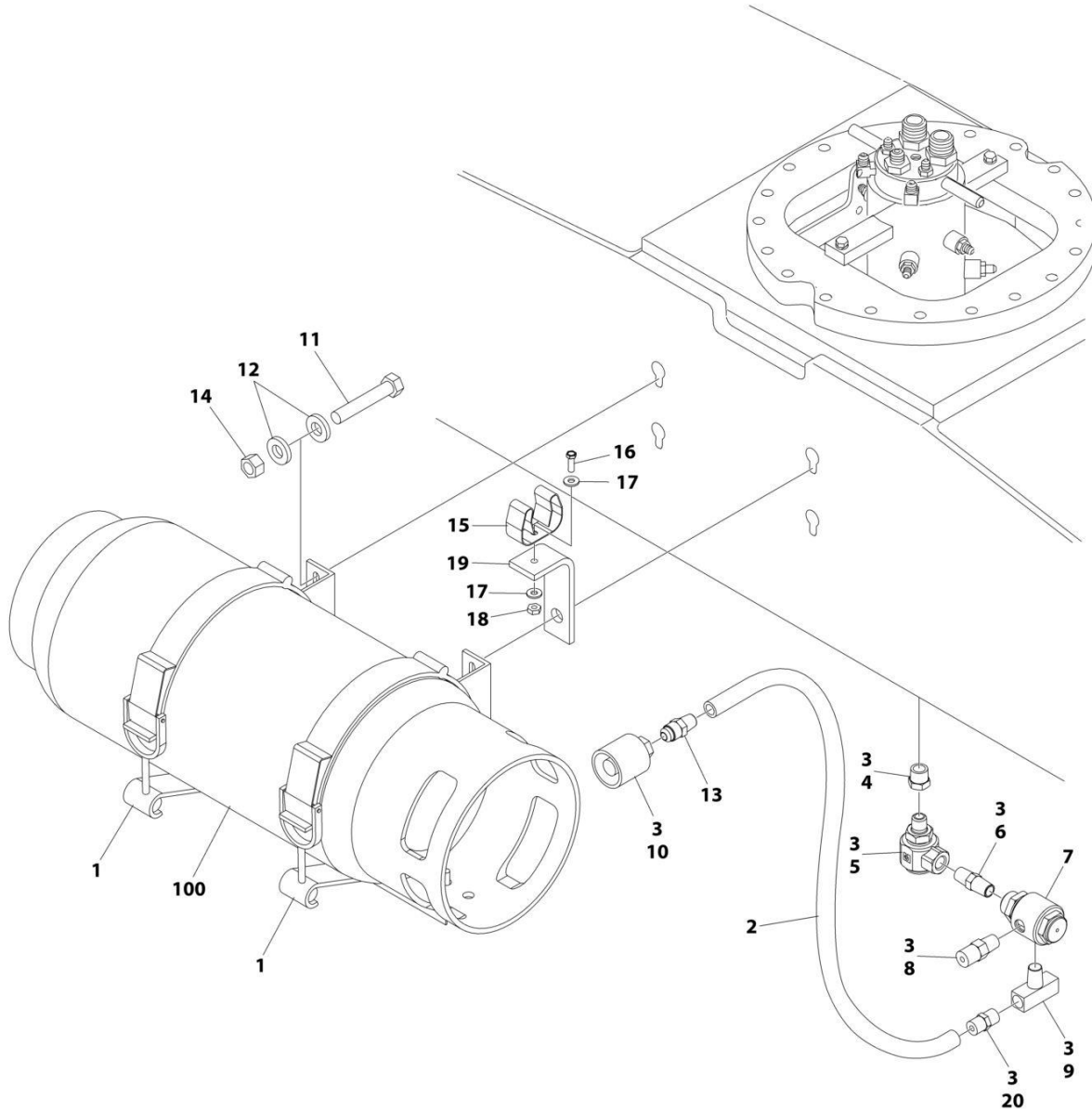
# SECTION 1 - FRAME

## FIGURE 1-16. TOW BAR ASSEMBLY

| ITEM | PART NUMBER | QTY | DESCRIPTION                  | REV |
|------|-------------|-----|------------------------------|-----|
|      | 0270528     | Ref | TOW BAR ASSEMBLY             | B   |
| 1    | 0100011     | AR  | Compound, Locking            |     |
| 2    | 0362910     | 1   | Pintle, Draw Eye             |     |
| 3    | 0642010     | 4   | Bolt 5/8 x 1-1/4             |     |
| 4    | 0721004     | 2   | Screw, Hex Machine           |     |
| 5    | 0741607     | 24  | Screw, Countersunk 3/8 x 7/8 |     |
| 6    | 1060584     | 6   | Cable, Lanyard               |     |
| 7    | 3420372     | 2   | Pin, Cotter                  |     |
| 8    | 3420447     | 1   | Pin, Towing                  |     |
| 9    | 3421565     | 2   | Pin, Snap                    |     |
| 10   | 3422841     | 2   | Pin                          |     |
| 11   | 3422847     | 1   | Pin                          |     |
| 12   | 3572009     | 2   | Plate, Slide Stop            |     |
| 13   | 3572010     | 2   | Plate, Slide Stop            |     |
| 14   | 3572011     | 2   | Plate, Slide Stop            |     |
| 15   | 3572012     | 2   | Plate, Slide Stop            |     |
| 16   | 3760170     | 8   | Ring, Split                  |     |
| 17   | 4568133     | 1   | Tube, Tow Bar                |     |
| 18   | 4740036     | 1   | Washer                       |     |
| 19   | 4751000     | 2   | Washer #10                   |     |
| 20   | 4846295     | 1   | Tow Bar Attach Weldment      |     |
| 21   | 4846296     | 1   | Pintle Attach Weldment       |     |

# SECTION 1 - FRAME

## FIGURE 1-17. LP TANKS INSTALLATION



ART\_1001151010\_E



# SECTION 1 - FRAME

## FIGURE 1-17. LP TANKS INSTALLATION

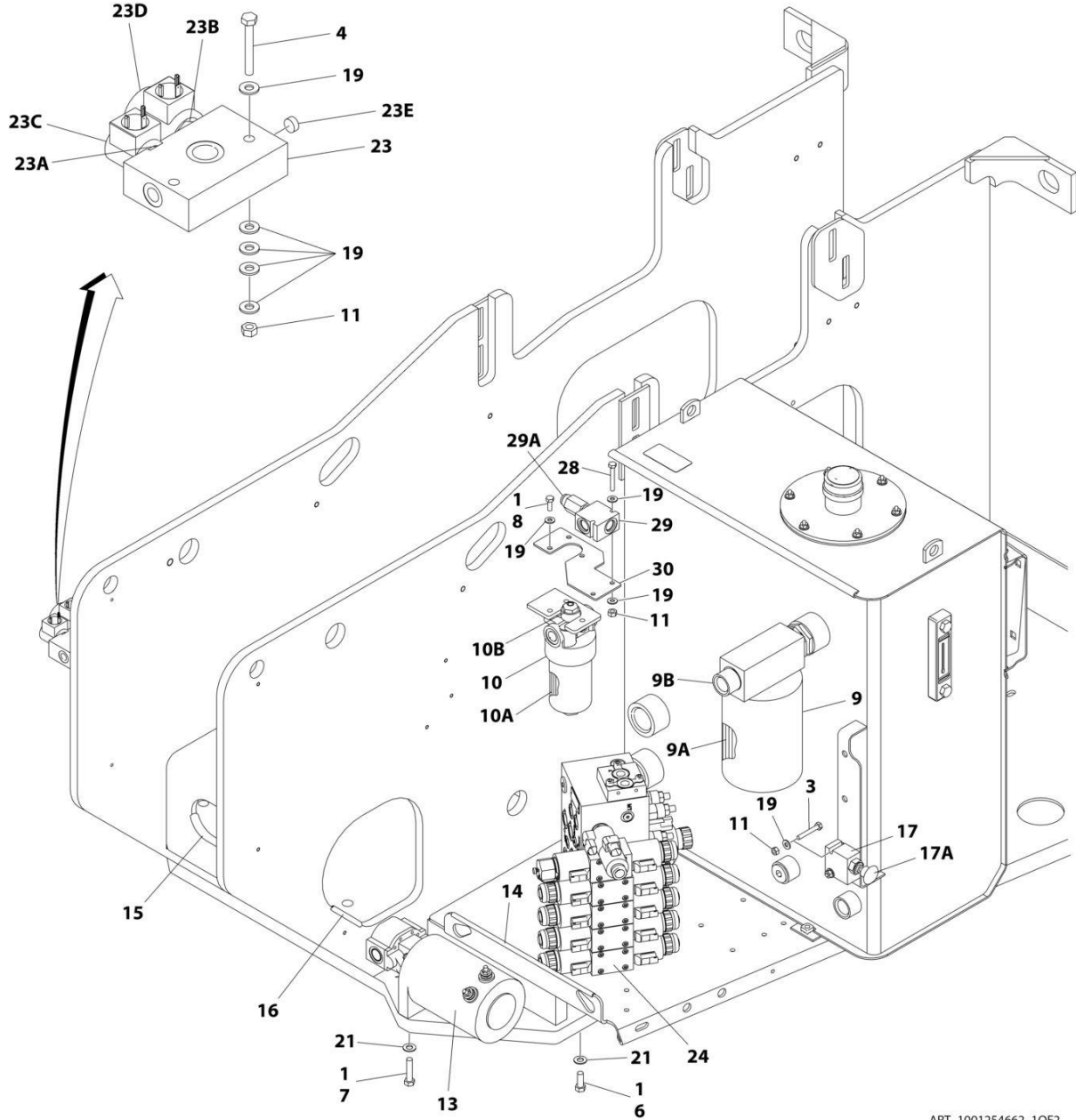
| ITEM | PART NUMBER | QTY | DESCRIPTION                     | REV |
|------|-------------|-----|---------------------------------|-----|
|      | 1001151010  | Ref | LP TANK BRACKETS INSTALLATION   | E   |
| 1    | 1320220     | 2   | Clamp                           |     |
| 1    | 1320127     | 2   | Clamp, Toggle (1 Per Clamp)     |     |
| 2    | 2720144     | 2   | Hose                            |     |
| 3    | 0100020     | AR  | Sealant, Pipe                   |     |
| 4    | 2221197     | 1   | Fitting, Reducer                |     |
| 5    | 1001247358  | 1   | Fitting, 90 Swivel              |     |
| 6    | 2220261     | 1   | Fitting, Nipple                 |     |
| 7    | 2180388     | 1   | Fitting, Bulkhead               |     |
| 8    | 2180389     | 1   | Valve, Relief                   |     |
| 9    | 2220418     | 1   | Fitting, Tee                    |     |
| 10   | 2180387     | 2   | Fitting, Straight               |     |
| 11   | 0641617     | 8   | Bolt 3/8 x 2-1/8                |     |
| 12   | 4751600     | 16  | Washer 3/8                      |     |
| 13   | 2180418     | 2   | Fitting, Connector              |     |
| 14   | 3311605     | 8   | Nut 3/8                         |     |
| 15   | 1320218     | 2   | Clamp, Spring                   |     |
| 16   | 0720804     | 2   | Screw #8 x 1/2                  |     |
| 17   | 4750800     | 4   | Washer #8                       |     |
| 18   | 3310805     | 2   | Nut #8                          |     |
| 19   | 0181949     | 2   | Angle, Support                  |     |
| 20   | 2221024     | 2   | Fitting, Union Ball Check       |     |
| 100  | 4400275     | 1   | Tank, LP - 43.5 Lbs. (Aluminum) |     |
| 100  | 4400420     | 1   | Tank, LP - 43.5 Lbs. (Steel)    |     |



**SECTION 2 - TURNTABLE**

# SECTION 2 - TURNTABLE

## FIGURE 2-1. CONTROL VALVES INSTALLATION - DEUTZ D2011 ENGINES



ART\_1001254662\_10F2

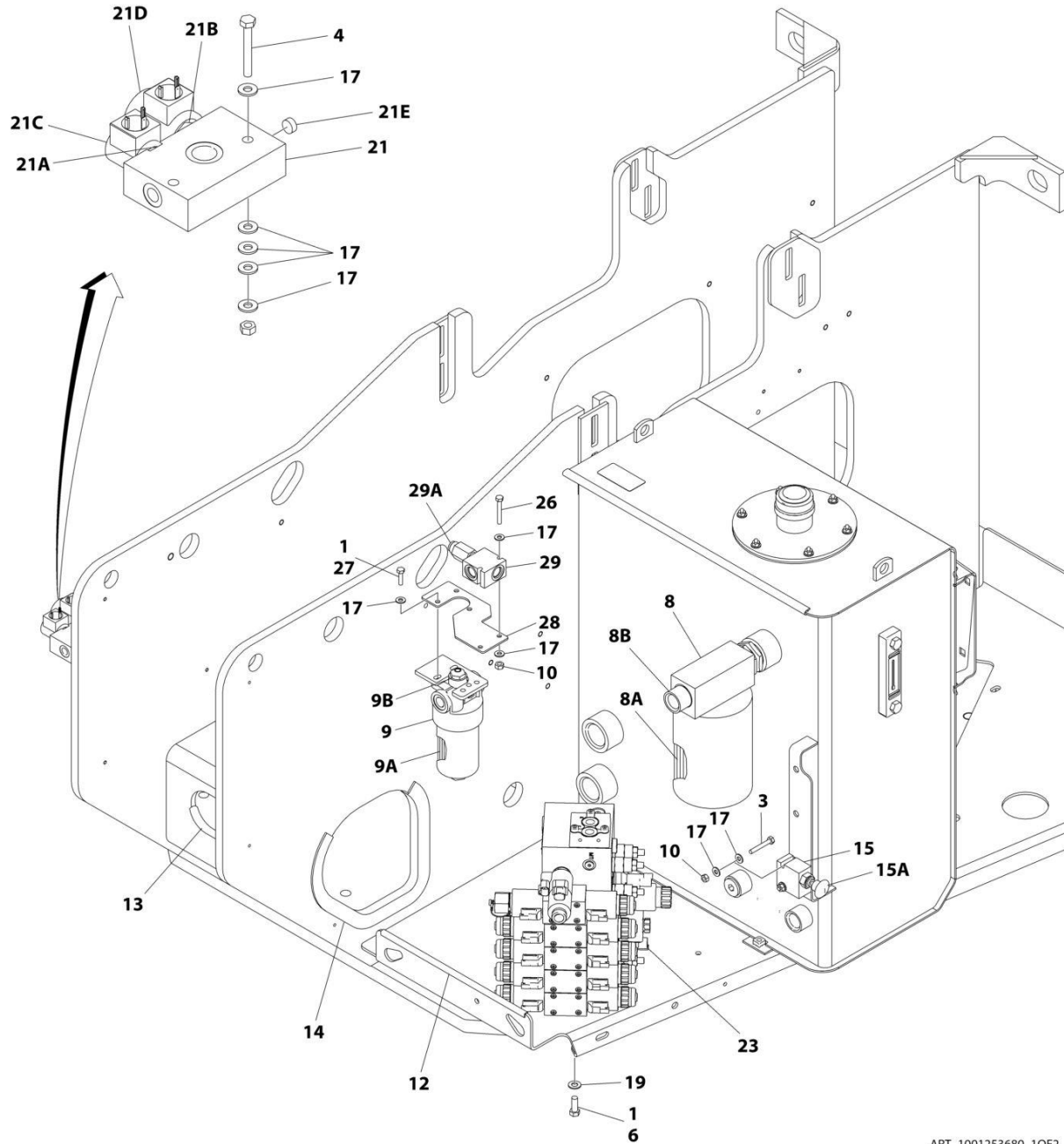
## SECTION 2 - TURNTABLE

**FIGURE 2-1. CONTROL VALVES INSTALLATION - DEUTZ D2011 ENGINES**

| ITEM | PART NUMBER | QTY | DESCRIPTION  | REV |
|------|-------------|-----|--|-----|
|      | 1001254662  | Ref | CONTROL VALVES INSTALLATION  | B   |
| 1    | 0100011     | AR  | Compound, Locking  |     |
| 3    | 0641414     | 2   | Bolt 1/4 x 1-3/4   |     |
| 4    | 0641416     | 2   | Bolt 1/4 x 2   |     |
| 6    | 0641608     | 3   | Bolt 3/8 x 1   |     |
| 7    | 0641613     | 2   | Bolt 3/8 x 1-5/8   |     |
| 8    | 0651406     | 3   | Bolt 1/4 x 3/4   |     |
| 9    | 2120164     | 1   | Return Filter Assembly   | B   |
| 9A   | 2120149     | 1   | Element, Filter  |     |
| 9B   | 7020021     | 1   | Manual Indicator   |     |
| 10   | 2120209     | 1   | Hydraulic Pressure Filter Assembly                                       |     |
| 10A  | 2120210     | 1   | Element, Filter  |     |
| 10B  | 7020020     | 1   | Manual Indicator   |     |
| 10C  | 70000934    | 1   | O-Ring, Filter Bowl (Not Shown)  |     |
| 11   | 3311405     | 8   | Nut 1/4  |     |
| 13   | 3600365     | 1   | Auxiliary Pump Assembly (See Separate Breakdown in this Section)         |     |
| 14   | 4060804     | AR  | Trim-Loc 3/16  |     |
| 15   | 4060807     | AR  | Trim-Loc 3/8   |     |
| 16   | 4060918     | AR  | Trim-Loc 5/8   |     |
| 17   | 4640866     | 1   | Manual Pull Valve Assembly   |     |
| 17   | 2900708     | 1   | Seal Kit - 4640866 Valve   |     |
| 17A  | 7012959     | 1   | Knob   |     |
| 19   | 4711400     | 25  | Washer 1/4   |     |
| 21   | 4711600     | 5   | Washer 3/8   |     |
| 23   | 1001099391  | 1   | Brake/Selector Valve Assembly  |     |
| 23A  | 7012941     | 1   | Cartridge without Coil   |     |
| 23A  | 7010543     | 1   | Seal Kit - 7012941 Cartridge   |     |
| 23B  | 7012995     | 1   | Cartridge without Coil   |     |
| 23B  | 7012518     | 1   | Seal Kit - 7012995 Cartridge   |     |
| 23C  | 7012944     | 1   | Coil   |     |
| 23D  | 7012943     | 1   | Coil   |     |
| 23E  | 70002209    | 1   | Orifice  |     |
| 25   | 1001152887  | 1   | Main Valve Block Assembly - 2WS (See Separate Breakdown in this Section) |     |
| 28   | 0641415     | 2   | Capscrew 1/4 x 1-7/8   |     |
| 29   | 1001271534  | 1   | Valve, Direct Acting Relief.   |     |
| 29A  | 70007677    | 1   | Cartridge  |     |
| 29A  | 7017496     | 1   | Seal Kit   |     |
| 30   | 1001271582  | 1   | Mount  |     |

# SECTION 2 - TURNTABLE

## FIGURE 2-2. CONTROL VALVES INSTALLATION - DEUTZ DT2.9L4, DEUTZ TD2.2L3 STAGE V & FORD ENGINES



ART\_1001253680\_10F2

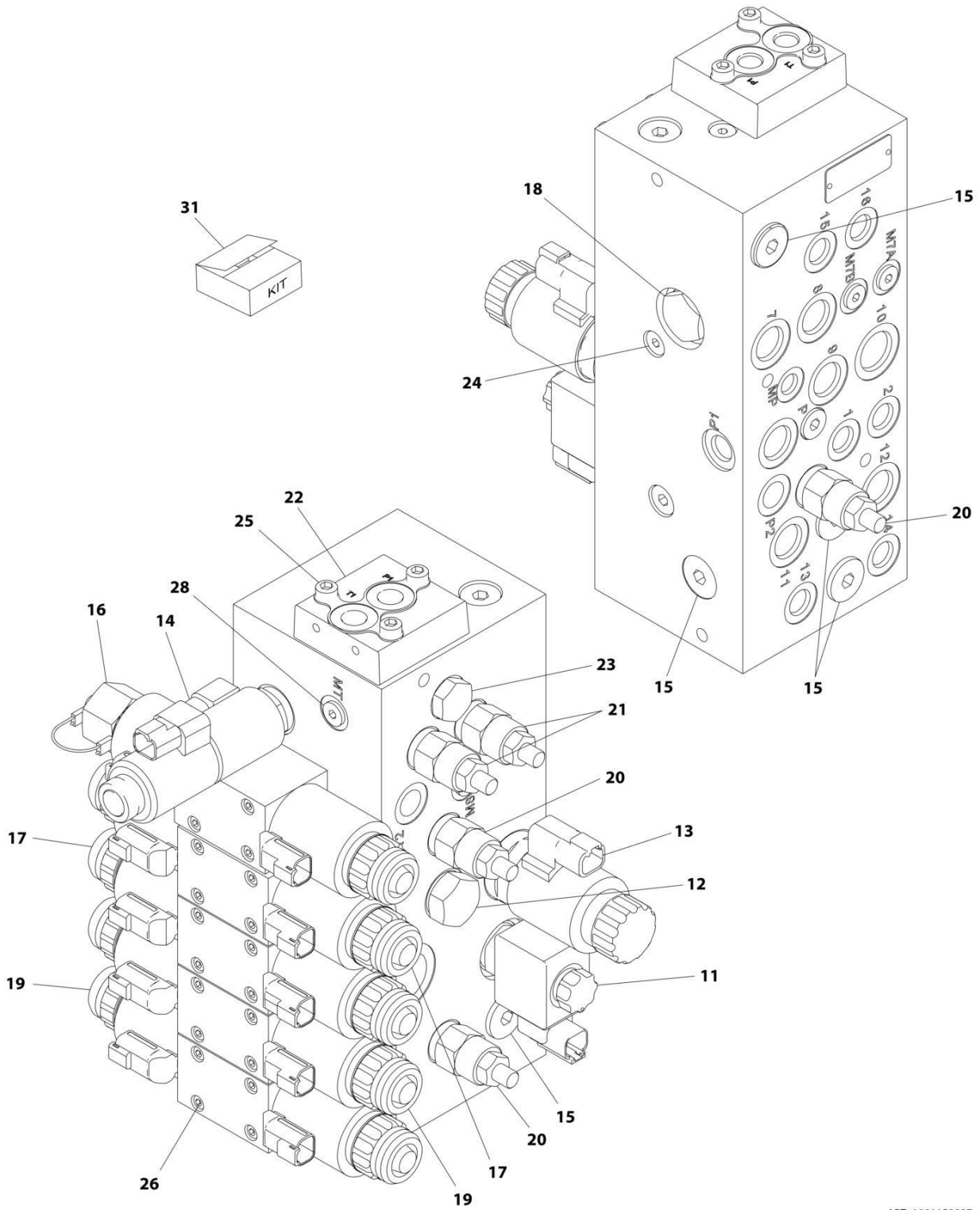
## SECTION 2 - TURNTABLE

**FIGURE 2-2. CONTROL VALVES INSTALLATION - DEUTZ DT2.9L4, DEUTZ TD2.2L3 STAGE V & FORD ENGINES**

| ITEM | PART NUMBER | QTY | DESCRIPTION  | REV |
|------|-------------|-----|--|-----|
|      | 1001253680  | Ref | CONTROL VALVES INSTALLATION  | B   |
| 1    | 0100011     | AR  | Compound, Locking  |     |
| 3    | 0641414     | 2   | Bolt 1/4 x 1-3/4   |     |
| 4    | 0641416     | 2   | Bolt 1/4 x 2   |     |
| 6    | 0641608     | 3   | Bolt 3/8 x 1   |     |
| 8    | 2120164     | 1   | Return Filter Assembly   | B   |
| 8A   | 2120149     | 1   | Element, Filter  |     |
| 8B   | 7020021     | 1   | Manual Indicator   |     |
| 9    | 2120209     | 1   | Hydraulic Pressure Filter Assembly                                       |     |
| 9A   | 2120210     | 1   | Element, Filter  |     |
| 9B   | 7020020     | 1   | Manual Indicator   |     |
| 9C   | 70000934    | 1   | O-Ring, Filter Bowl (Not Shown)  |     |
| 10   | 3311405     | 6   | Nut 1/4  |     |
| 12   | 4060804     | AR  | Trim-Loc 3/16  |     |
| 13   | 4060807     | AR  | Trim-Loc 3/8   |     |
| 14   | 4060918     | AR  | Trim-Loc 5/8   |     |
| 15   | 4640866     | 1   | Manual Pull Valve Assembly   |     |
| 15   | 2900708     | 1   | Seal Kit - 4640866 Valve   |     |
| 15A  | 7012959     | 1   | Knob   |     |
| 17   | 4711400     | 25  | Washer 1/4   |     |
| 19   | 4711600     | 3   | Washer 3/8   |     |
| 21   | 1001099391  | 1   | Brake/Selector Valve Assembly  |     |
| 21A  | 7012941     | 1   | Cartridge without Coil   |     |
| 21A  | 7010543     | 1   | Seal Kit - 7012941 Cartridge   |     |
| 21B  | 7012995     | 1   | Cartridge without Coil   |     |
| 21B  | 7012518     | 1   | Seal Kit - 7012995 Cartridge   |     |
| 21C  | 7012944     | 1   | Coil   |     |
| 21D  | 7012943     | 1   | Coil   |     |
| 21E  | 70002209    | 1   | Orifice  |     |
| 23   | 1001152887  | 1   | Main Valve Block Assembly - 2WS (See Separate Breakdown in this Section) |     |
| 26   | 0641415     | 2   | Capscrew 1/4 x 1-7/8   |     |
| 27   | 0651408     | 3   | Capscrew 1/4 x 1   |     |
| 28   | 1001271582  | 1   | Mount  |     |
| 29   | 1001271534  | 1   | Valve, Direct Acting Relief  |     |
| 29A  | 70007677    | 1   | Cartridge  |     |
| 29A  | 7017496     | 1   | Seal Kit   |     |

# SECTION 2 - TURNTABLE

## FIGURE 2-3. MAIN VALVE BLOCK ASSEMBLY - 2WS



ART\_1001152887



## SECTION 2 - TURNTABLE

### FIGURE 2-3. MAIN VALVE BLOCK ASSEMBLY - 2WS

| ITEM | PART NUMBER | QTY | DESCRIPTION                                | REV |
|------|-------------|-----|--|-----|
|      | 1001152887  | Ref | MAIN VALVE BLOCK ASSEMBLY - 2WS            | F   |
| 11   | 70004652    | 1   | Valve, Cartridge Less Coil (Dump)          |     |
| 11   | 70023867    | 1   | Seal kit - 70004652 Valve                  |     |
| 11   | 70004653    | 1   | Coil                                       |     |
| 11   | 70004654    | 1   | Nut, Coil                                  |     |
| 12   | 70004655    | 1   | Valve, Cartridge                           |     |
| 12   | 70004656    | 1   | Seal Kit - 70004655 Valve                  |     |
| 13   | 70004657    | 1   | Valve, Cartridge Less Coil                 |     |
| 13   | 70004594    | 1   | Seal Kit - 70004657 Valve                  |     |
| 13   | 70004595    | 1   | Coil                                       |     |
| 13   | 70004597    | 1   | Nut, Coil                                  |     |
| 13   | 70004596    | 1   | O-Ring, Pole Tube                          |     |
| 14   | 70004659    | 1   | Valve, Cartridge Less Coil (Steer)         |     |
| 14   | 70004660    | 1   | Seal - Kit - 70004659 Valve                |     |
| 14   | 80434249    | 2   | Coil                                       |     |
| 14   | 70004661    | 1   | Nut, Coil                                  |     |
| 14   | 70024457    | 1   | O-Ring, Pole Tube (Upper)                  |     |
| 14   | 70004662    | 1   | O-Ring, Pole Tube (Lower)                  |     |
| 15   | 70023859    | 5   | Valve, Cartridge                           |     |
| 16   | 70004663    | 1   | Valve Assembly (Lower Lift)                |     |
| 16   | 7012773     | 1   | Seal Kit - 70004663 Valve                  |     |
| 16   | 70004660    | 2   | Coil                                       |     |
| 16   | 7021375     | 1   | Nut, Coil (Plastic)                        |     |
| 16   | 70004661    | 2   | O-Ring, Pole Tube                          |     |
| 16   | 70003525    | 1   | Not, Coil (Aluminum)                       |     |
| 16   | 70004664    | 1   | Lanyard                                    |     |
| 17   | 70004459    | 2   | Valve Assembly (Upper Tele and Lower Tele) |     |
| 17   | 7012773     | 1   | Seal Kit - 70004459 Valve                  |     |
| 17   | 70004460    | 2   | Coil                                       |     |
| 17   | 7021375     | 2   | Nut, Coil                                  |     |
| 17   | 70004661    | 2   | O-Ring, Pole Tube                          |     |
| 18   | 70004665    | 1   | Valve, Cartridge                           |     |
| 18   | 70023862    | 1   | Seal Kit - 70004665 Valve                  |     |
| 19   | 70004666    | 2   | Valve Assembly (Swing and Upper Lift)      |     |
| 19   | 7012773     | 1   | Seal Kit - 70004666 Valve                  |     |
| 19   | 70004463    | 2   | Coil                                       |     |
| 19   | 7021375     | 2   | Nut, Coil                                  |     |
| 19   | 70004461    | 2   | O-Ring, Pole Tube                          |     |
| 20   | 70003019    | 3   | Valve, Cartridge                           |     |
| 20   | 70004052    | 3   | Seal Kit - 70003019                        |     |
| 21   | 70003019    | 2   | Valve, Cartridge                           |     |
| 21   | 70004052    | 2   | Seal Kit - 70003019 Valve                  |     |
| 22   | 70004667    | 1   | Cover                                      |     |
| 23   | 2220886     | 1   | Plug                                       |     |
| 24   | 70004668    | 1   | Plug                                       |     |
| 25   | 70005201    | 3   | Capscrew                                   |     |
| 26   | 7018942     | 20  | Capscrew                                   |     |
| 27   | 70005202    | 2   | O-Ring (Not Shown - Located under Item 22) |     |
| 28   | 70002758    | 6   | Plug 7/16                                  |     |
| 29   | 70004617    | 4   | Plug 9/16 (Not Shown)                      |     |

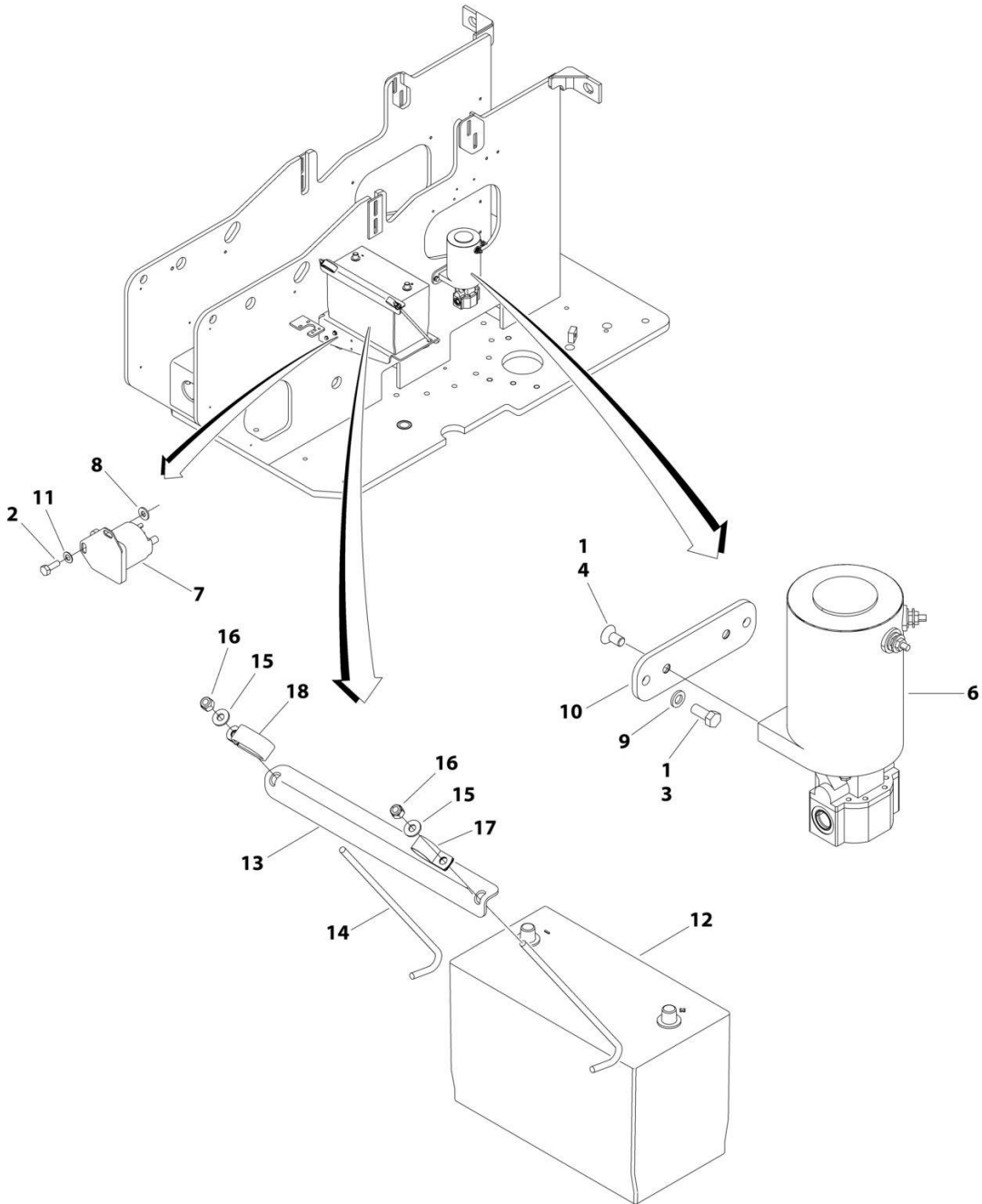
## SECTION 2 - TURNTABLE

| ITEM | PART NUMBER | QTY | DESCRIPTION                                  | REV |
|------|-------------|-----|--|-----|
| 30   | 70002759    | 1   | Plug 3/4 (Not Shown - Located under Item 73) |     |
| 31   | 70005232    | 1   | Bolt Kit                                     |     |



# SECTION 2 - TURNTABLE

## FIGURE 2-4. AUXILIARY PUMP INSTALLATION



ART\_1001137895

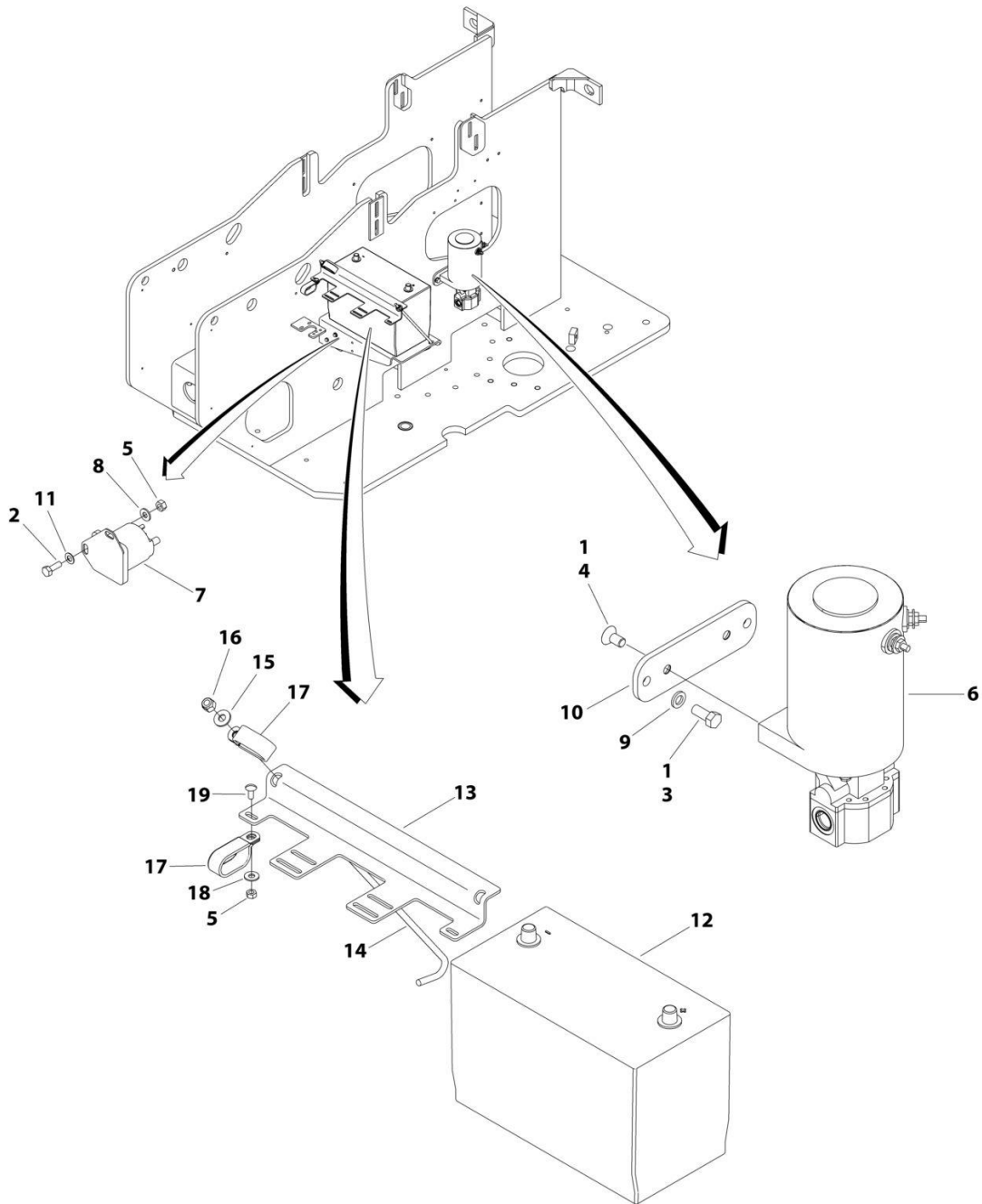
**SECTION 2 - TURNTABLE**

**FIGURE 2-4. AUXILIARY PUMP INSTALLATION**

| ITEM | PART NUMBER | QTY | DESCRIPTION  | REV |
|------|-------------|-----|--|-----|
|      | 1001137895  | Ref | AUXILIARY PUMP INSTALLATION                                      | D   |
| 1    | 0100011     | AR  | Compound, Locking  |     |
| 2    | 0641406     | 2   | Bolt 1/4 x 3/4   |     |
| 3    | 0641607     | 2   | Bolt 3/8 x 7/8   |     |
| 4    | 0741606     | 2   | Screw, Countersunk 1/4 x 3/4                                     |     |
| 5    | 3311405     | 2   | Nut 1/4  |     |
| 6    | 3600365     | 1   | Auxiliary Pump Assembly (See Separate Breakdown in this Section) |     |
| 7    | 3740067     | 1   | Relay  |     |
| 8    | 4711400     | 3   | Washer 1/4   |     |
| 9    | 4761600     | 2   | Washer 3/8   |     |
| 10   | 1001144041  | 1   | Plate  |     |
| 11   | 4791400     | 1   | Washer 1/4   |     |
| 12   | 0400075     | 1   | Battery  |     |
| 13   | 91401281    | 1   | Bracket  |     |
| 14   | 1001093382  | 2   | Bolt, J Bolt   |     |
| 15   | 4751500     | 2   | Washer 5/16  |     |
| 16   | 88521205    | 2   | Nut 5/16   |     |
| 17   | 8406201     | 1   | Clip   |     |
| 18   | 1321716     | 1   | Clamp  |     |

# SECTION 2 - TURNTABLE

## FIGURE 2-5. AUXILIARY PUMP INSTALLATION WITH BATTERY DISCONNECT



ART\_1001239291

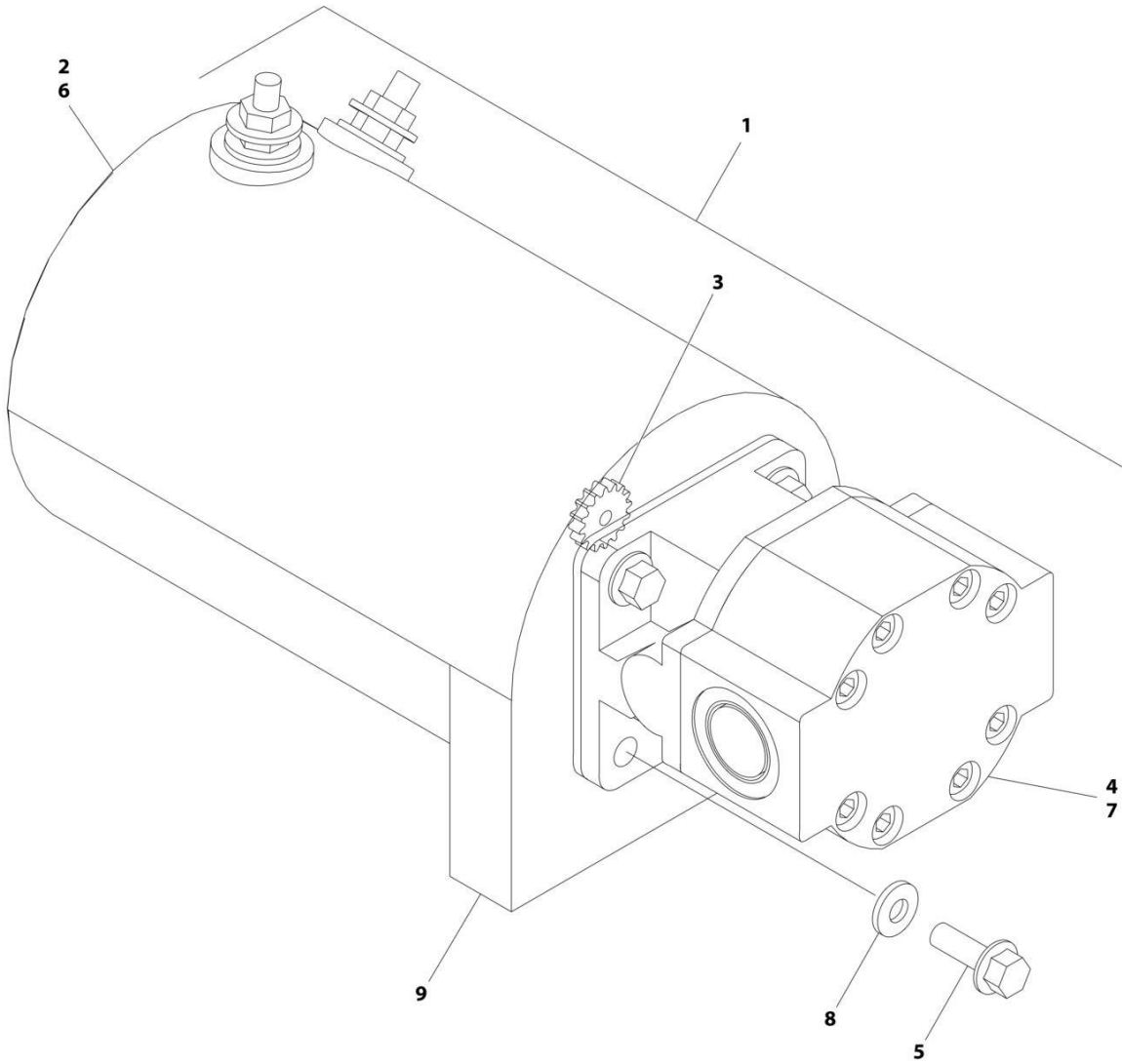
# SECTION 2 - TURNTABLE

**FIGURE 2-5. AUXILIARY PUMP INSTALLATION WITH BATTERY DISCONNECT**

| ITEM | PART NUMBER | QTY | DESCRIPTION   | REV |
|------|-------------|-----|---|-----|
|      | 1001239291  | Ref | AUXILIARY PUMP WITH BATTERY DISCONNECT<br>INSTALLATION              | A   |
| 1    | 0100011     | AR  | Compound, Locking   |     |
| 2    | 0641406     | 2   | Bolt 1/4 x 3/4  |     |
| 3    | 0641607     | 2   | Bolt 3/8 x 7/8  |     |
| 4    | 0741606     | 2   | Screw, Countersunk 1/4 x 3/4  |     |
| 5    | 3311405     | 3   | Nut 1/4   |     |
| 6    | 3600365     | 1   | Auxiliary Pump Assembly (See Separate Breakdown in this<br>Section) |     |
| 7    | 3740067     | 1   | Relay   |     |
| 8    | 4711400     | 3   | Washer 1/4  |     |
| 9    | 4761600     | 2   | Washer 3/8  |     |
| 10   | 1001144041  | 1   | Plate   |     |
| 11   | 4791400     | 1   | Washer 1/4  |     |
| 12   | 0400075     | 1   | Battery   |     |
| 13   | 1001236303  | 1   | Plate   |     |
| 14   | 1001093382  | 2   | Bolt, J Bolt  |     |
| 15   | 4751500     | 2   | Washer 5/16   |     |
| 16   | 88521205    | 2   | Nut 5/16  |     |
| 17   | 1321716     | 1   | Clamp   |     |
| 18   | 4751400     | 1   | Washer 1/4  |     |
| 19   | 88411013    | 1   | Bolt 1/4 x 3/4  |     |

# SECTION 2 - TURNTABLE

## FIGURE 2-6. AUXILIARY PUMP ASSEMBLY



ART\_3600365



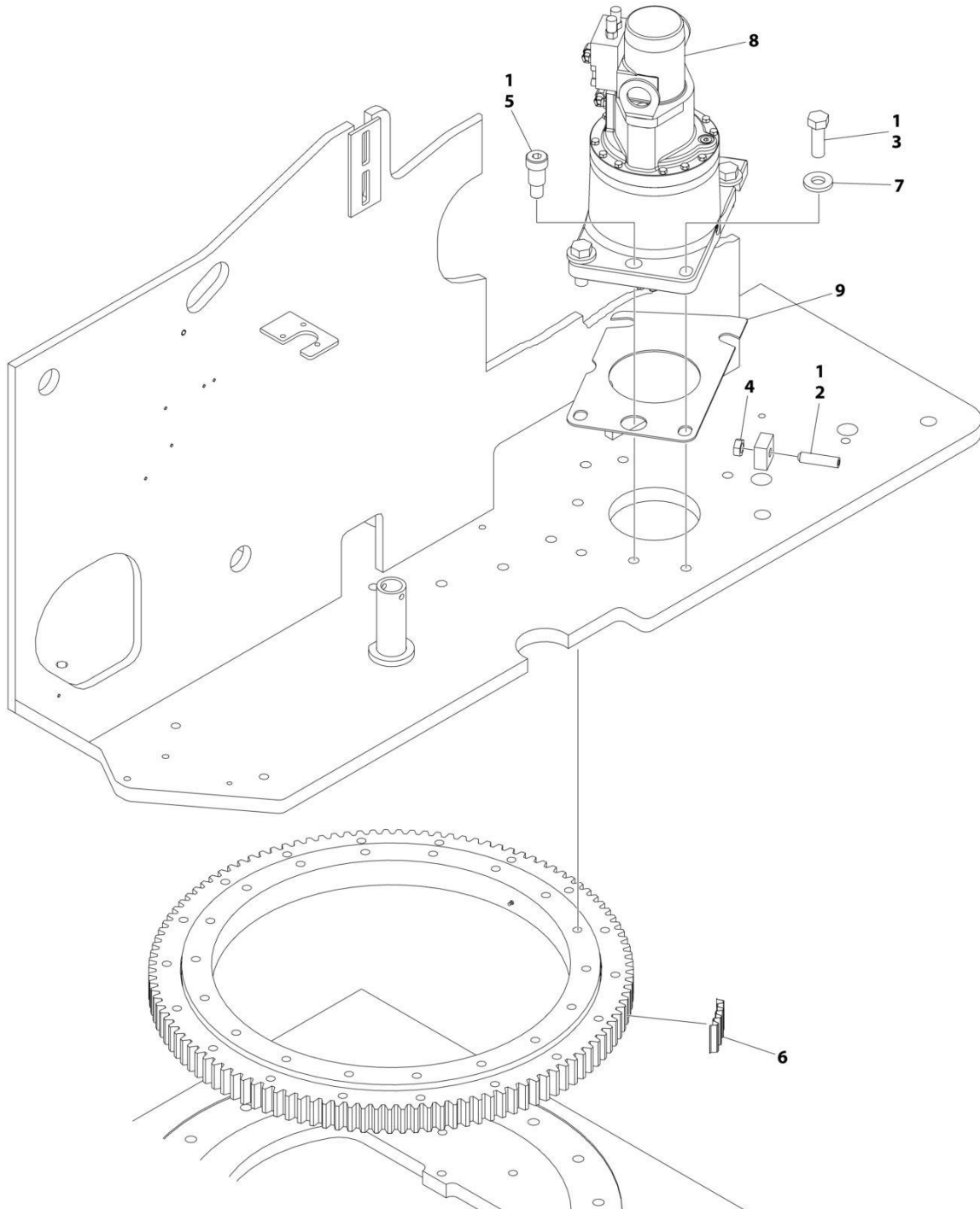
**SECTION 2 - TURNTABLE**

**FIGURE 2-6. AUXILIARY PUMP ASSEMBLY**

| ITEM | PART NUMBER | QTY | DESCRIPTION  | REV |
|------|-------------|-----|--|-----|
| 1    | 3600365     | Ref | AUXILIARY PUMP ASSEMBLY                                    | B   |
| 2    | 7004290     | 1   | Replacement Motor with Endhead Item 15H (was p/n 7011067)  |     |
| 2    | 7004248     | 1   | Replacement Motor without Endhead Item 15H                 |     |
| 2    | 7011065     | 1   | Brush Kit - 7011067 Motor                                  |     |
| 3    | 7011063     | 1   | Coupling   |     |
| 4    | 7011064     | 1   | Replacement Pump   |     |
| 4    | 7011066     | 1   | Seal Kit - 7011064 Pump                                    |     |
| 4    | 7004290     | 1   | Relief Valve (Note: Not Available - Replace Complete Pump) |     |
| 5    | 7011043     | 4   | Bolt (Mounts Pump to Mounting Bracket)                     |     |
| 6    | See Note    | 2   | Bolt (Motor to Bracket) (Note: Not Available for Purchase) |     |
| 7    | 7011044     | 1   | Gasket   |     |
| 8    | 7011048     | 4   | Washer   |     |
| 9    | 7011062     | 4   | Endhead, Motor   |     |

# SECTION 2 - TURNTABLE

## FIGURE 2-7. SWING DRIVE INSTALLATION



ART\_1001152181

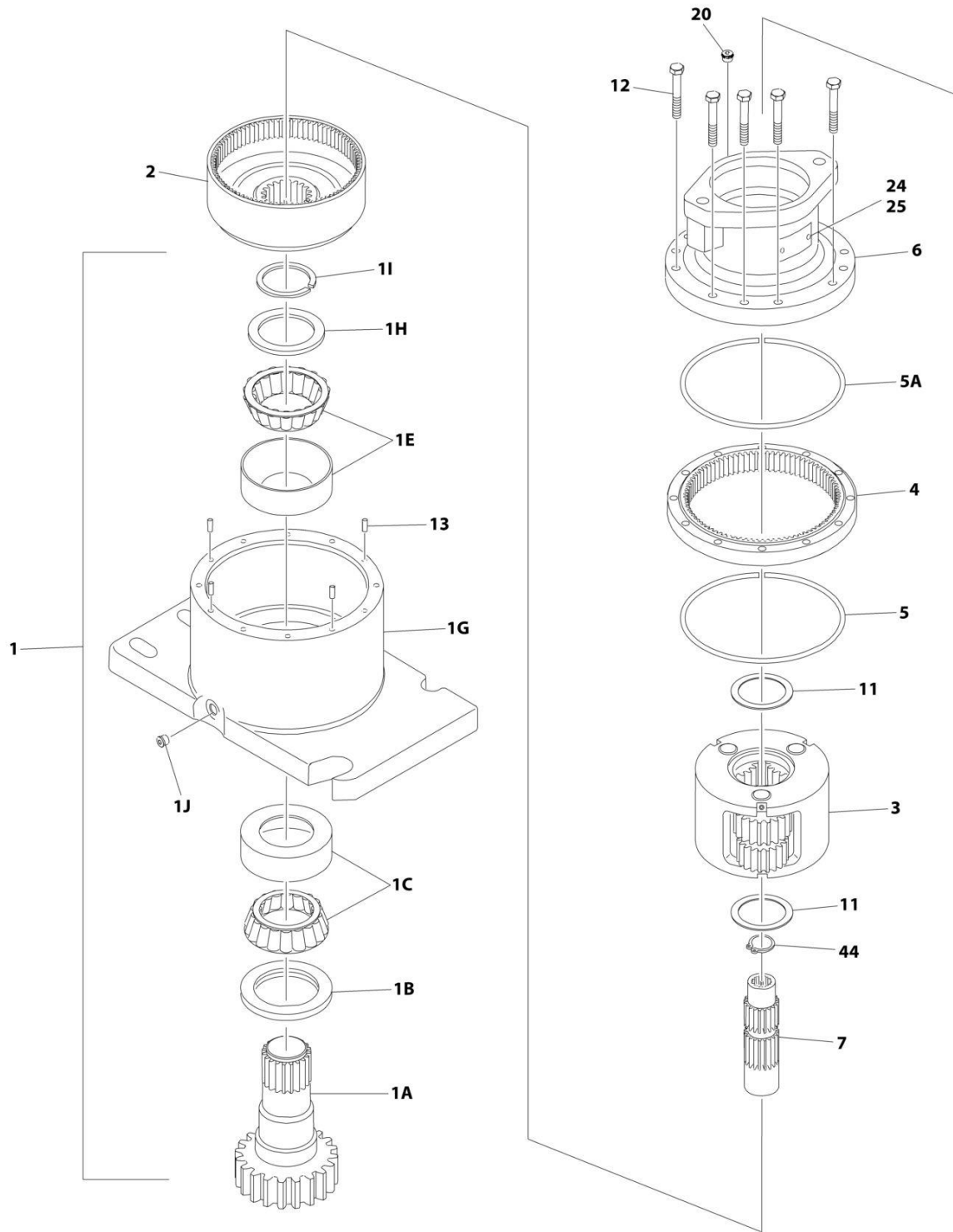
**SECTION 2 - TURNTABLE**

**FIGURE 2-7. SWING DRIVE INSTALLATION**

| <b>ITEM</b> | <b>PART NUMBER</b> | <b>QTY</b> | <b>DESCRIPTION</b>  | <b>REV</b> |
|-------------|--------------------|------------|---|------------|
|             | 1001152181         | Ref        | SWING DRIVE INSTALLATION                                    | E          |
| 1           | 0100019            | AR         | Compound, Locking   |            |
| 2           | 3952020            | 1          | Setscrew 5/8 x 2-1/2  |            |
| 3           | 0682218            | 4          | Bolt 3/4 x 2-1/4 Grade 8                                    |            |
| 4           | 3312002            | 1          | Nut, Jam 5/8  |            |
| 5           | 3900293            | 1          | Capscrew 1 x 1-1/4  |            |
| 6           | 1001125492         | 1          | Shim  |            |
| 7           | 4740057            | 4          | Flatwasher, Hardened  |            |
| 8           | 1001229810         | 1          | Swing Hub Assembly (See Separate Breakdown in this section) |            |
| 9           | 1001152234         | 1          | Plate, Spacer   |            |

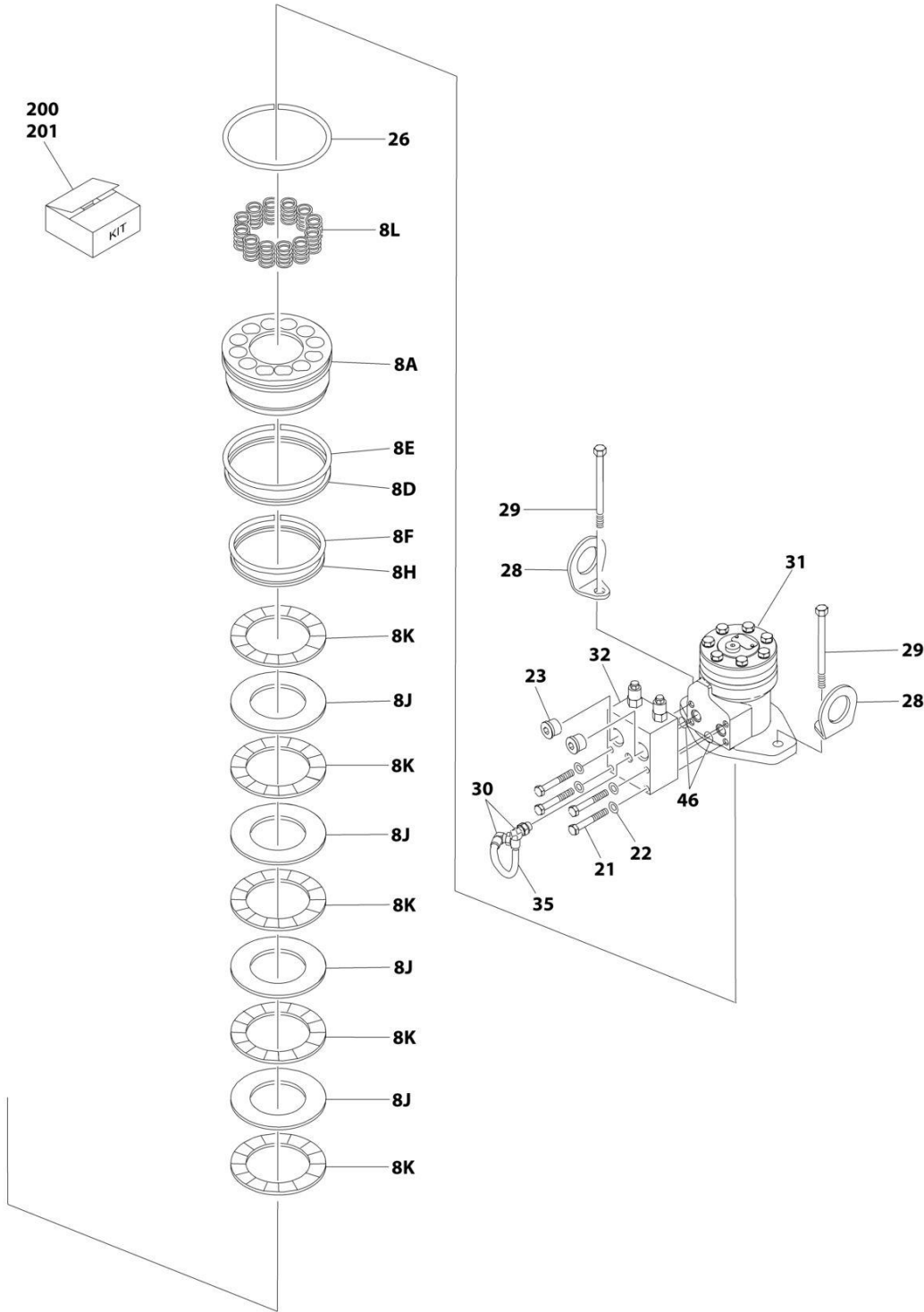
# SECTION 2 - TURNTABLE

## FIGURE 2-8. SWING MOTOR/HUB ASSEMBLY



ART\_1001229810\_10F2

SECTION 2 - TURNTABLE



ART\_1001229810\_20F2

## SECTION 2 - TURNTABLE

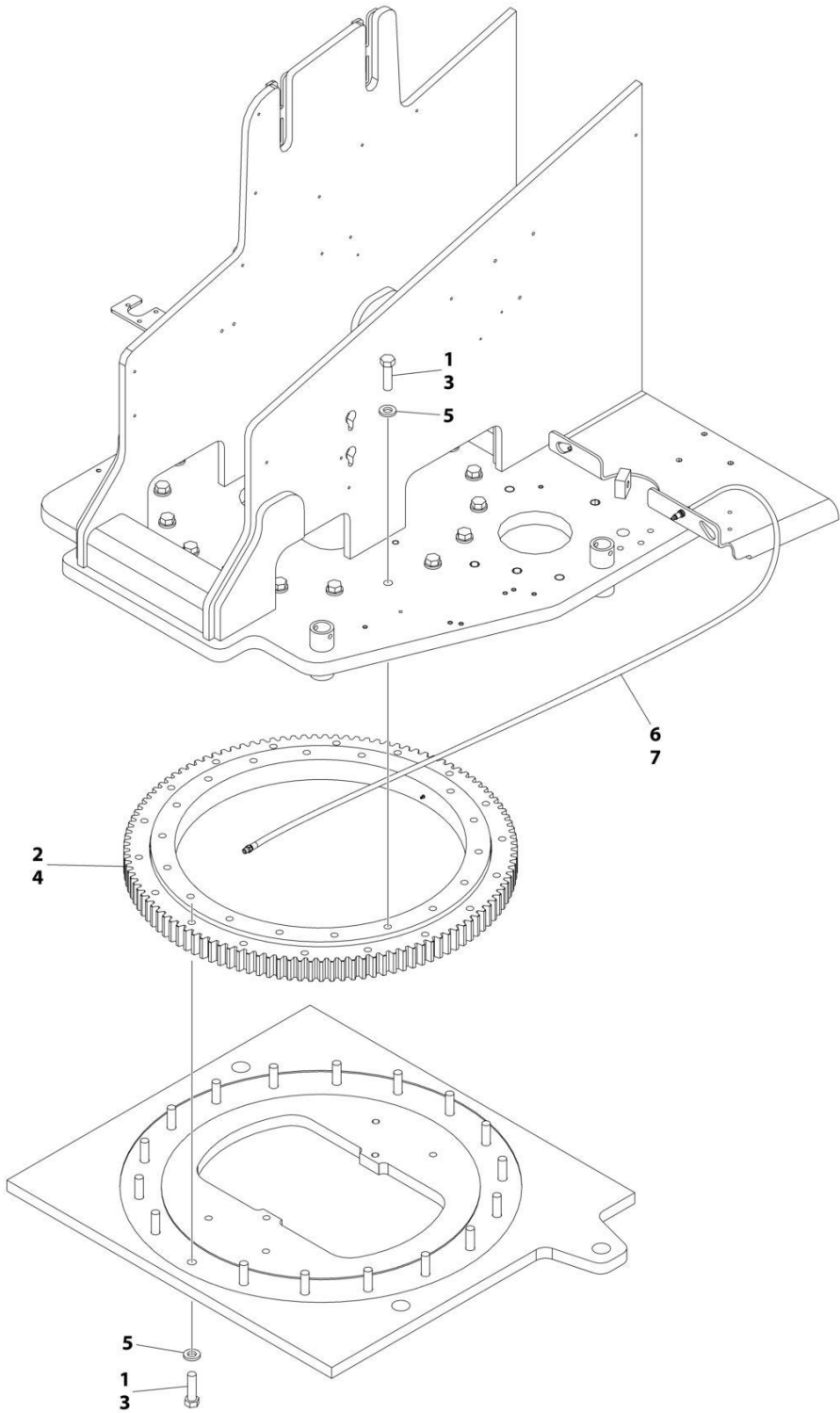
**FIGURE 2-8. SWING MOTOR/HUB ASSEMBLY**

| ITEM | PART NUMBER | QTY | DESCRIPTION   | REV |
|------|-------------|-----|---|-----|
|      | 1001229810  | Ref | SWING MOTOR/HUB ASSEMBLY  | C   |
| 1    | See Note    | 1   | Housing/Shaft Assembly (Note: Not Available - Purchase Individual Components) |     |
| 1A   | 7010492     | 1   | Shaft, Output   |     |
| 1B   | 7000228     | 1   | Seal, Lip   |     |
| 1C   | 7000255     | 1   | Bearing Kit (Includes Cup and Cone)   |     |
| 1E   | 7000257     | 1   | Bearing Kit (Includes Cup and Cone)   |     |
| 1G   | 7024762     | 1   | Housing   |     |
| 1H   | 7007633     | 1   | Washer, Thrust  |     |
| 1I   | 7000229     | 1   | Ring, Retaining   |     |
| 1J   | 7017072     | 1   | Plug, Pipe  |     |
| 2    | 7000246     | 1   | Gear, Internal  |     |
| 3    | 7000247     | 1   | Carrier Assembly  |     |
| 4    | 7000248     | 1   | Gear, Ring  |     |
| 5    | 7000230     | 1   | O-Ring  |     |
| 5A   | 7017070     | 1   | O-Ring  |     |
| 6    | 1001229810  | NSS | Housing, Brake (Note: Not Available - Purchase Complete Assembly)             |     |
| 7    | 70005203    | 1   | Gear, Sun   |     |
| 8A   | 70004037    | 1   | Piston  |     |
| 8D   | 70004041    | 1   | O-Ring  |     |
| 8E   | 70004044    | 1   | Ring, Back-up   |     |
| 8F   | 70004042    | 1   | O-Ring  |     |
| 8H   | 70004043    | 1   | Ring, Back-up   |     |
| 8J   | 70002085    | 4   | Disc, Rotor   |     |
| 8K   | 70002085    | 5   | Disc, Stator  |     |
| 8L   | 70002066    | 14  | Spring  |     |
| 11   | 7000253     | 2   | Washer, Thrust  |     |
| 12   | 7000217     | 12  | Bolt 3/8 x 2-1/4 Grade 8  |     |
| 13   | 7017080     | 4   | Pin, Dowel  |     |
| 20   | 7017072     | 1   | Plug, Pipe  |     |
| 21   | 7024704     | 4   | Bolt 5/16 x 2 Grade 8   |     |
| 22   | 70004045    | 4   | Washer  |     |
| 23   | 7017023     | 2   | Plug, Pipe  |     |
| 24   | See Note    | NSS | Plate, ID (Note: Not Available for Purchase)                                  |     |
| 25   | See Note    | NSS | Rivet (Note: Not Available for Purchase)                                      |     |
| 26   | 7024763     | 1   | O-Ring  |     |
| 28   | See Note    | NSS | Lug, Lifting (Note: Not Available for Purchase)                               |     |
| 29   | 70004040    | 2   | Bolt 1/2 x 1 (Grade 8)  |     |
| 30   | 7017085     | 2   | Elbow   |     |
| 31   | 70006304    | 1   | Motor Assembly  |     |
| 32   | 7024784     | 1   | Valve Assembly - Complete (No Serviceable Parts)                              |     |
| 35   | 70004047    | 1   | Tube  |     |
| 44   | 7017028     | 1   | Ring, Internal Retaining  |     |
| 45   | 7000213     | 2   | O-Ring  |     |
|      |             | Ref | KIT OPTIONS:  |     |
| 200  | 7024100     | 1   | Seal Kit - Swing Hub (Includes Items 1B, 1I, 5, 5A & 11)                      |     |
| 201  | 70002085    | 1   | Disc Kit - Swing Brake (Includes Items 8J & 8K)                               |     |



**SECTION 2 - TURNTABLE**

**FIGURE 2-9. TURNTABLE BEARING INSTALLATION**



ART\_1001150391



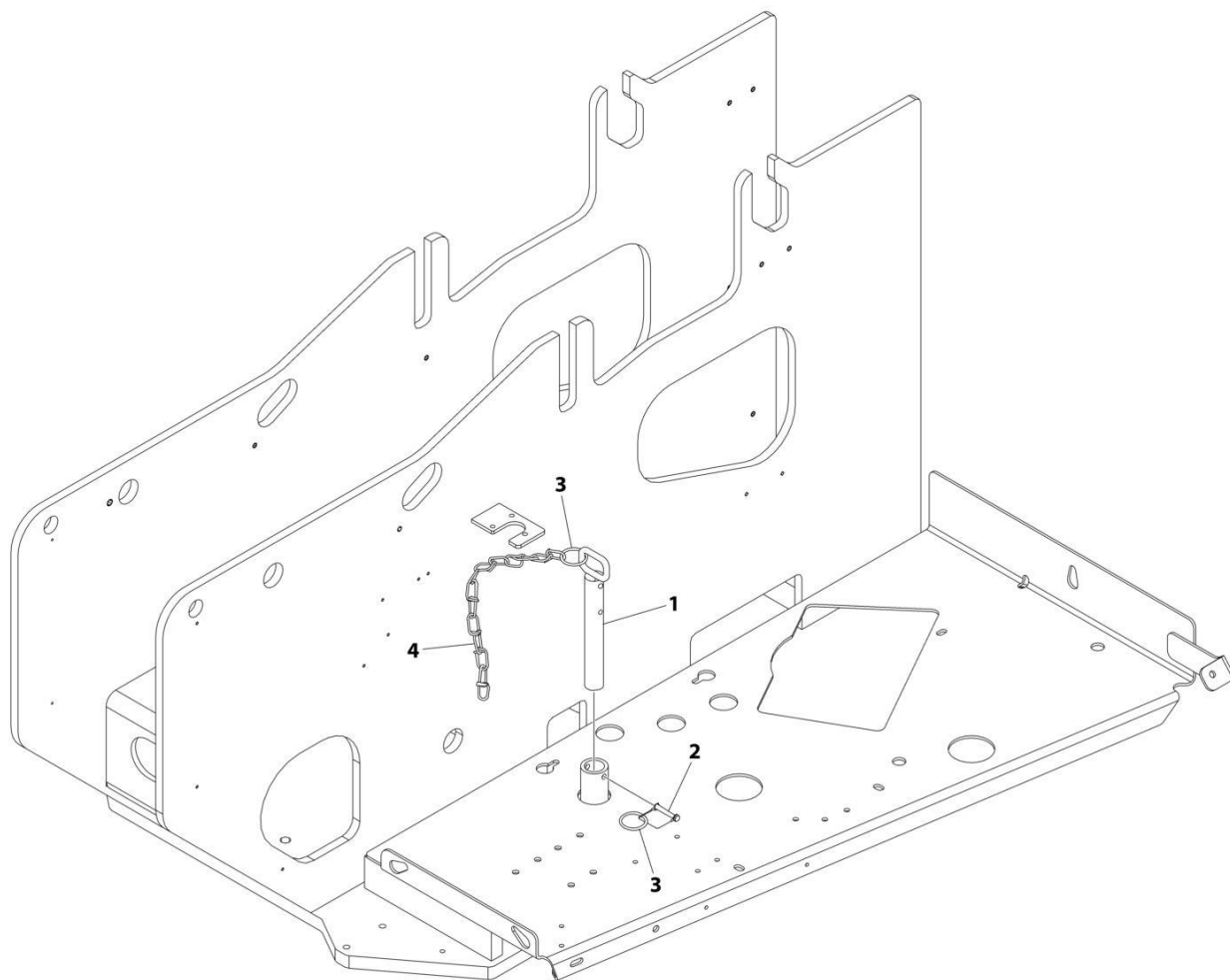
**SECTION 2 - TURNTABLE**

**FIGURE 2-9. TURNTABLE BEARING INSTALLATION**

| <b>ITEM</b> | <b>PART NUMBER</b> | <b>QTY</b> | <b>DESCRIPTION</b>                                  | <b>REV</b> |
|-------------|--------------------|------------|---|------------|
|             | 1001150391         | Ref        | TURNTABLE BEARING AND REMOTE LUBE INSTALLATION      | C          |
| 1           | 0100019            | AR         | Compound, Locking                                   |            |
| 2           | 0440207            | 1          | Bearing, Turntable                                  |            |
| 3           | 0682018            | 36         | Bolt 5/8 x 2-1/4 Grade 8                            |            |
| 4           | 3020029            | AR         | Lubricant   |            |
| 5           | 4892000            | 36         | Washer 5/8 Hardened                                 |            |
| 6           | 0100011            | AR         | Compound, Locking                                   |            |
| 7           | 1001149927         | 1          | Hose (Includes Grease Fitting and Adapter Fittings) |            |

## SECTION 2 - TURNTABLE

FIGURE 2-10. TURNTABLE LOCK INSTALLATION (DEUTZ D2011 & FORD ENGINE MACHINES)



ART\_0255410

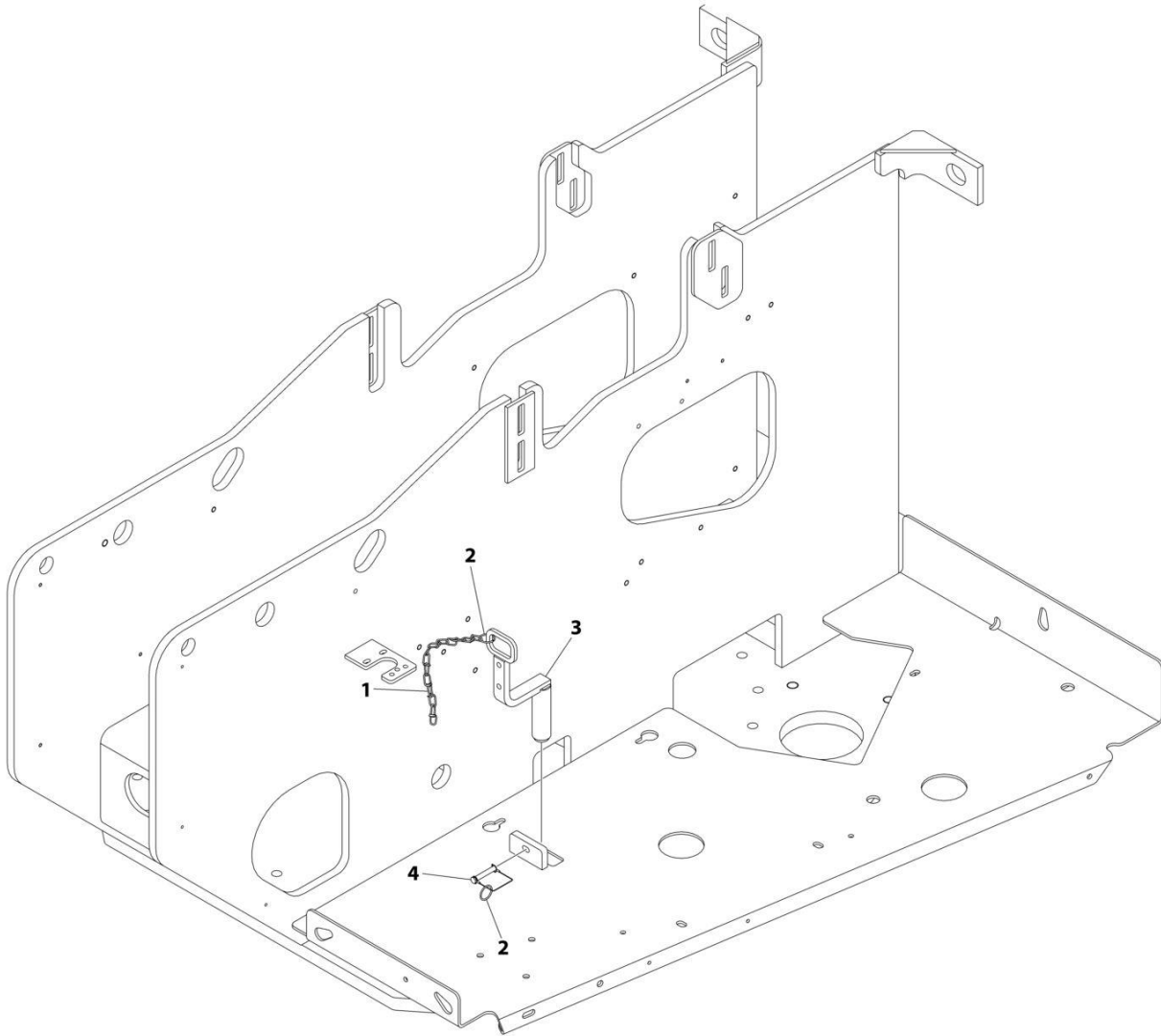
**SECTION 2 - TURNTABLE**

**FIGURE 2-10. TURNTABLE LOCK INSTALLATION (DEUTZ D2011 & FORD ENGINE MACHINES)**

| ITEM | PART NUMBER | QTY        | DESCRIPTION                 | REV |
|------|-------------|------------|-----------------------------|-----|
|      | 0255410     | Ref        | TURNTABLE LOCK INSTALLATION | B   |
| 1    | 4844958     | 1          | Pin                         |     |
| 2    | 3421565     | 1          | Pin, Snap                   |     |
| 3    | 3760170     | 2          | Ring, Quick Release         |     |
| 4    | 1260017     | 9 in /23cm | Chain                       |     |

## SECTION 2 - TURNTABLE

FIGURE 2-11. TURNTABLE LOCK INSTALLATION (DEUTZ TD2.9L4 & DEUTZ TD2.2L3 STAGE V ENGINE MACHINES)



ART\_1001137885

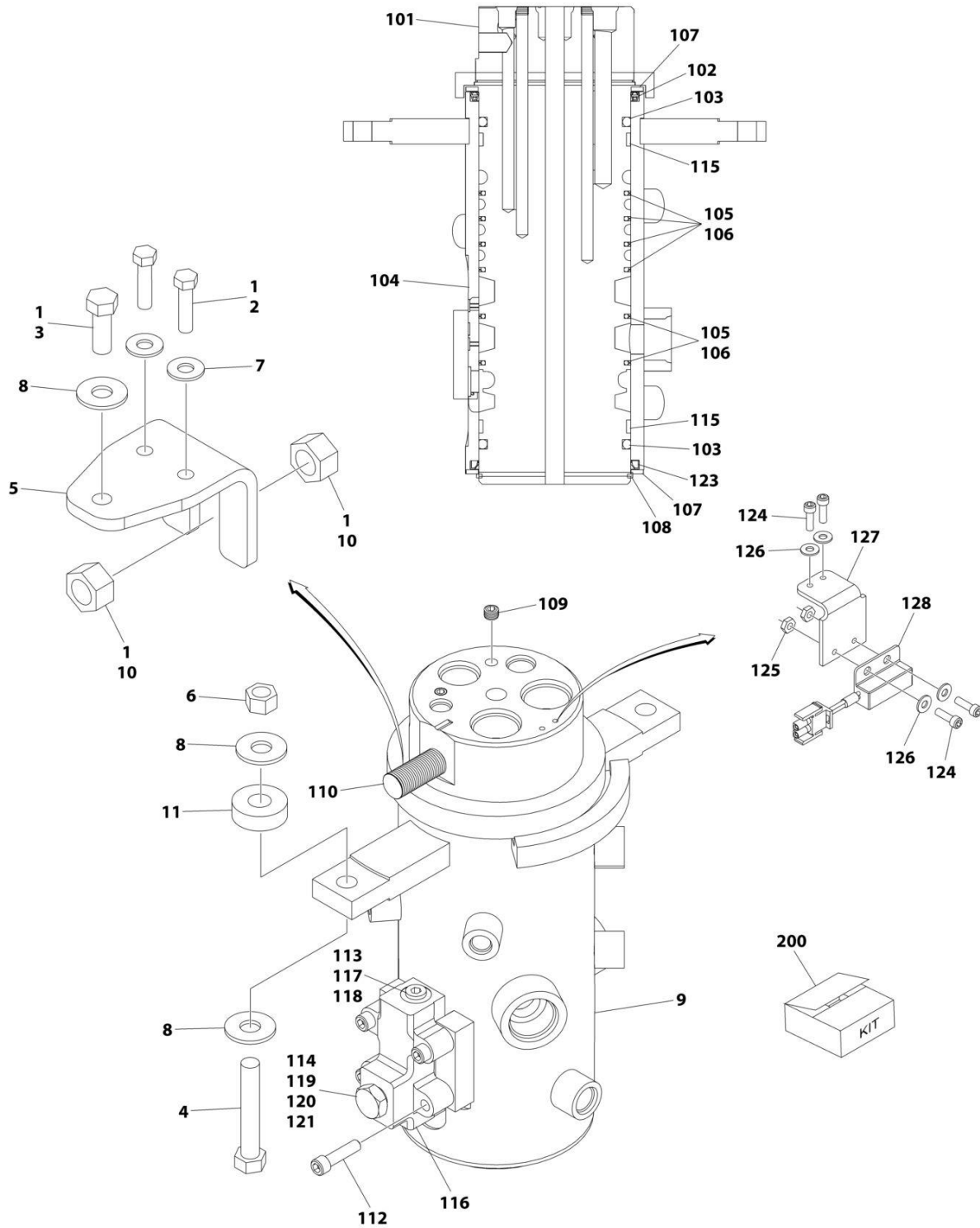
**SECTION 2 - TURNTABLE**

**FIGURE 2-11. TURNTABLE LOCK INSTALLATION (DEUTZ TD2.9L4 & DEUTZ TD2.2L3 STAGE V ENGINE MACHINES)**

| <b>ITEM</b> | <b>PART NUMBER</b> | <b>QTY</b> | <b>DESCRIPTION</b>          | <b>REV</b> |
|-------------|--------------------|------------|-----------------------------|------------|
|             | 1001137885         | Ref        | TURNTABLE LOCK INSTALLATION | A          |
| 1           | 1260017            | 9 in /23cm | Chain                       |            |
| 2           | 3760170            | 2          | Ring, Quick Release         |            |
| 3           | 1001137896         | 1          | Pin                         |            |
| 4           | 1001145292         | 1          | Pin, Snap                   |            |

# SECTION 2 - TURNTABLE

## FIGURE 2-12. ROTARY COUPLING INSTALLATION



ART\_1001107498

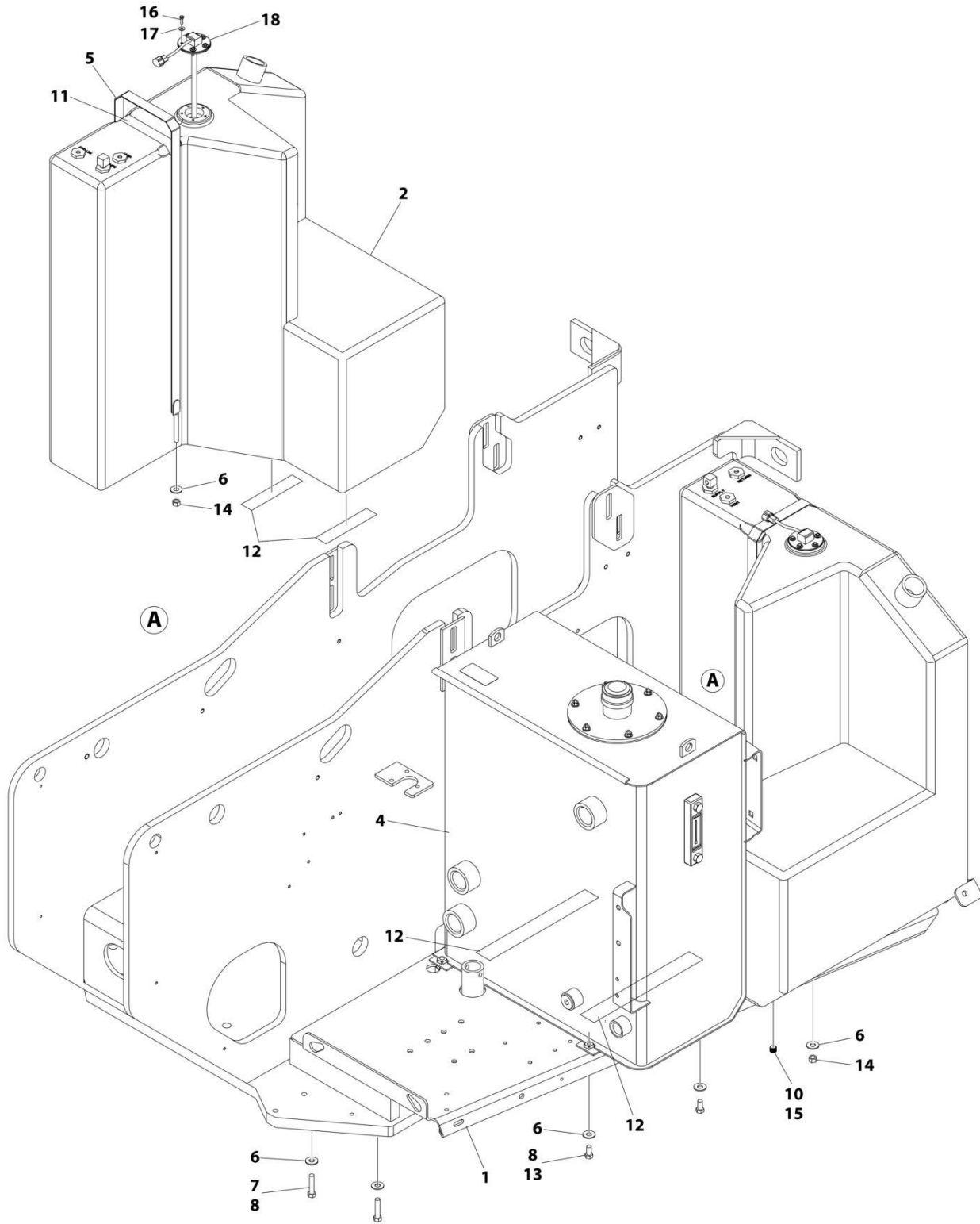
## SECTION 2 - TURNTABLE

### FIGURE 2-12. ROTARY COUPLING INSTALLATION

| ITEM | PART NUMBER | QTY | DESCRIPTION  | REV |
|------|-------------|-----|--|-----|
|      | 1001107498  | Ref | ROTARY COUPLING INSTALLATION                                       | B   |
| 1    | 0100011     | AR  | Compound, Locking  |     |
| 2    | 0641612     | 2   | Bolt 3/8 x 1-1/2   |     |
| 3    | 0641811     | 1   | Bolt 1/2 x 1-3/8   |     |
| 4    | 0641824     | 2   | Bolt 1/2 x 3   |     |
| 5    | 0903056     | 1   | Bracket  |     |
| 6    | 3271805     | 2   | Nut 1/2  |     |
| 7    | 4751600     | 2   | Washer 3/8   |     |
| 8    | 4751800     | 5   | Washer 1/2   |     |
| 9    | 1001106974  | 1   | Coupling, Rotary (See Items 101-121 for Breakdown)                 |     |
| 10   | 3322201     | 2   | Nut 3/4  |     |
| 11   | 1001178789  | 2   | Shim   |     |
|      | 1001106974  | Ref | ROTARY COUPLING ASSEMBLY   | B   |
| 101  | See Note    | NSS | Body (Note: Not Available - Purchase Complete Assembly)            |     |
| 102  | 70001248    | 1   | Seal   |     |
| 103  | See Note    | NSS | O-Ring (Note: Use Item 200A or 200B) (Note: Use Item 200A or 200B) |     |
| 104  | See Note    | NSS | Housing (Note: Not Available - Purchase Complete Assembly)         |     |
| 105  | 70001248    | 6   | Seal, Cap  |     |
| 106  | 70001248    | 6   | O-Ring   |     |
| 107  | 7026503     | 2   | Ring   |     |
| 108  | 7026504     | 1   | Ring, Retaining  |     |
| 109  | 80934561    | 2   | Plug   |     |
| 110  | See Note    | 1   | Lug, Torque (Note: Not Available for Purchase)                     |     |
| 112  | 7026197     | 4   | Bolt 5/16 x 1-1/4  |     |
| 113  | See Note    | NSS | O-Ring (Note: Use Item 200A or 200B)                               |     |
| 114  | See Note    | NSS | O-Ring (Note: Use Item 200A or 200B)                               |     |
| 115  | See Note    | NSS | Bearing (Note: Use Item 200A or 200B)                              |     |
| 116  | 7024404     | 1   | Block Valve Assembly   |     |
| 117  | 7026505     | 1   | Plug   |     |
| 118  | 7026506     | 1   | Valve, Check   |     |
| 119  | 7026507     | 1   | Plug   |     |
| 120  | 7024404     | 1   | Plunger, Valve (Note: Not Available for Purchase)                  |     |
| 121  | 7026509     | 1   | Spring, Compression  |     |
| 122  | See Note    | NSS | Protective Netting (Not Shown) (Note: Not Available for Purchase)  |     |
| 123  | 70001248    | 1   | Seal   |     |
| 124  | See Note    | NSS | Screw, Socket Head #10 x 1/2 (Note: Not Available for Purchase)    |     |
| 125  | See Note    | NSS | Nut #10 (Note: Not Available for Purchase)                         |     |
| 126  | See Note    | NSS | Washer #10 (Note: Not Available for Purchase)                      |     |
| 127  | 70003454    | 1   | Bracket, Switch Mounting   |     |
| 128  | 4360517     | 1   | Switch, Proximity  |     |
| 200  | 70001248    | 1   | Seal Kit (Includes Items 102, 103, 105, 106, 113, 114, 115 & 123)  |     |

# SECTION 2 - TURNTABLE

## FIGURE 2-13. TANK INSTALLATION – DEUTZ D2011 ENGINE



ART\_1001152066\_D



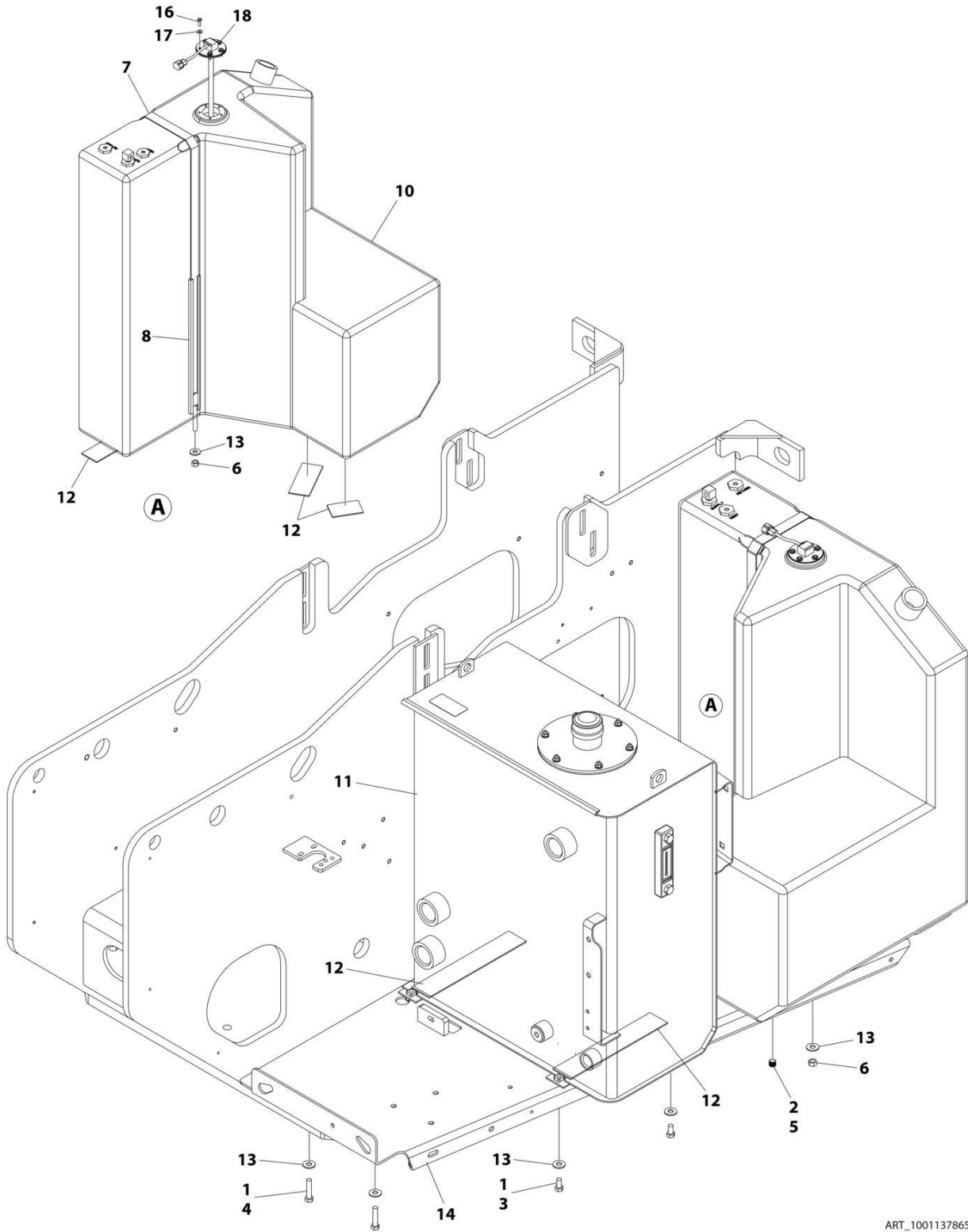
**SECTION 2 - TURNTABLE**

**FIGURE 2-13. TANK INSTALLATION – DEUTZ D2011 ENGINE**

| ITEM | PART NUMBER | QTY            | DESCRIPTION  | REV |
|------|-------------|----------------|--|-----|
|      | 1001152066  | Ref            | TANK INSTALLATION  | D   |
| 1    | 1001152428  | 1              | Tray   |     |
| 2    | 1001284960  | 1              | Tank, Fuel   |     |
| 2    | 70008578    | 1              | Cap  |     |
| 2    | 70008579    | 1              | Tube, Pickup   |     |
| 4    | 1001151268  | 1              | Hydraulic Oil Tank Assembly (See Separate Breakdown in this Section) |     |
| 5    | 4240102     | 1              | Strap, Tank  |     |
| 6    | 4751600     | 10             | Washer 3/8   |     |
| 7    | 0641614     | 4              | Bolt 3/8 x 1-3/4   |     |
| 8    | 0100011     | AR             | Compound, Locking  |     |
| 9    | 1001182997  | AR             | Sealant, Pipe (Not Shown)  |     |
| 10   | 2200222     | 1              | Plug   |     |
| 11   | 4280295     | 18 in<br>/46cm | Strip, Protective  |     |
| 12   | 4420038     | AR             | Tape, Rubber   |     |
| 13   | 0641606     | 4              | Bolt 3/8 x 3/4   |     |
| 14   | 3311601     | 2              | Nut 3/8  |     |
| 15   | 0100020     | AR             | Sealant  |     |
| 16   | 0731005     | 5              | Bolt #10 x 5/8   |     |
| 17   | 4751000     | 5              | Washer #10   |     |
| 18   | 1001274219  | 1              | Gauge, Fuel Level  |     |

# SECTION 2 - TURNTABLE

## FIGURE 2-14. TANK INSTALLATION – DEUTZ TD2.9L4 & TD2.2L3 STAGE V ENGINES



ART\_1001137865\_G

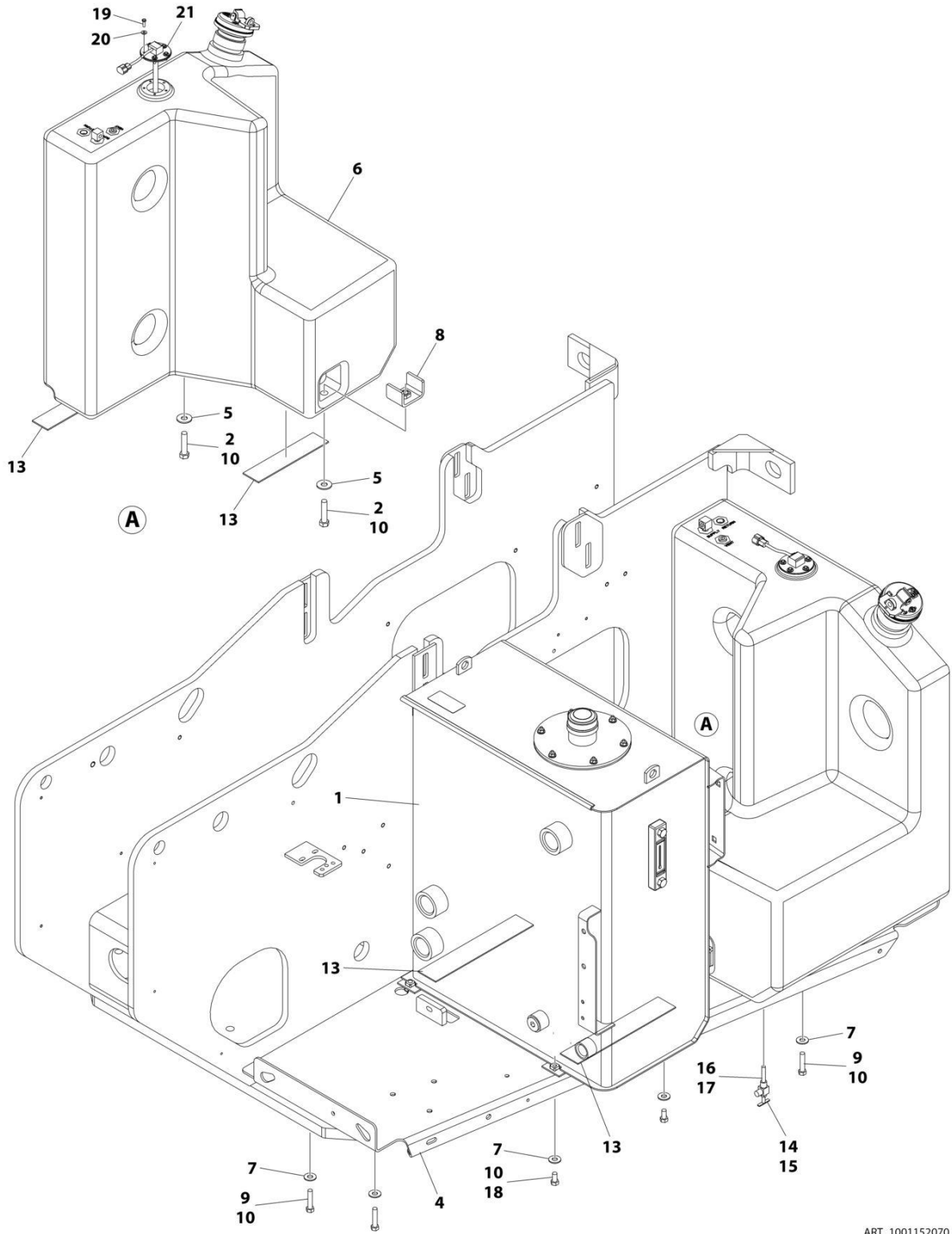
# SECTION 2 - TURNTABLE

**FIGURE 2-14. TANK INSTALLATION – DEUTZ TD2.9L4 & TD2.2L3 STAGE V ENGINES**

| ITEM | PART NUMBER | QTY            | DESCRIPTION  | REV |
|------|-------------|----------------|--|-----|
|      | 1001137865  | Ref            | TANK INSTALLATION  | G   |
| 1    | 0100011     | AR             | Compound, Locking  |     |
| 2    | 0100020     | AR             | Sealant  |     |
| 3    | 0641606     | 4              | Bolt 3/8 x 3/4   |     |
| 4    | 0641614     | 4              | Bolt 3/8 x 1-3/4   |     |
| 5    | 2200222     | 1              | Plug   |     |
| 6    | 3311601     | 2              | Nut 3/8  |     |
| 7    | 4240102     | 1              | Strap, Tank  |     |
| 8    | 4280295     | 18 in<br>/46cm | Strip, Protective  |     |
| 10   | 1001284960  | 1              | Tank, Fuel   |     |
| 10   | 70008578    | 1              | Cap  |     |
| 10   | 70008579    | 1              | Tube, Pickup   |     |
| 11   | 1001151268  | 1              | Hydraulic Oil Tank Assembly (See Separate Breakdown in this Section) |     |
| 12   | 4420038     | AR             | Tape, Rubber   |     |
| 13   | 4751600     | 10             | Washer 3/8   |     |
| 14   | 1001137863  | 1              | Tray   |     |
| 15   | 1001182997  | AR             | Sealant, Pipe (Not Shown)  |     |
| 16   | 0731005     | 5              | Bolt #10 x 5/8   |     |
| 17   | 4751000     | 5              | Washer #10   |     |
| 18   | 1001274219  | 1              | Gauge, Fuel Level  |     |

# SECTION 2 - TURNTABLE

## FIGURE 2-15. TANK INSTALLATION – FORD ENGINE



ART\_1001152070\_F

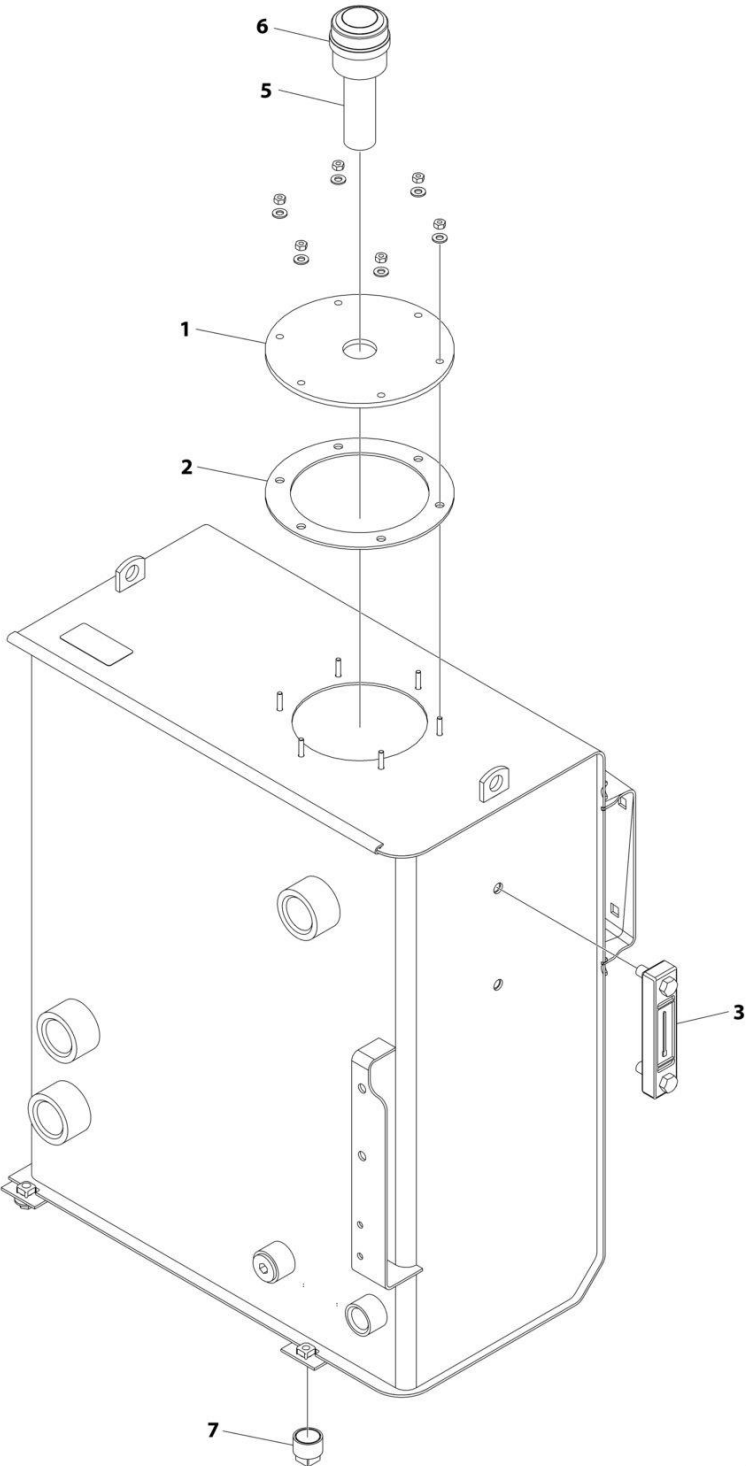
## SECTION 2 - TURNTABLE

### FIGURE 2-15. TANK INSTALLATION – FORD ENGINE

| ITEM | PART NUMBER | QTY | DESCRIPTION  | REV |
|------|-------------|-----|--|-----|
|      | 1001152070  | Ref | TANK INSTALLATION  | F   |
| 1    | 1001151268  | 1   | Hydraulic Oil Tank Assembly (See Separate Breakdown in this Section) |     |
| 2    | 0641818     | 2   | Bolt 1/2 x 2-1/4   |     |
| 4    | 1001137863  | 1   | Tray   |     |
| 5    | 4751800     | 2   | Washer 1/2   |     |
| 6    | 1001296788  | 1   | Tank, Fuel   |     |
| 7    | 4751600     | 8   | Washer 3/8   |     |
| 8    | 1001118133  | 2   | Bracket  |     |
| 9    | 0641614     | 4   | Bolt 3/8 x 1-3/4   |     |
| 10   | 0100011     | AR  | Compound, Locking  |     |
| 11   | 1001182997  | AR  | Sealant, Pipe (Not Shown)  |     |
| 13   | 4420038     | AR  | Tape, Rubber   |     |
| 14   | 4641022     | 1   | Valve, Needle  |     |
| 15   | 0100020     | AR  | Sealant  |     |
| 16   | 0100062     | AR  | Retaining Compound #680  |     |
| 17   | 4568119     | 1   | Tube, Fuel   |     |
| 18   | 0641606     | 4   | Bolt 3/8 x 3/4   |     |
| 19   | 0731005     | 5   | Bolt #10 x 5/8   |     |
| 20   | 4751000     | 5   | Washer #10   |     |
| 21   | 1001274219  | 1   | Gauge, Fuel Level  |     |

# SECTION 2 - TURNTABLE

## FIGURE 2-16. HYDRAULIC OIL TANK ASSEMBLY



ART\_1001151268

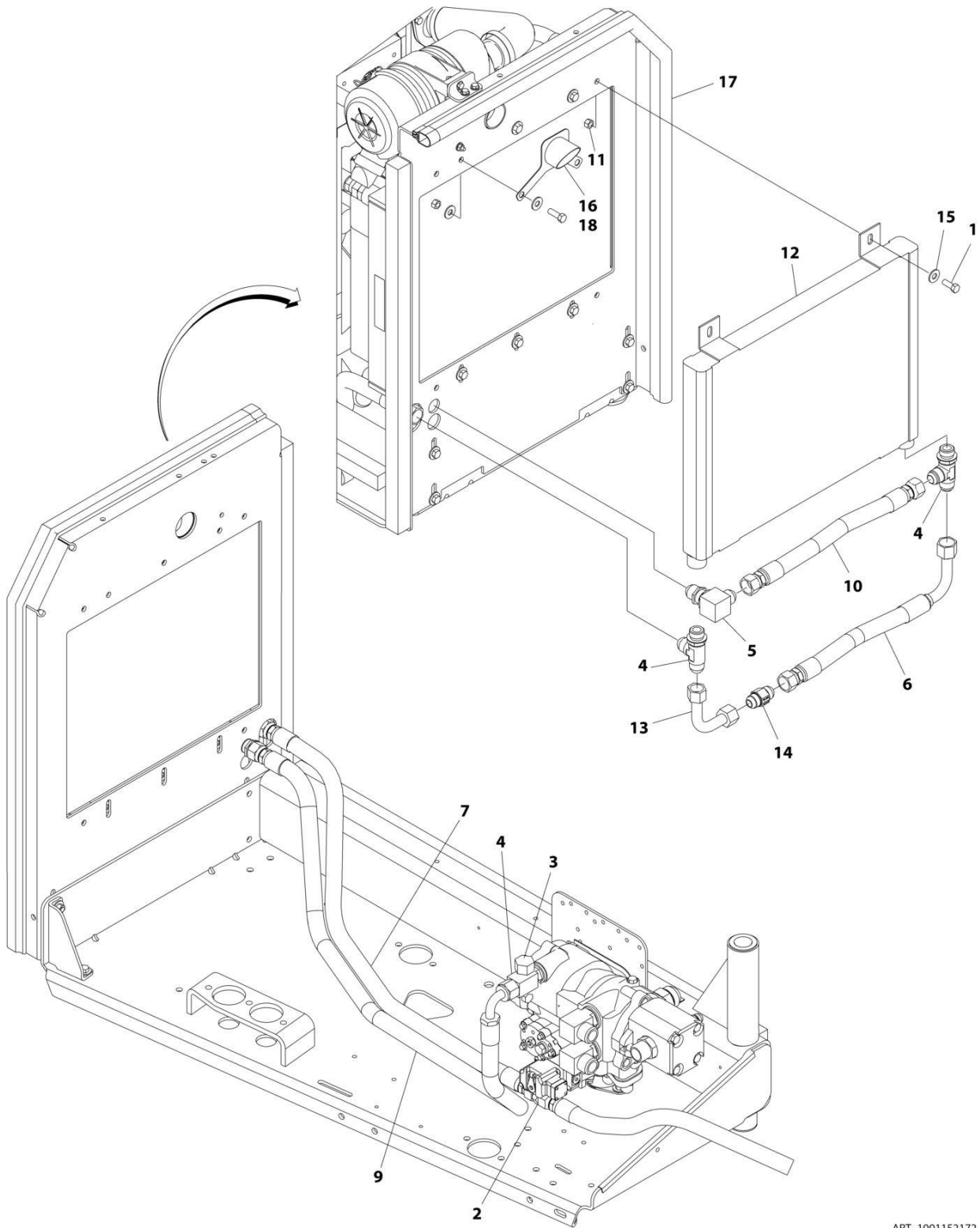
**SECTION 2 - TURNTABLE**

**FIGURE 2-16. HYDRAULIC OIL TANK ASSEMBLY**

| ITEM | PART NUMBER | QTY | DESCRIPTION  | REV |
|------|-------------|-----|--|-----|
|      | 1001151268  | Ref | HYDRAULIC OIL TANK ASSEMBLY                        | H   |
| 1    | 7024439     | 1   | Cover  |     |
| 2    | 7024440     | 1   | Gasket   |     |
| 3    | 7024441     | 1   | Gauge, Sight                                       |     |
| 5    | 7024443     | 1   | Neck, Fill (Helgensen Brand)                       |     |
| 5    | See Note    | NSS | Neck, Fill (Hydac Brand) (Note: Use Item 70004862) |     |
| 5    | 7024445     | 1   | Screen (Helgensen Brand)                           |     |
| 5    | See Note    | NSS | Screen (Hydac Brand) (Note: Use Item 70004862)     |     |
| 6    | 7024444     | 1   | Breather/Fill Cap (Helgensen Brand)                |     |
| 6    | 70004862    | 1   | Breather/Fill Cap/Strainer Kit (Hydac Brand)       |     |
| 7    | 7024446     | 1   | Plug, Magnetic                                     |     |

## SECTION 2 - TURNTABLE

FIGURE 2-17. HYDRAULIC OIL COOLER INSTALLATION - DEUTZ D2011 ENGINES (OPTIONAL)



ART\_1001152172



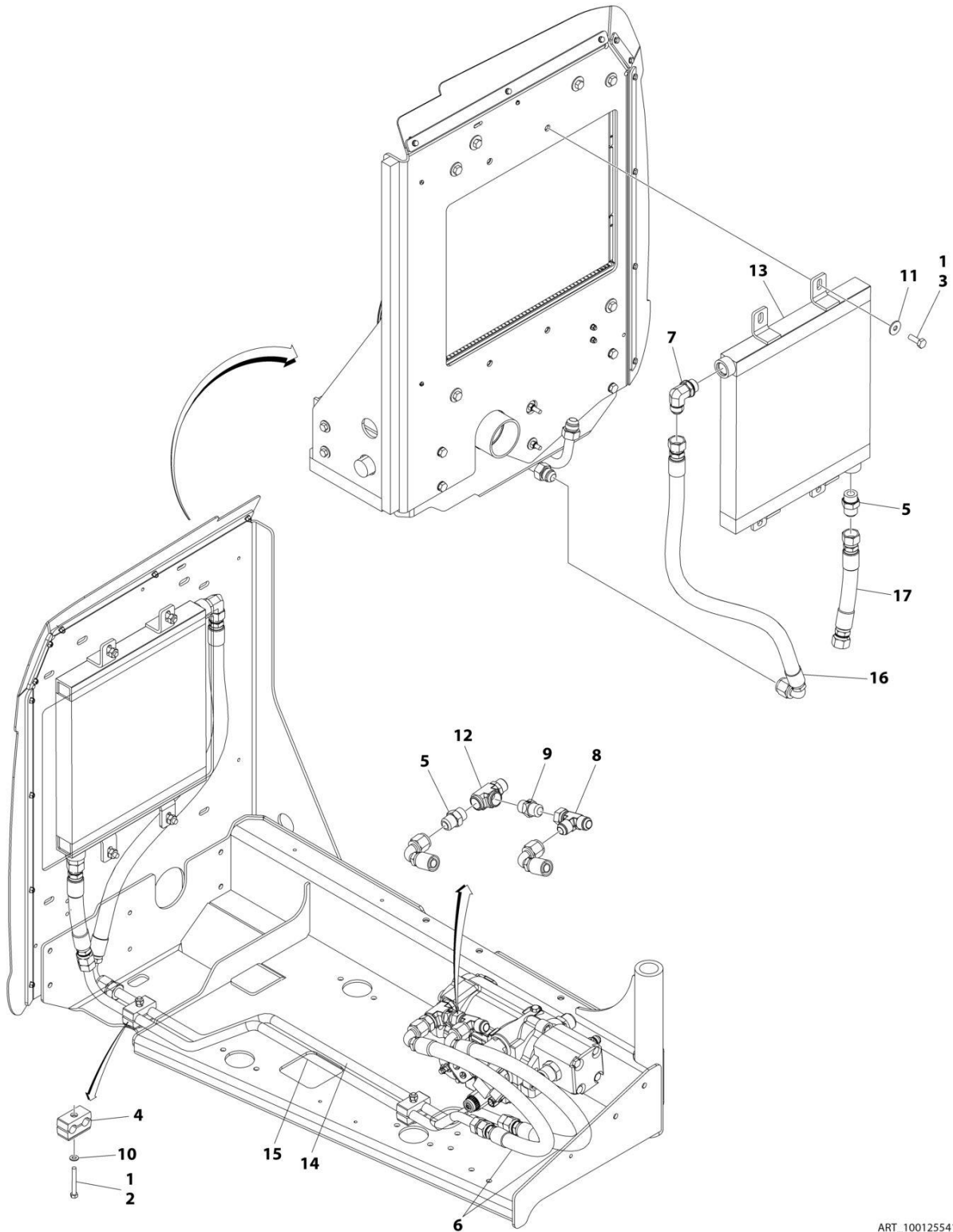
## SECTION 2 - TURNTABLE

**FIGURE 2-17. HYDRAULIC OIL COOLER INSTALLATION - DEUTZ D2011 ENGINES (OPTIONAL)**

| ITEM | PART NUMBER | QTY            | DESCRIPTION                       | REV |
|------|-------------|----------------|-----------------------------------|-----|
|      | 1001152172  | Ref            | HYDRAULIC OIL COOLER INSTALLATION | C   |
| 1    | 0641608     | 4              | Bolt 3/8 x 1                      |     |
| 2    | 2220513     | 1              | Fitting, Straight JIC/JIC         |     |
| 3    | 2220518     | 1              | Fitting, Cap                      |     |
| 4    | 2220738     | 3              | Fitting, Tee JIC/ORB/JIC          |     |
| 5    | 2230046     | 1              | Fitting, 90 JIC/JIC               |     |
| 6    | 2752659     | 1              | Hose                              |     |
| 7    | 2752661     | 1              | Hose                              |     |
| 9    | 2753354     | 1              | Hose                              |     |
| 10   | 2750949     | 1              | Hose                              |     |
| 11   | 3311605     | 4              | Nut 3/8                           |     |
| 12   | 3620034     | 1              | Cooler, Hydraulic Oil             |     |
| 13   | 4567123     | 1              | Tube 90                           |     |
| 14   | 4640990     | 1              | Valve, Check                      |     |
| 15   | 4751600     | 4              | Washer 3/8                        |     |
| 16   | 0100087     | AR             | Adhesive                          |     |
| 17   | 1001157604  | 5 ft<br>/1.52m | Seal                              |     |
| 18   | 1001158720  | 1              | Shroud                            |     |

## SECTION 2 - TURNTABLE

FIGURE 2-18. HYDRAULIC OIL COOLER INSTALLATION - DEUTZ TD2.2L3 STAGE V ENGINES (OPTIONAL)



ART\_1001255413

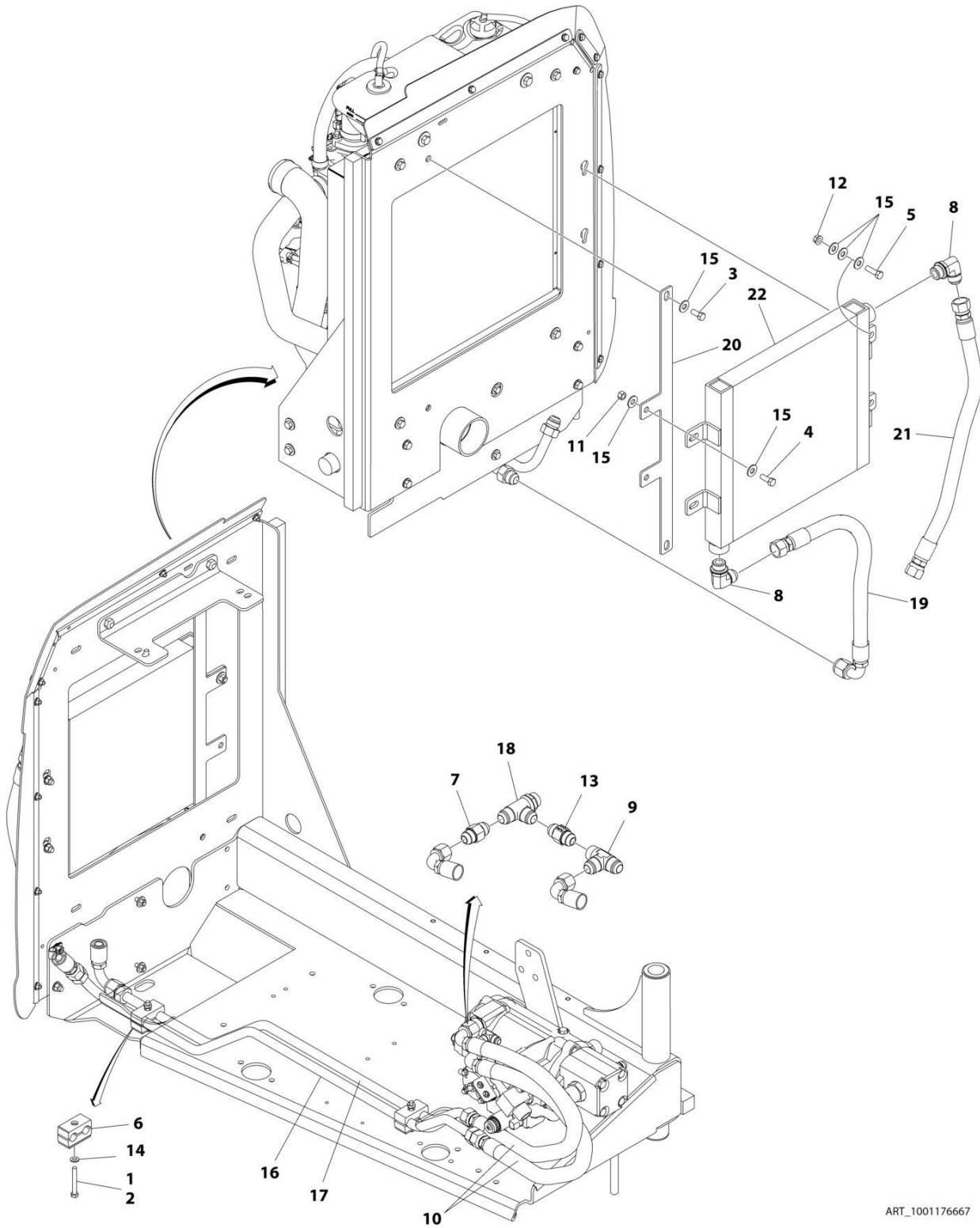
**SECTION 2 - TURNTABLE**

**FIGURE 2-18. HYDRAULIC OIL COOLER INSTALLATION - DEUTZ TD2.2L3 STAGE V ENGINES (OPTIONAL)**

| ITEM | PART NUMBER | QTY | DESCRIPTION                       | REV |
|------|-------------|-----|-----------------------------------|-----|
|      | 1001255413  | Ref | HYDRAULIC OIL COOLER INSTALLATION | A   |
| 1    | 0100011     | AR  | Compound, Locking                 |     |
| 2    | 0641520     | 2   | Bolt 5/16 x 2-1/2                 |     |
| 3    | 0701014     | 4   | Bolt M10 x 30                     |     |
| 4    | 1320162     | 2   | Clamp                             |     |
| 5    | 2220451     | 2   | Fitting, Straight JIC/ORB         |     |
| 6    | 2752530     | 2   | Hose                              |     |
| 7    | 2220578     | 1   | Fitting, 90 JIC/ORB               |     |
| 8    | 2220700     | 1   | Fitting, Tee JIC/FSJIC/JIC        |     |
| 9    | 4641264     | 1   | Valve, Check                      |     |
| 10   | 4711500     | 2   | Washer 5/16                       |     |
| 11   | 4812002     | 4   | Washer M10                        |     |
| 12   | 1001143812  | 1   | Fitting, Tee ORB/ORB/ORB          |     |
| 13   | 1001183924  | 1   | Cooler, Hydraulic Oil             |     |
| 14   | 1001249448  | 1   | Tube                              |     |
| 15   | 1001249449  | 1   | Tube                              |     |
| 16   | 1001253805  | 1   | Hose                              |     |
| 17   | 1001253806  | 1   | Hose                              |     |

## SECTION 2 - TURNTABLE

FIGURE 2-19. HYDRAULIC OIL COOLER INSTALLATION - DEUTZ TD2.9L4 ENGINES (OPTIONAL)



ART\_1001176667

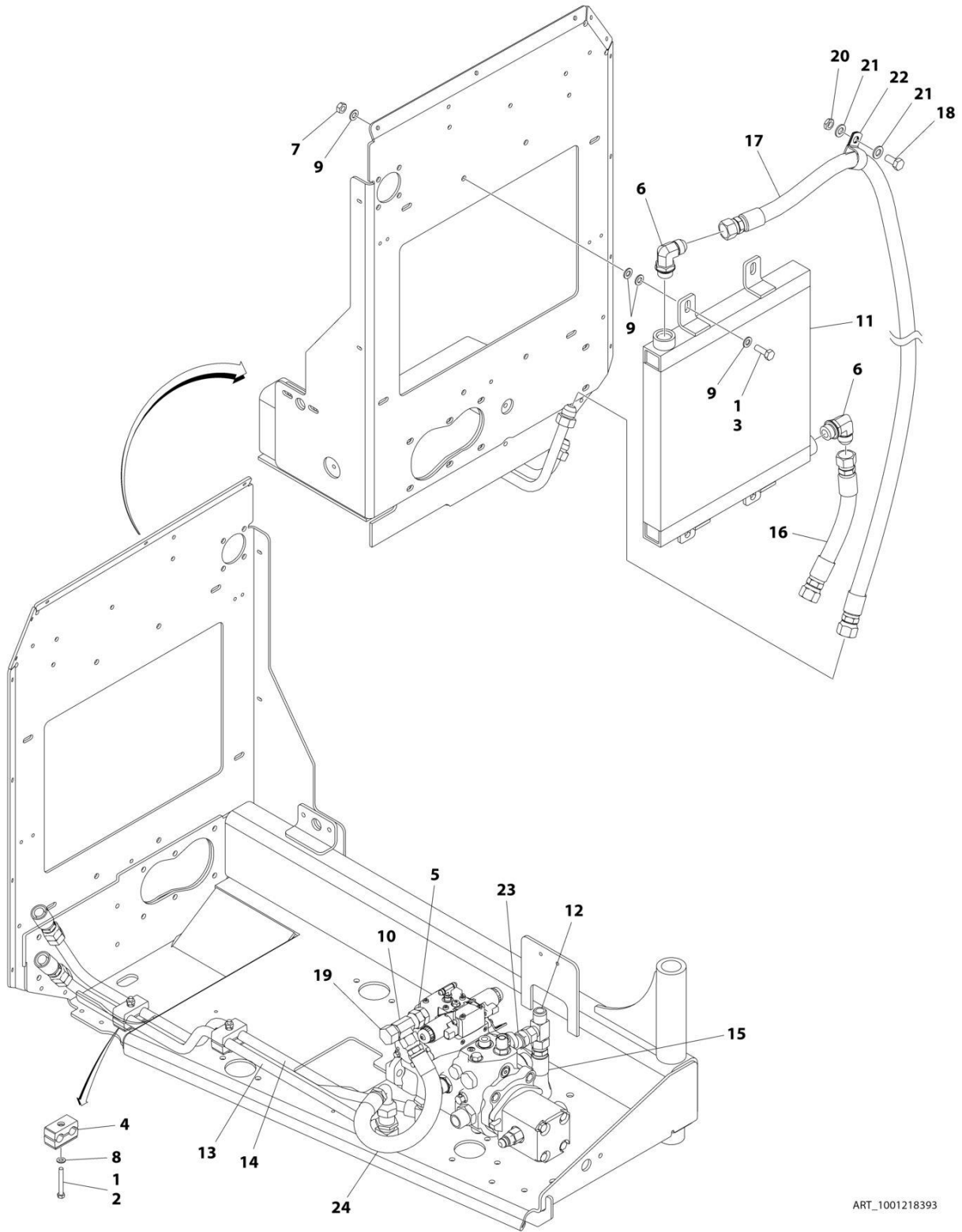
## SECTION 2 - TURNTABLE

**FIGURE 2-19. HYDRAULIC OIL COOLER INSTALLATION - DEUTZ TD2.9L4 ENGINES (OPTIONAL)**

| ITEM | PART NUMBER | QTY | DESCRIPTION                       | REV |
|------|-------------|-----|-----------------------------------|-----|
|      | 1001176667  | Ref | HYDRAULIC OIL COOLER INSTALLATION | C   |
| 1    | 0100011     | AR  | Compound, Locking                 |     |
| 2    | 0641520     | 2   | Bolt 5/16 x 2-1/2                 |     |
| 3    | 0641607     | 2   | Bolt 3/8 x 7/8                    |     |
| 4    | 0641608     | 2   | Bolt 3/8 x 1                      |     |
| 5    | 0641610     | 2   | Bolt 3/8 x 1-1/4                  |     |
| 6    | 1320162     | 2   | Clamp                             |     |
| 7    | 2220451     | 1   | Fitting, Straight JIC/ORB         |     |
| 8    | 2220578     | 2   | Fitting, 90 JIC/ORB               |     |
| 9    | 2220700     | 1   | Fitting, Tee JIC/FSJIC/JIC        |     |
| 10   | 2752530     | 2   | Hose                              |     |
| 11   | 3271601     | 2   | Nut 3/8                           |     |
| 12   | 3311608     | 2   | Nut 3/8                           |     |
| 13   | 4641264     | 1   | Valve, Check                      |     |
| 14   | 4711500     | 2   | Washer 5/16                       |     |
| 15   | 4751600     | 12  | Washer 3/8                        |     |
| 16   | 1001143765  | 1   | Tube                              |     |
| 17   | 1001143766  | 1   | Tube                              |     |
| 18   | 1001143812  | 1   | Fitting, Tee ORB/ORB/ORB          |     |
| 19   | 1001145706  | 1   | Hose                              |     |
| 20   | 1001176666  | 1   | Plate                             |     |
| 21   | 1001177090  | 1   | Hose                              |     |
| 22   | 1001183924  | 1   | Cooler, Hydraulic Oil             |     |

# SECTION 2 - TURNTABLE

## FIGURE 2-20. HYDRAULIC OIL COOLER INSTALLATION - FORD ENGINES (OPTIONAL)



ART\_1001218393

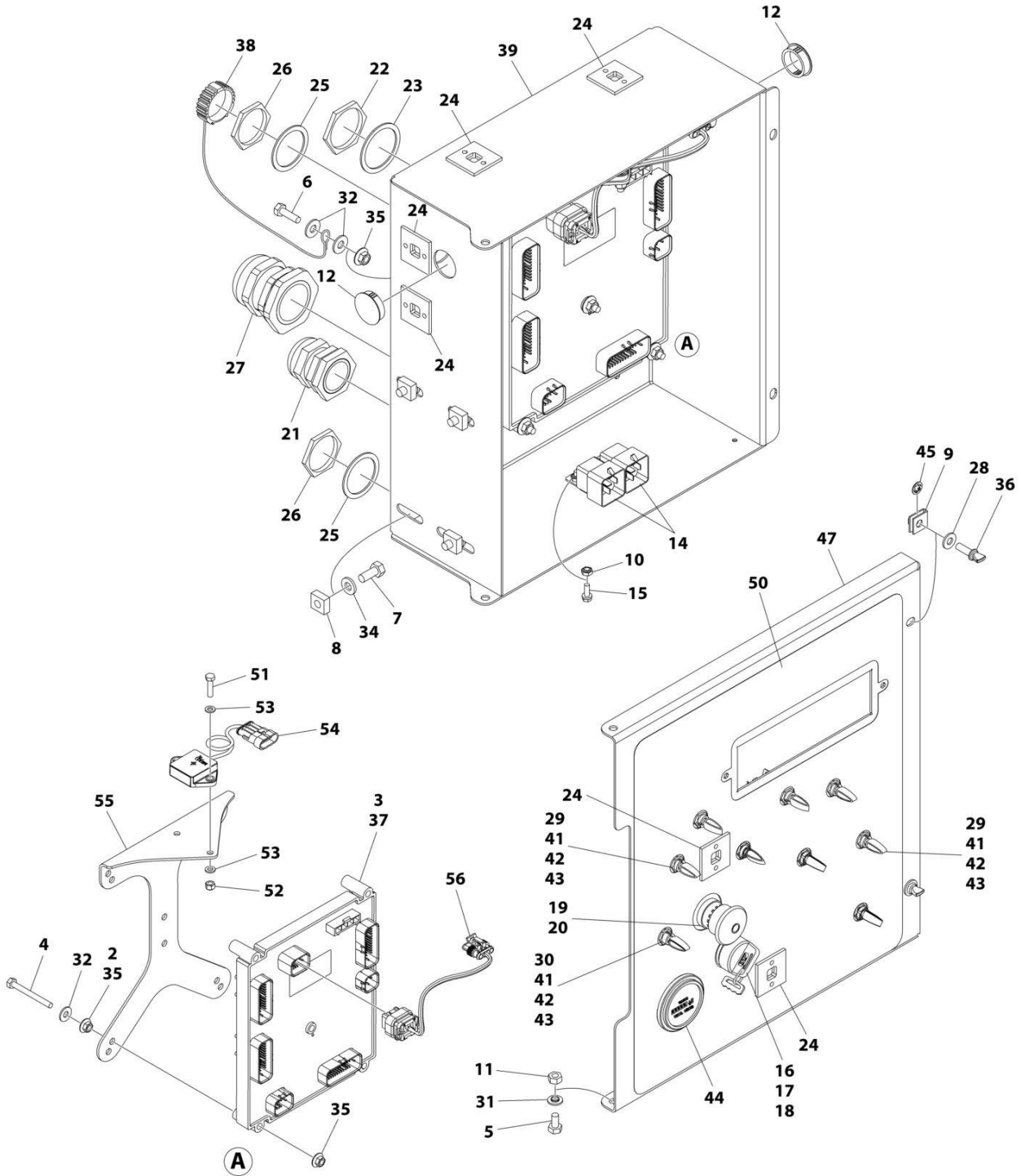
# SECTION 2 - TURNTABLE

**FIGURE 2-20. HYDRAULIC OIL COOLER INSTALLATION - FORD ENGINES (OPTIONAL)**

| ITEM | PART NUMBER | QTY | DESCRIPTION                       | REV |
|------|-------------|-----|-----------------------------------|-----|
|      | 1001218393  | Ref | HYDRAULIC OIL COOLER INSTALLATION | C   |
| 1    | 0100011     | AR  | Compound, Locking                 |     |
| 2    | 0641520     | 2   | Bolt 5/16 x 2-1/2                 |     |
| 3    | 0771014     | 4   | Bolt M10 x 30                     |     |
| 4    | 1320162     | 2   | Clamp                             |     |
| 5    | 2220451     | 1   | Fitting, Straight JIC/ORB         |     |
| 6    | 2220578     | 2   | Fitting, 90 JIC/ORB               |     |
| 7    | 3291001     | 4   | Nut M10                           |     |
| 8    | 4711500     | 2   | Washer 5/16                       |     |
| 9    | 4812000     | 16  | Washer M10                        |     |
| 10   | 2220700     | 1   | Fitting, Tee JIC/FSJIC/JIC        |     |
| 11   | 1001183924  | 1   | Cooler, Hydraulic Oil             |     |
| 12   | 2220682     | 1   | Fitting, Tee JIC/JIC/JIC          |     |
| 13   | 1001218394  | 1   | Tube                              |     |
| 14   | 1001218395  | 1   | Tube                              |     |
| 15   | 1001219457  | 1   | Hose                              |     |
| 16   | 1001219458  | 1   | Hose                              |     |
| 17   | 1001096398  | 1   | Hose                              |     |
| 18   | 0771212     | 1   | Bolt M12 x 25                     |     |
| 19   | 2220518     | 1   | Fitting, Cap                      |     |
| 20   | 3291202     | 1   | Nut M12                           |     |
| 21   | 4812100     | 2   | Washer M12                        |     |
| 22   | 8406302     | 1   | Clamp                             |     |
| 23   | 1001179156  | 1   | Valve, Check                      |     |
| 24   | 1001221621  | 1   | Hose                              |     |

# SECTION 2 - TURNTABLE

FIGURE 2-21. GROUND CONTROL BOX ASSEMBLY - DEUTZ 2011 ENGINE



ART\_1001266873\_F



## SECTION 2 - TURNTABLE

**FIGURE 2-21. GROUND CONTROL BOX ASSEMBLY - DEUTZ 2011 ENGINE**

| ITEM | PART NUMBER | QTY | DESCRIPTION   | REV |
|------|-------------|-----|---|-----|
|      | 1001266873  | Ref | GROUND CONTROL BOX ASSEMBLY   | F   |
| 2    | 0100011     | AR  | Compound, Locking   |     |
| 3    | 0100048     | AR  | Grease, Dielectric  |     |
| 4    | 0630548     | 5   | Bolt 2-1/2 Tap  |     |
| 5    | 0641404     | 2   | Bolt 1/4 x 1/2  |     |
| 6    | 0641407     | 1   | Bolt 1/4 x 7/8  |     |
| 7    | 0641506     | 4   | Bolt 5/16 x 3/4   |     |
| 8    | 3300205     | 4   | Nut, Retainer   |     |
| 9    | 3300353     | 2   | Nut, Tinnerman  |     |
| 10   | 3300408     | 2   | Nut, Plastic Insert   |     |
| 11   | 3311405     | 2   | Nut 1/4   |     |
| 12   | 3520031     | 2   | Plug  |     |
| 14   | 3740049     | 2   | Relay   |     |
| 15   | 3900268     | 2   | Screw #10 x 1/2   |     |
| 16   | 3910804     | 6   | Screw #8 x 1/4  |     |
| 17   | 4070991     | 1   | Shim  |     |
| 18   | 4360469     | 1   | Switch, Key   |     |
| 18   | 2860030     | 1   | Key Replacement   |     |
| 19   | 4360475     | 1   | Switch, Emergency Stop (Metal)  |     |
| 19   | 7020175     | 1   | Cap, Mushroom   |     |
| 19   | 7020176     | 1   | Block, Contact  |     |
| 19   | 1001274559  | 1   | Switch, Emergency Stop (Plastic)  |     |
| 20   | 4360476     | 1   | Switch, Contact Block   |     |
| 21   | 4460426     | 1   | Connector, Strain Relief  |     |
| 22   | 4460470     | 1   | Nut, Terminal   |     |
| 23   | 4460471     | 1   | Washer, Terminal  |     |
| 24   | 4460488     | 6   | Mounting Base, Terminal   |     |
| 25   | 4460496     | 2   | Washer, Terminal  |     |
| 26   | 4460497     | 2   | Nut, Terminal   |     |
| 27   | 4460526     | 1   | Connector, Strain Relief  |     |
| 28   | 4711400     | 2   | Washer 1/4  |     |
| 29   | 4740397     | 8   | Spacer  |     |
| 30   | 4740444     | 1   | Washer  |     |
| 31   | 4740518     | 2   | Washer  |     |
| 32   | 4751400     | 7   | Washer 1/4  |     |
| 34   | 4891500     | 4   | Washer 5/16   |     |
| 35   | 77143013    | 11  | Nut 1/4-20  |     |
| 36   | 1001103308  | 2   | Screw 1/4   |     |
| 37   | 1001280600  | 1   | Module, Ground Control  |     |
|      |             | Ref | Note: Re-calibration Required when Replaced.                              |     |
| 38   | 1001106736  | 1   | Cap, Dust   |     |
| 39   | 1001287467  | 1   | Plate   |     |
| 40   | 1001298324  | 1   | Harness, Valve (Not Shown - See Separate Breakdown in ELECTRICAL Section) |     |
| 41   | 1001155043  | 9   | Washer  |     |
| 42   | 1001155044  | 9   | Nut 15/32-32  |     |
| 43   | 1001155045  | 9   | Switch, Toggle  |     |
| 44   | 10836804    | 1   | Hour Meter  |     |
| 45   | 1001188874  | 2   | Nut   |     |

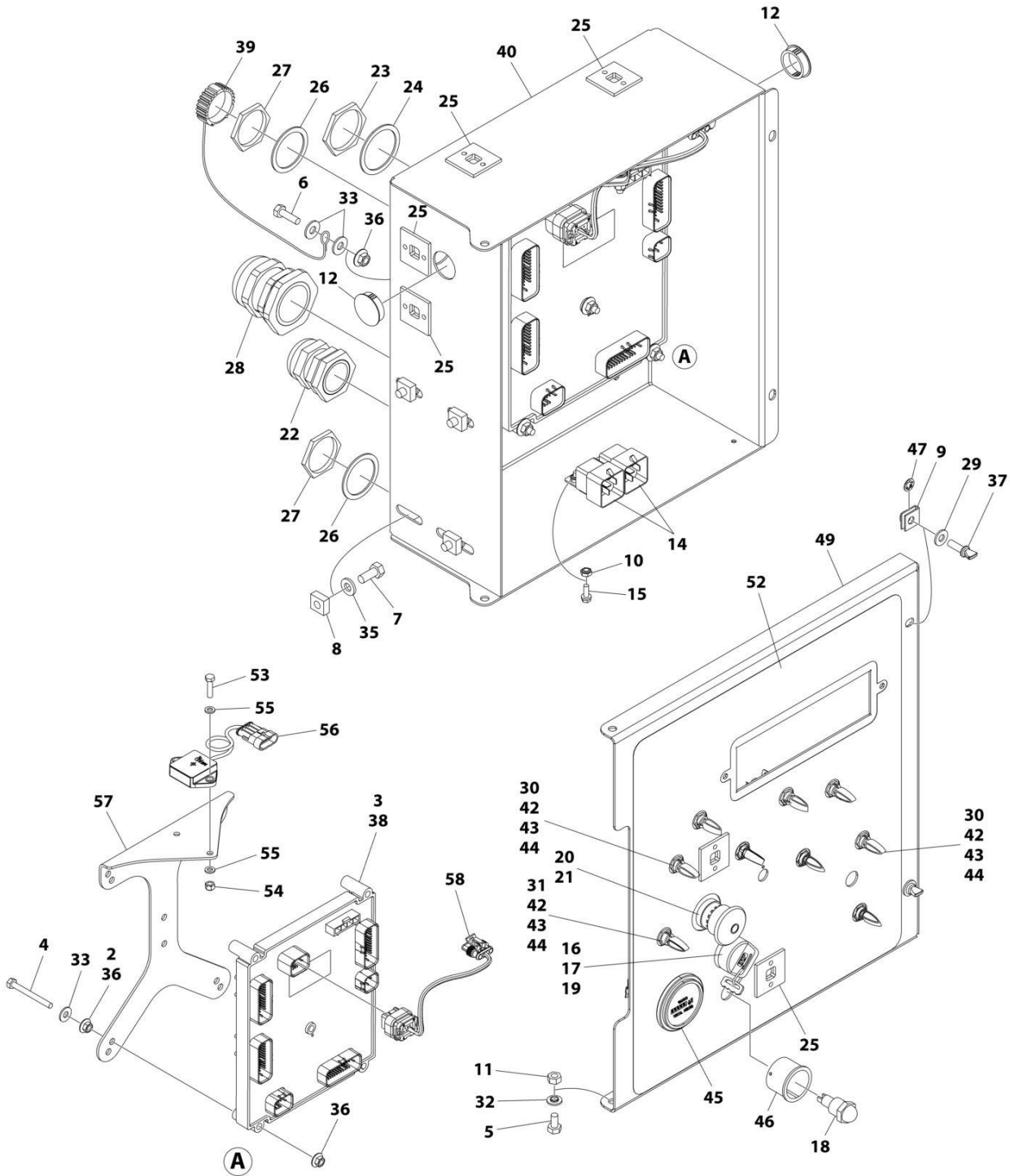
## SECTION 2 - TURNTABLE

| ITEM | PART NUMBER | QTY | DESCRIPTION  | REV |
|------|-------------|-----|--|-----|
| 46   | 1001285378  | 1   | Harness, Engine (Not Shown - See Separate Breakdown in ELECTRICAL Section)             |     |
| 47   | 1001280403  | 1   | Plate  |     |
| 48   | 1001285346  | 1   | Harness, Ground Control Box (Not Shown - See Separate Breakdown in ELECTRICAL Section) |     |
| 49   | 1001285801  | NLA | Wire Diagram (Not Shown)   |     |
| 50   | 1001266876  | 1   | Decal, Faceplate   |     |
| 51   | 0760612     | 2   | Bolt M6 x 25   |     |
| 52   | 3290605     | 2   | Nut M6   |     |
| 53   | 4811700     | 4   | Washer M6  |     |
| 54   | 1001219601  | 1   | Sensor, Tilt Dual Axis CAN   |     |
| 55   | 1001271794  | 1   | Bracket, Tilt Sensor   |     |
| 56   | 1001276143  | 1   | Harness, Tilt Sensor (See Separate Breakdown in ELECTRICAL Section)                    |     |



# SECTION 2 - TURNTABLE

## FIGURE 2-22. GROUND CONTROL BOX ASSEMBLY - DEUTZ D2011 ENGINES AND MSSO



ART\_1001266900\_E

## SECTION 2 - TURNTABLE

**FIGURE 2-22. GROUND CONTROL BOX ASSEMBLY - DEUTZ D2011 ENGINES AND MSSO**

| ITEM | PART NUMBER | QTY | DESCRIPTION   | REV |
|------|-------------|-----|---|-----|
|      | 1001266900  | Ref | GROUND CONTROL BOX ASSEMBLY   | E   |
| 2    | 0100011     | AR  | Compound, Locking   |     |
| 3    | 0100048     | AR  | Grease, Dielectric  |     |
| 4    | 0630548     | 5   | Bolt 2-1/2 Tap  |     |
| 5    | 0641404     | 2   | Bolt 1/4 x 1/2  |     |
| 6    | 0641407     | 1   | Bolt 1/4 x 7/8  |     |
| 7    | 0641506     | 4   | Bolt 5/16 x 3/4   |     |
| 8    | 3300205     | 4   | Nut, Retainer   |     |
| 9    | 3300353     | 2   | Nut, Tinnerman  |     |
| 10   | 3300408     | 2   | Nut, Plastic Insert   |     |
| 11   | 3311405     | 2   | Nut 1/4   |     |
| 12   | 3520031     | 2   | Plug  |     |
| 14   | 3740049     | 2   | Relay   |     |
| 15   | 3900268     | 2   | Screw #10 x 1/2   |     |
| 16   | 3910804     | 6   | Screw #8 x 1/4  |     |
| 17   | 4070991     | 1   | Shim  |     |
| 18   | 4360387     | 1   | Switch, Push Button   |     |
| 19   | 4360469     | 1   | Switch, Key   |     |
| 19   | 2860030     | 1   | Key Replacement   |     |
| 20   | 4360475     | 1   | Switch, Emergency Stop  |     |
| 20   | 7020175     | 1   | Cap, Mushroom   |     |
| 20   | 7020176     | 1   | Block, Contact  |     |
| 21   | 4360476     | 1   | Switch, Contact Block   |     |
| 22   | 4460426     | 1   | Connector, Strain Relief  |     |
| 23   | 4460470     | 1   | Nut, Terminal   |     |
| 24   | 4460471     | 1   | Washer, Terminal  |     |
| 25   | 4460488     | 6   | Mounting Base, Terminal   |     |
| 26   | 4460496     | 2   | Washer, Terminal  |     |
| 27   | 4460497     | 2   | Nut, Terminal   |     |
| 28   | 4460526     | 1   | Connector, Strain Relief  |     |
| 29   | 4711400     | 2   | Washer 1/4  |     |
| 30   | 4740397     | 8   | Spacer  |     |
| 31   | 4740444     | 1   | Washer  |     |
| 32   | 4740518     | 2   | Washer  |     |
| 33   | 4751400     | 7   | Washer 1/4  |     |
| 35   | 4891500     | 4   | Washer 5/16   |     |
| 36   | 77143013    | 11  | Nut 1/4-20  |     |
| 37   | 1001103308  | 2   | Screw 1/4   |     |
| 38   | 1001280600  | 1   | Module, Ground Control  |     |
|      |             | Ref | Note: Re-calibration Required when Replaced.                              |     |
| 39   | 1001106736  | 1   | Cap, Dust   |     |
| 40   | 1001287467  | 1   | Box   |     |
| 41   | 1001298324  | 1   | Harness, Valve (Not Shown - See Separate Breakdown in ELECTRICAL Section) |     |
| 42   | 1001155043  | 9   | Washer  |     |
| 43   | 1001155044  | 9   | Nut 15/32-32  |     |
| 44   | 1001155045  | 9   | Switch, Toggle  |     |
| 45   | 10836804    | 1   | Gauge, Display  |     |
| 46   | 1001176469  | 1   | Shroud  |     |
| 47   | 1001188874  | 2   | Nut   |     |

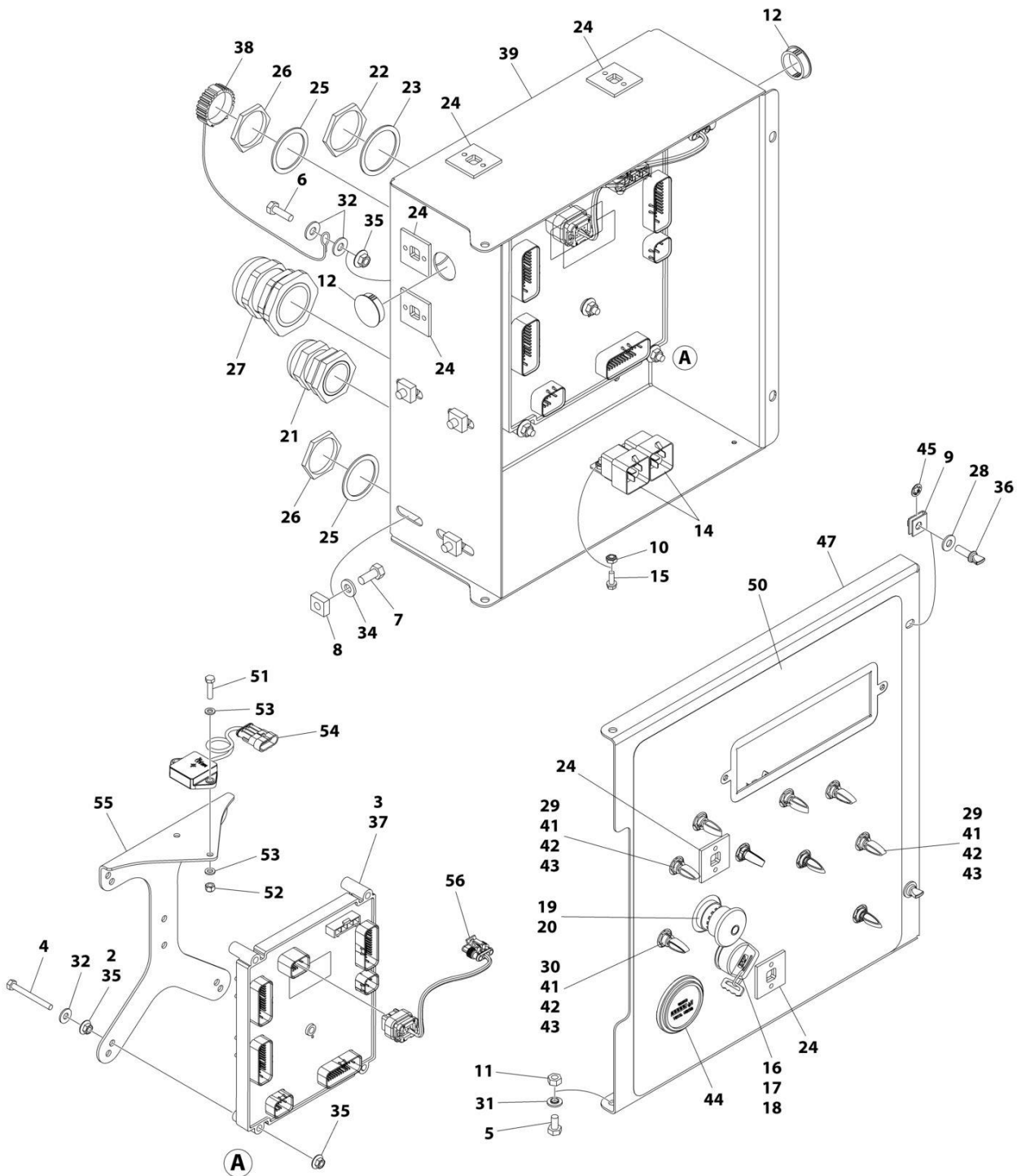
## SECTION 2 - TURNTABLE

| ITEM | PART NUMBER | QTY | DESCRIPTION  | REV |
|------|-------------|-----|--|-----|
| 48   | 1001285378  | 1   | Harness, Engine (Not Shown - See Separate Breakdown in ELECTRICAL Section)             |     |
| 49   | 1001297391  | 1   | Lid  |     |
| 50   | 1001285346  | 1   | Harness, Ground Control Box (Not Shown - See Separate Breakdown in ELECTRICAL Section) |     |
| 51   | 1001285801  | NLA | Wire Diagram (Not Shown)   |     |
| 52   | 1001266874  | 1   | Decal, Faceplate   |     |
| 53   | 0760612     | 2   | Bolt M6 x 25   |     |
| 54   | 3290605     | 2   | Nut M6   |     |
| 55   | 4811700     | 4   | Washer M6  |     |
| 56   | 1001219601  | 1   | Sensor, Tilt Dual Axis CAN   |     |
| 57   | 1001271794  | 1   | Bracket, Tilt Sensor   |     |
| 58   | 1001276143  | 1   | Harness, Tilt Sensor (See Separate Breakdown in ELECTRICAL Section)                    |     |



# SECTION 2 - TURNTABLE

FIGURE 2-23. GROUND CONTROL BOX ASSEMBLY - DEUTZ TD2.9L4 AND DEUTZ TD2.9L4 (CHINA IV) ENGINES



ART\_1001266897\_E



## SECTION 2 - TURNTABLE

**FIGURE 2-23. GROUND CONTROL BOX ASSEMBLY - DEUTZ TD2.9L4 AND DEUTZ TD2.9L4 (CHINA IV) ENGINES**

| ITEM | PART NUMBER | QTY | DESCRIPTION   | REV |
|------|-------------|-----|---|-----|
|      | 1001266897  | Ref | GROUND CONTROL BOX ASSEMBLY   | E   |
| 2    | 0100011     | AR  | Compound, Locking   |     |
| 3    | 0100048     | AR  | Grease, Dielectric  |     |
| 4    | 0630548     | 5   | Bolt 2-1/2 Tap  |     |
| 5    | 0641404     | 2   | Bolt 1/4 x 1/2  |     |
| 6    | 0641407     | 1   | Bolt 1/4 x 7/8  |     |
| 7    | 0641506     | 4   | Bolt 5/16 x 3/4   |     |
| 8    | 3300205     | 4   | Nut, Retainer   |     |
| 9    | 3300353     | 2   | Nut, Tinnerman  |     |
| 10   | 3300408     | 2   | Nut, Plastic Insert   |     |
| 11   | 3311405     | 2   | Nut 1/4   |     |
| 12   | 3520031     | 2   | Plug  |     |
| 14   | 3740049     | 2   | Relay   |     |
| 15   | 3900268     | 2   | Screw #10 x 1/2   |     |
| 16   | 3910804     | 6   | Screw #8 x 1/4  |     |
| 17   | 4070991     | 1   | Shim  |     |
| 18   | 4360469     | 1   | Switch, Key   |     |
| 18   | 2860030     | 1   | Key Replacement   |     |
| 19   | 4360475     | 1   | Switch, Emergency Stop  |     |
| 19   | 7020175     | 1   | Cap, Mushroom   |     |
| 19   | 7020176     | 1   | Block, Contact  |     |
| 20   | 4360476     | 1   | Switch, Contact Block   |     |
| 21   | 4460426     | 1   | Connector, Strain Relief  |     |
| 22   | 4460470     | 1   | Nut, Terminal   |     |
| 23   | 4460471     | 1   | Washer, Terminal  |     |
| 24   | 4460488     | 6   | Mounting Base, Terminal   |     |
| 25   | 4460496     | 2   | Washer, Terminal  |     |
| 26   | 4460497     | 2   | Nut, Terminal   |     |
| 27   | 4460526     | 1   | Connector, Strain Relief  |     |
| 28   | 4711400     | 2   | Washer 1/4  |     |
| 29   | 4740397     | 8   | Spacer  |     |
| 30   | 4740444     | 1   | Washer  |     |
| 31   | 4740518     | 2   | Washer  |     |
| 32   | 4751400     | 7   | Washer 1/4  |     |
| 34   | 4891500     | 4   | Washer 5/16   |     |
| 35   | 77143013    | 11  | Nut 1/4-20  |     |
| 36   | 1001103308  | 2   | Screw 1/4   |     |
| 37   | 1001280600  | 1   | Module, Ground Control  |     |
|      |             | Ref | Note: Re-calibration Required when Replaced.                              |     |
| 38   | 1001106736  | 1   | Cap, Dust   |     |
| 39   | 1001287467  | 1   | Box   |     |
| 40   | 1001298324  | 1   | Harness, Valve (Not Shown - See Separate Breakdown in ELECTRICAL Section) |     |
| 41   | 1001155043  | 9   | Washer  |     |
| 42   | 1001155044  | 9   | Nut 15/32-32  |     |
| 43   | 1001155045  | 9   | Switch, Toggle  |     |
| 44   | 10836804    | 1   | Hour Meter  |     |
| 45   | 1001188874  | 2   | Nut   |     |

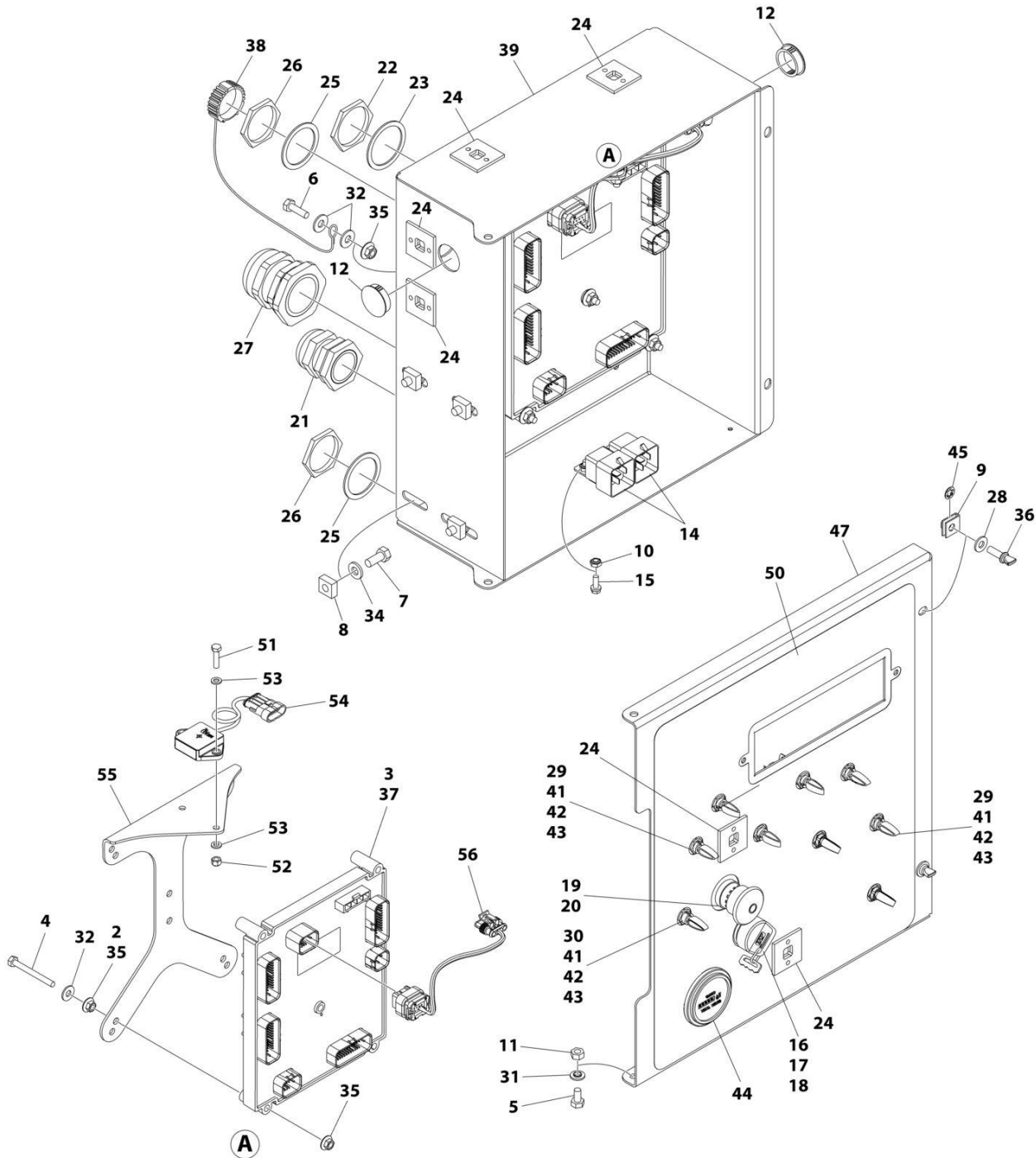
## SECTION 2 - TURNTABLE

| ITEM | PART NUMBER | QTY | DESCRIPTION  | REV |
|------|-------------|-----|--|-----|
| 46   | 1001286030  | 1   | Harness, Engine (Not Shown - See Separate Breakdown in ELECTRICAL Section)             |     |
| 47   | 1001280403  | 1   | Lid  |     |
| 48   | 1001285346  | 1   | Harness, Ground Control Box (Not Shown - See Separate Breakdown in ELECTRICAL Section) |     |
| 49   | 1001285801  | NLA | Wire Diagram (Not Shown)   |     |
| 50   | 1001266876  | 1   | Decal, Faceplate   |     |
| 51   | 0760612     | 2   | Bolt M6 x 25   |     |
| 52   | 3290605     | 2   | Nut M6   |     |
| 53   | 4811700     | 4   | Washer M6  |     |
| 54   | 1001219601  | 1   | Sensor, Tilt Dual Axis CAN   |     |
| 55   | 1001271794  | 1   | Bracket, Tilt Sensor   |     |
| 56   | 1001276143  | 1   | Harness, Tilt Sensor (See Separate Breakdown in ELECTRICAL Section)                    |     |



# SECTION 2 - TURNTABLE

## FIGURE 2-24. GROUND CONTROL BOX ASSEMBLY - FORD DF 2.5



ART\_1001266898\_E

## SECTION 2 - TURNTABLE

**FIGURE 2-24. GROUND CONTROL BOX ASSEMBLY - FORD DF 2.5**

| ITEM | PART NUMBER | QTY | DESCRIPTION  | REV |
|------|-------------|-----|--|-----|
|      | 1001266898  | Ref | GROUND CONTROL BOX ASSEMBLY  | E   |
| 2    | 0100011     | AR  | Compound, Locking  |     |
| 3    | 0100048     | AR  | Grease, Dielectric   |     |
| 4    | 0630548     | 5   | Bolt 2-1/2 Tap   |     |
| 5    | 0641404     | 2   | Bolt 1/4 x 1/2   |     |
| 6    | 0641407     | 1   | Bolt 1/4 x 7/8   |     |
| 7    | 0641506     | 4   | Bolt 5/16 x 3/4  |     |
| 8    | 3300205     | 4   | Nut, Retainer  |     |
| 9    | 3300353     | 2   | Nut, Tinnerman   |     |
| 10   | 3300408     | 2   | Nut, Plastic Insert  |     |
| 11   | 3311405     | 2   | Nut 1/4  |     |
| 12   | 3520031     | 2   | Plug   |     |
| 14   | 3740049     | 2   | Relay  |     |
| 15   | 3900268     | 2   | Screw #10 x 1/2  |     |
| 16   | 3910804     | 6   | Screw #8 x 1/4   |     |
| 17   | 4070991     | 1   | Shim   |     |
| 18   | 4360469     | 1   | Switch, Key  |     |
| 18   | 2860030     | 1   | Key Replacement  |     |
| 19   | 4360475     | 1   | Switch, Emergency Stop   |     |
| 19   | 7020175     | 1   | Cap, Mushroom  |     |
| 19   | 7020176     | 1   | Block, Contact   |     |
| 20   | 4360476     | 1   | Switch, Contact Block  |     |
| 21   | 4460426     | 1   | Connector, Strain Relief   |     |
| 22   | 4460470     | 1   | Nut, Terminal  |     |
| 23   | 4460471     | 1   | Washer, Terminal   |     |
| 24   | 4460488     | 6   | Mounting Base, Terminal  |     |
| 25   | 4460496     | 2   | Washer, Terminal   |     |
| 26   | 4460497     | 2   | Nut, Terminal  |     |
| 27   | 4460526     | 1   | Connector, Strain Relief   |     |
| 28   | 4711400     | 2   | Washer 1/4   |     |
| 29   | 4740397     | 8   | Spacer   |     |
| 30   | 4740444     | 1   | Washer   |     |
| 31   | 4740518     | 2   | Washer   |     |
| 32   | 4751400     | 7   | Washer 1/4   |     |
| 34   | 4891500     | 4   | Washer 5/16  |     |
| 35   | 77143013    | 11  | Nut 1/4-20   |     |
| 36   | 1001103308  | 2   | Screw 1/4  |     |
| 37   | 1001280600  | 1   | Module, Ground Control   |     |
|      |             | Ref | Note: Re-calibration Required when Replaced.                               |     |
| 38   | 1001106736  | 1   | Cap, Dust  |     |
| 39   | 1001287467  | 1   | Box  |     |
| 40   | 1001298324  | 1   | Harness, Valve (Not Shown - See Separate Breakdown in ELECTRICAL Section)  |     |
| 41   | 1001155043  | 9   | Washer   |     |
| 42   | 1001155044  | 9   | Nut 15/32-32   |     |
| 43   | 1001155045  | 9   | Switch, Toggle   |     |
| 44   | 10836804    | 1   | Hour Meter   |     |
| 45   | 1001188874  | 2   | Nut  |     |
| 46   | 1001286031  | 1   | Harness, Engine (Not Shown - See Separate Breakdown in ELECTRICAL Section) |     |

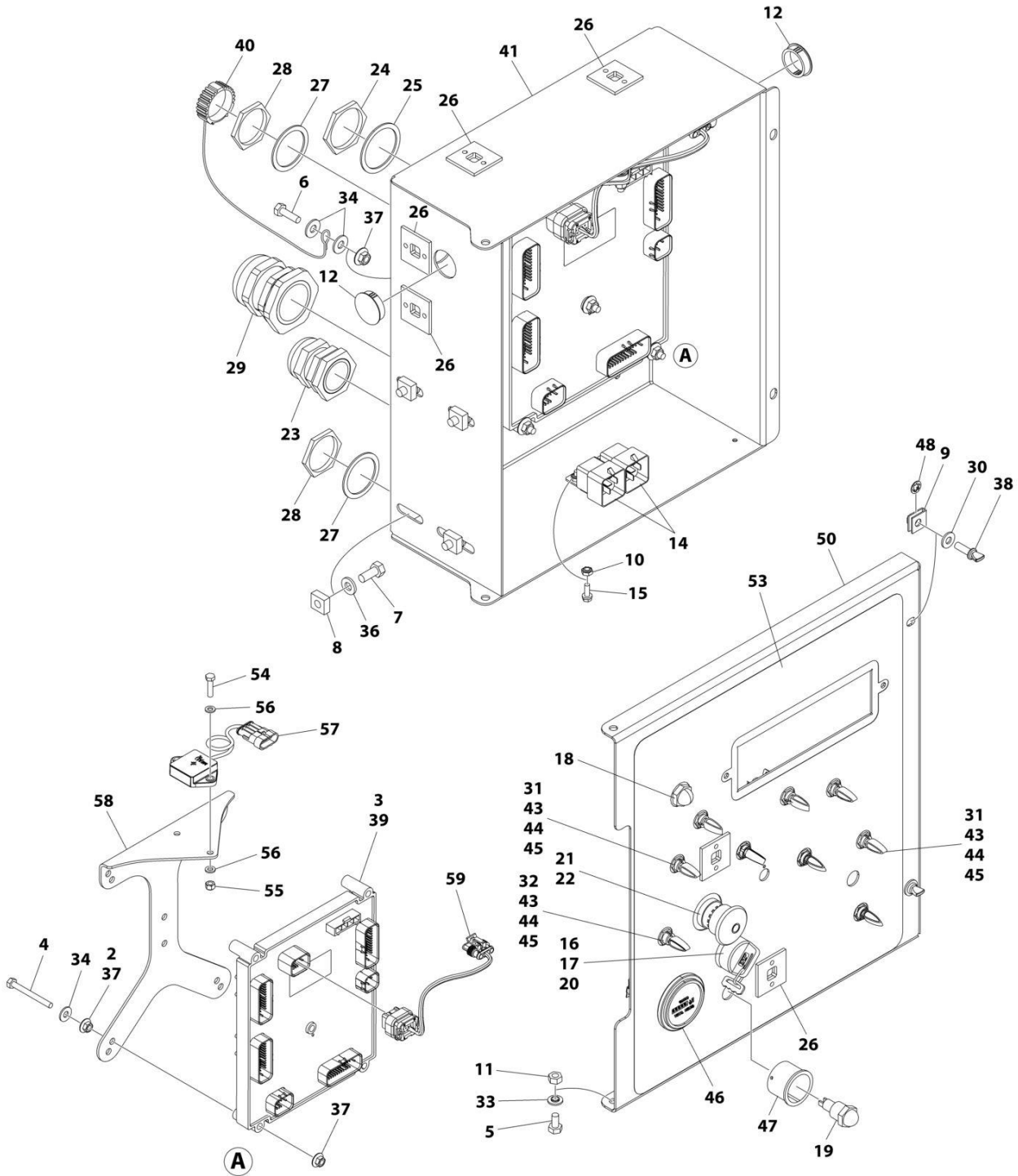
## SECTION 2 - TURNTABLE

| ITEM | PART NUMBER | QTY | DESCRIPTION  | REV |
|------|-------------|-----|--|-----|
| 47   | 1001280403  | 1   | Lid  |     |
| 48   | 1001285346  | 1   | Harness, Ground Control Box (Not Shown - See Separate Breakdown in ELECTRICAL Section) |     |
| 49   | 1001285801  | NLA | Wire Diagram (Not Shown)   |     |
| 50   | 1001266876  | 1   | Decal, Faceplate   |     |
| 51   | 0760612     | 2   | Bolt M6 x 25   |     |
| 52   | 3290605     | 2   | Nut M6   |     |
| 53   | 4811700     | 4   | Washer M6  |     |
| 54   | 1001219601  | 1   | Sensor, Tilt Dual Axis CAN   |     |
| 55   | 1001271794  | 1   | Bracket, Tilt Sensor   |     |
| 56   | 1001276143  | 1   | Harness, Tilt Sensor (See Separate Breakdown in ELECTRICAL Section)                    |     |



# SECTION 2 - TURNTABLE

## FIGURE 2-25. GROUND CONTROL BOX ASSEMBLY - DEUTZ TD2.2L3 ENGINE



ART\_1001266899\_E



## SECTION 2 - TURNTABLE

**FIGURE 2-25. GROUND CONTROL BOX ASSEMBLY - DEUTZ TD2.2L3 ENGINE**

| ITEM | PART NUMBER | QTY | DESCRIPTION   | REV |
|------|-------------|-----|---|-----|
|      | 1001266899  | Ref | GROUND CONTROL BOX ASSEMBLY   | E   |
| 2    | 0100011     | AR  | Compound, Locking   |     |
| 3    | 0100048     | AR  | Grease, Dielectric  |     |
| 4    | 0630548     | 5   | Bolt 2-1/2 Tap  |     |
| 5    | 0641404     | 2   | Bolt 1/4 x 1/2  |     |
| 6    | 0641407     | 1   | Bolt 1/4 x 7/8  |     |
| 7    | 0641506     | 4   | Bolt 5/16 x 3/4   |     |
| 8    | 3300205     | 4   | Nut, Retainer   |     |
| 9    | 3300353     | 2   | Nut, Tinnerman  |     |
| 10   | 3300408     | 2   | Nut, Plastic Insert   |     |
| 11   | 3311405     | 2   | Nut 1/4   |     |
| 12   | 3520031     | 2   | Plug  |     |
| 14   | 3740049     | 2   | Relay   |     |
| 15   | 3900268     | 2   | Screw #10 x 1/2   |     |
| 16   | 3910804     | 6   | Screw #8 x 1/4  |     |
| 17   | 4070991     | 1   | Shim  |     |
| 18   | 4360274     | 1   | Switch, Push Button   |     |
| 19   | 4360387     | 1   | Switch, Push Button   |     |
| 20   | 4360469     | 1   | Switch, Key   |     |
| 20   | 2860030     | 1   | Key Replacement   |     |
| 21   | 4360475     | 1   | Switch, Emergency Stop  |     |
| 21   | 7020175     | 1   | Cap, Mushroom   |     |
| 21   | 7020176     | 1   | Block, Contact  |     |
| 22   | 4360476     | 1   | Switch, Contact Block   |     |
| 23   | 4460426     | 1   | Connector, Strain Relief  |     |
| 24   | 4460470     | 1   | Nut, Terminal   |     |
| 25   | 4460471     | 1   | Washer, Terminal  |     |
| 26   | 4460488     | 6   | Mounting Base, Terminal   |     |
| 27   | 4460496     | 2   | Washer, Terminal  |     |
| 28   | 4460497     | 2   | Nut, Terminal   |     |
| 29   | 4460526     | 1   | Connector, Strain Relief  |     |
| 30   | 4711400     | 2   | Washer 1/4  |     |
| 31   | 4740397     | 8   | Spacer  |     |
| 32   | 4740444     | 1   | Washer  |     |
| 33   | 4740518     | 2   | Washer  |     |
| 34   | 4751400     | 7   | Washer 1/4  |     |
| 36   | 4891500     | 4   | Washer 5/16   |     |
| 37   | 77143013    | 11  | Nut 1/4-20  |     |
| 38   | 1001103308  | 2   | Screw 1/4   |     |
| 39   | 1001280600  | 1   | Module, Ground Control  |     |
|      |             | Ref | Note: Re-calibration Required when Replaced.                              |     |
| 40   | 1001106736  | 1   | Cap, Dust   |     |
| 41   | 1001287467  | 1   | Box   |     |
| 42   | 1001298324  | 1   | Harness, Valve (Not Shown - See Separate Breakdown in ELECTRICAL Section) |     |
| 43   | 1001155043  | 9   | Washer  |     |
| 44   | 1001155044  | 9   | Nut 15/32-32  |     |
| 45   | 1001155045  | 9   | Switch, Toggle  |     |
| 46   | 10836804    | 1   | Gauge, Display  |     |
| 47   | 1001176469  | 1   | Shroud  |     |

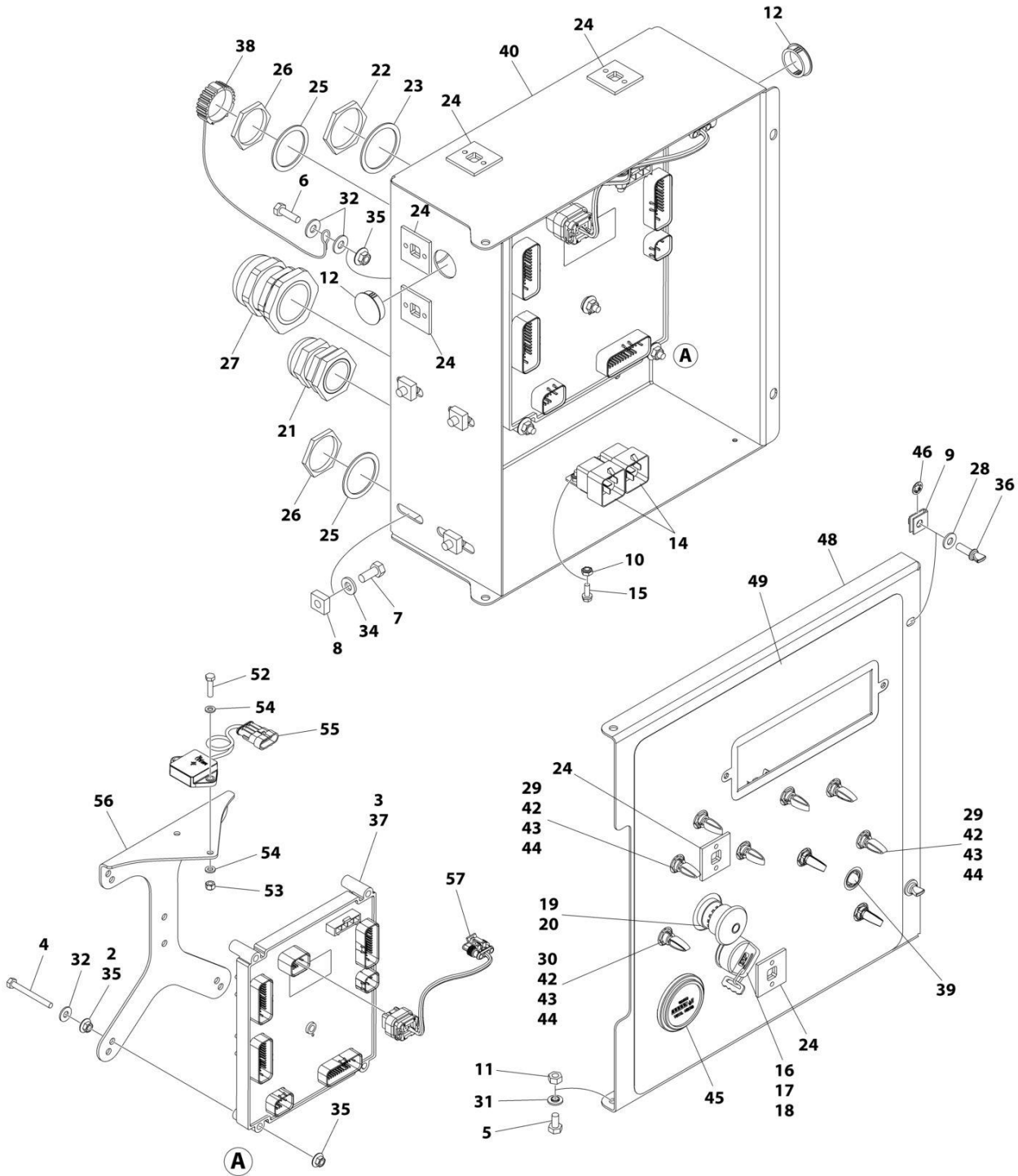
## SECTION 2 - TURNTABLE

| ITEM | PART NUMBER | QTY | DESCRIPTION  | REV |
|------|-------------|-----|--|-----|
| 48   | 1001188874  | 2   | Nut  |     |
| 49   | 1001286030  | 1   | Harness, Engine (Not Shown - See Separate Breakdown in ELECTRICAL Section)             |     |
| 50   | 1001297391  | 1   | Lid  |     |
| 51   | 1001285346  | 1   | Harness, Ground Control Box (Not Shown - See Separate Breakdown in ELECTRICAL Section) |     |
| 52   | 1001285801  | NLA | Wire Diagram (Not Shown)   |     |
| 53   | 1001266878  | 1   | Decal, Faceplate   |     |
| 55   | 3290605     | 2   | Nut M6   |     |
| 54   | 0760612     | 2   | Bolt M6 x 25   |     |
| 56   | 4811700     | 4   | Washer M6  |     |
| 57   | 1001219601  | 1   | Sensor, Tilt Dual Axis CAN   |     |
| 58   | 1001271794  | 1   | Bracket, Tilt Sensor   |     |
| 59   | 1001276143  | 1   | Harness, Tilt Sensor (See Separate Breakdown in ELECTRICAL Section)                    |     |



# SECTION 2 - TURNTABLE

FIGURE 2-26. GROUND CONTROL BOX ASSEMBLY - DEUTZ D2011 ENGINE AND TOWER STOW



ART\_1001263365\_E

## SECTION 2 - TURNTABLE

**FIGURE 2-26. GROUND CONTROL BOX ASSEMBLY - DEUTZ D2011 ENGINE AND TOWER STOW**

| ITEM | PART NUMBER | QTY | DESCRIPTION   | REV |
|------|-------------|-----|---|-----|
|      | 1001263365  | Ref | CONSOLE BOX ASSEMBLY  | E   |
| 2    | 0100011     | AR  | Compound, Locking   |     |
| 3    | 0100048     | AR  | Grease, Dielectric  |     |
| 4    | 0630548     | 5   | Bolt 2-1/2 Tap  |     |
| 5    | 0641404     | 2   | Bolt 1/4 x 1/2  |     |
| 6    | 0641407     | 1   | Bolt 1/4 x 7/8  |     |
| 7    | 0641506     | 4   | Bolt 5/16 x 3/4   |     |
| 8    | 3300205     | 4   | Nut, Retainer   |     |
| 9    | 3300353     | 2   | Nut, Tinnerman  |     |
| 10   | 3300408     | 2   | Nut, Plastic Insert   |     |
| 11   | 3311405     | 2   | Nut 1/4   |     |
| 12   | 3520031     | 2   | Plug  |     |
| 14   | 3740049     | 2   | Relay   |     |
| 15   | 3900268     | 2   | Screw #10 x 1/2   |     |
| 16   | 3910804     | 6   | Screw #8 x 1/4  |     |
| 17   | 4070991     | 1   | Shim  |     |
| 18   | 4360469     | 1   | Switch, Key   |     |
| 18   | 2860030     | 1   | Key Replacement   |     |
| 19   | 4360475     | 1   | Switch, Emergency Stop  |     |
| 19   | 7020175     | 1   | Cap, Mushroom   |     |
| 19   | 7020176     | 1   | Block, Contact  |     |
| 20   | 4360476     | 1   | Switch, Contact Block   |     |
| 21   | 4460426     | 1   | Connector, Strain Relief  |     |
| 22   | 4460470     | 1   | Nut, Terminal   |     |
| 23   | 4460471     | 1   | Washer, Terminal  |     |
| 24   | 4460488     | 6   | Mounting Base, Terminal   |     |
| 25   | 4460496     | 2   | Washer, Terminal  |     |
| 26   | 4460497     | 2   | Nut, Terminal   |     |
| 27   | 4460526     | 1   | Connector, Strain Relief  |     |
| 28   | 4711400     | 2   | Washer 1/4  |     |
| 29   | 4740397     | 8   | Spacer  |     |
| 30   | 4740444     | 1   | Washer  |     |
| 31   | 4740518     | 2   | Washer  |     |
| 32   | 4751400     | 7   | Washer 1/4  |     |
| 34   | 4891500     | 4   | Washer 5/16   |     |
| 35   | 77143013    | 11  | Nut 1/4-20  |     |
| 36   | 1001103308  | 2   | Screw 1/4   |     |
| 37   | 1001280600  | 1   | Module, Ground Control  |     |
|      |             | Ref | Note: Re-calibration Required when Replaced.                              |     |
| 38   | 1001106736  | 1   | Cap, Dust   |     |
| 39   | 1001137364  | 1   | Lamp  |     |
| 40   | 1001287467  | 1   | Box   |     |
| 41   | 1001298324  | 1   | Harness, Valve (Not Shown - See Separate Breakdown in ELECTRICAL Section) |     |
| 42   | 1001155043  | 9   | Washer  |     |
| 43   | 1001155044  | 9   | Nut 15/32-32  |     |
| 44   | 1001155045  | 9   | Switch, Toggle  |     |
| 45   | 10836804    | 1   | Hour Meter  |     |
| 46   | 1001188874  | 2   | Nut   |     |

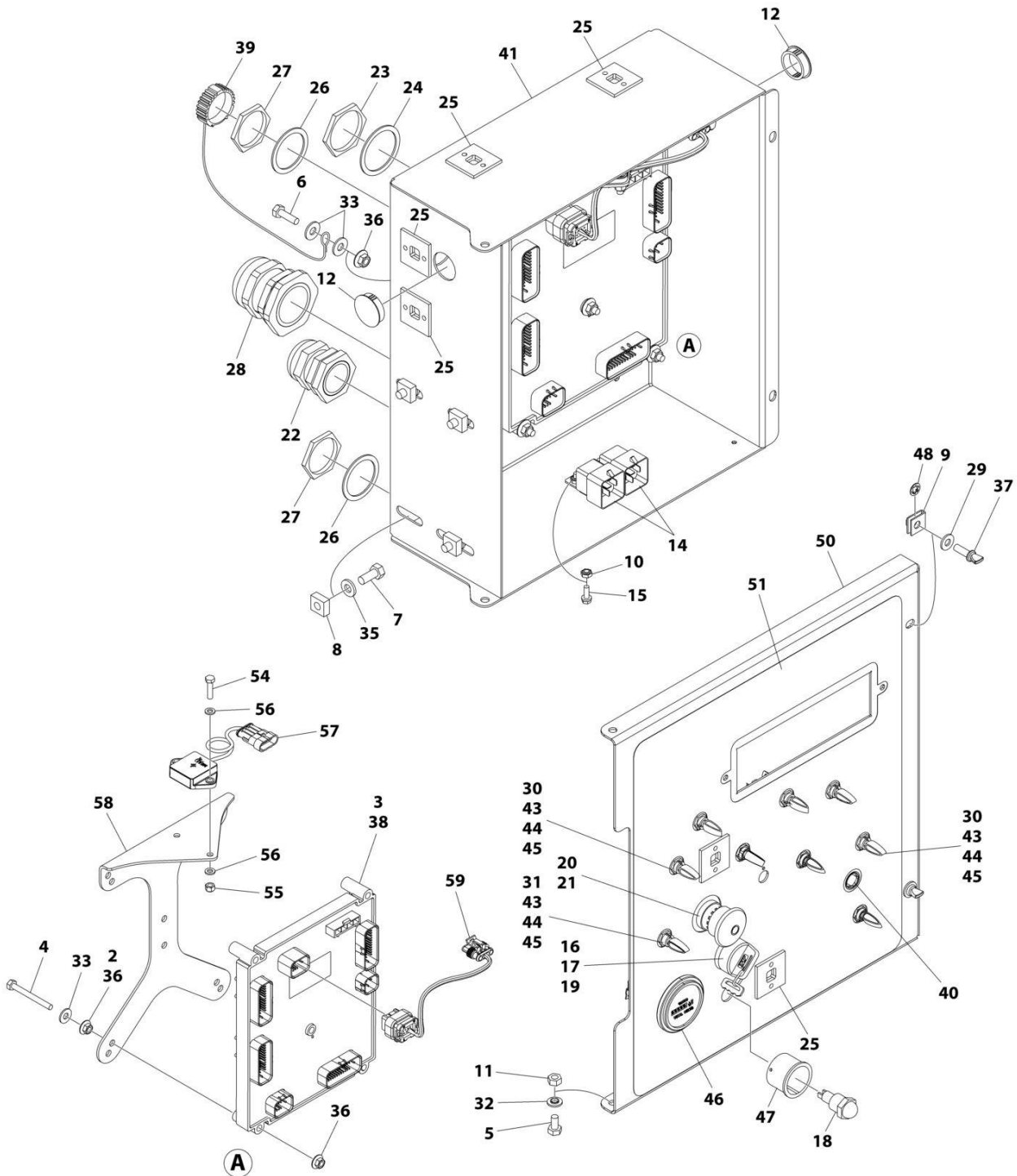
## SECTION 2 - TURNTABLE

| ITEM | PART NUMBER | QTY | DESCRIPTION  | REV |
|------|-------------|-----|--|-----|
| 47   | 1001285378  | 1   | Harness, Engine (Not Shown - See Separate Breakdown in ELECTRICAL Section)             |     |
| 48   | 1001280403  | 1   | Lid  |     |
| 49   | 1001263356  | 1   | Decal, Faceplate   |     |
| 50   | 1001285346  | 1   | Harness, Ground Control Box (Not Shown - See Separate Breakdown in ELECTRICAL Section) |     |
| 51   | 1001285801  | NLA | Wire Diagram (Not Shown)   |     |
| 52   | 0760612     | 2   | Bolt M6 x 25   |     |
| 53   | 3290605     | 2   | Nut M6   |     |
| 54   | 4811700     | 4   | Washer M6  |     |
| 55   | 1001219601  | 1   | Sensor, Tilt Dual Axis CAN   |     |
| 56   | 1001271794  | 1   | Bracket, Tilt Sensor   |     |
| 57   | 1001276143  | 1   | Harness, Tilt Sensor (See Separate Breakdown in ELECTRICAL Section)                    |     |



# SECTION 2 - TURNTABLE

## FIGURE 2-27. GROUND CONTROL BOX ASSEMBLY - DEUTZ 2011 ENGINES AND TOWER STOW AND MSSO



ART\_1001266468\_E



## SECTION 2 - TURNTABLE

**FIGURE 2-27. GROUND CONTROL BOX ASSEMBLY - DEUTZ 2011 ENGINES AND TOWER STOW AND MSSO**

| ITEM | PART NUMBER | QTY | DESCRIPTION   | REV |
|------|-------------|-----|---|-----|
|      | 1001266468  | Ref | CONSOLE BOX ASSEMBLY (TOWER STOW) (CE & UK CA SPEC)                       | E   |
| 2    | 0100011     | AR  | Compound, Locking   |     |
| 3    | 0100048     | AR  | Grease, Dielectric  |     |
| 4    | 0630548     | 5   | Bolt, 2-1/2 Tap   |     |
| 5    | 0641404     | 2   | Bolt 1/4 x 1/2  |     |
| 6    | 0641407     | 1   | Bolt 1/4 x 7/8  |     |
| 7    | 0641506     | 4   | Bolt 5/16 x 3/4   |     |
| 8    | 3300205     | 4   | Nut, Retainer   |     |
| 9    | 3300353     | 2   | Nut, Tinnerman  |     |
| 10   | 3300408     | 2   | Nut, Plastic Insert   |     |
| 11   | 3311405     | 2   | Nut 1/4   |     |
| 12   | 3520031     | 2   | Plug  |     |
| 14   | 3740049     | 2   | Relay   |     |
| 15   | 3900268     | 2   | Screw #10 x 1/2   |     |
| 16   | 3910804     | 6   | Screw #8 x 1/4  |     |
| 17   | 4070991     | 1   | Shim  |     |
| 18   | 4360387     | 1   | Switch, Push Button   |     |
| 19   | 4360469     | 1   | Switch, Key   |     |
| 19   | 2860030     | 1   | Key Replacement   |     |
| 20   | 4360475     | 1   | Switch, Emergency Stop  |     |
| 20   | 7020175     | 1   | Cap, Mushroom   |     |
| 20   | 7020176     | 1   | Block, Contact  |     |
| 21   | 4360476     | 1   | Switch, Contact Block   |     |
| 22   | 4460426     | 1   | Connector, Strain Relief  |     |
| 23   | 4460470     | 1   | Nut, Terminal   |     |
| 24   | 4460471     | 1   | Washer, Terminal  |     |
| 25   | 4460488     | 6   | Mounting Base, Terminal   |     |
| 26   | 4460496     | 2   | Washer, Terminal  |     |
| 27   | 4460497     | 2   | Nut, Terminal   |     |
| 28   | 4460526     | 1   | Connector, Strain Relief  |     |
| 29   | 4711400     | 2   | Washer 1/4  |     |
| 30   | 4740397     | 8   | Spacer  |     |
| 31   | 4740444     | 1   | Washer  |     |
| 32   | 4740518     | 2   | Washer  |     |
| 33   | 4751400     | 7   | Washer 1/4  |     |
| 35   | 4891500     | 4   | Washer 5/16   |     |
| 36   | 77143013    | 11  | Nut 1/4-20  |     |
| 37   | 1001103308  | 2   | Screw 1/4   |     |
| 38   | 1001280600  | 1   | Module, Ground Control  |     |
|      |             | Ref | Note: Re-calibration Required when Replaced.                              |     |
| 39   | 1001106736  | 1   | Cap, Dust   |     |
| 40   | 1001137364  | 1   | Lamp  |     |
| 41   | 1001287467  | 1   | Box   |     |
| 42   | 1001298324  | 1   | Harness, Valve (Not Shown - See Separate Breakdown in ELECTRICAL Section) |     |
| 43   | 1001155043  | 9   | Washer  |     |
| 44   | 1001155044  | 9   | Nut 15/32-32  |     |
| 45   | 1001155045  | 9   | Switch, Toggle  |     |

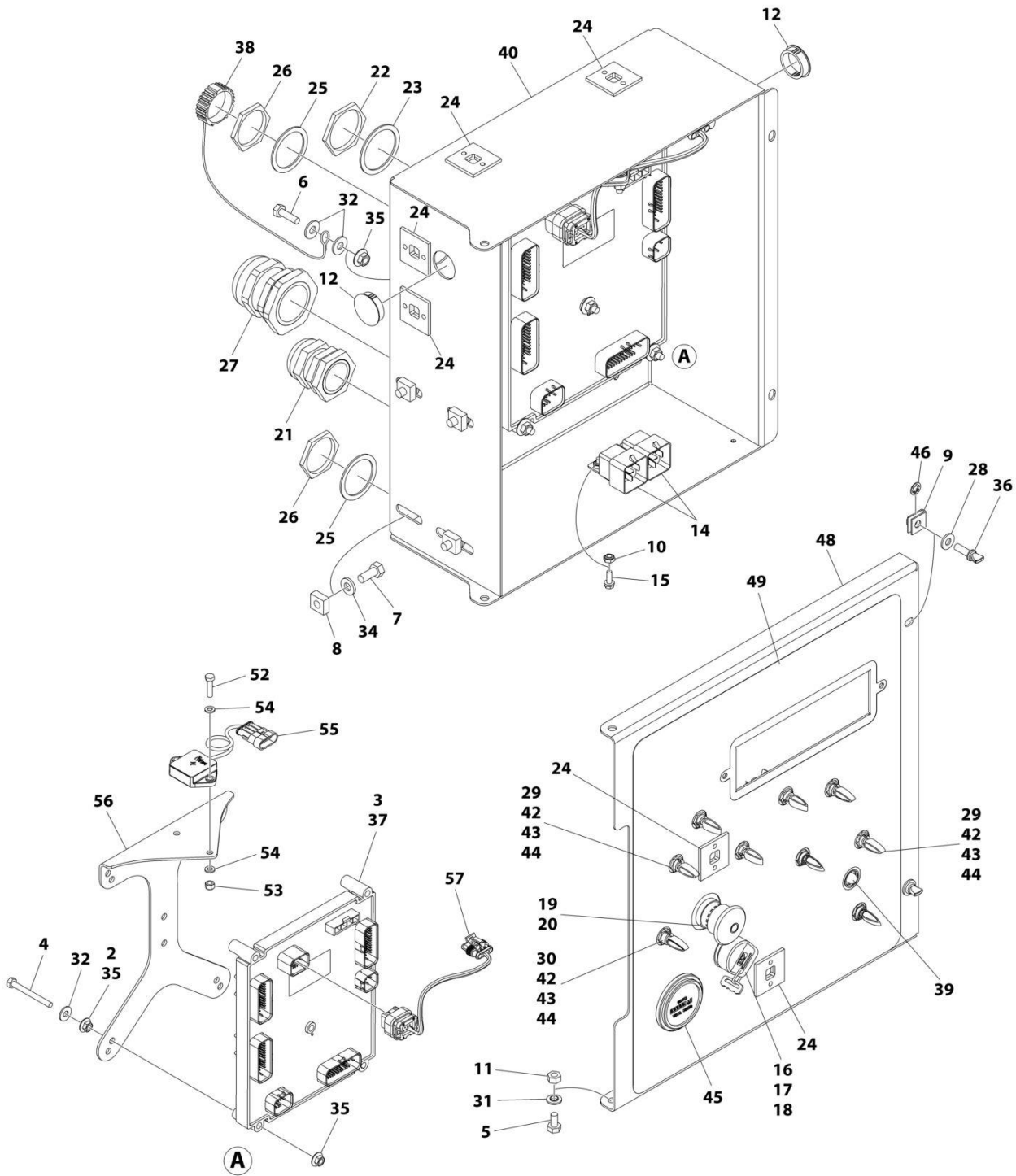
## SECTION 2 - TURNTABLE

| ITEM | PART NUMBER | QTY | DESCRIPTION  | REV |
|------|-------------|-----|--|-----|
| 46   | 10836804    | 1   | Gauge  |     |
| 47   | 1001176469  | 1   | Shroud   |     |
| 48   | 1001188874  | 2   | Nut  |     |
| 49   | 1001285378  | 1   | Harness, Engine (Not Shown - See Separate Breakdown in ELECTRICAL Section)             |     |
| 50   | 1001297391  | 1   | Lid  |     |
| 51   | 1001263355  | 1   | Decal, Faceplate   |     |
| 52   | 1001285346  | 1   | Harness, Ground Control Box (Not Shown - See Separate Breakdown in ELECTRICAL Section) |     |
| 53   | 1001285801  | NLA | Wire Diagram (Not Shown)   |     |
| 54   | 0760612     | 2   | Bolt M6 x 25   |     |
| 55   | 3290605     | 2   | Nut M6   |     |
| 56   | 4811700     | 4   | Washer M6  |     |
| 57   | 1001219601  | 1   | Sensor, Tilt Dual Axis CAN   |     |
| 58   | 1001271794  | 1   | Bracket, Tilt Sensor   |     |
| 59   | 1001276143  | 1   | Harness, Tilt Sensor (See Separate Breakdown in ELECTRICAL Section)                    |     |



# SECTION 2 - TURNTABLE

FIGURE 2-28. GROUND CONTROL BOX ASSEMBLY - DEUTZ TD2.9L4 AND CHINA IV ENGINES AND TOWER STOW



ART\_1001263366\_E

## SECTION 2 - TURNTABLE

**FIGURE 2-28. GROUND CONTROL BOX ASSEMBLY - DEUTZ TD2.9L4 AND CHINA IV ENGINES AND TOWER STOW**

| ITEM | PART NUMBER | QTY | DESCRIPTION   | REV |
|------|-------------|-----|---|-----|
|      | 1001263366  | Ref | CONSOLE BOX ASSEMBLY (TOWER STOW)   | E   |
| 2    | 0100011     | AR  | Compound, Locking   |     |
| 3    | 0100048     | AR  | Grease, Dielectric  |     |
| 4    | 0630548     | 5   | Bolt 2-1/2 Tap  |     |
| 5    | 0641404     | 2   | Bolt 1/4 x 1/2  |     |
| 6    | 0641407     | 1   | Bolt 1/4 x 7/8  |     |
| 7    | 0641506     | 4   | Bolt 5/16 x 3/4   |     |
| 8    | 3300205     | 4   | Nut, Retainer   |     |
| 9    | 3300353     | 2   | Nut, Tinnerman  |     |
| 10   | 3300408     | 2   | Nut, Plastic Insert   |     |
| 11   | 3311405     | 2   | Nut 1/4   |     |
| 12   | 3520031     | 2   | Plug  |     |
| 14   | 3740049     | 2   | Relay   |     |
| 15   | 3900268     | 2   | Screw #10 x 1/2   |     |
| 16   | 3910804     | 6   | Screw #8 x 1/4  |     |
| 17   | 4070991     | 1   | Shim  |     |
| 18   | 4360469     | 1   | Switch, Key   |     |
| 18   | 2860030     | 1   | Key Replacement   |     |
| 19   | 4360475     | 1   | Switch, Emergency Stop  |     |
| 19   | 7020175     | 1   | Cap, Mushroom   |     |
| 19   | 7020176     | 1   | Block, Contact  |     |
| 20   | 4360476     | 1   | Switch, Contact Block   |     |
| 21   | 4460426     | 1   | Connector, Strain Relief  |     |
| 22   | 4460470     | 1   | Nut, Terminal   |     |
| 23   | 4460471     | 1   | Washer, Terminal  |     |
| 24   | 4460488     | 6   | Mounting Base, Terminal   |     |
| 25   | 4460496     | 2   | Washer, Terminal  |     |
| 26   | 4460497     | 2   | Nut, Terminal   |     |
| 27   | 4460526     | 1   | Connector, Strain Relief  |     |
| 28   | 4711400     | 2   | Washer 1/4  |     |
| 29   | 4740397     | 8   | Spacer  |     |
| 30   | 4740444     | 1   | Washer  |     |
| 31   | 4740518     | 2   | Washer  |     |
| 32   | 4751400     | 7   | Washer 1/4  |     |
| 34   | 4891500     | 4   | Washer 5/16   |     |
| 35   | 77143013    | 11  | Nut 1/4-20  |     |
| 36   | 1001103308  | 2   | Screw 1/4   |     |
| 37   | 1001280600  | 1   | Module, Ground Control  |     |
|      |             | Ref | Note: Re-calibration Required when Replaced.                              |     |
| 38   | 1001106736  | 1   | Cap, Dust   |     |
| 39   | 1001137364  | 1   | Lamp  |     |
| 40   | 1001287467  | 1   | Box   |     |
| 41   | 1001298324  | 1   | Harness, Valve (Not Shown - See Separate Breakdown in ELECTRICAL Section) |     |
| 42   | 1001155043  | 9   | Washer  |     |
| 43   | 1001155044  | 9   | Nut 15/32-32  |     |
| 44   | 1001155045  | 9   | Switch, Toggle  |     |
| 45   | 10836804    | 1   | Hour Meter  |     |
| 46   | 1001188874  | 2   | Nut   |     |

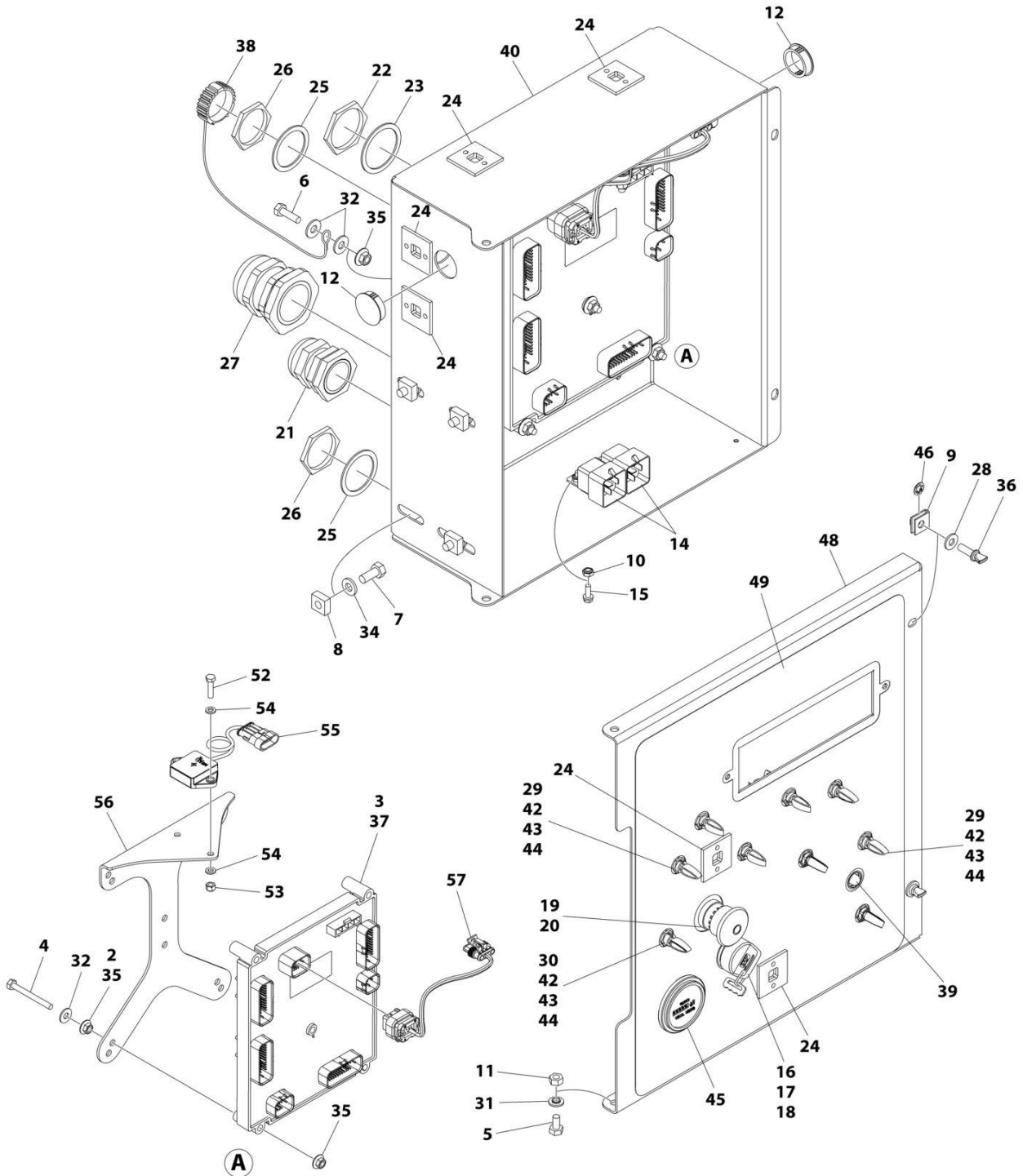
## SECTION 2 - TURNTABLE

| ITEM | PART NUMBER | QTY | DESCRIPTION  | REV |
|------|-------------|-----|--|-----|
| 47   | 1001286030  | 1   | Harness, Engine (Not Shown - See Separate Breakdown in ELECTRICAL Section)             |     |
| 48   | 1001280403  | 1   | Lid  |     |
| 49   | 1001263356  | 1   | Decal, Faceplate   |     |
| 50   | 1001285346  | 1   | Harness, Ground Control Box (Not Shown - See Separate Breakdown in ELECTRICAL Section) |     |
| 51   | 1001285801  | NLA | Wire Diagram (Not Shown)   |     |
| 52   | 0760612     | 2   | Bolt M6 x 25   |     |
| 53   | 3290605     | 2   | Nut M6   |     |
| 54   | 4811700     | 4   | Washer M6  |     |
| 55   | 1001219601  | 1   | Sensor, Tilt Dual Axis CAN   |     |
| 56   | 1001271794  | 1   | Bracket, Tilt Sensor   |     |
| 57   | 1001276143  | 1   | Harness, Tilt Sensor (See Separate Breakdown in ELECTRICAL Section)                    |     |



# SECTION 2 - TURNTABLE

## FIGURE 2-29. GROUND CONTROL BOX ASSEMBLY - FORD DF 2.5L AND TOWER STOW



ART\_1001263367\_E



## SECTION 2 - TURNTABLE

**FIGURE 2-29. GROUND CONTROL BOX ASSEMBLY - FORD DF 2.5L AND TOWER STOW**

| ITEM | PART NUMBER | QTY | DESCRIPTION   | REV |
|------|-------------|-----|---|-----|
|      | 1001263367  | Ref | CONSOLE BOX ASSEMBLY (TOWER STOW)   | E   |
| 2    | 0100011     | AR  | Compound, Locking   |     |
| 3    | 0100048     | AR  | Grease, Dielectric  |     |
| 4    | 0630548     | 5   | Bolt 2-1/2 Tap  |     |
| 5    | 0641404     | 2   | Bolt 1/4 x 1/2  |     |
| 6    | 0641407     | 1   | Bolt 1/4 x 7/8  |     |
| 7    | 0641506     | 4   | Bolt 5/16 x 3/4   |     |
| 8    | 3300205     | 4   | Nut, Retainer   |     |
| 9    | 3300353     | 2   | Nut, Tinnerman  |     |
| 10   | 3300408     | 2   | Nut, Plastic Insert   |     |
| 11   | 3311405     | 2   | Nut 1/4   |     |
| 12   | 3520031     | 2   | Plug  |     |
| 14   | 3740049     | 2   | Relay   |     |
| 15   | 3900268     | 2   | Screw #10 x 1/2   |     |
| 16   | 3910804     | 6   | Screw #8 x 1/4  |     |
| 17   | 4070991     | 1   | Shim  |     |
| 18   | 4360469     | 1   | Switch, Key   |     |
| 18   | 2860030     | 1   | Key Replacement   |     |
| 19   | 4360475     | 1   | Switch, Emergency Stop  |     |
| 19   | 7020175     | 1   | Cap, Mushroom   |     |
| 19   | 7020176     | 1   | Block, Contact  |     |
| 20   | 4360476     | 1   | Switch, Contact Block   |     |
| 21   | 4460426     | 1   | Connector, Strain Relief  |     |
| 22   | 4460470     | 1   | Nut, Terminal   |     |
| 23   | 4460471     | 1   | Washer, Terminal  |     |
| 24   | 4460488     | 6   | Mounting Base, Terminal   |     |
| 25   | 4460496     | 2   | Washer, Terminal  |     |
| 26   | 4460497     | 2   | Nut, Terminal   |     |
| 27   | 4460526     | 1   | Connector, Strain Relief  |     |
| 28   | 4711400     | 2   | Washer 1/4  |     |
| 29   | 4740397     | 8   | Spacer  |     |
| 30   | 4740444     | 1   | Washer  |     |
| 31   | 4740518     | 2   | Washer  |     |
| 32   | 4751400     | 7   | Washer 1/4  |     |
| 34   | 4891500     | 4   | Washer 5/16   |     |
| 35   | 77143013    | 11  | Nut 1/4-20  |     |
| 36   | 1001103308  | 2   | Screw 1/4   |     |
| 37   | 1001280600  | 1   | Module, Ground Control  |     |
|      |             | Ref | Note: Re-calibration Required when Replaced.                              |     |
| 38   | 1001106736  | 1   | Cap, Dust   |     |
| 39   | 1001137364  | 1   | Lamp  |     |
| 40   | 1001287467  | 1   | Box   |     |
| 41   | 1001298324  | 1   | Harness, Valve (Not Shown - See Separate Breakdown in ELECTRICAL Section) |     |
| 42   | 1001155043  | 9   | Washer  |     |
| 43   | 1001155044  | 9   | Nut 15/32-32  |     |
| 44   | 1001155045  | 9   | Switch, Toggle  |     |
| 45   | 10836804    | 1   | Hour Meter  |     |
| 46   | 1001188874  | 2   | Nut   |     |

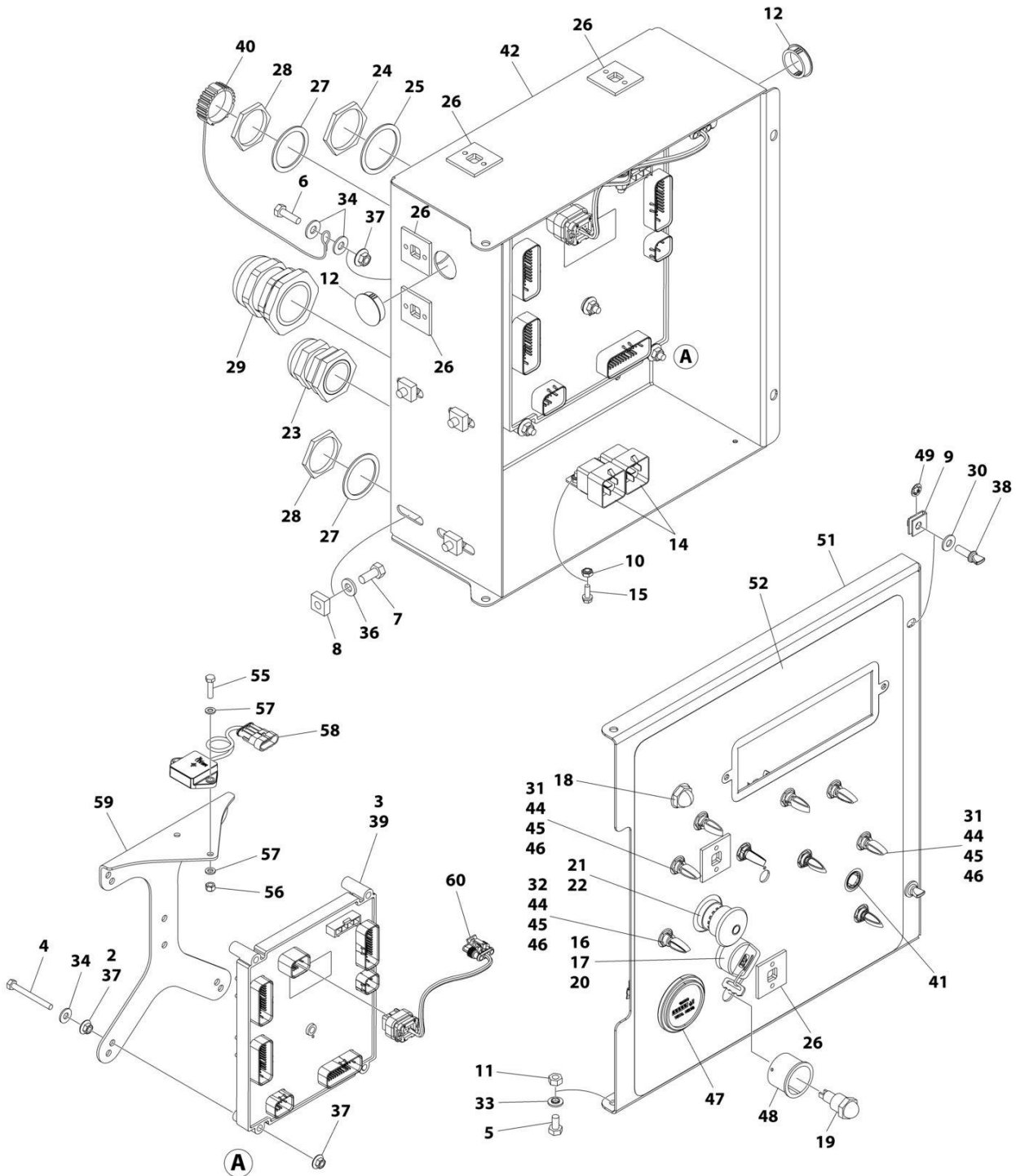
## SECTION 2 - TURNTABLE

| ITEM | PART NUMBER | QTY | DESCRIPTION  | REV |
|------|-------------|-----|--|-----|
| 47   | 1001286031  | 1   | Harness, Engine (Not Shown - See Separate Breakdown in ELECTRICAL Section)             |     |
| 48   | 1001280403  | 1   | Lid  |     |
| 49   | 1001263356  | 1   | Decal, Faceplate   |     |
| 50   | 1001285346  | 1   | Harness, Ground Control Box (Not Shown - See Separate Breakdown in ELECTRICAL Section) |     |
| 51   | 1001285801  | NLA | Wire Diagram (Not Shown)   |     |
| 52   | 0760612     | 2   | Bolt M6 x 25   |     |
| 53   | 3290605     | 2   | Nut M6   |     |
| 54   | 4811700     | 4   | Washer M6  |     |
| 55   | 1001219601  | 1   | Sensor, Tilt Dual Axis CAN   |     |
| 56   | 1001271794  | 1   | Bracket, Tilt Sensor   |     |
| 57   | 1001276143  | 1   | Harness, Tilt Sensor (See Separate Breakdown in ELECTRICAL Section)                    |     |



# SECTION 2 - TURNTABLE

FIGURE 2-30. GROUND CONTROL BOX ASSEMBLY - DEUTZ TD2.2L3 (STAGE V) ENGINES AND TOWER STOW



ART\_1001263368\_E

## SECTION 2 - TURNTABLE

**FIGURE 2-30. GROUND CONTROL BOX ASSEMBLY - DEUTZ TD2.2L3 (STAGE V) ENGINES AND TOWER STOW**

| ITEM | PART NUMBER | QTY | DESCRIPTION   | REV |
|------|-------------|-----|---|-----|
|      | 1001263368  | Ref | CONSOLE BOX ASSEMBLY (TOWER STOW)   | E   |
| 2    | 0100011     | AR  | Compound, Locking   |     |
| 3    | 0100048     | AR  | Grease, Dielectric  |     |
| 4    | 0630548     | 5   | Bolt 2-1/2 Tap  |     |
| 5    | 0641404     | 2   | Bolt 1/4 x 1/2  |     |
| 6    | 0641407     | 1   | Bolt 1/4 x 7/8  |     |
| 7    | 0641506     | 4   | Bolt 5/16 x 3/4   |     |
| 8    | 3300205     | 4   | Nut, Retainer   |     |
| 9    | 3300353     | 2   | Nut, Tinnerman  |     |
| 10   | 3300408     | 2   | Nut, Plastic Insert   |     |
| 11   | 3311405     | 2   | Nut 1/4   |     |
| 12   | 3520031     | 2   | Plug  |     |
| 14   | 3740049     | 2   | Relay   |     |
| 15   | 3900268     | 2   | Screw #10 x 1/2   |     |
| 16   | 3910804     | 6   | Screw #8 x 1/4  |     |
| 17   | 4070991     | 1   | Shim  |     |
| 18   | 4360274     | 1   | Switch, Push Button   |     |
| 19   | 4360387     | 1   | Switch, Push Button   |     |
| 20   | 4360469     | 1   | Switch, Key   |     |
| 20   | 2860030     | 1   | Key Replacement   |     |
| 21   | 4360475     | 1   | Switch, Emergency Stop  |     |
| 21   | 7020175     | 1   | Cap, Mushroom   |     |
| 21   | 7020176     | 1   | Block, Contact  |     |
| 22   | 4360476     | 1   | Switch, Contact Block   |     |
| 23   | 4460426     | 1   | Connector, Strain Relief  |     |
| 24   | 4460470     | 1   | Nut, Terminal   |     |
| 25   | 4460471     | 1   | Washer, Terminal  |     |
| 26   | 4460488     | 6   | Mounting Base, Terminal   |     |
| 27   | 4460496     | 2   | Washer, Terminal  |     |
| 28   | 4460497     | 2   | Nut, Terminal   |     |
| 29   | 4460526     | 1   | Connector, Strain Relief  |     |
| 30   | 4711400     | 2   | Washer 1/4  |     |
| 31   | 4740397     | 8   | Spacer  |     |
| 32   | 4740444     | 1   | Washer  |     |
| 33   | 4740518     | 2   | Washer  |     |
| 34   | 4751400     | 7   | Washer 1/4  |     |
| 36   | 4891500     | 4   | Washer 5/16   |     |
| 37   | 77143013    | 11  | Nut 1/4-20  |     |
| 38   | 1001103308  | 2   | Screw 1/4   |     |
| 39   | 1001280600  | 1   | Module, Ground Control  |     |
|      |             | Ref | Note: Re-calibration Required when Replaced.                              |     |
| 40   | 1001106736  | 1   | Cap, Dust   |     |
| 41   | 1001137364  | 1   | Lamp  |     |
| 42   | 1001287467  | 1   | Box   |     |
| 43   | 1001298324  | 1   | Harness, Valve (Not Shown - See Separate Breakdown in ELECTRICAL Section) |     |
| 44   | 1001155043  | 9   | Washer  |     |
| 45   | 1001155044  | 9   | Nut 15/32-32  |     |
| 46   | 1001155045  | 9   | Switch, Toggle  |     |

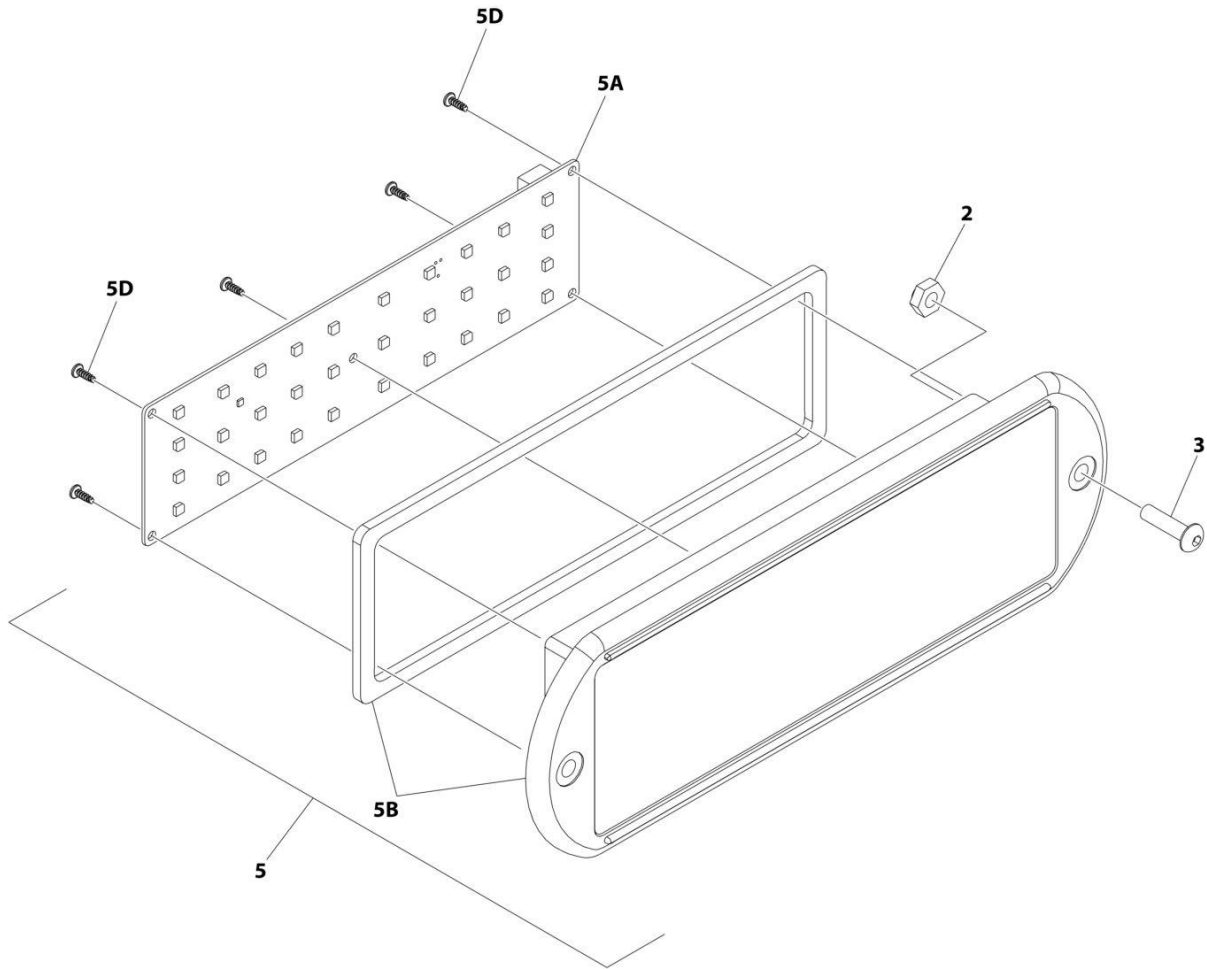
## SECTION 2 - TURNTABLE

| ITEM | PART NUMBER | QTY | DESCRIPTION  | REV |
|------|-------------|-----|--|-----|
| 47   | 10836804    | 1   | Gauge  |     |
| 48   | 1001176469  | 1   | Shroud   |     |
| 49   | 1001188874  | 2   | Nut  |     |
| 50   | 1001286030  | 1   | Harness, Engine (Not Shown - See Separate Breakdown in ELECTRICAL Section)             |     |
| 51   | 1001297391  | 1   | Lid  |     |
| 52   | 1001263357  | 1   | Decal, Faceplate   |     |
| 53   | 1001285346  | 1   | Harness, Ground Control Box (Not Shown - See Separate Breakdown in ELECTRICAL Section) |     |
| 54   | 1001285801  | NLA | Wire Diagram (Not Shown)   |     |
| 55   | 0760612     | 2   | Bolt M6 x 25   |     |
| 56   | 3290605     | 2   | Nut M6   |     |
| 57   | 4811700     | 4   | Washer M6  |     |
| 58   | 1001219601  | 1   | Sensor, Tilt Dual Axis CAN   |     |
| 59   | 1001271794  | 1   | Bracket, Tilt Sensor   |     |
| 60   | 1001276143  | 1   | Harness, Tilt Sensor (See Separate Breakdown in ELECTRICAL Section)                    |     |



# SECTION 2 - TURNTABLE

## FIGURE 2-31. LIGHT PANEL INSTALLATION - GROUND CONTROL



ART\_1001233959\_D\_10F2



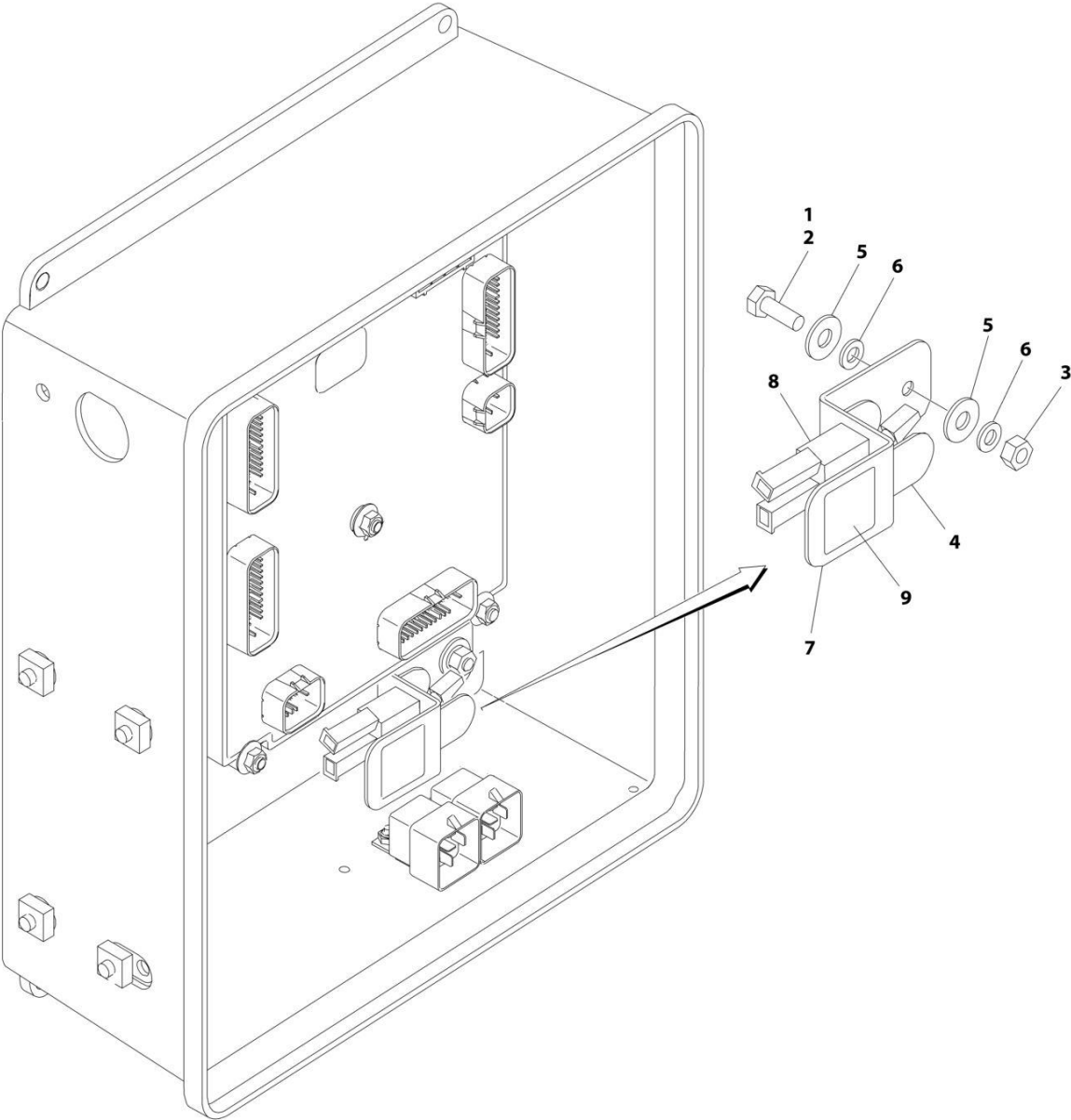
**SECTION 2 - TURNTABLE**

**FIGURE 2-31. LIGHT PANEL INSTALLATION - GROUND CONTROL**

| <b>ITEM</b> | <b>PART NUMBER</b> | <b>QTY</b> | <b>DESCRIPTION</b>           | <b>REV</b> |
|-------------|--------------------|------------|------------------------------|------------|
|             | 1001233959         | Ref        | LIGHT PANEL INSTALLATION     | D          |
| 2           | 3300408            | 2          | Nut, Nylon Insert            |            |
| 3           | 0630518            | 2          | Screw #10 x 3/4              |            |
| 5           | 1001237546         | 1          | Light Panel Assembly         | J          |
| 5A          | 1001282106         | 1          | Panel, LED Light             |            |
| 5B          | 1001236091         | 1          | Lens, Icon (Includes Gasket) |            |
| 5D          |                    | Ref        | Screw                        |            |

# SECTION 2 - TURNTABLE

## FIGURE 2-32. CRIBBING ENABLE SWITCH INSTALLATION



ART\_1001115918

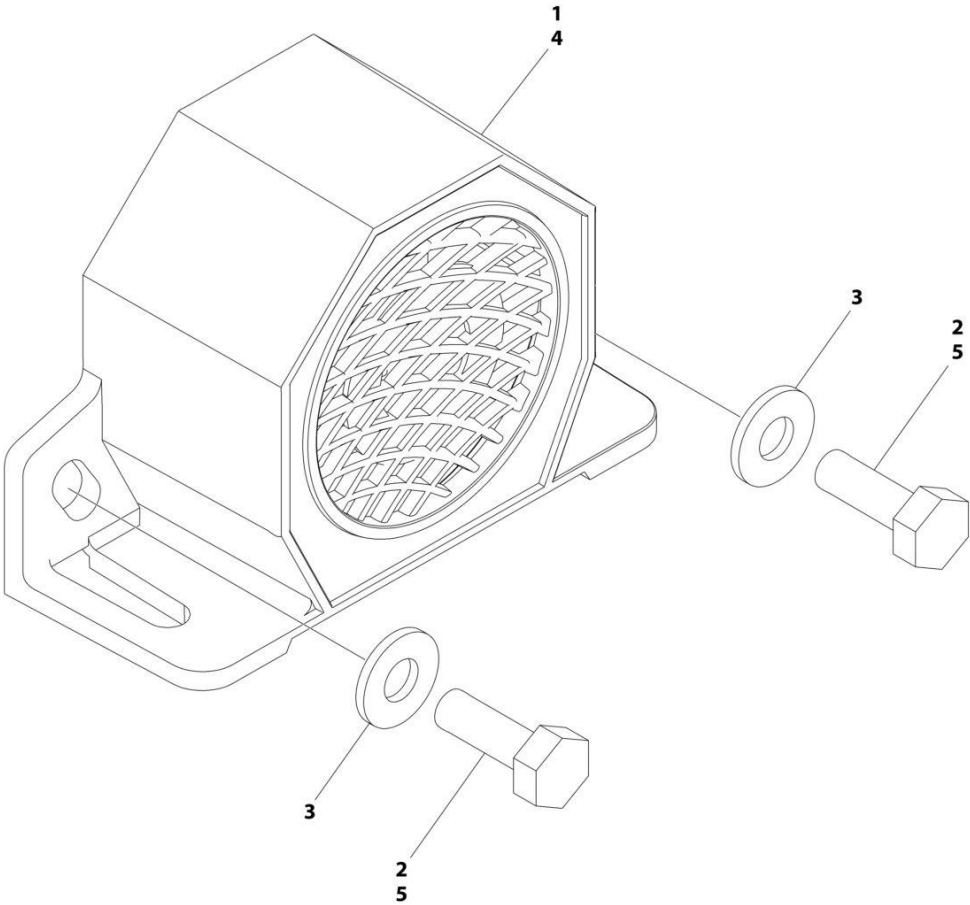
**SECTION 2 - TURNTABLE**

**FIGURE 2-32. CRIBBING ENABLE SWITCH INSTALLATION**

| ITEM | PART NUMBER | QTY | DESCRIPTION                         | REV |
|------|-------------|-----|-------------------------------------|-----|
|      | 1001115918  | Ref | CRIBBING ENABLE SWITCH INSTALLATION | A   |
| 1    | 0100011     | AR  | Compound, Locking                   |     |
| 2    | 0641406     | 1   | Bolt 1/4 x 3/4                      |     |
| 3    | 3311401     | 1   | Nut 1/4                             |     |
| 4    | 4060906     | 1   | Guard, Switch                       |     |
| 5    | 4751400     | 2   | Washer 1/4                          |     |
| 6    | 4761400     | 2   | Washer 1/4                          |     |
| 7    | 1001115889  | 1   | Bracket                             |     |
| 8    | 1001115915  | 1   | Cribbing Enable Harness             |     |
| 8    | 4360336     | 1   | Switch, Toggle                      |     |
| 8    | 4460226     | 2   | Socket, Female                      |     |
| 9    | 1001115967  | 1   | Decal - Cribbing                    |     |

**SECTION 2 - TURNTABLE**

**FIGURE 2-33. ALARM INSTALLATION**



ART\_1001160074

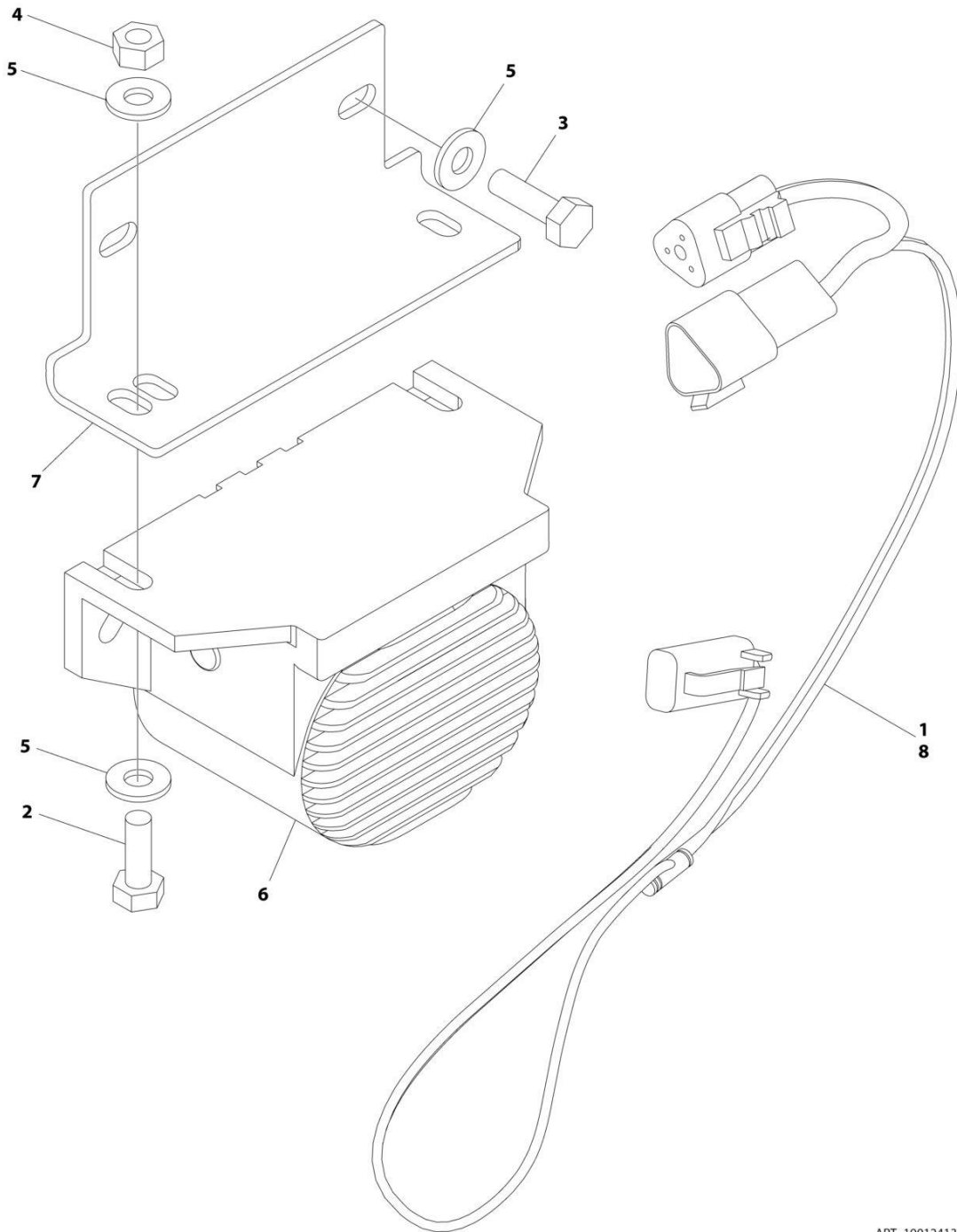
**SECTION 2 - TURNTABLE**

**FIGURE 2-33. ALARM INSTALLATION**

| <b>ITEM</b> | <b>PART NUMBER</b> | <b>QTY</b> | <b>DESCRIPTION</b>   | <b>REV</b> |
|-------------|--------------------|------------|----------------------|------------|
|             | 1001160074         | Ref        | ALARMS INSTALLATION  | A          |
| 1           | 0140044            | 1          | Alarm                |            |
| 2           | 0641406            | 2          | Bolt 1/4 x 3/4       |            |
| 3           | 4711400            | 2          | Washer 1/4           |            |
| 4           | 0100048            | AR         | Compound, Dielectric |            |
| 5           | 0100011            | AR         | Compound, Locking    |            |

## SECTION 2 - TURNTABLE

FIGURE 2-34. ALARM (WHITE NOISE AMBIENT) INSTALLATION



ART\_1001241384

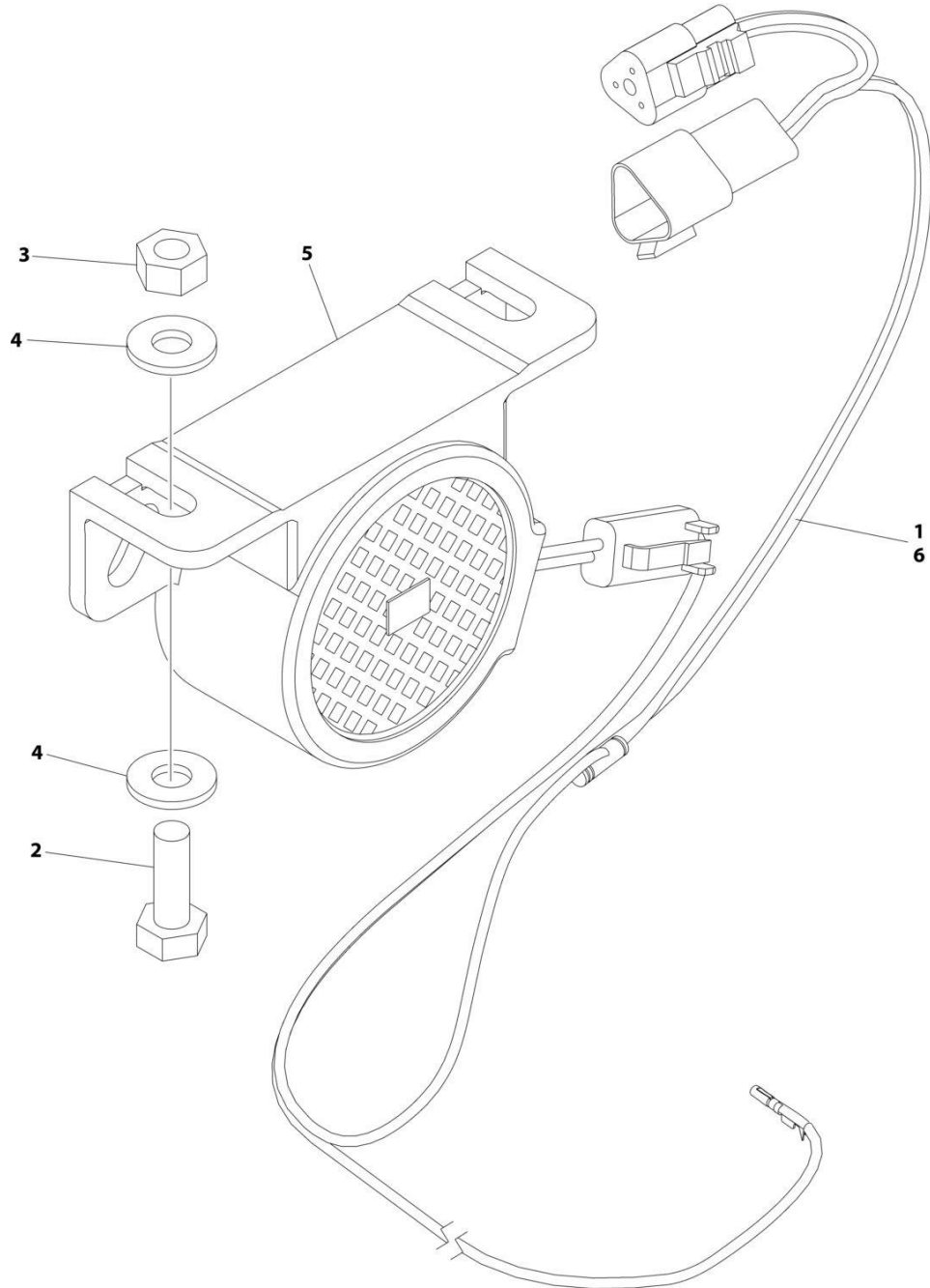
**SECTION 2 - TURNTABLE**

**FIGURE 2-34. ALARM (WHITE NOISE AMBIENT) INSTALLATION**

| ITEM | PART NUMBER | QTY | DESCRIPTION  | REV |
|------|-------------|-----|--|-----|
|      | 1001241384  | Ref | BACKUP ALARM AMBIENT (WHITE NOISE) INSTALLATION                                  | B   |
| 1    | 0100048     | AR  | Grease, Dielectric   |     |
| 2    | 0641406     | 2   | Bolt 1/4 x 3/4   |     |
| 3    | 0641407     | 2   | Bolt 1/4 x 7/8   |     |
| 4    | 3311405     | 2   | Nut 1/4  |     |
| 5    | 4711400     | 6   | Washer 1/4   |     |
| 6    | 1001182806  | 1   | Alarm  |     |
| 6    | 4460897     | 1   | Connector - 2 Position   |     |
| 6    | 4460464     | 2   | Pin, Male  |     |
| 7    | 1001231886  | 1   | Plate  |     |
| 8    | 1001231007  | 1   | Harness, White Noise Motion Alarm (See Separate Breakdown in ELECTRICAL SECTION) |     |

## SECTION 2 - TURNTABLE

FIGURE 2-35. ALARM (WHITE NOISE) INSTALLATION



ART\_1001239346



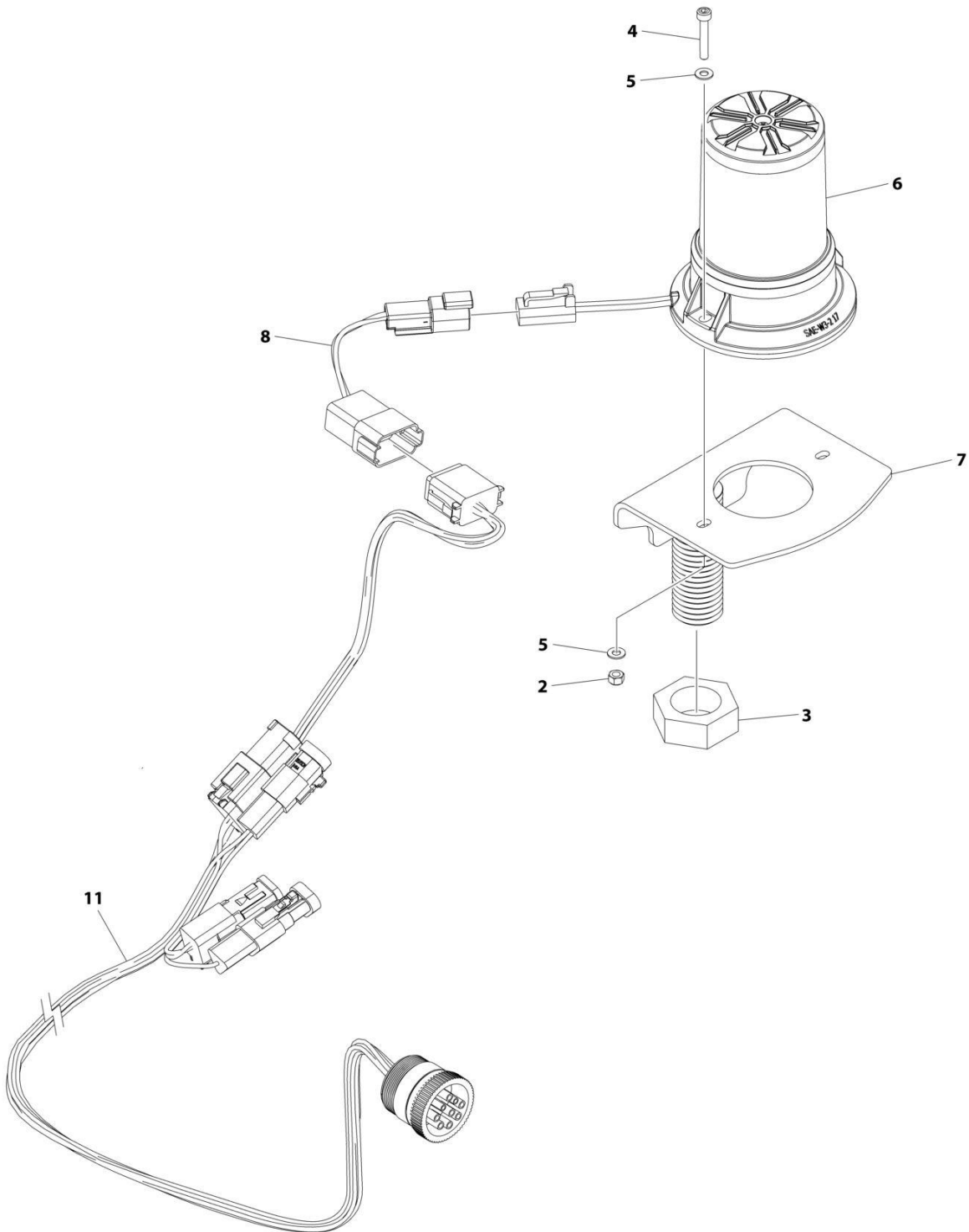
**SECTION 2 - TURNTABLE**

**FIGURE 2-35. ALARM (WHITE NOISE) INSTALLATION**

| <b>ITEM</b> | <b>PART NUMBER</b> | <b>QTY</b> | <b>DESCRIPTION</b>   | <b>REV</b> |
|-------------|--------------------|------------|--|------------|
|             | 1001239346         | Ref        | BACKUP ALARM (WHITE NOISE) INSTALLATION  | B          |
| 1           | 0100048            | AR         | Grease, Dielectric   |            |
| 2           | 0641406            | 2          | Bolt 1/4 x 3/4   |            |
| 3           | 3311405            | 2          | Valve, Check   |            |
| 4           | 4711400            | 4          | Washer 1/4   |            |
| 6           | 1001184682         | 1          | Alarm  |            |
| 6           | 4460897            | 1          | Connector - 2 Position   |            |
| 6           | 4460464            | 2          | Pin, Male  |            |
| 6           | 1001231007         | 1          | Harness, White Noise Motion Alarm (See Separate Breakdown in ELECTRICAL SECTION) |            |

## SECTION 2 - TURNTABLE

FIGURE 2-36. STROBE LIGHT INSTALLATION (AMBER)



ART\_1001160077\_E

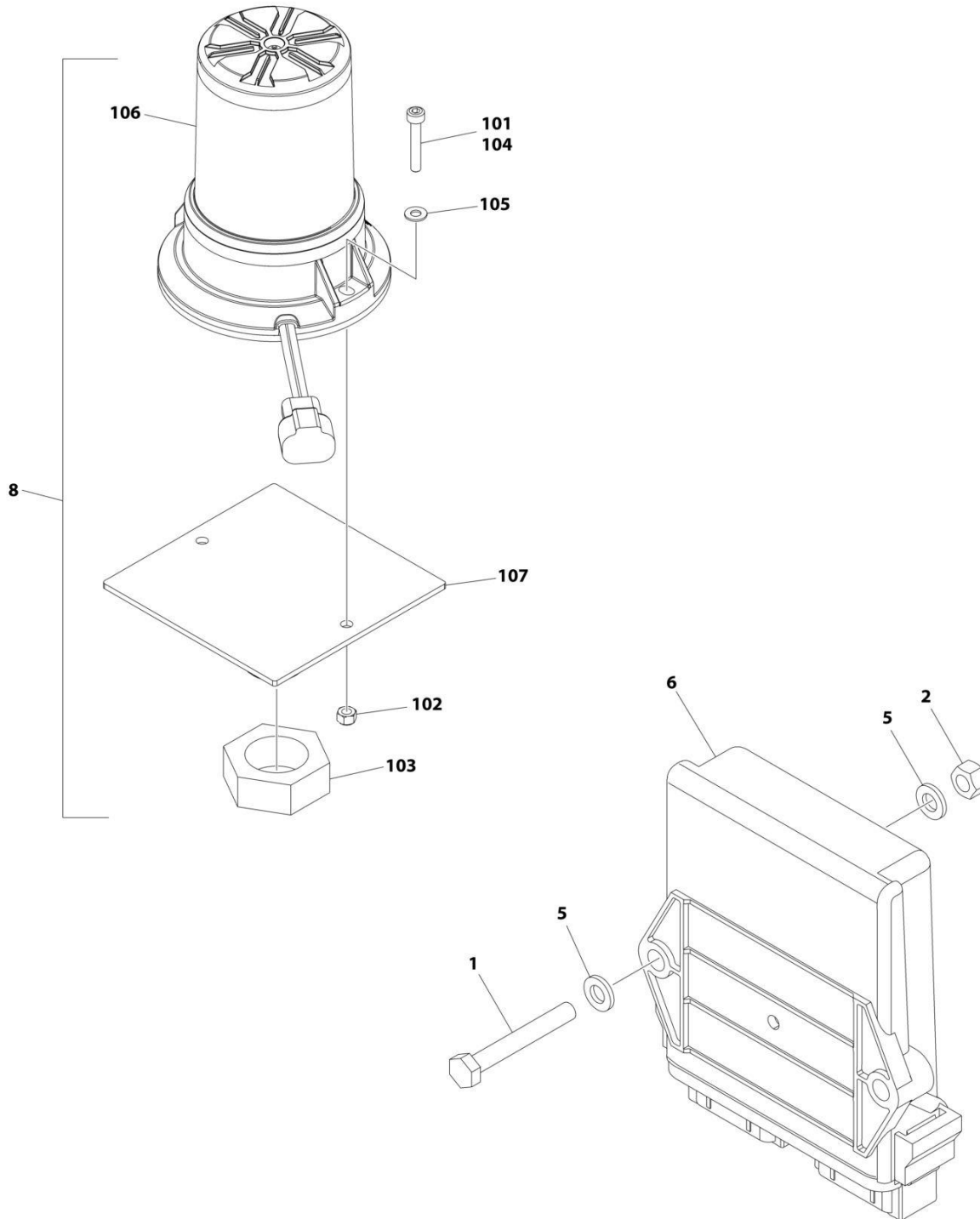
**SECTION 2 - TURNTABLE**

**FIGURE 2-36. STROBE LIGHT INSTALLATION (AMBER)**

| ITEM | PART NUMBER | QTY | DESCRIPTION   | REV |
|------|-------------|-----|---|-----|
|      | 1001160077  | Ref | STROBE LIGHT INSTALLATION (AMBER)                                     | E   |
| 2    | 3290405     | 2   | Nut, Lock M4  |     |
| 3    | 3312602     | 1   | Nut   |     |
| 4    | 4031509     | 2   | Capscrew M4 x 25  |     |
| 5    | 4811400     | 4   | Washer M4   |     |
| 6    | 1001270594  | 1   | Strobe Light/Harness Assembly   |     |
| 6    | 4460891     | 1   | Connector   |     |
| 6    | 4460465     | 2   | Socket  |     |
| 7    | 1001275149  | 2   | Mount   |     |
| 8    | 1001283776  | 1   | Harness, Strobe Jumper (See Separate Breakdown in ELECTRICAL Section) |     |
| 9    | 4240017     | AR  | Tie-Strap (Not Shown)   |     |
| 10   | 4460234     | AR  | Mount, Tie-Strap (Not Shown)  |     |
| 11   | 1001286622  | 1   | CSB Harness (See Separate Breakdown in ELECTRICAL Section)            |     |

# SECTION 2 - TURNTABLE

## FIGURE 2-37. STROBE LIGHT INSTALLATION (BLUE)



ART\_1001242251\_B

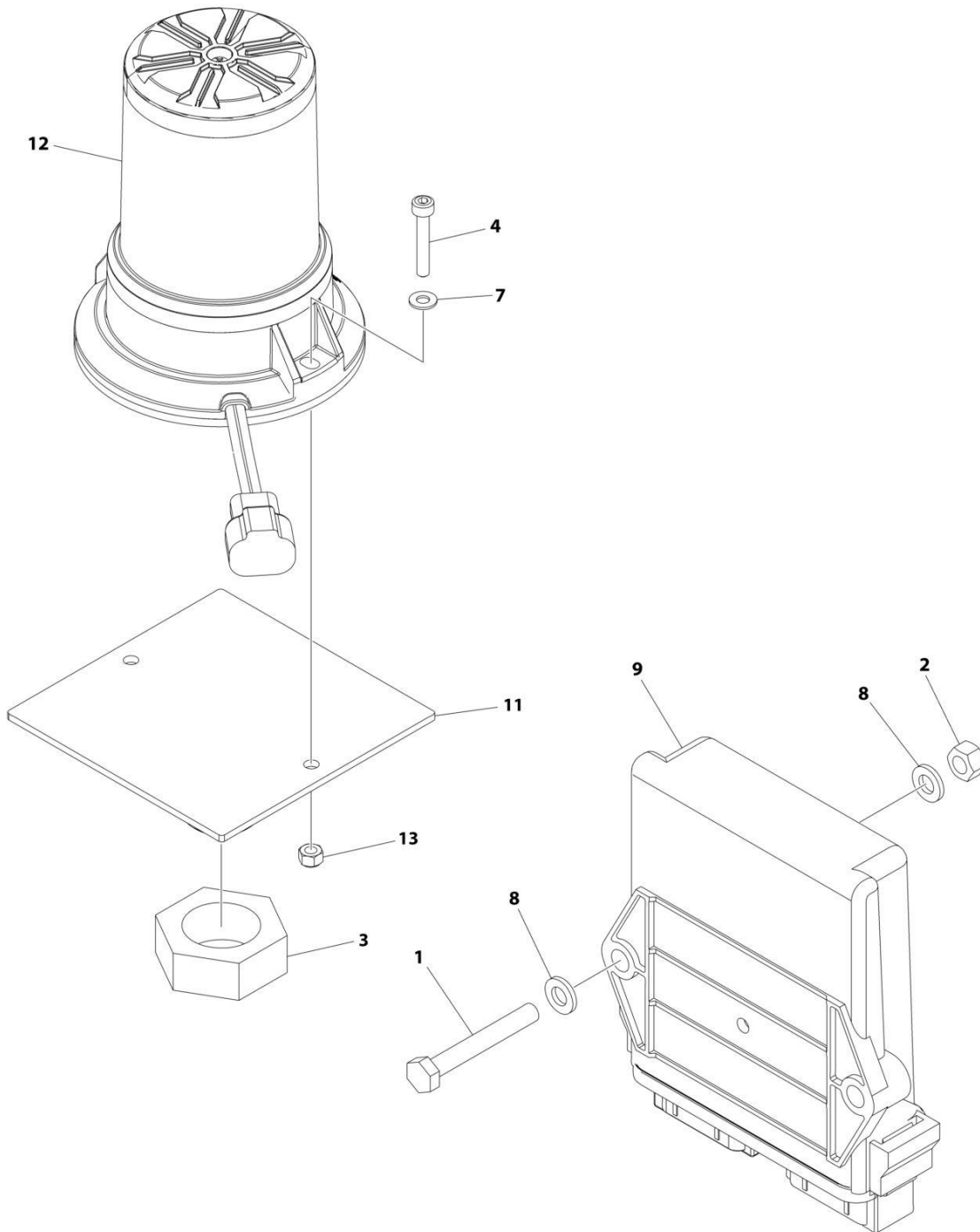
**SECTION 2 - TURNTABLE**

**FIGURE 2-37. STROBE LIGHT INSTALLATION (BLUE)**

| <b>ITEM</b> | <b>PART NUMBER</b> | <b>QTY</b> | <b>DESCRIPTION</b>   | <b>REV</b> |
|-------------|--------------------|------------|--|------------|
|             | 1001242251         | Ref        | STROBE LIGHT INSTALLATION (BLUE)   | B          |
| 1           | 0700617            | 2          | Bolt M6 x 45   |            |
| 2           | 3290607            | 2          | Nut M6 x 1   |            |
| 3           | 4240032            | AR         | Tie-Strap (Not Shown)  |            |
| 4           | 4460488            | AR         | Mounting Base (Not Shown)  |            |
| 5           | 4811700            | 4          | Washer M6  |            |
| 6           | 1001142683         | 1          | Module, Control Beacon   |            |
| 7           | 1001142736         | 1          | Harness, Beacon Control (Not Shown - See Separate Breakdown in ELECTRICAL Section) |            |
| 8           | 1001278845         | 1          | Blue Beacon Light Kit (See Items 101-107 for Breakdown)                            |            |
| 101         | 0100035            | AR         | Compound, Locking  |            |
| 102         | 3290405            | 2          | Nut, Lock M4   |            |
| 103         | 3312602            | 1          | Nut 1  |            |
| 104         | 4031509            | 2          | Capscrew M4 x 25   |            |
| 105         | 4811400            | 2          | Washer M4  |            |
| 106         | 1001272681         | 1          | Strobe Light/Harness Assembly  |            |
| 106         | 4460897            | 1          | Connector  |            |
| 106         | 4460464            | 2          | Socket   |            |
| 107         | 1001278850         | 1          | Mount, Beacon  |            |

# SECTION 2 - TURNTABLE

## FIGURE 2-38. STROBE LIGHT INSTALLATION (RED)



ART\_1001242252\_B

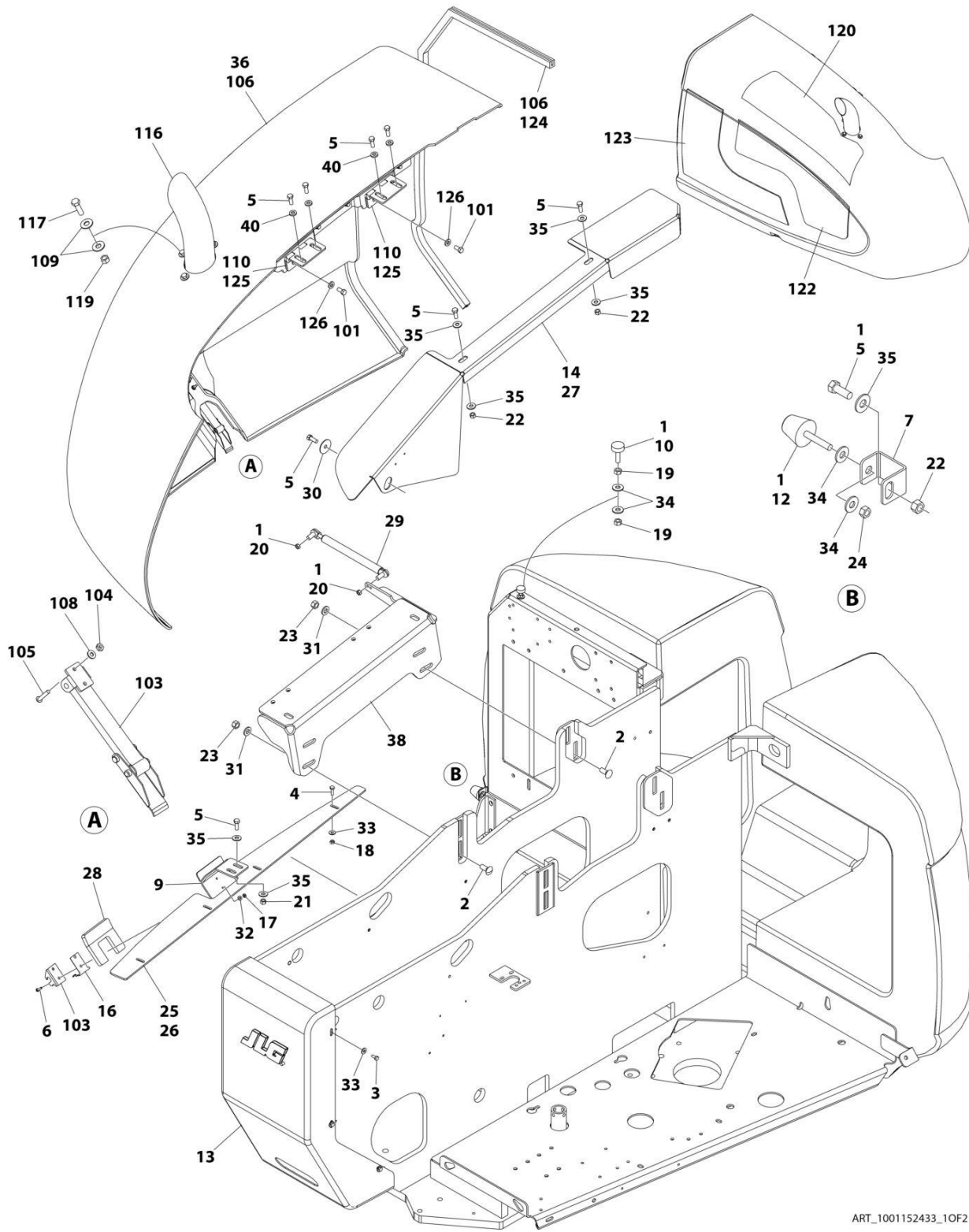
**SECTION 2 - TURNTABLE**

**FIGURE 2-38. STROBE LIGHT INSTALLATION (RED)**

| ITEM | PART NUMBER | QTY | DESCRIPTION  | REV |
|------|-------------|-----|--|-----|
|      | 1001242252  | Ref | STROBE LIGHT INSTALLATION (RED)  | B   |
| 1    | 0700617     | 2   | Bolt M6 x 45   |     |
| 2    | 3290607     | 2   | Nut M6 x 1   |     |
| 3    | 3312602     | 1   | Nut 1  |     |
| 4    | 4031509     | 4   | Capscrew M4 x 25   |     |
| 5    | 4240032     | AR  | Tie-Strap (Not Shown)  |     |
| 6    | 4460488     | AR  | Mounting Base (Not Shown)  |     |
| 7    | 4811400     | 2   | Washer M4  |     |
| 8    | 4811700     | 4   | Washer M6  |     |
| 9    | 1001142683  | 1   | Module, Control Beacon   |     |
| 10   | 1001142736  | 1   | Harness, Beacon Control (Not Shown - See Separate Breakdown in ELECTRICAL Section) |     |
| 11   | 1001278850  | 1   | Mount, Beacon  |     |
| 12   | 1001272682  | 1   | Strobe Light/Harness Assembly  |     |
| 12   | 4460897     | 1   | Connector  |     |
| 12   | 4460464     | 2   | Socket   |     |
| 13   | 3290405     | 2   | Nut, Lock M4   |     |

# SECTION 2 - TURNTABLE

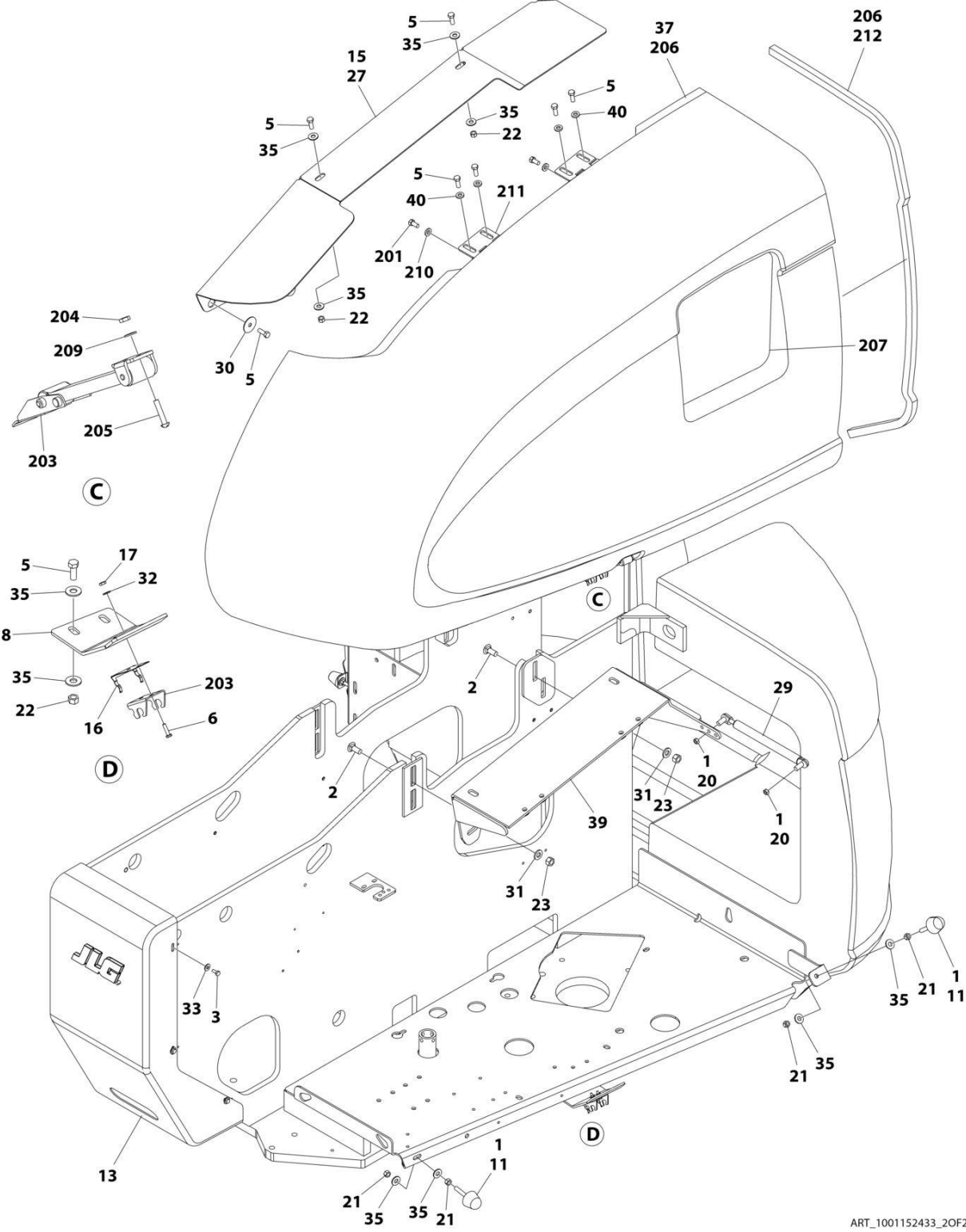
## FIGURE 2-39. HOODS INSTALLATION - DEUTZ D2011 ENGINES WITHOUT NOISE REDUCTION (ABS)



ART\_1001152433\_10F2



# SECTION 2 - TURNTABLE



ART\_1001152433\_20F2

## SECTION 2 - TURNTABLE

FIGURE 2-39. HOODS INSTALLATION - DEUTZ D2011 ENGINES WITHOUT NOISE REDUCTION (ABS)

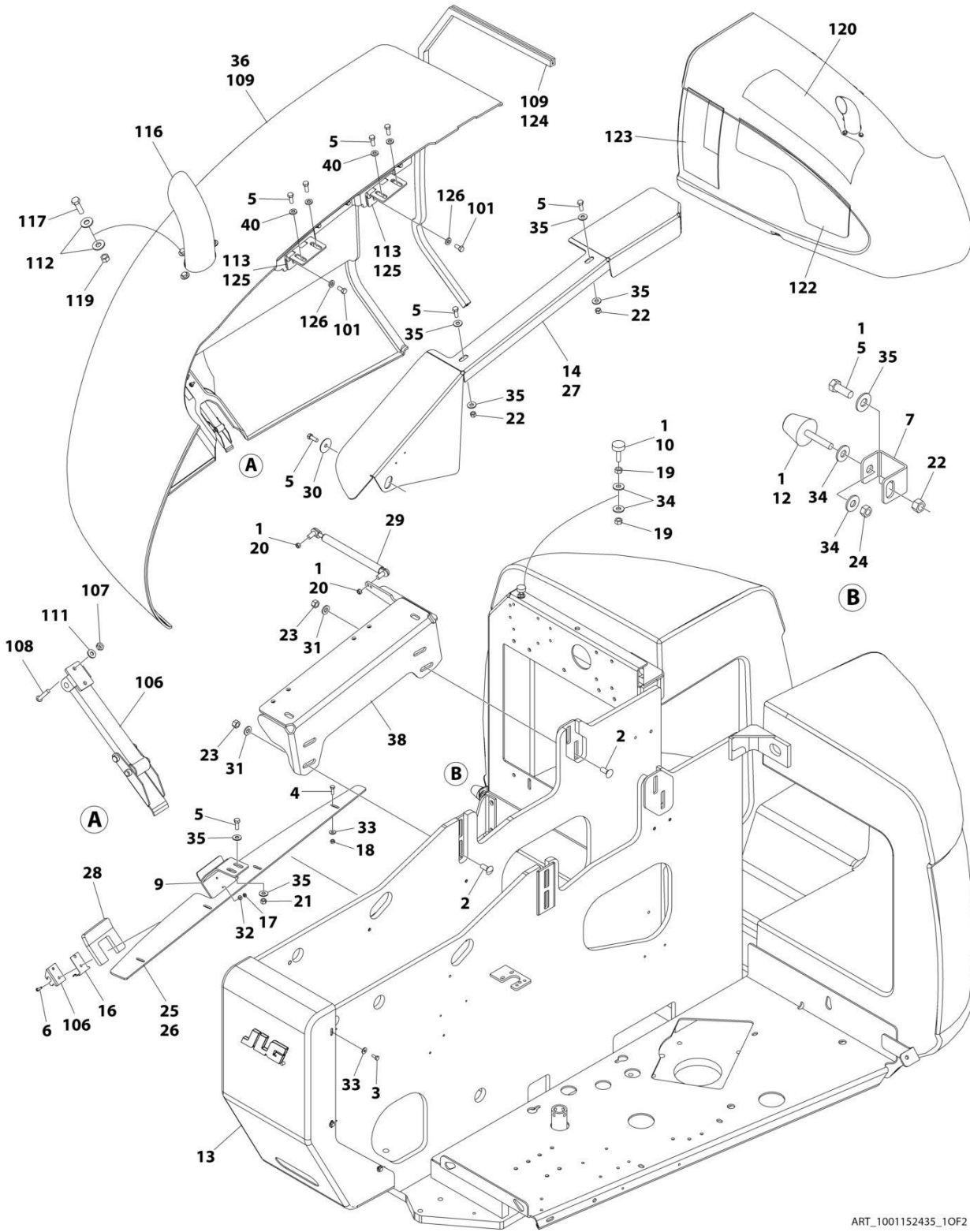
| ITEM | PART NUMBER | QTY              | DESCRIPTION  | REV |
|------|-------------|------------------|--|-----|
|      |             | Ref              | Note: replacement decals must be ordered separately. |     |
|      | 1001152433  | Ref              | HOODS INSTALLATION                                   | I   |
| 1    | 0100011     | AR               | Compound, Locking                                    |     |
| 2    | 0630507     | 8                | Bolt, Carriage 1/2 x 1-1/4                           |     |
| 3    | 0641405     | 6                | Bolt 1/4 x 3/4                                       |     |
| 4    | 0641407     | 4                | Bolt 1/4 x 7/8                                       |     |
| 5    | 0641608     | 19               | Bolt 3/8 x 1   |     |
| 6    | 0721006     | 4                | Bolt #10 x 3/4                                       |     |
| 7    | 0902219     | 1                | Bracket, Bumper                                      |     |
| 8    | 1001137876  | 1                | Bracket, Latch - Tank Side                           |     |
| 9    | 0902335     | 1                | Bracket, Latch - Engine Side                         |     |
| 10   | 0940049     | 1                | Bumper   |     |
| 11   | 0940071     | 2                | Bumper   |     |
| 12   | 0940088     | 1                | Bumper   |     |
| 13   | 1670767     | 1                | Cover, Turntable                                     |     |
| 14   | 2680433     | 1                | Spacer, Hood (Engine Side)                           |     |
| 15   | 2680434     | 1                | Spacer, Hood (Tank Side)                             |     |
| 16   | 2940188     | 2                | Latch, Spring Clip                                   |     |
| 17   | 3311005     | 4                | Nut #10  |     |
| 18   | 3311405     | 4                | Nut 1/4  |     |
| 19   | 3311501     | 2                | Nut 5/16   |     |
| 20   | 3311505     | 4                | Nut 5/16   |     |
| 21   | 3311601     | 6                | Nut 3/8  |     |
| 22   | 3311605     | 7                | Nut 3/8  |     |
| 23   | 3311805     | 8                | Nut 1/2  |     |
| 24   | 3321501     | 2                | Nut 5/16   |     |
| 25   | 3539923     | 1                | Plate, Seal  |     |
| 26   | 3960389     | 3.5 ft/1m        | Seal, Bulb   |     |
| 27   | 3960418     | 7 ft/2.1m        | Seal   |     |
| 28   | 3960467     | 1                | Seal, Foam   |     |
| 29   | 4160143     | 2                | Spring, Gas  |     |
| 30   | 4740076     | 2                | Washer, Fender                                       |     |
| 31   | 4740171     | 8                | Washer 1/2 Hardened                                  |     |
| 32   | 4751000     | 4                | Washer #10   |     |
| 33   | 4751400     | 10               | Washer 1/4   |     |
| 34   | 4751500     | 4                | Washer 5/16  |     |
| 35   | 4751600     | 21               | Washer 3/8   |     |
| 38   | 1001235948  | 1                | Mount - Engine Side                                  |     |
| 39   | 1001152557  | 1                | Mount - Tank Side                                    |     |
| 40   | 4891600     | 8                | Washer 3/8 Hardened                                  |     |
|      | 1001294637  | Ref              | HOOD KIT (Includes Items 101 & 201)                  | A   |
| 101  | 1001160004  | Ref              | HOOD - ENGINE SIDE                                   | I   |
| 102  | 0641606     | 4                | Bolt 3/8 x 3/4                                       |     |
| 103  | 2940088     | 1                | Latch  |     |
| 104  | 3311005     | 2                | Nut #10  |     |
| 105  | 3911016     | 2                | Screw #10 x 1  |     |
| 106  | 1001164281  | 2.5 ft<br>/0.78m | Seal   |     |
| 108  | 4711000     | 2                | Washer #10   |     |
| 109  | 4751600     | 6                | Washer 3/8   |     |

**SECTION 2 - TURNTABLE**

| ITEM | PART NUMBER | QTY             | DESCRIPTION         | REV |
|------|-------------|-----------------|---------------------|-----|
| 110  | 1001188467  | 2               | Hinge               |     |
| 116  | 1001160598  | 1               | Outlet, Exhaust     |     |
| 117  | 0641610     | 3               | Bolt 3/8 x 1-1/4    |     |
| 119  | 3311605     | 3               | Nut 3/8             |     |
| 120  | 1001160961  | 1               | Insulation          |     |
| 122  | 1001160963  | 1               | Insulation          |     |
| 123  | 1001160964  | 1               | Insulation          |     |
| 124  | 4060805     | 64 in<br>/1.6m  | Flex-Trim           |     |
| 125  | 1001169610  | 2               | Spacer, Hinge       |     |
| 126  | 4891600     | 4               | Washer 3/8 Hardened |     |
| 201  | 1001160003  | Ref             | HOOD TANK SIDE      | H   |
| 202  | 0641606     | 4               | Bolt 3/8 x 3/4      |     |
| 203  | 2940088     | 1               | Latch               |     |
| 204  | 3311005     | 2               | Nut #10             |     |
| 205  | 3911016     | 2               | Screw #10 x 1       |     |
| 206  | 1001164281  | 3 ft<br>/0.91m  | Seal                |     |
| 207  | 1001166394  | 4.5 ft<br>/1.4m | Seal                |     |
| 209  | 4751000     | 2               | Washer #10          |     |
| 210  | 4891600     | 4               | Washer 3/8 Hardened |     |
| 211  | 1001188467  | 2               | Hinge               |     |
| 212  | 4060805     | 62 in<br>/1.6m  | Flex-Trim           |     |

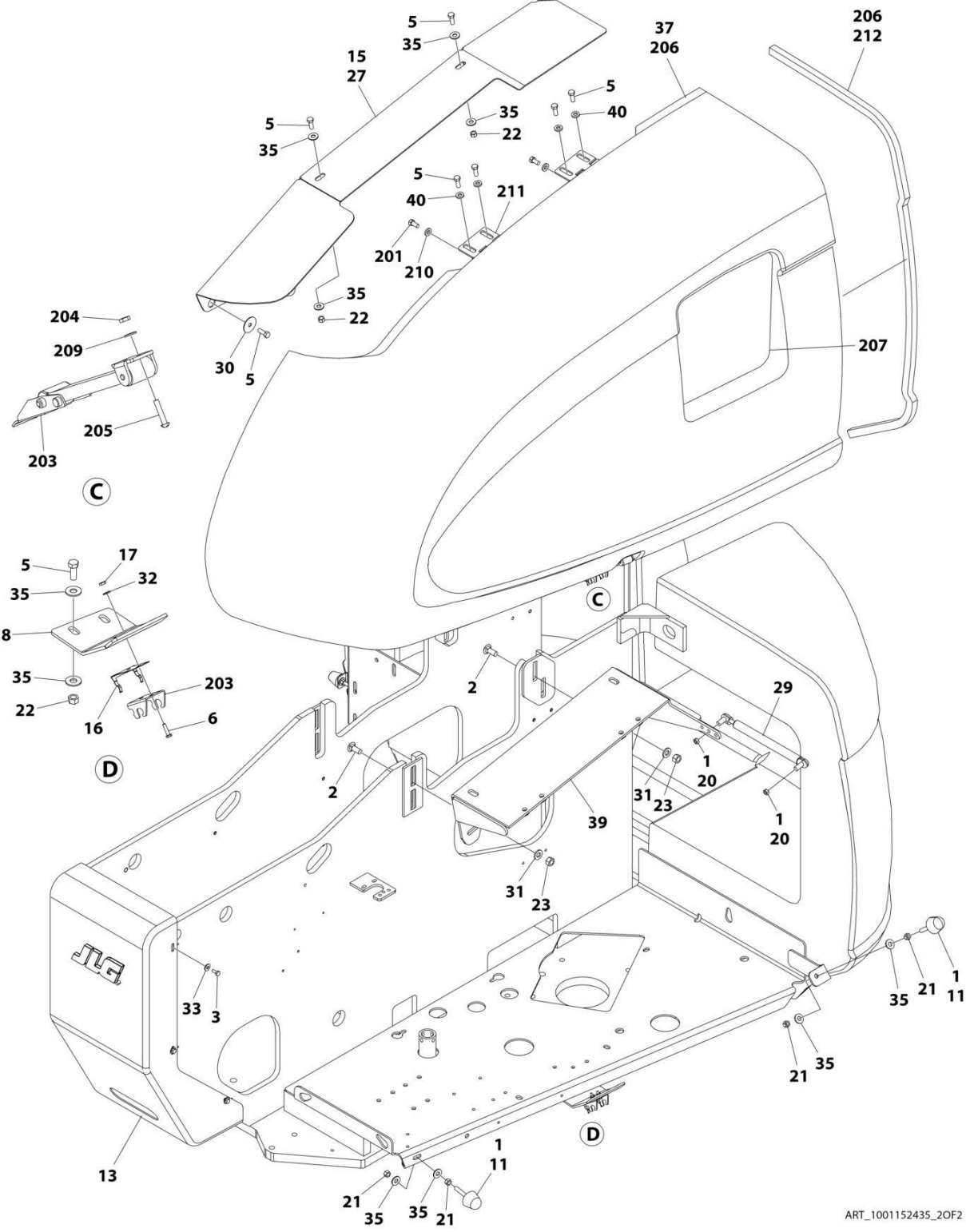
# SECTION 2 - TURNTABLE

FIGURE 2-40. HOODS INSTALLATION - DEUTZ D2011 ENGINES WITH NOISE REDUCTION (ABS)



ART\_1001152435\_10F2

# SECTION 2 - TURNTABLE



ART\_1001152435\_20F2

## SECTION 2 - TURNTABLE

FIGURE 2-40. HOODS INSTALLATION - DEUTZ D2011 ENGINES WITH NOISE REDUCTION (ABS)

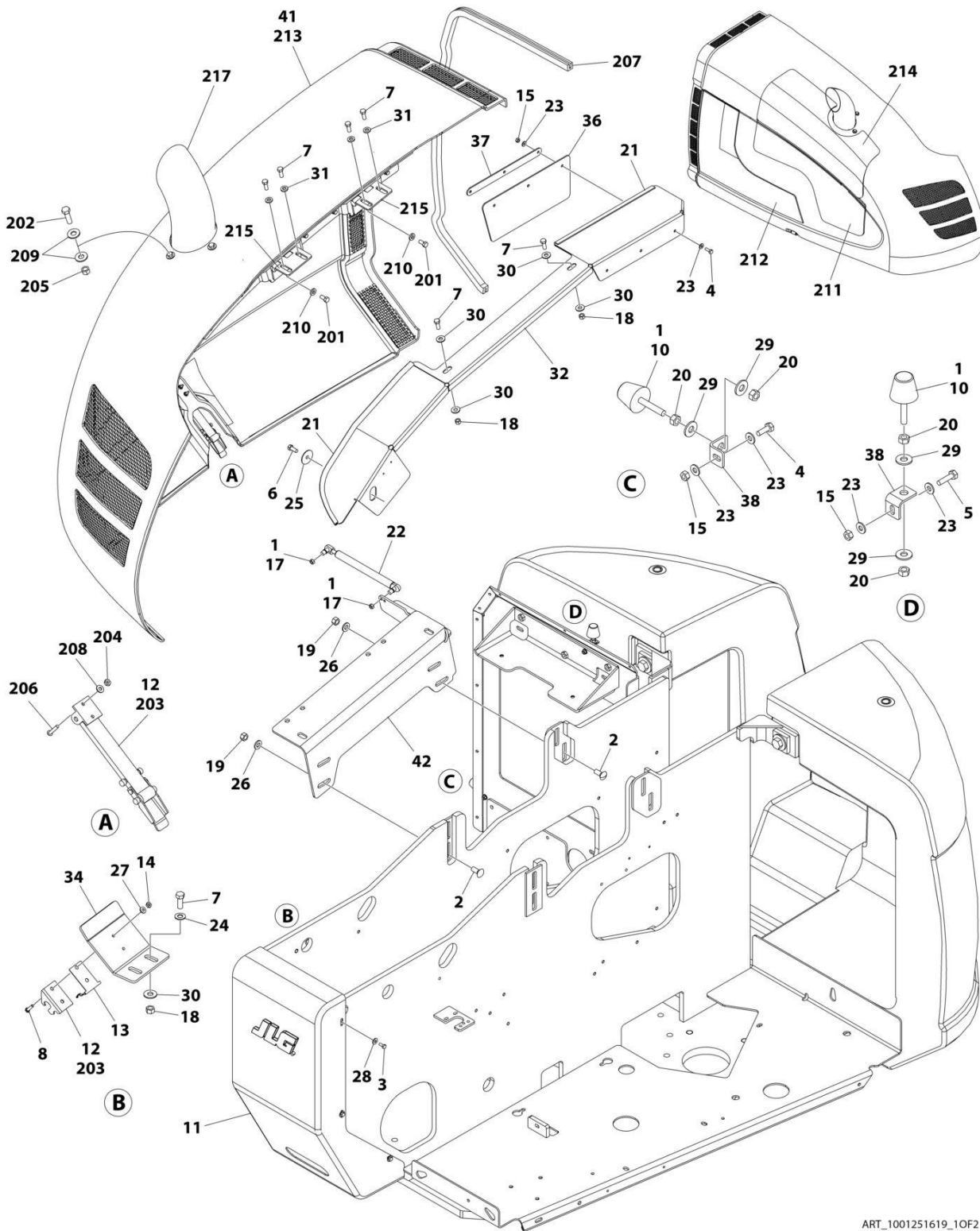
| ITEM | PART NUMBER | QTY              | DESCRIPTION  | REV |
|------|-------------|------------------|--|-----|
|      | See Note    | Ref              | Note: replacement decals must be ordered separately. |     |
|      | 1001152435  | Ref              | HOODS INSTALLATION                                   | K   |
| 1    | 0100011     | AR               | Compound, Locking                                    |     |
| 2    | 0630507     | 8                | Bolt, Carriage 1/2 x 1-1/4                           |     |
| 3    | 0641405     | 6                | Bolt 1/4 x 3/4                                       |     |
| 4    | 0641407     | 4                | Bolt 1/4 x 7/8                                       |     |
| 5    | 0641608     | 19               | Bolt 3/8 x 1   |     |
| 6    | 0721006     | 4                | Bolt #10 x 3/4                                       |     |
| 7    | 0902219     | 1                | Bracket, Bumper                                      |     |
| 8    | 1001137876  | 1                | Bracket, Latch - Tank Side                           |     |
| 9    | 0902335     | 1                | Bracket, Latch - Engine Side                         |     |
| 10   | 0940049     | 1                | Bumper   |     |
| 11   | 0940071     | 2                | Bumper   |     |
| 12   | 0940088     | 1                | Bumper   |     |
| 13   | 1670767     | 1                | Cover, Turntable                                     |     |
| 14   | 2680433     | 1                | Spacer, Hood (Engine Side)                           |     |
| 15   | 2680434     | 1                | Spacer, Hood (Tank Side)                             |     |
| 16   | 2940188     | 2                | Latch, Spring Clip                                   |     |
| 17   | 3311005     | 4                | Nut #10  |     |
| 18   | 3311405     | 4                | Nut 1/4  |     |
| 19   | 3311501     | 2                | Nut 5/16   |     |
| 20   | 3311505     | 4                | Nut 5/16   |     |
| 21   | 3311601     | 6                | Nut 3/8  |     |
| 22   | 3311605     | 7                | Nut 3/8  |     |
| 23   | 3311805     | 8                | Nut 1/2  |     |
| 24   | 3321501     | 2                | Nut 5/16   |     |
| 25   | 3539923     | 1                | Plate, Seal  |     |
| 26   | 3960389     | 3.5 ft/1m        | Seal, Bulb   |     |
| 27   | 3960418     | 7 ft/2.1m        | Seal   |     |
| 28   | 3960467     | 1                | Seal, Foam   |     |
| 29   | 4160143     | 2                | Spring, Gas  |     |
| 30   | 4740076     | 2                | Washer, Fender                                       |     |
| 31   | 4740171     | 8                | Washer 1/2 Hardened                                  |     |
| 32   | 4751000     | 4                | Washer #10   |     |
| 33   | 4751400     | 10               | Washer 1/4   |     |
| 34   | 4751500     | 4                | Washer 5/16  |     |
| 35   | 4751600     | 21               | Washer 3/8   |     |
| 36   | 1001160034  | 1                | Hood - Engine Side (See Items 101-126 for Breakdown) |     |
| 37   | 1001160003  | 1                | Hood - Tank Side (See Items 201-212 for Breakdown)   |     |
| 38   | 1001235948  | 1                | Mount - Engine Side                                  |     |
| 39   | 1001152557  | 1                | Mount - Tank Side                                    |     |
| 40   | 4891600     | 8                | Washer 3/8 Hardened                                  |     |
| 100  | 1001294604  | Ref              | HOOD KIT (Includes Items 101 & 201)                  | A   |
| 101  | 1001160034  | Ref              | HOOD - ENGINE SIDE (Includes Items 102-126)          | K   |
| 102  | 0641606     | 4                | Bolt 3/8 x 3/4                                       |     |
| 106  | 2940088     | 1                | Latch  |     |
| 107  | 3311005     | 2                | Nut #10  |     |
| 108  | 3911016     | 2                | Screw #10 x 1  |     |
| 109  | 1001164281  | 2.5 ft<br>/0.76m | Seal   |     |

**SECTION 2 - TURNTABLE**

| ITEM | PART NUMBER | QTY             | DESCRIPTION                             | REV |
|------|-------------|-----------------|---|-----|
| 111  | 4711000     | 2               | Washer #10                              |     |
| 112  | 4751600     | 6               | Washer 3/8                              |     |
| 113  | 1001188467  | 2               | Hinge                                   |     |
| 116  | 1001160598  | 1               | Outlet, Exhaust                         |     |
| 117  | 0641610     | 3               | Bolt 3/8 x 1-1/4                        |     |
| 119  | 3311605     | 3               | Nut 3/8                                 |     |
| 120  | 1001160961  | 1               | Insulation                              |     |
| 122  | 1001160963  | 1               | Insulation                              |     |
| 123  | 1001161027  | 1               | Insulation                              |     |
| 124  | 4060805     | 64 in<br>/1.6m  | Flex-Trim                               |     |
| 125  | 1001169610  | 2               | Spacer, Hinge                           |     |
| 126  | 4891600     | 4               | Washer 3/8 Hardened                     |     |
| 201  | 1001160003  | Ref             | HOOD TANK SIDE (Includes Items 202-212) | H   |
| 202  | 0641606     | 4               | Bolt 3/8 x 3/4                          |     |
| 203  | 2940088     | 1               | Latch                                   |     |
| 204  | 3311005     | 2               | Nut #10                                 |     |
| 205  | 3911016     | 2               | Screw #10 x 1                           |     |
| 206  | 1001164281  | 3 ft<br>/0.91m  | Seal                                    |     |
| 207  | 1001166394  | 4.5 ft<br>/1.4m | Seal                                    |     |
| 209  | 4751000     | 2               | Washer #10                              |     |
| 210  | 4891600     | 4               | Washer 3/8 Hardened                     |     |
| 211  | 1001188467  | 2               | Hinge                                   |     |
| 212  | 4060805     | 62 in<br>/1.6m  | Flex-Trim                               |     |

# SECTION 2 - TURNTABLE

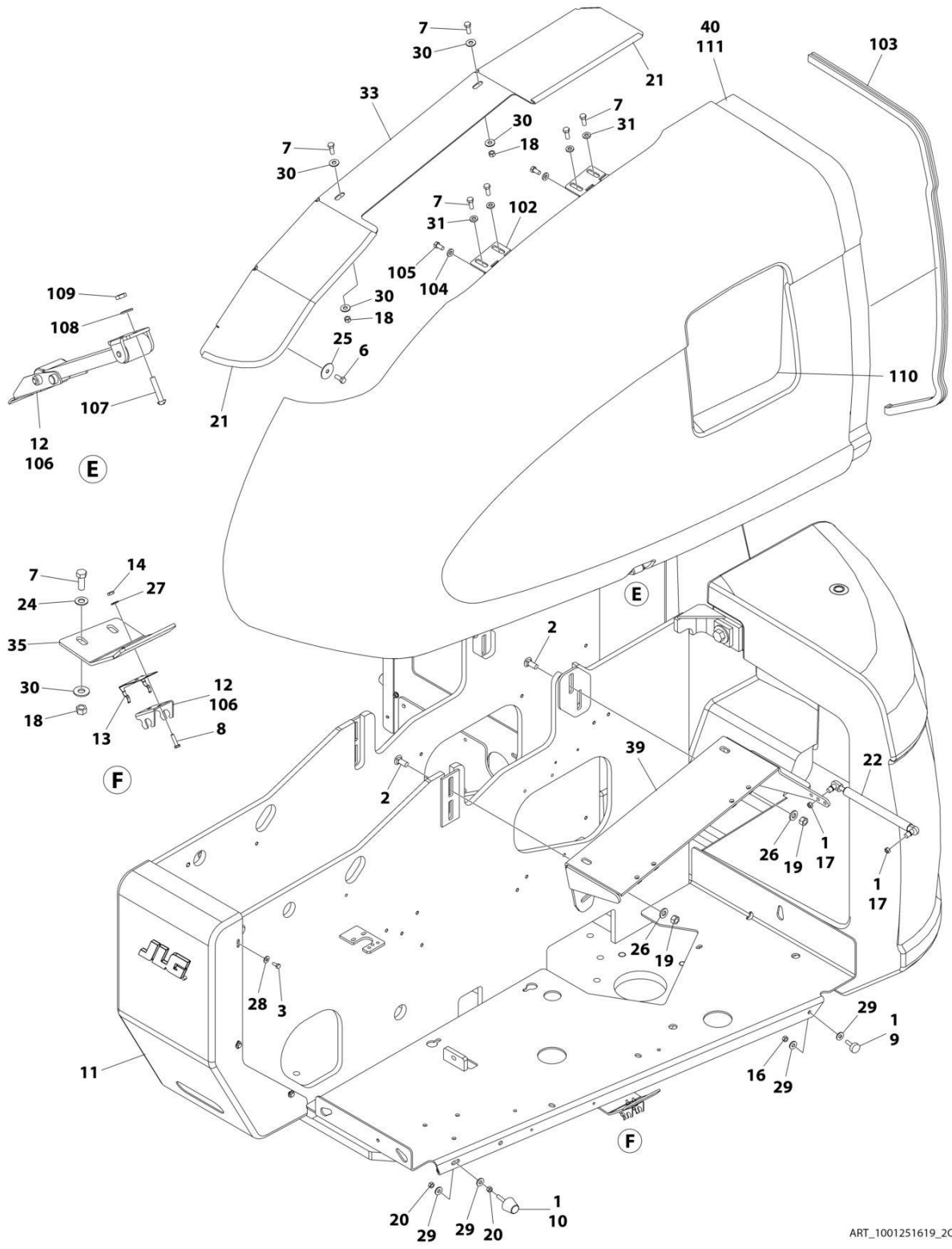
## FIGURE 2-41. HOODS INSTALLATION - DEUTZ TD2.2L3 STAGE V ENGINES (ABS)



ART\_1001251619\_10F2



# SECTION 2 - TURNTABLE



ART\_1001251619\_20F2

## SECTION 2 - TURNTABLE

FIGURE 2-41. HOODS INSTALLATION - DEUTZ TD2.2L3 STAGE V ENGINES (ABS)

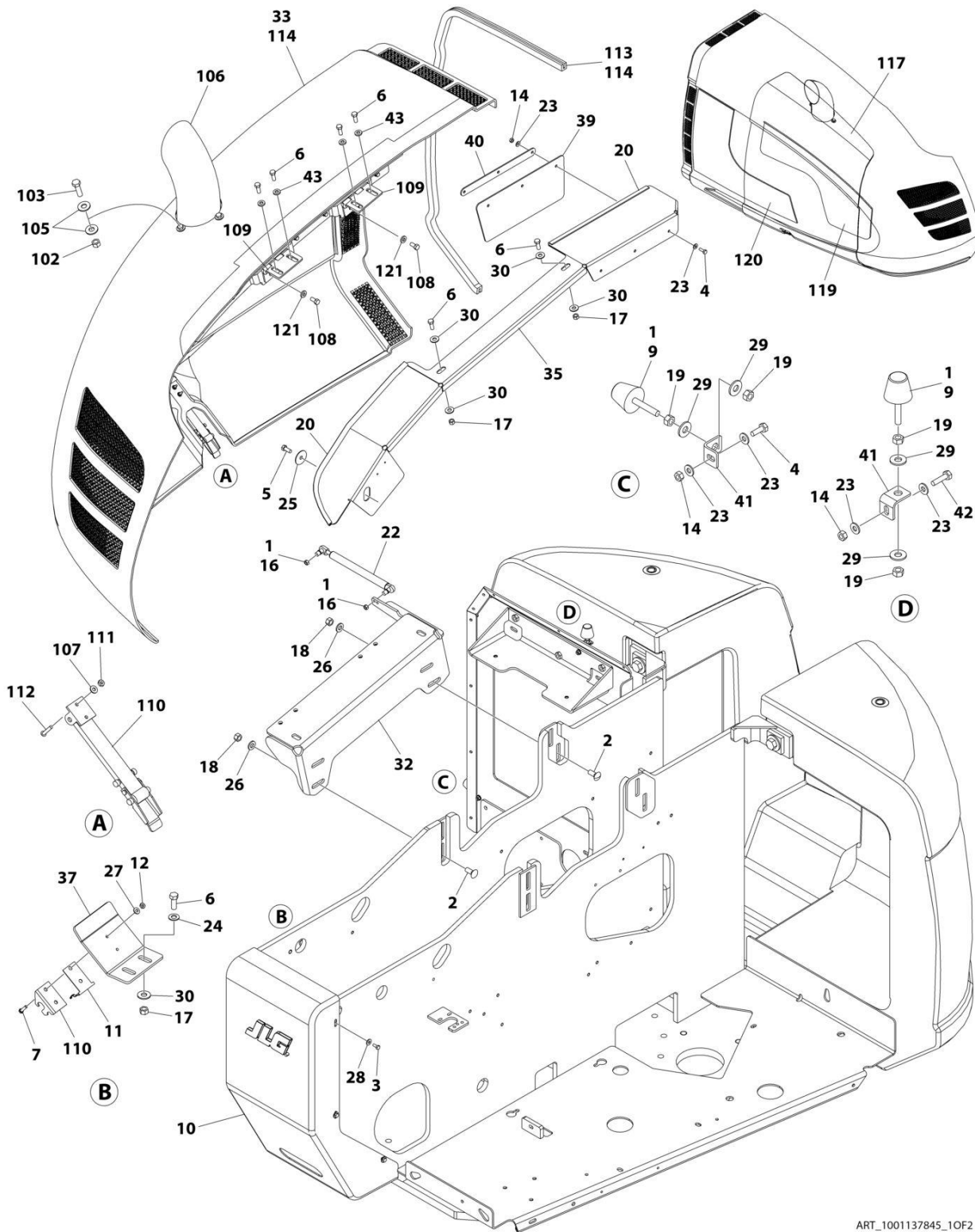
| ITEM | PART NUMBER | QTY            | DESCRIPTION  | REV |
|------|-------------|----------------|--|-----|
|      | See Note    | Ref            | Note: replacement decals must be ordered separately. |     |
|      | 1001251619  | Ref            | HOODS INSTALLATION                                   | E   |
| 1    | 0100011     | AR             | Compound, Locking                                    |     |
| 2    | 0630507     | 8              | Bolt, Carriage 1/2 x 1-1/4                           |     |
| 3    | 0641405     | 6              | Bolt 1/4 x 3/4                                       |     |
| 4    | 0641406     | 4              | Bolt 1/4 x 3/4                                       |     |
| 5    | 0641408     | 1              | Bolt 1/4 x 1   |     |
| 6    | 0641607     | 2              | Bolt 3/8 x 7/8                                       |     |
| 7    | 0641608     | 16             | Bolt 3/8 x 1   |     |
| 8    | 0721006     | 4              | Bolt #10 x 3/4                                       |     |
| 9    | 0940049     | 1              | Bumper   |     |
| 10   | 0940088     | 3              | Bumper   |     |
| 11   | 1670767     | 1              | Cover, Turntable                                     |     |
| 12   | 2940088     | 2              | Latch  |     |
| 13   | 2940188     | 2              | Latch, Spring Clip                                   |     |
| 14   | 3311005     | 4              | Nut #10  |     |
| 15   | 3311405     | 5              | Nut 1/4  |     |
| 16   | 3311501     | 1              | Nut 5/16   |     |
| 17   | 3311505     | 4              | Nut 5/16   |     |
| 18   | 3311605     | 8              | Nut 3/8  |     |
| 19   | 3311805     | 8              | Nut 1/2  |     |
| 20   | 3321501     | 6              | Nut 5/16   |     |
| 21   | 3960418     | 7 ft/2.1m      | Seal   |     |
| 22   | 4160143     | 2              | Spring, Gas  |     |
| 23   | 4711400     | 10             | Washer 1/4   |     |
| 24   | 4711600     | 4              | Washer 3/8   |     |
| 25   | 4740076     | 2              | Washer, Fender                                       |     |
| 26   | 4740171     | 8              | Washer 1/2 Hardened                                  |     |
| 27   | 4751000     | 4              | Washer #10   |     |
| 28   | 4751400     | 6              | Washer 1/4   |     |
| 29   | 4751500     | 8              | Washer 5/16  |     |
| 30   | 4751600     | 12             | Washer 3/8   |     |
| 31   | 4891600     | 8              | Washer 3/8 Hardened                                  |     |
| 32   | 1001137853  | 1              | Spacer, Hood (Engine Side)                           |     |
| 33   | 1001137854  | 1              | Spacer, Hood (Tank Side)                             |     |
| 34   | 1001137875  | 1              | Bracket, Latch - Engine Side                         |     |
| 35   | 1001137876  | 1              | Bracket, Latch - Tank Side                           |     |
| 36   | 1001137878  | 1              | Rubber, Baffle                                       |     |
| 37   | 1001137879  | 1              | Bracket, Baffle                                      |     |
| 38   | 1001137886  | 2              | Bracket, Bumper                                      |     |
| 39   | 1001152557  | 1              | Mount - Tank Side                                    |     |
| 40   | 1001160190  | 1              | Hood - Tank Side (See Items 202-211 for Breakdown)   |     |
| 41   | 1001251618  | 1              | Hood - Engine Side (See Items 201-217 for Breakdown) |     |
| 42   | 1001253100  | 1              | Mount - Engine Side                                  |     |
| 43   | 3960467     | 1              | Seal   |     |
| 100  | 1001294603  | Ref            | HOOD KIT (Includes Items 101 & 201)                  | A   |
|      | 1001160190  | Ref            | HOOD TANK SIDE (Includes Items 102-111)              | G   |
| 102  | 1001188467  | 2              | Hinge  |     |
| 103  | 3960462     | 5 ft<br>/1.52m | Seal   |     |

## SECTION 2 - TURNTABLE

| ITEM | PART NUMBER | QTY              | DESCRIPTION         | REV |
|------|-------------|------------------|---------------------|-----|
| 104  | 4891600     | 4                | Washer 3/8 Hardened | D   |
| 105  | 0641606     | 4                | Bolt 3/8 x 3/4      |     |
| 106  | 2940088     | 1                | Latch               |     |
| 107  | 3911016     | 2                | Screw #10 x 1       |     |
| 108  | 4751000     | 2                | Washer #10          |     |
| 109  | 3311005     | 2                | Nut #10             |     |
| 110  | 1001166394  | 4.5 ft<br>/1.4m  | Seal                |     |
| 111  | 1001164281  | 2.5 ft<br>/0.8m  | Seal                |     |
| 201  | 1001251618  | Ref              | HOOD - ENGINE SIDE  |     |
| 201  | 0641606     | 4                | Bolt 3/8 x 3/4      |     |
| 202  | 0641610     | 3                | Bolt 3/8 x 1-1/4    |     |
| 203  | 2940088     | 1                | Latch               |     |
| 204  | 3311005     | 2                | Nut #10             |     |
| 205  | 3311605     | 3                | Nut 3/8             |     |
| 206  | 3911016     | 2                | Screw #10 x 1       |     |
| 207  | 3960462     | 5 ft<br>/1.52m   | Seal                |     |
| 208  | 4751000     | 2                | Washer #10          |     |
| 209  | 4751600     | 6                | Washer 3/8          |     |
| 210  | 4891600     | 4                | Washer 3/8 Hardened |     |
| 211  | 1001160963  | 1                | Insulation          |     |
| 212  | 1001160964  | 1                | Insulation          |     |
| 213  | 1001164281  | 2.5 ft<br>/0.76m | Seal                |     |
| 214  | 1001258377  | 1                | Insulation          |     |
| 215  | 1001188467  | 2                | Hinge               |     |
| 217  | 1001252082  | 1                | Outlet, Exhaust     |     |

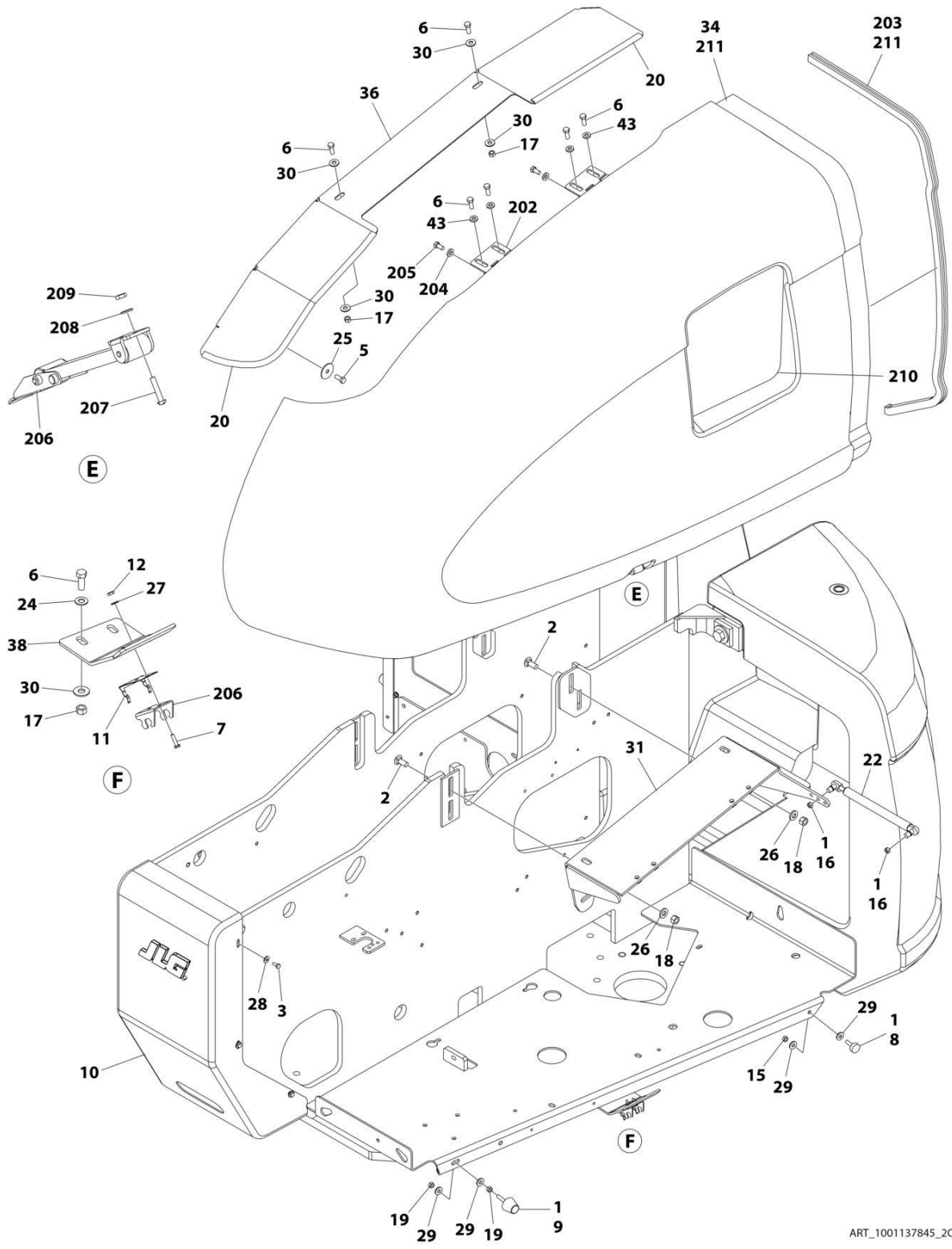
# SECTION 2 - TURNTABLE

FIGURE 2-42. HOODS INSTALLATION - DEUTZ TD2.9L4 AND FORD DF 2.5L ENGINES (ABS)



ART\_1001137845\_10F2

# SECTION 2 - TURNTABLE



ART\_1001137845\_20F2

## SECTION 2 - TURNTABLE

FIGURE 2-42. HOODS INSTALLATION - DEUTZ TD2.9L4 AND FORD DF 2.5L ENGINES (ABS)

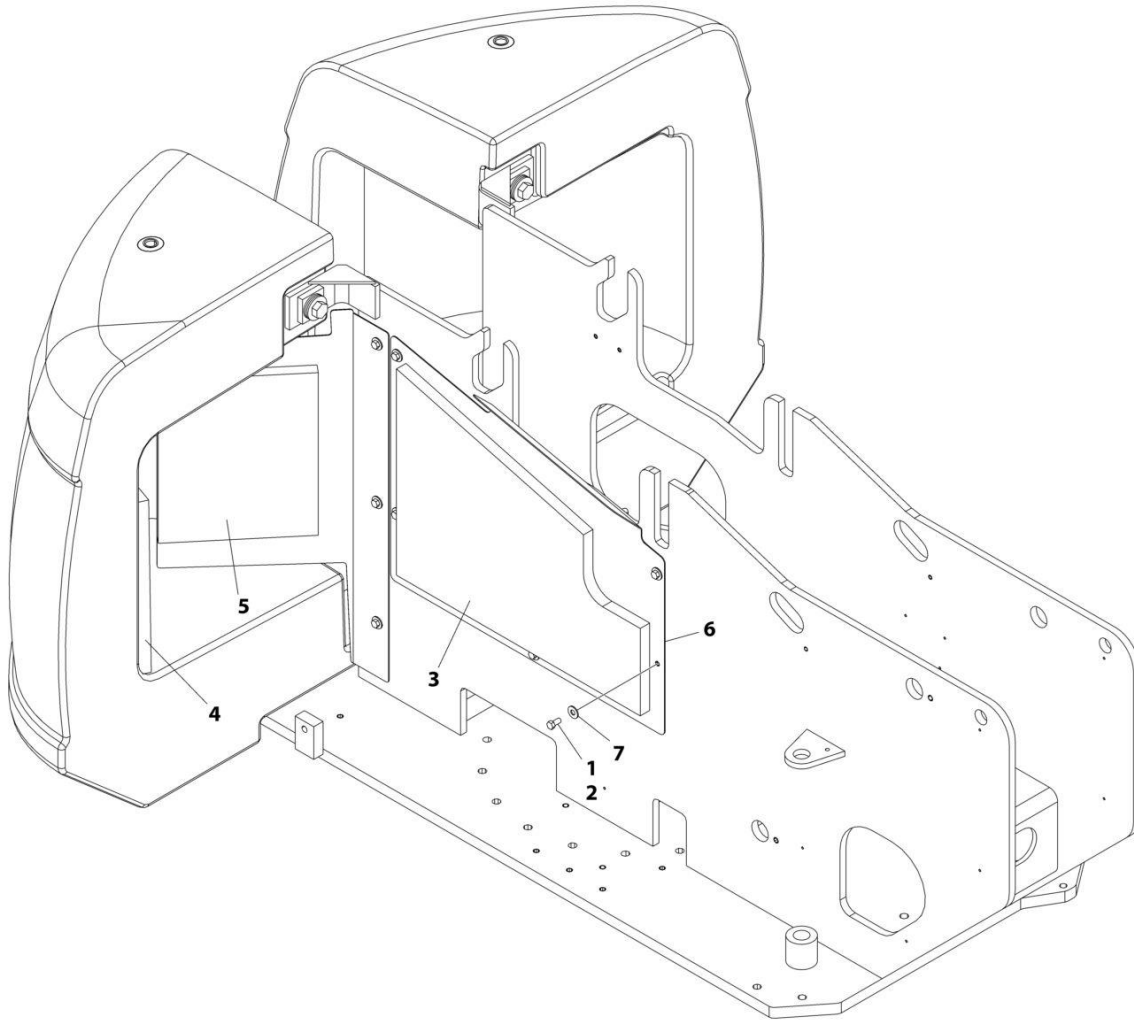
| ITEM | PART NUMBER | QTY       | DESCRIPTION  | REV |
|------|-------------|-----------|--|-----|
|      | See Note    | Ref       | Note: replacement decals must be ordered separately. |     |
|      | 1001137845  | Ref       | HOODS INSTALLATION                                   | I   |
| 1    | 0100011     | AR        | Compound, Locking                                    |     |
| 2    | 0630507     | 8         | Bolt, Carriage 1/2 x 1-1/4                           |     |
| 3    | 0641405     | 6         | Bolt 1/4 x 3/4                                       |     |
| 4    | 0641406     | 4         | Bolt 1/4 x 3/4                                       |     |
| 5    | 0641607     | 2         | Bolt 3/8 x 7/8                                       |     |
| 6    | 0641608     | 16        | Bolt 3/8 x 1   |     |
| 7    | 0721006     | 4         | Bolt #10 x 3/4                                       |     |
| 8    | 0940049     | 1         | Bumper   |     |
| 9    | 0940088     | 3         | Bumper   |     |
| 10   | 1670767     | 1         | Cover, Turntable                                     |     |
| 11   | 2940188     | 2         | Latch, Spring Clip                                   |     |
| 12   | 3311005     | 4         | Nut #10  |     |
| 14   | 3311405     | 5         | Nut 1/4  |     |
| 15   | 3311501     | 1         | Nut 5/16   |     |
| 16   | 3311505     | 4         | Nut 5/16   |     |
| 17   | 3311605     | 8         | Nut 3/8  |     |
| 18   | 3311805     | 8         | Nut 1/2  |     |
| 19   | 3321501     | 6         | Nut 5/16   |     |
| 20   | 3960418     | 7 ft/2.1m | Seal   |     |
| 22   | 4160143     | 2         | Spring, Gas  |     |
| 23   | 4711400     | 10        | Washer 1/4   |     |
| 24   | 4711600     | 4         | Washer 3/8   |     |
| 25   | 4740076     | 2         | Washer, Fender                                       |     |
| 26   | 4740171     | 8         | Washer 1/2 Hardened                                  |     |
| 27   | 4751000     | 4         | Washer #10   |     |
| 28   | 4751400     | 6         | Washer 1/4   |     |
| 29   | 4751500     | 8         | Washer 5/16  |     |
| 30   | 4751600     | 12        | Washer 3/8   |     |
| 31   | 1001152557  | 1         | Mount - Tank Side                                    |     |
| 32   | 1001235948  | 1         | Mount - Engine Side                                  |     |
| 35   | 1001137853  | 1         | Spacer, Hood (Engine Side)                           |     |
| 36   | 1001137854  | 1         | Spacer, Hood (Tank Side)                             |     |
| 37   | 1001137875  | 1         | Bracket, Latch - Engine Side                         |     |
| 38   | 1001137876  | 1         | Bracket, Latch - Tank Side                           |     |
| 39   | 1001137878  | 1         | Rubber, Baffle                                       |     |
| 40   | 1001137879  | 1         | Bracket, Baffle                                      |     |
| 41   | 1001137886  | 2         | Bracket, Bumper                                      |     |
| 42   | 0641408     | 1         | Bolt 1/4 x 1   |     |
| 43   | 4891600     | 8         | Washer 3/8 Hardened                                  |     |
| 100  | 1001294703  | Ref       | HOOD KIT (Includes Items 101 & 201)                  | A   |
| 101  | 1001160189  | Ref       | HOOD - ENGINE SIDE (Includes items 102-121)          | G   |
| 102  | 3311605     | 3         | Nut 3/8  |     |
| 103  | 0641610     | 3         | Bolt 3/8 x 1-1/4                                     |     |
| 105  | 4751600     | 6         | Washer 3/8   |     |
| 106  | 1001137860  | 1         | Outlet, Exhaust                                      |     |
| 107  | 4751000     | 2         | Washer #10   |     |
| 108  | 0641606     | 4         | Bolt 3/8 x 3/4                                       |     |
| 109  | 1001188467  | 2         | Hinge  |     |

**SECTION 2 - TURNTABLE**

| ITEM | PART NUMBER | QTY              | DESCRIPTION                             | REV |
|------|-------------|------------------|---|-----|
| 110  | 2940088     | 1                | Latch                                   |     |
| 111  | 3311005     | 2                | Nut #10                                 |     |
| 112  | 3911016     | 2                | Screw #10 x 1                           |     |
| 113  | 3960462     | 5 ft<br>/1.52m   | Seal                                    |     |
| 114  | 1001164281  | 2.5 ft<br>/0.76m | Seal                                    |     |
| 117  | 1001165741  | 1                | Insulation                              |     |
| 119  | 1001160963  | 1                | Insulation                              |     |
| 120  | 1001160964  | 1                | Insulation                              |     |
| 121  | 4891600     | 4                | Washer 3/8 Hardened                     |     |
| 201  | 1001160190  | Ref              | HOOD TANK SIDE (Includes items 202-211) | G   |
| 202  | 1001188467  | 2                | Hinge                                   |     |
| 203  | 3960462     | 5 ft<br>/1.52m   | Seal                                    |     |
| 204  | 4891600     | 4                | Washer 3/8 Hardened                     |     |
| 205  | 0641606     | 4                | Bolt 3/8 x 3/4                          |     |
| 206  | 2940088     | 1                | Latch                                   |     |
| 207  | 3911016     | 2                | Screw #10 x 1                           |     |
| 208  | 4751000     | 2                | Washer #10                              |     |
| 209  | 3311005     | 2                | Nut #10                                 |     |
| 210  | 1001166394  | 4.5 ft<br>/1.4m  | Seal                                    |     |
| 211  | 1001164281  | 2.6 ft<br>/0.8m  | Seal                                    |     |

## SECTION 2 - TURNTABLE

FIGURE 2-43. NOISE REDUCTION INSTALLATION - DEUTZ D2011 & DEUTZ TD2.9L4 ENGINES



ART\_1001152325



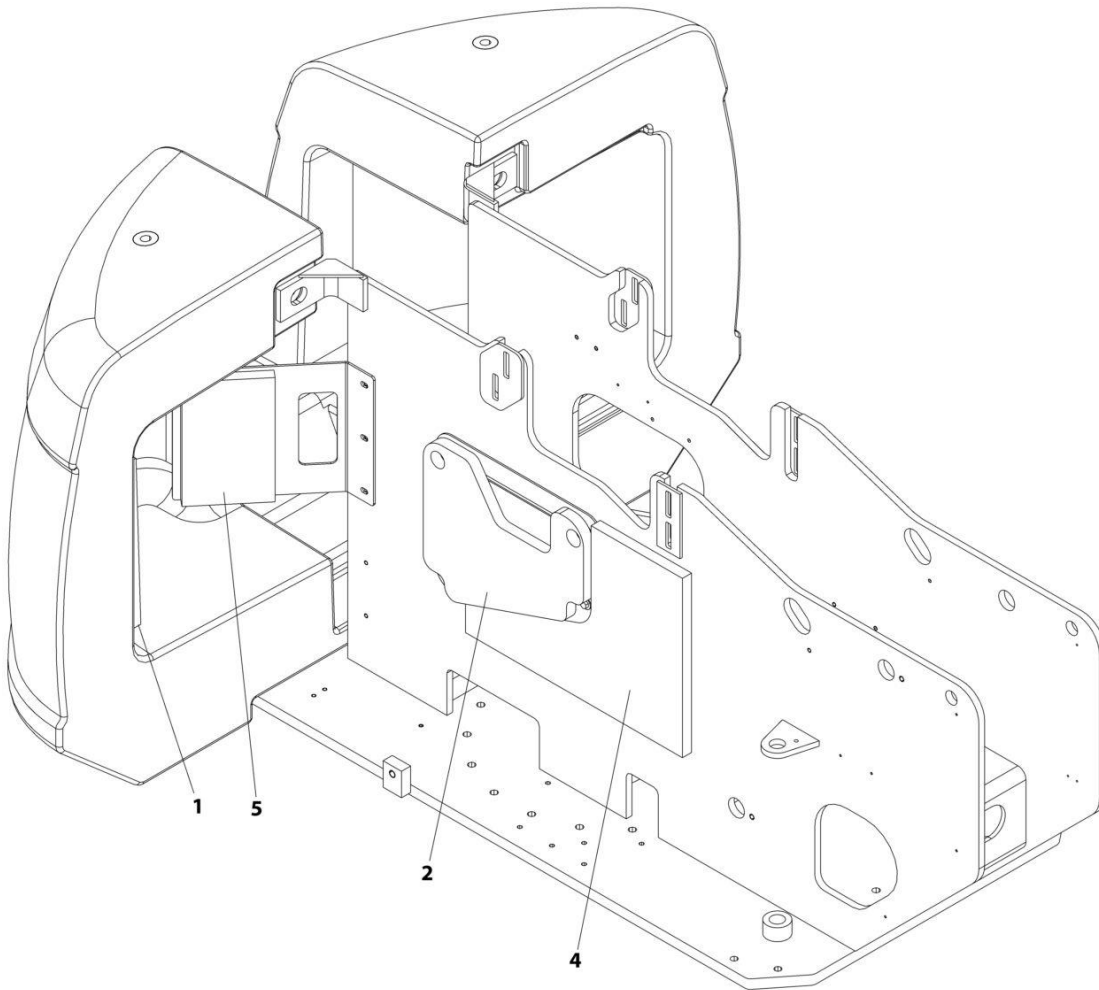
**SECTION 2 - TURNTABLE**

**FIGURE 2-43. NOISE REDUCTION INSTALLATION - DEUTZ D2011 & DEUTZ TD2.9L4 ENGINES**

| <b>ITEM</b> | <b>PART NUMBER</b> | <b>QTY</b> | <b>DESCRIPTION</b>           | <b>REV</b> |
|-------------|--------------------|------------|------------------------------|------------|
|             | 1001152325         | Ref        | NOISE REDUCTION INSTALLATION | A          |
| 1           | 0100011            | AR         | Compound, Locking            |            |
| 2           | 0641606            | 5          | Bolt 3/8 x 3/4               |            |
| 3           | 2820078            | 1          | Foam, Acoustical             |            |
| 4           | 2820082            | 1          | Foam, Acoustical             |            |
| 5           | 2820083            | 1          | Foam, Acoustical             |            |
| 6           | 3539988            | 1          | Plate, Baffle                |            |
| 7           | 4751600            | 5          | Washer 3/8                   |            |

## SECTION 2 - TURNTABLE

FIGURE 2-44. NOISE REDUCTION INSTALLATION - DEUTZ TD2.2L3 ENGINES



ART\_1001255777

**SECTION 2 - TURNTABLE**

**FIGURE 2-44. NOISE REDUCTION INSTALLATION - DEUTZ TD2.2L3 ENGINES**

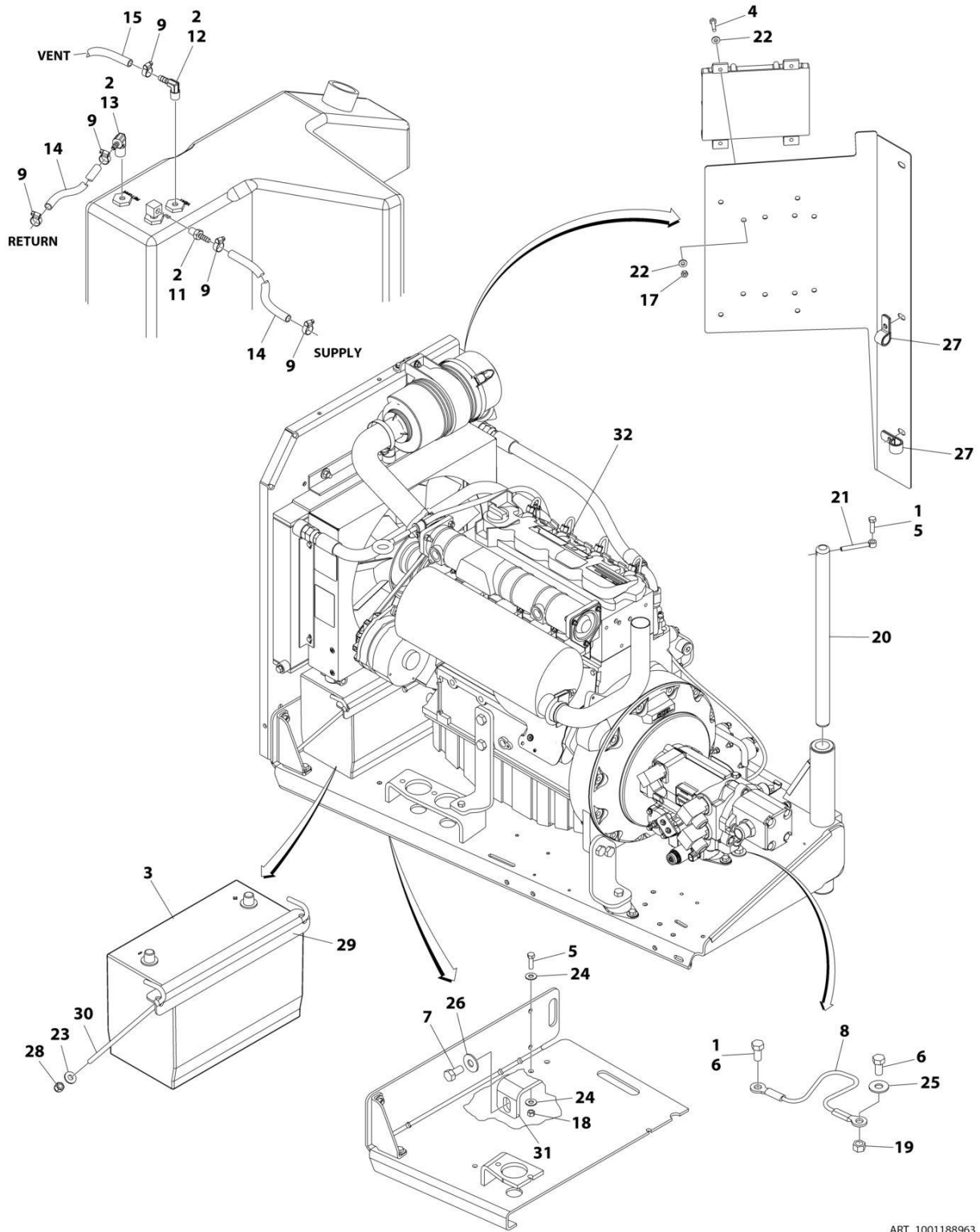
| <b>ITEM</b> | <b>PART NUMBER</b> | <b>QTY</b> | <b>DESCRIPTION</b>           | <b>REV</b> |
|-------------|--------------------|------------|------------------------------|------------|
|             | 1001255777         | Ref        | NOISE REDUCTION INSTALLATION | C          |
| 1           | 2820082            | 1          | Foam, Acoustical             |            |
| 2           | 1001254499         | 1          | Insulate, Foam               |            |
| 4           | 1001254738         | 1          | Insulate, Foam               |            |
| 5           | 1001254769         | 1          | Insulate, Foam               |            |



**SECTION 3 - ENGINE**

# SECTION 3 - ENGINE

## FIGURE 3-1. DEUTZ D2011 ENGINE INSTALLATION – WITHOUT ARCTIC PACKAGE



ART\_1001188963

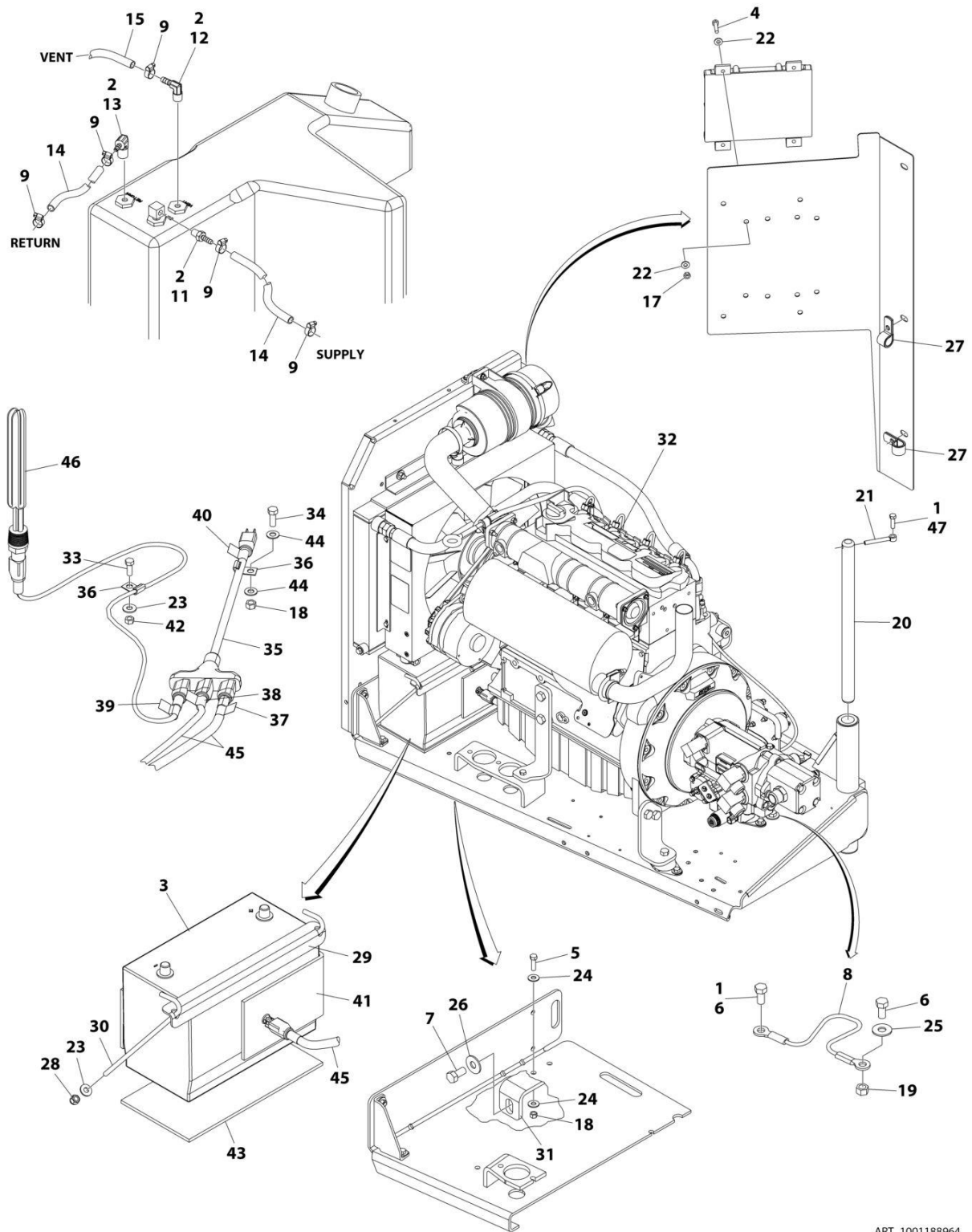
## SECTION 3 - ENGINE

**FIGURE 3-1. DEUTZ D2011 ENGINE INSTALLATION – WITHOUT ARCTIC PACKAGE**

| ITEM | PART NUMBER | QTY            | DESCRIPTION   | REV |
|------|-------------|----------------|---|-----|
|      | 1001188963  | Ref            | DEUTZ D2011 ENGINE INSTALLATION                                     | B   |
| 1    | 0100011     | AR             | Compound, Locking   |     |
| 2    | 0100020     | AR             | Sealant, Pipe   |     |
| 3    | 0400075     | 1              | Battery   |     |
| 4    | 0641409     | 4              | Bolt 1/4 x 1-1/8  |     |
| 5    | 0641610     | 3              | Bolt 3/8 x 1-1/4  |     |
| 6    | 0641808     | 2              | Bolt 1/2 x 1  |     |
| 7    | 0642010     | 1              | Bolt 5/8 x 1-1/4  |     |
| 8    | 1060637     | 1              | Cable, Lanyard  |     |
| 9    | 1320022     | 5              | Clamp, Hose   |     |
| 10   | 1701505     | 1              | Decal - Diesel (Not Shown - Located on Hood)                        |     |
| 11   | 2180348     | 1              | Fitting, Straight Barbed  |     |
| 12   | 2220313     | 1              | Fitting, 90   |     |
| 13   | 2221176     | 1              | Fitting, Straight Barbed  |     |
| 14   | 2720058     | 24 ft<br>/7.3m | Hose  |     |
| 15   | 2750532     | 6 ft /1.8m     | Hose  |     |
| 16   | 1001241578  | 1              | Battery Cable Kit (No Info at Time of Printing)                     | A   |
| 17   | 3311405     | 4              | Nut 1/4   |     |
| 18   | 3311605     | 2              | Nut 3/8   |     |
| 19   | 3311805     | 1              | Nut 1/2   |     |
| 20   | 3422448     | 1              | Pin, Pivot  |     |
| 21   | 3841143     | 1              | Pin, Keeper   |     |
| 22   | 4711400     | 8              | Washer 1/4  |     |
| 23   | 4751500     | 2              | Washer 5/16   |     |
| 24   | 4751600     | 4              | Washer 3/8  |     |
| 25   | 4751800     | 1              | Washer 1/2  |     |
| 26   | 4752000     | 1              | Washer 5/8  |     |
| 27   | 85941017    | 2              | Clamp   |     |
| 28   | 88521205    | 2              | Nut 5/16  |     |
| 29   | 91401281    | 1              | Hold-down, Battery  |     |
| 30   | 1001093382  | 2              | J-Bolt  |     |
| 31   | 1001151070  | 1              | Angle   |     |
| 32   | 1001188954  | 1              | Engine Assembly with Pumps (See Separate Breakdown in this Section) |     |

# SECTION 3 - ENGINE

## FIGURE 3-2. DEUTZ D2011 ENGINE INSTALLATION – WITH ARCTIC PACKAGE



ART\_1001188964



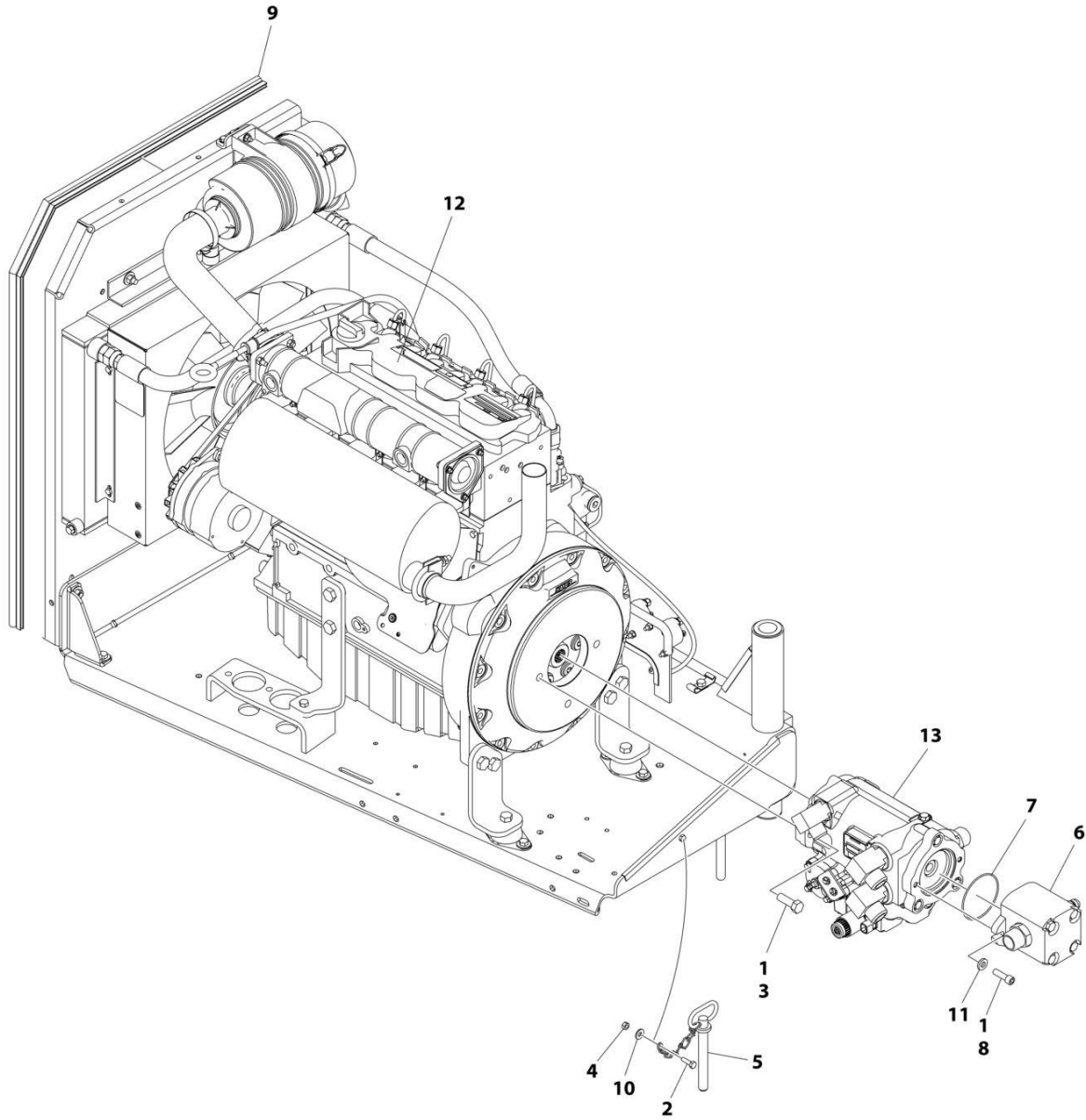
## SECTION 3 - ENGINE

**FIGURE 3-2. DEUTZ D2011 ENGINE INSTALLATION – WITH ARCTIC PACKAGE**

| ITEM | PART NUMBER | QTY            | DESCRIPTION   | REV |
|------|-------------|----------------|---|-----|
|      | 1001188964  | Ref            | DEUTZ D2011 ENGINE INSTALLATION                                     | D   |
| 1    | 0100011     | AR             | Compound, Locking   |     |
| 2    | 0100020     | AR             | Sealant, Pipe   |     |
| 3    | 0400075     | 1              | Battery   |     |
| 4    | 0641409     | 4              | Bolt 1/4 x 1-1/8  |     |
| 5    | 0641610     | 2              | Bolt 3/8 x 1-1/4  |     |
| 6    | 0641808     | 2              | Bolt 1/2 x 1  |     |
| 7    | 0642010     | 1              | Bolt 5/8 x 1-1/4  |     |
| 8    | 1060637     | 1              | Cable, Lanyard  |     |
| 9    | 1320022     | 5              | Clamp, Hose   |     |
| 10   | 1701505     | 1              | Decal - Diesel (Not Shown - Located on Hood)                        |     |
| 11   | 2180348     | 1              | Fitting, Straight Barbed  |     |
| 12   | 2220313     | 1              | Fitting, 90   |     |
| 13   | 2221176     | 1              | Fitting, Straight Barbed  |     |
| 14   | 2720058     | 24 ft<br>/7.3m | Hose  |     |
| 15   | 2750532     | 6 ft /1.8m     | Hose  |     |
| 16   | 1001241578  | 1              | Battery Cable Kit (No Info at Time of Printing)                     |     |
| 17   | 3311405     | 4              | Nut 1/4   |     |
| 18   | 3311605     | 3              | Nut 3/8   |     |
| 19   | 3311805     | 1              | Nut 1/2   |     |
| 20   | 3422448     | 1              | Pin, Pivot  |     |
| 21   | 3841143     | 1              | Pin, Keeper   |     |
| 22   | 4711400     | 8              | Washer 1/4  |     |
| 23   | 4751500     | 3              | Washer 5/16   |     |
| 24   | 4751600     | 4              | Washer 3/8  |     |
| 25   | 4751800     | 1              | Washer 1/2  |     |
| 26   | 4752000     | 1              | Washer 5/8  |     |
| 27   | 85941017    | 2              | Clamp   |     |
| 28   | 88521205    | 2              | Nut 5/16  |     |
| 29   | 91401281    | 1              | Hold-down, Battery  |     |
| 30   | 1001093382  | 2              | J-Bolt  |     |
| 31   | 1001151070  | 1              | Angle   |     |
| 32   | 1001188955  | 1              | Engine Assembly with Pumps (See Separate Breakdown in this Section) |     |
| 33   | 0641507     | 1              | Bolt 5/16 x 7/8   |     |
| 34   | 0641608     | 1              | Bolt 3/8 x 1  |     |
| 35   | 1060626     | 1              | Cord, 3-Way Extension   |     |
| 36   | 1320223     | 2              | Clamp   |     |
| 37   | 1702941     | 1              | Decal - Battery Heater  |     |
| 38   | 1702942     | 1              | Decal - Engine Block Heater   |     |
| 39   | 1702943     | 1              | Decal - Hydraulic Tank Heater                                       |     |
| 40   | 1702944     | 1              | Decal - Heater Cord   |     |
| 41   | 2580024     | 1              | Heater, Battery   |     |
| 42   | 3311505     | 1              | Nut 5/16  |     |
| 43   | 3980007     | 1              | Seat, Battery   |     |
| 44   | 4711600     | 2              | Washer 3/8  |     |
| 45   | 1001150918  | 2              | Cable, Immersion Heater   |     |
| 46   | 1001188972  | 1              | Heater, Hydraulic Tank  |     |

# SECTION 3 - ENGINE

## FIGURE 3-3. DEUTZ D2011 ENGINE/PUMP SUB-ASSEMBLY – WITHOUT ARCTIC PACKAGE



ART\_1001188954

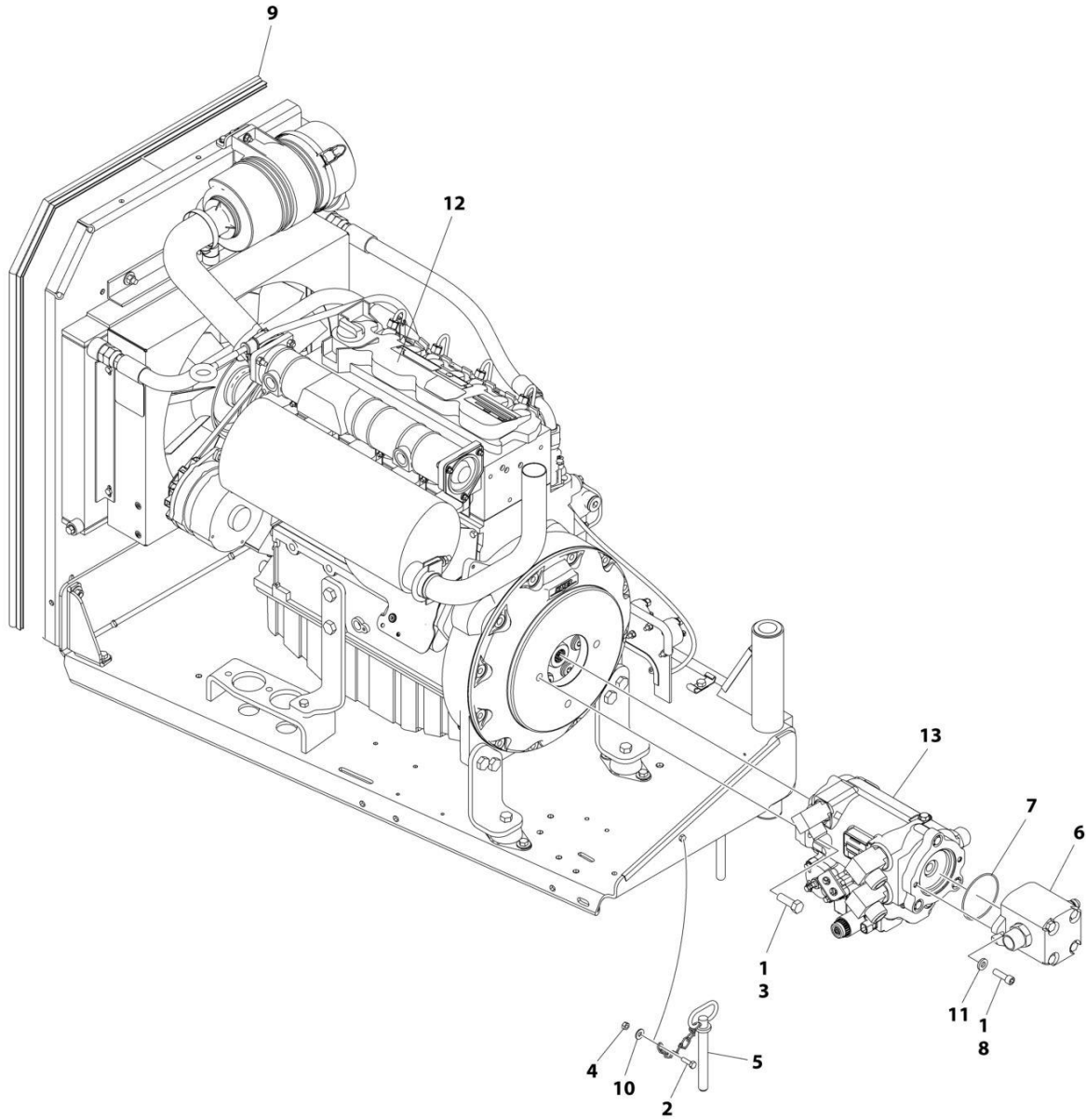
## SECTION 3 - ENGINE

**FIGURE 3-3. DEUTZ D2011 ENGINE/PUMP SUB-ASSEMBLY – WITHOUT ARCTIC PACKAGE**

| ITEM | PART NUMBER | QTY        | DESCRIPTION   | REV |
|------|-------------|------------|---|-----|
|      | 1001188954  | Ref        | DEUTZ D2011 ENGINE/PUMP SUB-ASSEMBLY  | B   |
| 1    | 0100011     | AR         | Compound, Locking   |     |
| 2    | 0641407     | 1          | Bolt 1/4 x 7/8  |     |
| 3    | 0641812     | 2          | Bolt 1/2 x 1-1/2  |     |
| 4    | 3311405     | 1          | Nut 1/4   |     |
| 5    | 3422533     | 1          | Pin, Hitch  |     |
| 6    | 3600395     | 1          | Gear Pump Assembly with Fittings (See Separate Breakdown in this section)   |     |
| 7    | 3790152     | 1          | O-Ring  |     |
| 8    | 3931620     | 2          | Capscrew 3/8 x 1-1/4  |     |
| 9    | 3960389     | 5 ft /1.5m | Seal  |     |
| 10   | 4751400     | 1          | Washer 1/4  |     |
| 11   | 4891600     | 2          | Washer 3/8 Hardened   |     |
| 12   | 1001150158  | 1          | Engine Assembly (See Separate Breakdown in this Section)                    |     |
| 13   | 1001188952  | 1          | Piston Pump Assembly with Fittings (See Separate Breakdown in this section) |     |

# SECTION 3 - ENGINE

## FIGURE 3-4. DEUTZ D2011 ENGINE/PUMP SUB-ASSEMBLY – WITH ARCTIC PACKAGE



ART\_1001188955

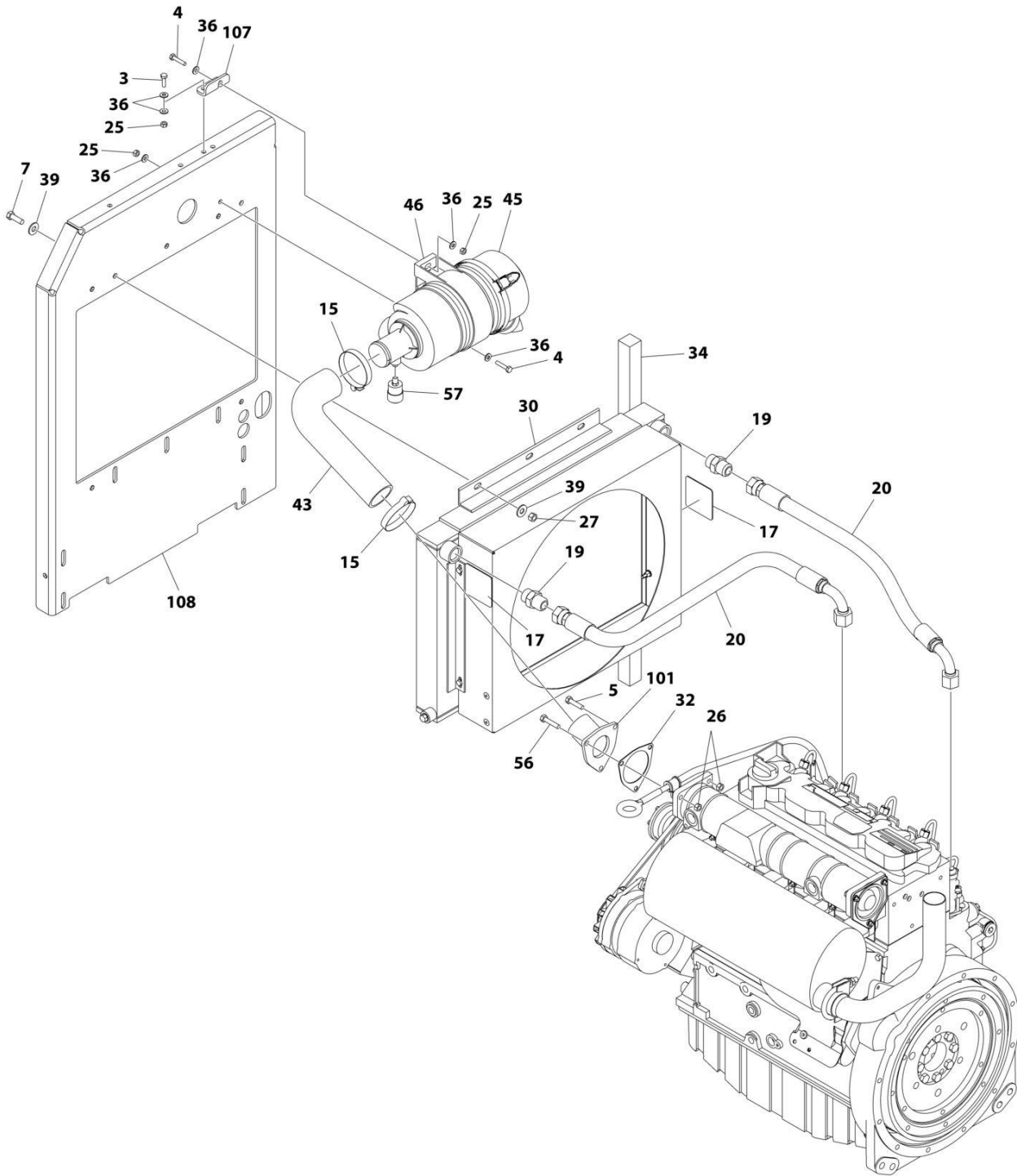
## SECTION 3 - ENGINE

**FIGURE 3-4. DEUTZ D2011 ENGINE/PUMP SUB-ASSEMBLY – WITH ARCTIC PACKAGE**

| ITEM | PART NUMBER | QTY        | DESCRIPTION   | REV |
|------|-------------|------------|---|-----|
|      | 1001188955  | Ref        | DEUTZ D2011 ENGINE/PUMP SUB-ASSEMBLY  | A   |
| 1    | 0100011     | AR         | Compound, Locking   |     |
| 2    | 0641407     | 1          | Bolt 1/4 x 7/8  |     |
| 3    | 0641812     | 2          | Bolt 1/2 x 1-1/2  |     |
| 4    | 3311405     | 1          | Nut 1/4   |     |
| 5    | 3422533     | 1          | Pin, Hitch  |     |
| 6    | 3600395     | 1          | Gear Pump Assembly with Fittings (See Separate Breakdown in this section)   |     |
| 7    | 3790152     | 1          | O-Ring  |     |
| 8    | 3931620     | 2          | Capscrew 3/8 x 1-1/4  |     |
| 9    | 3960389     | 5 ft /1.5m | Seal  |     |
| 10   | 4751400     | 1          | Washer 1/4  |     |
| 11   | 4891600     | 2          | Washer 3/8 Hardened   |     |
| 12   | 1001150179  | 1          | Engine Assembly (See Separate Breakdown in this Section)                    |     |
| 13   | 1001188952  | 1          | Piston Pump Assembly with Fittings (See Separate Breakdown in this section) |     |

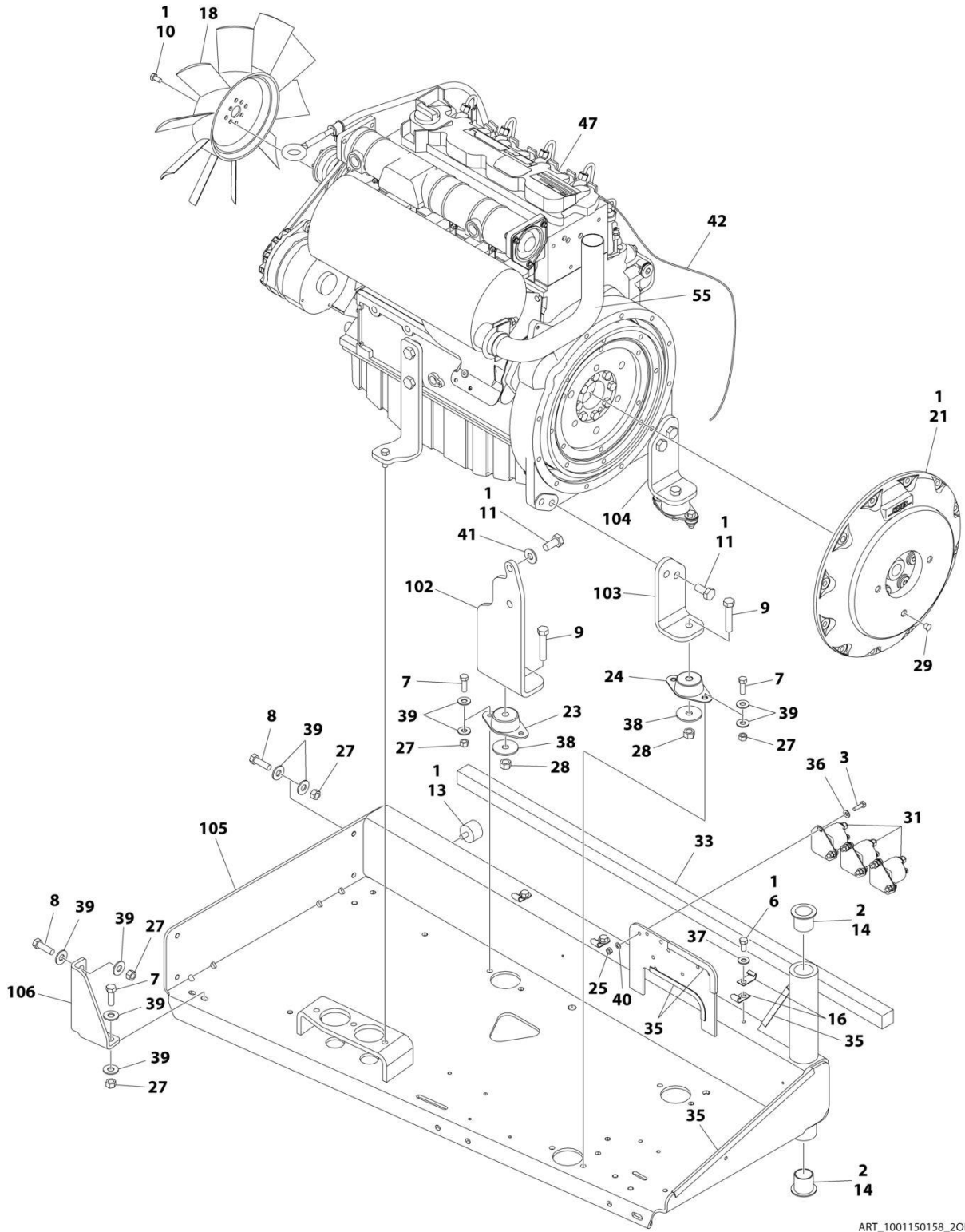
# SECTION 3 - ENGINE

## FIGURE 3-5. DEUTZ D2011 ENGINE ASSEMBLY – WITHOUT ARCTIC PACKAGE



ART\_1001150158\_10F2

# SECTION 3 - ENGINE



ART\_1001150158\_20F2

## SECTION 3 - ENGINE

FIGURE 3-5. DEUTZ D2011 ENGINE ASSEMBLY – WITHOUT ARCTIC PACKAGE

| ITEM | PART NUMBER | QTY       | DESCRIPTION  | REV |
|------|-------------|-----------|--|-----|
|      | 1001150158  | Ref       | DEUTZ D2011 ENGINE ASSEMBLY  | M   |
| 1    | 0100011     | AR        | Compound, Locking  |     |
| 2    | 0100062     | AR        | Compound, Locking  |     |
| 3    | 0641407     | 8         | Bolt 1/4 x 7/8   |     |
| 4    | 0641410     | 2         | Bolt 1/4 x 1-1/4   |     |
| 5    | 0641510     | 2         | Bolt 5/16 x 1- 1/4   |     |
| 6    | 0641606     | 3         | Bolt 3/8 x 3/4   |     |
| 7    | 0641609     | 14        | Bolt 3/8 x 1-1/8   |     |
| 8    | 0641610     | 4         | Bolt 3/8 x 1-1/4   |     |
| 9    | 0641820     | 3         | Bolt 1/2 x 2-1/2   |     |
| 10   | 0700808     | 4         | Bolt M8 x 16mm   |     |
| 11   | 0771414     | 6         | Bolt M14 x 30  |     |
| 13   | 0940070     | 1         | Bumper   |     |
| 14   | 0961986     | 2         | Bushing, Flanged   |     |
| 15   | 1320016     | 2         | Clamp  |     |
| 16   | 1320223     | 4         | J-Clip   |     |
| 17   | 1703162     | 2         | Decal - Caution Fan Blade  |     |
| 18   | 2060025     | 1         | Fan  |     |
| 19   | 2220451     | 2         | Fitting, Straight  |     |
| 20   | 2720398     | 2         | Hose, Oil Cooler   |     |
| 21   | 2902065     | 1         | Kit, Pump Coupling (See Separate Breakdown in this Section)            |     |
| 23   | 3200401     | 1         | Mount, Motor (Front)   |     |
| 24   | 3200406     | 2         | Mount, Motor (Rear)  |     |
| 25   | 3311405     | 10        | Nut 1/4  |     |
| 26   | 3311505     | 3         | Nut 5/16   |     |
| 27   | 3311605     | 18        | Nut 3/8  |     |
| 28   | 3311805     | 3         | Nut 1/2  |     |
| 29   | 3520054     | 2         | Plug, Hole   |     |
| 30   | 1001150998  | 1         | Radiator   |     |
| 31   | 3740067     | 3         | Relay  |     |
| 32   | 3960407     | 1         | Gasket, Air Intake   |     |
| 33   | 3960468     | 1         | Seal   |     |
| 34   | 3960469     | 1         | Seal   |     |
| 35   | 4060805     | 37 in /1m | Flex-Trim  |     |
| 36   | 4711400     | 14        | Washer 1/4   |     |
| 37   | 4711600     | 3         | Washer 3/8   |     |
| 38   | 4740274     | 3         | Washer, Snubbing   |     |
| 39   | 4751600     | 36        | Washer 3/8   |     |
| 40   | 4791400     | 6         | Starwasher 1/4   |     |
| 41   | 4812200     | 2         | Washer M14   |     |
| 42   | 4923379     | 1         | Harness, Glow Plug   |     |
| 43   | 1001130041  | 1         | Elbow  |     |
| 45   | 1001141693  | 1         | Air Cleaner Assembly   |     |
| 45   | 70003783    | 1         | Element, Filter  |     |
| 46   | 1001141694  | 1         | Clamp, Air Filter  |     |
| 47   | 1001146368  | Ref       | Deutz D2011 Engine Components (See Separate Breakdown in this Section) |     |
| 55   | 1001151251  | 1         | Pipe, Exhaust  |     |
| 56   | 0641512     | 1         | Bolt 5/16 x 1-1/2  |     |
| 57   | 1001143390  | 1         | Indicator, Air Filter Service  |     |

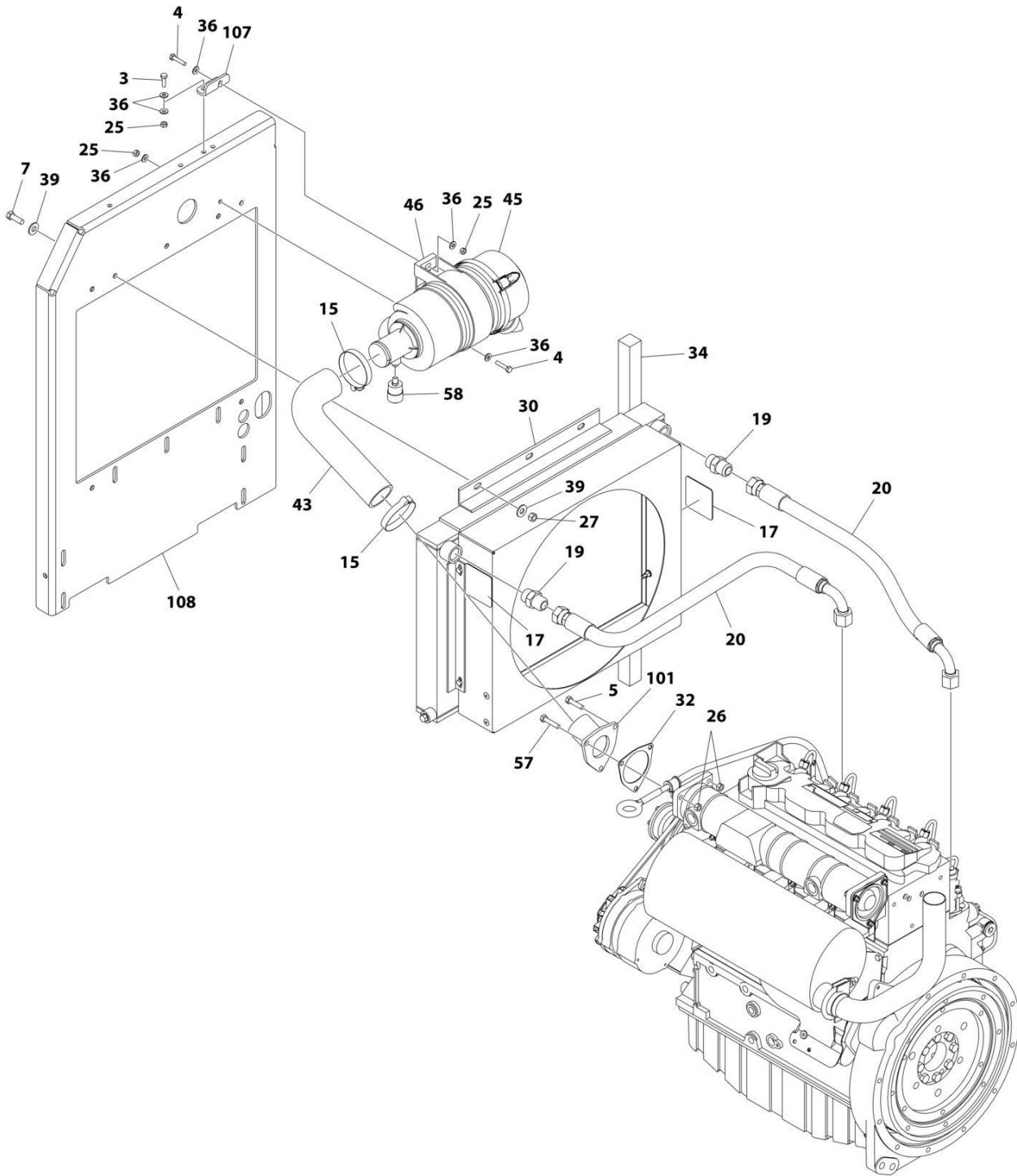


## SECTION 3 - ENGINE

| ITEM | PART NUMBER | QTY | DESCRIPTION              | REV |
|------|-------------|-----|--------------------------|-----|
| 100  | 1001265493  | 1   | Kit – Engine Parts       | A   |
| 101  | 1001139819  | 1   | Adapter, Air Intake      |     |
| 102  | 1001149704  | 1   | Support, Engine (Front)  |     |
| 103  | 1001149705  | 1   | Support, Engine (Rear)   |     |
| 104  | 1001149706  | 1   | Support, Engine (Rear)   |     |
| 105  | 1001149793  | 1   | Tray                     |     |
| 106  | 1001150915  | 1   | Support                  |     |
| 107  | 1001151078  | 1   | Angle                    |     |
| 108  | 1001151206  | 1   | Plate, Radiator Mounting |     |

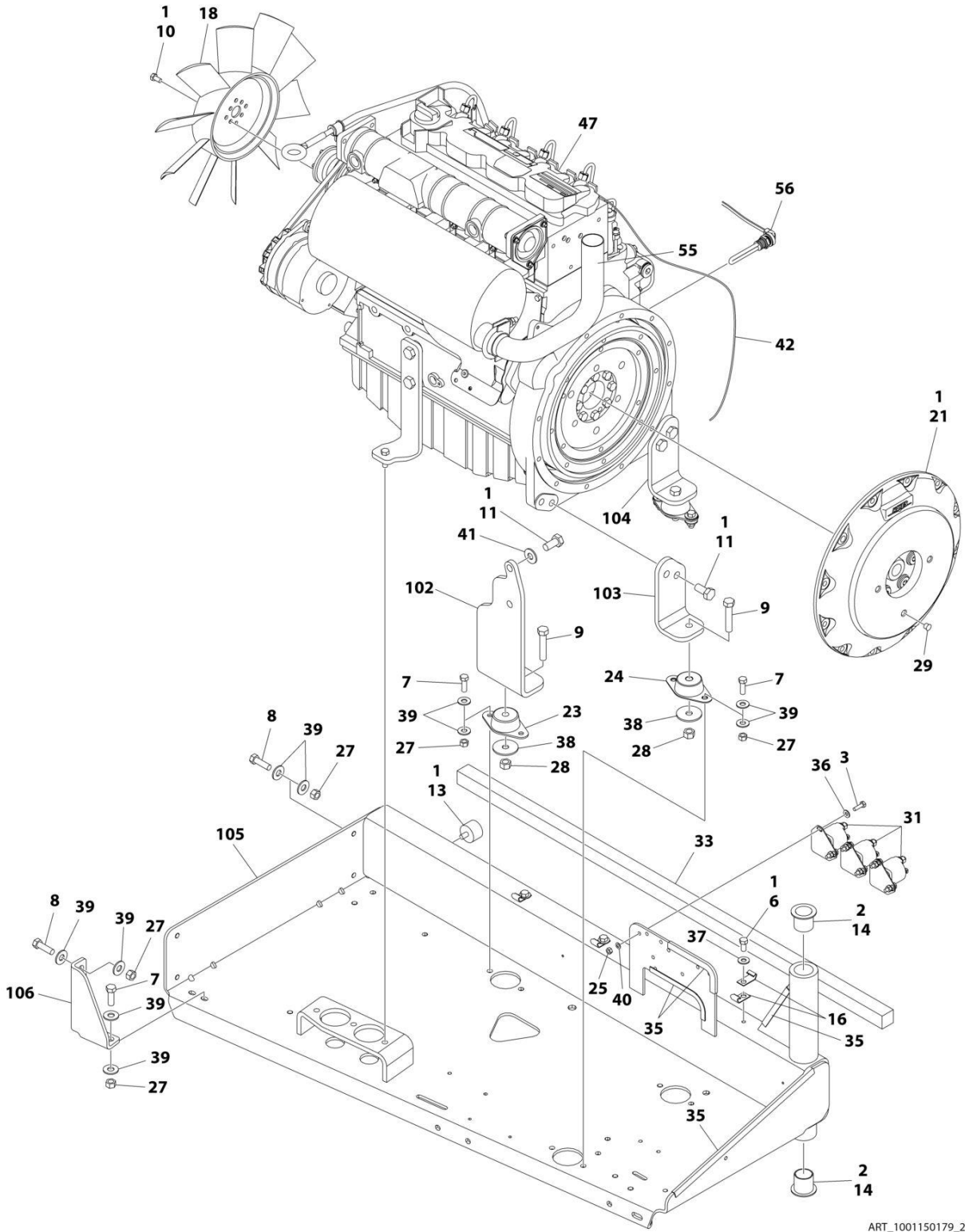
# SECTION 3 - ENGINE

## FIGURE 3-6. DEUTZ D2011 ENGINE ASSEMBLY – WITH ARCTIC PACKAGE



ART\_1001150179\_10F2

# SECTION 3 - ENGINE



ART\_1001150179\_20F2

## SECTION 3 - ENGINE

FIGURE 3-6. DEUTZ D2011 ENGINE ASSEMBLY – WITH ARCTIC PACKAGE

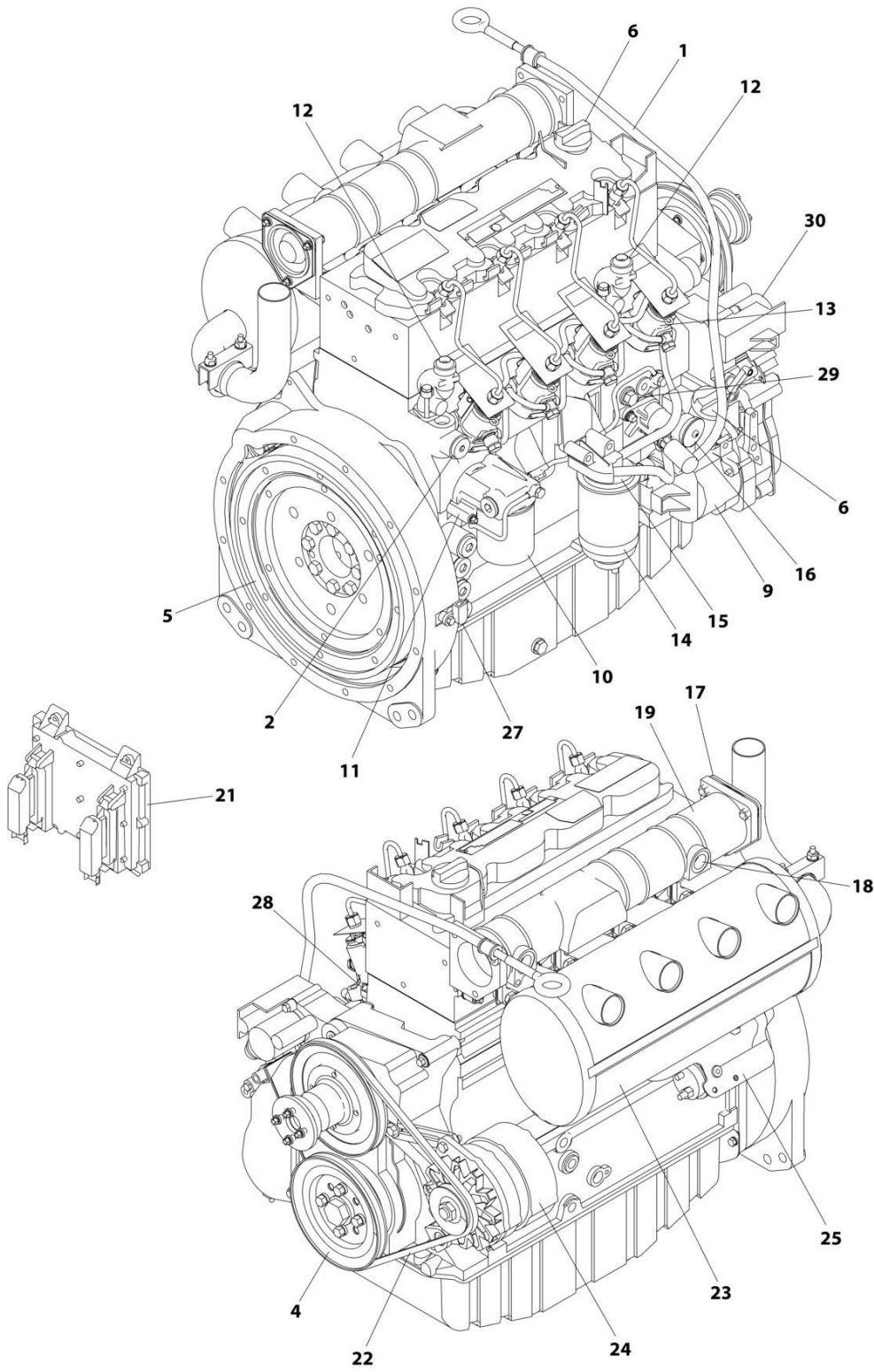
| ITEM | PART NUMBER | QTY       | DESCRIPTION  | REV |
|------|-------------|-----------|--|-----|
|      | 1001150179  | Ref       | DEUTZ D2011 ENGINE ASSEMBLY  | K   |
| 1    | 0100011     | AR        | Compound, Locking  |     |
| 2    | 0100062     | AR        | Compound, Locking  |     |
| 3    | 0641407     | 8         | Bolt 1/4 x 7/8   |     |
| 4    | 0641410     | 2         | Bolt 1/4 x 1-1/4   |     |
| 5    | 0641510     | 2         | Bolt 5/16 x 1-1/4  |     |
| 6    | 0641606     | 3         | Bolt 3/8 x 3/4   |     |
| 7    | 0641609     | 14        | Bolt 3/8 x 1-1/8   |     |
| 8    | 0641610     | 4         | Bolt 3/8 x 1-1/4   |     |
| 9    | 0641820     | 3         | Bolt 1/2 x 2-1/2   |     |
| 10   | 0700808     | 4         | Bolt M8 x 16mm   |     |
| 11   | 0771414     | 6         | Bolt M14 x 30  |     |
| 13   | 0940070     | 1         | Bumper   |     |
| 14   | 0961986     | 2         | Bushing, Flanged   |     |
| 15   | 1320016     | 2         | Clamp  |     |
| 16   | 1320223     | 4         | J-Clip   |     |
| 17   | 1703162     | 2         | Decal - Caution Fan Blade  |     |
| 18   | 2060025     | 1         | Fan  |     |
| 19   | 2220451     | 2         | Fitting, Straight  |     |
| 20   | 2720398     | 2         | Hose, Oil Cooler   |     |
| 21   | 2902065     | 1         | Kit, Pump Coupling (See Separate Breakdown in this Section)            |     |
| 23   | 3200401     | 1         | Mount, Motor (Front)   |     |
| 24   | 3200406     | 2         | Mount, Motor (Rear)  |     |
| 25   | 3311405     | 10        | Nut 1/4  |     |
| 26   | 3311505     | 3         | Nut 5/16   |     |
| 27   | 3311605     | 18        | Nut 3/8  |     |
| 28   | 3311805     | 3         | Nut 1/2  |     |
| 29   | 3520054     | 2         | Plug, Hole   |     |
| 30   | 1001150998  | 1         | Radiator   |     |
| 31   | 3740067     | 3         | Relay  |     |
| 32   | 3960407     | 1         | Gasket, Air Intake   |     |
| 33   | 3960468     | 1         | Seal   |     |
| 34   | 3960469     | 1         | Seal   |     |
| 35   | 4060805     | 37 in /1m | Flex-Trim  |     |
| 36   | 4711400     | 14        | Washer 1/4   |     |
| 37   | 4711600     | 3         | Washer 3/8   |     |
| 38   | 4740274     | 3         | Washer, Snubbing   |     |
| 39   | 4751600     | 36        | Washer 3/8   |     |
| 40   | 4791400     | 6         | Starwasher 1/4   |     |
| 41   | 4812200     | 2         | Washer M14   |     |
| 42   | 4923379     | 1         | Harness, Glow Plug   |     |
| 43   | 1001130041  | 1         | Elbow  |     |
| 45   | 1001141693  | 1         | Air Cleaner Assembly   |     |
| 45   | 70003783    | 1         | Element, Filter  |     |
| 46   | 1001141694  | 1         | Clamp, Air Filter  |     |
| 47   | 1001146368  | Ref       | Deutz D2011 Engine Components (See Separate Breakdown in this Section) |     |
| 55   | 1001151251  | 1         | Pipe, Exhaust  |     |
| 56   | 2580062     | 1         | Heater, Engine Block   |     |
| 57   | 0641512     | 1         | Bolt 5/16 x 1-1/2  |     |

## SECTION 3 - ENGINE

| ITEM | PART NUMBER | QTY | DESCRIPTION                   | REV |
|------|-------------|-----|-------------------------------|-----|
| 58   | 1001143390  | 1   | Indicator, Air Filter Service |     |
| 100  | 1001265493  | 1   | Mounting Kit (Not Shown)      |     |
| 101  | 1001139819  | 1   | Adapter, Air Intake           |     |
| 102  | 1001149704  | 1   | Support, Engine (Front)       |     |
| 103  | 1001149705  | 1   | Support, Engine (Rear)        |     |
| 104  | 1001149706  | 1   | Support, Engine (Rear)        |     |
| 105  | 1001149793  | 1   | Tray                          |     |
| 106  | 1001150915  | 1   | Support                       |     |
| 107  | 1001151078  | 1   | Angle                         |     |
| 108  | 1001151206  | 1   | Plate, Radiator Mounting      |     |

# SECTION 3 - ENGINE

## FIGURE 3-7. DEUTZ D2011 ENGINE COMPONENTS



ART\_1001146368

## SECTION 3 - ENGINE

**FIGURE 3-7. DEUTZ D2011 ENGINE COMPONENTS**

| ITEM | PART NUMBER | QTY | DESCRIPTION   | REV |
|------|-------------|-----|---|-----|
|      | 1001146368  | Ref | DEUTZ D2011 ENGINE COMPONENTS   | E   |
| 1    | 7026631     | 1   | Dipstick  |     |
| 1    | 7020487     | 1   | O-Ring, Dipstick  |     |
| 1    | 70001002    | 1   | Tube, Dipstick  |     |
| 1    | 7020403     | 1   | Seal, Dipstick Tube   |     |
| 2    | 70003475    | 1   | Thermostat  |     |
| 2    | 7020460     | 1   | Spring, Compression   |     |
| 3    | 70002718    | 1   | Seal, Rear Main (Not Shown)   |     |
| 4    | 70005479    | 1   | Pulley  |     |
| 5    | 70001870    | 1   | Flywheel  |     |
| 5    | 7024579     | 1   | Ring Gear   |     |
| 6    | 7020465     | 2   | Cap, Filler   |     |
| 7    | 70003456    | 1   | Gasket, Head (Not Shown)  |     |
| 7    | 70003457    | 1   | Gasket, Head (Not Shown)  |     |
| 7    | 70003003    | 1   | Gasket, Head (Not Shown)  |     |
| 8    | 7020431     | 1   | Gasket, Valve Cover (Not Shown)   |     |
| 9    | 70001850    | 1   | Pump, Oil Lube  |     |
| 9    | 7020468     | 1   | Seal Between Oil Pump and Engine Block (Not Shown)                                      |     |
| 10   | 7016331     | 1   | Filter, Oil   |     |
| 11   | 70003472    | 1   | Bracket, Oil Filter (Includes Spring, Control Valve, Temperature Sensor, Seal and Plug) |     |
| 11   | 7027236     | 1   | Sensor, Temperature   |     |
| 11   | 70003473    | 1   | Gasket, Oil Filter Bracket to Engine Block  |     |
| 12   | 70004268    | 2   | Fitting, Radiator Connector (Located Between Item 220 and Engine Block)                 |     |
| 12   | 70004269    | 2   | Seal for Radiator Connector Fitting   |     |
| 13   | 70003478    | 4   | Injector, Fuel  |     |
| 13   | 70003136    | 4   | Seal  |     |
| 13   |             | Ref | Pump, Injector Options:   |     |
| 13   | 70000912    | 1   | Series A Injector   |     |
| 13   | 70000913    | 4   | Series B Injector   |     |
| 13   | 70000914    | 1   | Series C Injector   |     |
| 13   | 70000915    | 1   | Series D Injector   |     |
| 14   | 7016328     | 1   | Filter, Fuel  |     |
| 15   | 70001423    | 1   | Bracket, Fuel Filter  |     |
| 16   | 70000916    | 1   | Pump Fuel Supply  |     |
| 16   | 70001435    | 1   | Repair Kit for Pump   |     |
| 16   | 70000919    | 1   | Hand Pump   |     |
| 16   | 70000918    | 1   | Seal, Hand Pump   |     |
| 16   | 70000917    | 1   | O-Seal Between Fuel Pump and Engine Block (Not Shown)                                   |     |
| 17   | 70003469    | 1   | Flange  |     |
| 17   | 70003468    | 1   | O-Seal  |     |
| 18   | 70025084    | 1   | Plug  |     |
| 19   | 70003470    | 1   | Manifold, Intake  |     |
| 19   | 70001871    | 4   | Gasket, Intake Manifold to Engine Block (Not Shown)                                     |     |
| 20   | 70001847    | 1   | Breather Valve (Not Shown - Located on Front Cover)                                     |     |
| 20   | 70001126    | 1   | Seal, Breather Valve  |     |
| 21   | 7027795     | 1   | Module, Control   |     |
| 22   | 7020408     | 1   | V-Belt  |     |
| 23   | 7000695     | 1   | Muffler (Includes Saddle Clamp)   |     |

## SECTION 3 - ENGINE

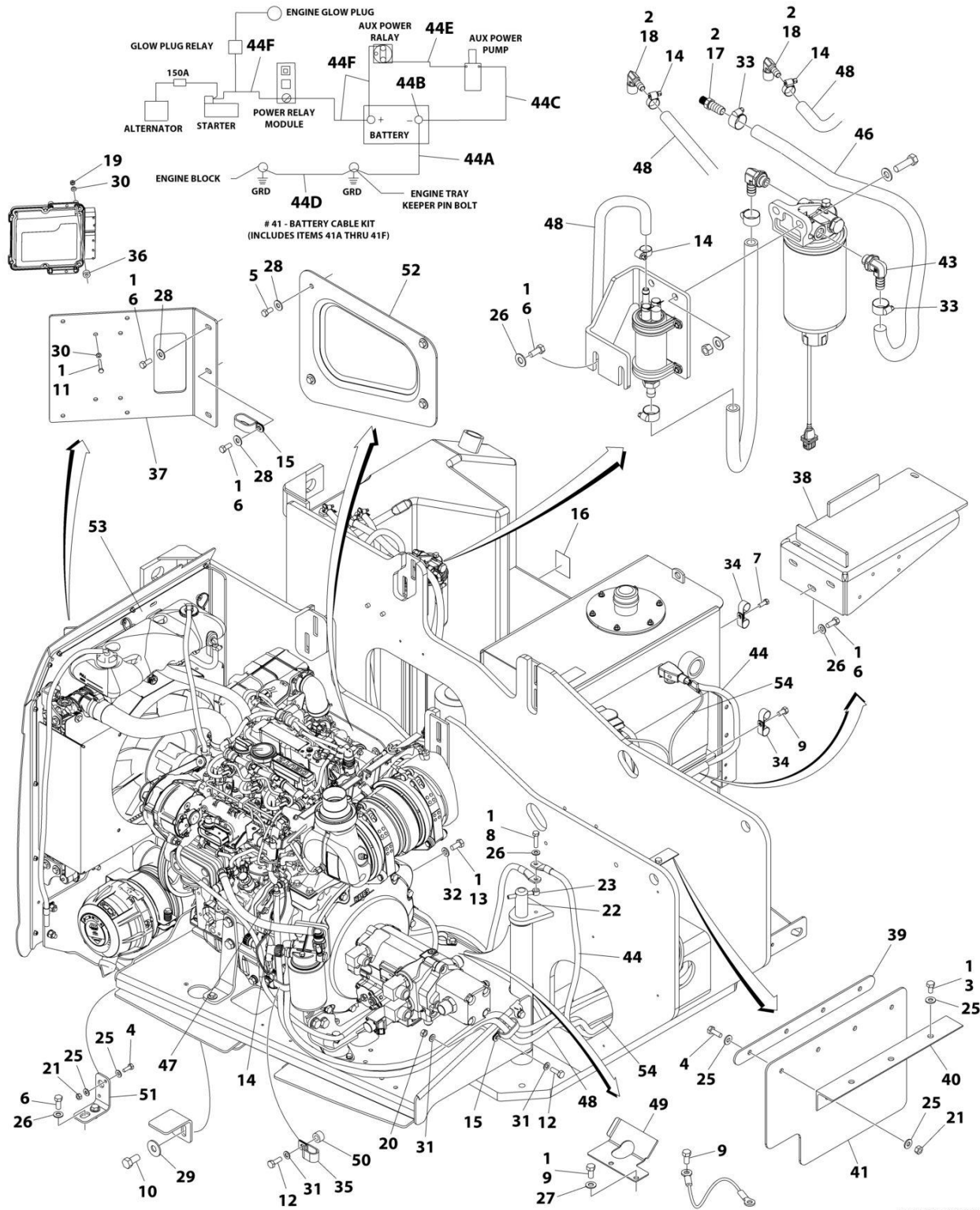
| ITEM | PART NUMBER | QTY | DESCRIPTION   | REV |
|------|-------------|-----|---|-----|
| 23   | 7020471     | 4   | Gasket, Exhaust Manifold (Not Shown)                  |     |
| 23   | 70004270    | 8   | Stud, Exhaust Manifold (Not Shown)                    |     |
| 24   | 70004056    | 1   | Alternator  |     |
| 24   | 70001868    | 1   | Regulator, Voltage Options (Not Shown)                |     |
| 24   | 70001866    | 1   | Gasket for Voltage Regulator (Not Shown)              |     |
| 24   | 70002234    | 1   | Bracket, Adjusting (Not Shown)                        |     |
| 24   | 70000851    | 1   | Bracket, Mounting (Not Shown)                         |     |
| 25   | 7020479     | 1   | Starter   |     |
| 25   | 70004058    | 1   | Relay   |     |
| 25   | 70001498    | 1   | Shield, Starter Heat                                  |     |
| 26   | 70004059    | 1   | Plug- In Connector for Analyzer (Not Shown)           |     |
| 26   | 7027796     | 1   | Harness, Module to Engine Harness (Not Shown)         |     |
| 26   | 70004060    | 1   | Plug- In Connector on p/n 7027796 Harness (Not Shown) |     |
| 26   | 70001872    | 1   | Harness, Engine (Not Shown)                           |     |
| 26   | 70004103    | 1   | Harness, Alternator (Not Shown)                       |     |
| 26   | 70004271    | 1   | Harness, Starter (Not Shown)                          |     |
| 27   | 70004272    | 1   | Sensor, Speed   |     |
| 27   | 70003932    | 1   | Spacer  |     |
| 28   | 7027791     | 1   | Transmitter, Temperature                              |     |
| 29   | 7027790     | 1   | Sensor, Oil Pressure                                  |     |
| 30   | 7027792     | 1   | Actuator, Throttle                                    |     |
| 30   | 7027276     | 1   | Spring, Actuator                                      |     |
| 31   | 70000345    | 4   | Plug, Glow (Not Shown)                                |     |
| 32   | 70004273    | 1   | Set, Engine Gasket (Not Shown)                        |     |





# SECTION 3 - ENGINE

## FIGURE 3-8. DEUTZ TD2.2L3 (STAGE V) ENGINE INSTALLATION - (WITHOUT ARCTIC PACKAGE)



ART\_1001289895

## SECTION 3 - ENGINE

**FIGURE 3-8. DEUTZ TD2.2L3 (STAGE V) ENGINE INSTALLATION - (WITHOUT ARCTIC PACKAGE)**

| ITEM | PART NUMBER | QTY | DESCRIPTION  | REV |
|------|-------------|-----|--|-----|
|      | 1001289895  | Ref | DEUTZ TD2.2L3 (STAGE V) ENGINE INSTALLATION  | A   |
| 1    | 0100011     | AR  | Compound, Locking  |     |
| 2    | 0100020     | AR  | Sealant, Pipe  |     |
| 3    | 0641404     | 3   | Bolt 1/4 x 1/2   |     |
| 4    | 0641406     | 5   | Bolt 1/4 x 3/4   |     |
| 5    | 0641606     | 4   | Bolt 3/8 x 3/4   |     |
| 6    | 0641607     | 12  | Bolt 3/8 x 7/8   |     |
| 7    | 0641608     | 1   | Bolt 3/8 x 1   |     |
| 8    | 0641612     | 1   | Bolt 3/8 x 1-1/2   |     |
| 9    | 0641808     | 4   | Bolt 1/2 x 1   |     |
| 10   | 0642010     | 1   | Bolt 5/8 x 1-1/4   |     |
| 11   | 0700616     | 4   | Bolt M6 x 40   |     |
| 12   | 0761014     | 2   | Bolt M10 x 30  |     |
| 13   | 0771212     | 1   | Bolt M12 x 25 Grade 10.9   |     |
| 14   | 1320022     | 5   | Clamp  |     |
| 15   | 1321716     | 2   | P-Clamp  |     |
| 16   | 1701505     | 1   | Decal - Diesel   |     |
| 17   | 2180832     | 1   | Fitting, Straight Barbed   |     |
| 18   | 2220313     | 2   | Fitting, 90 Barbed   |     |
| 19   | 3290601     | 4   | Nut M6   |     |
| 20   | 3291001     | 1   | Nut M10  |     |
| 21   | 3311405     | 5   | Nut 1/4  |     |
| 22   | 3422448     | 1   | Pin, Pivot   |     |
| 23   | 3841143     | 1   | Pin, Keeper  |     |
| 24   | 4240099     | AR  | Tie-Strap (Not Shown)  |     |
| 25   | 4711400     | 13  | Washer 1/4   |     |
| 26   | 4711600     | 10  | Washer 3/8   |     |
| 27   | 4711800     | 2   | Washer 1/2   |     |
| 28   | 4751600     | 7   | Washer 3/8   |     |
| 29   | 4752000     | 1   | Washer 5/8   |     |
| 30   | 4811700     | 8   | Washer M6  |     |
| 31   | 4812000     | 3   | Washer M10   |     |
| 32   | 4812100     | 1   | Washer M12   |     |
| 33   | 8405006     | 2   | Clamp  |     |
| 34   | 8406201     | 6   | Clip, Tube   |     |
| 35   | 1001026127  | 1   | Clamp  |     |
| 36   | 1001110425  | 4   | Spacer   |     |
| 37   | 1001137866  | 1   | Plate, Baffle  |     |
| 38   | 1001137868  | 1   | Bracket, Battery   |     |
| 39   | 1001137880  | 1   | Bracket, Baffle  |     |
| 40   | 1001137881  | 1   | Angle  |     |
| 41   | 1001137882  | 1   | Support, Rubber  |     |
| 42   | 1001138491  | 1   | Harness, Fuel Pump (Pump requiring Push-on Terminals) (Not Shown - See Separate Breakdown in ELECTRICAL Section) |     |
| 43   | 1001142501  | 1   | Fitting, 90 Barbed   |     |
| 44   | 1001145047  | 1   | Battery Cable Kit  |     |
| 44A  | 7027072     | 1   | Cable, Battery (Black) (Battery - to Tray Pivot Grd)   |     |
| 44B  | 8270147     | 1   | Terminal, Battery (With Boot)  |     |
| 44B  | See Note    | 1   | Boot, Black (Note: Not Available for Purchase)   |     |
| 44C  | 7027073     | 1   | Cable, Battery (Black) (Battery - to Aux Pump and Relay Grd)   |     |

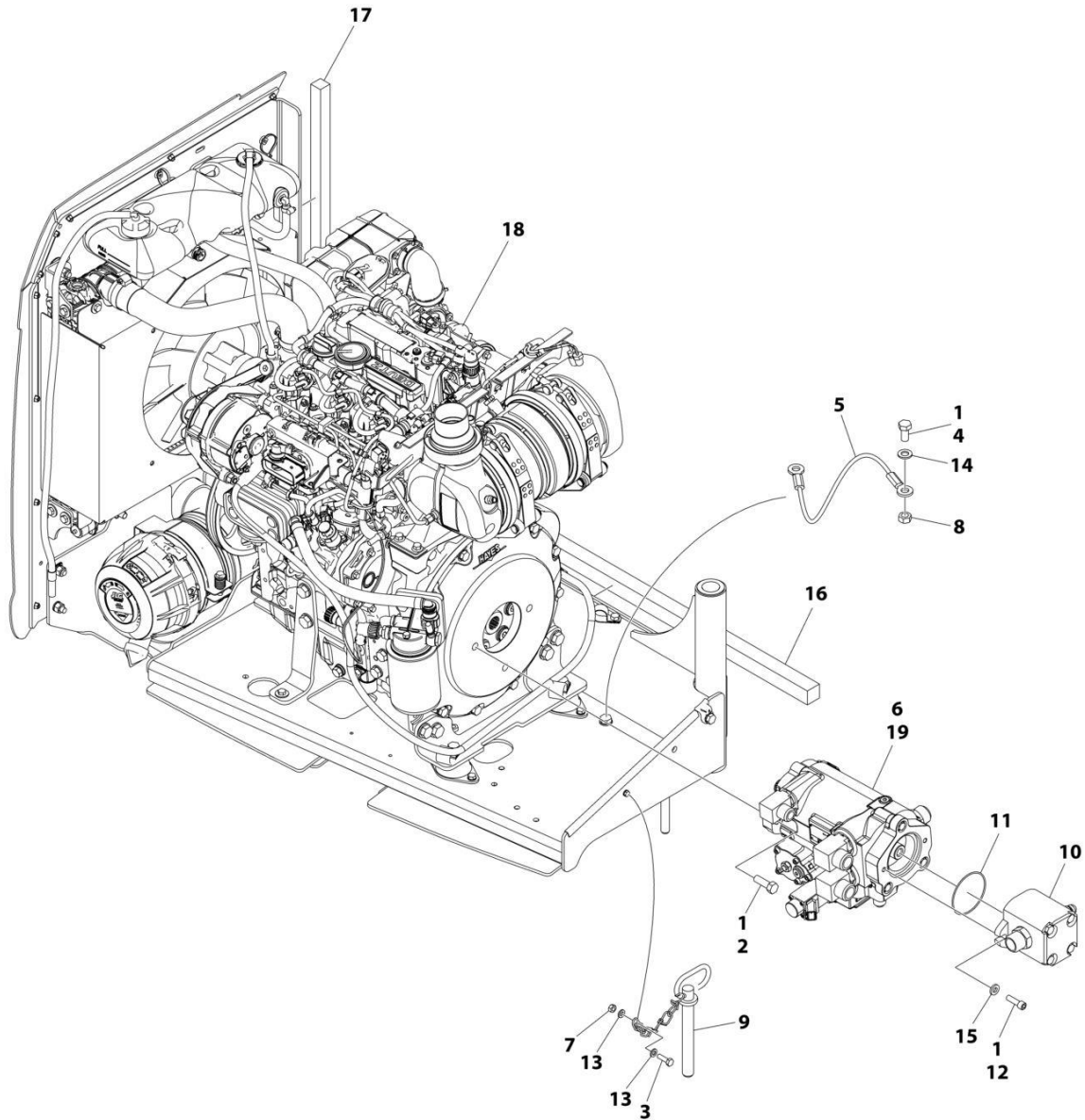
## SECTION 3 - ENGINE

| ITEM | PART NUMBER | QTY      | DESCRIPTION   | REV |
|------|-------------|----------|---|-----|
| 44C  | See Note    | 1        | Boot, Black (Note: Not Available for Purchase)                      |     |
| 44D  | 7027074     | 1        | Cable, Battery (Black) (Engine to Tray Pivot Grd)                   |     |
| 44E  | 7027075     | 1        | Cable (Red) (Aux Relay to Aux Pump)                                 |     |
| 44E  | 70003952    | 2        | Boot, Red   |     |
| 44F  | 7027076     | 1        | Cable (Red) (Battery + to Aux Relay/Power Module/Starter)           |     |
| 44F  | See Note    | 1        | Boot, Red (Battery) (Note: Not Available for Purchase)              |     |
| 45   | 1001146588  | 1        | Tie-Strap (Not Shown)   |     |
| 46   | 1001154405  | 3 ft/1m  | Hose  |     |
| 47   | 1001155823  | 1        | Fitting, 90 Quick Disconnect  |     |
| 48   | 1001165035  | 24 ft/8m | Hose  |     |
| 49   | 1001172793  | 1        | Guide, Hose   |     |
| 50   | 1001220266  | 1        | Spacer  |     |
| 51   | 1001256879  | 1        | Bracket   |     |
| 52   | 1001260654  | 1        | Cover   |     |
| 53   | 1001289896  | 1        | Engine Assembly with Pumps (See Separate Breakdown in this Section) |     |
| 54   | 1001289593  | 1        | ECU Power Jumper Harness (Separate Breakdown in ELECTRICAL Section) |     |



# SECTION 3 - ENGINE

## FIGURE 3-9. DEUTZ TD2.2L3(STAGE V) ENGINE/PUMP SUB ASSEMBLY - (WITHOUT ARCTIC PACKAGE)



ART\_1001289896

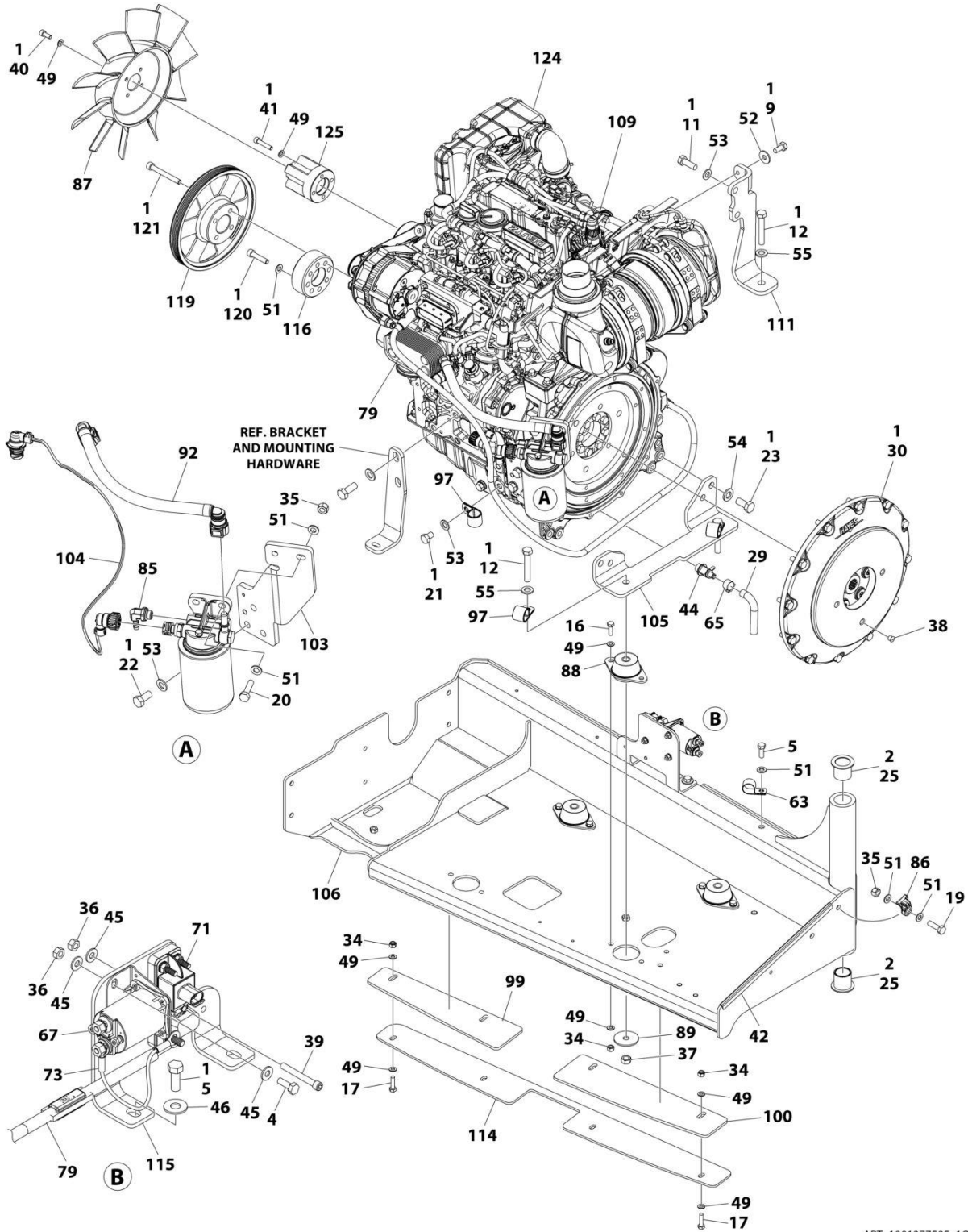
## SECTION 3 - ENGINE

**FIGURE 3-9. DEUTZ TD2.2L3(STAGE V) ENGINE/PUMP SUB ASSEMBLY - (WITHOUT ARCTIC PACKAGE)**

| ITEM | PART NUMBER | QTY | DESCRIPTION   | REV |
|------|-------------|-----|---|-----|
|      | 1001289896  | Ref | DEUTZ TD2.2L3(STAGE V) ENGINE/PUMP SUB-ASSEMBLY                           | B   |
| 1    | 0100011     | AR  | Compound, Locking   |     |
| 2    | 0641812     | 2   | Bolt 1/2 x 1-1/2  |     |
| 3    | 0700610     | 1   | Bolt M6 x 20  |     |
| 4    | 0761212     | 1   | Bolt M12 x 25   |     |
| 5    | 1060637     | 1   | Lanyard   |     |
| 6    | 3020037     | AR  | Grease, Pump Coupling   |     |
| 7    | 3290601     | 1   | Nut M6  |     |
| 8    | 3291201     | 1   | Nut M12   |     |
| 9    | 3422533     | 1   | Pin, Hitch  |     |
| 10   | 3600395     | 1   | Gear Pump Assembly with Fittings (See Separate Breakdown in this Section) |     |
| 12   | 3931620     | 2   | Capscrew 3/8 x 1-1/4  |     |
| 13   | 4811700     | 2   | Washer M6   |     |
| 14   | 4812100     | 1   | Washer M12  |     |
| 15   | 4891600     | 2   | Washer 3/8  |     |
| 16   | 1001137873  | 1   | Seal  |     |
| 17   | 1001137874  | 1   | Seal  |     |
| 18   | 1001277595  | 1   | Engine Assembly (See Separate Breakdown in this Section)                  |     |
| 19   | 1001287018  | 1   | Piston Pump and Fitting Assembly (See Separate Breakdown in this Section) |     |

# SECTION 3 - ENGINE

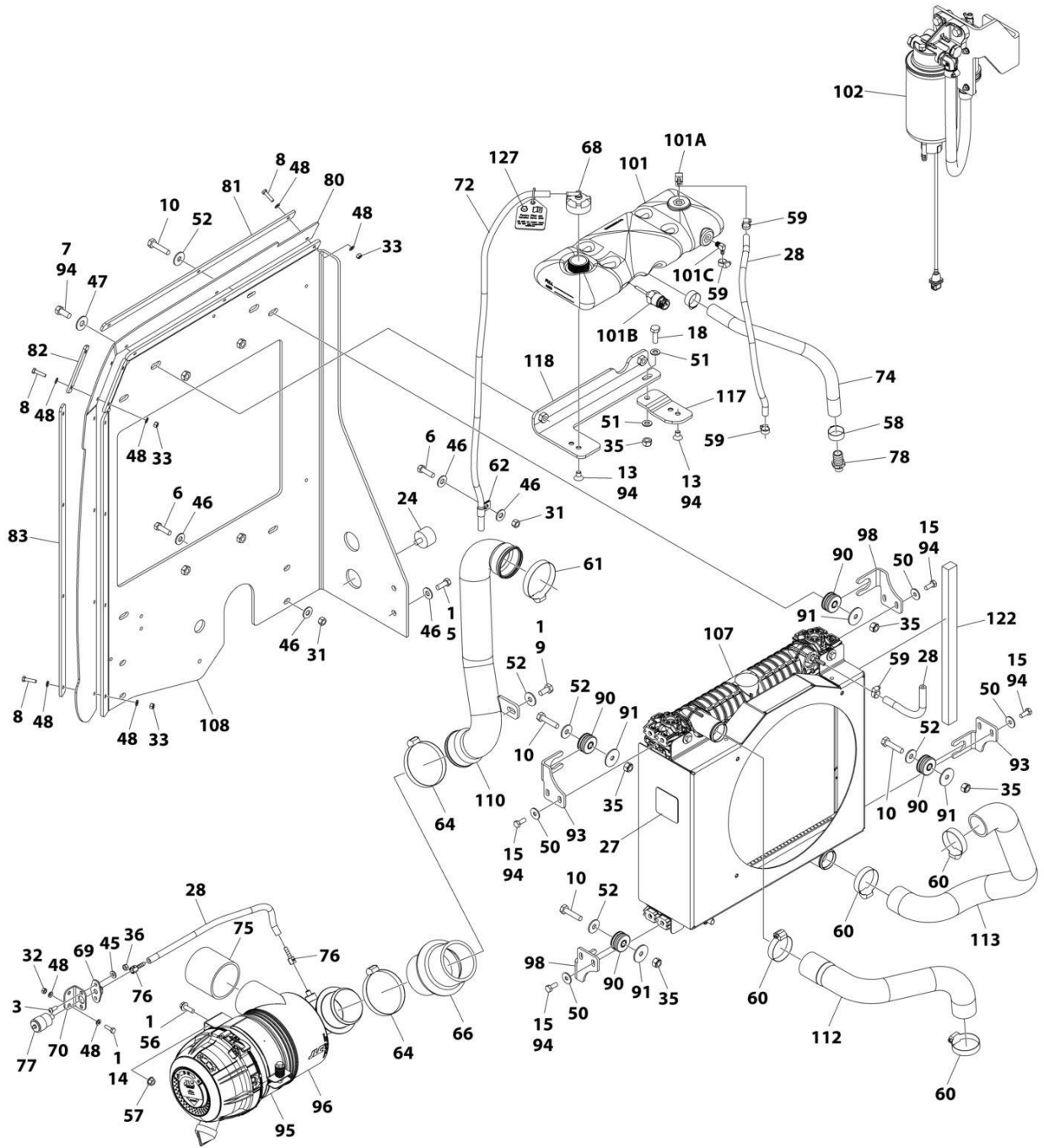
## FIGURE 3-10. DEUTZ TD2.2L3 (STAGE V) ENGINE ASSEMBLY



ART\_1001277595\_10F2



# SECTION 3 - ENGINE



ART\_1001277595\_20F2

## SECTION 3 - ENGINE

FIGURE 3-10. DEUTZ TD2.2L3 (STAGE V) ENGINE ASSEMBLY

| ITEM | PART NUMBER | QTY         | DESCRIPTION   | REV |
|------|-------------|-------------|---|-----|
|      | 1001277595  | Ref         | DEUTZ TD2.9L4 ENGINE ASSEMBLY                               | F   |
| 1    | 0100011     | AR          | Compound, Locking   |     |
| 2    | 0100062     | AR          | Adhesive  |     |
| 3    | 0630407     | 2           | Screw 1/4 x 5/8   |     |
| 4    | 0641406     | 2           | Bolt 1/4 x 3/4  |     |
| 5    | 0641608     | 5           | Bolt 3/8 x 1  |     |
| 6    | 0641610     | 4           | Screw 3/8 x 1-1/4   |     |
| 7    | 0641708     | 2           | Bolt 7/16 x 1   |     |
| 8    | 0700612     | 9           | Bolt M6 x 25  |     |
| 9    | 0701012     | 1           | Bolt M10 x 25   |     |
| 10   | 0701017     | 4           | Bolt M10 x 45   |     |
| 11   | 0711215     | 2           | Bolt M12 x 35   |     |
| 12   | 0711223     | 3           | Bolt M12 x 75   |     |
| 13   | 0741605     | 2           | Screw, Flathead 3/8 x 5/8                                   |     |
| 14   | 0760610     | 2           | Bolt M6 x 20  |     |
| 15   | 0760810     | 8           | Bolt M8 x 20  |     |
| 16   | 0760812     | 6           | Bolt M8 x 25  |     |
| 17   | 0760814     | 4           | Bolt M8 x 30  |     |
| 18   | 0761014     | 1           | Bolt M10 x 30   |     |
| 19   | 0761015     | 1           | Bolt M10 x 35   |     |
| 20   | 0761016     | 2           | Bolt M10 x 40   |     |
| 21   | 0761212     | 1           | Bolt M12 x 25   |     |
| 22   | 0761214     | 3           | Bolt M12 x 30   |     |
| 23   | 0771414     | 4           | Bolt M14 x 30   |     |
| 24   | 0940070     | 1           | Bumper  |     |
| 25   | 0961986     | 2           | Bushing, Flanged  |     |
| 26   | 1062255     | 1           | Tie-Strap (Not Shown)                                       |     |
| 27   | 1703162     | 1           | Decal - Fan Blade   |     |
| 28   | 2720015     | 4 ft/2 m    | Hose  |     |
| 29   | 2720340     | 6 in/15 cm  | Hose  |     |
| 30   | 2902065     | 1           | Kit, Pump Coupling (See Separate Breakdown in this Section) |     |
| 31   | 3271605     | 4           | Nut Grade 8   |     |
| 32   | 3290601     | 2           | Nut M6  |     |
| 33   | 3290605     | 9           | Nut M6  |     |
| 34   | 3290805     | 10          | Nut M8  |     |
| 35   | 3291005     | 8           | Nut M10   |     |
| 36   | 3311405     | 5           | Nut 1/4   |     |
| 37   | 3331211     | 3           | Nut M12   |     |
| 38   | 3520054     | 1           | Plug  |     |
| 39   | 3931432     | 1           | Capscrew 1/4 x 2  |     |
| 40   | 4031908     | 4           | Capscrew M8 x 20  |     |
| 41   | 4031912     | 4           | Capscrew M8 x 40  |     |
| 42   | 4060805     | 14 in/36 cm | Flex-Trim   |     |
| 43   | 4240099     | AR          | Tie-Strap (Not Shown)                                       |     |
| 44   | 4640751     | 1           | Valve, Oil Drain  |     |
| 45   | 4711400     | 7           | Washer 1/4  |     |
| 46   | 4751600     | 12          | Washer 3/8  |     |
| 47   | 4751700     | 2           | Washer 7/16   |     |
| 48   | 4811700     | 22          | Washer M6   |     |

## SECTION 3 - ENGINE

| ITEM | PART NUMBER | QTY       | DESCRIPTION                         | REV |
|------|-------------|-----------|-------------------------------------|-----|
| 49   | 4811900     | 28        | Washer M8                           |     |
| 50   | 4811902     | 8         | Washer M8                           |     |
| 51   | 4812000     | 13        | Washer M10                          |     |
| 52   | 4812002     | 5         | Washer M10                          |     |
| 53   | 4812100     | 6         | Washer M12                          |     |
| 54   | 4812200     | 4         | Washer M14                          |     |
| 55   | 5241200     | 3         | Washer M12                          |     |
| 56   | 5250812     | 2         | Bolt M8 x 25                        |     |
| 57   | 5260800     | 2         | Nut M8                              |     |
| 58   | 8405007     | 2         | Clamp                               |     |
| 59   | 8405009     | 4         | Clamp                               |     |
| 60   | 8405104     | 4         | Clamp                               |     |
| 61   | 8405204     | 1         | Clamp                               |     |
| 62   | 8406110     | 1         | Clip                                |     |
| 63   | 8406201     | 1         | Clip                                |     |
| 64   | 8410011     | 2         | Clamp                               |     |
| 65   | 8410013     | 1         | Clamp                               |     |
| 66   | 91403244    | 1         | Hose                                |     |
| 67   | 1001117308  | 1         | Relay                               |     |
| 68   | 1001136834  | 1         | Cap, Tank                           |     |
| 69   | 1001138173  | 1         | Support                             |     |
| 70   | 1001138175  | 1         | Bracket                             |     |
| 71   | 1001138228  | 1         | Relay, Power Module                 |     |
| 71   | 70023592    | 1         | Fuse 20Amp (Switched Output)        |     |
| 71   | 70023593    | 1         | Fuse 30Amp (Battery Output)         |     |
| 72   | 1001138248  | 38 in/1 m | Tube                                |     |
| 73   | 1001141304  | 1         | Wire                                |     |
| 74   | 1001141370  | 1         | Hose                                |     |
| 75   | 1001141585  | 1         | Hose, Air Inlet                     |     |
| 76   | 1001141995  | 2         | Fitting, Straight Barbed            |     |
| 77   | 1001143390  | 1         | Indicator, Service                  |     |
| 78   | 1001143797  | 1         | Fitting, Straight Barbed            |     |
| 79   | 1001143907  | 1         | Cable, Alternator Power             |     |
| 80   | 1001144409  | 1         | Panel, Rubber                       |     |
| 81   | 1001144410  | 1         | Bracket, Panel Clamp                |     |
| 82   | 1001144411  | 1         | Bracket, Panel Clamp                |     |
| 83   | 1001144412  | 1         | Bracket, Panel Clamp                |     |
| 84   | 1001146588  | 6         | Tie-Strap (Not Shown)               |     |
| 85   | 1001152489  | 1         | Fitting, 90 Barbed                  |     |
| 86   | 1001156107  | 1         | Holder, Cable                       |     |
| 87   | 1001165849  | 1         | Fan                                 |     |
| 88   | 1001166718  | 3         | Mount, Motor                        |     |
| 89   | 1001168018  | 3         | Washer                              |     |
| 90   | 1001169054  | 4         | Isolator                            |     |
| 91   | 1001169138  | 4         | Washer                              |     |
| 92   | 1001177359  | 1         | Hose                                |     |
| 93   | 1001178223  | 2         | Bracket                             |     |
| 94   | 1001180620  | AR        | Adhesive                            |     |
| 95   | 1001186426  | 1         | Clamp                               |     |
| 96   | 1001189979  | 1         | Air Cleaner Assembly Filter Element |     |
| 96   | 70005008    | 1         | Element, Filter (Not Shown)         |     |

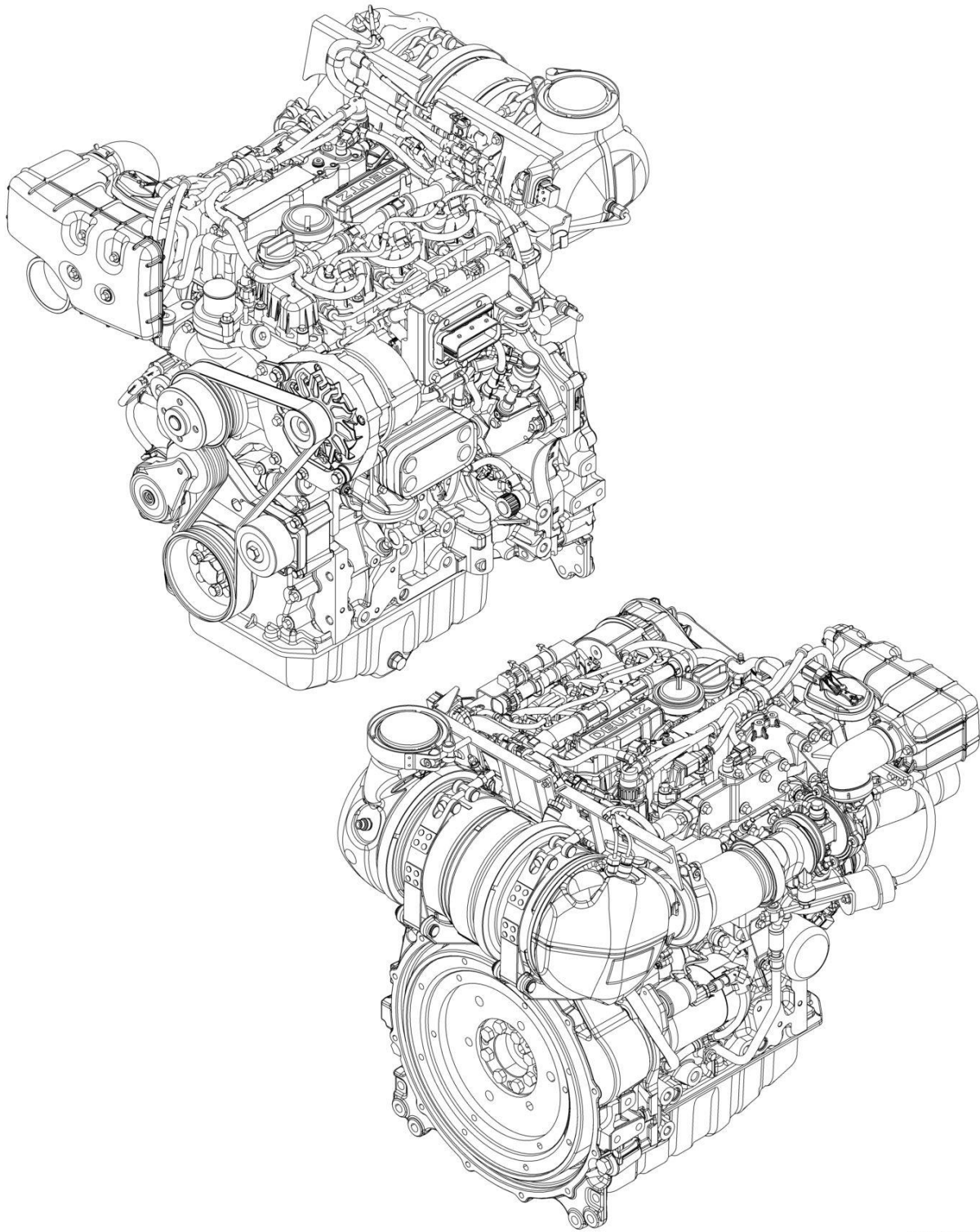
## SECTION 3 - ENGINE

| ITEM | PART NUMBER | QTY | DESCRIPTION   | REV |
|------|-------------|-----|---|-----|
| 97   | 1001191620  | 3   | Clamp   |     |
| 98   | 1001204325  | 2   | Bracket   |     |
| 99   | 1001219454  | 1   | Seal  |     |
| 100  | 1001219456  | 1   | Seal  |     |
| 101  | 1001230635  | 1   | Tank  |     |
| 101A | 1001134488  | 1   | Fitting, 90 Barbed  |     |
| 101B | 1001138827  | 1   | Sensor, Coolant Level   |     |
| 101C | 1001140564  | 1   | Fitting, 90 Barbed  |     |
| 102  | 1001235949  | 1   | Bracket, Fuel Pump/Filter Assembly (See Separate Breakdown in this Section) |     |
| 103  | 1001237947  | 1   | Mount   |     |
| 104  | 1001245913  | 1   | Harness, Deutz Fuel Filter (See Separate Breakdown in ELECTRICAL Section)   |     |
| 105  | 1001246813  | 1   | Mount, Rear Engine  |     |
| 106  | 1001247029  | 1   | Support, Engine Tray  |     |
| 107  | 1001247716  | 1   | Radiator and Shroud Assembly  |     |
| 107  | 1001247714  | 1   | Shroud  |     |
| 107  | 1001250607  | 1   | Radiator  |     |
| 108  | 1001248434  | 1   | Mount   |     |
| 109  | 1001249045  | 1   | Pipe, Exhaust   |     |
| 110  | 1001249232  | 1   | Pipe  |     |
| 111  | 1001249234  | 1   | Mount, Engine   |     |
| 112  | 1001249261  | 1   | Hose, Radiator - Upper  |     |
| 113  | 1001249705  | 1   | Hose, Radiator - Lower  |     |
| 114  | 1001251131  | 1   | Plate   |     |
| 115  | 1001258252  | 1   | Plate, Relay Mounting   |     |
| 116  | 1001258800  | 1   | Adapter   |     |
| 117  | 1001260412  | 1   | Bracket, Surge Tank   |     |
| 118  | 1001260413  | 1   | Bracket, Tank   |     |
| 119  | 1001281192  | 1   | Pulley  |     |
| 120  | 1001261045  | 4   | Capscrew M10 x 45 Grade 10.9  |     |
| 121  | 1001261085  | 4   | Capscrew M10 x 85 Grade 10.9  |     |
| 122  | 1001269861  | 1   | Seal  |     |
| 123  | 1001276645  | 1   | Harness, Engine (Not Shown - See Separate Breakdown in ELECTRICAL Section)  |     |
| 124  | 1001277590  | 1   | Deutz TD2.2L3 (Stage V) Engines (See Separate Breakdown in this Section)    |     |
| 125  | 1001278329  | 1   | Adapter   |     |
| 126  | 4240032     | 1   | Tie-Strap (Not Shown)   |     |
| 127  | 1001291401  | 1   | Tag, Coolant  |     |



## SECTION 3 - ENGINE

FIGURE 3-11. DEUTZ TD2.2L3 (STAGE V) ENGINE COMPONENTS



ART\_1001277590

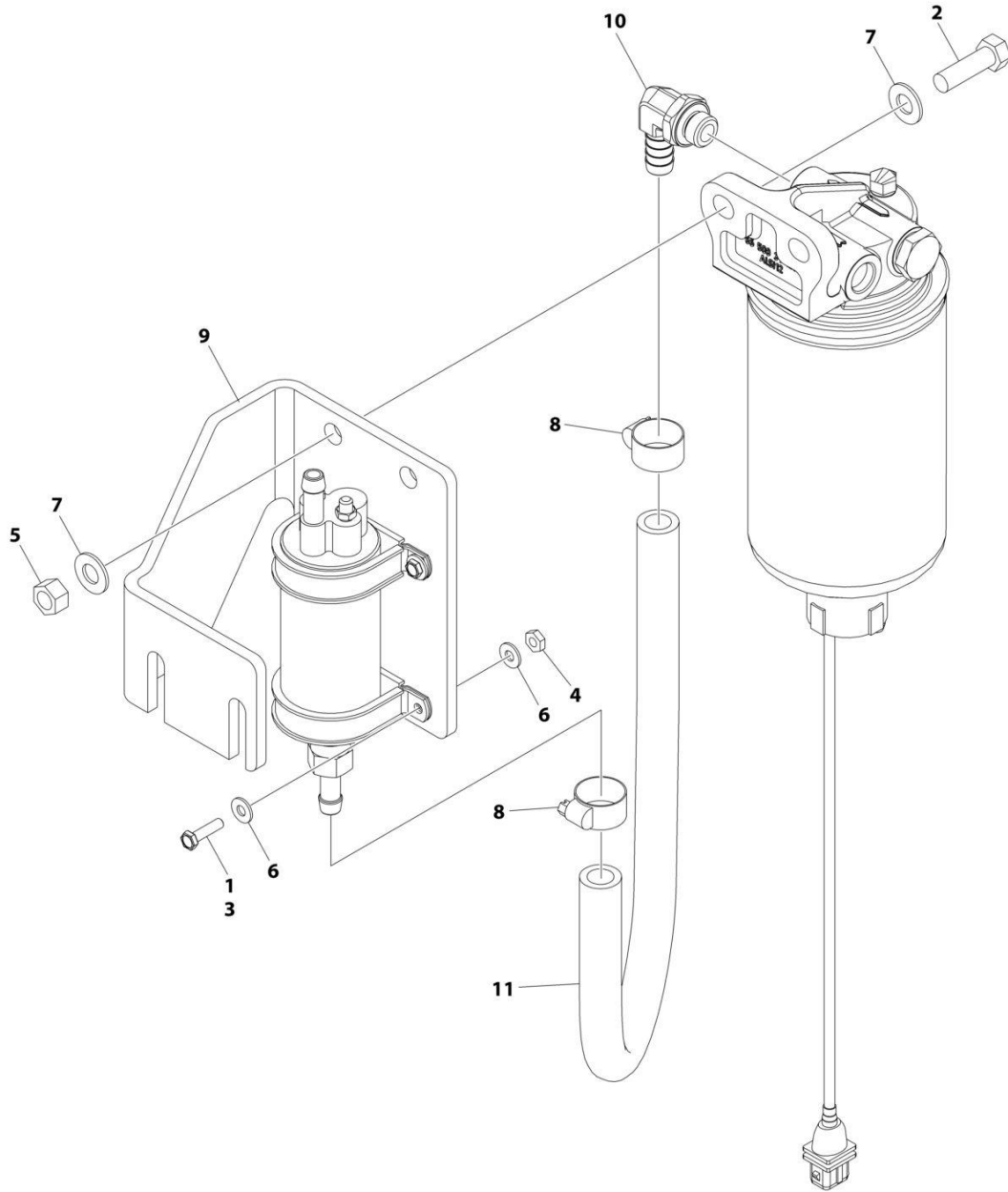
## SECTION 3 - ENGINE

**FIGURE 3-11. DEUTZ TD2.2L3 (STAGE V) ENGINE COMPONENTS**

| ITEM | PART NUMBER | QTY | DESCRIPTION  | REV |
|------|-------------|-----|--|-----|
|      | 1001277590  | Ref | DEUTZ ENGINE COMPONENTS                              | A   |
|      | See Note    | Ref | Note: No Service Parts Available at Time of Printing |     |

# SECTION 3 - ENGINE

## FIGURE 3-12. BRACKET ASSEMBLY - FUEL PUMP AND FILTER (DEUTZ D2.2L3 ENGINE)



ART\_1001235949



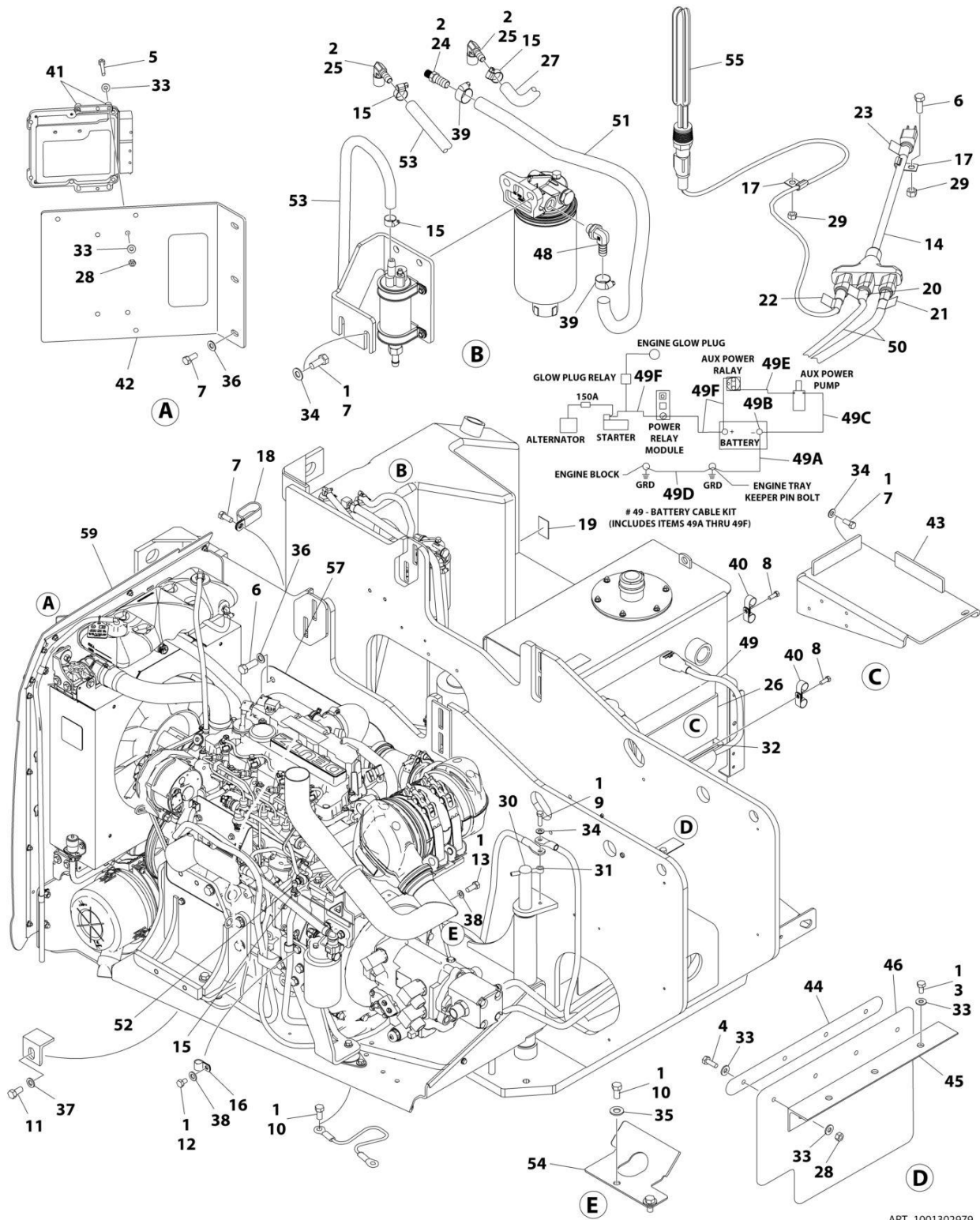
## SECTION 3 - ENGINE

**FIGURE 3-12. BRACKET ASSEMBLY - FUEL PUMP AND FILTER (DEUTZ D2.2L3 ENGINE)**

| ITEM | PART NUMBER | QTY             | DESCRIPTION   | REV |
|------|-------------|-----------------|---|-----|
|      | 1001235949  | Ref             | BRACKET ASSEMBLY - FUEL PUMP AND FILTER (DEUTZ D2.9L4 (STAGE V) ENGINE) | A   |
| 1    | 0100035     | AR              | Compound, Locking   |     |
| 2    | 0641610     | 2               | Bolt 3/8 x 1-1/4  |     |
| 3    | 0721006     | 4               | Bolt #10 x 3/4  |     |
| 4    | 3311001     | 4               | Nut #10   |     |
| 5    | 3311605     | 2               | Nut 3/8   |     |
| 6    | 4711000     | 8               | Washer #10  |     |
| 7    | 4711600     | 4               | Washer 3/8  |     |
| 8    | 8405006     | 2               | Clamp   |     |
| 9    | 1001141870  | 1               | Plate, Fuel Pump Mount  |     |
| 10   | 1001142501  | 1               | Fitting, Elbow Barbed   |     |
| 11   | 1001154405  | 1.5 ft<br>/0.4m | Hose  |     |

# SECTION 3 - ENGINE

## FIGURE 3-13. DEUTZ D2.9L4 EMR5 ENGINE INSTALLATION (WITH ARCTIC PACKAGE)



ART\_1001302979

## SECTION 3 - ENGINE

**FIGURE 3-13. DEUTZ D2.9L4 EMR5 ENGINE INSTALLATION (WITH ARCTIC PACKAGE)**

| ITEM | PART NUMBER | QTY         | DESCRIPTION   | REV |
|------|-------------|-------------|---|-----|
|      | 1001302979  | Ref         | ENGINE INSTALLATION - DEUTZ D2.9L4 EMR5 ENGINE              | A   |
| 1    | 0100011     | AR          | Compound, Locking   |     |
| 2    | 0100020     | AR          | Sealant, Pipe   |     |
| 3    | 0641404     | 3           | Bolt 1/4 x 1/2  |     |
| 4    | 0641406     | 4           | Bolt 1/4 x 3/4  |     |
| 5    | 0641412     | 4           | Bolt 1/4 x 1-1/2  |     |
| 6    | 0641606     | 6           | Bolt 3/8 x 3/4  |     |
| 7    | 0641607     | 9           | Bolt 3/8 x 7/8  |     |
| 8    | 0641608     | 2           | Bolt 3/8 x 1  |     |
| 9    | 0641612     | 1           | Bolt 3/8 x 1-1/2  |     |
| 10   | 0641808     | 3           | Bolt 1/2 x 1  |     |
| 11   | 0642010     | 1           | Bolt 5/8 x 1-1/4  |     |
| 12   | 0761008     | 1           | Bolt M10 x 16   |     |
| 13   | 0771212     | 1           | Bolt M12 x 25   |     |
| 14   | 1060626     | 1           | Cord, 3-Way Extension                                       |     |
| 15   | 1320022     | 5           | Clamp   |     |
| 16   | 1320061     | 1           | Clamp   |     |
| 17   | 1320223     | 2           | Clamp   |     |
| 18   | 1321716     | 1           | Clamp   |     |
| 19   | 1701505     | 1           | Decal - Diesel  |     |
| 20   | 1702941     | 1           | Decal - Battery Heater                                      |     |
| 21   | 1702942     | 1           | Decal - Engine Block Heater                                 |     |
| 22   | 1702943     | 1           | Decal - Hydraulic Tank Heater                               |     |
| 23   | 1702944     | 1           | Decal - Heater Cord   |     |
| 24   | 2180832     | 1           | Fitting, Barbed   |     |
| 25   | 2220313     | 2           | Fitting, 90 Barbed  |     |
| 26   | 2580024     | 1           | Heater, Battery   |     |
| 27   | 2750532     | 5 ft /1.6 m | Hose  |     |
| 28   | 3311405     | 8           | Nut 1/4   |     |
| 29   | 3311605     | 2           | Nut 3/8   |     |
| 30   | 3422448     | 1           | Pin   |     |
| 31   | 3841143     | 1           | Pin, Keeper   |     |
| 32   | 3980007     | 1           | Seat, Battery   |     |
| 33   | 4711400     | 19          | Washer 1/4  |     |
| 34   | 4711600     | 8           | Washer 3/8  |     |
| 35   | 4711800     | 2           | Washer 1/2  |     |
| 36   | 4751600     | 7           | Washer 3/8  |     |
| 37   | 4752000     | 1           | Washer 5/8  |     |
| 38   | 4812100     | 2           | Washer M12  |     |
| 39   | 8405006     | 2           | Clamp   |     |
| 40   | 8406201     | 4           | Clip  |     |
| 41   | 1001110425  | 4           | Spacer  |     |
| 42   | 1001137866  | 1           | Plate   |     |
| 43   | 1001137868  | 1           | Bracket   |     |
| 44   | 1001137880  | 1           | Bracket   |     |
| 45   | 1001137881  | 1           | Baffle  |     |
| 46   | 1001137882  | 1           | Support   |     |
| 47   | 1001138491  | 1           | Fuel Harness (See Separate Breakdown in ELECTRICAL Section) |     |
| 48   | 1001142501  | 1           | Fitting, 90 Barbed  |     |
| 49   | 1001145047  | 1           | Battery Cable Kit   |     |

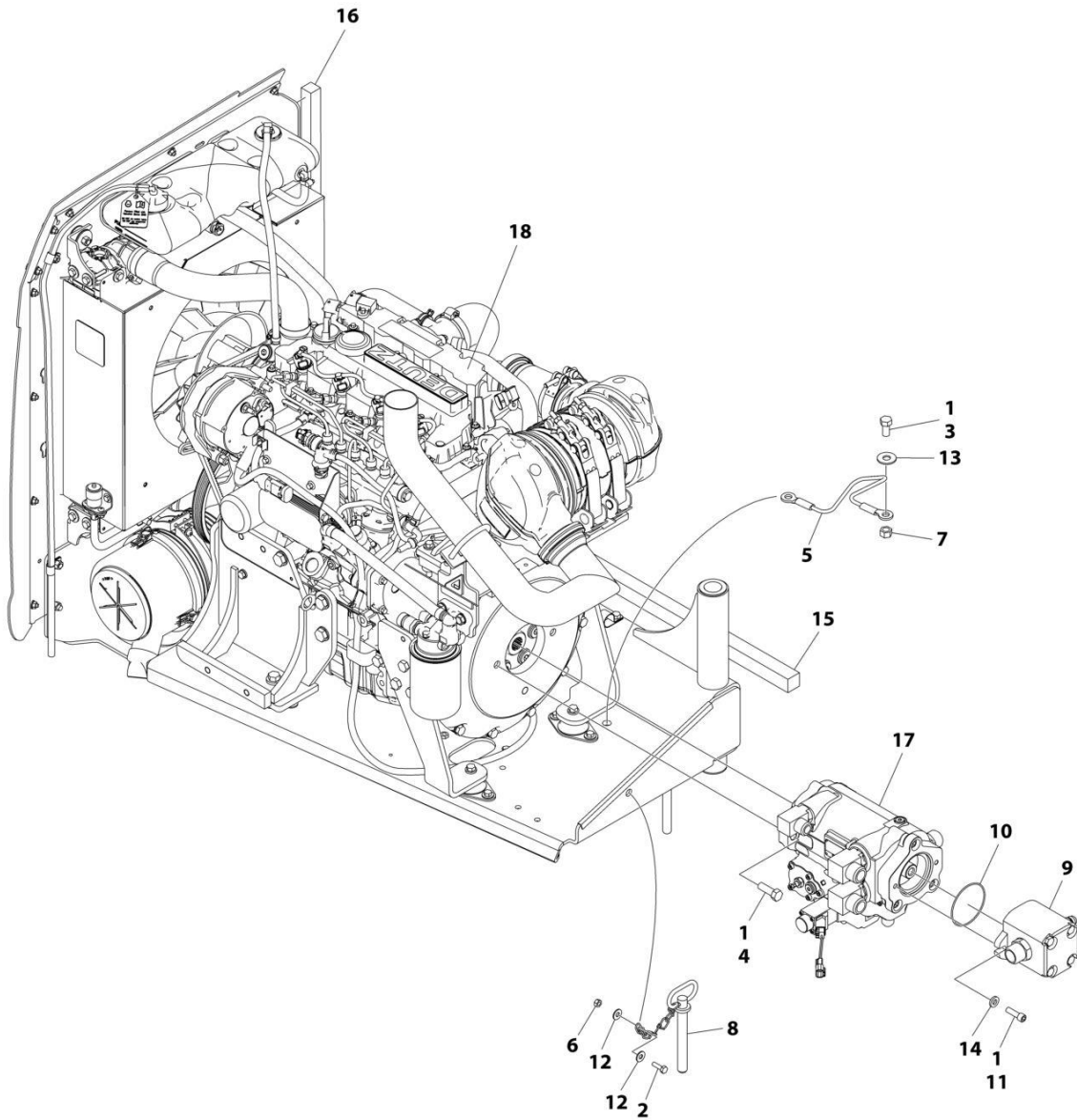
## SECTION 3 - ENGINE

| ITEM | PART NUMBER | QTY        | DESCRIPTION   | REV |
|------|-------------|------------|---|-----|
| 49A  | 7027072     | 1          | Cable, Battery (Black) (Battery - to Tray Pivot Grd)                              |     |
| 49B  | 8270147     | 1          | Terminal, Battery (With Boot)   |     |
| 49B  | See Note    | 1          | Boot, Black (Note: Not Available for Purchase)                                    |     |
| 49C  | 7027073     | 1          | Cable, Battery (Black) (Battery - to Aux Pump and Relay Grds)                     |     |
| 49C  | See Note    | 1          | Boot, Black (Note: Not Available for Purchase)                                    |     |
| 49D  | 7027074     | 1          | Cable, Battery (Black) (Engine to Tray Pivot Grd)                                 |     |
| 49E  | 7027075     | 1          | Cable (Red) (Aux Relay to Aux Pump)   |     |
| 49E  | 70003952    | 2          | Boot, Red   |     |
| 49F  | 7027076     | 1          | Cable (Red) (Battery + to Aux Relay/Power Module/Starter)                         |     |
| 49F  | See Note    | 1          | Boot, Red (Battery) (Note: Not Available for Purchase)                            |     |
| 50   | 1001150918  | 1          | Cable, Extension Cord   |     |
| 51   | 1001154405  | 3 ft /1 m  | Hose  |     |
| 52   | 1001155823  | 1          | Coupling, 90 Quick Disconnect   |     |
| 53   | 1001165035  | 23 ft /7 m | Hose  |     |
| 54   | 1001172793  | 1          | Bracket   |     |
| 55   | 1001188972  | 1          | Heater, Immersion   |     |
| 56   | 1001233763  | 1          | Breather Heater Installation (Not Shown) (See Separate Breakdown in this Section) |     |
| 57   | 1001252521  | 1          | Cover   |     |
| 58   | 1001289593  | 1          | ECU Jumper Harness (Not Shown) (See Separate Breakdown in ELECTRICAL Section)     |     |
| 59   | 1001302968  | 1          | Engine Assembly with Pumps (See Separate Breakdown in this Section)               |     |



# SECTION 3 - ENGINE

## FIGURE 3-14. DEUTZ D2.9L4 EMR5 ENGINE/PUMP SUB ASSEMBLY (WITH ARCTIC PACKAGE)



ART\_1001302968

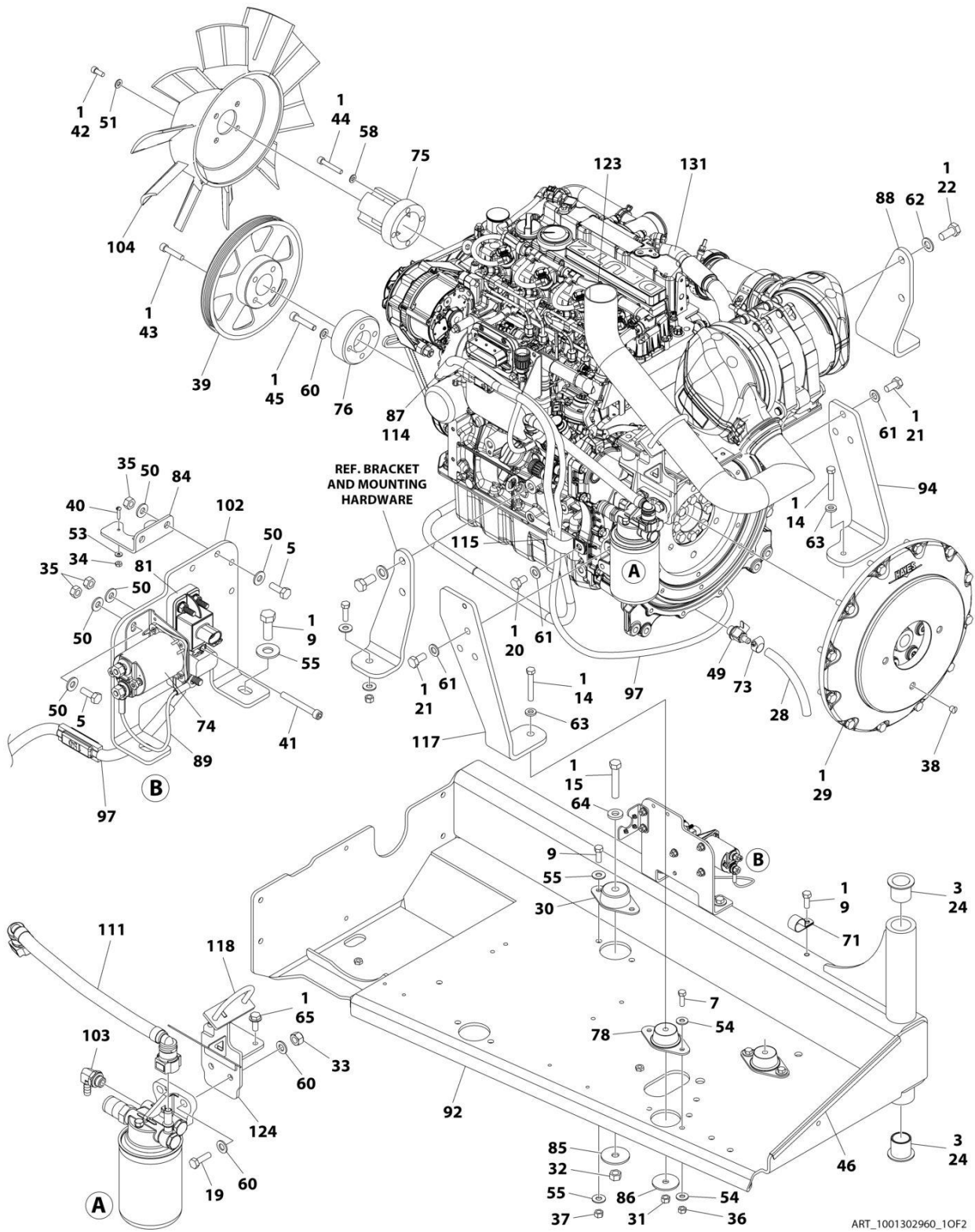
## SECTION 3 - ENGINE

**FIGURE 3-14. DEUTZ D2.9L4 EMR5 ENGINE/PUMP SUB ASSEMBLY (WITH ARCTIC PACKAGE)**

| ITEM | PART NUMBER | QTY | DESCRIPTION   | REV |
|------|-------------|-----|---|-----|
|      | 1001302968  | Ref | ENGINE/PUMP SUB ASSEMBLY - DEUTZ D2.9L4 EMR5 ENGINE                       | B   |
| 1    | 0100011     | AR  | Compound, Locking   |     |
| 2    | 0641406     | 1   | Bolt 1/4 x 3/4  |     |
| 3    | 0641808     | 1   | Bolt 1/2 x 1  |     |
| 4    | 0641812     | 2   | Bolt 1/2 x 1-1/2  |     |
| 5    | 1060637     | 1   | Lanyard   |     |
| 6    | 3311405     | 1   | Nut 1/4   |     |
| 7    | 3311801     | 1   | Nut 1/2   |     |
| 8    | 3422533     | 1   | Pin   |     |
| 9    | 3600395     | 1   | Gear Pump Assembly with Fittings (See Separate Breakdown in this Section) |     |
| 11   | 3931620     | 2   | Capscrew 3/8 x 1-1/4  |     |
| 12   | 4711400     | 2   | Washer 1/4  |     |
| 13   | 4751800     | 1   | Washer 1/2  |     |
| 14   | 4891600     | 2   | Washer 3/8  |     |
| 15   | 1001137873  | 1   | Seal  |     |
| 16   | 1001137874  | 1   | Seal  |     |
| 17   | 1001287018  | 1   | Pump Assembly (See Separate Breakdown in this Section)                    |     |
| 18   | 1001302960  | 1   | Engine Assembly (See Separate Breakdown in this Section)                  |     |

# SECTION 3 - ENGINE

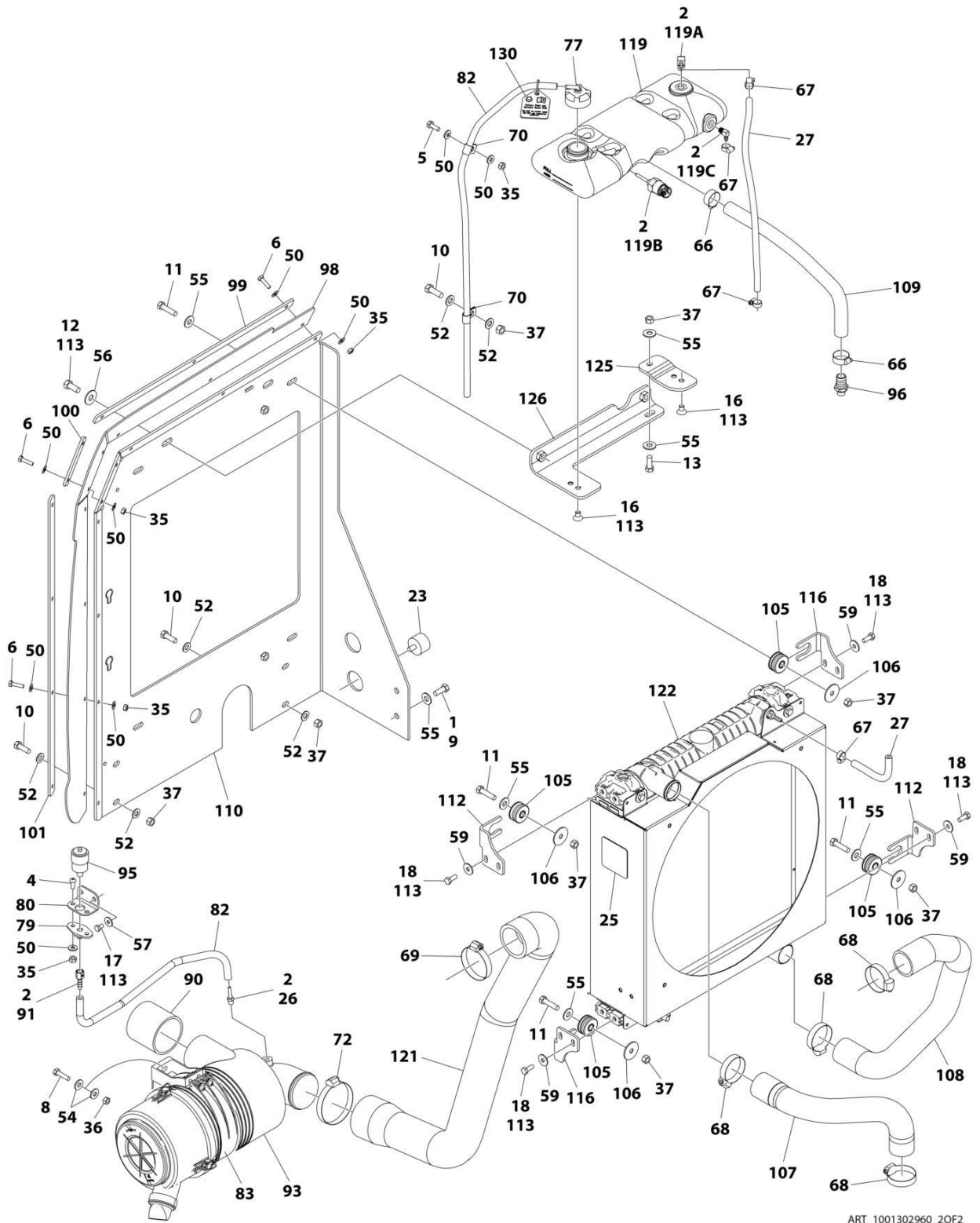
FIGURE 3-15. ENGINE ASSEMBLY - DEUTZ D2.9L4 EMR5 ENGINE (WITH ARCTIC PACKAGE)



ART\_1001302960\_10F2



# SECTION 3 - ENGINE



ART\_1001302960\_20F2

## SECTION 3 - ENGINE

**FIGURE 3-15. ENGINE ASSEMBLY - DEUTZ D2.9L4 EMR5 ENGINE (WITH ARCTIC PACKAGE)**

| ITEM | PART NUMBER | QTY             | DESCRIPTION  | REV |
|------|-------------|-----------------|--|-----|
|      | 1001302960  | Ref             | ENGINE ASSEMBLY - DEUTZ D2.9L4 EMR5 ENGINE                 | A   |
| 1    | 0100011     | AR              | Compound, Locking  |     |
| 2    | 0100020     | AR              | Sealant  |     |
| 3    | 0100062     | AR              | Adhesive   |     |
| 4    | 0630407     | 2               | Screw 1/4 x 5/8  |     |
| 5    | 0641406     | 5               | Bolt 1/4 x 3/4   |     |
| 6    | 0641408     | 9               | Bolt 1/4 x 1   |     |
| 7    | 0641508     | 4               | Bolt 5/16 x 1  |     |
| 8    | 0641510     | 2               | Bolt 5/16 x 1-1/4  |     |
| 9    | 0641608     | 7               | Bolt 3/8 x 1   |     |
| 10   | 0641609     | 4               | Bolt 3/8 x 1-1/8   |     |
| 11   | 0641612     | 4               | Bolt 3/8 x 1-1/2   |     |
| 12   | 0641708     | 2               | Bolt 7/16 x 1  |     |
| 13   | 0681608     | 1               | Bolt 3/8 x 1   |     |
| 14   | 0681620     | 2               | Bolt 3/8 x 2-1/2   |     |
| 15   | 0681822     | 1               | Bolt 1/2 x 2-3/4   |     |
| 16   | 0741605     | 2               | Screw, Flathead 3/8 x 5/8                                  |     |
| 17   | 0760605     | 2               | Bolt M6 x 10   |     |
| 18   | 0760810     | 8               | Bolt M8 x 20   |     |
| 19   | 0761015     | 2               | Bolt M10 x 35  |     |
| 20   | 0761210     | 1               | Bolt M12 x 20  |     |
| 21   | 0771212     | 6               | Bolt M12 x 25  |     |
| 22   | 0771414     | 2               | Bolt M14 x 30  |     |
| 23   | 0940070     | 1               | Bumper   |     |
| 24   | 0961986     | 2               | Bearing  |     |
| 25   | 1703162     | 1               | Decal - Fan Blade  |     |
| 26   | 2220315     | 1               | Fitting, Straight Barbed                                   |     |
| 27   | 2720015     | 26 in /66<br>cm | Hose   |     |
| 28   | 2720340     | 16 in /41<br>cm | Hose   |     |
| 29   | 2902065     | 1               | Pump Coupling Kit (See Separate Breakdown in this section) |     |
| 30   | 3200401     | 1               | Mount  |     |
| 31   | 3271601     | 2               | Nut 3/8  |     |
| 32   | 3271801     | 1               | Nut 1/2  |     |
| 33   | 3291005     | 2               | Nut M10  |     |
| 34   | 3310401     | 3               | Nut #4   |     |
| 35   | 3311405     | 17              | Nut 1/4  |     |
| 36   | 3311505     | 6               | Nut 5/16   |     |
| 37   | 3311605     | 11              | Nut 3/8  |     |
| 38   | 3520054     | 1               | Plug   |     |
| 39   | 3580320     | 1               | Pulley   |     |
| 40   | 3910408     | 3               | Screw #4 x 1/2   |     |
| 41   | 3931432     | 1               | Capscrew 1/4 x 2   |     |
| 42   | 3931512     | 4               | Capscrew 5/16 x 3/4  |     |
| 43   | 3931628     | 4               | Capscrew 3/8 x 1-3/4                                       |     |
| 44   | 4031914     | 4               | Capscrew M8 x 50   |     |
| 45   | 4032014     | 4               | Capscrew M10 x 50  |     |
| 46   | 4060805     | 14 in /36<br>cm | Flex Trim  |     |

## SECTION 3 - ENGINE

| ITEM | PART NUMBER | QTY              | DESCRIPTION              | REV |
|------|-------------|------------------|--------------------------|-----|
| 47   | 4240032     | AR               | Tie-Strap (Not Shown)    |     |
| 48   | 4240099     | AR               | Tie-Strap (Not Shown)    |     |
| 49   | 4640751     | 1                | Valve, Oil Drain         |     |
| 50   | 4711400     | 31               | Washer 1/4               |     |
| 51   | 4711500     | 4                | Washer 5/16              |     |
| 52   | 4711600     | 8                | Washer 3/8               |     |
| 53   | 4750400     | 3                | Washer #4                |     |
| 54   | 4751500     | 12               | Washer 5/16              |     |
| 55   | 4751600     | 14               | Washer 3/8               |     |
| 56   | 4751700     | 2                | Washer 7/16              |     |
| 57   | 4811702     | 2                | Washer M6                |     |
| 58   | 4811900     | 4                | Washer M8                |     |
| 59   | 4811902     | 8                | Washer M8                |     |
| 60   | 4812000     | 8                | Washer M10               |     |
| 61   | 4812100     | 7                | Washer M12               |     |
| 62   | 4812200     | 2                | Washer M14               |     |
| 63   | 4891600     | 2                | Washer 3/8 Hardened      |     |
| 64   | 4891800     | 1                | Washer 1/2 Hardened      |     |
| 65   | 5250810     | 2                | Bolt M8 x 20             |     |
| 66   | 8405007     | 2                | Clamp                    |     |
| 67   | 8405009     | 4                | Clamp                    |     |
| 68   | 8405104     | 4                | Clamp                    |     |
| 69   | 8405204     | 1                | Clamp                    |     |
| 70   | 8406110     | 2                | Clip                     |     |
| 71   | 8406201     | 1                | Clip                     |     |
| 72   | 8410011     | 1                | Clamp                    |     |
| 73   | 8410013     | 1                | Clamp                    |     |
| 74   | 1001117308  | 1                | Relay                    |     |
| 75   | 1001135138  | 1                | Adapter                  |     |
| 76   | 1001135679  | 1                | Adapter                  |     |
| 77   | 1001136834  | 1                | Cap, Tank                |     |
| 78   | 1001138170  | 2                | Mount                    |     |
| 79   | 1001138173  | 1                | Support                  |     |
| 80   | 1001138175  | 1                | Bracket                  |     |
| 81   | 1001138228  | 1                | Relay, Power Module      |     |
| 82   | 1001138248  | 5.5 ft /1.7<br>m | Tube                     |     |
| 83   | 1001138557  | 1                | Clamp                    |     |
| 84   | 1001139240  | 1                | Bracket                  |     |
| 85   | 1001139409  | 1                | Washer, Special          |     |
| 86   | 1001139429  | 2                | Washer, Special          |     |
| 87   | 1001140312  | 1                | Heater, Engine           |     |
| 88   | 1001140454  | 1                | Plate                    |     |
| 89   | 1001141304  | 1                | Harness, Glow Plug       |     |
| 90   | 1001141585  | 1                | Hose, Air Cleaner        |     |
| 91   | 1001141995  | 1                | Fitting, Straight Barbed |     |
| 92   | 1001142538  | 1                | Support                  |     |
| 93   | 1001142615  | 1                | Filter, Air              |     |
| 94   | 1001142635  | 1                | Plate                    |     |
| 95   | 1001143390  | 1                | Indicator, Service       |     |
| 96   | 1001143797  | 1                | Fitting, Straight Barbed |     |
| 97   | 1001143907  | 1                | Cable, Alternator Power  |     |

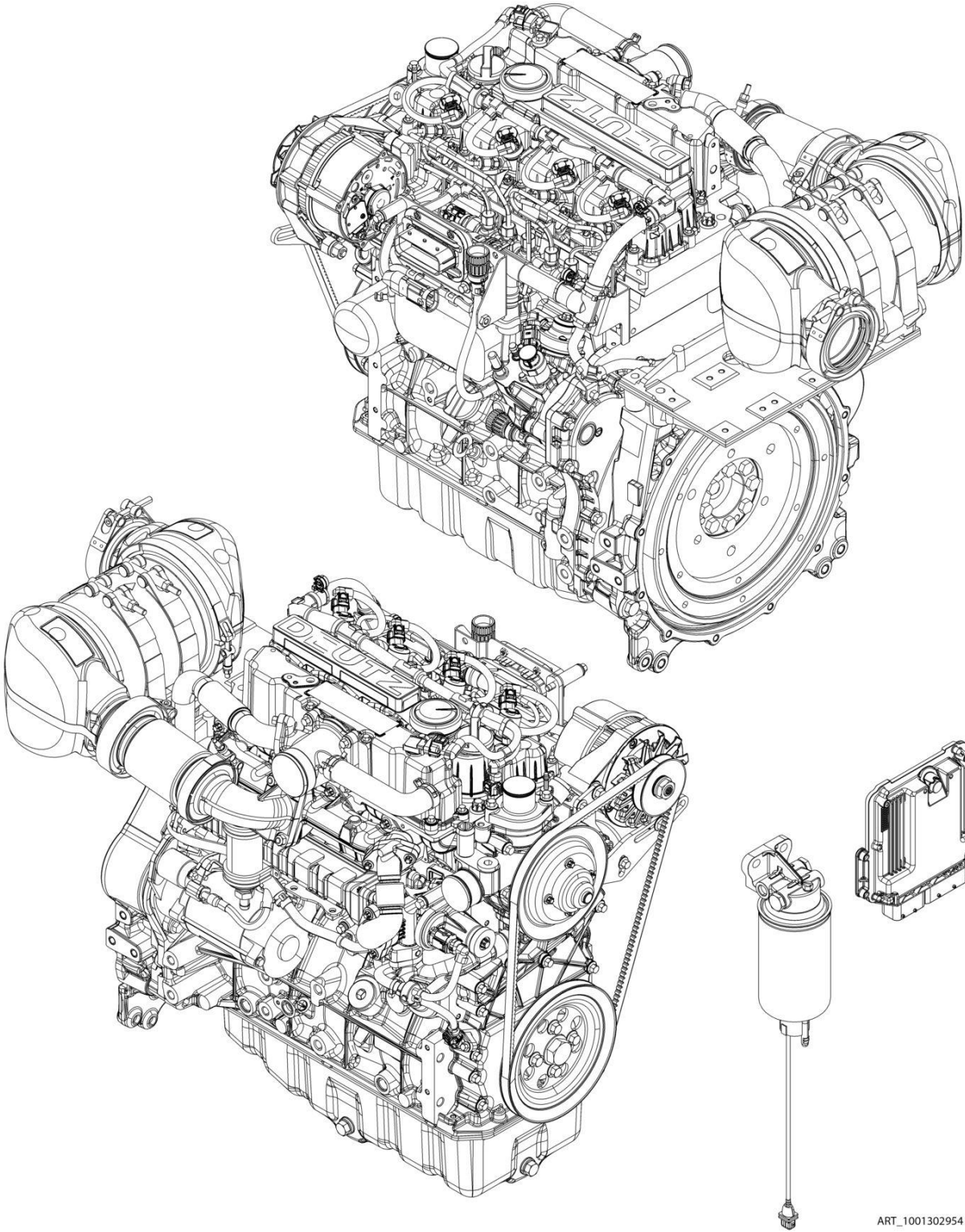
## SECTION 3 - ENGINE

| ITEM | PART NUMBER | QTY | DESCRIPTION   | REV |
|------|-------------|-----|---|-----|
| 98   | 1001144409  | 1   | Panel, Rubber   |     |
| 99   | 1001144410  | 1   | Panel, Clamp  |     |
| 100  | 1001144411  | 1   | Panel, Clamp  |     |
| 101  | 1001144412  | 1   | Panel, Clamp  |     |
| 102  | 1001145154  | 1   | Plate   |     |
| 103  | 1001152489  | 1   | Fitting, 90 Barbed  |     |
| 104  | 1001165849  | 1   | Fan   |     |
| 105  | 1001169054  | 4   | Isolator  |     |
| 106  | 1001169138  | 4   | Washer  |     |
| 107  | 1001176225  | 1   | Hose, Radiator - Upper  |     |
| 108  | 1001176226  | 1   | Hose, Radiator - Lower  |     |
| 109  | 1001176511  | 1   | Hose  |     |
| 110  | 1001176723  | 1   | Plate   |     |
| 111  | 1001177359  | 1   | Hose  |     |
| 112  | 1001178223  | 2   | Bracket   |     |
| 113  | 1001180620  | AR  | Adhesive  |     |
| 114  | 1001181895  | AR  | Adhesive  |     |
| 115  | 1001181899  | 1   | Clamp   |     |
| 116  | 1001204325  | 2   | Bracket   |     |
| 117  | 1001205051  | 1   | Plate   |     |
| 118  | 1001228506  | 1   | Bolt, U-Bolt  |     |
| 119  | 1001230635  | 1   | Tank  |     |
| 119A | 1001134488  | 1   | Fitting, 90 Barbed  |     |
| 119B | 1001138827  | 1   | Sensor, Coolant Level   |     |
| 119C | 1001140564  | 1   | Fitting, 90 Barbed  |     |
| 120  | 1001235949  | 1   | Bracket, Fuel Pump/Filter Assembly (Not Shown) (See Separate Breakdown in this Section) |     |
| 121  | 1001247105  | 1   | Hose  |     |
| 122  | 1001247676  | 1   | Radiator Assembly   |     |
| 122  | 1001203495  | 1   | Radiator  |     |
| 122  | 1001247564  | 1   | Shroud  |     |
| 123  | 1001248477  | 1   | Pipe, Exhaust   |     |
| 124  | 1001248480  | 1   | Bracket   |     |
| 125  | 1001260412  | 1   | Bracket   |     |
| 126  | 1001260413  | 1   | Bracket   |     |
| 127  | 1001276644  | 1   | Engine Harness (Not Shown) (See Separate Breakdown in ELECTRICAL Section)               |     |
| 128  | 1001281985  | 1   | Connector (Not Shown)   |     |
| 129  | 1001281986  | 1   | Connector (Not Shown)   |     |
| 130  | 1001291401  | 1   | Tag, Coolant  |     |
| 131  | 1001302954  | 1   | Deutz D2.9L4 EMR5 Engine Components (See Separate Breakdown in this Section)            |     |



**SECTION 3 - ENGINE**

**FIGURE 3-16. ENGINE COMPONENTS - DEUTZ D2.9L4 ERM5 ENGINE (49HP)**



ART\_1001302954

## SECTION 3 - ENGINE

**FIGURE 3-16. ENGINE COMPONENTS - DEUTZ D2.9L4 ERM5 ENGINE (49HP)**

| ITEM | PART NUMBER | QTY | DESCRIPTION  | REV |
|------|-------------|-----|--|-----|
|      | 1001302954  | Ref | ENGINE COMPONENTS - DEUTZ D2.9L4 ERM5 ENGINE                                 | A   |
|      | See Note    | Ref | Note: Contact JLG Customer Service for availability for addition components. |     |
|      |             | Ref | AIR INTAKE SYSTEM  |     |
|      | 70005180    | 1   | Breather Line  |     |
|      | 70005182    | 1   | Charge Air Elbow   |     |
|      |             | Ref | COOLING SYSTEM COMPONENTS  |     |
|      | 70030360    | 1   | Pump, Coolant  |     |
|      | 70007603    | 1   | Thermostat   |     |
|      |             | Ref | ELECTRICAL COMPONENT   |     |
|      | 70031144    | 1   | Starter  |     |
|      | NPN         | 1   | Generator  |     |
|      | 70024507    | 1   | Sensor, Pressure (Air Intake)  |     |
|      | 70026210    | 1   | Sensor, Speed  |     |
|      | 70025231    | 1   | Harness, Glow Plug   |     |
|      | 70024919    | 1   | Sensor, Fuel Filter  |     |
|      | 70024504    | 1   | Sensor, Pressure   |     |
|      | 70028540    | 1   | Transmitter, Temperature   |     |
|      | 70029512    | 1   | Module, Engine Control   |     |
|      | 70031143    | 1   | Regulator, Voltage   |     |
|      |             | Ref | EXHAUST COMPONENT  |     |
|      | 70004282    | 1   | Exhaust Manifold   |     |
|      | 70031136    | 1   | Pipe, Exhaust  |     |
|      | 70012257    | 1   | Valve, Exhaust   |     |
|      | 70004508    | 1   | Valve, Volume Control  |     |
|      |             | Ref | FUEL SYSTEM COMPONENT  |     |
|      | 70030381    | 1   | Pump, High Pressure  |     |
|      | 70004281    | 1   | Injector, Fuel   |     |
|      | NPN         | 1   | Pump, Fuel Supply (Includes qty 2 Clamps)                                    |     |
|      | 70024961    | 1   | Filter, Fuel   |     |
|      | 1001225430  | 1   | Filter, Fuel (Pre-Filter)  |     |
|      | 70024513    | 1   | Cable, Sensor  |     |
|      | 70025239    | 1   | Seal   |     |
|      | 70029451    | 1   | Filter, Fuel   |     |
|      | 1001225431  | 1   | Filter, Fuel (Spin-On)   |     |
|      | 70024502    | 1   | Pipe, Fuel   |     |
|      |             | Ref | GASKET AND SEAL COMPONENT  |     |
|      | 70024905    | 2   | Seal, Dipstick   |     |
|      | 70005942    | 1   | Seal, Oil Plug   |     |
|      | 70005171    | 1   | Gasket, Valve Cover  |     |
|      | 70024906    | 1   | Gasket, Head   |     |
|      | 70002718    | 1   | Seal, Rear Main  |     |
|      | 70005177    | 1   | Gasket, Charge Air Housing   |     |
|      | 70005184    | 1   | O-Ring, Thermostat   |     |
|      | 70005931    | 1   | Seal, Thermostat   |     |
|      | 70025164    | 1   | Gasket, Exhaust Manifold to Head   |     |
|      | 70007326    | 1   | Gasket, EGR Valve  |     |
|      | 70031095    | 1   | Gasket, Exhaust Return Pipe  |     |
|      | 70007354    | 1   | Gasket, Short Exhaust Pipe   |     |
|      |             | Ref | OTHER COMPONENT  |     |

## SECTION 3 - ENGINE

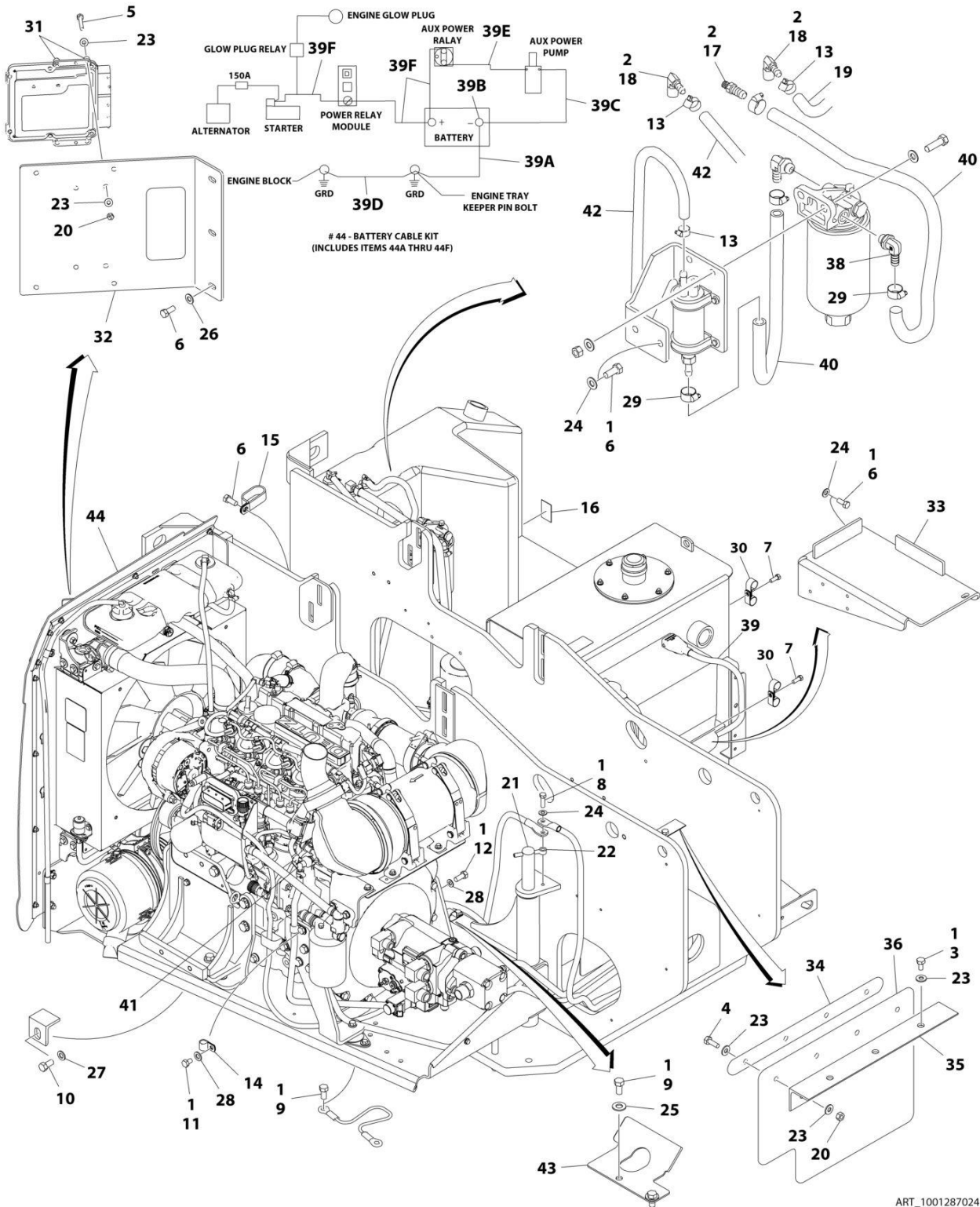
| ITEM | PART NUMBER | QTY | DESCRIPTION                   | REV |
|------|-------------|-----|-------------------------------|-----|
|      | 70001870    | 1   | Flywheel (Includes Ring Gear) |     |
|      | 7024579     | 1   | Gear, Ring                    |     |
|      |             | Ref | OIL LUBE SYSTEM               |     |
|      | 70024904    | 1   | Dipstick                      |     |
|      | 70024905    | 1   | Cap, Oil Fill                 |     |
|      | 70005941    | 1   | Plug, Oil                     |     |
|      | 70005172    | 1   | Pump, Oil Lube                |     |
|      | 7016331     | 1   | Filter, Oil                   |     |
|      | 70024494    | 1   | Oil Cooler                    |     |





# SECTION 3 - ENGINE

## FIGURE 3-17. DEUTZ TP2.9L4 (67HP) EMR4 ENGINE INSTALLATION - (WITHOUT ARCTIC PACKAGE)



ART\_1001287024

## SECTION 3 - ENGINE

**FIGURE 3-17. DEUTZ TP2.9L4 (67HP) EMR4 ENGINE INSTALLATION - (WITHOUT ARCTIC PACKAGE)**

| ITEM | PART NUMBER | QTY      | DESCRIPTION  | REV |
|------|-------------|----------|--|-----|
|      | 1001287024  | Ref      | DEUTZ TD2.9L4 (67HP) ENGINE INSTALLATION   | A   |
| 1    | 0100011     | AR       | Compound, Locking  |     |
| 2    | 0100020     | AR       | Sealant, Pipe  |     |
| 3    | 0641404     | 3        | Bolt 1/4 x 1/2   |     |
| 4    | 0641406     | 4        | Bolt 1/4 x 3/4   |     |
| 5    | 0641412     | 4        | Bolt 1/4 x 1-1/2   |     |
| 6    | 0641607     | 9        | Bolt 3/8 x 7/8   |     |
| 7    | 0641608     | 2        | Bolt 3/8 x 1   |     |
| 8    | 0641612     | 1        | Bolt 3/8 x 1-1/2   |     |
| 9    | 0641808     | 3        | Bolt 1/2 x 1   |     |
| 10   | 0642010     | 1        | Bolt 5/8 x 1-1/4   |     |
| 11   | 0761008     | 1        | Bolt M10 x 16  |     |
| 12   | 0771212     | 1        | Bolt M12 x 25  |     |
| 13   | 1320022     | 5        | Clamp  |     |
| 14   | 1320061     | 1        | Clamp  |     |
| 15   | 1321716     | 1        | Clamp  |     |
| 16   | 1701505     | 1        | Decal - Diesel   |     |
| 17   | 2180832     | 1        | Fitting, Straight Barbed   |     |
| 18   | 2220313     | 2        | Fitting, 90 Barbed   |     |
| 19   | 2750532     | 5 ft/2 m | Hose   |     |
| 20   | 3311405     | 8        | Nut 1/4  |     |
| 21   | 3422448     | 1        | Pin, Pivot   |     |
| 22   | 3841143     | 1        | Pin, Keeper  |     |
| 23   | 4711400     | 19       | Washer 1/4   |     |
| 24   | 4711600     | 6        | Washer 3/8   |     |
| 25   | 4711800     | 2        | Washer 1/2   |     |
| 26   | 4751600     | 3        | Washer 3/8   |     |
| 27   | 4752000     | 1        | Washer 5/8   |     |
| 28   | 4812100     | 2        | Washer M12   |     |
| 29   | 8405006     | 2        | Clamp  |     |
| 30   | 8406201     | 4        | Clip, Tube   |     |
| 31   | 1001110425  | 4        | Spacer   |     |
| 32   | 1001137866  | 1        | Plate, Baffle  |     |
| 33   | 1001137868  | 1        | Bracket, Battery   |     |
| 34   | 1001137880  | 1        | Bracket, Baffle  |     |
| 35   | 1001137881  | 1        | Angle  |     |
| 36   | 1001137882  | 1        | Support, Rubber  |     |
| 37   | 1001138491  | 1        | Harness, Fuel Pump (Pump requiring Push-on Terminals) (Not Shown - See Separate Breakdown in ELECTRICAL Section) |     |
| 38   | 1001142501  | 1        | Fitting, 90 Barbed   |     |
| 39   | 1001145047  | 1        | Battery Cable Kit  |     |
| 39A  | 7027072     | 1        | Cable, Battery (Black) (Battery - to Tray Pivot Grd)   |     |
| 39B  | 8270147     | 1        | Terminal, Battery (With Boot)  |     |
| 39B  | See Note    | 1        | Boot, Black (Note: Not Available for Purchase)   |     |
| 39C  | 7027073     | 1        | Cable, Battery (Black) (Battery - to Aux Pump and Relay Grds)  |     |
| 39C  | See Note    | 1        | Boot, Black (Note: Not Available for Purchase)   |     |
| 39D  | 7027074     | 1        | Cable, Battery (Black) (Engine to Tray Pivot Grd)  |     |
| 39E  | 7027075     | 1        | Cable (Red) (Aux Relay to Aux Pump)  |     |
| 39E  | 70003952    | 2        | Boot, Red  |     |

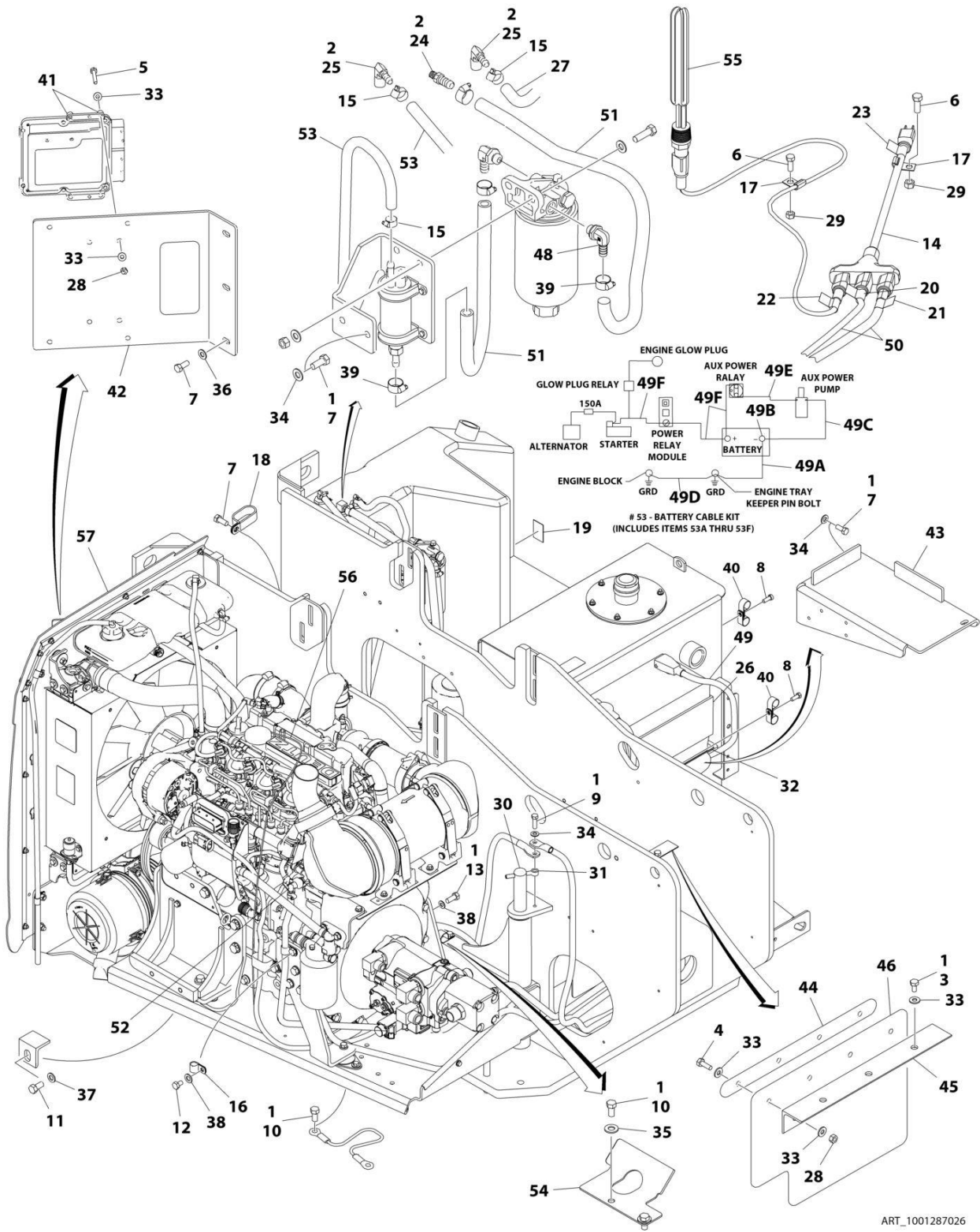
## SECTION 3 - ENGINE

| ITEM | PART NUMBER | QTY       | DESCRIPTION   | REV |
|------|-------------|-----------|---|-----|
| 39F  | 7027076     | 1         | Cable (Red) (Battery + to Aux Relay/Power Module/Starter)           |     |
| 39F  | See Note    | 1         | Boot, Red (Battery) (Note: Not Available for Purchase)              |     |
| 40   | 1001154405  | 3 ft/1 m  | Hose  |     |
| 41   | 1001155823  | 1         | Fitting, 90 Quick Disconnect  |     |
| 42   | 1001165035  | 24 ft/8 m | Hose  |     |
| 43   | 1001172793  | 1         | Guide, Hose   |     |
| 44   | 1001287025  | 1         | Engine Assembly with Pumps (See Separate Breakdown in this Section) |     |



# SECTION 3 - ENGINE

## FIGURE 3-18. DEUTZ TP2.9L4 (67HP) EMR4 ENGINE INSTALLATION - (WITH ARCTIC PACKAGE)



ART\_1001287026

## SECTION 3 - ENGINE

**FIGURE 3-18. DEUTZ TP2.9L4 (67HP) EMR4 ENGINE INSTALLATION - (WITH ARCTIC PACKAGE)**

| ITEM | PART NUMBER | QTY      | DESCRIPTION  | REV |
|------|-------------|----------|--|-----|
|      | 1001287026  | Ref      | DEUTZ TP2.9L4 (67HP) ENGINE INSTALLATION   | A   |
| 1    | 0100011     | AR       | Compound, Locking  |     |
| 2    | 0100020     | AR       | Sealant, Pipe  |     |
| 3    | 0641404     | 3        | Bolt 1/4 x 1/2   |     |
| 4    | 0641406     | 4        | Bolt 1/4 x 3/4   |     |
| 5    | 0641412     | 4        | Bolt 1/4 x 1-1/2   |     |
| 6    | 0641606     | 2        | Bolt 3/8 x 3/4   |     |
| 7    | 0641607     | 9        | Bolt 3/8 x 7/8   |     |
| 8    | 0641608     | 2        | Bolt 3/8 x 1   |     |
| 9    | 0641612     | 1        | Bolt 3/8 x 1-1/2   |     |
| 10   | 0641808     | 3        | Bolt 1/2 x 1   |     |
| 11   | 0642010     | 1        | Bolt 5/8 x 1-1/4   |     |
| 12   | 0761008     | 1        | Bolt M10 x 16  |     |
| 13   | 0771212     | 1        | Bolt M12 x 25  |     |
| 14   | 1060626     | 1        | Cord, 3 Way Extension  |     |
| 15   | 1320022     | 5        | Clamp  |     |
| 16   | 1320061     | 1        | Clamp  |     |
| 17   | 1320223     | 2        | Clamp  |     |
| 18   | 1321716     | 1        | Clamp  |     |
| 19   | 1701505     | 1        | Decal - Diesel   |     |
| 20   | 1702941     | 1        | Decal - Battery Heater   |     |
| 21   | 1702942     | 1        | Decal - Engine Block Heater  |     |
| 22   | 1702943     | 1        | Decal - Hydraulic Tank Heater  |     |
| 23   | 1702944     | 1        | Decal - Heater Cord  |     |
| 24   | 2180832     | 1        | Fitting, Straight Barbed   |     |
| 25   | 2220313     | 2        | Fitting, 90 Barbed   |     |
| 26   | 2580024     | 1        | Heater, Battery  |     |
| 27   | 2750532     | 5 ft /2m | Hose   |     |
| 28   | 3311405     | 8        | Nut 1/4  |     |
| 29   | 3311605     | 2        | Nut 3/8  |     |
| 30   | 3422448     | 1        | Pin, Pivot   |     |
| 31   | 3841143     | 1        | Pin, Keeper  |     |
| 32   | 3980007     | 1        | Seat, Battery  |     |
| 33   | 4711400     | 19       | Washer 1/4   |     |
| 34   | 4711600     | 8        | Washer 3/8   |     |
| 35   | 4711800     | 2        | Washer 1/2   |     |
| 36   | 4751600     | 3        | Washer 3/8   |     |
| 37   | 4752000     | 1        | Washer 5/8   |     |
| 38   | 4812100     | 2        | Washer M12   |     |
| 39   | 8405006     | 2        | Clamp  |     |
| 40   | 8406201     | 4        | Clip, Tube   |     |
| 41   | 1001110425  | 4        | Spacer   |     |
| 42   | 1001137866  | 1        | Plate, Baffle  |     |
| 43   | 1001137868  | 1        | Bracket, Battery   |     |
| 44   | 1001137880  | 1        | Bracket, Baffle  |     |
| 45   | 1001137881  | 1        | Angle  |     |
| 46   | 1001137882  | 1        | Support, Rubber  |     |
| 47   | 1001138491  | 1        | Harness, Fuel Pump (Pump requiring Push-on Terminals) (Not Shown - See Separate Breakdown in ELECTRICAL Section) |     |
| 48   | 1001142501  | 1        | Fitting, 90 Barbed   |     |

## SECTION 3 - ENGINE

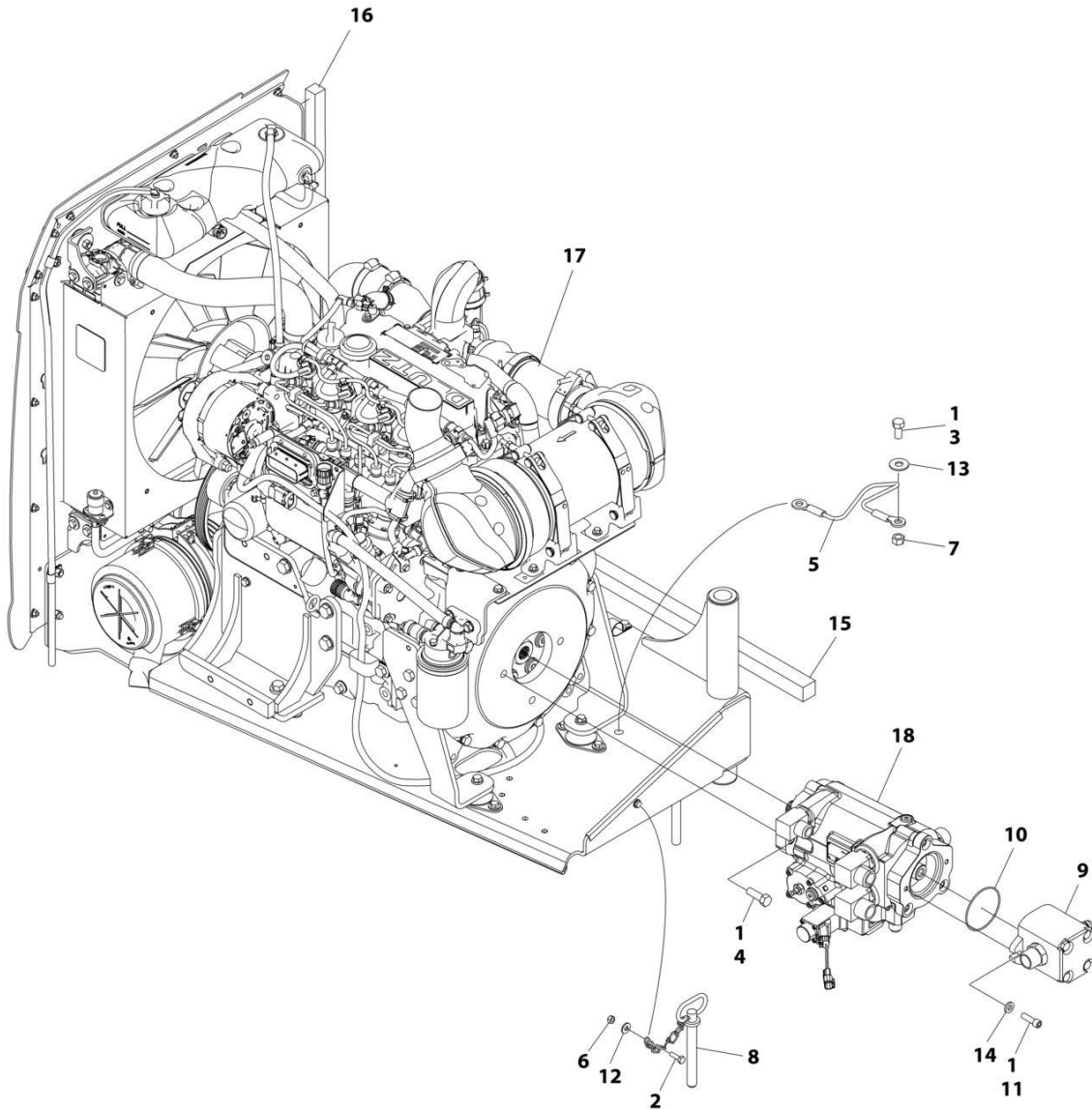
| ITEM | PART NUMBER | QTY       | DESCRIPTION   | REV |
|------|-------------|-----------|---|-----|
| 49   | 1001145047  | 1         | Battery Cable Kit   |     |
| 49A  | 7027072     | 1         | Cable, Battery (Black) (Battery - to Tray Pivot Grd)                  |     |
| 49B  | 8270147     | 1         | Terminal, Battery (With Boot)   |     |
| 49B  | See Note    | 1         | Boot, Black (Note: Not Available for Purchase)                        |     |
| 49C  | 7027073     | 1         | Cable, Battery (Black) (Battery - to Aux Pump and Relay Grds)         |     |
| 49C  | See Note    | 1         | Boot, Black (Note: Not Available for Purchase)                        |     |
| 49D  | 7027074     | 1         | Cable, Battery (Black) (Engine to Tray Pivot Grd)                     |     |
| 49E  | 7027075     | 1         | Cable (Red) (Aux Relay to Aux Pump)                                   |     |
| 49E  | 70003952    | 2         | Boot, Red   |     |
| 49F  | 7027076     | 1         | Cable (Red) (Battery + to Aux Relay/Power Module/Starter)             |     |
| 49F  | See Note    | 1         | Boot, Red (Battery) (Note: Not Available for Purchase)                |     |
| 50   | 1001150918  | 1         | Cable, Immersion Heater   |     |
| 51   | 1001154405  | 3 ft /1m  | Hose  |     |
| 52   | 1001155823  | 1         | Fitting, 90 Quick Disconnect  |     |
| 53   | 1001165035  | 24 ft /8m | Hose  |     |
| 54   | 1001172793  | 1         | Guide, Hose   |     |
| 55   | 1001188972  | 1         | Heater, Hydraulic Tank  |     |
| 56   | 1001233763  | 1         | Breather Heater Installation (See Separate Breakdown in this Section) |     |
| 57   | 1001287027  | 1         | Engine Assembly with Pumps (See Separate Breakdown in this Section)   |     |





# SECTION 3 - ENGINE

## FIGURE 3-19. DEUTZ TP2.9L4 (67HP) EMR4 ENGINE/PUMP SUB ASSEMBLY - (WITHOUT ARCTIC PACKAGE)



ART\_1001287025

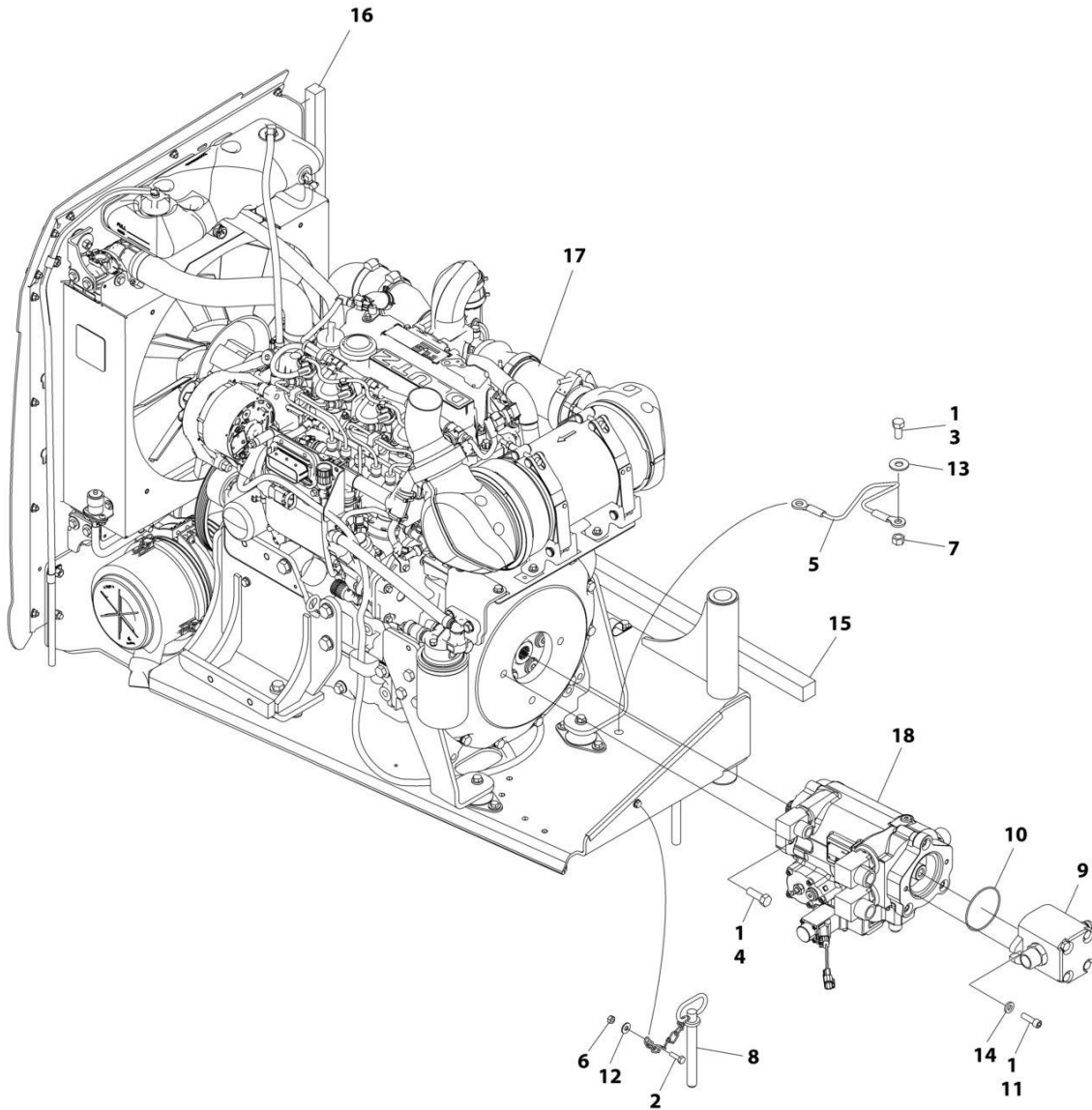
## SECTION 3 - ENGINE

**FIGURE 3-19. DEUTZ TP2.9L4 (67HP) EMR4 ENGINE/PUMP SUB ASSEMBLY - (WITHOUT ARCTIC PACKAGE)**

| ITEM | PART NUMBER | QTY | DESCRIPTION   | REV |
|------|-------------|-----|---|-----|
|      | 1001287025  | Ref | DEUTZ TP2.9L4 (67HP) ENGINE/PUMP SUB-ASSEMBLY                             | B   |
| 1    | 0100011     | AR  | Compound, Locking   |     |
| 2    | 0641406     | 1   | Bolt 1/4 x 3/4  |     |
| 3    | 0641808     | 1   | Bolt 1/2 x 1  |     |
| 4    | 0641812     | 2   | Bolt 1/2 x 1-1/2  |     |
| 5    | 1060637     | 1   | Lanyard   |     |
| 6    | 3311405     | 1   | Nut 1/4   |     |
| 7    | 3311801     | 1   | Nut 1/2   |     |
| 8    | 3422533     | 1   | Pin, Hitch  |     |
| 9    | 3600395     | 1   | Gear Pump Assembly with Fittings (See Separate Breakdown in this Section) |     |
| 10   | 70007827    | 1   | O-Ring (Part of Item 18)  |     |
| 11   | 3931620     | 2   | Bolt 3/8 x 1-1/4  |     |
| 12   | 4711400     | 2   | Washer 1/4  |     |
| 13   | 4751800     | 1   | Washer 1/2  |     |
| 14   | 4891600     | 2   | Washer 3/8  |     |
| 15   | 1001137873  | 1   | Seal  |     |
| 16   | 1001137874  | 1   | Seal  |     |
| 17   | 1001176012  | 1   | Engine Assembly (See Separate Breakdown in this Section)                  |     |
| 18   | 1001287018  | 1   | Pump Assembly with Fittings (See Separate Breakdown in this Section)      |     |

# SECTION 3 - ENGINE

FIGURE 3-20. DEUTZ TP2.9L4 (67HP) EMR4 ENGINE/PUMP SUB ASSEMBLY - (WITH ARCTIC PACKAGE)



ART\_1001287027

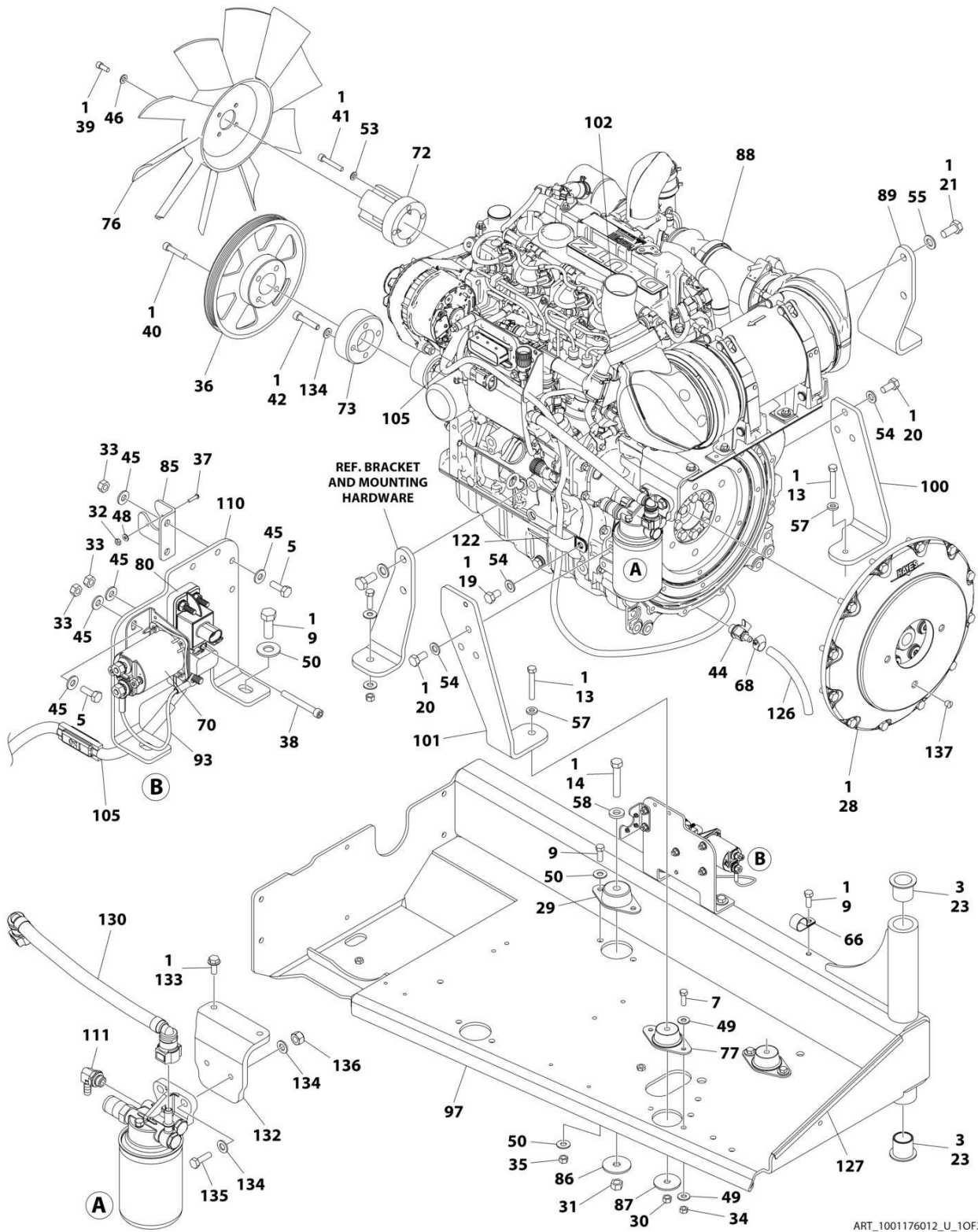
## SECTION 3 - ENGINE

**FIGURE 3-20. DEUTZ TP2.9L4 (67HP) EMR4 ENGINE/PUMP SUB ASSEMBLY - (WITH ARCTIC PACKAGE)**

| ITEM | PART NUMBER | QTY | DESCRIPTION   | REV |
|------|-------------|-----|---|-----|
|      | 1001287027  | Ref | DEUTZ TP2.9L4 (67HP) ENGINE/PUMP SUB-ASSEMBLY                             | B   |
| 1    | 0100011     | AR  | Compound, Locking   |     |
| 2    | 0641406     | 1   | Bolt 1/4 x 3/4  |     |
| 3    | 0641808     | 1   | Bolt 1/2 x 1  |     |
| 4    | 0641812     | 2   | Bolt 1/2 x 1-1/2  |     |
| 5    | 1060637     | 1   | Lanyard   |     |
| 6    | 3311405     | 1   | Nut 1/4   |     |
| 7    | 3311801     | 1   | Nut 1/2   |     |
| 8    | 3422533     | 1   | Pin, Hitch  |     |
| 9    | 3600395     | 1   | Gear Pump Assembly with Fittings (See Separate Breakdown in this Section) |     |
| 10   | 70007827    | 1   | O-Ring (Part of Item 18)  |     |
| 11   | 3931620     | 2   | Bolt 3/8 x 1-1/4  |     |
| 12   | 4711400     | 2   | Washer 1/4  |     |
| 13   | 4751800     | 1   | Washer 1/2  |     |
| 14   | 4891600     | 2   | Washer 3/8  |     |
| 15   | 1001137873  | 1   | Seal  |     |
| 16   | 1001137874  | 1   | Seal  |     |
| 17   | 1001176015  | 1   | Engine Assembly (See Separate Breakdown in this Section)                  |     |
| 18   | 1001287018  | 1   | Pump Assembly with Fittings (See Separate Breakdown in this Section)      |     |

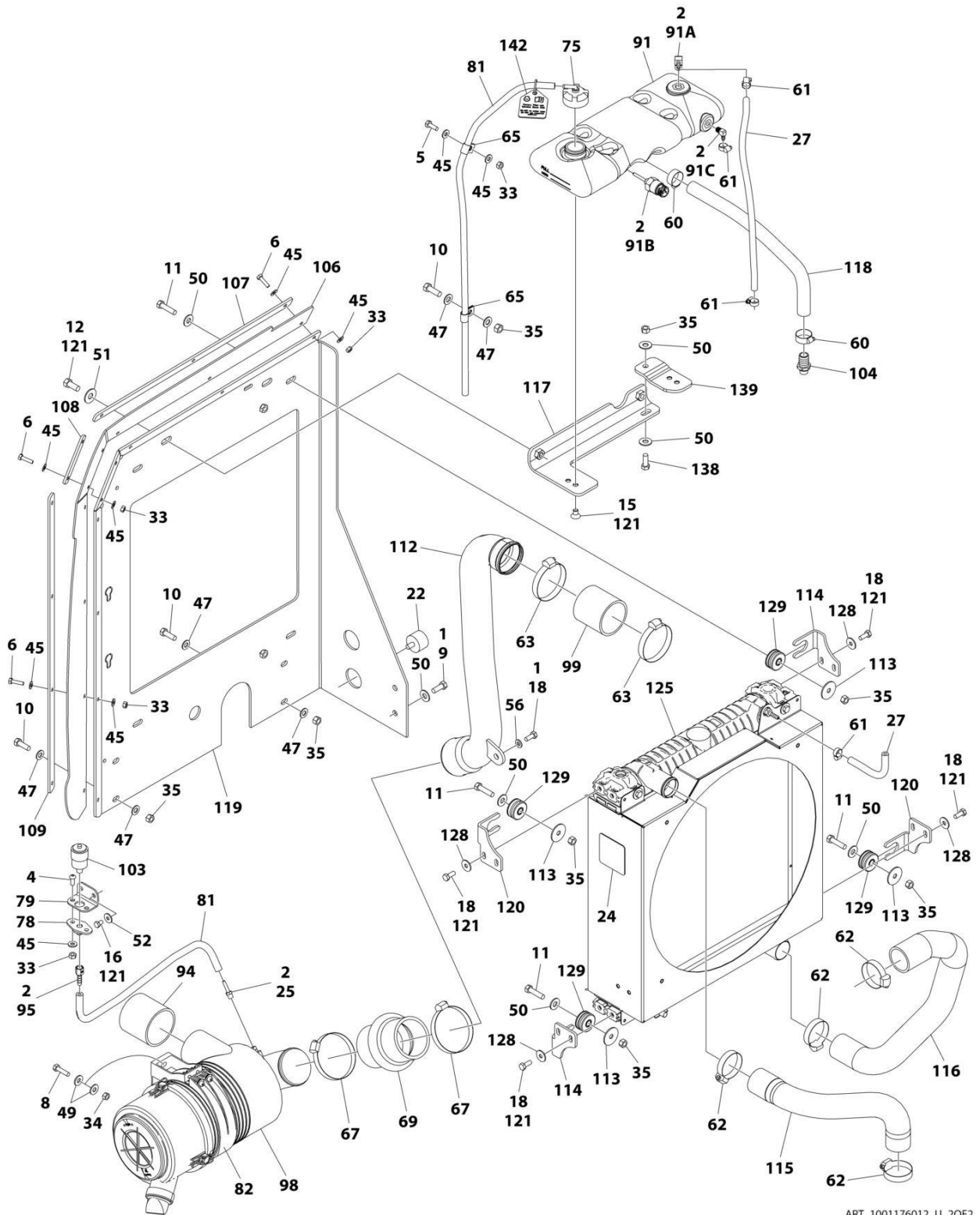
# SECTION 3 - ENGINE

## FIGURE 3-21. DEUTZ TD2.9L4 - 63HP EMR4 ENGINE ASSEMBLY – WITHOUT ARCTIC PACKAGE



ART\_1001176012\_U\_10F2

# SECTION 3 - ENGINE



ART\_1001176012\_U\_20F2

## SECTION 3 - ENGINE

FIGURE 3-21. DEUTZ TD2.9L4 - 63HP EMR4 ENGINE ASSEMBLY – WITHOUT ARCTIC PACKAGE

| ITEM | PART NUMBER | QTY            | DESCRIPTION   | REV |
|------|-------------|----------------|---|-----|
|      | 1001176012  | Ref            | DEUTZ TD2.9L4 ENGINE ASSEMBLY                               | U   |
| 1    | 0100011     | AR             | Compound, Locking   |     |
| 2    | 0100020     | AR             | Sealant   |     |
| 3    | 0100062     | AR             | Adhesive  |     |
| 4    | 0630407     | 2              | Screw 1/4 x 5/8   |     |
| 5    | 0641406     | 5              | Bolt 1/4 x 3/4  |     |
| 6    | 0641408     | 9              | Bolt 1/4 x 1  |     |
| 7    | 0641508     | 4              | Bolt 5/16 x 1   |     |
| 8    | 0641510     | 2              | Bolt 5/16 x 1-1/4   |     |
| 9    | 0641608     | 7              | Bolt 3/8 x 1  |     |
| 10   | 0641609     | 4              | Bolt 3/8 x 1-1/8  |     |
| 11   | 0641612     | 4              | Bolt 3/8 x 1-1/2  |     |
| 12   | 0641708     | 2              | Bolt 7/16 x 1   |     |
| 13   | 0681620     | 2              | Bolt 3/8 x 2-1/2 Grade 8                                    |     |
| 14   | 0681822     | 1              | Bolt 1/2 x 2-3/4 Grade 8                                    |     |
| 15   | 0741605     | 2              | Screw, Flathead 3/8 x 5/8                                   |     |
| 16   | 0760605     | 2              | Bolt M6 x 10  |     |
| 18   | 0760810     | 9              | Bolt M8 x 20  |     |
| 19   | 0761210     | 1              | Bolt M12 x 20   |     |
| 20   | 0771212     | 6              | Bolt M12 x 25   |     |
| 21   | 0771414     | 2              | Bolt M14 x 30   |     |
| 22   | 0940070     | 1              | Bumper  |     |
| 23   | 0961986     | 2              | Bushing, Flanged  |     |
| 24   | 1703162     | 1              | Decal - Fan Blade   |     |
| 25   | 2220315     | 1              | Fitting, Straight Barbed                                    |     |
| 27   | 2720015     | 26 in/90<br>cm | Hose  |     |
| 28   | 2902065     | 1              | Kit, Pump Coupling (See Separate Breakdown in this Section) |     |
| 29   | 3200401     | 1              | Mount, Motor  |     |
| 30   | 3271601     | 2              | Nut 3/8 Grade 8   |     |
| 31   | 3271801     | 1              | Nut 1/2 Grade 8   |     |
| 32   | 3310401     | 3              | Nut #4  |     |
| 33   | 3311405     | 17             | Nut 1/4   |     |
| 34   | 3311505     | 6              | Nut 5/16  |     |
| 35   | 3311605     | 11             | Nut 3/8   |     |
| 36   | 3580320     | 1              | Pulley  |     |
| 37   | 3910408     | 3              | Screw #4 x 1/2  |     |
| 38   | 3931432     | 1              | Capscrew 1/4 x 2  |     |
| 39   | 3931512     | 4              | Capscrew 5/16 x 3/4   |     |
| 40   | 3931628     | 4              | Capscrew 3/8 x 1-3/4  |     |
| 41   | 4031914     | 4              | Capscrew M8 x 50  |     |
| 42   | 4032014     | 4              | Capscrew M10 x 50   |     |
| 43   | 4240099     | AR             | Tie-Strap (Not Shown)                                       |     |
| 44   | 4640751     | 1              | Valve, Oil Drain  |     |
| 45   | 4711400     | 31             | Washer 1/4  |     |
| 46   | 4711500     | 4              | Washer 5/16   |     |
| 47   | 4711600     | 8              | Washer 3/8  |     |
| 48   | 4750400     | 3              | Washer #4   |     |
| 49   | 4751500     | 12             | Washer 5/16   |     |
| 50   | 4751600     | 14             | Washer 3/8  |     |



## SECTION 3 - ENGINE

| ITEM | PART NUMBER | QTY      | DESCRIPTION  | REV |
|------|-------------|----------|--|-----|
| 51   | 4751700     | 2        | Washer 7/16  |     |
| 52   | 4811702     | 2        | Washer M6  |     |
| 53   | 4811900     | 4        | Washer M8  |     |
| 54   | 4812100     | 7        | Washer M12   |     |
| 55   | 4812200     | 2        | Washer M14   |     |
| 56   | 4891500     | 1        | Washer 5/16 Hardened   |     |
| 57   | 4891600     | 2        | Washer 3/8 Hardened  |     |
| 58   | 4891800     | 1        | Washer 1/2 Hardened  |     |
| 60   | 8405007     | 2        | Clamp  |     |
| 61   | 8405009     | 4        | Clamp  |     |
| 62   | 8405104     | 4        | Clamp  |     |
| 63   | 8405204     | 2        | Clamp  |     |
| 65   | 8406110     | 2        | Clip   |     |
| 66   | 8406201     | 1        | Clip   |     |
| 67   | 8410011     | 2        | Clamp  |     |
| 68   | 8410013     | 1        | Clamp  |     |
| 69   | 91403244    | 1        | Hose   |     |
| 70   | 1001117308  | 1        | Relay  |     |
| 72   | 1001135138  | 1        | Adapter  |     |
| 73   | 1001135679  | 1        | Adapter  |     |
| 75   | 1001136834  | 1        | Cap, Tank  |     |
| 76   | 1001137276  | 1        | Fan  |     |
| 77   | 1001138170  | 2        | Mount, Motor   |     |
| 78   | 1001138173  | 1        | Support  |     |
| 79   | 1001138175  | 1        | Bracket  |     |
| 80   | 1001138228  | 1        | Relay, Power Module  |     |
| 80   | 70023593    | 1        | Fuse 30Amp (Battery Output)  |     |
| 80   | 70023592    | 1        | Fuse 20Amp (Switched Output)   |     |
| 81   | 1001138248  | 6 ft/2 m | Tube   |     |
| 82   | 1001138557  | 1        | Clamp  |     |
| 85   | 1001139240  | 1        | Bracket  |     |
| 86   | 1001139409  | 1        | Washer, Special  |     |
| 87   | 1001139429  | 2        | Washer, Special  |     |
| 88   | 1001249942  | 1        | Deutz TD2.9L4 Engine Components (See Separate Breakdown in this Section) |     |
| 89   | 1001140454  | 1        | Mount, Front Engine  |     |
| 91   | 1001230635  | 1        | Tank   |     |
| 91A  | 1001134488  | 1        | Fitting, 90 Barbed   |     |
| 91B  | 1001138827  | 1        | Sensor, Coolant Level  |     |
| 91C  | 1001140564  | 1        | Fitting, 90 Barbed   |     |
| 93   | 1001141304  | 1        | Harness, Glow Plug   |     |
| 94   | 1001141585  | 1        | Hose, Air Inlet  |     |
| 95   | 1001141995  | 1        | Fitting, Straight Barbed   |     |
| 97   | 1001142538  | 1        | Support  |     |
| 98   | 1001142615  | 1        | Air Cleaner Assembly Filter Element                                      |     |
| 98   | 91403102    | 1        | Element, Filter (Not Shown)  |     |
| 99   | 1001142623  | 1        | Hose, Inlet  |     |
| 100  | 1001142635  | 1        | Mount, Rear Engine   |     |
| 101  | 1001205051  | 1        | Mount, Rear Engine   |     |
| 102  | 1001142689  | 1        | Pipe, Exhaust  |     |
| 103  | 1001143390  | 1        | Indicator, Service   |     |
| 104  | 1001143797  | 1        | Fitting, Straight Barbed   |     |

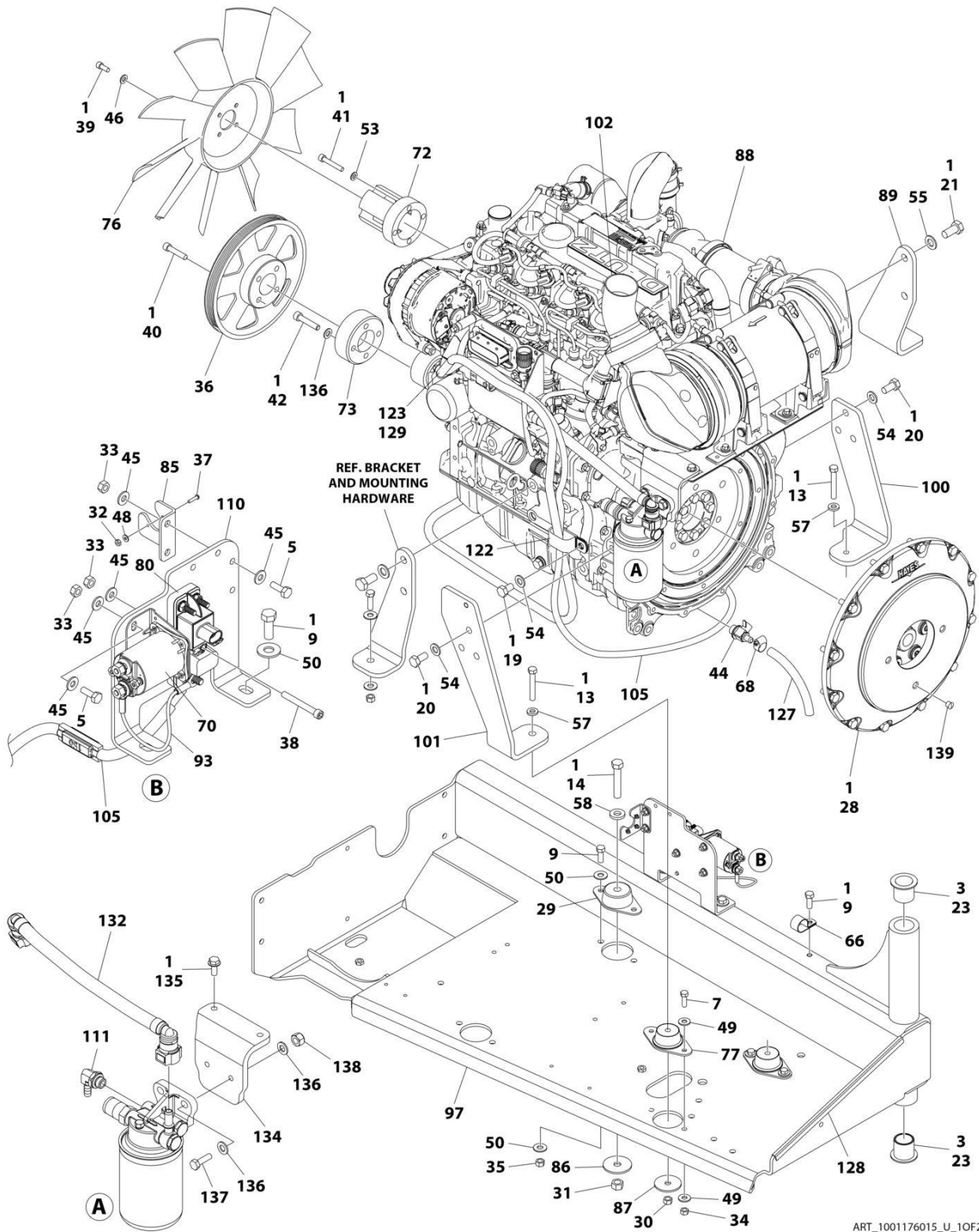
## SECTION 3 - ENGINE

| ITEM | PART NUMBER | QTY         | DESCRIPTION   | REV |
|------|-------------|-------------|---|-----|
| 105  | 1001143907  | 1           | Cable, Alternator Power   |     |
| 106  | 1001144409  | 1           | Panel, Rubber   |     |
| 107  | 1001144410  | 1           | Bracket, Panel Clamp  |     |
| 108  | 1001144411  | 1           | Bracket, Panel Clamp  |     |
| 109  | 1001144412  | 1           | Bracket, Panel Clamp  |     |
| 110  | 1001145154  | 1           | Plate, Relay Mounting   |     |
| 111  | 1001152489  | 1           | Fitting, 90 Barbed  |     |
| 112  | 1001165842  | 1           | Pipe  |     |
| 113  | 1001169138  | 4           | Washer  |     |
| 114  | 1001204325  | 2           | Bracket   |     |
| 115  | 1001176225  | 1           | Hose, Radiator - Upper  |     |
| 116  | 1001176226  | 1           | Hose, Radiator - Lower  |     |
| 117  | 1001260413  | 1           | Bracket, Tank   |     |
| 118  | 1001176511  | 1           | Hose  |     |
| 119  | 1001176723  | 1           | Plate Radiator Mounting   |     |
| 120  | 1001178223  | 2           | Bracket   |     |
| 121  | 1001180620  | AR          | Adhesive  |     |
| 122  | 1001181899  | 1           | Clamp   |     |
| 123  | 1001143726  | 1           | Harness, Engine (Not Shown - See Separate Breakdown in ELECTRICAL Section)              |     |
| 125  | 1001167041  | 1           | Radiator and Shroud Assembly  |     |
| 125  | 1001203495  | 1           | Radiator  |     |
| 125  | 1001204491  | 1           | Shroud  |     |
| 126  | 2720340     | 6 in/15 cm  | Hose  |     |
| 127  | 4060805     | 14 in/36 cm | Flex-Trim   |     |
| 128  | 4811902     | 8           | Washer M8   |     |
| 129  | 1001169054  | 4           | Isolator  |     |
| 130  | 1001177359  | 1           | Hose  |     |
| 132  | 1001178876  | 1           | Mount   |     |
| 133  | 5250810     | 2           | Bolt M8 x 20  |     |
| 134  | 4812000     | 8           | Washer M10  |     |
| 135  | 0761015     | 2           | Bolt M10 x 35   |     |
| 136  | 3291005     | 2           | Nut M10   |     |
| 137  | 3520054     | 1           | Plug  |     |
| 138  | 0681608     | 1           | Bolt 3/8 x 1 Grade 8  |     |
| 139  | 1001260412  | 1           | Bracket   |     |
| 140  | 1001162335  | 1           | Bracket, Fuel Pump/Filter Assembly (Not Shown - See Separate Breakdown in this Section) |     |
| 141  | 4240032     | AR          | Tie-Strap (Not Shown)   |     |
| 142  | 1001291401  | 1           | Tag, Coolant  |     |



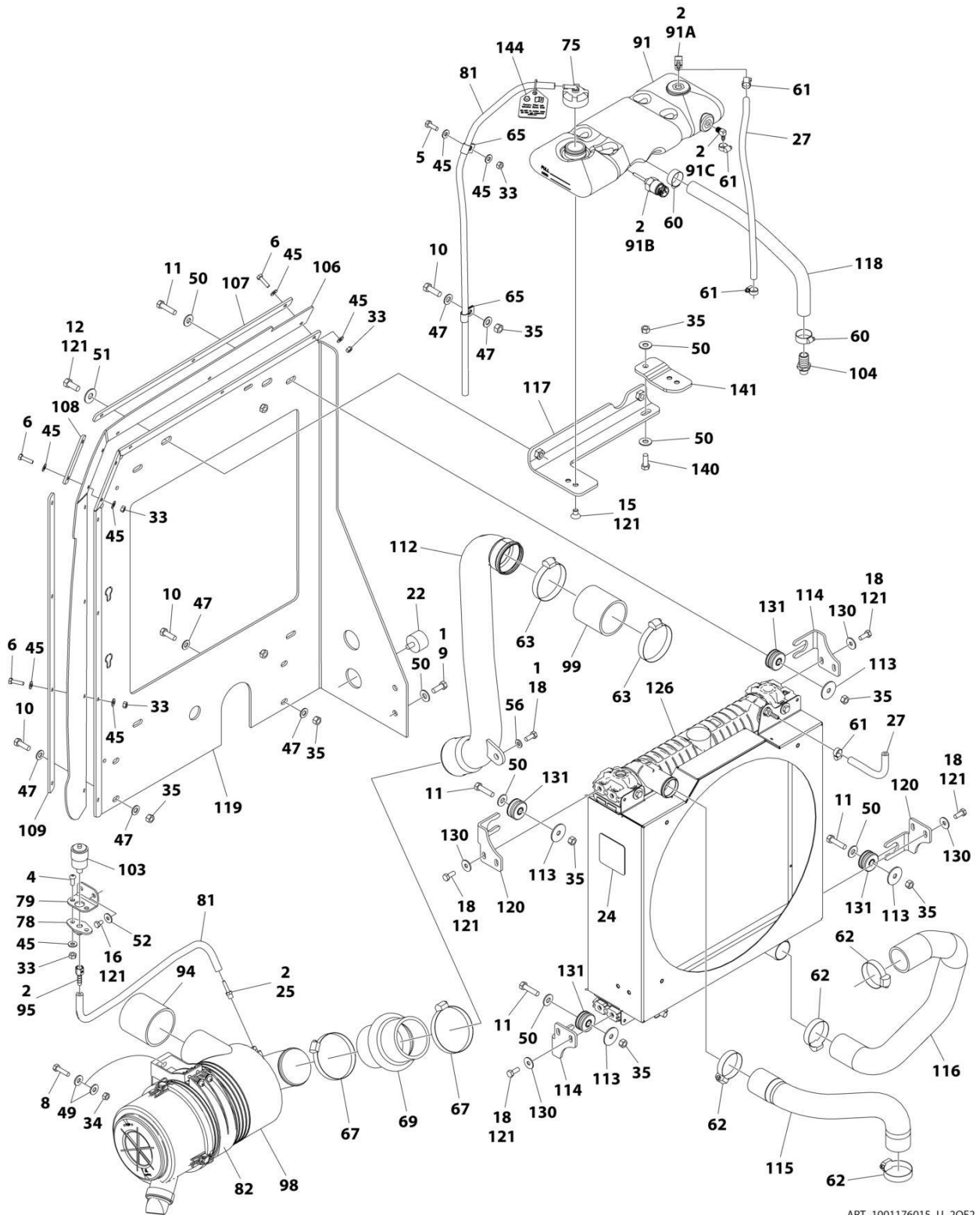
# SECTION 3 - ENGINE

FIGURE 3-22. DEUTZ TD2.9L4 - 63HP EMR4 ENGINE ASSEMBLY – WITH ARCTIC PACKAGE



ART\_1001176015\_U\_10F2

# SECTION 3 - ENGINE



ART\_1001176015\_U\_20F2

## SECTION 3 - ENGINE

**FIGURE 3-22. DEUTZ TD2.9L4 - 63HP EMR4 ENGINE ASSEMBLY – WITH ARCTIC PACKAGE**

| ITEM | PART NUMBER | QTY        | DESCRIPTION   | REV |
|------|-------------|------------|---|-----|
|      | 1001176015  | Ref        | DEUTZ TD2.9L4 ENGINE ASSEMBLY                               | U   |
| 1    | 0100011     | AR         | Compound, Locking   |     |
| 2    | 0100020     | AR         | Sealant   |     |
| 3    | 0100062     | AR         | Adhesive  |     |
| 4    | 0630407     | 2          | Screw 1/4 x 5/8   |     |
| 5    | 0641406     | 5          | Bolt 1/4 x 3/4  |     |
| 6    | 0641408     | 9          | Bolt 1/4 x 1  |     |
| 7    | 0641508     | 4          | Bolt 5/16 x 1   |     |
| 8    | 0641510     | 2          | Bolt 5/16 x 1-1/4   |     |
| 9    | 0641608     | 7          | Bolt 3/8 x 1  |     |
| 10   | 0641609     | 4          | Bolt 3/8 x 1-1/8  |     |
| 11   | 0641612     | 4          | Bolt 3/8 x 1-1/2  |     |
| 12   | 0641708     | 2          | Bolt 7/16 x 1   |     |
| 13   | 0681620     | 2          | Bolt 3/8 x 2-1/2 Grade 8                                    |     |
| 14   | 0681822     | 1          | Bolt 1/2 x 2-3/4 Grade 8                                    |     |
| 15   | 0741605     | 2          | Screw, Flathead 3/8 x 5/8                                   |     |
| 16   | 0760605     | 2          | Bolt M6 x 10  |     |
| 18   | 0760810     | 9          | Bolt M8 x 20  |     |
| 19   | 0761210     | 1          | Bolt M12 x 20   |     |
| 20   | 0771212     | 6          | Bolt M12 x 25   |     |
| 21   | 0771414     | 2          | Bolt M14 x 30   |     |
| 22   | 0940070     | 1          | Bumper  |     |
| 23   | 0961986     | 2          | Bushing, Flanged  |     |
| 24   | 1703162     | 1          | Decal - Fan Blade   |     |
| 25   | 2220315     | 1          | Fitting, Straight Barbed                                    |     |
| 27   | 2720015     | 26 in /.9m | Hose  |     |
| 28   | 2902065     | 1          | Kit, Pump Coupling (See Separate Breakdown in this Section) |     |
| 29   | 3200401     | 1          | Mount, Motor  |     |
| 30   | 3271601     | 2          | Nut 3/8 Grade 8   |     |
| 31   | 3271801     | 1          | Nut 1/2 Grade 8   |     |
| 32   | 3310401     | 3          | Nut #4  |     |
| 33   | 3311405     | 17         | Nut 1/4   |     |
| 34   | 3311505     | 6          | Nut 5/16  |     |
| 35   | 3311605     | 11         | Nut 3/8   |     |
| 36   | 3580320     | 1          | Pulley  |     |
| 37   | 3910408     | 3          | Screw #4 x 1/2  |     |
| 38   | 3931432     | 1          | Capscrew 1/4 x 2  |     |
| 39   | 3931512     | 4          | Capscrew 5/16 x 3/4   |     |
| 40   | 3931628     | 4          | Capscrew 3/8 x 1-3/4  |     |
| 41   | 4031914     | 4          | Capscrew M8 x 50  |     |
| 42   | 4032014     | 4          | Capscrew M10 x 50   |     |
| 43   | 4240099     | AR         | Tie-Strap (Not Shown)                                       |     |
| 44   | 4640751     | 1          | Valve, Oil Drain  |     |
| 45   | 4711400     | 31         | Washer 1/4  |     |
| 46   | 4711500     | 4          | Washer 5/16   |     |
| 47   | 4711600     | 8          | Washer 3/8  |     |
| 48   | 4750400     | 3          | Washer #4   |     |
| 49   | 4751500     | 12         | Washer 5/16   |     |
| 50   | 4751600     | 14         | Washer 3/8  |     |
| 51   | 4751700     | 2          | Washer 7/16   |     |

## SECTION 3 - ENGINE

| ITEM | PART NUMBER | QTY        | DESCRIPTION  | REV |
|------|-------------|------------|--|-----|
| 52   | 4811702     | 2          | Washer M6  |     |
| 53   | 4811900     | 4          | Washer M8  |     |
| 54   | 4812100     | 7          | Washer M12   |     |
| 55   | 4812200     | 2          | Washer M14   |     |
| 56   | 4891500     | 1          | Washer 5/16 Hardened   |     |
| 57   | 4891600     | 2          | Washer 3/8 Hardened  |     |
| 58   | 4891800     | 1          | Washer 1/2 Hardened  |     |
| 60   | 8405007     | 2          | Clamp  |     |
| 61   | 8405009     | 4          | Clamp  |     |
| 62   | 8405104     | 4          | Clamp  |     |
| 63   | 8405204     | 2          | Clamp  |     |
| 65   | 8406110     | 2          | Clip   |     |
| 66   | 8406201     | 1          | Clip   |     |
| 67   | 8410011     | 2          | Clamp  |     |
| 68   | 8410013     | 1          | Clamp  |     |
| 69   | 91403244    | 1          | Hose   |     |
| 70   | 1001117308  | 1          | Relay  |     |
| 72   | 1001135138  | 1          | Adapter  |     |
| 73   | 1001135679  | 1          | Adapter  |     |
| 75   | 1001136834  | 1          | Cap, Tank  |     |
| 76   | 1001137276  | 1          | Fan  |     |
| 77   | 1001138170  | 2          | Mount, Motor   |     |
| 78   | 1001138173  | 1          | Support  |     |
| 79   | 1001138175  | 1          | Bracket  |     |
| 80   | 1001138228  | 1          | Relay, Power Module  |     |
| 80   | 70023593    | 1          | Fuse 30Amp (Battery Output)  |     |
| 80   | 70023592    | 1          | Fuse 20Amp (Switched Output)   |     |
| 81   | 1001138248  | 67 in/1.7m | Tube   |     |
| 82   | 1001138557  | 1          | Clamp  |     |
| 85   | 1001139240  | 1          | Bracket  |     |
| 86   | 1001139409  | 1          | Washer, Special  |     |
| 87   | 1001139429  | 2          | Washer, Special  |     |
| 88   | 1001249942  | 1          | Deutz TD2.9L4 Engine Components (See Separate Breakdown in this Section) |     |
| 89   | 1001140454  | 1          | Mount, Front Engine  |     |
| 91   | 1001230635  | 1          | Tank   |     |
| 91A  | 1001134488  | 1          | Fitting, 90 Barbed   |     |
| 91B  | 1001138827  | 1          | Sensor, Coolant Level  |     |
| 91C  | 1001140564  | 1          | Fitting, 90 Barbed   |     |
| 93   | 1001141304  | 1          | Harness, Glow Plug   |     |
| 94   | 1001141585  | 1          | Hose, Air Inlet  |     |
| 95   | 1001141995  | 1          | Fitting, Straight Barbed   |     |
| 97   | 1001142538  | 1          | Support  |     |
| 98   | 1001142615  | 1          | Air Cleaner Assembly Filter Element                                      |     |
| 98   | 91403102    | 1          | Element, Filter (Not Shown)  |     |
| 99   | 1001142623  | 1          | Hose, Inlet  |     |
| 100  | 1001142635  | 1          | Mount, Rear Engine   |     |
| 101  | 1001205051  | 1          | Mount, Rear Engine   |     |
| 102  | 1001142689  | 1          | Pipe, Exhaust  |     |
| 103  | 1001143390  | 1          | Indicator, Service   |     |
| 104  | 1001143797  | 1          | Fitting, Straight Barbed   |     |
| 105  | 1001143907  | 1          | Cable, Alternator Power  |     |

## SECTION 3 - ENGINE

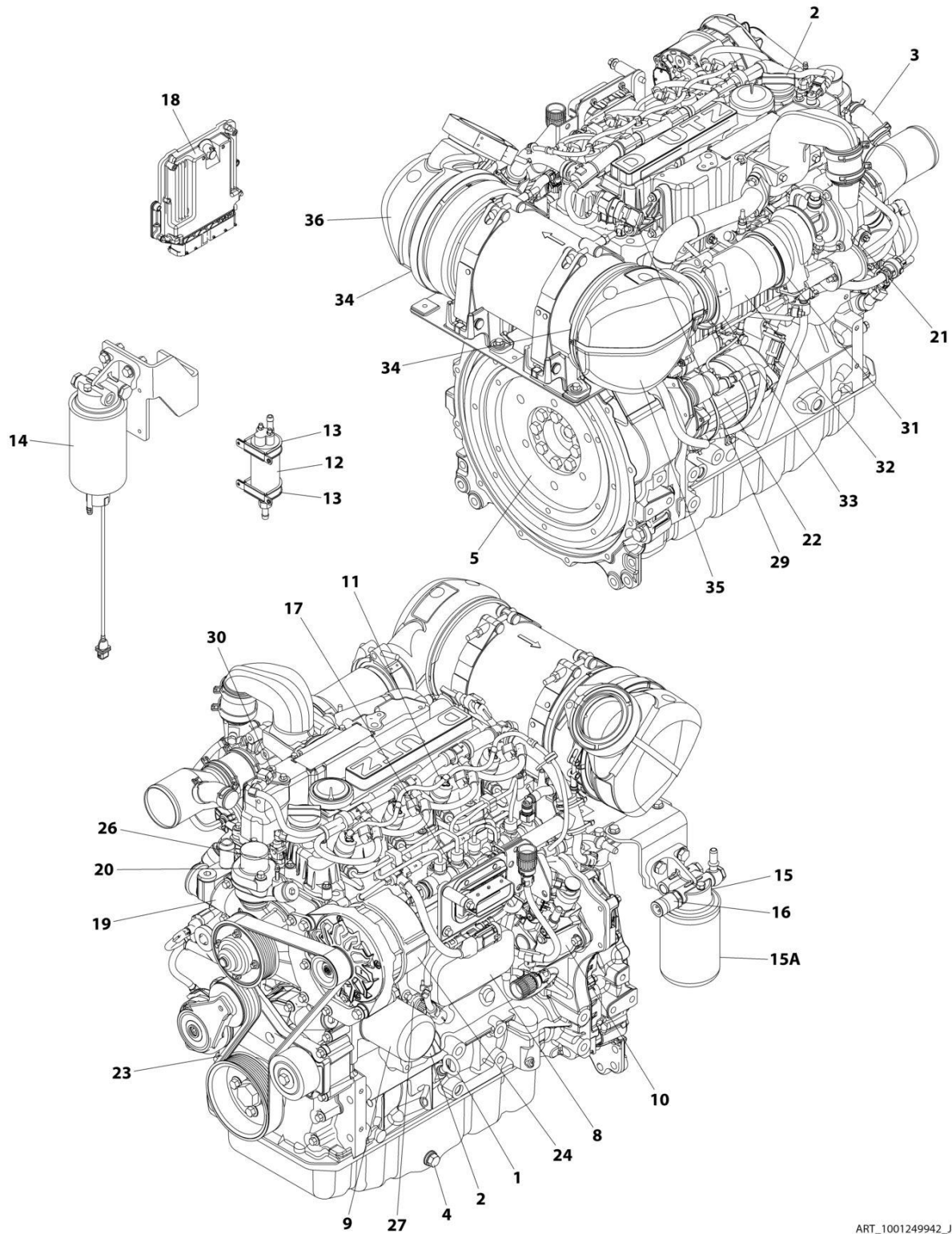
| ITEM | PART NUMBER | QTY             | DESCRIPTION   | REV |
|------|-------------|-----------------|---|-----|
| 106  | 1001144409  | 1               | Panel, Rubber   |     |
| 107  | 1001144410  | 1               | Bracket, Panel Clamp  |     |
| 108  | 1001144411  | 1               | Bracket, Panel Clamp  |     |
| 109  | 1001144412  | 1               | Bracket, Panel Clamp  |     |
| 110  | 1001145154  | 1               | Plate, Relay Mounting   |     |
| 111  | 1001152489  | 1               | Fitting, 90 Barbed  |     |
| 112  | 1001165842  | 1               | Pipe  |     |
| 113  | 1001169138  | 4               | Washer  |     |
| 114  | 1001204325  | 2               | Bracket   |     |
| 115  | 1001176225  | 1               | Hose, Radiator - Upper  |     |
| 116  | 1001176226  | 1               | Hose, Radiator - Lower  |     |
| 117  | 1001260413  | 1               | Bracket, Tank   |     |
| 118  | 1001176511  | 1               | Hose  |     |
| 119  | 1001176723  | 1               | Plate Radiator Mounting   |     |
| 120  | 1001178223  | 2               | Bracket   |     |
| 121  | 1001180620  | AR              | Adhesive  |     |
| 122  | 1001181899  | 1               | Clamp   |     |
| 123  | 1001140312  | 1               | Heater, Engine Block  |     |
| 124  | 1001143726  | 1               | Harness, Engine (Not Shown - See Separate Breakdown in ELECTRICAL Section)              |     |
| 126  | 1001167041  | 1               | Radiator & Shroud Assembly  |     |
| 126  | 1001203495  | 1               | Radiator  |     |
| 126  | 1001204491  | 1               | Shroud  |     |
| 127  | 2720340     | 6 in /15cm      | Hose  |     |
| 128  | 4060805     | 14 in /<br>36cm | Flex-Trim   |     |
| 129  | 1001181895  | AR              | Adhesive  |     |
| 130  | 4811902     | 8               | Washer M8   |     |
| 131  | 1001169054  | 4               | Isolator  |     |
| 132  | 1001177359  | 1               | Hose  |     |
| 134  | 1001178876  | 1               | Mount   |     |
| 135  | 5250810     | 2               | Bolt M8 x 20  |     |
| 136  | 4812000     | 8               | Washer M10  |     |
| 137  | 0761015     | 2               | Bolt M10 x 35   |     |
| 138  | 3291005     | 2               | Nut M10   |     |
| 139  | 3520054     | 1               | Plug  |     |
| 140  | 0681608     | 1               | Bolt 3/8 x 1 Grade 8  |     |
| 141  | 1001260412  | 1               | Bracket   |     |
| 142  | 1001162335  | 1               | Bracket, Fuel Pump/Filter Assembly (Not Shown - See Separate Breakdown in this Section) |     |
| 143  | 4240032     | AR              | Tie-Strap (Not Shown)   |     |
| 144  | 1001291401  | 1               | Tag, Coolant  |     |





# SECTION 3 - ENGINE

## FIGURE 3-23. DEUTZ TD2.9L4 - 63HP EMR4 ENGINE COMPONENTS



ART\_1001249942\_JLG

## SECTION 3 - ENGINE

**FIGURE 3-23. DEUTZ TD2.9L4 - 63HP EMR4 ENGINE COMPONENTS**

| ITEM | PART NUMBER | QTY | DESCRIPTION   | REV |
|------|-------------|-----|---|-----|
|      | 1001249942  | Ref | ENGINE COMPONENTS - DEUTZ TD2.9L4                         | A   |
| 1    | 70024904    | 1   | Dipstick  |     |
| 1    | 70024905    | 1   | Seal  |     |
| 2    | 7020465     | 2   | Cap, Oil Fill   |     |
| 3    | 70025111    | 2   | Clamp   |     |
| 3    | 70005920    | 1   | Hose, Breather  |     |
| 4    | 70005941    | 2   | Plug  |     |
| 4    | 70005942    | 2   | Seal  |     |
| 5    | 70001870    | 1   | Flywheel with Ring Gear                                   |     |
| 5    | 7024579     | 1   | Gear, Ring  |     |
| 6    |             | Ref | Gasket and Seal Options (Not Shown)                       |     |
| 6    | 70004279    | 1   | Gasket Kit  |     |
| 6    | 70024906    | 1   | Gasket, Head  |     |
| 6    | 70025205    | 1   | Gasket, Small Valve Cover                                 |     |
| 6    | 70005171    | 1   | Gasket, Large Valve Cover                                 |     |
| 6    | 70005176    | 1   | O-Seal, Valve Cover to Air Charge Elbow                   |     |
| 6    | 70005177    | 1   | Gasket, Air Charge Pipe to Head                           |     |
| 6    | 70031095    | 3   | Gasket, Air Charge Pipe & EGR Pipe                        |     |
| 6    | 70025164    | 1   | Gasket, Exhaust Manifold to Head                          |     |
| 6    | 70007354    | 1   | Gasket, EGR Pipe to EGR Valve                             |     |
| 6    | 70007326    | 1   | Gasket, EGR Valve to Housing                              |     |
| 7    | 70005172    | 1   | Pump, Oil Lube (Not Shown - Located Front Left Side)      |     |
| 7    | 70025135    | 1   | O-Ring  |     |
| 7    | 70005173    | 1   | Gasket  |     |
| 8    | 70024494    | 1   | Cooler, Oil   |     |
| 8    | 70024925    | 1   | Gasket  |     |
| 9    | 7016331     | 1   | Filter, Oil   |     |
| 10   | 70024924    | 1   | Pump, High Pressure (Not Shown - Located Front Left Side) |     |
| 10   | 70025152    | 1   | O-Ring (Between Pump and Spacer)                          |     |
| 10   | 70024517    | 1   | O-Ring (Between Spacer and Engine Block)                  |     |
| 10   | 70004505    | 1   | Valve, Overflow   |     |
| 10   | 70004506    | 1   | O-Ring  |     |
| 10   | 70004507    | 1   | O-Ring  |     |
| 10   | 70004508    | 1   | Valve, Volume Control                                     |     |
| 10   | 70004509    | 1   | O-Ring  |     |
| 10   | 70004510    | 1   | O-Ring  |     |
| 11   | 70025181    | 4   | Injector Fuel   |     |
| 11   | 70025140    | 4   | Washer, Sealing   |     |
| 11   | 70025146    | 4   | Clamp (Top of Injector)                                   |     |
| 11   | 70025145    | 4   | O-Seal  |     |
| 11   | 70025154    | 4   | Shoe, Clamping  |     |
| 11   | 70000345    | 4   | Plug, Glow  |     |
| 11   | 70025231    | 1   | Harness, Glow Plug (Not Shown)                            |     |
| 12   | 70006144    | 1   | Pump, Fuel  |     |
| 13   | 70025144    | 2   | Clamp   |     |
| 14   | 70024961    | 1   | Filter, Fuel  |     |
| 14   | 70025153    | 1   | Element, Filter   |     |
| 14   | 70024513    | 1   | Cable, Sensor   |     |
| 14   | 70025239    | 1   | Seal  |     |
| 15   | 70029451    | 1   | Filter With Head  |     |

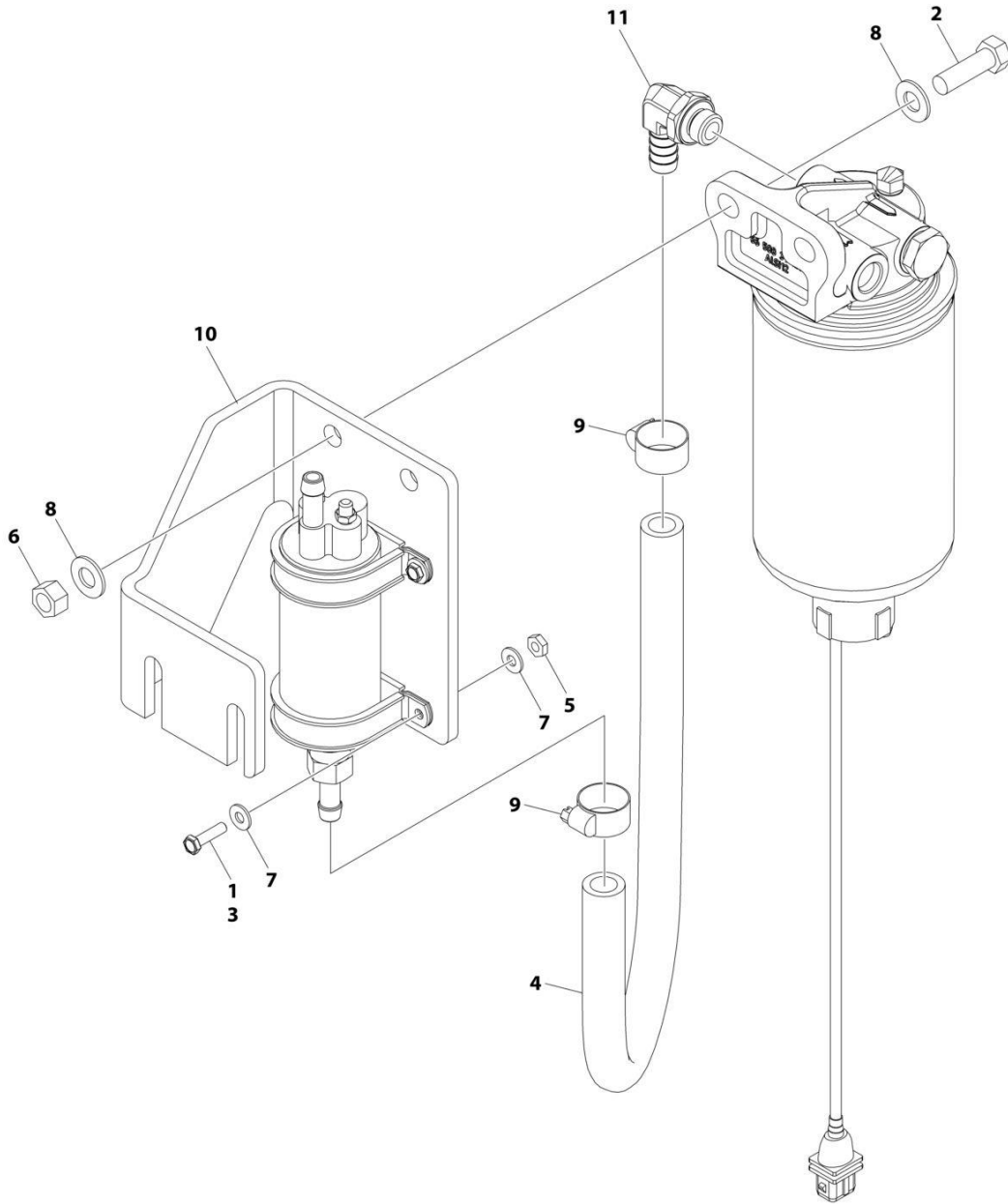
## SECTION 3 - ENGINE

| ITEM | PART NUMBER | QTY | DESCRIPTION  | REV |
|------|-------------|-----|--|-----|
| 15A  | 70025161    | 1   | Filter, Fuel   |     |
| 16   | 70028538    | 1   | Sensor, Pressure   |     |
| 16   | 70024920    | 1   | Seal   |     |
| 17   | 70025151    | 1   | Rail, Fuel   |     |
| 17   | 70025235    | 1   | Repair Kit   |     |
| 17   | 70025182    | 1   | Line, Fuel (Cylinders 1 & 2)   |     |
| 17   | 70025183    | 1   | Line, Fuel (Cylinders 3 & 4)   |     |
| 17   | 70025184    | 1   | Line, Fuel (To Rail)   |     |
| 18   | 70025210    | 1   | ECU (Engine Control Unit)  |     |
| 19   | 70029797    | 1   | Pump, Water  |     |
| 19   | 70025200    | 1   | Seal   |     |
| 19   | 70007325    | 1   | Gasket   |     |
| 20   | 70005929    | 1   | Thermostat   |     |
| 20   | 70005184    | 1   | O-Seal   |     |
| 20   | 70025142    | 1   | Cover, Thermostat  |     |
| 20   | 70005931    | 1   | Gasket   |     |
| 21   | 70004276    | 1   | Turbocharger   |     |
| 21   | 70024912    | 1   | Gasket, Square   |     |
| 21   | 70024509    | 1   | Gasket, Return Line  |     |
| 21   | 70006294    | 1   | O-Seal   |     |
| 22   | 70024915    | 1   | Starter  |     |
| 22   | 70005648    | 1   | Relay  |     |
| 22   | 70005647    | 1   | Solenoid   |     |
| 23   | 70004277    | 1   | Belt Drive   |     |
| 24   | 70006652    | 1   | Alternator   |     |
| 24   | 70006653    | 1   | Regulator, Voltage   |     |
| 25   | 70007489    | 1   | Harness, Engine (Not Shown)  |     |
| 26   | 70028540    | 1   | Sender, Temperature  |     |
| 27   | 70028538    | 1   | Sensor, Pressure   |     |
| 27   | 70024920    | 1   | Seal   |     |
| 28   | 70026210    | 2   | Sensor, Speed (Not Shown - Located Left Side Front and Flywheel Housing) |     |
| 28   | 70024917    | 1   | Seal (Cam Shaft Speed Sensor)  |     |
| 28   | 70005191    | 1   | Seal (Flywheel Shaft Speed Sensor)                                       |     |
| 29   | 70024507    | 1   | Sensor, Pressure   |     |
| 29   | 70025120    | 1   | Seal   |     |
| 30   | 70024922    | 1   | Sender, Temperature  |     |
| 30   | 70025212    | 1   | O-Seal   |     |
| 31   | 70005527    | 1   | Clamp  |     |
| 31   | 70025788    | 1   | Nut  |     |
| 32   | 70004504    | 1   | Compensator  |     |
| 33   | 70025242    | 1   | Gasket   |     |
| 33   | 70029433    | 1   | Clamp  |     |
| 34   | 70029517    | 2   | Clamp  |     |
| 34   | 70029520    | 2   | Gasket   |     |
| 35   | 70007355    | 1   | Inlet  |     |
| 36   | 70007331    | 1   | Outlet   |     |



# SECTION 3 - ENGINE

## FIGURE 3-24. BRACKET ASSEMBLY - FUEL PUMP AND FILTER (DEUTZ D2.9L4 ENGINE)



ART\_1001162335

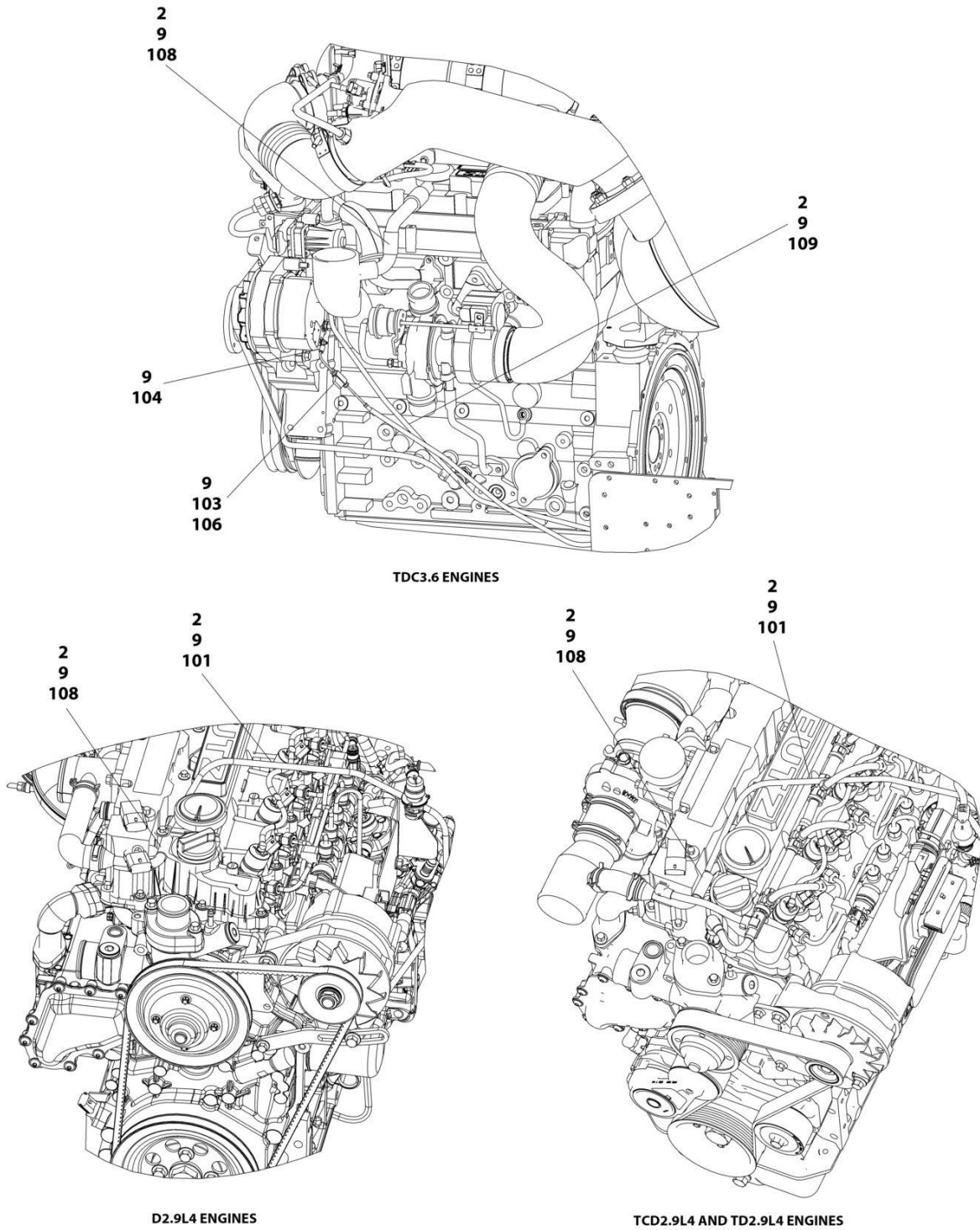
## SECTION 3 - ENGINE

**FIGURE 3-24. BRACKET ASSEMBLY - FUEL PUMP AND FILTER (DEUTZ D2.9L4 ENGINE)**

| ITEM | PART NUMBER | QTY | DESCRIPTION   | REV |
|------|-------------|-----|---|-----|
|      | 1001162335  | Ref | BRACKET ASSEMBLY - FUEL PUMP AND FILTER (DEUTZ D2.9L4 ENGINE) | E   |
| 1    | 0100011     | AR  | Compound, Locking   |     |
| 2    | 0641610     | 2   | Bolt 3/8 x 1-1/4  |     |
| 3    | 0721006     | 4   | Bolt #10 x 3/4  |     |
| 4    | 1001154405  | AR  | Hose  |     |
| 5    | 3311001     | 4   | Nut #10   |     |
| 6    | 3311605     | 2   | Nut 3/8   |     |
| 7    | 4711000     | 8   | Washer #10  |     |
| 8    | 4711600     | 4   | Washer 3/8  |     |
| 9    | 8405006     | 2   | Clamp   |     |
| 10   | 1001141870  | 1   | Plate, Fuel Pump Mount  |     |
| 11   | 1001142501  | 1   | Fitting, Elbow Barbed   |     |

# SECTION 3 - ENGINE

## FIGURE 3-25. BREATHER HEATER INSTALLATION - DEUTZ D2.9L4 ENGINES WITH ARCTIC PACKAGE



ART\_1001233763



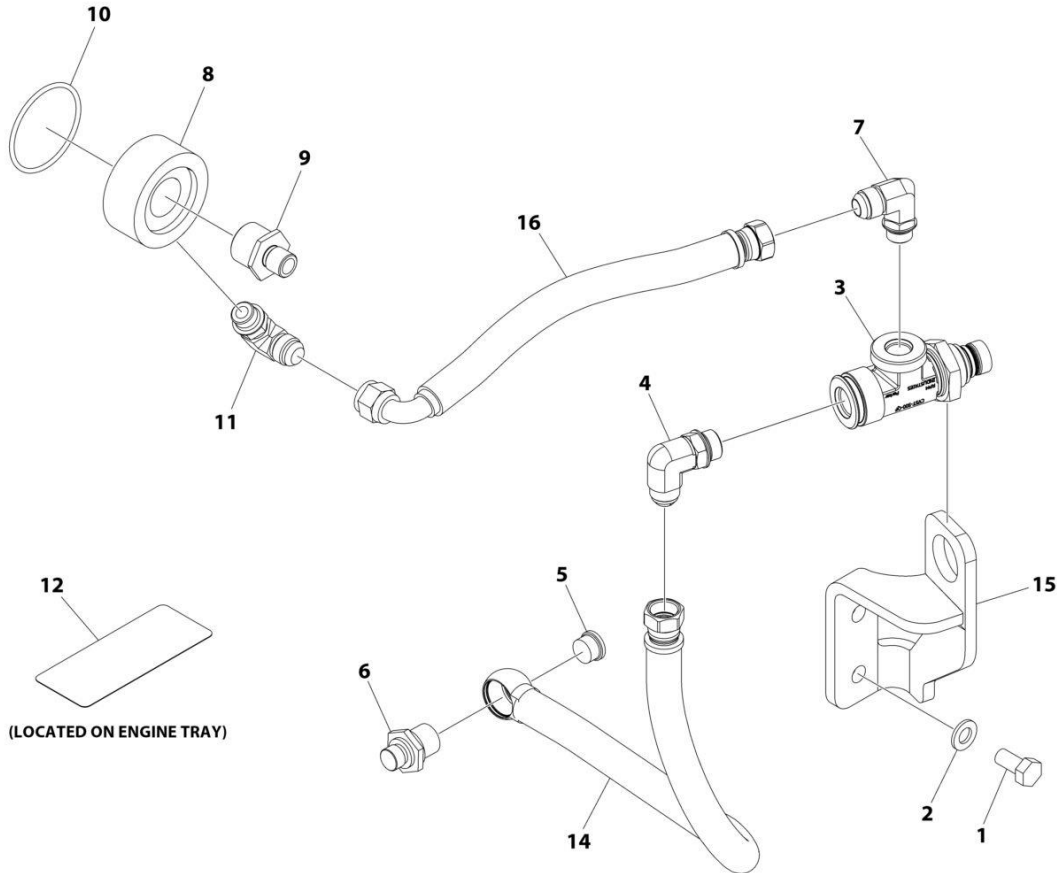
## SECTION 3 - ENGINE

**FIGURE 3-25. BREATHER HEATER INSTALLATION - DEUTZ D2.9L4 ENGINES WITH ARCTIC PACKAGE**

| ITEM | PART NUMBER | QTY | DESCRIPTION                                  | REV |
|------|-------------|-----|--|-----|
|      | 1001233763  | Ref | BREATHER HEATER INSTALLATION - DEUTZ ENGINES | D   |
| 2    | 4240099     | AR  | Tie-Strap                                    |     |
| 9    | 1001243895  | 1   | Breather Heater Harness                      | C   |
| 101  | 2820035     | AR  | Insulation                                   |     |
| 103  | 2400060     | 1   | Fuseholder with Cover                        |     |
| 104  | 4460043     | 1   | Terminal, Ring                               |     |
| 105  | 4460722     | 1   | Terminal, Ring (Not Shown)                   |     |
| 106  | 1001196634  | 1   | Fuse - 2 Amp                                 |     |
| 108  | 1001232842  | 1   | Breather Heater Kit                          |     |

**SECTION 3 - ENGINE**

**FIGURE 3-26. QUICKFIT OIL DRAIN (DEUTZ TD 2.9L)**



ART\_1001285349

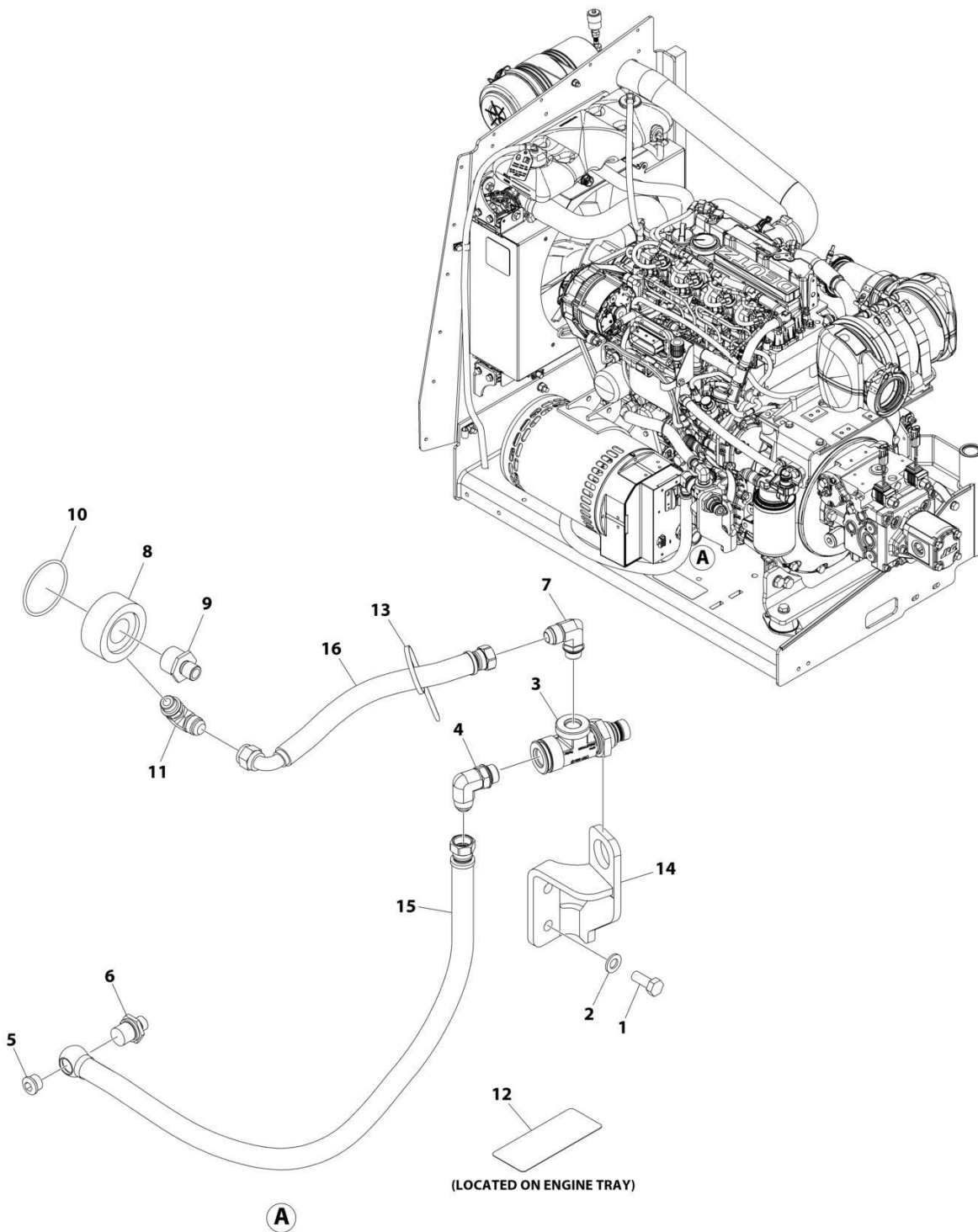
## SECTION 3 - ENGINE

**FIGURE 3-26. QUICKFIT OIL DRAIN (DEUTZ TD 2.9L)**

| ITEM | PART NUMBER | QTY | DESCRIPTION           | REV |
|------|-------------|-----|-----------------------|-----|
|      | 1001285349  | Ref | QUICKFIT OIL VALVE    | A   |
| 1    | 0761212     | 2   | Bolt M12 x 25         |     |
| 2    | 4812100     | 2   | Washer M12            |     |
| 3    | 1001281298  | 1   | Valve, Quickfit       |     |
| 4    | 1001281301  | 1   | Fitting, 90           |     |
| 5    | 1001281304  | 1   | Plug                  |     |
| 6    | 1001281305  | 1   | Fitting, Banjo        |     |
| 7    | 1001281307  | 1   | Fitting, 90           |     |
| 8    | 1001281309  | 1   | Filter, Ring          |     |
| 9    | 1001281310  | 1   | Fitting, Straight     |     |
| 10   | 1001281311  | 1   | O-Ring                |     |
| 11   | 1001281359  | 1   | Valve, Check          |     |
| 12   | 1001281360  | 1   | Decal - RPM Quickfit  |     |
| 13   | 1001281656  | 1   | Tie-Strap (Not Shown) |     |
| 14   | 1001284101  | 1   | Hose                  |     |
| 15   | 1001287536  | 1   | Bracket               |     |
| 16   | 1001288113  | 1   | Hose                  |     |

# SECTION 3 - ENGINE

## FIGURE 3-27. QUICKFIT OIL DRAIN (DEUTZ D ENGINES)



ART\_1001285636

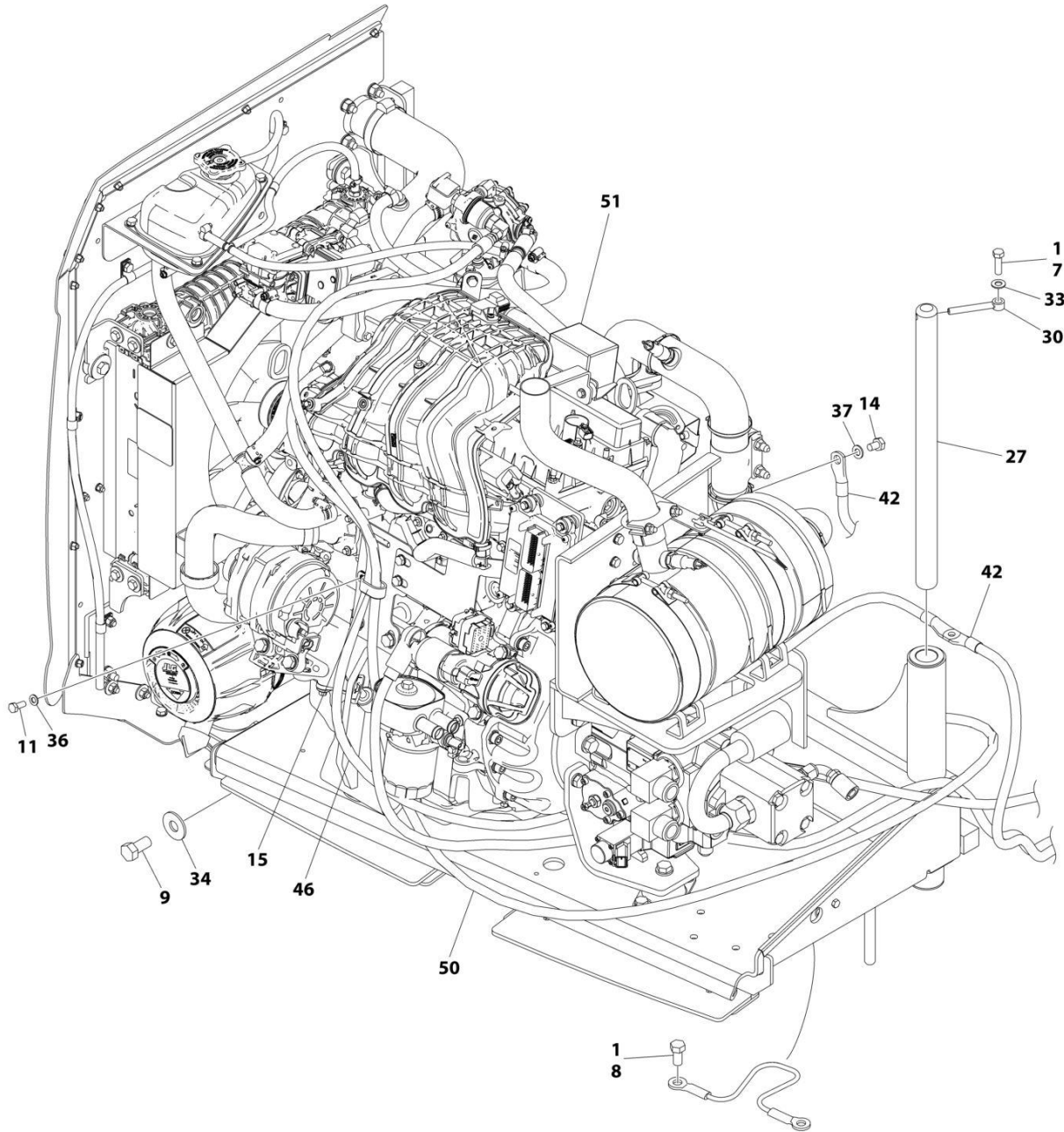
## SECTION 3 - ENGINE

**FIGURE 3-27. QUICKFIT OIL DRAIN (DEUTZ D ENGINES)**

| ITEM | PART NUMBER | QTY | DESCRIPTION                     | REV |
|------|-------------|-----|---------------------------------|-----|
|      | 1001285636  | Ref | QUICKFIT OIL DRAIN INSTALLATION | A   |
| 1    | 0761214     | 2   | Bolt M12 x 30                   |     |
| 2    | 4812100     | 2   | Washer M12                      |     |
| 3    | 1001281298  | 1   | Valve, Quickfit                 |     |
| 4    | 1001281301  | 1   | Fitting, 90                     |     |
| 5    | 1001281304  | 1   | Plug                            |     |
| 6    | 1001281305  | 1   | Fitting, Banjo                  |     |
| 7    | 1001281307  | 1   | Fitting, 90                     |     |
| 8    | 1001281309  | 1   | Filter, Ring                    |     |
| 9    | 1001281310  | 1   | Fitting, Straight               |     |
| 10   | 1001281311  | 1   | O-Ring                          |     |
| 11   | 1001281359  | 1   | Valve, Check                    |     |
| 12   | 1001281360  | 1   | Decal - RPM Quickfit            |     |
| 13   | 1001281656  | 1   | Tie-Strap                       |     |
| 14   | 1001287536  | 1   | Bracket                         |     |
| 15   | 1001287552  | 1   | Hose                            |     |
| 16   | 1001288113  | 1   | Hose                            |     |

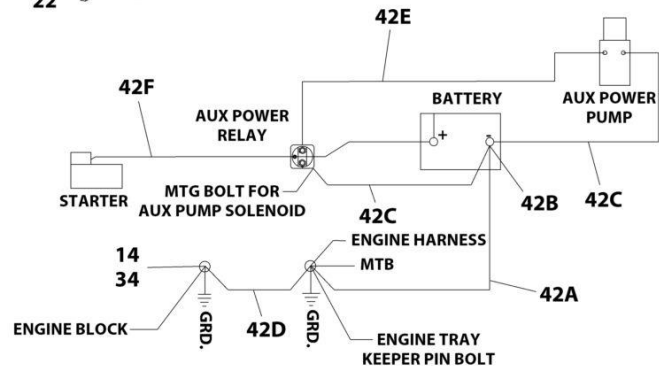
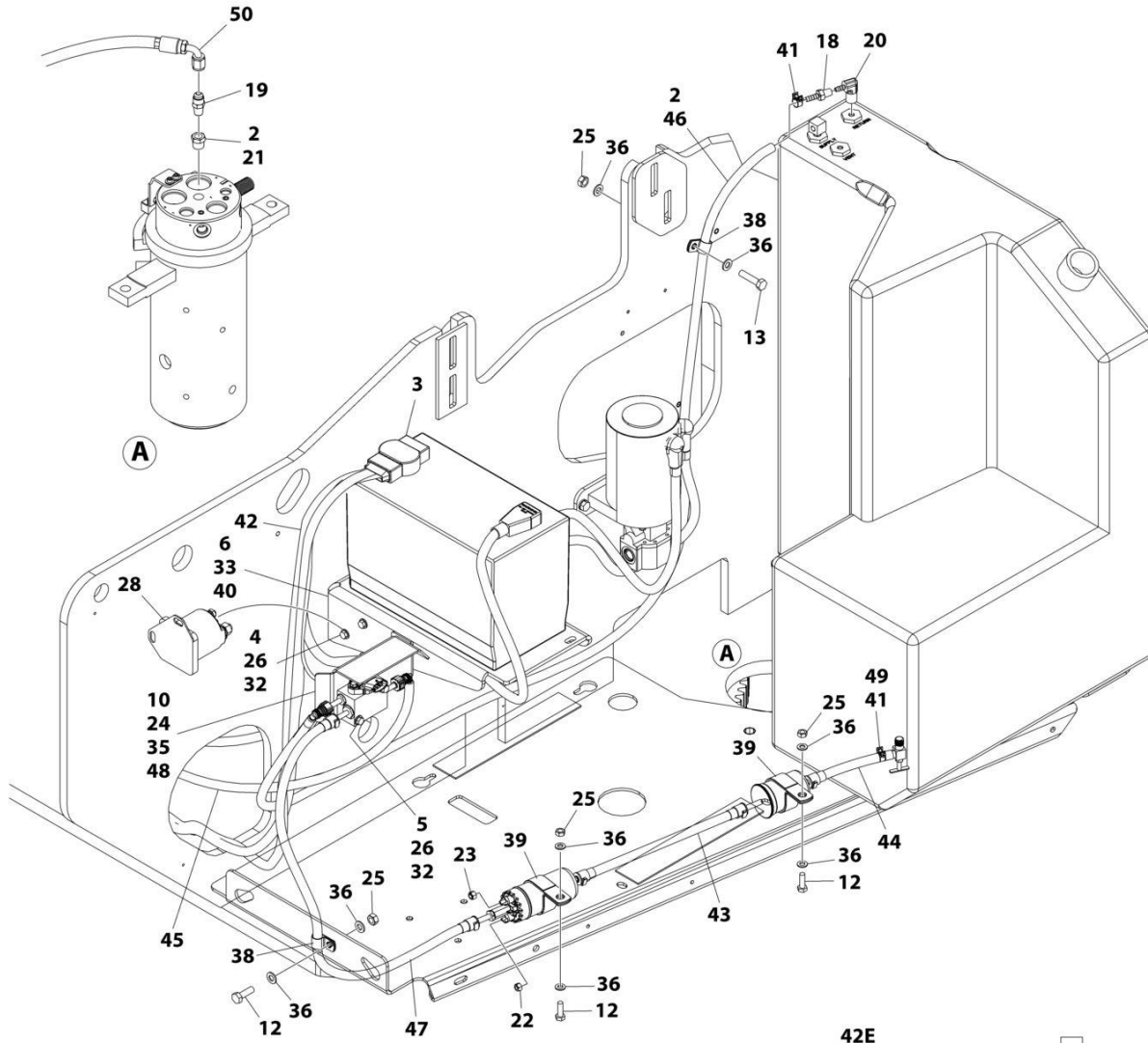
# SECTION 3 - ENGINE

## FIGURE 3-28. FORD ENGINE INSTALLATION - (WITHOUT ARCTIC PACKAGE)



ART\_1001287028\_10F2

# SECTION 3 - ENGINE



BATTERY CABLE KIT - ITEM 50

ART\_1001287028\_2OF2

## SECTION 3 - ENGINE

**FIGURE 3-28. FORD ENGINE INSTALLATION - (WITHOUT ARCTIC PACKAGE)**

| ITEM | PART NUMBER | QTY | DESCRIPTION  | REV |
|------|-------------|-----|--|-----|
|      | 1001287028  | Ref | FORD ENGINE INSTALLATION                                     | A   |
| 1    | 0100011     | AR  | Compound, Locking  |     |
| 2    | 0100020     | AR  | Sealant  |     |
| 3    | 0100048     | AR  | Grease, Terminal   |     |
| 4    | 0641406     | 2   | Bolt 1/4 x 3/4   |     |
| 5    | 0641416     | 2   | Bolt 1/4 x 2   |     |
| 6    | 0641607     | 3   | Bolt 3/8 x 7/8   |     |
| 7    | 0641612     | 1   | Bolt 3/8 x 1-1/2   |     |
| 8    | 0641808     | 1   | Bolt 1/2 x 1   |     |
| 9    | 0642010     | 1   | Bolt 5/8 x 1-1/4   |     |
| 10   | 0760612     | 2   | Bolt M6 x 25   |     |
| 11   | 0760810     | 1   | Bolt M8 x 20   |     |
| 12   | 0760812     | 3   | Bolt M8 x 25   |     |
| 13   | 0760815     | 1   | Bolt M8 x 35   |     |
| 14   | 0761008     | 1   | Bolt M10 x 16  |     |
| 15   | 1321283     | 1   | Clamp  |     |
| 16   | 1701542     | 1   | Decal - Gas (Not Shown)                                      |     |
| 17   | 1701543     | 2   | Decal - LPG (Not Shown)                                      |     |
| 18   | 2180348     | 1   | Fitting, Straight NPT/Barbed                                 |     |
| 19   | 2180418     | 1   | Fitting, Straight  |     |
| 20   | 2221176     | 1   | Fitting, 90  |     |
| 21   | 2221197     | 1   | Fitting, Straight NPT  |     |
| 22   | 3290405     | 1   | Nut M4   |     |
| 23   | 3290505     | 1   | Nut M5   |     |
| 24   | 3290605     | 2   | Nut M6   |     |
| 25   | 3290801     | 4   | Nut M8   |     |
| 26   | 3311405     | 4   | Nut 1/4  |     |
| 27   | 3422448     | 1   | Pin  |     |
| 28   | 3740067     | 1   | Relay  |     |
| 29   | 3790012     | 1   | O-Ring (Not Shown - Located on Platform Console Box)         |     |
| 30   | 3841143     | 1   | Keeper, Pin  |     |
| 31   | 4360336     | 1   | Switch, Toggle (Not Shown - Located on Platform Console Box) |     |
| 32   | 4711400     | 6   | Washer 1/4   |     |
| 33   | 4711600     | 4   | Washer 3/8   |     |
| 34   | 4752000     | 1   | Washer 5/8   |     |
| 35   | 4811702     | 4   | Washer M6  |     |
| 36   | 4811900     | 9   | Washer M8  |     |
| 37   | 4812000     | 1   | Washer M10   |     |
| 38   | 8406101     | 2   | Clip   |     |
| 39   | 85941018    | 2   | Clamp  |     |
| 40   | 1001137868  | 1   | Bracket, Battery   |     |
| 41   | 1001174486  | 2   | Clamp  |     |
| 42   | 1001215142  | 1   | Battery Cable Kit  | C   |
| 42A  | 7027073     | 1   | Cable, Battery - Ground to Battery -                         |     |
| 42B  | 8270147     | 1   | Terminal, Battery with Boot                                  |     |
| 42C  | 7027072     | 1   | Cable, Battery - Auxiliary Pump/Relay to Battery -           |     |
| 42D  | 70009018    | 1   | Cable, Battery - Engine to Ground                            |     |
| 42E  | 7027075     | 1   | Cable, Battery - Auxiliary Relay to Auxiliary Pump           |     |
| 42F  | 70009019    | 1   | Cable, Battery - Starter/Auxiliary Relay to Battery +        |     |
| 43   | 1001217418  | 1   | Hose   |     |

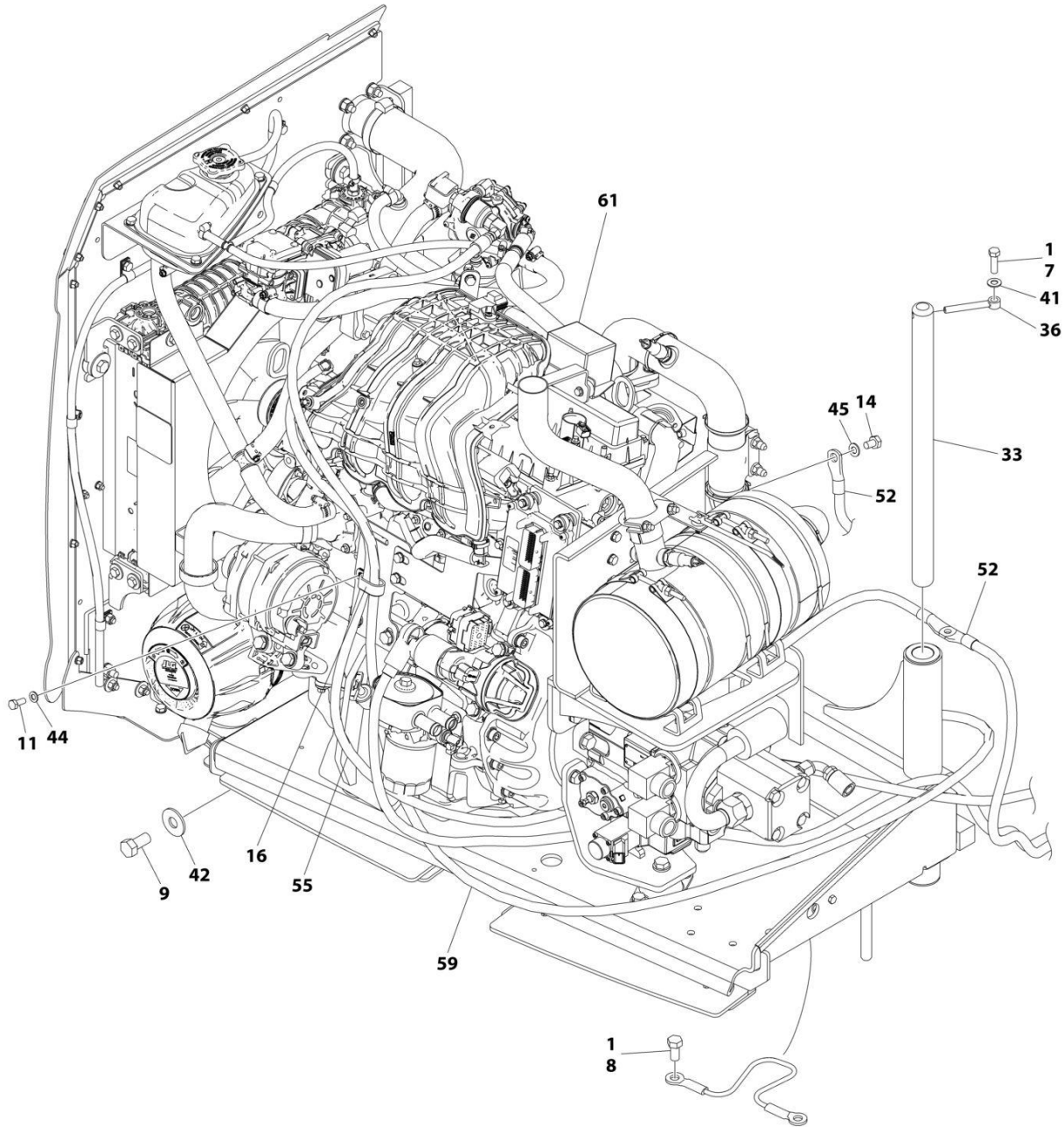


## SECTION 3 - ENGINE

| ITEM | PART NUMBER | QTY | DESCRIPTION   | REV |
|------|-------------|-----|---|-----|
| 44   | 1001217419  | 1   | Hose  |     |
| 45   | 1001217420  | 1   | Hose  |     |
| 46   | 1001217421  | 1   | Hose  |     |
| 47   | 1001217422  | 1   | Hose  |     |
| 48   | 1001217645  | 1   | Bracket   |     |
| 49   | 1001221488  | 1   | Tube, Fuel Line   |     |
| 50   | 1001284763  | 1   | Hose  |     |
| 51   | 1001287029  | 1   | Engine Assembly with Pumps (See Separate Breakdown in this Section) |     |

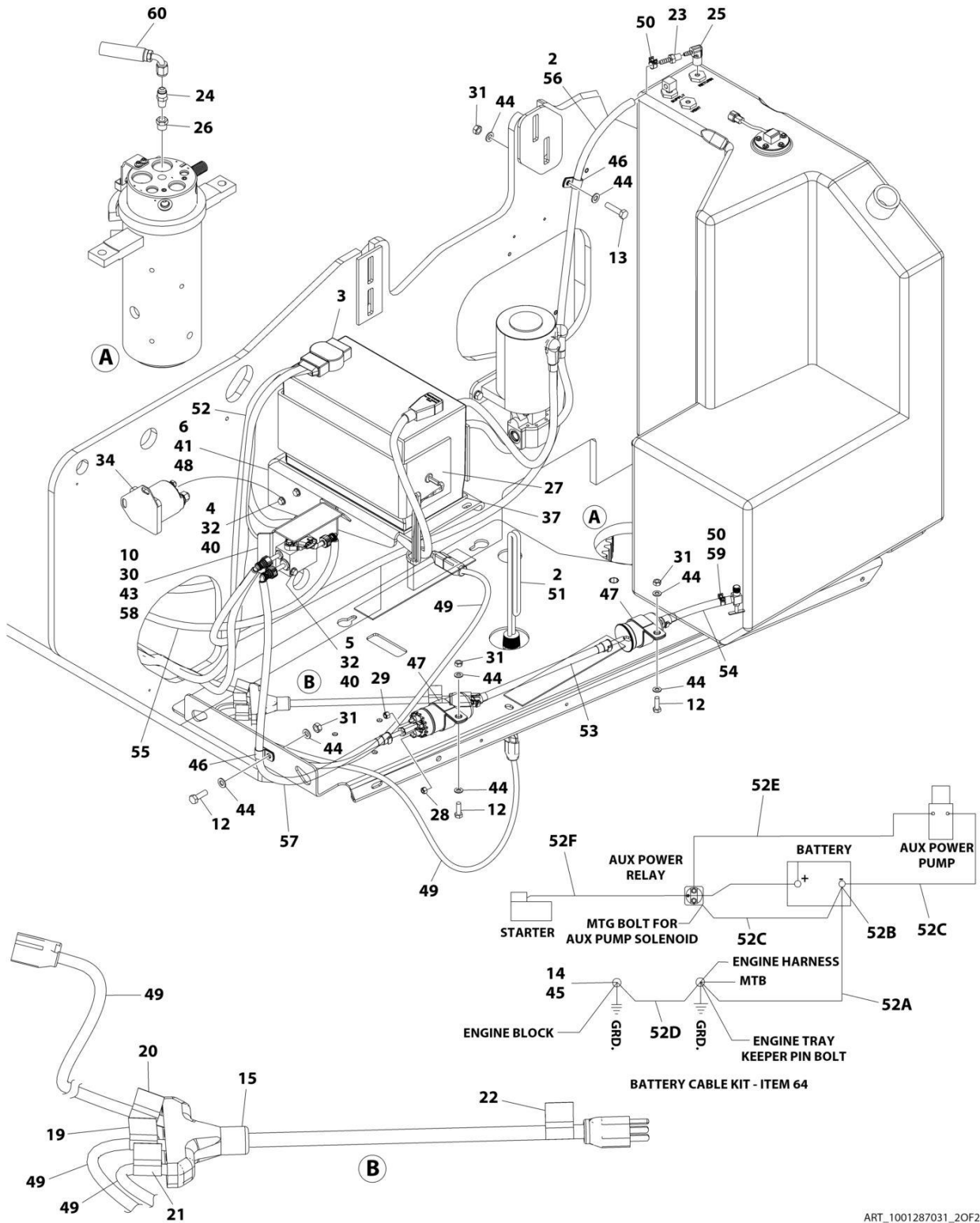
# SECTION 3 - ENGINE

## FIGURE 3-29. FORD ENGINE INSTALLATION - (WITH ARCTIC PACKAGE)



ART\_1001287031\_1OF2

# SECTION 3 - ENGINE



ART\_1001287031\_20F2

## SECTION 3 - ENGINE

**FIGURE 3-29. FORD ENGINE INSTALLATION - (WITH ARCTIC PACKAGE)**

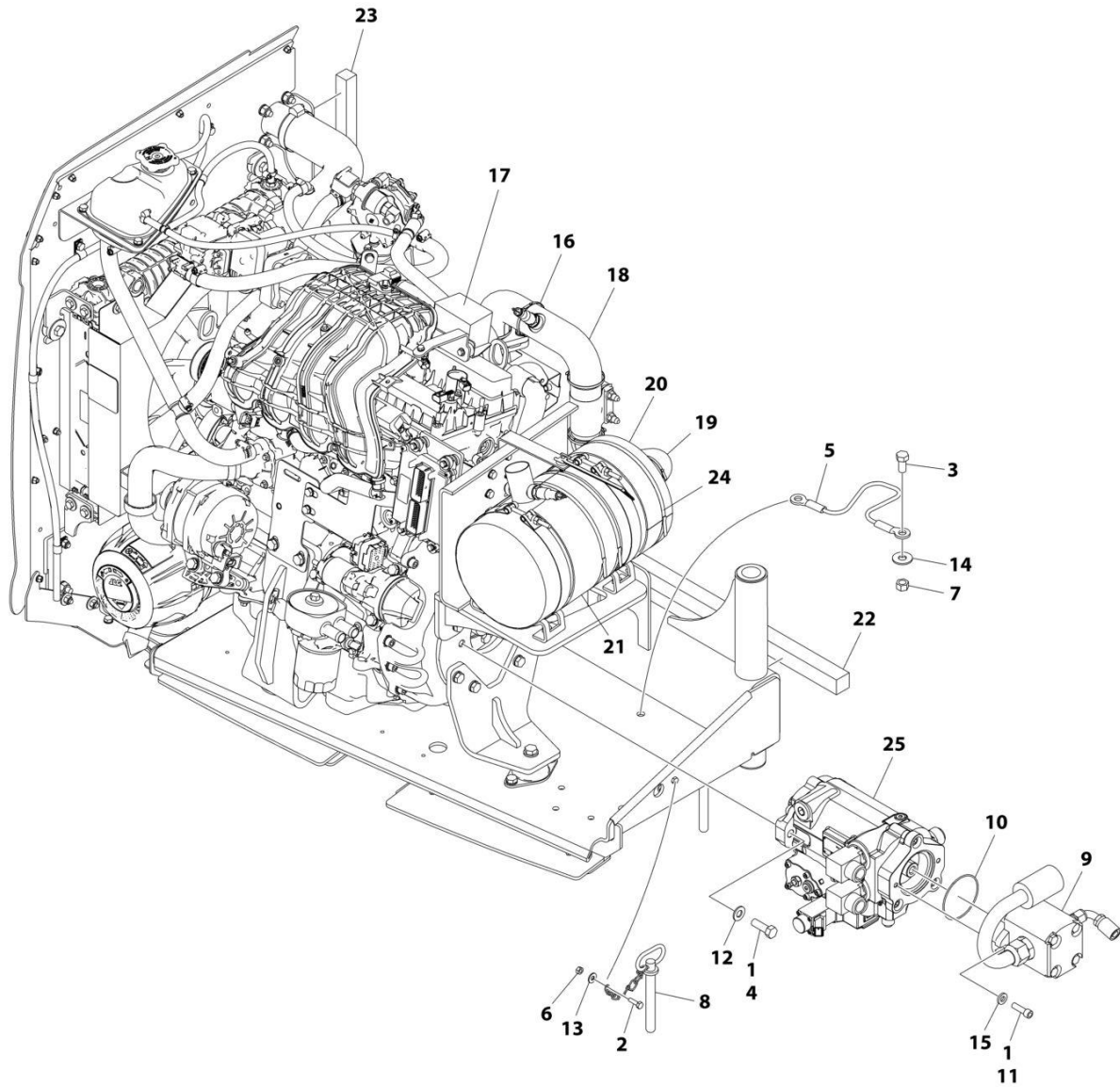
| ITEM | PART NUMBER | QTY | DESCRIPTION  | REV |
|------|-------------|-----|--|-----|
|      | 1001287031  | Ref | FORD ENGINE INSTALLATION                                     | A   |
| 1    | 0100011     | AR  | Compound, Locking  |     |
| 2    | 0100020     | AR  | Sealant, Pipe  |     |
| 3    | 0100048     | AR  | Grease, Terminal   |     |
| 4    | 0641406     | 2   | Bolt 1/4 x 3/4   |     |
| 5    | 0641416     | 2   | Bolt 1/4 x 2   |     |
| 6    | 0641607     | 3   | Bolt 3/8 x 7/8   |     |
| 7    | 0641612     | 1   | Bolt 3/8 x 1-1/2   |     |
| 8    | 0641808     | 1   | Bolt 1/2 x 1   |     |
| 9    | 0642010     | 1   | Bolt 5/8 x 1-1/4   |     |
| 10   | 0760612     | 2   | Bolt M6 x 25   |     |
| 11   | 0760810     | 1   | Bolt M8 x 20   |     |
| 12   | 0760812     | 3   | Bolt M8 x 25   |     |
| 13   | 0760815     | 1   | Bolt M8 x 35   |     |
| 14   | 0761008     | 1   | Bolt M10 x 16  |     |
| 15   | 1060626     | 1   | Cord, 3 Way Extension  |     |
| 16   | 1321283     | 1   | Clamp  |     |
| 17   | 1701542     | 1   | Decal - Gas (Not Shown)                                      |     |
| 18   | 1701543     | 2   | Decal - LPG (Not Shown)                                      |     |
| 19   | 1702941     | 1   | Decal - Battery Heater                                       |     |
| 20   | 1702942     | 1   | Decal - Engine Block Heater                                  |     |
| 21   | 1702943     | 1   | Decal - Hydraulic Tank Heater                                |     |
| 22   | 1702944     | 1   | Decal - Heater Cord  |     |
| 23   | 2180348     | 1   | Fitting, Straight NPT/Barbed                                 |     |
| 24   | 2180418     | 1   | Fitting, Straight  |     |
| 25   | 2221176     | 1   | Fitting, 90  |     |
| 26   | 2221197     | 1   | Fitting, Straight NPT  |     |
| 27   | 2580024     | 1   | Heater, Battery  |     |
| 28   | 3290405     | 1   | Nut M4   |     |
| 29   | 3290505     | 1   | Nut M5   |     |
| 30   | 3290605     | 2   | Nut M6   |     |
| 31   | 3290801     | 4   | Nut M8   |     |
| 32   | 3311405     | 4   | Nut 1/4  |     |
| 33   | 3422448     | 1   | Pin  |     |
| 34   | 3740067     | 1   | Relay  |     |
| 35   | 3790012     | 1   | O-Ring (Not Shown - Located on Platform Console Box)         |     |
| 36   | 3841143     | 1   | Keeper, Pin  |     |
| 37   | 3980007     | 1   | Seat, Battery  |     |
| 38   | 4240099     | AR  | Tie-Strap (Not Shown)  |     |
| 39   | 4360336     | 1   | Switch, Toggle (Not Shown - Located on Platform Console Box) |     |
| 40   | 4711400     | 6   | Washer 1/4   |     |
| 41   | 4711600     | 4   | Washer 3/8   |     |
| 42   | 4752000     | 1   | Washer 5/8   |     |
| 43   | 4811702     | 4   | Washer M6  |     |
| 44   | 4811900     | 9   | Washer M8  |     |
| 45   | 4812000     | 1   | Washer M10   |     |
| 46   | 8406101     | 2   | Clip   |     |
| 47   | 85941018    | 2   | Clamp  |     |
| 48   | 1001137868  | 1   | Bracket, Battery   |     |
| 49   | 1001150918  | 1   | Cable, Immersion Heater                                      |     |

## SECTION 3 - ENGINE

| ITEM | PART NUMBER | QTY | DESCRIPTION   | REV |
|------|-------------|-----|---|-----|
| 50   | 1001174486  | 2   | Clamp   | C   |
| 51   | 1001188972  | 1   | Heater, Hydraulic Tank  |     |
| 52   | 1001215142  | 1   | Battery Cable Kit   |     |
| 52A  | 7027073     | 1   | Cable, Battery - Ground to Battery -                                |     |
| 52B  | 8270147     | 1   | Terminal, Battery with Boot   |     |
| 52C  | 7027072     | 1   | Cable, Battery - Auxiliary Pump/Relay to Battery -                  |     |
| 52D  | 70009018    | 1   | Cable, Battery - Engine to Ground                                   |     |
| 52E  | 7027075     | 1   | Cable, Battery - Auxiliary Relay to Auxiliary Pump                  |     |
| 52F  | 70009019    | 1   | Cable, Battery - Starter/Auxiliary Relay to Battery +               |     |
| 53   | 1001217418  | 1   | Hose  |     |
| 54   | 1001217419  | 1   | Hose  |     |
| 55   | 1001217420  | 1   | Hose  |     |
| 56   | 1001217421  | 1   | Hose  |     |
| 57   | 1001217422  | 1   | Hose  |     |
| 58   | 1001217645  | 1   | Bracket   |     |
| 59   | 1001221488  | 1   | Tube, Fuel Line   |     |
| 60   | 1001284763  | 1   | Hose  |     |
| 61   | 1001287032  | 1   | Engine Assembly with Pumps (See Separate Breakdown in this Section) |     |

# SECTION 3 - ENGINE

## FIGURE 3-30. FORD ENGINE/PUMP SUB ASSEMBLY – (WITHOUT ARCTIC PACKAGE)



ART\_1001287029

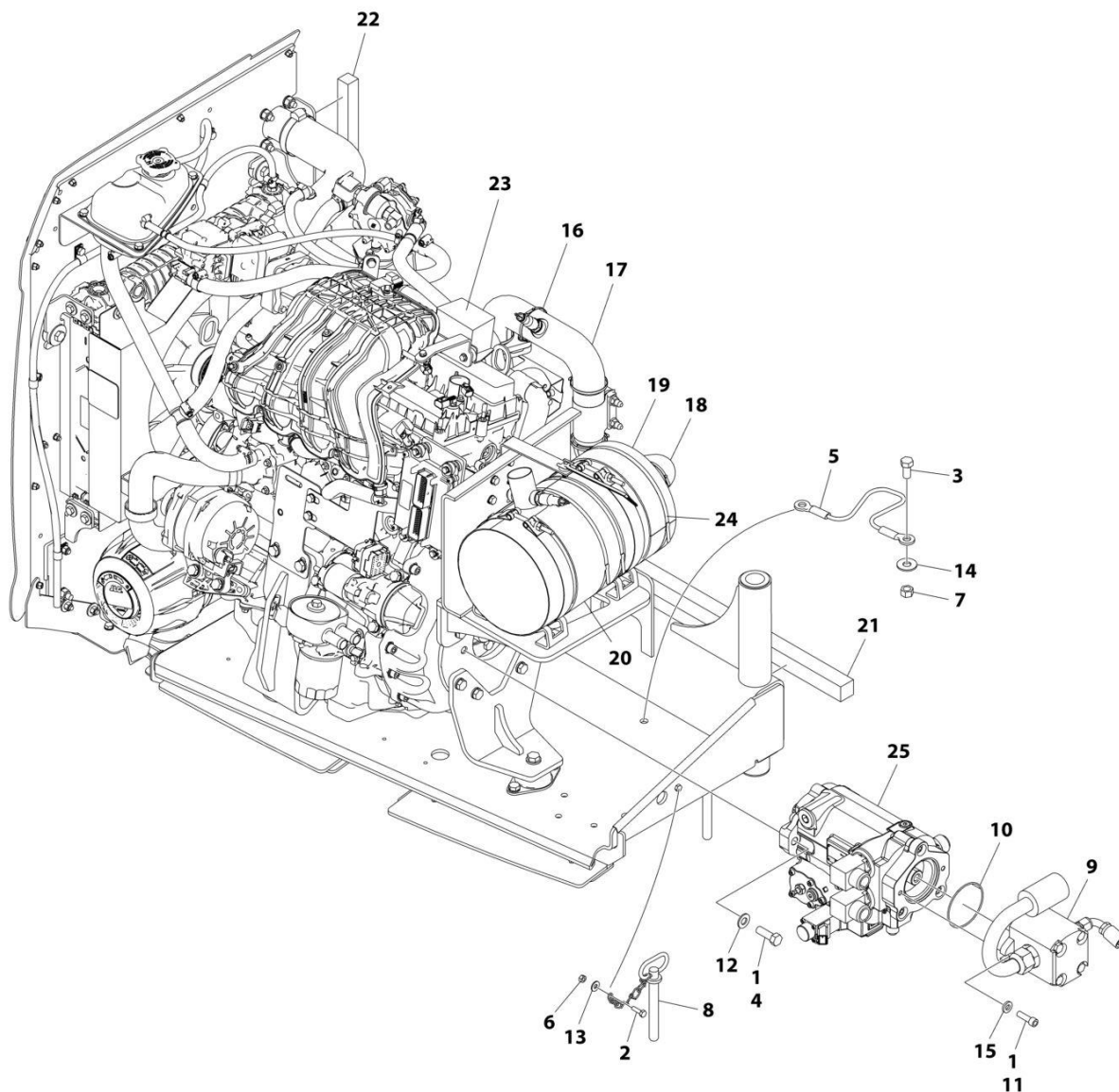
## SECTION 3 - ENGINE

**FIGURE 3-30. FORD ENGINE/PUMP SUB ASSEMBLY – (WITHOUT ARCTIC PACKAGE)**

| ITEM | PART NUMBER | QTY | DESCRIPTION   | REV |
|------|-------------|-----|---|-----|
|      | 1001287029  | Ref | FORD ENGINE/PUMP SUB-ASSEMBLY   | B   |
| 1    | 0100011     | AR  | Compound, Locking   |     |
| 2    | 0641407     | 1   | Bolt 1/4 x 7/8  |     |
| 3    | 0641808     | 1   | Bolt 1/2 x 1  |     |
| 4    | 0681812     | 2   | Bolt 1/2 x 1-1/2  |     |
| 5    | 1060637     | 1   | Cable, Lanyard  |     |
| 6    | 3311405     | 1   | Nut 1/4   |     |
| 7    | 3311805     | 1   | Nut 1/2   |     |
| 8    | 3422533     | 1   | Pin, Hitch  |     |
| 9    | 3600395     | 1   | Gear Pump and Fittings Assembly (See Separate Breakdown in this Section)  |     |
| 11   | 3931620     | 2   | Capscrew 3/8 x 1-1/4  |     |
| 12   | 4711800     | 2   | Washer 1/2  |     |
| 13   | 4751400     | 1   | Washer 1/4  |     |
| 14   | 4751800     | 1   | Washer 1/2  |     |
| 15   | 4891600     | 2   | Washer 3/8  |     |
| 16   | 1001100825  | 6   | Strap   |     |
| 17   | 1001215413  | 1   | Engine Assembly (See Separate Breakdown in this Section)                  |     |
| 18   | 1001216532  | 1   | Insulate, Exhaust Pipe  |     |
| 19   | 1001216533  | 1   | Insulate, Exhaust Pipe  |     |
| 20   | 1001216534  | 1   | Insulate, Muffler   |     |
| 21   | 1001216535  | 1   | Insulate, Muffler   |     |
| 22   | 1001217170  | 1   | Seal  |     |
| 23   | 1001217184  | 1   | Seal  |     |
| 24   | 1001221464  | 3   | Strap   |     |
| 25   | 1001287030  | 1   | Piston Pump and Fitting Assembly (See Separate Breakdown in this Section) |     |

# SECTION 3 - ENGINE

## FIGURE 3-31. FORD ENGINE/PUMP SUB ASSEMBLY - (WITH ARCTIC PACKAGE)



ART\_1001287032



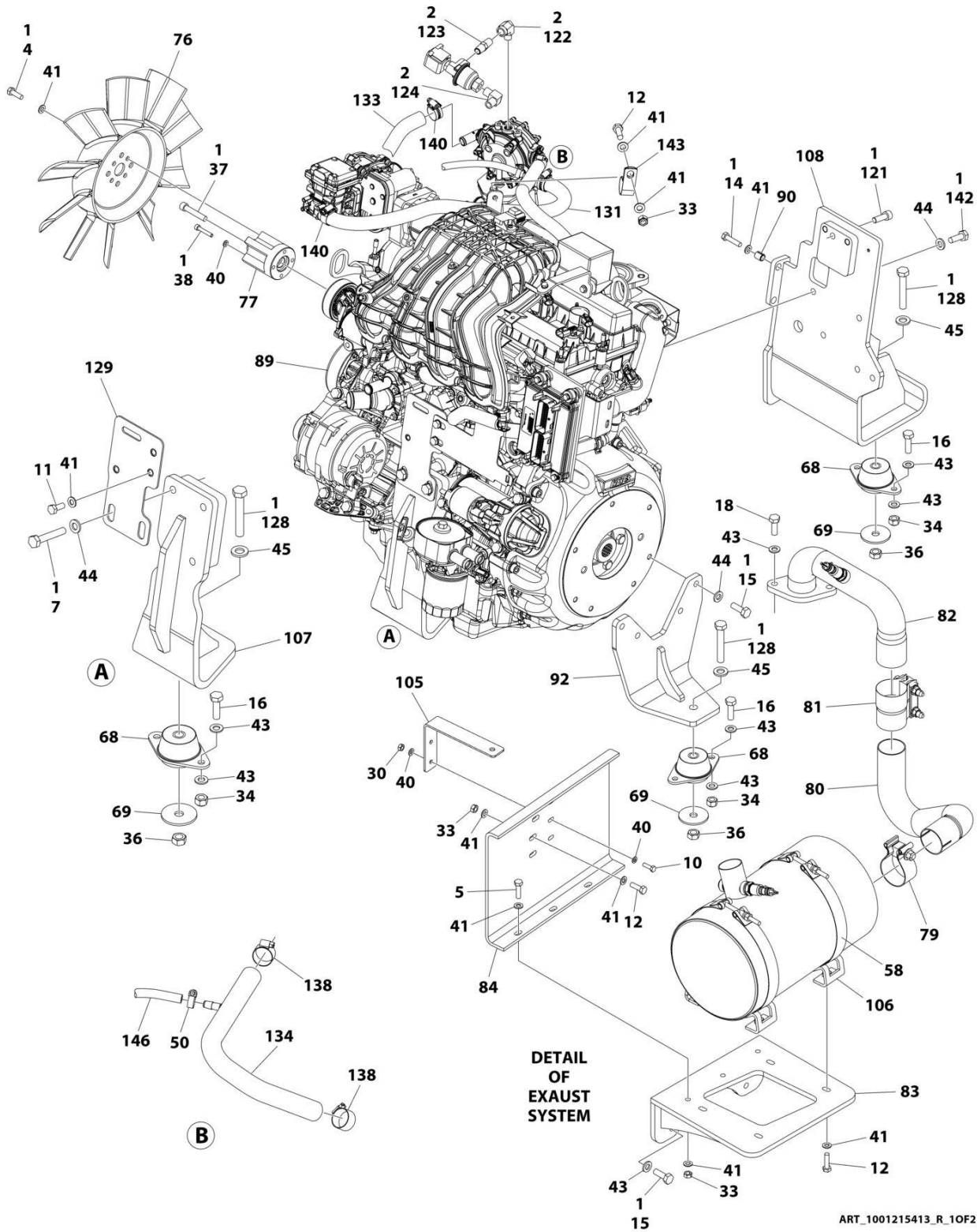
## SECTION 3 - ENGINE

**FIGURE 3-31. FORD ENGINE/PUMP SUB ASSEMBLY - (WITH ARCTIC PACKAGE)**

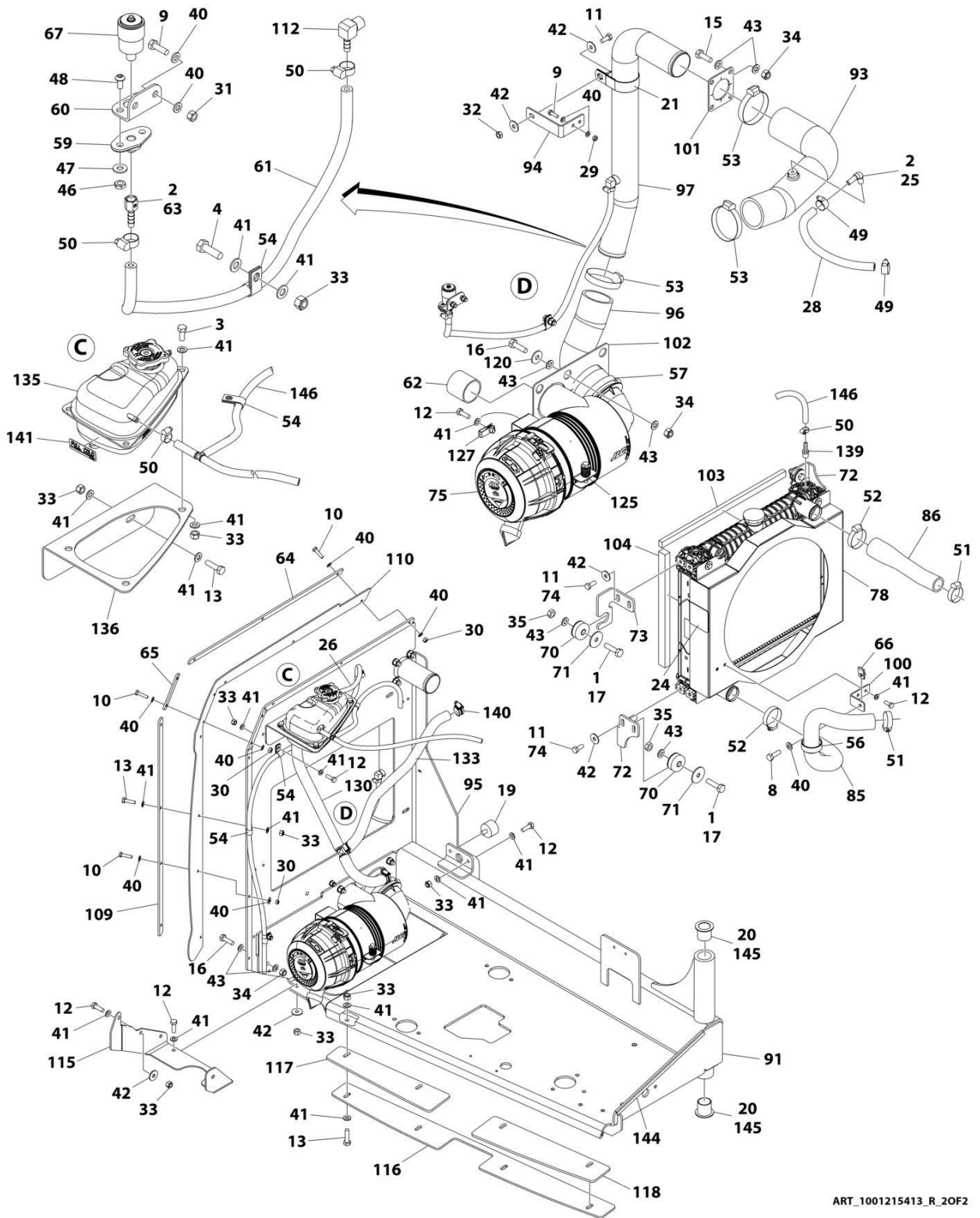
| ITEM | PART NUMBER | QTY | DESCRIPTION   | REV |
|------|-------------|-----|---|-----|
|      | 1001287032  | Ref | FORD ENGINE/PUMP SUB-ASSEMBLY   | B   |
| 1    | 0100011     | AR  | Compound, Locking   |     |
| 2    | 0641407     | 1   | Bolt 1/4 x 7/8  |     |
| 3    | 0641808     | 1   | Bolt 1/2 x 1  |     |
| 4    | 0681812     | 2   | Bolt 1/2 x 1-1/2  |     |
| 5    | 1060637     | 1   | Cable, Lanyard  |     |
| 6    | 3311405     | 1   | Nut 1/4   |     |
| 7    | 3311805     | 1   | Nut 1/2   |     |
| 8    | 3422533     | 1   | Pin, Hitch  |     |
| 9    | 3600395     | 1   | Gear Pump and Fittings Assembly (See Separate Breakdown in this Section)  |     |
| 11   | 3931620     | 2   | Capscrew 3/8 x 1-1/4  |     |
| 12   | 4711800     | 2   | Washer 1/2  |     |
| 13   | 4751400     | 1   | Washer 1/4  |     |
| 14   | 4751800     | 1   | Washer 1/2  |     |
| 15   | 4891600     | 2   | Washer 3/8  |     |
| 16   | 1001100825  | 6   | Strap   |     |
| 17   | 1001216532  | 1   | Insulate, Exhaust Pipe  |     |
| 18   | 1001216533  | 1   | Insulate, Exhaust Pipe  |     |
| 19   | 1001216534  | 1   | Insulate, Muffler   |     |
| 20   | 1001216535  | 1   | Insulate, Muffler   |     |
| 21   | 1001217170  | 1   | Seal  |     |
| 22   | 1001217184  | 1   | Seal  |     |
| 23   | 1001219071  | 1   | Engine Assembly (See Separate Breakdown in this Section)                  |     |
| 24   | 1001221464  | 3   | Strap   |     |
| 25   | 1001287030  | 1   | Piston Pump and Fitting Assembly (See Separate Breakdown in this Section) |     |

# SECTION 3 - ENGINE

## FIGURE 3-32. FORD ENGINE ASSEMBLY - WITHOUT ARCTIC PACKAGE



# SECTION 3 - ENGINE



ART\_1001215413\_R\_20F2

## SECTION 3 - ENGINE

FIGURE 3-32. FORD ENGINE ASSEMBLY - WITHOUT ARCTIC PACKAGE

| ITEM | PART NUMBER | QTY            | DESCRIPTION                  | REV |
|------|-------------|----------------|------------------------------|-----|
|      | 1001215413  | Ref            | FORD ENGINE ASSEMBLY         | R   |
| 1    | 0100011     | AR             | Compound, Locking            |     |
| 2    | 0100020     | AR             | Sealant                      |     |
| 3    | 0700810     | 3              | Bolt M8 x 20                 |     |
| 4    | 0700812     | 5              | Bolt M8 x 25                 |     |
| 5    | 0700814     | 3              | Bolt M8 x 30                 |     |
| 7    | 0711020     | 3              | Bolt M10 x 60                |     |
| 8    | 0760608     | 2              | Bolt M6 x 16                 |     |
| 9    | 0760610     | 4              | Bolt M6 x 20                 |     |
| 10   | 0760612     | 10             | Bolt M6 x 25                 |     |
| 11   | 0760810     | 11             | Bolt M8 x 20                 |     |
| 12   | 0760812     | 19             | Bolt M8 x 25                 |     |
| 13   | 0760814     | 8              | Bolt M8 x 30                 |     |
| 14   | 0760815     | 2              | Bolt M8 x 35                 |     |
| 15   | 0761014     | 11             | Bolt M10 x 30                |     |
| 16   | 0761015     | 13             | Bolt M10 x 35                |     |
| 17   | 0761016     | 4              | Bolt M10 x 40                |     |
| 18   | 0771014     | 2              | Bolt M10 x 30                |     |
| 19   | 0940070     | 1              | Bumper                       |     |
| 20   | 0961986     | 2              | Bearing                      |     |
| 21   | 1320110     | 1              | Clamp                        |     |
| 22   | 1001187781  | 1              | Tie-Strap (Not Shown)        |     |
| 24   | 1703162     | 2              | Decal - Fan Blade            |     |
| 25   | 2180467     | 1              | Fitting, Straight NPT/Barbed |     |
| 26   | 2720058     | AR             | Hose                         |     |
| 28   | 1001165035  | 11 in<br>/26cm | Hose                         |     |
| 29   | 3290601     | 2              | Nut M6                       |     |
| 30   | 3290605     | 10             | Nut M6                       |     |
| 31   | 3290607     | 2              | Nut M6                       |     |
| 32   | 3290801     | 1              | Nut M8                       |     |
| 33   | 3290805     | 27             | Nut M8                       |     |
| 34   | 3291005     | 17             | Nut M10                      |     |
| 35   | 3291001     | 4              | Nut M10                      |     |
| 36   | 3291201     | 3              | Nut M12                      |     |
| 37   | 3931632     | 1              | Capscrew 3/8 x 2             |     |
| 38   | 4031711     | 4              | Capscrew M6 x 35             |     |
| 39   | 4240099     | AR             | Tie-Strap (Not Shown)        |     |
| 40   | 4811700     | 34             | Washer M6                    |     |
| 41   | 4811900     | 64             | Washer M8                    |     |
| 42   | 4811902     | 15             | Washer M8                    |     |
| 43   | 4812000     | 43             | Washer M10                   |     |
| 44   | 5241000     | 12             | Washer M10                   |     |
| 45   | 5241200     | 3              | Washer M10                   |     |
| 46   | 8305401     | 2              | Nut 1/4                      |     |
| 47   | 8307109     | 2              | Washer 1/4                   |     |
| 48   | 8310548     | 2              | Screw 1/4 x 1/2              |     |
| 49   | 8405006     | 2              | Clamp                        |     |
| 50   | 8405009     | 5              | Clamp                        |     |
| 51   | 8405102     | 2              | Clamp                        |     |

## SECTION 3 - ENGINE

| ITEM | PART NUMBER | QTY            | DESCRIPTION  | REV |
|------|-------------|----------------|--|-----|
| 52   | 8405104     | 2              | Clamp  |     |
| 53   | 8405203     | 3              | Clamp  |     |
| 54   | 8406109     | 6              | Clip   |     |
| 56   | 8410001     | 1              | Clamp  |     |
| 57   | 8410011     | 1              | Clamp  |     |
| 58   | 1001128901  | 2              | Strap, Clamp   |     |
| 59   | 1001138173  | 1              | Support  |     |
| 60   | 1001138175  | 1              | Bracket  |     |
| 61   | 1001138248  | 31 in/<br>77cm | Tube, Nylon  |     |
| 62   | 1001141585  | 1              | Hose, Air Cleaner Inlet  |     |
| 63   | 1001141995  | 1              | Fitting, Straight NPT/Barbed                                       |     |
| 64   | 1001144410  | 1              | Panel, Clamp   |     |
| 65   | 1001144411  | 1              | Panel, Clamp   |     |
| 66   | 1001149160  | 1              | Nut, Tinnerman M8  |     |
| 67   | 1001149639  | 1              | Indicator, Restriction   |     |
| 68   | 1001191610  | 3              | Mount, Motor   |     |
| 69   | 1001168018  | 3              | Washer   |     |
| 70   | 1001169054  | 4              | Isolator   |     |
| 71   | 1001169138  | 4              | Pad  |     |
| 72   | 1001170035  | 2              | Bracket  |     |
| 73   | 1001176329  | 2              | Bracket  |     |
| 74   | 1001180620  | AR             | Adhesive   |     |
| 75   | 1001189979  | 1              | Air Filter Assembly  |     |
| 75   | 70005008    | 1              | Element, Filter  |     |
| 76   | 1001223042  | 1              | Fan  |     |
| 77   | 1001215647  | 1              | Spacer, Fan  |     |
| 78   | 1001223923  | 1              | Radiator and Shroud Assembly                                       |     |
| 78   | 1001224010  | 1              | Radiator   |     |
| 78   | 1001223922  | 1              | Shroud   |     |
| 79   | 1001215681  | 1              | Clamp  |     |
| 80   | 1001215899  | 1              | Pipe, Exhaust Inlet  |     |
| 81   | 1001215974  | 1              | Clamp  |     |
| 82   | 1001216075  | 1              | Pipe, Exhaust Inlet  |     |
| 83   | 1001216086  | 1              | Bracket  |     |
| 84   | 1001216092  | 1              | Shield, Heat   |     |
| 85   | 1001216204  | 1              | Hose, Radiator (Lower)   |     |
| 86   | 1001216205  | 1              | Hose, Radiator (Upper)   |     |
| 89   | 1001216910  | 1              | Ford Engine Prep Assembly (See Separate Breakdown in this Section) |     |
| 90   | 1001216919  | 2              | Sleeve   |     |
| 91   | 1001216951  | 1              | Tray   |     |
| 92   | 1001290252  | 1              | Mount, Engine (Rear)   |     |
| 93   | 1001217032  | 1              | Tube, Air Intake   |     |
| 94   | 1001217046  | 1              | Bracket  |     |
| 95   | 1001217082  | 1              | Plate, Radiator  |     |
| 96   | 1001217089  | 1              | Tube, Intake (Lower)   |     |
| 97   | 1001217090  | 1              | Tube, Intake (Intermediate)  |     |
| 100  | 1001217146  | 1              | Support  |     |
| 101  | 1001217174  | 1              | Seal   |     |
| 102  | 1001217175  | 1              | Seal   |     |
| 103  | 1001217183  | 2              | Seal   |     |

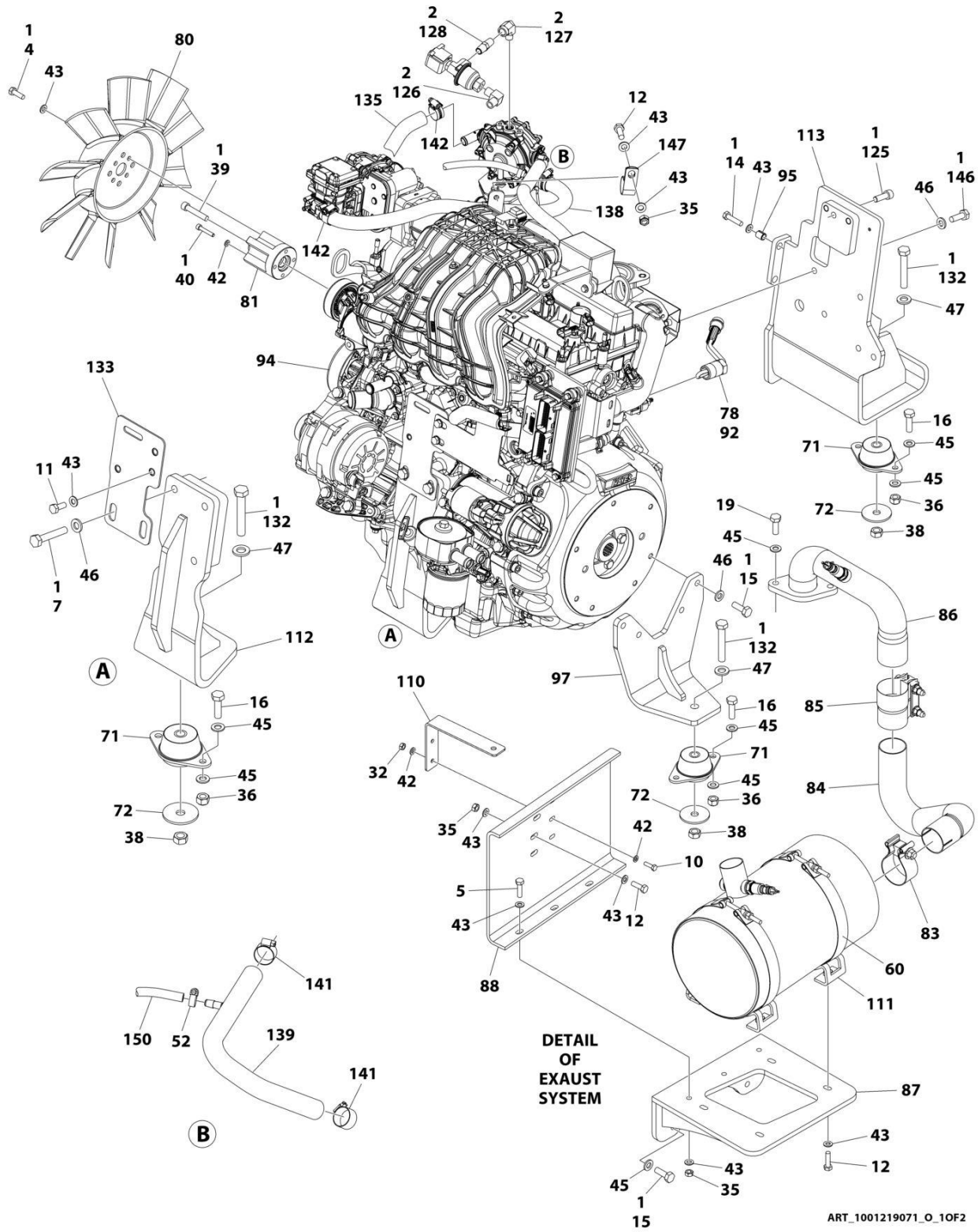
## SECTION 3 - ENGINE

| ITEM | PART NUMBER | QTY       | DESCRIPTION                 | REV |
|------|-------------|-----------|-----------------------------|-----|
| 104  | 1001217185  | 2         | Seal                        |     |
| 105  | 1001217186  | 1         | Support                     |     |
| 106  | 1001217543  | 2         | Mount                       |     |
| 107  | 1001218362  | 1         | Mount, Engine (Front Left)  |     |
| 108  | 1001218449  | 1         | Mount, Engine (Front Right) |     |
| 109  | 1001218599  | 1         | Panel, Clamp                |     |
| 110  | 1001218600  | 1         | Panel, Rubber               |     |
| 112  | 1001134488  | 1         | Fitting, 90 Barbed          |     |
| 115  | 1001219445  | 1         | Seal                        |     |
| 116  | 1001219448  | 1         | Plate                       |     |
| 117  | 1001219454  | 1         | Seal                        |     |
| 118  | 1001219456  | 1         | Seal                        |     |
| 120  | 4812002     | 6         | Washer M10                  |     |
| 121  | 5272010     | 1         | Capscrew M10 x 30           |     |
| 122  | 1001247359  | 1         | Fitting, 90                 |     |
| 123  | 2220261     | 1         | Fitting, Straight           |     |
| 124  | 2180504     | 1         | Fitting, Straight           |     |
| 125  | 1001186426  | 1         | Clamp, Air Cleaner          |     |
| 127  | 1001221615  | 2         | Nut, Tinnerman M8           |     |
| 128  | 0711223     | 3         | Bolt M12 x 75               |     |
| 129  | 1001222033  | 1         | Plate                       |     |
| 130  | 1001224489  | 1         | Hose                        |     |
| 131  | 1001216531  | 1         | Hose                        |     |
| 133  | 1001224486  | 1         | Hose                        |     |
| 134  | 1001227666  | 1         | Hose                        |     |
| 135  | 1001223584  | 1         | Tank                        |     |
| 136  | 1001224419  | 1         | Bracket                     |     |
| 138  | 8410009     | 2         | Clamp                       |     |
| 139  | 2180348     | 1         | Fitting, Straight Barbed    |     |
| 140  | 1001173535  | 6         | Clamp                       |     |
| 141  | 1001225510  | 1         | Decal - Full Cold           |     |
| 142  | 0711014     | 5         | Bolt M10 x 30               |     |
| 143  | 8406201     | 1         | Clip                        |     |
| 144  | 4060805     | 16 in/.4m | Flex-Trim                   |     |
| 145  | 0100062     | AR        | Adhesive                    |     |
| 146  | 1001227667  | 1         | Hose (Includes Tee)         |     |
| 147  | 1001303818  | 1         | Washer M10 (Not Shown)      |     |



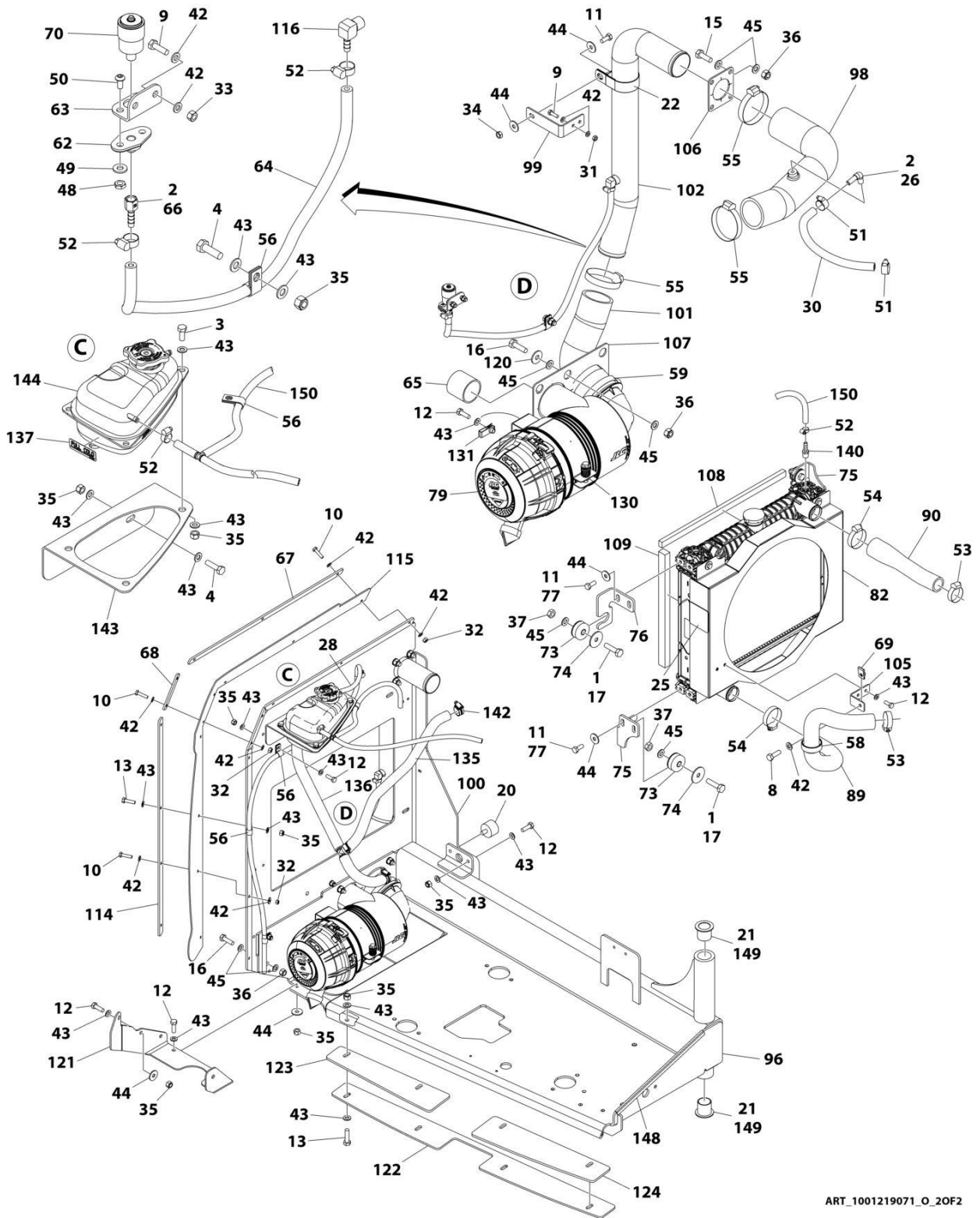
# SECTION 3 - ENGINE

## FIGURE 3-33. FORD ENGINE ASSEMBLY - WITH ARCTIC PACKAGE





# SECTION 3 - ENGINE



ART\_1001219071\_O\_20F2

## SECTION 3 - ENGINE

FIGURE 3-33. FORD ENGINE ASSEMBLY - WITH ARCTIC PACKAGE

| ITEM | PART NUMBER | QTY            | DESCRIPTION                  | REV |
|------|-------------|----------------|------------------------------|-----|
|      | 1001219071  | Ref            | FORD ENGINE ASSEMBLY         | O   |
| 1    | 0100011     | AR             | Compound, Locking            |     |
| 2    | 0100020     | AR             | Sealant                      |     |
| 3    | 0700810     | 3              | Bolt M8 x 20                 |     |
| 4    | 0700812     | 5              | Bolt M8 x 25                 |     |
| 5    | 0700814     | 3              | Bolt M8 x 30                 |     |
| 7    | 0711020     | 3              | Bolt M10 x 60                |     |
| 8    | 0760608     | 2              | Bolt M6 x 16                 |     |
| 9    | 0760610     | 4              | Bolt M6 x 20                 |     |
| 10   | 0760612     | 10             | Bolt M6 x 25                 |     |
| 11   | 0760810     | 11             | Bolt M8 x 20                 |     |
| 12   | 0760812     | 19             | Bolt M8 x 25                 |     |
| 13   | 0760814     | 8              | Bolt M8 x 30                 |     |
| 14   | 0760815     | 2              | Bolt M8 x 35                 |     |
| 15   | 0761014     | 11             | Bolt M10 x 30                |     |
| 16   | 0761015     | 13             | Bolt M10 x 35                |     |
| 17   | 0761016     | 4              | Bolt M10 x 40                |     |
| 19   | 0771014     | 2              | Bolt M10 x 30                |     |
| 20   | 0940070     | 1              | Bumper                       |     |
| 21   | 0961986     | 2              | Bearing                      |     |
| 22   | 1320110     | 1              | Clamp                        |     |
| 23   | 1001187781  | 1              | Tie-Strap (Not Shown)        |     |
| 25   | 1703162     | 2              | Decal - Fan Blade            |     |
| 26   | 2180467     | 1              | Fitting, Straight NPT/Barbed |     |
| 28   | 2720058     | AR             | Hose                         |     |
| 30   | 1001165035  | 11 in<br>/26cm | Hose                         |     |
| 31   | 3290601     | 2              | Nut M6                       |     |
| 32   | 3290605     | 10             | Nut M6                       |     |
| 33   | 3290607     | 2              | Nut M6                       |     |
| 34   | 3290801     | 1              | Nut M8                       |     |
| 35   | 3290805     | 27             | Nut M8                       |     |
| 36   | 3291005     | 17             | Nut M10                      |     |
| 37   | 3291001     | 4              | Nut M10                      |     |
| 38   | 3291201     | 3              | Nut M12                      |     |
| 39   | 3931632     | 1              | Capscrew 3/8 x 2             |     |
| 40   | 4031711     | 4              | Capscrew M6 x 35             |     |
| 41   | 4240099     | AR             | Tie-Strap (Not Shown)        |     |
| 42   | 4811700     | 34             | Washer M6                    |     |
| 43   | 4811900     | 64             | Washer M8                    |     |
| 44   | 4811902     | 15             | Washer M8                    |     |
| 45   | 4812000     | 43             | Washer M10                   |     |
| 46   | 5241000     | 12             | Washer M10                   |     |
| 47   | 5241200     | 3              | Washer M10                   |     |
| 48   | 8305401     | 2              | Nut 1/4                      |     |
| 49   | 8307109     | 2              | Washer 1/4                   |     |
| 50   | 8310548     | 2              | Screw 1/4 x 1/2              |     |
| 51   | 8405006     | 2              | Clamp                        |     |
| 52   | 8405009     | 5              | Clamp                        |     |
| 53   | 8405102     | 2              | Clamp                        |     |

## SECTION 3 - ENGINE

| ITEM | PART NUMBER | QTY            | DESCRIPTION  | REV |
|------|-------------|----------------|--|-----|
| 54   | 8405104     | 2              | Clamp  |     |
| 55   | 8405203     | 3              | Clamp  |     |
| 56   | 8406109     | 6              | Clip   |     |
| 58   | 8410001     | 1              | Clamp  |     |
| 59   | 8410011     | 1              | Clamp  |     |
| 60   | 1001128901  | 2              | Strap, Clamp   |     |
| 62   | 1001138173  | 1              | Support  |     |
| 63   | 1001138175  | 1              | Bracket  |     |
| 64   | 1001138248  | 31 in/<br>77cm | Tube, Nylon  |     |
| 65   | 1001141585  | 1              | Hose, Air Cleaner Inlet  |     |
| 66   | 1001141995  | 1              | Fitting, Straight NPT/Barbed                                       |     |
| 67   | 1001144410  | 1              | Panel, Clamp   |     |
| 68   | 1001144411  | 1              | Panel, Clamp   |     |
| 69   | 1001149160  | 1              | Nut, Tinnerman M8  |     |
| 70   | 1001149639  | 1              | Indicator, Restriction   |     |
| 71   | 1001191610  | 3              | Mount, Motor   |     |
| 72   | 1001168018  | 3              | Washer   |     |
| 73   | 1001169054  | 4              | Isolator   |     |
| 74   | 1001169138  | 4              | Pad  |     |
| 75   | 1001170035  | 2              | Bracket  |     |
| 76   | 1001176329  | 2              | Bracket  |     |
| 77   | 1001180620  | AR             | Adhesive   |     |
| 78   | 1001181895  | AR             | Adhesive   |     |
| 79   | 1001189979  | 1              | Air Filter Assembly  |     |
| 79   | 70005008    | 1              | Element, Filter  |     |
| 80   | 1001223042  | 1              | Fan  |     |
| 81   | 1001215647  | 1              | Spacer, Fan  |     |
| 82   | 1001223923  | 1              | Radiator and Shroud Assembly                                       |     |
| 82   | 1001224010  | 1              | Radiator   |     |
| 82   | 1001223922  | 1              | Shroud   |     |
| 83   | 1001215681  | 1              | Clamp  |     |
| 84   | 1001215899  | 1              | Pipe, Exhaust Inlet  |     |
| 85   | 1001215974  | 1              | Clamp  |     |
| 86   | 1001216075  | 1              | Pipe, Exhaust Inlet  |     |
| 87   | 1001216086  | 1              | Bracket  |     |
| 88   | 1001216092  | 1              | Shield, Heat   |     |
| 89   | 1001216204  | 1              | Hose, Radiator (Lower)   |     |
| 90   | 1001216205  | 1              | Hose, Radiator (Upper)   |     |
| 92   | 1001216393  | 1              | Heater, Engine Block   |     |
| 94   | 1001216910  | 1              | Ford Engine Prep Assembly (See Separate Breakdown in this Section) |     |
| 95   | 1001216919  | 2              | Sleeve   |     |
| 96   | 1001216951  | 1              | Tray   |     |
| 97   | 1001290252  | 1              | Mount, Engine (Rear)   |     |
| 98   | 1001217032  | 1              | Tube, Air Intake   |     |
| 99   | 1001217046  | 1              | Bracket  |     |
| 100  | 1001217082  | 1              | Plate, Radiator  |     |
| 101  | 1001217089  | 1              | Tube, Intake (Lower)   |     |
| 102  | 1001217090  | 1              | Tube, Intake (Intermediate)  |     |
| 105  | 1001217146  | 1              | Support  |     |
| 106  | 1001217174  | 1              | Seal   |     |

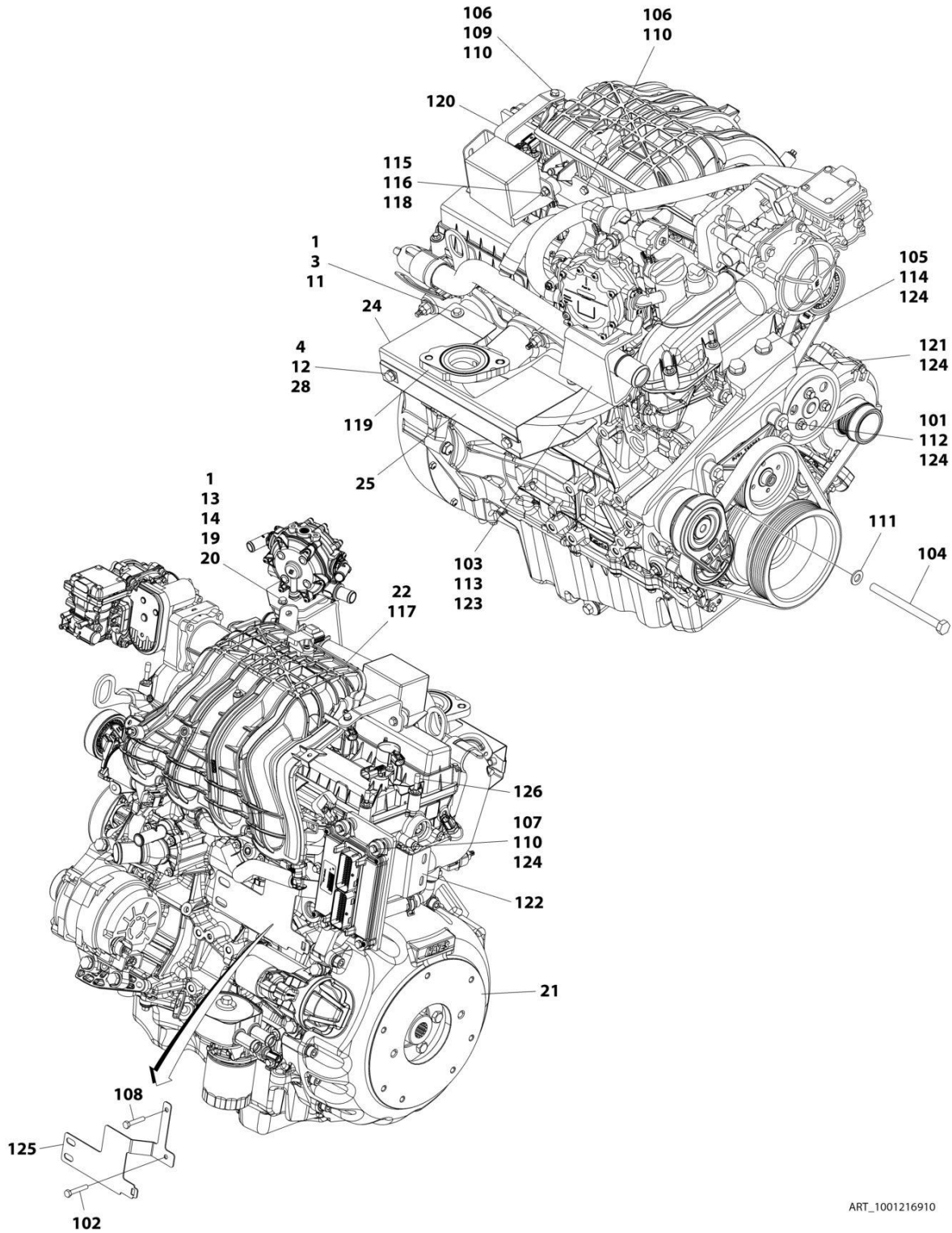
## SECTION 3 - ENGINE

| ITEM | PART NUMBER | QTY       | DESCRIPTION                 | REV |
|------|-------------|-----------|-----------------------------|-----|
| 107  | 1001217175  | 1         | Seal                        |     |
| 108  | 1001217183  | 2         | Seal                        |     |
| 109  | 1001217185  | 2         | Seal                        |     |
| 110  | 1001217186  | 1         | Support                     |     |
| 111  | 1001217543  | 2         | Mount                       |     |
| 112  | 1001218362  | 1         | Mount, Engine (Front Left)  |     |
| 113  | 1001218449  | 1         | Mount, Engine (Front Right) |     |
| 114  | 1001218599  | 1         | Panel, Clamp                |     |
| 115  | 1001218600  | 1         | Panel, Rubber               |     |
| 116  | 1001134488  | 1         | Fitting, 90 Barbed          |     |
| 120  | 4812002     | 6         | Washer M10                  |     |
| 121  | 1001219445  | 1         | Seal                        |     |
| 122  | 1001219448  | 1         | Plate                       |     |
| 123  | 1001219454  | 1         | Seal                        |     |
| 124  | 1001219456  | 1         | Seal                        |     |
| 125  | 5272010     | 1         | Capscrew M10 x 30           |     |
| 126  | 2180504     | 1         | Fitting, Straight           |     |
| 127  | 1001247359  | 1         | Fitting, 90                 |     |
| 128  | 2220261     | 1         | Fitting, Straight           |     |
| 130  | 1001186426  | 1         | Clamp, Air Cleaner          |     |
| 131  | 1001221615  | 2         | Nut, Tinnerman M8           |     |
| 132  | 0711223     | 3         | Bolt M12 x 75               |     |
| 133  | 1001222033  | 1         | Plate                       |     |
| 135  | 1001224486  | 1         | Hose                        |     |
| 136  | 1001224489  | 1         | Hose                        |     |
| 137  | 1001225510  | 1         | Decal - Full Cold           |     |
| 138  | 1001216531  | 1         | Hose                        |     |
| 139  | 1001227666  | 1         | Hose                        |     |
| 140  | 2180348     | 1         | Fitting, Straight Barbed    |     |
| 141  | 8410009     | 2         | Clamp                       |     |
| 142  | 1001173535  | 6         | Clamp                       |     |
| 143  | 1001224419  | 1         | Bracket                     |     |
| 144  | 1001223584  | 1         | Tank                        |     |
| 146  | 0711014     | 5         | Bolt M10 x 30               |     |
| 147  | 8406201     | 1         | Clip                        |     |
| 148  | 4060805     | 16 in/.4m | Flex-Trim                   |     |
| 149  | 0100062     | AR        | Adhesive                    |     |
| 150  | 1001227667  | 1         | Hose (Includes Tee)         |     |
| 151  | 1001303818  | 1         | Washer M10 (Not Shown)      |     |



# SECTION 3 - ENGINE

## FIGURE 3-34. PUMP COUPLING AND FUEL SYSTEM ASSEMBLY (FORD ENGINES)



ART\_1001216910

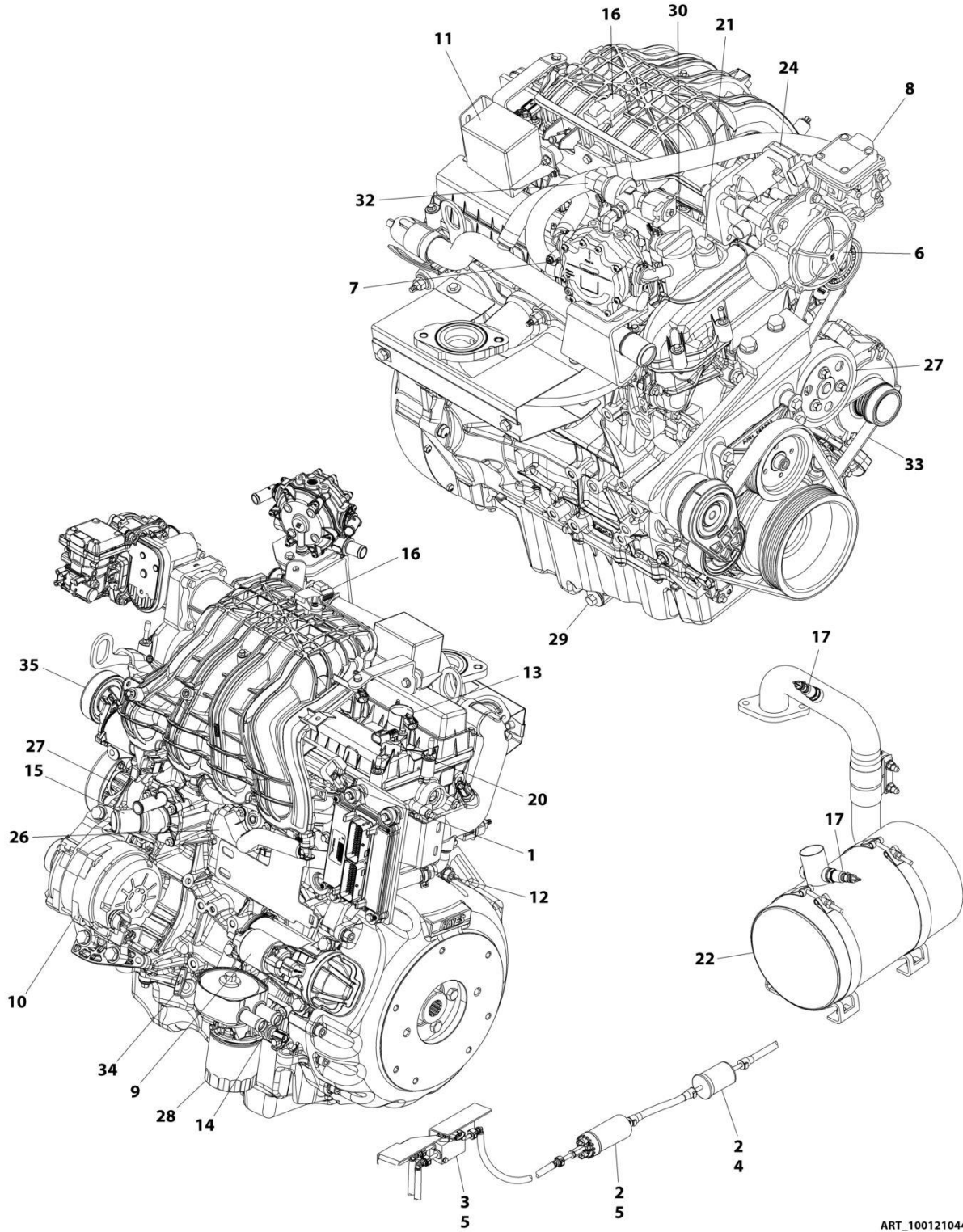
## SECTION 3 - ENGINE

**FIGURE 3-34. PUMP COUPLING AND FUEL SYSTEM ASSEMBLY (FORD ENGINES)**

| ITEM | PART NUMBER | QTY | DESCRIPTION  | REV |
|------|-------------|-----|--|-----|
|      | 1001216910  | Ref | FORD ENGINE PREP ASSEMBLY                                  | F   |
| 1    | 0100011     | AR  | Compound, Locking  |     |
| 3    | 0760605     | 4   | Bolt M6 x 10   |     |
| 4    | 0760807     | 2   | Bolt M8 x 14   |     |
| 11   | 4811702     | 4   | Washer M6  |     |
| 12   | 4811900     | 2   | Washer M8  |     |
| 13   | 5250605     | 3   | Bolt M6 x 10   |     |
| 14   | 5260600     | 1   | Nut M6 Class 10  |     |
| 19   | 1001211794  | 3   | Mount, Isolator  |     |
| 20   | 1001227769  | 1   | Plate  |     |
| 21   | 1001213810  | 1   | Pump Coupling Kit  |     |
| 21   | 70006134    | 1   | Coupling   |     |
| 21   | 70006135    | 1   | Housing  |     |
| 21   | 70006136    | 1   | Hardware Kit   |     |
| 22   | 1001216065  | 1   | Ford Engine Assembly (See Items 101-126 for Breakdown)     |     |
| 24   | 1001216768  | 1   | Bracket  |     |
| 25   | 1001216769  | 1   | Bracket  |     |
| 28   | 1001149160  | 2   | Nut, Tinnerman M8  |     |
|      | 1001216065  | Ref | FORD ENGINE PREP ASSEMBLY - BRACKETS/EXHAUST MANIFOLD      | M   |
| 101  | 0700816     | 4   | Bolt M8 x 40   |     |
| 102  | 0700818     | 1   | Bolt M8 x 50   |     |
| 103  | 0701014     | 2   | Bolt M10 x 30  |     |
| 104  | 0710827     | 1   | Bolt M8 x 100 Grade 10.9                                   |     |
| 105  | 0711216     | 2   | Bolt M12 x 40  |     |
| 106  | 0760610     | 3   | Bolt M6 x 20   |     |
| 107  | 0760615     | 4   | Bolt M6 x 35   |     |
| 108  | 0760817     | 1   | Bolt M8 x 45   |     |
| 109  | 3290601     | 1   | Nut M6   |     |
| 110  | 4811700     | 8   | Washer M6  |     |
| 111  | 4811900     | 1   | Washer M8  |     |
| 112  | 4811902     | 4   | Washer M8  |     |
| 113  | 4812000     | 1   | Washer M10   |     |
| 114  | 4812100     | 2   | Washer M12   |     |
| 115  | 5250605     | 2   | Bolt M6 x 10   |     |
| 116  | 5260600     | 2   | Nut M6 Class 10  |     |
| 117  | 1001210448  | 1   | Engine, Ford 2.5L (See Separate Breakdown in this Section) |     |
| 118  | 1001211794  | 2   | Mount  |     |
| 119  | 1001214827  | 1   | Manifold, Exhaust  |     |
| 120  | 1001215384  | 1   | Bracket  |     |
| 121  | 1001216071  | 1   | Bracket  |     |
| 122  | 1001216144  | 1   | Support, Muffler   |     |
| 123  | 1001227772  | 1   | Mount, Vaporizer   |     |
| 124  | 0100011     | AR  | Compound, Locking  |     |
| 125  | 1001221545  | 1   | Plate  |     |
| 126  | 1001222641  | 6   | Cap  |     |

# SECTION 3 - ENGINE

## FIGURE 3-35. FORD ENGINE COMPONENTS



ART\_1001210448



## SECTION 3 - ENGINE

### FIGURE 3-35. FORD ENGINE COMPONENTS

| ITEM | PART NUMBER | QTY | DESCRIPTION  | REV |
|------|-------------|-----|--|-----|
|      | 1001210448  | Ref | FORD ENGINE COMPONENTS   | H   |
| 1    | 70006145    | 4   | Injector, Fuel   |     |
| 1    | 70006147    | 1   | Rail, Fuel   |     |
| 2    | 70006150    | 1   | Pump, Fuel   |     |
| 2    | 70006154    | 1   | Fitting M10  |     |
| 3    | 70006151    | 1   | Block, Fuel  |     |
| 3    | 70006152    | 2   | Fitting SAE6   |     |
| 3    | 70006153    | 1   | Fitting SAE3   |     |
| 3    | 70006189    | 1   | Harness, Fuel Block  |     |
| 4    | 70006155    | 1   | Filter, Fuel   |     |
| 5    | 7022162     | 8   | Clamp  |     |
| 5    | 70006157    | 8   | Clip, Fuel Quick Disconnect  |     |
| 6    | 70006158    | 1   | Mixer, LP  |     |
| 6    | 70006168    | 1   | Mixer Diaphragm Replacement Kit  |     |
| 6    | 70006159    | 1   | Adapter, Mixer to Governor   |     |
| 6    | 70006160    | 1   | O-Ring, Mixer to Adapter   |     |
| 6    | 70006161    | 1   | Seal, Mixer to Adapter   |     |
| 7    | 70006162    | 1   | Regulator, LP Vapor  |     |
| 7    | 70006166    | 2   | Fitting  |     |
| 7    | 70006167    | 1   | Fitting, Straight  |     |
| 7    | 70006165    | 2   | Isolator, Rubber   |     |
| 8    | 70006163    | 1   | Regulator, Direct Electronic Pressure                                  |     |
| 8    | 70006164    | 1   | Adapter, Fitting 90  |     |
| 9    | 70006169    | 1   | Starter  |     |
| 9    | 70006233    | 1   | Harness, Alternator/Starter  |     |
| 10   | 70006170    | 1   | Alternator   |     |
| 11   | 70006173    | 1   | Cover, Relay Box   |     |
| 11   | 70006171    | 2   | Relay (Fuel Pump & Power)  |     |
| 11   | 70006172    | 1   | Relay (Starter)  |     |
| 11   | 70006175    | 1   | Fuse - 20Amp (Starter)   |     |
| 11   | 70006174    | 1   | Decal - Relay Box Cover  |     |
| 11   | 70006188    | 1   | Harness, Engine  |     |
| 11   | 70006165    | 2   | Isolator, Rubber   |     |
| 12   | 70006176    | 1   | Module - Engine Control Unit (ECU/GCP)                                 |     |
| 12   | 70006191    | 1   | Software & Diagnostic Cable  |     |
| 13   | 70006177    | 4   | Coil and Boot Assembly   |     |
| 13   | 70006178    | 4   | Plug, Spark  |     |
| 14   | 70006179    | 1   | Switch, Oil Pressure   |     |
| 15   | 70006180    | 1   | Sensor, Knock  |     |
| 16   | 70006181    | 1   | Sensor, TMAP   |     |
| 17   | 70006182    | 2   | Sensor, O2   |     |
| 18   | 70006183    | 1   | Sensor, Coolant Temperature (Not Shown - Located Rear of Engine Block) |     |
| 19   | 70006184    | 1   | Sensor, Crank Position (Not Shown - Located at Front RH Side of Block) |     |
| 20   | 70006185    | 1   | Sensor, Cam Position   |     |
| 21   | 70006186    | 1   | Solenoid, Timing   |     |
| 21   | 70006187    | 1   | Grommet, Rubber  |     |
| 22   | 70006194    | 1   | Muffler  |     |
| 22   | 70006195    | 1   | Plug (Located at Muffler Outlet)                                       |     |

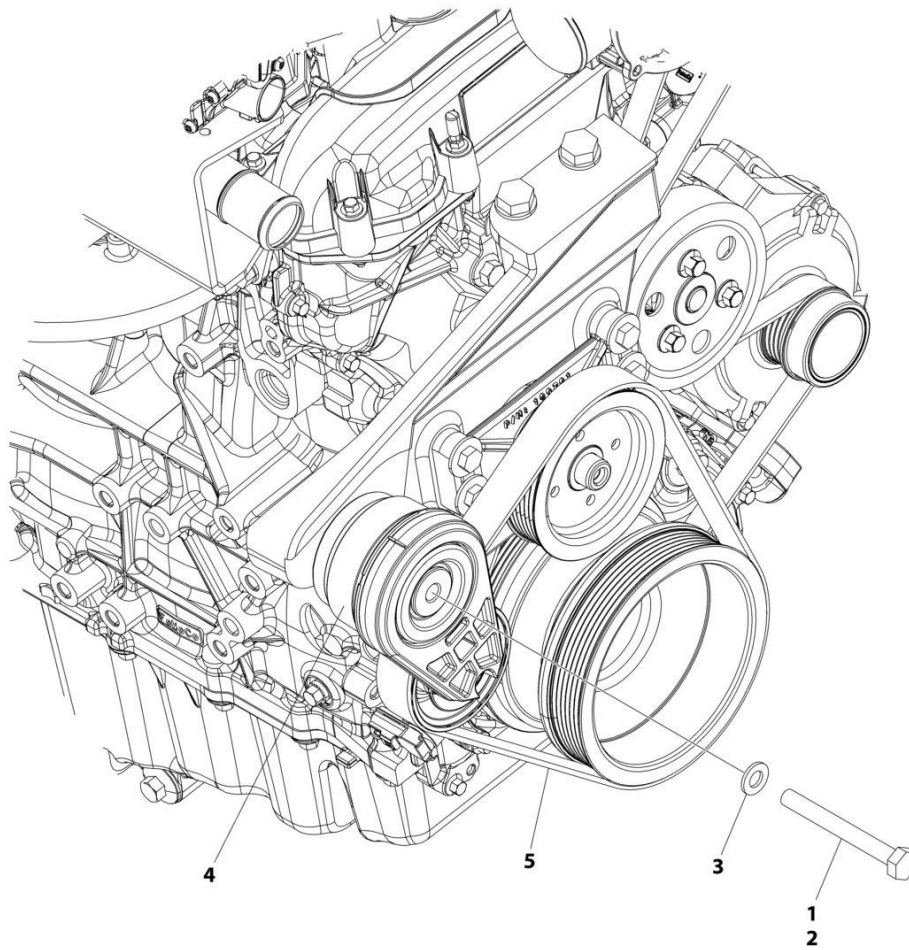
## SECTION 3 - ENGINE

| ITEM | PART NUMBER | QTY | DESCRIPTION  | REV |
|------|-------------|-----|--|-----|
| 23   |             | Ref | Gasket Options (Not Shown)   |     |
| 23   | 70006196    | 1   | Gasket, Exhaust Manifold to Head                                   |     |
| 23   | 70006197    | 1   | Gasket, Exhaust Manifold Outlet                                    |     |
| 23   | 70006200    | 1   | Gasket, Intake Manifold to Head                                    |     |
| 23   | 70006219    | 1   | Gasket Set - Camshaft Cover  |     |
| 23   | 70006225    | 1   | Gasket, Cylinder Head  |     |
| 24   | 70006198    | 1   | Governor   |     |
| 24   | 7027404     | 1   | Gasket, Governor Actuator  |     |
| 24   | 70006199    | 1   | Gasket, Governor to Intake Manifold Adapter                        |     |
| 25   | 70006203    | 1   | Flywheel (Not Shown)   |     |
| 26   | 70006205    | 1   | Thermostat (Includes Housing)                                      |     |
| 26   | 70006206    | 1   | Gasket, Water Inlet  |     |
| 27   | 70006207    | 1   | Pump, Water  |     |
| 27   | 70006208    | 1   | O-Ring, Water Pump   |     |
| 27   | See Note    | NSS | Pulley, Water Pump (Note: Not Available for Purchase at This Time) |     |
| 28   | 70006213    | 1   | Filter, Oil  |     |
| 29   | 70006215    | 1   | Plug, Oil Drain  |     |
| 29   | 70006217    | 1   | Gasket, Oil Drain Plug   |     |
| 30   | 70006221    | 1   | Cap, Oil Fill  |     |
| 31   | 70006232    | 1   | Sensor, Crank (Not Shown)  |     |
| 32   | 70006235    | 1   | Valve, Lock-Off (Includes Filter)                                  |     |
| 33   | 70006202    | 1   | Belt   |     |
| 34   | 70006236    | 1   | Dipstick   |     |
| 35   | 70007108    | 1   | Belt Tensioner   |     |



# SECTION 3 - ENGINE

FIGURE 3-36. DRIVE BELT INSTALLATION - FORD ENGINES MACHINES WITHOUT GENERATORS



ART\_1001220404

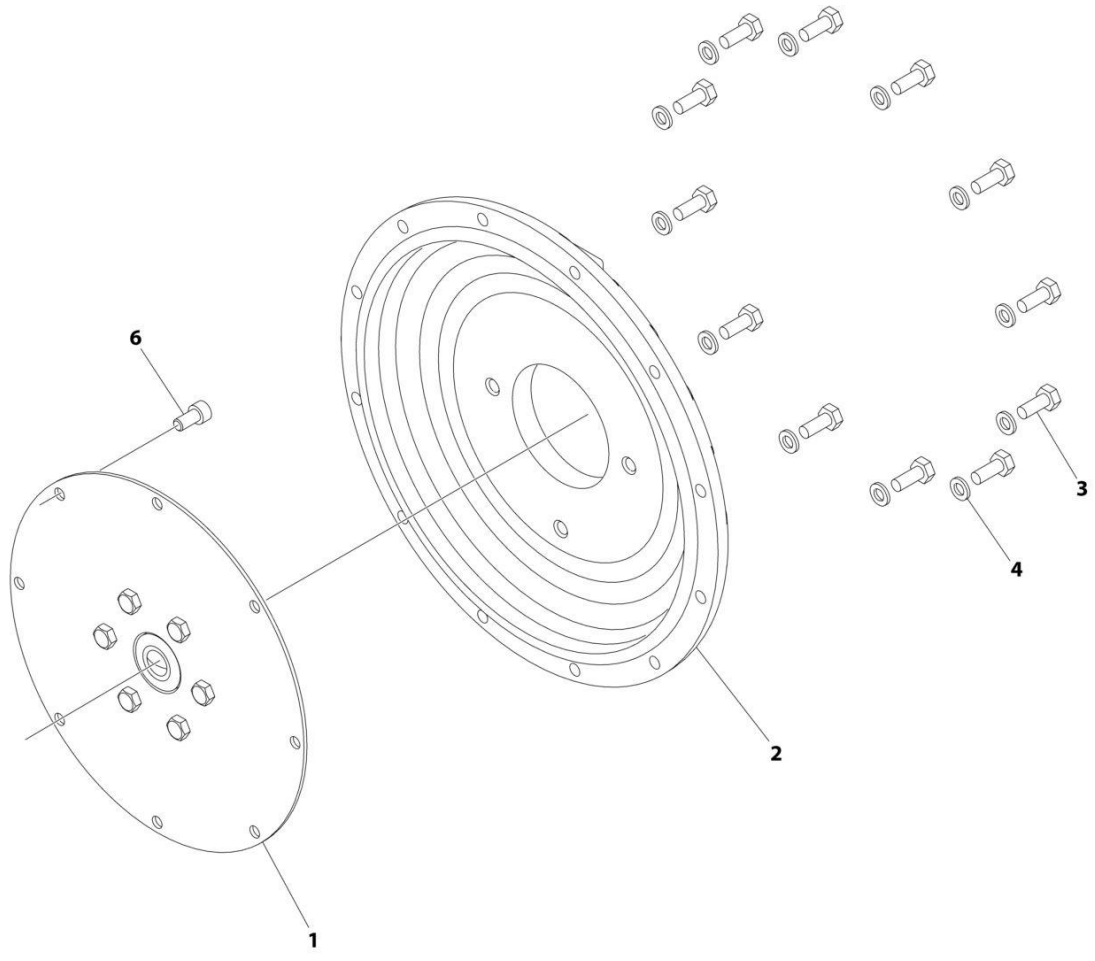
## SECTION 3 - ENGINE

**FIGURE 3-36. DRIVE BELT INSTALLATION - FORD ENGINES MACHINES WITHOUT GENERATORS**

| ITEM | PART NUMBER | QTY | DESCRIPTION             | REV |
|------|-------------|-----|-------------------------|-----|
|      | 1001220404  | Ref | DRIVE BELT INSTALLATION | C   |
| 1    | 0100011     | AR  | Compound, Locking       |     |
| 2    | 0701026     | 1   | Bolt M10 x 90           |     |
| 3    | 4812002     | 1   | Washer M10              |     |
| 4    | 1001216300  | 1   | Pulley                  |     |
| 5    | 1001216619  | 1   | V-Belt                  |     |

# SECTION 3 - ENGINE

## FIGURE 3-37. PUMP COUPLING KIT - DEUTZ ENGINES



ART\_2902065

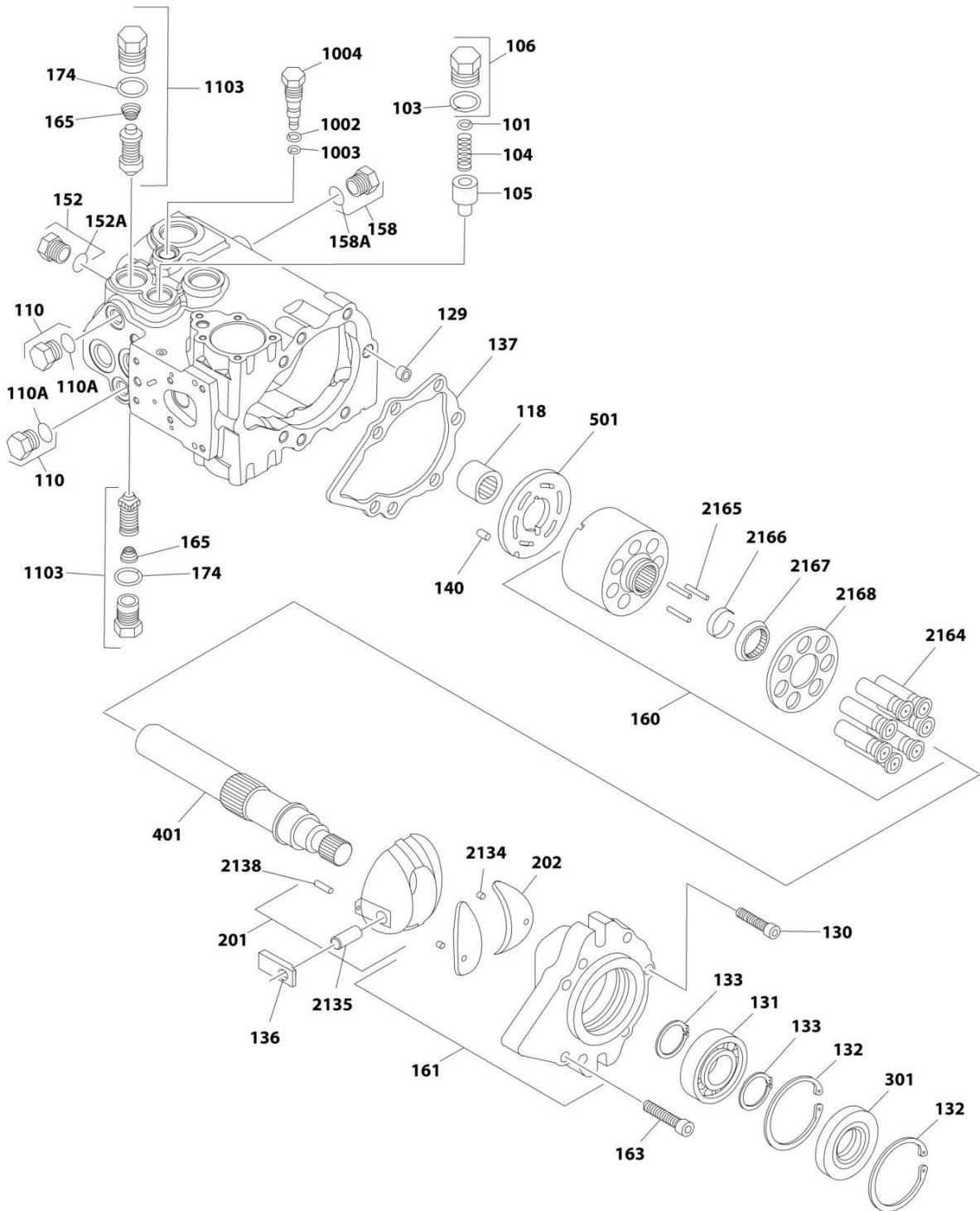
## SECTION 3 - ENGINE

### FIGURE 3-37. PUMP COUPLING KIT - DEUTZ ENGINES

| ITEM | PART NUMBER | QTY | DESCRIPTION                                      | REV |
|------|-------------|-----|--|-----|
|      | 2902065     | Ref | PUMP COUPLING KIT                                | L   |
| 1    | 70000793    | 1   | Coupling, Hayes                                  |     |
| 2    | See Note    | NSS | Plate, Pump Adapter (Note: Use p/n 2902065)      |     |
| 3    | See Note    | NSS | Bolt M10 x 30 Grade 10.9 (Note: Use p/n 2902065) |     |
| 4    | See Note    | NSS | Washer M10 (Note: Use p/n 2902065)               |     |
| 6    | See Note    | NSS | Bolt M10 x 20 Grade 10.9 (Note: Use p/n 2902065) |     |

# SECTION 3 - ENGINE

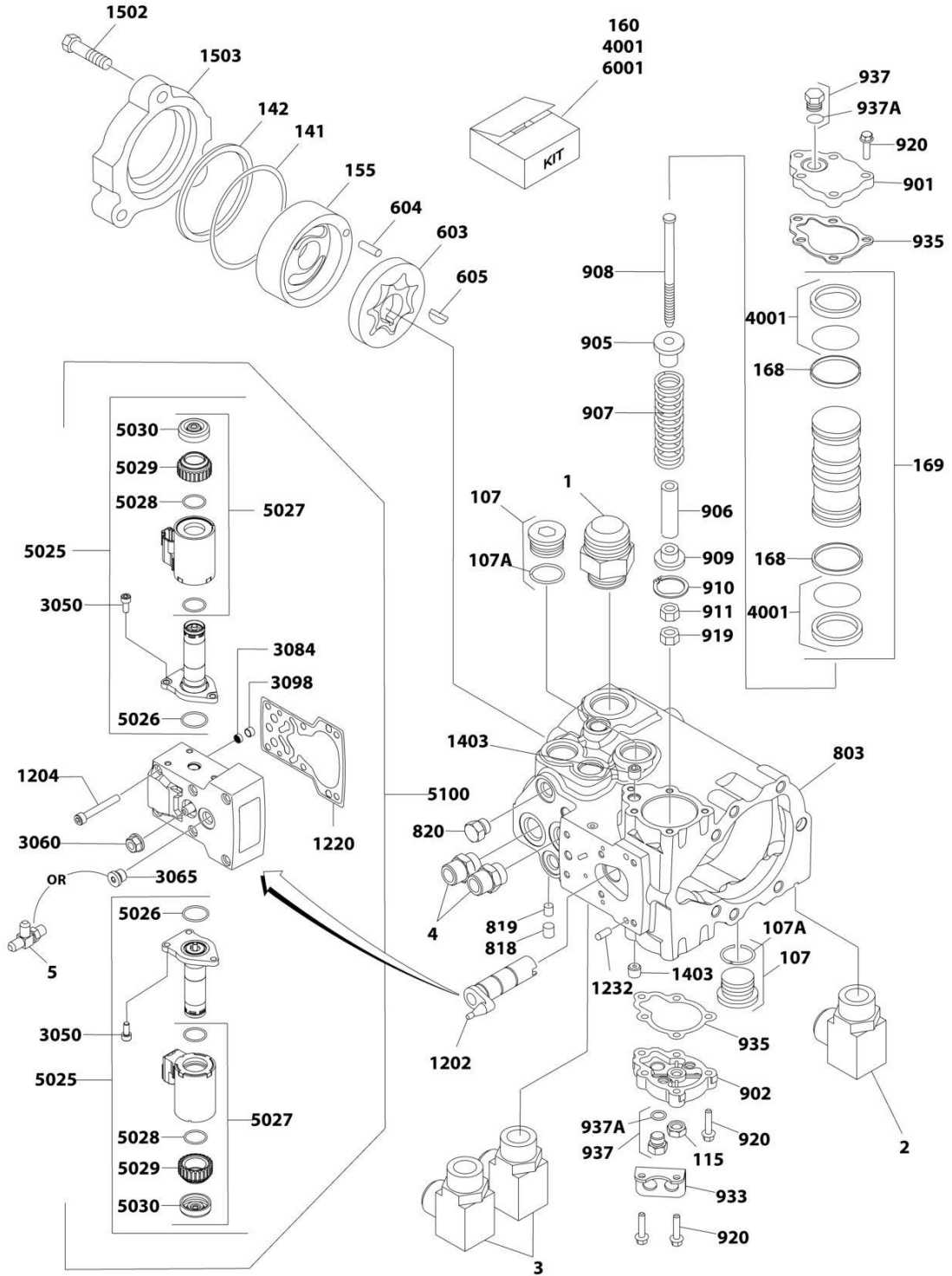
## FIGURE 3-38. PISTON PUMP ASSEMBLY - DEUTZ ENGINES - DANFOSS



ART\_1001188952\_10F2



# SECTION 3 - ENGINE



ART\_1001188952\_20F2

## SECTION 3 - ENGINE

**FIGURE 3-38. PISTON PUMP ASSEMBLY - DEUTZ ENGINES - DANFOSS**

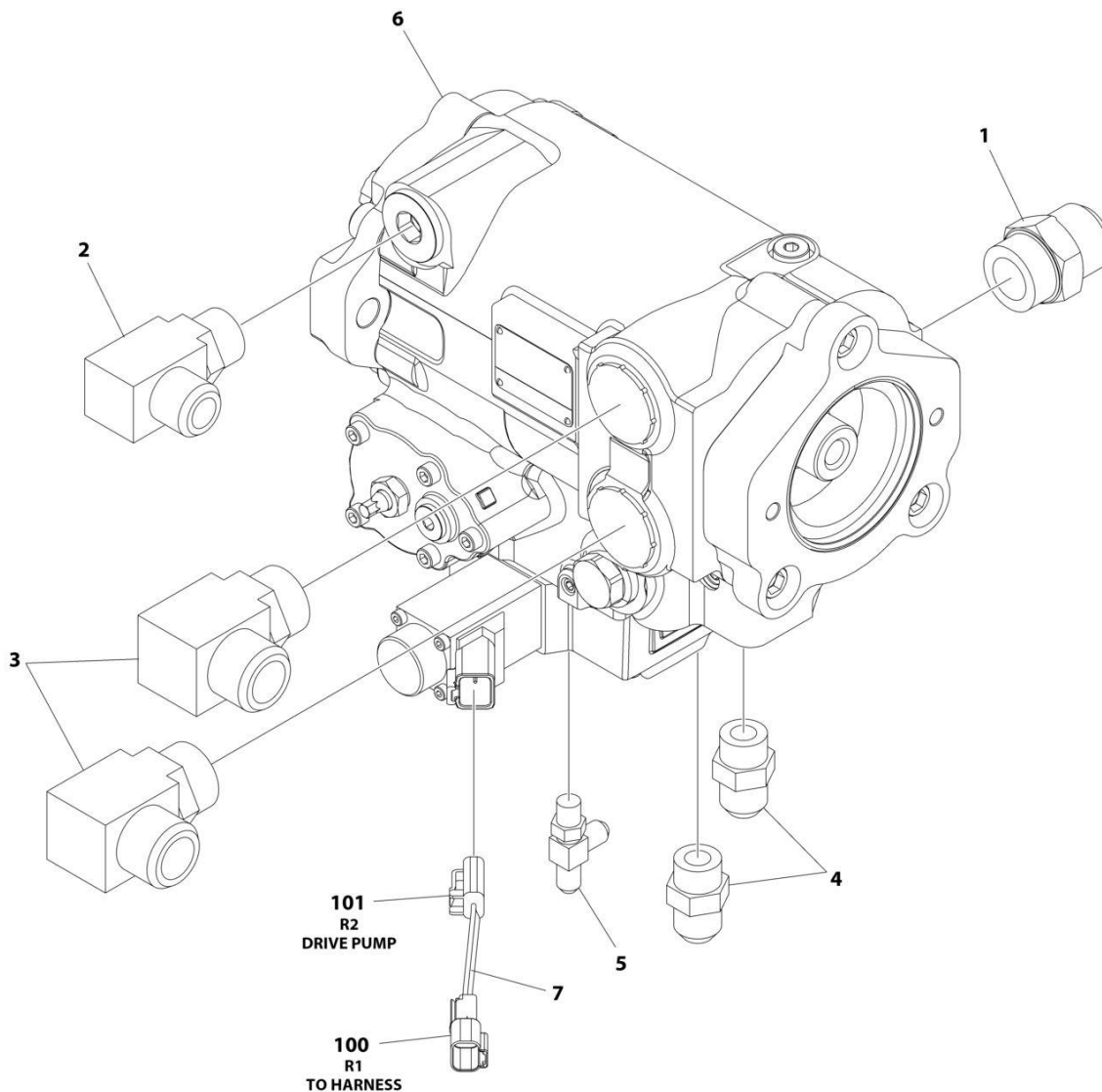
| ITEM | PART NUMBER | QTY | DESCRIPTION  | REV |
|------|-------------|-----|--|-----|
|      | 1001188952  | Ref | PUMP AND FITTING ASSEMBLY                          | A   |
| 1    | 2220377     | 1   | Fitting, Straight JIC/ORB                          |     |
| 2    | 2220578     | 1   | Fitting, 90 JIC/ORB                                |     |
| 3    | 2220646     | 2   | Fitting, 90 JIC/ORB                                |     |
| 4    | 2220947     | 2   | Fitting, Straight JIC/ORB                          |     |
| 5    | 2221034     | 1   | Fitting, Tee JIC/ORB                               |     |
|      | 1001186542  | 1   | PISTON PUMP ASSEMBLY                               | B   |
| 101  | 7007413     | 1   | Shim Kit   |     |
| 103  | 7007415     | 1   | O-Ring (Part of Item 106)                          |     |
| 104  | 7021200     | 1   | Spring, Relief Valve                               |     |
| 105  | 7007417     | 1   | Valve, Relief                                      |     |
| 106  | 7024874     | 2   | Plug (Includes Items 103)                          |     |
| 107  | 7007419     | 2   | Plug   |     |
| 107A | 7007418     | 2   | O-Ring   |     |
| 110  | 7007420     | 2   | Plug   |     |
| 110A | 7021256     | 2   | O-Ring   |     |
| 115  | 7007423     | 1   | Nut, Special                                       |     |
| 118  | 7007425     | 1   | Bearing, Needle                                    |     |
| 129  | 7007435     | 1   | Pin, Spring  |     |
| 130  | 7021202     | 1   | Screw  |     |
| 131  | 70002176    | 1   | Bearing, Ball                                      |     |
| 132  | 7007438     | 2   | Ring, Retainer                                     |     |
| 133  | 7007439     | 2   | Ring   |     |
| 136  | 7007442     | 1   | Sleeve, Bearing                                    |     |
| 137  | 7007443     | 1   | Gasket, Front Cover                                |     |
| 140  | 7007446     | 1   | Pin  |     |
| 141  | 7021233     | 1   | O-Ring   |     |
| 142  | 7007448     | 1   | Ring, Load Temper                                  |     |
| 152  | 7007420     | 1   | Plug Assembly                                      |     |
| 152A | 7021256     | 1   | O-Ring   |     |
| 155  | 70005466    | 1   | Cover, Gerotor                                     |     |
| 158  | 7007208     | 1   | Plug   |     |
| 158A | 7007207     | 1   | O-Ring   |     |
| 160  | 7010116     | 1   | Cylinder Block Kit (Includes Items 2164-2168)      |     |
| 161  | 7024875     | 1   | Cover Assembly - Front (Includes Items 202 & 2134) |     |
| 163  | 7021207     | 6   | Screw  |     |
| 165  | 70005467    | 2   | Spring   |     |
| 168  | 7021210     | 2   | Bearing  |     |
| 169  | 70005468    | 1   | Servo Piston Assembly (Includes Items 168 & 4001)  |     |
| 174  | 7007418     | 2   | O-Ring   |     |
| 201  | 7007457     | 1   | Swash Plate Assembly (Includes Items 2135 & 2138)  |     |
| 202  | 7021212     | 1   | Journal, Bearing                                   |     |
| 301  | 7007459     | 1   | Seal, Lip  |     |
| 401  | 7010121     | 1   | Shaft, Main Pump                                   |     |
| 501  | 7021214     | 1   | Plate, Valve                                       |     |
| 603  | 7007463     | 1   | Gerotor Assembly                                   |     |
| 604  | 7007464     | 1   | Pin  |     |
| 605  | 7007465     | 1   | Key, Woodruff                                      |     |
| 803  | See Note    | NSS | Housing, Pump (Note: Use p/n 1001186542)           |     |
| 818  | 70005469    | 1   | Plug   |     |

## SECTION 3 - ENGINE

| ITEM | PART NUMBER | QTY | DESCRIPTION   | REV |
|------|-------------|-----|---|-----|
| 819  | 70005470    | 1   | Plug  |     |
| 820  | 70005469    | 1   | Plug  |     |
| 901  | 7021219     | 1   | Cover, Servo (With Adjuster)  |     |
| 902  | 7021220     | 1   | Cover, Servo (Without Adjuster)   |     |
| 905  | 7023979     | 1   | Guide, Spring   |     |
| 906  | 7007484     | 1   | Stop, Servo   |     |
| 907  | 7007485     | 1   | Spring  |     |
| 908  | 7021221     | 1   | Screw   |     |
| 909  | 7007487     | 1   | Guide, Spring   |     |
| 910  | 7007488     | 1   | Ring, Retaining   |     |
| 911  | 7021222     | 1   | Locknut   |     |
| 919  | 7021206     | 1   | Nut   |     |
| 920  | 7021223     | 10  | Screw   |     |
| 933  | 7021201     | 1   | Bracket, Lifting  |     |
| 935  | 7007422     | 2   | Gasket, Servo Cover   |     |
| 937  | 7007420     | 2   | Plug  |     |
| 937A | 7021256     | 2   | O-Ring  |     |
| 1002 | 7007450     | 1   | Ring, Back-up   |     |
| 1003 | 70005471    | 1   | O-Ring  |     |
| 1004 | 7024877     | 1   | Valve, Bypass   |     |
| 1103 | 7024851     | 2   | Valve, Pressure Relief (Includes Items 165 & 174)   |     |
| 1202 | 70005472    | 1   | Sleeve  |     |
| 1204 | 70002156    | 6   | Screw   |     |
| 1220 | 70002154    | 1   | Gasket  |     |
| 1232 | 70002157    | 2   | Pin   |     |
| 1403 | 7007477     | 2   | Plug, Orifice (.37)   |     |
| 1502 | 7007453     | 3   | Bolt, Hex   |     |
| 1503 | 7007476     | 1   | Adapter, Auxiliary Pump   |     |
| 2134 | 7021203     | 2   | Pin, Spring   |     |
| 2135 | 7007441     | 1   | Handle, Pin   |     |
| 2138 | 7007444     | 1   | Pin   |     |
| 2164 | 7010117     | 7   | Piston Assembly   |     |
| 2165 | 7007431     | 3   | Pin, Slipper Holddown   |     |
| 2166 | 7007430     | 1   | Retainer  |     |
| 2167 | 7007434     | 1   | Guide, Retainer   |     |
| 2168 | 7010119     | 1   | Retainer, Slipper   |     |
| 3050 | 70002150    | 6   | Screw   |     |
| 3060 | 70005473    | 1   | Nut, Seal   |     |
| 3065 | 70002151    | 1   | Plug  |     |
| 3084 | 70002134    | 1   | Screen  |     |
| 3098 | 70002153    | 1   | Ring  |     |
| 4001 | 7007412     | 1   | Seal Kit - Servo Piston   |     |
| 5025 | 70002147    | 2   | Solenoid Assembly (Includes Items 5026-5030)  |     |
| 5026 | 70002148    | 2   | O-Ring  |     |
| 5027 | 70002149    | 2   | Coil Assembly (Includes Items 5028-5030)  |     |
| 5028 | 70005474    | 2   | O-Ring  |     |
| 5029 | 70005475    | 2   | Screw   |     |
| 5030 | 70005476    | 2   | Cap   |     |
| 5100 | 70002146    | 1   | EDC Assembly (Includes Items 1204, 1220, 3050-3098 & 5025-5030)   |     |
| 6001 | 7021232     | 1   | Seal Kit - Complete (Includes Items 103, 137, 141, 142, 168, 174, 301, 935, 1002, 1003, 4001 and Plug O-Ring) |     |

# SECTION 3 - ENGINE

## FIGURE 3-39. PISTON PUMP ASSEMBLY WITH FITTINGS - DEUTZ ENGINES - HENGLI



ART\_1001287018

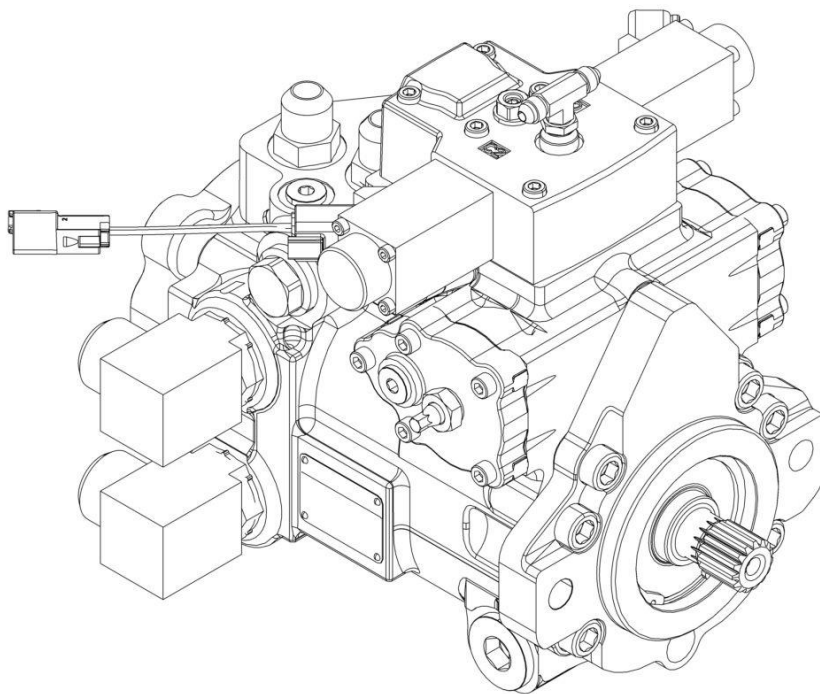
## SECTION 3 - ENGINE

**FIGURE 3-39. PISTON PUMP ASSEMBLY WITH FITTINGS - DEUTZ ENGINES - HENGLI**

| ITEM | PART NUMBER | QTY | DESCRIPTION  | REV |
|------|-------------|-----|--|-----|
|      | 1001287018  | Ref | PISTON PUMP ASSEMBLY                                 | A   |
| 1    | 2220377     | 1   | Fitting Straight JIC/ORB                             |     |
| 2    | 2220578     | 1   | Fitting 90 JIC/ORB                                   |     |
| 3    | 2220646     | 2   | Fitting 90 JIC/ORB                                   |     |
| 4    | 2220947     | 2   | Fitting Straight ORB                                 |     |
| 5    | 2221034     | 1   | Fitting Tee  |     |
| 6    | 1001287021  | 1   | Piston Pump (See Separate Breakdown in this Section) |     |
| 7    | 1001288858  | 1   | Piston Pump Harness (Includes Items 100 & 101)       | A   |
| 100  | 4460897     | 1   | Connector  |     |
| 100  | 4460464     | 2   | Terminal   |     |
| 101  | 4460891     | 1   | Connector  |     |
| 101  | 4460465     | 2   | Terminal   |     |

## SECTION 3 - ENGINE

FIGURE 3-40. PISTON PUMP AND FITTINGS ASSEMBLY



ART\_1001287030

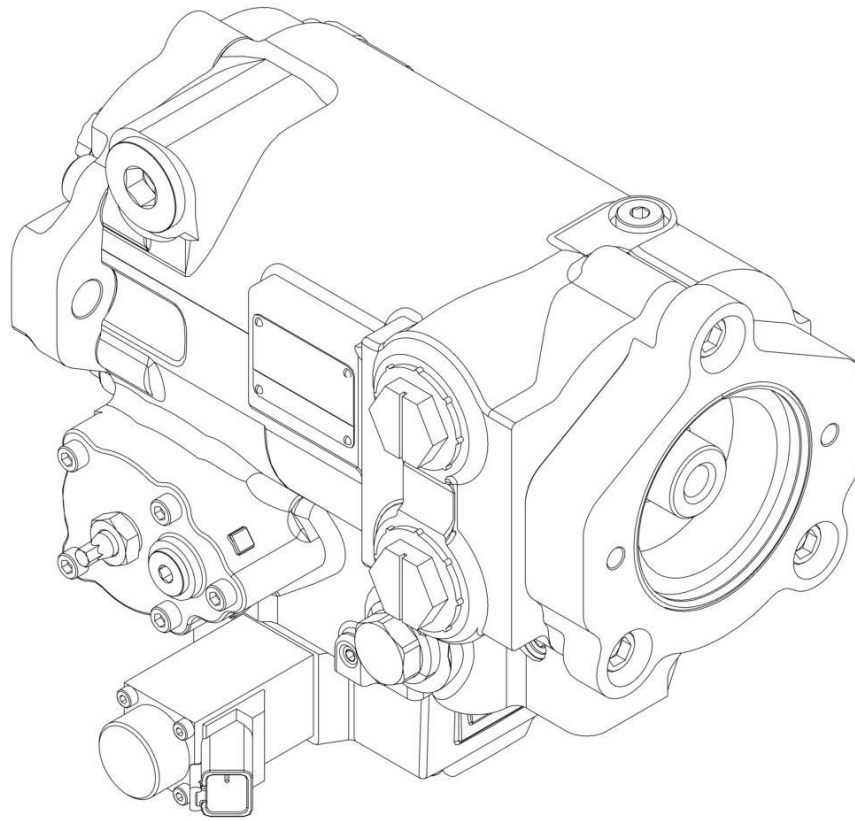
## SECTION 3 - ENGINE

### FIGURE 3-40. PISTON PUMP AND FITTINGS ASSEMBLY

| ITEM | PART NUMBER | QTY | DESCRIPTION  | REV |
|------|-------------|-----|--|-----|
|      | 1001287030  | Ref | PISTON PUMP AND FITTINGS ASSEMBLY                    | A   |
|      | See Note    | Ref | Note: No Service Parts available at time of Printing |     |

## SECTION 3 - ENGINE

FIGURE 3-41. PISTON PUMP ASSEMBLY



ART\_1001287021

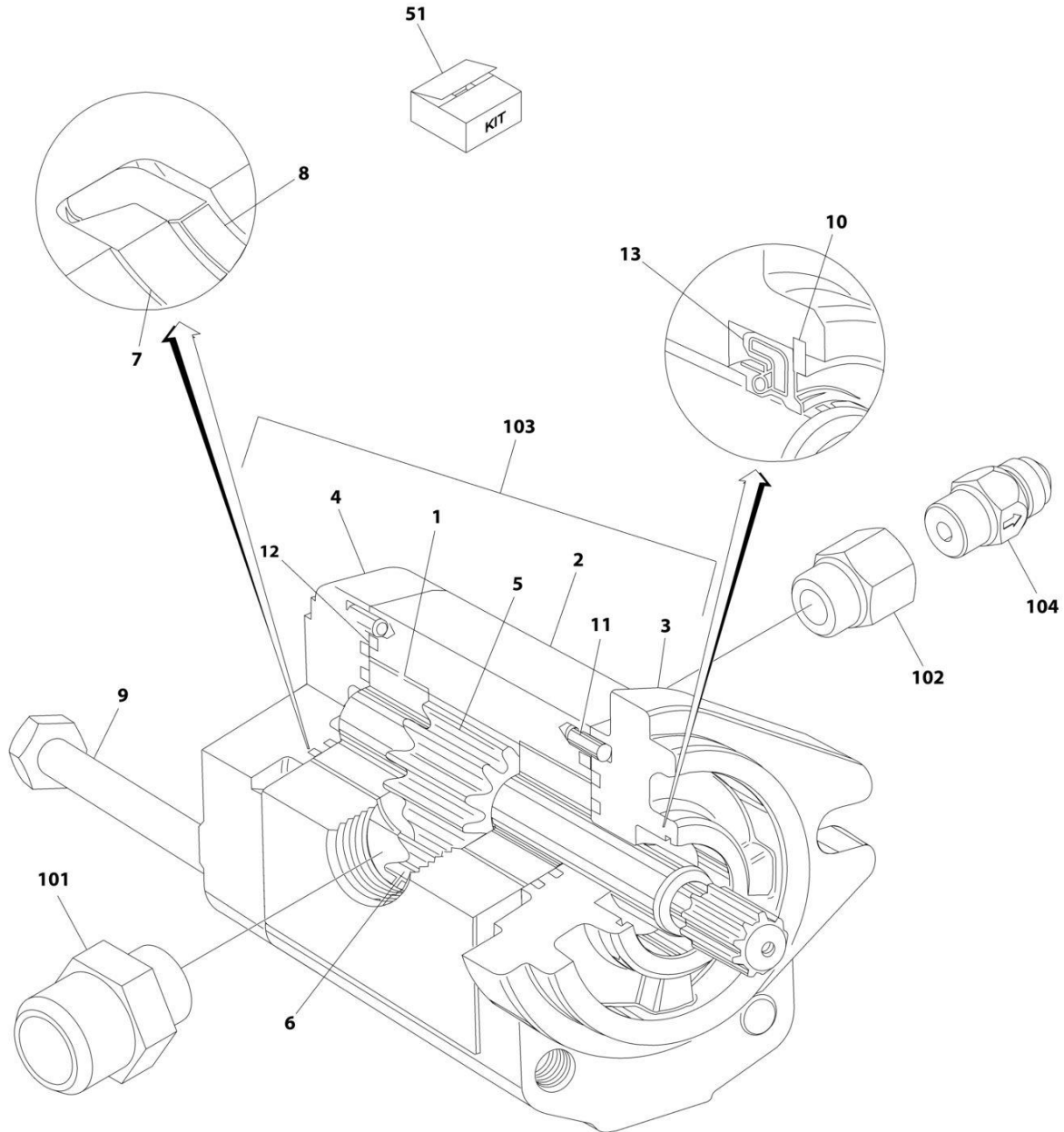


**FIGURE 3-41. PISTON PUMP ASSEMBLY**

| ITEM | PART NUMBER            | QTY        | DESCRIPTION  | REV |
|------|------------------------|------------|--|-----|
|      | 1001287021<br>See Note | Ref<br>Ref | PISTON PUMP<br>Note: No Service Parts Availabe at Time of Printing | A   |

# SECTION 3 - ENGINE

## FIGURE 3-42. GEAR PUMP ASSEMBLY



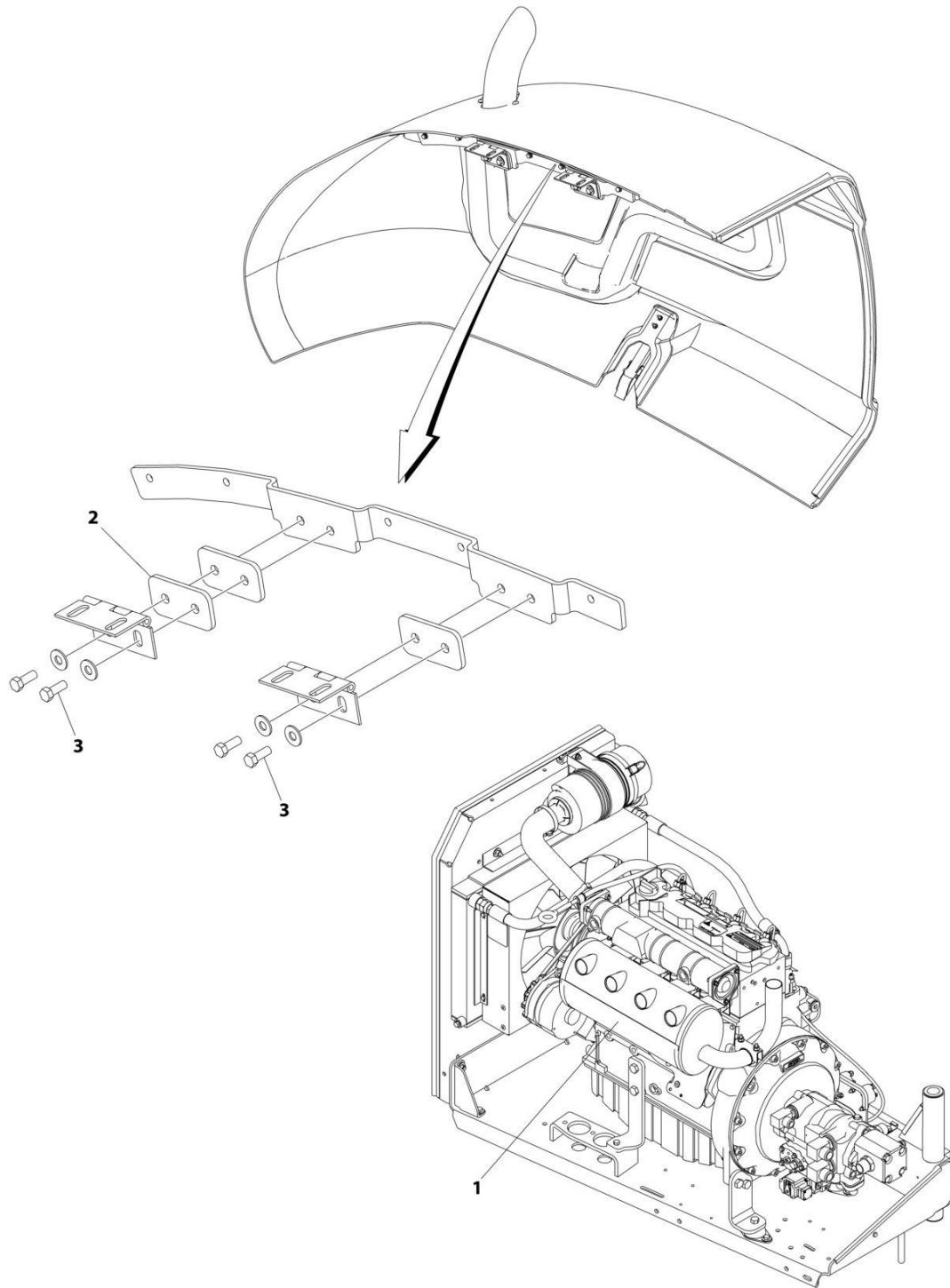
ART\_3600242

FIGURE 3-42. GEAR PUMP ASSEMBLY

| ITEM | PART NUMBER | QTY | DESCRIPTION                                   | REV |
|------|-------------|-----|---|-----|
|      | 3600242     | Ref | GEAR PUMP ASSEMBLY                            |     |
| 1    | 7010105     | 2   | Bearing/Bushing                               |     |
| 2    | See Note    | NSS | Housing (Note: Use Item 3600242)              |     |
| 3    | See Note    | NSS | Flange (Note: Use Item 3600242)               |     |
| 4    | 7010103     | 1   | Cover   |     |
| 5    | 7012987     | 1   | Gear, Drive                                   |     |
| 6    | 7012988     | 1   | Gear, Idler                                   |     |
| 7    | See Note    | NSS | Ring, Anti-Extrusion (Note: Use Item 51)      |     |
| 8    | See Note    | NSS | Seal (Note: Use Item 51)                      |     |
| 9    | See Note    | 4   | Bolt (Note: Not Available for Purchase)       |     |
| 10   | 7010104     | 1   | Ring, Retaining                               |     |
| 11   | See Note    | NSS | Pin, Dowel (Note: Not Available for Purchase) |     |
| 12   | See Note    | NSS | Seal, O-Ring (Note: Use Item 51)              |     |
| 13   | See Note    | NSS | Seal, Shaft (Note: Use Item 51)               |     |
| 51   | 7007489     | 1   | Seal Kit (Includes Items 7, 8, 12 & 13)       |     |
|      | 3600395     | Ref | GEAR PUMP AND FITTING ASSEMBLY                | B   |
| 101  | 2220376     | 1   | Fitting, Straight                             |     |
| 102  | 2220810     | 1   | Fitting, Reducer                              |     |
| 103  | 3600242     | 1   | Pump (Includes Items 1 - 13)                  |     |
| 104  | 4640744     | 1   | Fitting, Check Valve                          |     |

## SECTION 3 - ENGINE

FIGURE 3-43. SPARK ARRESTOR MUFFLER INSTALLATION - DEUTZ D2011 ENGINES



ART\_1001182906

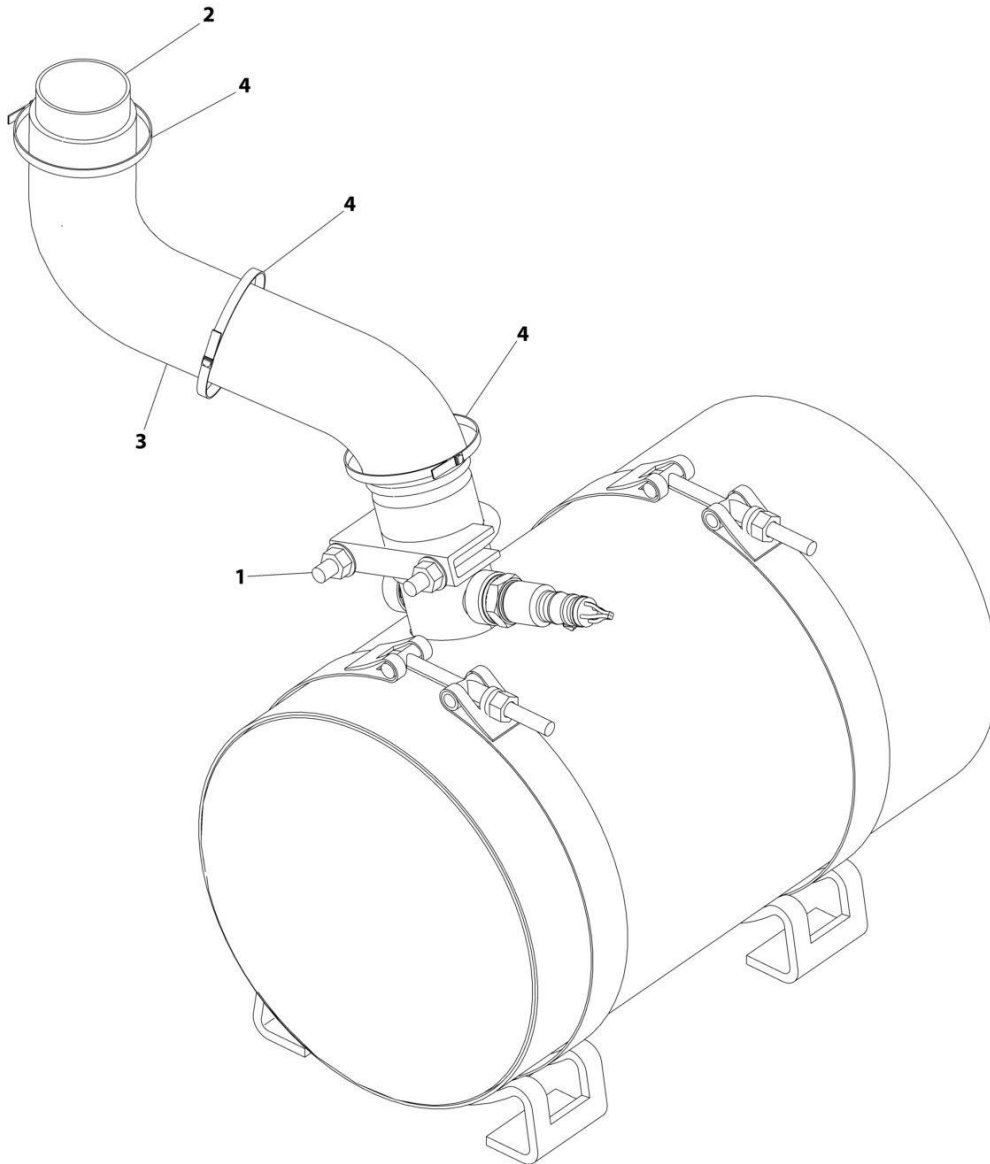
## SECTION 3 - ENGINE

**FIGURE 3-43. SPARK ARRESTOR MUFFLER INSTALLATION - DEUTZ D2011 ENGINES**

| ITEM | PART NUMBER | QTY | DESCRIPTION                         | REV |
|------|-------------|-----|-------------------------------------|-----|
|      | 1001182906  | Ref | MUFFLER INSTALLATION SPARK ARRESTOR | B   |
| 1    | 3220103     | 1   | Muffler                             |     |
| 2    | 1001169610  | 1   | Spacer                              |     |
| 3    | 0641608     | 4   | Bolt 3/8 x 1                        |     |

# SECTION 3 - ENGINE

## FIGURE 3-44. EXHAUST PIPE INSTALLATION - FORD ENGINES



ART\_1001220215

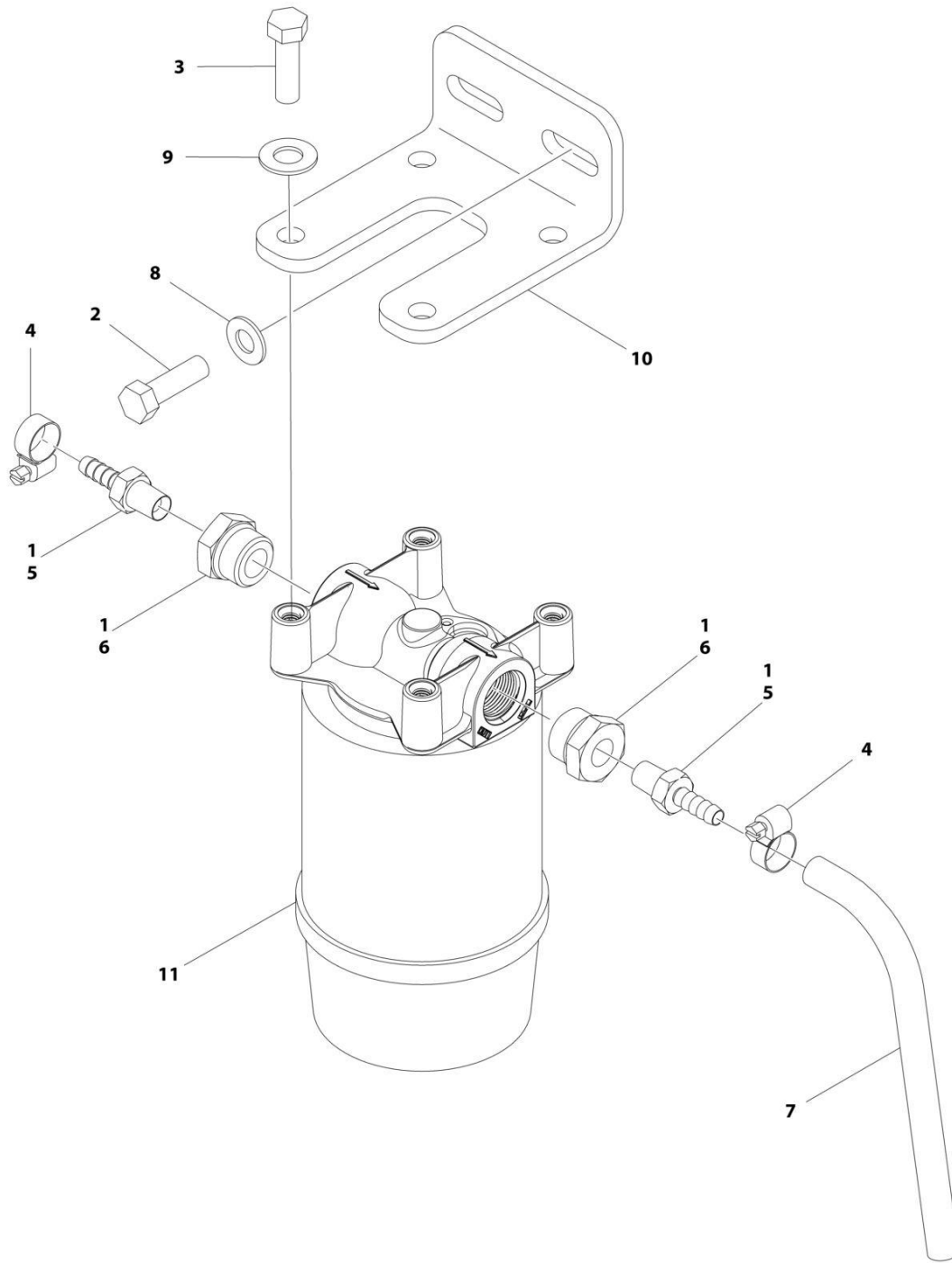
## SECTION 3 - ENGINE

### FIGURE 3-44. EXHAUST PIPE INSTALLATION - FORD ENGINES

| ITEM | PART NUMBER | QTY | DESCRIPTION               | REV |
|------|-------------|-----|---------------------------|-----|
|      | 1001220215  | Ref | EXHAUST PIPE INSTALLATION | B   |
| 1    | 1001221397  | 1   | Clamp                     |     |
| 2    | 1001216160  | 1   | Pipe, Tail                |     |
| 3    | 1001216536  | 1   | Insulate                  |     |
| 4    | 1001100825  | 3   | Strap                     |     |

# SECTION 3 - ENGINE

## FIGURE 3-45. FUEL-WATER SEPARATOR INSTALLATION - DEUTZ D2011 ENGINES (OPTIONAL)



ART\_1001199784



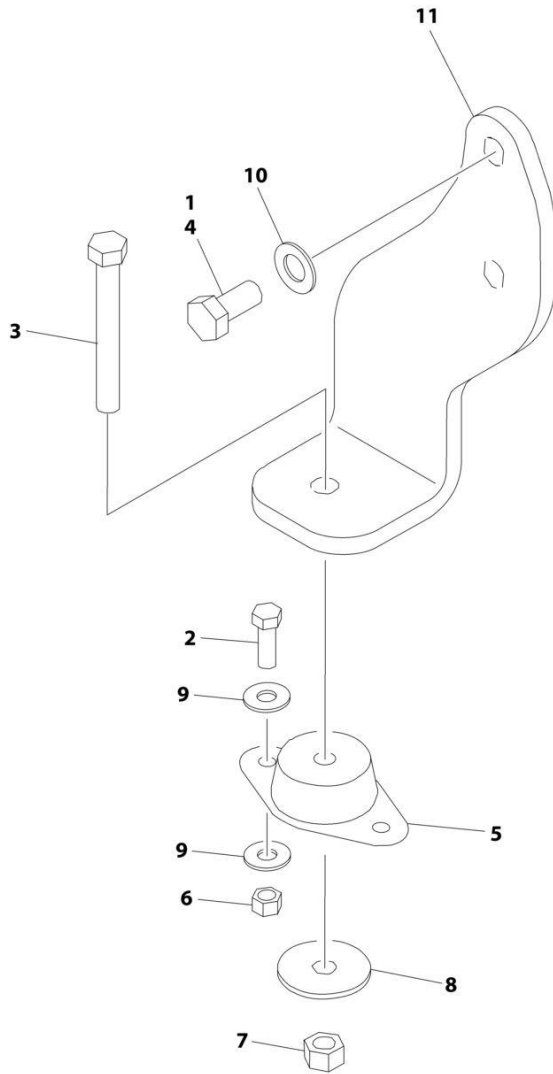
## SECTION 3 - ENGINE

**FIGURE 3-45. FUEL-WATER SEPARATOR INSTALLATION - DEUTZ D2011 ENGINES (OPTIONAL)**

| ITEM | PART NUMBER | QTY            | DESCRIPTION                       | REV |
|------|-------------|----------------|-----------------------------------|-----|
|      | 1001199784  | Ref            | FUEL-WATER SEPARATOR INSTALLATION | A   |
| 1    | 0100079     | AR             | Sealant                           |     |
| 2    | 0641607     | 2              | Bolt 3/8 x 7/8                    |     |
| 3    | 0641610     | 4              | Bolt 3/8 x 1-1/4                  |     |
| 4    | 1320022     | 2              | Clamp                             |     |
| 5    | 2180348     | 2              | Fitting, Straight                 |     |
| 6    | 2220816     | 2              | Fitting, Straight                 |     |
| 7    | 2720058     | 12 in<br>/31cm | Hose                              |     |
| 8    | 4711600     | 2              | Washer 3/8                        |     |
| 9    | 4711700     | 4              | Washer 7/16                       |     |
| 10   | 1001188884  | 1              | Bracket                           |     |
| 11   | 1001188887  | 1              | Fuel/Water Separator Assembly     |     |
| 11   | 1001202280  | 1              | Head                              |     |
| 11   | 1001202281  | 1              | Element                           |     |

# SECTION 3 - ENGINE

FIGURE 3-46. RIGHT ENGINE SUPPORT INSTALLATION (DEUTZ D2011 ENGINES MACHINES WITHOUT GENERATORS)



ART\_1001151253

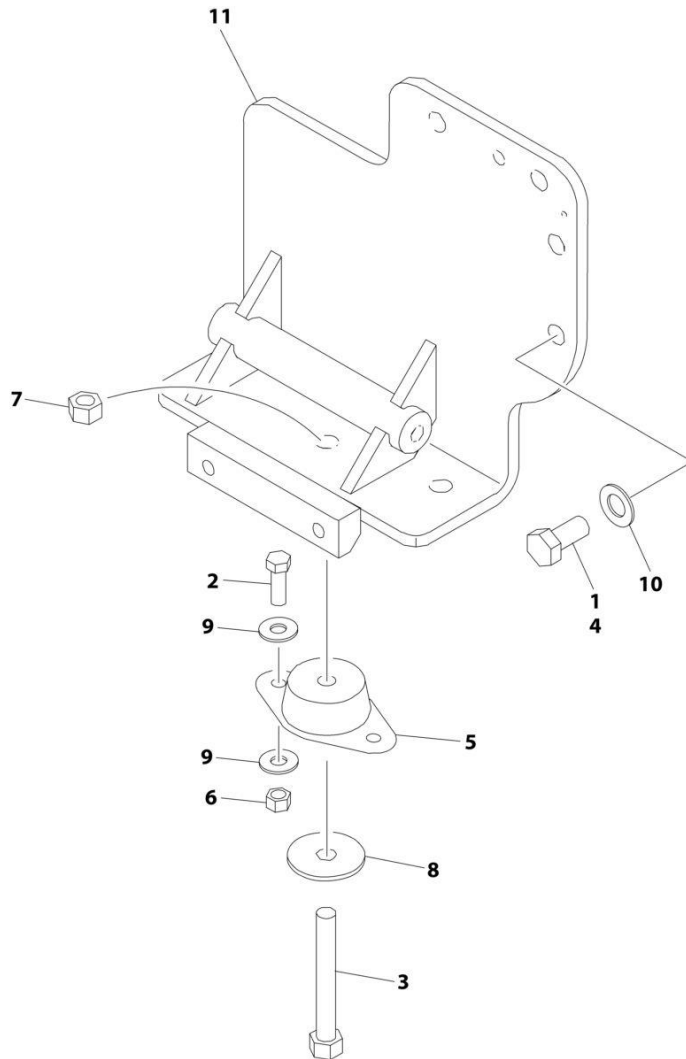
## SECTION 3 - ENGINE

**FIGURE 3-46. RIGHT ENGINE SUPPORT INSTALLATION (DEUTZ D2011 ENGINES MACHINES WITHOUT GENERATORS)**

| ITEM | PART NUMBER | QTY | DESCRIPTION                       | REV |
|------|-------------|-----|-----------------------------------|-----|
|      | 1001151253  | Ref | RIGHT ENGINE SUPPORT INSTALLATION | A   |
| 1    | 0100011     | AR  | Compound, Locking                 |     |
| 2    | 0641609     | 2   | Bolt 3/8 x 1-1/8                  |     |
| 3    | 0641820     | 1   | Bolt 1/2 x 2-1/2                  |     |
| 4    | 0711414     | 2   | Bolt M14 x 30 Grade 10.9          |     |
| 5    | 3200401     | 1   | Mount, Motor                      |     |
| 6    | 3311605     | 2   | Nut 3/8                           |     |
| 7    | 3311805     | 1   | Nut 1/2                           |     |
| 8    | 4740274     | 1   | Washer                            |     |
| 9    | 4751600     | 4   | Washer 3/8                        |     |
| 10   | 4812200     | 2   | Washer M14                        |     |
| 11   | 1001149703  | 1   | Support, Engine (Right Front)     |     |

# SECTION 3 - ENGINE

FIGURE 3-47. RIGHT ENGINE SUPPORT INSTALLATION (DEUTZ D2011 ENGINES MACHINES WITH GENERATORS)



ART\_1001151252

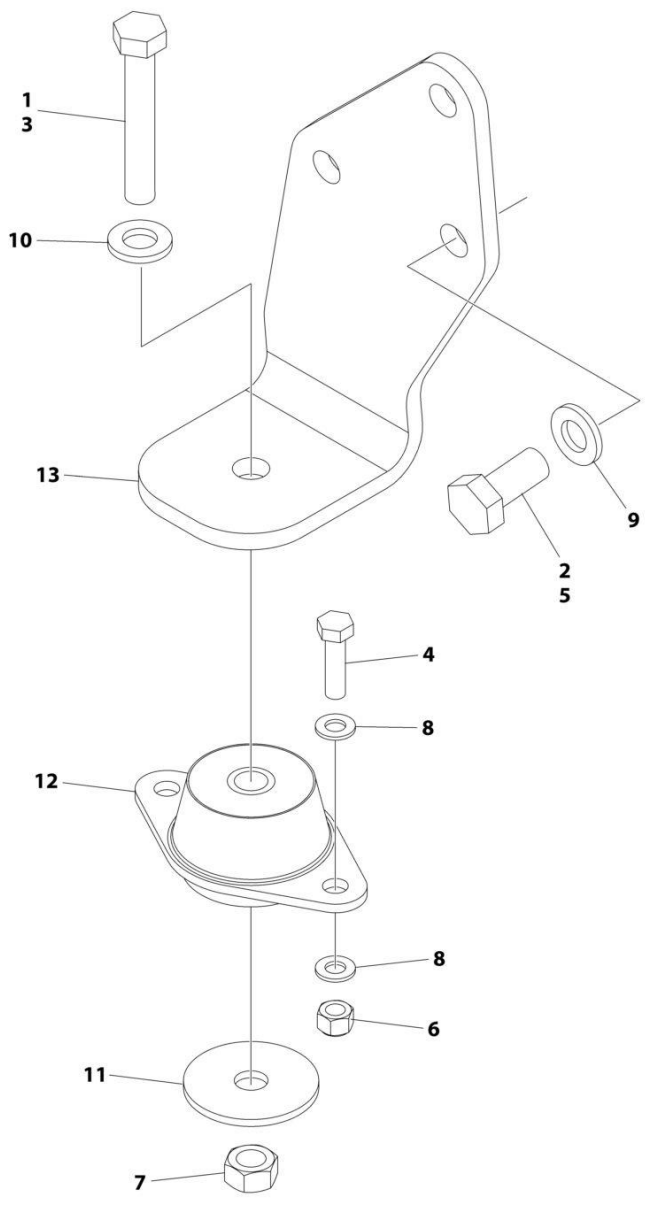
## SECTION 3 - ENGINE

**FIGURE 3-47. RIGHT ENGINE SUPPORT INSTALLATION (DEUTZ D2011 ENGINES MACHINES WITH GENERATORS)**

| ITEM | PART NUMBER | QTY | DESCRIPTION                       | REV |
|------|-------------|-----|-----------------------------------|-----|
|      | 1001151252  | Ref | RIGHT ENGINE SUPPORT INSTALLATION | B   |
| 1    | 0100011     | AR  | Compound, Locking                 |     |
| 2    | 0641609     | 2   | Bolt 3/8 x 1-1/8                  |     |
| 3    | 0641818     | 1   | Bolt 1/2 x 2-1/2                  |     |
| 4    | 0711414     | 3   | Bolt M14 x 30 Grade 10.9          |     |
| 5    | 3200401     | 1   | Mount, Motor                      |     |
| 6    | 3311605     | 2   | Nut 3/8                           |     |
| 7    | 3311805     | 1   | Nut 1/2                           |     |
| 8    | 4740274     | 1   | Washer                            |     |
| 9    | 4751600     | 4   | Washer 3/8                        |     |
| 10   | 4812200     | 3   | Washer M14                        |     |
| 11   | 1001150890  | 1   | Support, Engine (Right Front)     |     |

# SECTION 3 - ENGINE

## FIGURE 3-48. RIGHT ENGINE SUPPORT INSTALLATION (DEUTZ TD2.2L3 ENGINES MACHINES WITHOUT GENERATORS)



ART\_1001255419

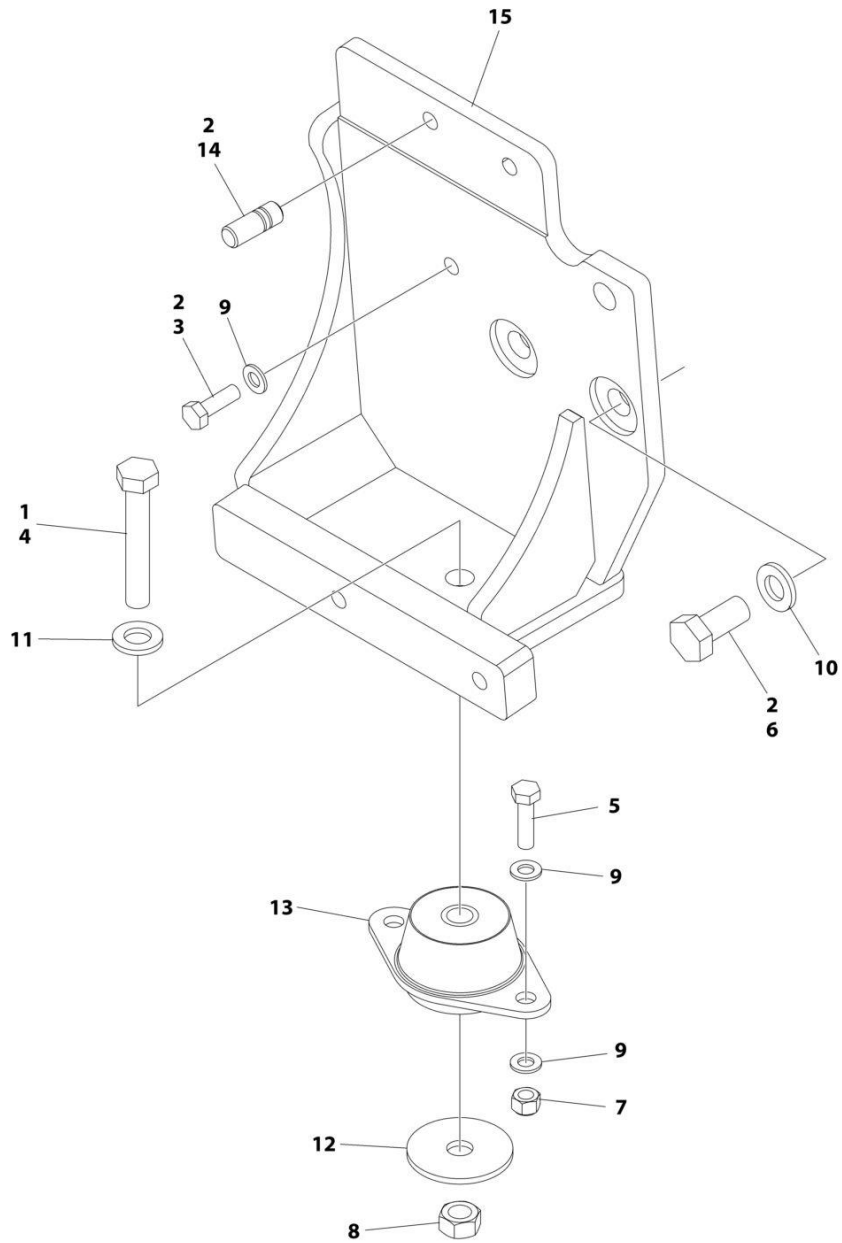
## SECTION 3 - ENGINE

**FIGURE 3-48. RIGHT ENGINE SUPPORT INSTALLATION (DEUTZ TD2.2L3 ENGINES MACHINES WITHOUT GENERATORS)**

| ITEM | PART NUMBER | QTY | DESCRIPTION                       | REV |
|------|-------------|-----|-----------------------------------|-----|
|      | 1001255419  | Ref | RIGHT ENGINE SUPPORT INSTALLATION | B   |
| 1    | 0100011     | AR  | Compound, Locking                 |     |
| 2    | 0100019     | AR  | Compound, Locking                 |     |
| 3    | 0711223     | 1   | Bolt M12 x 75                     |     |
| 4    | 0700814     | 2   | Bolt M8 x 30                      |     |
| 5    | 0771414     | 3   | Bolt M14 x 30                     |     |
| 6    | 3290805     | 2   | Nut M8                            |     |
| 7    | 3331211     | 1   | Nut M12                           |     |
| 8    | 4811900     | 4   | Washer M8                         |     |
| 9    | 4812200     | 3   | Washer M14                        |     |
| 10   | 5241200     | 1   | Washer M12 Hardened               |     |
| 11   | 1001168018  | 1   | Washer, Snubbing                  |     |
| 12   | 1001166718  | 1   | Mount, Motor                      |     |
| 13   | 1001249986  | 1   | Support, Engine (Right Front)     |     |

# SECTION 3 - ENGINE

## FIGURE 3-49. RIGHT ENGINE SUPPORT INSTALLATION (DEUTZ TD2.2L3 ENGINES MACHINES WITH GENERATORS)



ART\_1001255418



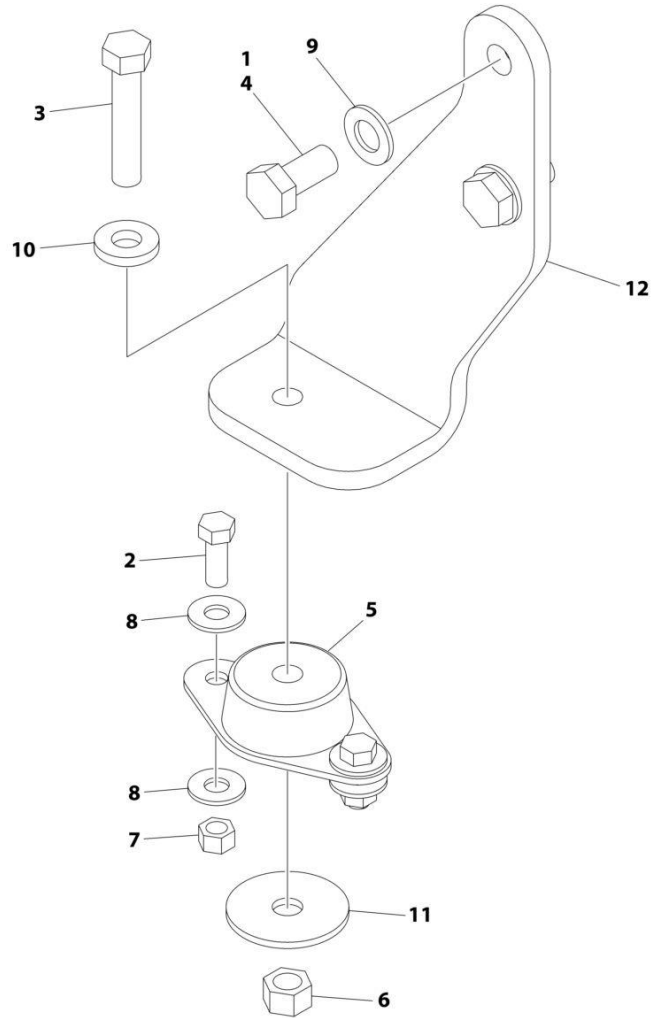
## SECTION 3 - ENGINE

**FIGURE 3-49. RIGHT ENGINE SUPPORT INSTALLATION (DEUTZ TD2.2L3 ENGINES MACHINES WITH GENERATORS)**

| ITEM | PART NUMBER | QTY | DESCRIPTION                       | REV |
|------|-------------|-----|-----------------------------------|-----|
|      | 1001255418  | Ref | RIGHT ENGINE SUPPORT INSTALLATION | B   |
| 1    | 0100011     | AR  | Compound, Locking                 |     |
| 2    | 0100019     | AR  | Compound, Locking                 |     |
| 3    | 0700812     | 1   | Bolt M8 x 25                      |     |
| 4    | 0711223     | 1   | Bolt M12 x 75                     |     |
| 5    | 0700814     | 2   | Bolt M8 x 30                      |     |
| 6    | 0771414     | 3   | Bolt M14 x 30                     |     |
| 7    | 3290805     | 2   | Nut M8                            |     |
| 8    | 3331211     | 1   | Nut M12                           |     |
| 9    | 4811900     | 5   | Washer M8                         |     |
| 10   | 4812200     | 3   | Washer M14                        |     |
| 11   | 5241200     | 1   | Washer M12 Hardened               |     |
| 12   | 1001168018  | 1   | Washer, Snubbing                  |     |
| 13   | 1001166718  | 1   | Mount, Motor                      |     |
| 14   | 1001196382  | 1   | Stud                              |     |
| 15   | 1001247178  | 1   | Support, Engine (Right Front)     |     |

# SECTION 3 - ENGINE

FIGURE 3-50. RIGHT ENGINE SUPPORT INSTALLATION (DEUTZ TD2.9L4 ENGINES MACHINES WITHOUT GENERATORS)



ART\_1001177043

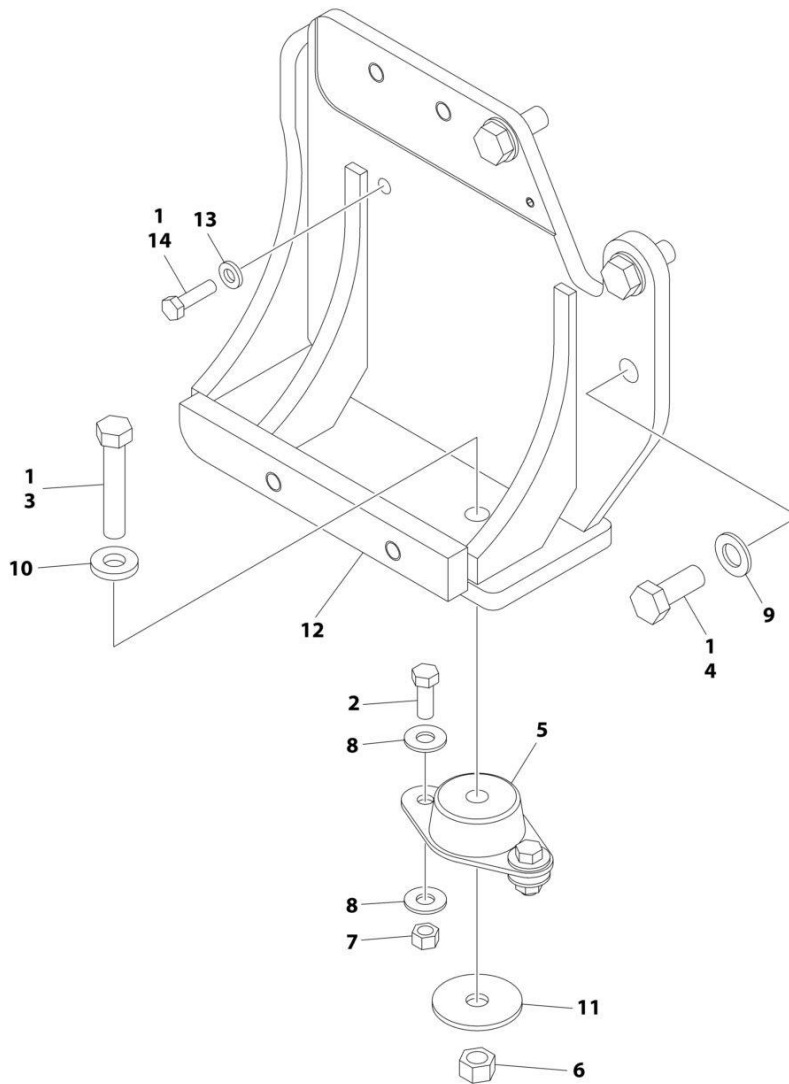
## SECTION 3 - ENGINE

**FIGURE 3-50. RIGHT ENGINE SUPPORT INSTALLATION (DEUTZ TD2.9L4 ENGINES MACHINES WITHOUT GENERATORS)**

| ITEM | PART NUMBER | QTY | DESCRIPTION                       | REV |
|------|-------------|-----|-----------------------------------|-----|
|      | 1001177043  | Ref | RIGHT ENGINE SUPPORT INSTALLATION | A   |
| 1    | 0100011     | AR  | Compound, Locking                 |     |
| 2    | 0641608     | 2   | Bolt 3/8 x 1                      |     |
| 3    | 0681820     | 1   | Bolt 1/2 x 2-1/2                  |     |
| 4    | 0771414     | 2   | Bolt M14 x 30 Grade 10.9          |     |
| 5    | 3200401     | 1   | Mount, Motor                      |     |
| 6    | 3271801     | 1   | Nut 1/2                           |     |
| 7    | 3311605     | 2   | Nut 3/8                           |     |
| 8    | 4751600     | 4   | Washer 3/8                        |     |
| 9    | 4812200     | 2   | Washer M14                        |     |
| 10   | 4891800     | 1   | Washer 1/2 Hardened               |     |
| 11   | 1001139409  | 1   | Washer, Snubbing                  |     |
| 12   | 1001177038  | 1   | Support, Engine (Right Front)     |     |

# SECTION 3 - ENGINE

## FIGURE 3-51. RIGHT ENGINE SUPPORT INSTALLATION (DEUTZ TD2.9L4 ENGINES MACHINES WITH GENERATORS)



ART\_1001177399

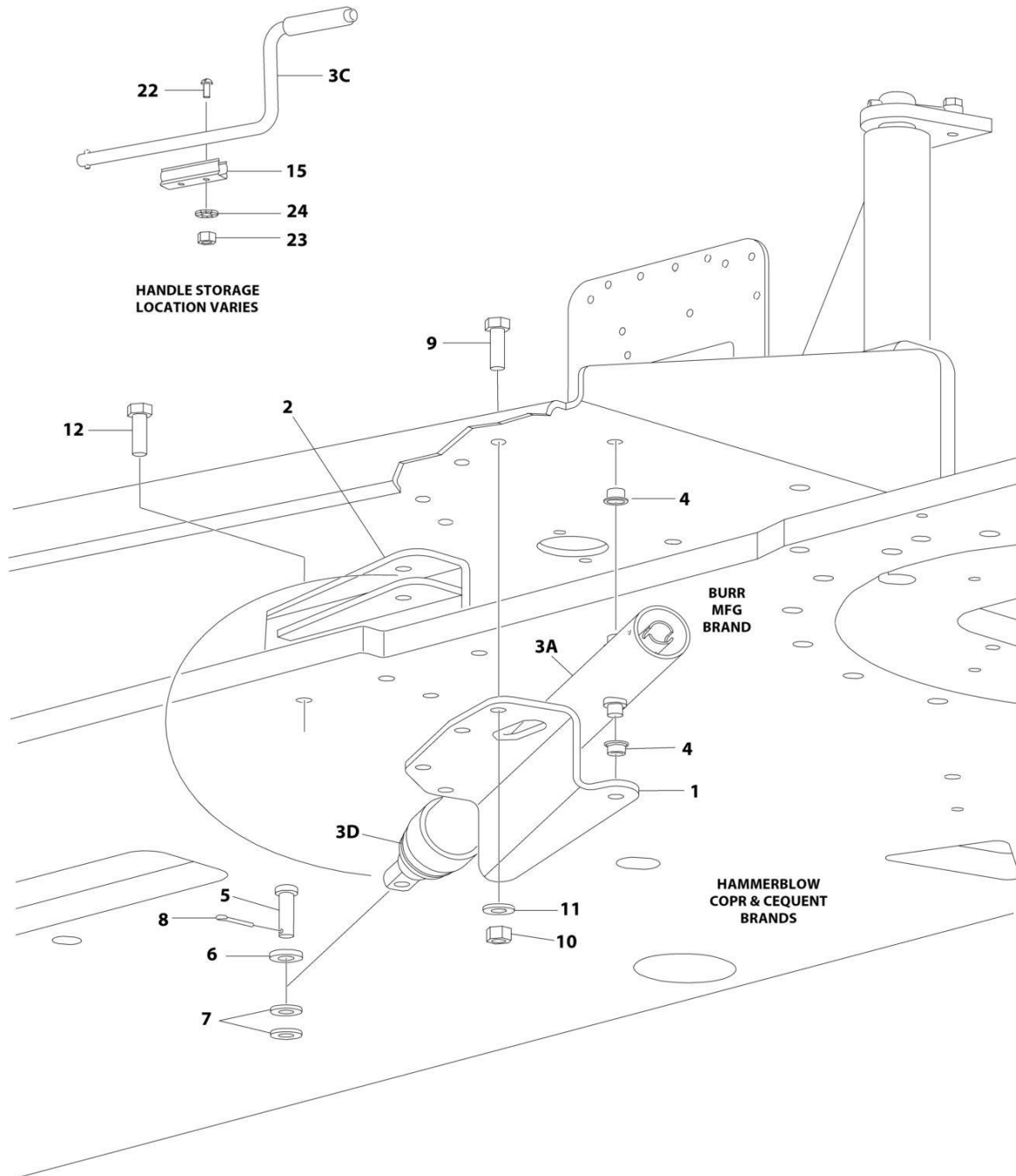
## SECTION 3 - ENGINE

**FIGURE 3-51. RIGHT ENGINE SUPPORT INSTALLATION (DEUTZ TD2.9L4 ENGINES MACHINES WITH GENERATORS)**

| ITEM | PART NUMBER | QTY | DESCRIPTION                       | REV |
|------|-------------|-----|-----------------------------------|-----|
|      | 1001177399  | Ref | RIGHT ENGINE SUPPORT INSTALLATION | B   |
| 1    | 0100011     | AR  | Compound, Locking                 |     |
| 2    | 0641608     | 2   | Bolt 3/8 x 1                      |     |
| 3    | 0681822     | 1   | Bolt 1/2 x 2-3/4 Grade 8          |     |
| 4    | 0771415     | 3   | Bolt M14 x 35                     |     |
| 5    | 3200401     | 1   | Mount, Motor                      |     |
| 6    | 3271801     | 1   | Nut 1/2 Grade 8                   |     |
| 7    | 3311605     | 2   | Nut 3/8                           |     |
| 8    | 4751600     | 4   | Washer 3/8                        |     |
| 9    | 4812200     | 2   | Washer M14                        |     |
| 10   | 4891800     | 1   | Washer 1/2 Hardened               |     |
| 11   | 1001139409  | 1   | Washer, Snubbing                  |     |
| 12   | 1001202368  | 1   | Support, Engine (Right Front)     |     |
| 13   | 5240800     | 1   | Washer M8 Hardened                |     |
| 14   | 0700814     | 1   | Bolt M8 x 30                      |     |

# SECTION 3 - ENGINE

## FIGURE 3-52. ENGINE TRAY JACK INSTALLATION - DEUTZ D2011 ENIGNES



ART\_0255880

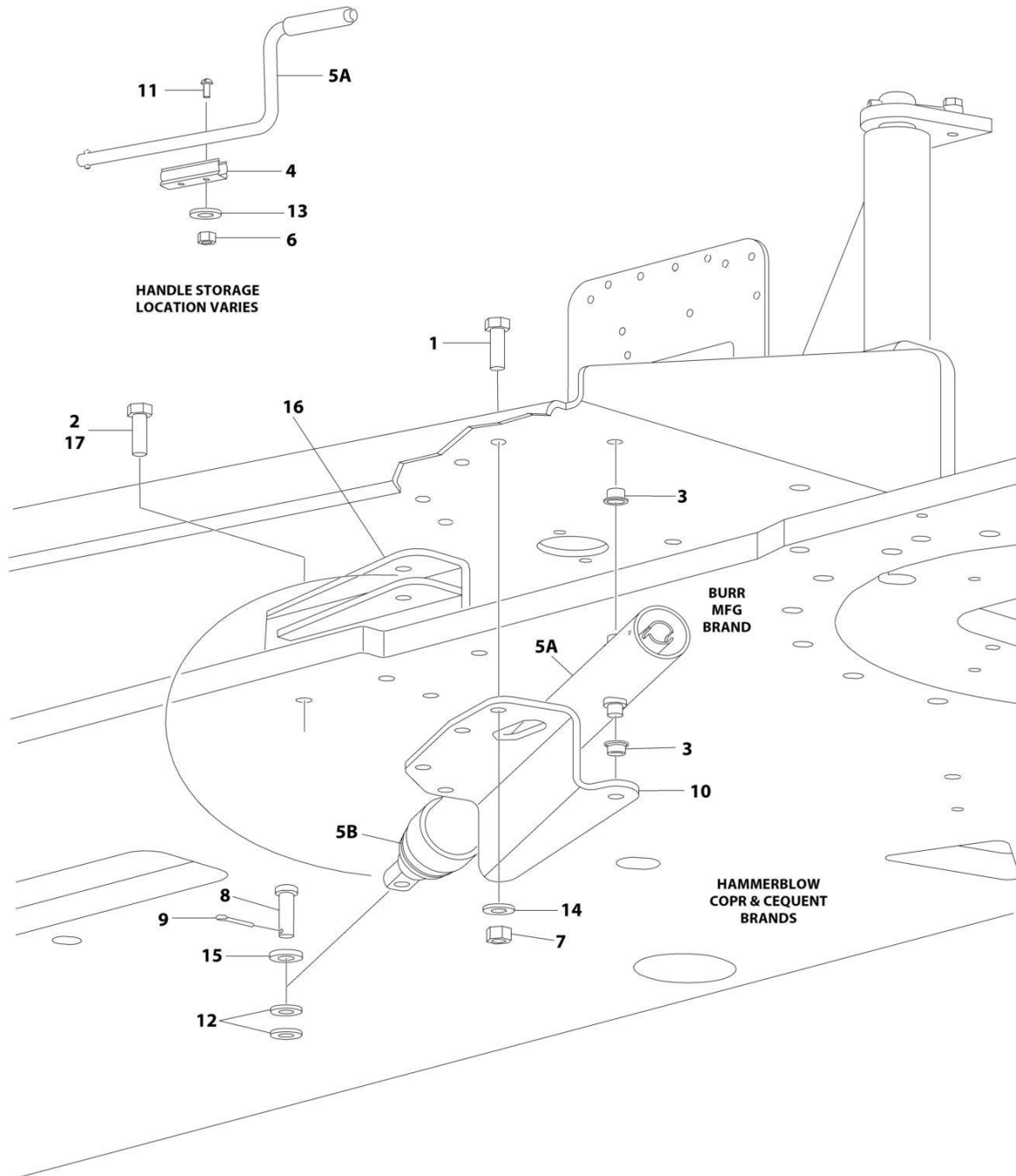
## SECTION 3 - ENGINE

**FIGURE 3-52. ENGINE TRAY JACK INSTALLATION - DEUTZ D2011 ENIGNES**

| ITEM | PART NUMBER | QTY | DESCRIPTION                           | REV |
|------|-------------|-----|---------------------------------------|-----|
|      | 0255880     | Ref | ENGINE TRAY JACK INSTALLATION         | 6-H |
| 1    | 3537445     | 1   | Bracket                               |     |
| 2    | 4845163     | 1   | Bracket                               |     |
| 3    | 2840018     | 1   | Hydraulic Jack Assembly (Not Shown)   |     |
| 3A   |             | Ref | Burr Manufacturing Brand              |     |
| 3B   |             | Ref | Hammer blow Corp and Cequent Brands   |     |
| 3C   |             | Ref | Handle Options:                       |     |
| 3C   | 7016374     | 1   | Burr Manufacturing Brand              |     |
| 3C   | 7024598     | 1   | Hammer blow Corp and Cequent Brands   |     |
| 3D   | 7016322     | 1   | Wiper (Burr Manufacturing Brand Only) |     |
| 4    | 0962051     | 2   | Bushing, Flanged                      |     |
| 5    | 3430816     | 1   | Pin, Clevis                           |     |
| 6    | 4891800     | 1   | Washer 1/2 Hardened                   |     |
| 7    | 4711800     | 2   | Washer 1/2                            |     |
| 8    | 3450404     | 1   | Pin, Cotter 1/8 x 1                   |     |
| 9    | 0641609     | 4   | Bolt 3/8 x 1-1/8                      |     |
| 10   | 3311605     | 4   | Nut 3/8                               |     |
| 11   | 4891600     | 4   | Washer 3/8                            |     |
| 12   | 0641810     | 4   | Bolt 1/2 x 1-1/4                      |     |
| 15   | 1380147     | 1   | Clip, Spring                          |     |
| 22   | 3910608     | 2   | Screw #6 x 1                          |     |
| 23   | 3310601     | 2   | Nut #6                                |     |
| 24   | 4770600     | 2   | Washer #6                             |     |

# SECTION 3 - ENGINE

## FIGURE 3-53. ENGINE TRAY JACK INSTALLATION - DEUTZ TD2.9L4 & TD2.2L3 STAGE V ENGINES



ART\_1001137891



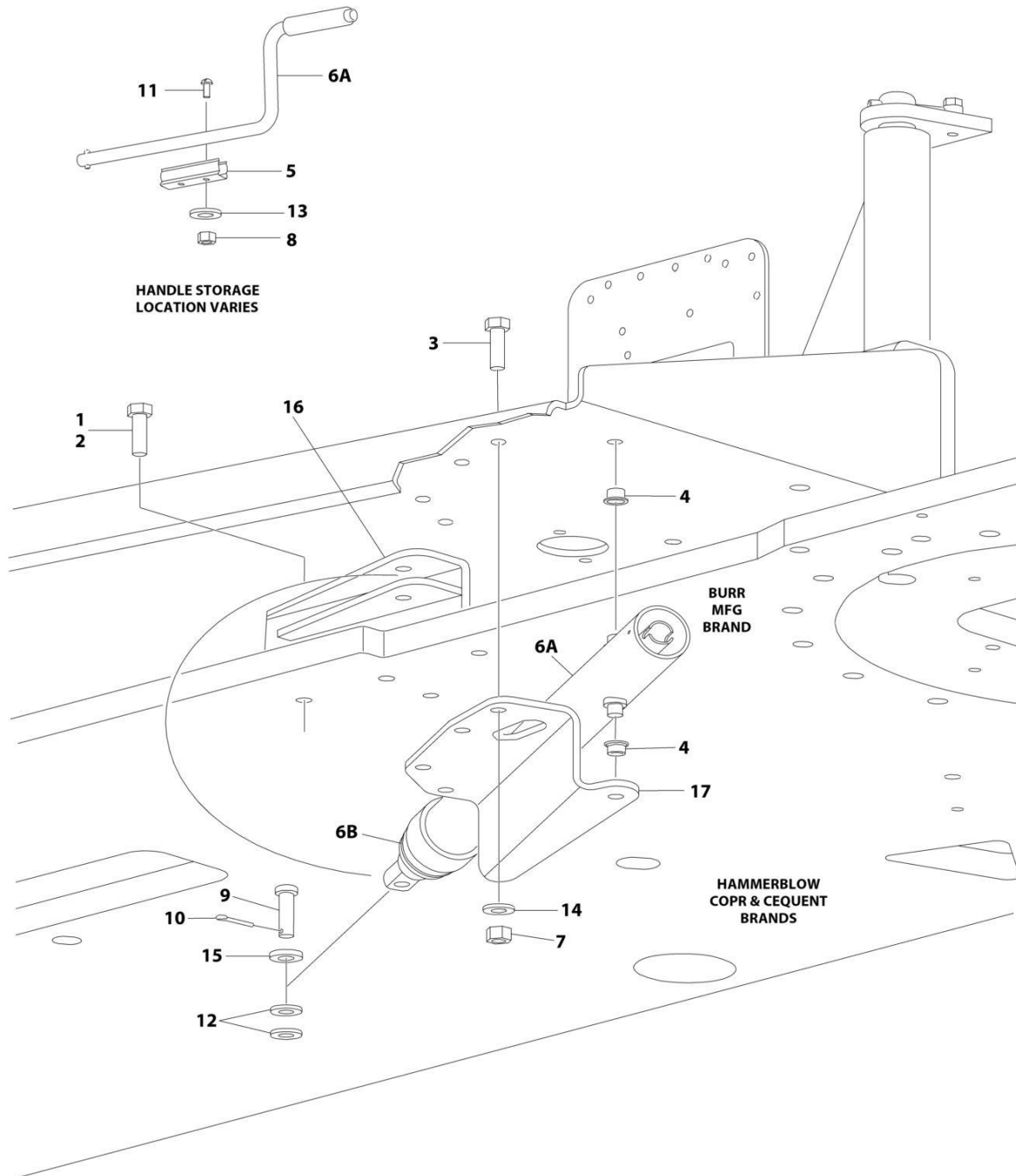
## SECTION 3 - ENGINE

**FIGURE 3-53. ENGINE TRAY JACK INSTALLATION - DEUTZ TD2.9L4 & TD2.2L3 STAGE V ENGINES**

| ITEM | PART NUMBER | QTY | DESCRIPTION                           | REV |
|------|-------------|-----|---------------------------------------|-----|
|      | 1001137891  | Ref | ENGINE TRAY JACK INSTALLATION         | B   |
| 1    | 0641609     | 4   | Bolt 3/8 x 1-1/8                      |     |
| 2    | 0641810     | 4   | Bolt 1/2 x 1-1/4                      |     |
| 3    | 0962051     | 2   | Bushing, Flanged                      |     |
| 4    | 1380147     | 1   | Clip, Spring                          |     |
| 5    | 2840016     | 1   | Jack and Handle Assembly (Not Shown)  |     |
| 5A   |             | Ref | Handle Options:                       |     |
| 5A   | 7016374     | 1   | Burr Manufacturing Brand              |     |
| 5A   | 7024598     | 1   | Hammer blow Corp Brand                |     |
| 5B   | 7016322     | 1   | Wiper (Burr Manufacturing Brand Only) |     |
| 6    | 3310601     | 2   | Nut #6                                |     |
| 7    | 3311605     | 4   | Nut 3/8                               |     |
| 8    | 3430816     | 1   | Pin, Clevis                           |     |
| 9    | 3450404     | 1   | Pin, Cotter 1/8 x 1                   |     |
| 10   | 3537445     | 1   | Bracket                               |     |
| 11   | 3910608     | 2   | Screw #6 x 1                          |     |
| 12   | 4711800     | 6   | Washer 1/2                            |     |
| 13   | 4770600     | 2   | Washer #6                             |     |
| 14   | 4891600     | 4   | Washer 3/8                            |     |
| 15   | 4891800     | 1   | Washer 1/2 Hardened                   |     |
| 16   | 1001137892  | 1   | Bracket                               |     |
| 17   | 0100011     | AR  | Compound, Locking                     |     |

# SECTION 3 - ENGINE

## FIGURE 3-54. ENGINE TRAY JACK INSTALLATION - FORD ENIGNES



ART\_1001218548

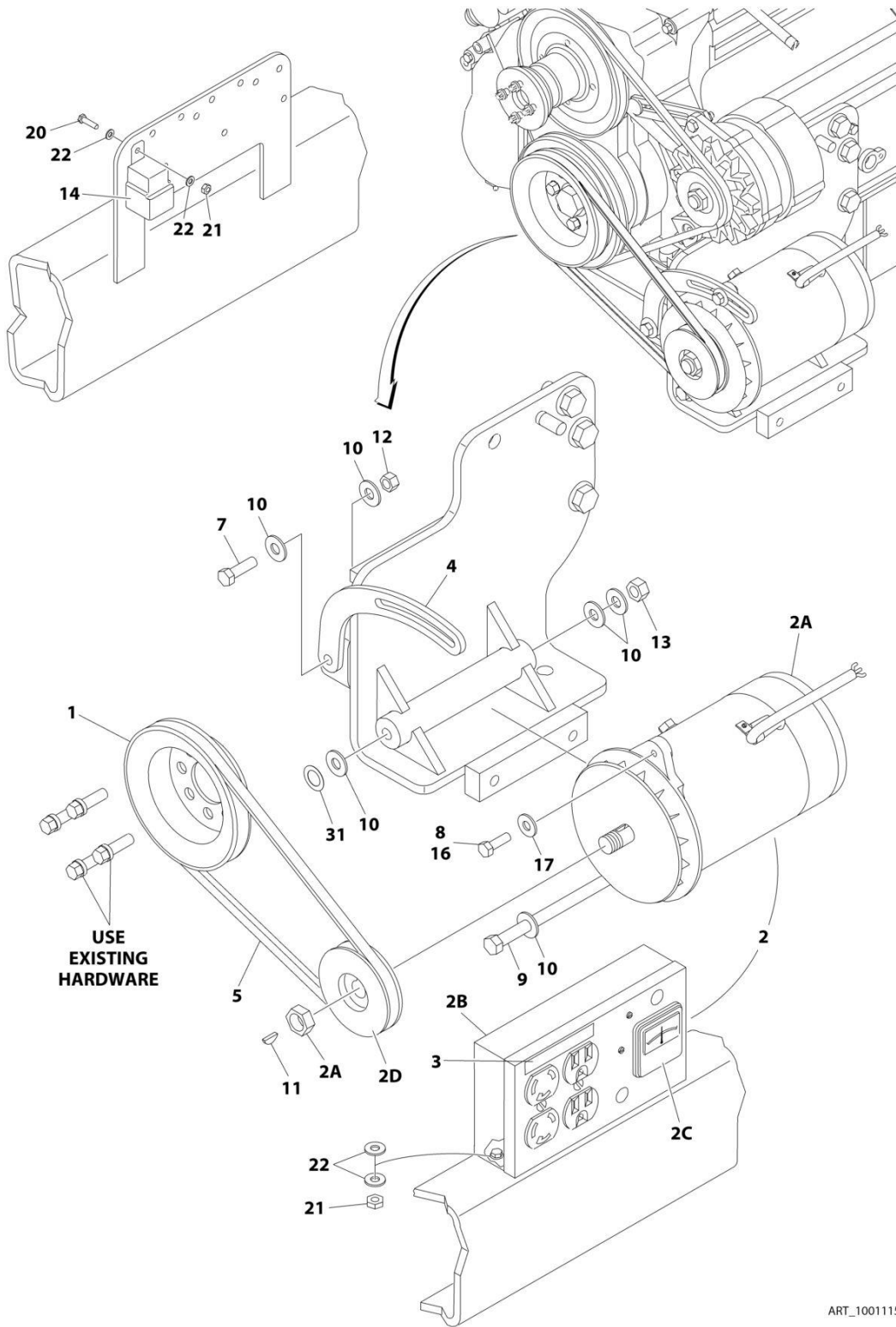
## SECTION 3 - ENGINE

**FIGURE 3-54. ENGINE TRAY JACK INSTALLATION - FORD ENIGNES**

| ITEM | PART NUMBER | QTY | DESCRIPTION                           | REV |
|------|-------------|-----|---------------------------------------|-----|
|      | 1001218548  | Ref | ENGINE TRAY JACK INSTALLATION         | A   |
| 1    | 0100011     | AR  | Compound, Locking                     |     |
| 2    | 0641810     | 4   | Bolt 1/2 x 1-1/4                      |     |
| 3    | 0761014     | 3   | Bolt M10 x 30                         |     |
| 4    | 0962051     | 2   | Bushing, Flanged                      |     |
| 5    | 1380147     | 1   | Clip, Spring                          |     |
| 6    | 2840016     | 1   | Jack and Handle Assembly (Not Shown)  |     |
| 6A   |             | Ref | Handle Options:                       |     |
| 6A   | 7016374     | 1   | Burr Manufacturing Brand              |     |
| 6A   | 7024598     | 1   | Hammer blow Corp Brand                |     |
| 6B   | 7016322     | 1   | Wiper (Burr Manufacturing Brand Only) |     |
| 7    | 3291007     | 3   | Nut M10                               |     |
| 8    | 3310601     | 2   | Nut #6                                |     |
| 9    | 3430816     | 1   | Pin, Clevis                           |     |
| 10   | 3450404     | 1   | Pin, Cotter 1/8 x 1                   |     |
| 11   | 3910608     | 2   | Screw #6 x 1                          |     |
| 12   | 4711800     | 6   | Washer 1/2                            |     |
| 13   | 4770600     | 2   | Washer #6                             |     |
| 14   | 4812000     | 6   | Washer M10                            |     |
| 15   | 4891800     | 1   | Washer 1/2 Hardened                   |     |
| 16   | 1001137892  | 1   | Bracket                               |     |
| 17   | 1001218547  | 1   | Bracket                               |     |

# SECTION 3 - ENGINE

## FIGURE 3-55. 2500W/110V/60HZ GENERATOR INSTALLATION - DEUTZ D2011 ENGINES



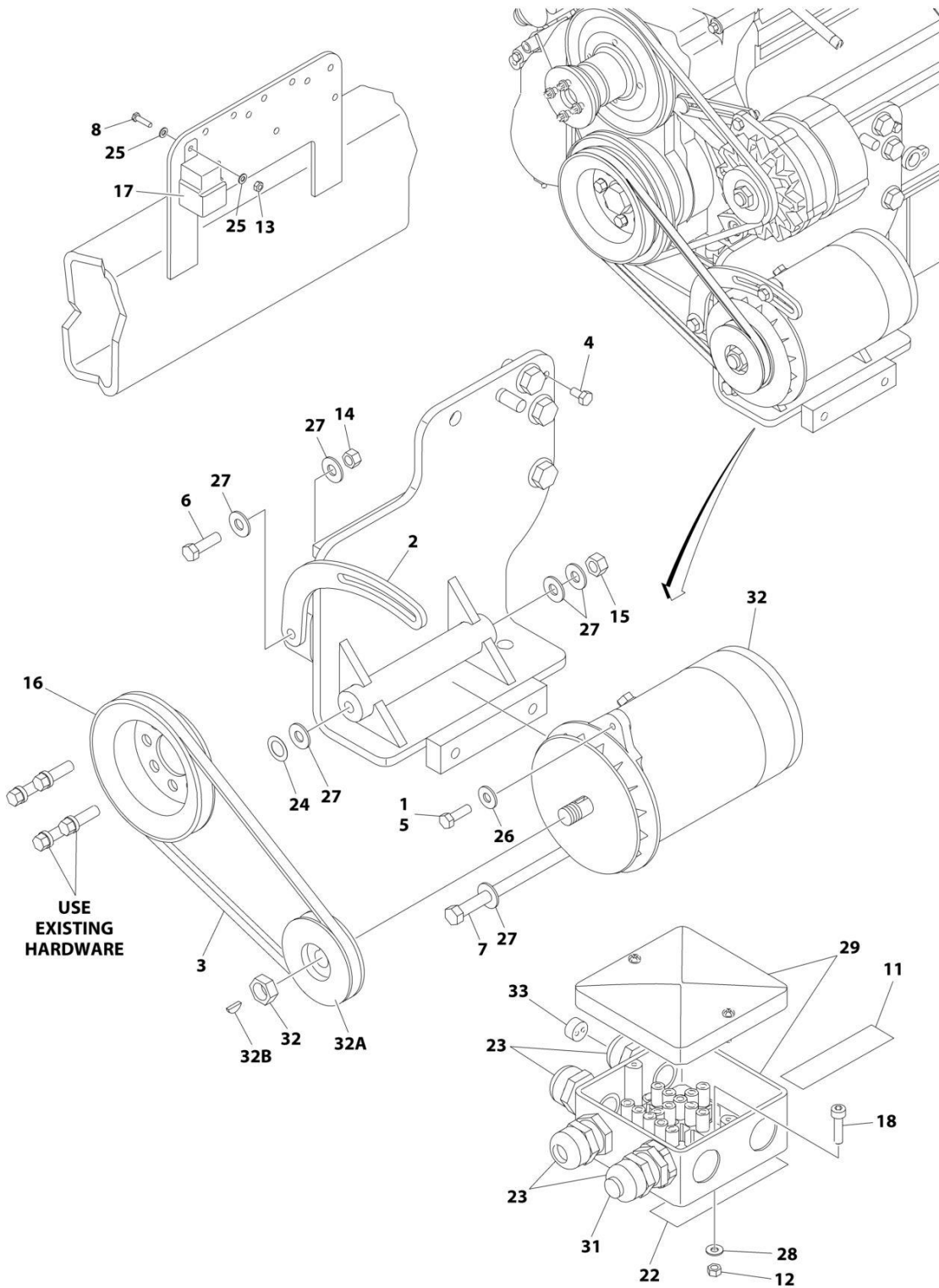
## SECTION 3 - ENGINE

**FIGURE 3-55. 2500W/110V/60HZ GENERATOR INSTALLATION - DEUTZ D2011 ENGINES**

| ITEM | PART NUMBER | QTY        | DESCRIPTION   | REV |
|------|-------------|------------|---|-----|
|      | 1001115405  | Ref        | 2500W GENERATOR INSTALLATION - 110V/60Hz  | B   |
| 1    | 3580158     | 1          | Pulley  |     |
| 2    | 2460055     | 1          | Generator and Control Box Assembly:   |     |
| 2A   | 7012558     | 1          | Generator Only - 110V/60Hz  |     |
| 2A   |             | Ref        | Note: Replacement Generators come standard with p/n 3580134 pulley. This pulley may not be correct for all applications. Refer to pulley options below. |     |
| 2A   | 7026199     | 1          | Armature with Slip Rings  |     |
| 2A   | 7012513     | 4          | Cap, Brush Holder   |     |
| 2A   | 7020108     | 4          | Brush   |     |
| 2A   | 7020109     | 4          | Holder, Brush   |     |
| 2A   | 7012514     | 1          | Fan   |     |
| 2A   | 7020110     | 1          | Bell, Front   |     |
| 2A   | 7020111     | 1          | Bell, Rear  |     |
| 2A   | 7020190     | 1          | Bearing   |     |
| 2B   | 7019680     | 1          | Box, Control  |     |
| 2B   |             | Ref        | Receptacle Options:   |     |
| 2B   | 4460190     | 1          | Receptacle, Standard  |     |
| 2B   | 4460027     | 1          | Receptacle, Twistlock   |     |
| 2B   | 4360542     | 1          | Breaker, Circuit  |     |
| 2B   | 3520028     | 1          | Plug, Hole  |     |
| 2C   | 2420203     | 1          | Voltmeter   |     |
| 2D   | 3580276     | 1          | Pulley  |     |
| 2D   | 7027887     | 1          | Key, Woodruff   |     |
| 3    | 3251243     | 1          | Decal - 110V/60Hz   |     |
| 4    | 0200742     | 1          | Arm, Adjusting  |     |
| 5    | 0480121     | 1          | V-Belt  |     |
| 7    | 0641610     | 1          | Bolt 3/8 x 1-1/4  |     |
| 8    | 0100011     | AR         | Compound, Locking   |     |
| 9    | 0641772     | 1          | Bolt 7/16 x 9   |     |
| 10   | 4751600     | 6          | Washer 3/8  |     |
| 11   | 2860012     | 1          | Key, Woodruff   |     |
| 12   | 3311605     | 1          | Nut 3/8   |     |
| 13   | 3311705     | 1          | Nut 7/16  |     |
| 14   | 3740080     | 1          | Relay   |     |
| 16   | 0641508     | 1          | Bolt 5/16 x 1   |     |
| 17   | 4751500     | AR         | Washer 5/16   |     |
| 18   | 1001112588  | 1          | Wiring Diagram Components (Not Shown)   |     |
| 18   | 1001112589  | 1          | Generator Harness (Not Shown)   |     |
| 18   | 4922641     | 1          | Generator ON/OFF Switch Harness (Not Shown - Located at Platform)   |     |
| 20   | 0721006     | AR         | Bolt #10 x 3/4  |     |
| 21   | 3311005     | 3          | Nut #10   |     |
| 22   | 4751000     | AR         | Washer #10  |     |
| 25   | 4360336     | 1          | Switch, Toggle (Not Shown - Located at Platform)  |     |
| 26   | 4740397     | 1          | Bushing (Not Shown - Located at Platform)   |     |
| 27   | 4060802     | 1          | Guard, Switch (Not Shown - Located at Platform)   |     |
| 29   | 2820031     | 4 in/ 10cm | Heat Shrink (Not Shown - Located at Platform)   |     |
| 30   | 3251102     | 1          | Decal (Not Shown - Located at Platform)   |     |
| 31   | 4070585     | AR         | Shim  |     |

# SECTION 3 - ENGINE

## FIGURE 3-56. 2500W/220V/50HZ GENERATOR INSTALLATION - DEUTZ D2011 ENGINES



ART\_1001115409

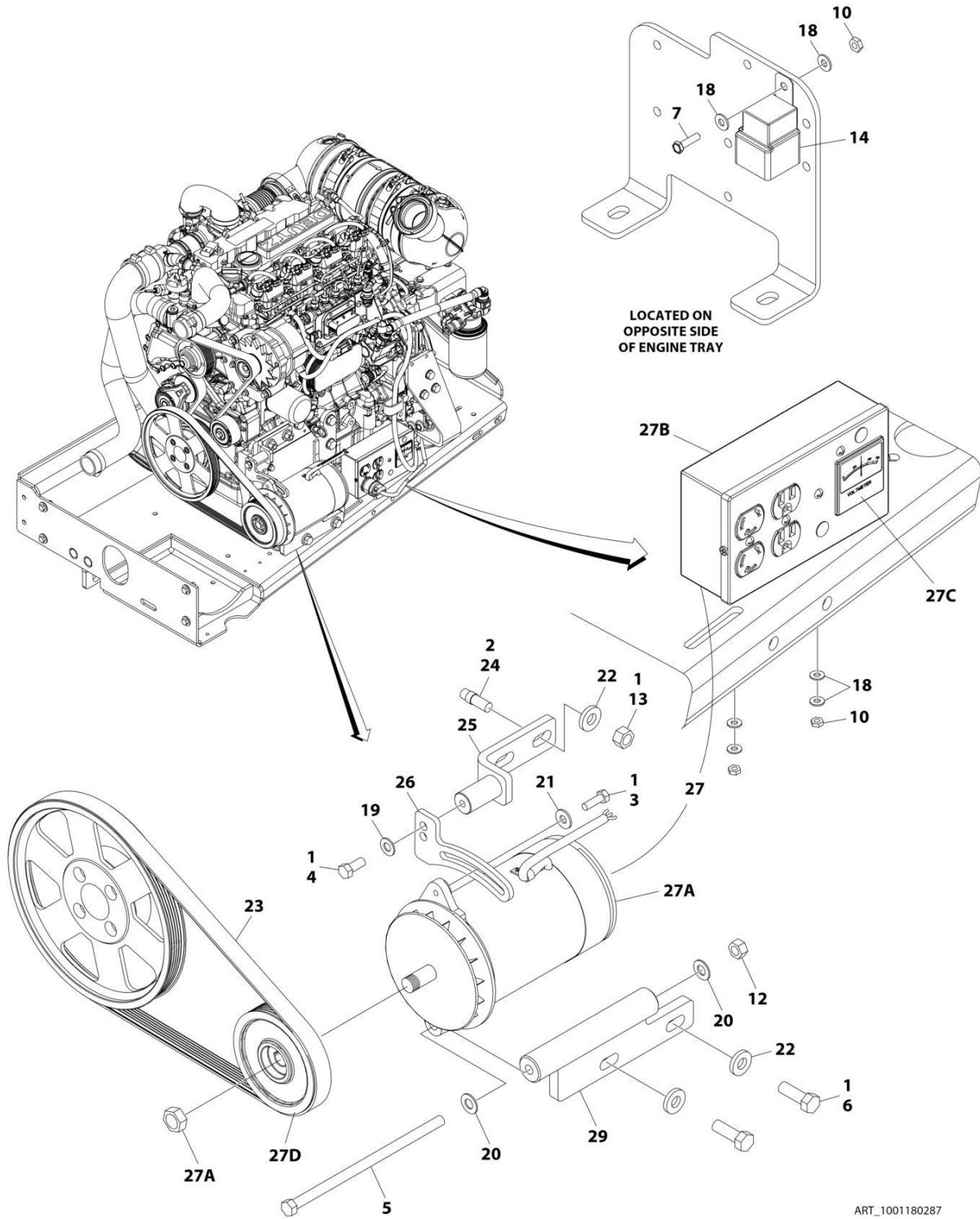
## SECTION 3 - ENGINE

**FIGURE 3-56. 2500W/220V/50HZ GENERATOR INSTALLATION - DEUTZ D2011 ENGINES**

| ITEM | PART NUMBER | QTY       | DESCRIPTION   | REV |
|------|-------------|-----------|---|-----|
|      | 1001115409  | Ref       | 2500W GENERATOR INSTALLATION - 220V/50Hz                            | B   |
| 1    | 0100011     | AR        | Compound, Locking   |     |
| 2    | 0200742     | 1         | Arm, Adjusting  |     |
| 3    | 0480121     | 1         | V-Belt  |     |
| 4    | 0641404     | 1         | Bolt 1/4 x 1/2  |     |
| 5    | 0641508     | 1         | Bolt 5/16 x 1   |     |
| 6    | 0641610     | 1         | Bolt 3/8 x 1-1/4  |     |
| 7    | 0641772     | 1         | Bolt 7/16 x 9   |     |
| 8    | 0721006     | AR        | Bolt #10 x 3/4  |     |
| 9    | 2820031     | 4 in/10cm | Heat Shrink (Not Shown - Located at Platform)                       |     |
| 10   | 3251102     | 1         | Decal (Not Shown - Located at Platform)                             |     |
| 11   | 3252507     | 2         | Decal - 220V - 50Hz   |     |
|      |             | Ref       | Note: One Decal Not Shown - Located on the Inside of Platform Rail. |     |
| 12   | 3290505     | 1         | Nut M5  |     |
| 13   | 3311005     | 1         | Nut #10   |     |
| 14   | 3311605     | 1         | Nut 3/8   |     |
| 15   | 3311705     | 1         | Nut 7/16  |     |
| 16   | 3580158     | 1         | Pulley  |     |
| 17   | 3740080     | 1         | Relay   |     |
| 18   | 4031608     | 1         | Bolt M5 x 20  |     |
| 19   | 4060802     | 1         | Guard, Switch (Not Shown - Located at Platform)                     |     |
| 20   | 4240018     | 1         | Tie Strap (Not Shown)   |     |
| 21   | 4360336     | 1         | Switch, Toggle (Not Shown - Located at Platform)                    |     |
| 22   | 4420060     | AR        | Tape, Double Coated Acrylic Foam                                    |     |
| 23   | 4460968     | 3         | Connector, Strain Relief  |     |
| 24   | 4740397     | 1         | Shim  |     |
| 25   | 4751000     | 2         | Washer #10  |     |
| 26   | 4751500     | 1         | Washer 5/16   |     |
| 27   | 4751600     | 6         | Washer 3/8  |     |
| 28   | 4811600     | 1         | Washer M5   |     |
| 29   | 1001099869  | 1         | Box, Junction   |     |
| 30   |             | Ref       | Wiring Diagram Components (Not Shown)                               |     |
| 30   | 4922641     | 1         | Generator On/Off Switch Harness (Not Shown - Located at Platform)   |     |
| 30   | 1001112589  | 1         | Generator Harness (Not Shown)                                       |     |
| 31   | 1001100234  | 1         | Light, Red  |     |
| 32   | 1001100321  | 1         | Generator   |     |
| 32   | 70000123    | 1         | Armature with Slip Rings  |     |
| 32   | 7012513     | 4         | Cap, Brush Holder   |     |
| 32   | 7020108     | 4         | Brush   |     |
| 32   | 7020109     | 4         | Holder, Brush   |     |
| 32   | 7012514     | 1         | Fan   |     |
| 32   | 7020110     | 1         | Bell, Front   |     |
| 32   | 7020111     | 1         | Bell, Rear  |     |
| 32   | 7020190     | 1         | Bearing   |     |
| 32A  | 3580134     | 1         | Pulley - 50Hz   |     |
| 32B  | 7027887     | 1         | Key, Woodruff   |     |
| 33   | 0962449     | 1         | Bushing   |     |

# SECTION 3 - ENGINE

## FIGURE 3-57. 2500W/110V/60HZ GENERATOR INSTALLATION - DEUTZ TD2.9L4 ENGINES



ART\_1001180287



## SECTION 3 - ENGINE

**FIGURE 3-57. 2500W/110V/60HZ GENERATOR INSTALLATION - DEUTZ TD2.9L4 ENGINES**

| ITEM | PART NUMBER | QTY | DESCRIPTION   | REV |
|------|-------------|-----|---|-----|
|      | 1001180287  | Ref | 2500W GENERATOR INSTALLATION - DEUTZ TD2.9L4 (OPTIONAL)   | C   |
| 1    | 0100011     | AR  | Compound, Locking   |     |
| 2    | 0100019     | AR  | Compound, Locking   |     |
| 3    | 0641508     | 1   | Bolt 5/16 x 1   |     |
| 4    | 0641607     | 1   | Bolt 3/8 x 7/8  |     |
| 5    | 0641772     | 1   | Bolt 7/16 x 9   |     |
| 6    | 0641812     | 2   | Bolt 1/2 x 1-1/2  |     |
| 7    | 0721006     | 1   | Screw #10 x 3/4   |     |
| 8    | 2820031     | AR  | Heat Shrink (Not Shown - Located at Platform)   |     |
| 9    | 3251102     | 1   | Name Plate - Generator On (Not Shown - Located at Platform)   |     |
| 10   | 3311005     | 3   | Nut #10   |     |
| 12   | 3311705     | 1   | Nut 7/16  |     |
| 13   | 3311801     | 2   | Nut 1/2   |     |
| 14   | 3740080     | 1   | Relay   |     |
| 15   | 4060802     | 1   | Guard, Switch (Not Shown - Located at Platform)   |     |
| 16   | 4240018     | AR  | Strap, Cable Tie (Not Shown)  |     |
| 17   | 4360336     | 1   | Switch, Toggle (Not Shown - Located at Platform)  |     |
| 18   | 4711000     | 6   | Washer #10  |     |
| 19   | 4711600     | 1   | Washer 3/8  |     |
| 20   | 4711700     | 2   | Washer 7/16   |     |
| 21   | 4751500     | 1   | Washer 5/16   |     |
| 22   | 4891800     | 4   | Washer 1/2  |     |
| 23   | 1001148138  | 1   | V-Belt  |     |
| 24   | 1001163599  | 2   | Stud  |     |
| 25   | 1001216015  | 1   | Bracket   |     |
| 26   | 1001179837  | 1   | Arm, Adjustment   |     |
| 27   | 1001180001  | 1   | Generator and Control Box Assembly  |     |
| 27A  | 7012558     | 1   | Generator Only - 110V/60Hz  |     |
| 27A  |             | Ref | Note: Replacement Generators come standard with p/n 3580134 pulley. This pulley may not be correct for all applications. Refer to pulley options below. |     |
| 27A  | 7026199     | 1   | Armature with Slip Rings  |     |
| 27A  | 7012513     | 4   | Cap, Brush Holder   |     |
| 27A  | 7020108     | 4   | Brush   |     |
| 27A  | 7020109     | 4   | Holder, Brush   |     |
| 27A  | 7012514     | 1   | Fan   |     |
| 27A  | 7020110     | 1   | Bell, Front   |     |
| 27A  | 7020111     | 1   | Bell, Rear  |     |
| 27A  | 7020190     | 2   | Bearing   |     |
| 27B  | 7019680     | 1   | Box, Control - 110V/60Hz  |     |
| 27B  |             | Ref | Receptacle Options:   |     |
| 27B  | 4460190     | 1   | Receptacle, Standard (110V Only)  |     |
| 27B  | 4460027     | 1   | Receptacle, Twistlock (110V Only)   |     |
| 27B  | 4360542     | 1   | Breaker, Circuit  |     |
| 27B  | 3520028     | 1   | Plug, Hole  |     |
| 27C  | 2420203     | 1   | Voltmeter   |     |
| 27D  | 3580276     | 1   | Pulley  |     |
| 27D  | 7027887     | 1   | Key, Woodruff   |     |
| 28   |             | Ref | Wiring Diagram Components (Not Shown)   |     |

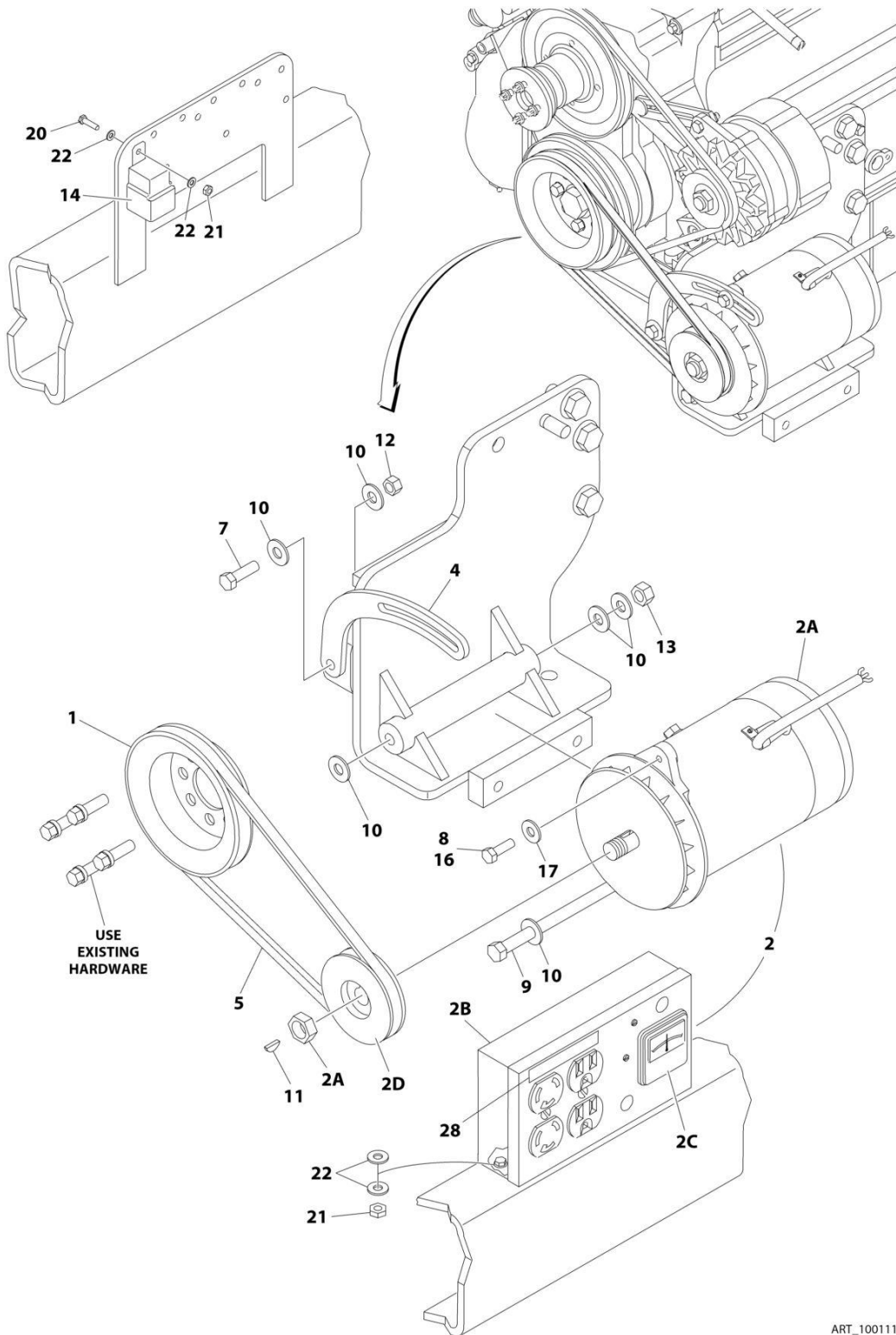
## SECTION 3 - ENGINE

| ITEM | PART NUMBER | QTY | DESCRIPTION   | REV |
|------|-------------|-----|---|-----|
| 28   | 4922641     | 1   | Generator On/Off Switch Harness (Not Shown - Located at Platform) |     |
| 28   | 1001180052  | 1   | Generator Harness (Not Shown)                                     |     |
| 29   | 1001181243  | 1   | Mount, Generator  |     |



# SECTION 3 - ENGINE

FIGURE 3-58. 2500W/220V/50HZ GENERATOR INSTALLATION - DEUTZ D2011 ENGINES (ANSI EXPORT AND CHINA SPECS)



ART\_100115406

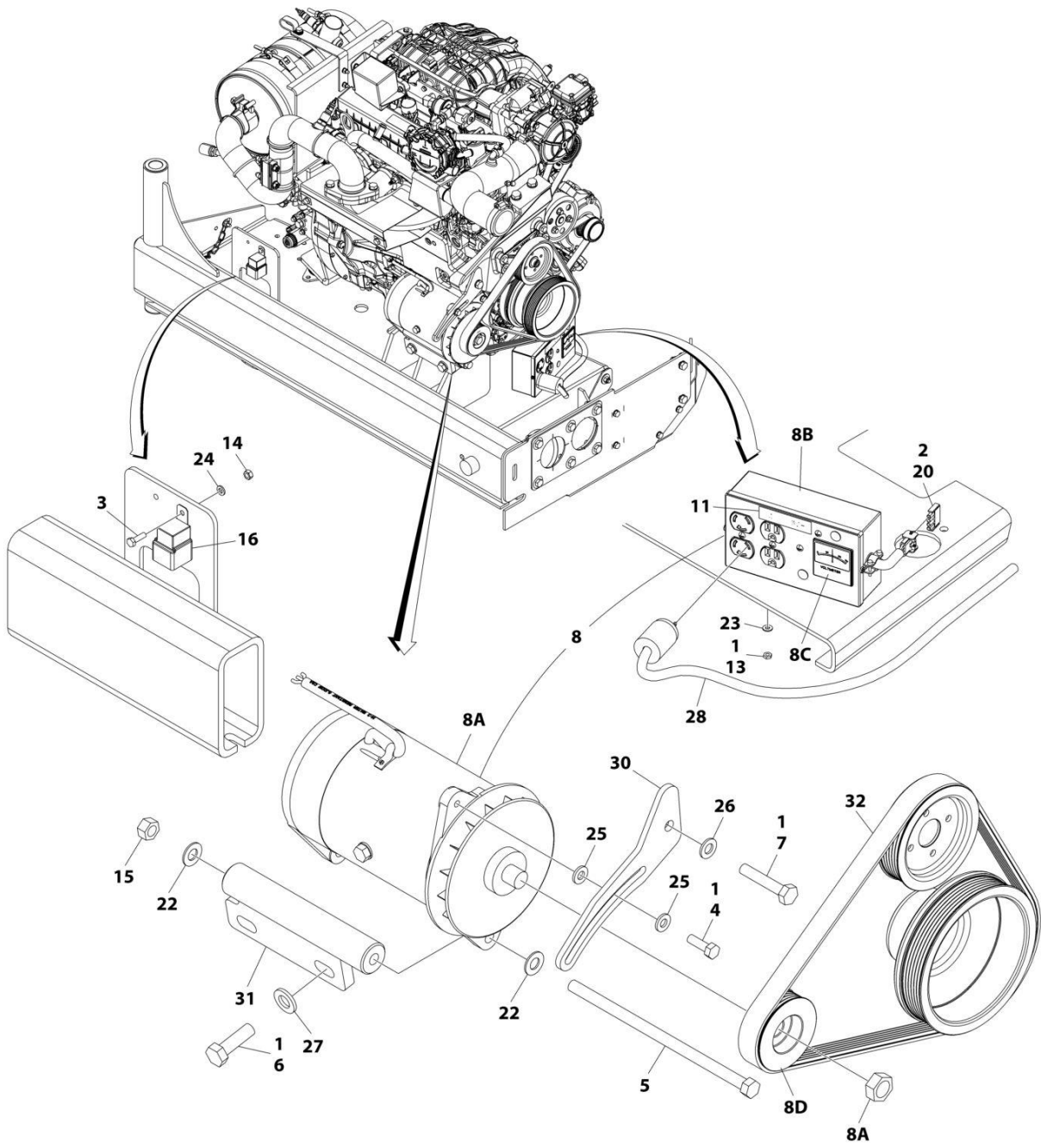
## SECTION 3 - ENGINE

**FIGURE 3-58. 2500W/220V/50HZ GENERATOR INSTALLATION - DEUTZ D2011 ENGINES (ANSI EXPORT AND CHINA SPECS)**

| ITEM | PART NUMBER | QTY       | DESCRIPTION   | REV |
|------|-------------|-----------|---|-----|
|      | 1001115406  | Ref       | 2500W GENERATOR INSTALLATION - 220V/50Hz  | B   |
| 1    | 3580158     | 1         | Pulley  |     |
| 2    | 2460056     | 1         | Generator and Control Box Assembly:   |     |
| 2A   | 1001100321  | 1         | Generator Only  |     |
| 2A   |             | Ref       | Note: Replacement Generators come standard with p/n 3580134 pulley. This pulley may not be correct for all applications. Refer to pulley options below. |     |
| 2A   | 70000123    | 1         | Armature with Slip Rings  |     |
| 2A   | 7012513     | 4         | Cap, Brush Holder   |     |
| 2A   | 7020108     | 4         | Brush   |     |
| 2A   | 7020109     | 4         | Holder, Brush   |     |
| 2A   | 7012514     | 1         | Fan   |     |
| 2A   | 7020110     | 1         | Bell, Front   |     |
| 2A   | 7020111     | 1         | Bell, Rear  |     |
| 2A   | 7020190     | 1         | Bearing   |     |
| 2B   | 70000127    | 1         | Box, Control  |     |
| 2B   |             | Ref       | Receptacle Options:   |     |
| 2B   | 70000124    | 1         | Receptacle, Double  |     |
| 2B   | 70000125    | 1         | Receptacle, Single  |     |
| 2B   | 70000126    | 1         | Breaker, Circuit:   |     |
| 2B   | 3520028     | 1         | Plug, Hole  |     |
| 2C   | 7020192     | 1         | Voltmeter   |     |
| 2D   | 3580134     | 1         | Pulley  |     |
| 2D   | 7027887     | 1         | Key, Woodruff   |     |
| 4    | 0200742     | 1         | Arm, Adjusting  |     |
| 5    | 0480121     | 1         | V-Belt  |     |
| 7    | 0641610     | 1         | Bolt 3/8 x 1-1/4  |     |
| 8    | 0100011     | AR        | Compound, Locking   |     |
| 9    | 0641772     | 1         | Bolt 7/16 x 9   |     |
| 10   | 4751600     | 6         | Washer 3/8  |     |
| 11   | 2860012     | 1         | Key, Woodruff   |     |
| 12   | 3311605     | 1         | Nut 3/8   |     |
| 13   | 3311705     | 1         | Nut 7/16  |     |
| 14   | 3740080     | 1         | Relay   |     |
| 16   | 0641508     | 1         | Bolt 5/16 x 1   |     |
| 17   | 4751500     | AR        | Washer 5/16   |     |
| 18   | 1001112588  | 1         | Wiring Diagram Components (Not Shown)   |     |
| 18   | 4922641     | 1         | Generator ON/OFF Switch Harness (Not Shown - Located at Platform)   |     |
| 18   | 1001112589  | 1         | Generator Harness (Not Shown)   |     |
| 20   | 0721006     | 1         | Bolt #10 x 3/4  |     |
| 21   | 3311005     | 1         | Nut #10   |     |
| 22   | 4751000     | 1         | Washer #10  |     |
| 25   | 4360336     | 1         | Switch, Toggle (Not Shown - Located at Platform)  |     |
| 26   | 4740397     | 1         | Bushing (Not Shown - Located at Platform)   |     |
| 27   | 4060802     | 1         | Guard, Switch (Not Shown - Located at Platform)   |     |
| 28   | 3252507     | 2         | Decal - 220V - 50Hz   |     |
| 29   | 2820031     | 4 in/10cm | Heat Shrink (Not Shown - Located at Platform)   |     |
| 30   | 3251102     | 1         | Decal (Not Shown - Located at Platform)   |     |

# SECTION 3 - ENGINE

## FIGURE 3-59. 2500W GENERATOR INSTALLATION - FORD ENGINES



ART\_1001217188

## SECTION 3 - ENGINE

**FIGURE 3-59. 2500W GENERATOR INSTALLATION - FORD ENGINES**

| ITEM | PART NUMBER | QTY | DESCRIPTION   | REV |
|------|-------------|-----|---|-----|
|      | 1001217188  | Ref | 2500W GENERATOR INSTALLATION  | G   |
| 1    | 0100011     | AR  | Compound, Locking   |     |
| 2    | 0100048     | AR  | Grease, Dielectric  |     |
| 3    | 0760610     | 1   | Bolt M6 x 20  |     |
| 4    | 0641508     | 1   | Bolt 5/16 x 1   |     |
| 5    | 0641772     | 1   | Bolt 7/16 x 9   |     |
| 6    | 0761216     | 2   | Bolt M12 x 40   |     |
| 7    | 0761019     | 1   | Bolt M10 x 55   |     |
| 8    | 2460051     | 1   | Generator and Control Box Assembly  |     |
| 8A   | 7012558     | 1   | Generator Only - 110V/60Hz  |     |
|      |             | Ref | Note: Replacement Generators come standard with pin 3580134 pulley. This pulley may not be correct for all applications. Refer to pulley options below. |     |
| 8A   | 7026199     | 1   | Armature with Slip Rings  |     |
| 8A   | 7012513     | 4   | Cap, Brush Holder   |     |
| 8A   | 7020108     | 4   | Brush   |     |
| 8A   | 7020109     | 4   | Holder, Brush   |     |
| 8A   | 7012514     | 1   | Fan   |     |
| 8A   | 7020110     | 1   | Bell, Front   |     |
| 8A   | 7020111     | 1   | Bell, Rear  |     |
| 8A   | 7020190     | 2   | Bearing   |     |
| 8B   | 7019680     | 1   | Box, Control - 110V/60Hz  |     |
| 8B   |             | Ref | Receptacle Options:   |     |
| 8B   | 4460190     | Ref | Receptacle, Standard (110V Only)  |     |
| 8B   | 4460027     | 1   | Receptacle, Twistlock (110V Only)   |     |
| 8B   | 4360542     | 1   | Breaker, Circuit  |     |
| 8B   | 3520028     | 1   | Plug, Hole  |     |
| 8C   | 2420203     | 1   | Voltmeter   |     |
| 8D   | 3580324     | 1   | Pulley  |     |
| 8D   | 7027887     | 1   | Key, Woodruff   |     |
| 9    | 2820031     | 1   | Heat Shrink (Not Shown - Located at Platform)   |     |
| 10   | 3251102     | 1   | Nameplate Generator (Not Shown - Located at Platform)   |     |
| 11   | 3251243     | 1   | Decal - 120V-60Hz   |     |
| 13   | 3311005     | 2   | Nut #10   |     |
| 14   | 3290601     | 1   | Nut M6  |     |
| 15   | 3311705     | 1   | Nut 7/16  |     |
| 16   | 3740080     | 1   | Relay   |     |
| 17   | 4060802     | 1   | Guard Switch (Not Shown - Located at Platform)  |     |
| 18   | 4240099     | AR  | Tie-Strap (Not Shown)   |     |
| 19   | 4360336     | 1   | Switch, Toggle (Not Shown - Located at Platform)  |     |
| 20   | 4460321     | 1   | Plug, Male - 4 Position   |     |
| 21   | 4460906     | 1   | Socket, Female (Not Shown)  |     |
| 22   | 4711700     | 2   | Washer 7/16   |     |
| 23   | 4751000     | 2   | Washer #10  |     |
| 24   | 4811700     | 1   | Washer M6   |     |
| 25   | 4891500     | 2   | Washer 5/16   |     |
| 26   | 4812000     | 1   | Washer M10  |     |
| 27   | 5241200     | 2   | Washer M12  |     |
| 28   | 4921829     | 1   | Harness, Inverter   |     |
| 30   | 1001219632  | 1   | Arm, Adjustment   |     |

## SECTION 3 - ENGINE

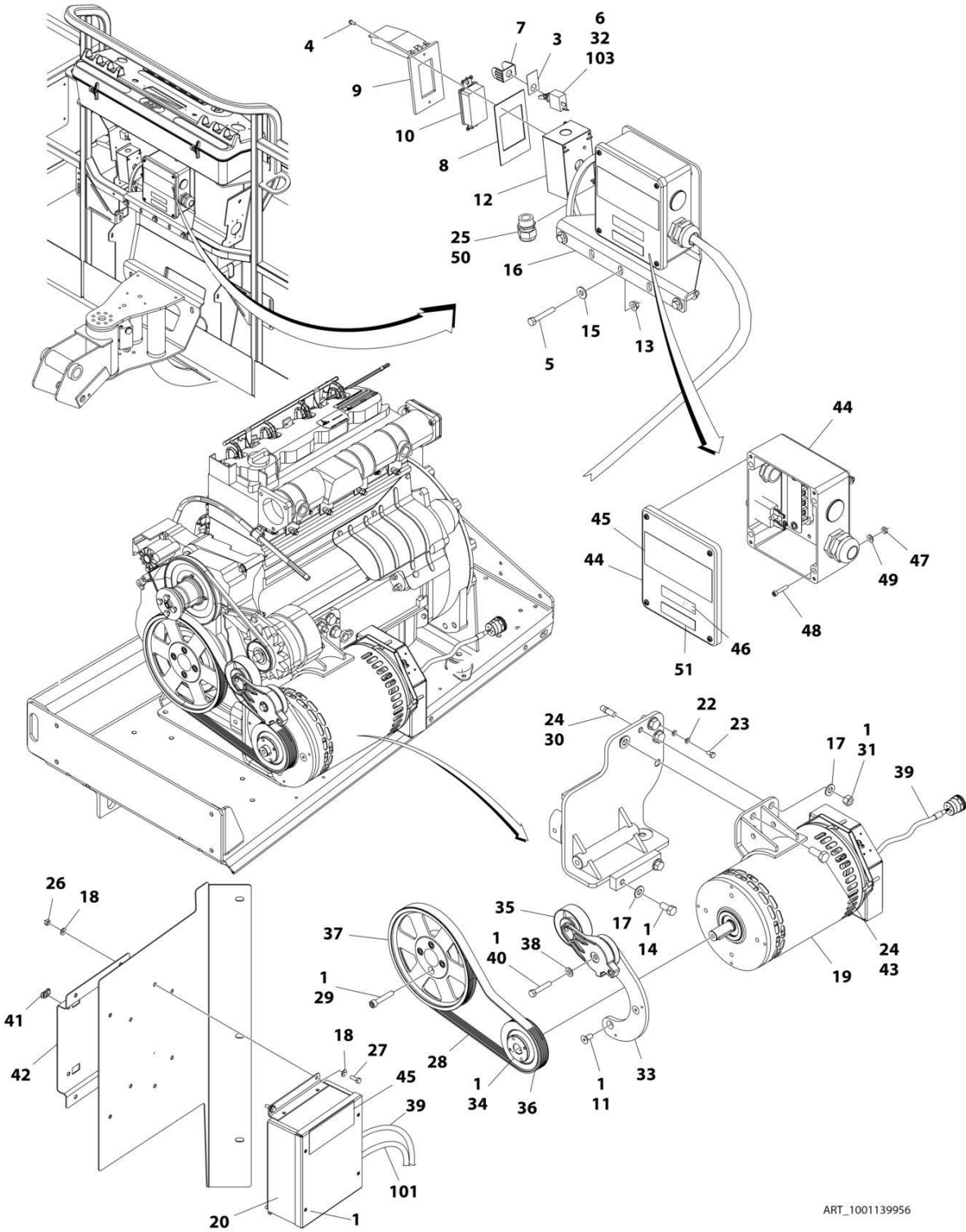
| ITEM | PART NUMBER | QTY | DESCRIPTION      | REV |
|------|-------------|-----|------------------|-----|
| 31   | 1001219630  | 1   | Mount, Generator |     |
| 32   | 1001216391  | 1   | V-Belt           |     |





# SECTION 3 - ENGINE

## FIGURE 3-60. 4000W/60HZ GENERATOR INSTALLATION - DEUTZ D2011 ENGINES



ART\_1001139956

## SECTION 3 - ENGINE

**FIGURE 3-60. 4000W/60HZ GENERATOR INSTALLATION - DEUTZ D2011 ENGINES**

| ITEM | PART NUMBER | QTY | DESCRIPTION   | REV |
|------|-------------|-----|---|-----|
|      | 1001139956  | Ref | 4000W/60Hz Generator Installation - Deutz D2011 Engines | B   |
| 1    | 0100011     | 1   | Compound, Locking                                       |     |
| 3    | 3251102     | 1   | Nameplate, Generator                                    |     |
| 4    | 3910606     | 4   | Screw #6 x 3/8  |     |
| 5    | 0641516     | 3   | Bolt 5/16 x 2   |     |
| 6    | 4360336     | 1   | Switch, Toggle  |     |
| 7    | 4060802     | 1   | Guard, Switch   |     |
| 8    | 3960422     | 1   | Gasket, AC Receptacle                                   |     |
| 9    | 1001110873  | 1   | Cover, Gang Vertical Receptacle GFCI                    |     |
| 10   | 4460346     | 1   | Receptacle  |     |
| 11   | 0741607     | 3   | Screw 3/8 x 7/8   |     |
| 12   | 0860038     | 1   | Box, Switch-Weatherhead                                 |     |
| 13   | 3311508     | 3   | Nut 5/16  |     |
| 14   | 0641808     | 2   | Bolt 1/2 x 1  |     |
| 15   | 4751500     | 3   | Washer 5/16   |     |
| 16   | 0902888     | 1   | Bracket, Junction Box                                   |     |
| 17   | 4711800     | 3   | Washer 1/2  |     |
| 18   | 4711400     | 8   | Washer 1/4  |     |
| 19   | 1001129858  | 1   | Generator Assembly                                      |     |
| 19   | 70003709    | 1   | Ring, Retaining (External)                              |     |
| 19   | 70003708    | 1   | Ring, Retaining (Internal)                              |     |
| 19   | 70001966    | 1   | Bearing   |     |
| 19   | 70004092    | 1   | Endbell (Shaft End)                                     |     |
| 19   | 70004171    | 1   | Key   |     |
| 19   | 70004676    | 1   | Rotor   |     |
| 19   | 70004684    | 1   | Stator  |     |
| 19   | 70004678    | 1   | Endbell (Rear)  |     |
| 19   | 70004679    | 1   | Cover, Endbell (Rear)                                   |     |
| 19   | 70004680    | 1   | Enclosure, Wiring                                       |     |
| 19   | 70004685    | 1   | Cover, Enclosure  |     |
| 19   | 70004682    | 1   | Switch, Reset (Located on Enclosure Cover)              |     |
| 19   | 70004098    | 1   | Connector, Strain Relief (Located on Enclosure Cover)   |     |
| 20   | 1001138566  | 1   | Box, Control  |     |
| 20   | 70006552    | 1   | Capacitor   |     |
| 20   | 70006553    | 1   | Relay   |     |
| 21   | 4240018     | AR  | Tie-Strap (Not Shown)                                   |     |
| 22   | 4791400     | 2   | Washer 1/4  |     |
| 23   | 0641404     | 1   | Bolt 1/4 x 1/2  |     |
| 24   | 0100019     | AR  | Compound, Locking                                       |     |
| 25   | 4460071     | 1   | Connector, Strain Relief                                |     |
| 26   | 3311405     | 4   | Nut 1/4   |     |
| 27   | 0641406     | 4   | Bolt 1/4 x 3/4  |     |
| 28   | 0480129     | 1   | Belt, Generator   |     |
| 29   | 4032015     | 4   | Capscrew M10 x 55                                       |     |
| 30   | 4300157     | 1   | Stud  |     |
| 31   | 3311801     | 1   | Nut 1/2   |     |
| 32   | 2820031     | AR  | Heat Shrink   |     |
| 33   | 1001139357  | 1   | Mount, Tensioner  |     |
| 34   | 0962520     | 1   | Bushing, Split  |     |
| 35   | 3580317     | 1   | Tensioner, Belt with Pulley                             |     |

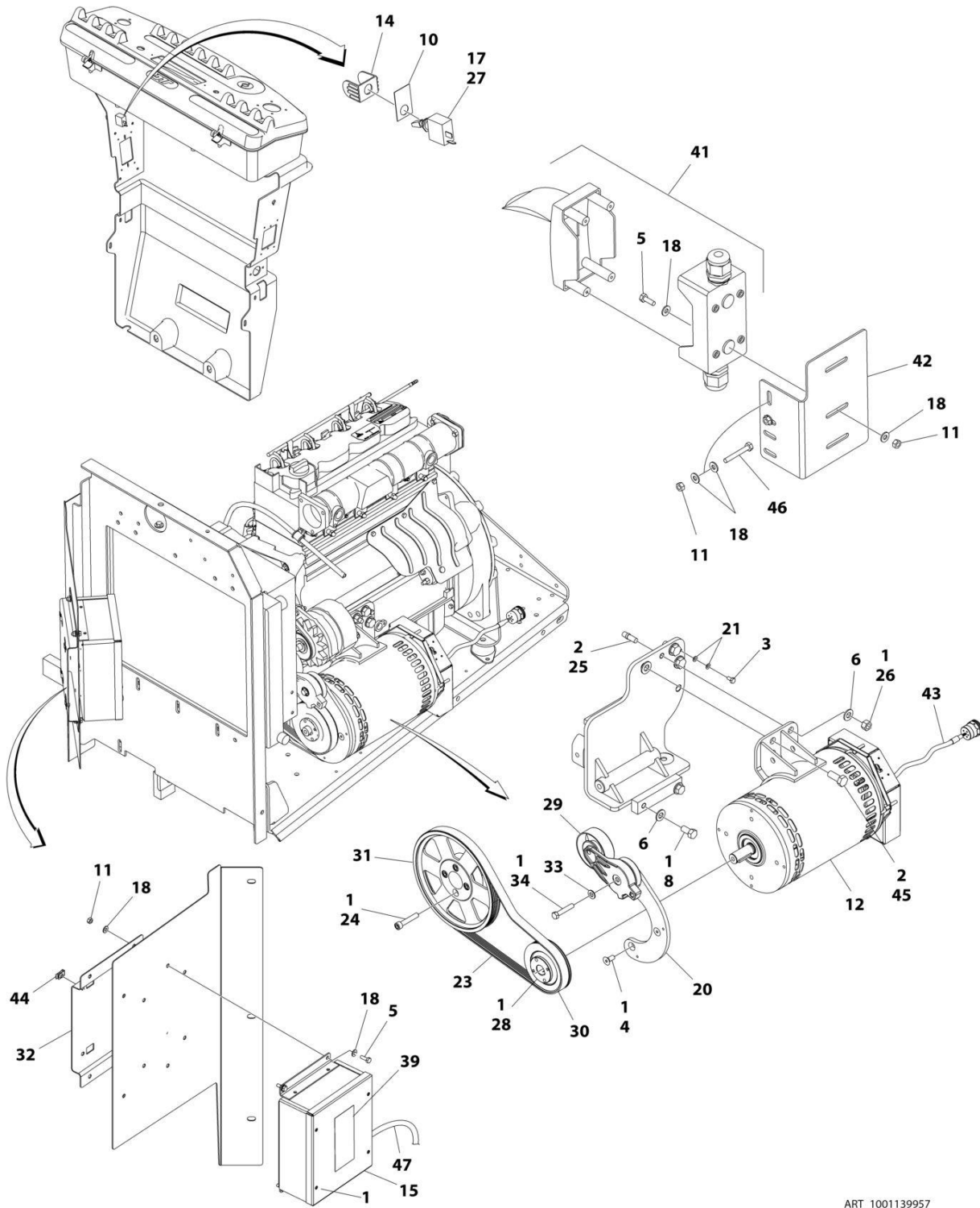
## SECTION 3 - ENGINE

| ITEM | PART NUMBER | QTY | DESCRIPTION   | REV |
|------|-------------|-----|---|-----|
| 36   | 3580318     | 1   | Pulley, Generator   |     |
| 37   | 3580320     | 1   | Pulley, Engine Deutz  |     |
| 38   | 4711600     | 1   | Washer 3/8  |     |
| 39   | 1001152532  | 1   | Harness, Generator (See Separate Breakdown in ELECTRICAL Section) |     |
| 40   | 0641616     | 1   | Bolt 3/8 x 2  |     |
| 41   | 3300454     | 4   | Nut, U-Style 1/4  |     |
| 42   | 3575863     | 1   | Plate   |     |
| 43   | 0771415     | 1   | Bolt M14 x 35 Grade 10.9  |     |
| 44   | 1001152457  | 1   | Junction Box Assembly   |     |
| 44   | 3300396     | 1   | Cover, Breaker  |     |
| 44   | 4360070     | 1   | Breaker, Circuit - 15Amp  |     |
| 44   | 4460425     | 1   | Connector, Strain Relief (LH Side)                                |     |
| 44   | 4460426     | 1   | Connector, Strain Relief (RH Side)                                |     |
| 44   | 1001152530  | 1   | Block, Terminal   |     |
| 44   | 1001158363  | 1   | Cover, Terminal Block   |     |
| 44   | 1001153260  | 1   | Decal - Wiring Diagram  |     |
| 45   | 1705387     | 3   | Decal - Hazardous Voltage   |     |
| 46   | 3251243     | 1   | Decal, 120V-60Hz  |     |
| 47   | 3311005     | 4   | Nut #10   |     |
| 48   | 3931016     | 4   | Capscrew #10 x 1  |     |
| 49   | 4751000     | 4   | Washer #10  |     |
| 50   | 0100020     | AR  | Sealant   |     |
| 51   | 1705374     | 1   | Decal, 240V-60Hz  |     |
|      |             | Ref | ELECTRICAL DIAGRAM COMPONENTS                                     |     |
| 101  | 1001153197  | 1   | Harness, Generator (See Separate Breakdown in ELECTRICAL Section) |     |
| 103  | 4922641     | 1   | Harness, Switch   |     |



# SECTION 3 - ENGINE

## FIGURE 3-61. 4000W/50HZ GENERATOR INSTALLATION - DEUTZ D2011 ENGINES



ART\_1001139957

## SECTION 3 - ENGINE

**FIGURE 3-61. 4000W/50HZ GENERATOR INSTALLATION - DEUTZ D2011 ENGINES**

| ITEM | PART NUMBER | QTY | DESCRIPTION  | REV |
|------|-------------|-----|--|-----|
|      | 1001139957  | Ref | 4000W/50HZ Generator Installation - Deutz D2011 Engines                    | D   |
| 1    | 0100011     | AR  | Compound, Locking  |     |
| 2    | 0100019     | AR  | Compound, Locking  |     |
| 3    | 0641404     | 1   | Bolt 1/4 x 1/2   |     |
| 4    | 0741607     | 3   | Screw 3/8 x 7/8  |     |
| 5    | 0641406     | 6   | Bolt 1/4 x 3/4   |     |
| 6    | 4711800     | 3   | Washer 1/2   |     |
| 8    | 0641808     | 2   | Bolt 1/2 x 1   |     |
| 10   | 3251102     | 1   | Nameplate, Generator   |     |
| 11   | 3311405     | 8   | Nut 1/4  |     |
| 12   | 1001138565  | 1   | Generator Assembly   |     |
| 12   | 70003709    | 1   | Ring, Retaining (External)   |     |
| 12   | 70003708    | 1   | Ring, Retaining (Internal)   |     |
| 12   | 70001966    | 1   | Bearing  |     |
| 12   | 70004092    | 1   | Endbell (Shaft End)  |     |
| 12   | 70004171    | 1   | Key  |     |
| 12   | 70004676    | 1   | Rotor  |     |
| 12   | 70004677    | 1   | Stator   |     |
| 12   | 70004678    | 1   | Endbell (Rear)   |     |
| 12   | 70004679    | 1   | Cover, Endbell (Rear)  |     |
| 12   | 70004680    | 1   | Enclosure, Wiring  |     |
| 12   | 70004681    | 1   | Cover, Enclosure   |     |
| 12   | 70004682    | 1   | Switch, Reset (Located on Enclosure Cover)                                 |     |
| 12   | 70004683    | 1   | Connector, Strain Relief (Located on Enclosure Cover)                      |     |
| 14   | 4060802     | 1   | Guard, Switch  |     |
| 15   | 1001138566  | 1   | Box, Control   |     |
| 15   | 70006552    | 1   | Capacitor  |     |
| 15   | 70006553    | 1   | Relay  |     |
| 16   | 4240018     | AR  | Tie-Strap (Not Shown)  |     |
| 17   | 4360336     | 1   | Switch, Toggle   |     |
| 17   | 4922641     | 1   | Harness, On/Off Switch   |     |
| 18   | 4711400     | 16  | Washer 1/4   |     |
| 20   | 1001139357  | 1   | Mount, Tensioner   |     |
| 21   | 4791400     | 2   | Washer 1/4   |     |
| 23   | 0480126     | 1   | Belt, Generator  |     |
| 24   | 4032015     | 4   | Capscrew M10 x 55  |     |
| 25   | 4300157     | 1   | Stud   |     |
| 26   | 3311801     | 1   | Nut 1/2  |     |
| 27   | 2820031     | AR  | Heat Shrink  |     |
| 28   | 0962520     | 1   | Bushing, Split   |     |
| 29   | 3580317     | 1   | Tensioner, Belt with Pulley  |     |
| 30   | 3580319     | 1   | Pulley, Generator  |     |
| 31   | 3580320     | 1   | Pulley, Engine Deutz   |     |
| 32   | 3575863     | 1   | Plate  |     |
| 33   | 4711600     | 1   | Washer 3/8   |     |
| 34   | 0641616     | 1   | Bolt 3/8 x 2   |     |
| 39   | 1705489     | 2   | Decal - Hazardous Voltage  |     |
| 41   | 1001096070  | 1   | Breaker Box Kit (Not Shown) (See Separate Breakdown in ELECTRICAL SECTION) |     |
| 42   | 1001153636  | 1   | Bracket  |     |

### SECTION 3 - ENGINE

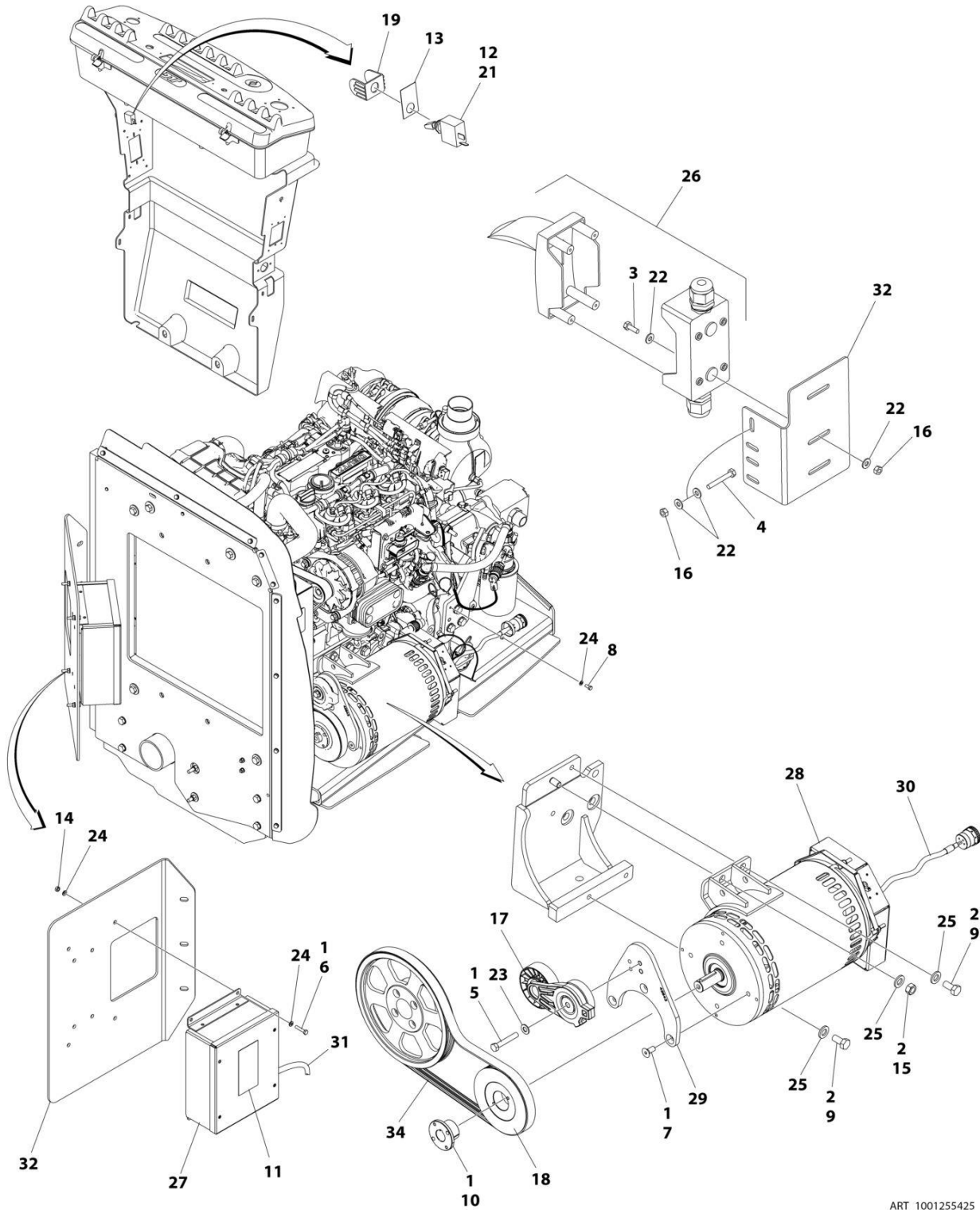
| ITEM | PART NUMBER | QTY | DESCRIPTION   | REV |
|------|-------------|-----|---|-----|
| 43   | 1001152532  | 1   | Harness, Generator (See Separate Breakdown in ELECTRICAL SECTION) |     |
| 44   | 3300454     | 4   | Nut, U-Style 1/4  |     |
| 45   | 0771415     | 1   | Bolt M14 x 35 Grade 10.9  |     |
| 46   | 0641415     | 2   | Capscrew 1/4 x 1-7/8  |     |
| 47   | 1001153197  | 1   | Harness, Generator (See Separate Breakdown in ELECTRICAL SECTION) |     |





# SECTION 3 - ENGINE

## FIGURE 3-62. 4000W/50HZ GENERATOR INSTALLATION - DEUTZ TD2.2L3 ENGINES



ART\_1001255425

## SECTION 3 - ENGINE

**FIGURE 3-62. 4000W/50HZ GENERATOR INSTALLATION - DEUTZ TD2.2L3 ENGINES**

| ITEM | PART NUMBER | QTY | DESCRIPTION   | REV |
|------|-------------|-----|---|-----|
|      | 1001255425  | Ref | 4000W/50HZ Generator Installation - Deutz TD2.2L3 (Stage V) Engines | B   |
| 1    | 0100011     | AR  | Compound, Locking   |     |
| 2    | 0100019     | AR  | Compound, Locking   |     |
| 3    | 0641406     | 2   | Bolt 1/4 x 3/4  |     |
| 4    | 0641415     | 2   | Bolt 1/4 x 1-7/8  |     |
| 5    | 0641618     | 1   | Bolt 3/8 x 2-1/4  |     |
| 6    | 0700614     | 4   | Bolt M6 x 30  |     |
| 7    | 0741607     | 3   | Screw 3/8 x 7/8   |     |
| 8    | 0760607     | 1   | Bolt M6 x 14  |     |
| 9    | 0761212     | 3   | Bolt M12 x 25   |     |
| 10   | 0962520     | 1   | Bushing, Split  |     |
| 11   | 1705489     | 2   | Decal - Hazardous Voltage   |     |
| 12   | 2820031     | AR  | Heat Shrink   |     |
| 13   | 3252764     | 1   | Nameplate   |     |
| 14   | 3290601     | 4   | Nut M6  |     |
| 15   | 3291201     | 1   | Nut M12   |     |
| 16   | 3311405     | 4   | Nut 1/4   |     |
| 17   | 3580317     | 1   | Tensioner, Belt with Pulley   |     |
| 18   | 3580319     | 1   | Pulley, Generator   |     |
| 19   | 4060802     | 1   | Guard, Switch   |     |
| 20   | 4240018     | AR  | Tie-Strap (Not Shown)   |     |
| 21   | 4360336     | 1   | Switch, Toggle  |     |
| 21   | 4922641     | 1   | Harness, On/Off Switch  |     |
| 22   | 4711400     | 8   | Washer 1/4  |     |
| 23   | 4711600     | 1   | Washer 3/8  |     |
| 24   | 4811700     | 9   | Washer M6   |     |
| 25   | 5241200     | 4   | Washer M12  |     |
| 26   | 1001096070  | 1   | Breaker Box Kit (See Separate Breakdown in ELECTRICAL SECTION)      |     |
| 27   | 1001138566  | 1   | Box, Control  |     |
| 27   | 70006552    | 1   | Capacitor   |     |
| 27   | 70006553    | 1   | Relay   |     |
| 28   | 1001140347  | 1   | Generator Assembly  |     |
| 28   | 70003709    | 1   | Ring, Retaining (External)  |     |
| 28   | 70003708    | 1   | Ring, Retaining (Internal)  |     |
| 28   | 70001966    | 1   | Bearing   |     |
| 28   | 70004092    | 1   | Endbell (Shaft End)   |     |
| 28   | 70004099    | 1   | Key   |     |
| 28   | 70004676    | 1   | Rotor   |     |
| 28   | 70004686    | 1   | Stator  |     |
| 28   | 70004678    | 1   | Endbell (Rear)  |     |
| 28   | 70004679    | 1   | Cover, Endbell (Rear)   |     |
| 28   | 70004680    | 1   | Enclosure, Wiring   |     |
| 28   | 70004681    | 1   | Cover, Enclosure  |     |
| 28   | 70004682    | 1   | Switch, Reset (Located on Enclosure Cover)                          |     |
| 28   | 70004683    | 1   | Connector, Strain Relief (Located on Enclosure Cover)               |     |
| 28   | 4460224     | 1   | Receptacle, Female - 6 Position (Connects to Generator Harness)     |     |
| 28   | 4460294     | 6   | Pin, Male (Use with p/n 4460224)                                    |     |

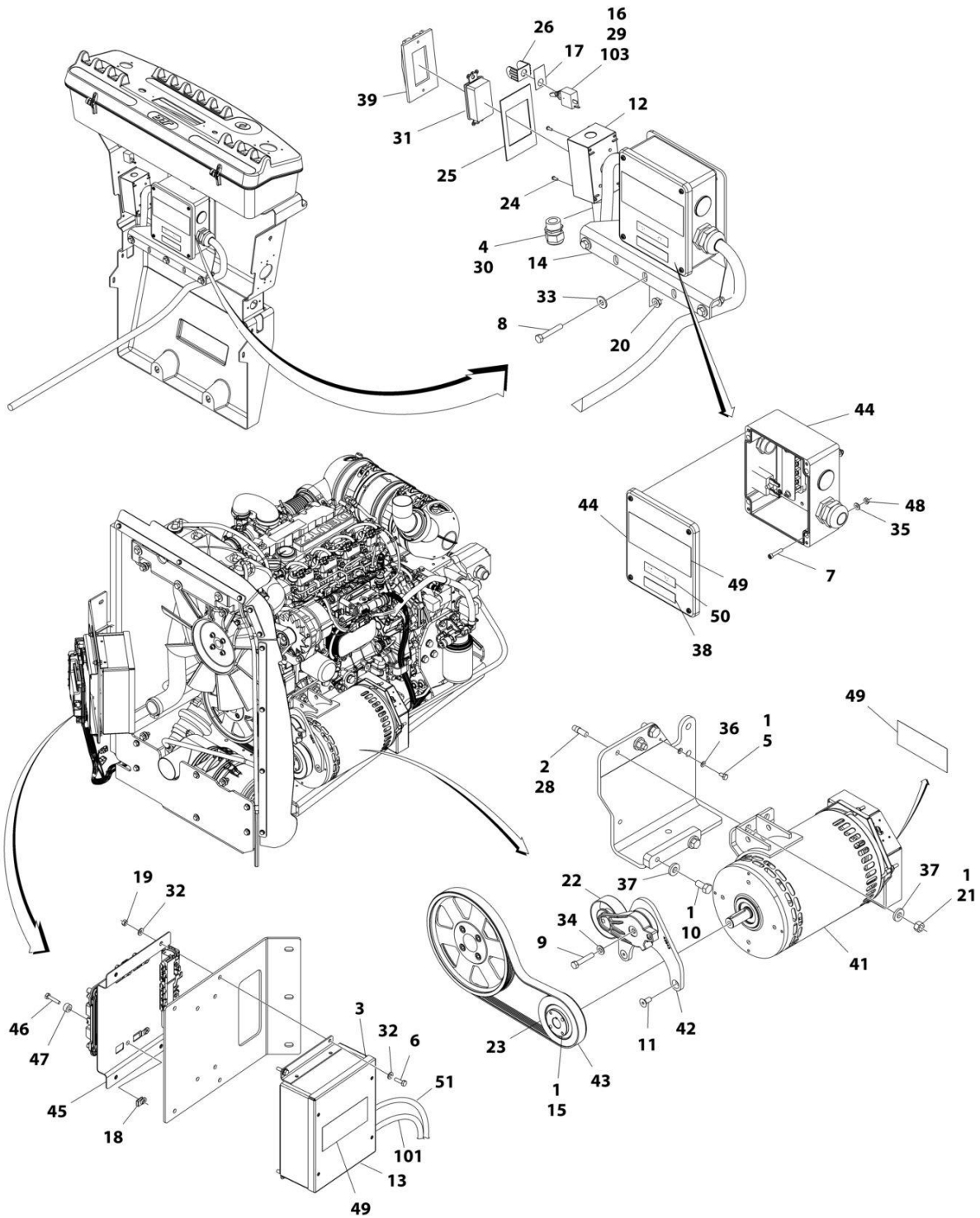
## SECTION 3 - ENGINE

| ITEM | PART NUMBER | QTY | DESCRIPTION   | REV |
|------|-------------|-----|---|-----|
| 28   | 4460807     | 6   | Seal, Terminal (Use with p/n 4460224)                             |     |
| 28   | 4460808     | 1   | Seal, Interface (Use with p/n 4460224)                            |     |
| 29   | 1001142643  | 1   | Support, Gen Tensioner  |     |
| 30   | 1001152532  | 1   | Harness, Generator (See Separate Breakdown in ELECTRICAL SECTION) |     |
| 31   | 1001153197  | 1   | Harness, Generator (See Separate Breakdown in ELECTRICAL SECTION) |     |
| 32   | 1001153636  | 1   | Bracket   |     |
| 33   | 1001175632  | 1   | Wire  |     |
| 34   | 1001214683  | 1   | Belt, Generator   |     |



# SECTION 3 - ENGINE

## FIGURE 3-63. 4000W/60HZ GENERATOR INSTALLATION - DEUTZ TD2.9L4 ENGINES



ART\_1001171126

## SECTION 3 - ENGINE

**FIGURE 3-63. 4000W/60HZ GENERATOR INSTALLATION - DEUTZ TD2.9L4 ENGINES**

| ITEM | PART NUMBER | QTY              | DESCRIPTION                       | REV |
|------|-------------|------------------|-----------------------------------|-----|
|      | 1001171126  | Ref              | 4000W/60HZ Generator Installation | B   |
| 1    | 0100011     | AR               | Compound, Locking                 |     |
| 2    | 0100019     | AR               | Compound, Locking                 |     |
| 3    | 0100048     | AR               | Grease, Dielectric                |     |
| 4    | 0100079     | AR               | Sealant                           |     |
| 5    | 0641404     | 1                | Bolt 1/4 x 1/2                    |     |
| 6    | 0641407     | 4                | Bolt 1/4 x 7/8                    |     |
| 7    | 3931016     | 4                | Capscrew #10 x 1                  |     |
| 8    | 0641516     | 3                | Bolt 5/16 x 2                     |     |
| 9    | 0641616     | 1                | Bolt 3/8 x 2                      |     |
| 10   | 0641808     | 2                | Bolt 1/2 x 1                      |     |
| 11   | 0741607     | 3                | Screw, Flathead 3/8 x 7/8         |     |
| 12   | 0860038     | 1                | Box, Switch                       |     |
| 13   | 1001138566  | 1                | Box, Control                      |     |
| 13   | 70006552    | 1                | Capacitor                         |     |
| 13   | 70006553    | 1                | Relay                             |     |
| 14   | 0902888     | 1                | Bracket, Junction Box             |     |
| 15   | 0962520     | 1                | Bushing, Split                    |     |
| 16   | 2820031     | 0.33 ft<br>/.10m | Heat Shrink                       |     |
| 17   | 3251102     | 1                | Nameplate, Generator              |     |
| 18   | 3300454     | 4                | Nut, U-Style 1/4                  |     |
| 19   | 3311405     | 4                | Nut 1/4                           |     |
| 20   | 3311508     | 3                | Nut 5/16                          |     |
| 21   | 3311801     | 2                | Nut 1/2                           |     |
| 22   | 3580317     | 1                | Tensioner, Belt with Pulley       |     |
| 23   | 3580318     | 1                | Pulley, Generator                 |     |
| 24   | 3910606     | 4                | Screw #6 x 3/8                    |     |
| 25   | 3960422     | 1                | Gasket, AC Receptacle             |     |
| 26   | 4060802     | 1                | Guard, Switch                     |     |
| 27   | 4240018     | AR               | Tie-Strap (Not Shown)             |     |
| 28   | 1001163599  | 2                | Stud                              |     |
| 29   | 4360336     | 1                | Switch, Toggle                    |     |
| 30   | 4460071     | 1                | Connector, Strain Relief          |     |
| 31   | 4460346     | 1                | Receptacle                        |     |
| 32   | 4711400     | 8                | Washer 1/4                        |     |
| 33   | 4751500     | 3                | Washer 5/16                       |     |
| 34   | 4711600     | 1                | Washer 3/8                        |     |
| 35   | 4751000     | 4                | Washer #10                        |     |
| 36   | 4791400     | 2                | Washer 1/4                        |     |
| 37   | 4891800     | 4                | Washer 1/2                        |     |
| 38   | 1705374     | 1                | Decal, 240V                       |     |
| 39   | 1001110873  | 1                | Cover, Receptacle                 |     |
| 41   | 1001140346  | 1                | Generator Assembly                |     |
| 41   | 70003709    | 1                | Ring, Retaining (External)        |     |
| 41   | 70003708    | 1                | Ring, Retaining (Internal)        |     |
| 41   | 70001966    | 1                | Bearing                           |     |
| 41   | 70004092    | 1                | Endbell (Shaft End)               |     |
| 41   | 70004099    | 1                | Key                               |     |
| 41   | 70004676    | 1                | Rotor                             |     |

## SECTION 3 - ENGINE

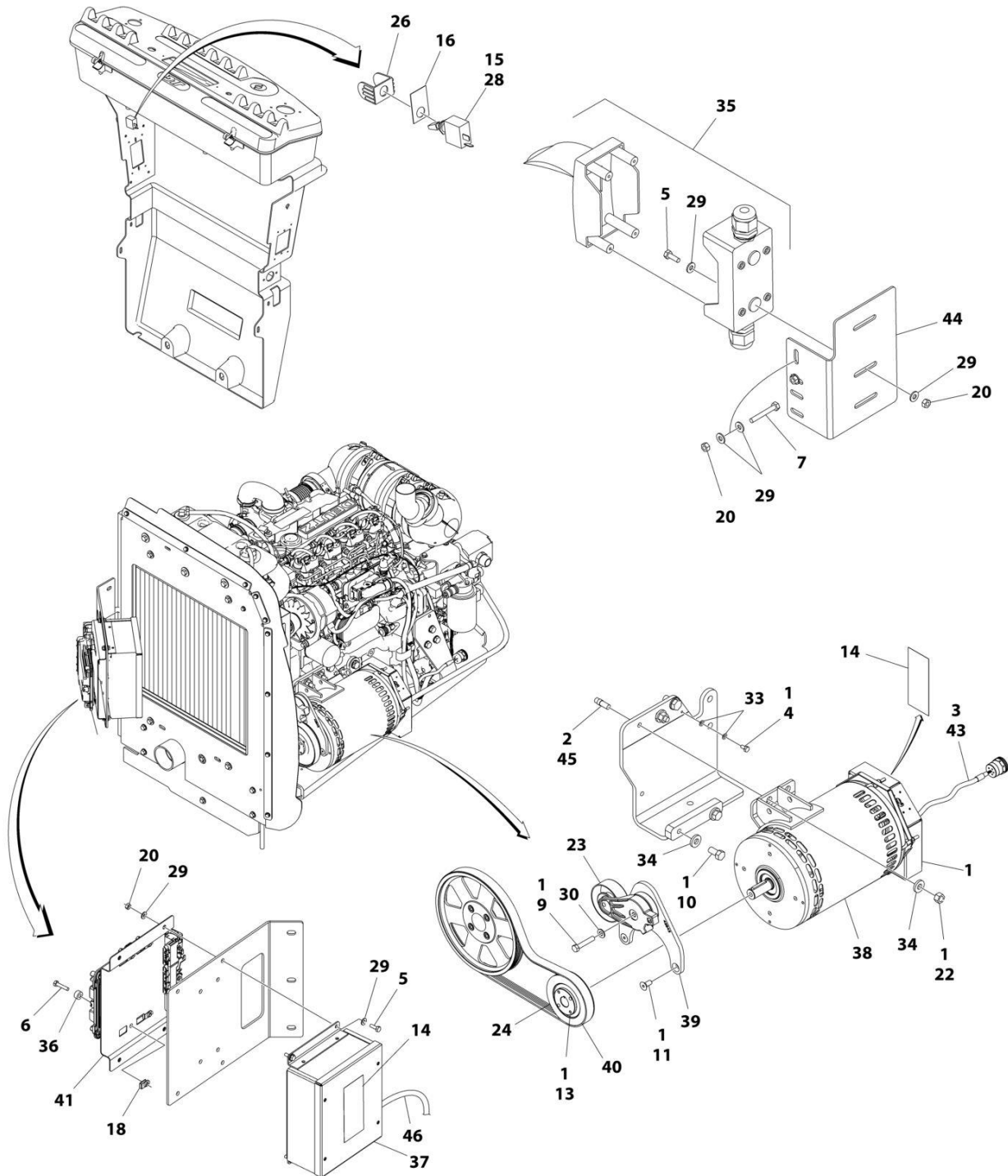
| ITEM | PART NUMBER | QTY | DESCRIPTION   | REV |
|------|-------------|-----|---|-----|
| 41   | 70004687    | 1   | Stator  |     |
| 41   | 70004678    | 1   | Endbell (Rear)  |     |
| 41   | 70004679    | 1   | Cover, Endbell (Rear)   |     |
| 41   | 70004680    | 1   | Enclosure, Wiring   |     |
| 41   | 70004685    | 1   | Cover, Enclosure  |     |
| 41   | 70004682    | 1   | Switch, Reset (Located on Enclosure Cover)                        |     |
| 41   | 70004098    | 1   | Connector, Strain Relief (Located on Enclosure Cover)             |     |
| 41   | 4460224     | 1   | Receptacle, Female - 6 Position (Connects to Generator Harness)   |     |
| 41   | 4460294     | 6   | Pin, Male (Use with p/n 4460224)                                  |     |
| 41   | 4460807     | 6   | Seal, Terminal (Use with p/n 4460224)                             |     |
| 41   | 4460808     | 1   | Seal, Interface (Use with p/n 4460224)                            |     |
| 42   | 1001142643  | 1   | Support, Gen Tensioner  |     |
| 43   | 1001142646  | 1   | Belt, Generator   |     |
| 44   | 1001152457  | 1   | Junction Box Assembly   |     |
| 44   | 3300396     | 1   | Cover, Breaker  |     |
| 44   | 4360070     | 1   | Breaker, Circuit - 15Amp  |     |
| 44   | 4460425     | 1   | Connector, Strain Relief (LH Side)                                |     |
| 44   | 4460426     | 1   | Connector, Strain Relief (RH Side)                                |     |
| 44   | 1001152530  | 1   | Block, Terminal   |     |
| 44   | 1001158363  | 1   | Cover, Terminal Block   |     |
| 44   | 1001153260  | 1   | Decal - Wiring Diagram  |     |
| 45   | 1001145330  | 1   | Bracket   |     |
| 46   | 0641410     | 4   | Bolt 1/4 x 1-1/4  |     |
| 47   | 1001110425  | 4   | Spacer  |     |
| 48   | 3311005     | 4   | Nut #10   |     |
| 49   | 1705387     | 3   | Decal - Hazardous Voltage   |     |
| 50   | 3251243     | 1   | Decal, 120V-60Hz  |     |
| 51   | 1001152532  | 1   | Harness, Generator (See Separate Breakdown in ELECTRICAL SECTION) |     |
|      |             | Ref | ELECTRICAL DIAGRAM COMPONENTS                                     |     |
| 101  | 1001153259  | 1   | Harness, Generator  |     |
| 103  | 4922641     | 1   | Harness, Switch   |     |





# SECTION 3 - ENGINE

## FIGURE 3-64. 4000W/50HZ GENERATOR INSTALLATION - DEUTZ TD2.9L4 ENGINES



ART\_1001171268

## SECTION 3 - ENGINE

**FIGURE 3-64. 4000W/50HZ GENERATOR INSTALLATION - DEUTZ TD2.9L4 ENGINES**

| ITEM | PART NUMBER | QTY              | DESCRIPTION  | REV |
|------|-------------|------------------|--|-----|
|      | 1001171268  | Ref              | 4000W/50HZ Generator Installation  | C   |
| 1    | 0100011     | AR               | Compound, Locking  |     |
| 2    | 0100019     | AR               | Compound, Locking  |     |
| 3    | 0100048     | AR               | Grease, Dielectric   |     |
| 4    | 0641404     | 1                | Bolt 1/4 x 1/2   |     |
| 5    | 0641406     | 6                | Bolt 1/4 x 3/4   |     |
| 6    | 0641410     | 4                | Bolt 1/4 x 1-1/4   |     |
| 7    | 0641415     | 2                | Bolt 1/4 x 1-7/8   |     |
| 9    | 0641618     | 1                | Bolt 3/8 x 2-1/4   |     |
| 10   | 0641808     | 2                | Bolt 1/2 x 1   |     |
| 11   | 0741607     | 3                | Screw, Flathead 3/8 x 7/8  |     |
| 13   | 0962520     | 1                | Bushing, Split   |     |
| 14   | 1705489     | 2                | Decal - Hazardous Voltage  |     |
| 15   | 2820031     | 0.33 ft<br>/.10m | Heat Shrink  |     |
| 16   | 3251102     | 1                | Nameplate, Generator   |     |
| 18   | 3300454     | 4                | Nut, U-Style 1/4   |     |
| 20   | 3311405     | 4                | Nut 1/4  |     |
| 22   | 3311801     | 2                | Nut 1/2  |     |
| 23   | 3580317     | 1                | Tensioner, Belt with Pulley  |     |
| 24   | 3580319     | 1                | Pulley, Generator  |     |
| 26   | 4060802     | 1                | Guard, Switch  |     |
| 27   | 4240018     | AR               | Tie-Strap (Not Shown)  |     |
| 28   | 4360336     | 1                | Switch, Toggle   |     |
| 29   | 4711400     | 16               | Washer 1/4   |     |
| 30   | 4711600     | 1                | Washer 3/8   |     |
| 33   | 4791400     | 2                | Washer 1/4   |     |
| 34   | 4891800     | 4                | Washer 1/2   |     |
| 35   | 1001096070  | 1                | Breaker Box Kit (Not Shown) (See Separate Breakdown in ELECTRICAL SECTION) |     |
| 36   | 1001110425  | 4                | Spacer   |     |
| 37   | 1001138566  | 1                | Box, Control   |     |
| 37   | 70006552    | 1                | Capacitor  |     |
| 37   | 70006553    | 1                | Relay  |     |
| 38   | 1001140347  | 1                | Generator Assembly   |     |
| 38   | 70003709    | 1                | Ring, Retaining (External)   |     |
| 38   | 70003708    | 1                | Ring, Retaining (Internal)   |     |
| 38   | 70001966    | 1                | Bearing  |     |
| 38   | 70004092    | 1                | Endbell (Shaft End)  |     |
| 38   | 70004099    | 1                | Key  |     |
| 38   | 70004676    | 1                | Rotor  |     |
| 38   | 70004686    | 1                | Stator   |     |
| 38   | 70004678    | 1                | Endbell (Rear)   |     |
| 38   | 70004679    | 1                | Cover, Endbell (Rear)  |     |
| 38   | 70004680    | 1                | Enclosure, Wiring  |     |
| 38   | 70004681    | 1                | Cover, Enclosure   |     |
| 38   | 70004682    | 1                | Switch, Reset (Located on Enclosure Cover)                                 |     |
| 38   | 70004683    | 1                | Connector, Strain Relief (Located on Enclosure Cover)                      |     |
| 38   | 4460224     | 1                | Receptacle, Female - 6 Position (Connects to Generator Harness)            |     |

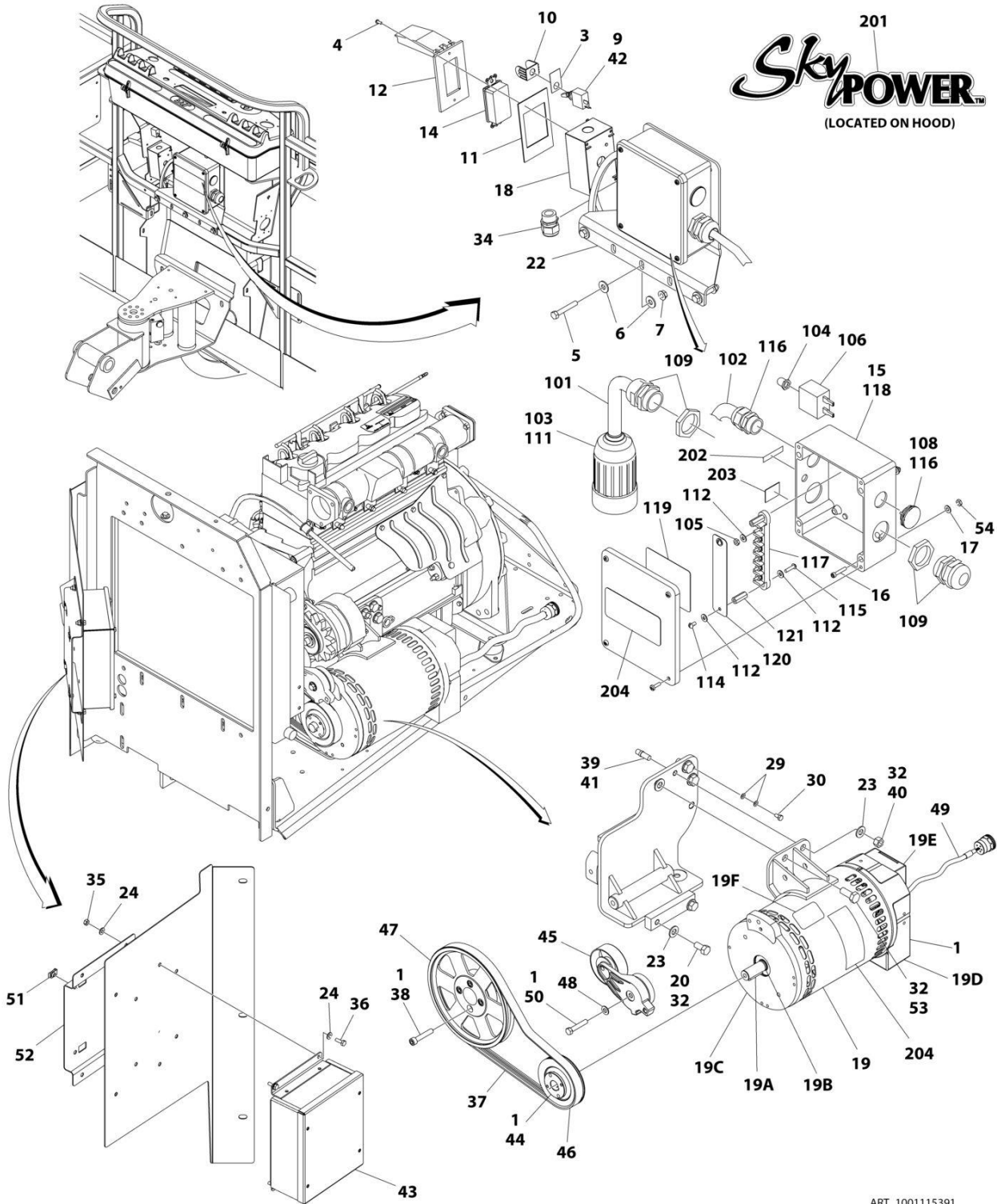
## SECTION 3 - ENGINE

| ITEM | PART NUMBER | QTY | DESCRIPTION   | REV |
|------|-------------|-----|---|-----|
| 38   | 4460294     | 6   | Pin, Male (Use with p/n 4460224)                                  |     |
| 38   | 4460807     | 6   | Seal, Terminal (Use with p/n 4460224)                             |     |
| 38   | 4460808     | 1   | Seal, INterface (Use with p/n 4460224)                            |     |
| 39   | 1001142643  | 1   | Support, Gen Tensioner  |     |
| 40   | 1001142645  | 1   | Belt  |     |
| 41   | 1001145330  | 1   | Bracket   |     |
| 43   | 1001152532  | 1   | Harness, Generator (See Separate Breakdown in ELECTRICAL SECTION) |     |
| 44   | 1001153636  | 1   | Bracket   |     |
| 45   | 1001163599  | 2   | Stud  |     |
| 46   | 1001153259  | 1   | Harness, Generator  |     |



# SECTION 3 - ENGINE

## FIGURE 3-65. 7500W/60HZ SKYPOWER GENERATOR INSTALLATION - DEUTZ D2011 ENGINES



## SECTION 3 - ENGINE

**FIGURE 3-65. 7500W/60HZ SKYPOWER GENERATOR INSTALLATION - DEUTZ D2011 ENGINES**

| ITEM | PART NUMBER | QTY | DESCRIPTION   | REV |
|------|-------------|-----|---|-----|
|      | 1001115391  | Ref | 7500W/60HZ SKYPOWER GENERATOR INSTALLATION                      | F   |
| 1    | 0100011     | AR  | Compound, Locking   |     |
| 3    | 3252764     | 1   | Nameplate   |     |
| 4    | 3910606     | 4   | Screw #6 x 3/8  |     |
| 5    | 0641516     | 3   | Bolt 5/16 x 2   |     |
| 6    | 4711500     | 6   | Washer  |     |
| 7    | 3311505     | 3   | Nut 5/16  |     |
| 9    | 4360336     | 1   | Switch, Toggle  |     |
| 10   | 4060802     | 1   | Guard, Switch   |     |
| 11   | 3960422     | 1   | Gasket  |     |
| 12   | 1001110873  | 1   | Cover, Receptacle   |     |
| 14   | 4460346     | 1   | Receptacle  |     |
| 15   | 1001157592  | Ref | Junction Box Assembly Options (See Items 101-121 for Breakdown) |     |
| 16   | 3931016     | 4   | Capscrew #10 x 1  |     |
| 17   | 4751000     | 4   | Washer #10  |     |
| 18   | 0860038     | 1   | Box, Switch   |     |
| 19   | 2460048     | 1   | Generator Assembly  | D   |
| 19   | 70001100    | 1   | Rotor (Includes p/n 70001384 & 70000863) (Not Shown)            |     |
| 19   | 70001384    | 1   | Bearing, Ball Radial (Not Shown)                                |     |
| 19   | 70000863    | 1   | Fan (Not Shown)   |     |
| 19   | 70002088    | 1   | Stator (Not Shown)  |     |
| 19   | 70002297    | 1   | Stud  |     |
| 19   | 70003631    | 1   | Brushholder Assembly (Not Shown)                                |     |
| 19A  | 70004171    | 1   | Key   |     |
| 19B  | 70001966    | 1   | Bearing, Ball Radial (Located in Belt Tensioner Endbell)        |     |
| 19B  | 70003708    | 1   | Ring, Internal Retaining (Located in Belt Tensioner Endbell)    |     |
| 19B  | 70003709    | 1   | Ring, External Retaining (Located in Belt Tensioner Endbell)    |     |
| 19C  | 70001953    | 1   | Endbell, Belt Tensioner   |     |
| 19D  | 70004169    | 1   | Endbell, Brush Block  |     |
| 19E  | 70002290    | 1   | Shroud  |     |
| 19E  | 7027799     | 1   | Block, Connector 6 Position (Not Shown)                         |     |
| 19E  | 7026626     | 1   | Connector - 6 Position with Seal (Not Shown)                    |     |
| 19E  | 70002460    | 1   | Nut, Brass (Attaches p/n 7027799 to Cover) (Not Shown)          |     |
| 19E  | 7024485     | 1   | Breaker, Circuit 30Amp (Not Shown)                              |     |
| 19E  | 70001696    | 1   | Boot, Breaker (Not Shown)                                       |     |
| 19E  | 7026597     | 1   | Connector, W/Leads (Not Shown)                                  |     |
| 19E  | 7026188     | 1   | Clamp, Cable (Not Shown)  |     |
| 19E  | 70003708    | 1   | Ring, Retaining (Internal) (Not Shown)                          |     |
| 19E  | 70003709    | 1   | Ring, Retaining (External) (Not Shown)                          |     |
| 19E  | 70004169    | 1   | Plate, End Panel  |     |
| 19E  | 70001974    | 1   | Decal - Terminal Connections                                    |     |
| 19F  | 70001973    | 1   | Decal - Warning Moving Parts                                    |     |
| 20   | 0641808     | 2   | Bolt 1/2 x 1  |     |
| 22   | 0902888     | 1   | Bracket, Box Mounting   |     |
| 23   | 4711800     | 3   | Washer 1/2  |     |
| 24   | 4711400     | 8   | Washer 1/4  |     |
| 28   | 4240018     | AR  | Tie-Strap (Not Shown)   |     |
| 29   | 4791400     | 2   | Starwasher 1/4  |     |
| 30   | 0641403     | 1   | Bolt 1/4 x 3/8  |     |

## SECTION 3 - ENGINE

| ITEM | PART NUMBER | QTY      | DESCRIPTION   | REV |
|------|-------------|----------|---|-----|
| 32   | 0100019     | AR       | Compound, Locking   |     |
| 34   | 4460071     | 1        | Connector, Strain Relief  |     |
| 35   | 3311405     | 4        | Nut 1/4   |     |
| 36   | 0641406     | 4        | Bolt 1/4 x 3/4  |     |
| 37   | 0480129     | 1        | Belt, Drive   |     |
| 38   | 4032015     | 4        | Capscrew M10 x 55   |     |
| 39   | 4300157     | 1        | Stud  |     |
| 40   | 3311801     | 1        | Nut 1/2   |     |
| 41   | 0100062     | AR       | Adhesive  |     |
| 42   | 2820031     | 1        | Insulator   |     |
| 43   | 0861538     | 1        | Control Box Assembly  |     |
| 43   | 7024488     | 1        | Card, Circuit - Generator Power   |     |
| 43   | See Note    | 1        | Fuse (Note: Not Available - Purchase Locally)   |     |
| 43   | 7024489     | 1        | Card, Circuit - Control   |     |
|      |             | Ref      | Note: Same Circuit Card (p/n 7024489) is used for both 60Hz and 50Hz. When replacing card, rocker switch on card must be set for required application |     |
| 43   | 70000619    | 1        | Harness, Circuit Card   |     |
| 44   | 0962520     | 1        | Bushing, Split Taper  |     |
| 45   | 3580317     | 1        | Tensioner, Belt   |     |
| 46   | 3580318     | 1        | Pulley  |     |
| 47   | 3580320     | 1        | Pulley  |     |
| 48   | 4711600     | 1        | Washer 3/8  |     |
| 49   | 4922925     | 1        | Harness, Generator (See Separate Breakdown in ELECTRICAL SECTION)   |     |
| 50   | 0641618     | 1        | Bolt 3/8 x 2-1/4  |     |
| 51   | 3300454     | 4        | Nut Special 1/4   |     |
| 52   | 3575863     | 1        | Plate, EMR2 Mount   |     |
| 53   | 0771415     | 1        | Bolt M14 x 35   |     |
| 54   | 3311005     | 4        | Nut #10   |     |
|      | 1001157592  | Ref      | JUNCTION BOX ASSEMBLY   | D   |
| 101  | 1060343     | AR       | Cable, Electrical 10/4  |     |
| 102  | 1001179154  | 2 ft/.6m | Cable, Electrical 12/3  |     |
| 103  | 1671092     | 1        | Cover   |     |
| 104  | 3300396     | 1        | Cover, Fuse   |     |
| 105  | 3311001     | 6        | Nut #10   |     |
| 106  | 4360070     | 1        | Circuit Breaker - 15 Amp  |     |
| 108  | 4460425     | 1        | Strain Relief, Terminal   |     |
| 109  | 4460426     | 2        | Connector, Strain Relief  |     |
| 111  | 4460963     | 1        | Connector   |     |
| 112  | 4711000     | 10       | Washer #10  |     |
| 114  | 10702077    | 2        | Screw #10 x 3/8   |     |
| 115  | 10702082    | 2        | Screw #10 x 3/4   |     |
| 116  | 1001152525  | 1        | Plug, Hole  |     |
| 117  | 1001157520  | 1        | Block, Terminal - 6 Pole  |     |
| 118  | 1001157521  | 1        | Box, Junction   |     |
| 119  | 1001157528  | 1        | Decal - Wiring Schematic  |     |
| 120  | 1001158007  | 1        | Cover, PVC  |     |
| 121  | 1001158008  | 2        | Stand-Off   |     |
|      | 0272435     | Ref      | DECAL INSTALLATION  | D   |
| 201  | 1705460     | 2        | Decal - SkyPower  |     |
| 202  | 3251243     | 1        | Decal - 120V - 60Hz (Located on Opposite Side)  |     |

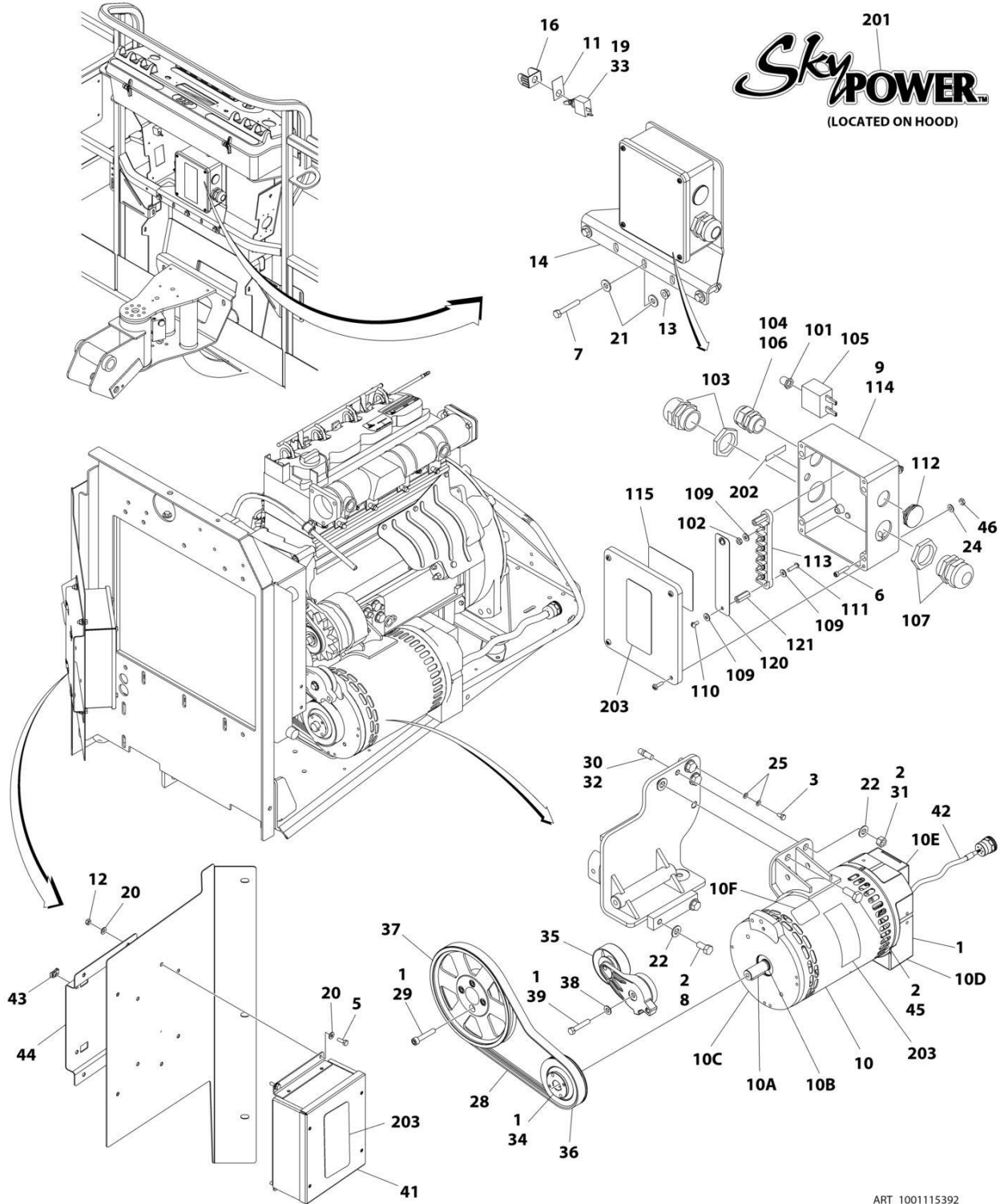


## SECTION 3 - ENGINE

| ITEM | PART NUMBER | QTY | DESCRIPTION  | REV |
|------|-------------|-----|--|-----|
| 203  | 1705375     | 1   | Decal - 240V - 3 Phase   | B   |
| 204  | 1705387     | 3   | Decal, Hazardous Voltage   |     |
|      | 1001157769  | Ref | ELECTRICAL DIAGRAM COMPONENTS  |     |
| 301  | 1001152429  | 1   | Generator Harness (Not Shown - See Separate Breakdown in ELECTRICAL SECTION) |     |
| 304  | 4922641     | 1   | Switch Harness (Not Shown)   |     |

# SECTION 3 - ENGINE

## FIGURE 3-66. 7500W/50HZ SKYPOWER GENERATOR INSTALLATION - DEUTZ D2011 ENGINES



ART\_1001115392

## SECTION 3 - ENGINE

**FIGURE 3-66. 7500W/50HZ SKYPOWER GENERATOR INSTALLATION - DEUTZ D2011 ENGINES**

| ITEM | PART NUMBER | QTY | DESCRIPTION   | REV |
|------|-------------|-----|---|-----|
|      | 1001115392  | Ref | 7500W/50HZ SKYPOWER GENERATOR INSTALLATION                      | E   |
| 1    | 0100011     | AR  | Compound, Locking   |     |
| 2    | 0100019     | AR  | Compound, Locking   |     |
| 3    | 0641403     | 1   | Bolt 1/4 x 3/8  |     |
| 5    | 0641406     | 4   | Bolt 1/4 x 3/4  |     |
| 6    | 3931016     | 4   | Capscrew #10 x 1  |     |
| 7    | 0641516     | 3   | Bolt 5/16 x 2   |     |
| 8    | 0641808     | 2   | Bolt 1/2 x 1  |     |
| 9    | 1001157525  | Ref | Junction Box Assembly Options (See Items 101-121 for Breakdown) |     |
| 10   | 2460048     | 1   | Generator Assembly  | D   |
| 10   | 70001100    | 1   | Rotor (Includes p/n 70001384 & 70000863) (Not Shown)            |     |
| 10   | 70001384    | 1   | Bearing, Ball Radial (Not Shown)                                |     |
| 10   | 70000863    | 1   | Fan (Not Shown)   |     |
| 10   | 70002088    | 1   | Stator (Not Shown)  |     |
| 10   | 70002297    | 1   | Stud  |     |
| 10   | 70003631    | 1   | Brushholder Assembly (Not Shown)                                |     |
| 10A  | 70004171    | 1   | Key   |     |
| 10B  | 70001966    | 1   | Bearing, Ball Radial (Located in Belt Tensioner Endbell)        |     |
| 10B  | 70003708    | 1   | Ring, Internal Retaining (Located in Belt Tensioner Endbell)    |     |
| 10B  | 70003709    | 1   | Ring, External Retaining (Located in Belt Tensioner Endbell)    |     |
| 10C  | 70001953    | 1   | Endbell, Belt Tensioner   |     |
| 10D  | 70004169    | 1   | Endbell, Brush Block  |     |
| 10E  | 70002290    | 1   | Shroud  |     |
| 10E  | 7027799     | 1   | Block, Connector 6 Position (Not Shown)                         |     |
| 10E  | 7026626     | 1   | Connector - 6 Position with Seal (Not Shown)                    |     |
| 10E  | 70002460    | 1   | Nut, Brass (Attaches p/n 7027799 to Cover) (Not Shown)          |     |
| 10E  | 7024485     | 1   | Breaker, Circuit 30Amp (Not Shown)                              |     |
| 10E  | 70001696    | 1   | Boot, Breaker (Not Shown)                                       |     |
| 10E  | 7026597     | 1   | Connector, W/Leads (Not Shown)                                  |     |
| 10E  | 7026188     | 1   | Clamp, Cable (Not Shown)  |     |
| 10E  | 70003708    | 1   | Ring, Retaining (Internal) (Not Shown)                          |     |
| 10E  | 70003709    | 1   | Ring, Retaining (External) (Not Shown)                          |     |
| 10E  | 70004169    | 1   | Plate, End Panel  |     |
| 10E  | 70001974    | 1   | Decal - Terminal Connections                                    |     |
| 10F  | 70001973    | 1   | Decal - Warning Moving Parts                                    |     |
| 11   | 3252764     | 1   | Nameplate   |     |
| 12   | 3311405     | 4   | Nut 1/4   |     |
| 13   | 3311505     | 3   | Nut 5/16  |     |
| 14   | 0902888     | 1   | Bracket, Box Mounting   |     |
| 16   | 4060802     | 1   | Guard, Switch   |     |
| 18   | 4240018     | AR  | Tie-Strap (Not Shown)   |     |
| 19   | 4360336     | 1   | Switch, Toggle  |     |
| 20   | 4711400     | 8   | Washer 1/4  |     |
| 21   | 4711500     | 6   | Washer  |     |
| 22   | 4711800     | 3   | Washer 1/2  |     |
| 24   | 4751000     | 4   | Washer #10  |     |
| 25   | 4791400     | 2   | Starwasher 1/4  |     |
| 28   | 0480126     | 1   | Belt, Drive   |     |
| 29   | 4032015     | 4   | Capscrew M10 x 55   |     |

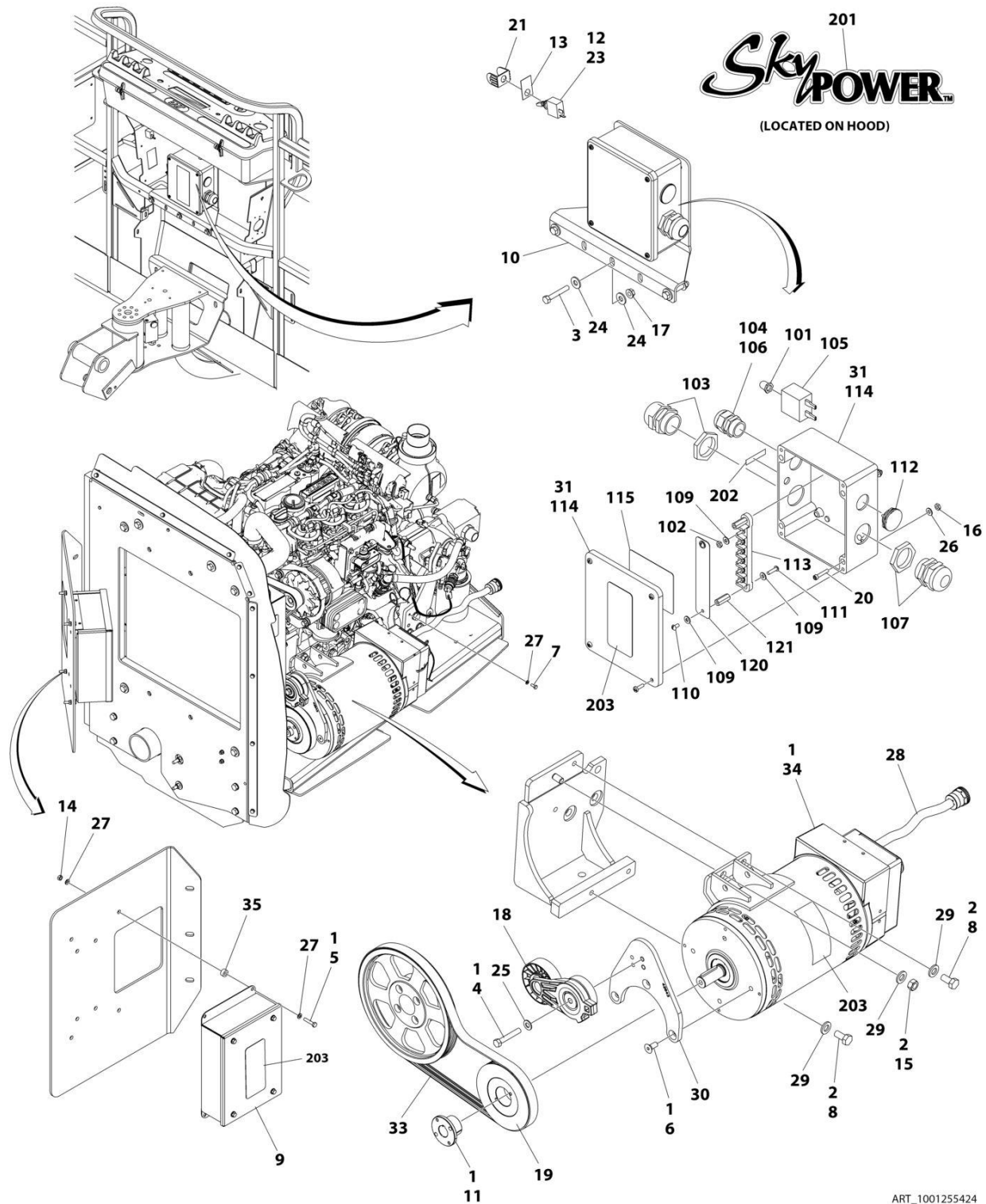
## SECTION 3 - ENGINE

| ITEM | PART NUMBER | QTY | DESCRIPTION  | REV |
|------|-------------|-----|--|-----|
| 30   | 4300157     | 1   | Stud   |     |
| 31   | 3311801     | 1   | Nut 1/2  |     |
| 32   | 0100062     | AR  | Adhesive   |     |
| 33   | 2820031     | 1   | Insulator  |     |
| 34   | 0962520     | 1   | Bushing, Split Taper   |     |
| 35   | 3580317     | 1   | Tensioner, Belt  |     |
| 36   | 3580319     | 1   | Pulley   |     |
| 37   | 3580320     | 1   | Pulley   |     |
| 38   | 4711600     | 1   | Washer 3/8   |     |
| 39   | 0641618     | 1   | Bolt 3/8 x 2-1/4   |     |
| 41   | 0861572     | 1   | Control Box Assembly   |     |
| 41   | 7024488     | 1   | Card, Circuit - Generator Power  |     |
| 41   | See Note    | 1   | Fuse (Note: Not Available - Purchase Locally)  |     |
| 41   | 7024489     | 1   | Card, Circuit - Control  |     |
|      |             | Ref | "Note: Same Circuit Card (p/n 7024489) is used for both 60Hz and 50Hz. When replacing card, rocker switch on card must be set for required application." |     |
| 41   | 70000619    | 1   | Harness, Circuit Card  |     |
| 42   | 4922925     | 1   | Harness, Generator (See Separate Breakdown in ELECTRICAL SECTION)  |     |
| 43   | 3300454     | 4   | Nut Special 1/4  |     |
| 44   | 3575863     | 1   | Plate, EMR2 Mount  |     |
| 45   | 0771415     | 1   | Bolt M14 x 35  |     |
| 46   | 3311005     | 4   | Nut #10  |     |
|      | 1001157525  | Ref | JUNCTION BOX ASSEMBLY  | B   |
| 101  | 3300396     | 1   | Cover, Fuse  |     |
| 102  | 3311001     | 6   | Nut #10  |     |
| 103  | 3520189     | 1   | Plug   |     |
| 104  | 3520192     | 1   | Plug   |     |
| 105  | 4360070     | 1   | Circuit Breaker - 15 Amp   |     |
| 106  | 4460425     | 1   | Strain Relief, Terminal  |     |
| 107  | 4460426     | 2   | Connector, Strain Relief   |     |
| 109  | 4711000     | 10  | Washer #10   |     |
| 110  | 10702077    | 2   | Screw #10 x 3/8  |     |
| 111  | 10702082    | 2   | Screw #10 x 3/4  |     |
| 112  | 1001152525  | 1   | Plug, Hole   |     |
| 113  | 1001157520  | 1   | Block, Terminal - 6 Pole   |     |
| 114  | 1001157521  | 1   | Box, Junction  |     |
| 115  | 1001157528  | 1   | Decal - Wiring Schematic   |     |
| 120  | 1001158007  | 1   | Cover, PVC   |     |
| 121  | 1001158008  | 2   | Stand-Off  |     |
|      | 0272589     | Ref | DECAL INSTALLATION   | A   |
| 201  | 1705460     | 2   | Decal - SkyPower   |     |
| 202  | 1705461     | 1   | Decal - 240V - 3 Phase   |     |
| 203  | 1705489     | Ref | Decal, Hazardous Voltage   |     |
|      | 1001157769  | Ref | ELECTRICAL DIAGRAM COMPONENTS  | B   |
| 301  | 1001152429  | 1   | Generator Harness (Not Shown - See Separate Breakdown in ELECTRICAL SECTION)   |     |
| 304  | 4922641     | 1   | Switch Harness (Not Shown)   |     |



# SECTION 3 - ENGINE

## FIGURE 3-67. 7500W/50HZ SKYPOWER GENERATOR INSTALLATION - DEUTZ TD2.2L3 STAGE V ENGINES



## SECTION 3 - ENGINE

**FIGURE 3-67. 7500W/50HZ SKYPOWER GENERATOR INSTALLATION - DEUTZ TD2.2L3 STAGE V ENGINES**

| ITEM | PART NUMBER | QTY | DESCRIPTION  | REV |
|------|-------------|-----|--|-----|
|      | 1001255424  | Ref | 7500W/50HZ SKYPOWER GENERATOR INSTALLATION   | B   |
| 1    | 0100011     | AR  | Compound, Locking  |     |
| 2    | 0100019     | AR  | Compound, Locking  |     |
| 3    | 0641516     | 3   | Bolt 5/16 x 2  |     |
| 4    | 0641618     | 1   | Bolt 3/8 x 2-1/4   |     |
| 5    | 0700614     | 4   | Bolt M6 x 30   |     |
| 6    | 0741607     | 3   | Screw, Flathead 3/8 x 7/8  |     |
| 7    | 0760607     | 1   | Bolt M6 x 14   |     |
| 8    | 0761212     | 3   | Bolt M12 x 25  |     |
| 9    | 0861572     | 1   | Control Box Assembly   |     |
| 9    | 7024488     | 1   | Card, Circuit - Generator Power  |     |
| 9    | See Note    | 1   | Fuse (Note: Not Available - Purchase Locally)  |     |
| 9    | 7024489     | 1   | Card, Circuit - Control  |     |
|      |             | Ref | "Note: Same Circuit Card (p/n 7024489) is used for both 60Hz and 50Hz. When replacing card, rocker switch on card must be set for required application." |     |
| 9    | 70000619    | 1   | Harness, Circuit Card  |     |
| 10   | 0902888     | 1   | Bracket, Box Mounting  |     |
| 11   | 0962520     | 1   | Bushing, Split Taper   |     |
| 12   | 2820031     | AR  | Insulator  |     |
| 13   | 3252764     | 1   | Nameplate  |     |
| 14   | 3290601     | 4   | Nut M6   |     |
| 15   | 3291201     | 1   | Nut M12  |     |
| 16   | 3311005     | 4   | Nut #10  |     |
| 17   | 3311505     | 3   | Nut 5/16   |     |
| 18   | 3580317     | 1   | Tensioner, Belt  |     |
| 19   | 3580319     | 1   | Pulley   |     |
| 20   | 3931016     | 4   | Capscrew #10 x 1   |     |
| 21   | 4060802     | 1   | Guard, Switch  |     |
| 22   | 4240018     | AR  | Tie-Strap (Not Shown)  |     |
| 23   | 4360336     | 1   | Switch, Toggle   |     |
| 24   | 4711500     | 6   | Washer   |     |
| 25   | 4711800     | 1   | Washer 1/2   |     |
| 26   | 4751000     | 4   | Washer #10   |     |
| 27   | 4811700     | 9   | Washer M6  |     |
| 28   | 4922925     | 1   | Harness, Generator (See Separate Breakdown in ELECTRICAL SECTION)  |     |
| 29   | 5241200     | 4   | Washer M12   |     |
| 30   | 1001142643  | 1   | Support, Gen Tensioner   |     |
| 31   | 1001157525  | Ref | Junction Box Assembly Options (See Items 101-121 for Breakdown)  |     |
| 33   | 1001214683  | 1   | Belt, Generator  |     |
| 34   | 1001248105  | 1   | Generator Assembly - 50Hz (Note: No service parts available at time of printing)   |     |
| 35   | 1001110425  | 1   | Spacer   |     |
|      | 1001157525  | Ref | JUNCTION BOX ASSEMBLY  | B   |
| 101  | 3300396     | 1   | Cover, Fuse  |     |
| 102  | 3311001     | 6   | Nut #10  |     |
| 103  | 3520189     | 1   | Plug   |     |
| 104  | 3520192     | 1   | Plug   |     |

## SECTION 3 - ENGINE

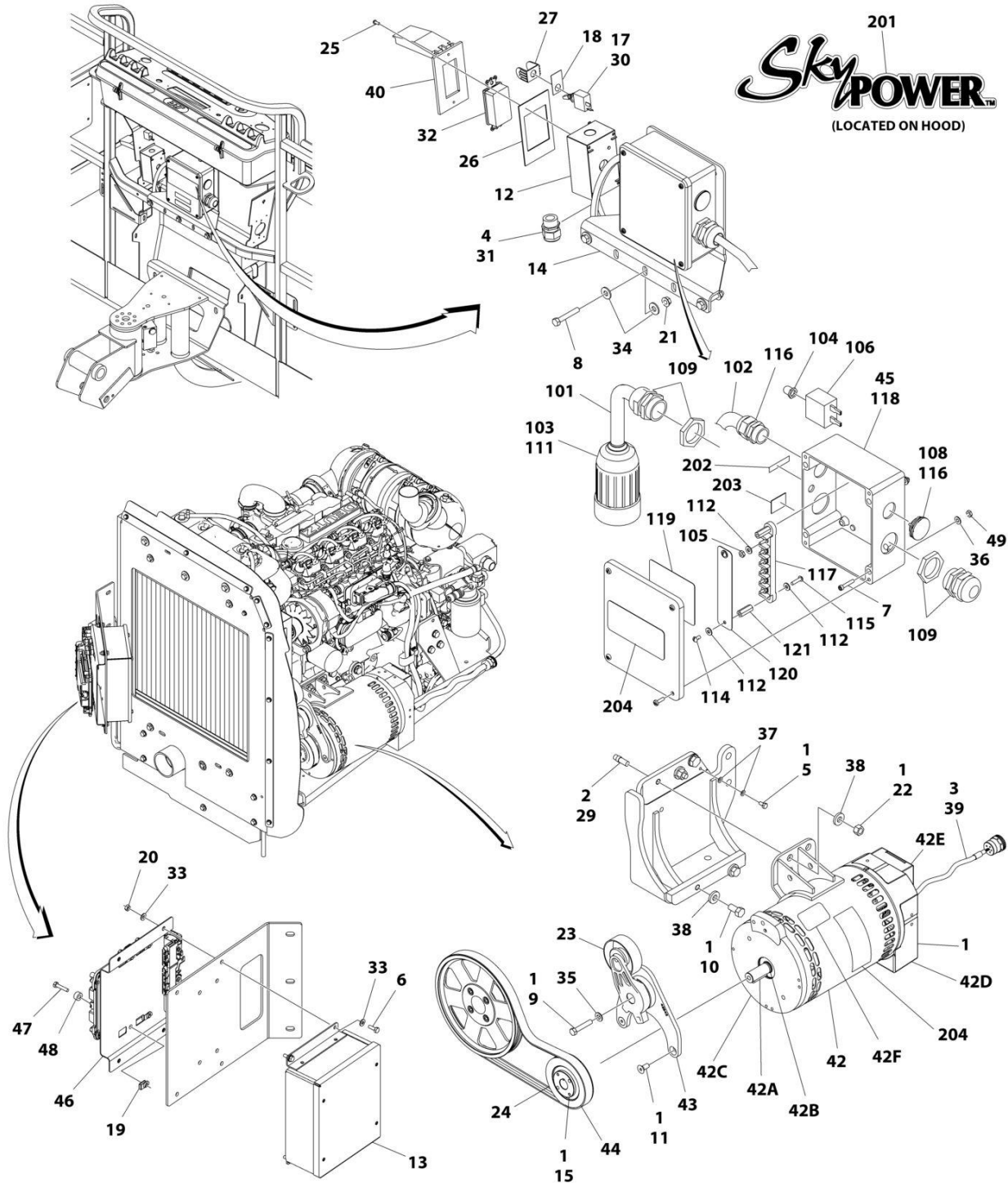
| ITEM | PART NUMBER | QTY | DESCRIPTION  | REV |
|------|-------------|-----|--|-----|
| 105  | 4360070     | 1   | Circuit Breaker - 15 Amp   |     |
| 106  | 4460425     | 1   | Strain Relief, Terminal  |     |
| 107  | 4460426     | 2   | Connector, Strain Relief   |     |
| 109  | 4711000     | 10  | Washer #10   |     |
| 110  | 10702077    | 2   | Screw #10 x 3/8  |     |
| 111  | 10702082    | 2   | Screw #10 x 3/4  |     |
| 112  | 1001152525  | 1   | Plug, Hole   |     |
| 113  | 1001157520  | 1   | Block, Terminal - 6 Pole   |     |
| 114  | 1001157521  | 1   | Box, Junction  |     |
| 115  | 1001157528  | 1   | Decal - Wiring Schematic   |     |
| 120  | 1001158007  | 1   | Cover, PVC   |     |
| 121  | 1001158008  | 2   | Stand-Off  |     |
|      | 0272589     | Ref | DECAL INSTALLATION   | A   |
| 201  | 1705460     | 2   | Decal - SkyPower   |     |
| 202  | 1705461     | 1   | Decal - 240V - 3 Phase   |     |
| 203  | 1705489     | Ref | Decal, Hazardous Voltage   |     |
|      | 1001157769  | Ref | ELECTRICAL DIAGRAM COMPONENTS  | B   |
| 301  | 1001152429  | 1   | Generator Harness (Not Shown - See Separate Breakdown in ELECTRICAL SECTION) |     |
| 304  | 4922641     | 1   | Switch Harness (Not Shown)   |     |





# SECTION 3 - ENGINE

## FIGURE 3-68. 7500W/60HZ SKYPOWER GENERATOR INSTALLATION - DEUTZ TD2.9L4 ENGINES



ART\_1001145227

## SECTION 3 - ENGINE

**FIGURE 3-68. 7500W/60HZ SKYPOWER GENERATOR INSTALLATION - DEUTZ TD2.9L4 ENGINES**

| ITEM | PART NUMBER | QTY | DESCRIPTION  | REV |
|------|-------------|-----|--|-----|
|      | 1001145227  | Ref | 7500W/60HZ SKYPOWER GENERATOR INSTALLATION   | G   |
| 1    | 0100011     | AR  | Compound, Locking  |     |
| 2    | 0100019     | AR  | Compound, Locking  |     |
| 3    | 0100048     | AR  | Grease, Dielectric   |     |
| 4    | 0100079     | AR  | Sealant  |     |
| 5    | 0641404     | 1   | Bolt 1/4 x 1/2   |     |
| 6    | 0641407     | 4   | Bolt 1/4 x 7/8   |     |
| 7    | 3931016     | 4   | Capscrew #10 x 1   |     |
| 8    | 0641516     | 3   | Bolt 5/16 x 2  |     |
| 9    | 0641616     | 1   | Bolt 3/8 x 2   |     |
| 10   | 0641808     | 2   | Bolt 1/2 x 1   |     |
| 11   | 0741607     | 3   | Screw, Flathead 3/8 x 7/8  |     |
| 12   | 0860038     | 1   | Box, Switch  |     |
| 13   | 0861538     | 1   | Control Box Assembly   |     |
| 13   | 7024488     | 1   | Card, Circuit - Generator Power  |     |
| 13   | See Note    | 1   | Fuse (Note: Not Available - Purchase Locally)  |     |
| 13   | 7024489     | 1   | Card, Circuit - Control  |     |
|      |             | Ref | Note: Same Circuit Card (p/n 7024489) is used for both 60Hz and 50Hz. When replacing card, rocker switch on card must be set for required application. |     |
| 13   | 70000619    | 1   | Harness, Circuit Card  |     |
| 14   | 0902888     | 1   | Bracket, Box Mounting  |     |
| 15   | 0962520     | 1   | Bushing, Split Taper   |     |
| 17   | 2820031     | 1   | Insulator  |     |
| 18   | 3252764     | 1   | Nameplate  |     |
| 19   | 3300454     | 4   | Nut Special 1/4  |     |
| 20   | 3311405     | 4   | Nut 1/4  |     |
| 21   | 3311505     | 3   | Nut 5/16   |     |
| 22   | 3311801     | 2   | Nut 1/2  |     |
| 23   | 3580317     | 1   | Tensioner, Belt  |     |
| 24   | 3580318     | 1   | Pulley   |     |
| 25   | 3910606     | 4   | Screw #6 x 3/8   |     |
| 26   | 3960422     | 1   | Gasket   |     |
| 27   | 4060802     | 1   | Guard, Switch  |     |
| 28   | 4240018     | AR  | Tie-Strap (Not Shown)  |     |
| 29   | 1001163599  | 2   | Stud   |     |
| 30   | 4360336     | 1   | Switch, Toggle   |     |
| 31   | 4460071     | 1   | Connector, Strain Relief   |     |
| 32   | 4460346     | 1   | Receptacle   |     |
| 33   | 4711400     | 8   | Washer 1/4   |     |
| 34   | 4711500     | 6   | Washer   |     |
| 35   | 4711600     | 1   | Washer 3/8   |     |
| 36   | 4751000     | 4   | Washer #10   |     |
| 37   | 4791400     | 2   | Starwasher 1/4   |     |
| 38   | 4891800     | 4   | Washer 1/2   |     |
| 39   | 4922925     | 1   | Harness, Generator (See Separate Breakdown in ELECTRICAL SECTION)  |     |
| 40   | 1001110873  | 1   | Cover, Receptacle  |     |
| 42   | 1001212223  | 1   | Generator Assembly   |     |
| 42   | 70001100    | 1   | Rotor (Includes p/n 70001384 & 70000863) (Not Shown)   |     |

## SECTION 3 - ENGINE

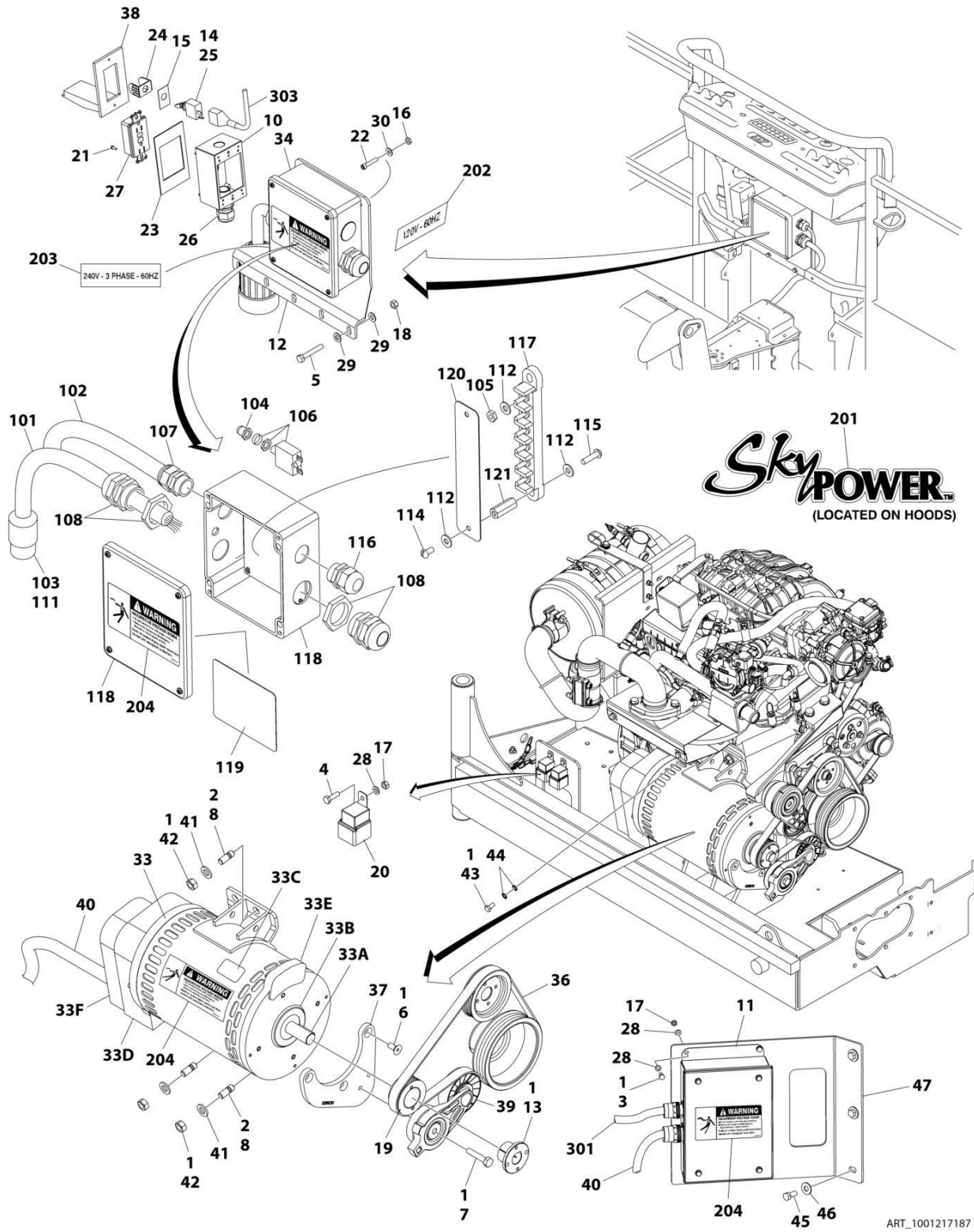
| ITEM | PART NUMBER | QTY        | DESCRIPTION  | REV |
|------|-------------|------------|--|-----|
| 42   | 70001384    | 1          | Bearing, Ball Radial (Not Shown)                                       |     |
| 42   | 70000863    | 1          | Fan (Not Shown)  |     |
| 42   | 70006093    | 1          | Stator (Not Shown)   |     |
| 42   | 70002297    | 1          | Stud   |     |
| 42   | 70003631    | 1          | Brushholder Assembly (Not Shown)                                       |     |
| 42A  | 70004099    | 1          | Key  |     |
| 42B  | 70001966    | 1          | Bearing, Ball Radial (Located in Belt Tensioner Endbell)               |     |
| 42B  | 70003708    | 1          | Ring, Internal Retaining (Located in Belt Tensioner Endbell)           |     |
| 42B  | 70003709    | 1          | Ring, External Retaining (Located in Belt Tensioner Endbell)           |     |
| 42C  | 70004092    | 1          | Endbell, Belt Tensioner  |     |
| 42D  | 70004094    | 1          | Endbell, Brush Block   |     |
| 42E  | 70006094    | 1          | Shroud   |     |
| 42E  | 70002291    | 1          | Insulator, Endbell   |     |
| 42E  | 7027799     | 1          | Block, Connector - 6 Position (Not Shown)                              |     |
| 42E  | 70002460    | 1          | Nut, Brass (Attaches p/n 7027799 to Cover) (Not Shown)                 |     |
| 42E  | 70006095    | 1          | Breaker, Circuit 30Amp (Not Shown)                                     |     |
| 42E  | 70006096    | 1          | Boot, Breaker (Not Shown)  |     |
| 42E  | 7026626     | 1          | Connector, 6 Position (Includes Seal) (Not Shown - Plugs into Item 45) |     |
| 42E  | 7026597     | 1          | Connector with Leads (Not Shown)                                       |     |
| 42E  | 70004098    | 1          | Clamp, Cable (Not Shown)   |     |
| 42E  | 70006097    | 1          | Plate, End Panel   |     |
| 42E  | 70001974    | 1          | Decal - Terminal Connections   |     |
| 42F  | 70001973    | 1          | Decal - Warning Moving Parts   |     |
| 43   | 1001142643  | 1          | Support, Gen Tensioner   |     |
| 44   | 1001142646  | 1          | Belt, Generator  |     |
| 45   | 1001157592  | Ref        | Junction Box Assembly Options (See Items 101-121 for Breakdown)        |     |
| 46   | 1001145330  | 1          | Bracket  |     |
| 47   | 0641410     | 4          | Bolt 1/4 x 1-1/4   |     |
| 48   | 1001110425  | 4          | Spacer   |     |
| 49   | 3311005     | 4          | Nut #10  |     |
|      | 1001157592  | Ref        | JUNCTION BOX ASSEMBLY  | D   |
| 101  | 1060343     | AR         | Cable, Electrical 10/4   |     |
| 102  | 1001179154  | 2 ft /0.6m | Cable, Electrical 12/3   |     |
| 103  | 1671092     | 1          | Cover  |     |
| 104  | 3300396     | 1          | Cover, Fuse  |     |
| 105  | 3311001     | 6          | Nut #10  |     |
| 106  | 4360070     | 1          | Circuit Breaker - 15 Amp   |     |
| 108  | 4460425     | 1          | Strain Relief, Terminal  |     |
| 109  | 4460426     | 2          | Connector, Strain Relief   |     |
| 111  | 4460963     | 1          | Connector  |     |
| 112  | 4711000     | 10         | Washer #10   |     |
| 114  | 10702077    | 2          | Screw #10 x 3/8  |     |
| 115  | 10702082    | 2          | Screw #10 x 3/4  |     |
| 116  | 1001152525  | 1          | Plug, Hole   |     |
| 117  | 1001157520  | 1          | Block, Terminal - 6 Pole   |     |
| 118  | 1001157521  | 1          | Box, Junction  |     |
| 119  | 1001157528  | 1          | Decal - Wiring Schematic   |     |
| 120  | 1001158007  | 1          | Cover, PVC   |     |
| 121  | 1001158008  | 2          | Stand-Off  |     |
|      | 0272435     | Ref        | DECAL INSTALLATION   | D   |

## SECTION 3 - ENGINE

| ITEM | PART NUMBER | QTY | DESCRIPTION  | REV |
|------|-------------|-----|--|-----|
| 201  | 1705460     | 2   | Decal - SkyPower   | A   |
| 202  | 3251243     | 1   | Decal - 120V - 60Hz (Located on Opposite Side)                               |     |
| 203  | 1705375     | 1   | Decal - 240V - 3 Phase   |     |
| 204  | 1705387     | 3   | Decal, Hazardous Voltage   |     |
|      | 1001157770  | Ref | ELECTRICAL DIAGRAM COMPONENTS  |     |
| 301  | 1001119968  | 1   | Generator Harness (Not Shown - See Separate Breakdown in ELECTRICAL SECTION) |     |
| 303  | 4922641     | 1   | Switch Harness (Not Shown)   |     |

# SECTION 3 - ENGINE

FIGURE 3-69. 7500W/60HZ SKYPOWER GENERATOR INSTALLATION - FORD ENGINES



## SECTION 3 - ENGINE

**FIGURE 3-69. 7500W/60HZ SKYPOWER GENERATOR INSTALLATION - FORD ENGINES**

| ITEM | PART NUMBER | QTY | DESCRIPTION  | REV |
|------|-------------|-----|--|-----|
|      | 1001217187  | Ref | 7500W/60HZ SKYPOWER GENERATOR INSTALLATION                           | F   |
| 1    | 0100011     | AR  | Compound, Locking  |     |
| 2    | 0100019     | AR  | Compound, Locking  |     |
| 3    | 0760608     | 4   | Bolt M6 x 16   |     |
| 4    | 0760610     | 2   | Bolt M6 x 20   |     |
| 5    | 0641516     | 3   | Bolt 5/16 x 2  |     |
| 6    | 0741607     | 3   | Screw 3/8 x 7/8  |     |
| 7    | 0761018     | 1   | Bolt M10 x 50  |     |
| 8    | 1001196382  | 4   | Stud   |     |
| 10   | 0860038     | 1   | Box, Switch  |     |
| 11   | 0861538     | 1   | Control Box Assembly   |     |
| 11   | 7024488     | 1   | Card, Circuit - Generator Power                                      |     |
| 11   | See Note    | 1   | Fuse (Note: Not Available - Purchase Locally)                        |     |
| 11   | 7024489     | 1   | Card, Circuit - Control  |     |
| 11   | 70000619    | 1   | Harness, Circuit Card  |     |
| 12   | 0902888     | 1   | Bracket, Box Mounting  |     |
| 13   | 0962520     | 1   | Bushing, Spilt Taper   |     |
| 14   | 2820031     | 1   | Heat Shrink  |     |
| 15   | 3252764     | 1   | Nameplate - AC & Weld  |     |
| 16   | 3311005     | 4   | Nut #10  |     |
| 17   | 3290601     | 6   | Nut M6   |     |
| 18   | 3311505     | 3   | Nut 5/16   |     |
| 19   | 3580314     | 1   | Pulley   |     |
| 20   | 3740080     | 2   | Relay  |     |
| 21   | 3910606     | 2   | Screw #6 x 3/8   |     |
| 22   | 3931016     | 4   | Capscrew #10 x 1   |     |
| 23   | 3960422     | 1   | Gasket   |     |
| 24   | 4060802     | 1   | Guard, Switch  |     |
| 25   | 4360336     | 1   | Switch, Toggle   |     |
| 26   | 4460071     | 1   | Connector, Strain Relief   |     |
| 27   | 4460346     | 1   | Receptacle   |     |
| 28   | 4811700     | 10  | Washer #10   |     |
| 29   | 4711500     | 6   | Washer 5/16  |     |
| 30   | 4751000     | 4   | Washer #10   |     |
| 33   | 1001136104  | 1   | Generator Assembly   |     |
| 33   | 70003631    | 1   | Brushholder Assembly (Not Shown)                                     |     |
| 33   | 7024485     | 1   | Breaker, Circuit 30Amp (Not Shown)                                   |     |
| 33   | 70001696    | 1   | Boot, Breaker (Not Shown)  |     |
| 33   | 70001966    | 1   | Bearing, Ball Radial (Located in Belt Tensioner Endbell - Not Shown) |     |
| 33   | 7027799     | 1   | Block, Connector 6 Position (Not Shown)                              |     |
| 33   | 70002460    | 6   | Nut, Brass (Attaches p/n 7027799 to Cover) (Not Shown)               |     |
| 33   | 7026188     | 1   | Clamp, Cable (Not Shown)   |     |
| 33   | 7026597     | 1   | Connector, W/Leads (Not Shown)                                       |     |
| 33   | 7026626     | 1   | Connector - 6 Position with Seal (Not Shown)                         |     |
| 33   | 70002088    | 1   | Stator (Not Shown)   |     |
| 33   | 70004169    | 1   | Panel, End (Not Shown)   |     |
| 33   | 70001974    | 1   | Decal - Terminal Connections (Not Shown)                             |     |
| 33   | 70000863    | 1   | Fan (Not Shown)  |     |
| 33   | 70002297    | 4   | Stud (Not Shown)   |     |

## SECTION 3 - ENGINE

| ITEM | PART NUMBER | QTY             | DESCRIPTION  | REV |
|------|-------------|-----------------|--|-----|
| 33A  | 70004171    | 1               | Key  |     |
| 33A  | 70001100    | 1               | Armature, Generator (Includes Radial Ball Bearing on End with Brushes and Fan) |     |
| 33A  | 70001384    | 1               | Bearing, Ball Radial   |     |
| 33B  | 70001966    | 1               | Bearing, Radial Ball   |     |
| 33B  | 70003708    | 1               | Ring, Internal Retaining (Located in Belt Tensioner Endbell)                   |     |
| 33B  | 70003709    | 1               | Ring, External Retaining (Located in Belt Tensioner Endbell)                   |     |
| 33C  | 70001973    | 1               | Decal - Warning Moving Parts   |     |
| 33D  | 70004169    | 1               | Endbell, Brush Block   |     |
| 33E  | 70001953    | 1               | Endbell, Belt Tensioner  |     |
| 33F  | 70004169    | 1               | Endbell, Shroud Assembly   |     |
| 34   | 1001157592  | 1               | Junction Box Assembly (See Items 101-121 for Breakdown)                        |     |
| 36   | 1001216390  | 1               | V-Belt   |     |
| 37   | 1001218930  | 1               | Mount, Tensioner   |     |
| 38   | 1001110873  | 1               | Cover, Receptacle  |     |
| 39   | 3580317     | 1               | Tensioner, Belt  |     |
| 40   | 4922925     | 1               | Harness, Generator (See Separate Breakdown in ELECTRICAL SECTION)              |     |
| 41   | 5241200     | 4               | Washer M12   |     |
| 42   | 3291201     | 4               | Nut M12  |     |
| 43   | 0760606     | 1               | Bolt M6 x 12   |     |
| 44   | 4871700     | 2               | Washer M6  |     |
| 45   | 0641607     | 3               | Bolt 3/8 x 7/8   |     |
| 46   | 4751600     | 3               | Washer 3/8   |     |
| 47   | 1001137866  | 1               | Bracket  |     |
|      | 1001157592  | Ref             | JUNCTION BOX ASSEMBLY  | C   |
| 101  | 1060343     | 1.5 ft<br>/0.5m | Cable, Electrical - 10/4   |     |
| 102  | 1001179154  | 2.5 ft<br>/0.8m | Cable Electrical - 12/3  |     |
| 103  | 1671092     | 1               | Cover, Connector   |     |
| 104  | 3300396     | 1               | Cover, Fuse  |     |
| 105  | 3311001     | 6               | Nut #10  |     |
| 106  | 4360070     | 1               | Breaker, Circuit 15Amp   |     |
| 107  | 4460425     | 1               | Connector, Strain Relief   |     |
| 108  | 4460426     | 2               | Connector, Strain Relief   |     |
| 111  | 4460963     | 1               | Receptacle   |     |
| 112  | 4711000     | 10              | Washer #10   |     |
| 114  | 10702077    | 2               | Screw #10 x 3/8  |     |
| 115  | 10702082    | 2               | Screw #10 x 3/4  |     |
| 116  | 1001152525  | 1               | Plug, Hole   |     |
| 117  | 1001157520  | 1               | Block, Terminal Pole   |     |
| 118  | 1001157521  | 1               | Box, Junction  |     |
| 119  | 1001157528  | 1               | Decal - Box Junction   |     |
| 120  | 1001158007  | 1               | Cover  |     |
| 121  | 1001158008  | 2               | Standoff   |     |
|      | 0272435     | Ref             | DECAL INSTALLATION   | D   |
| 201  | 1705460     | 2               | Decal - SkyPower   |     |
| 202  | 3251243     | 1               | Decal - 120V - 60Hz (Located on Opposite Side)                                 |     |
| 203  | 1705375     | 1               | Decal - 240V - 3 Phase   |     |
| 204  | 1705387     | 3               | Decal, Hazardous Voltage   |     |
|      | 1001221498  | Ref             | ELECTRICAL DIAGRAM COMPONENTS  | B   |



## SECTION 3 - ENGINE

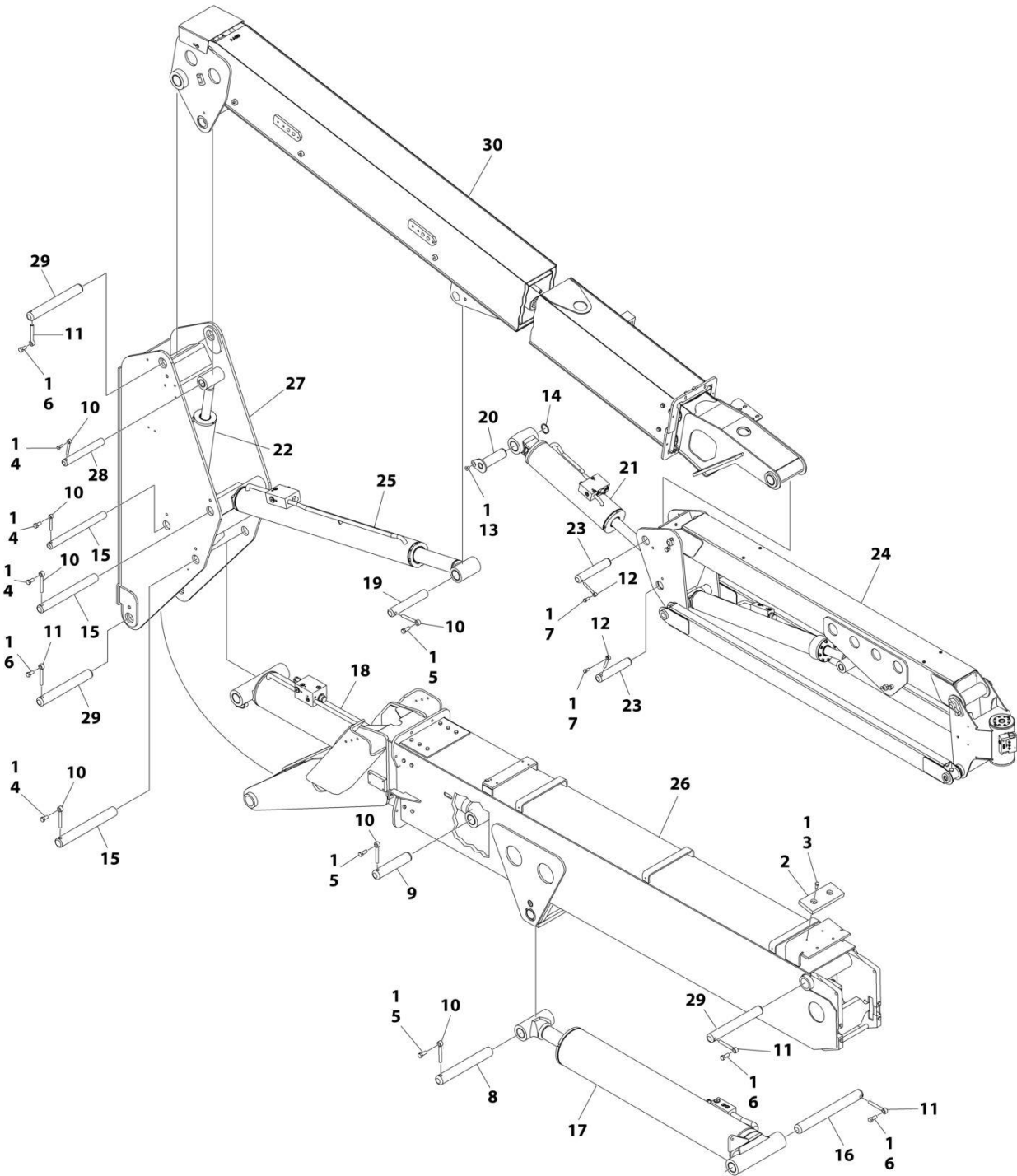
| ITEM | PART NUMBER | QTY | DESCRIPTION  | REV |
|------|-------------|-----|--|-----|
| 301  | 1001257972  | 1   | Generator Harness (See Separate Breakdown in ELECTRICAL SECTION) | A   |
| 303  | 4922641     | 1   | Switch Harness   |     |



**SECTION 4 - BOOM**

# SECTION 4 - BOOM

## FIGURE 4-1. BOOMS AND CYLINDERS INSTALLATION



ART\_1001246978\_G

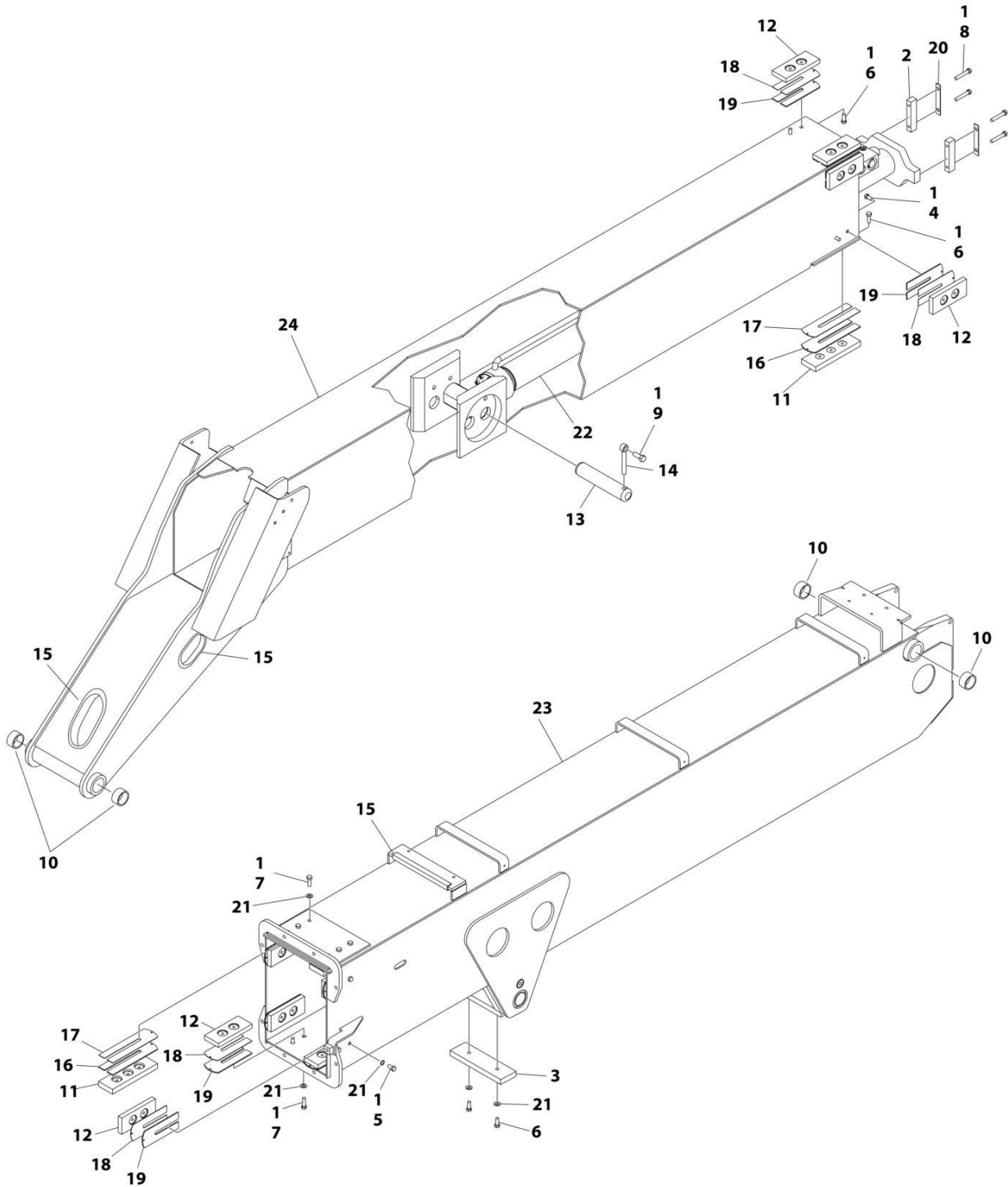
## SECTION 4 - BOOM

**FIGURE 4-1. BOOMS AND CYLINDERS INSTALLATION**

| ITEM | PART NUMBER | QTY | DESCRIPTION   | REV |
|------|-------------|-----|---|-----|
|      | 1001246978  | Ref | BOOMS AND CYLINDERS INSTALLATION  | G   |
| 1    | 0100011     | AR  | Compound, Locking   |     |
| 2    | 0561076     | 1   | Block, Boom Rest  |     |
| 3    | 0641607     | 2   | Bolt 3/8 x 7/8  |     |
| 4    | 0641809     | 4   | Bolt 1/2 x 1-1/8  |     |
| 5    | 0641810     | 3   | Bolt 1/2 x 1-1/4  |     |
| 6    | 0642012     | 4   | Bolt 5/8 x 1-1/2  |     |
| 7    | 0761212     | 2   | Bolt M12 x 25   |     |
| 8    | 1001267717  | 1   | Pin   |     |
| 9    | 3422575     | 1   | Pin   |     |
| 10   | 3841203     | 7   | Keeper, Pin - 1/2   |     |
| 11   | 3841258     | 4   | Keeper, Pin   |     |
| 12   | 3841709     | 2   | Keeper, Pin - 1/2   |     |
| 13   | 1001137032  | 1   | Screw M10 x 16  |     |
| 14   | 1001138671  | 1   | Ring, Retaining   |     |
| 15   | 1001155093  | 3   | Pin   |     |
| 16   | 1001267716  | 1   | Pin   |     |
| 17   | 1001261003  | 1   | Tower Lift Cylinder Assembly (See Separate Breakdown in CYLINDER SECTION)             |     |
| 18   | 1001251042  | 1   | Upright Level Cylinder Assembly (See Separate Breakdown in CYLINDER SECTION)          |     |
| 19   | 1001237138  | 1   | Pin   |     |
| 20   | 1001237142  | 1   | Pin   |     |
| 21   | 1001237697  | 1   | Platform (Slave) Level Cylinder Assembly (See Separate Breakdown in CYLINDER SECTION) |     |
| 22   | 1001237698  | 1   | Master Cylinder Assembly (See Separate Breakdown in CYLINDER SECTION)                 |     |
| 23   | 1001237949  | 1   | Pin   |     |
| 24   | 1001238328  | 1   | Jib Boom Assembly (See Separate Breakdown in this Section)                            |     |
| 25   | 1001245761  | 1   | Main Lift Cylinder Assembly (See Separate Breakdown in CYLINDER SECTION)              |     |
| 26   | 1001246934  | 1   | Tower Boom Assembly (See Separate Breakdown in this Section)                          |     |
| 27   | 1001246951  | 1   | Upright   |     |
| 28   | 1001246952  | 1   | Pin   |     |
| 29   | 1001246974  | 3   | Pin   |     |
| 30   | 1001248265  | 1   | Main Boom Assembly (See Separate Breakdown in this Section)                           |     |

# SECTION 4 - BOOM

## FIGURE 4-2. TOWER BOOM ASSEMBLY



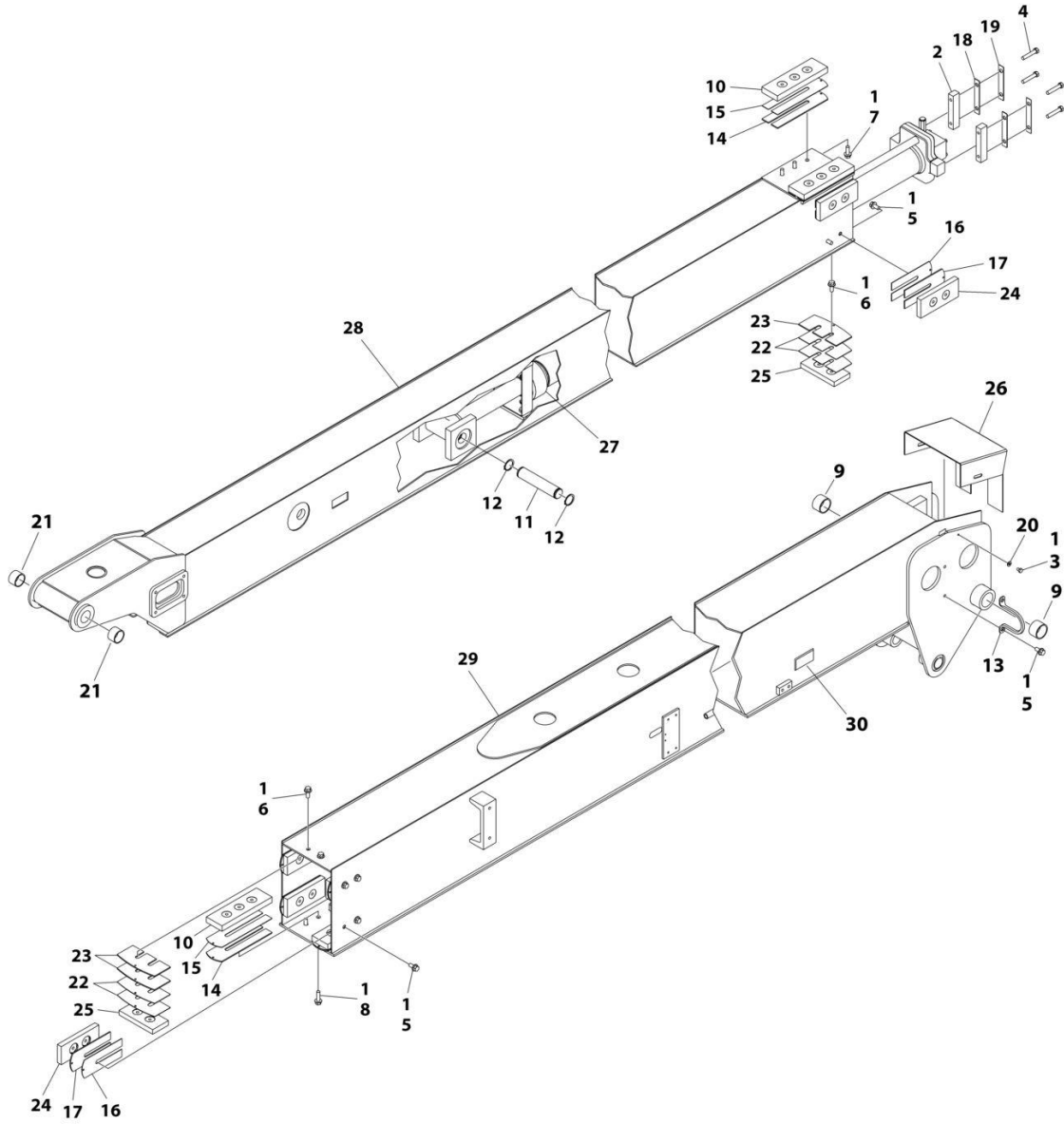
ART\_1001246934

FIGURE 4-2. TOWER BOOM ASSEMBLY

| ITEM | PART NUMBER | QTY | DESCRIPTION  | REV |
|------|-------------|-----|--|-----|
|      | 1001246934  | Ref | TOWER BOOM ASSEMBLY  | B   |
| 1    | 0100011     | AR  | Compound, Locking  |     |
| 2    | 0561185     | 2   | Block, Attach  |     |
| 3    | 0561248     | 1   | Block, Boom Rest   |     |
| 4    | 0641606     | 8   | Bolt 3/8 x 3/4   |     |
| 5    | 0641607     | 8   | Bolt 3/8 x 7/8   |     |
| 6    | 0641608     | 12  | Bolt 3/8 x 1   |     |
| 7    | 0641610     | 10  | Bolt 3/8 x 1-1/4   |     |
| 8    | 0641616     | 4   | Bolt 3/8 x 2   |     |
| 9    | 0641810     | 1   | Bolt 1/2 x 1-1/4   |     |
| 10   | 0962036     | 4   | Bushing  |     |
| 11   | 3340871     | 4   | Pad, Wear  |     |
| 12   | 3340881     | 12  | Pad, Wear  |     |
| 13   | 3422575     | 1   | Pin  |     |
| 14   | 3841203     | 1   | Keeper, Pin  |     |
| 15   | 4060808     | AR  | Flex-Trim  |     |
| 16   | 4070863     | 4   | Shim .12   |     |
| 17   | 4070864     | 4   | Shim .05   |     |
| 18   | 4070897     | 10  | Shim .05   |     |
| 19   | 4070898     | 12  | Shim .12   |     |
| 20   | 4070929     | AR  | Shim   |     |
| 21   | 4711600     | 20  | Washer 3/8   |     |
| 22   | 1001228006  | 1   | Cylinder Assembly - Tower Telescope (See Separate Breakdown in CYLINDER SECTION) |     |
| 23   | 1001246935  | 1   | Base, Boom   |     |
| 24   | 1001246936  | 1   | Fly, Boom  |     |

# SECTION 4 - BOOM

## FIGURE 4-3. MAIN BOOM ASSEMBLY



ART\_1001248265



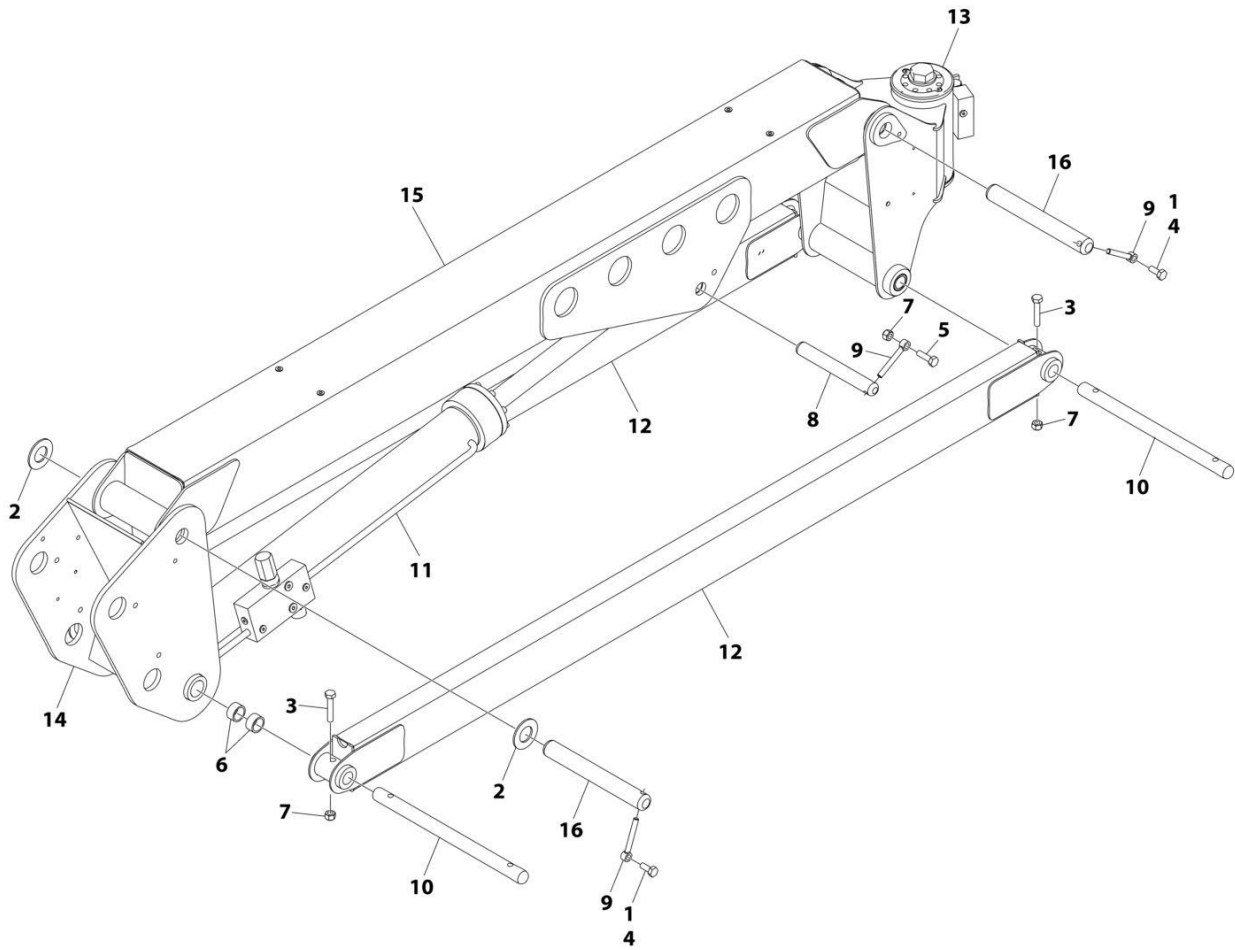
## SECTION 4 - BOOM

### FIGURE 4-3. MAIN BOOM ASSEMBLY

| ITEM | PART NUMBER | QTY | DESCRIPTION  | REV |
|------|-------------|-----|--|-----|
|      | 1001248265  | Ref | BOOM ASSEMBLY  | B   |
| 1    | 0100011     | AR  | Compound, Locking  |     |
| 2    | 0561185     | 2   | Block  |     |
| 3    | 0641403     | 2   | Bolt 1/4 x 3/8   |     |
| 4    | 0641616     | 4   | Bolt 3/8 x 2   |     |
| 5    | 0811606     | 18  | Bolt 3/8 x 3/4   |     |
| 6    | 0811607     | 4   | Bolt 3/8 x 7/8   |     |
| 7    | 0811608     | 6   | Bolt 3/8 x 1   |     |
| 8    | 0811610     | 6   | Bolt 3/8 x 1-1/4   |     |
| 9    | 0962036     | 2   | Bushing  |     |
| 10   | 3340871     | 4   | Pad, Wear  |     |
| 11   | 3422457     | 1   | Pin  |     |
| 12   | 3760133     | 2   | Ring, Retaining  |     |
| 13   | 3841340     | 1   | Loop, Hose   |     |
| 14   | 4070863     | 4   | Shim .12   |     |
| 15   | 4070864     | 4   | Shim .05   |     |
| 16   | 4070897     | 8   | Shim .05   |     |
| 17   | 4070898     | 8   | Shim .12   |     |
| 18   | 4070929     | AR  | Shim   |     |
| 19   | 4071007     | AR  | Shim   |     |
| 20   | 4751200     | 2   | Washer #12   |     |
| 21   | 1001118666  | 2   | Bushing  |     |
| 22   | 1001136590  | 2   | Shim 18Ga  |     |
| 23   | 1001138436  | 4   | Shim 11Ga  |     |
| 24   | 1001148652  | 8   | Pad, Wear  |     |
| 25   | 1001152127  | 2   | Pad, Wear  |     |
| 26   | 1001162828  | 1   | Cover, Boom  |     |
| 27   | 1001228007  | 1   | Telescope Cylinder Assembly (See Separate Breakdown in CYLINDER SECTION) |     |
| 28   | 1001248248  | 1   | Fly, Boom  |     |
| 29   | 1001248261  | 1   | Base, Boom   |     |
| 30   | 1001250737  | 3   | Cover  |     |

# SECTION 4 - BOOM

## FIGURE 4-4. JIB BOOM ASSEMBLY



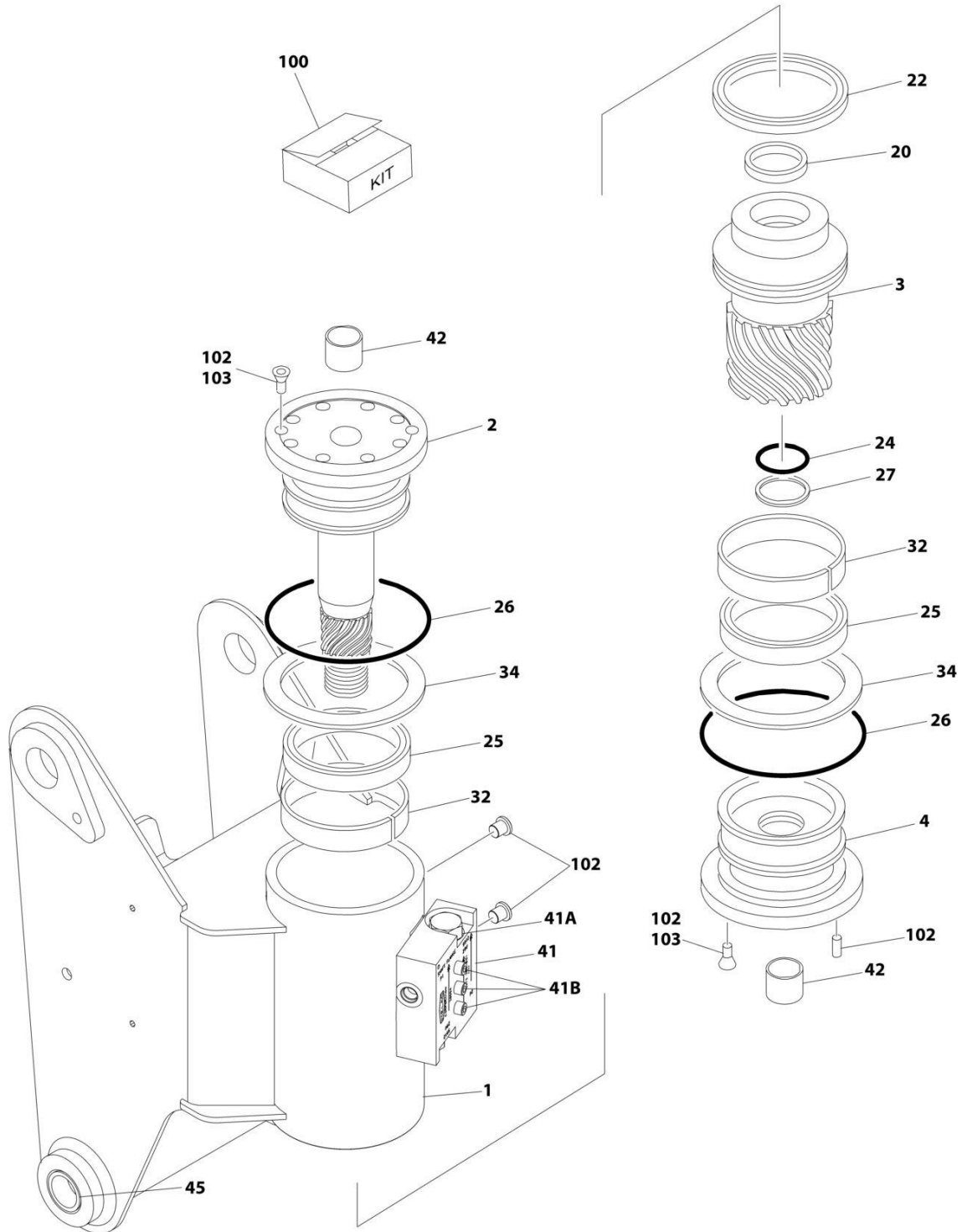
ART\_1001238328\_F

FIGURE 4-4. JIB BOOM ASSEMBLY

| ITEM | PART NUMBER | QTY | DESCRIPTION   | REV |
|------|-------------|-----|---|-----|
|      | 1001238328  | Ref | JIB BOOM ASSEMBLY   | F   |
| 1    | 0100011     | AR  | Compound, Locking   |     |
| 2    | 0440162     | 2   | Thrustwasher 0.188IN Thick  |     |
| 2    | 0440237     | 1   | Thrustwasher 0.125IN Thick  |     |
| 3    | 0701020     | 1   | Bolt M10 x 60   |     |
| 4    | 0761012     | 2   | Bolt M10 x 25   |     |
| 5    | 0761015     | 1   | Bolt M10 x 35   |     |
| 6    | 0961947     | 4   | Bearing 1IN ID x 1.25IN OD x 5/8IN L                                      |     |
| 6    | 1001134289  | 4   | Bearing 1IN ID x 1.5IN OD x 1IN L   |     |
| 7    | 3291005     | 5   | Nut M10   |     |
| 8    | 3422867     | 1   | Pin   |     |
| 9    | 3841143     | 3   | Keeper, Pin   |     |
| 10   | 3422861     | 1   | Pin   |     |
| 11   | 1001264991  | 1   | Lift Cylinder Assembly - Jib (See Separate Breakdown in CYLINDER SECTION) |     |
| 12   | 4844817     | 1   | Link  |     |
| 13   | 1001234811  | 1   | Rotator Assembly (See Separate Breakdown in this Section)                 |     |
| 14   | 1001238168  | 1   | Pivot   |     |
| 15   | 1001238333  | 1   | Tube (Upper)  |     |
| 15   | 0962155     | 1   | Bushing   |     |
| 16   | 1001238398  | 2   | Pin   |     |

# SECTION 4 - BOOM

## FIGURE 4-5. ROTATOR ASSEMBLY



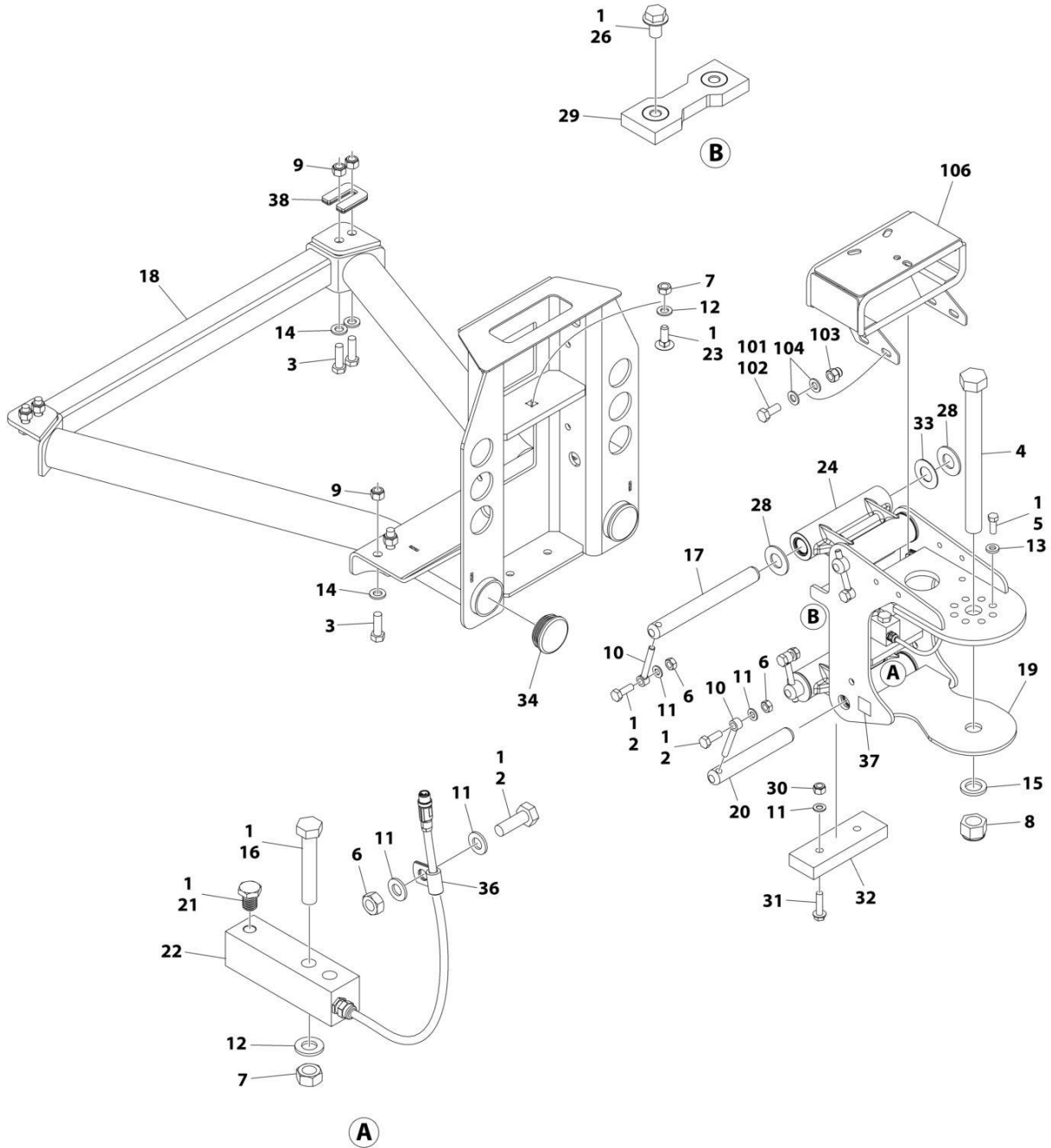
ART\_1001234811

FIGURE 4-5. ROTATOR ASSEMBLY

| ITEM | PART NUMBER | QTY | DESCRIPTION   | REV |
|------|-------------|-----|---|-----|
|      | 1001234811  | Ref | ROTATOR ASSEMBLY  | B   |
| 1    | See Note    | NSS | Housing/Ring Gear Assembly (Note: Not Available - Purchase Complete Rotator Assembly) |     |
| 2    | 7017162     | 1   | Shaft Weldment  |     |
| 3    | 7017163     | 1   | Piston/Sleeve Assembly  |     |
| 4    | 7017164     | 1   | Cap, End  |     |
| 20   | See Note    | NSS | T-Seal (Note: Use Item 100)   |     |
| 22   | See Note    | NSS | T-Seal (Note: Use Item 100)   |     |
| 24   | See Note    | NSS | O-Ring (Note: Use Item 100)   |     |
| 25   | See Note    | NSS | Seal (Note: Use Item 100)   |     |
| 26   | See Note    | NSS | O-Ring (Note: Use Item 100)   |     |
| 27   | See Note    | NSS | Ring, Back-up (Note: Use Item 100)  |     |
| 32   | See Note    | NSS | Ring, Wear (Note: Use Item 101)   |     |
| 34   | See Note    | NSS | Washer, Thrust (Note: Use Item 101)   |     |
| 41   | 7017172     | AR  | Valve Assembly  |     |
| 41A  | 7017192     | 2   | Cartridge, Valve  |     |
| 41A  | See Note    | NSS | Seal Kit - 7017192 Valve (Note: Not Available for Purchase)                           |     |
| 41B  | See Note    | 3   | Bolt 1/4-20NC x 1-1/2 Grade 8 (Note: Not Available - Purchase Locally)                |     |
| 42   | 7017195     | 2   | Bushing   |     |
| 45   | 0961947     | 2   | Bushing 1IN ID x 1.25IN OD x 5/8IN L  |     |
| 45   | 1001134289  | 2   | Bushing 1IN ID x 1.5IN OD x 1IN L   |     |
| 100  | 70000342    | 1   | Seal Kit (Includes Items 20, 22, 24, 25, 27 & 33)                                     |     |
| 101  | 7017159     | 1   | Bearing Kit (Includes Items 32 & 34)  |     |
| 102  | 7017142     | 1   | Hardware Kit  |     |
| 103  | 70001697    | 4   | Screw, Countersunk 1/4 x 3/8 Grade 8  |     |

# SECTION 4 - BOOM

## FIGURE 4-6. PLATFORM SUPPORT INSTALLATION



ART\_1001167596\_N

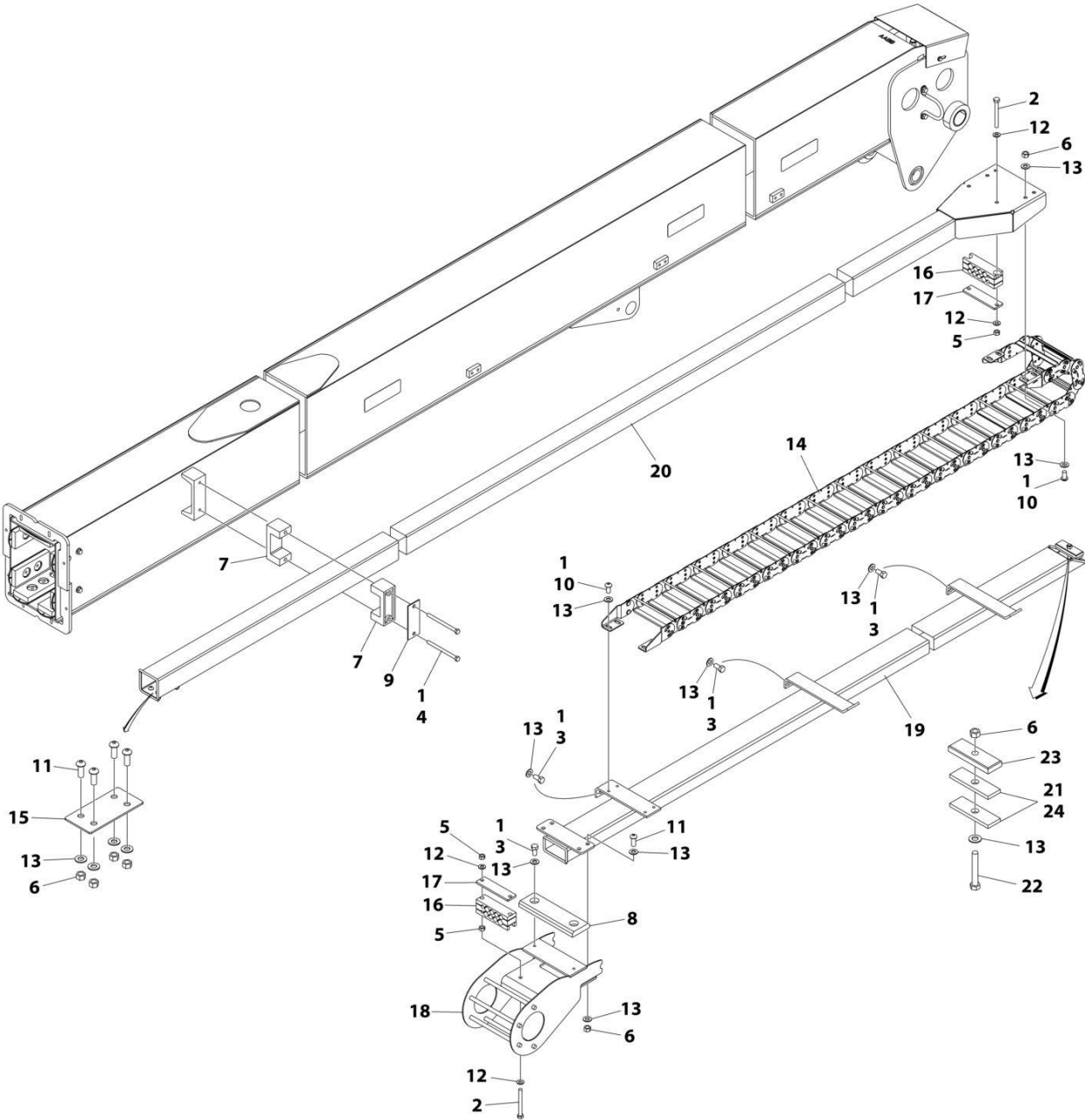
## SECTION 4 - BOOM

### FIGURE 4-6. PLATFORM SUPPORT INSTALLATION

| ITEM | PART NUMBER | QTY | DESCRIPTION                        | REV |
|------|-------------|-----|------------------------------------|-----|
|      | 1001167596  | Ref | PLATFORM SUPPORT INSTALLATION      | N   |
| 1    | 0100011     | AR  | Compound, Locking                  |     |
| 2    | 0761014     | 5   | Bolt M10 x 30                      |     |
| 3    | 0761216     | 8   | Bolt M12 x 40                      |     |
| 4    | 1001255133  | 1   | Bolt 1 x 11 GRD8                   |     |
| 5    | 0681608     | 8   | Bolt 3/8 x 1 GRD8                  |     |
| 6    | 3291001     | 5   | Nut M10                            |     |
| 7    | 3291201     | 3   | Nut M12                            |     |
| 8    | 1001174040  | 1   | Nut 1                              |     |
| 9    | 3291205     | 8   | Nut M12                            |     |
| 10   | 3841143     | 4   | Keeper, Pin                        |     |
| 11   | 4812000     | 8   | Washer M10                         |     |
| 12   | 4812100     | 3   | Washer M12                         |     |
| 13   | 4891600     | 8   | Washer 3/8                         |     |
| 14   | 5241200     | 8   | Washer M12                         |     |
| 15   | 4892600001  | 1   | Washer 1                           |     |
| 16   | 1001098828  | 2   | Bolt M12 x 70 CL10.9               |     |
| 17   | 1001167565  | 2   | Pin                                |     |
| 18   | 1001200494  | 1   | Support, Platform                  |     |
| 19   | 1001167567  | 1   | Support, Rotator                   |     |
| 20   | 1001168402  | 2   | Pin                                |     |
| 21   | 1001188622  | 1   | Screw                              |     |
| 22   | 1001247468  | 1   | Loadcell                           |     |
| 23   | 1001188844  | 1   | Bolt M12 x 35                      |     |
| 24   | 1001201351  | 2   | Link                               |     |
| 24   | 1001187382  | 4   | Bearing                            |     |
| 24   | 1001187383  | 4   | Seal                               |     |
| 26   | 5251008     | 2   | Bolt M10 x 16 CL10.9               |     |
| 28   | 1001189002  | 8   | Bearing                            |     |
| 29   | 1001190985  | 1   | Pad, Wear                          |     |
| 30   | 3291005     | 2   | Nut M10                            |     |
| 31   | 5251016     | 2   | Bolt M10 x 40 CL10.9               |     |
| 32   | 1001200491  | 1   | Pad, Wear                          |     |
| 33   | 1001189001  | 4   | Bearing                            |     |
| 34   | 1001204725  | 2   | Plug                               |     |
| 36   | 91203039    | 1   | Clamp                              |     |
| 37   | 1001216630  | 2   | Decal - Tie Down/No Lift           |     |
| 38   | 1001238421  | Ref | Kit, Platform Leveling (Not Shown) |     |
|      | 1001202687  | Ref | VALVE MOUNT INSTALLATION           | B   |
| 101  | 0100011     | AR  | Compound, Locking                  |     |
| 102  | 0760810     | 4   | Bolt M8 x 20                       |     |
| 103  | 3290806     | 4   | Nut M8                             |     |
| 104  | 4811900     | 8   | Washer M8                          |     |
| 106  | 1001208994  | 1   | Mount, Valve                       |     |

# SECTION 4 - BOOM

## FIGURE 4-7. POWER TRACK INSTALLATION - MAIN BOOM



ART\_1001250387



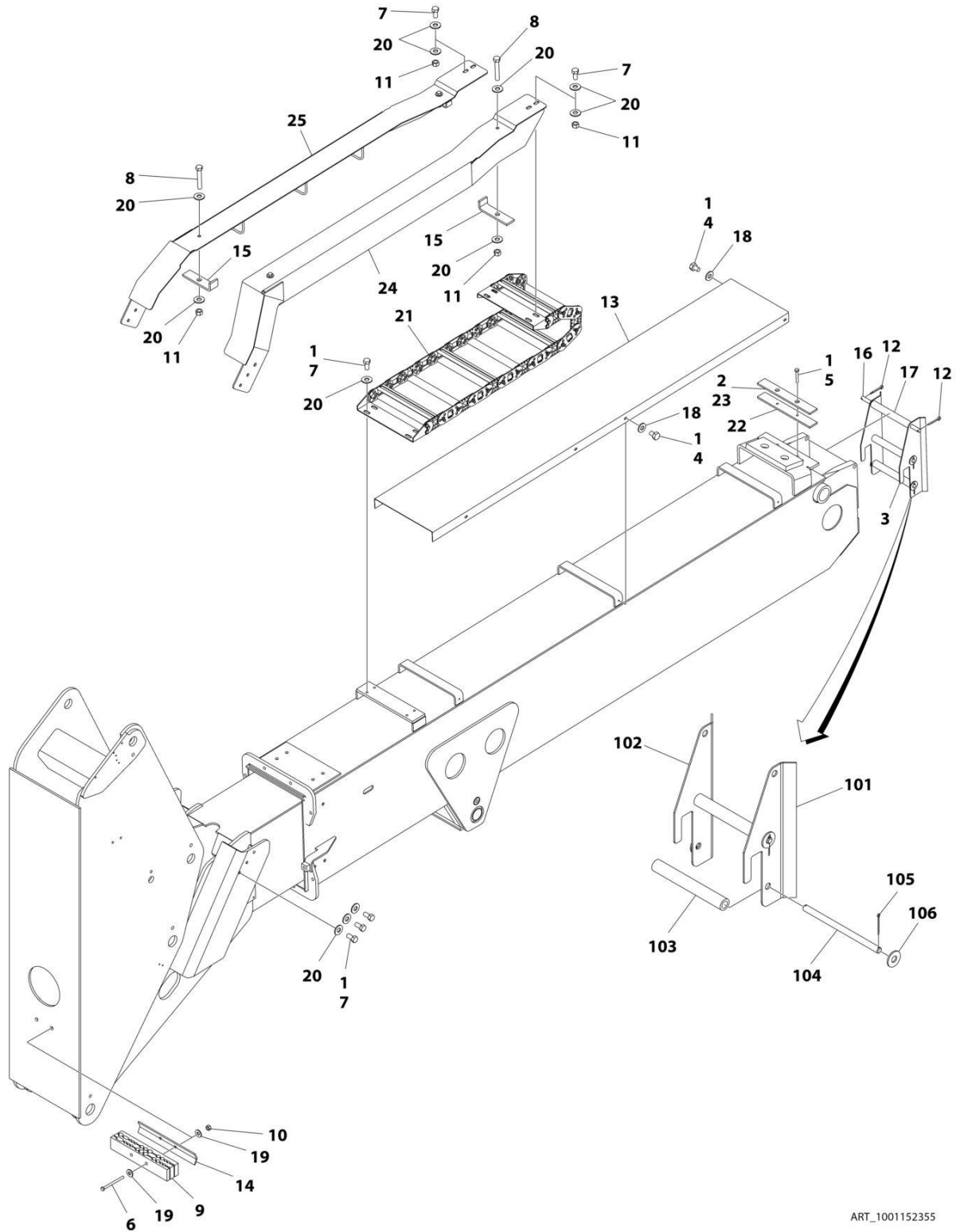
## SECTION 4 - BOOM

**FIGURE 4-7. POWER TRACK INSTALLATION - MAIN BOOM**

| ITEM | PART NUMBER | QTY | DESCRIPTION                          | REV |
|------|-------------|-----|--------------------------------------|-----|
|      | 1001250387  | Ref | POWER TRACK INSTALLATION - MAIN BOOM | E   |
| 1    | 0100011     | AR  | Compound, Locking                    |     |
| 2    | 0641524     | 4   | Bolt 5/16 x 3                        |     |
| 3    | 0641606     | 8   | Bolt 3/8 x 3/4                       |     |
| 4    | 0641640     | 2   | Bolt 3/8 x 5                         |     |
| 5    | 3271505     | 6   | Nut 5/16                             |     |
| 6    | 3271605     | 13  | Nut 3/8                              |     |
| 7    | 3340764     | 2   | Pad                                  |     |
| 8    | 3340840     | 1   | Pad                                  |     |
| 9    | 3538758     | 1   | Plate                                |     |
| 10   | 3900283     | 8   | Screw 3/8 x 3/4                      |     |
| 11   | 3900316     | 8   | Screw 3/8 x 1                        |     |
| 12   | 4711500     | 8   | Washer 5/16                          |     |
| 13   | 4711600     | 33  | Washer 3/8                           |     |
| 14   | 1001255961  | 1   | Power Track Assembly                 |     |
| 14   | 70007467    | 1   | Repair Section                       |     |
| 14   | 70007466    | 1   | Mounting Feet Kit                    |     |
| 15   | 1001176899  | 1   | Plate                                |     |
| 16   | 1001253817  | 2   | Clamp                                |     |
| 17   | 1001249824  | 2   | Plate                                |     |
| 18   | 1001250384  | 1   | Mount                                |     |
| 19   | 1001250722  | 1   | Mount                                |     |
| 20   | 1001250900  | 1   | Tube, Push                           |     |
| 21   | 0100081     | AR  | Adhesive                             |     |
| 22   | 0641620     | 1   | Bolt 3/8 x 2-1/2                     |     |
| 23   | 1320289     | 1   | Clamp                                |     |
| 24   | 3340943     | 2   | Pad                                  |     |

# SECTION 4 - BOOM

## FIGURE 4-8. POWER TRACK INSTALLATION - TOWER BOOM



ART\_1001152355

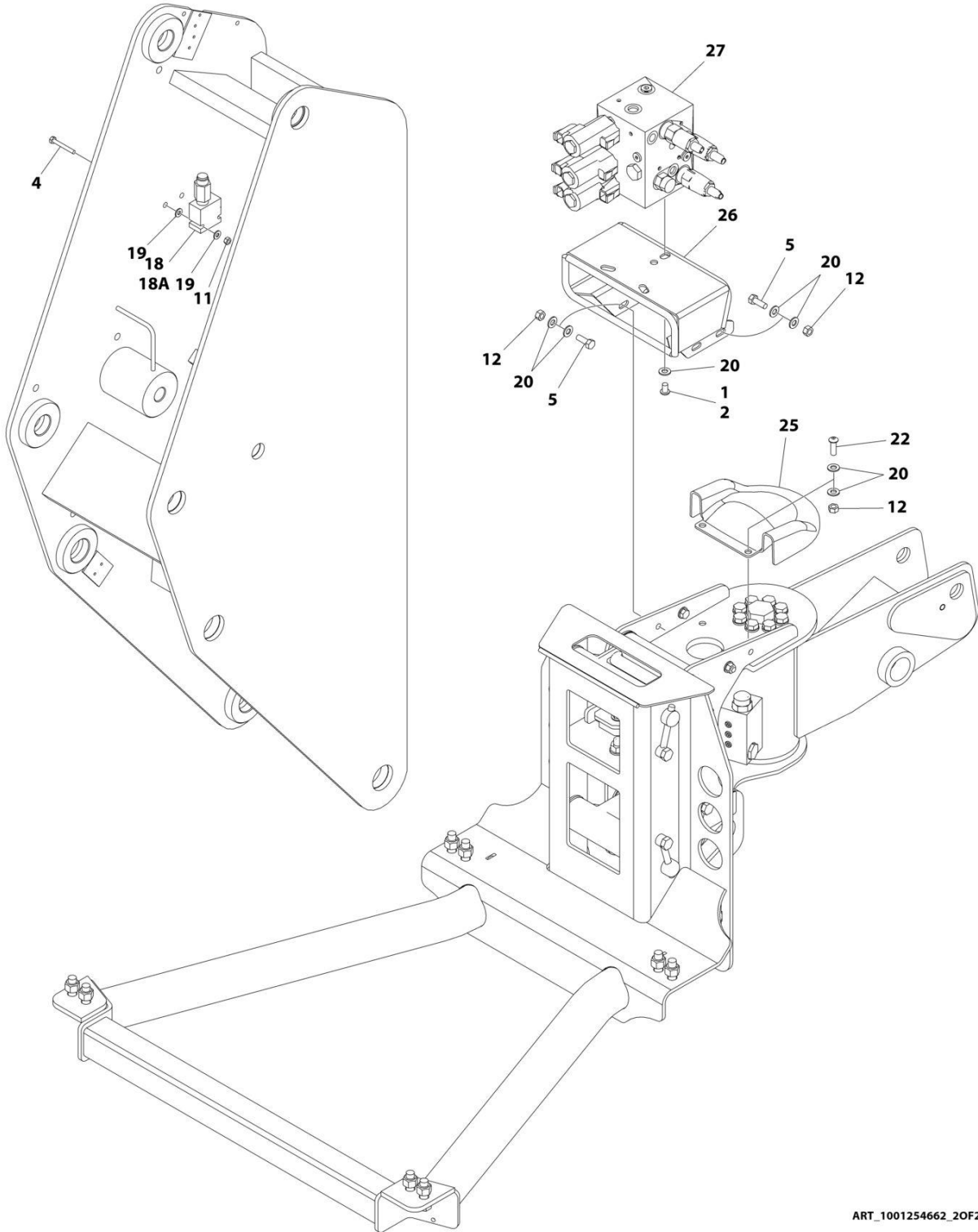
## SECTION 4 - BOOM

**FIGURE 4-8. POWER TRACK INSTALLATION - TOWER BOOM**

| ITEM | PART NUMBER | QTY | DESCRIPTION                                     | REV |
|------|-------------|-----|---|-----|
|      | 1001152355  | Ref | POWER TRACK INSTALLATION                        | D   |
| 1    | 0100011     | AR  | Compound, Locking                               |     |
| 2    | 0100081     | AR  | Adhesive  |     |
| 3    | 0257573     | 1   | Roller Hanger Assembly (Includes Items 101-106) |     |
| 4    | 0641403     | 6   | Bolt 1/4 x 3/8                                  |     |
| 5    | 0641516     | 2   | Bolt 5/16 x 2                                   |     |
| 6    | 0641532     | 2   | Bolt 5/16 x 4                                   |     |
| 7    | 0641606     | 14  | Bolt 3/8 x 3/4                                  |     |
| 8    | 0641618     | 4   | Bolt 3/8 x 2-1/4                                |     |
| 9    | 1320243     | 1   | Clamp, Block                                    |     |
| 10   | 3311505     | 2   | Nut 5/16  |     |
| 11   | 3311605     | 8   | Nut 3/8   |     |
| 12   | 3450606     | 2   | Pin, Cotter                                     |     |
| 13   | 3539228     | 1   | Plate, Cover                                    |     |
| 14   | 3570374     | 1   | Plate   |     |
| 15   | 1001232880  | 4   | Plate   |     |
| 16   | 3841295     | 1   | Rod   |     |
| 17   | 4567241     | 1   | Tube  |     |
| 18   | 4711400     | 6   | Washer 1/4                                      |     |
| 19   | 4751500     | 4   | Washer 5/16                                     |     |
| 20   | 4751600     | 26  | Washer 3/8                                      |     |
| 21   | 1001099835  | 1   | Power Track Assembly                            |     |
| 21   | 70002001    | AR  | Repair Section                                  |     |
| 21   | 70002002    | 1   | Mounting Bracket Kit                            |     |
| 22   | 1001110500  | 1   | Plate   |     |
| 23   | 1001110501  | 1   | Pad   |     |
| 24   | 1001151542  | 1   | Bracket   |     |
| 25   | 1001151586  | 1   | Bracket   |     |
|      | 0257573     | Ref | ROLLER HANGER ASSEMBLY                          | B   |
| 101  | 3570277     | 1   | Plate (Left Side)                               |     |
| 102  | 3570270     | 1   | Plate (Right Side)                              |     |
| 103  | 4567241     | 2   | Roller, Tube                                    |     |
| 104  | 3841347     | 2   | Rod   |     |
| 105  | 3450306     | 4   | Pin, Cotter                                     |     |
| 106  | 4751800     | 4   | Washer 1/2                                      |     |

# SECTION 4 - BOOM

## FIGURE 4-9. CONTROL VALVES INSTALLATION - DEUTZ D2011 AND STAGE V ENGINES



ART\_1001254662\_20F2

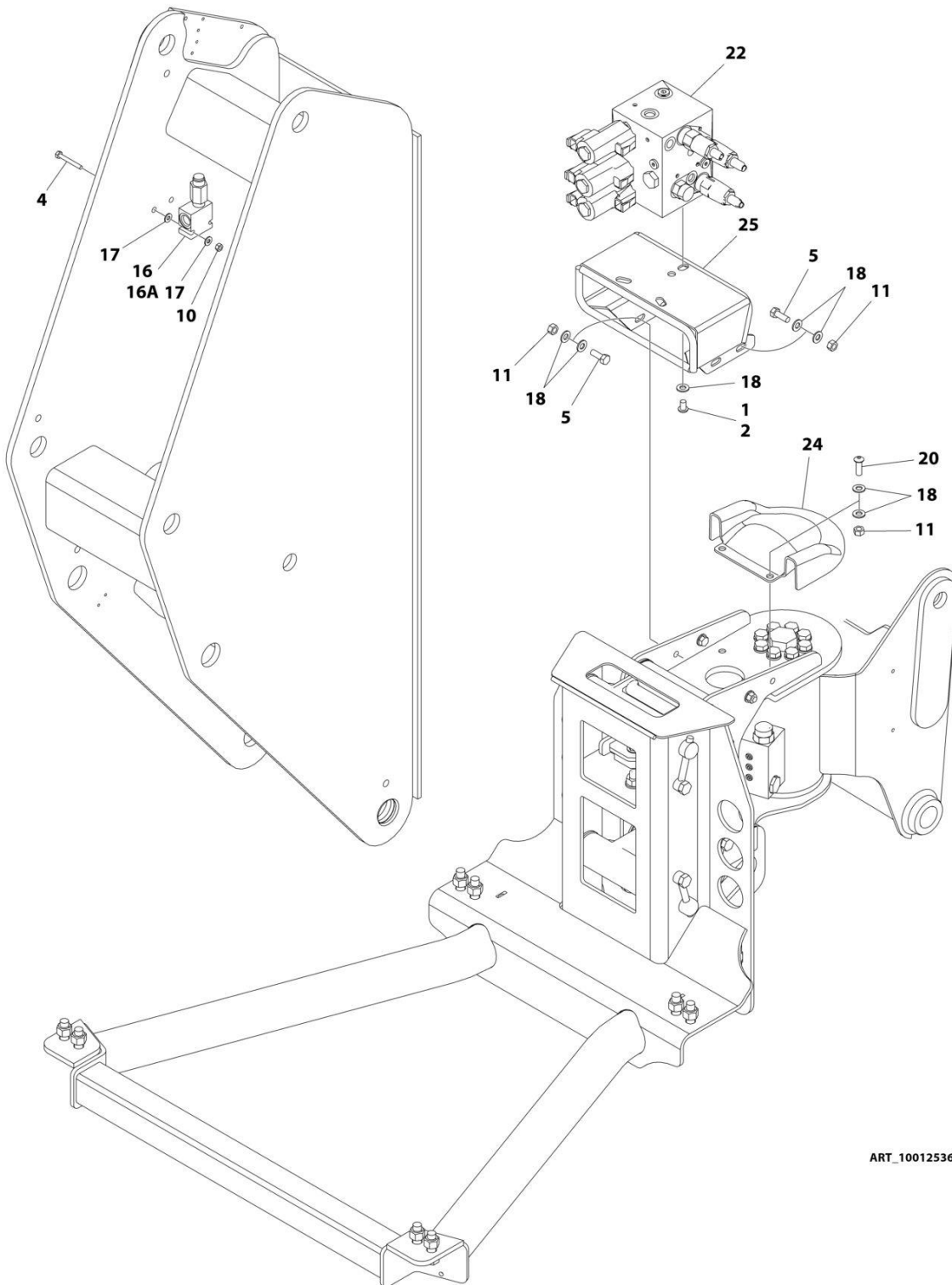
## SECTION 4 - BOOM

**FIGURE 4-9. CONTROL VALVES INSTALLATION - DEUTZ D2011 AND STAGE V ENGINES**

| ITEM | PART NUMBER | QTY | DESCRIPTION   | REV |
|------|-------------|-----|---|-----|
|      | 1001254662  | Ref | CONTROL VALVES INSTALLATION                                     | B   |
| 1    | 0100011     | AR  | Compound, Locking   |     |
| 2    | 0630467     | 3   | Screw 5/6-18 x 1/2  |     |
| 4    | 0641416     | 2   | Bolt 1/4 x 2  |     |
| 5    | 0641507     | 4   | Bolt 5/16 x 7/8   |     |
| 11   | 3311405     | 2   | Nut 1/4-20  |     |
| 12   | 3311505     | 6   | Nut 5/16  |     |
| 18   | 4640929     | 1   | Valve Assembly - Relief   |     |
| 18A  | 7012970     | 1   | Cartridge Valve   |     |
| 18A  | 7012953     | 1   | Seal Kit - 7012970 Valve  |     |
| 19   | 4711400     | 4   | Washer 1/4  |     |
| 20   | 4711500     | 15  | Washer 5/16   |     |
| 22   | 88261024    | 2   | Screw 5/16 x 1  |     |
| 25   | 1001207969  | 1   | Cover   |     |
| 26   | 1001208994  | 1   | Mount   |     |
| 27   | 1001253677  | 1   | Control Valve Assembly (See Separate Breakdown in this Section) |     |

# SECTION 4 - BOOM

## FIGURE 4-10. CONTROL VALVES INSTALLATION - DEUTZ TD2.9L4 & FORD ENGINES



ART\_1001253680\_20F2

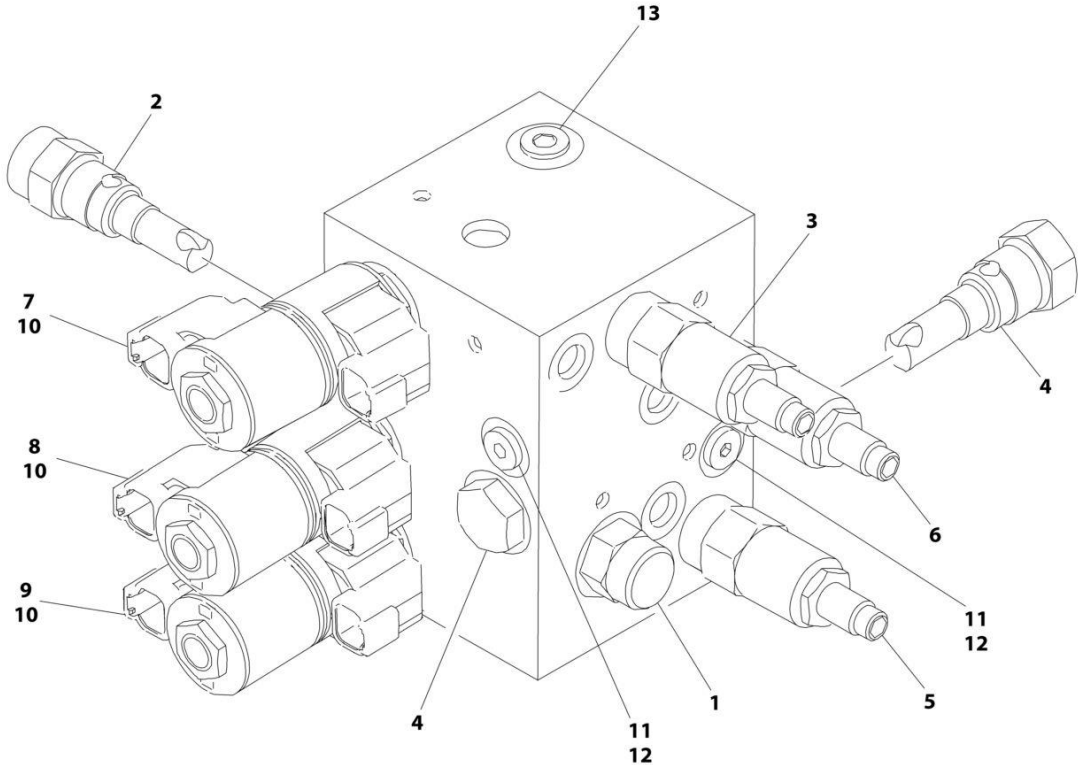
## SECTION 4 - BOOM

**FIGURE 4-10. CONTROL VALVES INSTALLATION - DEUTZ TD2.9L4 & FORD ENGINES**

| ITEM | PART NUMBER | QTY | DESCRIPTION   | REV |
|------|-------------|-----|---|-----|
|      | 1001253680  | Ref | CONTROL VALVES INSTALLATION                                     | B   |
| 1    | 0100011     | AR  | Compound, Locking   |     |
| 2    | 0630467     | 3   | Screw 5/6-18 x 1/2  |     |
| 4    | 0641416     | 2   | Bolt 1/4 x 2  |     |
| 5    | 0641507     | 4   | Bolt 5/16 x 7/8   |     |
| 10   | 3311405     | 2   | Nut 1/4-20  |     |
| 11   | 3311505     | 6   | Nut 5/16  |     |
| 16   | 4640929     | 1   | Valve Assembly - Relief   |     |
| 16A  | 7012970     | 1   | Cartridge Valve   |     |
| 16A  | 7012953     | 1   | Seal Kit - 7012970 Valve  |     |
| 17   | 4711400     | 4   | Washer 1/4  |     |
| 18   | 4711500     | 15  | Washer 5/16   |     |
| 20   | 88261024    | 2   | Screw 5/16 x 1  |     |
| 22   | 1001253677  | 1   | Control Valve Assembly (See Separate Breakdown in this Section) |     |
| 24   | 1001207969  | 1   | Cover   |     |
| 25   | 1001208994  | 1   | Mount   |     |

**SECTION 4 - BOOM**

**FIGURE 4-11. BOOM VALVE ASSEMBLY**



ART\_1001253677

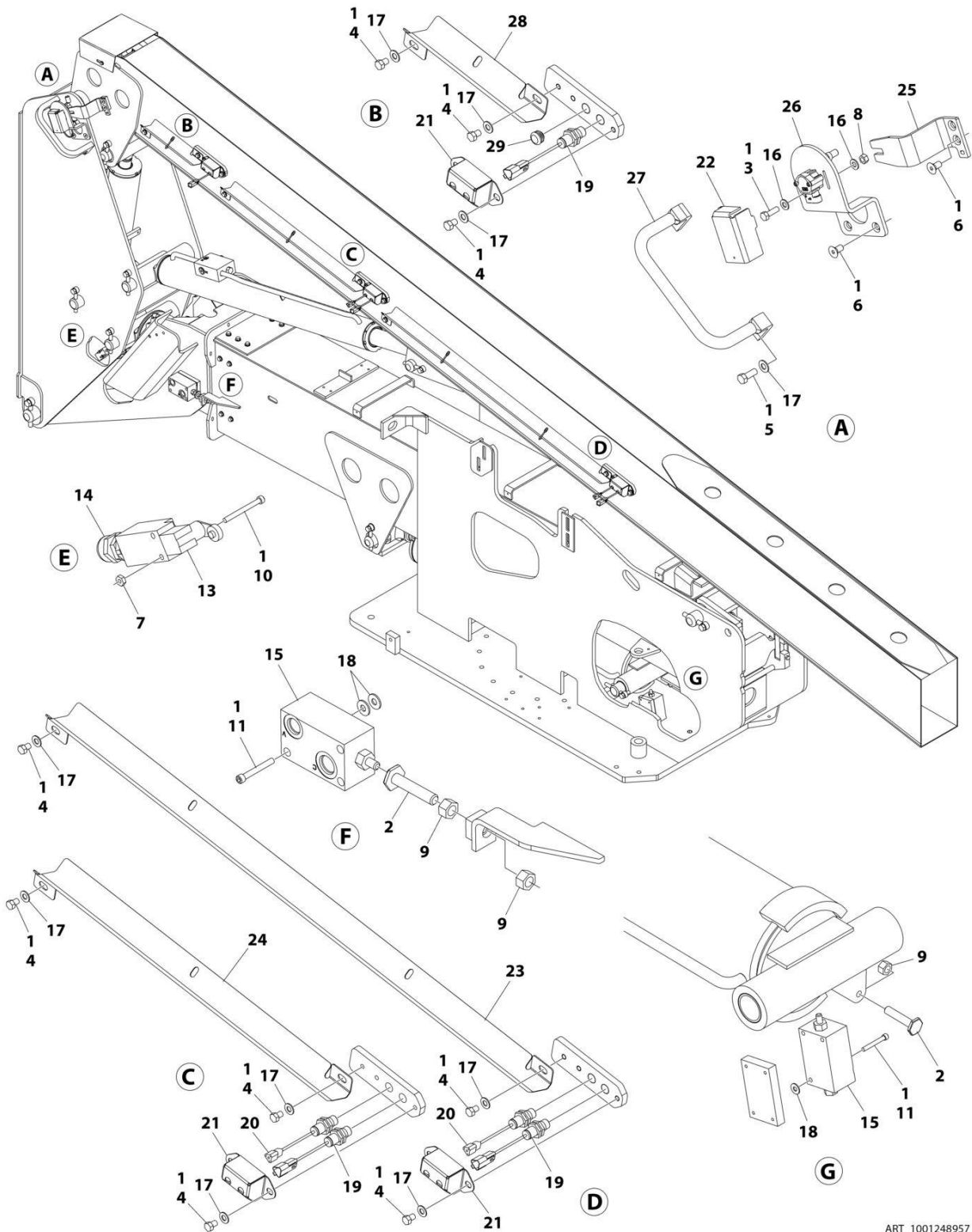


FIGURE 4-11. BOOM VALVE ASSEMBLY

| ITEM | PART NUMBER | QTY | DESCRIPTION                      | REV |
|------|-------------|-----|----------------------------------|-----|
|      | 1001253677  | Ref | BOOM VALVE ASSEMBLY              | B   |
| 1    | 7012989     | 1   | Valve, Flow                      |     |
| 1    | 7012953     | 1   | Seal Kit - 7012989 Valve         |     |
| 2    | 7012965     | 1   | Valve, Flow                      |     |
| 2    | 7012953     | 1   | Seal Kit - 7012965 Valve         |     |
| 3    | 70004151    | 1   | Valve, Relief                    |     |
| 3    | 7021653     | 1   | Seal Kit - 70003962 Valve        |     |
| 4    | 7012914     | 2   | Valve, Cartridge                 |     |
| 4    | 7012918     | 2   | Seal Kit - 7012914 Valve         |     |
| 5    | 7023911     | 1   | Valve, Relief                    |     |
| 5    | 7012967     | 1   | Seal Kit - 7023911 Valve         |     |
| 6    | 70007446    | 1   | Valve, Relief                    |     |
| 6    | 7012998     | 1   | Seal Kit - 70007446 Valve        |     |
| 7    | 7017452     | 1   | Valve, Solenoid (Jib)            |     |
| 7    | 7017402     | 2   | Seal Kit - 7017452 Valve         |     |
| 8    | 7017452     | 1   | Valve, Solenoid (Platform Level) |     |
| 8    | 7017402     | 1   | Seal Kit - 7017452 Valve         |     |
| 9    | 7017452     | 1   | Valve, Solenoid (Rotator)        |     |
| 9    | 7017402     | 2   | Seal Kit - 7017452 Valve         |     |
| 10   | 70002386    | 6   | Coil                             |     |
| 11   | 70002064    | 2   | Plug, Orifice                    |     |
| 12   | 2220883     | 2   | Plug                             |     |
| 13   | 91164079    | 1   | Plug                             |     |

# SECTION 4 - BOOM

## FIGURE 4-12. BOOM VALVES AND LIMIT SWITCHES INSTALLATION



ART\_1001248957

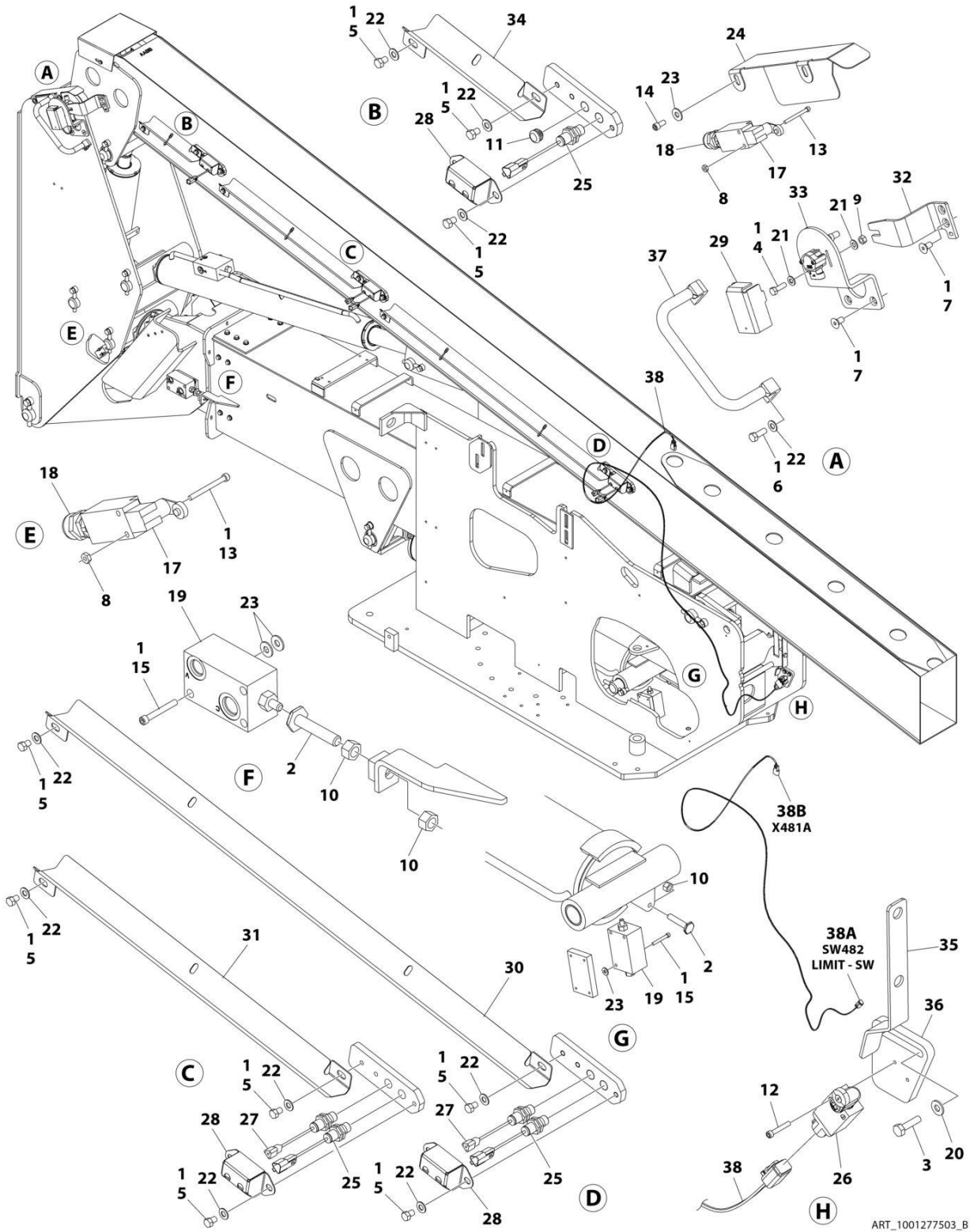
## SECTION 4 - BOOM

**FIGURE 4-12. BOOM VALVES AND LIMIT SWITCHES INSTALLATION**

| ITEM | PART NUMBER | QTY | DESCRIPTION                                 | REV |
|------|-------------|-----|---|-----|
|      | 1001248957  | Ref | BOOM VALVES AND LIMIT SWITCHES INSTALLATION | D   |
| 1    | 0100011     | AR  | Compound, Locking                           |     |
| 2    | 0630427     | 2   | Bolt  |     |
| 3    | 0641508     | 1   | Bolt 5/16 x 1                               |     |
| 4    | 0641604     | 12  | Bolt 3/8 x 1/2                              |     |
| 5    | 0641608     | 2   | Bolt 3/8 x 1                                |     |
| 6    | 0741606     | 4   | Screw 3/8 x 3/4                             |     |
| 7    | 3310801     | 2   | Nut #8                                      |     |
| 8    | 3311501     | 1   | Nut 5/6                                     |     |
| 9    | 3311801     | 3   | Nut 1/2                                     |     |
| 10   | 3930828     | 2   | Capscrew #8 x 1-3/4                         |     |
| 11   | 3931430     | 6   | Capscrew 1/4 x 1-7/8                        |     |
| 12   | 4240033     | 5   | Tie-Strap (Not Shown)                       |     |
| 13   | 4360578     | 1   | Switch, Limit                               |     |
| 14   | 4460968     | 1   | Connector, Strain Relief                    |     |
| 15   | 4641436     | 2   | Valve, 2-Way                                |     |
| 16   | 4711500     | 2   | Washer 5/16                                 |     |
| 17   | 4711600     | 14  | Washer 3/8                                  |     |
| 18   | 4751400     | 9   | Washer 1/4                                  |     |
| 19   | 1001170847  | 3   | Sensor, Proximity                           |     |
| 20   | 1001182570  | 2   | Sensor, Proximity                           |     |
| 21   | 1001204715  | 3   | Bracket                                     |     |
| 22   | 1001211588  | 1   | Shield                                      |     |
| 23   | 1001238138  | 1   | Angle                                       |     |
| 24   | 1001238327  | 1   | Angle                                       |     |
| 25   | 1001248958  | 1   | Plate                                       |     |
| 26   | 1001248962  | 1   | Sensor, Angle                               |     |
| 27   | 1001263612  | 1   | Bar, Guard                                  |     |
| 28   | 1001250531  | 1   | Plate                                       |     |
| 29   | 3520193     | 1   | Plug  |     |

# SECTION 4 - BOOM

## FIGURE 4-13. BOOM SENSOR INSTALLATION (TOWER STOW)



ART\_1001277503\_B

## SECTION 4 - BOOM

**FIGURE 4-13. BOOM SENSOR INSTALLATION (TOWER STOW)**

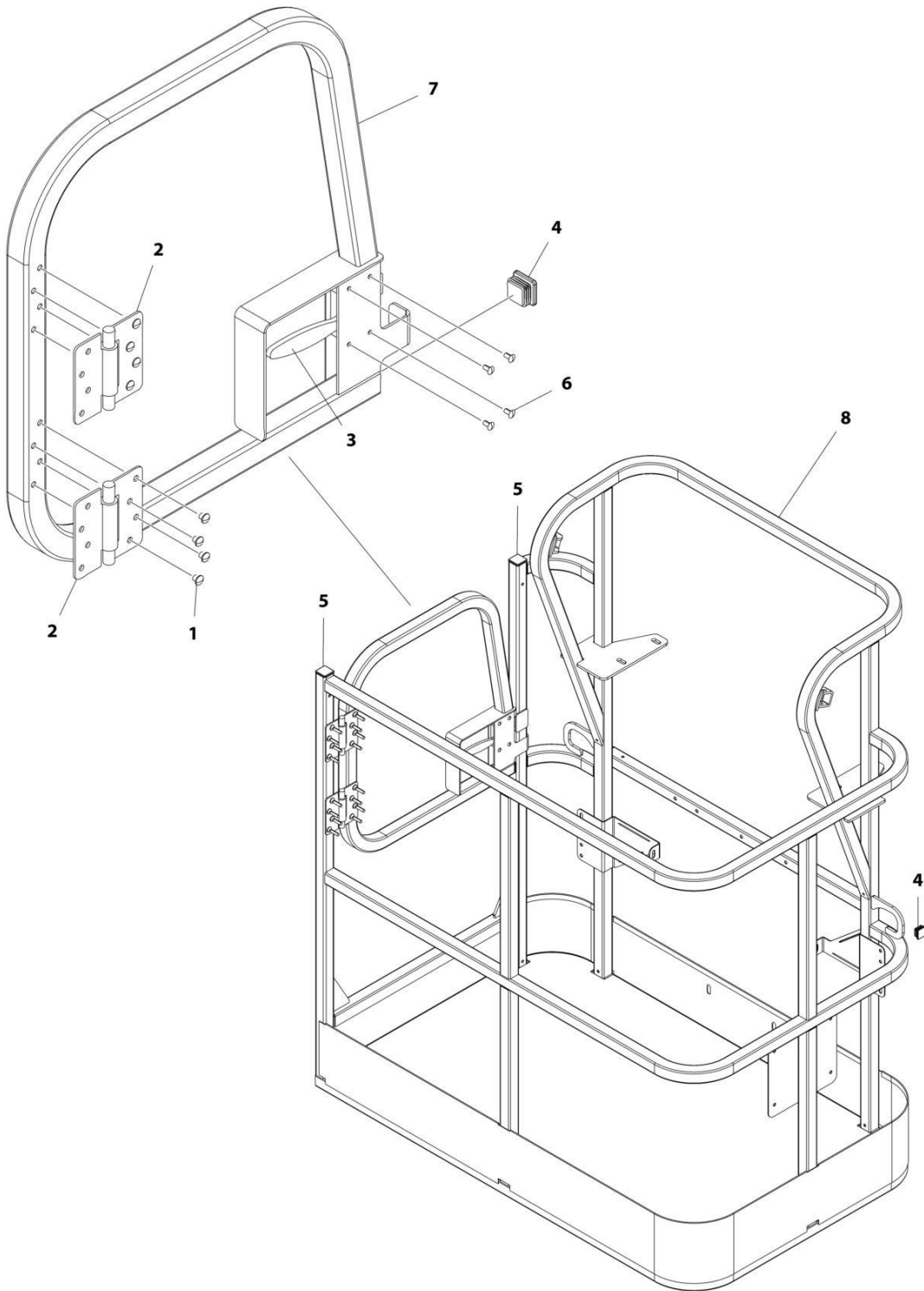
| ITEM | PART NUMBER | QTY | DESCRIPTION                   | REV |
|------|-------------|-----|-------------------------------|-----|
|      | 1001277503  | Ref | BOOM SENSOR INSTALLATION      | B   |
| 1    | 0100011     | AR  | Compound, Locking             |     |
| 2    | 0630427     | 2   | Bolt                          |     |
| 3    | 0641408     | 2   | Bolt 1/4 x 1                  |     |
| 4    | 0641508     | 1   | Bolt 5/16 x 1                 |     |
| 5    | 0641604     | 12  | Bolt 3/8 x 1/2                |     |
| 6    | 0641608     | 2   | Bolt 3/8 x 1                  |     |
| 7    | 0741606     | 4   | Screw 3/8 x 3/4               |     |
| 8    | 3310801     | 4   | Nut #8                        |     |
| 9    | 3311501     | 1   | Nut 5/6                       |     |
| 10   | 3311801     | 3   | Nut 1/2                       |     |
| 11   | 3520193     | 1   | Plug                          |     |
| 12   | 3930816     | 2   | Bolt #8 x 1                   |     |
| 13   | 3930828     | 4   | Capscrew #8 x 1-3/4           |     |
| 14   | 3931408     | 2   | Capscrew 1/4 x 1/2            |     |
| 15   | 3931430     | 6   | Capscrew 1/4 x 1-7/8          |     |
| 16   | 4240033     | 5   | Tie-Strap (Not Shown)         |     |
| 17   | 4360578     | 2   | Switch, Limit                 |     |
| 18   | 4460968     | 2   | Connector, Strain Relief      |     |
| 19   | 4641436     | 2   | Valve, 2-Way                  |     |
| 20   | 4711400     | 2   | Washer 1/4                    |     |
| 21   | 4711500     | 2   | Washer 5/16                   |     |
| 22   | 4711600     | 14  | Washer 3/8                    |     |
| 23   | 4751400     | 11  | Washer 1/4                    |     |
| 24   | 1001155399  | 1   | Cover, Limit Switch           |     |
| 25   | 1001170847  | 3   | Sensor, Proximity             |     |
| 26   | 1001284504  | 1   | Switch, Roller Limit          |     |
| 27   | 1001182570  | 2   | Sensor, Proximity             |     |
| 28   | 1001204715  | 3   | Bracket                       |     |
| 29   | 1001211588  | 1   | Shield                        |     |
| 30   | 1001238138  | 1   | Angle                         |     |
| 31   | 1001238327  | 1   | Angle                         |     |
| 32   | 1001248958  | 1   | Plate                         |     |
| 33   | 1001248962  | 1   | Sensor, Angle                 |     |
| 34   | 1001250531  | 1   | Plate                         |     |
| 35   | 1001259642  | 1   | Plate                         |     |
| 36   | 1001260070  | 1   | Bracket, Limit Switch         |     |
| 37   | 1001263612  | 1   | Bar, Guard                    |     |
| 38   | 1001266829  | 1   | Harness, Tower Stow Indicator |     |
| 38A  | 4460884     | 1   | Connector - 4 Position        |     |
| 38A  | 4460465     | 2   | Socket, Female                |     |
| 38A  | 4460466     | 2   | Plug, Terminal                |     |
| 38B  | 4460910     | 1   | Connector - 3 Position        |     |
| 38B  | 1001116695  | 2   | Terminal, Pin                 |     |
| 38B  | 4460518     | 1   | Plug, Terminal                |     |



**SECTION 5 - PLATFORM**

# SECTION 5 - PLATFORM

FIGURE 5-1. PLATFORM ASSEMBLY - 30IN X 4FT (76.2CM X 1.22M) WITH SWING GATE



ART\_1001186387



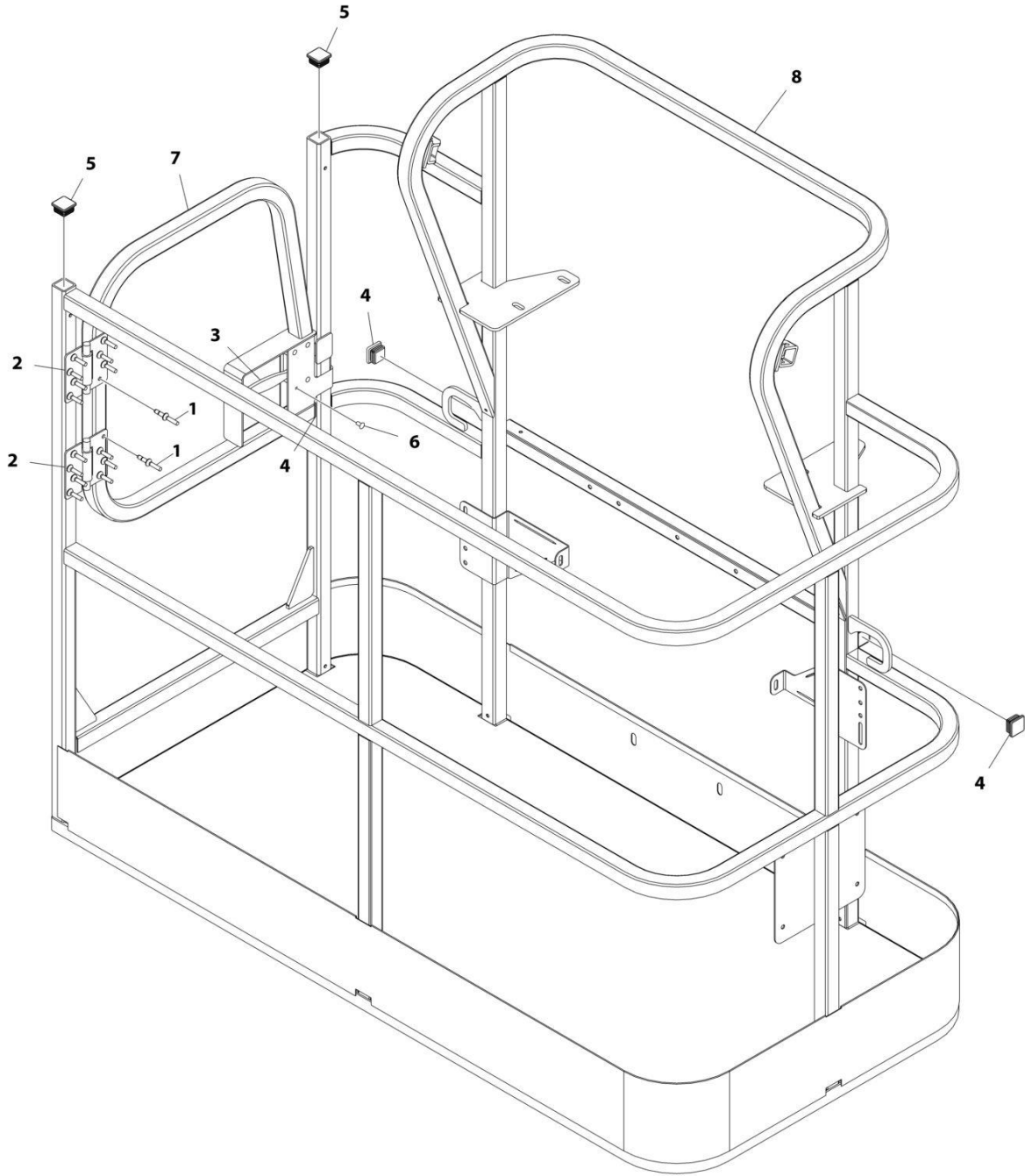
## SECTION 5 - PLATFORM

**FIGURE 5-1. PLATFORM ASSEMBLY - 30IN X 4FT (76.2CM X 1.22M) WITH SWING GATE**

| ITEM | PART NUMBER | QTY | DESCRIPTION   | REV |
|------|-------------|-----|---|-----|
|      | 1001186387  | Ref | PLATFORM ASSEMBLY   | C   |
|      |             | Ref | Note: Platform and Mesh must be ordered separately for Platforms with Mesh. See SPECIAL OPTIONS SECTION for Mesh Installations. |     |
|      |             | Ref | Note: Replacement Decals Must be Ordered Separately - See DECALS SECTION.   |     |
| 1    | 2080040     | 16  | Fastener, Huck  |     |
| 2    | 2600281     | 2   | Hinge, Self-Closing   |     |
| 3    | 2940074     | 1   | Latch   |     |
| 4    | 3520072     | 3   | Plug  |     |
| 5    | 3520198     | 2   | Plug  |     |
| 6    | 3820020     | 4   | Rivet   |     |
| 7    | 1001144629  | 1   | Gate  |     |
| 8    | See Note    | 1   | Platform (Note: Not Available - Purchase Platform Assembly)   |     |

# SECTION 5 - PLATFORM

FIGURE 5-2. PLATFORM ASSEMBLY - 30IN X 5FT (76CM X 1.52M) - GATE ENTRY



ART\_1001186386

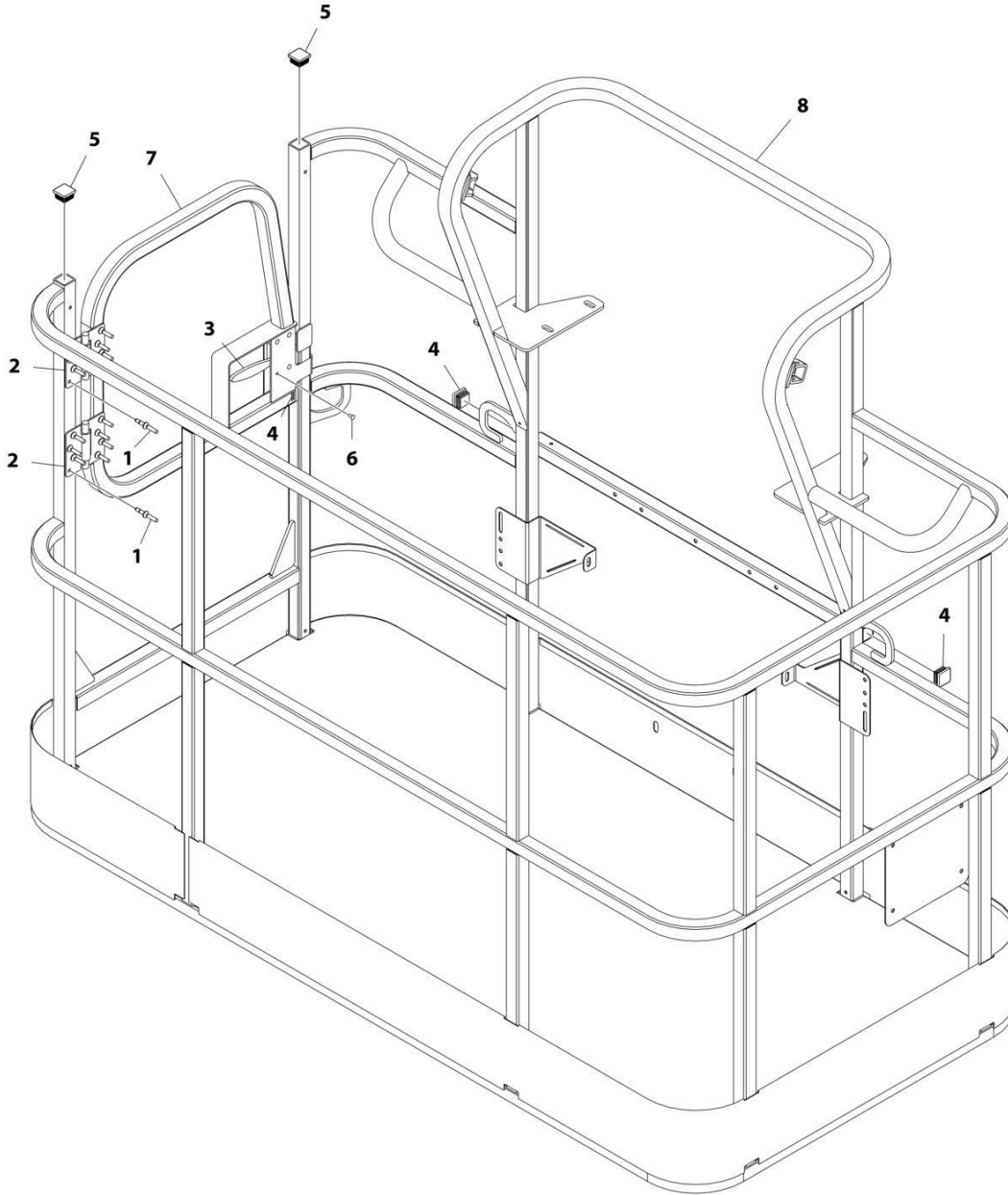
## SECTION 5 - PLATFORM

**FIGURE 5-2. PLATFORM ASSEMBLY - 30IN X 5FT (76CM X 1.52M) - GATE ENTRY**

| ITEM | PART NUMBER | QTY | DESCRIPTION   | REV |
|------|-------------|-----|---|-----|
|      | 1001186386  | Ref | PLATFORM ASSEMBLY   | C   |
|      |             | Ref | Note: Platform and Mesh must be ordered separately for Platforms with Mesh. See SPECIAL OPTIONS SECTION for Mesh Installations. |     |
|      |             | Ref | Note: Replacement Decals Must be Ordered Separately - See DECALS SECTION.   |     |
| 1    | 2080040     | 16  | Fastener, Huck  |     |
| 2    | 2600281     | 2   | Hinge, Self-Closing   |     |
| 3    | 2940074     | 1   | Latch   |     |
| 4    | 3520072     | 3   | Plug  |     |
| 5    | 3520198     | 2   | Plug  |     |
| 6    | 3820020     | 4   | Rivet   |     |
| 7    | 1001144629  | 1   | Gate  |     |
| 8    | See Note    | NSS | Platform (Note: Not Available - Purchase Platform Assembly)   |     |

# SECTION 5 - PLATFORM

FIGURE 5-3. PLATFORM ASSEMBLY - 36IN X 6FT (91.5CM X 1.83M) WITH SWING GATE



ART\_1001186384

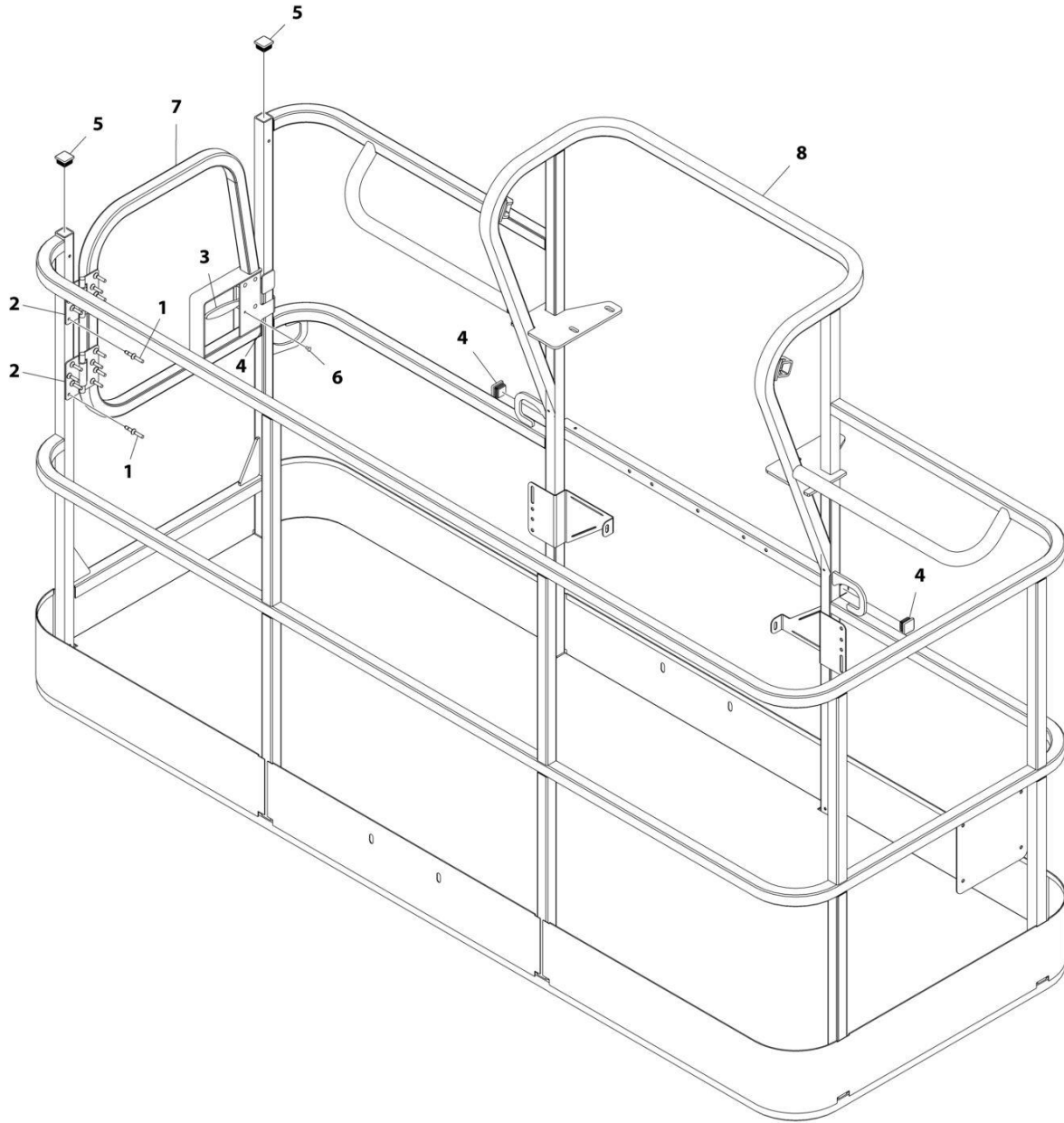
## SECTION 5 - PLATFORM

**FIGURE 5-3. PLATFORM ASSEMBLY - 36IN X 6FT (91.5CM X 1.83M) WITH SWING GATE**

| ITEM | PART NUMBER | QTY | DESCRIPTION   | REV |
|------|-------------|-----|---|-----|
|      | 1001186384  | Ref | PLATFORM ASSEMBLY - 36IN X 6FT (91.5CM X 1.83M) WITH SWING GATE   | C   |
|      | See Note    | Ref | Note: Platform and Mesh must be ordered separately for Platforms with Mesh. See SPECIAL OPTIONS SECTION for Mesh Installations. |     |
|      | See Note    | Ref | Note: Replacement Decals Must be Ordered Separately - See DECALS SECTION.   |     |
| 1    | 2080040     | 16  | Fastener, Huck  |     |
| 2    | 2600281     | 2   | Hinge   |     |
| 3    | 2940074     | 1   | Latch   |     |
| 4    | 3520072     | 3   | Plug  |     |
| 5    | 3520198     | 2   | Plug  |     |
| 6    | 3820020     | 4   | Rivet   |     |
| 7    | 1001144629  | 1   | Gate  |     |
| 8    | See Note    | NSS | Platform (Note: Not Available - Purchase Platform Assembly)   |     |

# SECTION 5 - PLATFORM

FIGURE 5-4. PLATFORM ASSEMBLY - 36IN X 8FT (91.5CM X 2.44M) WITH SWING GATE



ART\_1001186383

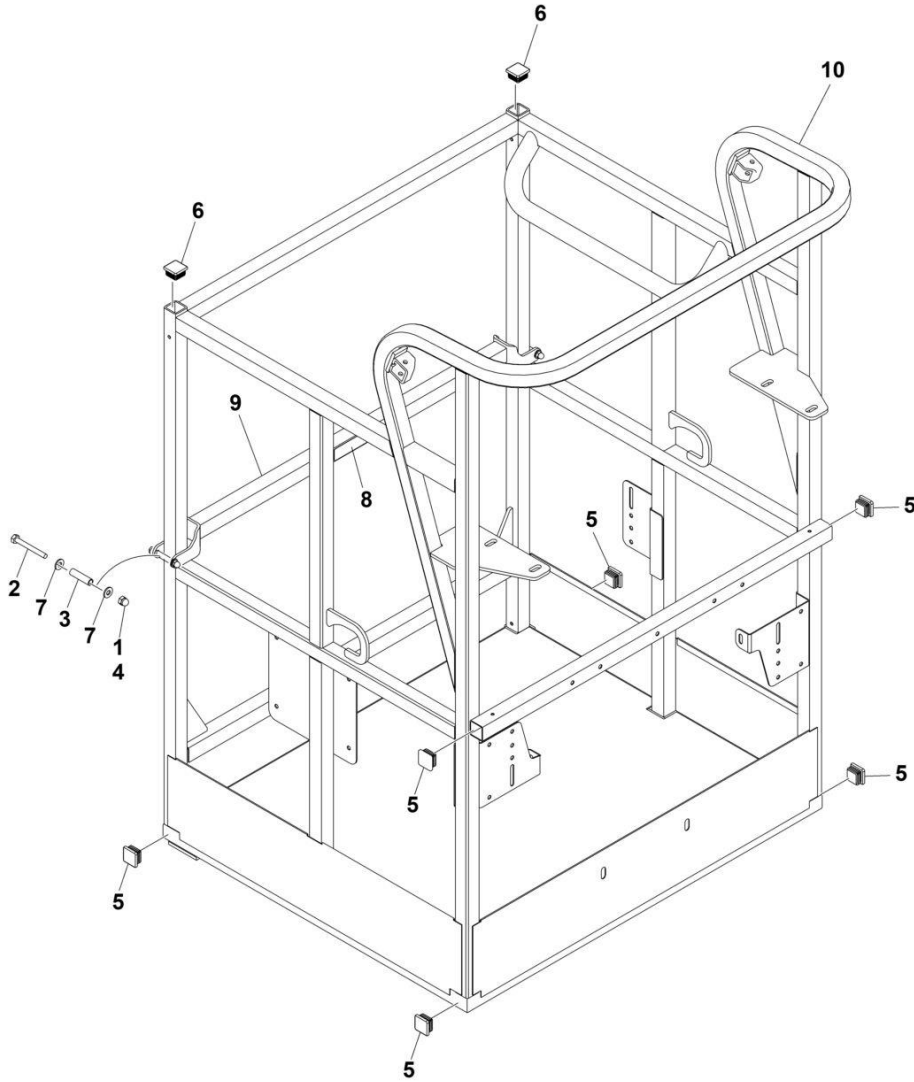
## SECTION 5 - PLATFORM

**FIGURE 5-4. PLATFORM ASSEMBLY - 36IN X 8FT (91.5CM X 2.44M) WITH SWING GATE**

| ITEM | PART NUMBER | QTY | DESCRIPTION   | REV |
|------|-------------|-----|---|-----|
|      | 1001186383  | Ref | PLATFORM ASSEMBLY - 36IN X 8FT (91.5CM X 2.44M) WITH SWING GATE   | D   |
|      |             | Ref | Note: Platform and Mesh must be ordered separately for Platforms with Mesh. See SPECIAL OPTIONS SECTION for Mesh Installations. |     |
|      |             | Ref | Note: Replacement Decals Must be Ordered Separately - See DECALS SECTION.   |     |
| 1    | 2080040     | 16  | Fastener, Huck  |     |
| 2    | 2600281     | 2   | Hinge   |     |
| 3    | 2940074     | 1   | Latch   |     |
| 4    | 3520072     | 3   | Plug  |     |
| 5    | 3520198     | 2   | Plug  |     |
| 6    | 3820020     | 4   | Rivet   |     |
| 7    | 1001144629  | 1   | Gate  |     |
| 8    | See Note    | NSS | Platform (Note: Not Available - Purchase Platform Assembly)   |     |

# SECTION 5 - PLATFORM

FIGURE 5-5. PLATFORM ASSEMBLY - 30IN X 3FT (76CM X .91M) - DROP BAR ENTRY



ART\_1001228215



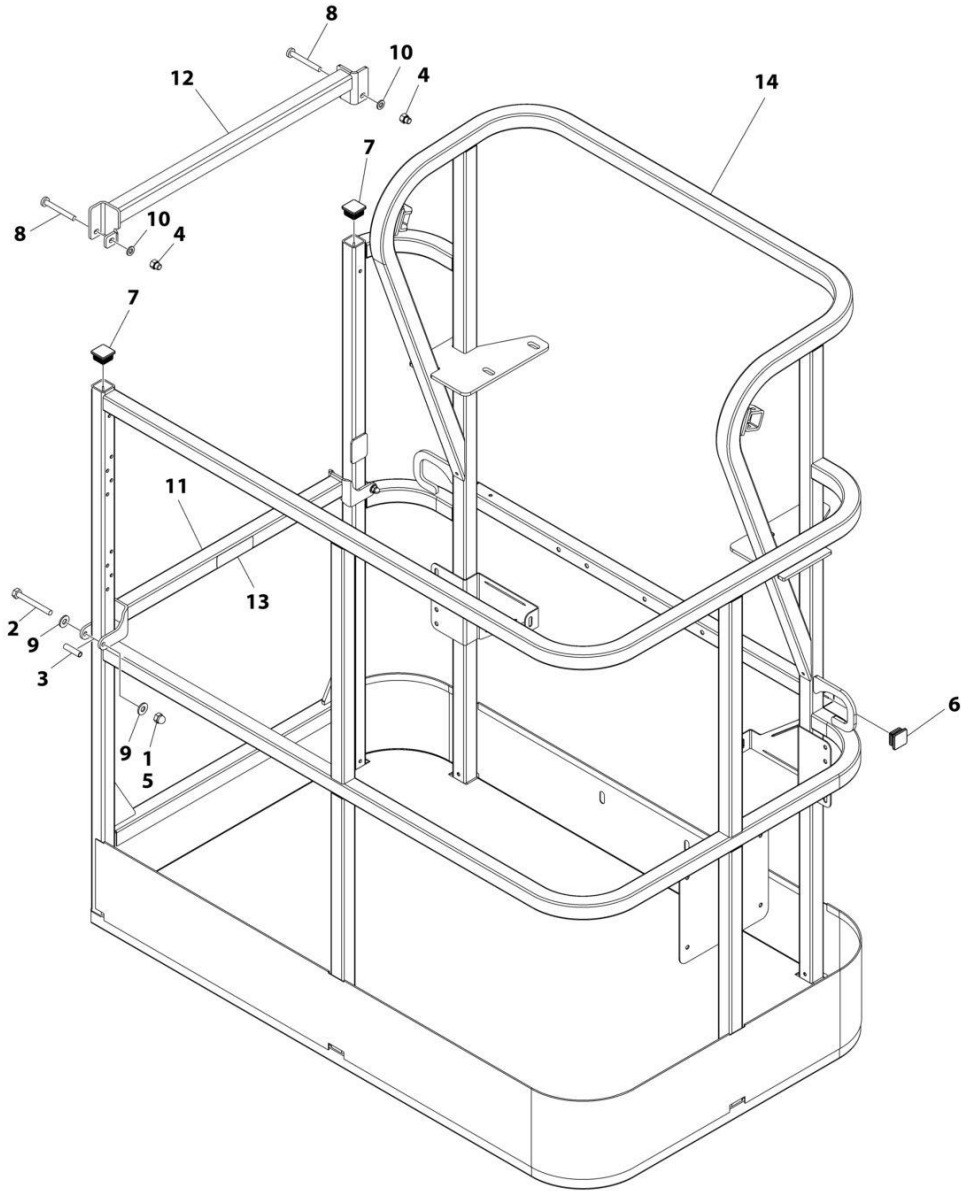
## SECTION 5 - PLATFORM

**FIGURE 5-5. PLATFORM ASSEMBLY - 30IN X 3FT (76CM X .91M) - DROP BAR ENTRY**

| ITEM | PART NUMBER | QTY | DESCRIPTION   | REV |
|------|-------------|-----|---|-----|
|      | 1001228215  | Ref | PLATFORM ASSEMBLY   | A   |
|      | See Note    | Ref | Note: Platform and Mesh must be ordered separately for Platforms with Mesh. See SPECIAL OPTIONS SECTION for Mesh Installations. |     |
|      | See Note    | Ref | Note: Replacement Decals Must be Ordered Separately - See DECAL SECTION.  |     |
| 1    | 0100011     | AR  | Compound, Locking   |     |
| 2    | 0641418     | 2   | Bolt 1/4 x 2-1/4  |     |
| 3    | 0961845     | 2   | Bushing   |     |
| 4    | 3300151     | 2   | Nut 1/4   |     |
| 5    | 3520072     | 6   | Cap, Plug   |     |
| 6    | 3520198     | 2   | Cap, Plug   |     |
| 7    | 4711400     | 4   | Washer 1/4  |     |
| 8    | 1001140429  | 1   | Decal - Drop Bar  |     |
| 9    | 1001226872  | 1   | Bar, Drop   |     |
| 10   | See Note    | NSS | Platform (Note: Not Available - Purchase Platform Assembly)   |     |

# SECTION 5 - PLATFORM

FIGURE 5-6. PLATFORM ASSEMBLY - 30IN X 4FT (76.2CM X 1.22M) WITH DROP BAR



ART\_1001186375

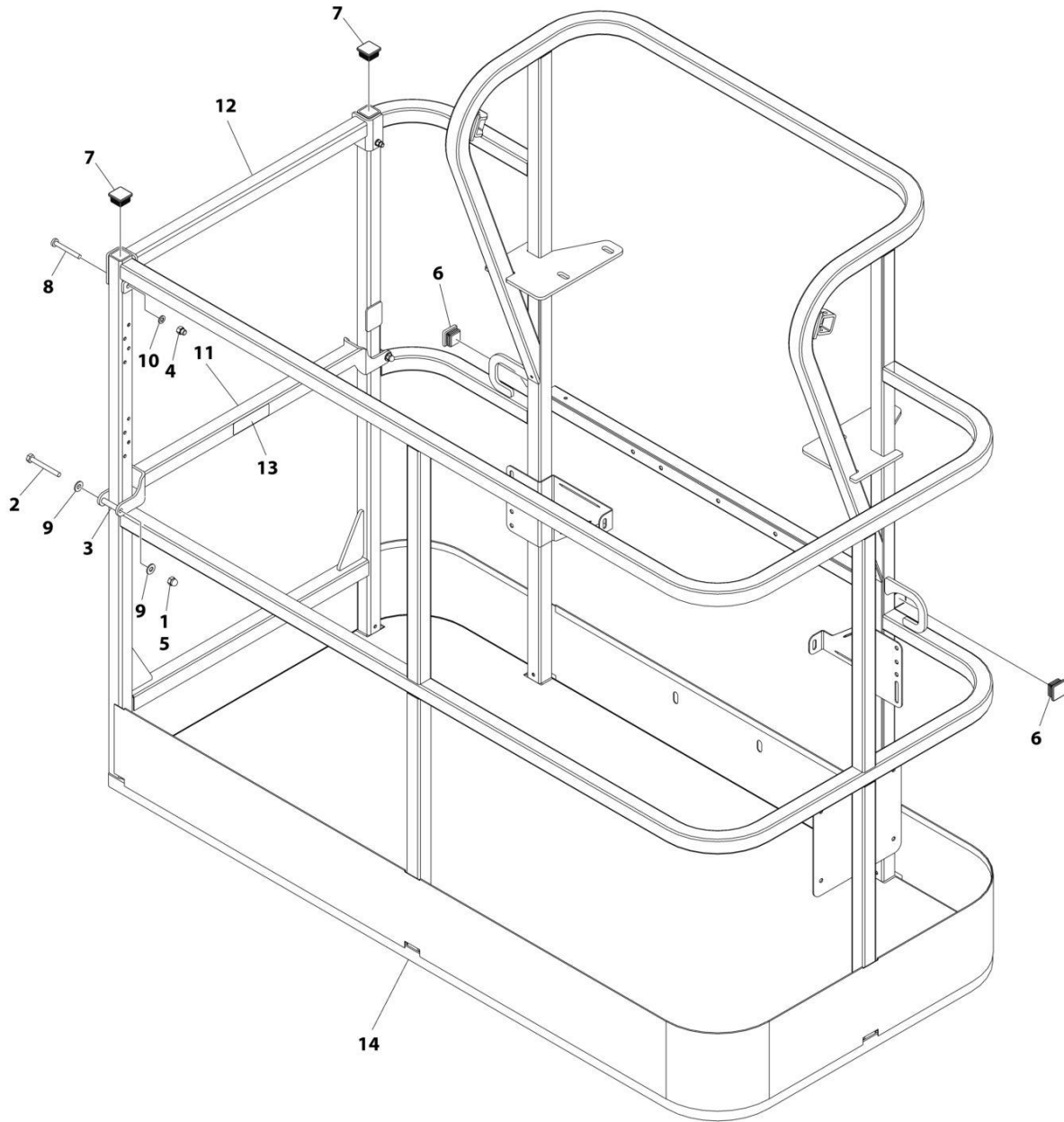
## SECTION 5 - PLATFORM

**FIGURE 5-6. PLATFORM ASSEMBLY - 30IN X 4FT (76.2CM X 1.22M) WITH DROP BAR**

| ITEM | PART NUMBER | QTY | DESCRIPTION   | REV |
|------|-------------|-----|---|-----|
|      | 1001186375  | Ref | PLATFORM ASSEMBLY   | B   |
|      |             | Ref | Note: Platform and Mesh must be ordered separately for Platforms with Mesh. See SPECIAL OPTIONS SECTION for Mesh Installations. |     |
|      |             | Ref | Note: Replacement Decals Must be Ordered Separately - See DECALS SECTION.   |     |
| 1    | 0100011     | AR  | Compound, Locking   |     |
| 2    | 0641418     | 2   | Bolt 1/4 x 2-1/4  |     |
| 3    | 0961845     | 2   | Bushing   |     |
| 4    | 3290606     | 2   | Nut M6  |     |
| 5    | 3300151     | 2   | Nut 1/4   |     |
| 6    | 3520072     | 2   | Plug  |     |
| 7    | 3520198     | 2   | Plug  |     |
| 8    | 4010618     | 2   | Screw M6 x 50   |     |
| 9    | 4711400     | 4   | Washer 1/4  |     |
| 10   | 4811700     | 2   | Washer M6   |     |
| 11   | 1001138494  | 1   | Bar, Drop   |     |
| 12   | 1001138514  | 1   | Rail - Top  |     |
| 13   | 1001140429  | 1   | Decal - Drop Bar  |     |
| 14   | See Note    | 1   | Platform (Note: Not Available - Purchase Platform Assembly)   |     |

# SECTION 5 - PLATFORM

FIGURE 5-7. PLATFORM ASSEMBLY - 30IN X 5FT (76CM X 1.52M) - DROP BAR ENTRY



ART\_1001186377

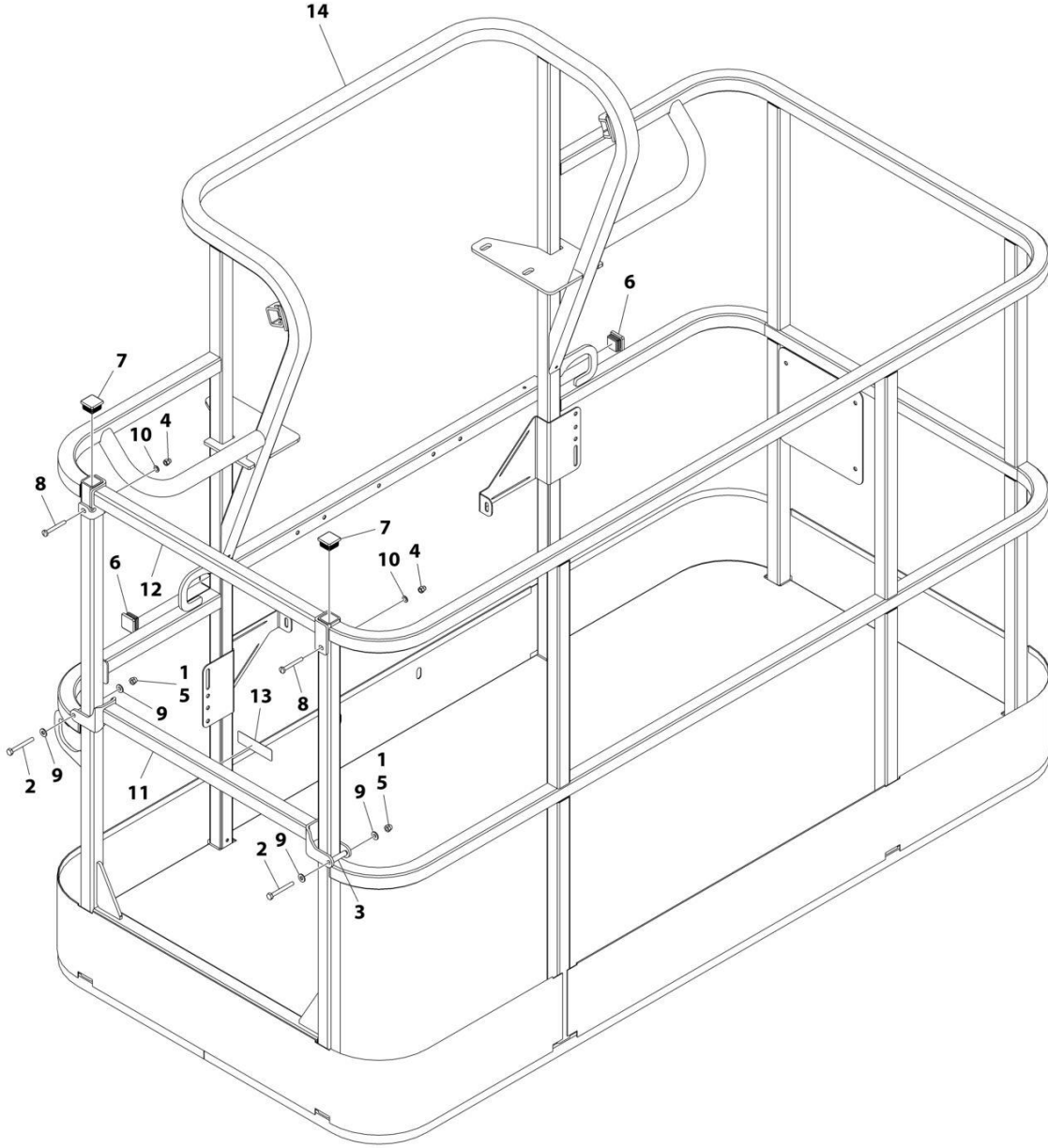
## SECTION 5 - PLATFORM

**FIGURE 5-7. PLATFORM ASSEMBLY - 30IN X 5FT (76CM X 1.52M) - DROP BAR ENTRY**

| ITEM | PART NUMBER | QTY | DESCRIPTION   | REV |
|------|-------------|-----|---|-----|
|      | 1001186377  | Ref | PLATFORM ASSEMBLY   | C   |
|      |             | Ref | Note: Platform and Mesh must be ordered separately for Platforms with Mesh. See SPECIAL OPTIONS SECTION for Mesh Installations. |     |
|      |             | Ref | Note: Replacement Decals Must be Ordered Separately - See DECALS SECTION.   |     |
| 1    | 0100011     | AR  | Compound, Locking   |     |
| 2    | 0641420     | 2   | Bolt 1/4 x 2-1/2  |     |
| 3    | 0961845     | 2   | Bushing   |     |
| 4    | 3290606     | 2   | Nut M6  |     |
| 5    | 3300151     | 2   | Nut 1/4   |     |
| 6    | 3520072     | 2   | Plug  |     |
| 7    | 3520198     | 2   | Plug  |     |
| 8    | 4010618     | 2   | Screw M6 x 50   |     |
| 9    | 4711400     | 4   | Washer 1/4  |     |
| 10   | 4811700     | 2   | Washer M6   |     |
| 11   | 1001138494  | 1   | Bar, Drop   |     |
| 12   | 1001138514  | 1   | Rail (Top)  |     |
| 13   | 1001140429  | 1   | Decal - Drop Bar  |     |
| 14   | See Note    | NSS | Platform (Note: Not Available - Purchase Platform Assembly)   |     |

# SECTION 5 - PLATFORM

FIGURE 5-8. PLATFORM ASSEMBLY - 36IN X 6FT (91.5CM X 1.83M) WITH DROP BAR



ART\_1001186379

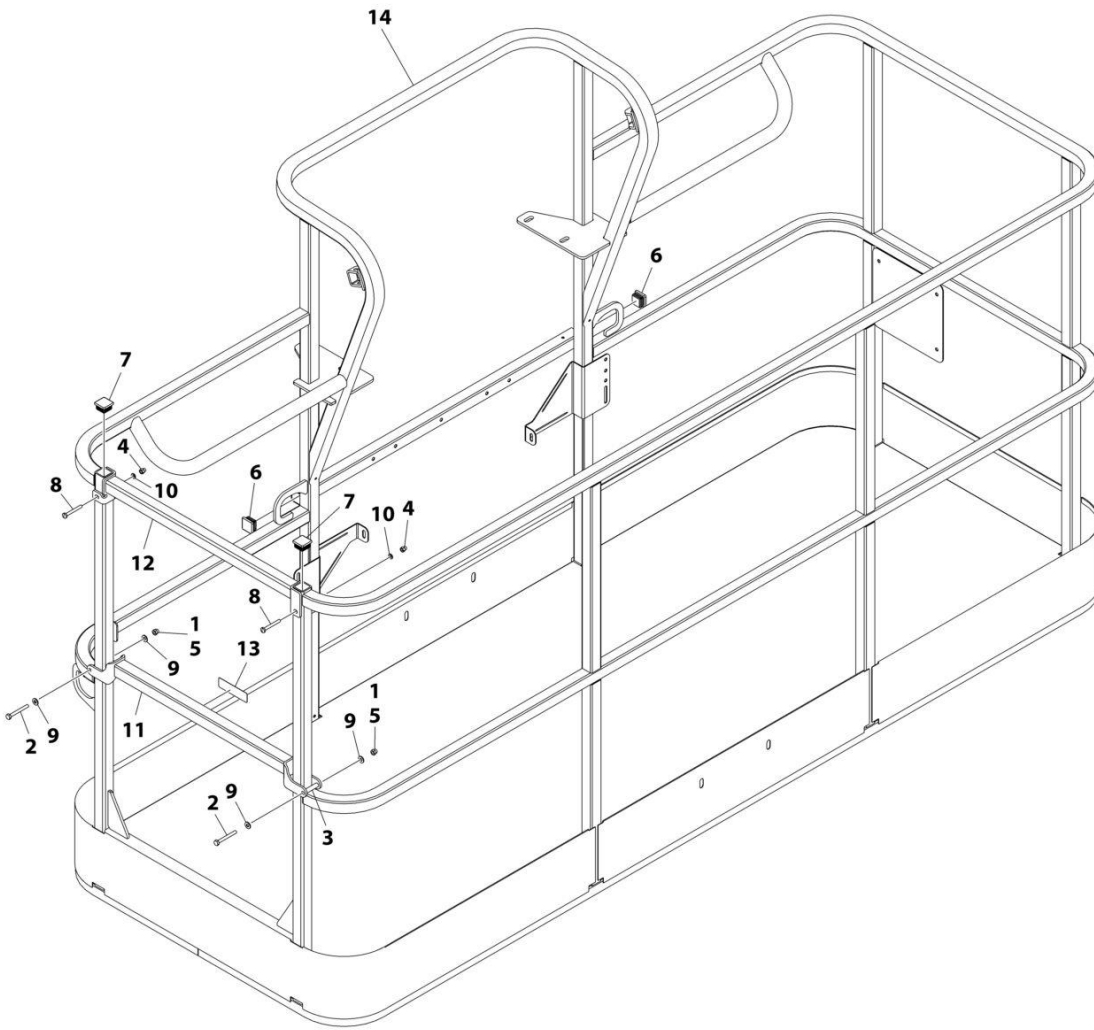
## SECTION 5 - PLATFORM

**FIGURE 5-8. PLATFORM ASSEMBLY - 36IN X 6FT (91.5CM X 1.83M) WITH DROP BAR**

| ITEM | PART NUMBER | QTY | DESCRIPTION   | REV |
|------|-------------|-----|---|-----|
|      | 1001186379  | Ref | PLATFORM ASSEMBLY - 36IN X 6FT (91.5CM X 1.83M) WITH DROP BAR   | B   |
|      |             | Ref | Note: Platform and Mesh must be ordered separately for Platforms with Mesh. See SPECIAL OPTIONS SECTION for Mesh Installations. |     |
|      |             | Ref | Note: Replacement Decals Must be Ordered Separately - See DECALS SECTION.   |     |
| 1    | 0100011     | AR  | Compound, Locking   |     |
| 2    | 0641418     | 2   | Bolt 1/4 x 2-1/4  |     |
| 3    | 0961845     | 2   | Bushing   |     |
| 4    | 3290606     | 2   | Nut M6  |     |
| 5    | 3300151     | 2   | Nut 1/4   |     |
| 6    | 3520072     | 2   | Plug  |     |
| 7    | 3520198     | 2   | Plug  |     |
| 8    | 4010618     | 2   | Screw M6 x 50   |     |
| 9    | 4711400     | 4   | Washer 1/4  |     |
| 10   | 4811700     | 2   | Washer M6   |     |
| 11   | 1001138494  | 1   | Bar, Drop   |     |
| 12   | 1001138514  | 1   | Rail (Top)  |     |
| 13   | 1001140429  | 1   | Decal - Drop Bar  |     |
| 14   | See Note    | NSS | Platform (Note: Not Available - Purchase Platform Assembly)   |     |

# SECTION 5 - PLATFORM

FIGURE 5-9. PLATFORM ASSEMBLY - 36IN X 8FT (91.5CM X 2.44M) WITH DROP BAR



ART\_1001186382



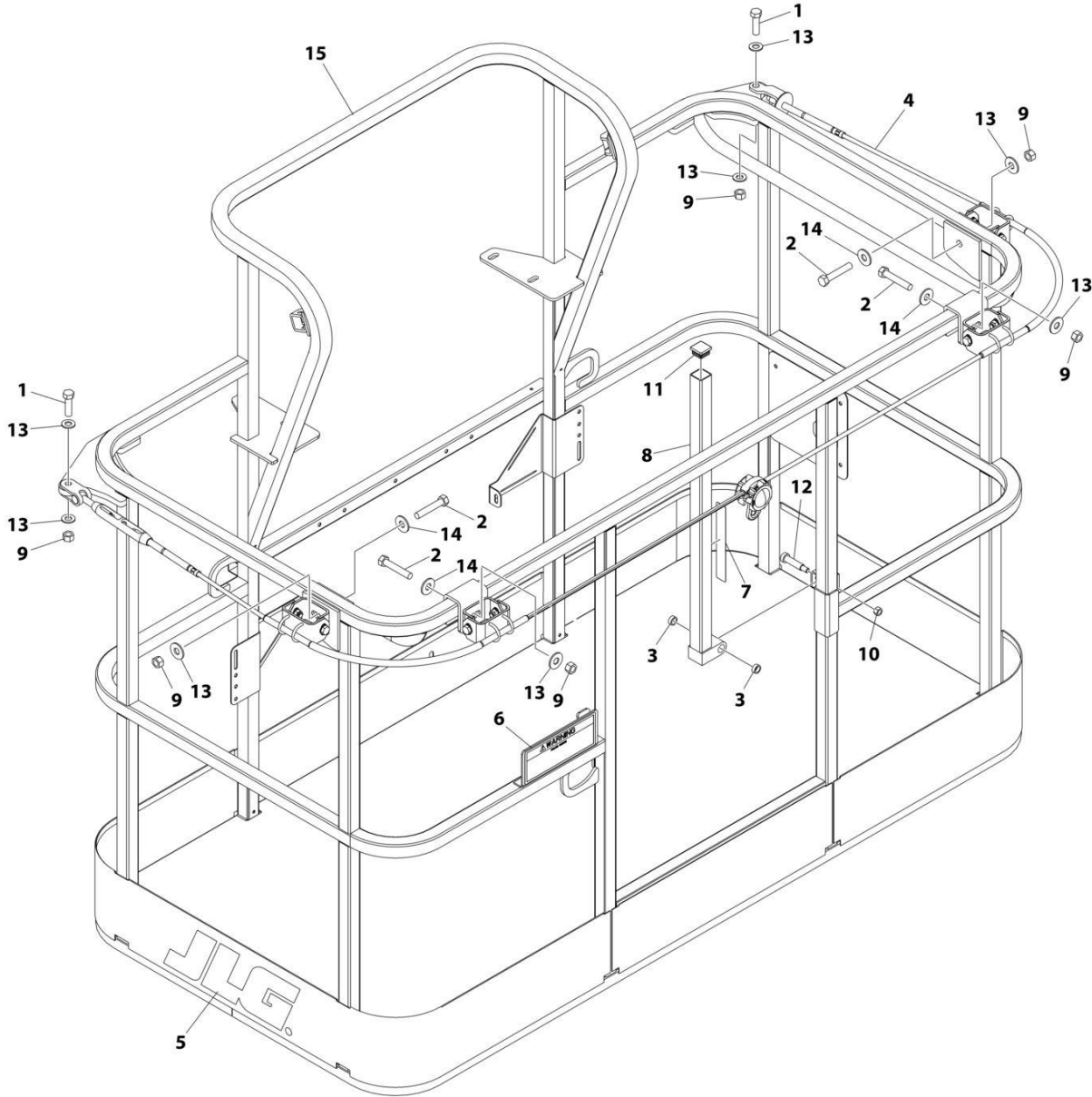
## SECTION 5 - PLATFORM

**FIGURE 5-9. PLATFORM ASSEMBLY - 36IN X 8FT (91.5CM X 2.44M) WITH DROP BAR**

| ITEM | PART NUMBER | QTY | DESCRIPTION   | REV |
|------|-------------|-----|---|-----|
|      | 1001186382  | Ref | PLATFORM ASSEMBLY - 36IN X 8FT (91.5CM X 2.44M) WITH DROP BAR   | C   |
|      |             | Ref | Note: Platform and Mesh must be ordered separately for Platforms with Mesh. See SPECIAL OPTIONS SECTION for Mesh Installations. |     |
|      |             | Ref | Note: Replacement Decals Must be Ordered Separately - See DECALS SECTION.   |     |
| 1    | 0100011     | AR  | Compound, Locking   |     |
| 2    | 0641418     | 2   | Bolt 1/4 x 2-1/4  |     |
| 3    | 0961845     | 2   | Bushing   |     |
| 4    | 3290606     | 2   | Nut M6  |     |
| 5    | 3300151     | 2   | Nut 1/4   |     |
| 6    | 3520072     | 2   | Plug  |     |
| 7    | 3520198     | 2   | Plug  |     |
| 8    | 4010618     | 2   | Screw M6 x 50   |     |
| 9    | 4711400     | 4   | Washer 1/4  |     |
| 10   | 4811700     | 2   | Washer M6   |     |
| 11   | 1001138494  | 1   | Bar, Drop   |     |
| 12   | 1001138514  | 1   | Rail (Top)  |     |
| 13   | 1001140429  | 1   | Decal - Drop Bar  |     |
| 14   | See Note    | NSS | Platform (Note: Not Available - Purchase Platform Assembly)   |     |

# SECTION 5 - PLATFORM

FIGURE 5-10. PLATFORM ASSEMBLY - 36IN X 6FT (91.5CM X 1.83M) WITH FALL ARREST



ART\_1001186333

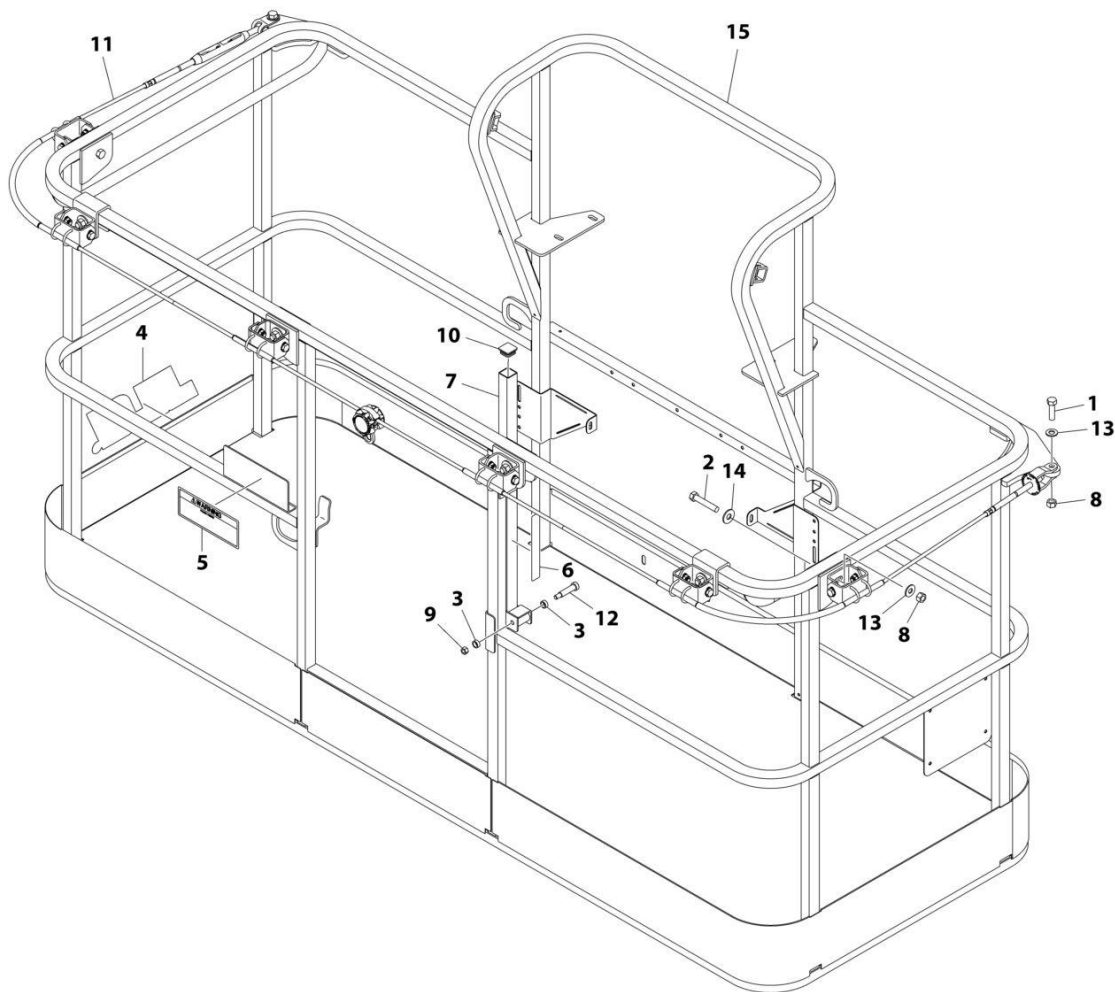
## SECTION 5 - PLATFORM

**FIGURE 5-10. PLATFORM ASSEMBLY - 36IN X 6FT (91.5CM X 1.83M) WITH FALL ARREST**

| ITEM | PART NUMBER | QTY | DESCRIPTION   | REV |
|------|-------------|-----|---|-----|
|      | 1001186333  | Ref | PLATFORM ASSEMBLY   | C   |
|      |             | Ref | Note: Replacement Decals Must be Ordered Separately - See DECALS SECTION. |     |
| 1    | 0681814     | 2   | Bolt 1/2 x 1-3/4 Grade 8  |     |
| 2    | 0681822     | 4   | Bolt 1/2 x 2-3/4 Grade 8  |     |
| 3    | 0962270     | 2   | Bearing   |     |
| 4    | 1001203655  | 1   | Cable   |     |
| 5    | 1702773     | 1   | Decal - JLG   |     |
| 6    | 1705014     | 1   | Decal - Safety  |     |
| 7    | 1706385     | 1   | Decal - Drop Bar  |     |
| 8    | 2410014     | 1   | Bar, Drop   |     |
| 9    | 3271805     | 6   | Nut 1/2 Grade 8   |     |
| 10   | 3311605     | 1   | Nut 3/8   |     |
| 11   | 3520072     | 1   | Plug  |     |
| 12   | 3900054     | 1   | Bolt 1/2 x 1-3/4  |     |
| 13   | 4711800     | 8   | Washer 1/2  |     |
| 14   | 4751800     | 4   | Washer 1/2  |     |
| 15   | See Note    | NSS | Platform (Note: Not Available - Purchase Platform Assembly)               |     |

# SECTION 5 - PLATFORM

FIGURE 5-11. PLATFORM ASSEMBLY - 36IN X 8FT (91.5CM X 2.44M) WITH FALL ARREST



ART\_1001186334

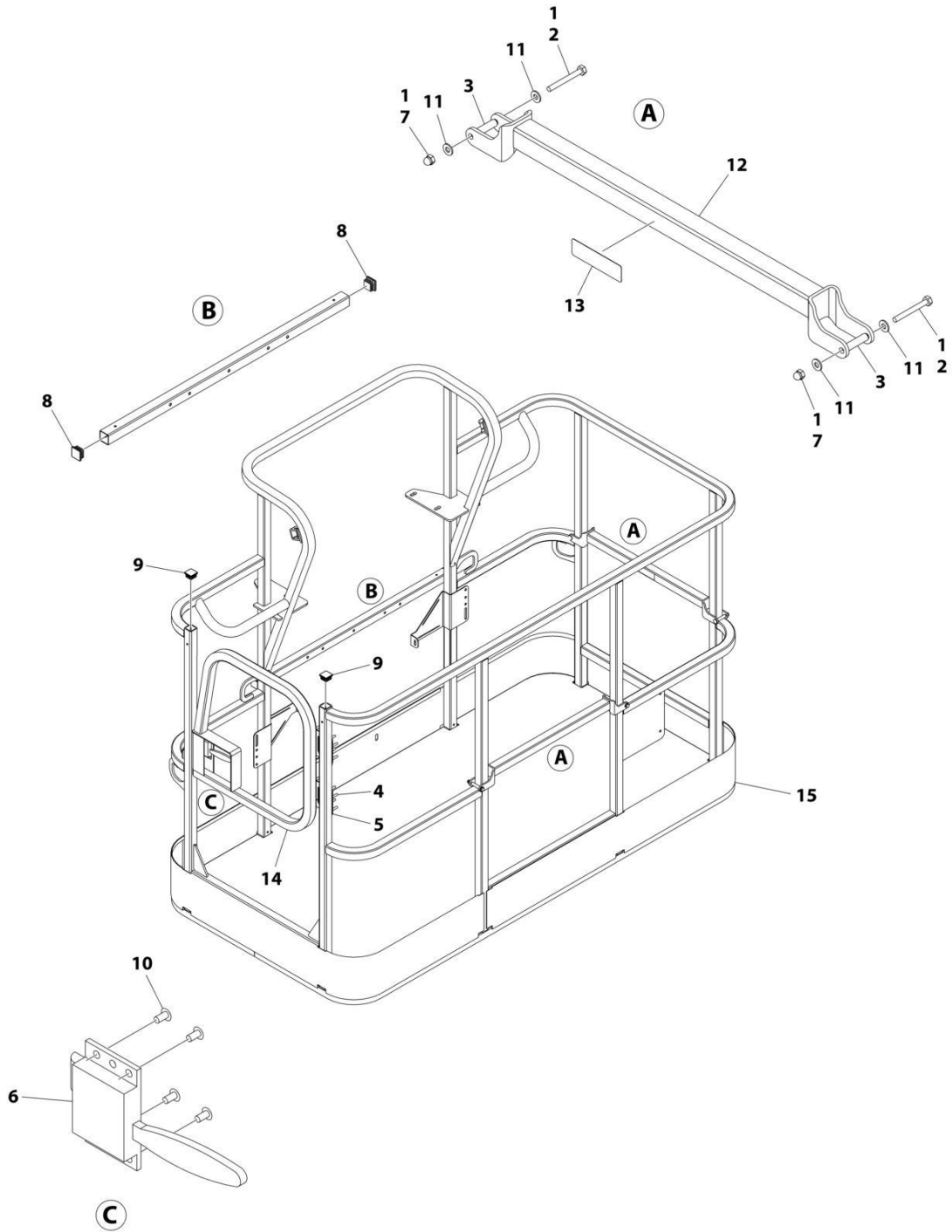
## SECTION 5 - PLATFORM

**FIGURE 5-11. PLATFORM ASSEMBLY - 36IN X 8FT (91.5CM X 2.44M) WITH FALL ARREST**

| ITEM | PART NUMBER | QTY | DESCRIPTION   | REV |
|------|-------------|-----|---|-----|
|      | 1001186334  | Ref | PLATFORM ASSEMBLY   | D   |
|      |             | Ref | Note: Replacement Decals Must be Ordered Separately - See DECALS SECTION. |     |
| 1    | 0681814     | 2   | Bolt 1/2 x 1-3/4 Grade 8  |     |
| 2    | 0681822     | 6   | Bolt 1/2 x 2-3/4 Grade 8  |     |
| 3    | 0962270     | 2   | Bearing   |     |
| 4    | 1702773     | 1   | Decal - JLG   |     |
| 5    | 1705014     | 1   | Decal - Safety  |     |
| 6    | 1706385     | 1   | Decal - Drop Bar  |     |
| 7    | 2410014     | 1   | Bar, Drop   |     |
| 8    | 3271805     | 8   | Nut 1/2 Grade 8   |     |
| 9    | 3311605     | 1   | Nut 3/8   |     |
| 10   | 3520072     | 1   | Plug  |     |
| 11   | 1001203656  | 1   | Cable   |     |
| 12   | 3900054     | 1   | Bolt 1/2 x 1-3/4  |     |
| 13   | 4711800     | 2   | Washer 1/2  |     |
| 14   | 4751800     | 6   | Washer 1/2  |     |
| 15   | See Note    | NSS | Platform (Note: Purchase Platform Assembly)                               |     |

# SECTION 5 - PLATFORM

FIGURE 5-12. PLATFORM ASSEMBLY - 36IN X 6FT (91.5CM X 1.83M) TRI-ENTRY WITH SWING GATE



ART\_1001228376

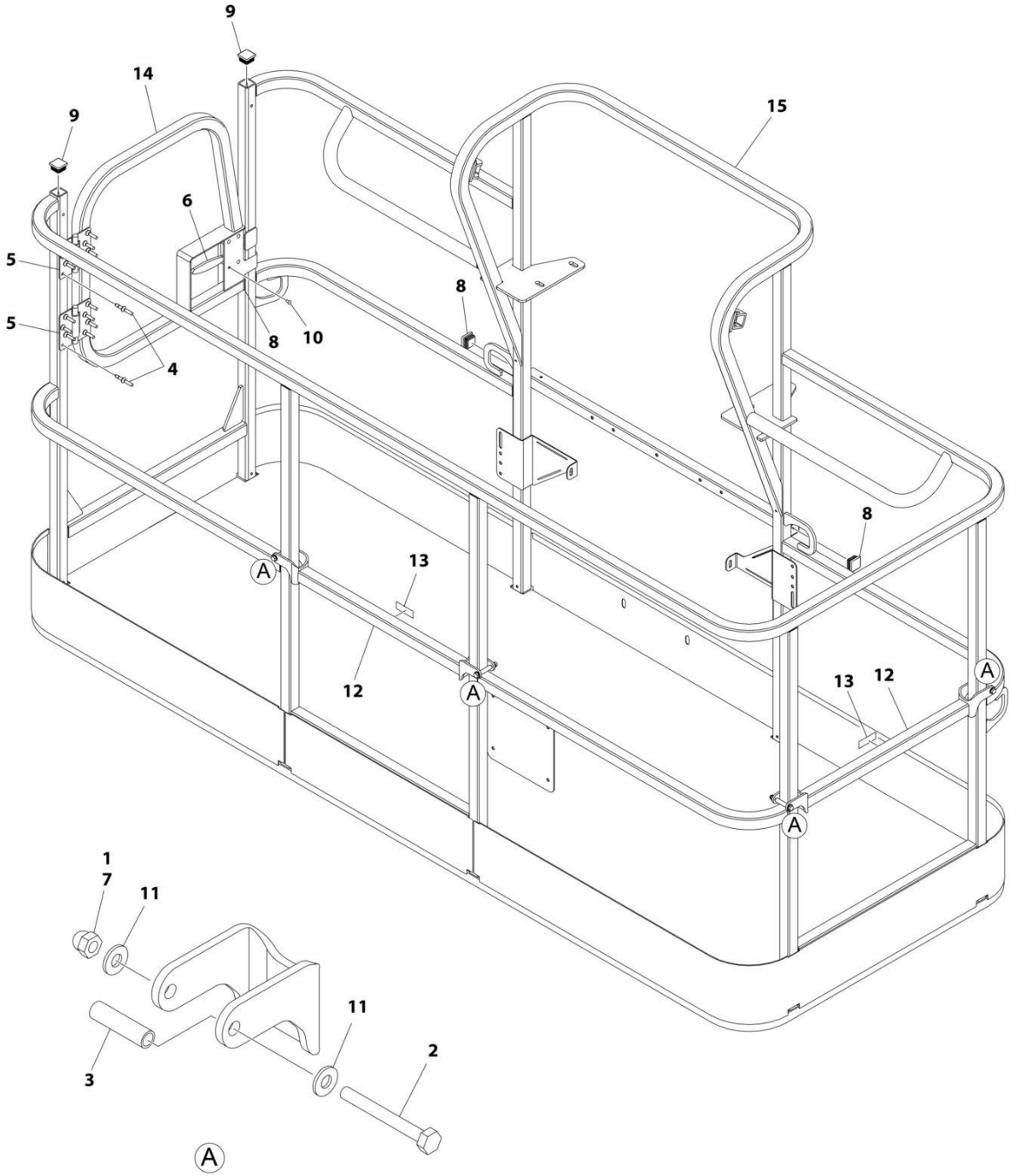
## SECTION 5 - PLATFORM

**FIGURE 5-12. PLATFORM ASSEMBLY - 36IN X 6FT (91.5CM X 1.83M) TRI-ENTRY WITH SWING GATE**

| ITEM | PART NUMBER | QTY | DESCRIPTION   | REV |
|------|-------------|-----|---|-----|
|      | 1001228376  | Ref | PLATFORM ASSEMBLY - 36IN x 6FT (91.5CM x 1.83M)   | B   |
|      |             | Ref | Note: Platform and Mesh must be ordered separately for Platforms with Mesh. See SPECIAL OPTIONS SECTION for Mesh Installations. |     |
|      |             | Ref | Note: Replacement Decals Must be Ordered Separately - See DECAL SECTION.  |     |
| 1    | 0100011     | AR  | Compound, Locking   |     |
| 2    | 0641418     | 4   | Bolt 1/4 x 2-1/4  |     |
| 3    | 0961845     | 4   | Bushing   |     |
| 4    | 2080040     | 16  | Fastener  |     |
| 5    | 2600281     | 2   | Hinge   |     |
| 6    | 2940074     | 1   | Latch   |     |
| 7    | 3300151     | 4   | Nut 1/4   |     |
| 8    | 3520072     | 3   | Plug  |     |
| 9    | 3520198     | 2   | Plug  |     |
| 10   | 3820020     | 4   | Rivet   |     |
| 11   | 4711400     | 8   | Washer 1/4  |     |
| 12   | 1001138494  | 2   | Bar, Drop   |     |
| 13   | 1001140429  | 2   | Decal - Drop Bar  |     |
| 14   | 1001144629  | 1   | Gate  |     |
| 15   | See Note    | NSS | Platform (Note: Not Available - Purchase Platform Assembly)   |     |

**SECTION 5 - PLATFORM**

**FIGURE 5-13. PLATFORM ASSEMBLY - 36IN X 8FT (91.5CM X 2.44M) TRI-ENTRY WITH SWING GATE**



ART\_1001228243



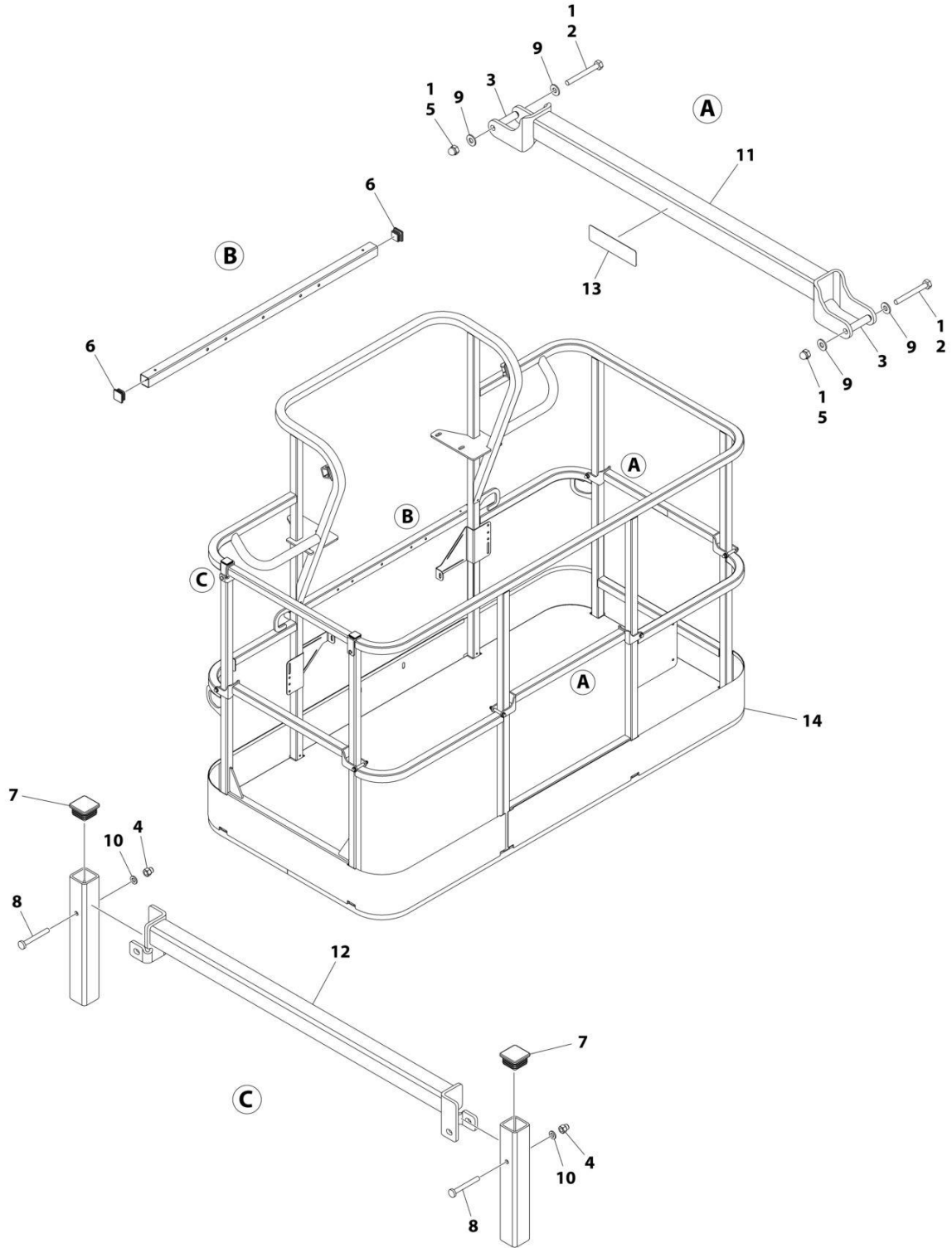
## SECTION 5 - PLATFORM

**FIGURE 5-13. PLATFORM ASSEMBLY - 36IN X 8FT (91.5CM X 2.44M) TRI-ENTRY WITH SWING GATE**

| ITEM | PART NUMBER | QTY | DESCRIPTION   | REV |
|------|-------------|-----|---|-----|
|      | 1001228243  | Ref | PLATFORM ASSEMBLY - 36IN X 8FT (91.5CM X 2.44M) WITH TRI-ENTRY  | A   |
|      |             | Ref | Note: Platform and Mesh must be ordered separately for Platforms with Mesh. See SPECIAL OPTIONS SECTION for Mesh Installations. |     |
| 1    | 0100011     | AR  | Compound, Locking   |     |
| 2    | 0641418     | 4   | Bolt 1/4 x 2-1/4  |     |
| 3    | 0961845     | 4   | Bushing   |     |
| 4    | 2080040     | 16  | Fastener, Huck  |     |
| 5    | 2600281     | 2   | Hinge, Self-Closing   |     |
| 6    | 2940074     | 1   | Latch   |     |
| 7    | 3300151     | 4   | Nut 1/4   |     |
| 8    | 3520072     | 3   | Cap, Plug   |     |
| 9    | 3520198     | 2   | Cap, Plug   |     |
| 10   | 3820020     | 4   | Rivet   |     |
| 11   | 4711400     | 8   | Washer 1/4  |     |
| 12   | 1001138494  | 2   | Bar, Drop   |     |
| 13   | 1001140429  | 2   | Decal - Drop Bar  |     |
| 14   | 1001144629  | 1   | Gate, Weldment  |     |
| 15   | See Note    | 1   | Platform (Note: Not Available - Purchase Platform Assembly)   |     |

# SECTION 5 - PLATFORM

FIGURE 5-14. PLATFORM ASSEMBLY - 36IN X 6FT (91.5CM X 1.83M) TRI-ENTRY WITH DROPBAR



ART\_1001228377

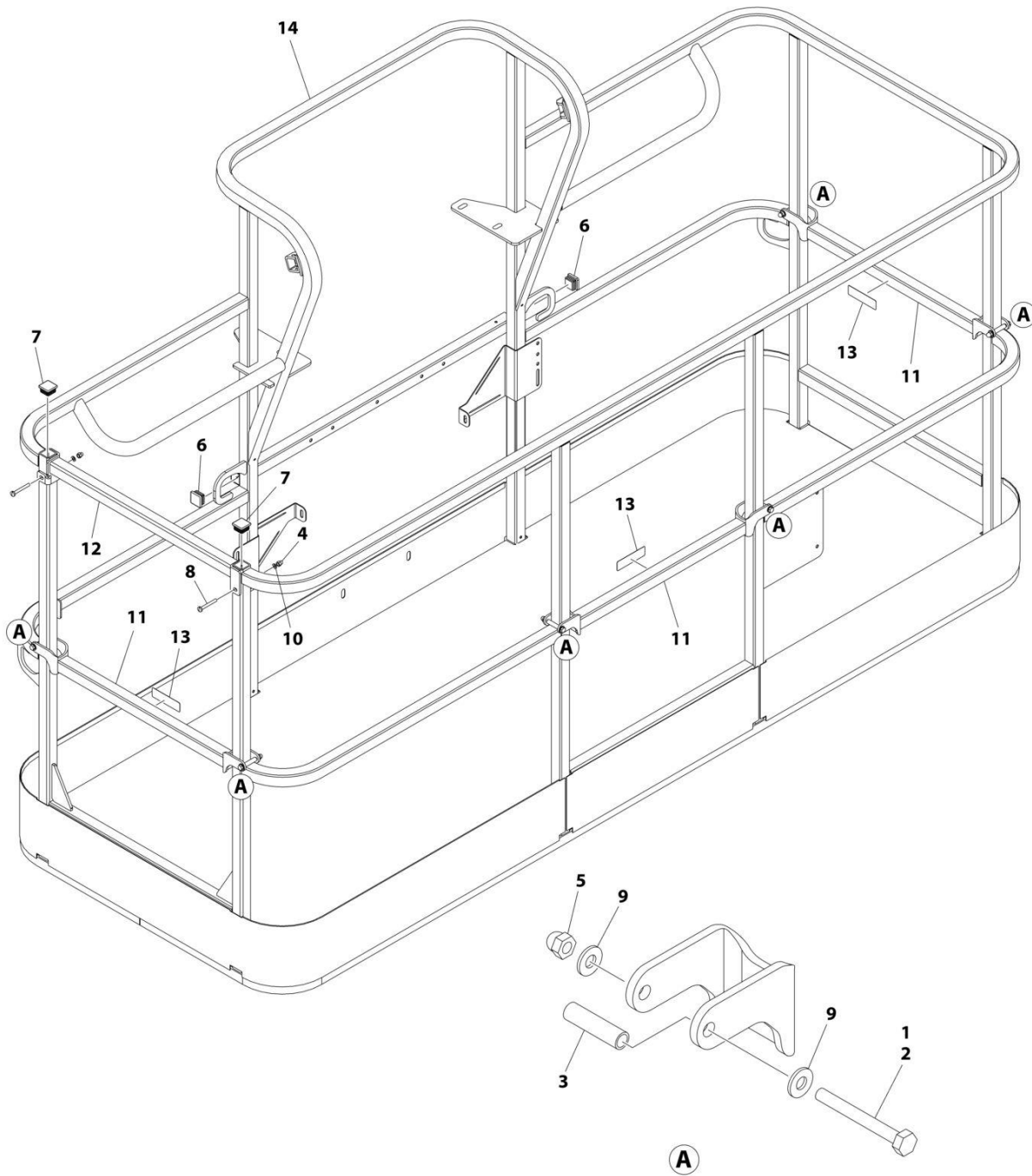
## SECTION 5 - PLATFORM

**FIGURE 5-14. PLATFORM ASSEMBLY - 36IN X 6FT (91.5CM X 1.83M) TRI-ENTRY WITH DROPBAR**

| ITEM | PART NUMBER | QTY | DESCRIPTION   | REV |
|------|-------------|-----|---|-----|
|      | 1001228377  | Ref | PLATFORM ASSEMBLY - 36IN x 6FT (91.5CM x 1.83M)   | B   |
|      |             | Ref | Note: Platform and Mesh must be ordered separately for Platforms with Mesh. See SPECIAL OPTIONS SECTION for Mesh Installations. |     |
|      |             | Ref | Note: Replacement Decals Must be Ordered Separately - See DECAL SECTION.  |     |
| 1    | 0100011     | 1   | Compound, Locking   |     |
| 2    | 0641418     | 6   | Bolt 1/4 x 2-1/4  |     |
| 3    | 0961845     | 6   | Bushing   |     |
| 4    | 3290606     | 2   | Nut M6  |     |
| 5    | 3300151     | 6   | Nut 1/4   |     |
| 6    | 3520072     | 2   | Plug  |     |
| 7    | 3520198     | 2   | Plug  |     |
| 8    | 4010618     | 2   | Screw M6 x 50   |     |
| 9    | 4711400     | 12  | Washer 1/4  |     |
| 10   | 4811700     | 2   | Washer M6   |     |
| 11   | 1001138494  | 3   | Bar, Drop   |     |
| 12   | 1001138514  | 1   | Rail (Top)  |     |
| 13   | 1001140429  | 3   | Decal - Drop Bar  |     |
| 14   | See Note    | NSS | Platform, Weldment (Note: Not Available - Purchase Platform Assembly)   |     |

# SECTION 5 - PLATFORM

FIGURE 5-15. PLATFORM ASSEMBLY - 36IN X 8FT (91.5CM X 2.44M) TRI-ENTRY WITH DROPBAR



ART\_1001228375

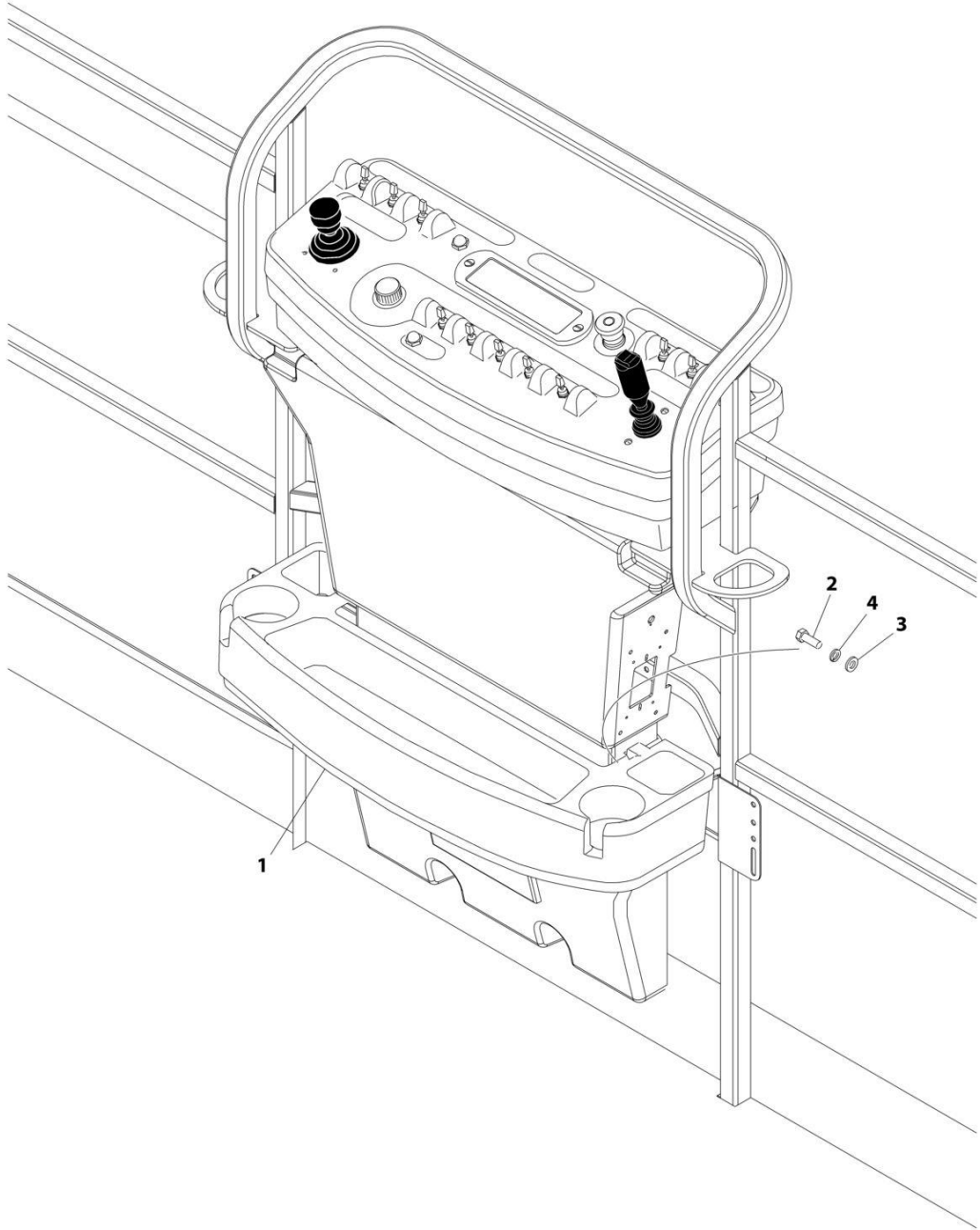
## SECTION 5 - PLATFORM

**FIGURE 5-15. PLATFORM ASSEMBLY - 36IN X 8FT (91.5CM X 2.44M) TRI-ENTRY WITH DROPBAR**

| ITEM | PART NUMBER | QTY | DESCRIPTION   | REV |
|------|-------------|-----|---|-----|
|      | 1001228375  | Ref | PLATFORM ASSEMBLY - 36IN X 8FT (91.5CM X 2.44M) WITH TRI-ENTRY  | A   |
|      |             | Ref | Note: Platform and Mesh must be ordered separately for Platforms with Mesh. See SPECIAL OPTIONS SECTION for Mesh Installations. |     |
|      |             | Ref | Note: Replacement Decals Must be Ordered Separately - See DECAL SECTION.  |     |
| 1    | 0100011     | AR  | Compound, Locking   |     |
| 2    | 0641418     | 6   | Bolt 1/4 x 2-1/4  |     |
| 3    | 0961845     | 6   | Bushing   |     |
| 4    | 3290606     | 2   | Nut M6 x 1  |     |
| 5    | 3300151     | 6   | Nut 1/4   |     |
| 6    | 3520072     | 2   | Cap, Plug   |     |
| 7    | 3520198     | 2   | Cap, Plug   |     |
| 8    | 4010618     | 2   | Screw M6 x 50   |     |
| 9    | 4711400     | 12  | Washer 1/4  |     |
| 10   | 4811700     | 2   | Washer M6   |     |
| 11   | 1001138494  | 3   | Bar, Drop   |     |
| 12   | 1001138514  | 1   | Rail (Top)  |     |
| 13   | 1001140429  | 3   | Decal - Drop Bar  |     |
| 14   | See Note    | 1   | Platform (Note: Not Available - Purchase Platform Assembly)   |     |

**SECTION 5 - PLATFORM**

**FIGURE 5-16. TRAY ASSEMBLY**



ART\_1580012

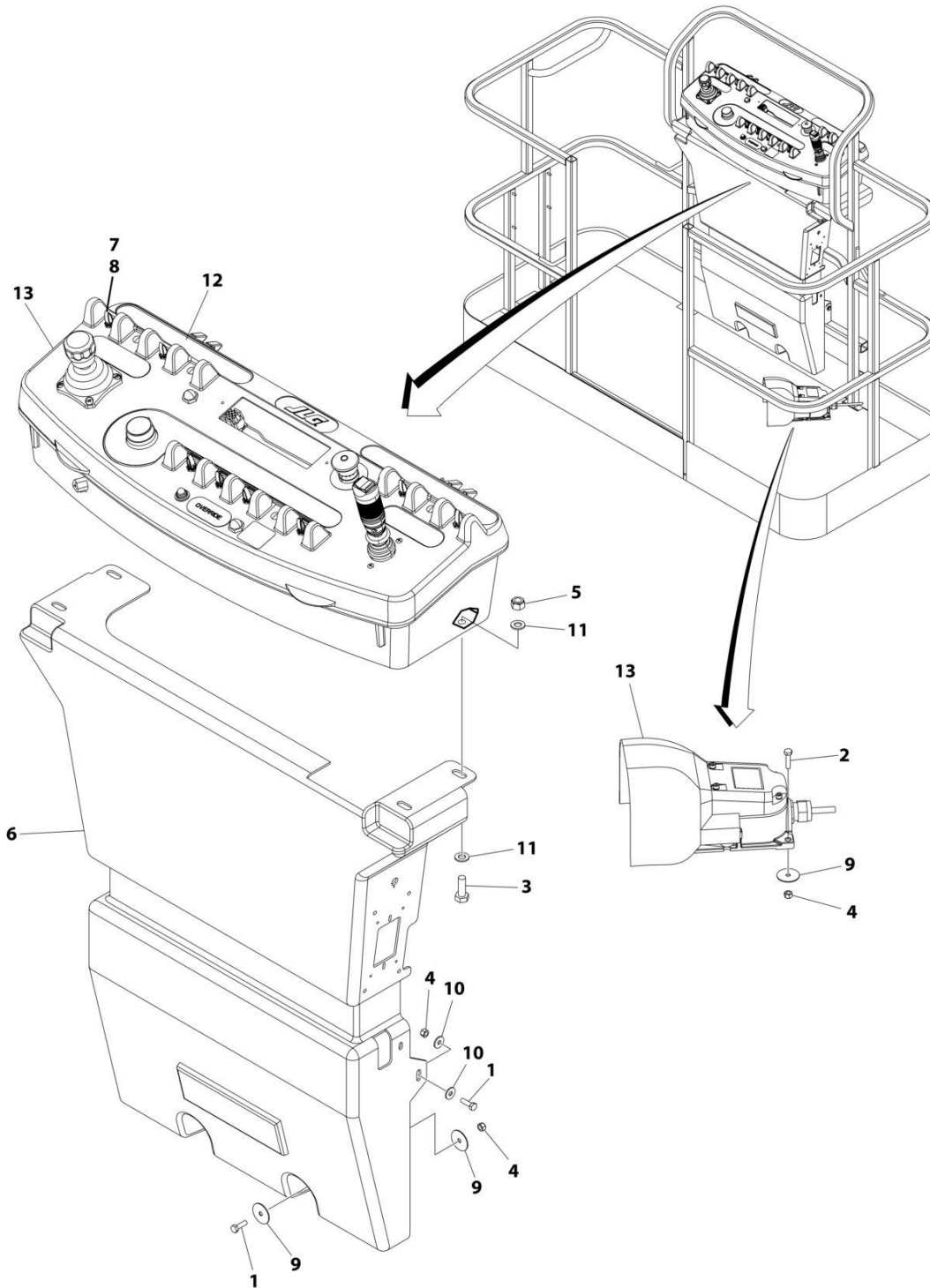
## SECTION 5 - PLATFORM

### FIGURE 5-16. TRAY ASSEMBLY

| ITEM | PART NUMBER | QTY | DESCRIPTION   | REV |
|------|-------------|-----|---|-----|
|      | 1580012     | Ref | TRAY ASSEMBLY                                       | C   |
| 1    | See Note    | NSS | Tray, Storage (Center) (Note: Purchase p/n 1580012) |     |
| 2    | 0641406     | 2   | Bolt 1/4 x 3/4                                      |     |
| 3    | 4751400     | 2   | Washer 1/4  |     |
| 4    | 4761400     | 2   | Washer 1/4  |     |

# SECTION 5 - PLATFORM

## FIGURE 5-17. CONSOLE AND FOOTSWITCH INSTALLATION



ART\_1001266073



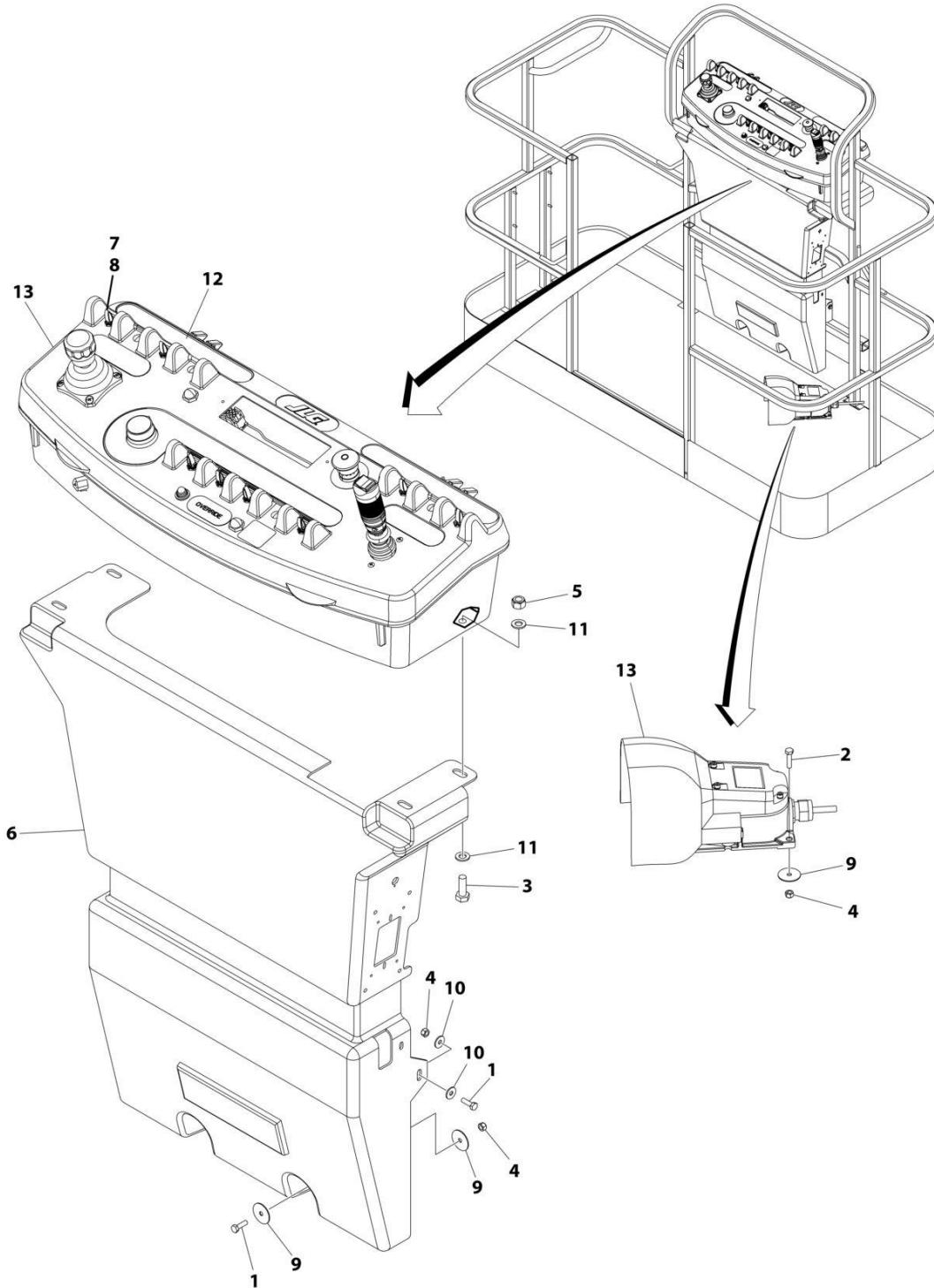
## SECTION 5 - PLATFORM

### FIGURE 5-17. CONSOLE AND FOOTSWITCH INSTALLATION

| ITEM | PART NUMBER | QTY | DESCRIPTION  | REV |
|------|-------------|-----|--|-----|
|      | 1001266073  | Ref | PLATFORM CONSOLE AND FOOTSWITCH INSTALLATION                       | A   |
| 1    | 0641406     | 4   | Bolt 1/4 x 3/4   |     |
| 2    | 0641408     | 3   | Bolt 1/4 x 1   |     |
| 3    | 0641610     | 4   | Bolt 3/8 x 1-1/4   |     |
| 4    | 3311405     | 7   | Nut 1/4  |     |
| 5    | 3311605     | 4   | Nut 3/8  |     |
| 6    | 3380434     | 1   | Panel  |     |
| 7    | 3790012     | 1   | O-Ring   |     |
| 8    | 4360331     | 1   | Switch, Toggle   |     |
| 9    | 4740362     | 7   | Washer   |     |
| 10   | 4751400     | 4   | Washer 1/4   |     |
| 11   | 4761600     | 8   | Washer 3/8   |     |
| 12   | 1001184626  | 1   | Decal - Horn   |     |
| 13   | 1001266069  | 1   | Platform Console Assembly (See Separate Breakdown in this Section) |     |

# SECTION 5 - PLATFORM

## FIGURE 5-18. CONSOLE AND FOOTSWITCH INSTALLATION (TOWER STOW)



ART\_1001264239

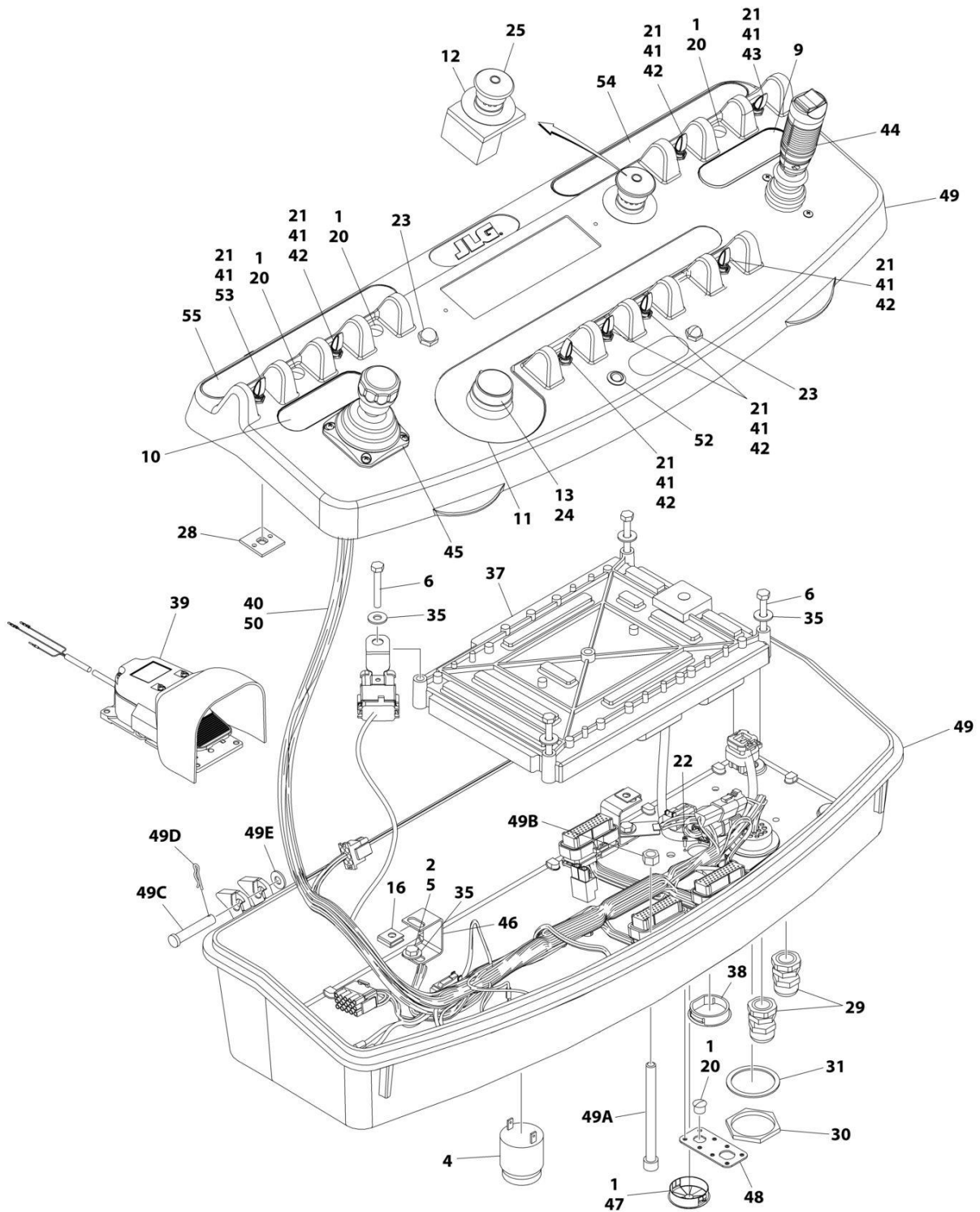
## SECTION 5 - PLATFORM

**FIGURE 5-18. CONSOLE AND FOOTSWITCH INSTALLATION (TOWER STOW)**

| ITEM | PART NUMBER | QTY | DESCRIPTION   | REV |
|------|-------------|-----|---|-----|
|      | 1001264239  | Ref | PLATFORM CONSOLE AND FOOTSWITCH INSTALLATION<br>(TOWER STOW)          | A   |
| 1    | 0641406     | 4   | Bolt 1/4 x 3/4  |     |
| 2    | 0641408     | 3   | Bolt 1/4 x 1  |     |
| 3    | 0641610     | 4   | Bolt 3/8 x 1-1/4  |     |
| 4    | 3311405     | 7   | Nut 1/4   |     |
| 5    | 3311605     | 4   | Nut 3/8   |     |
| 6    | 3380434     | 1   | Panel   |     |
| 7    | 3790012     | AR  | O-Ring  |     |
| 8    | 4360331     | AR  | Switch, Toggle  |     |
| 9    | 4740362     | 7   | Washer  |     |
| 10   | 4751400     | 4   | Washer 1/4  |     |
| 11   | 4761600     | 8   | Washer 3/8  |     |
| 12   | 1001184626  | AR  | Decal - Horn  |     |
| 13   | 1001263588  | 1   | Platform Console Assembly (See Separate Breakdown in this<br>Section) |     |

# SECTION 5 - PLATFORM

FIGURE 5-19. CONSOLE BOX ASSEMBLY WITH FOOTSWITCH (WITHOUT TOWER STOW) (Prior to SN 0300316689)



ART\_1001266069\_C

## SECTION 5 - PLATFORM

**FIGURE 5-19. CONSOLE BOX ASSEMBLY WITH FOOTSWITCH (WITHOUT TOWER STOW) (Prior to SN 0300316689)**

| ITEM | PART NUMBER | QTY | DESCRIPTION  | REV |
|------|-------------|-----|--|-----|
|      | 1001266069  | Ref | CONSOLE BOX ASSEMBLY   | C   |
| 1    | 0100009     | AR  | Sealant  |     |
| 2    | 0100035     | AR  | Compound, Locking  |     |
| 4    | 0140011     | 1   | Alarm  |     |
| 5    | 0641405     | 4   | Bolt 1/4 x 5/8   |     |
| 6    | 0641414     | 4   | Bolt 1/4 x 1-3/4   |     |
| 9    | 1702565     | 1   | Decal - Drive and Steer  |     |
| 10   | 1702566     | 1   | Decal - Lift and Swing   |     |
| 11   | 1702567     | 1   | Decal - Function Speed   |     |
| 12   | 1704260     | 1   | Decal - Emergency Stop   |     |
| 13   | 2560136     | 1   | Handle, Knob   |     |
| 16   | 3300353     | 4   | Nut, Tinnerman   |     |
| 20   | 3520054     | 4   | Plug   |     |
| 21   | 3790012     | 8   | O-Ring   |     |
| 22   | 3900349     | 8   | Capscrew M2.5 x 8  |     |
| 23   | 4360387     | 2   | Switch, Push Button  |     |
| 24   | 4360407     | 1   | Controller, Speed  |     |
| 24   | 4460224     | 1   | Receptacle, Female - 6 Position  |     |
| 24   | 4460226     | 6   | Socket, Female   |     |
| 24   | See Note    | 1   | Gasket "Top Hat" (Included with Switch) (Note: Not Available - Purchase Complete Controller) |     |
| 24   | 70003784    | 1   | Seal   |     |
| 25   | 1001274559  | 1   | Switch, Emergency Stop   |     |
| 28   | 4460234     | 6   | Mount, Tie-Strap   |     |
| 29   | 4460428     | 2   | Connector, Strain Relief   |     |
| 30   | 4460470     | 1   | Nut, Terminal  |     |
| 31   | 4460471     | 1   | Washer, Terminal   |     |
| 35   | 4751400     | 8   | Washer 1/4   |     |
| 36   | 4922666     | 1   | Analyzer Harness (Not Shown)   |     |
| 36   | 4460761     | 1   | Receptacle, Female - 4 Position  |     |
| 36   | 4460227     | 4   | Pin, Male  |     |
| 37   | 1001106938  | 1   | Module, Platform (Note: Re-calibration Required when Replaced)                               |     |
| 38   | 1001110434  | 1   | Plug   |     |
| 39   | 1001117174  | 1   | Footswitch Assembly (See Separate Breakdown in this Section)                                 |     |
| 40   | 1001139135  | 1   | Boom Valve Harness (See Separate Breakdown in ELECTRICAL Section)                            |     |
| 41   | 1001155044  | 8   | Nut 15/32  |     |
| 42   | 1001155045  | 6   | Switch, Toggle   |     |
| 43   | 1001159256  | 1   | Switch, Toggle   |     |
| 44   | 1001275628  | 1   | Controller Assembly (Drive and Steer)  |     |
| 45   | 1001275629  | 1   | Controller Assembly (Lift and Swing)   |     |
| 46   | 1001172760  | 4   | Bracket  |     |
| 47   | 1001185281  | 1   | Plug   |     |
| 48   | 1001213882  | 1   | Mount  |     |
| 49   | 1001215228  | 1   | Console Box Assembly   |     |
| 49A  | 0630568     | 1   | Capscrew 3/8 x 4-1/2   |     |
| 49B  | 3311601     | 1   | Nut 3/8  |     |
| 49C  | 3430616     | 2   | Pin  |     |
| 49D  | 3470003     | 2   | Hairpin  |     |

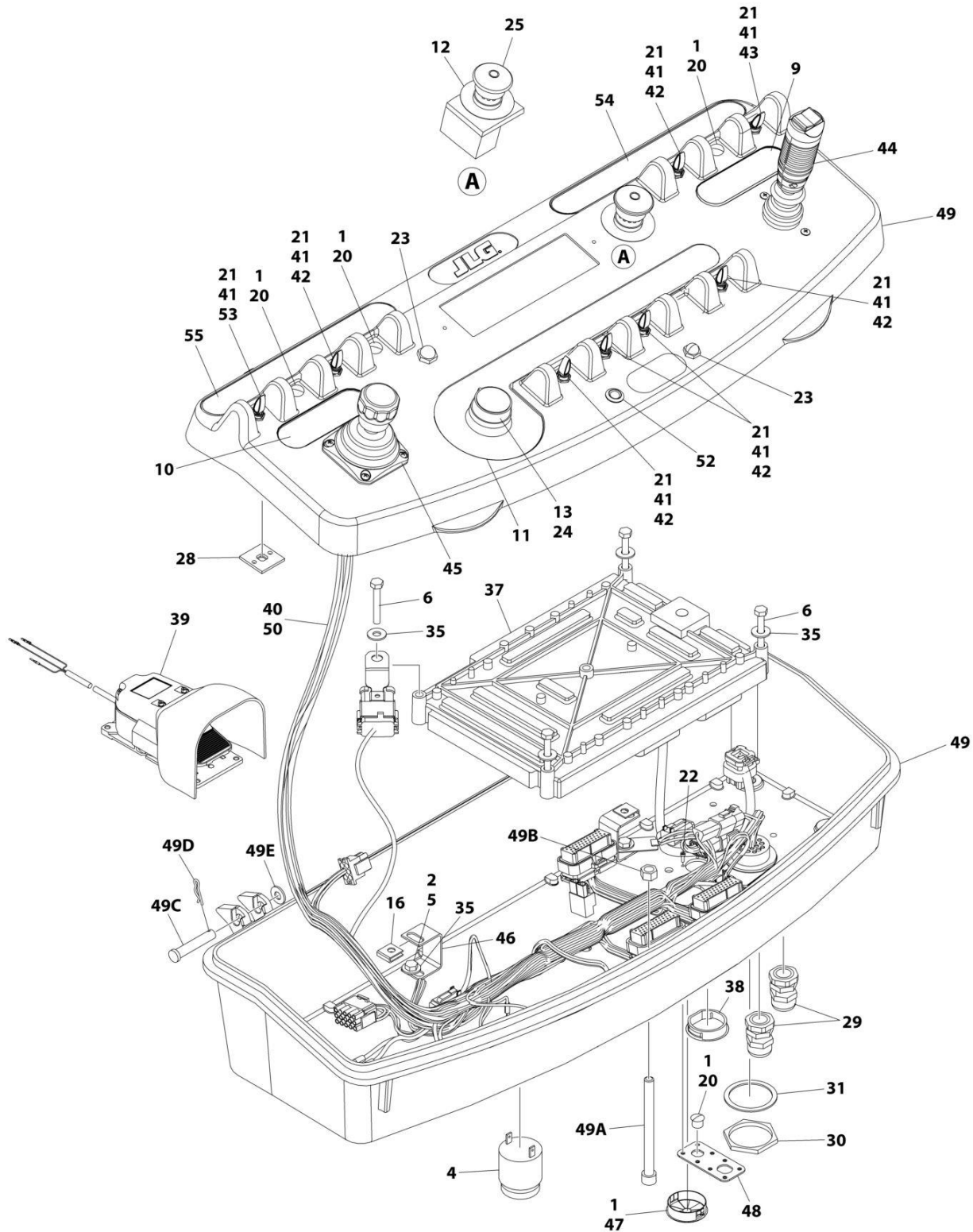
## SECTION 5 - PLATFORM

| ITEM | PART NUMBER | QTY | DESCRIPTION   | REV |
|------|-------------|-----|---|-----|
| 49E  | 4711600     | 2   | Washer 3/8  |     |
| 50   | 1001266648  | 1   | Platform Console Harness (See Separate Breakdown in ELECTRICAL Section) |     |
| 51   | 4240099     | AR  | Tie-Strap (Not Shown)   |     |
| 52   | 1001206532  | 1   | Lamp, LED Indicator Yellow  |     |
| 53   | 1001161709  | 1   | Switch, Toggle DPDT   |     |
| 54   | 1001184618  | 1   | Decal - Stop & Auxiliary Power  |     |
| 55   | 1001184626  | 1   | Decal - Horn  |     |



# SECTION 5 - PLATFORM

## FIGURE 5-20. CONSOLE BOX ASSEMBLY WITH FOOTSWITCH (WITHOUT TOWER STOW) (SN 0300316689 to Present)



ART\_1001266069\_D



## SECTION 5 - PLATFORM

**FIGURE 5-20. CONSOLE BOX ASSEMBLY WITH FOOTSWITCH (WITHOUT TOWER STOW) (SN 0300316689 to Present)**

| ITEM | PART NUMBER | QTY | DESCRIPTION  | REV |
|------|-------------|-----|--|-----|
|      | 1001266069  | Ref | CONSOLE BOX ASSEMBLY   | D   |
| 1    | 0100009     | AR  | Sealant  |     |
| 2    | 0100035     | AR  | Compound, Locking  |     |
| 4    | 0140011     | 1   | Alarm  |     |
| 5    | 0641405     | 4   | Bolt 1/4 x 5/8   |     |
| 6    | 0641414     | 4   | Bolt 1/4 x 1-3/4   |     |
| 9    | 1702565     | 1   | Decal - Drive and Steer  |     |
| 10   | 1702566     | 1   | Decal - Lift and Swing   |     |
| 11   | 1702567     | 1   | Decal - Function Speed   |     |
| 12   | 1704260     | 1   | Decal - Emergency Stop   |     |
| 13   | 2560136     | 1   | Handle, Knob   |     |
| 16   | 3300353     | 4   | Nut, Tinnerman   |     |
| 20   | 3520054     | 4   | Plug   |     |
| 21   | 3790012     | 8   | O-Ring   |     |
| 22   | 3900349     | 8   | Capscrew M2.5 x 8  |     |
| 23   | 4360387     | 2   | Switch, Push Button  |     |
| 24   | 4360407     | 1   | Controller, Speed  |     |
| 24   | 4460224     | 1   | Receptacle, Female - 6 Position  |     |
| 24   | 4460226     | 6   | Socket, Female   |     |
| 24   | See Note    | 1   | Gasket "Top Hat" (Included with Switch) (Note: Not Available - Purchase Complete Controller) |     |
| 24   | 70003784    | 1   | Seal   |     |
| 25   | 1001274559  | 1   | Switch, Emergency Stop   |     |
| 28   | 4460234     | 6   | Mount, Tie-Strap   |     |
| 29   | 4460428     | 2   | Connector, Strain Relief   |     |
| 30   | 4460470     | 1   | Nut, Terminal  |     |
| 31   | 4460471     | 1   | Washer, Terminal   |     |
| 35   | 4751400     | 8   | Washer 1/4   |     |
| 36   | 4922666     | 1   | Analyzer Harness (Not Shown)   |     |
| 36   | 4460761     | 1   | Receptacle, Female - 4 Position  |     |
| 36   | 4460227     | 4   | Pin, Male  |     |
| 37   | 1001106938  | 1   | Module, Platform (Note: Re-calibration Required when Replaced)                               |     |
| 38   | 1001110434  | 1   | Plug   |     |
| 39   | 1001117174  | 1   | Footswitch Assembly (See Separate Breakdown in this Section)                                 |     |
| 40   | 1001139135  | 1   | Boom Valve Harness (See Separate Breakdown in ELECTRICAL Section)                            |     |
| 41   | 1001155044  | 8   | Nut 15/32  |     |
| 42   | 1001155045  | 6   | Switch, Toggle   |     |
| 43   | 1001159256  | 1   | Switch, Toggle   |     |
| 44   | 1001275628  | 1   | Controller Assembly (Drive and Steer)  |     |
| 45   | 1001275629  | 1   | Controller Assembly (Lift and Swing)   |     |
| 46   | 1001172760  | 4   | Bracket  |     |
| 47   | 1001185281  | 1   | Plug   |     |
| 48   | 1001213882  | 1   | Mount  |     |
| 49   | 1001215228  | 1   | Console Box Assembly   |     |
| 49A  | 0630568     | 1   | Capscrew 3/8 x 4-1/2   |     |
| 49B  | 3311601     | 1   | Nut 3/8  |     |
| 49C  | 3430616     | 2   | Pin  |     |
| 49D  | 3470003     | 2   | Hairpin  |     |

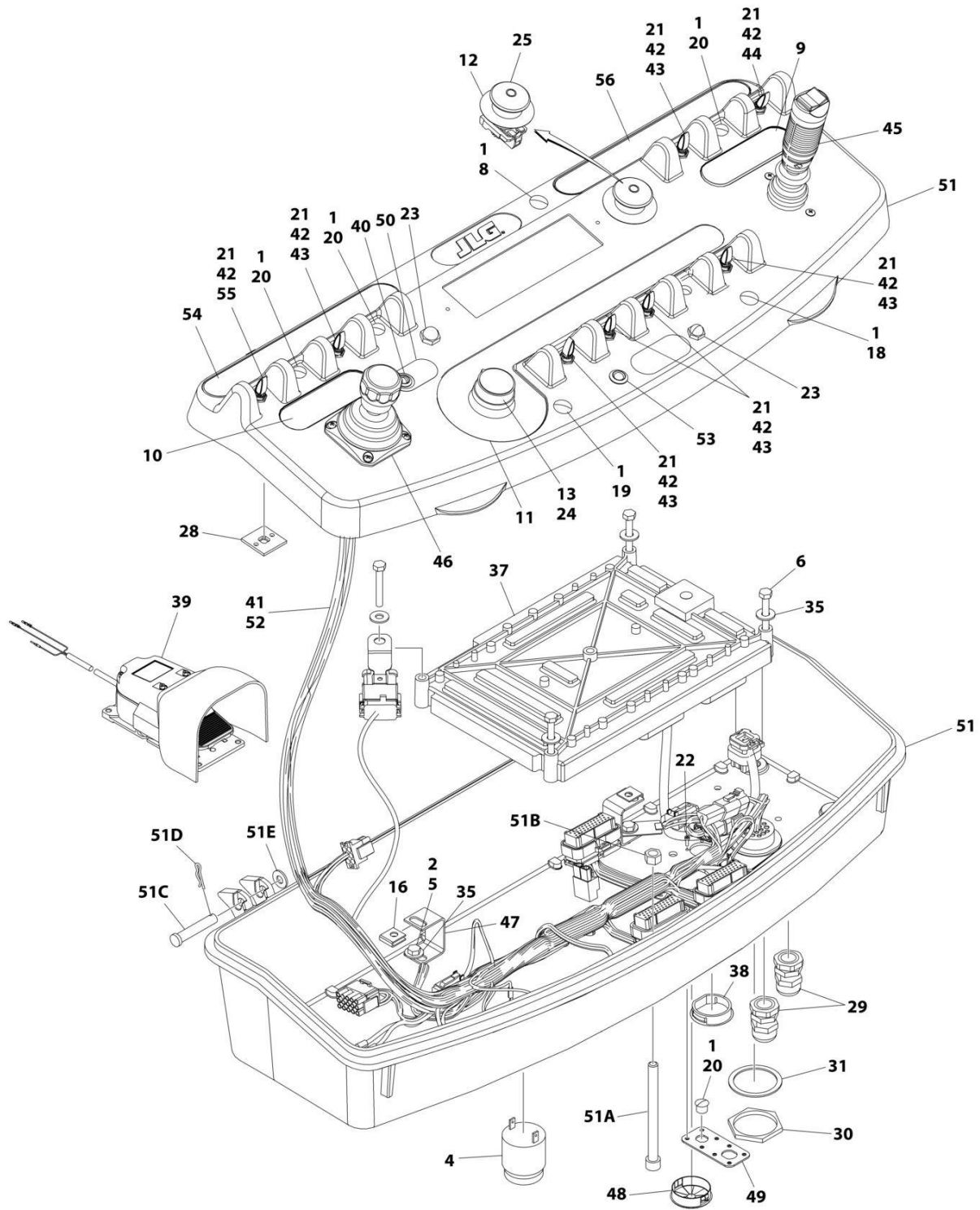
## SECTION 5 - PLATFORM

| ITEM | PART NUMBER | QTY | DESCRIPTION   | REV |
|------|-------------|-----|---|-----|
| 49E  | 4711600     | 2   | Washer 3/8  |     |
| 50   | 1001309250  | 1   | Platform Console Harness (See Separate Breakdown in ELECTRICAL Section) |     |
| 51   | 4240099     | AR  | Tie-Strap (Not Shown)   |     |
| 52   | 1001206532  | 1   | Lamp, LED Indicator Yellow  |     |
| 53   | 1001161709  | 1   | Switch, Toggle DPDT   |     |
| 54   | 1001184618  | 1   | Decal - Stop & Auxiliary Power  |     |
| 55   | 1001184626  | 1   | Decal - Horn  |     |



# SECTION 5 - PLATFORM

FIGURE 5-21. CONSOLE BOX ASSEMBLY WITH FOOTSWITCH (WITH TOWER STOW) (Prior to SN 0300316689)



ART\_1001263588\_C

## SECTION 5 - PLATFORM

**FIGURE 5-21. CONSOLE BOX ASSEMBLY WITH FOOTSWITCH (WITH TOWER STOW) (Prior to SN 0300316689)**

| ITEM | PART NUMBER | QTY | DESCRIPTION  | REV |
|------|-------------|-----|--|-----|
|      | 1001263588  | Ref | CONSOLE BOX ASSEMBLY   | C   |
| 1    | 0100009     | AR  | Sealant  |     |
| 2    | 0100035     | AR  | Compound, Locking  |     |
| 4    | 0140011     | 1   | Alarm  |     |
| 5    | 0641405     | 1   | Bolt 1/4 x 5/8   |     |
| 6    | 0641414     | 4   | Bolt 1/4 x 1-3/4   |     |
| 8    | 1671314     | 1   | Cover  |     |
| 9    | 1702565     | 1   | Decal - Drive and Steer  |     |
| 10   | 1702566     | 1   | Decal - Lift and Swing   |     |
| 11   | 1702567     | 1   | Decal - Function Speed   |     |
| 12   | 1704260     | 1   | Decal - Emergency Stop   |     |
| 13   | 2560136     | 1   | Handle, Knob   |     |
| 16   | 3300353     | 4   | Nut, Tinnerman   |     |
| 18   | 3520026     | 2   | Plug   |     |
| 19   | 3520027     | 1   | Plug   |     |
| 20   | 3520054     | 4   | Plug   |     |
| 21   | 3790012     | 8   | O-Ring   |     |
| 22   | 3900349     | 8   | Capscrew M2.5 x 8  |     |
| 23   | 4360387     | 2   | Switch, Push Button  |     |
| 24   | 4360407     | 1   | Controller, Speed  |     |
| 24   | 4460224     | 1   | Receptacle, Female - 6 Position  |     |
| 24   | 4460226     | 6   | Socket, Female   |     |
| 24   | See Note    | 1   | Gasket "Top Hat" (Included with Switch) (Note: Not Available - Purchase Complete Controller) |     |
| 24   | 70003784    | 1   | Seal   |     |
| 25   | 1001274559  | 1   | Switch, Emergency Stop   |     |
| 28   | 4460234     | 6   | Mount, Tie-Strap   |     |
| 29   | 4460428     | 2   | Connector, Strain Relief   |     |
| 30   | 4460470     | 1   | Nut, Terminal  |     |
| 31   | 4460471     | 1   | Washer, Terminal   |     |
| 35   | 4751400     | 8   | Washer 1/4   |     |
| 36   | 4922666     | 1   | Analyzer Harness (Not Shown)   |     |
| 36   | 4460761     | 1   | Receptacle, Female - 4 Position  |     |
| 36   | 4460227     | 4   | Pin, Male  |     |
| 37   | 1001106938  | 1   | Module, Platform (Note: Re-calibration Required when Replaced)                               |     |
| 38   | 1001110434  | 1   | Plug   |     |
| 39   | 1001117174  | 1   | Footswitch Assembly (See Separate Breakdown in this Section)                                 |     |
| 40   | 1001137364  | 1   | Light, Indicator   |     |
| 41   | 1001139135  | 1   | Boom Valve Harness (See Separate Breakdown in ELECTRICAL Section)                            |     |
| 42   | 1001155044  | 8   | Nut 15/32  |     |
| 43   | 1001155045  | 6   | Switch, Toggle   |     |
| 44   | 1001159256  | 1   | Switch, Toggle   |     |
| 45   | 1001275628  | 1   | Controller Assembly (Drive and Steer)  |     |
| 46   | 1001275629  | 1   | Controller Assembly (Lift and Swing)   |     |
| 47   | 1001172760  | 4   | Bracket  |     |
| 48   | 1001185281  | 1   | Plug   |     |
| 49   | 1001213882  | 1   | Mount  |     |
| 50   | 1001260937  | 1   | Decal - Tower Stow   |     |

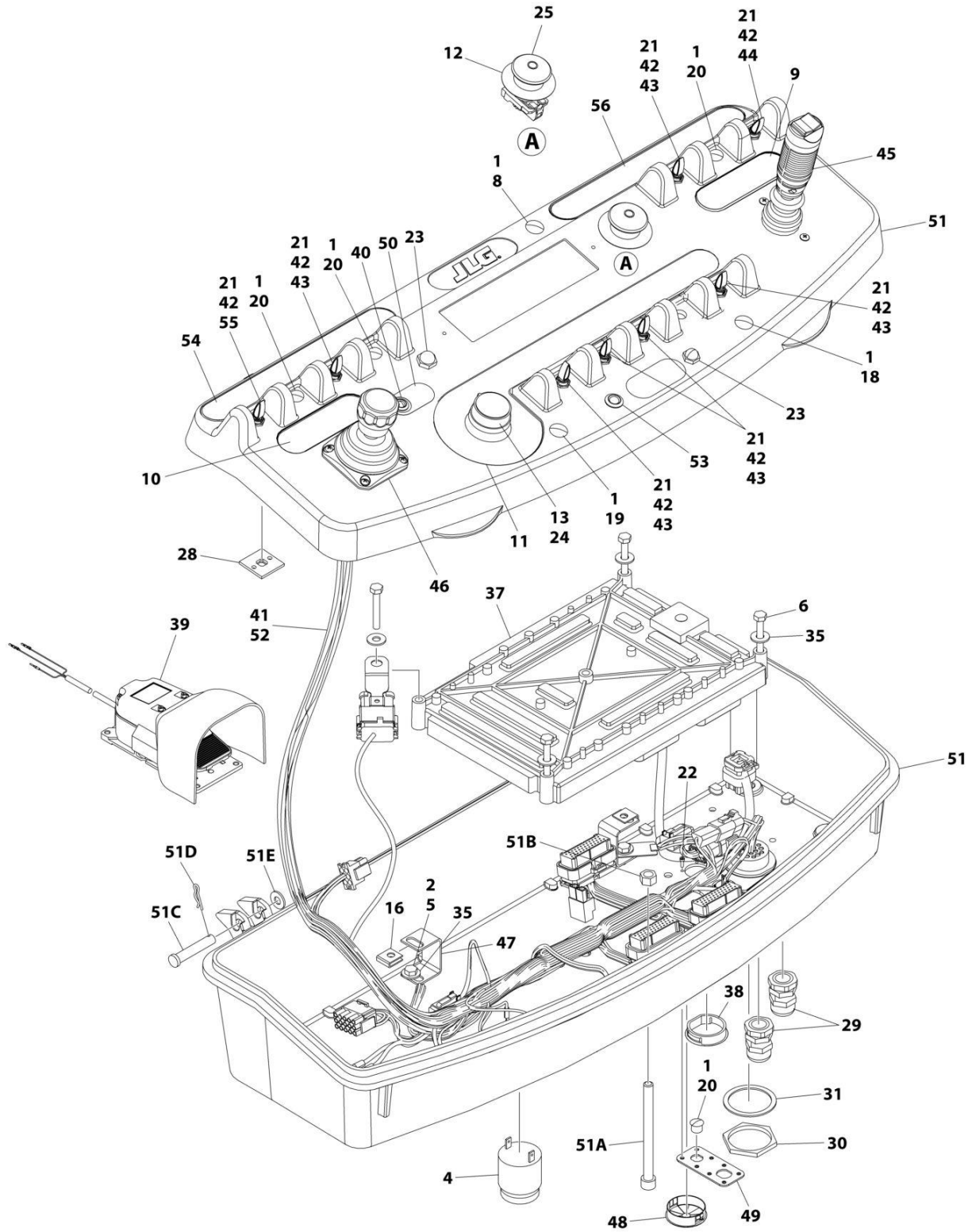
## SECTION 5 - PLATFORM

| ITEM | PART NUMBER | QTY | DESCRIPTION   | REV |
|------|-------------|-----|---|-----|
| 51   | 1001263587  | 1   | Console Box Assembly  |     |
| 51A  | 0630568     | 1   | Capscrew 3/8 x 4-1/2  |     |
| 51B  | 3311601     | 1   | Nut 3/8   |     |
| 51C  | 3430616     | 2   | Pin   |     |
| 51D  | 3470003     | 2   | Hairpin   |     |
| 51E  | 4711600     | 2   | Washer 3/8  |     |
| 52   | 1001266648  | 1   | Platform Console Harness (See Separate Breakdown in ELECTRICAL Section) |     |
| 53   | 1001206532  | 1   | Lamp, LED Indicator Yellow  |     |
| 54   | 1001184626  | 1   | Decal - Horn  |     |
| 55   | 1001161709  | 1   | Switch, Toggle DPDT   |     |
| 56   | 1001184618  | 1   | Decal - Stop & Auxiliary Power  |     |
| 57   | 4240099     | AR  | Tie-Strap (Not Shown)   |     |



# SECTION 5 - PLATFORM

FIGURE 5-22. CONSOLE BOX ASSEMBLY WITH FOOTSWITCH (WITH TOWER STOW) (SN 0300316689 to Present)



ART\_1001263588\_D



## SECTION 5 - PLATFORM

**FIGURE 5-22. CONSOLE BOX ASSEMBLY WITH FOOTSWITCH (WITH TOWER STOW) (SN 0300316689 to Present)**

| ITEM | PART NUMBER | QTY | DESCRIPTION  | REV |
|------|-------------|-----|--|-----|
|      | 1001263588  | Ref | CONSOLE BOX ASSEMBLY   | D   |
| 1    | 0100009     | AR  | Sealant  |     |
| 2    | 0100035     | AR  | Compound, Locking  |     |
| 4    | 0140011     | 1   | Alarm  |     |
| 5    | 0641405     | 4   | Bolt 1/4 x 5/8   |     |
| 6    | 0641414     | 4   | Bolt 1/4 x 1-3/4   |     |
| 8    | 1671314     | 1   | Cover  |     |
| 9    | 1702565     | 1   | Decal - Drive and Steer  |     |
| 10   | 1702566     | 1   | Decal - Lift and Swing   |     |
| 11   | 1702567     | 1   | Decal - Function Speed   |     |
| 12   | 1704260     | 1   | Decal - Emergency Stop   |     |
| 13   | 2560136     | 1   | Handle, Knob   |     |
| 16   | 3300353     | 4   | Nut, Tinnerman   |     |
| 18   | 3520026     | 1   | Plug   |     |
| 19   | 3520027     | 1   | Plug   |     |
| 20   | 3520054     | 4   | Plug   |     |
| 21   | 3790012     | 8   | O-Ring   |     |
| 22   | 3900349     | 8   | Capscrew M2.5 x 8  |     |
| 23   | 4360387     | 2   | Switch, Push Button  |     |
| 24   | 4360407     | 1   | Controller, Speed  |     |
| 24   | 4460224     | 1   | Receptacle, Female - 6 Position  |     |
| 24   | 4460226     | 6   | Socket, Female   |     |
| 24   | See Note    | 1   | Gasket "Top Hat" (Included with Switch) (Note: Not Available - Purchase Complete Controller) |     |
| 24   | 70003784    | 1   | Seal   |     |
| 25   | 1001274559  | 1   | Switch, Emergency Stop   |     |
| 28   | 4460234     | 6   | Mount, Tie-Strap   |     |
| 29   | 4460428     | 2   | Connector, Strain Relief   |     |
| 30   | 4460470     | 1   | Nut, Terminal  |     |
| 31   | 4460471     | 1   | Washer, Terminal   |     |
| 35   | 4751400     | 8   | Washer 1/4   |     |
| 36   | 4922666     | 1   | Analyzer Harness (Not Shown)   |     |
| 36   | 4460761     | 1   | Receptacle, Female - 4 Position  |     |
| 36   | 4460227     | 4   | Pin, Male  |     |
| 37   | 1001106938  | 1   | Module, Platform (Note: Re-calibration Required when Replaced)                               |     |
| 38   | 1001110434  | 1   | Plug   |     |
| 39   | 1001117174  | 1   | Footswitch Assembly (See Separate Breakdown in this Section)                                 |     |
| 40   | 1001137364  | 1   | Light, Indicator   |     |
| 41   | 1001139135  | 1   | Boom Valve Harness (See Separate Breakdown in ELECTRICAL Section)                            |     |
| 42   | 1001155044  | 8   | Nut 15/32  |     |
| 43   | 1001155045  | 6   | Switch, Toggle   |     |
| 44   | 1001159256  | 1   | Switch, Toggle   |     |
| 45   | 1001275628  | 1   | Controller Assembly (Drive and Steer)  |     |
| 46   | 1001275629  | 1   | Controller Assembly (Lift and Swing)   |     |
| 47   | 1001172760  | 4   | Bracket  |     |
| 48   | 1001185281  | 1   | Plug   |     |
| 49   | 1001213882  | 1   | Mount  |     |
| 50   | 1001260937  | 1   | Decal - Tower Stow   |     |

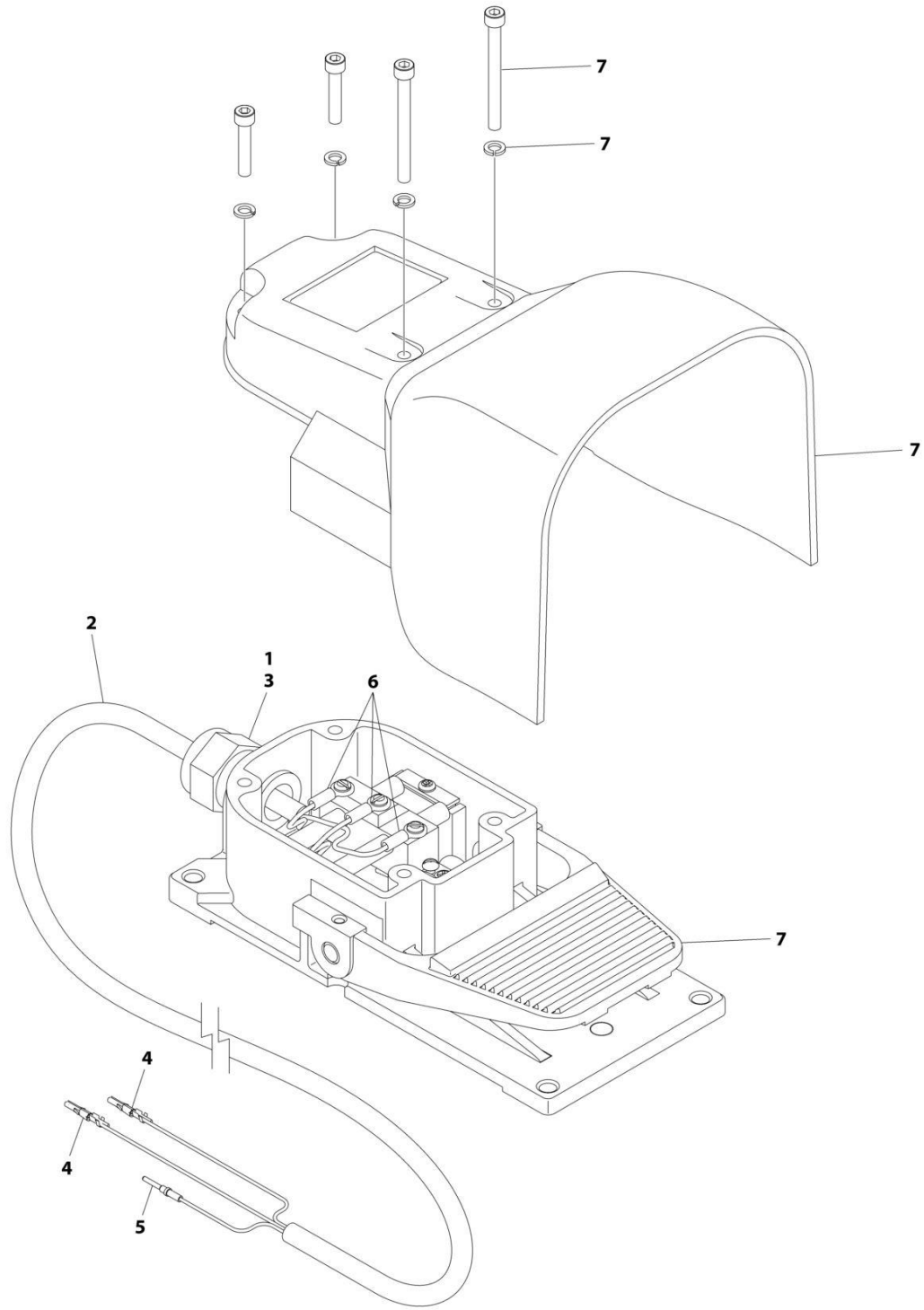
## SECTION 5 - PLATFORM

| ITEM | PART NUMBER | QTY | DESCRIPTION   | REV |
|------|-------------|-----|---|-----|
| 51   | 1001263587  | 1   | Console Box Assembly  |     |
| 51A  | 0630568     | 1   | Capscrew 3/8 x 4-1/2  |     |
| 51B  | 3311601     | 1   | Nut 3/8   |     |
| 51C  | 3430616     | 2   | Pin   |     |
| 51D  | 3470003     | 2   | Hairpin   |     |
| 51E  | 4711600     | 2   | Washer 3/8  |     |
| 52   | 1001309250  | 1   | Platform Console Harness (See Separate Breakdown in ELECTRICAL Section) |     |
| 53   | 1001206532  | 1   | Lamp, LED Indicator Yellow  |     |
| 54   | 1001184626  | 1   | Decal - Horn  |     |
| 55   | 1001161709  | 1   | Switch, Toggle DPDT   |     |
| 56   | 1001184618  | 1   | Decal - Stop & Auxiliary Power  |     |
| 57   | 4240099     | AR  | Tie-Strap (Not Shown)   |     |



# SECTION 5 - PLATFORM

## FIGURE 5-23. FOOTSWITCH ASSEMBLY



ART\_1001117174

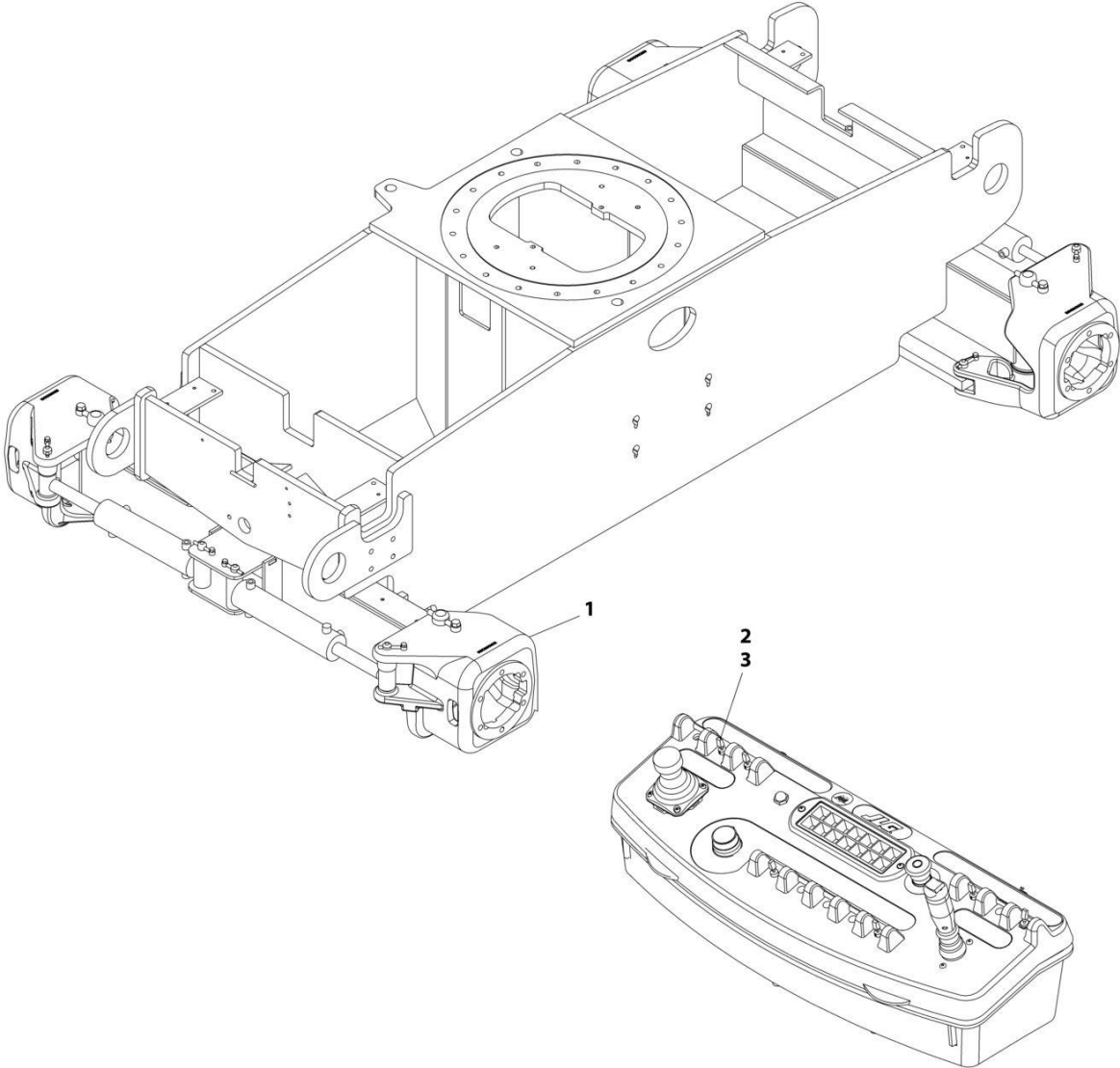
## SECTION 5 - PLATFORM

**FIGURE 5-23. FOOTSWITCH ASSEMBLY**

| ITEM | PART NUMBER | QTY             | DESCRIPTION              | REV |
|------|-------------|-----------------|--------------------------|-----|
|      | 1001117174  | Ref             | FOOTSWITCH ASSEMBLY      | C   |
| 1    | 0100020     | AR              | Sealant                  |     |
| 2    | 1060918     | 7.5 ft/<br>2.3m | Cable, Electrical - 18/3 |     |
| 3    | 4460071     | 1               | Connector, Strain Relief |     |
| 4    | 4460226     | 2               | Socket, Female           |     |
| 5    | 4460464     | 1               | Pin, Male                |     |
| 6    | 1001098122  | 3               | Terminal                 |     |
| 7    | 1001117172  | 1               | Footswitch               |     |
| 7    | 70002902    | 1               | Switch, 20Amp            |     |
| 7    | 70002903    | 1               | Gasket                   |     |
| 7    | 70002905    | 1               | Cover                    |     |
| 7    | 70002904    | 1               | Kit, Replacement Bolt    |     |

**SECTION 5 - PLATFORM**

**FIGURE 5-24. CRAB STEER SWITCH INSTALLATION - 4WS (WITHOUT TOW PACKAGE)**



ART\_1001148163

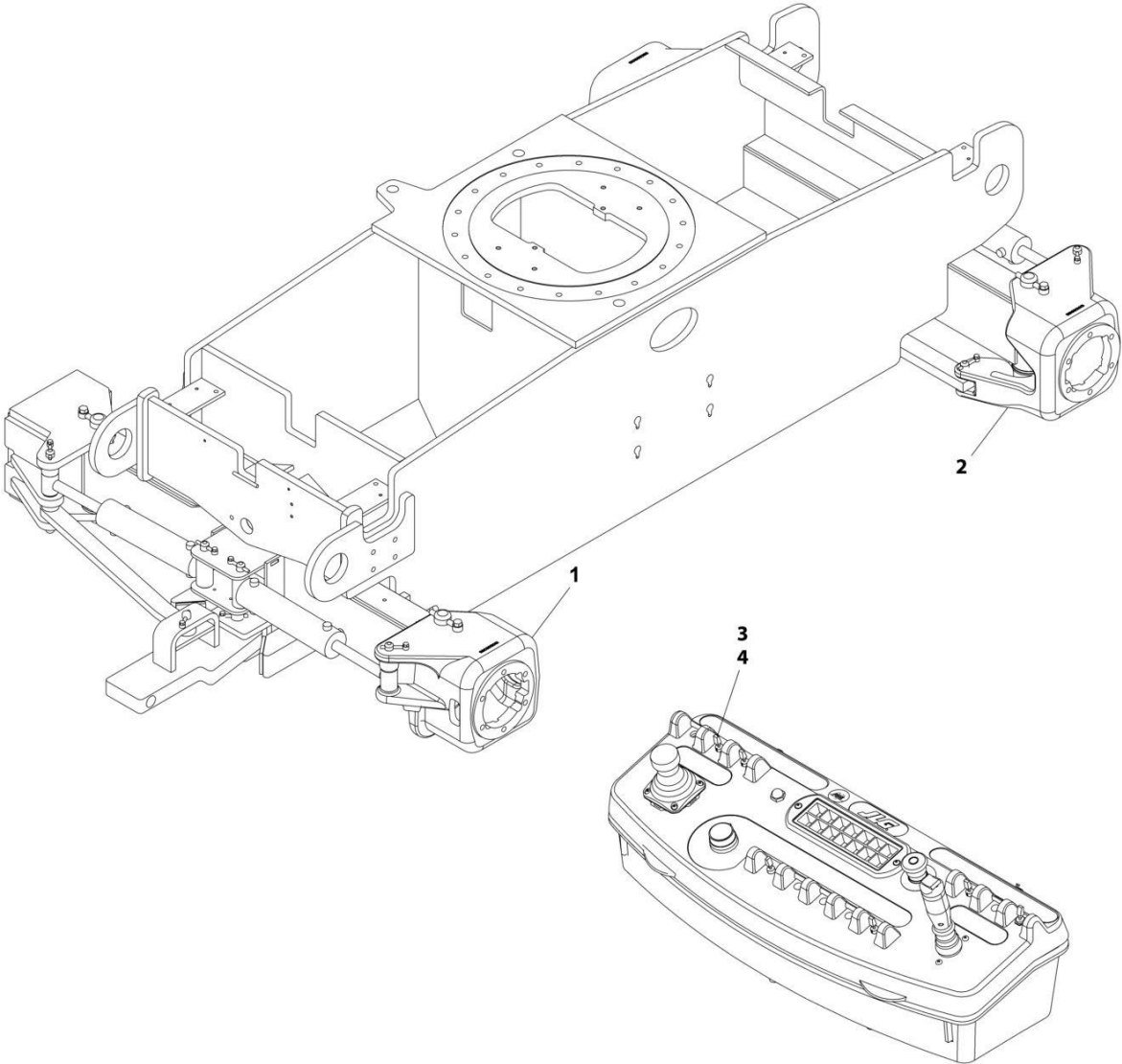
## SECTION 5 - PLATFORM

**FIGURE 5-24. CRAB STEER SWITCH INSTALLATION - 4WS (WITHOUT TOW PACKAGE)**

| ITEM | PART NUMBER | QTY | DESCRIPTION   | REV |
|------|-------------|-----|---|-----|
| 1    | 1001148163  | Ref | CRAB STEER SWITCH INSTALLATION - 4WS<br>Steering Installation (Crab Steer) (See Separate Breakdown in<br>FRAME SECTION) | B   |
|      | 1001148162  | Ref |   |     |
| 2    | 4360331     | 1   | Switch, Toggle  |     |
| 3    | 3790012     | 1   | O-Ring  |     |

**SECTION 5 - PLATFORM**

**FIGURE 5-25. CRAB STEER SWITCH INSTALLATION - 4WS (WITH TOW PACKAGE)**



ART\_1001148166



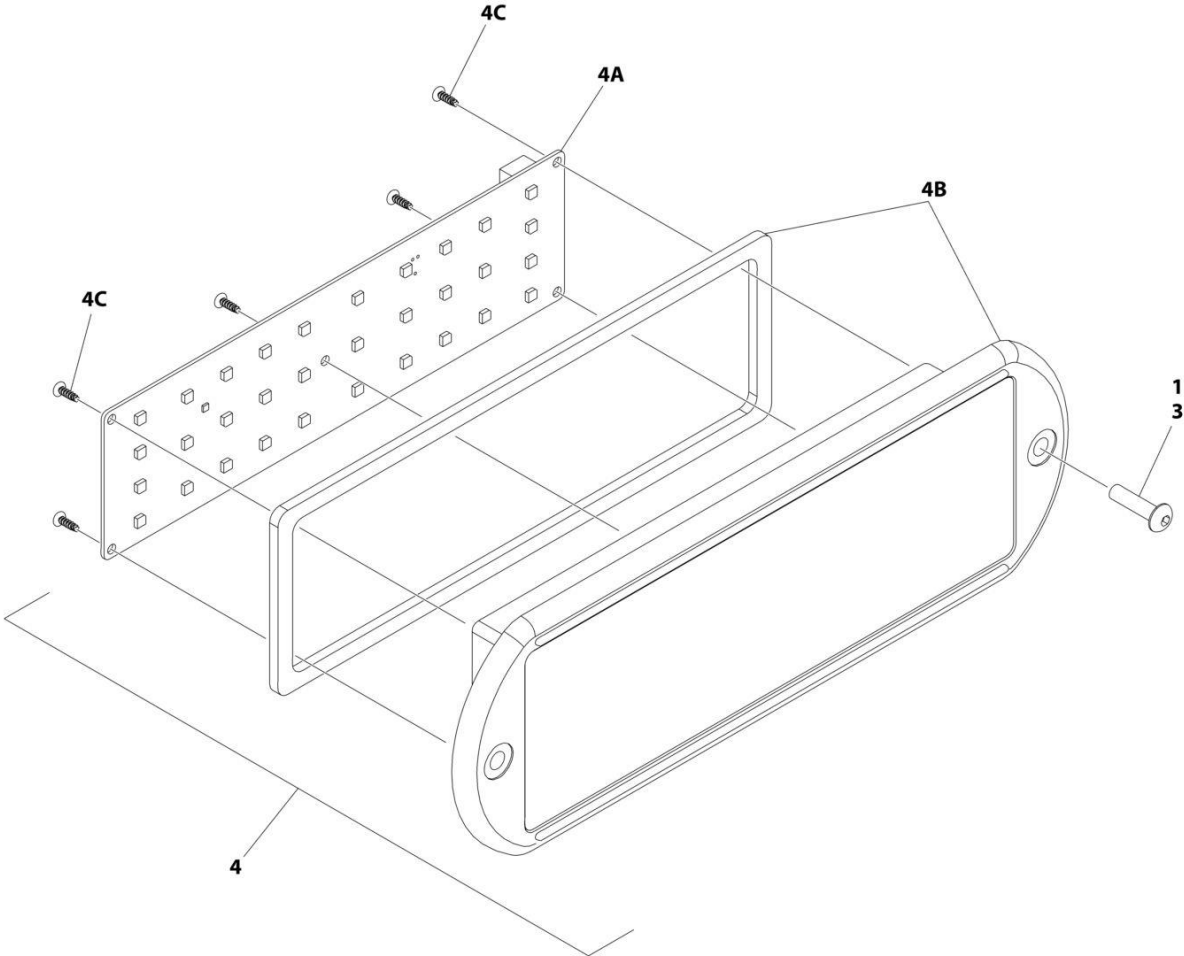
## SECTION 5 - PLATFORM

**FIGURE 5-25. CRAB STEER SWITCH INSTALLATION - 4WS (WITH TOW PACKAGE)**

| ITEM | PART NUMBER | QTY | DESCRIPTION  | REV |
|------|-------------|-----|--|-----|
| 1    | 1001148166  | Ref | CRAB STEER SWITCH INSTALLATION - 4WS   | B   |
|      | 1001148164  | Ref | Steering Installation (Not Shown - See Separate Breakdown in FRAME SECTION)              |     |
| 2    | 1001148162  | Ref | Steering Installation (Crab Steer) (Not Shown - See Separate Breakdown in FRAME SECTION) |     |
| 3    | 4360331     | 1   | Switch, Toggle   |     |
| 4    | 3790012     | 1   | O-Ring   |     |

**SECTION 5 - PLATFORM**

**FIGURE 5-26. LIGHT PANEL INSTALLATION**



ART\_1001233959\_D\_20F2

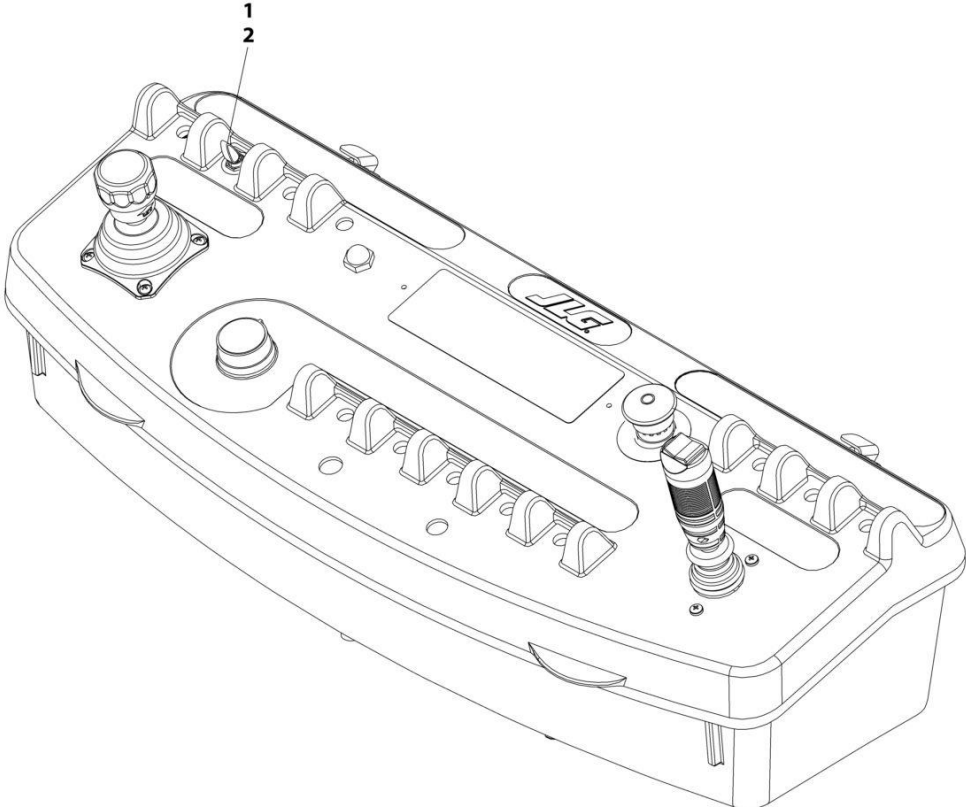
## SECTION 5 - PLATFORM

### FIGURE 5-26. LIGHT PANEL INSTALLATION

| ITEM | PART NUMBER | QTY | DESCRIPTION                                 | REV |
|------|-------------|-----|---|-----|
|      | 1001233959  | Ref | LIGHT PANEL INSTALLATION - PLATFORM CONSOLE | D   |
| 1    | 0100035     | AR  | Compound, Locking                           |     |
| 3    | 0630518     | 2   | Screw #10 x 3/4                             |     |
| 4    | 1001284583  | 1   | Light Panel Assembly                        | A   |
| 4A   | 1001282106  | 1   | Panel, LED Light                            |     |
| 4B   | 1001284582  | 1   | Lens, Icon (Includes Gasket)                |     |
| 4C   |             | Ref | Screw                                       |     |

**SECTION 5 - PLATFORM**

**FIGURE 5-27. STEER SWITCH INSTALLATION – 4WS**



ART\_0258945

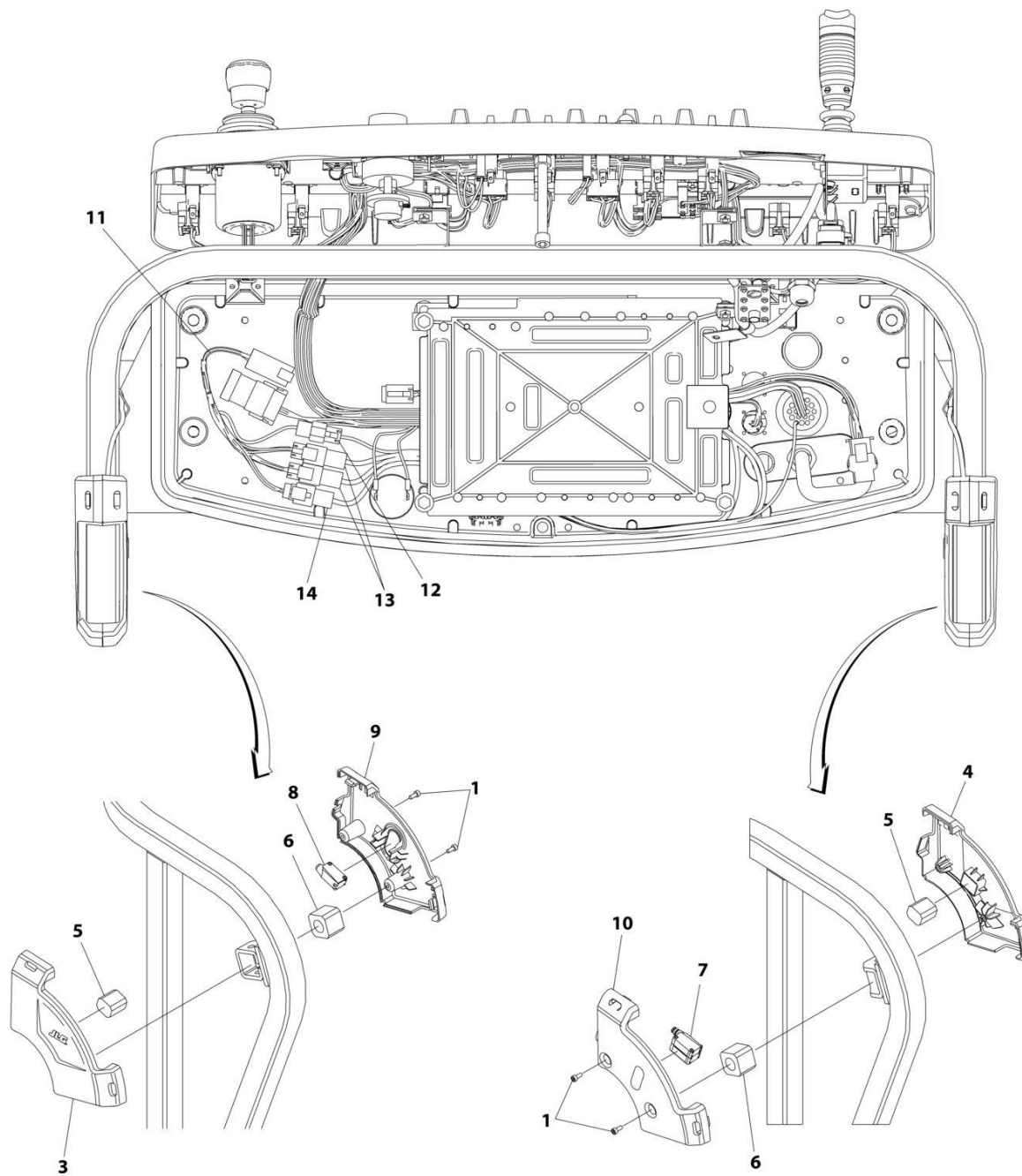
## SECTION 5 - PLATFORM

**FIGURE 5-27. STEER SWITCH INSTALLATION – 4WS**

| ITEM | PART NUMBER | QTY | DESCRIPTION                     | REV |
|------|-------------|-----|---------------------------------|-----|
|      | 0258945     | Ref | STEER SWITCH INSTALLATION - 4WS | A   |
| 1    | 4360331     | 1   | Switch, Toggle                  |     |
| 2    | 3790012     | 1   | O-Ring                          |     |

# SECTION 5 - PLATFORM

## FIGURE 5-28. SKYEYE INSTALLATION



ART\_1001229341

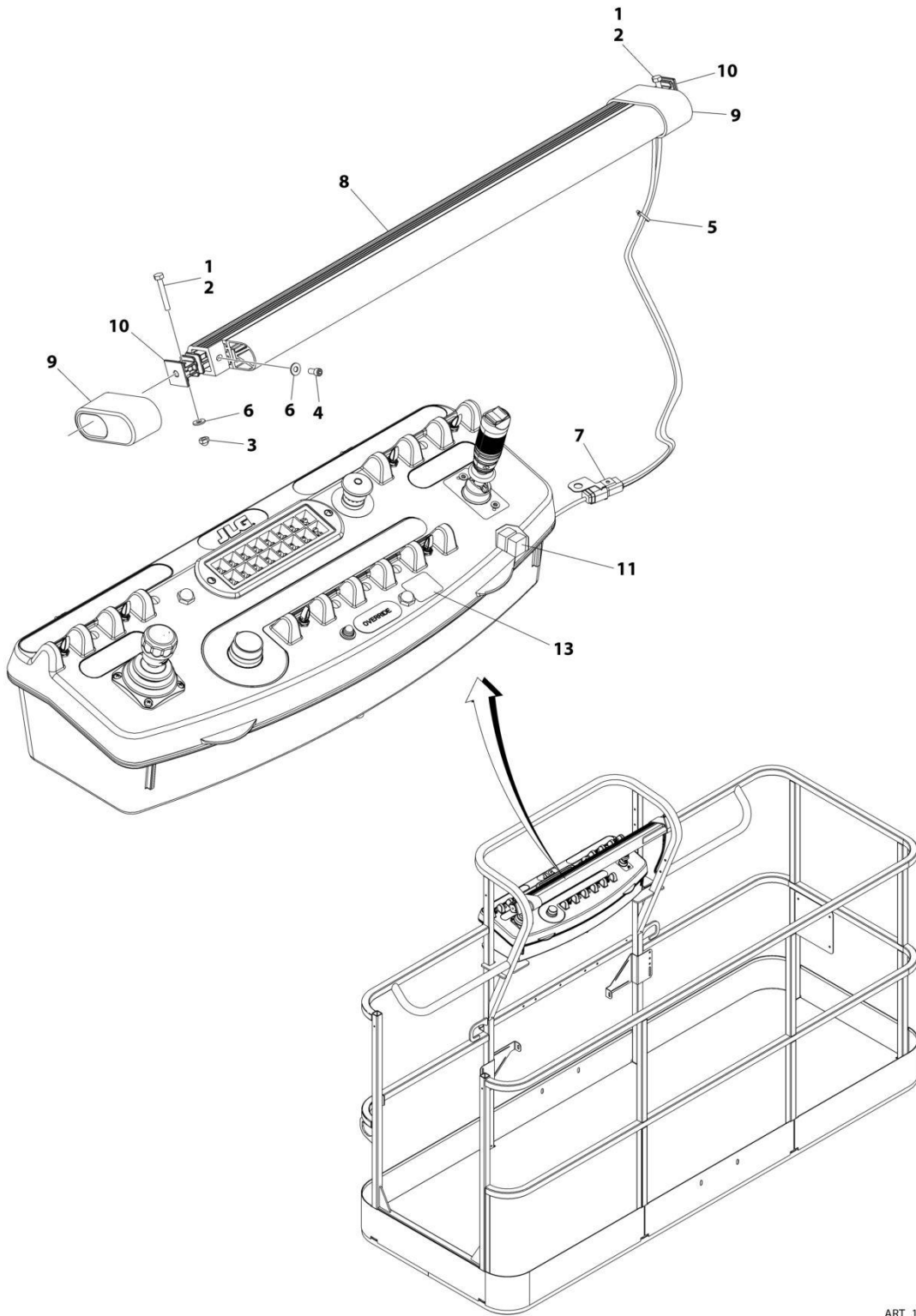
## SECTION 5 - PLATFORM

### FIGURE 5-28. SKYEYE INSTALLATION

| ITEM | PART NUMBER | QTY | DESCRIPTION  | REV |
|------|-------------|-----|--|-----|
|      | 1001229341  | Ref | SKYEYE INSTALLATION  | B   |
| 1    | 4031505     | 4   | Bolt M4 x 10   |     |
| 2    | 4240033     | AR  | Tie-Strap (Not Shown)  |     |
| 3    | 1001227633  | 1   | Housing, LH Outer  |     |
| 4    | 1001227634  | 1   | Housing, RH Outer  |     |
| 5    | 1001227985  | 2   | Shim   |     |
| 6    | 1001227987  | 2   | Shim   |     |
| 7    | 1001228224  | 2   | Sensor, Receiver   |     |
| 8    | 1001228225  | 1   | Sensor, Emitter  |     |
| 9    | 1001232164  | 1   | Housing, LH Inner  |     |
| 10   | 1001232165  | 1   | Housing, RH Inner  |     |
| 11   | 1001237865  | 1   | Harness, Skyeeye Intermediate (See Separate Breakdown in ELECTRICAL Section) |     |
| 12   | 1001238319  | NLA | Harness, Skyeeye Drain Jumper  |     |
| 12   | 1001187674  | 1   | Plug, Male - 2 Position  |     |
| 12   | 4460942     | 1   | Terminal   |     |
| 12   | 4460466     | 1   | Plug, Terminal   |     |
| 12   | 4460508     | 1   | Pin, Male  |     |
| 13   | 1001237863  | 2   | Harness, Skyeeye Receiver (See Separate Breakdown in ELECTRICAL Section)     |     |
| 14   | 1001237864  | 1   | Harness, Skyeeye Emitter (See Separate Breakdown in ELECTRICAL Section)      |     |

# SECTION 5 - PLATFORM

## FIGURE 5-29. SKYGUARD BAR INSTALLATION



ART\_1001238495



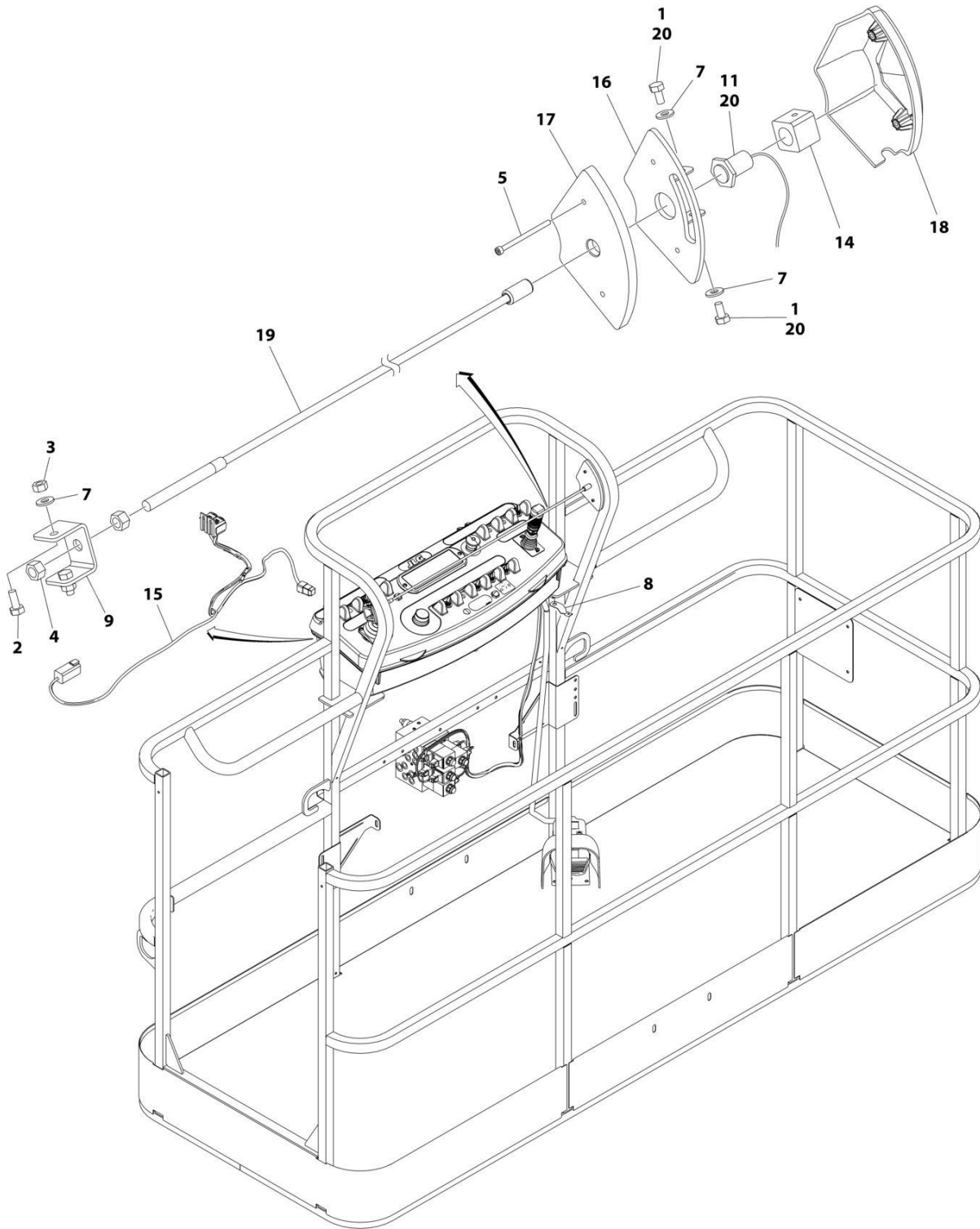
## SECTION 5 - PLATFORM

**FIGURE 5-29. SKYGUARD BAR INSTALLATION**

| ITEM | PART NUMBER | QTY | DESCRIPTION  | REV |
|------|-------------|-----|--|-----|
|      | 1001238495  | Ref | SKYGUARD BAR INSTALLATION  | A   |
| 1    | 0100011     | AR  | Compound, Locking  |     |
| 2    | 0641414     | 2   | Bolt 1/4 x 1-3/4   |     |
| 3    | 3300430     | 2   | Nut 1/4  |     |
| 4    | 3931408     | 2   | Capscrew 1/4 x 1/2   |     |
| 5    | 4240033     | 8   | Tie-Strap  |     |
| 6    | 4711400     | 6   | Washer 1/4   |     |
| 7    | 1001120328  | 1   | Mount  |     |
| 8    | 1001137673  | 1   | SkyGuard Switch Assembly   |     |
| 9    | 1001186517  | 2   | Cover, Platform Sensor   |     |
| 10   | 1001209664  | 2   | Support, Block   |     |
| 11   | 1001186431  | 2   | Relay  |     |
| 12   | 1001225580  | 1   | Interface Harness Assembly (Not Shown - Located Inside Console Box) (See Separate Breakdown in ELECTRICAL Section) |     |
| 13   | 1001144433  | 1   | Decal - No Weight SkyGuard   |     |

# SECTION 5 - PLATFORM

## FIGURE 5-30. SKYLINE INSTALLATION



ART\_1001238559\_D

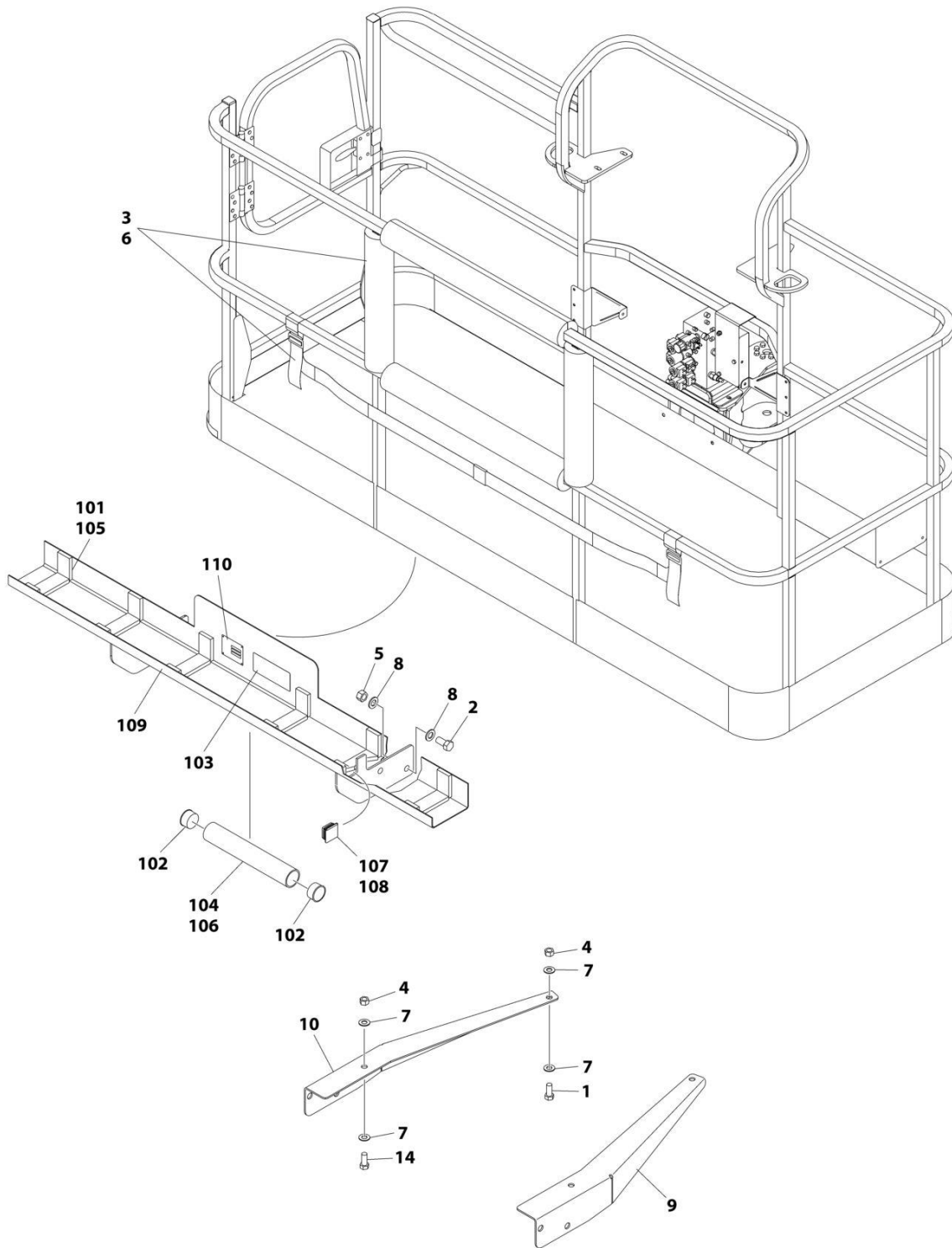
## SECTION 5 - PLATFORM

**FIGURE 5-30. SKYLINE INSTALLATION**

| ITEM | PART NUMBER | QTY | DESCRIPTION   | REV |
|------|-------------|-----|---|-----|
|      | 1001238559  | Ref | SKYLINE INSTALLATION  | D   |
| 1    | 0641404     | 2   | Bolt 1/4 x 1/2  |     |
| 2    | 0641405     | 2   | Bolt 1/4 x 5/8  |     |
| 3    | 3311405     | 2   | Nut 1/4   |     |
| 4    | 3311601     | 2   | Nut 3/8   |     |
| 5    | 4031516     | 2   | Capscrew M4 x 60  |     |
| 6    | 4240033     | AR  | Tie-Strap (Not Shown)   |     |
| 7    | 4711400     | 4   | Washer 1/4  |     |
| 8    | 1001120328  | 1   | Mount   |     |
| 9    | 1001232642  | 1   | Bracket   |     |
| 11   | 1001232667  | 1   | Sensor, Proximity   |     |
| 11   | 1001311034  | 1   | Sensor, Proximity   |     |
| 14   | 1001236552  | 1   | Block   |     |
| 15   | 1001238418  | 1   | Harness, Skyline (See Separate Breakdown in ELECTRICAL Section) |     |
| 16   | 1001238472  | 1   | Mount   |     |
| 17   | 1001254473  | 1   | Housing, LH   |     |
| 18   | 1001241965  | 1   | Housing, RH   |     |
| 19   | 1001254472  | 1   | Rod   |     |
| 20   | 0100011     | AR  | Compound, Locking   |     |

# SECTION 5 - PLATFORM

## FIGURE 5-31. SKYGLAZIER INSTALLATION



ART\_1001172578\_D

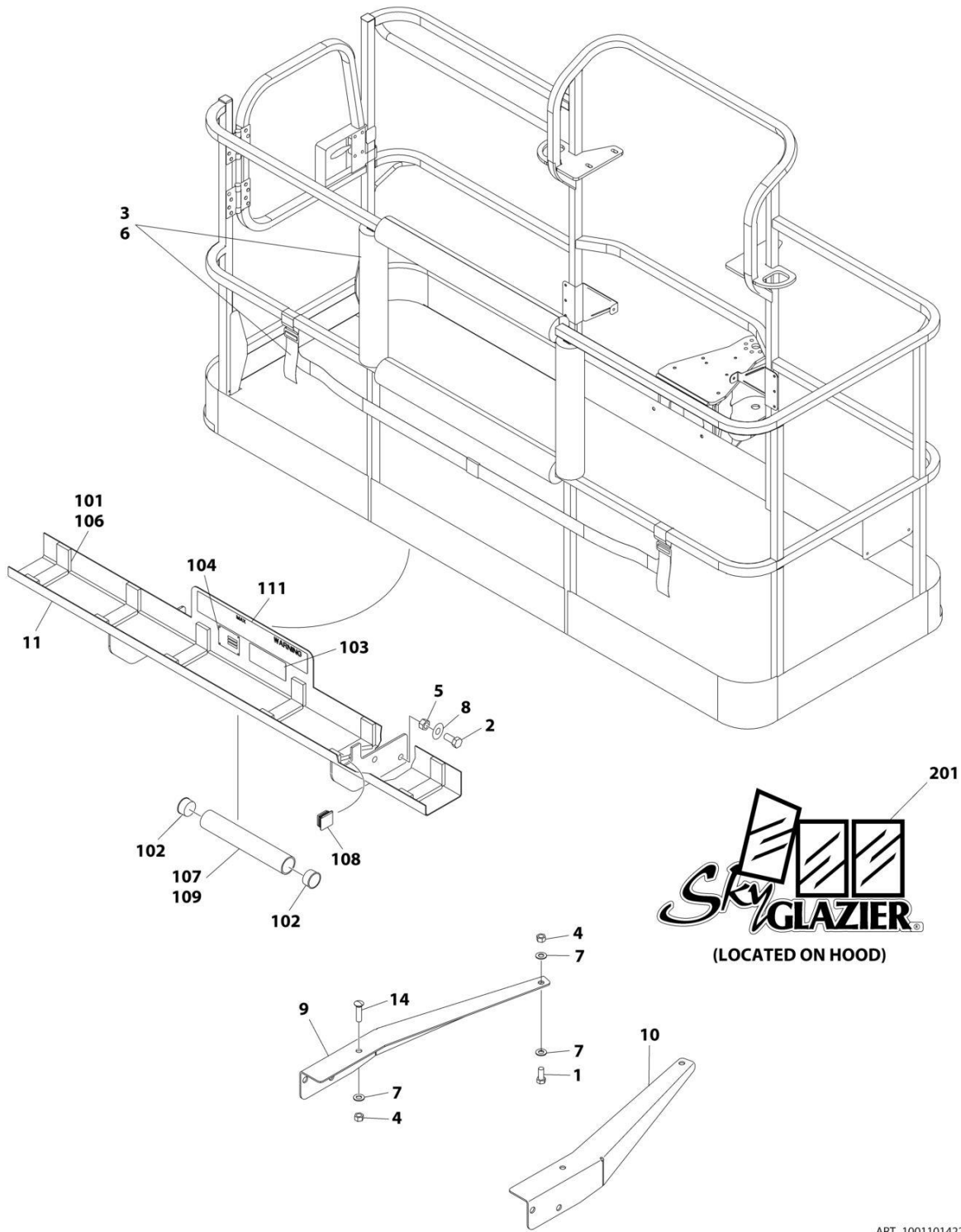
## SECTION 5 - PLATFORM

**FIGURE 5-31. SKYGLAZIER INSTALLATION**

| ITEM | PART NUMBER | QTY | DESCRIPTION   | REV |
|------|-------------|-----|---|-----|
|      | 1001172578  | Ref | SKYGLAZIER INSTALLATION                                     | D   |
| 1    | 0642012     | 2   | Bolt 5/8 x 1-1/2  |     |
| 2    | 0642212     | 4   | Bolt 3/4 x 1-1/2  |     |
| 3    | 2902212     | 1   | Bumpers and Strap Kit                                       |     |
| 3    | 0940102     | 1   | Bumper Only   |     |
| 3    | 4240149     | 1   | Strap Only  |     |
| 4    | 3312005     | 1   | Nut 5/8   |     |
| 5    | 3312205     | 4   | Nut 3/4   |     |
| 6    | 4420014     | AR  | Tape  |     |
| 7    | 4712000     | 6   | Washer 5/8  |     |
| 8    | 4712200     | 8   | Washer 3/4  |     |
| 9    | 1001099366  | 1   | Support   |     |
| 10   | 1001099367  | 1   | Support   |     |
| 13   | 1001303430  | 1   | Tray Assembly (Not Shown) (See Items 101-110 for Breakdown) |     |
| 14   | 8310129     | 2   | Bolt 3/4 x 2-1/2  |     |
|      | 1001303430  | Ref | TRAY ASSEMBLY   | A   |
| 101  | 0100081     | AR  | Adhesive  |     |
| 102  | 1120555     | 2   | Cap, Tube   |     |
| 103  | 1701509     | 1   | Decal - Manual  |     |
| 104  | 3124242     | 1   | Manual - Accessories  |     |
| 105  | 3340956     | 1   | Pad Kit   |     |
| 106  | 3460334     | 1   | Pipe  |     |
| 107  | 3520071     | 2   | Plug  |     |
| 108  | 4420066     | AR  | Tape, Double Sided  |     |
| 109  | 4846562     | 1   | Weld, Glazier Shelf   |     |
| 110  | 1001253726  | 1   | Decal - Accessory   |     |

# SECTION 5 - PLATFORM

FIGURE 5-32. SKYGLAZIER INSTALLATION (ALL SPECS EXCEPT CHINA, JAPANESE, CE & UK CA SPECS) (OPTIONAL)



ART\_1001101422

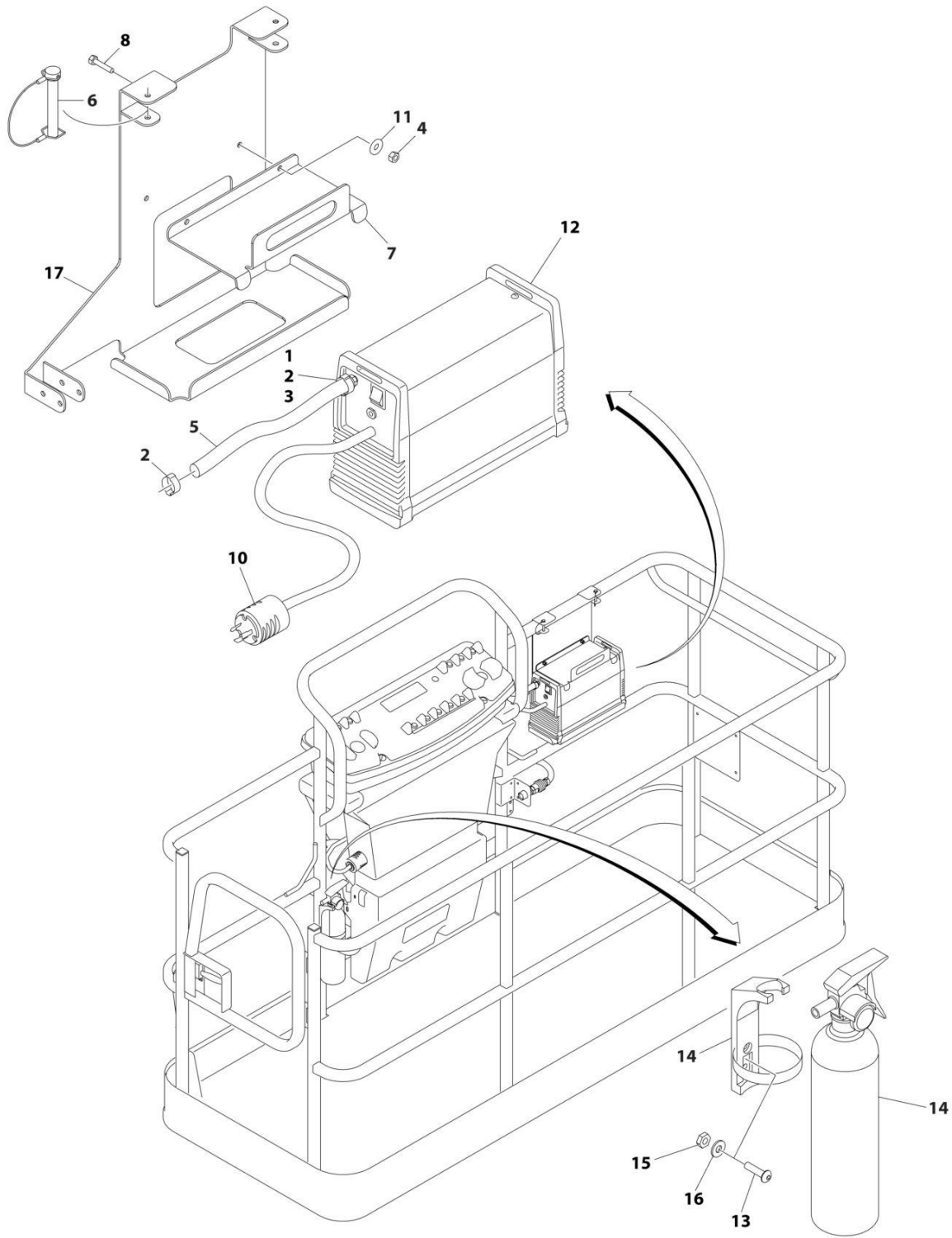
## SECTION 5 - PLATFORM

**FIGURE 5-32. SKYGLAZIER INSTALLATION (ALL SPECS EXCEPT CHINA, JAPANESE, CE & UK CA SPECS) (OPTIONAL)**

| ITEM | PART NUMBER | QTY | DESCRIPTION  | REV |
|------|-------------|-----|--|-----|
|      | 1001101422  | Ref | SKYGLAZIER INSTALLATION                                      | C   |
| 1    | 0642012     | 2   | Bolt 5/8 x 1-1/2   |     |
| 2    | 0642212     | 4   | Bolt 3/4 x 1-1/2   |     |
| 3    | 2902212     | 1   | Bumpers and Strap Kit  |     |
| 3    | 0940102     | 1   | Bumper Only  |     |
| 3    | 4240149     | 1   | Strap Only   |     |
| 4    | 3312005     | 4   | Nut 5/8  |     |
| 5    | 3312205     | 4   | Nut 3/4  |     |
| 6    | 4420014     | AR  | Tape   |     |
| 7    | 4712000     | 6   | Washer 5/8   |     |
| 8    | 4712200     | 8   | Washer 3/4   |     |
| 9    | 1001099366  | 1   | Support  |     |
| 10   | 1001099367  | 1   | Support  |     |
| 11   | 1001101421  | 1   | Tray Assembly (See Items 101-111 for Breakdown)              |     |
| 14   | 8310129     | 2   | Bolt 3/4 x 2-1/2   |     |
|      | 1001101421  | Ref | TRAY ASSEMBLY  | F   |
| 101  | 0100081     | AR  | Adhesive   |     |
| 102  | 1120555     | 2   | Cap, Tube  |     |
| 103  | 1701509     | 1   | Decal - Manual   |     |
| 104  | See Note    | NSS | Nameplate - Serial Number (Note: Not Available for Purchase) |     |
| 106  | 3340956     | 1   | Pad Kit  |     |
| 107  | 3460334     | 1   | Tube   |     |
| 108  | 3520071     | 2   | Plug   |     |
| 109  | 4420066     | AR  | Tape, Double Sided   |     |
| 111  | 1001163131  | 2   | Decal - Glazier Capacity                                     |     |
|      | 0272418     | Ref | SKYGLAZIER DECAL INSTALLATION                                | 4   |
| 201  | 1705358     | 2   | Decal - SkyGlazier   |     |

# SECTION 5 - PLATFORM

## FIGURE 5-33. SKYCUTTER INSTALLATION (OPTIONAL)



ART\_1001098149\_D



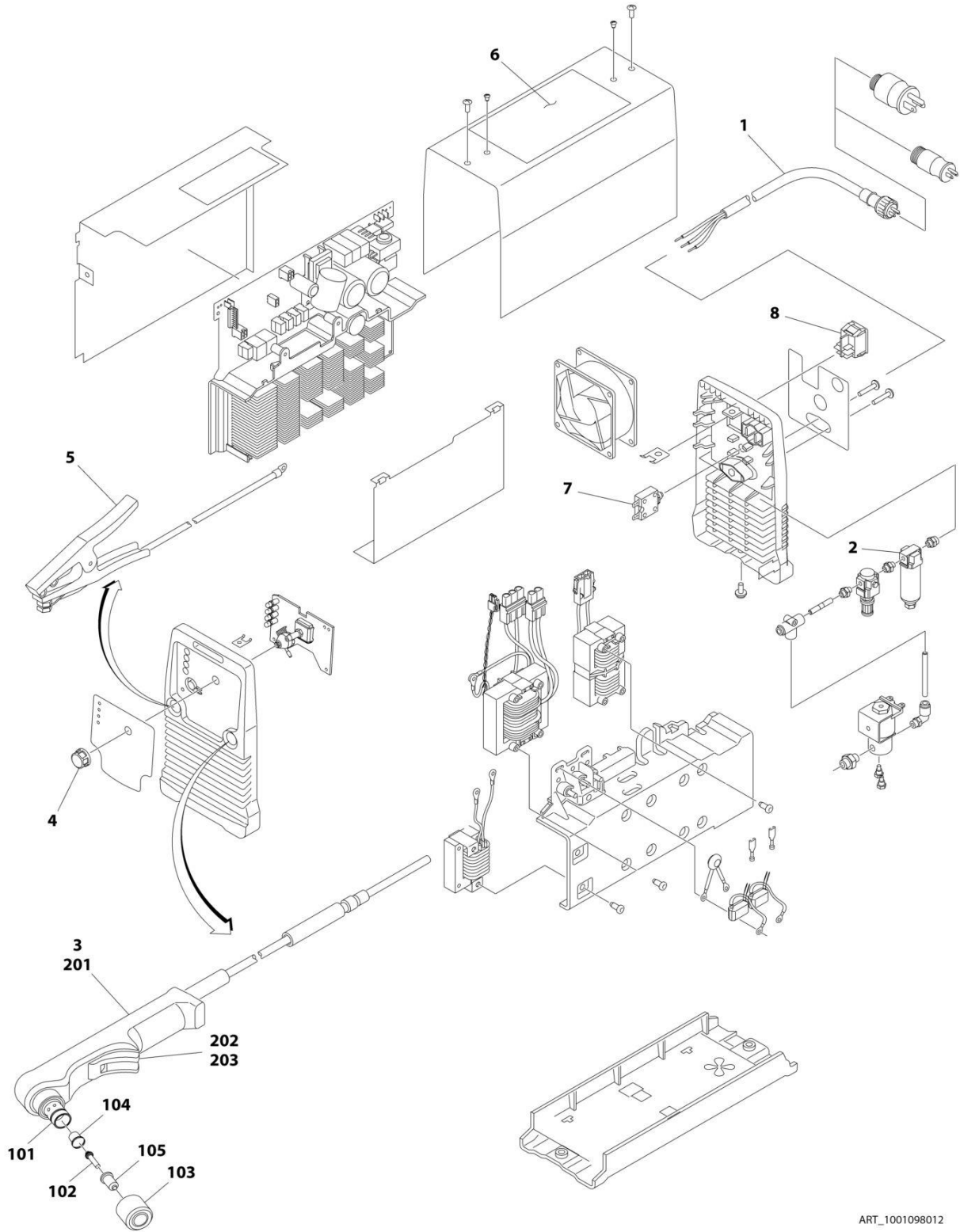
## SECTION 5 - PLATFORM

**FIGURE 5-33. SKYCUTTER INSTALLATION (OPTIONAL)**

| ITEM | PART NUMBER | QTY       | DESCRIPTION  | REV |
|------|-------------|-----------|--|-----|
|      | 1001098149  | Ref       | SKYCUTTER INSTALLATION   | D   |
|      |             | Ref       | Note: When replacing platform on machines with SkyCutter option, new bracket p/n 1001145405 must be purchased to accommodate SkyCutter components. |     |
| 1    | 0100020     | AR        | Sealant  |     |
| 2    | 1320177     | 2         | Clamp, Hose  |     |
| 3    | 2180832     | 1         | Fitting, NPT/Barbed  |     |
| 4    | 3290605     | 2         | Nut M6   |     |
| 5    | 2720160     | 3 ft /.9m | Hose   |     |
| 6    | 3421453     | 3         | Pin  |     |
| 7    | 3576799     | 1         | Plate, Hold-Down   |     |
| 8    | 4010608     | 2         | Screw M6 x 16  |     |
| 10   | 4460971     | 1         | Plug, Twistlock  |     |
| 11   | 4811700     | 2         | Washer M6  |     |
| 12   | 1001098012  | 1         | Plasma Cutter Assembly (See Separate Breakdown in this Section)  |     |
| 13   | 0630518     | 2         | Screw #10 x 3/4  |     |
| 14   | 2030010     | 1         | Extinguisher, Fire   |     |
| 15   | 3311005     | 2         | Nut #10  |     |
| 16   | 4751000     | 2         | Washer #10   |     |
| 17   | 1001145405  | 1         | Support  |     |

# SECTION 5 - PLATFORM

## FIGURE 5-34. PLASMA CUTTER ASSEMBLY



ART\_1001098012

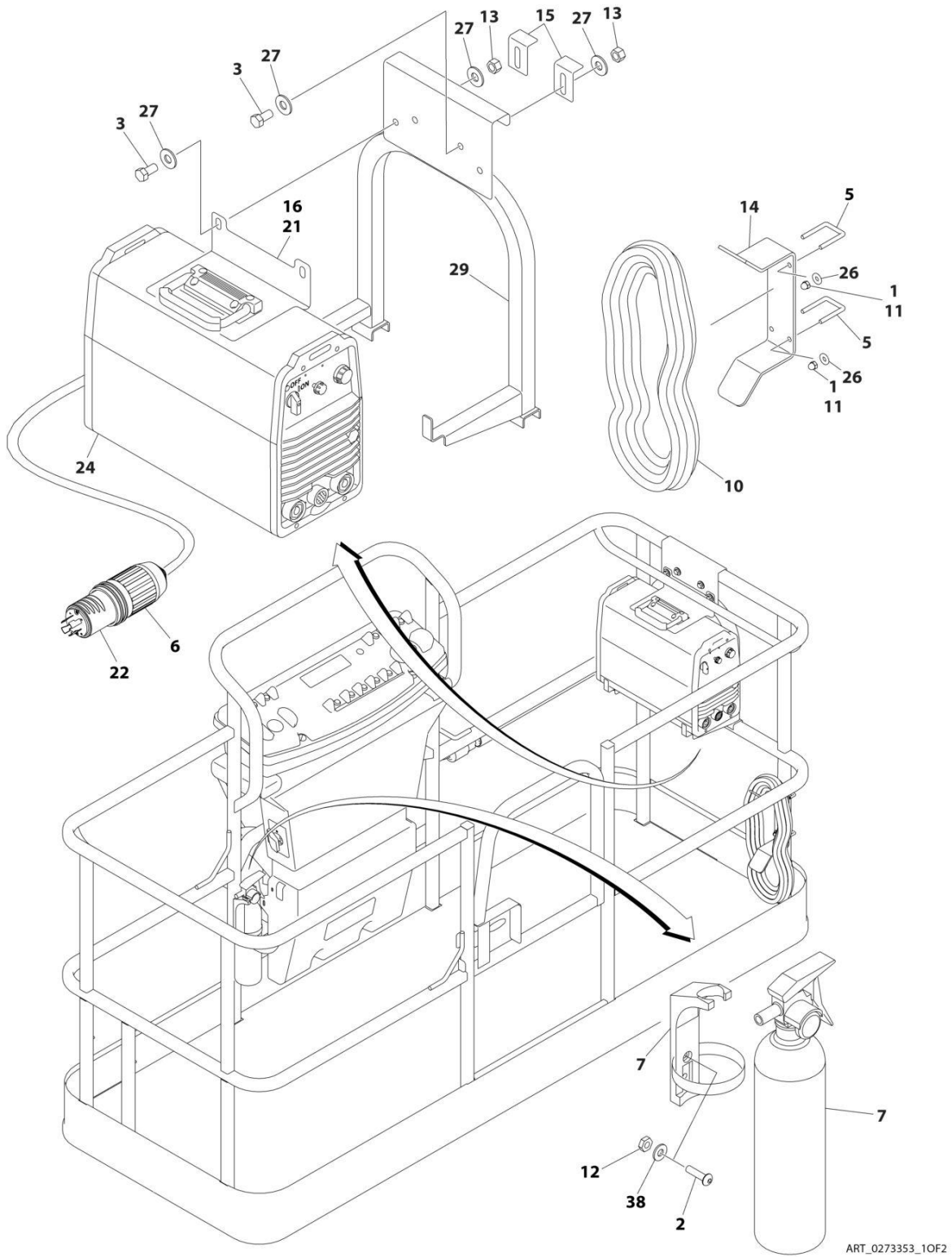
## SECTION 5 - PLATFORM

### FIGURE 5-34. PLASMA CUTTER ASSEMBLY

| ITEM | PART NUMBER | QTY | DESCRIPTION  | REV |
|------|-------------|-----|--|-----|
|      | 1001098012  | Ref | PLASMA CUTTER ASSEMBLY   | A   |
|      |             | Ref | Note: For Other Components, contact your Miller Welder Dealer. |     |
| 1    | 70001424    | 1   | Cable, Power   |     |
| 1    | 70001425    | 1   | Decal - Voltage Warning  |     |
| 2    | 70001427    | 1   | Filter, Regulator  |     |
| 3    | 70001428    | 1   | Torch Assembly (See Items 101-203 for Breakdown)               |     |
| 4    | 7024471     | 1   | Knob   |     |
| 5    | 70001429    | 1   | Clamp with Cable   |     |
| 6    | 70001430    | 1   | Decal - Caution  |     |
| 7    | 70001431    | 1   | Breaker, Circuit   |     |
| 8    | 70001432    | 1   | Switch, Rocker   |     |
|      | 70001428    | Ref | TORCH ASSEMBLY   |     |
| 101  | 7024530     | 1   | O-Ring   |     |
| 102  | 7024531     | 1   | Electrode  |     |
| 103  | 7024532     | 1   | Cup, Retaining   |     |
| 104  | 7024533     | 1   | Swirl Ring   |     |
| 105  | 7024534     | 1   | Tip  |     |
| 201  | 7024535     | 1   | Handle, Torch  |     |
| 202  | 7024536     | 1   | Switch   |     |
| 203  | 7024537     | 1   | Trigger  |     |

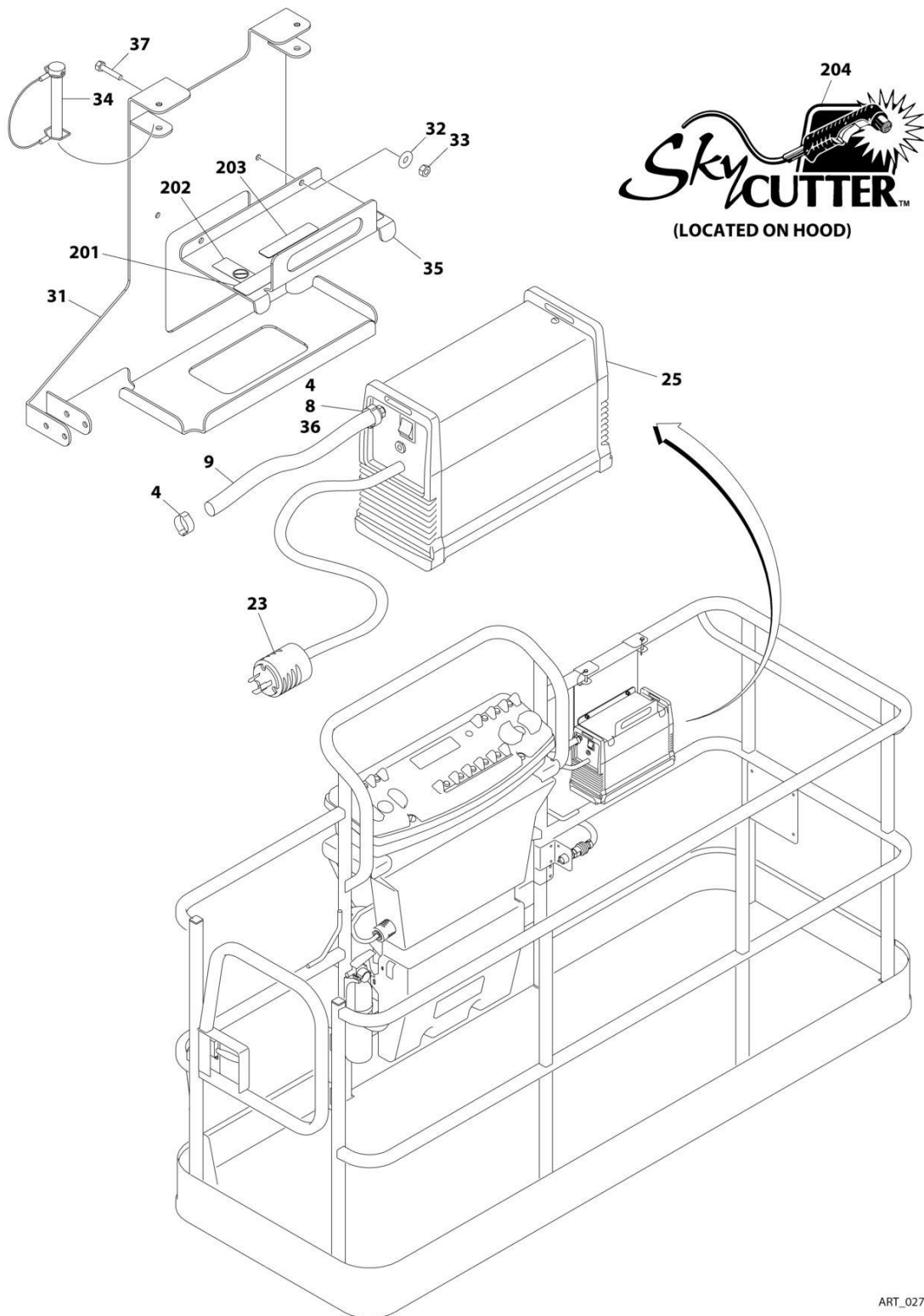
# SECTION 5 - PLATFORM

## FIGURE 5-35. SKYWELDER/SKYCUTTER COMBO INSTALLATION (60HZ) (OPTIONAL)



ART\_0273353\_10F2

# SECTION 5 - PLATFORM



ART\_0273353\_20F2

## SECTION 5 - PLATFORM

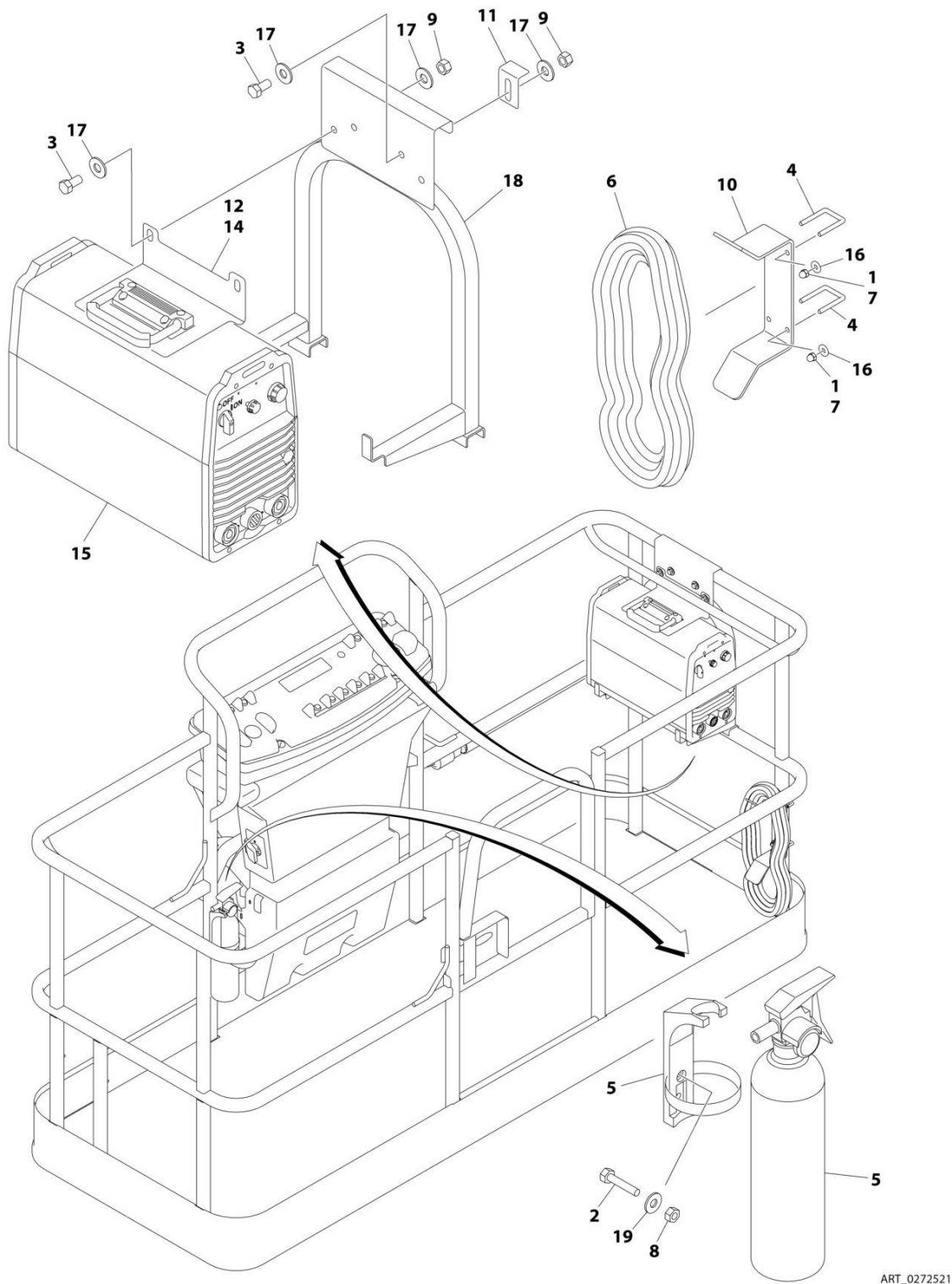
**FIGURE 5-35. SKYWELDER/SKYCUTTER COMBO INSTALLATION (60HZ) (OPTIONAL)**

| ITEM | PART NUMBER | QTY             | DESCRIPTION   | REV |
|------|-------------|-----------------|---|-----|
|      | 0273353     | Ref             | SKYWELDER/SKYCUTTER COMBO INSTALLATION (60HZ)                   | G   |
| 1    | 0100011     | AR              | Compound, Locking   |     |
| 2    | 0630518     | 2               | Screw #10 x 3/4   |     |
| 3    | 0641606     | 4               | Bolt 3/8 x 3/4  |     |
| 4    | 1320177     | 2               | Clamp   |     |
| 5    | 1320302     | 2               | Clamp   |     |
| 6    | 1671093     | 1               | Cover, Plug   |     |
| 7    | 2030010     | 1               | Extinguisher, Fire  |     |
| 8    | 2180832     | 1               | Fitting, Barbed/NPT   |     |
| 9    | 2720160     | 4.5 ft/<br>1.4m | Hose  |     |
| 10   | 2902217     | 1               | Weld Leads Kit  |     |
| 11   | 3300151     | 4               | Nut 1/4   |     |
| 12   | 3311005     | 2               | Nut #10   |     |
| 13   | 3311605     | 4               | Nut 3/8   |     |
| 14   | 3573400     | 1               | Bracket   |     |
| 15   | 3577121     | 2               | Angle   |     |
| 16   | 3573642     | 1               | Plate   |     |
| 20   | 4240099     | AR              | Tie-Strap (Not Shown)   |     |
| 21   | 4420037     | 2.4 ft/<br>0.7m | Tape  |     |
| 22   | 4460962     | 1               | Plug, Twist Lock  |     |
| 23   | 4460971     | 1               | Plug, Twist Lock  |     |
| 24   | 4530028     | 1               | Welder Assembly (See Separate Breakdown in this Section)        |     |
| 25   | 1001098012  | 1               | Plasma Cutter Assembly (See Separate Breakdown in this Section) |     |
| 26   | 4751400     | 4               | Washer 1/4  |     |
| 27   | 4751600     | 8               | Washer 3/8  |     |
| 29   | 4846627     | 1               | Support   |     |
| 31   | 1001145405  | 1               | Bracket   |     |
| 32   | 4811700     | 2               | Washer M6   |     |
| 33   | 3290605     | 2               | Nut M6  |     |
| 34   | 3421453     | 3               | Pin   |     |
| 35   | 3576799     | 1               | Plate, Hold-Down  |     |
| 36   | 0100020     | 1               | Sealant   |     |
| 37   | 4010608     | 2               | Screw M6 x 16   |     |
| 38   | 4751000     | 2               | Washer #10  |     |
|      | 0272448     | Ref             | SKYWELDER DECAL INSTALLATION                                    | B   |
| 101  | 1705355     | 2               | Decal - SkyWelder   |     |
| 102  | 1702868     | 1               | Decal - No Hands  |     |
| 103  | 1705305     | 1               | Decal - Weld Leads  |     |
| 104  | 1705375     | 1               | Decal - 240V - 3 Phase - 60Hz                                   |     |
| 105  | 1001228988  | 1               | Decal - Weight  |     |
|      | 0272599     | Ref             | SKYCUTTER DECAL INSTALLATION                                    | B   |
| 201  | 1702868     | 1               | Decal - No Hands  |     |
| 202  | 1705305     | 1               | Decal - Weld Leads  |     |
| 203  | 1001228988  | 1               | Decal - Weight  |     |
| 204  | 1705490     | 2               | Decal - SkyCutter   |     |



# SECTION 5 - PLATFORM

## FIGURE 5-36. SKYWELDER INSTALLATION (50HZ) (OPTIONAL)



ART\_0272521



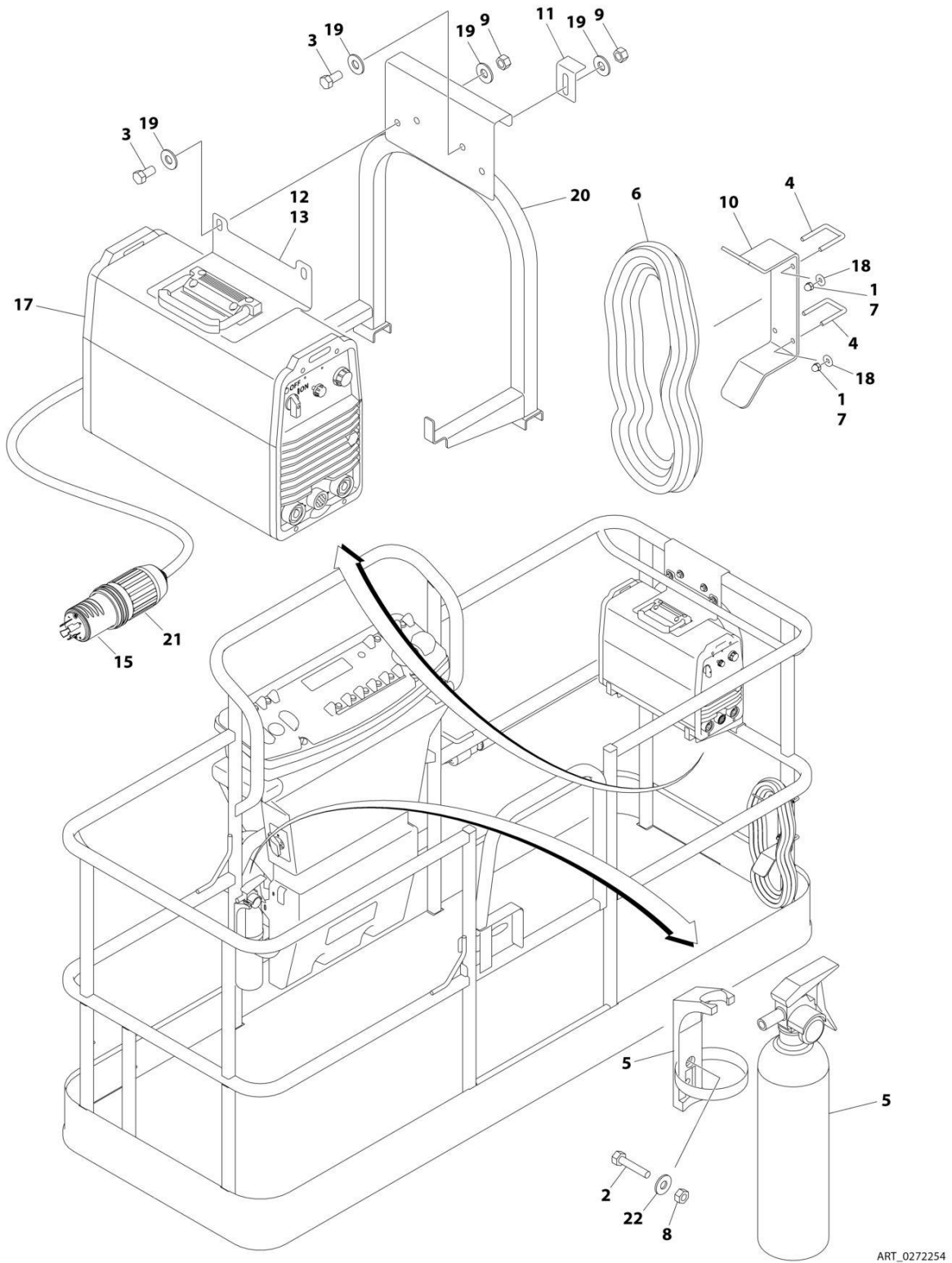
## SECTION 5 - PLATFORM

**FIGURE 5-36. SKYWELDER INSTALLATION (50HZ) (OPTIONAL)**

| ITEM | PART NUMBER | QTY | DESCRIPTION  | REV |
|------|-------------|-----|--|-----|
|      | 0272521     | Ref | SKYWELDER INSTALLATION                                   | F   |
| 1    | 0100011     | AR  | Compound, Locking  |     |
| 2    | 0630518     | 2   | Screw #10 x 3/4  |     |
| 3    | 0641606     | 4   | Bolt 3/8 x 3/4   |     |
| 4    | 1320302     | 2   | U-Clamp  |     |
| 5    | 2030010     | 1   | Extinguisher, Fire                                       |     |
| 6    | 2902217     | 1   | Weld Leads Kit   |     |
| 7    | 3300151     | 4   | Nut 1/4  |     |
| 8    | 3311005     | 2   | Nut #10  |     |
| 9    | 3311605     | 4   | Nut 3/8  |     |
| 10   | 3573400     | 1   | Bracket  |     |
| 11   | 3577121     | 2   | Angle  |     |
| 12   | 3573642     | 1   | Plate  |     |
| 13   | 4240099     | AR  | Tie-Strap (Not Shown)                                    |     |
| 14   | 4420037     | AR  | Tape   |     |
| 15   | 4530028     | 1   | Welder Assembly (See Separate Breakdown in this Section) |     |
| 16   | 4751400     | 4   | Washer 1/4   |     |
| 17   | 4751600     | 8   | Washer 3/8   |     |
| 18   | 4846627     | 1   | Support  |     |
| 19   | 4751000     | 2   | Washer #10   |     |

# SECTION 5 - PLATFORM

## FIGURE 5-37. SKYWELDER INSTALLATION (60HZ) (OPTIONAL)



ART\_0272254

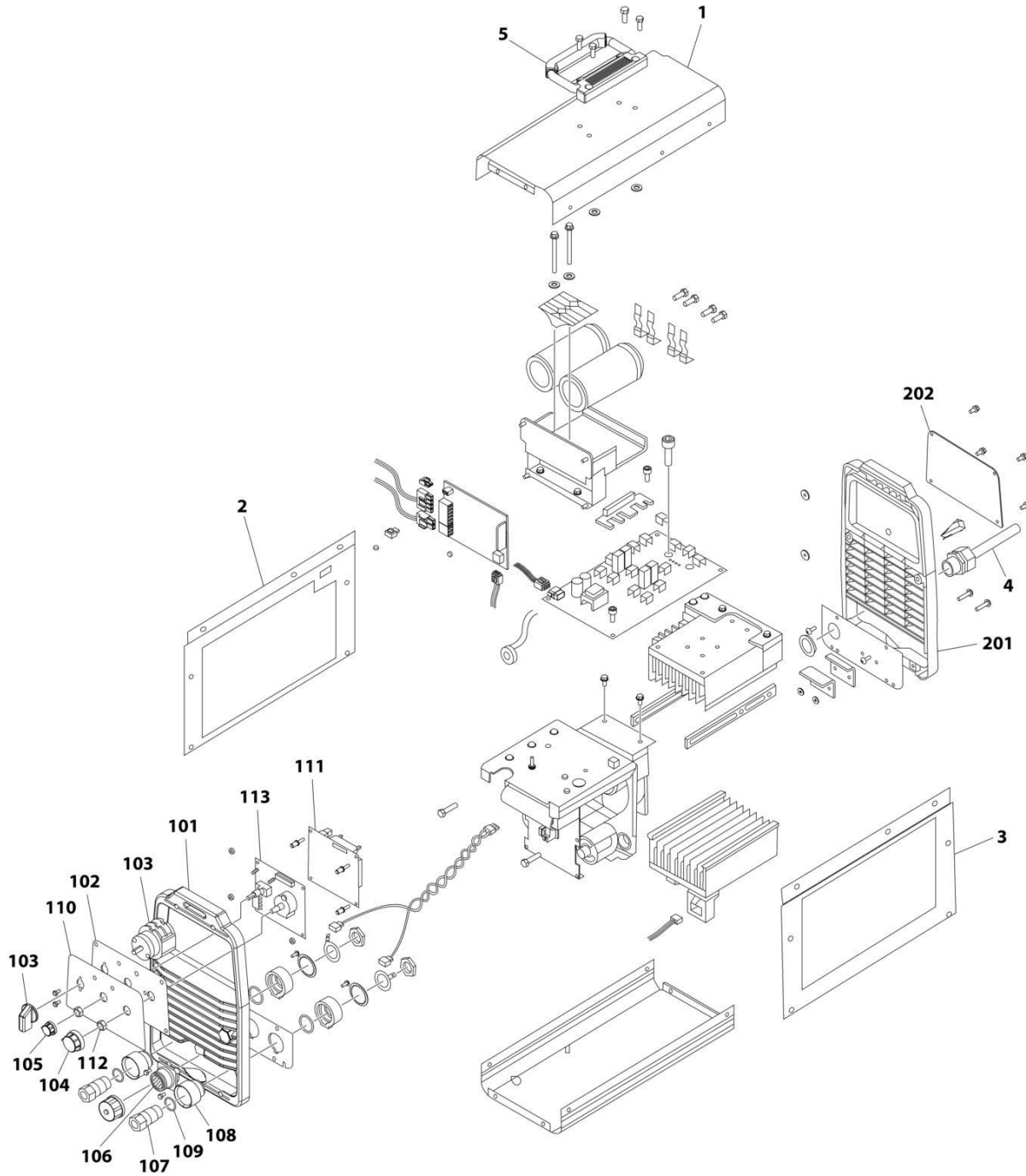
## SECTION 5 - PLATFORM

**FIGURE 5-37. SKYWELDER INSTALLATION (60HZ) (OPTIONAL)**

| ITEM | PART NUMBER | QTY | DESCRIPTION  | REV |
|------|-------------|-----|--|-----|
|      | 0272254     | Ref | SKYWELDER INSTALLATION                                   | 1   |
| 1    | 0100011     | AR  | Compound, Locking  |     |
| 2    | 0630518     | 2   | Screw #10 x 3/4  |     |
| 3    | 0641606     | 4   | Bolt 3/8 x 3/4   |     |
| 4    | 1320302     | 2   | U-Clamp  |     |
| 5    | 2030010     | 1   | Extinguisher, Fire                                       |     |
| 6    | 2902217     | 1   | Weld Leads Kit   |     |
| 7    | 3300151     | 4   | Nut 1/4  |     |
| 8    | 3311005     | 2   | Nut #10  |     |
| 9    | 3311605     | 4   | Nut 3/8  |     |
| 10   | 3573400     | 1   | Bracket  |     |
| 11   | 3577121     | 2   | Angle  |     |
| 12   | 3573642     | 1   | Plate  |     |
| 13   | 4420037     | AR  | Tape   |     |
| 14   | 4240099     | AR  | Tie-Strap (Not Shown)                                    |     |
| 15   | 4460962     | 1   | Plug, Male Twistlock                                     |     |
| 17   | 4530028     | 1   | Welder Assembly (See Separate Breakdown in this Section) |     |
| 18   | 4751400     | 4   | Washer 1/4   |     |
| 19   | 4751600     | 8   | Washer 3/8   |     |
| 20   | 4846627     | 1   | Support  |     |
| 21   | 1671093     | 1   | Cover, Plug  |     |
| 22   | 4751000     | 2   | Washer #10   |     |

# SECTION 5 - PLATFORM

## FIGURE 5-38. WELDER ASSEMBLY



ART\_4530028

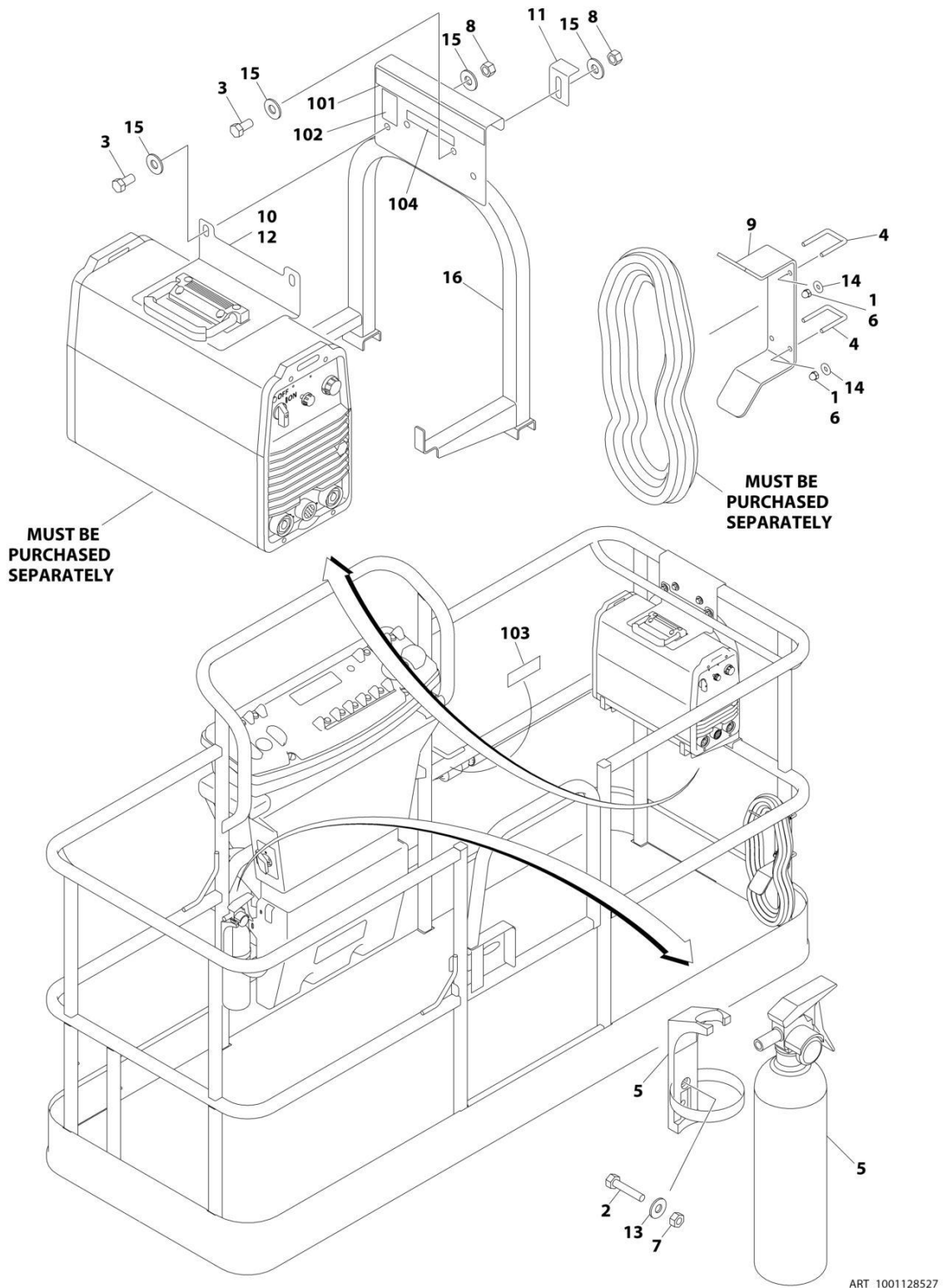
## SECTION 5 - PLATFORM

### FIGURE 5-38. WELDER ASSEMBLY

| ITEM | PART NUMBER | QTY | DESCRIPTION  | REV |
|------|-------------|-----|--|-----|
|      | 4530028     | Ref | WELDER ASSEMBLY  | B   |
|      |             | Ref | Note: For Other Components, contact your Miller Welder Dealer. |     |
| 1    | 7027773     | 1   | Cover, Top   |     |
| 1    | 7027774     | 1   | Decal - Static Precautionary Warning                           |     |
| 2    | See Note    | NSS | Panel, LH Side (Note: Part of Item 1. Purchase Item 1)         |     |
| 3    | See Note    | NSS | Panel, RH Side (Note: Part of Item 1. Purchase Item 1)         |     |
| 4    | 7024467     | 1   | Cable, Power   |     |
| 4    | 7027775     | 1   | Decal - Electrical Shock Warning (Not Shown)                   |     |
| 5    | 7027776     | 1   | Handle, Carrying   |     |
| 101  | 7024462     | 1   | Panel, Front   |     |
| 102  | 7024463     | 1   | Panel, Console   |     |
| 103  | 7024469     | 1   | Switch with Lead   |     |
| 104  | 7024470     | 1   | Knob   |     |
| 105  | 7024471     | 1   | Knob   |     |
| 106  | 7024472     | 1   | Receptacle with Leads and Plugs                                |     |
| 107  | 7024473     | 2   | Receptacle, Twistlock Female                                   |     |
| 108  | 7024474     | 2   | Insulator  |     |
| 109  | 7024475     | 2   | O-Ring   |     |
| 110  | 7027777     | 1   | Nameplate  |     |
| 111  | 7027779     | 1   | Circuit Card Assembly (Process Control)                        |     |
| 112  | 7024478     | 2   | Nut  |     |
| 113  | 7027778     | 1   | Circuit Card Assembly (Operator Interface)                     |     |
| 201  | 7024462     | 1   | Panel, Rear  |     |
| 202  | 7027780     | 1   | Panel, Cover   |     |

# SECTION 5 - PLATFORM

## FIGURE 5-39. SKYWELDER PREP PACKAGE (60HZ) (OPTIONAL)



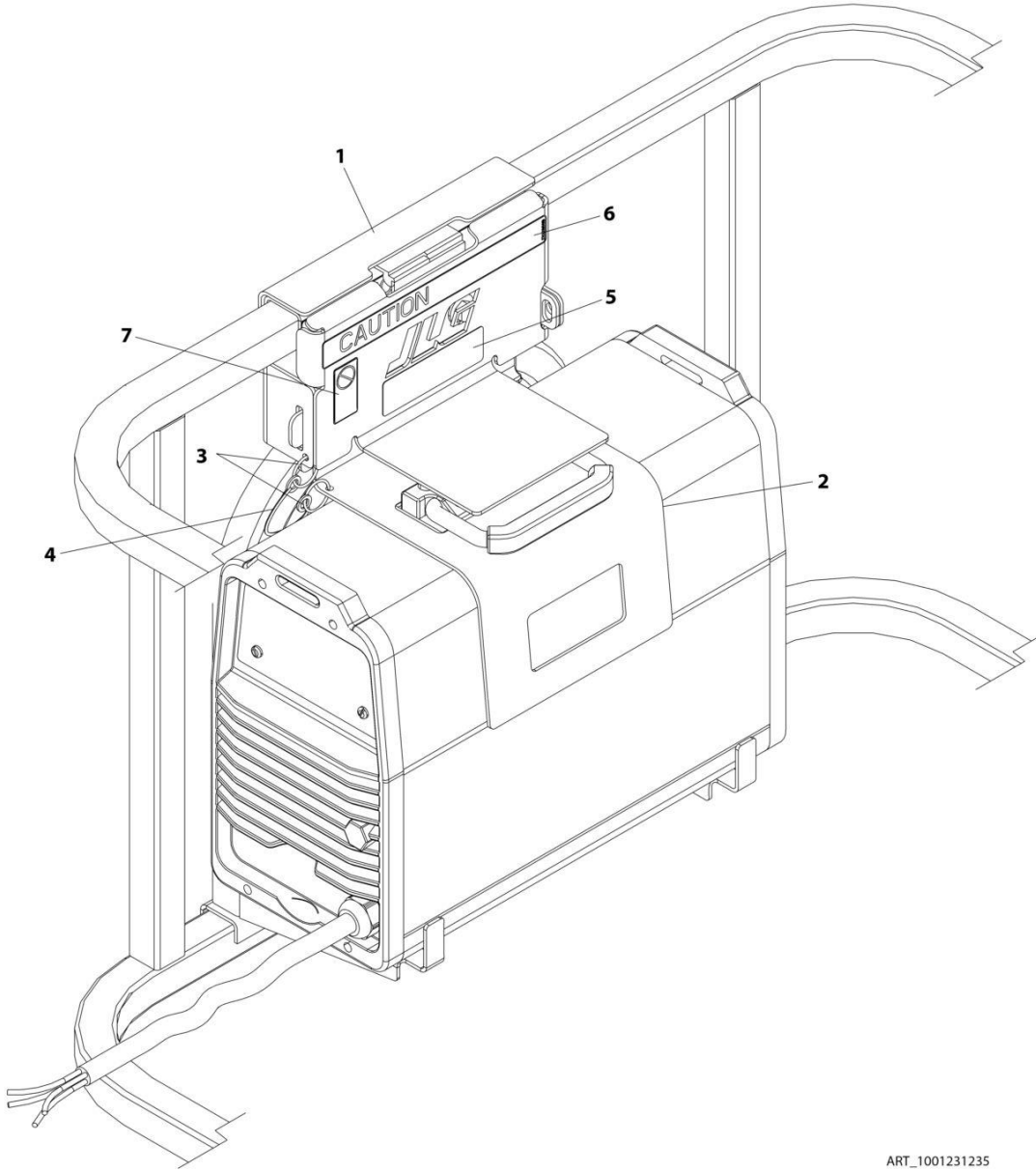
## SECTION 5 - PLATFORM

**FIGURE 5-39. SKYWELDER PREP PACKAGE (60HZ) (OPTIONAL)**

| ITEM | PART NUMBER | QTY | DESCRIPTION                   | REV |
|------|-------------|-----|-------------------------------|-----|
|      | 1001128527  | Ref | SKYWELDER PREP PACKAGE (60HZ) | B   |
| 1    | 0100011     | AR  | Compound, Locking             |     |
| 2    | 0630518     | 2   | Screw #10 x 3/4               |     |
| 3    | 0641606     | 4   | Bolt 3/8 x 3/4                |     |
| 4    | 1320302     | 2   | U-Clamp                       |     |
| 5    | 2030010     | 1   | Extinguisher, Fire            |     |
| 6    | 3300151     | 4   | Nut 1/4                       |     |
| 7    | 3311005     | 2   | Nut #10                       |     |
| 8    | 3311605     | 4   | Nut 3/8                       |     |
| 9    | 3573400     | 1   | Bracket                       |     |
| 10   | 3573642     | 1   | Plate                         |     |
| 11   | 3577121     | 2   | Angle                         |     |
| 12   | 4420037     | AR  | Tape                          |     |
| 13   | 4751000     | 2   | Washer #10                    |     |
| 14   | 4751400     | 4   | Washer 1/4                    |     |
| 15   | 4751600     | 8   | Washer 3/8                    |     |
| 16   | 4846627     | 1   | Support                       |     |
|      | 1001128556  | Ref | SKYWELDER DECAL INSTALLATION  | C   |
| 101  | 1702868     | 1   | Decal - No Hands              |     |
| 102  | 1705305     | 1   | Decal - Weld Lead             |     |
| 103  | 1705375     | 1   | Decal - 240V - 3 Phase - 60Hz |     |
| 104  | 1001228988  | 1   | Decal - Weight                |     |

# SECTION 5 - PLATFORM

## FIGURE 5-40. SKYWELDER LOCKING BRACKET INSTALLATION (OPTIONAL)



ART\_1001231235



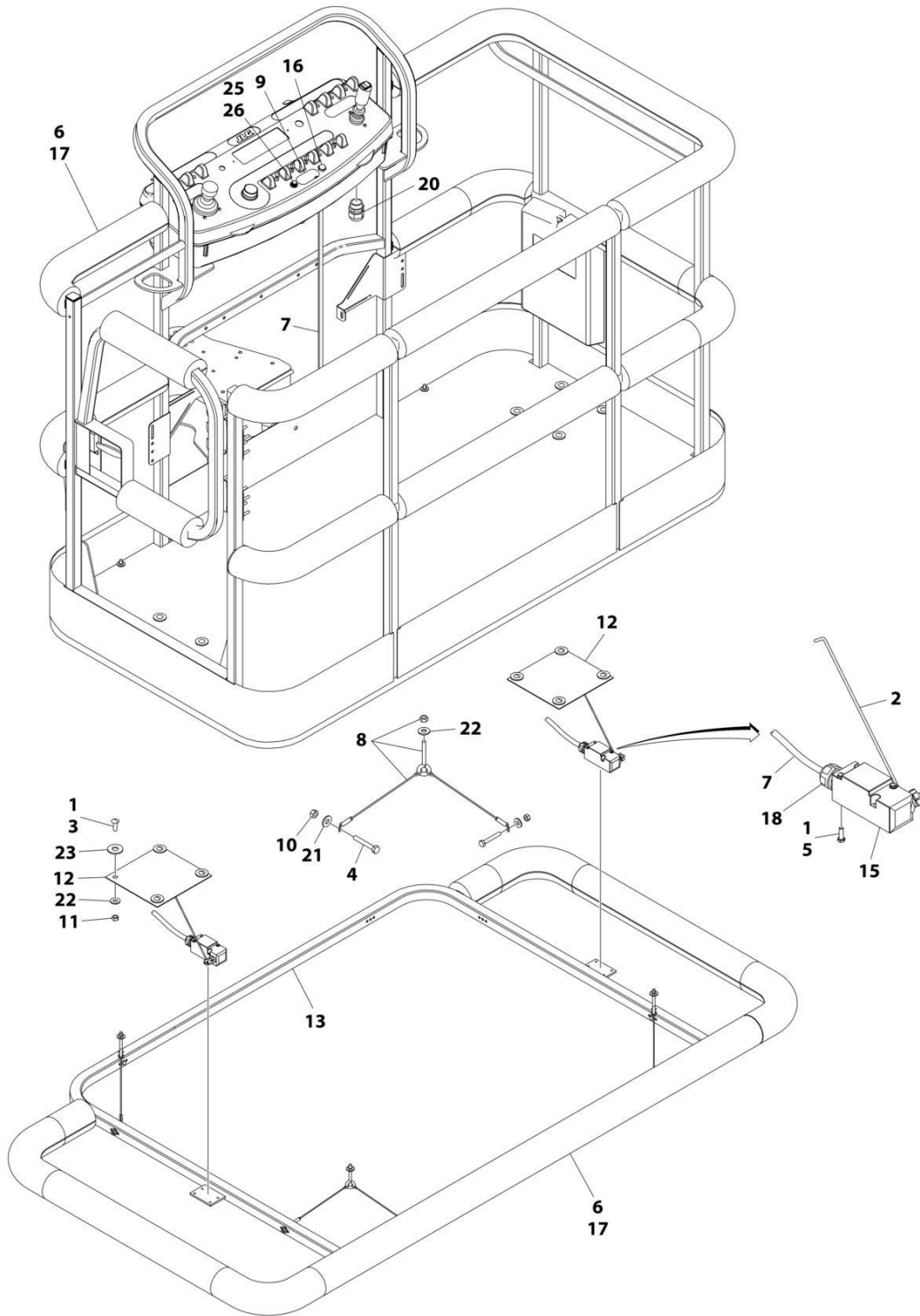
## SECTION 5 - PLATFORM

**FIGURE 5-40. SKYWELDER LOCKING BRACKET INSTALLATION (OPTIONAL)**

| ITEM | PART NUMBER | QTY | DESCRIPTION                            | REV |
|------|-------------|-----|--|-----|
|      | 1001231235  | Ref | SKYWELDER LOCKING BRACKET INSTALLATION | A   |
| 1    | 1001231180  | 1   | Bracket                                |     |
| 2    | 1001231183  | 1   | Plate                                  |     |
| 3    | 3760170     | 2   | Ring                                   |     |
| 4    | 1060379     | 1   | Lanyard                                |     |
| 5    | 1001228988  | 1   | Decal - Weight                         |     |
| 6    | 1702868     | 1   | Decal - No Hands                       |     |
| 7    | 1705305     | 1   | Decal - Weld Lead                      |     |

# SECTION 5 - PLATFORM

## FIGURE 5-41. SOFT TOUCH SYSTEM INSTALLATION - 6FT/1.8M PLATFORMS (OPTIONAL)



ART\_0273824

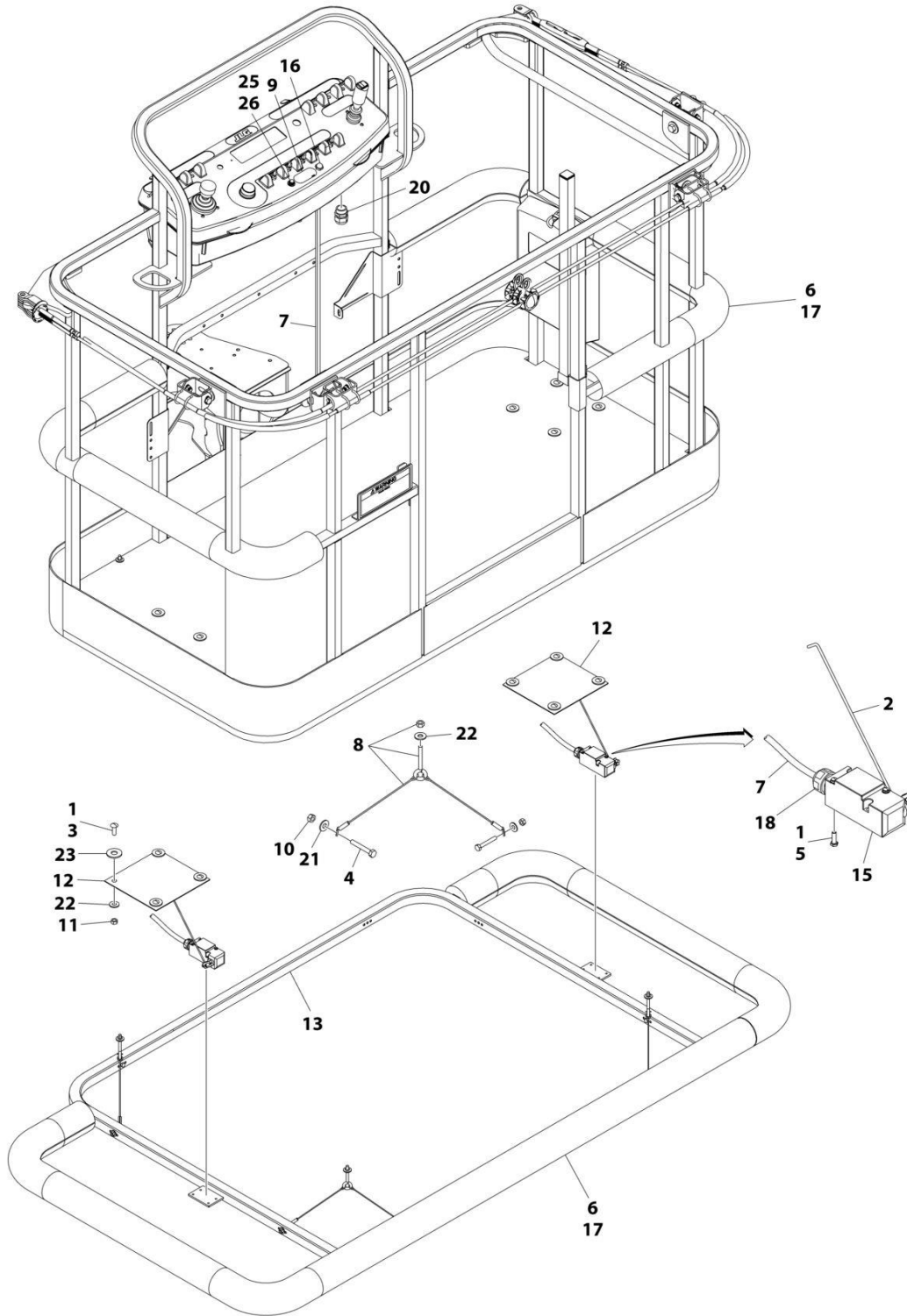
## SECTION 5 - PLATFORM

**FIGURE 5-41. SOFT TOUCH SYSTEM INSTALLATION - 6FT/1.8M PLATFORMS (OPTIONAL)**

| ITEM | PART NUMBER | QTY      | DESCRIPTION   | REV |
|------|-------------|----------|---|-----|
|      | 0273824     | Ref      | SOFT TOUCH SYSTEM INSTALLATION  | D   |
| 1    | 0100011     | AR       | Compound, Locking   |     |
| 2    | 0200048     | 2        | Arm, Switch   |     |
| 3    | 0630462     | 8        | Bolt  |     |
| 4    | 0641414     | 8        | Bolt 1/4 x 1-3/4  |     |
| 5    | 0731005     | 4        | Bolt #10 x 5/8  |     |
| 6    | 0940134     | 1        | Bumper Kit (Includes Corners and Enough Straight Material for One Platform) |     |
| 6    | 0940092     | AR       | Bumper (Corner)   |     |
| 6    | 0940094     | AR       | Bumper (12ft Length)  |     |
| 7    | 1060341     | 23 ft/7m | Cable, Soft Touch - 16/2  |     |
| 8    | 1060903     | 4        | Wire Rope and Eyebolt Assembly  |     |
| 9    | 1702938     | 1        | Decal - Soft Touch Override   |     |
| 10   | 3311401     | 8        | Nut 1/4   |     |
| 11   | 3311501     | 8        | Nut 5/16  |     |
| 12   | 3575359     | 2        | Plate, Switch Strike  |     |
| 13   | 3641569     | 1        | Rail, Soft Touch  |     |
| 14   | 4240099     | 7        | Tie-Strap (Not Shown)   |     |
| 15   | 4360057     | 2        | Switch, Limit   |     |
| 16   | 4360387     | 1        | Switch, Push Button   |     |
| 17   | 4420068     | AR       | Tape, Adhesive  |     |
| 17   | 1001197017  | AR       | Tie-Strap   |     |
| 18   | 4460049     | 2        | Connector, Strain Relief  |     |
| 19   | 4460234     | 7        | Tie-Strap (Not Shown)   |     |
| 20   | 4460425     | 1        | Connector, Strain Relief  |     |
| 21   | 4751400     | 8        | Washer 1/4  |     |
| 22   | 4751500     | 12       | Washer 5/16   |     |
| 23   | 4751800     | 8        | Washer 1/2  |     |
| 24   | 4933218     | 1        | Wiring Diagram (Not Shown - Reference Only)                                 |     |
| 25   | 2920028     | 1        | Light, Indicator  |     |
| 26   | 2920029     | 1        | Bulb, Light   |     |

# SECTION 5 - PLATFORM

## FIGURE 5-42. SOFT TOUCH SYSTEM INSTALLATION - 6FT/1.8M FALL ARREST PLATFORMS (OPTIONAL)



ART\_1001108256

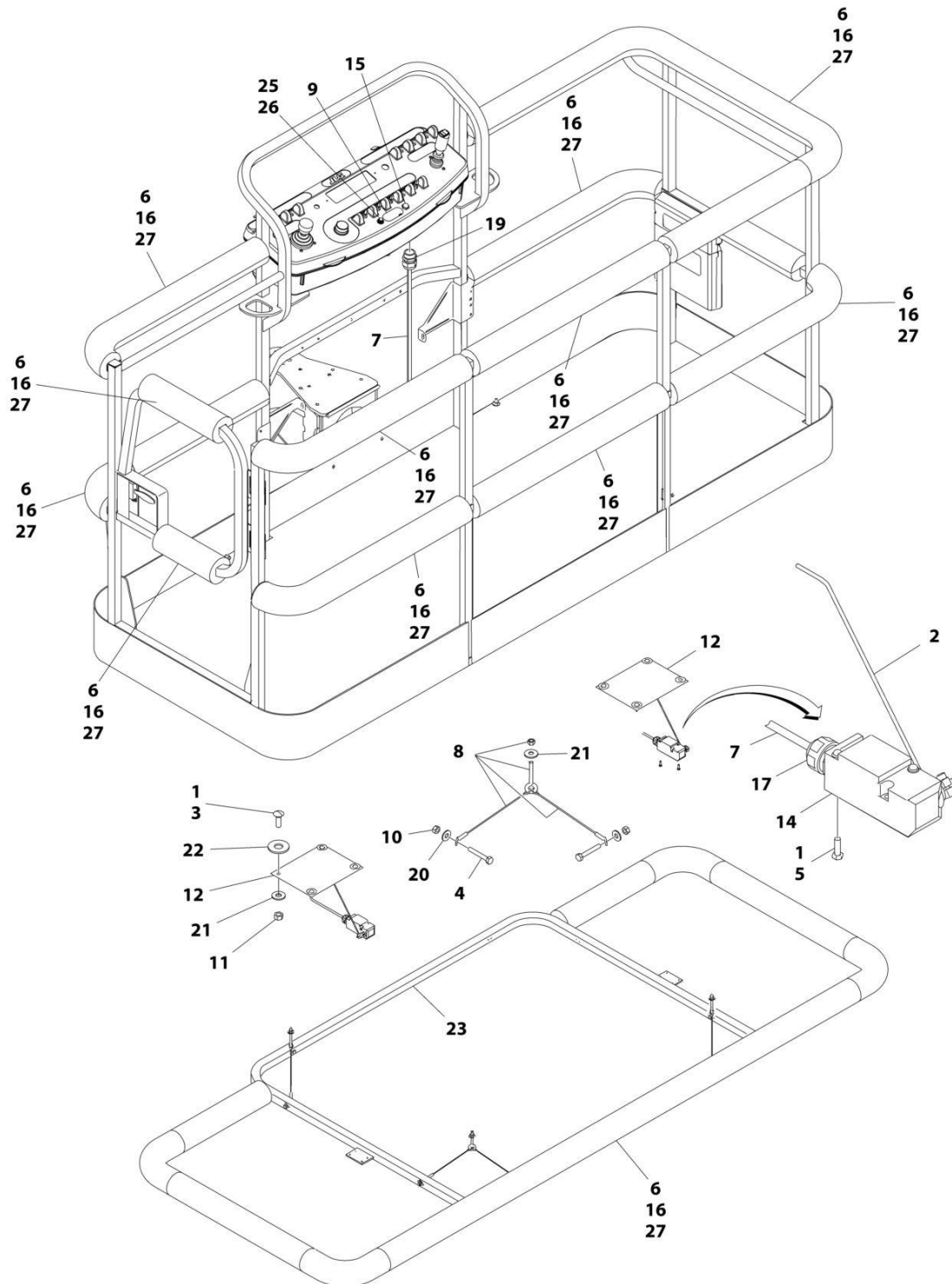
## SECTION 5 - PLATFORM

**FIGURE 5-42. SOFT TOUCH SYSTEM INSTALLATION - 6FT/1.8M FALL ARREST PLATFORMS (OPTIONAL)**

| ITEM | PART NUMBER | QTY      | DESCRIPTION   | REV |
|------|-------------|----------|---|-----|
|      | 1001108256  | Ref      | SOFT TOUCH INSTALLATION   | C   |
| 1    | 0100011     | AR       | Compound, Locking   |     |
| 2    | 0200048     | 2        | Arm, Switch   |     |
| 3    | 0630462     | 8        | Bolt  |     |
| 4    | 0641414     | 8        | Bolt 1/4 x 1-3/4  |     |
| 5    | 0731005     | 4        | Bolt #10 x 5/8  |     |
| 6    | 0940177     | 1        | Bumper Kit (Includes Corners and Enough Straight Material for One Platform) |     |
| 6    | 0940092     | 8        | Bumper (Corner)   |     |
| 6    | 0940094     | AR       | Bumper (12ft Length)  |     |
| 7    | 1060341     | 23 ft/7m | Cable, Soft Touch - 16/2  |     |
| 8    | 1060903     | 4        | Wire Rope and Eyebolt Assembly  |     |
| 9    | 1702938     | 1        | Decal - Soft Touch Override   |     |
| 10   | 3311401     | 8        | Nut 1/4   |     |
| 11   | 3311501     | 8        | Nut 5/16  |     |
| 12   | 3575359     | 2        | Plate, Switch Strike  |     |
| 13   | 3641569     | 1        | Rail, Soft Touch  |     |
| 14   | 4240099     | 7        | Tie-Strap (Not Shown)   |     |
| 15   | 4360057     | 2        | Switch, Limit   |     |
| 16   | 4360387     | 1        | Switch, Push Button   |     |
| 17   | 4420068     | AR       | Tape, Adhesive  |     |
| 17   | 1001197017  | AR       | Tie-Strap   |     |
| 18   | 4460049     | 2        | Connector, Strain Relief  |     |
| 19   | 4460234     | 7        | Tie-Strap (Not Shown)   |     |
| 20   | 4460425     | 1        | Connector, Strain Relief  |     |
| 21   | 4751400     | 8        | Washer 1/4  |     |
| 22   | 4751500     | 9        | Washer 5/16   |     |
| 23   | 4751800     | 8        | Washer 1/2  |     |
| 25   | 2920028     | 1        | Light, Indicator  |     |
| 26   | 2920029     | 1        | Bulb, Light   |     |

# SECTION 5 - PLATFORM

## FIGURE 5-43. SOFT TOUCH SYSTEM INSTALLATION - 8FT/2.44M PLATFORM (OPTIONAL)



ART\_0272427

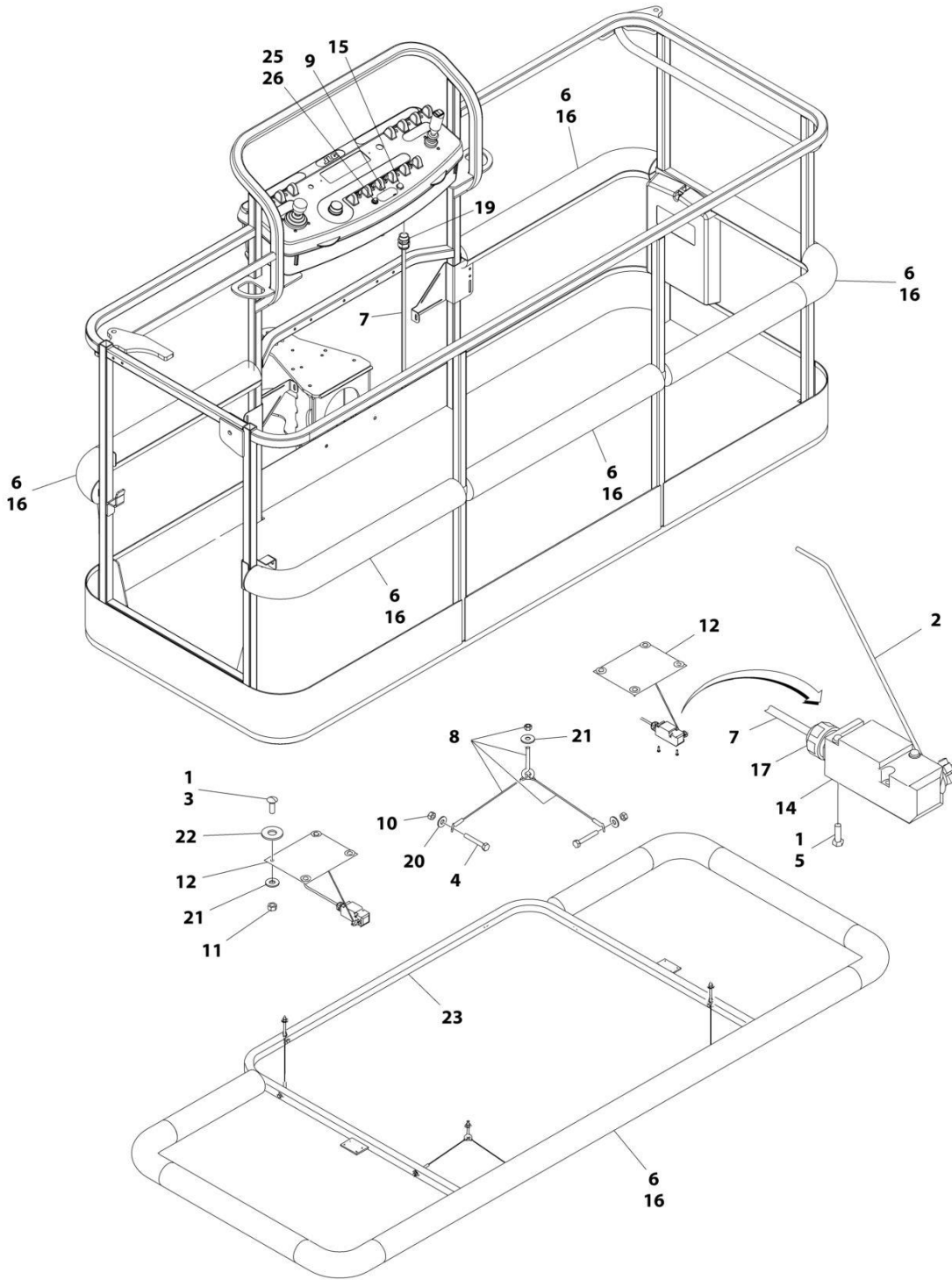
## SECTION 5 - PLATFORM

**FIGURE 5-43. SOFT TOUCH SYSTEM INSTALLATION - 8FT/2.44M PLATFORM (OPTIONAL)**

| ITEM | PART NUMBER | QTY      | DESCRIPTION   | REV |
|------|-------------|----------|---|-----|
|      | 0272427     | Ref      | SOFT TOUCH SYSTEM INSTALLATION  | G   |
| 1    | 0100011     | AR       | Compound, Locking   |     |
| 2    | 0200048     | 2        | Arm, Switch   |     |
| 3    | 0630462     | 8        | Bolt  |     |
| 4    | 0641414     | 8        | Bolt 1/4 x 1-3/4  |     |
| 5    | 0721005     | 4        | Bolt #10 x 5/8  |     |
| 6    | 0940103     | 1        | Bumper Kit (Includes Corners and Enough Straight Material for One Platform) |     |
| 6    | 0940092     | 12       | Bumper (Corner)   |     |
| 6    | 0940094     | AR       | Bumper (12ft Length)  |     |
| 7    | 1060341     | 23 ft/7m | Cable, Electrical - 16/2  |     |
| 8    | 1060903     | 4        | Wire Rope and Eyebolt Assembly  |     |
| 9    | 1702938     | 1        | Decal - Soft Touch Override   |     |
| 10   | 3311401     | 8        | Nut 1/4   |     |
| 11   | 3311501     | 8        | Nut 5/16  |     |
| 12   | 3574091     | 2        | Plate, Switch Strike  |     |
| 13   | 4240099     | 7        | Tie-Strap (Not Shown)   |     |
| 14   | 4360057     | 2        | Switch, Limit   |     |
| 15   | 4360387     | 1        | Switch, Push Button   |     |
| 16   | 4420068     | AR       | Tape, Adhesive  |     |
| 16   | 1001197017  | AR       | Tie-Strap   |     |
| 17   | 4460049     | 2        | Connector, Strain Relief  |     |
| 18   | 4460234     | 7        | Tie-Strap (Not Shown)   |     |
| 19   | 4460425     | 1        | Connector, Strain Relief  |     |
| 20   | 4751400     | 8        | Washer 1/4  |     |
| 21   | 4751500     | 12       | Washer 5/16   |     |
| 22   | 4751800     | 8        | Washer 1/2  |     |
| 23   | 4846673     | 1        | Rail, Soft Touch  |     |
| 24   | 4933218     | 1        | Soft Touch Wiring Diagram (Not Shown - Reference Only)                      |     |
| 25   | 2920028     | 1        | Light, Indicator  |     |
| 26   | 2920029     | 1        | Bulb, Light   |     |

# SECTION 5 - PLATFORM

## FIGURE 5-44. SOFT TOUCH SYSTEM INSTALLATION - 8FT/2.44M FALL ARREST PLATFORM (OPTIONAL)



ART\_0273706



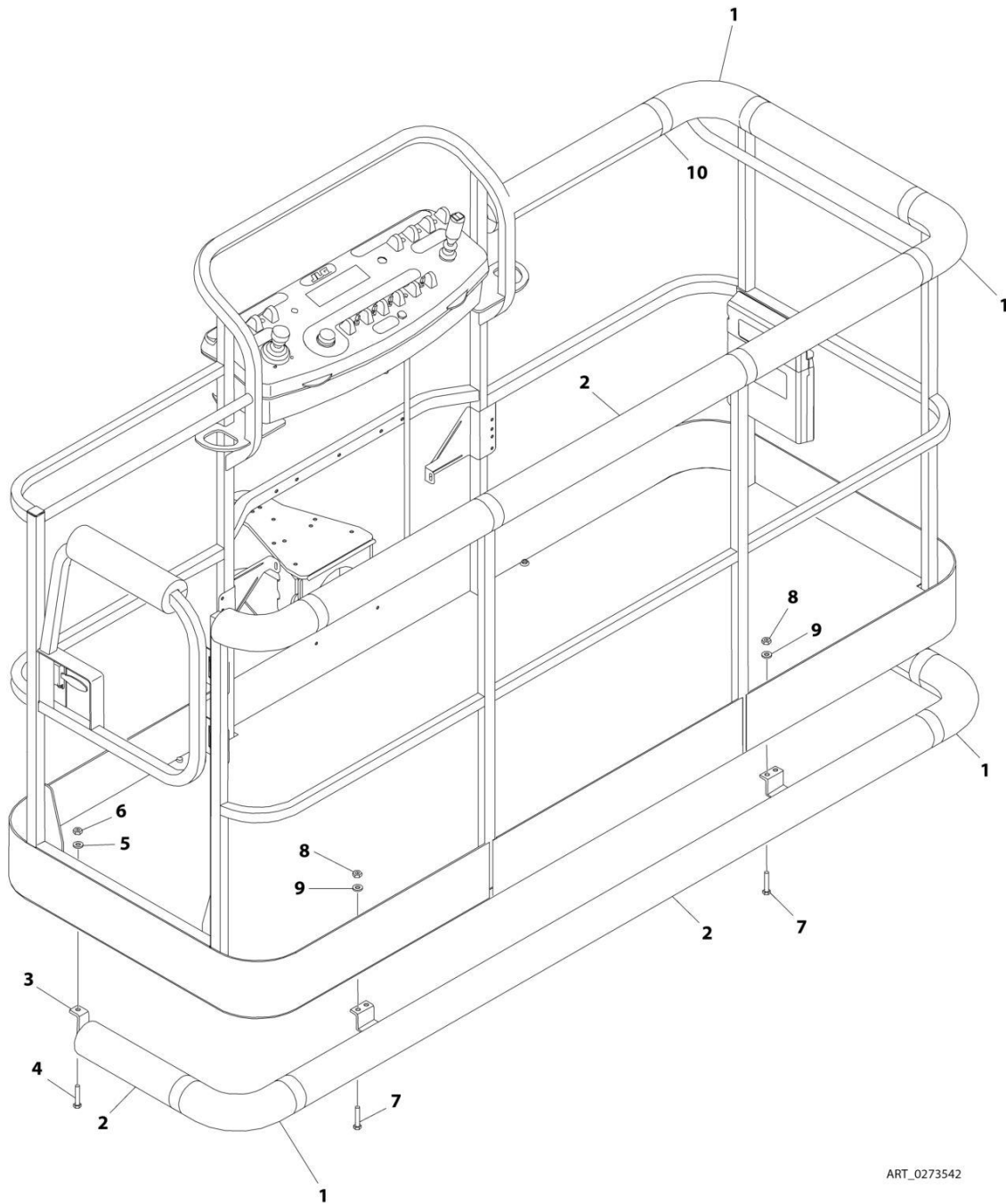
## SECTION 5 - PLATFORM

**FIGURE 5-44. SOFT TOUCH SYSTEM INSTALLATION - 8FT/2.44M FALL ARREST PLATFORM (OPTIONAL)**

| ITEM | PART NUMBER | QTY      | DESCRIPTION   | REV |
|------|-------------|----------|---|-----|
|      | 0273706     | Ref      | SOFT TOUCH INSTALLATION   | D   |
| 1    | 0100011     | AR       | Compound, Locking   |     |
| 2    | 0200048     | 2        | Arm, Switch   |     |
| 3    | 0630462     | 8        | Bolt  |     |
| 4    | 0641414     | 8        | Bolt 1/4 x 1-3/4  |     |
| 5    | 0721005     | 4        | Bolt #10 x 5/8  |     |
| 6    | 0940133     | 1        | Bumper Kit (Includes Corners and Enough Straight Material for One Platform) |     |
| 6    | 0940092     | 8        | Bumper (Corner)   |     |
| 6    | 0940094     | AR       | Bumper (12ft Length)  |     |
| 7    | 1060341     | 23 ft/7m | Cable, Soft Touch - 16/2  |     |
| 8    | 1060903     | 4        | Wire Rope and Eyebolt Assembly  |     |
| 9    | 1702938     | 1        | Decal - Soft Touch Override   |     |
| 10   | 3311401     | 8        | Nut 1/4   |     |
| 11   | 3311501     | 8        | Nut 5/16  |     |
| 12   | 3574091     | 2        | Plate, Switch Strike  |     |
| 13   | 4240099     | 7        | Tie-Strap (Not Shown)   |     |
| 14   | 4360057     | 2        | Switch, Limit   |     |
| 15   | 4360387     | 1        | Switch, Push Button   |     |
| 16   | 4420068     | AR       | Tape, Adhesive  |     |
| 16   | 1001197017  | AR       | Tie-Strap   |     |
| 17   | 4460049     | 2        | Connector, Strain Relief  |     |
| 18   | 4460234     | 7        | Tie-Strap (Not Shown)   |     |
| 19   | 4460425     | 1        | Connector, Strain Relief  |     |
| 20   | 4751400     | 8        | Washer 1/4  |     |
| 21   | 4751500     | 12       | Washer 5/16   |     |
| 22   | 4751800     | 8        | Washer 1/2  |     |
| 23   | 4846673     | 1        | Rail, Soft Touch  |     |
| 25   | 2920028     | 1        | Light, Indicator  |     |
| 26   | 2920029     | 1        | Bulb, Light   |     |

# SECTION 5 - PLATFORM

FIGURE 5-45. PLATFORM PADDING INSTALLATION (30IN/76CM DEPTH PLATFORMS) (ANSI, ANSI EXPORT, CSA AND CHINA SPECS) (OPTIONAL)



ART\_0273542

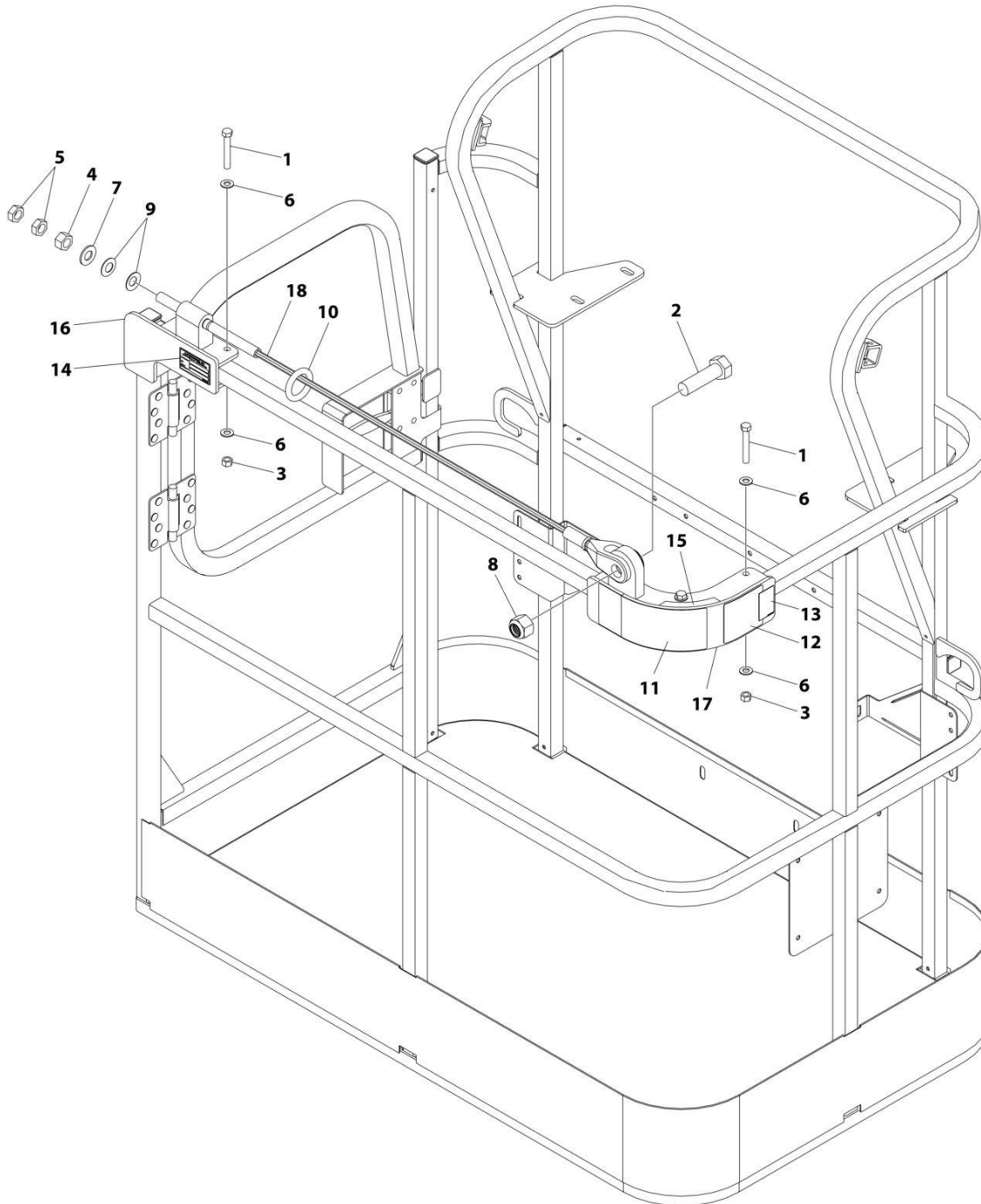
## SECTION 5 - PLATFORM

**FIGURE 5-45. PLATFORM PADDING INSTALLATION (30IN/76CM DEPTH PLATFORMS) (ANSI, ANSI EXPORT, CSA AND CHINA SPECS) (OPTIONAL)**

| ITEM | PART NUMBER | QTY         | DESCRIPTION  | REV |
|------|-------------|-------------|--|-----|
|      | 0273542     | Ref         | PADDING INSTALLATION (30 X 48 SIDE ENTRY PLATFORM) | A   |
| 1    | 0940092     | 4           | Bumper, Pad (Corner)                               |     |
| 2    | 0940094     | 9 ft /2.7m  | Bumper, Pad (Square Tubing)                        |     |
| 3    | 0940131     | 1           | Bumper, Rail                                       |     |
| 4    | 0641516     | 2           | Bolt 5/16 x 2                                      |     |
| 5    | 4751500     | 2           | Washer 5/16  |     |
| 6    | 3311505     | 2           | Nut 5/16   |     |
| 7    | 0641813     | 4           | Bolt 1/2 x 1-5/8                                   |     |
| 8    | 3311805     | 4           | Nut 1/2  |     |
| 9    | 4891800     | 4           | Washer 1/2 Hardened                                |     |
| 10   | 4420068     | 30 ft /9.1m | Tape   |     |

# SECTION 5 - PLATFORM

FIGURE 5-46. FALL ARREST (BOLT-ON) INSTALLATION - 30IN X 4FT PLATFORM (ALL SPECS EXCEPT CE & UK CA SPECS) (OPTIONAL)



ART\_1001261338

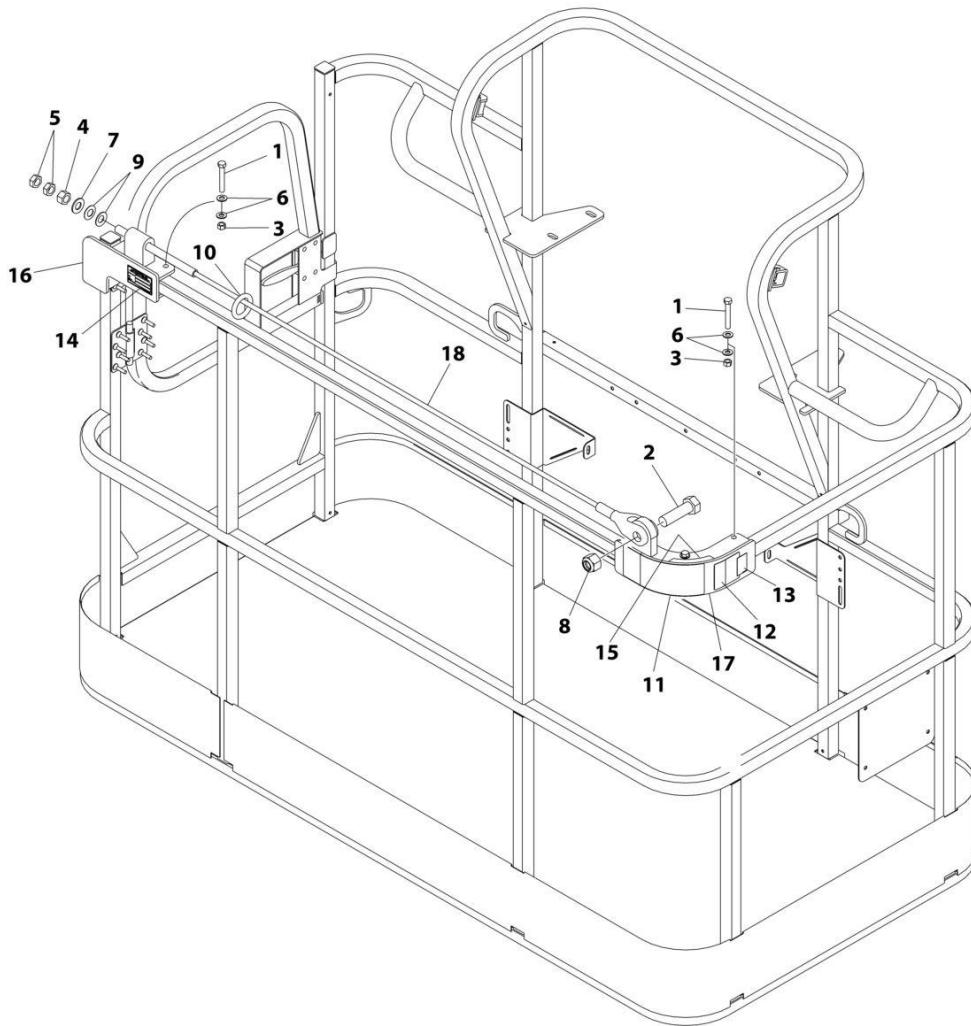
## SECTION 5 - PLATFORM

**FIGURE 5-46. FALL ARREST (BOLT-ON) INSTALLATION - 30IN X 4FT PLATFORM (ALL SPECS EXCEPT CE & UK CA SPECS) (OPTIONAL)**

| ITEM | PART NUMBER | QTY | DESCRIPTION  | REV |
|------|-------------|-----|--|-----|
|      | 1001261338  | Ref | FALL ARREST INSTALLATION   | A   |
| 1    | 0681620     | 6   | Bolt 3/8 x 2-1/2   |     |
| 2    | 0682424     | 1   | Bolt 7/8 x 3   |     |
| 3    | 3271605     | 6   | Nut 3/8  |     |
| 4    | 3272001     | 1   | Nut 5/8  |     |
| 5    | 3312002     | 2   | Nut 5/8  |     |
| 6    | 4711600     | 12  | Washer 3/8   |     |
| 7    | 4712000     | 1   | Washer 5/8   |     |
| 8    | 88521214    | 1   | Nut 7/8  |     |
| 9    | 1001236891  | 2   | Washer   |     |
| 10   | 1001236895  | 1   | Ring   |     |
| 11   | 1001238263  | 1   | Decal - Warning Falling Hazard   |     |
| 12   | 1001248140  | 1   | Decal - Bolt Fall Arrest Re-Cert   |     |
| 13   | 1001248141  | 1   | Decal - Incription   |     |
| 14   | See Note    | NSS | Nameplate - Manufacturers Serial Number (Note: Not Available for Purchase) |     |
| 15   | 1001252629  | 1   | Decal - Weight   |     |
| 16   | 1001257271  | 1   | Bracket (RH)   |     |
| 17   | 1001257274  | 1   | Bracket (LH)   |     |
| 18   | 1001261335  | 1   | Rope   |     |

# SECTION 5 - PLATFORM

FIGURE 5-47. FALL ARREST (BOLT-ON) INSTALLATION - 30IN X 5FT PLATFORM (ALL SPECS EXCEPT CE & UK CA SPECS) (OPTIONAL)



ART\_1001257275

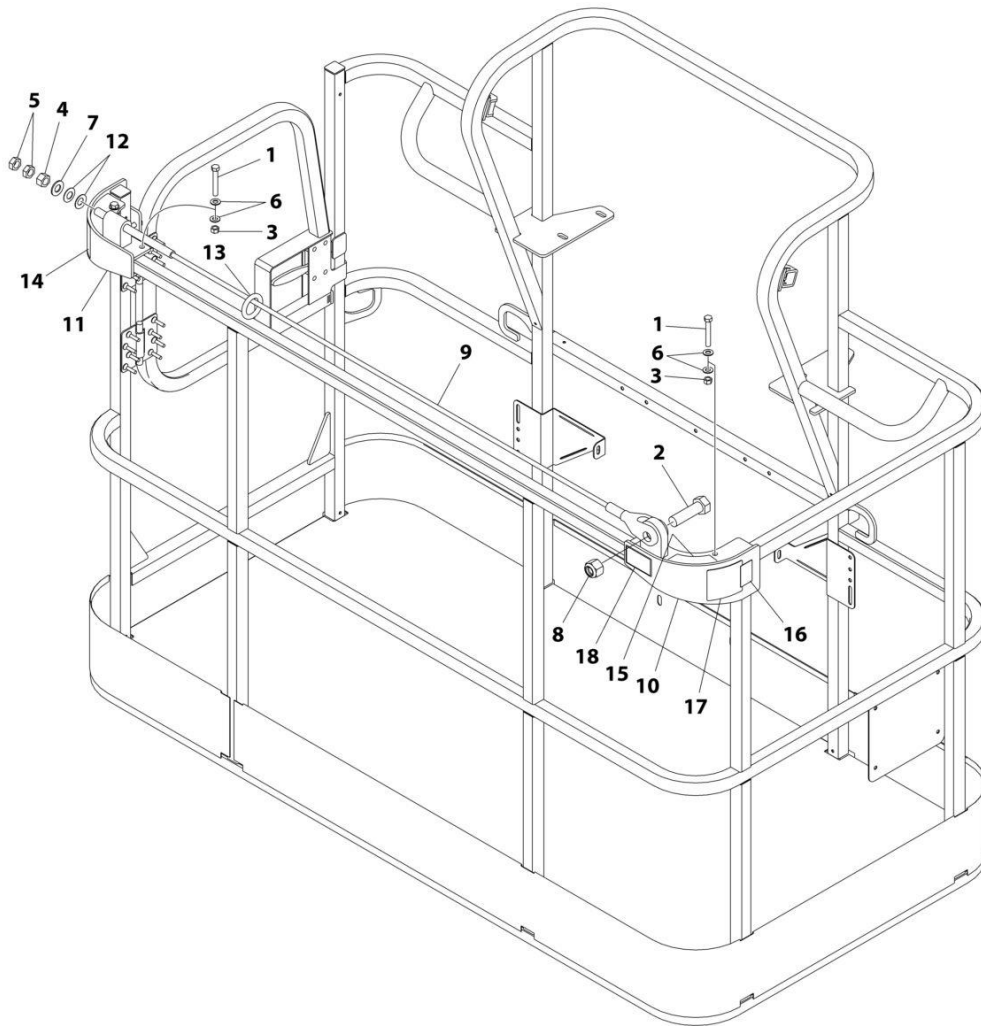
## SECTION 5 - PLATFORM

**FIGURE 5-47. FALL ARREST (BOLT-ON) INSTALLATION - 30IN X 5FT PLATFORM (ALL SPECS EXCEPT CE & UK CA SPECS) (OPTIONAL)**

| ITEM | PART NUMBER | QTY | DESCRIPTION  | REV |
|------|-------------|-----|--|-----|
|      | 1001257275  | Ref | FALL ARREST INSTALLATION (BOLT - ON) 6FT/1.82M PLATFORM                    | A   |
| 1    | 0681620     | 6   | Bolt 3/8 x 2-1/2   |     |
| 2    | 0682424     | 1   | Bolt 7/8 x 3   |     |
| 3    | 3271605     | 6   | Nut 3/8  |     |
| 4    | 3272001     | 1   | Nut 5/8  |     |
| 5    | 3312002     | 2   | Nut 5/8  |     |
| 6    | 4711600     | 12  | Washer 3/8   |     |
| 7    | 4712000     | 1   | Washer 5/8   |     |
| 8    | 88521214    | 1   | Nut 7/8  |     |
| 9    | 1001236891  | 2   | Washer   |     |
| 10   | 1001236895  | 1   | Ring   |     |
| 11   | 1001238263  | 1   | Decal - Warning Falling Hazard   |     |
| 12   | 1001248140  | 1   | Decal - Bolt Fall Arrest Re-Cert   |     |
| 13   | 1001248141  | 1   | Decal - Incription   |     |
| 14   | See Note    | NSS | Nameplate - Manufacturers Serial Number (Note: Not Available for Purchase) |     |
| 15   | 1001252629  | 1   | Decal - Weight   |     |
| 16   | 1001257271  | 1   | Bracket (RH)   |     |
| 17   | 1001257274  | 1   | Bracket (LH)   |     |
| 18   | 1001258005  | 1   | Rope   |     |

# SECTION 5 - PLATFORM

FIGURE 5-48. FALL ARREST (BOLT-ON) INSTALLATION - 36IN X 6FT PLATFORM (ALL SPECS EXCEPT CE & UK CA SPECS) (OPTIONAL)



ART\_1001236747



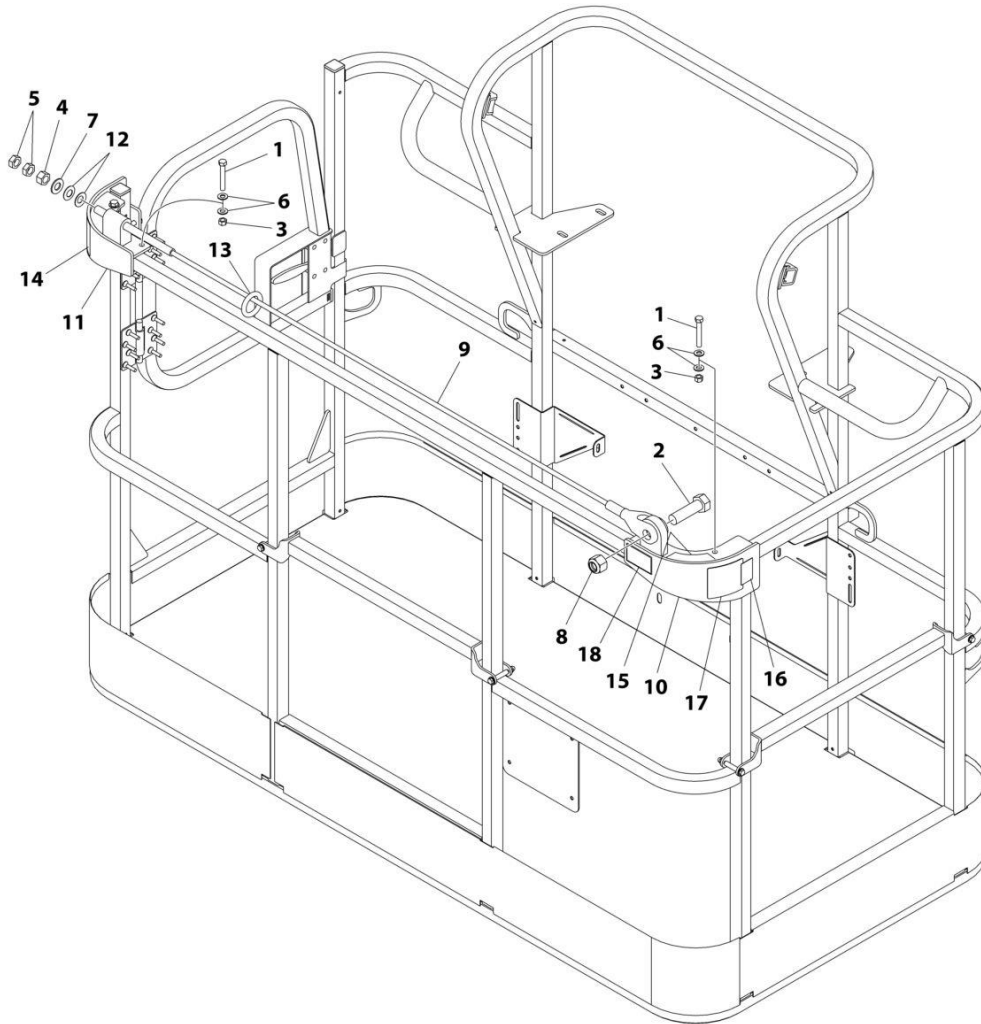
## SECTION 5 - PLATFORM

**FIGURE 5-48. FALL ARREST (BOLT-ON) INSTALLATION - 36IN X 6FT PLATFORM (ALL SPECS EXCEPT CE & UK CA SPECS) (OPTIONAL)**

| ITEM | PART NUMBER | QTY | DESCRIPTION   | REV |
|------|-------------|-----|---|-----|
|      | 1001236747  | Ref | FALL ARREST INSTALLATION (BOLT - ON) 6FT/1.82M PLATFORM | C   |
| 1    | 0681620     | 6   | Bolt 3/8 x 2-1/2  |     |
| 2    | 0682424     | 1   | Bolt 7/8 x 3  |     |
| 3    | 3271605     | 6   | Nut 3/8   |     |
| 4    | 3272001     | 1   | Nut 5/8   |     |
| 5    | 3312002     | 2   | Nut 5/8   |     |
| 6    | 4711600     | 12  | Washer 3/8  |     |
| 7    | 4712000     | 1   | Washer 5/8  |     |
| 8    | 88521214    | 1   | Nut 7/8   |     |
| 9    | 1001231950  | 1   | Rope  |     |
| 10   | 1001232010  | 1   | Bracket (RH)  |     |
| 11   | 1001232011  | 1   | Bracket (LH)  |     |
| 12   | 1001236891  | 2   | Washer  |     |
| 13   | 1001236895  | 1   | Ring  |     |
| 14   | 1001238263  | 1   | Decal - Warning Falling Hazard                          |     |
| 15   | 1001252629  | 1   | Decal - Weight  |     |
| 16   | 1001248140  | 1   | Decal - Bolt Fall Arrest Re-Cert                        |     |
| 17   | 1001248141  | 1   | Decal - Inscription                                     |     |

# SECTION 5 - PLATFORM

FIGURE 5-49. FALL ARREST (BOLT-ON) INSTALLATION - 36IN X 6FT TRI-ENTRY PLATFORM (ALL SPECS EXCEPT CE & UK CA SPECS) (OPTIONAL)



ART\_1001238463

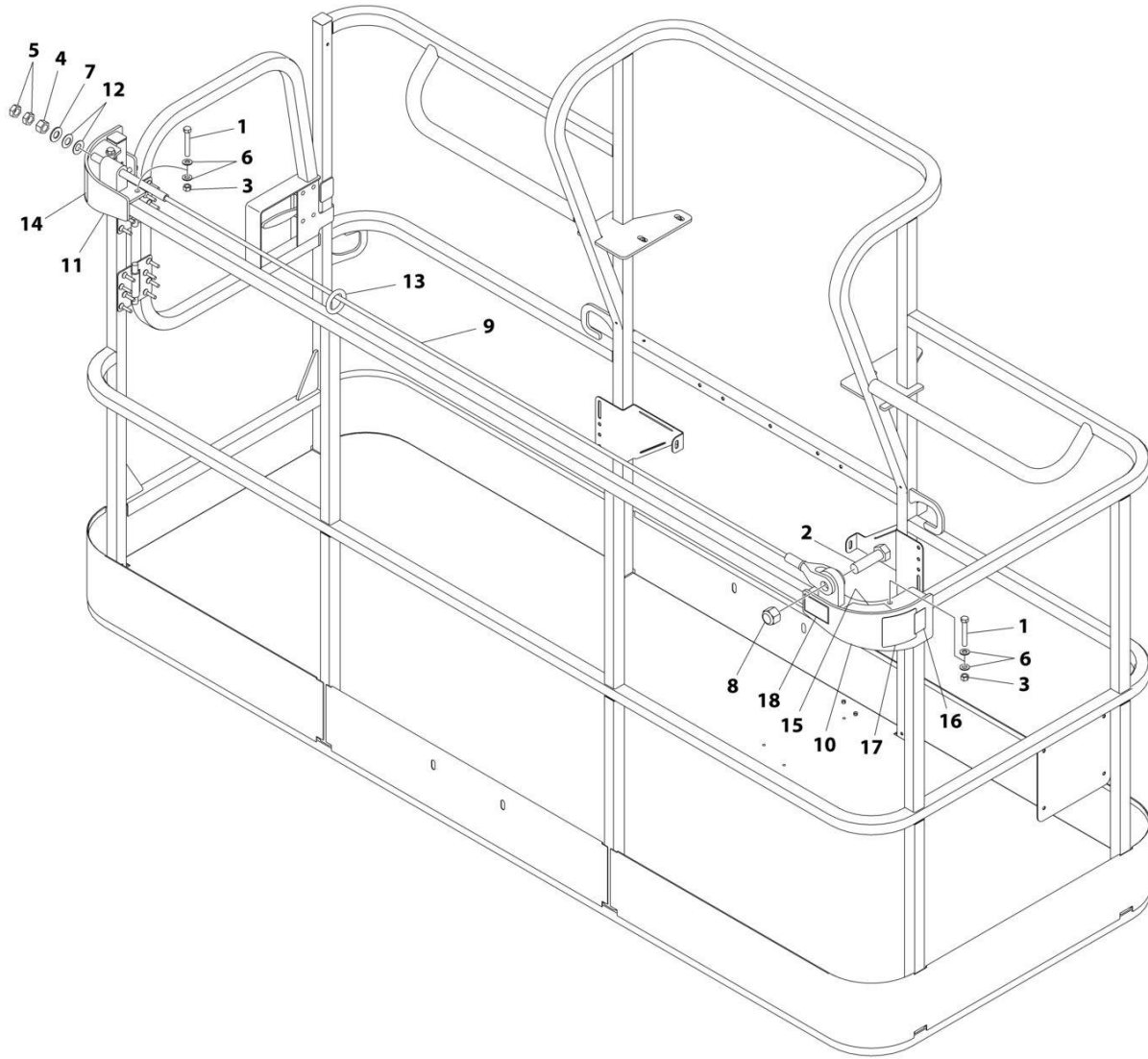
## SECTION 5 - PLATFORM

**FIGURE 5-49. FALL ARREST (BOLT-ON) INSTALLATION - 36IN X 6FT TRI-ENTRY PLATFORM (ALL SPECS EXCEPT CE & UK CA SPECS) (OPTIONAL)**

| ITEM | PART NUMBER | QTY | DESCRIPTION   | REV |
|------|-------------|-----|---|-----|
|      | 1001238463  | Ref | FALL ARREST INSTALLATION (BOLT - ON) 6FT/1.82M PLATFORM | C   |
| 1    | 0681620     | 6   | Bolt 3/8 x 2-1/2  |     |
| 2    | 0682424     | 1   | Bolt 7/8 x 3  |     |
| 3    | 3271605     | 6   | Nut 3/8   |     |
| 4    | 3272001     | 1   | Nut 5/8   |     |
| 5    | 3312002     | 2   | Nut 5/8   |     |
| 6    | 4711600     | 12  | Washer 3/8  |     |
| 7    | 4712000     | 1   | Washer 5/8  |     |
| 8    | 88521214    | 1   | Nut 7/8   |     |
| 9    | 1001231950  | 1   | Rope  |     |
| 10   | 1001232010  | 1   | Bracket (RH)  |     |
| 11   | 1001232011  | 1   | Bracket (LH)  |     |
| 12   | 1001236891  | 2   | Washer  |     |
| 13   | 1001236895  | 1   | Ring  |     |
| 14   | 1001238263  | 1   | Decal - Warning Falling Hazard                          |     |
| 15   | 1001252629  | 1   | Decal - Weight  |     |
| 16   | 1001248140  | 1   | Decal - Bolt Fall Arrest Re-Cert                        |     |
| 17   | 1001248141  | 1   | Decal - Inscription                                     |     |

# SECTION 5 - PLATFORM

FIGURE 5-50. FALL ARREST (BOLT-ON) INSTALLATION - 36IN X 8FT PLATFORM (ALL SPECS EXCEPT CE & UK CA SPECS) (OPTIONAL)



ART\_1001236746

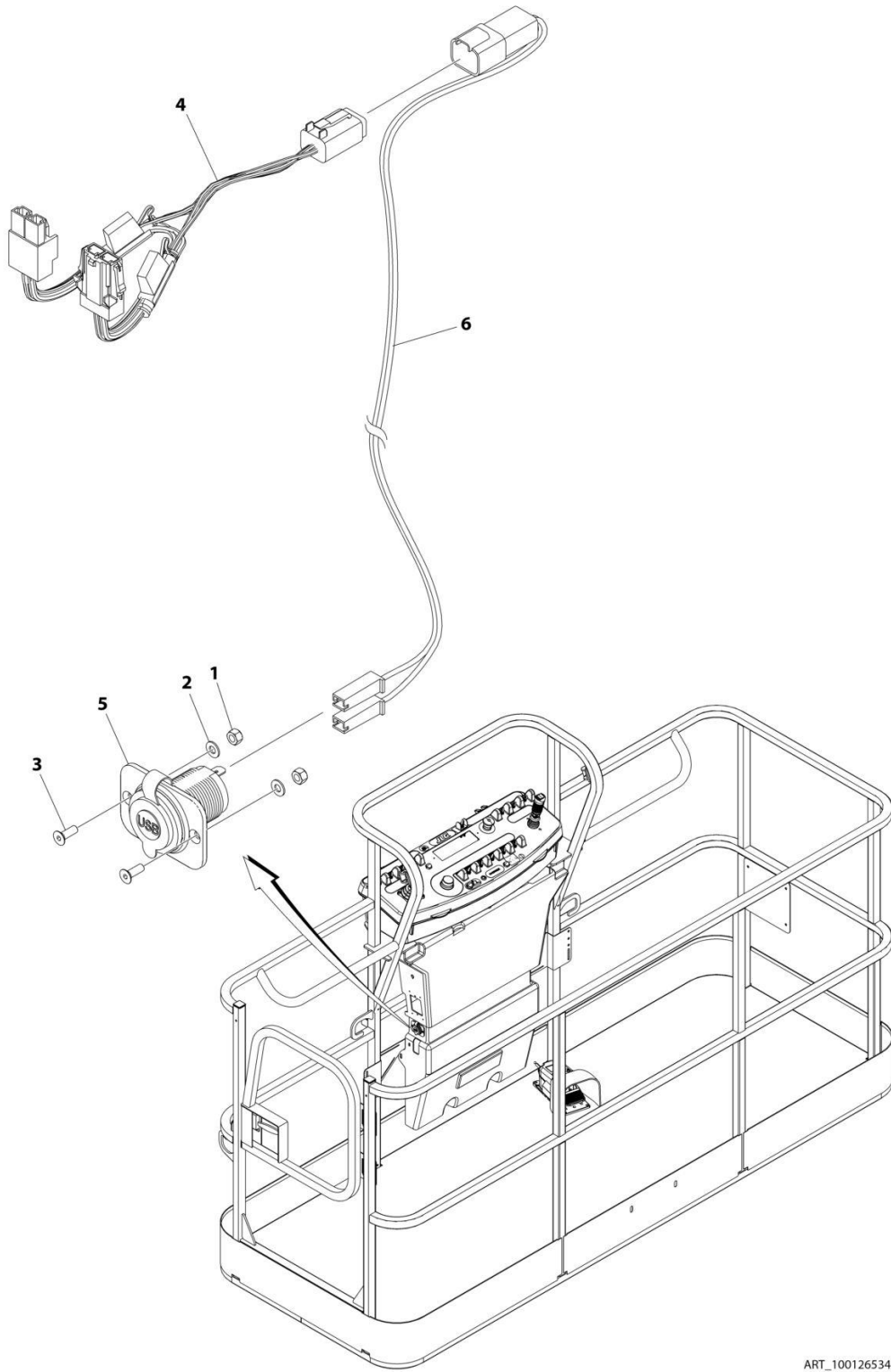
## SECTION 5 - PLATFORM

**FIGURE 5-50. FALL ARREST (BOLT-ON) INSTALLATION - 36IN X 8FT PLATFORM (ALL SPECS EXCEPT CE & UK CA SPECS) (OPTIONAL)**

| ITEM | PART NUMBER | QTY | DESCRIPTION  | REV |
|------|-------------|-----|--|-----|
|      | 1001236746  | Ref | FALL ARREST INSTALLATION (BOLT - ON) 8FT/2.4M PLATFORM | C   |
| 1    | 0681620     | 6   | Bolt 3/8 x 2-1/2                                       |     |
| 2    | 0682424     | 1   | Bolt 7/8 x 3   |     |
| 3    | 3271605     | 6   | Nut 3/8  |     |
| 4    | 3272001     | 1   | Nut 5/8  |     |
| 5    | 3312002     | 2   | Nut 5/8  |     |
| 6    | 4711600     | 12  | Washer 3/8   |     |
| 7    | 4712000     | 1   | Washer 5/8   |     |
| 8    | 88521214    | 1   | Nut 7/8  |     |
| 9    | 1001231949  | 1   | Rope   |     |
| 10   | 1001232010  | 1   | Bracket (RH)   |     |
| 11   | 1001232011  | 1   | Bracket (LH)   |     |
| 12   | 1001236891  | 2   | Washer   |     |
| 13   | 1001236895  | 1   | Ring   |     |
| 14   | 1001238263  | 1   | Decal - Warning Falling Hazard                         |     |
| 15   | 1001252629  | 1   | Decal - Weight 23LBS/10.4KG                            |     |
| 16   | 1001248140  | 1   | Decal - Bolt Fall Arrest Re-Cert                       |     |
| 17   | 1001248141  | 1   | Decal - Inscription                                    |     |

# SECTION 5 - PLATFORM

## FIGURE 5-51. USB CHARGER INSTALLATION



ART\_1001265342

## SECTION 5 - PLATFORM

**FIGURE 5-51. USB CHARGER INSTALLATION**

| ITEM | PART NUMBER | QTY | DESCRIPTION                      | REV |
|------|-------------|-----|----------------------------------|-----|
|      | 1001265342  | Ref | USB CHARGER INSTALLATION         | A   |
| 1    | 3290405     | 2   | Nut M4                           |     |
| 2    | 4811400     | 2   | Washer M4                        |     |
| 3    | 1001097244  | 2   | Screw M4 x 12                    |     |
| 4    | 1001120484  | 1   | Harness, Work Lights             |     |
| 4    | 4460879     | 1   | Plug, Male - 2 Position          |     |
| 4    | 4460887     | 2   | Terminal                         |     |
| 4    | 2400060     | 2   | Fuseholder Includes Cover        |     |
| 4    | 8229249     | 2   | Fuse, 3 Amp                      |     |
| 4    | 4460884     | 1   | Connector - 4 Position           |     |
| 4    | 4460465     | 4   | Socket, Female                   |     |
| 4    | 1001120471  | 1   | Connector - 2 Position           |     |
| 4    | 1001120477  | 2   | Terminal                         |     |
| 5    | 1001210636  | 1   | Receptacle, USB                  |     |
| 6    | 1001265163  | 1   | Harness, USB                     | A   |
| 6    | 4460260     | 2   | Cover, Terminal                  |     |
| 6    | 4460259     | 2   | Terminal                         |     |
| 6    | 4460932     | 1   | Receptacle, Bussbar - 4 Position |     |
| 6    | 4460464     | 2   | Pin, Male                        |     |
| 6    | 4460466     | 2   | Plug, Terminal                   |     |

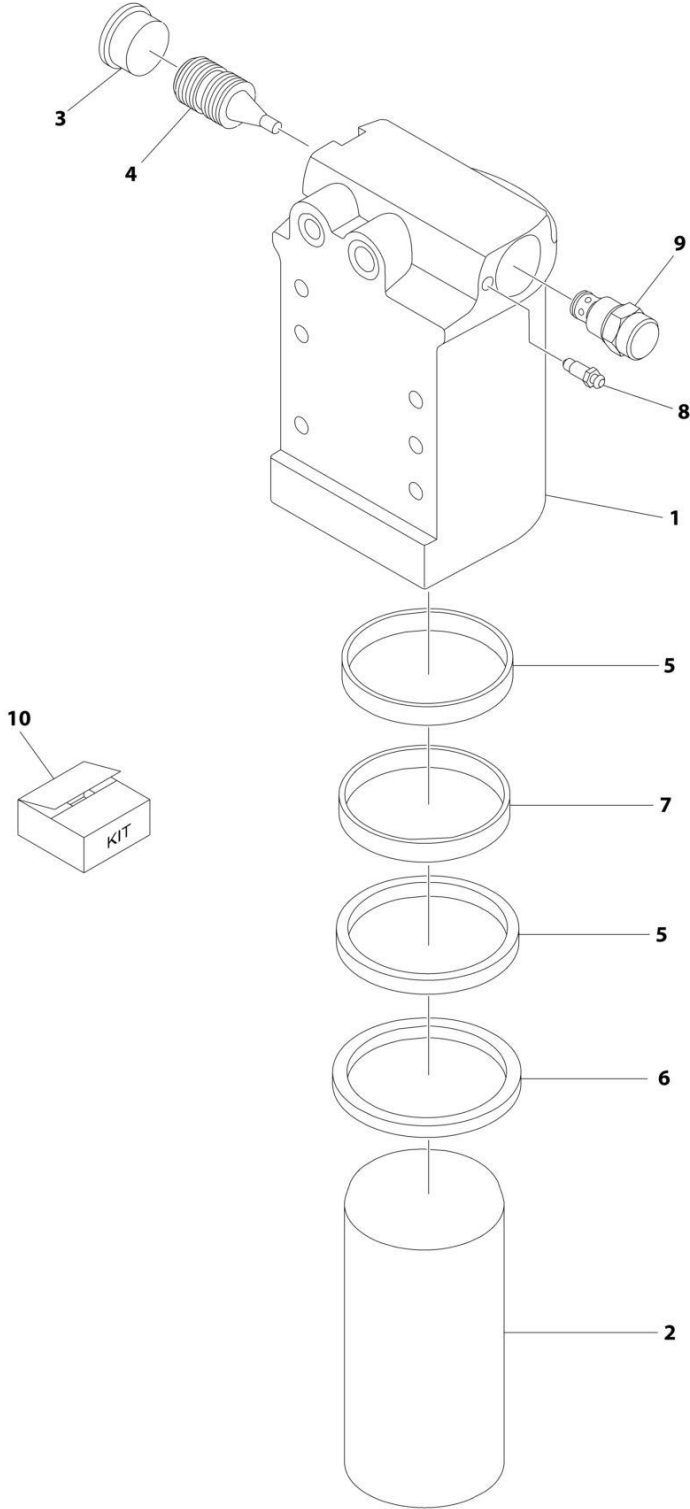




**SECTION 6 - CYLINDER**

**SECTION 6 - CYLINDER**

**FIGURE 6-1. AXLE LOCKOUT CYLINDER ASSEMBLY**



ART\_1684465

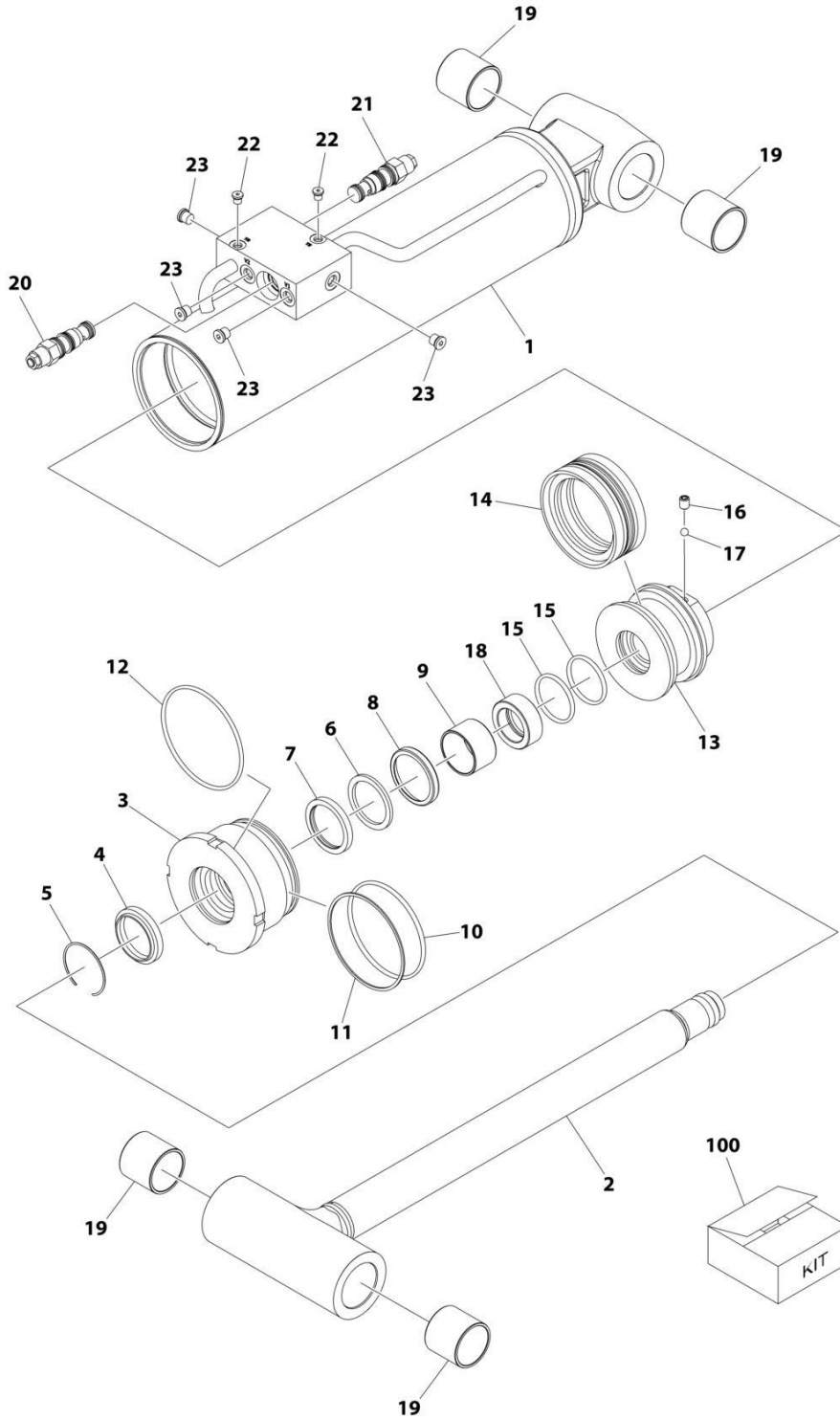
## SECTION 6 - CYLINDER

**FIGURE 6-1. AXLE LOCKOUT CYLINDER ASSEMBLY**

| ITEM | PART NUMBER | QTY | DESCRIPTION   | REV |
|------|-------------|-----|---|-----|
|      | 1684465     | Ref | AXLE LOCKOUT CYLINDER ASSEMBLY  | J   |
|      |             | Ref | Note: Original Cylinder may have been replaced with Service Replacement. Identify PN Stamped on Cylinder Before Ordering Parts. |     |
| 1    | 0370026     | 1   | Barrel  |     |
| 2    | 1684290     | 1   | Rod   |     |
| 3    | 2220890     | 1   | Plug  |     |
| 4    | 3480288     | 1   | Piston, Pilot   |     |
| 5    | See Note    | NSS | Ring, Wear (Note: Use Item 110)   |     |
| 6    | See Note    | NSS | Wiper (Note: Use Item 110)  |     |
| 7    | See Note    | NSS | Seal, Rod (Note: Use Item 110)  |     |
| 8    | 4640858     | 1   | Bleeder   |     |
| 9    | 4641390     | 1   | Cartridge, Valve  |     |
| 9    | 7017496     | 1   | Seal Kit  |     |
| 10   | 2902266     | 1   | Seal Kit (Includes Items 105-107)   |     |

# SECTION 6 - CYLINDER

## FIGURE 6-2. LEVEL (PLATFORM SLAVE) CYLINDER ASSEMBLY



ART\_1001237697

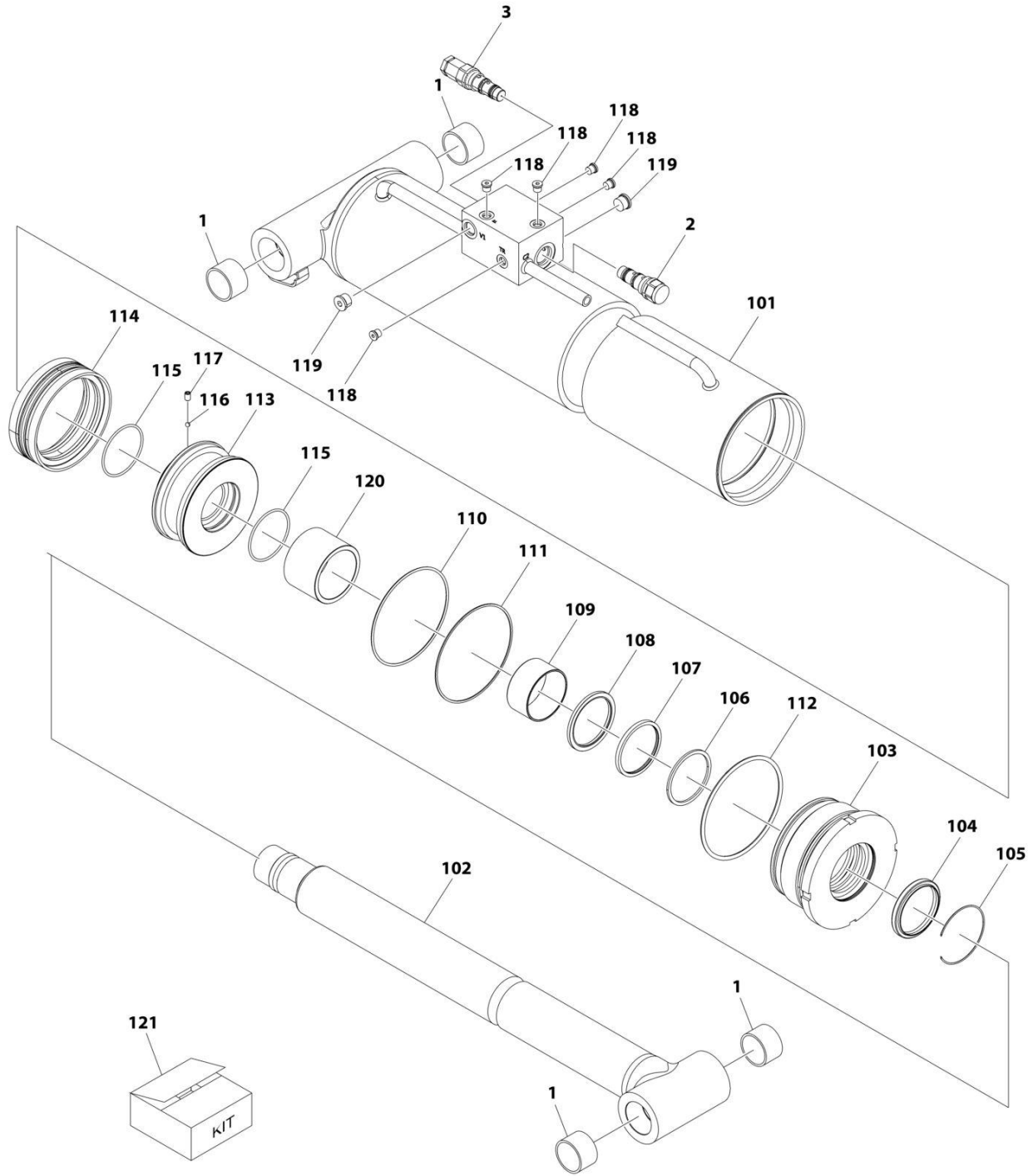
## SECTION 6 - CYLINDER

**FIGURE 6-2. LEVEL (PLATFORM SLAVE) CYLINDER ASSEMBLY**

| ITEM | PART NUMBER | QTY | DESCRIPTION   | REV |
|------|-------------|-----|---|-----|
|      | 1001237697  | Ref | LEVEL (PLATFORM SLAVE) CYLINDER ASSEMBLY  | B   |
|      |             | Ref | Note: Original Cylinder May Have Been Replaced with Service Replacement. Identify PN Stamped on Cylinder Before Ordering Parts. |     |
| 1    | See Note    | NSS | Barrel (Note: Use PN 1001237697)  |     |
| 2    | 70007168    | 1   | Rod   |     |
| 3    | 70007157    | 1   | Head  |     |
| 4    | See Note    | NSS | Wiper (Note: Use Item 100)  |     |
| 5    | 70002410    | 1   | Ring, Retaining   |     |
| 6    | See Note    | NSS | Seal, Rod (Note: Use Item 100)  |     |
| 7    | See Note    | NSS | Ring, Back-up (Note: Use Item 100)  |     |
| 8    | See Note    | NSS | Ring (Note: Use Item 100)   |     |
| 9    | 70004237    | 1   | Bearing, Dry  |     |
| 10   | See Note    | NSS | O-Ring (Note: Use Item 100)   |     |
| 11   | See Note    | NSS | Ring, Back-up (Note: Use Item 100)  |     |
| 12   | See Note    | NSS | O-Ring (Note: Use Item 100)   |     |
| 13   | 70007161    | 1   | Piston  |     |
| 14   | See Note    | NSS | Seal, Piston (Note: Use Item 100)   |     |
| 15   | See Note    | NSS | O-Ring (Note: Use Item 100)   |     |
| 16   | 70023369    | 1   | Setscrew  |     |
| 17   | 70022564    | 1   | Ball  |     |
| 18   | 70007169    | 1   | Spacer  |     |
| 19   | 70007159    | 4   | Bearing   |     |
| 20   | 1001168209  | 1   | Cartridge, Valve  |     |
| 20   | 2900770     | 1   | Seal Kit - 1001168209 Valve   |     |
| 21   | 1001168210  | 1   | Cartridge, Valve  |     |
| 21   | 2900770     | 1   | Seal Kit - 1001168210 Valve   |     |
| 22   | 2220881     | 2   | Plug, O-Ring 5/16   |     |
| 23   | 2220883     | 4   | Plug 7/16   |     |
| 100  | 70007160    | 1   | Seal Kit - 1001237697 Cylinder (Includes Items 4, 6, 7, 8, 10, 11, 12, 14 & 15)   |     |

# SECTION 6 - CYLINDER

## FIGURE 6-3. LEVEL (UPRIGHT) CYLINDER ASSEMBLY



ART\_1001251042

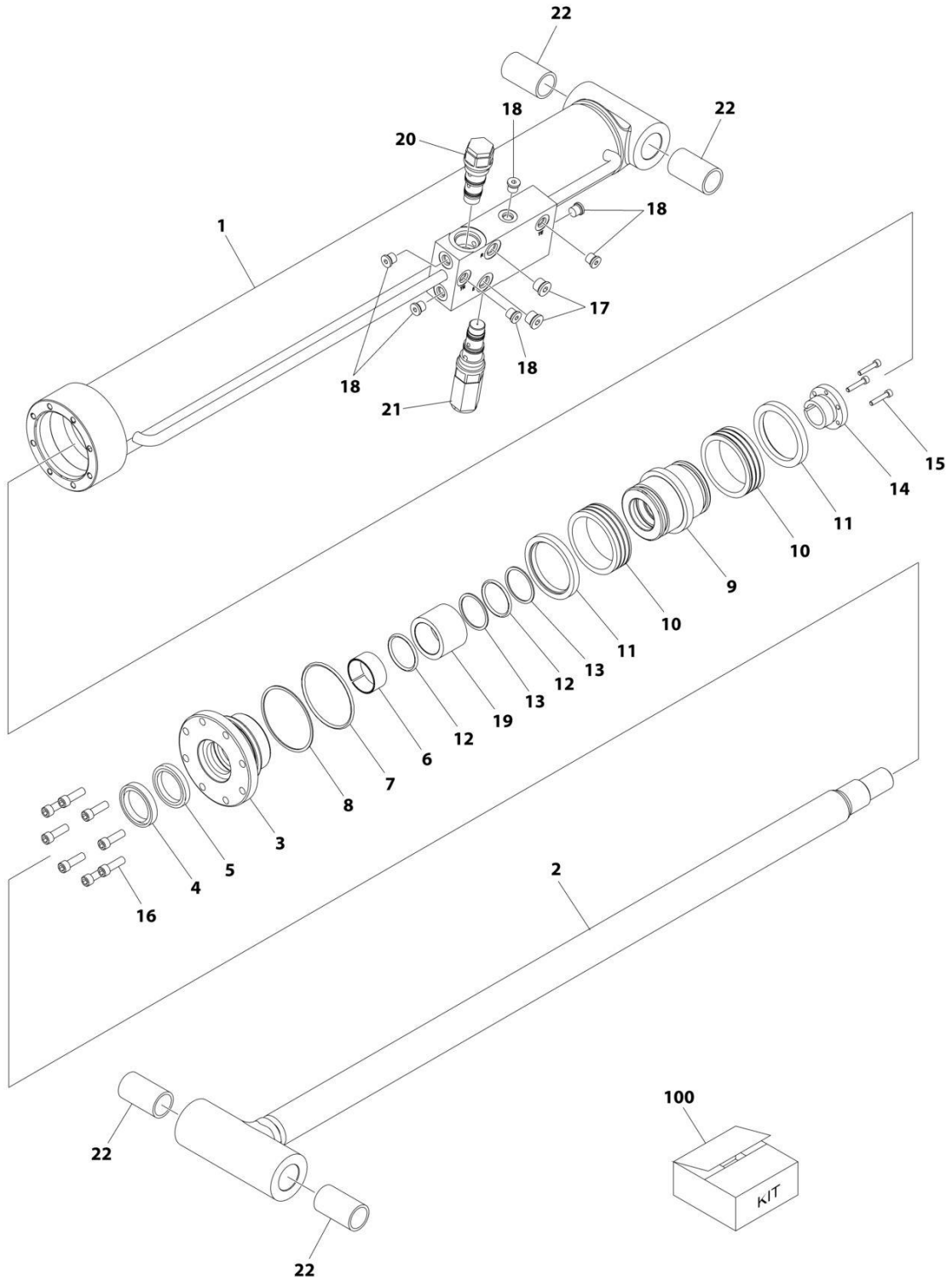
## SECTION 6 - CYLINDER

### FIGURE 6-3. LEVEL (UPRIGHT) CYLINDER ASSEMBLY

| ITEM | PART NUMBER | QTY | DESCRIPTION   | REV |
|------|-------------|-----|---|-----|
|      | 1001251042  | Ref | UPRIGHT LEVEL CYLINDER ASSEMBLY   | A   |
|      |             | Ref | Note: Original Cylinder May Have Been Replaced with Service Replacement. Identify PN Stamped on Cylinder Before Ordering Parts. |     |
| 1    | 0961949     | 4   | Bushing   |     |
| 2    | 4640509     | 1   | Cartridge, Valve  |     |
| 2    | 2900792     | 2   | Seal Kit - 4640509 Valve  |     |
| 3    | 4640605     | 1   | Cartridge, Valve  |     |
| 3    | 2900792     | 1   | Seal Kit - 4640605 Valve  |     |
| 101  | See Note    | NSS | Tube (Not Available for Purchase)   |     |
| 102  | 70002793    | 1   | Rod   |     |
| 103  | 70008194    | 1   | Head  |     |
| 104  | See Note    | NSS | Wiper, Dust (Note: Use Item 121)  |     |
| 105  | 70023379    | 1   | RETAINING RING  |     |
| 106  | See Note    | NSS | Seal, Rod (Note: Use Item 121)  |     |
| 107  | See Note    | NSS | Ring, Backup (Note: Use Item 121)   |     |
| 108  | See Note    | 1   | Ring, Buffer (Note: Use Item 121)   |     |
| 109  | 70052522    | 1   | Bushing   |     |
| 110  | See Note    | NSS | O-Ring (Note: Use Item 121)   |     |
| 111  | See Note    | NSS | Ring, Backup (Note: Use Item 121)   |     |
| 112  | See Note    | NSS | O-Ring (Note: Use Item 121)   |     |
| 113  | 70008195    | 1   | Piston  |     |
| 114  | See Note    | NSS | Seal, Piston (Note: Use Item 121)   |     |
| 115  | See Note    | NSS | O-Ring (Note: Use Item 121)   |     |
| 116  | 70022564    | 1   | Ball, Steel   |     |
| 117  | 70029468    | 1   | Screw, Set  |     |
| 118  | 2220883     | 5   | Plug 7/16   |     |
| 119  | 2220886     | 2   | Plug 3/4  |     |
| 120  | 70008196    | 1   | Spacer  |     |
| 121  | 70008197    | 1   | Seal Kit (Includes Items 104, 106-108, 110-112 ,114 & 115)  |     |

# SECTION 6 - CYLINDER

## FIGURE 6-4. LIFT CYLINDER ASSEMBLY - JIB



ART\_1001259137



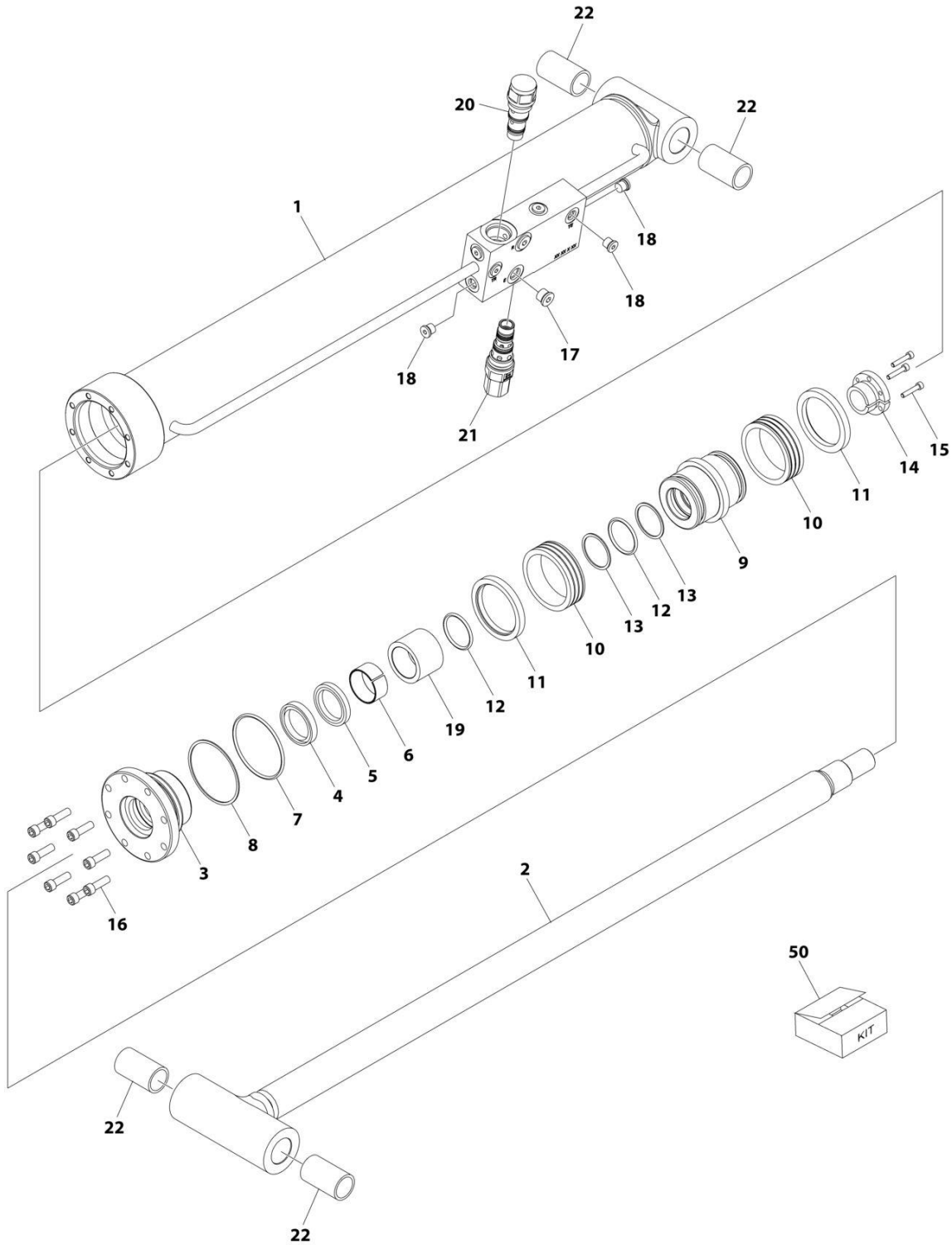
## SECTION 6 - CYLINDER

**FIGURE 6-4. LIFT CYLINDER ASSEMBLY - JIB**

| ITEM | PART NUMBER | QTY | DESCRIPTION   | REV |
|------|-------------|-----|---|-----|
|      | 1001259137  | Ref | LIFT CYLINDER ASSEMBLY - JIB  | B   |
|      |             | Ref | Note: Original Cylinder May Have Been Replaced with Service Replacement. Identify PN Stamped on Cylinder Before Ordering Parts. |     |
| 1    | See Note    | NSS | Barrel (Note: Not Available for Purchase)   |     |
| 2    | 70006734    | 1   | Rod   |     |
| 3    | 70006649    | 1   | Head  |     |
| 4    | See Note    | NSS | Wiper (Note: Use Item 100)  |     |
| 5    | See Note    | NSS | Seal, Rod (Note: Use Item 100)  |     |
| 6    | See Note    | NSS | Ring, Wear (Note: Use Item 100)   |     |
| 7    | See Note    | NSS | O-Ring (Note: Use Item 100)   |     |
| 8    | See Note    | NSS | Ring, Back-up (Note: Use Item 100)  |     |
| 9    | 70006650    | 1   | Piston  |     |
| 10   | See Note    | NSS | Seal (Note: Use Item 100)   |     |
| 11   | See Note    | NSS | Ring, Lock (Note: Use Item 100)   |     |
| 12   | See Note    | NSS | O-Ring (Note: Use Item 100)   |     |
| 13   | See Note    | NSS | Ring, Back-up (Note: Use Item 100)  |     |
| 14   | 0961893     | 1   | Bushing, Tapered  |     |
| 15   | 0630534     | 3   | Capscrew, Socket Head #10 x 1   |     |
| 16   | 70006735    | 8   | Capscrew 5/16   |     |
| 17   | 2220885     | 2   | Plug, O-Ring  |     |
| 18   | 2220883     | 6   | Plug, O-Ring  |     |
| 19   | 70006736    | 1   | Spacer  |     |
| 20   | 4640509     | 1   | Cartridge, Valve  |     |
| 20   | 2900792     | 1   | Seal Kit - 4640509 Valve  |     |
| 21   | 1001259138  | 1   | Cartridge, Valve  |     |
| 21   | 70004186    | 1   | Seal Kit - 1001259138 Valve   |     |
| 22   | 0962336     | 4   | Bushing   |     |
| 100  | 1001138795  | 1   | Seal Kit (Includes Items 4-8 & 10-13)   |     |

# SECTION 6 - CYLINDER

## FIGURE 6-5. LIFT CYLINDER ASSEMBLY - JIB



ART\_1001264302

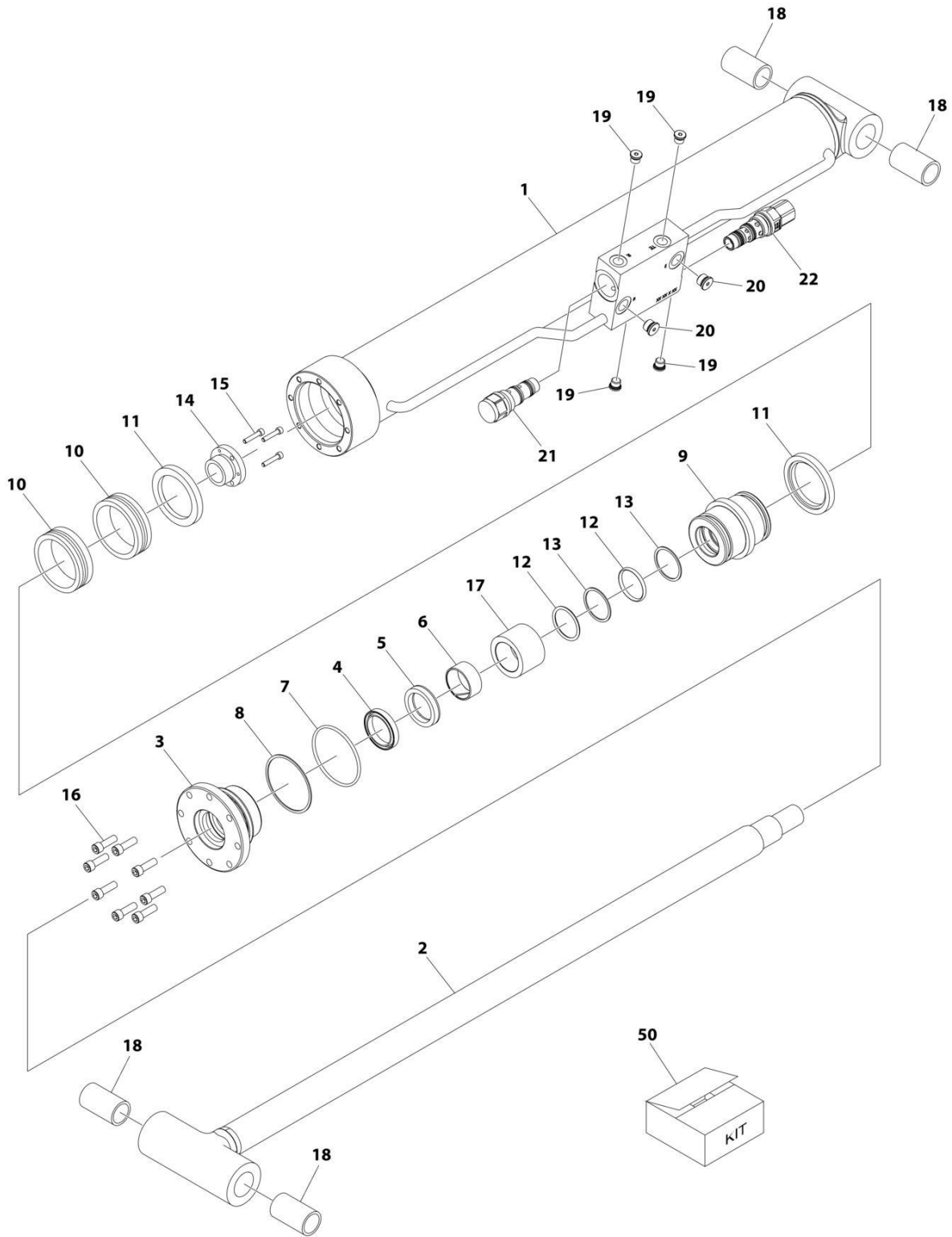
## SECTION 6 - CYLINDER

**FIGURE 6-5. LIFT CYLINDER ASSEMBLY - JIB**

| ITEM | PART NUMBER | QTY | DESCRIPTION   | REV |
|------|-------------|-----|---|-----|
|      | 1001264302  | Ref | LIFT CYLINDER ASSEMBLY - JIB  | B   |
|      |             | Ref | Note: Original Cylinder May Have Been Replaced with Service Replacement. Identify PN Stamped on Cylinder Before Ordering Parts. |     |
| 1    | See Note    | NSS | Barrel  |     |
| 2    | 70006734    | 1   | Rod   |     |
| 3    | 70006649    | 1   | Head  |     |
| 4    | See Note    | NSS | Wiper (Note: Use Item 50)   |     |
| 5    | See Note    | NSS | Seal, Rod (Note: Use Item 50)   |     |
| 6    | See Note    | NSS | Ring, Wear (Note: Use Item 50)  |     |
| 7    | See Note    | NSS | O-Ring (Note: Use Item 50)  |     |
| 8    | See Note    | NSS | Ring, Back-up (Note: Use Item 50)   |     |
| 9    | 70006650    | 1   | Piston  |     |
| 10   | See Note    | NSS | Seal (Note: Use Item 50)  |     |
| 11   | See Note    | NSS | Ring, Lock (Note: Use Item 50)  |     |
| 12   | See Note    | NSS | O-Ring (Note: Use Item 50)  |     |
| 13   | See Note    | NSS | Ring, Back-up (Note: Use Item 50)   |     |
| 14   | 0961893     | 1   | Bushing, Tapered  |     |
| 15   | 0630534     | 3   | Capscrew  |     |
| 16   | 70006735    | 8   | Capscrew  |     |
| 17   | 2220885     | 2   | Plug  |     |
| 18   | 2220883     | 6   | Plug  |     |
| 19   | 70006736    | 1   | Spacer  |     |
| 20   | 4640509     | 1   | Cartridge, Counterbalance Valve   |     |
| 20   | 2900792     | 1   | Seal Kit - 4640509 Valve  |     |
| 21   | 1001263800  | 1   | Cartridge, Counterbalance Valve   |     |
| 21   | 70004186    | 1   | Seal Kit - 1001263800 Valve   |     |
| 22   | 0962336     | 4   | Bushing   |     |
| 50   | 1001138795  | 1   | Seal Kit (Includes Items 4-8 & 10-13)   |     |

# SECTION 6 - CYLINDER

## FIGURE 6-6. LIFT CYLINDER ASSEMBLY - JIB



ART\_1001264991

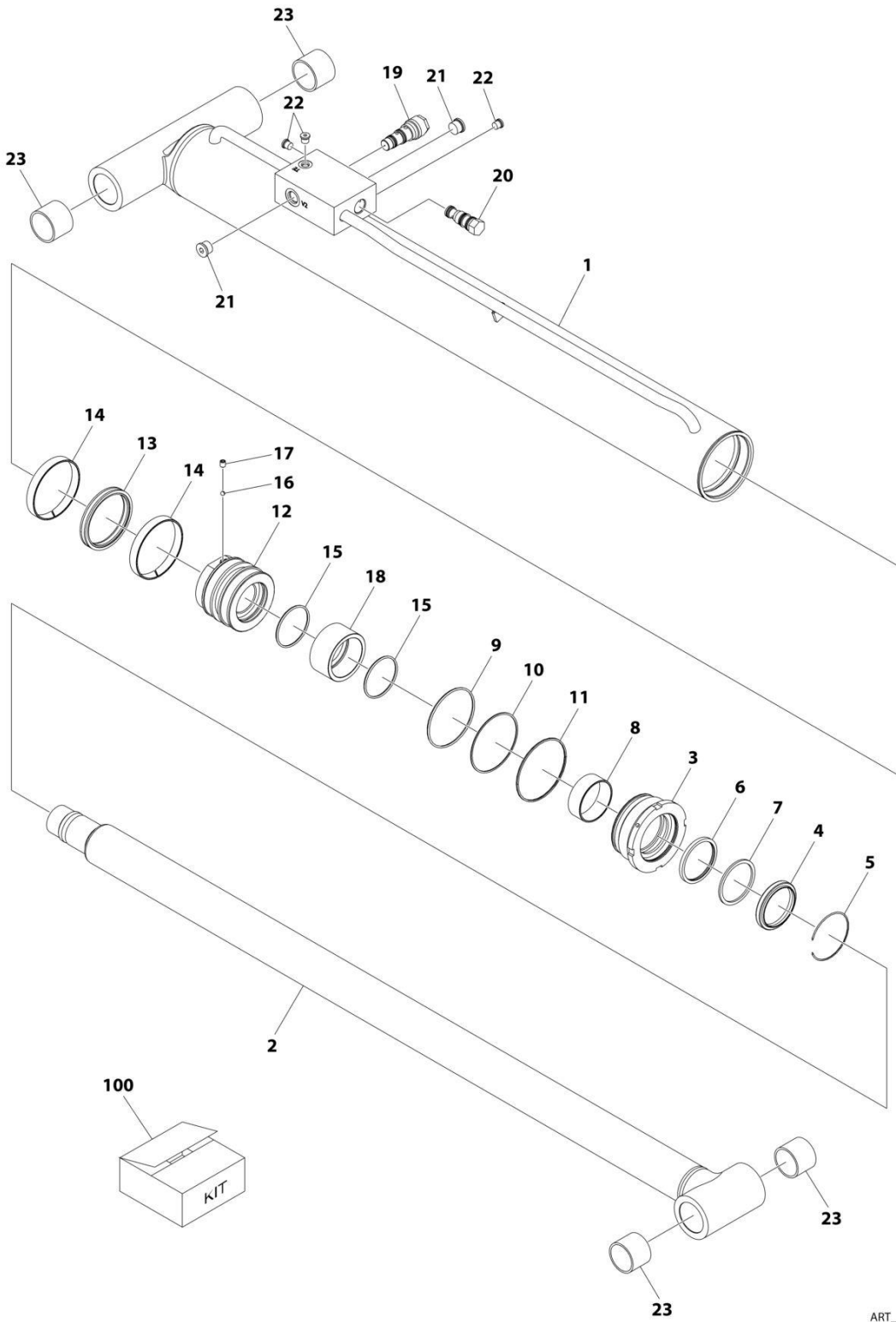
## SECTION 6 - CYLINDER

**FIGURE 6-6. LIFT CYLINDER ASSEMBLY - JIB**

| ITEM | PART NUMBER | QTY | DESCRIPTION   | REV |
|------|-------------|-----|---|-----|
|      | 1001264991  | Ref | LIFT CYLINDER ASSEMBLY - JIB  | B   |
|      |             | Ref | Note: Original Cylinder May Have Been Replaced with Service Replacement. Identify PN Stamped on Cylinder Before Ordering Parts. |     |
| 1    | See Note    | NSS | Barrel (Note: Use PN 1001264991)  |     |
| 2    | 70006734    | 1   | Rod   |     |
| 3    | 70006649    | 1   | Head  |     |
| 4    | See Note    | NSS | Wiper (Note: Use Item 50)   |     |
| 5    | See Note    | NSS | Seal, Rod (Note: Use Item 50)   |     |
| 6    | See Note    | NSS | Ring, Wear (Note: Use Item 50)  |     |
| 7    | See Note    | NSS | O-Ring (Note: Use Item 50)  |     |
| 8    | See Note    | NSS | Ring, Back-up (Note: Use Item 50)   |     |
| 9    | 70006650    | 1   | Piston  |     |
| 10   | See Note    | NSS | Ring, Hydro Lock (Note: Use Item 50)  |     |
| 11   | See Note    | NSS | Ring, Guide Lock (Note: Use Item 50)  |     |
| 12   | See Note    | NSS | O-Ring (Note: Use Item 50)  |     |
| 13   | See Note    | NSS | Ring, Back-up (Note: Use Item 50)   |     |
| 14   | 0961893     | 1   | Bushing, Tapered  |     |
| 15   | 0630534     | 3   | Capscrew  |     |
| 16   | 70006735    | 8   | Capscrew  |     |
| 17   | 70006736    | 1   | Spacer  |     |
| 18   | 0962336     | 4   | Bearing   |     |
| 19   | 70023370    | 4   | Plug  |     |
| 20   | 70023371    | 2   | Plug  |     |
| 21   | 4640509     | 1   | Cartridge, Counterbalance Valve   |     |
| 21   | 2900792     | 1   | Seal Kit - 4640509 Valve  |     |
| 22   | 1001263800  | 1   | Cartridge, Counterbalance Valve   |     |
| 22   | 70004186    | 1   | Seal Kit - 1001263800 Valve   |     |
| 50   | 1001138795  | 1   | Seal Kit - 1001264991 Cylinder (Includes Items 4-8 & 10-13)   |     |

# SECTION 6 - CYLINDER

## FIGURE 6-7. LIFT CYLINDER ASSEMBLY - MAIN BOOM



ART\_1001245761

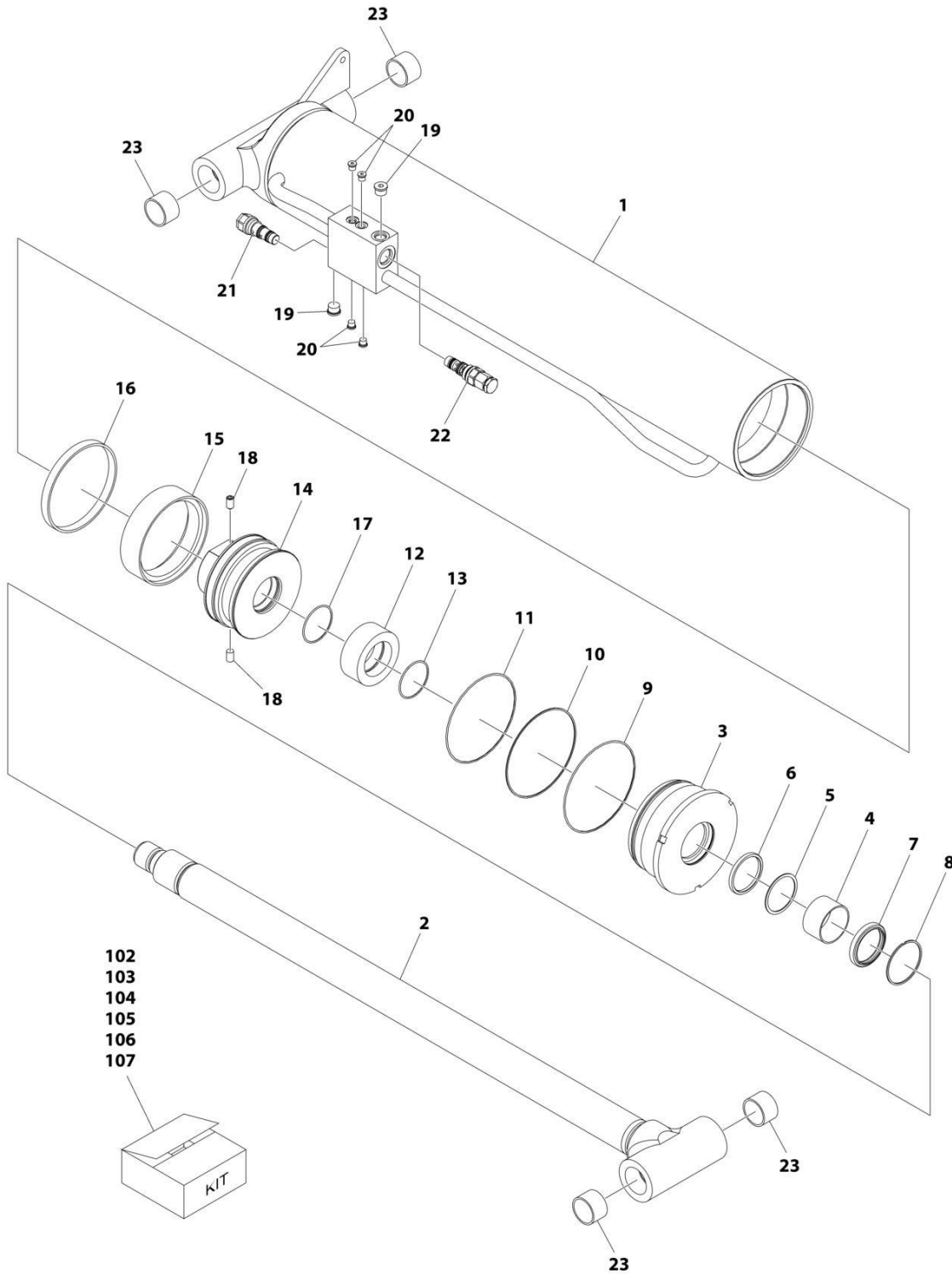
## SECTION 6 - CYLINDER

**FIGURE 6-7. LIFT CYLINDER ASSEMBLY - MAIN BOOM**

| ITEM | PART NUMBER | QTY | DESCRIPTION   | REV |
|------|-------------|-----|---|-----|
|      | 1001245761  | Ref | LIFT CYLINDER ASSEMBLY - MAIN BOOM  | B   |
|      |             | Ref | Note: Original Cylinder May Have Been Replaced with Service Replacement. Identify PN Stamped on Cylinder Before Ordering Parts. |     |
| 1    | See Note    | NSS | Barrel (Use p/n 1001228092)   |     |
| 2    | 70007451    | 1   | Rod   |     |
| 3    | 70007051    | 1   | Head  |     |
| 4    | See Note    | NSS | Wiper (Note: Use Item 100)  |     |
| 5    | 70050795    | 1   | Ring, Retainer  |     |
| 6    | See Note    | NSS | Seal, Rod (Note: Use Item 100)  |     |
| 7    | See Note    | NSS | Ring, Back-up (Note: Use Item 100)  |     |
| 8    | 70007052    | 1   | Ring, Wear  |     |
| 9    | See Note    | NSS | O-Ring (Note: Use Item 100)   |     |
| 10   | See Note    | NSS | Ring, Back-up (Note: Use Item 100)  |     |
| 11   | See Note    | NSS | O-Ring (Note: Use Item 100)   |     |
| 12   | 70007452    | 1   | Piston  |     |
| 13   | See Note    | NSS | Seal (Note: Use Item 100)   |     |
| 14   | See Note    | NSS | Ring, Wear (Note: Use Item 100)   |     |
| 15   | See Note    | NSS | O-Ring (Note: Use Item 100)   |     |
| 16   | 70022564    | 1   | Ball  |     |
| 17   | 70023369    | 1   | Setscrew M8 x 10  |     |
| 18   | 70007453    | 1   | Spacer  |     |
| 19   | 4640509     | 1   | Cartridge, Counterbalance Valve   |     |
| 19   | 2900792     | 1   | Seal Kit - 4640509 Cartridges   |     |
| 20   | 4640438     | 1   | Cartridge, Check Valve  |     |
| 20   | 2900770     | 1   | Seal Kit - 4640438 Valve  |     |
| 21   | 2220886     | 2   | Plug 3/4  |     |
| 22   | 2220883     | 3   | Plug #4   |     |
| 23   | 70007454    | 4   | Bearing   |     |
| 100  | 70007455    | 1   | Seal Kit - 1001228092 Cylinder (Includes item 4, 6, 7, 8-10 & 13-15)  |     |

# SECTION 6 - CYLINDER

## FIGURE 6-8. LIFT CYLINDER ASSEMBLY - MAIN BOOM



ART\_1001261003



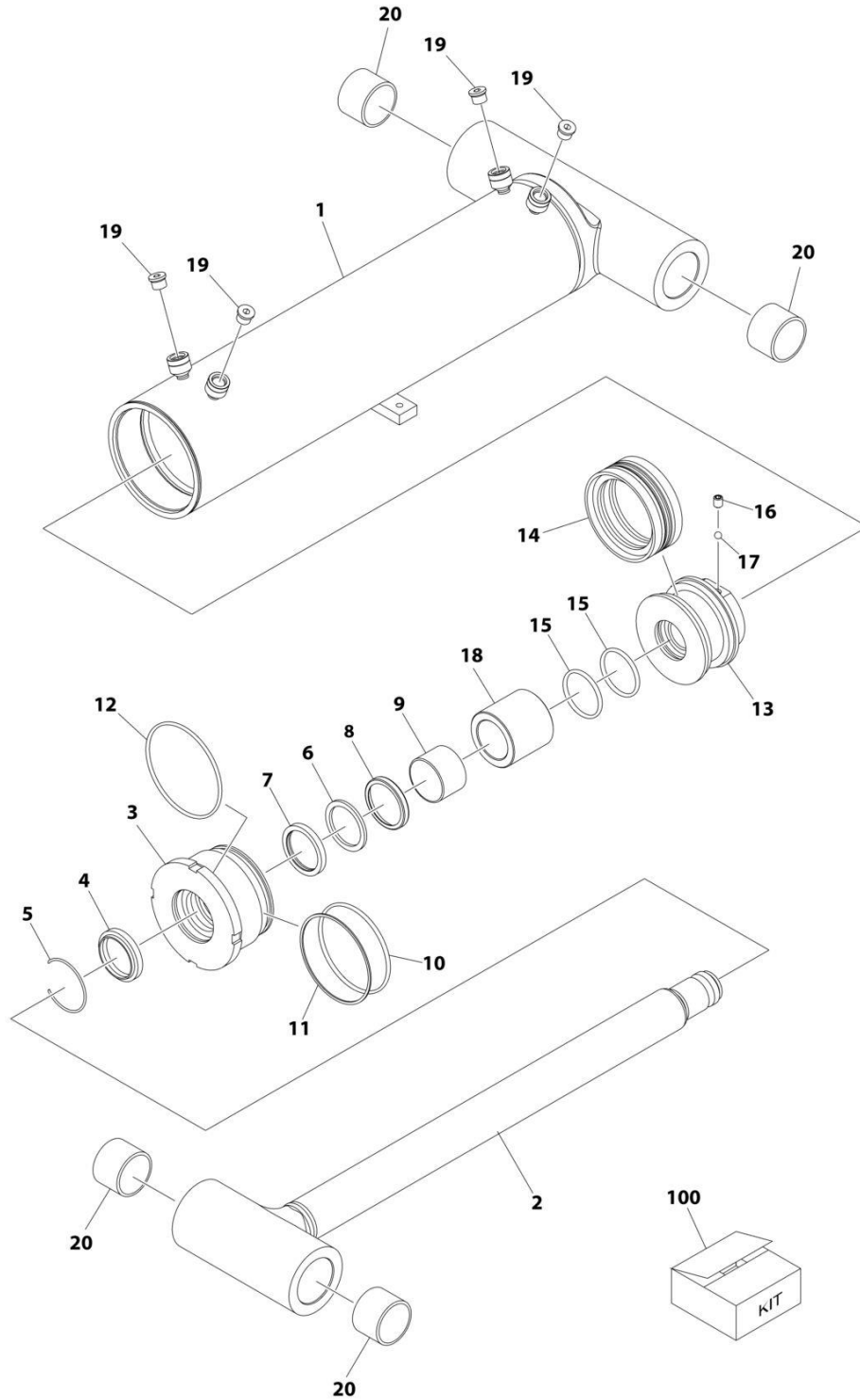
## SECTION 6 - CYLINDER

**FIGURE 6-8. LIFT CYLINDER ASSEMBLY - MAIN BOOM**

| ITEM | PART NUMBER | QTY | DESCRIPTION   | REV |
|------|-------------|-----|---|-----|
|      | 1001261003  | Ref | LIFT CYLINDER ASSEMBLY - MAIN BOOM  | A   |
|      |             | Ref | Note: Original Cylinder May Have Been Replaced with Service Replacement. Identify PN Stamped on Cylinder Before Ordering Parts. |     |
| 1    | See Note    | NSS | Barrel (Use p/n 1001261003)   |     |
| 2    | See Note    | NSS | Rod (Use Item 102)  |     |
| 3    | See Note    | NSS | Head (Use Item 103)   |     |
| 4    | See Note    | NSS | Ring, Wear (Use Item 103)   |     |
| 5    | See Note    | NSS | O-Ring (Note: Use Item 104)   |     |
| 6    | See Note    | NSS | Ring, Back-up (Note: Use Item 104)  |     |
| 7    | See Note    | NSS | Wiper (Note: Use Item 104)  |     |
| 8    | See Note    | NSS | Ring, Retainer (Note: Use Item 104)   |     |
| 9    | See Note    | NSS | O-Ring (Note: Use Item 104)   |     |
| 10   | See Note    | NSS | Ring, Back-Up (Note: Use Item 104)  |     |
| 11   | See Note    | NSS | O-Ring (Note: Use Item 104)   |     |
| 12   | See Note    | NSS | Spacer (Note: Use Item 105)   |     |
| 13   | See Note    | NSS | O-Ring (Note: Use Item 105)   |     |
| 14   | See Note    | NSS | Piston (Note: Use Item 106)   |     |
| 15   | See Note    | NSS | Seal (Note: Use Item 104)   |     |
| 16   | See Note    | NSS | Ring, Wear (Note: Use Item 104)   |     |
| 17   | See Note    | NSS | O-Ring (Note: Use Item 104)   |     |
| 18   | See Note    | NSS | Setscrew (Note: Use Item 106)   |     |
| 19   | See Note    | NSS | Plug 3/4  |     |
| 20   | See Note    | NSS | Plug 7/16   |     |
| 21   | 4640509     | 1   | Cartridge, Counterbalance Valve   |     |
| 21   | 2900792     | 1   | Seal Kit - 4640509 Valve  |     |
| 22   | 4640605     | 1   | Cartridge, Counterbalance Valve   |     |
| 22   | 2900792     | 1   | Seal Kit - 4640605 Valve  |     |
| 23   | 0961949     | 4   | Bearing   |     |
| 102  | 70007460    | 1   | Rod Kit (Includes Item 2 & 23)  |     |
| 103  | 70007461    | 1   | Rod Cover Kit (Includes Item 3 & 4)   |     |
| 104  | 70007462    | 1   | Seal Kit (Includes Item 5-11 & 15-17)   |     |
| 105  | 70007463    | 1   | Spacer Kit (Includes Item 12 & 13)  |     |
| 106  | 70007464    | 1   | Piston Kit (Includes Item 14 & 18)  |     |
| 107  | 70007465    | 1   | Plug Kit (Includes Item 20)   |     |

# SECTION 6 - CYLINDER

## FIGURE 6-9. MASTER CYLINDER ASSEMBLY



ART\_1001237698

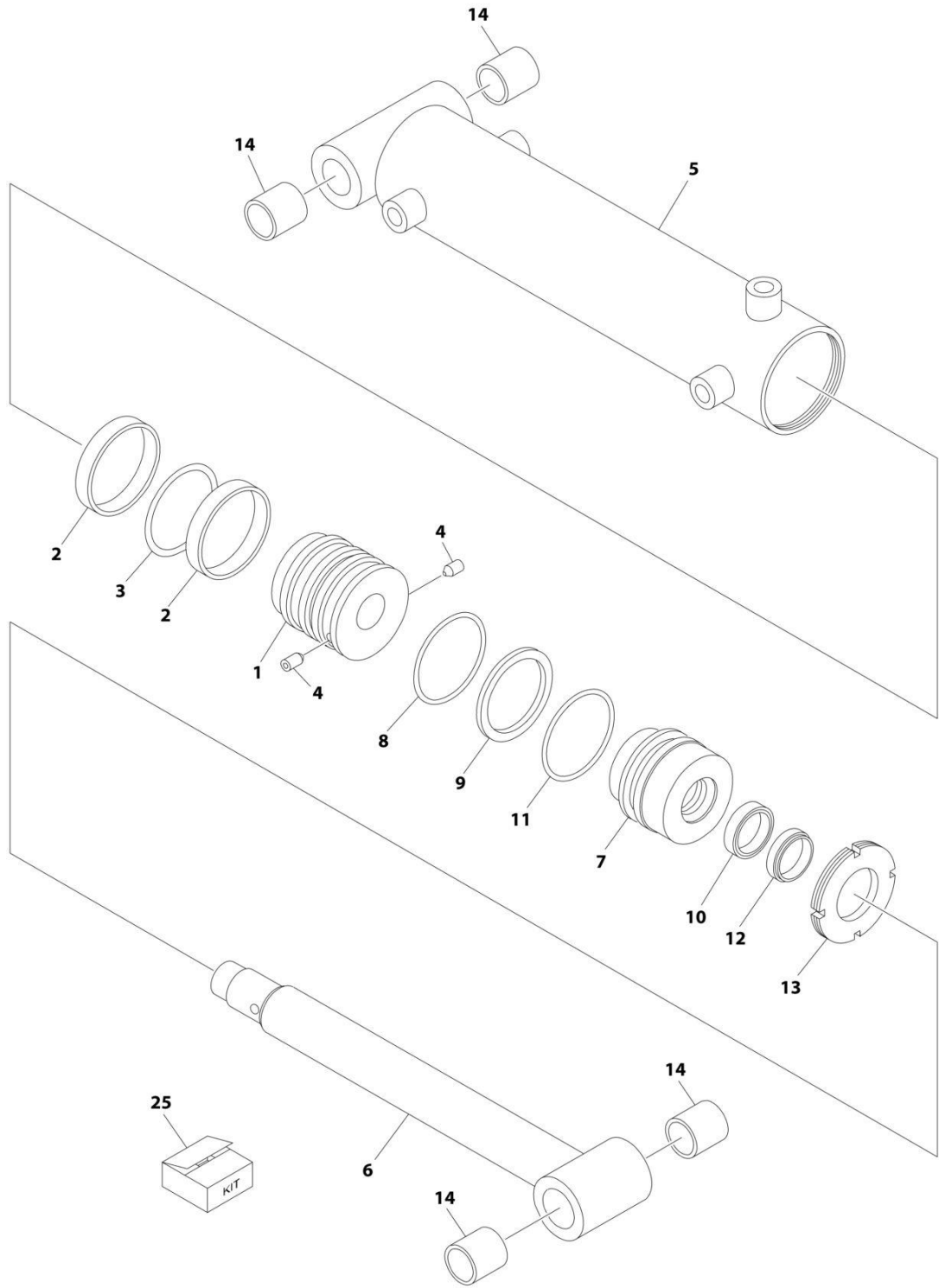
## SECTION 6 - CYLINDER

### FIGURE 6-9. MASTER CYLINDER ASSEMBLY

| ITEM | PART NUMBER | QTY | DESCRIPTION   | REV |
|------|-------------|-----|---|-----|
|      | 1001237698  | Ref | MASTER CYLINDER ASSEMBLY  | B   |
|      |             | Ref | Note: Original Cylinder May Have Been Replaced with Service Replacement. Identify PN Stamped on Cylinder Before Ordering Parts. |     |
| 1    | See Note    | NSS | Barrel  |     |
| 2    | 70007156    | 1   | Rod   |     |
| 3    | 70007157    | 1   | Head, Cylinder  |     |
| 4    | See Note    | NSS | Wiper (Note: Use Item 100)  |     |
| 5    | 70002410    | 1   | Ring, Retaining   |     |
| 6    | See Note    | NSS | Seal, Rod (Note: Use Item 100)  |     |
| 7    | See Note    | NSS | Ring, Back-up (Note: Use Item 100)  |     |
| 8    | See Note    | 1   | Ring (Note: Use Item 100)   |     |
| 9    | 70004237    | 1   | Bearing, Dry  |     |
| 10   | See Note    | NSS | O-Ring (Note: Use Item 100)   |     |
| 11   | See Note    | NSS | Ring, Back-up (Note: Use Item 100)  |     |
| 12   | See Note    | NSS | O-Ring (Note: Use Item 100)   |     |
| 13   | 70007161    | 1   | Piston  |     |
| 14   | See Note    | NSS | Seal, Piston  |     |
| 15   | See Note    | NSS | O-Ring (Note: Use Item 100)   |     |
| 16   | 70023369    | 1   | Setscrew M8 x 31.75   |     |
| 17   | 70022564    | 1   | Ball  |     |
| 18   | 70007158    | 1   | Spacer  |     |
| 19   | 2220885     | 1   | Plug 9/16   |     |
| 20   | 70005145    | 4   | Bearing   |     |
| 100  | 70005146    | 1   | Seal Kit - 1001237698 Cylinder (Includes Items 4, 6, 7, 8, 10, 11, 12, 14 & 15)   |     |

# SECTION 6 - CYLINDER

## FIGURE 6-10. STEER CYLINDER ASSEMBLY



ART\_1001097242

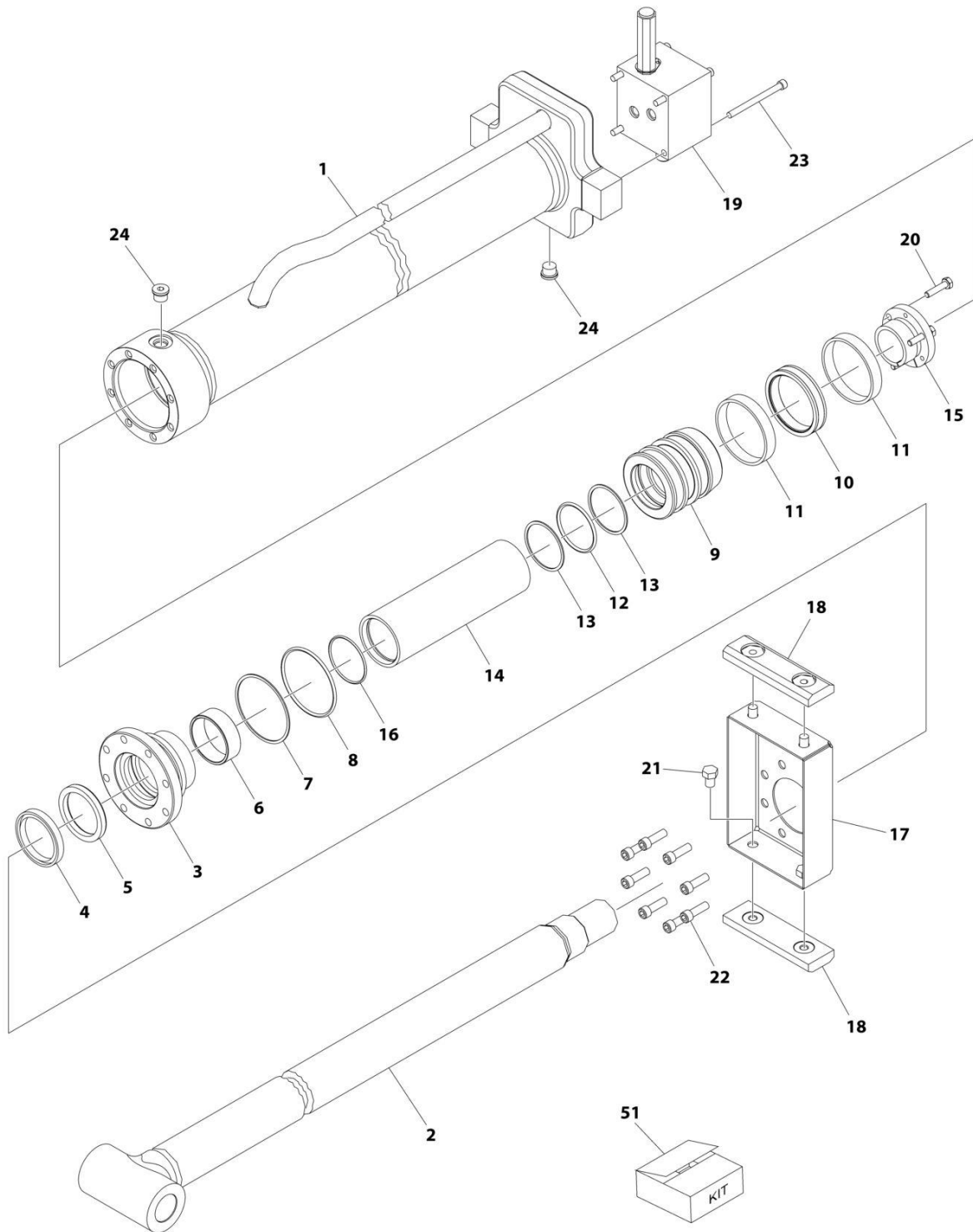
## SECTION 6 - CYLINDER

**FIGURE 6-10. STEER CYLINDER ASSEMBLY**

| ITEM | PART NUMBER | QTY | DESCRIPTION   | REV |
|------|-------------|-----|---|-----|
|      | 1001097242  | Ref | STEER CYLINDER ASSEMBLY   | A   |
|      |             | Ref | Note: Original Cylinder may have been replaced with Service Replacement. Identify PN Stamped on Cylinder Before Ordering Parts. |     |
| 1    | 70002752    | 1   | Piston  |     |
| 1    | 0100011     | AR  | Compound, Locking   |     |
| 1    | 0100038     | AR  | Primer, Locking   |     |
| 2    | See Note    | NSS | Seal (Note: Use Item 25)  |     |
| 3    | See Note    | NSS | O-Ring (Note: Use Item 25)  |     |
| 4    | 70002745    | 2   | Setscrew  |     |
| 5    | 70002753    | 1   | Barrel  |     |
| 6    | 70002754    | 1   | Rod   |     |
| 7    | 70002755    | 1   | Head  |     |
| 8    | See Note    | NSS | O-Ring (Note: Use Item 25)  |     |
| 9    | See Note    | NSS | Ring, Back-Up (Note: Use Item 25)   |     |
| 10   | See Note    | NSS | Seal (Note: Use Item 25)  |     |
| 11   | See Note    | NSS | O-Ring (Note: Use Item 25)  |     |
| 12   | See Note    | NSS | Wiper (Note: Use Item 25)   |     |
| 13   | 70002756    | 1   | Nut, Spanner  |     |
| 13   | 0100011     | AR  | Compound, Locking   |     |
| 13   | 0100038     | AR  | Primer, Locking   |     |
| 14   | 0962356     | 4   | Bushing   |     |
| 25   | 70002757    | 1   | Seal Kit (Includes Items 2, 3 & 8-12)   |     |

# SECTION 6 - CYLINDER

## FIGURE 6-11. TELESCOPE CYLINDER ASSEMBLY - MAIN BOOM



ART\_1001228007

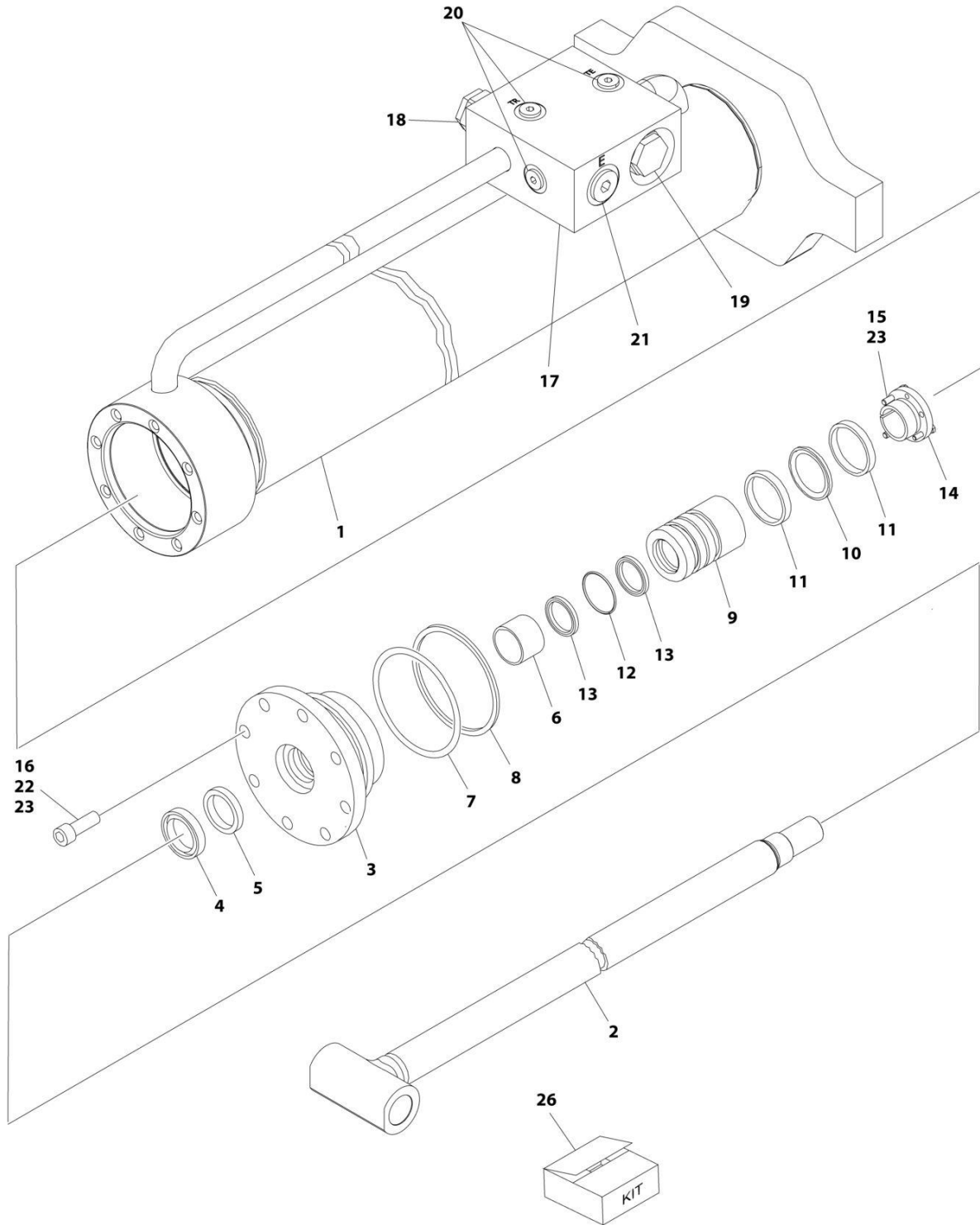
## SECTION 6 - CYLINDER

**FIGURE 6-11. TELESCOPE CYLINDER ASSEMBLY - MAIN BOOM**

| ITEM | PART NUMBER | QTY | DESCRIPTION   | REV |
|------|-------------|-----|---|-----|
|      | 1001228007  | Ref | TELESCOPE CYLINDER ASSEMBLY   | E   |
|      |             | Ref | Note: Original Cylinder may have been replaced with Service Replacement. Identify PN Stamped on Cylinder Before Ordering Parts. |     |
| 1    | See Note    | NSS | Barrel (Note: Use p/n 1001228007)   |     |
| 2    | 70006654    | 1   | Rod   |     |
| 3    | 70006483    | 1   | Head  |     |
| 4    | See Note    | NSS | Wiper (Note: Use Item 51)   |     |
| 5    | See Note    | NSS | Seal, Rod (Note: Use Item 51)   |     |
| 6    | See Note    | NSS | Ring, Wear (Note: Use Item 51)  |     |
| 7    | See Note    | NSS | O-Ring (Note: Use Item 51)  |     |
| 8    | See Note    | NSS | Ring, Back-up (Note: Use Item 51)   |     |
| 9    | 70006482    | 1   | Piston  |     |
| 10   | See Note    | NSS | Seal (Note: Use Item 51)  |     |
| 11   | See Note    | NSS | Ring, Wear (Note: Use Item 51)  |     |
| 12   | See Note    | NSS | O-Ring (Note: Use Item 51)  |     |
| 13   | See Note    | NSS | Ring, Back-up (Note: Use Item 51)   |     |
| 14   | 70006655    | 1   | Spacer  |     |
| 15   | 0961896     | 1   | Bushing, Tapered  |     |
| 16   | See Note    | NSS | O-Ring (Note: Use Item 51)  |     |
| 17   | 3538247     | 1   | Plate, Wear Pad Mounting  |     |
| 18   | 3340608     | 2   | Pad, Wear   |     |
| 19   | 4640862     | 1   | Valve Block Assembly (Note: No Service Part Available - Replace Complete Assembly)  |     |
| 20   | 0630535     | 3   | Bolt 1/4 x 1-1/8  |     |
| 21   | 0641604     | 4   | Bolt 3/8 x 1/2  |     |
| 22   | 3931516     | 8   | Capscrew 5/16 x 1   |     |
| 22   | 0100038     | AR  | Primer, Locking   |     |
| 22   | 0100011     | AR  | Compound, Locking   |     |
| 23   | 3931448     | 4   | Capscrew 1/4 x 3  |     |
| 24   | 2220885     | AR  | Plug, O-Ring  |     |
| 51   | 2901861     | 1   | Seal Kit - 1001228007 Cylinder (Includes Item 4-8, 10-13 & 16)  |     |

# SECTION 6 - CYLINDER

## FIGURE 6-12. TELESCOPE CYLINDER ASSEMBLY - TOWER BOOM



ART\_1001228006



## SECTION 6 - CYLINDER

**FIGURE 6-12. TELESCOPE CYLINDER ASSEMBLY - TOWER BOOM**

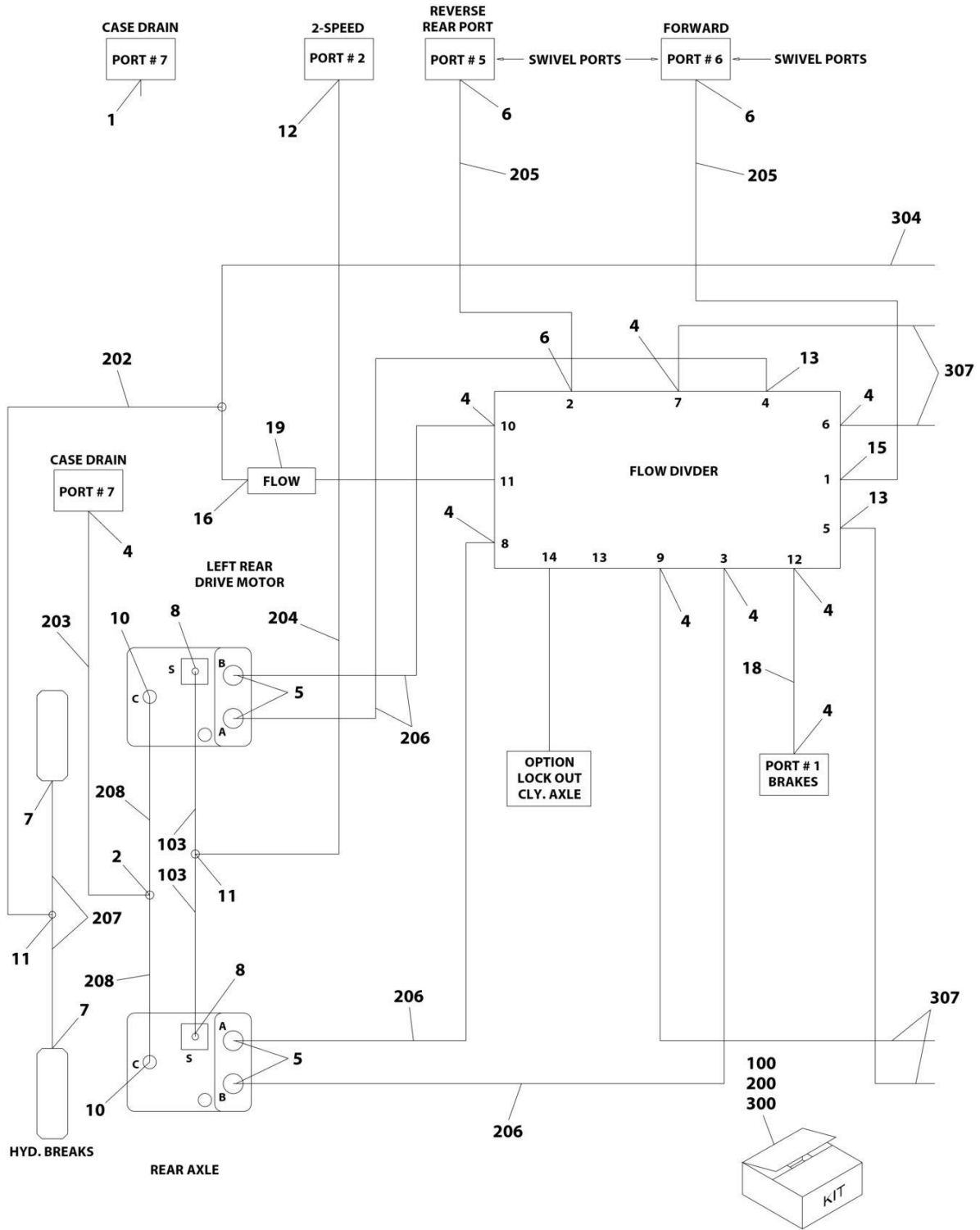
| ITEM | PART NUMBER | QTY | DESCRIPTION  | REV |
|------|-------------|-----|--|-----|
|      | 1001228006  | Ref | TELESCOPE CYLINDER ASSEMBLY - TOWER BOOM   | D   |
|      |             | Ref | Note: Original Equipment components may have been replaced with Service Replacement components part. Identify p/n stamped on cylinder before ordering parts. |     |
| 1    | See Note    | NSS | Barrel (Note: Not Available for Purchase)  |     |
| 2    | 70006484    | 1   | Rod  |     |
| 3    | 70006483    | 1   | Head   |     |
| 4    | See Note    | NSS | Wiper (Note: Use Item 26)  |     |
| 5    | See Note    | NSS | Seal, Rod (Note: Use Item 26)  |     |
| 6    | See Note    | NSS | Ring, Wear (Note: Use Item 26)   |     |
| 7    | See Note    | NSS | O-Ring (Note: Use Item 26)   |     |
| 8    | See Note    | NSS | Ring, Back-Up (Note: Use Item 26)  |     |
| 9    | 70006482    | 1   | Piston   |     |
| 10   | See Note    | NSS | T-Seal (Note: Use Item 26)   |     |
| 11   | See Note    | NSS | Ring, Wear (Note: Use Item 26)   |     |
| 12   | See Note    | NSS | O-Ring (Note: Use Item 26)   |     |
| 13   | See Note    | NSS | Ring, Back-Up (Note: Use Item 26)  |     |
| 14   | 0961896     | 1   | Bushing, Tapered   |     |
| 15   | 0630535     | 3   | Bolt 1/4 x 1-1/8   |     |
| 16   | 3931516     | 8   | Capscrew 5/16 x 1  |     |
| 17   | 4640647     | 1   | Cartridge, Valve   |     |
| 17   | 2900770     | 1   | Seal Kit - 4640647 Valve   |     |
| 18   | 4640509     | 2   | Cartridge, Valve   |     |
| 18   | 2900792     | 2   | Seal Kit - 4640509 Valve   |     |
| 19   | 4640999     | 1   | Cartridge, Valve   |     |
| 19   | 2900792     | 1   | Seal Kit - 4640999 Valve   |     |
| 20   | 2220883     | 3   | Plug, O-Ring   |     |
| 21   | 2220886     | 2   | Plug, O-Ring   |     |
| 22   | 0100038     | AR  | Primer, Locking  |     |
| 23   | 0100011     | AR  | Compound, Locking  |     |
| 26   | 2901861     | 1   | Seal Kit - 1001228006 Cylinder (Includes Items 4-8 & 10-13)  |     |



**SECTION 7 - HYDRAULIC**

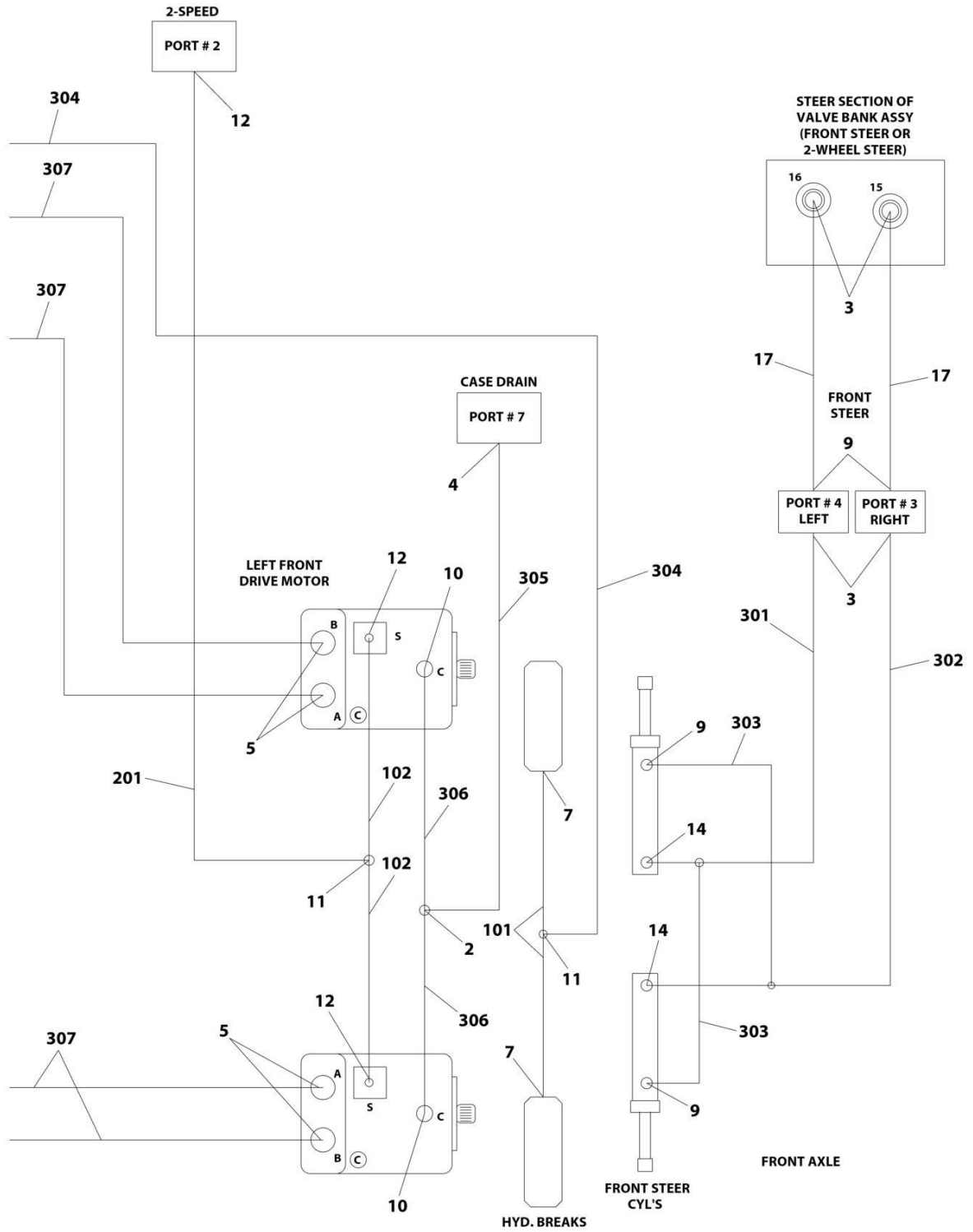
# SECTION 7 - HYDRAULIC

FIGURE 7-1. DRIVE HYDRAULIC DIAGRAM - 4WD/2WS WITHOUT ARCTIC PACKAGE



ART\_1001293952\_1OF2

# SECTION 7 - HYDRAULIC



ART\_1001293952\_20F2

## SECTION 7 - HYDRAULIC

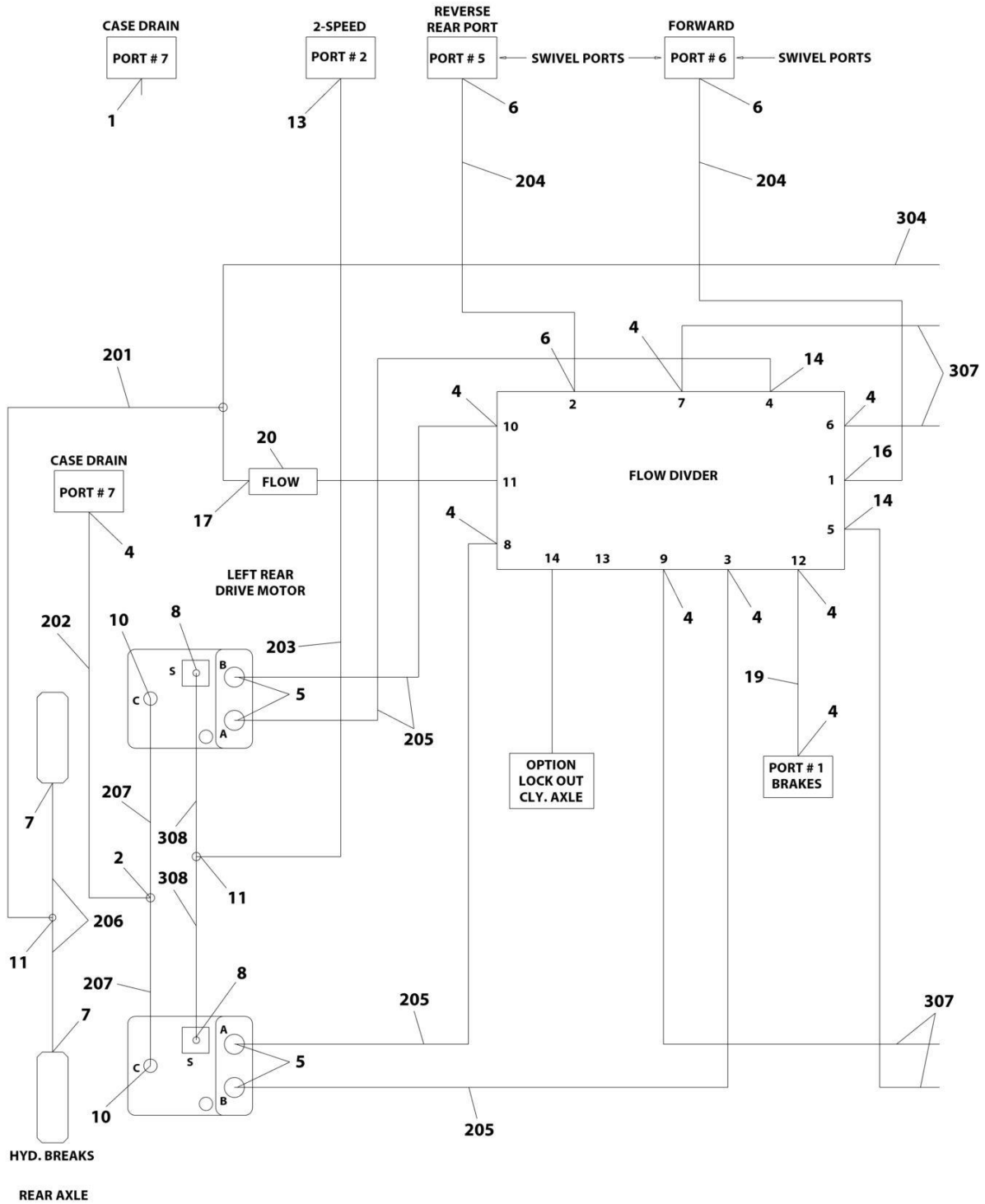
FIGURE 7-1. DRIVE HYDRAULIC DIAGRAM - 4WD/2WS WITHOUT ARCTIC PACKAGE

| ITEM | PART NUMBER | QTY | DESCRIPTION                      | REV |
|------|-------------|-----|----------------------------------|-----|
|      | 1001293952  | Ref | DRIVE HYDRULIC DIAGRAM - 4WD/2WS | B   |
| 1    | 2220237     | 2   | Fitting, Plug ORB                |     |
| 2    | 2220362     | 2   | Fitting, Tee JIC/JIC/JIC         |     |
| 3    | 2220371     | 4   | Fitting, Straight JIC/ORB        |     |
| 4    | 2220373     | 10  | Fitting, Straight JIC/ORB        |     |
| 5    | 2220375     | 8   | Fitting, Straight JIC/ORB        |     |
| 6    | 2220377     | 3   | Fitting, Straight JIC/ORB        |     |
| 7    | 2220415     | 4   | Fitting, Straight JIC/ORB        |     |
| 8    | 2220472     | 2   | Fitting, 90° JIC/ORB             |     |
| 9    | 2220473     | 4   | Fitting, 90° JIC/ORB             |     |
| 10   | 2220474     | 4   | Fitting, 90° JIC/ORB             |     |
| 11   | 2220504     | 4   | Fitting, Tee JIC/JIC/JIC         |     |
| 12   | 2220582     | 4   | Fitting, Straight JIC/ORB        |     |
| 13   | 2220596     | 2   | Fitting, 90° JIC/ORB             |     |
| 14   | 2220606     | 2   | Fitting, Tee JIC/ORB/JIC         |     |
| 15   | 2220646     | 1   | Fitting, 90° JIC/ORB             |     |
| 16   | 2220861     | 1   | Fitting, Tee JIC/FSJIC/JIC       |     |
| 17   | 2752620     | 2   | Hose                             |     |
| 18   | 2752929     | 1   | Hose                             |     |
| 19   | 4641284     | 1   | Valve, Check                     |     |
| 100  | 1001269814  | 1   | Hose Assembly - Axle Kit         |     |
| 101  | 2753926     | 2   | Hose                             |     |
| 102  | 1001140451  | 2   | Hose                             |     |
| 103  | 1001152527  | 2   | Hose                             |     |
| 200  | 1001294641  | 1   | Hose Assembly - Rear Kit         |     |
| 201  | 2752592     | 1   | Hose                             |     |
| 202  | 2752910     | 1   | Hose                             |     |
| 203  | 2752928     | 1   | Hose                             |     |
| 204  | 2753924     | 1   | Hose                             |     |
| 205  | 2754227     | 2   | Hose                             |     |
| 206  | 1001151358  | 4   | Hose                             |     |
| 207  | 1001294638  | 2   | Hose                             |     |
| 208  | 1001294639  | 2   | Hose                             |     |
| 300  | 1001269816  | 1   | Hose Assembly - Front Kit        |     |
| 301  | 2752475     | 1   | Hose                             |     |
| 302  | 2752611     | 1   | Hose                             |     |
| 303  | 2753397     | 2   | Hose                             |     |
| 304  | 2754229     | 1   | Hose                             |     |
| 305  | 2754231     | 1   | Hose                             |     |
| 306  | 1001140455  | 2   | Hose                             |     |
| 307  | 1001152491  | 4   | Hose                             |     |



# SECTION 7 - HYDRAULIC

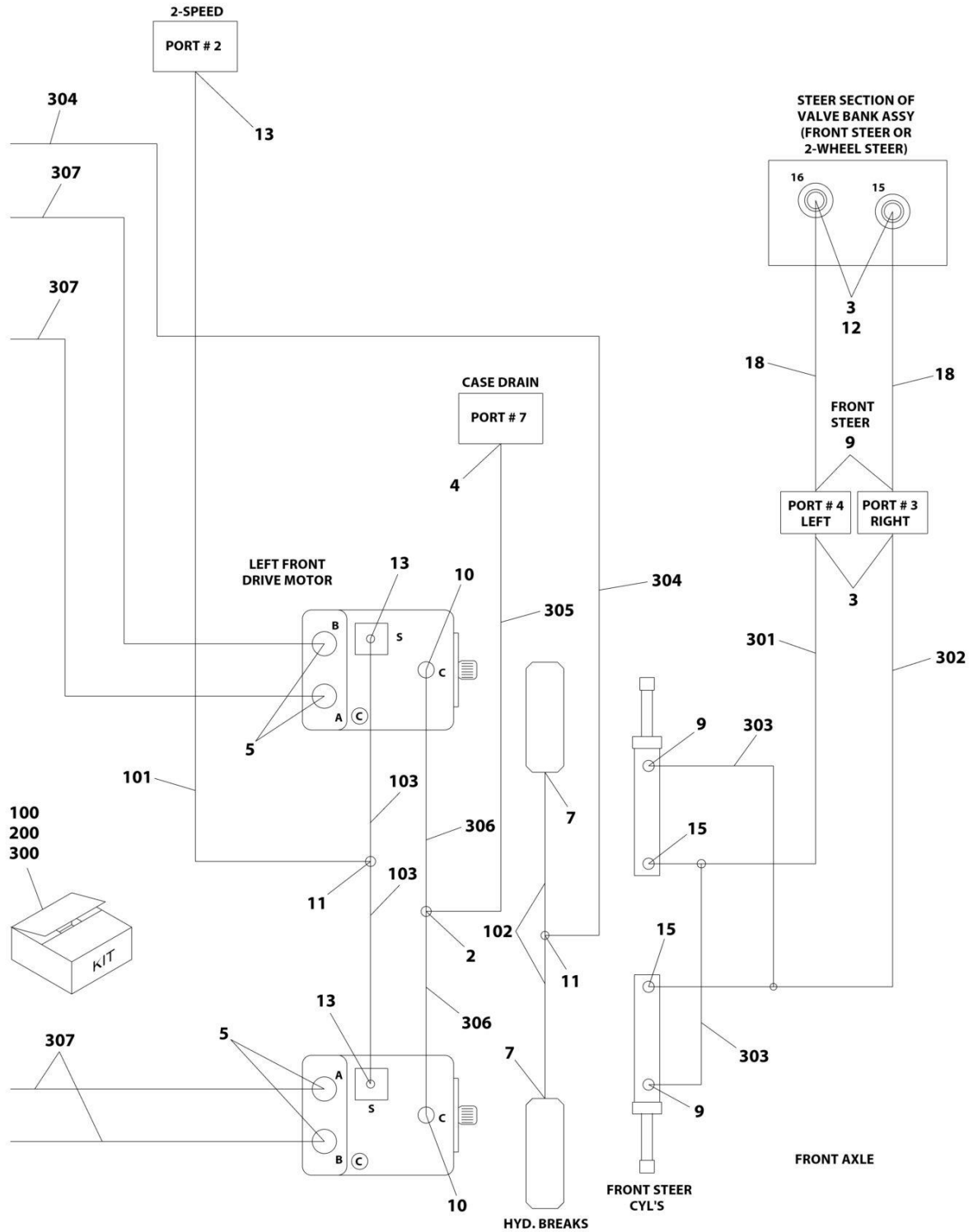
## FIGURE 7-2. DRIVE HYDRAULIC DIAGRAM - 4WD/2WS WITH ARCTIC PACKAGE



ART\_1001293953\_1OF2



# SECTION 7 - HYDRAULIC



ART\_1001293953\_2OF2

# SECTION 7 - HYDRAULIC

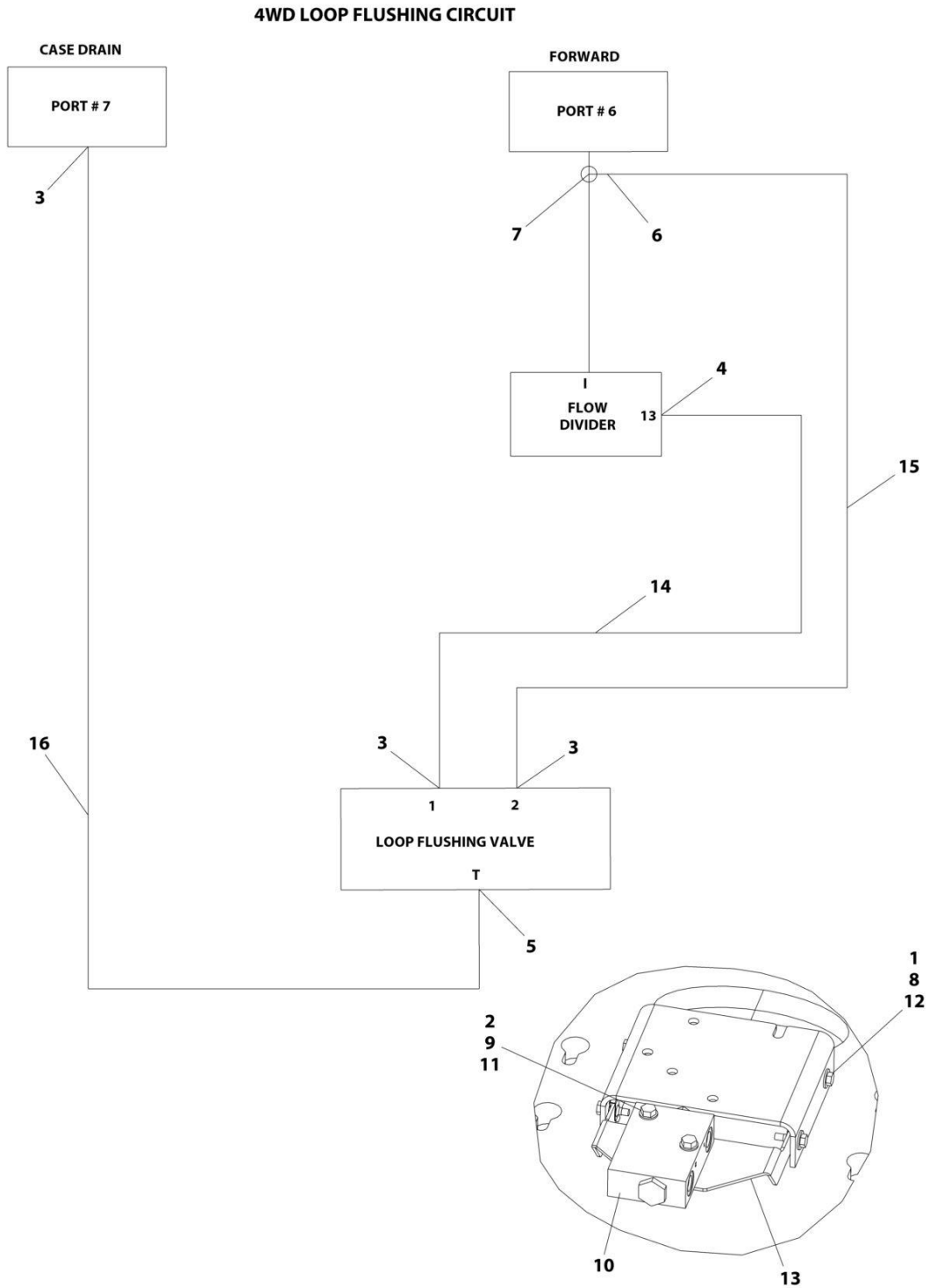
**FIGURE 7-2. DRIVE HYDRAULIC DIAGRAM - 4WD/2WS WITH ARCTIC PACKAGE**

| ITEM | PART NUMBER | QTY | DESCRIPTION                       | REV |
|------|-------------|-----|-----------------------------------|-----|
|      | 1001293953  | Ref | DRIVE HYDRAULIC DIAGRAM - 4WD/2WS | B   |
| 1    | 2220237     | 2   | Fitting, Plug ORB                 |     |
| 2    | 2220362     | 2   | Fitting, Tee JIC/JIC/JIC          |     |
| 3    | 2220371     | 4   | Fitting, Straight JIC/ORB         |     |
| 4    | 2220373     | 10  | Fitting, Straight JIC/ORB         |     |
| 5    | 2220375     | 8   | Fitting, Straight JIC/ORB         |     |
| 6    | 2220377     | 3   | Fitting, Straight JIC/ORB         |     |
| 7    | 2220415     | 4   | Fitting, Straight JIC/ORB         |     |
| 8    | 2220472     | 2   | Fitting, 90 JIC/ORB               |     |
| 9    | 2220473     | 4   | Fitting, 90 JIC/ORB               |     |
| 10   | 2220474     | 4   | Fitting, 90 JIC/ORB               |     |
| 11   | 2220504     | 4   | Fitting, Tee JIC/JIC/JIC          |     |
| 12   | 2220507     | 2   | Fitting, 90                       |     |
| 13   | 2220582     | 4   | Fitting, Straight JIC/ORB         |     |
| 14   | 2220596     | 2   | Fitting, 90 JIC/ORB               |     |
| 15   | 2220606     | 2   | Fitting, Tee JIC/ORB/JIC          |     |
| 16   | 2220646     | 1   | Fitting, 90 JIC/ORB               |     |
| 17   | 2220861     | 1   | Fitting, Tee JIC/FSJIC/JIC        |     |
| 18   | 2752620     | 2   | Hose                              |     |
| 19   | 2752929     | 1   | Hose                              |     |
| 20   | 4641284     | 1   | Valve, Check                      |     |
| 100  | 1001269817  | 1   | Hose Assembly - Axle Kit          |     |
| 101  | 2752592     | 2   | Hose                              |     |
| 102  | 2754731     | 2   | Hose                              |     |
| 103  | 1001140456  | 2   | Hose                              |     |
| 200  | 1001294675  | 1   | Hose Assembly - Rear Kit          |     |
| 201  | 2752910     | 1   | Hose                              |     |
| 202  | 2752928     | 1   | Hose                              |     |
| 203  | 2753924     | 1   | Hose                              |     |
| 204  | 2754227     | 2   | Hose                              |     |
| 205  | 1001151358  | 4   | Hose                              |     |
| 206  | 1001294638  | 2   | Hose                              |     |
| 207  | 1001294639  | 2   | Hose                              |     |
| 208  | 1001152527  | 2   | Hose                              |     |
| 300  | 1001269819  | 1   | Hose Assembly - Front Kit         |     |
| 301  | 2752475     | 1   | Hose                              |     |
| 302  | 2752611     | 1   | Hose                              |     |
| 303  | 2753397     | 2   | Hose                              |     |
| 304  | 2754229     | 1   | Hose                              |     |
| 305  | 2754231     | 1   | Hose                              |     |
| 306  | 1001140458  | 2   | Hose                              |     |
| 307  | 1001152499  | 4   | Hose                              |     |



# SECTION 7 - HYDRAULIC

## FIGURE 7-3. FLUSHING LOOP HYDRAULIC INSTALLATION - 4WD



ART\_1001152619

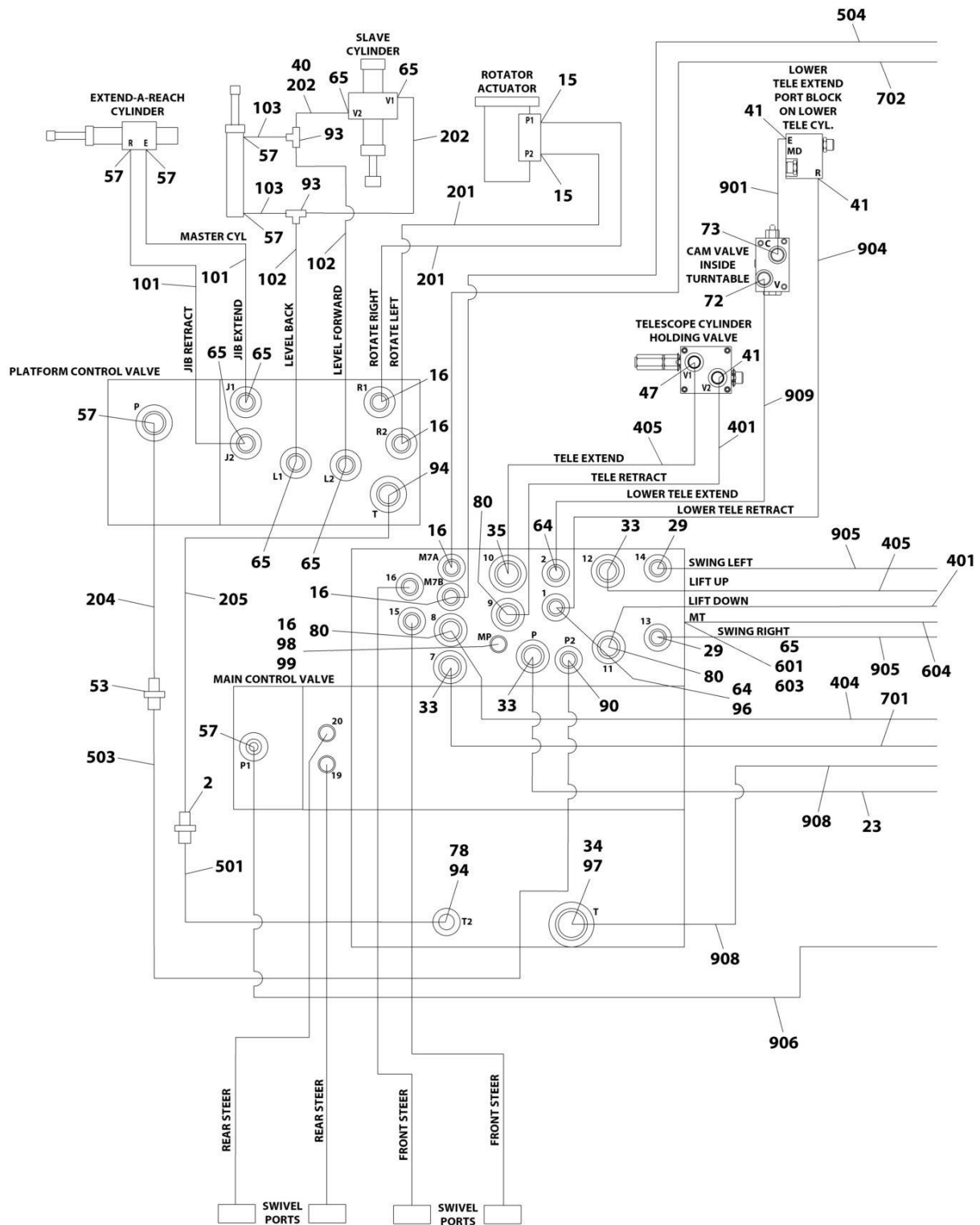
## SECTION 7 - HYDRAULIC

**FIGURE 7-3. FLUSHING LOOP HYDRAULIC INSTALLATION - 4WD**

| ITEM | PART NUMBER | QTY | DESCRIPTION                                | REV |
|------|-------------|-----|--|-----|
|      | 1001152619  | Ref | FLUSHING LOOP HYDRAULIC INSTALLATION - 4WD | C   |
| 1    | 0641408     | 4   | Bolt 1/4 x 1                               |     |
| 2    | 0641516     | 2   | Bolt 5/16 x 2                              |     |
| 3    | 2220371     | 3   | Fitting, Straight JIC/ORB                  |     |
| 4    | 2220372     | 1   | Fitting, Straight JIC/ORB                  |     |
| 5    | 2220473     | 1   | Fitting, 90 JIC/ORB                        |     |
| 6    | 2220623     | 1   | Fitting, Straight JIC/FSJIC                |     |
| 7    | 2221026     | 1   | Fitting, Tee JIC/ORB/JIC                   |     |
| 8    | 3300454     | 4   | Nut 1/4                                    |     |
| 9    | 3311505     | 2   | Nut 5/16                                   |     |
| 10   | 1001224927  | 1   | Valve, Flushing Loop                       |     |
| 10   | 7024881     | 1   | Piston, Pilot                              |     |
| 10   | 7021639     | 2   | Cartridge, Check Valve                     |     |
| 10   | 2900756     | 2   | Seal Kit - 7021639 Valve                   |     |
| 11   | 4711500     | 4   | Washer 5/16                                |     |
| 12   | 4751400     | 4   | Washer 1/4                                 |     |
| 13   | 1001150612  | 1   | Bracket14                                  |     |
| 14   | 1001152635  | 1   | Hose                                       |     |
| 15   | 1001152636  | 1   | Hose                                       |     |
| 16   | 1001152637  | 1   | Hose                                       |     |

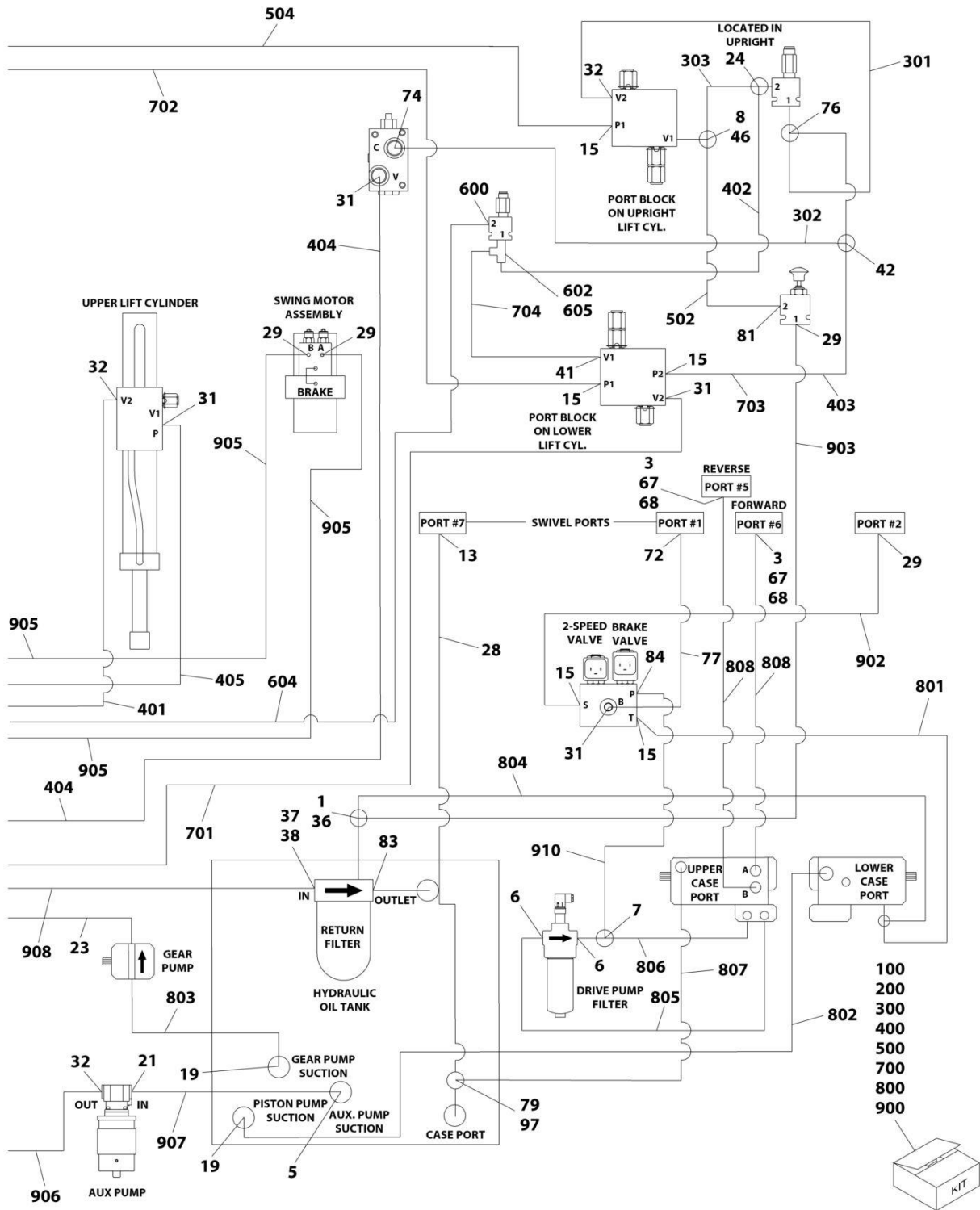
# SECTION 7 - HYDRAULIC

## FIGURE 7-4. HYDRAULIC DIAGRAM - STANDARD (DEUTZ D2011 ENGINE)



ART\_1001254622\_1OF2

# SECTION 7 - HYDRAULIC



ART\_1001254622\_2OF2

# SECTION 7 - HYDRAULIC

## FIGURE 7-4. HYDRAULIC DIAGRAM - STANDARD (DEUTZ D2011 ENGINE)

| ITEM | PART NUMBER | QTY | DESCRIPTION                   | REV |
|------|-------------|-----|-------------------------------|-----|
|      | 1001254622  | Ref | HYDRAULIC DIAGRAM - STANDARD  | E   |
| 1    | 2220605     | 1   | Fitting, Tee JIC/FSJIC/JIC    |     |
| 2    | 2220512     | 1   | Fitting, Straight JIC/JIC     |     |
| 3    | 2220377     | 2   | Fitting, Straight JIC/ORB     |     |
| 5    | 2220578     | 1   | Fitting, 90 JIC/ORB           |     |
| 6    | 2221042     | 2   | Fitting, 90 JIC/ORB           |     |
| 7    | 2220948     | 1   | Fitting, Tee JIC/FSJIC/JIC    |     |
| 8    | 2220618     | 1   | Fitting, Straight JIC/FSJIC   |     |
| 13   | 2220375     | 1   | Fitting, Straight JIC/ORB     |     |
| 15   | 2220466     | 7   | Fitting, 90 JIC/ORB           |     |
| 16   | 2220415     | 5   | Fitting, Straight JIC/ORB     |     |
| 19   | 2220379     | 2   | Fitting, Straight JIC/ORB     |     |
| 21   | 2220567     | 1   | Fitting, 90 JIC/ORB           |     |
| 23   | 2752929     | 1   | Hose                          |     |
| 24   | 2220602     | 1   | Fitting, Tee JIC/ORB/JIC      |     |
| 28   | 2753968     | 1   | Hose                          |     |
| 29   | 2220582     | 6   | Fitting, Straight JIC/ORB     |     |
| 31   | 2220596     | 4   | Fitting, 90 JIC/ORB           |     |
| 32   | 2220628     | 3   | Fitting, 90 JIC/ORB           |     |
| 33   | 2220381     | 3   | Fitting, Straight JIC/ORB     |     |
| 34   | 2220451     | 1   | Fitting, Straight JIC/ORB     |     |
| 35   | 2220374     | 1   | Fitting, Straight JIC/ORB     |     |
| 36   | 2220574     | 1   | Fitting, Straight JIC/NPTF    |     |
| 37   | 2220921     | 1   | Fitting, Straight FORB/ORB    |     |
| 38   | 2220498     | 1   | Fitting, 45 JIC/ORB           |     |
| 40   | 1001257430  | 1   | Cover, Hose Wrap              |     |
| 41   | 2220372     | 4   | Fitting, Straight JIC/ORB     |     |
| 42   | 2221065     | 1   | Fitting, Tee JIC/FSJIC/JIC    |     |
| 46   | 2220999     | 1   | Fitting, Tee JIC/ORB/JIC      |     |
| 47   | 2220500     | 1   | Fitting, 45 JIC/ORB           |     |
| 53   | 2220511     | 1   | Fitting, Straight JIC/JIC     |     |
| 57   | 2220473     | 6   | Fitting, 90 JIC/ORB           |     |
| 64   | 2220998     | 2   | Fitting, Straight JIC/ORB     |     |
| 65   | 2220603     | 7   | Fitting, Straight JIC/ORB     |     |
| 67   | 0100011     | AR  | Compound, Locking             |     |
| 68   | 0100038     | AR  | Primer, Locking               |     |
| 69   | 1703534     | 2   | Decal - Hose Tags (Not Shown) |     |
| 72   | 2220373     | 2   | Fitting, Straight JIC/ORB     |     |
| 73   | 2220947     | 1   | Fitting, Straight JIC/ORB     |     |
| 74   | 2221036     | 1   | Fitting, 90 JIC/ORB           |     |
| 76   | 2221053     | 1   | Fitting, Tee JIC/ORB/JIC      |     |
| 77   | 2752519     | 1   | Hose                          |     |
| 78   | 2220386     | 1   | Fitting, 90 JIC/FSJIC         |     |
| 79   | 2220738     | 1   | Fitting, Tee JIC/ORB/JIC      |     |
| 80   | 1001104423  | 3   | Fitting, Straight JIC/ORB     |     |
| 81   | 2220472     | 1   | Fitting, 90 JIC/ORB           |     |
| 83   | 2220893     | 1   | Fitting, Straight ORB/ORB     |     |
| 84   | 2220474     | 1   | Fitting, 90 JIC/ORB           |     |
| 90   | 80233041    | 1   | Valve, Check                  |     |
| 93   | 2220490     | 2   | Fitting, Tee JIC/JIC/JIC      |     |



## SECTION 7 - HYDRAULIC

| ITEM | PART NUMBER | QTY | DESCRIPTION                | REV |
|------|-------------|-----|----------------------------|-----|
| 94   | 2220600     | 2   | Fitting, Straight JIC/ORB  |     |
| 96   | 2220657     | 1   | Fitting, 45 JIC/FSJIC      |     |
| 97   | 2220409     | 2   | Fitting, 45 JIC/FSJIC      |     |
| 98   | 2752995     | 1   | Hose                       |     |
| 99   | 91143177    | 1   | Fitting, Test              |     |
| 100  | 1001254955  | 1   | Hose, Kit (Upper)          |     |
| 101  | 1001155672  | 2   | Hose                       |     |
| 102  | 1001155673  | 2   | Hose                       |     |
| 103  | 1001254948  | 2   | Hose                       |     |
| 200  | 1001254954  | 1   | Hose, Kit (Upper)          |     |
| 201  | 1001155669  | 2   | Hose                       |     |
| 202  | 1001119602  | 2   | Hose                       |     |
| 204  | 1001254949  | 1   | Hose                       |     |
| 205  | 1001254950  | 1   | Hose                       |     |
| 300  | 1001255599  | 1   | Hose, Kit (Lower)          |     |
| 301  | 2752462     | 1   | Hose                       |     |
| 302  | 2753134     | 1   | Hose                       |     |
| 303  | 2752497     | 2   | Hose                       |     |
| 400  | 1001272631  | 1   | Hose, Kit (Lower)          |     |
| 401  | 2753055     | 2   | Hose                       |     |
| 402  | 1001271833  | 1   | Hose                       |     |
| 403  | 2752991     | 1   | Hose                       |     |
| 404  | 2753135     | 1   | Hose                       |     |
| 405  | 2752939     | 2   | Hose                       |     |
| 500  | 1001212515  | 1   | Hose, Kit (Lower)          |     |
| 501  | 1001161036  | 1   | Hose                       |     |
| 502  | 2752990     | 1   | Hose                       |     |
| 503  | 1001161030  | 1   | Hose                       |     |
| 504  | 2752987     | 1   | Hose                       |     |
| 600  | 2220371     | 1   | Fitting, Straight JIC/ORB  |     |
| 601  | 2220516     | 1   | Fitting, Cap FJIC          |     |
| 602  | 2220606     | 1   | Fitting, Tee JIC/ORB/JIC   |     |
| 603  | 2220635     | 1   | Fitting, Tee JIC/FSJIC/JIC |     |
| 604  | 1001271835  | 1   | Hose                       |     |
| 605  | 8760268     | 1   | Fitting, 90 JIC/FSJIC      |     |
| 700  | 1001274367  | 1   | Hose, Kit (Turntable)      |     |
| 701  | 2752506     | 1   | Hose                       |     |
| 702  | 2752593     | 1   | Hose                       |     |
| 703  | 2752985     | 1   | Hose                       |     |
| 704  | 1001271832  | 1   | Hose                       |     |
| 800  | 1001269809  | 1   | Hose, Kit (Turntable E/S)  |     |
| 801  | 2752573     | 1   | Hose                       |     |
| 802  | 2752723     | 1   | Hose                       |     |
| 803  | 2752724     | 1   | Hose                       |     |
| 804  | 2753390     | 1   | Hose                       |     |
| 805  | 2754329     | 1   | Hose                       |     |
| 806  | 2754330     | 1   | Hose                       |     |
| 807  | 1001093549  | 1   | Hose                       |     |
| 808  | 1001150715  | 2   | Hose                       |     |
| 900  | 1001269810  | 1   | Hose, Kit (Turntable T/S)  |     |
| 901  | 2753132     | 1   | Hose                       |     |

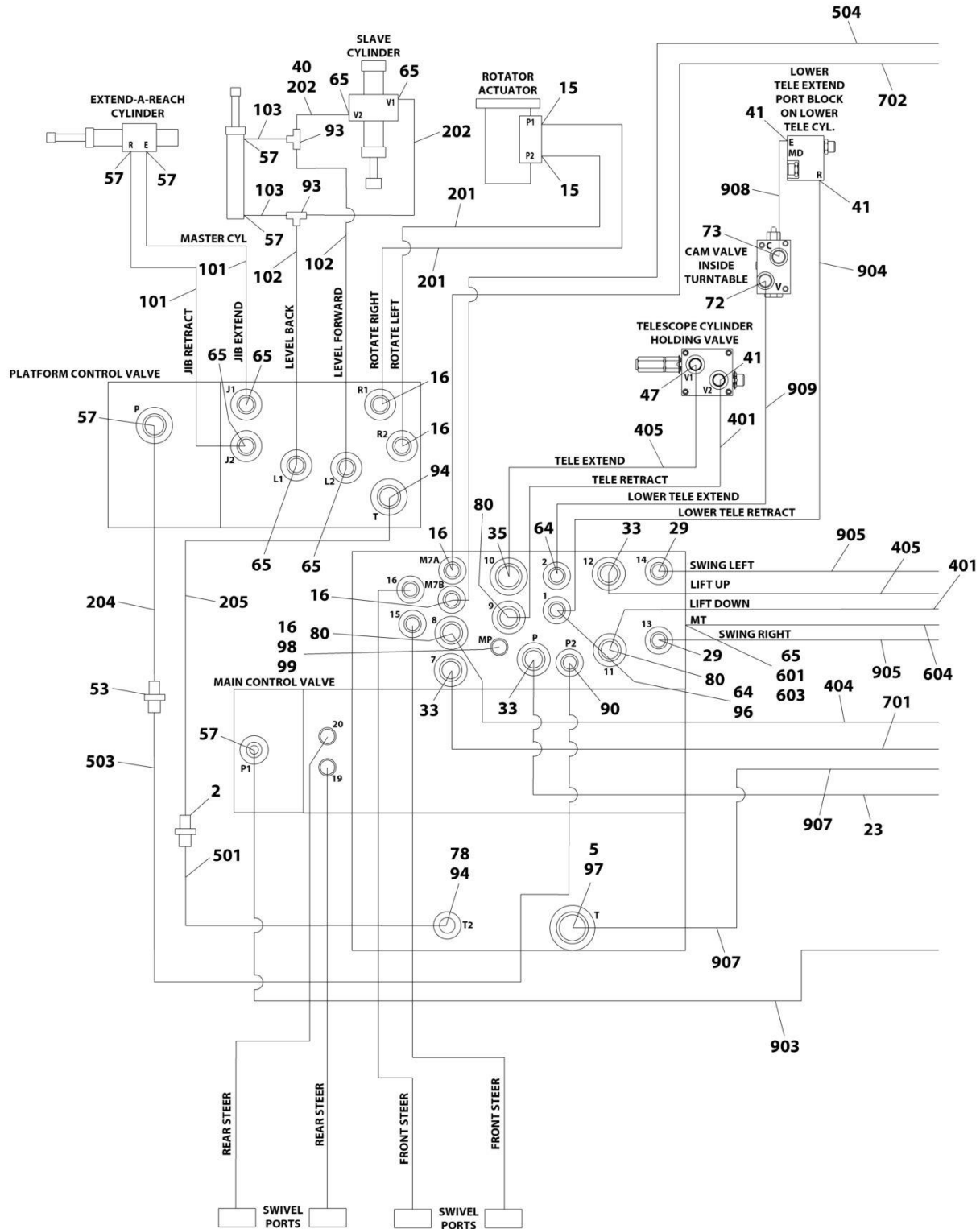
## SECTION 7 - HYDRAULIC

| ITEM | PART NUMBER | QTY | DESCRIPTION | REV |
|------|-------------|-----|-------------|-----|
| 902  | 2751396     | 1   | Hose        |     |
| 903  | 2752453     | 1   | Hose        |     |
| 904  | 2752484     | 1   | Hose        |     |
| 905  | 2752600     | 2   | Hose        |     |
| 906  | 2752635     | 1   | Hose        |     |
| 907  | 2752656     | 1   | Hose        |     |
| 908  | 2752783     | 1   | Hose        |     |
| 909  | 2753133     | 1   | Hose        |     |
| 910  | 2754328     | 1   | Hose        |     |



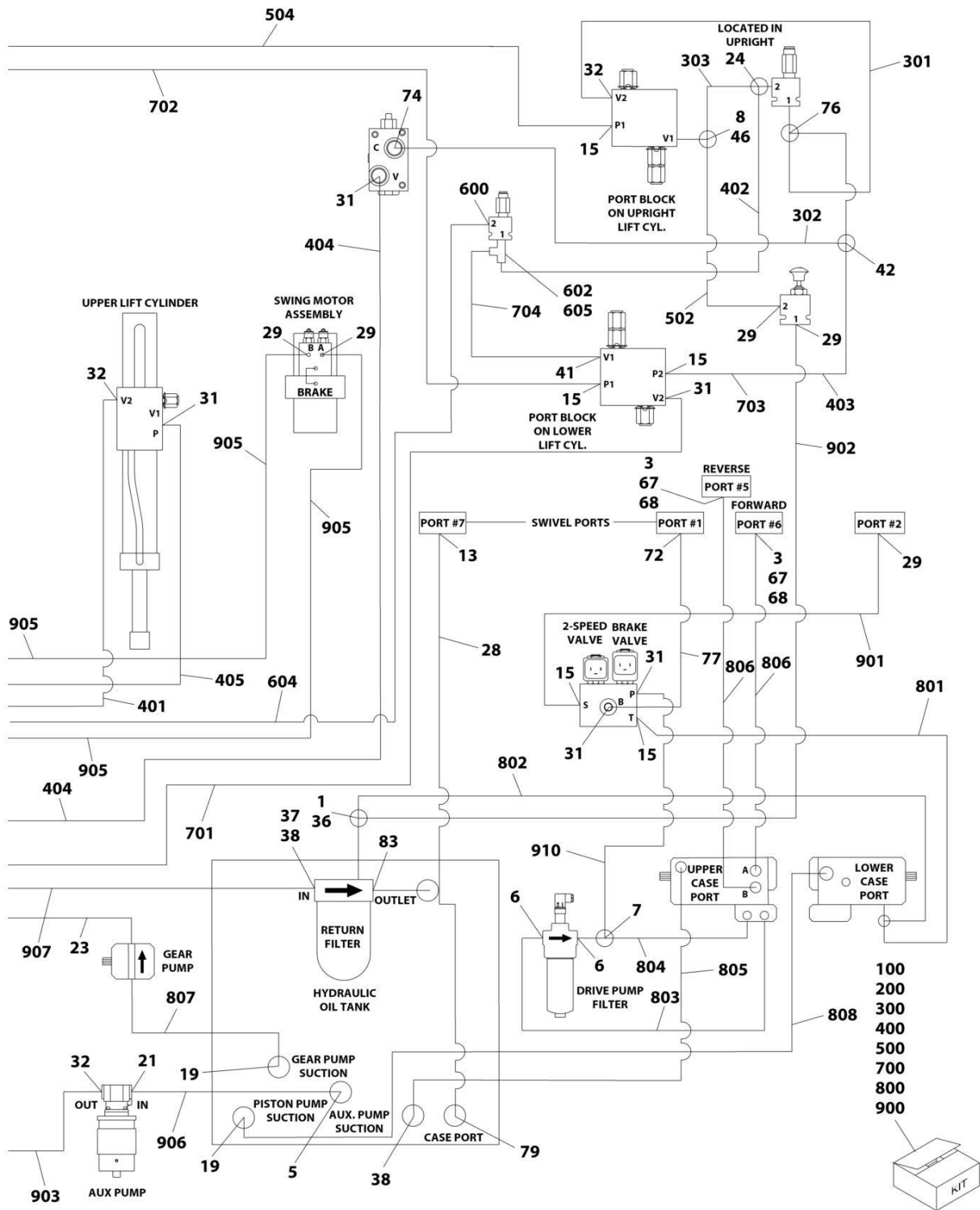
# SECTION 7 - HYDRAULIC

FIGURE 7-5. HYDRAULIC DIAGRAM - STANDARD (DEUTZ TD2.9L4 & DEUTZ TD2.2L3 STAGE V ENGINES)



ART\_1001253684\_10F2

# SECTION 7 - HYDRAULIC



ART\_1001253684\_2OF2

## SECTION 7 - HYDRAULIC

**FIGURE 7-5. HYDRAULIC DIAGRAM - STANDARD (DEUTZ TD2.9L4 & DEUTZ TD2.2L3 STAGE V ENGINES)**

| ITEM | PART NUMBER | QTY | DESCRIPTION                   | REV |
|------|-------------|-----|-------------------------------|-----|
|      | 1001253684  | Ref | HYDRAULIC DIAGRAM - STANDARD  | F   |
| 1    | 2220605     | 1   | Fitting, Tee JIC/FSJIC/JIC    |     |
| 2    | 2220512     | 1   | Fitting, Straight JIC/JIC     |     |
| 3    | 2220377     | 2   | Fitting, Straight JIC/ORB     |     |
| 5    | 2220451     | 1   | Fitting, Straight JIC/ORB     |     |
| 6    | 2221042     | 2   | Fitting, 90 JIC/ORB           |     |
| 7    | 2220948     | 1   | Fitting, Tee JIC/FSJIC/JIC    |     |
| 8    | 2220618     | 1   | Fitting, Straight JIC/FSJIC   |     |
| 13   | 2220375     | 1   | Fitting, Straight JIC/ORB     |     |
| 15   | 2220466     | 7   | Fitting, 90 JIC/ORB           |     |
| 16   | 2220415     | 4   | Fitting, Straight JIC/ORB     |     |
| 19   | 2220379     | 2   | Fitting, Straight JIC/ORB     |     |
| 21   | 2220567     | 1   | Fitting, 90 JIC/ORB           |     |
| 23   | 2752929     | 1   | Hose                          |     |
| 24   | 2220602     | 1   | Fitting, Tee JIC/ORB/JIC      |     |
| 28   | 2753968     | 1   | Hose                          |     |
| 29   | 2220582     | 7   | Fitting, Straight JIC/ORB     |     |
| 31   | 2220596     | 5   | Fitting, 90 JIC/ORB           |     |
| 32   | 2220628     | 3   | Fitting, 90 JIC/ORB           |     |
| 33   | 2220381     | 3   | Fitting, Straight JIC/ORB     |     |
| 35   | 2220374     | 1   | Fitting, Straight JIC/ORB     |     |
| 36   | 2220574     | 1   | Fitting, Straight JIC/NPTF    |     |
| 37   | 2220921     | 1   | Fitting, Straight FORB/ORB    |     |
| 38   | 2220498     | 2   | Fitting, 45 JIC/ORB           |     |
| 40   | 1001257430  | 1   | Cover, Hose Wrap              |     |
| 41   | 2220372     | 4   | Fitting, Straight JIC/ORB     |     |
| 42   | 2221065     | 1   | Fitting, Tee JIC/FSJIC/JIC    |     |
| 46   | 2220999     | 1   | Fitting, Tee JIC/ORB/JIC      |     |
| 47   | 2220500     | 1   | Fitting, 45 JIC/ORB           |     |
| 53   | 2220511     | 1   | Fitting, Straight JIC/JIC     |     |
| 57   | 2220473     | 6   | Fitting, 90 JIC/ORB           |     |
| 64   | 2220998     | 2   | Fitting, Straight JIC/ORB     |     |
| 65   | 2220603     | 7   | Fitting, Straight JIC/ORB     |     |
| 67   | 0100011     | AR  | Compound, Locking             |     |
| 68   | 0100038     | AR  | Primer, Locking               |     |
| 69   | 1703534     | 2   | Decal - Hose Tags (Not Shown) |     |
| 72   | 2220373     | 1   | Fitting, Straight JIC/ORB     |     |
| 73   | 2220947     | 1   | Fitting, Straight JIC/ORB     |     |
| 74   | 2221036     | 1   | Fitting, 90 JIC/ORB           |     |
| 76   | 2221053     | 1   | Fitting, Tee JIC/ORB/JIC      |     |
| 77   | 2752519     | 1   | Hose                          |     |
| 78   | 2220386     | 1   | Fitting, 90 JIC/FSJIC         |     |
| 79   | 2220578     | 1   | Fitting, 90 JIC/ORB           |     |
| 80   | 1001104423  | 3   | Fitting, Straight JIC/ORB     |     |
| 83   | 2220893     | 1   | Fitting, Straight ORB/ORB     |     |
| 90   | 80233041    | 1   | Valve, Check                  |     |
| 93   | 2220490     | 2   | Fitting, Tee JIC/JIC/JIC      |     |
| 94   | 2220600     | 2   | Fitting, Straight JIC/ORB     |     |
| 96   | 2220657     | 1   | Fitting, 45 JIC/FSJIC         |     |

## SECTION 7 - HYDRAULIC

| ITEM | PART NUMBER | QTY | DESCRIPTION                | REV |
|------|-------------|-----|----------------------------|-----|
| 97   | 2220409     | 1   | Fitting, 45 JIC/FSJIC      |     |
| 98   | 2752995     | 1   | Hose                       |     |
| 99   | 91143177    | 1   | Fitting, Test              |     |
| 100  | 1001254955  | 1   | Hose, Kit (Upper)          |     |
| 101  | 1001155672  | 2   | Hose                       |     |
| 102  | 1001155673  | 2   | Hose                       |     |
| 103  | 1001254948  | 2   | Hose                       |     |
| 200  | 1001254954  | 1   | Hose, Kit (Upper)          |     |
| 201  | 1001155669  | 2   | Hose                       |     |
| 202  | 1001119602  | 2   | Hose                       |     |
| 204  | 1001254949  | 1   | Hose                       |     |
| 205  | 1001254950  | 1   | Hose                       |     |
| 300  | 1001255599  | 1   | Hose, Kit (Lower)          |     |
| 301  | 2752462     | 1   | Hose                       |     |
| 302  | 2753134     | 1   | Hose                       |     |
| 303  | 2752497     | 1   | Hose                       |     |
| 400  | 1001272631  | 1   | Hose, Kit (Lower)          |     |
| 401  | 2753055     | 2   | Hose                       |     |
| 402  | 1001271833  | 1   | Hose                       |     |
| 403  | 2752991     | 1   | Hose                       |     |
| 404  | 2753135     | 1   | Hose                       |     |
| 405  | 2752939     | 2   | Hose                       |     |
| 500  | 1001212515  | 1   | Hose, Kit (Lower)          |     |
| 501  | 1001161036  | 1   | Hose                       |     |
| 502  | 2752990     | 1   | Hose                       |     |
| 503  | 1001161030  | 1   | Hose                       |     |
| 504  | 2752987     | 1   | Hose                       |     |
| 600  | 2220371     | 1   | Fitting, Straight JIC/ORB  |     |
| 601  | 2220516     | 1   | Fitting, Cap FJIC          |     |
| 602  | 2220606     | 1   | Fitting, Tee JIC/ORB/JIC   |     |
| 603  | 2220635     | 1   | Fitting, Tee JIC/FSJIC/JIC |     |
| 604  | 1001271835  | 1   | Hose                       |     |
| 605  | 8760268     | 1   | Fitting, 90 JIC/FSJIC      |     |
| 700  | 1001274367  | 1   | Hose, Kit (Turntable)      |     |
| 701  | 2752506     | 1   | Hose                       |     |
| 702  | 2752593     | 1   | Hose                       |     |
| 703  | 2752985     | 1   | Hose                       |     |
| 704  | 1001271832  | 1   | Hose                       |     |
| 800  | 1001269812  | 1   | Hose, Kit (Turntable E/S)  |     |
| 801  | 2753002     | 1   | Hose                       |     |
| 802  | 2753390     | 1   | Hose                       |     |
| 803  | 2754329     | 1   | Hose                       |     |
| 804  | 2754330     | 1   | Hose                       |     |
| 805  | 1001150714  | 1   | Hose                       |     |
| 806  | 1001150715  | 2   | Hose                       |     |
| 807  | 1001150718  | 1   | Hose                       |     |
| 808  | 1001172535  | 1   | Hose                       |     |
| 900  | 1001269807  | 1   | Hose, Kit (Turntable T/S)  |     |
| 901  | 2751396     | 1   | Hose                       |     |
| 902  | 2752453     | 1   | Hose                       |     |
| 903  | 2752478     | 1   | Hose                       |     |

## SECTION 7 - HYDRAULIC

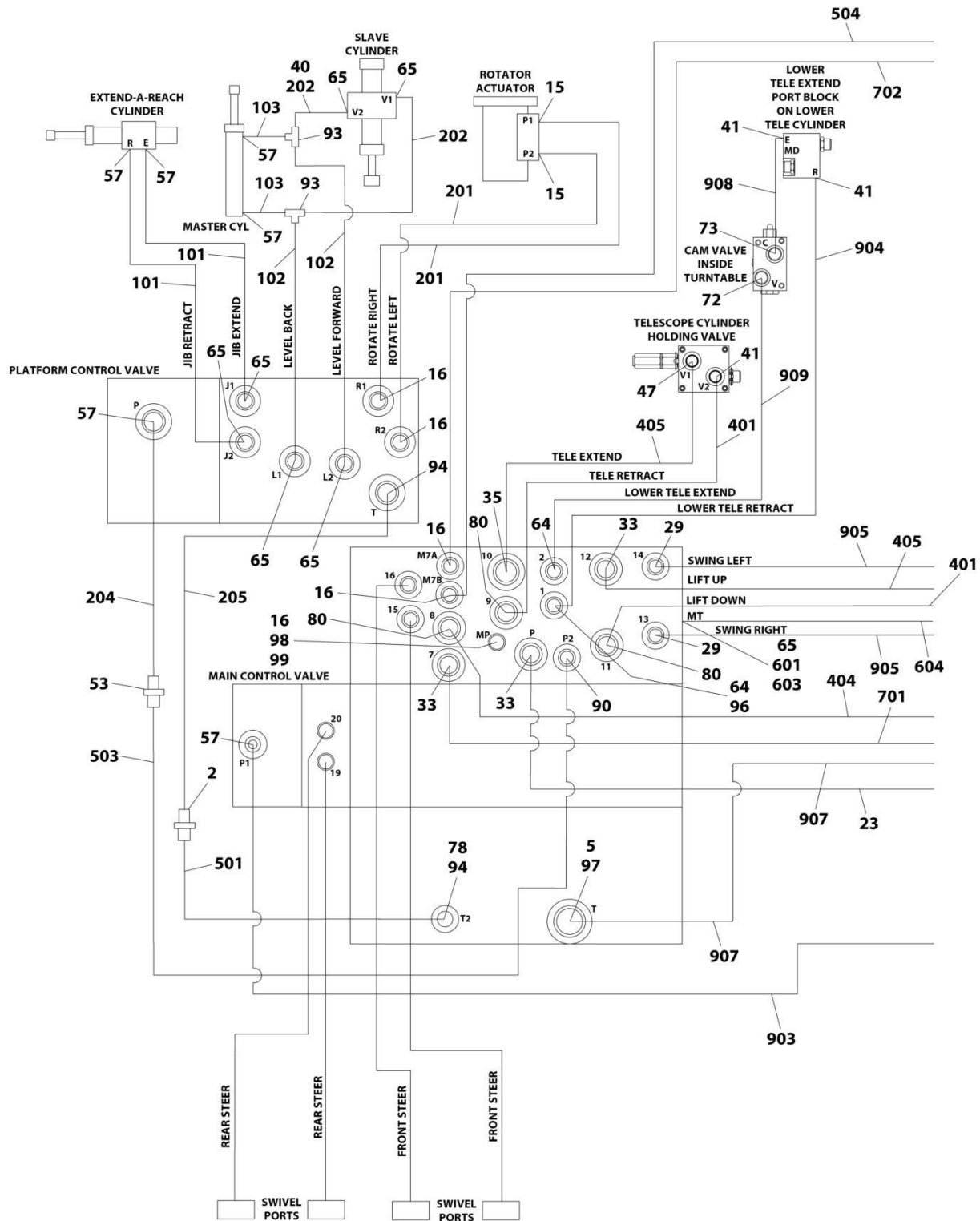
| ITEM | PART NUMBER | QTY | DESCRIPTION | REV |
|------|-------------|-----|-------------|-----|
| 904  | 2752484     | 1   | Hose        |     |
| 905  | 2752600     | 2   | Hose        |     |
| 906  | 2752656     | 1   | Hose        |     |
| 907  | 2752783     | 1   | Hose        |     |
| 908  | 2753132     | 1   | Hose        |     |
| 909  | 2753133     | 1   | Hose        |     |
| 910  | 1001150717  | 1   | Hose        |     |





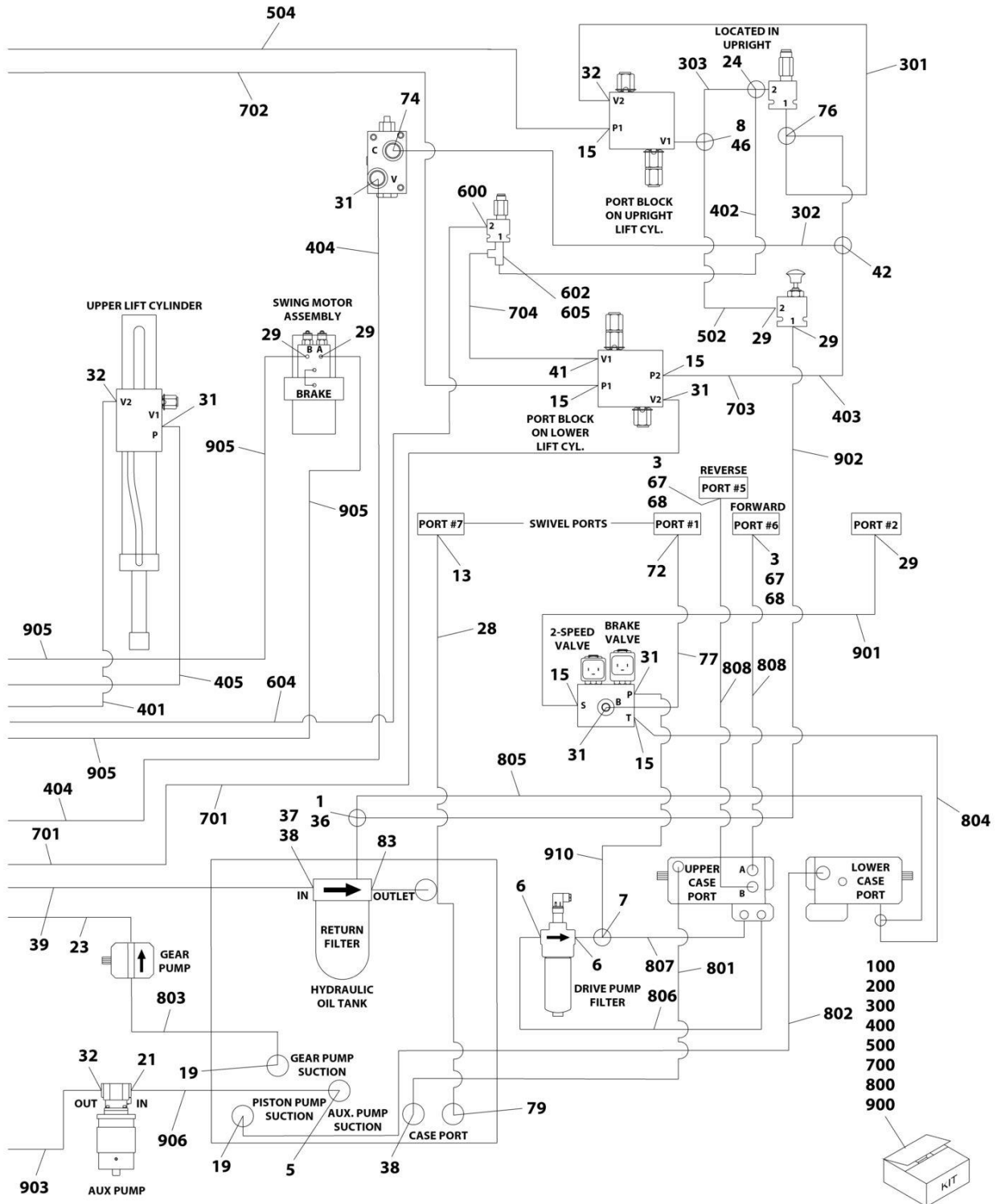
# SECTION 7 - HYDRAULIC

## FIGURE 7-6. HYDRAULIC DIAGRAM - STANDARD (FORD ENGINES)



ART\_1001254623\_10F2

# SECTION 7 - HYDRAULIC



ART\_1001254623\_2OF2

## SECTION 7 - HYDRAULIC

FIGURE 7-6. HYDRAULIC DIAGRAM - STANDARD (FORD ENGINES)

| ITEM | PART NUMBER | QTY | DESCRIPTION                   | REV |
|------|-------------|-----|-------------------------------|-----|
|      | 1001254623  | Ref | HYDRAULIC DIAGRAM - STANDARD  | E   |
| 1    | 2220605     | 1   | Fitting, Tee JIC/FSJIC/JIC    |     |
| 2    | 2220512     | 1   | Fitting, Straight JIC/JIC     |     |
| 3    | 2220377     | 2   | Fitting, Straight JIC/ORB     |     |
| 5    | 2220451     | 2   | Fitting, Straight JIC/ORB     |     |
| 6    | 2221042     | 2   | Fitting, 90 JIC/ORB           |     |
| 7    | 2220948     | 1   | Fitting, Tee JIC/FSJIC/JIC    |     |
| 8    | 2220618     | 1   | Fitting, Straight JIC/FSJIC   |     |
| 13   | 2220375     | 1   | Fitting, Straight JIC/ORB     |     |
| 15   | 2220466     | 7   | Fitting, 90 JIC/ORB           |     |
| 16   | 2220415     | 5   | Fitting, Straight JIC/ORB     |     |
| 19   | 2220379     | 2   | Fitting, Straight JIC/ORB     |     |
| 21   | 2220567     | 1   | Fitting, 90 JIC/ORB           |     |
| 23   | 2752929     | 1   | Hose                          |     |
| 24   | 2220602     | 1   | Fitting, Tee JIC/ORB/JIC      |     |
| 28   | 2753968     | 1   | Hose                          |     |
| 29   | 2220582     | 7   | Fitting, Straight JIC/ORB     |     |
| 31   | 2220596     | 5   | Fitting, 90 JIC/ORB           |     |
| 32   | 2220628     | 3   | Fitting, 90 JIC/ORB           |     |
| 33   | 2220381     | 3   | Fitting, Straight JIC/ORB     |     |
| 35   | 2220374     | 1   | Fitting, Straight JIC/ORB     |     |
| 36   | 2220574     | 1   | Fitting, Straight JIC/NPTF    |     |
| 37   | 2220921     | 1   | Fitting, Straight FORB/ORB    |     |
| 38   | 2220498     | 2   | Fitting, 45 JIC/ORB           |     |
| 40   | 1001257430  | 1   | Cover, Hose Wrap              |     |
| 41   | 2220372     | 4   | Fitting, Straight JIC/ORB     |     |
| 42   | 2221065     | 1   | Fitting, Tee JIC/FSJIC/JIC    |     |
| 46   | 2220999     | 1   | Fitting, Tee JIC/ORB/JIC      |     |
| 47   | 2220500     | 1   | Fitting, 45 JIC/ORB           |     |
| 53   | 2220511     | 1   | Fitting, Straight JIC/JIC     |     |
| 57   | 2220473     | 6   | Fitting, 90 JIC/ORB           |     |
| 64   | 2220998     | 2   | Fitting, Straight JIC/ORB     |     |
| 65   | 2220603     | 7   | Fitting, Straight JIC/ORB     |     |
| 67   | 0100011     | AR  | Compound, Locking             |     |
| 68   | 0100038     | AR  | Primer, Locking               |     |
| 69   | 1703534     | 2   | Decal - Hose Tags (Not Shown) |     |
| 72   | 2220373     | 2   | Fitting, Straight JIC/ORB     |     |
| 73   | 2220947     | 1   | Fitting, Straight JIC/ORB     |     |
| 74   | 2221036     | 1   | Fitting, 90 JIC/ORB           |     |
| 76   | 2221053     | 1   | Fitting, Tee JIC/ORB/JIC      |     |
| 77   | 2752519     | 1   | Hose                          |     |
| 78   | 2220386     | 1   | Fitting, 90 JIC/FSJIC         |     |
| 79   | 2220578     | 1   | Fitting, 90 JIC/ORB           |     |
| 80   | 1001104423  | 3   | Fitting, Straight JIC/ORB     |     |
| 83   | 2220893     | 1   | Fitting, Straight ORB/ORB     |     |
| 90   | 80233041    | 1   | Valve, Check                  |     |
| 93   | 2220490     | 2   | Fitting, Tee JIC/JIC/JIC      |     |
| 94   | 2220600     | 2   | Fitting, Straight JIC/ORB     |     |
| 96   | 2220657     | 1   | Fitting, 45 JIC/FSJIC         |     |
| 97   | 2220409     | 2   | Fitting, 45 JIC/FSJIC         |     |

## SECTION 7 - HYDRAULIC

| ITEM | PART NUMBER | QTY | DESCRIPTION                | REV |
|------|-------------|-----|----------------------------|-----|
| 98   | 2752995     | 1   | Hose                       |     |
| 99   | 91143177    | 1   | Fitting, Test              |     |
| 100  | 1001254955  | 1   | Hose, Kit (Upper)          |     |
| 101  | 1001155672  | 2   | Hose                       |     |
| 102  | 1001155673  | 2   | Hose                       |     |
| 103  | 1001254948  | 2   | Hose                       |     |
| 200  | 1001254954  | 1   | Hose, Kit (Upper)          |     |
| 201  | 1001155669  | 2   | Hose                       |     |
| 202  | 1001119602  | 2   | Hose                       |     |
| 204  | 1001254949  | 1   | Hose                       |     |
| 205  | 1001254950  | 1   | Hose                       |     |
| 300  | 1001255599  | 1   | Hose, Kit (Lower)          |     |
| 301  | 2752462     | 1   | Hose                       |     |
| 302  | 2753134     | 1   | Hose                       |     |
| 303  | 2752497     | 2   | Hose                       |     |
| 400  | 1001272631  | 1   | Hose, Kit (Lower)          |     |
| 401  | 2753055     | 2   | Hose                       |     |
| 402  | 1001271833  | 1   | Hose                       |     |
| 403  | 2752991     | 1   | Hose                       |     |
| 404  | 2753135     | 1   | Hose                       |     |
| 405  | 2752939     | 2   | Hose                       |     |
| 500  | 1001212515  | 1   | Hose, Kit (Lower)          |     |
| 501  | 1001161036  | 1   | Hose                       |     |
| 502  | 2752990     | 1   | Hose                       |     |
| 503  | 1001161030  | 1   | Hose                       |     |
| 504  | 2752987     | 1   | Hose                       |     |
| 600  | 2220371     | 1   | Fitting, Straight JIC/ORB  |     |
| 601  | 2220516     | 1   | Fitting, Cap FJIC          |     |
| 602  | 2220606     | 1   | Fitting, Tee JIC/ORB/JIC   |     |
| 603  | 2220635     | 1   | Fitting, Tee JIC/FSJIC/JIC |     |
| 604  | 1001271835  | 1   | Hose                       |     |
| 605  | 8760268     | 1   | Fitting, 90 JIC/ORB        |     |
| 700  | 1001274367  | 1   | Hose, Kit (Turntable)      |     |
| 701  | 2752506     | 1   | Hose                       |     |
| 702  | 2752593     | 1   | Hose                       |     |
| 703  | 2752985     | 1   | Hose                       |     |
| 704  | 1001271832  | 1   | Hose                       |     |
| 800  | 1001269806  | 1   | Hose, Kit (Turntable E/S)  |     |
| 801  | 2751362     | 1   | Hose                       |     |
| 802  | 2752723     | 1   | Hose                       |     |
| 803  | 2752724     | 1   | Hose                       |     |
| 804  | 2753000     | 1   | Hose                       |     |
| 805  | 2753390     | 1   | Hose                       |     |
| 806  | 2754329     | 1   | Hose                       |     |
| 807  | 2754330     | 1   | Hose                       |     |
| 808  | 1001150715  | 2   | Hose                       |     |
| 900  | 1001269807  | 1   | Hose, Kit (Turntable T/S)  |     |
| 901  | 2751396     | 1   | Hose                       |     |
| 902  | 2752453     | 1   | Hose                       |     |
| 903  | 2752478     | 1   | Hose                       |     |
| 904  | 2752484     | 1   | Hose                       |     |

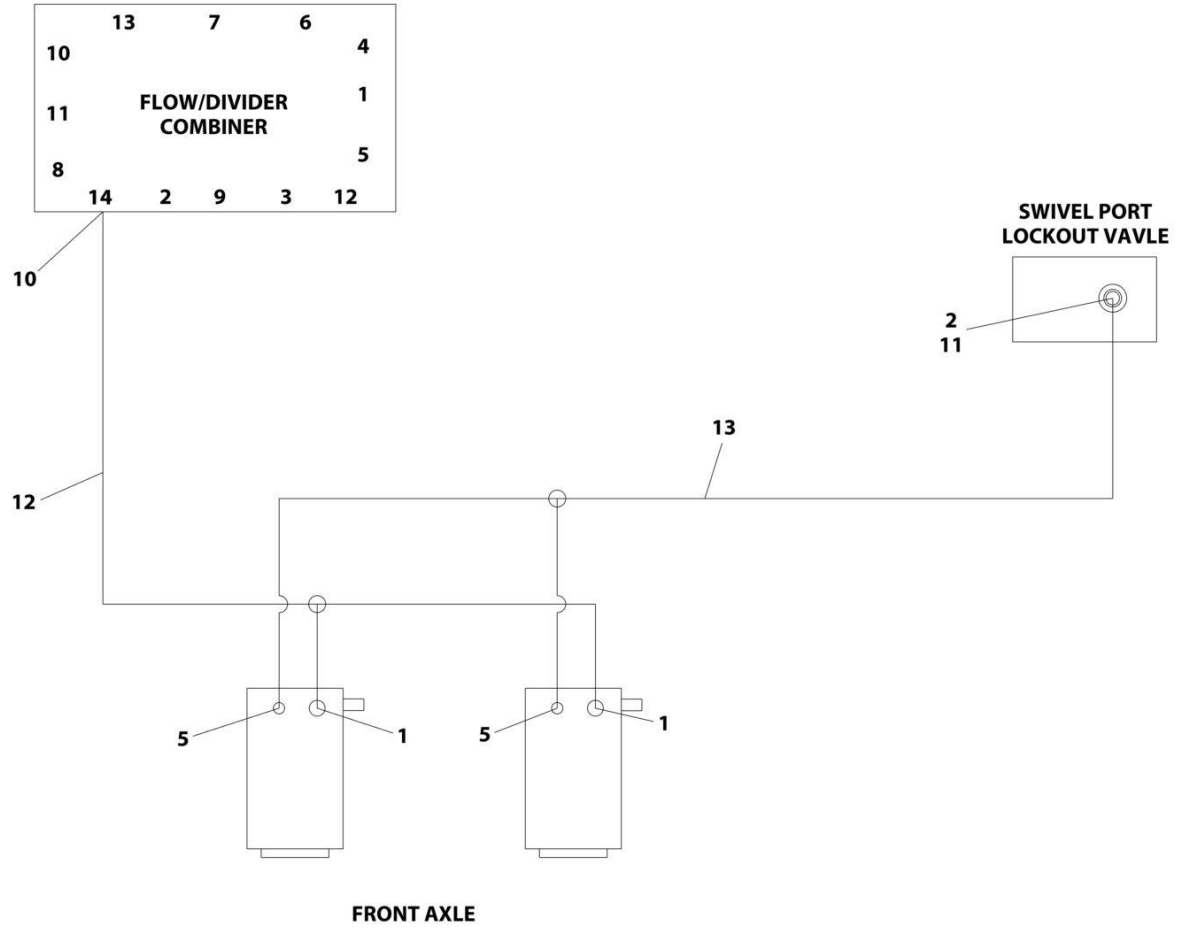
## SECTION 7 - HYDRAULIC

| ITEM | PART NUMBER | QTY | DESCRIPTION | REV |
|------|-------------|-----|-------------|-----|
| 905  | 2752600     | 2   | Hose        |     |
| 906  | 2752656     | 1   | Hose        |     |
| 907  | 2752783     | 1   | Hose        |     |
| 908  | 2753132     | 1   | Hose        |     |
| 909  | 2753133     | 1   | Hose        |     |
| 910  | 1001150717  | 1   | Hose        |     |



# SECTION 7 - HYDRAULIC

## FIGURE 7-7. HYDRAULIC DIAGRAM - OSCILLATING AXLE



ART\_1001151349



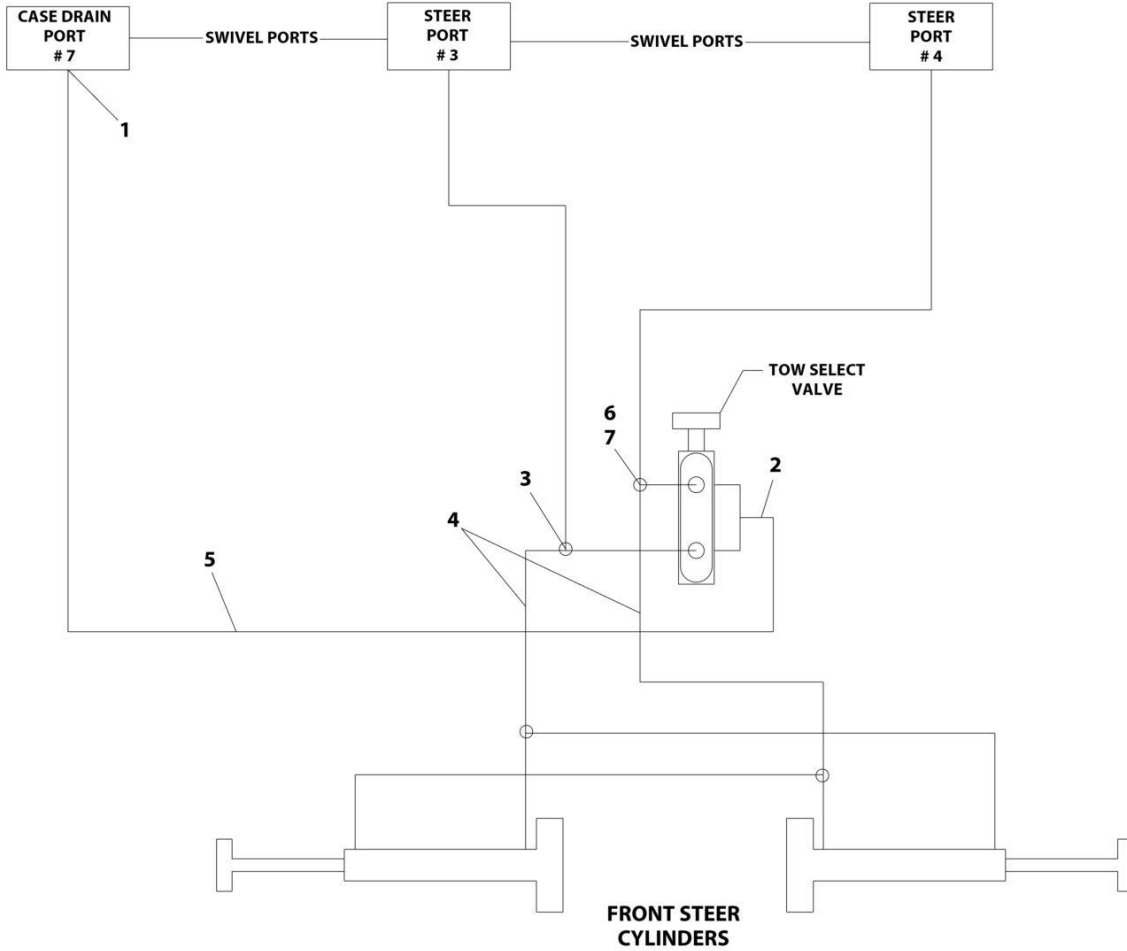
## SECTION 7 - HYDRAULIC

### FIGURE 7-7. HYDRAULIC DIAGRAM - OSCILLATING AXLE

| ITEM | PART NUMBER | QTY | DESCRIPTION                             | REV |
|------|-------------|-----|---|-----|
|      | 1001151349  | Ref | AXLE LOCKOUT DIAGRAM - OSCILLATING AXLE | C   |
| 1    | 2220371     | 2   | Fitting, Straight JIC/ORB               |     |
| 2    | 2220468     | 1   | Fitting, Straight JIC/ORB               |     |
| 5    | 2220415     | 2   | Fitting, Straight JIC/ORB               |     |
| 10   | 2220473     | 1   | Fitting, 90 JIC/ORB                     |     |
| 11   | 2220654     | 1   | Fitting, 90 JIC/FSJIC                   |     |
| 12   | 1001188890  | 1   | Hose                                    |     |
| 13   | 1001188891  | 1   | Hose                                    |     |

# SECTION 7 - HYDRAULIC

## FIGURE 7-8. HYDRAULIC DIAGRAM - TOW BAR



ART\_2792630

## SECTION 7 - HYDRAULIC

### FIGURE 7-8. HYDRAULIC DIAGRAM - TOW BAR

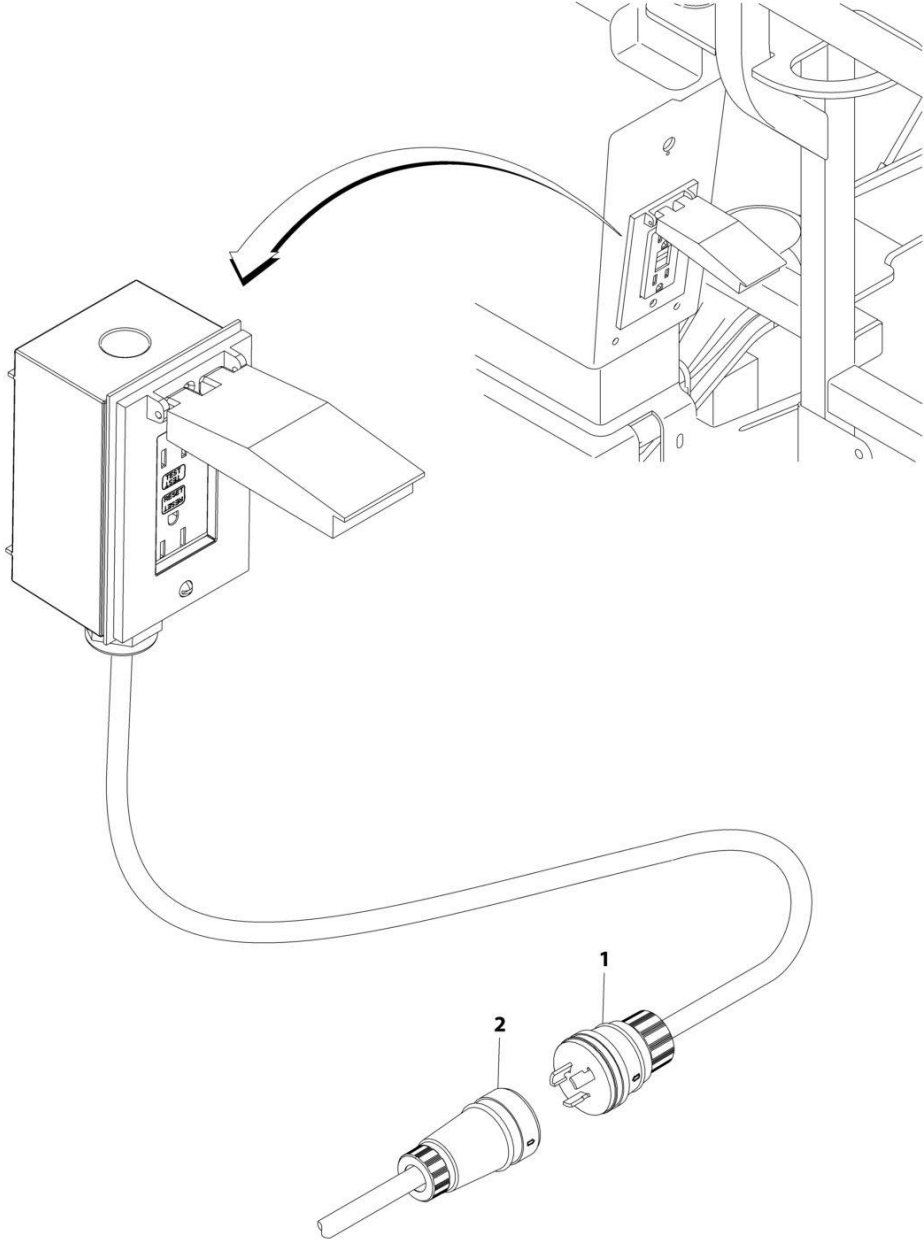
| ITEM | PART NUMBER | QTY | DESCRIPTION                | REV |
|------|-------------|-----|----------------------------|-----|
|      | 2792630     | Ref | TOW BAR DIAGRAM            | C   |
| 1    | 2220473     | 1   | Fitting, 90 JIC/ORB        |     |
| 2    | 2220628     | 1   | Fitting, 90 JIC/ORB        |     |
| 3    | 2221053     | 1   | Fitting, Tee JIC/ORB/JIC   |     |
| 4    | 1001113790  | 2   | Hose                       |     |
| 5    | 1001113818  | 1   | Hose                       |     |
| 6    | 2220372     | 1   | Fitting, Straight JIC/ORB  |     |
| 7    | 2220635     | 1   | Fitting, Tee JIC/FSJIC/JIC |     |



**SECTION 8 - ELECTRICAL**

# SECTION 8 - ELECTRICAL

**FIGURE 8-1. AC CABLE CONNECTOR INSTALLATION - 110V/220V (MACHINES NO GENERATOR)  
(ANSI EXPORT, AUSTRALIAN, CHINA, CE & UK CA SPECS)**



ART\_1001213655

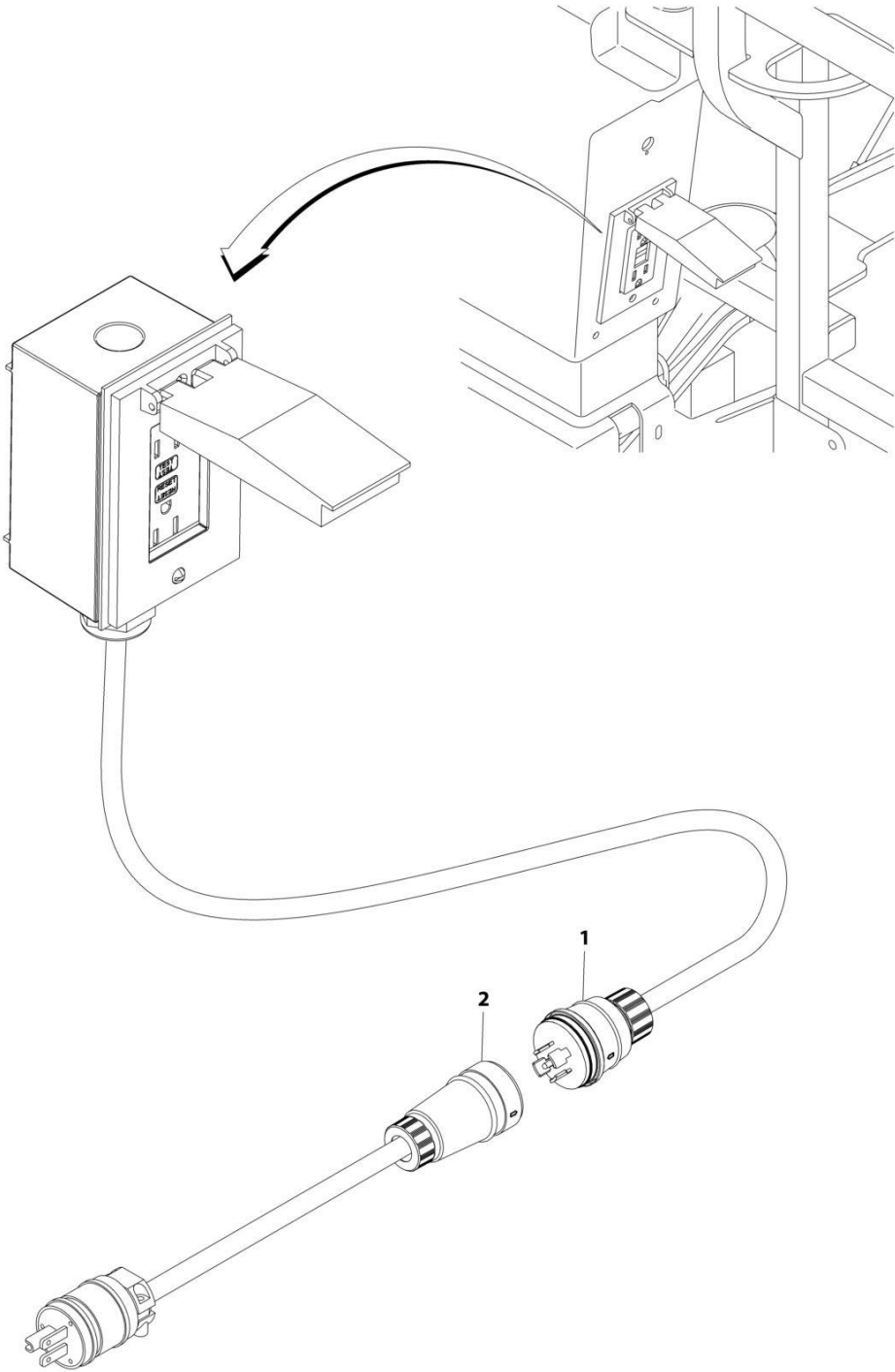
## SECTION 8 - ELECTRICAL

**FIGURE 8-1. AC CABLE CONNECTOR INSTALLATION - 110V/220V (MACHINES NO GENERATOR)  
(ANSI EXPORT, AUSTRALIAN, CHINA, CE & UK CA SPECS)**

| ITEM | PART NUMBER | QTY | DESCRIPTION                       | REV |
|------|-------------|-----|-----------------------------------|-----|
|      | 1001213655  | Ref | AC CABLE INSTALLATION - 110V/220V | A   |
| 1    | 1001214095  | 1   | Plug, Male                        |     |
| 2    | 1001214096  | 1   | Plug, Female                      |     |

# SECTION 8 - ELECTRICAL

**FIGURE 8-2. AC CABLE CONNECTOR INSTALLATION - SKYPOWER (MACHINES NO GENERATOR)  
(ALL SPECS)**



ART\_0272433



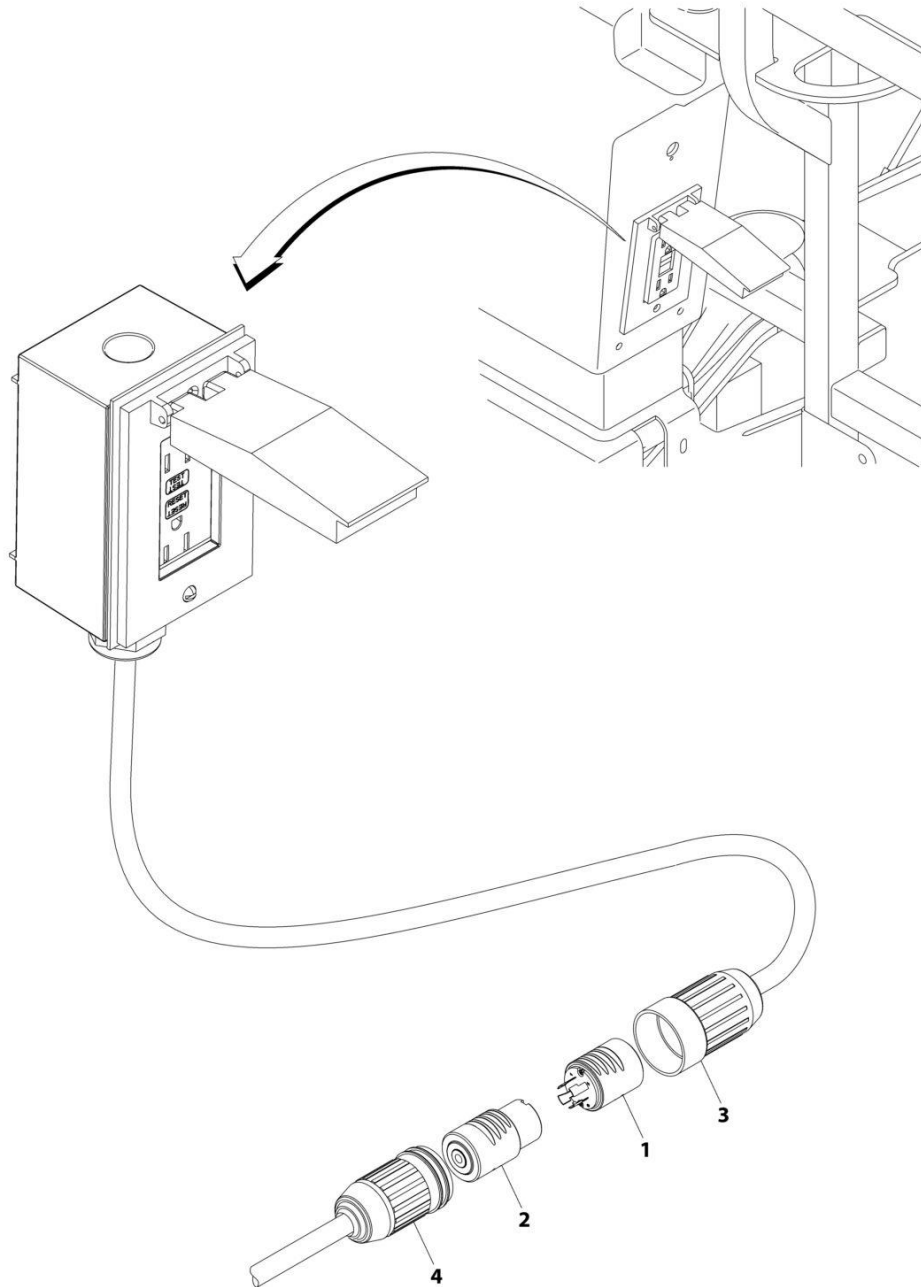
## SECTION 8 - ELECTRICAL

**FIGURE 8-2. AC CABLE CONNECTOR INSTALLATION - SKYPOWER (MACHINES NO GENERATOR)  
(ALL SPECS)**

| ITEM | PART NUMBER | QTY | DESCRIPTION                       | REV |
|------|-------------|-----|-----------------------------------|-----|
|      | 0272433     | Ref | AC CABLE INSTALLATION - 110V/220V | D   |
| 1    | 1001218622  | 1   | Plug, Male                        |     |
| 2    | 1001218623  | 1   | Plug, Female                      |     |

## SECTION 8 - ELECTRICAL

**FIGURE 8-3. AC CABLE CONNECTOR INSTALLATION - 4000W GENERATOR (MACHINES NO GENERATOR) (ALL SPECS EXCEPT AUSTRALIAN, CE & UK CA SPECS)**



ART\_1001160272

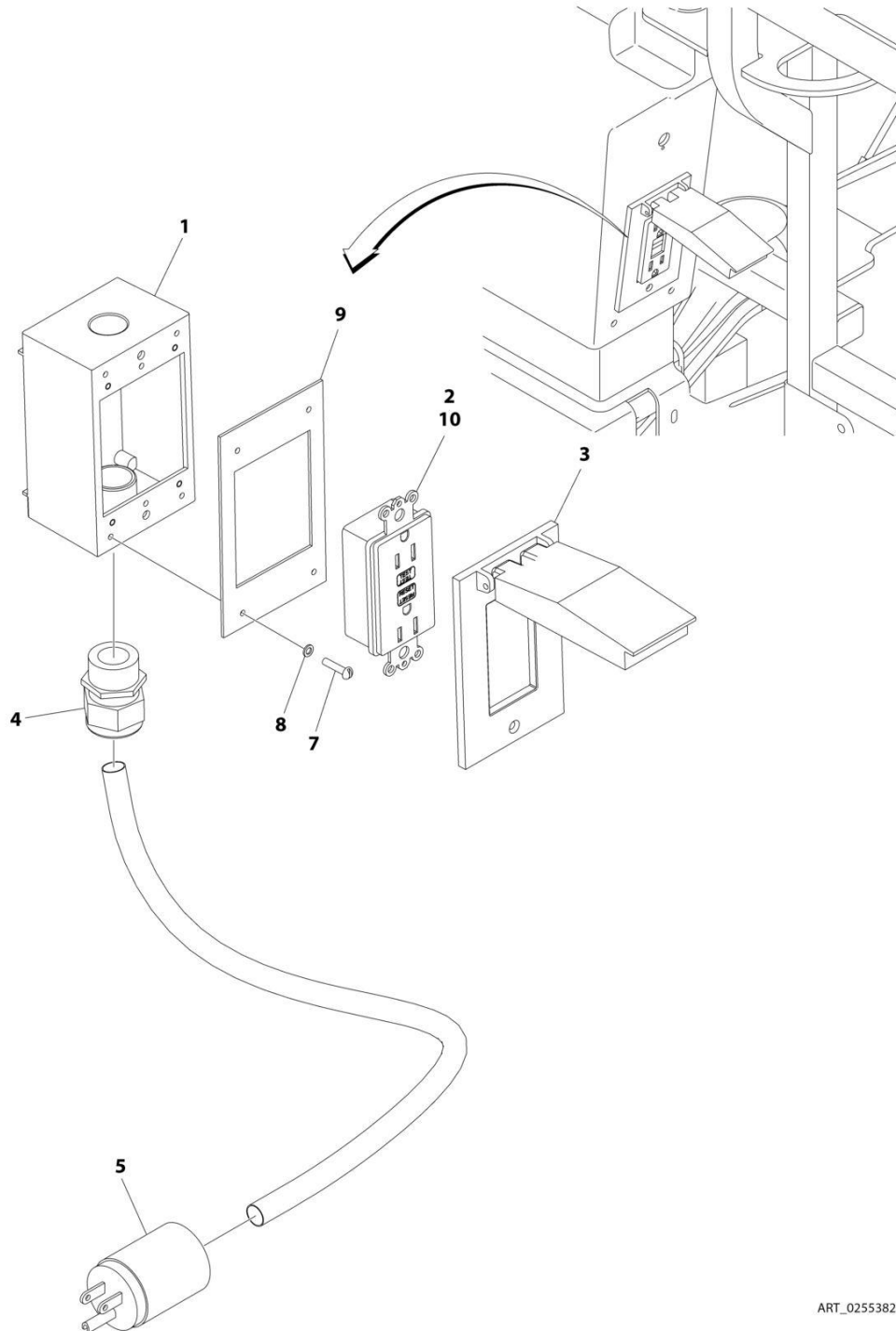
## SECTION 8 - ELECTRICAL

**FIGURE 8-3. AC CABLE CONNECTOR INSTALLATION - 4000W GENERATOR (MACHINES NO GENERATOR) (ALL SPECS EXCEPT AUSTRALIAN, CE & UK CA SPECS)**

| ITEM | PART NUMBER | QTY | DESCRIPTION                                       | REV |
|------|-------------|-----|---|-----|
|      | 1001160272  | Ref | AC CABLE CONNECTOR INSTALLATION – 4000W GENERATOR | A   |
| 1    | 4460962     | 1   | Plug, Male  |     |
| 2    | 4460963     | 1   | Connector   |     |
| 3    | 1671092     | 1   | Cover   |     |
| 4    | 1671093     | 1   | Plug  |     |

## SECTION 8 - ELECTRICAL

**FIGURE 8-4. AC BOX AT PLATFORM INSTALLATION - 110V GFI RECEPTACLE (MACHINES WITH 2500W GENERATOR/NO GENERATOR OPTIONS) (ALL SPECS EXCEPT AUSTRALIAN, CE& UK CA SPECS)**



ART\_0255382

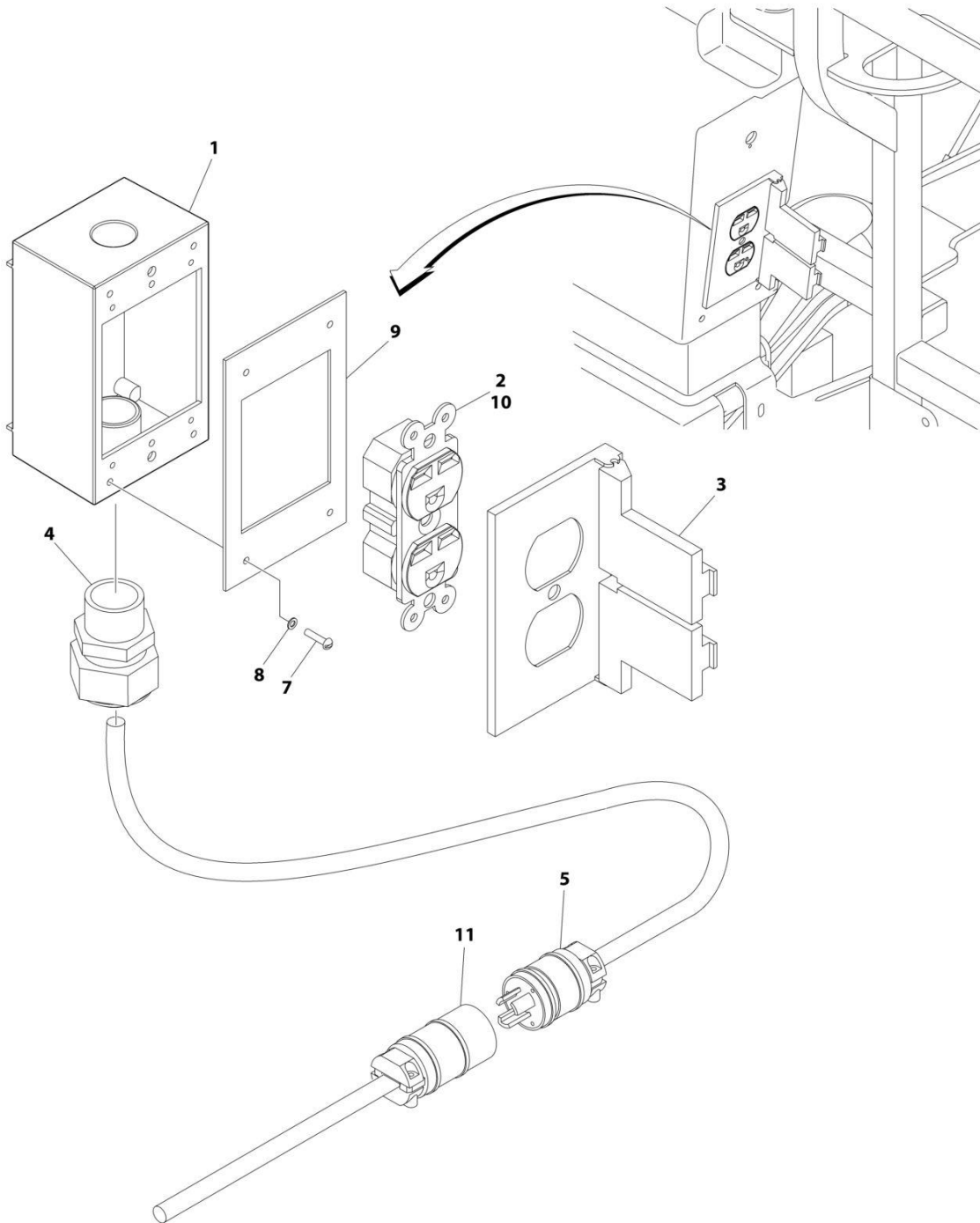
## SECTION 8 - ELECTRICAL

**FIGURE 8-4. AC BOX AT PLATFORM INSTALLATION - 110V GFI RECEPTACLE (MACHINES WITH 2500W GENERATOR/NO GENERATOR OPTIONS) (ALL SPECS EXCEPT AUSTRALIAN, CE& UK CA SPECS)**

| ITEM | PART NUMBER | QTY | DESCRIPTION  | REV |
|------|-------------|-----|--|-----|
|      | 0255382     | Ref | AC BOX AT PLATFORM INSTALLATION - 110V             | C   |
| 1    | 0860038     | 1   | Box, Switch  |     |
| 2    | 4460346     | 1   | Receptacle   |     |
| 3    | 1001110873  | 1   | Shield, Cover                                      |     |
| 4    | 4460071     | 1   | Connector, Strain Relief                           |     |
| 5    | 1001227309  | 1   | Plug, Male   |     |
| 7    | 3910610     | 4   | Screw #6 x 5/8                                     |     |
| 8    | 4760600     | 4   | Washer #6  |     |
| 9    | 3960422     | 1   | Gasket   |     |
| 10   | 4460315     | 1   | Terminal, Spade                                    |     |
| 18   | 4460205     | 1   | Plug, Male (Not Shown - Located at turntable base) |     |

## SECTION 8 - ELECTRICAL

FIGURE 8-5. AC BOX AT PLATFORM INSTALLATION - 220V RECEPTACLE (MACHINES WITH 2500W GENERATOR/NO GENERATOR OPTIONS) (ANSI, CSA AND JAPANESE SPECS)



ART\_0257176

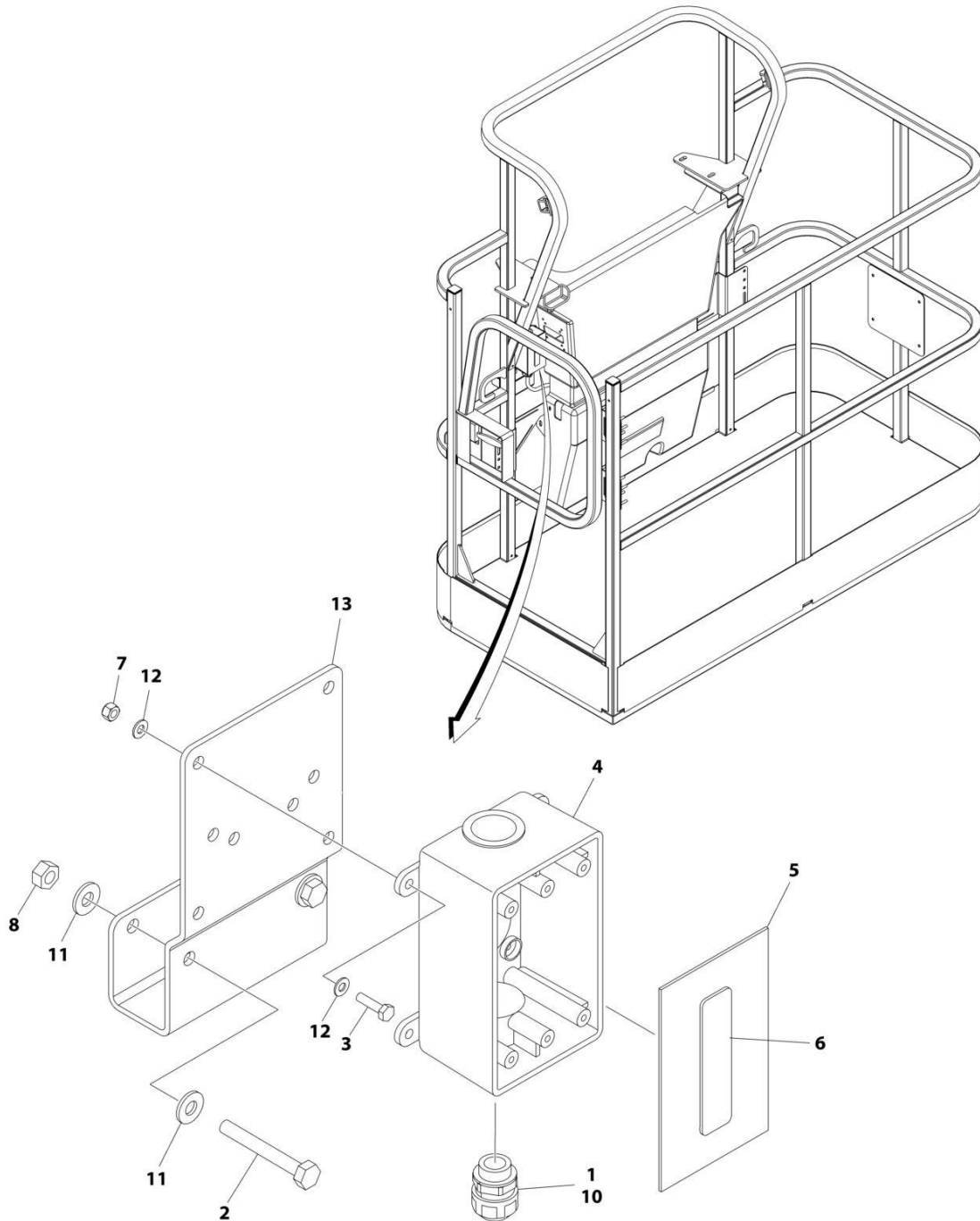
## SECTION 8 - ELECTRICAL

**FIGURE 8-5. AC BOX AT PLATFORM INSTALLATION - 220V RECEPTACLE (MACHINES WITH 2500W GENERATOR/NO GENERATOR OPTIONS) (ANSI, CSA AND JAPANESE SPECS)**

| ITEM | PART NUMBER | QTY | DESCRIPTION                                  | REV |
|------|-------------|-----|--|-----|
|      | 0257176     | Ref | AC BOX AT PLATFORM INSTALLATION - 220V       | C   |
| 1    | 0860038     | 1   | Box, Switch                                  |     |
| 2    | 4460125     | 1   | Receptacle                                   |     |
| 3    | 4060092     | 1   | Shield, Cover                                |     |
| 4    | 4460071     | 1   | Connector, Strain Relief                     |     |
| 5    | 1001227309  | 1   | Plug, Male                                   |     |
| 7    | 3910610     | 4   | Screw #6 x 5/8                               |     |
| 8    | 4760600     | 4   | Washer #6                                    |     |
| 9    | 3960422     | 1   | Gasket                                       |     |
| 10   | 4460315     | 1   | Terminal, Spade                              |     |
| 11   | 1001227310  | 1   | Connector, Female                            |     |
| 18   | 4460233     | 1   | Plug (Not Shown - Located at turntable base) |     |

# SECTION 8 - ELECTRICAL

FIGURE 8-6. AC BOX AT PLATFORM INSTALLATION - BOX WITH COVER (2X4 BOX) (ANSI EXPORT SPECS) (4000W GENERATOR)



ART\_1001194365



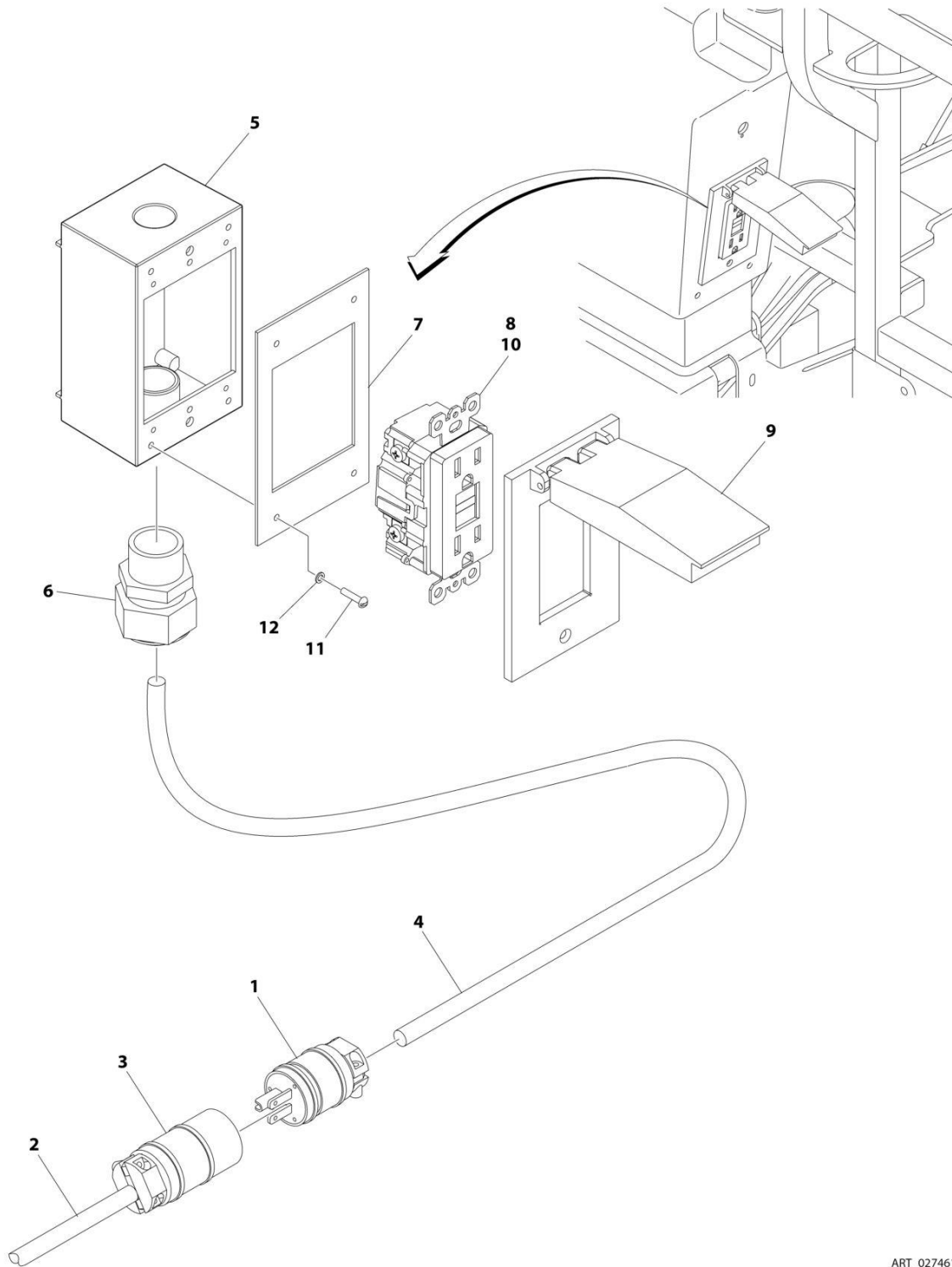
## SECTION 8 - ELECTRICAL

**FIGURE 8-6. AC BOX AT PLATFORM INSTALLATION - BOX WITH COVER (2X4 BOX) (ANSI EXPORT SPECS) (4000W GENERATOR)**

| ITEM | PART NUMBER | QTY | DESCRIPTION  | REV |
|------|-------------|-----|--|-----|
|      | 1001194365  | Ref | AC BOX AT PLATFORM INSTALLATION - BOX WITH COVER (2X4 BOX) | A   |
| 1    | 0100020     | AR  | Sealant  |     |
| 2    | 0641416     | 2   | Bolt 1/4 x 2   |     |
| 3    | 0700408     | 4   | Bolt M4 x 16   |     |
| 4    | 0861731     | 1   | Box, Switch  |     |
| 5    | 1670603     | 1   | Cover  |     |
| 6    | 3251242     | 1   | Decal - 240V/50Hz  |     |
| 7    | 3290405     | 4   | Nut M4   |     |
| 8    | 3311405     | 2   | Nut 1/4  |     |
| 9    | 4460384     | 3   | Terminal (Not Shown)                                       |     |
| 10   | 4460662     | 1   | Connector, Strain Relief                                   |     |
| 11   | 4711400     | 4   | Washer 1/4   |     |
| 12   | 4811400     | 8   | Washer M4  |     |
| 13   | 1001193018  | 1   | Bracket, AC Receptacle                                     |     |

# SECTION 8 - ELECTRICAL

FIGURE 8-7. AC BOX AT PLATFORM INSTALLATION – DUAL AC 110V GFI (MACHINES WITH 2500W GENERATOR) (ANSI EXPORT AND CHINA SPECS)



ART\_0274618

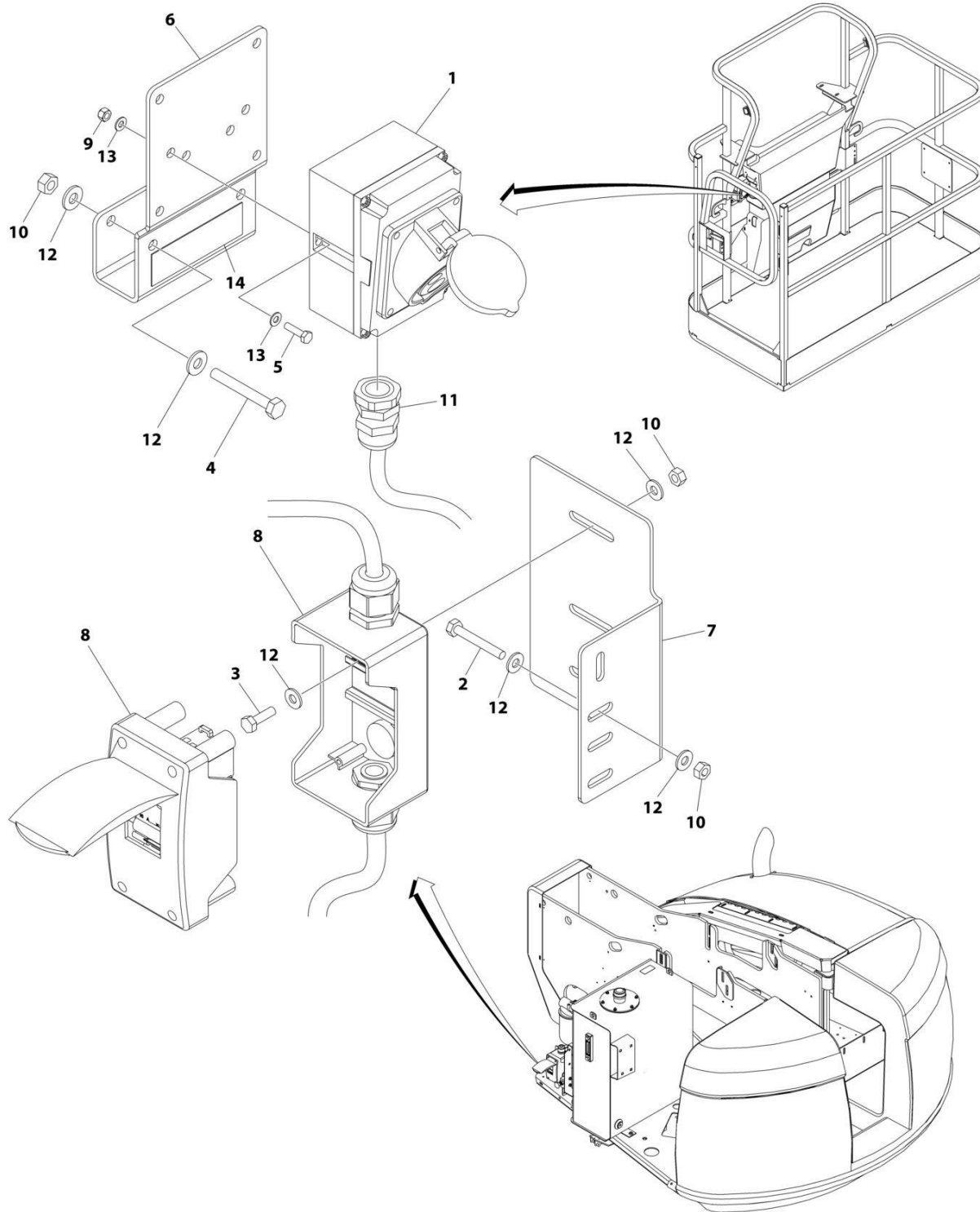
## SECTION 8 - ELECTRICAL

**FIGURE 8-7. AC BOX AT PLATFORM INSTALLATION – DUAL AC 110V GFI (MACHINES WITH 2500W GENERATOR) (ANSI EXPORT AND CHINA SPECS)**

| ITEM | PART NUMBER | QTY | DESCRIPTION  | REV |
|------|-------------|-----|--|-----|
|      | 0274618     | Ref | AC BOX AT PLATFORM INSTALLATION – DUAL AC 110V GFI | 2   |
| 1    | 4460205     | 4   | Plug, Male   |     |
| 2    | 4922892     | 1   | Cable, Electrical 12/3 (Tower Boom)                |     |
| 3    | 4460134     | 2   | Plug, Female                                       |     |
| 4    | 4922894     | 1   | Cable, Electrical 12/3 (Main Boom)                 |     |
| 5    | 0860038     | 1   | Box, Switch  |     |
| 6    | 4460071     | 1   | Connector, Strain Relief                           |     |
| 7    | 3960422     | 1   | Gasket   |     |
| 8    | 4460346     | 1   | Receptacle   |     |
| 9    | 1001110873  | 1   | Shield, Cover                                      |     |
| 10   | 4460315     | 1   | Terminal, Spade                                    |     |
| 11   | 3910606     | 4   | Screw #6 x 3/8                                     |     |
| 12   | 4760600     | 4   | Washer #6  |     |

# SECTION 8 - ELECTRICAL

## FIGURE 8-8. AC BOX AT PLATFORM INSTALLATION - 110V IEC YELLOW (CE & UK CA SPECS)



ART\_0275656

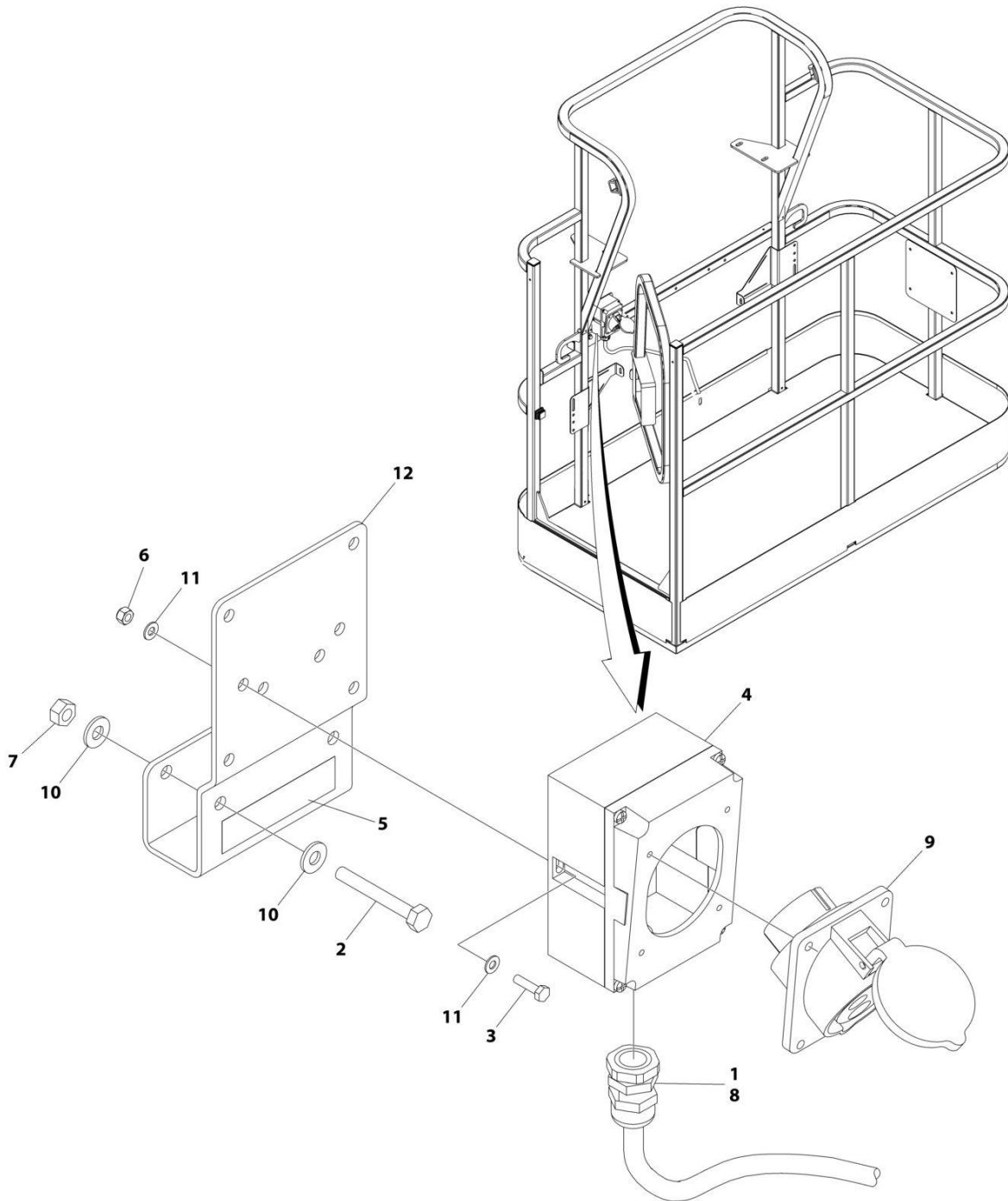
## SECTION 8 - ELECTRICAL

**FIGURE 8-8. AC BOX AT PLATFORM INSTALLATION - 110V IEC YELLOW (CE & UK CA SPECS)**

| ITEM | PART NUMBER | QTY | DESCRIPTION   | REV |
|------|-------------|-----|---|-----|
|      | 0275656     | Ref | AC BOX AT PLATFORM INSTALLATION - 110V IEC YELLOW           | F   |
| 1    | 0275216     | 1   | Receptacle Box Kit (See Separate Breakdown in this Section) |     |
| 2    | 0641415     | 2   | Bolt 1/4 x 1-7/8  |     |
| 3    | 0641407     | 2   | Bolt 1/4 x 7/8  |     |
| 4    | 0641416     | 2   | Bolt 1/4 x 2  |     |
| 5    | 0700408     | 2   | Bolt M4 x 16  |     |
| 6    | 1001193018  | 1   | Bracket   |     |
| 7    | 1001153636  | 1   | Bracket   |     |
| 8    | 1001096070  | 1   | Breaker Box Kit (See Separate Breakdown in this Section)    |     |
| 9    | 3290405     | 2   | Nut M4  |     |
| 10   | 3311405     | 6   | Nut 1/4   |     |
| 11   | 4460968     | 1   | Connector, Strain Relief                                    |     |
| 12   | 4711400     | 12  | Washer 1/4  |     |
| 13   | 4811400     | 4   | Washer M4   |     |
| 14   | 1705325     | 2   | Decal - 110V  |     |

# SECTION 8 - ELECTRICAL

FIGURE 8-9. AC BOX AT PLATFORM INSTALLATION - 110V IEC 60309 YELLOW (CE & UK CA SPECS) (4000W GENERATOR)



ART\_1001194203

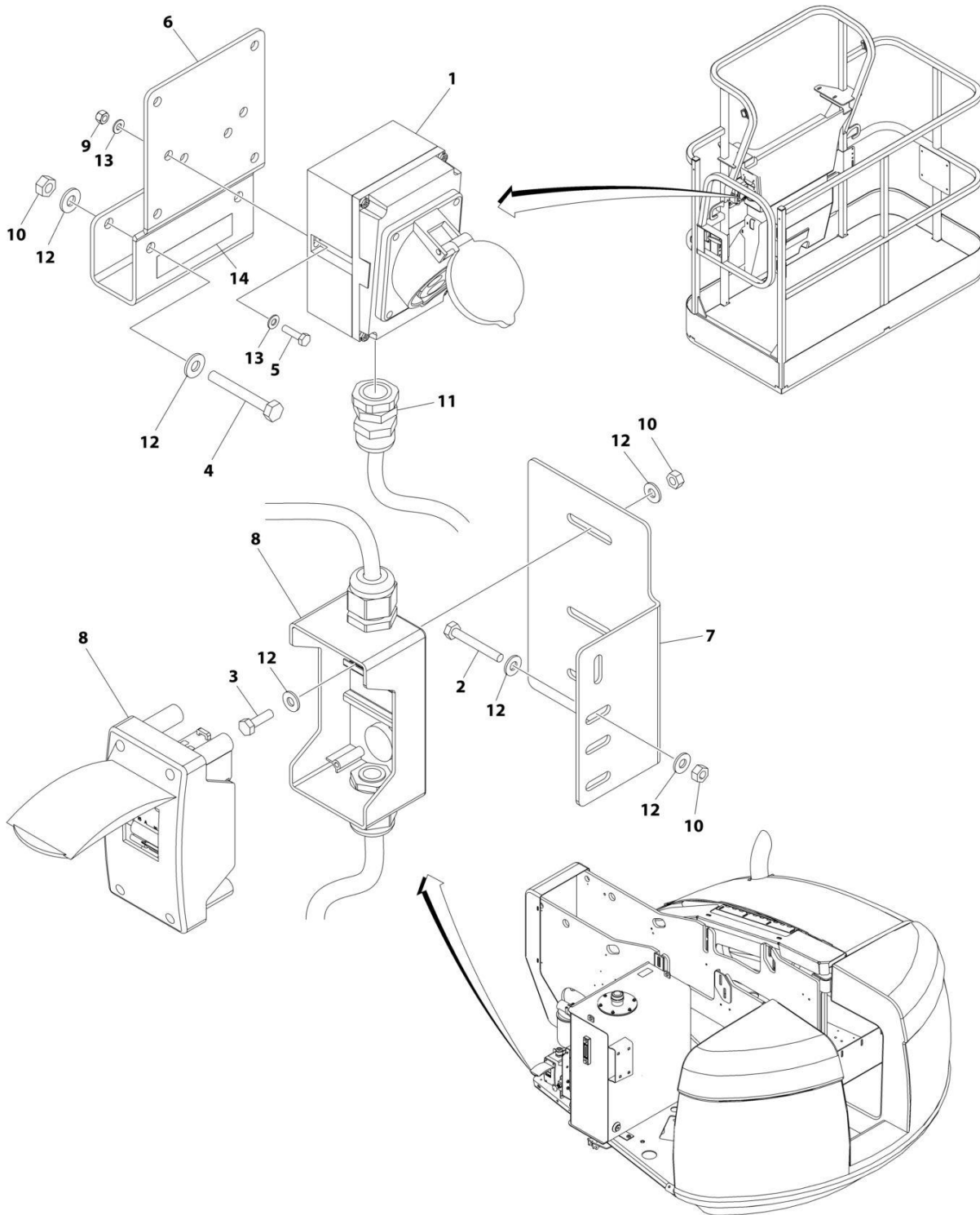
## SECTION 8 - ELECTRICAL

**FIGURE 8-9. AC BOX AT PLATFORM INSTALLATION - 110V IEC 60309 YELLOW (CE & UK CA SPECS) (4000W GENERATOR)**

| ITEM | PART NUMBER | QTY | DESCRIPTION                     | REV |
|------|-------------|-----|---------------------------------|-----|
|      | 1001194203  | Ref | AC BOX AT PLATFORM INSTALLATION | B   |
| 1    | 0100020     | AR  | Sealant, Pipe                   |     |
| 2    | 0641416     | 2   | Bolt 1/4 x 2                    |     |
| 3    | 0700408     | 2   | Bolt M4 x 16                    |     |
| 4    | 0861781     | 1   | Box, Switch                     |     |
| 5    | 1705325     | 1   | Decal - 110V                    |     |
| 6    | 3290405     | 2   | Nut M4                          |     |
| 7    | 3311405     | 2   | Nut 1/4                         |     |
| 8    | 4460968     | 1   | Connector, Strain Relief        |     |
| 9    | 4461198     | 1   | Receptacle                      |     |
| 10   | 4711400     | 4   | Washer 1/4                      |     |
| 11   | 4811400     | 4   | Washer M4                       |     |
| 12   | 1001193018  | 1   | Bracket, AC Receptacle          |     |

# SECTION 8 - ELECTRICAL

FIGURE 8-10. AC BOX AT PLATFORM INSTALLATION - 220V IEC BLUE (CE& UK CA SPECS)



ART\_0275652



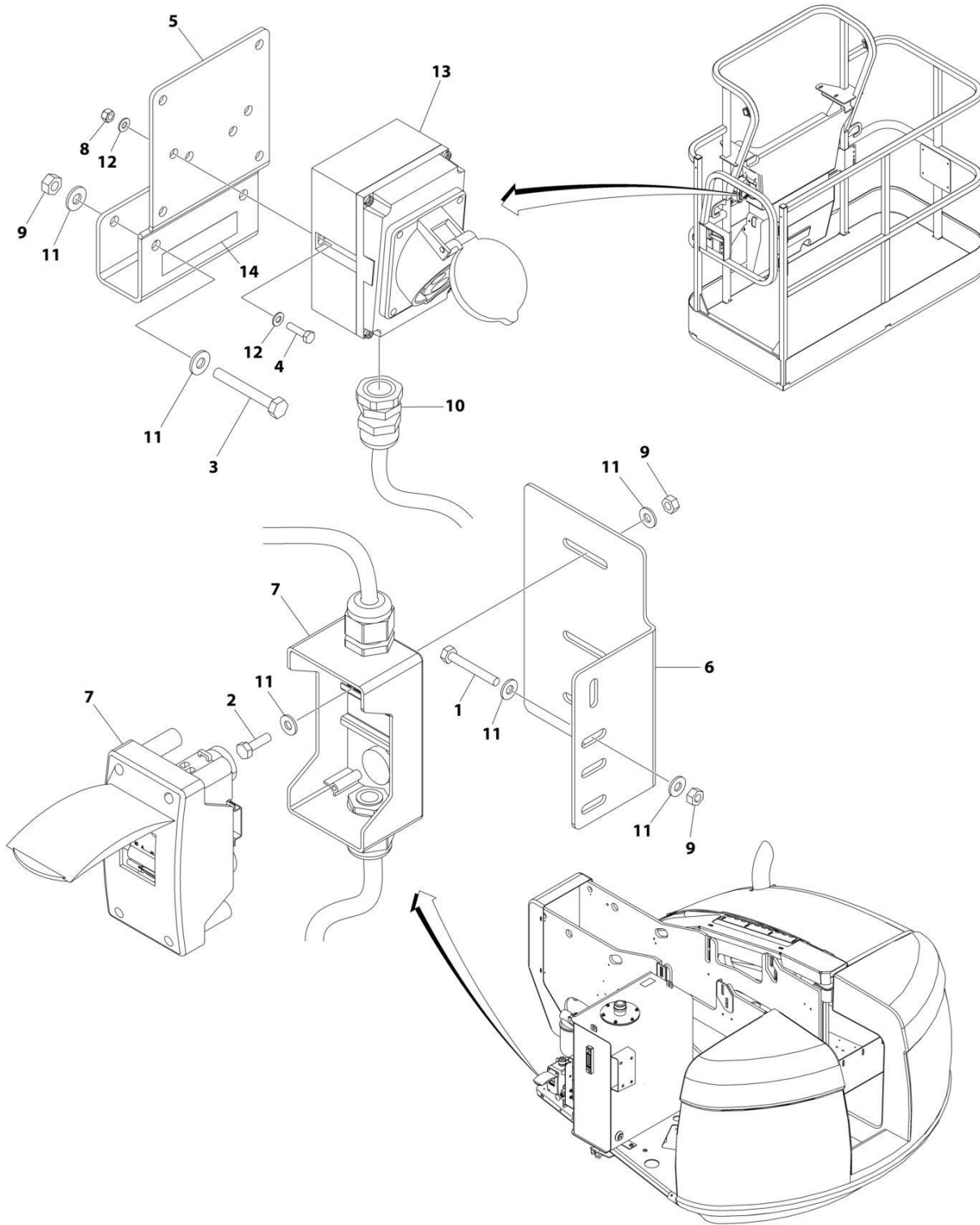
## SECTION 8 - ELECTRICAL

**FIGURE 8-10. AC BOX AT PLATFORM INSTALLATION - 220V IEC BLUE (CE& UK CA SPECS)**

| ITEM | PART NUMBER | QTY | DESCRIPTION   | REV |
|------|-------------|-----|---|-----|
|      | 0275652     | Ref | AC BOX AT PLATFORM INSTALLATION - 220V IEC BLUE             | F   |
| 1    | 0275217     | 1   | Receptacle Box Kit (See Separate Breakdown in this Section) |     |
| 2    | 0641415     | 2   | Bolt 1/4 x 1-7/8  |     |
| 3    | 0641407     | 2   | Bolt 1/4 x 7/8  |     |
| 4    | 0641416     | 2   | Bolt 1/4 x 2  |     |
| 5    | 0700408     | 2   | Bolt M4 x 16  |     |
| 6    | 1001193018  | 1   | Bracket   |     |
| 7    | 1001153636  | 1   | Bracket   |     |
| 8    | 1001096070  | 1   | Breaker Box Kit (See Separate Breakdown in this Section)    |     |
| 9    | 3290405     | 2   | Nut M4  |     |
| 10   | 3311405     | 6   | Nut 1/4   |     |
| 11   | 4460968     | 1   | Connector, Strain Relief                                    |     |
| 12   | 4711400     | 12  | Washer 1/4  |     |
| 13   | 4811400     | 4   | Washer M4   |     |
| 14   | 3252507     | 1   | Decal - 240V-50/60Hz  |     |

# SECTION 8 - ELECTRICAL

FIGURE 8-11. AC BOX AT PLATFORM INSTALLATION - 220V IEC BLUE (CE & UK CA SPECS)  
(2500W GENERATOR)



ART\_1001100401

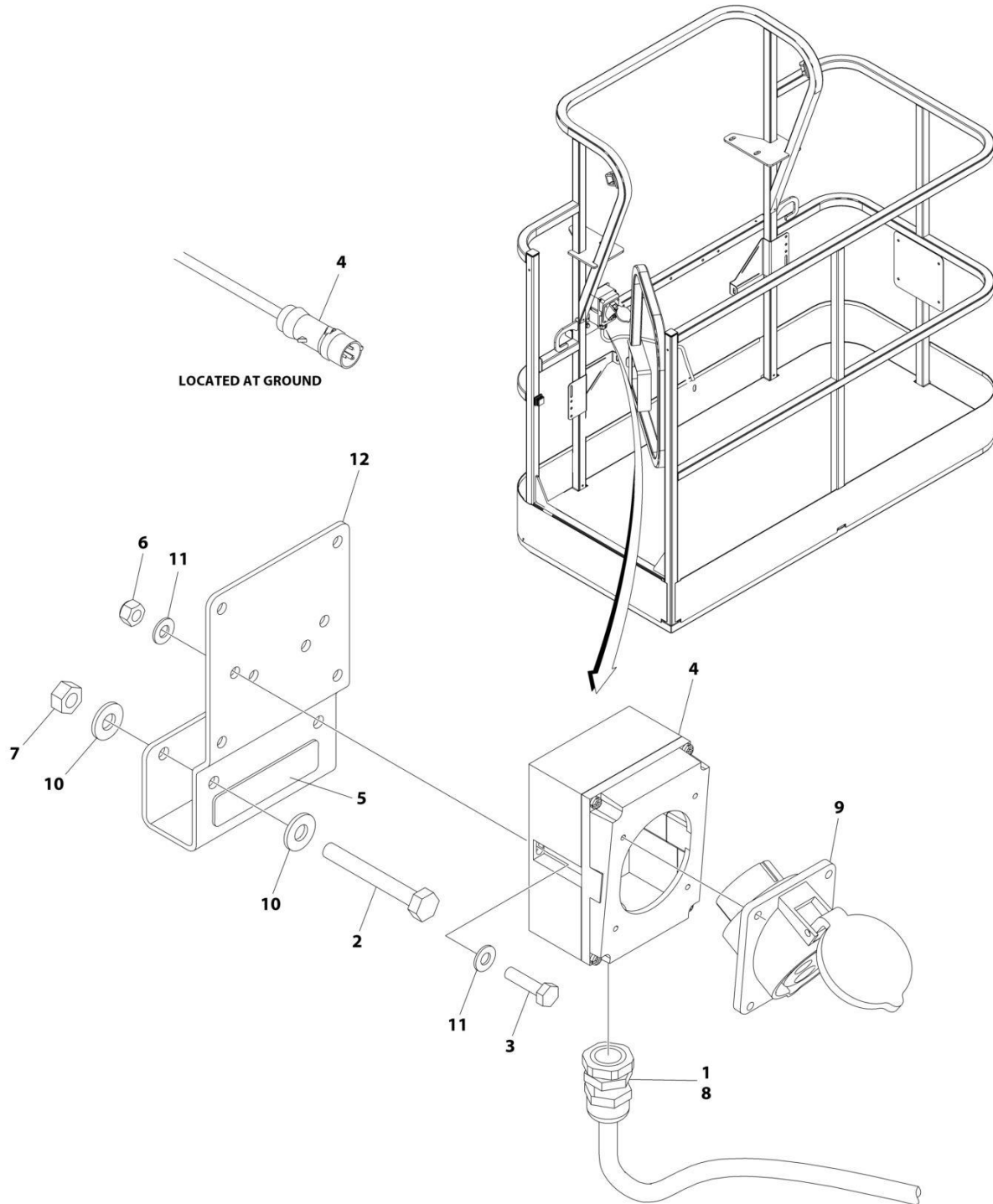
## SECTION 8 - ELECTRICAL

**FIGURE 8-11. AC BOX AT PLATFORM INSTALLATION - 220V IEC BLUE (CE & UK CA SPECS)  
(2500W GENERATOR)**

| ITEM | PART NUMBER | QTY | DESCRIPTION   | REV |
|------|-------------|-----|---|-----|
|      | 1001100401  | Ref | AC BOX AT PLATFORM INSTALLATION                             | F   |
| 1    | 0641415     | 2   | Bolt 1/4 x 1-7/8  |     |
| 2    | 0641407     | 2   | Bolt 1/4 x 7/8  |     |
| 3    | 0641416     | 2   | Bolt 1/4 x 2  |     |
| 4    | 0700408     | 2   | Bolt M4 x 16  |     |
| 5    | 1001193018  | 1   | Bracket   |     |
| 6    | 1001153636  | 1   | Bracket   |     |
| 7    | 1001109554  | 1   | Breaker Box Kit (See Separate Breakdown in this Section)    |     |
| 8    | 3290405     | 2   | Nut M4  |     |
| 9    | 3311405     | 6   | Nut 1/4   |     |
| 10   | 4460662     | 1   | Connector, Strain Relief                                    |     |
| 11   | 4711400     | 12  | Washer 1/4  |     |
| 12   | 4811400     | 8   | Washer M4   |     |
| 13   | 1001100342  | 1   | Receptacle Box Kit (See Separate Breakdown in this Section) |     |
| 14   | 3252507     | 1   | Decal - 240V-50/60Hz  |     |

# SECTION 8 - ELECTRICAL

FIGURE 8-12. AC BOX AT PLATFORM INSTALLATION - 220V IEC 60309 BLUE (CE & UK CA SPECS)  
(4000W GENERATOR)



ART\_1001194204

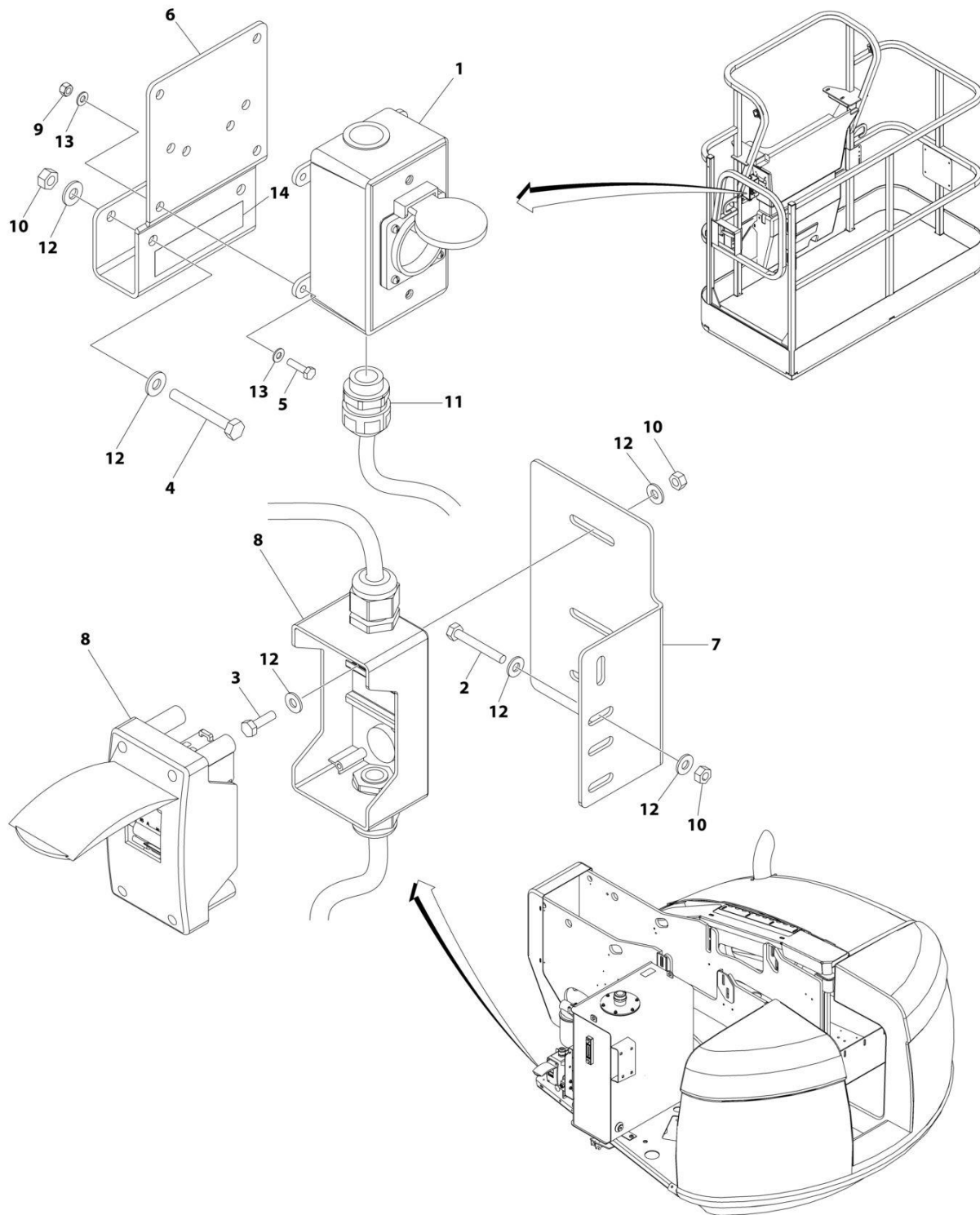
## SECTION 8 - ELECTRICAL

**FIGURE 8-12. AC BOX AT PLATFORM INSTALLATION - 220V IEC 60309 BLUE (CE & UK CA SPECS)  
(4000W GENERATOR)**

| ITEM | PART NUMBER | QTY | DESCRIPTION                     | REV |
|------|-------------|-----|---------------------------------|-----|
|      | 1001194204  | Ref | AC BOX AT PLATFORM INSTALLATION | B   |
| 1    | 0100020     | AR  | Sealant, Pipe                   |     |
| 2    | 0641416     | 2   | Bolt 1/4 x 2                    |     |
| 3    | 0700408     | 2   | Bolt M4 x 16                    |     |
| 4    | 0861781     | 1   | Box, Switch                     |     |
| 5    | 3251242     | 1   | Decal - 240V/50Hz               |     |
| 6    | 3290405     | 2   | Nut M4                          |     |
| 7    | 3311405     | 2   | Nut 1/4                         |     |
| 8    | 4460968     | 1   | Connector, Strain Relief        |     |
| 9    | 4461201     | 1   | Receptacle                      |     |
| 10   | 4711400     | 4   | Washer 1/4                      |     |
| 11   | 4811400     | 4   | Washer M4                       |     |
| 12   | 1001193018  | 1   | Bracket, AC Receptacle          |     |

# SECTION 8 - ELECTRICAL

## FIGURE 8-13. AC BOX AT PLATFORM INSTALLATION - 220V CEE7 POST GROUND (CE & UK CA SPECS)



ART\_0275653

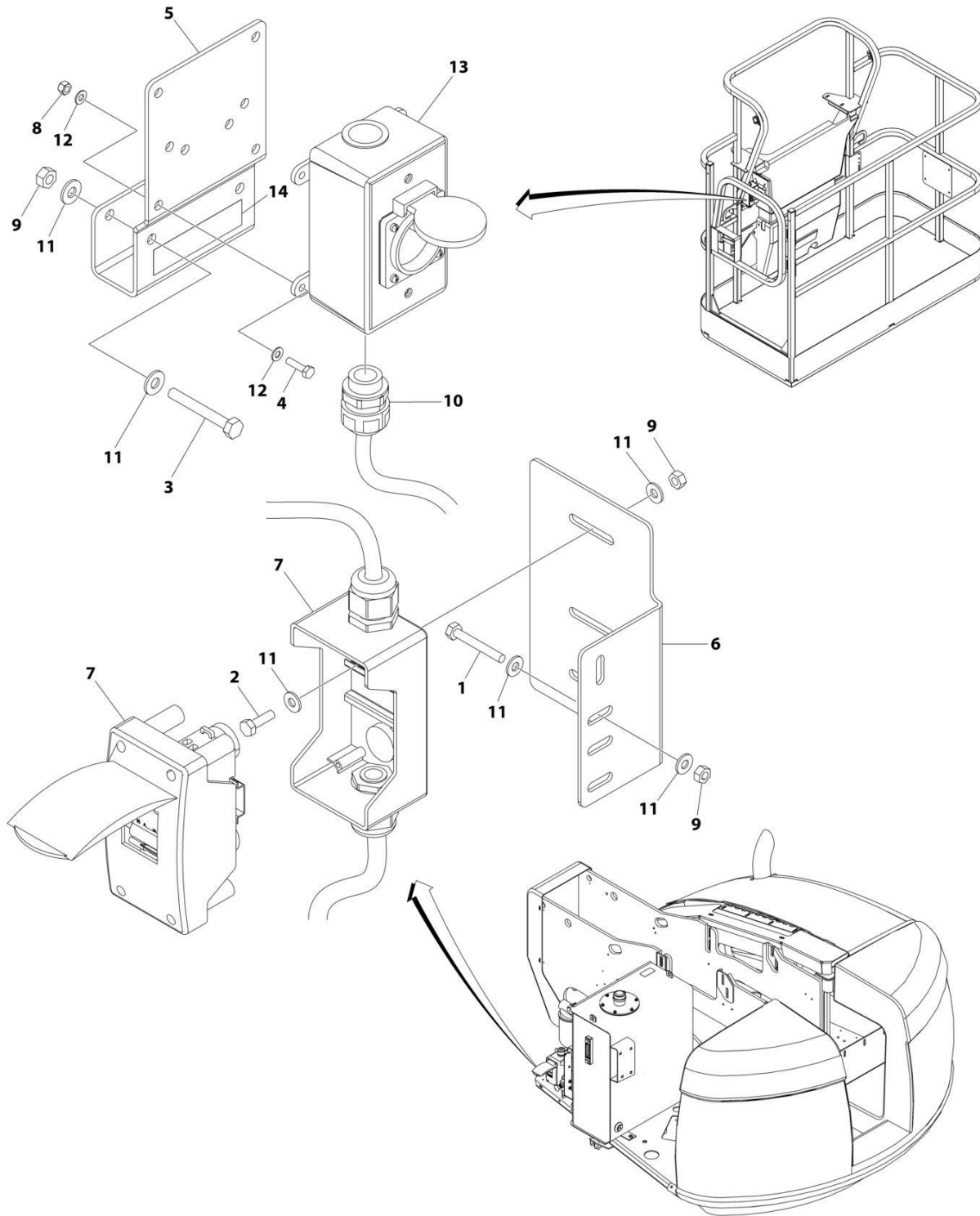
## SECTION 8 - ELECTRICAL

**FIGURE 8-13. AC BOX AT PLATFORM INSTALLATION - 220V CEE7 POST GROUND (CE & UK CA SPECS)**

| ITEM | PART NUMBER | QTY | DESCRIPTION  | REV |
|------|-------------|-----|--|-----|
|      | 0275653     | Ref | AC BOX AT PLATFORM INSTALLATION  | G   |
| 1    | 0275452     | 1   | Receptacle Box Kit - 220V CEE7 Post Ground 21in x 4in (See Separate Breakdown in this Section) |     |
| 2    | 0641415     | 2   | Bolt 1/4 x 1-7/8   |     |
| 3    | 0641407     | 2   | Bolt 1/4 x 7/8   |     |
| 4    | 0641416     | 2   | Bolt 1/4 x 2   |     |
| 5    | 0700408     | 4   | Bolt M4 x 16   |     |
| 6    | 1001193018  | 1   | Bracket  |     |
| 7    | 1001153636  | 1   | Bracket  |     |
| 8    | 1001096070  | 1   | Breaker Box Kit (See Separate Breakdown in this Section)                                       |     |
| 9    | 3290405     | 4   | Nut M4   |     |
| 10   | 3311405     | 6   | Nut 1/4  |     |
| 11   | 4460662     | 1   | Connector, Strain Relief   |     |
| 12   | 4711400     | 12  | Washer 1/4   |     |
| 13   | 4811400     | 8   | Washer M4  |     |
| 14   | 3252507     | 1   | Decal - 240V-50/60Hz   |     |

# SECTION 8 - ELECTRICAL

FIGURE 8-14. AC BOX AT PLATFORM INSTALLATION - 220V CEE7 POST GROUND (CE & UK CA SPECS) (2500W GENERATOR)



ART\_1001100397



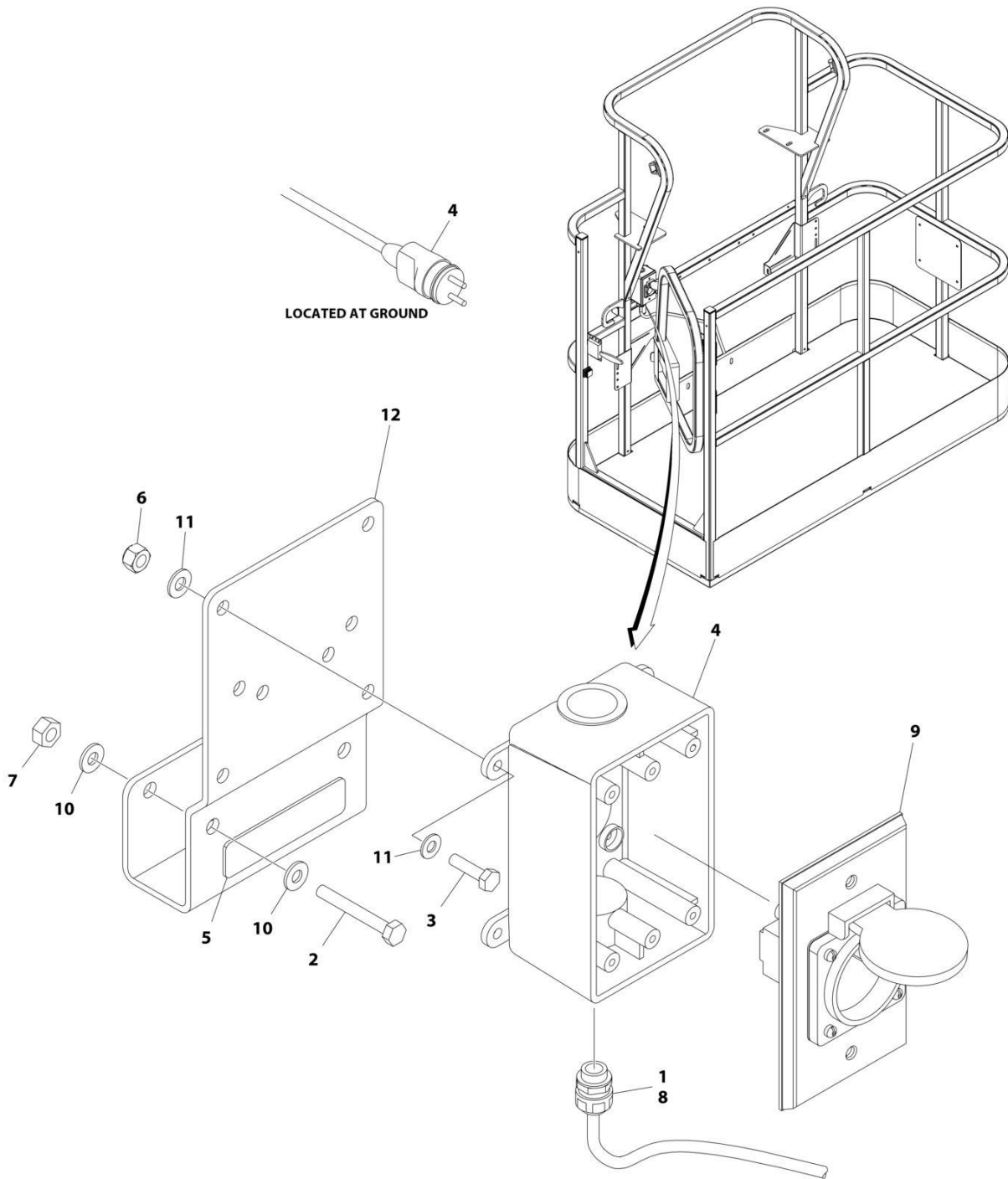
## SECTION 8 - ELECTRICAL

**FIGURE 8-14. AC BOX AT PLATFORM INSTALLATION - 220V CEE7 POST GROUND (CE & UK CA SPECS) (2500W GENERATOR)**

| ITEM | PART NUMBER | QTY | DESCRIPTION   | REV |
|------|-------------|-----|---|-----|
|      | 1001100397  | Ref | AC BOX AT PLATFORM INSTALLATION                             | H   |
| 1    | 0641415     | 2   | Bolt 1/4 x 1-7/8  |     |
| 2    | 0641407     | 2   | Bolt 1/4 x 7/8  |     |
| 3    | 0641416     | 2   | Bolt 1/4 x 2  |     |
| 4    | 0700408     | 4   | Bolt M4 x 16  |     |
| 5    | 1001193018  | 1   | Bracket   |     |
| 6    | 1001153636  | 1   | Bracket   |     |
| 7    | 1001109554  | 1   | Breaker Box Kit (See Separate Breakdown in this Section)    |     |
| 8    | 3290405     | 4   | Nut M4  |     |
| 9    | 3311405     | 6   | Nut 1/4   |     |
| 10   | 4460662     | 1   | Connector, Strain Relief                                    |     |
| 11   | 4711400     | 12  | Washer 1/4  |     |
| 12   | 4811400     | 8   | Washer M4   |     |
| 13   | 1001100345  | 1   | Receptacle Box Kit (See Separate Breakdown in this Section) |     |
| 14   | 3252507     | 1   | Decal - 240V-50/60Hz  |     |

# SECTION 8 - ELECTRICAL

FIGURE 8-15. AC BOX AT PLATFORM INSTALLATION - 220V CEE7 POST GROUND (2X4 BOX) (CE & UK CA SPECS) (4000W GENERATOR)



ART\_1001194197

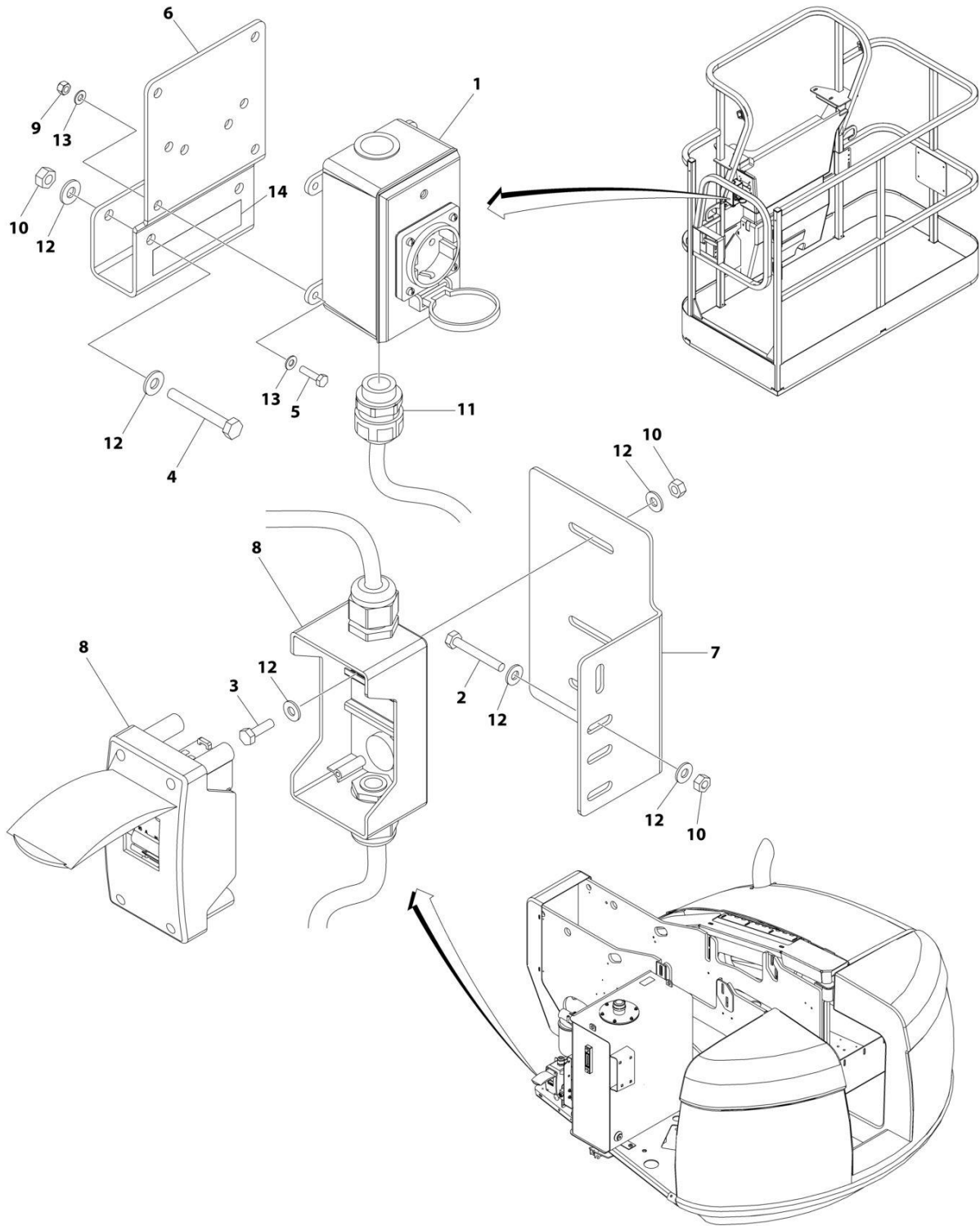
## SECTION 8 - ELECTRICAL

**FIGURE 8-15. AC BOX AT PLATFORM INSTALLATION - 220V CEE7 POST GROUND (2X4 BOX) (CE & UK CA SPECS) (4000W GENERATOR)**

| ITEM | PART NUMBER | QTY | DESCRIPTION                     | REV |
|------|-------------|-----|---------------------------------|-----|
|      | 1001194197  | Ref | AC BOX AT PLATFORM INSTALLATION | B   |
| 1    | 0100020     | AR  | Sealant, Pipe                   |     |
| 2    | 0641416     | 2   | Bolt 1/4 x 2                    |     |
| 3    | 0700408     | 4   | Bolt M4 x 16                    |     |
| 4    | 0861731     | 1   | Box, Switch                     |     |
| 5    | 3251242     | 1   | Decal - 240V/50Hz               |     |
| 6    | 3290405     | 4   | Nut M4                          |     |
| 7    | 3311405     | 2   | Nut 1/4                         |     |
| 8    | 4460662     | 1   | Connector, Strain Relief        |     |
| 9    | 4461244     | 1   | Receptacle                      |     |
| 10   | 4711400     | 4   | Washer 1/4                      |     |
| 11   | 4811400     | 8   | Washer M4                       |     |
| 12   | 1001193018  | 1   | Bracket, AC Receptacle          |     |
| 13   | 4460806     | 2   | Terminal, Fork (Not Shown)      |     |
| 14   | 1001205958  | 1   | Terminal (Not Shown)            |     |

# SECTION 8 - ELECTRICAL

FIGURE 8-16. AC BOX AT PLATFORM INSTALLATION - 220V CEE7 SIDE GROUND (CE & UK CA SPECS)



ART\_0275654

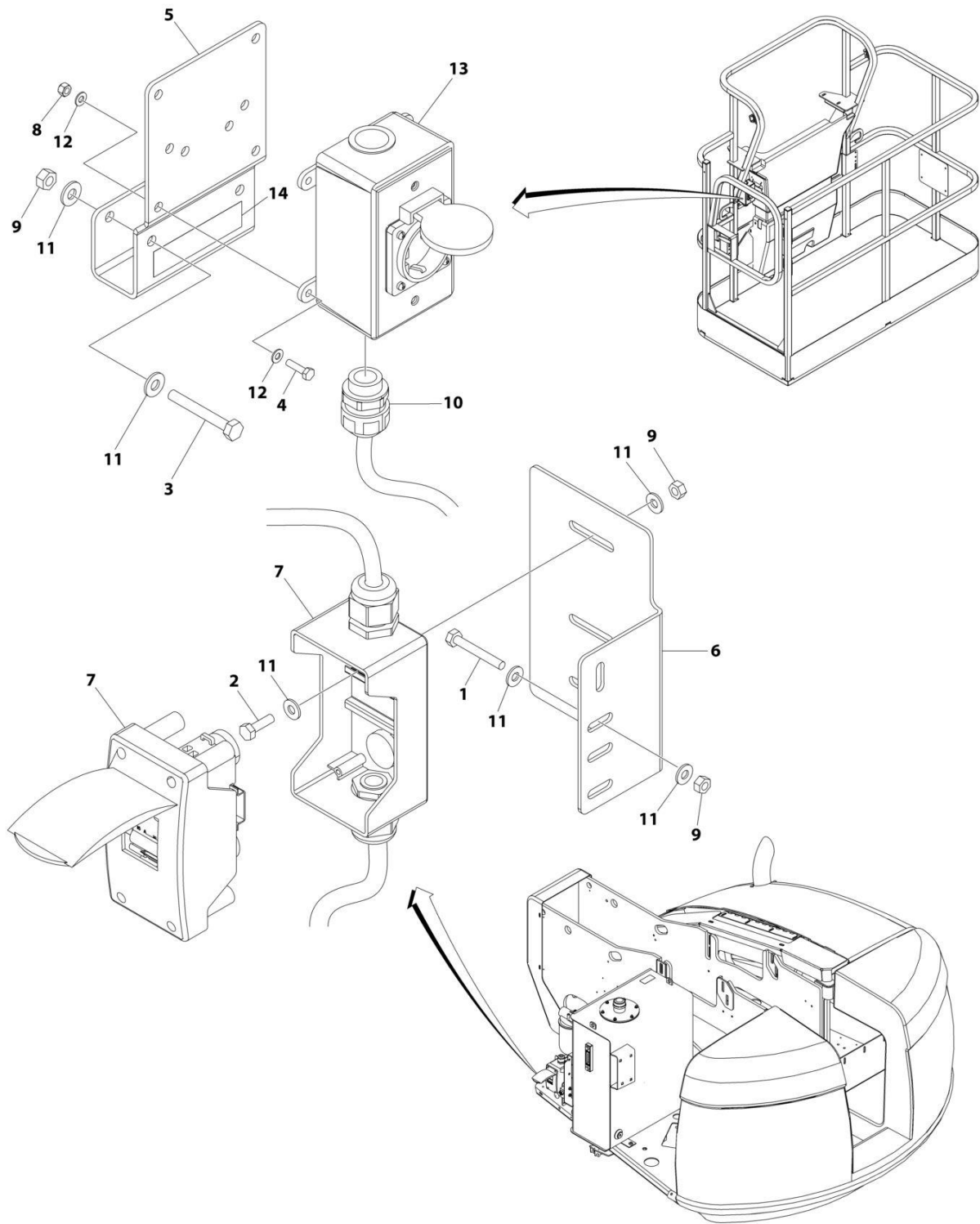
## SECTION 8 - ELECTRICAL

**FIGURE 8-16. AC BOX AT PLATFORM INSTALLATION - 220V CEE7 SIDE GROUND (CE & UK CA SPECS)**

| ITEM | PART NUMBER | QTY | DESCRIPTION  | REV |
|------|-------------|-----|--|-----|
|      | 0275654     | Ref | AC BOX AT PLATFORM INSTALLATION - 220V CEE7 2X4 BOX<br>SIDE GROUND | G   |
| 1    | 0275453     | 1   | Receptacle Box Kit (See Separate Breakdown in this Section)        |     |
| 2    | 0641415     | 2   | Bolt 1/4 x 1-7/8   |     |
| 3    | 0641407     | 2   | Bolt 1/4 x 7/8   |     |
| 4    | 0641416     | 2   | Bolt 1/4 x 2   |     |
| 5    | 0700408     | 4   | Bolt M4 x 16   |     |
| 6    | 1001193018  | 1   | Bracket  |     |
| 7    | 1001153636  | 1   | Bracket  |     |
| 8    | 1001096070  | 1   | Breaker Box Kit (See Separate Breakdown in this Section)           |     |
| 9    | 3290405     | 4   | Nut M4   |     |
| 10   | 3311405     | 6   | Nut 1/4  |     |
| 11   | 4460662     | 1   | Connector, Strain Relief   |     |
| 12   | 4711400     | 12  | Washer 1/4   |     |
| 13   | 4811400     | 8   | Washer M4  |     |
| 14   | 3252507     | 1   | Decal - 240V-50/60Hz   |     |

# SECTION 8 - ELECTRICAL

FIGURE 8-17. AC BOX AT PLATFORM INSTALLATION - 220V CEE7 SIDE GROUND (CE & UK CA SPECS) (2500W GENERATOR)



ART\_1001100398

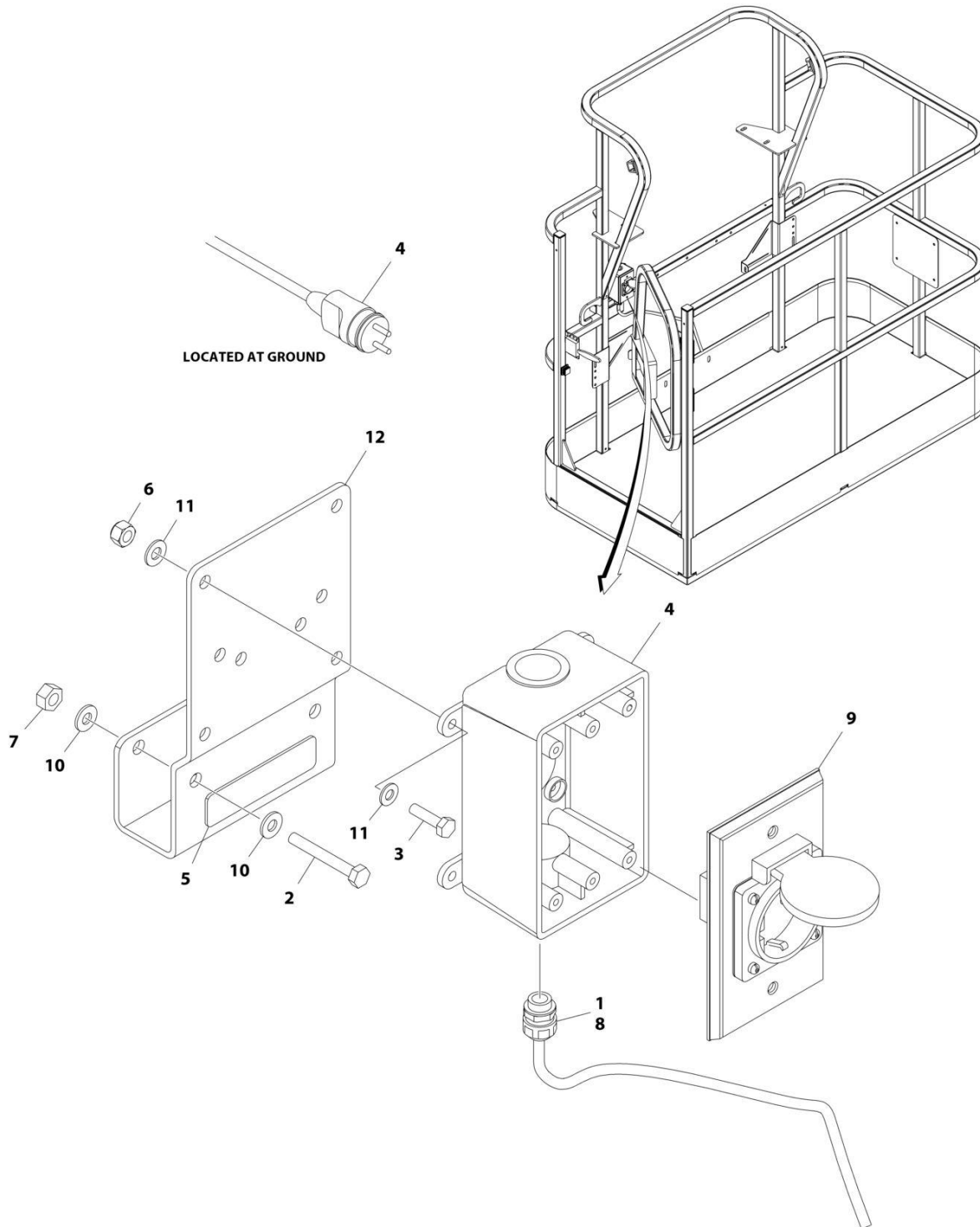
## SECTION 8 - ELECTRICAL

**FIGURE 8-17. AC BOX AT PLATFORM INSTALLATION - 220V CEE7 SIDE GROUND (CE & UK CA SPECS) (2500W GENERATOR)**

| ITEM | PART NUMBER | QTY | DESCRIPTION   | REV |
|------|-------------|-----|---|-----|
|      | 1001100398  | Ref | AC BOX AT PLATFORM INSTALLATION                             | H   |
| 1    | 0641415     | 2   | Bolt 1/4 x 1-7/8  |     |
| 2    | 0641407     | 2   | Bolt 1/4 x 7/8  |     |
| 3    | 0641416     | 2   | Bolt 1/4 x 2  |     |
| 4    | 0700408     | 4   | Bolt M4 x 16  |     |
| 5    | 1001193018  | 1   | Bracket   |     |
| 6    | 1001153636  | 1   | Bracket   |     |
| 7    | 1001109554  | 1   | Breaker Box Kit (See Separate Breakdown in this Section)    |     |
| 8    | 3290405     | 4   | Nut M4  |     |
| 9    | 3311405     | 6   | Nut 1/4   |     |
| 10   | 4460662     | 1   | Connector, Strain Relief                                    |     |
| 11   | 4711400     | 12  | Washer 1/4  |     |
| 12   | 4811400     | 8   | Washer M4   |     |
| 13   | 1001100347  | 1   | Receptacle Box Kit (See Separate Breakdown in this Section) |     |
| 14   | 3252507     | 1   | Decal - 240V-50/60Hz  |     |

# SECTION 8 - ELECTRICAL

FIGURE 8-18. AC BOX AT PLATFORM INSTALLATION - 220V CEE7 SIDE GROUND (2X4 BOX) (CE & UK CA SPECS) (4000W GENERATOR)



ART\_1001194198



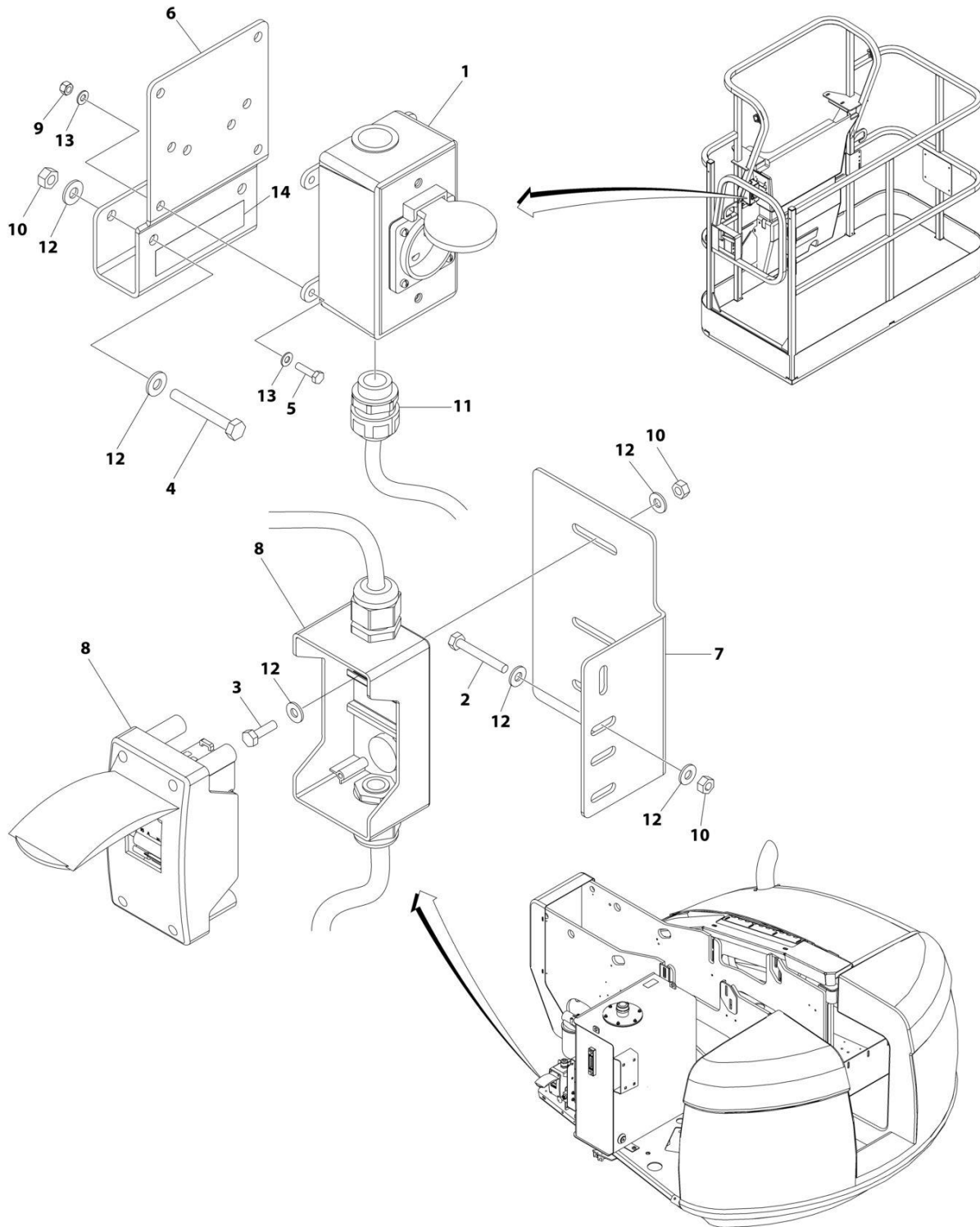
## SECTION 8 - ELECTRICAL

**FIGURE 8-18. AC BOX AT PLATFORM INSTALLATION - 220V CEE7 SIDE GROUND (2X4 BOX) (CE & UK CA SPECS) (4000W GENERATOR)**

| ITEM | PART NUMBER | QTY | DESCRIPTION                     | REV |
|------|-------------|-----|---------------------------------|-----|
|      | 1001194198  | Ref | AC BOX AT PLATFORM INSTALLATION | B   |
| 1    | 0100020     | AR  | Sealant, Pipe                   |     |
| 2    | 0641416     | 2   | Bolt 1/4 x 2                    |     |
| 3    | 0700408     | 4   | Bolt M4 x 16                    |     |
| 4    | 0861731     | 1   | Box, Switch                     |     |
| 5    | 3251242     | 1   | Decal - 240V/50Hz               |     |
| 6    | 3290405     | 4   | Nut M4                          |     |
| 7    | 3311405     | 2   | Nut 1/4                         |     |
| 8    | 4460662     | 1   | Connector, Strain Relief        |     |
| 9    | 4461245     | 1   | Receptacle                      |     |
| 10   | 4711400     | 4   | Washer 1/4                      |     |
| 11   | 4811400     | 8   | Washer M4                       |     |
| 12   | 1001193018  | 1   | Bracket, AC Receptacle          |     |
| 13   | 4460806     | 2   | Terminal, Fork (Not Shown)      |     |
| 14   | 1001205958  | 1   | Terminal (Not Shown)            |     |

# SECTION 8 - ELECTRICAL

FIGURE 8-19. AC BOX AT PLATFORM INSTALLATION - 220V AFSINT 107 (CE & UK CA SPECS)



ART\_0275660

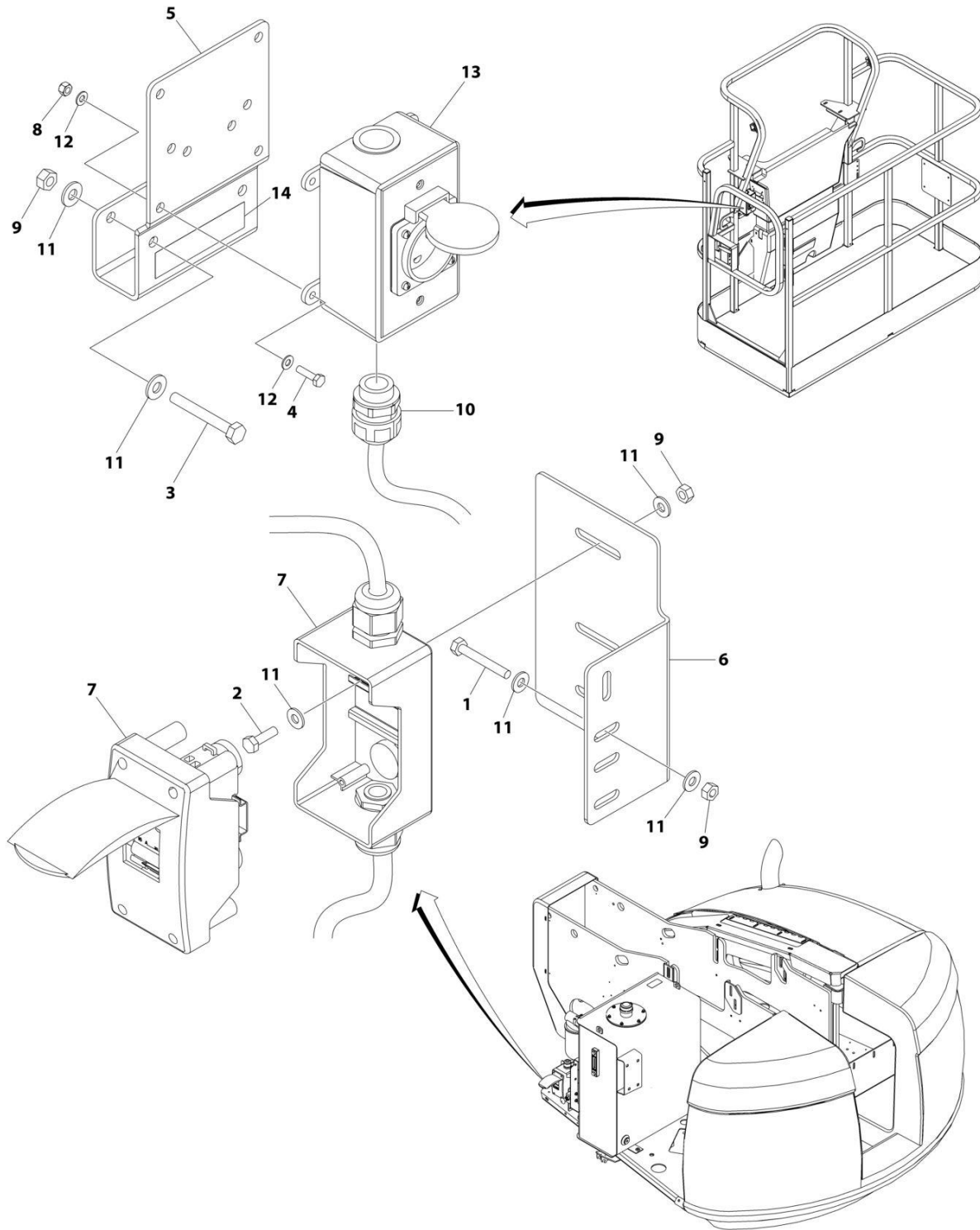
## SECTION 8 - ELECTRICAL

**FIGURE 8-19. AC BOX AT PLATFORM INSTALLATION - 220V AFSINT 107 (CE & UK CA SPECS)**

| ITEM | PART NUMBER | QTY | DESCRIPTION   | REV |
|------|-------------|-----|---|-----|
|      | 0275660     | Ref | AC BOX AT PLATFORM INSTALLATION - 220V AFSINT 107           | G   |
| 1    | 0275454     | 1   | Receptacle Box Kit (See Separate Breakdown in this Section) |     |
| 2    | 0641415     | 2   | Bolt 1/4 x 1-7/8  |     |
| 3    | 0641407     | 2   | Bolt 1/4 x 7/8  |     |
| 4    | 0641416     | 2   | Bolt 1/4 x 2  |     |
| 5    | 0700408     | 4   | Bolt M4 x 16  |     |
| 6    | 1001193018  | 1   | Bracket   |     |
| 7    | 1001153636  | 1   | Bracket   |     |
| 8    | 1001096070  | 1   | Breaker Box Kit (See Separate Breakdown in this Section)    |     |
| 9    | 3290405     | 4   | Nut M4  |     |
| 10   | 3311405     | 6   | Nut 1/4   |     |
| 11   | 4460662     | 1   | Connector, Strain Relief                                    |     |
| 12   | 4711400     | 12  | Washer 1/4  |     |
| 13   | 4811400     | 8   | Washer M4   |     |
| 14   | 3252507     | 1   | Decal - 240V-50/60Hz  |     |

# SECTION 8 - ELECTRICAL

FIGURE 8-20. AC BOX AT PLATFORM INSTALLATION - 220V AFSINT 107 (CE & UK CA SPECS)  
(2500W GENERATOR)



ART\_1001100399

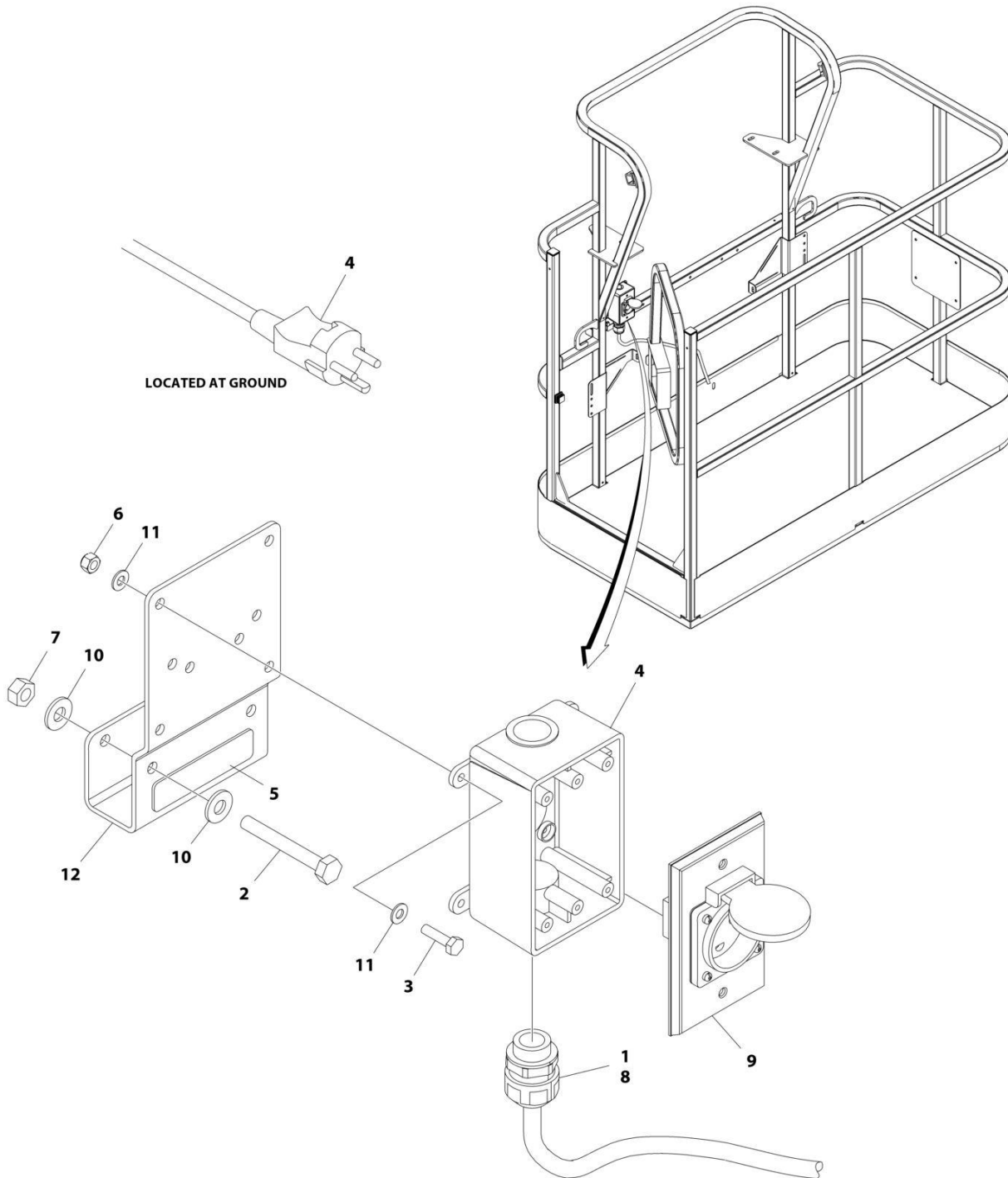
## SECTION 8 - ELECTRICAL

**FIGURE 8-20. AC BOX AT PLATFORM INSTALLATION - 220V AFSINT 107 (CE & UK CA SPECS)  
(2500W GENERATOR)**

| ITEM | PART NUMBER | QTY | DESCRIPTION   | REV |
|------|-------------|-----|---|-----|
|      | 1001100399  | Ref | AC BOX AT PLATFORM INSTALLATION                             | G   |
| 1    | 0641415     | 2   | Bolt 1/4 x 1-7/8  |     |
| 2    | 0641407     | 2   | Bolt 1/4 x 7/8  |     |
| 3    | 0641416     | 2   | Bolt 1/4 x 2  |     |
| 4    | 0700408     | 4   | Bolt M4 x 16  |     |
| 5    | 1001193018  | 1   | Bracket   |     |
| 6    | 1001153636  | 1   | Bracket   |     |
| 7    | 1001109554  | 1   | Breaker Box Kit (See Separate Breakdown in this Section)    |     |
| 8    | 3290405     | 4   | Nut M4  |     |
| 9    | 3311405     | 6   | Nut 1/4   |     |
| 10   | 4460662     | 1   | Connector, Strain Relief                                    |     |
| 11   | 4711400     | 12  | Washer 1/4  |     |
| 12   | 4811400     | 8   | Washer M4   |     |
| 13   | 1001100346  | 1   | Receptacle Box Kit (See Separate Breakdown in this Section) |     |
| 14   | 3252507     | 1   | Decal - 240V-50/60Hz  |     |

# SECTION 8 - ELECTRICAL

FIGURE 8-21. AC BOX AT PLATFORM INSTALLATION - 220V AFSINT 107 KEYED GROUND (2X4 BOX) (CE & UK CA SPECS) (4000W GENERATOR)



ART\_1001194200

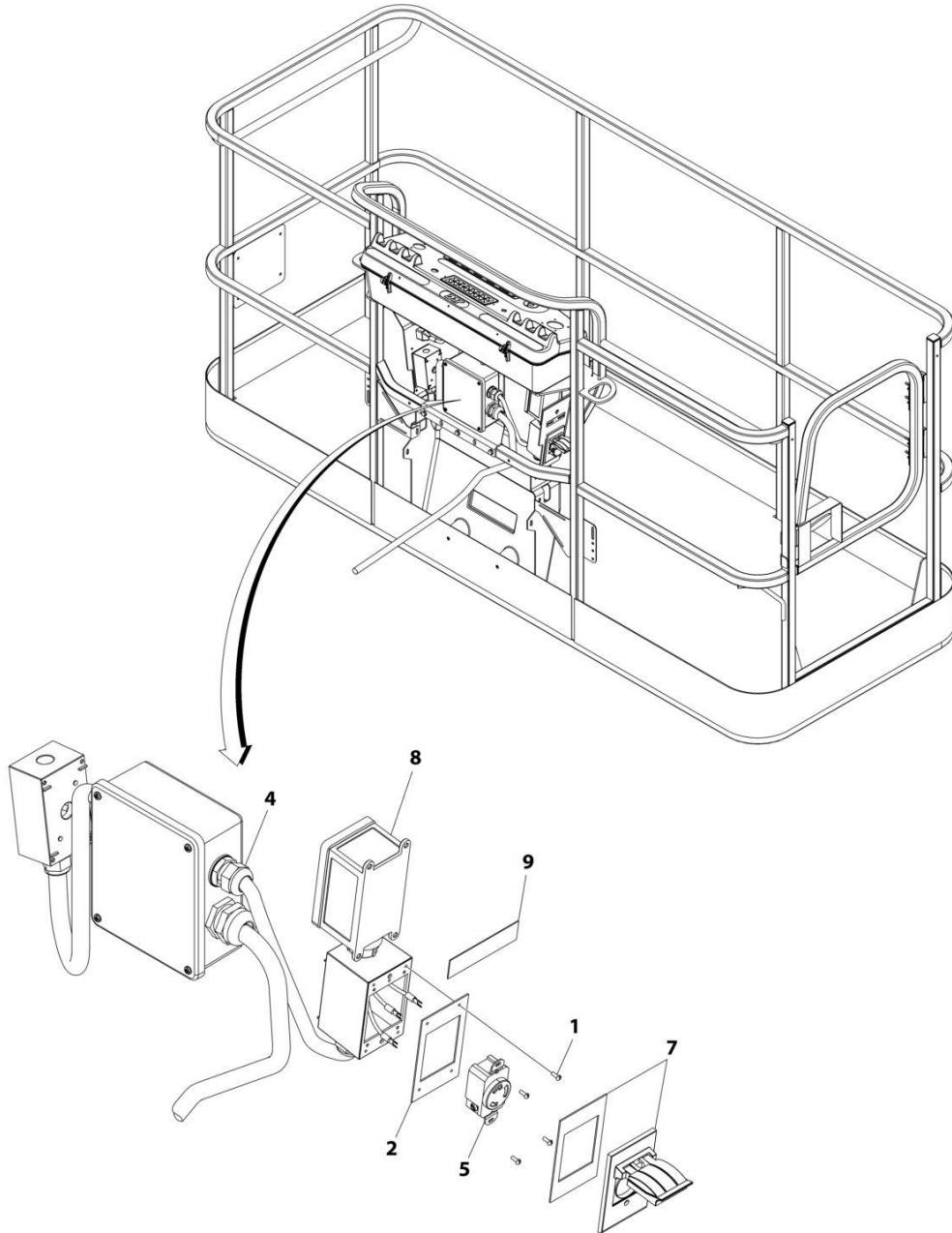
## SECTION 8 - ELECTRICAL

**FIGURE 8-21. AC BOX AT PLATFORM INSTALLATION - 220V AFSINT 107 KEYED GROUND (2X4 BOX) (CE & UK CA SPECS) (4000W GENERATOR)**

| ITEM | PART NUMBER | QTY | DESCRIPTION                     | REV |
|------|-------------|-----|---------------------------------|-----|
|      | 1001194200  | Ref | AC BOX AT PLATFORM INSTALLATION | B   |
| 1    | 0100020     | AR  | Sealant, Pipe                   |     |
| 2    | 0641416     | 2   | Bolt 1/4 x 2                    |     |
| 3    | 0700408     | 4   | Bolt M4 x 16                    |     |
| 4    | 0861731     | 1   | Box, Switch                     |     |
| 5    | 3251242     | 1   | Decal - 240V/50Hz               |     |
| 6    | 3290405     | 4   | Nut M4                          |     |
| 7    | 3311405     | 2   | Nut 1/4                         |     |
| 8    | 4460662     | 1   | Connector, Strain Relief        |     |
| 9    | 4461246     | 1   | Receptacle                      |     |
| 10   | 4711400     | 4   | Washer 1/4                      |     |
| 11   | 4811400     | 8   | Washer M4                       |     |
| 12   | 1001193018  | 1   | Bracket, AC Receptacle          |     |
| 13   | 1001205958  | 1   | Terminal (Not Shown)            |     |

## SECTION 8 - ELECTRICAL

**FIGURE 8-22. AC BOX AT PLATFORM INSTALLATION - 240V GFCI RECEPTACLE (ANSI, ANSI EXPORT, CHINA, CSA AND JAPANESE SPECS WITH 4000W SKYPOWER GENERATOR)**



ART\_1001171131



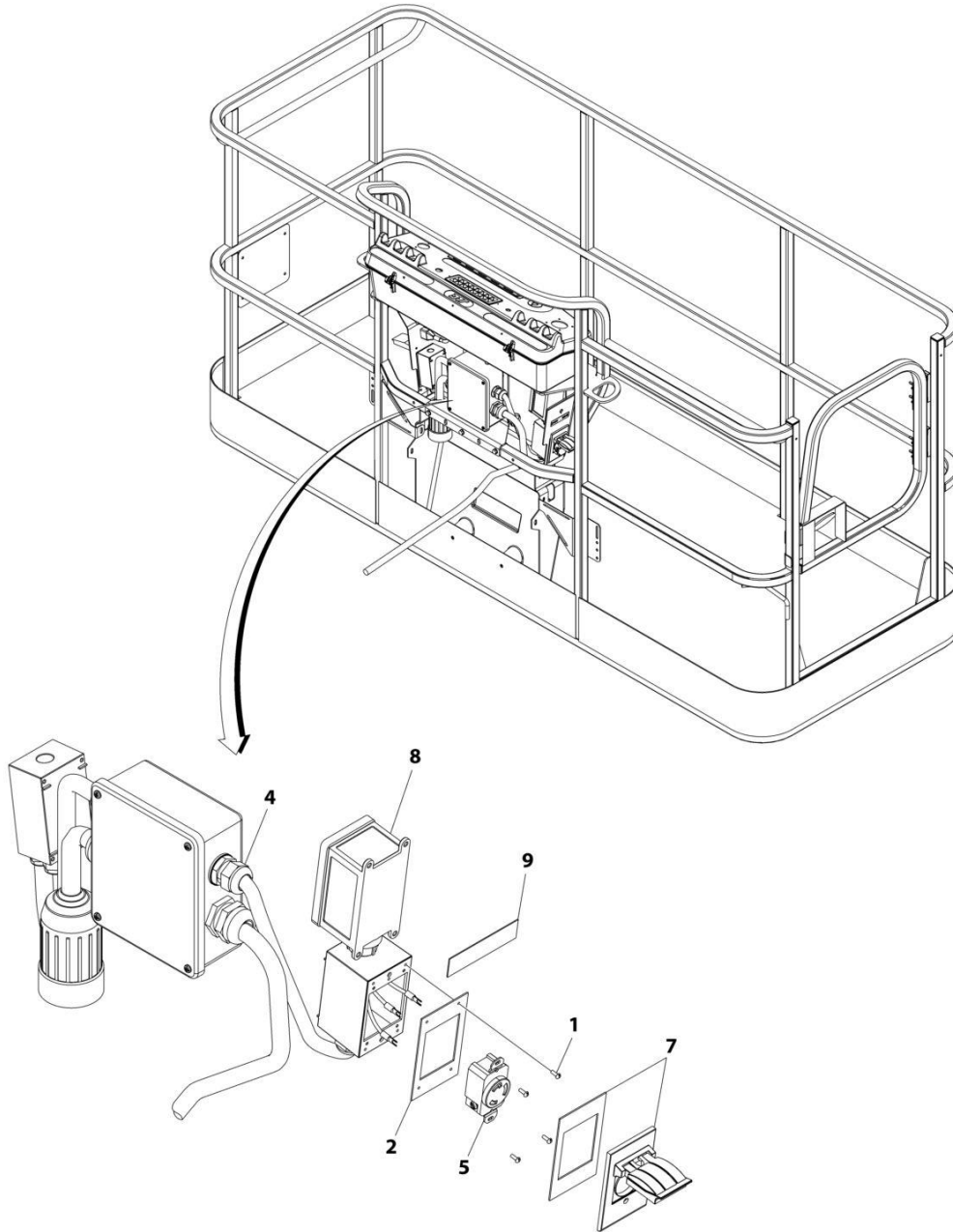
## SECTION 8 - ELECTRICAL

**FIGURE 8-22. AC BOX AT PLATFORM INSTALLATION - 240V GFCI RECEPTACLE (ANSI, ANSI EXPORT, CHINA, CSA AND JAPANESE SPECS WITH 4000W SKYPOWER GENERATOR)**

| ITEM | PART NUMBER | QTY | DESCRIPTION                                       | REV |
|------|-------------|-----|---|-----|
|      | 1001171131  | Ref | AC BOX AT PLATFORM INSTALLATION - 240V RECEPTACLE | B   |
| 1    | 3910606     | 4   | Screw 6 x 3/8                                     |     |
| 2    | 3960422     | 1   | Gasket  |     |
| 3    | 4240018     | AR  | Tie-Strap (Not Shown)                             |     |
| 4    | 4460425     | 1   | Connector, Strain Relief                          |     |
| 5    | 1001176862  | 1   | Receptacle  |     |
| 7    | 1001110872  | 1   | Cover, Receptacle                                 |     |
| 8    | 1001159120  | 1   | Receptacle/Breaker Box Assembly                   |     |
| 8    | 1001148675  | 1   | Box, Receptacle                                   |     |
| 8    | 1001159118  | 1   | Breaker GFCI 30Amp 240VAC                         |     |
| 8    | 4460612     | 1   | Connector, Strain Relief                          |     |
| 8    | 1001159119  | 1   | Connector (Between Boxes)                         |     |
| 9    | 1705374     | 1   | Decal - 240V/60Hz                                 |     |

## SECTION 8 - ELECTRICAL

FIGURE 8-23. AC BOX AT PLATFORM INSTALLATION - 240V GFCI RECEPTACLE (ANSI AND CSA SPECS WITH 7500W SKYPOWER GENERATOR)



ART\_1001159121

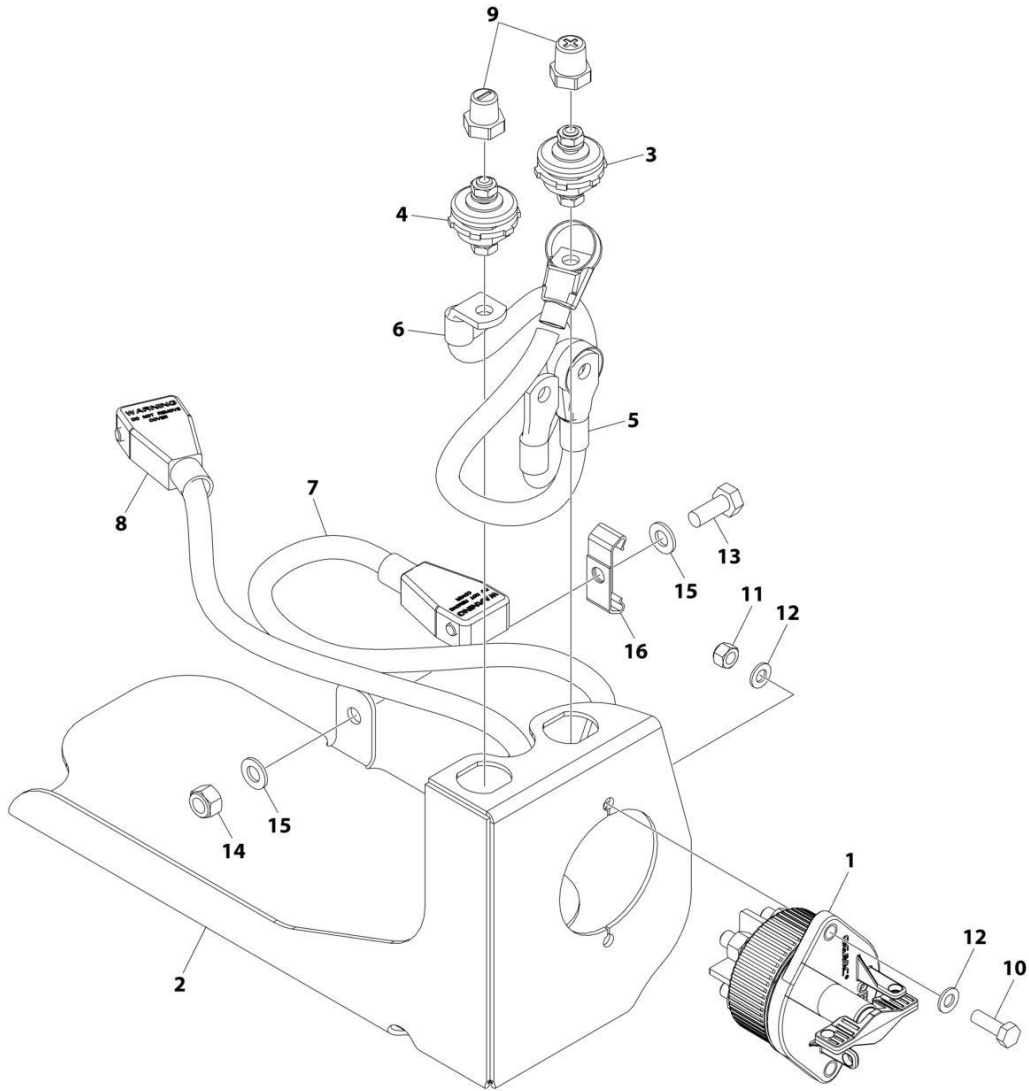
## SECTION 8 - ELECTRICAL

**FIGURE 8-23. AC BOX AT PLATFORM INSTALLATION - 240V GFCI RECEPTACLE (ANSI AND CSA SPECS WITH 7500W SKYPOWER GENERATOR)**

| ITEM | PART NUMBER | QTY | DESCRIPTION                                       | REV |
|------|-------------|-----|---|-----|
|      | 1001159121  | Ref | AC BOX AT PLATFORM INSTALLATION - 240V RECEPTACLE | B   |
| 1    | 3910606     | 4   | Screw 6 x 3/8                                     |     |
| 2    | 3960422     | 1   | Gasket  |     |
| 3    | 4240018     | AR  | Tie-Strap (Not Shown)                             |     |
| 4    | 4460425     | 1   | Connector, Strain Relief                          |     |
| 5    | 4460958     | 1   | Receptacle  |     |
| 7    | 1001110872  | 1   | Cover, Receptacle                                 |     |
| 8    | 1001159120  | 1   | Receptacle/Breaker Box Assembly                   |     |
| 8    | 1001148675  | 1   | Box, Receptacle                                   |     |
| 8    | 1001159118  | 1   | Breaker Box Assembly                              |     |
| 8    | 4460612     | 1   | Connector, Strain Relief                          |     |
| 8    | 1001159119  | 1   | Connector (Between Boxes)                         |     |
| 9    | 1705374     | 1   | Decal - 240V/60Hz                                 |     |

# SECTION 8 - ELECTRICAL

## FIGURE 8-24. BATTERY DISCONNECT SWITCH INSTALLATION – DEUTZ D2011 ENGINES



ART\_1001214396

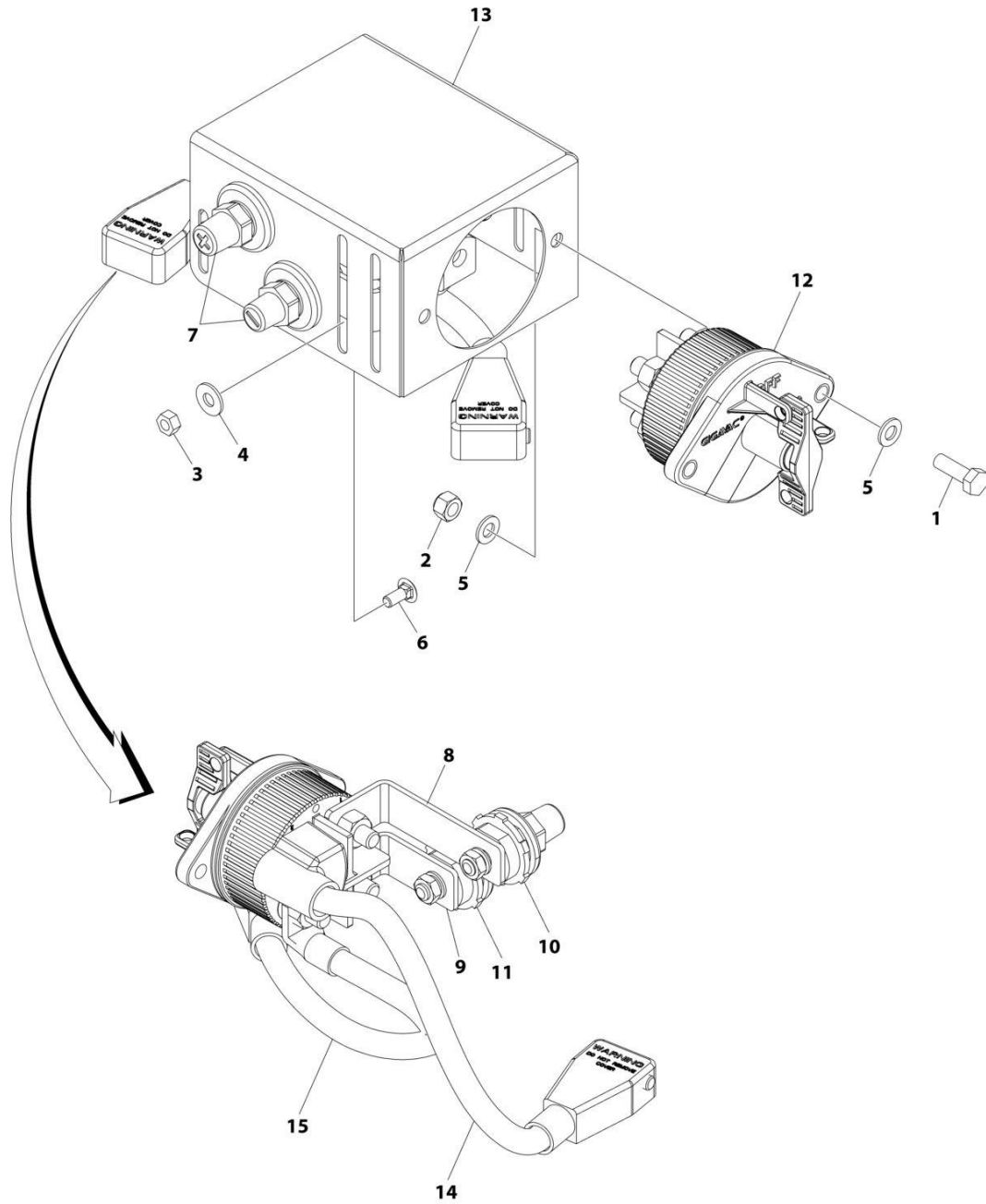
## SECTION 8 - ELECTRICAL

**FIGURE 8-24. BATTERY DISCONNECT SWITCH INSTALLATION – DEUTZ D2011 ENGINES**

| ITEM | PART NUMBER | QTY | DESCRIPTION                            | REV |
|------|-------------|-----|--|-----|
|      | 1001214396  | Ref | BATTERY DISCONNECT SWITCH INSTALLATION | B   |
| 1    | 1001225346  | 1   | Switch                                 |     |
| 2    | 1001226529  | 1   | Mount                                  |     |
| 3    | 1001214570  | 1   | Connector (Red)                        |     |
| 4    | 1001214571  | 1   | Connector (Black)                      |     |
| 5    | 1001236375  | 1   | Cable (Positive)                       |     |
| 6    | 1001236376  | 1   | Cable (Negative)                       |     |
| 7    | 1001236377  | 1   | Cable (Positive)                       |     |
| 8    | 1001236378  | 1   | Cable (Negative)                       |     |
| 9    | 1001206476  | 1   | Connector                              |     |
| 10   | 0760812     | 2   | Bolt M8 x 25                           |     |
| 11   | 3290805     | 2   | Nut M8                                 |     |
| 12   | 4811900     | 4   | Washer M8                              |     |
| 13   | 0761012     | 1   | Bolt M10 x 25                          |     |
| 14   | 3291005     | 1   | Nut M10                                |     |
| 15   | 4812000     | 2   | Washer M10                             |     |
| 16   | 1320223     | 2   | Clamp                                  |     |

# SECTION 8 - ELECTRICAL

FIGURE 8-25. BATTERY DISCONNECT SWITCH INSTALLATION (DEUTZ TD2.9L4, DEUTZ D2.9L4, DEUTZ TD2.2L3 STAGE V AND FORD DF2.5L ENGINES)



ART\_1001236304

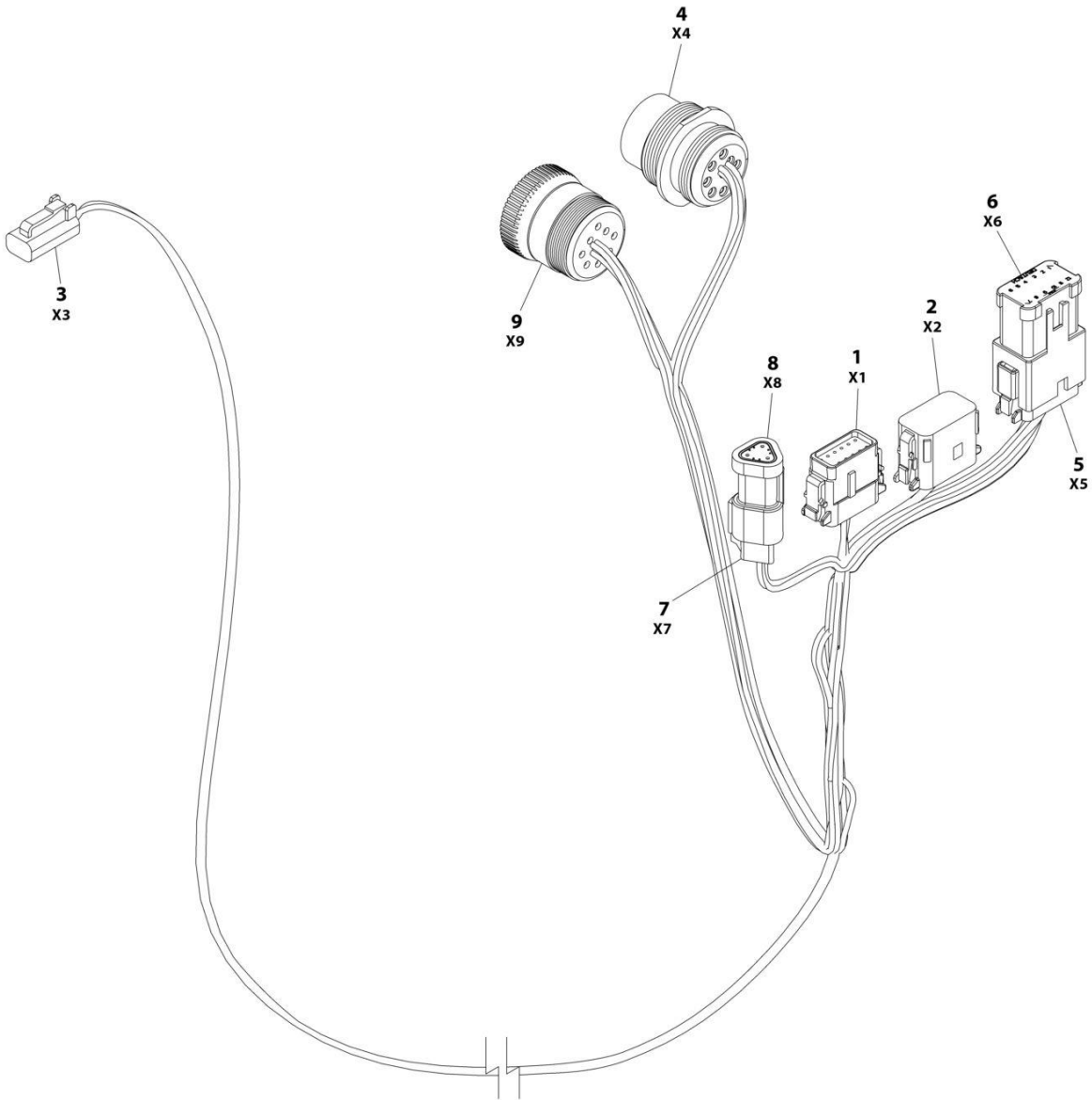
## SECTION 8 - ELECTRICAL

**FIGURE 8-25. BATTERY DISCONNECT SWITCH INSTALLATION (DEUTZ TD2.9L4, DEUTZ D2.9L4, DEUTZ TD2.2L3 STAGE V AND FORD DF2.5L ENGINES)**

| ITEM | PART NUMBER | QTY | DESCRIPTION                            | REV |
|------|-------------|-----|--|-----|
|      | 1001236304  | Ref | BATTERY DISCONNECT SWITCH INSTALLATION | A   |
| 1    | 0760812     | 2   | Bolt M8 x 25                           |     |
| 2    | 3290805     | 2   | Nut M8                                 |     |
| 3    | 3311405     | 3   | Nut 1/4                                |     |
| 4    | 4751400     | 3   | Washer 1/4                             |     |
| 5    | 4811900     | 4   | Washer M8                              |     |
| 6    | 88411013    | 3   | Bolt 1/4 x 3/4                         |     |
| 7    | 1001206476  | 1   | Connectors, Post                       |     |
| 8    | 1001209432  | 1   | Bussbar                                |     |
| 9    | 1001209474  | 1   | Bussbar                                |     |
| 10   | 1001214570  | 1   | Connector (Red)                        |     |
| 11   | 1001214571  | 1   | Connector (Black)                      |     |
| 12   | 1001225346  | 1   | Switch, Battery                        |     |
| 13   | 1001226531  | 1   | Mount                                  |     |
| 14   | 1001236504  | 1   | Cable, Battery (+)                     |     |
| 15   | 1001236505  | 1   | Cable, Battery (-)                     |     |

# SECTION 8 - ELECTRICAL

## FIGURE 8-26. BEACON LIGHT HARNESS (BLUE AND RED BEACON LIGHT)



ART\_1001142736



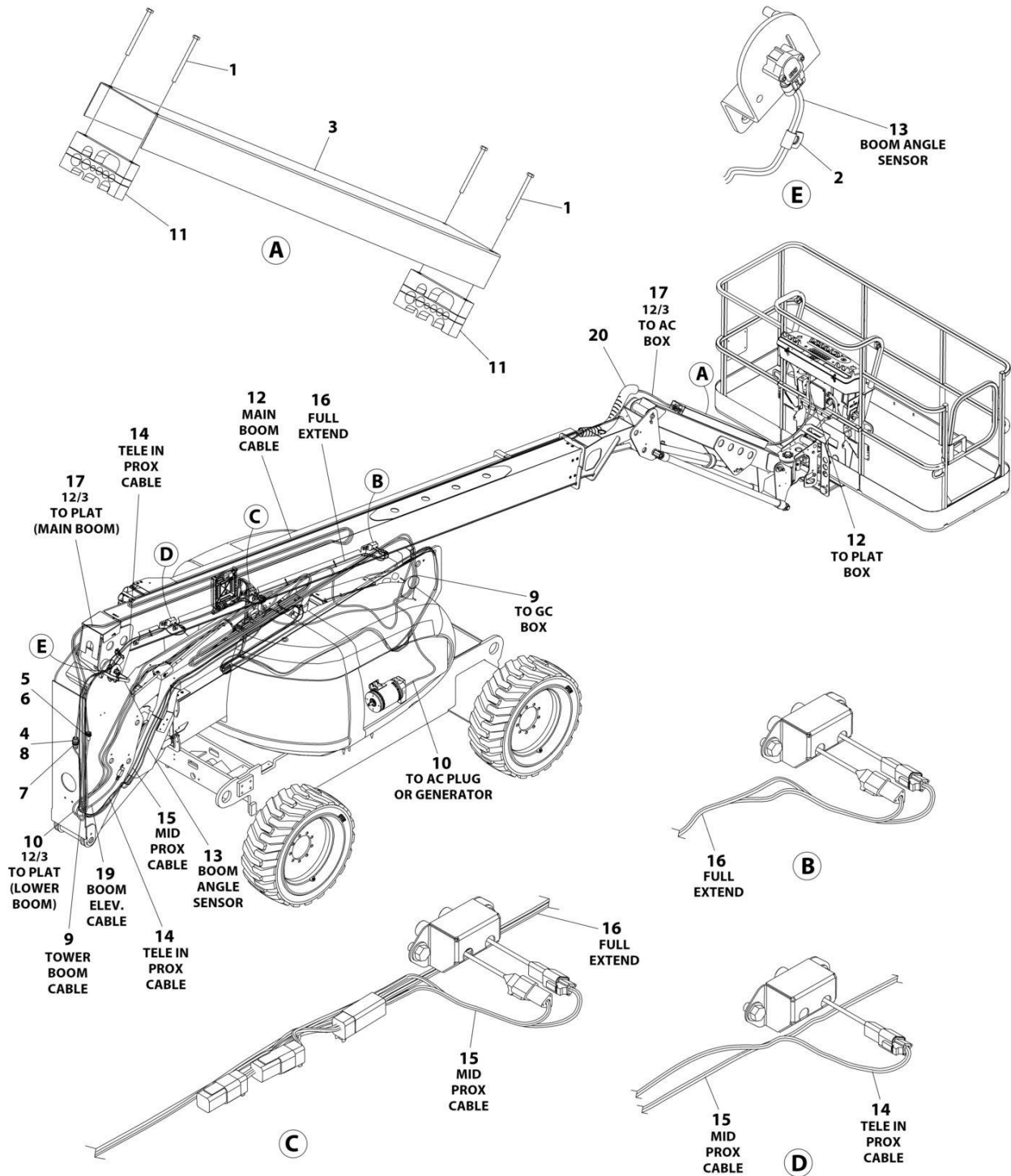
## SECTION 8 - ELECTRICAL

**FIGURE 8-26. BEACON LIGHT HARNESS (BLUE AND RED BEACON LIGHT)**

| ITEM | PART NUMBER | QTY | DESCRIPTION              | REV |
|------|-------------|-----|--------------------------|-----|
|      | 1001142736  | Ref | STROBE LIGHT HARNESS     | F   |
| 1    | 1001116808  | 1   | Plug, Male - 12 Position |     |
| 1    | 4460928     | 3   | Socket, Female           |     |
| 1    | 4460518     | 9   | Plug, Terminal           |     |
| 2    | 1001116774  | 1   | Plug, Male - 12 Position |     |
| 2    | 4460928     | 3   | Socket, Female           |     |
| 2    | 4460518     | 9   | Plug, Terminal           |     |
| 3    | 4460891     | 1   | Plug, Male - 2 Position  |     |
| 3    | 4460465     | 2   | Socket, Female           |     |
| 4    | 1001112612  | 1   | Connector - 9 Position   |     |
| 4    | 4460464     | 6   | Pin, Male                |     |
| 4    | 4460466     | 3   | Plug, Terminal           |     |
| 5    | 4460933     | 1   | Plug, Male - 12 Position |     |
| 5    | 4460465     | 12  | Socket, Female           |     |
| 6    | 1001119020  | 1   | Bussbar - 12 Position    |     |
| 7    | 4461095     | 1   | Plug, Male - 3 Position  |     |
| 7    | 4460465     | 3   | Socket, Female           |     |
| 8    | 4461070     | 1   | Bussbar - 3 Position     |     |
| 9    | 1001112796  | 1   | Connector - 9 Position   |     |
| 9    | 4460465     | 6   | Socket, Female           |     |
| 9    | 4460466     | 3   | Plug, Terminal           |     |

# SECTION 8 - ELECTRICAL

FIGURE 8-27. BOOM CABLES INSTALLATION - WITH 2500W GENERATOR OR NO GENERATOR



ART\_1001256026

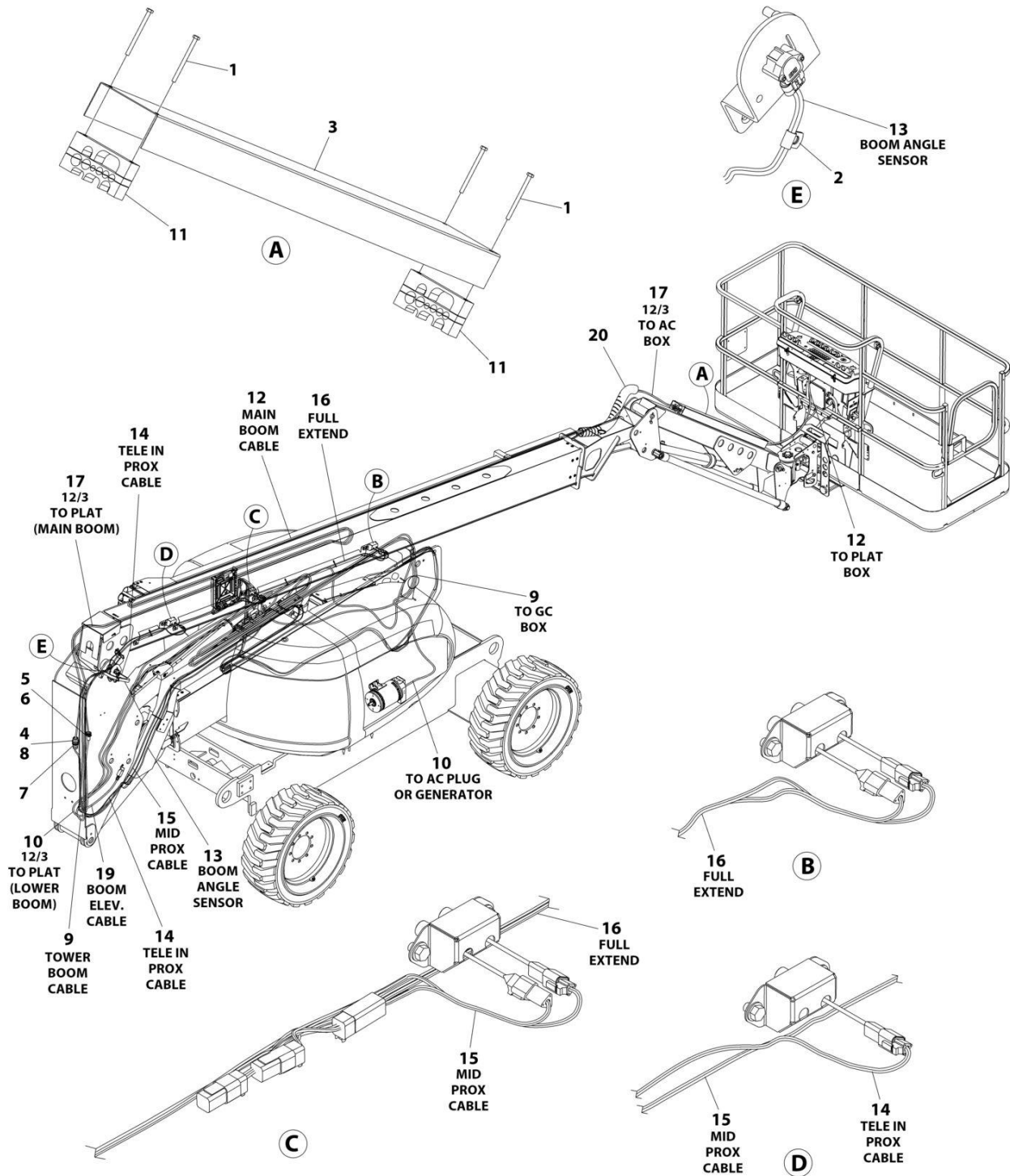
## SECTION 8 - ELECTRICAL

**FIGURE 8-27. BOOM CABLES INSTALLATION - WITH 2500W GENERATOR OR NO GENERATOR**

| ITEM | PART NUMBER | QTY | DESCRIPTION   | REV |
|------|-------------|-----|---|-----|
|      | 1001256026  | Ref | BOOM CABLES INSTALLATION  | D   |
| 1    | 0700624     | 4   | Bolt M6 x 80  |     |
| 2    | 1320263     | 1   | Clamp   |     |
| 3    | 1671034     | 1   | Cover   |     |
| 4    | 2820031     | AR  | Heat Shrink   |     |
| 5    | 4460466     | 8   | Plug, Terminal  |     |
| 6    | 4460473     | 1   | Clamp, Cable  |     |
| 7    | 4460865     | 1   | Connector - 19 Pin Plug   |     |
| 8    | 4460866     | 1   | Connector - 19 Pin Receptacle   |     |
| 9    | 4922494     | 1   | Boom Cable - Tower Boom (See Separate Breakdown in this Section)          |     |
| 10   | 4922893     | 1   | Cable, Electrical - 12/3 (Tower Boom)                                     |     |
| 11   | 1001165350  | 2   | Block, Clamp  |     |
| 12   | 1001254463  | 1   | Boom Cable - Main Boom (See Separate Breakdown in this Section)           |     |
| 13   | 1001254465  | 1   | Sensor, Harness - Boom Angle  |     |
| 13   | 1001230931  | 1   | Connector - 6 Position  |     |
| 13   | 1001116748  | 6   | Terminal  |     |
| 14   | 1001254466  | 1   | Sensor, Harness - Tele in Prox  |     |
| 14   | 4460539     | 1   | Plug, Male - 3 Position   |     |
| 14   | 4460465     | 3   | Socket, Female  |     |
| 15   | 1001254467  | 1   | Sensor, Harness - Mid Prox (See Separate Breakdown in this Section)       |     |
| 16   | 1001254468  | 1   | Sensor, Harness - Full Extension (See Separate Breakdown in this Section) |     |
| 17   | 1001257325  | 1   | Cable, Electrical - 12/3 (Main Boom)                                      |     |
| 18   | 4240033     | 1   | Tie - Strap (Not Shown)   |     |
| 19   | 1061033     | 1   | Cable, Electrical - 18/2  |     |
| 20   | 1001181923  | 1   | Hose Shield   |     |

# SECTION 8 - ELECTRICAL

## FIGURE 8-28. BOOM CABLE INSTALLATION - WITH 4000W/50HZ GENERATOR



ART\_1001256026

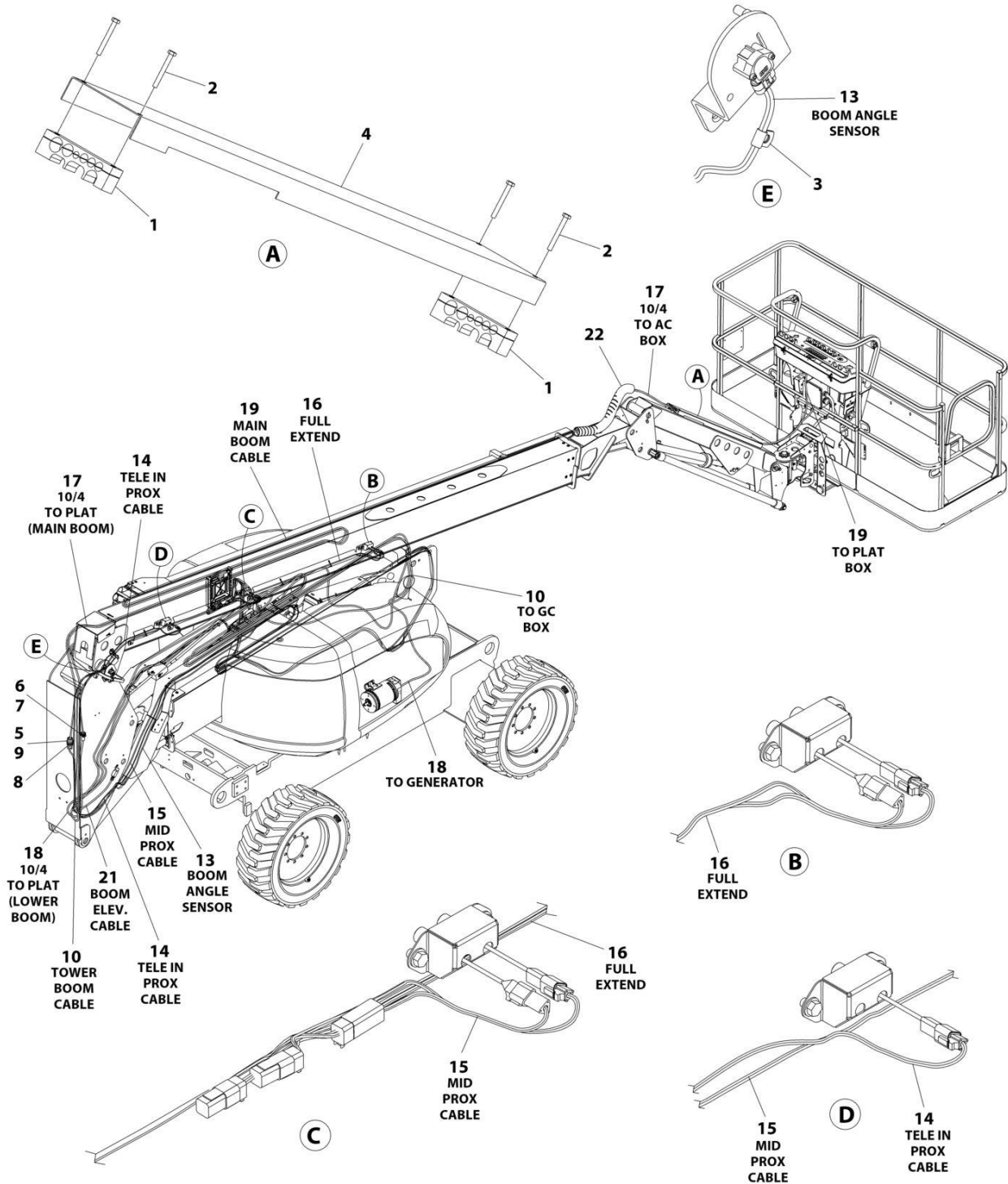
## SECTION 8 - ELECTRICAL

**FIGURE 8-28. BOOM CABLE INSTALLATION - WITH 4000W/50HZ GENERATOR**

| ITEM | PART NUMBER | QTY | DESCRIPTION   | REV |
|------|-------------|-----|---|-----|
|      | 1001256026  | Ref | BOOM CABLES INSTALLATION  | D   |
| 1    | 0700624     | 4   | Bolt M6 x 80  |     |
| 2    | 1320263     | 1   | Clamp   |     |
| 3    | 1671034     | 1   | Cover   |     |
| 4    | 2820031     | AR  | Heat Shrink   |     |
| 5    | 4460466     | 8   | Plug, Terminal  |     |
| 6    | 4460473     | 1   | Clamp, Cable  |     |
| 7    | 4460865     | 1   | Connector - 19 Pin Plug   |     |
| 8    | 4460866     | 1   | Connector - 19 Pin Receptacle   |     |
| 9    | 4922494     | 1   | Boom Cable - Tower Boom (See Separate Breakdown in this Section)          |     |
| 10   | 4922893     | 1   | Cable, Electrical - 12/3 (Tower Boom)                                     |     |
| 11   | 1001165350  | 2   | Block, Clamp  |     |
| 12   | 1001254463  | 1   | Boom Cable - Main Boom (See Separate Breakdown in this Section)           |     |
| 13   | 1001254465  | 1   | Sensor, Harness - Boom Angle  |     |
| 13   | 1001230931  | 1   | Connector - 6 Position  |     |
| 13   | 1001116748  | 6   | Terminal  |     |
| 14   | 1001254466  | 1   | Sensor, Harness - Tele in Prox  |     |
| 14   | 4460539     | 1   | Plug, Male - 3 Position   |     |
| 14   | 4460465     | 3   | Socket, Female  |     |
| 15   | 1001254467  | 1   | Sensor, Harness - Mid Prox (See Separate Breakdown in this Section)       |     |
| 16   | 1001254468  | 1   | Sensor, Harness - Full Extension (See Separate Breakdown in this Section) |     |
| 17   | 1001257325  | 1   | Cable, Electrical - 12/3 (Main Boom)                                      |     |
| 18   | 4240033     | 1   | Tie - Strap (Not Shown)   |     |
| 19   | 1061033     | 1   | Cable, Electrical - 18/2  |     |
| 20   | 1001181923  | 1   | Hose Shield   |     |

# SECTION 8 - ELECTRICAL

## FIGURE 8-29. BOOM CABLES INSTALLATION - WITH 4000W/60HZ GENERATOR



ART\_1001256028

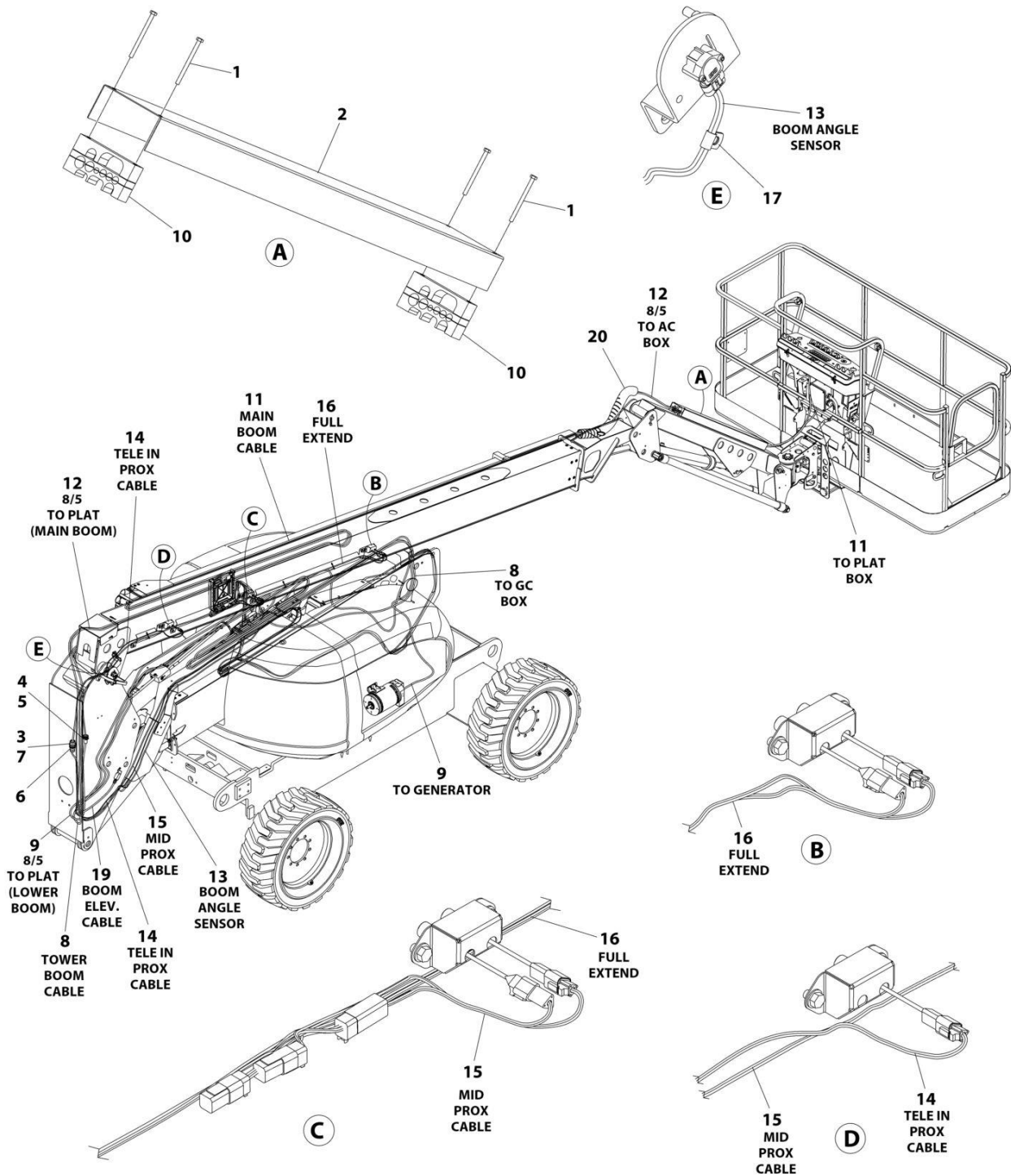
## SECTION 8 - ELECTRICAL

**FIGURE 8-29. BOOM CABLES INSTALLATION - WITH 4000W/60HZ GENERATOR**

| ITEM | PART NUMBER | QTY | DESCRIPTION   | REV |
|------|-------------|-----|---|-----|
|      | 1001256028  | Ref | BOOM CABLES INSTALLATION  | D   |
| 1    | 0561237     | 2   | Block, Clamp  |     |
| 2    | 0700618     | 4   | Bolt M6 x 50  |     |
| 3    | 1320263     | 1   | Clamp   |     |
| 4    | 1670769     | 1   | Cover   |     |
| 5    | 2820031     | AR  | Heat Shrink   |     |
| 6    | 4460466     | 8   | Plug, Terminal  |     |
| 7    | 4460473     | 1   | Clamp, Cable  |     |
| 8    | 4460865     | 1   | Connector - 19 Pin Plug   |     |
| 9    | 4460866     | 1   | Connector - 19 Pin Receptacle   |     |
| 10   | 4922494     | 1   | Boom Cable - Tower Boom (See Separate Breakdown in this Section)          |     |
| 13   | 1001254465  | 1   | Sensor, Harness - Boom Angle  |     |
| 13   | 1001230931  | 1   | Connector - 6 Position  |     |
| 13   | 1001116748  | 6   | Terminal  |     |
| 14   | 1001254466  | 1   | Sensor, Harness - Tele in Prox  |     |
| 14   | 4460539     | 1   | Plug, Male - 3 Position   |     |
| 14   | 4460465     | 3   | Socket, Female  |     |
| 15   | 1001254467  | 1   | Sensor, Harness - Mid Prox (See Separate Breakdown in this Section)       |     |
| 16   | 1001254468  | 1   | Sensor, Harness - Full Extension (See Separate Breakdown in this Section) |     |
| 17   | 1001257326  | 1   | Cable, Electrical - 10/4 (Main Boom)                                      |     |
| 18   | 1001156490  | 1   | Cable, Electrical - 10/4 (Tower Boom)                                     |     |
| 19   | 1001254463  | 1   | Boom Cable - Main Boom (See Separate Breakdown in this Section)           |     |
| 20   | 4240033     | 1   | Tie - Strap (Not Shown)   |     |
| 21   | 1061033     | 1   | Cable, Electrical 18/2  |     |
| 22   | 1001181923  | 1   | Hose Shield   |     |

# SECTION 8 - ELECTRICAL

## FIGURE 8-30. BOOM CABLE INSTALLATION - WITH 7500W GENERATOR



ART\_1001250983



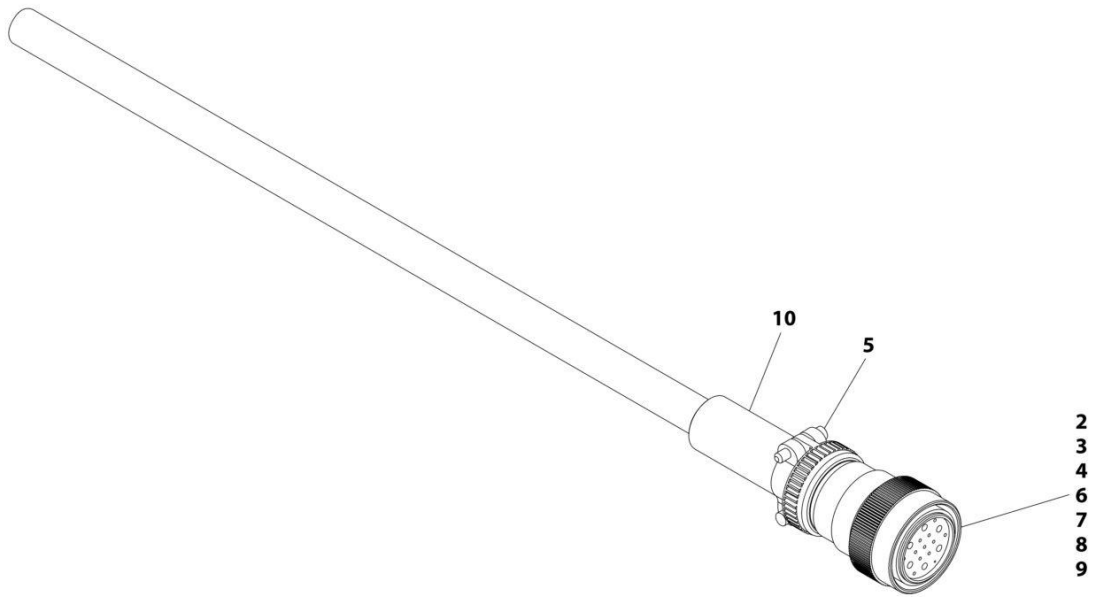
## SECTION 8 - ELECTRICAL

**FIGURE 8-30. BOOM CABLE INSTALLATION - WITH 7500W GENERATOR**

| ITEM | PART NUMBER | QTY | DESCRIPTION   | REV |
|------|-------------|-----|---|-----|
|      | 1001250983  | Ref | BOOM CABLES INSTALLATION  | D   |
| 1    | 0700624     | 4   | Bolt M6 x 80  |     |
| 2    | 1671034     | 1   | Cover   |     |
| 3    | 2820031     | AR  | Heat Shrink   |     |
| 4    | 4460466     | 8   | Plug, Terminal  |     |
| 5    | 4460473     | 1   | Clamp, Cable  |     |
| 6    | 4460865     | 1   | Connector - 19 Pin Plug   |     |
| 7    | 4460866     | 1   | Connector - 19 Pin Receptacle   |     |
| 8    | 4922494     | 1   | Boom Cable - Tower Boom (See Separate Breakdown in this Section)          |     |
| 9    | 4922811     | 1   | Cable, Electrical - 8/5 (Tower Boom)                                      |     |
| 10   | 1001165350  | 2   | Block, Clamp  |     |
| 11   | 1001254463  | 1   | Boom Cable - Main Boom (See Separate Breakdown in this Section)           |     |
| 12   | 1001254464  | 1   | Cable, Electrical - 8/5 (Main Boom)                                       |     |
| 13   | 1001254465  | 1   | Sensor, Harness - Boom Angle  |     |
| 13   | 1001230931  | 1   | Connector - 6 Position  |     |
| 13   | 1001116748  | 6   | Terminal  |     |
| 14   | 1001254466  | 1   | Sensor, Harness - Tele in Prox  |     |
| 14   | 4460539     | 1   | Plug, Male - 3 Position   |     |
| 14   | 4460465     | 3   | Socket, Female  |     |
| 15   | 1001254467  | 1   | Sensor, Harness - Mid Prox (See Separate Breakdown in this Section)       |     |
| 16   | 1001254468  | 1   | Sensor, Harness - Full Extension (See Separate Breakdown in this Section) |     |
| 17   | 1320263     | 1   | Clamp   |     |
| 18   | 4240033     | 1   | Tie - Strap (Not Shown)   |     |
| 19   | 1061033     | 1   | Cable, Electrical 18/2  |     |
| 20   | 1001181923  | 1   | Hose Shield   |     |

# SECTION 8 - ELECTRICAL

## FIGURE 8-31. BOOM CABLE - MAIN BOOM



ART\_1001254463

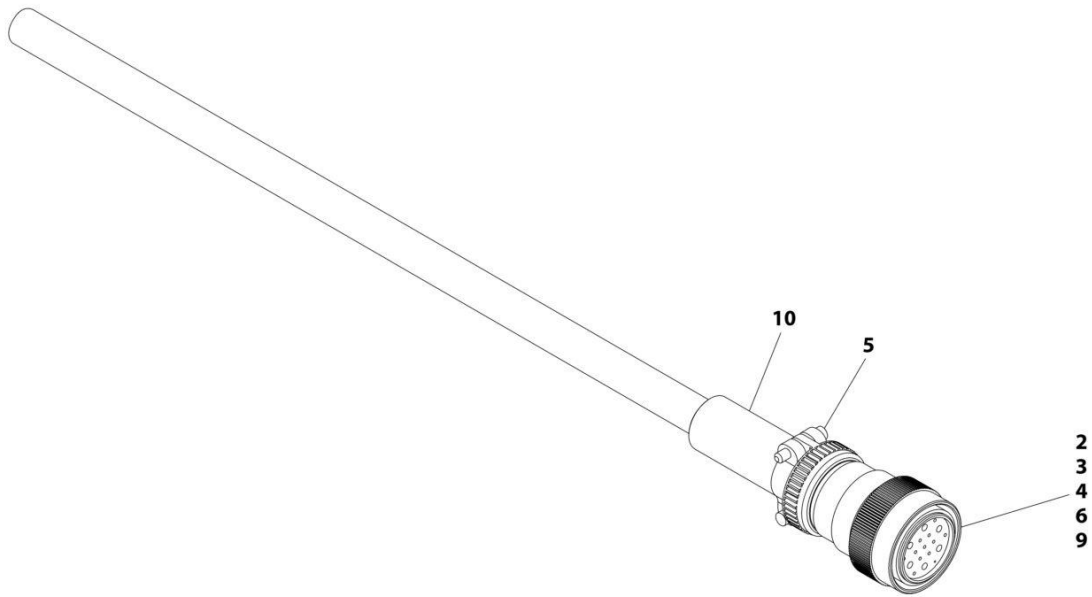
## SECTION 8 - ELECTRICAL

### FIGURE 8-31. BOOM CABLE - MAIN BOOM

| ITEM | PART NUMBER | QTY | DESCRIPTION             | REV |
|------|-------------|-----|-------------------------|-----|
|      | 1001254463  | Ref | BOOM CABLE - MAIN BOOM  | A   |
| 2    | 4460465     | 11  | Socket, Female          |     |
| 3    | 4460865     | 1   | Connector - 19 Position |     |
| 4    | 4460509     | 4   | Socket, Female          |     |
| 5    | 4460473     | 1   | Clamp                   |     |
| 6    | 4460466     | 4   | Plug, Terminal          |     |
| 7    | 4460464     | 11  | Pin, Male               |     |
| 8    | 4460508     | 4   | Pin, Male               |     |
| 9    | 2820118     | AR  | Heatshrink, Clear       |     |
| 10   | 1001226400  | 1   | Insulate, Heatshrink    |     |

# SECTION 8 - ELECTRICAL

FIGURE 8-32. BOOM CABLE - TOWER BOOM (WITHOUT ARCTIC PACKAGE)



ART\_4922494

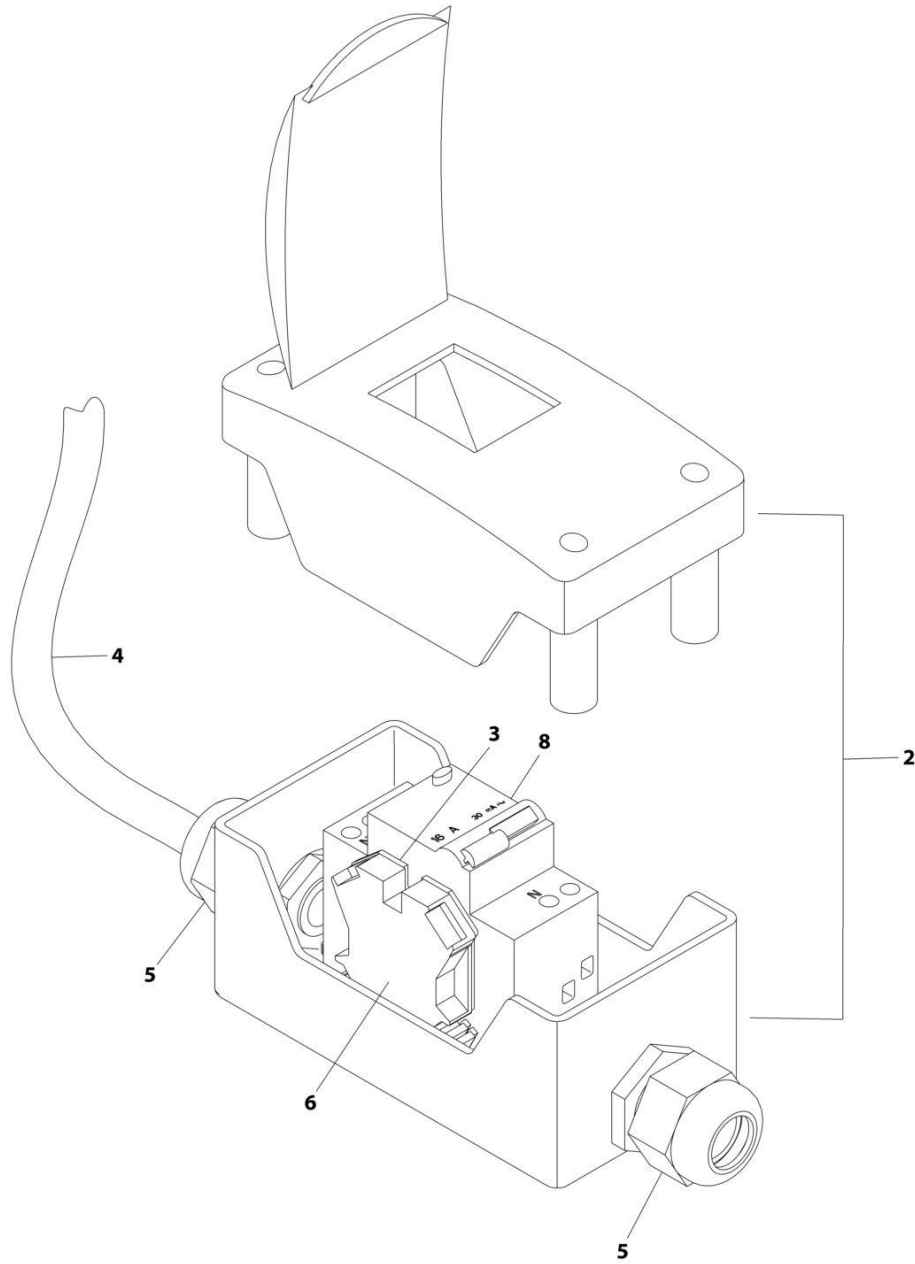
## SECTION 8 - ELECTRICAL

**FIGURE 8-32. BOOM CABLE - TOWER BOOM (WITHOUT ARCTIC PACKAGE)**

| ITEM | PART NUMBER | QTY | DESCRIPTION             | REV |
|------|-------------|-----|-------------------------|-----|
|      | 4922494     | Ref | BOOM CABLE - TOWER BOOM | C   |
| 2    | 4460465     | 22  | Socket, Female          |     |
| 3    | 4460865     | 1   | Connector - 19 Position |     |
| 4    | 4460509     | 8   | Socket, Female          |     |
| 5    | 4460473     | 1   | Clamp                   |     |
| 6    | 4460466     | 4   | Plug, Terminal          |     |
| 9    | 2820118     | AR  | Heatshrink, Clear       |     |
| 10   | 1001226400  | 1   | Insulate, Heatshrink    |     |

# SECTION 8 - ELECTRICAL

## FIGURE 8-33. BREAKER BOX KIT - SINGLE DOUBLE POLE BREAKER (WITH 4000W/50HZ GENERATOR)



ART\_1001096070

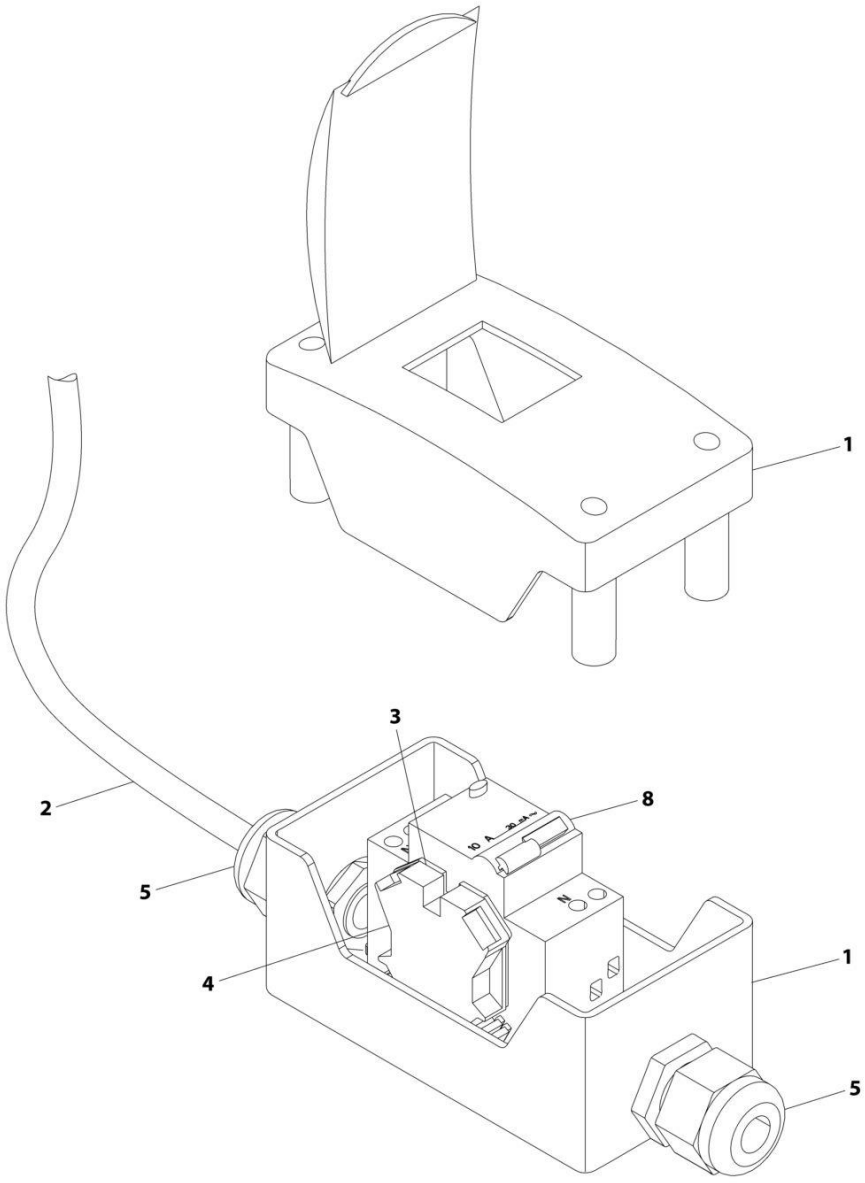
## SECTION 8 - ELECTRICAL

**FIGURE 8-33. BREAKER BOX KIT - SINGLE DOUBLE POLE BREAKER (WITH 4000W/50HZ GENERATOR)**

| ITEM | PART NUMBER | QTY            | DESCRIPTION                 | REV |
|------|-------------|----------------|-----------------------------|-----|
|      | 1001096070  | Ref            | BREAKER BOX KIT             | E   |
| 2    | 0861880     | 1              | Box                         |     |
| 3    | 4460956     | 1              | Barrier, Terminal Block End |     |
| 4    | 1060908     | 12 ft/<br>3.6m | Cable, 12/3                 |     |
| 5    | 1001097150  | 2              | Connector, Strain Relief    |     |
| 6    | 4460957     | 1              | Block, Terminal             |     |
| 8    | 1001181045  | 1              | Breaker, 16Amp              |     |

**SECTION 8 - ELECTRICAL**

**FIGURE 8-34. BREAKER BOX KIT - 30MA/16 AMP (WITH GENERATOR)**



ART\_1001109554



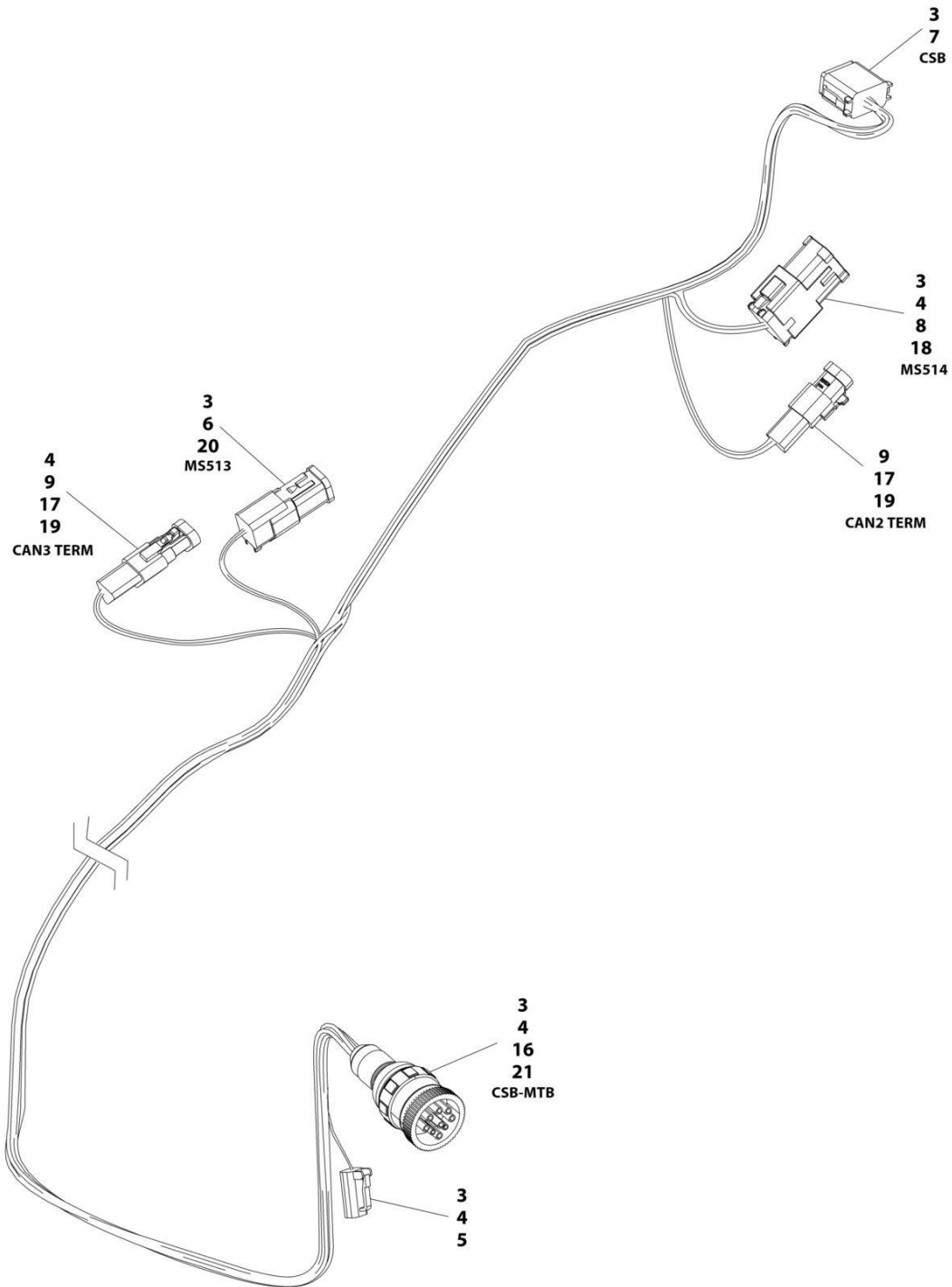
## SECTION 8 - ELECTRICAL

**FIGURE 8-34. BREAKER BOX KIT - 30MA/16 AMP (WITH GENERATOR)**

| ITEM | PART NUMBER | QTY            | DESCRIPTION                   | REV |
|------|-------------|----------------|-------------------------------|-----|
|      | 1001109554  | Ref            | BREAKER BOX KIT - 30mA/16 AMP | C   |
| 1    | 0861880     | 1              | Box, Breaker                  |     |
| 2    | 1060908     | 12 ft<br>/3.6m | Cable, Electrical 12/3        |     |
| 3    | 4460956     | 1              | Barrier, Terminal Block End   |     |
| 4    | 4460957     | 1              | Block, Terminal               |     |
| 5    | 1001097150  | 2              | Connector, Strain Relief      |     |
| 8    | 1001181046  | 1              | Breaker, Double 30mA/16Amp    |     |

# SECTION 8 - ELECTRICAL

## FIGURE 8-35. CSB HARNESS



ART\_1001286622

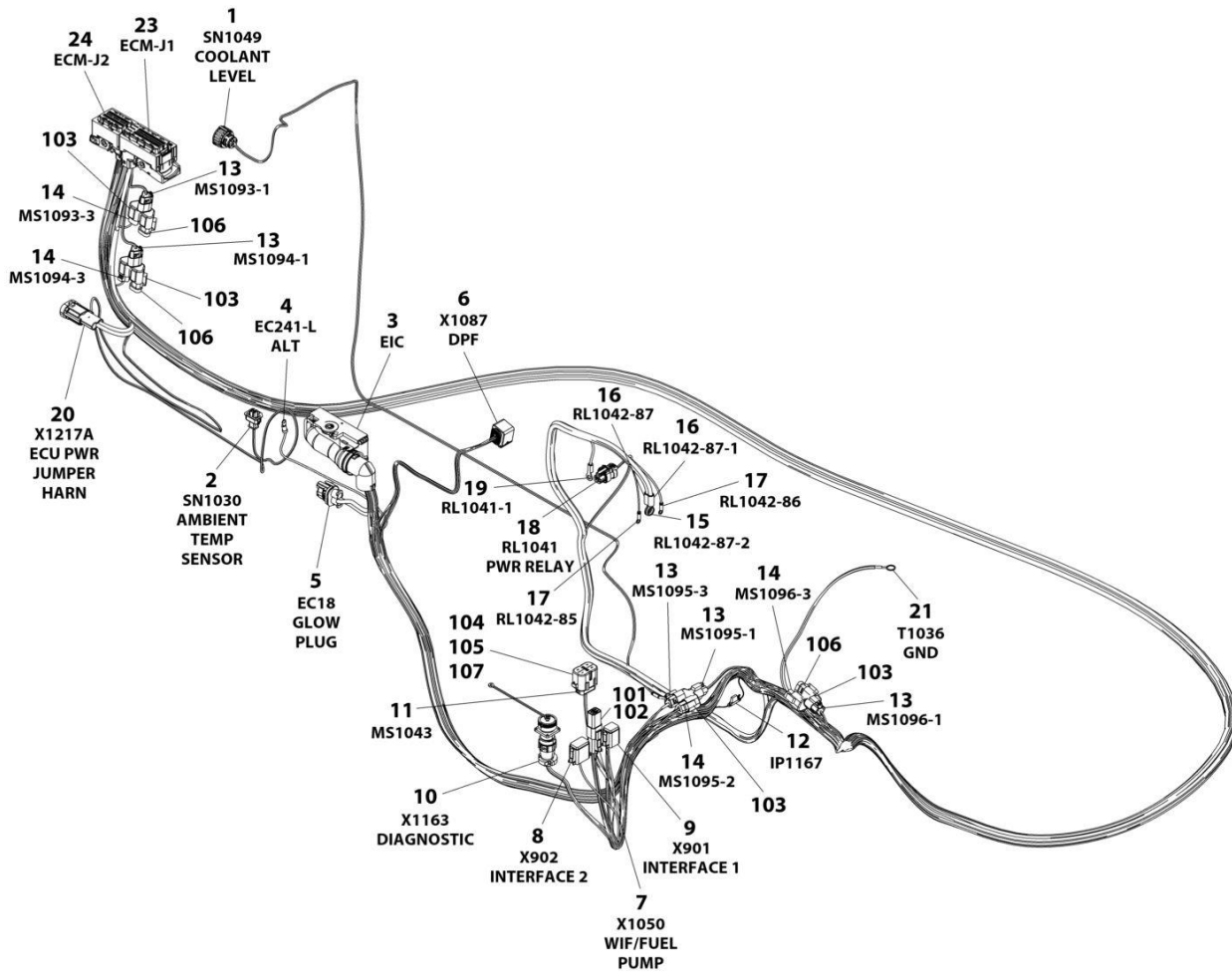
## SECTION 8 - ELECTRICAL

### FIGURE 8-35. CSB HARNESS

| ITEM | PART NUMBER | QTY | DESCRIPTION    | REV |
|------|-------------|-----|----------------|-----|
|      | 1001286622  | Ref | CSB HARNESS    | C   |
| 3    | 4460465     | 32  | Socket         |     |
| 4    | 4460466     | 6   | Plug, Terminal |     |
| 5    | 4460891     | 1   | Connector      |     |
| 6    | 4460894     | 1   | Connector      |     |
| 7    | 4460930     | 1   | Connector      |     |
| 8    | 4460933     | 1   | Connector      |     |
| 9    | 4460943     | 6   | Pin            |     |
| 16   | 1001112796  | 1   | Connector      |     |
| 17   | 1001116815  | 2   | Connector      |     |
| 18   | 1001119020  | 1   | Connector      |     |
| 19   | 1001144147  | 2   | Pin            |     |
| 20   | 1001226541  | 1   | Connector      |     |
| 21   | 4461042     | 1   | Connector      |     |

# SECTION 8 - ELECTRICAL

FIGURE 8-36. ENGINE HARNESS ASSEMBLY (DEUTZ TD2.L4 ENGINES)



ART\_1001276644

## SECTION 8 - ELECTRICAL

**FIGURE 8-36. ENGINE HARNESS ASSEMBLY (DEUTZ TD2.L4 ENGINES)**

| ITEM | PART NUMBER | QTY | DESCRIPTION                    | REV |
|------|-------------|-----|--------------------------------|-----|
|      | 1001276644  | Ref | Engine Harness - Deutz Engines | B   |
| 1    | 1001133714  | 1   | Connector                      |     |
| 1    | 1001133715  | 3   | Terminal                       |     |
| 1    | 1001135650  | 3   | Seal, Terminal                 |     |
| 1    | 1001135651  | 1   | Plug, Terminal                 |     |
| 2    | 1001126487  | 1   | Connector                      |     |
| 2    | 1001167635  | 2   | Terminal                       |     |
| 2    | 1001126485  | 2   | Seal, Terminal                 |     |
| 3    | 1001126362  | 1   | Connector                      |     |
| 3    | 1001126363  | 37  | Terminal                       |     |
| 3    | 1001126392  | 12  | Terminal                       |     |
| 3    | 1001126391  | 7   | Plug, Terminal                 |     |
| 3    | 4461008     | 4   | Plug, Terminal                 |     |
| 3    | 1001167632  | 2   | Terminal                       |     |
| 3    | 1001126364  | 37  | Seal, Terminal                 |     |
| 3    | 1001223459  | 12  | Seal, Terminal                 |     |
| 3    | 4461054     | 2   | Seal, Terminal                 |     |
| 4    | 4460042     | 1   | Terminal, Ring                 |     |
| 5    | 1001142938  | 1   | Plug                           |     |
| 5    | 1001142940  | 2   | Terminal                       |     |
| 5    | 1001142941  | 2   | Seal                           |     |
| 6    | 1001239202  | 1   | Connector                      |     |
| 6    | 1001126363  | 7   | Terminal                       |     |
| 6    | 1001126391  | 1   | Plug, Terminal                 |     |
| 6    | 1001126364  | 7   | Seal, Terminal                 |     |
| 7    | 4460884     | 1   | Connector                      |     |
| 7    | 4460465     | 2   | Socket                         |     |
| 7    | 4460942     | 2   | Socket                         |     |
| 8    | 4460930     | 1   | Plug                           |     |
| 8    | 4460465     | 1   | Socket                         |     |
| 8    | 4460466     | 7   | Plug, Terminal                 |     |
| 9    | 4460894     | 1   | Plug                           |     |
| 9    | 4460465     | 2   | Socket                         |     |
| 9    | 4460944     | 2   | Socket                         |     |
| 9    | 4460466     | 2   | Plug, Terminal                 |     |
| 10   | 2902443     | 1   | Receptacle Kit                 |     |
| 10   | 4461073     | 1   | Cap, Dust                      |     |
| 10   | 4461071     | 6   | Terminal                       |     |
| 11   | 80484084    | 1   | Plug                           |     |
| 11   | 4460748     | 4   | Seal, Terminal                 |     |
| 11   | 4460746     | 3   | Terminal                       |     |
| 11   | 1001234800  | 1   | Terminal                       |     |
| 11   | 4460458     | 4   | Seal, Terminal                 |     |
| 12   | 1001170764  | 1   | Fuse Holder, Includes Resistor |     |
| 12   | 1001197719  | 1   | Resistor 0.5W                  |     |
| 13   | 1001116812  | 5   | Plug                           |     |
| 13   | 4460944     | 10  | Socket                         |     |
| 13   | 4460466     | 5   | Plug, Terminal                 |     |
| 14   | 4460539     | 4   | Connector                      |     |
| 14   | 4460944     | 8   | Socket                         |     |

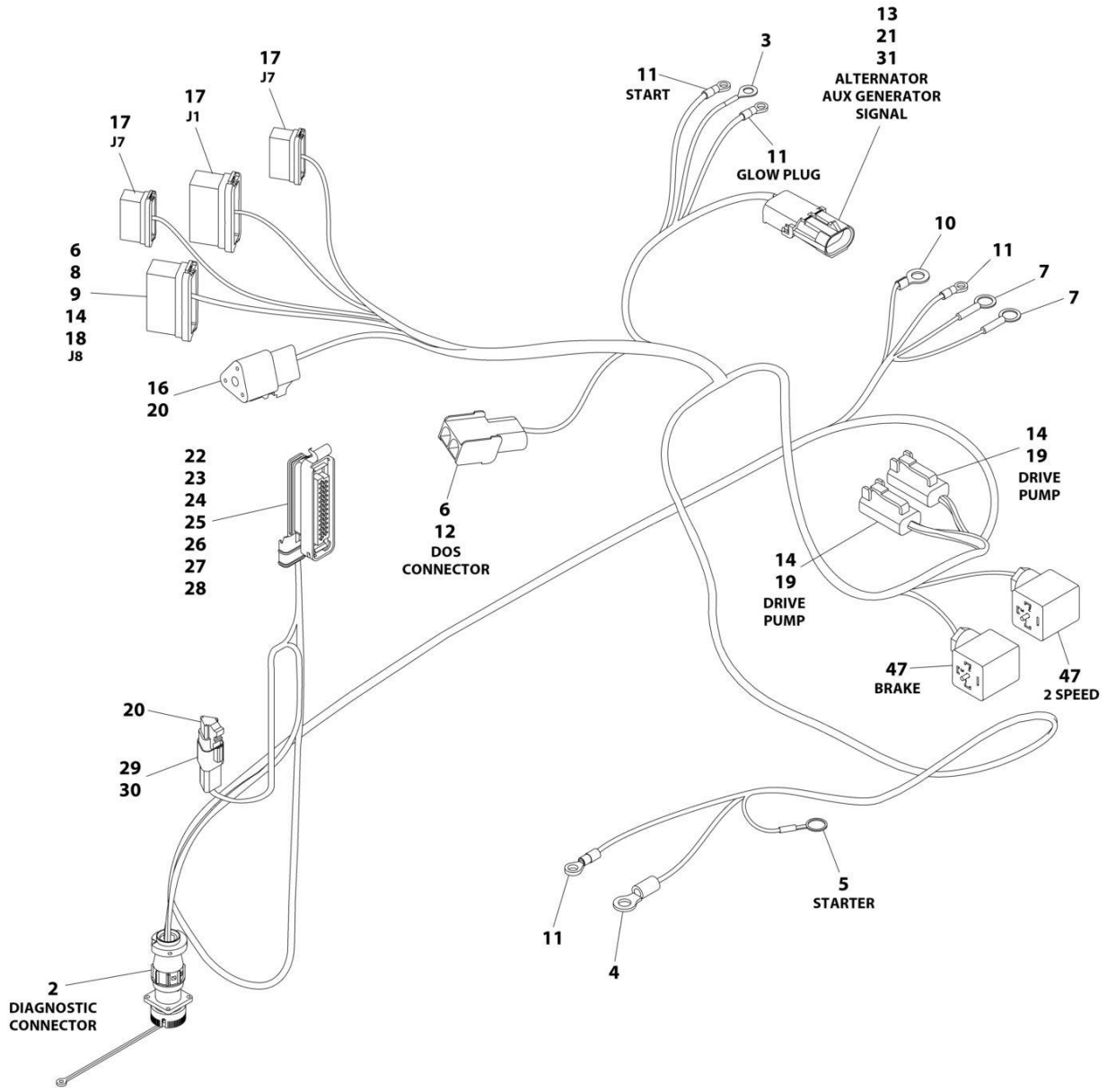
## SECTION 8 - ELECTRICAL

| ITEM | PART NUMBER | QTY | DESCRIPTION    | REV |
|------|-------------|-----|----------------|-----|
| 14   | 4460466     | 4   | Plug, Terminal |     |
| 15   | 4460703     | 1   | Terminal, Ring |     |
| 16   | 1001117107  | 2   | Terminal, Ring |     |
| 17   | 4460247     | 2   | Terminal, Ring |     |
| 18   | 1001116952  | 1   | Plug           |     |
| 18   | 4460465     | 2   | Socket         |     |
| 19   | 4460043     | 1   | Terminal, Ring |     |
| 20   | 1001289552  | 1   | Connector      |     |
| 20   | 1001289553  | 2   | Socket         |     |
| 20   | 1001142941  | 2   | Seal           |     |
| 21   | 4460019     | 1   | Terminal, Ring |     |
| 23   | 1001133956  | 1   | Connector      |     |
| 23   | 1001126351  | 3   | Terminal       |     |
| 23   | 1001182361  | 6   | Terminal       |     |
| 23   | 1001230934  | 25  | Terminal       |     |
| 23   | 1001230935  | 55  | Plug, Terminal |     |
| 23   | 1001252527  | 4   | Terminal       |     |
| 23   | 1001230936  | 1   | Plug, Terminal |     |
| 23   | 1001182365  | 6   | Seal, Terminal |     |
| 24   | 1001133957  | 1   | Connector      |     |
| 24   | 1001126351  | 13  | Terminal       |     |
| 24   | 1001230935  | 10  | Plug, Terminal |     |
| 24   | 1001230934  | 26  | Terminal       |     |
| 24   | 1001230936  | 11  | Plug, Terminal |     |
| 101  | 4460466     | 4   | Seal, Terminal |     |
| 102  | 4460932     | 1   | Connector      |     |
| 103  | 4460945     | 4   | Receptacle     |     |
| 104  | 8229242     | 1   | Fuse - 5Amp    |     |
| 105  | 80983191    | 1   | Fuse - 10Amp   |     |
| 106  | 1001116815  | 3   | Connector      |     |
| 107  | 1001147264  | 1   | Cap            |     |



# SECTION 8 - ELECTRICAL

## FIGURE 8-37. ENGINE HARNESS ASSEMBLY (DEUTZ D2011 ENGINES)



ART\_1001285378



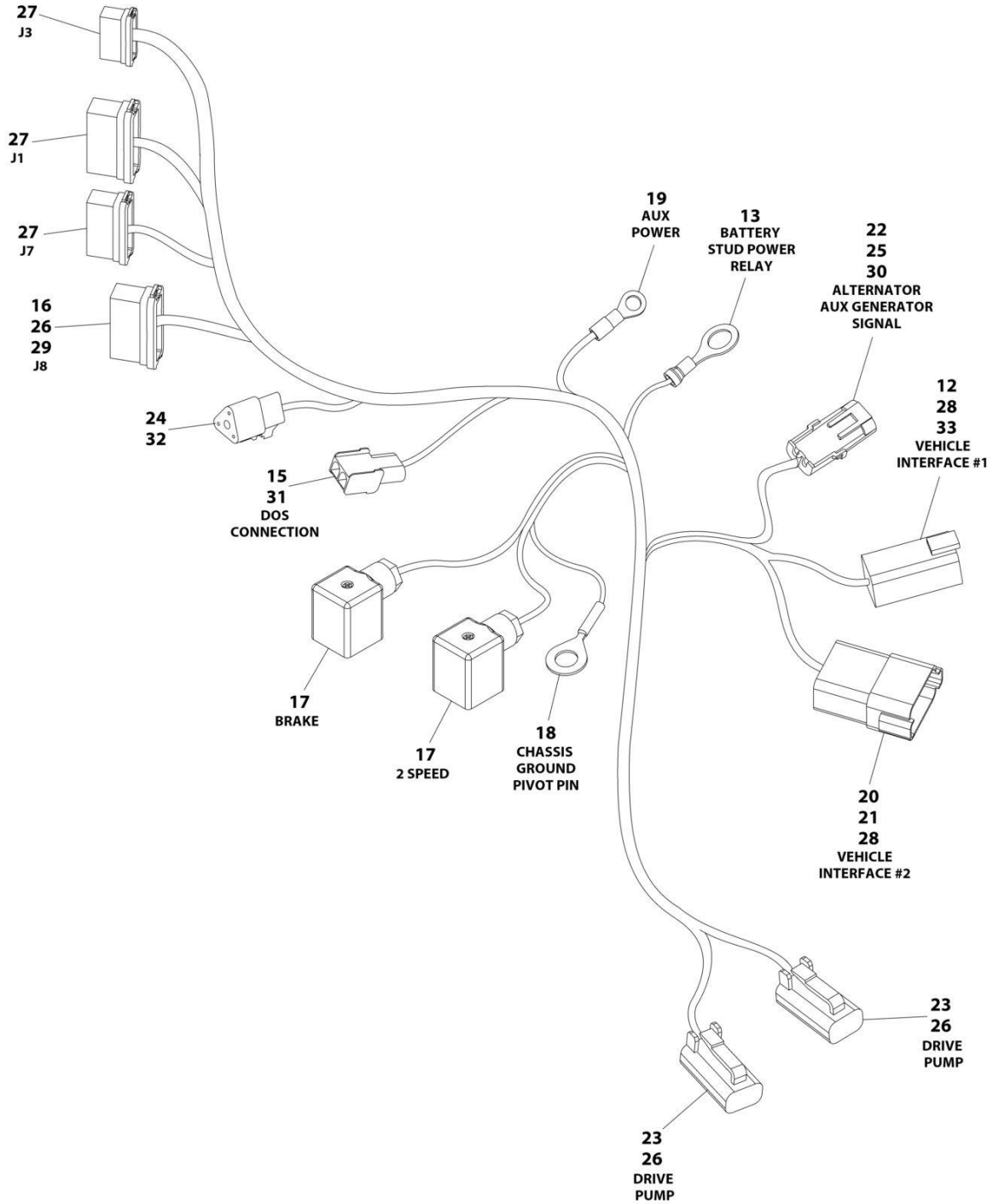
## SECTION 8 - ELECTRICAL

**FIGURE 8-37. ENGINE HARNESS ASSEMBLY (DEUTZ D2011 ENGINES)**

| ITEM | PART NUMBER | QTY | DESCRIPTION                          | REV |
|------|-------------|-----|--------------------------------------|-----|
|      | 1001285378  | Ref | ENGINE HARNESS - DEUTZ D2011 ENGINES | A   |
| 2    | 2902443     | 1   | Receptacle Kit                       |     |
| 2    | 4461071     | 8   | Socket                               |     |
| 2    | 4461072     | 1   | Receptacle                           |     |
| 2    | 4461073     | 1   | Cap, Dust                            |     |
| 2    | 4461074     | 1   | Shell, Black                         |     |
| 3    | 4460019     | 1   | Terminal, Ring                       |     |
| 4    | 4460043     | 1   | Terminal, Ring                       |     |
| 5    | 4460142     | 1   | Terminal, Ring                       |     |
| 6    | 4460226     | 4   | Socket                               |     |
| 7    | 4460256     | 2   | Terminal, Ring                       |     |
| 8    | 4460259     | 1   | Terminal                             |     |
| 10   | 4460260     | 1   | Housing, Terminal                    |     |
| 11   | 4460313     | 4   | Terminal, Ring                       |     |
| 12   | 4460424     | 1   | Connector                            |     |
| 13   | 4460458     | 2   | Seal                                 |     |
| 14   | 4460465     | 6   | Socket                               |     |
| 16   | 4460539     | 1   | Connector                            |     |
| 17   | 4460871     | 10  | Socket                               |     |
| 18   | 4460887     | 1   | Terminal                             |     |
| 19   | 4460891     | 2   | Connector                            |     |
| 20   | 4460944     | 6   | Socket                               |     |
| 21   | 4460979     | 2   | Terminal                             |     |
| 22   | 4461005     | 5   | Terminal                             |     |
| 23   | 4461006     | 5   | Seal                                 |     |
| 24   | 4461008     | 18  | Plug, Terminal                       |     |
| 25   | 4461052     | 1   | Connector                            |     |
| 26   | 4461053     | 1   | Plug                                 |     |
| 27   | 4461054     | 2   | Seal                                 |     |
| 28   | 4461060     | 2   | Terminal                             |     |
| 29   | 4461070     | 1   | Connector                            |     |
| 30   | 4461095     | 1   | Terminal                             |     |
| 31   | 4461157     | 1   | Connector                            |     |
| 47   | 1001263923  | 2   | Connector                            |     |

# SECTION 8 - ELECTRICAL

## FIGURE 8-38. ENGINE HARNESS ASSEMBLY (DEUTZ TD2.9L4 & DEUTZ DT2.2L3 STAGE V ENGINES)



ART\_1001286030

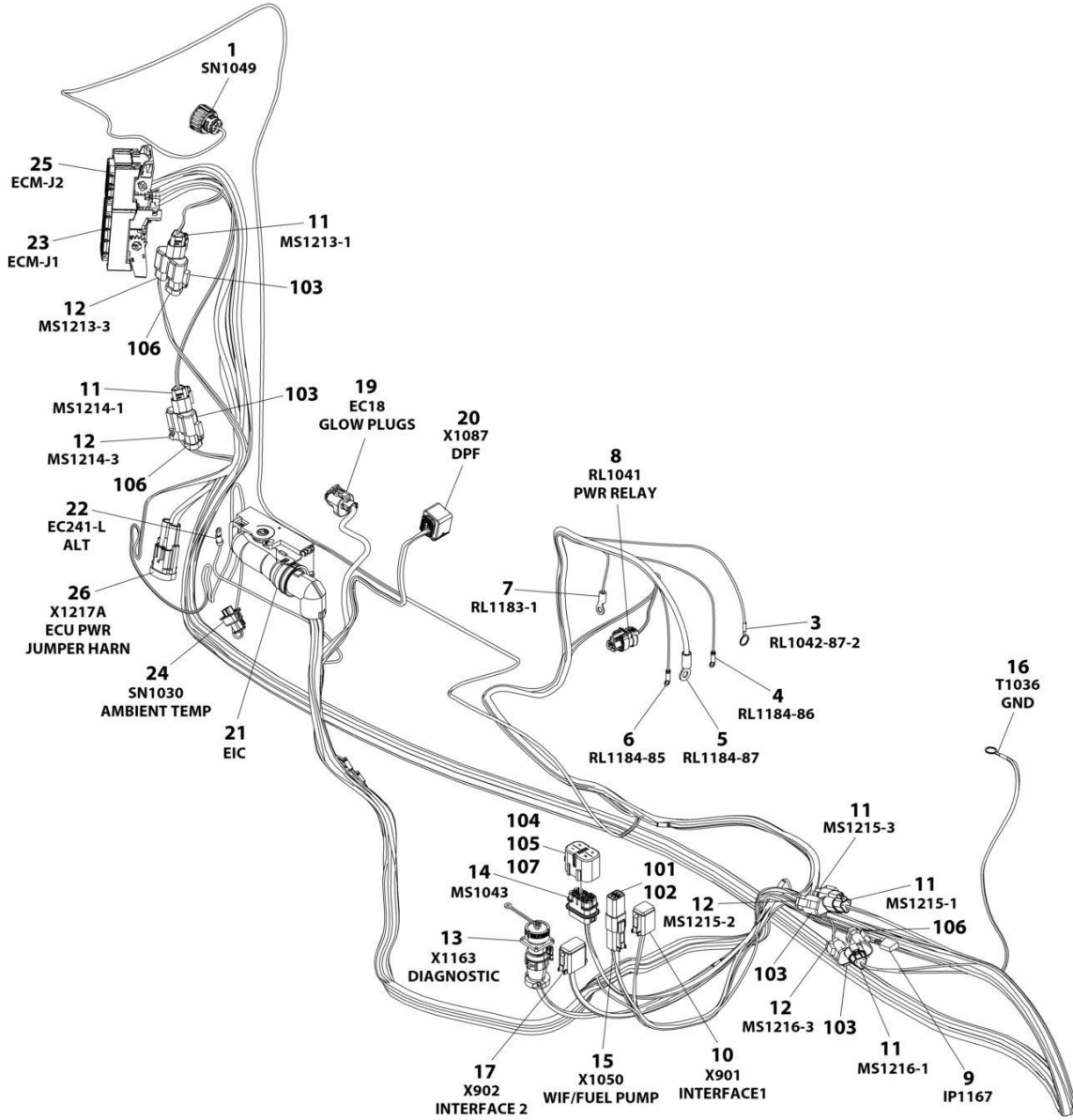
## SECTION 8 - ELECTRICAL

**FIGURE 8-38. ENGINE HARNESS ASSEMBLY (DEUTZ TD2.9L4 & DEUTZ DT2.2L3 STAGE V ENGINES)**

| ITEM | PART NUMBER | QTY | DESCRIPTION                            | REV |
|------|-------------|-----|--|-----|
|      | 1001286030  | Ref | ENGINE HARNESS - DEUTZ TD2.9L4 ENGINES | A   |
| 12   | 4460943     | 3   | Pin                                    |     |
| 13   | 4460738     | 1   | Terminal, Ring                         |     |
| 15   | 4460424     | 1   | Connector                              |     |
| 16   | 4460268     | 1   | Socket                                 |     |
| 17   | 1001263923  | 2   | DIN Connector without Diode            |     |
| 18   | 4460019     | 1   | Terminal, Ring                         |     |
| 19   | 4460313     | 1   | Terminal, Ring                         |     |
| 20   | 4460931     | 1   | Connector                              |     |
| 21   | 4460466     | 4   | Plug, Terminal                         |     |
| 22   | 4460979     | 2   | Pin                                    |     |
| 23   | 4460891     | 2   | Connector                              |     |
| 24   | 4460539     | 1   | Connector                              |     |
| 25   | 4460458     | 2   | Seal, Terminal                         |     |
| 26   | 4460465     | 7   | Socket                                 |     |
| 27   | 4460871     | 11  | Socket                                 |     |
| 28   | 4460464     | 8   | Pin                                    |     |
| 29   | 4460887     | 1   | Pin                                    |     |
| 30   | 4461157     | 1   | Connector                              |     |
| 31   | 4460226     | 2   | Socket                                 |     |
| 32   | 4460944     | 3   | Socket                                 |     |
| 33   | 4460899     | 1   | Connector                              |     |

# SECTION 8 - ELECTRICAL

## FIGURE 8-39. ENGINE HARNESS - DEUTZ TD2.2L3 ENGINES



ART\_1001276645\_B

## SECTION 8 - ELECTRICAL

**FIGURE 8-39. ENGINE HARNESS - DEUTZ TD2.2L3 ENGINES**

| ITEM | PART NUMBER | QTY | DESCRIPTION       | REV |
|------|-------------|-----|-------------------|-----|
|      | 1001276645  | Ref | ENGINE HARNESS    | B   |
| 1    | 1001133714  | 1   | Connector         |     |
| 1    | 1001133715  | 3   | Terminal          |     |
| 1    | 1001135651  | 1   | Plug              |     |
| 1    | 1001135650  | 3   | Seal              |     |
| 3    | 4460703     | 1   | Terminal, Ring    |     |
| 4    | 4460247     | 1   | Terminal, Ring    |     |
| 5    | 1001117107  | 1   | Terminal, Ring    |     |
| 6    | 4460247     | 1   | Terminal, Ring    |     |
| 7    | 4460043     | 1   | Terminal, Ring    |     |
| 8    | 1001116952  | 1   | Connector         |     |
| 8    | 4460465     | 2   | Socket            |     |
| 9    | 1001170764  | 1   | Holder, Fuse      |     |
| 9    | 1001197719  | 1   | Resistor 0.5 Watt |     |
| 10   | 4460894     | 1   | Connector         |     |
| 10   | 4460465     | 2   | Socket            |     |
| 10   | 4460944     | 2   | Socket            |     |
| 10   | 4460466     | 2   | Plug              |     |
| 11   | 1001116812  | 5   | Connector         |     |
| 11   | 4460944     | 10  | Socket            |     |
| 11   | 4460466     | 5   | Plug, Terminal    |     |
| 12   | 4460539     | 4   | Connector         |     |
| 12   | 4460944     | 8   | Socket            |     |
| 12   | 4460466     | 4   | Plug              |     |
| 13   | 2902443     | 1   | Receptacle Kit    |     |
| 13   | 4461071     | 6   | Terminal          |     |
| 14   | 80484084    | 1   | Connector         |     |
| 14   | 1001116728  | 4   | Terminal          |     |
| 14   | 1001116727  | 4   | Plug              |     |
| 14   | 4460458     | 4   | Plug              |     |
| 15   | 4460884     | 1   | Connector         |     |
| 15   | 4460465     | 2   | Socket            |     |
| 15   | 4460942     | 1   | Socket            |     |
| 16   | 4460019     | 1   | Terminal, Ring    |     |
| 17   | 4460930     | 1   | Connector         |     |
| 17   | 4460465     | 7   | Socket            |     |
| 17   | 4460466     | 1   | Plug              |     |
| 19   | 1001253873  | 1   | Connector         |     |
| 19   | 1001142940  | 1   | Terminal          |     |
| 19   | 1001142941  | 1   | Seal              |     |
| 20   | 1001239202  | 1   | Connector         |     |
| 20   | 1001126363  | 7   | Terminal          |     |
| 20   | 1001126391  | 1   | Seal, Terminal    |     |
| 20   | 1001126364  | 7   | Seal, Terminal    |     |
| 21   | 1001126362  | 1   | Connector         |     |
| 21   | 1001126363  | 37  | Terminal          |     |
| 21   | 1001126365  | 2   | Terminal          |     |
| 21   | 1001126391  | 9   | Plug              |     |
| 21   | 4461008     | 4   | Plug              |     |
| 21   | 1001126392  | 10  | Terminal          |     |

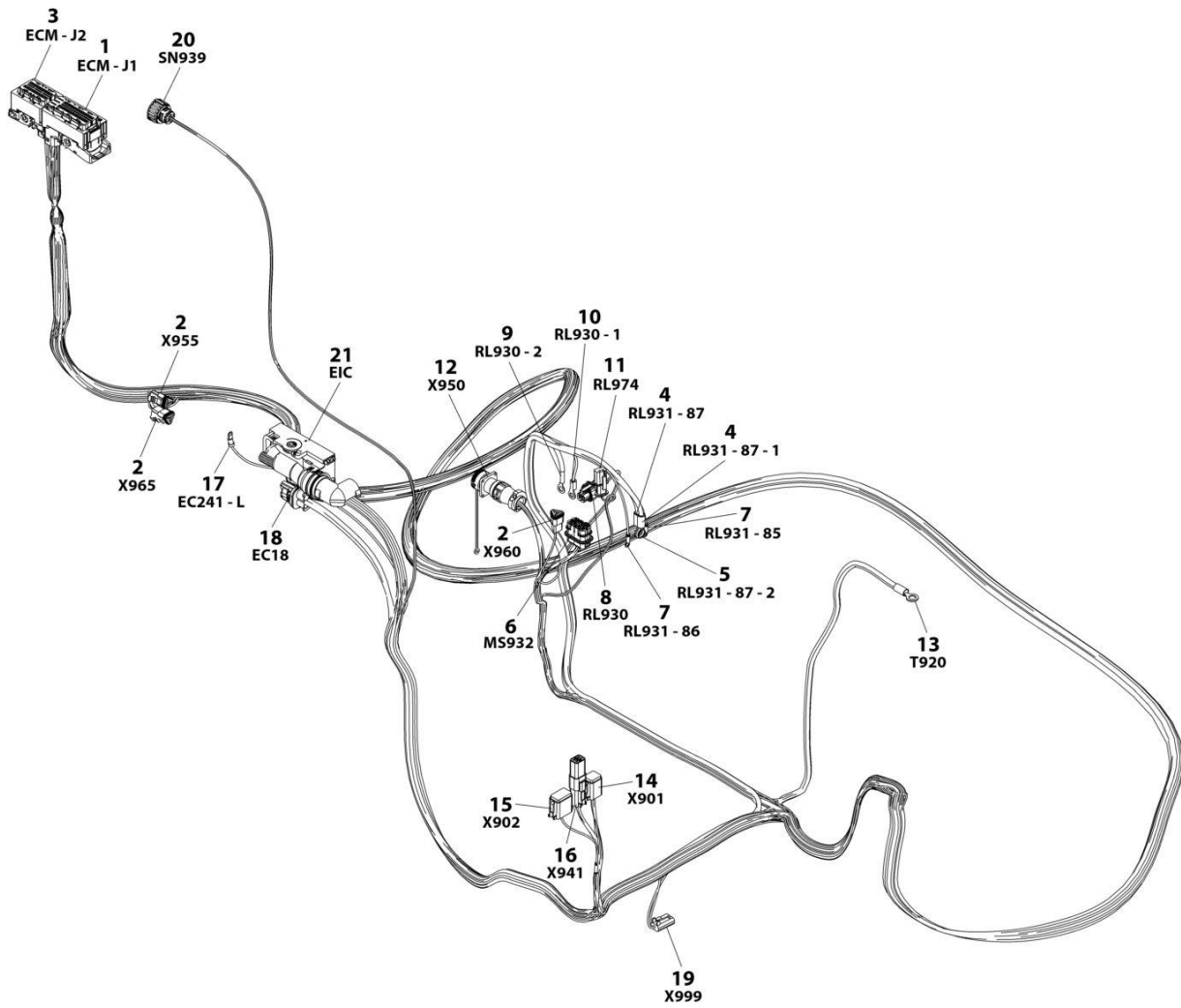
## SECTION 8 - ELECTRICAL

| ITEM | PART NUMBER | QTY | DESCRIPTION    | REV |
|------|-------------|-----|----------------|-----|
| 21   | 1001126364  | 37  | Seal, Terminal |     |
| 21   | 1001223459  | 10  | Seal, Terminal |     |
| 21   | 4461054     | 2   | Seal           |     |
| 22   | 4460042     | 1   | Terminal, Ring |     |
| 23   | 1001133956  | 1   | Connector      |     |
| 23   | 1001126351  | 3   | Terminal       |     |
| 23   | 1001182361  | 6   | Terminal       |     |
| 23   | 1001252527  | 4   | Terminal       |     |
| 23   | 1001230934  | 25  | Terminal       |     |
| 23   | 1001230935  | 55  | Plug           |     |
| 23   | 1001230936  | 1   | Plug           |     |
| 23   | 1001182365  | 6   | Seal, Terminal |     |
| 24   | 1001126487  | 1   | Connector      |     |
| 24   | 1001167635  | 2   | Terminal       |     |
| 24   | 1001126485  | 2   | Seal           |     |
| 25   | 1001133957  | 1   | Connector      |     |
| 25   | 1001126351  | 11  | Terminal       |     |
| 25   | 1001230934  | 26  | Terminal       |     |
| 25   | 1001230935  | 10  | Plug           |     |
| 25   | 1001230936  | 13  | Plug           |     |
| 26   | 1001289552  | 1   | Connector      |     |
| 26   | 1001289553  | 2   | Socket         |     |
| 26   | 1001142941  | 2   | Plug           |     |
| 101  | 4460466     | 4   | Plug           |     |
| 102  | 4460932     | 1   | Connector      |     |
| 103  | 4460945     | 4   | Receptacle     |     |
| 104  | 8229242     | 1   | Fuse, 5Amp     |     |
| 105  | 80983191    | 1   | Fuse, 10Amp    |     |
| 106  | 1001116815  | 3   | Connector      |     |
| 107  | 1001147264  | 1   | Cap            |     |



# SECTION 8 - ELECTRICAL

## FIGURE 8-40. ENGINE HARNESS - DEUTZ TD2.9L4 ENGINES



ART\_1001143726



## SECTION 8 - ELECTRICAL

### FIGURE 8-40. ENGINE HARNESS - DEUTZ TD2.9L4 ENGINES

| ITEM | PART NUMBER | QTY | DESCRIPTION                      | REV |
|------|-------------|-----|----------------------------------|-----|
|      | 1001143726  | Ref | ENGINE HARNESS                   | L   |
| 1    | 1001133956  | 1   | Connector - 94 Position          |     |
| 1    | 1001126351  | 2   | Terminal                         |     |
| 1    | 1001126352  | 6   | Terminal                         |     |
| 1    | 1001126384  | 21  | Terminal                         |     |
| 1    | 1001126357  | 2   | Plug, Terminal                   |     |
| 1    | 1001126356  | 63  | Plug, Terminal                   |     |
| 2    | 4461095     | 3   | Plug, Male - 3 Position          |     |
| 2    | 4460944     | 6   | Socket, Female                   |     |
| 2    | 4460466     | 3   | Plug, Terminal                   |     |
| 3    | 1001133957  | 1   | Connector - 60 Position          |     |
| 3    | 1001126351  | 13  | Terminal                         |     |
| 3    | 1001126384  | 17  | Terminal                         |     |
| 3    | 1001126357  | 11  | Plug, Terminal                   |     |
| 3    | 1001126356  | 19  | Plug, Terminal                   |     |
| 4    | 1001117107  | 2   | Terminal, Ring                   |     |
| 5    | 4460703     | 1   | Terminal, Ring                   |     |
| 6    | 80484084    | 1   | Plug, Male - 8 Position          |     |
| 6    | 8229242     | 1   | Fuse - 5Amp                      |     |
| 6    | 80983191    | 1   | Fuse - 10Amp                     |     |
| 6    | 1001116728  | 4   | Socket, Female                   |     |
| 6    | 1001116727  | 4   | Plug, Terminal                   |     |
| 6    | 4460458     | 4   | Seal, Terminal                   |     |
| 6    | 1001147264  | 1   | Cap                              |     |
| 7    | 4460247     | 2   | Terminal, Ring                   |     |
| 8    | 1001116952  | 1   | Plug, Male - 2 Position          |     |
| 8    | 4460465     | 2   | Socket, Female                   |     |
| 9    | 1001117106  | 1   | Terminal, Ring                   |     |
| 10   | 4460043     | 1   | Terminal, Ring                   |     |
| 11   | 1001138110  | 1   | Connector - 2 Position           |     |
| 11   | 1001138111  | 2   | Terminal                         |     |
| 11   | 1001138113  | 2   | Seal                             |     |
| 12   | 2902443     | 1   | Receptacle Kit                   |     |
| 12   | 4461073     | 1   | Cap, Dust                        |     |
| 12   | 4461071     | 6   | Terminal                         |     |
| 13   | 8220115     | 1   | Terminal, Ring                   |     |
| 14   | 4460894     | 1   | Plug, Male - 6 Position          |     |
| 14   | 4460465     | 3   | Socket, Female                   |     |
| 14   | 4460944     | 2   | Socket, Female                   |     |
| 14   | 4460466     | 1   | Plug, Terminal                   |     |
| 15   | 4460930     | 1   | Plug, Male - 8 Position          |     |
| 15   | 4460465     | 1   | Socket, Female                   |     |
| 15   | 4460466     | 7   | Plug, Terminal                   |     |
| 16   | 1001220379  | 1   | Plug, Male - 4 Position          |     |
| 16   | 4460465     | 2   | Socket, Female                   |     |
| 16   | 4460942     | 2   | Socket, Female                   |     |
| 16   | 4460932     | 1   | Receptacle, Bussbar - 4 Position |     |
| 17   | 4460042     | 1   | Terminal, Ring                   |     |
| 18   | 1001142938  | 1   | Plug, Male - 2 Position          |     |
| 18   | 1001142940  | 2   | Terminal                         |     |

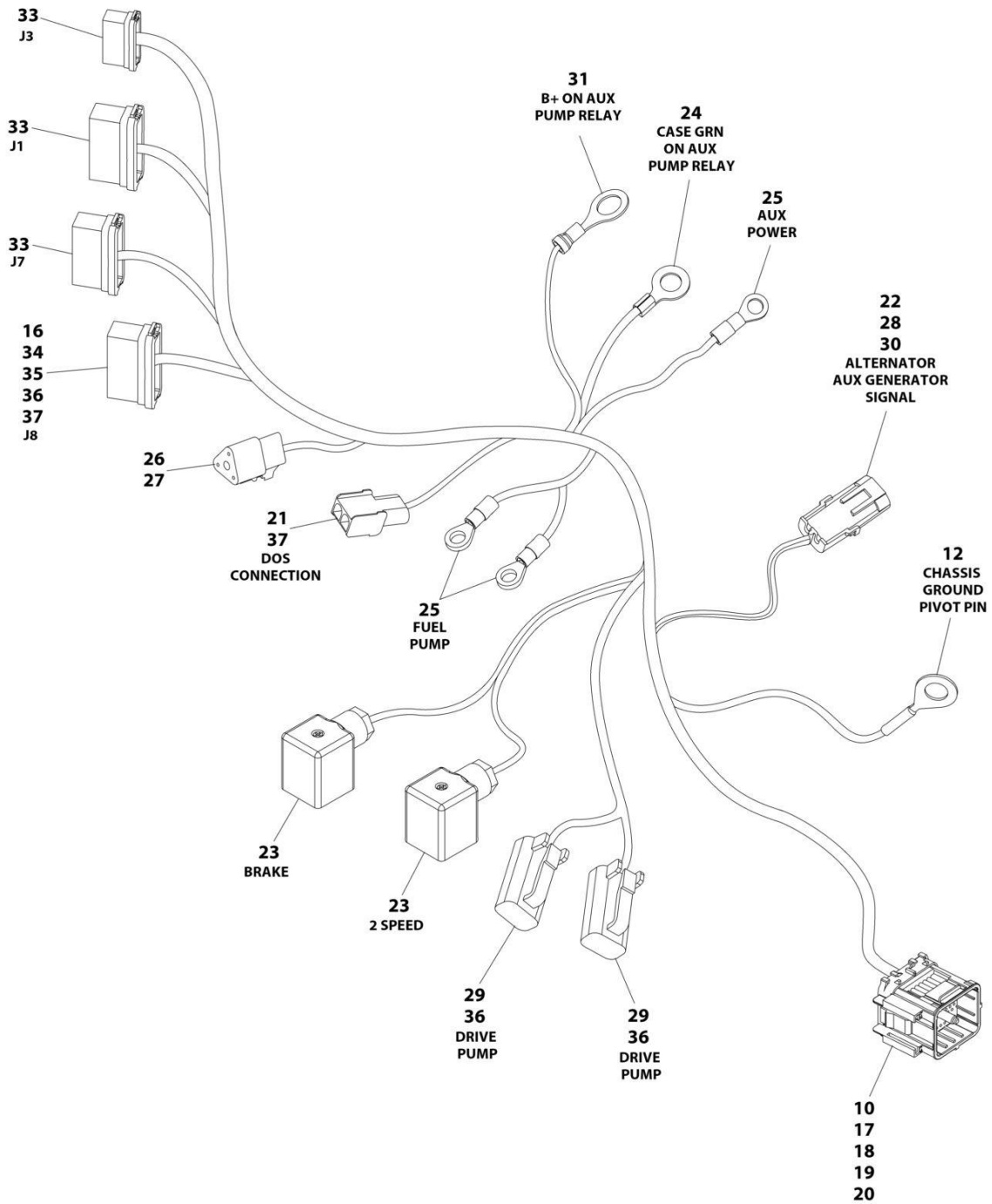
## SECTION 8 - ELECTRICAL

| ITEM | PART NUMBER | QTY | DESCRIPTION                     | REV |
|------|-------------|-----|---------------------------------|-----|
| 18   | 1001142941  | 2   | Seal                            |     |
| 19   | 4460891     | 1   | Plug, Male - 4 Position         |     |
| 19   | 4460465     | 2   | Socket, Female                  |     |
| 19   | 1001171403  | 1   | Resistor Assembly               |     |
| 19   | 4460897     | 1   | Receptacle, Female - 4 Position |     |
| 20   | 1001133714  | 1   | Connector - 4 Position          |     |
| 20   | 1001133715  | 3   | Terminal                        |     |
| 20   | 1001135650  | 3   | Seal, Terminal                  |     |
| 20   | 1001135651  | 1   | Plug, Terminal                  |     |
| 21   | 1001126362  | 1   | Connector - 62 Position         |     |
| 21   | 1001126363  | 23  | Terminal                        |     |
| 21   | 1001126392  | 10  | Terminal                        |     |
| 21   | 1001126365  | 2   | Terminal                        |     |
| 21   | 1001126391  | 23  | Plug, Terminal                  |     |
| 21   | 4461008     | 4   | Plug, Terminal                  |     |
| 21   | 1001256506  | 2   | Seal, Terminal                  |     |
| 21   | 1001126364  | 21  | Seal, Terminal                  |     |
| 21   | 1001223459  | 10  | Seal, Terminal                  |     |
| 21   | 4461008     | 4   | Plug, Terminal                  |     |
| 21   | 1001151856  | 1   | Elbow                           |     |



# SECTION 8 - ELECTRICAL

## FIGURE 8-41. ENGINE HARNESS ASSEMBLY (FORD DF2.5L ENGINES)



ART\_1001286031

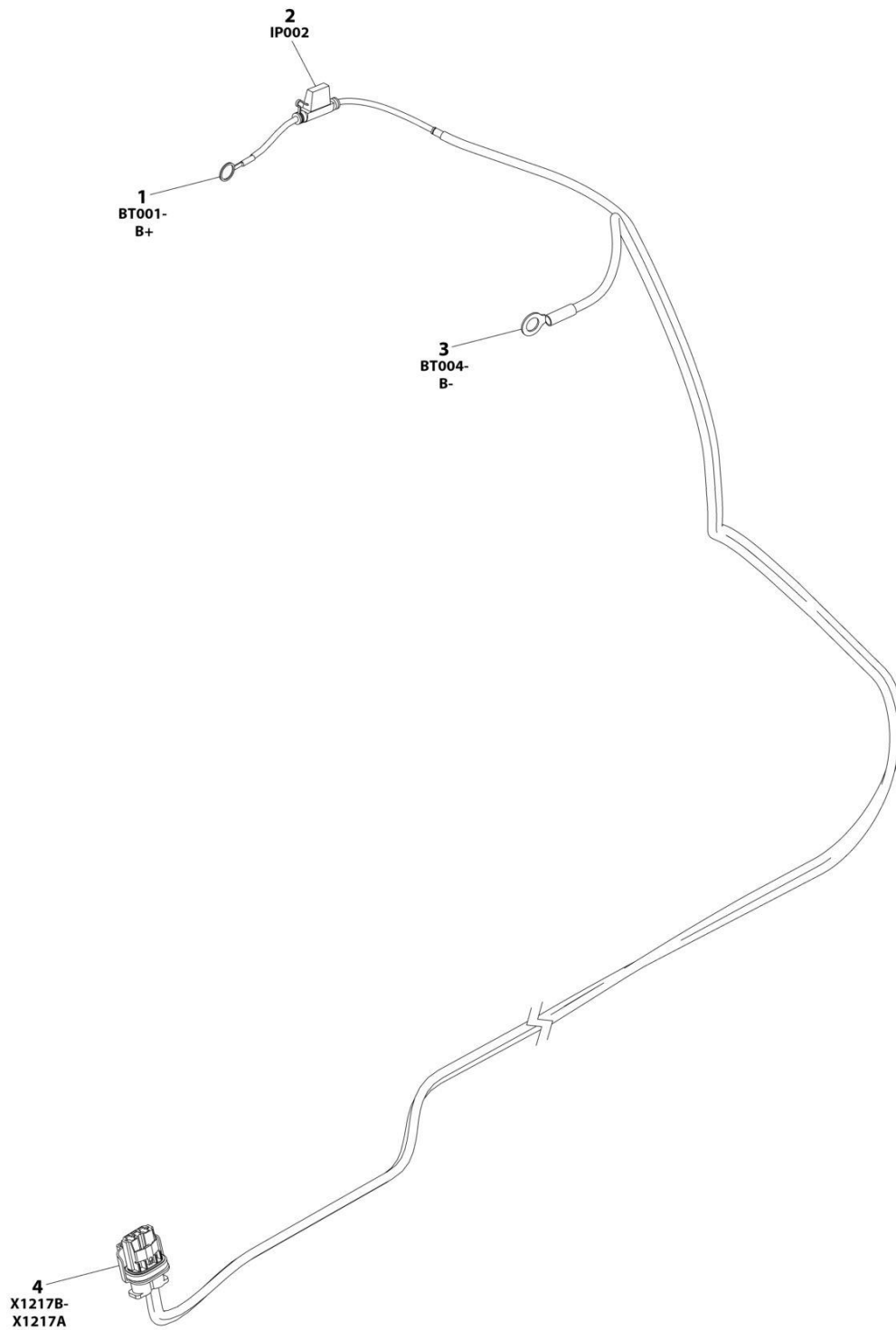
## SECTION 8 - ELECTRICAL

**FIGURE 8-41. ENGINE HARNESS ASSEMBLY (FORD DF2.5L ENGINES)**

| ITEM | PART NUMBER | QTY | DESCRIPTION                          | REV |
|------|-------------|-----|--------------------------------------|-----|
|      | 1001286031  | Ref | ENGINE HARNESS - FORD DF2.5L ENGINES | A   |
| 10   | 1001216213  | 3   | Plug, Terminal                       |     |
| 12   | 4460019     | 1   | Terminal, Ring                       |     |
| 16   | 4460259     | 1   | Terminal                             |     |
| 17   | 1001216212  | 1   | Terminal                             |     |
| 18   | 1001215534  | 33  | Plug, Terminal                       |     |
| 19   | 1001215091  | 5   | Terminal                             |     |
| 20   | 1001215016  | 1   | Connector                            |     |
| 21   | 4460424     | 1   | Connector                            |     |
| 22   | 4460979     | 1   | Terminal                             |     |
| 23   | 1001263923  | 2   | DIN Connector without Diode          |     |
| 24   | 4460312     | 1   | Terminal, Ring                       |     |
| 25   | 4460313     | 3   | Terminal, Ring                       |     |
| 26   | 4460539     | 1   | Connector                            |     |
| 27   | 4460944     | 3   | Socket                               |     |
| 28   | 4461157     | 1   | Connector                            |     |
| 29   | 4460891     | 2   | Connector                            |     |
| 30   | 4460458     | 2   | Seal, Terminal                       |     |
| 31   | 4460738     | 1   | Terminal, Ring                       |     |
| 33   | 4460871     | 9   | Socket                               |     |
| 34   | 4460260     | 1   | Housing, Terminal                    |     |
| 35   | 4460887     | 1   | Pin                                  |     |
| 36   | 4460465     | 6   | Socket                               |     |
| 37   | 4460226     | 3   | Socket                               |     |

# SECTION 8 - ELECTRICAL

## FIGURE 8-42. ECU POWER JUMPER HARNESS



ART\_1001289593

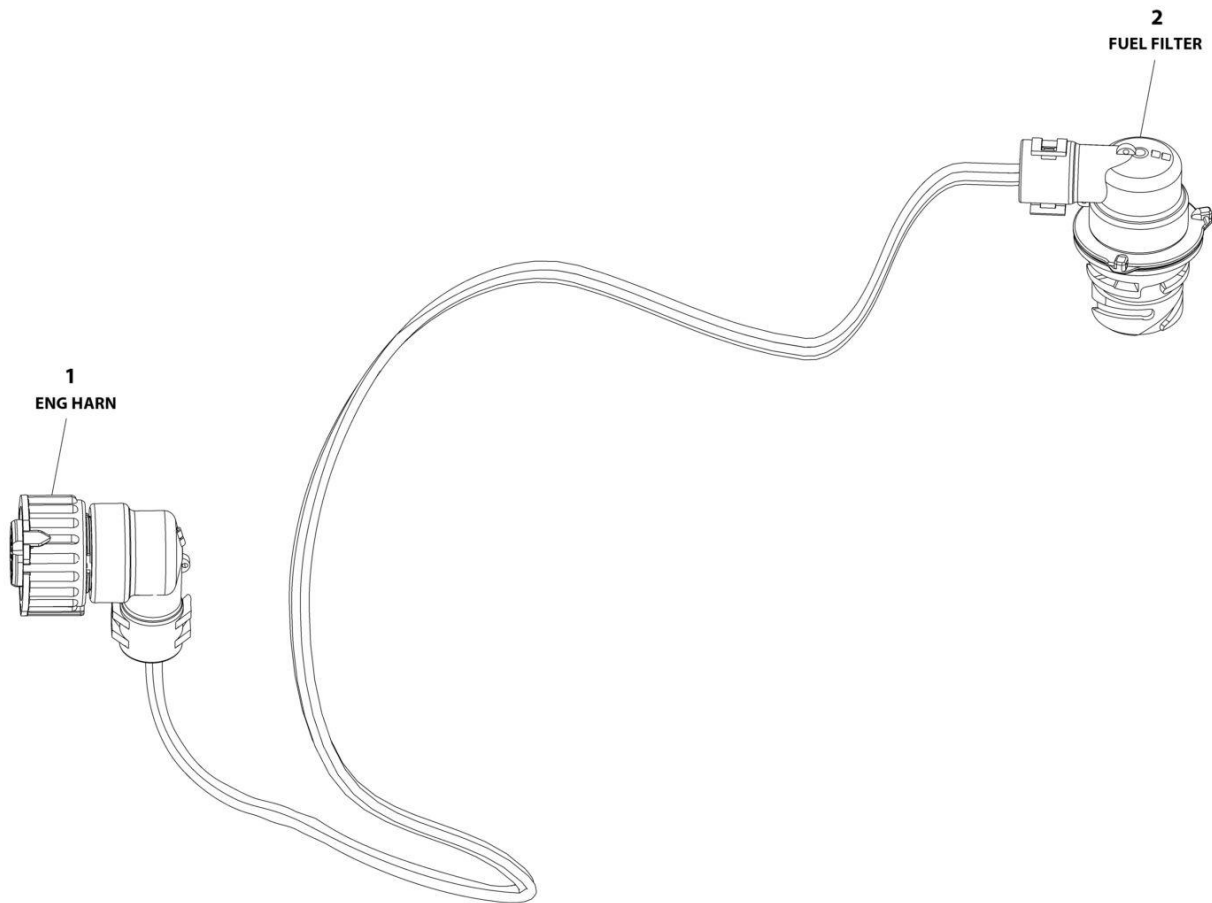
## SECTION 8 - ELECTRICAL

### FIGURE 8-42. ECU POWER JUMPER HARNESS

| ITEM | PART NUMBER | QTY | DESCRIPTION              | REV |
|------|-------------|-----|--------------------------|-----|
|      | 1001289593  | Ref | ECU POWER JUMPER HARNESS | A   |
| 1    | 4460019     | 1   | Terminal Ring            |     |
| 2    | 1001172064  | 1   | Fuse Holder              |     |
| 2    | 1001172065  | 1   | Fuse 30Amp               |     |
| 3    | 8220164     | 1   | Terminal Ring            |     |
| 4    | 1001142938  | 1   | Connector                |     |
| 4    | 1001142940  | 2   | Terminal                 |     |
| 4    | 1001142941  | 2   | Seal                     |     |

## SECTION 8 - ELECTRICAL

FIGURE 8-43. FUEL HARNESS - DEUTZ TD2.2L3 (STAGE V) ENGINE



ART\_1001245913



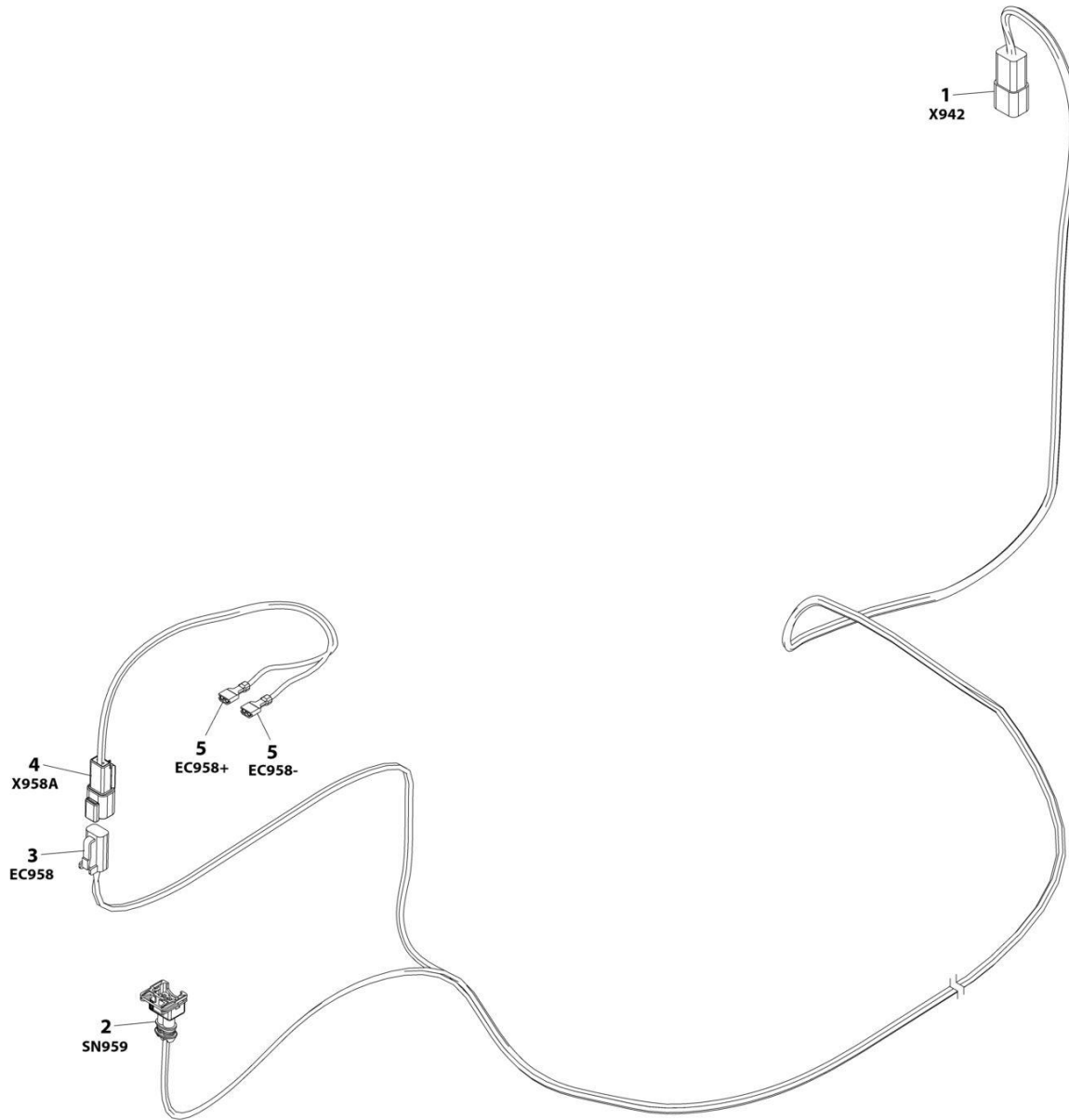
## SECTION 8 - ELECTRICAL

**FIGURE 8-43. FUEL HARNESS - DEUTZ TD2.2L3 (STAGE V) ENGINE**

| ITEM | PART NUMBER | QTY | DESCRIPTION                           | REV |
|------|-------------|-----|---------------------------------------|-----|
|      | 1001245913  | Ref | FUEL HARNESS - DEUTZ (STAGE V) ENGINE | D   |
| 1    | 1001148842  | 1   | Connector - 4 Position                |     |
| 1    | 1001148841  | 4   | Pin, Male                             |     |
| 1    | 1001135650  | 4   | Seal                                  |     |
| 2    | 1001133714  | 1   | Plug, Male - 4 Position               |     |
| 2    | 1001133715  | 4   | Socket, Female                        |     |
| 2    | 1001135650  | 4   | Seal                                  |     |

# SECTION 8 - ELECTRICAL

## FIGURE 8-44. FUEL HARNESS - DEUTZ TD2.9L4 ENGINES



ART\_1001138491

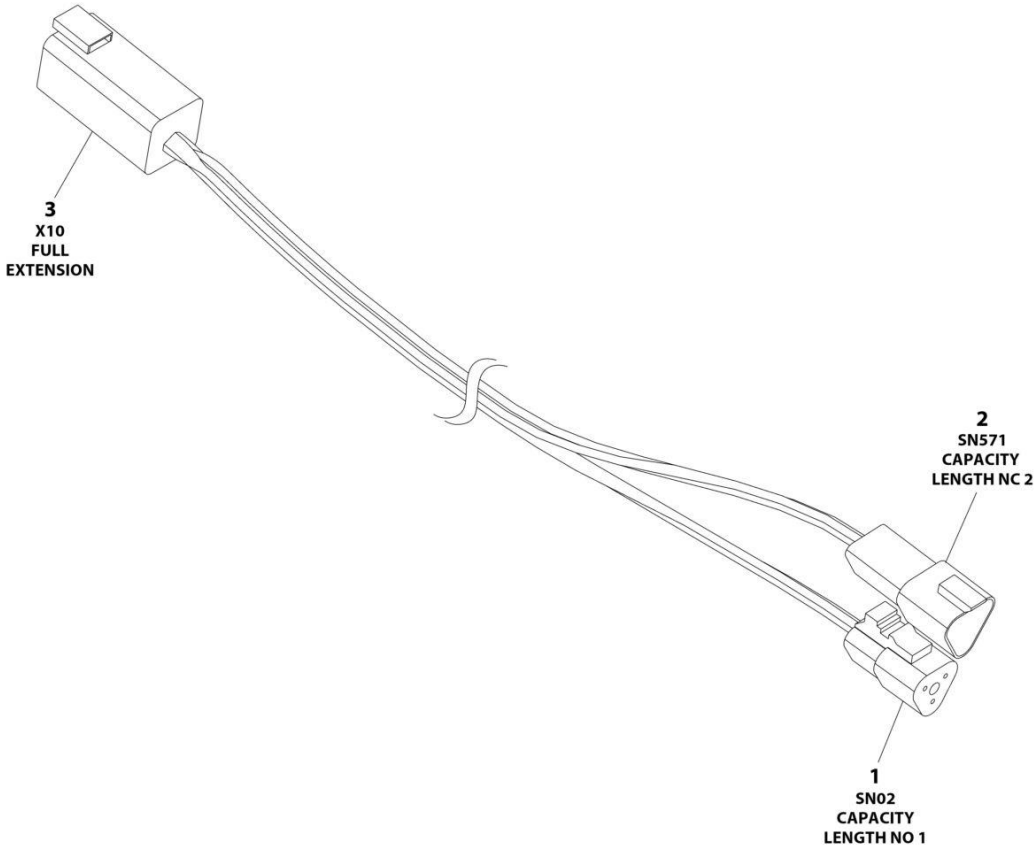
## SECTION 8 - ELECTRICAL

### FIGURE 8-44. FUEL HARNESS - DEUTZ TD2.9L4 ENGINES

| ITEM | PART NUMBER | QTY | DESCRIPTION                     | REV |
|------|-------------|-----|---------------------------------|-----|
|      | 1001138491  | Ref | FUEL PUMP HARNESS               | D   |
| 1    | 4460932     | 1   | Receptacle, Female - 4 Position |     |
| 1    | 4460941     | 2   | Pin, Male                       |     |
| 1    | 4460464     | 2   | Pin, Male                       |     |
| 2    | 1001116983  | 1   | Plug, Male - 2 Position         |     |
| 2    | 1001116710  | 2   | Socket, Female                  |     |
| 2    | 4461054     | 2   | Seal                            |     |
| 3    | 4460891     | 1   | Plug, Male - 2 Position         |     |
| 3    | 4460942     | 2   | Socket, Female                  |     |
| 4    | 4460897     | 1   | Connector - 2 Position          |     |
| 4    | 4460941     | 2   | Pin, Male                       |     |
| 5    | 8220051     | 2   | Terminal, Ring                  |     |

**SECTION 8 - ELECTRICAL**

**FIGURE 8-45. FULL EXTENSION PROXIMITY HARNESS**



ART\_1001254468

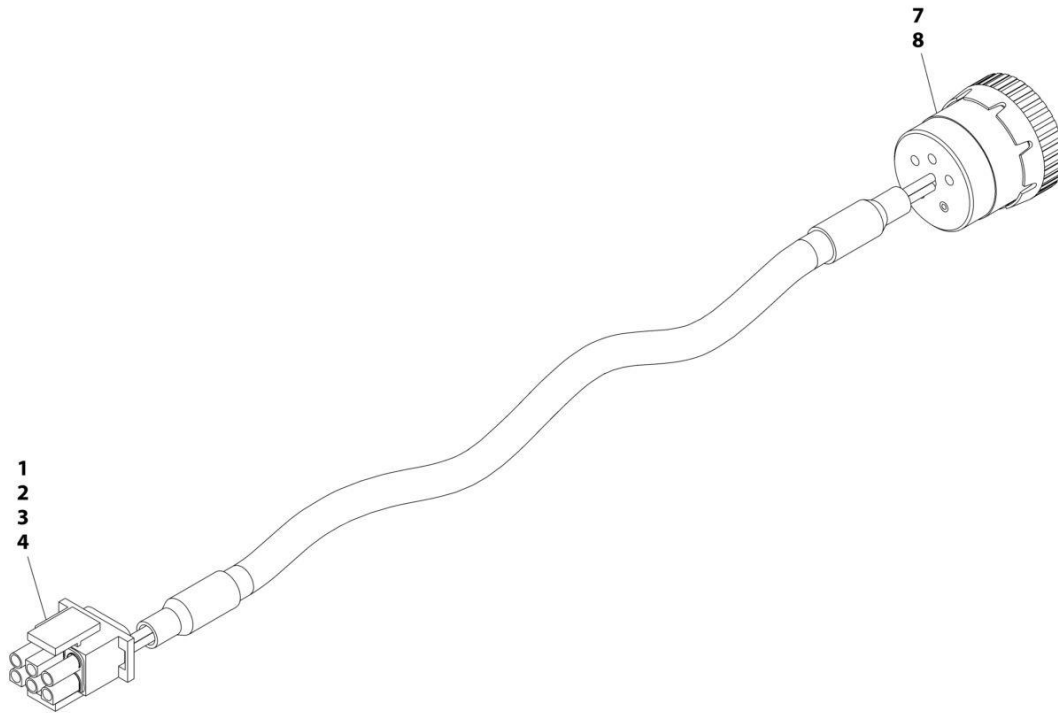
## SECTION 8 - ELECTRICAL

### FIGURE 8-45. FULL EXTENSION PROXIMITY HARNESS

| ITEM | PART NUMBER | QTY | DESCRIPTION                      | REV |
|------|-------------|-----|----------------------------------|-----|
|      | 1001254468  | Ref | FULL EXTENTION PROXIMITY HARNESS | A   |
| 1    | 4460539     | 1   | Plug, Male - 3 Position          |     |
| 1    | 4460465     | 3   | Socket, Female                   |     |
| 2    | 4460536     | 1   | Receptacle, Female - 3 Position  |     |
| 2    | 4640464     | 3   | Pin, Male                        |     |
| 3    | 4460899     | 1   | Receptacle, Female - 6 Position  |     |
| 3    | 4460464     | 6   | Pin, Male                        |     |

# SECTION 8 - ELECTRICAL

FIGURE 8-46. GENERATOR TO CONTROL BOX HARNESS - 4000W



ART\_1001152532

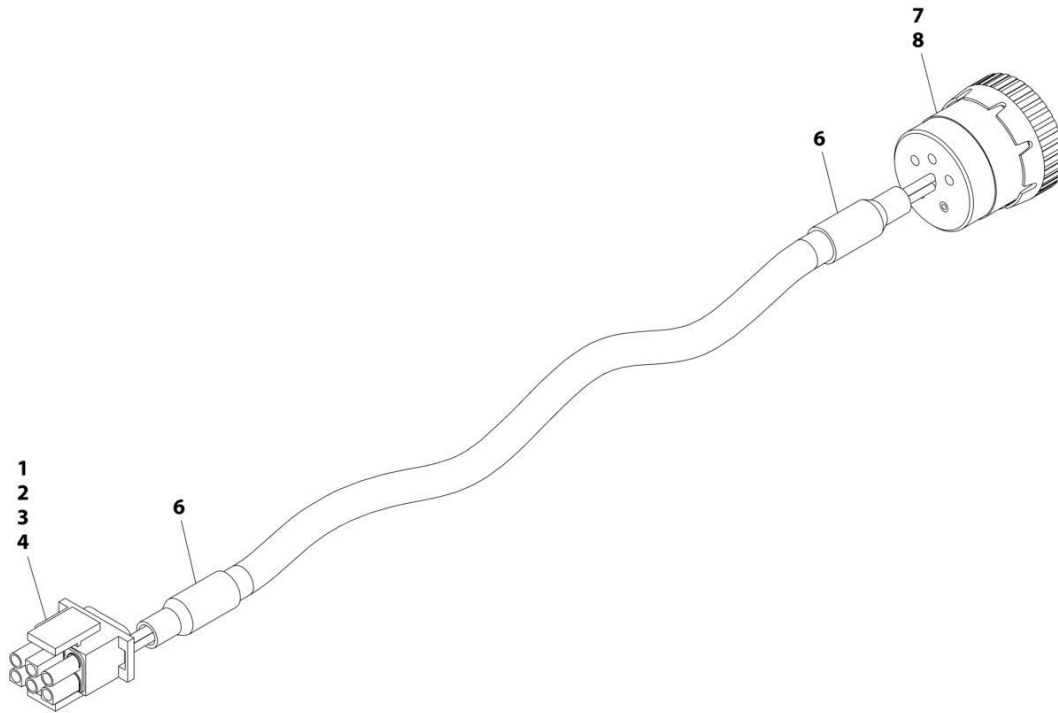
## SECTION 8 - ELECTRICAL

**FIGURE 8-46. GENERATOR TO CONTROL BOX HARNESS - 4000W**

| ITEM | PART NUMBER | QTY | DESCRIPTION            | REV |
|------|-------------|-----|------------------------|-----|
|      | 1001152532  | Ref | GENERATOR HARNESS      | A   |
| 1    | 4460225     | 1   | Connector - 6 Position |     |
| 2    | 4460268     | 2   | Socket, Female         |     |
| 3    | 4460807     | 1   | Seal                   |     |
| 4    | 4460808     | 1   | Seal                   |     |
| 7    | 4460465     | 2   | Socket, Female         |     |
| 8    | 77363233    | 1   | Connector - 6 Position |     |

# SECTION 8 - ELECTRICAL

FIGURE 8-47. GENERATOR TO CONTROL BOX HARNESS - 7500W GENERATOR



ART\_4922925



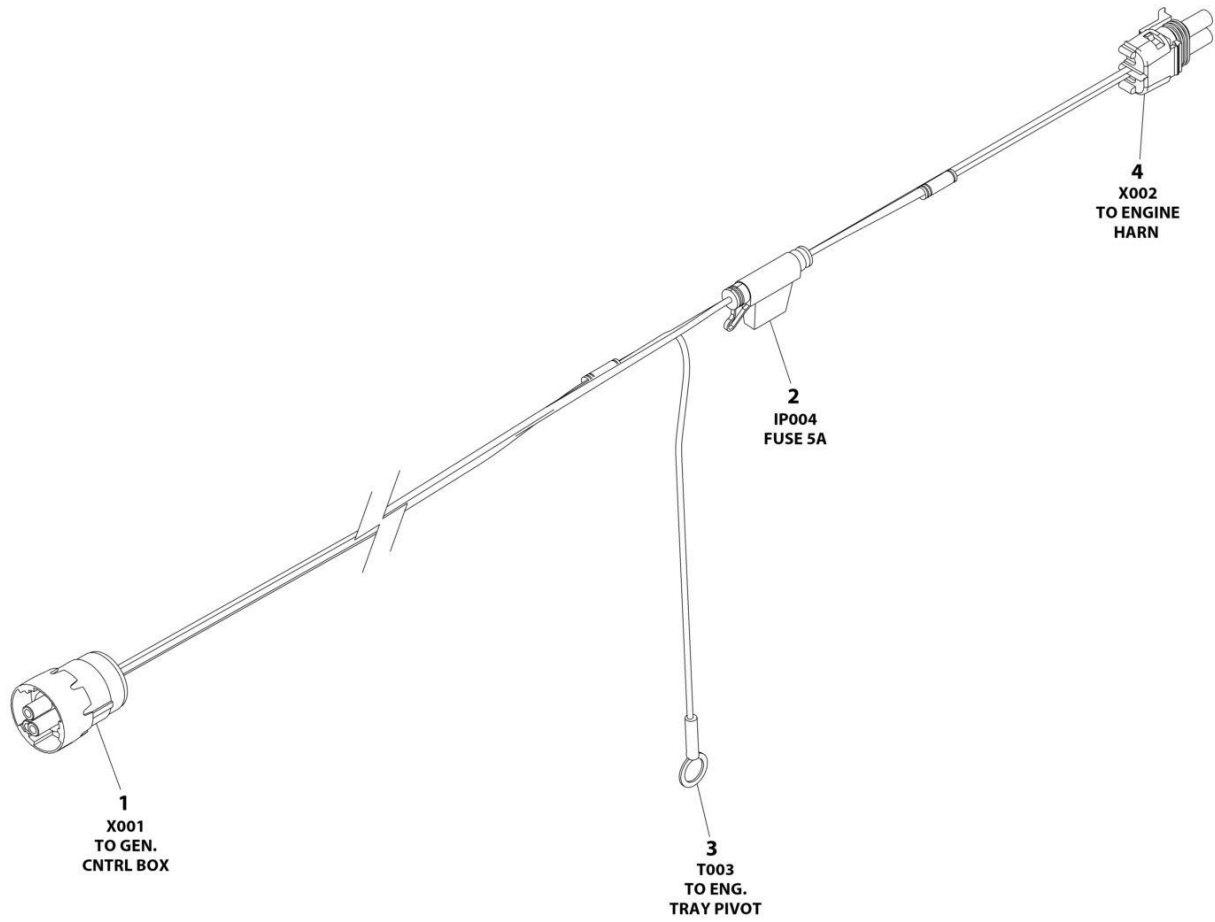
## SECTION 8 - ELECTRICAL

### FIGURE 8-47. GENERATOR TO CONTROL BOX HARNESS - 7500W GENERATOR

| ITEM | PART NUMBER | QTY | DESCRIPTION  | REV |
|------|-------------|-----|--|-----|
|      | 4922925     | Ref | GENERATOR TO CONTROL BOX HARNESS (7500W GENERATOR) | C   |
| 1    | 4460225     | 1   | Plug, Male - 2 Position                            |     |
| 2    | 4460268     | 6   | Socket, Female                                     |     |
| 3    | 4460807     | 1   | Seal   |     |
| 4    | 4460808     | 1   | Seal   |     |
| 6    | 2820019     | AR  | Heat Shrink  |     |
| 7    | 4460465     | 6   | Socket, Female                                     |     |
| 8    | 77363233    | 1   | Connector - 6 Position                             |     |

# SECTION 8 - ELECTRICAL

## FIGURE 8-48. GENERATOR HARNESS - 7500W GENERATOR (FORD ENGINES)



ART\_1001257972

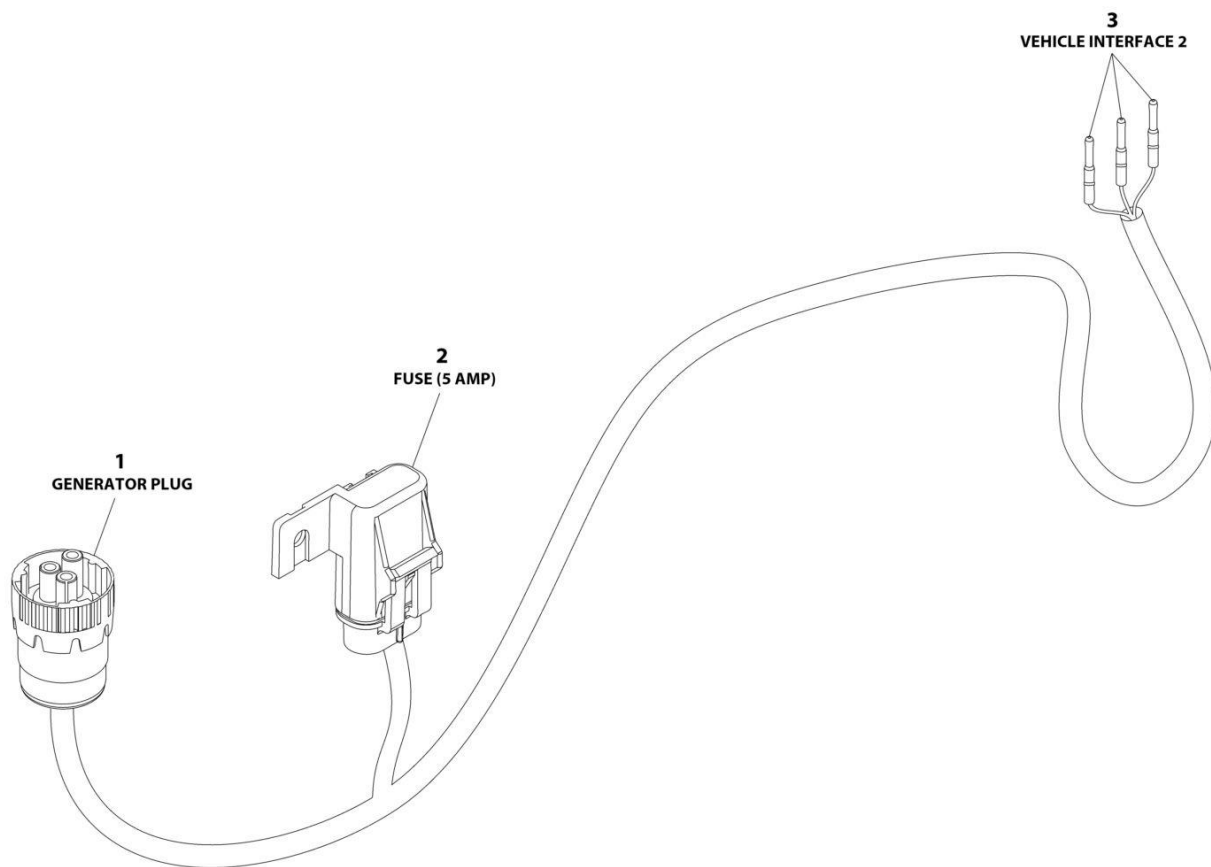
## SECTION 8 - ELECTRICAL

### FIGURE 8-48. GENERATOR HARNESS - 7500W GENERATOR (FORD ENGINES)

| ITEM | PART NUMBER | QTY | DESCRIPTION                  | REV |
|------|-------------|-----|------------------------------|-----|
|      | 1001257972  | Ref | GENERATOR TO ENGINE HARNESS  | A   |
| 1    | 4460967     | 1   | Plug, Male - 3 Position      |     |
| 1    | 4460465     | 3   | Socket, Female               |     |
| 2    | 2400060     | 1   | Fuse-holder (Includes Cover) |     |
| 2    | 2400064     | 1   | Fuse - 5Amp                  |     |
| 3    | 4460256     | 1   | Terminal, Ring               |     |
| 4    | 4460742     | 1   | Plug, Male - 2 Position      |     |
| 4    | 4460457     | 2   | Socket, Female               |     |
| 4    | 4460458     | 2   | Seal, Terminal               |     |

# SECTION 8 - ELECTRICAL

FIGURE 8-49. GENERATOR HARNESS - 7500W GENERATOR (DEUTZ TD2.9L4 ENGINES)



ART\_1001119968

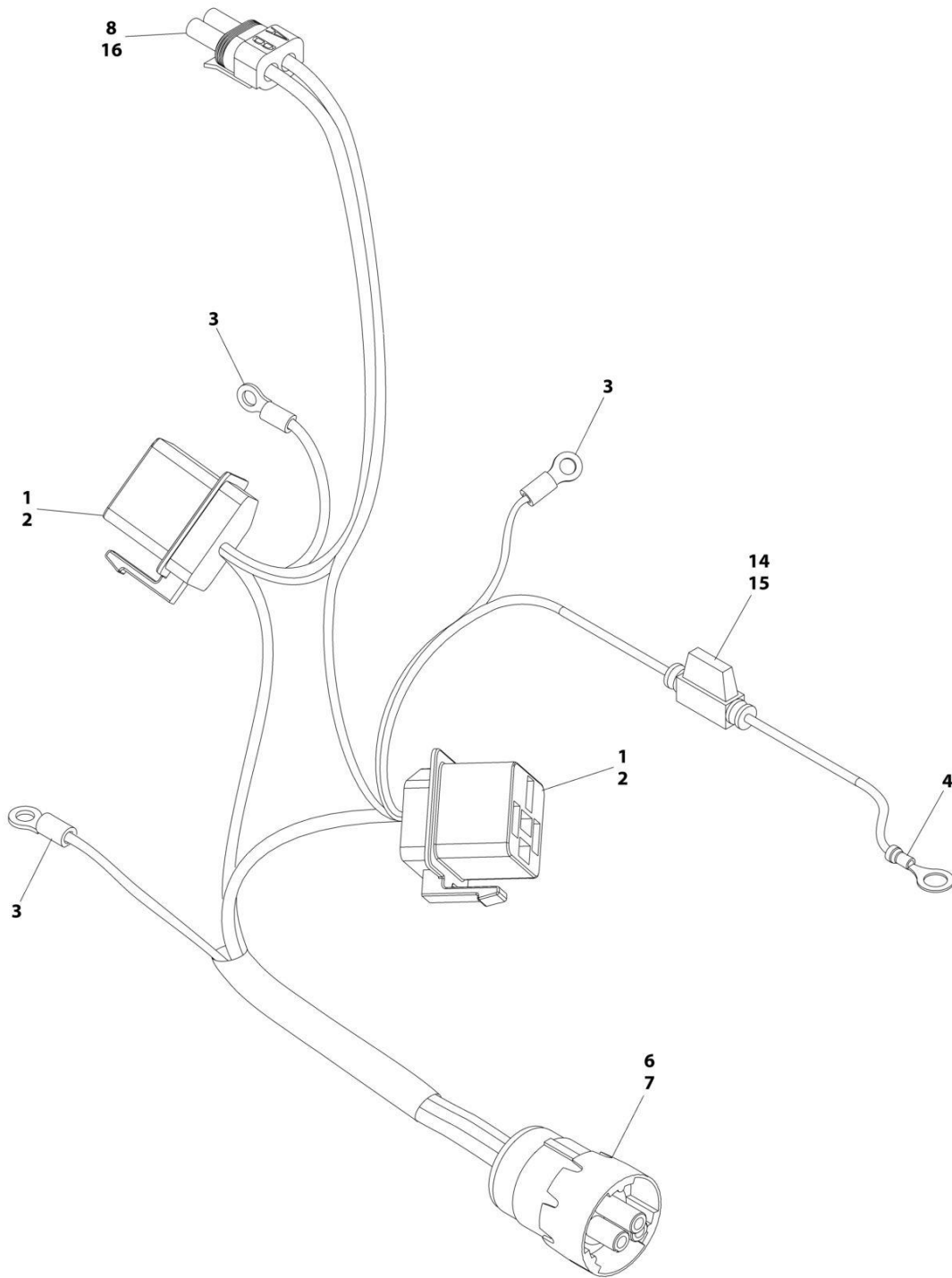
## SECTION 8 - ELECTRICAL

**FIGURE 8-49. GENERATOR HARNESS - 7500W GENERATOR (DEUTZ TD2.9L4 ENGINES)**

| ITEM | PART NUMBER | QTY | DESCRIPTION                          | REV |
|------|-------------|-----|--------------------------------------|-----|
|      | 1001119968  | Ref | GENERATOR HARNESS - 7500W GENERATOR  | C   |
| 1    | 4460967     | 1   | Connector - 3 Position               |     |
| 1    | 4460465     | 3   | Socket, Female                       |     |
| 2    | 1001117078  | 1   | Connector, Metri-Pack with 5Amp Fuse |     |
| 3    | 4460465     | 3   | Socket, Female                       |     |

# SECTION 8 - ELECTRICAL

## FIGURE 8-50. GENERATOR TO ENGINE HARNESS - 2500W



ART\_1001221208

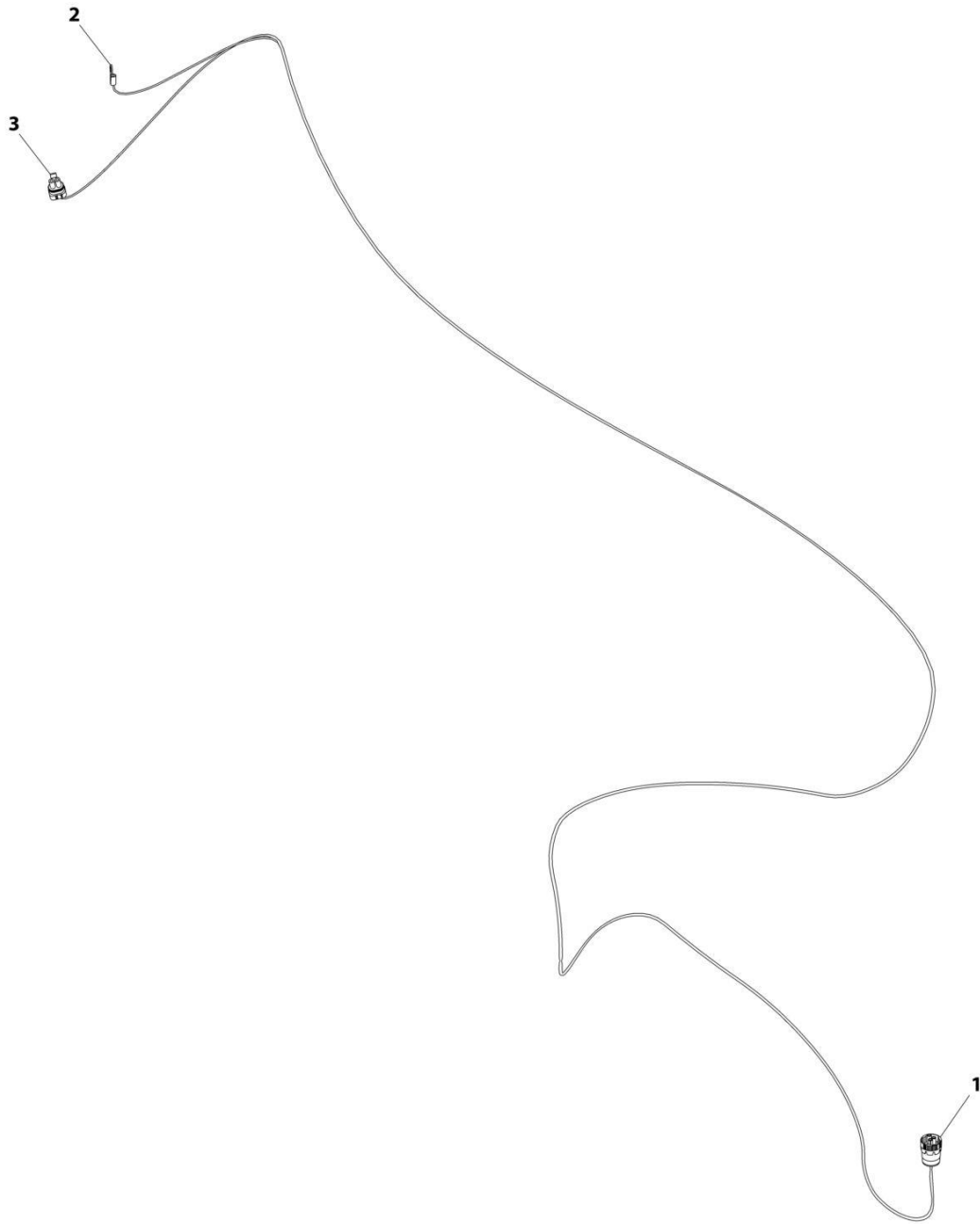
## SECTION 8 - ELECTRICAL

### FIGURE 8-50. GENERATOR TO ENGINE HARNESS - 2500W

| ITEM | PART NUMBER | QTY | DESCRIPTION                 | REV |
|------|-------------|-----|-----------------------------|-----|
|      | 1001221208  | Ref | GENERATOR TO ENGINE HARNESS | A   |
| 1    | 4460374     | 2   | Plug, Sealed Relay          |     |
| 2    | 4460375     | 8   | Terminal                    |     |
| 3    | 4460043     | 3   | Terminal, Ring              |     |
| 4    | 4460670     | 1   | Terminal, Ring              |     |
| 6    | 4460967     | 1   | Plug, Male - 3 Position     |     |
| 7    | 4460465     | 3   | Socket, Female              |     |
| 8    | 4460742     | 1   | Plug, Male - 2 Position     |     |
| 14   | 2400060     | 1   | Fuseholder (Includes Cover) |     |
| 15   | 2400064     | 1   | Fuse - 5Amp                 |     |
| 16   | 4460743     | 2   | Socket, Female              |     |

# SECTION 8 - ELECTRICAL

## FIGURE 8-51. GENERATOR TO ENGINE HARNESS - 4000W



ART\_1001153197



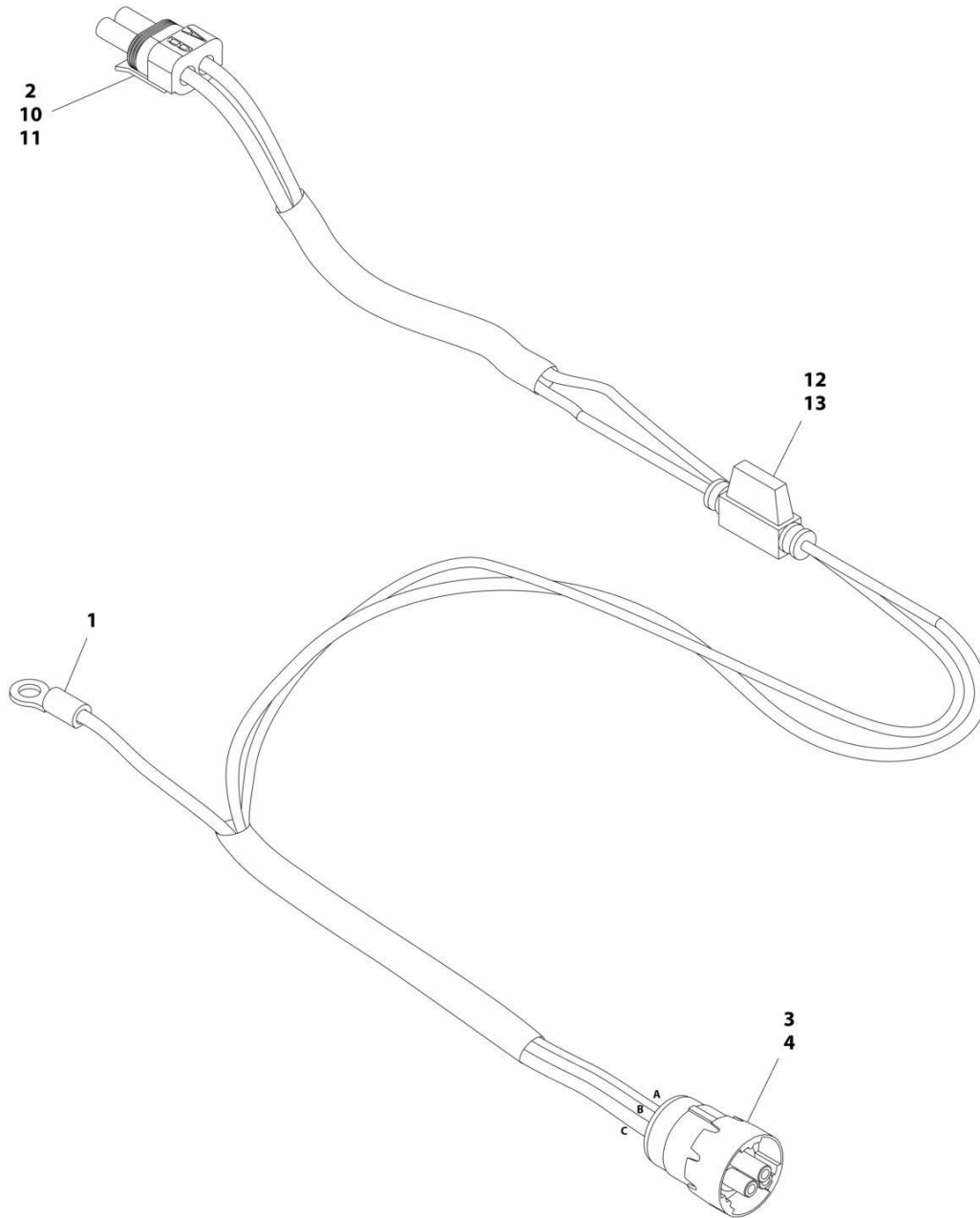
## SECTION 8 - ELECTRICAL

### FIGURE 8-51. GENERATOR TO ENGINE HARNESS - 4000W

| ITEM | PART NUMBER | QTY | DESCRIPTION                 | REV |
|------|-------------|-----|-----------------------------|-----|
|      | 1001153197  | Ref | GENERATOR TO ENGINE HARNESS | B   |
| 1    | 4460967     | 1   | Plug, Male - 3 Position     |     |
| 1    | 4460465     | 2   | Socket, Female              |     |
| 2    | 4460043     | 1   | Terminal, Ring              |     |
| 3    | 4460742     | 1   | Plug, Male - 2 Position     |     |
| 3    | 4460743     | 1   | Socket, Female              |     |
| 3    | 4460458     | 1   | Seal, Terminal              |     |
| 3    | 1001116727  | 1   | Plug, Terminal              |     |

# SECTION 8 - ELECTRICAL

FIGURE 8-52. GENERATOR TO ENGINE HARNESS - 7500W SKYPOWER GENERATOR (DEUTZ D2011 ONLY)



ART\_1001152429

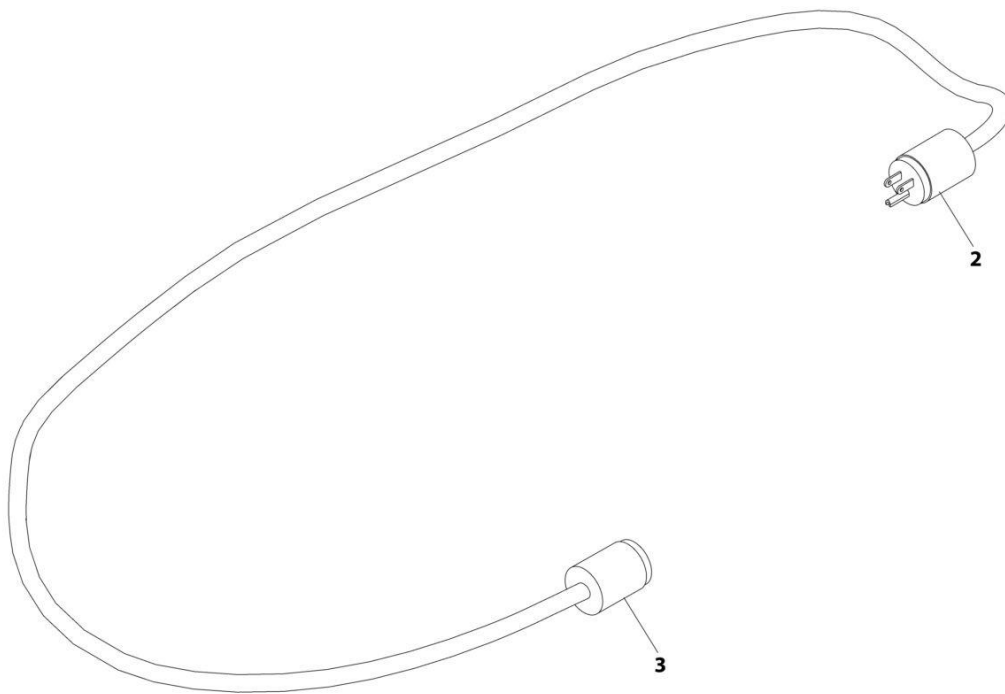
## SECTION 8 - ELECTRICAL

**FIGURE 8-52. GENERATOR TO ENGINE HARNESS - 7500W SKYPOWER GENERATOR (DEUTZ D2011 ONLY)**

| ITEM | PART NUMBER | QTY | DESCRIPTION                 | REV |
|------|-------------|-----|-----------------------------|-----|
|      | 1001152429  | Ref | GENERATOR TO ENGINE HARNESS | C   |
| 1    | 4460043     | 1   | Terminal, Ring              |     |
| 2    | 4460742     | 1   | Plug, Male - 2 Position     |     |
| 3    | 4460967     | 1   | Connector - 3 Position      |     |
| 4    | 4460465     | 3   | Socket, Female              |     |
| 10   | 4460743     | 2   | Terminal, Female            |     |
| 11   | 4460458     | 2   | Seal                        |     |
| 12   | 2400060     | 1   | Fuseholder (Includes Cover) |     |
| 13   | 2400064     | 1   | Fuse - 5Amp                 |     |

## SECTION 8 - ELECTRICAL

FIGURE 8-53. GENERATOR TO REAR OF BOOM HARNESS - 110V



ART\_4921829

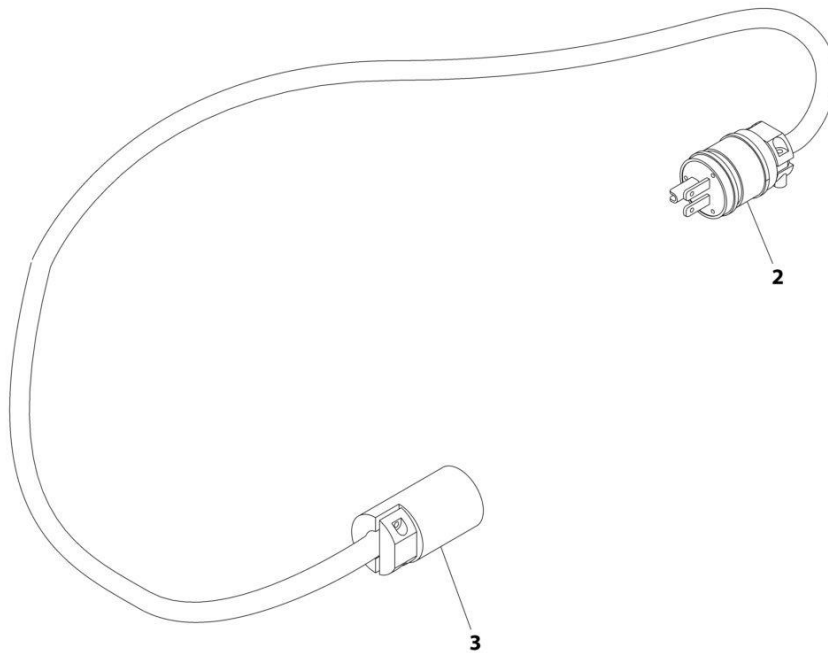
## SECTION 8 - ELECTRICAL

**FIGURE 8-53. GENERATOR TO REAR OF BOOM HARNESS - 110V**

| ITEM | PART NUMBER | QTY | DESCRIPTION                              | REV |
|------|-------------|-----|--|-----|
|      | 4921829     | Ref | GENERATOR TO REAR OF BOOM HARNESS - 110V | Z-A |
| 2    | 4460205     | 1   | Plug, Male                               |     |
| 3    | 4460134     | 1   | Connector, Female                        |     |

## SECTION 8 - ELECTRICAL

FIGURE 8-54. GENERATOR TO REAR OF BOOM HARNESS - 220V



ART\_4921954

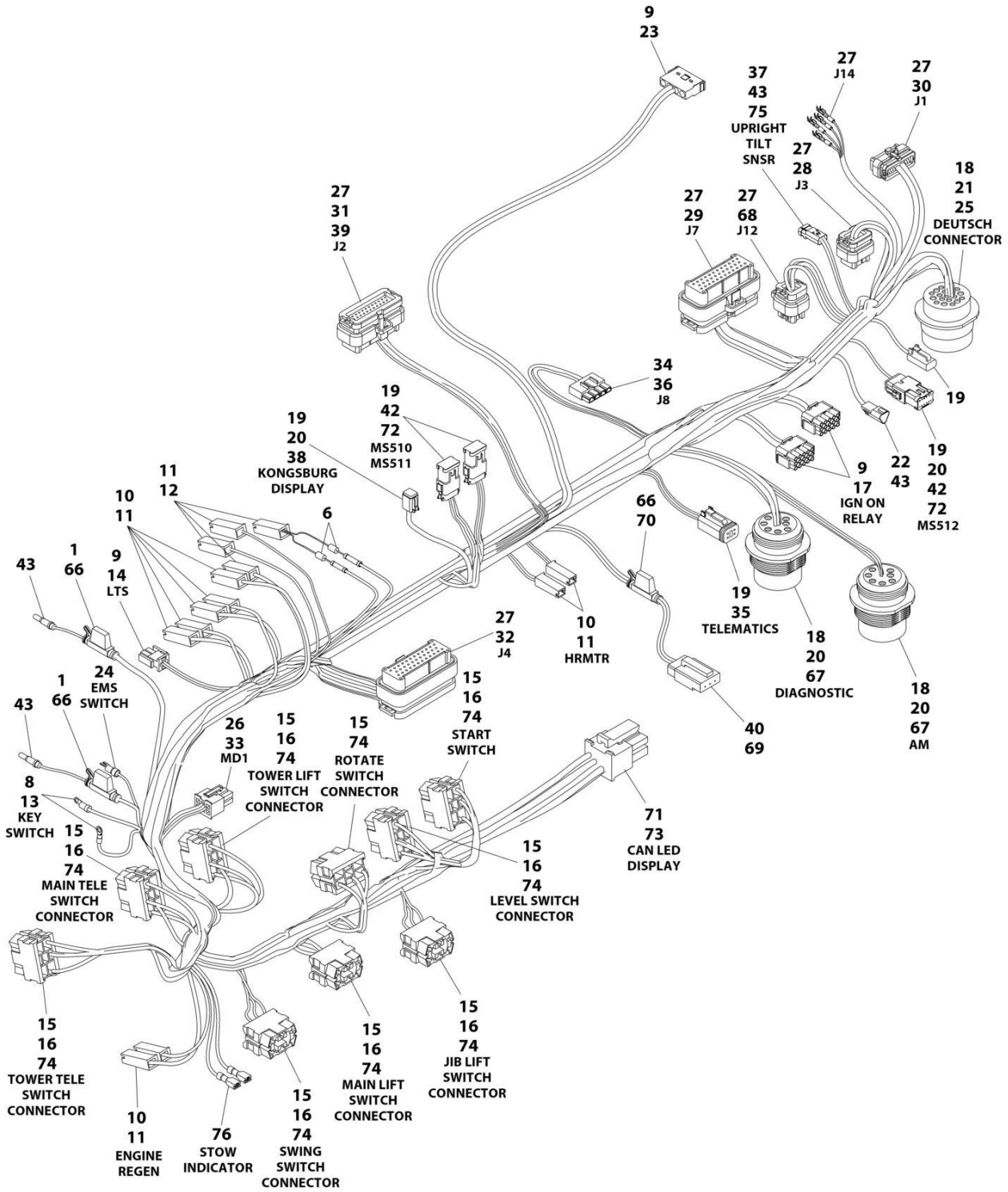
## SECTION 8 - ELECTRICAL

**FIGURE 8-54. GENERATOR TO REAR OF BOOM HARNESS - 220V**

| ITEM | PART NUMBER | QTY | DESCRIPTION                              | REV |
|------|-------------|-----|--|-----|
|      | 4921954     | Ref | GENERATOR TO REAR OF BOOM HARNESS - 220V | 2   |
| 2    | 4460233     | 1   | Terminal, Plug                           |     |
| 3    | 4460701     | 1   | Terminal, Connector                      |     |

# SECTION 8 - ELECTRICAL

## FIGURE 8-55. GROUND CONTROL BOX HARNESS



ART\_1001285346



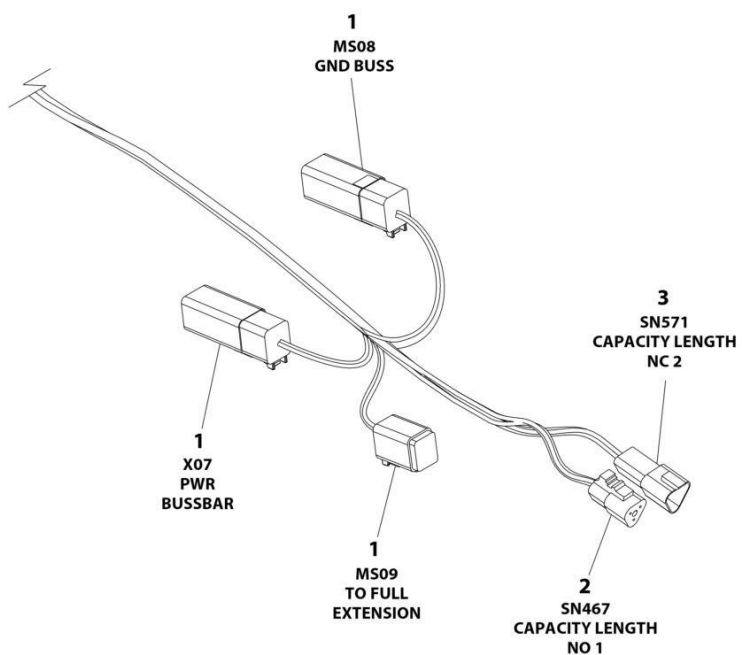
## SECTION 8 - ELECTRICAL

### FIGURE 8-55. GROUND CONTROL BOX HARNESS

| ITEM | PART NUMBER | QTY | DESCRIPTION                | REV |
|------|-------------|-----|----------------------------|-----|
|      | 1001285346  | Ref | GROUND CONTROL BOX HARNESS | C   |
| 1    | 2400060     | 2   | Fuse Holder                |     |
| 6    | 3990010     | 2   | Diode, 6 Amp               |     |
| 8    | 4460142     | 4   | Terminal, Ring             |     |
| 9    | 4460227     | 36  | Pin                        |     |
| 10   | 4460259     | 11  | Socket                     |     |
| 11   | 4460260     | 15  | Housing, Terminal          |     |
| 12   | 4460297     | 4   | Socket                     |     |
| 13   | 4460313     | 3   | Terminal, Ring             |     |
| 14   | 4460320     | 1   | Connector                  |     |
| 15   | 4460418     | 9   | Connector, Switch          |     |
| 16   | 4460419     | 8   | Socket                     |     |
| 17   | 4460434     | 2   | Connector                  |     |
| 18   | 4460464     | 27  | Terminal                   |     |
| 19   | 4460465     | 45  | Terminal                   |     |
| 20   | 4460466     | 9   | Plug, Terminal             |     |
| 21   | 4460508     | 4   | Pin                        |     |
| 22   | 4460536     | 1   | Connector                  |     |
| 23   | 4460761     | 1   | Connector                  |     |
| 24   | 4460806     | 5   | Terminal, Fork             |     |
| 25   | 4460866     | 1   | Terminal                   |     |
| 26   | 4460868     | 1   | Connector                  |     |
| 27   | 4460871     | 88  | Socket                     |     |
| 28   | 4460872     | 1   | Connector                  |     |
| 29   | 4460873     | 1   | Connector                  |     |
| 30   | 4460874     | 1   | Connector                  |     |
| 31   | 4460875     | 1   | Connector                  |     |
| 32   | 4460876     | 1   | Connector                  |     |
| 33   | 4460877     | 4   | Socket                     |     |
| 34   | 4460878     | 1   | Housing, Terminal          |     |
| 35   | 4460884     | 1   | Connector                  |     |
| 36   | 4460887     | 3   | Socket                     |     |
| 37   | 1001229530  | 1   | Connector                  |     |
| 38   | 4460894     | 1   | Plug                       |     |
| 39   | 4460905     | 2   | Seal                       |     |
| 40   | 4460911     | 1   | Plug, Terminal             |     |
| 42   | 4460933     | 3   | Connector                  |     |
| 43   | 4460943     | 8   | Terminal                   |     |
| 66   | 8229242     | 3   | Fuse 5 Amp                 |     |
| 67   | 1001112612  | 2   | Connector                  |     |
| 67   | 1001249095  | 2   | Connector                  |     |
| 68   | 1001113961  | 1   | Plug                       |     |
| 69   | 1001116694  | 3   | Terminal                   |     |
| 70   | 1001255901  | 1   | Fuse Holder                |     |
| 71   | 1001237668  | 5   | Socket                     |     |
| 72   | 1001119020  | 3   | Connector                  |     |
| 73   | 1001237667  | 1   | Connector                  |     |
| 74   | 1001159186  | 18  | Socket                     |     |
| 75   | 1001200497  | 1   | Connector                  |     |
| 76   | 1001201885  | 2   | Terminal                   |     |

# SECTION 8 - ELECTRICAL

## FIGURE 8-56. MID PROXIMITY HARNESS



ART\_1001254467

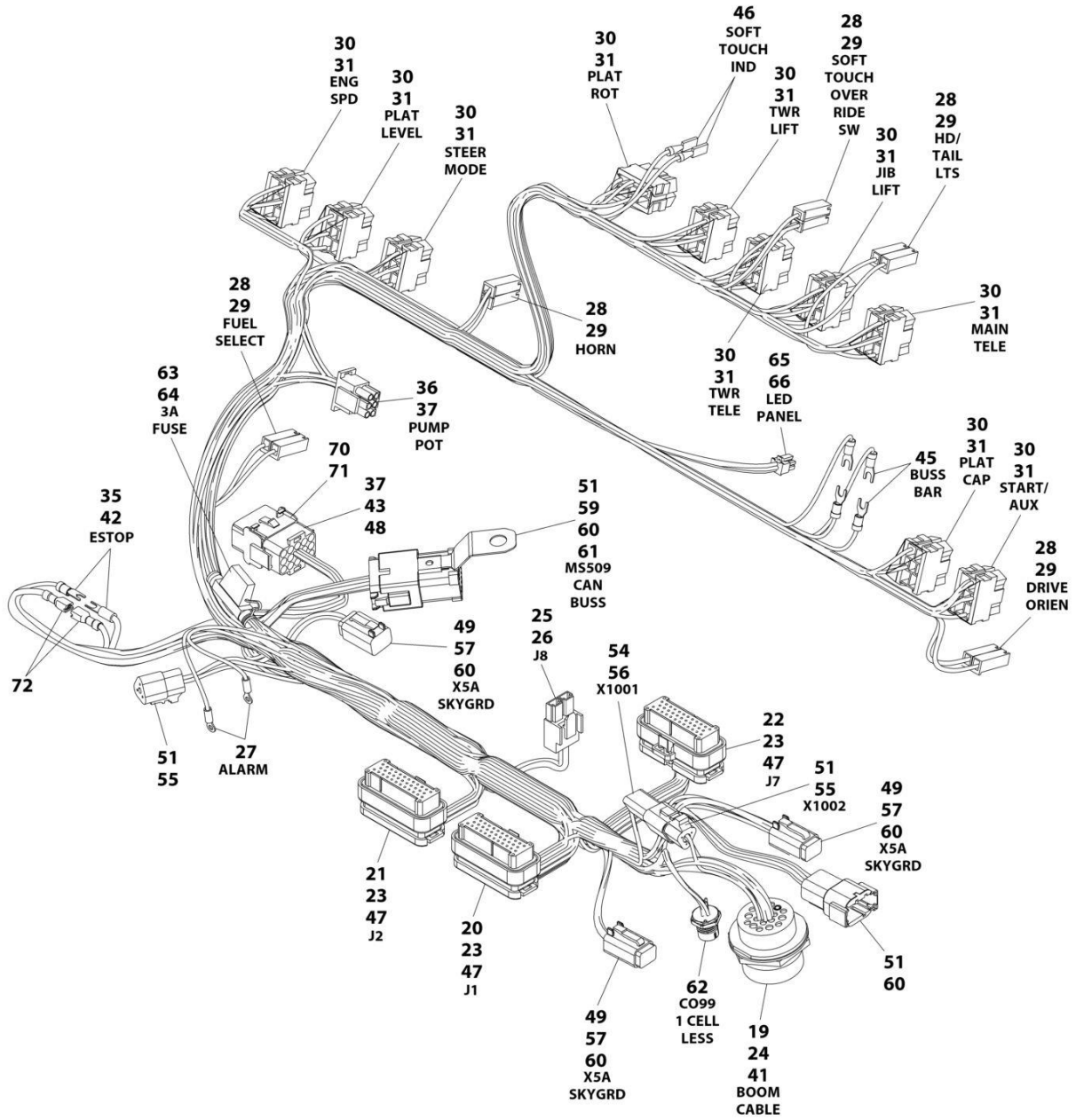
## SECTION 8 - ELECTRICAL

### FIGURE 8-56. MID PROXIMITY HARNESS

| ITEM | PART NUMBER | QTY | DESCRIPTION                     | REV |
|------|-------------|-----|---------------------------------|-----|
|      | 1001254467  | Ref | MID PROXIMITY HARNESS           | B   |
| 1    | 4460894     | 3   | Plug, Male - 6 Position         |     |
| 1    | 4460465     | 16  | Socket, Female                  |     |
| 1    | 4460466     | 2   | Plug, Terminal                  |     |
| 1    | 4460892     | 2   | Busbar - 6 Position             |     |
| 2    | 4460539     | 1   | Plug, Male - 3 Position         |     |
| 2    | 4460465     | 3   | Socket, Female                  |     |
| 3    | 4460536     | 1   | Receptacle, Female - 3 Position |     |
| 3    | 4640464     | 3   | Pin, Male                       |     |

# SECTION 8 - ELECTRICAL

FIGURE 8-57. PLATFORM CONSOLE BOX HARNESS (Prior to SN 0300316689)



ART\_1001266648

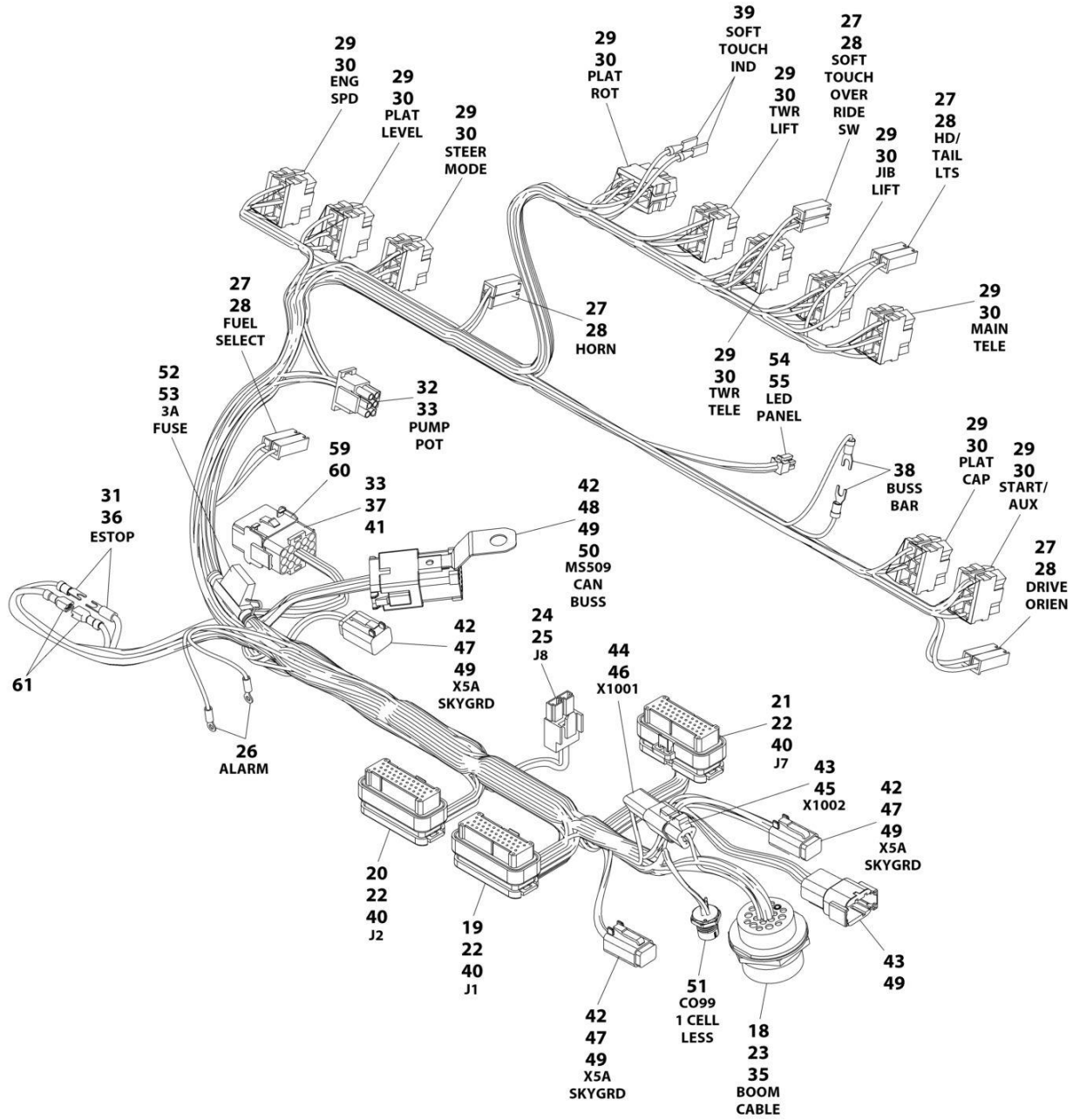
## SECTION 8 - ELECTRICAL

**FIGURE 8-57. PLATFORM CONSOLE BOX HARNESS (Prior to SN 0300316689)**

| ITEM | PART NUMBER | QTY | DESCRIPTION                            | REV |
|------|-------------|-----|--|-----|
|      | 1001266648  | Ref | PLATFORM CONSOLE BOX HARNESS           | B   |
| 19   | 4460866     | 1   | Connector - 19 Position                |     |
| 20   | 4460874     | 1   | Connector - 35 Position                |     |
| 21   | 4460875     | 1   | Connector - 35 Position                |     |
| 22   | 4460873     | 1   | Connector - 35 Position                |     |
| 23   | 4460871     | 81  | Socket, Female                         |     |
| 24   | 4460464     | 6   | Pin, Male                              |     |
| 25   | 4460879     | 1   | Plug, Male - 2 Position                |     |
| 26   | 4460887     | 2   | Terminal                               |     |
| 27   | 1001098122  | 2   | Terminal, Ring                         |     |
| 28   | 4460260     | 10  | Housing, Terminal                      |     |
| 29   | 4460259     | 10  | Terminal                               |     |
| 30   | 4460418     | 9   | Connector, Switch                      |     |
| 31   | 4460419     | 27  | Terminal                               |     |
| 32   | 4120035     | 14  | Socket, Light (Not Shown)              |     |
| 33   | 4460634     | 14  | Socket, Lamp (Single Wire) (Not Shown) |     |
| 34   | 4460635     | 14  | Socket, Lamp (Double Wire) (Not Shown) |     |
| 35   | 4460888     | 1   | Terminal, Fork                         |     |
| 36   | 4460225     | 1   | Plug, Male - 6 Position                |     |
| 37   | 4460227     | 31  | Pin, Male                              |     |
| 41   | 4460508     | 3   | Pin, Male                              |     |
| 42   | 4460806     | 1   | Terminal, Fork                         |     |
| 43   | 4460434     | 2   | Connector - 15 Position                |     |
| 44   | 2920129     | 14  | Bulb (Not Shown)                       |     |
| 45   | 4460183     | 4   | Terminal, Fork                         |     |
| 46   | 4460016     | 2   | Terminal                               |     |
| 47   | 4460905     | 24  | Plug, Terminal                         |     |
| 48   | 4460267     | 1   | Pin, Male                              |     |
| 49   | 4460465     | 5   | Socket, Female                         |     |
| 51   | 4460944     | 11  | Socket, Female                         |     |
| 54   | 4460536     | 1   | Receptacle, Female - 3 Position        |     |
| 55   | 4460539     | 1   | Plug, Male - 3 Position                |     |
| 56   | 4460943     | 3   | Pin, Male                              |     |
| 57   | 4460894     | 2   | Plug, Male - 6 Position                |     |
| 59   | 4460933     | 2   | Plug, Male - 12 Position               |     |
| 60   | 4460466     | 5   | Plug, Terminal                         |     |
| 61   | 1001119020  | 1   | Connector, Buss Bar - 12 Position      |     |
| 62   | 1001213447  | 1   | Connector - 5 Position                 |     |
| 63   | 2400060     | 1   | Fuseholder Includes Cover              |     |
| 64   | 8229249     | 1   | Fuse, 3 Amp                            |     |
| 65   | 1001237667  | 1   | Plug, Male - 6 Position                |     |
| 66   | 1001237668  | 4   | Socket, Female                         |     |
| 70   | 4460708     | 2   | Connector - 15 Position                |     |
| 71   | 4460226     | 2   | Socket, Female                         |     |
| 72   | 1001201885  | 2   | Terminal                               |     |

# SECTION 8 - ELECTRICAL

FIGURE 8-58. PLATFORM CONSOLE BOX HARNESS (SN 0300316689 to Present)



ART\_1001309250

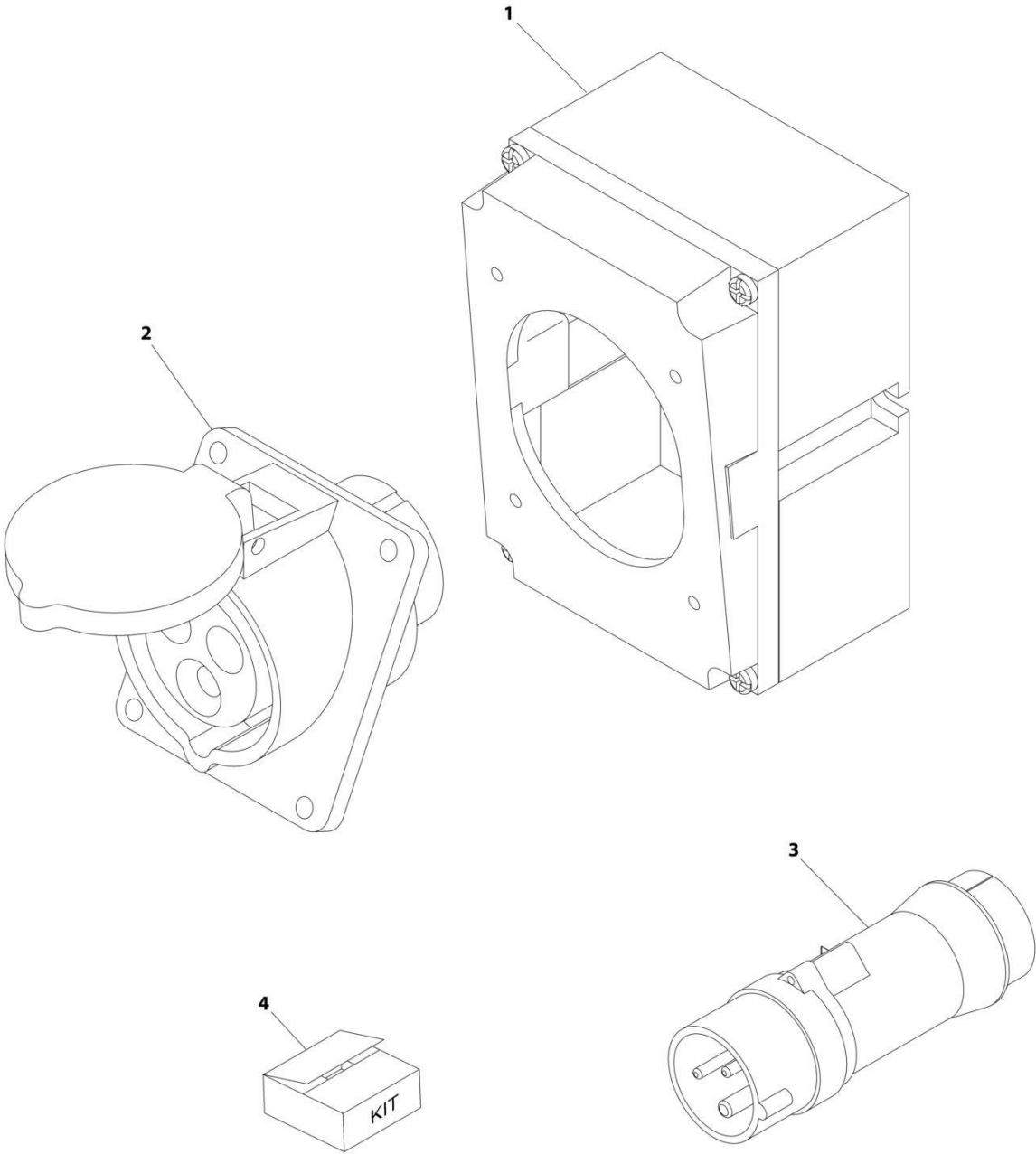
## SECTION 8 - ELECTRICAL

**FIGURE 8-58. PLATFORM CONSOLE BOX HARNESS (SN 0300316689 to Present)**

| ITEM | PART NUMBER | QTY | DESCRIPTION                  | REV |
|------|-------------|-----|------------------------------|-----|
|      | 1001309250  | Ref | PLATFORM CONSOLE BOX HARNESS | A   |
| 18   | 4460866     | 1   | Connector                    |     |
| 19   | 4460874     | 1   | Connector                    |     |
| 20   | 4460875     | 1   | Connector                    |     |
| 21   | 4460873     | 1   | Connector                    |     |
| 22   | 4460871     | 83  | Socket                       |     |
| 23   | 4460464     | 6   | Pin                          |     |
| 24   | 4460879     | 1   | Plug                         |     |
| 25   | 4460887     | 2   | Terminal                     |     |
| 26   | 1001098122  | 2   | Terminal, Ring               |     |
| 27   | 4460260     | 10  | Housing, Terminal            |     |
| 28   | 4460259     | 10  | Terminal                     |     |
| 29   | 4460418     | 10  | Connector, Switch            |     |
| 30   | 4460419     | 30  | Terminal                     |     |
| 31   | 4460888     | 1   | Terminal, Fork               |     |
| 32   | 4460225     | 1   | Plug                         |     |
| 33   | 4460227     | 30  | Pin                          |     |
| 35   | 4460508     | 3   | Pin                          |     |
| 36   | 4460806     | 1   | Terminal, Fork               |     |
| 37   | 4460434     | 2   | Connector                    |     |
| 38   | 4460183     | 2   | Terminal, Fork               |     |
| 39   | 4460016     | 2   | Terminal                     |     |
| 40   | 4460905     | 22  | Plug, Terminal               |     |
| 41   | 4460267     | 1   | Pin                          |     |
| 42   | 4460465     | 15  | Socket                       |     |
| 43   | 4460944     | 3   | Socket                       |     |
| 44   | 4460536     | 1   | Connector                    |     |
| 45   | 4460539     | 1   | Plug                         |     |
| 46   | 4460943     | 3   | Pin                          |     |
| 47   | 4460894     | 1   | Plug                         |     |
| 48   | 4460933     | 1   | Connector                    |     |
| 49   | 4460466     | 3   | Plug, Terminal               |     |
| 50   | 1001119020  | 1   | Connector                    |     |
| 51   | 1001213447  | 1   | Connector                    |     |
| 52   | 2400060     | 1   | Fuseholder with Cover        |     |
| 53   | 8229249     | 1   | Fuse, 3Amp                   |     |
| 54   | 1001237667  | 1   | Connector                    |     |
| 55   | 1001237668  | 4   | Socket                       |     |
| 59   | 4460708     | 2   | Connector                    |     |
| 60   | 4460226     | 2   | Socket                       |     |
| 61   | 1001201885  | 2   | Terminal                     |     |

**SECTION 8 - ELECTRICAL**

**FIGURE 8-59. RECEPTACLE BOX KIT - 110V IEC YELLOW (CE & UK CA SPEC)**



ART\_0275216



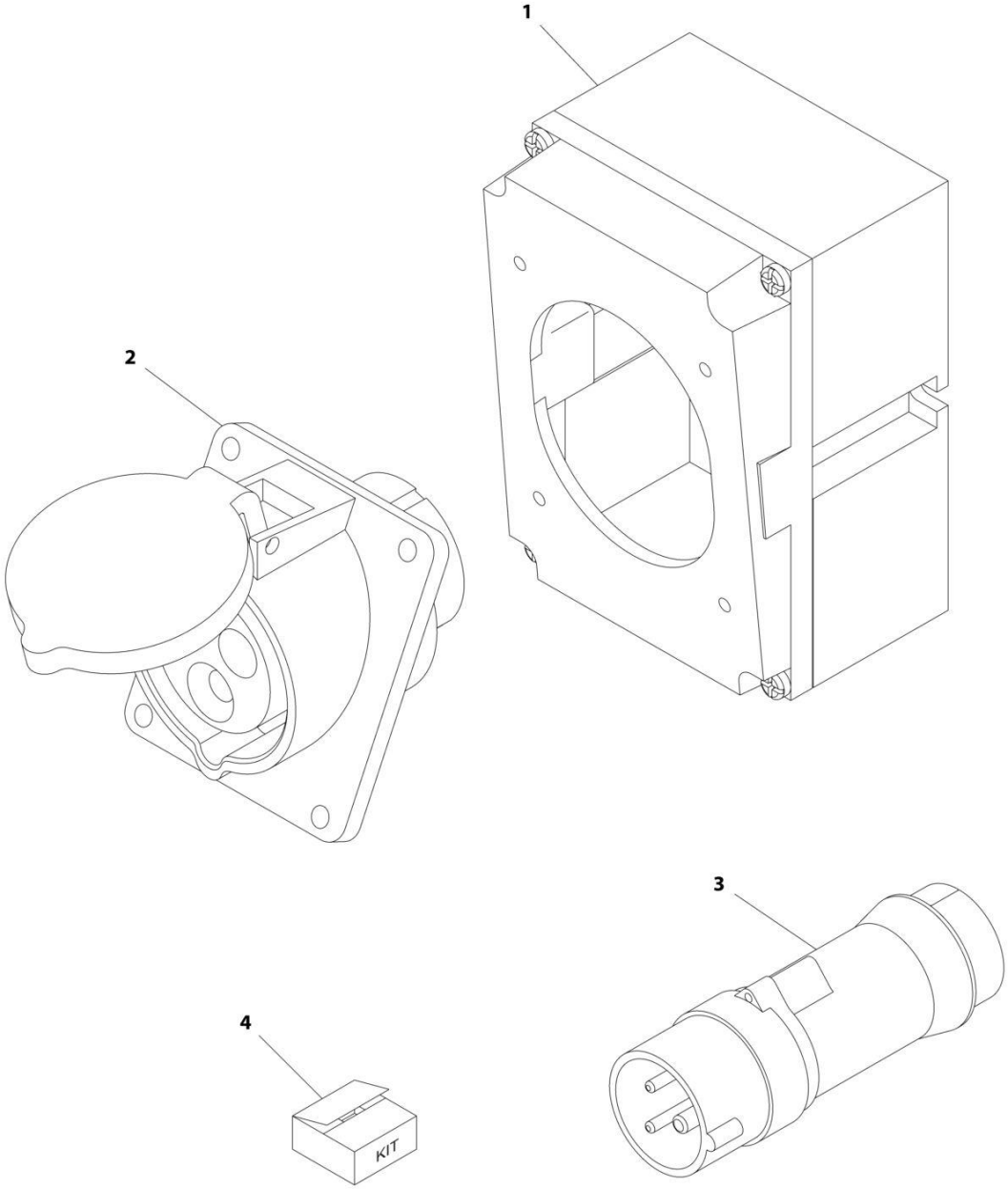
## SECTION 8 - ELECTRICAL

**FIGURE 8-59. RECEPTACLE BOX KIT - 110V IEC YELLOW (CE & UK CA SPEC)**

| ITEM | PART NUMBER | QTY | DESCRIPTION  | REV |
|------|-------------|-----|--|-----|
|      | 0275216     | Ref | RECEPTACLE BOX KIT - 110V IEC YELLOW                                 | B   |
| 1    | 0861781     | 1   | Box, Switch  |     |
| 2    | 4461198     | 1   | Receptacle   |     |
| 3    | 4461196     | 1   | Plug, Male   |     |
| 4    | 1001100341  | 1   | Plug and Socket Kit (Includes Items 1-3 and Female Plug p/n 4461197) |     |

**SECTION 8 - ELECTRICAL**

**FIGURE 8-60. RECEPTACLE BOX KIT - 220V IEC BLUE (CE & UK CA SPEC)**



ART\_0275217

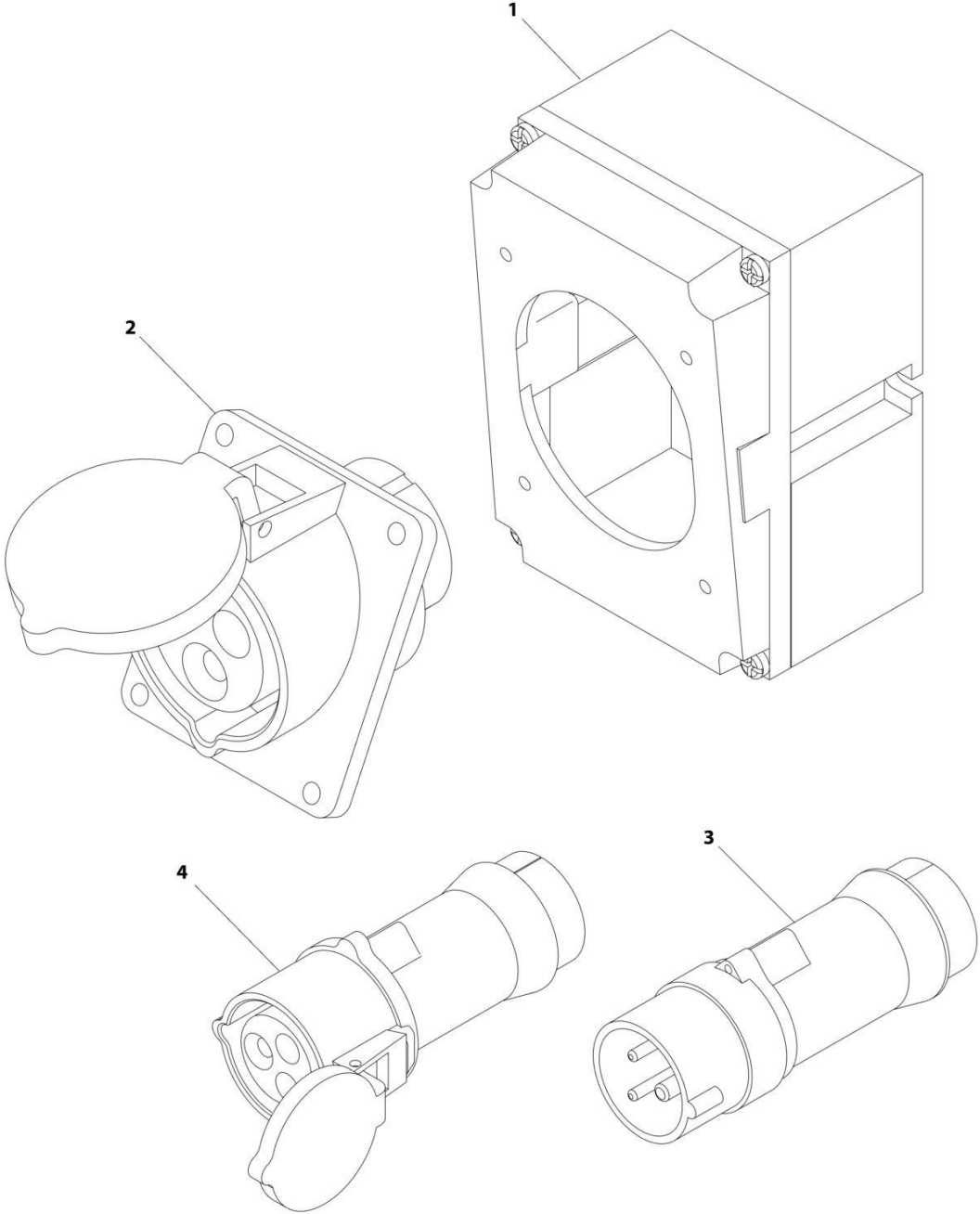
## SECTION 8 - ELECTRICAL

**FIGURE 8-60. RECEPTACLE BOX KIT - 220V IEC BLUE (CE & UK CA SPEC)**

| ITEM | PART NUMBER | QTY | DESCRIPTION  | REV |
|------|-------------|-----|--|-----|
|      | 0275217     | Ref | RECEPTACLE BOX KIT - 220V IEC BLUE                                   | B   |
| 1    | 0861781     | 1   | Box, Switch  |     |
| 2    | 4461201     | 1   | Receptacle   |     |
| 3    | 4461199     | 1   | Plug, Male   |     |
| 4    | 1001100342  | 1   | Plug and Socket Kit (Includes Items 1-3 and Female Plug p/n 4461200) |     |

**SECTION 8 - ELECTRICAL**

**FIGURE 8-61. RECEPTACLE BOX KIT - 220V IEC BLUE (CE & UK CA SPECS) (2500W GENERATOR)**



ART\_1001100342

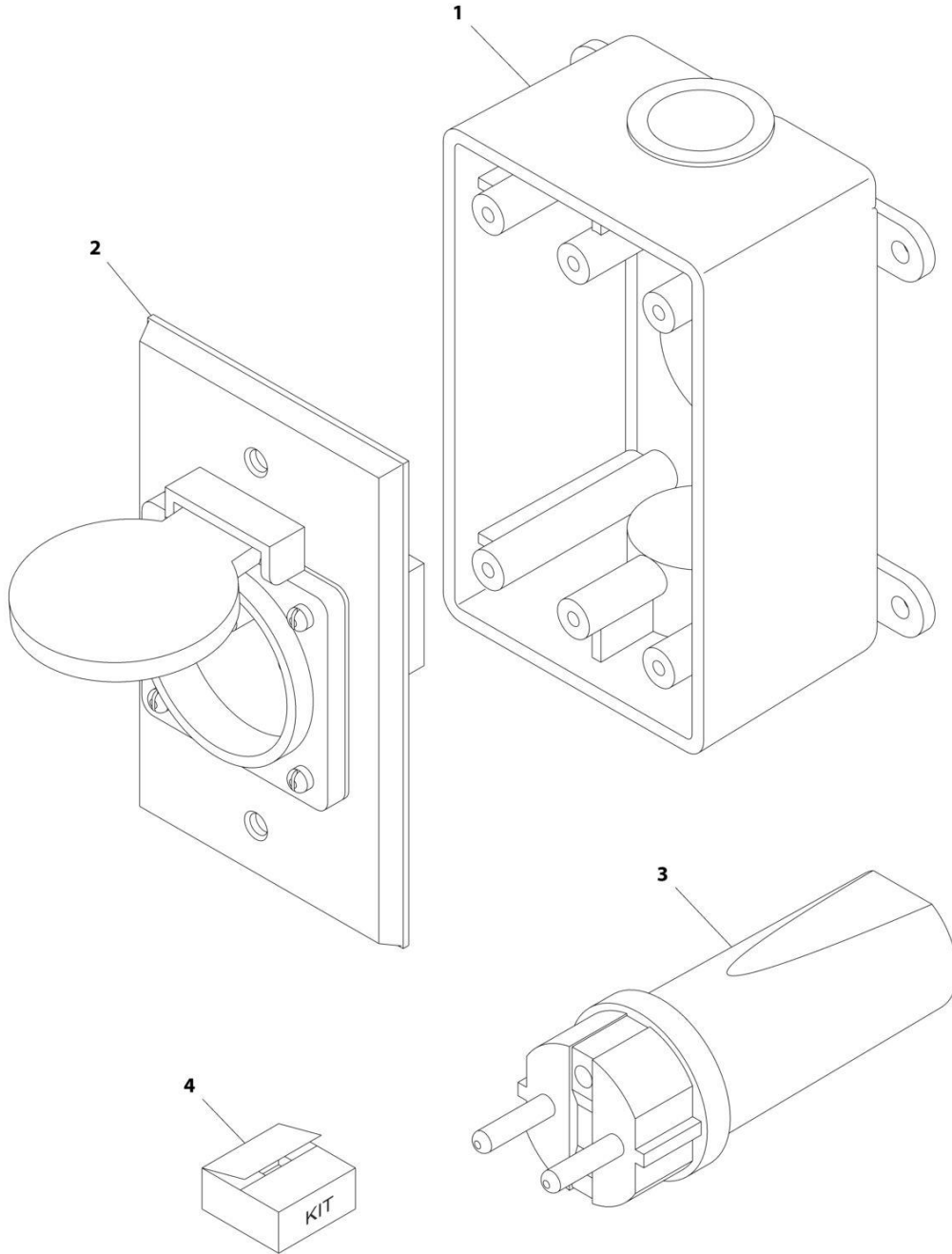
## SECTION 8 - ELECTRICAL

**FIGURE 8-61. RECEPTACLE BOX KIT - 220V IEC BLUE (CE & UK CA SPECS) (2500W GENERATOR)**

| ITEM | PART NUMBER | QTY | DESCRIPTION  | REV |
|------|-------------|-----|--|-----|
|      | 1001100342  | Ref | RECEPTACLE BOX KIT - 220V IEC BLUE WITH 2500W GENERATOR (CE & UK CA SPECS) | 2   |
| 1    | 0861781     | 1   | Box, Switch  |     |
| 2    | 4461201     | 1   | Receptacle   |     |
| 3    | 4461199     | 1   | Plug, Male   |     |
| 4    | 4461200     | 1   | Plug, Female   |     |

# SECTION 8 - ELECTRICAL

FIGURE 8-62. RECEPTACLE BOX KIT - 220V CEE7 POST GROUND WITHOUT 2500W GENERATOR (2X4 BOX) (CE & UK CA SPECS)



ART\_0275452

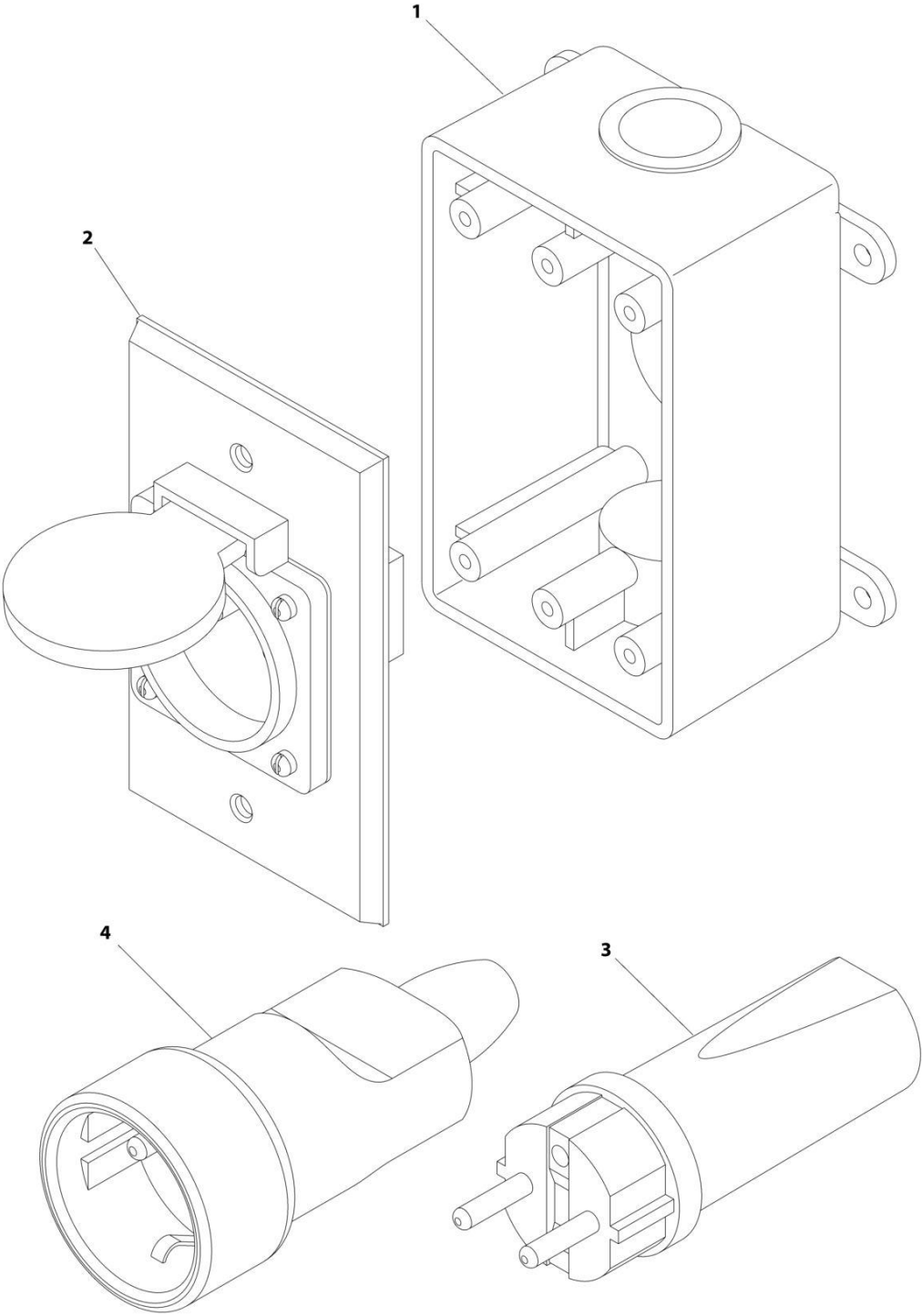
## SECTION 8 - ELECTRICAL

**FIGURE 8-62. RECEPTACLE BOX KIT - 220V CEE7 POST GROUND WITHOUT 2500W GENERATOR (2X4 BOX) (CE & UK CA SPECS)**

| ITEM | PART NUMBER | QTY | DESCRIPTION  | REV |
|------|-------------|-----|--|-----|
|      | 0275452     | Ref | RECEPTACLE BOX KIT - 220V CEE7 POST GROUND                           | C   |
| 1    | 0861731     | 1   | Box, Switch  |     |
| 2    | 4461244     | 1   | Receptacle   |     |
| 3    | 4461205     | 1   | Plug, Male   |     |
| 4    | 1001100345  | 1   | Plug and Socket Kit (Includes Items 1-3 and Female Plug p/n 4461206) |     |

**SECTION 8 - ELECTRICAL**

**FIGURE 8-63. RECEPTACLE BOX KIT - 220V CEE7 POST GROUND (2X4 BOX) (CE & UK CA SPECS)  
(2500W GENERATOR)**



ART\_1001100345



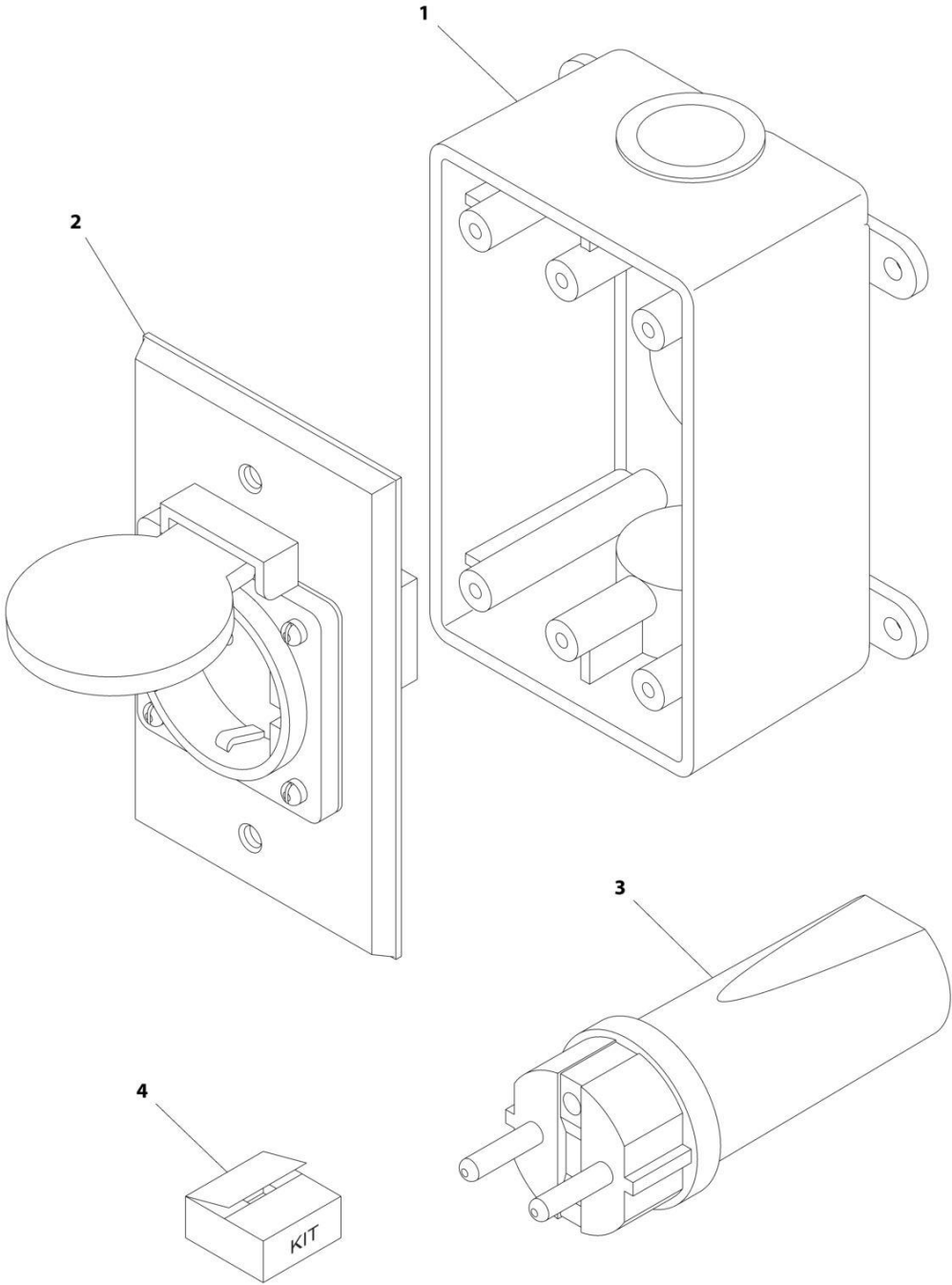
## SECTION 8 - ELECTRICAL

**FIGURE 8-63. RECEPTACLE BOX KIT - 220V CEE7 POST GROUND (2X4 BOX) (CE & UK CA SPECS)  
(2500W GENERATOR)**

| ITEM | PART NUMBER | QTY | DESCRIPTION                                | REV |
|------|-------------|-----|--|-----|
|      | 1001100345  | Ref | RECEPTACLE BOX KIT - 220V CEE7 POST GROUND | C   |
| 1    | 0861731     | 1   | Box, Switch                                |     |
| 2    | 4461244     | 1   | Receptacle                                 |     |
| 3    | 4461205     | 1   | Plug, Male                                 |     |
| 4    | 4461203     | 1   | Plug, Female                               |     |

**SECTION 8 - ELECTRICAL**

**FIGURE 8-64. RECEPTACLE BOX KIT - 220V CEE7 SIDE GROUND (CE & UK CA SPEC)**



ART\_0275453

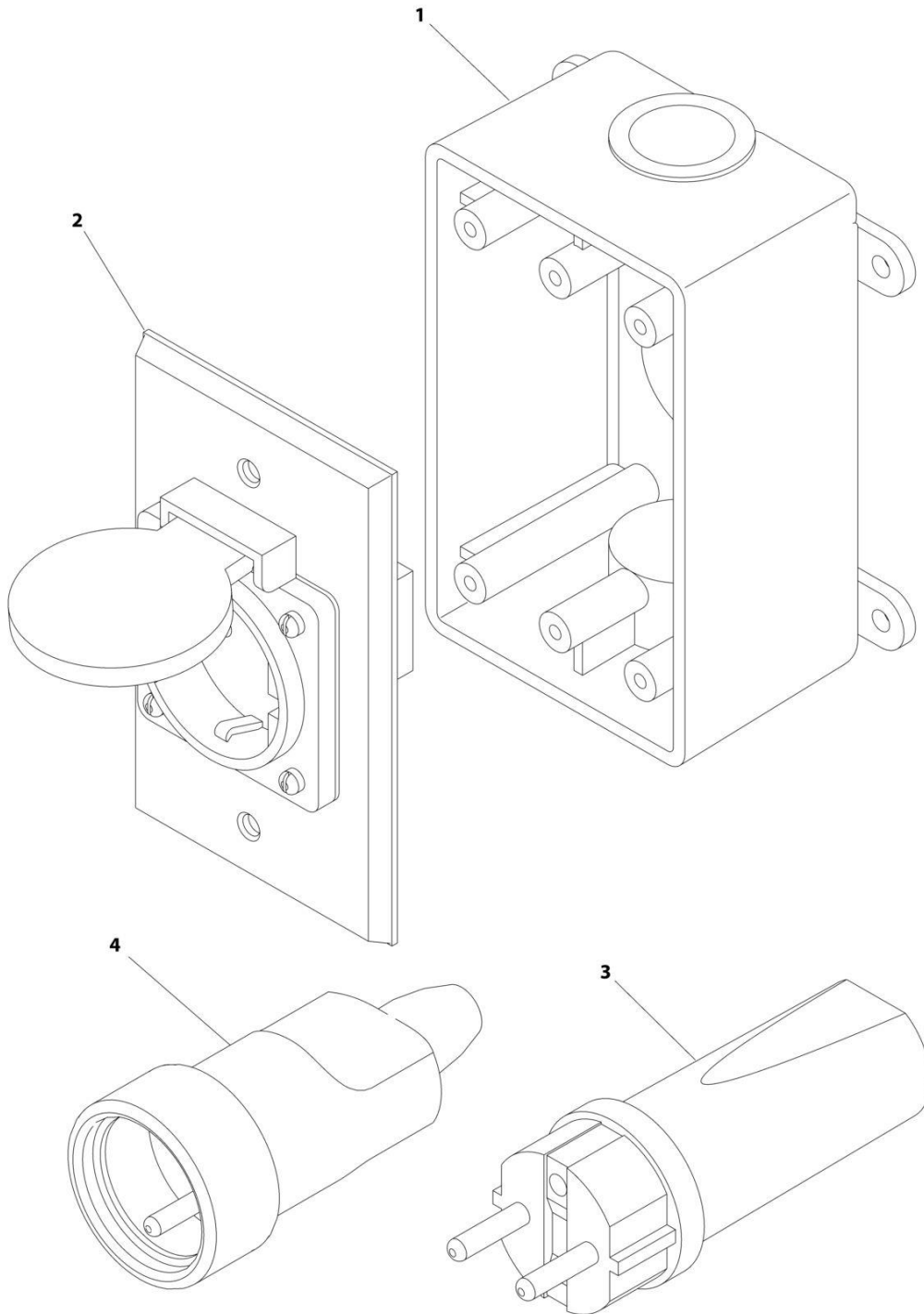
## SECTION 8 - ELECTRICAL

**FIGURE 8-64. RECEPTACLE BOX KIT - 220V CEE7 SIDE GROUND (CE & UK CA SPEC)**

| ITEM | PART NUMBER | QTY | DESCRIPTION  | REV |
|------|-------------|-----|--|-----|
|      | 0275453     | Ref | RECEPTACLE BOX KIT - 220V CEE7 SIDE GROUND                           | B   |
| 1    | 0861731     | 1   | Box, Switch  |     |
| 2    | 4461245     | 1   | Receptacle   |     |
| 3    | 4461205     | 1   | Plug, Male   |     |
| 4    | 1001100347  | 1   | Plug and Socket Kit (Includes Items 1-3 and Female Plug p/n 4461206) |     |

## SECTION 8 - ELECTRICAL

FIGURE 8-65. RECEPTACLE BOX KIT - 220V CEE7 SIDE GROUND (2X4 BOX) (CE & UK CA SPECS)  
(2500W GENERATOR)



ART\_1001100347

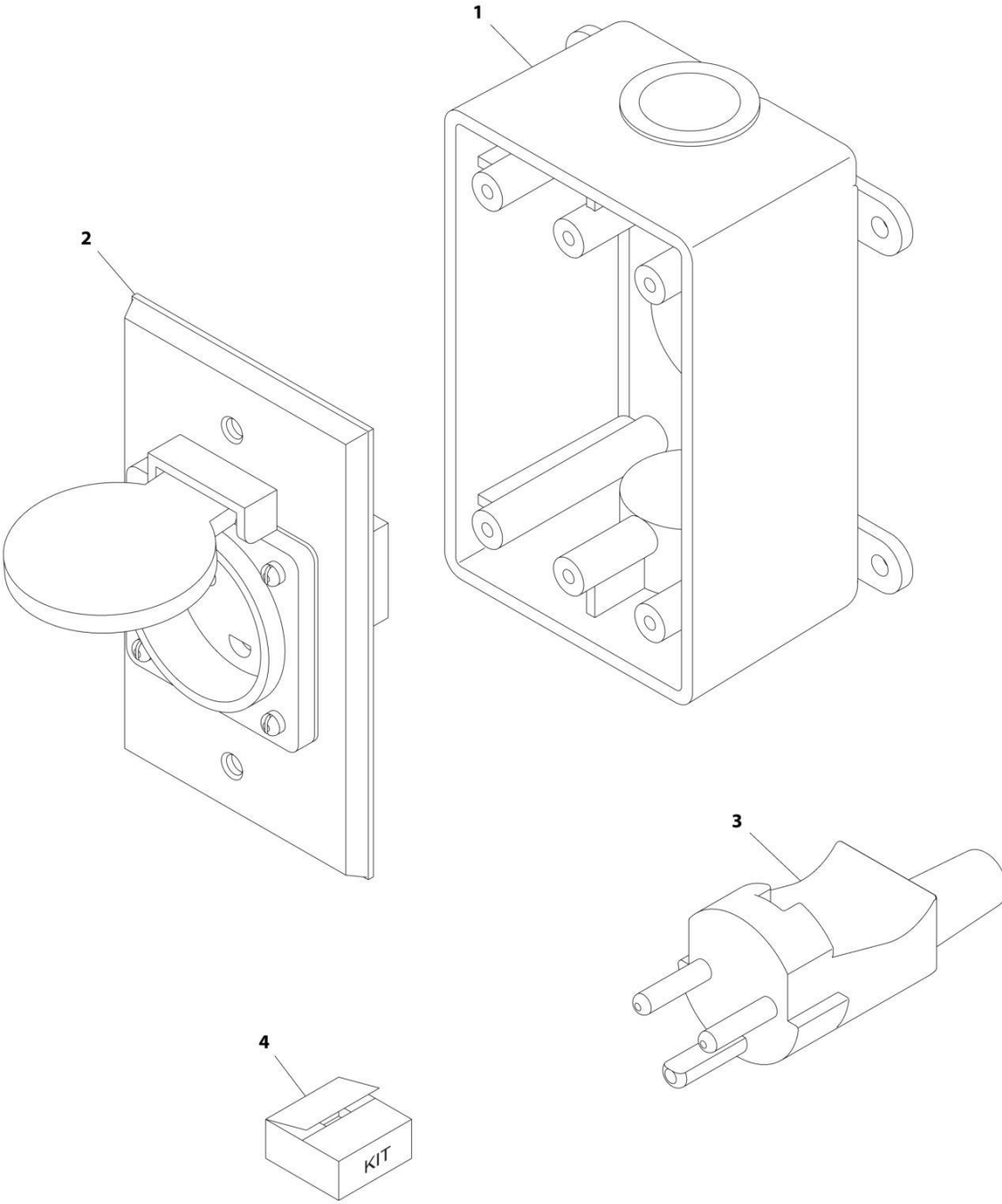
## SECTION 8 - ELECTRICAL

**FIGURE 8-65. RECEPTACLE BOX KIT - 220V CEE7 SIDE GROUND (2X4 BOX) (CE & UK CA SPECS)  
(2500W GENERATOR)**

| ITEM | PART NUMBER | QTY | DESCRIPTION                                | REV |
|------|-------------|-----|--|-----|
|      | 1001100347  | Ref | RECEPTACLE BOX KIT - 220V CEE7 SIDE GROUND | 3   |
| 1    | 0861731     | 1   | Box, Switch                                |     |
| 2    | 4461245     | 1   | Receptacle                                 |     |
| 3    | 4461205     | 1   | Plug, Male                                 |     |
| 4    | 4461206     | 1   | Plug, Female                               |     |

**SECTION 8 - ELECTRICAL**

**FIGURE 8-66. RECEPTACLE BOX KIT - 220V AFSINT 107 (CE & UK CA SPEC)**



ART\_0275454

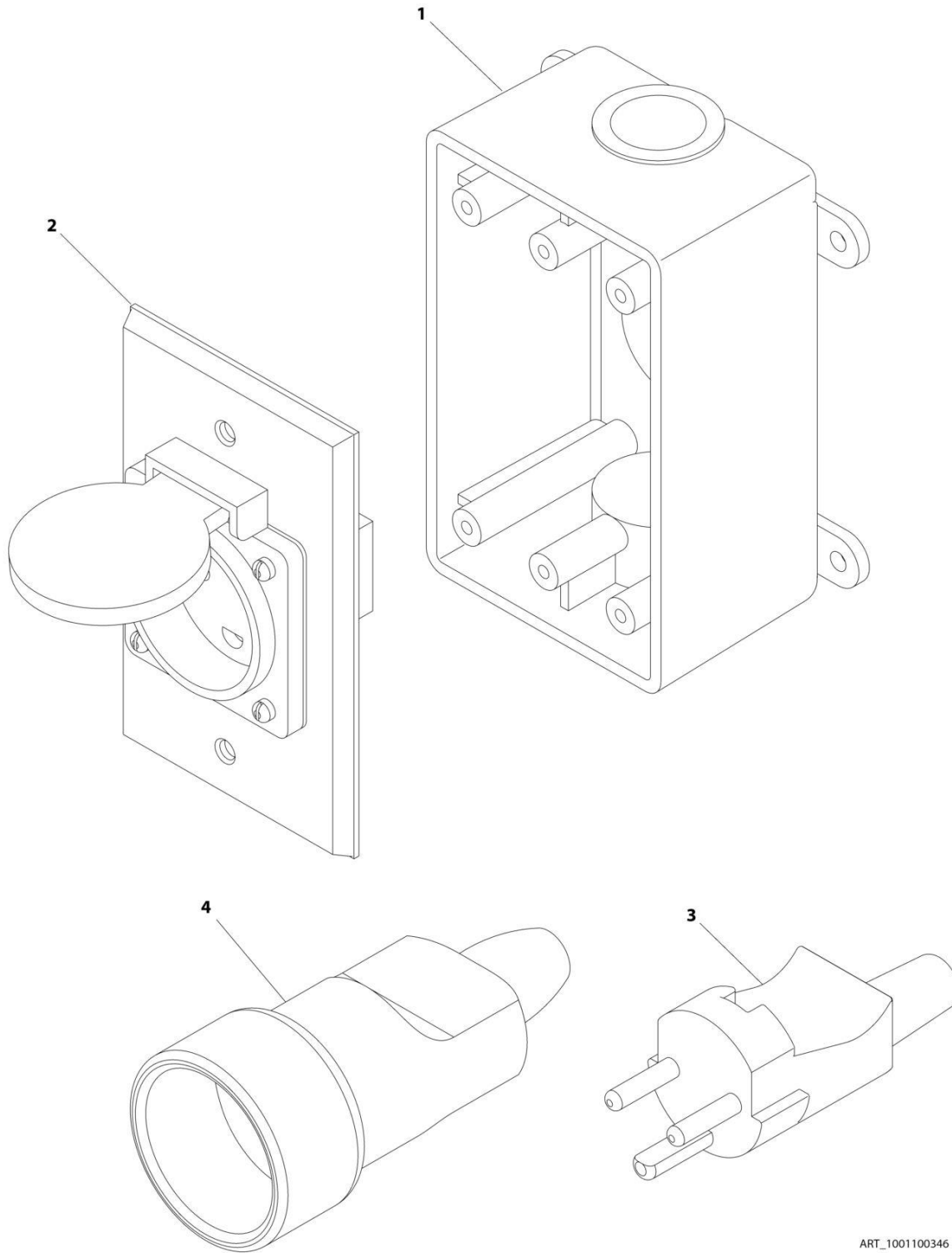
## SECTION 8 - ELECTRICAL

**FIGURE 8-66. RECEPTACLE BOX KIT - 220V AFSINT 107 (CE & UK CA SPEC)**

| ITEM | PART NUMBER | QTY | DESCRIPTION  | REV |
|------|-------------|-----|--|-----|
|      | 0275454     | Ref | RECEPTACLE BOX KIT - 220V AFSINT 107                                 | B   |
| 1    | 0861731     | 1   | Box, Switch  |     |
| 2    | 4461246     | 1   | Receptacle   |     |
| 3    | 4461249     | 1   | Plug, Male   |     |
| 4    | 1001100346  | 1   | Plug and Socket Kit (Includes Items 1-3 and Female Plug p/n 4461250) |     |

# SECTION 8 - ELECTRICAL

FIGURE 8-67. RECEPTACLE BOX KIT - 220V AFSINT 107 KEYED GROUND (2X4 BOX) (CE & UK CA SPECS) (2500W GENERATOR)



ART\_1001100346



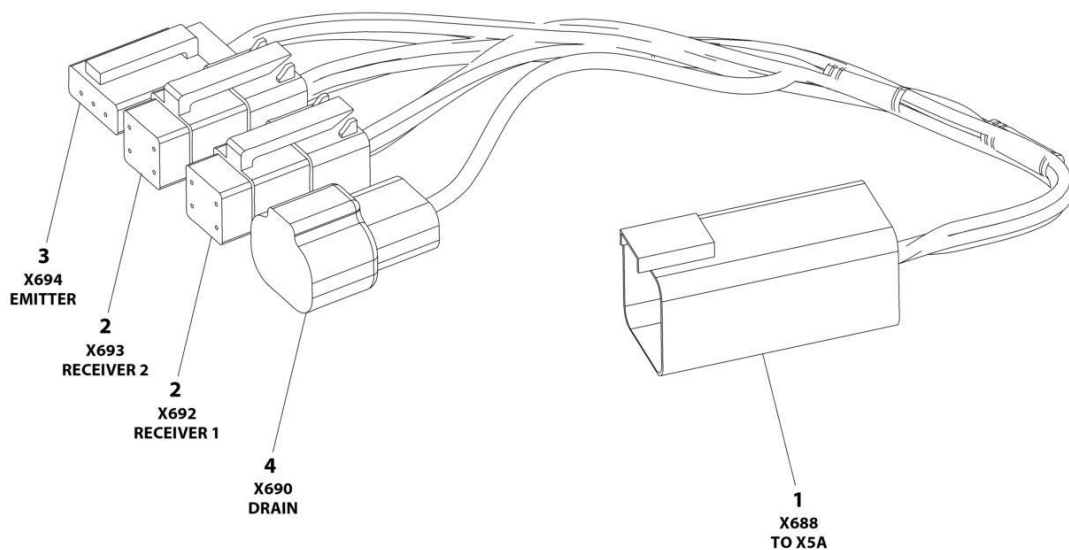
## SECTION 8 - ELECTRICAL

**FIGURE 8-67. RECEPTACLE BOX KIT - 220V AFSINT 107 KEYED GROUND (2X4 BOX) (CE & UK CA SPECS) (2500W GENERATOR)**

| ITEM | PART NUMBER | QTY | DESCRIPTION   | REV |
|------|-------------|-----|---|-----|
|      | 1001100346  | Ref | RECEPTACLE BOX KIT - 220V AFSINT 107 KEYED GROUND WITH 2500W GENERATOR (2X4 BOX) (CE & UK CA SPECS) | 2   |
| 1    | 0861731     | 1   | Box, Switch   |     |
| 2    | 4461246     | 1   | Receptacle  |     |
| 3    | 4461249     | 1   | Plug, Male  |     |
| 4    | 4461250     | 1   | Plug, Female  |     |

# SECTION 8 - ELECTRICAL

## FIGURE 8-68. SKYEYE INTERMEDIATE HARNESS



ART\_1001237865

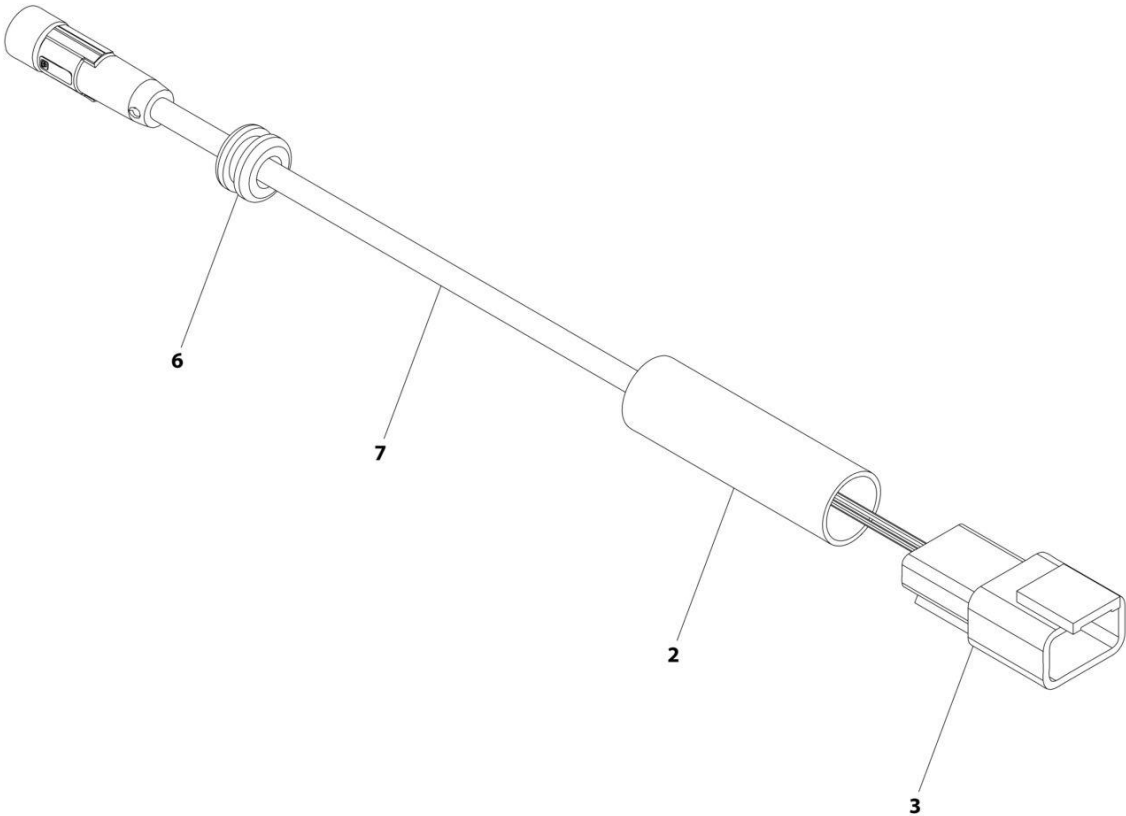
## SECTION 8 - ELECTRICAL

### FIGURE 8-68. SKYEYE INTERMEDIATE HARNESS

| ITEM | PART NUMBER | QTY | DESCRIPTION                 | REV |
|------|-------------|-----|-----------------------------|-----|
|      | 1001237865  | Ref | SKYEYE INTERMEDIATE HARNESS | A   |
| 1    | 4460899     | 1   | Connector - 6 Position      |     |
| 1    | 4460943     | 4   | Pin, Male                   |     |
| 1    | 4460466     | 2   | Plug, Terminal              |     |
| 2    | 4461077     | 2   | Connector - 4 Position      |     |
| 2    | 1001119619  | 8   | Socket, Female              |     |
| 3    | 4460911     | 1   | Connector - 3 Position      |     |
| 3    | 1001119619  | 3   | Socket, Female              |     |
| 4    | 1001187681  | 1   | Connector - 2 Position      |     |
| 4    | 4460941     | 1   | Pin, Male                   |     |
| 4    | 4460466     | 1   | Plug, Terminal              |     |

**SECTION 8 - ELECTRICAL**

**FIGURE 8-69. SKYEYE EMITTER HARNESS**



ART\_1001237864

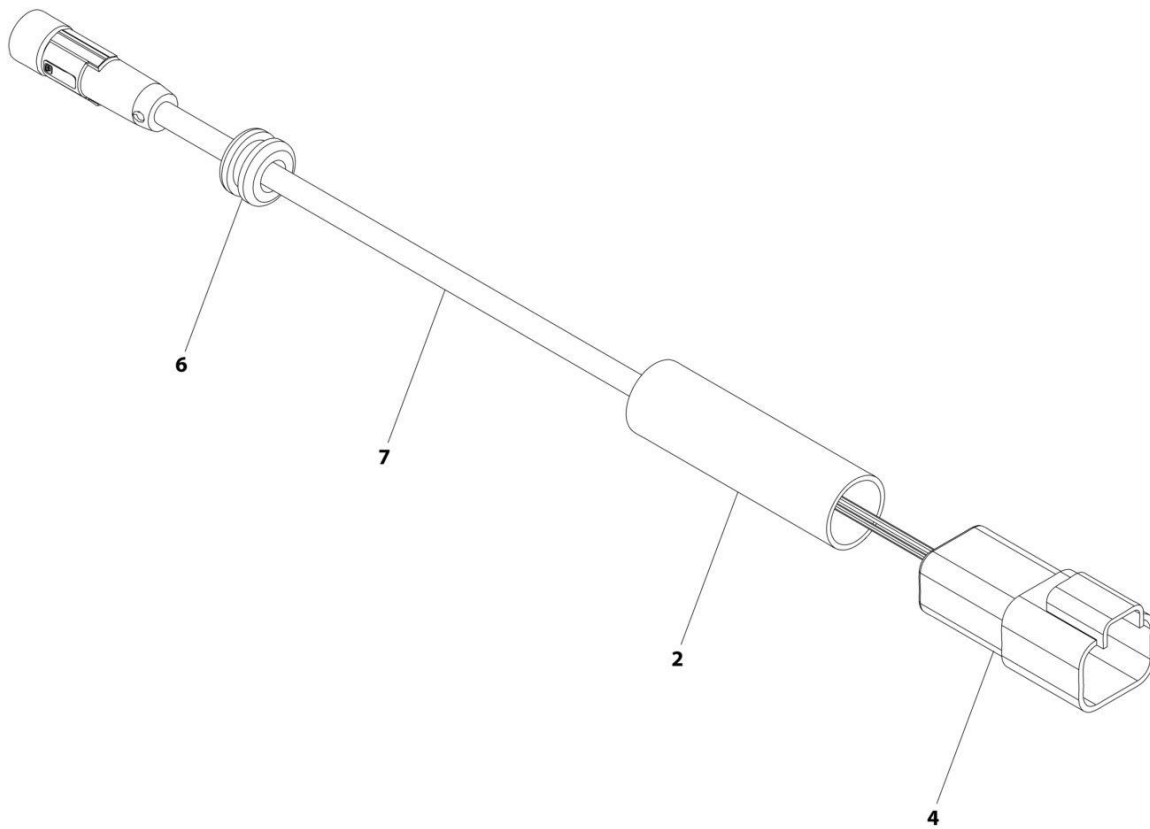
## SECTION 8 - ELECTRICAL

### FIGURE 8-69. SKYEYE EMITTER HARNESS

| ITEM | PART NUMBER | QTY | DESCRIPTION              | REV |
|------|-------------|-----|--------------------------|-----|
|      | 1001237864  | Ref | SKYEYE EMITTER HARNESS   | A   |
| 2    | 2820247     | AR  | Tubing, Heat Shrink      |     |
| 3    | 4460910     | 1   | Connector - 3 Position   |     |
| 3    | 1001119620  | 3   | Pin, Male                |     |
| 6    | 1001227996  | 1   | Grommet                  |     |
| 7    | 1001237862  | 1   | Cable, M8 Female Cordset |     |

# SECTION 8 - ELECTRICAL

## FIGURE 8-70. SKYEYE RECEIVER HARNESS



ART\_1001237863

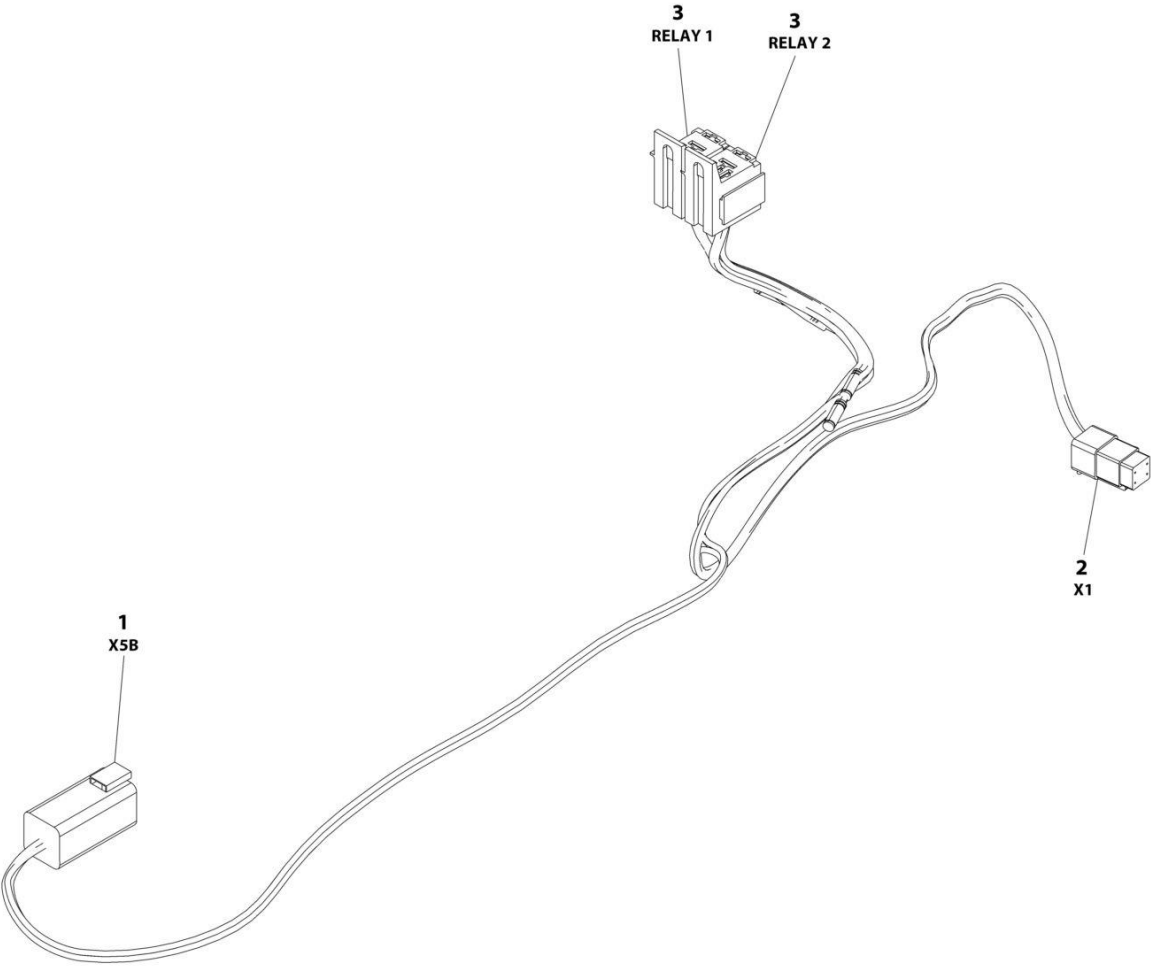
## SECTION 8 - ELECTRICAL

### FIGURE 8-70. SKYEYE RECEIVER HARNESS

| ITEM | PART NUMBER | QTY | DESCRIPTION              | REV |
|------|-------------|-----|--------------------------|-----|
|      | 1001237863  | Ref | SKYEYE RECEIVER HARNESS  | A   |
| 2    | 2820247     | AR  | Tubing, Heat Shrink      |     |
| 4    | 1001097051  | 1   | Connector - 4 Position   |     |
| 4    | 1001119620  | 4   | Pin, Male                |     |
| 6    | 1001227996  | 1   | Grommet                  |     |
| 7    | 1001237862  | 1   | Cable, M8 Female Cordset |     |

**SECTION 8 - ELECTRICAL**

**FIGURE 8-71. SKYLINE HARNESS**



ART\_1001238418



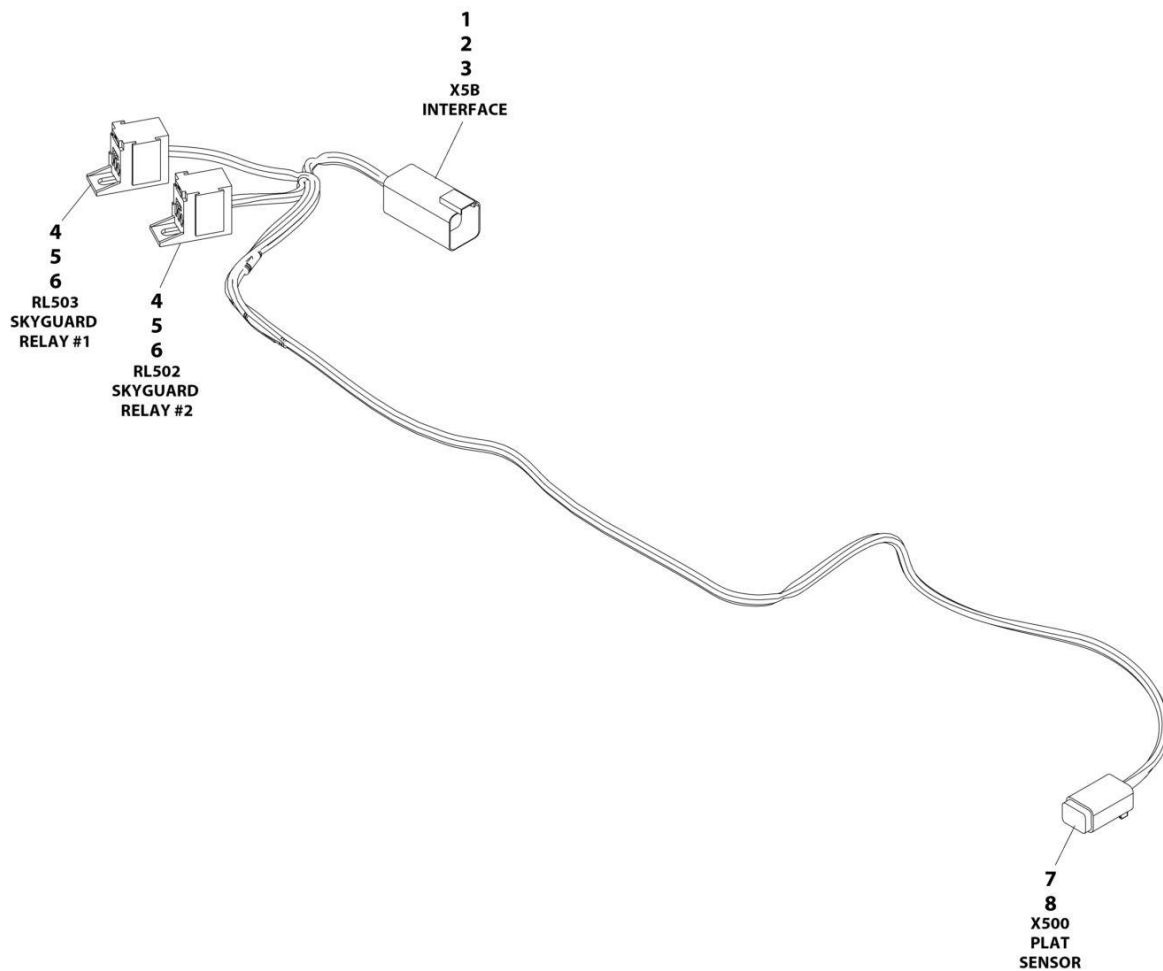
## SECTION 8 - ELECTRICAL

### FIGURE 8-71. SKYLINE HARNESS

| ITEM | PART NUMBER | QTY | DESCRIPTION            | REV |
|------|-------------|-----|------------------------|-----|
|      | 1001238418  | Ref | SKYLINE HARNESS        | B   |
| 1    | 4460899     | 1   | Connector - 6 Position |     |
| 1    | 4460464     | 4   | Pin, Male              |     |
| 1    | 4460466     | 2   | Plug, Terminal         |     |
| 2    | 4461077     | 1   | Connector - 4 Position |     |
| 2    | 1001126009  | 4   | Socket, Female         |     |
| 3    | 1001186432  | 2   | Plug, Relay            |     |
| 3    | 1001118388  | 5   | Terminal               |     |
| 3    | 1001118384  | 3   | Terminal               |     |
| 3    | 3740086     | 2   | Relay                  |     |

# SECTION 8 - ELECTRICAL

## FIGURE 8-72. SKYGUARD INTERFACE HARNESS



ART\_1001225580

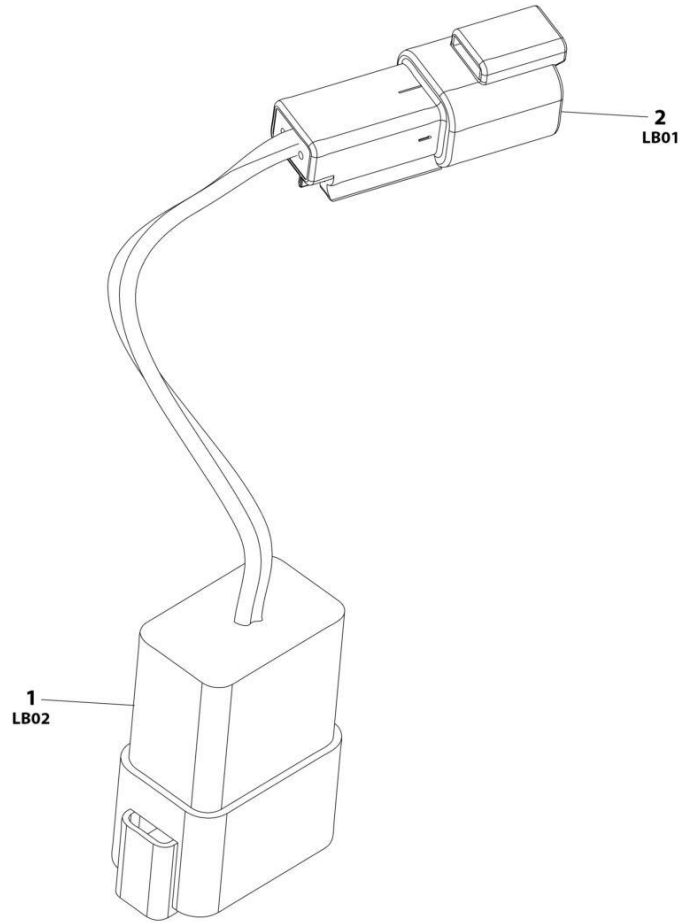
## SECTION 8 - ELECTRICAL

### FIGURE 8-72. SKYGUARD INTERFACE HARNESS

| ITEM | PART NUMBER | QTY | DESCRIPTION                         | REV |
|------|-------------|-----|-------------------------------------|-----|
|      | 1001225580  | Ref | INTERFACE HARNESS - WITH 1 CELL LSS | D   |
| 1    | 4460899     | 1   | Connector                           |     |
| 2    | 4460464     | 4   | Terminal                            |     |
| 3    | 4460466     | 2   | Plug                                |     |
| 4    | 1001186432  | 2   | Connector                           |     |
| 5    | 1001116720  | 4   | Terminal                            |     |
| 6    | 1001118388  | 4   | Terminal                            |     |
| 7    | 4460884     | 1   | Connector                           |     |
| 8    | 4460465     | 4   | Terminal                            |     |

# SECTION 8 - ELECTRICAL

## FIGURE 8-73. STROBE LIGHT JUMPER HARNESS



ART\_1001283776

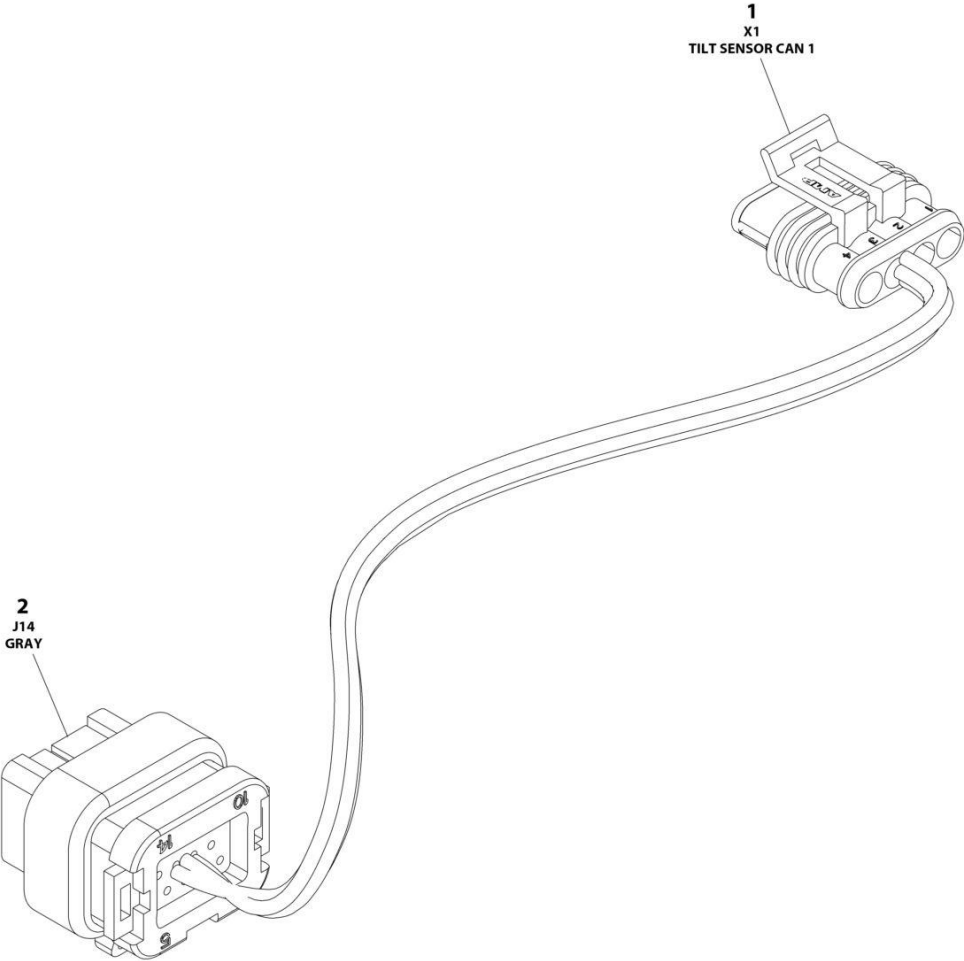
## SECTION 8 - ELECTRICAL

### FIGURE 8-73. STROBE LIGHT JUMPER HARNESS

| ITEM | PART NUMBER | QTY | DESCRIPTION                  | REV |
|------|-------------|-----|------------------------------|-----|
|      | 1001283776  | Ref | STROBE LIGHT HARNESS (AMBER) | A   |
| 1    | 4460931     | 1   | Connector                    |     |
| 1    | 4460464     | 2   | Pin                          |     |
| 1    | 4460466     | 6   | Plug                         |     |
| 2    | 4460897     | 1   | Connector                    |     |
| 2    | 4460464     | 2   | Pin                          |     |

**SECTION 8 - ELECTRICAL**

**FIGURE 8-74. TILT SENSOR HARNESS**



ART\_1001276143

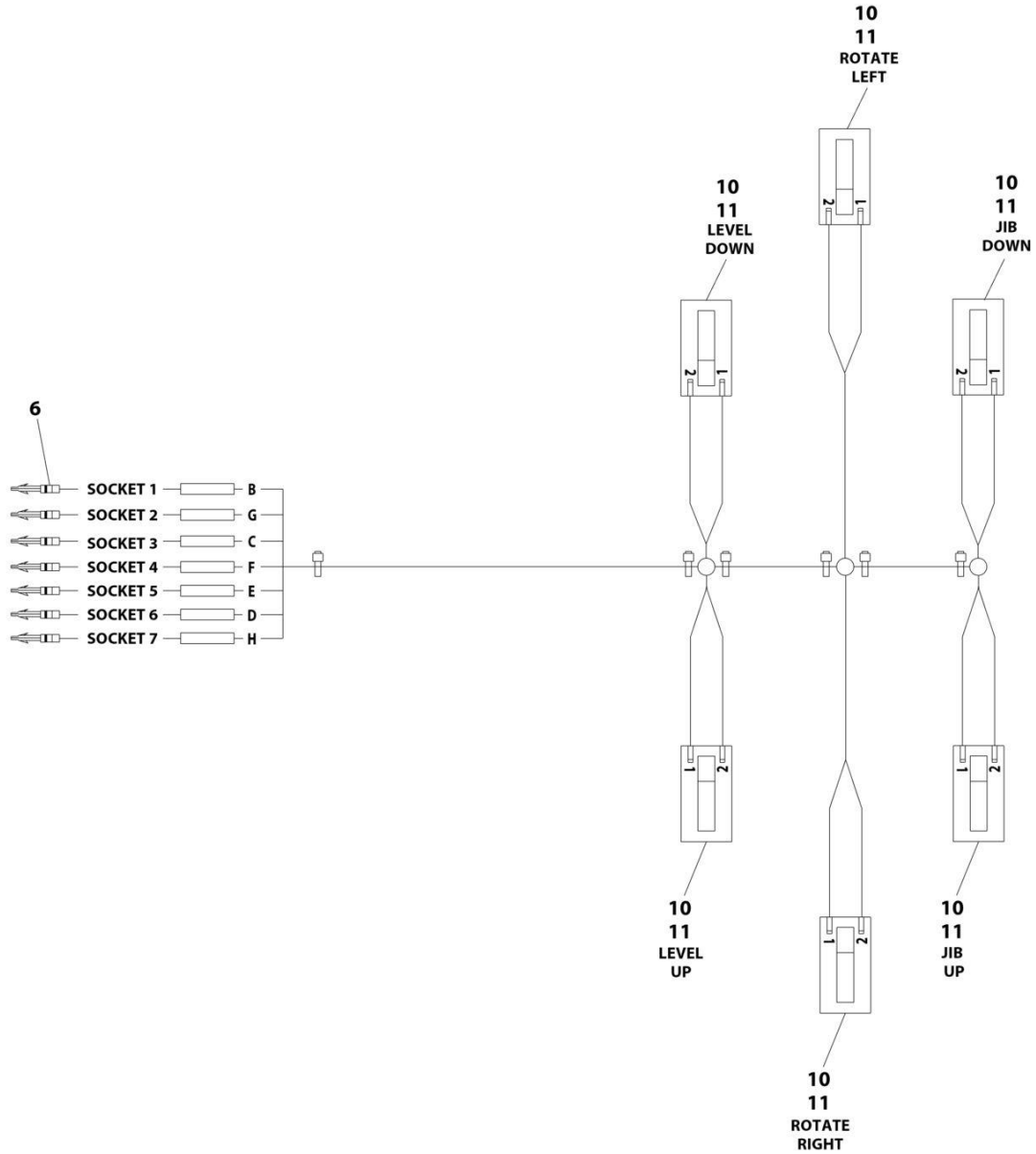
## SECTION 8 - ELECTRICAL

### FIGURE 8-74. TILT SENSOR HARNESS

| ITEM | PART NUMBER | QTY | DESCRIPTION             | REV |
|------|-------------|-----|-------------------------|-----|
|      | 1001276143  | Ref | TILT SENSOR HARNESS     | B   |
| 1    | 1001103012  | 1   | Connector - 4 Position  |     |
| 1    | 1001107854  | 4   | Terminal, Male          |     |
| 1    | 1001104498  | 4   | Terminal, Seal          |     |
| 2    | 1001246859  | 1   | Connector - 14 Position |     |
| 2    | 4460871     | 4   | Socekt, Female          |     |
| 2    | 4460905     | 10  | Plug, Terminal          |     |

# SECTION 8 - ELECTRICAL

## FIGURE 8-75. VALVE HARNESS - BOOM VALVE



ART\_1001139135



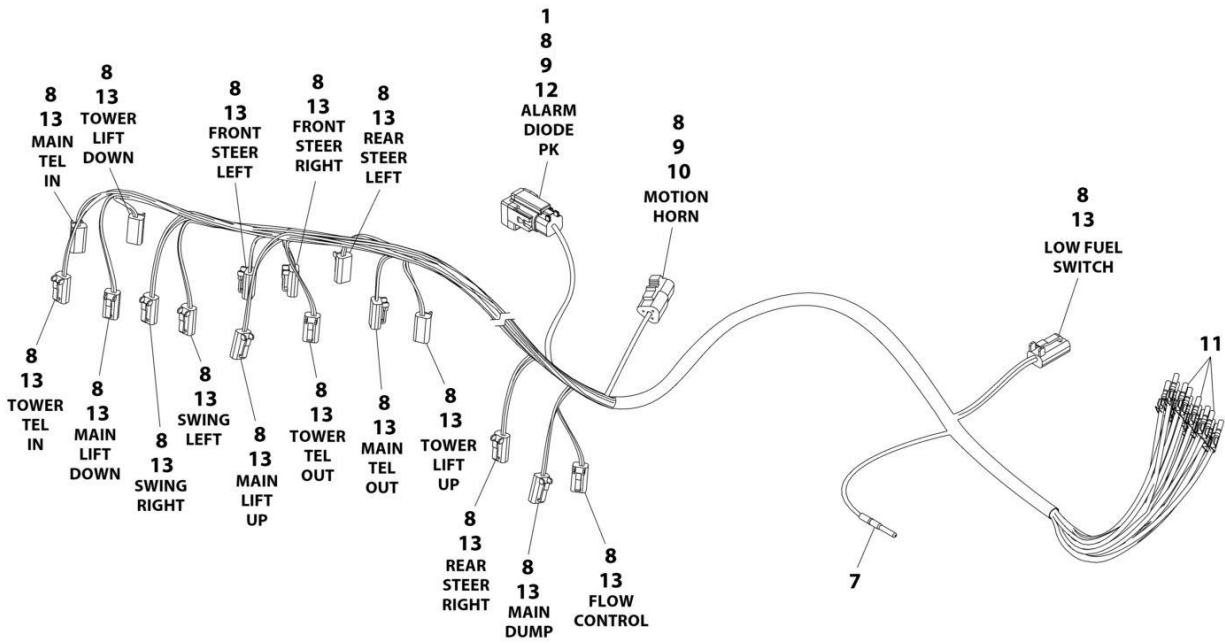
## SECTION 8 - ELECTRICAL

### FIGURE 8-75. VALVE HARNESS - BOOM VALVE

| ITEM | PART NUMBER | QTY | DESCRIPTION        | REV |
|------|-------------|-----|--------------------|-----|
|      | 1001139135  | Ref | BOOM VALVE HARNESS | 3   |
| 6    | 4460226     | 7   | Terminal, Socket   |     |
| 10   | 4460891     | 6   | Deutsch connector  |     |
| 11   | 1001116692  | 12  | Socket             |     |

# SECTION 8 - ELECTRICAL

## FIGURE 8-76. VALVE HARNESS



ART\_1001298324

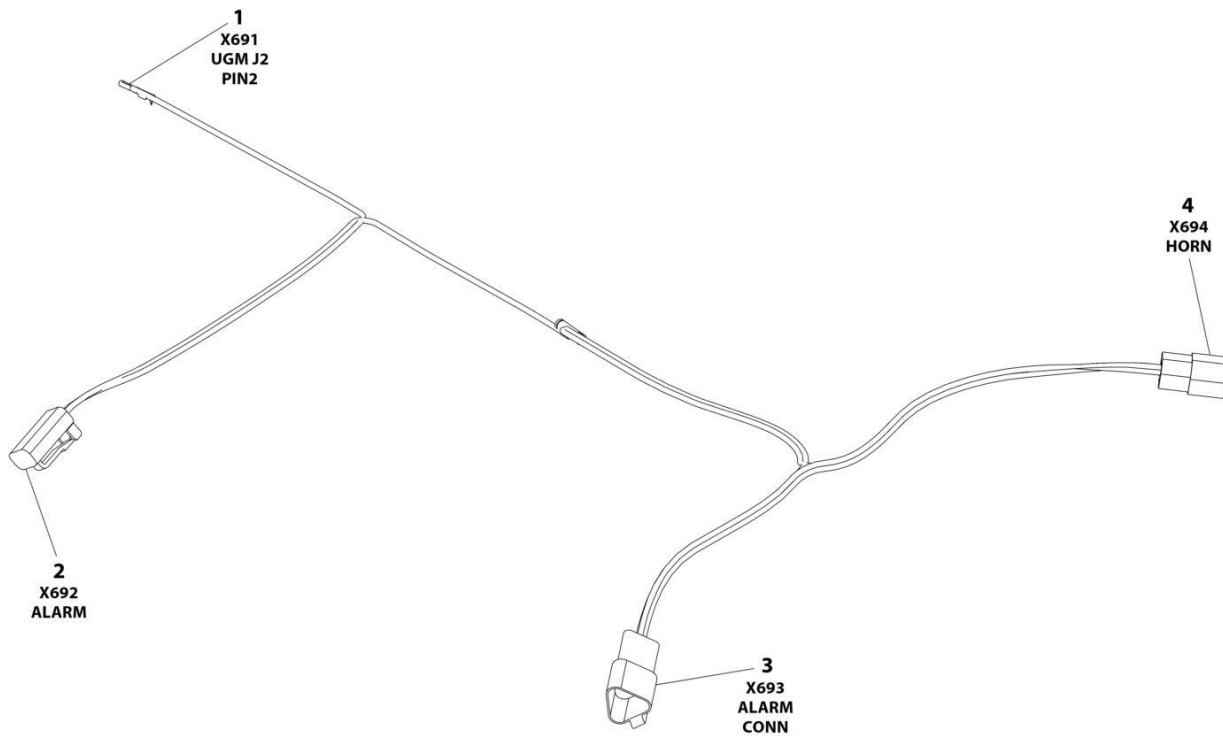
## SECTION 8 - ELECTRICAL

### FIGURE 8-76. VALVE HARNESS

| ITEM | PART NUMBER | QTY | DESCRIPTION                | REV |
|------|-------------|-----|----------------------------|-----|
|      | 1001298324  | Ref | VALVE HARNESS - MAIN VALVE | B   |
| 1    | 1001152266  | 1   | Connector                  |     |
| 7    | 4460464     | 1   | Pin                        |     |
| 8    | 4460465     | 39  | Socket                     |     |
| 9    | 4460466     | 2   | Plug                       |     |
| 10   | 4460539     | 1   | Connector                  |     |
| 11   | 4460871     | 26  | Socket                     |     |
| 12   | 4460884     | 1   | Connector                  |     |
| 13   | 4460891     | 17  | Connector                  |     |
| 18   | 4460897     | 1   | Connector                  |     |

# SECTION 8 - ELECTRICAL

## FIGURE 8-77. WHITE NOISE ALARM HARNESS



ART\_1001231007

## SECTION 8 - ELECTRICAL

### FIGURE 8-77. WHITE NOISE ALARM HARNESS

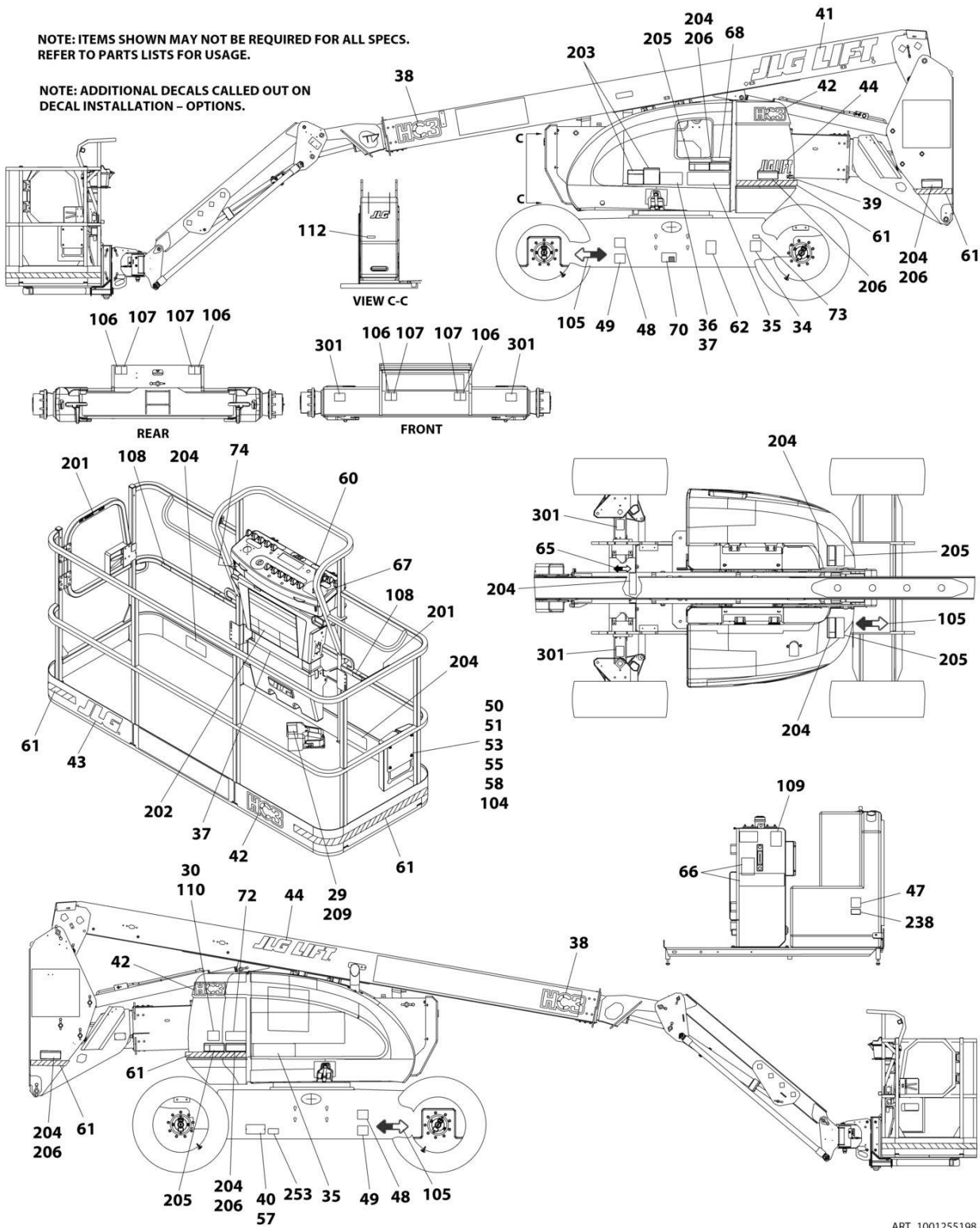
| ITEM | PART NUMBER | QTY | DESCRIPTION                     | REV |
|------|-------------|-----|---------------------------------|-----|
|      | 1001231007  | Ref | WHITE NOISE ALARM INSTALLATION  | B   |
| 1    | 4460871     | 1   | Terminal                        |     |
| 2    | 4460891     | 1   | Plug, Male - 2 Position         |     |
| 2    | 4460465     | 2   | Socket, Female                  |     |
| 3    | 4460536     | 1   | Receptacle, Female - 3 Position |     |
| 3    | 4460464     | 3   | Pin, Male                       |     |
| 4    | 4460539     | 1   | Plug, Male - 3 Position         |     |
| 4    | 4460465     | 3   | Socket, Female                  |     |



**SECTION 9 - DECALS**

# SECTION 9 - DECALS

## FIGURE 9-1. DECAL INSTALLATION - ANSI SPECS





## SECTION 9 - DECALS

### FIGURE 9-1. DECAL INSTALLATION - ANSI SPECS

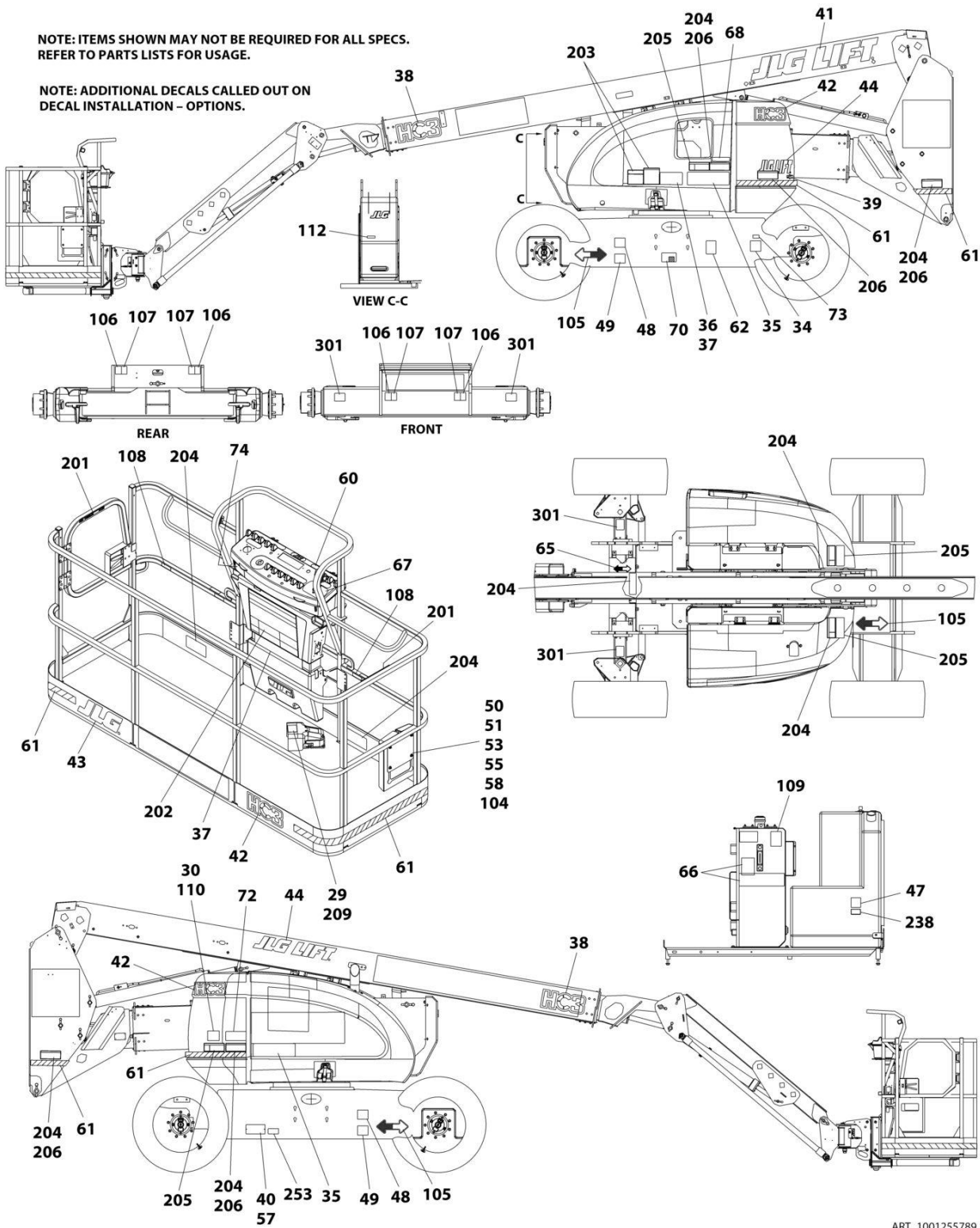
| ITEM | PART NUMBER | QTY        | DESCRIPTION   | REV |
|------|-------------|------------|---|-----|
|      | 1001255198  | Ref        | DECAL INSTALLATION                                  | E   |
|      | 1001255196  | Ref        | DECAL REFERENCE CHART                               | C   |
| 29   | 3252347     | 1          | Nameplate - Footswitch                              |     |
| 34   | See Note    | NSS        | Decal - Bar Code (Note: Not Available for Purchase) |     |
| 35   | 1001267311  | 2          | Decal - 600AJ                                       |     |
| 36   | 1001234426  | 1          | Decal - Warning                                     |     |
| 37   | 1001234425  | 1          | Decal - Warning                                     |     |
| 39   | 1704885     | 1          | Decal - Website                                     |     |
| 50   | 0100011     | AR         | Compound, Locking                                   |     |
| 51   | 0641406     | 4          | Bolt 1/4 x 3/4                                      |     |
| 53   | 0860520     | 1          | Box, Manual Storage                                 |     |
| 55   | 3311405     | 4          | Nut 1/4   |     |
| 57   | 3820001     | 2          | Rivet   |     |
| 58   | 4751400     | 8          | Washer 1/4  |     |
| 60   | 1001184618  | 1          | Decal - Stop  |     |
| 61   | 4420051     | 22 ft/6.7m | Tape, Safety  |     |
| 62   | 1001131269  | 1          | Decal - Patent                                      |     |
| 65   | 1703687     | 1          | Decal - Direction Arrow                             |     |
| 66   | 1702265     | 1          | Decal - Upright Level Over-Ride                     |     |
| 67   | 1705351     | 1          | Decal - Drive/Steer Instructions                    |     |
| 70   | 1001223055  | 1          | Decal - Yearly Inspection                           |     |
| 72   | 1001284696  | 1          | Decal - Lift Diagram                                |     |
| 73   | 1001223453  | 1          | Decal - ICES  |     |
| 100  | 2902303     | 1          | Decal Kit - Master (Includes Items 104-112)         |     |
| 104  | 1701509     | 1          | Decal - Manual                                      |     |
| 105  | 1701529     | 6          | Decal - Arrow                                       |     |
| 106  | 1703811     | 4          | Decal - Tie Down/Lift                               |     |
| 107  | 1703814     | 6          | Decal - Tie Down                                    |     |
| 108  | 1704277     | 4          | Decal - Attach Lanyard Here                         |     |
| 109  | 1704412     | 1          | Decal - Hydraulic Oil Chart                         |     |
| 112  | 3251243     | 1          | Nameplate - 120V-60Hz                               |     |
| 200  | 2902307     | 1          | Decal Kit - Country Spec (Includes Items 201-206)   |     |
| 201  | 1702868     | 2          | Decal - No Hands                                    |     |
| 202  | 1703797     | 1          | Decal - Warning/Danger                              |     |
| 203  | 1705336     | 1          | Decal - Warning Inspection (MTB)                    |     |
| 204  | 1703804     | 5          | Decal - Warning Crushing                            |     |
| 205  | 1703805     | 4          | Decal - Danger Electrocution                        |     |
| 206  | 1703953     | 4          | Decal - Warning Crushing                            |     |
| 300  | 1001255795  | 1          | Decal Max Tire Load Kit (Includes Item 301)         |     |
| 301  | 1001255794  | 4          | Decal - Max Tire Load                               |     |

# SECTION 9 - DECALS

## FIGURE 9-2. DECAL INSTALLATION - AUSTRALIAN SPECS

NOTE: ITEMS SHOWN MAY NOT BE REQUIRED FOR ALL SPECS.  
REFER TO PARTS LISTS FOR USAGE.

NOTE: ADDITIONAL DECALS CALLED OUT ON  
DECAL INSTALLATION - OPTIONS.



ART\_1001255789

## SECTION 9 - DECALS

**FIGURE 9-2. DECAL INSTALLATION - AUSTRALIAN SPECS**

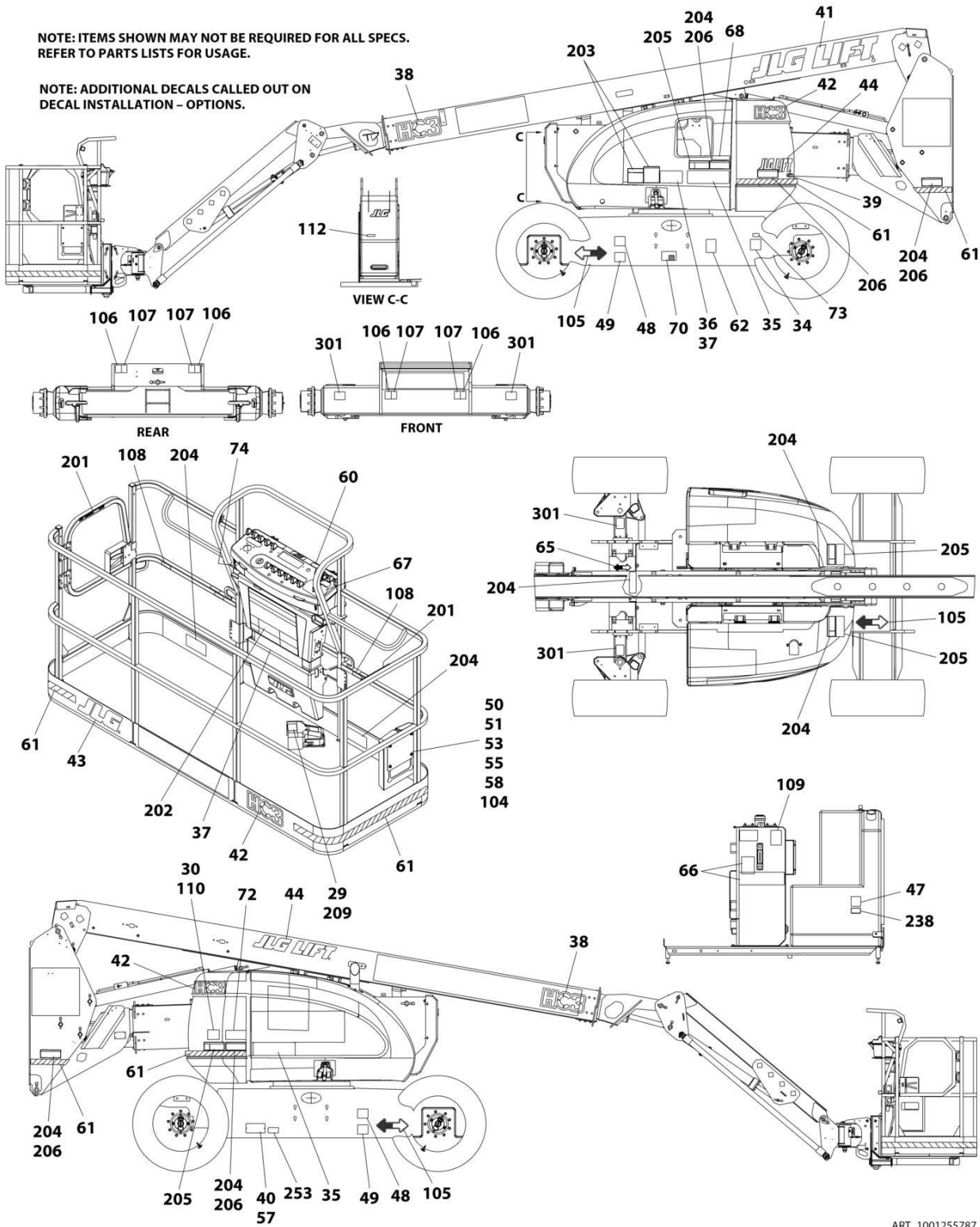
| ITEM | PART NUMBER | QTY        | DESCRIPTION   | REV |
|------|-------------|------------|---|-----|
|      | 1001255789  | Ref        | DECAL INSTALLATION                                  | D   |
|      | 1001255196  | Ref        | DECAL REFERENCE CHART                               | C   |
| 34   | See Note    | NSS        | Decal - Bar Code (Note: Not Available for Purchase) |     |
| 35   | 1702819     | 2          | Decal - 600AJ                                       |     |
| 35   | 1001267311  | 1          | Decal - 600AJ                                       |     |
| 37   | 1001234439  | 2          | Decal - Warning                                     |     |
| 39   | 1704885     | 1          | Decal - Website                                     |     |
| 50   | 0100011     | AR         | Compound, Locking                                   |     |
| 51   | 0641406     | 4          | Bolt 1/4 x 3/4                                      |     |
| 53   | 0860520     | 1          | Box, Manual Storage                                 |     |
| 55   | 3311405     | 4          | Nut 1/4   |     |
| 57   | 3820001     | 2          | Rivet   |     |
| 58   | 4751400     | 8          | Washer 1/4  |     |
| 60   | 1001184618  | 1          | Decal - Stop  |     |
| 61   | 4420051     | 22 ft/6.7m | Tape, Safety  |     |
| 65   | 1703687     | 1          | Decal - Direction Arrow                             |     |
| 66   | 1705977     | 1          | Decal - Upright Level Over-Ride                     |     |
| 67   | 1001112551  | 1          | Decal - Drive/Steer Instructions                    |     |
| 72   | 1001255926  | 1          | Decal - Lift Diagram                                |     |
| 72   | 1001284696  | 1          | Decal - Lift Diagram                                |     |
| 100  | 2902303     | 1          | Decal Kit - Master (Includes Items 104-110)         |     |
| 104  | 1701509     | 1          | Decal - Manual                                      |     |
| 105  | 1701529     | 6          | Decal - Arrow                                       |     |
| 106  | 1703811     | 4          | Decal - Tie Down/Lift                               |     |
| 107  | 1703814     | 6          | Decal - Tie Down                                    |     |
| 108  | 1704277     | 4          | Decal - Attach Lanyard Here                         |     |
| 109  | 1704412     | 1          | Decal - Hydraulic Oil Chart                         |     |
| 110  | 1705084     | 1          | Decal - Sound Power                                 |     |
| 200  | 2902329     | 1          | Decal Kit - Country Spec (Includes Items 202-209)   |     |
| 202  | 1705921     | 1          | Decal -Warning/Danger                               |     |
| 203  | 1705822     | 1          | Decal - Warning Inspection (MTB)                    |     |
| 204  | 1701518     | 10         | Decal -Warning Crushing                             |     |
| 205  | 1705961     | 5          | Decal - Danger Electrocution                        |     |
| 209  | 1705828     | 1          | Decal - Footswitch                                  |     |
| 300  | 1001255795  | 1          | Decal Max Tire Load Kit (Includes Item 301)         |     |
| 301  | 1001255794  | 4          | Decal - Max Tire Load                               |     |

# SECTION 9 - DECALS

## FIGURE 9-3. DECAL INSTALLATION - BRAZIL SPECS

NOTE: ITEMS SHOWN MAY NOT BE REQUIRED FOR ALL SPECS.  
REFER TO PARTS LISTS FOR USAGE.

NOTE: ADDITIONAL DECALS CALLED OUT ON  
DECAL INSTALLATION - OPTIONS.



ART\_1001255787

## SECTION 9 - DECALS

### FIGURE 9-3. DECAL INSTALLATION - BRAZIL SPECS

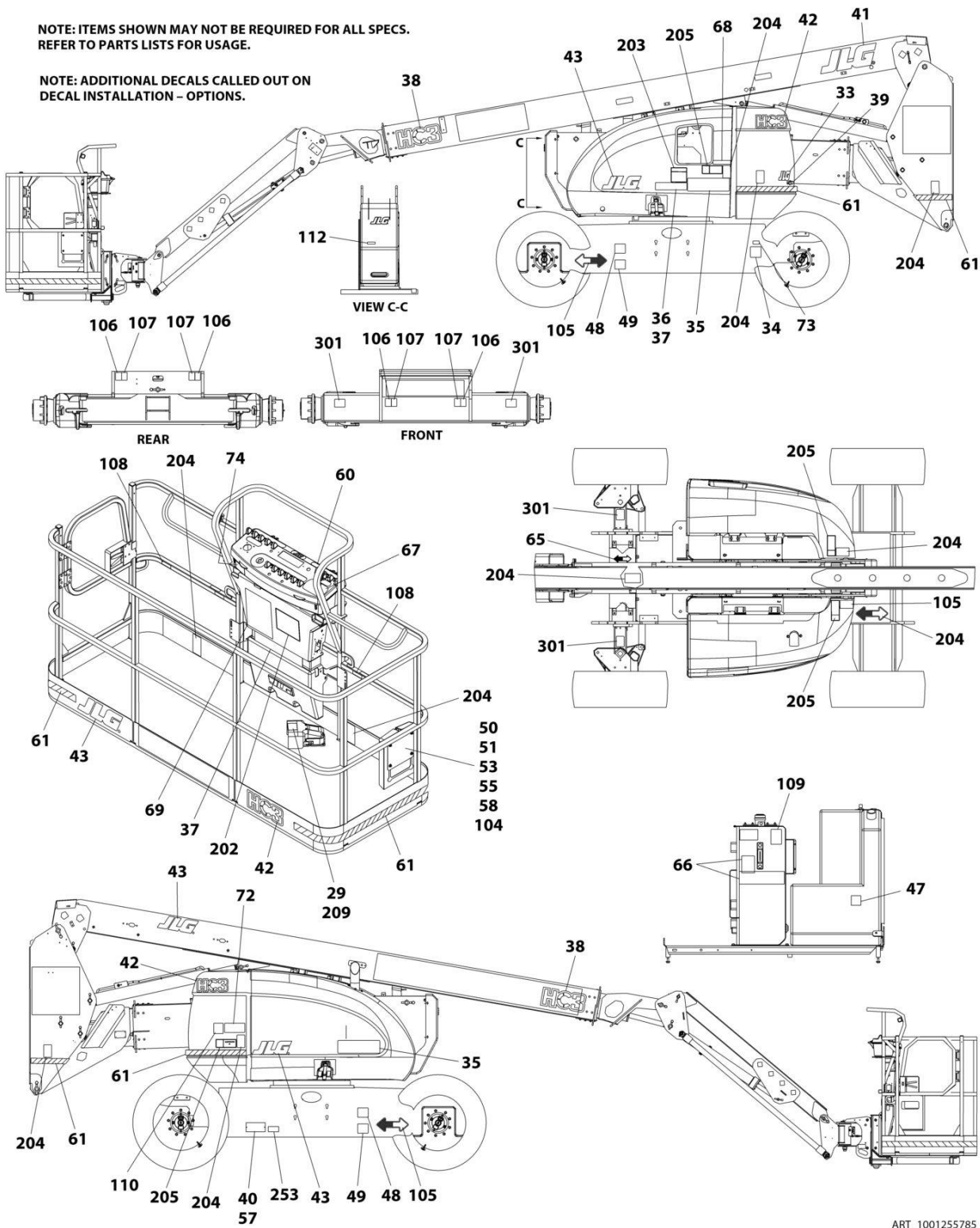
| ITEM | PART NUMBER | QTY        | DESCRIPTION   | REV |
|------|-------------|------------|---|-----|
|      | 1001255787  | Ref        | DECAL INSTALLATION                                  | D   |
|      | 1001255196  | Ref        | DECAL REFERENCE CHART                               | C   |
| 34   | See Note    | NSS        | Decal - Bar Code (Note: Not Available for Purchase) |     |
| 35   | 1001267311  | 2          | Decal - 600AJ                                       |     |
| 36   | 1001255915  | 1          | Decal - Warning                                     |     |
| 37   | 1001255914  | 1          | Decal - Warning                                     |     |
| 39   | 1704885     | 1          | Decal - Website                                     |     |
| 50   | 0100011     | AR         | Compound, Locking                                   |     |
| 51   | 0641406     | 4          | Bolt 1/4 x 3/4                                      |     |
| 53   | 0860520     | 1          | Box, Manual Storage                                 |     |
| 55   | 3311405     | 4          | Nut 1/4   |     |
| 57   | 3820001     | 2          | Rivet   |     |
| 58   | 4751400     | 8          | Washer 1/4  |     |
| 60   | 1001184618  | 1          | Decal - Stop  |     |
| 61   | 4420051     | 22 ft/6.7m | Tape, Safety  |     |
| 65   | 1703687     | 1          | Decal - Direction Arrow                             |     |
| 66   | 1703544     | 1          | Decal - Upright Level Over-Ride                     |     |
| 67   | 1705905     | 1          | Decal - Drive/Steer Instructions                    |     |
| 70   | 1001224052  | 1          | Decal - Yearly Inspection                           |     |
| 70   | 1001267885  | 1          | Decal - Yearly Inspection                           |     |
| 72   | 1001284696  | 1          | Decal - Lift Diagram                                |     |
| 100  | 2902303     | 1          | Decal Kit - Master (Includes Items 104-109)         |     |
| 104  | 1701509     | 1          | Decal - Manual                                      |     |
| 105  | 1701529     | 6          | Decal - Arrow                                       |     |
| 106  | 1703811     | 4          | Decal - Tie Down/Lift                               |     |
| 107  | 1703814     | 6          | Decal - Tie Down                                    |     |
| 108  | 1704277     | 4          | Decal - Attach Lanyard Here                         |     |
| 109  | 1704412     | 1          | Decal - Hydraulic Oil Chart                         |     |
| 200  | 2902312     | 1          | Decal Kit - Country Spec (Includes Items 201-209)   |     |
| 201  | 1705967     | 2          | Decal - No Hands                                    |     |
| 202  | 1705895     | 1          | Decal - Warning/Danger                              |     |
| 203  | 1705896     | 1          | Decal - Warning Inspection (MTB)                    |     |
| 204  | 1705898     | 5          | Decal - Warning Crushing                            |     |
| 205  | 1705897     | 5          | Decal - Danger Electrocution                        |     |
| 206  | 1705903     | 7          | Decal - Warning Crushing                            |     |
| 209  | 1705902     | 1          | Decal - Footswitch                                  |     |
| 300  | 1001255795  | 1          | Decal Max Tire Load Kit (Includes Item 301)         |     |
| 301  | 1001255794  | 4          | Decal- Max Tire Load                                |     |

# SECTION 9 - DECALS

## FIGURE 9-4. DECAL INSTALLATION - CE, RUSSIAN & UK CA SPECS

NOTE: ITEMS SHOWN MAY NOT BE REQUIRED FOR ALL SPECS.  
REFER TO PARTS LISTS FOR USAGE.

NOTE: ADDITIONAL DECALS CALLED OUT ON  
DECAL INSTALLATION - OPTIONS.



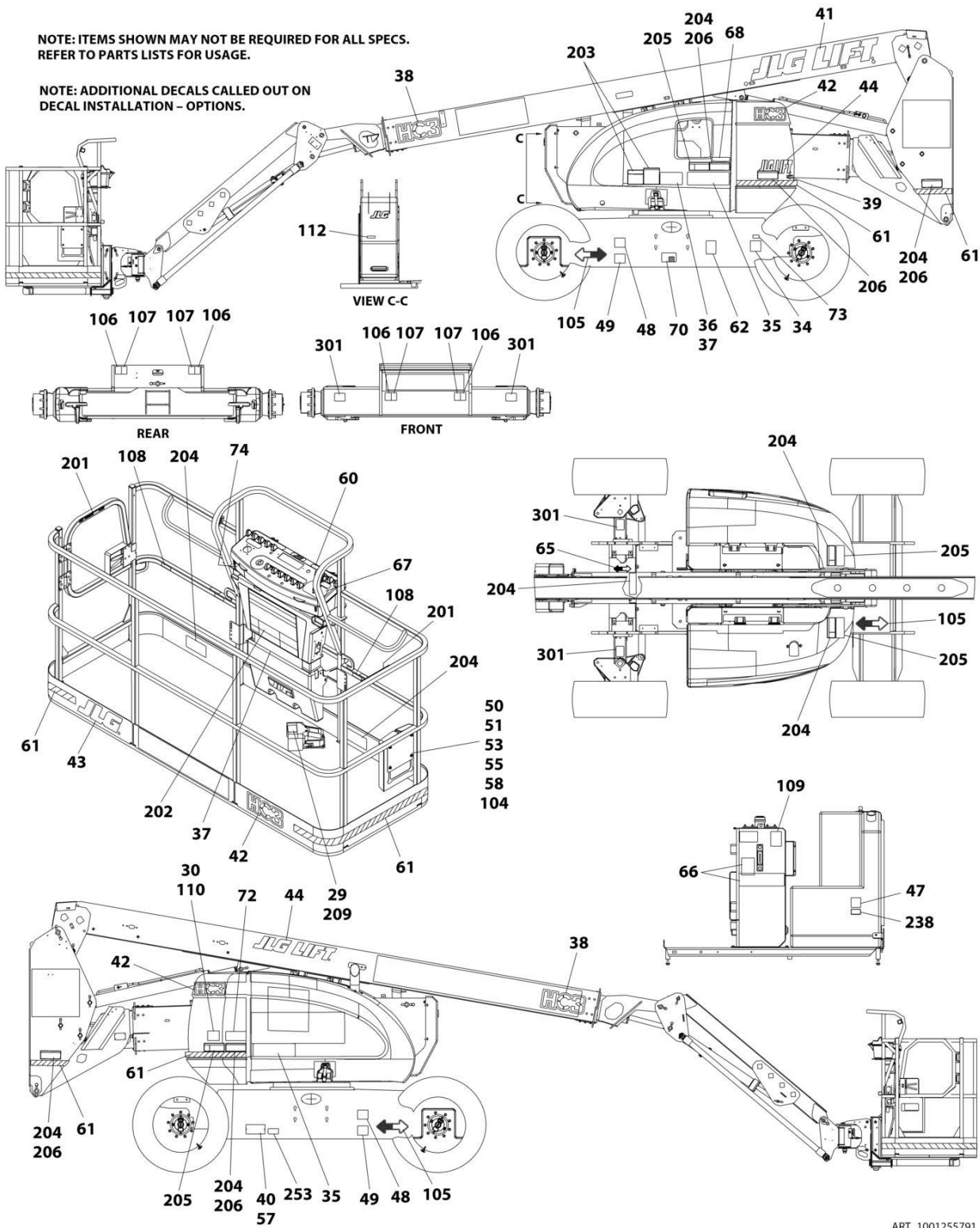
## SECTION 9 - DECALS

**FIGURE 9-4. DECAL INSTALLATION - CE, RUSSIAN & UK CA SPECS**

| ITEM | PART NUMBER | QTY        | DESCRIPTION   | REV |
|------|-------------|------------|---|-----|
|      | 1001255785  | Ref        | DECAL INSTALLATION                                  | E   |
|      | 1001257285  | Ref        | DECAL REFERENCE CHART                               | B   |
| 34   | See Note    | NSS        | Decal - Bar Code (Note: Not Available for Purchase) |     |
| 35   | 1001267311  | 2          | Decal - 600AJ                                       |     |
| 36   | 1001234439  | 1          | Decal - Capacity                                    |     |
| 37   | 1001234439  | 1          | Decal - Capacity                                    |     |
| 50   | 0100011     | AR         | Compound, Locking                                   |     |
| 51   | 0641406     | 4          | Bolt 1/4 x 3/4                                      |     |
| 53   | 0860520     | 1          | Box, Manual Storage                                 |     |
| 55   | 3311405     | 4          | Nut 1/4   |     |
| 57   | 3820001     | 2          | Rivet   |     |
| 58   | 4751400     | 8          | Washer 1/4  |     |
| 60   | 1001184618  | 1          | Decal - Stop  |     |
| 61   | 4420051     | 22 ft/6.7m | Decal - Warning Stripe                              |     |
| 65   | 1703687     | 1          | Decal - Direction Arrow                             |     |
| 66   | 1705977     | 1          | Decal - Upright Level Over-Ride                     |     |
| 72   | 1001284696  | 1          | Decal - Lift Diagram                                |     |
| 100  | 2902303     | 1          | Decal Kit - Master (Includes Items 104-110)         |     |
| 104  | 1701509     | 1          | Decal - Manual                                      |     |
| 105  | 1701529     | 3          | Decal - Arrow                                       |     |
| 106  | 1703811     | 4          | Decal - Tie Down/Lift                               |     |
| 107  | 1703814     | 4          | Decal - Tie Down                                    |     |
| 108  | 1704277     | 3          | Decal - Attach Lanyard Here                         |     |
| 109  | 1704412     | 1          | Decal - Hydraulic Oil Chart                         |     |
| 200  | 2902329     | 1          | Decal Kit - Country Spec (Includes Items 202-209)   |     |
| 202  | 1705921     | 1          | Decal - Tipping/Electrical Platform                 |     |
| 203  | 1705822     | 1          | Decal - Electrical/Safety Manual                    |     |
| 204  | 1701518     | 10         | Decal - Warning Crushing                            |     |
| 205  | 1705961     | 4          | Decal - Danger Electrocution                        |     |
| 209  | 1705828     | 4          | Decal - Footswitch                                  |     |
| 300  | 1001255795  | 1          | Decal Max Tire Load Kit (Includes Item 301)         |     |
| 301  | 1001255794  | 4          | Decal - Max Tire Load                               |     |

# SECTION 9 - DECALS

## FIGURE 9-5. DECAL INSTALLATION - CHINESE SPECS (SIMPLIFIED)





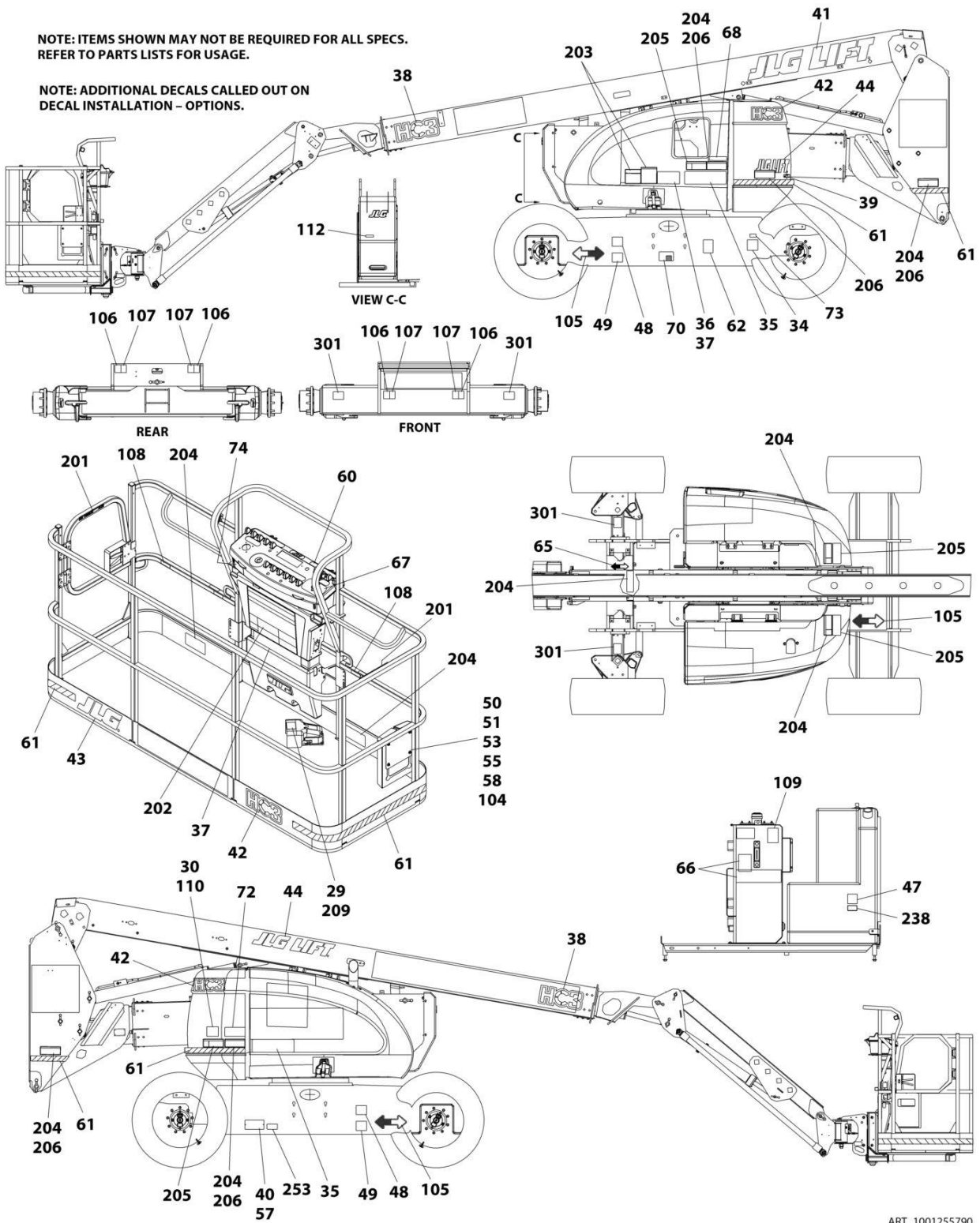
## SECTION 9 - DECALS

**FIGURE 9-5. DECAL INSTALLATION - CHINESE SPECS (SIMPLIFIED)**

| ITEM | PART NUMBER | QTY        | DESCRIPTION   | REV |
|------|-------------|------------|---|-----|
|      | 1001255791  | Ref        | DECAL INSTALLATION                                  | D   |
|      | 1001255196  | Ref        | DECAL REFERENCE CHART                               | C   |
| 34   | See Note    | NSS        | Decal - Bar Code (Note: Not Available for Purchase) |     |
| 35   | 1001267311  | 1          | Decal - 600AJ                                       |     |
| 36   | 1001235402  | 1          | Decal - Warning                                     |     |
| 37   | 1001235401  | 1          | Decal - Warning                                     |     |
| 39   | 1704885     | 1          | Decal - Website                                     |     |
| 50   | 0100011     | AR         | Compound, Locking                                   |     |
| 51   | 0641406     | 4          | Bolt 1/4 x 3/4                                      |     |
| 53   | 0860520     | 1          | Box, Manual Storage                                 |     |
| 55   | 3311405     | 4          | Nut 1/4   |     |
| 57   | 3820001     | 2          | Rivet   |     |
| 58   | 4751400     | 8          | Washer 1/4  |     |
| 60   | 1001184618  | 1          | Decal - Stop  |     |
| 61   | 4420051     | 22 ft/6.7m | Tape, Safety  |     |
| 65   | 1703687     | 1          | Decal - Direction Arrow                             |     |
| 66   | 1001116861  | 1          | Decal - Upright Level Over-Ride                     |     |
| 67   | 1705430     | 1          | Decal - Drive/Steer Instructions                    |     |
| 70   | 1001224051  | 1          | Decal - Yearly Inspection                           |     |
| 72   | 1001284696  | 1          | Decal - Lift Diagram                                |     |
| 100  | 2902303     | 1          | Decal Kit - Master (Includes Items 104-112)         |     |
| 104  | 1701509     | 1          | Decal - Manual                                      |     |
| 105  | 1701529     | 6          | Decal - Arrow                                       |     |
| 106  | 1703811     | 4          | Decal - Tie Down/Lift                               |     |
| 107  | 1703814     | 6          | Decal - Tie Down                                    |     |
| 108  | 1704277     | 4          | Decal - Attach Lanyard Here                         |     |
| 109  | 1704412     | 1          | Decal - Hydraulic Oil Chart                         |     |
| 112  | 3251243     | 1          | Nameplate - 120V-60Hz                               |     |
| 200  | 1001116844  | 1          | Decal Kit - Country Spec (Includes Items 201-209)   |     |
| 201  | 1705968     | 2          | Decal - No Hands                                    |     |
| 202  | 1001116847  | 1          | Decal - Warning/Danger                              |     |
| 203  | 1001116848  | 2          | Decal - Warning Inspection (MTB)                    |     |
| 204  | 1001116850  | 6          | Decal - Warning Crushing                            |     |
| 205  | 1703937     | 5          | Decal - Danger Electrocution                        |     |
| 206  | 1001116845  | 7          | Decal - Warning Crushing                            |     |
| 209  | 1001116852  | 1          | Decal - Foot Switch                                 |     |
| 300  | 1001255795  | 1          | Decal Max Tire Load Kit (Includes Item 301)         |     |
| 301  | 1001255794  | 4          | Decal - Max Tire Load                               |     |

# SECTION 9 - DECALS

## FIGURE 9-6. DECAL INSTALLATION - CHINESE SPECS (TRADITIONAL)



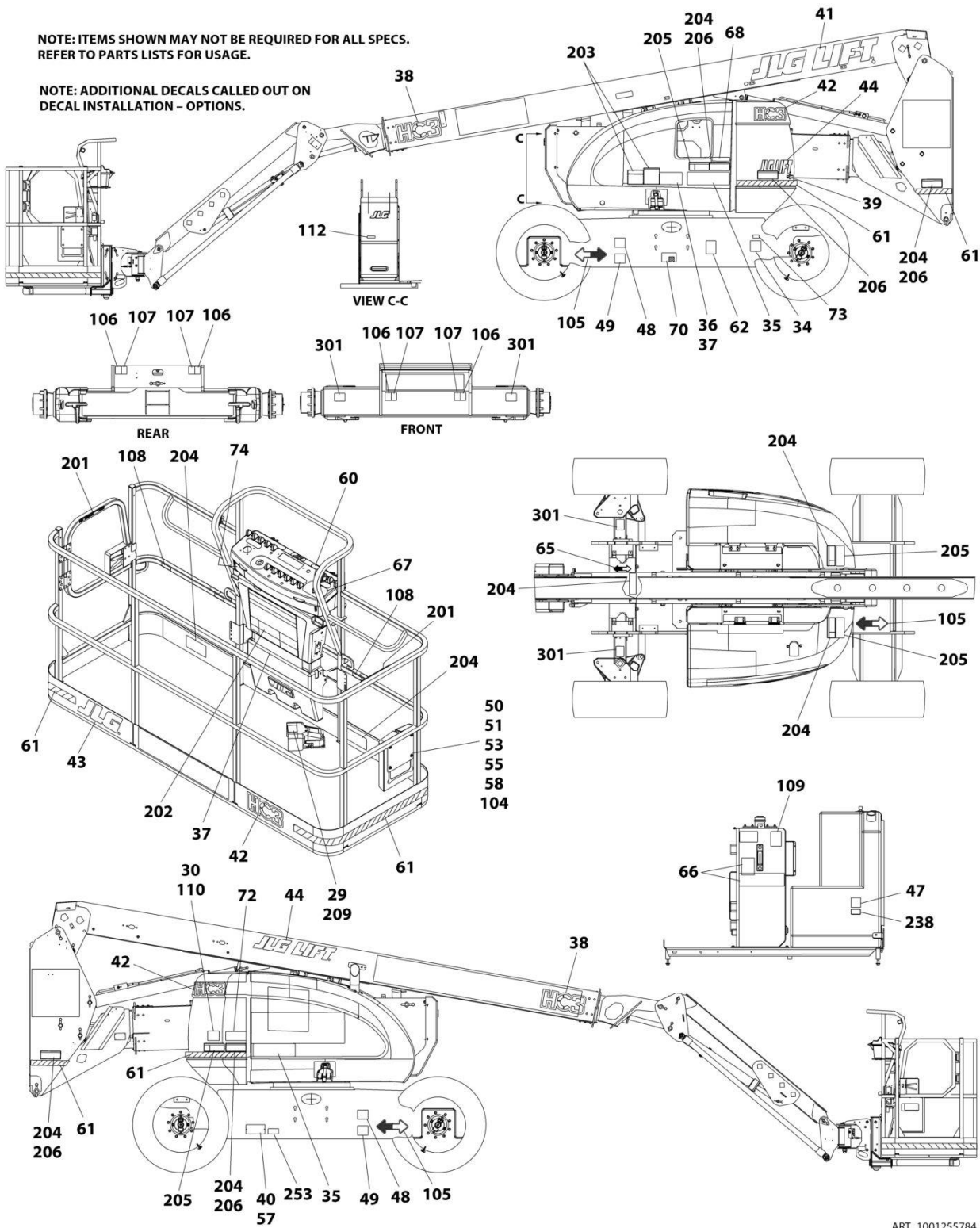
## SECTION 9 - DECALS

**FIGURE 9-6. DECAL INSTALLATION - CHINESE SPECS (TRADITIONAL)**

| ITEM | PART NUMBER | QTY        | DESCRIPTION   | REV |
|------|-------------|------------|---|-----|
|      | 1001255790  | Ref        | DECAL INSTALLATION                                  | D   |
|      | 1001255196  | Ref        | DECAL REFERENCE CHART                               | C   |
| 34   | See Note    | NSS        | Decal - Bar Code (Note: Not Available for Purchase) |     |
| 35   | 1001267311  | 1          | Decal - 600AJ                                       |     |
| 36   | 1001234436  | 1          | Decal - Warning                                     |     |
| 37   | 1001234435  | 1          | Decal - Warning                                     |     |
| 39   | 1704885     | 1          | Decal - Website                                     |     |
| 50   | 0100011     | AR         | Compound, Locking                                   |     |
| 51   | 0641406     | 4          | Bolt 1/4 x 3/4                                      |     |
| 53   | 0860520     | 1          | Box, Manual Storage                                 |     |
| 55   | 3311405     | 4          | Nut 1/4   |     |
| 57   | 3820001     | 2          | Rivet   |     |
| 58   | 4751400     | 8          | Washer 1/4  |     |
| 60   | 1001184618  | 1          | Decal - Stop  |     |
| 61   | 4420051     | 22 ft/6.7m | Tape, Safety  |     |
| 65   | 1703687     | 1          | Decal - Direction Arrow                             |     |
| 66   | 1001116862  | 1          | Decal - Upright Level Over-Ride                     |     |
| 67   | 1001116863  | 1          | Decal - Drive/Steer Instructions                    |     |
| 70   | 1001224050  | 1          | Decal - Yearly Inspection                           |     |
| 72   | 1001284696  | 1          | Decal - Lift Diagram                                |     |
| 100  | 2902303     | 1          | Decal Kit - Master (Includes Items 104-112)         |     |
| 104  | 1701509     | 1          | Decal - Manual                                      |     |
| 105  | 1701529     | 6          | Decal - Arrow                                       |     |
| 106  | 1703811     | 4          | Decal - Tie Down/Lift                               |     |
| 107  | 1703814     | 6          | Decal - Tie Down                                    |     |
| 108  | 1704277     | 4          | Decal - Attach Lanyard Here                         |     |
| 109  | 1704412     | 1          | Decal - Hydraulic Oil Chart                         |     |
| 112  | 3251243     | 1          | Nameplate - 120V-60Hz                               |     |
| 200  | 2902309     | 1          | Decal Kit - Country Spec (Includes Items 201-209)   |     |
| 201  | 1001116846  | 2          | Decal - No Hands                                    |     |
| 202  | 1703925     | 1          | Decal - Warning/Danger                              |     |
| 203  | 1001116849  | 2          | Decal - Warning Inspection (MTB)                    |     |
| 204  | 1703949     | 5          | Decal - Warning Crushing                            |     |
| 205  | 1001116851  | 5          | Decal - Danger Electrocution                        |     |
| 206  | 1703943     | 7          | Decal - Warning Crushing                            |     |
| 209  | 1703982     | 1          | Decal - Foot Switch                                 |     |
| 300  | 1001255795  | 1          | Decal Max Tire Load Kit (Includes Item 301)         |     |
| 301  | 1001255794  | 4          | Decal - Max Tire Load                               |     |

# SECTION 9 - DECALS

## FIGURE 9-7. DECAL INSTALLATION - CSA SPECS



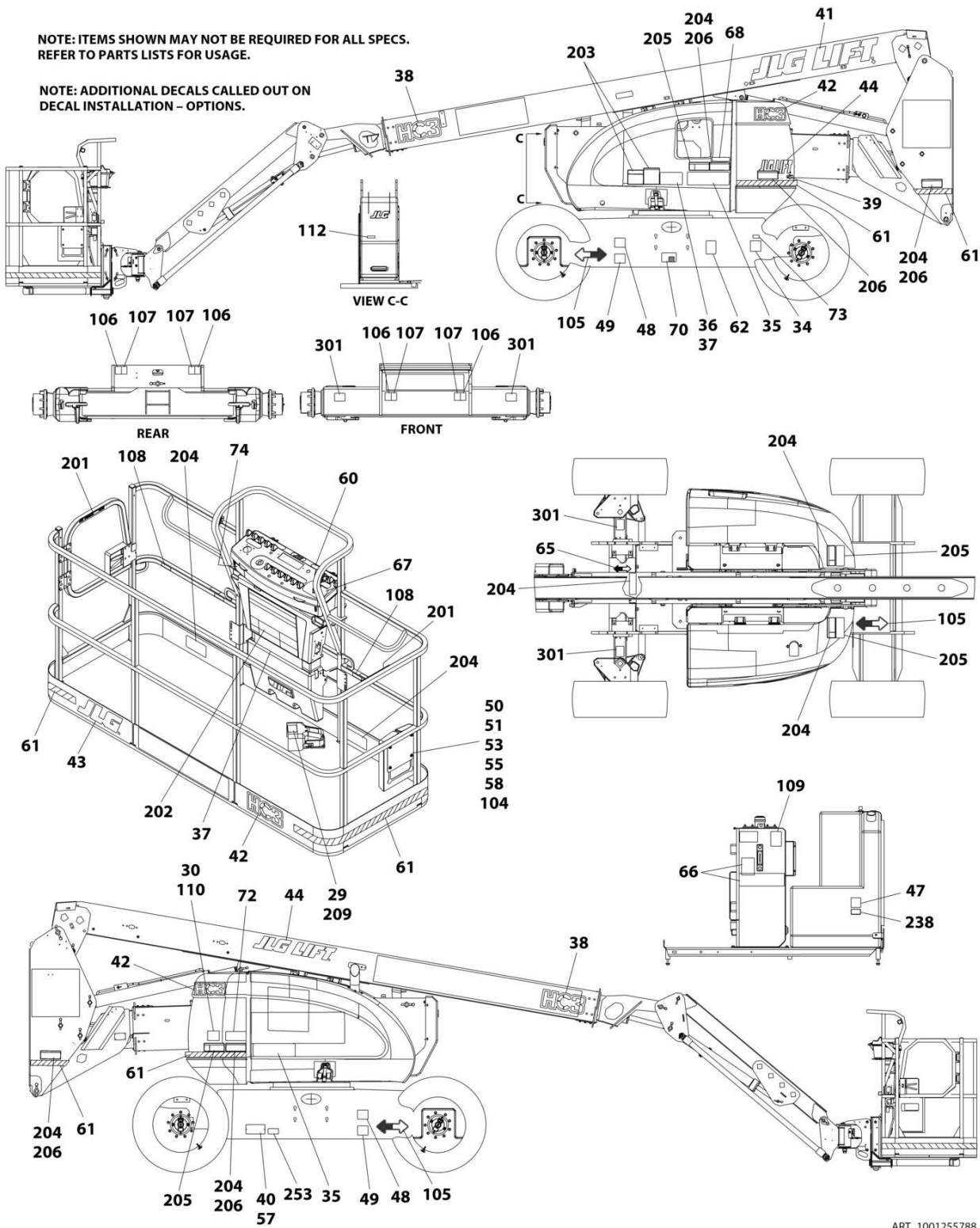
## SECTION 9 - DECALS

**FIGURE 9-7. DECAL INSTALLATION - CSA SPECS**

| ITEM | PART NUMBER | QTY        | DESCRIPTION   | REV |
|------|-------------|------------|---|-----|
|      | 1001255784  | Ref        | DECAL INSTALLATION                                  | D   |
|      | 1001255196  | Ref        | DECAL REFERENCE CHART                               | C   |
| 34   | See Note    | NSS        | Decal - Bar Code (Note: Not Available for Purchase) |     |
| 35   | 1001267311  | 2          | Decal - 600AJ                                       |     |
| 36   | 1001234434  | 1          | Decal - Warning                                     |     |
| 37   | 1001234433  | 1          | Decal - Warning                                     |     |
| 39   | 1704885     | 1          | Decal - Website                                     |     |
| 50   | 0100011     | AR         | Compound, Locking                                   |     |
| 51   | 0641406     | 4          | Bolt 1/4 x 3/4                                      |     |
| 53   | 0860520     | 1          | Box, Manual Storage                                 |     |
| 55   | 3311405     | 4          | Nut 1/4   |     |
| 57   | 3820001     | 2          | Rivet   |     |
| 58   | 4751400     | 8          | Washer 1/4  |     |
| 60   | 1001184618  | 1          | Decal - Stop.                                       |     |
| 61   | 4420051     | 22 ft/6.7m | Tape, Safety  |     |
| 62   | 1001131269  | 1          | Decal - Patent                                      |     |
| 65   | 1703687     | 1          | Decal - Direction Arrow                             |     |
| 66   | 1703990     | 1          | Decal - Upright Level Over-Ride                     |     |
| 67   | 1705429     | 1          | Decal - Drive/Steer Instructions                    |     |
| 70   | 1001223971  | 1          | Decal - Yearly Inspection                           |     |
| 72   | 1001284696  | 1          | Decal - Lift Diagram                                |     |
| 73   | 1001223453  | 1          | Decal - ICES  |     |
| 100  | 2902303     | 1          | Decal Kit - Master (Includes Items 104-112)         |     |
| 104  | 1701509     | 1          | Decal - Manual                                      |     |
| 105  | 1701529     | 6          | Decal - Arrow                                       |     |
| 106  | 1703811     | 4          | Decal - Tie Down/Lift                               |     |
| 107  | 1703814     | 6          | Decal - Tie Down                                    |     |
| 108  | 1704277     | 4          | Decal - Attach Lanyard Here                         |     |
| 109  | 1704412     | 1          | Decal - Hydraulic Oil Chart                         |     |
| 112  | 3251243     | 1          | Nameplate - 120V-60Hz                               |     |
| 200  | 2902322     | 1          | Decal Kit - Country Spec (Includes Items 201-209)   |     |
| 201  | 1704000     | 2          | Decal - No Hands                                    |     |
| 202  | 1703624     | 1          | Decal - Warning/Danger                              |     |
| 203  | 1705347     | 1          | Decal - Warning Inspection (MTB)                    |     |
| 204  | 1703948     | 5          | Decal - Warning Crushing                            |     |
| 205  | 1703936     | 5          | Decal - Danger Electrocution                        |     |
| 206  | 1703942     | 7          | Decal - Warning Crushing                            |     |
| 209  | 1703984     | 1          | Decal - Footswitch                                  |     |
| 300  | 1001255795  | 1          | Decal Max Tire Load Kit (Includes Item 301)         |     |
| 301  | 1001255794  | 4          | Decal - Max Tire Load                               |     |

# SECTION 9 - DECALS

## FIGURE 9-8. DECAL INSTALLATION - JAPANESE SPECS



## SECTION 9 - DECALS

**FIGURE 9-8. DECAL INSTALLATION - JAPANESE SPECS**

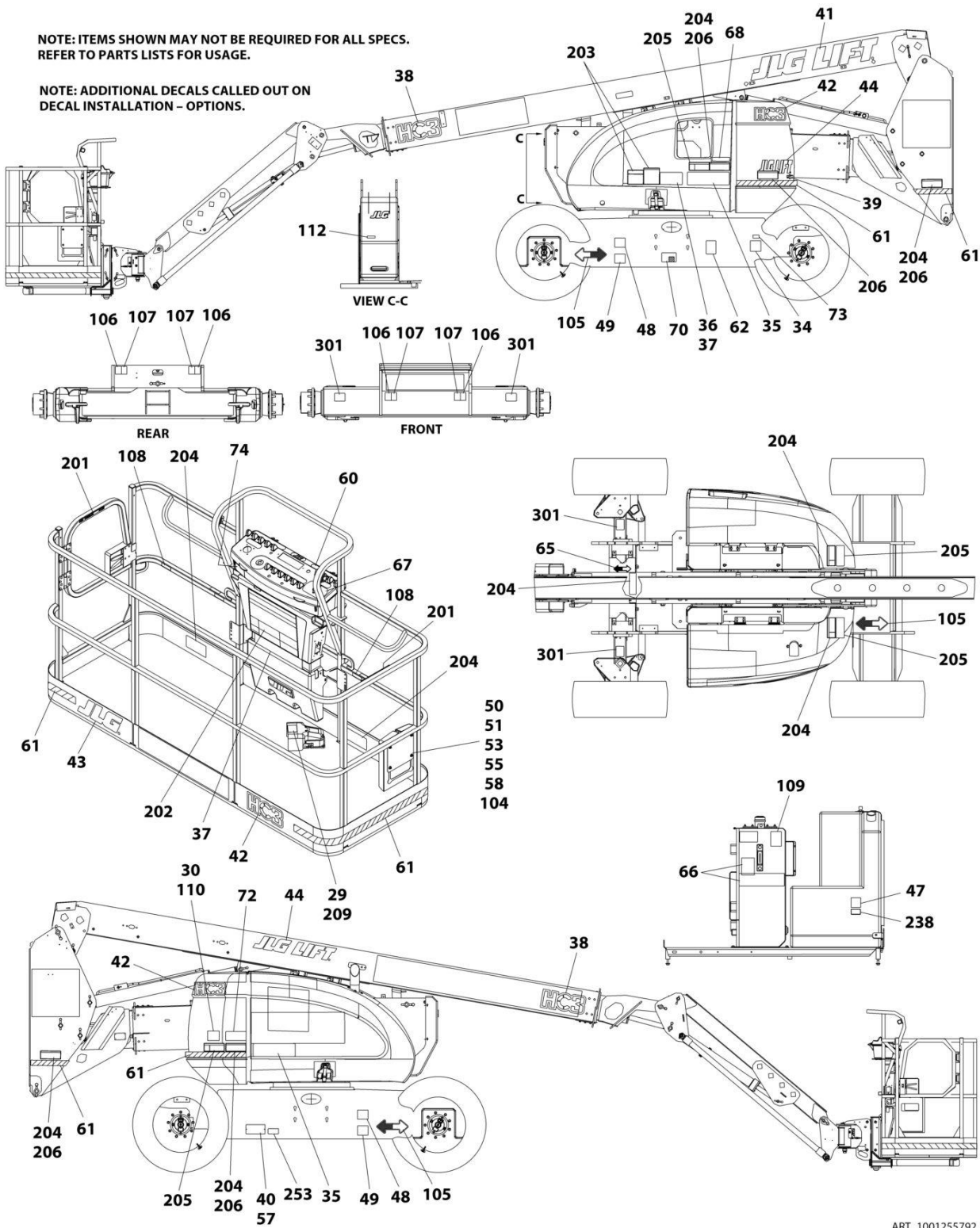
| ITEM | PART NUMBER | QTY        | DESCRIPTION   | REV |
|------|-------------|------------|---|-----|
|      | 1001255788  | Ref        | DECAL INSTALLATION                                  | D   |
|      | 1001255196  | Ref        | DECAL REFERENCE CHART                               | C   |
| 34   | See Note    | NSS        | Decal - Bar Code (Note: Not Available for Purchase) |     |
| 35   | 1001267311  | 2          | Decal - 600AJ                                       |     |
| 35   | 1001234429  | 1          | Decal - Warning                                     |     |
| 36   | 1001234428  | 1          | Decal - Warning                                     |     |
| 39   | 1704885     | 1          | Decal - Website                                     |     |
| 50   | 0100011     | AR         | Compound, Locking                                   |     |
| 51   | 0641406     | 4          | Bolt 1/4 x 3/4                                      |     |
| 53   | 0860520     | 1          | Box, Manual Storage                                 |     |
| 55   | 3311405     | 4          | Nut 1/4   |     |
| 57   | 3820001     | 2          | Rivet   |     |
| 58   | 4751400     | 8          | Washer 1/4  |     |
| 60   | 1001184618  | 1          | Decal - Stop  |     |
| 61   | 4420051     | 22 ft/6.7m | Tape, Safety  |     |
| 65   | 1703687     | 1          | Decal - Direction Arrow                             |     |
| 66   | 1702271     | 1          | Decal - Upright Level Over-Ride                     |     |
| 67   | 1705426     | 1          | Decal - Drive/Steer Instructions                    |     |
| 70   | 1001224053  | 1          | Decal - Yearly Inspection                           |     |
| 72   | 1001284696  | 1          | Decal - Lift Diagram                                |     |
| 100  | 2902303     | 1          | Decal Kit - Master (Includes Items 104-112)         |     |
| 104  | 1701509     | 1          | Decal - Manual                                      |     |
| 105  | 1701529     | 6          | Decal - Arrow                                       |     |
| 106  | 1703811     | 4          | Decal - Tie Down/Lift                               |     |
| 107  | 1703814     | 6          | Decal - Tie Down                                    |     |
| 108  | 1704277     | 4          | Decal - Attach Lanyard Here                         |     |
| 109  | 1704412     | 1          | Decal - Hydraulic Oil Chart                         |     |
| 112  | 3251243     | 1          | Nameplate - 120V-60Hz                               |     |
| 200  | 2902308     | 1          | Decal Kit - Country Spec (Includes Items 202-209)   |     |
| 202  | 1703926     | 1          | Decal - Warning/Danger                              |     |
| 203  | 1705344     | 1          | Decal - Warning Inspection (MTB)                    |     |
| 204  | 1703950     | 5          | Decal - Warning Crushing                            |     |
| 205  | 1703938     | 5          | Decal - Danger Electrocution                        |     |
| 206  | 1703944     | 7          | Decal - Warning Crushing                            |     |
| 209  | 1703980     | 1          | Decal - Footswitch                                  |     |
| 300  | 1001255795  | 1          | Decal Max Tire Load Kit (Includes Item 301)         |     |
| 301  | 1001255794  | 4          | Decal - Max Tire Load                               |     |

# SECTION 9 - DECALS

## FIGURE 9-9. DECAL INSTALLATION - KOREAN SPECS

NOTE: ITEMS SHOWN MAY NOT BE REQUIRED FOR ALL SPECS.  
REFER TO PARTS LISTS FOR USAGE.

NOTE: ADDITIONAL DECALS CALLED OUT ON  
DECAL INSTALLATION - OPTIONS.



ART\_1001255792



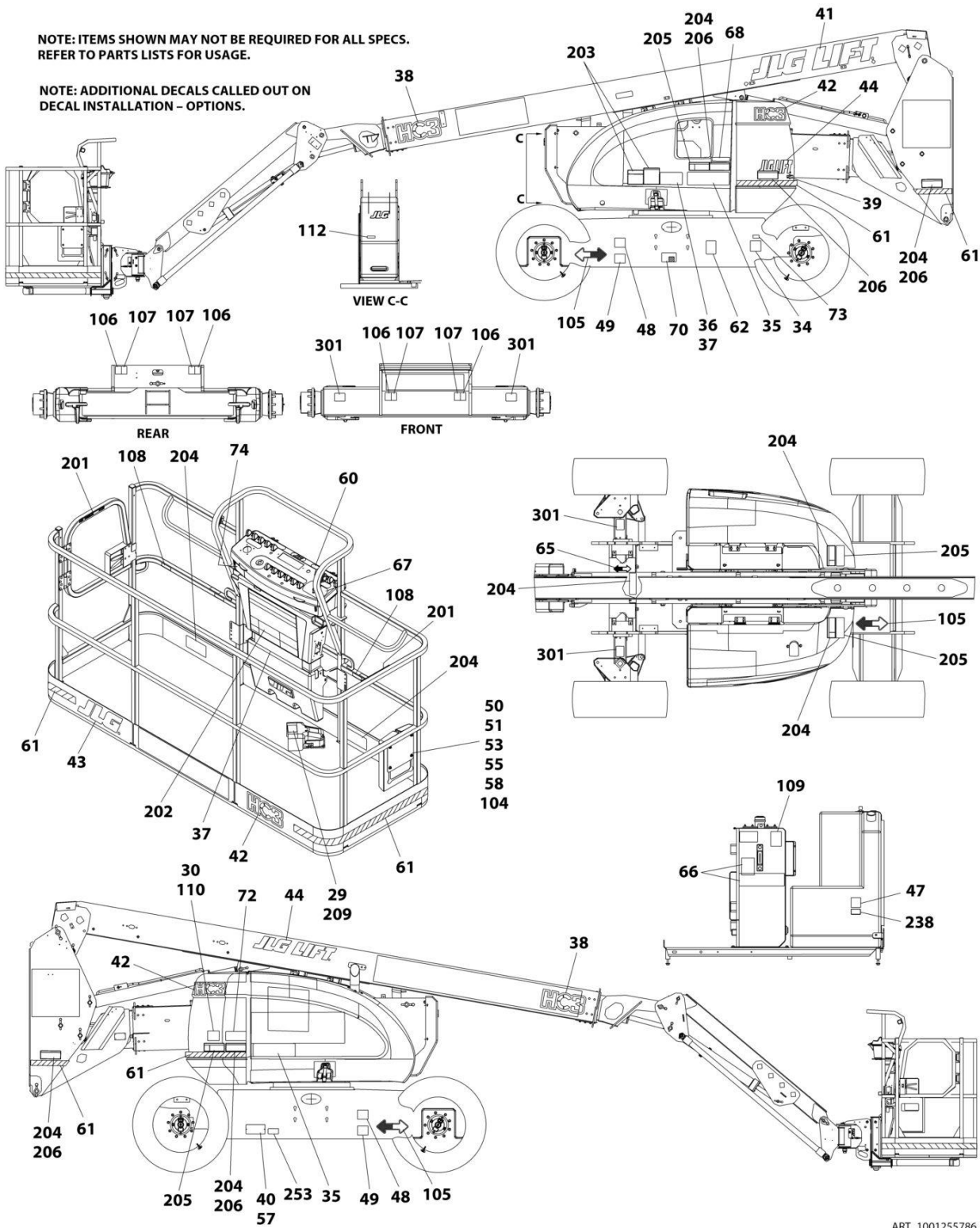
## SECTION 9 - DECALS

**FIGURE 9-9. DECAL INSTALLATION - KOREAN SPECS**

| ITEM | PART NUMBER | QTY        | DESCRIPTION   | REV |
|------|-------------|------------|---|-----|
|      | 1001255792  | Ref        | DECAL INSTALLATION                                  | D   |
|      | 1001255196  | Ref        | DECAL REFERENCE CHART                               | C   |
| 34   | See Note    | NSS        | Decal - Bar Code (Note: Not Available for Purchase) |     |
| 35   | 1001267311  | 1          | Decal - 600AJ                                       |     |
| 36   | 1001235585  | 1          | Decal - Warning                                     |     |
| 37   | 1001234430  | 1          | Decal - Warning                                     |     |
| 39   | 1704885     | 1          | Decal - Website                                     |     |
| 50   | 0100011     | AR         | Compound, Locking                                   |     |
| 51   | 0641406     | 4          | Bolt 1/4 x 3/4                                      |     |
| 53   | 0860520     | 1          | Box, Manual Storage                                 |     |
| 55   | 3311405     | 4          | Nut 1/4   |     |
| 57   | 3820001     | 2          | Rivet   |     |
| 58   | 4751400     | 8          | Washer 1/4  |     |
| 60   | 1001184618  | 1          | Decal - Stop  |     |
| 61   | 4420051     | 22 ft/6.7m | Tape, Safety  |     |
| 65   | 1703687     | 1          | Decal - Direction Arrow                             |     |
| 66   | 1703987     | 1          | Decal - Upright Level Over-Ride                     |     |
| 67   | 1705427     | 1          | Decal - Drive/Steer Instructions                    |     |
| 70   | 1001224048  | 1          | Decal - Yearly Inspection                           |     |
| 72   | 1001284696  | 1          | Decal - Lift Diagram                                |     |
| 100  | 2902303     | 1          | Decal Kit - Master (Includes Items 104-112)         |     |
| 104  | 1701509     | 1          | Decal - Manual                                      |     |
| 105  | 1701529     | 6          | Decal - Arrow                                       |     |
| 106  | 1703811     | 4          | Decal - Tie Down/Lift                               |     |
| 107  | 1703814     | 6          | Decal - Tie Down                                    |     |
| 108  | 1704277     | 4          | Decal - Attach Lanyard Here                         |     |
| 109  | 1704412     | 1          | Decal - Hydraulic Oil Chart                         |     |
| 112  | 3251243     | 1          | Nameplate - 120V-60Hz                               |     |
| 200  | 2902310     | 1          | Decal Kit - Country Spec (Includes Items 201-209)   |     |
| 201  | 1705969     | 2          | Decal - No Hands                                    |     |
| 202  | 1703927     | 1          | Decal - Warning/Danger                              |     |
| 203  | 1705345     | 1          | Decal - Warning Inspection (MTB)                    |     |
| 204  | 1703951     | 5          | Decal - Warning Crushing                            |     |
| 205  | 1703939     | 5          | Decal - Danger Electrocution                        |     |
| 206  | 1703945     | 7          | Decal - Warning Crushing                            |     |
| 209  | 1703981     | 1          | Decal - Footswitch                                  |     |
| 300  | 1001255795  | 1          | Decal Max Tire Load Kit (Includes Item 301)         |     |
| 301  | 1001255794  | 4          | Decal - Max Tire Load                               |     |

# SECTION 9 - DECALS

## FIGURE 9-10. DECAL INSTALLATION - LATIN AMERICAN SPECS



ART\_1001255786

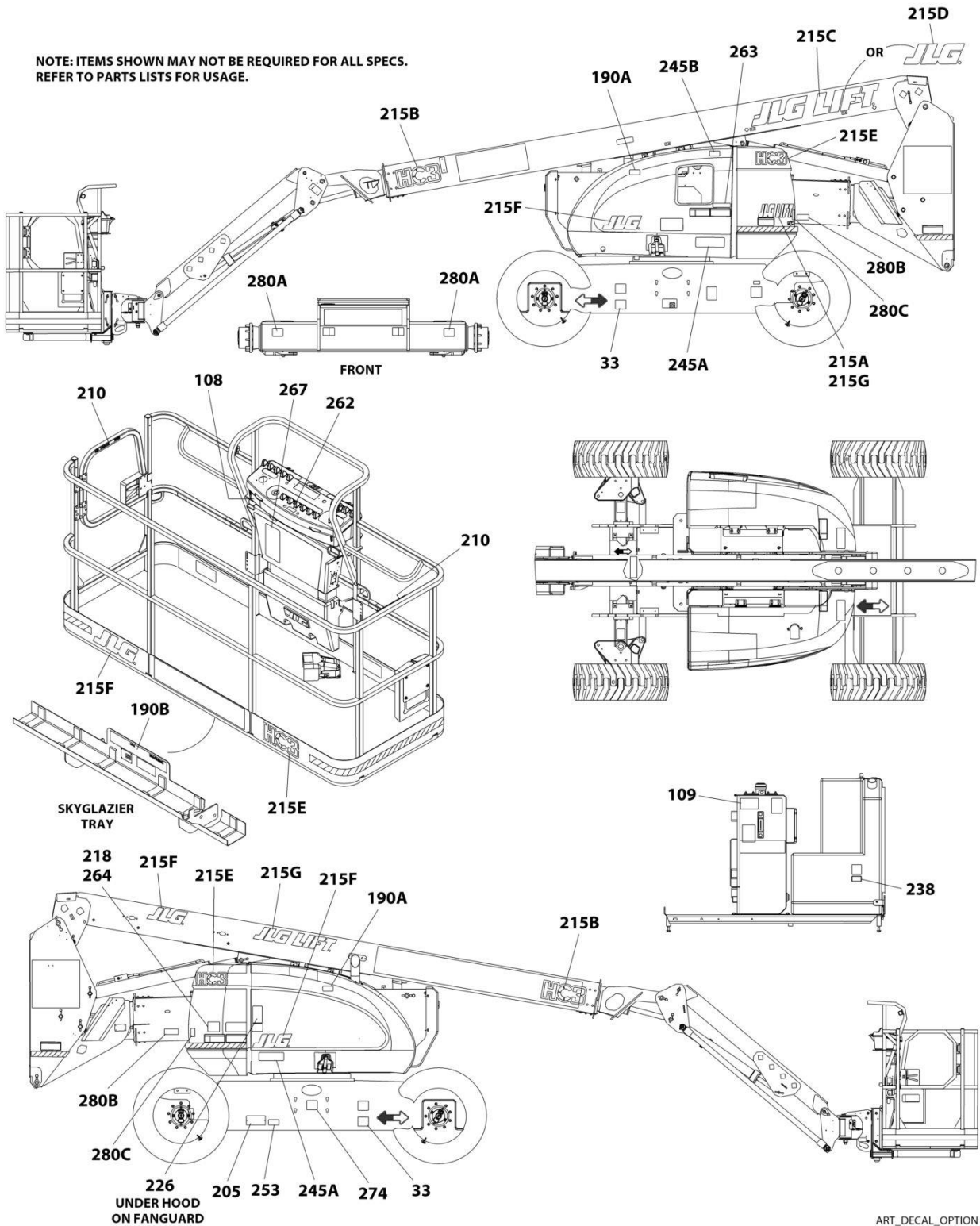
## SECTION 9 - DECALS

**FIGURE 9-10. DECAL INSTALLATION - LATIN AMERICAN SPECS**

| ITEM | PART NUMBER | QTY        | DESCRIPTION   | REV |
|------|-------------|------------|---|-----|
|      | 1001255786  | Ref        | DECAL INSTALLATION                                  | D   |
|      | 1001255196  | Ref        | DECAL REFERENCE CHART                               | C   |
| 34   | See Note    | NSS        | Decal - Bar Code (Note: Not Available for Purchase) |     |
| 35   | 1001267311  | 2          | Decal - 600AJ                                       |     |
| 36   | 1001234432  | 1          | Decal - Warning                                     |     |
| 37   | 1001234431  | 1          | Decal - Warning                                     |     |
| 39   | 1704885     | 1          | Decal - Website                                     |     |
| 50   | 0100011     | AR         | Compound, Locking                                   |     |
| 51   | 0641406     | 4          | Bolt 1/4 x 3/4                                      |     |
| 53   | 0860520     | 1          | Box, Manual Storage                                 |     |
| 55   | 3311405     | 4          | Nut 1/4   |     |
| 57   | 3820001     | 2          | Rivet   |     |
| 58   | 4751400     | 8          | Washer 1/4  |     |
| 60   | 1001184618  | 1          | Decal - Stop  |     |
| 61   | 4420051     | 22 ft/6.7m | Tape, Safety  |     |
| 65   | 1703687     | 1          | Decal - Direction Arrow                             |     |
| 66   | 1702617     | 1          | Decal - Upright Level Over-Ride                     |     |
| 67   | 1705910     | 1          | Decal - Drive/Steer Instructions                    |     |
| 70   | 1001224049  | 1          | Decal - Yearly Inspection                           |     |
| 72   | 1001284696  | 1          | Decal - Lift Diagram                                |     |
| 100  | 2902303     | 1          | Decal Kit - Master (Includes Items 104-112)         |     |
| 104  | 1701509     | 1          | Decal - Manual                                      |     |
| 105  | 1701529     | 6          | Decal - Arrow                                       |     |
| 106  | 1703811     | 4          | Decal - Tie Down/Lift                               |     |
| 107  | 1703814     | 6          | Decal - Tie Down                                    |     |
| 108  | 1704277     | 4          | Decal - Attach Lanyard Here                         |     |
| 109  | 1704412     | 1          | Decal - Hydraulic Oil Chart                         |     |
| 112  | 3251243     | 1          | Nameplate - 120V-60Hz                               |     |
| 200  | 2902311     | 1          | Decal Kit - Country Spec (Includes Items 201-209)   |     |
| 201  | 1704001     | 2          | Decal - No Hands                                    |     |
| 202  | 1703923     | 1          | Decal - Warning/Danger                              |     |
| 203  | 1705917     | 1          | Decal - Warning Inspection (MTB)                    |     |
| 204  | 1703947     | 5          | Decal - Warning Crushing                            |     |
| 205  | 1703935     | 5          | Decal - Danger Electrocution                        |     |
| 206  | 1703941     | 7          | Decal - Warning Crushing                            |     |
| 209  | 1703983     | 1          | Decal - Footswitch                                  |     |
| 300  | 1001255795  | 1          | Decal Max Tire Load Kit (Includes Item 301)         |     |
| 301  | 1001255794  | 4          | Decal - Max Tire Load                               |     |

# SECTION 9 - DECALS

## FIGURE 9-11. DECAL INSTALLATION - OPTIONS



## SECTION 9 - DECALS

**FIGURE 9-11. DECAL INSTALLATION - OPTIONS**

| ITEM | PART NUMBER | QTY | DESCRIPTION  | REV |
|------|-------------|-----|--|-----|
|      | 1001255196  | Ref | DECAL INSTALLATION - REFERENCE CHART (ALL SPECS EXCEPT CE & UK CA SPECS)                           | C   |
|      | 1001257285  | Ref | DECAL INSTALLATION - REFERENCE CHART (CE & UK CA SPECS)  | B   |
|      | 1001245251  | Ref | DECAL INSTALLATION - OPTIONS   | C   |
| 33   | 1700818     | 1   | Decal - Fuel (LP Gas Machines) (English Language) (ANSI and Australian Specs)                      |     |
| 33   | 1704271     | 1   | Decal - Fuel (LP Gas Machines) (English/French Languages) (CSA Specs)                              |     |
| 33   | 1702720     | 1   | Decal - Fuel (LP Gas Machines) (English/Spanish Languages) (ANSI Export and China Specs)           |     |
| 108  | 1001231801  | 1   | Decal - Warning Proposition 65 (ANSI Specs)  |     |
| 109  | 1702788     | 1   | Decal - Biodegradable Hydraulic Fluid (English Language) (ANSI, Australian, CSA, CE & UK CA Specs) |     |
| 109  | 1703479     | 1   | Decal - Biodegradable Hydraulic Fluid (German Language) (CE & UK CA Specs)                         |     |
| 109  | 1704174     | Ref | Decal - Biodegradable (Synthetic) Hydraulic Fluid (English Language)                               |     |
| 109  | 1704175     | Ref | Decal - Biodegradable (Synthetic) Hydraulic Fluid (German Language)                                |     |
| 190  |             | Ref | Decal Installation - SkyGlazier Options:   |     |
| 190  | 1001262102  | Ref | Decal Installation - SkyGlazier (ANSI/ANSI EXPORT/CSA Specs)                                       | A   |
| 190  | 1001262105  | Ref | Decal Installation - SkyGlazier (Australian Specs)   | A   |
| 190  | 1001262104  | Ref | Decal Installation - SkyGlazier (Brazil Specs) (Portuguese Language)                               | A   |
| 190  | 1001262103  | Ref | Decal Installation - SkyGlazier (Brazil/Latin American Specs) (Spanish Language)                   | A   |
| 190A | 1705358     | 2   | Decal - SkyGlazier   |     |
| 190B |             | Ref | Decal - SkyGlazier Capacity Options:   |     |
| 190B | 1001259018  | 2   | Decal - SkyGlazier Capacity (ANSI/ANSI Export/CSA Specs)   |     |
| 190B | 1001262117  | 2   | Decal - SkyGlazier Capacity (Australian Specs)   |     |
| 190B | 1001262116  | 2   | Decal - SkyGlazier Capacity (Brazil Specs) (Portuguese Language)                                   |     |
| 190B | 1001262115  | 2   | Decal - SkyGlazier Capacity (Brazil/Latin American Specs) (Spanish Language)                       |     |
| 190B | 1001262239  | 2   | Decal - SkyGlazier Capacity (Danish Language)  |     |
| 190B | 1001262232  | 2   | Decal - SkyGlazier Capacity (French Language)  |     |
| 190B | 1001262233  | 2   | Decal - SkyGlazier Capacity (German Language)  |     |
| 190B | 1001262234  | 2   | Decal - SkyGlazier Capacity (Italian Language)   |     |
| 190B | 1001262237  | 2   | Decal - SkyGlazier Capacity (Portuguese Language)  |     |
| 190B | 1001262238  | 2   | Decal - SkyGlazier Capacity (Swedish Language)   |     |
| 190B | 1001262235  | 2   | Decal - SkyGlazier Capacity (UK English Language)  |     |
| 205  | See Note    | 1   | Nameplate - Manufacturers Serial Number (Note: Not Available for Purchase)                         |     |
| 210  | 1702868     | 2   | Decal - No Hands (English Language)  |     |
| 210  | 1705968     | 2   | Decal - No Hands (English/Chinese Language) (Simplified)   |     |
| 210  | 1001116846  | 2   | Decal - No Hands (English/Chinese Language) (Traditional)  |     |
| 210  | 1704000     | 2   | Decal - No Hands (English/French Language)   |     |
| 210  | 1705969     | 2   | Decal - No Hands (English/Korean Language)   |     |
| 210  | 1705967     | 2   | Decal - No Hands (English/Portuguese Language)   |     |
| 210  | 1704001     | 2   | Decal - No Hands (English/Spanish Language)  |     |
| 215  | 1001255780  | Ref | Decal - Logo Installation (All Specs Except CE & UK CA Specs)                                      | B   |

## SECTION 9 - DECALS

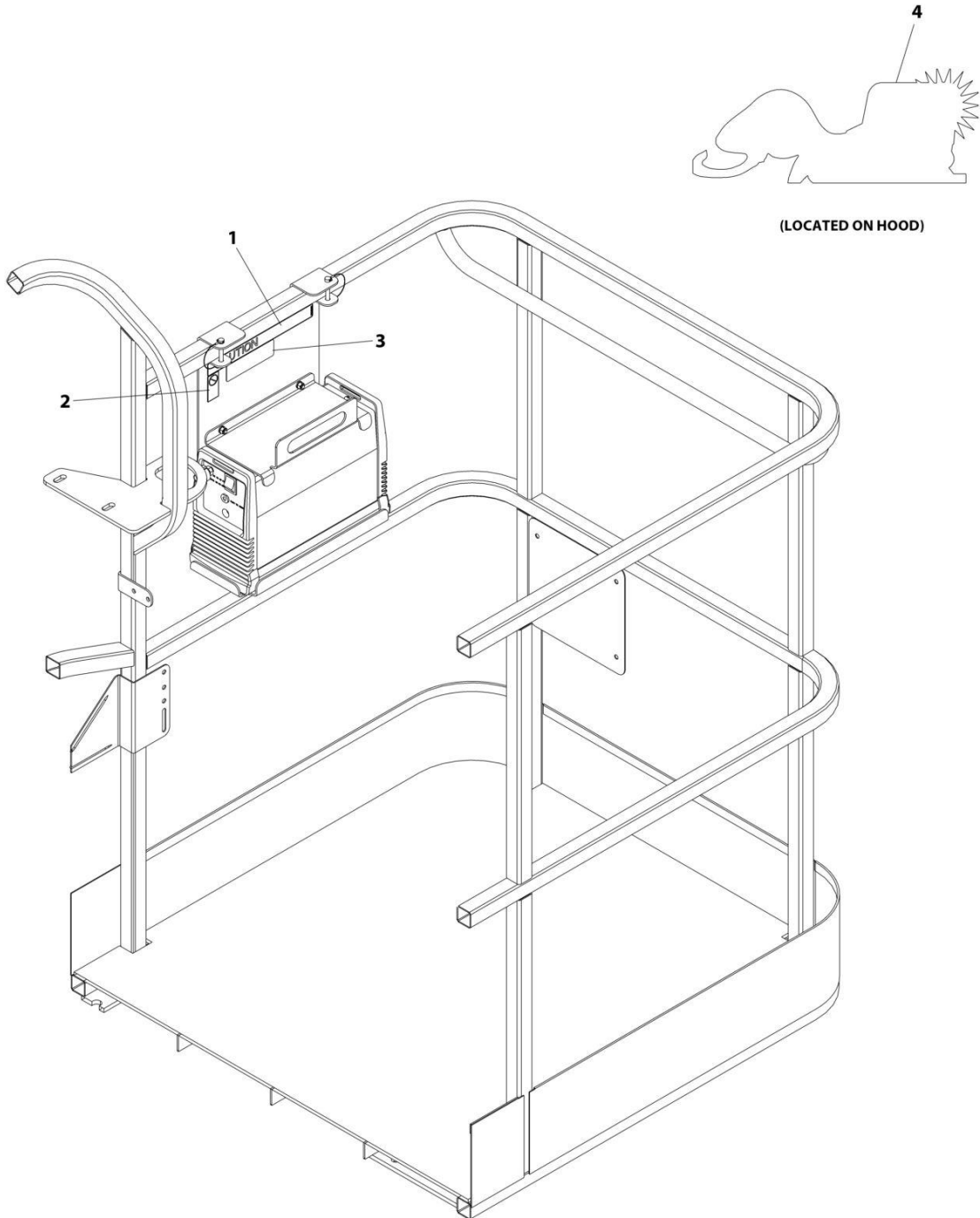
| ITEM | PART NUMBER | QTY | DESCRIPTION   | REV |
|------|-------------|-----|---|-----|
| 215  | 1001257137  | Ref | Decal - Logo Installation (CE, RUSSIAN, & UK CA Specs)  | A   |
| 215A | 1701435     | 1   | Decal - JLG Lift (CE & UK CA Specs)   |     |
| 215B | 1001256906  | 2   | Decal - HC3   |     |
| 215C | 1702861     | 1   | Decal - JLG Lift (All Specs Except CE & UK CA Specs)  |     |
| 215D | 1001159323  | 1   | Decal - JLG (CE & UK CA Specs)  |     |
| 215E | 1001244212  | 3   | Decal - HC3   |     |
| 215F | 1702773     | AR  | Decal - JLG   |     |
| 215G | 1702860     | 2   | Decal - JLG Lift (All Specs Except CE & UK CA Specs)  |     |
| 218  | 3251813     | 1   | Decal - USA (All Specs Except Australian, Japanese, CE & UK CA Specs)   |     |
| 226  | 1704972     | 1   | Decal - Warning Explosion/ Fire (English Language) (Diesel Machines) (CSA Specs)                                |     |
| 226  | 1706098     | 1   | Decal - Warning Explosion/Fire (English Language) (Diesel Machines) (Australian, CE & UK CA Specs)              |     |
| 226  | 1706059     | 1   | Decal - Warning Explosion/Fire (English/Portuguese Language) (Diesel Machines) (Brazil Specs)                   |     |
| 226  | 1706060     | 1   | Decal - Warning Explosion/Fire (English/Chinese Language) (Diesel Machines) (ANSI Export (LRC) & Chinese Specs) |     |
| 226  | 1706064     | 1   | Decal - Warning Explosion/Fire (English Language) (Diesel Machines) (CSA Specs)                                 |     |
| 226  | 1706062     | 1   | Decal - Warning Explosion/Fire (English/Japanese Language) (Diesel Machines) (Japanese Specs)                   |     |
| 226  | 1706061     | 1   | Decal - Warning Explosion/Fire (English/Korean Language) (Diesel Machines) (Korean Specs)                       |     |
| 226  | 1706063     | 1   | Decal - Warning Explosion/Fire - (English/Spanish Language) (Diesel Machines) (Latin American Specs)            |     |
| 238  | 1001125387  | 1   | Decal - Ultra Low Sulfur Fuel (Diesel Machines) (ANSI, ANSI Export (HRC) & CSA Specs)                           |     |
| 238  | 1001139654  | 1   | Decal - Ultra Low Sulfur Fuel (Diesel Machines) (Japanese, CE & UK CA Specs)                                    |     |
| 245  | 1001127095  | Ref | Decal Installation - ClearSky (Machines with ClearSky Option)   |     |
| 245A | 1001116208  | 2   | Decal - ClearSky  |     |
| 245B | 1001120989  | 1   | Decal - Radio Frequency   |     |
| 245  | 1001294756  | Ref | ClearSky Smart Fleet Decal Installation   |     |
| 245A | 1001120989  | 1   | Decal - Radio Frequency   |     |
| 245B | 1001294815  | 1   | Decal - ClearSky  |     |
| 253  | 1001143852  | 1   | Decal - Emission Compliance (Diesel Machines) (ANSI Export (LRC), Australian, Chinese, CE & UK CA Specs)        |     |
| 262  | 1001141300  | 1   | Decal - SkyGuard Override (Machines without Soft Touch Option)  |     |
| 262  | 1001141302  | 1   | Decal - SkyGuard Override (Machines with Soft Touch Option)   |     |
| 263  | 1001197408  | 1   | Decal - MSSO (CE & UK CA Specs)   |     |
| 264  | 1705084     | 1   | Decal - Sound Power (104Db) (CE & UK CA Specs)(LRC)   |     |
| 264  | 1001273784  | 1   | Decal - Sound Power (100dB) (CE & UK CA Specs)  |     |
| 267  | 1001200124  | 1   | Decal - Quick Start Guide (Danish Language)   |     |
| 267  | 1001200121  | 1   | Decal - Quick Start Guide (Dutch Language)  |     |
| 267  | 1001180861  | 1   | Decal - Quick Start Guide (English Language)  |     |
| 267  | 1001200120  | 1   | Decal - Quick Start Guide (French Language)   |     |
| 267  | 1001200122  | 1   | Decal - Quick Start Guide (German Language)   |     |
| 267  | 1001200127  | 1   | Decal - Quick Start Guide (Norwegian Language)  |     |
| 267  | 1001200125  | 1   | Decal - Quick Start Guide (Swedish Language)  |     |
| 267  | 1001200126  | 1   | Decal - Quick Start Guide (Spanish Language)  |     |
| 274  | 1001214030  | Ref | Decal - EAC Installation (C.I.S and Russia Specs)   |     |
| 274  | 1001173703  | 1   | Decal - EAC   |     |
| 280  | 1001220864  | Ref | Decal Kit - Boom Transport Position   |     |

## SECTION 9 - DECALS

| ITEM | PART NUMBER | QTY | DESCRIPTION            | REV |
|------|-------------|-----|------------------------|-----|
| 280A | 1001220512  | 2   | Decal - Lower Boom     |     |
| 280B | 1001220510  | 2   | Decal - Warning Arrow  |     |
| 280C | 1001220511  | 2   | Decal - Warning Stripe |     |

# SECTION 9 - DECALS

FIGURE 9-12. SKYCUTTER DECAL INSTALLATION (ALL SPECS EXCEPT AUSTRALIAN, CE & JAPANESE SPECS)



ART\_0272599



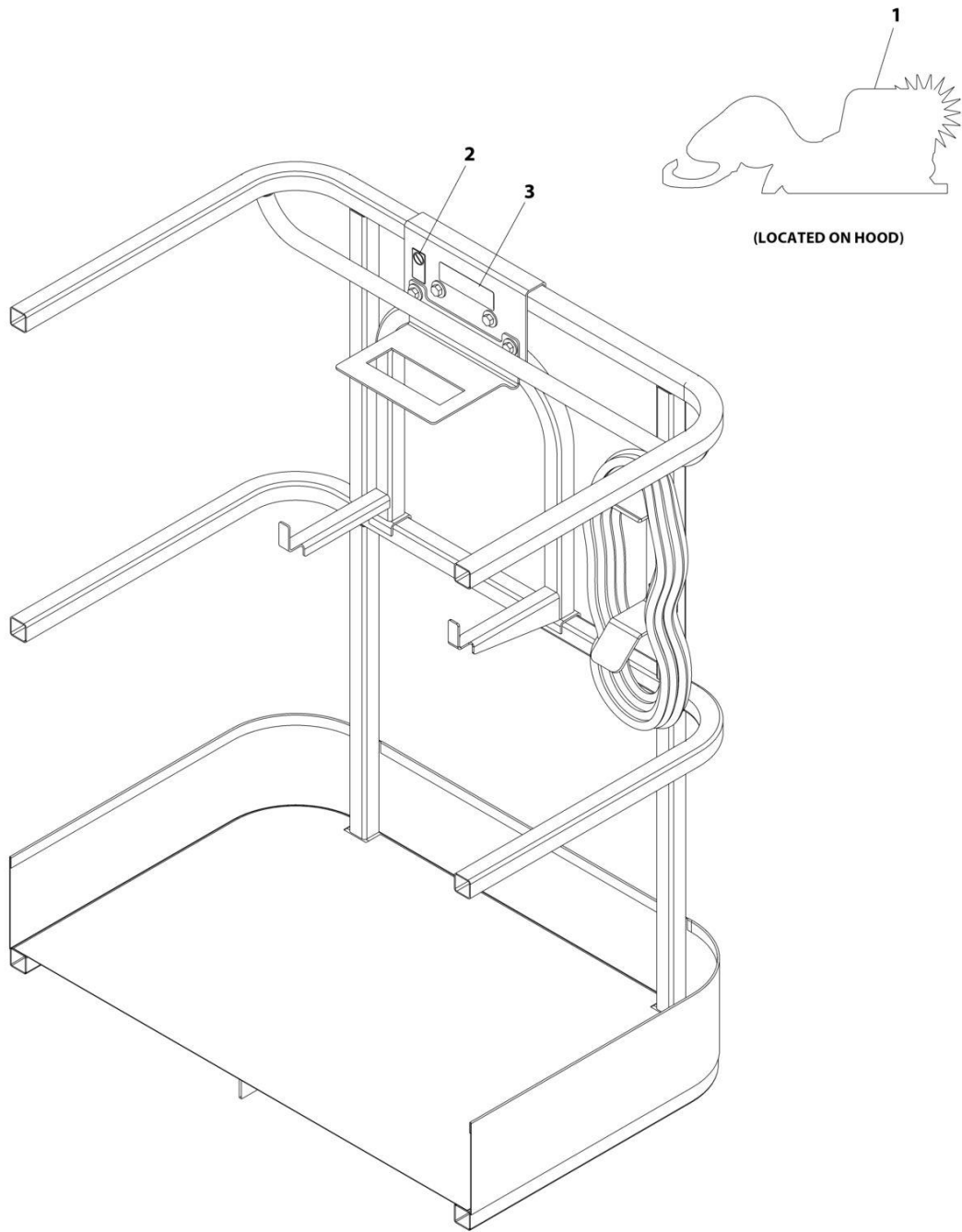
## SECTION 9 - DECALS

**FIGURE 9-12. SKYCUTTER DECAL INSTALLATION (ALL SPECS EXCEPT AUSTRALIAN, CE & JAPANESE SPECS)**

| ITEM | PART NUMBER | QTY | DESCRIPTION                  | REV |
|------|-------------|-----|------------------------------|-----|
|      | 0272599     | Ref | SKYCUTTER DECAL INSTALLATION | C   |
| 1    | 1702868     | 1   | Decal - No Hands             |     |
| 2    | 1705305     | 1   | Decal - Weld Leads           |     |
| 3    | 1001252627  | 1   | Decal - Weight               |     |
| 4    | 1705490     | 2   | Decal - SkyCutter            |     |

# SECTION 9 - DECALS

## FIGURE 9-13. SKYCUTTER DECAL INSTALLATION (JAPANESE SPECS)



ART\_0272607\_C

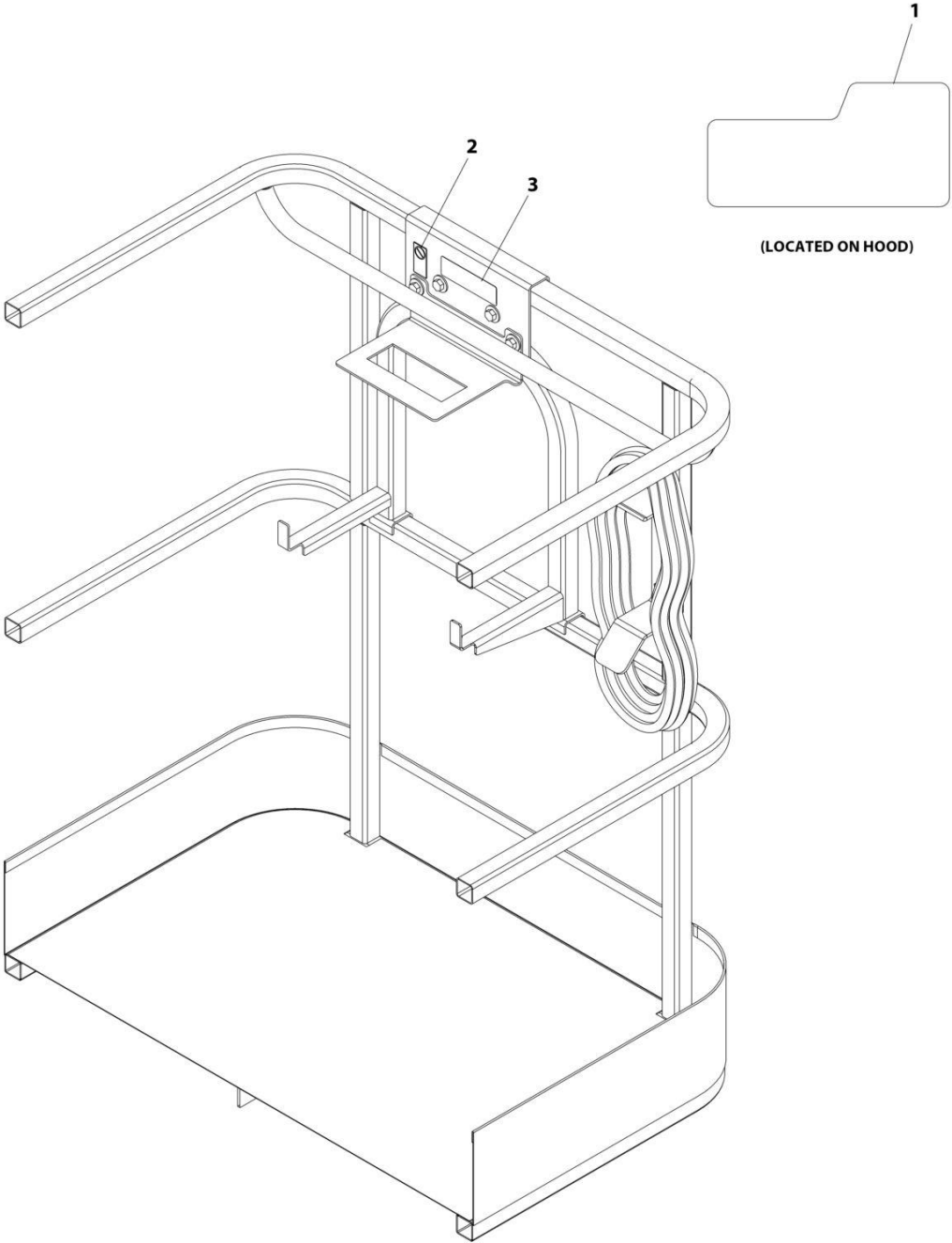
## SECTION 9 - DECALS

**FIGURE 9-13. SKYCUTTER DECAL INSTALLATION (JAPANESE SPECS)**

| ITEM | PART NUMBER | QTY | DESCRIPTION                  | REV |
|------|-------------|-----|------------------------------|-----|
|      | 0272607     | 1   | SKYCUTTER DECAL INSTALLATION | C   |
| 1    | 1705490     | 2   | Decal - SkyCutter            |     |
| 2    | 1705305     | 1   | Decal - Weld Lead            |     |
| 3    | 1001252627  | 1   | Decal - Weight               |     |

**SECTION 9 - DECALS**

**FIGURE 9-14. SKYWELDER DECAL INSTALLATION - 50HZ**



ART\_0272588

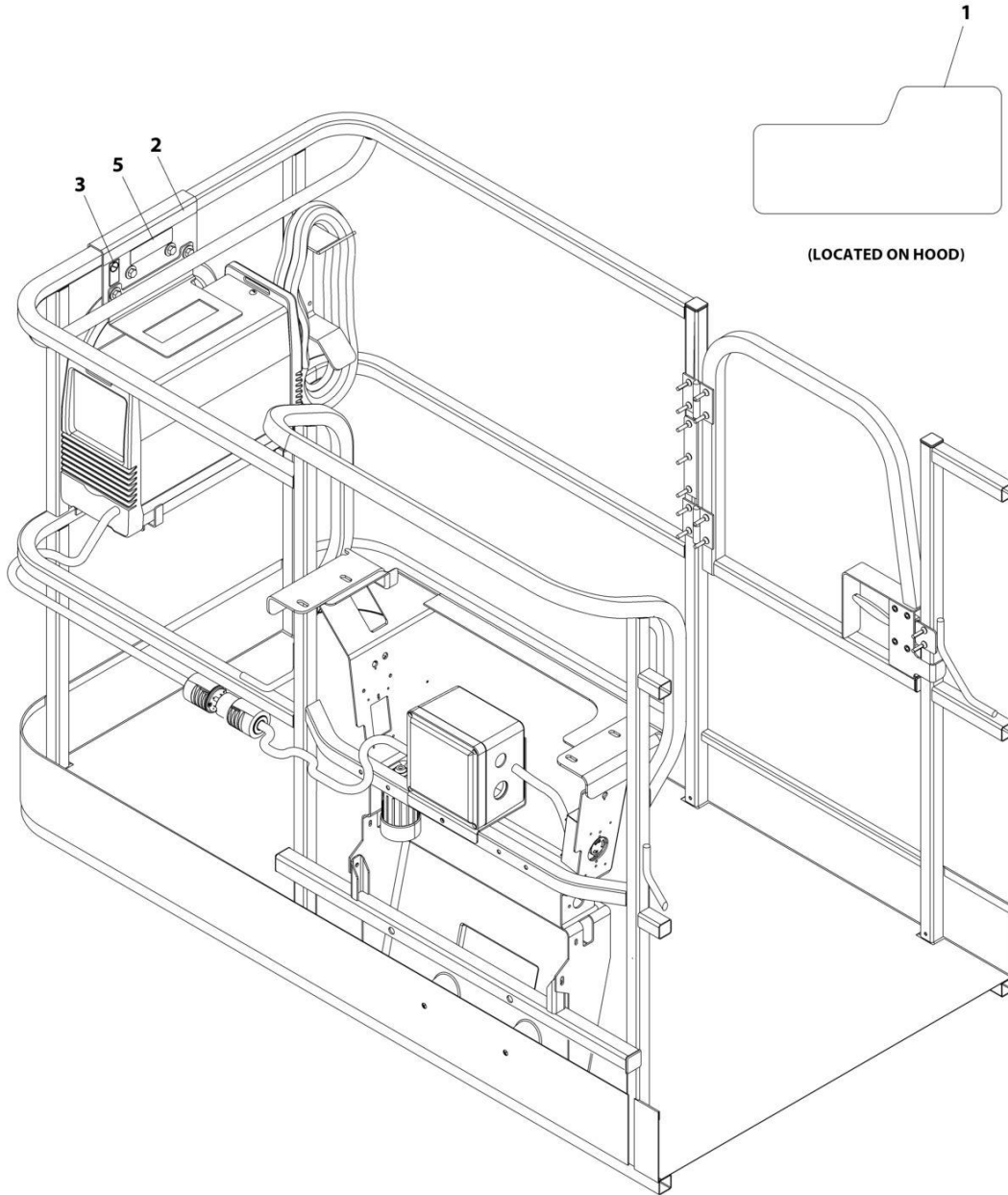
## SECTION 9 - DECALS

**FIGURE 9-14. SKYWELDER DECAL INSTALLATION - 50HZ**

| ITEM | PART NUMBER | QTY | DESCRIPTION                         | REV |
|------|-------------|-----|-------------------------------------|-----|
|      | 0272588     | Ref | SKYWELDER DECAL INSTALLATION - 50Hz | B   |
| 1    | 1705355     | 2   | Decal - SkyWelder                   |     |
| 2    | 1705305     | 1   | Decal - Weld Lead                   |     |
| 3    | 1001228988  | 1   | Decal - Weight                      |     |

# SECTION 9 - DECALS

## FIGURE 9-15. SKYWELDER DECAL INSTALLATION - 60HZ



ART\_0272448\_D

## SECTION 9 - DECALS

### FIGURE 9-15. SKYWELDER DECAL INSTALLATION - 60HZ

| ITEM | PART NUMBER | QTY | DESCRIPTION                         | REV |
|------|-------------|-----|-------------------------------------|-----|
|      | 0272448     | Ref | SKYWELDER DECAL INSTALLATION - 60Hz | D   |
| 1    | 1705355     | 2   | Decal - SkyWelder                   |     |
| 2    | 1702868     | 1   | Decal - No Hands                    |     |
| 3    | 1705305     | 1   | Decal - Weld Lead                   |     |
| 5    | 1001228988  | 1   | Decal - Weight                      |     |





## **SECTION 10 - RECOMMENDED SERVICE PARTS STOCK**

## **SECTION 10 - RECOMMENDED SERVICE PARTS STOCK**

# SECTION 10 - RECOMMENDED SERVICE PARTS STOCK

## FIGURE 10-1. RECOMMENDED SERVICE PART STOCK

| ITEM | PART NUMBER | QTY | DESCRIPTION   | REV |
|------|-------------|-----|---|-----|
|      | See Note    | Ref | Note: The following list will service one machine (built to current production per date on the front cover) with emergency repair parts which can be installed in the field. Parts from the list should be replaced when inventory is depleted to keep service parts stock supplied. For further information, contact your JLG dealer or the JLG Industries Parts Department. |     |
|      | 4360542     | 1   | Breaker, Circuit (2500W/110V Generator)   |     |
|      | 70000126    | 1   | Breaker, Circuit (2500W/220V Generator)   |     |
|      | 70001431    | 1   | Breaker, Circuit (Plasma Cutter)  |     |
|      | 4360070     | 1   | Breaker, Circuit 15Amp (4000W & 7500W Generators)   |     |
|      | 1001181045  | 1   | Breaker 16Amp (Breaker Box Single)  |     |
|      | 7024485     | 1   | Breaker, Circuit 30Amp (7500W Generator)  |     |
|      | 1001159118  | 1   | Breaker, GFCI 30Amp 240VAC (AC Box 240GFCI)   |     |
|      | 1001181046  | 1   | Breaker 30mA/16Amp (Breaker Box with Generator)   |     |
|      | 7024444     | 1   | Cap, Breather (Helgensen Brand)   |     |
|      | 70004862    | 1   | Cap, Breather (Hydac Brand)   |     |
|      | 7012944     | 1   | Coil (Control Valves)   |     |
|      | 7012943     | 1   | Coil (Control Valves)   |     |
|      | 70004653    | 1   | Coil (Main Valve)   |     |
|      | 70004595    | 1   | Coil (Main Valve)   |     |
|      | 80434249    | 1   | Coil (Main Valve)   |     |
|      | 70004660    | 1   | Coil (Main Valve)   |     |
|      | 70004460    | 1   | Coil (Main Valve)   |     |
|      | 70004463    | 1   | Coil (Main Valve)   |     |
|      | 70002386    | 1   | Coil (Boom Valve)   |     |
|      | 1001275628  | 1   | Controller, Drive/Steer   |     |
|      | 1001275629  | 1   | Controller, Lift/Swing  |     |
|      | 4360407     | 1   | Controller, Potentiometer (Console Box)   |     |
|      | 3990010     | 2   | Diode, 6Amp (Ground Control Harness)  |     |
|      | 2120210     | 12  | Element, Filter Pressure (Control Valves)   |     |
|      | 2120149     | 12  | Element, Filter Return (Control Valves)   |     |
|      |             | Ref | Engine - D2011  |     |
|      | 70003783    | 12  | Element, Air Cleaner  |     |
|      | 1001202281  | 12  | Element, Fuel/Water Separator   |     |
|      | 7016328     | 12  | Element, Fuel Filter  |     |
|      | 7016331     | 12  | Element, Oil Filter   |     |
|      | 7027795     | 1   | Module, Engine Control (Note: Please Contact JLG Parts Center to Order)   |     |
|      | 3740067     | 1   | Relay   |     |
|      |             | Ref | Engine - TD2.2L3 Stage V  |     |
|      | 70005008    | 12  | Element, Air Cleaner  |     |
|      | 8229242     | 2   | Fuse, 5A  |     |
|      | 80983191    | 2   | Fuse, 10A   |     |
|      | 70023592    | 2   | Fuse, 20A (Switched Output)   |     |
|      | 70023593    | 2   | Fuse, 30A (Battery Output)  |     |
|      | 1001117308  | 1   | Relay   |     |
|      | 1001138228  | 1   | Relay, Power Module   |     |
|      |             | Ref | Engine - TD2.9L4 49HP   |     |
|      | 91403102    | 12  | Element, Air Cleaner  |     |
|      | 1001225430  | 12  | Filter, Fuel Primary  |     |

## SECTION 10 - RECOMMENDED SERVICE PARTS STOCK

| ITEM | PART NUMBER | QTY | DESCRIPTION   | REV |
|------|-------------|-----|---|-----|
|      | 1001225431  | 12  | Filter, Fuel Secondary  |     |
|      | 7016331     | 12  | Filter, Oil   |     |
|      | 8229242     | 2   | Fuse, 5A  |     |
|      | 8093191     | 2   | Fuse, 10A   |     |
|      | 70023592    | 2   | Fuse, 20A (Switched Output)   |     |
|      | 70023593    | 2   | Fuse, 30A (Battery Output)  |     |
|      | 70025210    | 1   | Module, Engine Control (Note: Please Contact JLG Parts Center to Order) |     |
|      | 1001117308  | 1   | Relay   |     |
|      | 1001138228  | 1   | Relay, Power Module   |     |
|      |             | Ref | Engine - TD2.9L4 63HP   |     |
|      | 91403102    | 12  | Element, Air Cleaner  |     |
|      | 70025153    | 12  | Filter, Fuel Primary  |     |
|      | 70025161    | 12  | Filter, Fuel Secondary  |     |
|      | 7016331     | 12  | Filter, Oil   |     |
|      | 8229242     | 2   | Fuse, 5A  |     |
|      | 80983191    | 2   | Fuse, 10A   |     |
|      | 70023592    | 2   | Fuse, 20A (Switched Output)   |     |
|      | 70023593    | 2   | Fuse, 30A (Battery Output)  |     |
|      | 1001117308  | 1   | Relay   |     |
|      | 70005648    | 1   | Relay   |     |
|      | 1001138228  | 1   | Relay, Power Module   |     |
|      |             | Ref | Engine - Ford   |     |
|      | 70005008    | 12  | Element, Air Cleaner  |     |
|      | 70006155    | 12  | Filter, Fuel  |     |
|      | 70006213    | 12  | Filter, Oil   |     |
|      | 70006175    | 2   | Fuse, 20A (Starter)   |     |
|      | 70006176    | 1   | Module, ECU (ECU/GCP)   |     |
|      | 3740067     | 1   | Relay   |     |
|      | 70006171    | 1   | Relay (Fuel Pump & Power)   |     |
|      | 70006172    | 1   | Relay (Starter)   |     |
|      | 1001196634  | 2   | Fuse, 2A (Breather Heater)  |     |
|      | 8229249     | 2   | Fuse, 3A (USB Charger & Console Box Harness)                            |     |
|      | 2400064     | 2   | Fuse, 5A (2500W & 7500W Generator to Engine Harness)                    |     |
|      | 8229242     | 2   | Fuse, 5A (Ground Control Harness)                                       |     |
|      | 2860030     | 1   | Key, Replacement  |     |
|      | 2940074     | 1   | Latch (Platforms with Gate)   |     |
|      | 1001247468  | 1   | Loadcell (Platform Support)   |     |
|      | 1001142683  | 1   | Module, Control Beacon (Strobe Lights)                                  |     |
|      | 1001103667  | 1   | Module, Ground Control  |     |
|      | 1001106938  | 1   | Module, Platform  |     |
|      | 3740067     | 1   | Relay (Aux Pump Installation)   |     |
|      | 3740049     | 1   | Relay (Ground Control)  |     |
|      | 3740080     | 1   | Relay (2500W & 7500W Generators)  |     |
|      | 70006553    | 1   | Relay (4000W Generator)   |     |
|      | 1001186431  | 1   | Relay (SkyGuard Bar)  |     |
|      | 1001248962  | 1   | Sensor, Angle (Boom Valves & Limit Switches)                            |     |
|      | 1001228225  | 1   | Sensor, Emitter (SkyEye)  |     |
|      | 1001117174  | 1   | Sensor, Footswitch  |     |
|      | 4360436     | 1   | Sensor, Fuel Level  |     |
|      | 4360578     | 1   | Sensor, Limit (Boom Valves & Limit Switches)                            |     |
|      | 4360057     | 1   | Sensor Limit (Soft Touch)   |     |

## SECTION 10 - RECOMMENDED SERVICE PARTS STOCK

| ITEM | PART NUMBER | QTY | DESCRIPTION  | REV |
|------|-------------|-----|--|-----|
|      | 1001172271  | 1   | Sensor, Limit Roller (Boom Valves & Limit Switches with Tower Stow)  |     |
|      | 1001170847  | 1   | Sensor, Proximity (Boom Valves & Limit Switches)                     |     |
|      | 1001182570  | 1   | Sensor, Proximity (Boom Valves & Limit Switches)                     |     |
|      | 1001232667  | 1   | Sensor, Proximity (SkyLine)  |     |
|      | 4360517     | 1   | Sensor, Proximity (Rotary Coupling)                                  |     |
|      | 1001228224  | 1   | Sensor, Receiver (SkyEye)  |     |
|      | 1001137673  | 1   | Sensor, SkyGuard Bar   |     |
|      | 1001225346  | 1   | Switch, Battery Disconnect)  |     |
|      | 4360475     | 1   | Switch, Emergency Stop   |     |
|      | 4360469     | 1   | Switch, Key  |     |
|      | 4360274     | 1   | Switch, Pushbutton Gray (Ground Control)                             |     |
|      | 4360387     | 1   | Switch, Pushbutton Yellow (Ground Control, Console Box & Soft Touch) |     |
|      | 70001432    | 1   | Switch, Rocker (Plasma Cutter)                                       |     |
|      | 1001155045  | 1   | Switch, Toggle (Ground Control & Console Box)                        |     |
|      | 4360336     | 1   | Switch, Toggle (Cribbing & Generators)                               |     |
|      | 4360331     | 1   | Switch, Toggle (Console & Footswitch, Steer Switch Installation)     |     |
|      | 1001159256  | 1   | Switch, Toggle (Console Box Assembly)                                |     |

**SECTION 11 - SPECIAL OPTIONS/ACCESSORIES/KITS**

**SECTION 11 - SPECIAL OPTIONS/ACCESSORIES/KITS**

# SECTION 11 - SPECIAL OPTIONS/ACCESSORIES/KITS

FIGURE 11-1. SPECIAL OPTIONS/ACCESSORIES/KITS

| ITEM | PART NUMBER | QTY | DESCRIPTION   | REV |
|------|-------------|-----|---|-----|
|      |             | Ref | Note: This list is to accommodate machines ordered with special equipment. Options may not be applicable to all models. For more specific parts information contact JLG Parts Department. |     |
|      | 1001204884  | Ref | Air Intake Shut-off Valve Installation (Deutz DT2.9L4 - 63HP Engines) (ANSI & CSA Specs)  |     |
|      | 1001247570  | Ref | Air Intake Shut-off Valve Installation (Deutz DT2.9L4 - 49HP Engines) (ANSI & CSA Specs)  |     |
|      | 1001253151  | Ref | Airline to Platform Installation  |     |
|      | 1001093438  | Ref | Airline to Platform Installation (Arctic Package)   |     |
|      | 1001254024  | Ref | Bellows Installation - Boom   |     |
|      | 1001251379  | Ref | Bellows Installation - Chassis  |     |
|      | 1001253466  | Ref | Boom Wiper Installation   |     |
|      | 1001172045  | Ref | Cable/Ladder Carrier Installation   |     |
|      |             | Ref | ClearSky (Telematics) Add-on Kits (Dealer Installed)  |     |
|      | 1001242409  | Ref | ClearSky (Telematics) Access Control Add-on Kit (Dealer Installed) (ANSI, ANSI Export and CSA Specs)  |     |
|      | 1001265378  | Ref | ClearSky (Telematics) Add-on Kit (Dealer Installed) (ANSI, ANSI Export and CSA Specs)   |     |
|      | 1001246142  | Ref | ClearSky (Telematics) Added-on Kit (Dealer Installed) (Australian Specs)  |     |
|      | 1001243184  | Ref | ClearSky (Telematics) Added-on Kit (Dealer Installed) (CE & UK CA Specs)  |     |
|      | 1001276923  | Ref | ClearSky (Telematics) Added-on Kit - 3 Wire (Dealer Installed)  |     |
|      |             | Ref | ClearSky Telematics Installation (Factory Installed)  |     |
|      | 1001227472  | Ref | ClearSky Telematics Installation - Canbus (Factory Installed) (All Specs except Russian & Chinese Specs)  |     |
|      | 1001228946  | Ref | ClearSky Telematics Installation - Canbus (Factory Installed) (ANSI Export, CE & UK CA Specs)   |     |
|      | 1001246522  | Ref | ClearSky Telematics Installation - Canbus (Factory Installed) (Australian Specs)  |     |
|      | 1001246523  | Ref | ClearSky Telematics Installation - Canbus (Factory Installed) (China Specs)   |     |
|      | 1001276610  | Ref | ClearSky Telematics Installation - 3-Wire Connection (Factory Installed)  |     |
|      | 1001289850  | Ref | ClearSky Telematics Installation - CS550  |     |
|      | 1001293369  | Ref | Hood Plugs Installation   |     |
|      |             | Ref | Cold Weather Packages:  |     |
|      | 1001152340  | Ref | Cold Weather Package - Deutz D2011 Engines  |     |
|      | 0274883     | Ref | Cold Weather Package with Transformer- Deutz D2011 Engines  |     |
|      | 1001151900  | Ref | Cold Weather Package - Deutz TD2.9L4 Engines  |     |
|      | 1001256385  | Ref | Cold Weather Package - Deutz TD2.2L3 Engines (Stage V)  |     |
|      | 1001217832  | Ref | Cold Weather Package - Ford Engines   |     |
|      | 1001276007  | Ref | Controller Service Kit - Drive/Steer  |     |
|      | 1001276008  | Ref | Controller Service Kit - Lift/Swing   |     |
|      | 1001157013  | Ref | Counterweight Installation (Required for Soft Touch Systems)  |     |
|      | 0257195     | Ref | Decal - Government Warranty   |     |
|      |             | Ref | Decal Kit Options:  |     |
|      | 2902307     | Ref | Decal Kit - Country Spec (ANSI and ANSI Export)   |     |
|      | 2902329     | Ref | Decal Kit - Country Spec (Australian, CE & UK CA)   |     |
|      | 2902312     | Ref | Decal Kit - Country Spec (Brazil)   |     |
|      | 2902322     | Ref | Decal Kit - Country Spec (CSA)  |     |

## SECTION 11 - SPECIAL OPTIONS/ACCESSORIES/KITS

| ITEM | PART NUMBER | QTY | DESCRIPTION   | REV |
|------|-------------|-----|---|-----|
|      | 1001116844  | Ref | Decal Kit - Country Spec (Chinese - Simplified)   |     |
|      | 2902309     | Ref | Decal Kit - Country Spec (Chinese - Traditional)  |     |
|      | 2902308     | Ref | Decal Kit - Country Spec (Japanese)   |     |
|      | 2902310     | Ref | Decal Kit - Country Spec (Korean)   |     |
|      | 2902311     | Ref | Decal Kit - Country Spec (Latin America)  |     |
|      | 2902303     | Ref | Decal Kit - Master  |     |
|      | 1001271643  | Ref | Decal Kit – Machine   |     |
|      | 1001271644  | Ref | Decal Kit – Platform  |     |
|      | 1001271645  | Ref | Decal Kit – Platform Console Box  |     |
|      | 1001233047  | Ref | Deutz Breather Heater Kit   |     |
|      | 4932990     | Ref | Drive Cutout Kit (Above Elevation Beyond Transport)   |     |
|      | 4932993     | Ref | Drive Cutout Kit (Above Elevation Tilt) (All Specs except CSA, CE & UK CA)  |     |
|      |             | Ref | Electrical Connector Kits   |     |
|      | 1001290270  | Ref | ECM Power Jumper Stage V Kit  |     |
|      | 1001148902  | Ref | Amp/Tyco Electrical Connector Kit   |     |
|      | 1001148903  | Ref | Deutsch DT Electrical Connector Kit   |     |
|      | 1001148904  | Ref | Deutsch HD Electrical Connector Kit   |     |
|      | 1001148905  | Ref | Packard Electrical Connector Kit  |     |
|      | 1001148906  | Ref | Various Electrical Connectors Kit   |     |
|      | 1001218022  | Ref | Engine Block Heater Installations (Ford Engines Only)   |     |
|      | 1001237883  | Ref | Fall Arrest (Bolt-on) Add-on Kit (6ft/1.82m Platform (ANSI, ANSI Export, CHINA, CSA & Japanese Specs Only) (Fits Platform p/ns 1001186384 & 1001144024) |     |
|      | 1001237882  | Ref | Fall Arrest (Bolt-on) Add-on Kit (8ft/2.4m Platform (ANSI, ANSI Export, CHINA, CSA & Japanese Specs Only) (Fits Platform p/ns 1001186383 & 1001144023)  |     |
|      | 1001269629  | Ref | Fall Arrest (Bolt-On) 30x60" Platform   |     |
|      | 1001269630  | Ref | Fall Arrest (Bolt-On) 30x48" Platform   |     |
|      | 1001269631  | Ref | Fall Arrest (Bolt-On) 30x72" Platform   |     |
|      |             | Ref | Fan Cover/Guard Options:  |     |
|      | 1001182599  | Ref | Fan Guard Installation (Deutz D2011 Engines)  |     |
|      | 1001258140  | Ref | Fan Guard Installation (Deutz TD2.3L3 Stage V Engines)  |     |
|      | 1001177694  | Ref | Fan Guard Installation (Deutz TD2.9L4 Engines)  |     |
|      | 1001093389  | Ref | Fan Cover Installation (Ford DF 2.5L Engines)   |     |
|      |             | Ref | Filter Kits:  |     |
|      | 1001166960  | Ref | Deutz D2011 Engine  |     |
|      | 1001181148  | Ref | Deutz TD2.9L4 Engine  |     |
|      | 1001114042  | Ref | Ford DF2.5L Engine  |     |
|      | 1001290375  | Ref | QUICKFIT OIL DRAIN (FORD ENGINES)   |     |
|      | 1001139099  | Ref | Fire Extinguisher Installation  |     |
|      | 1001117294  | Ref | Footswitch Shield (Arctic Package)  |     |
|      | 1001265676  | Ref | Ford 42 Way Connector Kit   |     |
|      | 1001202749  | Ref | Fuel Cap Cover Installation (Black) (All Machines) (Note: Lock p/n 1001102157 Must be purchased separately)   |     |
|      | 1001191395  | Ref | Fuel Cap Cover Installation (Green) (Diesel Machines) (Note: Lock p/n 1001102157 Must be purchased separately)  |     |
|      | 1001247338  | Ref | Fuel Cap Cover Installation (Red) (Gasoline Machines) (Note: Lock p/n 1001102157 Must be purchased separately)  |     |
|      |             | Ref | Hose Kits:  |     |
|      | 1001209629  | Ref | Hose Kit - Platform Valve   |     |
|      | 1001239617  | Ref | Hose Kit - Power Track Upper  |     |
|      | 2910100     | Ref | Hose/Cable Chafe Protection Kit   |     |

## SECTION 11 - SPECIAL OPTIONS/ACCESSORIES/KITS

| ITEM | PART NUMBER | QTY | DESCRIPTION   | REV |
|------|-------------|-----|---|-----|
|      | 1001094475  | Ref | Hourmeter for Generator Installation  |     |
|      | 1001229940  | Ref | Hydraulic Tank Locker Installation  |     |
|      | 1001268736  | Ref | Jib Link Kit  |     |
|      |             | Ref | Light Installations:  |     |
|      | 0274200     | Ref | Lights Installation - Chassis Lights  |     |
|      | 1001176296  | Ref | Lights Installation - Headlights/Tailights  |     |
|      | 1001120466  | Ref | Lights Installation - Platform Worklights   |     |
|      | 1001243597  | Ref | Lights Installation - Portable Work Lights  |     |
|      | 1001236951  | Ref | Low Temperature Cut-out Switch Installation (Russian Specs)                               |     |
|      | 1001120467  | Ref | Lights Installation - Platform Flood Lights   |     |
|      | 1001282215  | Ref | Platform Worklights Kit   |     |
|      | 1001204296  | Ref | Oil Cooler Replacement Kit (Deutz TD2.9L4 Engine Only) (RCP to Ymer Cooler)               |     |
|      | 1001272166  | Ref | Pipe Racks Add-on Kit (Dealer Installed)  |     |
|      | 1580013     | Ref | Platform Corner Storage Tray  |     |
|      | 1001195304  | Ref | Platform Console Cover Installation (Clear Polycarbonate)                                 |     |
|      | 1001266290  | Ref | Platform Console Cover Installation (Steel) (All Specs except Australian & Chinese Specs) |     |
|      | 1001125230  | Ref | Platform Console Cover Installation (Steel) (Chinese Specs)                               |     |
|      | 1001125229  | Ref | Platform Console Cover Installation (Steel) (Korean Specs)                                |     |
|      | 1001270482  | Ref | Platform Console Cover Kit (Dealer Installed)   |     |
|      | 1001296259  | Ref | Perimeter Lights ABS Kit  |     |
|      | 1001296622  | Ref | Platform Lights Kit   |     |
|      | 1001296684  | Ref | Chassis Lights Kit  |     |
|      | 1001296701  | Ref | Platform Support Lamp Kit   |     |
|      |             | Ref | Platform Entry Kit:   |     |
|      | 1001142504  | Ref | Kit, Replace Swing Gate with Drop Bar   |     |
|      | 1001142505  | Ref | Kit, Replace Drop Bar with Swing Gate   |     |
|      | 1001274833  | Ref | Platform Floormat Add-on Kit (30x48 Platform) (Dealer Installed)                          |     |
|      | 1001274832  | Ref | Platform Floormat Add-on Kit (30x60 Platform) (Dealer Installed)                          |     |
|      | 1001274830  | Ref | Platform Floormat Add-on Kit (36x72 Platform) (Dealer Installed)                          |     |
|      | 1001274829  | Ref | Platform Floormat Add-on Kit (36x96 Platform) (Dealer Installed)                          |     |
|      |             | Ref | Platform Mesh to Top Rail Add-on Kits:  |     |
|      | 1001214552  | Ref | 30in x 4ft (76cm x 1.22m) with Gate   |     |
|      | 1001214559  | Ref | 30in x 5ft (76cm x 1.52m) with Gate   |     |
|      | 1001214561  | Ref | 36in x 6ft (91.5cm x 1.83m) with Gate   |     |
|      | 1001214562  | Ref | 36in x 8ft (91.5cm x 2.44m) with Gate   |     |
|      |             | Ref | Platform Mesh to Top Rail Installations   |     |
|      | 1001272182  | Ref | 30in x 4ft (76cm x 1.22m)   |     |
|      | 1001271888  | Ref | 30in x 5ft (76cm x 1.52m)   |     |
|      | 1001271642  | Ref | 36in x 6ft (91.5cm x 1.83m)   |     |
|      | 1001269187  | Ref | 36in x 8ft (91.5cm x 2.44m)   |     |
|      |             | Ref | Platform Mesh to Mid Rail Add-on Kits:  |     |
|      | 1001214478  | Ref | 30in x 4ft (76cm x 1.22m) with Gate   |     |
|      | 1001214515  | Ref | 30in x 5ft (76cm x 1.52m) with Gate   |     |
|      | 1001214540  | Ref | 36in x 6ft (91.5cm x 1.83m) with Gate   |     |
|      | 1001214548  | Ref | 36in x 8ft (91.5cm x 2.44m) with Gate   |     |
|      |             | Ref | Platform Mesh to Mid Rail Installation  |     |
|      | 1001272274  | Ref | 30in x 4ft (76cm x 1.22m)   |     |
|      | 1001272178  | Ref | 30in x 5ft (76cm x 1.52m)   |     |
|      | 1001271760  | Ref | 36in x 6ft (91.5cm x 1.83m)   |     |
|      | 1001269389  | Ref | 36in x 8ft (91.5cm x 2.44m)   |     |



## SECTION 11 - SPECIAL OPTIONS/ACCESSORIES/KITS

| ITEM | PART NUMBER | QTY | DESCRIPTION   | REV |
|------|-------------|-----|---|-----|
|      |             | Ref | Platform Mesh to Top Rail (Plastic)   |     |
|      | 1001266807  | Ref | 30in x 4ft (76cm x 1.22m)   |     |
|      | 1001266801  | Ref | 30in x 5ft (76cm x 1.52m)   |     |
|      | 1001266489  | Ref | 36in x 6ft (91.5cm x 1.83m)   |     |
|      | 1001266056  | Ref | 36in x 8ft (91.5cm x 2.44m)   |     |
|      |             | Ref | Platform Mesh to Mid Rail (Plastic)   |     |
|      | 1001266969  | Ref | 30in x 4ft (76cm x 1.22m)   |     |
|      | 1001266799  | Ref | 30in x 5ft (76cm x 1.52m)   |     |
|      | 1001266284  | Ref | 36in x 6ft (91.5cm x 1.83m)   |     |
|      | 1001266098  | Ref | 36in x 8ft (91.5cm x 2.44m)   |     |
|      |             | Ref | Platform, Top Rail Extension  |     |
|      | 0272733     | Ref | 3ft x 6ft Platforms   |     |
|      | 0272725     | Ref | 3ft x 8ft Platforms   |     |
|      | 1001209059  | Ref | Platform Work Surface Installation  |     |
|      | 1001171018  | Ref | RCD Box Installation (Brazil Spec)  |     |
|      | 1001099572  | Ref | Security Lock (Programmable) Installation   |     |
|      | 1001190884  | Ref | Service Kits and Tools  | W   |
|      | 1001247073  | Ref | SkyEye Retrofit Kit   |     |
|      | 1001241547  | Ref | SkyEye Housing Kit (LH)   |     |
|      | 1001241548  | Ref | SkyEye Housing Kit (RH)   |     |
|      |             | Ref | SkyGuard Component Options:   |     |
|      | 1001206477  | Ref | SkyGuard Complete Add-on Kit (Blue Beacon)  |     |
|      | 1001210026  | Ref | SkyGuard Complete Add-on Kit (Red Beacon)   |     |
|      | 1001249052  | Ref | SkyGuard Retrofit Kit   |     |
|      | 1001137672  | Ref | SkyGuard Platform Sensor Kit  |     |
|      | 1001250595  | Ref | 6 Pin SkyGuard Retrofit Kit   |     |
|      | 1001262016  | Ref | SkyLine Kit   |     |
|      | 1001289831  | Ref | SkySense/Enhanced Detection System (EDS) Level 1 (2 Bar) Installation (Factory Installed) |     |
|      | 1001289832  | Ref | SkySense/Enhanced Detection System (EDS) Level 2 (3 Bar) Installation (Factory Installed) |     |
|      | 1001289905  | Ref | SkySense/Enhanced Detection System (EDS) Level 1 (2-Bar) Add-on Kit (Dealer Installed)    |     |
|      | 1001289906  | Ref | SkySense/Enhanced Detection System (EDS) Level 2 (3-Bar) Add-on Kit (Dealer Installed)    |     |
|      | 1001253618  | Ref | SkySense Module Box Assembly Kit (Service Kit for P/N 1001246867)                         |     |
|      | 1001253619  | Ref | SkySense Module Box Assembly Kit (Service Kit for P/N 1001246860)                         |     |
|      | 1001282461  | Ref | SkySense Padding Installation - For 30 x 48 Platforms equipped with SkySense              |     |
|      | 1001275644  | Ref | SkySense Padding Installation - For 30 x 60 Platforms equipped with SkySense              |     |
|      | 1001275642  | Ref | SkySense Padding Installation - For 36 x 72 Platforms equipped with SkySense              |     |
|      | 1001269655  | Ref | SkySense Padding Installation - For 36 x 96 Platforms equipped with SkySense              |     |
|      | 1001263395  | Ref | SkyWelder Kit (Dealer Installed)  |     |
|      | 1001121592  | Ref | Soft-Touch Add-on Kit (36x72 Platform) (Dealer Installed)                                 |     |
|      | 1001121593  | Ref | Soft-Touch Add-on Kit (36x96 Platform) (Dealer Installed)                                 |     |
|      |             | Ref | Strobe Light Installations (Amber)  |     |
|      |             | Ref | Tools for Service   |     |
|      | 1001249695  | Ref | Analyzer and Cable Kit  |     |
|      | 1001249941  | Ref | Analyzer and Cable Kit (Battery Powered)  |     |

## SECTION 11 - SPECIAL OPTIONS/ACCESSORIES/KITS

| ITEM | PART NUMBER | QTY | DESCRIPTION  | REV |
|------|-------------|-----|--|-----|
|      | 1001137005  | Ref | Software Cable Kit   |     |
|      | 7002840     | Ref | Antirotation Pin Removal Tool  |     |
|      | 8896941     | Ref | Wire Stripper  |     |
|      | 7002821     | Ref | Wire Crimper (To install wire ends to wires)                                 |     |
|      | 7002823     | Ref | Pin/Socket Extractor - Universal (To Remove Pins/Sockets from Connectors)    |     |
|      | 4460467     | Ref | Extractor - 16-18 Gauge (For Removal of Pin/Sockets from Deutsch Connectors) |     |
|      | 4460510     | Ref | Extractor - 12-14 Gauge (For Removal of Pin/Sockets from Deutsch Connectors) |     |
|      | 7002822     | Ref | Screwdriver, Potentiometer (To Adjust Drive Controllers)                     |     |
|      | 7016654     | Ref | Screwdriver, Magnetic  |     |
|      | 7004275     | Ref | Seal Installation Tool - 1in   |     |
|      | 7004276     | Ref | Seal Installation Tool - 1 1/2in   |     |
|      | 7002826     | Ref | Seal Installation Tool - 2in   |     |
|      | 7016655     | Ref | Wire Rope Sheave Gauge   |     |
|      | 7016652     | Ref | Huck Bolt Fastener (For Small Huck Bolts Only)                               |     |
|      | 2900838     | Ref | U.S. Standards Fastener (Hardware) Kit                                       |     |
|      | 7014676     | Ref | U.S. Standards Tool Kit  |     |
|      | 1001274249  | Ref | USB Charger Port Add-on Kit (Dealer Installed)                               |     |
|      | 1001228577  | Ref | Telematics Canbus Gateway (Dealer Installed)                                 |     |
|      | 1001284510  | Ref | Telematics Canbus Gateway Plus (Deal Installed)                              |     |
|      | 1001258951  | Ref | Tower Stow Indicator Add-on Kit (Dealer Installed)                           |     |
|      | 1001238825  | Ref | Turntable Bearing Kit  |     |
|      | 1001262959  | Ref | Voltage Regulator Re-Location Kit (Used with ClearSky)                       |     |
|      | 1001273493  | 1   | ASO Valve Boom Kit   |     |
|      | 1001273494  | 1   | ASO Valve Kit  |     |
|      | 2910167     | Ref | Wear Pad Kit   |     |

# SECTION 11 - SPECIAL OPTIONS/ACCESSORIES/KITS

## PART NUMBER INDEX

## SECTION 11 - SPECIAL OPTIONS/ACCESSORIES/KITS

|                               |                               |                                |                              |
|-------------------------------|-------------------------------|--------------------------------|------------------------------|
| 0100009 .455, 459, 463, 467   | 0272433.....595               | 365, 370, 373, 449, 451,       | 0641610.. 95, 157, 161, 165, |
| 0100011 ..17, 19, 21, 23, 25, | 0272435..... 370, 382, 386    | 453, 755, 757, 759, 761,       | 168, 177, 179, 186, 190,     |
| 43, 45, 47, 49, 55, 57, 63,   | 0272448..... 496, 785         | 763, 765, 767, 769, 771,       | 204, 211, 257, 315, 335,     |
| 65, 75, 81, 83, 85, 87, 93,   | 0272521..... 499              | 773                            | 337, 343, 393, 451, 453      |
| 95, 97, 99, 103, 107, 111,    | 0272588..... 783              | 0641407 ..99, 103, 107, 111,   | 0641612.. 81, 197, 213, 220, |
| 115, 119, 123, 127, 131,      | 0272589..... 374, 378         | 115, 119, 123, 127, 131,       | 229, 233, 242, 248, 266,     |
| 135, 141, 143, 156, 160,      | 0272599..... 496, 779         | 135, 145, 156, 160, 181,       | 270                          |
| 164, 168, 171, 177, 179,      | 0272607..... 781              | 183, 186, 190, 273, 275,       | 0641613..... 55              |
| 181, 183, 186, 190, 197,      | 0272725..... 795              | 361, 381, 607, 611, 613,       | 0641614..... 83, 85, 87      |
| 201, 204, 213, 217, 220,      | 0272733..... 795              | 617, 619, 623, 625, 629,       | 0641616 350, 353, 361, 381,  |
| 229, 233, 237, 239, 242,      | 0273353..... 496              | 631                            | 393, 395                     |
| 248, 257, 266, 270, 273,      | 0273542..... 517              | 0641408 164, 168, 220, 242,    | 0641617..... 51              |
| 275, 278, 284, 289, 295,      | 0273706..... 515              | 248, 415, 451, 453, 567        | 0641618.. 25, 357, 365, 370, |
| 317, 319, 321, 323, 325,      | 0273824..... 509              | 0641409 .....177, 179          | 374, 377, 405                |
| 327, 331, 333, 335, 337,      | 0274200..... 794              | 0641410 186, 190, 362, 365,    | 0641620..... 403             |
| 339, 343, 345, 349, 353,      | 0274618..... 605              | 382                            | 0641640..... 403             |
| 357, 361, 365, 369, 373,      | 0274883..... 792              | 0641412 .....213, 229, 233     | 0641708. 204, 220, 242, 248  |
| 377, 381, 385, 391, 393,      | 0275216..... 607, 715         | 0641414 .....55, 57, 455, 459, | 0641772 335, 337, 339, 343,  |
| 395, 397, 401, 403, 405,      | 0275217..... 611, 717         | 463, 467, 483, 509, 511,       | 345                          |
| 407, 409, 413, 415, 427,      | 0275452..... 617, 721         | 513, 515                       | 0641808 177, 179, 197, 213,  |
| 429, 431, 433, 435, 441,      | 0275453..... 623, 725         | 0641415 .....55, 57, 354, 357, | 217, 229, 233, 237, 239,     |
| 443, 445, 447, 483, 485,      | 0275454..... 629, 729         | 365, 607, 611, 613, 617,       | 266, 270, 273, 275, 349,     |
| 496, 499, 501, 505, 509,      | 0275652..... 611              | 619, 623, 625, 629, 631        | 353, 361, 365, 369, 373,     |
| 511, 513, 515, 551, 553,      | 0275653..... 617              | 0641416 .....55, 57, 266, 270, | 381                          |
| 555, 570, 576, 582, 755,      | 0275654..... 623              | 407, 409, 603, 607, 609,       | 0641809..... 391             |
| 757, 759, 761, 763, 765,      | 0275656..... 607              | 611, 613, 615, 617, 619,       | 0641810 329, 331, 333, 391,  |
| 767, 769, 771, 773            | 0275660..... 629              | 621, 623, 625, 627, 629,       | 393                          |
| 0100019 ....69, 75, 321, 323, | 0362910..... 49               | 631, 633                       | 0641811..... 81              |
| 339, 349, 353, 357, 361,      | 0363012..... 25               | 0641418 427, 429, 433, 435,    | 0641812 181, 183, 201, 217,  |
| 365, 370, 373, 377, 381,      | 0370026..... 533              | 441, 443, 445, 447             | 237, 239, 339                |
| 385                           | 0400075 .... 63, 65, 177, 179 | 0641420 .....431               | 0641813..... 517             |
| 0100020 51, 83, 85, 87, 177,  | 0440162..... 397              | 0641505 .....41                | 0641814..... 17, 19          |
| 179, 197, 213, 220, 229,      | 0440207..... 75               | 0641506 ..99, 103, 107, 111,   | 0641818..... 87, 319         |
| 233, 242, 248, 266, 270,      | 0440237..... 397              | 115, 119, 123, 127, 131,       | 0641820..... 186, 190, 317   |
| 278, 284, 350, 471, 491,      | 0480121 ..... 335, 337, 343   | 135                            | 0641824..... 81              |
| 496, 603, 609, 615, 621,      | 0480126..... 353, 373         | 0641507 .....179, 407, 409     | 0642010.. 49, 177, 179, 197, |
| 627, 633                      | 0480129..... 349, 370         | 0641508 220, 242, 248, 335,    | 213, 229, 233, 266, 270      |
| 0100035 151, 211, 455, 459,   | 0561076..... 391              | 337, 339, 343, 345, 413,       | 0642012 17, 19, 21, 23, 391, |
| 463, 467, 477                 | 0561185 ..... 393, 395        | 415                            | 487, 489                     |
| 0100038 ....17, 19, 551, 553, | 0561237..... 649              | 0641510 186, 190, 220, 242,    | 0642212..... 487, 489        |
| 555, 570, 576, 582            | 0561248..... 393              | 248                            | 0651406..... 55              |
| 0100048 ..99, 103, 107, 111,  | 0630407. 204, 220, 242, 248   | 0641512 .....186, 190          | 0651408..... 57              |
| 115, 119, 123, 127, 131,      | 0630427..... 413, 415         | 0641516 .....43, 45, 47, 349,  | 0681608. 220, 244, 250, 401  |
| 135, 143, 145, 147, 266,      | 0630462. 509, 511, 513, 515   | 361, 369, 373, 377, 381,       | 0681620 220, 242, 248, 519,  |
| 270, 345, 361, 365, 381       | 0630467 ..... 407, 409        | 385, 405, 517, 567             | 521, 523, 525, 527           |
| 0100062 ..87, 186, 190, 204,  | 0630507. 156, 160, 164, 168   | 0641520 .....93, 95, 97        | 0681710..... 25              |
| 220, 242, 248, 280, 286,      | 0630518 139, 477, 491, 496,   | 0641524 .....403               | 0681812..... 273, 275        |
| 370, 374                      | 499, 501, 505                 | 0641532 .....405               | 0681814..... 437, 439        |
| 0100079 .....315, 361, 381    | 0630534..... 539, 541, 543    | 0641552 .....25                | 0681820..... 325             |
| 0100081 .403, 405, 487, 489   | 0630535..... 553, 555         | 0641604 .....413, 415, 553     | 0681822 220, 242, 248, 327,  |
| 0100087 ..... 91              | 0630548.. 99, 103, 107, 111,  | 0641606 .....83, 85, 87, 156,  | 437, 439                     |
| 0140011 .455, 459, 463, 467   | 115, 119, 123, 127, 131,      | 157, 160, 161, 165, 168,       | 0682018..... 75              |
| 0140044 ..... 143             | 135                           | 169, 171, 186, 190, 197,       | 0682218..... 69              |
| 0181949 ..... 51              | 0630568. 455, 459, 464, 468   | 213, 233, 393, 403, 405,       | 0682424 519, 521, 523, 525,  |
| 0200048 .509, 511, 513, 515   | 0641403. 369, 373, 395, 405   | 496, 499, 501, 505             | 527                          |
| 0200742 .....335, 337, 343    | 0641404.. 99, 103, 107, 111,  | 0641607 .....63, 65, 95, 164,  | 0700408 603, 607, 609, 611,  |
| 0255382 ..... 599             | 115, 119, 123, 127, 131,      | 168, 197, 213, 229, 233,       | 613, 615, 617, 619, 621,     |
| 0255410 ..... 77              | 135, 197, 213, 229, 233,      | 266, 270, 315, 339, 386,       | 623, 625, 627, 629, 631,     |
| 0255880 ..... 329             | 337, 349, 353, 361, 365,      | 391, 393                       | 633                          |
| 0257176 ..... 601             | 381, 485                      | 0641608 ..21, 23, 55, 57, 91,  | 0700610..... 201             |
| 0257195 ..... 792             | 0641405 156, 160, 164, 168,   | 95, 156, 160, 164, 168,        | 0700612..... 204             |
| 0257573 ..... 405             | 455, 459, 463, 467, 485       | 179, 197, 204, 213, 220,       | 0700614..... 357, 377        |
| 0258945 ..... 479             | 0641406.... 63, 65, 141, 143, | 229, 233, 242, 248, 311,       | 0700616..... 197             |
| 0270528 .....43, 45, 47, 49   | 145, 147, 164, 168, 197,      | 325, 327, 393, 413, 415        | 0700617..... 151, 153        |
| 0272254 ..... 501             | 204, 213, 217, 220, 229,      | 0641609 186, 190, 220, 242,    | 0700618..... 649             |
| 0272418 ..... 489             | 233, 237, 239, 242, 248,      | 248, 317, 319, 329, 331        | 0700624..... 645, 647, 651   |
| 0272427 ..... 513             | 266, 270, 349, 353, 357,      |                                | 0700808..... 186, 190        |

## SECTION 11 - SPECIAL OPTIONS/ACCESSORIES/KITS

|  |  |  |  |
|--|--|--|--|
| 0700810.....278, 284   | 0771414 186, 190, 204, 220,<br>242, 248, 321, 323, 325         | 1001093549.....571   | 1001112612.....643, 707                      |
| 0700812.....278, 284, 323  | 0771415 327, 350, 354, 370,<br>374                             | 1001094475.....794   | 1001112796.....643, 661                      |
| 0700814 278, 284, 321, 323,<br>327   | 0811606.....395  | 1001096070..353, 357, 365,<br>607, 611, 617, 623, 629,<br>657      | 1001113790.....589                           |
| 0700816.....289  | 0811607.....395  | 1001096398.....97  | 1001113818.....589                           |
| 0700818.....289  | 0811608.....395  | 1001097051.....737   | 1001113961.....707                           |
| 0701012.....204  | 0811610.....395  | 1001097150.....657, 659  | 1001113984.....25, 29                        |
| 0701014.....93, 289  | 0860038 349, 361, 369, 381,<br>385, 599, 601, 605              | 1001097242.....21, 23, 551   | 1001114042.....793                           |
| 0701017.....204  | 0860520 755, 757, 759, 761,<br>763, 765, 767, 769, 771,<br>773 | 1001097244.....529   | 1001115391.....369                           |
| 0701020.....397  | 0861538.....370, 381, 385                                      | 1001098012...491, 493, 496   | 1001115392.....373                           |
| 0701026.....295  | 0861572.....374, 377   | 1001098122...471, 711, 713   | 1001115405.....335                           |
| 0710827.....289  | 0861731 603, 621, 627, 633,<br>721, 723, 725, 727, 729,<br>731 | 1001098149.....491   | 1001115406.....343                           |
| 0711014.....280, 286   | 0861781 609, 615, 715, 717,<br>719                             | 1001098503.....25, 33  | 1001115409.....337                           |
| 0711020.....278, 284   | 0861880.....657, 659   | 1001098828.....401   | 1001115889.....141                           |
| 0711215.....204  | 0902219.....156, 160   | 1001099196.....21  | 1001115915.....141                           |
| 0711216.....289  | 0902335.....156, 160   | 1001099366.....487, 489  | 1001115918.....141                           |
| 0711223 204, 280, 286, 321,<br>323   | 0902888 349, 361, 369, 373,<br>377, 381, 385                   | 1001099367.....487, 489  | 1001116208.....776                           |
| 0711414.....317, 319   | 0903056.....81   | 1001099387.....21, 23  | 1001116692.....747                           |
| 0720804.....51   | 0940049 .156, 160, 164, 168                                    | 1001099391.....55, 57  | 1001116694.....707                           |
| 0721004.....49   | 0940070 186, 190, 204, 220,<br>242, 248, 278, 284              | 1001099572.....795   | 1001116695.....415                           |
| 0721005.....513, 515   | 0940071 .....156, 160  | 1001099835.....405   | 1001116710.....685                           |
| 0721006 156, 160, 164, 168,<br>211, 257, 335, 337, 339,<br>343                     | 0940088 .156, 160, 164, 168                                    | 1001099869.....337   | 1001116720.....741                           |
| 073100583, 85, 87, 509, 511  | 0940092 509, 511, 513, 515,<br>517                             | 1001100234.....337   | 1001116727...671, 675, 699                   |
| 0741605 .204, 220, 242, 248  | 0940094 509, 511, 513, 515,<br>517                             | 1001100321.....337, 343  | 1001116728.....671, 675                      |
| 0741606.....63, 65, 413, 415   | 0940102 .....487, 489  | 1001100341.....715   | 1001116748 ..645, 647, 649,<br>651           |
| 0741607 ....23, 49, 349, 353,<br>357, 361, 365, 377, 381,<br>385                   | 0940103 .....513   | 1001100342...613, 717, 719   | 1001116774.....643                           |
| 0760605 .220, 242, 248, 289  | 0940131 .....517   | 1001100345...619, 721, 723   | 1001116808.....643                           |
| 0760606.....386  | 0940133 .....515   | 1001100346...631, 729, 731   | 1001116812.....663, 671                      |
| 0760607.....357, 377   | 0940134 .....509   | 1001100347...625, 725, 727   | 1001116815...661, 664, 672                   |
| 0760608...41, 278, 284, 385  | 0940177 .....511   | 1001100397.....619   | 1001116844.....763, 793                      |
| 0760610 204, 278, 284, 289,<br>345, 385  | 0961845 427, 429, 431, 433,<br>435, 441, 443, 445, 447         | 1001100398.....625   | 1001116845.....763                           |
| 0760612 100, 104, 108, 112,<br>116, 120, 124, 128, 132,<br>136, 266, 270, 278, 284 | 0961893 .....539, 541, 543                                     | 1001100399.....631   | 1001116846.....765, 775                      |
| 0760615.....289  | 0961896 .....553, 555  | 1001100401.....613   | 1001116847.....763                           |
| 0760807.....289  | 0961947 .....397, 399  | 1001100825...273, 275, 313   | 1001116848.....763                           |
| 0760810 204, 220, 242, 248,<br>266, 270, 278, 284, 401                             | 0961949 .....537, 547  | 1001101421.....489   | 1001116849.....765                           |
| 0760812 204, 266, 270, 278,<br>284, 639, 641                                       | 0961950 .....17, 19  | 1001101422.....489   | 1001116850.....763                           |
| 0760814.....204, 278, 284  | 0961986 186, 190, 204, 220,<br>242, 248, 278, 284              | 1001103012.....745   | 1001116851.....765                           |
| 0760815 .266, 270, 278, 284  | 0962036 .....393, 395  | 1001103308...99, 103, 107,<br>111, 115, 119, 123, 127,<br>131, 135 | 1001116852.....763                           |
| 0760817.....289  | 0962051 .....329, 331, 333                                     | 1001103667.....789   | 1001116861.....763                           |
| 0761008 213, 229, 233, 266,<br>270   | 0962131 .....21, 23  | 1001104423...570, 576, 582   | 1001116862.....765                           |
| 0761012.....397, 639   | 0962155 .....397   | 1001104498.....745   | 1001116863.....765                           |
| 0761014 197, 204, 278, 284,<br>333, 401  | 0962270 .....437, 439  | 1001106736...99, 103, 107,<br>111, 115, 119, 123, 127,<br>131, 135 | 1001116952...664, 671, 675                   |
| 0761015 204, 220, 244, 250,<br>278, 284, 397                                       | 0962292 .....23  | 1001106938..455, 459, 463,<br>467, 789                             | 1001116983.....685                           |
| 0761016.....204, 278, 284  | 0962336 .....539, 541, 543                                     | 1001106974.....81  | 1001116985.....685                           |
| 0761018.....385  | 0962348 .....23  | 1001107498.....81  | 1001117078.....695                           |
| 0761019.....345  | 0962356 .....21, 23, 551                                       | 1001107854.....745   | 1001117106.....675                           |
| 0761210.....220, 242, 248  | 0962449 .....337   | 1001108256.....511   | 1001117107...664, 671, 675                   |
| 0761212 201, 204, 261, 357,<br>377, 391  | 0962520 349, 353, 357, 361,<br>365, 370, 374, 377, 381,<br>385 | 1001109554..613, 619, 625,<br>631, 659                             | 1001117172.....471                           |
| 0761214.....204, 263   | 1001026127.....197   | 1001110425..197, 213, 229,<br>233, 362, 365, 377, 382              | 1001117174 ..455, 459, 463,<br>467, 471, 789 |
| 0761216.....345, 401   | 100109338263, 65, 177, 179                                     | 1001110434..455, 459, 463,<br>467                                  | 1001117294.....793                           |
| 0771014.....97, 278, 284   | 1001093389.....793   | 1001110500.....405   | 1001117308 ..205, 221, 243,<br>249, 788, 789 |
| 0771212..97, 197, 213, 220,<br>229, 233, 242, 248                                  | 1001093438.....792   | 1001110501.....405   | 1001118133.....87                            |
|  |  | 1001110872.....635, 637  | 1001118384.....739                           |
|  |  | 1001110873..349, 361, 369,<br>381, 386, 599, 605                   | 1001118388.....739, 741                      |
|  |  | 1001112551.....757   | 1001118666.....395                           |
|  |  | 1001112588.....335, 343  | 1001119020 ..643, 661, 707,<br>711, 713      |
|  |  | 1001112589...335, 337, 343   | 1001119602 ...571, 577, 583                  |
|  |  |  | 1001119619.....733                           |
|  |  |  | 1001119620.....735, 737                      |
|  |  |  | 1001119968.....383, 695                      |
|  |  |  | 1001120328.....483, 485                      |
|  |  |  | 1001120466.....794                           |
|  |  |  | 1001120467.....794                           |
|  |  |  | 1001120471.....529                           |

## SECTION 11 - SPECIAL OPTIONS/ACCESSORIES/KITS

|                 |                                      |                  |   |                  |                                 |                  |                       |
|-----------------|--------------------------------------|------------------|---|------------------|---------------------------------|------------------|-----------------------|
| 1001120477..... | 529                                  | 1001137873 ..    | 201, 217, 237,<br>239                             | 1001140454 ...   | 221, 243, 249                   | 1001145330...    | 362, 366, 382         |
| 1001120484..... | 529                                  | 1001137874 ..    | 201, 217, 237,<br>239                             | 1001140455 ..... | 560                             | 1001145405 ..... | 491, 496              |
| 1001120989..... | 776                                  | 1001137875 ..... | 164, 168  | 1001140456 ..... | 564                             | 1001145706.....  | 95                    |
| 1001121592..... | 795                                  | 1001137876 ..    | 156, 160, 164,<br>168                             | 1001140458 ..... | 564                             | 1001146368...    | 186, 190, 193         |
| 1001121593..... | 795                                  | 1001137877 ..... | 164, 168  | 1001140564 ..    | 206, 222, 243,<br>249           | 1001146588.....  | 198, 205              |
| 1001125229..... | 794                                  | 1001137878 ..... | 164, 168  | 1001141300 ..... | 776                             | 1001147264...    | 664, 672, 675         |
| 1001125230..... | 794                                  | 1001137879 ..... | 164, 168  | 1001141302 ..... | 776                             | 1001148138.....  | 339                   |
| 1001125387..... | 776                                  | 1001137880 ..    | 197, 213, 229,<br>233                             | 1001141304 ..    | 205, 221, 243,<br>249           | 1001148162.....  | 21, 473, 475          |
| 1001125492..... | 69                                   | 1001137881 ..    | 197, 213, 229,<br>233                             | 1001141370 ..... | 205                             | 1001148163.....  | 473                   |
| 1001126009..... | 739                                  | 1001137882 ..    | 197, 213, 229,<br>233                             | 1001141585 ..    | 205, 221, 243,<br>249, 279, 285 | 1001148164.....  | 23, 475               |
| 1001126351...   | 664, 672, 675                        | 1001137883 ..    | 197, 213, 229,<br>233                             | 1001141693 ..... | 186, 190                        | 1001148166.....  | 475                   |
| 1001126352..... | 675                                  | 1001137884 ..... | 79  | 1001141694 ..... | 186, 190                        | 1001148168.....  | 17                    |
| 1001126356..... | 675                                  | 1001137885 ..... | 79  | 1001141870 ..... | 211, 257                        | 1001148170.....  | 19                    |
| 1001126357..... | 675                                  | 1001137886 ..... | 164, 168  | 1001141995 ..    | 205, 221, 243,<br>249, 279, 285 | 1001148171.....  | 17                    |
| 1001126362...   | 663, 671, 676                        | 1001137891 ..... | 331   | 1001142501 ..    | 197, 211, 213,<br>229, 233, 257 | 1001148172.....  | 19                    |
| 1001126363...   | 663, 671, 676                        | 1001137892 ..... | 331, 333  | 1001142504 ..... | 794                             | 1001148178.....  | 23                    |
| 1001126364...   | 663, 671, 672,<br>676                | 1001137895 ..... | 63  | 1001142505 ..... | 794                             | 1001148652.....  | 395                   |
| 1001126365..... | 671, 676                             | 1001137896 ..... | 79  | 1001142538 ...   | 221, 243, 249                   | 1001148675.....  | 635, 637              |
| 1001126384..... | 675                                  | 1001138110 ..... | 675   | 1001142615 ...   | 221, 243, 249                   | 1001148841.....  | 683                   |
| 1001126391...   | 663, 671, 676                        | 1001138111 ..... | 675   | 1001142623 ..... | 243, 249                        | 1001148842 ..... | 683                   |
| 1001126392...   | 663, 671, 676                        | 1001138113 ..... | 675   | 1001142635 ...   | 221, 243, 249                   | 1001148902.....  | 793                   |
| 1001126485..... | 663, 672                             | 1001138170...    | 221, 243, 249                                     | 1001142643 ..    | 358, 362, 366,<br>377, 382      | 1001148903.....  | 793                   |
| 1001126487..... | 663, 672                             | 1001138173 ..    | 205, 221, 243,<br>249, 279, 285                   | 1001142645 ..... | 366                             | 1001148904.....  | 793                   |
| 1001127095..... | 776                                  | 1001138175 ..    | 205, 221, 243,<br>249, 279, 285                   | 1001142683 ...   | 362, 382                        | 1001148905.....  | 793                   |
| 1001128527..... | 505                                  | 1001138228 ..    | 205, 221, 243,<br>249, 788, 789                   | 1001142689 ..... | 243, 249                        | 1001148906.....  | 793                   |
| 1001128556..... | 505                                  | 1001138248 ..    | 205, 221, 243,<br>249, 279, 285                   | 1001142736 ...   | 151, 153, 643                   | 1001149160...    | 279, 285, 289         |
| 1001128901..... | 279, 285                             | 1001138436 ..... | 395   | 1001142938 ...   | 663, 675, 681                   | 1001149639.....  | 279, 285              |
| 1001129858..... | 349                                  | 1001138491 ..    | 197, 213, 229,<br>233, 685                        | 1001142940 ..    | 663, 671, 675,<br>681           | 1001149703.....  | 317                   |
| 1001130041..... | 186, 190                             | 1001138494 ..    | 429, 431, 433,<br>435, 441, 443, 445, 447         | 1001142941 ..    | 663, 664, 671,<br>672, 676, 681 | 1001149704.....  | 187, 191              |
| 1001130220..... | 41                                   | 1001138514 ..    | 429, 431, 433,<br>435, 445, 447                   | 1001143390 ..    | 186, 191, 205,<br>221, 243, 249 | 1001149705.....  | 187, 191              |
| 1001131269..... | 755, 767                             | 1001138557 ...   | 221, 243, 249                                     | 1001143726 ...   | 244, 250, 675                   | 1001149706.....  | 187, 191              |
| 1001133714...   | 663, 671, 676,<br>683                | 1001138565 ..... | 353   | 1001143765 ..... | 95                              | 1001149793.....  | 187, 191              |
| 1001133715...   | 663, 671, 676,<br>683                | 1001138566 ..    | 349, 353, 357,<br>361, 365                        | 1001143766 ..... | 95                              | 1001149927.....  | 75                    |
| 1001133956...   | 664, 672, 675                        | 1001138671 ..... | 391   | 1001143797 ..    | 205, 221, 243,<br>249           | 1001150158.....  | 181, 186              |
| 1001133957...   | 664, 672, 675                        | 1001138795 ...   | 539, 541, 543                                     | 1001143812 ..... | 93, 95                          | 1001150179.....  | 183, 190              |
| 1001134289..... | 397, 399                             | 1001138827 ..    | 206, 222, 243,<br>249                             | 1001143852 ..... | 776                             | 1001150391.....  | 75                    |
| 1001134488...   | 206, 222, 243,<br>249, 280, 286      | 1001139099 ..... | 793   | 1001143907 ..    | 205, 221, 244,<br>249           | 1001150569.....  | 47                    |
| 1001135138...   | 221, 243, 249                        | 1001139135 ..    | 455, 459, 463,<br>467, 747                        | 1001144041 ..... | 63, 65                          | 1001150570.....  | 45                    |
| 1001135650...   | 663, 671, 676,<br>683                | 1001139240 ...   | 221, 243, 249                                     | 1001144147 ..... | 661                             | 1001150571.....  | 43                    |
| 1001135651...   | 663, 671, 676                        | 1001139357 ..... | 349, 353  | 1001144409 ..    | 205, 222, 244,<br>250           | 1001150612.....  | 567                   |
| 1001135679...   | 221, 243, 249                        | 1001139409 ..    | 221, 243, 249,<br>325, 327                        | 1001144410 ..    | 205, 222, 244,<br>250, 279, 285 | 1001150714.....  | 577                   |
| 1001136104..... | 385                                  | 1001139429 ...   | 221, 243, 249                                     | 1001144411 ..    | 205, 222, 244,<br>250, 279, 285 | 1001150715...    | 571, 577, 583         |
| 1001136590..... | 395                                  | 1001139654 ..... | 776   | 1001144412 ..    | 205, 222, 244,<br>250           | 1001150717.....  | 578, 584              |
| 1001136834...   | 205, 221, 243,<br>249                | 1001139819 ..... | 187, 191  | 1001144433 ..... | 483                             | 1001150718.....  | 577                   |
| 1001137005..... | 796                                  | 1001139956 ..... | 349   | 1001144434 ..... | 483                             | 1001150890.....  | 319                   |
| 1001137032..... | 391                                  | 1001139957 ..... | 353   | 1001144629 ..    | 419, 421, 423,<br>425, 441, 443 | 1001150915.....  | 187, 191              |
| 1001137276..... | 243, 249                             | 1001140312 ..... | 221, 250  | 1001145047 ..    | 197, 213, 229,<br>234           | 1001150918...    | 179, 214, 234,<br>270 |
| 1001137364...   | 119, 123, 127,<br>131, 135, 463, 467 | 1001140346 ..... | 361   | 1001145154 ...   | 222, 244, 250                   | 1001150998.....  | 186, 190              |
| 1001137672..... | 795                                  | 1001140347 ..... | 357, 365  | 1001145227 ..... | 381                             | 1001151010.....  | 51                    |
| 1001137673..... | 483, 790                             | 1001140429 ..    | 427, 429, 431,<br>433, 435, 441, 443, 445,<br>447 | 1001145292 ..... | 79                              | 1001151070.....  | 177, 179              |
| 1001137845..... | 168                                  | 1001140451 ..... | 560   |                  |                                 | 1001151078.....  | 187, 191              |
| 1001137853..... | 164, 168                             |                  |   |                  |                                 | 1001151206.....  | 187, 191              |
| 1001137854..... | 164, 168                             |                  |   |                  |                                 | 1001151251.....  | 186, 190              |
| 1001137860..... | 168                                  |                  |   |                  |                                 | 1001151252.....  | 319                   |
| 1001137863..... | 85, 87                               |                  |   |                  |                                 | 1001151253.....  | 317                   |
| 1001137865..... | 85                                   |                  |   |                  |                                 | 1001151268...    | 83, 85, 87, 89        |
| 1001137866...   | 197, 213, 229,<br>233, 386           |                  |   |                  |                                 | 1001151349.....  | 587                   |
| 1001137868...   | 197, 213, 229,<br>233, 266, 270      |                  |   |                  |                                 | 1001151358.....  | 560, 564              |

## SECTION 11 - SPECIAL OPTIONS/ACCESSORIES/KITS

|   |  |   |  |
|---|--|---|--|
| 1001152127.....395  | 1001157528...370, 374, 378,<br>382, 386      | 1001168402.....401                          | 1001181895 ...222, 250, 285  |
| 1001152172.....91   |  | 1001169054..205, 222, 244,<br>250, 279, 285 | 1001181899 ...222, 244, 250  |
| 1001152181.....69   | 1001157592...369, 370, 382,<br>386           | 1001169138..205, 222, 244,<br>250, 279, 285 | 1001181923 ..645, 647, 649,<br>651   |
| 1001152234.....69   | 1001157604.....91                            |   | 1001182361 .....664, 672   |
| 1001152266.....749  | 1001157769...371, 374, 378                   | 1001169610...157, 161, 311                  | 1001182365 .....664, 672   |
| 1001152325.....171  | 1001157770.....383                           | 1001170035.....279, 285                     | 1001182570 ...413, 415, 790  |
| 1001152340.....792  | 1001158007...370, 374, 378,<br>382, 386      | 1001170764.....663, 671                     | 1001182599 .....793  |
| 1001152355.....405  |  | 1001170847...413, 415, 790                  | 1001182806 .....145  |
| 1001152428.....83   | 1001158008...370, 374, 378,<br>382, 386      | 1001171018.....795                          | 1001182906 .....311  |
| 1001152429..371, 374, 378,<br>701   | 1001158363.....350, 362                      | 1001171126.....361                          | 1001182997 .....83, 85, 87   |
| 1001152433.....156  | 1001158720.....91                            | 1001171131.....635                          | 1001183924 .....93, 95, 97   |
| 1001152435.....160  | 1001159118...635, 637, 788                   | 1001171268.....365                          | 1001184618 ..456, 460, 464,<br>468, 755, 757, 759, 761,<br>763, 765, 767, 769, 771,<br>773 |
| 1001152457.....350, 362   | 1001159119.....635, 637                      | 1001171403.....676                          | 1001184626 ..451, 453, 456,<br>460, 464, 468   |
| 1001152489..205, 222, 244,<br>250   | 1001159120.....635, 637                      | 1001172045.....792                          | 1001184682 .....147  |
| 1001152491.....560  | 1001159121.....637                           | 1001172064.....681                          | 1001184881 .....37   |
| 1001152499.....564  | 1001159186.....707                           | 1001172065.....681                          | 1001185281 ..455, 459, 463,<br>467   |
| 1001152525..370, 374, 378,<br>382, 386  | 1001159256...455, 459, 463,<br>467, 790      | 1001172271.....790                          | 1001186333 .....437  |
| 1001152527.....560, 564   | 1001159323.....776                           | 1001172535.....577                          | 1001186334 .....439  |
| 1001152530.....350, 362   | 1001160003...157, 160, 161                   | 1001172578.....487                          | 1001186375 .....429  |
| 1001152532..350, 354, 358,<br>362, 366, 689   | 1001160004.....156                           | 1001172760..455, 459, 463,<br>467           | 1001186377 .....431  |
| 1001152557..156, 160, 164,<br>168   | 1001160034.....160                           | 1001172793..198, 214, 230,<br>234           | 1001186379 .....433  |
| 1001152619.....567  | 1001160074.....143                           | 1001173535.....280, 286                     | 1001186382 .....435  |
| 1001152635.....567  | 1001160077.....149                           | 1001173703.....776                          | 1001186383 .....425  |
| 1001152636.....567  | 1001160189.....168                           | 1001174040.....401                          | 1001186384 .....423  |
| 1001152637.....567  | 1001160190.....164, 169                      | 1001174486.....266, 271                     | 1001186386 .....421  |
| 1001152887.....55, 57, 59   | 1001160272.....597                           | 1001175632.....358                          | 1001186387 .....419  |
| 1001153197..350, 354, 358,<br>699   | 1001160598.....157, 161                      | 1001176012.....237, 242                     | 1001186426 ...205, 280, 286  |
| 1001153259.....362, 366   | 1001160961.....157, 161                      | 1001176015.....239, 248                     | 1001186431 .....483, 789   |
| 1001153260.....350, 362   | 1001160963...157, 161, 165,<br>169           | 1001176225...222, 244, 250                  | 1001186432 .....739, 741   |
| 1001153636..353, 358, 366,<br>607, 611, 613, 617, 619,<br>623, 625, 629, 631                    | 1001160964...157, 165, 169                   | 1001176226...222, 244, 250                  | 1001186517 .....483  |
| 1001154405..198, 211, 214,<br>230, 234, 257   | 1001161027.....161                           | 1001176296.....794                          | 1001186542 .....300  |
| 1001155043....99, 103, 107,<br>111, 115, 119, 123, 127,<br>131, 135                             | 1001161030...571, 577, 583                   | 1001176329.....279, 285                     | 1001187382 .....401  |
| 1001155044....99, 103, 107,<br>111, 115, 119, 123, 127,<br>131, 135, 455, 459, 463,<br>467      | 1001161036...571, 577, 583                   | 1001176469..103, 115, 124,<br>136           | 1001187383 .....401  |
| 1001155045....99, 103, 107,<br>111, 115, 119, 123, 127,<br>131, 135, 455, 459, 463,<br>467, 790 | 1001161709...456, 460, 464,<br>468           | 1001176511...222, 244, 250                  | 1001187674 .....481  |
| 1001155093.....391  | 1001161761.....41                            | 1001176666.....95                           | 1001187681 .....733  |
| 1001155399.....415  | 1001162335...244, 250, 257                   | 1001176667.....95                           | 1001187781 .....278, 284   |
| 1001155574.....21, 23   | 1001162828.....395                           | 1001176723...222, 244, 250                  | 1001188467 ..157, 161, 164,<br>165, 168, 169   |
| 1001155669...571, 577, 583  | 1001163131.....489                           | 1001176862.....635                          | 1001188622 .....401  |
| 1001155672...571, 577, 583  | 1001163599...339, 361, 366,<br>381           | 1001176899.....403                          | 1001188844 .....401  |
| 1001155673...571, 577, 583  | 1001164281...156, 157, 160,<br>161, 165, 169 | 1001177038.....325                          | 1001188874 ...99, 103, 107,<br>111, 116, 119, 124, 127,<br>131, 136                        |
| 1001155823..198, 214, 230,<br>234   | 1001164281...156, 157, 160,<br>161, 165, 169 | 1001177043.....325                          | 1001188884 .....315  |
| 1001156107.....205  | 1001165035...198, 214, 230,<br>234, 278, 284 | 1001177090.....95                           | 1001188887 .....315  |
| 1001156490.....649  | 1001165035...198, 214, 230,<br>234, 278, 284 | 1001177359..205, 222, 244,<br>250           | 1001188890 .....587  |
| 1001157013.....792  | 1001165350...645, 647, 651                   | 1001177399.....327                          | 1001188891 .....587  |
| 1001157520..370, 374, 378,<br>382, 386  | 1001165741.....169                           | 1001177694.....793                          | 1001188952 ...181, 183, 300  |
| 1001157521..370, 374, 378,<br>382, 386  | 1001165842.....244, 250                      | 1001178223..205, 222, 244,<br>250           | 1001188954 .....177, 181   |
| 1001157525...373, 374, 377  | 1001165849.....205, 222                      | 1001178789.....81                           | 1001188955 .....179, 183   |
|   | 1001166394...157, 161, 165,<br>169           | 1001178876.....244, 250                     | 1001188963 .....177  |
|   | 1001166718...205, 321, 323                   | 1001179154...370, 382, 386                  | 1001188964 .....179  |
|   | 1001166960.....793                           | 1001179156.....97                           | 1001188972 ..179, 214, 234,<br>271   |
|   | 1001167041.....244, 250                      | 1001179837.....339                          | 1001189001 .....401  |
|   | 1001167565.....401                           | 1001180001.....339                          | 1001189002 .....401  |
|   | 1001167567.....401                           | 1001180052.....340                          | 1001189979 ...205, 279, 285  |
|   | 1001167596.....401                           | 1001180287.....339                          | 1001190884 .....795  |
|   | 1001167632.....663                           | 1001180620..205, 222, 244,<br>250, 279, 285 | 1001190985 .....401  |
|   | 1001167635.....663, 672                      | 1001180861.....776                          | 1001191395 .....793  |
|   | 1001168018...205, 279, 285,<br>321, 323      | 1001181045.....657, 788                     | 1001191610 .....279, 285   |
|   | 1001168209.....535                           | 1001181046.....659, 788                     |  |
|   | 1001168210.....535                           | 1001181148.....793                          |  |
|   |  | 1001181243.....340                          |  |

## SECTION 11 - SPECIAL OPTIONS/ACCESSORIES/KITS

|   |                                    |   |   |
|---|------------------------------------|---|---|
| 1001191620..... 206   | 1001213655.....593                 | 1001217174 .....279, 285  | 1001224010..... 279, 285                |
| 1001193018...603, 607, 609,<br>611, 613, 615, 617, 619,<br>621, 623, 625, 627, 629,<br>631, 633 | 1001213810.....289                 | 1001217175 .....279, 286  | 1001224048..... 771                     |
| 1001194197..... 621   | 1001213882.. 455, 459, 463,<br>467 | 1001217183 .....279, 286  | 1001224049..... 773                     |
| 1001194198..... 627   | 1001214030..... 776                | 1001217184 .....273, 275  | 1001224050..... 765                     |
| 1001194200..... 633   | 1001214095..... 593                | 1001217185 .....280, 286  | 1001224051..... 763                     |
| 1001194203..... 609   | 1001214096..... 593                | 1001217186 .....280, 286  | 1001224052..... 759                     |
| 1001194204..... 615   | 1001214396..... 639                | 1001217187 .....385   | 1001224053..... 769                     |
| 1001194365..... 603   | 1001214478..... 794                | 1001217188 .....345   | 1001224419..... 280, 286                |
| 1001195304..... 794   | 1001214515..... 794                | 1001217418 .....266, 271  | 1001224486..... 280, 286                |
| 1001196382..... 323, 385  | 1001214540..... 794                | 1001217419 .....267, 271  | 1001224489..... 280, 286                |
| 1001196634..... 259, 789  | 1001214548..... 794                | 1001217420 .....267, 271  | 1001224927..... 567                     |
| 1001197017...509, 511, 513,<br>515  | 1001214552..... 794                | 1001217421 .....267, 271  | 1001225346... 639, 641, 790             |
| 1001197408..... 776   | 1001214559..... 794                | 1001217422 .....267, 271  | 1001225430..... 225, 788                |
| 1001197719..... 663, 671  | 1001214561..... 794                | 1001217543 .....280, 286  | 1001225431..... 225, 789                |
| 1001199784..... 315   | 1001214562..... 794                | 1001217645 .....267, 271  | 1001225510..... 280, 286                |
| 1001200120..... 776   | 1001214570..... 639, 641           | 1001217832 .....792   | 1001225580..... 483, 741                |
| 1001200121..... 776   | 1001214571..... 639, 641           | 1001218022 .....793   | 1001226400..... 653, 655                |
| 1001200122..... 776   | 1001214683..... 358, 377           | 1001218362 .....280, 286  | 1001226529..... 639                     |
| 1001200124..... 776   | 1001214827..... 289                | 1001218393 .....97  | 1001226531..... 641                     |
| 1001200125..... 776   | 1001215016..... 679                | 1001218394 .....97  | 1001226541..... 661                     |
| 1001200126..... 776   | 1001215091..... 679                | 1001218395 .....97  | 1001226872..... 427                     |
| 1001200127..... 776   | 1001215142..... 266, 271           | 1001218449 .....280, 286  | 1001227309..... 599, 601                |
| 1001200491..... 401   | 1001215228..... 455, 459           | 1001218547 .....333   | 1001227310..... 601                     |
| 1001200494..... 401   | 1001215384..... 289                | 1001218548 .....333   | 1001227472..... 792                     |
| 1001200497..... 707   | 1001215413..... 273, 278           | 1001218599 .....280, 286  | 1001227633..... 481                     |
| 1001201351..... 401   | 1001215534..... 679                | 1001218600 .....280, 286  | 1001227634..... 481                     |
| 1001201885...707, 711, 713  | 1001215647..... 279, 285           | 1001218622 .....595   | 1001227666..... 280, 286                |
| 1001202280..... 315   | 1001215681..... 279, 285           | 1001218623 .....595   | 1001227667..... 280, 286                |
| 1001202281..... 315, 788  | 1001215899..... 279, 285           | 1001218930 .....386   | 1001227769..... 289                     |
| 1001202368..... 327   | 1001215974..... 279, 285           | 1001219071 .....275, 284  | 1001227772..... 289                     |
| 1001202687..... 401   | 1001216015..... 339                | 1001219445 .....280, 286  | 1001227985..... 481                     |
| 1001202749..... 793   | 1001216065..... 289                | 1001219448 .....280, 286  | 1001227987..... 481                     |
| 1001203495...222, 244, 250  | 1001216071..... 289                | 1001219454 ...206, 280, 286   | 1001227996..... 735, 737                |
| 1001203655..... 437   | 1001216075..... 279, 285           | 1001219456 ...206, 280, 286   | 1001228006..... 393, 555                |
| 1001203656..... 439   | 1001216086..... 279, 285           | 1001219457 .....97  | 1001228007..... 395, 553                |
| 1001204296..... 794   | 1001216092..... 279, 285           | 1001219458 .....97  | 1001228077..... 427                     |
| 1001204325...206, 222, 244,<br>250  | 1001216144..... 289                | 1001219601 ..100, 104, 108,<br>112, 116, 120, 124, 128,<br>132, 136 | 1001228215..... 427                     |
| 1001204491..... 244, 250  | 1001216160..... 313                | 1001219630 .....346   | 1001228224..... 481, 790                |
| 1001204715..... 413, 415  | 1001216204..... 279, 285           | 1001219632 .....345   | 1001228225..... 481, 789                |
| 1001204725..... 401   | 1001216205..... 279, 285           | 1001220215 .....313   | 1001228243..... 443                     |
| 1001204884..... 792   | 1001216212..... 679                | 1001220266 .....198   | 1001228375..... 447                     |
| 1001205051...222, 243, 249  | 1001216213..... 679                | 1001220379 .....675   | 1001228376..... 441                     |
| 1001205958...621, 627, 633  | 1001216300..... 295                | 1001220404 .....295   | 1001228377..... 445                     |
| 1001206476..... 639, 641  | 1001216390..... 386                | 1001220510 .....777   | 1001228506..... 222                     |
| 1001206477..... 795   | 1001216391..... 346                | 1001220511 .....777   | 1001228577..... 796                     |
| 1001206532...456, 460, 464,<br>468  | 1001216393..... 285                | 1001220512 .....777   | 1001228946..... 792                     |
| 1001207969..... 407, 409  | 1001216531..... 280, 286           | 1001220864 .....776   | 1001228988.. 496, 505, 507,<br>783, 785 |
| 1001208994...401, 407, 409  | 1001216532..... 273, 275           | 1001221208 .....697   | 1001229341..... 481                     |
| 1001209059..... 795   | 1001216533..... 273, 275           | 1001221397 .....313   | 1001229530..... 707                     |
| 1001209432..... 641   | 1001216534..... 273, 275           | 1001221464 .....273, 275  | 1001229810..... 69, 72                  |
| 1001209474..... 641   | 1001216535..... 273, 275           | 1001221488 .....267, 271  | 1001229940..... 794                     |
| 1001209629..... 793   | 1001216536..... 313                | 1001221498 .....386   | 1001230635.. 206, 222, 243,<br>249      |
| 1001209664..... 483   | 1001216619..... 295                | 1001221545 .....289   | 1001230931.. 645, 647, 649,<br>651      |
| 1001210026..... 795   | 1001216630..... 401                | 1001221615 .....280, 286  | 1001230934..... 664, 672                |
| 1001210448..... 289, 291  | 1001216768..... 289                | 1001221621 .....97  | 1001230935..... 664, 672                |
| 1001210636..... 529   | 1001216769..... 289                | 1001222033 .....280, 286  | 1001230936..... 664, 672                |
| 1001211588..... 413, 415  | 1001216910... 279, 285, 289        | 1001222641 .....289   | 1001231007... 145, 147, 751             |
| 1001211794..... 289   | 1001216919..... 279, 285           | 1001223042 .....279, 285  | 1001231180..... 507                     |
| 1001212223..... 381   | 1001217032..... 279, 285           | 1001223055 .....755   | 1001231183..... 507                     |
| 1001212515...571, 577, 583  | 1001217046..... 279, 285           | 1001223453 .....755, 767  | 1001231235..... 507                     |
| 1001213447..... 711, 713  | 1001217082..... 279, 285           | 1001223459 ...663, 672, 676   | 1001231676..... 37                      |
|   | 1001217089..... 279, 285           | 1001223584 .....280, 286  | 1001231677..... 37                      |
|   | 1001217090..... 279, 285           | 1001223922 .....279, 285  | 1001231678..... 37                      |
|   | 1001217146..... 279, 285           | 1001223923 .....279, 285  | 1001231801..... 775                     |
|   | 1001217170..... 273, 275           | 1001223971 .....767   | 1001231886..... 145                     |



## SECTION 11 - SPECIAL OPTIONS/ACCESSORIES/KITS

|  |   |   |  |
|--|---|---|--|
| 1001231949.....527                     | 1001238263...519, 521, 523,<br>525, 527 | 1001248477.....222                      | 1001254622.....570   |
| 1001231950.....523, 525                | 1001238319.....481                      | 1001248480.....222                      | 1001254623.....582   |
| 1001232010...523, 525, 527             | 1001238327.....413, 415                 | 1001248957.....413                      | 1001254662.....55, 407   |
| 1001232011...523, 525, 527             | 1001238328.....391, 397                 | 1001248958.....413, 415                 | 1001254738.....173   |
| 1001232164.....481                     | 1001238333.....397                      | 1001248962...413, 415, 789              | 1001254769.....173   |
| 1001232165.....481                     | 1001238398.....397                      | 1001249045.....206                      | 1001254948...571, 577, 583   |
| 1001232642.....485                     | 1001238418.....485, 739                 | 1001249052.....795                      | 1001254949...571, 577, 583   |
| 1001232667.....485, 790                | 1001238421.....401                      | 1001249095.....707                      | 1001254950...571, 577, 583   |
| 1001232842.....259                     | 1001238463.....525                      | 1001249232.....206                      | 1001254954...571, 577, 583   |
| 1001232880.....405                     | 1001238472.....485                      | 1001249234.....206                      | 1001254955...571, 577, 583   |
| 1001233047.....793                     | 1001238495.....483                      | 1001249261.....206                      | 1001255133.....401   |
| 1001233763...214, 234, 259             | 1001238559.....485                      | 1001249448.....93                       | 1001255196..755, 757, 759,<br>763, 765, 767, 769, 771,<br>773, 775 |
| 1001233959.....139, 477                | 1001238825.....796                      | 1001249449.....93                       | 1001255198.....755   |
| 1001234425.....755                     | 1001239202.....663, 671                 | 1001249695.....795                      | 1001255413.....93  |
| 1001234426.....769                     | 1001239291.....65                       | 1001249705.....206                      | 1001255418.....323   |
| 1001234429.....769                     | 1001239346.....147                      | 1001249824.....403                      | 1001255419.....321   |
| 1001234430.....771                     | 1001239617.....793                      | 1001249941.....795                      | 1001255424.....377   |
| 1001234431.....773                     | 1001241384.....145                      | 1001249942...243, 249, 253              | 1001255425.....357   |
| 1001234432.....773                     | 1001241547.....795                      | 1001249986.....321                      | 1001255599...571, 577, 583   |
| 1001234433.....767                     | 1001241548.....795                      | 1001250384.....403                      | 1001255777.....173   |
| 1001234434.....767                     | 1001241578.....177, 179                 | 1001250387.....403                      | 1001255780.....775   |
| 1001234435.....765                     | 1001241965.....485                      | 1001250531.....413, 415                 | 1001255784.....767   |
| 1001234436.....765                     | 1001242251.....151                      | 1001250595.....795                      | 1001255785.....761   |
| 1001234439.....757, 761                | 1001242252.....153                      | 1001250607.....206                      | 1001255786.....773   |
| 1001234800.....663                     | 1001242409.....792                      | 1001250722.....403                      | 1001255787.....759   |
| 1001234811.....397, 399                | 1001242409.....792                      | 1001250737.....395                      | 1001255788.....769   |
| 1001235401.....763                     | 1001243184.....792                      | 1001250900.....403                      | 1001255789.....757   |
| 1001235402.....763                     | 1001243597.....794                      | 1001250983.....651                      | 1001255790.....765   |
| 1001235585.....771                     | 1001243895.....259                      | 1001251042.....391, 537                 | 1001255791.....763   |
| 1001235948...156, 160, 168             | 1001244212.....776                      | 1001251131.....206                      | 1001255792.....771   |
| 1001235949...206, 211, 222             | 1001245251.....775                      | 1001251379.....792                      | 1001255794..755, 757, 759,<br>761, 763, 765, 767, 769,<br>771, 773 |
| 1001236091.....139                     | 1001245761.....391, 545                 | 1001251618.....164, 165                 | 1001255795..755, 757, 759,<br>761, 763, 765, 767, 769,<br>771, 773 |
| 1001236303.....65                      | 1001245913.....206, 683                 | 1001251619.....164                      | 1001255901.....707   |
| 1001236304.....641                     | 1001246142.....792                      | 1001252082.....165                      | 1001255914.....759   |
| 1001236375.....639                     | 1001246522.....792                      | 1001252521.....214                      | 1001255915.....759   |
| 1001236376.....639                     | 1001246523.....792                      | 1001252527.....664, 672                 | 1001255926.....757   |
| 1001236377.....639                     | 1001246813.....206                      | 1001252627.....779, 781                 | 1001255961.....403   |
| 1001236378.....639                     | 1001246859.....745                      | 1001252629...519, 521, 523,<br>525, 527 | 1001256026.....645, 647  |
| 1001236504.....641                     | 1001246934.....391, 393                 | 1001253100.....164                      | 1001256028.....649   |
| 1001236505.....641                     | 1001246935.....393                      | 1001253151.....792                      | 1001256385.....792   |
| 1001236552.....485                     | 1001246936.....393                      | 1001253466.....792                      | 1001256506.....676   |
| 1001236746.....527                     | 1001246951.....391                      | 1001253618.....795                      | 1001256879.....198   |
| 1001236747.....523                     | 1001246952.....391                      | 1001253619.....795                      | 1001256906.....776   |
| 1001236891..519, 521, 523,<br>525, 527 | 1001246974.....391                      | 1001253677...407, 409, 411              | 1001257137.....776   |
| 1001236895..519, 521, 523,<br>525, 527 | 1001246978.....391                      | 1001253680.....57, 409                  | 1001257271.....519, 521  |
| 1001236951.....794                     | 1001247029.....206                      | 1001253684.....576                      | 1001257274.....519, 521  |
| 1001237138.....391                     | 1001247073.....795                      | 1001253726.....487                      | 1001257275.....521   |
| 1001237142.....391                     | 1001247105.....222                      | 1001253805.....93                       | 1001257285.....761, 775  |
| 1001237546.....139                     | 1001247178.....323                      | 1001253806.....93                       | 1001257325.....645, 647  |
| 1001237667...707, 711, 713             | 1001247338.....793                      | 1001253817.....403                      | 1001257326.....649   |
| 1001237668...707, 711, 713             | 1001247359.....280, 286                 | 1001253873.....671                      | 1001257430...570, 576, 582   |
| 1001237697.....391, 535                | 1001247468.....401, 789                 | 1001254024.....792                      | 1001257972.....387, 693  |
| 1001237698.....391, 549                | 1001247564.....222                      | 1001254463..645, 647, 649,<br>651, 653  | 1001258005.....521   |
| 1001237698.....391, 549                | 1001247570.....792                      | 1001254464.....651                      | 1001258140.....793   |
| 1001237862.....735, 737                | 1001247676.....222                      | 1001254465..645, 647, 649,<br>651       | 1001258252.....206   |
| 1001237863.....481, 737                | 1001247676.....222                      | 1001254466..645, 647, 649,<br>651       | 1001258377.....165   |
| 1001237864.....481, 735                | 1001247714.....206                      | 1001254467..645, 647, 649,<br>651, 709  | 1001258800.....206   |
| 1001237865.....481, 733                | 1001247716.....206                      | 1001254468..645, 647, 649,<br>651, 687  | 1001258951.....796   |
| 1001237882.....793                     | 1001248105.....377                      | 1001254472.....485                      | 1001259018.....775   |
| 1001237883.....793                     | 1001248140...519, 521, 523,<br>525, 527 | 1001254473.....485                      | 1001259137.....539   |
| 1001237947.....206                     | 1001248141...519, 521, 523,<br>525, 527 | 1001254499.....173                      | 1001259138.....539   |
| 1001237949.....391                     | 1001248248.....395                      |   |  |
| 1001238138.....413, 415                | 1001248261.....395                      |   |  |
| 1001238168.....397                     | 1001248265.....391, 395                 |   |  |
|  | 1001248434.....206                      |   |  |

## SECTION 11 - SPECIAL OPTIONS/ACCESSORIES/KITS

|                                    |  |  |   |
|------------------------------------|--|--|---|
| 1001259642..... 415                | 1001266897..... 107  | 1001275628 ..455, 459, 463,<br>467, 788                                  | 1001286031... 111, 132, 679   |
| 1001260070..... 415                | 1001266898..... 111  | 1001275629 ..455, 459, 463,<br>467, 788                                  | 1001286622..... 149, 661  |
| 1001260412...206, 222, 244,<br>250 | 1001266899..... 115  | 1001275642 .....795  | 1001286951..... 25  |
| 1001260413...206, 222, 244,<br>250 | 1001266900..... 103  | 1001275644 .....795  | 1001286953..... 25, 27  |
| 1001260654..... 198                | 1001266969..... 795  | 1001276007 .....792  | 1001287018.. 201, 217, 237,<br>239, 303                                   |
| 1001260937..... 463, 467           | 1001267311 .. 755, 757, 759,<br>761, 763, 765, 767, 769,<br>771, 773 | 1001276008 .....792  | 1001287021..... 303, 307  |
| 1001261003..... 391, 547           | 1001267716..... 391  | 1001276008 .....792  | 1001287024..... 229   |
| 1001261045..... 206                | 1001267717..... 391  | 1001276143 ..100, 104, 108,<br>112, 116, 120, 124, 128,<br>132, 136, 745 | 1001287025..... 230, 237  |
| 1001261085..... 206                | 1001267885..... 759  | 1001276610 .....792  | 1001287026..... 233   |
| 1001261335..... 519                | 1001268736..... 794  | 1001276644 .....222, 663   | 1001287027..... 234, 239  |
| 1001261338..... 519                | 1001269187 .....794  | 1001276645 .....206, 671   | 1001287028..... 266   |
| 1001262016..... 795                | 1001269389..... 794  | 1001276664 .....21, 23   | 1001287029..... 267, 273  |
| 1001262102..... 775                | 1001269629..... 793  | 1001276923 .....792  | 1001287030... 273, 275, 305   |
| 1001262103..... 775                | 1001269630..... 793  | 1001277503 .....415  | 1001287031..... 270   |
| 1001262104..... 775                | 1001269631..... 793  | 1001277590 .....206, 209   | 1001287032..... 271, 275  |
| 1001262105..... 775                | 1001269655..... 795  | 1001277595 .....201, 204   | 1001287467.... 99, 103, 107,<br>111, 115, 119, 123, 127,<br>131, 135      |
| 1001262115..... 775                | 1001269806..... 583  | 1001278329 .....206  | 1001287536..... 261, 263  |
| 1001262116..... 775                | 1001269807..... 577, 583   | 1001278845 .....151  | 1001287552..... 263   |
| 1001262117..... 775                | 1001269809..... 571  | 1001278850 .....151, 153   | 1001288113..... 261, 263  |
| 1001262232..... 775                | 1001269810..... 571  | 1001280403 ..100, 108, 112,<br>120, 128, 132                             | 1001288858..... 303   |
| 1001262233..... 775                | 1001269812..... 577  | 1001280600 ...99, 103, 107,<br>111, 115, 119, 123, 127,<br>131, 135      | 1001289552..... 664, 672  |
| 1001262234..... 775                | 1001269814..... 560  | 1001281192 .....206  | 1001289553..... 664, 672  |
| 1001262235..... 775                | 1001269816..... 560  | 1001281298 .....261, 263   | 1001289593... 198, 214, 681   |
| 1001262237..... 775                | 1001269817..... 564  | 1001281301 .....261, 263   | 1001289831..... 795   |
| 1001262238..... 775                | 1001269819..... 564  | 1001281304 .....261, 263   | 1001289832..... 795   |
| 1001262239..... 775                | 1001269861..... 206  | 1001281305 .....261, 263   | 1001289850..... 792   |
| 1001262959..... 796                | 1001270482..... 794  | 1001281307 .....261, 263   | 1001289895..... 197   |
| 1001263355..... 124                | 1001270594..... 149  | 1001281309 .....261, 263   | 1001289896..... 198, 201  |
| 1001263356...120, 128, 132         | 1001271534..... 55, 57   | 1001281310 .....261, 263   | 1001289905..... 795   |
| 1001263357..... 136                | 1001271582..... 55, 57   | 1001281311 .....261, 263   | 1001289906..... 795   |
| 1001263365..... 119                | 1001271642..... 794  | 1001281359 .....261, 263   | 1001290252..... 279, 285  |
| 1001263366..... 127                | 1001271643..... 793  | 1001281360 .....261, 263   | 1001290270..... 793   |
| 1001263367..... 131                | 1001271644..... 793  | 1001281656 .....261, 263   | 1001290375..... 793   |
| 1001263368..... 135                | 1001271645..... 793  | 1001281985 .....222  | 1001291401.. 206, 222, 244,<br>250  |
| 1001263395..... 795                | 1001271760..... 794  | 1001281986 .....222  | 1001293369..... 792   |
| 1001263587..... 464, 468           | 1001271794 ..100, 104, 108,<br>112, 116, 120, 124, 128,<br>132, 136  | 1001282106 .....139, 477   | 1001293952..... 560   |
| 1001263588...453, 463, 467         | 1001271832 ... 571, 577, 583   | 1001282215 .....794  | 1001293953..... 564   |
| 1001263612..... 413, 415           | 1001271833 ... 571, 577, 583   | 1001282461 .....795  | 1001294603..... 164   |
| 1001263800..... 541, 543           | 1001271835 ... 571, 577, 583   | 1001283776 .....149, 743   | 1001294604..... 160   |
| 1001263923...667, 669, 679         | 1001271888..... 794  | 1001284101 .....261  | 1001294637..... 156   |
| 1001264239..... 453                | 1001272166..... 794  | 1001284504 .....415  | 1001294638..... 560, 564  |
| 1001264302..... 541                | 1001272178..... 794  | 1001284510 .....796  | 1001294639..... 560, 564  |
| 1001264991..... 397, 543           | 1001272182..... 794  | 1001284582 .....477  | 1001294641..... 560   |
| 1001265163..... 529                | 1001272274..... 794  | 1001284583 .....477  | 1001294675..... 564   |
| 1001265342..... 529                | 1001272546..... 39   | 1001284696 ..755, 757, 759,<br>761, 763, 765, 767, 769,<br>771, 773      | 1001294703..... 168   |
| 1001265378..... 792                | 1001272547..... 39   | 1001284763 .....267, 271   | 1001294756..... 776   |
| 1001265493..... 187, 191           | 1001272631 ... 571, 577, 583   | 1001284960 .....83, 85   | 1001294815..... 776   |
| 1001265676..... 793                | 1001272681 .....151  | 1001285346 ..100, 104, 108,<br>112, 116, 120, 124, 128,<br>132, 136, 707 | 1001296259..... 794   |
| 1001266056..... 795                | 1001272682 .....153  | 1001285378 ..100, 104, 120,<br>124, 667                                  | 1001296622..... 794   |
| 1001266069...451, 455, 459         | 1001273493..... 796  | 1001285636 .....263  | 1001296684..... 794   |
| 1001266073..... 451                | 1001273494..... 796  | 1001285801 ..100, 104, 108,<br>112, 116, 120, 124, 128,<br>132, 136      | 1001296701..... 794   |
| 1001266098..... 795                | 1001273784..... 776  | 1001286030 ..108, 116, 128,<br>136, 669                                  | 1001296788..... 87  |
| 1001266284..... 795                | 1001274219..... 83, 85, 87   |  | 1001297391.. 104, 116, 124,<br>136  |
| 1001266290..... 794                | 1001274249..... 796  |  | 1001298324.... 99, 103, 107,<br>111, 115, 119, 123, 127,<br>131, 135, 749 |
| 1001266468..... 123                | 1001274367 ... 571, 577, 583   |  | 1001302954..... 222, 225  |
| 1001266489..... 795                | 1001274559 ... 99, 455, 459,<br>463, 467                             |  | 1001302960..... 217, 220  |
| 1001266648...456, 464, 711         | 1001274829..... 794  |  | 1001302968..... 214, 217  |
| 1001266799..... 795                | 1001274830..... 794  |  | 1001302979..... 213   |
| 1001266801..... 795                | 1001274832..... 794  |  | 1001303430..... 487   |
| 1001266807..... 795                | 1001274833..... 794  |  | 1001303818..... 280, 286  |
| 1001266829..... 415                | 1001275149..... 149  |  |   |
| 1001266873..... 99                 |  |  |   |
| 1001266874..... 104                |  |  |   |
| 1001266876...100, 108, 112         |  |  |   |
| 1001266878..... 116                |  |  |   |

## SECTION 11 - SPECIAL OPTIONS/ACCESSORIES/KITS

|                                |                             |                             |                               |
|--------------------------------|-----------------------------|-----------------------------|-------------------------------|
| 1001309250...460, 468, 713     | 1702265 ..... 755           | 1704175..... 775            | 1706385 .....437, 439         |
| 1001311034 .....485            | 1702271 ..... 769           | 1704260.455, 459, 463, 467  | 1706593 .....45               |
| 1060341 .509, 511, 513, 515    | 1702565 .455, 459, 463, 467 | 1704271 ..... 775           | 1706957 .....47               |
| 1060343 ..... 370, 382, 386    | 1702566 .455, 459, 463, 467 | 1704272..... 45             | 1706960 .....47               |
| 1060379 .....507               | 1702567 .455, 459, 463, 467 | 1704277 755, 757, 759, 761, | 2030010 491, 496, 499, 501,   |
| 1060584 .....49                | 1702617 ..... 773           | 763, 765, 767, 769, 771,    | 505                           |
| 1060626 .179, 213, 233, 270    | 1702720 ..... 775           | 773                         | 2060025 .....186, 190         |
| 1060637 177, 179, 201, 217,    | 1702773 .....437, 439, 776  | 1704412 755, 757, 759, 761, | 2080040 419, 421, 423, 425,   |
| 237, 239, 273, 275             | 1702788 ..... 775           | 763, 765, 767, 769, 771,    | 441, 443                      |
| 1060903 .509, 511, 513, 515    | 1702819 ..... 757           | 773                         | 2120149 .....55, 57, 788      |
| 1060908 ..... 657, 659         | 1702860 ..... 776           | 1704578.....43              | 2120164 .....55, 57           |
| 1060918 .....471               | 1702861 ..... 776           | 1704885 755, 757, 759, 763, | 2120209 .....55, 57           |
| 1061033 .645, 647, 649, 651    | 1702868 496, 505, 507, 755, | 765, 767, 769, 771, 773     | 2120210 .....55, 57, 788      |
| 1062255 .....204               | 775, 779, 785               | 1704972..... 776            | 2180348 177, 179, 266, 270,   |
| 10702077 ..... 370, 374, 378,  | 1702938 .509, 511, 513, 515 | 1705014..... 437, 439       | 280, 286, 315                 |
| 382, 386                       | 1702941 .179, 213, 233, 270 | 1705084 ..... 757, 776      | 2180387 .....51               |
| 10702082 ..... 370, 374, 378,  | 1702942 .179, 213, 233, 270 | 1705090.....43              | 2180388 .....51               |
| 382, 386                       | 1702943 .179, 213, 233, 270 | 1705305 496, 505, 507, 779, | 2180389 .....51               |
| 10836804 99, 103, 107, 111,    | 1702944 .179, 213, 233, 270 | 781, 783, 785               | 2180418 .....51, 266, 270     |
| 115, 119, 124, 127, 131,       | 1703162 186, 190, 204, 220, | 1705325 ..... 607, 609      | 2180467 .....278, 284         |
| 136                            | 242, 248, 278, 284          | 1705336..... 755            | 2180504 .....280, 286         |
| 1120555 .....487, 489          | 1703479 ..... 775           | 1705344..... 769            | 2180832 197, 213, 229, 233,   |
| 1260017 .....77, 79            | 1703534 .....570, 576, 582  | 1705345..... 771            | 491, 496                      |
| 1320016 .....186, 190          | 1703544 ..... 759           | 1705347 ..... 767           | 2200222 ..... 83, 85          |
| 1320022 177, 179, 197, 213,    | 1703624 ..... 767           | 1705351..... 755            | 2220237 .....560, 564         |
| 229, 233, 315                  | 1703687 755, 757, 759, 761, | 1705355 ..... 496, 783, 785 | 2220261 .....51, 280, 286     |
| 1320061 ..... 213, 229, 233    | 763, 765, 767, 769, 771,    | 1705358 .....489, 775       | 2220313 177, 179, 197, 213,   |
| 1320110 .....278, 284          | 773                         | 1705374. 350, 361, 635, 637 | 229, 233                      |
| 1320127 ..... 51               | 1703797 ..... 755           | 1705375 371, 383, 386, 496, | 2220315 .....220, 242, 248    |
| 1320162 ..... 93, 95, 97       | 1703804 ..... 755           | 505                         | 2220362 .....560, 564         |
| 1320177 .....491, 496          | 1703805 ..... 755           | 1705387 350, 362, 371, 383, | 2220371 560, 564, 567, 571,   |
| 1320218 .....51                | 1703811 755, 757, 759, 761, | 386                         | 577, 583, 587                 |
| 1320220 .....51                | 763, 765, 767, 769, 771,    | 1705426..... 769            | 2220372 567, 570, 576, 582,   |
| 1320223 179, 186, 190, 213,    | 773                         | 1705427 ..... 771           | 589                           |
| 233, 639                       | 1703814 755, 757, 759, 761, | 1705429 ..... 767           | 2220373 560, 564, 570, 576,   |
| 1320243 .....405               | 763, 765, 767, 769, 771,    | 1705430..... 763            | 582                           |
| 1320263 .645, 647, 649, 651    | 773                         | 1705460 370, 374, 378, 383, | 2220374 .....570, 576, 582    |
| 1320289 .....403               | 1703923 ..... 773           | 386                         | 2220375 560, 564, 570, 576,   |
| 1320302 .496, 499, 501, 505    | 1703925 ..... 765           | 1705461 .....374, 378       | 582                           |
| 1321283 ..... 266, 270         | 1703926 ..... 769           | 1705489 353, 357, 365, 374, | 2220376 .....309              |
| 1321716 .... 63, 65, 197, 213, | 1703927 ..... 771           | 378                         | 2220377 300, 303, 560, 564,   |
| 229, 233                       | 1703935 ..... 773           | 1705490 ..... 496, 779, 781 | 570, 576, 582                 |
| 1380147 ..... 329, 331, 333    | 1703936 ..... 767           | 1705820.....45              | 2220379 .....570, 576, 582    |
| 1580012 .....449               | 1703937 ..... 763           | 1705822 ..... 757, 761      | 2220381 .....570, 576, 582    |
| 1580013 .....794               | 1703938 ..... 769           | 1705828 ..... 757, 761      | 2220386 .....570, 576, 582    |
| 1670603 .....603               | 1703939 ..... 771           | 1705895 ..... 759           | 2220409 .....571, 577, 582    |
| 1670767 .156, 160, 164, 168    | 1703941 ..... 773           | 1705896 ..... 759           | 2220415 560, 564, 570, 576,   |
| 1670769 .....649               | 1703942 ..... 767           | 1705897 ..... 759           | 582, 587                      |
| 1671034 ..... 645, 647, 651    | 1703943 ..... 765           | 1705898 ..... 759           | 2220418 .....51               |
| 1671092 .370, 382, 386, 597    | 1703944 ..... 769           | 1705902 ..... 759           | 2220451 .....93, 95, 97, 186, |
| 1671093 ..... 496, 501, 597    | 1703945 ..... 771           | 1705903 ..... 759           | 190, 570, 576, 582            |
| 1671314 .....463, 467          | 1703947 ..... 773           | 1705905 ..... 759           | 2220466 .....570, 576, 582    |
| 1684290 .....533               | 1703948 ..... 767           | 1705910 ..... 773           | 2220468 .....587              |
| 1684465 ..... 17, 19, 533      | 1703949 ..... 765           | 1705917 ..... 773           | 2220472 .....560, 564, 570    |
| 1700818 ..... 775              | 1703950 ..... 769           | 1705921 ..... 757, 761      | 2220473 560, 564, 567, 570,   |
| 1701435 ..... 776              | 1703951 ..... 771           | 1705961 ..... 757, 761      | 576, 582, 587, 589            |
| 1701505 177, 179, 197, 213,    | 1703953 ..... 755           | 1705967 ..... 759, 775      | 2220474 .....560, 564, 570    |
| 229, 233                       | 1703980 ..... 769           | 1705968 ..... 763, 775      | 2220490 .....570, 576, 582    |
| 1701509 487, 489, 755, 757,    | 1703981 ..... 771           | 1705969 ..... 771, 775      | 2220498 .....570, 576, 582    |
| 759, 761, 763, 765, 767,       | 1703982 ..... 765           | 1705977 ..... 757, 761      | 2220500 .....570, 576, 582    |
| 769, 771, 773                  | 1703983 ..... 773           | 1706059 ..... 776           | 2220504 .....560, 564         |
| 1701518 ..... 757, 761         | 1703984 ..... 767           | 1706060 ..... 776           | 2220507 .....564              |
| 1701529 755, 757, 759, 761,    | 1703987 ..... 771           | 1706061 ..... 776           | 2220511 .....570, 576, 582    |
| 763, 765, 767, 769, 771,       | 1703990 ..... 767           | 1706062 ..... 776           | 2220512 .....570, 576, 582    |
| 773                            | 1704000 .....767, 775       | 1706063 ..... 776           | 2220513 .....91               |
| 1701542 .....266, 270          | 1704001 .....773, 775       | 1706064 ..... 776           | 2220516 .....571, 577, 583    |
| 1701543 .....266, 270          | 1704174 ..... 775           | 1706098 ..... 776           | 2220518 .....91, 97           |

## SECTION 11 - SPECIAL OPTIONS/ACCESSORIES/KITS

|   |   |  |   |
|---|---|--|---|
| 2220567 .....570, 576, 582                          | 2720058 177, 179, 278, 284,<br>315                      | 365, 370, 374, 377, 381,<br>385, 645, 647, 649, 651                                | 3252507 337, 343, 611, 613,<br>617, 619, 623, 625, 629,<br>631  |
| 2220574 .....570, 576, 582                          | 2720144.....51  | 2820035 .....259   | 3252764 357, 369, 373, 377,<br>381, 385   |
| 2220578 .....93, 95, 97, 300,<br>303, 570, 576, 582 | 2720160.....491, 496                                    | 2820078 .....171   | 3271505.....403   |
| 2220582 560, 564, 570, 576,<br>582                  | 2720340 .204, 220, 244, 250                             | 2820082 .....171, 173  | 3271601... 95, 220, 242, 248  |
| 2220596 560, 564, 570, 576,<br>582                  | 2720398.....186, 190                                    | 2820083 .....171   | 3271605 204, 403, 519, 521,<br>523, 525, 527  |
| 2220600 .....571, 576, 582                          | 2750532 177, 179, 213, 229,<br>233                      | 2820118 .....653, 655  | 3271801 220, 242, 248, 325,<br>327  |
| 2220602 .....570, 576, 582                          | 2750949.....91  | 2820247 .....735, 737  | 3271805.....81, 437, 439  |
| 2220603 .....570, 576, 582                          | 2751362.....583   | 2840016 .....331, 333  | 3272001 519, 521, 523, 525,<br>527  |
| 2220605 .....570, 576, 582                          | 2751396.....572, 577, 583                               | 2840018 .....329   | 3290405 149, 151, 153, 266,<br>270, 529, 603, 607, 609,<br>611, 613, 615, 617, 619,<br>621, 623, 625, 627, 629,<br>631, 633 |
| 2220606 560, 564, 571, 577,<br>583                  | 2752453.....572, 577, 583                               | 2860012 .....335, 343  | 3290505.....266, 270, 337   |
| 2220618 .....570, 576, 582                          | 2752462.....571, 577, 583                               | 2860030 ..99, 103, 107, 111,<br>115, 119, 123, 127, 131,<br>135, 789               | 3290601 197, 201, 204, 278,<br>284, 289, 345, 357, 377,<br>385  |
| 2220623 .....567                                    | 2752478.....577, 583                                    | 2900708 .....55, 57  | 3290605 100, 104, 108, 112,<br>116, 120, 124, 128, 132,<br>136, 204, 266, 270, 278,<br>284, 491, 496                        |
| 2220628 .570, 576, 582, 589                         | 2752484.....572, 578, 583                               | 2900756 .....567   | 3290606 429, 431, 433, 435,<br>445, 447   |
| 2220635 .571, 577, 583, 589                         | 2752497.....571, 577, 583                               | 2900770 .....535, 545, 555   | 3290607. 151, 153, 278, 284   |
| 2220646 .300, 303, 560, 564                         | 2752506.....571, 577, 583                               | 2900792 537, 539, 541, 543,<br>545, 547, 555                                       | 3290801. 266, 270, 278, 284   |
| 2220654 .....587                                    | 2752519.....570, 576, 582                               | 2900838 .....796   | 3290805 204, 278, 284, 321,<br>323, 639, 641  |
| 2220657 .....571, 576, 582                          | 2752530.....93, 95                                      | 2901861 .....553, 555  | 3290806.....401   |
| 2220682 .....97                                     | 2752573.....571   | 2902065 186, 190, 204, 220,<br>242, 248, 297                                       | 3291001.. 97, 197, 278, 284,<br>401   |
| 2220700 .....93, 95, 97                             | 2752592.....560, 564                                    | 2902212 .....487, 489  | 3291005 204, 220, 244, 250,<br>278, 284, 397, 401, 639  |
| 2220738 .....91, 570                                | 2752593.....571, 577, 583                               | 2902217 .....496, 499, 501   | 3291007.....333   |
| 2220810 .....309                                    | 2752600.....572, 578, 584                               | 2902266 .....533   | 3291201 201, 278, 284, 357,<br>377, 386, 401  |
| 2220816 .....315                                    | 2752611.....560, 564                                    | 2902303 755, 757, 759, 761,<br>763, 765, 767, 769, 771,<br>773, 793                | 3291202.....97  |
| 2220861 .....560, 564                               | 2752620.....560, 564                                    | 2902307 .....755, 792  | 3291205.....401   |
| 2220881 .....535                                    | 2752635.....572   | 2902308 .....769, 793  | 3300106.....25  |
| 2220883 411, 535, 537, 539,<br>541, 545, 555        | 2752656.....572, 578, 584                               | 2902309 .....765, 793  | 3300151 427, 429, 431, 433,<br>435, 441, 443, 445, 447,<br>496, 499, 501, 505   |
| 2220885 .539, 541, 549, 553                         | 2752659.....91  | 2902310 .....771, 793  | 3300205.. 99, 103, 107, 111,<br>115, 119, 123, 127, 131,<br>135   |
| 2220886 ...59, 537, 545, 555                        | 2752661.....560, 564                                    | 2902311 .....773, 793  | 3300353.. 99, 103, 107, 111,<br>115, 119, 123, 127, 131,<br>135, 455, 459, 463, 467   |
| 2220890 .....533                                    | 2752723.....571, 583                                    | 2902312 .....759, 792  | 3300396 350, 362, 370, 374,<br>377, 382, 386  |
| 2220893 .....570, 576, 582                          | 2752724.....571, 583                                    | 2902322 .....767, 792  | 3300408.. 99, 103, 107, 111,<br>115, 119, 123, 127, 131,<br>135, 139  |
| 2220921 .....570, 576, 582                          | 2752783.....572, 578, 584                               | 2902329 .....757, 761, 792   | 3300430.....483   |
| 2220947 300, 303, 570, 576,<br>582                  | 2752910.....560, 564                                    | 2902443 .663, 667, 671, 675  | 3300454 350, 354, 361, 365,<br>370, 374, 381, 567   |
| 2220948 .....570, 576, 582                          | 2752928.....560, 564                                    | 2910100 .....793   | 3310401.....220, 242, 248   |
| 2220998 .....570, 576, 582                          | 2752929 560, 564, 570, 576,<br>582                      | 2910167 .....796   | 3310601.....329, 331, 333   |
| 2220999 .....570, 576, 582                          | 2752939.....571, 577, 583                               | 2920028 .509, 511, 513, 515  | 3310801.....413, 415  |
| 2221024 .....51                                     | 2752985 .....571, 577, 583                              | 2920029 .509, 511, 513, 515  | 3311001 211, 257, 370, 374,<br>377, 382, 386  |
| 2221026 .....567                                    | 2752987.....571, 577, 583                               | 2920129 .....711   |   |
| 2221034 .....300, 303                               | 2752990.....571, 577, 583                               | 2940074 419, 421, 423, 425,<br>441, 443, 789                                       |   |
| 2221036 .....570, 576, 582                          | 2752991.....571, 577, 583                               | 2940088 156, 157, 160, 161,<br>164, 165, 169                                       |   |
| 2221042 .....570, 576, 582                          | 2752995.....571, 577, 583                               | 2940188 .156, 160, 164, 168  |   |
| 2221053 .570, 576, 582, 589                         | 2753000.....583   | 3020029 .....75  |   |
| 2221065 .....570, 576, 582                          | 2753002.....577   | 3020037 .....201   |   |
| 2221176 .177, 179, 266, 270                         | 2753055.....571, 577, 583                               | 3124242 .....487   |   |
| 2221197 .....51, 266, 270                           | 2753132.....571, 578, 584                               | 3200401 186, 190, 220, 242,<br>248, 317, 319, 325, 327                             |   |
| 2230046 .....91                                     | 2753133.....572, 578, 584                               | 3200406 .....186, 190  |   |
| 2400060 259, 529, 693, 697,<br>701, 707, 711, 713   | 2753134.....571, 577, 583                               | 3220103 .....311   |   |
| 2400064 .693, 697, 701, 789                         | 2753135.....571, 577, 583                               | 3250872 .....43  |   |
| 2410014 .....437, 439                               | 2753354.....91  | 3251102 335, 337, 339, 343,<br>345, 349, 353, 361, 365                             |   |
| 2420203 .....335, 339, 345                          | 2753397.....560, 564                                    | 3251242 603, 615, 621, 627,<br>633   |   |
| 2460048 .....369, 373                               | 2753924.....560, 564                                    | 3251243 335, 345, 350, 362,<br>370, 383, 386, 755, 763,<br>765, 767, 769, 771, 773 |   |
| 2460051 .....345                                    | 2753926.....560   | 3251813 .....776   |   |
| 2460055 .....335                                    | 2753968.....570, 576, 582                               | 3252347 .....755   |   |
| 2460056 .....343                                    | 2754227.....560, 564                                    |  |   |
| 2560136 .455, 459, 463, 467                         | 2754229.....560, 564                                    |  |   |
| 2580024 .179, 213, 233, 270                         | 2754231.....560, 564                                    |  |   |
| 2580062 .....190                                    | 2754328.....572   |  |   |
| 2600281 419, 421, 423, 425,<br>441, 443             | 2754329.....571, 577, 583                               |  |   |
| 2680433 .....156, 160                               | 2754330.....571, 577, 583                               |  |   |
| 2680434 .....156, 160                               | 2754731.....564   |  |   |
| 2720015 .204, 220, 242, 248                         | 2792630.....589   |  |   |
|   | 2820019.....691   |  |   |
|   | 2820031 335, 337, 339, 343,<br>345, 349, 353, 357, 361, |  |   |

## SECTION 11 - SPECIAL OPTIONS/ACCESSORIES/KITS

|  |  |   |  |
|--|--|---|--|
| 3311005 156, 157, 160, 161,<br>164, 165, 168, 169, 335,<br>337, 339, 343, 345, 350,<br>362, 370, 374, 377, 382,<br>385, 491, 496, 499, 501,<br>505   | 3340956 .....487, 489  | 3573642. 496, 499, 501, 505   | 3910804 ..99, 103, 107, 111,<br>115, 119, 123, 127, 131,<br>135                            |
| 3311401 141, 509, 511, 513,<br>515   | 3340966 ..... 23   | 3574091 .....513, 515   | 3911016 156, 157, 160, 161,<br>165, 169  |
| 3311405 ..55, 57, 63, 65, 99,<br>103, 107, 111, 115, 119,<br>123, 127, 131, 135, 145,<br>147, 156, 160, 164, 168,<br>177, 179, 181, 183, 186,<br>190, 197, 204, 213, 217,<br>220, 229, 233, 237, 239,<br>242, 248, 266, 270, 273,<br>275, 349, 353, 357, 361,<br>365, 370, 373, 381, 407,<br>409, 451, 453, 485, 603,<br>607, 609, 611, 613, 615,<br>617, 619, 621, 623, 625,<br>627, 629, 631, 633, 641,<br>755, 757, 759, 761, 763,<br>765, 767, 769, 771, 773 | 3380434 .....451, 453  | 3575359..... 509, 511   | 3930816 .....415   |
| 3311501 156, 160, 164, 168,<br>413, 415, 509, 511, 513,<br>515   | 3420372 ..... 49   | 3575863. 350, 353, 370, 374   | 3930828 .....413, 415  |
| 3311505 ..25, 156, 160, 164,<br>168, 179, 186, 190, 220,<br>242, 248, 369, 373, 377,<br>381, 385, 405, 407, 409,<br>517, 567   | 3420447 ..... 49   | 3576799..... 491, 496   | 3931016 350, 361, 369, 373,<br>377, 381, 385   |
| 3311508 .....349, 361  | 3421453 .....491, 496  | 3577121. 496, 499, 501, 505   | 3931408 .....415, 483  |
| 3311601 .... 83, 85, 156, 160,<br>455, 459, 464, 468, 485  | 3421565 ..... 49, 77   | 3580134..... 337, 343   | 3931430 .....413, 415  |
| 3311605 .... 51, 91, 156, 157,<br>160, 161, 164, 165, 168,<br>177, 179, 186, 190, 211,<br>213, 220, 233, 242, 248,<br>257, 317, 319, 325, 327,<br>329, 331, 335, 337, 343,<br>405, 437, 439, 451, 453,<br>496, 499, 501, 505   | 3422326 ..... 21, 23   | 3580158..... 335, 337, 343  | 3931432 . 204, 220, 242, 248   |
| 3311608 .....95  | 3422448 177, 179, 197, 213,<br>229, 233, 266, 270  | 3580276..... 335, 339   | 3931448 .....553   |
| 3311705 335, 337, 339, 343,<br>345   | 3422457 ..... 395  | 3580314..... 385  | 3931512 .....220, 242, 248   |
| 3311801 217, 237, 239, 339,<br>349, 353, 361, 365, 370,<br>374, 381, 413, 415  | 3422533 181, 183, 201, 217,<br>237, 239, 273, 275  | 3580317 349, 353, 357, 361,<br>365, 370, 374, 377, 381,<br>386              | 3931516 .....553, 555  |
| 3311805 156, 160, 164, 168,<br>177, 179, 186, 190, 273,<br>275, 317, 319, 517  | 3422567 ..... 23   | 3580318. 350, 361, 370, 381   | 3931620 181, 183, 201, 217,<br>237, 239, 273, 275  |
| 3312002 ..69, 519, 521, 523,<br>525, 527   | 3422575 .....391, 393  | 3580320 220, 242, 248, 350,<br>353, 370, 374                                | 3931628 .....220, 242, 248   |
| 3312005 .....487, 489  | 3422813 ..... 23   | 3580324..... 345  | 3931632 .....278, 284  |
| 3312205 .....487, 489  | 3422841 ..... 49   | 3600242..... 309  | 3932030 .....25  |
| 3312602 ..... 149, 151, 153  | 3422847 ..... 49   | 3600365 ..... 55, 63, 65, 67  | 3940604 .....43  |
| 3321501 . 156, 160, 164, 168   | 3422848 ..... 23   | 3600395 181, 183, 201, 217,<br>237, 239, 273, 275, 309                      | 3952020 .....69  |
| 3322201 .....81  | 3422861 ..... 397  | 3620034..... 91   | 3960389 .156, 160, 181, 183  |
| 3331211 ..... 204, 321, 323  | 3422867 ..... 397  | 3641569..... 509, 511   | 3960407 .....186, 190  |
| 3340608 .....553   | 3422900 ..... 21, 23   | 3740049.. 99, 103, 107, 111,<br>115, 119, 123, 127, 131,<br>135, 789        | 3960418 .156, 160, 164, 168  |
| 3340764 .....403   | 3422902 ..... 21, 23   | 3740067.... 63, 65, 186, 190,<br>266, 270, 788, 789                         | 3960422 349, 361, 369, 381,<br>385, 599, 601, 605, 635,<br>637                             |
| 3340840 .....403   | 3422903 ..... 21, 23   | 3740080 335, 337, 339, 343,<br>345, 385, 789                                | 3960462 .....164, 165, 169   |
| 3340871 .....393, 395  | 3423184 ..... 17, 19   | 3740086..... 739  | 3960467 .....156, 160, 164   |
| 3340881 .....393   | 3430616 .455, 459, 464, 468  | 3760133..... 395  | 3960468 .....186, 190  |
| 3340911 .....25  | 3430816 .....329, 331, 333   | 3760170..... 49, 77, 79, 507  | 3960469 .....186, 190  |
| 3340943 .....403   | 3450306 ..... 405  | 3790012 266, 270, 451, 453,<br>455, 459, 463, 467, 473,<br>475, 479         | 3980007 .179, 213, 233, 270  |
|  | 3450404 .....329, 331, 333   | 3790152..... 181, 183   | 3990010 .....707, 788  |
|  | 3450606 ..... 405  | 3790158..... 25   | 4010608 .....491, 496  |
|  | 3460334 .....487, 489  | 3820001 755, 757, 759, 761,<br>763, 765, 767, 769, 771,<br>773              | 4010618 429, 431, 433, 435,<br>445, 447  |
|  | 3470003 .455, 459, 464, 468  | 3820020 419, 421, 423, 425,<br>441, 443                                     | 4031505 .....481   |
|  | 3480288 ..... 533  | 3841143 .... 21, 23, 177, 179,<br>197, 213, 229, 233, 266,<br>270, 397, 401 | 4031509 .....149, 151, 153   |
|  | 3520026 .....463, 467  | 3841203 ..... 391, 393  | 4031516 .....485   |
|  | 3520027 .....463, 467  | 3841258. 17, 19, 21, 23, 391  | 4031608 .....337   |
|  | 3520028 .335, 339, 343, 345  | 3841295 ..... 405   | 4031711 .....278, 284  |
|  | 3520031 ..99, 103, 107, 111,<br>115, 119, 123, 127, 131,<br>135                            | 3841340..... 395  | 4031908 .....204   |
|  | 3520054 186, 190, 204, 220,<br>244, 250, 455, 459, 463,<br>467                             | 3841347 .....405  | 4031912 .....204   |
|  | 3520071 .....487, 489  | 3841709..... 391  | 4031914 ..... 220, 242, 248  |
|  | 3520072 419, 421, 423, 425,<br>427, 429, 431, 433, 435,<br>437, 439, 441, 443, 445,<br>447 | 3900054..... 437, 439   | 4032014 .....220, 242, 248   |
|  | 3520189 .....374, 377  | 3900268.. 99, 103, 107, 111,<br>115, 119, 123, 127, 131,<br>135             | 4032015 .349, 353, 370, 373  |
|  | 3520192 .....374, 377  | 3900283..... 403  | 4060092 .....601   |
|  | 3520193 .....413, 415  | 3900293 ..... 69  | 4060802 335, 337, 339, 343,<br>345, 349, 353, 357, 361,<br>365, 369, 373, 377, 381,<br>385 |
|  | 3520198 419, 421, 423, 425,<br>427, 429, 431, 433, 435,<br>441, 443, 445, 447              | 3900316..... 403  | 4060804 .....41, 55, 57  |
|  | 3537445 .....329, 331  | 3900349. 455, 459, 463, 467   | 4060805 157, 161, 186, 190,<br>204, 220, 244, 250, 280,<br>286                             |
|  | 3538247 ..... 553  | 3910408..... 220, 242, 248  | 4060807 .....25, 55, 57  |
|  | 3538758 ..... 403  | 3910606 349, 361, 369, 381,<br>385, 605, 635, 637                           | 4060808 .....393   |
|  | 3539228 ..... 405  | 3910608..... 329, 331, 333  | 4060906 .....141   |
|  | 3539923 .....156, 160  | 3910610..... 599, 601   | 4060918 .....55, 57  |
|  | 3539988 ..... 171  |   | 4070585 .....335   |
|  | 3570270 ..... 405  |   | 4070863 .....393, 395  |
|  | 3570277 ..... 405  |   | 4070864 .....393, 395  |
|  | 3570374 ..... 405  |   | 4070897 .....393, 395  |
|  | 3572009 ..... 49   |   | 4070898 .....393, 395  |
|  | 3572010 ..... 49   |   | 4070929 .....393, 395  |
|  | 3572011 ..... 49   |   |  |
|  | 3572012 ..... 49   |   |  |
|  | 3573400 .496, 499, 501, 505  |   |  |

## SECTION 11 - SPECIAL OPTIONS/ACCESSORIES/KITS

|   |  |  |  |
|---|--|--|--|
| 4070991 ..99, 103, 107, 111,<br>115, 119, 123, 127, 131,<br>135   | 4460016..... 711, 713  | 4460465 149, 303, 415, 529,<br>643, 645, 647, 649, 651,<br>653, 655, 661, 663, 664,<br>667, 669, 671, 675, 676,<br>679, 687, 689, 691, 693,<br>695, 697, 699, 701, 707,<br>709, 711, 713, 741, 749,<br>751 | 4460807 358, 362, 366, 689,<br>691                                       |
| 4071007 ..... 395   | 4460019 664, 667, 669, 671,<br>679, 681  | 4460466 415, 481, 529, 643,<br>645, 647, 649, 651, 653,<br>655, 661, 663, 664, 669,<br>671, 672, 675, 707, 709,<br>711, 713, 733, 739, 741,<br>743, 749  | 4460808 358, 362, 366, 689,<br>691                                       |
| 4071059 ..... 23  | 4460027 ..... 335, 339, 345  | 4460467 .....796   | 4460865 645, 647, 649, 651,<br>653, 655                                  |
| 4071101 ..... 17, 19  | 4460042 ..... 663, 672, 675  | 4460470 ..99, 103, 107, 111,<br>115, 119, 123, 127, 131,<br>135, 455, 459, 463, 467  | 4460866 645, 647, 649, 651,<br>707, 711, 713                             |
| 4120035 ..... 711   | 4460043 259, 664, 667, 671,<br>675, 697, 699, 701  | 4460471 ..99, 103, 107, 111,<br>115, 119, 123, 127, 131,<br>135, 455, 459, 463, 467  | 4460868..... 707   |
| 4130399 ..... 23  | 4460049 .509, 511, 513, 515  | 4460473 645, 647, 649, 651,<br>653, 655  | 4460871 667, 669, 679, 707,<br>711, 713, 745, 749, 751                   |
| 4160143 .156, 160, 164, 168   | 4460071 349, 361, 370, 381,<br>385, 471, 599, 601, 605   | 4460488 ..99, 103, 107, 111,<br>115, 119, 123, 127, 131,<br>135, 151, 153  | 4460872..... 707   |
| 4240017 ..... 149   | 4460125 ..... 601  | 4460496 ..99, 103, 107, 111,<br>115, 119, 123, 127, 131,<br>135  | 4460873..... 707, 711, 713   |
| 4240018 337, 339, 349, 353,<br>357, 361, 365, 369, 373,<br>377, 381, 635, 637   | 4460134 ..... 605, 703   | 4460497 ..99, 103, 107, 111,<br>115, 119, 123, 127, 131,<br>135  | 4460874..... 707, 711, 713   |
| 4240032 151, 153, 206, 221,<br>244, 250   | 4460142 ..... 667, 707   | 4460508 481, 653, 707, 711,<br>713   | 4460875..... 707, 711, 713   |
| 4240033 413, 415, 481, 483,<br>485, 645, 647, 649, 651  | 4460183 ..... 711, 713   | 4460509 .....653, 655  | 4460876..... 707   |
| 4240099 197, 204, 221, 242,<br>248, 259, 270, 278, 284,<br>345, 456, 460, 464, 468,<br>496, 499, 501, 509, 511,<br>513, 515 | 4460190 ..... 335, 339, 345  | 4460510 .....796   | 4460877..... 707   |
| 4240102 ..... 83, 85  | 4460205 ..... 599, 605, 703  | 4460518 .....415, 643  | 4460878..... 707   |
| 4240149 ..... 487, 489  | 4460224 357, 362, 365, 455,<br>459, 463, 467   | 4460526 ..99, 103, 107, 111,<br>115, 119, 123, 127, 131,<br>135  | 4460879..... 529, 711, 713   |
| 4280295 ..... 83, 85  | 4460225 .689, 691, 711, 713  | 4460536 687, 707, 709, 711,<br>713, 751  | 4460884 415, 529, 663, 671,<br>707, 741, 749                             |
| 4300157 .349, 353, 370, 374   | 4460226 141, 455, 459, 463,<br>467, 471, 667, 669, 679,<br>711, 713, 747   | 4460539 645, 647, 649, 651,<br>663, 667, 669, 671, 679,<br>687, 709, 711, 713, 749,<br>751   | 4460887 529, 667, 669, 679,<br>707, 711, 713                             |
| 4360057 509, 511, 513, 515,<br>789  | 4460227 455, 459, 463, 467,<br>707, 711, 713   | 4460612 .....635, 637  | 4460888..... 711, 713  |
| 4360070 350, 362, 370, 374,<br>378, 382, 386, 788   | 4460233 ..... 601, 705   | 4460634 .....711   | 4460891 149, 303, 643, 661,<br>667, 669, 676, 679, 685,<br>747, 749, 751 |
| 4360274 .....115, 135, 790  | 4460234 149, 455, 459, 463,<br>467, 509, 511, 513, 515   | 4460635 .....711   | 4460892..... 709   |
| 4360331 451, 453, 473, 475,<br>479, 790   | 4460247 ..... 664, 671, 675  | 4460662 603, 613, 617, 619,<br>621, 623, 625, 627, 629,<br>631, 633  | 4460894 661, 663, 671, 675,<br>707, 709, 711, 713                        |
| 4360336 141, 266, 270, 335,<br>337, 339, 343, 345, 349,<br>353, 357, 361, 365, 369,<br>373, 377, 381, 385, 790              | 4460256 ..... 667, 693   | 4460670 .....697   | 4460897 145, 147, 151, 153,<br>303, 676, 685, 743, 749                   |
| 4360387 103, 115, 123, 135,<br>455, 459, 463, 467, 509,<br>511, 513, 515, 790   | 4460259 529, 667, 679, 707,<br>711, 713  | 4460701 .....705   | 4460899 669, 687, 733, 739,<br>741                                       |
| 4360407 455, 459, 463, 467,<br>788  | 4460260 529, 667, 679, 707,<br>711, 713  | 4460703 .....664, 671, 675   | 4460905. 707, 711, 713, 745  |
| 4360436 ..... 789   | 4460267 ..... 711, 713   | 4460708 .....711, 713  | 4460906..... 345   |
| 4360469 ..99, 103, 107, 111,<br>115, 119, 123, 127, 131,<br>135, 790  | 4460268 ..... 669, 689, 691  | 4460722 .....259   | 4460910..... 415, 735  |
| 4360475 ..99, 103, 107, 111,<br>115, 119, 123, 127, 131,<br>135, 790  | 4460294 ..... 357, 362, 366  | 4460738 .....669, 679  | 4460911..... 707, 733  |
| 4360476 ..99, 103, 107, 111,<br>115, 119, 123, 127, 131,<br>135   | 4460297 ..... 707  | 4460742 .693, 697, 699, 701  | 4460928..... 643   |
| 4360517 ..... 81, 790   | 4460312 ..... 679  | 4460743 .....697, 699, 701   | 4460930. 661, 663, 671, 675  |
| 4360542 .335, 339, 345, 788   | 4460313 .667, 669, 679, 707  | 4460746 .....663   | 4460931..... 669, 743  |
| 4360578 .....413, 415, 789  | 4460315 ..... 599, 601, 605  | 4460748 .....663   | 4460932 529, 664, 672, 675,<br>685                                       |
| 4400275 ..... 51  | 4460320 ..... 707  | 4460761 455, 459, 463, 467,<br>707   | 4460933 643, 661, 707, 711,<br>713                                       |
| 4400420 ..... 51  | 4460321 ..... 345  | 4460806 621, 627, 707, 711,<br>713   | 4460941..... 685, 733  |
| 4420014 ..... 487, 489  | 4460346 349, 361, 369, 381,<br>385, 599, 605   |  | 4460942 481, 663, 671, 675,<br>685                                       |
| 4420037 .496, 499, 501, 505   | 4460374 .....697   |  | 4460943 661, 669, 707, 711,<br>713, 733                                  |
| 4420038 .....83, 85, 87   | 4460375 .....697   |  | 4460944 663, 667, 669, 671,<br>675, 679, 711, 713                        |
| 4420051 .....43, 45, 47, 755,<br>757, 759, 761, 763, 765,<br>767, 769, 771, 773   | 4460384 ..... 603  |  | 4460945..... 664, 672  |
| 4420060 ..... 337   | 4460418 ..... 707, 711, 713  |  | 4460956..... 657, 659  |
| 4420066 ..... 487, 489  | 4460419 ..... 707, 711, 713  |  | 4460957..... 657, 659  |
| 4420068 509, 511, 513, 515,<br>517  | 4460424 ..... 667, 669, 679  |  | 4460958..... 637   |
|   | 4460425 350, 362, 370, 374,<br>378, 382, 386, 509, 511,<br>513, 515, 635, 637  |  | 4460962..... 496, 501, 597   |
|   | 4460426 ..99, 103, 107, 111,<br>115, 119, 123, 127, 131,<br>135, 350, 362, 370, 374,<br>378, 382, 386                  |  | 4460963. 370, 382, 386, 597  |
|   | 4460428 .455, 459, 463, 467  |  | 4460967 693, 695, 697, 699,<br>701                                       |
|   | 4460434 ..... 707, 711, 713  |  | 4460968 337, 413, 415, 607,<br>609, 611, 615                             |
|   | 4460457 .....693   |  | 4460971..... 491, 496  |
|   | 4460458 663, 667, 669, 671,<br>675, 679, 693, 699, 701   |  | 4460979..... 667, 669, 679   |
|   | 4460464 145, 147, 151, 153,<br>303, 471, 529, 643, 653,<br>669, 685, 687, 707, 711,<br>713, 739, 741, 743, 749,<br>751 |  | 4461005..... 667   |
|   |  |  | 4461006..... 667   |
|   |  |  | 4461008. 663, 667, 671, 676  |

## SECTION 11 - SPECIAL OPTIONS/ACCESSORIES/KITS

|                              |                               |                               |                                |
|------------------------------|-------------------------------|-------------------------------|--------------------------------|
| 4461042.....661              | 179, 186, 190, 197, 204,      | 275, 413, 415, 449, 451,      | 4846295.....49                 |
| 4461052.....667              | 213, 217, 221, 229, 233,      | 453, 455, 459, 463, 467,      | 4846296.....49                 |
| 4461053.....667              | 237, 239, 242, 248, 266,      | 496, 499, 501, 505, 509,      | 4846562.....487                |
| 4461054 .663, 667, 672, 685  | 270, 349, 353, 357, 361,      | 511, 513, 515, 567, 641,      | 4846627 .496, 499, 501, 505    |
| 4461060.....667              | 365, 369, 373, 381, 405,      | 755, 757, 759, 761, 763,      | 4846673.....513, 515           |
| 4461070.....643, 667         | 407, 409, 415, 427, 429,      | 765, 767, 769, 771, 773       | 4846935.....23                 |
| 4461071 .663, 667, 671, 675  | 431, 433, 435, 441, 443,      | 4751500..... 25, 63, 65, 156, | 4871700.....386                |
| 4461072.....667              | 445, 447, 483, 485, 603,      | 160, 164, 168, 177, 179,      | 4891500 .99, 103, 107, 111,    |
| 4461073.....663, 667, 675    | 607, 609, 611, 613, 615,      | 221, 242, 248, 335, 337,      | 115, 119, 123, 127, 131,       |
| 4461074.....667              | 617, 619, 621, 623, 625,      | 339, 343, 349, 361, 405,      | 135, 243, 249, 345             |
| 4461077.....733, 739         | 627, 629, 631, 633            | 509, 511, 513, 515, 517       | 4891600 156, 157, 160, 161,    |
| 4461095.....643, 667, 675    | 4711500 41, 93, 95, 97, 221,  | 4751600.. 25, 51, 81, 83, 85, | 164, 165, 168, 169, 181,       |
| 4461157.....667, 669, 679    | 242, 248, 369, 373, 377,      | 87, 91, 95, 156, 160, 161,    | 183, 201, 217, 221, 237,       |
| 4461196.....715              | 381, 385, 403, 407, 409,      | 164, 165, 168, 171, 177,      | 239, 243, 249, 273, 275,       |
| 4461198.....609, 715         | 413, 415, 567                 | 179, 186, 190, 197, 204,      | 329, 331, 401                  |
| 4461199.....717, 719         | 4711600 ....55, 57, 164, 168, | 213, 221, 229, 233, 242,      | 4891800 .... 17, 19, 221, 243, |
| 4461200.....719              | 179, 186, 190, 197, 211,      | 248, 317, 319, 325, 327,      | 249, 325, 327, 329, 331,       |
| 4461201.....615, 717, 719    | 213, 221, 229, 233, 242,      | 335, 337, 343, 386, 405,      | 333, 339, 361, 365, 381,       |
| 4461203.....723              | 248, 257, 266, 270, 315,      | 496, 499, 501, 505            | 517                            |
| 4461205 .721, 723, 725, 727  | 339, 350, 353, 357, 361,      | 4751700 .204, 221, 243, 248   | 4892000.....75                 |
| 4461206.....727              | 365, 370, 374, 381, 393,      | 4751800.... 81, 87, 177, 179, | 4892600001.....401             |
| 4461244.....621, 721, 723    | 403, 413, 415, 456, 460,      | 217, 237, 239, 273, 275,      | 4921829.....345, 703           |
| 4461245.....627, 725, 727    | 464, 468, 519, 521, 523,      | 405, 437, 439, 509, 511,      | 4921954.....705                |
| 4461246.....633, 729, 731    | 525, 527                      | 513, 515                      | 4922494 645, 647, 649, 651,    |
| 4461249.....729, 731         | 4711700 .....315, 339, 345    | 4752000 177, 179, 197, 213,   | 655                            |
| 4461250.....731              | 4711800 197, 213, 229, 233,   | 229, 233, 266, 270            | 4922641 335, 337, 340, 343,    |
| 4520256.....39               | 273, 275, 329, 331, 333,      | 4760600.....599, 601, 605     | 350, 353, 357, 362, 371,       |
| 4520287.....35, 37           | 349, 353, 369, 373, 377,      | 4761400.....141, 449          | 374, 378, 383, 387             |
| 4520288.....35               | 437, 439                      | 4761600.....63, 65, 451, 453  | 4922666 .455, 459, 463, 467    |
| 4520344.....35               | 4712000 487, 489, 519, 521,   | 4770600.....329, 331, 333     | 4922811.....651                |
| 4520345.....35               | 523, 525, 527                 | 4791400.... 63, 65, 186, 190, | 4922892.....605                |
| 4520346.....35               | 4712200 .....487, 489         | 349, 353, 361, 365, 369,      | 4922893.....645, 647           |
| 4520672.....39               | 4740036 .....49               | 373, 381                      | 4922894.....605                |
| 4530028 .496, 499, 501, 503  | 4740057 .....69               | 4811400 149, 151, 153, 529,   | 4922925 370, 374, 377, 381,    |
| 4567123.....91               | 4740076 .156, 160, 164, 168   | 603, 607, 609, 611, 613,      | 386, 691                       |
| 4567241.....405              | 4740111 .....21, 23           | 615, 617, 619, 621, 623,      | 4923379 .....186, 190          |
| 4568119.....87               | 4740155 .....23               | 625, 627, 629, 631, 633       | 4932990.....793                |
| 4568133.....49               | 4740158 .....17, 19           | 4811600.....337               | 4932993.....793                |
| 4640113.....35, 39           | 4740171 .156, 160, 164, 168   | 4811700 100, 104, 108, 112,   | 4933218 .....509, 513          |
| 4640261.....43, 45, 47       | 4740229 .....17, 19           | 116, 120, 124, 128, 132,      | 5240800.....327                |
| 4640438.....545              | 4740256 .....21, 23           | 136, 151, 153, 197, 201,      | 5241000.....25, 278, 284       |
| 4640464.....687, 709         | 4740274 .186, 190, 317, 319   | 204, 278, 284, 289, 345,      | 5241200 205, 278, 284, 321,    |
| 4640509 537, 539, 541, 543,  | 4740362 .....451, 453         | 357, 377, 385, 429, 431,      | 323, 345, 357, 377, 386,       |
| 545, 547, 555                | 4740393 .....25               | 433, 435, 445, 447, 491,      | 401                            |
| 4640605.....537, 547         | 4740397 .99, 103, 107, 111,   | 496                           | 5250605.....289                |
| 4640647.....555              | 115, 119, 123, 127, 131,      | 4811702.. 41, 221, 243, 249,  | 5250810 .....221, 244, 250     |
| 4640744.....309              | 135, 335, 337, 343            | 266, 270, 289                 | 5250812 .....205               |
| 4640751 .204, 221, 242, 248  | 4740444 .99, 103, 107, 111,   | 4811900 205, 221, 243, 249,   | 5251008.....401                |
| 4640858.....533              | 115, 119, 123, 127, 131,      | 266, 270, 278, 284, 289,      | 5251016.....401                |
| 4640862.....553              | 135                           | 321, 323, 401, 639, 641       | 5260600.....289                |
| 4640866.....55, 57           | 4740463 .....21, 23           | 4811902 205, 221, 244, 250,   | 5260800.....205                |
| 4640929.....407, 409         | 4740518 .99, 103, 107, 111,   | 278, 284, 289                 | 5272010.....280, 286           |
| 4640990.....91               | 115, 119, 123, 127, 131,      | 4812000.. 97, 197, 205, 221,  | 70000123 .....337, 343         |
| 4640999.....555              | 135                           | 244, 250, 266, 270, 278,      | 70000124 .....343              |
| 4641022.....87               | 4750400 .....221, 242, 248    | 284, 289, 333, 345, 401,      | 70000125 .....343              |
| 4641122.....37               | 4750800 .....51               | 639                           | 70000126 .....343, 788         |
| 4641264.....93, 95           | 4751000 49, 83, 85, 87, 156,  | 4812002.. 93, 205, 280, 286,  | 70000127 .....343              |
| 4641284.....560, 564         | 157, 160, 161, 164, 165,      | 295                           | 70000342 .....399              |
| 4641390.....533              | 168, 169, 335, 337, 343,      | 4812100.. 97, 197, 201, 205,  | 70000345 .....194, 253         |
| 4641436.....413, 415         | 345, 350, 361, 369, 373,      | 213, 221, 229, 233, 243,      | 70000619 .....370, 374, 377,   |
| 4711000 156, 161, 211, 257,  | 377, 381, 385, 491, 496,      | 249, 261, 263, 289, 401       | 381, 385                       |
| 339, 370, 374, 378, 382,     | 499, 501, 505                 | 4812200 186, 190, 205, 221,   | 70000793 .....297              |
| 386                          | 4751200 .....395              | 243, 249, 317, 319, 321,      | 70000851 .....194              |
| 4711400 .55, 57, 63, 65, 99, | 4751400 ....65, 99, 103, 107, | 323, 325, 327                 | 70000863 369, 373, 382, 385    |
| 103, 107, 111, 115, 119,     | 111, 115, 119, 123, 127,      | 4844817.....397               | 70000912 .....193              |
| 123, 127, 131, 135, 143,     | 131, 135, 141, 156, 160,      | 4844958.....77                | 70000913 .....193              |
| 145, 147, 164, 168, 177,     | 164, 168, 181, 183, 273,      | 4845163.....329               | 70000914 .....193              |

## SECTION 11 - SPECIAL OPTIONS/ACCESSORIES/KITS

|  |  |   |  |
|--|--|---|--|
| 70000915..... 193  | 7000228..... 72  | 70004059 .....194                             | 70004668..... 59                         |
| 70000916..... 193  | 7000229 ..... 72   | 70004060 .....194                             | 70004676..... 349, 353, 357,<br>361, 365 |
| 70000917..... 193  | 70002290 ..... 369, 373  | 70004092 .....349, 353, 357,<br>361, 365, 382 | 70004677 ..... 353                       |
| 70000918..... 193  | 70002291 ..... 382   | 70004094 ..... 382                            | 70004678..... 349, 353, 357,<br>362, 365 |
| 70000919..... 193  | 70002297369, 373, 382, 385                                       | 70004098 .....349, 362, 382                   | 70004679..... 349, 353, 357,<br>362, 365 |
| 70000934..... 55, 57   | 7000230..... 72  | 70004099357, 361, 365, 382                    | 70004680..... 349, 353, 357,<br>362, 365 |
| 70001002..... 193  | 70002386..... 411, 788   | 70004103 .....194                             | 70004681..... 353, 357, 365              |
| 70001100369, 373, 381, 386   | 70002410 ..... 535, 549  | 70004151 .....411                             | 70004682..... 349, 353, 357,<br>362, 365 |
| 70001126..... 193  | 7000246..... 72  | 70004169369, 373, 385, 386                    |  |
| 70001248..... 81   | 70002460369, 373, 382, 385                                       | 70004171 .....349, 353, 369,<br>373, 386      |  |
| 70001384369, 373, 382, 386   | 7000247 ..... 72   | 70004186 ..... 539, 541, 543                  |  |
| 70001423..... 193  | 7000248 ..... 72   | 70004237 .....535, 549                        | 70004683..... 353, 357, 365              |
| 70001424..... 493  | 7000253 ..... 72   | 70004268 .....193                             | 70004684..... 349                        |
| 70001425..... 493  | 7000255 ..... 72   | 70004269 .....193                             | 70004685..... 349, 362                   |
| 70001427..... 493  | 7000257 ..... 72   | 70004270 .....194                             | 70004686..... 357, 365                   |
| 70001428..... 493  | 70002718 ..... 193, 225  | 70004271 .....194                             | 70004687..... 362                        |
| 70001429..... 493  | 70002745 ..... 551   | 70004272 .....194                             | 70004862..... 89, 788                    |
| 70001430..... 493  | 70002752 ..... 551   | 70004273 .....194                             | 70005008..... 205, 279, 285,<br>788, 789 |
| 70001431..... 493, 788   | 70002753 ..... 551   | 70004276 ..... 254                            | 70005145..... 549                        |
| 70001432..... 493, 790   | 70002754 ..... 551   | 70004277 ..... 254                            | 70005146..... 549                        |
| 70001435..... 193  | 70002755 ..... 551   | 70004279 ..... 253                            | 70005171 ..... 225, 253                  |
| 70001498..... 194  | 70002756 ..... 551   | 70004281 ..... 225                            | 70005172 ..... 226, 253                  |
| 70001696..... 369, 373, 385  | 70002757 ..... 551   | 70004282 ..... 225                            | 70005173 ..... 253                       |
| 70001697..... 399  | 70002758 ..... 59  | 70004353 ..... 29                             | 70005176 ..... 253                       |
| 70001847..... 193  | 70002759 ..... 60  | 70004355 ..... 29                             | 70005177 ..... 225, 253                  |
| 70001850..... 193  | 70002793 ..... 537   | 70004356 ..... 29                             | 70005180 ..... 225                       |
| 70001866..... 194  | 70002902 ..... 471   | 70004361 ..... 29                             | 70005182 ..... 225                       |
| 70001868..... 194  | 70002903 ..... 471   | 70004363 ..... 29                             | 70005184 ..... 225, 254                  |
| 70001870..... 193, 226, 253  | 70002904 ..... 471   | 70004365 ..... 29                             | 70005191 ..... 254                       |
| 70001871..... 193  | 70002905 ..... 471   | 70004367 ..... 29                             | 70005201 ..... 59                        |
| 70001872..... 194  | 70003003 ..... 193   | 70004370 ..... 29                             | 70005202 ..... 59                        |
| 70001953..... 369, 373, 386  | 70003019 ..... 59  | 70004371 ..... 29                             | 70005203 ..... 72                        |
| 70001966..... 349, 353, 357,<br>361, 365, 369, 373, 382,<br>385, 386 | 70003136 ..... 193   | 70004447 ..... 29                             | 70005232 ..... 60                        |
| 70001973369, 373, 382, 386   | 70003408 ..... 33  | 70004459 ..... 59                             | 70005298 ..... 29                        |
| 70001974369, 373, 382, 385   | 70003454 ..... 81  | 70004460 ..... 59, 788                        | 70005299 ..... 29                        |
| 70002001..... 405  | 70003456 ..... 193   | 70004461 ..... 59                             | 70005300 ..... 29                        |
| 70002002..... 405  | 70003457 ..... 193   | 70004463 ..... 59, 788                        | 70005301 ..... 29                        |
| 70002020..... 29   | 70003468 ..... 193   | 70004504 ..... 254                            | 70005302 ..... 29                        |
| 70002026..... 29   | 70003469 ..... 193   | 70004505 ..... 253                            | 70005303 ..... 29                        |
| 70002027..... 29   | 70003470 ..... 193   | 70004506 ..... 253                            | 70005304 ..... 29                        |
| 70002054..... 29   | 70003472 ..... 193   | 70004507 ..... 253                            | 70005305 ..... 29                        |
| 70002057..... 29   | 70003473 ..... 193   | 70004508 ..... 225, 253                       | 70005306 ..... 29                        |
| 70002059..... 29   | 70003475 ..... 193   | 70004509 ..... 253                            | 70005307 ..... 29                        |
| 70002059..... 29   | 70003477 ..... 193   | 70004510 ..... 253                            | 70005308 ..... 29                        |
| 70002063..... 33   | 70003478 ..... 193   | 70004514 ..... 253                            | 70005309 ..... 29                        |
| 70002064..... 33, 411  | 70003525 ..... 59  | 70004594 ..... 59                             | 70005311 ..... 29                        |
| 70002066..... 72   | 70003631369, 373, 382, 385                                       | 70004595 ..... 59, 788                        | 70005312 ..... 29                        |
| 70002085..... 72   | 70003708 ..... 349, 353, 357,<br>361, 365, 369, 373, 382,<br>386 | 70004596 ..... 59                             | 70005313 ..... 29                        |
| 70002088..... 369, 373, 385  | 70003709 ..... 349, 353, 357,<br>361, 365, 369, 373, 382,<br>386 | 70004597 ..... 59                             | 70005314 ..... 29                        |
| 7000213 ..... 72   |  | 70004617 ..... 59                             | 70005315 ..... 29                        |
| 70002134..... 301  |  | 70004652 ..... 59                             | 70005316 ..... 29                        |
| 70002146..... 301  | 70003783 ..... 186, 190, 788                                     | 70004653 ..... 59, 788                        | 70005317 ..... 29                        |
| 70002147..... 301  | 70003784455, 459, 463, 467                                       | 70004654 ..... 59                             | 70005318 ..... 29                        |
| 70002148..... 301  | 70003932 ..... 194   | 70004655 ..... 59                             | 70005319 ..... 29                        |
| 70002149..... 301  | 70003952198, 214, 229, 234                                       | 70004656 ..... 59                             | 70005320 ..... 30                        |
| 70002150..... 301  | 70004037 ..... 72  | 70004657 ..... 59                             | 70005321 ..... 30                        |
| 70002151..... 301  | 70004040 ..... 72  | 70004659 ..... 59                             | 70005466 ..... 300                       |
| 70002153..... 301  | 70004041 ..... 72  | 70004660 ..... 59, 788                        | 70005467 ..... 300                       |
| 70002154..... 301  | 70004042 ..... 72  | 70004661 ..... 59                             | 70005468 ..... 300                       |
| 70002156..... 301  | 70004043 ..... 72  | 70004662 ..... 59                             | 70005469 ..... 300, 301                  |
| 70002157..... 301  | 70004044 ..... 72  | 70004663 ..... 59                             | 70005470 ..... 301                       |
| 7000217 ..... 72   | 70004045 ..... 72  | 70004664 ..... 59                             | 70005471 ..... 301                       |
| 70002176..... 300  | 70004045 ..... 72  | 70004665 ..... 59                             | 70005472 ..... 301                       |
| 70002201..... 29   | 70004047 ..... 72  | 70004666 ..... 59                             | 70005473 ..... 301                       |
| 70002209..... 55, 57   | 70004052 ..... 59  |   |  |
| 70002234..... 194  | 70004056 ..... 194   |   |  |
|  | 70004058 ..... 194   |   |  |



## SECTION 11 - SPECIAL OPTIONS/ACCESSORIES/KITS

|                       |  |   |                       |
|-----------------------|--|---|-----------------------|
| 70005474.....301      | 70006198.....292                             | 70007467.....403                        | 70025210.....254, 789 |
| 70005475.....301      | 70006199.....292                             | 70007489.....254                        | 70025212.....254      |
| 70005476.....301      | 70006200.....292                             | 70007603.....225                        | 70025231.....225, 253 |
| 70005479.....193      | 70006202.....292                             | 70007677.....55, 57                     | 70025235.....254      |
| 70005527.....254      | 70006203.....292                             | 70007827.....237, 239                   | 70025239.....225, 253 |
| 70005647.....254      | 70006205.....292                             | 70008194.....537                        | 70025242.....254      |
| 70005648.....254, 789 | 70006206.....292                             | 70008195.....537                        | 70025788.....254      |
| 70005920.....253      | 70006207.....292                             | 70008196.....537                        | 70026210.....225, 254 |
| 70005929.....254      | 70006208.....292                             | 70008197.....537                        | 7002821.....796       |
| 70005931.....225, 254 | 70006213.....292, 789                        | 70008578.....83, 85                     | 7002822.....796       |
| 70005941.....226, 253 | 70006215.....292                             | 70008579.....83, 85                     | 7002823.....796       |
| 70005942.....225, 253 | 70006217.....292                             | 70009018.....266, 271                   | 7002826.....796       |
| 70006093.....382      | 70006219.....292                             | 70009019.....266, 271                   | 7002840.....796       |
| 70006094.....382      | 70006221.....292                             | 70012257.....225                        | 70028538.....254      |
| 70006095.....382      | 70006225.....292                             | 70022564535, 537, 545, 549              | 70028540.....225, 254 |
| 70006096.....382      | 70006232.....292                             | 70023369.....535, 545, 549              | 70029433.....254      |
| 70006097.....382      | 70006233.....291                             | 70023370.....543                        | 70029451.....225, 253 |
| 70006134.....289      | 70006235.....292                             | 70023371.....543                        | 70029468.....537      |
| 70006135.....289      | 70006236.....292                             | 70023379.....537                        | 70029512.....225      |
| 70006136.....289      | 70006294.....254                             | 70023592.....205, 243, 249,<br>788, 789 | 70029517.....254      |
| 70006144.....253      | 70006304.....72                              | 70023593.....205, 243, 249,<br>788, 789 | 70029520.....254      |
| 70006145.....291      | 70006482.....553, 555                        | 70023859.....59                         | 70029797.....254      |
| 70006147.....291      | 70006483.....553, 555                        | 70023862.....59                         | 70030360.....225      |
| 70006150.....291      | 70006484.....555                             | 70023867.....59                         | 70030381.....225      |
| 70006151.....291      | 70006552.....349, 353, 357,<br>361, 365      | 70024457.....59                         | 70031095.....225, 253 |
| 70006152.....291      | 70006553.....349, 353, 357,<br>361, 365, 789 | 70024494.....226, 253                   | 70031136.....225      |
| 70006153.....291      | 70006649.....539, 541, 543                   | 70024502.....225                        | 70031143.....225      |
| 70006154.....291      | 70006650.....539, 541, 543                   | 70024504.....225                        | 70031144.....225      |
| 70006155.....291, 789 | 70006652.....254                             | 70024507.....225, 254                   | 7004248.....67        |
| 70006157.....291      | 70006653.....254                             | 70024509.....254                        | 7004275.....796       |
| 70006158.....291      | 70006654.....553                             | 70024513.....225, 253                   | 7004290.....67        |
| 70006159.....291      | 70006655.....553                             | 70024517.....253                        | 70050795.....545      |
| 70006160.....291      | 70006734.....539, 541, 543                   | 70024904.....226, 253                   | 70052522.....537      |
| 70006161.....291      | 70006735.....539, 541, 543                   | 70024905.....225, 226, 253              | 7007207.....300       |
| 70006162.....291      | 70006736.....539, 541, 543                   | 70024906.....225, 253                   | 7007208.....300       |
| 70006163.....291      | 7000695.....193                              | 70024912.....254                        | 7007412.....301       |
| 70006164.....291      | 70007051.....545                             | 70024915.....254                        | 7007413.....300       |
| 70006165.....291      | 70007052.....545                             | 70024917.....254                        | 7007415.....300       |
| 70006166.....291      | 70007108.....292                             | 70024919.....225                        | 7007417.....300       |
| 70006167.....291      | 70007156.....549                             | 70024920.....254                        | 7007418.....300       |
| 70006168.....291      | 70007157.....535, 549                        | 70024922.....254                        | 7007419.....300       |
| 70006169.....291      | 70007158.....549                             | 70024924.....253                        | 7007420.....300, 301  |
| 70006170.....291      | 70007159.....535                             | 70024925.....253                        | 7007422.....301       |
| 70006171.....291, 789 | 70007160.....535                             | 70024961.....225, 253                   | 7007423.....300       |
| 70006172.....291, 789 | 70007161.....535, 549                        | 70025084.....193                        | 7007425.....300       |
| 70006173.....291      | 70007168.....535                             | 70025111.....253                        | 7007430.....301       |
| 70006174.....291      | 70007169.....535                             | 70025120.....254                        | 7007431.....301       |
| 70006175.....291, 789 | 70007325.....254                             | 70025135.....253                        | 7007434.....301       |
| 70006176.....291, 789 | 70007326.....225, 253                        | 70025140.....253                        | 7007435.....300       |
| 70006177.....291      | 70007331.....254                             | 70025142.....254                        | 7007438.....300       |
| 70006178.....291      | 70007354.....225, 253                        | 70025144.....253                        | 7007439.....300       |
| 70006179.....291      | 70007355.....254                             | 70025145.....253                        | 7007441.....301       |
| 70006180.....291      | 70007446.....411                             | 70025146.....253                        | 7007442.....300       |
| 70006181.....291      | 70007451.....545                             | 70025151.....254                        | 7007443.....300       |
| 70006182.....291      | 70007452.....545                             | 70025152.....253                        | 7007444.....301       |
| 70006183.....291      | 70007453.....545                             | 70025153.....253, 789                   | 7007446.....300       |
| 70006184.....291      | 70007454.....545                             | 70025154.....253                        | 7007448.....300       |
| 70006185.....291      | 70007455.....545                             | 70025161.....254, 789                   | 7007450.....301       |
| 70006186.....291      | 70007460.....547                             | 70025164.....225, 253                   | 7007453.....301       |
| 70006187.....291      | 70007461.....547                             | 70025181.....253                        | 7007457.....300       |
| 70006188.....291      | 70007462.....547                             | 70025182.....254                        | 7007459.....300       |
| 70006189.....291      | 70007463.....547                             | 70025183.....254                        | 7007463.....300       |
| 70006191.....291      | 70007464.....547                             | 70025184.....254                        | 7007464.....300       |
| 70006192.....291      | 70007465.....547                             | 70025200.....254                        | 7007465.....300       |
| 70006193.....291      | 70007466.....403                             | 70025205.....253                        | 7007476.....301       |
| 70006194.....291      |  |   | 7007477.....301       |

## SECTION 11 - SPECIAL OPTIONS/ACCESSORIES/KITS

|         |                         |         |   |         |                              |          |  |
|---------|-------------------------|---------|---|---------|------------------------------|----------|--|
| 7007484 | 301                     | 7017195 | 399   | 7024440 | 89                           | 7027775  | 503  |
| 7007485 | 301                     | 7017402 | 411   | 7024441 | 89                           | 7027776  | 503  |
| 7007487 | 301                     | 7017452 | 411   | 7024443 | 89                           | 7027777  | 503  |
| 7007488 | 301                     | 7017496 | 55, 57, 533                                     | 7024444 | 89, 788                      | 7027778  | 503  |
| 7007489 | 309                     | 7018942 | 59  | 7024445 | 89                           | 7027779  | 503  |
| 7007633 | 72                      | 7019680 | 335, 339, 345                                   | 7024446 | 89                           | 7027780  | 503  |
| 7010103 | 309                     | 7020020 | 55, 57  | 7024462 | 503                          | 7027790  | 194  |
| 7010104 | 309                     | 7020021 | 55, 57  | 7024463 | 503                          | 7027791  | 194  |
| 7010105 | 309                     | 7020108 | 335, 337, 339, 343, 345                         | 7024467 | 503                          | 7027792  | 194  |
| 7010116 | 300                     | 7020109 | 335, 337, 339, 343, 345                         | 7024469 | 503                          | 7027795  | 193, 788   |
| 7010117 | 301                     | 7020110 | 335, 337, 339, 343, 345                         | 7024470 | 503                          | 7027796  | 194  |
| 7010119 | 301                     | 7020111 | 335, 337, 339, 343, 345                         | 7024471 | 493, 503                     | 7027799  | 369, 373, 382, 385                                   |
| 7010121 | 300                     | 7020175 | 99, 103, 107, 111, 115, 119, 123, 127, 131, 135 | 7024472 | 503                          | 7027887  | 335, 337, 339, 343, 345                              |
| 7010492 | 72                      | 7020176 | 99, 103, 107, 111, 115, 119, 123, 127, 131, 135 | 7024473 | 503                          | 77143013 | 99, 103, 107, 111, 115, 119, 123, 127, 131, 135      |
| 7010543 | 55, 57                  | 7020190 | 335, 337, 339, 343, 345                         | 7024474 | 503                          | 77363233 | 689, 691   |
| 7011043 | 67                      | 7020192 | 343   | 7024475 | 503                          | 80233041 | 570, 576, 582  |
| 7011044 | 67                      | 7020403 | 193   | 7024478 | 503                          | 80434249 | 59, 788  |
| 7011048 | 67                      | 7020408 | 193   | 7024485 | 369, 373, 385, 788           | 80484084 | 663, 671, 675  |
| 7011062 | 67                      | 7020431 | 193   | 7024488 | 370, 374, 377, 381, 385      | 8093191  | 789  |
| 7011063 | 67                      | 7020460 | 193   | 7024489 | 370, 374, 377, 381, 385      | 80934561 | 81   |
| 7011064 | 67                      | 7020465 | 193, 253  | 7024530 | 493                          | 80983191 | 664, 672, 675, 788, 789                              |
| 7011065 | 67                      | 7020468 | 193   | 7024531 | 493                          | 8220051  | 685  |
| 7011066 | 67                      | 7020471 | 194   | 7024532 | 493                          | 8220115  | 675  |
| 7012513 | 335, 337, 339, 343, 345 | 7020479 | 194   | 7024533 | 493                          | 8220164  | 681  |
| 7012514 | 335, 337, 339, 343, 345 | 7020487 | 193   | 7024535 | 493                          | 8229242  | 664, 672, 675, 707, 788, 789                         |
| 7012518 | 55, 57                  | 7020489 | 194   | 7024536 | 493                          | 8229249  | 529, 711, 713, 789                                   |
| 7012558 | 335, 339, 345           | 7020489 | 194   | 7024537 | 493                          | 8270147  | 197, 214, 229, 234, 266, 271                         |
| 7012773 | 59                      | 7020489 | 194   | 7024579 | 193, 226, 253                | 8305401  | 278, 284   |
| 7012914 | 411                     | 7020489 | 194   | 7024598 | 329, 331, 333                | 8307109  | 278, 284   |
| 7012918 | 411                     | 7020489 | 194   | 7024704 | 72                           | 8310129  | 487, 489   |
| 7012941 | 55, 57                  | 7020489 | 194   | 7024762 | 72                           | 8310548  | 278, 284   |
| 7012943 | 55, 57, 788             | 7020489 | 194   | 7024763 | 72                           | 8405006  | 197, 211, 213, 229, 233, 257, 278, 284               |
| 7012944 | 55, 57, 788             | 7020489 | 194   | 7024784 | 72                           | 8405007  | 205, 221, 243, 249                                   |
| 7012953 | 407, 409, 411           | 7020489 | 194   | 7024851 | 301                          | 8405009  | 205, 221, 243, 249, 278, 284                         |
| 7012959 | 55, 57                  | 7020489 | 194   | 7024874 | 300                          | 8405102  | 278, 284   |
| 7012965 | 411                     | 7020489 | 194   | 7024875 | 300                          | 8405104  | 205, 221, 243, 249, 279, 285                         |
| 7012967 | 411                     | 7020489 | 194   | 7024877 | 301                          | 8405203  | 279, 285   |
| 7012970 | 407, 409                | 7020489 | 194   | 7024881 | 567                          | 8405204  | 205, 221, 243, 249                                   |
| 7012987 | 309                     | 7020489 | 194   | 7024892 | 33                           | 8406101  | 266, 270   |
| 7012988 | 309                     | 7020489 | 194   | 7026188 | 369, 373, 385                | 8406109  | 279, 285   |
| 7012989 | 411                     | 7020489 | 194   | 7026197 | 81                           | 8406110  | 205, 221, 243, 249                                   |
| 7012995 | 55, 57                  | 7020489 | 194   | 7026199 | 335, 339, 345                | 8406201  | 63, 197, 205, 213, 221, 229, 233, 243, 249, 280, 286 |
| 7012998 | 411                     | 7020489 | 194   | 7026503 | 81                           | 8406302  | 97   |
| 7014676 | 796                     | 7020489 | 194   | 7026504 | 81                           | 8410001  | 279, 285   |
| 7016322 | 329, 331, 333           | 7020489 | 194   | 7026505 | 81                           | 8410009  | 280, 286   |
| 7016328 | 193, 788                | 7020489 | 194   | 7026506 | 81                           | 8410011  | 205, 221, 243, 249, 279, 285                         |
| 7016331 | 193, 226, 253, 788, 789 | 7020489 | 194   | 7026507 | 81                           | 8410013  | 205, 221, 243, 249                                   |
| 7016374 | 329, 331, 333           | 7020489 | 194   | 7026509 | 81                           | 85941017 | 177, 179   |
| 7016652 | 796                     | 7020489 | 194   | 7026597 | 369, 373, 382, 385           | 85941018 | 266, 270   |
| 7016654 | 796                     | 7020489 | 194   | 7026626 | 369, 373, 382, 385           | 8760268  | 571, 577, 583  |
| 7016655 | 796                     | 7020489 | 194   | 7026631 | 193                          | 88261024 | 407, 409   |
| 7017023 | 72                      | 7020489 | 194   | 7027072 | 197, 214, 229, 234, 266, 271 | 88411013 | 65, 641  |
| 7017028 | 72                      | 7020489 | 194   | 7027073 | 197, 214, 229, 234, 266, 271 | 88521205 | 63, 65, 177, 179                                     |
| 7017070 | 72                      | 7020489 | 194   | 7027074 | 198, 214, 229, 234           | 88521214 | 519, 521, 523, 525, 527                              |
| 7017072 | 72                      | 7020489 | 194   | 7027075 | 198, 214, 229, 234, 266, 271 |          |  |
| 7017080 | 72                      | 7020489 | 194   | 7027076 | 198, 214, 230, 234           |          |  |
| 7017085 | 72                      | 7020489 | 194   | 7027236 | 193                          |          |  |
| 7017142 | 399                     | 7020489 | 194   | 7027276 | 194                          |          |  |
| 7017159 | 399                     | 7020489 | 194   | 7027404 | 292                          |          |  |
| 7017162 | 399                     | 7020489 | 194   | 7027773 | 503                          |          |  |
| 7017163 | 399                     | 7020489 | 194   | 7027774 | 503                          |          |  |
| 7017164 | 399                     | 7020489 | 194   |         |                              |          |  |
| 7017172 | 399                     | 7020489 | 194   |         |                              |          |  |
| 7017192 | 399                     | 7020489 | 194   |         |                              |          |  |

## SECTION 11 - SPECIAL OPTIONS/ACCESSORIES/KITS

8896941 .....796  
91143177 .....571, 577, 583

91164079 ..... 411  
91203039 ..... 401

91401281 ..... 63, 177, 179  
91403102243, 249, 788, 789

91403244 .....205, 243, 249



**Corporate Office  
JLG Industries, Inc.  
1 JLG Drive  
McConnellsburg, PA 17233-9533 USA**  
☎ (717) 485-5161 (Corporate)  
☎ (877) 554-5438 (Customer Support)  
📠 (717) 485-6417

**Visit our website for JLG Worldwide Locations.  
[www.jlg.com](http://www.jlg.com)**



**OSHKOSH™**