



---

# Illustrated Parts Manual

*Models*  
**1200SJP**  
**1350SJP**

PVC  
2401

P/N  
31223034

June 3, 2024 - Rev B

**ANSI**

**CE**



**UK**  
**CA**

**AS/NZS**



An Oshkosh Corporation Company

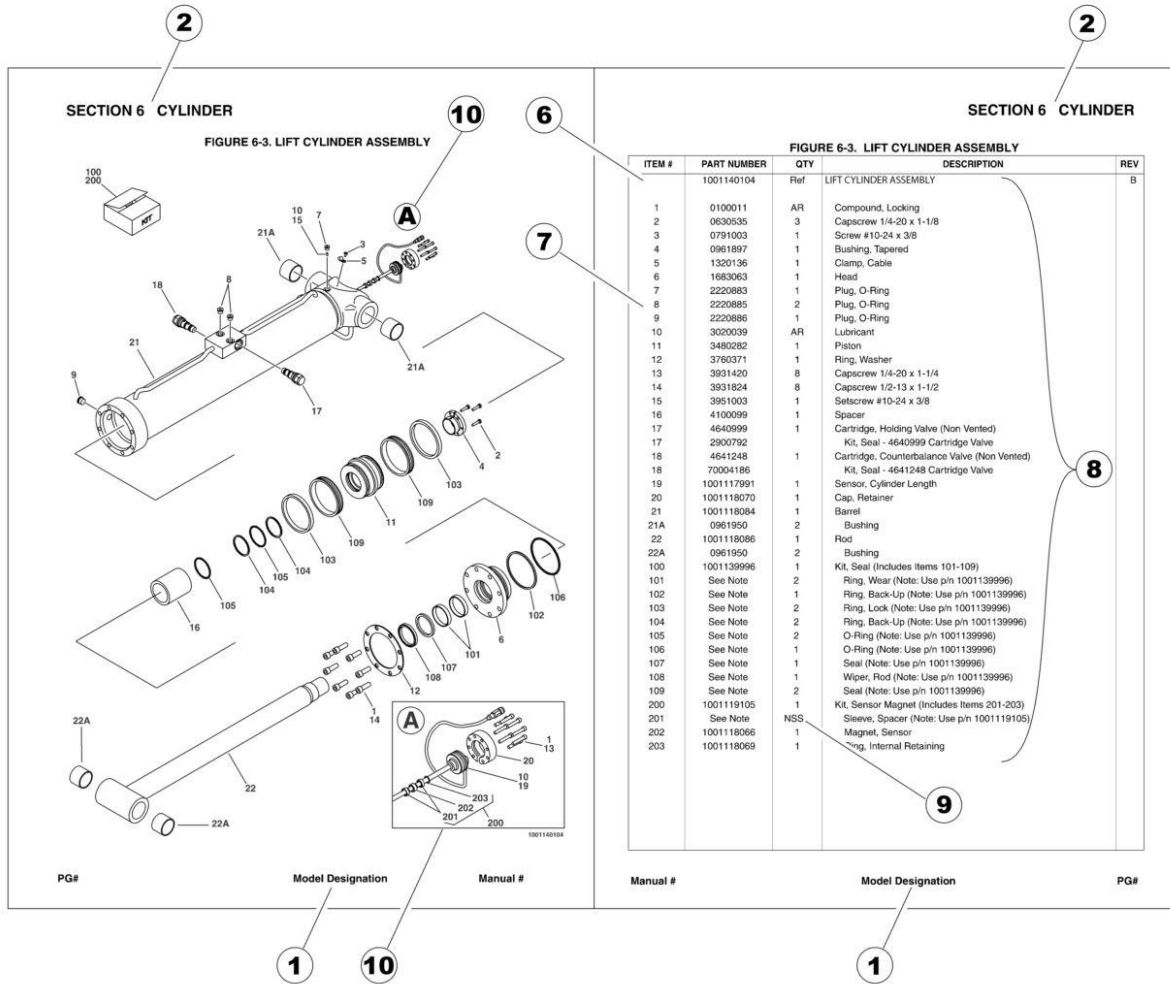


## **REVISION LOG**

January 1, 2024 - A - Original Issue of Manual (Edited to B/M 1001261213 Revision AE and Revision K)

June 3, 2024 - B - Revised Manual (Edited to B/M 1001261213 Revision AE and Revision K)

# GENERAL INFORMATION



## 1) MACHINE IDENTIFICATION

Machines are identified by model and in some cases a combination of models, serial number (SN) or regional standard (i.e ANSI, CE, CSA). Components may also be identified by SN or manufacturer. Common components that may be identified by these characteristics are engines and hydraulic components.

## 2) PARTS MANUAL ORGANIZATION

Product information in this manual is organized under section titles. Frame, Cylinder, Hydraulic and Electrical are a few examples. Each section is organized by figure and page number. The information within the Figure is then organized by item number, part number, description and corresponding illustration (s).

## 3) TABLE OF CONTENTS (NOT SHOWN)

A table of contents is found toward the beginning of the manual. Figure number, description and page number are provided for quick reference to the page containing the related information.

## 4) RECOMMENDED SPARE PARTS (NOT SHOWN)

The Recommended Spare Parts List, located near the end of the manual, reference most frequently used maintenance parts.

## 5) PART NUMBER INDEX (NOT SHOWN)

A numerical index listing all part numbers and the corresponding page number(s) appears at the back of the manual.

## GENERAL INFORMATION

### 6) NON-SERVICED PARTS

In some instances, it is necessary to display non-serviced parts, assemblies or installations. In the case of assemblies and installations there will be a Ref in the Qty. column. In case of parts that are not available for service within assemblies or components, there will be a NSS (Not Sold Separately) or NLA (No Longer Available) listed in the Qty. column of the manual.

### 7) PARTS LIST ITEM NUMBERS

Numbers shown in the item# column correspond to numbers used in the associated illustration (s). Item numbers which are missing from the sequence in the parts list are not used on that page.

### 8) INDENTED PARTS DESCRIPTION

An indented part description is included in the item under which it is indented.

### 9) ABBREVIATION AND SYMBOLS

AC.....	Alternating Current	L.....	Liter
ADE.....	Advanced Design Electronics	LB(LBS).....	Pounds
AG.....	Agricultural	LCD.....	Liquid Crystal Display
ANSI.....	American National Standards Institute	LED.....	Light Emitting Diodes
AR.....	As Required	LH.....	Left Hand
ASSY.....	Assembly	LRC.....	Low Rated Countries
AUS.....	Australia	LSS.....	Load Sensing System
AUX.....	Auxiliary	M(m).....	Metric/Meter
AWG.....	American Wire Gauge	MM(mm).....	Milimeter
B/M.....	Bill of Material	mA.....	Miliamps
CAC.....	Charge Air Cooler	NLA.....	No Longer Available
CE.....	European Conformity	NPT.....	National Pipe Threads
CCW.....	Counter Clockwise	NSS.....	Not Sold Separately
CM.....	Centimeter	OD.....	Outside Diameter
CW.....	Clockwise	ORB.....	O-Ring Boss
CSA.....	Canadian Standards Association	ORFS.....	O-Ring Face Seal
CYL.....	Cylinder	OZ (oz).....	Ounces
DIA.....	Diameter	PG.....	Page
DC.....	Direct Current	PN.....	Part Number
DEF.....	Diesel Exhaust Fluid	QT(qt.).....	Quarts
EMS.....	Emergency Stop	QTY.....	Quantity
ENG.....	Engine	REF.....	Reference
FT(ft).....	Feet	REV.....	Revision Level
GA(Ga).....	Gauge	RH.....	Right Hand
HRC.....	High Rated Countries	SAE.....	Society of Automotive Engineers
HVAC.....	Heating, Ventilating, and Air Conditioning	SN.....	Serial Number
HYD.....	Hydraulic	SPEC(S).....	Specifications
Hz.....	Hertz	T/T.....	Turntable
ID.....	Inside Diameter	UGM.....	Universal Ground Module
IN.....	inches	V.....	Volts
ISO.....	International Organization for Standards	W.....	Watts
JIC.....	Joint Industry Council	#.....	Number
KG.....	Kilogram		

### 10) ILLUSTRATION REFERENCE LETTERS

When necessary, illustrations may contain reference letters that are intended to track information (i. e. hoses, harnesses) from one point to another or to track visual enlargement of components to show details that may be located in another area on the illustration.

*Note: Due to continuous product improvements, JLG Industries, Inc. reserves the right to make specification changes without prior notification. Contact JLG Industries, Inc. for updated information.*



# TABLE OF CONTENTS

SECTION 1 - FRAME.....	17
FIGURE 1-1. AXLE INSTALLATION - FIXED.....	18
FIGURE 1-2. AXLE INSTALLATION - OSCILLATING.....	22
FIGURE 1-3. STEER INSTALLATION.....	26
FIGURE 1-4. WHEEL DRIVE INSTALLATION - REGGIANA RIDUTTORI .....	28
FIGURE 1-5. DRIVE HUB AND MOTOR ASSEMBLY - REGGIANA RIDUTTORI.....	30
FIGURE 1-6. DRIVE HUB ASSEMBLY - REGGIANA RIDUTTORI.....	32
FIGURE 1-7. DRIVE MOTOR ASSEMBLY .....	36
FIGURE 1-8. WHEEL DRIVE INSTALLATION - PMP PUMP.....	38
FIGURE 1-9. DRIVE HUB AND MOTOR ASSEMBLY - PMP PUMP .....	40
FIGURE 1-10. DRIVE MOTOR ASSEMBLY - PMP PUMPS.....	42
FIGURE 1-11. TIRE AND WHEEL INSTALLATION - FOAM FILLED.....	44
FIGURE 1-12. TIRE AND WHEEL INSTALLATION - FOAM FILLED NON MARKING .....	46
FIGURE 1-13. TIRE AND WHEEL INSTALLATION - SOLID .....	48
FIGURE 1-14. TIRE AND WHEEL INSTALLATION - SOLID NON MARKING .....	50
FIGURE 1-15. FRAME VALVES INSTALLATION .....	52
FIGURE 1-16. STEER VALVE ASSEMBLY .....	54
FIGURE 1-17. TRACTION VALVE ASSEMBLY.....	56
FIGURE 1-18. FRAME COVERS INSTALLATION - ABS.....	58
FIGURE 1-19. FRAME COVERS INSTALLATION - STEEL .....	60
SECTION 2 - TURNTABLE.....	63
FIGURE 2-1. TURNTABLE VALVES INSTALLATION .....	64
FIGURE 2-2. BATTERY AND AUXILIARY PUMP INSTALLATION - ABS HOODS .....	66
FIGURE 2-3. BATTERY AND AUXILIARY PUMP INSTALLATION - STEEL HOODS.....	68
FIGURE 2-4. AUXILIARY PUMP ASSEMBLY.....	70
FIGURE 2-5. MAIN VALVE ASSEMBLY .....	72
FIGURE 2-6. SWING DRIVE INSTALLATION .....	76
FIGURE 2-7. TURNTABLE BEARING AND LUBE INSTALLATION .....	78
FIGURE 2-8. TURNTABLE LOCK INSTALLATION.....	80
FIGURE 2-9. PINION SHIELD INSTALLATION .....	82
FIGURE 2-10. EXTREME HOSTILE PACKAGE INSTALLATION (OPTIONAL) .....	84
FIGURE 2-11. SWING MOTOR/HUB ASSEMBLY.....	86
FIGURE 2-12. ROTARY COUPLING AND COLLECTOR RING INSTALLATION (ROTARY COUPLING WITH SN PLATE) .....	90
FIGURE 2-13. ROTARY COUPLING AND COLLECTOR RING ASSEMBLY.....	92
FIGURE 2-14. TANK INSTALLATION - WITH ABS HOODS .....	94
FIGURE 2-15. TANK INSTALLATION - WITH ABS HOOS (CE & UK CA SPEC) (MACHINES WITH SN STARTING WITH B3) (SN B300024386 to Present, Including B300024293) .....	96
FIGURE 2-16. TANK INSTALLATION - WITH STEEL HOOS (MACHINES WITH SN STARTING WITH B3) (SN B300024386 to Present, Including B300024293) .....	98
FIGURE 2-17. TANK INSTALLATION - WITH STEEL HOOS AND 200L TANK (MACHINES WITH SN STARTING WITH B3) (SN B300024386 to Present, Including B300024293) .....	100
FIGURE 2-18. TANK INSTALLATION - WITH STEEL HOODS .....	102
FIGURE 2-19. TANK INSTALLATION - WITH STEEL HOODS AND 52.8 GAL/200 L FUEL TANK .....	104
FIGURE 2-20. HYDRAULIC OIL TANK ASSEMBLY.....	106

# TABLE OF CONTENTS

FIGURE 2-21. HYDRAULIC OIL TANK ASSEMBLY (MACHINES WITH SN STARTING WITH B3) (SN B300024386 to Present, Including B300024293) .....	108
FIGURE 2-22. HYDRAULIC OIL COOLER INSTALLATION - DEUTZ TD2011 ENGINES WITH REXROTH PUMPS (OPTIONAL) .....	110
FIGURE 2-23. HYDRAULIC OIL COOLER INSTALLATION - DEUTZ TD2011 ENGINES WITH SAUER PUMPS (OPTIONAL) .....	112
FIGURE 2-24. HYDRAULIC OIL COOLER INSTALLATION - DEUTZ TCD2.9L4 ENGINES AND DEUTZ TCD2.9L4 (STAGE V) ENGINES WITH REXROTH PUMPS (OPTIONAL) .....	114
FIGURE 2-25. HYDRAULIC OIL COOLER INSTALLATION - DEUTZ TCD2.9L4 ENGINES WITH REXROTH PUMPS (OPTIONAL) (CHINA SPEC ONLY).....	116
FIGURE 2-26. HYDRAULIC OIL COOLER INSTALLATION – DEUTZ TCD2.9L4 ENGINES AND DEUTZ TCD2.9L4 (STAGE V & CHINA IV) ENGINES WITH SAUER PUMPS (OPTIONAL).....	118
FIGURE 2-27. HYDRAULIC OIL COOLER INSTALLATION - DEUTZ TCD2.9L4 ENGINES WITH SAUER PUMPS (OPTIONAL) (CHINA SPEC ONLY) .....	120
FIGURE 2-28. HYDRAULIC OIL COOLER INSTALLATION - DEUTZ TCD2.9L4 ENGINES AND DEUTZ TCD2.9L4 (STAGE V) ENGINES WITH PMP PUMPS (OPTIONAL) .....	122
FIGURE 2-29. HYDRAULIC OIL COOLER INSTALLATION - DEUTZ TD2011 ENGINES WITH PMP PUMPS (OPTIONAL).....	124
FIGURE 2-30. GROUND CONTROL BOX INSTALLATION - DEUTZ TD2011 ENGINES WITH REXROTH PUMPS (CE & UK CA SPECS).....	126
FIGURE 2-31. GROUND CONTROL BOX INSTALLATION – DEUTZ TD2011 ENGINES WITH SAUER PUMPS (CE & UK CA SPECS).....	128
FIGURE 2-32. GROUND CONTROL BOX INSTALLATION – DEUTZ TCD2.9L4 ENGINES (ANSI, ANSI EXPORT, CSA, CHINA AND JAPANESE SPECS).....	130
FIGURE 2-33. GROUND CONTROL BOX INSTALLATION - DEUTZ TD2.9L4 ENGINES WITH REXROTH PUMPS (ANSI EXPORT AND AUSTRALIAN SPECS) .....	132
FIGURE 2-34. GROUND CONTROL BOX INSTALLATION - DEUTZ TD2.9L4 ENGINES WITH SAUER PUMPS (ANSI EXPORT AND AUSTRALIAN SPECS).....	134
FIGURE 2-35. GROUND CONTROL BOX INSTALLATION - DEUTZ TCD2.9L4 ENGINES (STAGE V) .....	136
FIGURE 2-36. GROUND CONTROL BOX INSTALLATION - DEUTZ TCD2.9L4 ENGINES (CHINA IV) .....	138
FIGURE 2-37. GROUND CONTROL BOX ASSEMBLY - DEUTZ TCD2.9L4 ENGINES - WITH MECHANICAL HOUR METER .....	140
FIGURE 2-38. GROUND CONTROL BOX ASSEMBLY - DEUTZ TD2011 ENGINES.....	144
FIGURE 2-39. GROUND CONTROL BOX ASSEMBLY - DEUTZ TCD2.9L4 STAGE V ENGINES.....	148
FIGURE 2-40. GROUND CONTROL BOX ASSEMBLY - DEUTZ TCD2.9L4 CHINA IV ENGINES.....	152
FIGURE 2-41. GROUND CONTROL PANEL ASSEMBLY .....	156
FIGURE 2-42. KEYSWITCH INSTALLATION.....	158
FIGURE 2-43. LIGHT PANEL INSTALLATION (MACHINES WITH SN STARTING WITH 03) .....	160
FIGURE 2-44. LIGHT PANEL INSTALLATION (MACHINES WITH SN STARTING WITH B3) .....	162
FIGURE 2-45. ALARM INSTALLATION.....	164
FIGURE 2-46. ALARM AMBIENT (WHITE NOISE) INSTALLATION (ALARM WITH HORIZONTAL BAR GRILLE) .....	166
FIGURE 2-47. ALARM AMBIENT (WHITE NOISE) INSTALLATION (ALARM WITH CROSS HATCH GRILLE) .....	168
FIGURE 2-48. STROBE LIGHT INSTALLATION (AMBER).....	170
FIGURE 2-49. STROBE LIGHT INSTALLATION (BLUE) .....	172
FIGURE 2-50. STROBE LIGHT INSTALLATION (RED).....	174
FIGURE 2-51. ENGINE TRAY JACK INSTALLATION - DEUTZ TD2011 ENGINES.....	176
FIGURE 2-52. ENGINE TRAY JACK INSTALLATION - DEUTZ TD2.9L4/TCD2.9L4 ENGINES AND DEUTZ TCD2.9L4 (STAGE V) ENGINES .....	178
FIGURE 2-53. HOOD INSTALLATIONS - DEUTZ TD2011 ENGINES (ABS).....	180
FIGURE 2-54. HOOD INSTALLATION - DEUTZ TCD2.9L4 ENGINES (ABS) .....	184
FIGURE 2-55. HOOD INSTALLATION - DEUTZ TD2011/TD2.9L4/TCD2.9L ENGINES (STEEL).....	190
FIGURE 2-56. HOOD INSTALLATION - DEUTZ TCD2.9L (CHINA IV) ENGINES (STEEL) .....	194
FIGURE 2-57. HOOD INSTALLATION - DEUTZ TCD2.9L4 ENGINES (STEEL) .....	198



# TABLE OF CONTENTS

FIGURE 2-58. HOOD KIT DEUTZ TCD2.9L4 (CHINA IV) ENGINE .....	202
SECTION 3 - ENGINE .....	205
FIGURE 3-1. DEUTZ TD2011 ENGINE INSTALLATION - WITH REXROTH PUMPS AND ABS HOODS (WITHOUT SKYPOWER AND WITHOUT COLD WEATHER PLUS PACKAGE) .....	206
FIGURE 3-2. DEUTZ TD2011 ENGINE INSTALLATION - WITH REXROTH PUMPS AND ABS HOODS (WITH SKYPOWER AND WITHOUT COLD WEATHER PLUS PACKAGE) .....	210
FIGURE 3-3. DEUTZ TD2011 ENGINE INSTALLATION - WITH REXROTH PUMPS AND STEEL HOOD (WITHOUT SKYPOWER AND WITHOUT COLD WEATHER PLUS PACKAGE) .....	214
FIGURE 3-4. DEUTZ TD2011 ENGINE INSTALLATION - WITH REXROTH PUMPS AND STEEL HOODS (WITH SKYPOWER AND WITHOUT COLD WEATHER PLUS PACKAGE) .....	218
FIGURE 3-5. DEUTZ TD2011 ENGINE INSTALLATION - WITH REXROTH PUMPS AND STEEL HOODS (WITH SKYPOWER AND WITH COLD WEATHER PLUS PACKAGE) .....	222
FIGURE 3-6. DEUTZ TD2011 ENGINE INSTALLATION - WITH SAUER PUMPS AND ABS HOODS (WITHOUT SKYPOWER AND WITHOUT COLD WEATHER PLUS PACKAGE) .....	226
FIGURE 3-7. DEUTZ TD2011 ENGINE INSTALLATION - WITH SAUER PUMPS AND ABS HOODS (WITH SKYPOWER AND WITHOUT COLD WEATHER PLUS PACKAGE) .....	230
FIGURE 3-8. DEUTZ TD2011 ENGINE INSTALLATION - WITH SAUER PUMPS AND STEEL HOODS (WITHOUT SKYPOWER AND WITHOUT COLD WEATHER PLUS PACKAGE) .....	234
FIGURE 3-9. DEUTZ TD2011 ENGINE INSTALLATION - WITH SAUER PUMPS AND STEEL HOODS (WITH SKYPOWER AND WITH COLD WEATHER PLUS PACKAGE) .....	238
FIGURE 3-10. DEUTZ TD2011 ENGINE INSTALLATION - WITH SAUER PUMPS AND STEEL HOODS (WITH SKYPOWER AND WITHOUT COLD WEATHER PLUS PACKAGE) .....	242
FIGURE 3-11. DEUTZ TD2011 ENGINE ASSEMBLY - WITH REXROTH PUMPS (WITHOUT SKYPOWER AND WITHOUT COLD WEATHER PLUS PACKAGE) .....	246
FIGURE 3-12. DEUTZ TD2011 ENGINE ASSEMBLY - WITH REXROTH PUMPS (WITH SKYPOWER AND WITHOUT COLD WEATHER PLUS PACKAGE) .....	250
FIGURE 3-13. DEUTZ TD2011 ENGINE ASSEMBLY - WITH REXROTH PUMPS (WITH SKYPOWER AND WITH COLD WEATHER PLUS PACKAGE) .....	254
FIGURE 3-14. DEUTZ TD2011 ENGINE ASSEMBLY - WITH SAUER PUMPS (WITHOUT SKYPOWER AND WITHOUT COLD WEATHER PLUS PACKAGE) .....	258
FIGURE 3-15. DEUTZ TD2011 ENGINE ASSEMBLY - WITH SAUER PUMPS (WITH SKYPOWER AND WITHOUT COLD WEATHER PLUS PACKAGE) .....	262
FIGURE 3-16. DEUTZ TD2011 ENGINE ASSEMBLY - WITH SAUER PUMPS (WITH SKYPOWER AND WITH COLD WEATHER PLUS PACKAGE) .....	266
FIGURE 3-17. DEUTZ TD2011 ENGINE COMPONENTS .....	270
FIGURE 3-18. DEUTZ TD2.9L4 ENGINE INSTALLATION - WITH SAUER PUMPS AND STEEL HOODS (CHINA & ANSI EXPORT LRC SPECS) .....	274
FIGURE 3-19. DEUTZ TD2.9L4 ENGINE SUB-ASSEMBLY - WITH SAUER PUMPS (CHINA & ANSI EXPORT LRC SPECS) .....	278
FIGURE 3-20. DEUTZ TD2.9L4 ENGINE ASSEMBLY (CHINA & ANSI EXPORT LRC SPECS) .....	280
FIGURE 3-21. DEUTZ TD2.9L4 ENGINE COMPONENTS (CHINA & ANSI EXPORT LRC SPECS) .....	286
FIGURE 3-22. DEUTZ TCD2.9L4 (EMR4) ENGINE INSTALLATION - WITH REXROTH PUMPS AND ABS HOODS (WITHOUT COLD WEATHER PLUS PACKAGE) .....	290
FIGURE 3-23. DEUTZ TCD2.9L4 (EMR4) ENGINE INSTALLATION - WITH REXROTH PUMPS AND STEEL HOODS (WITHOUT COLD WEATHER PLUS PACKAGE) .....	294
FIGURE 3-24. DEUTZ TCD2.9L4 (EMR4) ENGINE INSTALLATION - WITH REXROTH PUMPS AND STEEL HOODS (WITH COLD WEATHER PLUS PACKAGE) .....	298
FIGURE 3-25. DEUTZ TCD2.9L4 (EMR4) ENGINE INSTALLATION - WITH SAUER PUMPS AND ABS HOODS (WITHOUT COLD WEATHER PLUS PACKAGE) .....	302
FIGURE 3-26. DEUTZ TCD2.9L4 (EMR4) ENGINE INSTALLATION - WITH SAUER PUMPS AND STEEL HOODS (WITHOUT COLD WEATHER PLUS PACKAGE) .....	306
FIGURE 3-27. DEUTZ TCD2.9L4 (EMR4) ENGINE INSTALLATION - WITH SAUER PUMPS AND STEEL HOODS (WITH COLD WEATHER PLUS PACKAGE) .....	310

# TABLE OF CONTENTS

FIGURE 3-28. DEUTZ TCD2.9L4 (EMR4) ENGINE INSTALLATION - WITH PMP PUMP AND ABS HOODS (WITHOUT COLD WEATHER PLUS PACKAGE) .....	314
FIGURE 3-29. DEUTZ D2.9L4 - (EMR4) ENGINE INSTALLATION WITH PMP PUMP AND STEEL HOODS (WITHOUT COLD WEATHER PLUS PACKAGE) .....	318
FIGURE 3-30. DEUTZ TCD2.9L4 (EMR4) ENGINE SUB-ASSEMBLY - WITH REXROTH PUMP (WITHOUT COLD WEATHER PLUS PACKAGE) .....	322
FIGURE 3-31. DEUTZ TCD2.9L4 (EMR4) ENGINE SUB-ASSEMBLY - WITH REXROTH PUMP (WITH COLD WEATHER PLUS PACKAGE).....	324
FIGURE 3-32. DEUTZ TCD2.9L4 (EMR4) ENGINE SUB-ASSEMBLY - WITH SAUER PUMP (WITHOUT COLD WEATHER PLUS PACKAGE) .....	326
FIGURE 3-33. DEUTZ TCD2.9L4 (EMR4) ENGINE SUB-ASSEMBLY - WITH SAUER PUMPS (WITH COLD WEATHER PLUS PACKAGE).....	328
FIGURE 3-34. DEUTZ D2.9L4 (EMR4) ENGINE SUB-ASSEMBLY WITH PMP PUMP AND ABS HOODS (WITHOUT COLD WEATHER PLUS PACKAGE) .....	330
FIGURE 3-35. DEUTZ D2.9L4 (EMR4) ENGINE SUB-ASSEMBLY WITH PMP PUMP AND STEEL HOODS (WITH COLD WEATHER PLUS PACKAGE) .....	332
FIGURE 3-36. DEUTZ TCD2.9L4 (EMR4) ENGINE ASSEMBLY (WITHOUT COLD WEATHER PLUS PACKAGE).....	334
FIGURE 3-37. DEUTZ TCD2.9L4 (EMR4) ENGINE ASSEMBLY (WITH COLD WEATHER PLUS PACKAGE) .....	340
FIGURE 3-38. DEUTZ TCD2.9L4 (EMR4) ENGINE COMPONENTS.....	346
FIGURE 3-39. DEUTZ D2.9L4 - EMR5 ENGINE INSTALLATION WITH PMP PUMP AND STEEL HOODS (WITH COLD WEATHER PLUS PACKAGE) .....	350
FIGURE 3-40. DEUTZ D2.9L4 - EMR5 ENGINE INSTALLATION WITH PMP PUMPS AND STEEL HOODS (WITH COLD WEATHER PLUS PACKAGE) .....	354
FIGURE 3-41. DEUTZ D2.9L4 - EMR5 ENGINE INSTALLATION WITH PMP PUMPS AND ABS HOODS (WITHOUT COLD WEATHER PLUS PACKAGE) .....	358
FIGURE 3-42. DEUTZ D2.9L4 - EMR5 ENGINE INSTALLATION WITH PMP PUMPS AND STEEL HOODS (WITHOUT COLD WEATHER PLUS PACKAGE) .....	362
FIGURE 3-43. DEUTZ D2.9L4 - EMR5 ENGINE INSTALLATION WITH REXROTH PUMPS AND STEEL HOODS (WITH COLD WEATHER PLUS PACKAGE) .....	366
FIGURE 3-44. DEUTZ D2.9L4 - EMR5 ENGINE INSTALLATION WITH REXROTH PUMPS AND ABS HOODS (WITHOUT COLD WEATHER PLUS PACKAGE) .....	370
FIGURE 3-45. DEUTZ D2.9L4 - EMR5 ENGINE INSTALLATION WITH REXROTH PUMPS AND STEEL HOODS (WITHOUT COLD WEATHER PLUS PACKAGE).....	374
FIGURE 3-46. DEUTZ D2.9L4 - EMR5 ENGINE INSTALLATION WITH SAUER PUMPS AND STEEL HOODS (WITH COLD WEATHER PLUS PACKAGE) .....	378
FIGURE 3-47. DEUTZ D2.9L4 - EMR5 ENGINE INSTALLATION WITH SAUER PUMPS AND STEEL HOODS (WITHOUT COLD WEATHER PLUS PACKAGE) .....	382
FIGURE 3-48. DEUTZ D2.9L4 - EMR5 ENGINE INSTALLATION WITH SAUER PUMPS AND ABS HOODS (WITHOUT COLD WEATHER PLUS PACKAGE) .....	386
FIGURE 3-49. DEUTZ D2.9L4 - EMR5 ENGINE SUB-ASSEMBLY WITH PMP PUMPS (WITH COLD WEATHER PLUS PACKAGE).....	390
FIGURE 3-50. DEUTZ D2.9L4 - EMR5 ENGINE SUB-ASSEMBLY WITH PMP PUMPS (WITHOUT COLD WEATHER PLUS PACKAGE).....	392
FIGURE 3-51. DEUTZ D2.9L4 - EMR5 ENGINE SUB-ASSEMBLY WITH REXROTH PUMPS (WITH COLD WEATHER PLUS PACKAGE).....	394
FIGURE 3-52. DEUTZ D2.9L4 - EMR5 ENGINE SUB-ASSEMBLY WITH REXROTH PUMPS (WITHOUT COLD WEATHER PLUS PACKAGE) .....	396
FIGURE 3-53. DEUTZ D2.9L4 - EMR5 ENGINE SUB-ASSEMBLY WITH SAUER PUMPS (WITH COLD WEATHER PLUS PACKAGE).....	398
FIGURE 3-54. DEUTZ D2.9L4 - EMR5 ENGINE SUB-ASSEMBLY WITH SAUER PUMPS (WITHOUT COLD WEATHER PLUS PACKAGE).....	400
FIGURE 3-55. DEUTZ D2.9L4 - EMR5 ENGINE ASSEMBLY (WITH COLD WEATHER PLUS PACKAGE) .....	402
FIGURE 3-56. DEUTZ D2.9L4 - EMR5 ENGINE ASSEMBLY (WITHOUT COLD WEATHER PLUS PACKAGE).....	408

# TABLE OF CONTENTS

FIGURE 3-57. ENGINE COMPONENTS - DEUTZ TCD2.9L4 EMR5 ENGINE.....	414
FIGURE 3-58. DEUTZ TCD2.9L4 (STAGE V) ENGINE INSTALLATION - WITH SAUER PUMPS AND ABS HOODS (WITHOUT COLD WEATHER PLUS PACKAGE) .....	418
FIGURE 3-59. DEUTZ TCD2.9L4 (STAGE V) ENGINE INSTALLATION - WITH REXROTH PUMPS AND ABS HOODS (WITHOUT COLD WEATHER PLUS PACKAGE) .....	422
FIGURE 3-60. DEUTZ TCD2.9L4 (STAGE V) ENGINE INSTALLATION - WITH PMP PUMP AND ABS HOODS (WITHOUT COLD WEATHER PLUS PACKAGE) .....	426
FIGURE 3-61. DEUTZ TCD2.9L4 (STAGE V) ENGINE SUB-ASSEMBLY - WITH SAUER PUMP AND ABS HOODS (WITHOUT COLD WEATHER PLUS PACKAGE) .....	430
FIGURE 3-62. DEUTZ TCD2.9L4 (STAGE V) ENGINE SUB-ASSEMBLY - WITH REXROTH PUMP AND ABS HOODS (WITHOUT COLD WEATHER PLUS PACKAGE) .....	432
FIGURE 3-63. DEUTZ D2.9L4 (STAGE V) ENGINE SUB-ASSEMBLY WITH PMP PUMP AND ABS HOODS (WITHOUT COLD WEATHER PLUS PACKAGE).....	434
FIGURE 3-64. DEUTZ TCD2.9L4 (STAGE V) ENGINE ASSEMBLY (WITHOUT COLD WEATHER PLUS PACKAGE).....	436
FIGURE 3-65. DEUTZ TCD2.9L4 (STAGE V) ENGINE COMPONENTS.....	442
FIGURE 3-66. DEUTZ TCD2.9L4 (CHINA IV) ENGINE INSTALLATION - WITH SAUER PUMPS .....	444
FIGURE 3-67. DEUTZ TCD2.9L4 (CHINA IV) SUB - ASSEMBLY - WITH SAUER PUMPS.....	448
FIGURE 3-68. ENGINE ASSEMBLY - DEUTZ TCD2.9L4 (CHINA IV).....	450
FIGURE 3-69. DEUTZ TCD2.9L4 (CHINA IV) ENGINE COMPONENTS.....	456
FIGURE 3-70. PUMP ASSEMBLY (REXROTH) (DEUTZ TD2011 ENGINES) .....	460
FIGURE 3-71. PUMP ASSEMBLY (REXROTH) (DEUTZ TCD2.9L4 ENGINES).....	466
FIGURE 3-72. PUMP ASSEMBLY (SAUER TANDEM).....	472
FIGURE 3-73. PUMP ASSEMBLY (SAUER PISTON) .....	476
FIGURE 3-74. PUMP ASSEMBLY (SAUER GEAR).....	480
FIGURE 3-75. PUMP ASSEMBLY - HYDRAULIC TANDEM .....	482
FIGURE 3-76. PUMP ASSEMBLY - HYDRAULIC PISTON .....	484
FIGURE 3-77. PUMP COUPLING KIT .....	486
FIGURE 3-78. WATER/FUEL SEPARATOR INSTALLATION - DEUTZ TD2011 ENGINE .....	488
FIGURE 3-79. FUEL PUMP/FILTER BRACKET ASSEMBLY - DEUTZ TCD2.9L4 ENGINE AND DEUTZ TCD2.9L4 (STAGE V) ENGINE .....	490
FIGURE 3-80. FUEL PUMP/FILTER BRACKET ASSEMBLY - DEUTZ TD2.9L4 ENGINE (CHINA SPECS ONLY) .....	492
FIGURE 3-81. FUEL FILTER/WATER SEPARATOR INSTALLATION - DEUTZ TD2.9L4 & TCD2.9L ENGINES.....	494
FIGURE 3-82. QUICKFIT OIL VALVE .....	496
FIGURE 3-83. SPARK ARRESTING CATALYTIC MUFFLER - DEUTZ TD2011 ENGINES (OPTIONAL) .....	498
FIGURE 3-84. SPARK ARRESTOR INSTALLATION (SN B300024957 to Present, Including B300024729, B300024803 and B300024882).....	500
FIGURE 3-85. 2500W GENERATOR INSTALLATION - 60HZ SPEC (DEUTZ TD2011 ENGINES) (OPTIONAL) .....	502
FIGURE 3-86. 2500W GENERATOR INSTALLATION - 50HZ SPEC (DEUTZ TD2011 ENGINES) (OPTIONAL) .....	506
FIGURE 3-87. 4000W GENERATOR INSTALLATION - 60HZ SPEC (DEUTZ TD2011 ENGINES) (OPTIONAL) .....	510
FIGURE 3-88. 4000W GENERATOR INSTALLATION - 50HZ SPEC (DEUTZ TD2011 ENGINES) (OPTIONAL) .....	514
FIGURE 3-89. 4000W GENERATOR INSTALLATION - 60HZ SPEC (DEUTZ TCD2.9L4 ENGINES) (OPTIONAL).....	518
FIGURE 3-90. 4000W GENERATOR INSTALLATION - 50HZ SPEC (DEUTZ TCD2.9L4 ENGINES AND DEUTZ TCD2.9L4 (STAGE V) ENGINES) (OPTIONAL).....	522
FIGURE 3-91. 7500W SKYPOWER GENERATOR INSTALLATION - 60HZ SPEC (DEUTZ TD2011 ENGINES) (OPTIONAL).....	526
FIGURE 3-92. 7500W SKYPOWER GENERATOR INSTALLATION - 50HZ SPEC (DEUTZ TD2011 ENGINES) (OPTIONAL).....	530
FIGURE 3-93. 7500W SKYPOWER GENERATOR INSTALLATION - 60HZ SPEC (DEUTZ TCD2.9L4 ENGINES) (OPTIONAL) .....	534
FIGURE 3-94. 7500W SKYPOWER GENERATOR INSTALLATION - 50HZ SPEC (DEUTZ TCD2.9L4 ENGINES) (OPTIONAL) .....	538

# TABLE OF CONTENTS

SECTION 4 - BOOM.....	541
FIGURE 4-1. BOOM INSTALLATION - WITHOUT COLD WEATHER PLUS PACKAGE (1200SJP).....	542
FIGURE 4-2. BOOM INSTALLATION - WITH COLD WEATHER PLUS PACKAGE (1200SJP).....	544
FIGURE 4-3. BOOM INSTALLATION - WITHOUT COLD WEATHER PLUS PACKAGE (1350SJP).....	546
FIGURE 4-4. BOOM INSTALLATION - WITH COLD WEATHER PLUS PACKAGE (1350SJP).....	548
FIGURE 4-5. BOOM ASSEMBLY - WITHOUT COLD WEATHER PLUS PACKAGE (1200SJP).....	550
FIGURE 4-6. BOOM ASSEMBLY - WITH COLD WEATHER PLUS PACKAGE (1200SJP).....	558
FIGURE 4-7. BOOM ASSEMBLY - WITHOUT COLD WEATHER PLUS PACKAGE (1350SJP).....	566
FIGURE 4-8. BOOM ASSEMBLY - WITH COLD WEATHER PLUS PACKAGE (1200SJP).....	574
FIGURE 4-9. WIRE ROPE TOOLS INSTALLATION (OPTIONAL).....	582
FIGURE 4-10. PLATFORM ROTATE ASSEMBLY.....	584
FIGURE 4-11. JIB ROTATE ASSEMBLY.....	586
FIGURE 4-12. POWER TRACK INSTALLATION (1200SJP).....	588
FIGURE 4-13. POWER TRACK INSTALLATION (1350SJP).....	592
FIGURE 4-14. BOOM SENSORS AND SWITCHES INSTALLATION.....	596
FIGURE 4-15. PLATFORM SUPPORT INSTALLATION.....	600
FIGURE 4-16. CONTROL VALVE INSTALLATION.....	602
FIGURE 4-17. CONTROL VALVE ASSEMBLY.....	604
SECTION 5 - PLATFORM.....	607
FIGURE 5-1. PLATFORM ASSEMBLY - 36IN X 6FT (91.5CM X 1.83M) WITH SWING GATE.....	608
FIGURE 5-2. PLATFORM ASSEMBLY - 36IN X 8FT (91.5CM X 2.44M) WITH SWING GATE.....	610
FIGURE 5-3. PLATFORM ASSEMBLY - 30IN X 3FT (76CM X .91M) - WITH DROP BAR.....	612
FIGURE 5-4. PLATFORM ASSEMBLY - 30IN X 4FT (76.2CM X 1.22M) WITH DROP BAR.....	614
FIGURE 5-5. PLATFORM ASSEMBLY - 36IN X 6FT (91.5CM X 1.83M) WITH DROP BAR.....	616
FIGURE 5-6. PLATFORM ASSEMBLY - 36IN X 8FT (91.5CM X 2.44M) WITH DROP BAR.....	618
FIGURE 5-7. PLATFORM ASSEMBLY - 36IN X 6FT (91.5CM X 1.83M) WITH FALL ARREST (ANSI, ANSI EXPORT AND CHINA SPECS).....	620
FIGURE 5-8. PLATFORM ASSEMBLY - 36IN X 8FT (91.5CM X 2.44M) WITH FALL ARREST (ANSI SPEC).....	622
FIGURE 5-9. PLATFORM ASSEMBLY - 36IN X 8FT (91.5CM X 2.44M) WITH FALL ARREST (AUSTRALIAN SPECS).....	624
FIGURE 5-10. PLATFORM ASSEMBLY - 36IN X 6FT (91.5CM X 1.83M) TRI-ENTRY WITH SWING GATE.....	626
FIGURE 5-11. PLATFORM ASSEMBLY - 36IN X 6FT (91.5CM X 1.83M) TRI-ENTRY WITH DROPBAR.....	628
FIGURE 5-12. PLATFORM ASSEMBLY - 36IN X 8FT (91.5CM X 2.44M) WITH TRI-ENTRY (1 GATE/2 DROP BARS).....	630
FIGURE 5-13. PLATFORM ASSEMBLY - 36IN X 8FT (91.5CM X 2.44M) WITH TRI-ENTRY (3 DROP BARS).....	632
FIGURE 5-14. PLATFORM CONTROLS INSTALLATION.....	634
FIGURE 5-15. PLATFORM CONSOLE ASSEMBLY.....	636
FIGURE 5-16. BOOM CONTROL SELECT SWITCH INSTALLATION.....	640
FIGURE 5-17. FALL ARREST INSTALLATION (BOLT - ON EXTERNAL) 4FFT/1.22M PLATFORM).....	642
FIGURE 5-18. FALL ARREST INSTALLATION (BOLT - ON EXTERNAL) 6FT/1.82M PLATFORM.....	644
FIGURE 5-19. FALL ARREST INSTALLATION (BOLT - ON EXTERNAL) 6FT/1.82M PLATFORM (.....	646
FIGURE 5-20. FALL ARREST INSTALLATION (BOLT - ON EXTERNAL) 8FT/2.4M PLATFORM.....	648
FIGURE 5-21. FOOTSWITCH ASSEMBLY.....	650
FIGURE 5-22. LIGHT PANEL INSTALLATION (MACHINES WITH SN STARTING WITH 03).....	652
FIGURE 5-23. LIGHT PANEL INSTALLATION (MACHINES WITH SN STARTING WITH B3).....	654
FIGURE 5-24. PLASMA CUTTER ASSEMBLY.....	656
FIGURE 5-25. SKYCUTTER INSTALLATION (ANSI, ANSI EXPORT, CHINA, CSA AND JAPANESE SPECS).....	658

# TABLE OF CONTENTS

FIGURE 5-26. SKYEYE INSTALLATION .....	660
FIGURE 5-27. SKYGLAZIER INSTALLATION (ANSI AND CSA SPECS) .....	662
FIGURE 5-28. SKYGLAZIER INSTALLATION (BRAZIL SPECS) .....	664
FIGURE 5-29. SKYGLAZIER INSTALLATION (DANISH SPECS) .....	666
FIGURE 5-30. SKYGLAZIER INSTALLATION (FINNISH SPECS) .....	668
FIGURE 5-31. SKYGLAZIER INSTALLATION (FRENCH SPECS).....	670
FIGURE 5-32. SKYGLAZIER INSTALLATION (GERMAN SPECS).....	672
FIGURE 5-33. SKYGLAZIER INSTALLATION (ITALIAN SPECS).....	674
FIGURE 5-34. SKYGLAZIER INSTALLATION (LATIN AMERICAN SPECS).....	676
FIGURE 5-35. SKYGLAZIER INSTALLATION (PORTUGUESE SPECS).....	678
FIGURE 5-36. SKYGLAZIER INSTALLATION (SPANISH SPECS).....	680
FIGURE 5-37. SKYGLAZIER INSTALLATION (SWEDISH SPECS).....	682
FIGURE 5-38. SKYGLAZIER INSTALLATION (UK SPECS).....	684
FIGURE 5-39. SKYGUARD BAR INSTALLATION .....	686
FIGURE 5-40. SKYLINE INSTALLATION .....	688
FIGURE 5-41. SKYWELDER INSTALLATION (50HZ) (ANSI EXPORT, AUSTRALIAN, CHINA AND JAPANESE SPECS).....	690
FIGURE 5-42. SKYWELDER INSTALLATION (60HZ) (ANSI, ANSI EXPORT, CSA AND JAPANESE SPECS).....	692
FIGURE 5-43. SKYWELDER PREP PACKAGE (60HZ) (ANSI, ANSI EXPORT, CSA AND CHINA SPECS).....	694
FIGURE 5-44. SKYWELDER/SKYCUTTER COMBO INSTALLATION (60HZ) (ANSI, ANSI EXPORT, CHINA, CSA AND JAPANESE SPECS).....	696
FIGURE 5-45. SOFT TOUCH SYSTEM INSTALLATION - 6FT/1.8M PLATFORMS - (ALL SPECS) .....	700
FIGURE 5-46. SOFT TOUCH SYSTEM INSTALLATION - 8FT/2.4M PLATFORMS (ALL SPECS) (1350SJP).....	702
FIGURE 5-47. SOFT TOUCH SYSTEM INSTALLATION - 8FT/2.4M PLATFORMS (ANSI SPECS WITH SN STARTING WITH 03)) (1350SJP) .....	704
FIGURE 5-48. TRAY ASSEMBLY .....	706
FIGURE 5-49. USB CHARGER INSTALLATION .....	708
FIGURE 5-50. WELDER ASSEMBLY .....	710
SECTION 6 - CYLINDER.....	713
FIGURE 6-1. AXLE EXTENSION CYLINDER ASSEMBLY .....	714
FIGURE 6-2. AXLE LOCKOUT CYLINDER ASSEMBLY .....	716
FIGURE 6-3. PLATFORM LEVEL CYLINDER ASSEMBLY - WITHOUT COLD WEATHER PLUS PACKAGE .....	718
FIGURE 6-4. PLATFORM LEVEL CYLINDER ASSEMBLY - WITH COLD WEATHER PLUS PACKAGE .....	720
FIGURE 6-5. LIFT CYLINDER ASSEMBLY .....	722
FIGURE 6-6. JIB CYLINDER ASSEMBLY - WITH OR WITHOUT COLD WEATHER PLUS PACKAGE.....	724
FIGURE 6-7. STEER CYLINDER ASSEMBLY.....	726
FIGURE 6-8. TELESCOPE CYLINDER ASSEMBLY (1200SJP) .....	728
FIGURE 6-9. TELESCOPE CYLINDER ASSEMBLY (1350SJP) .....	730
SECTION 7 - HYDRAULIC .....	733
FIGURE 7-1. HYDRAULIC DIAGRAM - BOOM (1200SJP).....	734
FIGURE 7-2. HYDRAULIC DIAGRAM - BOOM (1350SJP).....	736
FIGURE 7-3. HYDRAULIC DIAGRAM - DRIVE .....	738
FIGURE 7-4. HYDRAULIC DIAGRAM - OSCILLATING AXLE.....	742
FIGURE 7-5. HYDRAULIC DIAGRAM - STEER .....	744
FIGURE 7-6. HYDRAULIC DIAGRAM - TURNTABLE (DEUTZ TD2011 ENGINES WITH REXROTH PUMPS).....	746

# TABLE OF CONTENTS

FIGURE 7-7. HYDRAULIC DIAGRAM - TURNTABLE (DEUTZ TCD2.9L4 ENGINES AND DEUTZ TCD2.9L4 (STAGE V) ENGINES WITH REXROTH PUMPS).....	750
FIGURE 7-8. HYDRAULIC DIAGRAM - TURNTABLE (WITH SAUER PUMPS) .....	754
FIGURE 7-9. HYDRAULIC DIAGRAM - TURNTABLE (WITH PMP PUMPS) (SN B300023322 to Present, SN B300023675 to Present, Excluding B300023444).....	758
SECTION 8 - ELECTRICAL.....	763
FIGURE 8-1. AC BOX AT PLATFORM - 110V (ANSI SPECS).....	764
FIGURE 8-2. AC BOX AT PLATFORM - 110V GFI RECEPTACLE (ANSI, CSA AND JAPANESE SPECS) .....	766
FIGURE 8-3. AC BOX AT PLATFORM - 220V GFI RECEPTACLE (ANSI, CSA AND JAPANESE SPECS) .....	768
FIGURE 8-4. AC BOX AT PLATFORM INSTALLATION - BOX WITH COVER (2X4 BOX) WITH 4000W GENERATOR (AUSTRALIAN SPECS) .....	770
FIGURE 8-5. AC BOX AT PLATFORM INSTALLATION - 110V IEC 60309 YELLOW WITHOUT 2500W GENERATOR (CE & UK CA SPECS).....	772
FIGURE 8-6. AC BOX AT PLATFORM INSTALLATION - 110V IEC 60309 YELLOW WITHOUT 4000W GENERATOR (CE & UK CA SPECS).....	774
FIGURE 8-7. AC BOX AT PLATFORM INSTALLATION - 220V IEC 60309 BLUE WITHOUT 2500W GENERATOR (CE & UK CA SPECS).....	776
FIGURE 8-8. AC BOX AT PLATFORM INSTALLATION - 220V IEC 60309 BLUE WITHOUT 4000W GENERATOR (CE & UK CA SPECS).....	778
FIGURE 8-9. AC BOX AT PLATFORM INSTALLATION - 220V CEE7 POST GROUND (2X4 BOX) WITHOUT 2500W GENERATOR (CE & UK CA SPECS).....	780
FIGURE 8-10. AC BOX AT PLATFORM INSTALLATION - 220V CEE7 POST GROUND (2X4 BOX) WITHOUT 4000W GENERATOR (CE & UK CA SPECS).....	782
FIGURE 8-11. AC BOX AT PLATFORM INSTALLATION - 220V CEE7 SIDE GROUND (2X4 BOX) WITHOUT 2500W GENERATOR (CE & UK CA SPECS).....	784
FIGURE 8-12. AC BOX AT PLATFORM INSTALLATION - 220V CEE7 SIDE GROUND (2X4 BOX) WITHOUT 4000W GENERATOR (CE & UK CA SPECS).....	786
FIGURE 8-13. AC BOX AT PLATFORM INSTALLATION - 220V AFSINT 107 KEYED GROUND (2X4 BOX) WITHOUT 2500W GENERATOR (CE & UK CA SPECS).....	788
FIGURE 8-14. AC BOX AT PLATFORM INSTALLATION - 240V (WITH 4000W GENERATOR) (ANSI, ANSI EXPORT, CSA AND JAPANESE SPECS) .....	790
FIGURE 8-15. AC BOX AT PLATFORM INSTALLATION - 240V (WITH 7500W SKYPOWER GENERATOR) (ALL SPECS EXCEPT AUSTRALIAN & CE & UK CA SPECS) .....	792
FIGURE 8-16. AC BOX AT PLATFORM INSTALLATION - 220V AFSINT 107 KEYED GROUND (2X4 BOX) WITHOUT 4000W GENERATOR (CE & UK CA SPECS).....	794
FIGURE 8-17. AC 16 AMP BREAKER BOX INSTALLATION (CE & UK CA SPECS) .....	796
FIGURE 8-18. ANALYZER CABLE HARNESS.....	798
FIGURE 8-19. AXLE POWER TRACK HARNESS ASSEMBLY .....	800
FIGURE 8-20. BATTERY DISCONNECT SWITCH .....	802
FIGURE 8-21. BEACON LIGHT HARNESS (BLUE BEACON LIGHT ONLY).....	804
FIGURE 8-22. B.L.A.M. TO BOOM LENGTH SENSOR HARNESS .....	806
FIGURE 8-23. B.L.A.M. TO BOOM ANGLE SENSOR HARNESS (LEFT SIDE) .....	808
FIGURE 8-24. B.L.A.M. TO BOOM ANGLE SENSOR HARNESS (RIGHT SIDE).....	810
FIGURE 8-25. B.L.A.M. HARNESS.....	812
FIGURE 8-26. BOOM CABLES INSTALLATION (ANSI, ANSI EXPORT, CHINA, CSA AND JAPANESE SPECS) (1200SJP) ...	814
FIGURE 8-27. BOOM CABLES INSTALLATION (ANSI, ANSI EXPORT, CHINA, CSA AND JAPANESE SPECS) (1350SJP) ...	816
FIGURE 8-28. BOOM CABLES INSTALLATION (AUSTRALIAN, CE & UK CA SPECS) (1200SJP) .....	818
FIGURE 8-29. BOOM CABLES INSTALLATION (AUSTRALIAN, CE & UK CA SPECS) (1350SJP) .....	820
FIGURE 8-30. BOOM CABLES INSTALLATION - WITH 4000W GENERATOR (1200SJP) .....	822
FIGURE 8-31. BOOM CABLES INSTALLATION - WITH 4000W GENERATOR (1350SJP) .....	824

# TABLE OF CONTENTS

FIGURE 8-32. BOOM CABLES INSTALLATION - WITH 7500W GENERATOR (1200SJP) .....	826
FIGURE 8-33. BOOM CABLES INSTALLATION - WITH 7500W GENERATOR (1350SJP) .....	828
FIGURE 8-34. BREAKER BOX KIT - 16 AMP (2500W GENERATOR).....	830
FIGURE 8-35. BREAKER BOX KIT - 16 AMP (4000W GENERATOR).....	832
FIGURE 8-36. CHASSIS HARNESS ASSEMBLY .....	834
FIGURE 8-37. CLEARSKY INSTALLATION - 3G CANBUS CONNECTION (ANSI EXPORT, CE, AND UK CA SPECS).....	836
FIGURE 8-38. CLEARSKY INSTALLATION - 3G CANBUS CONNECTION (AUSTRALIAN SPECS).....	838
FIGURE 8-39. CLEARSKY INSTALLATION - 4G CANBUS CONNECTION (ALL SPECS EXCEPT CHINA SPECS) .....	840
FIGURE 8-40. CLEARSKY INSTALLATION - 4G CANBUS CONNECTION (CHINA SPECS) .....	842
FIGURE 8-41. CLEARSKY INSTALLATION - 3 WIRE GT1030 (ALL SPECS EXCEPT CHINA SPECS).....	844
FIGURE 8-42. CLEARSKY INSTALLATION - WITH DEUTZ TD2.9L4 (CHINA IV) ENGINES (CHINA SPECS) .....	846
FIGURE 8-43. CLEARSKY HARNESS - 3G & 4G CANBUS CONNECTIONS .....	848
FIGURE 8-44. CLEARSKY HARNESS - 3 WIRE GT1030 .....	850
FIGURE 8-45. CLEARSKY HARNESS - WITH DEUTZ TD2.9L4 (CHINA IV) ENGINES.....	852
FIGURE 8-46. CLEARSKY TELEMATICS JUMPER HARNESS .....	854
FIGURE 8-47. TELEMATICS CONTROL MODULE ASSEMBLY .....	856
FIGURE 8-48. CLEARSKY READY HARNESS .....	858
FIGURE 8-49. DIAGNOSTIC HARNESS .....	860
FIGURE 8-50. DUAL CAPACITY JIB POSITION SWITCH HARNESS.....	862
FIGURE 8-51. ENGINE HARNESS - DEUTZ TD2011 ENGINES AND DEUTZ TD2.9L4 ENGINES.....	864
FIGURE 8-52. ENGINE HARNESS - DEUTZ TD2.9L4 ENGINES AND DEUTZ TCD2.9L4 ENGINES .....	866
FIGURE 8-53. ENGINE HARNESS - DEUTZ TCD2.9L4 (STAGE V) & DEUTZ TCD2.9L4 (CHINA IV) ENGINES .....	870
FIGURE 8-54. FUEL FILTER HARNESS - DEUTZ TCD2.9L4 ENGINES AND DEUTZ TCD2.9L4 (STAGE V) ENGINES .....	874
FIGURE 8-55. FUEL HARNESS - DEUTZ TCD2.9L4 ENGINES AND DEUTZ TCD2.9L4 (STAGE V) ENGINES .....	876
FIGURE 8-56. GENERATOR HARNESS - 4000W GENERATOR.....	878
FIGURE 8-57. GENERATOR HARNESS - 7500W GENERATOR.....	880
FIGURE 8-58. GROUND CONTROL BOX HARNESS.....	882
FIGURE 8-59. GROUND CONTROLS TO ENGINE HARNESS .....	884
FIGURE 8-60. JIB STOW SWITCH HARNESS.....	886
FIGURE 8-61. LOAD SENSING PIN HARNESS.....	888
FIGURE 8-62. LOCKOUT VALVE HARNESS.....	890
FIGURE 8-63. MAIN BOOM CONTROL CABLE HARNESS (1200SJP).....	892
FIGURE 8-64. MAIN BOOM CONTROL CABLE HARNESS (1350SJP).....	894
FIGURE 8-65. MAIN VALVE HARNESS .....	896
FIGURE 8-66. PLATFORM CONSOLE BOX HARNESS .....	898
FIGURE 8-67. PLATFORM CONSOLE BOX HARNESS .....	902
FIGURE 8-68. PLATFORM INTERFACE HARNESS .....	904
FIGURE 8-69. PLATFORM VALVE HARNESS.....	906
FIGURE 8-70. PUMP ADAPTER HARNESS - SAUER PUMPS .....	908
FIGURE 8-71. RECEPTACLE BOX KIT - 110V IEC YELLOW WITHOUT 2500W GENERATOR (CE & UK CA SPECS) .....	910
FIGURE 8-72. RECEPTACLE BOX KIT - 220V IEC BLUE WITHOUT 2500W GENERATOR (CE & UK CA SPECS).....	912
FIGURE 8-73. RECEPTACLE BOX KIT - 220V CEE7 POST GROUND WITHOUT 2500W GENERATOR (2X4 BOX) (CE & UK CA SPECS) .....	914
FIGURE 8-74. RECEPTACLE BOX KIT - 220V CEE7 SIDE GROUND WITHOUT 2500W GENERATOR (2X4 BOX) (CE & UK CA SPECS) .....	916

# TABLE OF CONTENTS

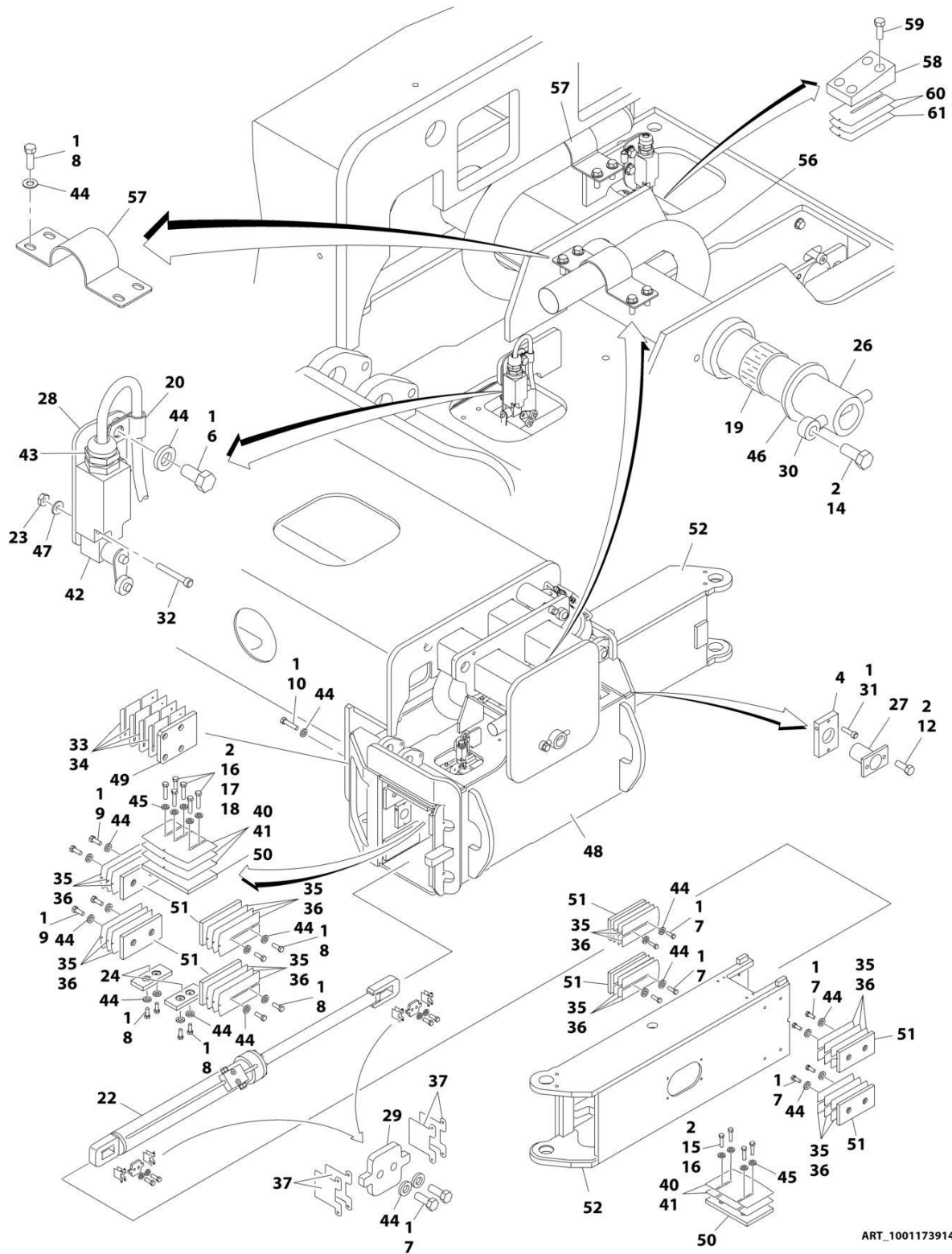
FIGURE 8-75. RECEPTACLE BOX KIT - 220V AFSINT 107 KEYED GROUND WITHOUT 2500W GENERATOR (2X4 BOX) (CE & UK CA SPECS).....	918
FIGURE 8-76. SKYEYE INTERMEDIATE HARNESS .....	920
FIGURE 8-77. SKYEYE EMITTER HARNESS .....	922
FIGURE 8-78. SKYEYE RECEIVER HARNESS.....	924
FIGURE 8-79. SKYLINE HARNESS .....	926
FIGURE 8-80. STROBE LIGHT HARNESS (AMBER).....	928
FIGURE 8-81. TILT SENSOR HARNESS (LEFT).....	930
FIGURE 8-82. TILT SENSOR HARNESS (RIGHT) .....	932
SECTION 9 - DECALS .....	935
FIGURE 9-1. DECAL INSTALLATION - ANSI SPEC.....	936
FIGURE 9-2. DECAL INSTALLATION - AUSTRALIAN SPEC.....	938
FIGURE 9-3. DECAL INSTALLATION - BRAZIL SPEC (PORTGUESE/ENGLISH) .....	940
FIGURE 9-4. DECAL INSTALLATION - CE & UK CA SPEC.....	942
FIGURE 9-5. DECAL INSTALLATION - CHINESE SPEC (CHINESE/ENGLISH) .....	944
FIGURE 9-6. DECAL INSTALLATION - CSA SPEC (ENGLISH/FRENCH) .....	946
FIGURE 9-7. DECAL INSTALLATION - JAPANESE SPEC (JAPANESE/ENGLISH).....	948
FIGURE 9-8. DECAL INSTALLATION - KOREAN SPEC (KOREAN/ENGLISH) .....	950
FIGURE 9-9. DECAL INSTALLATION - LATIN AMERICAN SPEC (SPANISH/ENGLISH).....	952
FIGURE 9-10. DECAL INSTALLATION - OPTIONS.....	954
FIGURE 9-11. SKYCUTTER DECAL INSTALLATION (ANSI, ANSI EXPORT, CHINESE & CSA SPECS) .....	958
FIGURE 9-12. SKYCUTTER DECAL INSTALLATION (JAPANESE SPECS) .....	960
FIGURE 9-13. SKYWELDER DECAL INSTALLATION - 50HZ.....	962
FIGURE 9-14. SKYWELDER DECAL INSTALLATION - 60HZ.....	964
SECTION 10 - RECOMMENDED SERVICE PARTS STOCK.....	967
FIGURE 10-1. RECOMMENDED SERVICE PARTS STOCK.....	968
SECTION 11 - SPECIAL OPTIONS .....	971
FIGURE 11-1. SPECIAL OPTIONS/ACCESSORIES/KITS.....	972
PART NUMBER INDEX.....	979



**SECTION 1 - FRAME**

# SECTION 1 - FRAME

## FIGURE 1-1. AXLE INSTALLATION - FIXED



ART\_1001173914\_J

# SECTION 1 - FRAME

## FIGURE 1-1. AXLE INSTALLATION - FIXED

ITEM	PART NUMBER	QTY	DESCRIPTION	REV
	1001173914	Ref	AXLE INSTALLATION - FIXED	J
1	0100011	AR	Compound, Locking	
2	0100019	AR	Compound, Locking	
4	0363037	4	Bar, Stop	
6	0641606	8	Bolt 3/8 x 3/4	
7	0641608	48	Bolt 3/8 x 1	
8	0641609	64	Bolt 3/8 x 1-1/8	
9	0641611	16	Bolt 3/8 x 1-3/8	
10	0641613	8	Bolt 3/8 x 1-5/8	
12	0641808	8	Bolt 1/2 x 1	
14	0642214	1	Bolt 3/4 x 1-3/4	
15	0681813	12	Bolt 1/2 x 1-5/8 Grade 8	
16	0681814	18	Bolt 1/2 x 1-3/4 Grade 8	
17	0681815	12	Bolt 1/2 x 1-7/8 Grade 8	
18	0681816	6	Bolt 1/2 x 2 Grade 8	
19	0962033	2	Bushing	
20	1320263	4	Clamp, Cable	
22	1001251020	4	Axle Extension Cylinder Assembly (See Separate Breakdown in CYLINDER SECTION)	
23	3310805	8	Nut #8	
24	3340881	8	Pad, Wear	
26	3422918	1	Pin	
27	3422960	4	Pin	
28	3573294	4	Plate	
29	3573335	8	Plate	
30	3841287	1	Keeper, Pin	
31	3900270	4	Bolt 1/2 x 1-1/2	
32	3930820	8	Capscrew #8 x 1-1/4	
33	4071035	2	Shim #18 Gauge	
34	4071036	4	Shim #11 Gauge	
35	4071039	10	Shim #18 Gauge	
36	4071040	36	Shim #11 Gauge	
37	4071042	24	Shim #16 Gauge	
40	4071054	8	Shim #18 Gauge	
41	4071055	12	Shim #11 Gauge	
42	4360578	4	Switch, Limit	
43	4460968	4	Connector, Strain Relief	
44	4711600	144	Washer 3/8	
45	4711800	48	Washer 1/2	
46	4740461	1	Thrustwasher	
47	4750800	8	Washer #8	
48	4846383	1	Box, Axle Pivot	
49	1001161401	2	Pad, Axle	
50	1001161402	8	Pad, Wear	
51	1001161403	32	Pad, Wear	
52	4846637	4	Extension, Axle	
55	4240155	6	Strap (Not Shown)	
56	1001193674	4	Sleeve, Nylon	
57	1001191541	8	Bracket, Hose Mount	
58	0363076	2	Bar	

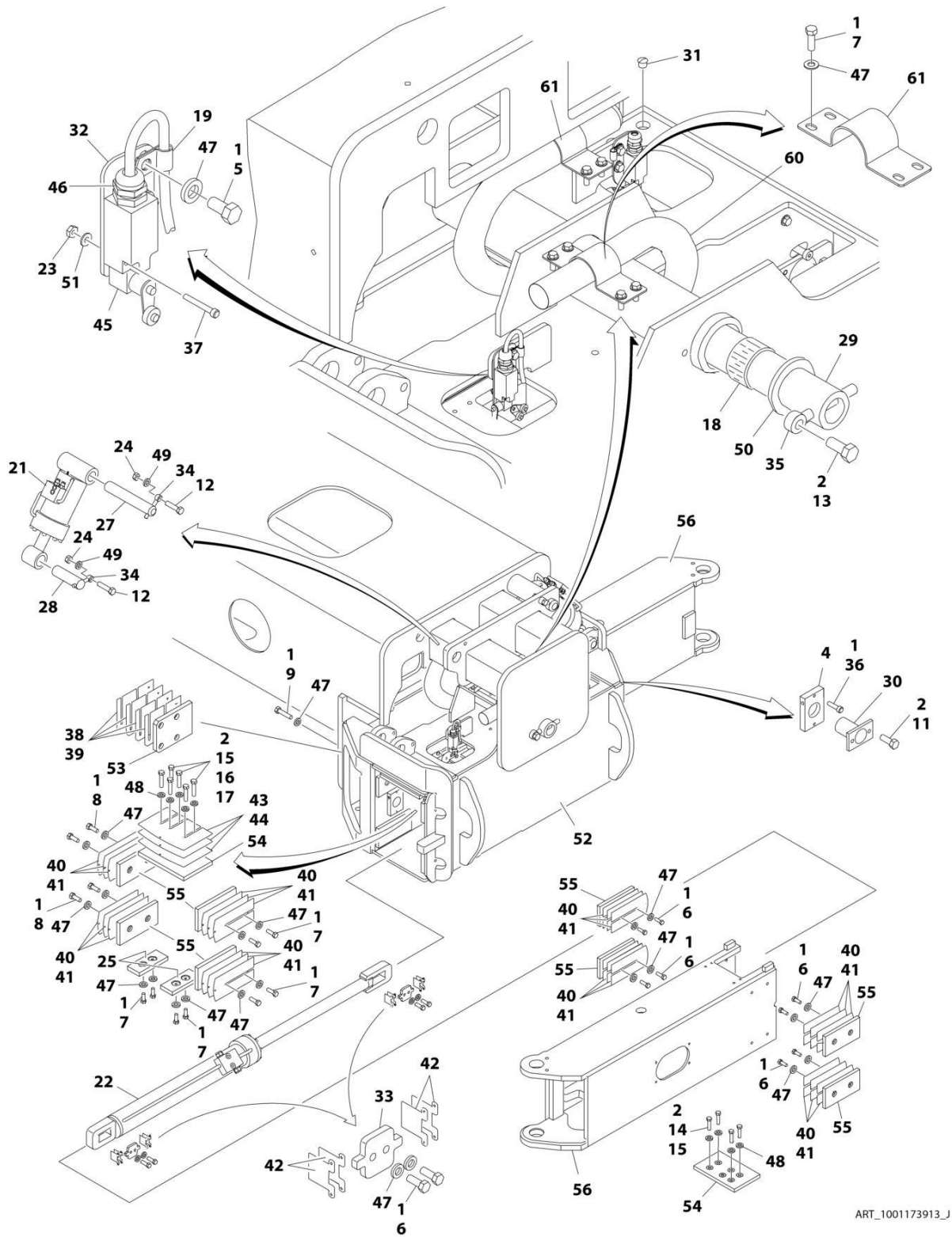
## SECTION 1 - FRAME

ITEM	PART NUMBER	QTY	DESCRIPTION	REV
59	0641814	4	Bolt 1/2 x 1-3/4	
60	4071049	4	Shim #11 Gauge	
61	4071050	2	Shim #16 Gauge	
62	2220235	1	Plug (Not Shown - Located on Junction Manifold)	



# SECTION 1 - FRAME

## FIGURE 1-2. AXLE INSTALLATION - OSCILLATING



ART\_1001173913\_J

# SECTION 1 - FRAME

## FIGURE 1-2. AXLE INSTALLATION - OSCILLATING

ITEM	PART NUMBER	QTY	DESCRIPTION	REV
	1001173913	Ref	AXLE INSTALLATION - OSCILLATING	J
1	0100011	AR	Compound, Locking	
2	0100019	AR	Compound, Locking	
4	0363037	4	Bar, Stop	
5	0641606	8	Bolt 3/8 x 3/4	
6	0641608	48	Bolt 3/8 x 1	
7	0641609	64	Bolt 3/6 x 1-1/8	
8	0641611	16	Bolt 3/8 x 1-3/8	
9	0641613	8	Bolt 3/8 x 1-5/8	
11	0641808	8	Bolt 1/2 x 1	
12	0642020	4	Bolt 5/8 x 2-1/2	
13	0642214	1	Bolt 3/4 x 1-3/4	
14	0681813	12	Bolt 1/2 x 1-5/8 Grade 8	
15	0681814	18	Bolt 1/2 x 1-3/4 Grade 8	
16	0681815	12	Bolt 1/2 x 1-7/8 Grade 8	
17	0681816	6	Bolt 1/2 x 2 Grade 8	
18	0962033	2	Bushing	
19	1320263	4	Clamp, Cable	
21	1001251019	2	Oscillating Axle Cylinder Assembly (See Separate Breakdown in CYLINDER Section)	
22	1001251020	4	Axle Extension Cylinder Assembly (See Separate Breakdown in CYLINDER Section)	
23	3310805	8	Nut #8	
24	3312005	4	Nut 5/8	
25	3340881	8	Pad, Wear	
27	3422833	2	Pin	
28	3422915	2	Pin	
29	3422918	1	Pin	
30	3422960	4	Pin	
31	3520054	4	Plug	
32	3573294	4	Plate	
33	3573335	8	Plate	
34	3841258	4	Keeper, Pin	
35	3841287	1	Keeper, Pin	
36	3900270	4	Bolt 1/2 x 1-1/2	
37	3930820	8	Capscrew #8 x 1-1/4	
38	4071035	2	Shim #18 Gauge	
39	4071036	4	Shim #11 Gauge	
40	4071039	10	Shim #18 Gauge	
41	4071040	36	Shim #11 Gauge	
42	4071042	24	Shim #16 Gauge	
43	4071054	8	Shim #18 Gauge	
44	4071055	12	Shim #11 Gauge	
45	4360578	4	Switch, Limit	
46	4460968	4	Connector, Strain Relief	
47	4711600	144	Washer 3/8	
48	4711800	48	Washer 1/2	
49	4712000	4	Washer 5/8	
50	4740461	1	Thrustwasher	
51	4750800	8	Washer #8	

## SECTION 1 - FRAME

ITEM	PART NUMBER	QTY	DESCRIPTION	REV
52	4846383	1	Box, Axle Pivot	
53	1001161401	2	Pad, Axle	
54	1001161402	8	Pad, Wear	
55	1001161403	32	Pad, Wear	
56	4846637	4	Extension, Axle	
59	4240155	6	Strap (Not Shown)	
60	1001193674	4	Sleeve, Nylon	
61	1001191541	8	Bracket, Hose Mount	







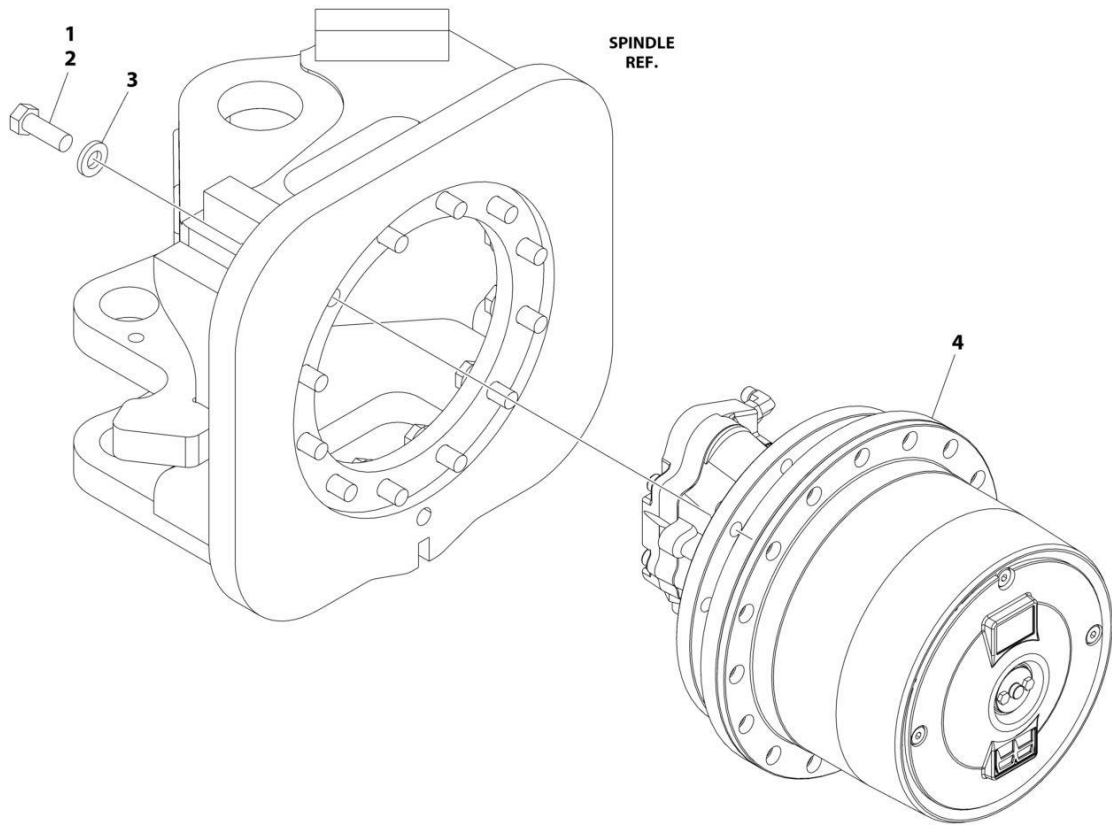
# SECTION 1 - FRAME

## FIGURE 1-3. STEER INSTALLATION

ITEM	PART NUMBER	QTY	DESCRIPTION	REV
	0271520	Ref	STEER INSTALLATION	M
1	0100011	AR	Compound, Locking	
2	0100019	AR	Compound, Locking	
3	0100035	AR	Compound, Locking	
5	0630464	4	Screw #10 x 1/2	
6	0641505	4	Bolt 5/16 x 5/8	
7	0641511	4	Bolt 5/16 x 1-3/8	
9	0641634	4	Bolt 3/8 x 4-1/4	
10	0642016	4	Bolt 5/8 x 2	
11	0962423	8	Bushing	
12	1671040	4	Cover, Sensor	
13	1001251031	4	Steer Cylinder Assembly (See Separate Breakdown in CYLINDER Section)	
14	3311505	4	Nut 5/16	
15	3300464	4	Nut, Slotted	
17	3422917	4	Kingpin	
18	3422940	4	Pin, Steer Cylinder (Outer)	
19	3422941	4	Pin, Steer Cylinder (Inner)	
20	3423256	4	Pin, Sensor	
21	3451214	4	Pin, Cotter 3/8 x 3-1/2	
22	3760383	4	Ring, Retaining	
23	3841258	4	Keeper, Pin	
25	3931020	8	Capscrew #10 x 1-1/4	
26	3931412	16	Capscrew 1/4 x 3/4	
27	3932024	8	Capscrew 5/8 x 1-1/2	
28	1001099632	4	Spindle	
29	4360505	4	Switch, Rotary Angle Sensor (Steer)	
30	4460914	4	Terminal	
31	4711500	12	Washer 5/16	
32	4711800	4	Washer 1/2	
33	4740181	4	Thrustwasher	
34	4740229	4	Thrustwasher	
35	4740505	8	Thrustwasher	
36	4751600	4	Washer 3/8	
37	4755000	4	Washer 2-1/2	
38	0200833	4	Arm, Steer	
39	0741606	8	Screw 3/8 x 3/4	
40	1120549	4	Cap, Seal (Outer)	
41	1120550	4	Cap, Seal (Inner)	
42	3960551	4	Seal (Outer)	
43	3960552	4	Seal (Inner)	
44	0080277	4	Adapter, Angle Sensor Pilot	
45	4811600	8	Washer M5	

# SECTION 1 - FRAME

## FIGURE 1-4. WHEEL DRIVE INSTALLATION - REGGIANA RIDUTTORI



ART\_1001104324

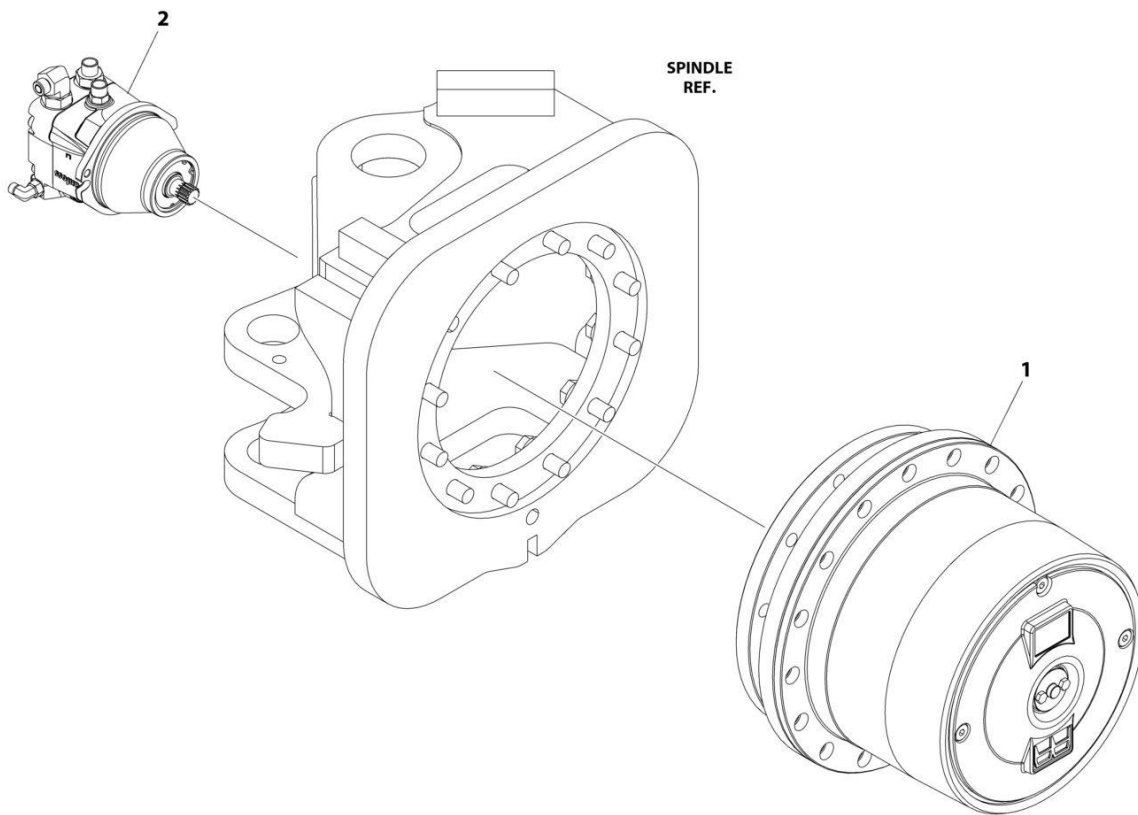
## SECTION 1 - FRAME

**FIGURE 1-4. WHEEL DRIVE INSTALLATION - REGGIANA RIDUTTORI**

ITEM	PART NUMBER	QTY	DESCRIPTION	REV
	1001104324	Ref	WHEEL DRIVE INSTALLATION - REGGIANA RIDUTTORI	B
1	0100019	AR	Compound, Locking	
2	0701617	48	Bolt M16 x 45 (12 Per Wheel)	
3	4892000	48	Washer 5/8 (12 Per Wheel)	
4	1001104315	4	Drive Hub and Motor Assembly - Reggiana Riduttori (See Separate Breakdown in this Section)	

# SECTION 1 - FRAME

FIGURE 1-5. DRIVE HUB AND MOTOR ASSEMBLY - REGGIANA RIDUTTORI



ART\_1001104315

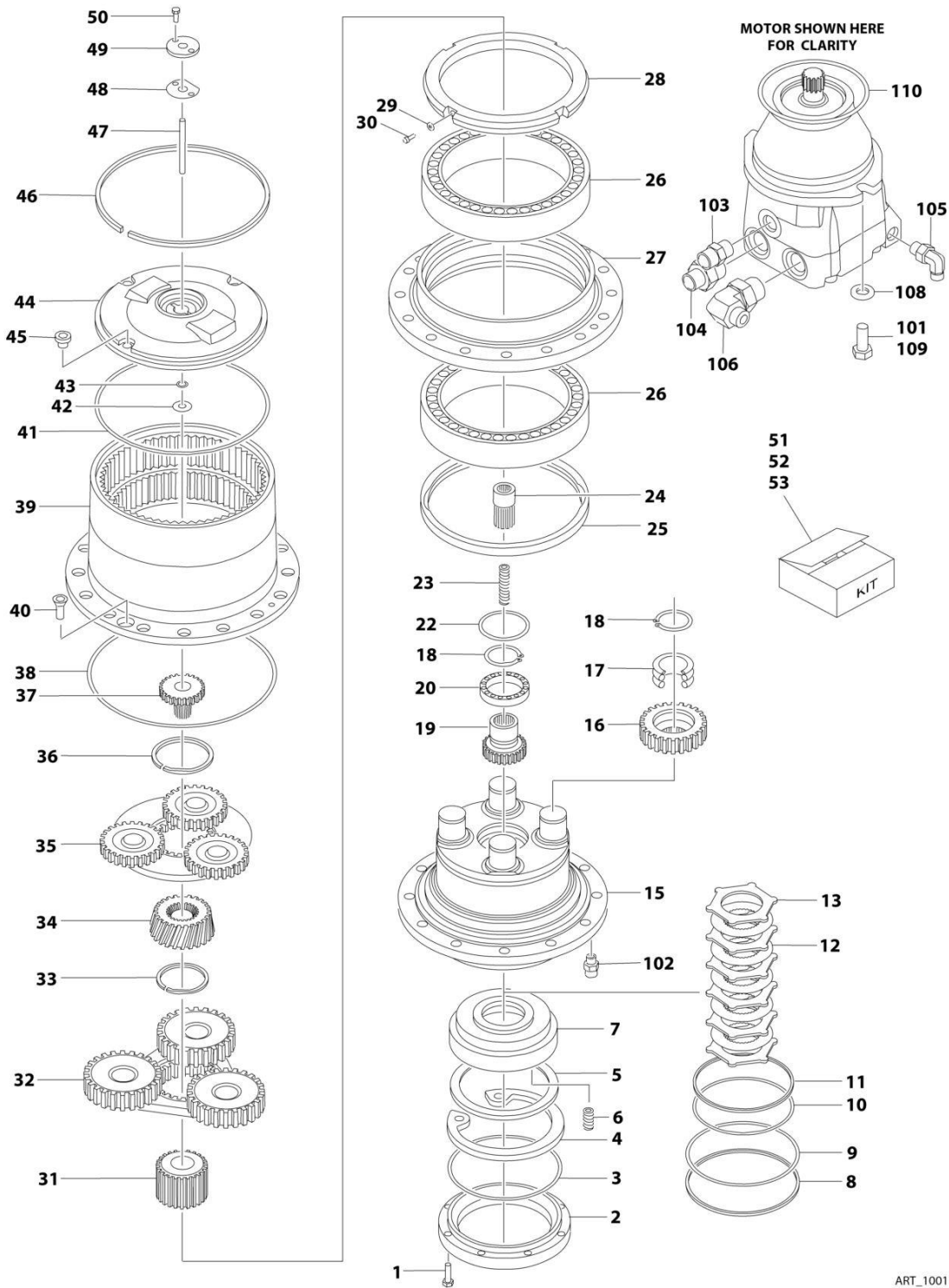
## SECTION 1 - FRAME

**FIGURE 1-5. DRIVE HUB AND MOTOR ASSEMBLY - REGGIANA RIDUTTORI**

ITEM	PART NUMBER	QTY	DESCRIPTION	REV
	1001104315	Ref	DRIVE HUB AND MOTOR ASSEMBLY - REGGIANA RIDUTTORI	B
		Ref	Note: Various brands used on Machines. When replacing complete hub, note that all 4 hubs must be the same brand.	
		Ref	Note: Various brands used on Machines. Identify brand before ordering replacement parts.	
1	1001104325	4	Drive Hub Assembly - Reggiana Riduttori (See Separate Breakdown in this Section)	
2	3160339	4	Drive Motor Assembly (See Separate Breakdown in this Section)	

# SECTION 1 - FRAME

## FIGURE 1-6. DRIVE HUB ASSEMBLY - REGGIANA RIDUTTORI



ART\_1001104325



# SECTION 1 - FRAME

## FIGURE 1-6. DRIVE HUB ASSEMBLY - REGGIANA RIDUTTORI

ITEM	PART NUMBER	QTY	DESCRIPTION	REV
	1001104325	Ref	DRIVE HUB ASSEMBLY - REGGIANA RIDUTTORI	G
		Ref	Note: Various brands used on Machines. Identify brand before ordering replacement parts.	
	1001101550	1	Hub, Torque	C
1	70002015	8	Bolt M8 x 25	
2	70002016	1	Ring, Motor Support	
3	See Note	NSS	O-Ring (Note: Use Item 51)	
4	70002018	1	Snap Ring	
5	70002019	1	Retainer, Spring	
6	70002020	9	Spring	
7	70002021	1	Piston	
8	See Note	NSS	Ring, Back-up (Note: Use Item 51 or 53)	
9	See Note	NSS	O-Ring (Note: Use Item 51 or 53)	
10	See Note	NSS	O-Ring (Note: Use Item 51 or 53)	
11	See Note	NSS	Ring, Back-up (Note: Use Item 51 or 53)	
12	70002026	5	Disc, Friction	
13	70002027	6	Disc, Steel	
15	70002029	1	Spindle	
16	70002030	4	Gear, Planetary	
17	70002031	4	Bearing	
18	70002032	5	Snap Ring	
19	70002033	1	Gear, Brake/Input	
20	70002034	1	Bearing	
22	70002035	1	Ring, Wear	
23	70002036	1	Spring	
24	70002037	1	Shaft, Engagement	
25	See Note	NSS	Seal (Note: Use Item 51)	
26	70002039	2	Bearing Assembly	
27	70002040	1	Support, Hub	
28	70002041	1	Nut, Retaining	
29	70002674	4	Washer	
30	70002674	4	Screw	
31	70002044	1	Gear, Planetary Sun	
32	70002045	1	Reduction Assembly, Secondary	
33	70002046	1	Snap Ring	
34	70002047	1	Gear, Secondary Input Sun	
35	70002048	1	Reduction Assembly, Primary	
36	70002049	1	Snap Ring	
37	70002050	1	Gear, Primary Input Sun	
38	See Note	NSS	O-Ring (Note: Use Item 51)	
39	See Note	NSS	Housing, Hub (Note: Not Available - Purchase Complete Assembly)	
40	70002052	2	Screw, Countersunk	
41	See Note	NSS	O-Ring (Note: Use Item 51 or 52)	
42	See Note	NSS	Thrustwasher (Note: Use Item 52)	
43	See Note	NSS	O-Ring (Note: Use Item 51 or 52)	
44	See Note	NSS	Cover, Hub (Note: Use Item 52)	
45	70002057	3	Plug	
46	See Note	NSS	Snap Ring (Note: Use Item 52)	
47	See Note	NSS	Pin, Engagement (Note: Use Item 52)	

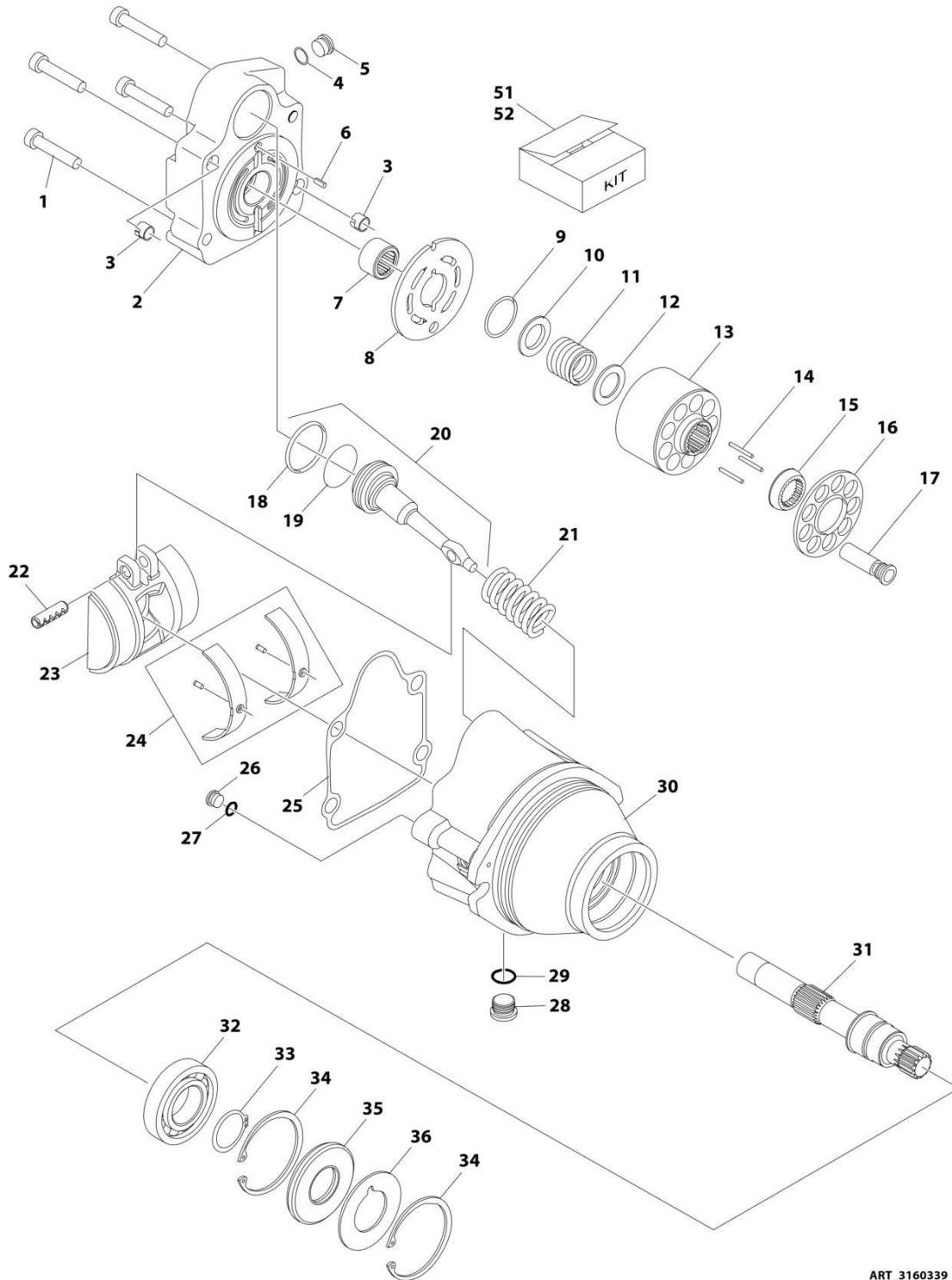
## SECTION 1 - FRAME

ITEM	PART NUMBER	QTY	DESCRIPTION	REV
48	See Note	NSS	Gasket (Note: Use Item 51 or 52)	
49	See Note	NSS	Cover, Engagement (Note: Use Item 52)	
50	See Note	NSS	Screw (Note: Use Item 52)	
51	70002248	1	Seal Kit (Includes Items 3, 8-11, 25, 38, 41, 43 & 48)	
52	70002247	1	Cover Kit (Includes Items 41-50)	
53	70002249	1	Brake Kit (Includes Items 4-13)	
101	0761214	2	Bolt M12 x 30	
102	2110404	1	Fitting, Adapter	
103	2110808	1	Fitting, Adapter	
104	2110812	1	Fitting, Adapter	
105	2130406	1	Fitting, 90 Adapter	
106	2130812	1	Fitting, 90 Adapter	
108	5241200	2	Washer M12	
109	0100011	AR	Compound, Locking	
110	3790158	1	O-Ring	



# SECTION 1 - FRAME

## FIGURE 1-7. DRIVE MOTOR ASSEMBLY



ART\_3160339

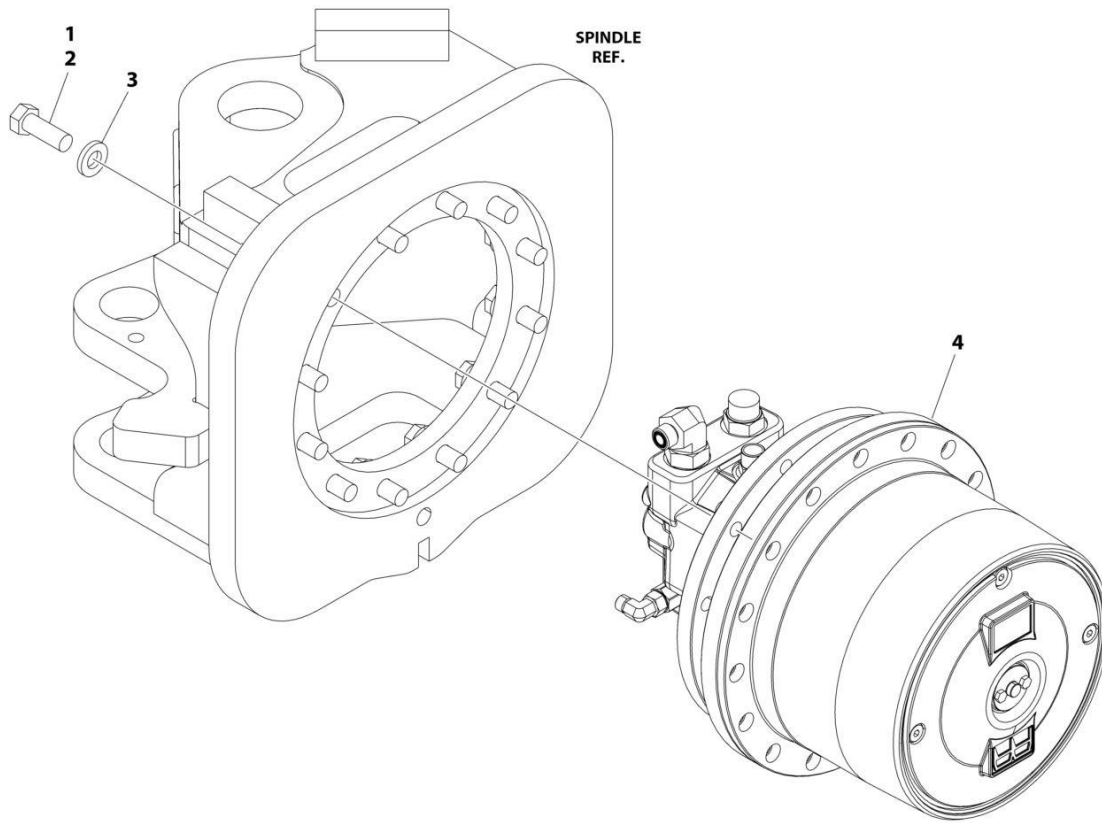
## SECTION 1 - FRAME

### FIGURE 1-7. DRIVE MOTOR ASSEMBLY

ITEM	PART NUMBER	QTY	DESCRIPTION	REV
	3160339	Ref	DRIVE MOTOR ASSEMBLY	D
1	7022368	4	Bolt	
2	70000859	1	End Cap, Motor	
3	70003628	2	Locating Pin	
4	See Note	NSS	O-Ring (Note: Use Item 51)	
5	7007420	1	Plug (Includes Item 4)	
6	7007446	1	Pin, Dowel	
7	7021249	1	Bearing, Needle	
8	70000854	1	Plate, Valve	
9	7022311	1	Snap Ring	
10	7022314	1	Retainer, Spring	
11	7024867	1	Spring	
12	7024868	1	Washer	
13	70000855	1	Block, Cylinder	
14	7021275	3	Pin, Slipper	
15	70000856	1	Guide	
16	70000857	1	Retainer, Slipper	
17	7024865	9	Piston, Cylinder	
18	See Note	NSS	Ring, Piston (Note: Use Item 51)	
19	See Note	NSS	O-Ring (Note: Use Item 51)	
20	70000860	1	Piston, Servo (Includes Items 18 & 19)	
21	70000861	1	Spring	
22	See Note	NSS	Pin (Note: Not Available for Purchase)	
23	70000853	1	Swash Plate	
24	70000852	1	Bearing Kit	
25	See Note	NSS	Gasket (Note: Use Item 51)	
26	See Note	NSS	Plug (Note: Not Available for Purchase)	
27	See Note	NSS	O-Ring (Note: Use Item 51)	
28	7022321	1	Plug (Includes Item 29)	
29	See Note	NSS	O-Ring (Note: Use Item 51)	
30	See Note	NSS	Housing (Note: Not Available - Purchase Complete Motor)	
31	70000858	1	Shaft	
32	7007437	1	Bearing	
33	7007439	1	Snap Ring	
34	7007438	2	Snap Ring	
35	See Note	NSS	Seal (Note: Use Item 51)	
36	7022371	1	Washer, Seal Support	
51	70000862	1	Kit 1 - Motor Seal Kit (Includes Items 4, 18, 19, 25, 27, 29 & 35)	
52	7027740	1	Kit 2 - Cylinder Block Kit (Includes Items 9-17)	

# SECTION 1 - FRAME

## FIGURE 1-8. WHEEL DRIVE INSTALLATION - PMP PUMP



ART\_1001286998

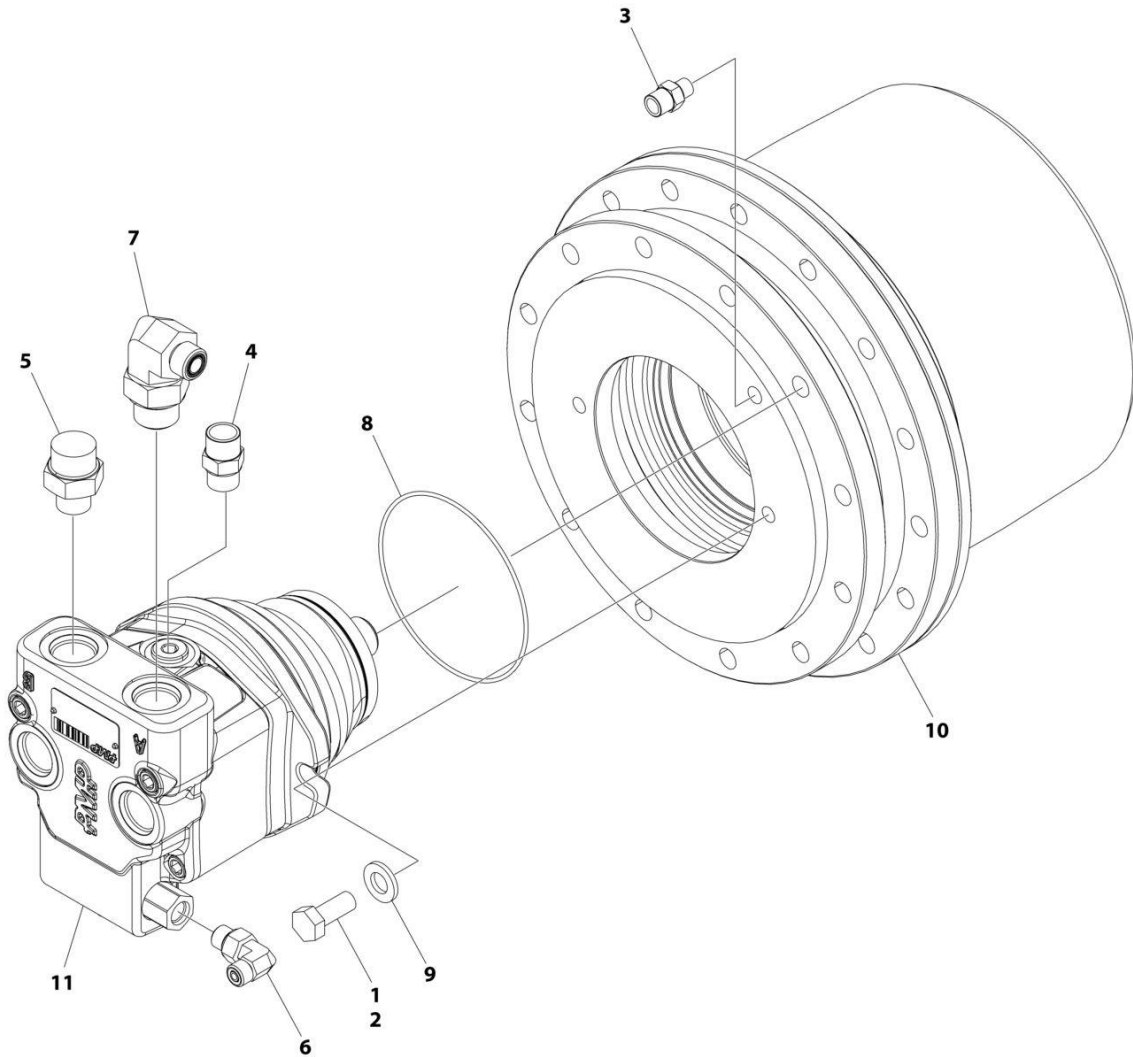
**SECTION 1 - FRAME**

**FIGURE 1-8. WHEEL DRIVE INSTALLATION - PMP PUMP**

<b>ITEM</b>	<b>PART NUMBER</b>	<b>QTY</b>	<b>DESCRIPTION</b>	<b>REV</b>
	1001286998	Ref	WHEEL DRIVE INSTALLATION - PMP PUMP	A
1	0100019	AR	Compound, Locking	
2	0701617	48	Bolt M16 x 45	
3	4892000	48	Washer 5/8	
4	1001286999	4	Drive Hub and Motor Assembly - PMP Pumps (See Separate Breakdown in this Section)	

# SECTION 1 - FRAME

## FIGURE 1-9. DRIVE HUB AND MOTOR ASSEMBLY - PMP PUMP



ART\_1001286999



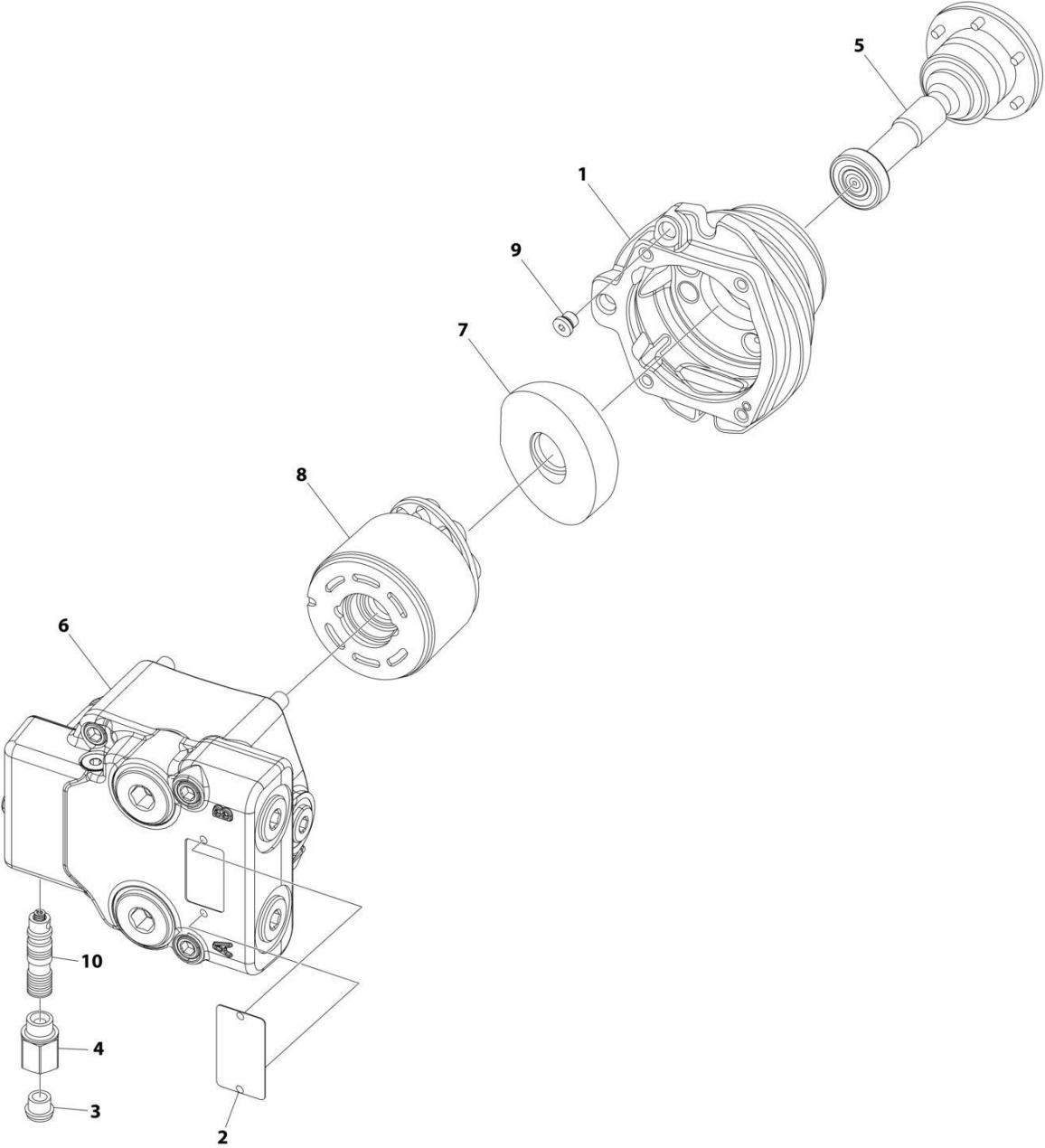
## SECTION 1 - FRAME

**FIGURE 1-9. DRIVE HUB AND MOTOR ASSEMBLY - PMP PUMP**

ITEM	PART NUMBER	QTY	DESCRIPTION	REV
	1001286999	Ref	DRIVE HUB AND MOTOR ASSEMBLY - PMP PUMP	A
1	0100011	AR	Compound, Locking	
2	0761214	2	Bolt M12 x 30	
3	2110404	1	Fitting, Straight ORFS/ORB	
4	2110808	1	Fitting, Straight ORFS/ORB	
5	2110812	1	Fitting, Straight ORFS/ORB	
6	2130406	1	Fitting, 90 ORFS/ORB	
7	2130812	1	Fitting, 90 ORFS/ORB	
8	3790158	1	O-Ring	
9	5241200	2	Washer	
10	1001101550	1	Drive Hub Assembly (See Separate Breakdown in this Section)	
11	1001286959	1	Drive Motor Assembly (See Separate Breakdown in this Section)	

**SECTION 1 - FRAME**

**FIGURE 1-10. DRIVE MOTOR ASSEMBLY - PMP PUMPS**



ART\_1001286959

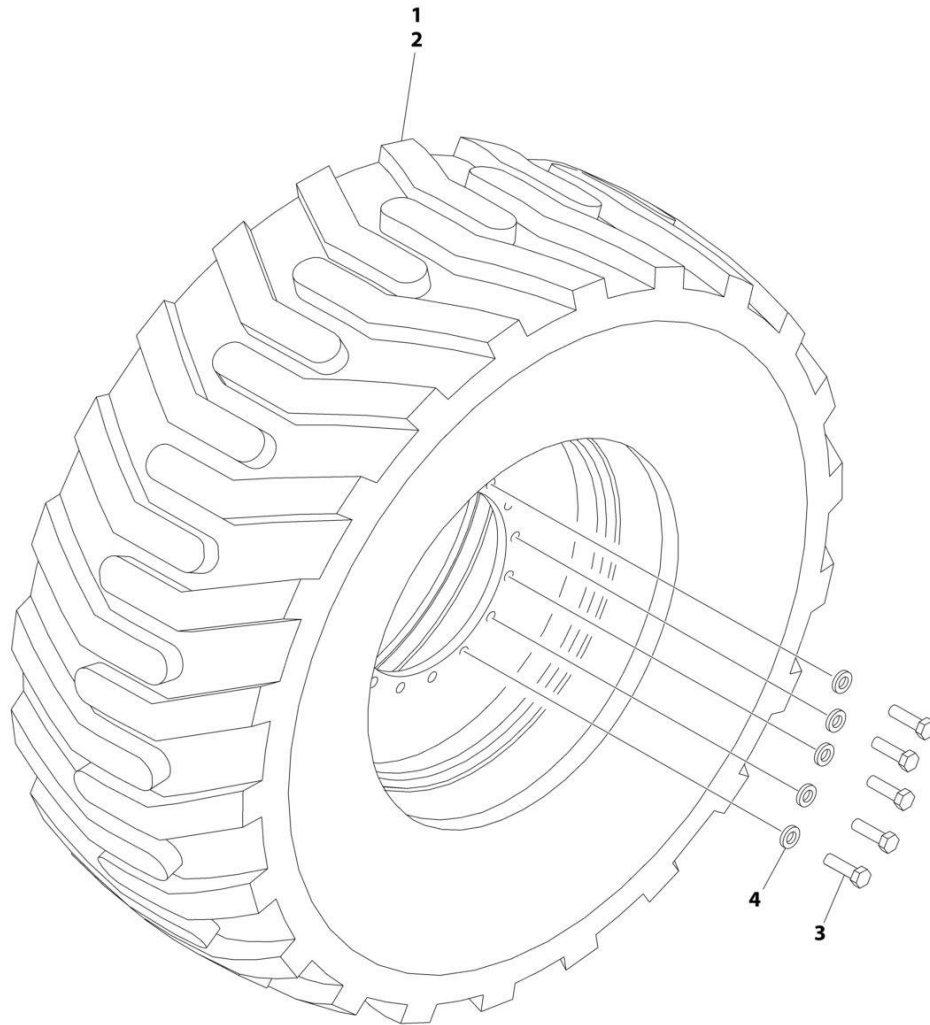
## SECTION 1 - FRAME

**FIGURE 1-10. DRIVE MOTOR ASSEMBLY - PMP PUMPS**

ITEM	PART NUMBER	QTY	DESCRIPTION	REV
	1001286959	Ref	DRIVE MOTOR ASSEMBLY	A
	See Note	Ref	(Note: No Other Service Parts Available)	
1	NPN	1	Body	
2	See Note	NSS	Plate, Serial Number (Note: Not Available for Purchase)	
3	70008513	1	Plug	
4	70008514	1	Fitting, Straight	
5	70008515	1	Assembly, Shaft	
6	70008516	1	Assembly, Valve	
6	70008521	1	Gasket (Between Valve Assembly & Rotor Assembly)	
6	70005023	2	Rivet	
6	70008522	1	Cartridge, Shuttle Valve	
6	70008523	2	Capscrew M10 x 100 CL12.9	
6	70008524	2	Capscrew M10 x 70 CL12.9	
7	70008517	1	Assembly, Swash Plate	
8	70008518	1	Assembly, Rotor	
9	70008519	1	Plug	
10	70008520	1	Cartridge, Control Valve	

# SECTION 1 - FRAME

## FIGURE 1-11. TIRE AND WHEEL INSTALLATION - FOAM FILLED



ART\_0271852

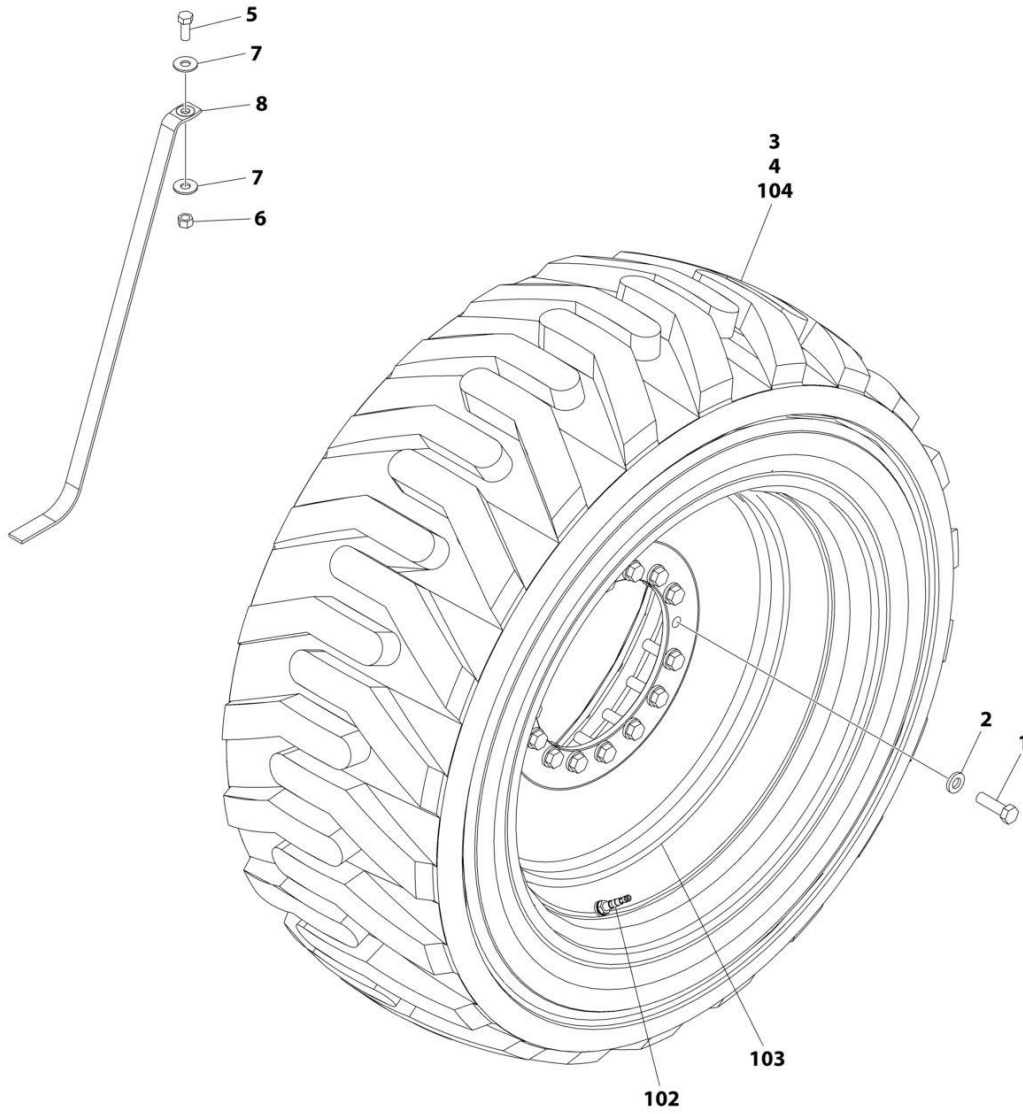
## SECTION 1 - FRAME

**FIGURE 1-11. TIRE AND WHEEL INSTALLATION - FOAM FILLED**

ITEM	PART NUMBER	QTY	DESCRIPTION	REV
	0271852	Ref	TIRE AND WHEEL INSTALLATION - FOAM - FILLED	B
		Ref	Note: Assemblies may require ballast/foam filling to manufacturer's specifications prior to installing on a machine. Refer to Operation and Safety or Service and Maintenance Manuals. Purchase individual tire and/or rim only if able to foam fill tire and wheel assembly, otherwise, purchase complete assembly.	
1	0272055	2	Right Side Tire and Wheel Assembly - Foam - Filled	
2	0272056	2	Left Side Tire and Wheel Assembly - Foam - Filled	
3	0701619	64	Bolt M16 x 55 (16 Per Wheel)	
4	4892000	64	Washer 5/8 (16 Per Wheel)	

# SECTION 1 - FRAME

## FIGURE 1-12. TIRE AND WHEEL INSTALLATION - FOAM FILLED NON MARKING



ART\_1001282653

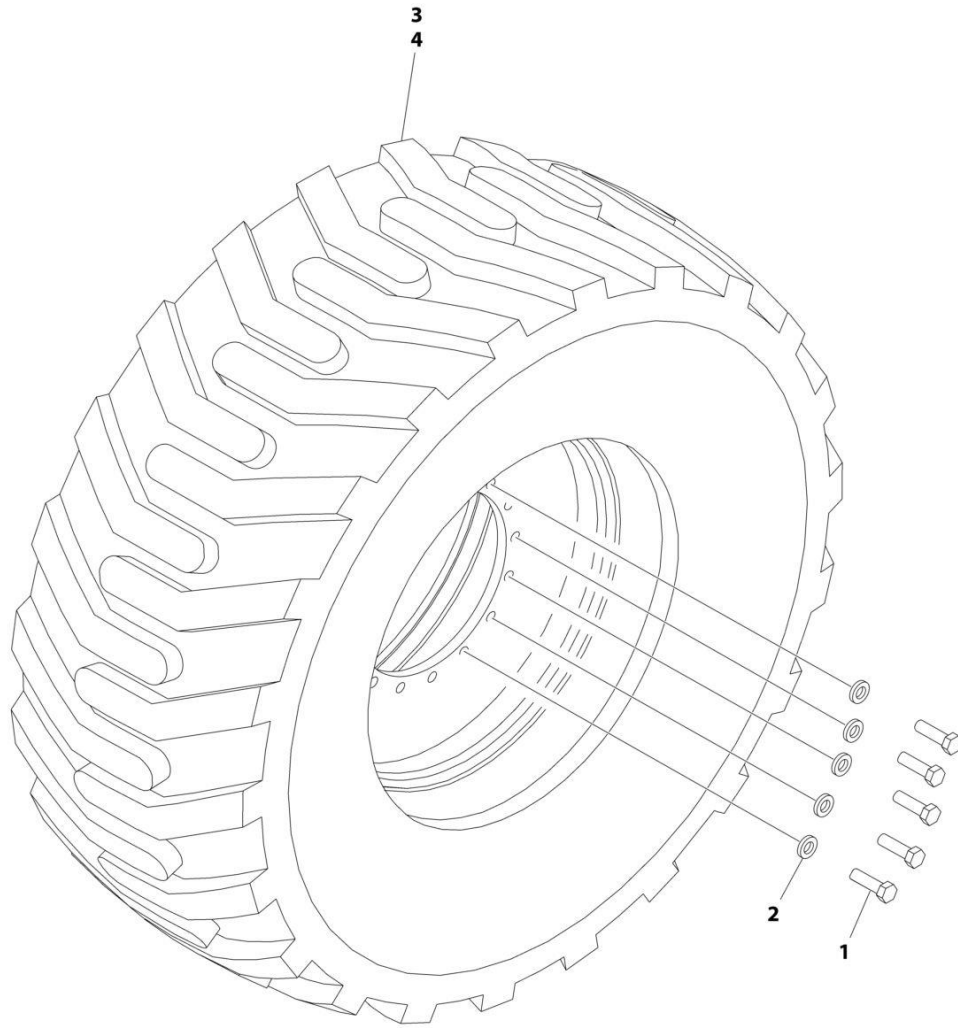
## SECTION 1 - FRAME

**FIGURE 1-12. TIRE AND WHEEL INSTALLATION - FOAM FILLED NON MARKING**

ITEM	PART NUMBER	QTY	DESCRIPTION	REV
	1001282653	Ref	TIRE AND WHEEL INSTALLATION - FOAM FILLED	B
		Ref	Note: Assemblies may require ballast/foam filling to manufacturer's specifications prior to installing on a machine. Refer to Operation and Safety or Service and Maintenance Manuals. Purchase individual tire and/or rim only if able to foam fill tire and wheel assembly, otherwise, purchase complete assembly.	
1	0701619	64	Bolt M16 x 55 (16 Per Wheel)	
2	4892000	64	Washer 5/8 (16 Per Wheel)	
3	1001282651	2	Right Side Tire and Wheel Assembly (Includes Items 102-104)	
4	1001282652	2	Left Side Tire and Wheel Assembly (Includes Items 102-104)	
5	0641810	1	Bolt 1/2 x 1-1/4	
6	3311805	1	Nut 1/2	
7	4751800	2	Washer 1/2	
8	1001275637	1	Strap, Anti-static	
102	4641122	1	Valve Stem	
103	4860236	1	Rim	
104	1001282650	1	Tire	

# SECTION 1 - FRAME

## FIGURE 1-13. TIRE AND WHEEL INSTALLATION - SOLID



ART\_1001115961



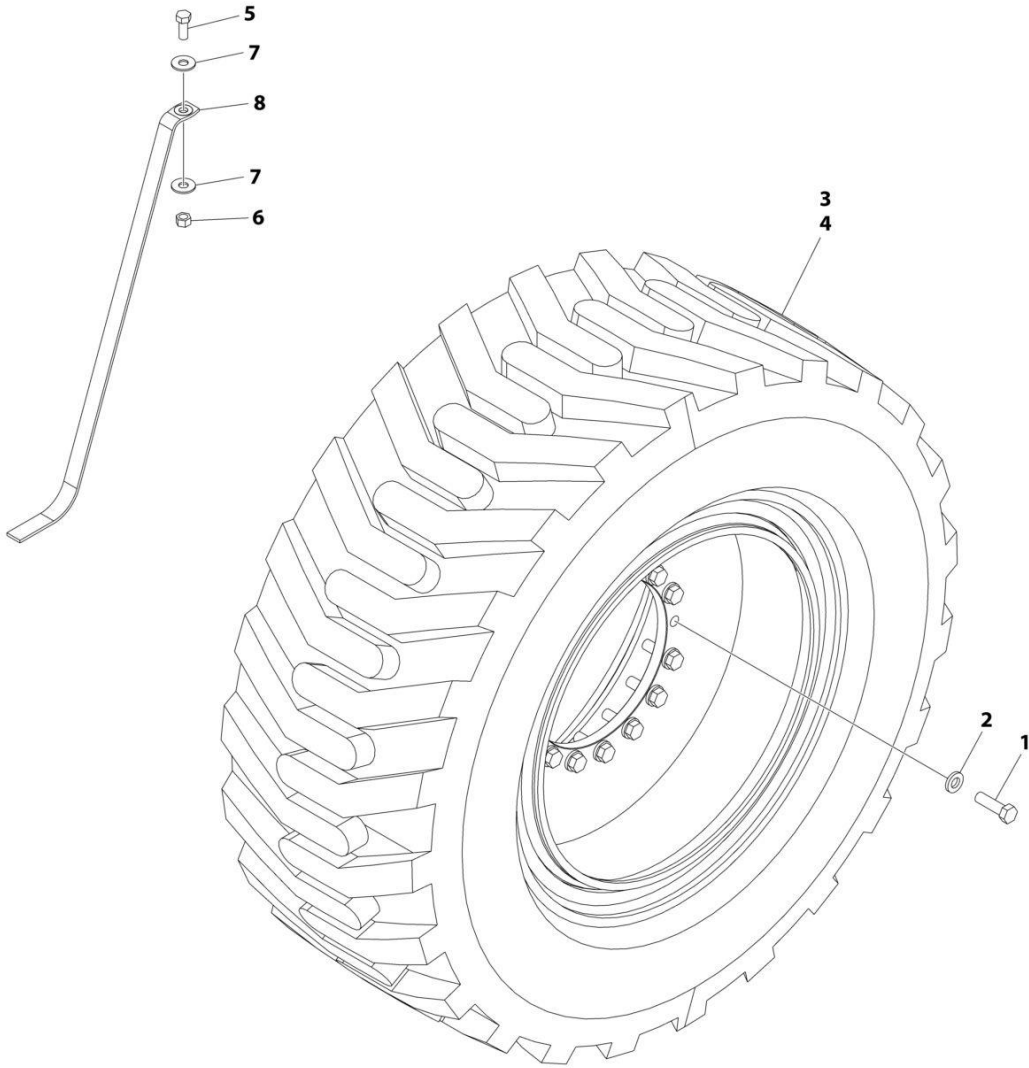
## SECTION 1 - FRAME

### FIGURE 1-13. TIRE AND WHEEL INSTALLATION - SOLID

ITEM	PART NUMBER	QTY	DESCRIPTION	REV
	1001115961	Ref	TIRE AND WHEEL INSTALLATION - SOLID	A
1	0701619	64	Bolt M16 x 55 (16 Per Wheel)	
2	4892000	64	Washer 5/8 (16 Per Wheel)	
3	1001112716	2	Right Side Tire and Wheel Assembly - Solid	
4	1001112669	2	Left Side Tire and Wheel Assembly - Solid	

# SECTION 1 - FRAME

FIGURE 1-14. TIRE AND WHEEL INSTALLATION - SOLID NON MARKING



ART\_1001223883

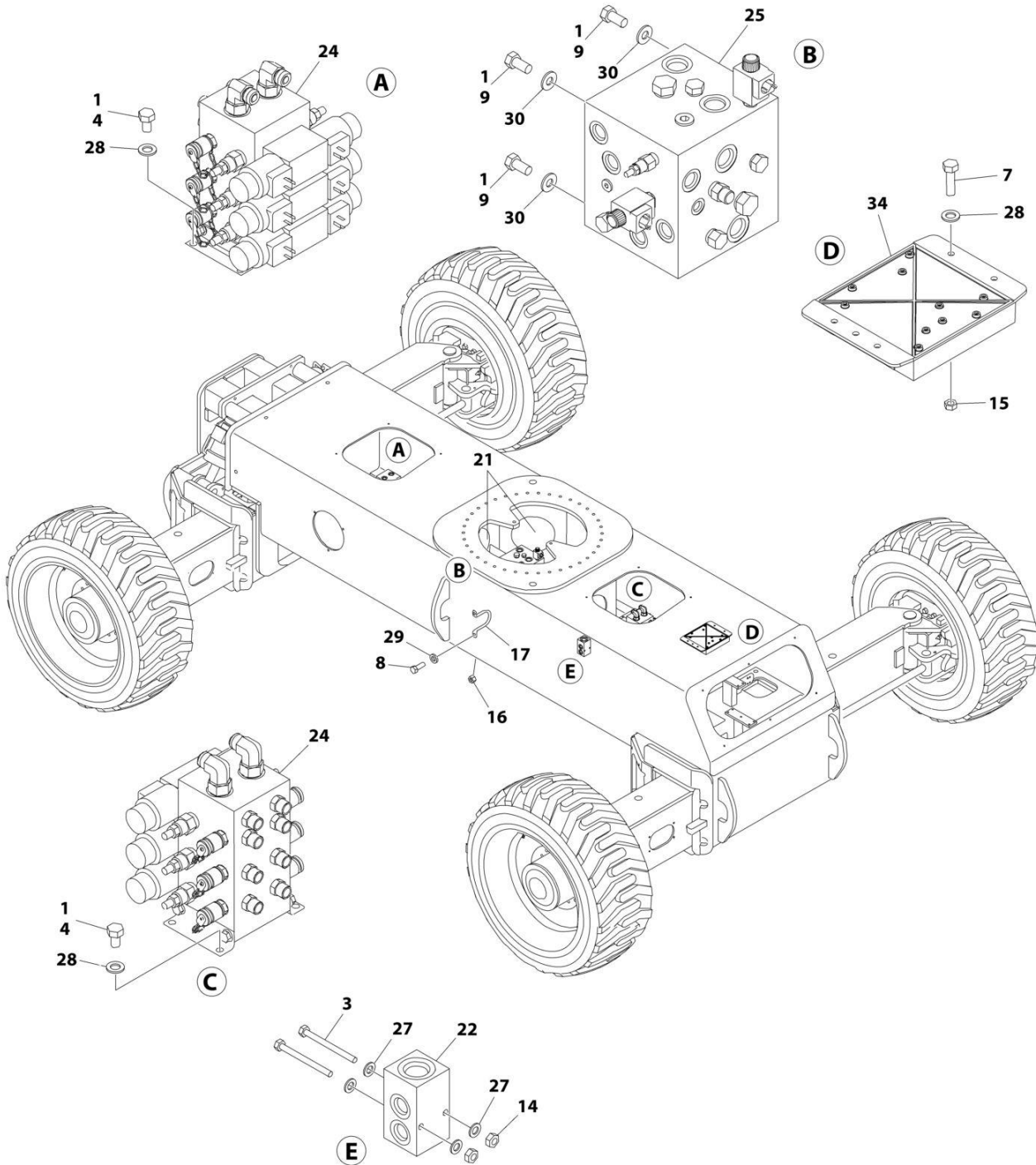
## SECTION 1 - FRAME

**FIGURE 1-14. TIRE AND WHEEL INSTALLATION - SOLID NON MARKING**

ITEM	PART NUMBER	QTY	DESCRIPTION	REV
	1001223883	Ref	TIRE AND WHEEL INSTALLATION - SOLID NON MARKING	B
1	0701619	64	Bolt M16 x 55 (16 Per Wheel)	
2	4892000	64	Washer 5/8 (16 Per Wheel)	
3	1001216876	2	Left Side Tire and Wheel Assembly - Solid	
4	1001216877	2	Right Side Tire and Wheel Assembly - Solid	
5	0641810	1	Bolt 1/2 x 1-1/4	
6	3311805	1	Nut 1/2	
7	4751800	2	Washer 1/2	
8	1001275637	1	Strap, Anti-static	

# SECTION 1 - FRAME

## FIGURE 1-15. FRAME VALVES INSTALLATION



ART\_1001219990\_G\_10F3

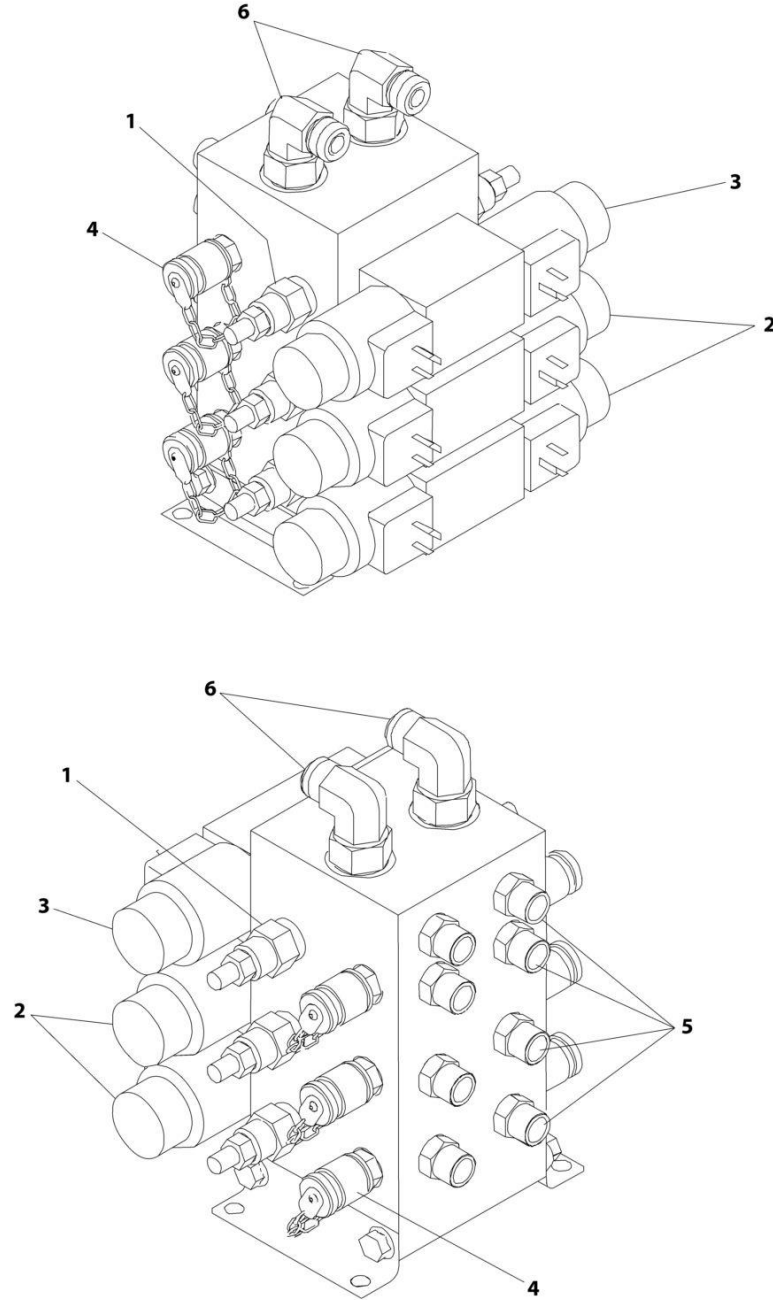
## SECTION 1 - FRAME

**FIGURE 1-15. FRAME VALVES INSTALLATION**

ITEM	PART NUMBER	QTY	DESCRIPTION	REV
	1001219990	Ref	FRAME VALVES INSTALLATION - WITH 1 CELL LSS	G
1	0100011	AR	Compound, Locking	
3	0641424	2	Bolt 1/4 x 3	
4	0641504	8	Bolt 5/16 x 1/2	
7	0641509	4	Bolt 5/16 x 1-1/8	
8	0641608	4	Bolt 3/8 x 1	
9	0641808	4	Bolt 1/2 x 1	
14	3311405	2	Nut 1/4	
15	3311505	4	Nut 5/16	
16	3311605	4	Nut 3/8	
17	3841340	2	Loop, Hose	
21	4060808	124 in/ 3.2m	Flex-Trim	
22	4641155	1	Manifold, Junction	
24	4641268	2	Valve Assembly - Steer (See Separate Breakdown in this Section)	
25	4641454	1	Valve Assembly - Traction (See Separate Breakdown in this Section)	
27	4711400	4	Washer 1/4	
28	4711500	16	Washer 5/16	
29	4711600	2	Washer 3/8	
30	4711800	4	Washer 1/2	
34	100112758	1	Module, Chassis (Note: Re-calibration Required when Replaced)	

# SECTION 1 - FRAME

## FIGURE 1-16. STEER VALVE ASSEMBLY



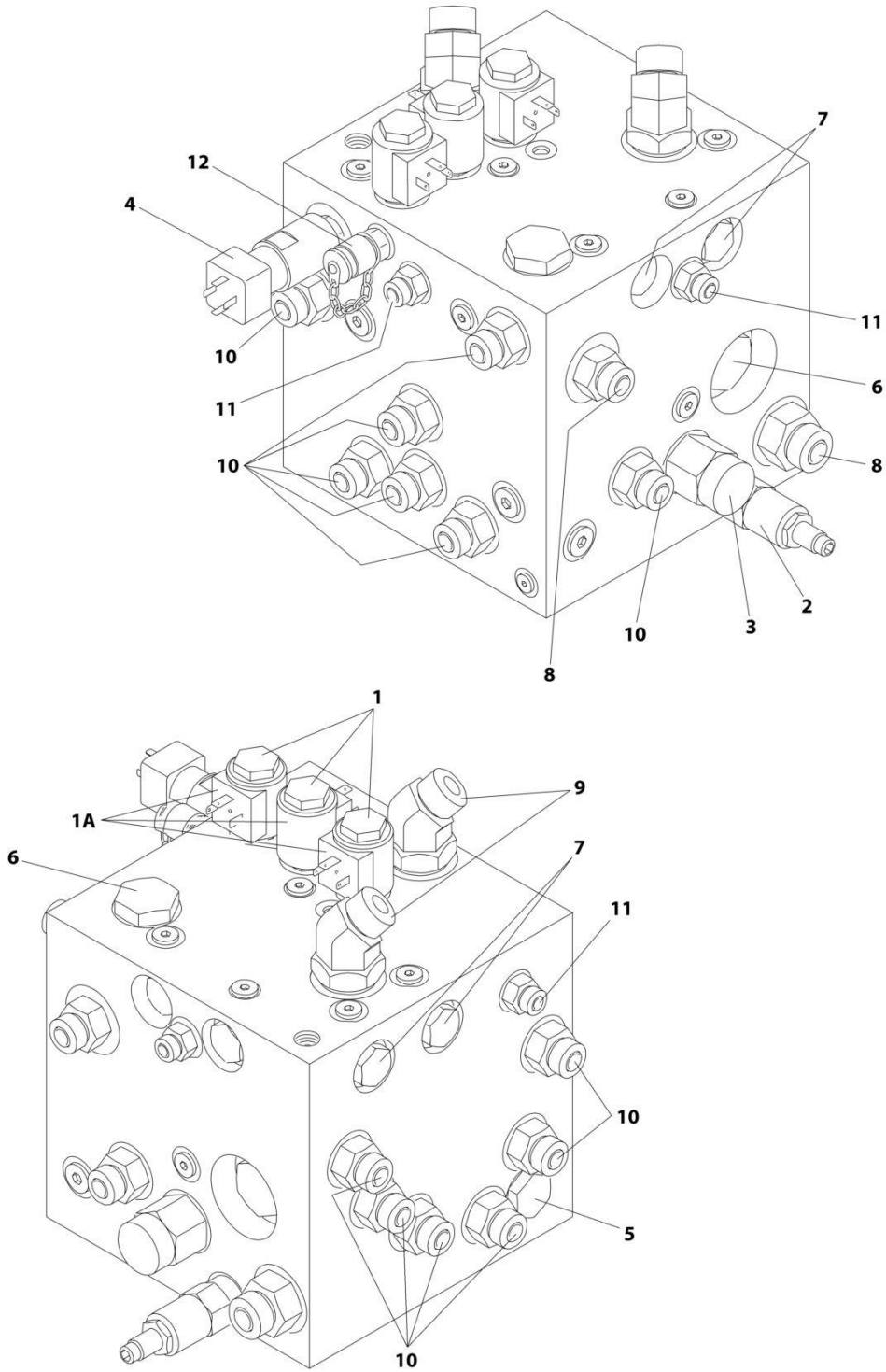
ART\_4641268

**FIGURE 1-16. STEER VALVE ASSEMBLY**

ITEM	PART NUMBER	QTY	DESCRIPTION	REV
	4641268	Ref	STEER VALVE ASSEMBLY	C
1	7026028	12	Cartridge (6 Per Valve)	
1	7011346	12	Seal Kit - Cartridge (1 Per Cartridge)	
2	7024927	4	Valve (2 Per Valve)	
2	7012773	4	Seal Kit - Cartridge (1 Per Cartridge)	
2	7018991	8	Coil (2 Per Valve)	
3	70001976	2	Valve (1 Per Valve)	
3	7012773	2	Seal Kit - Cartridge (1 Per Cartridge)	
3	7018991	4	Coil (2 Per Valve)	
3	70001939	2	Orifice	
4	2221086	6	Check, Pressure	
5	2110606	8	Fitting, Straight	
6	2130810	2	Fitting, 90	

# SECTION 1 - FRAME

## FIGURE 1-17. TRACTION VALVE ASSEMBLY



ART\_4641454



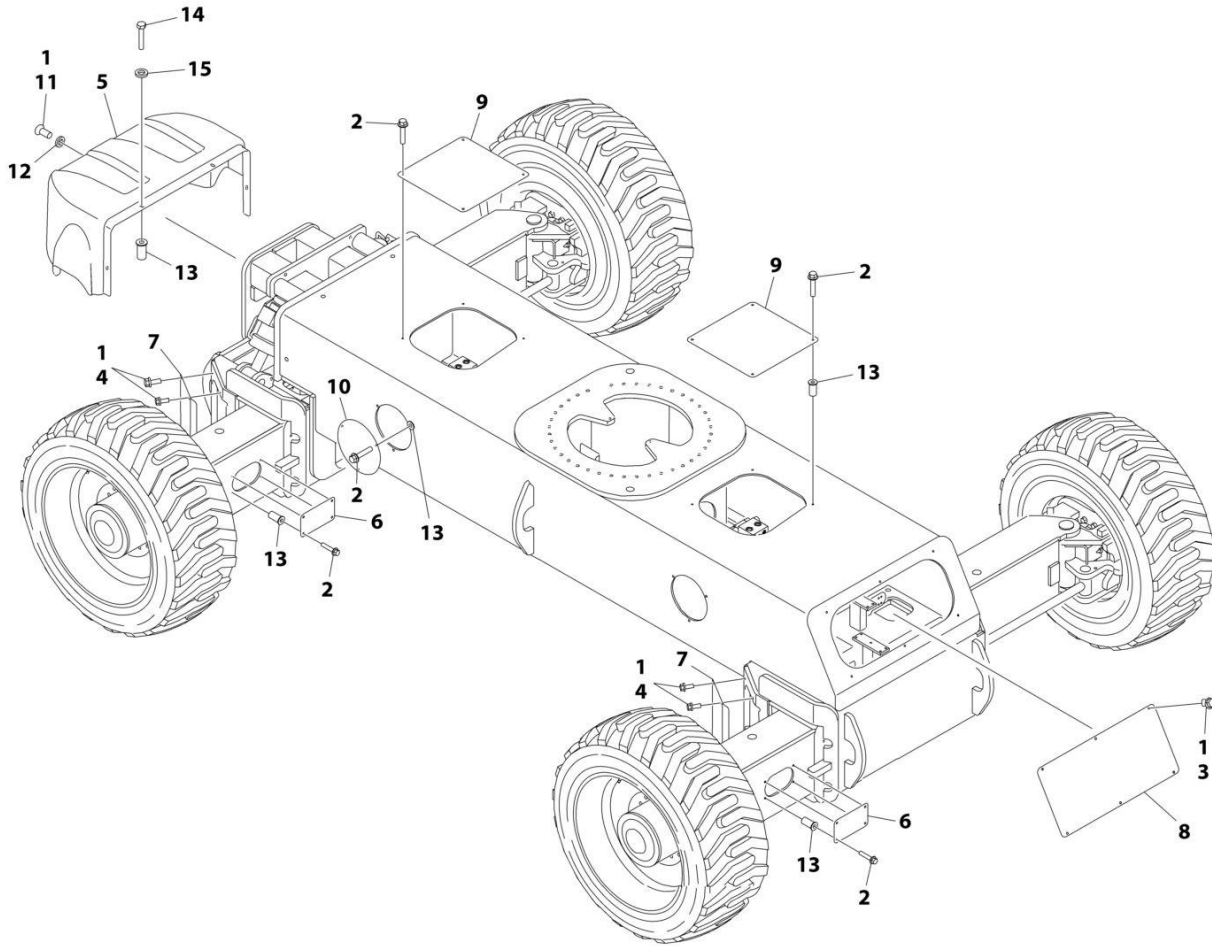
## SECTION 1 - FRAME

### FIGURE 1-17. TRACTION VALVE ASSEMBLY

ITEM	PART NUMBER	QTY	DESCRIPTION	REV
	4641454	Ref	TRACTION VALVE ASSEMBLY	E
1	7012941	3	Cartridge, Valve (Steer, Brake and Axle Lockout)	
1	7010543	3	Seal Kit - 7012941 Cartridge	
1A	7012944	2	Coil	
2	70000801	1	Cartridge, Valve (Relief)	
2	7012998	1	Seal Kit - 70000801 Cartridge	
3	70000802	1	Cartridge, Valve (Pilot)	
3	7012942	1	Seal Kit - 70000802 Cartridge	
4	70000803	1	Pressure Switch	
5	70000804	1	Cartridge, Valve (Shuttle)	
5	70000805	1	Seal Kit - 70000804 Cartridge	
6	70000806	2	Cartridge, Valve (Flow Divider)	
6	7017405	2	Seal Kit - 70000806 Cartridge	
7	7012955	4	Cartridge, Valve (Check)	
7	7012967	4	Seal Kit - 7012955 Cartridge	
8	2111012	2	Fitting, Straight	
9	2151012	2	Fitting, 45	
10	2110810	13	Fitting, Straight	
11	2110406	3	Fitting, Straight	
12	2221086	1	Check, Pressure	
13	2220883	1	Plug, #4 (Not Shown)	

# SECTION 1 - FRAME

## FIGURE 1-18. FRAME COVERS INSTALLATION - ABS



ART\_1001176346

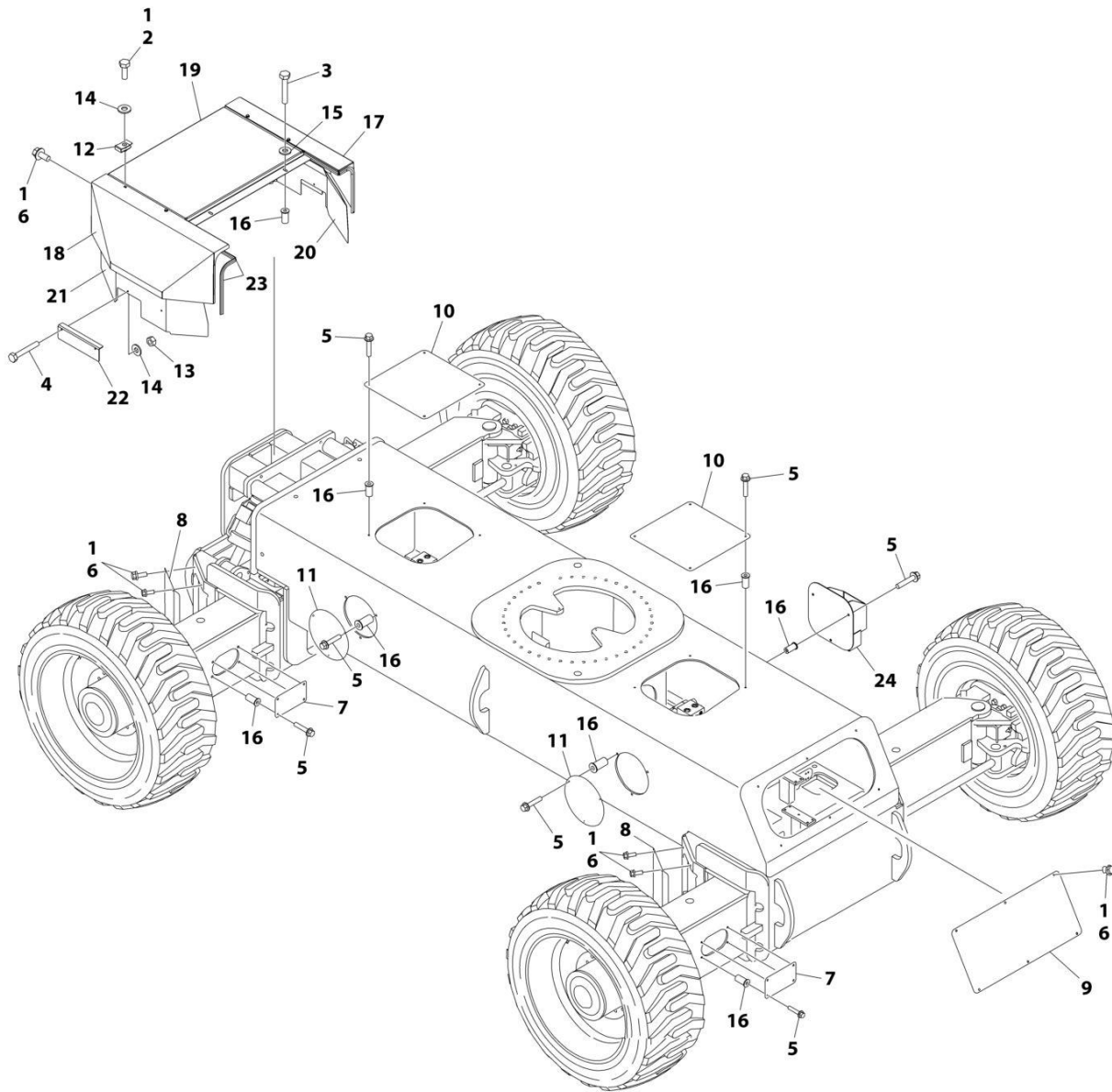
## SECTION 1 - FRAME

**FIGURE 1-18. FRAME COVERS INSTALLATION - ABS**

ITEM	PART NUMBER	QTY	DESCRIPTION	REV
	1001176346	Ref	FRAME COVERS INSTALLATION - ABS	C
1	0100011	AR	Compound, Locking	
2	0791410	36	Screw 1/4 x 1-1/4	
3	0791604	6	Screw 3/8 x 1/2	
4	0791607	16	Screw 3/8 x 7/8	
5	1670996	1	Cover, Front	
6	1671045	4	Plate, Cover (Axle Side)	
7	1671046	4	Plate, Cover (Axle Corner)	
8	1671047	1	Plate, Cover (Rear)	
9	1671048	2	Plate, Cover (Frame Top)	
10	1671049	4	Plate, Cover (Frame Side)	
11	3900283	3	Screw 3/8 x 3/4	
12	4751600	3	Washer 3/8	
13	8580420	40	Nut, Well	
14	0641412	4	Bolt 1/4 x 1-1/2	
15	4740430	4	Washer, Fender	

# SECTION 1 - FRAME

## FIGURE 1-19. FRAME COVERS INSTALLATION - STEEL



ART\_1001176347

# SECTION 1 - FRAME

## FIGURE 1-19. FRAME COVERS INSTALLATION - STEEL

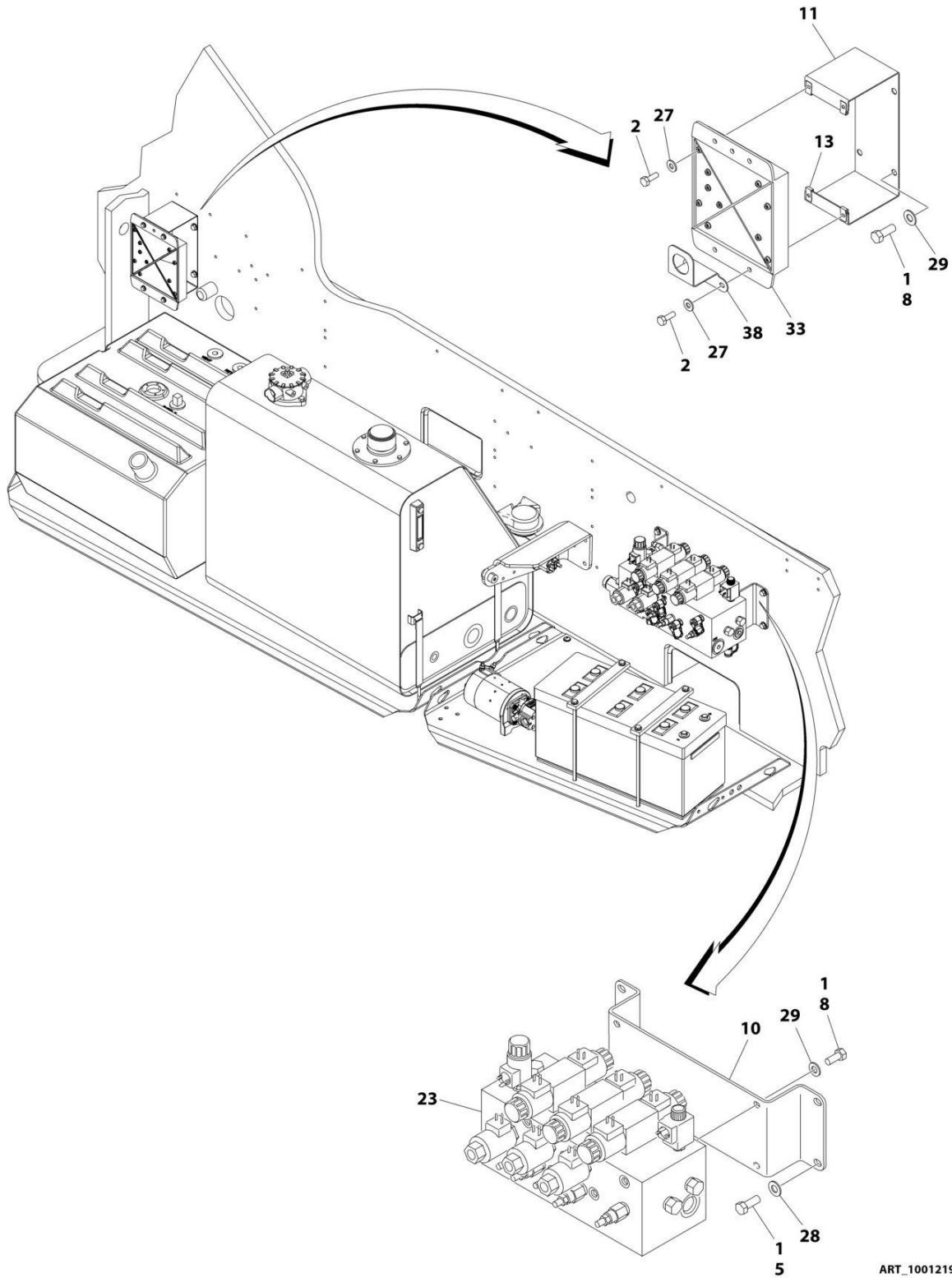
ITEM	PART NUMBER	QTY	DESCRIPTION	REV
	1001176347	Ref	FRAME COVERS INSTALLATION (STEEL)	C
		Ref	Note: Only Available on ANSI, ANSI Export and Japanese Specs.	
1	0100011	AR	Compound, Locking	
2	0641406	8	Screw 1/4 x 3/4	
3	0641412	2	Bolt 1/4 x 1-1/2	
4	0641414	4	Screw 1/4 x 1-3/4	
5	0791410	36	Screw 1/4 x 1-1/4	
6	0791604	25	Screw 3/8 x 1/2	
7	1671045	4	Plate, Cover (Axle Side)	
8	1671046	4	Plate, Cover (Axle Corner)	
9	1671047	1	Plate, Cover (Rear)	
10	1671048	2	Plate, Cover (Frame Top)	
11	1671049	3	Plate, Cover (Frame Side)	
12	3300454	8	Nut 1/4	
13	3311405	4	Nut 1/4	
14	4711400	12	Washer 1/4	
15	4740430	2	Washer, Fender	
16	8580420	38	Nut, Well	
17	1001110108	1	Cover - RH Side	
18	1001110109	1	Cover - LH Side	
19	1001110110	1	Cover - Center Side	
20	1001110111	1	Shift - RH Side	
21	1001110112	1	Shift - LH Side	
22	1001110113	2	Plate	
23	1001110513	51 in /5.5m	Seal	
24	1001110877	1	Mount, Fire Extinguisher	



**SECTION 2 - TURNTABLE**

# SECTION 2 - TURNTABLE

## FIGURE 2-1. TURNTABLE VALVES INSTALLATION



ART\_1001219990\_G\_20F3



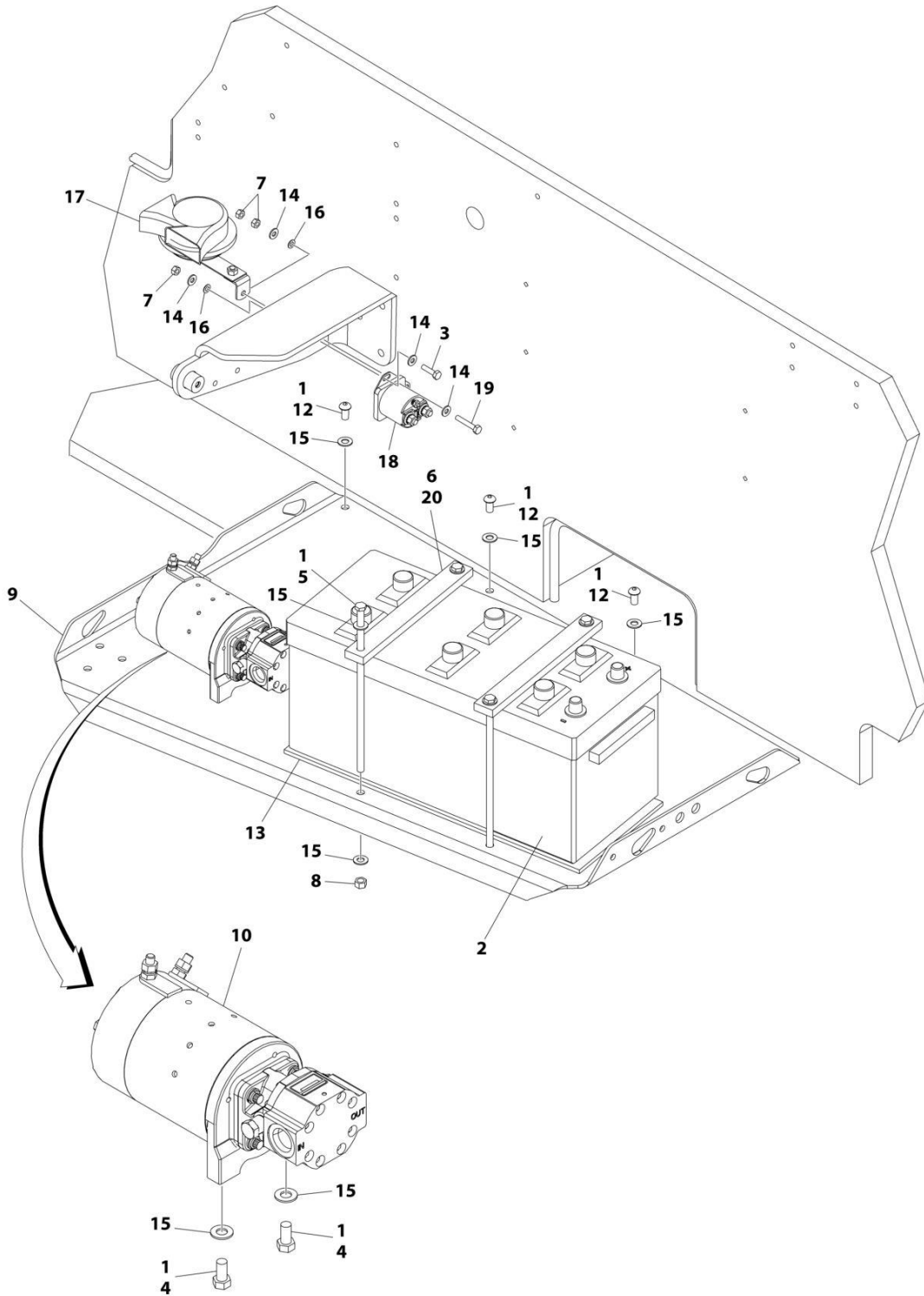
# SECTION 2 - TURNTABLE

**FIGURE 2-1. TURNTABLE VALVES INSTALLATION**

ITEM	PART NUMBER	QTY	DESCRIPTION	REV
	1001219990	Ref	TURNTABLE VALVES INSTALLATION - WITH 1 CELL LSS	G
1	0100011	AR	Compound, Locking	
2	0641407	4	Bolt 1/4 x 7/8	
5	0641506	4	Bolt 5/16 x 3/4	
8	0641608	8	Bolt 3/8 x 1	
10	0902755	1	Bracket, Valve Mounting	
11	0902800	1	Bracket, Module Mounting	
13	3300454	1	Nut, Special	
23	1001270105	1	Main Valve Assembly (See Separate Breakdown in this Section)	
27	4711400	1	Washer 1/4	
28	4711500	1	Washer 5/16	
29	4711600	1	Washer 3/8	
33	1001227960	1	Module, B.L.A.M. (Note: Control System must be Re-calibrated when Module is Replaced)	
38	1001288370	1	Bracket	

# SECTION 2 - TURNTABLE

## FIGURE 2-2. BATTERY AND AUXILIARY PUMP INSTALLATION - ABS HOODS



ART\_0271795\_G

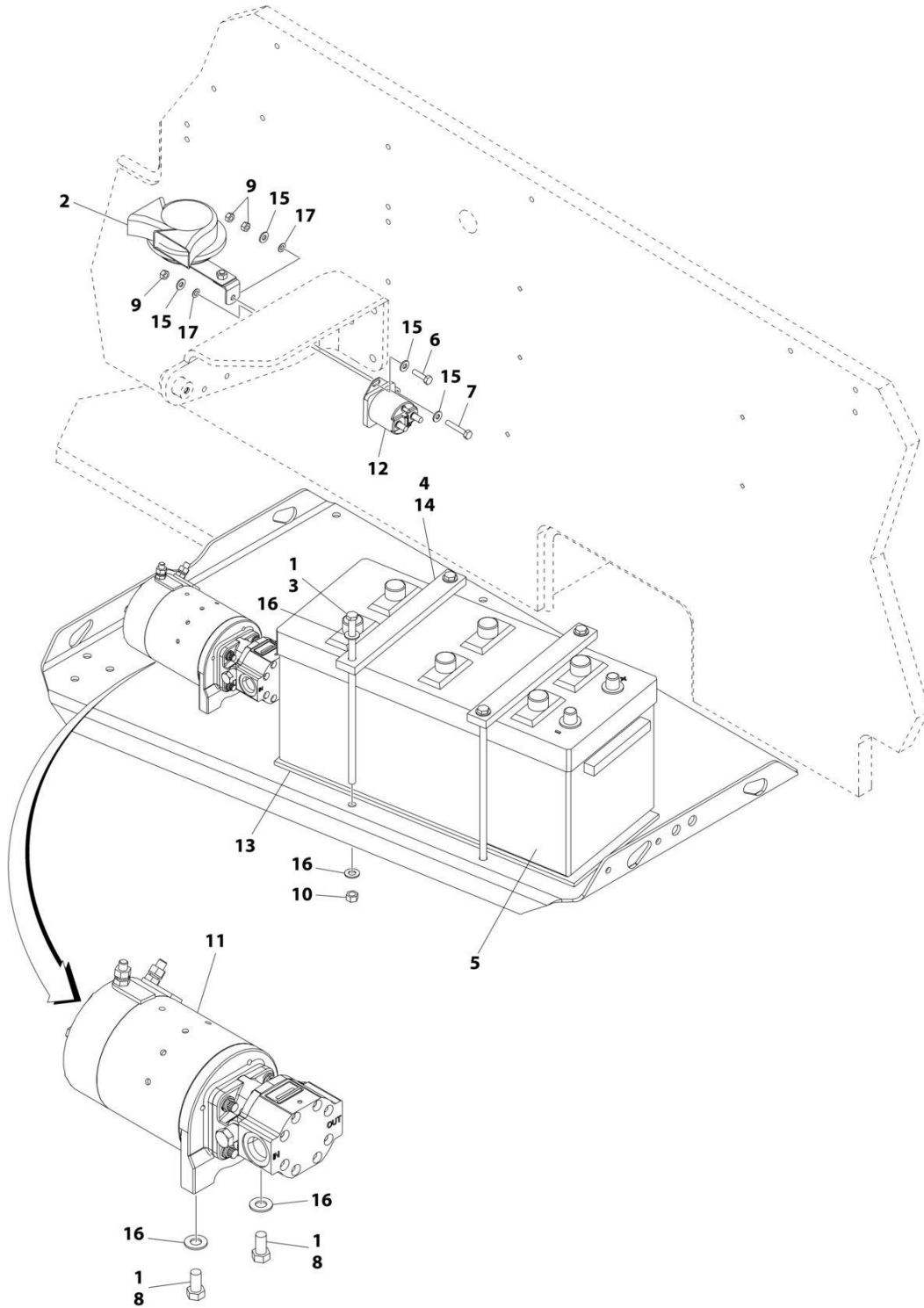
## SECTION 2 - TURNTABLE

**FIGURE 2-2. BATTERY AND AUXILIARY PUMP INSTALLATION - ABS HOODS**

ITEM	PART NUMBER	QTY	DESCRIPTION	REV
	0271795	Ref	BATTERY AND AUXILIARY PUMP INSTALLATION - ABS HOODS	G
1	0100011	AR	Compound, Locking	
2	0400020	1	Battery	
3	0641408	1	Bolt 1/4 x 1	
4	0641606	2	Bolt 3/8 x 3/4	
5	0236768	4	Rod, Hold-down	
6	0363062	2	Bar, Battery	
7	3311405	3	Nut 1/4	
8	3311601	4	Nut 3/8	
9	3573259	1	Tray	
10	3600424	1	Auxiliary Pump Assembly (See Separate Breakdown in this Section)	
12	3900283	7	Screw 3/8 x 3/4	
13	3980006	1	Seat, Battery	
14	4711400	4	Washer 1/4	
15	4711600	17	Washer 3/8	
16	4791400	2	Starwasher 1/4	
17	0140001	1	Horn	
18	3740067	1	Relay	
19	0641412	1	Bolt 1/4 x 1-1/2	
20	4420037	17 in /43cm	Tape, Insulation	

# SECTION 2 - TURNTABLE

## FIGURE 2-3. BATTERY AND AUXILIARY PUMP INSTALLATION - STEEL HOODS



ART\_1001110740

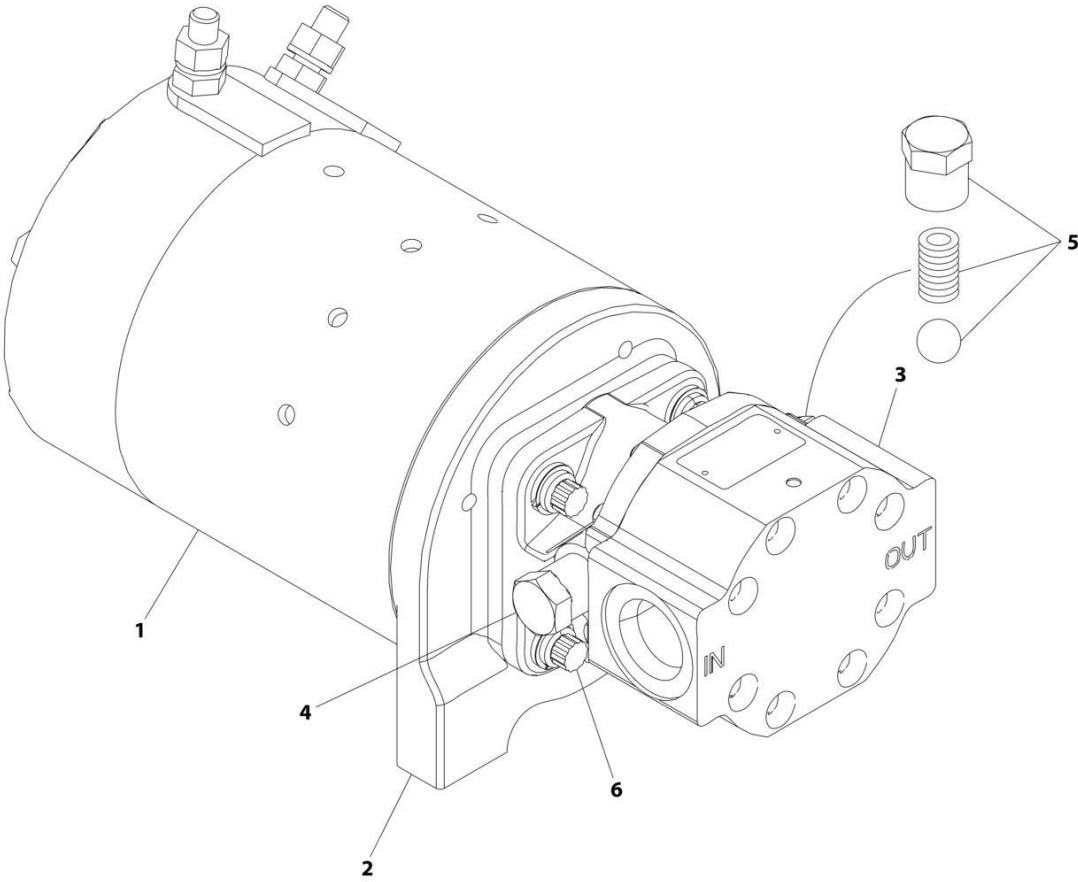
# SECTION 2 - TURNTABLE

**FIGURE 2-3. BATTERY AND AUXILIARY PUMP INSTALLATION - STEEL HOODS**

ITEM	PART NUMBER	QTY	DESCRIPTION	REV
	1001110740	Ref	BATTERY AND AUXILIARY PUMP INSTALLATION – STEEL HOODS	A
1	0100011	AR	Compound, Locking	
2	0140001	1	Horn	
3	0236768	4	Rod, Hold-down	
4	0363062	2	Bar, Battery	
5	0400020	1	Battery	
6	0641408	1	Bolt 1/4 x 1	
7	0641412	1	Bolt 1/4 x 1-1/2	
8	0641606	2	Bolt 3/8 x 3/4	
9	3311405	3	Nut 1/4	
10	3311601	4	Nut 3/8	
11	3600424	1	Auxiliary Pump Assembly (See Separate Breakdown in this Section)	
12	3740067	1	Relay	
13	3980006	1	Seat, battery	
14	4420037	17 in /43cm	Tape, Insulation	
15	4711400	4	Washer 1/4	
16	4711600	10	Washer 3/8	
17	4791400	2	Starwasher 1/4	

**SECTION 2 - TURNTABLE**

**FIGURE 2-4. AUXILIARY PUMP ASSEMBLY**



ART\_3600424

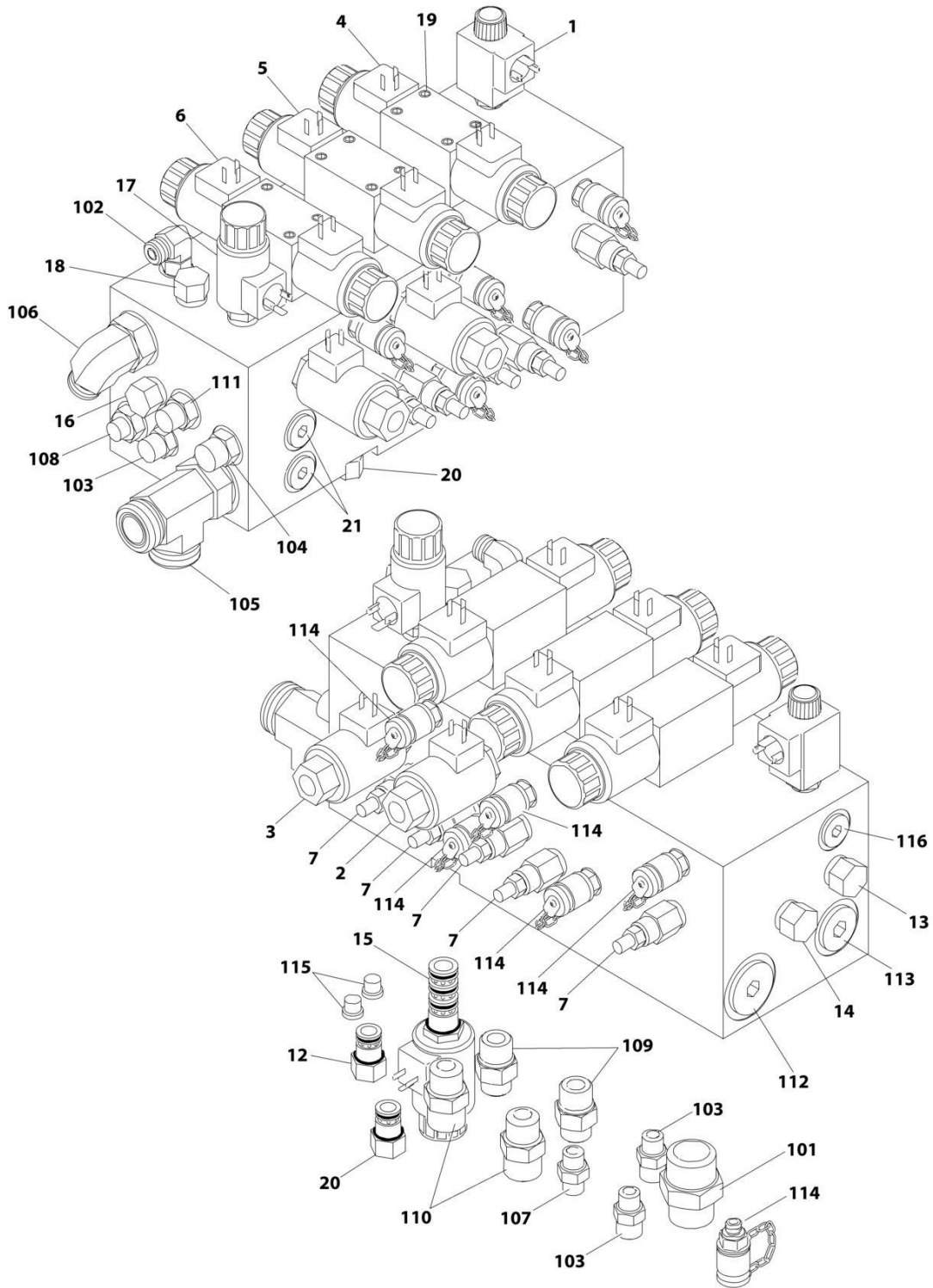
**SECTION 2 - TURNTABLE**

**FIGURE 2-4. AUXILIARY PUMP ASSEMBLY**

ITEM	PART NUMBER	QTY	DESCRIPTION	REV
	3600424	Ref	AUXILIARY PUMP ASSEMBLY	B
1	70001056	1	Motor Service Replacement Kit (Includes Motor, p/n 7011062 Adapter, p/n 7011016 Coupling and qty 2 Setscrews)	
1	See Note	1	Brush Kit (Note: Not Available For Purchase)	
2	7011062	1	Bracket, Motor/Pump (Part of Item 1)	
2	7011016	1	Coupling (Part of Items 1 & 3)	
2	7011044	1	Gasket (Part of Item 3)	
3	7029593	1	Pump Service Replacement Kit (Includes Pump, p/n 7011016 Coupling, qty 2 Gaskets and qty 4 each of Screws and Washers)	
3	See Note	1	Seal, Shaft (Note: Not Available For Purchase)	
4	7029593	1	Valve Components	
5	7029593	1	Valve Components	
6	7011048	4	Screw	
6	7011043	4	Washer	

# SECTION 2 - TURNTABLE

## FIGURE 2-5. MAIN VALVE ASSEMBLY



ART\_1001270105



## SECTION 2 - TURNTABLE

### FIGURE 2-5. MAIN VALVE ASSEMBLY

ITEM	PART NUMBER	QTY	DESCRIPTION	REV
	1001270105	Ref	MAIN VALVE ASSEMBLY	B
1	7024573	1	Cartridge, Solenoid Valve (Dump)	
1	7024574	1	Seal Kit - Cartridge	
1	7011354	1	Coil	
2	7021636	1	Cartridge, Solenoid Valve (Lift Flow)	
2	7017495	1	Seal Kit - Cartridge	
2	7017451	1	Coil	
3	7021636	1	Cartridge, Solenoid Valve (Tele Flow)	
3	7017495	1	Seal Kit - Cartridge	
3	7017451	1	Coil	
4	7024924	1	Control Valve Assembly (Swing)	
4	7012773	1	Seal Kit - Valve	
4	7018991	2	Coil	
4	7021375	2	Nut, Coil	
5	7024925	1	Control Valve Assembly (Lift)	
5	7012773	1	Seal Kit - Valve	
5	7018991	2	Coil	
5	7021375	2	Nut, Coil	
6	70001976	1	Control Valve Assembly (Tele)	
6	7012773	1	Seal Kit - Valve	
6	7018991	2	Coil	
6	7021375	2	Nut, Coil	
7	7026007	5	Cartridge, Relief Valve (Swing/Lift Up/Lift Down/Tele In/Tele Out)	
7	7024574	1	Seal Kit - Cartridge	
12	7026000	1	Cartridge, Check Valve	
12	7011311	1	Seal Kit - Cartridge	
13	7026001	1	Cartridge, Check Valve	
13	7011311	1	Seal Kit - Cartridge	
14	7026002	1	Cartridge, Shuttle Valve	
14	2900770	1	Seal Kit - Cartridge	
15	7024570	1	Cartridge, Solenoid Valve (Aux Lift Down Select)	
15	70001930	1	Seal Kit - Cartridge	
15	7024571	1	Coil	
16	7026003	1	Cartridge, Pilot Valve	
16	7026004	1	Seal Kit - Cartridge	
17	7026005	1	Cartridge, Solenoid Valve (Aux Lift Down)	
17	7026006	1	Seal Kit - Cartridge	
17	7024571	1	Coil	
18	7026008	1	Cartridge, Check Valve	
18	7011346	1	Seal Kit - Cartridge	
19	7018942	12	Capscrew #10 x 2	
20	7026016	1	Cartridge, Valve	
20	7011346	1	Seal Kit - Cartridge	
21	70002759	1	Plug with O-Ring (Valve p/n 4641222 Only)	
	1001270105	Ref	Main Valve Assembly (Fitting Information)	A
101	2111216	1	Fitting, Straight	
102	2130606	1	Fitting, Elbow	
103	2110606	3	Fitting, Straight	
104	2110808	1	Fitting, Straight	
105	2170316	1	Fitting, Tee	

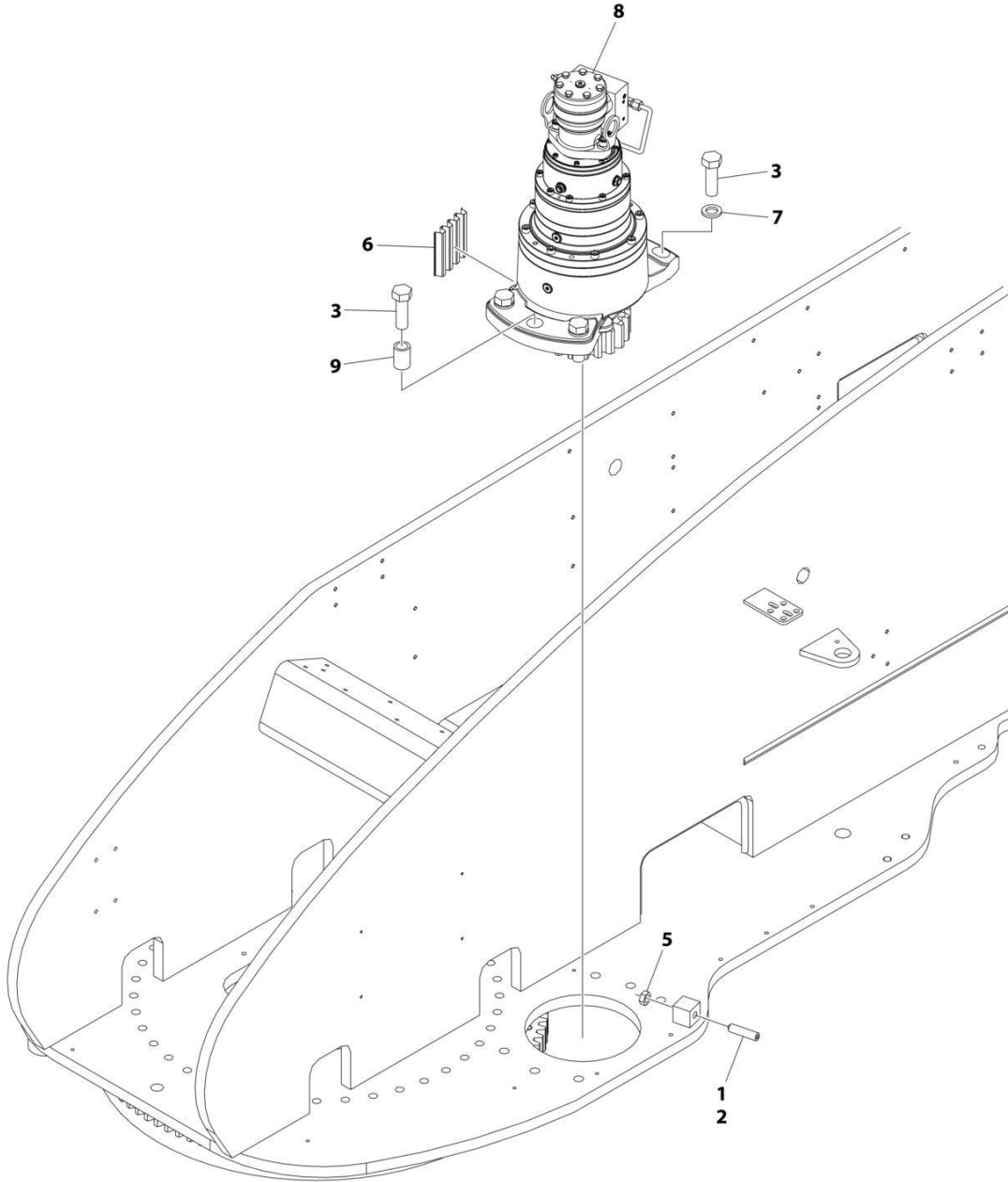
## SECTION 2 - TURNTABLE

ITEM	PART NUMBER	QTY	DESCRIPTION	REV
106	2131012	1	Fitting, Elbow	
107	2110406	1	Fitting, Straight	
108	2110408	1	Fitting, Straight	
109	2110810	2	Fitting, Straight	
110	2111010	2	Fitting, Straight	
111	2110608	1	Fitting, Straight	
112	2220890	1	Plug	
113	70002760	1	Plug	
114	2221086	6	Check, Pressure	
115	70002758	2	Fitting, Plug	
116	70002759	1	Plug with O-Ring	



# SECTION 2 - TURNTABLE

## FIGURE 2-6. SWING DRIVE INSTALLATION



ART\_1001228617

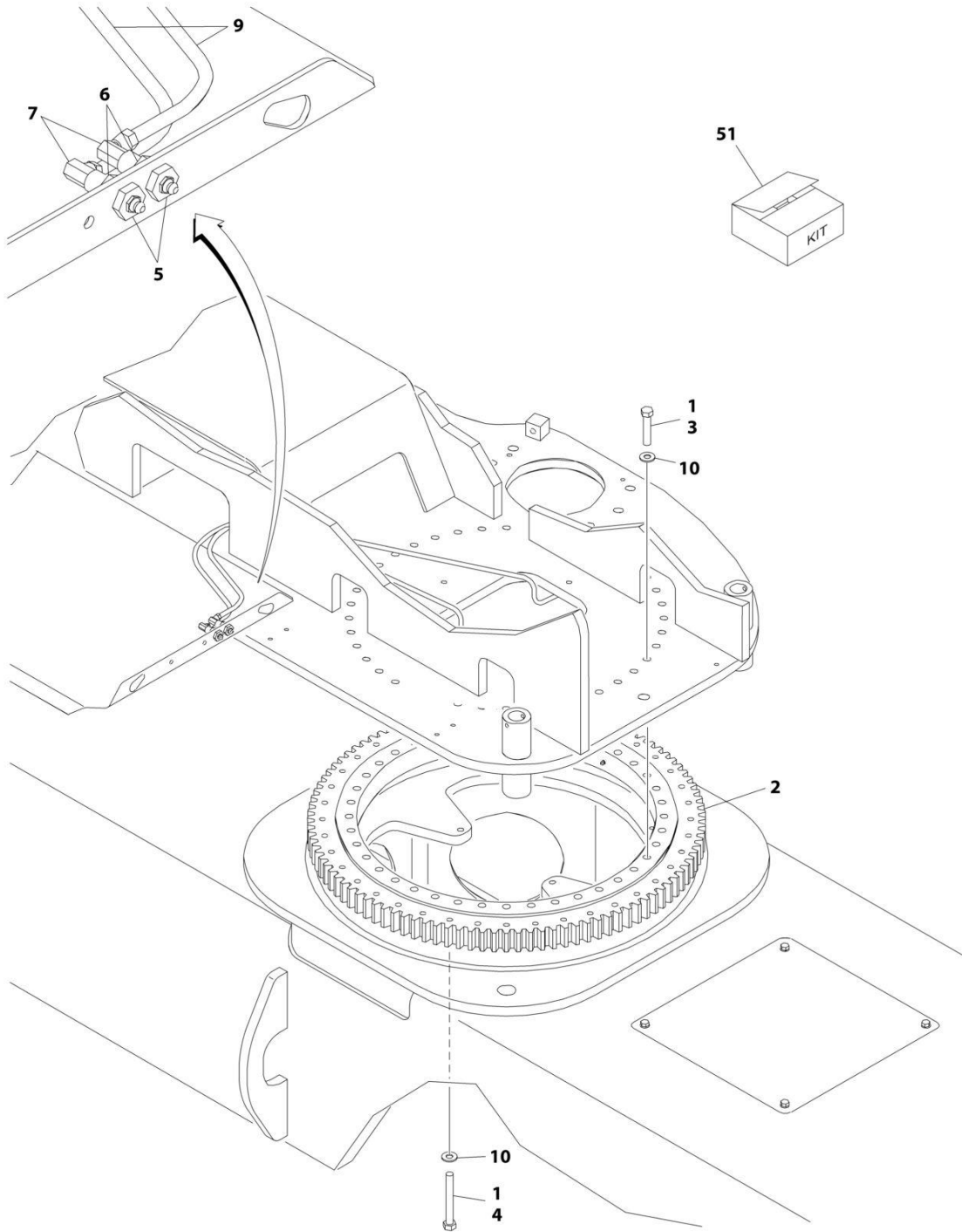
**SECTION 2 - TURNTABLE**

**FIGURE 2-6. SWING DRIVE INSTALLATION**

<b>ITEM</b>	<b>PART NUMBER</b>	<b>QTY</b>	<b>DESCRIPTION</b>	<b>REV</b>
	1001228617	Ref	SWING DRIVE INSTALLATION	E
1	0100019	AR	Compound, Locking	
2	3952020	1	Setscrew 5/8 x 2-1/2	
3	0682422	6	Bolt 7/8 x 2-3/4 Grade 8	
5	3312002	1	Nut 5/8	
6	4071041	1	Shim	
7	4892400	5	Washer 7/8	
8	1001228488	1	Swing Motor/Hub Assembly (See Separate Breakdown in this Section)	
9	1001229058	1	Sleeve	

# SECTION 2 - TURNTABLE

## FIGURE 2-7. TURNTABLE BEARING AND LUBE INSTALLATION



ART\_0271512

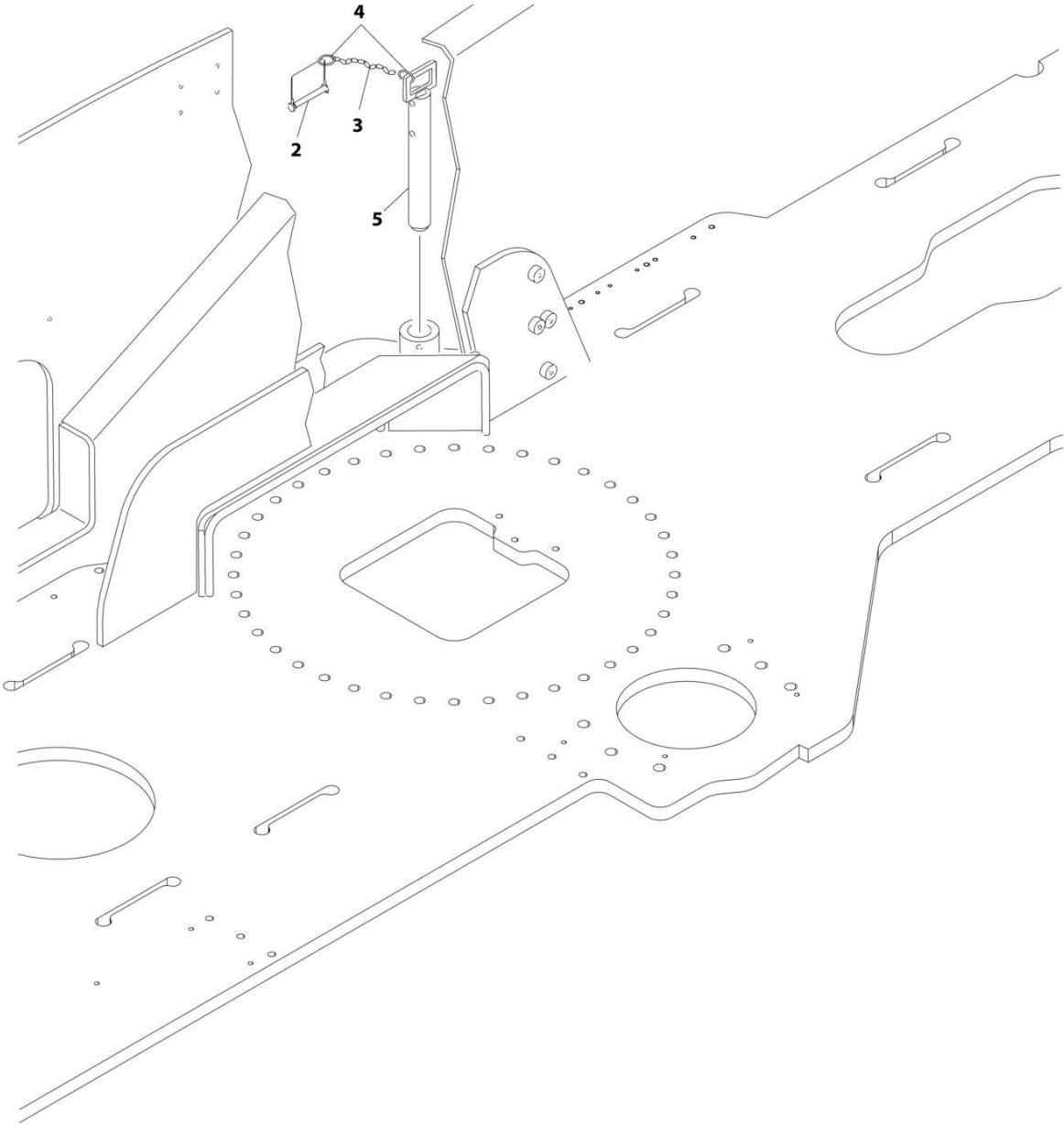
**SECTION 2 - TURNTABLE**

**FIGURE 2-7. TURNTABLE BEARING AND LUBE INSTALLATION**

<b>ITEM</b>	<b>PART NUMBER</b>	<b>QTY</b>	<b>DESCRIPTION</b>	<b>REV</b>
	0271512	Ref	TURNTABLE BEARING AND LUBE INSTALLATION	B
1	0100019	AR	Compound, Locking	
2	0440251	1	Bearing, Turntable	
3	0682026	40	Bolt 5/8 x 3-1/4 Grade 8	
4	0682040	40	Bolt 5/8 x 5 Grade 8	
5	2160002	2	Fitting, Grease	
6	2180344	2	Fitting, Bulkhead	
7	2220063	2	Fitting, Adapter	
9	2750528	2	Hose	
10	4892000	80	Washer 5/8	
51	2915072	1	Bearing Kit (Includes Items 2, 3, 4 & 10)	

# SECTION 2 - TURNTABLE

## FIGURE 2-8. TURNTABLE LOCK INSTALLATION



ART\_0239842



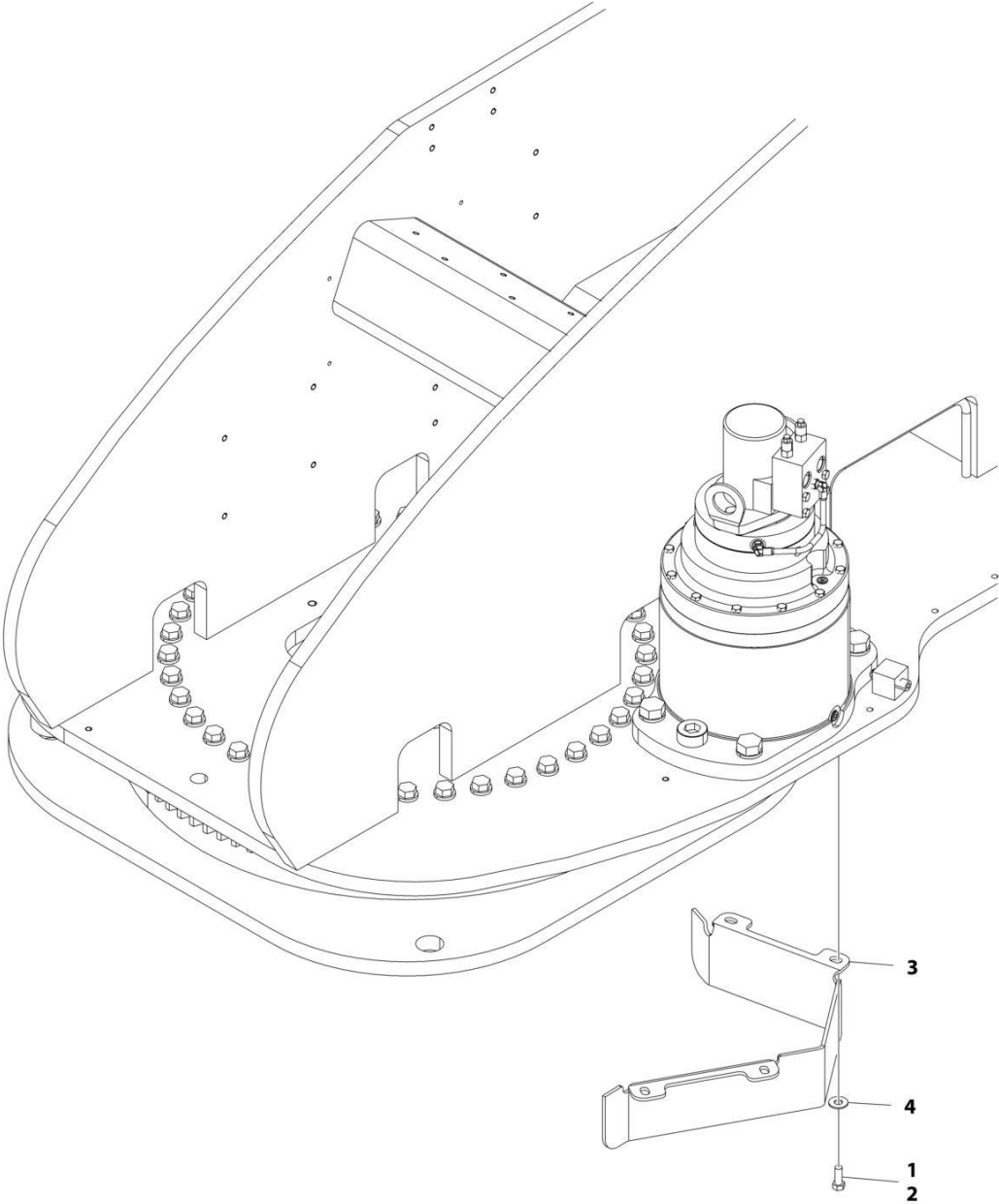
**SECTION 2 - TURNTABLE**

**FIGURE 2-8. TURNTABLE LOCK INSTALLATION**

<b>ITEM</b>	<b>PART NUMBER</b>	<b>QTY</b>	<b>DESCRIPTION</b>	<b>REV</b>
	0239842	Ref	TURNTABLE LOCK INSTALLATION	B
2	3421565	1	Pin, Snap	
3	1260017	9 in/23cm	Chain - #3	
4	3760170	2	Ring, Quick Release	
5	3421563	1	Pin, Turntable Lock	

**SECTION 2 - TURNTABLE**

**FIGURE 2-9. PINION SHIELD INSTALLATION**



ART\_0271874

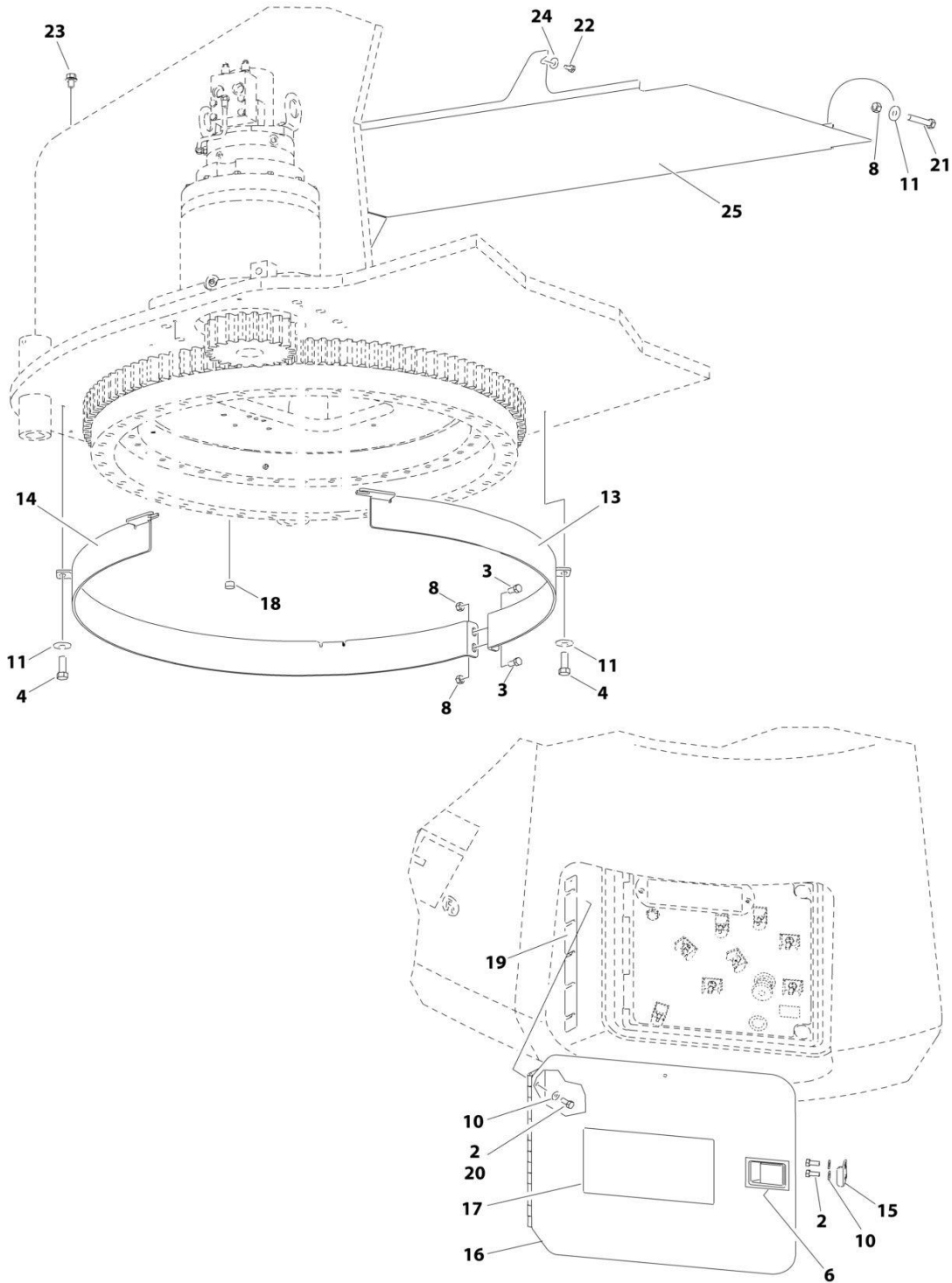
**SECTION 2 - TURNTABLE**

**FIGURE 2-9. PINION SHIELD INSTALLATION**

<b>ITEM</b>	<b>PART NUMBER</b>	<b>QTY</b>	<b>DESCRIPTION</b>	<b>REV</b>
	0271874	Ref	PINION SHIELD INSTALLATION	A
1	0100011	AR	Compound, Locking	
2	0641608	4	Bolt 3/8 x 1	
3	3573355	1	Plate, Pinion	
4	4751600	4	Washer 3/8	

# SECTION 2 - TURNTABLE

## FIGURE 2-10. EXTREME HOSTILE PACKAGE INSTALLATION (OPTIONAL)



ART\_1001111219

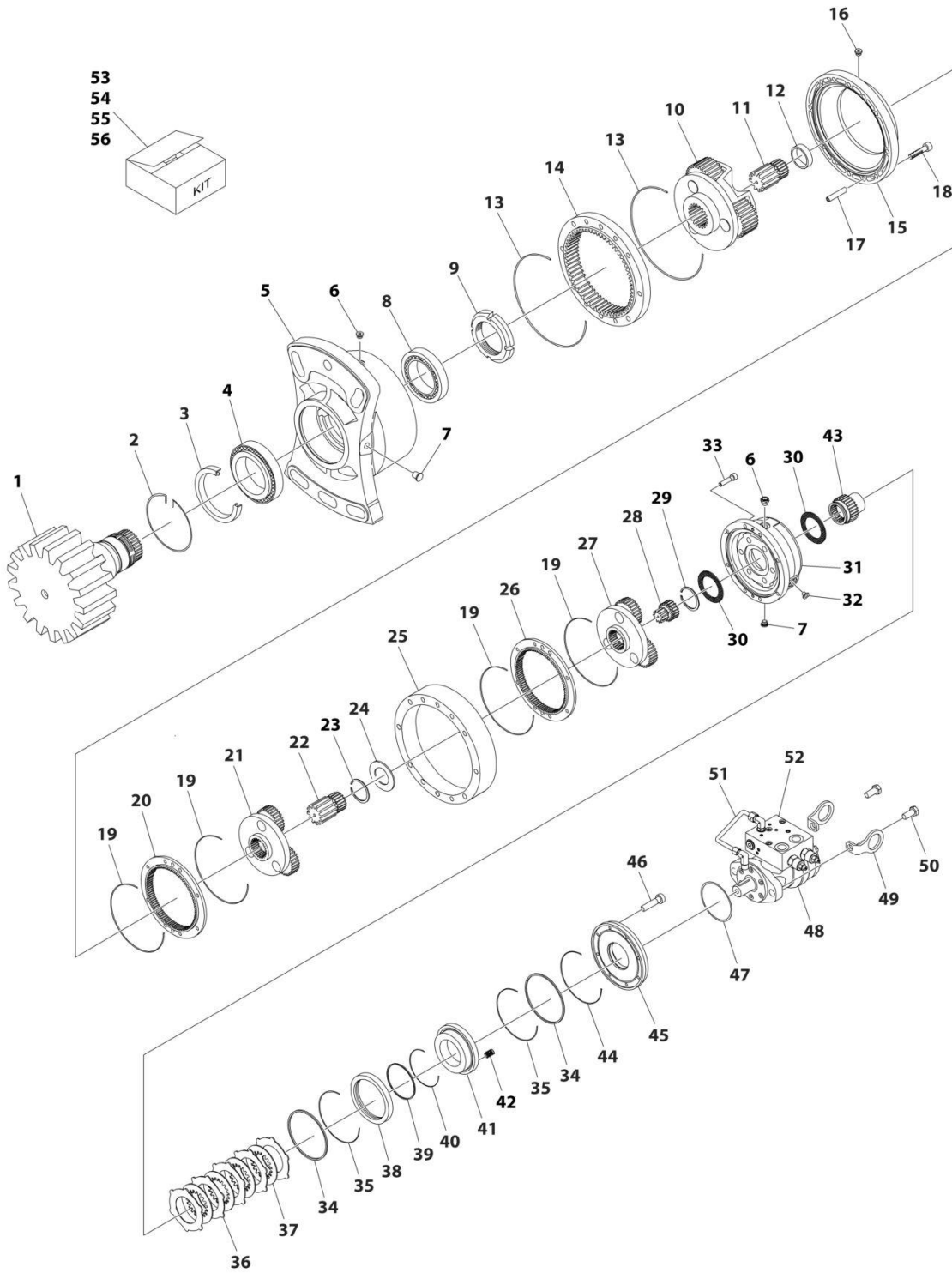
**SECTION 2 - TURNTABLE**

**FIGURE 2-10. EXTREME HOSTILE PACKAGE INSTALLATION (OPTIONAL)**

ITEM	PART NUMBER	QTY	DESCRIPTION	REV
	1001111219	Ref	EXTREME HOSTILE PACKAGE INSTALLATION (OPTIONAL)	G
2	0641506	5	Bolt 5/16 x 3/4	
3	0641606	2	Bolt 3/8 x 3/4	
4	0641608	3	Bolt 3/8 x 1	
6	2940045	1	Latch, Paddle	
8	3311605	AR	Nut 3/8	
10	4711500	7	Washer 5/16	
11	4751600	AR	Washer 3/8	
12	1001110940	1	Filter, Hydraulic Tank (Not Shown)	
13	1001111175	1	Plate, Bearing Cover	
14	1001111176	1	Plate, Bearing Cover	
15	1001112911	1	Plate, Striker	
16	1001111193	1	Door	
17	1001113173	1	Decal - Emergency Stop	
18	1001114392	1	Plug, Rubber	
19	1001115168	1	Shim	
20	0100011	AR	Compound, Locking	
21	0630511	1	Bolt 3/8 x 2	
22	0641404	1	Bolt 1/4 x 1/2	
23	0791604	2	Bolt 3/8 x 1/2	
24	4751400	1	Washer 1/4	
25	1001115440	1	Shield, Turntable	

# SECTION 2 - TURNTABLE

## FIGURE 2-11. SWING MOTOR/HUB ASSEMBLY



ART\_1001228488

## SECTION 2 - TURNTABLE

**FIGURE 2-11. SWING MOTOR/HUB ASSEMBLY**

ITEM	PART NUMBER	QTY	DESCRIPTION	REV
	1001228488	Ref	SWING MOTOR/HUB ASSEMBLY	B
1	See Note	NSS	Shaft (Note: Use Item 56)	
2	70004467	1	Ring	
3	See Note	NSS	Seal, Oil (Note: Use Item 53)	
4	See Note	NSS	Bearing (Note: Use Item 55)	
5	See Note	NSS	Support, Output (Note: Not Available for Purchase)	
6	70002057	5	Plug with O-Ring	
7	70004469	2	Plug with O-Ring	
8	See Note	NSS	Bearing (Note: Use Item 55)	
9	See Note	NSS	Nut, Ring (Note: Use Item 56)	
10	70006986	1	Reduction, Gear - Complete	
11	70006987	1	Pinion	
12	70004477	1	Spacer	
13	See Note	NSS	O-Ring (Note: Use Item 53)	
14	70004474	1	Ring, Planetary	
15	70006988	1	Spacer	
16	70002057	2	Plug with O-Ring	
17	70006989	4	Pin, Spring	
18	70004480	8	Capscrew M10 x 55	
19	See Note	NSS	O-Ring (Note: Use Item 53)	
20	70006990	1	Ring, Planetary	
21	70006991	1	Reduction, Gear - Complete	
22	70006992	1	Pinion	
23	70002032	1	Ring	
24	70006993	1	Spacer	
25	70006994	1	Spacer	
26	70004481	1	Ring, Planetary	
27	70006995	1	Reduction, Gear - Complete	
28	70006996	1	Pinion	
29	70006997	1	Ring	
30	70006998	2	Washer	
31	See Note	NSS	Housing, Brake (Note: Not Available for Purchase)	
32	70006999	1	Plug	
33	70007000	8	Capscrew M8 x 90	
34	See Note	NSS	Seal (Note: Use Item 53 or 54)	
35	See Note	NSS	O-Ring (Note: Use Item 53 or 54)	
36	See Note	NSS	Disc, Steel (Note: Use Item 54)	
37	See Note	NSS	Disc (Note: Use Item 54)	
38	70005317	1	Spacer	
39	See Note	NSS	Seal (Note: Use Item 53 or 54)	
40	See Note	NSS	O-Ring (Note: Use Item 53 or 54)	
41	70005318	1	Piston, Brake	
42	See Note	NSS	Spring, Brake (Note: Use Item 54)	
43	70007001	1	Shaft, Input	
44	See Note	NSS	O-Ring (Note: Use Item 53 or 54)	
45	70007002	1	Cover	
46	70007003	8	Screw M6 x 25	
47	See Note	NSS	O-Ring (Note: Use Item 53)	
48	70007009	1	Motor	
48	70007011	1	Seal Kit	

## SECTION 2 - TURNTABLE

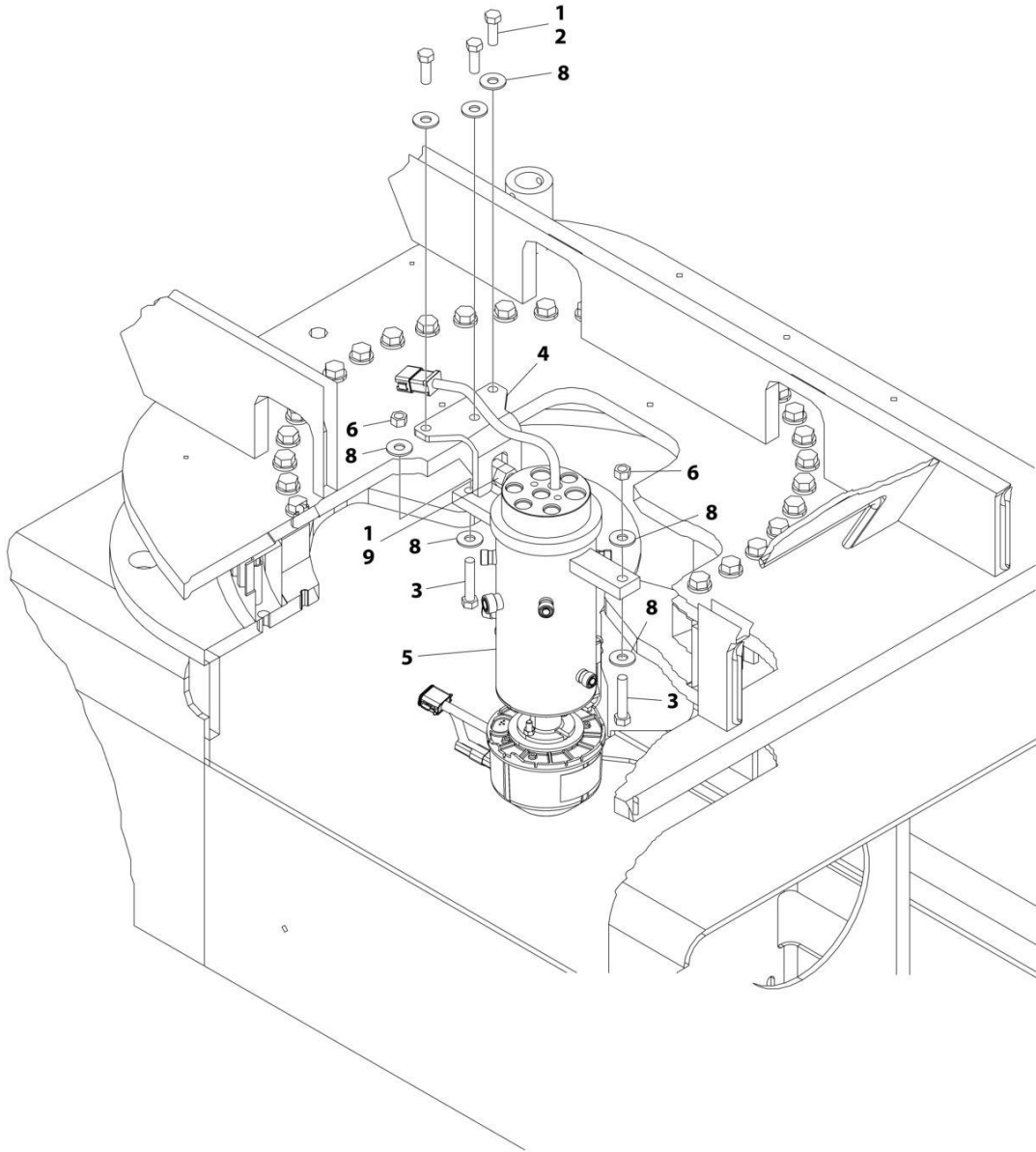
ITEM	PART NUMBER	QTY	DESCRIPTION	REV
49	See Note	NSS	Lug, Lifting (Note: Not Available for Purchase)	
50	70004494	2	Capscrew M12 x 35	
51	70007004	1	Brake, Valve Adapter	
52	70007010	1	Valve	
52	70007012	1	Seal Kit	
52	70007013	1	Hardware Kit	
53	70007005	1	Seal Kit – Brake and Hub (Includes Items 3, 13, 19, 34, 35, 39, 40, 44 & 47)	
54	70007006	1	Seal Kit – Brake (Includes Items 34-37, 39, 40, 42 & 44)	
55	70007007	1	Bearing Kit (Includes Items 4 & 8)	
56	70007008	1	Output Shaft Kit (Includes Items 1 & 9)	





## SECTION 2 - TURNTABLE

FIGURE 2-12. ROTARY COUPLING AND COLLECTOR RING INSTALLATION (ROTARY COUPLING WITH SN PLATE)



ART\_0271688\_F

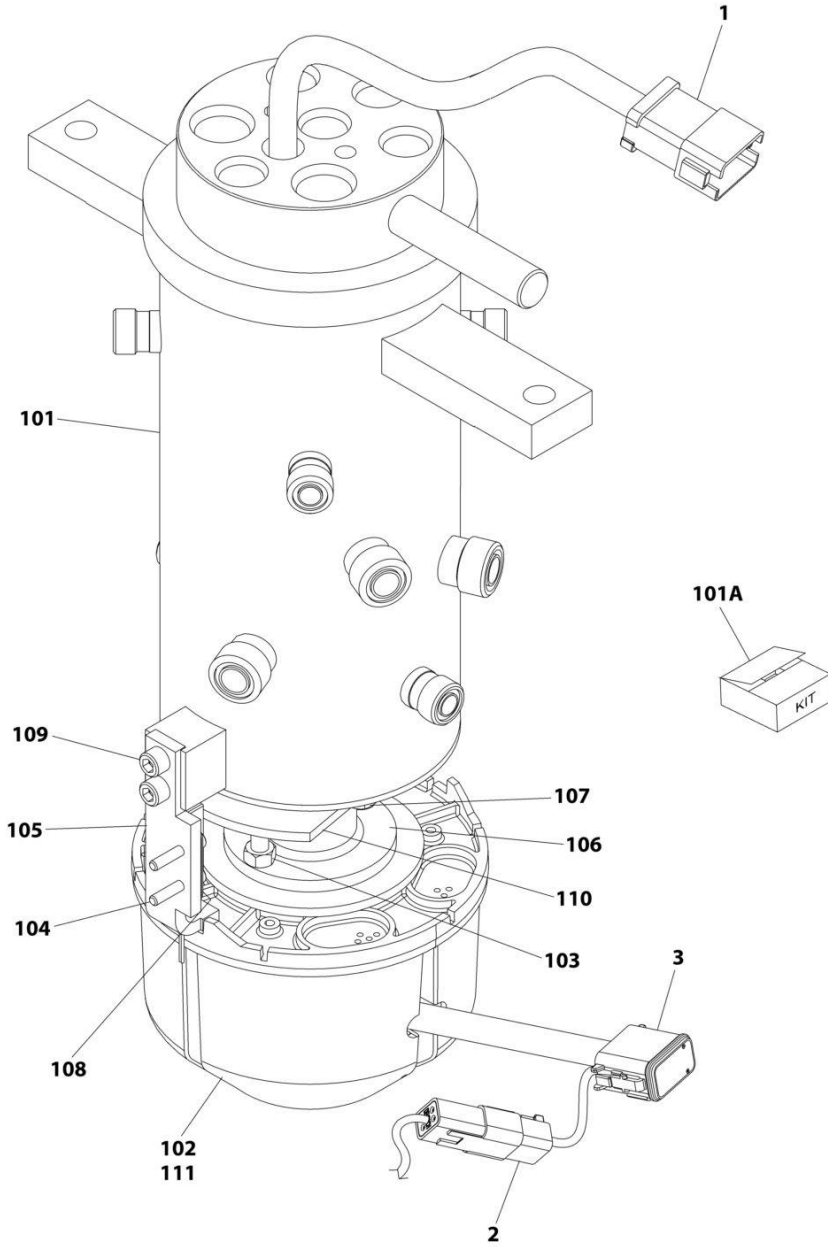
## SECTION 2 - TURNTABLE

**FIGURE 2-12. ROTARY COUPLING AND COLLECTOR RING INSTALLATION (ROTARY COUPLING WITH SN PLATE)**

ITEM	PART NUMBER	QTY	DESCRIPTION	REV
	0271688	Ref	ROTARY COUPLING AND COLLECTOR RING INSTALLATION	F
1	0100011	AR	Compound, Locking	
2	0641812	3	Bolt 1/2 x 1-1/2	
3	0641820	2	Bolt 1/2 x 2-1/2	
4	0902915	1	Bracket, Swivel	
5	1001278607	1	Rotary Coupling and Collector Ring Assembly (See Separate Breakdown in this Section)	
6	3311805	2	Nut 1/2	
8	4751800	7	Washer 1/2	
9	3322201	2	Nut 3/4	

# SECTION 2 - TURNTABLE

## FIGURE 2-13. ROTARY COUPLING AND COLLECTOR RING ASSEMBLY



ART\_1001278607

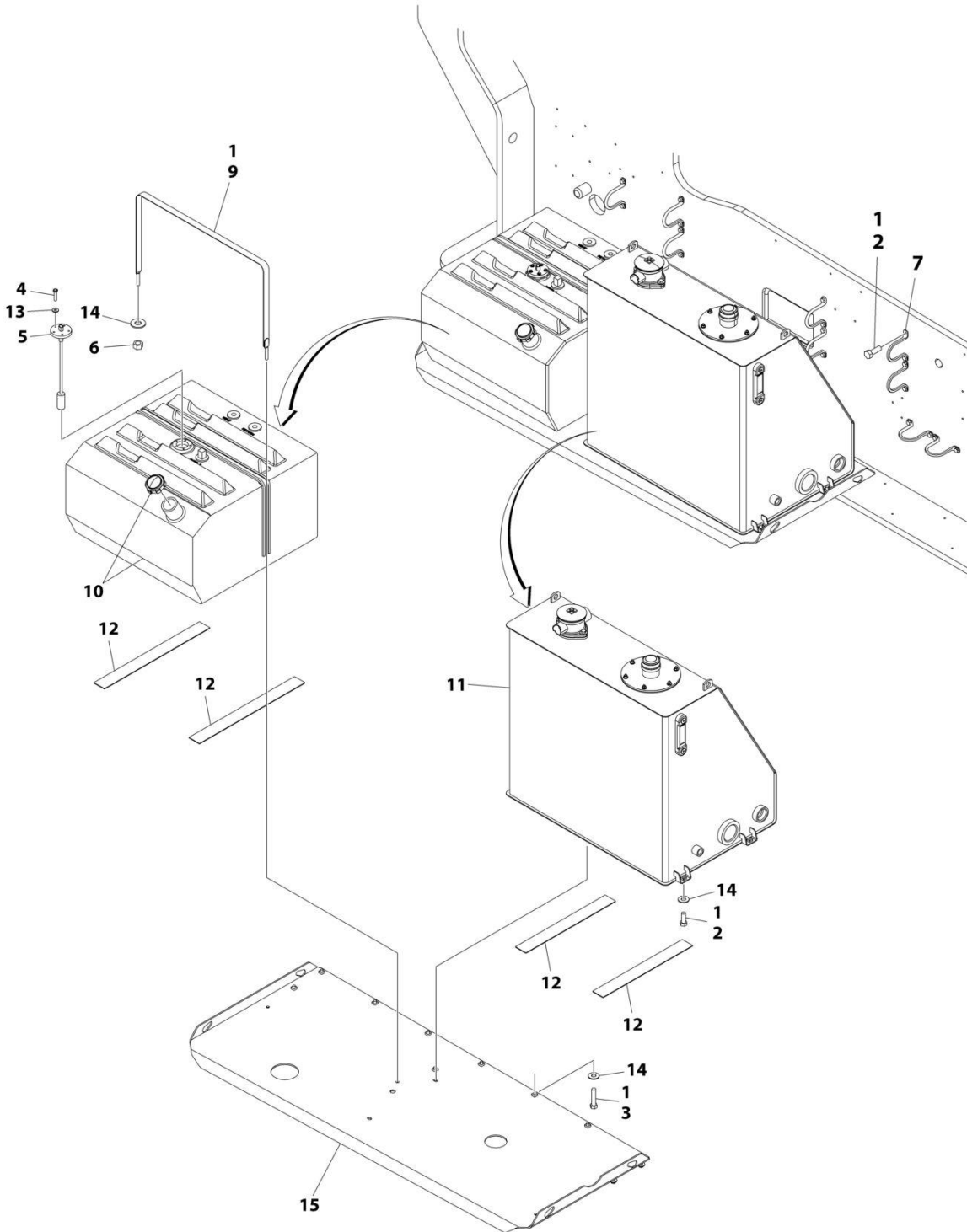
**SECTION 2 - TURNTABLE**

**FIGURE 2-13. ROTARY COUPLING AND COLLECTOR RING ASSEMBLY**

ITEM	PART NUMBER	QTY	DESCRIPTION	REV
	1001278607	Ref	ROTARY COUPLING AND COLLECTOR RING ASSEMBLY	A
1	4460950	1	Connector	
1	80363179	1	Wedge Lock	
2	4460884	1	Connector	
2	80604021	1	Wedge Lock	
3	4460836	1	Connector	
3	80604016	1	Wedge Lock	
3	4460944	3	Socket, Female (Gold)	
3	4640465	7	Socket, Female	
3	4460466	2	Seal, Plug	
101	70001102	1	Rotary Coupling Assembly	
101A	70001101	1	Seal Kit - 70001102 Coupling	
102	70008359	1	Collector Ring Assembly	
103	70008360	2	Nut 5/16	
104	70007510	2	Capscrew #10 x 1/2	
105	70008361	1	Arm	
106	70008362	1	Adaptor, Spool	
107	70008363	2	Bolt 5/16 x 1	
108	70008364	1	Sensor	
109	3931512	2	Capscrew 5/16 x 3/4	
110	70008365	1	Plate, Cam	
111	0100048	AR	Silicone	

# SECTION 2 - TURNTABLE

## FIGURE 2-14. TANK INSTALLATION - WITH ABS HOODS



ART\_0271572

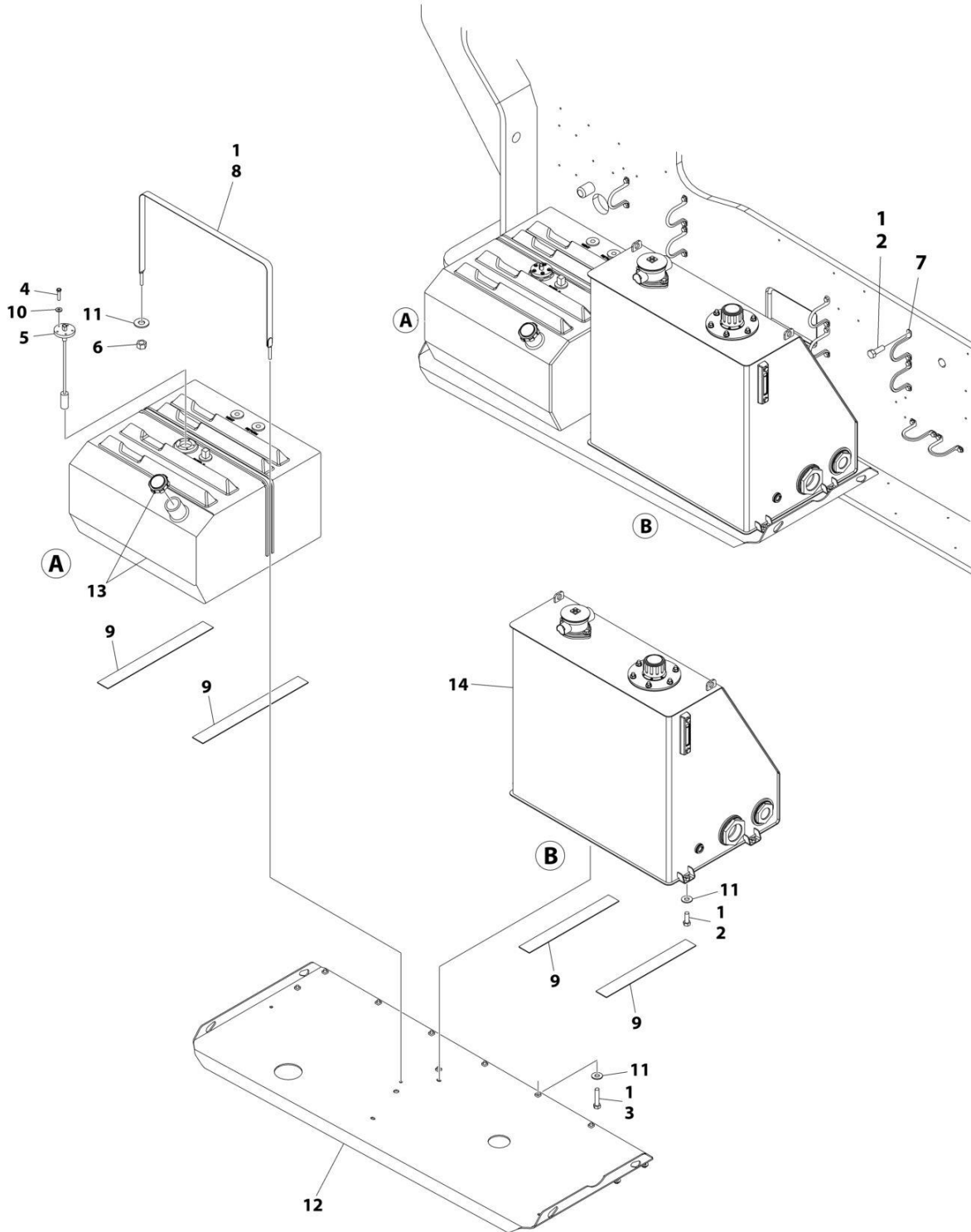
**SECTION 2 - TURNTABLE**

**FIGURE 2-14. TANK INSTALLATION - WITH ABS HOODS**

ITEM	PART NUMBER	QTY	DESCRIPTION	REV
	0271572	Ref	TANKS INSTALLATION - WITH ABS HOODS	C
1	0100011	AR	Compound, Locking	
2	0641608	22	Bolt 3/8 x 1	
3	0641614	10	Bolt 3/8 x 1-3/4	
4	0731007	5	Screw, Machine #10 x 7/8	
5	2420191	1	Gauge, Fuel	
6	3311601	2	Nut 3/8	
7	3841340	9	Loop, Hose	
9	4240139	1	Strap, Tank	
10	1001160567	1	Tank, Fuel	
10	70004414	1	Cap	
10	7020043	1	Tube, Pick up	
11	4400457	1	Tank, Hydraulic Oil (See Separate Breakdown in this Section)	
12	4420038	74 in /1.9m	Tape	
13	4751000	5	Washer #10	
14	4751600	16	Washer 3/8	
15	4846476	1	Tray	

## SECTION 2 - TURNTABLE

FIGURE 2-15. TANK INSTALLATION - WITH ABS HOOS (CE & UK CA SPEC) (MACHINES WITH SN STARTING WITH B3) (SN B300024386 to Present, Including B300024293)



ART\_1001302539



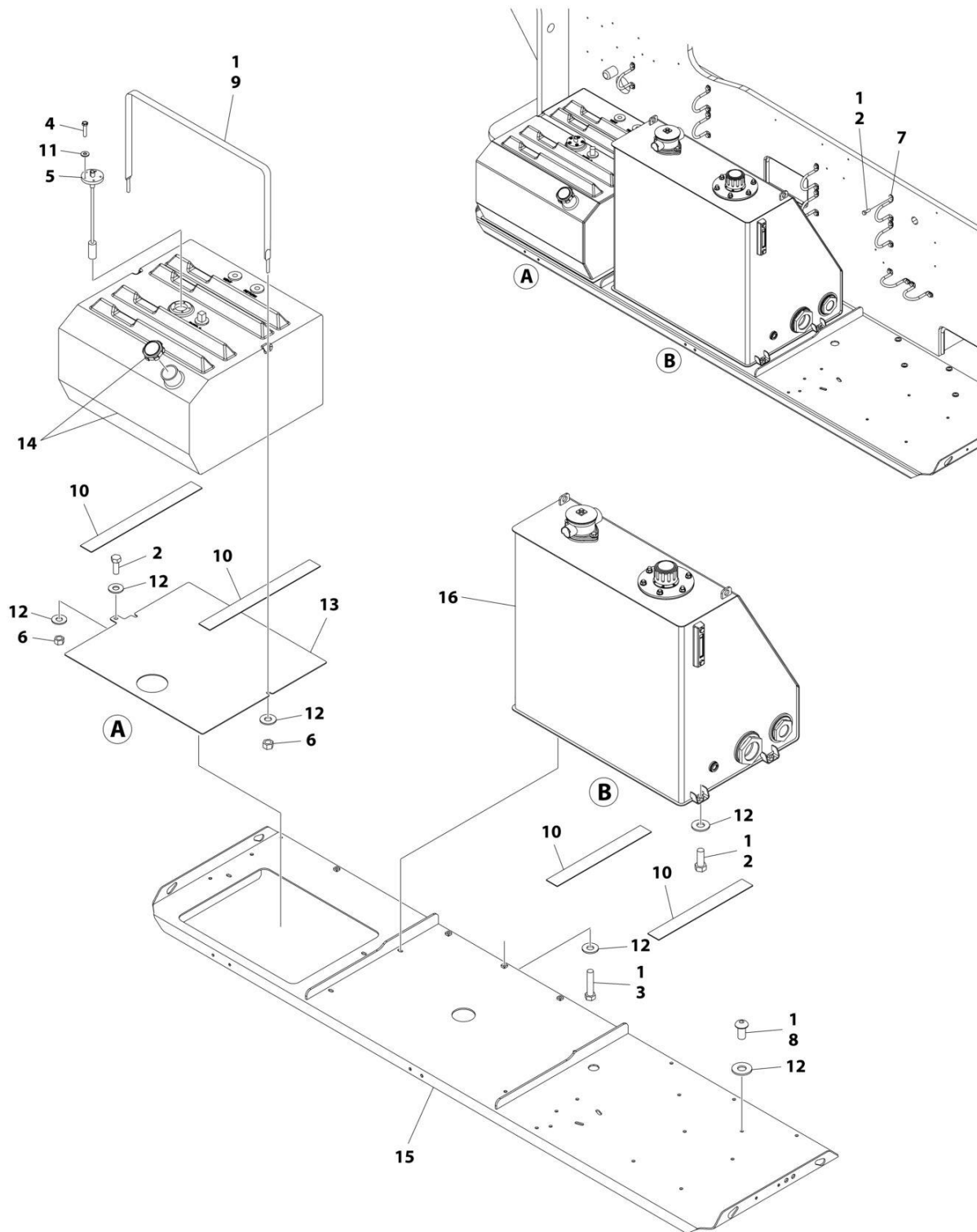
**SECTION 2 - TURNTABLE**

**FIGURE 2-15. TANK INSTALLATION - WITH ABS HOOS (CE & UK CA SPEC) (MACHINES WITH SN STARTING WITH B3) (SN B300024386 to Present, Including B300024293)**

ITEM	PART NUMBER	QTY	DESCRIPTION	REV
	1001302539	Ref	TANK INSTALLATION WITH ABS HOODS	A
1	0100011	AR	Compound, Locking	
2	0641608	22	Bolt 3/8 x 1	
3	0641614	10	Bolt 3/8 x 1-3/4	
4	0731007	5	Screw, Machine #10 x 7/8	
5	2420191	1	Gauge, Fuel	
6	3311601	2	Nut 3/8	
7	3841340	9	Loop, Hose	
8	4240139	1	Strap, Tank	
9	4420038	6 ft /2m	Tape	
10	4751000	5	Washer #10	
11	4751600	16	Washer 3/8	
12	4846476	1	Tray	
13	1001160567	1	Tank, Fuel	
13	70004414	1	Cap	
13	7020043	1	Tube, Pick up	
14	1001294878	1	Tank, Hydraulic Oil (See Separate Breakdown in this Section)	

## SECTION 2 - TURNTABLE

FIGURE 2-16. TANK INSTALLATION - WITH STEEL HOOS (MACHINES WITH SN STARTING WITH B3)  
(SN B300024386 to Present, Including B300024293)



ART\_1001302540

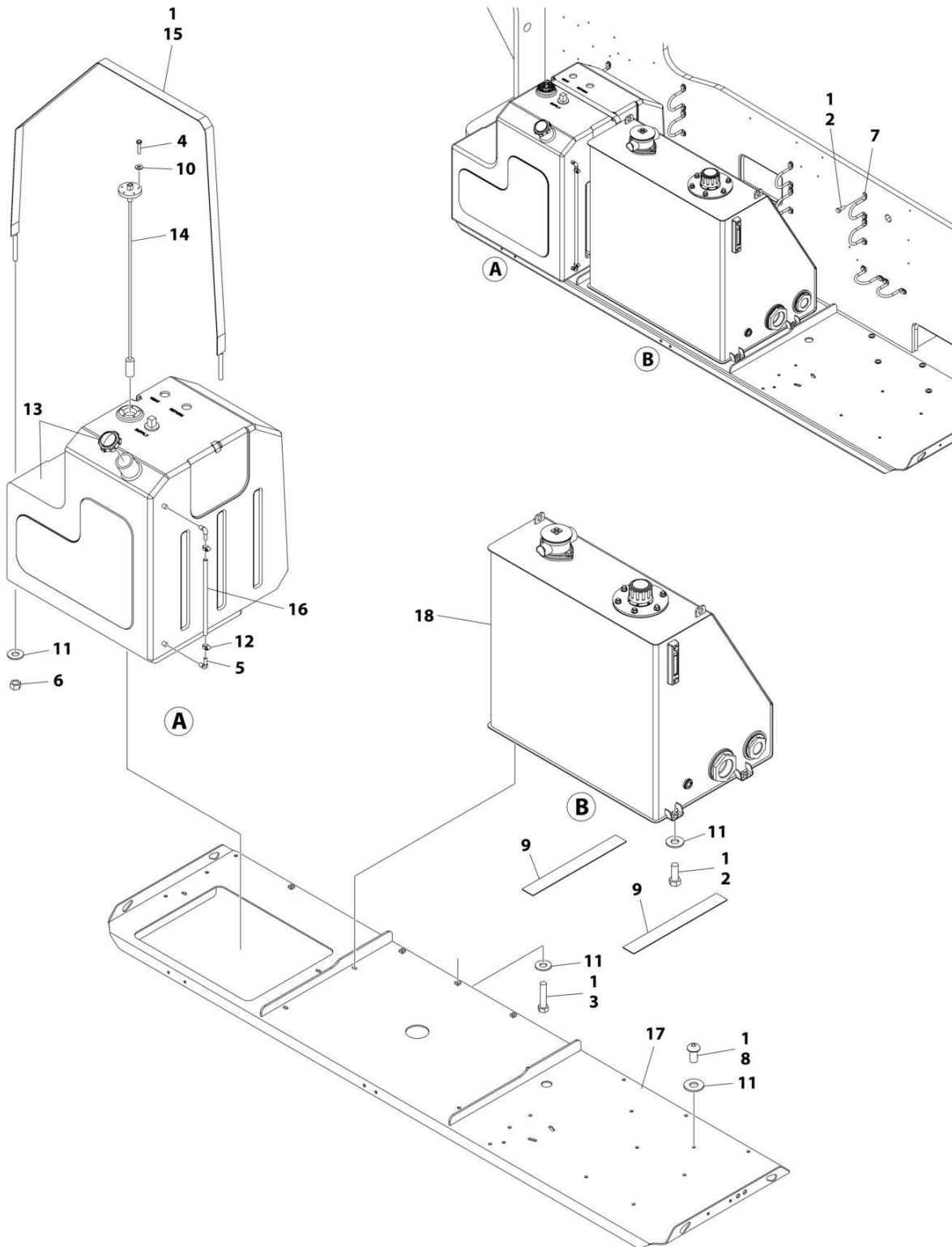
## SECTION 2 - TURNTABLE

**FIGURE 2-16. TANK INSTALLATION - WITH STEEL HOOS (MACHINES WITH SN STARTING WITH B3)  
(SN B300024386 to Present, Including B300024293)**

ITEM	PART NUMBER	QTY	DESCRIPTION	REV
	1001302540	Ref	TANK INSTALLATION - WITH STEEL HOODS	A
1	0100011	AR	Compound, Locking	
2	0641608	23	Bolt 3/8 x 1	
3	0641614	10	Bolt 3/8 x 1-3/4	
4	0731007	5	Screw, Machine #10 x 7/8	
5	2420191	1	Gauge, Fuel	
6	3311601	3	Nut 3/8	
7	3841340	9	Loop, Hose	
8	3900283	6	Screw 3/8 x 3/4	
9	4240139	1	Strap, Tank	
10	4420038	6 ft /2m	Tape	
11	4751000	5	Washer #10	
12	4751600	24	Washer 3/8	
13	1001107359	1	Plate, Support	
14	1001160567	1	Tank, Fuel	
14	70004414	1	Cap	
14	7020043	1	Tube, Pick up	
15	1001173171	1	Tray	
16	1001294878	1	Tank, Hydraulic Oil (See Separate Breakdown in this Section)	

## SECTION 2 - TURNTABLE

FIGURE 2-17. TANK INSTALLATION - WITH STEEL HOOS AND 200L TANK (MACHINES WITH SN STARTING WITH B3) (SN B300024386 to Present, Including B300024293)



ART\_1001302541

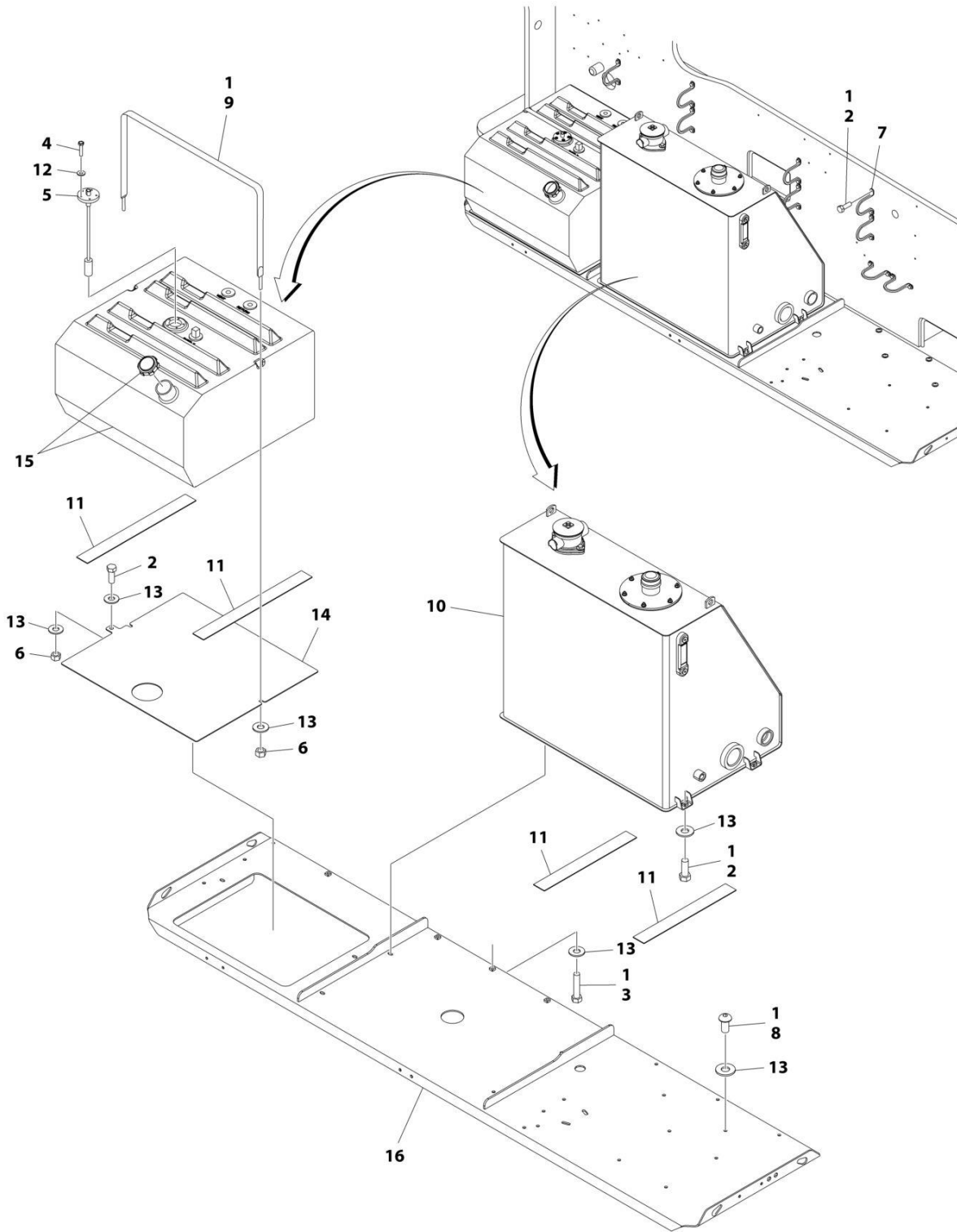
## SECTION 2 - TURNTABLE

**FIGURE 2-17. TANK INSTALLATION - WITH STEEL HOOS AND 200L TANK (MACHINES WITH SN STARTING WITH B3) (SN B300024386 to Present, Including B300024293)**

ITEM	PART NUMBER	QTY	DESCRIPTION	REV
	1001302541	Ref	TANK INSTALLATION - WITH STEEL HOODS	A
1	0100011	AR	Compound, Locking	
2	0641608	22	Bolt 3/8 x 1	
3	0641614	10	Bolt 3/8 x 1-3/4	
4	0731007	5	Screw, Machine #10 x 7/8	
5	2180467	2	Fitting, Barb	
6	3311601	2	Nut 3/8	
7	3841340	9	Loop, Hose	
8	3900283	6	Screw 3/8 x 3/4	
9	4420038	6 ft /2m	Tape	
10	4751000	5	Washer #10	
11	4751600	22	Washer 3/8	
12	8405009	2	Clamp	
13	1001108579	1	Tank, Fuel	
13	7016314	1	Cap	
13	70004413	1	Tube, Pick up	
14	1001109048	1	Gauge, Fuel	
15	1001110059	1	Strap, Tank Mounting	
16	1001113103	20 in /50cm	Tube, Sight	
17	1001173171	1	Tray	
18	1001294878	1	Tank, Hydraulic Oil (See Separate Breakdown in this Section)	

# SECTION 2 - TURNTABLE

## FIGURE 2-18. TANK INSTALLATION - WITH STEEL HOODS



ART\_1001173915

**SECTION 2 - TURNTABLE**

**FIGURE 2-18. TANK INSTALLATION - WITH STEEL HOODS**

ITEM	PART NUMBER	QTY	DESCRIPTION	REV
	1001173915	Ref	TANKS INSTALLATION - WITH STEEL HOODS	C
1	0100011	AR	Compound, Locking	
2	0641608	23	Bolt 3/8 x 1	
3	0641614	10	Bolt 3/8 x 1-3/4	
4	0731007	5	Screw, Machine #10 x 7/8	
5	2420191	1	Gauge, Fuel	
6	3311601	3	Nut 3/8	
7	3841340	9	Loop, Hose	
8	3900283	6	Screw 3/8 x 3/4	
9	4240139	1	Strap, Tank	
10	4400457	1	Tank, Hydraulic Oil (See Separate Breakdown in this Section)	
11	4420038	74 in /1.9m	Tape	
12	4751000	5	Washer #10	
13	4751600	24	Washer 3/8	
14	1001107359	1	Plate, Support	
15	1001160567	1	Tank, Fuel	
15	70004414	1	Cap	
15	7020043	1	Tube, Pick up	
16	1001173171	1	Tray	





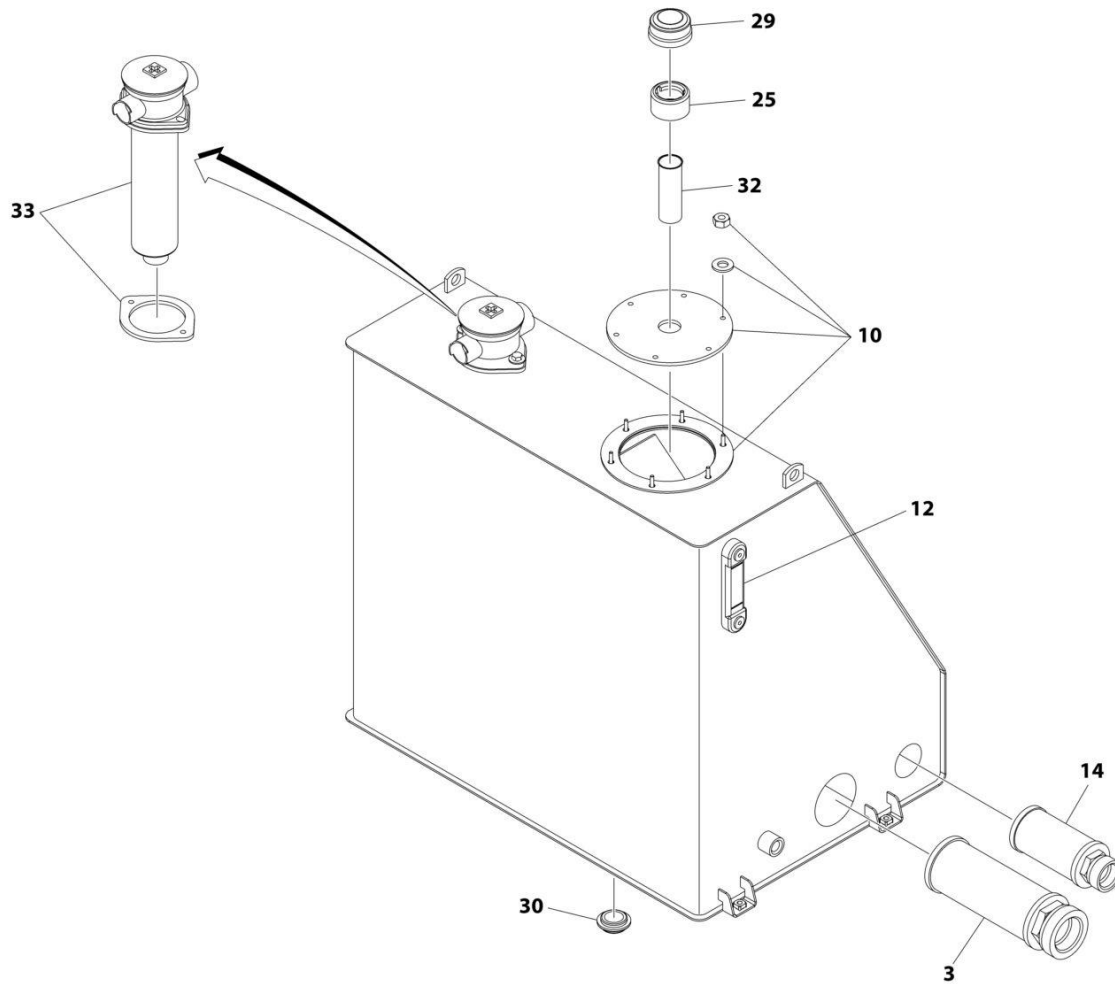
## SECTION 2 - TURNTABLE

**FIGURE 2-19. TANK INSTALLATION - WITH STEEL HOODS AND 52.8 GAL/200 L FUEL TANK**

ITEM	PART NUMBER	QTY	DESCRIPTION	REV
	1001173918	Ref	TANKS INSTALLATION - WITH STEEL HOODS AND 52.8 GAL/200 L FUEL TANK	C
1	0100011	AR	Compound, Locking	
2	0641608	22	Bolt 3/8 x 1	
3	0641614	10	Bolt 3/8 x 1-3/4	
4	0731007	5	Screw, Machine #10 x 7/8	
5	2180467	2	Fitting, Barb	
6	3311601	2	Nut 3/8	
7	3841340	9	Loop, Hose	
8	3900283	6	Screw 3/8 x 3/4	
9	4400457	1	Tank, Hydraulic Oil (See Separate Breakdown in this Section)	
10	4420038	74 in/1.9m	Tape	
11	4751000	5	Washer #10	
12	4751600	22	Washer 3/8	
13	8405009	2	Clamp	
14	1001108579	1	Tank, Fuel	
14	7016314	1	Cap	
14	70004413	1	Tube, Pick up	
15	1001109048	1	Gauge, Fuel	
16	1001110059	1	Strap, Tank Mounting	
17	1001113103	19.5 in /0.5m	Tube, Sight	
18	1001173171	1	Tray	

# SECTION 2 - TURNTABLE

## FIGURE 2-20. HYDRAULIC OIL TANK ASSEMBLY



ART\_4400457

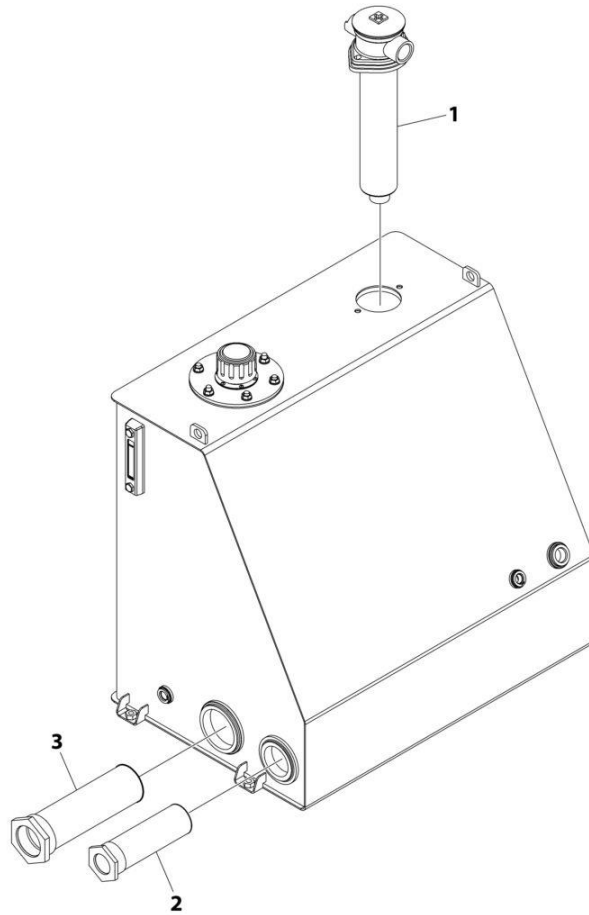
**SECTION 2 - TURNTABLE**

**FIGURE 2-20. HYDRAULIC OIL TANK ASSEMBLY**

<b>ITEM</b>	<b>PART NUMBER</b>	<b>QTY</b>	<b>DESCRIPTION</b>	<b>REV</b>
	4400457	Ref	HYDRAULIC OIL TANK ASSEMBLY	E
3	7026571	1	Strainer, Suction	
10	7024439	1	Cover	
10	7023306	1	Seal, Cover Plate	
10	7024440	1	Gasket	
12	7024441	1	Gauge, Sight	
14	7024442	1	Strainer	
25	7024445	1	Strainer (Filler Neck)	
29	7024444	1	Cap, Fill	
30	7024446	1	Plug, Magnetic	
32	7024443	1	Neck, Filler	
33	7024374	1	Filter, Hydraulic Oil	
33	7024375	1	Element, Filter	
33	7023347	1	Gasket, Filter Mounting Flange	

## SECTION 2 - TURNTABLE

FIGURE 2-21. HYDRAULIC OIL TANK ASSEMBLY (MACHINES WITH SN STARTING WITH B3) (SN B300024386 to Present, Including B300024293)



ART\_1001294878

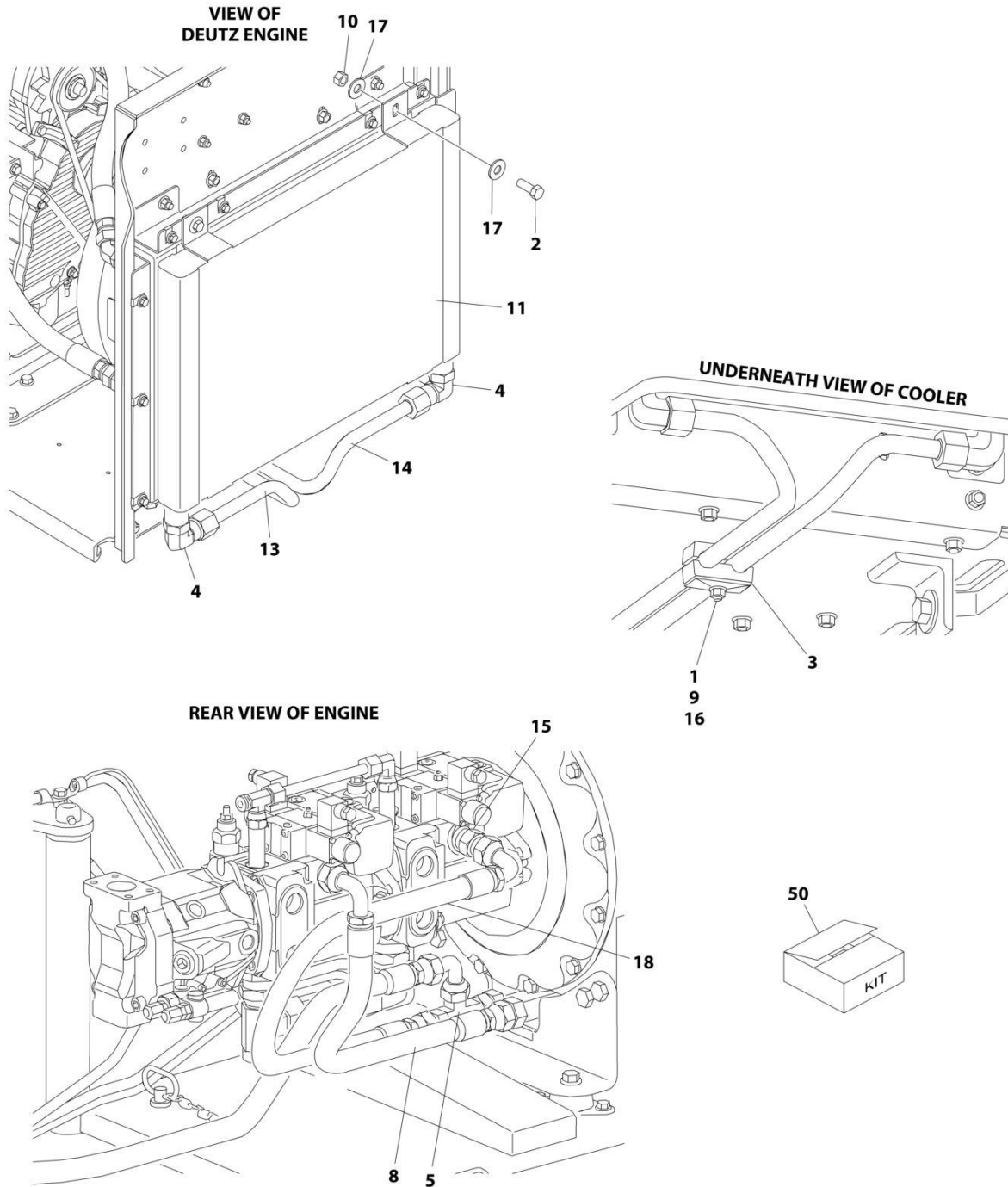
**SECTION 2 - TURNTABLE**

**FIGURE 2-21. HYDRAULIC OIL TANK ASSEMBLY (MACHINES WITH SN STARTING WITH B3) (SN B300024386 to Present, Including B300024293)**

<b>ITEM</b>	<b>PART NUMBER</b>	<b>QTY</b>	<b>DESCRIPTION</b>	<b>REV</b>
	1001294878	Ref	HYDRAULIC OIL TANK ASSEMBLY	A
1	1001147551	1	Filter	
2	1001299762	1	Filter	
3	1001299763	1	Filter	

## SECTION 2 - TURNTABLE

FIGURE 2-22. HYDRAULIC OIL COOLER INSTALLATION - DEUTZ TD2011 ENGINES WITH REXROTH PUMPS (OPTIONAL)



ART\_0272080

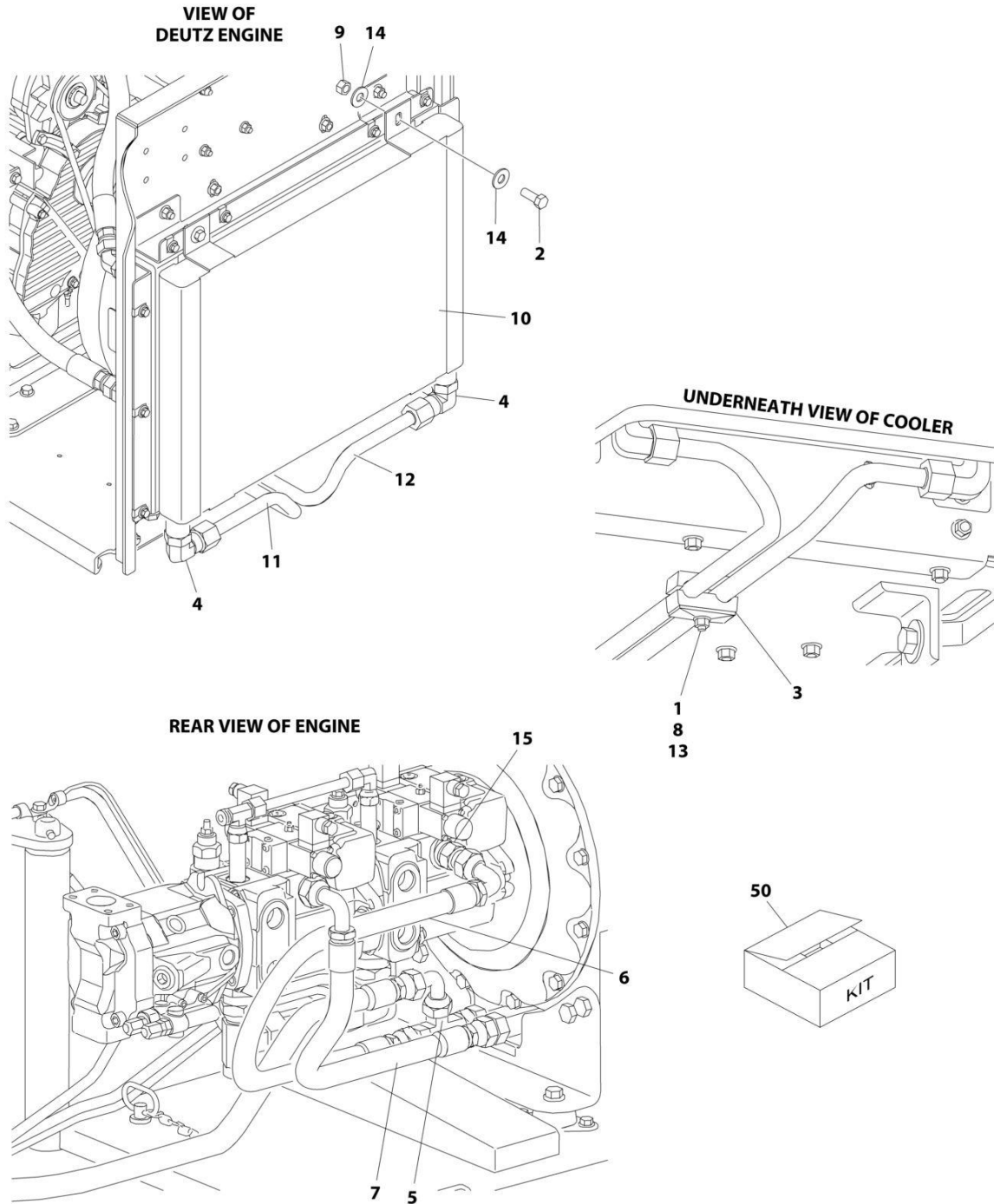
## SECTION 2 - TURNTABLE

**FIGURE 2-22. HYDRAULIC OIL COOLER INSTALLATION - DEUTZ TD2011 ENGINES WITH REXROTH PUMPS (OPTIONAL)**

ITEM	PART NUMBER	QTY	DESCRIPTION	REV
	0272080	Ref	HYDRAULIC OIL COOLER INSTALLATION - DEUTZ TD2011 ENGINES WITH REXROTH PUMPS (OPTIONAL)	B
		Ref	Note: See Engine Installation for Engine Oil Cooler.	
1	0641520	2	Bolt 5/16 x 2-1/2	
2	0641608	4	Bolt 3/8 x 1	
3	1320162	2	Clamp, Hose	
4	2131212	2	Fitting, Elbow	
5	2170712	1	Fitting, Tee	
8	2753778	1	Hose	
9	3311505	2	Nut 5/16	
10	3311605	4	Nut 3/8	
11	3620034	1	Cooler, Hydraulic Oil	
13	4568426	1	Tube	
14	4568427	1	Tube	
15	4641247	1	Valve, Check	
16	4711500	4	Washer 5/16	
17	4751600	8	Washer 3/8	
18	2753843	1	Hose	
50	1001120564	1	Oil Cooler Add-on Kit (Includes Items 1-18)	

## SECTION 2 - TURNTABLE

FIGURE 2-23. HYDRAULIC OIL COOLER INSTALLATION - DEUTZ TD2011 ENGINES WITH SAUER PUMPS (OPTIONAL)



ART\_1001118957



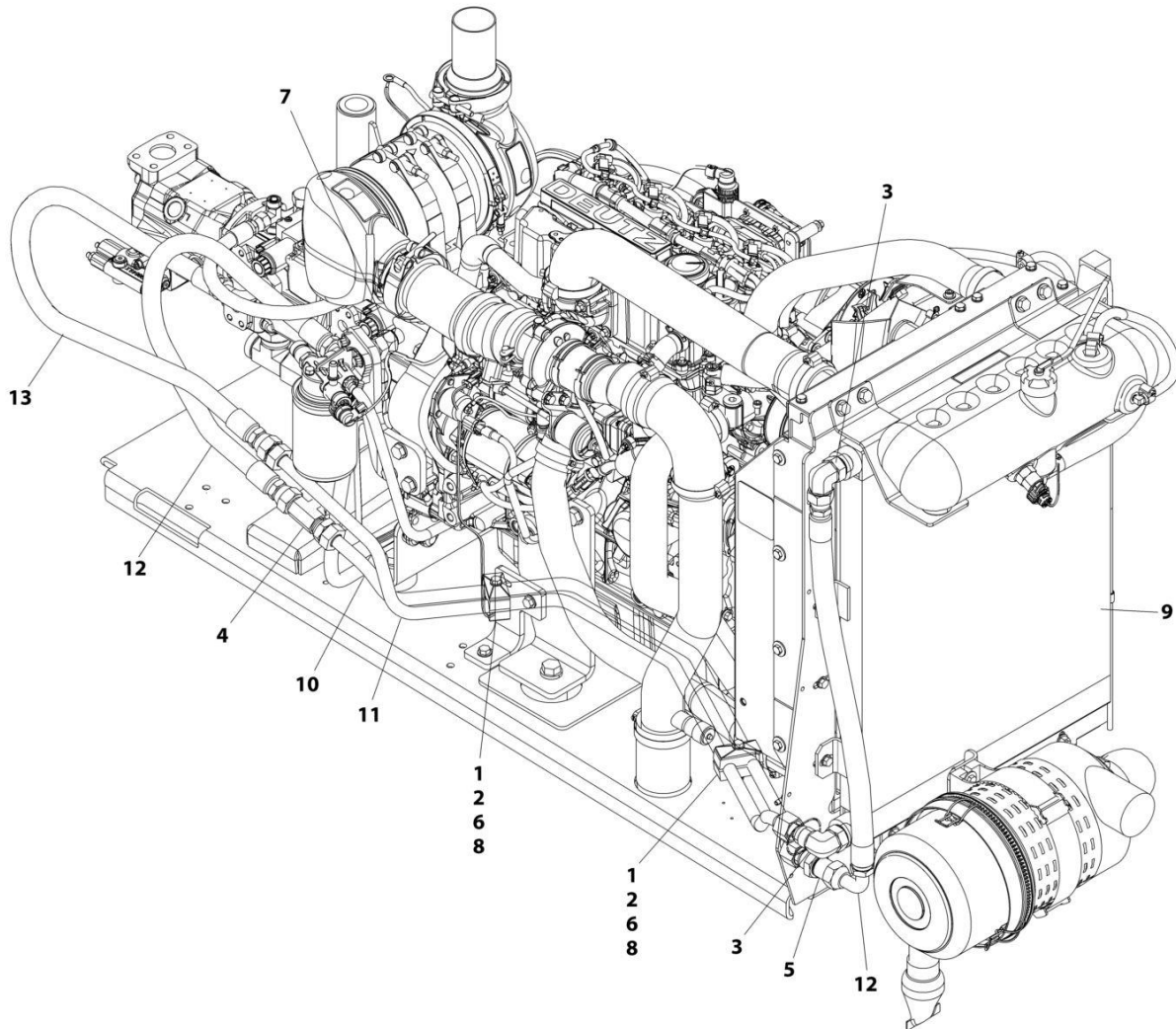
## SECTION 2 - TURNTABLE

**FIGURE 2-23. HYDRAULIC OIL COOLER INSTALLATION - DEUTZ TD2011 ENGINES WITH SAUER PUMPS (OPTIONAL)**

ITEM	PART NUMBER	QTY	DESCRIPTION	REV
	1001118957	Ref	HYDRAULIC OIL COOLER INSTALLATION - DEUTZ TD2011 ENGINES WITH SAUER PUMPS (OPTIONAL)	B
		Ref	Note: See Engine Installation for Engine Oil Cooler.	
1	0641520	2	Bolt 5/16 x 2-1/2	
2	0641608	4	Bolt 3/8 x 1	
3	1320162	2	Clamp, Hose	
4	2131212	2	Fitting, Elbow	
5	2170712	1	Fitting, Tee	
6	2753778	1	Hose	
7	2753999	1	Hose	
8	3311505	2	Nut 5/16	
9	3311605	4	Nut 3/8	
10	3620034	1	Cooler, Hydraulic Oil	
11	4568426	1	Tube	
12	4568427	1	Tube	
13	4711500	4	Washer 5/16	
14	4751600	8	Washer 3/8	
15	1001109677	1	Valve, Check	
50	1001120564	1	Oil Cooler Add-on Kit Options (Includes Items 1-15):	

## SECTION 2 - TURNTABLE

FIGURE 2-24. HYDRAULIC OIL COOLER INSTALLATION - DEUTZ TCD2.9L4 ENGINES AND DEUTZ TCD2.9L4 (STAGE V) ENGINES WITH REXROTH PUMPS (OPTIONAL)



ART\_1001139494\_F

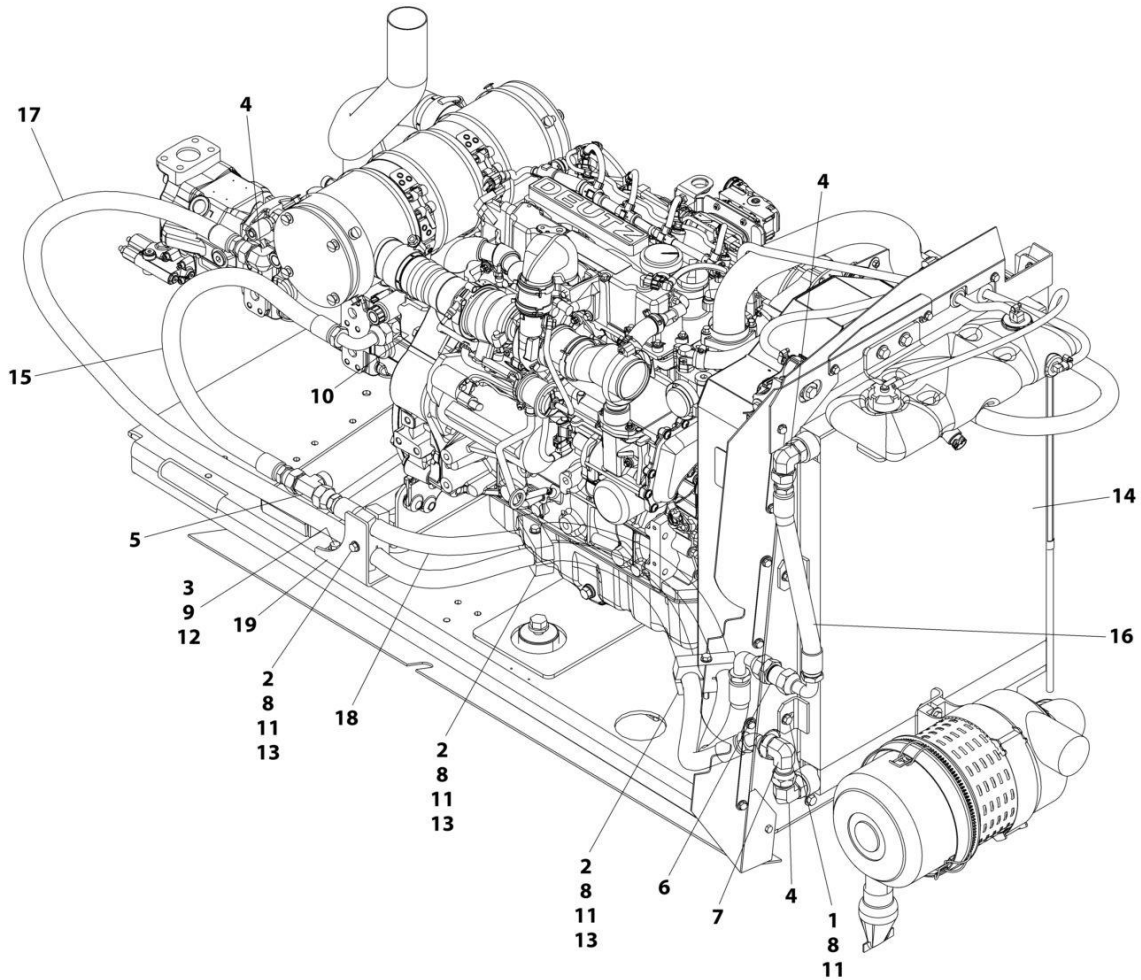
**SECTION 2 - TURNTABLE**

**FIGURE 2-24. HYDRAULIC OIL COOLER INSTALLATION - DEUTZ TCD2.9L4 ENGINES AND DEUTZ TCD2.9L4 (STAGE V) ENGINES WITH REXROTH PUMPS (OPTIONAL)**

ITEM	PART NUMBER	QTY	DESCRIPTION	REV
	1001139494	Ref	HYDRAULIC OIL COOLER INSTALLATION - DEUTZ TCD2.9L4 ENGINES WITH REXROTH PUMPS (OPTIONAL)	F
		Ref	Note: See Engine Installation for Engine Oil Cooler.	
1	0641520	2	Bolt 5/16 x 2-1/2	
2	1320162	2	Clamp, Hose	
3	2131212	2	Fitting, 90	
4	2170712	1	Fitting, Tee	
5	2171112	1	Fitting, Straight	
6	3311505	2	Nut 5/16	
7	4641247	1	Valve	
8	4711500	4	Washer 5/16	
9	1001256859	1	Cooler, Hydraulic Oil	
10	1001139665	1	Tube	
11	1001139666	1	Tube	
12	1001143087	2	Hose	
13	1001143123	1	Hose	

## SECTION 2 - TURNTABLE

FIGURE 2-25. HYDRAULIC OIL COOLER INSTALLATION - DEUTZ TCD2.9L4 ENGINES WITH REXROTH PUMPS (OPTIONAL) (CHINA SPEC ONLY)



ART\_1001221802\_B

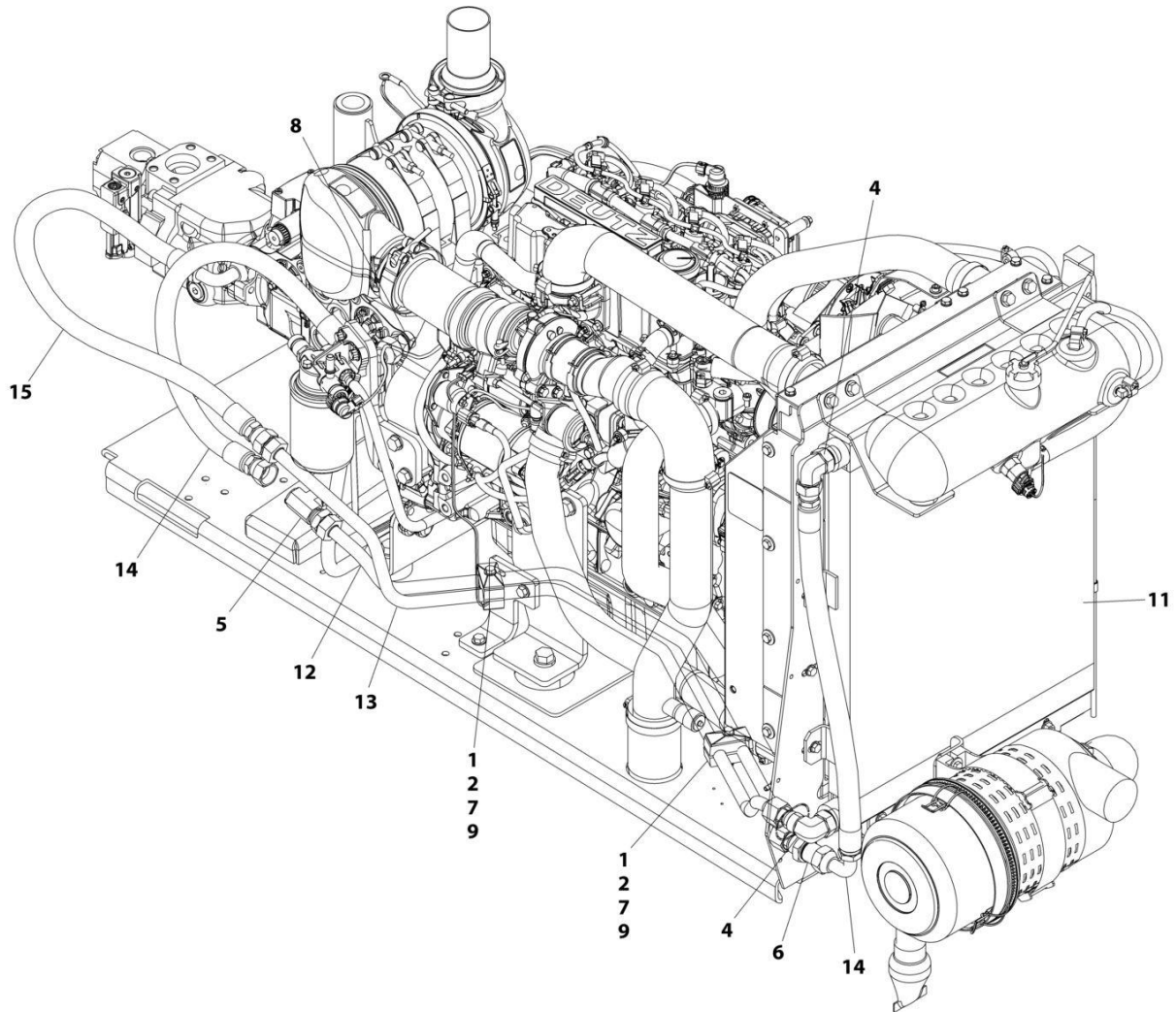
## SECTION 2 - TURNTABLE

**FIGURE 2-25. HYDRAULIC OIL COOLER INSTALLATION - DEUTZ TCD2.9L4 ENGINES WITH REXROTH PUMPS (OPTIONAL) (CHINA SPEC ONLY)**

ITEM	PART NUMBER	QTY	DESCRIPTION	REV
	1001221802	Ref	HYDRAULIC OIL COOLER INSTALLATION - DEUTZ TCD2.9L4 ENGINES WITH REXROTH PUMPS (OPTIONAL)	B
1	0641508	4	Bolt 5/16 x 1	
2	0641524	3	Bolt 5/16 x 3	
3	0641609	2	Bolt 3/8 x 1-1/8	
4	2131212	3	Fitting, 90 ORFS/ORB	
5	2170512	1	Fitting, Tee ORFS/ORFS/ORFS	
6	2171112	1	Fitting, Straight ORFS/ORFS	
7	2172112	1	Fitting, 90 ORFS/FSORFS	
8	3311505	7	Nut 5/16	
9	3311605	2	Nut 3/8	
10	4641247	1	Valve	
11	4711500	14	Washer 5/16	
12	4711600	4	Washer 3/8	
13	8750024	3	Clamp	
14	1001256859	1	Cooler, Hydraulic Oil	
15	1001143087	1	Hose	
16	1001181129	1	Hose	
17	1001188376	1	Hose	
18	1001188382	1	Hose	
19	1001220560	1	Bracket	

## SECTION 2 - TURNTABLE

FIGURE 2-26. HYDRAULIC OIL COOLER INSTALLATION – DEUTZ TCD2.9L4 ENGINES AND DEUTZ TCD2.9L4 (STAGE V & CHINA IV) ENGINES WITH SAUER PUMPS (OPTIONAL)



ART\_1001139492\_F

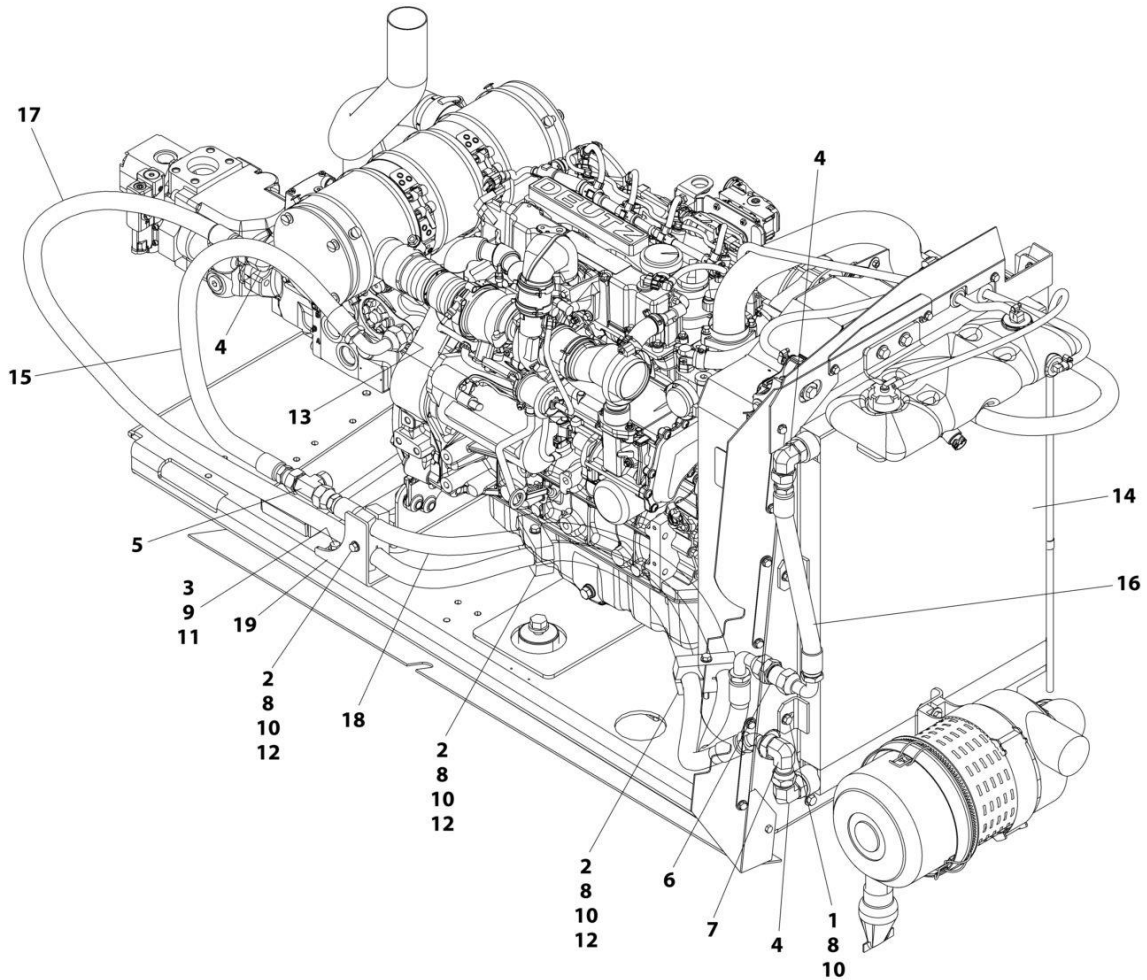
## SECTION 2 - TURNTABLE

**FIGURE 2-26. HYDRAULIC OIL COOLER INSTALLATION – DEUTZ TCD2.9L4 ENGINES AND DEUTZ TCD2.9L4 (STAGE V & CHINA IV) ENGINES WITH SAUER PUMPS (OPTIONAL)**

ITEM	PART NUMBER	QTY	DESCRIPTION	REV
	1001139492	Ref	HYDRAULIC OIL COOLER INSTALLATION - DEUTZ TCD2.9L4 ENGINES WITH SAUER PUMPS (OPTIONAL)	F
		Ref	Note: See Engine Installation for Engine Oil Cooler	
1	0641520	2	Bolt 5/16 x 2-1/2	
2	1320162	2	Clamp, Hose	
4	2131212	2	Fitting, 90	
5	2170712	1	Fitting, Tee	
6	2171112	1	Fitting, Straight	
7	3311505	2	Nut 5/16	
8	1001109677	1	Valve	
9	4711500	4	Washer 5/16	
11	1001256859	1	Cooler, Hydraulic Oil	
12	1001139665	1	Tube	
13	1001139666	1	Tube	
14	1001143087	2	Hose	
15	1001143123	1	Hose	

## SECTION 2 - TURNTABLE

FIGURE 2-27. HYDRAULIC OIL COOLER INSTALLATION - DEUTZ TCD2.9L4 ENGINES WITH SAUER PUMPS (OPTIONAL) (CHINA SPEC ONLY)



ART\_1001221666\_B



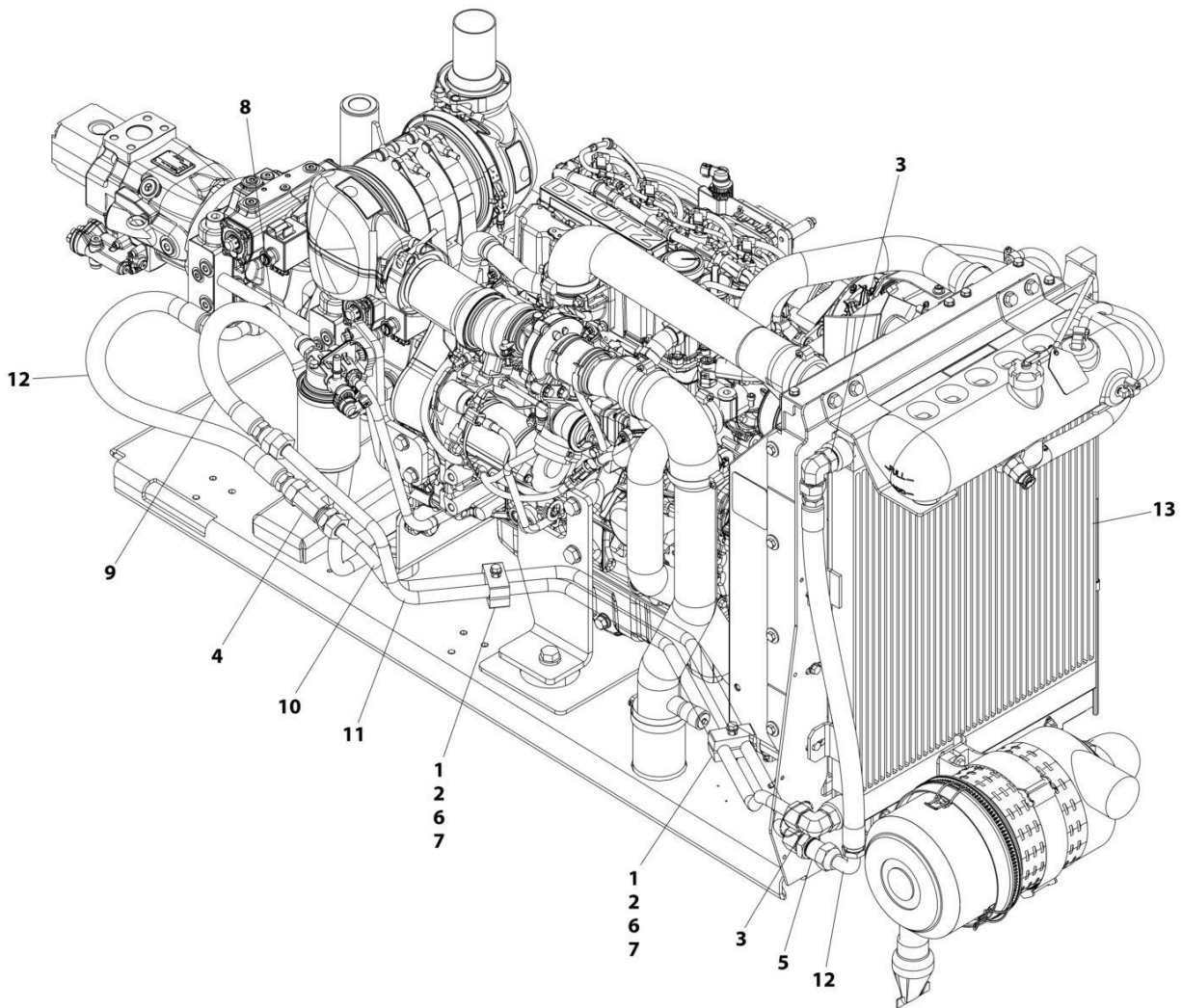
## SECTION 2 - TURNTABLE

**FIGURE 2-27. HYDRAULIC OIL COOLER INSTALLATION - DEUTZ TCD2.9L4 ENGINES WITH SAUER PUMPS (OPTIONAL) (CHINA SPEC ONLY)**

ITEM	PART NUMBER	QTY	DESCRIPTION	REV
	1001221666	Ref	HYDRAULIC OIL COOLER INSTALLATION - DEUTZ TCD2.9L4 ENGINES WITH SAUER PUMPS (OPTIONAL)	B
1	0641508	4	Bolt 5/16 x 1	
2	0641524	3	Bolt 5/16 x 3	
3	0641609	2	Bolt 3/8 x 1-1/8	
4	2131212	3	Fitting, 90 ORFS/ORB	
5	2170512	1	Fitting, Tee ORFS/ORFS/ORFS	
6	2171112	1	Fitting, Straight ORFS/ORFS	
7	2172112	1	Fitting, 90 ORFS/FSORFS	
8	3311505	7	Nut 5/16	
9	3311605	2	Nut 3/8	
10	4711500	14	Washer 5/16	
11	4711600	4	Washer 3/8	
12	8750024	3	Clamp	
13	1001109677	1	Valve	
14	1001256859	1	Cooler, Hydraulic Oil	
15	1001143087	1	Hose	
16	1001181129	1	Hose	
17	1001188376	1	Hose	
18	1001188382	1	Hose	
19	1001220560	1	Bracket	

## SECTION 2 - TURNTABLE

FIGURE 2-28. HYDRAULIC OIL COOLER INSTALLATION - DEUTZ TCD2.9L4 ENGINES AND DEUTZ TCD2.9L4 (STAGE V) ENGINES WITH PMP PUMPS (OPTIONAL)



ART\_1001297305

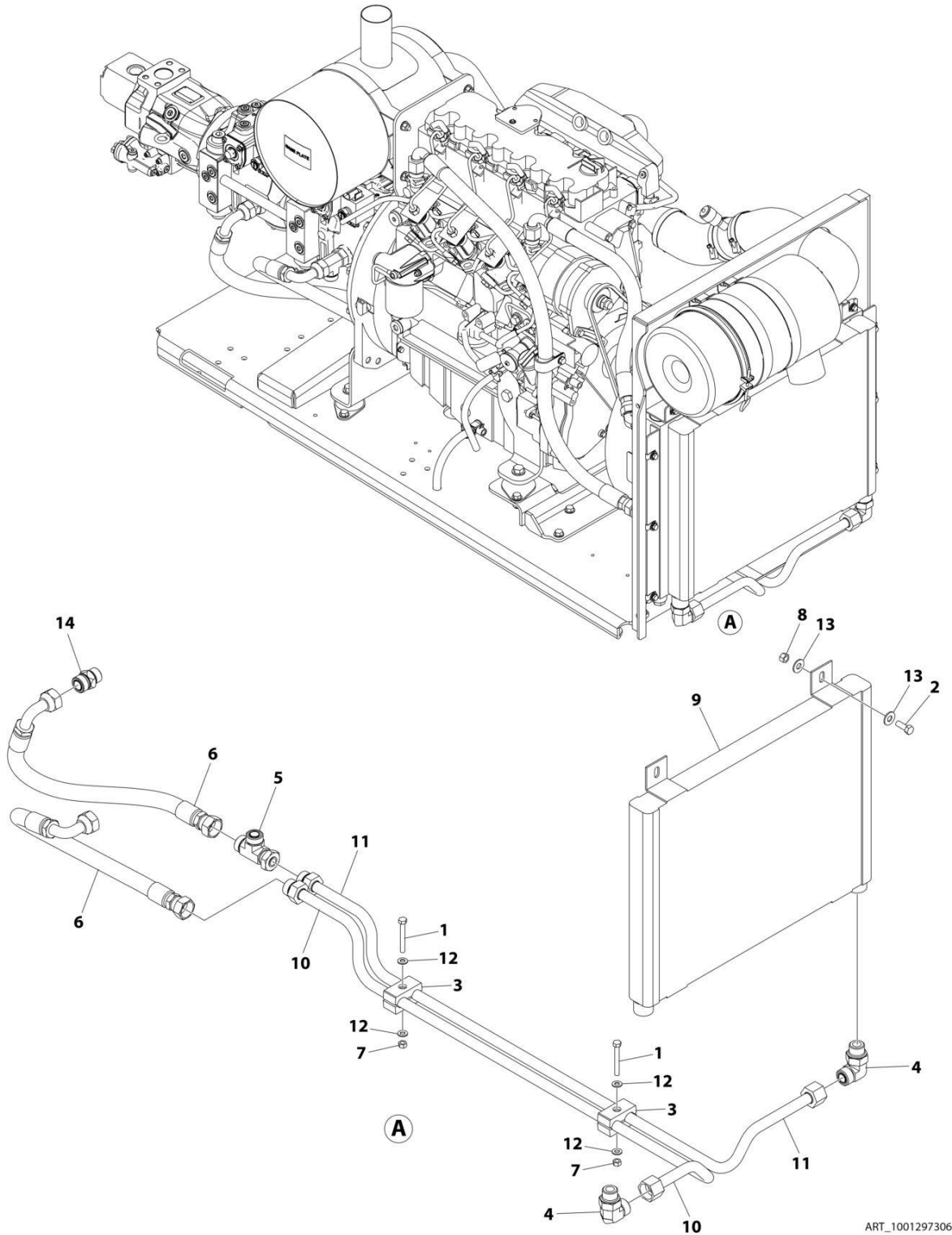
**SECTION 2 - TURNTABLE**

**FIGURE 2-28. HYDRAULIC OIL COOLER INSTALLATION - DEUTZ TCD2.9L4 ENGINES AND DEUTZ TCD2.9L4 (STAGE V) ENGINES WITH PMP PUMPS (OPTIONAL)**

ITEM	PART NUMBER	QTY	DESCRIPTION	REV
	1001297305	Ref	HYDRAULIC OIL COOLER INSTALLATION - DEUTZ TCD2.9L4 (STAGE V) ENGINES WITH PMP PUMPS	A
1	0641520	2	Bolt 5/16 x 2-1/2	
2	1320162	2	Clamp	
3	2131212	2	Fitting, 90 ORFS/ORB	
4	2170712	1	Fitting, Tee ORFS/FSORFS/ORFS	
5	2171112	1	Fitting, Straight ORFS/ORFS	
6	3311505	2	Nut 5/16	
7	4711500	4	Washer 5/16	
8	1001109677	1	Valve	
9	1001113006	1	Hose	
10	1001139665	1	Tube	
11	1001139666	1	Tube	
12	1001143087	2	Hose	
13	1001256859	1	Cooler, Hydraulic Oil	

## SECTION 2 - TURNTABLE

FIGURE 2-29. HYDRAULIC OIL COOLER INSTALLATION - DEUTZ TD2011 ENGINES WITH PMP PUMPS (OPTIONAL)



ART\_1001297306

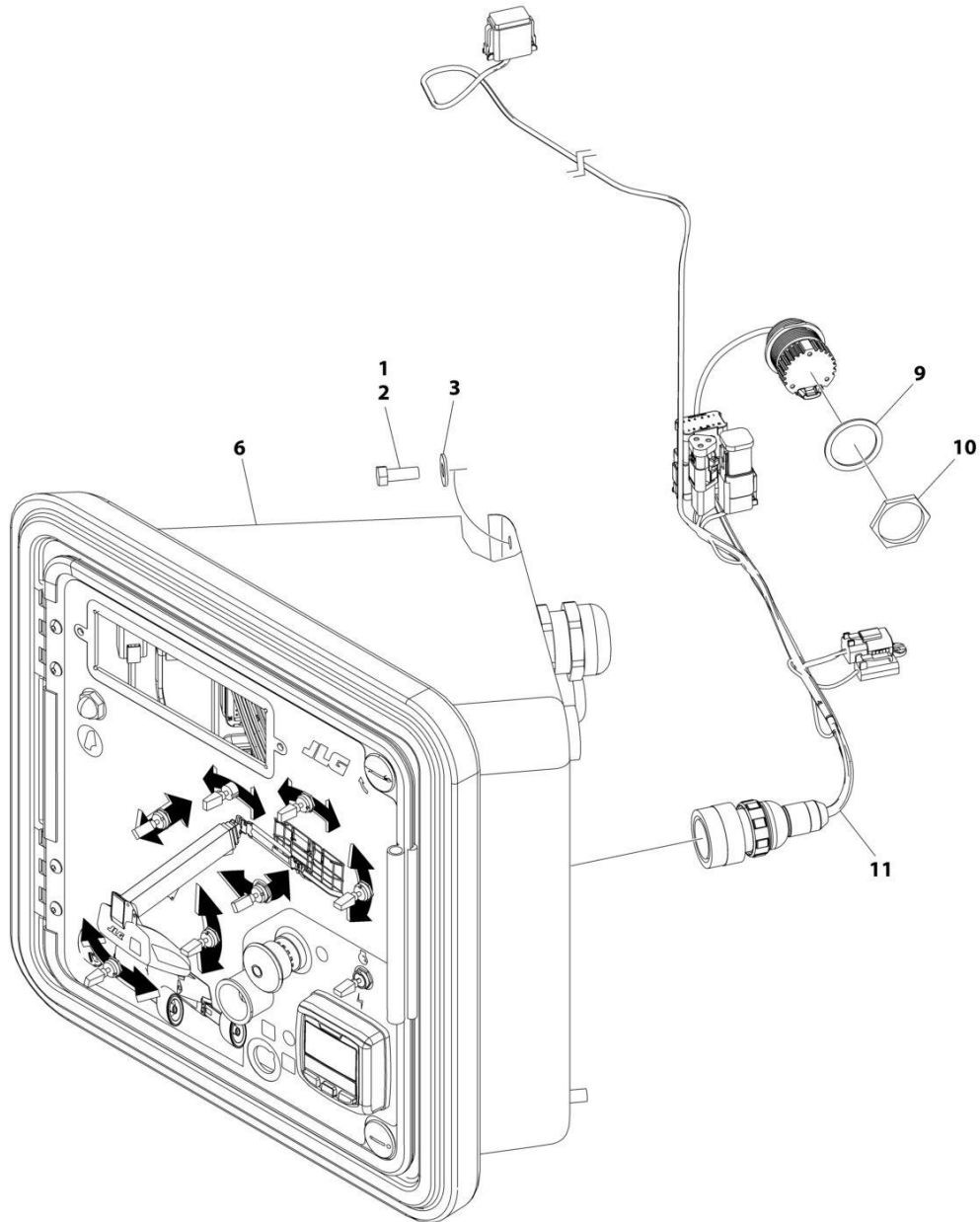
**SECTION 2 - TURNTABLE**

**FIGURE 2-29. HYDRAULIC OIL COOLER INSTALLATION - DEUTZ TD2011 ENGINES WITH PMP PUMPS (OPTIONAL)**

ITEM	PART NUMBER	QTY	DESCRIPTION	REV
	1001297306	Ref	HYDRAULIC OIL COOLER INSTALLATION - DEUTZ TCD2.9L4 ENGINES WITH PMP PUMPS - TANDEM	A
1	0641520	2	Bolt 5/16 x 2-1/2	
2	0641608	4	Bolt 3/8 x 1	
3	1320162	2	Clamp	
4	2131212	2	Fitting 90 ORFS/ORB	
5	2170712	1	Fitting, Tee ORFS/FSORFS/ORFS	
6	2753778	1	Hose	
7	3311505	2	Nut 5/16	
8	3311605	4	Nut 3/8	
9	3620034	1	Cooler, Hydraulic Oil	
10	4568426	1	Tube	
11	4568427	1	Tube	
12	4711500	4	Washer 5/16	
13	4751600	8	Washer 3/8	
14	1001109677	1	Valve	

## SECTION 2 - TURNTABLE

FIGURE 2-30. GROUND CONTROL BOX INSTALLATION - DEUTZ TD2011 ENGINES WITH REXROTH PUMPS (CE & UK CA SPECS)



ART\_1001243974\_E

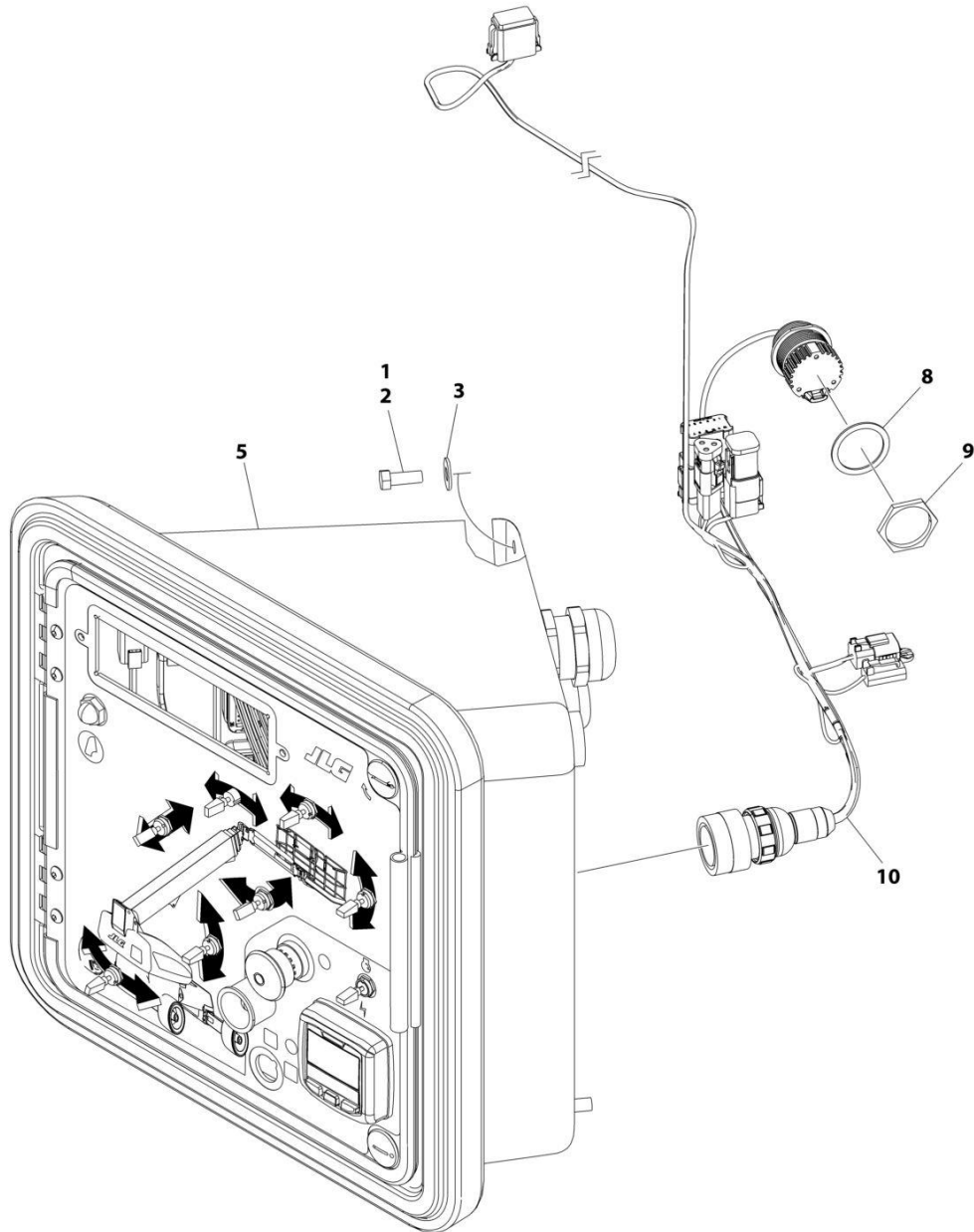
## SECTION 2 - TURNTABLE

**FIGURE 2-30. GROUND CONTROL BOX INSTALLATION - DEUTZ TD2011 ENGINES WITH REXROTH PUMPS (CE & UK CA SPECS)**

ITEM	PART NUMBER	QTY	DESCRIPTION	REV
	1001243974	Ref	GROUND CONTROL BOX INSTALLATION - DEUTZ TD2011 ENGINES WITH REXROTH PUMPS	E
1	0100011	AR	Compound, Locking	
2	3931616	2	Bolt 3/8 x 3/4	
3	4751600	2	Washer 3/8	
4	1001119456	2	Harness, Pump Adapter (Not Shown) (See Separate Breakdown in ELECTRICAL Section)	
5	1001119470	1	Harness, Engine (Not Shown) (See Separate Breakdown in ELECTRICAL Section)	
6	1001265975	1	Ground Control Box Assembly (See Separate Breakdown in this Section)	
7	4240032	AR	Tie-Strap (Not Shown)	
8	4460234	AR	Mount, Tie-Strap (Not Shown)	
9	4460496	1	Washer, Lock	
10	4460497	1	Nut	
11	1001287275	1	Harness, Diagnostic (See Separate Breakdown in ELECTRICAL Section)	

## SECTION 2 - TURNTABLE

FIGURE 2-31. GROUND CONTROL BOX INSTALLATION – DEUTZ TD2011 ENGINES WITH SAUER PUMPS (CE & UK CA SPECS)



ART\_1001243973\_E



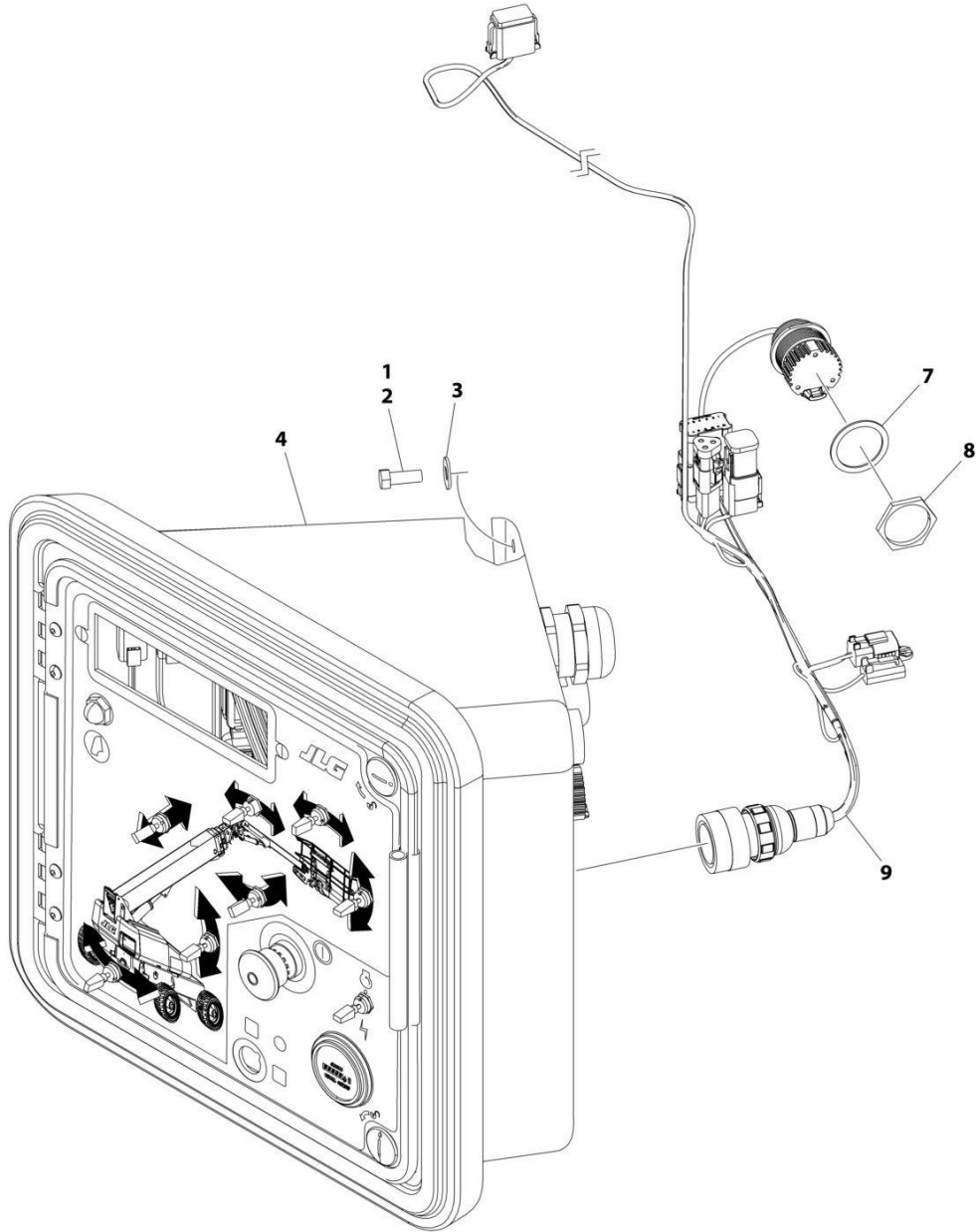
## SECTION 2 - TURNTABLE

**FIGURE 2-31. GROUND CONTROL BOX INSTALLATION – DEUTZ TD2011 ENGINES WITH SAUER PUMPS (CE & UK CA SPECS)**

ITEM	PART NUMBER	QTY	DESCRIPTION	REV
	1001243973	Ref	GROUND CONTROL BOX INSTALLATION - DEUTZ TD2011 ENGINES WITH SAUER PUMPS	E
1	0100011	AR	Compound, Locking	
2	3931616	2	Bolt 3/8 x 3/4	
3	4751600	2	Washer 3/8	
4	1001119470	1	Harness, Engine (Not Shown) (See Separate Breakdown in ELECTRICAL Section)	
5	1001265975	1	Ground Control Box Assembly (See Separate Breakdown in this Section)	
6	4240032	AR	Tie-Strap (Not Shown)	
7	4460234	AR	Mount, Tie-Strap (Not Shown)	
8	4460496	1	Washer, Lock	
9	4460497	1	Nut	
10	1001287275	1	Harness, Diagnostic (See Separate Breakdown in ELECTRICAL Section)	

## SECTION 2 - TURNTABLE

FIGURE 2-32. GROUND CONTROL BOX INSTALLATION – DEUTZ TCD2.9L4 ENGINES (ANSI, ANSI EXPORT, CSA, CHINA AND JAPANESE SPECS)



ART\_1001244081\_E

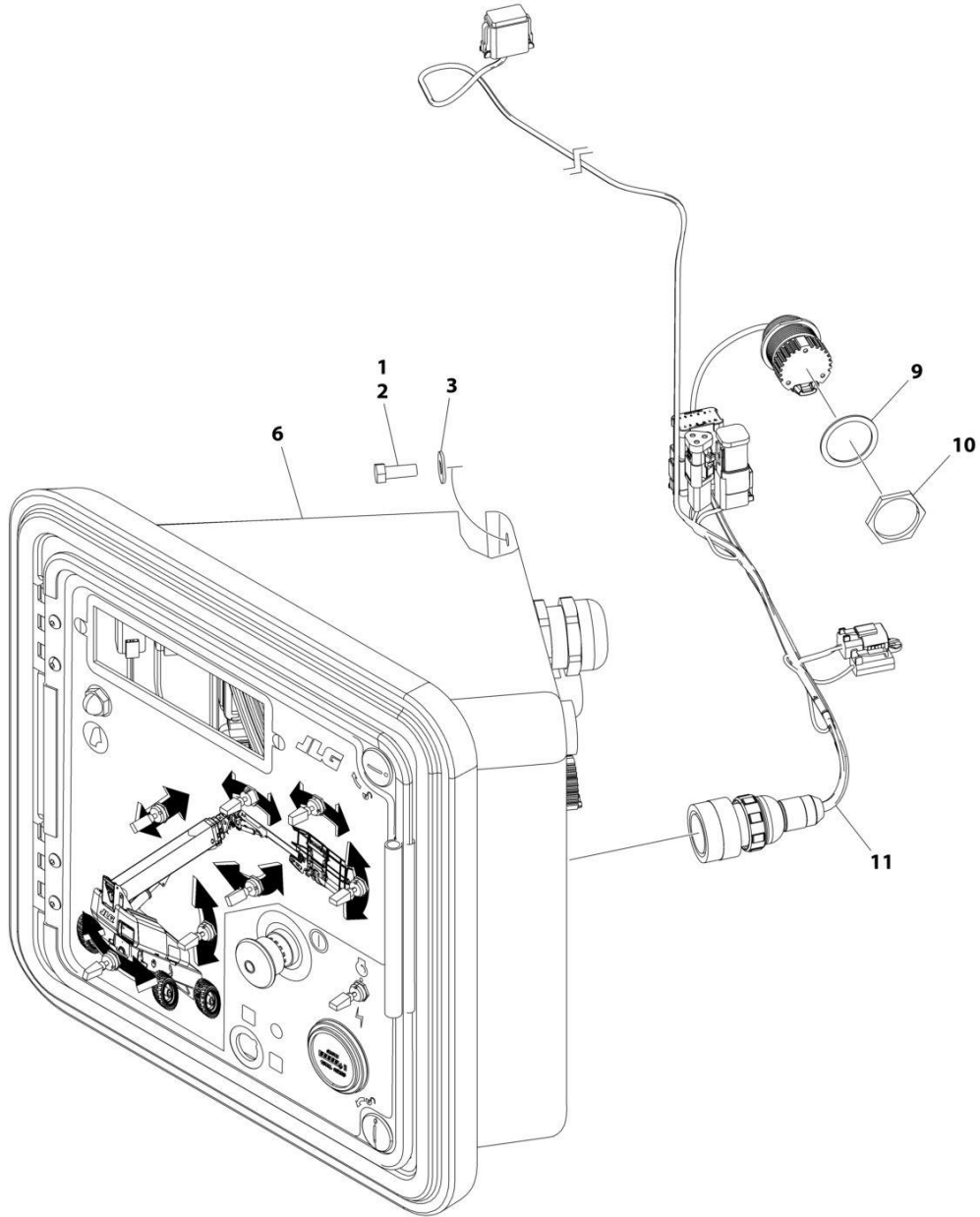
## SECTION 2 - TURNTABLE

**FIGURE 2-32. GROUND CONTROL BOX INSTALLATION – DEUTZ TCD2.9L4 ENGINES (ANSI, ANSI EXPORT, CSA, CHINA AND JAPANESE SPECS)**

ITEM	PART NUMBER	QTY	DESCRIPTION	REV
	1001244081	Ref	GROUND CONTROL BOX INSTALLATION - DEUTZ TCD2.9L4 ENGINES	E
1	0100011	AR	Compound, Locking	
2	3931616	2	Bolt 3/8 x 3/4	
3	4751600	2	Washer 3/8	
4	1001265976	1	Ground Control Box Assembly (See Separate Breakdown in this Section)	
5	4240032	AR	Tie-Strap (Not Shown)	
6	4460234	AR	Mount, Tie-Strap (Not Shown)	
7	4460496	1	Washer, Lock	
8	4460497	1	Nut	
9	1001287275	1	Harness, Diagnostic (See Separate Breakdown in ELECTRICAL Section)	

## SECTION 2 - TURNTABLE

FIGURE 2-33. GROUND CONTROL BOX INSTALLATION - DEUTZ TD2.9L4 ENGINES WITH REXROTH PUMPS (ANSI EXPORT AND AUSTRALIAN SPECS)



ART\_1001244082\_E

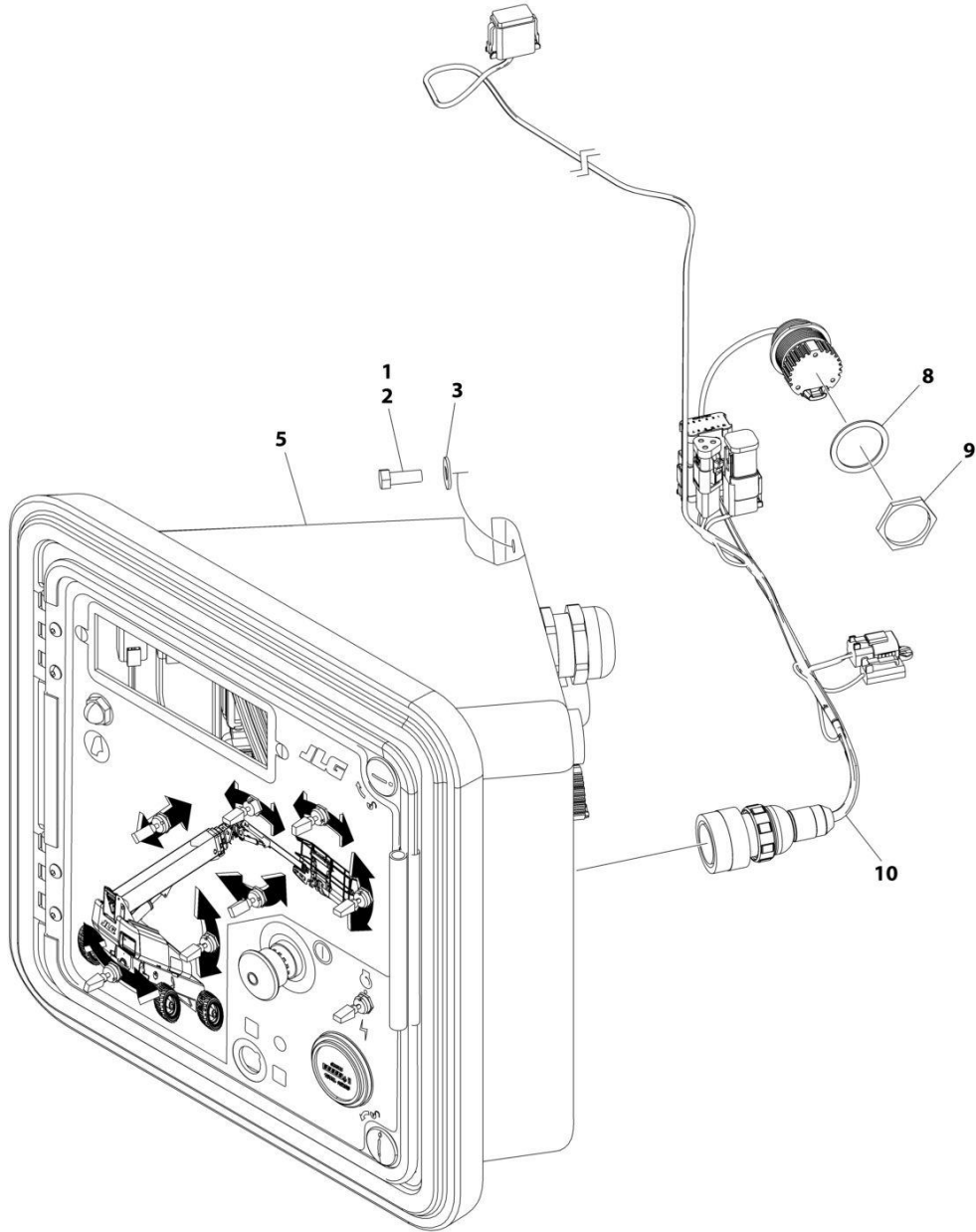
## SECTION 2 - TURNTABLE

**FIGURE 2-33. GROUND CONTROL BOX INSTALLATION - DEUTZ TD2.9L4 ENGINES WITH REXROTH PUMPS (ANSI EXPORT AND AUSTRALIAN SPECS)**

ITEM	PART NUMBER	QTY	DESCRIPTION	REV
	1001244082	Ref	GROUND CONTROL BOX INSTALLATION - DEUTZ TD2.9L4 ENGINES WITH REXROTH PUMPS	E
1	0100011	AR	Compound, Locking	
2	3931616	2	Bolt 3/8 x 3/4	
3	4751600	2	Washer 3/8	
4	1001119456	2	Harness, Pump Adapter (Not Shown) (See Separate Breakdown in ELECTRICAL Section)	
5	1001119470	1	Harness, Engine (Not Shown) (See Separate Breakdown in ELECTRICAL Section)	
6	1001265976	1	Ground Control Box Assembly (See Separate Breakdown in this Section)	
7	4240032	AR	Tie-Strap (Not Shown)	
8	4460234	AR	Mount, Tie-Strap (Not Shown)	
9	4460496	1	Washer, Lock	
10	4460497	1	Nut	
11	1001287275	1	Harness, Diagnostic (See Separate Breakdown in ELECTRICAL Section)	

## SECTION 2 - TURNTABLE

FIGURE 2-34. GROUND CONTROL BOX INSTALLATION - DEUTZ TD2.9L4 ENGINES WITH SAUER PUMPS (ANSI EXPORT AND AUSTRALIAN SPECS)



ART\_1001244083\_E

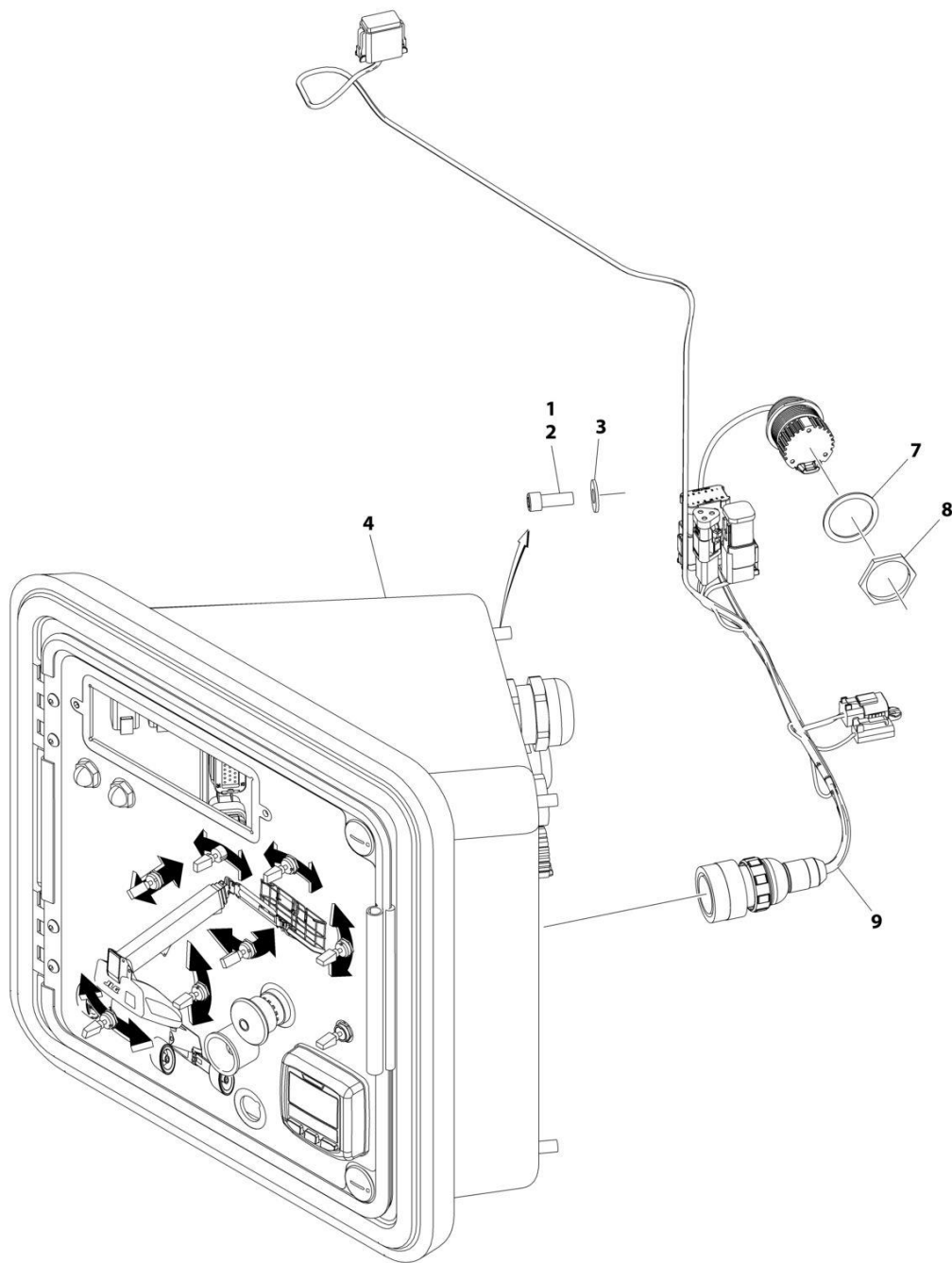
## SECTION 2 - TURNTABLE

**FIGURE 2-34. GROUND CONTROL BOX INSTALLATION - DEUTZ TD2.9L4 ENGINES WITH SAUER PUMPS (ANSI EXPORT AND AUSTRALIAN SPECS)**

ITEM	PART NUMBER	QTY	DESCRIPTION	REV
	1001244083	Ref	GROUND CONTROL BOX INSTALLATION - DEUTZ TD2.9L4 ENGINES WITH SAUER PUMPS	E
1	0100011	AR	Compound, Locking	
2	3931616	2	Bolt 3/8 x 3/4	
3	4751600	2	Washer 3/8	
4	1001119470	1	Harness, Engine (Not Shown) (See Separate Breakdown in ELECTRICAL Section)	
5	1001265976	1	Ground Control Box Assembly (See Separate Breakdown in this Section)	
6	4240032	AR	Tie-Strap (Not Shown)	
7	4460234	AR	Mount, Tie-Strap (Not Shown)	
8	4460496	1	Washer, Lock	
9	4460497	1	Nut	
10	1001287275	1	Harness, Diagnostic (See Separate Breakdown in ELECTRICAL Section)	

## SECTION 2 - TURNTABLE

FIGURE 2-35. GROUND CONTROL BOX INSTALLATION - DEUTZ TCD2.9L4 ENGINES (STAGE V)



ART\_1001236754



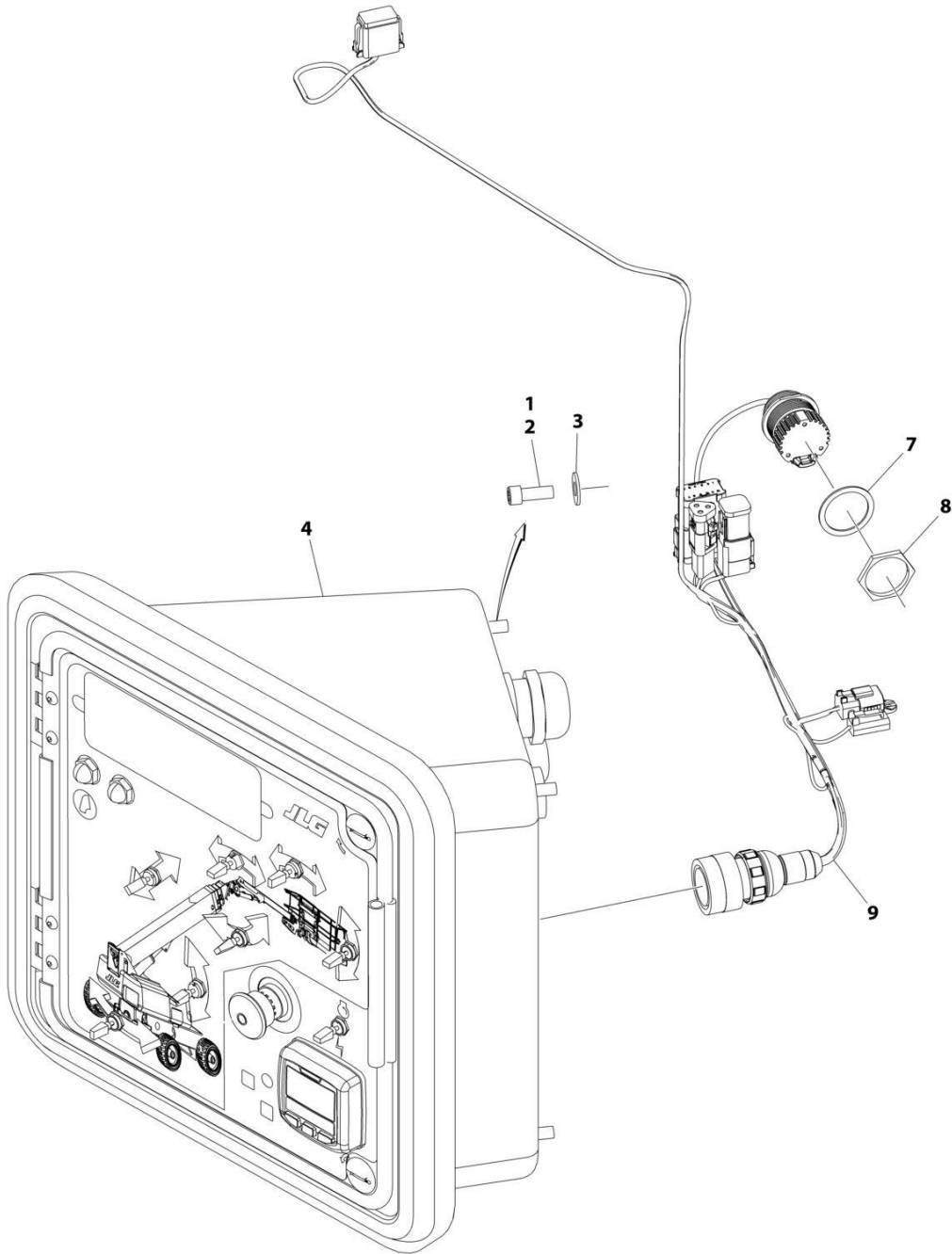
## SECTION 2 - TURNTABLE

**FIGURE 2-35. GROUND CONTROL BOX INSTALLATION - DEUTZ TCD2.9L4 ENGINES (STAGE V)**

ITEM	PART NUMBER	QTY	DESCRIPTION	REV
	1001236754	Ref	GROUND CONTROL BOX INSTALLATION - DEUTZ TCD2.9L4 ENGINES	E
1	0100011	AR	Compound, Locking	
2	3931616	2	Bolt 3/8 x 3/4	
3	4751600	2	Washer 3/8	
4	1001266350	1	Ground Control Box Assembly (See Separate Breakdown in this Section)	
5	4240032	AR	Tie-Strap (Not Shown)	
6	4460234	AR	Mount, Tie-Strap (Not Shown)	
7	4460496	1	Washer, Lock	
8	4460497	1	Nut	
9	1001287275	1	Harness, Diagnostic (See Separate Breakdown in ELECTRICAL Section)	

## SECTION 2 - TURNTABLE

FIGURE 2-36. GROUND CONTROL BOX INSTALLATION - DEUTZ TCD2.9L4 ENGINES (CHINA IV)



ART\_1001282250

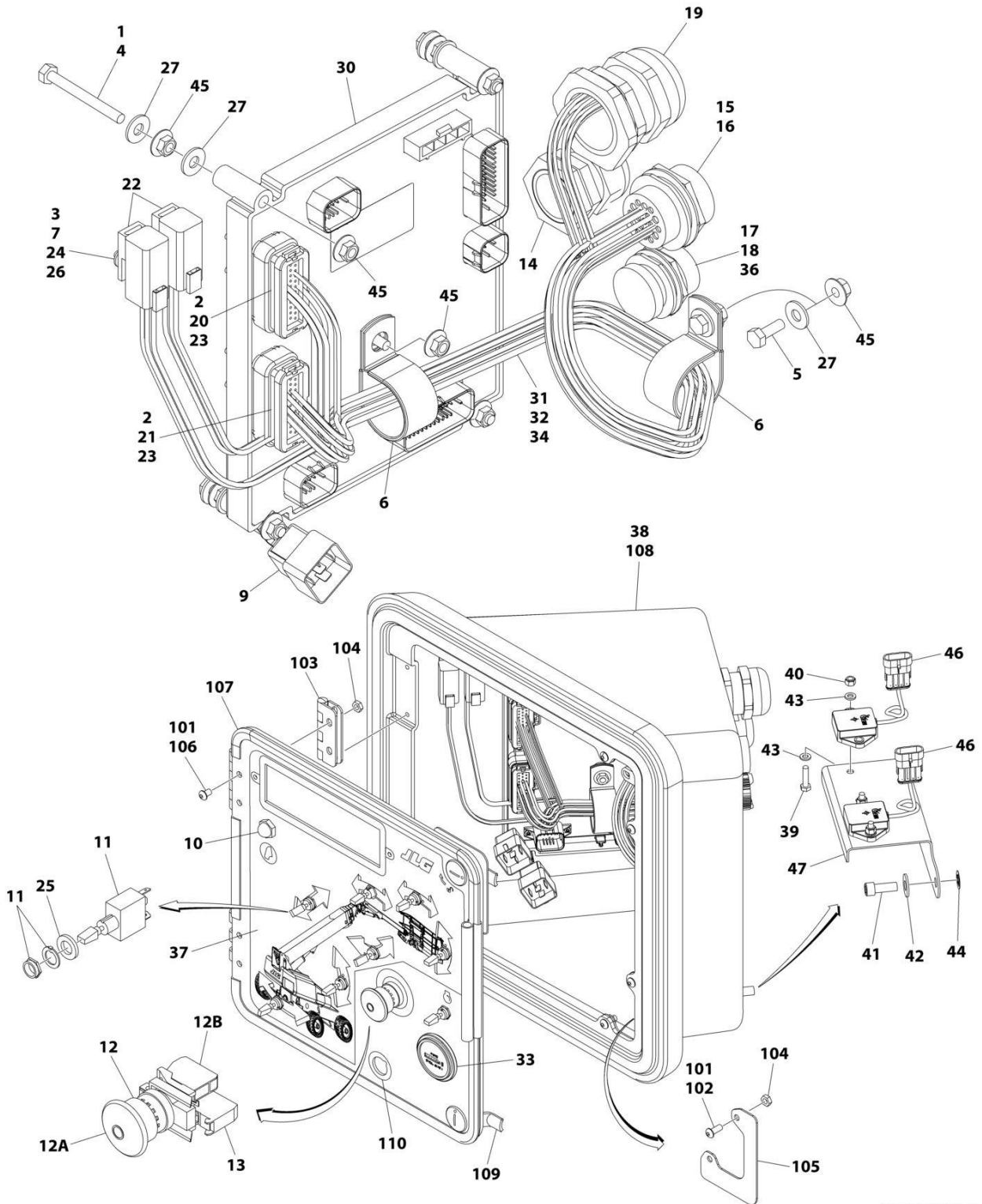
## SECTION 2 - TURNTABLE

**FIGURE 2-36. GROUND CONTROL BOX INSTALLATION - DEUTZ TCD2.9L4 ENGINES (CHINA IV)**

ITEM	PART NUMBER	QTY	DESCRIPTION	REV
	1001282250	Ref	GROUND CONTROL BOX INSTALLATION	B
1	0100011	AR	Compound, Locking	
2	3931616	2	Bolt 3/8 x 3/4	
3	4751600	2	Washer 3/8	
4	1001282249	1	Ground Control Box Assembly (See Separate Breakdown in this Section)	
5	4240032	AR	Tie-Strap (Not Shown)	
6	4460234	AR	Mount, Tie-Strap (Not Shown)	
7	4460496	1	Washer, Lock	
8	4460497	1	Nut	
9	1001287275	1	Harness, Diagnostic (See Separate Breakdown in ELECTRICAL Section)	

## SECTION 2 - TURNTABLE

FIGURE 2-37. GROUND CONTROL BOX ASSEMBLY - DEUTZ TCD2.9L4 ENGINES - WITH MECHANICAL HOUR METER



ART\_1001265976\_D

## SECTION 2 - TURNTABLE

**FIGURE 2-37. GROUND CONTROL BOX ASSEMBLY - DEUTZ TCD2.9L4 ENGINES - WITH MECHANICAL HOUR METER**

ITEM	PART NUMBER	QTY	DESCRIPTION	REV
	1001265976	Ref	GROUND CONTROL BOX ASSEMBLY	D
1	0100011	AR	Compound, Locking	
2	0100048	AR	Grease, Dielectric	
3	0630464	2	Screw #10 x 1/2	
4	0630548	5	Screw, Self Tapping	
5	0641406	1	Bolt 1/4 x 3/4	
6	1320095	2	Clamp	
7	3311001	2	Nut #10	
9	3740049	1	Relay	
10	4360274	1	Switch, Pushbutton	
11	4360328	8	Switch, Toggle	
12	4360475	1	Switch, Push-Pull Emergency	
12A	7020175	1	Cap	
12B	7020176	1	Block, Contact	
13	4360476	1	Block, Contact	
14	4460426	1	Connector, Strain Relief	
15	4460470	1	Nut, Terminal	
16	4460471	1	Washer, Terminal	
17	4460496	1	Terminal, Washer	
18	4460497	1	Nut, Strain Relief	
19	4460526	1	Connector, Strain Relief	
20	4460874	1	Connector, White	
21	4460875	1	Connector, Gray	
22	4460892	2	Connector, Buss Bar - 6 Position	
23	4460905	9	Connector, Plug	
24	4460914	2	Base, Terminal	
25	4740397	8	Washer	
26	4751000	2	Washer #10	
27	4751400	11	Washer 1/4	
30	1001281100	1	Module, Ground Control (Note: Control System must be recalibrated when Module is replaced)	
31	1001285060	1	Harness, Valve (See Separate Breakdown in ELECTRICAL Section)	
32	1001119372	1	Harness, Ground Control Box (See Separate Breakdown in ELECTRICAL Section)	
33	10836804	1	Hour Meter	
34	1001287193	1	Harness, Ground Control Box (See Separate Breakdown in ELECTRICAL Section)	
35	1001286113	1	Wiring Diagram (Not Shown)	
36	1001285139	1	Harness, ClearSky Ready (See Separate Breakdown in ELECTRICAL Section)	
37	1001265972	1	Decal - Lid	
38	1001280411	1	Box Assembly (See Items 101-110 for Breakdown)	B
39	0760612	4	Bolt M6 x 25	
40	3290605	4	Nut M6	
41	3931616	2	Bolt 3/8 x 1	
42	4751600	2	Washer 3/8	
43	4811700	8	Washer M6	
44	8310070	2	Pushnut 3/8 x 13/16	
45	77143013	11	Nut 1/4	

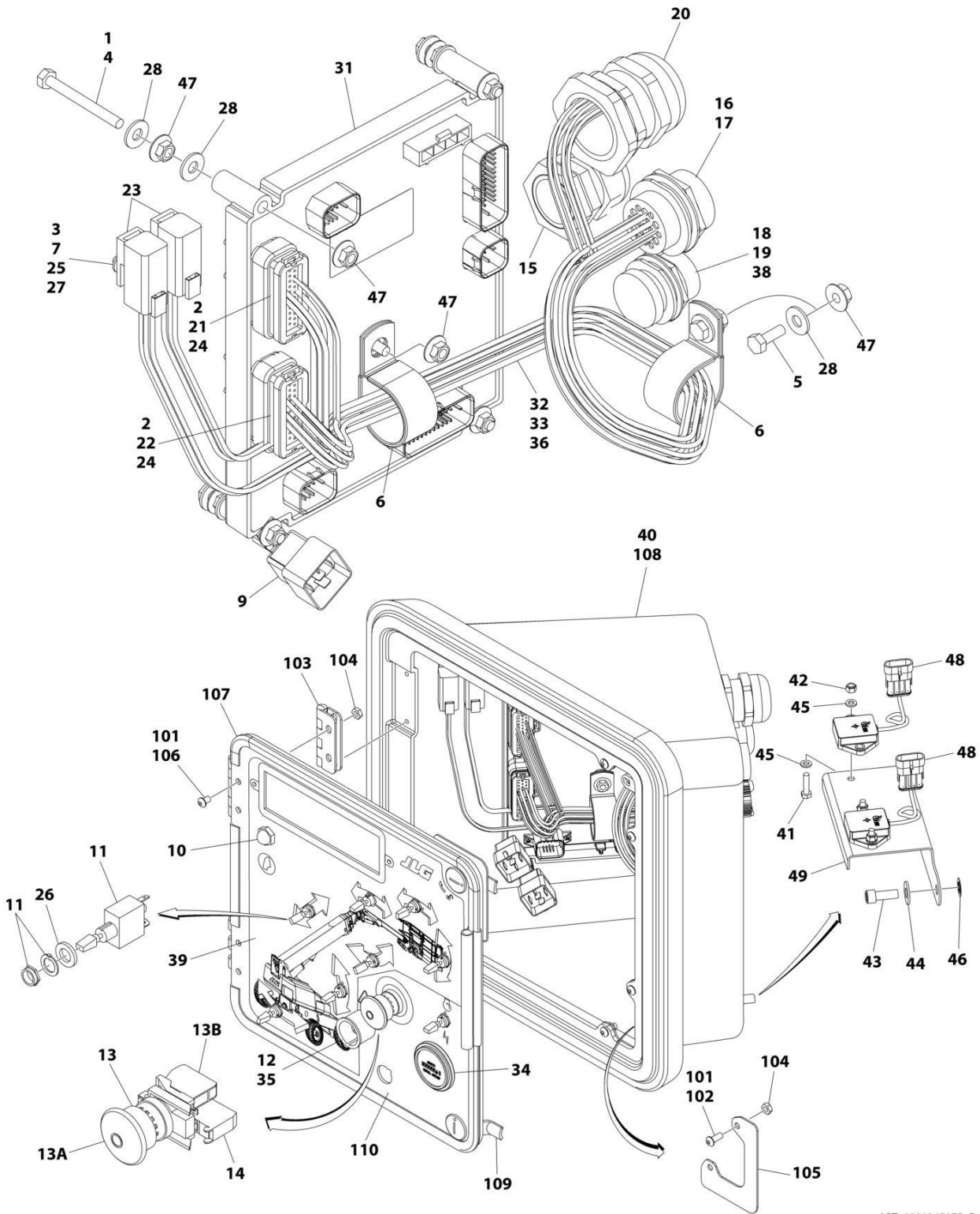
## SECTION 2 - TURNTABLE

ITEM	PART NUMBER	QTY	DESCRIPTION	REV
46	1001219601	2	Sensor, Tilt Dual Axis CAN	
47	1001278483	1	Bracket, Tilt Sensor	
48	1001129334	1	Harness, Jumper (Not Shown)	
48	4460871	2	Socket	
101	0100011	AR	Compound, Locking	
102	0630407	4	Screw 1/4 - 20 x 5/8	
103	2600279	2	Hing	
104	3311402	8	Nut 1/4	
105	3573144	2	Plate	
106	3900251	8	Screw 1/4 - 20 x 3/8	
107	3960418	53 in	Seal	
108	1001110064	1	Box, Main Terminal Shell	
109	1001242373	2	Latch	
110	1001280409	1	Panel, Main Terminal Box	



# SECTION 2 - TURNTABLE

## FIGURE 2-38. GROUND CONTROL BOX ASSEMBLY - DEUTZ TD2011 ENGINES



ART\_1001265975\_D



## SECTION 2 - TURNTABLE

**FIGURE 2-38. GROUND CONTROL BOX ASSEMBLY - DEUTZ TD2011 ENGINES**

ITEM	PART NUMBER	QTY	DESCRIPTION	REV
	1001265975	Ref	GROUND CONTROL BOX ASSEMBLY	D
1	0100011	AR	Compound, Locking	
2	0100048	AR	Grease, Dielectric	
3	0630464	2	Screw #10 x 1/2	
4	0630548	5	Screw, Self Tapping	
5	0641406	1	Bolt 1/4 x 3/4	
6	1320095	2	Clamp	
7	3311001	2	Nut #10	
9	3740049	1	Relay	
10	4360274	1	Switch, Pushbutton	
11	4360328	8	Switch, Toggle	
12	4360387	1	Switch, Push Button	
13	4360475	1	Switch, Push-Pull Emergency	
13A	7020175	1	Cap	
13B	7020176	1	Block, Contact	
14	4360476	1	Block, Contact	
15	4460426	1	Connector, Strain Relief	
16	4460470	1	Nut, Terminal	
17	4460471	1	Washer, Terminal	
18	4460496	1	Terminal, Washer	
19	4460497	1	Nut, Strain Relief	
20	4460526	1	Connector, Strain Relief	
21	4460874	1	Connector, White	
22	4460875	1	Connector, Gray	
23	4460892	2	Connector, Buss Bar - 6 Position	
24	4460905	9	Connector, Plug	
25	4460914	2	Base, Terminal	
26	4740397	8	Washer	
27	4751000	2	Washer #10	
28	4751400	11	Washer 1/4	
31	1001281100	1	Module, Ground Control (Note: Control System must be recalibrated when Module is replaced)	
32	1001285060	1	Harness, Valve (See Separate Breakdown in ELECTRICAL Section)	
33	1001119372	1	Harness, Ground Control Box (See Separate Breakdown in ELECTRICAL Section)	
34	10836804	1	Gauge, Indicator	
35	1001176469	1	Shroud	
36	1001287193	1	Harness, Ground Control Box (See Separate Breakdown in ELECTRICAL Section)	
37	1001286113	1	Wiring Diagram (Not Shown)	
38	1001285139	1	Harness, ClearSky Ready (See Separate Breakdown in ELECTRICAL Section)	
39	1001265970	1	Decal - Lid	
40	1001265974	1	Box Assembly (See Items 101-110 for Breakdown)	
41	0760612	4	Bolt M6 x 25	
42	3290605	4	Nut M6	
43	3931616	2	Bolt 3/8 x 1	
44	3290605	2	Washer 3/8	
45	4811700	8	Washer M6	
46	8310070	2	Pushnut 3/8 x 13/16	

## SECTION 2 - TURNTABLE

ITEM	PART NUMBER	QTY	DESCRIPTION	REV
47	77143013	11	Nut 1/4	
48	1001219601	2	Sensor, Tilt Dual Axis CAN	
49	1001278483	1	Bracket, Tilt Sensor	
50	1001129334	1	Harness, Jumper (Not Shown)	
50	4460871	2	Socket	
101	0100011	AR	Compound, Locking	
102	0630407	4	Screw 1/4 x 5/8	
103	2600279	2	Hinge	
104	3311402	8	Nut 1/4	
105	3573144	2	Plate, Latch	
106	3900251	8	Screw 1/4 x 3/8	
107	3960418	5 ft/2 m	Seal	
108	1001110064	1	Box	
109	1001242373	2	Latch	
110	1001265880	1	Panel	





## SECTION 2 - TURNTABLE

**FIGURE 2-39. GROUND CONTROL BOX ASSEMBLY - DEUTZ TCD2.9L4 STAGE V ENGINES**

ITEM	PART NUMBER	QTY	DESCRIPTION	REV
	1001266350	Ref	GROUND CONTROL BOX ASSEMBLY	D
1	0100048	AR	Grease, Dielectric	
2	0100011	AR	Compound, Locking	
3	0630464	2	Screw #10 x 1/2	
4	0630548	5	Screw, Self Tapping	
5	0641406	1	Bolt 1/4 x 3/4	
6	1320095	2	Clamp	
7	3311001	2	Nut #10	
9	3740049	1	Relay	
10	4360274	1	Switch, Pushbutton	
11	4360328	8	Switch, Toggle	
12	4360387	1	Switch, Push Button	
13	4360475	1	Switch, Push-Pull Emergency	
13A	7020175	1	Cap	
13B	7020176	1	Block, Contact	
14	4360476	1	Block, Contact	
15	4460426	1	Connector, Strain Relief	
16	4460470	1	Nut, Terminal	
17	4460471	1	Washer, Terminal	
18	4460496	1	Terminal, Washer	
19	4460497	1	Nut, Strain Relief	
20	4460526	1	Connector, Strain Relief	
21	4460866	1	Connector, 19 Pin	
22	4460874	1	Connector, White	
23	4460875	1	Connector, Gray	
24	4460892	2	Connector, Buss Bar - 6 Position	
25	4460905	9	Connector, Plug	
26	4460914	2	Base, Terminal	
27	4740397	8	Washer	
28	4751000	2	Washer #10	
29	4751400	11	Washer 1/4	
32	1001281100	1	Module, Ground Control (Note: Control System must be recalibrated when Module is replaced)	
33	1001113698	1	Harness, Model Selection	
34	1001285060	1	Harness, Valve (See Separate Breakdown in ELECTRICAL Section)	
35	1001119372	1	Harness, Ground Control Box (See Separate Breakdown in ELECTRICAL Section)	
36	10836804	1	Gauge, Indicator	
37	1001176469	1	Shroud	
38	1001287193	1	Harness, Ground Control Box (See Separate Breakdown in ELECTRICAL Section)	
39	1001286113	1	Wiring Diagram (Not Shown)	
40	1001285139	1	Harness, ClearSky Ready (See Separate Breakdown in ELECTRICAL Section)	
41	1001265973	1	Decal - Lid	
42	1001265974	1	Box Assembly (See Items 101-110 for Breakdown)	
43	0760612	4	Bolt M6 x 25	
44	3290605	4	Nut M6	
45	3931616	2	Bolt 3/8 x 1	
46	4751600	2	Washer 3/8	

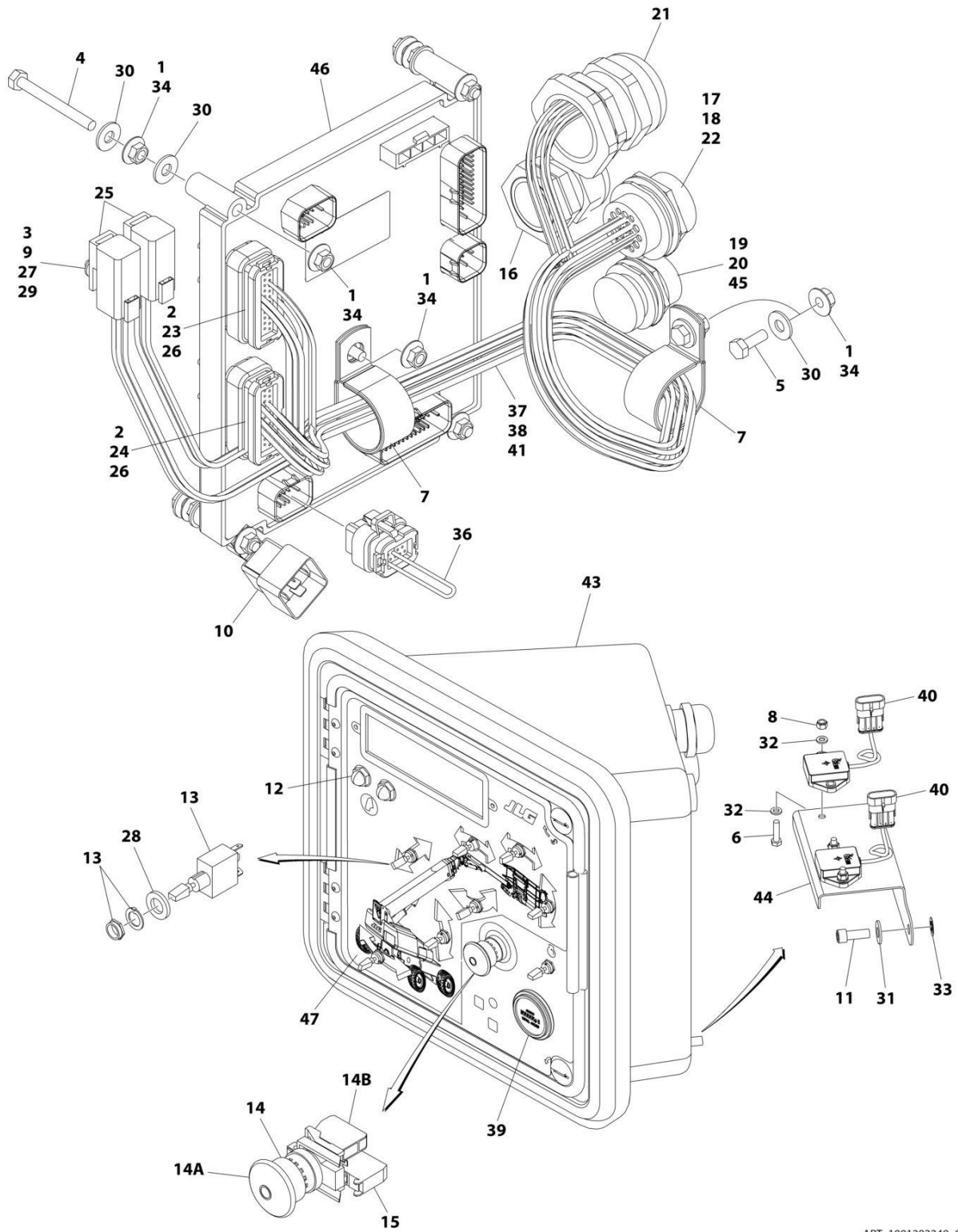
## SECTION 2 - TURNTABLE

ITEM	PART NUMBER	QTY	DESCRIPTION	REV
47	4811700	8	Washer M6	
48	8310070	2	Pushnut 3/8 x 13/16	
49	77143013	11	Nut 1/4	
50	1001219601	2	Sensor, Tilt Dual Axis CAN	
51	1001278483	1	Bracket, Tilt Sensor	
52	1001129334	1	Harness, Jumper (Not Shown)	
52	4460871	2	Socket	
101	0100011	AR	Compound, Locking	
102	0630407	4	Screw 1/4 x 5/8	
103	2600279	2	Hinge	
104	3311402	8	Nut 1/4	
105	3573144	2	Plate, Latch	
106	3900251	8	Screw 1/4 x 3/8	
107	3960418	5 ft/2 m	Seal	
108	1001110064	1	Box	
109	1001242373	2	Latch	
110	1001265880	1	Lid	



# SECTION 2 - TURNTABLE

## FIGURE 2-40. GROUND CONTROL BOX ASSEMBLY - DEUTZ TCD2.9L4 CHINA IV ENGINES



ART\_1001282249\_C



## SECTION 2 - TURNTABLE

**FIGURE 2-40. GROUND CONTROL BOX ASSEMBLY - DEUTZ TCD2.9L4 CHINA IV ENGINES**

ITEM	PART NUMBER	QTY	DESCRIPTION	REV
	1001282249	Ref	GROUND CONTROL BOX ASSEMBLY	C
1	0100011	AR	Compound, Locking	
2	0100048	AR	Grease, Dielectric	
3	0630464	2	Screw #10 x 1/2	
4	0630548	5	Screw, Self Tapping	
5	0641406	1	Bolt 1/4 x 3/4	
6	0760612	4	Bolt M6 x 25	
7	1320095	2	Clamp	
8	3290605	4	Nut M6	
9	3311001	2	Nut #10	
10	3740049	1	Relay	
11	3931616	2	Bolt 3/8 x 1	
12	4360274	2	Switch, Pushbutton	
13	4360328	8	Switch, Toggle	
14	4360475	1	Switch, Push-Pull Emergency	
14A	7020175	1	Cap	
14B	7020176	1	Block, Contact	
15	4360476	1	Block, Contact	
16	4460426	1	Connector, Strain Relief	
17	4460470	1	Nut, Terminal	
18	4460471	1	Washer, Terminal	
19	4460496	1	Terminal, Washer	
20	4460497	1	Nut, Strain Relief	
21	4460526	1	Connector, Strain Relief	
22	4460866	1	Connector, 19 Pin	
23	4460874	1	Connector	
24	4460875	1	Connector, Gray	
25	4460892	2	Connector, Buss Bar - 6 Position	
26	4460905	9	Plug	
27	4460914	2	Base, Terminal	
28	4740397	8	Washer	
29	4751000	2	Washer #10	
30	4751400	11	Washer 1/4	
31	4751600	2	Washer 3/8	
32	4811700	8	Washer M6	
33	8310070	2	Pushnut 3/8	
34	77143013	11	Nut 1/4	
36	1001113698	1	Harness, Model Selection	
37	1001285060	1	Harness, Valve (See Separate Breakdown in ELECTRICAL Section)	
38	1001119372	1	Harness, Ground Control Box (See Separate Breakdown in ELECTRICAL Section)	
39	10836804	1	Gauge, Indicator	
40	1001219601	2	Sensor, Tilt Dual Axis CAN	
41	1001287193	1	Harness, Ground Control Box (See Separate Breakdown in ELECTRICAL Section)	
42	1001286113	1	Wiring Diagram (Not Shown)	
43	1001265974	1	Box Assembly (See Separate Breakdown in this Section)	
44	1001278483	1	Bracket, Tilt Sensor	

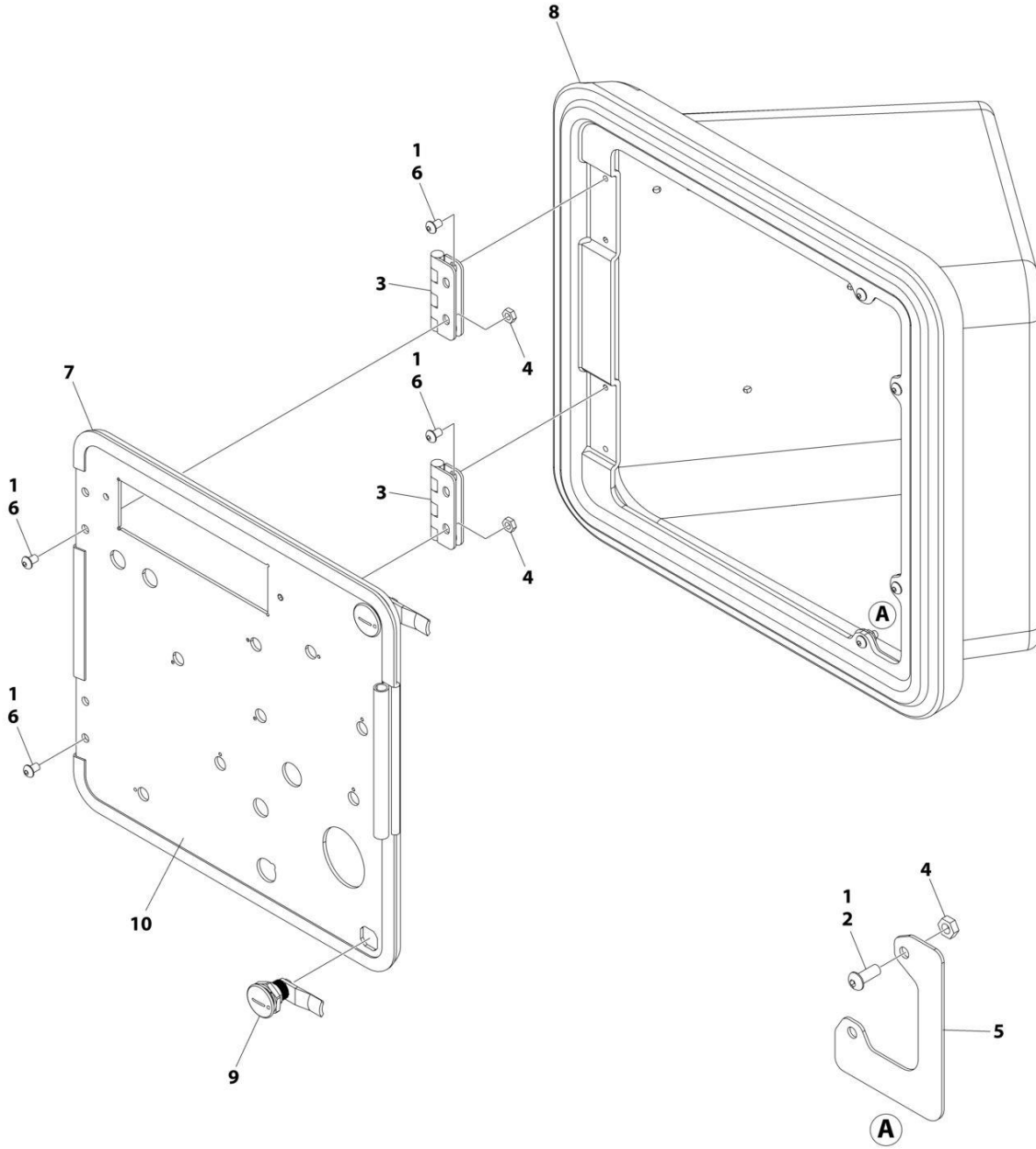
## SECTION 2 - TURNTABLE

ITEM	PART NUMBER	QTY	DESCRIPTION	REV
45	1001285139	1	Harness, ClearSky Ready (See Separate Breakdown in ELECTRICAL Section)	
46	1001281100	1	Module, Ground Control (Note: Control System must be recalibrated when Module is replaced)	
47	1001282239	1	Decal - Terminal Box	
48	1001129334	1	Harness, Jumper (Not Shown)	
48	4460871	2	Socket	



# SECTION 2 - TURNTABLE

## FIGURE 2-41. GROUND CONTROL PANEL ASSEMBLY



ART\_1001265974\_B

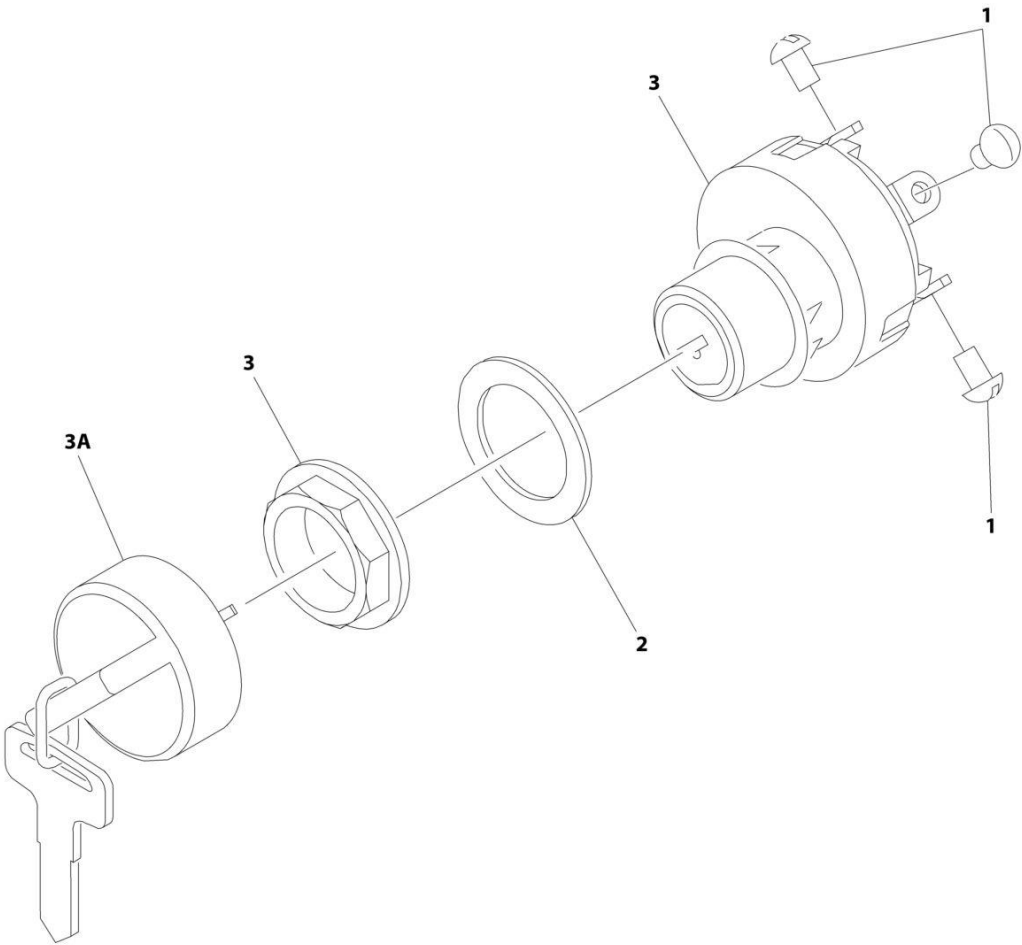
**SECTION 2 - TURNTABLE**

**FIGURE 2-41. GROUND CONTROL PANEL ASSEMBLY**

ITEM	PART NUMBER	QTY	DESCRIPTION	REV
	1001265974	Ref	BOX ASSEMBLY	B
1	0100011	AR	Compound, Locking	
2	0630407	4	Screw 1/4 x 5/8	
3	2600279	2	Hinge	
4	3311402	8	Nut 1/4	
5	3573144	2	Plate, Latch	
6	3900251	8	Screw 1/4 x 3/8	
7	3960418	5 ft/2 m	Seal	
8	1001110064	1	Box	
9	1001242373	2	Latch	
10	1001297394	1	Lid	

**SECTION 2 - TURNTABLE**

**FIGURE 2-42. KEYSWITCH INSTALLATION**



ART\_0259666

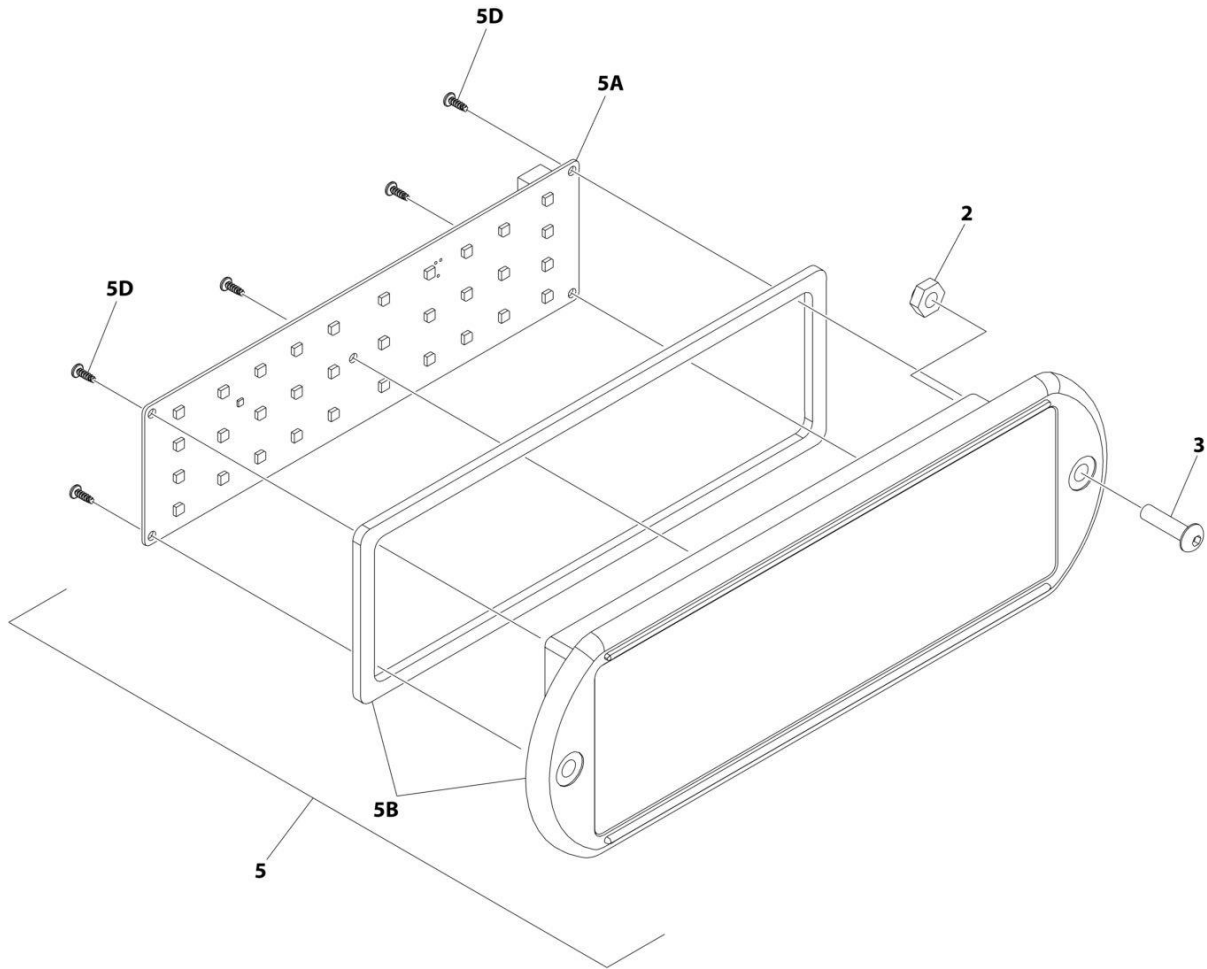
**SECTION 2 - TURNTABLE**

**FIGURE 2-42. KEYSWITCH INSTALLATION**

ITEM	PART NUMBER	QTY	DESCRIPTION	REV
	0259666	Ref	KEYSWITCH INSTALLATION	B
1	3910804	6	Screw #8 x 1/8	
2	1001151393	1	Shim .063	
3	4360469	1	Keyswitch	
3A	2860030	1	Key, Replacement	

## SECTION 2 - TURNTABLE

FIGURE 2-43. LIGHT PANEL INSTALLATION (MACHINES WITH SN STARTING WITH 03)



ART\_1001233959\_D\_10F2



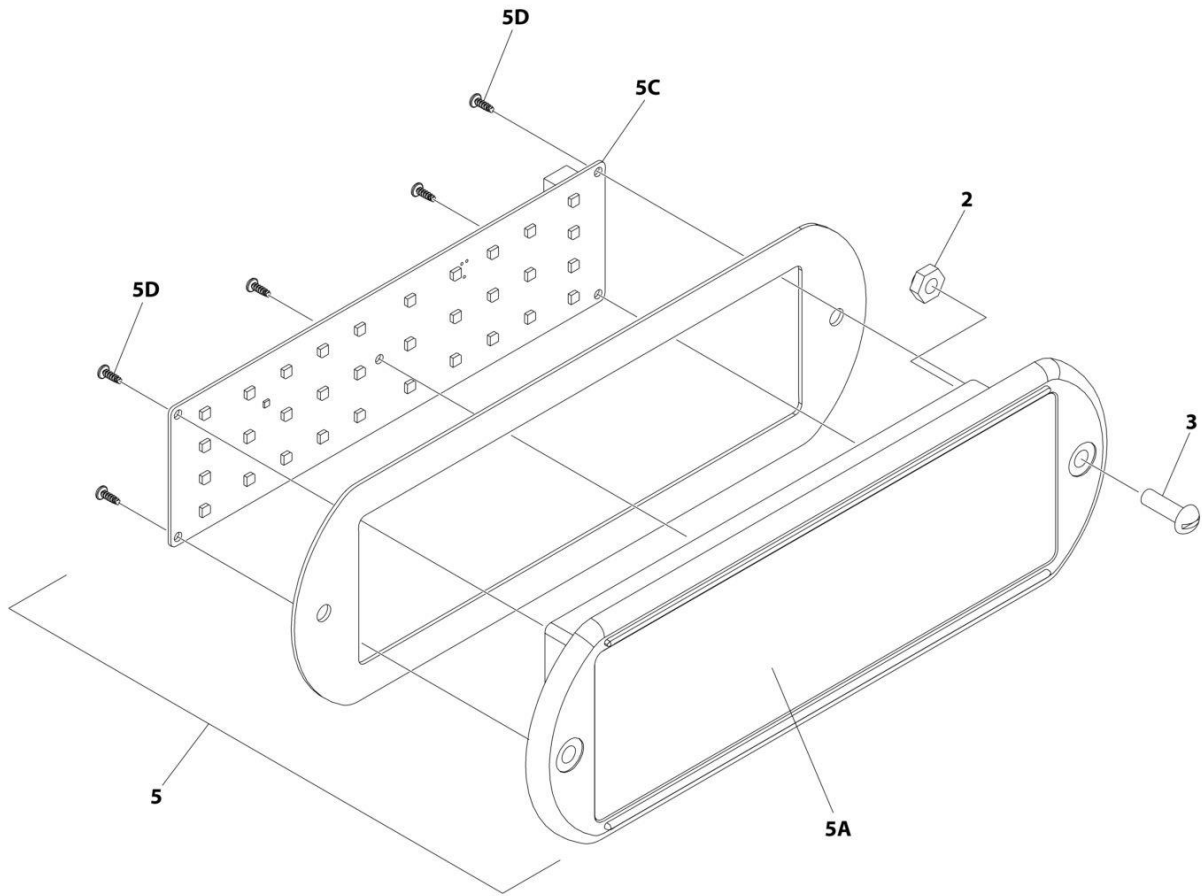
**SECTION 2 - TURNTABLE**

**FIGURE 2-43. LIGHT PANEL INSTALLATION (MACHINES WITH SN STARTING WITH 03)**

ITEM	PART NUMBER	QTY	DESCRIPTION	REV
	1001233959	Ref	LIGHT PANEL INSTALLATION	D
2	3300408	2	Nut, Nylon Insert	
3	0630518	2	Screw #10 x 3/4	
5	1001237546	1	Light Panel Assembly	J
5A	1001282106	1	Panel, LED Light	
5B	1001236091	1	Lens, Icon (Includes Gasket)	
5D		Ref	Screw	

## SECTION 2 - TURNTABLE

FIGURE 2-44. LIGHT PANEL INSTALLATION (MACHINES WITH SN STARTING WITH B3)



ART\_1001241398\_B\_10F2

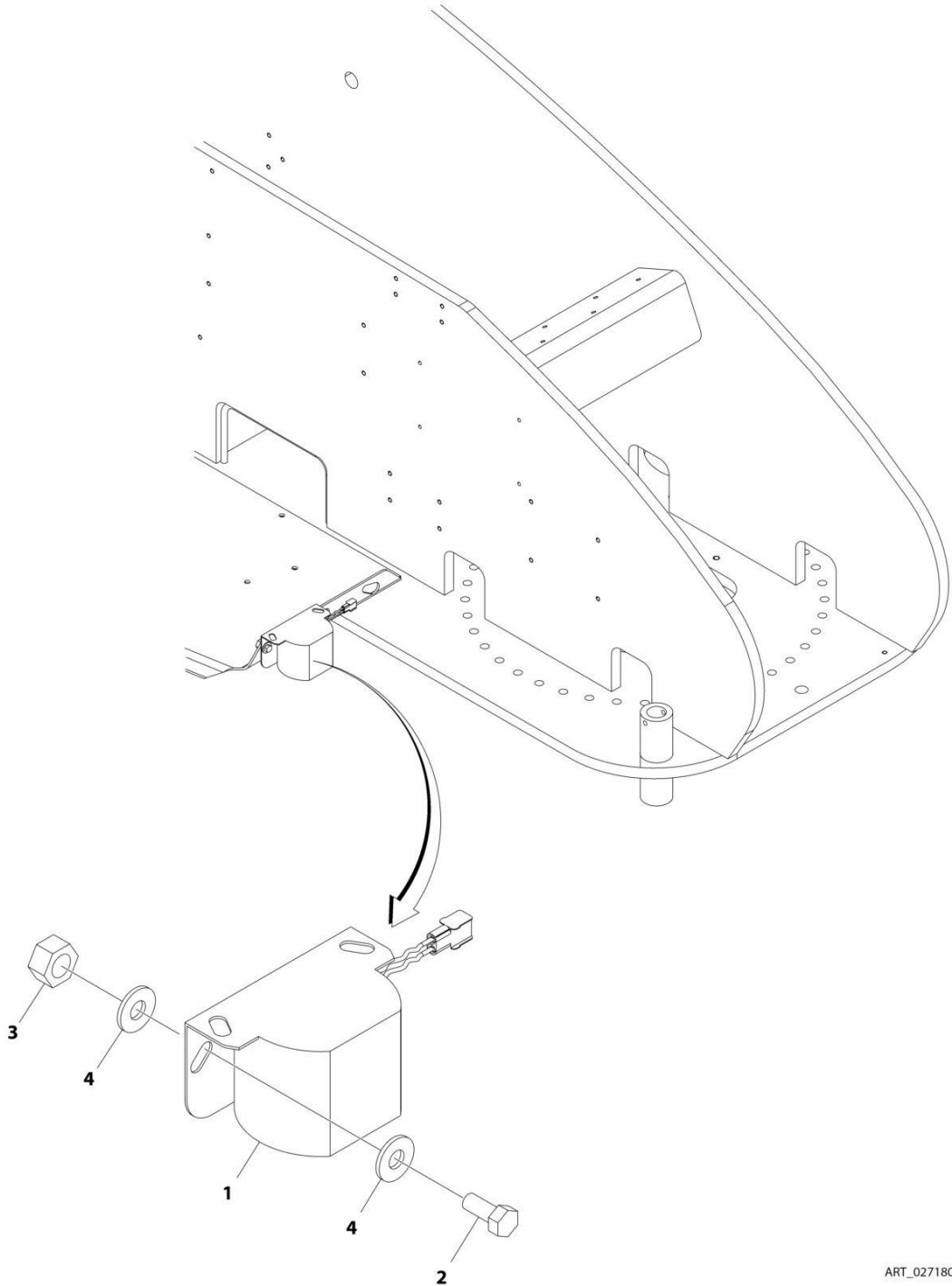
**SECTION 2 - TURNTABLE**

**FIGURE 2-44. LIGHT PANEL INSTALLATION (MACHINES WITH SN STARTING WITH B3)**

<b>ITEM</b>	<b>PART NUMBER</b>	<b>QTY</b>	<b>DESCRIPTION</b>	<b>REV</b>
	1001241398	Ref	LIGHT PANEL INSTALLATION	B
2	3300408	2	Nut, Nylon Insert	
3	3911010	2	Screw #10 x 5/8	
5	1001238673	1	Light Panel Assembly	
5A	1001236091	1	Lens, I-Con	
5C	1001238732	1	Panel, LED Light	
5D		Ref	Screw	

**SECTION 2 - TURNTABLE**

**FIGURE 2-45. ALARM INSTALLATION**



ART\_0271806

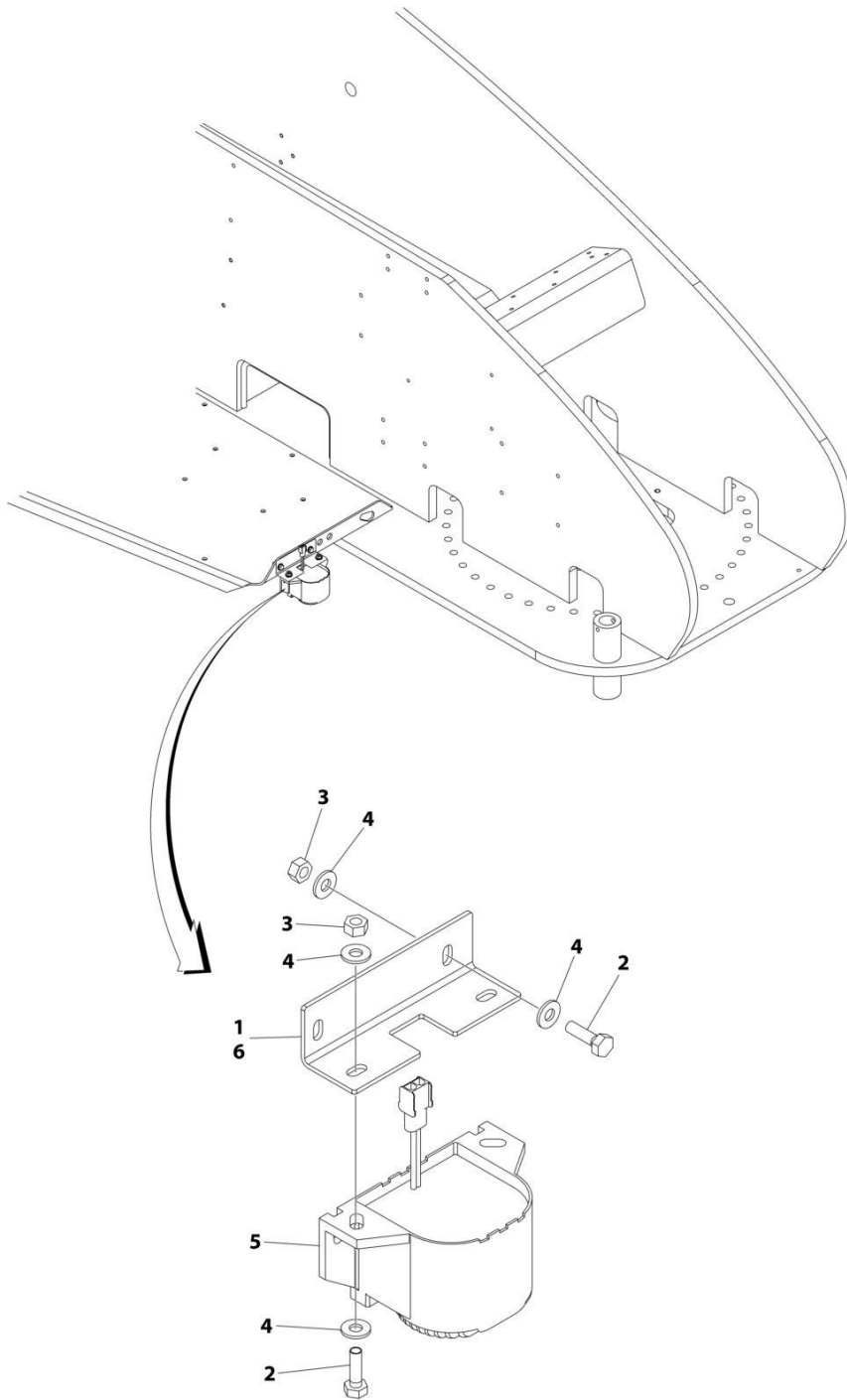
**SECTION 2 - TURNTABLE**

**FIGURE 2-45. ALARM INSTALLATION**

<b>ITEM</b>	<b>PART NUMBER</b>	<b>QTY</b>	<b>DESCRIPTION</b>	<b>REV</b>
	0271806	Ref	ALARMS INSTALLATION	A
1	0257887	1	Alarm	
1	0140032	1	Alarm	
1	2820035	6 in/15cm	Loom	
1	4460424	1	Plug	
1	4460268	2	Socket, Female	
2	0641506	2	Bolt 5/16 x 3/4	
3	3311505	2	Nut 5/16	
4	4751500	4	Washer 5/16	

## SECTION 2 - TURNTABLE

FIGURE 2-46. ALARM AMBIENT (WHITE NOISE) INSTALLATION (ALARM WITH HORIZONTAL BAR GRILLE)



ART\_1001241383

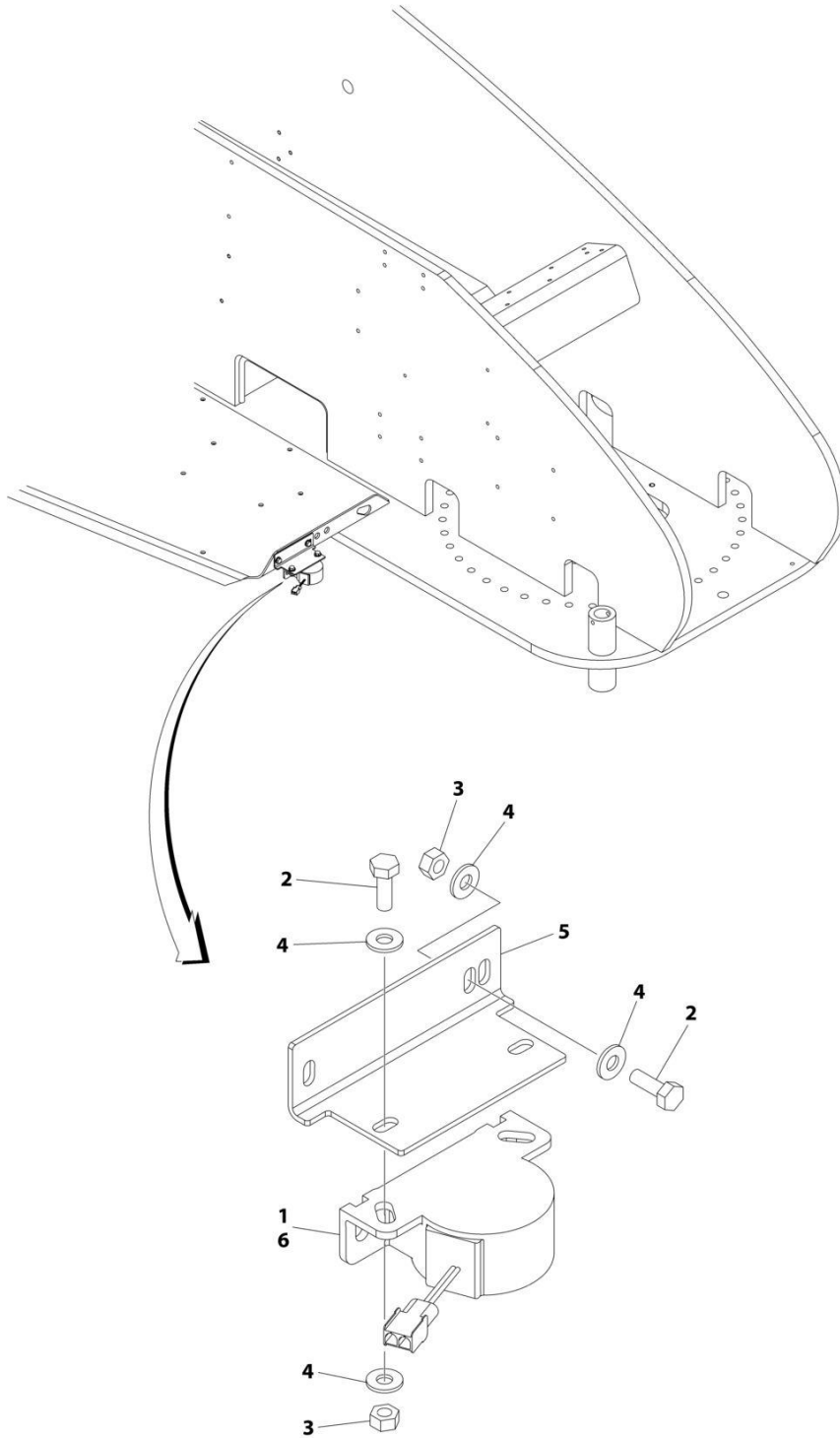
**SECTION 2 - TURNTABLE**

**FIGURE 2-46. ALARM AMBIENT (WHITE NOISE) INSTALLATION (ALARM WITH HORIZONTAL BAR GRILLE)**

ITEM	PART NUMBER	QTY	DESCRIPTION	REV
	1001241383	Ref	ALARM AMBIENT (WHITE NOISE) INSTALLATION	A
1	0100048	AR	Grease, Dielectric	
2	0641407	4	Bolt 1/4 x 7/8	
3	3311405	4	Nut 1/4	
4	4711400	8	Washer 1/4	
5	1001243731	1	Alarm	
5	1001182806	1	Alarm	
5	4460424	1	Plug	
5	4460268	2	Socket, Female	
6	1001243849	1	Plate	

## SECTION 2 - TURNTABLE

FIGURE 2-47. ALARM AMBIENT (WHITE NOISE) INSTALLATION (ALARM WITH CROSS HATCH GRILLE)



ART\_1001239281



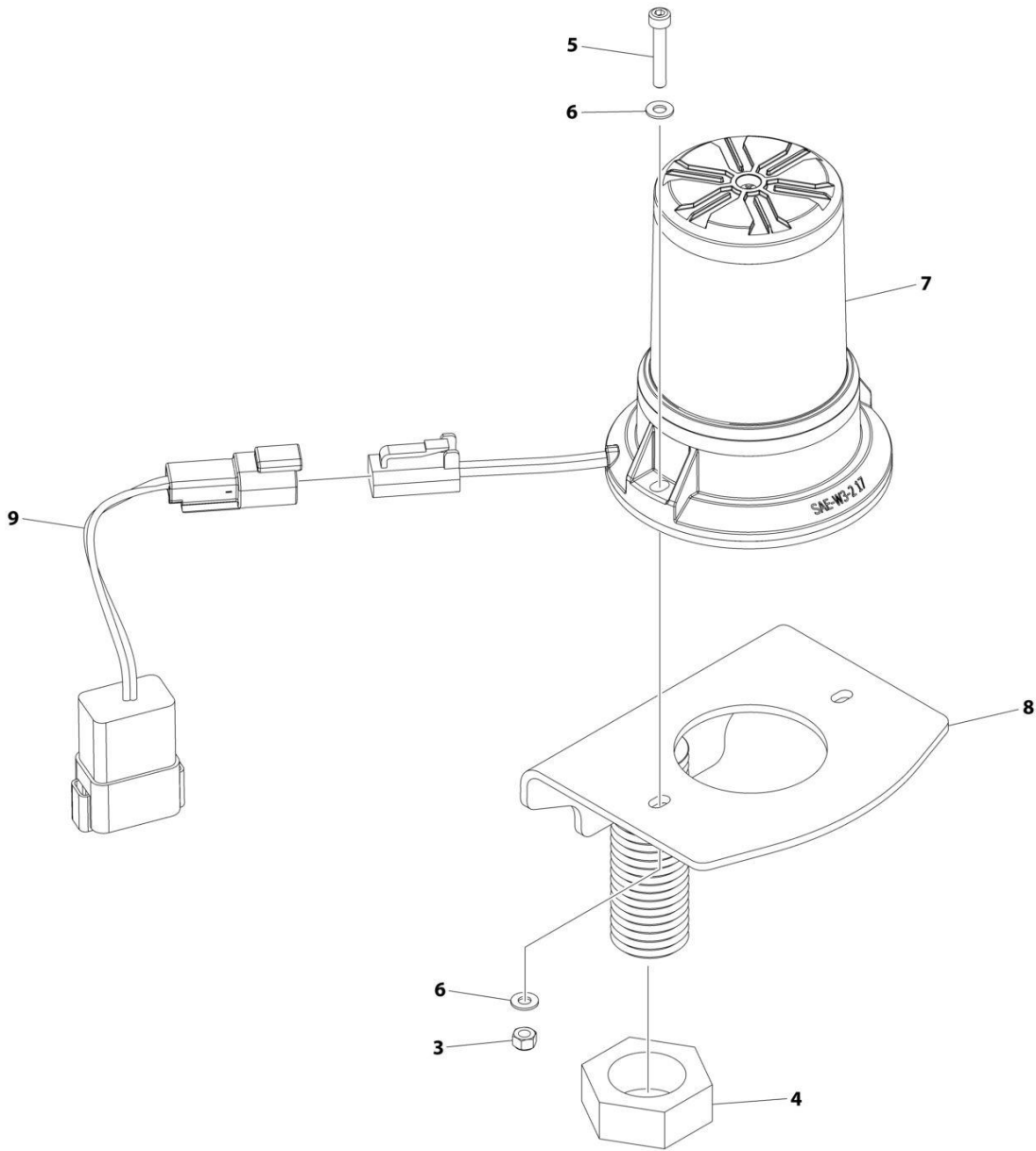
**SECTION 2 - TURNTABLE**

**FIGURE 2-47. ALARM AMBIENT (WHITE NOISE) INSTALLATION (ALARM WITH CROSS HATCH GRILLE)**

ITEM	PART NUMBER	QTY	DESCRIPTION	REV
	1001239281	Ref	BACKUP ALARM (WHITE NOISE) INSTALLATION	A
1	0100048	AR	Grease, Dielectric	
2	0641406	4	Bolt 1/4 x 3/4	
3	3311405	4	Nut 1/4	
4	4711400	8	Washer 1/4	
5	1001231886	1	Plate	
6	1001243734	1	Alarm	
6	1001184682	1	Alarm	
6	4460424	1	Plug	
6	4460268	2	Socket, Female	

# SECTION 2 - TURNTABLE

## FIGURE 2-48. STROBE LIGHT INSTALLATION (AMBER)



ART\_1001149955\_E

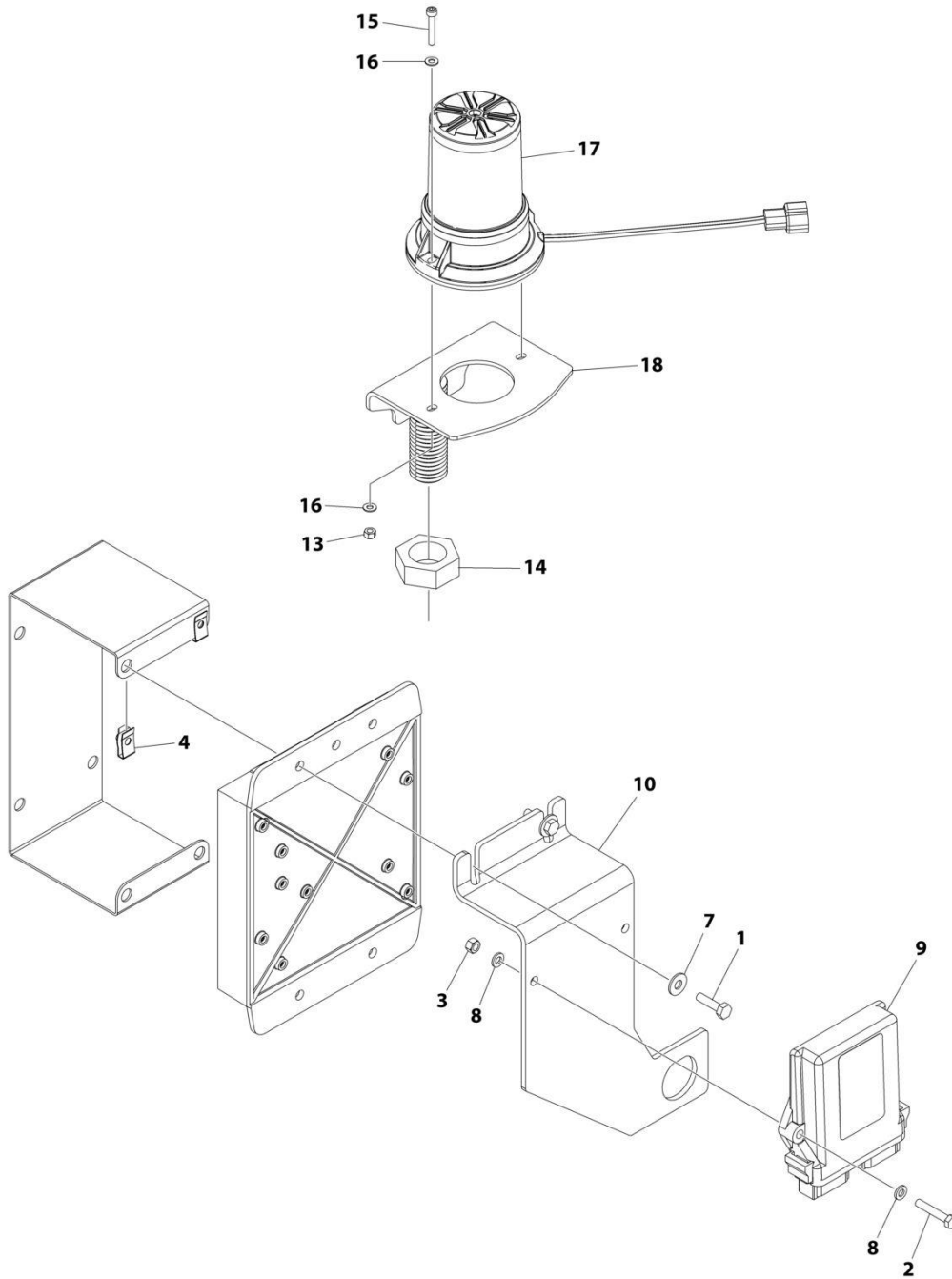
**SECTION 2 - TURNTABLE**

**FIGURE 2-48. STROBE LIGHT INSTALLATION (AMBER)**

<b>ITEM</b>	<b>PART NUMBER</b>	<b>QTY</b>	<b>DESCRIPTION</b>	<b>REV</b>
	1001149955	Ref	STROBE LIGHT INSTALLATION - AMBER	E
3	3290405	2	Nut, Lock M4	
4	3312602	1	Nut	
5	4031509	2	Capscrew M4 x 25	
6	4811400	4	Washer M4	
7	1001270594	1	Light, Strobe (Amber)	
7	4460891	1	Connector	
7	4460465	2	Pin	
8	1001275149	1	Bracket	
9	1001283776	1	Harness, Strobe Light (See Separate Breakdown in ELECTRICAL Section)	

# SECTION 2 - TURNTABLE

## FIGURE 2-49. STROBE LIGHT INSTALLATION (BLUE)



ART\_1001244026\_C

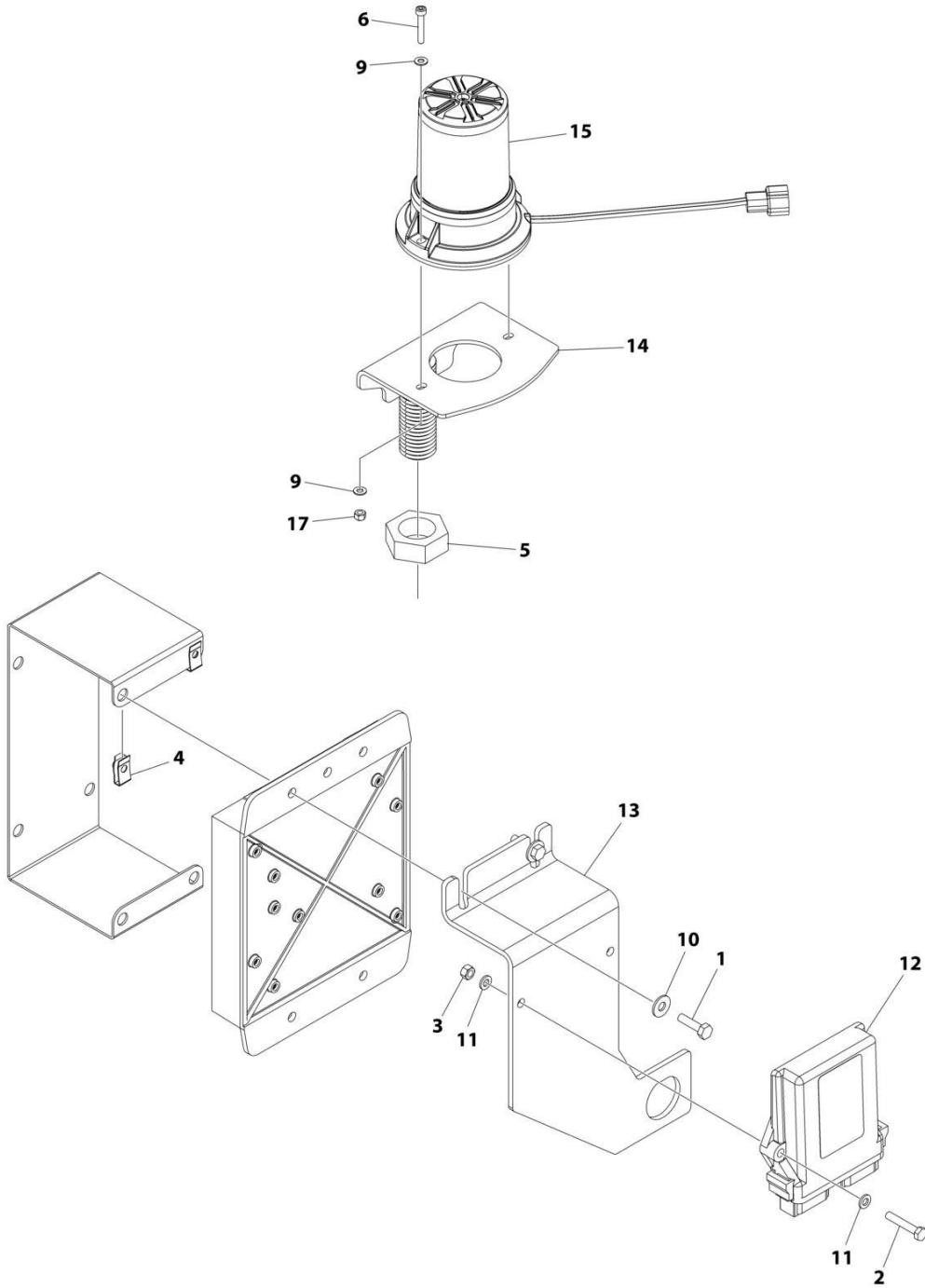
**SECTION 2 - TURNTABLE**

**FIGURE 2-49. STROBE LIGHT INSTALLATION (BLUE)**

ITEM	PART NUMBER	QTY	DESCRIPTION	REV
	1001244026	Ref	STROBE LIGHT INSTALLATION (BLUE)	C
1	0641408	2	Bolt 1/4 x 1	
2	0700615	2	Bolt M6 x 35	
3	3290607	2	Nut M6 x 1	
4	3300454	2	Nut 1/4	
5	4240032	AR	Tie-Strap (Not Shown)	
6	4460488	AR	Mounting Base (Not Shown)	
7	4751400	2	Washer 1/4	
8	4811700	4	Washer M6	
9	1001142683	1	Module, Control Beacon	
10	1001142719	1	Bracket	
12	1001142736	1	Harness, Beacon Control (Not Shown - See Separate Breakdown in ELECTRICAL Section)	
13	3290405	2	Nut, Lock M4	
14	3312602	1	Nut	
15	4031509	2	Capscrew M4 x 25	
16	4811400	4	Washer M4	
17	1001272681	1	Light, Beacon	
17	4460897	1	Connector	
17	4460464	2	Pin	
18	1001278850	1	Bracket (Centered Stud)	
18	1001275149	1	Bracket (Offset Stud)	

# SECTION 2 - TURNTABLE

## FIGURE 2-50. STROBE LIGHT INSTALLATION (RED)



ART\_1001244027\_C

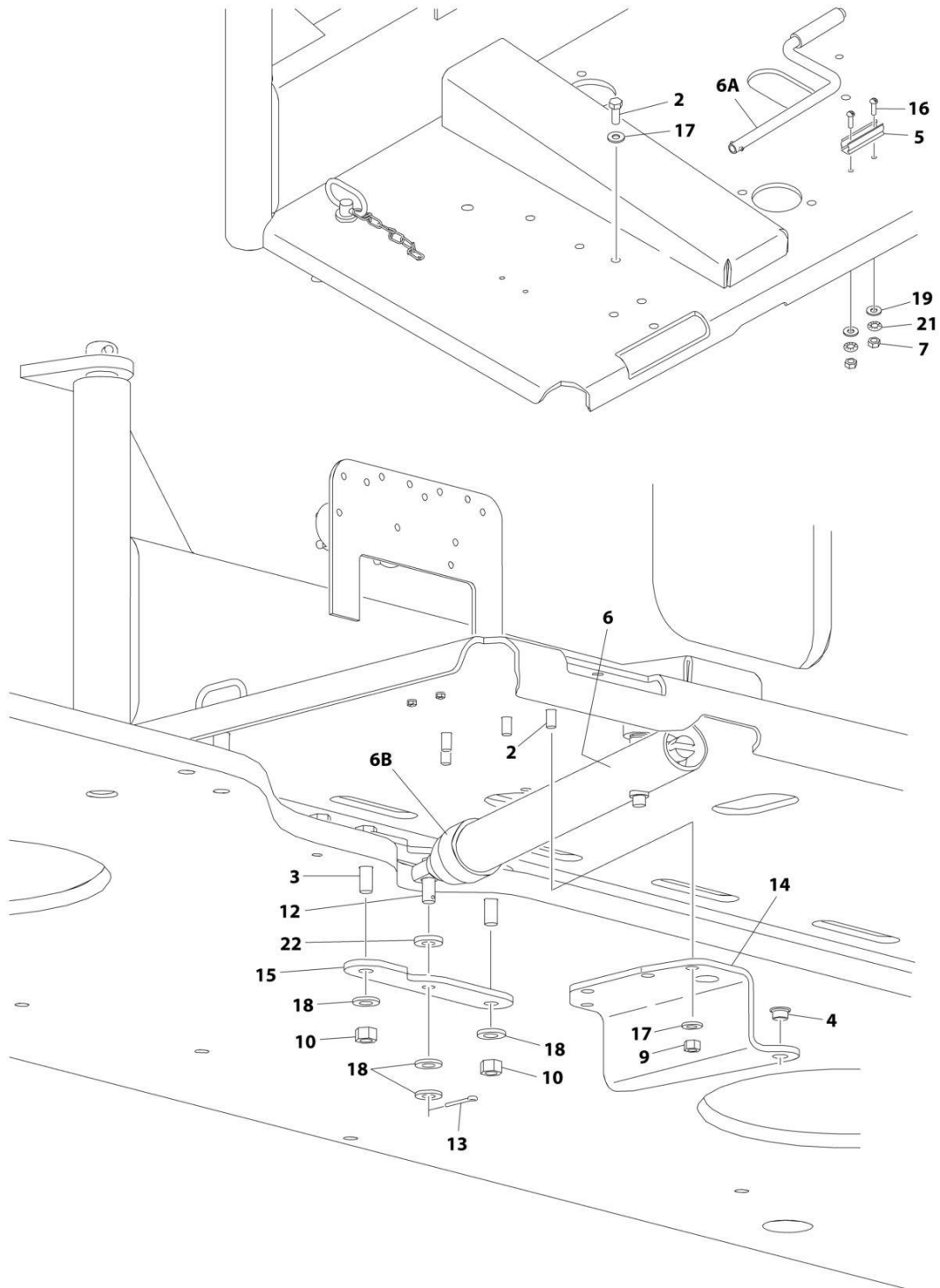
**SECTION 2 - TURNTABLE**

**FIGURE 2-50. STROBE LIGHT INSTALLATION (RED)**

ITEM	PART NUMBER	QTY	DESCRIPTION	REV
	1001244027	Ref	STROBE LIGHT INSTALLATION (RED)	C
1	0641408	2	Bolt 1/4 x 1	
2	0700615	2	Bolt M6 x 35	
3	3290607	2	Nut M6 x 1	
4	3300454	2	Nut	
5	3312602	1	Nut	
6	4031509	2	Capscrew M4 x 25	
7	4240032	AR	Tie-Strap (Not Shown)	
8	4460488	AR	Mounting Base (Not Shown)	
9	4811400	4	Washer M4	
10	4751400	2	Washer 1/4	
11	4811700	4	Washer M6	
12	1001142683	1	Module, Control Beacon	
13	1001142719	1	Bracket	
14	1001278850	1	Bracket (Centered Stud)	
14	1001275149	1	Bracket (Offset Stud)	
15	1001272682	1	Light, Strobe	
15	4460897	1	Connector	
15	4460464	2	Pin	
16	1001142736	1	Harness, Beacon Control (Not Shown - See Separate Breakdown in ELECTRICAL Section)	
17	3290405	2	Nut, Lock M4	

# SECTION 2 - TURNTABLE

## FIGURE 2-51. ENGINE TRAY JACK INSTALLATION - DEUTZ TD2011 ENGINES



ART\_0272064



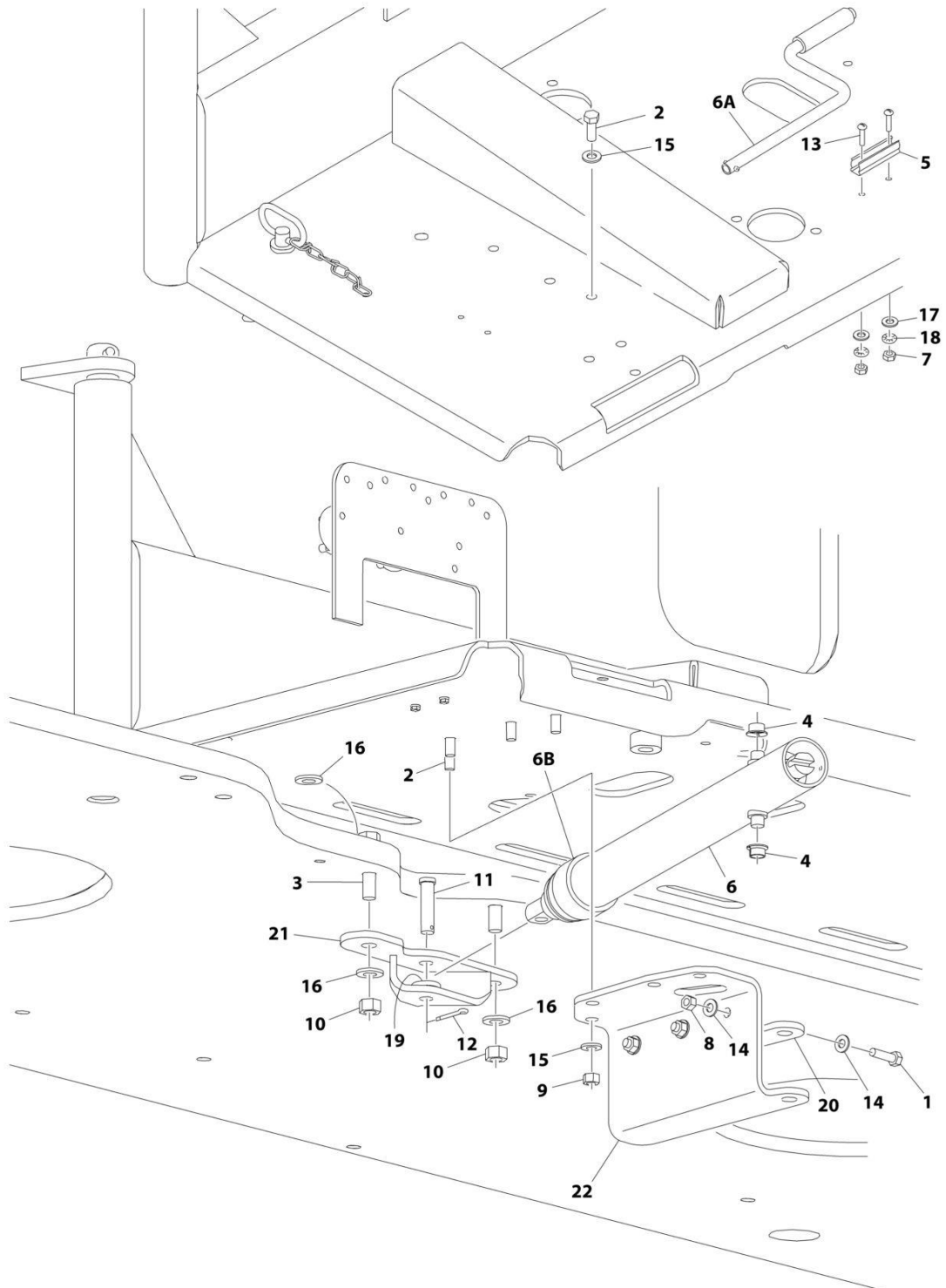
**SECTION 2 - TURNTABLE**

**FIGURE 2-51. ENGINE TRAY JACK INSTALLATION - DEUTZ TD2011 ENGINES**

ITEM	PART NUMBER	QTY	DESCRIPTION	REV
	0272064	Ref	ENGINE TRAY JACK INSTALLATION	C
2	0641608	4	Bolt 3/8 x 1	
3	0641818	2	Bolt 1/2 x 2-1/4	
4	0962051	2	Bearing, Flanged	
5	1380147	1	Clip, Spring	
6	2840016	1	Jack and Handle Assembly	
6A		Ref	Handle Options:	
6A	7016374	1	Burr Manufacturing Brand	
6A	7024598	1	Hammerblow Corp Brand	
6B	7016322	1	Wiper (Burr Manufacturing Brand Only)	
7	3310601	2	Nut #6	
9	3311605	4	Nut 3/8	
10	3311805	2	Nut 1/2	
12	3430816	1	Pin, Clevis	
13	3450404	1	Pin, Cotter 1/8 x 1	
14	3537445	1	Bracket	
15	3573454	2	Plate	
16	3910608	2	Screw #6 x 1/2	
17	4711600	8	Washer 3/8	
18	4711800	4	Washer 1/2	
19	4750600	2	Washer #6	
21	4770600	2	Starwasher #6	
22	4891800	1	Washer 1/2	

## SECTION 2 - TURNTABLE

FIGURE 2-52. ENGINE TRAY JACK INSTALLATION - DEUTZ TD2.9L4/TCD2.9L4 ENGINES AND DEUTZ TCD2.9L4 (STAGE V) ENGINES



ART\_1001143294

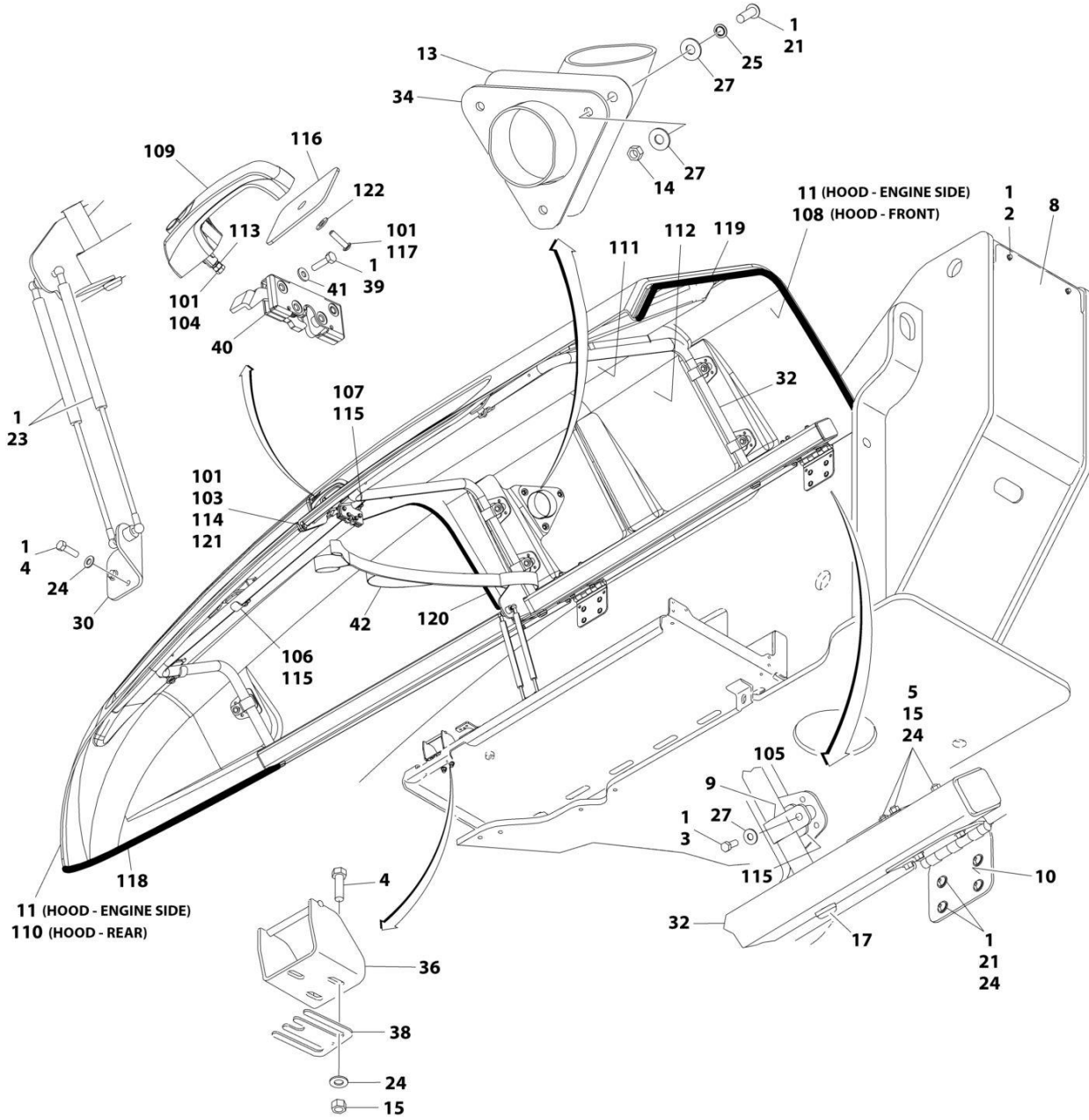
## SECTION 2 - TURNTABLE

**FIGURE 2-52. ENGINE TRAY JACK INSTALLATION - DEUTZ TD2.9L4/TCD2.9L4 ENGINES AND DEUTZ TCD2.9L4 (STAGE V) ENGINES**

ITEM	PART NUMBER	QTY	DESCRIPTION	REV
	1001143294	Ref	ENGINE TRAY JACK INSTALLATION	A
1	0641509	3	Bolt 5/16 x 1-1/8	
2	0641608	4	Bolt 3/8 x 1	
3	0641816	2	Bolt 1/2 x 2	
4	0962051	2	Bearing, Flanged	
5	1380147	1	Clip, Spring	
6	2840016	1	Jack and Handle Assembly	
6A		Ref	Handle Options:	
6A	7016374	1	Burr Manufacturing Brand (Identified by 4in handle offset)	
6A	7024598	1	Hammerblow Corp Brand (Identified by 4-1/2in handle offset)	
6B	7016322	1	Wiper (Burr Manufacturing Brand Only)	
7	3310601	2	Nut #6	
8	3311505	3	Nut 5/16	
9	3311605	4	Nut 3/8	
10	3311805	2	Nut 1/2	
11	3430816	1	Pin, Clevis	
12	3450404	1	Pin, Cotter 1/8 x 1	
13	3910608	2	Screw #6 x 1/2	
14	4711500	6	Washer 5/16	
15	4711600	8	Washer 3/8	
16	4711800	4	Washer 1/2	
17	4750600	2	Washer #6	
18	4770600	2	Starwasher #6	
19	4891800	1	Washer 1/2	
20	1001131482	1	Plate, Jack Bracket	
21	1001135663	1	Support, Engine Tray Jack	
22	1001143298	1	Plate, Jack Bracket	

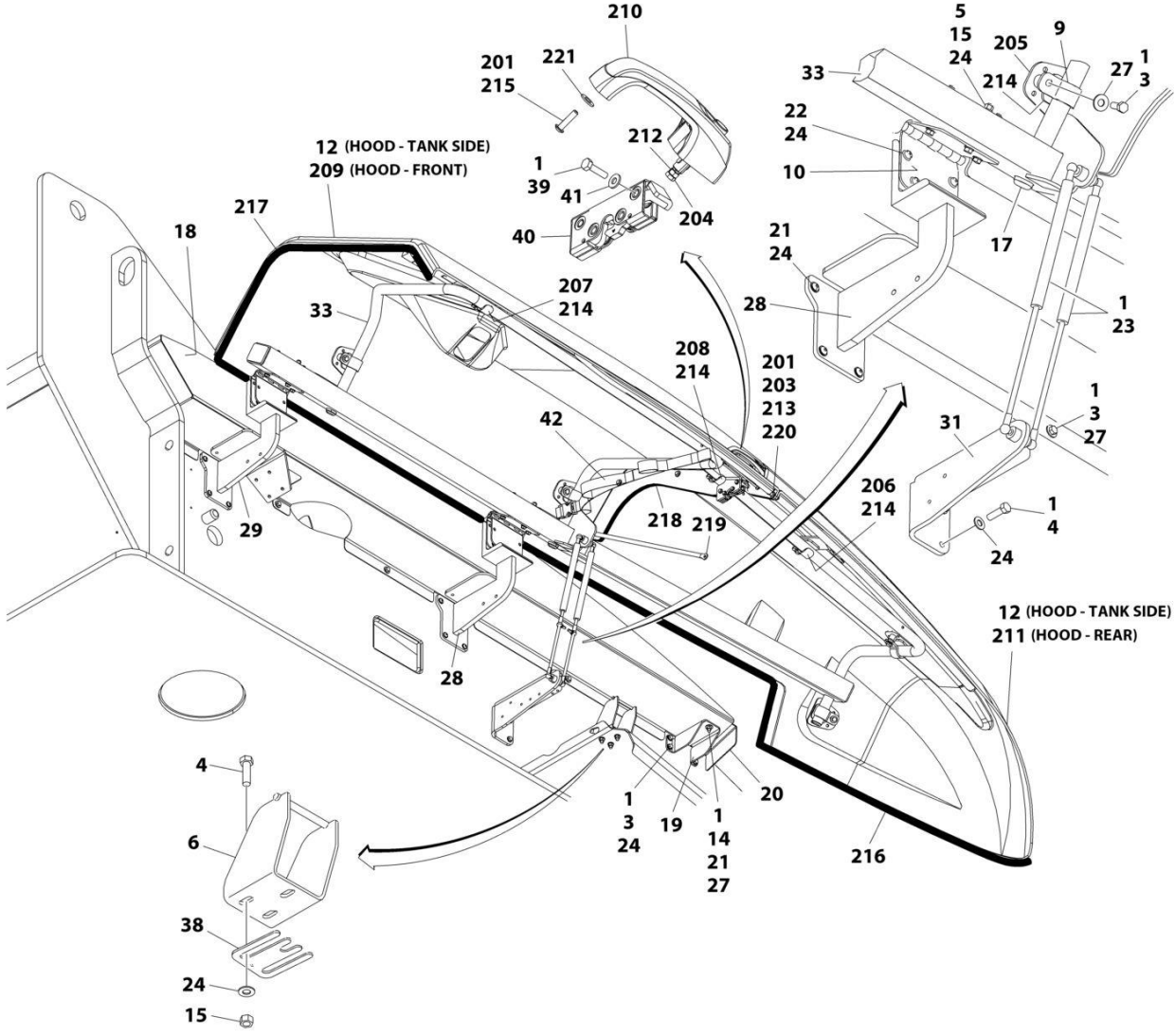
# SECTION 2 - TURNTABLE

## FIGURE 2-53. HOOD INSTALLATIONS - DEUTZ TD2011 ENGINES (ABS)



ART\_0271595\_G\_10F2

# SECTION 2 - TURNTABLE



ART\_0271595\_G\_2OF2

## SECTION 2 - TURNTABLE

**FIGURE 2-53. HOOD INSTALLATIONS - DEUTZ TD2011 ENGINES (ABS)**

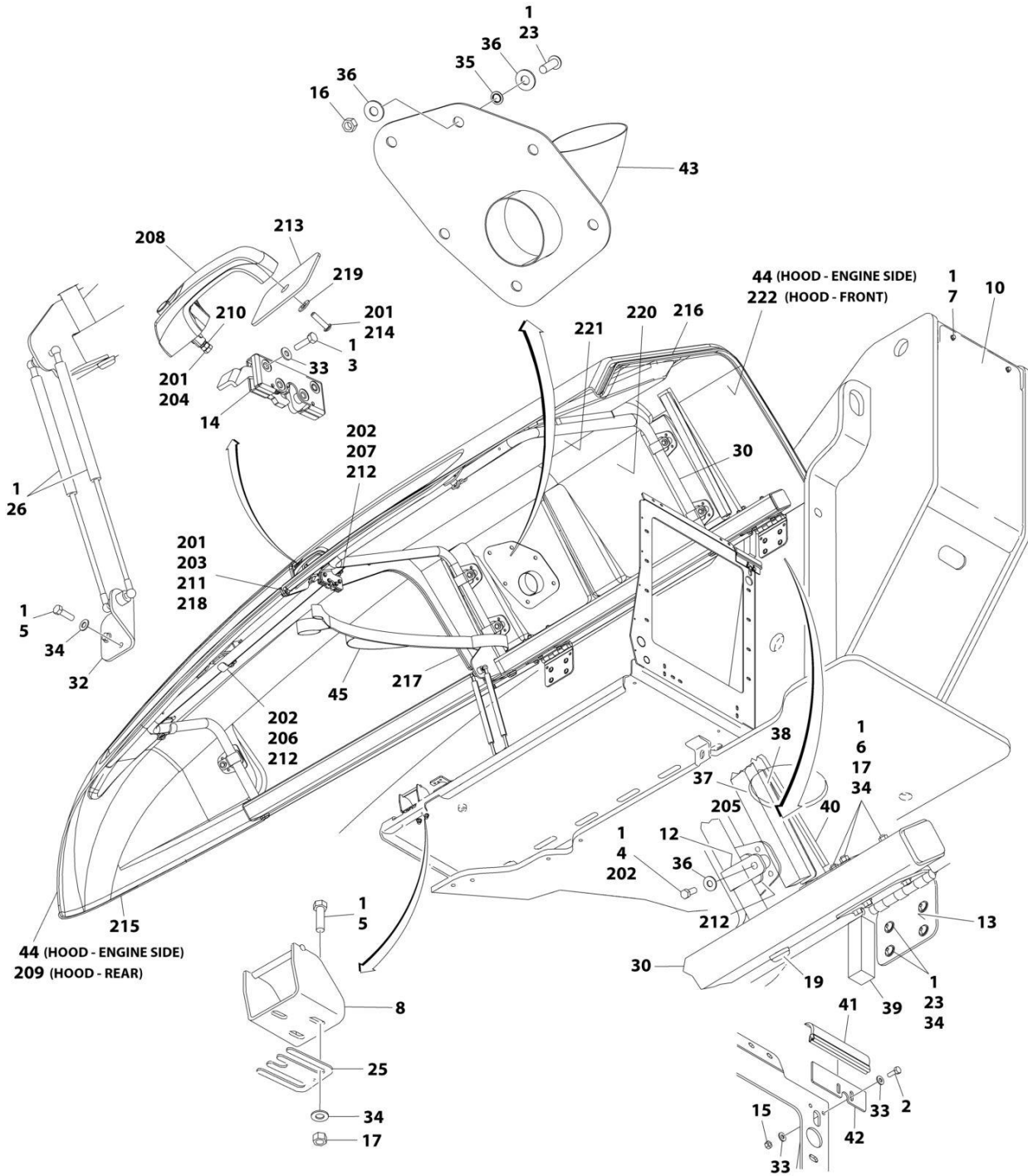
ITEM	PART NUMBER	QTY	DESCRIPTION	REV
	0271595	Ref	HOOD INSTALLATIONS - DEUTZ TD2011 ENGINES (ABS)	G
1	0100011	AR	Compound, Locking	
2	0791604	2	Screw 3/8 x 1/2	
3	0641608	24	Bolt 3/8 x 1	
4	0641610	12	Bolt 3/8 x 1-1/4	
5	0641630	12	Bolt 3/8 x 3-3/4	
6	0903156	1	Bracket	
8	1671038	1	Cover, Turntable	
9	2080051	16	Clamp	
10	2600280	4	Hinge	
11	1671192	1	Hood, Engine Side (See Items 101-123 for Breakdown)	
		Ref	Note: Replacement decals must be ordered separately - See DECAL SECTION.	
12	1671194	1	Hood, Tank Side (See Items 201-225 for Breakdown)	
		Ref	Note: Replacement decals must be ordered separately - See DECAL SECTION.	
13	2820141	1	Shield, Heat	
14	3311601	5	Nut 3/8	
15	3311605	18	Nut 3/8	
17	3520186	6	Plug	
18	3573231	1	Trough, Powertrack	
19	3573232	1	Mount, Trough	
20	3573233	1	Plate, Seal Mounting	
21	3900232	21	Screw 3/8 x 1-1/4	
22	3900283	16	Screw 3/8 x 3/4	
23	4160194	4	Spring, Gas	
24	4711600	70	Washer 3/8	
25	4740500	3	Washer, Nylon	
27	4751600	38	Washer 3/8	
28	4340923	1	Support, Rear Hood	
29	4340924	1	Support, Front Hood	
30	4341001	1	Mount, Gas Spring	
31	4340999	1	Mount, Gas Spring	
32	4340996	1	Support, Engine Side Hood	
33	4340995	1	Support, Tank Side Hood	
34	4846503	1	Stack, Exhaust	
36	0903154	1	Bracket, Latch	
37	3520034	2	Plug (Not Shown - Located in Boom Rest)	
38	4071048	2	Shim	
39	0641408	8	Bolt 1/4 x 1	
40	2940173	2	Latch, Rotary	
41	4711400	8	Washer 1/4	
42	1001160505	2	Strap	
	1671192	Ref	ENGINE SIDE HOOD ASSEMBLIES (ABS)	B
101	0100011	AR	Compound, Locking	
102	0100081	AR	Adhesive (Not Shown)	
103	0641506	10	Bolt 5/16 x 3/4	
104	0760608	1	Screw M6 x 16	
105	0902746	7	Bracket	
106	0902761	1	Bracket	

## SECTION 2 - TURNTABLE

ITEM	PART NUMBER	QTY	DESCRIPTION	REV
107	0903161	1	Bracket	
108	1671191	1	Hood - Front	
109	2560187	1	Handle, Push Button	
110	2680496	1	Hood - Rear	
111	2820145	1	Insulation	
112	2820146	1	Insulation	
113	3290601	1	Nut M6 x 1	
114	3311501	10	Nut 5/16	
115	3340877	9	Pad	
116	3575782	1	Plate, Handle Backing	
117	3900363	2	Screw M6 x 1 x 25	
118	3960464	12 ft /3.7m	Seal, Hood	
119	4060804	61 in /1.6m	Flex-Trim	
120	4060806	49 in /1.3m	Flex-Trim	
121	4751500	20	Washer 5/16	
122	4811900	2	Washer M8	
	1671194	Ref	TANK SIDE HOOD ASSEMBLY (ABS)	A
201	0100011	AR	Compound, Locking	
202	0100081	AR	Adhesive (Not Shown)	
203	0641506	9	Bolt 5/16 x 3/4	
204	0760608	1	Screw M6 x 16	
205	0902746	4	Bracket	
206	0902762	1	Bracket	
207	0902763	1	Bracket	
208	0903162	1	Bracket	
209	1671193	1	Hood - Front	
210	2560187	1	Handle, Push Button	
211	2680498	1	Hood - Rear	
212	3290601	1	Nut M6	
213	3311501	9	Nut 5/16	
214	3340877	7	Pad	
215	3900363	2	Screw M6 x 1 x 25	
216	3960464	149 in /3.8m	Seal, Hood	
217	4060804	53 in /1.4m	Flex-Trim	
218	4060806	40 in /1.2m	Flex-Trim	
219	4240150	1	Strap, Ground	
220	4751500	18	Washer 5/16	
221	4811900	2	Washer M8	

# SECTION 2 - TURNTABLE

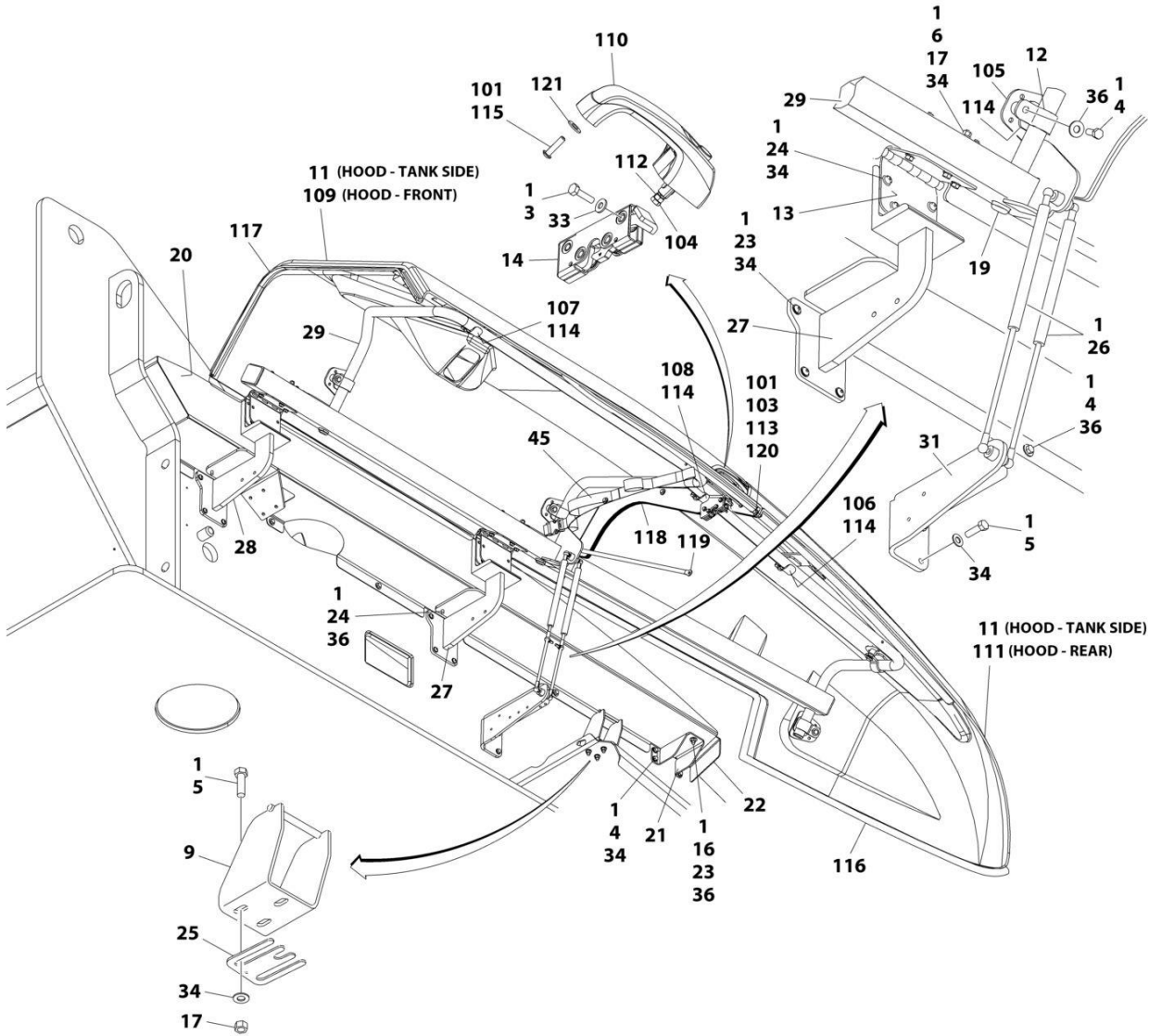
## FIGURE 2-54. HOOD INSTALLATION - DEUTZ TCD2.9L4 ENGINES (ABS)



ART\_1001237127\_10F2



# SECTION 2 - TURNTABLE



ART\_1001237127\_2OF2

## SECTION 2 - TURNTABLE

FIGURE 2-54. HOOD INSTALLATION - DEUTZ TCD2.9L4 ENGINES (ABS)

ITEM	PART NUMBER	QTY	DESCRIPTION	REV
	1001237127	Ref	HOOD INSTALLATION - DEUTZ TCD2.9L4 ENGINES (ABS)	B
1	0100011	AR	Compound, Locking	
2	0641406	2	Bolt 1/4 x 3/4	
3	0641408	8	Bolt 1/4 x 1	
4	0641608	24	Bolt 3/8 x 1	
5	0641610	12	Bolt 3/8 x 1-1/4	
6	0641630	12	Bolt 3/8 x 3-3/4	
7	0791604	2	Screw 3/8 x 1/2	
8	0903154	1	Bracket, Latch	
9	0903156	1	Bracket	
10	1671038	1	Cover, Turntable	
11	1671194	1	Hood, Tank Side (See Items 101-121 for Breakdown)	
		Ref	Note: Replacement decals must be ordered separately - See DECAL SECTION.	
12	2080051	16	Clamp	
13	2600280	4	Hinge	
14	2940173	2	Latch, Rotary	
15	3311405	2	Nut 1/4	
16	3311601	8	Nut 3/8	
17	3311605	18	Nut 3/8	
18	3520034	2	Plug (Not Shown - Located in Boom Rest)	
19	3520186	6	Plug	
20	3573231	1	Trough, Powertrack	
21	3573232	1	Mount, Trough	
22	3573233	1	Plate, Seal Mounting	
23	3900232	24	Screw 3/8 x 1-1/4	
24	3900283	16	Screw 3/8 x 3/4	
25	4071048	2	Shim	
26	4160194	4	Spring, Gas	
27	4340923	1	Support, Rear Hood	
28	4340924	1	Support, Front Hood	
29	4340995	1	Support, Tank Side Hood	
30	4340996	1	Support, Engine Side Hood	
31	4340999	1	Mount, Gas Spring	
32	4341001	1	Mount, Gas Spring	
33	4711400	12	Washer 1/4	
34	4711600	70	Washer 3/8	
35	4740500	6	Washer, Nylon	
36	4751600	44	Washer 3/8	
37	1001140485	1	Seal	
38	1001142144	1	Bracket	
39	1001146132	1	Seal	
40	1001146142	1	Seal	
41	1001146178	1	Seal	
42	1001146183	1	Plate	
43	1001236408	1	Stack, Exhaust	
44	1001237125	1	Hood, Engine Side (See Items 201-222 for Breakdown)	
		Ref	Note: Replacement decals must be ordered separately - See DECAL SECTION.	
45	1001160505	2	Strap	

## SECTION 2 - TURNTABLE

ITEM	PART NUMBER	QTY	DESCRIPTION	REV
	1671194	Ref	TANK SIDE HOOD ASSEMBLY (ABS)	A
101	0100011	AR	Compound, Locking	
102	0100081	AR	Adhesive (Not Shown)	
103	0641506	9	Bolt 5/16 x 3/4	
104	0760608	1	Screw M6 x 16	
105	0902746	4	Bracket	
106	0902762	1	Bracket	
107	0902763	1	Bracket	
108	0903162	1	Bracket	
109	1671193	1	Hood - Front	
110	2560187	1	Handle, Push Button	
111	2680498	1	Hood - Rear	
112	3290601	1	Nut M6	
113	3311501	9	Nut 5/16	
114	3340877	7	Pad	
115	3900363	2	Screw M6 x 25	
116	3960464	12.4 ft /3.8m	Seal, Hood	
117	4060804	4.4 ft /1.4m	Flex-Trim	
118	4060806	3.3 ft /1.2m	Flex-Trim	
119	4240150	1	Strap, Ground	
120	4751500	18	Washer 5/16	
121	4811900	2	Washer M8	
	1001237125	Ref	ENGINE SIDE HOOD ASSEMBLY (ABS)	A
201	0100011	AR	Compound, Locking	
202	0100081	AR	Adhesive	
203	0641510	10	Bolt 5/16 x 1-1/4	
204	0760608	1	Screw M6 x 16	
205	0902746	7	Bracket	
206	0902761	1	Bracket	
207	0903161	1	Bracket	
208	2560187	1	Handle, Push Button	
209	2680496	1	Hood - Rear	
210	3290601	1	Nut M6	
211	3311501	10	Nut 5/16	
212	3340877	9	Pad	
213	3575782	1	Plate, Handle Backing	
214	3900363	2	Screw M6 x 25	
215	3960464	12 ft /3.7m	Seal, Hood	
216	4060804	5.1 ft /1.6m	Flex-Trim	
217	4060806	4.1 ft /1.3m	Flex-Trim	
218	4751500	20	Washer 5/16	
219	4811900	2	Washer M8	
220	1001117140	AR	Tape, Aluminized	
221	1001152566	AR	Insulation	
222	1001237124	1	Hood - Engine Side Front	

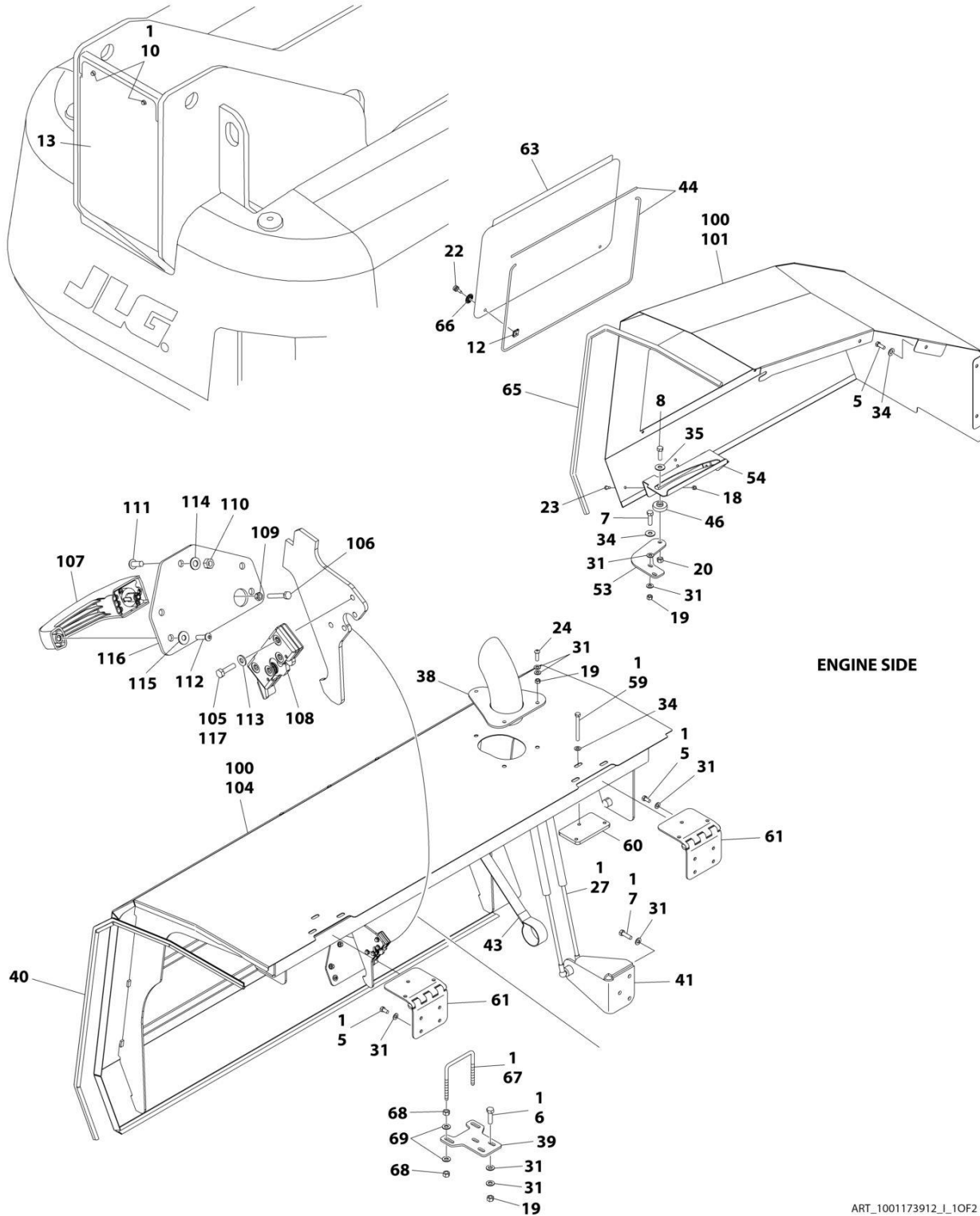
## SECTION 2 - TURNTABLE

ITEM	PART NUMBER	QTY	DESCRIPTION	REV
		Ref	Note: When installing a replacement hood, heat shields (item 223) must be installed on the replacement hood before being place in service. Heat shield must be purchased separately.	



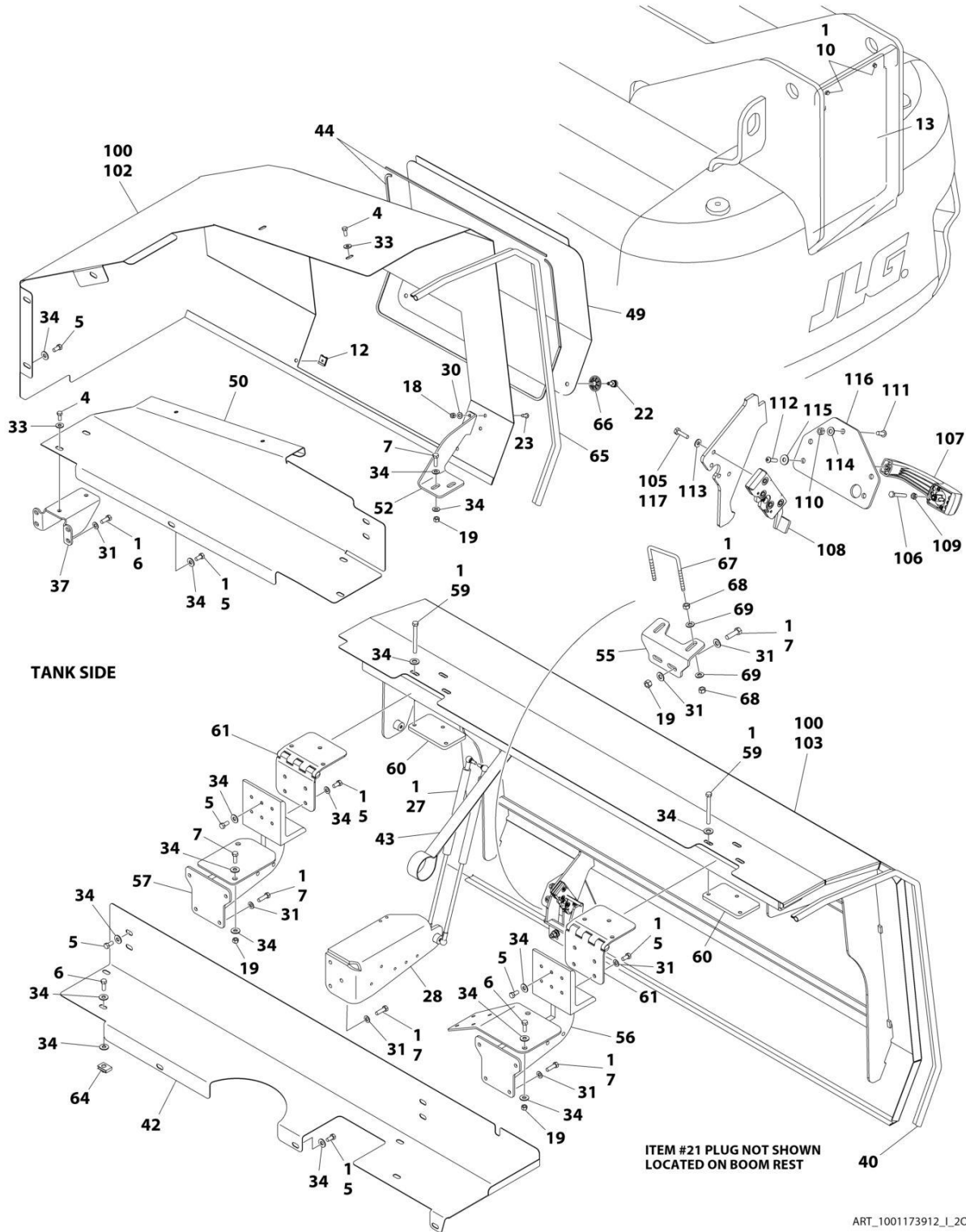
# SECTION 2 - TURNTABLE

## FIGURE 2-55. HOOD INSTALLATION - DEUTZ TD2011/TD2.9L4/TCD2.9L ENGINES (STEEL)



ART\_1001173912\_L\_10F2

# SECTION 2 - TURNTABLE



ART\_1001173912\_I\_20F2

## SECTION 2 - TURNTABLE

FIGURE 2-55. HOOD INSTALLATION - DEUTZ TD2011/TD2.9L4 ENGINES (STEEL)

ITEM	PART NUMBER	QTY	DESCRIPTION	REV
	1001173912	Ref	HOOD INSTALLATION - DEUTZ TD2011/TD2.9L4 ENGINES (STEEL)	I
		Ref	Note: Replacement Decals Must be Ordered Separately - See DECAL SECTION.	
1	0100011	AR	Compound, Locking	
4	0641506	AR	Bolt 5/16 x 3/4	
5	0641606	32	Bolt 3/8 x 3/4	
6	0641608	8	Bolt 3/8 x 1	
7	0641610	AR	Bolt 3/8 x 1-1/4	
8	0641813	1	Bolt 1/2 x 1-5/8	
10	0791604	2	Screw 3/8 x 1/2	
12	1380169	4	Clip	
13	1671038	1	Cover	
18	3311505	5	Nut 5/16	
19	3311605	AR	Nut 3/8	
20	3311805	1	Nut 1/2	
21	3520034	2	Plug, Hole	
22	3900174	4	Screw, Thumb	
23	3900210	5	Screw 5/16 x 3/4	
24	3900232	3	Screw 3/8 x 1-1/4	
27	4160194	4	Spring, Gas	
28	4340999	1	Mount, Gas Spring	
30	4711500	2	Washer 5/16	
31	4711600	54	Washer 3/8	
33	4751500	4	Washer 5/16	
34	4751600	AR	Washer 3/8	
35	4751800	1	Washer 1/2	
37	3573232	1	Support, Power Track Trough	
38	1001110027	1	Stack, Exhaust	
39	1001250296	1	Bracket, Striker	
40	1001110433	AR	Seal	
41	1001110486	1	Mount, Gas Spring	
42	1001175859	1	Plate, Power Track Trough	
43	1001112691	2	Strap, Hand Pull	
44	1001113047	14.5 ft/ 4.4m	Seal	
46	1001131462	1	Pad, Hood Slide	
49	1001173166	1	Cover, Access (Tank Side)	
50	1001173170	1	Plate, Power Track Trough	
52	1001173185	1	Plate, Mounting	
53	1001173186	1	Bracket, Engine Tray	
54	1001173187	1	Bracket, Engine Tray	
55	1001250297	1	Bracket, Hood Latch	
56	1001173647	1	Support, Front Hood	
57	1001173651	1	Support, Front Hood	
59	0641630	12	Bolt 3/8 x 3-3/4	
60	1001175880	4	Plate	
61	1001175879	4	Hinge, Offset Hood	
63	1001180051	1	Cover, Access (Engine Side)	
64	88662523	4	Nut, Tinnerman	

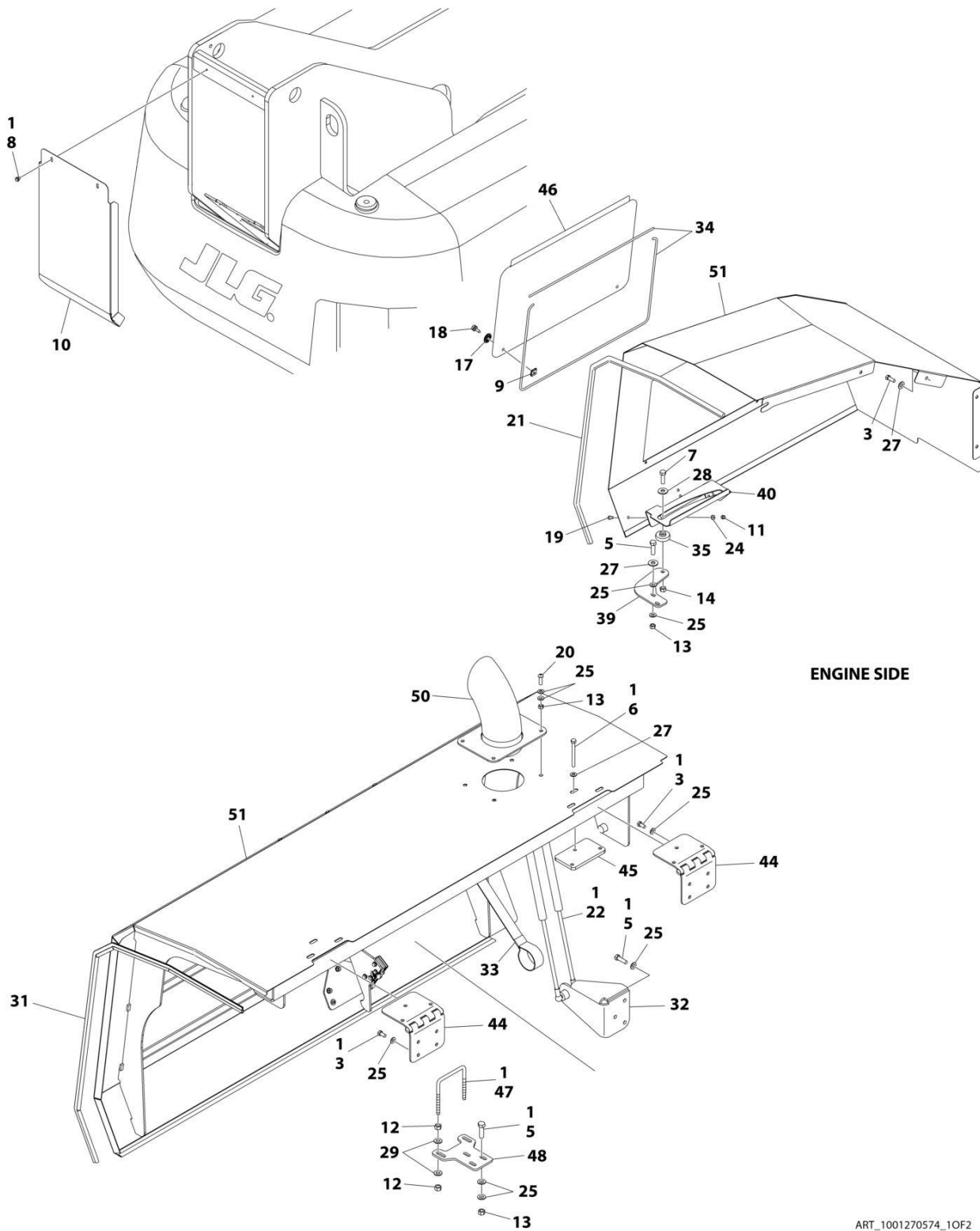


## SECTION 2 - TURNTABLE

ITEM	PART NUMBER	QTY	DESCRIPTION	REV
65	3960447	10 ft/ 3.1m	Seal, Self-Gripping	
66	3760308	4	Retainer	
67	1001243414	2	U - Bolt	
68	3311601	8	Nut 3/8	
69	4891600	8	Washer 3/8	
100	1001175250	1	Kit, Hood	F
101	1001173163	1	Hood, Engine Side - Rear	
102	1001173164	1	Hood, Tank Side - Rear	
103	1001173183	1	Hood, Tank Side - Front	
104	1001174331	1	Hood, Engine Side - Front	
105	0641408	8	Bolt 1/4 x 1	
106	0700616	2	Bolt M6 x 40	
107	2560187	2	Handle, Push Button	
108	2940173	2	Latch, Rotary	
109	3290601	2	Nut M6	
110	3311505	6	Nut 5/16	
111	3900210	6	Screw 5/16 x 3/4	
112	3900363	4	Screw M6 x 25	
113	4711400	8	Washer 1/4	
114	4711500	6	Washer 5/16	
115	4751400	4	Washer 1/4	
116	1001116290	2	Plate, Latch Mounting	
117	0100011	AR	Compound, Locking	

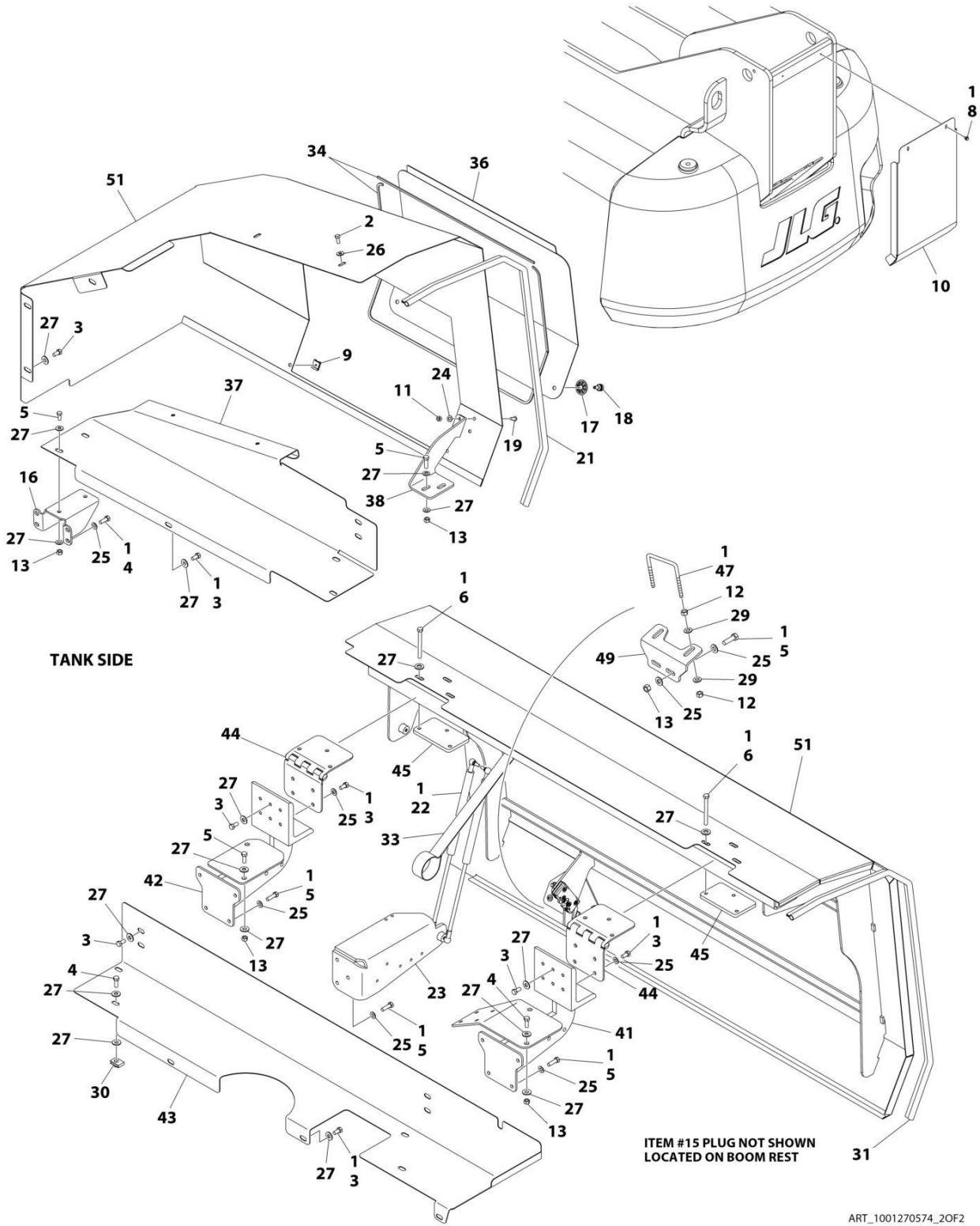
# SECTION 2 - TURNTABLE

## FIGURE 2-56. HOOD INSTALLATION - DEUTZ TCD2.9L (CHINA IV) ENGINES (STEEL)



ART\_1001270574\_10F2

# SECTION 2 - TURNTABLE



## SECTION 2 - TURNTABLE

FIGURE 2-56. HOOD INSTALLATION - DEUTZ TCD2.9L (CHINA IV) ENGINES (STEEL)

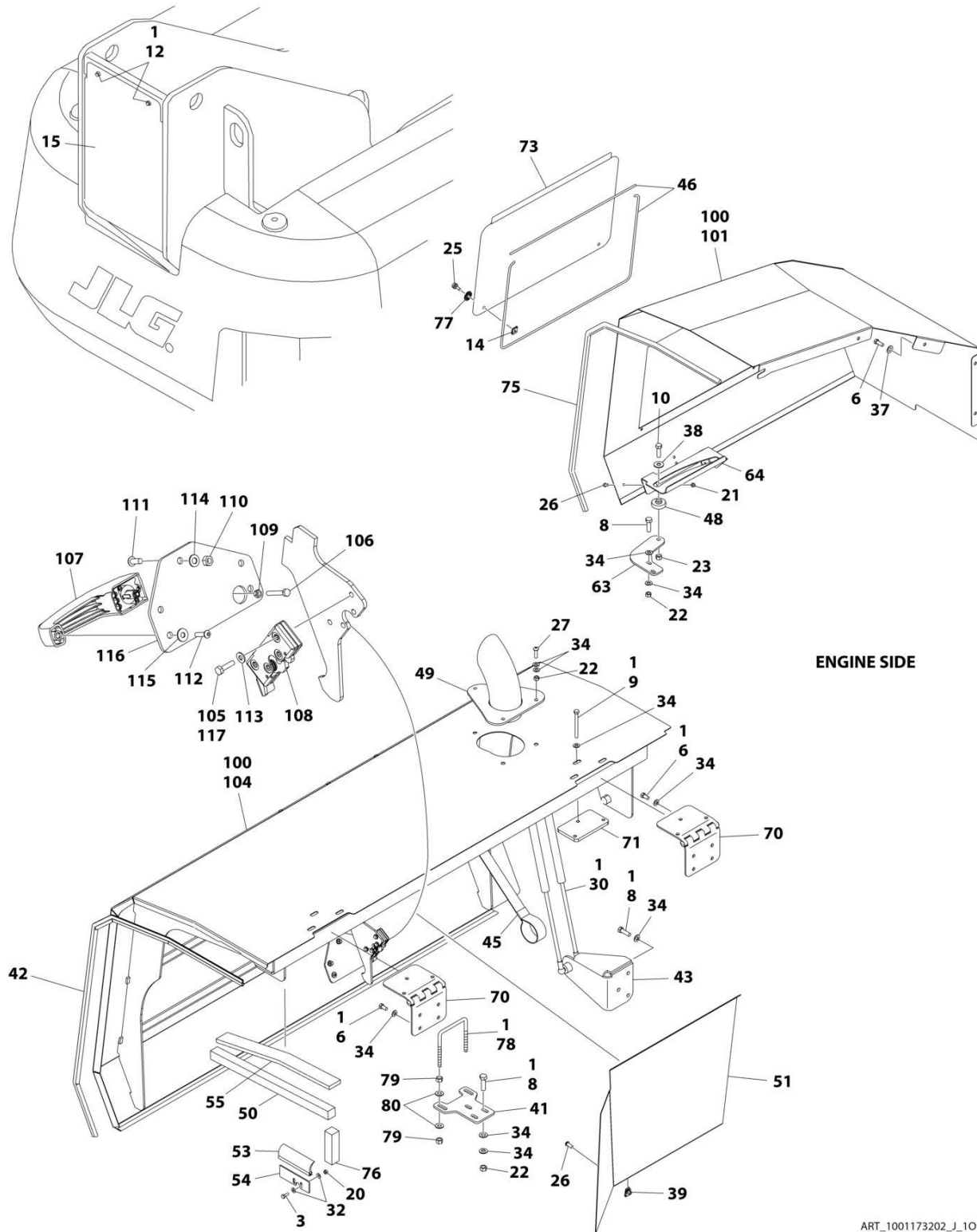
ITEM	PART NUMBER	QTY	DESCRIPTION	REV
	1001270574	1	HOOD INSTALLATION	A
		Ref	Note: Replacement Decals Must be Ordered Separately - See DECAL Section.	
1	0100011	AR	Compound, Locking	
2	0641506	2	Bolt 5/16 x 3/4	
3	0641606	32	Bolt 3/8 x 3/4	
4	0641608	8	Bolt 3/8 x 1	
5	0641610	25	Bolt 3/8 x 1-1/4	
6	0641630	12	Bolt 3/8 x 3-3/4	
7	0641813	1	Bolt 1/2 x 1-5/8	
8	0791604	2	Screw 3/8 x 1/2	
9	1380169	4	Clip	
10	1671038	1	Cover	
11	3311505	5	Nut 5/16	
12	3311601	8	Nut 3/8	
13	3311605	15	Nut 3/8	
14	3311805	1	Nut 1/2	
15	3520034	2	Plug, Hole	
16	3573232	1	Support, Power Track Trough	
17	3760308	4	Retainer	
18	3900174	4	Screw, Thumb	
19	3900210	5	Screw 5/16 x 3/4	
20	3900232	3	Screw 3/8 x 1-1/4	
21	3960447	10 ft/ 3.1m	Seal, Self-Gripping	
22	4160194	4	Spring, Gas	
23	4340999	1	Mount, Gas Spring	
24	4711500	5	Washer 5/16	
25	4711600	42	Washer 3/8	
26	4751500	2	Washer 5/16	
27	4751600	42	Washer 3/8	
28	4751800	1	Washer 1/2	
29	4891600	8	Washer 3/8	
30	88662523	4	Nut, Tinnerman	
31	1001110433	AR	Seal	
32	1001110486	1	Mount, Gas Spring	
33	1001112691	2	Strap, Hand Pull	
34	1001113047	14.5 ft/ 4.4m	Seal	
35	1001131462	1	Pad, Hood Slide	
36	1001173166	1	Cover, Access (Tank Side)	
37	1001173170	1	Plate, Power Track Trough	
38	1001173185	1	Plate, Mounting	
39	1001173186	1	Bracket, Engine Tray	
40	1001173187	1	Bracket, Engine Tray	
41	1001173647	1	Support, Front Hood	
42	1001173651	1	Support, Front Hood	
43	1001175859	1	Plate, Power Track Trough	
44	1001175879	4	Hinge, Offset Hood	
45	1001175880	4	Plate, Nut	

**SECTION 2 - TURNTABLE**

<b>ITEM</b>	<b>PART NUMBER</b>	<b>QTY</b>	<b>DESCRIPTION</b>	<b>REV</b>
46	1001180051	1	Cover, Access (Engine Side)	
47	1001243414	2	U - Bolt	
48	1001250296	1	Bracket, Engine	
49	1001250297	1	Bracket, Hood Latch	
50	1001270573	1	Pipe, Exhaust	
51	1001270575	1	Kit, Hood (See Separate Breakdown in this Section)	

# SECTION 2 - TURNTABLE

## FIGURE 2-57. HOOD INSTALLATION - DEUTZ TCD2.9L4 ENGINES (STEEL)



ART\_1001173202\_J\_10F2



## SECTION 2 - TURNTABLE

FIGURE 2-57. HOOD INSTALLATION - DEUTZ TCD2.9L4 ENGINES (STEEL)

ITEM	PART NUMBER	QTY	DESCRIPTION	REV
	1001173202	Ref	HOOD INSTALLATION - DEUTZ TCD2.9L4 ENGINES (STEEL)	J
		Ref	Note: Replacement Decals Must be Ordered Separately - See DECAL SECTION.	
1	0100011	AR	Compound, Locking	
3	0641406	2	Bolt 1/4 x 3/4	
5	0641506	AR	Bolt 5/16 x 3/4	
6	0641606	32	Bolt 3/8 x 3/4	
7	0641608	8	Bolt 3/8 x 1	
8	0641610	AR	Bolt 3/8 x 1-1/4	
9	0641630	12	Bolt 3/8 x 3-3/4	
10	0641813	1	Bolt 1/2 x 1-5/8	
12	0791604	2	Screw 3/8 x 1/2	
14	1380169	4	Clip	
15	1671038	1	Cover	
20	3311405	2	Nut 1/4	
21	3311505	5	Nut 5/16	
22	3311605	AR	Nut 3/8	
23	3311805	1	Nut 1/2	
24	3520034	2	Plug, Hole	
25	3900174	4	Screw, Thumb	
26	3900210	10	Screw 5/16 x 3/4	
27	3900232	3	Screw 3/8 x 1-1/4	
31	4340999	1	Mount, Gas Spring	
32	4711400	4	Washer 1/4	
33	4711500	2	Washer 5/16	
34	4711600	72	Washer 3/8	
36	4751500	AR	Washer 5/16	
37	4751600	AR	Washer 3/8	
38	4751800	1	Washer 1/2	
39	8310658	5	Nut .312 x 1	
40	3573232	1	Support, Power Track Trough	
41	1001250296	1	Bracket, Striker	
42	1001110433	AR	Seal	
43	1001110486	1	Mount, Gas Spring	
45	1001112691	2	Strap, Hand Pull	
46	1001113047	14.5 ft/ 4.2m	Seal	
48	1001131462	1	Pad, Hood Slide	
49	1001139778	1	Stack, Exhaust	
50	1001140485	1	Seal	
51	1001145162	1	Panel, Heat Deflector	
53	1001146178	1	Seal	
54	1001146183	1	Plate	
55	1001146244	1	Seal	
58	1001173166	1	Cover, Access (Tank Side)	
59	1001173170	1	Plate, Power Track Trough	
62	1001173185	1	Plate, Mounting	
63	1001173186	1	Bracket, Engine Tray	
64	1001173187	1	Bracket, Engine Tray	
65	1001250297	1	Bracket, Hood	

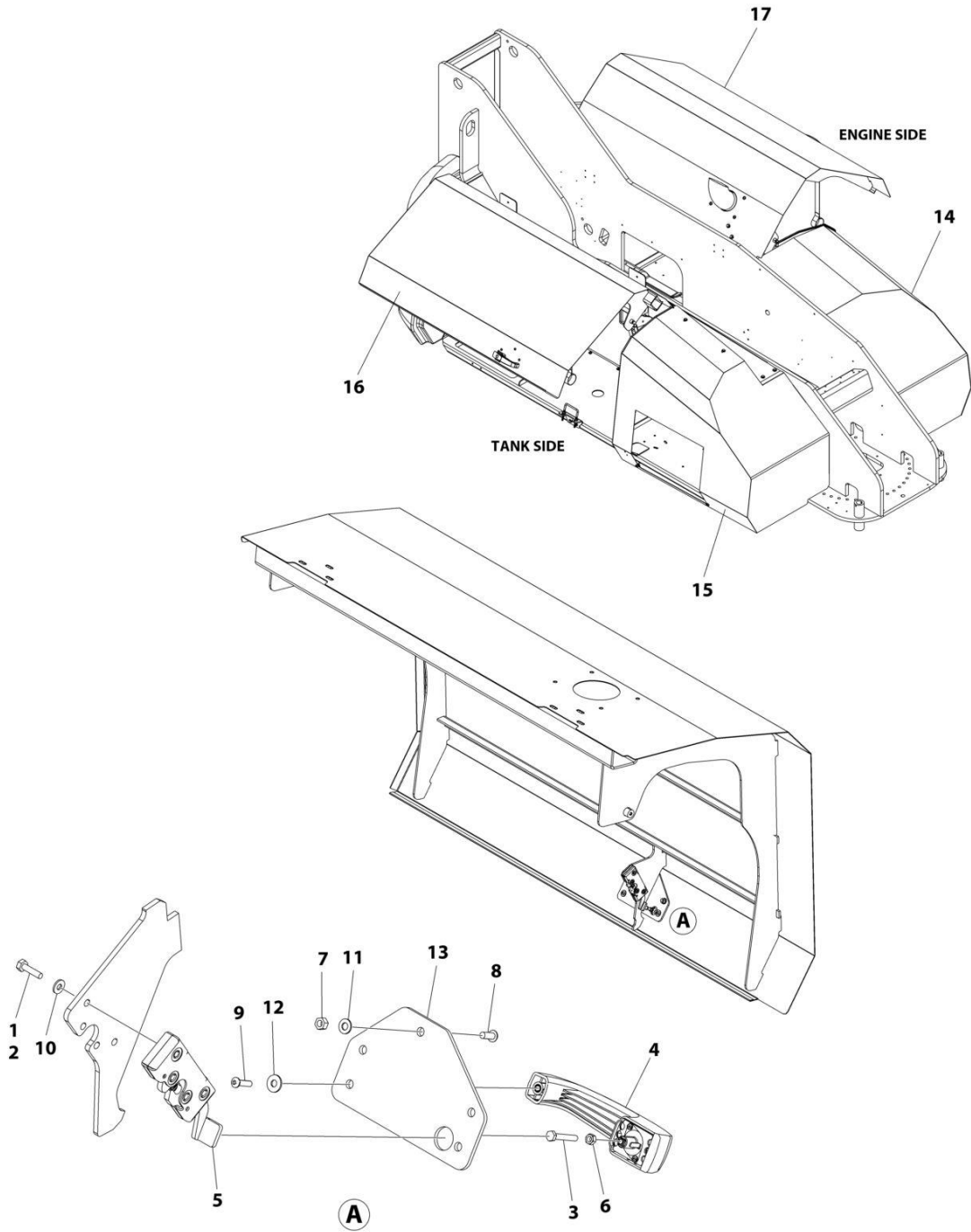


## SECTION 2 - TURNTABLE

ITEM	PART NUMBER	QTY	DESCRIPTION	REV
66	1001173647	1	Support, Front Hood	
67	1001173651	1	Support, Front Hood	
68	1001175859	1	Plate, Power Track Trough	
70	1001175879	4	Hinge, Offset Hood	
71	1001175880	4	Plate	
73	1001180051	1	Cover, Access (Engine Side)	
74	88662523	1	Nut, Tinnerman	
75	3960447	10 ft/ 3.1m	Seal, Self-Gripping	
76	1001146132	1	Seal	
77	3760308	4	Retainer	
78	1001243414	2	U - Bolt	
79	3311601	8	Nut 3/8	
80	4891600	8	Washer 3/8	
100	1001175237	1	Kit, Hood	E
101	1001173163	1	Hood, Engine Side - Rear	
102	1001173164	1	Hood, Tank Side - Rear	
103	1001173183	1	Hood, Tank Side - Front	
104	1001173184	1	Hood, Engine Side - Front	
105	0641408	8	Bolt 1/4 x 1	
106	0700616	2	Bolt M6 x 40	
107	2560187	2	Handle, Push Button	
108	2940173	2	Latch, Rotary	
109	3290601	2	Nut M6	
110	3311505	6	Nut 5/16	
111	3900210	6	Screw 5/16 x 3/4	
112	3900363	4	Screw M6 x 25	
113	4711400	8	Washer 1/4	
114	4711500	6	Washer 5/16	
115	4751400	4	Washer 1/4	
116	1001116290	2	Plate, Latch Mounting	
117	0100011	1	Compound, Locking	

# SECTION 2 - TURNTABLE

FIGURE 2-58. HOOD KIT DEUTZ TCD2.9L4 (CHINA IV) ENGINE



ART\_1001270575

**SECTION 2 - TURNTABLE**

**FIGURE 2-58. HOOD KIT DEUTZ TCD2.9L4 (CHINA IV) ENGINE**

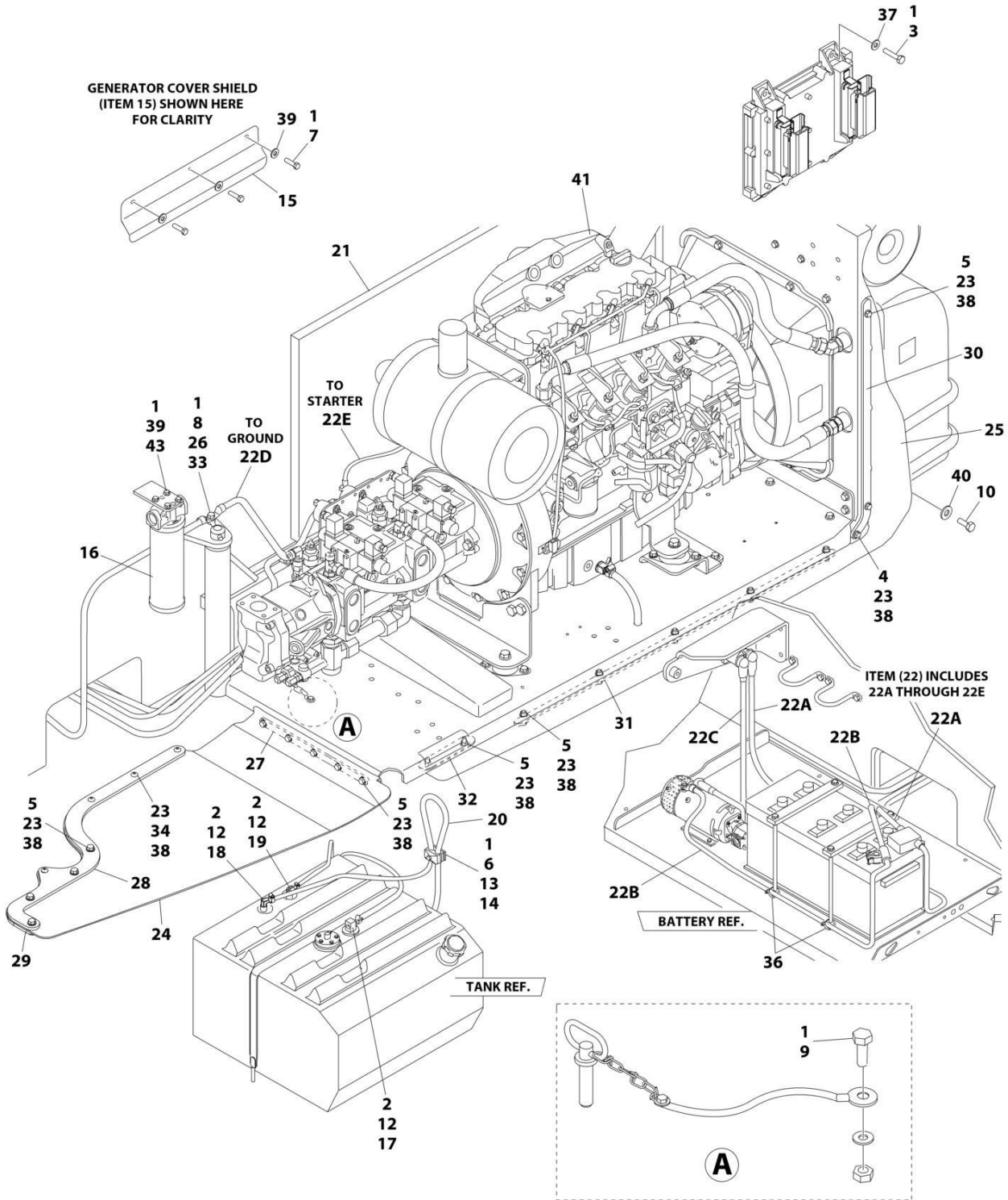
ITEM	PART NUMBER	QTY	DESCRIPTION	REV
	1001270575	Ref	HOOD KIT	B
1	0100011	AR	Compound, Locking	
2	0641408	8	Bolt 1/4 x 1	
3	0700616	2	Bolt M6 x 40	
4	2560187	2	Handle, Push Button	
5	2940173	2	Latch, Rotary	
6	3290601	2	Nut M6	
7	3311505	6	Nut 5/16	
8	3900210	6	Screw 5/16 x 3/4	
9	3900363	4	Screw M6 x 25	
10	4711400	8	Washer 1/4	
11	4711500	6	Washer 5/16	
12	4751400	4	Washer 1/4	
13	1001116290	2	Plate, Latch Mounting	
14	1001173163	1	Hood, Engine Side - Rear	
15	1001173164	1	Hood, Tank Side - Rear	
16	1001173183	1	Hood, Tank Side - Front	
17	1001270572	1	Hood, Engine Side - Front	



**SECTION 3 - ENGINE**

# SECTION 3 - ENGINE

**FIGURE 3-1. DEUTZ TD2011 ENGINE INSTALLATION - WITH REXROTH PUMPS AND ABS HOODS (WITHOUT SKYPOWER AND WITHOUT COLD WEATHER PLUS PACKAGE)**



ART\_1001098512

## SECTION 3 - ENGINE

**FIGURE 3-1. DEUTZ TD2011 ENGINE INSTALLATION - WITH REXROTH PUMPS AND ABS HOODS  
(WITHOUT SKYPOWER AND WITHOUT COLD WEATHER PLUS PACKAGE)**

ITEM	PART NUMBER	QTY	DESCRIPTION	REV
	1001098512	Ref	DEUTZ TD2011 DIESEL ENGINE INSTALLATION - WITH REXROTH PUMPS AND ABS HOODS (WITHOUT SKYPOWER AND WITHOUT COLD WEATHER PLUS PACKAGE)	G
1	0100011	AR	Compound, Locking	
2	0100079	AR	Sealant, Pipe	
3	0641410	4	Bolt 1/4 x 1-1/4	
4	0641506	1	Bolt 5/16 x 3/4	
5	0641509	18	Bolt 5/16 x 1-1/8	
6	0641511	1	Bolt 5/16 x 1-3/8	
7	0641605	3	Bolt 3/8 x 5/8	
8	0641610	1	Bolt 3/8 x 1-1/4	
9	0641808	1	Bolt 1/2 x 1	
10	0642010	1	Bolt 5/8 x 1-1/4	
12	1320022	3	Clamp	
13	1320187	1	Clamp, Twin	
14	1320190	1	Cover, Clamp	
15	1671121	1	Cover, Generator	
16	1001108617	1	Pressure Filter	
16	70002231	1	Element, Filter	
17	2180348	1	Fitting, Barbed	
18	2220313	1	Fitting, Elbow Barbed	
19	2221176	1	Fitting, Elbow	
20	2750532	5 ft/ 1.5m	Hose	
21	2820170	1	Insulation, Sound Absorbing	
22	2902099	1	Battery Cable Kit	
22A	7024580	1	Cable, Red (To Aux Pump Relay, Battery Positive Terminal and Start Relay)	
22B	7024581	1	Cable, Black (To Aux Pump, Battery Negative Terminal and Ground at Tray Pivot)	
22C	7024582	1	Cable, Red (Aux Pump Relay to Aux Pump)	
22D	7024583	1	Cable, Black (Tray Pivot to Engine Mount)	
22E	7024584	1	Cable, Red (Start Relay to Starter)	
23	3311505	23	Nut 5/16	
24	3380472	1	Panel, Rubber	
25	3380473	1	Panel, Rubber	
26	3422446	1	Pin	
27	3573644	1	Plate, Tray Clamp	
28	3573645	1	Plate, Top Clamp	
29	3573646	1	Plate, Bottom Clamp	
30	3573669	1	Plate, Clamp	
31	3573727	1	Plate, Tray Clamp	
32	3573728	1	Plate, Tray Clamp	
33	3841143	1	Keeper, Pin	
34	3900272	4	Screw 5/16 x 1-3/4	
35	4240018	2	Strap, Tie (Not Shown)	
36	4240099	AR	Strap, Tie	
37	4711400	4	Washer 1/4	
38	4711500	42	Washer 5/16	
39	4711600	7	Washer 3/8	
40	4752000	1	Washer 5/8	

## SECTION 3 - ENGINE

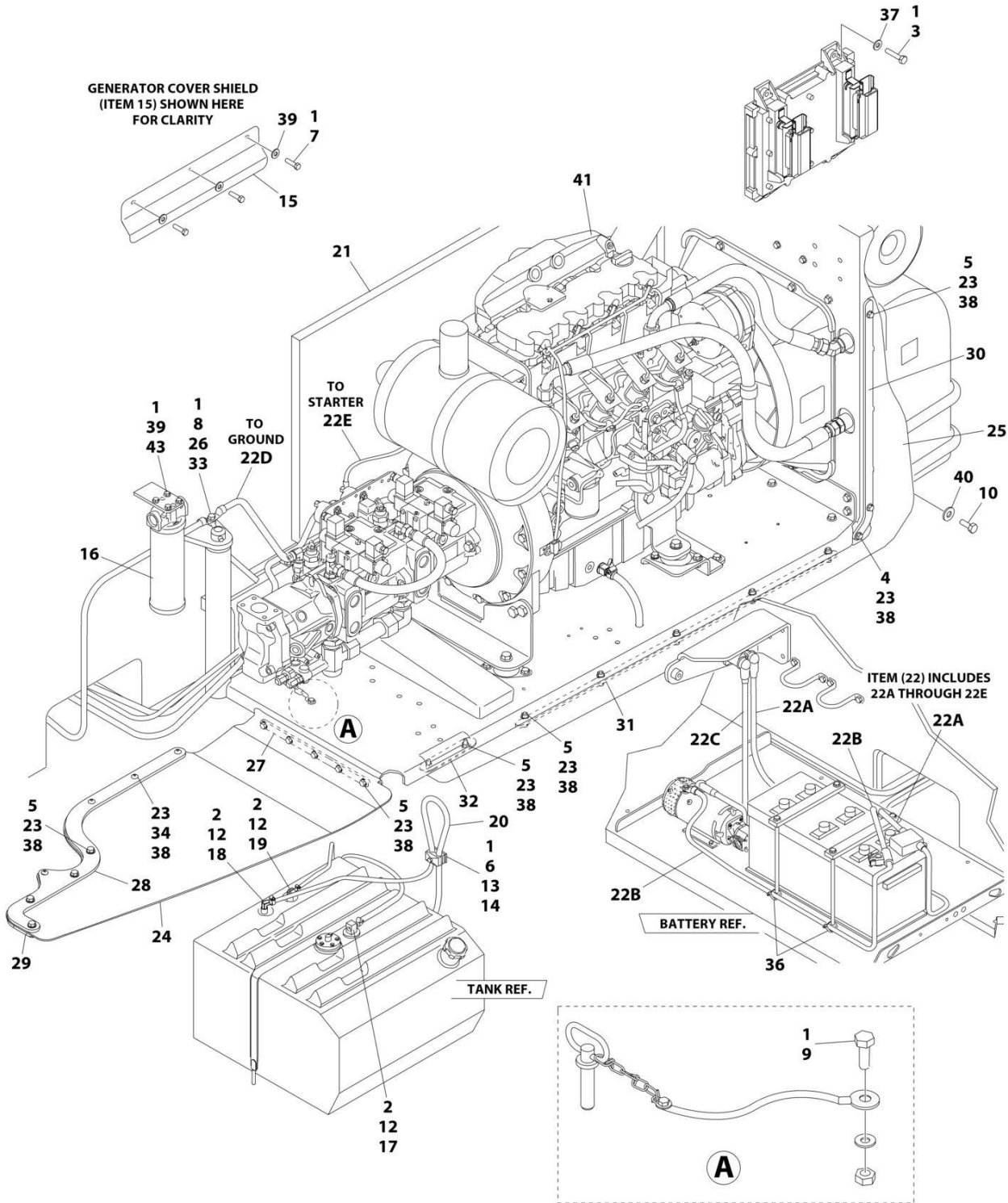
ITEM	PART NUMBER	QTY	DESCRIPTION	REV
41	1001098513	1	Engine Assembly with Pumps (See Separate Breakdown in this Section)	
43	0641606	4	Bolt 3/8 x 3/4	





# SECTION 3 - ENGINE

**FIGURE 3-2. DEUTZ TD2011 ENGINE INSTALLATION - WITH REXROTH PUMPS AND ABS HOODS (WITH SKYPOWER AND WITHOUT COLD WEATHER PLUS PACKAGE)**



ART\_1001098516

## SECTION 3 - ENGINE

**FIGURE 3-2. DEUTZ TD2011 ENGINE INSTALLATION - WITH REXROTH PUMPS AND ABS HOODS  
(WITH SKYPOWER AND WITHOUT COLD WEATHER PLUS PACKAGE)**

ITEM	PART NUMBER	QTY	DESCRIPTION	REV
	1001098516	Ref	DEUTZ TD2011 DIESEL ENGINE INSTALLATION - WITH REXROTH PUMPS AND ABS HOODS (WITH SKYPOWER AND WITHOUT COLD WEATHER PLUS PACKAGE)	G
1	0100011	AR	Compound, Locking	
2	0100079	AR	Sealant, Pipe	
3	0641410	4	Bolt 1/4 x 1-1/4	
4	0641506	1	Bolt 5/16 x 3/4	
5	0641509	18	Bolt 5/16 x 1-1/8	
6	0641511	1	Bolt 5/16 x 1-3/8	
7	0641605	3	Bolt 3/8 x 5/8	
8	0641610	1	Bolt 3/8 x 1-1/4	
9	0641808	1	Bolt 1/2 x 1	
10	0642010	1	Bolt 5/8 x 1-1/4	
12	1320022	3	Clamp	
13	1320187	1	Clamp, Twin	
14	1320190	1	Cover, Clamp	
15	1671121	1	Cover, Generator	
16	1001108617	1	Pressure Filter	
16	70002231	1	Element, Filter	
17	2180348	1	Fitting, Barbed	
18	2220313	1	Fitting, Elbow Barbed	
19	2221176	1	Fitting, Elbow	
20	2750532	5 ft/ 1.5m	Hose	
21	2820170	1	Insulation, Sound Absorbing	
22	2902099	1	Battery Cable Kit	
22A	7024580	1	Cable, Red (To Aux Pump Relay, Battery Positive Terminal and Start Relay)	
22B	7024581	1	Cable, Black (To Aux Pump, Battery Negative Terminal and Ground at Tray Pivot)	
22C	7024582	1	Cable, Red (Aux Pump Relay to Aux Pump)	
22D	7024583	1	Cable, Black (Tray Pivot to Engine Mount)	
22E	7024584	1	Cable, Red (Start Relay to Starter)	
23	3311505	23	Nut 5/16	
24	3380472	1	Panel, Rubber	
25	3380473	1	Panel, Rubber	
26	3422446	1	Pin	
27	3573644	1	Plate, Tray Clamp	
28	3573645	1	Plate, Top Clamp	
29	3573646	1	Plate, Bottom Clamp	
30	3573669	1	Plate, Clamp	
31	3573727	1	Plate, Tray Clamp	
32	3573728	1	Plate, Tray Clamp	
33	3841143	1	Keeper, Pin	
34	3900272	4	Screw 5/16 x 1-3/4	
35	4240018	2	Strap, Tie (Not Shown)	
36	4240099	AR	Strap, Tie	
37	4711400	4	Washer 1/4	
38	4711500	42	Washer 5/16	
39	4711600	7	Washer 3/8	
40	4752000	1	Washer 5/8	

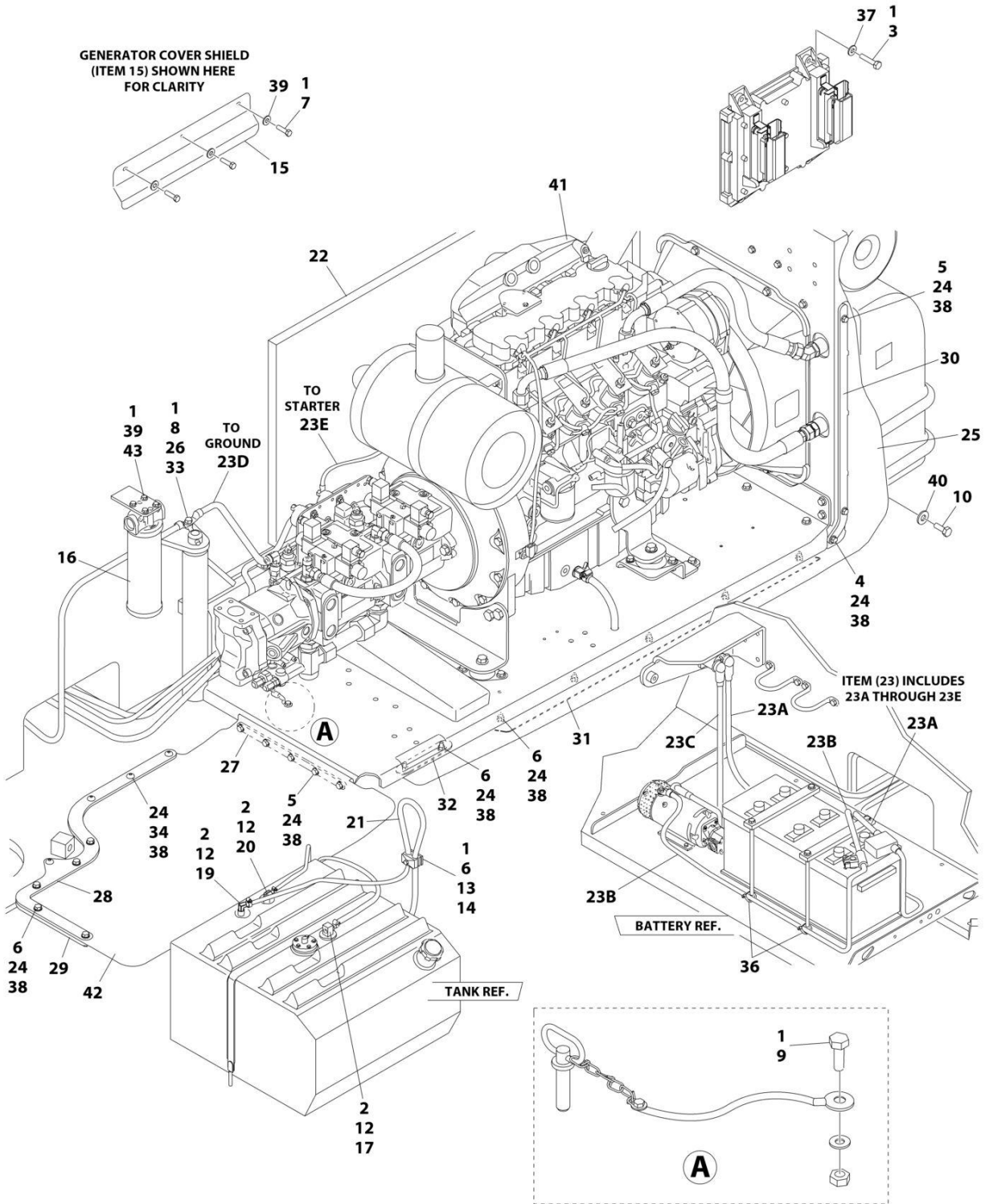
## SECTION 3 - ENGINE

ITEM	PART NUMBER	QTY	DESCRIPTION	REV
41	1001098530	1	Engine Assembly with Pumps (See Separate Breakdown in this Section)	
43	0641606	4	Bolt 3/8 x 3/4	



# SECTION 3 - ENGINE

**FIGURE 3-3. DEUTZ TD2011 ENGINE INSTALLATION - WITH REXROTH PUMPS AND STEEL HOOD (WITHOUT SKYPOWER AND WITHOUT COLD WEATHER PLUS PACKAGE)**



ART\_1001117370

## SECTION 3 - ENGINE

**FIGURE 3-3. DEUTZ TD2011 ENGINE INSTALLATION - WITH REXROTH PUMPS AND STEEL HOOD  
(WITHOUT SKYPOWER AND WITHOUT COLD WEATHER PLUS PACKAGE)**

ITEM	PART NUMBER	QTY	DESCRIPTION	REV
	1001117370	Ref	DEUTZ TD2011 DIESEL ENGINE INSTALLATION - WITH REXROTH PUMPS AND STEEL HOOD (WITHOUT SKYPOWER AND WITHOUT COLD WEATHER PLUS PACKAGE)	D
1	0100011	AR	Compound, Locking	
2	0100079	AR	Sealant, Pipe	
3	0641410	4	Bolt 1/4 x 1-1/4	
4	0641506	1	Bolt 5/16 x 3/4	
5	0641509	7	Bolt 5/16 x 1-1/8	
6	0641511	13	Bolt 5/16 x 1-3/8	
7	0641605	3	Bolt 3/8 x 5/8	
8	0641610	1	Bolt 3/8 x 1-1/4	
9	0641808	1	Bolt 1/2 x 1	
10	0642010	1	Bolt 5/8 x 1-1/4	
12	1320022	3	Clamp	
13	1320187	1	Clamp, Twin	
14	1320190	1	Cover, Clamp	
15	1671121	1	Cover, Generator	
16	1001108617	1	Pressure Filter	
16	70002231	1	Element, Filter	
17	2180348	1	Fitting, Barbed	
19	2220313	1	Fitting, Elbow Barbed	
20	2221176	1	Fitting, Elbow	
21	2750532	5 ft/ 1.5m	Hose	
22	2820170	1	Insulation, Sound Absorbing	
23	2902099	1	Battery Cable Kit	
23A	7024580	1	Cable, Red (To Aux Pump Relay, Battery Positive Terminal and Start Relay)	
23B	7024581	1	Cable, Black (To Aux Pump, Battery Negative Terminal and Ground at Tray Pivot)	
23C	7024582	1	Cable, Red (Aux Pump Relay to Aux Pump)	
23D	7024583	1	Cable, Black (Tray Pivot to Engine Mount)	
23E	7024584	1	Cable, Red (Start Relay to Starter)	
24	3311505	24	Nut 5/16	
25	3380473	1	Panel, Rubber	
26	3422446	1	Pin	
27	3573644	1	Plate, Tray Clamp	
28	1001112878	1	Plate, Top Clamp	
29	1001112879	1	Plate, Bottom Clamp	
30	3573669	1	Plate, Clamp	
31	1001112880	1	Plate, Tray Clamp	
32	3573728	1	Plate, Tray Clamp	
33	3841143	1	Keeper, Pin	
34	3900272	4	Screw 5/16 x 1-3/4	
35	4240018	2	Strap, Tie (Not Shown)	
36	4240099	AR	Strap, Tie	
37	4711400	4	Washer 1/4	
38	4711500	44	Washer 5/16	
39	4711600	7	Washer 3/8	
40	4752000	1	Washer 5/8	

## SECTION 3 - ENGINE

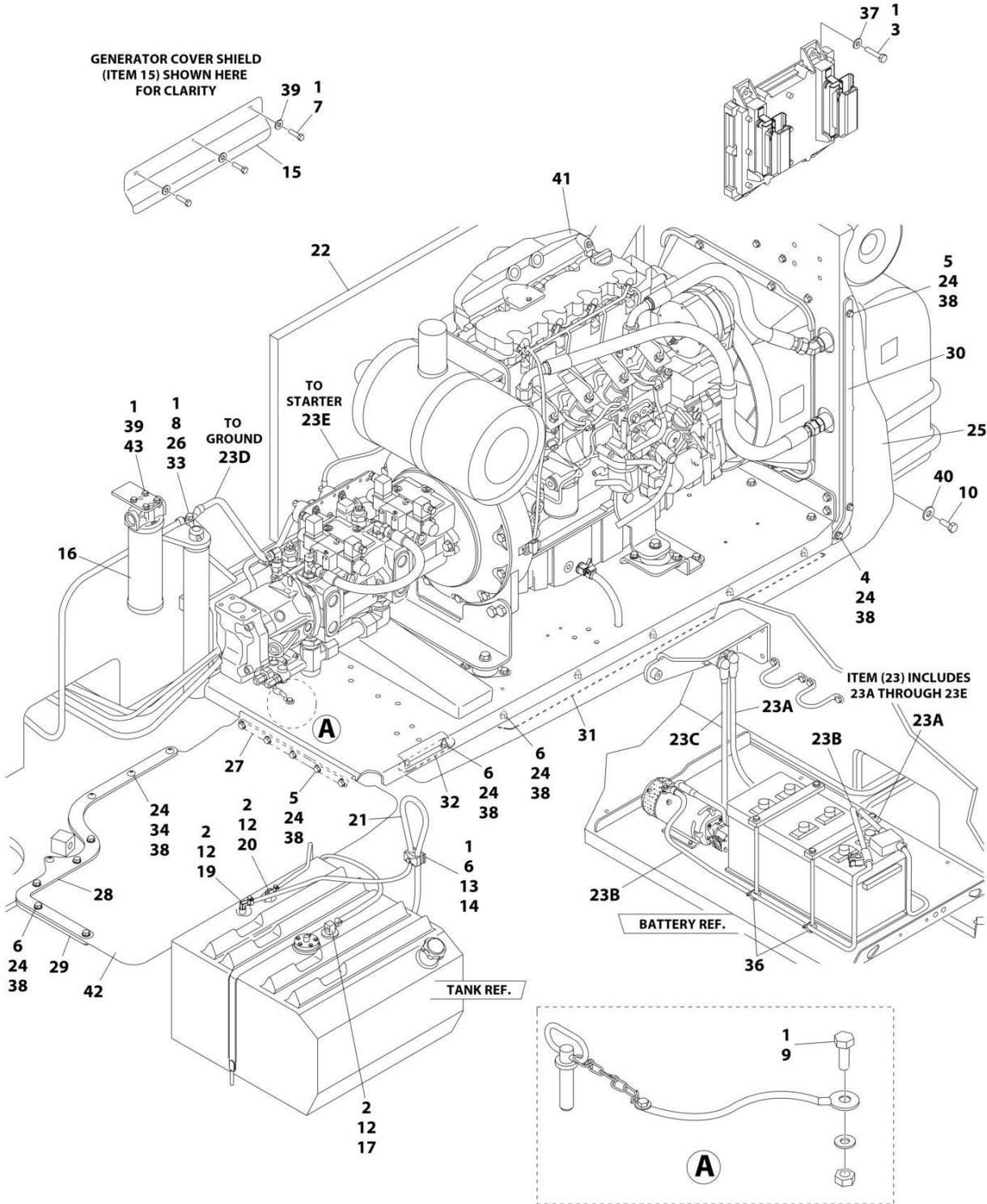
ITEM	PART NUMBER	QTY	DESCRIPTION	REV
41	1001098513	1	Engine Assembly with Pumps (See Separate Breakdown in this Section)	
42	1001111132	1	Panel, Rubber	
43	0641606	4	Bolt 3/8 x 3/4	





# SECTION 3 - ENGINE

FIGURE 3-4. DEUTZ TD2011 ENGINE INSTALLATION - WITH REXROTH PUMPS AND STEEL HOODS (WITH SKYPOWER AND WITHOUT COLD WEATHER PLUS PACKAGE)



ART\_1001117371

## SECTION 3 - ENGINE

**FIGURE 3-4. DEUTZ TD2011 ENGINE INSTALLATION - WITH REXROTH PUMPS AND STEEL HOODS  
(WITH SKYPOWER AND WITHOUT COLD WEATHER PLUS PACKAGE)**

ITEM	PART NUMBER	QTY	DESCRIPTION	REV
	1001117371	Ref	DEUTZ TD2011 DIESEL ENGINE INSTALLATION - WITH REXROTH PUMPS AND STEEL HOODS (WITH SKYPOWER AND WITHOUT COLD WEATHER PLUS PACKAGE)	D
1	0100011	AR	Compound, Locking	
2	0100079	AR	Sealant, Pipe	
3	0641410	4	Bolt 1/4 x 1-1/4	
4	0641506	1	Bolt 5/16 x 3/4	
5	0641509	7	Bolt 5/16 x 1-1/8	
6	0641511	13	Bolt 5/16 x 1-3/8	
7	0641605	3	Bolt 3/8 x 5/8	
8	0641610	1	Bolt 3/8 x 1-1/4	
9	0641808	1	Bolt 1/2 x 1	
10	0642010	1	Bolt 5/8 x 1-1/4	
12	1320022	3	Clamp	
13	1320187	1	Clamp, Twin	
14	1320190	1	Cover, Clamp	
15	1671121	1	Cover, Generator	
16	1001108617	1	Pressure Filter	
16	70002231	1	Element, Filter	
17	2180348	1	Fitting, Barbed	
19	2220313	1	Fitting, Elbow Barbed	
20	2221176	1	Fitting, Elbow	
21	2750532	5 ft/ 1.5m	Hose	
22	2820170	1	Insulation, Sound Absorbing	
23	2902099	1	Battery Cable Kit	
23A	7024580	1	Cable, Red (To Aux Pump Relay, Battery Positive Terminal and Start Relay)	
23B	7024581	1	Cable, Black (To Aux Pump, Battery Negative Terminal and Ground at Tray Pivot)	
23C	7024582	1	Cable, Red (Aux Pump Relay to Aux Pump)	
23D	7024583	1	Cable, Black (Tray Pivot to Engine Mount)	
23E	7024584	1	Cable, Red (Start Relay to Starter)	
24	3311505	24	Nut 5/16	
25	3380473	1	Panel, Rubber	
26	3422446	1	Pin	
27	3573644	1	Plate, Tray Clamp	
28	1001112878	1	Plate, Top Clamp	
29	1001112879	1	Plate, Bottom Clamp	
30	3573669	1	Plate, Clamp	
31	1001112880	1	Plate, Tray Clamp	
32	3573728	1	Plate, Tray Clamp	
33	3841143	1	Keeper, Pin	
34	3900272	4	Screw 5/16 x 1-3/4	
35	4240018	2	Strap, Tie (Not Shown)	
36	4240099	AR	Strap, Tie	
37	4711400	4	Washer 1/4	
38	4711500	44	Washer 5/16	
39	4711600	7	Washer 3/8	
40	4752000	1	Washer 5/8	

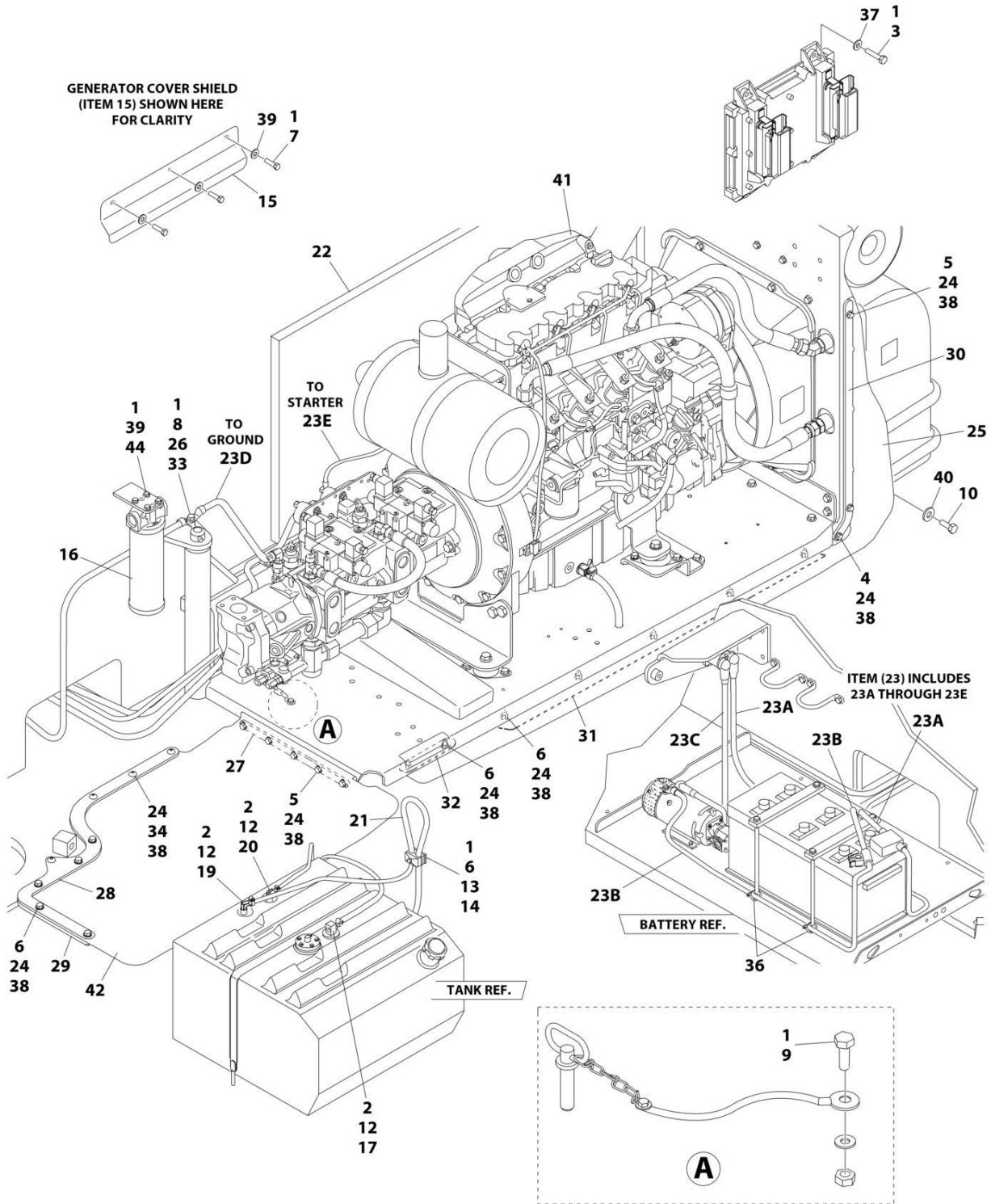
## SECTION 3 - ENGINE

ITEM	PART NUMBER	QTY	DESCRIPTION	REV
41	1001098530	1	Engine Assembly with Pumps (See Separate Breakdown in this Section)	
42	1001111132	1	Panel, Rubber	
43	0641606	4	Bolt 3/8 x 3/4	



# SECTION 3 - ENGINE

FIGURE 3-5. DEUTZ TD2011 ENGINE INSTALLATION - WITH REXROTH PUMPS AND STEEL HOODS (WITH SKYPOWER AND WITH COLD WEATHER PLUS PACKAGE)



ART\_1001116015

## SECTION 3 - ENGINE

**FIGURE 3-5. DEUTZ TD2011 ENGINE INSTALLATION - WITH REXROTH PUMPS AND STEEL HOODS  
(WITH SKYPOWER AND WITH COLD WEATHER PLUS PACKAGE)**

ITEM	PART NUMBER	QTY	DESCRIPTION	REV
	1001116015	Ref	DEUTZ TD2011 DIESEL ENGINE INSTALLATION - WITH REXROTH PUMPS AND STEEL HOODS (WITH SKYPOWER AND WITH COLD WEATHER PLUS PACKAGE)	D
1	0100011	AR	Compound, Locking	
2	0100079	AR	Sealant, Pipe	
3	0641410	4	Bolt 1/4 x 1-1/4	
4	0641506	1	Bolt 5/16 x 3/4	
5	0641509	7	Bolt 5/16 x 1-1/8	
6	0641511	13	Bolt 5/16 x 1-3/8	
7	0641605	3	Bolt 3/8 x 5/8	
8	0641610	1	Bolt 3/8 x 1-1/4	
9	0641808	1	Bolt 1/2 x 1	
10	0642010	1	Bolt 5/8 x 1-1/4	
12	1320022	3	Clamp	
13	1320187	1	Clamp, Twin	
14	1320190	1	Cover, Clamp	
15	1671121	1	Cover, Generator	
16	1001108617	1	Pressure Filter	
16	70002231	1	Element, Filter	
17	2180348	1	Fitting, Barbed	
19	2220313	1	Fitting, Elbow Barbed	
20	2221176	1	Fitting, Elbow	
21	2750532	5 ft/ 1.5m	Hose	
22	2820170	1	Insulation, Sound Absorbing	
23	2902099	1	Battery Cable Kit	
23A	7024580	1	Cable, Red (To Aux Pump Relay, Battery Positive Terminal and Start Relay)	
23B	7024581	1	Cable, Black (To Aux Pump, Battery Negative Terminal and Ground at Tray Pivot)	
23C	7024582	1	Cable, Red (Aux Pump Relay to Aux Pump)	
23D	7024583	1	Cable, Black (Tray Pivot to Engine Mount)	
23E	7024584	1	Cable, Red (Start Relay to Starter)	
24	3311505	24	Nut 5/16	
25	3380473	1	Panel, Rubber	
26	3422446	1	Pin	
27	3573644	1	Plate, Tray Clamp	
28	1001112878	1	Plate, Top Clamp	
29	1001112879	1	Plate, Bottom Clamp	
30	3573669	1	Plate, Clamp	
31	1001112880	1	Plate, Tray Clamp	
32	3573728	1	Plate, Tray Clamp	
33	3841143	1	Keeper, Pin	
34	3900272	4	Screw, Button 5/16 x 1-3/4	
35	4240018	2	Strap, Tie (Not Shown)	
36	4240099	AR	Strap, Tie	
37	4711400	4	Washer 1/4	
38	4711500	44	Washer 5/16	
39	4711600	7	Washer 3/8	
40	4752000	1	Washer 5/8	

## SECTION 3 - ENGINE

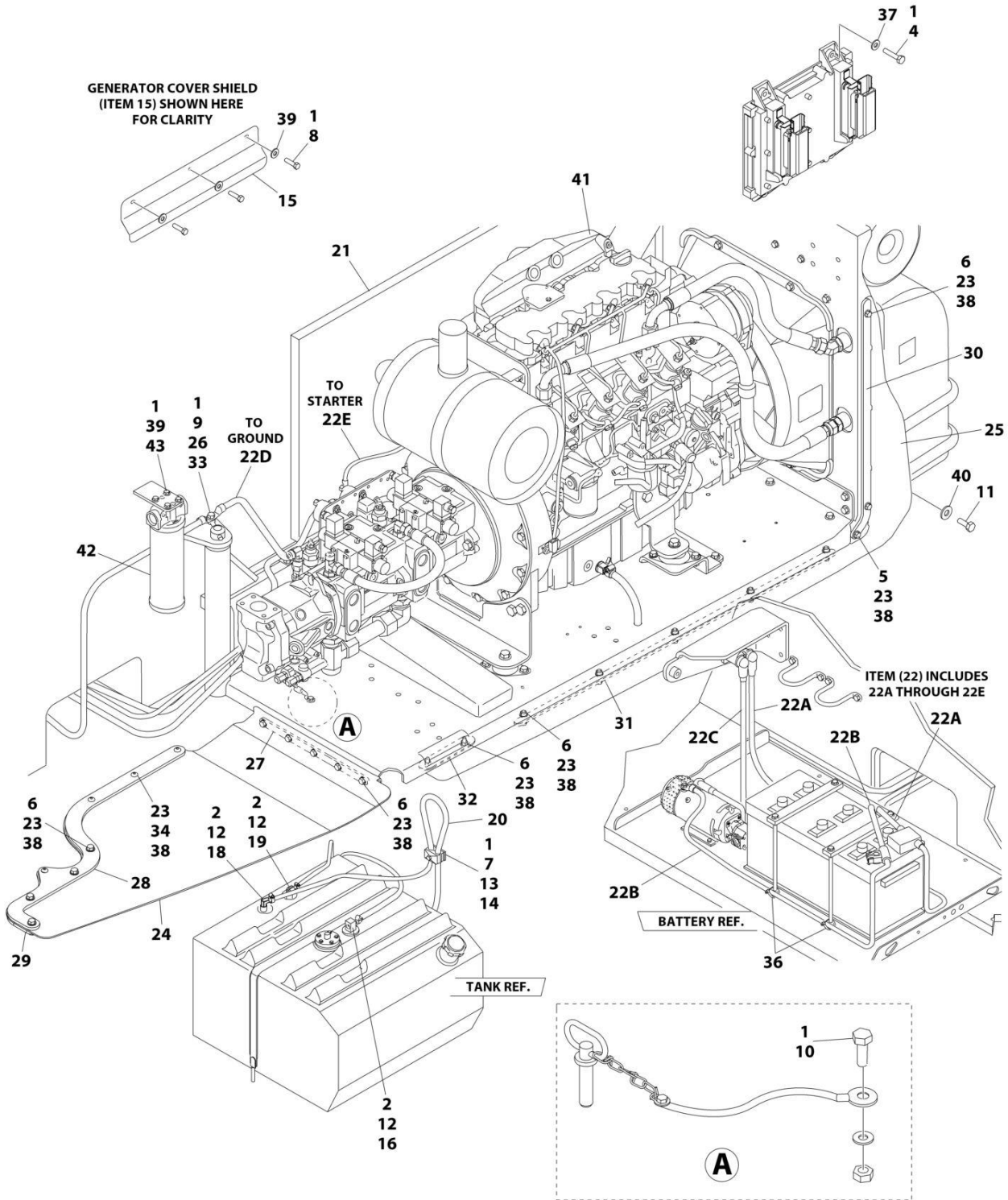
ITEM	PART NUMBER	QTY	DESCRIPTION	REV
41	1001098531	1	Engine Assembly with Pumps (See Separate Breakdown in this Section)	
42	1001111132	1	Panel, Rubber	
43	1702942	1	Decal - Block Heater (Not Shown)	
44	0641606	4	Bolt 3/8 x 3/4	





# SECTION 3 - ENGINE

**FIGURE 3-6. DEUTZ TD2011 ENGINE INSTALLATION - WITH SAUER PUMPS AND ABS HOODS (WITHOUT SKYPOWER AND WITHOUT COLD WEATHER PLUS PACKAGE)**



ART\_1001098712

## SECTION 3 - ENGINE

**FIGURE 3-6. DEUTZ TD2011 ENGINE INSTALLATION - WITH SAUER PUMPS AND ABS HOODS  
(WITHOUT SKYPOWER AND WITHOUT COLD WEATHER PLUS PACKAGE)**

ITEM	PART NUMBER	QTY	DESCRIPTION	REV
	1001118712	Ref	DEUTZ TD2011 DIESEL ENGINE INSTALLATION - WITH SAUER PUMPS AND ABS HOODS (WITHOUT SKYPOWER AND WITHOUT COLD WEATHER PLUS PACKAGE)	E
1	0100011	AR	Compound, Locking	
2	0100079	AR	Sealant, Pipe	
3	0641410	4	Bolt 1/4 x 1-1/4	
4	0641506	1	Bolt 5/16 x 3/4	
5	0641509	18	Bolt 5/16 x 1-1/8	
6	0641511	1	Bolt 5/16 x 1-3/8	
7	0641605	3	Bolt 3/8 x 5/8	
8	0641610	1	Bolt 3/8 x 1-1/4	
9	0641808	1	Bolt 1/2 x 1	
10	0642010	1	Bolt 5/8 x 1-1/4	
12	1320022	3	Clamp	
13	1320187	1	Clamp, Twin	
14	1320190	1	Cover, Clamp	
15	1671121	1	Cover, Generator	
16	2180348	1	Fitting, Barbed	
18	2220313	1	Fitting, Elbow Barbed	
19	2221176	1	Fitting, Elbow	
20	2750532	5 ft/ 1.5m	Hose	
21	2820170	1	Insulation, Sound Absorbing	
22	2902099	1	Battery Cable Kit	
22A	7024580	1	Cable, Red (To Aux Pump Relay, Battery Positive Terminal and Start Relay)	
22B	7024581	1	Cable, Black (To Aux Pump, Battery Negative Terminal and Ground at Tray Pivot)	
22C	7024582	1	Cable, Red (Aux Pump Relay to Aux Pump)	
22D	7024583	1	Cable, Black (Tray Pivot to Engine Mount)	
22E	7024584	1	Cable, Red (Start Relay to Starter)	
23	3311505	23	Nut 5/16	
24	3380472	1	Panel, Rubber	
25	3380473	1	Panel, Rubber	
26	3422446	1	Pin	
27	3573644	1	Plate, Tray Clamp	
28	3573645	1	Plate, Top Clamp	
29	3573646	1	Plate, Bottom Clamp	
30	3573669	1	Plate, Clamp	
31	3573727	1	Plate, Tray Clamp	
32	3573728	1	Plate, Tray Clamp	
33	3841143	1	Keeper, Pin	
34	3900272	4	Screw, Button 5/16 x 1-3/4	
35	4240018	2	Strap, Tie (Not Shown)	
36	4240099	AR	Strap, Tie	
37	4711400	4	Washer 1/4	
38	4711500	42	Washer 5/16	
39	4711600	7	Washer 3/8	
40	4752000	1	Washer 5/8	
41	1001107971	1	Engine Assembly with Pumps (See Separate Breakdown in this Section)	

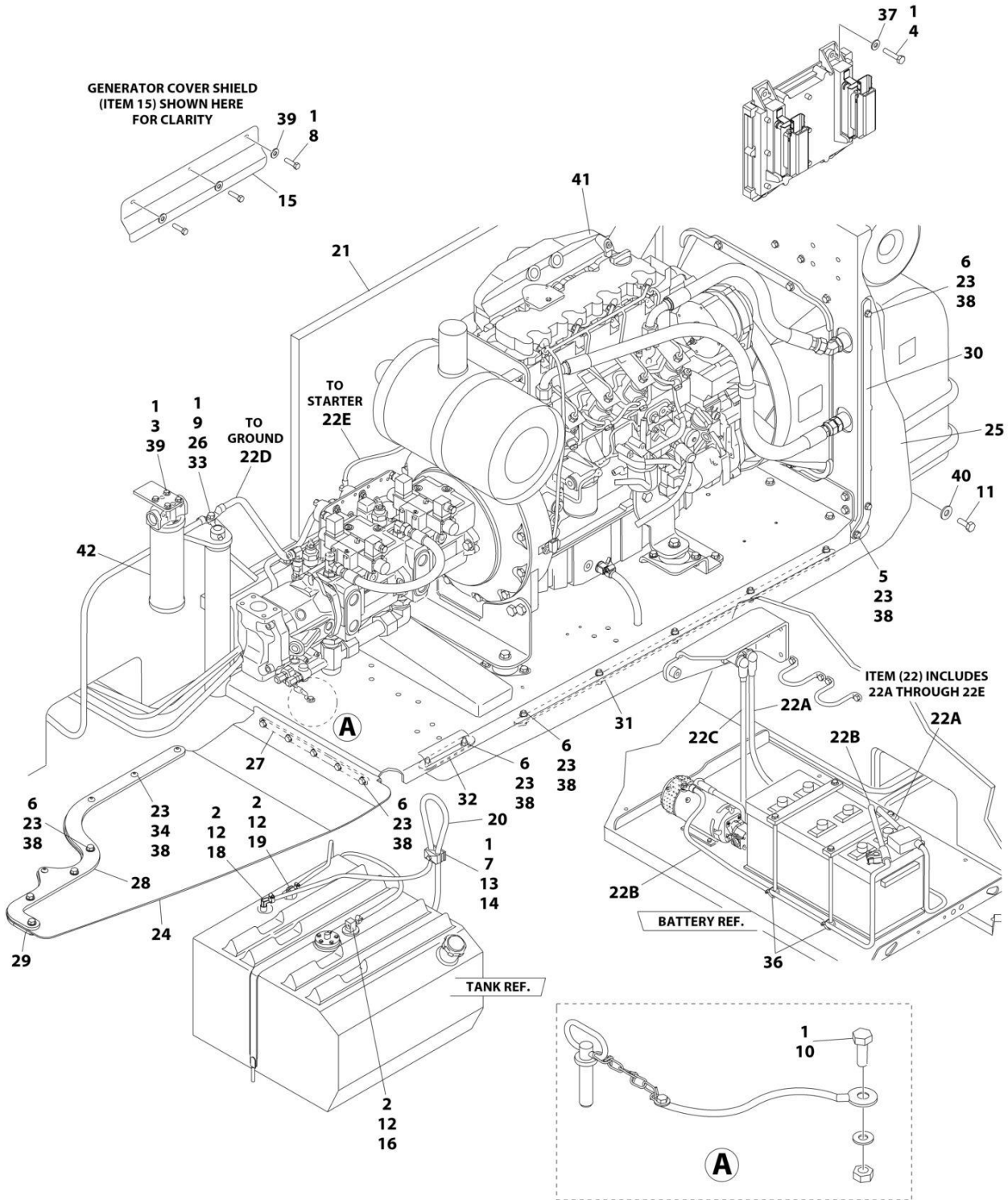
## SECTION 3 - ENGINE

ITEM	PART NUMBER	QTY	DESCRIPTION	REV
42	1001108617	1	Pressure Filter	
42	70002231	1	Element, Filter	
43	0641606	4	Bolt 3/8 x 3/4	



# SECTION 3 - ENGINE

**FIGURE 3-7. DEUTZ TD2011 ENGINE INSTALLATION - WITH SAUER PUMPS AND ABS HOODS  
(WITH SKYPOWER AND WITHOUT COLD WEATHER PLUS PACKAGE)**



ART\_1001098713

## SECTION 3 - ENGINE

**FIGURE 3-7. DEUTZ TD2011 ENGINE INSTALLATION - WITH SAUER PUMPS AND ABS HOODS  
(WITH SKYPOWER AND WITHOUT COLD WEATHER PLUS PACKAGE)**

ITEM	PART NUMBER	QTY	DESCRIPTION	REV
	1001118713	Ref	DEUTZ TD2011 DIESEL ENGINE INSTALLATION - WITH SAUER PUMPS AND ABS HOODS (WITH SKYPOWER AND WITHOUT COLD WEATHER PLUS PACKAGE)	E
1	0100011	AR	Compound, Locking	
2	0100079	AR	Sealant, Pipe	
3	0641606	4	Bolt 3/8 x 3/4	
4	0641410	4	Bolt 1/4 x 1-1/4	
5	0641506	1	Bolt 5/16 x 3/4	
6	0641509	18	Bolt 5/16 x 1-1/8	
7	0641511	1	Bolt 5/16 x 1-3/8	
8	0641605	3	Bolt 3/8 x 5/8	
9	0641610	1	Bolt 3/8 x 1-1/4	
10	0641808	1	Bolt 1/2 x 1	
11	0642010	1	Bolt 5/8 x 1-1/4	
12	1320022	3	Clamp	
13	1320187	1	Clamp, Twin	
14	1320190	1	Cover, Clamp	
15	1671121	1	Cover, Generator	
16	2180348	1	Fitting, Barbed	
18	2220313	1	Fitting, Elbow Barbed	
19	2221176	1	Fitting, Elbow	
20	2750532	5 ft/ 1.5m	Hose	
21	2820170	1	Insulation, Sound Absorbing	
22	2902099	1	Battery Cable Kit	
22A	7024580	1	Cable, Red (To Aux Pump Relay, Battery Positive Terminal and Start Relay)	
22B	7024581	1	Cable, Black (To Aux Pump, Battery Negative Terminal and Ground at Tray Pivot)	
22C	7024582	1	Cable, Red (Aux Pump Relay to Aux Pump)	
22D	7024583	1	Cable, Black (Tray Pivot to Engine Mount)	
22E	7024584	1	Cable, Red (Start Relay to Starter)	
23	3311505	23	Nut 5/16	
24	3380472	1	Panel, Rubber	
25	3380473	1	Panel, Rubber	
26	3422446	1	Pin	
27	3573644	1	Plate, Tray Clamp	
28	3573645	1	Plate, Top Clamp	
29	3573646	1	Plate, Bottom Clamp	
30	3573669	1	Plate, Clamp	
31	3573727	1	Plate, Tray Clamp	
32	3573728	1	Plate, Tray Clamp	
33	3841143	1	Keeper, Pin	
34	3900272	4	Screw, Button 5/16 x 1-3/4	
35	4240018	2	Strap, Tie (Not Shown)	
36	4240099	AR	Strap, Tie	
37	4711400	4	Washer 1/4	
38	4711500	42	Washer 5/16	
39	4711600	7	Washer 3/8	
40	4752000	1	Washer 5/8	

## SECTION 3 - ENGINE

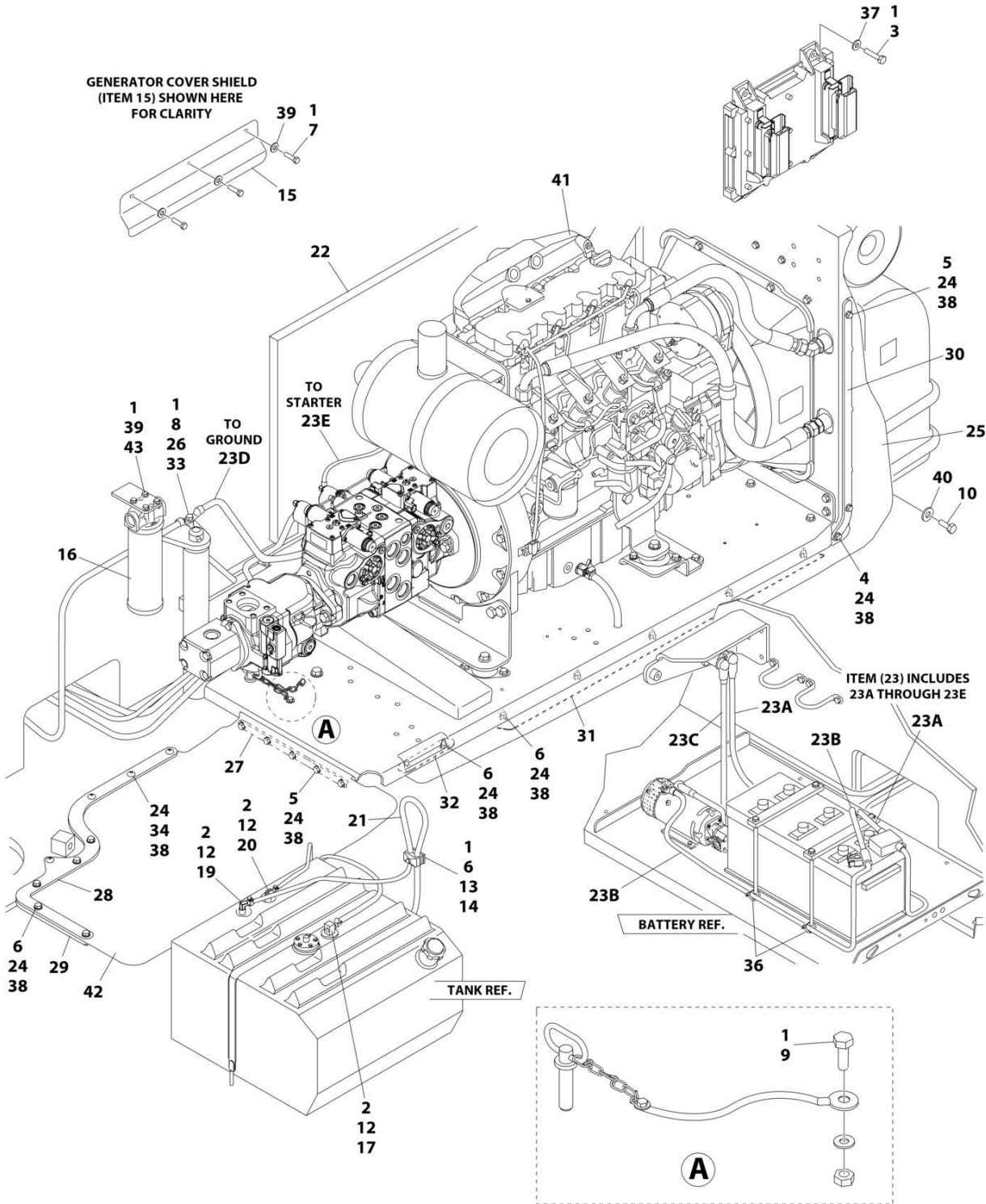
ITEM	PART NUMBER	QTY	DESCRIPTION	REV
41	1001107973	1	Engine Assembly with Pumps (See Separate Breakdown in this Section)	
42	1001108617	1	Pressure Filter	
42	70002231	1	Element, Filter	





# SECTION 3 - ENGINE

**FIGURE 3-8. DEUTZ TD2011 ENGINE INSTALLATION - WITH SAUER PUMPS AND STEEL HOODS (WITHOUT SKYPOWER AND WITHOUT COLD WEATHER PLUS PACKAGE)**



ART\_1001119052

## SECTION 3 - ENGINE

**FIGURE 3-8. DEUTZ TD2011 ENGINE INSTALLATION - WITH SAUER PUMPS AND STEEL HOODS  
(WITHOUT SKYPOWER AND WITHOUT COLD WEATHER PLUS PACKAGE)**

ITEM	PART NUMBER	QTY	DESCRIPTION	REV
	1001119052	Ref	DEUTZ TD2011 DIESEL ENGINE INSTALLATION - WITH SAUER PUMPS AND STEEL HOODS (WITHOUT SKYPOWER AND WITHOUT COLD WEATHER PLUS PACKAGE)	D
1	0100011	AR	Compound, Locking	
2	0100079	AR	Sealant, Pipe	
3	0641410	4	Bolt 1/4 x 1-1/4	
4	0641506	1	Bolt 5/16 x 3/4	
5	0641509	7	Bolt 5/16 x 1-1/8	
6	0641511	13	Bolt 5/16 x 1-3/8	
7	0641605	3	Bolt 3/8 x 5/8	
8	0641610	1	Bolt 3/8 x 1-1/4	
9	0641808	1	Bolt 1/2 x 1	
10	0642010	1	Bolt 5/8 x 1-1/4	
12	1320022	3	Clamp	
13	1320187	1	Clamp, Twin	
14	1320190	1	Cover, Clamp	
15	1671121	1	Cover, Generator	
16	1001108617	1	Pressure Filter	
16	70002231	1	Element, Filter	
17	2180348	1	Fitting, Barbed	
19	2220313	1	Fitting, Elbow Barbed	
20	2221176	1	Fitting, Elbow	
21	2750532	5 ft/ 1.5m	Hose	
22	2820170	1	Insulation, Sound Absorbing	
23	2902099	1	Battery Cable Kit	
23A	7024580	1	Cable, Red (To Aux Pump Relay, Battery Positive Terminal and Start Relay)	
23B	7024581	1	Cable, Black (To Aux Pump, Battery Negative Terminal and Ground at Tray Pivot)	
23C	7024582	1	Cable, Red (Aux Pump Relay to Aux Pump)	
23D	7024583	1	Cable, Black (Tray Pivot to Engine Mount)	
23E	7024584	1	Cable, Red (Start Relay to Starter)	
24	3311505	24	Nut 5/16	
25	3380473	1	Panel, Rubber	
26	3422446	1	Pin	
27	3573644	1	Plate, Tray Clamp	
28	1001112878	1	Plate, Top Clamp	
29	1001112879	1	Plate, Bottom Clamp	
30	3573669	1	Plate, Clamp	
31	1001112880	1	Plate, Tray Clamp	
32	3573728	1	Plate, Tray Clamp	
33	3841143	1	Keeper, Pin	
34	3900272	4	Screw 5/16 x 1-3/4	
35	4240018	2	Strap, Tie (Not Shown)	
36	4240099	AR	Strap, Tie	
37	4711400	4	Washer 1/4	
38	4711500	44	Washer 5/16	
39	4711600	7	Washer 3/8	
40	4752000	1	Washer 5/8	

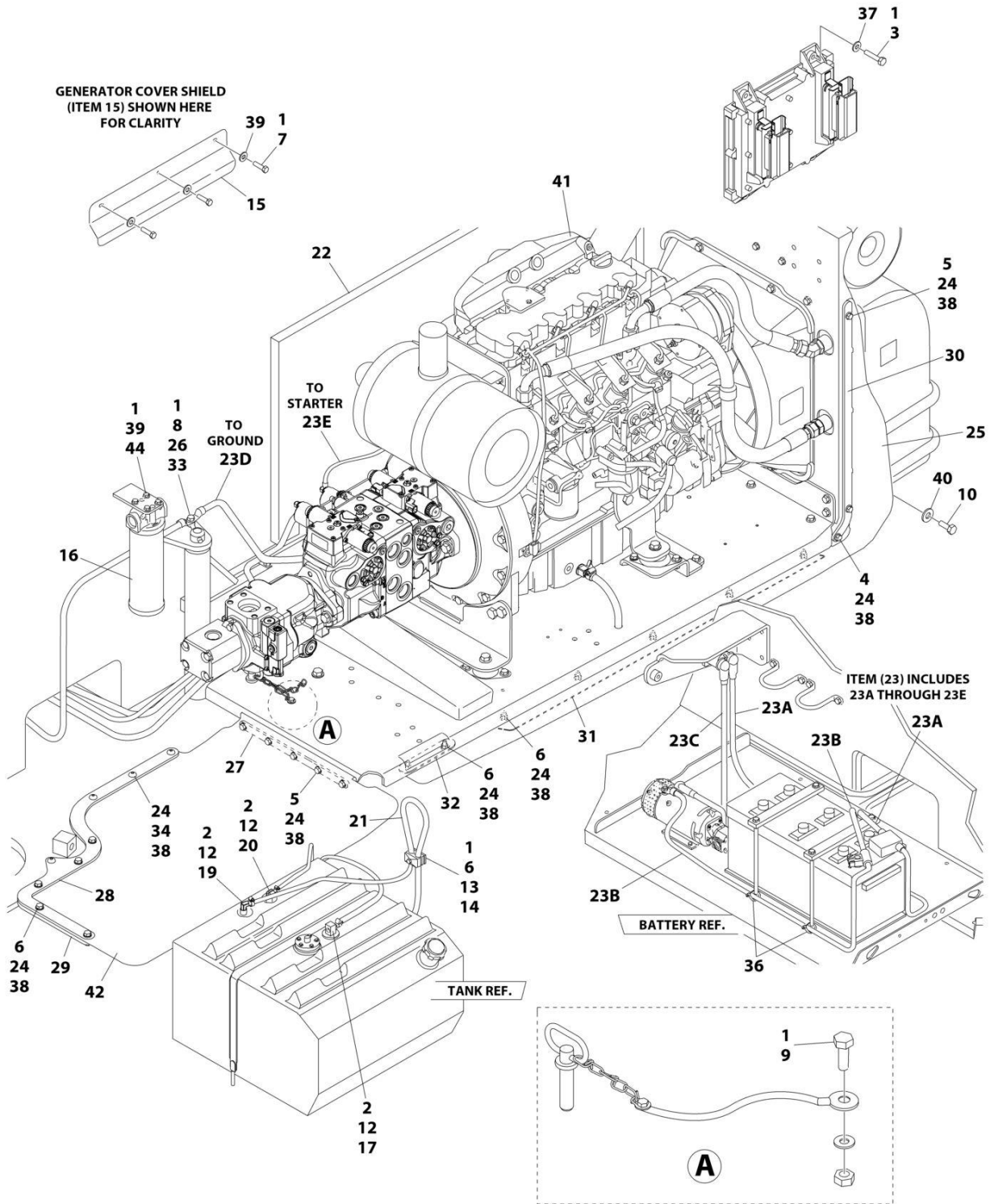
## SECTION 3 - ENGINE

ITEM	PART NUMBER	QTY	DESCRIPTION	REV
41	1001107971	1	Engine Assembly with Pumps (See Separate Breakdown in this Section)	
42	1001111132	1	Panel, Rubber	
43	0641606	4	Bolt 3/8 x 3/4	



# SECTION 3 - ENGINE

**FIGURE 3-9. DEUTZ TD2011 ENGINE INSTALLATION - WITH SAUER PUMPS AND STEEL HOODS  
(WITH SKYPOWER AND WITH COLD WEATHER PLUS PACKAGE)**



ART\_1001119054

## SECTION 3 - ENGINE

**FIGURE 3-9. DEUTZ TD2011 ENGINE INSTALLATION - WITH SAUER PUMPS AND STEEL HOODS  
(WITH SKYPOWER AND WITH COLD WEATHER PLUS PACKAGE)**

ITEM	PART NUMBER	QTY	DESCRIPTION	REV
	1001119054	Ref	DEUTZ TD2011 DIESEL ENGINE INSTALLATION - WITH SAUER PUMPS AND STEEL HOODS (WITH SKYPOWER AND WITH COLD WEATHER PLUS PACKAGE)	D
1	0100011	AR	Compound, Locking	
2	0100079	AR	Sealant, Pipe	
3	0641410	4	Bolt 1/4 x 1-1/4	
4	0641506	1	Bolt 5/16 x 3/4	
5	0641509	7	Bolt 5/16 x 1-1/8	
6	0641511	13	Bolt 5/16 x 1-3/8	
7	0641605	3	Bolt 3/8 x 5/8	
8	0641610	1	Bolt 3/8 x 1-1/4	
9	0641808	1	Bolt 1/2 x 1	
10	0642010	1	Bolt 5/8 x 1-1/4	
12	1320022	3	Clamp	
13	1320187	1	Clamp, Twin	
14	1320190	1	Cover, Clamp	
15	1671121	1	Cover, Generator	
16	1001108617	1	Pressure Filter	
16	70002231	1	Element, Filter	
17	2180348	1	Fitting, Barbed	
19	2220313	1	Fitting, Elbow Barbed	
20	2221176	1	Fitting, Elbow	
21	2750532	5 ft/ 1.5m	Hose	
22	2820170	1	Insulation, Sound Absorbing	
23	2902099	1	Battery Cable Kit	
23A	7024580	1	Cable, Red (To Aux Pump Relay, Battery Positive Terminal and Start Relay)	
23B	7024581	1	Cable, Black (To Aux Pump, Battery Negative Terminal and Ground at Tray Pivot)	
23C	7024582	1	Cable, Red (Aux Pump Relay to Aux Pump)	
23D	7024583	1	Cable, Black (Tray Pivot to Engine Mount)	
23E	7024584	1	Cable, Red (Start Relay to Starter)	
24	3311505	24	Nut 5/16	
25	3380473	1	Panel, Rubber	
26	3422446	1	Pin	
27	3573644	1	Plate, Tray Clamp	
28	1001112878	1	Plate, Top Clamp	
29	1001112879	1	Plate, Bottom Clamp	
30	3573669	1	Plate, Clamp	
31	1001112880	1	Plate, Tray Clamp	
32	3573728	1	Plate, Tray Clamp	
33	3841143	1	Keeper, Pin	
34	3900272	4	Screw 5/16 x 1-3/4	
35	4240018	2	Strap, Tie (Not Shown)	
36	4240099	AR	Strap, Tie	
37	4711400	4	Washer 1/4	
38	4711500	44	Washer 5/16	
39	4711600	7	Washer 3/8	
40	4752000	1	Washer 5/8	

## SECTION 3 - ENGINE

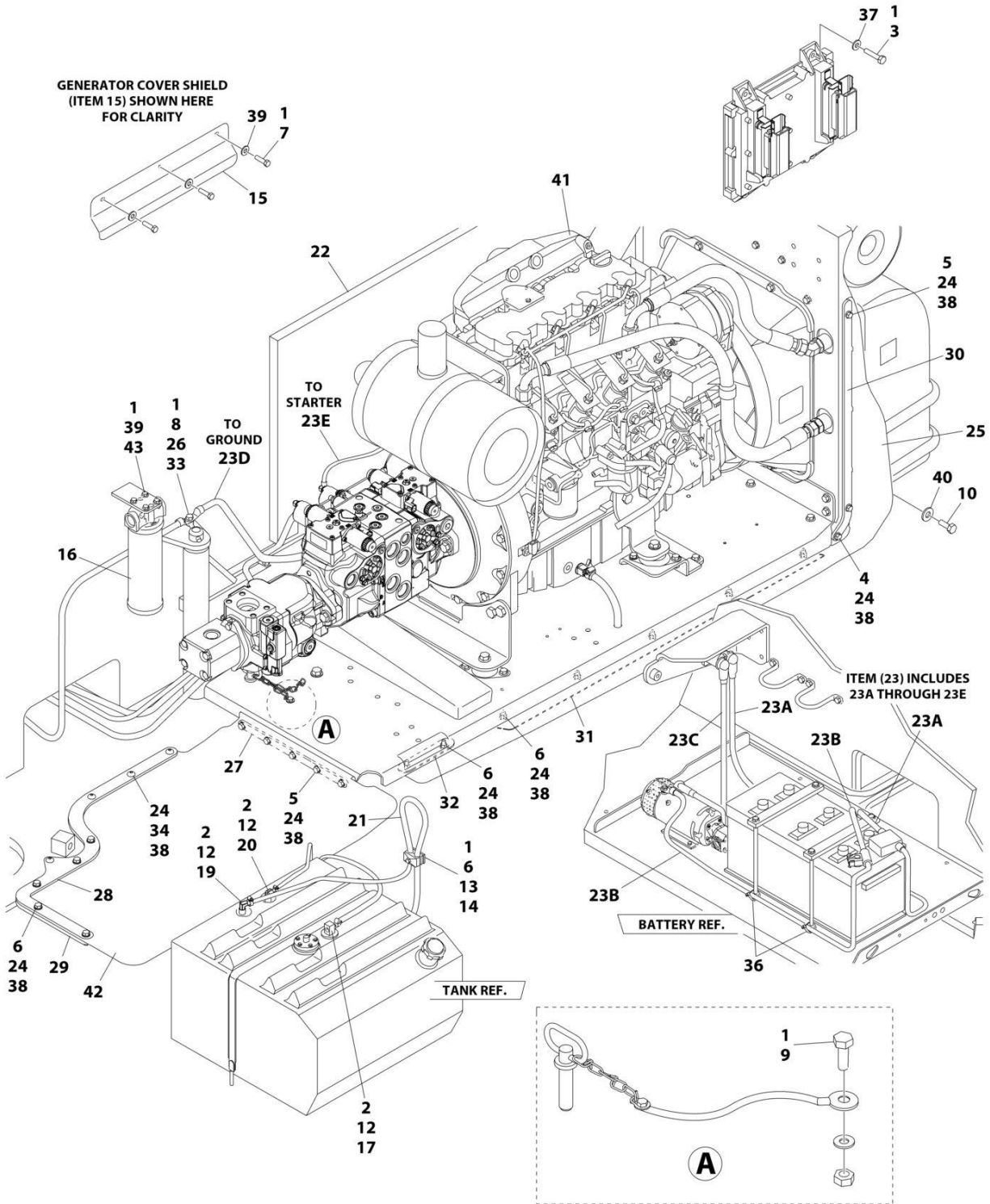
ITEM	PART NUMBER	QTY	DESCRIPTION	REV
41	1001107975	1	Engine Assembly with Pumps (See Separate Breakdown in this Section)	
42	1001111132	1	Panel, Rubber	
43	1702942	1	Decal - Block Heater (Not Shown)	
44	0641606	4	Bolt 3/8 x 3/4	





# SECTION 3 - ENGINE

FIGURE 3-10. DEUTZ TD2011 ENGINE INSTALLATION - WITH SAUER PUMPS AND STEEL HOODS (WITH SKYPOWER AND WITHOUT COLD WEATHER PLUS PACKAGE)



ART\_1001119053

## SECTION 3 - ENGINE

**FIGURE 3-10. DEUTZ TD2011 ENGINE INSTALLATION - WITH SAUER PUMPS AND STEEL HOODS  
(WITH SKYPOWER AND WITHOUT COLD WEATHER PLUS PACKAGE)**

ITEM	PART NUMBER	QTY	DESCRIPTION	REV
	1001119053	Ref	DEUTZ TD2011 DIESEL ENGINE INSTALLATION - WITH SAUER PUMPS AND STEEL HOODS (WITH SKYPOWER AND WITHOUT COLD WEATHER PLUS PACKAGE)	D
1	0100011	AR	Compound, Locking	
2	0100079	AR	Sealant, Pipe	
3	0641410	4	Bolt 1/4 x 1-1/4	
4	0641506	1	Bolt 5/16 x 3/4	
5	0641509	7	Bolt 5/16 x 1-1/8	
6	0641511	13	Bolt 5/16 x 1-3/8	
7	0641605	3	Bolt 3/8 x 5/8	
8	0641610	1	Bolt 3/8 x 1-1/4	
9	0641808	1	Bolt 1/2 x 1	
10	0642010	1	Bolt 5/8 x 1-1/4	
12	1320022	3	Clamp	
13	1320187	1	Clamp, Twin	
14	1320190	1	Cover, Clamp	
15	1671121	1	Cover, Generator	
16	1001108617	1	Pressure Filter	
16	70002231	1	Element, Filter	
17	2180348	1	Fitting, Barbed	
19	2220313	1	Fitting, Elbow Barbed	
20	2221176	1	Fitting, Elbow	
21	2750532	5 ft/ 1.5m	Hose	
22	2820170	1	Insulation, Sound Absorbing	
23	2902099	1	Battery Cable Kit	
23A	7024580	1	Cable, Red (To Aux Pump Relay, Battery Positive Terminal and Start Relay)	
23B	7024581	1	Cable, Black (To Aux Pump, Battery Negative Terminal and Ground at Tray Pivot)	
23C	7024582	1	Cable, Red (Aux Pump Relay to Aux Pump)	
23D	7024583	1	Cable, Black (Tray Pivot to Engine Mount)	
23E	7024584	1	Cable, Red (Start Relay to Starter)	
24	3311505	24	Nut 5/16	
25	3380473	1	Panel, Rubber	
26	3422446	1	Pin	
27	3573644	1	Plate, Tray Clamp	
28	1001112878	1	Plate, Top Clamp	
29	1001112879	1	Plate, Bottom Clamp	
30	3573669	1	Plate, Clamp	
31	1001112880	1	Plate, Tray Clamp	
32	3573728	1	Plate, Tray Clamp	
33	3841143	1	Keeper, Pin	
34	3900272	4	Screw 5/16 x 1-3/4	
35	4240018	2	Strap, Tie (Not Shown)	
36	4240099	AR	Strap, Tie	
37	4711400	4	Washer 1/4	
38	4711500	44	Washer 5/16	
39	4711600	7	Washer 3/8	
40	4752000	1	Washer 5/8	

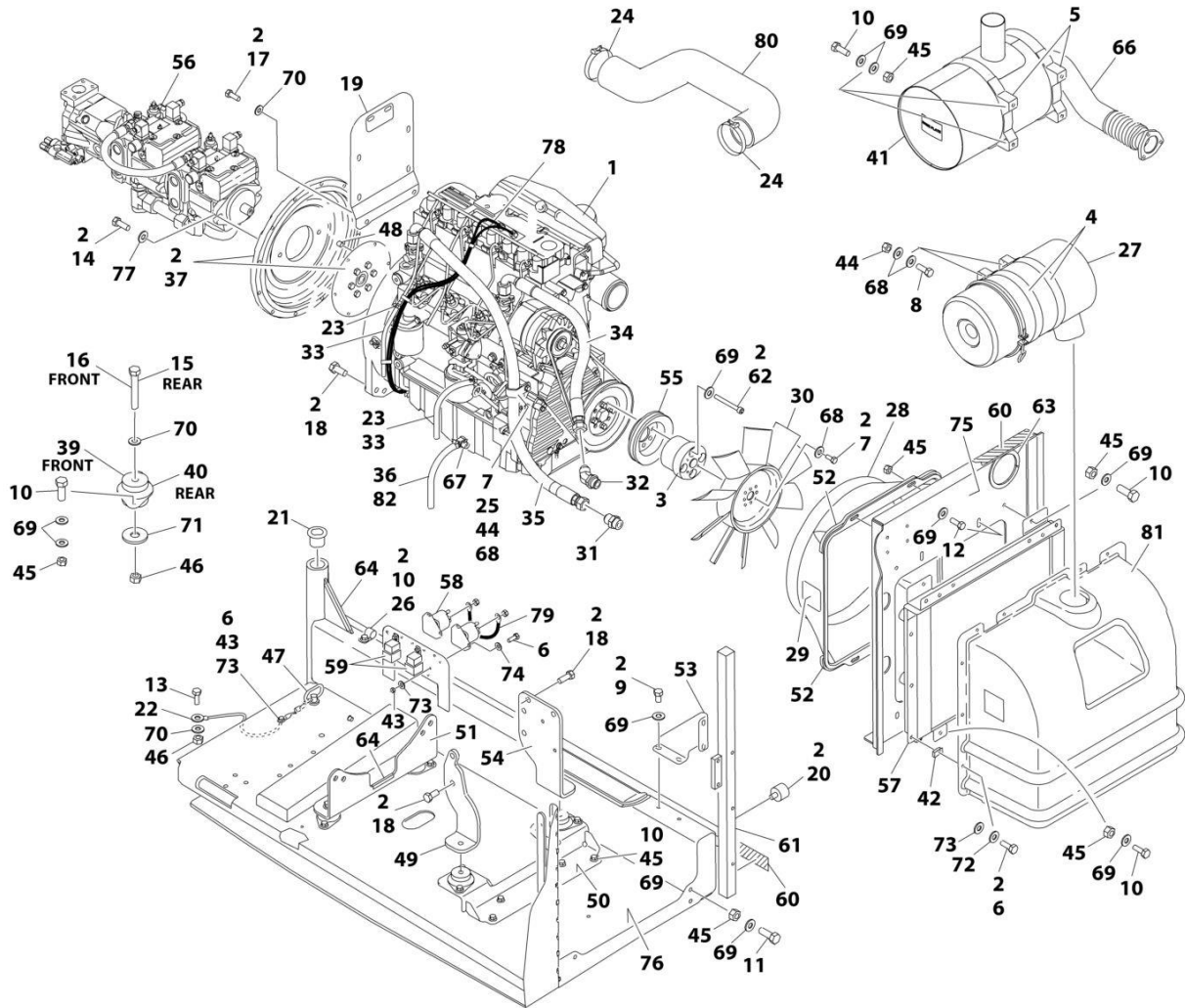
## SECTION 3 - ENGINE

ITEM	PART NUMBER	QTY	DESCRIPTION	REV
41	1001107973	1	Engine Assembly with Pumps (See Separate Breakdown in this Section)	
42	1001111132	1	Panel, Rubber	
43	0641606	4	Bolt 3/8 x 3/4	



# SECTION 3 - ENGINE

FIGURE 3-11. DEUTZ TD2011 ENGINE ASSEMBLY - WITH REXROTH PUMPS (WITHOUT SKYPOWER AND WITHOUT COLD WEATHER PLUS PACKAGE)



ART\_1001098513\_M

## SECTION 3 - ENGINE

**FIGURE 3-11. DEUTZ TD2011 ENGINE ASSEMBLY - WITH REXROTH PUMPS (WITHOUT SKYPOWER AND WITHOUT COLD WEATHER PLUS PACKAGE)**

ITEM	PART NUMBER	QTY	DESCRIPTION	REV
	1001098513	Ref	DEUTZ TD2011 ENGINE ASSEMBLY - WITH REXROTH PUMPS	M
1	1001098601	1	Engine, Deutz TD2011 Components (See Separate Breakdown in this Section)	
2	0100011	AR	Compound, Locking	
3	0080237	1	Spacer, Fan	
4	0340003	2	Band, Air Cleaner	
5	0340051	2	Band, Muffler	
6	0641406	15	Bolt 1/4 x 3/4	
7	0641506	5	Bolt 5/16 x 3/4	
8	0641507	4	Bolt 5/16 x 7/8	
9	0641605	4	Bolt 3/8 x 5/8	
10	0641608	25	Bolt 3/8 x 1	
11	0641609	2	Bolt 3/8 x 1-1/8	
12	0641610	4	Bolt 3/8 x 1-1/4	
13	0641808	1	Bolt 1/2 x 1	
14	0641812	2	Bolt 1/2 x 1-1/2	
15	0641818	2	Bolt 1/2 x 2-1/4	
16	0641826	2	Bolt 1/2 x 3-1/4	
17	0711214	2	Bolt M12 x 30	
18	0771414	10	Bolt M14 x 30	
19	1001112766	1	Bracket, Muffler	
20	0940070	1	Bumper	
21	0961986	2	Bushing, Flanged	
22	1001131542	1	Lanyard	
23	1320022	3	Clamp	
24	1320058	2	Clamp	
25	1320060	1	Clamp	
26	1320223	1	J-Clip	
27	1340065	1	Air Cleaner Assembly	
27	7003655	1	Element, Air Cleaner	
27	7015013	1	Baffle, Rubber	
27	7015014	1	Clamp, Cap	
27	7015015	1	Cup	
27	7015003	1	Wingnut	
28	1671023	1	Shroud, Fan	
29	1703162	2	Decal - Fan Blade	
30	2060025	1	Fan	
31	2220451	1	Fitting, Straight	
32	2220498	1	Fitting, Elbow	
33	2720058	34 ft/ 10.3m	Hose	
34	2720500	1	Hose, Oil Cooler (Top)	
35	2720501	1	Hose, Oil Cooler (Bottom)	
36	2750532	0.75 ft /0.2m	Hose	
37	2902065	1	Pump Coupling Kit (See Separate Breakdown in this Section)	
39	3200362	2	Mount, Motor (Front)	
40	3200401	2	Mount, Motor (Rear)	
41	1001257277	1	Muffler, Spark Arresting	

## SECTION 3 - ENGINE

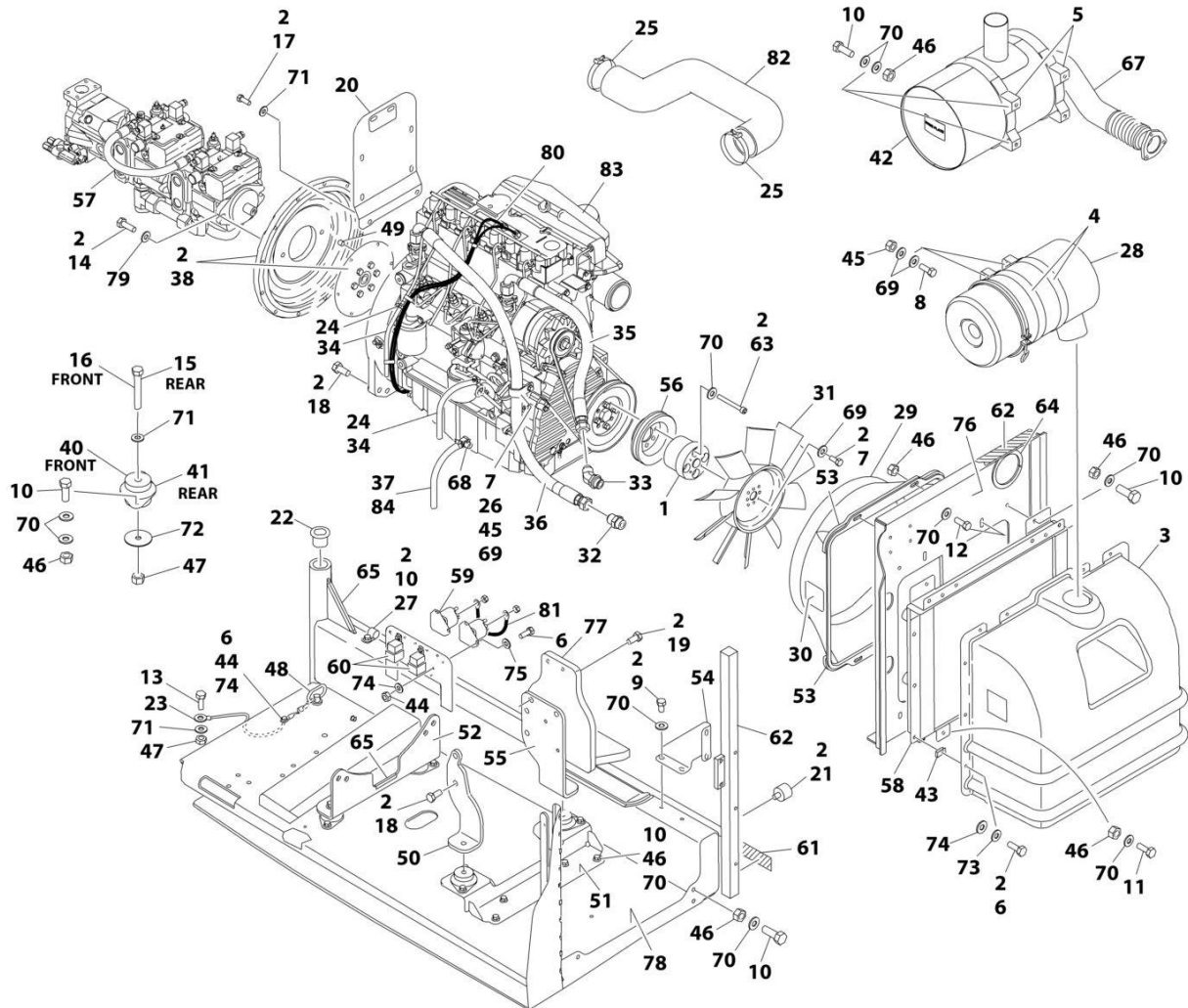
ITEM	PART NUMBER	QTY	DESCRIPTION	REV
42	3300454	10	Nut 1/4	
43	3311405	5	Nut 1/4	
44	3311505	5	Nut 5/16	
45	3311605	30	Nut 3/8	
46	3311805	5	Nut 1/2	
47	3422532	1	Pin, Hitch	
48	3520054	2	Plug	
49	3537416	1	Plate, Mounting (Front Right)	
50	3539971	1	Bracket, Engine Mounting (Front)	
51	3573142	1	Bracket, Engine Mounting (Rear)	
52	3573411	2	Plate, Clamp	
53	3573412	1	Gusset	
54	3573529	1	Plate, Mounting (Front Left)	
55	3580158	1	Pulley	
56	3600339	1	Pump Assembly - Rexroth (See Separate Breakdown in this Section)	
57	1001145382	1	Cooler, Engine Oil	
58	3740067	2	Relay, Start	
59	3740080	2	Relay	
60	3960543	1	Seal	
61	3960544	1	Seal	
62	4032022	4	Capscrew M10 x 90	
63	4060804	0.98 ft /0.3m	Flex-Trim	
64	4060805	0.67 ft /0.2m	Flex-Trim	
65	4240099	AR	Tie, Wire (Not Shown)	
66	4568293	1	Pipe, Exhaust	
67	4640751	1	Valve, Oil Drain	
68	4711500	13	Washer 5/16	
69	4711600	68	Washer 3/8	
70	4711800	7	Washer 1/2	
71	4740274	4	Washer, Snubbing	
72	4740518	10	Washer, Nylon	
73	4751400	20	Washer 1/4	
74	4791400	4	Washer 1/4	
75	4846552	1	Plate, Oil Cooler Mounting	
76	4846946	1	Tray	
77	4891800	2	Washer 1/2 Hardened	
78	4923468	1	Harness, Glow Plugs	
79	4923592	1	Cable, Jumper	
80	1001225118	1	Hose, Air Intake	
81	0272060	1	Box, Air Intake	
82	8410013	1	Clamp, Gear	





# SECTION 3 - ENGINE

## FIGURE 3-12. DEUTZ TD2011 ENGINE ASSEMBLY - WITH REXROTH PUMPS (WITH SKYPOWER AND WITHOUT COLD WEATHER PLUS PACKAGE)



ART\_1001098530\_N

## SECTION 3 - ENGINE

**FIGURE 3-12. DEUTZ TD2011 ENGINE ASSEMBLY - WITH REXROTH PUMPS (WITH SKYPOWER AND WITHOUT COLD WEATHER PLUS PACKAGE)**

ITEM	PART NUMBER	QTY	DESCRIPTION	REV
	1001098530	Ref	DEUTZ TD2011 ENGINE ASSEMBLY - WITH REXROTH PUMPS (WITH SKYPOWER AND WITHOUT COLD WEATHER PLUS PACKAGE)	N
1	0080244	1	Spacer, Fan	
2	0100011	AR	Compound, Locking	
3	0272060	1	Box, Air Intake	
4	0340003	2	Band, Air Cleaner	
5	0340051	2	Band, Muffler	
6	0641406	15	Bolt 1/4 x 3/4	
7	0641506	5	Bolt 5/16 x 3/4	
8	0641507	4	Bolt 5/16 x 7/8	
9	0641605	4	Bolt 3/8 x 5/8	
10	0641608	25	Bolt 3/8 x 1	
11	0641609	2	Bolt 3/8 x 1-1/8	
12	0641610	4	Bolt 3/8 x 1-1/4	
13	0641808	1	Bolt 1/2 x 1	
14	0641812	2	Bolt 1/2 x 1-1/2	
15	0641818	2	Bolt 1/2 x 2-1/4	
16	0641826	2	Bolt 1/2 x 3-1/4	
17	0711214	2	Bolt M12 x 30	
18	0771414	6	Bolt M14 x 30	
19	0711417	4	Bolt M14 x 45	
20	1001112766	1	Bracket, Muffler	
21	0940070	1	Bumper	
22	0961986	2	Bushing, Flanged	
23	1001131542	1	Lanyard	
24	1320022	2	Clamp	
25	1320058	2	Clamp	
26	1320060	1	Clamp	
27	1320223	1	J-Clip	
28	1340065	1	Air Cleaner Assembly	
28	7003655	1	Element, Air Cleaner	
28	7015013	1	Baffle, Rubber	
28	7015014	1	Clamp, Cap	
28	7015015	1	Cup	
28	7015003	1	Wingnut	
29	1671023	1	Shroud, Fan	
30	1703162	2	Decal - Fan Blade	
31	2060025	1	Fan	
32	2220451	1	Fitting, Straight	
33	2220498	1	Fitting, Elbow	
34	2720058	34 ft/ 10.3m	Hose	
35	2720500	1	Hose, Oil Cooler (Top)	
36	2720501	1	Hose, Oil Cooler (Bottom)	
37	2750532	0.75 ft /0.2m	Hose	
38	2902065	1	Pump Coupling Kit (See Separate Breakdown in this Section)	
40	3200362	2	Mount, Motor (Front)	
41	3200401	2	Mount, Motor (Rear)	

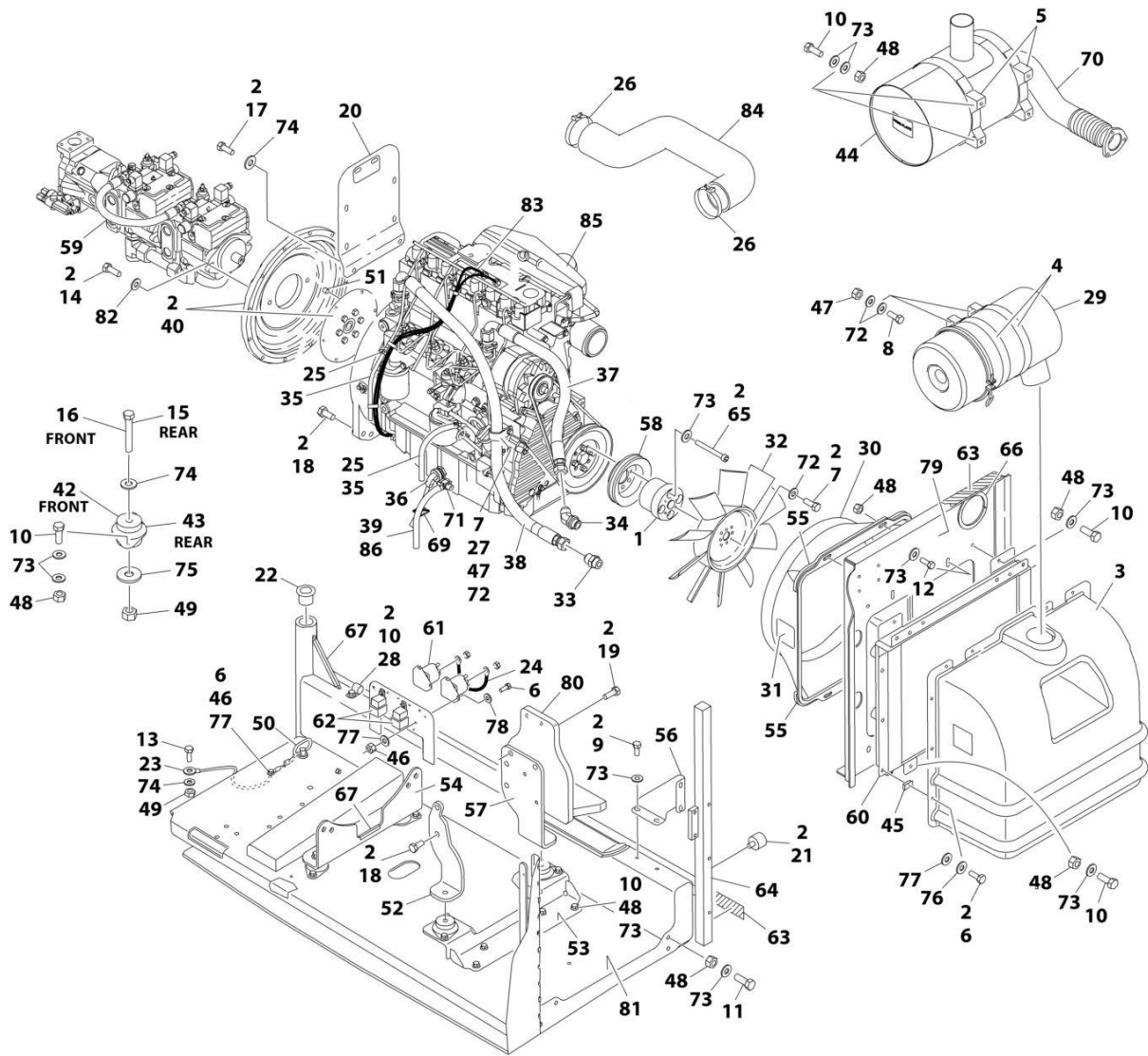
## SECTION 3 - ENGINE

ITEM	PART NUMBER	QTY	DESCRIPTION	REV
42	1001257277	1	Muffler	
43	3300454	10	Nut	
44	3311405	5	Nut 1/4	
45	3311505	5	Nut 5/16	
46	3311605	30	Nut 3/8	
47	3311805	5	Nut 1/2	
48	3422532	1	Pin, Hitch	
49	3520054	2	Plug	
50	3537416	1	Plate, Mounting (Front Right)	
51	3539971	1	Bracket, Engine Mounting (Front)	
52	3573142	1	Bracket, Engine Mounting (Rear)	
53	3573411	2	Plate, Clamp	
54	3573412	1	Gusset	
55	3573529	1	Plate, Mounting (Front Left)	
56	3580320	1	Pulley	
57	3600339	1	Pump Assembly - Rexroth (See Separate Breakdown in this Section)	
58	1001145382	1	Cooler, Engine Oil	
59	3740067	2	Relay, Start	
60	3740080	2	Relay	
61	3960543	1	Seal	
62	3960544	1	Seal	
63	4032022	4	Capscrew M10 x 90	
64	4060804	0.98 ft /0.3m	Flex-Trim	
65	4060805	0.67 ft /0.2m	Flex-Trim	
66	4240099	AR	Tie, Wire (Not Shown)	
67	4568293	1	Pipe, Exhaust	
68	4640751	1	Valve, Oil Drain	
69	4711500	13	Washer 5/16	
70	4711600	68	Washer 3/8	
71	4711800	7	Washer 1/2	
72	4740274	4	Washer, Snubbing	
73	4740518	10	Washer, Nylon	
74	4751400	20	Washer 1/4	
75	4791400	4	Washer 1/4	
76	4846552	1	Plate, Oil Cooler Mounting	
77	4846945	1	Mount, Generator	
78	4846946	1	Tray	
79	4891800	2	Washer 1/2	
80	4923468	1	Harness, Glow Plugs	
81	4923592	1	Cable, Jumper	
82	1001225118	1	Hose, Air Intake	
83	1001098601	1	Engine, Deutz TD2011 Components (See Separate Breakdown in this Section)	
84	8410013	1	Clamp, Gear	



# SECTION 3 - ENGINE

## FIGURE 3-13. DEUTZ TD2011 ENGINE ASSEMBLY - WITH REXROTH PUMPS (WITH SKYPOWER AND WITH COLD WEATHER PLUS PACKAGE)



ART\_1001098531\_N

## SECTION 3 - ENGINE

**FIGURE 3-13. DEUTZ TD2011 ENGINE ASSEMBLY - WITH REXROTH PUMPS (WITH SKYPOWER AND WITH COLD WEATHER PLUS PACKAGE)**

ITEM	PART NUMBER	QTY	DESCRIPTION	REV
	1001098531	Ref	DEUTZ TD2011 ENGINE ASSEMBLY - WITH REXROTH PUMPS (WITH SKYPOWER AND WITH COLD WEATHER PLUS PACKAGE)	N
1	0080244	1	Spacer, Fan	
2	0100011	AR	Compound, Locking	
3	0272060	1	Box, Air Intake	
4	0340003	2	Band, Air Cleaner	
5	0340051	2	Band, Muffler	
6	0641406	15	Bolt 1/4 x 3/4	
7	0641506	5	Bolt 5/16 x 3/4	
8	0641507	4	Bolt 5/16 x 7/8	
9	0641605	4	Bolt 3/8 x 5/8	
10	0641608	25	Bolt 3/8 x 1	
11	0641609	2	Bolt 3/8 x 1-1/8	
12	0641610	4	Bolt 3/8 x 1-1/4	
13	0641808	1	Bolt 1/2 x 1	
14	0641812	2	Bolt 1/2 x 1-1/2	
15	0641818	2	Bolt 1/2 x 2-1/4	
16	0641826	2	Bolt 1/2 x 3-1/4	
17	0711214	2	Bolt M12 x 30	
18	0771414	6	Bolt M14 x 30	
19	0711417	4	Bolt M14 x 45	
20	1001112766	1	Bracket, Muffler	
21	0940070	1	Bumper	
22	0961986	2	Bushing, Flanged	
23	1001131542	1	Lanyard	
24	1060904	1	Cable, Jumper	
25	1320022	2	Clamp	
26	1320058	2	Clamp	
27	1320060	1	Clamp	
28	1320223	1	J-Clip	
29	1340065	1	Air Cleaner Assembly	
29	7003655	1	Element, Air Cleaner	
29	7015013	1	Baffle, Rubber	
29	7015014	1	Clamp, Cap	
29	7015015	1	Cup	
29	7015003	1	Wingnut	
30	1671023	1	Shroud, Fan	
31	1703162	2	Decal - Fan Blade	
32	2060025	1	Fan	
33	2220451	1	Fitting, Straight	
34	2220498	1	Fitting, Elbow	
35	2720058	34 ft/ 10.3m	Hose	
36	2580062	1	Heater, Engine Block	
37	2720500	1	Hose, Oil Cooler (Top)	
38	2720501	1	Hose, Oil Cooler (Bottom)	
39	2750532	0.75 ft /0.2m	Hose	
40	2902065	1	Pump Coupling Kit (See Separate Breakdown in this Section)	

## SECTION 3 - ENGINE

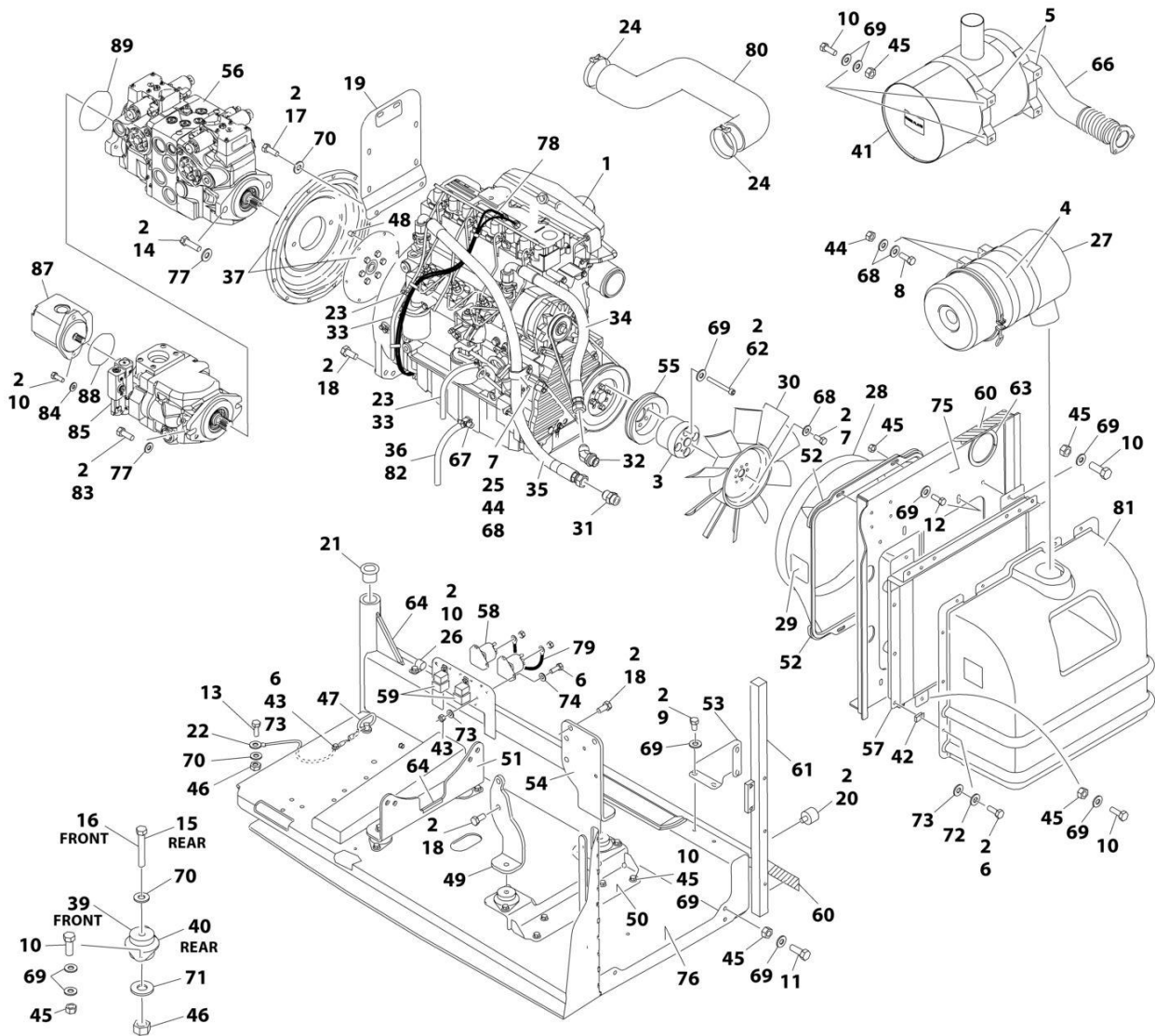
ITEM	PART NUMBER	QTY	DESCRIPTION	REV
42	3200362	2	Mount, Motor (Front)	
43	3200401	2	Mount, Motor (Rear)	
44	1001257277	1	Muffler	
45	3300454	10	Nut 1/4	
46	3311405	5	Nut 1/4	
47	3311505	5	Nut 5/16	
48	3311605	30	Nut 3/8	
49	3311805	5	Nut 1/2	
50	3422532	1	Pin, Hitch	
51	3520054	2	Plug	
52	3537416	1	Plate, Mounting (Front Right)	
53	3539971	1	Bracket, Engine Mounting (Front)	
54	3573142	1	Bracket, Engine Mounting (Rear)	
55	3573411	2	Plate, Clamp	
56	3573412	1	Gusset	
57	3573529	1	Plate, Mounting (Front Left)	
58	3580320	1	Pulley	
59	3600339	1	Pump Assembly - Rexroth (See Separate Breakdown in this Section)	
60	1001145382	1	Cooler, Engine Oil	
61	3740067	2	Relay, Start	
62	3740080	2	Relay	
63	3960543	1	Seal	
64	3960544	1	Seal	
65	4032022	4	Capscrew M10 x 90	
66	4060804	0.98 ft /0.3m	Flex-Trim	
67	4060805	0.67 ft /0.2m	Flex-Trim	
68	4240099	AR	Tie, Wire (Not Shown)	
69	4460234	3	Mount, Wire Tie	
70	4568293	1	Pipe, Exhaust	
71	4640751	1	Valve, Oil Drain	
72	4711500	13	Washer 5/16	
73	4711600	68	Washer 3/8	
74	4711800	7	Washer 1/2	
75	4740274	4	Washer, Snubbing	
76	4740518	10	Washer, Nylon	
77	4751400	20	Washer 1/4	
78	4791400	4	Washer 1/4	
79	4846552	1	Plate, Oil Cooler Mounting	
80	4846945	1	Mount, Generator	
81	4846946	1	Tray	
82	4891800	2	Washer 1/2 Hardened	
83	4923468	1	Harness, Glow Plugs	
84	1001225118	1	Hose, Air Intake	
85	1001098601	1	Engine, Deutz TD2011 Components (See Separate Breakdown in this Section)	
86	8410013	1	Clamp, Gear	





# SECTION 3 - ENGINE

FIGURE 3-14. DEUTZ TD2011 ENGINE ASSEMBLY - WITH SAUER PUMPS (WITHOUT SKYPOWER AND WITHOUT COLD WEATHER PLUS PACKAGE)



ART\_1001107971\_M

## SECTION 3 - ENGINE

**FIGURE 3-14. DEUTZ TD2011 ENGINE ASSEMBLY - WITH SAUER PUMPS (WITHOUT SKYPOWER AND WITHOUT COLD WEATHER PLUS PACKAGE)**

ITEM	PART NUMBER	QTY	DESCRIPTION	REV
	1001107971	Ref	DEUTZ TD2011 ENGINE ASSEMBLY - WITH SAUER PUMPS (WITHOUT SKYPOWER AND WITHOUT COLD WEATHER PLUS PACKAGE)	M
1	1001098601	1	Engine, Deutz TD2011 Components (See Separate Breakdown in this Section)	
2	0100011	AR	Compound, Locking	
3	0080237	1	Spacer, Fan	
4	0340003	2	Band, Air Cleaner	
5	0340051	2	Band, Muffler	
6	0641406	15	Bolt 1/4 x 3/4	
7	0641506	5	Bolt 5/16 x 3/4	
8	0641507	4	Bolt 5/16 x 7/8	
9	0641605	4	Bolt 3/8 x 5/8	
10	0641608	27	Bolt 3/8 x 1	
11	0641609	2	Bolt 3/8 x 1-1/8	
12	0641610	4	Bolt 3/8 x 1-1/4	
13	0641808	1	Bolt 1/2 x 1	
14	0641814	2	Bolt 1/2 x 1-3/4	
15	0641818	2	Bolt 1/2 x 2-1/4	
16	0641826	2	Bolt 1/2 x 3-1/4	
17	0711214	2	Bolt M12 x 30	
18	0771414	10	Bolt M14 x 30	
19	1001112766	1	Bracket, Muffler	
20	0940070	1	Bumper	
21	0961986	2	Bushing, Flanged	
22	1001131542	1	Lanyard	
23	1320022	3	Clamp	
24	1320058	2	Clamp	
25	1320060	1	Clamp	
26	1320223	1	J-Clip	
27	1340065	1	Air Cleaner Assembly	
27	7003655	1	Element, Air Cleaner	
27	7015013	1	Baffle, Rubber	
27	7015014	1	Clamp, Cap	
27	7015015	1	Cup	
27	7015003	1	Wingnut	
28	1671023	1	Shroud, Fan	
29	1703162	2	Decal - Fan Blade	
30	2060025	1	Fan	
31	2220451	1	Fitting, Straight	
32	2220498	1	Fitting, Elbow	
33	2720058	34 ft /10.3m	Hose	
34	2720500	1	Hose, Oil Cooler (Top)	
35	2720501	1	Hose, Oil Cooler (Bottom)	
36	2750532	0.75 ft /0.2m	Hose	
37	2902065	1	Pump Coupling Kit (See Separate Breakdown in this Section)	
39	3200362	2	Mount, Motor (Front)	
40	3200401	2	Mount, Motor (Rear)	

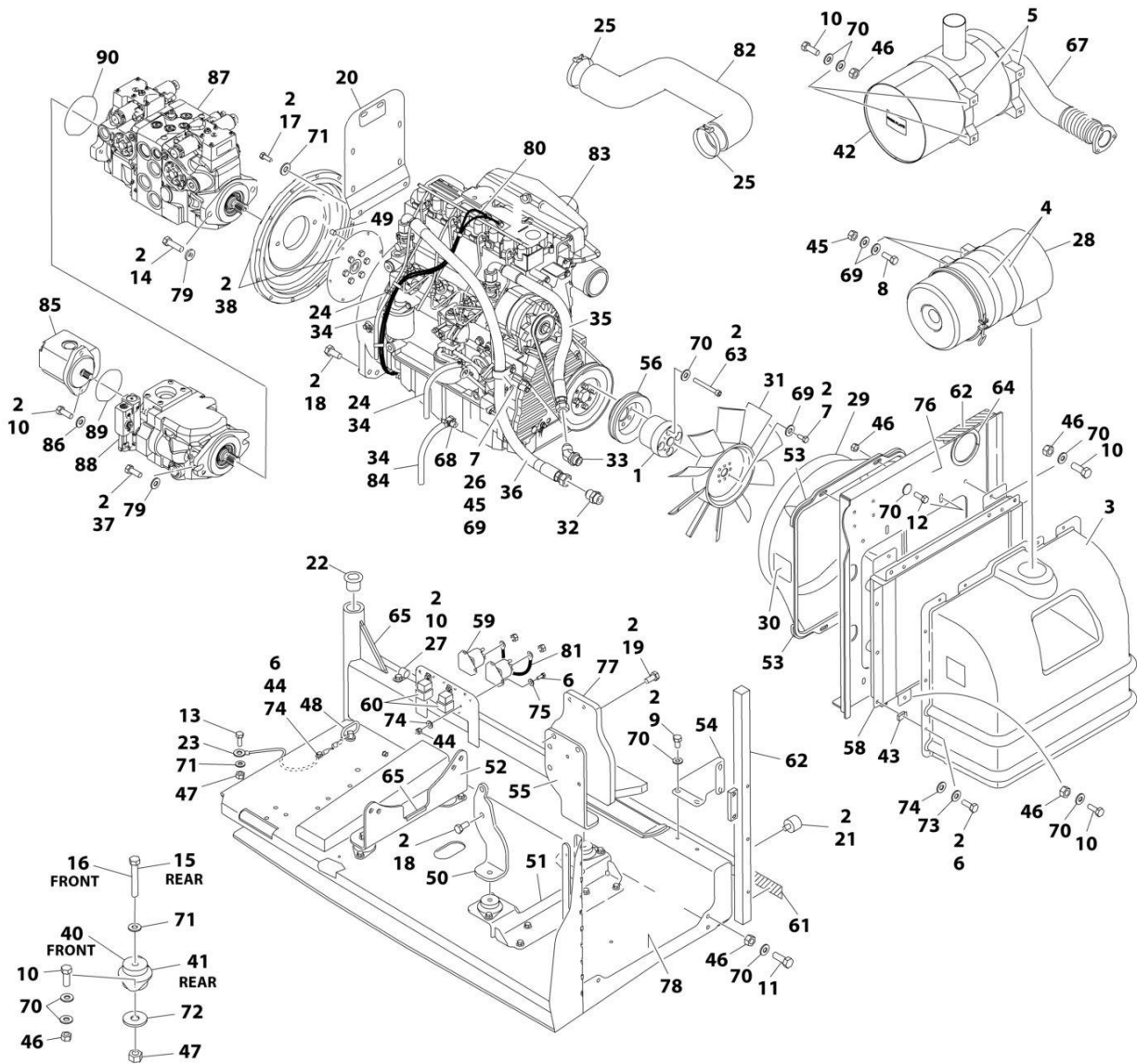
## SECTION 3 - ENGINE

ITEM	PART NUMBER	QTY	DESCRIPTION	REV
41	1001257277	1	Muffler	
42	3300454	10	Nut 1/4	
43	3311405	5	Nut 1/4	
44	3311505	5	Nut 5/16	
45	3311605	30	Nut 3/8	
46	3311805	5	Nut 1/2	
47	3422532	1	Pin, Hitch	
48	3520054	2	Plug	
49	3537416	1	Plate, Mounting (Front Right)	
50	3539971	1	Bracket, Engine Mounting (Front)	
51	3573142	1	Bracket, Engine Mounting (Rear)	
52	3573411	2	Plate, Clamp	
53	3573412	1	Gusset	
54	3573529	1	Plate, Mounting (Front Left)	
55	3580158	1	Pulley	
56	1001108616	1	Pump Assembly - Sauer (See Separate Breakdown in this Section)	
57	1001145382	1	Cooler, Engine Oil	
58	3740067	2	Relay, Start	
59	3740080	2	Relay	
60	3960543	1	Seal	
61	3960544	1	Seal	
62	4032022	4	Capscrew M10 x 90	
63	4060804	0.98 ft /0.3m	Flex-Trim	
64	4060805	0.67 ft /0.2m	Flex-Trim	
65	4240099	AR	Tie, Wire (Not Shown)	
66	4568293	1	Pipe, Exhaust	
67	4640751	1	Valve, Oil Drain	
68	4711500	13	Washer 5/16	
69	4711600	68	Washer 3/8	
70	4711800	7	Washer 1/2	
71	4740274	4	Washer, Snubbing	
72	4740518	10	Washer, Nylon	
73	4751400	20	Washer 1/4	
74	4791400	4	Washer 1/4	
75	4846552	1	Plate, Oil Cooler Mounting	
76	4846946	1	Tray	
77	4891800	4	Washer 1/2	
78	4923468	1	Harness, Glow Plugs	
79	4923592	1	Cable, Jumper	
80	1001225118	1	Hose, Air Intake	
81	0272060	1	Box, Air Intake	
82	8410013	1	Clamp, Gear	
83	0761215	2	Bolt M12 x 35mm	
84	4891600	2	Washer 3/8	
85	1001171095	1	Pump Assembly - Sauer Piston (See Separate Breakdown in this Section)	
87	1001112927	1	Pump Assembly - Sauer Gear (See Separate Breakdown in this Section)	
88	3790152	1	O-Ring	
89	3790155	1	O-Ring	



# SECTION 3 - ENGINE

## FIGURE 3-15. DEUTZ TD2011 ENGINE ASSEMBLY - WITH SAUER PUMPS (WITH SKYPOWER AND WITHOUT COLD WEATHER PLUS PACKAGE)



ART\_1001107973\_M

## SECTION 3 - ENGINE

**FIGURE 3-15. DEUTZ TD2011 ENGINE ASSEMBLY - WITH SAUER PUMPS (WITH SKYPOWER AND WITHOUT COLD WEATHER PLUS PACKAGE)**

ITEM	PART NUMBER	QTY	DESCRIPTION	REV
	1001107973	Ref	DEUTZ TD2011 ENGINE ASSEMBLY - WITH SAUER PUMPS (WITH SKYPOWER AND WITHOUT COLD WEATHER PLUS PACKAGE)	N
1	0080244	1	Spacer, Fan	
2	0100011	AR	Compound, Locking	
3	0272060	1	Box, Air Intake	
4	0340003	2	Band, Air Cleaner	
5	0340051	2	Band, Muffler	
6	0641406	15	Bolt 1/4 x 3/4	
7	0641506	5	Bolt 5/16 x 3/4	
8	0641507	4	Bolt 5/16 x 7/8	
9	0641605	4	Bolt 3/8 x 5/8	
10	0641608	27	Bolt 3/8 x 1	
11	0641609	2	Bolt 3/8 x 1-1/8	
12	0641610	4	Bolt 3/8 x 1-1/4	
13	0641808	1	Bolt 1/2 x 1	
14	0641814	2	Bolt 1/2 x 1-3/4	
15	0641818	2	Bolt 1/2 x 2-1/4	
16	0641826	2	Bolt 1/2 x 3-1/4	
17	0711214	2	Bolt M12 x 30	
18	0771414	6	Bolt M14 x 30	
19	0711417	4	Bolt M14 x 45	
20	1001112766	1	Bracket, Muffler	
21	0940070	1	Bumper	
22	0961986	2	Bushing, Flanged	
23	1001131542	1	Lanyard	
24	1320022	2	Clamp	
25	1320058	2	Clamp	
26	1320060	1	Clamp	
27	1320223	1	J-Clip	
28	1340065	1	Air Cleaner Assembly	
28	7003655	1	Element, Air Cleaner	
28	7015013	1	Baffle, Rubber	
28	7015014	1	Clamp, Cap	
28	7015015	1	Cup	
28	7015003	1	Wingnut	
29	1671023	1	Shroud, Fan	
30	1703162	2	Decal - Fan Blade	
31	2060025	1	Fan	
32	2220451	1	Fitting, Straight	
33	2220498	1	Fitting, Elbow	
34	2720058	34 ft/ 10.3m	Hose	
35	2720500	1	Hose, Oil Cooler (Top)	
36	2720501	1	Hose, Oil Cooler (Bottom)	
37	0761215	2	Bolt M12 x 35mm	
38	2902065	1	Pump Coupling Kit (See Separate Breakdown in this Section)	
40	3200362	2	Mount, Motor (Front)	
41	3200401	2	Mount, Motor (Rear)	

## SECTION 3 - ENGINE

ITEM	PART NUMBER	QTY	DESCRIPTION	REV
42	1001257277	1	Muffler	
43	3300454	10	Nut	
44	3311405	5	Nut 1/4	
45	3311505	5	Nut 5/16	
46	3311605	30	Nut 3/8	
47	3311805	5	Nut 1/2	
48	3422532	1	Pin, Hitch	
49	3520054	2	Plug	
50	3537416	1	Plate, Mounting (Front Right)	
51	3539971	1	Bracket, Engine Mounting (Front)	
52	3573142	1	Bracket, Engine Mounting (Rear)	
53	3573411	2	Plate, Clamp	
54	3573412	1	Gusset	
55	3573529	1	Plate, Mounting (Front Left)	
56	3580320	1	Pulley	
58	1001145382	1	Cooler, Engine Oil	
59	3740067	2	Relay, Start	
60	3740080	2	Relay	
61	3960543	1	Seal	
62	3960544	1	Seal	
63	4032022	4	Capscrew M10 x 90	
64	4060804	0.98 ft /0.3m	Flex-Trim	
65	4060805	0.67 ft /0.2m	Flex-Trim	
66	4240099	AR	Tie, Wire (Not Shown)	
67	4568293	1	Pipe, Exhaust	
68	4640751	1	Valve, Oil Drain	
69	4711500	13	Washer 5/16	
70	4711600	68	Washer 3/8	
71	4711800	7	Washer 1/2	
72	4740274	4	Washer, Snubbing	
73	4740518	10	Washer, Nylon	
74	4751400	20	Washer 1/4	
75	4791400	4	Washer 1/4	
76	4846552	1	Plate, Oil Cooler Mounting	
77	4846945	1	Mount, Generator	
78	4846946	1	Tray	
79	4891800	4	Washer 1/2	
80	4923468	1	Harness, Glow Plugs	
81	4923592	1	Cable, Jumper	
82	1001225118	1	Hose, Air Intake	
83	1001098601	1	Engine, Deutz TD2011 Components (See Separate Breakdown in this Section)	
84	8410013	1	Clamp, Gear	
85	1001112927	1	Pump Assembly - Sauer Gear (See Separate Breakdown in this Section)	
86	4891600	2	Washer 3/8	
87	1001108616	1	Pump Assembly - Sauer (See Separate Breakdown in this Section)	
88	1001171095	1	Pump Assembly - Sauer Piston (See Separate Breakdown in this Section)	
89	3790152	1	O-Ring	

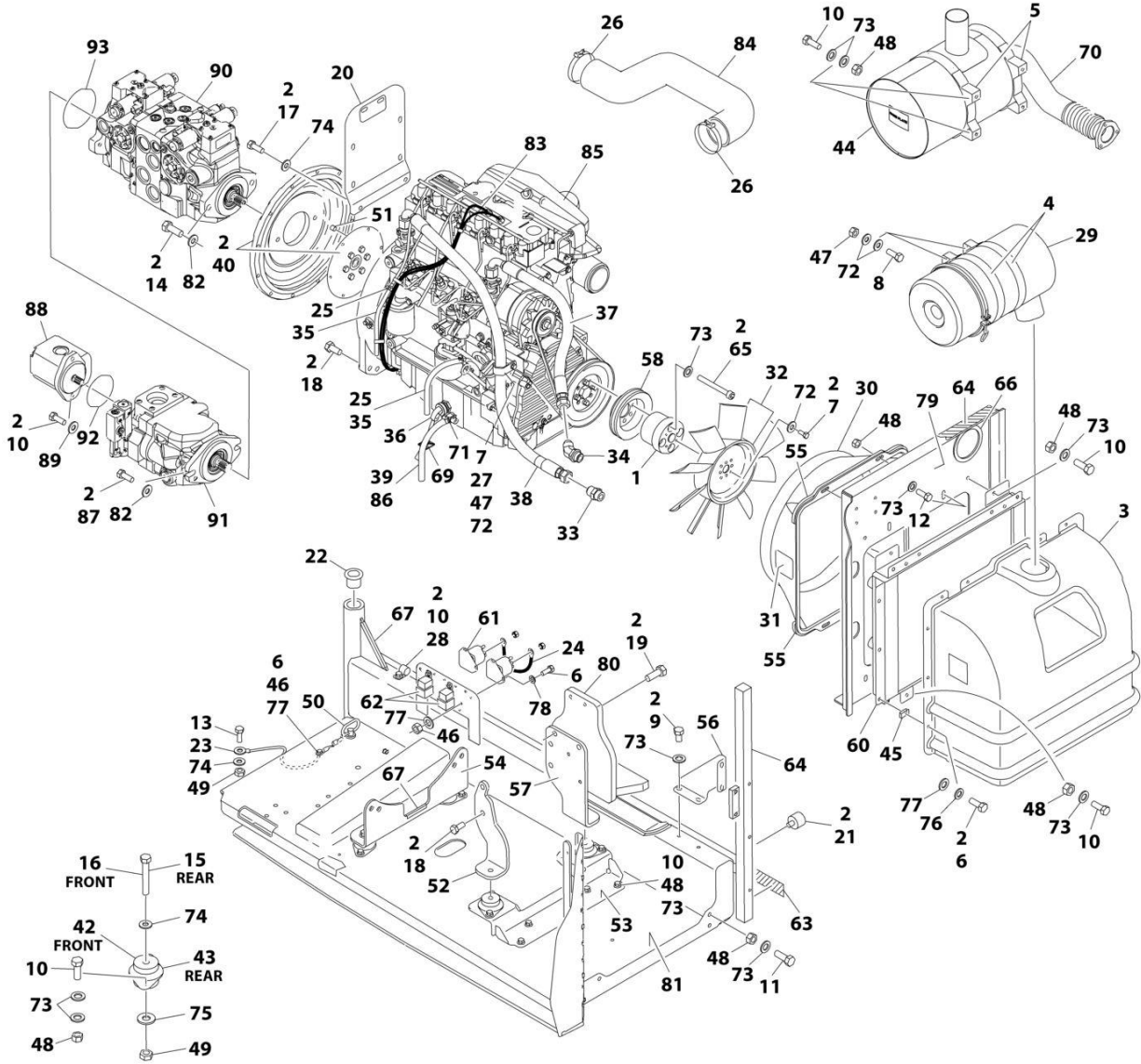


## SECTION 3 - ENGINE

ITEM	PART NUMBER	QTY	DESCRIPTION	REV
90	3790155	1	O-Ring	
91	2750532	0.8 ft/ 0.2m	Hose	

# SECTION 3 - ENGINE

FIGURE 3-16. DEUTZ TD2011 ENGINE ASSEMBLY - WITH SAUER PUMPS (WITH SKYPOWER AND WITH COLD WEATHER PLUS PACKAGE)



ART\_1001107975\_M

## SECTION 3 - ENGINE

**FIGURE 3-16. DEUTZ TD2011 ENGINE ASSEMBLY - WITH SAUER PUMPS (WITH SKYPOWER AND WITH COLD WEATHER PLUS PACKAGE)**

ITEM	PART NUMBER	QTY	DESCRIPTION	REV
	1001107975	Ref	DEUTZ TD2011 ENGINE ASSEMBLY - WITH SAUER PUMPS (WITH SKYPOWER AND WITH COLD WEATHER PLUS PACKAGE)	M
1	0080244	1	Spacer, Fan	
2	0100011	AR	Compound, Locking	
3	0272060	1	Box, Air Intake	
4	0340003	2	Band, Air Cleaner	
5	0340051	2	Band, Muffler	
6	0641406	15	Bolt 1/4 x 3/4	
7	0641506	5	Bolt 5/16 x 3/4	
8	0641507	4	Bolt 5/16 x 7/8	
9	0641605	4	Bolt 3/8 x 5/8	
10	0641608	27	Bolt 3/8 x 1	
11	0641609	2	Bolt 3/8 x 1-1/8	
12	0641610	4	Bolt 3/8 x 1-1/4	
13	0641808	1	Bolt 1/2 x 1	
14	0641814	2	Bolt 1/2 x 1-3/4	
15	0641818	2	Bolt 1/2 x 2-1/4	
16	0641826	2	Bolt 1/2 x 3-1/4	
17	0711214	2	Bolt M12 x 30	
18	0771414	6	Bolt M14 x 30	
19	0711417	4	Bolt M14 x 45	
20	1001112766	1	Bracket, Muffler	
21	0940070	1	Bumper	
22	0961986	2	Bushing, Flanged	
23	1001131542	1	Lanyard	
24	1060904	1	Cable, Jumper	
25	1320022	2	Clamp	
26	1320058	2	Clamp	
27	1320060	1	Clamp	
28	1320223	1	J-Clip	
29	1340065	1	Air Cleaner Assembly	
29	7003655	1	Element, Air Cleaner	
29	7015013	1	Baffle, Rubber	
29	7015014	1	Clamp, Cap	
29	7015015	1	Cup	
29	7015003	1	Wingnut	
30	1671023	1	Shroud, Fan	
31	1703162	2	Decal - Fan Blade	
32	2060025	1	Fan	
33	2220451	1	Fitting, Straight	
34	2220498	1	Fitting, Elbow	
35	2720058	34 ft/ 10.3m	Hose	
36	2580062	1	Heater, Engine Block	
37	2720500	1	Hose, Oil Cooler (Top)	
38	2720501	1	Hose, Oil Cooler (Bottom)	
39	2750532	0.75 ft /0.2m	Hose	
40	2902065	1	Pump Coupling Kit (See Separate Breakdown in this Section))	

## SECTION 3 - ENGINE

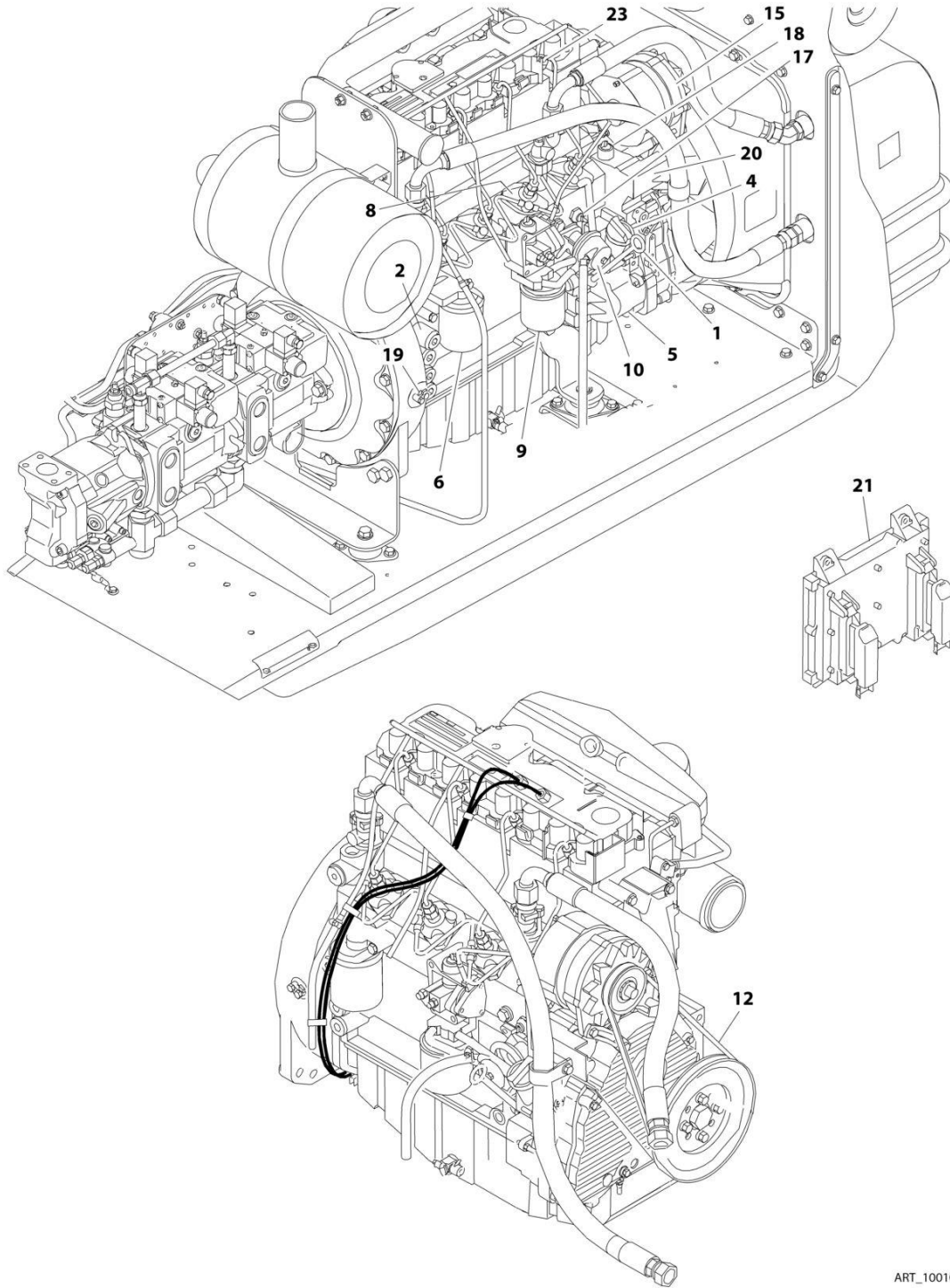
ITEM	PART NUMBER	QTY	DESCRIPTION	REV
42	3200362	2	Mount, Motor (Front)	
43	3200401	2	Mount, Motor (Rear)	
44	1001257277	1	Muffler	
45	3300454	10	Nut	
46	3311405	5	Nut 1/4	
47	3311505	5	Nut 5/16	
48	3311605	30	Nut 3/8	
49	3311805	5	Nut 1/2	
50	3422532	1	Pin, Hitch	
51	3520054	2	Plug	
52	3537416	1	Plate, Mounting (Front Right)	
53	3539971	1	Bracket, Engine Mounting (Front)	
54	3573142	1	Bracket, Engine Mounting (Rear)	
55	3573411	2	Plate, Clamp	
56	3573412	1	Gusset	
57	3573529	1	Plate, Mounting (Front Left)	
58	3580320	1	Pulley	
60	1001145382	1	Cooler, Engine Oil	
61	3740067	2	Relay, Start	
62	3740080	2	Relay	
63	3960543	1	Seal	
64	3960544	1	Seal	
65	4032022	4	Capscrew M10 x 90	
66	4060804	0.98 ft /0.3m	Flex-Trim	
67	4060805	0.67 ft /0.2m	Flex-Trim	
68	4240099	AR	Tie, Wire (Not Shown)	
69	4460234	3	Mount, Wire Tie	
70	4568293	1	Pipe, Exhaust	
71	4640751	1	Valve, Oil Drain	
72	4711500	13	Washer 5/16	
73	4711600	68	Washer 3/8	
74	4711800	7	Washer 1/2	
75	4740274	4	Washer, Snubbing	
76	4740518	10	Washer, Nylon	
77	4751400	20	Washer 1/4	
78	4791400	4	Washer 1/4	
79	4846552	1	Plate, Oil Cooler Mounting	
80	4846945	1	Mount, Generator	
81	4846946	1	Tray	
82	4891800	4	Washer 1/2	
83	4923468	1	Harness, Glow Plugs	
84	1001225118	1	Hose, Air Intake	
85	1001098601	1	Engine, Deutz TD2011 Components (See Separate Breakdown in this Section)	
86	8410013	1	Clamp, Gear	
87	0761215	2	Bolt M12 x 35	
88	1001112927	1	Pump Assembly - Sauer Gear (See Separate Breakdown in this Section)	
89	4891600	2	Washer 3/8	

## SECTION 3 - ENGINE

ITEM	PART NUMBER	QTY	DESCRIPTION	REV
90	1001108616	1	Pump Assembly - Sauer Tandem (See Separate Breakdown in this Section)	
91	1001171095	1	Pump Assembly - Sauer Piston (See Separate Breakdown in this Section)	
92	3790152	1	O-Ring	
93	3790155	1	O-Ring	

# SECTION 3 - ENGINE

## FIGURE 3-17. DEUTZ TD2011 ENGINE COMPONENTS



ART\_1001098601

## SECTION 3 - ENGINE

**FIGURE 3-17. DEUTZ TD2011 ENGINE COMPONENTS**

ITEM	PART NUMBER	QTY	DESCRIPTION	REV
	1001098601	Ref	DEUTZ TD2011 ENGINE COMPONENTS	C
1	7027235	1	Dipstick	
1	70000044	1	O-Ring	
2	70003475	1	Thermostat	
2	7020460	1	Compression Spring	
3	70001870	1	Flywheel (Not Shown)	
3	7024579	1	Gear, Ring (Not Shown)	
4	7020465	1	Cap, Filler	
5	70001850	1	Pump, Oil	
5	7020468	1	Seal Between Oil Pump and Engine Block (Not Shown)	
6	7016331	1	Filter, Oil	
6	7027236	1	Sender, Temperature (Located near Oil Filter)	
8		Ref	Injector Pump	
8	70001128	AR	"A" Series	
8	70001129	AR	"B" Series	
8	70001130	AR	"C" Series	
8	70001131	AR	"D" Series	
8	7020447	AR	Gasket (1 per Injector)	
9	7016328	1	Filter, Fuel	
10	70000916	1	Pump Fuel Supply	
10	70001435	1	Repair Kit	
10	70000917	1	O-Seal Between Fuel Pump and Engine Block (Not Shown)	
10	70000918	1	Sealing Ring (Not Shown)	
10	70000919	1	Pump, Hand (Not Shown)	
11	7027239	1	Solenoid, Start (Not Shown - Located near Throttle)	
12	7020414	1	V-Belt	
13	7020471	4	Gasket, Exhaust Manifold to Engine Block (Not Shown)	
13	7020486	1	Gasket, Exhaust Manifold to Exhaust Pipe (Not Shown)	
14	7027240	1	Turbocharger (Not Shown)	
14	70001857	1	Flange, Turbocharger (Not Shown)	
14	70001135	1	Gasket (Not Shown)	
15	70001867	1	Alternator	
15	70001868	1	Regulator, Voltage (Not Shown)	
16	7020479	1	Starter (Not Shown - Located on Right Side of Engine)	
16	7026608	1	Relay, Start (Not Shown)	
17	7027790	1	Sensor, Oil Pressure	
18	7027791	1	Sensor, Temperature (Not Shown)	
19	7024565	1	Sensor, Speed	
20	7027792	1	Actuator Throttle	
20	7027276	2	Spring	
21	1600443	1	Module, EMR2 Controller	
22	70002718	1	Seal, Rear Main (Not Shown)	
23	70003135	4	Injector, Fuel	
23	70003136	1	Ring, Sealing	
24	70001847	1	Valve, Breather (Located - Front Cover) (Not Shown)	
24	70001126	1	O-Ring (Not Shown)	
25	70001125	1	Cap, Breather (Located In Cylinder Head Cover) (Not Shown)	
25	70001126	1	O-Ring (Not Shown)	
26	70001871	4	Gasket, Air Intake Manifold (Not Shown)	
27	70000345	4	Plug, Glow (Not Shown)	

## SECTION 3 - ENGINE

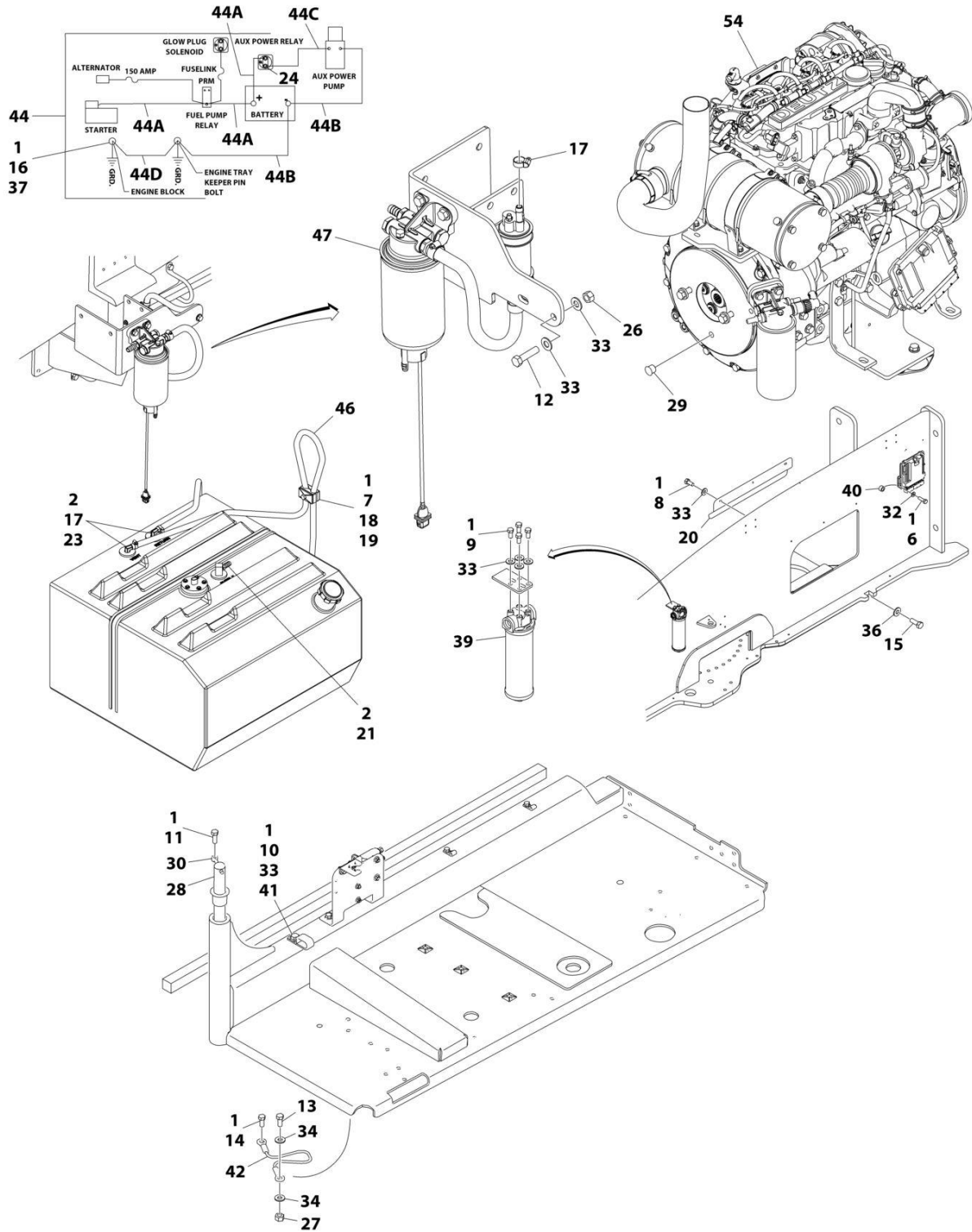
ITEM	PART NUMBER	QTY	DESCRIPTION	REV
28	70007353	1	Gasket Kit (Not Shown)	





# SECTION 3 - ENGINE

**FIGURE 3-18. DEUTZ TD2.9L4 ENGINE INSTALLATION - WITH SAUER PUMPS AND STEEL HOODS (CHINA & ANSI EXPORT LRC SPECS)**



ART\_1001221261

## SECTION 3 - ENGINE

**FIGURE 3-18. DEUTZ TD2.9L4 ENGINE INSTALLATION - WITH SAUER PUMPS AND STEEL HOODS  
(CHINA & ANSI EXPORT LRC SPECS)**

ITEM	PART NUMBER	QTY	DESCRIPTION	REV
	1001221261	Ref	DEUTZ TD2.9L4 DIESEL ENGINE INSTALLATION - WITH SAUER PUMPS AND STEEL HOODS	D
1	0100011	AR	Compound, Locking	
2	0100079	AR	Sealant, Pipe	
6	0641410	4	Bolt 1/4 x 1-1/4	
7	0641511	1	Bolt 5/16 x 1-3/8	
8	0641605	3	Bolt 3/8 x 5/8	
9	0641606	4	Bolt 3/8 x 3/4	
10	0641608	1	Bolt 3/8 x 1	
11	0641610	1	Bolt 3/8 x 1-1/4	
12	0641612	2	Bolt 3/8 x 1-1/2	
13	0641708	1	Bolt 7/16 x 1	
14	0641808	1	Bolt 1/2 x 1	
15	0642010	1	Bolt 5/8 x 1-1/4	
16	0761210	1	Bolt M12 x 20	
17	1320022	3	Clamp	
18	1320187	1	Clamp	
19	1320190	1	Cover, Clamp	
20	1671121	1	Cover	
21	2180832	1	Fitting, Barbed	
23	2220313	2	Fitting, Elbow Barbed	
24	3300220	2	Nut 5/16	
26	3311605	2	Nut 3/8	
27	3311705	1	Nut 7/16	
28	3422446	1	Pin, Pivot	
29	3520054	1	Plug	
30	3841143	1	Pin, Keeper	
31	4240018	2	Strap, Tie (Not Shown)	
32	4711400	4	Washer 1/4	
33	4711600	12	Washer 3/8	
34	4711700	2	Washer 7/16	
36	4752000	1	Washer 5/8	
37	4812100	1	Washer M12	
39	1001108617	1	Filter	
39	70002231	1	Element, Filter	
40	1001110425	4	Spacer	
41	1001116792	1	Clamp	
42	1001131542	1	Lanyard	
43	1001138491	NLA	Harness, Fuel (Use p/n 1001222665) (Not Shown - See Separate Breakdown in ELECTRICAL SECTION)	
44	1001141225	1	Battery Cable Kit	E
44A	7027042	1	Cable, Battery (Red) (Battery + to Relays and Starter)	
44B	7027043	1	Cable, Battery (Black) (Battery - to Tray Pivot Grd and Aux Pump)	
44C	7027044	1	Cable (Red) (Aux Relay to Aux Pump)	
44D	7027045	1	Cable, Battery (Black) (Engine to Tray Pivot Grd)	
46	2750532	5 ft/ 1.5m	Hose	
47	1001227606	1	Bracket, Fuel Pump Filter Assembly (See Separate Breakdown in this Section)	

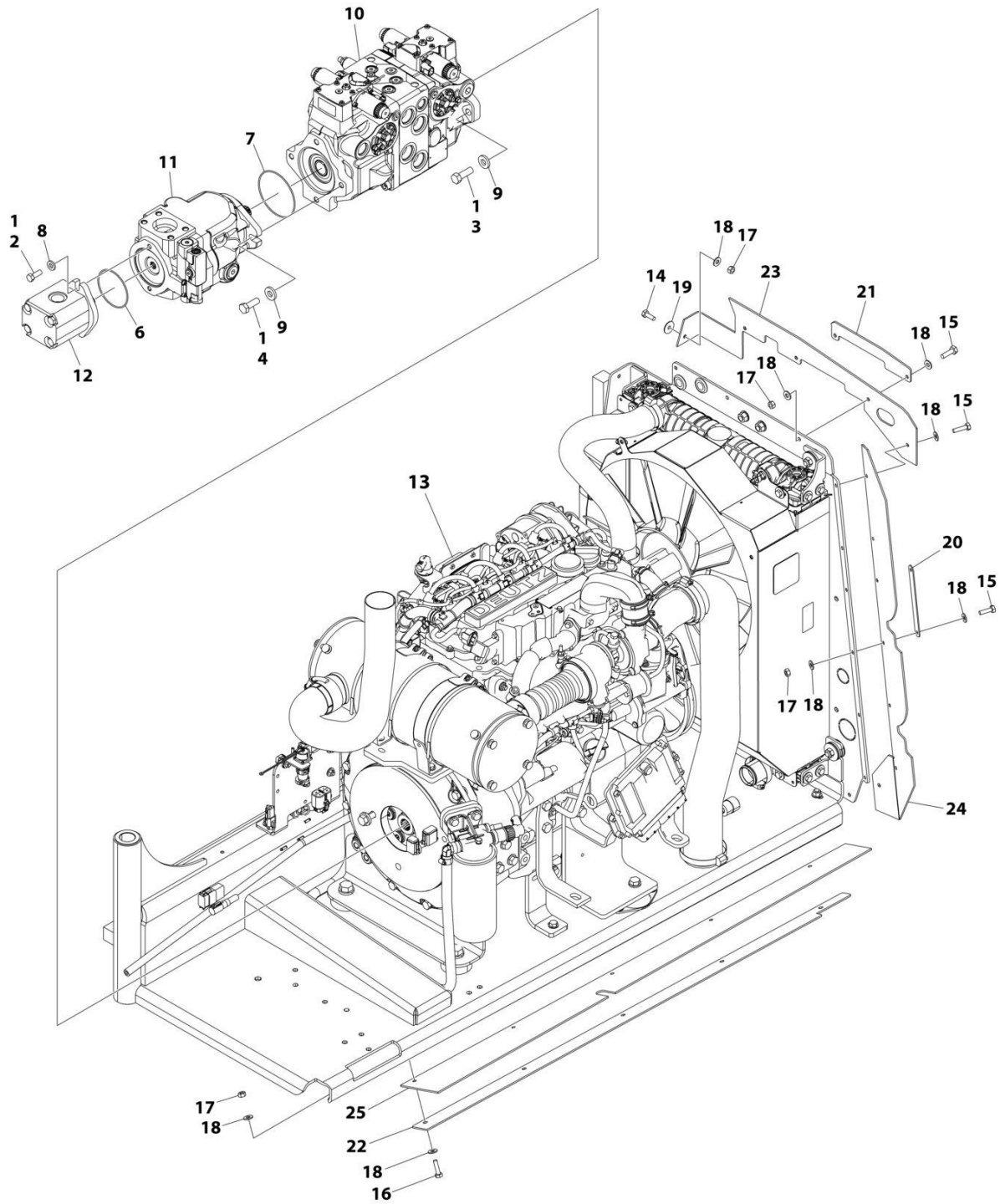
## SECTION 3 - ENGINE

ITEM	PART NUMBER	QTY	DESCRIPTION	REV
54	1001221265	1	Engine Sub-Assembly (See Separate Breakdown in this Section)	



# SECTION 3 - ENGINE

FIGURE 3-19. DEUTZ TD2.9L4 ENGINE SUB-ASSEMBLY - WITH SAUER PUMPS (CHINA & ANSI EXPORT LRC SPECS)



ART\_1001221265

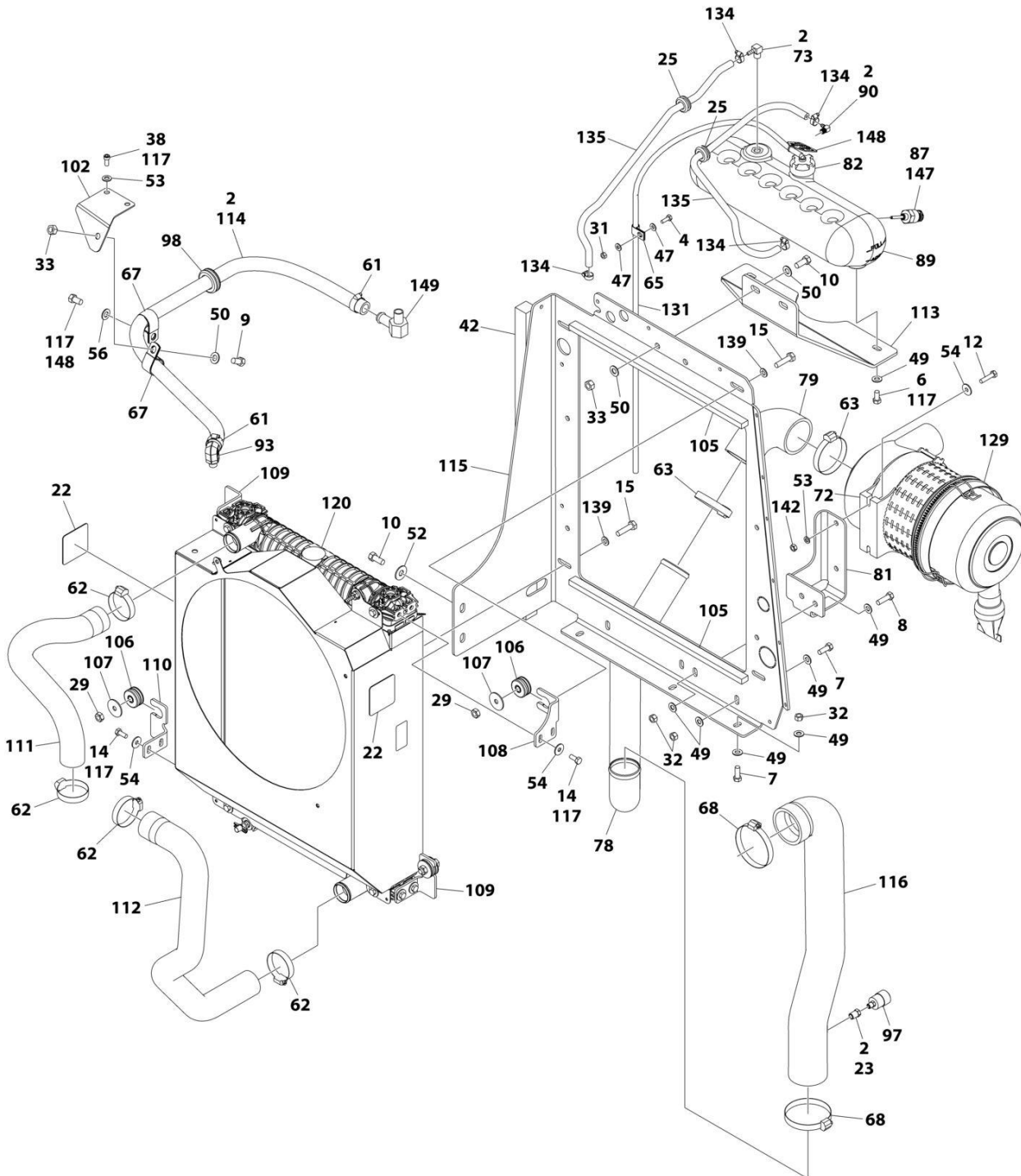
## SECTION 3 - ENGINE

**FIGURE 3-19. DEUTZ TD2.9L4 ENGINE SUB-ASSEMBLY - WITH SAUER PUMPS (CHINA & ANSI EXPORT LRC SPECS)**

ITEM	PART NUMBER	QTY	DESCRIPTION	REV
	1001221265	Ref	DEUTZ TD2.9L4 ENGINE SUB-ASSEMBLY	R
1	0100011	AR	Compound, Locking	
2	0641608	2	Bolt 3/8 x 1	
3	0641812	2	Bolt 1/2 x 1-1/2	
4	0761215	2	Bolt M12 x 35	
6	3790152	1	O-Ring	
7	3790155	1	O-Ring	
8	4891600	2	Washer 3/8	
9	4891800	4	Washer 1/2	
10	1001108616	1	Pump Assembly (Sauer Tandem) (See Separate Breakdown in this Section)	
11	1001171095	1	Pump Assembly (Sauer Piston) (See Separate Breakdown in this Section)	
12	1001112927	1	Pump Assembly (Sauer Gear) (See Separate Breakdown in this Section)	
13	1001220735	1	Deutz TD2.9L4 Engine Assembly (See Separate Breakdown in this Section)	
14	0641406	AR	Bolt 1/4 x 3/4	
15	0641407	8	Bolt 1/4 x 7/8	
16	0641408	AR	Bolt 1/4 x 1	
16	0641407	AR	Bolt 1/4 x 7/8	
17	3311405	16	Nut 1/4	
18	4711400	AR	Washer 1/4	
19	4740430	AR	Washer, Fender	
20	1001167164	3	Plate, Support	
21	1001177945	1	Bracket	
22	1001177946	1	Bracket	
23	1001177957	1	Seal, Rubber Baffle	
24	1001177958	1	Seal, Rubber Baffle	
25	1001177959	1	Seal, Rubber Baffle	

# SECTION 3 - ENGINE

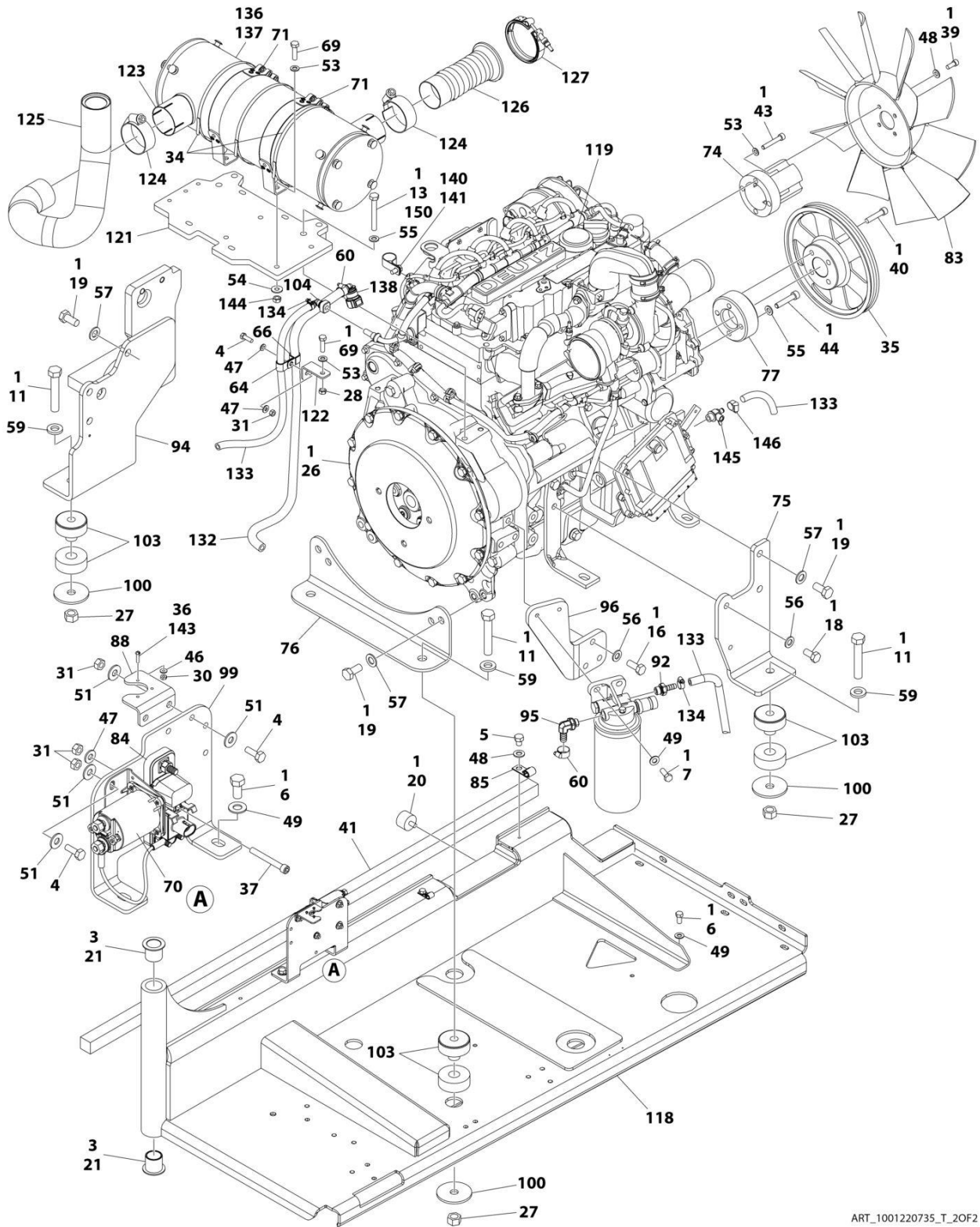
## FIGURE 3-20. DEUTZ TD2.9L4 ENGINE ASSEMBLY (CHINA & ANSI EXPORT LRC SPECS)



ART\_1001220735\_T\_10F2



# SECTION 3 - ENGINE



ART\_1001220735\_T\_20F2

## SECTION 3 - ENGINE

FIGURE 3-20. DEUTZ TD2.9L4 ENGINE ASSEMBLY (CHINA & ANSI EXPORT LRC SPECS)

ITEM	PART NUMBER	QTY	DESCRIPTION	REV
	1001220735	Ref	DEUTZ TD2.9L4 ENGINE ASSEMBLY	T
1	0100011	AR	Compound, Locking	
2	0100020	AR	Sealant	
3	0100062	AR	Adhesive, Loctite #680	
4	0641406	7	Bolt 1/4 x 3/4	
5	0641503	2	Bolt 5/16 x 3/8	
6	0641606	5	Bolt 3/8 x 3/4	
7	0641608	7	Bolt 3/8 x 1	
8	0641610	2	Bolt 3/8 x 1-1/4	
9	0641706	AR	Bolt 7/16 x 3/4	
10	0641708	4	Bolt 7/16 x 1	
11	0682028	4	Bolt 5/8 x 3-1/2 Grade 8	
12	0700815	2	Bolt M8 x 35	
13	0701024	AR	Bolt M10 x 80	
13	0701025	AR	Bolt M10 x 85	
14	0760810	8	Bolt M8 x 20	
15	0761016	4	Bolt M10 x 40	
16	0761214	3	Bolt M12 x 30	
18	0771212	1	Bolt M12 x 25 Grade 10.9	
19	0771414	9	Bolt M14 x 30 Grade 10.9	
20	0940070	1	Bumper	
21	0961986	2	Bushing, Flanged	
22	1703162	2	Decal - Fan	
23	2220273	1	Fitting, Straight NPTF/FNPTF	
25	2540038	2	Grommet	
26	2902065	1	Pump Coupling Kit (See Separate Breakdown in this Section)	
27	3272001	4	Nut 5/8 Grade 8	
28	3290801	AR	Nut M8	
29	3291001	4	Nut M10	
29	3291007	4	Nut M10	
30	3310401	3	Nut #4	
31	3311405	8	Nut 1/4	
32	3311605	7	Nut 3/8	
33	3311705	3	Nut 7/16	
34	1001137336	AR	Strap	
35	3580320	1	Pulley	
36	3910408	3	Screw #4 x 1/2	
37	3931432	1	Capscrew 1/4 x 2	
38	3931508	2	Capscrew 5/16 x 1/2	
38	4031907	2	Capscrew M8 x 16	
39	3931512	4	Capscrew 5/16 x 3/4	
40	3931628	4	Capscrew 3/8 x 1-3/4	
41	3960543	1	Seal	
42	3960544	1	Seal	
43	4031914	4	Bolt M8 x 50	
44	4032014	4	Bolt M10 x 50	
45	4240099	AR	Tie-Strap (Not Shown)	
46	4710400	3	Washer #4	
47	4711400	7	Washer 1/4	
48	4711500	AR	Washer 5/16	

## SECTION 3 - ENGINE

ITEM	PART NUMBER	QTY	DESCRIPTION	REV
49	4711600	21	Washer 3/8	
50	4711700	6	Washer 7/16	
51	4751400	8	Washer 1/4	
52	4751700	2	Washer 7/16	
53	4811900	13	Washer M8	
54	4811902	14	Washer M8	
55	4812000	AR	Washer M10	
56	4812100	AR	Washer M12	
57	4812200	9	Washer M14	
59	4892000	4	Washer 5/8	
60	8405006	2	Clamp	
61	8405007	2	Clamp	
62	8405201	4	Clamp	
63	8405204	2	Clamp	
64	8406102	1	Clip	
65	8406109	2	Clip	
66	8406112	1	Clip	
67	8406302	2	Clamp	
68	8410011	2	Clamp	
69	0760814001	1	Bolt M8 x 30	
69	0760814	5	Bolt M8 x 30	
70	1001117308	1	Relay	
71	1001119727	2	Clamp	
72	1001133634	1	Clamp	
73	1001134488	1	Fitting, 90 Barbed	
74	1001135138	1	Spacer, Fan	
75	1001135560	1	Support, Engine	
76	1001135562	1	Support, Engine - Rear	
77	1001135679	1	Spacer, Pulley	
78	1001135903	1	Pipe, Air Intake	
79	1001135946	1	Elbow, Rubber	
81	1001136665	1	Bracket	
82	1001136834	1	Cap, Tank	
83	1001137276	1	Fan	
84	1001138228	1	Module, Power	
84	70023592	1	Fuse 20Amp (Switched Output)	
84	70023593	1	Fuse 30Amp (Battery Output)	
85	1001138253	2	Clamp	
86	1001138346	1	Harness, Engine (Not Shown - See Separate Breakdown in ELECTRICAL Section)	
87	1001138827	1	Sensor, Coolant Level	
88	1001139240	1	Bracket	
89	1001166393	1	Tank, Surge	
90	1001140564	1	Fitting, 90 Barbed	
91	1001141304	1	Wire, Glow Plug (Not Shown)	
92	1001141717	1	Fitting, Straight	
93	1001141719	1	Fitting, 90 Barbed	
94	1001283008	1	Support, Engine	
95	1001142501	1	Fitting, 90 Barbed	
96	1001142685	1	Bracket	
97	1001143390	1	Indicator, Air Filter Service	
98	1001144089	1	Grommet	

## SECTION 3 - ENGINE

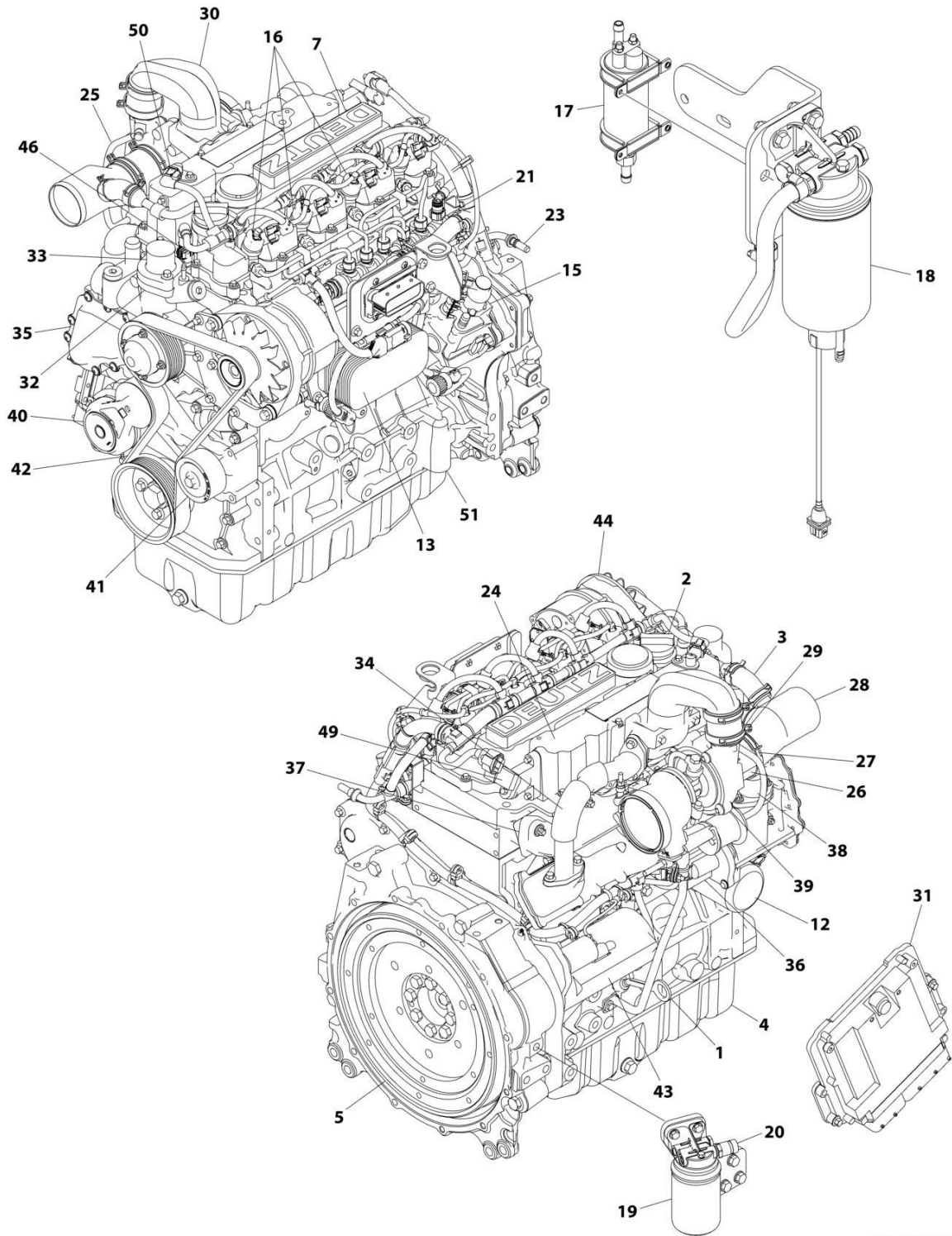
ITEM	PART NUMBER	QTY	DESCRIPTION	REV
99	1001145154	1	Plate, Mounting	
100	1001146219	4	Washer Special	
101	1001148843	1	Harness, Fuel Filter (Not Shown - See Separate Breakdown in ELECTRICAL Section)	
102	1001229600	1	Plate	
103	1001155575	4	Mount, Motor	
104	1001155823	1	Coupling	
105	1001168166	2	Seal	
106	1001169054	4	Isolator	
107	1001169138	4	Pad	
108	1001170035	1	Bracket	
109	1001176329	2	Bracket	
110	1001176330	1	Bracket	
111	1001176415	1	Hose, Radiator (Upper)	
112	1001176416	1	Hose, Radiator (Lower)	
113	1001229599	1	Bracket	
114	1001138524	1	Hose	
115	1001178236	1	Support, Radiator	
116	1001178894	1	Hose, Air Intake	
117	1001180620	AR	Adhesive	
118	1001187011	1	Tray	
119	1001219642	1	Engine, Deutz TD2.9L4 (See Separate Breakdown in this Section)	
120	1001220770	1	Radiator	
121	1001221203	1	Muffler Bracket Assembly	
122	1001221205	1	Bracket	
123	1001151432	1	Muffler	
124	1001221212	2	Clamp	
125	1001257155	1	Pipe, Exhaust	
126	1001221217	1	Pipe, Flex Assembly	
127	1001221219	1	Clamp	
129	1001133633	1	Air Cleaner Assembly	
129	70024190	1	Element, Air Filter	
130	1001135779	1	Cable, Alternator Positive (Not Shown)	
131	1001138248	4 ft /1.2 m	Tubing	
132	1001154405	5 ft /2 m	Hose	
133	1001165035	31 ft /10 m	Hose	
134	1320022	6	Clamp	
135	2720015	5 ft /2 m	Hose	
136	1001221427	1	Muffler-Wrap Assembly	
137	4920385	AR	Wire, Safety	
138	1001170982	1	Adapter	
139	4812002	4	Washer M10	
140	1320130	1	Clamp	
141	5250808	1	Bolt M8 x 16	
142	3290805	2	Nut, M10 (Not Shown)	
143	0100035	AR	Compound, Locking	
144	3290807	4	Nut M8	
145	4640751	1	Valve, Oil Drain	
146	8410013	1	Clamp, Gear	
147	1001182997	AR	Adhesive	
148	0761210	1	Bolt M12 x 20	

## SECTION 3 - ENGINE

ITEM	PART NUMBER	QTY	DESCRIPTION	REV
149	1001138559	1	Fitting, 90	
150	0701022	AR	Bolt M10 x 70	
151	4240032	AR	Tie-Strap (Not Shown)	
152	1001291401	1	Tag, Coolant	

# SECTION 3 - ENGINE

## FIGURE 3-21. DEUTZ TD2.9L4 ENGINE COMPONENTS (CHINA & ANSI EXPORT LRC SPECS)



ART\_1001219642

## SECTION 3 - ENGINE

**FIGURE 3-21. DEUTZ TD2.9L4 ENGINE COMPONENTS (CHINA & ANSI EXPORT LRC SPECS)**

ITEM	PART NUMBER	QTY	DESCRIPTION	REV
	1001219642	Ref	DEUTZ TD2.9L4 ENGINE COMPONENTS	D
1	70006127	1	Dipstick	
1	70024905	1	O-Ring	
2	7020465	2	Cap, Filler	
3	70005920	1	Hose	
3	70025111	2	Clamp	
4	70025162	1	Pan, Oil	
4	70005941	2	Plug	
4	70005942	2	Washer, Sealing	
5	70001870	1	Flywheel	
5	7024579	1	Gear, Ring	
6	70024906	1	Gasket, Head (Not Shown)	
7	70005921	1	Cover, Valve	
7	70025205	1	Gasket	
7	70005171	1	Gasket	
8	70025076	1	Valve (Not Shown - Located on Right Side of Front Engine Cover)	
8	70025176	1	Spring	
8	70025082	1	Ring, Sealing	
8	70025091	1	Plug	
9	70004280	1	Seal, Shaft - Front (Not Shown)	
10	70002718	1	Seal, Shaft - Rear (Not Shown)	
11	70005172	1	Pump, Oil Lube (Not Shown)	
11	70025135	1	O-Ring	
11	70005173	1	Gasket	
12	7016331	1	Filter, Oil	
12	70025137	1	Bushing	
13	70024494	1	Cooler, Engine Oil (Not Shown - Located on Right Side)	
13	70024925	1	Gasket	
14	70025171	1	Oil Suction Pump (Not Shown - Located Inside of Engine Oil Pan)	
15	70024924	1	Pump, Fuel	
15	70025152	1	O-Ring	
15	70025080	1	Washer	
15	70024488	1	Spacer	
15	70024517	1	O-Ring	
16	70025181	4	Injector, Fuel (Not Shown - Located on Right Side)	
16	70025140	4	Washer, Sealing	
16	70025146	4	Clamp (Top of Injector)	
16	70025145	4	O-Ring	
16	70025154	4	Shoe, Clamping	
16	70000345	1	Plug, Glow (Not Shown)	
16	70025231	1	Harness, Glow Plug (Not Shown)	
17	70005174	NLA	Pump, Fuel (Use p/n 1001226098)	
17	70025144	2	Clamp	
18	70024961	1	Fuel Filter Assembly	
18	70025153	NLA	Filter, Fuel (Use p/n 1001225430)	
18	70024513	1	Cable, Sensor	
18	70025239	1	Ring, Sealing	
19	70004511	1	Filter with Head	
19	70004512	NLA	Filter, Fuel (Use p/n 1001225432)	
20	70024504	1	Sensor, Pressure	

## SECTION 3 - ENGINE

ITEM	PART NUMBER	QTY	DESCRIPTION	REV
20	70024920	1	O-Ring	
21	70025151	1	Rail, Fuel	
21	70025235	1	Repair Kit	
21	70025240	1	O-Ring	
22	70025182	1	Fuel Line - High Pressure (Cylinder 1 & 2) (Not Shown)	
22	70025183	1	Fuel Line - High Pressure (Cylinder 3 & 4) (Not Shown)	
22	70025184	1	Fuel Line - High Pressure (Supply) (Not Shown)	
23	70025158	1	Manifold, Fuel	
23	70025109	2	Clamp	
23	70025115	1	Clamp	
23	70025133	1	Hose	
23	70024502	1	Pipe	
23	70025185	1	Hose	
23	70025101	2	Clamp	
24	70005923	1	Charge Air Pipe	
24	70005924	1	O-Ring	
24	70005177	1	Gasket	
25	70005925	1	Breather Line	
25	70005181	1	O-Ring	
26	70004501	1	Sleeve, Rubber	
27	70025112	2	Clamp	
28	70005926	1	Elbow Connector	
29	70005927	1	Sleeve, Rubber	
29	70025107	2	Clamp	
30	70005928	1	Charge Air Elbow	
31	70025210	1	ECU (Engine Control Unit)	
32	70024910	1	Pump, Water	
32	70025200	1	Ring, Sealing	
32	70025084	2	Plug	
32	7020492	2	Ring, Sealing	
33	70005929	1	Thermostat	
33	70005184	1	O-Ring	
33	70025142	1	Cover, Thermostat	
33	70025931	1	Gasket	
34	70025178	1	Pipe	
34	70025768	1	Valve, Shuttle	
34	70025179	2	Gasket	
34	70025180	1	Gasket	
35	70025203	1	Module, EGR (Includes Item 36)	
35	70025155	1	Plug	
36	70005188	1	Control Valve	
36	70005189	1	Seal	
37	70004282	1	Manifold, Exhaust	
37	70025164	1	Gasket, Exhaust Manifold to Head	
38	70026995	1	Pipe (Not Shown - Located on Left Side)	
38	70021895	2	Gasket	
39	70004276	1	Turbocharger	
39	70024912	1	Gasket, Exhaust Manifold	
39	70024509	1	Gasket, Return Line	
40	70025477	1	Tensioner, Belt	
41	70024484	1	Idler Roller	



## SECTION 3 - ENGINE

ITEM	PART NUMBER	QTY	DESCRIPTION	REV
42	70004277	1	Belt, Drive	
43	70024915	1	Starter	
43	70005647	1	Switch, Solenoid	
43	70005648	1	Relay	
44	70025533	1	Generator	
44	70025149	1	Regulator, Voltage	
45	70025077	1	Harness, Engine (Not Shown)	
46	70024918	1	Sender, Temperature	
47	70024504	1	Sensor, Pressure (Not Shown - Located on Right Side)	
47	70024920	1	O-Ring	
48	70026210	2	Sensor, Speed (Not Shown - Located Left Side Front and Flywheel Housing)	
48	70005191	2	O-Ring	
49	70024507	1	Sensor, Pressure (Not Shown - Located Top Rear)	
49	70025120	1	O-Ring	
50	70024922	1	Temperature, Transmitter	
50	70035212	1	O-Ring	
51	70025660	1	Screw	



## SECTION 3 - ENGINE

**FIGURE 3-22. DEUTZ TCD2.9L4 (EMR4) ENGINE INSTALLATION - WITH REXROTH PUMPS AND ABS HOODS (WITHOUT COLD WEATHER PLUS PACKAGE)**

ITEM	PART NUMBER	QTY	DESCRIPTION	REV
	1001141819	Ref	DEUTZ TCD2.9L4 DIESEL ENGINE INSTALLATION - WITH REXROTH PUMPS AND ABS HOODS (WITHOUT COLD WEATHER PLUS PACKAGE)	K
1	0100011	AR	Compound, Locking	
2	0100079	AR	Sealant, Pipe	
3	0641408	10	Bolt 1/4 x 1	
4	0641410	4	Bolt 1/4 x 1-1/4	
5	0641511	1	Bolt 5/16 x 1-3/8	
6	0641605	3	Bolt 3/8 x 5/8	
7	0641606	4	Bolt 3/8 x 3/4	
8	0641608	1	Bolt 3/8 x 1	
9	0641610	1	Bolt 3/8 x 1-1/4	
11	0641612	2	Bolt 3/8 x 1-1/2	
12	0641808	1	Bolt 1/2 x 1	
13	0642010	1	Bolt 5/8 x 1-1/4	
15	0761210	1	Bolt M12 x 20	
16	1320187	1	Clamp	
17	1320190	1	Cover, Clamp	
18	1671121	1	Cover	
19	2180832	1	Fitting, Barbed	
21	2220313	2	Fitting, Elbow Barbed	
22	2750532	5 ft/ 1.5m	Hose	
23	1001154405	2 ft/ 0.6m	Hose	
25	3300220	2	Nut 5/16	
26	3311405	10	Nut 1/4	
27	3311605	2	Nut 3/8	
28	3422446	1	Pin, Pivot	
29	3841143	1	Pin, Keeper	
30	4240018	2	Strap, Tie (Not Shown)	
31	4711400	24	Washer 1/4	
32	4711600	12	Washer 3/8	
33	4752000	1	Washer 5/8	
35	4812100	1	Washer M12	
36	8405006	2	Clamp	
37	1001108617	1	Filter	
37	70002231	1	Element, Filter	
38	1001110425	4	Spacer	
39	1001116792	1	Clamp	
40	1001141812	1	Engine Sub-Assembly (See Separate Breakdown in this Section)	
42	1001138491	NLA	Harness, Fuel (Use p/n 1001222665) (Not Shown - See Separate Breakdown in ELECTRICAL SECTION)	
45	1001145089	1	Clamp	
46	1001141225	1	Battery Cable Kit	
46A	7027042	1	Cable, Battery (Red) (Battery + to Relays and Starter)	
46B	7027043	1	Cable, Battery (Black) (Battery - to Tray Pivot Grd and Aux Pump)	
46C	7027044	1	Cable (Red) (Aux Relay to Aux Pump)	
46D	7027045	1	Cable, Battery (Black) (Engine to Tray Pivot Grd)	
48	1001145560	1	Panel, Rubber	
50	1320022	3	Clamp	

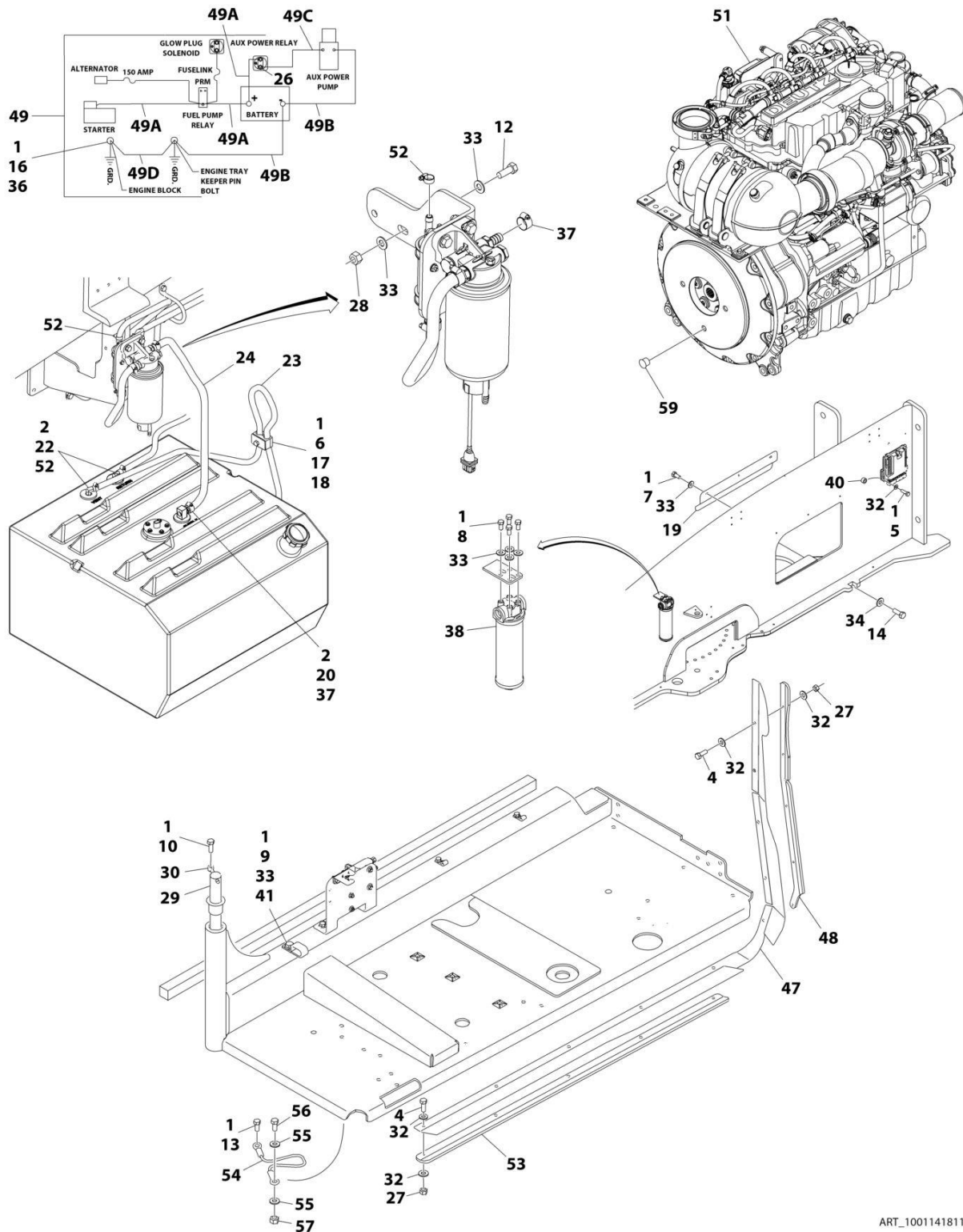
## SECTION 3 - ENGINE

ITEM	PART NUMBER	QTY	DESCRIPTION	REV
51	1001145842	1	Plate, Clamping	
52	0641708	1	Bolt 7/16 x 1	
53	3311705	1	Nut 7/16	
54	4711700	2	Washer 7/16	
55	1001131542	1	Lanyard	
57	3520054	1	Plug	



# SECTION 3 - ENGINE

**FIGURE 3-23. DEUTZ TCD2.9L4 (EMR4) ENGINE INSTALLATION - WITH REXROTH PUMPS AND STEEL HOODS (WITHOUT COLD WEATHER PLUS PACKAGE)**



ART\_1001141811

## SECTION 3 - ENGINE

**FIGURE 3-23. DEUTZ TCD2.9L4 (EMR4) ENGINE INSTALLATION - WITH REXROTH PUMPS AND STEEL HOODS (WITHOUT COLD WEATHER PLUS PACKAGE)**

ITEM	PART NUMBER	QTY	DESCRIPTION	REV
	1001141811	Ref	DEUTZ TCD2.9L4 DIESEL ENGINE INSTALLATION - WITH REXROTH PUMPS AND STEEL HOODS (WITHOUT COLD WEATHER PLUS PACKAGE)	K
1	0100011	AR	Compound, Locking	
2	0100079	AR	Sealant, Pipe	
4	0641408	10	Bolt 1/4 x 1	
5	0641410	4	Bolt 1/4 x 1-1/4	
6	0641511	1	Bolt 5/16 x 1-3/8	
7	0641605	3	Bolt 3/8 x 5/8	
8	0641606	4	Bolt 3/8 x 3/4	
9	0641608	1	Bolt 3/8 x 1	
10	0641610	1	Bolt 3/8 x 1-1/4	
12	0641612	2	Bolt 3/8 x 1-1/2	
13	0641808	1	Bolt 1/2 x 1	
14	0642010	1	Bolt 5/8 x 1-1/4	
16	0761210	1	Bolt M12 x 20	
17	1320187	1	Clamp	
18	1320190	1	Cover, Clamp	
19	1671121	1	Cover	
20	2180832	1	Fitting, Barbed	
22	2220313	2	Fitting, Elbow Barbed	
23	2750532	5 ft/ 1.5m	Hose	
24	1001154405	2 ft/ 0.6m	Hose	
26	3300220	2	Nut 5/16	
27	3311405	10	Nut 1/4	
28	3311605	2	Nut 3/8	
29	3422446	1	Pin, Pivot	
30	3841143	1	Pin, Keeper	
31	4240018	2	Strap, Tie (Not Shown)	
32	4711400	24	Washer 1/4	
33	4711600	12	Washer 3/8	
34	4752000	1	Washer 5/8	
36	4812100	1	Washer M12	
37	8405006	2	Clamp	
38	1001108617	1	Filter	
38	70002231	1	Element, Filter	
40	1001110425	4	Spacer	
41	1001116792	1	Clamp	
43	1001138491	NLA	Harness, Fuel (Use p/n 1001222665) (Not Shown - See Separate Breakdown in ELECTRICAL SECTION)	
47	1001140604	1	Panel, Rubber	
48	1001145089	1	Clamp	
49	1001141225	1	Battery Cable Kit	E
49A	7027042	1	Cable, Battery (Red) (Battery + to Relays and Starter)	
49B	7027043	1	Cable, Battery (Black) (Battery - to Tray Pivot Grd and Aux Pump)	
49C	7027044	1	Cable (Red) (Aux Relay to Aux Pump)	
49D	7027045	1	Cable, Battery (Black) (Engine to Tray Pivot Grd)	
51	1001141812	1	Engine Sub-Assembly (See Separate Breakdown in this Section)	
52	1320022	3	Clamp	

## SECTION 3 - ENGINE

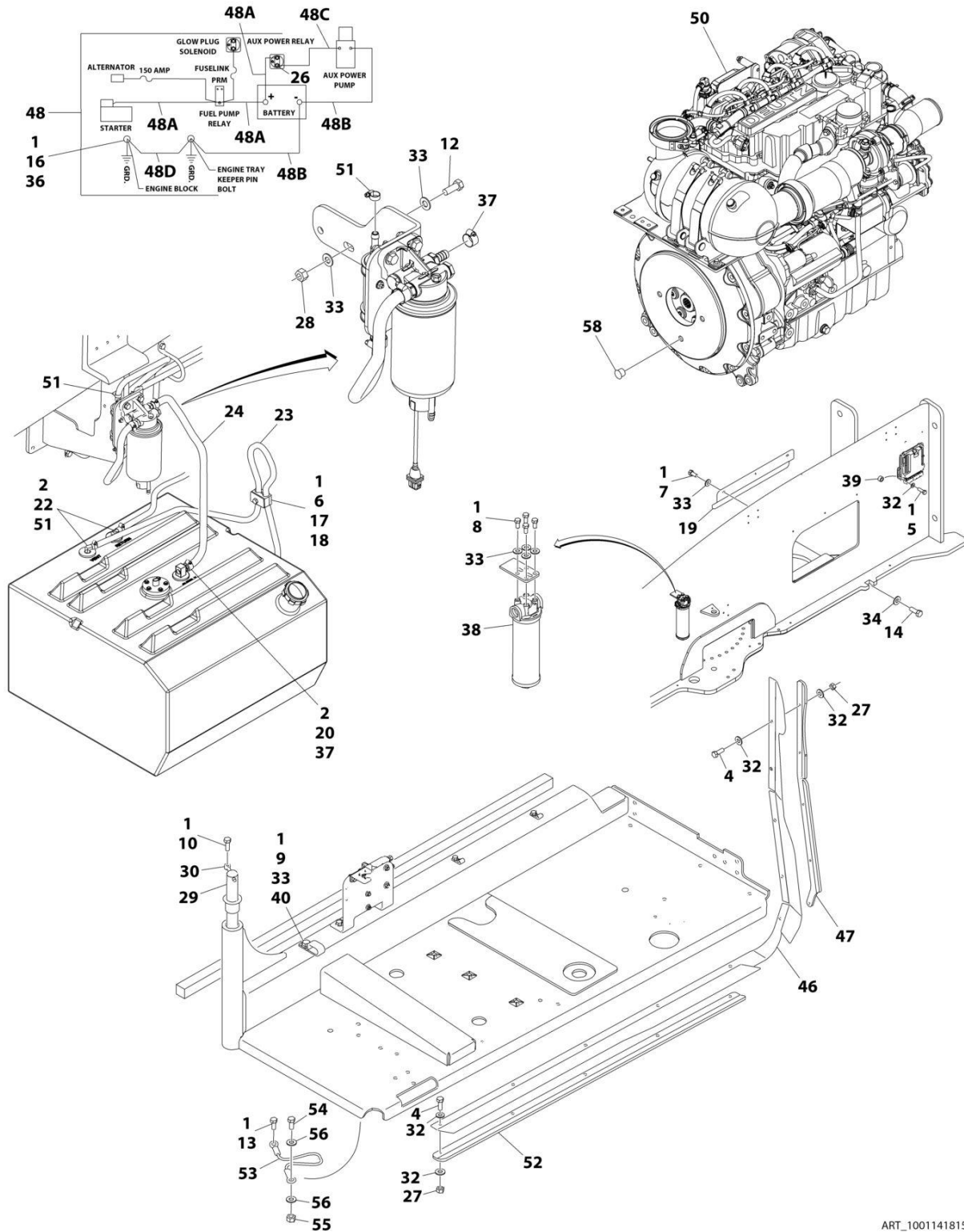
ITEM	PART NUMBER	QTY	DESCRIPTION	REV
53	1001145842	1	Plate, Clamping	
54	1001131542	1	Lanyard	
55	4711700	2	Washer 7/16	
56	0641708	1	Bolt 7/16 x 1	
57	3311705	1	Nut 7/16	
59	3520054	1	Plug	





# SECTION 3 - ENGINE

**FIGURE 3-24. DEUTZ TCD2.9L4 (EMR4) ENGINE INSTALLATION - WITH REXROTH PUMPS AND STEEL HOODS (WITH COLD WEATHER PLUS PACKAGE)**



ART\_1001141815

## SECTION 3 - ENGINE

**FIGURE 3-24. DEUTZ TCD2.9L4 (EMR4) ENGINE INSTALLATION - WITH REXROTH PUMPS AND STEEL HOODS (WITH COLD WEATHER PLUS PACKAGE)**

ITEM	PART NUMBER	QTY	DESCRIPTION	REV
	1001141815	Ref	DEUTZ TCD2.9L4 DIESEL ENGINE INSTALLATION - WITH REXROTH PUMPS AND STEEL HOODS (WITH COLD WEATHER PLUS PACKAGE)	M
1	0100011	AR	Compound, Locking	
2	0100079	AR	Sealant, Pipe	
4	0641408	10	Bolt 1/4 x 1	
5	0641410	4	Bolt 1/4 x 1-1/4	
6	0641511	1	Bolt 5/16 x 1-3/8	
7	0641605	3	Bolt 3/8 x 5/8	
8	0641606	4	Bolt 3/8 x 3/4	
9	0641608	1	Bolt 3/8 x 1	
10	0641610	1	Bolt 3/8 x 1-1/4	
12	0641612	2	Bolt 3/8 x 1-1/2	
13	0641808	1	Bolt 1/2 x 1	
14	0642010	1	Bolt 5/8 x 1-1/4	
16	0761210	1	Bolt M12 x 20	
17	1320187	1	Clamp	
18	1320190	1	Cover, Clamp	
19	1671121	1	Cover	
20	2180832	1	Fitting, Barbed	
22	2220313	2	Fitting, Elbow Barbed	
23	2750532	5 ft/ 1.5m	Hose	
24	1001154405	2 ft/ 0.6m	Hose	
26	3300220	2	Nut 5/16	
27	3311405	10	Nut 1/4	
28	3311605	2	Nut 3/8	
29	3422446	1	Pin, Pivot	
30	3841143	1	Pin, Keeper	
31	4240018	2	Strap, Tie (Not Shown)	
32	4711400	24	Washer 1/4	
33	4711600	12	Washer 3/8	
34	4752000	1	Washer 5/8	
36	4812100	1	Washer M12	
37	8405006	2	Clamp	
38	1001108617	1	Filter	
38	70002231	1	Element, Filter	
39	1001110425	4	Spacer	
40	1001116792	1	Clamp	
42	1001138491	NLA	Harness, Fuel (Use p/n 1001222665) (Not Shown - See Separate Breakdown in ELECTRICAL SECTION)	
46	1001140604	1	Panel, Rubber	
47	1001145089	1	Clamp	
48	1001141225	1	Battery Cable Kit	E
48A	7027042	1	Cable, Battery (Red) (Battery + to Relays and Starter)	
48B	7027043	1	Cable, Battery (Black) (Battery - to Tray Pivot Grd and Aux Pump)	
48C	7027044	1	Cable (Red) (Aux Relay to Aux Pump)	
48D	7027045	1	Cable, Battery (Black) (Engine to Tray Pivot Grd)	
50	1001141813	1	Engine Sub-Assembly (See Separate Breakdown in this Section)	
51	1320022	3	Clamp	

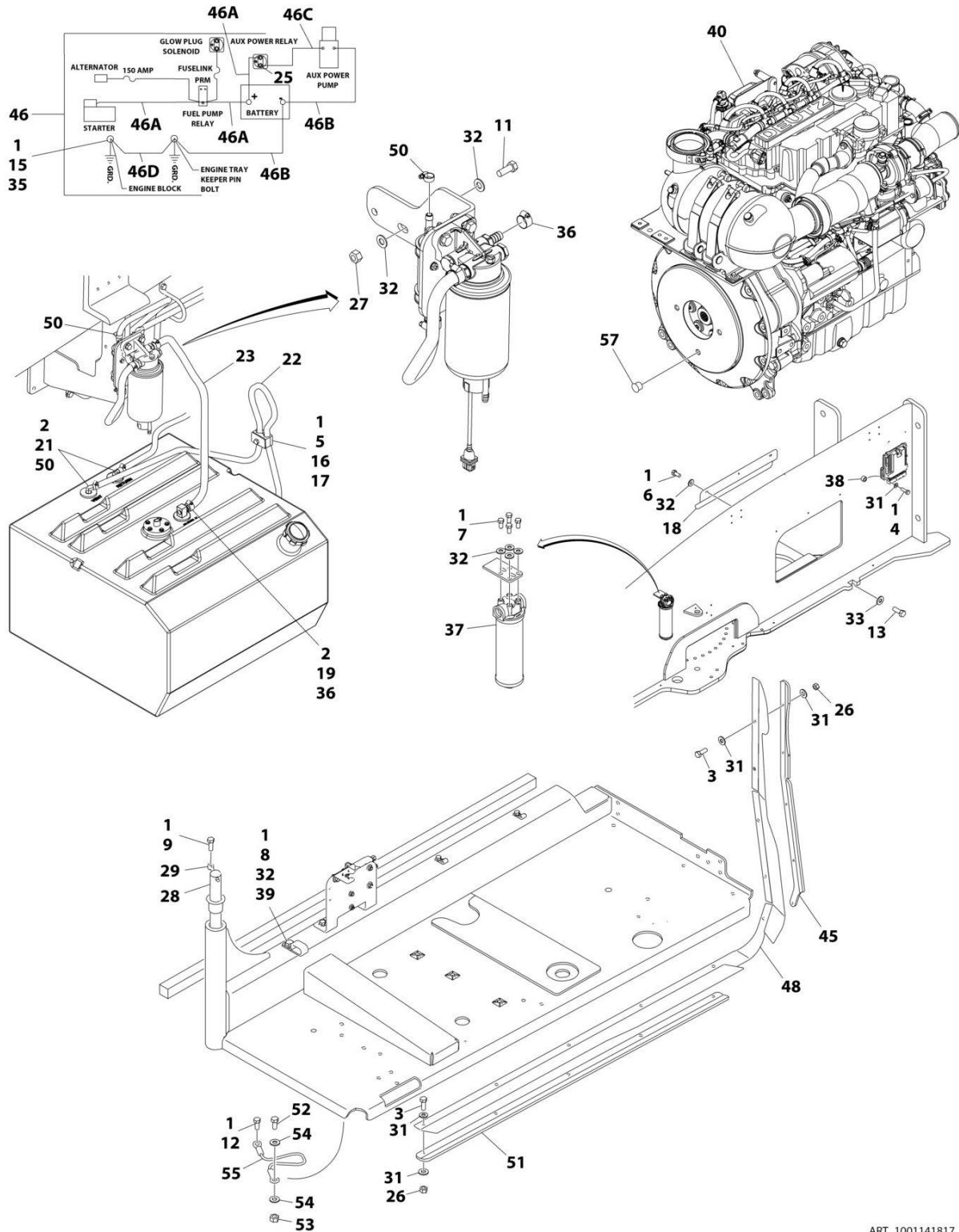
## SECTION 3 - ENGINE

ITEM	PART NUMBER	QTY	DESCRIPTION	REV
52	1001145842	1	Plate, Clamping	
53	1001131542	1	Lanyard	
54	0641708	1	Bolt 7/16 x 1	
55	3311705	1	Nut 7/16	
56	4711700	2	Washer 7/16	
58	3520054	1	Plug	



# SECTION 3 - ENGINE

**FIGURE 3-25. DEUTZ TCD2.9L4 (EMR4) ENGINE INSTALLATION - WITH SAUER PUMPS AND ABS HOODS (WITHOUT COLD WEATHER PLUS PACKAGE)**



ART\_1001141817

## SECTION 3 - ENGINE

**FIGURE 3-25. DEUTZ TCD2.9L4 (EMR4) ENGINE INSTALLATION - WITH SAUER PUMPS AND ABS HOODS (WITHOUT COLD WEATHER PLUS PACKAGE)**

ITEM	PART NUMBER	QTY	DESCRIPTION	REV
	1001141817	Ref	DEUTZ TCD2.9L4 DIESEL ENGINE INSTALLATION - WITH SAUER PUMPS AND ABS HOODS (WITHOUT COLD WEATHER PLUS PACKAGE)	K
1	0100011	AR	Compound, Locking	
2	0100079	AR	Sealant, Pipe	
3	0641408	10	Bolt 1/4 x 1	
4	0641410	4	Bolt 1/4 x 1-1/4	
5	0641511	1	Bolt 5/16 x 1-3/8	
6	0641605	3	Bolt 3/8 x 5/8	
7	0641606	4	Bolt 3/8 x 3/4	
8	0641608	1	Bolt 3/8 x 1	
9	0641610	1	Bolt 3/8 x 1-1/4	
11	0641612	2	Bolt 3/8 x 1-1/2	
12	0641808	1	Bolt 1/2 x 1	
13	0642010	1	Bolt 5/8 x 1-1/4	
15	0761210	1	Bolt M12 x 20	
16	1320187	1	Clamp	
17	1320190	1	Cover, Clamp	
18	1671121	1	Cover	
19	2180832	1	Fitting, Barbed	
21	2220313	2	Fitting, Elbow Barbed	
22	2750532	5 ft/ 1.5m	Hose	
23	1001154405	2 ft/ 0.6m	Hose	
25	3300220	2	Nut 5/16	
26	3311405	10	Nut 1/4	
27	3311605	2	Nut 3/8	
28	3422446	1	Pin, Pivot	
29	3841143	1	Pin, Keeper	
30	4240018	2	Strap, Tie (Not Shown)	
31	4711400	24	Washer 1/4	
32	4711600	12	Washer 3/8	
33	4752000	1	Washer 5/8	
35	4812100	1	Washer M12	
36	8405006	2	Clamp	
37	1001108617	1	Filter	
37	70002231	1	Element, Filter	
38	1001110425	4	Spacer	
39	1001116792	1	Clamp	
40	1001134390	1	Engine Sub-Assembly (See Separate Breakdown in this Section)	
42	1001138491	NLA	Harness, Fuel (Use p/n 1001222665) (Not Shown - See Separate Breakdown in ELECTRICAL SECTION)	
45	1001145089	1	Clamp	
46	1001141225	1	Battery Cable Kit	E
46A	7027042	1	Cable, Battery (Red) (Battery + to Relays and Starter)	
46B	7027043	1	Cable, Battery (Black) (Battery - to Tray Pivot Grd and Aux Pump)	
46C	7027044	1	Cable (Red) (Aux Relay to Aux Pump)	
46D	7027045	1	Cable, Battery (Black) (Engine to Tray Pivot Grd)	
48	1001145560	1	Panel, Rubber	
50	1320022	3	Clamp	

## SECTION 3 - ENGINE

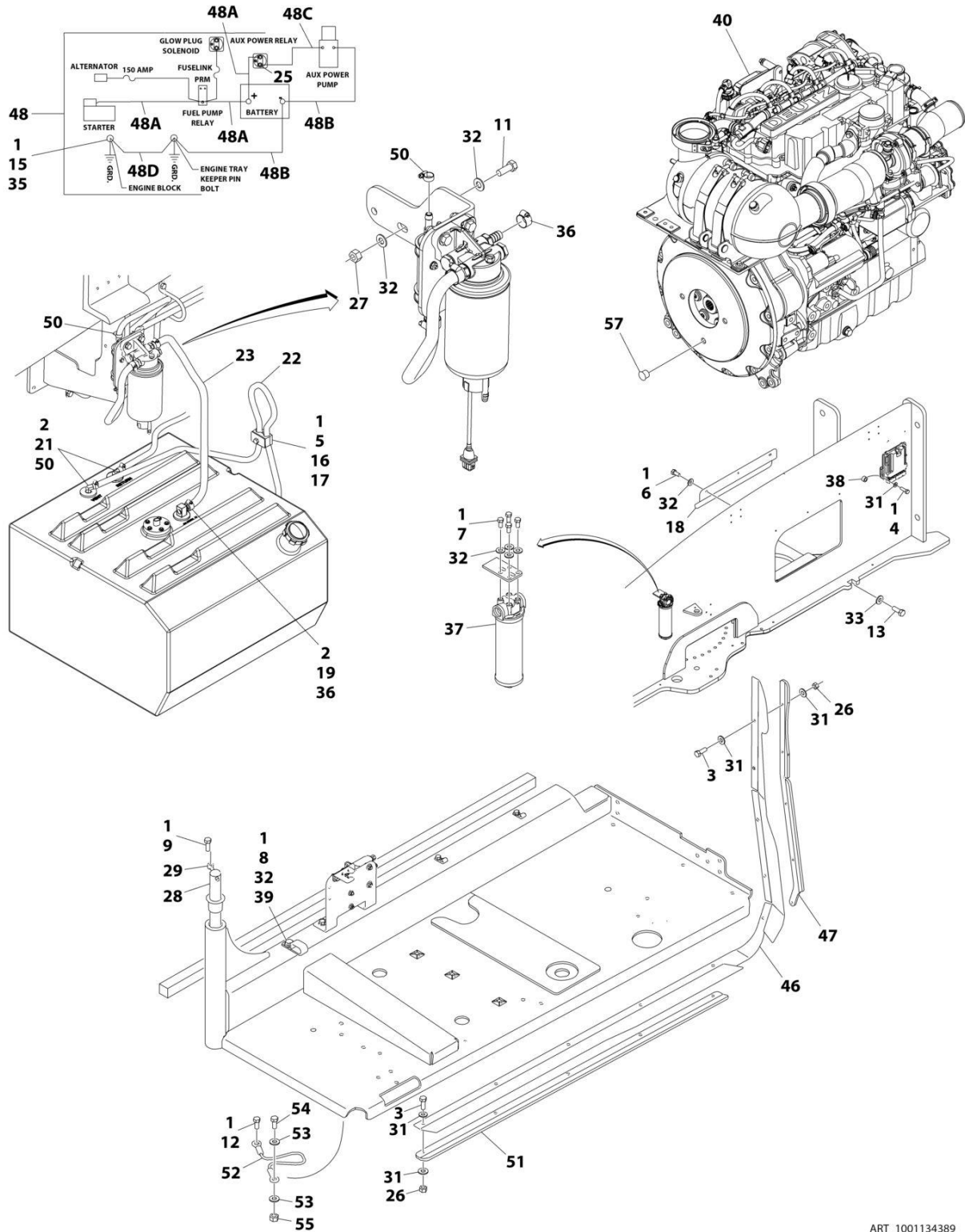
ITEM	PART NUMBER	QTY	DESCRIPTION	REV
51	1001145842	1	Plate, Clamping	
52	0641708	1	Bolt 7/16 x 1	
53	3311705	1	Nut 7/16	
54	4711700	2	Washer 7/16	
55	1001131542	1	Lanyard	
57	3520054	1	Plug	





# SECTION 3 - ENGINE

FIGURE 3-26. DEUTZ TCD2.9L4 (EMR4) ENGINE INSTALLATION - WITH SAUER PUMPS AND STEEL HOODS (WITHOUT COLD WEATHER PLUS PACKAGE)



ART\_1001134389

## SECTION 3 - ENGINE

**FIGURE 3-26. DEUTZ TCD2.9L4 (EMR4) ENGINE INSTALLATION - WITH SAUER PUMPS AND STEEL HOODS (WITHOUT COLD WEATHER PLUS PACKAGE)**

ITEM	PART NUMBER	QTY	DESCRIPTION	REV
	1001134389	Ref	DEUTZ TCD2.9L4 DIESEL ENGINE INSTALLATION - WITH SAUER PUMPS AND STEEL HOODS (WITHOUT COLD WEATHER PLUS PACKAGE)	K
1	0100011	AR	Compound, Locking	
2	0100079	AR	Sealant, Pipe	
3	0641408	10	Bolt 1/4 x 1	
4	0641410	4	Bolt 1/4 x 1-1/4	
5	0641511	1	Bolt 5/16 x 1-3/8	
6	0641605	3	Bolt 3/8 x 5/8	
7	0641606	4	Bolt 3/8 x 3/4	
8	0641608	1	Bolt 3/8 x 1	
9	0641610	1	Bolt 3/8 x 1-1/4	
11	0641612	2	Bolt 3/8 x 1-1/2	
12	0641808	1	Bolt 1/2 x 1	
13	0642010	1	Bolt 5/8 x 1-1/4	
15	0761210	1	Bolt M12 x 20	
16	1320187	1	Clamp	
17	1320190	1	Cover, Clamp	
18	1671121	1	Cover	
19	2180832	1	Fitting, Barbed	
21	2220313	2	Fitting, Elbow Barbed	
22	2750532	5 ft/ 1.5m	Hose	
23	1001154405	2 ft/ 0.6m	Hose	
25	3300220	2	Nut 5/16	
26	3311405	10	Nut 1/4	
27	3311605	2	Nut 3/8	
28	3422446	1	Pin, Pivot	
29	3841143	1	Pin, Keeper	
30	4240018	2	Strap, Tie (Not Shown)	
31	4711400	24	Washer 1/4	
32	4711600	12	Washer 3/8	
33	4752000	1	Washer 5/8	
35	4812100	1	Washer M12	
36	8405006	2	Clamp	
37	1001108617	1	Filter	
37	70002231	1	Element, Filter	
38	1001110425	4	Spacer	
39	1001116792	1	Clamp	
40	1001134390	1	Engine Sub-Assembly (See Separate Breakdown in this Section)	
42	1001138491	NLA	Harness, Fuel (Use p/n 1001222665) (Not Shown - See Separate Breakdown in ELECTRICAL SECTION)	
46	1001140604	1	Panel, Rubber	
47	1001145089	1	Clamp	
48	1001141225	1	Battery Cable Kit	E
48A	7027042	1	Cable, Battery (Red) (Battery + to Relays and Starter)	
48B	7027043	1	Cable, Battery (Black) (Battery - to Tray Pivot Grd and Aux Pump)	
48C	7027044	1	Cable (Red) (Aux Relay to Aux Pump)	
48D	7027045	1	Cable, Battery (Black) (Engine to Tray Pivot Grd)	
50	1320022	3	Clamp	

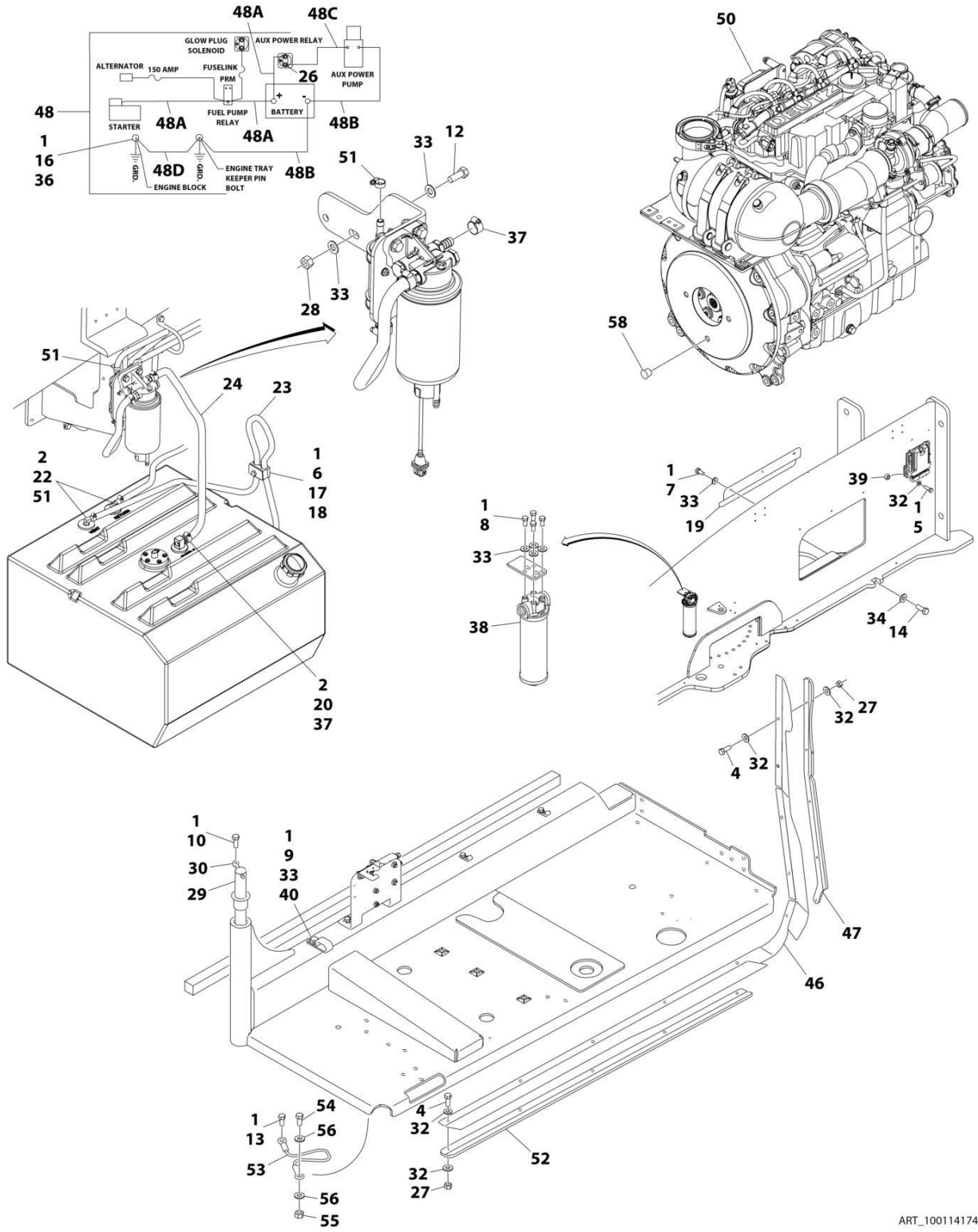
## SECTION 3 - ENGINE

ITEM	PART NUMBER	QTY	DESCRIPTION	REV
51	1001145842	1	Plate, Clamping	
52	1001131542	1	Lanyard	
53	4711700	2	Washer 7/16	
54	0641708	1	Bolt 7/16 x 1	
55	3311705	1	Nut 7/16	
57	3520054	1	Plug	



# SECTION 3 - ENGINE

FIGURE 3-27. DEUTZ TCD2.9L4 (EMR4) ENGINE INSTALLATION - WITH SAUER PUMPS AND STEEL HOODS (WITH COLD WEATHER PLUS PACKAGE)



ART\_1001141744

## SECTION 3 - ENGINE

**FIGURE 3-27. DEUTZ TCD2.9L4 (EMR4) ENGINE INSTALLATION - WITH SAUER PUMPS AND STEEL HOODS (WITH COLD WEATHER PLUS PACKAGE)**

ITEM	PART NUMBER	QTY	DESCRIPTION	REV
	1001141744	Ref	DEUTZ TCD2.9L4 DIESEL ENGINE INSTALLATION - WITH SAUER PUMPS AND STEEL HOODS (WITH COLD WEATHER PLUS PACKAGE)	M
1	0100011	AR	Compound, Locking	
2	0100079	AR	Sealant, Pipe	
4	0641408	10	Bolt 1/4 x 1	
5	0641410	4	Bolt 1/4 x 1-1/4	
6	0641511	1	Bolt 5/16 x 1-3/8	
7	0641605	3	Bolt 3/8 x 5/8	
8	0641606	4	Bolt 3/8 x 3/4	
9	0641608	1	Bolt 3/8 x 1	
10	0641610	1	Bolt 3/8 x 1-1/4	
12	0641612	2	Bolt 3/8 x 1-1/2	
13	0641808	1	Bolt 1/2 x 1	
14	0642010	1	Bolt 5/8 x 1-1/4	
16	0761210	1	Bolt M12 x 20	
17	1320187	1	Clamp	
18	1320190	1	Cover, Clamp	
19	1671121	1	Cover	
20	2180832	1	Fitting, Barbed	
22	2220313	2	Fitting, Elbow Barbed	
23	2750532	5 ft/ 1.5m	Hose	
24	1001154405	2 ft/ 0.6m	Hose	
26	3300220	2	Nut 5/16	
27	3311405	10	Nut 1/4	
28	3311605	2	Nut 3/8	
29	3422446	1	Pin, Pivot	
30	3841143	1	Pin, Keeper	
31	4240018	2	Strap, Tie (Not Shown)	
32	4711400	24	Washer 1/4	
33	4711600	12	Washer 3/8	
34	4752000	1	Washer 5/8	
36	4812100	1	Washer M12	
37	8405006	2	Clamp	
38	1001108617	1	Filter	
38	70002231	1	Element, Filter	
39	1001110425	4	Spacer	
40	1001116792	1	Clamp	
42	1001138491	NLA	Harness, Fuel (Use p/n 1001222665) (Not Shown - See Separate Breakdown in ELECTRICAL SECTION)	
46	1001140604	1	Panel, Rubber	
47	1001145089	1	Clamp	
48	1001141225	1	Battery Cable Kit	E
48A	7027042	1	Cable, Battery (Red) (Battery + to Relays and Starter)	
48B	7027043	1	Cable, Battery (Black) (Battery - to Tray Pivot Grd and Aux Pump)	
48C	7027044	1	Cable (Red) (Aux Relay to Aux Pump)	
48D	7027045	1	Cable, Battery (Black) (Engine to Tray Pivot Grd)	
50	1001141745	1	Engine Sub-Assembly (See Separate Breakdown in this Section)	
51	1320022	3	Clamp	

## SECTION 3 - ENGINE

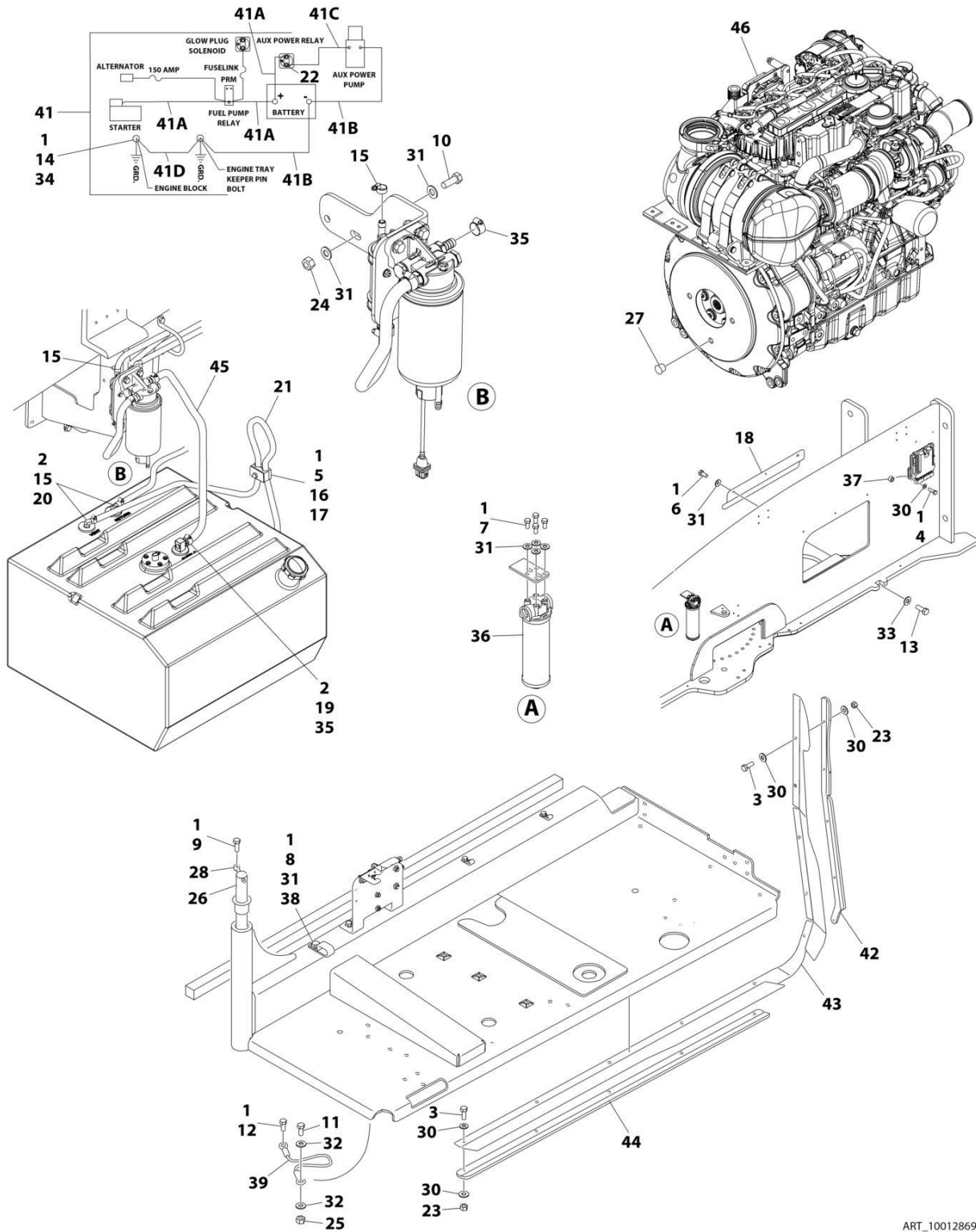
ITEM	PART NUMBER	QTY	DESCRIPTION	REV
52	1001145842	1	Plate, Clamping	
53	1001131542	1	Lanyard	
54	0641708	1	Bolt 7/16 x 1	
55	3311705	1	Nut 7/16	
56	4711700	2	Washer 7/16	
58	3520054	1	Plug	





# SECTION 3 - ENGINE

**FIGURE 3-28. DEUTZ TCD2.9L4 (EMR4) ENGINE INSTALLATION - WITH PMP PUMP AND ABS HOODS (WITHOUT COLD WEATHER PLUS PACKAGE)**



ART\_1001286970

## SECTION 3 - ENGINE

**FIGURE 3-28. DEUTZ TCD2.9L4 (EMR4) ENGINE INSTALLATION - WITH PMP PUMP AND ABS HOODS (WITHOUT COLD WEATHER PLUS PACKAGE)**

ITEM	PART NUMBER	QTY	DESCRIPTION	REV
	1001286970	Ref	DEUTZ D2.9L4 - ENGINE INSTALLATION WITH PMP PUMPS AND ABS HOODS (WITHOUT COLD WEATHER PLUS PACKAGE)	A
1	0100011	AR	Compound, Locking	
2	0100079	AR	Sealant, Pipe	
3	0641408	10	Bolt 1/4 x 1	
4	0641410	4	Bolt 1/4 x 1-1/4	
5	0641511	1	Bolt 5/16 x 1-3/8	
6	0641605	3	Bolt 3/8 x 5/8	
7	0641606	4	Bolt 3/8 x 3/4	
8	0641608	1	Bolt 3/8 x 1	
9	0641610	1	Bolt 3/8 x 1-1/4	
10	0641612	2	Bolt 3/8 x 1-1/2	
11	0641708	1	Bolt 7/16 x 1	
12	0641808	1	Bolt 1/2 x 1	
13	0642010	1	Bolt 5/8 x 1-1/4	
14	0761210	1	Bolt M12 x 20	
15	1320022	3	Clamp	
16	1320187	1	Clamp	
17	1320190	1	Clamp	
18	1671121	1	Cover	
19	2180832	1	Fitting, Barbed	
20	2220313	2	Fitting, 90 NPTF/Barbed	
21	2750532	5 ft /1.6 m	Hose	
22	3300220	2	Nut	
23	3311405	10	Nut 1/4	
24	3311605	2	Nut 3/8	
25	3311705	1	Nut 7/16	
26	3422446	1	Pin	
27	3520054	1	Plug	
28	3841143	1	Keeper, Pin	
29	4240018	AR	Tie-Strap (Not Shown)	
30	4711400	24	Washer 1/4	
31	4711600	12	Washer 3/8	
32	4711700	2	Washer 7/16	
33	4752000	1	Washer 5/8	
34	4812100	1	Washer M12	
35	8405006	2	Clamp	
36	1001108617	1	Filter	
36	70002231	1	Element, Filter	
37	1001110425	4	Spacer	
38	1001116792	1	Clamp	
39	1001131542	1	Lanyard	
40	1001138491	1	Harness, Fuel (Not Shown) (See Separate Breakdown in ELECTRICAL Section)	
41	1001141225	1	Battery Cable Kit	
41A	7027042	1	Cable, Battery (Red) (Battery + to Relays and Starter)	
41B	7027043	1	Cable, Battery (Black) (Battery - to Tray Pivot Grd and Aux Pump)	
41C	7027044	1	Cable (Red) (Aux Relay to Aux Pump)	

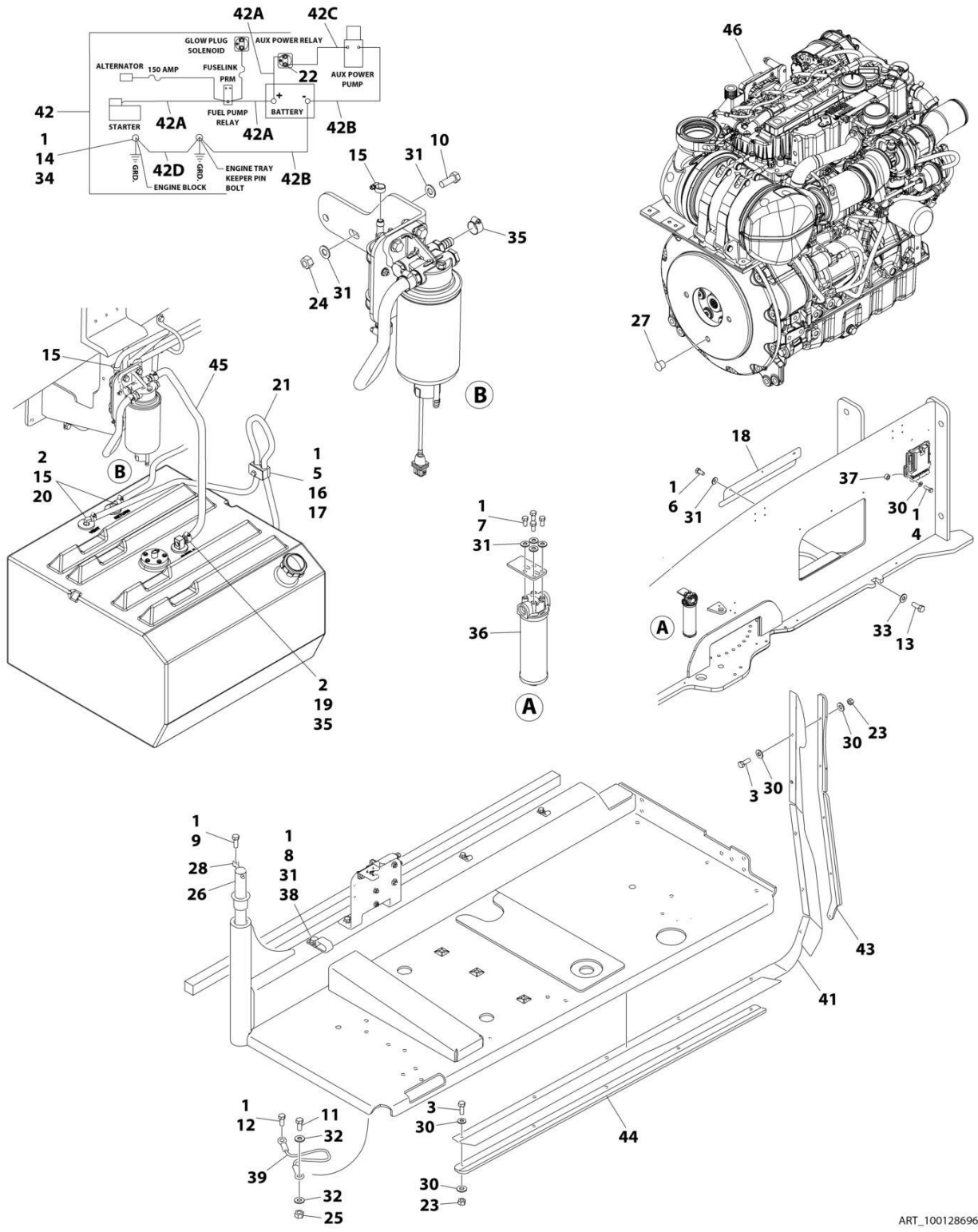
## SECTION 3 - ENGINE

ITEM	PART NUMBER	QTY	DESCRIPTION	REV
41D	7027045	1	Cable, Battery (Black) (Engine to Tray Pivot Grd)	
42	1001145089	1	Clamp	
43	1001145560	1	Panel	
44	1001145842	1	Plate	
45	1001154405	2 ft /0.6 m	Hose	
46	1001286967	1	Engine Sub-Assembly (See Separate Breakdown in this Section)	



# SECTION 3 - ENGINE

**FIGURE 3-29. DEUTZ D2.9L4 - (EMR4) ENGINE INSTALLATION WITH PMP PUMP AND STEEL HOODS (WITHOUT COLD WEATHER PLUS PACKAGE)**



ART\_1001286966

## SECTION 3 - ENGINE

**FIGURE 3-29. DEUTZ D2.9L4 - (EMR4) ENGINE INSTALLATION WITH PMP PUMP AND STEEL HOODS (WITHOUT COLD WEATHER PLUS PACKAGE)**

ITEM	PART NUMBER	QTY	DESCRIPTION	REV
	1001286966	Ref	ENGINE INSTALLATION WITH PMP PUMPS AND STEEL HOODS WITHOUT COLD WEATHER PLUS PACKAGE	A
1	0100011	AR	Compound, Locking	
2	0100079	AR	Sealant, Pipe	
3	0641408	10	Bolt 1/4 x 1	
4	0641410	4	Bolt 1/4 x 1-1/4	
5	0641511	1	Bolt 5/16 x 1-3/8	
6	0641605	3	Bolt 3/8 x 5/8	
7	0641606	4	Bolt 3/8 x 3/4	
8	0641608	1	Bolt 3/8 x 1	
9	0641610	1	Bolt 3/8 x 1-1/4	
10	0641612	2	Bolt 3/8 x 1-1/2	
11	0641708	1	Bolt 7/16 x 1	
12	0641808	1	Bolt 1/2 x 1	
13	0642010	1	Bolt 5/8 x 1-1/4	
14	0761210	1	Bolt M12 x 20	
15	1320022	3	Clamp	
16	1320187	1	Clamp	
17	1320190	1	Clamp	
18	1671121	1	Cover	
19	2180832	1	Fitting, Barbed	
20	2220313	2	Fitting, 90 NPTF/Barbed	
21	2750532	5 ft /1.6 m	Hose	
22	3300220	2	Nut	
23	3311405	10	Nut 1/4	
24	3311605	2	Nut 3/8	
25	3311705	1	Nut 7/16	
26	3422446	1	Pin	
27	3520054	1	Plug	
28	3841143	1	Keeper, Pin	
29	4240018	AR	Tie-Strap (Not Shown)	
30	4711400	24	Washer 1/4	
31	4711600	12	Washer 3/8	
32	4711700	2	Washer 7/16	
33	4752000	1	Washer 5/8	
34	4812100	1	Washer M12	
35	8405006	2	Clamp	
36	1001108617	1	Filter	
36	70002231	1	Element, Filter	
37	1001110425	4	Spacer	
38	1001116792	1	Clamp	
39	1001131542	1	Lanyard	
40	1001138491	1	Harness, Fuel (Not Shown) (See Separate Breakdown in ELECTRICAL SECTION)	
41	1001140604	1	Panel	
42	1001141225	1	Battery Cable Kit	
42A	7027042	1	Cable, Battery (Red) (Battery + to Relays and Starter)	
42B	7027043	1	Cable, Battery (Black) (Battery - to Tray Pivot Grd and Aux Pump)	

## SECTION 3 - ENGINE

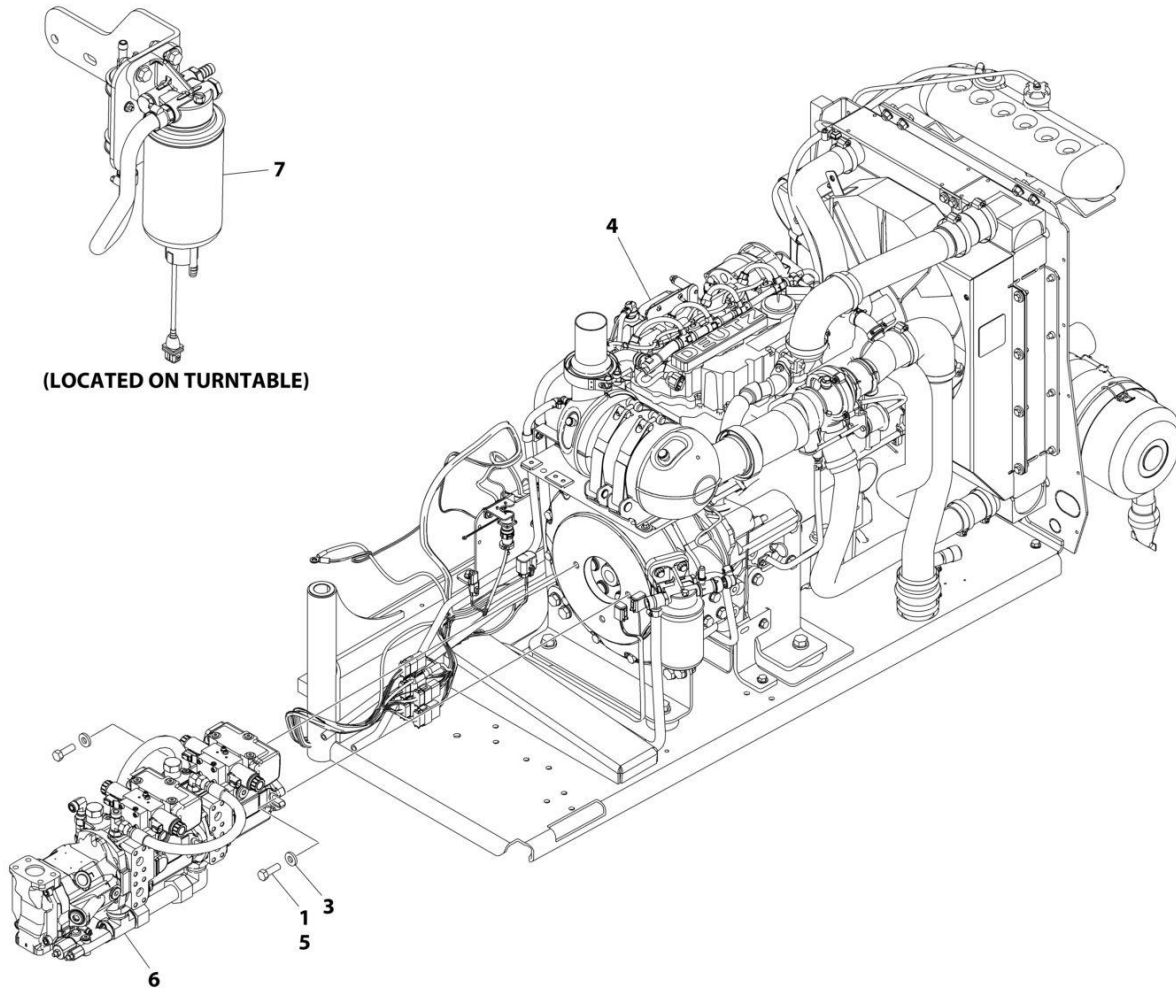
ITEM	PART NUMBER	QTY	DESCRIPTION	REV
42C	7027044	1	Cable (Red) (Aux Relay to Aux Pump)	
42D	7027045	1	Cable, Battery (Black) (Engine to Tray Pivot Grd)	
43	1001145089	1	Clamp	
44	1001145842	1	Plate	
45	1001154405	2 ft /0.6 m	Hose	
46	1001286967	1	Engine Sub-Assembly (See Separate Breakdown in this Section)	





# SECTION 3 - ENGINE

**FIGURE 3-30. DEUTZ TCD2.9L4 (EMR4) ENGINE SUB-ASSEMBLY - WITH REXROTH PUMP  
(WITHOUT COLD WEATHER PLUS PACKAGE)**



ART\_1001141812

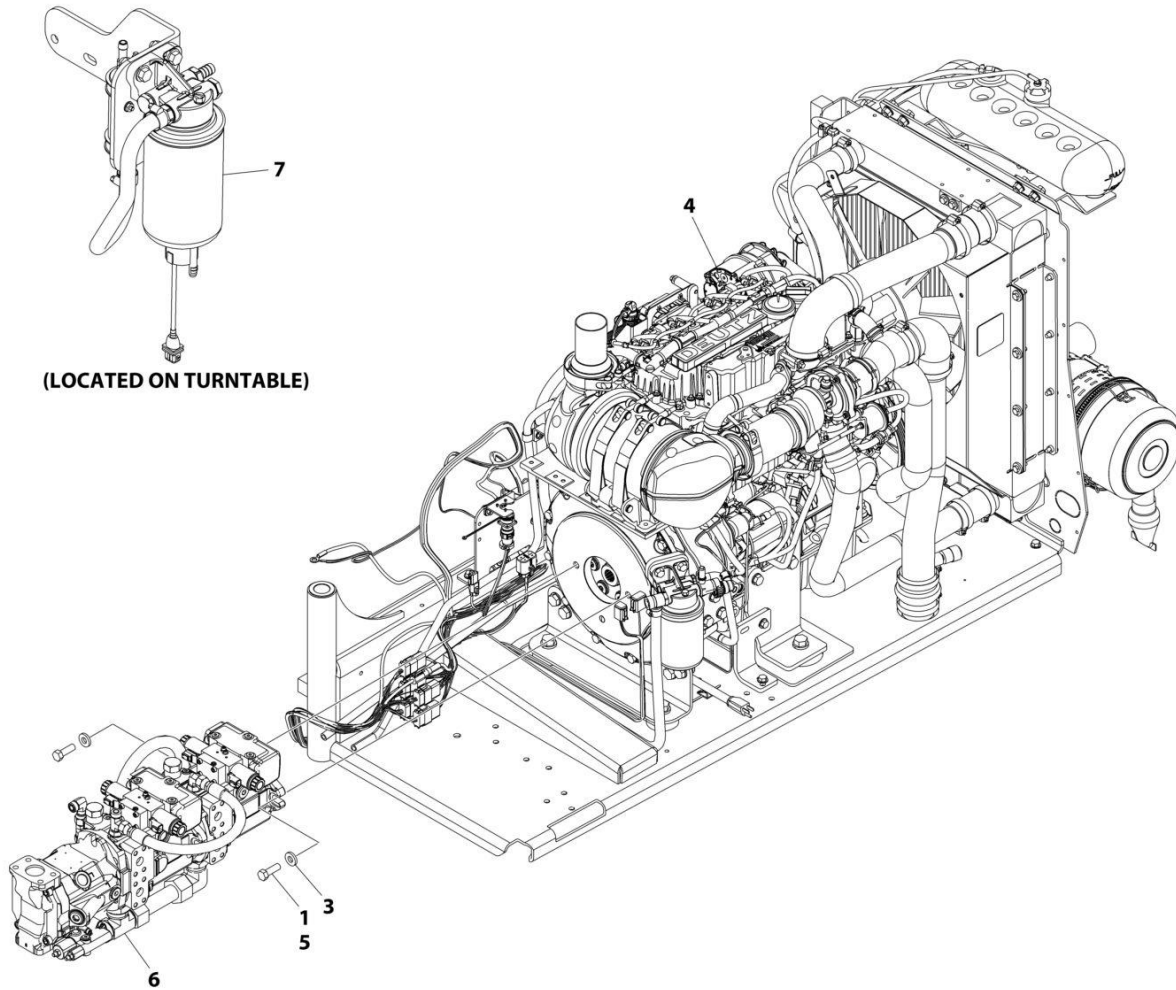
## SECTION 3 - ENGINE

**FIGURE 3-30. DEUTZ TCD2.9L4 (EMR4) ENGINE SUB-ASSEMBLY - WITH REXROTH PUMP  
(WITHOUT COLD WEATHER PLUS PACKAGE)**

ITEM	PART NUMBER	QTY	DESCRIPTION	REV
	1001141812	Ref	DEUTZ TCD2.9L4 ENGINE SUB-ASSEMBLY	AN
1	0641812	2	Bolt 1/2 x 1-1/2	
1	0641814	2	Bolt 1/2 x 1-3/4	
3	4891800	2	Washer 1/2	
4	1001134392	1	Engine Assembly (See Separate Breakdown in this Section)	
5	0100011	AR	Compound, Locking	
6	1001152963	1	Pump Assembly - Rexroth (See Separate Breakdown in this Section)	
7	1001165101	1	Bracket, Fuel Pump Filter Assembly (See Separate Breakdown in this Section)	

# SECTION 3 - ENGINE

FIGURE 3-31. DEUTZ TCD2.9L4 (EMR4) ENGINE SUB-ASSEMBLY - WITH REXROTH PUMP (WITH COLD WEATHER PLUS PACKAGE)



ART\_1001141813

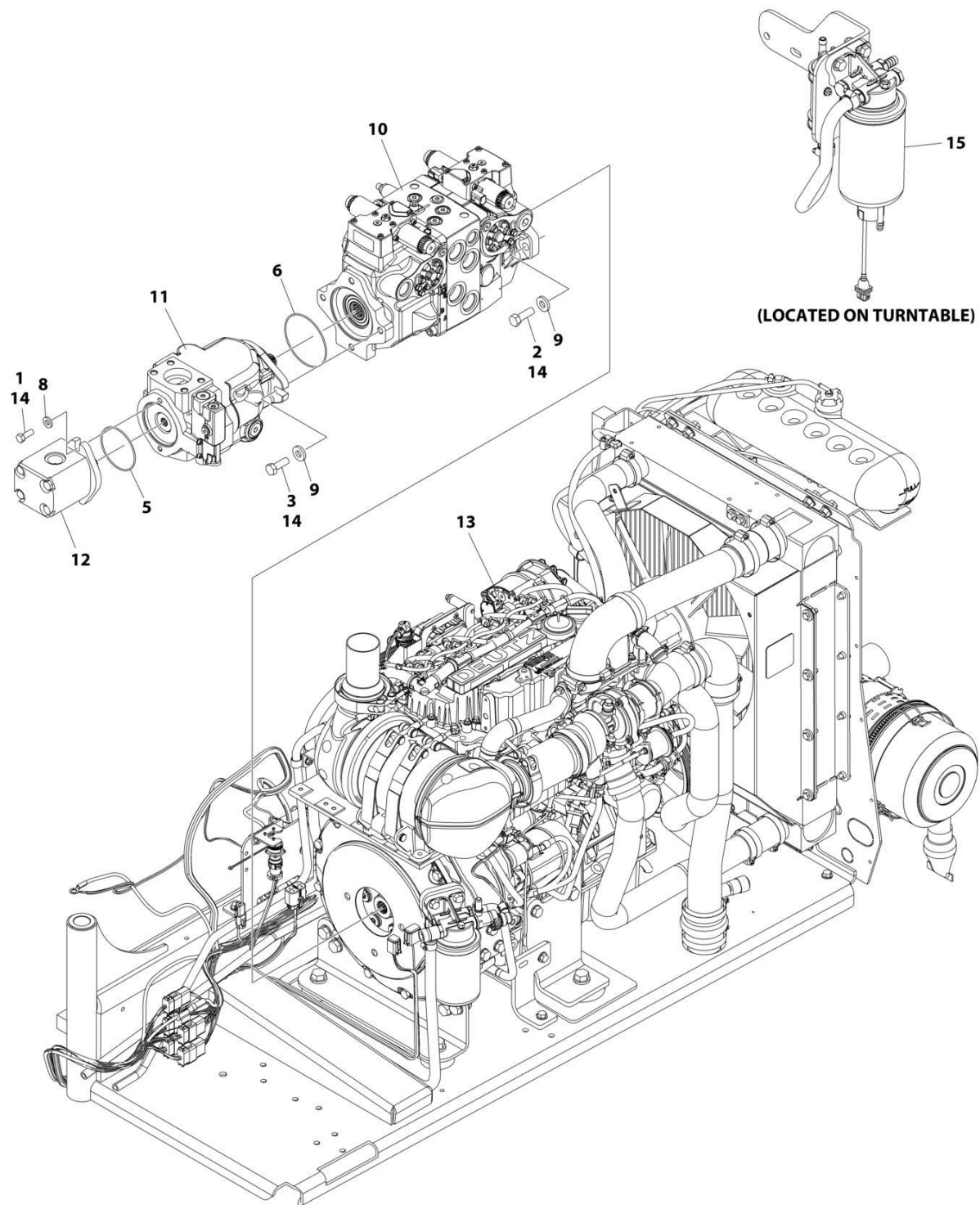
## SECTION 3 - ENGINE

**FIGURE 3-31. DEUTZ TCD2.9L4 (EMR4) ENGINE SUB-ASSEMBLY - WITH REXROTH PUMP (WITH COLD WEATHER PLUS PACKAGE)**

ITEM	PART NUMBER	QTY	DESCRIPTION	REV
	1001141813	Ref	DEUTZ TCD2.9L4 ENGINE SUB-ASSEMBLY	AO
1	0641812	2	Bolt 1/2 x 1-1/2	
1	0641814	2	Bolt 1/2 x 1-1/2	
3	4740171	2	Washer 1/2	
4	1001141746	1	Engine Assembly (See Separate Breakdown in this Section)	
5	0100011	AR	Compound, Locking	
6	1001152963	1	Pump Assembly - Rexroth (See Separate Breakdown in this Section)	
7	1001165101	1	Bracket, Fuel Pump Filter Assembly (See Separate Breakdown in this Section)	

## SECTION 3 - ENGINE

FIGURE 3-32. DEUTZ TCD2.9L4 (EMR4) ENGINE SUB-ASSEMBLY - WITH SAUER PUMP (WITHOUT COLD WEATHER PLUS PACKAGE)



ART\_1001134390

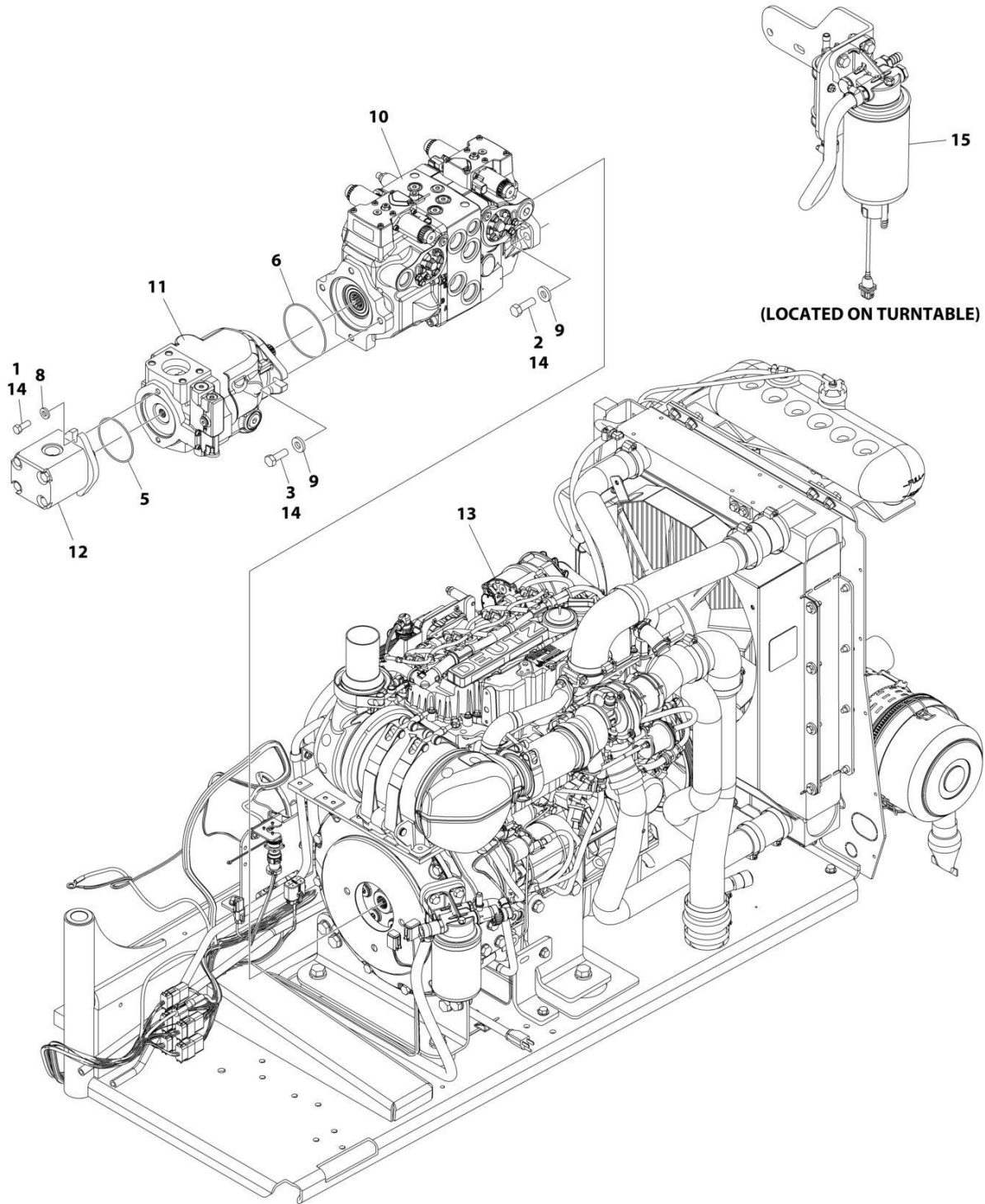
## SECTION 3 - ENGINE

**FIGURE 3-32. DEUTZ TCD2.9L4 (EMR4) ENGINE SUB-ASSEMBLY - WITH SAUER PUMP (WITHOUT COLD WEATHER PLUS PACKAGE)**

ITEM	PART NUMBER	QTY	DESCRIPTION	REV
	1001134390	Ref	DEUTZ TCD2.9L4 ENGINE SUB-ASSEMBLY	AK
1	0641608	2	Bolt 3/8 x 1	
2	0641812	2	Bolt 1/2 x 1-1/2	
2	0641814	2	Bolt 1/2 x 1-3/4	
3	0761215	2	Bolt M12 x 35	
5	3790152	1	O-Ring	
6	3790155	1	O-Ring	
8	4891600	2	Washer 3/8	
9	4891800	4	Washer 1/2	
10	1001108616	1	Pump Assembly - Sauer Tandem (See Separate Breakdown in this Section)	
11	1001171095	1	Pump Assembly - Sauer Piston (See Separate Breakdown in this Section)	
12	1001112927	1	Pump Assembly - Sauer Gear (See Separate Breakdown in this Section)	
13	1001134392	1	Engine Assembly (See Separate Breakdown in this Section)	
14	0100011	AR	Compound, Locking	
15	1001165101	1	Bracket, Fuel Pump Filter Assembly (See Separate Breakdown in this Section)	

# SECTION 3 - ENGINE

FIGURE 3-33. DEUTZ TCD2.9L4 (EMR4) ENGINE SUB-ASSEMBLY - WITH SAUER PUMPS (WITH COLD WEATHER PLUS PACKAGE)



ART\_1001141745



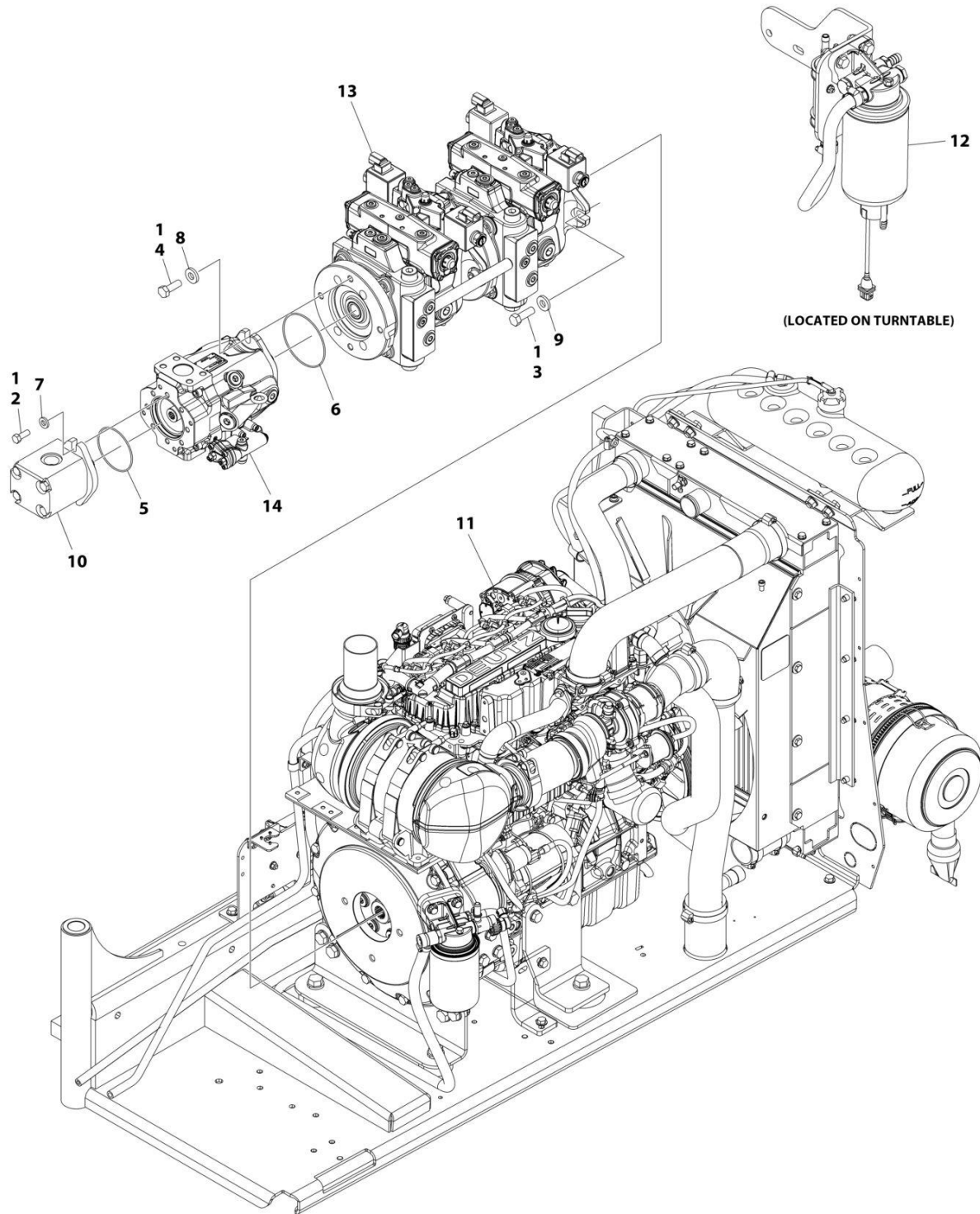
## SECTION 3 - ENGINE

**FIGURE 3-33. DEUTZ TCD2.9L4 (EMR4) ENGINE SUB-ASSEMBLY - WITH SAUER PUMPS (WITH COLD WEATHER PLUS PACKAGE)**

ITEM	PART NUMBER	QTY	DESCRIPTION	REV
	1001141745	Ref	DEUTZ TCD2.9L4 ENGINE SUB-ASSEMBLY	AL
1	0641608	2	Bolt 3/8 x 1	
2	0641812	2	Bolt 1/2 x 1-1/2	
2	0641814	2	Bolt 1/2 x 1-3/4	
3	0761215	2	Bolt M12 x 35	
5	3790152	1	O-Ring	
6	3790155	1	O-Ring	
8	4891600	2	Washer 3/8	
9	4891800	4	Washer 1/2	
10	1001108616	1	Pump Assembly - Sauer Tandem (See Separate Breakdown in this Section)	
11	1001171095	1	Pump Assembly - Sauer Piston (See Separate Breakdown in this Section)	
12	1001112927	1	Pump Assembly - Sauer Gear (See Separate Breakdown in this Section)	
13	1001141746	1	Engine Assembly (See Separate Breakdown in this Section)	
14	0100011	AR	Compound, Locking	
15	1001165101	1	Bracket, Fuel Pump Filter Assembly (See Separate Breakdown in this Section)	

# SECTION 3 - ENGINE

FIGURE 3-34. DEUTZ D2.9L4 (EMR4) ENGINE SUB-ASSEMBLY WITH PMP PUMP AND ABS HOODS (WITHOUT COLD WEATHER PLUS PACKAGE)



ART\_1001286967

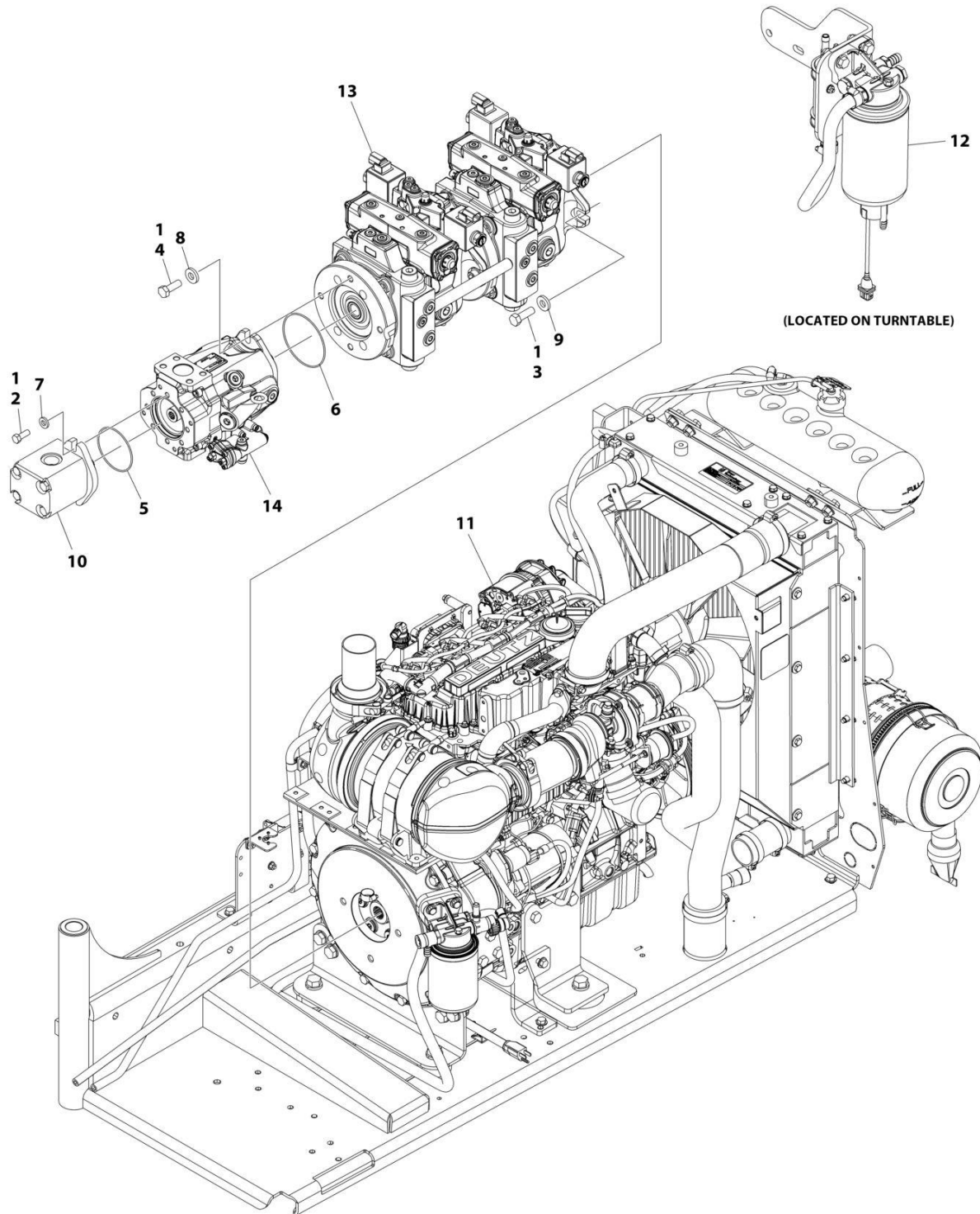
## SECTION 3 - ENGINE

**FIGURE 3-34. DEUTZ D2.9L4 (EMR4) ENGINE SUB-ASSEMBLY WITH PMP PUMP AND ABS HOODS  
(WITHOUT COLD WEATHER PLUS PACKAGE)**

ITEM	PART NUMBER	QTY	DESCRIPTION	REV
	1001286967	Ref	ENGINE SUB-ASSEMBLY WITH PMP PUMPS AND ABS HOODS (WITHOUT COLD WEATHER PLUS PACKAGE)	A
1	0100011	AR	Compound, Locking	
2	0641608	2	Bolt 3/8 x 1	
3	0641812	2	Bolt 1/2 x 1-1/2	
4	0761215	2	Bolt M12 x 35	
5	3790152	1	O-Ring	
6	3790155	1	O-Ring	
7	4891600	2	Washer 3/8	
8	4891800	2	Washer 1/2	
9	8310056	2	Washer	
10	1001112927	1	Pump Assembly - Sauer Gear (See Separate Breakdown in this Section)	
11	1001134392	1	Engine Assembly (See Separate Breakdown in this Section)	
12	1001165101	1	Bracket, Fuel Pump Filter Assembly (See Separate Breakdown in this Section)	
13	1001286957	1	Pump Assembly - Hydraulic Tandem (See Separate Breakdown in this Section)	
14	1001286958	1	Pump Assembly - Hydraulic Piston (See Separate Breakdown in this Section)	

# SECTION 3 - ENGINE

FIGURE 3-35. DEUTZ D2.9L4 (EMR4) ENGINE SUB-ASSEMBLY WITH PMP PUMP AND STEEL HOODS (WITH COLD WEATHER PLUS PACKAGE)



ART\_1001286969

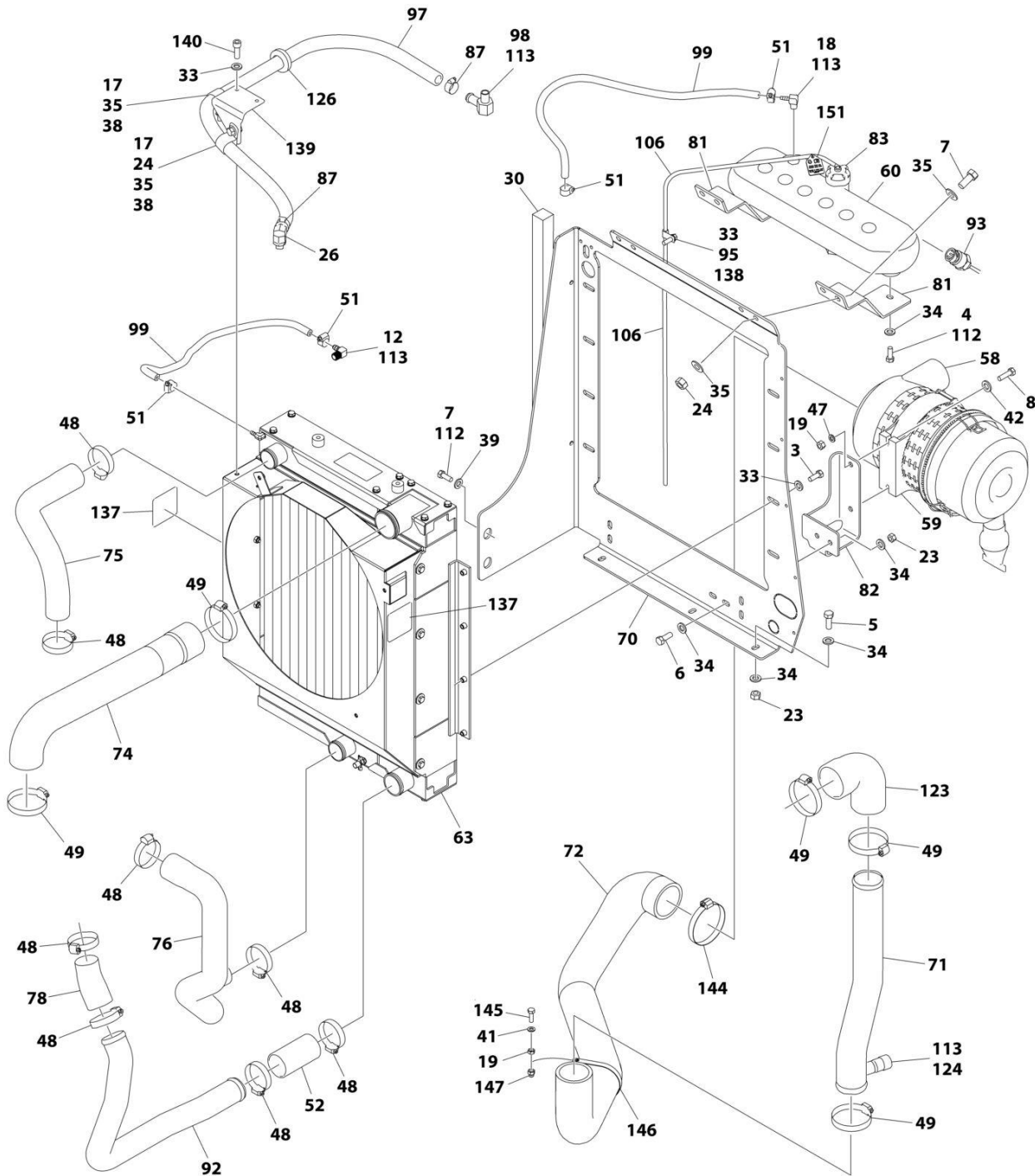
## SECTION 3 - ENGINE

**FIGURE 3-35. DEUTZ D2.9L4 (EMR4) ENGINE SUB-ASSEMBLY WITH PMP PUMP AND STEEL HOODS (WITH COLD WEATHER PLUS PACKAGE)**

ITEM	PART NUMBER	QTY	DESCRIPTION	REV
	1001286969	Ref	ENGINE SUB-ASSEMBLY WITH PMP PUMPS AND STEEL HOODS (WITH COLD WEATHER PLUS PACKAGE)	A
1	0100011	AR	Compound, Locking	
2	0641608	2	Bolt 3/8 x 1	
3	0641812	2	Bolt 1/2 x 1-1/2	
4	0761215	2	Bolt M12 x 35	
5	3790152	1	O-Ring	
6	3790155	1	O-Ring	
7	4891600	2	Washer 3/8	
8	4891800	2	Washer 1/2	
9	8310056	2	Washer	
10	1001112927	1	Pump Assembly - Sauer Gear (See Separate Breakdown in this Section)	
11	1001141746	1	Engine Assembly (See Separate Breakdown in this Section)	
12	1001165101	1	Bracket, Fuel Pump Filter Assembly (See Separate Breakdown in this Section)	
13	1001286957	1	Pump Assembly - Hydraulic Tandem (See Separate Breakdown in this Section)	
14	1001286958	1	Pump Assembly - Hydraulic Piston (See Separate Breakdown in this Section)	

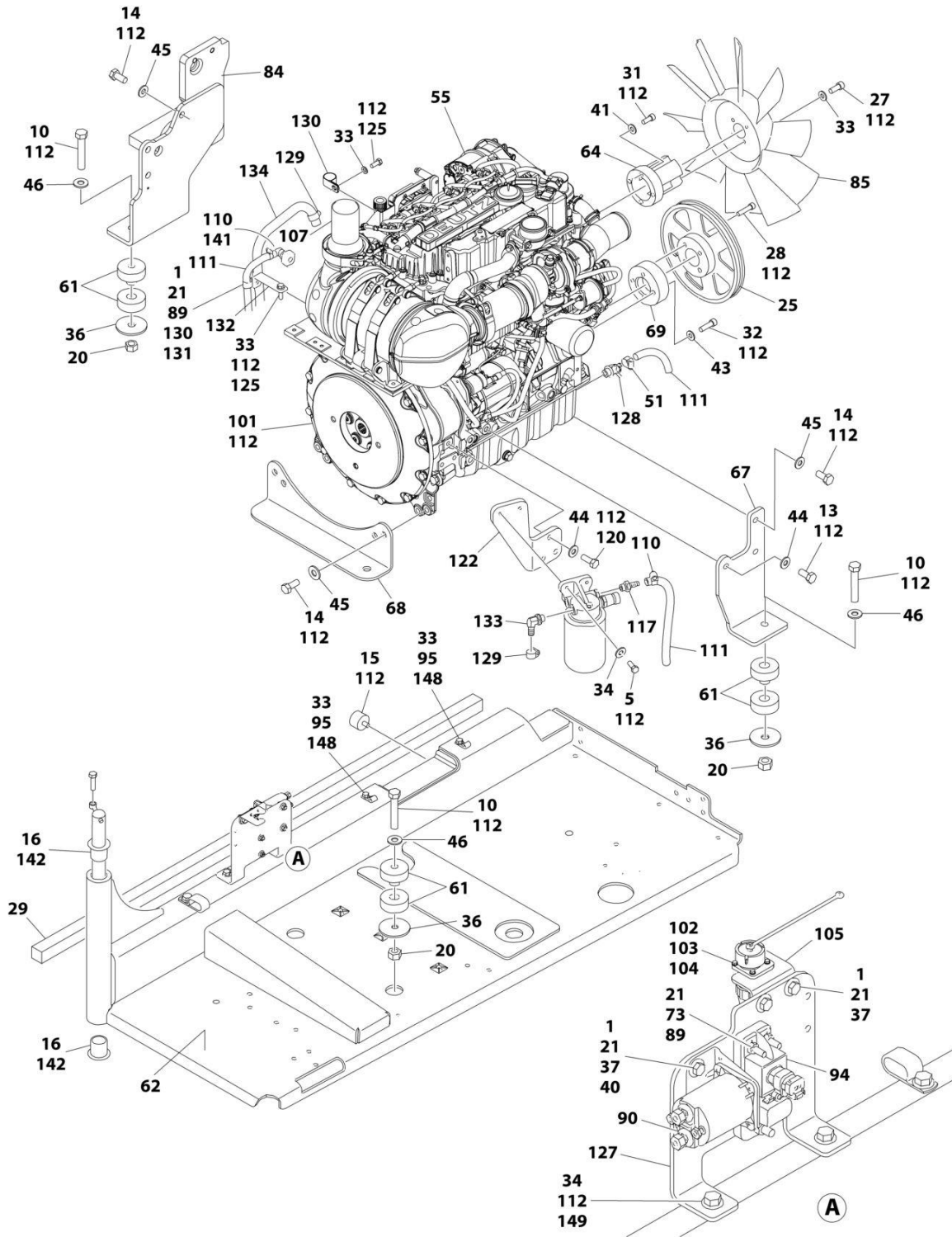
# SECTION 3 - ENGINE

## FIGURE 3-36. DEUTZ TCD2.9L4 (EMR4) ENGINE ASSEMBLY (WITHOUT COLD WEATHER PLUS PACKAGE)



ART\_1001134392\_AV\_10F2

# SECTION 3 - ENGINE



ART\_1001134392\_AV\_20F2

## SECTION 3 - ENGINE

**FIGURE 3-36. DEUTZ TCD2.9L4 (EMR4) ENGINE ASSEMBLY (WITHOUT COLD WEATHER PLUS PACKAGE)**

ITEM	PART NUMBER	QTY	DESCRIPTION	REV
	1001134392	Ref	DEUTZ TCD2.9L4 ENGINE ASSEMBLY	AV
1	0641406	5	Bolt 1/4 x 3/4	
3	0641508	8	Bolt 5/16 x 1	
4	0641606	2	Bolt 3/8 x 3/4	
5	0641608	9	Bolt 3/8 x 1	
6	0641610	2	Bolt 3/8 x 1-1/4	
7	0641708	6	Bolt 7/16 x 1	
8	0700815	2	Bolt M8 x 35	
10	0682028	4	Bolt 5/8 x 3-1/2 Grade 8	
12	1001140564	1	Fitting, 90 Barbed	
13	0771212	1	Bolt M12 x 25 Grade 10.9	
14	0771414	9	Bolt M14 x 30 Grade 10.9	
15	0940070	1	Bumper	
16	0961986	2	Bushing, Flanged	
17	0641706	2	Bolt 7/16 x 3/4	
18	1001134488	1	Fitting, 90 Barbed	
19	3290801	3	Nut M8	
20	3272001	4	Nut 5/8 Grade 8	
21	3311405	6	Nut 1/4	
23	3311605	9	Nut 3/8	
24	3311705	5	Nut 7/16	
25	3580320	1	Pulley	
26	1001141719	1	Fitting, 90 Barbed	
27	3931512	4	Capscrew 5/16 x 3/4	
28	3931628	4	Capscrew 3/8 x 1-3/4	
29	3960543	1	Seal	
30	3960544	1	Seal	
31	4031914	4	Bolt M8 x 50	
32	4032014	4	Bolt M10 x 50	
33	4711500	19	Washer 5/16	
34	4711600	24	Washer 3/8	
35	4711700	10	Washer 7/16	
36	1001146219	4	Washer Special	
37	4751400	8	Washer 1/4	
38	8406302	2	Clamp	
39	4751700	2	Washer 7/16	
40	4791400	2	Starwasher 1/4	
41	4811900	5	Washer M8	
42	4811902	2	Washer M8	
43	4812000	4	Washer M10	
44	4812100	4	Washer M12	
45	4812200	9	Washer M14	
46	4892000	4	Washer 5/8	
47	4831900	2	Washer M8	
48	8405201	8	Clamp	
49	8405204	5	Clamp	
51	8410013	5	Clamp	
52	91563070	1	Coupling, Rubber	



## SECTION 3 - ENGINE

ITEM	PART NUMBER	QTY	DESCRIPTION	REV
55	1001249964	1	Engine, Deutz TCD2.9L4 (See Separate Breakdown in this Section)	
58	1001133633	1	Air Cleaner Assembly	
58	70024190	1	Element, Air Filter	
59	1001133634	1	Clamp	
60	1001166393	1	Tank, Surge	
61	1001155575	4	Mount, Motor	
62	1001191272	1	Tray	
63	1001256864	1	Radiator	
64	1001135138	1	Spacer, Fan	
67	1001135560	1	Support, Engine	
68	1001135562	1	Support, Engine - Rear	
69	1001135679	1	Spacer, Pulley	
70	1001135680	1	Support, Radiator	
71	1001135901	1	Pipe, Air Intake	
72	1001264917	1	Pipe, Air Intake	
73	3931432	1	Capscrew 1/4 x 2	
74	1001264982	1	Pipe, Air Cleaner to Intake	
75	1001135924	1	Hose, Radiator (Upper)	
76	1001135926	1	Hose, Radiator (Lower)	
78	1001135943	1	Coupling, Rubber	
81	1001136626	2	Bracket	
82	1001136665	1	Bracket	
83	1001136834	1	Cap, Tank	
84	1001283008	1	Support, Engine	
85	1001137276	1	Fan	
87	8405007	2	Clamp	
89	4711400	3	Washer 1/4	
90	1001117308	1	Relay	
92	1001135913	1	Pipe, Turbo to Air Cleaner	
93	1001138827	1	Sensor, Coolant Level	
94	1001138228	1	Module, Power	
94	70023592	1	Fuse 20Amp (Switched Output)	
94	70023593	1	Fuse 30Amp (Battery Output)	
95	1001138253	5	Clamp	
96	1001138346	1	Harness, Engine (Not Shown - See Separate Breakdown in ELECTRICAL Section)	
97	1001138524	1	Hose	
98	1001138559	1	Fitting, 90	
99	2720015	5 ft /2 m	Hose	
101	2902065	1	Pump Coupling Kit (See Separate Breakdown in this Section)	
102	3310401	3	Nut #4	
103	3910408	3	Screw #4 x 1/2	
104	4710400	3	Washer #4	
105	1001139240	1	Bracket	
106	1001138248	4 ft /1.2 m	Tubing	
107	1001153024	1	Pipe, Exhaust	
110	1320022	2	Clamp	
111	1001165035	31 ft /10 m	Hose	
112	0100011	AR	Compound, Locking	
113	0100020	AR	Sealant	

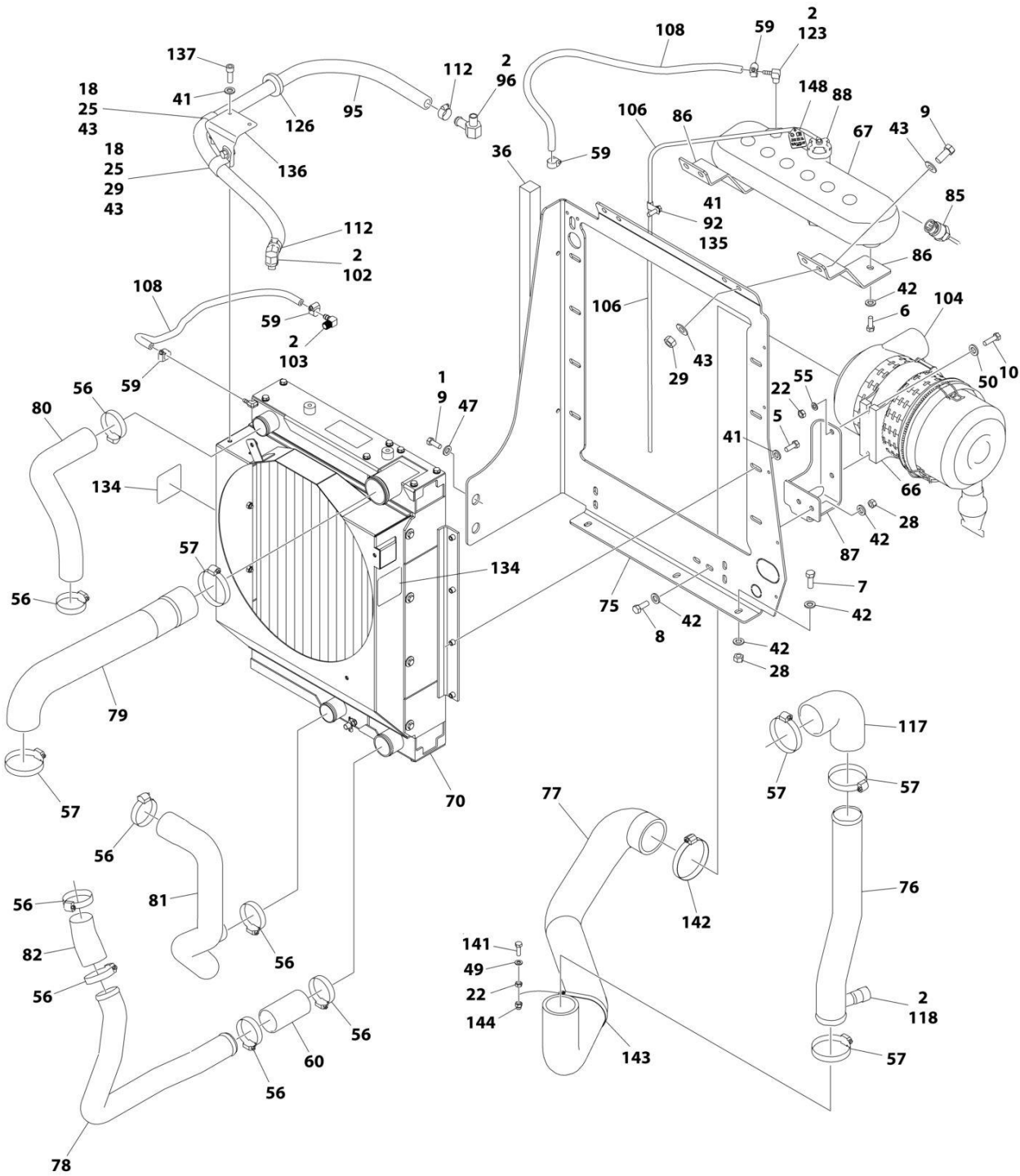
## SECTION 3 - ENGINE

ITEM	PART NUMBER	QTY	DESCRIPTION	REV
114	1001141304	1	Wire, Glow Plug (Not Shown)	
115	1001135779	1	Cable, Alternator Positive (Not Shown)	
117	1001141717	1	Fitting, Straight	
120	0761214	3	Bolt M12 x 30	
122	1001142685	1	Bracket	
123	1001165820	1	Pipe, Elbow	
124	1001143390	1	Indicator, Air Filter Service	
125	0760810	2	Bolt M8 x 20	
126	1001144089	1	Grommet	
127	1001145154	1	Plate, Mounting	
128	4640751	1	Valve, Oil Drain	
129	8405006	2	Clamp	
130	8406102	AR	Clip	
131	8406112	1	Clip	
132	1001138717	1	Bracket	
133	1001142501	1	Fitting, 90 Barbed	
134	1001154405	5 ft /2 m	Hose	
135	1001148843	1	Harness, Fuel Filter (Not Shown - See Separate Breakdown in ELECTRICAL Section)	
137	1703162	2	Decal - Fan	
138	0641503	1	Bolt 5/16 x 3/8	
139	1001153387	1	Plate	
140	3931508	2	Capscrew 5/16 x 1/2	
141	1001155823	1	Coupling	
142	0100062	AR	Adhesive, Loctite #680	
143	4240099	AR	Tie-Strap (Not Shown)	
144	8410011	1	Clamp	
145	0700812	1	Bolt M8 x 25	
146	1321289	1	Clamp	
147	3290806	1	Nut M8	
148	0641510	2	Bolt 5/16 x 1-1/4	
149	0641612	2	Bolt 3/8 x 1-1/2	
150	4240032	AR	Tie-Strap (Not Shown)	
151	1001291401	1	Tag, Coolant	



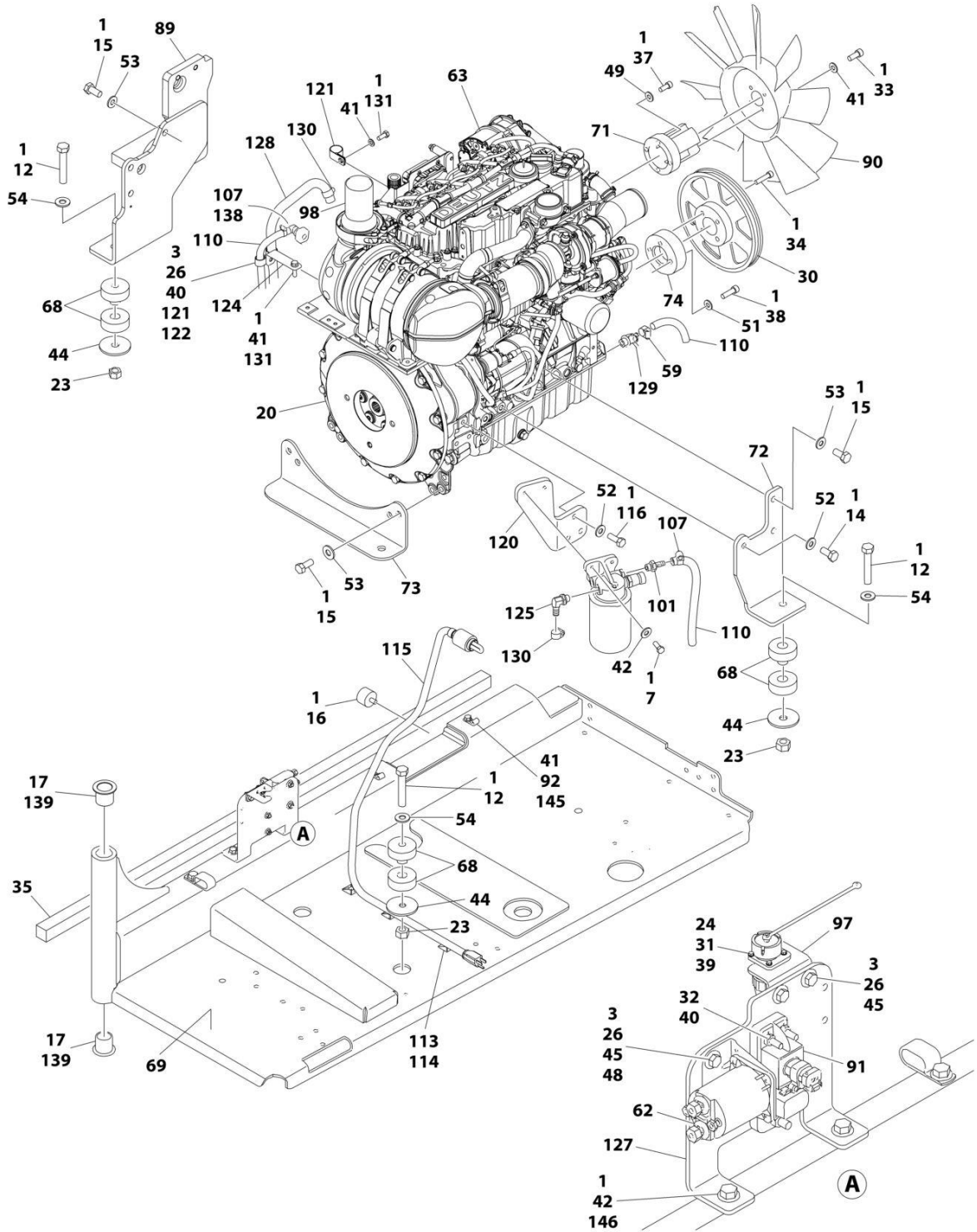
# SECTION 3 - ENGINE

## FIGURE 3-37. DEUTZ TCD2.9L4 (EMR4) ENGINE ASSEMBLY (WITH COLD WEATHER PLUS PACKAGE)



ART\_1001141746\_AT\_10F2

# SECTION 3 - ENGINE



ART\_1001141746\_AT\_20F2

## SECTION 3 - ENGINE

**FIGURE 3-37. DEUTZ TCD2.9L4 (EMR4) ENGINE ASSEMBLY (WITH COLD WEATHER PLUS PACKAGE)**

ITEM	PART NUMBER	QTY	DESCRIPTION	REV
	1001141746	Ref	DEUTZ TCD2.9L4 ENGINE ASSEMBLY	AT
1	0100011	AR	Compound, Locking	
2	0100020	AR	Sealant	
3	0641406	5	Bolt 1/4 x 3/4	
5	0641508	8	Bolt 5/16 x 1	
6	0641606	2	Bolt 3/8 x 3/4	
7	0641608	9	Bolt 3/8 x 1	
8	0641610	2	Bolt 3/8 x 1-1/4	
9	0641708	6	Bolt 7/16 x 1	
10	0700815	2	Bolt M8 x 35	
12	0682028	4	Bolt 5/8 x 3-1/2 Grade 8	
14	0771212	1	Bolt M12 x 25 Grade 10.9	
15	0771414	9	Bolt M14 x 30 Grade 10.9	
16	0940070	1	Bumper	
17	0961986	2	Bushing, Flanged	
18	0641706	2	Bolt 7/16 x 3/4	
20	2902065	1	Pump Coupling Kit (See Separate Breakdown in this Section)	
22	3290801	3	Nut M8	
23	3272001	4	Nut 5/8 Grade 8	
24	3310401	3	Nut #4	
25	8406302	2	Clamp	
26	3311405	6	Nut 1/4	
28	3311605	9	Nut 3/8	
29	3311705	5	Nut 7/16	
30	3580320	1	Pulley	
31	3910408	3	Screw #4 x 1/2	
32	3931432	1	Capscrew 1/4 x 2	
33	3931512	4	Capscrew 5/16 x 3/4	
34	3931628	4	Capscrew 3/8 x 1-3/4	
35	3960543	1	Seal	
36	3960544	1	Seal	
37	4031914	4	Bolt M8 x 50	
38	4032014	4	Bolt M10 x 50	
39	4710400	3	Washer #4	
40	4711400	3	Washer 1/4	
41	4711500	19	Washer 5/16	
42	4711600	24	Washer 3/8	
43	4711700	10	Washer 7/16	
44	1001146219	4	Washer Special	
45	4751400	8	Washer 1/4	
47	4751700	2	Washer 7/16	
48	4791400	2	Starwasher 1/4	
49	4811900	5	Washer M8	
50	4811902	2	Washer M8	
51	4812000	4	Washer M10	
52	4812100	4	Washer M12	
53	4812200	9	Washer M14	
54	4892000	4	Washer 5/8	
55	4831900	2	Washer M8	

## SECTION 3 - ENGINE

ITEM	PART NUMBER	QTY	DESCRIPTION	REV
56	8405201	8	Clamp	
57	8405204	5	Clamp	
59	8410013	5	Clamp	
60	91563070	1	Coupling, Rubber	
62	1001117308	1	Relay	
63	1001249964	1	Engine, Deutz TCD2.9L4 (See Separate Breakdown in this Section)	
66	1001133634	1	Clamp	
67	1001166393	1	Tank, Surge	
68	1001155575	4	Mount, Motor	
69	1001191272	1	Tray	
70	1001256864	1	Radiator	
71	1001135138	1	Spacer, Fan	
72	1001135560	1	Support, Engine	
73	1001135562	1	Support, Engine - Rear	
74	1001135679	1	Spacer, Pulley	
75	1001135680	1	Support, Radiator	
76	1001135901	1	Pipe, Air Intake	
77	1001264917	1	Hose, Air Intake	
78	1001135913	1	Pipe, Turbo to Air Cleaner	
79	1001264982	1	Hose, Air Cleaner to Intake	
80	1001135924	1	Hose, Radiator (Upper)	
81	1001135926	1	Hose, Radiator (Lower)	
82	1001135943	1	Coupling, Rubber	
85	1001138827	1	Sensor, Coolant Level	
86	1001136626	2	Bracket	
87	1001136665	1	Bracket	
88	1001136834	1	Cap, Tank	
89	1001283008	1	Support, Engine	
90	1001137276	1	Fan	
91	1001138228	1	Module, Power	
91	70023592	1	Fuse 20Amp (Switched Output)	
91	70023593	1	Fuse 30Amp (Battery Output)	
92	1001138253	5	Clamp	
94	1001138346	1	Harness, Engine (Not Shown - See Separate Breakdown in ELECTRICAL Section)	
95	1001138524	1	Hose	
96	1001138559	1	Fitting, 90	
97	1001139240	1	Bracket	
98	1001153024	1	Pipe, Exhaust	
100	1001141304	1	Wire, Glow Plug (Not Shown)	
101	1001141717	1	Fitting, Straight	
102	1001141719	1	Fitting, 90 Barbed	
103	1001140564	1	Fitting, 90 Barbed	
104	1001133633	1	Air Cleaner Assembly	
104	70024190	1	Element, Air Filter	
105	1001135779	1	Cable, Alternator Positive (Not Shown)	
106	1001138248	4 ft /1.2 m	Tubing	
107	1320022	2	Clamp	
108	2720015	5 ft /2 m	Hose	
110	1001165035	31 ft /10 m	Hose	

## SECTION 3 - ENGINE

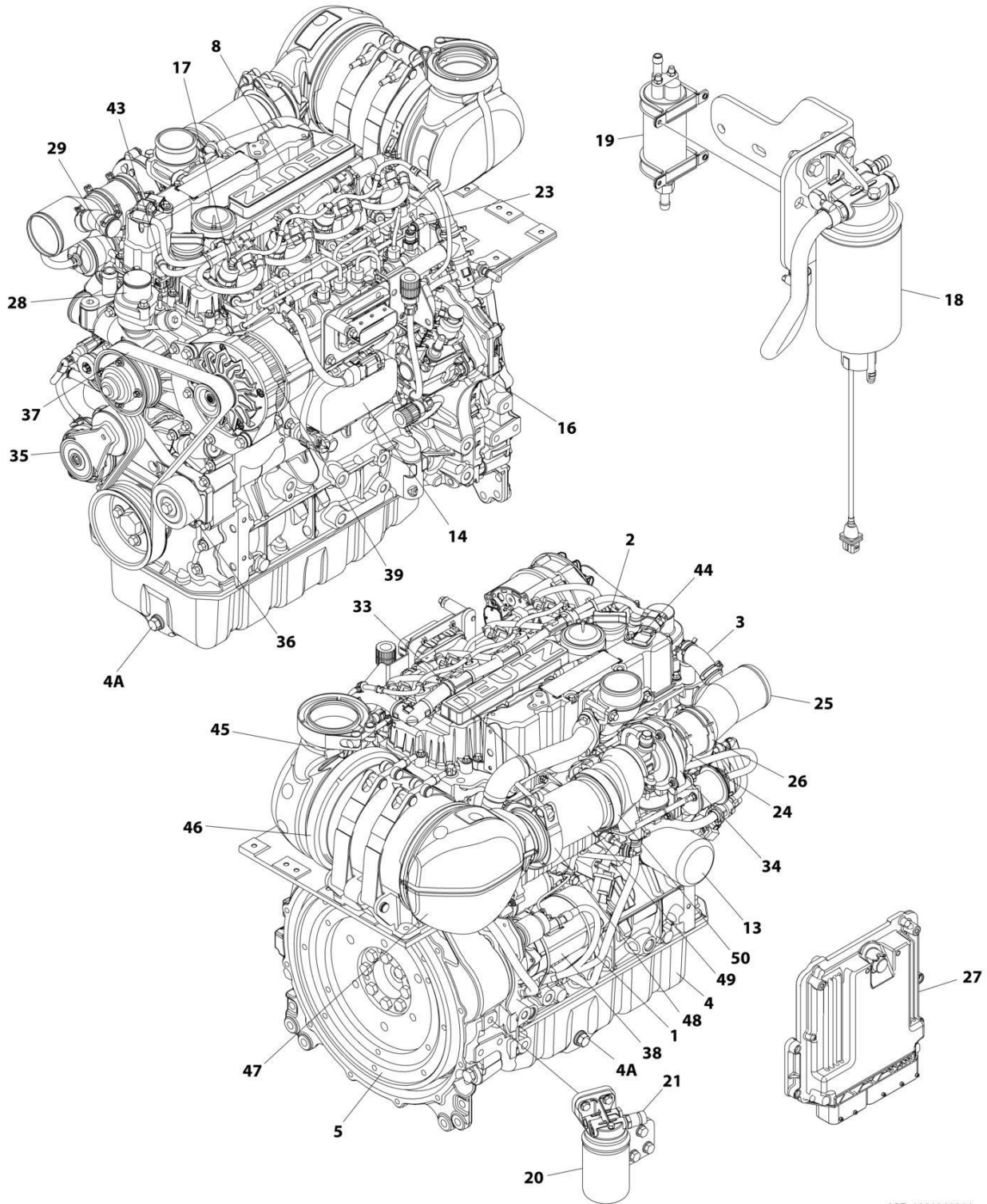
ITEM	PART NUMBER	QTY	DESCRIPTION	REV
112	8405007	2	Clamp	
113	4240099	AR	Tie-Strap (Used to Secure Block Heater Cord)	
114	4460234	3	Mount, Wire Tie (Used to Secure Block Heater Cord)	
115	1001140312	1	Heater, Block	
116	0761214	3	Bolt M12 x 30	
117	1001165820	1	Pipe, Elbow	
118	1001143390	1	Indicator, Air Filter Service	
120	1001142685	1	Bracket	
121	8406102	AR	Clip	
122	8406112	1	Clip	
123	1001134488	1	Fitting, 90 Barbed	
124	1001138717	1	Bracket	
125	1001142501	1	Fitting, 90 Barbed	
126	1001144089	1	Grommet	
127	1001145154	1	Plate, Mounting	
128	1001154405	5 ft /2 m	Hose	
129	4640751	1	Valve, Oil Drain	
130	8405006	2	Clamp	
131	0760810	AR	Bolt M8 x 20	
132	1001148843	1	Harness, Fuel Filter (Not Shown - See Separate Breakdown in ELECTRICAL Section)	
134	1703162	2	Decal - Fan	
135	0641503	1	Bolt 5/16 x 3/8	
136	1001153387	1	Plate	
137	3931508	2	Capscrew 5/16 x 1/2	
138	1001155823	1	Coupling	
139	0100062	AR	Adhesive, Loctite #680	
140	1001181895	AR	Adhesive, Loctite #640 (Not Shown - Apply to Block Heater)	
141	0700812	1	Bolt M8 x 25	
142	8410011	1	Clamp	
143	1321289	1	Clamp	
144	3290806	1	Nut M8	
145	0641510	2	Bolt 5/16 x 1-1/4	
146	0641612	2	Bolt 3/8 x 1-1/2	
147	4240032	AR	Tie-Strap (Not Shown)	
148	1001291401	1	Tag, Coolant	





# SECTION 3 - ENGINE

## FIGURE 3-38. DEUTZ TCD2.9L4 (EMR4) ENGINE COMPONENTS



ART\_1001249964

## SECTION 3 - ENGINE

**FIGURE 3-38. DEUTZ TCD2.9L4 (EMR4) ENGINE COMPONENTS**

ITEM	PART NUMBER	QTY	DESCRIPTION	REV
	1001249964	Ref	DEUTZ TCD2.9L4 ENGINE COMPONENTS	A
1	70024904	1	Dipstick	
1	70024905	1	O-Ring	
2	7020465	2	Cap, Filler	
3	7002511	2	Clamp	
4		Ref	Pan, Oil	
4A	70005941	2	Plug	
4A	70005942	2	Washer, Sealing	
5	70001870	1	Flywheel	
5	7024579	1	Gear, Ring	
6	70024906	1	Gasket, Head (Not Shown)	
8	70005921	1	Cover, Valve	
8	70005171	1	Gasket	
8	70025205	1	Gasket, Small Valve Cover	
10	70004280	1	Seal, Shaft - Front (Not Shown)	
11	70002718	1	Seal, Shaft - Rear (Not Shown)	
12	70005172	1	Pump, Oil Lube (Not Shown)	
12	70025135	1	O-Ring	
12	70025136	1	Gasket	
13	7016331	1	Filter, Oil	
13	70025137	1	Bushing	
14	70024494	1	Cooler, Engine Oil	
14	70024925	1	Gasket	
16	70024924	1	Pump, Fuel	
16	70025152	1	O-Ring	
16	70004505	1	Valve, Overflow	
16	70004506	1	O-Ring	
16	70004507	1	O-Ring	
16	70004508	1	Valve Volume Control	
16	70004509	1	O-Ring	
16	70004510	1	Gasket	
17	70025181	4	Injector, Fuel	
17	70025140	4	Washer, Sealing	
17	70025146	4	Clamp (Top of Injector)	
17	70025145	4	O-Ring	
17	70025154	4	Shoe, Clamping	
17	70000345	1	Plug, Glow (Not Shown)	
18	70024961	1	Fuel Filter Assembly	
18	1001225430	1	Filter, Fuel	
18	70024513	1	Cable, Sensor	
18	70025239	1	Ring, Sealing	
19	70006144	1	Pump, Fuel	
19	70025144	2	Clamp	
20	70029451	1	Filter with Head	
20	1001225431	1	Filter, Fuel	
21	70024919	1	Sensor, Pressure	
21	70024920	1	O-Ring	
22	70025151	1	Rail, Fuel (Not Shown)	
22	70025235	1	Repair Kit (Not Shown)	
23	70025182	1	Fuel Line - High Pressure (Cylinder 1 & 2)	

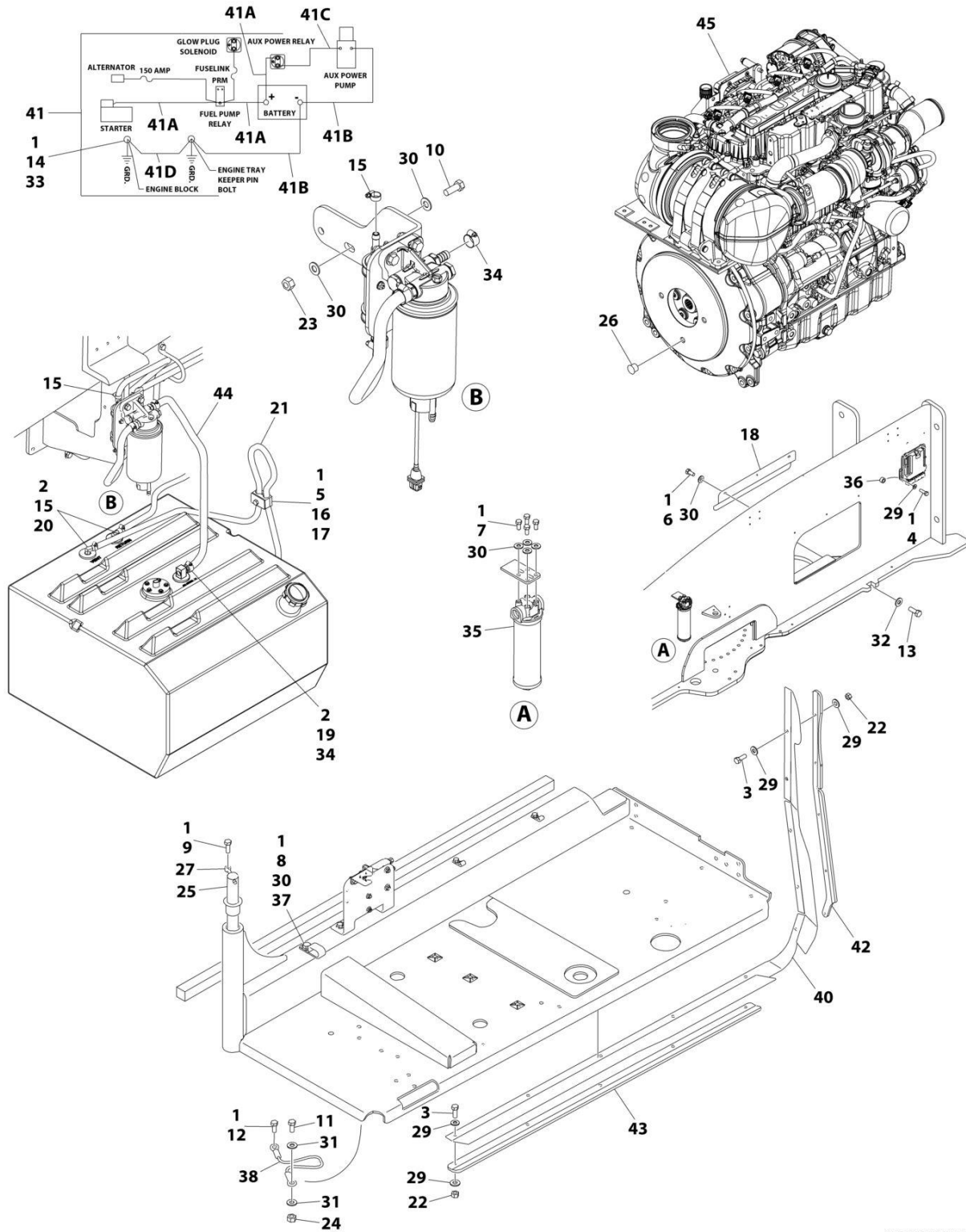
## SECTION 3 - ENGINE

ITEM	PART NUMBER	QTY	DESCRIPTION	REV
23	70025183	1	Fuel Line - High Pressure (Cylinder 3 & 4)	
23	70025184	1	Fuel Line - High Pressure (Supply)	
24	70004501	1	Sleeve, Rubber	
25	70004502	1	Pipe, Intake	
25	70005926	1	Pipe, Elbow	
26	70025112	2	Clamp	
27	70025210	1	ECU (Engine Control Unit)	
28	70029797	1	Pump, Water	
28	70025200	1	Ring, Sealing	
28	70007325	1	Gasket	
28	7020492	2	Ring, Sealing (Plug)	
29	70005929	1	Thermostat	
29	70025184	1	O-Ring (Thermostat to Cover)	
29	70005931	1	Gasket (Thermostat to Pump)	
29	70025142	1	Cover, Thermostat	
31	70007326	1	Valve, Shuttle (EGR) (Not Shown)	
31	70007327	1	Gasket	
33	70004282	1	Manifold, Exhaust	
33	70025164	1	Gasket, Exhaust Manifold to Head	
33	70029557	1	Gasket, Exhaust Manifold to Pipe	
34	70007328	1	Turbocharger	
34	70024912	1	Gasket, Exhaust Manifold	
35	70028699	1	Tensioner, Belt	
36		Ref	Idler Roller	
37	70004277	1	Belt, Drive	
38	70024915	1	Starter	
38	70005647	1	Switch, Solenoid	
38	70005648	1	Relay	
39	70029401	1	Generator	
39	70006653	1	Regulator, Voltage	
40	70007329	1	Harness, Engine (Not Shown)	
41	70024504	1	Sensor, Pressure (Not Shown - Located Top Rear)	
41	70024920	1	O-Ring	
42	70026210	2	Sensor, Speed (Not Shown - Located Left Side Front and Flywheel Housing)	
42	70024917	2	O-Ring	
43	70028540	1	Sender, Temperature	
44	70024507	1	Sensor, Pressure	
44	70025120	1	O-Ring	
45	70007331	1	Outlet, Muffler	
46	70029517	1	Clip	
46	70029520	1	Gasket	
47	70007330	1	Inlet	
48	70025877	1	Clip	
48	70025788	1	Nut	
48	70025242	1	Gasket	
49	70004504	1	Compensator	
50	70005527	1	Clip	
50	70029433	1	Clip	
50	70025242	1	Gasket	



# SECTION 3 - ENGINE

FIGURE 3-39. DEUTZ D2.9L4 - EMR5 ENGINE INSTALLATION WITH PMP PUMP AND STEEL HOODS (WITH COLD WEATHER PLUS PACKAGE)



ART\_1001301725

## SECTION 3 - ENGINE

**FIGURE 3-39. DEUTZ D2.9L4 - EMR5 ENGINE INSTALLATION WITH PMP PUMP AND STEEL HOODS  
(WITH COLD WEATHER PLUS PACKAGE)**

ITEM	PART NUMBER	QTY	DESCRIPTION	REV
	1001301725	Ref	ENGINE INSTALLATION EMR5 WITH PMP PUMPS AND STEEL HOODS WITH COLD WEATHER PLUS PACKAGE	B
1	0100011	AR	Compound, Locking	
2	0100079	AR	Sealant, Pipe	
3	0641408	10	Bolt 1/4 x 1	
4	0641410	4	Bolt 1/4 x 1-1/4	
5	0641511	1	Bolt 5/16 x 1-3/8	
6	0641605	3	Bolt 3/8 x 5/8	
7	0641606	4	Bolt 3/8 x 3/4	
8	0641608	5	Bolt 3/8 x 1	
9	0641610	1	Bolt 3/8 x 1-1/4	
10	0641612	2	Bolt 3/8 x 1-1/2	
11	0641708	1	Bolt 7/16 x 1	
12	0641808	1	Bolt 1/2 x 1	
13	0642010	1	Bolt 5/8 x 1-1/4	
14	0761210	1	Bolt M12 x 20	
15	1320022	3	Clamp	
16	1320187	1	Clamp	
17	1320190	1	Clamp	
18	1671121	1	Cover	
19	2180832	1	Fitting, Barbed	
20	2220313	2	Fitting, 90 NPTF/Barbed	
21	2750532	5 ft /1.6 m	Hose	
22	3311405	10	Nut 1/4	
23	3311605	2	Nut 3/8	
24	3311705	1	Nut 7/16	
25	3422446	1	Pin	
26	3520054	1	Plug	
27	3841143	1	Keeper, Pin	
28	4240018	AR	Tie-Strap (Not Shown)	
29	4711400	24	Washer 1/4	
30	4711600	16	Washer 3/8	
31	4711700	2	Washer 7/16	
32	4752000	1	Washer 5/8	
33	4812100	1	Washer M12	
34	8405006	2	Clamp	
35	1001108617	1	Filter	
35	70002231	1	Element, Filter	
36	1001110425	4	Spacer	
37	1001116792	1	Clamp	
37	1321716	5	Clamp	
38	1001131542	1	Lanyard	
39	1001138491	1	Harness, Fuel (Not Shown) (See Separate Breakdown in ELECTRICAL Section)	
40	1001140604	1	Panel	
41	1001141225	1	Battery Cable Kit	
41A	7027042	1	Cable, Battery (Red) (Battery + to Relays and Starter)	
41B	7027043	1	Cable, Battery (Black) (Battery - to Tray Pivot Grd and Aux Pump)	

## SECTION 3 - ENGINE

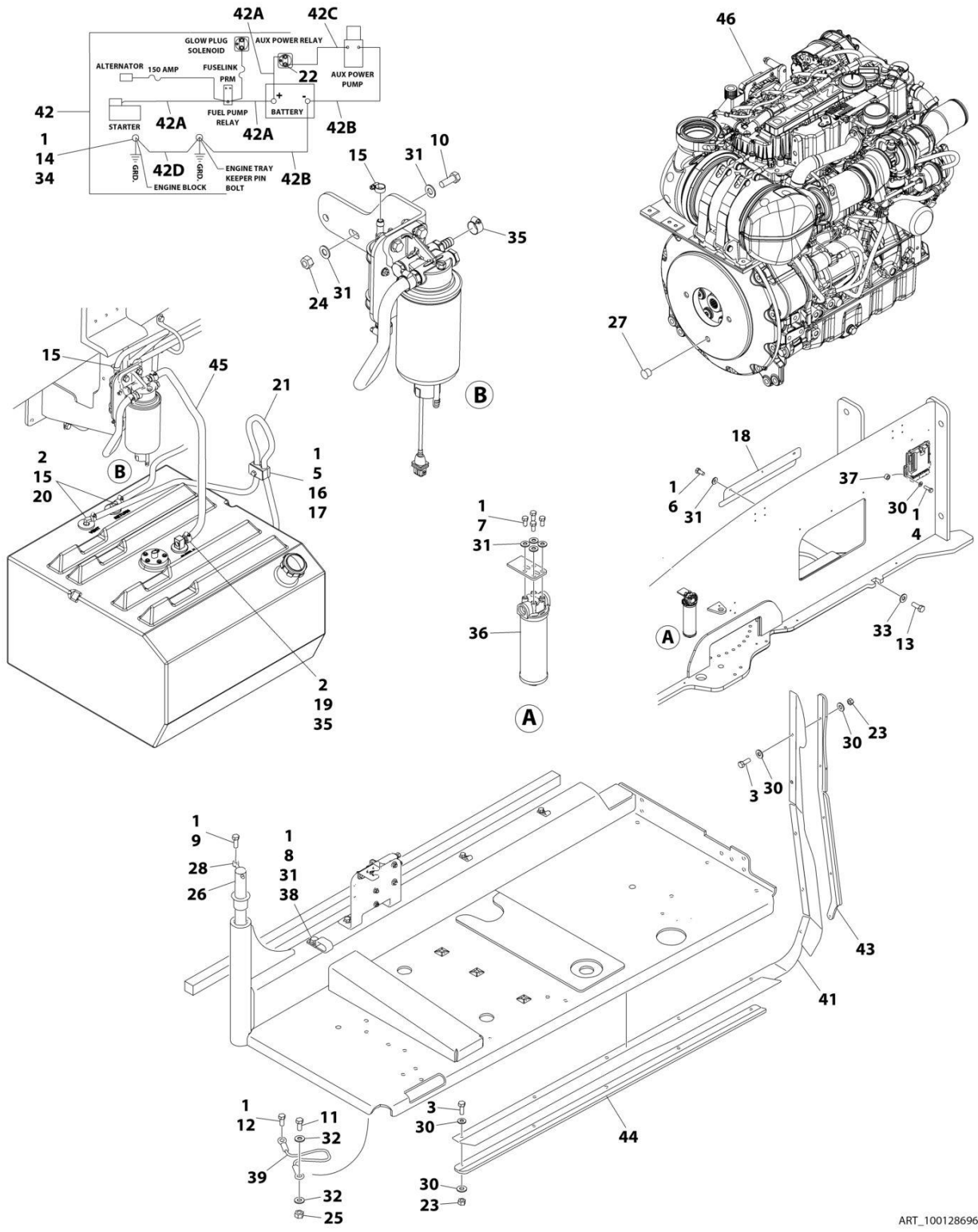
ITEM	PART NUMBER	QTY	DESCRIPTION	REV
41C	7027044	1	Cable (Red) (Aux Relay to Aux Pump)	
41D	7027045	1	Cable, Battery (Black) (Engine to Tray Pivot Grd)	
42	1001145089	1	Clamp	
43	1001145842	1	Plate	
44	1001154405	2 ft /0.6 m	Hose	
45	1001301654	1	Engine Sub-Assembly (See Separate Breakdown in this Section)	
46	4460234	AR	Mount, Terminal (Not Shown)	





# SECTION 3 - ENGINE

FIGURE 3-40. DEUTZ D2.9L4 - EMR5 ENGINE INSTALLATION WITH PMP PUMPS AND STEEL HOODS (WITH COLD WEATHER PLUS PACKAGE)



ART\_1001286968

## SECTION 3 - ENGINE

**FIGURE 3-40. DEUTZ D2.9L4 - EMR5 ENGINE INSTALLATION WITH PMP PUMPS AND STEEL HOODS (WITH COLD WEATHER PLUS PACKAGE)**

ITEM	PART NUMBER	QTY	DESCRIPTION	REV
	1001286968	Ref	ENGINE INSTALLATION WITH PMP PUMPS AND STEEL HOODS WITH COLD WEATHER PLUS PACKAGE	A
1	0100011	AR	Compound, Locking	
2	0100079	AR	Sealant, Pipe	
3	0641408	10	Bolt 1/4 x 1	
4	0641410	4	Bolt 1/4 x 1-1/4	
5	0641511	1	Bolt 5/16 x 1-3/8	
6	0641605	3	Bolt 3/8 x 5/8	
7	0641606	4	Bolt 3/8 x 3/4	
8	0641608	1	Bolt 3/8 x 1	
9	0641610	1	Bolt 3/8 x 1-1/4	
10	0641612	2	Bolt 3/8 x 1-1/2	
11	0641708	1	Bolt 7/16 x 1	
12	0641808	1	Bolt 1/2 x 1	
13	0642010	1	Bolt 5/8 x 1-1/4	
14	0761210	1	Bolt M12 x 20	
15	1320022	3	Clamp	
16	1320187	1	Clamp	
17	1320190	1	Clamp	
18	1671121	1	Cover	
19	2180832	1	Fitting, Barbed	
20	2220313	2	Fitting, 90 NPTF/Barbed	
21	2750532	5 ft /1.6 m	Hose	
22	3300220	2	Nut	
23	3311405	10	Nut 1/4	
24	3311605	2	Nut 3/8	
25	3311705	1	Nut 7/16	
26	3422446	1	Pin	
27	3520054	1	Plug	
28	3841143	1	Keeper, Pin	
29	4240018	AR	Tie-Strap (Not Shown)	
30	4711400	24	Washer 1/4	
31	4711600	12	Washer 3/8	
32	4711700	2	Washer 7/16	
33	4752000	1	Washer 5/8	
34	4812100	1	Washer M12	
35	8405006	2	Clamp	
36	1001108617	1	Filter	
36	70002231	1	Element, Filter	
37	1001110425	4	Spacer	
38	1001116792	1	Clamp	
39	1001131542	1	Lanyard	
40	1001138491	1	Harness, Fuel (Not Shown) (See Separate Breakdown in ELECTRICAL Section)	
41	1001140604	1	Panel	
42	1001141225	1	Battery Cable Kit	
42A	7027042	1	Cable, Battery (Red) (Battery + to Relays and Starter)	
42B	7027043	1	Cable, Battery (Black) (Battery - to Tray Pivot Grd and Aux Pump)	

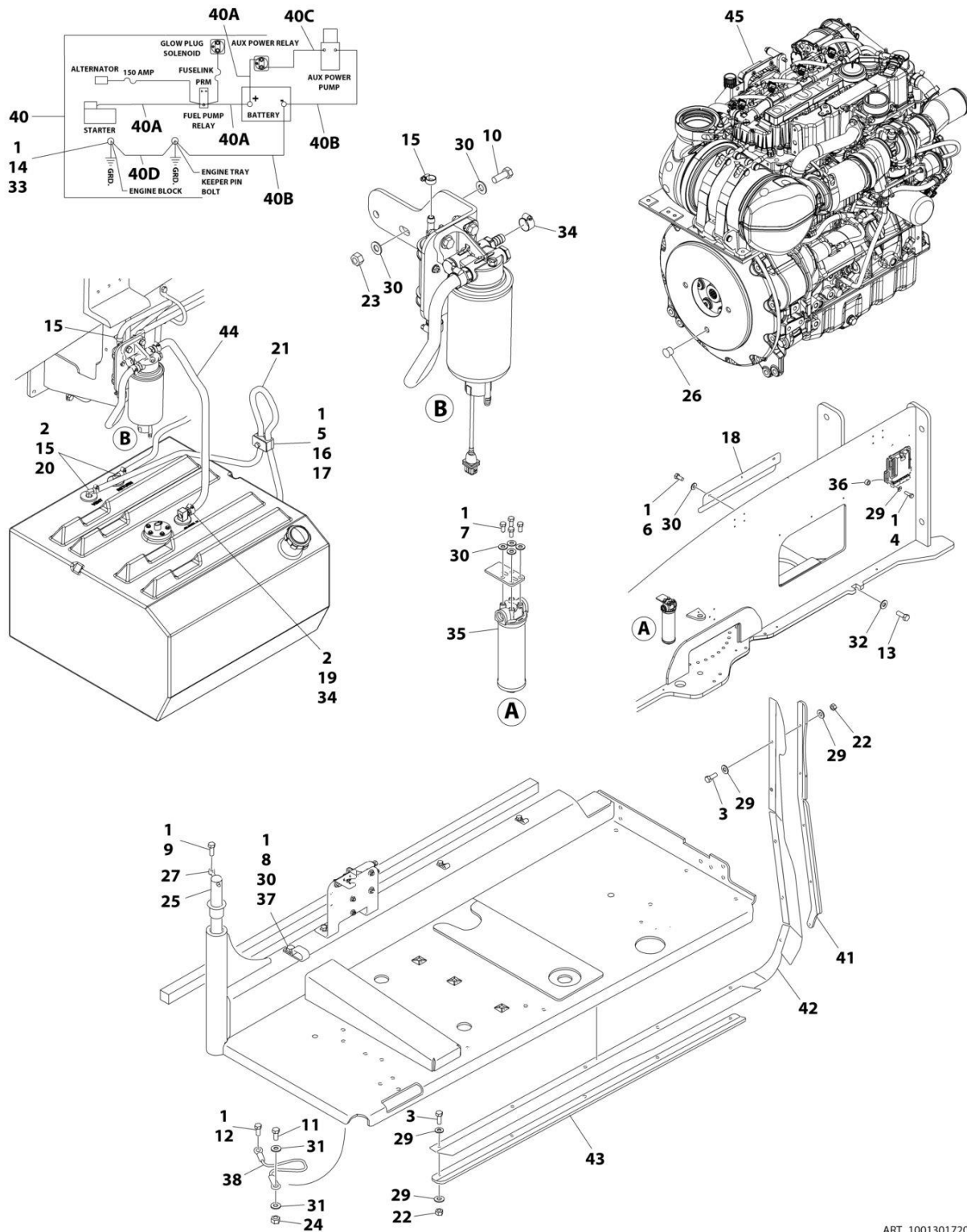
## SECTION 3 - ENGINE

ITEM	PART NUMBER	QTY	DESCRIPTION	REV
42C	7027044	1	Cable (Red) (Aux Relay to Aux Pump)	
42D	7027045	1	Cable, Battery (Black) (Engine to Tray Pivot Grd)	
43	1001145089	1	Clamp	
44	1001145842	1	Plate	
45	1001154405	2 ft /0.6 m	Hose	
46	1001286969	1	Engine Sub-Assembly (See Separate Breakdown in this Section)	



# SECTION 3 - ENGINE

**FIGURE 3-41. DEUTZ D2.9L4 - EMR5 ENGINE INSTALLATION WITH PMP PUMPS AND ABS HOODS (WITHOUT COLD WEATHER PLUS PACKAGE)**



ART\_1001301720

## SECTION 3 - ENGINE

**FIGURE 3-41. DEUTZ D2.9L4 - EMR5 ENGINE INSTALLATION WITH PMP PUMPS AND ABS HOODS  
(WITHOUT COLD WEATHER PLUS PACKAGE)**

ITEM	PART NUMBER	QTY	DESCRIPTION	REV
	1001301720	Ref	ENGINE INSTALLATION EMR5 WITH PMP PUMPS AND ABS HOODS WITHOUT COLD WEATHER PLUS PACKAGE	B
1	0100011	AR	Compound, Locking	
2	0100079	AR	Sealant, Pipe	
3	0641408	10	Bolt 1/4 x 1	
4	0641410	4	Bolt 1/4 x 1-1/4	
5	0641511	1	Bolt 5/16 x 1-3/8	
6	0641605	3	Bolt 3/8 x 5/8	
7	0641606	4	Bolt 3/8 x 3/4	
8	0641608	5	Bolt 3/8 x 1	
9	0641610	1	Bolt 3/8 x 1-1/4	
10	0641612	2	Bolt 3/8 x 1-1/2	
11	0641708	1	Bolt 7/16 x 1	
12	0641808	1	Bolt 1/2 x 1	
13	0642010	1	Bolt 5/8 x 1-1/4	
14	0761210	1	Bolt M12 x 20	
15	1320022	3	Clamp	
16	1320187	1	Clamp	
17	1320190	1	Clamp	
18	1671121	1	Cover	
19	2180832	1	Fitting, Barbed	
20	2220313	2	Fitting, 90 NPTF/Barbed	
21	2750532	5 ft /1.6 m	Hose	
22	3311405	10	Nut 1/4	
23	3311605	2	Nut 3/8	
24	3311705	1	Nut 7/16	
25	3422446	1	Pin	
26	3520054	1	Plug	
27	3841143	1	Keeper, Pin	
28	4240018	AR	Tie-Strap (Not Shown)	
29	4711400	24	Washer 1/4	
30	4711600	16	Washer 3/8	
31	4711700	2	Washer 7/16	
32	4752000	1	Washer 5/8	
33	4812100	1	Washer M12	
34	8405006	2	Clamp	
35	1001108617	1	Filter	
35	70002231	1	Element, Filter	
36	1001110425	4	Spacer	
37	1001116792	1	Clamp	
37	1321716	5	Clamp	
38	1001131542	1	Lanyard	
39	1001138491	1	Harness, Fuel (Not Shown) (See Separate Breakdown in ELECTRICAL Section)	
40	1001141225	1	Battery Cable Kit	
40A	7027042	1	Cable, Battery (Red) (Battery + to Relays and Starter)	
40B	7027043	1	Cable, Battery (Black) (Battery - to Tray Pivot Grd and Aux Pump)	
40C	7027044	1	Cable (Red) (Aux Relay to Aux Pump)	

## SECTION 3 - ENGINE

ITEM	PART NUMBER	QTY	DESCRIPTION	REV
40D	7027045	1	Cable, Battery (Black) (Engine to Tray Pivot Grd)	
41	1001145089	1	Clamp	
42	1001145560	1	Panel	
43	1001145842	1	Plate	
44	1001154405	2 ft /0.6 m	Hose	
45	1001301710	1	Engine Sub-Assembly (See Separate Breakdown in this Section)	
46	4460234	AR	Mount, Terminal (Not Shown)	







## SECTION 3 - ENGINE

**FIGURE 3-42. DEUTZ D2.9L4 - EMR5 ENGINE INSTALLATION WITH PMP PUMPS AND STEEL HOODS (WITHOUT COLD WEATHER PLUS PACKAGE)**

ITEM	PART NUMBER	QTY	DESCRIPTION	REV
	1001301718	Ref	ENGINE INSTALLATION EMR5 WITH PMP PUMPS AND STEEL HOODS WITHOUT COLD WEATHER PLUS PACKAGE	B
1	0100011	AR	Compound, Locking	
2	0100079	AR	Sealant, Pipe	
3	0641408	10	Bolt 1/4 x 1	
4	0641410	4	Bolt 1/4 x 1-1/4	
5	0641511	1	Bolt 5/16 x 1-3/8	
6	0641605	3	Bolt 3/8 x 5/8	
7	0641606	4	Bolt 3/8 x 3/4	
8	0641608	5	Bolt 3/8 x 1	
9	0641610	1	Bolt 3/8 x 1-1/4	
10	0641612	2	Bolt 3/8 x 1-1/2	
11	0641708	1	Bolt 7/16 x 1	
12	0641808	1	Bolt 1/2 x 1	
13	0642010	1	Bolt 5/8 x 1-1/4	
14	0761210	1	Bolt M12 x 20	
15	1320022	3	Clamp	
16	1320187	1	Clamp	
17	1320190	1	Clamp	
18	1671121	1	Cover	
19	2180832	1	Fitting, Barbed	
20	2220313	2	Fitting, 90 NPTF/Barbed	
21	2750532	5 ft /1.6 m	Hose	
22	3311405	10	Nut 1/4	
23	3311605	2	Nut 3/8	
24	3311705	1	Nut 7/16	
25	3422446	1	Pin	
26	3520054	1	Plug	
27	3841143	1	Keeper, Pin	
28	4240018	AR	Tie-Strap (Not Shown)	
29	4711400	24	Washer 1/4	
30	4711600	16	Washer 3/8	
31	4711700	2	Washer 7/16	
32	4752000	1	Washer 5/8	
33	4812100	1	Washer M12	
34	8405006	2	Clamp	
35	1001108617	1	Filter	
35	70002231	1	Element, Filter	
36	1001110425	4	Spacer	
37	1001116792	1	Clamp	
37	1321716	5	Clamp	
38	1001131542	1	Lanyard	
39	1001138491	1	Harness, Fuel (Not Shown) (See Separate Breakdown in ELECTRICAL Section)	
40	1001140604	1	Panel	
41	1001141225	1	Battery Cable Kit	
41A	7027042	1	Cable, Battery (Red) (Battery + to Relays and Starter)	
41B	7027043	1	Cable, Battery (Black) (Battery - to Tray Pivot Grd and Aux Pump)	

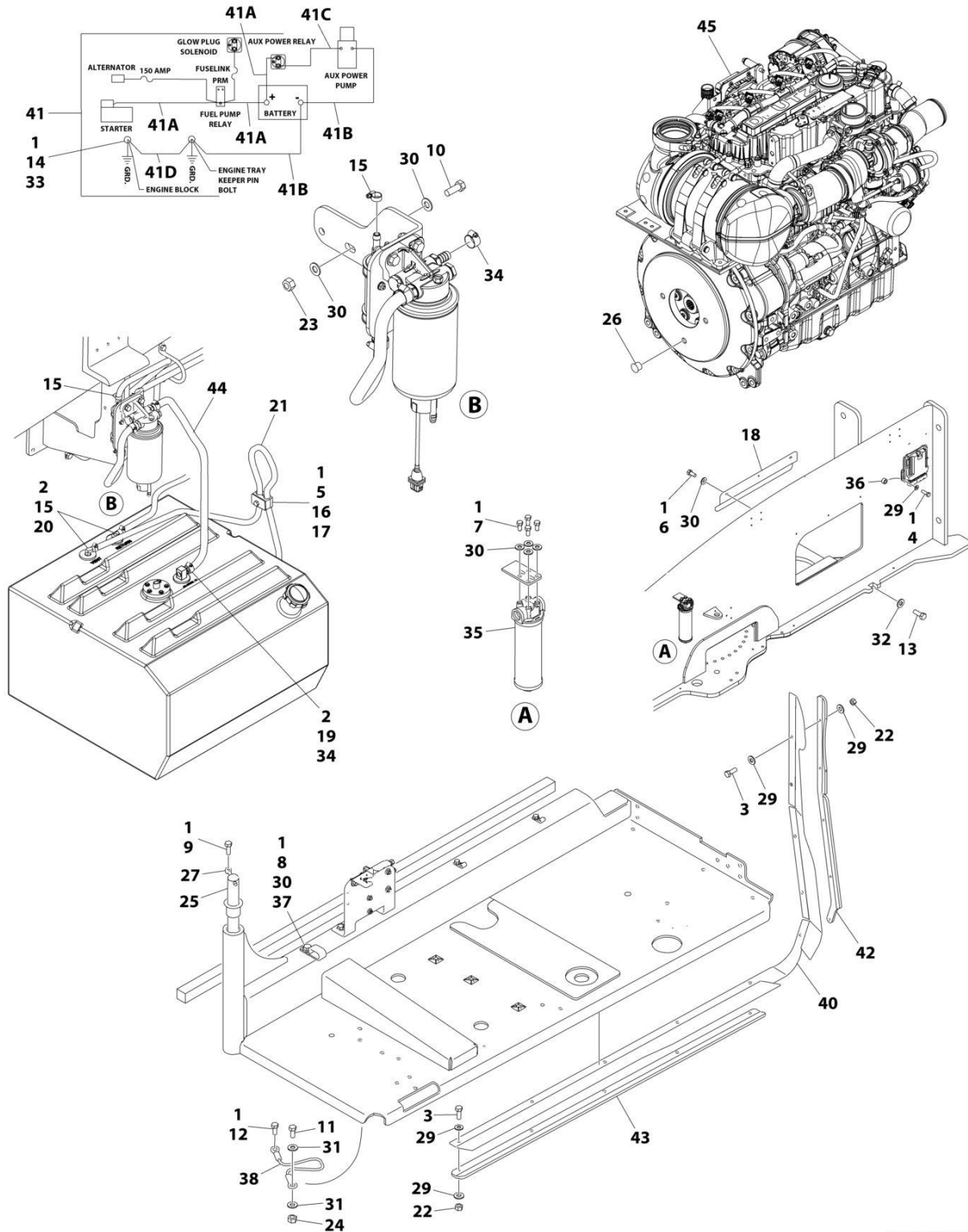
## SECTION 3 - ENGINE

ITEM	PART NUMBER	QTY	DESCRIPTION	REV
41C	7027044	1	Cable (Red) (Aux Relay to Aux Pump)	
41D	7027045	1	Cable, Battery (Black) (Engine to Tray Pivot Grd)	
42	1001145089	1	Clamp	
43	1001145842	1	Plate	
44	1001154405	2 ft /0.6 m	Hose	
45	1001301710	1	Engine Sub-Assembly (See Separate Breakdown in this Section)	
46	4460234	AR	Mount, Terminal (Not Shown)	



# SECTION 3 - ENGINE

FIGURE 3-43. DEUTZ D2.9L4 - EMR5 ENGINE INSTALLATION WITH REXROTH PUMPS AND STEEL HOODS (WITH COLD WEATHER PLUS PACKAGE)



ART\_1001301728

## SECTION 3 - ENGINE

**FIGURE 3-43. DEUTZ D2.9L4 - EMR5 ENGINE INSTALLATION WITH REXROTH PUMPS AND STEEL HOODS (WITH COLD WEATHER PLUS PACKAGE)**

ITEM	PART NUMBER	QTY	DESCRIPTION	REV
	1001301728	Ref	ENGINE INSTALLATION EMR5 WITH REXROTH PUMPS AND STEEL HOODS WITH COLD WEATHER PLUS PACKAGE	B
1	0100011	AR	Compound, Locking	
2	0100079	AR	Sealant, Pipe	
3	0641408	10	Bolt 1/4 x 1	
4	0641410	4	Bolt 1/4 x 1-1/4	
5	0641511	1	Bolt 5/16 x 1-3/8	
6	0641605	3	Bolt 3/8 x 5/8	
7	0641606	4	Bolt 3/8 x 3/4	
8	0641608	5	Bolt 3/8 x 1	
9	0641610	1	Bolt 3/8 x 1-1/4	
10	0641612	2	Bolt 3/8 x 1-1/2	
11	0641708	1	Bolt 7/16 x 1	
12	0641808	1	Bolt 1/2 x 1	
13	0642010	1	Bolt 5/8 x 1-1/4	
14	0761210	1	Bolt M12 x 20	
15	1320022	3	Clamp	
16	1320187	1	Clamp	
17	1320190	1	Clamp	
18	1671121	1	Cover	
19	2180832	1	Fitting, Barbed	
20	2220313	2	Fitting, 90 NPTF/Barbed	
21	2750532	5 ft /1.6 m	Hose	
22	3311405	10	Nut 1/4	
23	3311605	2	Nut 3/8	
24	3311705	1	Nut 7/16	
25	3422446	1	Pin	
26	3520054	1	Plug	
27	3841143	1	Keeper, Pin	
28	4240018	AR	Tie-Strap (Not Shown)	
29	4711400	24	Washer 1/4	
30	4711600	16	Washer 3/8	
31	4711700	2	Washer 7/16	
32	4752000	1	Washer 5/8	
33	4812100	1	Washer M12	
34	8405006	2	Clamp	
35	1001108617	1	Filter	
35	70002231	1	Element, Filter	
36	1001110425	4	Spacer	
37	1001116792	1	Clamp	
37	1321716	5	Clamp	
38	1001131542	1	Lanyard	
39	1001138491	1	Harness, Fuel (Not Shown) (See Separate Breakdown in ELECTRICAL Section)	
40	1001140604	1	Panel	
41	1001141225	1	Battery Cable Kit	
41A	7027042	1	Cable, Battery (Red) (Battery + to Relays and Starter)	
41B	7027043	1	Cable, Battery (Black) (Battery - to Tray Pivot Grd and Aux Pump)	

## SECTION 3 - ENGINE

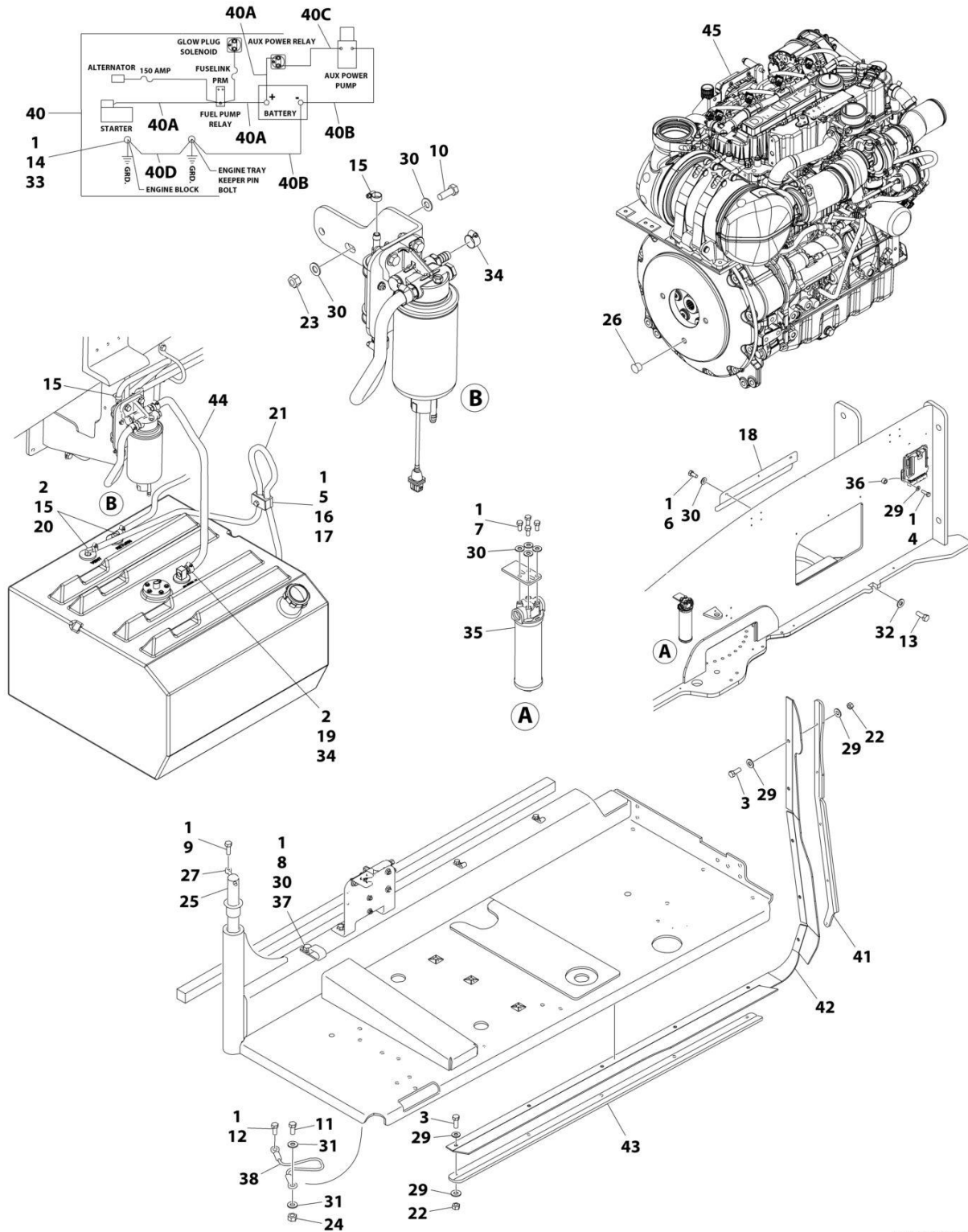
ITEM	PART NUMBER	QTY	DESCRIPTION	REV
41C	7027044	1	Cable (Red) (Aux Relay to Aux Pump)	
41D	7027045	1	Cable, Battery (Black) (Engine to Tray Pivot Grd)	
42	1001145089	1	Clamp	
43	1001145842	1	Plate	
44	1001154405	2 ft /0.6 m	Hose	
45	1001301672	1	Engine Sub-Assembly (See Separate Breakdown in this Section)	
46	4460234	AR	Mount, Terminal (Not Shown)	





# SECTION 3 - ENGINE

**FIGURE 3-44. DEUTZ D2.9L4 - EMR5 ENGINE INSTALLATION WITH REXROTH PUMPS AND ABS HOODS (WITHOUT COLD WEATHER PLUS PACKAGE)**



ART\_1001301723

## SECTION 3 - ENGINE

**FIGURE 3-44. DEUTZ D2.9L4 - EMR5 ENGINE INSTALLATION WITH REXROTH PUMPS AND ABS HOODS (WITHOUT COLD WEATHER PLUS PACKAGE)**

ITEM	PART NUMBER	QTY	DESCRIPTION	REV
	1001301723	Ref	ENGINE INSTALLATION EMR5 WITH REXROTH PUMPS AND ABS HOODS WITHOUT COLD WEATHER PLUS PACKAGE	B
1	0100011	AR	Compound, Locking	
2	0100079	AR	Sealant, Pipe	
3	0641408	10	Bolt 1/4 x 1	
4	0641410	4	Bolt 1/4 x 1-1/4	
5	0641511	1	Bolt 5/16 x 1-3/8	
6	0641605	3	Bolt 3/8 x 5/8	
7	0641606	4	Bolt 3/8 x 3/4	
8	0641608	5	Bolt 3/8 x 1	
9	0641610	1	Bolt 3/8 x 1-1/4	
10	0641612	2	Bolt 3/8 x 1-1/2	
11	0641708	1	Bolt 7/16 x 1	
12	0641808	1	Bolt 1/2 x 1	
13	0642010	1	Bolt 5/8 x 1-1/4	
14	0761210	1	Bolt M12 x 20	
15	1320022	3	Clamp	
16	1320187	1	Clamp	
17	1320190	1	Clamp	
18	1671121	1	Cover	
19	2180832	1	Fitting, Barbed	
20	2220313	2	Fitting, 90 NPTF/Barbed	
21	2750532	5 ft /1.6 m	Hose	
22	3311405	10	Nut 1/4	
23	3311605	2	Nut 3/8	
24	3311705	1	Nut 7/16	
25	3422446	1	Pin	
26	3520054	1	Plug	
27	3841143	1	Keeper, Pin	
28	4240018	AR	Tie-Strap (Not Shown)	
29	4711400	24	Washer 1/4	
30	4711600	16	Washer 3/8	
31	4711700	2	Washer 7/16	
32	4752000	1	Washer 5/8	
33	4812100	1	Washer M12	
34	8405006	2	Clamp	
35	1001108617	1	Filter	
35	70002231	1	Element, Filter	
36	1001110425	4	Spacer	
37	1001116792	1	Clamp	
37	1321716	5	Clamp	
38	1001131542	1	Lanyard	
39	1001138491	1	Harness, Fuel (Not Shown) (See Separate Breakdown in ELECTRICAL Section)	
40	1001141225	1	Battery Cable Kit	
40A	7027042	1	Cable, Battery (Red) (Battery + to Relays and Starter)	
40B	7027043	1	Cable, Battery (Black) (Battery - to Tray Pivot Grd and Aux Pump)	
40C	7027044	1	Cable (Red) (Aux Relay to Aux Pump)	

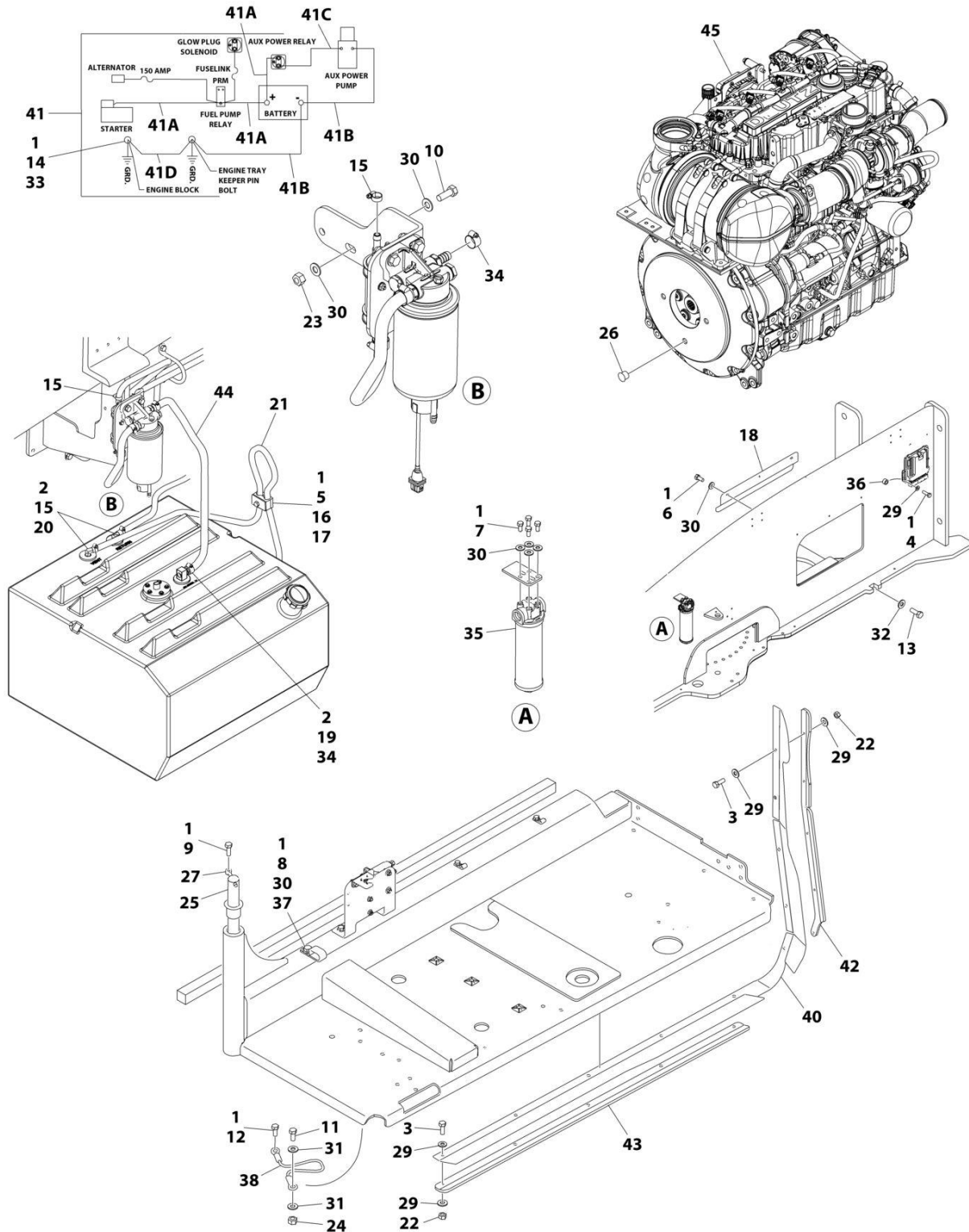
## SECTION 3 - ENGINE

ITEM	PART NUMBER	QTY	DESCRIPTION	REV
40D	7027045	1	Cable, Battery (Black) (Engine to Tray Pivot Grd)	
41	1001145089	1	Clamp	
42	1001145560	1	Panel	
43	1001145842	1	Plate	
44	1001154405	2 ft /0.6 m	Hose	
45	1001301713	1	Engine Sub-Assembly (See Separate Breakdown in this Section)	
46	4460234	AR	Mount, Terminal (Not Shown)	



# SECTION 3 - ENGINE

FIGURE 3-45. DEUTZ D2.9L4 - EMR5 ENGINE INSTALLATION WITH REXROTH PUMPS AND STEEL HOODS (WITHOUT COLD WEATHER PLUS PACKAGE)



ART\_1001301722

## SECTION 3 - ENGINE

**FIGURE 3-45. DEUTZ D2.9L4 - EMR5 ENGINE INSTALLATION WITH REXROTH PUMPS AND STEEL HOODS (WITHOUT COLD WEATHER PLUS PACKAGE)**

ITEM	PART NUMBER	QTY	DESCRIPTION	REV
	1001301722	Ref	ENGINE INSTALLATION EMR5 WITH REXROTH PUMPS AND STEEL HOODS WITHOUT COLD WEATHER PLUS PACKAGE	B
1	0100011	AR	Compound, Locking	
2	0100079	AR	Sealant, Pipe	
3	0641408	10	Bolt 1/4 x 1	
4	0641410	4	Bolt 1/4 x 1-1/4	
5	0641511	1	Bolt 5/16 x 1-3/8	
6	0641605	3	Bolt 3/8 x 5/8	
7	0641606	4	Bolt 3/8 x 3/4	
8	0641608	5	Bolt 3/8 x 1	
9	0641610	1	Bolt 3/8 x 1-1/4	
10	0641612	2	Bolt 3/8 x 1-1/2	
11	0641708	1	Bolt 7/16 x 1	
12	0641808	1	Bolt 1/2 x 1	
13	0642010	1	Bolt 5/8 x 1-1/4	
14	0761210	1	Bolt M12 x 20	
15	1320022	3	Clamp	
16	1320187	1	Clamp	
17	1320190	1	Clamp	
18	1671121	1	Cover	
19	2180832	1	Fitting, Barbed	
20	2220313	2	Fitting, 90 NPTF/Barbed	
21	2750532	5 ft /1.6 m	Hose	
22	3311405	10	Nut 1/4	
23	3311605	2	Nut 3/8	
24	3311705	1	Nut 7/16	
25	3422446	1	Pin	
26	3520054	1	Plug	
27	3841143	1	Keeper, Pin	
28	4240018	AR	Tie-Strap (Not Shown)	
29	4711400	24	Washer 1/4	
30	4711600	16	Washer 3/8	
31	4711700	2	Washer 7/16	
32	4752000	1	Washer 5/8	
33	4812100	1	Washer M12	
34	8405006	2	Clamp	
35	1001108617	1	Filter	
35	70002231	1	Element, Filter	
36	1001110425	4	Spacer	
37	1001116792	1	Clamp	
37	1321716	5	Clamp	
38	1001131542	1	Lanyard	
39	1001138491	1	Harness, Fuel (Not Shown) (See Separate Breakdown in ELECTRICAL Section)	
40	1001140604	1	Panel	
41	1001141225	1	Battery Cable Kit	
41A	7027042	1	Cable, Battery (Red) (Battery + to Relays and Starter)	
41B	7027043	1	Cable, Battery (Black) (Battery - to Tray Pivot Grd and Aux Pump)	

## SECTION 3 - ENGINE

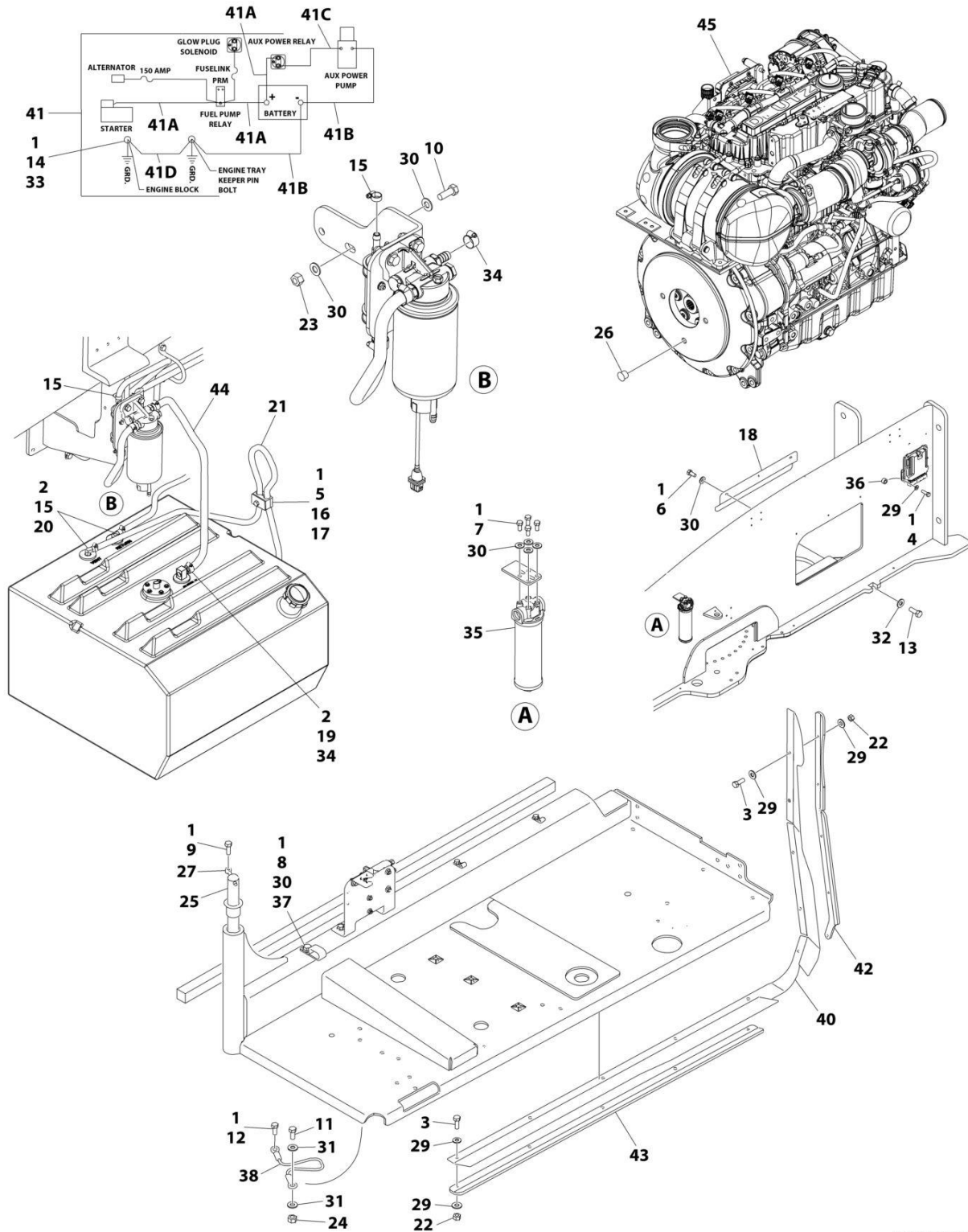
ITEM	PART NUMBER	QTY	DESCRIPTION	REV
41C	7027044	1	Cable (Red) (Aux Relay to Aux Pump)	
41D	7027045	1	Cable, Battery (Black) (Engine to Tray Pivot Grd)	
42	1001145089	1	Clamp	
43	1001145842	1	Plate	
44	1001154405	2 ft /0.6 m	Hose	
45	1001301713	1	Engine Sub-Assembly (See Separate Breakdown in this Section)	
46	4460234	AR	Mount, Terminal (Not Shown)	





# SECTION 3 - ENGINE

FIGURE 3-46. DEUTZ D2.9L4 - EMR5 ENGINE INSTALLATION WITH SAUER PUMPS AND STEEL HOODS (WITH COLD WEATHER PLUS PACKAGE)



ART\_1001302761

## SECTION 3 - ENGINE

**FIGURE 3-46. DEUTZ D2.9L4 - EMR5 ENGINE INSTALLATION WITH SAUER PUMPS AND STEEL HOODS (WITH COLD WEATHER PLUS PACKAGE)**

ITEM	PART NUMBER	QTY	DESCRIPTION	REV
	1001302761	Ref	ENGINE INSTALLATION EMR5 WITH SAUER PUMPS AND STEEL HOODS WITH COLD WEATHER PLUS PACKAGE	B
1	0100011	AR	Compound, Locking	
2	0100079	AR	Sealant, Pipe	
3	0641408	10	Bolt 1/4 x 1	
4	0641410	4	Bolt 1/4 x 1-1/4	
5	0641511	1	Bolt 5/16 x 1-3/8	
6	0641605	3	Bolt 3/8 x 5/8	
7	0641606	4	Bolt 3/8 x 3/4	
8	0641608	5	Bolt 3/8 x 1	
9	0641610	1	Bolt 3/8 x 1-1/4	
10	0641612	2	Bolt 3/8 x 1-1/2	
11	0641708	1	Bolt 7/16 x 1	
12	0641808	1	Bolt 1/2 x 1	
13	0642010	1	Bolt 5/8 x 1-1/4	
14	0761210	1	Bolt M12 x 20	
15	1320022	3	Clamp	
16	1320187	1	Clamp	
17	1320190	1	Clamp	
18	1671121	1	Cover	
19	2180832	1	Fitting, Barbed	
20	2220313	2	Fitting, 90 NPTF/Barbed	
21	2750532	5 ft /1.6 m	Hose	
22	3311405	10	Nut 1/4	
23	3311605	2	Nut 3/8	
24	3311705	1	Nut 7/16	
25	3422446	1	Pin	
26	3520054	1	Plug	
27	3841143	1	Keeper, Pin	
28	4240018	AR	Tie-Strap (Not Shown)	
29	4711400	24	Washer 1/4	
30	4711600	16	Washer 3/8	
31	4711700	2	Washer 7/16	
32	4752000	1	Washer 5/8	
33	4812100	1	Washer M12	
34	8405006	2	Clamp	
35	1001108617	1	Filter	
35	70002231	1	Element, Filter	
36	1001110425	4	Spacer	
37	1001116792	1	Clamp	
37	1321716	5	Clamp	
38	1001131542	1	Lanyard	
39	1001138491	1	Harness, Fuel (Not Shown) (See Separate Breakdown in ELECTRICAL Section)	
40	1001140604	1	Panel	
41	1001141225	1	Battery Cable Kit	
41A	7027042	1	Cable, Battery (Red) (Battery + to Relays and Starter)	
41B	7027043	1	Cable, Battery (Black) (Battery - to Tray Pivot Grd and Aux Pump)	

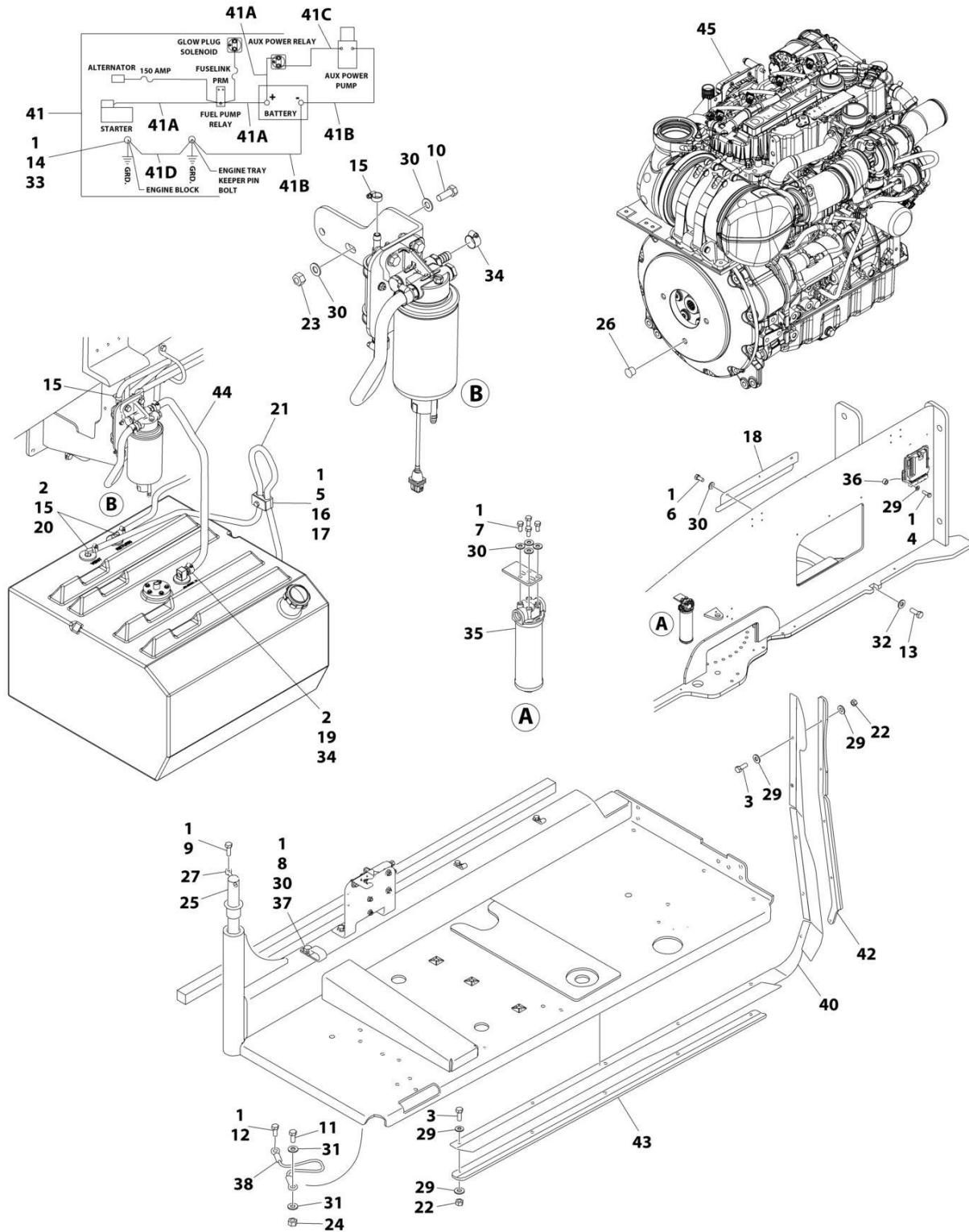
### SECTION 3 - ENGINE

ITEM	PART NUMBER	QTY	DESCRIPTION	REV
41C	7027044	1	Cable (Red) (Aux Relay to Aux Pump)	
41D	7027045	1	Cable, Battery (Black) (Engine to Tray Pivot Grd)	
42	1001145089	1	Clamp	
43	1001145842	1	Plate	
44	1001154405	2 ft /0.6 m	Hose	
45	1001302757	1	Engine Sub-Assembly (See Separate Breakdown in this Section)	
46	4460234	AR	Mount, Terminal (Not Shown)	



# SECTION 3 - ENGINE

FIGURE 3-47. DEUTZ D2.9L4 - EMR5 ENGINE INSTALLATION WITH SAUER PUMPS AND STEEL HOODS (WITHOUT COLD WEATHER PLUS PACKAGE)



ART\_1001302758

## SECTION 3 - ENGINE

**FIGURE 3-47. DEUTZ D2.9L4 - EMR5 ENGINE INSTALLATION WITH SAUER PUMPS AND STEEL HOODS (WITHOUT COLD WEATHER PLUS PACKAGE)**

ITEM	PART NUMBER	QTY	DESCRIPTION	REV
	1001302758	Ref	ENGINE INSTALLATION EMR5 WITH SAUER PUMPS AND STEEL HOODS WITHOUT COLD WEATHER PLUS PACKAGE	B
1	0100011	AR	Compound, Locking	
2	0100079	AR	Sealant, Pipe	
3	0641408	10	Bolt 1/4 x 1	
4	0641410	4	Bolt 1/4 x 1-1/4	
5	0641511	1	Bolt 5/16 x 1-3/8	
6	0641605	3	Bolt 3/8 x 5/8	
7	0641606	4	Bolt 3/8 x 3/4	
8	0641608	5	Bolt 3/8 x 1	
9	0641610	1	Bolt 3/8 x 1-1/4	
10	0641612	2	Bolt 3/8 x 1-1/2	
11	0641708	1	Bolt 7/16 x 1	
12	0641808	1	Bolt 1/2 x 1	
13	0642010	1	Bolt 5/8 x 1-1/4	
14	0761210	1	Bolt M12 x 20	
15	1320022	3	Clamp	
16	1320187	1	Clamp	
17	1320190	1	Clamp	
18	1671121	1	Cover	
19	2180832	1	Fitting, Barbed	
20	2220313	2	Fitting, 90 NPTF/Barbed	
21	2750532	5 ft /1.6 m	Hose	
22	3311405	10	Nut 1/4	
23	3311605	2	Nut 3/8	
24	3311705	1	Nut 7/16	
25	3422446	1	Pin	
26	3520054	1	Plug	
27	3841143	1	Keeper, Pin	
28	4240018	AR	Tie-Strap (Not Shown)	
29	4711400	24	Washer 1/4	
30	4711600	16	Washer 3/8	
31	4711700	2	Washer 7/16	
32	4752000	1	Washer 5/8	
33	4812100	1	Washer M12	
34	8405006	2	Clamp	
35	1001108617	1	Filter	
35	70002231	1	Element, Filter	
36	1001110425	4	Spacer	
37	1001116792	1	Clamp	
37	1321716	5	Clamp	
38	1001131542	1	Lanyard	
39	1001138491	1	Harness, Fuel (Not Shown) (See Separate Breakdown in ELECTRICAL Section)	
40	1001140604	1	Panel	
41	1001141225	1	Battery Cable Kit	
41A	7027042	1	Cable, Battery (Red) (Battery + to Relays and Starter)	
41B	7027043	1	Cable, Battery (Black) (Battery - to Tray Pivot Grd and Aux Pump)	

## SECTION 3 - ENGINE

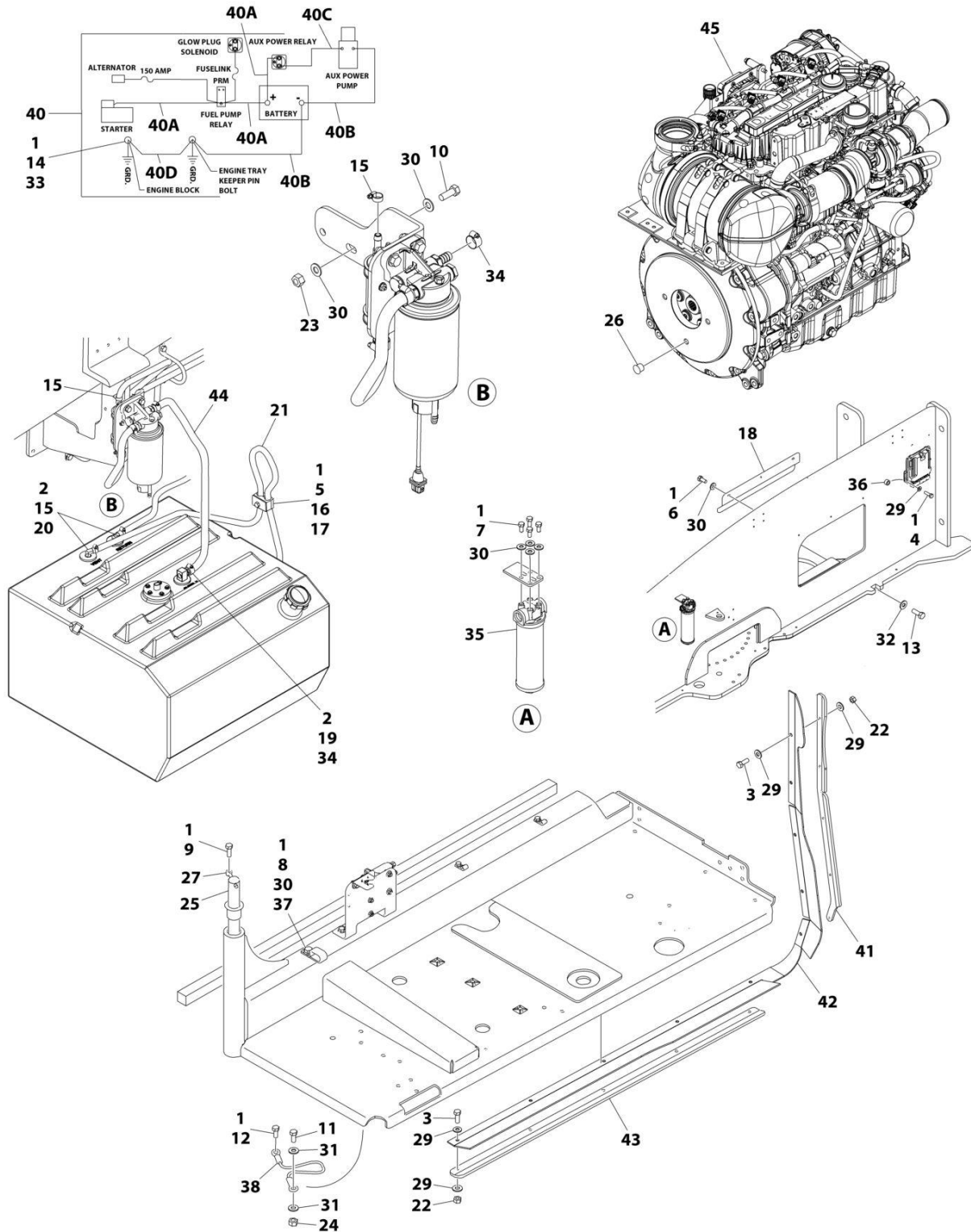
ITEM	PART NUMBER	QTY	DESCRIPTION	REV
41C	7027044	1	Cable (Red) (Aux Relay to Aux Pump)	
41D	7027045	1	Cable, Battery (Black) (Engine to Tray Pivot Grd)	
42	1001145089	1	Clamp	
43	1001145842	1	Plate	
44	1001154405	2 ft /0.6 m	Hose	
45	1001302756	1	Engine Sub-Assembly (See Separate Breakdown in this Section)	
46	4460234	AR	TERMINAL	





# SECTION 3 - ENGINE

**FIGURE 3-48. DEUTZ D2.9L4 - EMR5 ENGINE INSTALLATION WITH SAUER PUMPS AND ABS HOODS (WITHOUT COLD WEATHER PLUS PACKAGE)**



ART\_1001302759

## SECTION 3 - ENGINE

**FIGURE 3-48. DEUTZ D2.9L4 - EMR5 ENGINE INSTALLATION WITH SAUER PUMPS AND ABS HOODS (WITHOUT COLD WEATHER PLUS PACKAGE)**

ITEM	PART NUMBER	QTY	DESCRIPTION	REV
	1001302759	Ref	ENGINE INSTALLATION EMR5 WITH SAUER PUMPS AND ABS HOODS WITHOUT COLD WEATHER PLUS PACKAGE	B
1	0100011	AR	Compound, Locking	
2	0100079	AR	Sealant, Pipe	
3	0641408	10	Bolt 1/4 x 1	
4	0641410	4	Bolt 1/4 x 1-1/4	
5	0641511	1	Bolt 5/16 x 1-3/8	
6	0641605	3	Bolt 3/8 x 5/8	
7	0641606	4	Bolt 3/8 x 3/4	
8	0641608	5	Bolt 3/8 x 1	
9	0641610	1	Bolt 3/8 x 1-1/4	
10	0641612	2	Bolt 3/8 x 1-1/2	
11	0641708	1	Bolt 7/16 x 1	
12	0641808	1	Bolt 1/2 x 1	
13	0642010	1	Bolt 5/8 x 1-1/4	
14	0761210	1	Bolt M12 x 20	
15	1320022	3	Clamp	
16	1320187	1	Clamp	
17	1320190	1	Clamp	
18	1671121	1	Cover	
19	2180832	1	Fitting, Barbed	
20	2220313	2	Fitting, 90 NPTF/Barbed	
21	2750532	5 ft /1.6 m	Hose	
22	3311405	10	Nut 1/4	
23	3311605	2	Nut 3/8	
24	3311705	1	Nut 7/16	
25	3422446	1	Pin	
26	3520054	1	Plug	
27	3841143	1	Keeper, Pin	
28	4240018	AR	Tie-Strap (Not Shown)	
29	4711400	24	Washer 1/4	
30	4711600	16	Washer 3/8	
31	4711700	2	Washer 7/16	
32	4752000	1	Washer 5/8	
33	4812100	1	Washer M12	
34	8405006	2	Clamp	
35	1001108617	1	Filter	
35	70002231	1	Element, Filter	
36	1001110425	4	Spacer	
37	1001116792	1	Clamp	
37	1321716	5	Clamp	
38	1001131542	1	Lanyard	
39	1001138491	1	Harness, Fuel (Not Shown) (See Separate Breakdown in ELECTRICAL Section)	
40	1001141225	1	Battery Cable Kit	
40A	7027042	1	Cable, Battery (Red) (Battery + to Relays and Starter)	
40B	7027043	1	Cable, Battery (Black) (Battery - to Tray Pivot Grd and Aux Pump)	
40C	7027044	1	Cable (Red) (Aux Relay to Aux Pump)	

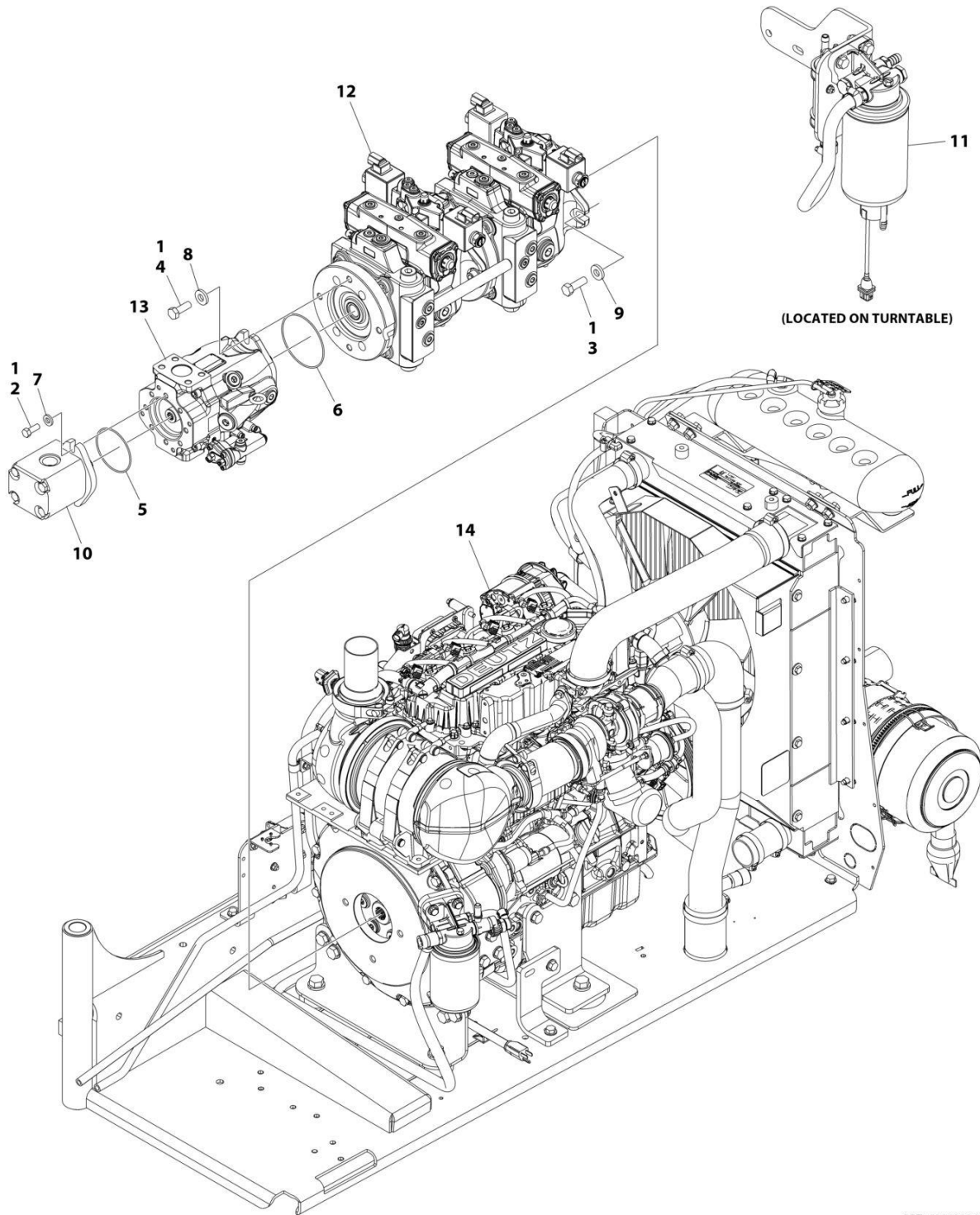
## SECTION 3 - ENGINE

ITEM	PART NUMBER	QTY	DESCRIPTION	REV
40D	7027045	1	Cable, Battery (Black) (Engine to Tray Pivot Grd)	
41	1001145089	1	Clamp	
42	1001145560	1	Panel	
43	1001145842	1	Plate	
44	1001154405	2 ft /0.6 m	Hose	
45	1001302756	1	Engine Sub-Assembly (See Separate Breakdown in this Section)	
46	4460234	AR	Mount, Terminal (Not Shown)	



# SECTION 3 - ENGINE

FIGURE 3-49. DEUTZ D2.9L4 - EMR5 ENGINE SUB-ASSEMBLY WITH PMP PUMPS (WITH COLD WEATHER PLUS PACKAGE)



ART\_1001301654

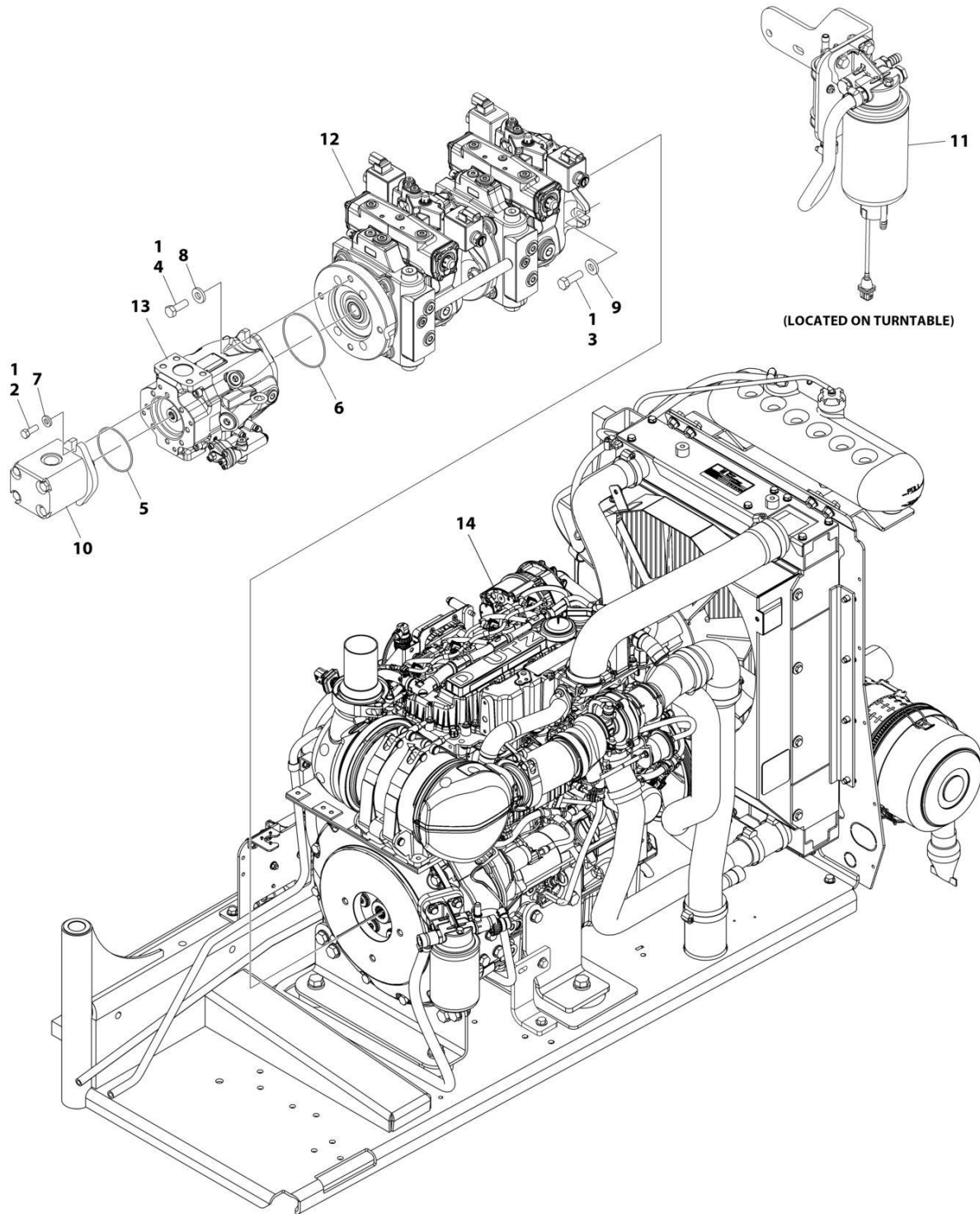
## SECTION 3 - ENGINE

**FIGURE 3-49. DEUTZ D2.9L4 - EMR5 ENGINE SUB-ASSEMBLY WITH PMP PUMPS (WITH COLD WEATHER PLUS PACKAGE)**

ITEM	PART NUMBER	QTY	DESCRIPTION	REV
	1001301654	Ref	ENGINE SUB-ASSEMBLY EMR5 WITH PMP PUMPS (WITH COLD WEATHER PLUS PACKAGE)	A
1	0100011	AR	Compound, Locking	
2	0641608	2	Bolt 3/8 x 1	
3	0641812	2	Bolt 1/2 x 1-1/2	
4	0761215	2	Bolt M12 x 35	
5	3790152	1	O-Ring	
6	3790155	1	O-Ring	
7	4891600	2	Washer 3/8	
8	4891800	2	Washer 1/2	
9	8310056	2	Washer	
10	1001112927	1	Pump Assembly - Sauer Gear (See Separate Breakdown in this Section)	
11	1001165101	1	Bracket, Fuel Pump Filter Assembly (See Separate Breakdown in this Section)	
12	1001286957	1	Pump Assembly - Hydraulic Tandem (See Separate Breakdown in this Section)	
13	1001286958	1	Pump Assembly - Hydraulic Piston (See Separate Breakdown in this Section)	
14	1001301590	1	Engine Assembly (See Separate Breakdown in this Section)	

# SECTION 3 - ENGINE

FIGURE 3-50. DEUTZ D2.9L4 - EMR5 ENGINE SUB-ASSEMBLY WITH PMP PUMPS (WITHOUT COLD WEATHER PLUS PACKAGE)



ART\_1001301710



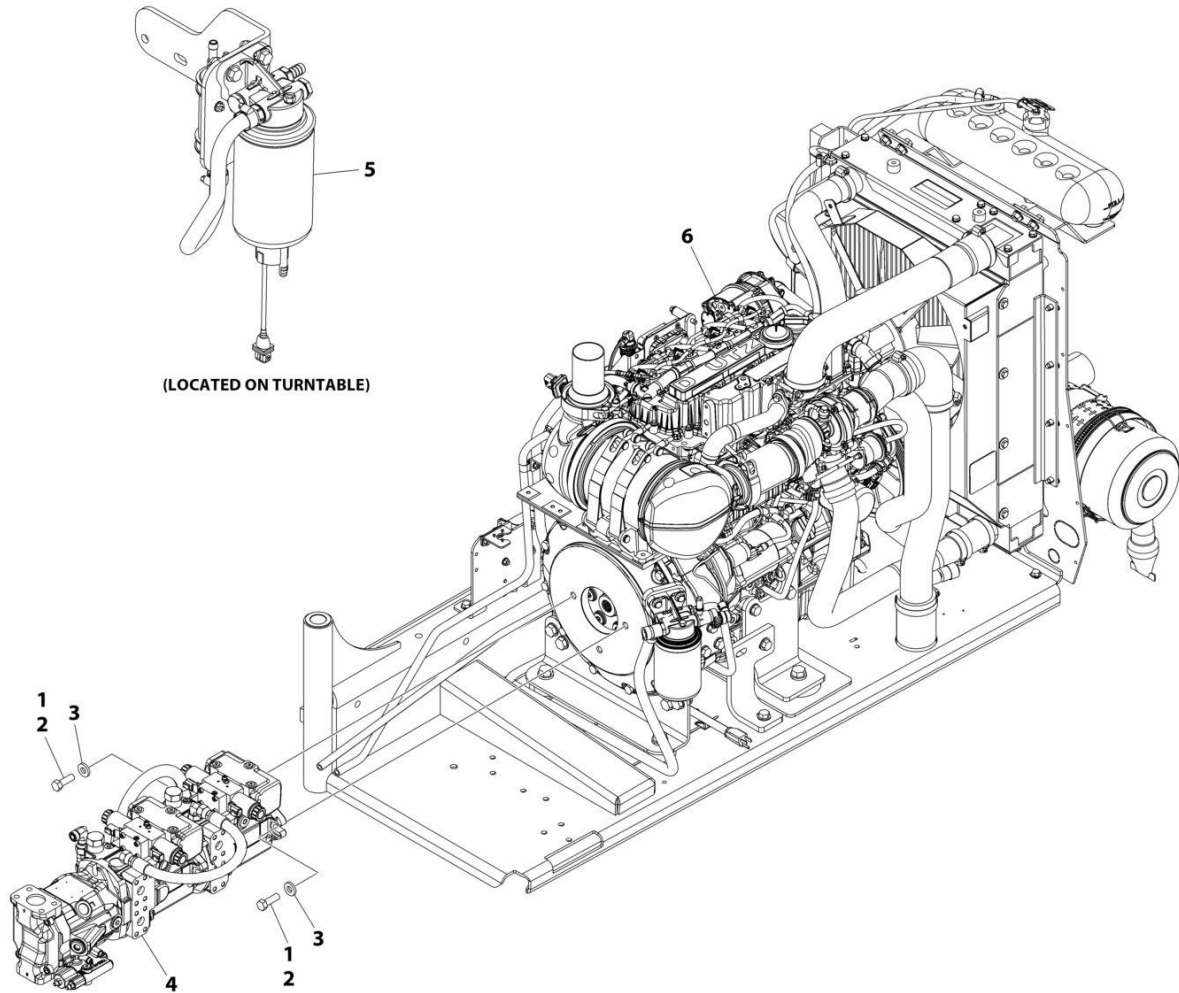
## SECTION 3 - ENGINE

**FIGURE 3-50. DEUTZ D2.9L4 - EMR5 ENGINE SUB-ASSEMBLY WITH PMP PUMPS (WITHOUT COLD WEATHER PLUS PACKAGE)**

ITEM	PART NUMBER	QTY	DESCRIPTION	REV
	1001301710	Ref	ENGINE SUB-ASSEMBLY EMR5 WITH PMP PUMPS (WITHOUT COLD WEATHER PLUS PACKAGE)	A
1	0100011	AR	Compound, Locking	
2	0641608	2	Bolt 3/8 x 1	
3	0641812	2	Bolt 1/2 x 1-1/2	
4	0761215	2	Bolt M12 x 35	
5	3790152	1	O-Ring	
6	3790155	1	O-Ring	
7	4891600	2	Washer 3/8	
8	4891800	2	Washer 1/2	
9	8310056	2	Washer	
10	1001112927	1	Pump Assembly - Sauer Gear (See Separate Breakdown in this Section)	
11	1001165101	1	Bracket, Fuel Pump Filter Assembly (See Separate Breakdown in this Section)	
12	1001286957	1	Pump Assembly - Hydraulic Tandem (See Separate Breakdown in this Section)	
13	1001286958	1	Pump Assembly - Hydraulic Piston (See Separate Breakdown in this Section)	
14	1001301546	1	Engine Assembly (See Separate Breakdown in this Section)	

# SECTION 3 - ENGINE

FIGURE 3-51. DEUTZ D2.9L4 - EMR5 ENGINE SUB-ASSEMBLY WITH REXROTH PUMPS (WITH COLD WEATHER PLUS PACKAGE)



ART\_1001301672

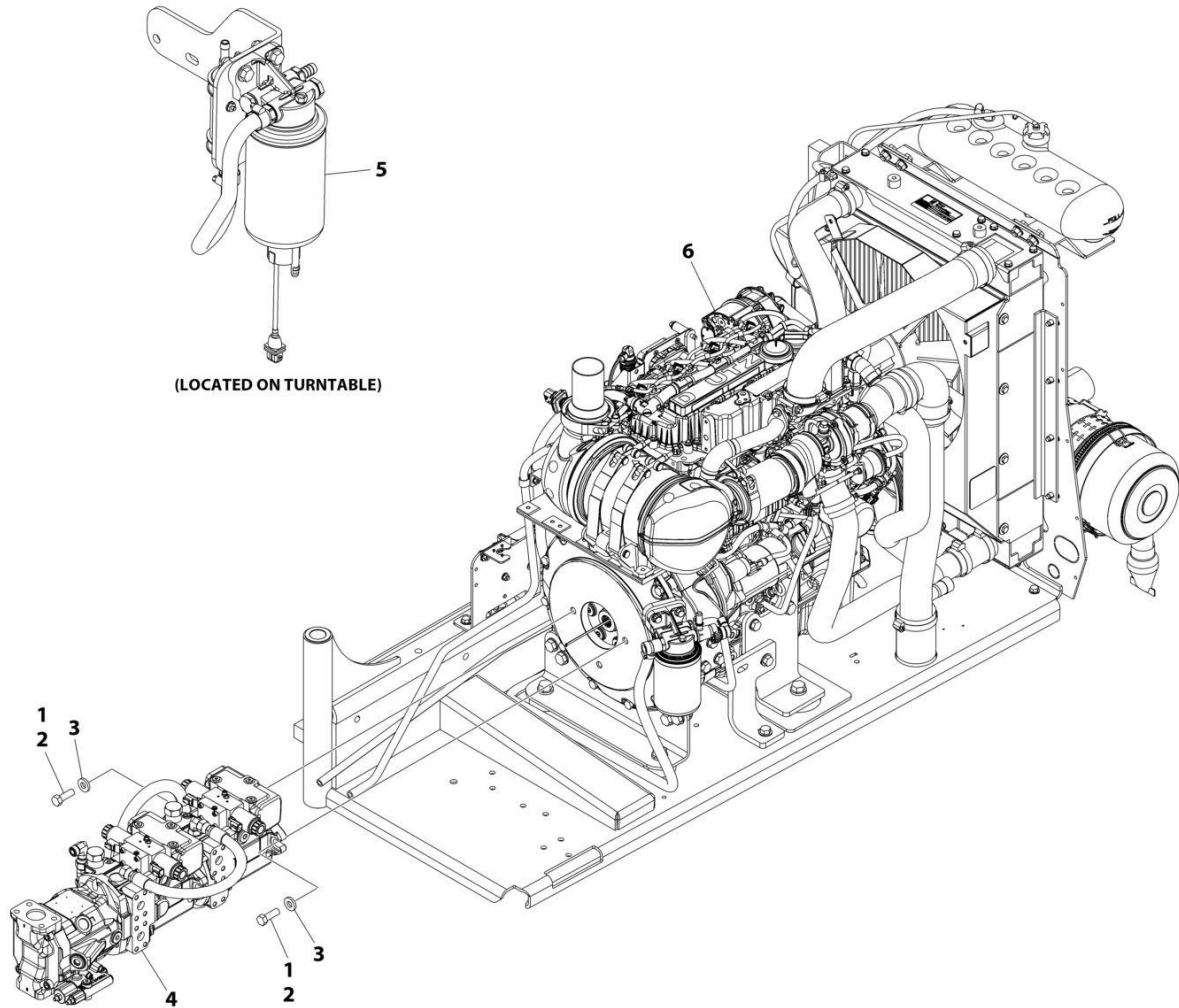
## SECTION 3 - ENGINE

**FIGURE 3-51. DEUTZ D2.9L4 - EMR5 ENGINE SUB-ASSEMBLY WITH REXROTH PUMPS (WITH COLD WEATHER PLUS PACKAGE)**

ITEM	PART NUMBER	QTY	DESCRIPTION	REV
	1001301672	Ref	ENGINE SUB-ASSEMBLY EMR5 WITH REXROTH PUMPS (WITH COLD WEATHER PLUS PACKAGE)	A
1	0100011	AR	Compound, Locking	
2	0641814	2	Bolt 1/2 x 1-3/4	
3	4740171	2	Washer	
4	1001152963	1	Pump Assembly - Rexroth (See Separate Breakdown in this Section)	
5	1001165101	1	Bracket, Fuel Pump Filter Assembly (See Separate Breakdown in this Section)	
6	1001301590	1	Engine Assembly (See Separate Breakdown in this Section)	

# SECTION 3 - ENGINE

FIGURE 3-52. DEUTZ D2.9L4 - EMR5 ENGINE SUB-ASSEMBLY WITH REXROTH PUMPS (WITHOUT COLD WEATHER PLUS PACKAGE)



ART\_1001301713

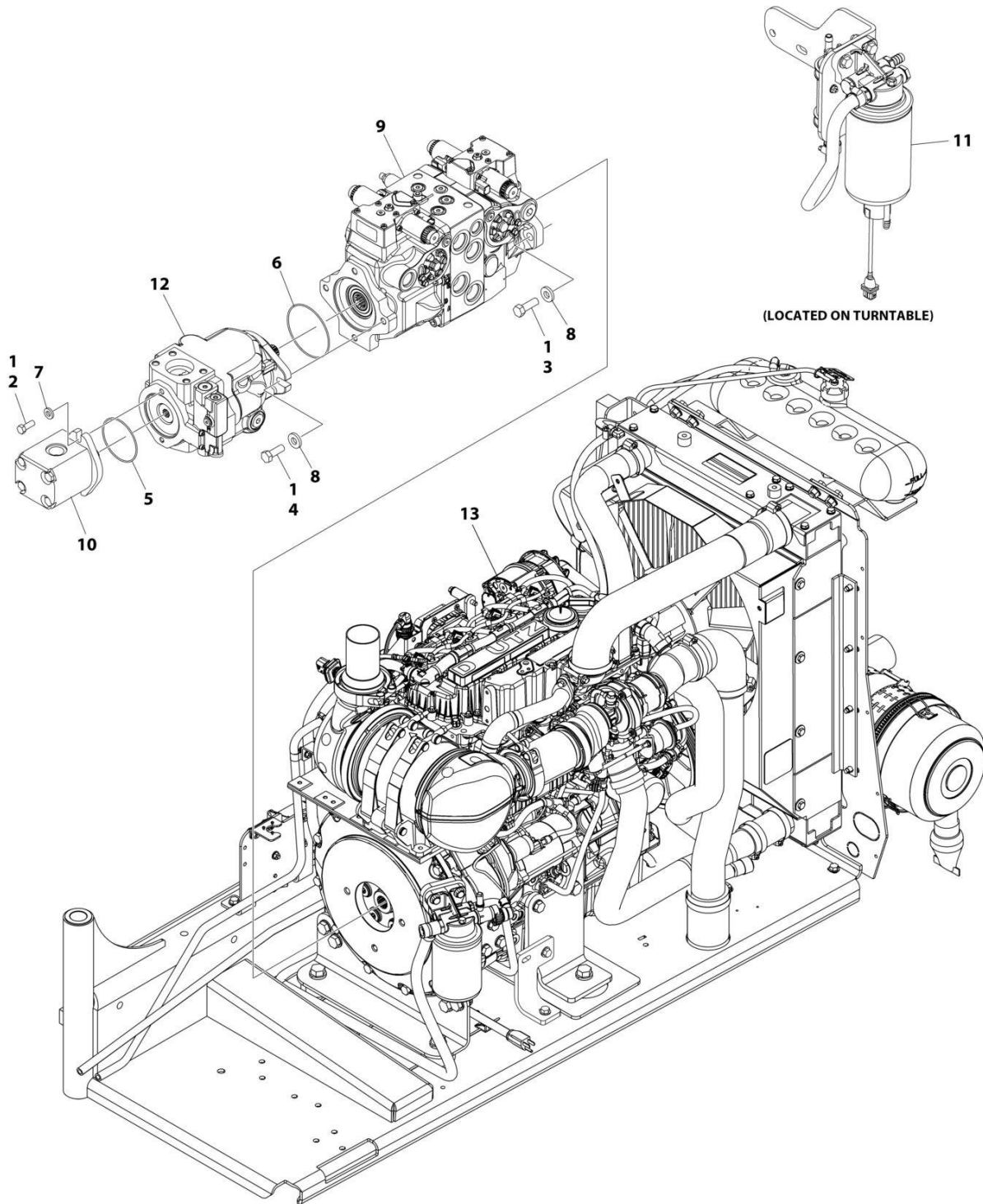
## SECTION 3 - ENGINE

**FIGURE 3-52. DEUTZ D2.9L4 - EMR5 ENGINE SUB-ASSEMBLY WITH REXROTH PUMPS (WITHOUT COLD WEATHER PLUS PACKAGE)**

ITEM	PART NUMBER	QTY	DESCRIPTION	REV
	1001301713	Ref	ENGINE SUB-ASSEMBLY EMR5 WITH REXROTH PUMPS (WITHOUT COLD WEATHER PLUS PACKAGE)	A
1	0100011	AR	Compound, Locking	
2	0641814	2	Bolt 1/2 x 1-3/4	
3	4891800	2	Washer 1/2	
4	1001152963	1	Pump Assembly - Rexroth (See Separate Breakdown in this Section)	
5	1001165101	1	Bracket, Fuel Pump Filter Assembly (See Separate Breakdown in this Section)	
6	1001301546	1	Engine Assembly (See Separate Breakdown in this Section)	

# SECTION 3 - ENGINE

**FIGURE 3-53. DEUTZ D2.9L4 - EMR5 ENGINE SUB-ASSEMBLY WITH SAUER PUMPS (WITH COLD WEATHER PLUS PACKAGE)**



ART\_1001302757

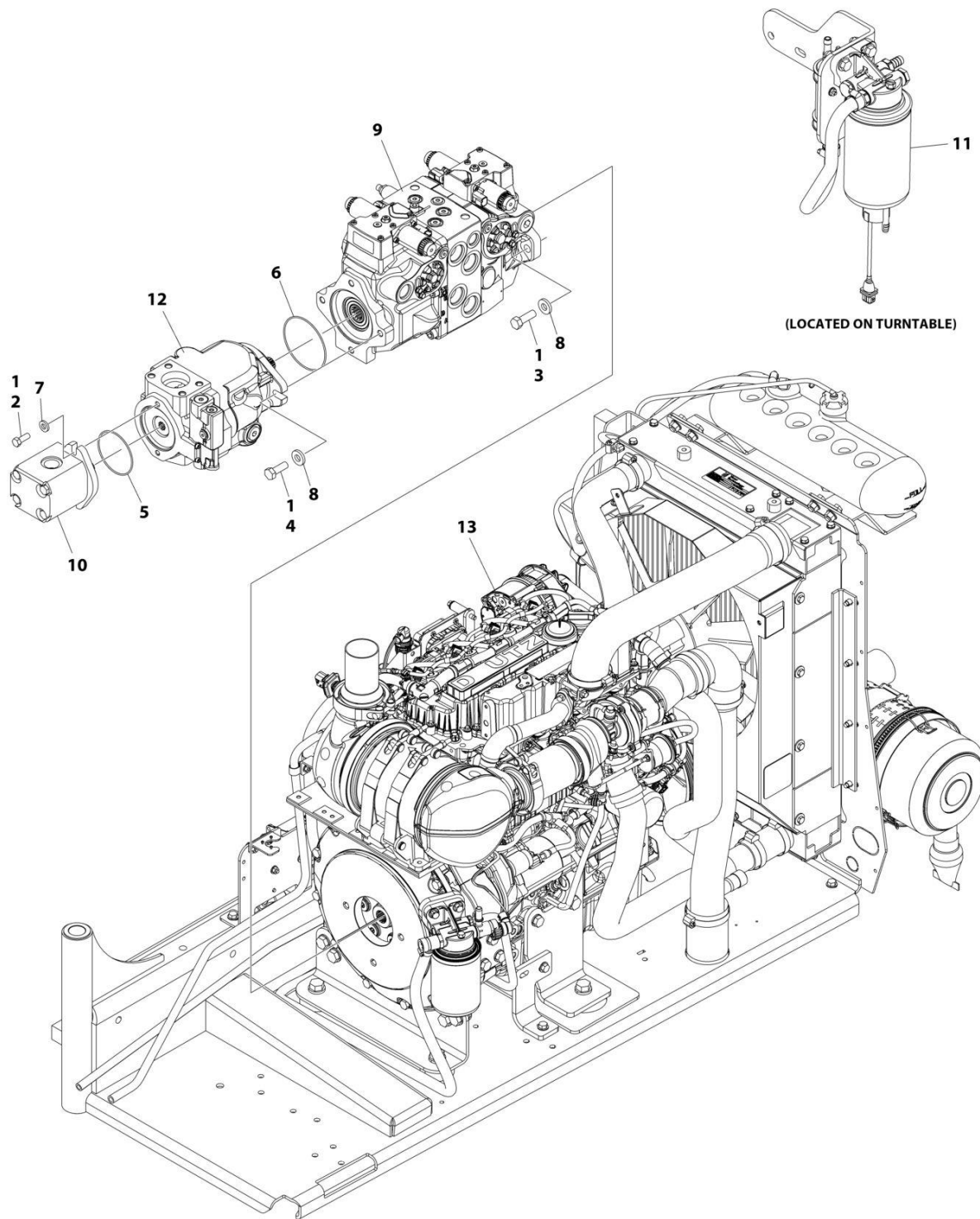
## SECTION 3 - ENGINE

**FIGURE 3-53. DEUTZ D2.9L4 - EMR5 ENGINE SUB-ASSEMBLY WITH SAUER PUMPS (WITH COLD WEATHER PLUS PACKAGE)**

ITEM	PART NUMBER	QTY	DESCRIPTION	REV
	1001302757	Ref	ENGINE SUB-ASSEMBLY EMR5 WITH SAUER PUMPS (WITH COLD WEATHER PLUS PACKAGE)	A
1	0100011	AR	Compound, Locking	
2	0641608	2	Bolt 3/8 x 1	
3	0641812	2	Bolt 1/2 x 1-1/2	
4	0761215	2	Bolt M12 x 35	
5	3790152	1	O-Ring	
6	3790155	1	O-Ring	
7	4891600	2	Washer 3/8	
8	4891800	4	Washer 1/2	
9	1001108616	1	Pump Assembly - Sauer Tandem (See Separate Breakdown in this Section)	
10	1001112927	1	Pump Assembly - Sauer Gear (See Separate Breakdown in this Section)	
11	1001165101	1	Bracket, Fuel Pump Filter Assembly (See Separate Breakdown in this Section)	
12	1001171095	1	Pump Assembly - Sauer Piston (See Separate Breakdown in this Section)	
13	1001301590	1	Engine Assembly (See Separate Breakdown in this Section)	

# SECTION 3 - ENGINE

FIGURE 3-54. DEUTZ D2.9L4 - EMR5 ENGINE SUB-ASSEMBLY WITH SAUER PUMPS (WITHOUT COLD WEATHER PLUS PACKAGE)



ART\_1001302756



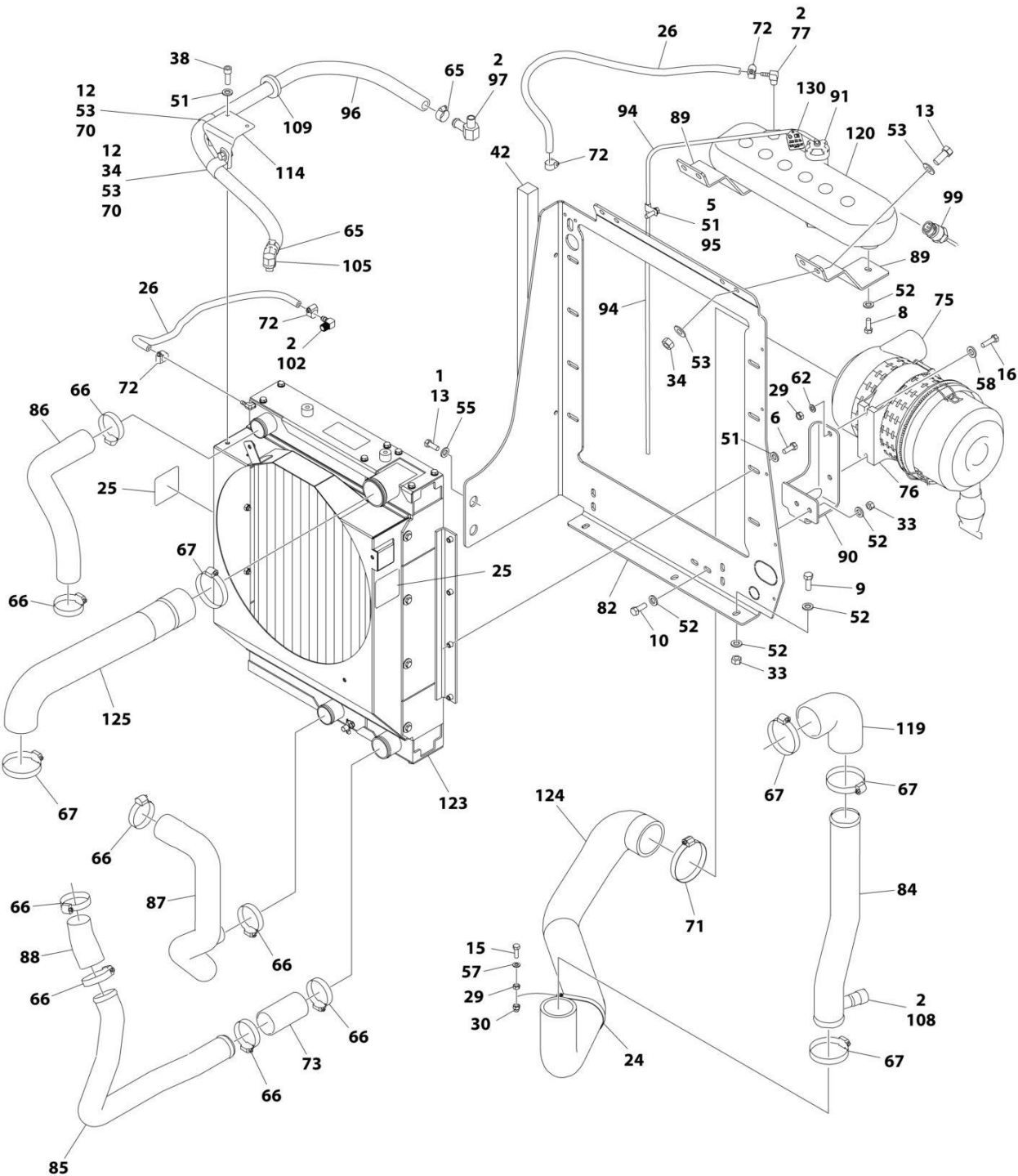
## SECTION 3 - ENGINE

**FIGURE 3-54. DEUTZ D2.9L4 - EMR5 ENGINE SUB-ASSEMBLY WITH SAUER PUMPS (WITHOUT COLD WEATHER PLUS PACKAGE)**

ITEM	PART NUMBER	QTY	DESCRIPTION	REV
	1001302756	Ref	ENGINE SUB-ASSEMBLY EMR5 WITH SAUER PUMPS (WITHOUT COLD WEATHER PLUS PACKAGE)	A
1	0100011	AR	Compound, Locking	
2	0641608	2	Bolt 3/8 x 1	
3	0641812	2	Bolt 1/2 x 1-1/2	
4	0761215	2	Bolt M12 x 35	
5	3790152	1	O-Ring	
6	3790155	1	O-Ring	
7	4891600	2	Washer 3/8	
8	4891800	4	Washer 1/2	
9	1001108616	1	Pump Assembly - Sauer Tandem (See Separate Breakdown in this Section)	
10	1001112927	1	Pump Assembly - Sauer Gear (See Separate Breakdown in this Section)	
11	1001165101	1	Bracket, Fuel Pump Filter Assembly (See Separate Breakdown in this Section)	
12	1001171095	1	Pump Assembly - Sauer Piston (See Separate Breakdown in this Section)	
13	1001301546	1	Engine Assembly (See Separate Breakdown in this Section)	

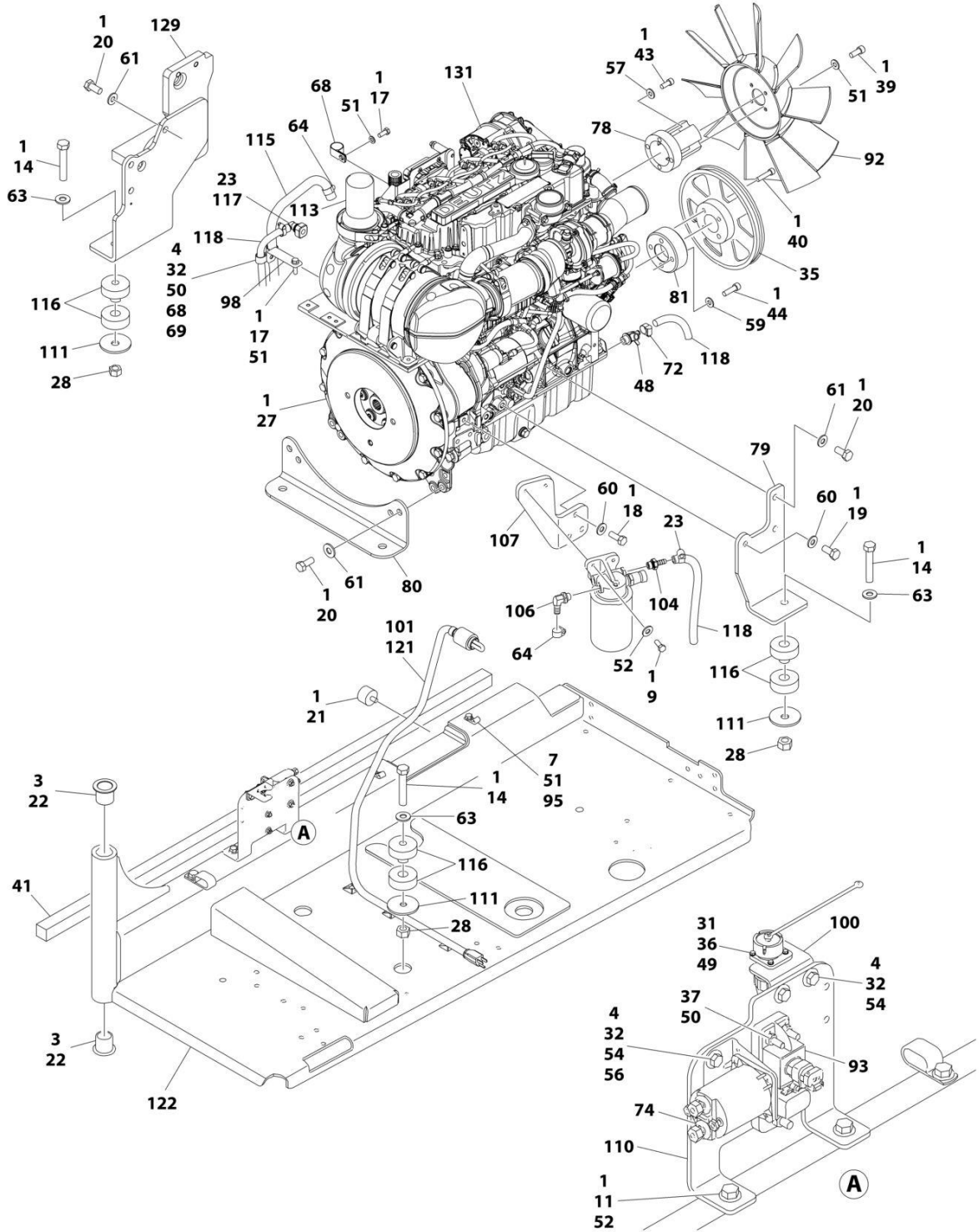
# SECTION 3 - ENGINE

## FIGURE 3-55. DEUTZ D2.9L4 - EMR5 ENGINE ASSEMBLY (WITH COLD WEATHER PLUS PACKAGE)



ART\_1001301590\_10F2

# SECTION 3 - ENGINE



ART\_1001301590\_20F2

## SECTION 3 - ENGINE

FIGURE 3-55. DEUTZ D2.9L4 - EMR5 ENGINE ASSEMBLY (WITH COLD WEATHER PLUS PACKAGE)

ITEM	PART NUMBER	QTY	DESCRIPTION	REV
	1001301590	Ref	TCD2.9L4 EMR5 ENGINE ASSEMBLY (WITH COLD WEATHER PLUS PACKAGE)	A
1	0100011	AR	Compound, Locking	
2	0100020	AR	Sealant, Pipe	
3	0100062	AR	Adhesive	
4	0641406	5	Bolt 1/4 x 3/4	
5	0641503	1	Bolt 5/16 x 3/8	
6	0641508	8	Bolt 5/16 x 1	
7	0641510	2	Bolt 5/16 x 1-1/4	
8	0641606	2	Bolt 3/8 x 3/4	
9	0641608	9	Bolt 3/8 x 1	
10	0641610	2	Bolt 3/8 x 1-1/4	
11	0641612	2	Bolt 3/8 x 1-1/2	
12	0641706	2	Bolt 7/16 x 3/4	
13	0641708	6	Bolt 7/16 x 1	
14	0682028	4	Bolt 5/8 x 3-1/2	
15	0700812	1	Bolt M8 x 25	
16	0700815	2	Bolt M8 x 35	
17	0760810	2	Bolt M8 x 20	
18	0761214	3	Bolt M12 x 30	
19	0771212	1	Bolt M12 x 25	
20	0771414	9	Bolt M14 x 30	
21	0940070	1	Bumper	
22	0961986	2	Bearing	
23	1320022	2	Clamp	
24	1321289	1	Clamp	
25	1703162	2	Decal - Fan Blade	
26	2720015	5 ft /1.5 m	Hose	
27	2902065	1	Pump Coupling Kit (See Separate Breakdown in this Section)	
28	3272001	4	Nut 5/8	
29	3290801	3	Nut M8	
30	3290806	1	Nut M8	
31	3310401	3	Nut #4	
32	3311405	6	Nut 1/4	
33	3311605	9	Nut 3/8	
34	3311705	5	Nut 7/16	
35	3580320	1	Pulley	
36	3910408	3	Screw #4 x 1/2	
37	3931432	1	Capscrew 1/4 x 2	
38	3931508	2	Capscrew 5/16 x 1/2	
39	3931512	4	Capscrew 5/16 x 3/4	
40	3931628	4	Capscrew 3/8 x 1-3/4	
41	3960543	1	Seal	
42	3960544	1	Seal	
43	4031914	4	Bolt M8 x 50	
44	4032014	4	Bolt M10 x 50	
45	4240032	AR	Tie-Strap (Not Shown)	
46	4240099	AR	Tie-Strap (Not Shown)	
47	4460234	3	Mount, Tie-Strap (Not Shown)	
48	4640751	1	Valve, Oil Drain	

## SECTION 3 - ENGINE

ITEM	PART NUMBER	QTY	DESCRIPTION	REV
49	4710400	3	Washer #4	
50	4711400	3	Washer 1/4	
51	4711500	19	Washer 5/16	
52	4711600	24	Washer 3/8	
53	4711700	10	Washer 7/16	
54	4751400	8	Washer 1/4	
55	4751700	2	Washer 7/16	
56	4791400	2	Washer, Star 1/4	
57	4811900	5	Washer M8	
58	4811902	2	Washer M8	
59	4812000	4	Washer M10	
60	4812100	4	Washer M12	
61	4812200	9	Washer M14	
62	4831900	2	Washer M8	
63	4892000	4	Washer 5/8	
64	8405006	2	Clamp	
65	8405007	2	Clamp	
66	8405201	8	Clamp	
67	8405204	5	Clamp	
68	8406102	2	Clip	
69	8406112	1	Clip	
70	8406302	2	Clamp	
71	8410011	1	Clamp	
72	8410013	5	Clamp	
73	91563070	1	Coupling, Rubber	
74	1001117308	1	Relay	
75	1001133633	1	Filter, Air	
75	70024190	1	Element, Filter	
76	1001133634	1	Clamp	
77	1001134488	1	Fitting, 90 Barbed	
78	1001135138	1	Spacer, Fan	
79	1001135560	1	Support	
80	1001135562	1	Support	
81	1001135679	1	Spacer, Pulley	
82	1001135680	1	Support	
83	1001135779	1	Cable, Alternator (Not Shown)	
84	1001135901	1	Pipe	
85	1001135913	1	Pipe	
86	1001135924	1	Hose (Upper)	
87	1001135926	1	Hose (Lower)	
88	1001135943	1	Coupling, Rubber	
89	1001136626	2	Bracket	
90	1001136665	1	Bracket	
91	1001136834	1	Cap	
92	1001137276	1	Fan	
93	1001138228	1	Module, Power	
93	70023592	1	Fuse 20Amp	
93	70023593	1	Fuse 30Amp	
94	1001138248	4 ft /1.2 m	Tube	
95	1001138253	5	Clamp	
96	1001138524	1	Hose	

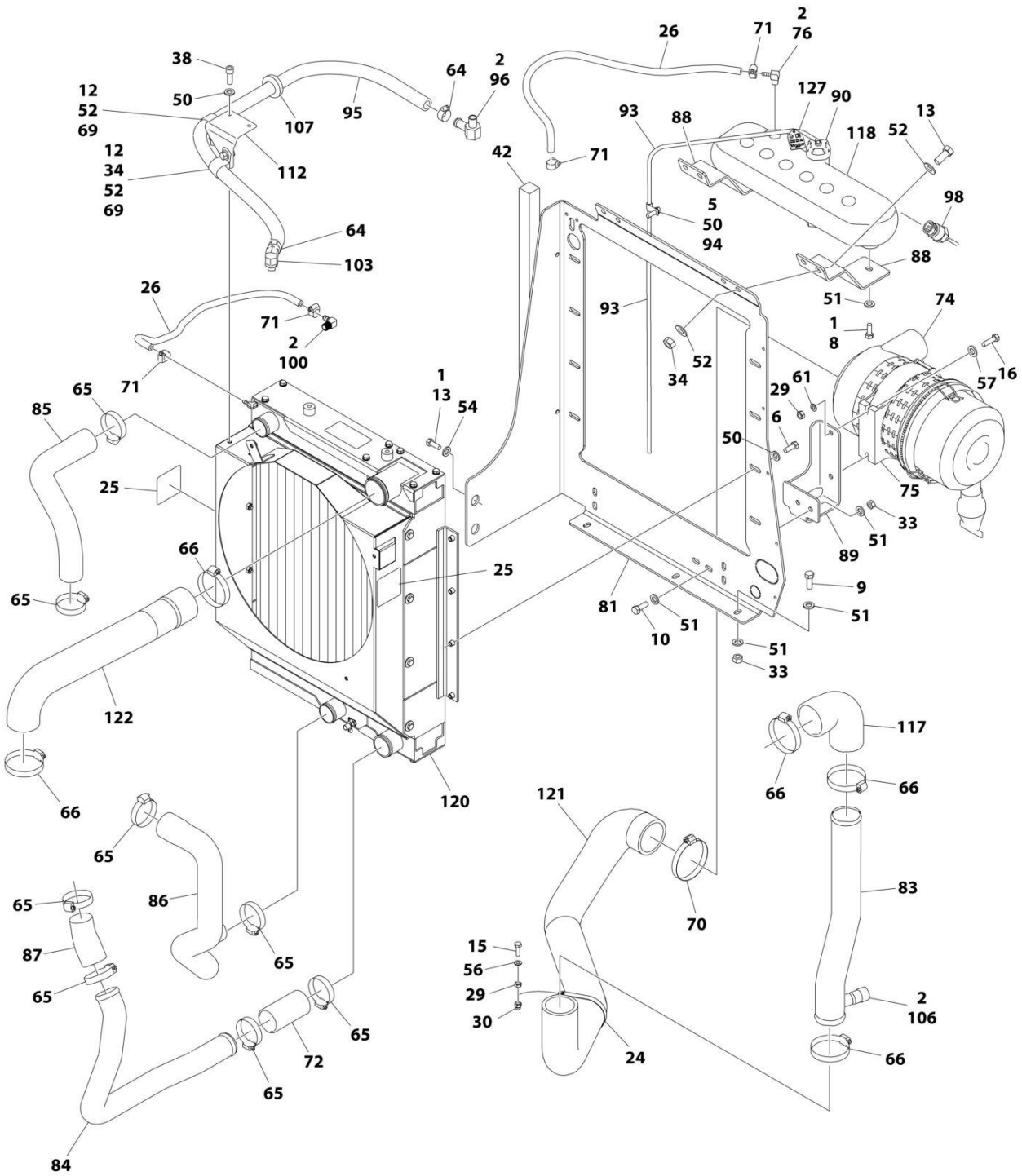
## SECTION 3 - ENGINE

ITEM	PART NUMBER	QTY	DESCRIPTION	REV
97	1001138559	1	Fitting, 90	
98	1001138717	1	Bracket	
99	1001138827	1	Sensor	
100	1001139240	1	Bracket	
101	1001140312	1	Heater, Engine Block	
102	1001140564	1	Fitting, 90 Barbed	
103	1001141304	1	Wire, Glow Plug (Not Shown)	
104	1001141717	1	Fitting, Straight	
105	1001141719	1	Fitting, 90 Barbed	
106	1001142501	1	Fitting, 90 Barbed	
107	1001142685	1	Bracket	
108	1001143390	1	Indicator	
109	1001144089	1	Grommet	
110	1001145154	1	Plate	
111	1001146219	4	Washer	
112	1001148843	1	Harness, Fuel Filter (Not Shown) (See Separate Breakdown in ELECTRICAL Section)	
113	1001153024	1	Pipe, Exhaust	
114	1001153387	1	Plate	
115	1001154405	5 ft /1.6 m	Hose	
116	1001155575	4	Mount	
117	1001155823	1	Coupling, 90 Quick Connect	
118	1001165035	31 ft /10 m	Hose	
119	1001165820	1	Hose	
120	1001166393	1	Tank	
121	1001181895	AR	Adhesive	
122	1001191272	1	Support	
123	1001256864	1	Radiator	
124	1001264917	1	Hose	
125	1001264982	1	Hose	
126	1001276646	1	Harness, Engine (Not Shown) (See Separate Breakdown in ELECTRICAL Section)	
127	1001281985	1	Connector (Not Shown)	
128	1001281986	1	Connector (Not Shown)	
129	1001283008	1	Mount	
130	1001291401	1	Tag, Coolant	
131	1001301545	1	Engine Deutz TCD2.9L4 (EMR5) (See Separate Breakdown in this Section)	



# SECTION 3 - ENGINE

## FIGURE 3-56. DEUTZ D2.9L4 - EMR5 ENGINE ASSEMBLY (WITHOUT COLD WEATHER PLUS PACKAGE)



ART\_1001301546\_10F2





## SECTION 3 - ENGINE

**FIGURE 3-56. DEUTZ D2.9L4 - EMR5 ENGINE ASSEMBLY (WITHOUT COLD WEATHER PLUS PACKAGE)**

ITEM	PART NUMBER	QTY	DESCRIPTION	REV
	1001301546	Ref	TCD2.9L4 EMR5 ENGINE ASSEMBLY (WITHOUT COLD WEATHER PLUS PACKAGE)	A
1	0100011	AR	Compound, Locking	
2	0100020	AR	Sealant, Pipe	
3	0100062	AR	Adhesive	
4	0641406	5	Bolt 1/4 x 3/4	
5	0641503	1	Bolt 5/16 x 3/8	
6	0641508	8	Bolt 5/16 x 1	
7	0641510	2	Bolt 5/16 x 1-1/4	
8	0641606	2	Bolt 3/8 x 3/4	
9	0641608	9	Bolt 3/8 x 1	
10	0641610	2	Bolt 3/8 x 1-1/4	
11	0641612	2	Bolt 3/8 x 1-1/2	
12	0641706	2	Bolt 7/16 x 3/4	
13	0641708	6	Bolt 7/16 x 1	
14	0682028	4	Bolt 5/8 x 3-1/2	
15	0700812	1	Bolt M8 x 25	
16	0700815	2	Bolt M8 x 35	
17	0760810	2	Bolt M8 x 20	
18	0761214	3	Bolt M12 x 30	
19	0771212	1	Bolt M12 x 25	
20	0771414	9	Bolt M14 x 30	
21	0940070	1	Bumper	
22	0961986	2	Bearing	
23	1320022	2	Clamp	
24	1321289	1	Clamp	
25	1703162	2	Decal - Fan Blade	
26	2720015	5 ft /1.5 m	Hose	
27	2902065	1	Pump Coupling Kit (See Separate Breakdown in this Section)	
28	3272001	4	Nut 5/8	
29	3290801	3	Nut M8	
30	3290806	1	Nut M8	
31	3310401	3	Nut #4	
32	3311405	6	Nut 1/4	
33	3311605	9	Nut 3/8	
34	3311705	5	Nut 7/16	
35	3580320	1	Pulley	
36	3910408	3	Screw #4 x 1/2	
37	3931432	1	Capscrew 1/4 x 2	
38	3931508	2	Capscrew 5/16 x 1/2	
39	3931512	4	Capscrew 5/16 x 3/4	
40	3931628	4	Capscrew 3/8 x 1-3/4	
41	3960543	1	Seal	
42	3960544	1	Seal	
43	4031914	4	Bolt M8 x 50	
44	4032014	4	Bolt M10 x 50	
45	4240032	AR	Tie-Strap (Not Shown)	
46	4240099	AR	Tie-Strap (Not Shown)	
47	4640751	1	Valve, Oil Drain	

## SECTION 3 - ENGINE

ITEM	PART NUMBER	QTY	DESCRIPTION	REV
48	4710400	3	Washer #4	
49	4711400	3	Washer 1/4	
50	4711500	19	Washer 5/16	
51	4711600	24	Washer 3/8	
52	4711700	10	Washer 7/16	
53	4751400	8	Washer 1/4	
54	4751700	2	Washer 7/16	
55	4791400	2	Washer, Star 1/4	
56	4811900	5	Washer M8	
57	4811902	2	Washer M8	
58	4812000	4	Washer M10	
59	4812100	4	Washer M12	
60	4812200	9	Washer M14	
61	4831900	2	Washer M8	
62	4892000	4	Washer 5/8	
63	8405006	2	Clamp	
64	8405007	2	Clamp	
65	8405201	8	Clamp	
66	8405204	5	Clamp	
67	8406102	2	Clip	
68	8406112	1	Clip	
69	8406302	2	Clamp	
70	8410011	1	Clamp	
71	8410013	5	Clamp	
72	91563070	1	Coupling, Rubber	
73	1001117308	1	Relay	
74	1001133633	1	Filter, Air	
74	70024190	1	Element, Filter	
75	1001133634	1	Clamp	
76	1001134488	1	Fitting, 90 Barbed	
77	1001135138	1	Spacer, Fan	
78	1001135560	1	Support	
79	1001135562	1	Support	
80	1001135679	1	Spacer, Pulley	
81	1001135680	1	Support	
82	1001135779	1	Cable, Alternator (Not Shown)	
83	1001135901	1	Pipe	
84	1001135913	1	Pipe	
85	1001135924	1	Hose (Upper)	
86	1001135926	1	Hose (Lower)	
87	1001135943	1	Coupling, Rubber	
88	1001136626	2	Bracket	
89	1001136665	1	Bracket	
90	1001136834	1	Cap	
91	1001137276	1	Fan	
92	1001138228	1	Module, Power	
92	70023592	1	Fuse 20Amp	
92	70023593	1	Fuse 30Amp	
93	1001138248	4 ft /1.2 m	Tube	
94	1001138253	5	Clamp	
95	1001138524	1	Hose	

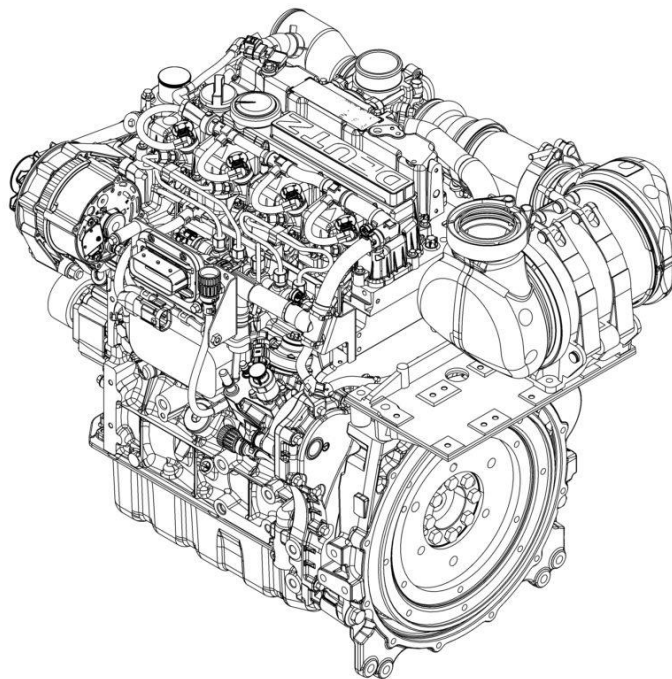
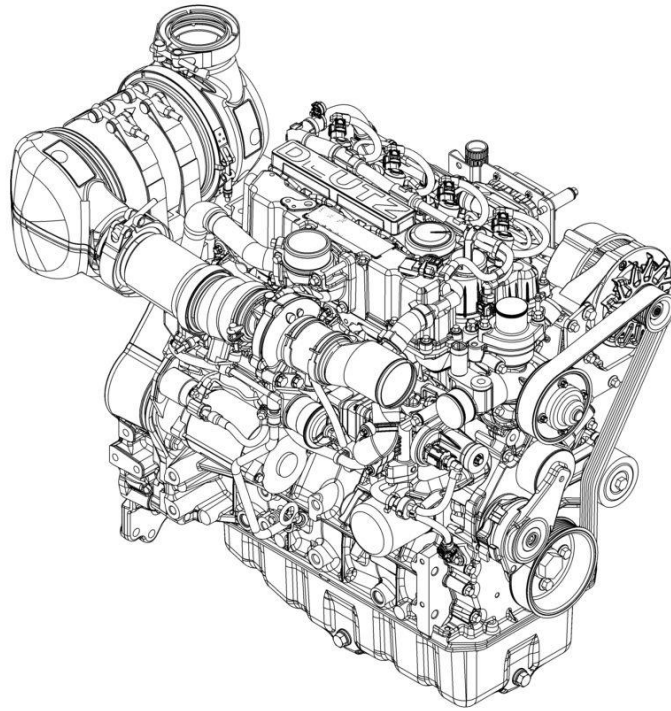
## SECTION 3 - ENGINE

ITEM	PART NUMBER	QTY	DESCRIPTION	REV
96	1001138559	1	Fitting, 90	
97	1001138717	1	Bracket	
98	1001138827	1	Sensor	
99	1001139240	1	Bracket	
100	1001140564	1	Fitting, 90 Barbed	
101	1001141304	1	Wire, Glow Plug (Not Shown)	
102	1001141717	1	Fitting, Straight	
103	1001141719	1	Fitting, 90 Barbed	
104	1001142501	1	Fitting, 90 Barbed	
105	1001142685	1	Bracket	
106	1001143390	1	Indicator	
107	1001144089	1	Grommet	
108	1001145154	1	Plate	
109	1001146219	4	Washer	
110	1001148843	1	Harness, Fuel Filter (Not Shown) (See Separate Breakdown in ELECTRICAL Section)	
111	1001153024	1	Pipe, Exhaust	
112	1001153387	1	Plate	
113	1001154405	5 ft /1.6 m	Hose	
114	1001155575	4	Mount	
115	1001155823	1	Coupling, 90 Quick Connect	
116	1001165035	31 ft /10 m	Hose	
117	1001165820	1	Hose	
118	1001166393	1	Tank	
119	1001191272	1	Support	
120	1001256864	1	Radiator	
121	1001264917	1	Hose	
122	1001264982	1	Hose	
123	1001276646	1	Harness, Engine (Not Shown) (See Separate Breakdown in ELECTRICAL Section)	
124	1001281985	1	Connector (Not Shown)	
125	1001281986	1	Connector (Not Shown)	
126	1001283008	1	Mount	
127	1001291401	1	Tag, Coolant	
128	1001301545	1	Engine Deutz TCD2.9L4 (EMR5) (See Separate Breakdown in this Section)	



## SECTION 3 - ENGINE

FIGURE 3-57. ENGINE COMPONENTS - DEUTZ TCD2.9L4 EMR5 ENGINE



ART\_1001301545

## SECTION 3 - ENGINE

**FIGURE 3-57. ENGINE COMPONENTS - DEUTZ TCD2.9L4 EMR5 ENGINE**

ITEM	PART NUMBER	QTY	DESCRIPTION	REV
	1001301545	Ref	ENGINE COMPONENTS - DEUTZ TCD2.9L4 EMR5 ENGINE	A
	See Note	Ref	Note: Additional components may be available. Contact JLG Customer Service for more details.	
		Ref	<b>COOLING SYSTEM COMPONENTS</b>	
	70030360	1	Pump, Coolant (Includes Plug, Rings & Gaskets)	
	70031055	1	O-Ring, Coolant Pump	
	7020492	1	Seal, Plug	
	70007325	1	Gasket	
	70007603	1	Thermostat	
	70005184	1	O-Ring, Thermostat	
	70005931	1	Gasket, Thermostat	
	70025142	1	Cover, Thermostat	
		Ref	<b>ELECTRICAL SYSTEM COMPONENTS</b>	
	70024513	1	Cable, Pre-Filter Sensor	
	70024504	1	Sensor, Secondary Fuel Filter	
	70029512	1	Module, ECU/ECM	
	70031144	1	Starter	
	70031142	1	Alternator (includes Regulator)	
	70031143	1	Regulator	
	70000345	4	Plug, Glow	
	70025231	1	Harness, Glow Plug (Not Shown)	
	70008436	1	Harness, Engine	
	70028540	1	Sender, Temperature	
	70024504	1	Sensor, Pressure (includes O-Ring)	
	70026210	2	Sensor, Speed (Includes O-Ring)	
	70024507	1	Sensor, Pressure (includes O-Ring) (Air Charge Manifold)	
		Ref	<b>EXHAUST SYSTEM COMPONENTS</b>	
	70025164	1	Gasket, Exhaust Manifold to Head	
	70029557	1	Gasket, Exhaust Manifold to 1st Exhaust Pipe	
	70007354	1	Gasket, 1st Exhaust Pipe to beyond	
	70031095	2	Gasket, EGR Module to Air Charge Manifold	
	70025130	8	Bolt, Exhaust Manifold	
	70031137	1	Module, EGR	
	70007328	1	Turbocharger	
	70004504	1	Compensator	
	70007330	1	Inlet, Catalyst (Includes Clamp & Gasket)	
	70029517	1	Clamp	
	70029520	1	Gasket	
	70007331	1	Outlet, Catalyst	
		Ref	<b>FUEL SYSTEM COMPONENTS</b>	
	1001225431	1	Filter, Secondary Spin-on	
	1001225430	1	Filter, Pre-Filter Fuel	
	70030381	1	Pump, High Pressure (Includes O-Rings, Gaskets, Overflow valve & Volume Control Valve)	
	70004505	1	Valve, Overflow	
	70004508	1	Valve, Volume Control	
	70025181	4	Injector, Fuel (Includes O-Ring & Sealing Washer)	
	70008422	1	Pump, Fuel Supply (Includes Clamps)	
	70025144	2	Clamp	

## SECTION 3 - ENGINE

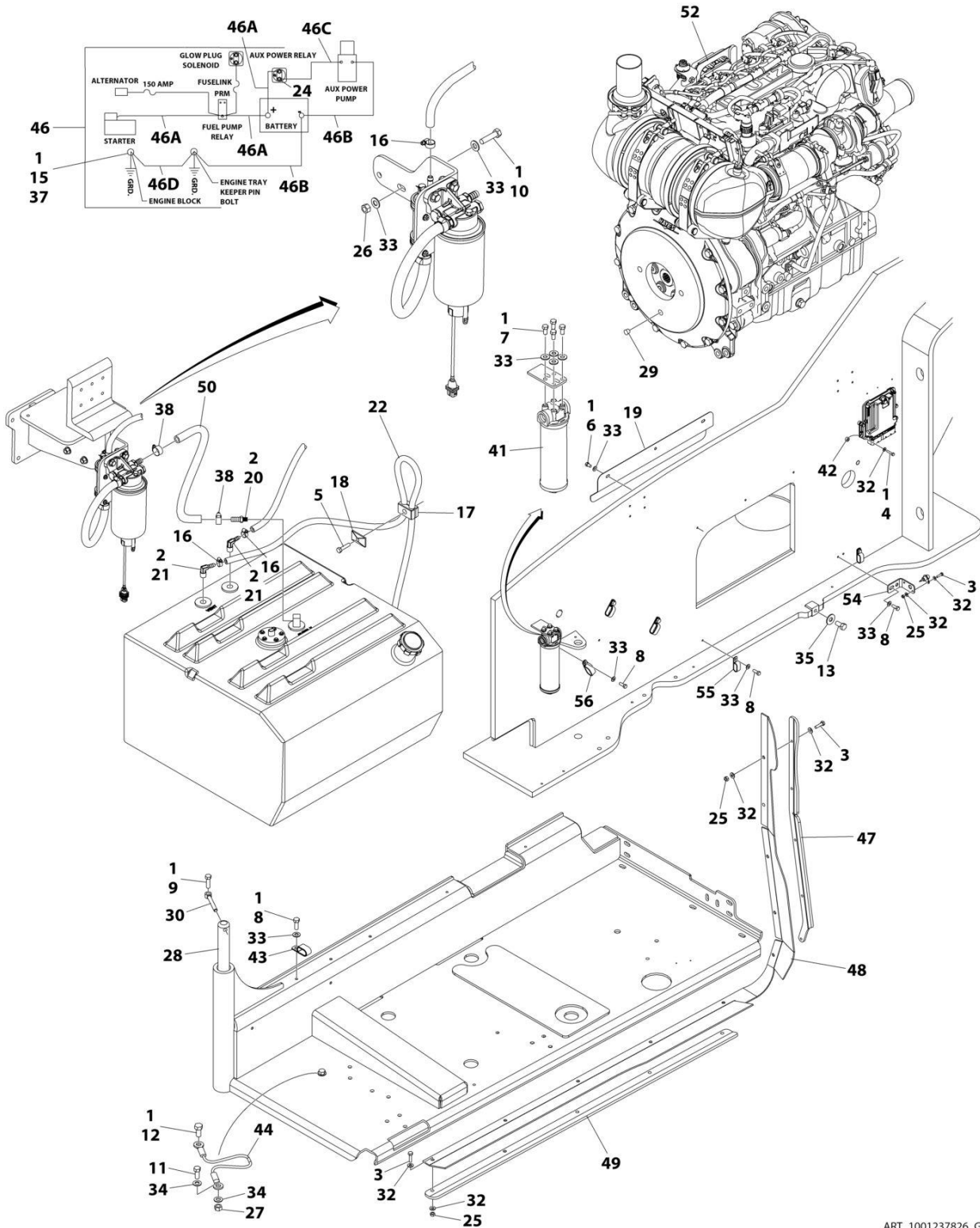
ITEM	PART NUMBER	QTY	DESCRIPTION	REV
		Ref	<b>GASKETS &amp; SEAL &amp; KITS (Note: Some components listed with main component)</b>	
	70005938	1	Gasket Kit	
	70024906	1	Gasket, Head	
	70025205	1	Gasket, Valve Cover	
	70002718	1	Seal, Rear Gear Case	
	70028185	1	Gasket, Front Cover	
	70008296	1	Seal, Front Cover	
	70005176	1	O-Ring, Air Charge Manifold	
	70005177	1	Gasket, Air Charge Manifold	
		Ref	<b>LUBRICATION SYSTEM COMPONENTS</b>	
	7016331	1	Filter, Oil	
	70024904	1	Dipstick (Includes Seal)	
	70024905	1	Seal	
	7020465	2	Cap, Filler	
	70005941	2	Plug, Oil Pan	
	70005942	2	Seal, Oil Pan Plug	
	70005172	1	Pump, Oil Lube (Includes O-Ring & Gasket)	
	70025135	1	O-Ring	
	70005173	1	Gasket	
	70031474	1	Cooler, Oil	
	70031388	1	Seal, Oil Cooler	
		Ref	<b>MECHANICAL COMPONENTS</b>	
	70001870	1	Flywheel (Includes Ring Gear)	
	7024579	1	Gear, Ring	
	70028699	1	Belt Tensioner	
	70027432	1	Idler	
	70025733	1	Pulley, Ribbed Belt	
	70004277	1	Belt, Drive	





# SECTION 3 - ENGINE

FIGURE 3-58. DEUTZ TCD2.9L4 (STAGE V) ENGINE INSTALLATION - WITH SAUER PUMPS AND ABS HOODS (WITHOUT COLD WEATHER PLUS PACKAGE)



ART\_1001237826\_G

## SECTION 3 - ENGINE

**FIGURE 3-58. DEUTZ TCD2.9L4 (STAGE V) ENGINE INSTALLATION - WITH SAUER PUMPS AND ABS HOODS (WITHOUT COLD WEATHER PLUS PACKAGE)**

ITEM	PART NUMBER	QTY	DESCRIPTION	REV
	1001237826	Ref	DEUTZ TCD2.9L4 (STAGE V) ENGINE INSTALLATION	G
1	0100011	AR	Compound, Locking	
2	0100079	AR	Sealant, Pipe	
3	0641408	11	Bolt 1/4 x 1	
4	0641410	4	Bolt 1/4 x 1-1/4	
5	0641511	1	Bolt 5/16 x 1-3/8	
6	0641605	3	Bolt 3/8 x 5/8	
7	0641606	4	Bolt 3/8 x 3/4	
8	0641608	8	Bolt 3/8 x 1	
9	0641610	1	Bolt 3/8 x 1-1/4	
10	0641612	2	Bolt 3/8 x 1-1/2	
11	0641708	1	Bolt 7/16 x 1	
12	0641808	1	Bolt 1/2 x 1	
13	0642010	1	Bolt 5/8 x 1-1/4	
15	0761210	1	Bolt M12 x 20	
16	1320022	3	Clamp	
17	1320187	1	Clamp	
18	1320190	1	Cover, Clamp	
19	1671121	1	Cover	
20	2180832	1	Fitting, Barbed	
21	2220313	2	Fitting, Elbow Barbed	
22	2750532	5 ft/ 1.5m	Hose	
24	3300220	2	Nut 5/16	
25	3311405	11	Nut 1/4	
26	3311605	2	Nut 3/8	
27	3311705	1	Nut 7/16	
28	3422446	1	Pin, Pivot	
29	3520054	1	Plug	
30	3841143	1	Pin, Keeper	
31	4240018	2	Strap, Tie (Not Shown)	
32	4711400	26	Washer 1/4	
33	4711600	19	Washer 3/8	
34	4711700	2	Washer 7/16	
35	4752000	1	Washer 5/8	
37	4812100	1	Washer M12	
38	8405006	2	Clamp	
41	1001108617	1	Filter	
41	70002231	1	Element, Filter	
42	1001110425	4	Spacer	
43	1001116792	1	Clamp	
44	1001131542	1	Lanyard	
45	1001138491	NLA	Harness, Fuel (Use p/n 1001222665) (Not Shown - See Separate Breakdown in ELECTRICAL Section)	
46	1001141225	1	Battery Cable Kit	E
46A	7027042	1	Cable, Battery (Red) (Battery + to Relays and Starter)	
46B	7027043	1	Cable, Battery (Black) (Battery - to Tray Pivot Grd and Aux Pump)	
46C	7027044	1	Cable (Red) (Aux Relay to Aux Pump)	
46D	7027045	1	Cable, Battery (Black) (Engine to Tray Pivot Grd)	

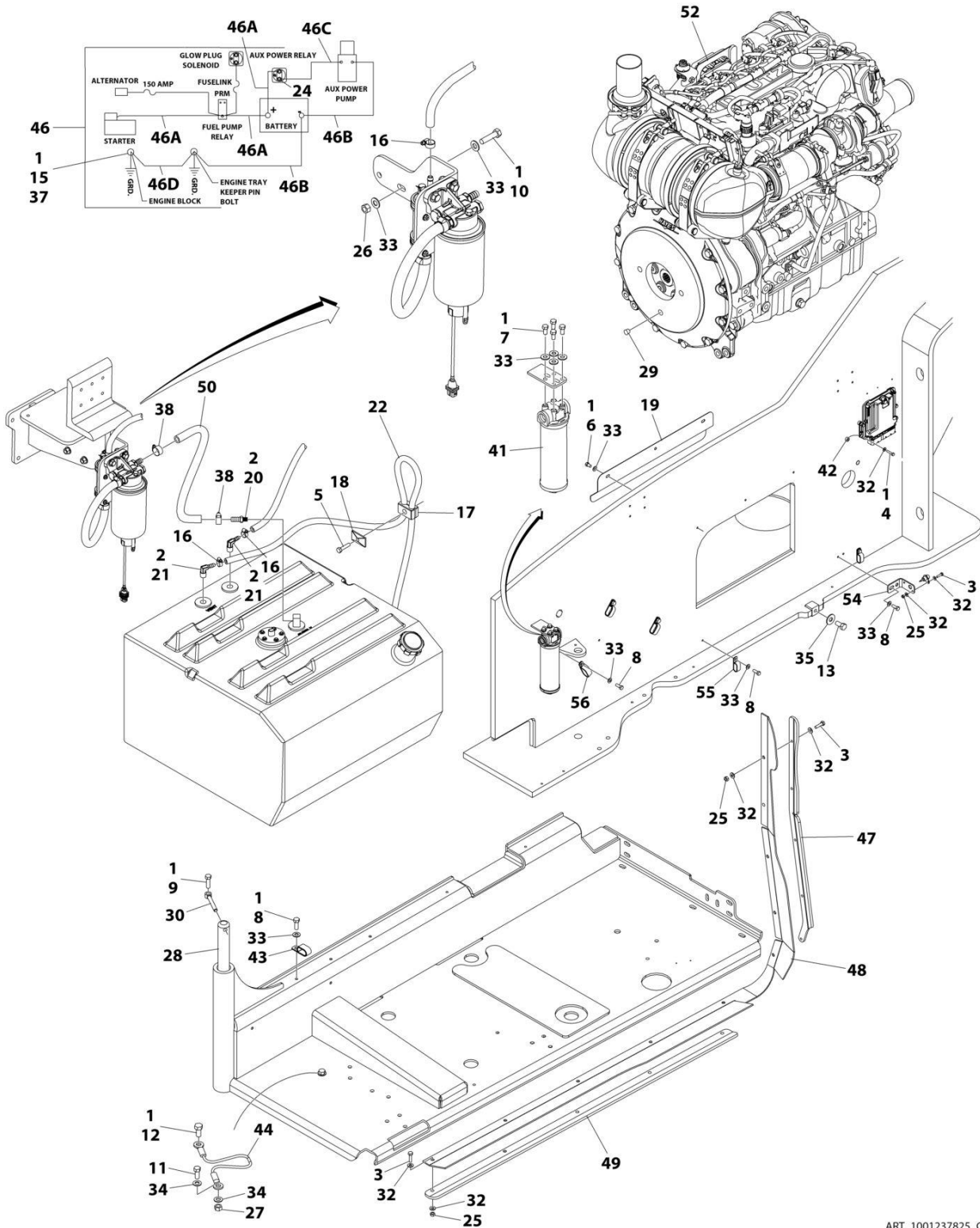
## SECTION 3 - ENGINE

ITEM	PART NUMBER	QTY	DESCRIPTION	REV
47	1001145089	1	Clamp	
48	1001145560	1	Panel, Rubber	
49	1001145842	1	Plate, Clamping	
50	1001154405	2 ft/ 0.6m	Hose	
52	1001277608	1	Engine, Deutz TCD2.9L4 (See Separate Breakdown in this Section)	
53	1001146588	1	Strap (Not Shown)	
54	1001256879	1	Bracket	
55	1321283	2	Clamp	
56	1321716	3	Clamp	
57	4240099	AR	Tie-Strap (Not Shown)	



# SECTION 3 - ENGINE

FIGURE 3-59. DEUTZ TCD2.9L4 (STAGE V) ENGINE INSTALLATION - WITH REXROTH PUMPS AND ABS HOODS (WITHOUT COLD WEATHER PLUS PACKAGE)



ART\_1001237825\_G

## SECTION 3 - ENGINE

**FIGURE 3-59. DEUTZ TCD2.9L4 (STAGE V) ENGINE INSTALLATION - WITH REXROTH PUMPS AND ABS HOODS (WITHOUT COLD WEATHER PLUS PACKAGE)**

ITEM	PART NUMBER	QTY	DESCRIPTION	REV
	1001237825	1	DEUTZ TCD2.9L4 (STAGE V) ENGINE INSTALLATION	G
1	0100011	AR	Compound, Locking	
2	0100079	AR	Sealant, Pipe	
3	0641408	11	Bolt 1/4 x 1	
4	0641410	4	Bolt 1/4 x 1-1/4	
5	0641511	1	Bolt 5/16 x 1-3/8	
6	0641605	3	Bolt 3/8 x 5/8	
7	0641606	4	Bolt 3/8 x 3/4	
8	0641608	8	Bolt 3/8 x 1	
9	0641610	1	Bolt 3/8 x 1-1/4	
10	0641612	2	Bolt 3/8 x 1-1/2	
11	0641708	1	Bolt 7/16 x 1	
12	0641808	1	Bolt 1/2 x 1	
13	0642010	1	Bolt 5/8 x 1-1/4	
15	0761210	1	Bolt M12 x 20	
16	1320022	3	Clamp	
17	1320187	1	Clamp	
18	1320190	1	Cover, Clamp	
19	1671121	1	Cover	
20	2180832	1	Fitting, Barbed	
21	2220313	2	Fitting, Elbow Barbed	
22	2750532	5 ft/ 1.5m	Hose	
24	3300220	2	Nut 5/16	
25	3311405	11	Nut 1/4	
26	3311605	2	Nut 3/8	
27	3311705	1	Nut 7/16	
28	3422446	1	Pin, Pivot	
29	3520054	1	Plug	
30	3841143	1	Pin, Keeper	
31	4240018	2	Strap, Tie (Not Shown)	
32	4711400	26	Washer 1/4	
33	4711600	19	Washer 3/8	
34	4711700	2	Washer 7/16	
35	4752000	1	Washer 5/8	
37	4812100	1	Washer M12	
38	8405006	2	Clamp	
41	1001108617	1	Filter	
41	70002231	1	Element, Filter	
42	1001110425	4	Spacer	
43	1001116792	1	Clamp	
44	1001131542	1	Lanyard	
45	1001138491	NLA	Harness, Fuel (Use p/n 1001222665) (Not Shown - See Separate Breakdown in ELECTRICAL Section)	
46	1001141225	1	Battery Cable Kit	E
46A	7027042	1	Cable, Battery (Red) (Battery + to Relays and Starter)	
46B	7027043	1	Cable, Battery (Black) (Battery - to Tray Pivot Grd and Aux Pump)	
46C	7027044	1	Cable (Red) (Aux Relay to Aux Pump)	
46D	7027045	1	Cable, Battery (Black) (Engine to Tray Pivot Grd)	

## SECTION 3 - ENGINE

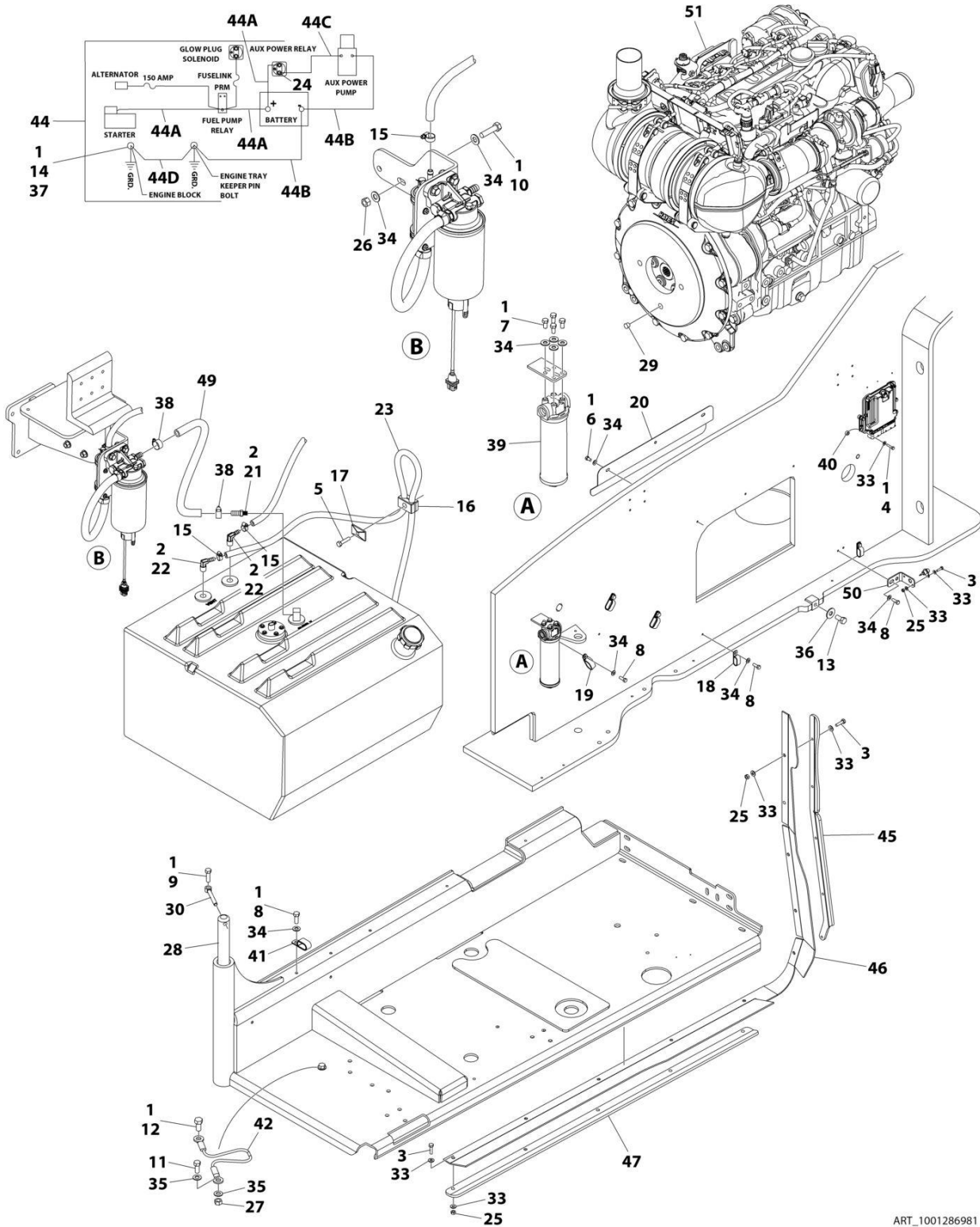
ITEM	PART NUMBER	QTY	DESCRIPTION	REV
47	1001145089	1	Clamp	
48	1001145560	1	Panel, Rubber	
49	1001145842	1	Plate, Clamping	
50	1001154405	2 ft/ 0.6m	Hose	
52	1001277607	1	Engine, Deutz TCD2.9L4 (See Separate Breakdown in this Section)	
53	1001146588	1	Strap (Not Shown)	
54	1001256879	1	Bracket	
55	1321283	2	Clamp	
56	1321716	3	Clamp	
57	4240099	AR	Tie-Strap (Not Shown)	





# SECTION 3 - ENGINE

FIGURE 3-60. DEUTZ TCD2.9L4 (STAGE V) ENGINE INSTALLATION - WITH PMP PUMP AND ABS HOODS (WITHOUT COLD WEATHER PLUS PACKAGE)



ART\_1001286981

## SECTION 3 - ENGINE

**FIGURE 3-60. DEUTZ TCD2.9L4 (STAGE V) ENGINE INSTALLATION - WITH PMP PUMP AND ABS HOODS (WITHOUT COLD WEATHER PLUS PACKAGE)**

ITEM	PART NUMBER	QTY	DESCRIPTION	REV
	1001286981	Ref	DEUTZ D2.9L4 - (STAGE V) ENGINE INSTALLATION WITH PMP PUMPS AND ABS HOODS (WITHOUT COLD WEATHER PLUS PACKAGE)	A
1	0100011	AR	Compound, Locking	
2	0100079	AR	Sealant, Pipe	
3	0641408	11	Bolt 1/4 x 1	
4	0641410	4	Bolt 1/4 x 1-1/4	
5	0641511	1	Bolt 5/16 x 1-3/8	
6	0641605	3	Bolt 3/8 x 5/8	
7	0641606	4	Bolt 3/8 x 3/4	
8	0641608	8	Bolt 3/8 x 1	
9	0641610	1	Bolt 3/8 x 1-1/4	
10	0641612	2	Bolt 3/8 x 1-1/2	
11	0641708	1	Bolt 7/16 x 1	
12	0641808	1	Bolt 1/2 x 1	
13	0642010	1	Bolt 5/8 x 1-1/4	
14	0761210	1	Bolt M12 x 20	
15	1320022	3	Clamp	
16	1320187	1	Clamp	
17	1320190	1	Clamp	
18	1321283	2	Clamp	
19	1321716	3	Clamp	
20	1671121	1	Cover	
21	2180832	1	Fitting, Barbed	
22	2220313	2	Fitting, 90 NPTF/Barbed	
23	2750532	5 ft /1.6 m	Hose	
24	3300220	2	Nut	
25	3311405	11	Nut 1/4	
26	3311605	2	Nut 3/8	
27	3311705	1	Nut 7/16	
28	3422446	1	Pin	
29	3520054	1	Plug	
30	3841143	1	Keeper, Pin	
31	4240018	2	Tie-Strap (Not Shown)	
32	4240099	AR	Tie-Strap (Not Shown)	
33	4711400	26	Washer 1/4	
34	4711600	19	Washer 3/8	
35	4711700	2	Washer 7/16	
36	4752000	1	Washer 5/8	
37	4812100	1	Washer M12	
38	8405006	2	Clamp	
39	1001108617	1	Filter	
39	70002231	1	Element, Filter	
40	1001110425	4	Spacer	
41	1001116792	1	Clamp	
42	1001131542	1	Lanyard	
43	1001138491	1	Harness, Fuel (Not Shown) (See Separate Breakdown in ELECTRICAL Section)	
44	1001141225	1	Battery Cable Kit	

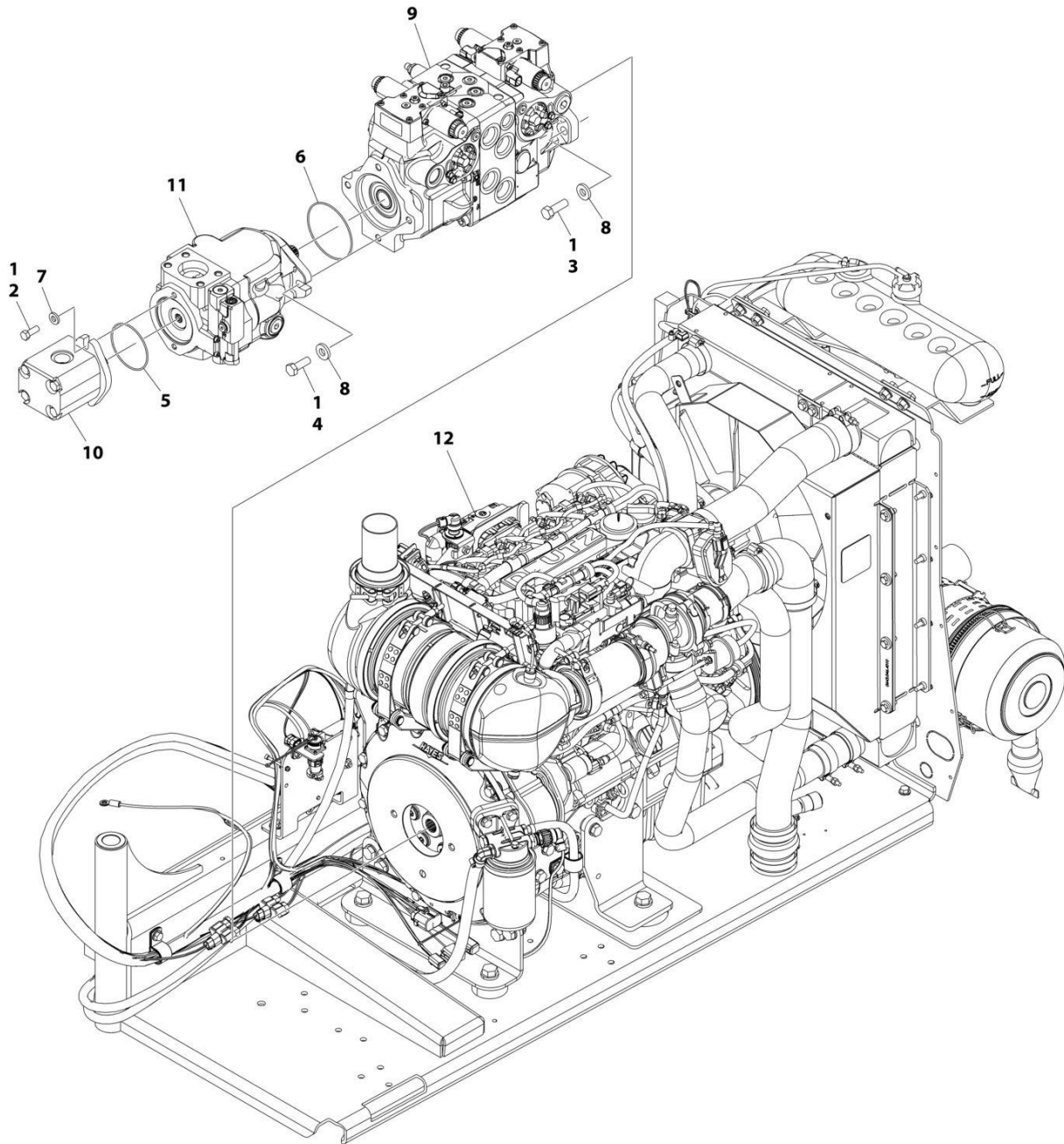
## SECTION 3 - ENGINE

ITEM	PART NUMBER	QTY	DESCRIPTION	REV
44A	7027042	1	Cable, Battery (Red) (Battery + to Relays and Starter)	
44B	7027043	1	Cable, Battery (Black) (Battery - to Tray Pivot Grd and Aux Pump)	
44C	7027044	1	Cable (Red) (Aux Relay to Aux Pump)	
44D	7027045	1	Cable, Battery (Black) (Engine to Tray Pivot Grd)	
45	1001145089	1	Clamp	
46	1001145560	1	Panel	
47	1001145842	1	Plate	
48	1001146588	1	Tie-Strap (Not Shown)	
49	1001154405	2 ft /0.6 m	Hose	
50	1001256879	1	Bracket	
51	1001286982	1	Engine Sub-Assembly (See Separate Breakdown in this Section)	



# SECTION 3 - ENGINE

FIGURE 3-61. DEUTZ TCD2.9L4 (STAGE V) ENGINE SUB-ASSEMBLY - WITH SAUER PUMP AND ABS HOODS (WITHOUT COLD WEATHER PLUS PACKAGE)



ART\_1001277608

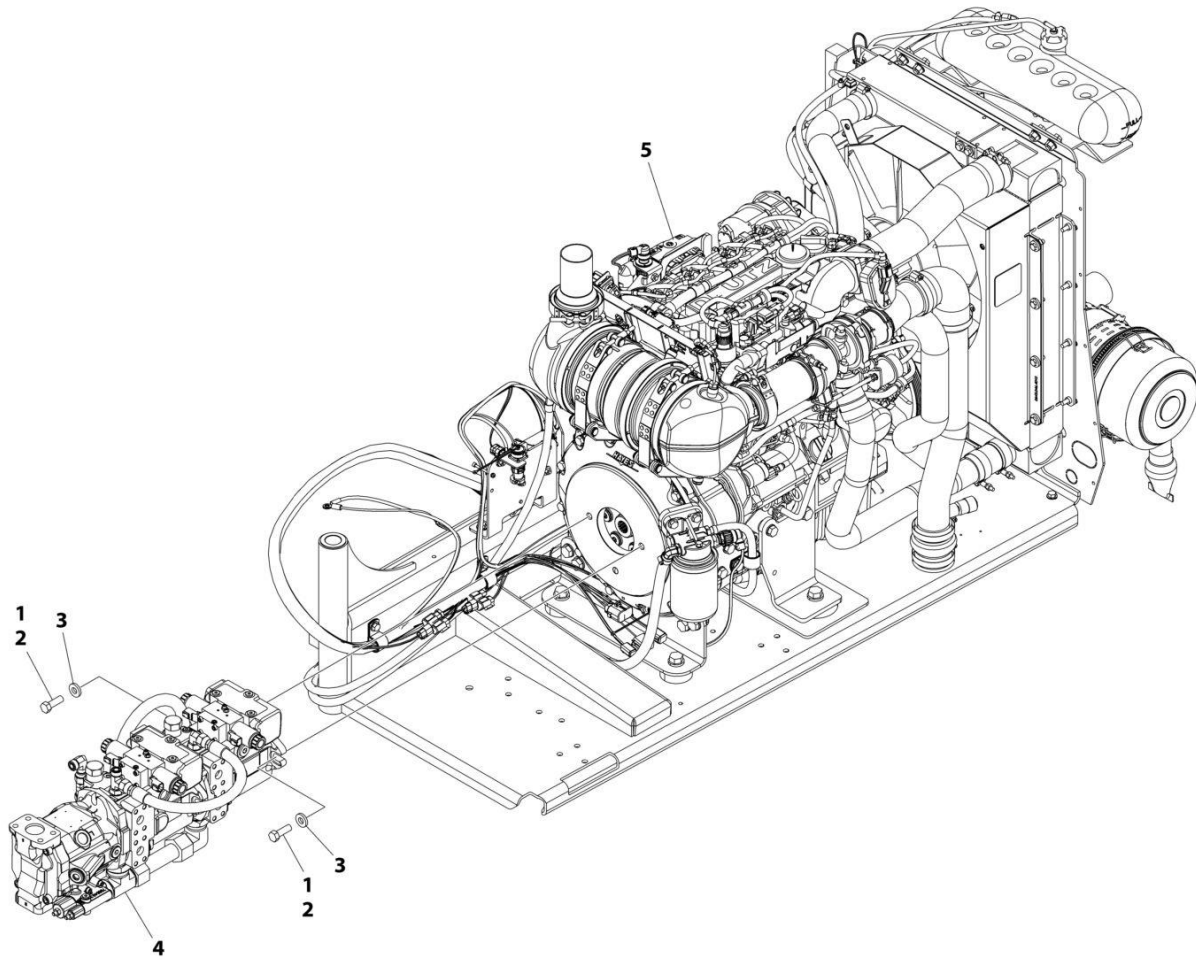
## SECTION 3 - ENGINE

**FIGURE 3-61. DEUTZ TCD2.9L4 (STAGE V) ENGINE SUB-ASSEMBLY - WITH SAUER PUMP AND ABS HOODS (WITHOUT COLD WEATHER PLUS PACKAGE)**

ITEM	PART NUMBER	QTY	DESCRIPTION	REV
	1001277608	Ref	DEUTZ TCD2.9L4 (STAGE V) ENGINE SUB-ASSEMBLY	E
1	0100011	AR	Compound, Locking	
2	0641608	2	Bolt 3/8 x 1	
3	0641814	2	Bolt 1/2 x 1-3/4	
4	0761215	2	Bolt M12 x 35	
5	3790152	1	O-Ring	
6	3790155	1	O-Ring	
7	4891600	2	Washer 3/8	
8	4891800	4	Washer 1/2	
9	1001108616	1	Pump Assembly - Tandem (See Separate Breakdown in this Section)	
10	1001112927	1	Pump Assembly - Gear (See Separate Breakdown in this Section)	
11	1001171095	1	Pump Assembly - Piston (See Separate Breakdown in this Section)	
12	1001277599	1	Engine Assembly (See Separate Breakdown in this Section)	

# SECTION 3 - ENGINE

FIGURE 3-62. DEUTZ TCD2.9L4 (STAGE V) ENGINE SUB-ASSEMBLY - WITH REXROTH PUMP AND ABS HOODS (WITHOUT COLD WEATHER PLUS PACKAGE)



ART\_1001277607



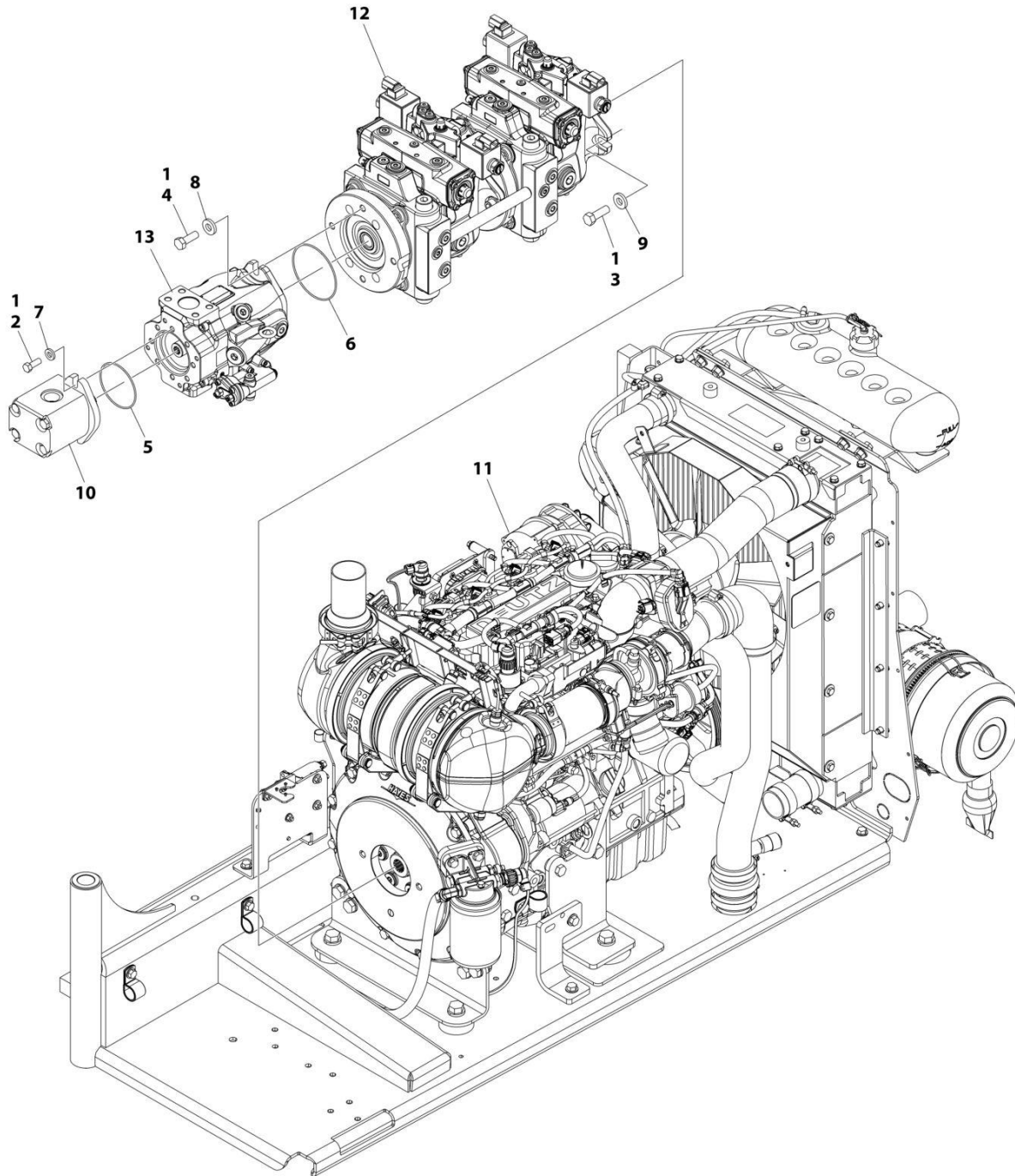
## SECTION 3 - ENGINE

**FIGURE 3-62. DEUTZ TCD2.9L4 (STAGE V) ENGINE SUB-ASSEMBLY - WITH REXROTH PUMP AND ABS HOODS (WITHOUT COLD WEATHER PLUS PACKAGE)**

ITEM	PART NUMBER	QTY	DESCRIPTION	REV
	1001277607	Ref	DEUTZ TCD2.9L4 (STAGE V) ENGINE SUB-ASSEMBLY	E
1	0100011	AR	Compound, Locking	
2	0641814	2	Bolt 1/2 x 1-3/4	
3	4891800	2	Washer 1/2	
4	1001152963	1	Pump Assembly (See Separate Breakdown in this Section)	
5	1001277599	1	Engine Assembly (See Separate Breakdown in this Section)	

# SECTION 3 - ENGINE

FIGURE 3-63. DEUTZ D2.9L4 (STAGE V) ENGINE SUB-ASSEMBLY WITH PMP PUMP AND ABS HOODS (WITHOUT COLD WEATHER PLUS PACKAGE)



ART\_1001286982

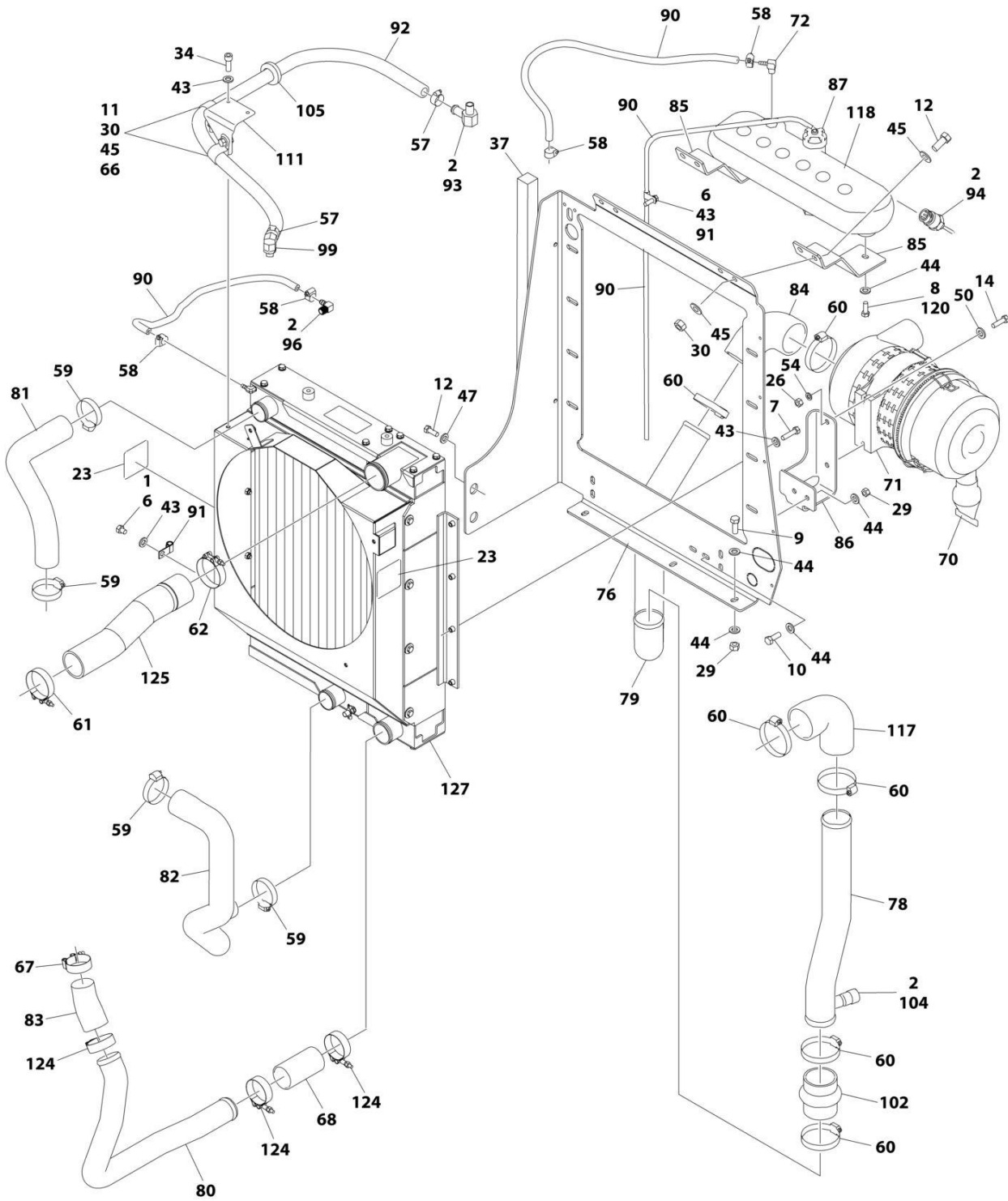
## SECTION 3 - ENGINE

**FIGURE 3-63. DEUTZ D2.9L4 (STAGE V) ENGINE SUB-ASSEMBLY WITH PMP PUMP AND ABS HOODS (WITHOUT COLD WEATHER PLUS PACKAGE)**

ITEM	PART NUMBER	QTY	DESCRIPTION	REV
	1001286982	Ref	ENGINE SUB-ASSEMBLY (STAGE V) WITH PMP PUMPS AND ABS HOODS (WITHOUT COLD WEATHER PLUS PACKAGE)	A
1	0100011	AR	Compound, Locking	
2	0641608	2	Bolt 3/8 x 1	
3	0641812	2	Bolt 1/2 x 1-1/2	
4	0761215	2	Bolt M12 x 35	
5	3790152	1	O-Ring	
6	3790155	1	O-Ring	
7	4891600	2	Washer 3/8	
8	4891800	2	Washer 1/2	
9	8310056	2	Washer	
10	1001112927	1	Pump Assembly - Sauer Gear (See Separate Breakdown in this Section)	
11	1001277599	1	Engine Assembly (See Separate Breakdown in this Section)	
12	1001286957	1	Pump Assembly - Hydraulic Tandem (See Separate Breakdown in this Section)	
13	1001286958	1	Pump Assembly - Hydraulic Piston (See Separate Breakdown in this Section)	

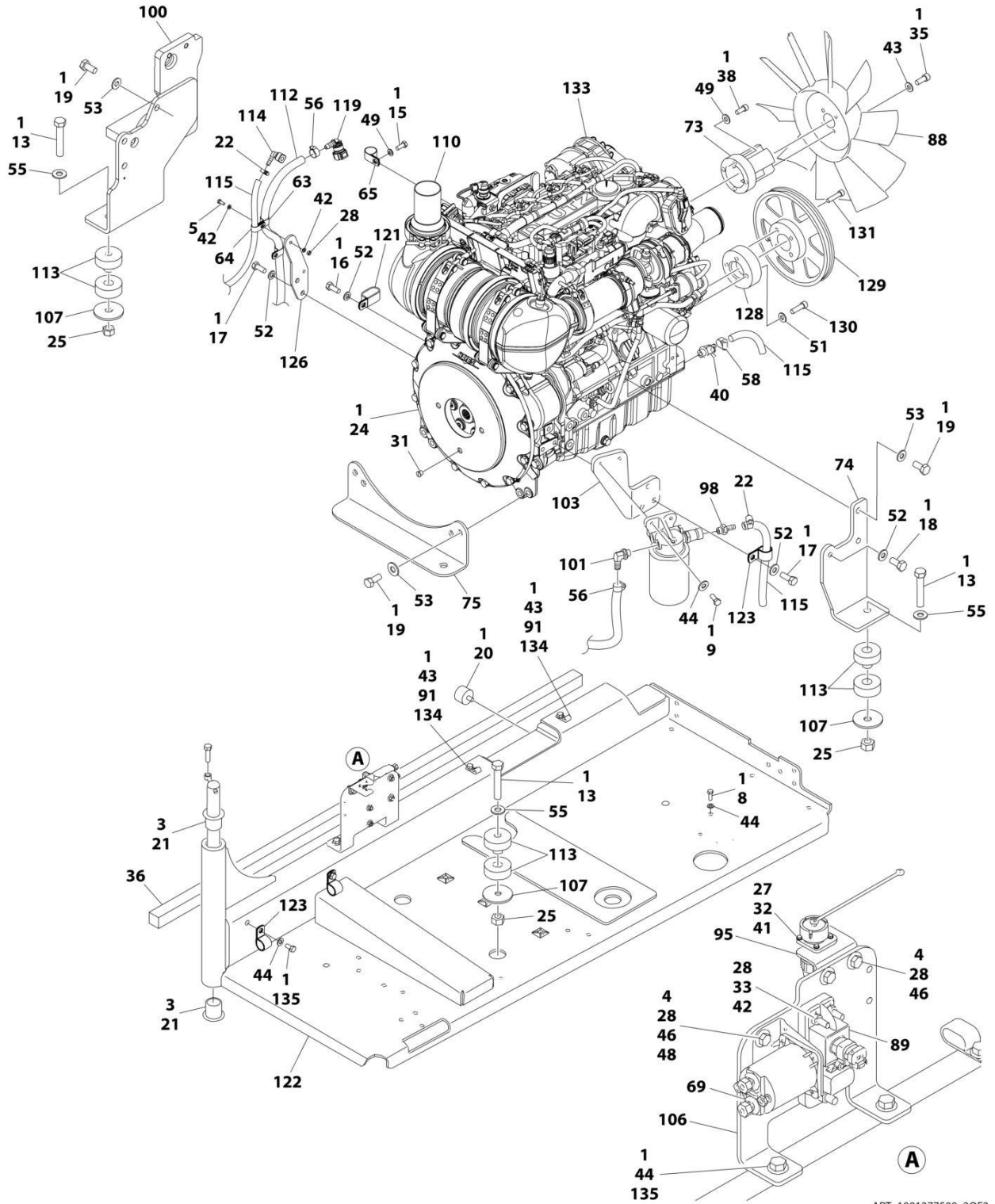
# SECTION 3 - ENGINE

## FIGURE 3-64. DEUTZ TCD2.9L4 (STAGE V) ENGINE ASSEMBLY (WITHOUT COLD WEATHER PLUS PACKAGE)



ART\_1001277599\_10F2

# SECTION 3 - ENGINE



ART\_1001277599\_20F2

## SECTION 3 - ENGINE

**FIGURE 3-64. DEUTZ TCD2.9L4 (STAGE V) ENGINE ASSEMBLY (WITHOUT COLD WEATHER PLUS PACKAGE)**

ITEM	PART NUMBER	QTY	DESCRIPTION	REV
	1001277599	Ref	DEUTZ TCD2.9L4 (STAGE V) ENGINE ASSEMBLY	D
1	0100011	AR	Compound, Locking	
2	0100020	AR	Sealant	
3	0100062	AR	Adhesive	
4	0641406	4	Bolt 1/4 x 3/4	
5	0641407	2	Bolt 1/4 x 7/8	
6	0641503	1	Bolt 5/16 x 3/8	
7	0641508	8	Bolt 5/16 x 1-1/4	
8	0641606	3	Bolt 3/8 x 3/4	
9	0641608	9	Bolt 3/8 x 1	
10	0641610	2	Bolt 3/8 x 1-1/4	
11	0641706	2	Bolt 7/16 x 3/4	
12	0641708	6	Bolt 7/16 x 1	
13	0682028	4	Bolt 5/8 x 3-1/2 Grade 8	
14	0700815	2	Bolt M8 x 35	
15	0760808	1	Bolt M8 x 16	
16	0761212	1	Bolt M12 x 25	
17	0761214	5	Bolt M12 x 30	
18	0771212	1	Bolt M12 x 25 Grade 10.9	
19	0771414	9	Bolt M14 x 30 Grade 10.9	
20	0940070	1	Bumper	
21	0961986	2	Bushing, Flanged	
22	1320022	2	Clamp	
23	1703162	2	Decal - Fan	
24	2902065	1	Pump Coupling Kit (See Separate Breakdown in this Section)	
25	3272001	4	Nut 5/8 Grade 8	
26	3290801	2	Nut M8	
27	3310401	3	Nut #4	
28	3311405	7	Nut, Lock 1/4	
29	3311605	9	Nut, Lock 3/8	
30	3311705	5	Nut, Lock 7/16	
31	3520054	1	Plug, Hole	
32	3910408	3	Screw #4 x 1/2	
33	3931432	1	Capscrew 1/4 x 2	
34	3931508	2	Capscrew 5/16 x 1/2	
35	3931512	4	Capscrew 5/16 x 3/4	
36	3960543	1	Seal	
37	3960544	1	Seal	
38	4031914	4	Bolt M8 x 50	
39	4240099	AR	Tie-Strap (Not Shown)	
40	4640751	1	Valve, Oil Drain	
41	4710400	3	Washer #4	
42	4711400	5	Washer 1/4	
43	4711500	17	Washer 5/16	
44	4711600	27	Washer 3/8	
45	4711700	10	Washer 7/16	
46	4751400	8	Washer 1/4	
47	4751700	2	Washer 7/16	
48	4791400	2	Starwasher 1/4	

## SECTION 3 - ENGINE

ITEM	PART NUMBER	QTY	DESCRIPTION	REV
49	4811900	5	Washer M8	
50	4811902	2	Washer M8	
51	4812000	4	Washer M10	
52	4812100	7	Washer M12	
53	4812200	9	Washer M14	
54	4831900	2	Washer, Lock M8	
55	4892000	4	Washer 5/8	
56	8405006	2	Clamp	
57	8405007	2	Clamp	
58	8405009	5	Clamp	
59	8405201	4	Clamp	
60	8405204	6	Clamp	
61	8405212	1	Clamp	
62	8405213	1	Clamp	
63	8406102	2	Clip	
64	8406112	1	Clip	
65	8406201	1	Clip	
66	8406302	2	Clamp	
67	8410014	1	Clamp	
68	91563070	1	Coupling, Rubber	
69	1001117308	1	Relay	
70	1001133633	1	Air Cleaner Assembly	
70	70024190	1	Element, Air Filter	
71	1001133634	1	Clamp	
72	1001134488	1	Fitting, 90 Barbed	
73	1001135138	1	Spacer, Fan	
74	1001135560	1	Support, Engine	
75	1001135562	1	Support, Engine - Rear	
76	1001135680	1	Support, Radiator	
77	1001135779	1	Cable, Alternator Positive (Not Shown)	
78	1001135901	1	Pipe, Air Intake	
79	1001135903	1	Pipe, Air Intake	
80	1001135913	1	Pipe, Turbo to Air Cleaner	
81	1001135924	1	Hose, Radiator (Upper)	
82	1001135926	1	Pipe, Radiator (Lower)	
83	1001135943	1	Coupling, Rubber	
84	1001135946	1	Elbow, Rubber	
85	1001136626	2	Bracket	
86	1001136665	1	Bracket	
87	1001136834	1	Cap, Tank	
88	1001137276	1	Fan	
89	1001138228	1	Module, Power	
89	70023592	1	Fuse 20Amp (Switched Output)	
89	70023593	1	Fuse 30Amp (Battery Output)	
90	1001138248	8.6 ft/ 2.59m	Tubing	
91	1001138253	5	Clamp	
92	1001138524	1	Hose	
93	1001138559	1	Fitting, 90	
94	1001138827	1	Sensor, Coolant Level	
95	1001139240	1	Bracket	
96	1001140564	1	Fitting, 90 Barbed	

## SECTION 3 - ENGINE

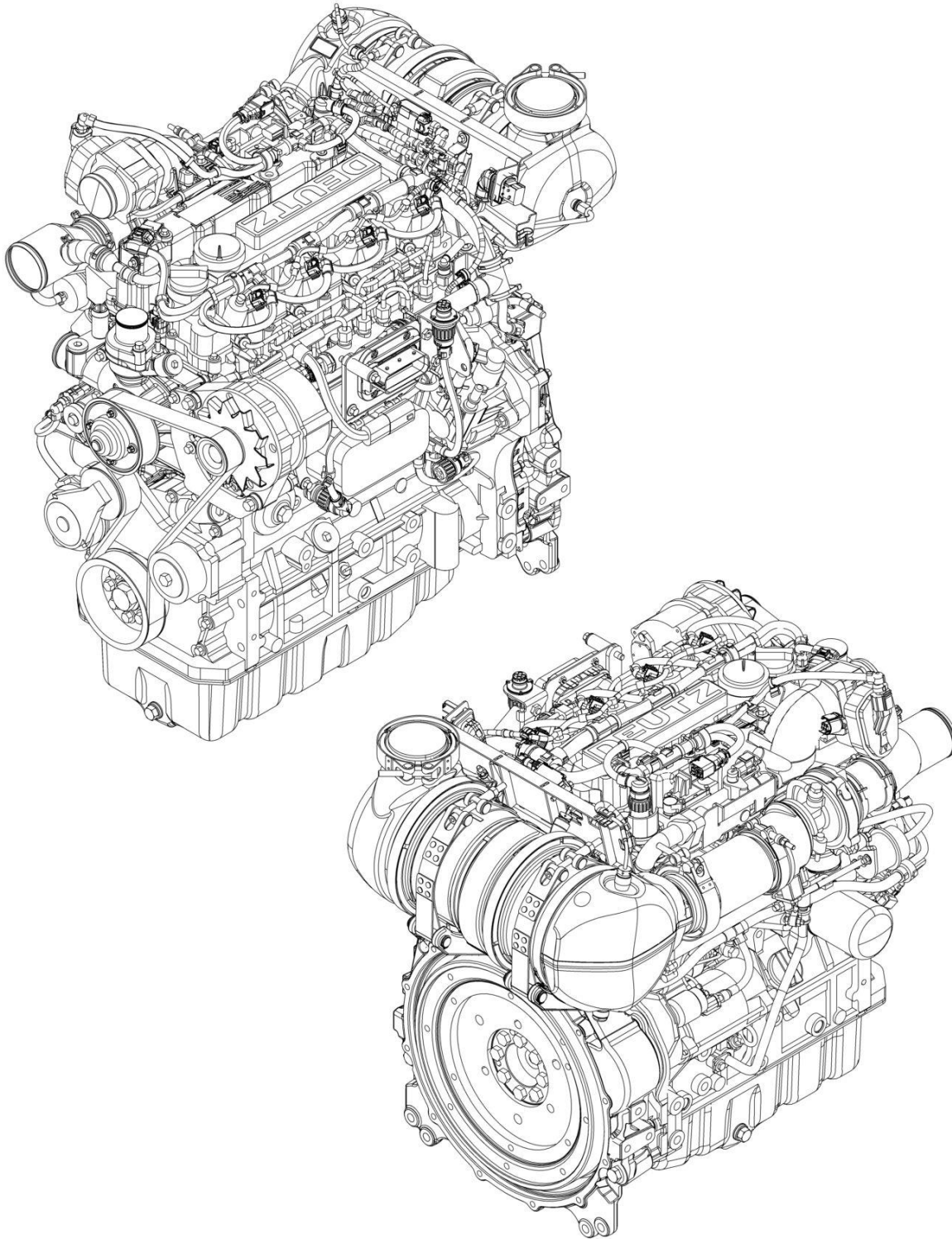
ITEM	PART NUMBER	QTY	DESCRIPTION	REV
97	1001141304	1	Wire, Glow Plug (Not Shown)	
98	1001141717	1	Fitting, Straight	
99	1001141719	1	Fitting, 90 Barbed	
100	1001283008	1	Support, Engine	
101	1001142501	1	Fitting, 90 Barbed	
102	1001142637	1	Hose, Hump	
103	1001142685	1	Bracket	
104	1001143390	1	Indicator, Air Filter Service	
105	1001144089	1	Grommet	
106	1001145154	1	Plate, Mounting	
107	1001146219	4	Washer Special	
108	1001146588	AR	Tie-Strap (Not Shown)	
109	1001148843	1	Harness, Fuel Filter (Not Shown - See Separate Breakdown in ELECTRICAL Section)	
110	1001153024	1	Pipe, Exhaust	
111	1001153387	1	Plate	
112	1001154405	4.7 ft/ 1.44m	Hose	
113	1001155575	4	Mount, Motor	
114	1001155823	1	Coupling	
115	1001165035	30.5 ft/ 9.3m	Hose	
116	1001165101	1	Fuel Pump/Bracket Assembly (Not Shown - See Separate breakdown in this Section)	
117	1001165820	1	Pipe, Elbow	
118	1001166393	1	Tank, Surge	
119	1001170982	1	Adapter	
120	1001180620	AR	Adhesive	
121	1001181899	1	Clamp	
122	1001191272	1	Tray	
123	1001191620	3	Clamp	
124	1001208299	3	Clamp	
125	1001233492	1	Hose	
126	1001235952	1	Bracket	
127	1001256864	1	Radiator	
128	1001258800	1	Spacer, Pulley	
129	1001260432	1	Pulley	
130	1001261045	4	Capscrew M10 x 45 Class 10.9	
131	1001261085	4	Capscrew M10 x 85 Class 10.9	
132	1001276646	1	Harness, Engine (Not Shown - See Separate Breakdown in ELECTRICAL Section)	
133	1001277593	1	Engine, Deutz TCD2.9L4 (Stage V) (See Separate Breakdown in ELECTRICAL Section)	
134	0641510	2	Bolt 5/16 x 1-1/4	
135	0641612	4	Bolt 3/8 x 1-1/2	





## SECTION 3 - ENGINE

FIGURE 3-65. DEUTZ TCD2.9L4 (STAGE V) ENGINE COMPONENTS



ART\_1001277593

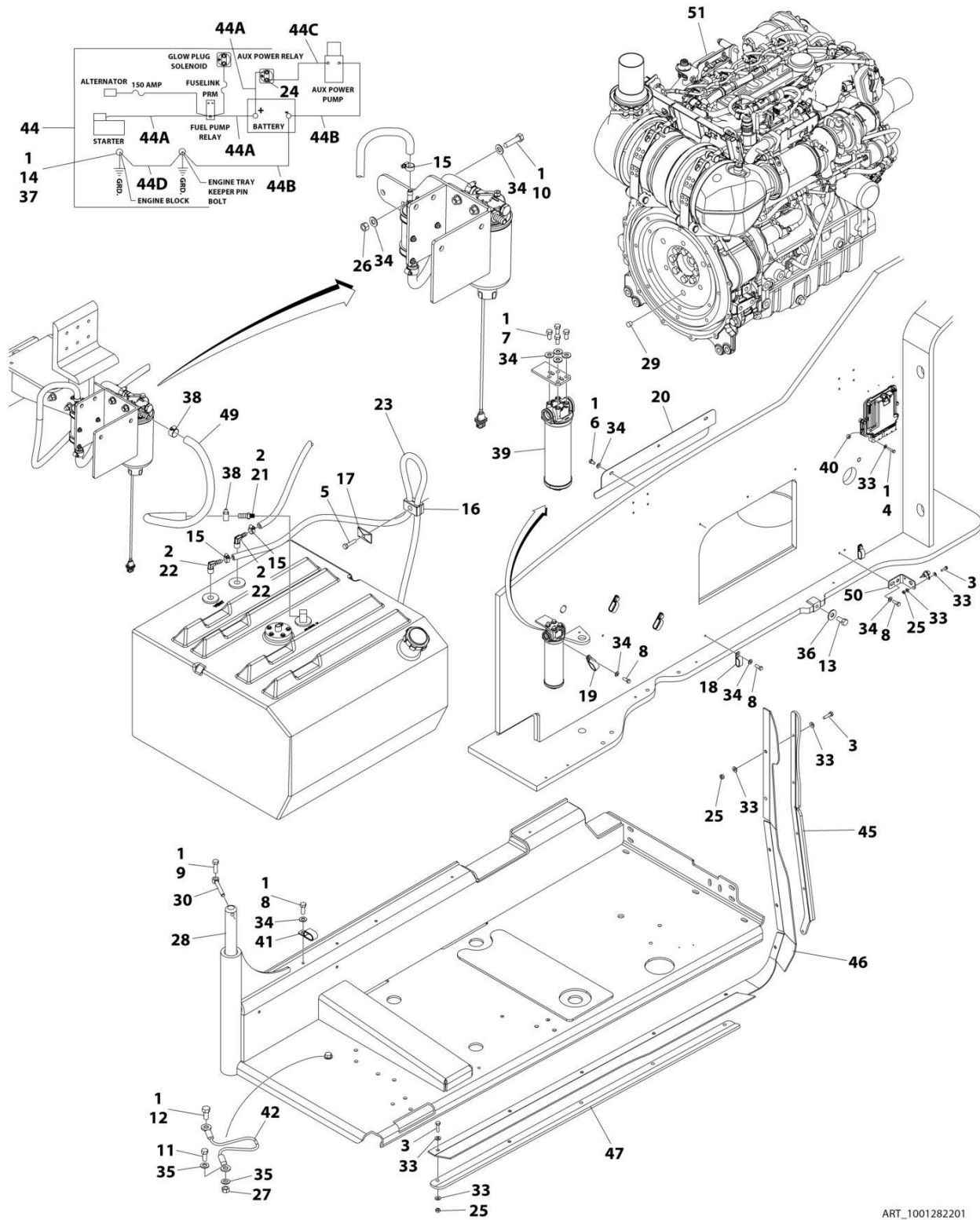
## SECTION 3 - ENGINE

**FIGURE 3-65. DEUTZ TCD2.9L4 (STAGE V) ENGINE COMPONENTS**

ITEM	PART NUMBER	QTY	DESCRIPTION	REV
	1001277593	Ref	DEUTZ TCD2.9L4 (STAGE V) ENGINE	A
	See Note	Ref	Note: No Service Parts Availabe At Time of Printing	

# SECTION 3 - ENGINE

FIGURE 3-66. DEUTZ TCD2.9L4 (CHINA IV) ENGINE INSTALLATION - WITH SAUER PUMPS



ART\_1001282201

## SECTION 3 - ENGINE

**FIGURE 3-66. DEUTZ TCD2.9L4 (CHINA IV) ENGINE INSTALLATION - WITH SAUER PUMPS**

ITEM	PART NUMBER	QTY	DESCRIPTION	REV
	1001282201	Ref	ENGINE INSTALLATION - DEUTZ TCD2.9L4 (CHINA IV)	B
1	0100011	AR	Compound, Locking	
2	0100079	AR	Sealant, Pipe	
3	0641408	11	Bolt 1/4 x 1	
4	0641410	4	Bolt 1/4 x 1-1/4	
5	0641511	1	Bolt 5/16 x 1-3/8	
6	0641605	3	Bolt 3/8 x 5/8	
7	0641606	4	Bolt 3/8 x 3/4	
8	0641608	8	Bolt 3/8 x 1	
9	0641610	1	Bolt 3/8 x 1-1/4	
10	0641612	2	Bolt 3/8 x 1-1/2	
11	0641708	1	Bolt 7/16 x 1	
12	0641808	1	Bolt 1/2 x 1	
13	0642010	1	Bolt 5/8 x 1-1/4	
14	0761210	1	Bolt M12 x 20	
15	1320022	3	Clamp	
16	1320187	1	Clamp	
17	1320190	1	Cover, Clamp	
19	1321716	5	Clamp	
20	1671121	1	Cover	
21	2180832	1	Fitting, Barbed	
22	2220313	2	Fitting, Elbow Barbed	
23	2750532	5 ft/ 1.5m	Hose	
24	3300220	2	Nut 5/16	
25	3311405	11	Nut 1/4	
26	3311605	2	Nut 3/8	
27	3311705	1	Nut 7/16	
28	3422446	1	Pin, Pivot	
29	3520054	1	Plug	
30	3841143	1	Pin, Keeper	
31	4240018	2	Strap, Tie (Not Shown)	
32	4240099	AR	Tie-Strap (Not Shown)	
33	4711400	26	Washer 1/4	
34	4711600	19	Washer 3/8	
35	4711700	2	Washer 7/16	
36	4752000	1	Washer 5/8	
37	4812100	1	Washer M12	
38	8405006	2	Clamp	
39	1001108617	1	Filter	
40	1001110425	4	Spacer	
41	1001116792	1	Clamp	
42	1001131542	1	Lanyard	
43	1001138491	1	Harness, (Not Shown - See Separate Breakdown in ELECTRICAL Section)	
44	1001141225	1	Battery Cable Kit	E
44A	7027042	1	Cable, Battery (Red) (Battery + to Relays and Starter)	
44B	7027043	1	Cable, Battery (Black) (Battery - to Tray Pivot Grd and Aux Pump)	
44C	7027044	1	Cable (Red) (Aux Relay to Aux Pump)	
44D	7027045	1	Cable, (Black) (Engine to Tray Pivot Grd)	

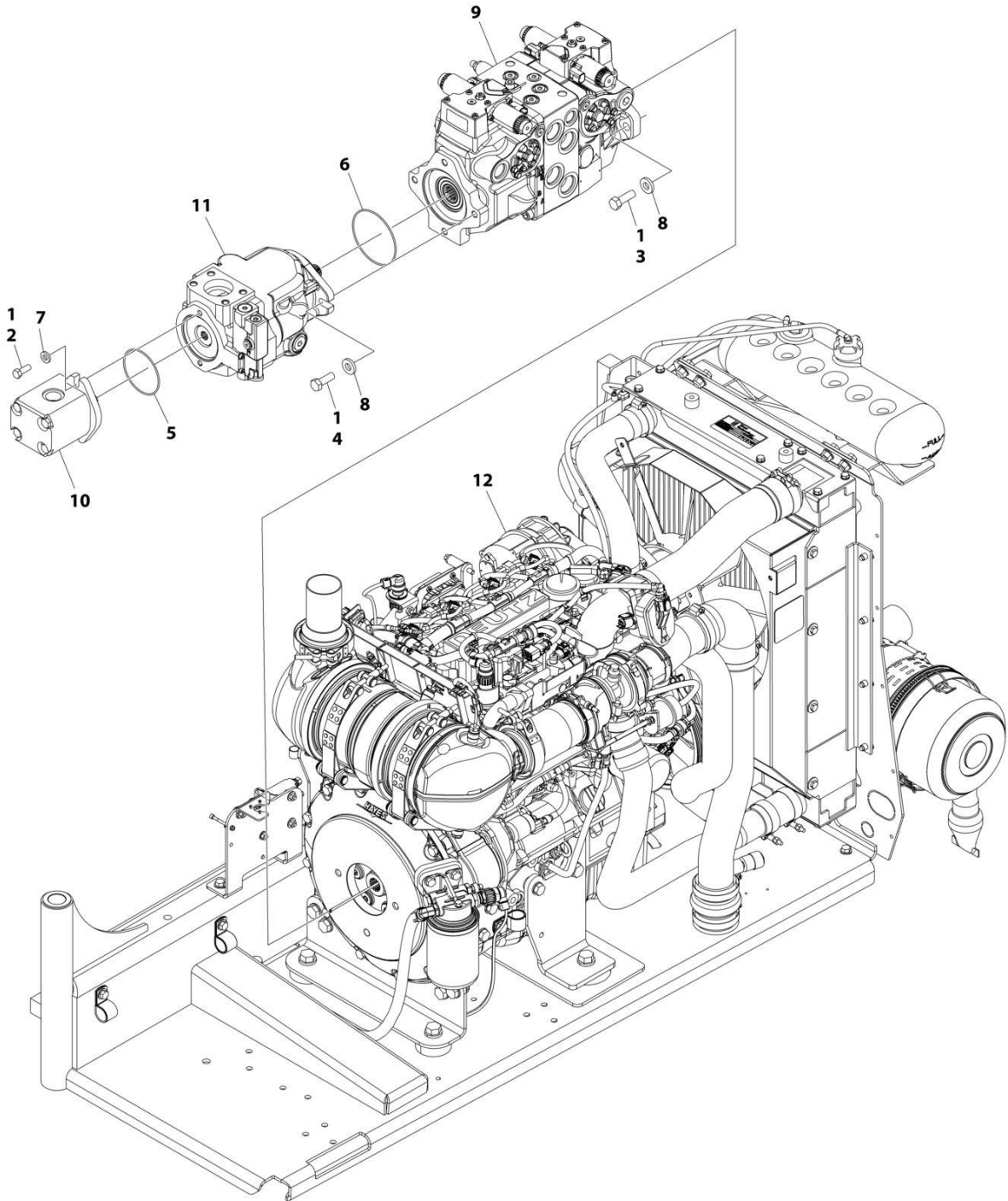
## SECTION 3 - ENGINE

ITEM	PART NUMBER	QTY	DESCRIPTION	REV
45	1001145089	1	Clamp	
46	1001145560	1	Panel, Rubber	
47	1001145842	1	Plate, Clamping	
48	1001146588	1	Strap (Not Shown)	
49	1001154405	2 ft/ 0.7m	Hose	
50	1001256879	1	Bracket	
51	1001282199	1	Engine Sub-Assembly (See Separate Breakdown in this Section)	



# SECTION 3 - ENGINE

FIGURE 3-67. DEUTZ TCD2.9L4 (CHINA IV) SUB - ASSEMBLY - WITH SAUER PUMPS



ART\_1001282199



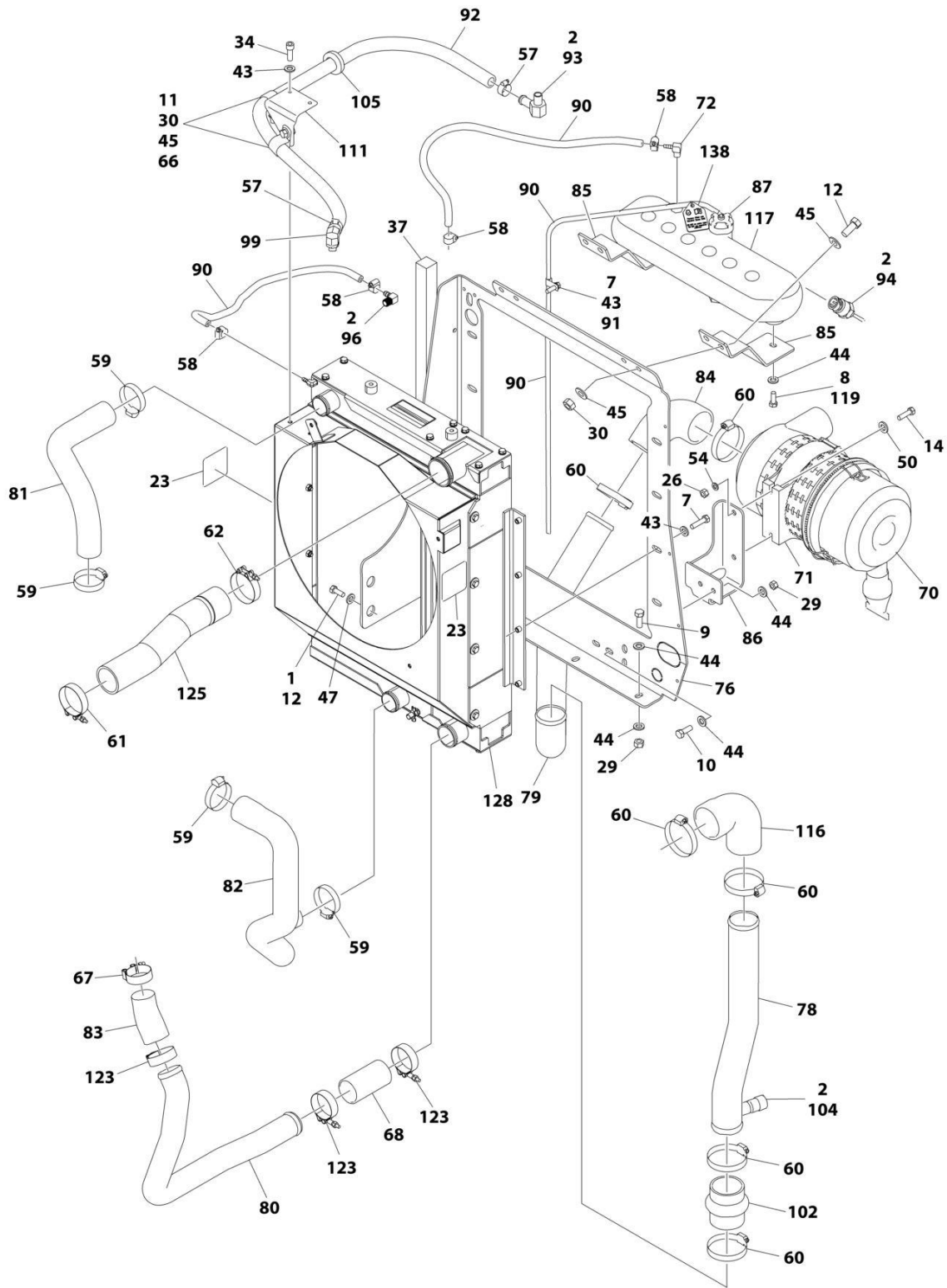
## SECTION 3 - ENGINE

**FIGURE 3-67. DEUTZ TCD2.9L4 (CHINA IV) SUB - ASSEMBLY - WITH SAUER PUMPS**

ITEM	PART NUMBER	QTY	DESCRIPTION	REV
	1001282199	Ref	SUB-ASSEMBLY - DEUTZ TCD2.9L4 (CHINA IV)	E
1	0100011	AR	Compound, Locking	
2	0641608	2	Bolt 3/8 x 1	
3	0641814	2	Bolt 1/2 x 1-3/4	
4	0761215	2	Bolt M12 x 35	
5	3790152	1	O-Ring	
6	3790155	1	O-Ring	
7	4891600	2	Washer 3/8	
8	4891800	4	Washer 1/2	
9	1001108616	1	Pump Assembly - Tandem (See Separate Breakdown in this Section)	
10	1001112927	1	Pump Assembly - Gear (See Separate Breakdown in this Section)	
11	1001171095	1	Pump Assembly - Piston (See Separate Breakdown in this Section)	
12	1001282200	1	Engine Assembly (See Separate Breakdown in this Section)	

# SECTION 3 - ENGINE

## FIGURE 3-68. ENGINE ASSEMBLY - DEUTZ TCD2.9L4 (CHINA IV)



ART\_1001282200\_E\_10F2



## SECTION 3 - ENGINE

**FIGURE 3-68. ENGINE ASSEMBLY - DEUTZ TCD2.9L4 (CHINA IV)**

ITEM	PART NUMBER	QTY	DESCRIPTION	REV
	1001282200	Ref	ENGINE ASSEMBLY - DEUTZ TCD2.9L4 (CHINA IV)	E
1	0100011	AR	Compound, Locking	
2	0100020	AR	Compound, Locking	
3	0100062	AR	Compound, Locking	
4	0641406	4	Bolt 1/4 x 3/4	
5	0641407	2	Bolt 1/4 x 7/8	
6	0641503	1	Bolt 5/16 x 3/8	
7	0641508	8	Bolt 5/16 x 1-1/4	
8	0641606	3	Bolt 3/8 x 3/4	
9	0641608	9	Bolt 3/8 x 1	
10	0641610	2	Bolt 3/8 x 1-1/4	
11	0641706	2	Bolt 7/16 x 3/4	
12	0641708	6	Bolt 7/16 x 1	
13	0682028	4	Bolt 5/8 x 3-1/2 Grade 8	
14	0700815	2	Bolt M8 x 35	
15	0760808	1	Bolt M8 x 16	
16	0761212	1	Bolt M12 x 25	
17	0761214	5	Bolt M12 x 30	
18	0771212	1	Bolt M12 x 25 Class 10.9	
19	0771414	9	Bolt M14 x 30 Class 10.9	
20	0940070	1	Bumper	
21	0961986	2	Bushing, Flanged	
22	1320022	2	Clamp	
23	1703162	2	Decal - Fan	
24	2902065	1	Pump Coupling Kit (See Separate Breakdown in this Section)	
25	3272001	4	Nut 5/8 Grade 8	
26	3290801	2	Nut M8	
27	3310401	3	Nut #4	
28	3311405	7	Nut 1/4	
29	3311605	9	Nut 3/8	
30	3311705	5	Nut 7/16	
31	3520054	1	Plug, Hole	
32	3910408	3	Screw #4 x 1/2	
33	3931432	1	Capscrew 1/4 x 2	
34	3931508	2	Capscrew 5/16 x 1/2	
35	3931512	4	Capscrew 5/16 x 3/4	
36	3960543	1	Seal	
37	3960544	1	Seal	
38	4031912	4	Bolt M8 x 40	
39	4240099	AR	Tie-Strap (Not Shown)	
40	4640751	1	Valve, Oil Drain	
41	4710400	3	Washer #4	
42	4711400	5	Washer 1/4	
43	4711500	17	Washer 5/16	
44	4711600	27	Washer 3/8	
45	4711700	10	Washer 7/16	
46	4751400	8	Washer 1/4	
47	4751700	2	Washer 7/16	
48	4791400	2	Starwasher 1/4	
49	4811900	5	Washer M8	

## SECTION 3 - ENGINE

ITEM	PART NUMBER	QTY	DESCRIPTION	REV
50	4811902	2	Washer M8	
51	4812000	4	Washer M10	
52	4812100	7	Washer M12	
53	4812200	9	Washer M14	
54	4831900	2	Washer M8	
55	4892000	4	Washer 5/8	
56	8405006	2	Clamp	
57	8405007	2	Clamp	
58	8405009	5	Clamp	
59	8405201	4	Clamp	
60	8405204	6	Clamp	
61	8405212	1	Clamp	
62	8405213	1	Clamp	
63	8406102	2	Clip	
64	8406112	1	Clip	
65	8406201	1	Clip	
66	8406302	2	Clamp	
67	8410014	1	Clamp	
68	91563070	1	Coupling, Rubber	
69	1001117308	1	Relay	
70	1001133633	1	Air Cleaner Assembly	
70	70024190	1	Element, Air Filter	
71	1001133634	1	Clamp	
72	1001134488	1	Fitting, 90 Barbed	
73	1001289964	1	Spacer, Fan	
74	1001135560	1	Support, Engine	
75	1001135562	1	Support, Engine - Rear	
76	1001135680	1	Support, Radiator	
77	1001135779	1	Cable, Alternator Positive (Not Shown)	
78	1001135901	1	Pipe, Air Intake	
79	1001135903	1	Pipe, Air Intake	
80	1001135913	1	Pipe, Turbo to Air Cleaner	
81	1001135924	1	Hose, Radiator (Upper)	
82	1001135926	1	Pipe, Radiator (Lower)	
83	1001135943	1	Coupling, Rubber	
84	1001135946	1	Elbow, Rubber	
85	1001136626	2	Bracket	
86	1001136665	1	Bracket	
87	1001136834	1	Cap, Tank	
88	1001137276	1	Fan	
89	1001138228	1	Module, Power	
89	70023592	1	Fuse 20Amp (Switched Output)	
89	70023593	1	Fuse 30Amp (Battery Output)	
90	1001138248	9 ft /3 m	Tubing	
91	1001138253	5	Clamp	
92	1001138524	1	Hose	
93	1001138559	1	Fitting, 90	
94	1001138827	1	Sensor, Coolant Level	
95	1001139240	1	Bracket	
96	1001140564	1	Fitting, 90 Barbed	
97	1001141304	1	Wire, Glow Plug	

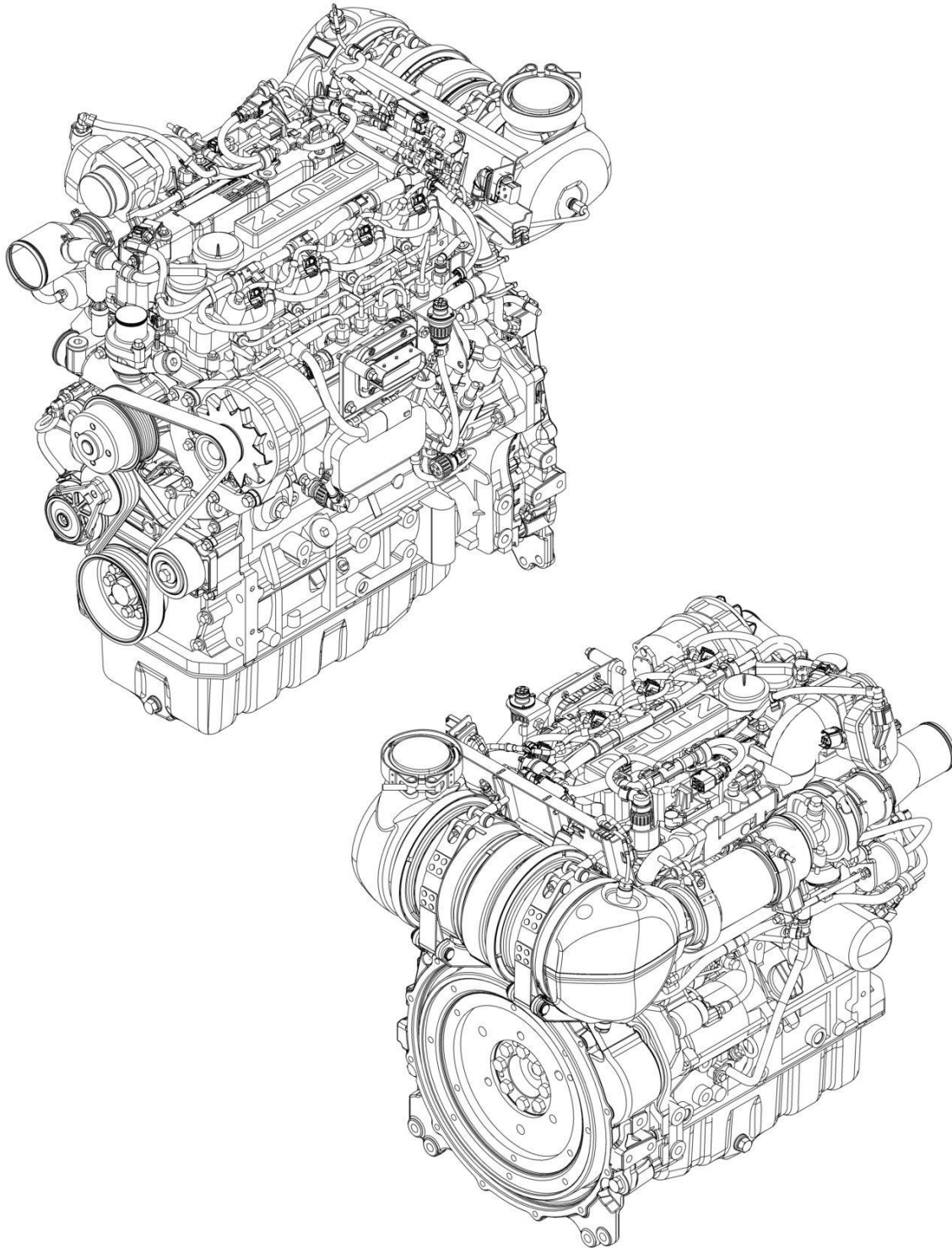
## SECTION 3 - ENGINE

ITEM	PART NUMBER	QTY	DESCRIPTION	REV
98	1001141717	1	Fitting, Straight	
99	1001141719	1	Fitting, 90 Barbed	
100	1001283008	1	Support, Engine	
101	1001142501	1	Fitting, 90 Barbed	
102	1001142637	1	Hose, Hump	
103	1001142685	1	Bracket	
104	1001143390	1	Indicator, Air Filter Service	
105	1001144089	1	Grommet	
106	1001145154	1	Plate, Mounting	
107	1001146219	4	Washer Special	
108	1001146588	1	Strap	
109	1001148843	1	Harness, Fuel Filter (Not Shown - See Separate Breakdown in ELECTRICAL Section)	
110	1001153024	1	Pipe, Exhaust	
111	1001153387	1	Plate	
112	1001154405	5 ft /2 m	Hose	
113	1001155575	4	Mount, Motor	
114	1001155823	1	Coupling	
115	1001165035	31 ft /10 m	Hose	
116	1001165820	1	Pipe, Elbow	
117	1001166393	1	Tank, Surge	
118	1001170982	1	Adapter	
119	1001180620	AR	Adhesive	
120	1001181899	1	Clamp	
121	1001191272	1	Tray	
122	1001191620	3	Clamp	
123	1001208299	3	Clamp	
124	1001227606	1	Bracket	
125	1001233492	1	Hose	
126	1001235952	1	Bracket	
127	1001276646	1	Harness, Engine (Not Shown - See Separate Breakdown in ELECTRICAL Section)	
128	1001256864	1	Radiator	
129	1001258800	1	Spacer, Pulley	
131	1001261045	4	Capscrew M10	
132	1001261085	4	Capscrew M10	
133	1001292604	1	Deutz TCD2.9L4 (CHINA IV) Engine Components (See Separate Breakdown in this Section)	
134	0641510	2	Bolt 5/16 x 1-1/4	
135	0641612	4	Bolt 3/8 x 1-1/2	
136	1001281192	1	Pulley	
137	4240032	AR	Tie-Strap (Not Shown)	
138	1001291401	1	Tag, Coolant	



## SECTION 3 - ENGINE

FIGURE 3-69. DEUTZ TCD2.9L4 (CHINA IV) ENGINE COMPONENTS



ART\_1001292604



## SECTION 3 - ENGINE

**FIGURE 3-69. DEUTZ TCD2.9L4 (CHINA IV) ENGINE COMPONENTS**

ITEM	PART NUMBER	QTY	DESCRIPTION	REV
	1001292604	Ref	DEUTZ TCD2.9L4 (CHINA IV) ENGINE	A
	See Note	Ref	Note: Additional components may be available. Contact JLG Customer Service for more details.	
		Ref	<b>AIR INTAKE COMPONENTS</b>	
	70008604	1	Pipe, Air Intake (Includes Clips)	
	70008608	1	Adapter, Air Intake Pipe	
	70008537	1	Valve, Throttle (Includes Gasket)	
	70008432	1	Manifold, Air Charge	
		Ref	<b>COOLING SYSTEM COMPONENTS</b>	
	1001291868	1	Pump, Coolant (Includes Gasket & Seal)	
	70031055	1	O-Ring, Coolant Pump	
	70007325	1	Gasket	
	70007603	1	Thermostat	
	70005184	1	O-Ring (Between Thermostat & Cover)	
	70005931	1	Gasket (Between Thermostat Cover & Pump)	
	70025142	1	Cover, Thermostat	
		Ref	<b>ELECTRICAL SYSTEM COMPONENTS</b>	
	70024513	1	Sensor, Primary Fuel Filter	
	70031144	1	Starter	
	70031142	1	Generator/Alternator (Includes Regulator)	
	70031143	1	Regulator, Voltage	
	70008558	1	Harness, Engine	
	1001211556	1	SENSOR,AIR AMBIENT	
	70028540	1	Sender, Temperature (Cylinder Head)	
	70024504	1	Sensor, Pressure (at Secondary Fuel Filter & Engine Block)	
	70026210	2	Sensor, Speed (End of Block & Front Cover)	
	70029407	1	Sensor, Pressure (Air Intake Manifold) (Round)	
	70024507	1	Sensor, Pressure (Air Intake Manifold) (Rectangular)	
	70000345	4	Plug, Glow	
		Ref	<b>EXHAUST SYSTEM COMPONENTS</b>	
	70025164	1	Gasket, Exhaust Manifold to Head	
	70025130	8	Bolt (Holds Exhaust Manifold to Head)	
	70029557	1	Gasket, Exhaust (Between Exhaust Manifold & First Exhaust Pipe)	
	70007354	1	Gasket, Exhaust (Between First Exhaust Pipe and beyond)	
	70031138	1	Valve, EGR	
	70007326	1	Gasket (Between EGR Valve & EGR Module)	
	70007328	1	Turbocharger	
	70004504	1	Compensator	
	70030097	1	Clamp, Exhaust (Compensator Front)	
	70030099	2	Clamp, Exhaust (Compensator to Muffler)	
	70025242	1	Gasket (Compensator)	
	70008564	1	Catalyst	
	70029517	2	Clamp (Catalyst)	
	70029520	2	Gasket (Catalyst)	
	70024505	1	Sender, Temperature (Catalyst Inlet)	
	70029409	1	Sender, Temperature (Catalyst Outlet)	
	70008431	1	Sensor, Pressure (Catalyst)	
		Ref	<b>FUEL SYSTEM COMPONENTS</b>	
	1001225430	1	Element, Fuel Filter (Primary)	

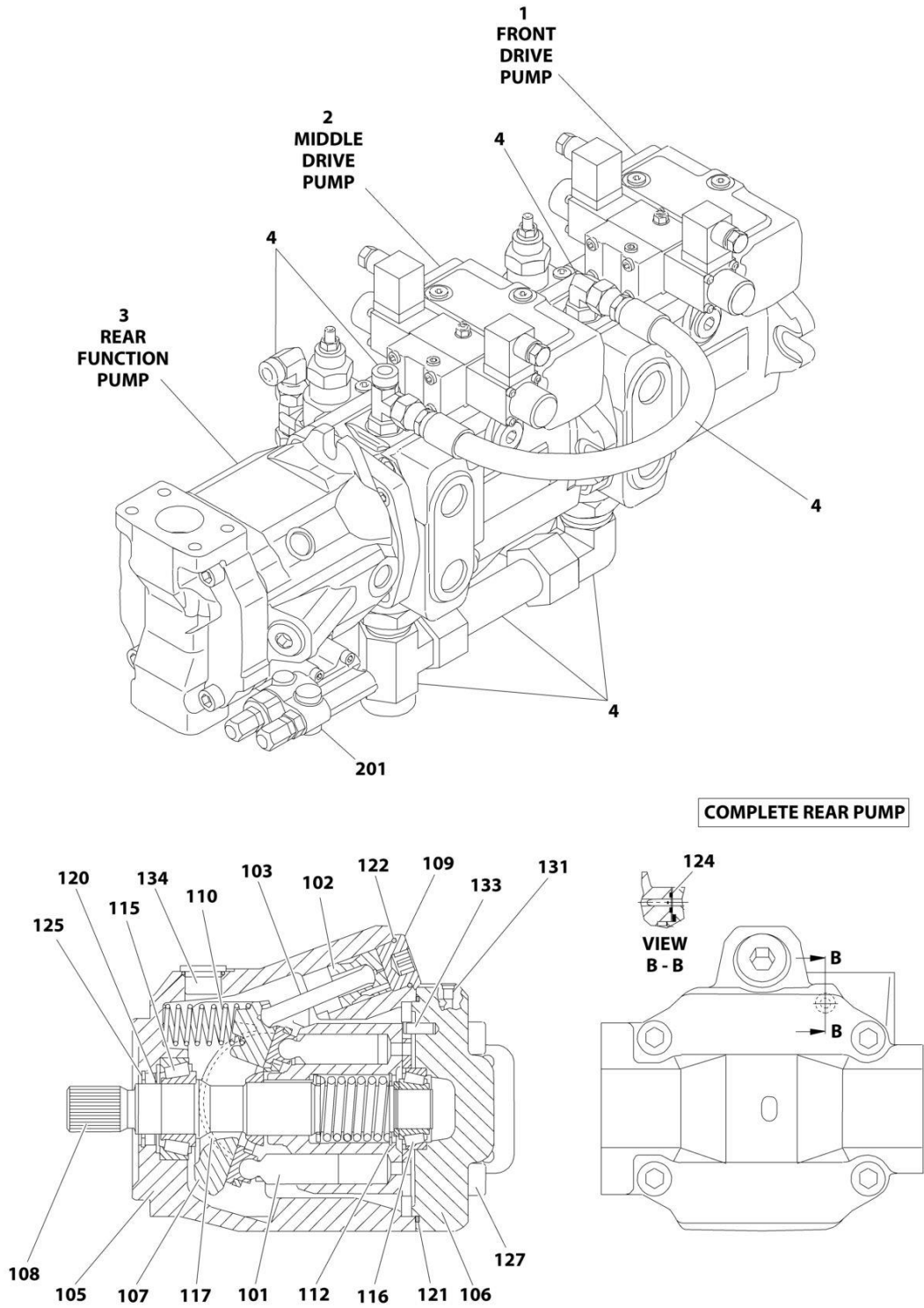
## SECTION 3 - ENGINE

ITEM	PART NUMBER	QTY	DESCRIPTION	REV
	1001225432	1	Element, Fuel Filter (Secondary)	
	70030381	1	Pump, High Pressure (Includes Mounitng O-Ring, Overflow Valve & Volume Control Valve)	
	70025152	1	O-Ring (Between Pump AND Spacer)	
	70004505	1	Valve, Overflow	
	70004508	1	Valve, Volume Control	
	70008607	4	Injector, Fuel (Includes O-Ring, Clamp & Sealing Washer)	
	70008422	1	Pump, Fuel Supply (Includes Clamps)	
	70025144	2	Clamp	
		Ref	<b>GASKETS &amp; SEAL &amp; KITS (Note: Some components listed with main component)</b>	
	70005938	1	Gasket Kit	
	70024906	1	Gasket, Head	
	70005171	1	Gasket, Valve Cover	
	70002718	1	Seal, Rear Case	
	70004280	1	Seal, Front Case	
	70028185	1	Gasket, Front Cover	
	70005176	1	O-Ring (Between Air Intake Manifold & Mixing Tube)	
	70005177	1	Gasket (Between Air Intake Manifold & Head)	
		Ref	<b>LUBRICATION SYSTEM COMPONENTS</b>	
	7016331	1	Filter, Oil	
	70024904	1	Dipstick (Includes O-Ring	
	70024905	1	O-Rng	
	7020465	1	Cap, Filler	
	70005941	2	Plug, Oil Pan	
	70005942	2	Seal, Oil Pan Plug	
	70005172	1	Pump, Oil Lube (Includes O-Ring & Gasket)	
	70025135	1	O-Ring	
	70005173	1	Gasket	
	70031474	1	Cooler, Oil	
	70031388	1	Seal, Oil Cooler	
		Ref	<b>MECHANICAL COMPONENTS</b>	
	70001870	1	Flywheel (Includes Ring Gear)	
	7024579	1	Gear, Ring	
	70030359	1	Belt Tensioner	
	70004277	1	Belt, Drive	
	70027432	1	Idler, Drive Belt	



# SECTION 3 - ENGINE

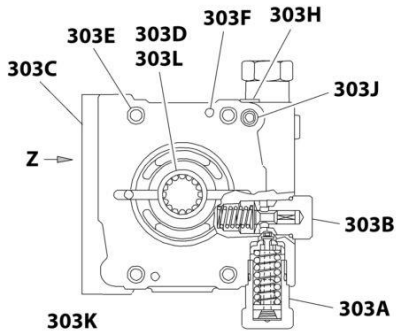
FIGURE 3-70. PUMP ASSEMBLY (REXROTH) (DEUTZ TD2011 ENGINES)



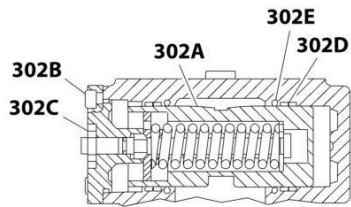
ART\_3600339\_10F2

# SECTION 3 - ENGINE

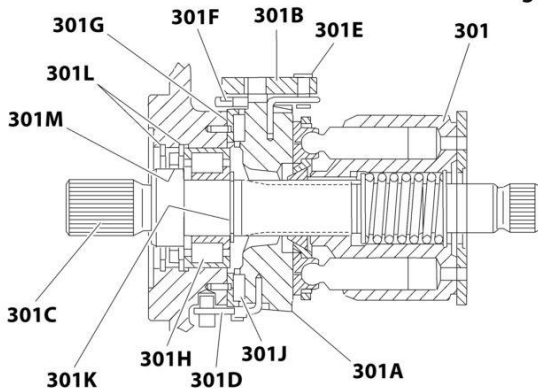
**COMPLETE FRONT AND PUMPS**



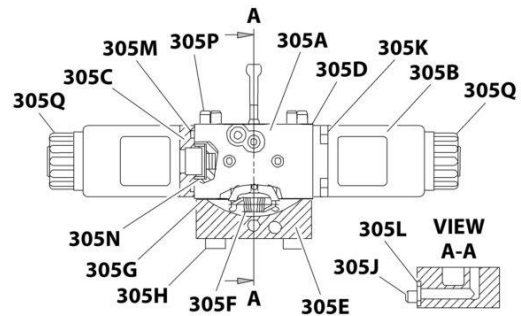
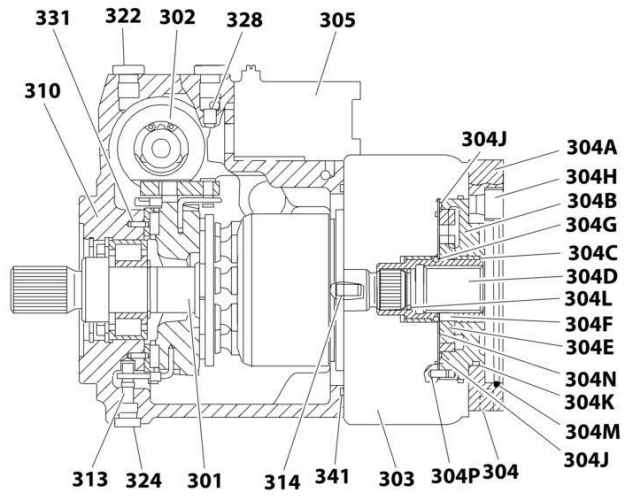
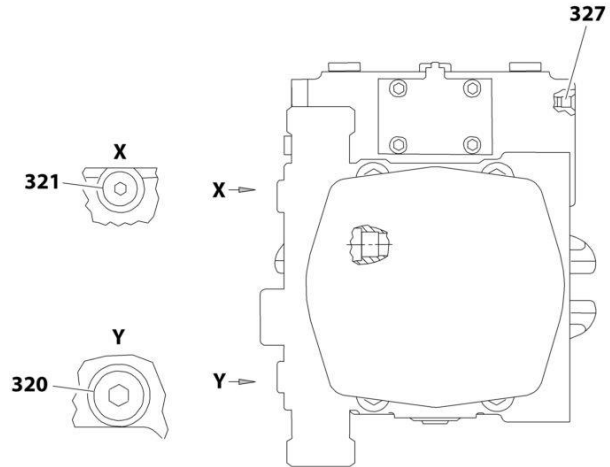
**PORT PLATE SECTION FRONT AND MID PUMPS (DETAIL OF ITEM 303)**



**HYD. CONTROL FRONT AND MID PUMPS (DETAIL OF ITEM 302)**



**ROTARY GROUP FRONT AND MID PUMPS (DETAIL OF ITEM 301)**



**CONTROL MODULE FRONT AND MID PUMPS (DETAIL OF ITEM 305)**

ART\_3600339\_20F2

## SECTION 3 - ENGINE

**FIGURE 3-70. PUMP ASSEMBLY (REXROTH) (DEUTZ TD2011 ENGINES)**

ITEM	PART NUMBER	QTY	DESCRIPTION	REV
	3600339	Ref	PUMP ASSEMBLY (REXROTH) (DEUTZ TD2011 ENGINES)	D
1	7024042	1	Front Drive Pump Assembly (Includes Items 301-341)	
2	7024043	1	Middle Drive Pump Assembly (Includes Items 301-341)	
3	7024044	1	Rear Function Pump Assembly (Includes Items 101-201)	
4	70001952	1	Hydraulic Kit (Includes all Rexroth Supplied Hydraulic Fittings, Hoses and Tubes)	
	7024044	Ref	REAR FUNCTION PUMP ASSEMBLY	
101	7024914	1	Rotary Section	
102	See Note	1	Piston, Control (Note: Not Available - Purchase Complete Assembly)	
103	See Note	1	Rod, Piston (Note: Not Available - Purchase Complete Assembly)	
105	See Note	1	Housing, Pump (Note: Not Available - Purchase Complete Assembly)	
106	See Note	1	Plate, Port (Note: Not Available - Purchase Complete Assembly)	
107	7024915	1	Plate, Swash	
108	7024916	1	Driveshaft	
109	See Note	1	Plug (Note: Not Available for Purchase)	
110	See Note	1	Spring (Note: Not Available for Purchase)	
112	7012709	1	Shim	
115	7024038	1	Bearing, Roller	
116	7012706	1	Bearing, Roller	
117	7024917	2	Shell, Cradle	
120	7024918	1	Seal, Shaft	
121	7024919	1	O-Ring	
122	7024920	1	O-Ring	
124	7024921	1	Seal	
125	7012715	1	V-Ring	
127	See Note	4	Capscrew M12 x 45 Grade 10.9 (Note: Not Available for Purchase)	
131	See Note	1	Plug (Note: Not Available for Purchase)	
133	See Note	1	Pin, Dowel (Note: Not Available for Purchase)	
134	See Note	1	Plug (Note: Not Available for Purchase)	
201	7024913	Ref	Pilot Valve Assembly	
		Ref	Note: Two mounting designs of p/n 7024913 pilot valve exist. Early design uses qty. 3 O-rings. Late design uses qty 1 sealing plate. Seal designs cannot be interchanged. Verify seal design before ordering.	
201	7024922	3	O-Ring (Seals between Pilot Valve and Rear Pump)	
201	70021867	1	Plate, Sealing (Seals between Pilot Valve and Rear Pump)	
		Ref	FRONT DRIVE PUMP ASSEMBLIES	
	7024042	Ref	Front Drive Pump Assembly	
	7024043	Ref	Middle Drive Pump Assembly	
301	7024064	1	Rotary Group	
301A	See Note	NSS	Cradle (Note: Use Item 301)	
301B	See Note	NSS	Ring, Slide (Note: Use Item 301)	
301C	See Note	NSS	Driveshaft (Note: Use Item 301)	
301D	See Note	NSS	Wire (Note: Use Item 301)	
301E	See Note	NSS	Pin, Joint (Note: Use Item 301)	
301F	See Note	NSS	Wire (Note: Use Item 301)	
301G	See Note	NSS	Liner, Bearing (Note: Use Item 301)	
301H	See Note	NSS	Bearing, Roller (Note: Use Item 301)	
301J	See Note	NSS	Cradle Bearing Assembly (Note: Use Item 301)	

## SECTION 3 - ENGINE

ITEM	PART NUMBER	QTY	DESCRIPTION	REV
301K	See Note	NSS	Ring, Retaining (Note: Use Item 301)	
301L	70001968	2	Ring, Retaining	
301M	7024070	1	Seal, Shaft Ring	
302	7024065	1	Control Group - Hydraulic	
302A	See Note	NSS	Piston, Positioning - Complete (Note: Use Item 302)	
302A	7024071	1	O-Ring, Outer Seal	
302A	7024072	1	O-Ring, Stem	
302B	See Note	4	Capscrew M6 x 12 (Note: Not Available - Purchase Locally)	
302C	See Note	NSS	Nut (Note: Use Item 302)	
302D	See Note	NSS	Ring, Guide (Note: Use Item 302)	
302E	See Note	NSS	Seal, O-Ring (Note: Use Item 302)	
303	7024911	1	Port Plate Group	
303A	7024073	2	Cartridge, Relief Valve (High Pressure)	
303A	7024075	1	O-Ring	
303A	7024076	1	Ring, Back-up	
303B		Ref	Cartridge Options:	
303B	7024097	1	Front Pump Cartridge (Lock Valve with Orifice) Note: Sold as an Assembly except Outer Seal.	
303B	7024075	1	O-Ring	
303B	7023881	1	Middle Pump Cartridge (Pressure Relief Valve) Note: Sold as an Assembly except Outer Seal.	
303B	7024077	1	O-Ring	
303C	See Note	NSS	Plate, Port (Note: Use Item 303)	
303D	See Note	NSS	Bushing, Bearing (Note: Use Item 303)	
303E	See Note	4	Capscrew M12 x 70 Grade10.9 (Note: Not Available - Purchase Locally)	
303F	See Note	NSS	Pin, Dowel (Note: Use Item 303)	
303G	See Note	NSS	Pin, Break-Off (Note: Use Item 303)	
303H	See Note	1	Screw, Locking M10 x 1 (Note: Not Available - Purchase Locally)	
303J	7024908	2	O-Ring	
303K	See Note	2	Screw, Locking 7/16 (Note: Not Available - Purchase Locally)	
303L	See Note	NSS	Bearing, Roller (Note: Use Item 303)	
304	7024906	1	Internal Gear Pump	
304A	See Note	NSS	Flange, Intermediate (Note: Use Item 304)	
304B	See Note	NSS	IZP-Housing (Note: Use Item 304)	
304C	See Note	NSS	Bushing, Bearing (Note: Use Item 304)	
304D	See Note	NSS	Coupling, Driveshaft Through (Note: Use Item 304)	
304E	See Note	NSS	Gear Set (Note: Use Item 304)	
304F	See Note	NSS	Key, Driveshaft (Note: Use Item 304)	
304G	See Note	NSS	Ring, Retaining (Note: Use Item 304)	
304H	See Note	4	Capscrew M10 x 20 (Note: Not Available - Purchase Locally)	
304J	7024080	2	Seal	
304K	7024081	1	O-Ring	
304L	See Note	NSS	Ring, Retaining (Note: Use Item 304)	
304M	See Note	NSS	O-Ring (Note: Use Item 304)	
304N	7024005	1	Plate, Wear	
304P	See Note	NSS	Pin, Cylinder (Note: Use Item 304)	
305	7024068	1	Control Module	
305A	7024084	1	Valve Body, Lever and Internal Components	
305B	7024083	2	Coil, Solenoid	
305C	See Note	NSS	Spacer, Coil (Note: Use Item 305)	

## SECTION 3 - ENGINE

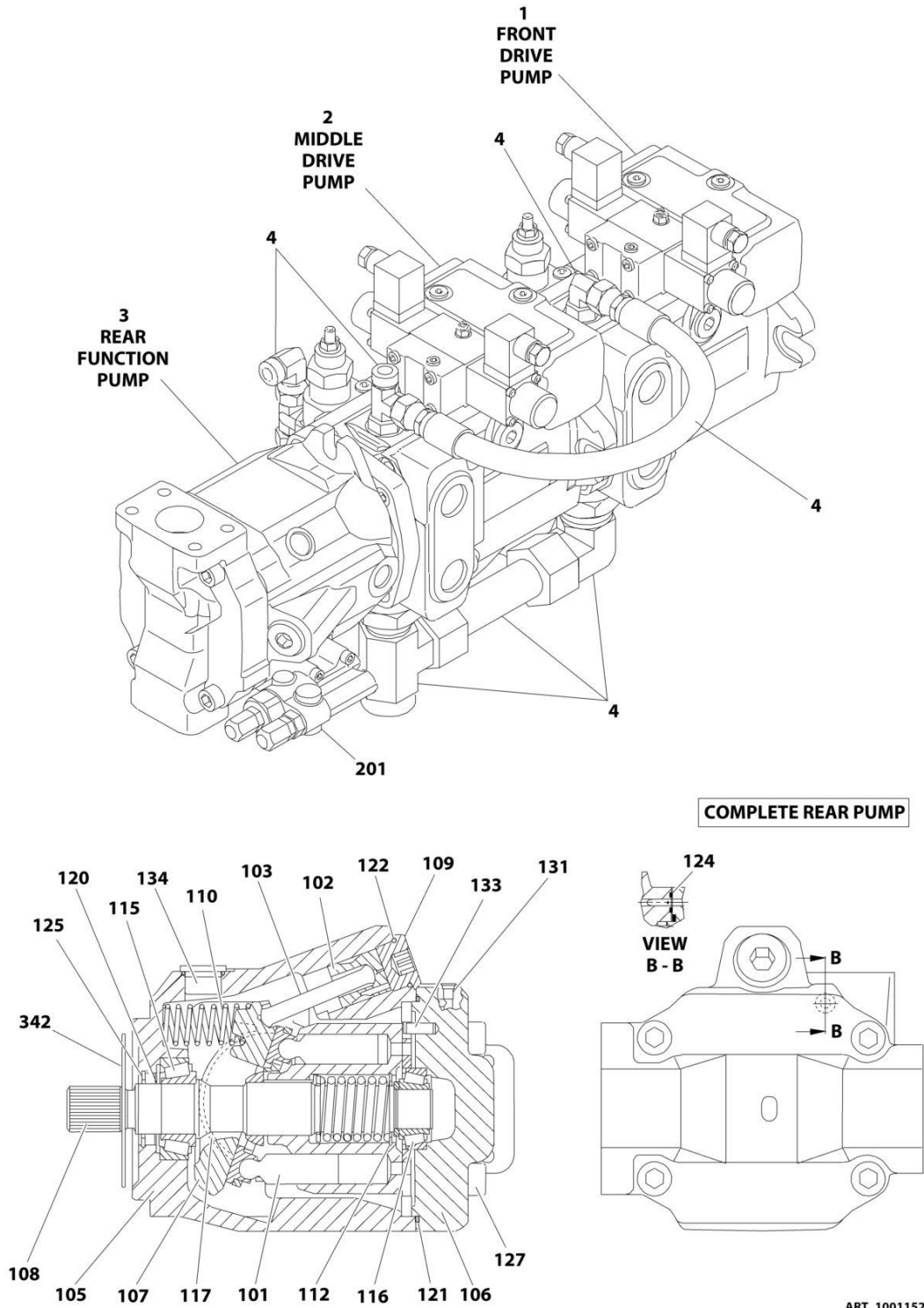
ITEM	PART NUMBER	QTY	DESCRIPTION	REV
305D	7024085	1	Gasket	
305E	See Note	NSS	Cover (Note: Use Item 305)	
305F	See Note	NSS	Spring, Draw (Note: Use Item 305)	
305G	See Note	NSS	Gasket (Note: Use Item 305)	
305H	See Note	4	Capscrew M6 x 65 (Note: Not Available - Purchase Locally)	
305J	See Note	1	Capscrew M6 x 45 (Note: Not Available - Purchase Locally)	
305K	See Note	8	Capscrew M5 x 10 (Note: Not Available - Purchase Locally)	
305L	7024087	1	O-Ring	
305M	7024088	2	O-Ring	
305N	7024089	2	Cup, Spring	
305P	See Note	NSS	Pin, Cylinder (Note: Use Item 305)	
305Q	70002569	2	Nut, Coil	
310	See Note	1	Housing (Note: Not Available for Purchase)	
313	See Note	2	Pin, Dowel (Note: Not Available for Purchase)	
314	See Note	1	Pin, Cylinder (Note: Not Available for Purchase)	
320	See Note	1	Screw 7/8 (Front Drive Pump Only) (Note: Not Available - Purchase Locally)	
321	See Note	1	Screw 9/16 (Note: Not Available - Purchase Locally)	
322	See Note	1	Screw 7/16 (Note: Not Available - Purchase Locally)	
324	See Note	1	Screw M10 x 1 (Note: Not Available - Purchase Locally)	
327	See Note	1	Pin, Double Break-Off (Note: Not Available for Purchase)	
328	7018936	2	Orifice	
331	See Note	2	Pin, Clamping (Note: Not Available for Purchase)	
341	7024069	1	O-Ring	





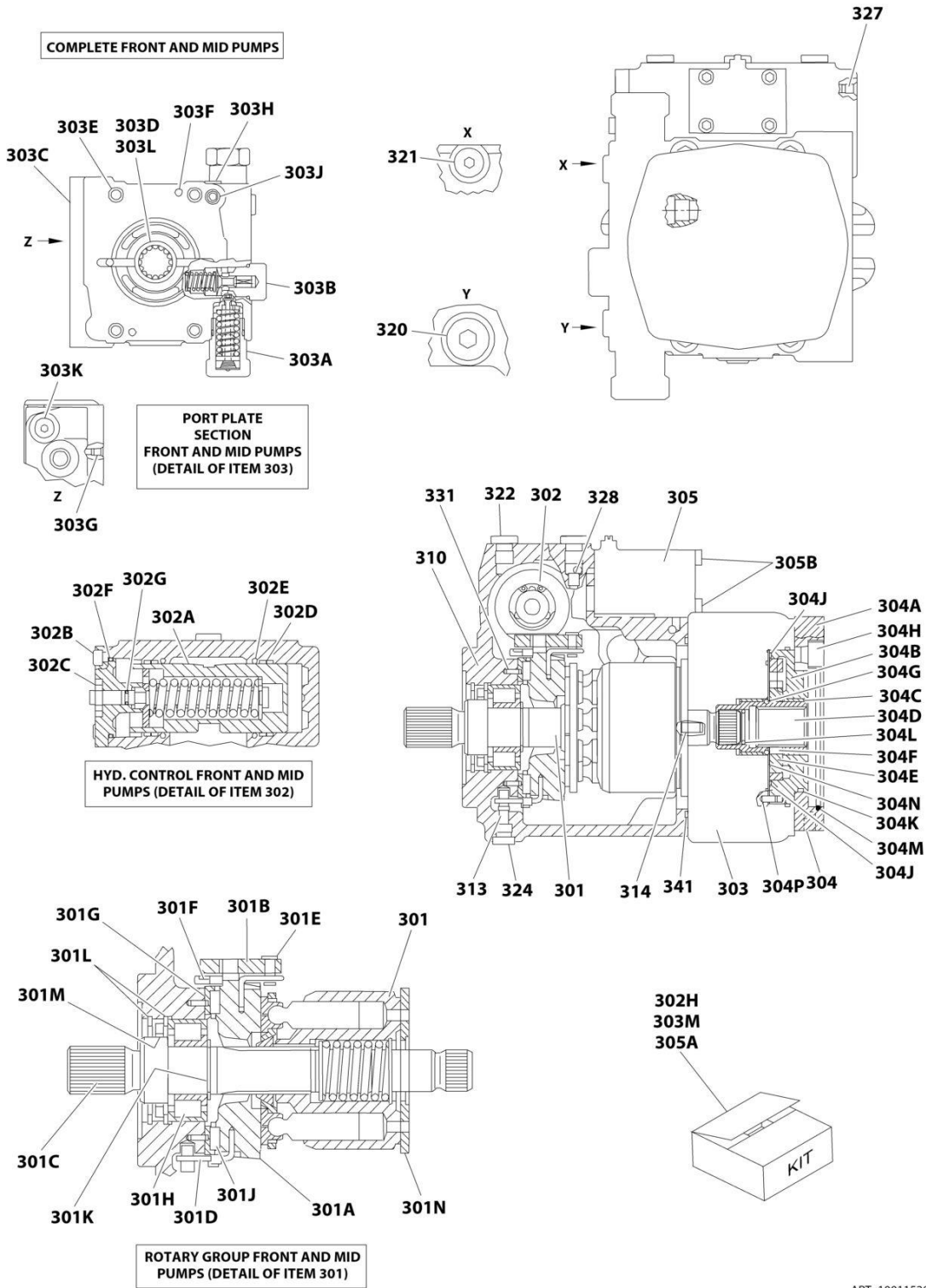
# SECTION 3 - ENGINE

FIGURE 3-71. PUMP ASSEMBLY (REXROTH) (DEUTZ TCD2.9L4 ENGINES)



ART\_1001152963\_10F2

# SECTION 3 - ENGINE



ART\_1001152963\_20F2

## SECTION 3 - ENGINE

### FIGURE 3-71. PUMP ASSEMBLY (REXROTH) (DEUTZ TCD2.9L4 ENGINES)

ITEM	PART NUMBER	QTY	DESCRIPTION	REV
	1001152963	Ref	PUMP ASSEMBLY (REXROTH) (DEUTZ TCD2.9L4 ENGINES)	C
1	70005480	1	Front Drive Pump Assembly Options (Includes Items 301-341)	
2	70005481	1	Middle Drive Pump Assembly (Includes Items 301-341)	
3	7024044	1	Rear Function Pump Assembly (Includes Items 101-201)	
4	See Note	NSS	Hydraulic Kit (Includes all Rexroth Supplied Hydraulic Fittings, Hoses and Tubes) (Note: Not Available for Purchase)	
	7024044	Ref	REAR FUNCTION PUMP ASSEMBLY	
101	70003173	1	Rotary Section	
102	See Note	1	Piston Control (Note: Not Available - Purchase Complete Assembly)	
103	See Note	1	Rod, Piston (Note: Not Available - Purchase Complete Assembly)	
105	See Note	1	Housing, Pump (Note: Not Available - Purchase Complete Assembly)	
106	See Note	1	Plate, Port (Note: Not Available - Purchase Complete Assembly)	
107	70003174	1	Plate, Swash	
108	70003175	1	Driveshaft	
109	See Note	1	Plug (Note: Not Available for Purchase)	
110	See Note	1	Spring (Note: Not Available for Purchase)	
112		Ref	Shim	
115	7024038	1	Bearing, Roller	
116	7012706	1	Bearing, Roller	
117	7024917	2	Shell, Cradle	
120	7024918	1	Seal, Shaft	
121	7024919	1	O-Ring	
122	7024920	1	O-Ring	
124	7024921	1	Seal	
125	70003177	1	V-Ring	
127	See Note	4	Capscrew M12 x 45 Grade 10.9 (Note: Not Available for Purchase)	
131	See Note	1	Plug (Note: Not Available for Purchase)	
133	See Note	1	Pin, Dowel (Note: Not Available for Purchase)	
134	See Note	1	Plug (Note: Not Available for Purchase)	
201	7024913	Ref	Pilot Valve Assembly	
		Ref	Note: Two mounting designs of p/n 7024913 pilot valve exist. Early design uses qty. 3 o-rings. Late design uses qty. 1 sealing plate. Seal designs cannot be interchanged. Verify seal design before ordering.	
201	7024922	3	O-Ring (Seals between Pilot Valve and Rear Pump)	
201	70021867	1	Plate, Sealing (Seals between Pilot Valve and Rear Pump)	
		Ref	FRONT DRIVE PUMP ASSEMBLIES	
	70005480	Ref	Front Drive Pump Assembly	
	70005481	Ref	Middle Drive Pump Assembly	
		Ref	Note: Service Parts not available at time of printing, call-out number on illustration for ref only.	
301	7024064	1	Rotary Group	
301A	See Note	NSS	Cradle (Note: Use Item 301)	
301B	See Note	NSS	Ring, Slide (Note: Use Item 301)	
301C	7023887	1	Driveshaft	
301D	See Note	NSS	Wire (Note: Use Item 301)	
301E	See Note	NSS	Pin, Joint (Note: Use Item 301)	
301F	See Note	NSS	Wire (Note: Use Item 301)	
301G	See Note	NSS	Liner, Bearing (Note: Use Item 301)	

## SECTION 3 - ENGINE

ITEM	PART NUMBER	QTY	DESCRIPTION	REV
301H	See Note	NSS	Bearing, Roller (Note: Use Item 301)	
301J	See Note	NSS	Cradle Bearing Assembly (Note: Use Item 301)	
301K	70001968	1	Ring, Retaining	
301L	See Note	NSS	Ring, Retaining (Note: Not Available for Purchase)	
301M	70003167	1	Seal, Shaft Ring	
301N	70000950	1	Plate	
302	7024065	1	Control Group - Hydraulic	
302A	See Note	NSS	Piston, Positioning - Complete (Note: Use Item 302)	
302A	See Note	NSS	O-Ring, Outer Seal (Note: Not Available for Purchase)	
302A	See Note	NSS	O-Ring, Stem (Note: Not Available for Purchase)	
302B	See Note	4	Capscrew M6 x 12 (Note: Not Available - Purchase Locally)	
302C	See Note	NSS	Nut (Note: Use Item 302)	
302D	See Note	NSS	Ring, Guide (Note: Use Item 302)	
302E	See Note	NSS	Seal, O-Ring (Note: Use Item 302)	
302F	7024071	1	O-Ring	
302G	7024072	1	O-Ring	
302H	7024006	1	Seal Kit - Control Section	
303	7024905	1	Port Plate Group (Front)	
303	7024911	1	Port Plate Group (Mid)	
303A	7024073	1	Cartridge, Relief Valve (High Pressure)	
303A	7024075	1	O-Ring	
303A	7024076	1	Ring, Back-up	
303B		Ref	Cartridge Options:	
303B	7024907	1	Front Pump Cartridge (Lock Valve With Orifice)	
303B	7024909	1	Screw, Locking	
303B	7024075	1	O-Ring	
303B	70020329	1	Middle Pump Cartridge (Pressure Relief Valve)	
303B	7024909	1	Screw, Locking	
303B	7024077	1	O-Ring	
303C	See Note	NSS	Plate, Port (Note: Use Item 303)	
303D	See Note	NSS	Bushing, Bearing (Note: Use Item 303)	
303E	See Note	4	Capscrew M12 x 70 Grade 10.9 (Note: Not Available - Purchase Locally)	
303F	See Note	NSS	Pin, Dowel (Note: Use Item 303)	
303G	70003340	1	Pin, Break-Off	
303H	See Note	1	Screw, Locking M10 x 1 (Note: Not Available - Purchase Locally)	
303J	7024908	1	O-Ring	
303K	See Note	2	Screw, Locking 7/16 (Note: Not Available - Purchase Locally)	
303L	See Note	NSS	Bearing, Roller (Note: Use Item 303)	
303M	7024006	1	Seal Kit - Port Plate Group	
304	7024906	1	Internal Gear Pump	
304A	See Note	NSS	Flange, Intermediate (Note: Use Item 304)	
304B	See Note	NSS	IZP-Housing (Note: Use Item 304)	
304C	See Note	NSS	Bushing, Bearing (Note: Use Item 304)	
304D	See Note	NSS	Coupling, Driveshaft Through (Note: Use Item 304)	
304E	7024078	1	Gear Set	
304F	7024079	1	Key, Driveshaft	
304G	80934174	1	Ring, Retaining	
304H	See Note	4	Capscrew M10 x 20 (Note: Not Available - Purchase Locally)	
304J	See Note	NSS	Seal (Note: Not Available for Purchase)	
304K	7024081	1	O-Ring	

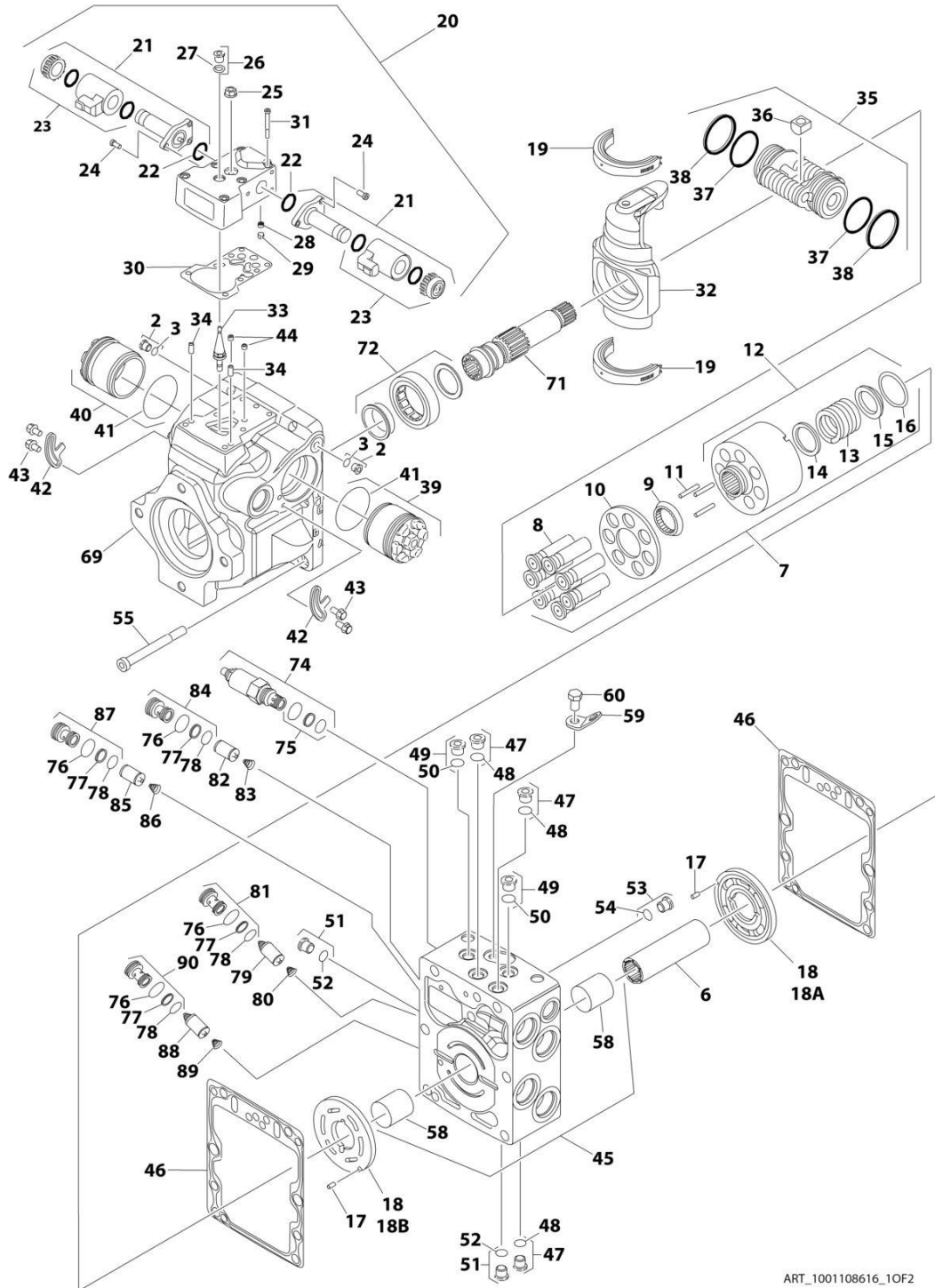
## SECTION 3 - ENGINE

ITEM	PART NUMBER	QTY	DESCRIPTION	REV
304L	See Note	NSS	Ring, Retaining (Note: Use Item 304)	
304M	See Note	NSS	O-Ring (Note: Use Item 304)	
304N	See Note	NSS	Plate, Wear (Note: Not Available for Purchase)	
304P	See Note	NSS	Pin, Cylinder (Note: Use Item 304)	
305	70003165	1	Control Module	
305	70003170	1	Coil, Solenoid	
305A	70020336	1	Seal Kit - Control Module	
305B	80934644	4	Capscrew	
310	See Note	1	Housing (Note: Not Available for Purchase)	
313	See Note	2	Pin, Dowel (Note: Not Available for Purchase)	
314	See Note	1	Pin, Cylinder (Note: Not Available for Purchase)	
320	7026980	1	Screw 7/8 (Front Drive Pump Only)	
321	80334079	1	Screw 9/16	
322	See Note	1	Screw 7/16 (Note: Not Available - Purchase Locally)	
324	See Note	1	Screw M10 x 1 (Note: Not Available - Purchase Locally)	
327	70003340	1	Pin, Double Break-Off	
328	7018936	1	Orifice	
331	7024096	2	Pin, Clamping	
341	7024069	1	O-Ring	
342	70007178	1	O-Ring	



# SECTION 3 - ENGINE

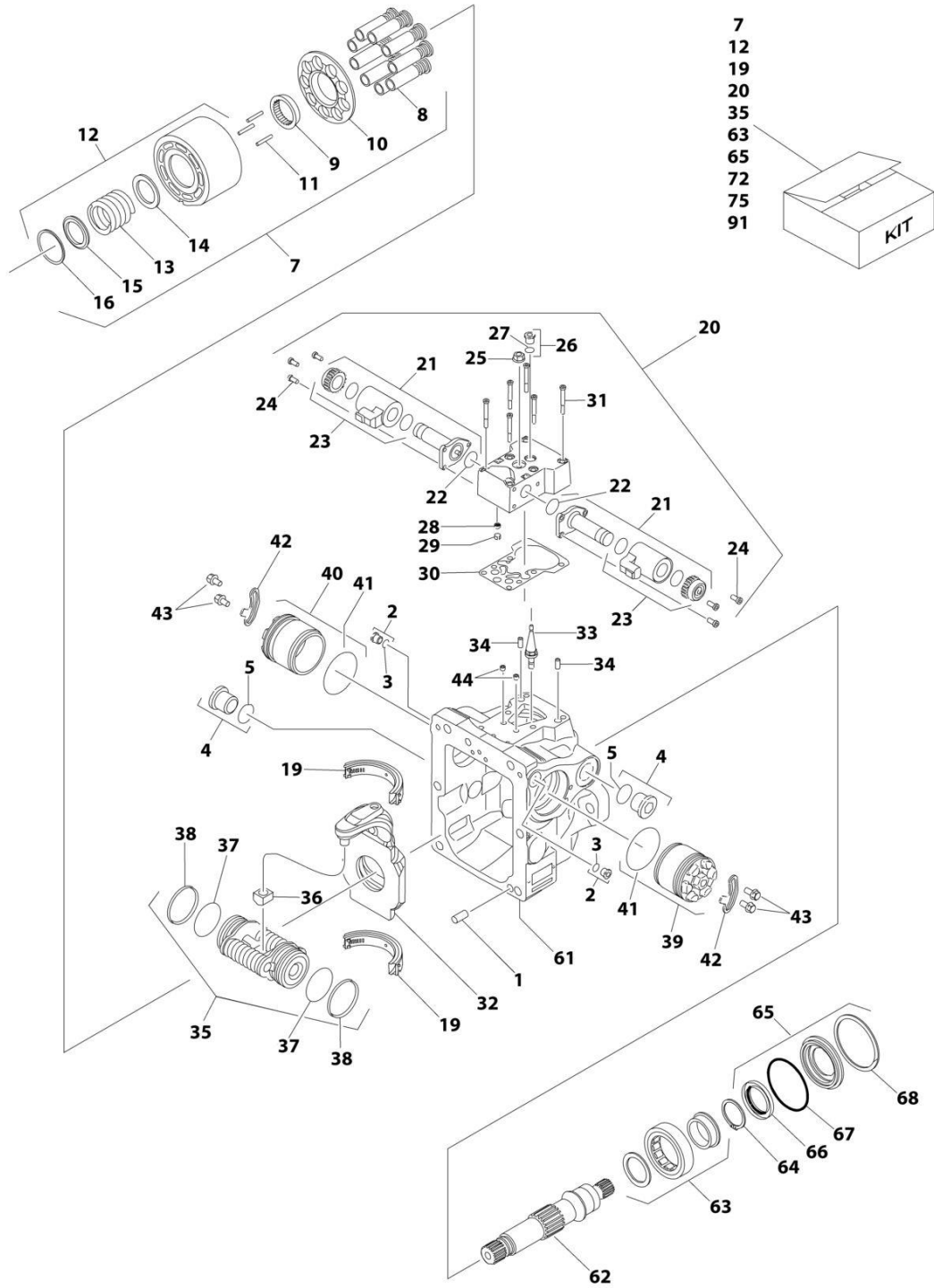
## FIGURE 3-72. PUMP ASSEMBLY (SAUER TANDEM)



ART\_1001108616\_10F2



# SECTION 3 - ENGINE



ART\_1001108616\_20F2

## SECTION 3 - ENGINE

### FIGURE 3-72. PUMP ASSEMBLY (SAUER TANDEM)

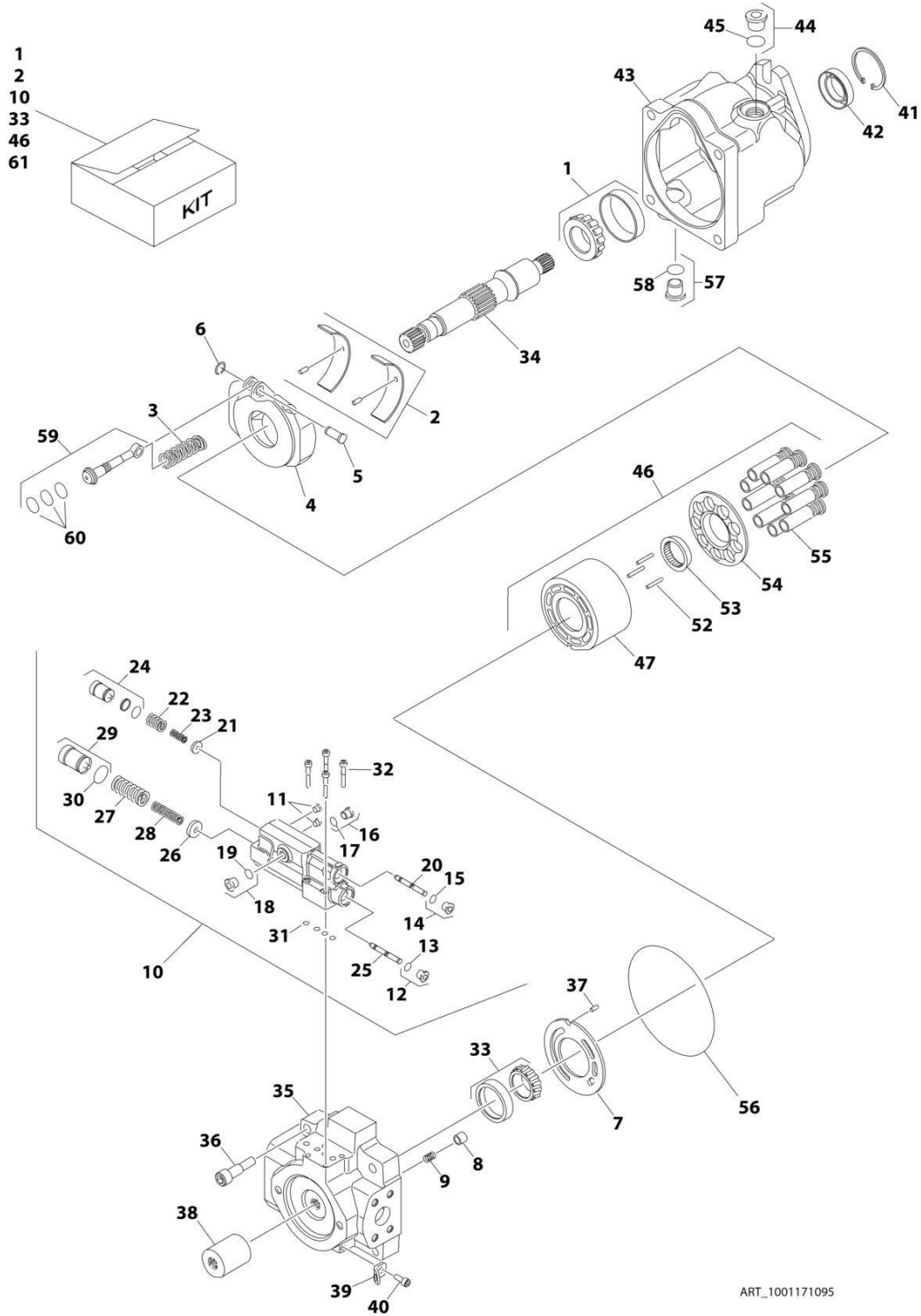
ITEM	PART NUMBER	QTY	DESCRIPTION	REV
	1001108616	Ref	PUMP ASSEMBLY (SAUER TANDEM)	D
1	70002132	4	Pin	
2	70002133	4	Plug Assembly (Includes Item 3)	
3	7007207	4	O-Ring (Part of Item 2)	
4	7007419	2	Plug Assembly (Includes Item 5)	
5	7007418	2	O-Ring (Part of Item 4)	
6	70002600	1	Coupling	
7	70002135	2	Cylinder Block Kit (Each Kit Includes Qty 1 of Items 8-10 & 12-16 & Qty 3 of Item 11)	
8	70002136	2	Piston Assembly Kit (Includes Qty 9 Piston Assemblies) (Part of Item 7)	
9	70002137	2	Guide, Slipper Retainer (Part of Item 7)	
10	70002138	2	Retainer, Slipper (Part of Item 7)	
11	7021275	6	Pin, Slipper Retainer Holddown (Part of Item 7)	
12	70002135	2	Cylinder Block Assembly (Includes Qty 1 of Item 13-16) (Part of Item 7)	
13	70002139	2	Spring (Part of Item 12)	
14	70002140	2	Washer (Part of Item 12)	
15	70002141	2	Washer (Part of Item 12)	
16	70002142	2	Ring, Retaining (Part of Item 12)	
17	7007446	2	Pin	
18		Ref	Plate, Valve Options:	
18A	70002601	1	Plate, CW Valve	
18B	70002602	1	Plate, CCW Valve	
19	70002145	2	Swash Plate Bearing Kit (Includes Qty 2 Bearings)	
20	70002618	2	EDC Kit (Includes Items 21-31)	
21	70002619	4	Solenoid Valve Assembly (Includes Items 22 & 23) (Part of Item 20)	
22	70002148	4	O-Ring (2 Per EDC Assembly) (Part of Item 21)	
23	70002620	4	Coil, Nut and Seals Kit (2 Per EDC Assembly) (Part of Item 21)	
24	70002150	12	Screw (Part of Item 20)	
25	7022301	2	Nut, Seal (Part of Item 20)	
26	70002151	2	Plug Assembly (Part of Item 20) (Includes Item 27)	
27	7007207	2	O-Ring (Part of Item 26)	
28	70002134	2	Screen (Part of Item 20)	
29	70002153	2	Ring, Locking (Part of Item 20)	
30	70002154	2	Gasket, Control (Part of Item 20)	
31	70002156	12	Capscrew (Part of Item 20)	
32	70002152	2	Swash Plate	
33	70002155	2	Link, Swash Plate	
34	70002157	4	Pin, Dowel	
35	70002158	2	Servo Piston Assembly (Includes Items 36-38)	
36	70002159	2	Block, Slider (Part of Item 35)	
37	70002160	2	O-Ring (Part of Item 35)	
38	70002161	2	Ring, Piston (Part of Item 35)	
39	70002162	2	Cylinder, Servo	
40	70002162	2	Cylinder, Servo	
41	70002163	4	O-Ring	
42	70002164	4	Plate, Locking	
43	70002165	8	Screw	

## SECTION 3 - ENGINE

ITEM	PART NUMBER	QTY	DESCRIPTION	REV
44	70002604	4	Orifice	
45	70002605	1	Center Section Assembly (Includes Item 58)	
46	70002168	2	Gasket, End Cap	
47	70001958	2	Plug Assembly (Includes Item 48)	
48	7021256	2	O-Ring (Part of Item 47)	
49	70001958	2	Plug Assembly (Includes Item 50)	
50	7021256	2	O-Ring (Part of Item 49)	
51	70001958	2	Plug Assembly (Includes Item 52)	
52	7021256	2	O-Ring (Part of Item 51)	
53	70001958	2	Plug Assembly (Includes Item 54)	
54	7021256	2	O-Ring (Part of Item 53)	
55	70002606	4	Capscrew	
58	70002607	2	Bearing, Journal (Part of Item 45)	
59	70002608	1	Bracket, Lifting	
60	70002609	1	Screw	
61	See Note	1	Housing (Note: Not Available for Purchase)	
62	70002175	1	Shaft	
63	70002610	1	Ball Bearing Kit	
	7007439	1	Ring, Retaining	
65	70002174	1	Shaft Seal Kit (Includes Items 66-68) (Note: This is a universal kit and will contain extra pieces that are not used on this pump assembly)	
66	70002177	1	Seal, Lip	
67	70002178	1	O-Ring	
68	70002179	1	Ring, Retaining	
69	See Note	1	Housing (Note: Not Available for Purchase)	
71	70002612	1	Shaft	
72	70002610	1	Ball Bearing Kit	
74	70002621	1	High Pressure Relief Valve Cartridge Assembly (Includes Item 75)	
75	70002622	1	Seal Kit - 70002621 Valve (Part of Item 74)	
76	7007415	1	O-Ring (Part of Items 81, 84, 87 & 90)	
77	7021293	1	Ring, Back-up (Part of Items 81, 84, 87 & 90)	
78	7022300	1	O-Ring (Part of Items 81, 84, 87 & 90)	
79	70002616	1	SCR Valve Assembly	
80	7024800	1	Spring	
81	7021265	1	Plug Assembly (Includes Qty 1 of Items 76-78)	
82	70002616	1	SCR Valve Assembly	
83	7024800	1	Spring	
84	7021265	1	Plug Assembly (Includes Qty 1 of Item 76-78)	
85	70002616	1	SCR Valve Assembly	
86	7024800	1	Spring	
87	70002617	1	Plug Assembly (Includes Qty 1 of Item 76-78)	
88	70002616	1	SCR Valve Assembly	
89	7024800	1	Spring	
90	7021265	1	Plug Assembly (Includes Qty 1 of Items 76-78)	
91	70002623	1	Overhaul Seal Kit (Includes Items 3, 5, 22, 27, 30, 37, 38, 41, 46, 48, 50, 52, 54, 66, 67, 75, 76, 77 & 78)	

# SECTION 3 - ENGINE

## FIGURE 3-73. PUMP ASSEMBLY (SAUER PISTON)



ART\_1001171095

## SECTION 3 - ENGINE

### FIGURE 3-73. PUMP ASSEMBLY (SAUER PISTON)

ITEM	PART NUMBER	QTY	DESCRIPTION	REV
	1001171095	Ref	PUMP ASSEMBLY (SAUER PISTON)	B
1	70002578	1	Bearing Kit - Front (Includes Cup and Cone)	
2	70004426	1	Swash Plate Bearing Kit (Includes Qty 2 Bearings and Retainer Pins)	
3	70002580	1	Spring, Bias	
4	70004416	1	Swash Plate Assembly	
5	70002582	1	Shaft	
6	70002583	1	Ring, Retaining	
7	70004417	1	Plate, Valve	
8	70001956	1	Poppet, Check Valve	
9	70001955	1	Spring	
10	70022286	1	Control Kit (Includes Items 11-32)	
11	See Note	NSS	Setscrew (Note: Use Item 10)	
12	70002133	1	Plug Assembly (Includes Item 13)	
13	7007207	1	O-Ring (Part of Item 12)	
14	70002133	1	Plug Assembly (Part of Item 15)	
15	7007207	1	O-Ring (Part of Item 14)	
16	70002133	1	Plug Assembly (Includes Item 17)	
17	7007207	1	O-Ring (Part of Item 16)	
18	70002133	1	Plug Assembly (Includes Item 19)	
19	7007207	1	O-Ring (Part of Item 18)	
20	See Note	NSS	Spool (Note: Use Item 10)	
21	See Note	NSS	Guide, Spring LS (Note: Use Item 10)	
22	See Note	NSS	Spring, Outer LS (Note: Use Item 10)	
23	See Note	NSS	Spring, Inner LS (Note: Use Item 10)	
24	See Note	NSS	Plug, Adjusting LS (Note: Use Item 10 or 61)	
25	See Note	NSS	Spool, Control (Note: Use Item 10)	
26	See Note	NSS	Guide, Spring PC (Note: Use Item 10)	
27	See Note	NSS	Spring, Outer PC (Note: Use Item 10)	
28	See Note	NSS	Spring, Inner PC (Note: Use Item 10)	
29	See Note	NSS	Plug, Adjusting PC (Note: Use Item 10)	
30	See Note	NSS	O-Ring (Note: Use Item 10 or 61)	
31	See Note	NSS	Ring, Seal (Note: Use Item 10 or 61)	
32	See Note	NSS	Capscrew (Note: Use Item 10)	
33	70002585	1	Bearing Kit - Rear (Includes Cup and Cone)	
34	70002586	1	Shaft	
35	70004420	1	Cap, End	
36	70002588	4	Capscrew	
37	7007446	1	Pin, Slotted	
38	70002589	1	Coupling	
39	7022340	1	Bracket, Lifting	
40	70002590	1	Capscrew	
41	7023962	1	Ring, Retaining	
42	See Note	NSS	Seal, Lip (Note: Use Item 61)	
43	See Note	NSS	Housing (Note: Not Available for Purchase)	
44	7023964	1	Plug Assembly (Includes Item 45)	
45	7007415	1	O-Ring (Part of Item 44)	
46	70004423	1	Cylinder Block Kit (Includes Items 47-55)	
47	70004421	1	Cylinder	
52	7021275	3	Pin, Hold-down	

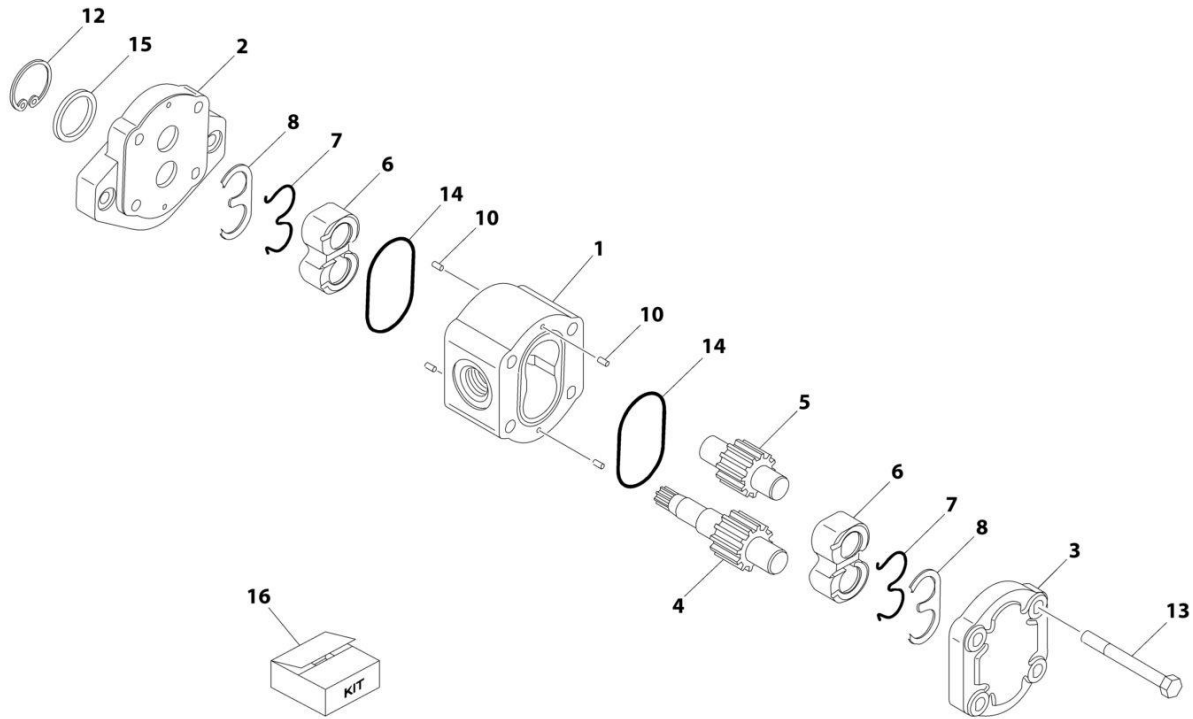
## SECTION 3 - ENGINE

ITEM	PART NUMBER	QTY	DESCRIPTION	REV
53	70002592	1	Guide, Slipper Retainer	
54	70002593	1	Retainer, Slipper	
55	70004422	1	Piston Assembly	
56	See Note	NSS	Seal, End Cap (Note: Use Item 61)	
57	7023964	1	Plug, O-Ring (Includes Item 58)	
58	7007415	1	O-Ring (Part of Item 57)	
59	70005418	1	Servo Piston Assembly (Includes Item 60)	
60	See Note	NSS	Ring, Piston (Part of Item 59) (Note: Use Item 61)	
61	70002599	1	Complete Seal Kit (Includes Items 13, 15, 17, 19, 24, 30, 31, 42, 45, 56, 58 & 60)	



# SECTION 3 - ENGINE

## FIGURE 3-74. PUMP ASSEMBLY (SAUER GEAR)



ART\_1001112927



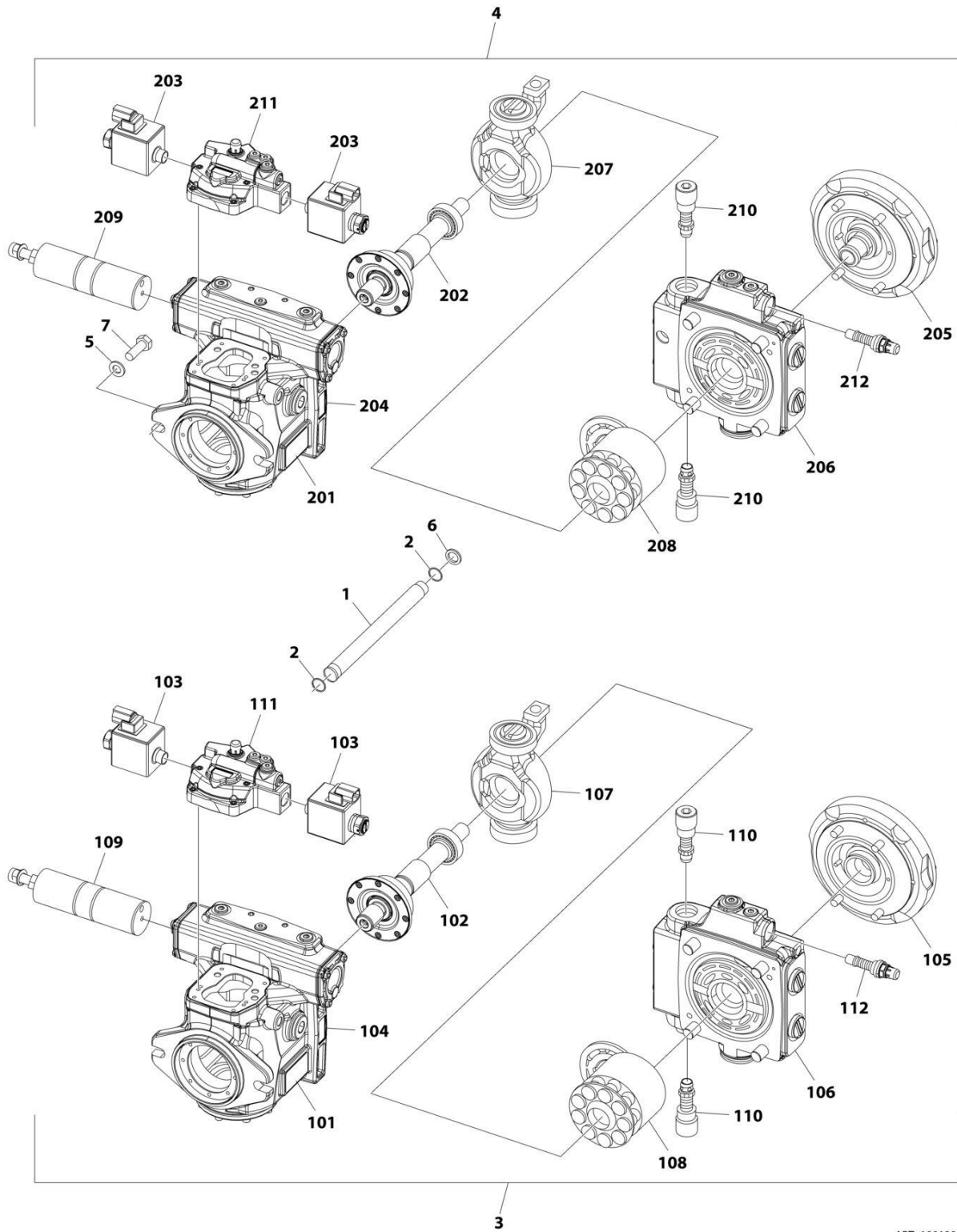
## SECTION 3 - ENGINE

**FIGURE 3-74. PUMP ASSEMBLY (SAUER GEAR)**

ITEM	PART NUMBER	QTY	DESCRIPTION	REV
	1001112927	Ref	PUMP ASSEMBLY (SAUER GEAR)	A
1	See Note	NSS	Body (Note: Use p/n 1001112927)	
2	See Note	NSS	Cover, Front (Note: Use p/n 1001112927)	
3	See Note	NSS	Cover, Rear (Note: Use p/n 1001112927)	
4	See Note	NSS	Shaft, Gear (Note: Use p/n 1001112927)	
5	See Note	NSS	Gear, Idler (Note: Use p/n 1001112927)	
6	See Note	NSS	Block, Bearing (Note: Use p/n 1001112927)	
7	7007489	2	Ring, Anti-Extrusion	
8	7007489	2	Ring, Seal	
10	See Note	NSS	Pin, Dowel (Note: Use p/n 1001112927)	
12	70002576	1	Ring, Retaining	
13	See Note	NSS	Capscrew (Note: Use p/n 1001112927)	
14	7007489	2	O-Ring	
15	7007489	1	Seal, Lip	
16	7007489	1	Seal Kit - 1001112927 Pump (Includes Items 7, 8, 14 & 15)	

# SECTION 3 - ENGINE

## FIGURE 3-75. PUMP ASSEMBLY - HYDRAULIC TANDEM



ART\_1001286957

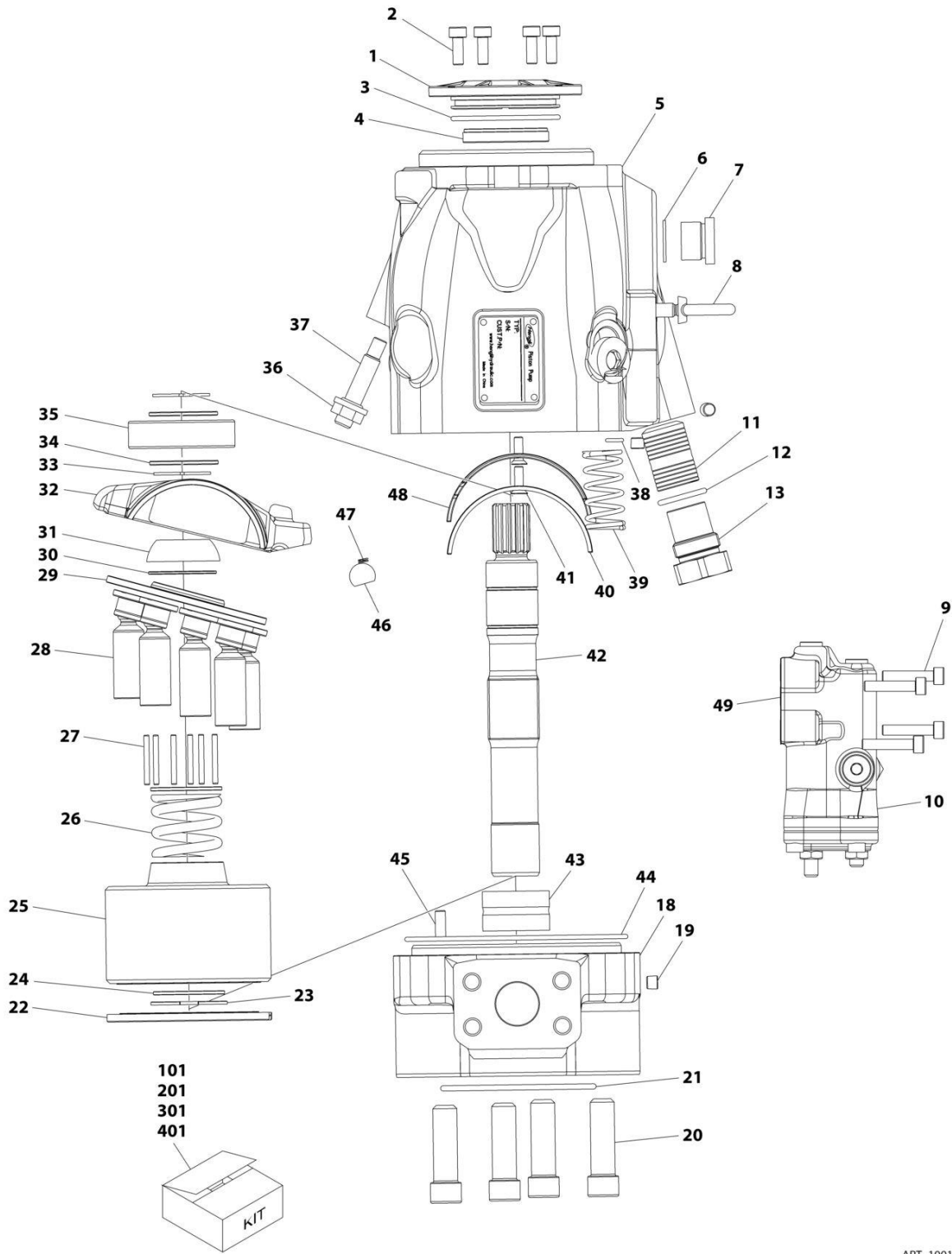
## SECTION 3 - ENGINE

**FIGURE 3-75. PUMP ASSEMBLY - HYDRAULIC TANDEM**

ITEM	PART NUMBER	QTY	DESCRIPTION	REV
	1001286957	Ref	PUMP ASSEMBLY - HYDRAULIC TANDEM	A
	See Note	Ref	(Note: No Other Service Parts Available)	
1	70008490	1	Shaft	
2	70008491	2	O-Ring	
3	70008492	1	Front Pump Assembly (Includes Items 101-112)	
4	70008493	1	Rear Pump Assembly (Includes Items 201-212)	
5	70008494	2	Washer M12	
6	70008495	1	Washer M12	
7	70008496	2	Bolt M12 x 35 CL10.9	
101	See Note	NSS	Plate, Serial Number (Note: Not Available for Purchase)	
102	70008497	1	Shaft	
103	70008498	2	Coil	
104	See Note	1	Housing Assembly (Note: Purchase PN 70008492)	
104	70008506	1	Gasket (Between Housing & Distributor Valve)	
104	70005023	2	Rivet	
105	70008511	1	Body	
106	70008499	1	Valve, Distributor	
107	70008500	1	Swash Plate	
108	70008501	1	Rotor	
109	70008502	1	Servo	
110	70008503	2	Cartridge, Relief Valve	
111	70008504	1	Valve, Control	
111	70008507	1	Gasket (Between Control Valve & Housing)	
111	70008508	3	O-Ring	
112	70008505	1	Cartridge, Relief Valve	
201	See Note	NSS	Plate, Serial Number (Note: Not Available for Purchase)	
202	70008509	1	Shaft	
202	70005041	1	Ring, Retaining	
203	70008498	2	Coil	
204	NPN	1	Assembly, Housing	
204	See Note	1	Housing Assembly (Note: Purchase PN 70008493)	
204	70008506	1	Gasket (Between Housing & Distributor Valve)	
204	70005023	2	Rivet	
205	70008512	1	Body	
206	70008510	1	Valve, Distributor	
207	70008500	1	Swash Plate	
208	70008501	1	Rotor	
209	70008502	1	Servo	
210	70008503	2	Cartridge, Relief Valve	
211	70008504	1	Valve, Control	
211	70008507	1	Gasket (Between Control Valve & Housing)	
211	70008508	3	O-Ring	
212	70008505	1	Cartridge, Relief Valve	

# SECTION 3 - ENGINE

## FIGURE 3-76. PUMP ASSEMBLY - HYDRAULIC PISTON



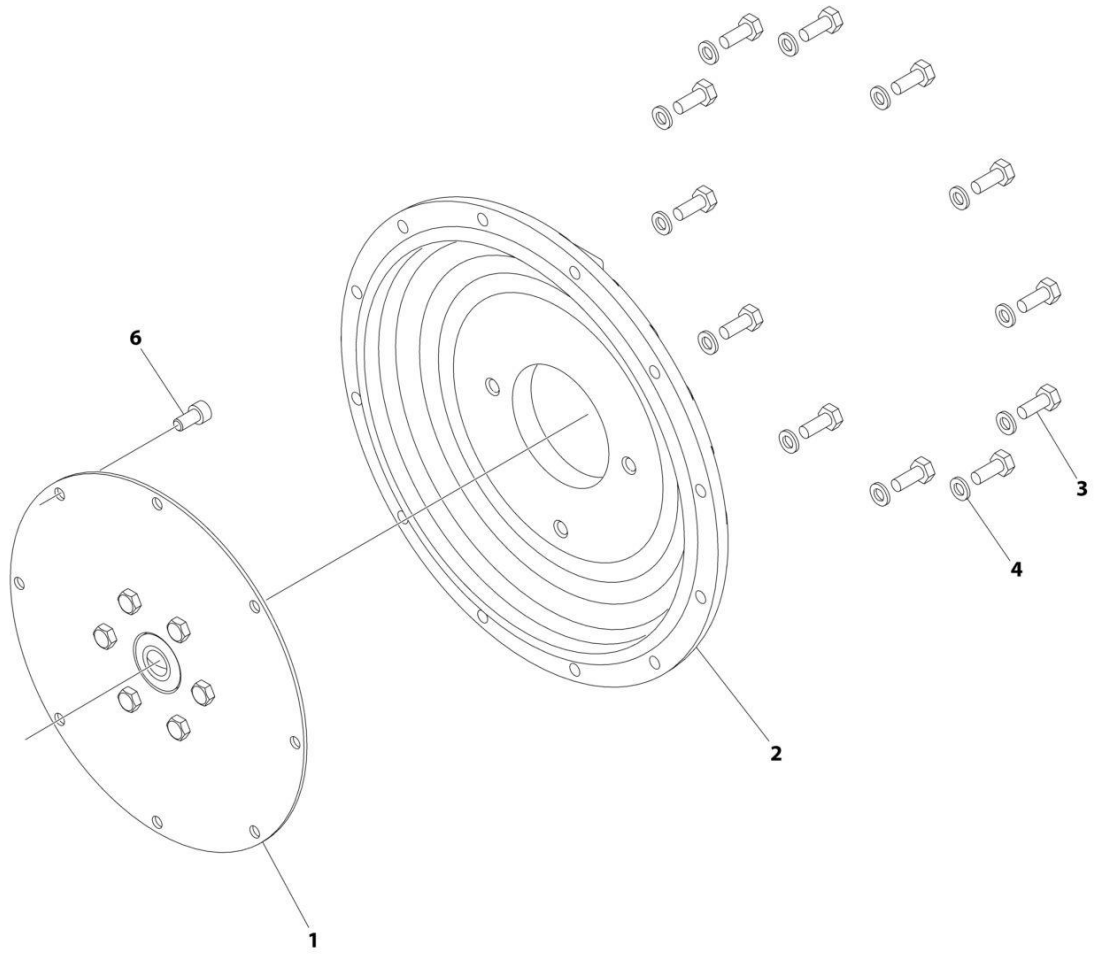
## SECTION 3 - ENGINE

### FIGURE 3-76. PUMP ASSEMBLY - HYDRAULIC PISTON

ITEM	PART NUMBER	QTY	DESCRIPTION	REV
	1001286958	Ref	PUMP ASSEMBLY - HYDRAULIC PISTON	A
1	70007789	1	Cap	
2	NPN	4	Bolt M6 x 16	
3	See Note	1	O-Ring (Note: Not Sold Separately, Purchase Item 401)	
4	70007798	1	Seal	
5	NPN	1	Housing	
6	See Note	3	O-Ring (Note: Not Sold Separately, Purchase Item 401)	
7	70007790	3	Plug	
8	NPN	1	Bolt M8	
9	NPN	2	Bolt M6 x 30	
10	70007787	1	Valve, Control	
11	70007800	1	Piston	
12	See Note	1	O-Ring (Note: Not Sold Separately, Purchase Item 401)	
13	70007801	1	Plug	
18	NPN	1	Cover	
19	70007791	3	Plug	
20	NPN	4	Bolt M12 x 45	
21	See Note	1	O-Ring (Note: Not Sold Separately, Purchase Item 401)	
22	See Note	1	Plate (Note: Not Sold Separately, Purchase Item 201)	
23	See Note	1	Ring, Retaining (Note: Not Sold Separately, Purchase Item 201)	
24	See Note	2	Shim (Note: Not Sold Separately, Purchase Item 201)	
25	See Note	1	Cylinder (Note: Not Sold Separately, Purchase Item 201)	
26	See Note	1	Spring (Note: Not Sold Separately, Purchase Item 201)	
27	See Note	6	Pin (Note: Not Sold Separately, Purchase Item 201)	
28	See Note	9	Piston (Note: Not Sold Separately, Purchase Item 201)	
29	See Note	1	Retainer (Note: Not Sold Separately, Purchase Item 201)	
30	See Note	1	Shim (Note: Not Sold Separately, Purchase Item 201)	
31	See Note	1	Bushing (Note: Not Sold Separately, Purchase Item 201)	
32	See Note	1	Plate, Swash (Note: Not Sold Separately, Purchase Item 301)	
33	See Note	2	Ring, Retaining (Note: Not Sold Separately, Purchase Item 101)	
34	See Note	2	Shim (Note: Not Sold Separately, Purchase Item 101)	
35	See Note	1	Bearing (Note: Not Sold Separately, Purchase Item 101)	
36	70008526	1	Nut M10	
37	70008525	1	Screw	
38	See Note	1	O-Ring (Note: Not Sold Separately, Purchase Item 401)	
39	70007792	1	Spring	
40	70007793	1	Bushing	
41	70007796	2	Bolt M5 x 16	
42	See Note	1	Shaft (Note: Not Sold Separately, Purchase Item 101)	
43	70007797	1	Bearing	
44	70007799	1	Gasket	
45	70007794	1	Pin	
46	See Note	1	Ball (Note: Not Sold Separately, Purchase Item 301)	
47	See Note	1	Spring (Note: Not Sold Separately, Purchase Item 301)	
48	70007795	1	Bushing	
49	See Note	1	O-Ring (Note: Not Sold Separately, Purchase Item 401)	
101	70008527	1	Assembly, Shaft (Includes Items 33-35 & 42)	
201	70007786	1	Assembly, Cylinder (Includes Items 22-31)	
301	70007788	1	Assembly, Swash Plate (Includes Items 32, 46, 47)	
401	70008528	1	Kit, Seal (Includes Items 3, 6, 12, 21, 38 & 49)	

# SECTION 3 - ENGINE

## FIGURE 3-77. PUMP COUPLING KIT



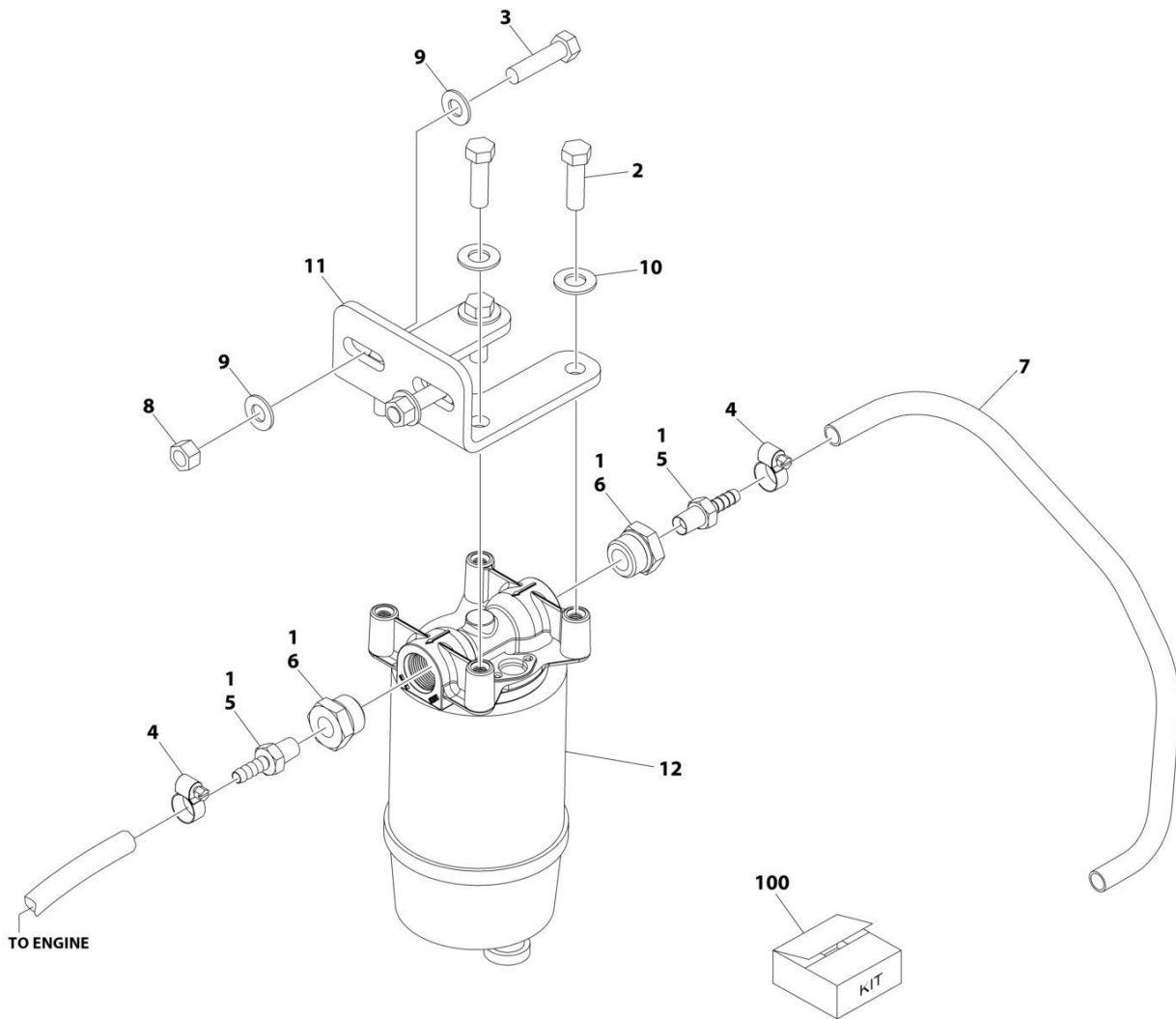
ART\_2902065

FIGURE 3-77. PUMP COUPLING KIT

ITEM	PART NUMBER	QTY	DESCRIPTION	REV
	2902065	Ref	PUMP COUPLING KIT	L
1	70000793	1	Coupling, Hayes	
2	See Note	NSS	Plate, Pump Adapter (Note: Use p/n 2902065)	
3	See Note	NSS	Bolt M10 x 30 Grade 10.9 (Note: Use p/n 2902065)	
4	See Note	NSS	Washer M10 (Note: Use p/n 2902065)	
6	See Note	NSS	Bolt M10 x 20 Grade 10.9 (Note: Use p/n 2902065)	

# SECTION 3 - ENGINE

## FIGURE 3-78. WATER/FUEL SEPARATOR INSTALLATION - DEUTZ TD2011 ENGINE



ART\_1001195214



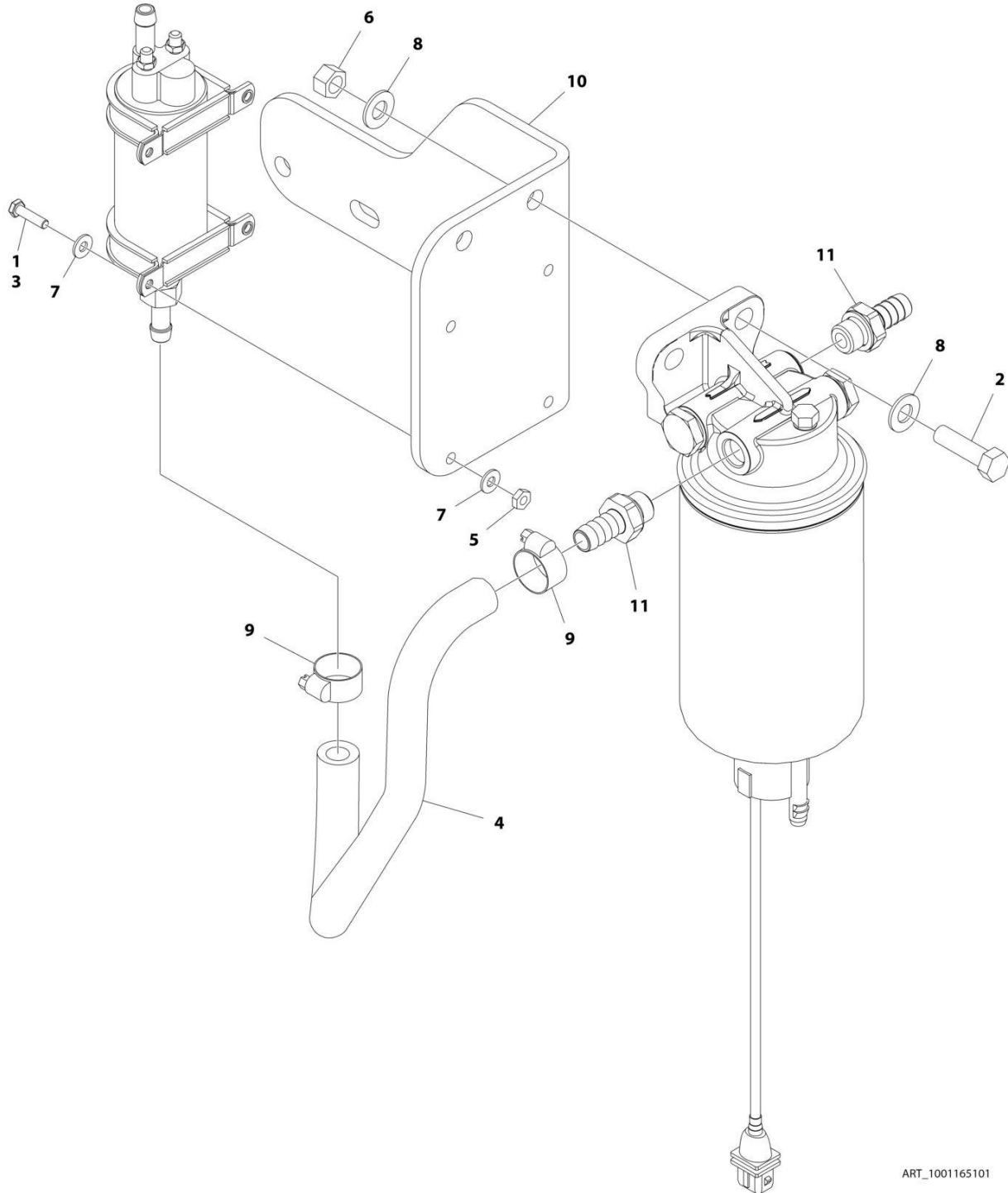
## SECTION 3 - ENGINE

**FIGURE 3-78. WATER/FUEL SEPARATOR INSTALLATION - DEUTZ TD2011 ENGINE**

ITEM	PART NUMBER	QTY	DESCRIPTION	REV
	1001195214	Ref	WATER/FUEL SEPARATOR INSTALLATION - DEUTZ TD2011 ENGINE	A
1	0100079	AR	Sealant, Pipe	
2	0641610	4	Bolt 3/8 x 1-1/4	
3	0641612	2	Bolt 3/8 x 1-1/2	
4	1320022	2	Clamp	
5	2180348	1	Fitting, Barbed	
6	2220816	2	Fitting, Adapter FNPTF/ORB	
7	2720058	3.5 ft /1.1m	Hose	
8	3271601	2	Nut 3/8	
9	4711600	4	Washer 3/8	
10	4711700	4	Washer 7/16	
11	1001188884	1	Bracket, Water/Fuel	
12	1001188887	1	Filter Water/Fuel	
12	1001202280	1	Filter, Head	
12	1001202281	1	Filter, Element	
100	1001204159	1	Water/Separator Add-on Kit	

# SECTION 3 - ENGINE

## FIGURE 3-79. FUEL PUMP/FILTER BRACKET ASSEMBLY - DEUTZ TCD2.9L4 ENGINE AND DEUTZ TCD2.9L4 (STAGE V) ENGINE



ART\_1001165101

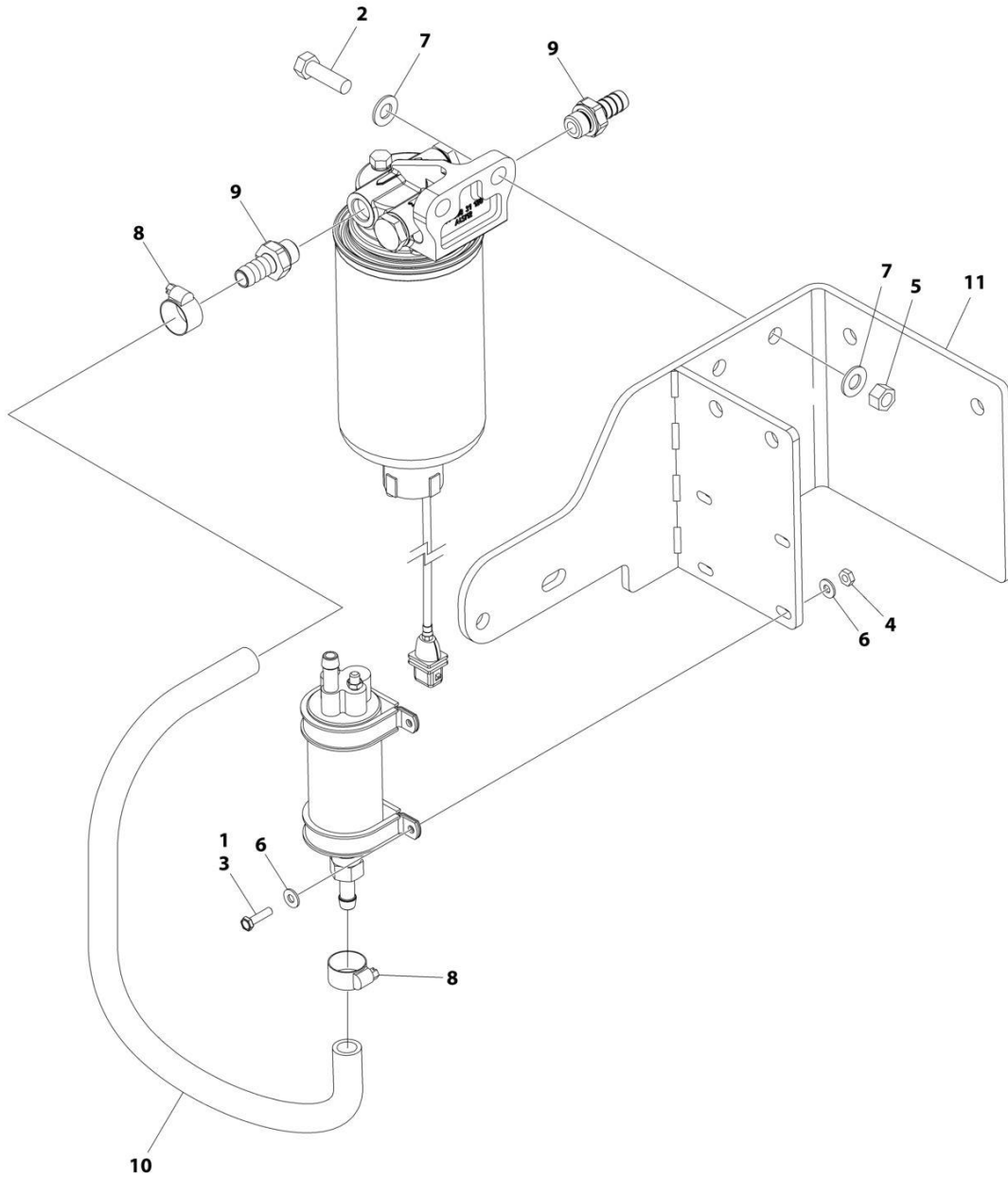
## SECTION 3 - ENGINE

**FIGURE 3-79. FUEL PUMP/FILTER BRACKET ASSEMBLY - DEUTZ TCD2.9L4 ENGINE AND DEUTZ TCD2.9L4 (STAGE V) ENGINE**

ITEM	PART NUMBER	QTY	DESCRIPTION	REV
	1001165101	Ref	FUEL PUMP/FILTER BRACKET ASSEMBLY - DEUTZ TCD2.9L4 ENGINE AND DEUTZ TCD2.9L4 (STAGE V PRE-BUY) ENGINE	C
1	0100011	AR	Compound, Locking	
2	0641611	2	Bolt 3/8 x 1-3/8	
3	0721006	4	Bolt #10 x 3/4	
4	1001154405	1.5 ft /0.4m	Hose	
5	3311001	4	Nut #10	
6	3311605	2	Nut 3/8	
7	4711000	8	Washer #10	
8	4711600	4	Washer 3/8	
9	8405006	2	Clamp	
10	1001140222	1	Bracket, Fuel Pump Mounting	
11	1001141718	1	Fitting, Barbed	

## SECTION 3 - ENGINE

FIGURE 3-80. FUEL PUMP/FILTER BRACKET ASSEMBLY - DEUTZ TD2.9L4 ENGINE (CHINA SPECS ONLY)



ART\_1001227606

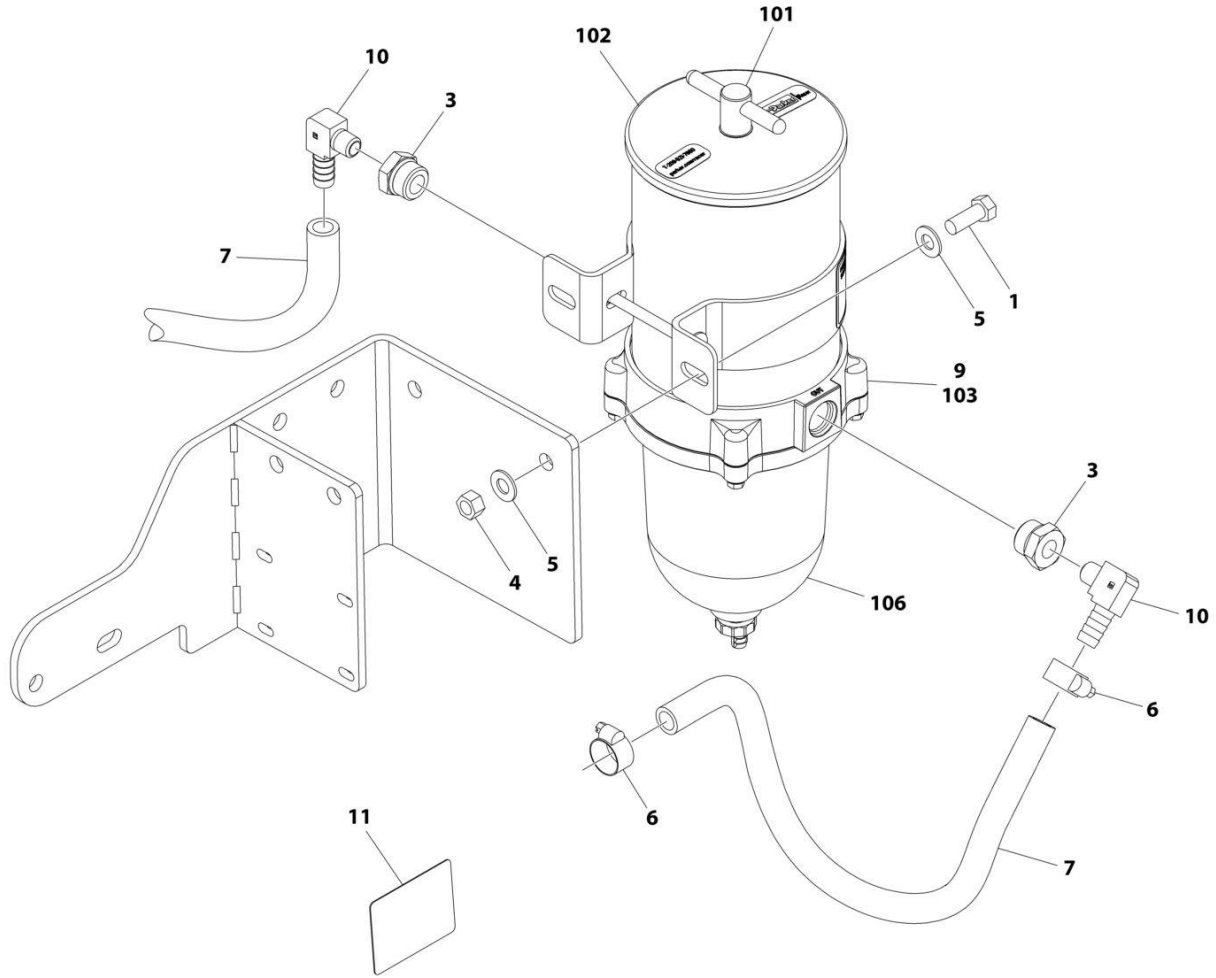
## SECTION 3 - ENGINE

**FIGURE 3-80. FUEL PUMP/FILTER BRACKET ASSEMBLY - DEUTZ TD2.9L4 ENGINE (CHINA SPECS ONLY)**

ITEM	PART NUMBER	QTY	DESCRIPTION	REV
	1001227606	Ref	FUEL PUMP/FILTER BRACKET ASSEMBLY - DEUTZ TD2.9L4 ENGINE	A
1	0100011	AR	Compound, Locking	
2	0641610	2	Bolt 3/8 x 1-1/4	
3	0721006	4	Bolt #10 x 3/4	
4	3311001	4	Nut #10	
5	3311605	2	Nut 3/8	
6	4711000	8	Washer #10	
7	4711600	4	Washer 3/8	
8	8405006	2	Clamp	
9	1001141718	2	Fitting, Barbed	
10	1001154405	1.5 ft/ 0.4m	Hose	
11	1001222773	1	Bracket, Fuel Pump Mounting	

# SECTION 3 - ENGINE

## FIGURE 3-81. FUEL FILTER/WATER SEPARATOR INSTALLATION - DEUTZ TD2.9L4 & TCD2.9L ENGINES



NOTE : LOCATED ON HOOD

ART\_1001223068

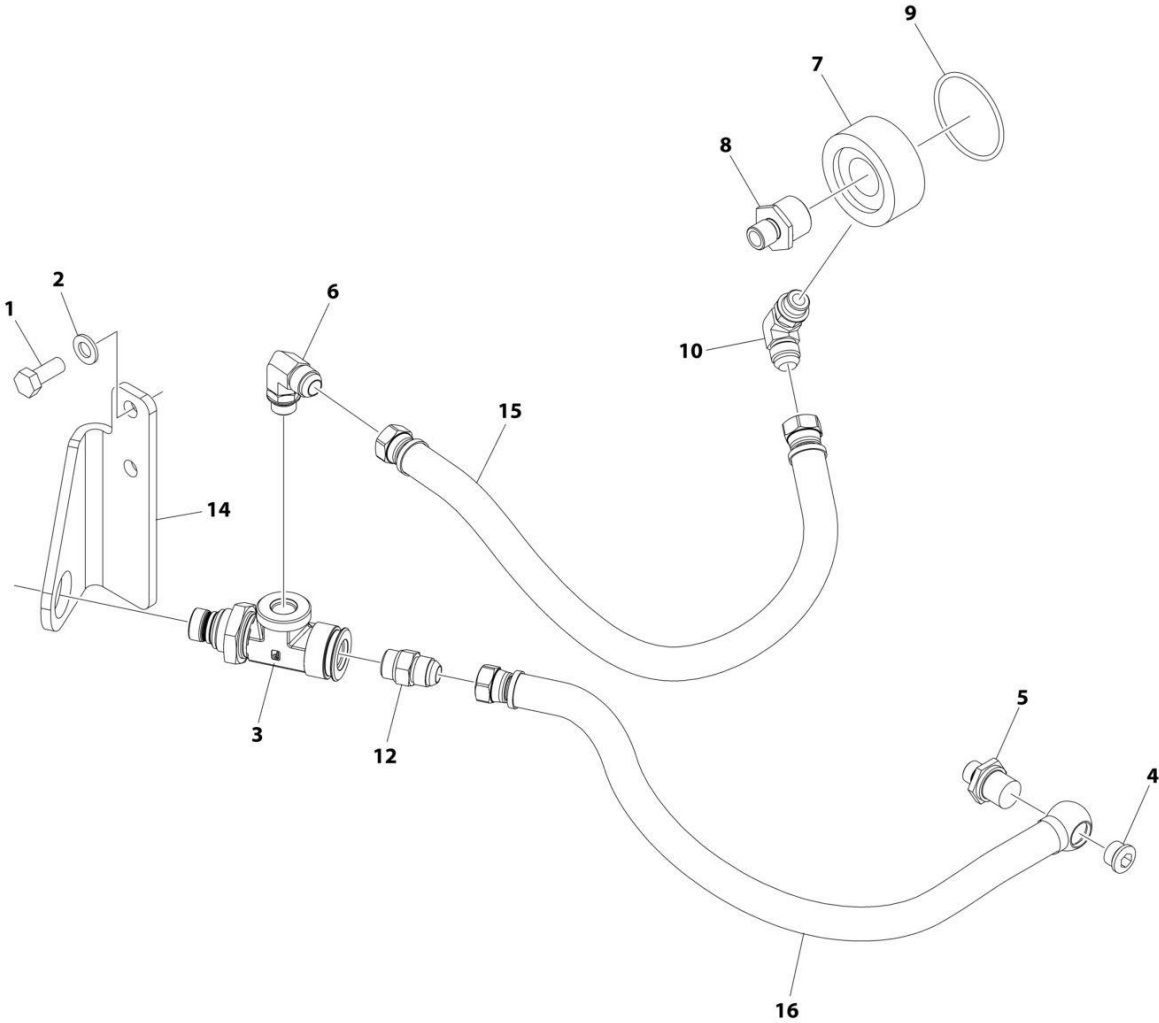
## SECTION 3 - ENGINE

**FIGURE 3-81. FUEL FILTER/WATER SEPARATOR INSTALLATION - DEUTZ TD2.9L4 & TCD2.9L ENGINES**

ITEM	PART NUMBER	QTY	DESCRIPTION	REV
	1001223068	Ref	FUEL FILTER/WATER SEPARATOR INSTALLATION - DEUTZ TD2.9L4 ENGINE	C
1	0641608	2	Bolt 3/8 x 1	
3	2220816	2	Fitting, Adapter FNPTF/ORB	
4	3311605	2	Nut 3/8	
5	4711600	4	Washer 3/8	
6	8405006	4	Clamp	
7	1001154405	4 ft/ 1.22m	Hose	
9	1001222817	1	Fuel Filter Assembly (See Items 101-107 for Breakdown)	
10	1001178797	2	Fitting, 90	
11	1001226923	1	Decal - Fuel Water Separator	
	1001222817	Ref	FUEL FILTER ASSEMBLY	
101	70006403	1	T-Handle Kit (Includes O-Ring)	
102	70006404	1	Lid Kit (Includes Gasket)	
103	70006405	1	Element	
104	70006406	1	Checkball & Gasket Kit (Not Shown)	
105	70006407	1	Centrifuge and Baffle Kit (Not Shown)	
106	70006409	1	Bowl Kit (Includes Gasket, O-Ring and Drain)	
106	70006408	1	Gasket, Bowl	
107	70006410	1	Bowl Ring Kit (Includes Gasket & Hardware) (Not Shown)	

**SECTION 3 - ENGINE**

**FIGURE 3-82. QUICKFIT OIL VALVE**



ART\_1001284070



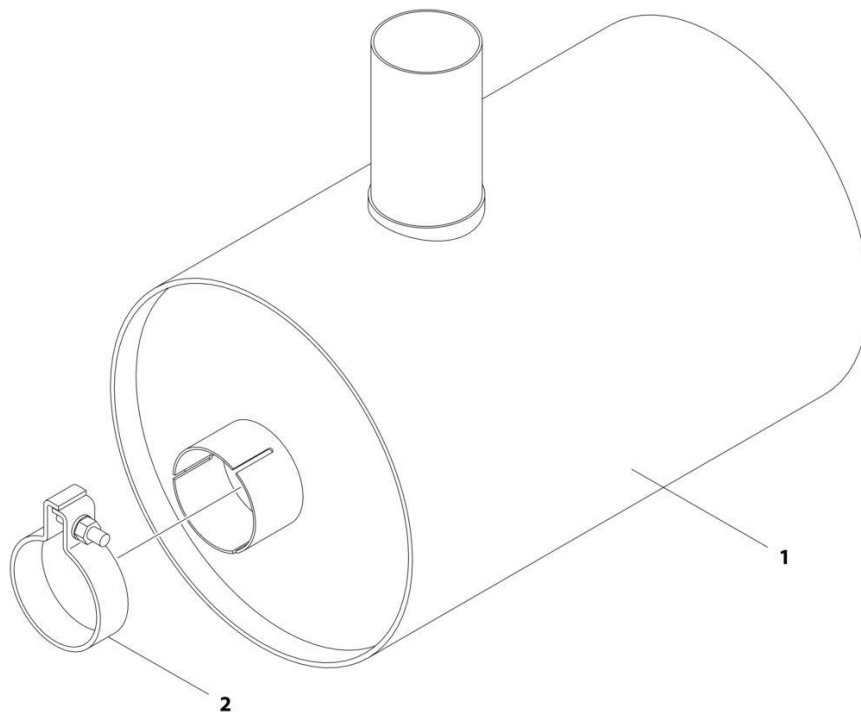
## SECTION 3 - ENGINE

### FIGURE 3-82. QUICKFIT OIL VALVE

ITEM	PART NUMBER	QTY	DESCRIPTION	REV
	1001284070	Ref	QUICKFIT OIL VALVE	A
1	0761214	2	Bolt M12 x 30	
2	4812100	2	Washer M12	
3	1001281298	1	Valve	
4	1001281304	1	Plug	
5	1001281305	1	Fitting, Banjo	
6	1001281307	1	Fitting, 90	
7	1001281309	1	Filter	
8	1001281310	1	Fitting	
9	1001281311	1	O-Ring	
10	1001281359	1	Valve, Check	
11	1001281360	1	Decal (Not Shown - Located On Frame)	
12	1001281404	1	Fitting, Adapter	
13	1001281656	AR	Tie-strap (Not Shown)	
14	1001282333	1	Bracket	
15	1001284100	1	Hose	
16	1001284101	1	Hose	

## SECTION 3 - ENGINE

FIGURE 3-83. SPARK ARRESTING CATALYTIC MUFFLER - DEUTZ TD2011 ENGINES (OPTIONAL)



ART\_3220130

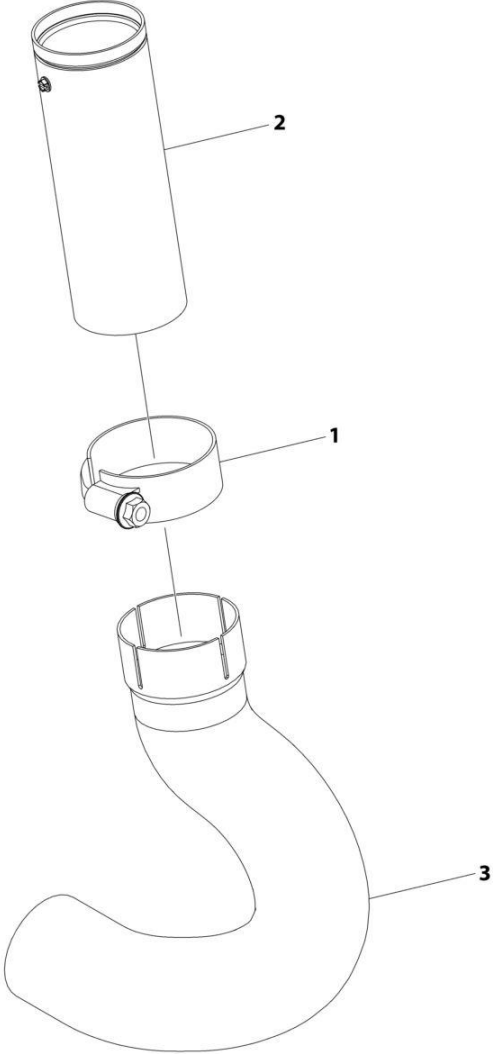
## SECTION 3 - ENGINE

**FIGURE 3-83. SPARK ARRESTING CATALYTIC MUFFLER - DEUTZ TD2011 ENGINES (OPTIONAL)**

ITEM	PART NUMBER	QTY	DESCRIPTION	REV
	3220130	Ref	SPARK ARRESTING CATALYTIC MUFFLER - DEUTZ TD2011 ENGINES	A
1	See Note	NSS	Muffler (Note: Use p/n 3220130)	
2	70001017	1	Clamp	

**SECTION 3 - ENGINE**

**FIGURE 3-84. SPARK ARRESTOR INSTALLATION (SN B300024957 to Present, Including B300024729, B300024803 and B300024882)**



ART\_1001305414

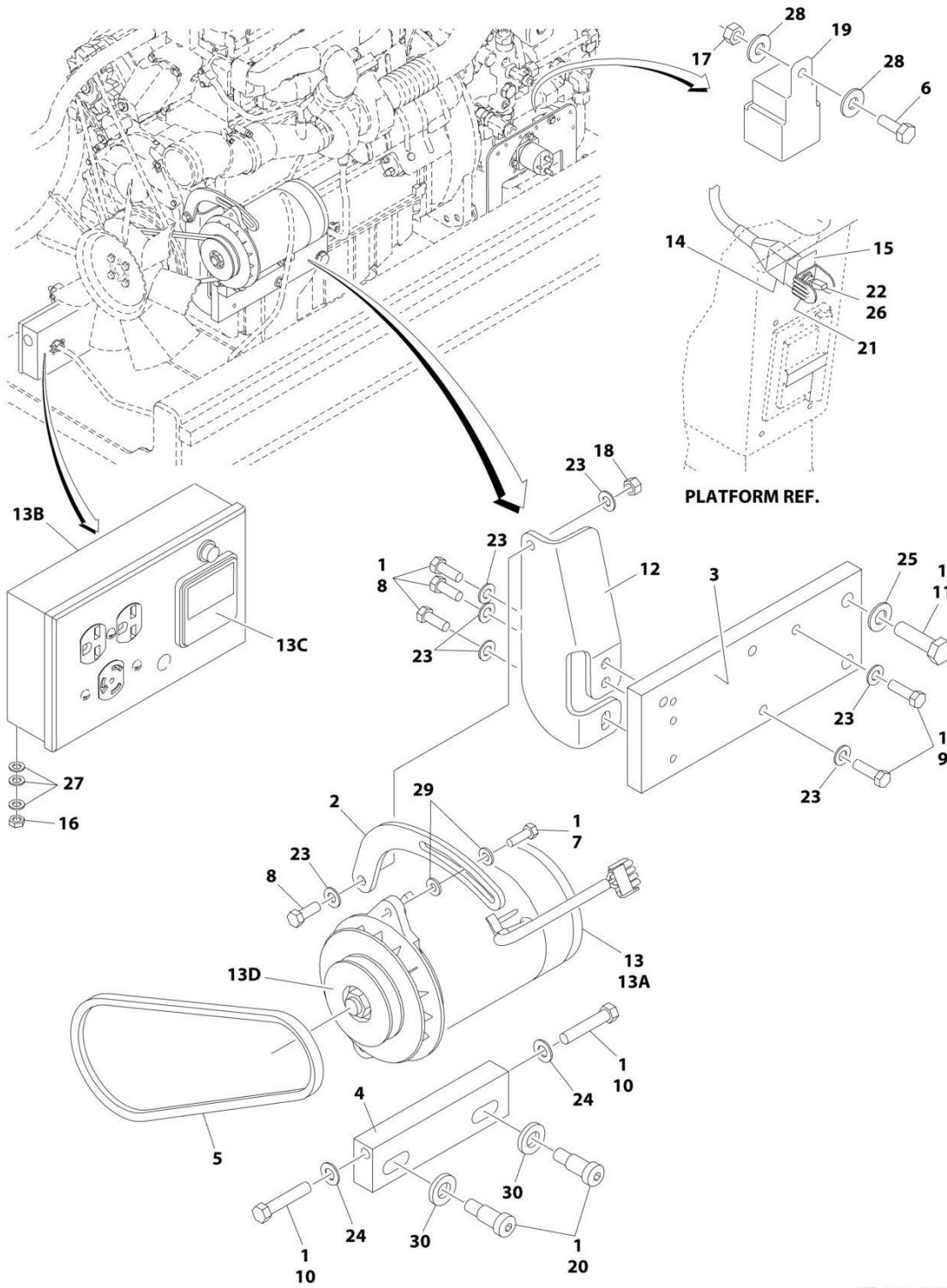
## SECTION 3 - ENGINE

**FIGURE 3-84. SPARK ARRESTOR INSTALLATION (SN B300024957 to Present, Including B300024729, B300024803 and B300024882)**

ITEM	PART NUMBER	QTY	DESCRIPTION	REV
	1001305414	Ref	SPARK ARRESTOR INSTALLATION	A
1	1001221212	1	Clamp	
2	1001257276	1	Muffler, Spark Arresting Tip	
3	1001305410	1	Pipe, Exhaust	

# SECTION 3 - ENGINE

## FIGURE 3-85. 2500W GENERATOR INSTALLATION - 60HZ SPEC (DEUTZ TD2011 ENGINES) (OPTIONAL)



ART\_1001125425

## SECTION 3 - ENGINE

**FIGURE 3-85. 2500W GENERATOR INSTALLATION - 60HZ SPEC (DEUTZ TD2011 ENGINES)  
(OPTIONAL)**

ITEM	PART NUMBER	QTY	DESCRIPTION	REV
	1001125425	Ref	2500W GENERATOR INSTALLATION - 60HZ SPEC (DEUTZ TD2011 ENGINES)	A
1	0100011	AR	Compound, Locking	
2	0200742	1	Arm, Adjusting	
3	0363081	1	Bar, Mounting	
4	0363082	1	Bar, Adjusting	
5	0480127	1	Belt	
6	0641406	1	Bolt 1/4 x 3/4	
7	0641508	1	Bolt 5/16 x 1	
8	0641608	4	Bolt 3/8 x 1	
9	0641610	2	Bolt 3/8 x 1-1/4	
10	0641718	2	Bolt 7/16 x 2-1/14	
11	0701418	2	Bolt M14 x 50	
12	0902813	1	Bracket, Arm Mounting	
13	2460055	1	Generator, 110V/60Hz	
13A	7012558	1	Generator 110V/60Hz	
		Ref	Note: Replacement generators come standard with p/n 3580134 pulley. This pulley may not be correct for all applications. Refer to pulley options below for correct pulley.	
13A	7012513	4	Cap, Brush Holder	
13A	7020108	4	Brush	
13A	7020109	4	Holder, Brush	
13A	7012514	1	Fan	
13A	7020190	2	Bearing	
13A	7020110	1	End Bell, Front	
13A	7020111	1	End Bell, Rear	
13B	7019680	1	Box Control	
13B	4360542	1	Breaker, Circuit	
13B	4460190	AR	Receptacle, Double (110V)	
13B	4460027	AR	Receptacle, Double Twist Lock (110V)	
13B	70000124	1	Receptacle, Double (220V)	
13B	70000125	1	Receptacle, Single Twist Lock (220V)	
13C	2420203	1	Voltmeter	
13D	3580276	1	Pulley	
13D	7027887	1	Key, Woodruff	
14	2820031	AR	Heat Shrink	
15	3251102	1	Nameplate - Generator	
16	3311005	2	Nut #10	
17	3311405	1	Nut 1/4	
18	3311605	1	Nut 3/8	
19	3740080	1	Relay	
20	3900322	2	Screw, Socket Head Shoulder	
21	4060802	1	Guard, Switch	
22	4360336	1	Switch, Toggle	
23	4711600	7	Washer 3/8	
24	4711700	2	Washer 7/16	
25	4711900	2	Washer 9/16	
26	4740397	1	Spacer	
27	4751000	6	Washer #10	

## SECTION 3 - ENGINE

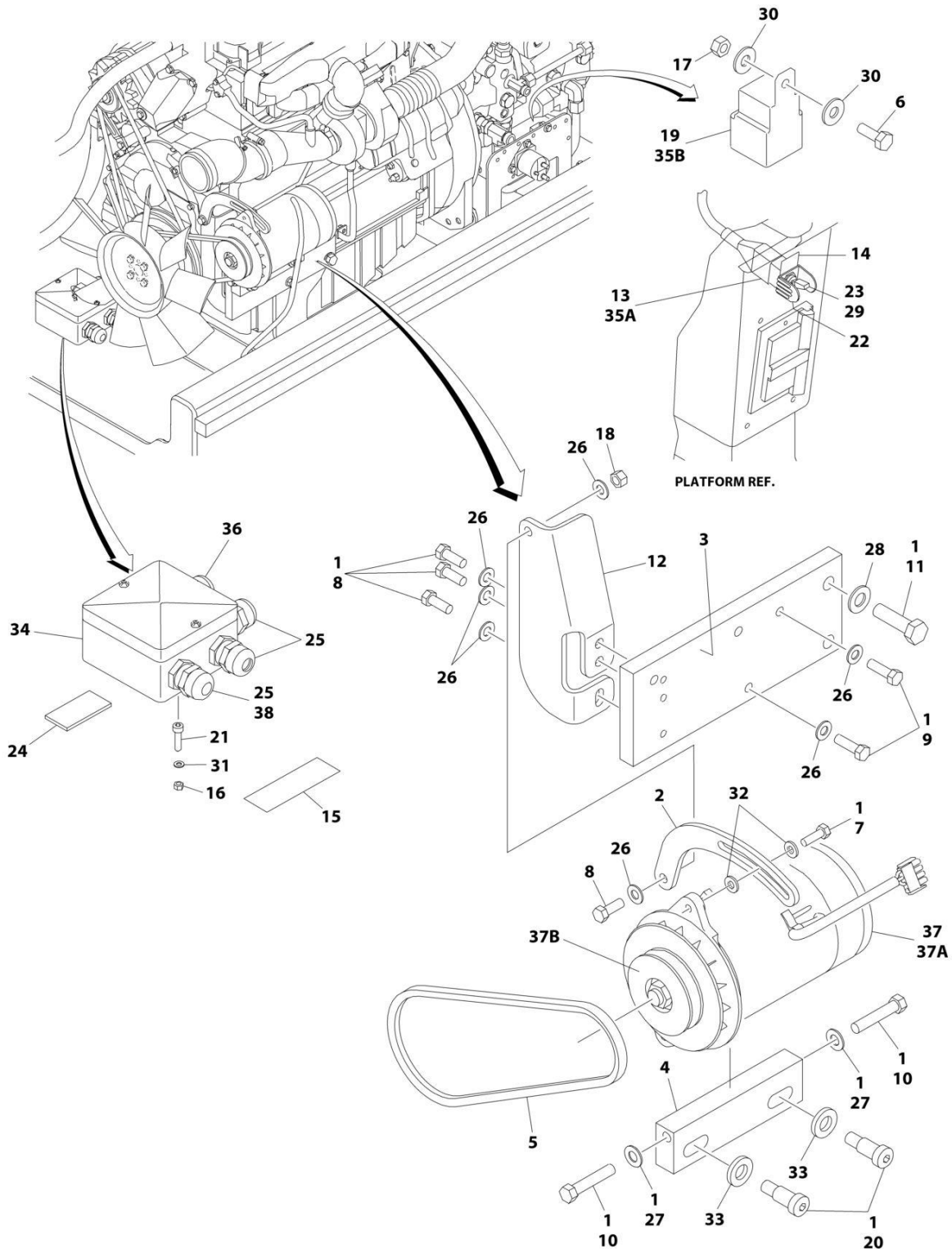
ITEM	PART NUMBER	QTY	DESCRIPTION	REV
28	4751400	2	Washer 1/4	
29	4891500	2	Washer 5/16	
30	4892000	2	Washer 5/8	





# SECTION 3 - ENGINE

## FIGURE 3-86. 2500W GENERATOR INSTALLATION - 50HZ SPEC (DEUTZ TD2011 ENGINES) (OPTIONAL)



ART\_1001125426

## SECTION 3 - ENGINE

**FIGURE 3-86. 2500W GENERATOR INSTALLATION - 50HZ SPEC (DEUTZ TD2011 ENGINES)  
(OPTIONAL)**

ITEM	PART NUMBER	QTY	DESCRIPTION	REV
	1001125426	Ref	2500W GENERATOR INSTALLATION - 50HZ SPEC (DEUTZ TD2011 ENGINES)	A
1	0100011	AR	Compound, Locking	
2	0200742	1	Arm, Adjusting	
3	0363081	1	Bar, Mounting	
4	0363082	1	Bar, Adjusting	
5	0480122	1	Belt	
6	0641406	1	Bolt 1/4 x 3/4	
7	0641508	1	Bolt 5/16 x 1	
8	0641608	4	Bolt 3/8 x 1	
9	0641610	2	Bolt 3/8 x 1-1/4	
10	0641718	2	Bolt 7/16 x 2-1/4	
11	0701418	2	Bolt M14 x 50	
12	0902813	1	Bracket, Arm Mounting	
13	2820031	AR	Heat Shrink	
14	3251102	1	Nameplate - Generator	
15	3252507	1	Decal, Voltage	
16	3290505	1	Nut M5	
17	3311405	1	Nut 1/4	
18	3311605	1	Nut 3/8	
19	3740080	1	Relay	
20	3900322	2	Screw, Socket Head Shoulder	
21	4031608	1	Screw M5 x 20	
22	4060802	1	Guard, Switch	
23	4360336	1	Switch, Toggle	
24	4420060	AR	Tape, Double-Sided	
25	4460968	3	Relief, Strain	
26	4711600	7	Washer 3/8	
27	4711700	2	Washer 7/16	
28	4711900	2	Washer 9/16	
29	4740397	1	Spacer	
30	4751400	2	Washer 1/4	
31	4811600	1	Washer M5	
32	4891500	2	Washer 5/16	
33	4892000	2	Washer 5/8	
34	1001099869	1	Box, Junction	
35	1001120382	1	Wiring Diagram (Not Shown)	
35A	4922641	1	Generator ON/OFF Switch Harness	
35B	1001120378	1	Generator Harness	
36	1001100233	1	Light, Red	
37	1001100321	1	Generator Assembly	
		Ref	Note: Replacement generators come standard with p/n 3580134 pulley. This pulley may not be correct for all applications. Refer to pulley options below for correct pulley.	
37A	7012513	4	Cap, Brush Holder	
37A	7020108	4	Brush	
37A	7020109	4	Holder, Brush	
37A	7012514	1	Fan	
37A	7020190	2	Bearing	

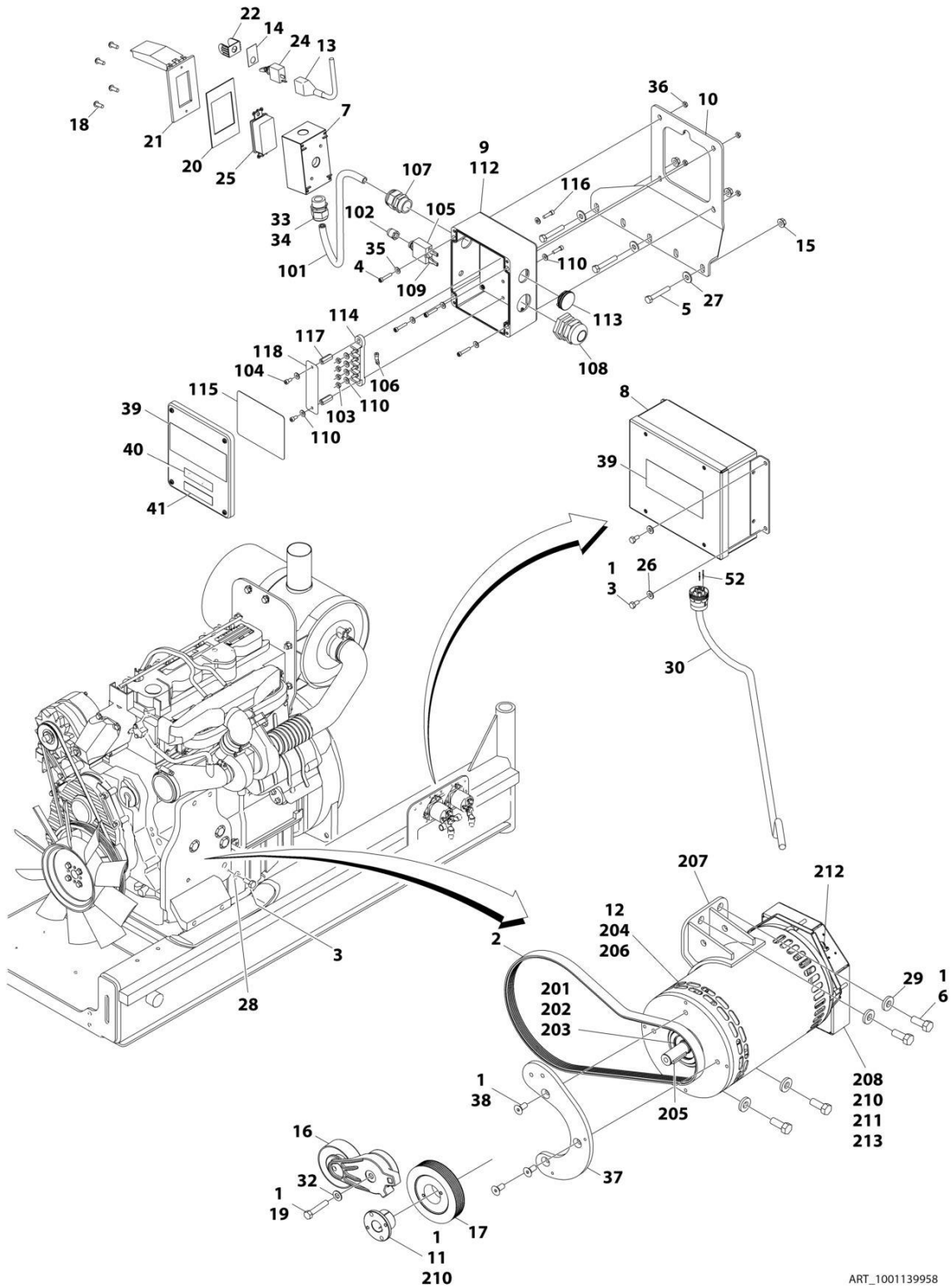
## SECTION 3 - ENGINE

ITEM	PART NUMBER	QTY	DESCRIPTION	REV
37A	7020110	1	End Bell, Front	
37A	7020111	1	End Bell, Rear	
37B	7027887	1	Key, Woodruff	
38	0962449	1	Bushing, Silicone	



# SECTION 3 - ENGINE

## FIGURE 3-87. 4000W GENERATOR INSTALLATION - 60HZ SPEC (DEUTZ TD2011 ENGINES) (OPTIONAL)



ART\_1001139958

## SECTION 3 - ENGINE

**FIGURE 3-87. 4000W GENERATOR INSTALLATION - 60HZ SPEC (DEUTZ TD2011 ENGINES)  
(OPTIONAL)**

ITEM	PART NUMBER	QTY	DESCRIPTION	REV
	1001139958	Ref	4000W GENERATOR INSTALLATION - 60HZ SPEC (DEUTZ TD2011 ENGINES)	B
		Ref	Note: See ELECTRICAL SECTION for Boom Cable Installation.	
1	0100011	AR	Compound, Locking	
2	0480128	1	Belt, Generator	
3	0641404	5	Bolt 1/4 x 1/2	
4	3931016	4	Screw 1/4 x 1	
5	0641516	3	Bolt 5/16 x 2	
6	0641810	4	Bolt 1/2 x 1-1/4	
7	0860038	1	Box, Switch-Weatherhead	
8	1001138566	1	Box, Generator Control	
8	70006552	1	Capacitor	
8	70006553	1	Relay	
9	1001152457	1	Box, Junction Assembly (See Items 101-118 for Breakdown)	
10	0902888	1	Bracket, Generator Junction Box	
11	0962520	1	Bushing, Taper	
12	1001129858	1	Generator, 4000W Assembly (See Items 200-213 for Breakdown)	
13	2820031	AR	Insulator, Heat Shrink	
14	3251102	1	Nameplate, Generator	
15	3311508	3	Nut 5/16	
16	3580317	1	Pulley, Belt Tensioner	
17	3580318	1	Pulley, Generator	
18	3910606	4	Screw 6 x 3/8	
19	0641616	AR	Bolt 3/8 x 2	
20	3960422	1	Gasket, AC Receptacle	
21	1001110873	1	Cover, Gang Vertical Receptacle GFCI	
22	4060802	1	Guard, Switch	
23	4240018	AR	Strap, Tie (Not Shown)	
24	4360336	1	Switch, Toggle	
25	4460346	1	Terminal, Receptacle	
26	4711400	4	Washer 1/4	
27	4751500	3	Washer 5/16	
28	4791400	2	Starwasher 1/4	
29	4891800	4	Washer 1/2	
30	1001152533	1	Harness, Generator Cable (See Separate Breakdown in ELECTRICAL SECTION)	
31	1001153257	1	Diagram, Generator Wiring (Not Shown)	
32	4711600	1	Washer 3/8	
33	0100020	AR	Sealant, Pipe	
34	4460071	1	Connector, Strain Relief	
35	4751000	4	Washer #10	
36	3311005	4	Nut #10	
37	1001139357	1	Mount, Generator Tensioner	
38	0741607	3	Screw 3/8 x 0.88	
39	1705387	3	Decal - Hazardous Voltage	
40	3251243	1	Decal - 120V-60Hz	
41	1705374	1	Decal - 240V-60Hz	
52	0100048	AR	Grease, Dielectric	
	1001152457	Ref	JUNCTION BOX ASSEMBLY	B

## SECTION 3 - ENGINE

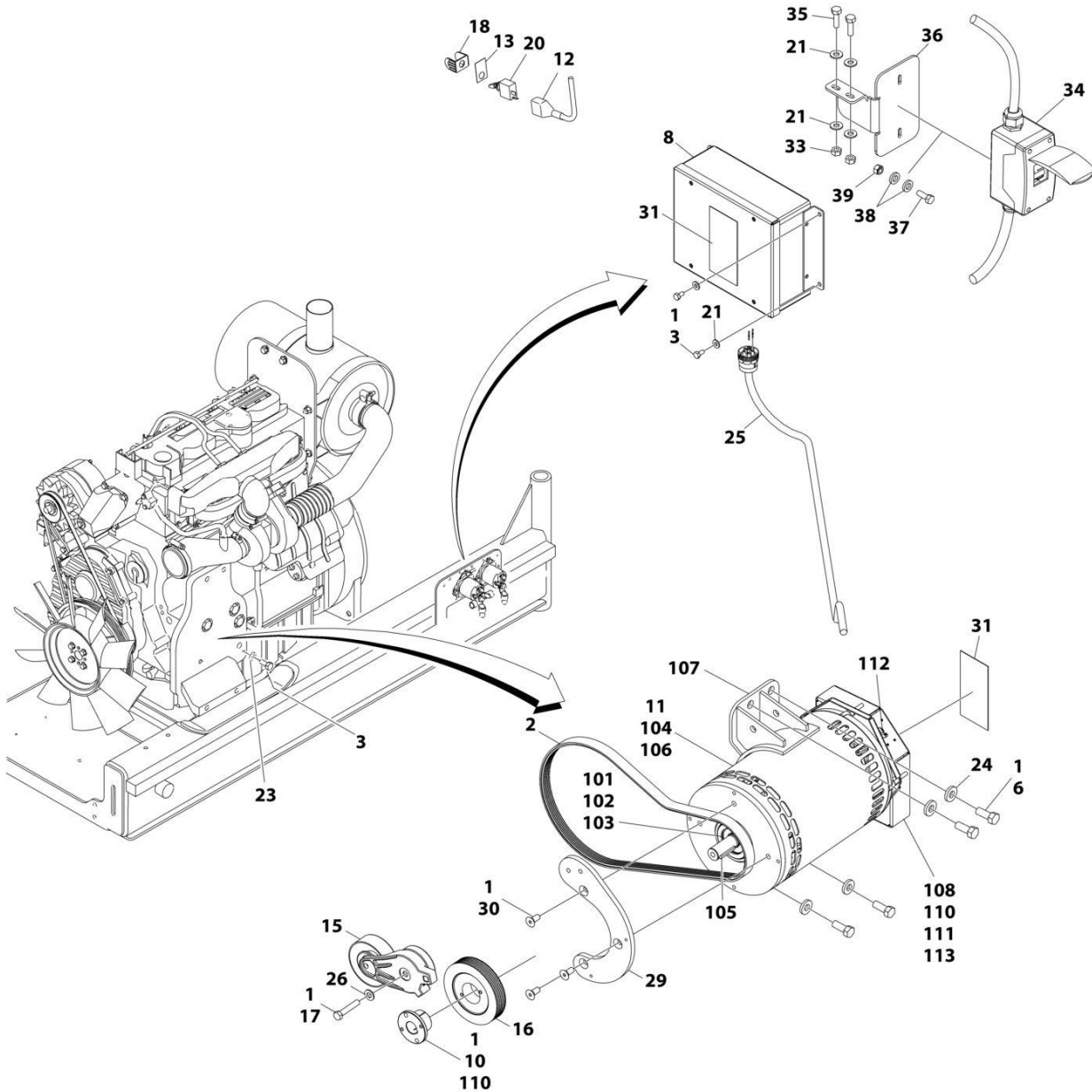
ITEM	PART NUMBER	QTY	DESCRIPTION	REV
101	1001179154	2.5 ft/ 0.8m	Cable, 12/3	
102	3300396	1	Cover, Fuse	
103	3311001	4	Nut #10 Grade 2	
104	3900300	2	Screw, Spec, Cap	
105	4360070	1	Circuit Breaker, 15Amp	
106	4460068	3	Terminal, Ring	
107	4460425	1	Terminal, Strain Relief	
108	4460426	1	Connector, Strain Relief	
109	4460483	2	Terminal	
110	4711000	8	Washer #10	
112	1001152456	1	Box, Junction	
113	1001152525	1	Plug, Hole Pluggit	
114	1001152530	1	Terminal, Block, 4 Pole	
115	1001153260	1	Decal - Wiring 4000W Generator	
116	3900267	2	Screw, Spec, Cap	
117	1001158008	2	Stand-Off, Female, Threaded	
118	1001158363	1	Plate, Cover, PVC	
	1001129858	Ref	4000W GENERATOR ASSEMBLY	
201	70003709	1	Ring, Retaining	
202	70003708	1	Ring, Retaining	
203	70001966	1	Bearing, Ball	
204	70004092	1	Endbell	
205	70004171	1	Key	
206	70004676	1	Rotor Assembly	
207	70004684	1	Stator, Generator 4000W	
208	70004678	1	Endbell	
210	70004680	1	Enclosure	
211	70004685	1	Cover, Enclosure	
212	70004682	1	Protector, Supplementary, Manual Reset	
213	70004098	1	Bushing, Strain Relief	





# SECTION 3 - ENGINE

## FIGURE 3-88. 4000W GENERATOR INSTALLATION - 50HZ SPEC (DEUTZ TD2011 ENGINES) (OPTIONAL)



ART\_1001139959

## SECTION 3 - ENGINE

**FIGURE 3-88. 4000W GENERATOR INSTALLATION - 50HZ SPEC (DEUTZ TD2011 ENGINES)  
(OPTIONAL)**

ITEM	PART NUMBER	QTY	DESCRIPTION	REV
	1001139959	Ref	4000W GENERATOR INSTALLATION - 50HZ SPEC (DEUTZ TD2011 ENGINES)	D
		Ref	Note: See ELECTRICAL SECTION for Boom Cable Installation.	
1	0100011	AR	Compound, Locking	
2	1001136356	1	Belt, Generator	
3	0641404	5	Bolt 1/4 x 1/2	
6	0641810	4	Bolt 1/2 x 1-1/4	
8	1001138566	1	Box, Generator Control	
8	70006552	1	Capacitor	
8	70006553	1	Relay	
10	0962520	1	Bushing, Taper	
11	1001138565	1	Generator, 4000W Assembly Options: (See items 101-113 for Breakdown)	
12	2820031	AR	Insulator, Heat Shrink	
13	3251102	1	Nameplate, Generator	
15	3580317	1	Pulley, Belt Tensioner	
16	3580319	1	Pulley, Generator	
17	0641616	1	Bolt 3/8 x 2	
18	4060802	1	Guard, Switch	
19	4240018	AR	Strap, Tie (Not Shown)	
20	4360336	1	Switch, Toggle	
21	4711400	8	Washer 1/4	
23	4791400	2	Washer 1/4	
24	4891800	4	Washer 1/2	
25	1001152533	1	Harness, Generator Cable (See Separate Breakdown in ELECTRICAL SECTION)	
26	4711600	1	Washer 3/8	
29	1001139357	1	Mount, Generator Tensioner	
30	0741607	3	Screw, Flat head, 3/8 x .88	
31	1705489	AR	Decal - Hazardous Voltage	
33	3311405	2	Nut 1/4	
34	1001165368	1	Kit, Box and Breaker (See Separate Breakdown in ELECTRICAL SECTION)	
35	0641407	2	Bolt 1/4 x 7/8	
36	1001094915	1	Bracket, AC Breaker Box	
37	4010408	2	Screw M4 x 16	
38	1001091102	4	Washer M4	
39	3290405	2	Nut M4	
	1001138565	Ref	4000W GENERATOR ASSEMBLY	
101	70003709	1	Ring, Retaining	
102	70003708	1	Ring, Retaining	
103	70001966	1	Bearing, Ball	
104	70004092	1	Endbell	
105	70004171	1	Key	
106	70004676	1	Rotor Assembly	
107	70004677	1	Stator, Generator 4000W	
108	70004678	1	Endbell	
110	70004680	1	Enclosure	
111	70004681	1	Cover, Enclosure	
112	70004682	1	Protector, Supplementary, Manual Reset	

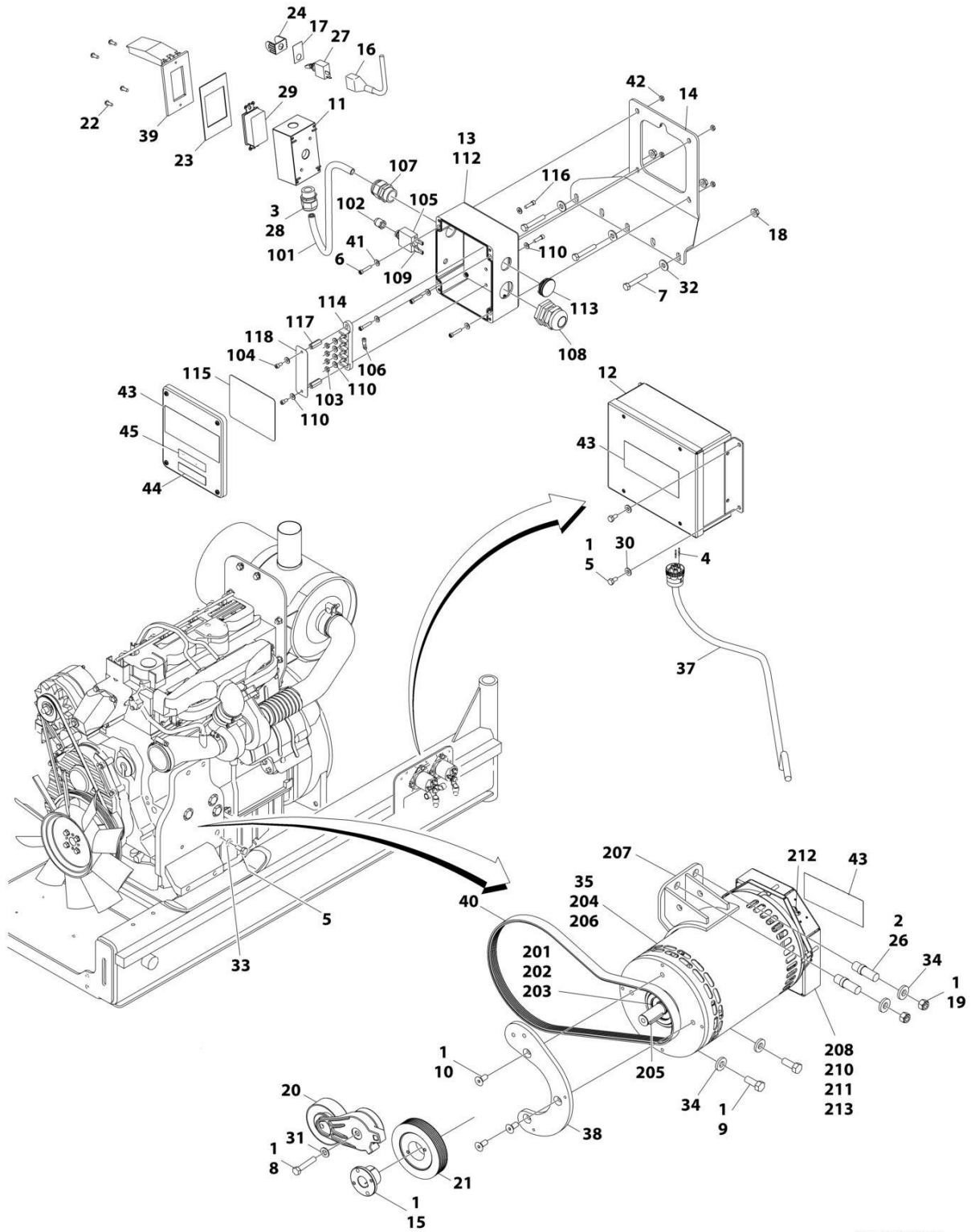
## SECTION 3 - ENGINE

ITEM	PART NUMBER	QTY	DESCRIPTION	REV
113	70004683	1	Bushing, Strain Relief	



# SECTION 3 - ENGINE

## FIGURE 3-89. 4000W GENERATOR INSTALLATION - 60HZ SPEC (DEUTZ TCD2.9L4 ENGINES) (OPTIONAL)



ART\_1001171130

## SECTION 3 - ENGINE

**FIGURE 3-89. 4000W GENERATOR INSTALLATION - 60HZ SPEC (DEUTZ TCD2.9L4 ENGINES)  
(OPTIONAL)**

ITEM	PART NUMBER	QTY	DESCRIPTION	REV
	1001171130	Ref	4000W GENERATOR INSTALLATION - 60HZ SPEC (DEUTZ TCD2.9L4 ENGINES)	B
		Ref	Note: See ELECTRICAL SECTION for Boom Cable Installation.	
1	0100011	AR	Compound, Locking	
2	0100019	AR	Compound, Locking	
3	0100020	AR	Sealant, Pipe	
4	0100048	AR	Grease, Dielectric	
5	0641404	5	Bolt 1/4 x 1/2	
6	3931016	4	Screw 1/4 x 1	
7	0641516	3	Bolt 5/16 x 2	
8	0641618	1	Bolt 3/8 x 2-1/4	
9	0641810	2	Bolt 1/2 x 1-1/4	
10	0741607	3	Screw 3/8 x 0.88	
11	0860038	1	Box, Switch-Weatherhead	
12	1001138566	1	Box, Generator Control	
12	70006552	1	Capacitor	
12	70006553	1	Relay	
13	1001152457	1	Box, Junction Assembly (See Items 101-118 for Breakdown)	
14	0902888	1	Bracket, Generator Junction Box	
15	0962520	1	Bushing, Taper	
16	2820031	AR	Insulator, Heat Shrink	
17	3251102	1	Nameplate, Generator	
18	3311508	3	Nut 5/16	
19	3311801	2	Nut 1/2	
20	3580317	1	Pulley, Belt Tensioner	
21	3580318	1	Pulley, Generator	
22	3910606	4	Screw 6 x 3/8	
23	3960422	1	Gasket, AC Receptacle	
24	4060802	1	Guard, Switch	
25	4240018	AR	Strap, Tie (Not Shown)	
26	4300157	2	Stud	
27	4360336	1	Switch, Toggle	
28	4460071	1	Connector, Strain Relief	
29	4460346	1	Terminal, Receptacle	
30	4711400	4	Washer 1/4	
31	4711600	1	Washer 3/8	
32	4751500	3	Washer 5/16	
33	4791400	2	Starwasher 1/4	
34	4891800	4	Washer 1/2	
35	1001140344	1	Generator, 4000W Assembly (See Items 200-213 for Breakdown)	
36	1001153257	1	Diagram, Generator Wiring (Not Shown)	
37	1001152533	1	Harness, Generator Cable (See Separate Breakdown in ELECTRICAL SECTION)	
38	1001138011	1	Mount, Generator Tensioner	
39	1001110873	1	Cover, Gang Vertical Receptacle GFCI	
40	1001142645	1	Belt, Generator	
41	4751000	4	Washer #10	
42	3311005	4	Nut 10	
43	1705387	3	Decal - Hazardous Voltage	

## SECTION 3 - ENGINE

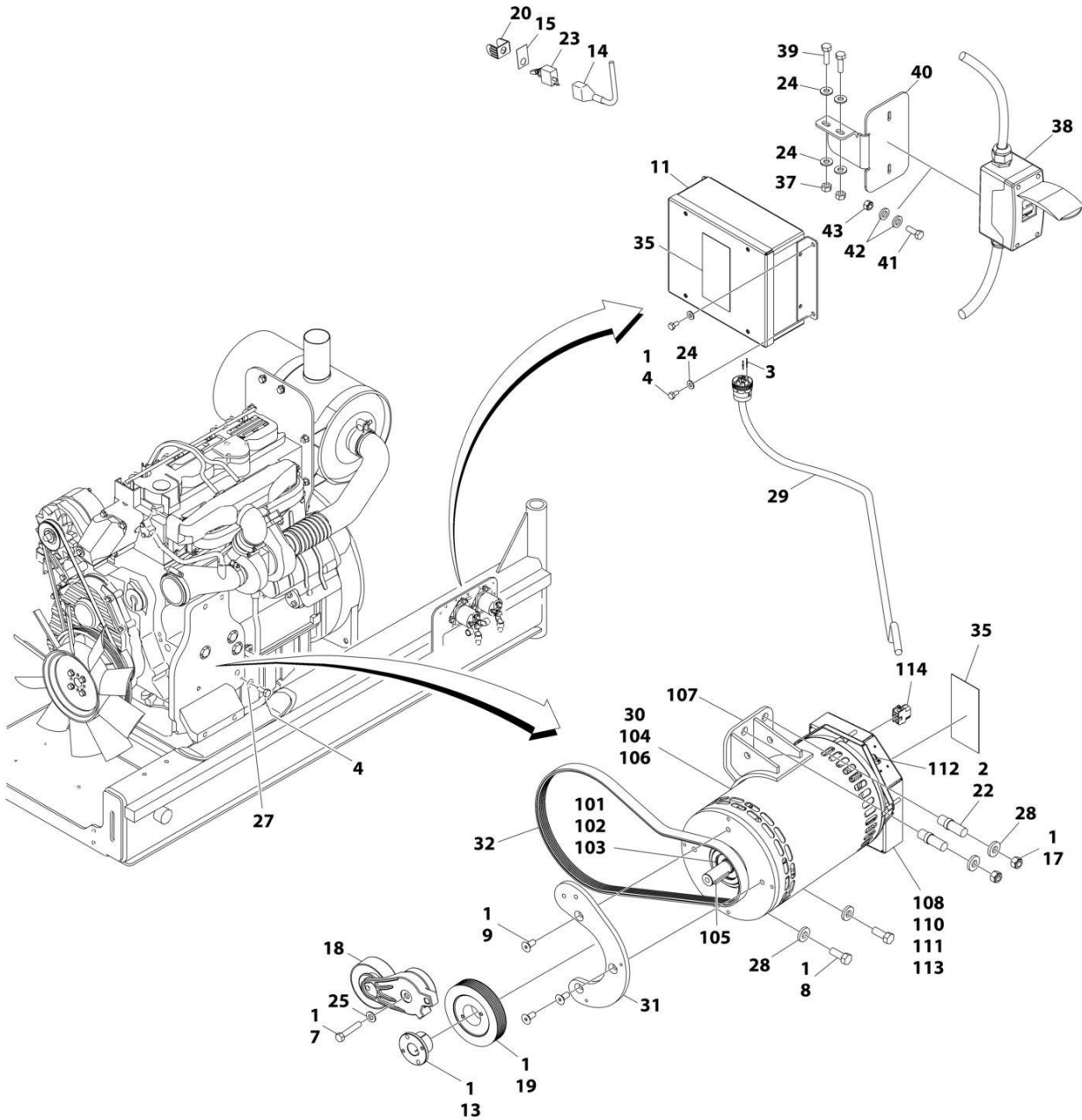
ITEM	PART NUMBER	QTY	DESCRIPTION	REV
44	1705374	1	Decal - 240V-60Hz	B
45	3251243	1	Decal - 120V-60Hz	
	1001152457	Ref	JUNCTION BOX ASSEMBLY	
101	1001179154	2.5 ft/ 0.8m	Cable, Electrical 12/3	
102	3300396	1	Cover, Fuse	
103	3311001	4	Nut 10 Grade 2	
104	3900300	2	Screw, Spec, Cap	
105	4360070	1	Circuit Breaker, 15Amp	
106	4460068	3	Terminal, Ring	
107	4460425	1	Terminal, Strain Relief	
108	4460426	1	Connector, Strain Relief	
109	4460483	2	Terminal	
110	4711000	AR	Washer #10	
112	1001152456	1	Box, Junction	
113	1001152525	1	Plug, Hole Pluggit	
114	1001152530	1	Terminal, Block, 4 Pole	
115	1001153260	1	Decal - Wiring 4000W Generator	
116	3900267	2	Screw, Spec, Cap	
117	1001158008	2	Stand-Off, Female, Threaded	
118	1001158363	1	Plate, Cover, PVC	
	1001140346	Ref	4000W GENERATOR ASSEMBLY	
201	70003709	1	Ring, Retaining	
202	70003708	1	Ring, Retaining	
203	70001966	1	Bearing, Ball	
204	70004092	1	Endbell	
205	70004099	1	Key	
206	70004676	1	Rotor Assembly	
207	70004687	1	Stator, Generator 4000W	
208	70004678	1	Endbell	
210	70004680	1	Enclosure	
211	70004685	1	Cover, Enclosure	
212	70004682	1	Protector, Supplementary, Manual Reset	
213	70004098	1	Bushing, Strain Relief	





# SECTION 3 - ENGINE

## FIGURE 3-90. 4000W GENERATOR INSTALLATION - 50HZ SPEC (DEUTZ TCD2.9L4 ENGINES AND DEUTZ TCD2.9L4 (STAGE V) ENGINES) (OPTIONAL)



ART\_1001171273

## SECTION 3 - ENGINE

**FIGURE 3-90. 4000W GENERATOR INSTALLATION - 50HZ SPEC (DEUTZ TCD2.9L4 ENGINES AND DEUTZ TCD2.9L4 (STAGE V) ENGINES) (OPTIONAL)**

ITEM	PART NUMBER	QTY	DESCRIPTION	REV
	1001171273	Ref	4000W GENERATOR INSTALLATION - 50HZ SPEC (DEUTZ TCD2.9L4 ENGINES	C
		Ref	Note: See ELECTRICAL SECTION for Boom Cable Installation.	
1	0100011	AR	Compound, Locking	
2	0100019	AR	Compound, Locking	
3	0100048	AR	Grease, Dielectric	
4	0641404	5	Bolt 1/4 x 1/2	
7	0641618	1	Bolt 3/8 x 2-1/4	
8	0641810	2	Bolt 1/2 x 1-1/4	
9	0741607	3	Screw 3/8 x 0.88	
11	1001138566	1	Box, Generator Control	
11	70006552	1	Capacitor	
11	70006553	1	Relay	
13	0962520	1	Bushing, Taper	
14	2820031	AR	Insulator, Heat Shrink	
15	3251102	1	Nameplate, Generator	
17	3311801	2	Nut 1/2	
18	3580317	1	Pulley, Belt Tensioner	
19	3580319	1	Pulley, Generator	
20	4060802	1	Guard, Switch	
21	4240018	AR	Strap, Tie (Not Shown)	
22	4300157	2	Stud	
23	4360336	1	Switch, Toggle	
24	4711400	8	Washer 1/4	
25	4711600	1	Washer 3/8	
27	4791400	2	Starwasher 1/4	
28	4891800	4	Washer 1/2	
29	1001152533	1	Harness, Generator Cable (See Separate Breakdown in ELECTRICAL Section)	
30	1001140347	1	Generator, 4000W Assembly (See Items 101-114 for Breakdown)	
31	1001138011	1	Mount, Generator Tensioner	
32	1001136357	1	Belt, Generator	
35	1705489	AR	Decal - Hazardous Voltage	
37	3311405	2	Nut 1/4	
38	1001165368	1	Kit, Box and Breaker (See Separate Breakdown in ELECTRICAL Section)	
39	0641407	2	Bolt 1/4 x 7/8	
40	1001094915	1	Bracket	
41	4010408	2	Screw M4 x 16	
42	1001091102	4	Washer M4	
43	3290405	2	Nut M4	
	1001140347	Ref	4000W GENERATOR ASSEMBLY	
101	70003709	1	Ring, Retaining	
102	70003708	1	Ring, Retaining	
103	70001966	1	Bearing, Ball	
104	70004092	1	Endbell	
105	70004099	1	Key	
106	70004676	1	Rotor Assembly	
107	70004686	1	Stator, Generator 4000W	

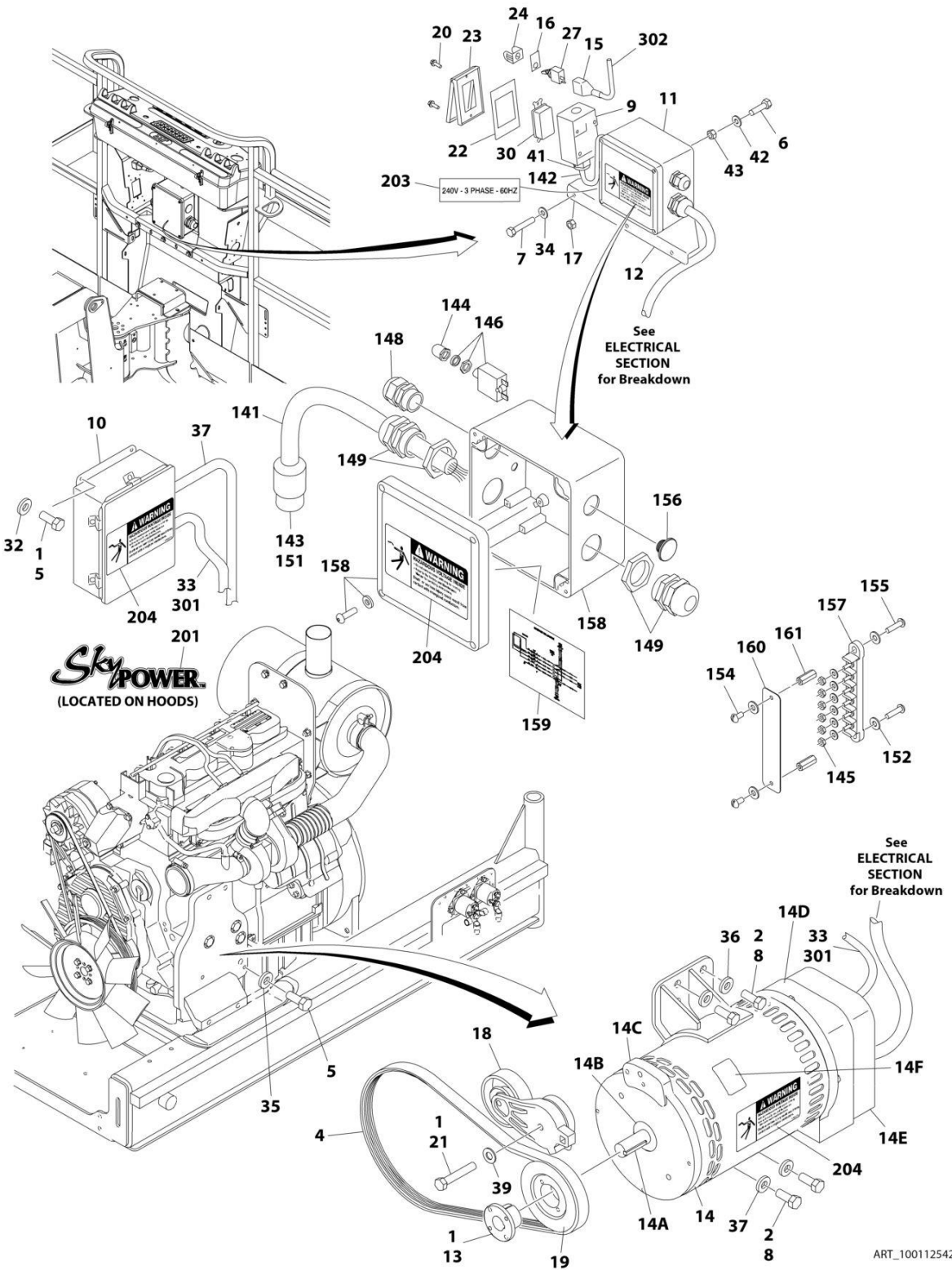
## SECTION 3 - ENGINE

ITEM	PART NUMBER	QTY	DESCRIPTION	REV
108	70004678	1	Endbell	
110	70004680	1	Enclosure	
111	70004681	1	Cover, Enclosure	
112	70004682	1	Protector, Supplementary, Manual Reset	
113	70004683	1	Bushing, Strain Relief	
114	4460224	1	Connector - 6 Position (50Hz) (Located on Enclosure Cover)	
114	4460294	2	Pin, Male (50Hz) (Located on Enclosure Cover)	



# SECTION 3 - ENGINE

FIGURE 3-91. 7500W SKYPOWER GENERATOR INSTALLATION - 60HZ SPEC (DEUTZ TD2011 ENGINES) (OPTIONAL)



## SECTION 3 - ENGINE

**FIGURE 3-91. 7500W SKYPOWER GENERATOR INSTALLATION - 60HZ SPEC (DEUTZ TD2011 ENGINES) (OPTIONAL)**

ITEM	PART NUMBER	QTY	DESCRIPTION	REV
	1001125427	Ref	7500W SKYPOWER GENERATOR INSTALLATION - 60HZ SPEC (DEUTZ TD2011 ENGINES)	D
		Ref	Note: See ELECTRICAL SECTION for Boom Cable Installation.	
1	0100011	AR	Compound, Locking	
2	0100019	AR	Compound, Locking	
4	0480128	1	Belt, Generator	
5	0641404	6	Bolt 1/4 x 1/2	
6	3931016	AR	Bolt 10 x 1	
7	0641516	3	Bolt 5/16 x 2	
8	0641810	4	Bolt 1/2 x 1-1/4	
9	0860038	1	Box, Switch	
10	0861538	1	Box, Generator Control	
10	7024488	1	Card, Circuit - Generator Power (Not Shown)	
10	See Note	1	Fuse (Note: Not Available - Purchase Locally)	
10	7024489	1	Card, Circuit - Control (Not Shown)	
		Ref	Note: When replacing card, rocker switch on card must be set for required application.	
10	70000619	1	Harness, Circuit Card	
11	1001157592	1	Junction Box Assembly Options (See Items 141-161 for Breakdown)	
12	0902888	1	Bracket, Generator Junction Box	
13	0962520	1	Bushing, Taper	
14	2460048	1	Generator, 7500W	
14	70001100	1	Rotor (Includes p/n 70001384 & 70000863) (Not Shown)	
14	70001384	1	Bearing, Shaft (Rear) (Not Shown)	
14	70000863	1	Fan, Generator (Not Shown)	
14	70002088	1	Stator (Not Shown)	
14	70002297	2	Stud 1/4 x 12-7/8 (Not Shown)	
14	70003631	1	Brushholder Assembly (Not Shown) (was p/n 7024484)	
14A	70004171	1	Key	
14B	70001966	1	Bearing, Ball Radial (Located in Belt Tensioner Endbell)	
14B	70003709	1	Ring, Retaining (Small)	
14B	70003708	1	Ring, Retaining (Large)	
14C	70001953	1	Endbell, Belt Tensioner	
14D	70004169	1	Kit, Endbell (Includes Endbell, Brush Block and Shroud Assembly)	
14E	7027799	1	Block, Connector 6 Position (Not Shown)	
14E	70002460	6	Nut, Brass (Attaches p/n 7027799 to Cover) (Not Shown)	
14E	7024485	1	Breaker, Circuit 30Amp (Not Shown)	
14E	70001696	1	Boot, Breaker (Not Shown)	
14E	7026597	1	Connector with Leads (Not Shown)	
14E	7026626	1	Connector with Pins (Not Shown)	
14E	7026188	1	Clamp, Cable (Not Shown)	
14E	70002255	1	Plate, End Panel (Not Shown)	
14E	See Note	NSS	Insulator, End Panel (Note: Not Available for Purchase)	
14E	70001974	1	Decal - Terminal Connections (Not Shown)	
14F	70001973	1	Decal - Warning Moving Parts	
15	2820031	AR	Insulator, Heat Shrink	
16	3251102	1	Nameplate, Generator	
17	3311508	3	Nut 5/16	

## SECTION 3 - ENGINE

ITEM	PART NUMBER	QTY	DESCRIPTION	REV
18	3580317	1	Pulley, Belt Tensioner	
19	3580318	1	Pulley, Generator	
20	3910606	4	Screw #6 x 3/8	
21	0641618	1	Bolt 3/8 x 2	
22	3960422	1	Gasket, AC Receptacle	
23	1001110873	1	Shield, Receptacle Cover	
24	4060802	1	Guard, Switch	
26	4240018	AR	Strap, Tie (Not Shown)	
27	4360336	1	Switch, Toggle	
30	4460346	1	Terminal, Receptacle	
32	4711400	4	Washer 1/4	
33	0100048	AR	Grease, Dielectric	
34	4751500	3	Washer 5/16	
35	4791400	2	Starwasher 1/4	
36	4891800	4	Washer 1/2	
37	4922972	1	Harness, Generator Cable (See Separate Breakdown in ELECTRICAL SECTION)	
39	4711600	1	Washer 3/8	
40	0100020	AR	Sealant, Pipe (Not Shown)	
41	4460071	1	Connector, Strain Relief	
42	4751000	4	Washer #10	
43	3311005	4	Nut #10	
	1001157592	Ref	JUNCTION BOX ASSEMBLY	C
141	1060343	1.5 ft/ 0.5m	Cable, Electrical 10/4	
142	1001179154	2.5 ft/ 0.8m	Cable, 12/3	
143	1671092	1	Cover	
144	3300396	1	Cover, Fuse	
145	3311001	6	Nut #10	
146	4360070	1	Circuit Breaker - 15Amp	
148	4460425	1	Strain Relief, Terminal	
149	4460426	2	Connector, Strain Relief	
151	4460963	1	Connector	
152	4711000	10	Washer #10	
154	10702077	2	Screw #10 x 3/8	
155	10702082	2	Screw #10 x 3/4	
156	1001152525	1	Plug	
157	1001157520	1	Block, Terminal	
158	1001157521	1	Box, Junction	
159	1001157528	1	Decal - Wiring Schematic	
160	1001158007	1	Decal - PVC	
161	1001158008	2	Stand-Off	
	0272435	Ref	DECAL INSTALLATION	D
201	1705460	2	Decal - SkyPower	
202	3251243	1	Decal - 120V - 60Hz (Located at Platform Receptacle)	
203	1705375	1	Decal - 240V - 3 Phase	
204	1705387	3	Decal - Hazardous Voltage	
	1001122528	Ref	ELECTRICAL DIAGRAM COMPONENTS	B
301	1001119968	1	Generator Harness	B
301A	4460967	1	Plug, Male - 3 Position (Not Shown)	
301A	4460465	6	Socket, Female	

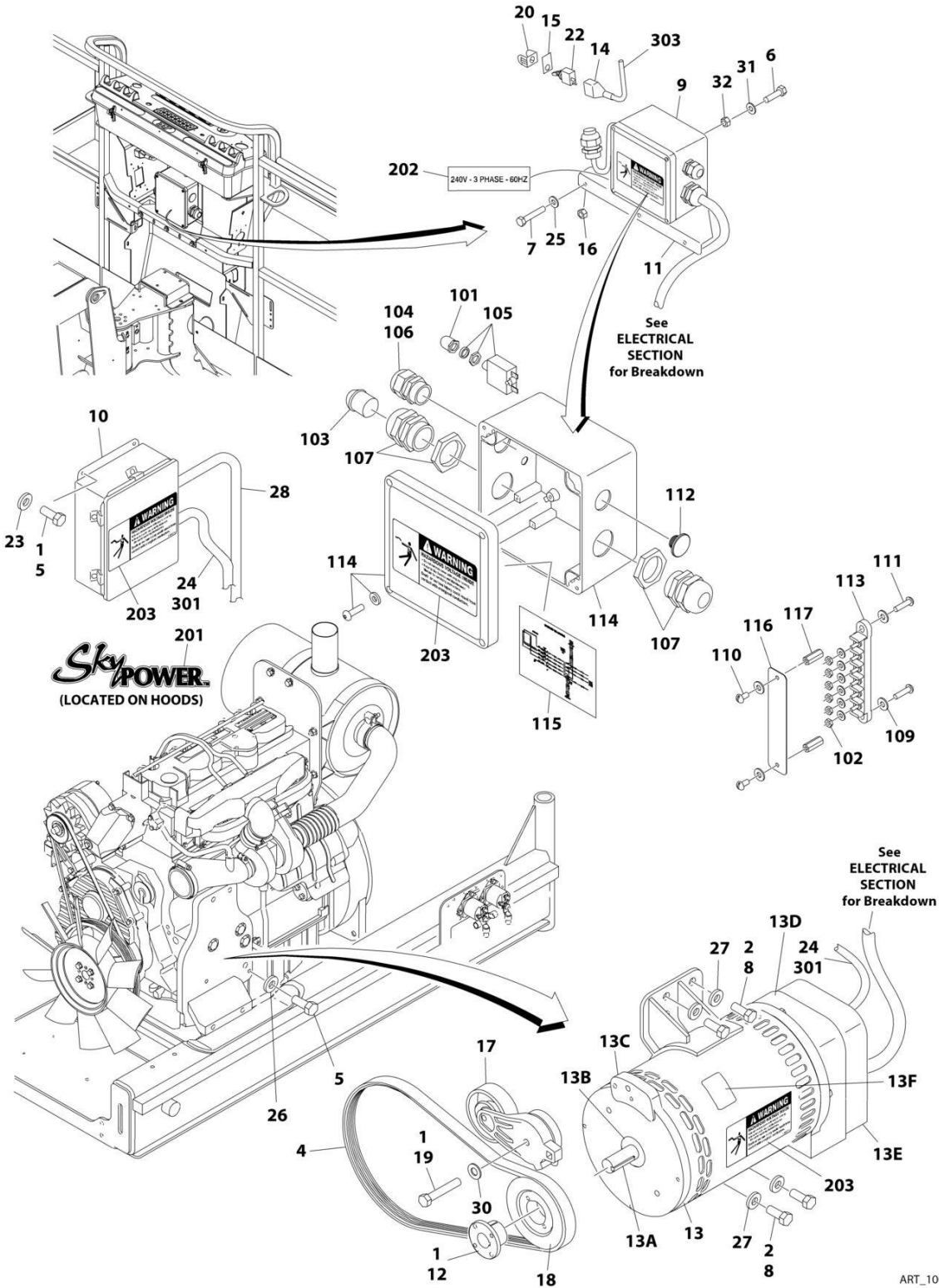


## SECTION 3 - ENGINE

ITEM	PART NUMBER	QTY	DESCRIPTION	REV
301B	1001117078	1	Fuseholder with Fuse (Not Shown)	
302	4922641	1	Switch, Harness	

# SECTION 3 - ENGINE

FIGURE 3-92. 7500W SKYPOWER GENERATOR INSTALLATION - 50HZ SPEC (DEUTZ TD2011 ENGINES) (OPTIONAL)



ART\_1001125428

## SECTION 3 - ENGINE

**FIGURE 3-92. 7500W SKYPOWER GENERATOR INSTALLATION - 50HZ SPEC (DEUTZ TD2011 ENGINES) (OPTIONAL)**

ITEM	PART NUMBER	QTY	DESCRIPTION	REV
	1001125428	Ref	7500W SKYPOWER GENERATOR INSTALLATION - 50HZ SPEC (DEUTZ TD2011 ENGINES)	C
		Ref	Note: See ELECTRICAL SECTION for Boom Cable Installation.	
1	0100011	AR	Compound, Locking	
2	0100019	AR	Compound, Locking	
4	0480129	1	Belt, Generator	
5	0641404	5	Bolt 1/4 x 1/2	
6	3931016	4	Bolt 10 x 1	
7	0641516	3	Bolt 5/16 x 2	
8	0641810	4	Bolt 1/2 x 1-1/4	
9	1001157525	1	Junction Box Assembly (See Items 101-117 for Breakdown)	
10	0861572	1	Box, Generator Control	
10	7024488	1	Card, Circuit - Generator Power (Not Shown)	
10	See Note	1	Fuse (Note: Not Available - Purchase Locally)	
10	7024489	1	Card, Circuit - Control (Not Shown)	
		Ref	Note: When replacing card, rocker switch on card must be set for required application.	
10	70000619	1	Harness, Circuit Card	
11	0902888	1	Bracket, Generator Junction Box	
12	0962520	1	Bushing, Taper	
13	2460048	1	Generator, 7500W	
13	70001100	1	Rotor (Includes p/n 70001384 & 70000863) (Not Shown)	
13	70001384	1	Bearing, Shaft (Rear) (Not Shown)	
13	70000863	1	Fan, Generator (Not Shown)	
13	70002088	1	Stator (Not Shown)	
13	70002297	2	Stud 1/4 x 12-7/8	
13	70003631	1	Brushholder Assembly (Not Shown)	
13A	70004171	1	Key	
13B	70001966	1	Bearing, Ball Radial (Located in Belt Tensioner Endbell)	
13B	70003709	1	Ring, Retaining (Small)	
13B	70003708	1	Ring, Retaining (Large)	
13C	70001953	1	Endbell, Belt Tensioner	
13D	70004169	1	Kit, Endbell (Includes Endbell, Brush Block and Shroud Assembly)	
13E	7027799	1	Block, Connector 6 Position (Not Shown)	
13E	70002460	6	Nut, Brass (Attaches p/n 7027799 to Cover) (Not Shown)	
13E	7024485	1	Breaker, Circuit 30Amp (Not Shown)	
13E	70001696	1	Boot, Breaker (Not Shown)	
13E	7026597	1	Connector with Lead (Not Shown)	
13E	7026626	1	Connector with Pins (Not Shown)	
13E	7026188	1	Clamp, Cable (Not Shown)	
13E	70002255	1	Plate, End Panel (Not Shown)	
13E	See Note	1	Insulator, End Panel (Not Shown) (Note: Not Available for Purchase)	
13E	70001974	1	Decal - Terminal Connections (Not Shown)	
13F	70001973	1	Decal - Warning Moving Parts	
14	2820031	AR	Insulator, Heat Shrink	
15	3251102	1	Nameplate, Generator	
16	3311508	3	Nut 5/16	
17	3580317	1	Pulley, Belt Tensioner	

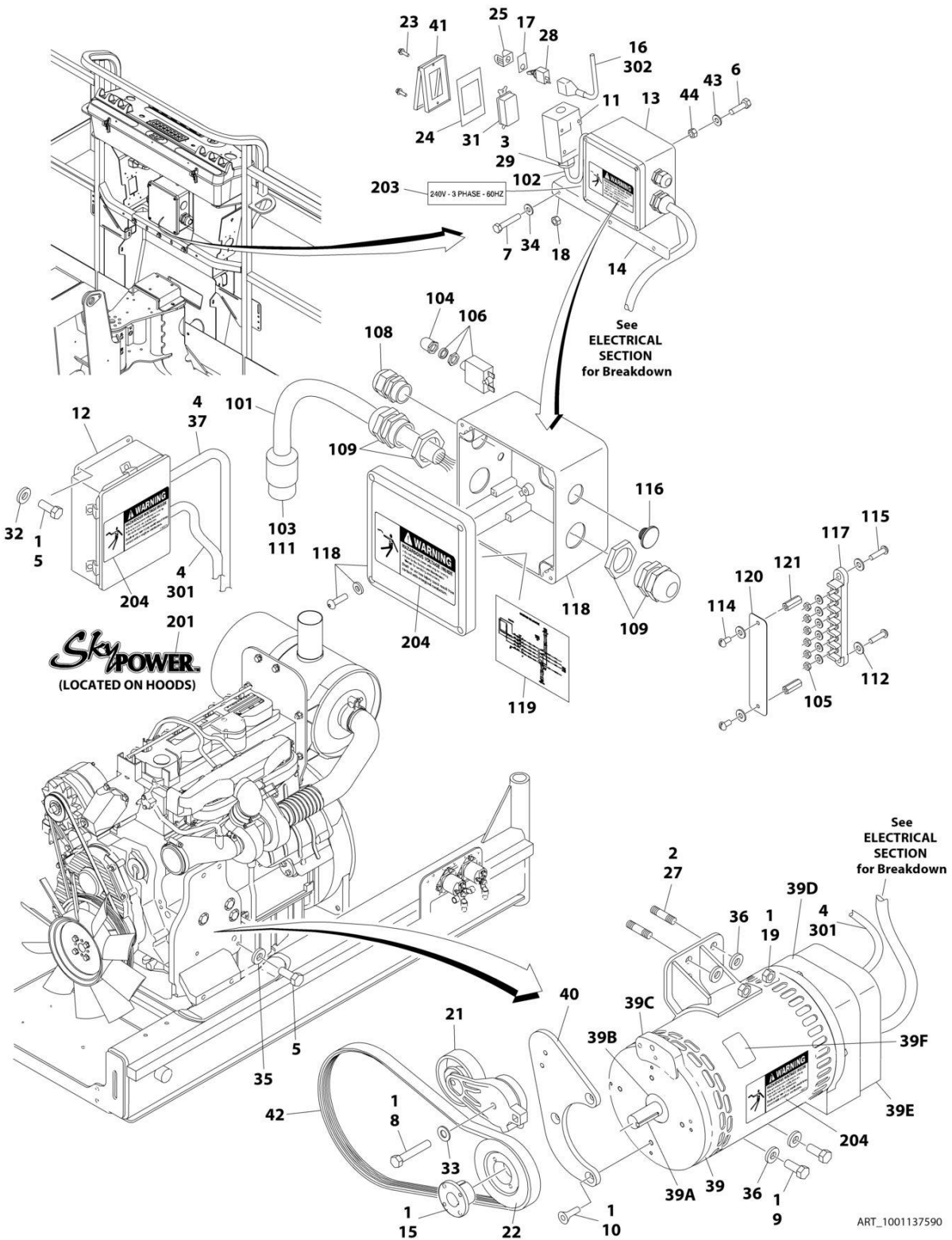
## SECTION 3 - ENGINE

ITEM	PART NUMBER	QTY	DESCRIPTION	REV
18	3580319	1	Pulley, Generator	
19	0641618	1	Bolt 3/8 x 2	
20	4060802	1	Guard, Switch	
21	4240018	AR	Strap, Tie (Not Shown)	
22	4360336	1	Switch, Toggle	
23	4711400	4	Washer 1/4	
24	0100048	AR	Grease, Dielectric	
25	4751500	3	Washer 5/16	
26	4791400	2	Starwasher 1/4	
27	4891800	4	Washer 1/2	
28	4922972	1	Harness, Generator Cable (See Separate Breakdown in ELECTRICAL SECTION)	
30	4711600	1	Washer 3/8	
31	4751000	4	Washer #10	
32	3311005	4	Nut #10	
	1001157525	Ref	JUNCTION BOX ASSEMBLY	B
101	3300396	1	Cover, Fuse	
102	3311001	6	Nut #10	
103	3520189	1	Plug	
104	3520192	1	Plug	
105	4360070	1	Circuit Breaker - 15Amp	
106	4460425	1	Strain Relief, Terminal	
107	4460426	2	Connector, Strain Relief	
109	4711000	10	Washer #10	
110	10702077	2	Screw #10 x 3/8	
111	10702082	2	Screw #10 x 3/4	
112	1001152525	1	Plug	
113	1001157520	1	Block, Terminal	
114	1001157521	1	Box, Junction	
115	1001157528	1	Decal - Wiring Schematic	
116	1001158007	1	Cover, PVC	
117	1001158008	2	Stand-Off	
	0272589	Ref	DECAL INSTALLATION	A
201	1705460	2	Decal - SkyPower	
202	1705461	1	Decal - 240V - 3 Phase	
203	1705489	3	Decal - Hazardous Voltage	
	1001122528	Ref	ELECTRICAL DIAGRAM COMPONENTS	B
301	1001119968	1	Generator Harness	B
301A	4460967	1	Plug, Male - 3 Position (Not Shown)	
301A	4460465	6	Socket, Female	
301B	1001117078	1	Fuseholder with Fuse (Not Shown)	
303	4922641	1	Switch Harness	



# SECTION 3 - ENGINE

FIGURE 3-93. 7500W SKYPOWER GENERATOR INSTALLATION - 60HZ SPEC (DEUTZ TCD2.9L4 ENGINES) (OPTIONAL)



ART\_1001137590

## SECTION 3 - ENGINE

**FIGURE 3-93. 7500W SKYPOWER GENERATOR INSTALLATION - 60HZ SPEC (DEUTZ TCD2.9L4 ENGINES) (OPTIONAL)**

ITEM	PART NUMBER	QTY	DESCRIPTION	REV
	1001137590	Ref	7500W SKYPOWER GENERATOR INSTALLATION - 60HZ SPEC (DEUTZ TCD2.9L4 ENGINES)	G
		Ref	Note: See ELECTRICAL SECTION for Boom Cable Installation.	
1	0100011	AR	Compound, Locking	
2	0100019	AR	Compound, Locking	
3	0100020	AR	Sealant, Pipe	
4	0100048	AR	Grease, Dielectric	
5	0641404	5	Bolt 1/4 x 1/2	
6	3931016	4	Bolt 10 x 1	
7	0641516	3	Bolt 5/16 x 2	
8	0641618	1	Bolt 3/8 x 2	
9	0641810	2	Bolt 1/2 x 1-1/4	
10	0741607	3	Screw 3/8 x 7/8	
11	0860038	1	Box, Switch	
12	0861538	1	Box, Generator Control	
12	7024488	1	Card, Circuit - Generator Power (Not Shown)	
12	See Note	1	Fuse (Note: Not Available Purchase Locally)	
12	7024489	1	Card, Circuit - Control (Not Shown)	
		Ref	Note: When replacing card, rocker switch on card must be set for required application.	
12	70000619	1	Harness, Circuit Card	
13	1001157592	1	Junction Box Assembly (See Items 101-121 for Breakdown)	
14	0902888	1	Bracket, Generator Junction Box	
15	0962520	1	Bushing, Taper	
16	2820031	AR	Insulator, Heat Shrink	
17	3251102	1	Nameplate, Generator	
18	3311508	3	Nut 5/16	
19	3311801	2	Nut 1/2	
21	3580317	1	Pulley, Belt Tensioner	
22	3580318	1	Pulley, Generator	
23	3910606	AR	Screw #6 x 3/8	
24	3960422	1	Gasket, AC Receptacle	
25	4060802	1	Guard, Switch	
26	4240018	AR	Strap, Tie (Not Shown)	
27	4300157	2	Stud 1/2	
28	4360336	1	Switch, Toggle	
29	4460071	1	Connector, Strain Relief	
30	4460315	3	Terminal, Spade (Not Shown)	
31	4460346	1	Terminal, Receptacle	
32	4711400	4	Washer 1/4	
33	4711600	1	Washer 3/8	
34	4751500	3	Washer 5/16	
35	4791400	2	Starwasher 1/4	
36	4891800	4	Washer 1/2	
37	4922972	1	Harness, Generator Cable (See Separate Breakdown in ELECTRICAL SECTION)	
39	1001212223	1	Generator, 7500W	
39	70001100	1	Rotor (Includes p/n 70001384 & 70000863)	
39	70001384	1	Bearing, Shaft (Rear)	

## SECTION 3 - ENGINE

ITEM	PART NUMBER	QTY	DESCRIPTION	REV
39	7000863	1	Fan, Generator	
39	70006093	1	Stater	
39	70003631	1	Brush-holder Assembly (was p/n 7024484)	
39A	70004099	NLA	Key (Use p/n 70004171)	
39B	70001966	1	Bearing, Ball Radial (Located in Belt Tensioner Endbell)	
39B	70003709	1	Ring, Retaining (Small)	
39B	70003708	1	Ring, Retaining (Large)	
39C	70004092	1	Endbell, Belt Tensioner	
39D	70004094	1	Endbell, Brush Block	
39E	70006094	1	Shroud Assembly	
39E	7027799	1	Block, Connector - 6 Position (Not Shown)	
39E	70002460	6	Nut, Brass (Attaches p/n 7027799 to Cover) (Not Shown)	
39E	70006095	1	Breaker, Circuit 30Amp (Not Shown)	
39E	70006096	1	Boot, Breaker (Not Shown)	
39E	7026597	1	Connector with Leads (Not Shown)	
39E	7026626	1	Connector with Pins (Not Shown)	
39E	70004098	1	Clamp, Cable (Not Shown)	
39E	70006097	1	Plate, End Panel (Not Shown)	
39E	70002291	1	Insulator, End Panel Generator (Not Shown)	
39E	70001974	1	Decal - Terminal Connections (Not Shown)	
39F	70001973	1	Decal - Warning Moving Parts	
40	1001138011	1	Bracket	
41	1001110873	1	Shield, Receptacle Cover	
42	1001142645	1	Belt, Generator	
43	4751000	4	Washer #10	
44	3311005	4	Nut #10	
	1001157592	Ref	JUNCTION BOX ASSEMBLY	C
101	1060343	1.5 ft/ 0.5m	Cable, Electrical 10/4	
102	1001179154	2.5 ft/ 0.8m	Cable, Electrical 12/3	
103	1671092	1	Cover	
104	3300396	1	Cover, Fuse	
105	3311001	6	Nut #10	
106	4360070	1	Circuit Breaker - 15Amp	
108	4460425	1	Strain Relief, Terminal	
109	4460426	2	Connector, Strain Relief	
111	4460963	1	Connector	
112	4711000	10	Washer #10	
114	10702077	2	Screw #10 x 3/8	
115	10702082	2	Screw #10 x 3/4	
116	1001152525	1	Plug	
117	1001157520	1	Block, Terminal	
118	1001157521	1	Box, Junction	
119	1001157528	1	Decal - Wiring Schematic	
120	1001158007	1	Cover, PVC	
121	1001158008	2	Stand-Off	
	0272435	Ref	DECAL INSTALLATION	D
201	1705460	2	Decal - SkyPower	
202	3251243	1	Decal - 120V - 60Hz (Not Shown - Located at Platform Receptacle)	
203	1705375	1	Decal - 240V - 3 Phase	

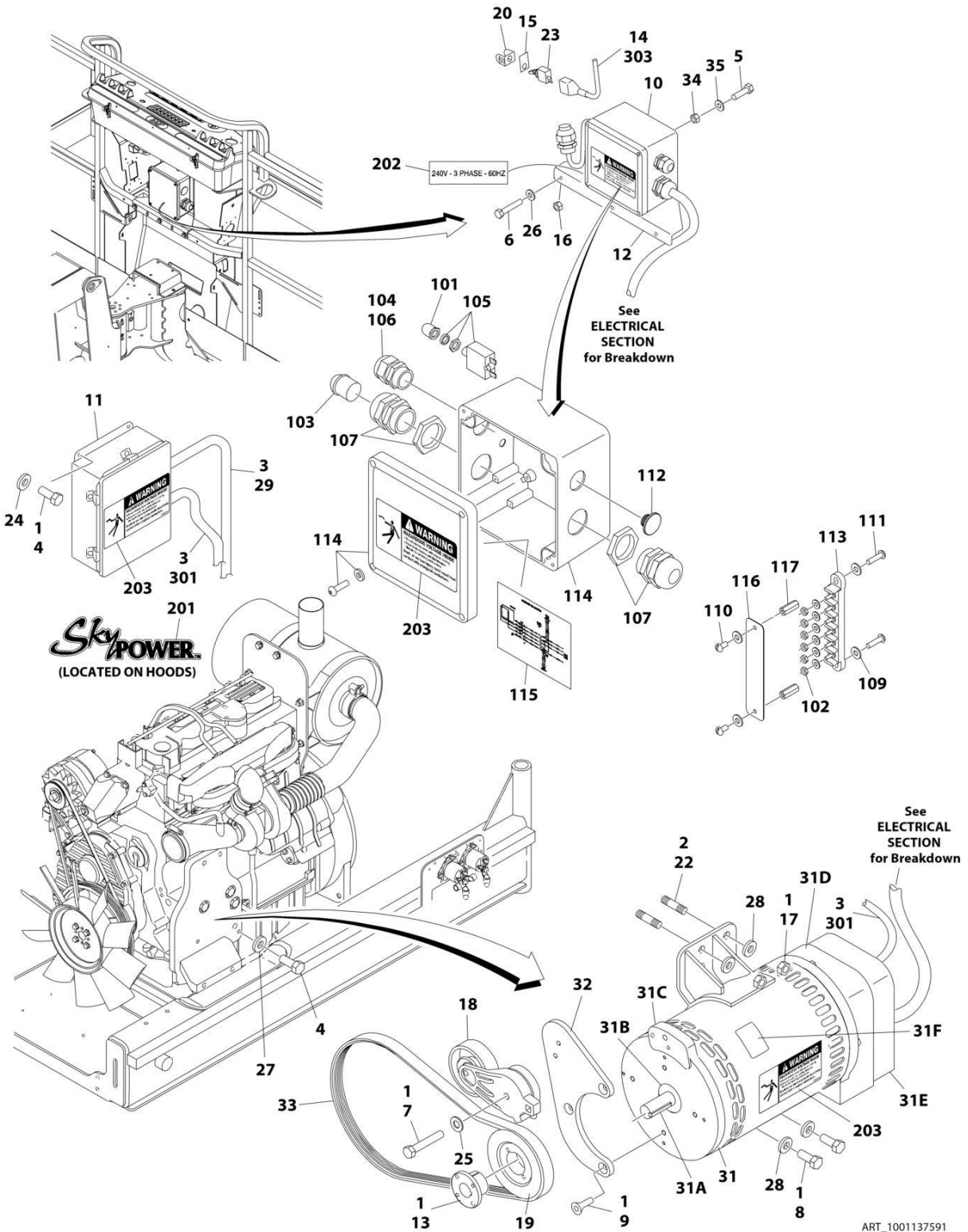


## SECTION 3 - ENGINE

ITEM	PART NUMBER	QTY	DESCRIPTION	REV
204	1705387	3	Decal - Hazardous Voltage	
	1001122528	Ref	ELECTRICAL DIAGRAM COMPONENTS	B
301	1001119968	1	Generator Harness	B
301A	4460967	1	Plug, Male - 3 Position (Not Shown)	
301A	4460465	6	Socket, Female	
301B	1001117078	1	Fuseholder with Fuse (Not Shown)	
302	4922641	1	Switch Harness	

# SECTION 3 - ENGINE

FIGURE 3-94. 7500W SKYPOWER GENERATOR INSTALLATION - 50HZ SPEC (DEUTZ TCD2.9L4 ENGINES) (OPTIONAL)



ART\_1001137591

## SECTION 3 - ENGINE

**FIGURE 3-94. 7500W SKYPOWER GENERATOR INSTALLATION - 50HZ SPEC (DEUTZ TCD2.9L4 ENGINES) (OPTIONAL)**

ITEM	PART NUMBER	QTY	DESCRIPTION	REV
	1001137591	Ref	7500W SKYPOWER GENERATOR INSTALLATION - 50HZ SPEC (DEUTZ TCD2.9L4 ENGINES)	D
		Ref	Note: See ELECTRICAL SECTION for Boom Cable Installation.	
1	0100011	AR	Compound, Locking	
2	0100019	AR	Compound, Locking	
3	0100048	AR	Grease, Dielectric	
4	0641404	5	Bolt 1/4 x 1/2	
5	3931016	4	Bolt 10 x 1	
6	0641516	3	Bolt 5/16 x 2	
7	0641618	1	Bolt 3/8 x 2	
8	0641810	2	Bolt 1/2 x 1-1/4	
9	0741607	3	Screw 3/8 x 7/8	
10	1001157525	1	Junction Box Assembly (See Items 101-117 for Breakdown)	
11	0861572	1	Box, Generator Control	
11	7024488	1	Card, Circuit - Generator Power (Not Shown)	
11	See Note	1	Fuse (Note: Not Available - Purchase Locally)	
11	7024489	1	Card, Circuit - Control (Not Shown)	
		Ref	Note: When replacing card, rocker switch on card must be set for required application.	
11	70000619	1	Harness, Circuit Card	
12	0902888	1	Bracket, Generator Junction Box	
13	0962520	1	Bushing, Taper	
14	2820031	AR	Insulator, Heat Shrink	
15	3251102	1	Nameplate, Generator	
16	3311508	3	Nut 5/16	
17	3311801	2	Nut 1/2	
18	3580317	1	Pulley, Belt Tensioner	
19	3580319	1	Pulley, Generator	
20	4060802	1	Guard, Switch	
21	4240018	AR	Strap, Tie (Not Shown)	
22	4300157	2	Stud 1/2	
23	4360336	1	Switch, Toggle	
24	4711400	4	Washer 1/4	
25	4711600	1	Washer 3/8	
26	4751500	3	Washer 5/16	
27	4791400	2	Starwasher 1/4	
28	4891800	4	Washer 1/2	
29	4922972	1	Harness, Generator Cable (See Separate Breakdown in ELECTRICAL Section)	
31	1001212223	1	Generator, 7500W	
31	70001100	1	Rotor (Includes p/n 70001384 & 70000863) (Not Shown)	
31	70001384	1	Bearing, Shaft (Rear) (Not Shown)	
31	70000863	1	Fan, Generator (Not Shown)	
31	70006093	1	Stator (Not Shown)	
31	70003631	1	Brush-holder Assembly (Not Shown)	
31A	70004099	NLA	Key (Use p/n 70004171)	
31B	70001966	1	Bearing, Ball Radial (Located in Belt Tensioner Endbell)	
31B	70003709	1	Ring, Retaining (Small)	
31B	70003708	1	Ring, Retaining (Large)	

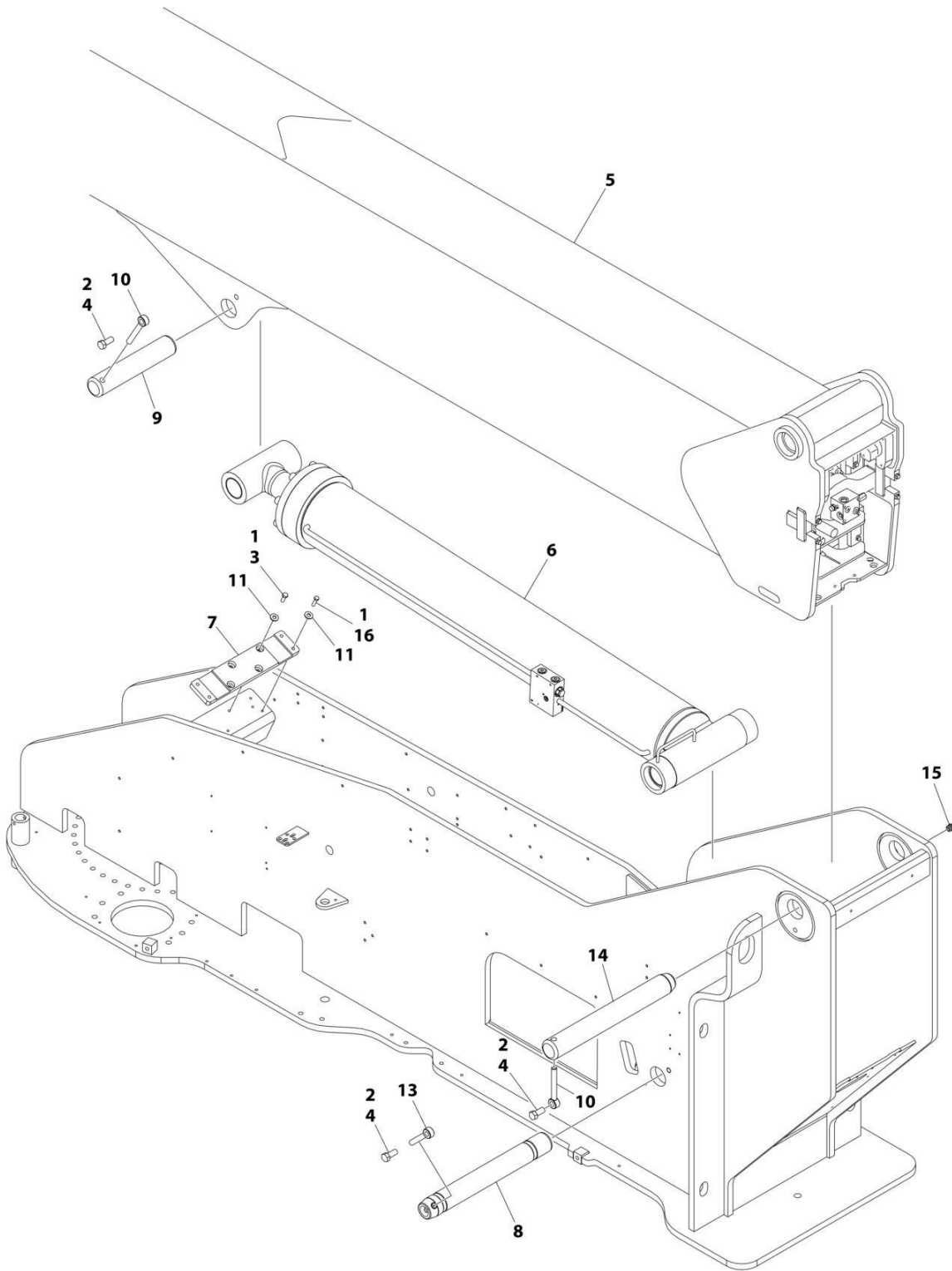
## SECTION 3 - ENGINE

ITEM	PART NUMBER	QTY	DESCRIPTION	REV
31C	70004092	1	Endbell, Belt Tensioner	
31D	70004094	1	Endbell, Brush Block	
31E	70006094	1	Shroud Assembly	
31E	7027799	1	Block, Connector - 6 Position (Not Shown)	
31E	70002460	6	Nut, Brass (Attaches p/n 7027799 to Cover) (Not Shown)	
31E	70006095	1	Breaker, Circuit 30Amp (Not Shown)	
31E	70006096	1	Boot, Breaker (Not Shown)	
31E	7026597	1	Connector with Leads (Not Shown)	
31E	7026626	1	Connector with Pins (Not Shown)	
31E	70004098	1	Clamp, Cable (Not Shown)	
31E	70006097	1	Plate, End Panel (Not Shown)	
31E	70002291	1	Insulator, End Panel (Not Shown)	
31E	70001974	1	Decal - Terminal Connections (Not Shown)	
31F	70001973	1	Decal - Warning Moving Parts	
32	1001138011	1	Bracket	
33	1001136357	1	Belt, Generator	
34	3311005	4	Nut #10	
35	4751000	4	Washer #10	
	1001157525	Ref	JUNCTION BOX ASSEMBLY	B
101	3300396	1	Cover, Fuse	
102	3311001	6	Nut #10	
103	3520189	1	Plug (50Hz Spec Only)	
104	3520192	1	Plug	
105	4360070	1	Circuit Breaker - 15Amp	
106	4460425	1	Strain Relief, Terminal	
107	4460426	2	Connector, Strain Relief	
109	4711000	10	Washer #10	
110	10702077	2	Screw #10 x 3/8	
111	10702082	2	Screw #10 x 3/4	
112	1001152525	1	Plug	
113	1001157520	1	Block, Terminal	
114	1001157521	1	Box, Junction	
115	1001157528	1	Decal - Wiring Schematic	
116	1001158007	1	Cover, PVC	
117	1001158008	2	Stand-Off	
	0272589	Ref	DECAL INSTALLATION	A
201	1705460	2	Decal - SkyPower	
202	1705461	1	Decal - 240V - 3 Phase	
203	1705489	3	Decal - Hazardous Voltage	
	1001122528	Ref	ELECTRICAL DIAGRAM COMPONENTS	B
301	1001119968	1	Generator Harness (With UGM)	B
301A	4460967	1	Plug, Male - 3 Position (Not Shown)	
301A	4460465	6	Socket, Female	
301B	1001117078	1	Fuseholder with Fuse (Not Shown)	
303	4922641	1	Switch Harness	

**SECTION 4 - BOOM**

# SECTION 4 - BOOM

FIGURE 4-1. BOOM INSTALLATION - WITHOUT COLD WEATHER PLUS PACKAGE (1200SJP)



ART\_0271799\_J

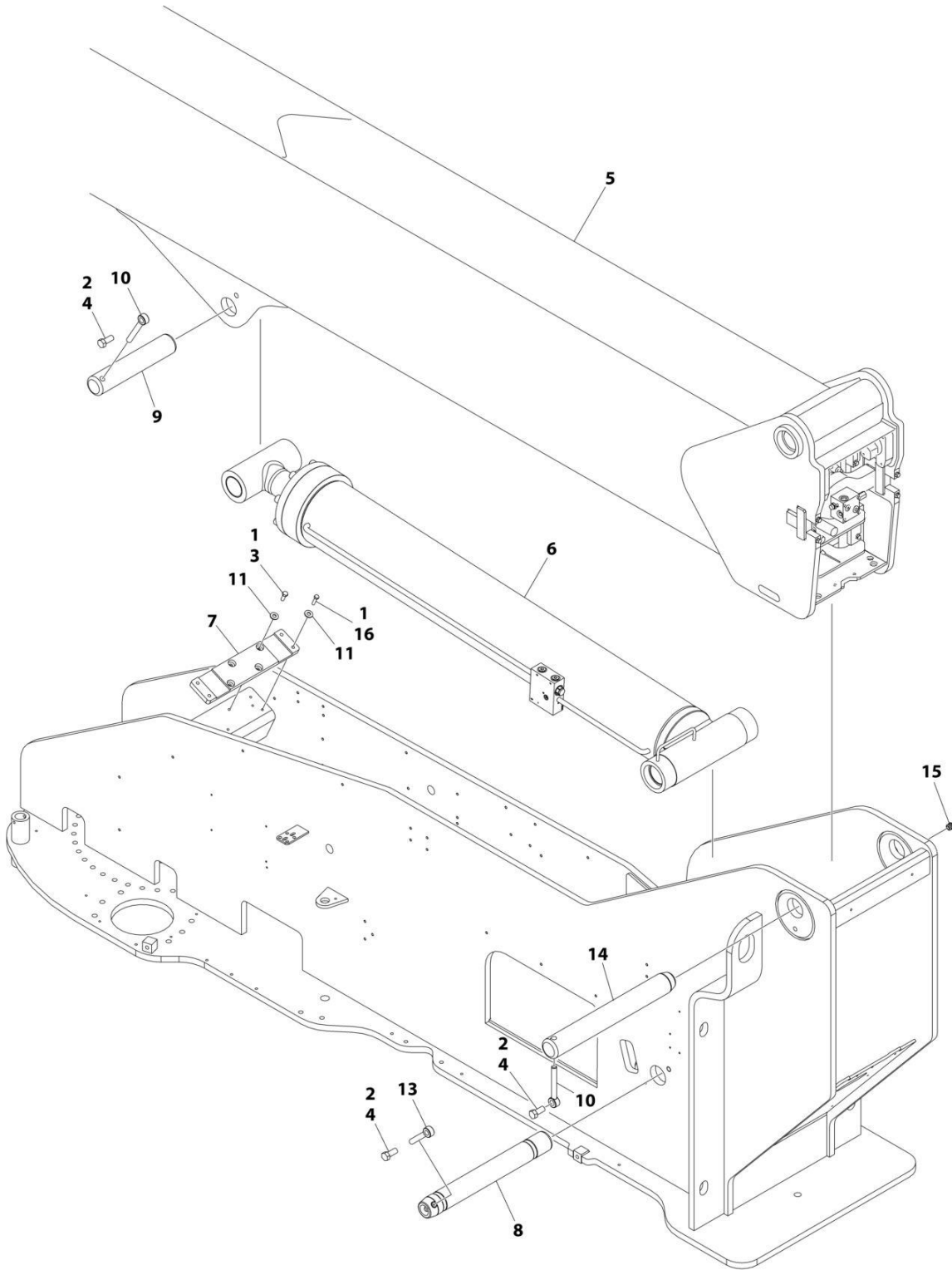
## SECTION 4 - BOOM

**FIGURE 4-1. BOOM INSTALLATION - WITHOUT COLD WEATHER PLUS PACKAGE (1200SJP)**

ITEM	PART NUMBER	QTY	DESCRIPTION	REV
	0271799	Ref	BOOM INSTALLATION 1200SJP - WITHOUT COLD WEATHER PLUS PACKAGE (1200SJP)	J
1	0100011	AR	Compound, Locking	
2	0100019	AR	Compound, Locking	
3	0641608	4	Bolt 3/8 x 1	
4	0642214	3	Bolt 3/4 x 1-3/4	
5	0801320	1	Boom Assembly (See Separate Breakdown in this Section)	
6	1001251024	1	Lift Cylinder Assembly (See Separate Breakdown in CYLINDER Section)	
7	1001237755	1	Pad	
8	3423208	1	Pin, Load Sensing	
9	3422955	1	Pin	
10	3841287	2	Keeper, Pin	
11	4751600	8	Washer 3/8	
13	3841581	1	Keeper, Pin	
14	3422988	1	Pin	
15	1001213705	1	Plug	
16	0641612	4	Bolt 3/8 x 1-1/2	

# SECTION 4 - BOOM

## FIGURE 4-2. BOOM INSTALLATION - WITH COLD WEATHER PLUS PACKAGE (1200SJP)



ART\_1001138800\_E



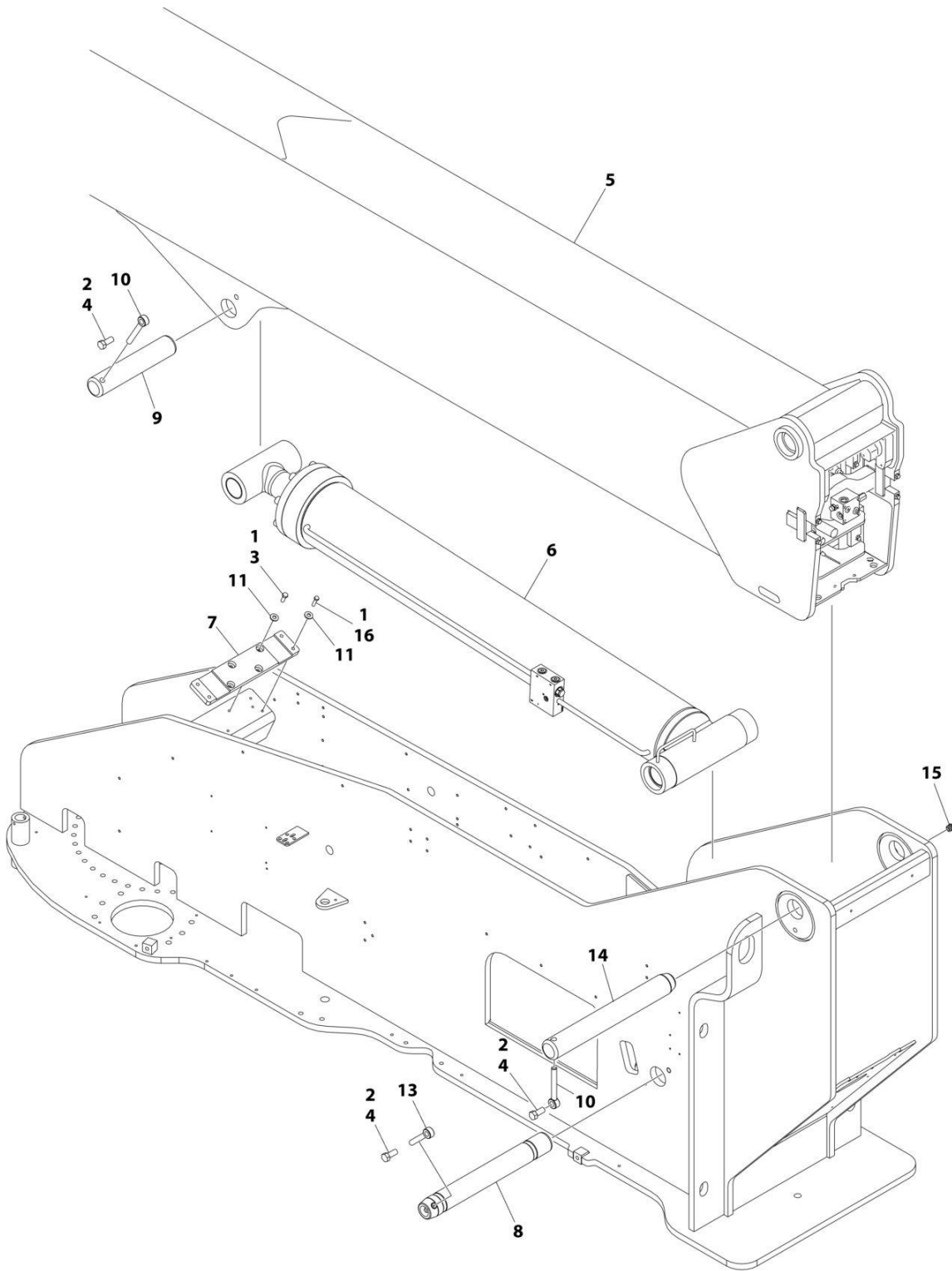
## SECTION 4 - BOOM

**FIGURE 4-2. BOOM INSTALLATION - WITH COLD WEATHER PLUS PACKAGE (1200SJP)**

ITEM	PART NUMBER	QTY	DESCRIPTION	REV
	1001138800	Ref	BOOM INSTALLATION 1200SJP - WITH COLD WEATHER PLUS PACKAGE (1200SJP)	E
1	0100011	AR	Compound, Locking	
2	0100019	AR	Compound, Locking	
3	0641608	4	Bolt 3/8 x 1	
4	0642214	3	Bolt 3/4 x 1-3/4	
5	1001138801	1	Boom Assembly (See Separate Breakdown in this Section)	
6	1001251024	1	Lift Cylinder Assembly (See Separate Breakdown in CYLINDER Section)	
7	1001237755	1	Pad	
8	3423208	1	Pin, Load Sensing	
9	3422955	1	Pin	
10	3841287	2	Keeper, Pin	
11	4751600	8	Washer 3/8	
13	3841581	1	Keeper, Pin	
14	3422988	1	Pin	
15	1001213705	1	Plug	
16	0641611	4	Bolt 3/8 x 1-3/8	

# SECTION 4 - BOOM

FIGURE 4-3. BOOM INSTALLATION - WITHOUT COLD WEATHER PLUS PACKAGE (1350SJP)



ART\_0271530\_J

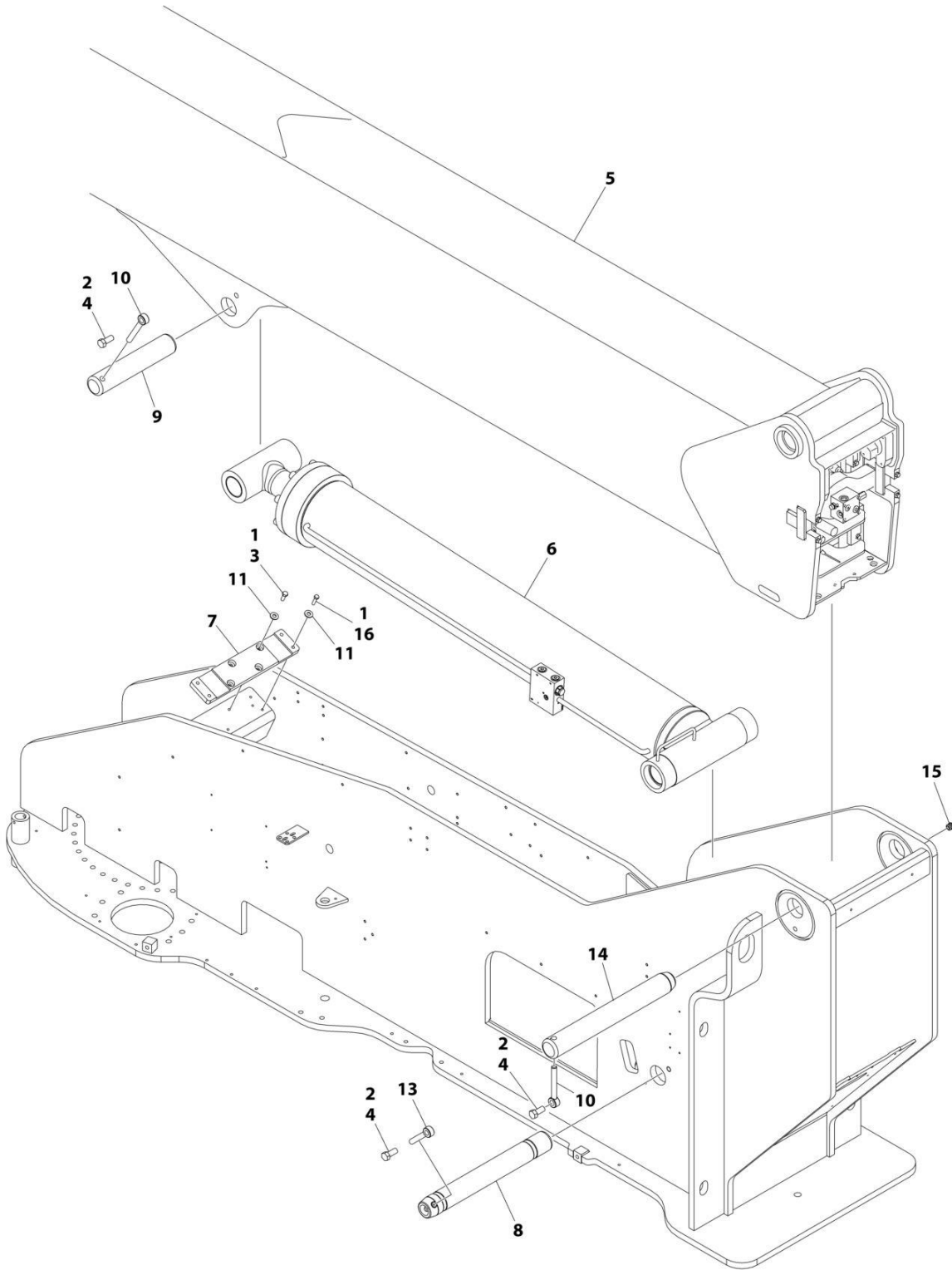
## SECTION 4 - BOOM

**FIGURE 4-3. BOOM INSTALLATION - WITHOUT COLD WEATHER PLUS PACKAGE (1350SJP)**

ITEM	PART NUMBER	QTY	DESCRIPTION	REV
	0271530	Ref	BOOM INSTALLATION 1350SJP - WITHOUT COLD WEATHER PLUS PACKAGE (1350SJP)	J
1	0100011	AR	Compound, Locking	
2	0100019	AR	Compound, Locking	
3	0641608	4	Bolt 3/8 x 1	
4	0642214	3	Bolt 3/4 x 1-3/4	
5	0801315	1	Boom Assembly (See Separate Breakdown in this Section)	
6	1001251024	1	Lift Cylinder Assembly (See Separate Breakdown in CYLINDER Section)	
7	1001237755	1	Pad	
8	3423208	1	Pin, Load Sensing	
9	3422955	1	Pin	
10	3841287	2	Keeper, Pin	
11	4751600	AR	Washer 3/8	
13	3841581	1	Keeper, Pin	
14	3422988	1	Pin	
15	1001213705	1	Plug	
16	0641612	4	Bolt 3/8 x 1-1/2	

# SECTION 4 - BOOM

FIGURE 4-4. BOOM INSTALLATION - WITH COLD WEATHER PLUS PACKAGE (1350SJP)



ART\_1001139516\_E

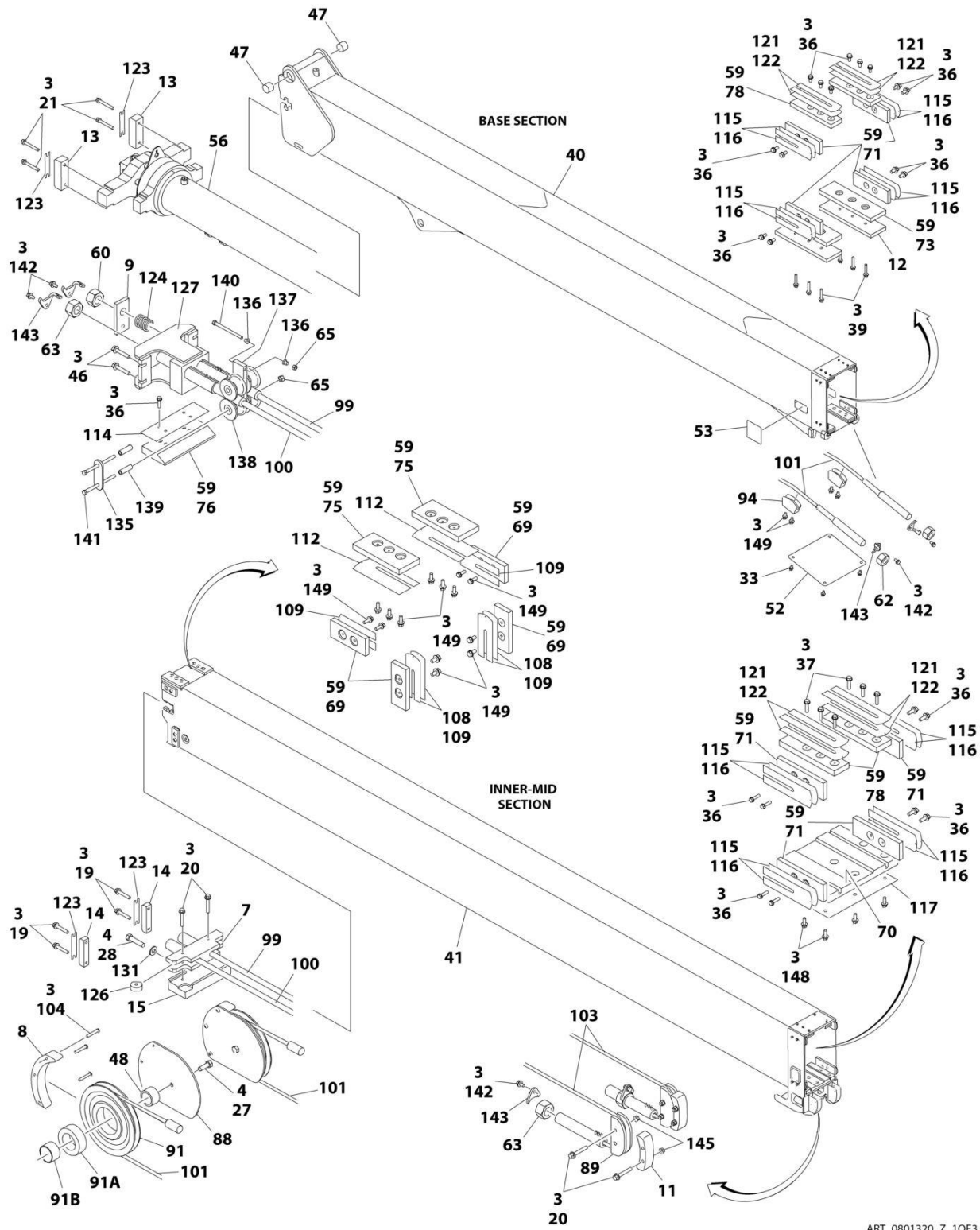
## SECTION 4 - BOOM

**FIGURE 4-4. BOOM INSTALLATION - WITH COLD WEATHER PLUS PACKAGE (1350SJP)**

ITEM	PART NUMBER	QTY	DESCRIPTION	REV
	1001139516	Ref	BOOM INSTALLATION 1350SJP - WITH COLD WEATHER PLUS PACKAGE (1350SJP)	E
1	0100011	AR	Compound, Locking	
2	0100019	AR	Compound, Locking	
3	0641608	4	Bolt 3/8 x 1	
4	0642214	3	Bolt 3/4 x 1-3/4	
5	1001139517	1	Boom Assembly (See Separate Breakdown in this Section)	
6	1001251024	1	Lift Cylinder Assembly (See Separate Breakdown in CYLINDER Section)	
7	1001237755	1	Pad	
8	3423208	1	Pin, Load Sensing	
9	3422955	1	Pin	
10	3841287	2	Keeper, Pin	
11	4751600	8	Washer 3/8	
13	3841581	1	Keeper, Pin	
14	3422988	1	Pin	
15	1001213705	1	Plug	
16	0641611	4	Bolt 3/8 x 1-3/8	

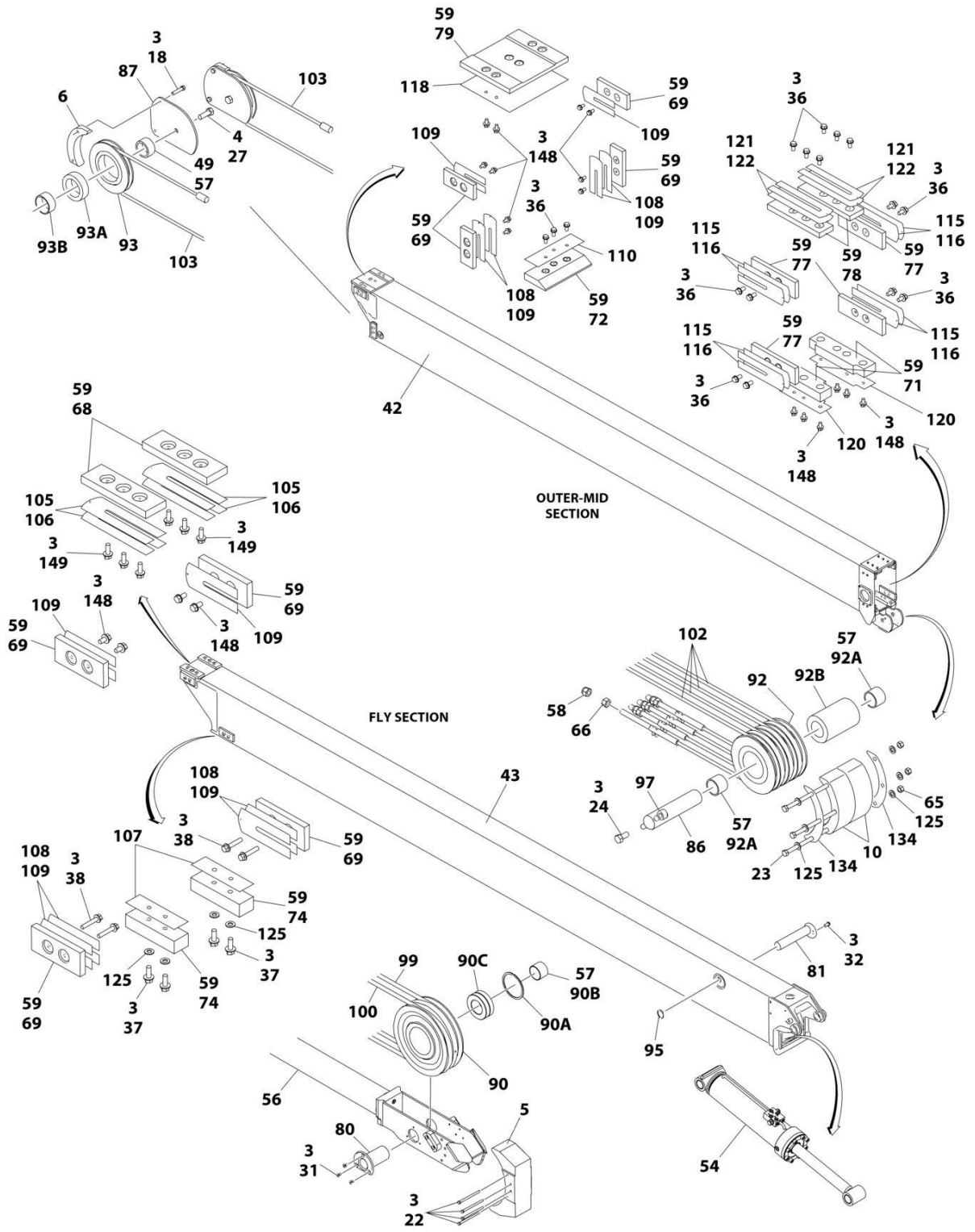
# SECTION 4 - BOOM

## FIGURE 4-5. BOOM ASSEMBLY - WITHOUT COLD WEATHER PLUS PACKAGE (1200SJP)



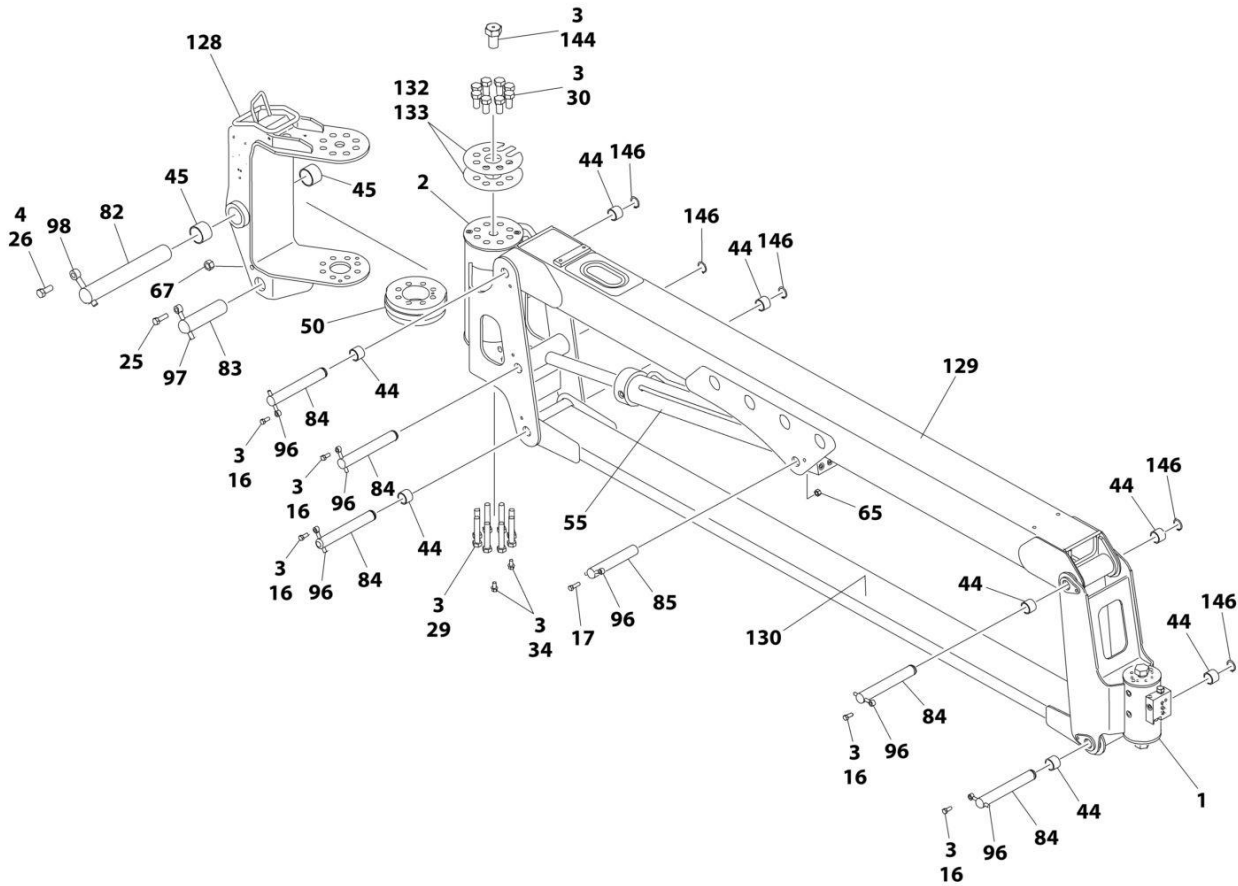
ART\_0801320\_Z\_10F3

# SECTION 4 - BOOM



ART\_0801320\_Z\_20F3

# SECTION 4 - BOOM



ART\_0801320\_Z\_30F3



## SECTION 4 - BOOM

**FIGURE 4-5. BOOM ASSEMBLY - WITHOUT COLD WEATHER PLUS PACKAGE (1200SJP)**

ITEM	PART NUMBER	QTY	DESCRIPTION	REV
	0801320	Ref	BOOM ASSEMBLY 1200SJP - WITHOUT COLD WEATHER PLUS PACKAGE (1200SJP)	Z
1	1001178247	1	Actuator Assembly (Platform Rotate) (See Separate Breakdown in this Section)	
2	1001178248	1	Actuator Assembly (Jib Rotate) (See Separate Breakdown in this Section)	
3	0100011	AR	Compound, Locking	
4	0100019	AR	Compound, Locking	
5	0561431	1	Block, Rope Retainer	
6	0561437	2	Block, Rope Retainer	
7	0561439	1	Block, Outer Mid Extend	
8	0561444	2	Block, Cable Retainer	
9	0561454	1	Block, Switch Adjuster	
10	0561457	2	Block, Cable Retainer	
11	0561458	2	Block, Cable Retainer	
12	0561471	2	Block, Spacer	
13	0561500	2	Block, Trunnion Keeper	
14	0561482	2	Block, Trunnion Keeper	
15	3340955	1	Pad	
16	0641607	5	Bolt 3/8 x 7/8	
17	0641610	1	Bolt 3/8 x 1-1/4	
18	0641615	4	Bolt 3/8 x 1-7/8	
19	0791618	4	Screw 3/8 x 2-1/4	
20	0791620	10	Screw 3/8 x 2-1/2	
21	0791624	4	Screw 3/8 x 3	
22	0641646	4	Bolt 3/8 x 5-3/4	
23	0641652	3	Bolt 3/8 x 6-1/2	
24	0641808	1	Bolt 1/2 x 1	
25	0641813	1	Bolt 1/2 x 1-5/8	
26	0642012	1	Bolt 5/8 x 1-1/2	
27	0642014	4	Bolt 5/8 x 1-3/4	
28	0642022	2	Bolt 5/8 x 2-3/4	
29	0682028	8	Bolt 5/8 x 3-1/2 Grade 8	
30	0682212	8	Bolt 3/4 x 1-1/2 Grade 8	
31	0741606	3	Screw 3/8 x 3/4	
32	0741806	1	Screw 1/2 x 3/4	
33	0791604	4	Screw 3/8 x 1/2	
34	0791606	2	Screw 3/8 x 3/4	
36	0811608	43	Screw 3/8 x 1	
37	0811610	10	Screw 3/8 x 1-1/4	
38	0811614	4	Screw 3/8 x 1-3/4	
39	0811616	6	Screw 3/8 x 2	
40	0801316	1	Base, Boom	
41	0801317	1	Mid, Inner	
42	0801318	1	Mid, Outer	
43	0801319	1	Fly, Boom	
44	0961951	8	Bushing (Part of Item 129 & 130)	
45	0962224	2	Bearing	
46	0791612	4	Screw 3/8 x 1-1/2	
47	0962297	2	Bushing	

## SECTION 4 - BOOM

ITEM	PART NUMBER	QTY	DESCRIPTION	REV
48	0962409	2	Bushing	
49	0962410	2	Bushing	
50	1100131	1	Cam	
52	1671032	1	Cover	
53	1671033	1	Cover	
54	1001251023	1	Platform Level Cylinder Assembly (See Separate Breakdown in CYLINDER Section)	
55	1001251025	1	Jib Cylinder Assembly (See Separate Breakdown in CYLINDER Section)	
56	1001251026	1	Telescope Cylinder Assembly (See Separate Breakdown in CYLINDER Section)	
57	3020039	AR	Lubricant, Moly	
58	3300239	4	Nut, Nylon Insert	
59	3020042	AR	Lubricant with PTFE	
60	3300458	1	Nut 1	
62	3300460	2	Nut 1-1/4	
63	3300461	3	Nut 1-3/8	
65	3311605	7	Nut 3/8	
66	3311801	4	Nut 1/2	
67	3311805	1	Nut 1/2	
68	3340871	2	Pad, Wear	
69	3340881	12	Pad, Wear	
70	3340910	1	Pad, Wear	
71	3340912	2	Pad, Wear	
72	4700039	1	Pad, Wear	
73	3340916	2	Pad, Wear	
74	3340917	2	Pad, Wear	
75	3340918	2	Pad, Wear	
76	4700038	1	Pad, Wear	
77	3340921	12	Pad, Wear	
78	3340922	6	Pad, Wear	
79	3340926	1	Pad, Wear	
80	3422926	1	Pin	
81	3422937	1	Pin	
82	1001119899	1	Pin	
83	3422956	1	Pin	
84	3422957	5	Pin	
85	3422958	1	Pin	
86	3422959	1	Pin	
87	3572950	2	Plate, Cable Retract Retainer	
88	3572951	2	Plate, Cable Retract Retainer	
89	3580342	2	Sheave	
90	1001154260	2	Sheave	
90A	1001154294	1	Ring, Snap	
90B	1001154304	1	Bushing (Inner)	
90C	1001154306	1	Bushing (Outer)	
91	3580298	2	Sheave	
91A	0962402	1	Bushing (Outer)	
91B	0962406	1	Bushing (Inner)	
92	3580300	1	Sheave	
92A	1001139972	1	Sleeve, Bushing (Inner)	
92B	0962403	1	Bushing (Outer)	

## SECTION 4 - BOOM

ITEM	PART NUMBER	QTY	DESCRIPTION	REV
93	3580302	2	Sheave	
93A	0962404	1	Bushing (Outer)	
93B	0962411	1	Bushing (Inner)	
94	3580341	2	Sheave	
95	3760233	1	Ring, Retaining	
96	3841143	6	Keeper, Pin	
97	3841203	2	Keeper, Pin	
98	3841258	1	Keeper, Pin	
99	3890034	1	Cable, Outer Mid Extend	
100	3890035	1	Cable, Outer Mid Extend	
101	3890036	2	Cable, Outer Mid Retract	
102	3890037	4	Cable, Fly Extend	
103	3890038	2	Cable, Fly Retract	
104	0641618	6	Screw 3/8 x 2-1/4	
105	4070863	2	Shim #11 Gauge	
106	4070864	2	Shim #18 Gauge	
107	4070895	2	Shim #16 Gauge	
108	4070897	6	Shim #18 Gauge	
109	4070898	12	Shim #11 Gauge	
110	4071012	1	Shim #16 Gauge	
112	4071015	2	Shim #16 Gauge	
114	4071017	1	Shim #16 Gauge	
115	4071018	8	Shim #16 Gauge	
116	4071019	12	Shim #11 Gauge	
117	4071024	1	Shim #16 Gauge	
118	4071025	1	Shim #16 Gauge	
120	4071027	2	Shim #16 Gauge	
121	4071028	6	Shim #16 Gauge	
122	4071029	6	Shim #11 Gauge	
123	4071031	4	Shim #16 Gauge	
124	4160197	1	Spring	
125	4711600	10	Washer 3/8	
126	4740509	2	Spacer	
127	4846453	1	Plate, Mounting	
128	4846462	1	Pivot	
129	4846482	1	Link, Jib (Upper) (Includes Item 44)	
130	0801550	1	Link, Jib (Lower) (Includes Item 44)	
131	4892000	2	Washer 5/8	
132	4071044	1	Shim #18 Gauge	
133	4071045	1	Shim #11 Gauge	
134	4071046	2	Shim #16 Gauge	
135	0363066	2	Bar, Stabilizer	
136	0962447	2	Bearing, Flanged	
137	3573437	1	Plate, Pulley Adjustment	
138	3580306	4	Pulley	
139	4568423	4	Tube, Spacer	
140	0641640	1	Bolt 3/8 x 5	
141	0641644	2	Bolt 3/8 x 5-1/2	
142	0791605	6	Screw 3/8 x 5/8	
143	3573444	6	Plate, Lock	
144	0630558	1	Bolt 1 x 2	

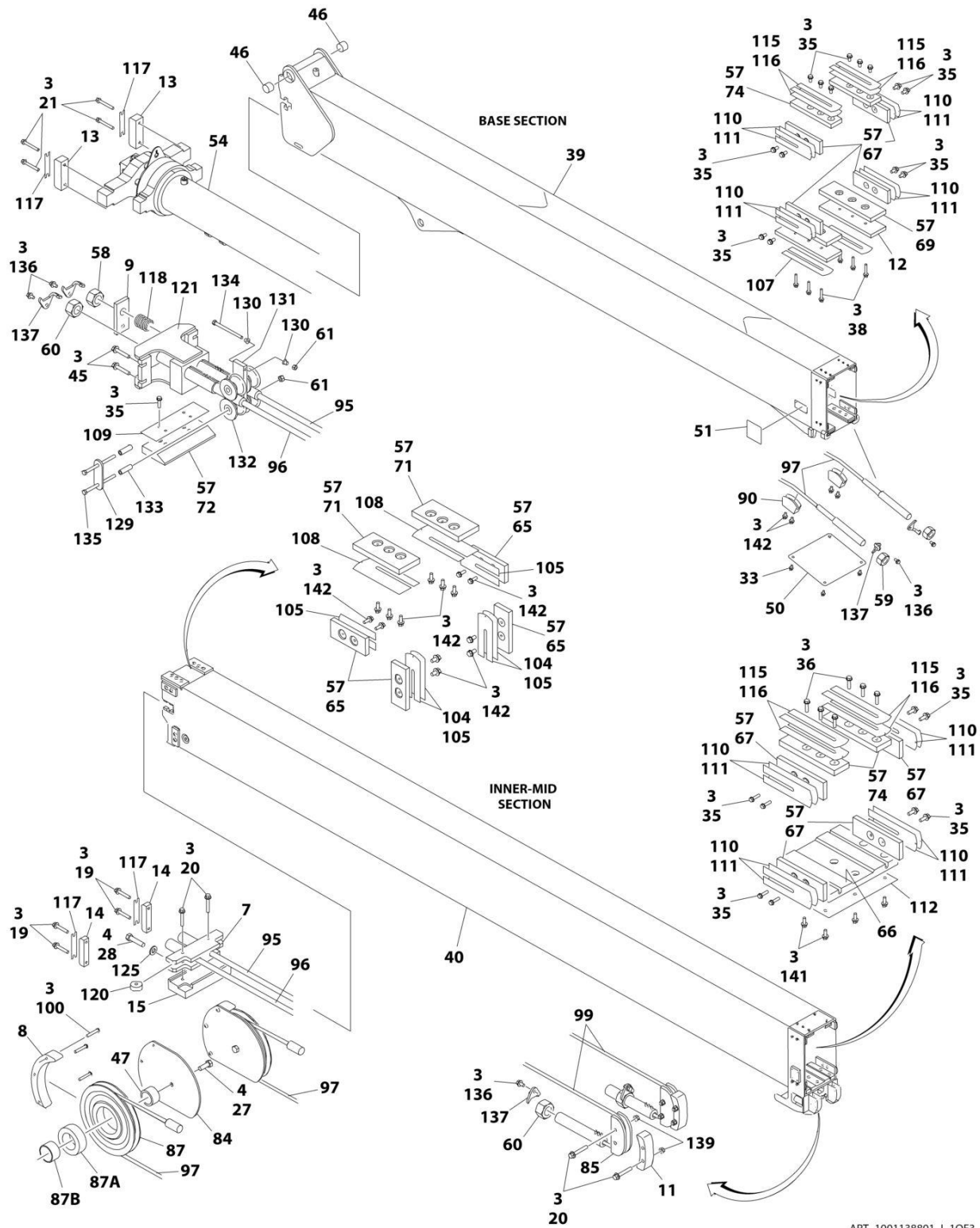
## SECTION 4 - BOOM

ITEM	PART NUMBER	QTY	DESCRIPTION	REV
145	3311608	8	Nut 3/8	
146	3760133	5	Ring, Retaining	
148	0811606	30	Screw 3/8 x 3/4	
149	0811607	24	Screw 3/8 x 7/8	



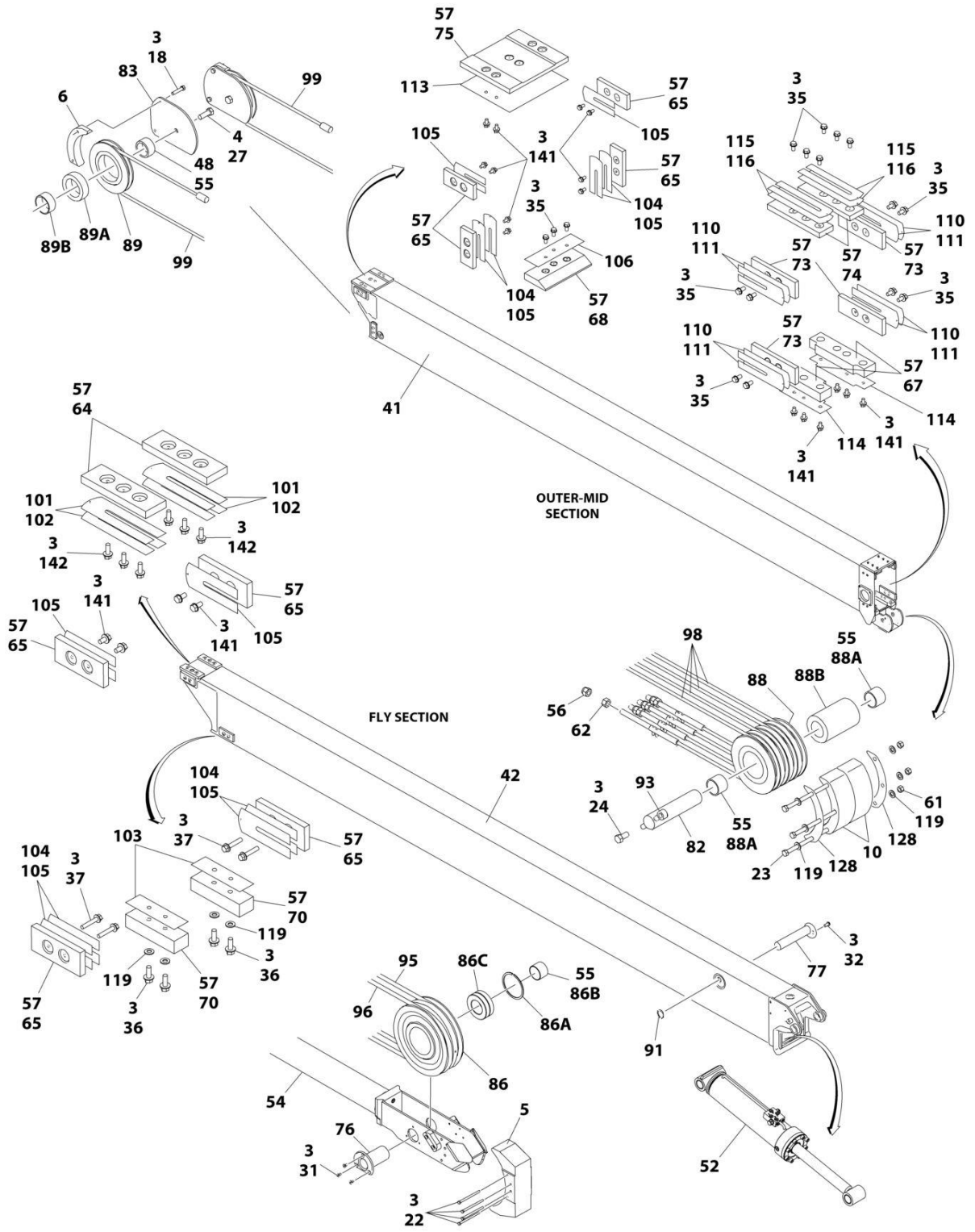
# SECTION 4 - BOOM

## FIGURE 4-6. BOOM ASSEMBLY - WITH COLD WEATHER PLUS PACKAGE (1200SJP)



ART\_1001138801\_1\_10F3

# SECTION 4 - BOOM



ART\_1001138801\_I\_20F3





## SECTION 4 - BOOM

**FIGURE 4-6. BOOM ASSEMBLY - WITH COLD WEATHER PLUS PACKAGE (1200SJP)**

ITEM	PART NUMBER	QTY	DESCRIPTION	REV
	1001138801	Ref	BOOM ASSEMBLY 1200SJP - WITH COLD WEATHER PLUS PACKAGE (1200SJP)	I
1	1001178247	1	Actuator Assembly (Platform Rotate) (See Separate Breakdown in this Section)	
2	1001178248	1	Actuator Assembly (Jib Rotate) (See Separate Breakdown in this Section)	
3	0100011	AR	Compound, Locking	
4	0100019	AR	Compound, Locking	
5	0561431	1	Block, Rope Retainer	
6	0561437	2	Block, Rope Retainer	
7	0561439	1	Block, Outer Mid Extend	
8	0561444	2	Block, Cable Retainer	
9	0561454	1	Block, Switch Adjuster	
10	0561457	2	Block, Cable Retainer	
11	0561458	2	Block, Cable Retainer	
12	0561471	2	Block, Spacer	
13	0561500	2	Block, Trunnion Keeper	
14	0561482	2	Block, Trunnion Keeper	
15	3340955	1	Pad	
16	0641607	5	Bolt 3/8 x 7/8	
17	0641610	1	Bolt 3/8 x 1-1/4	
18	0641615	4	Bolt 3/8 x 1-7/8	
19	0791618	4	Screw 3/8 x 2-1/4	
20	0791620	10	Screw 3/8 x 2-1/2	
21	0791624	4	Screw 3/8 x 3	
22	0641646	4	Bolt 3/8 x 5-3/4	
23	0641652	3	Bolt 3/8 x 6-1/2	
24	0641808	1	Bolt 1/2 x 1	
25	0641813	1	Bolt 1/2 x 1-5/8	
26	0642012	1	Bolt 5/8 x 1-1/2	
27	0642014	4	Bolt 5/8 x 1-3/4	
28	0642022	2	Bolt 5/8 x 2-3/4	
29	0682028	8	Bolt 5/8 x 3-1/2 Grade 8	
30	0682212	8	Bolt 3/4 x 1-1/2 Grade 8	
31	0741606	3	Screw 3/8 x 3/4	
32	0741806	1	Screw 1/2 x 3/4	
33	0791604	4	Screw 3/8 x 1/2	
34	0791606	2	Screw 3/8 x 3/4	
35	0811608	43	Screw 3/8 x 1	
36	0811610	10	Screw 3/8 x 1-1/4	
37	0811614	4	Screw 3/8 x 1-3/4	
38	0811616	6	Screw 3/8 x 2	
39	0801316	1	Base, Boom	
40	0801317	1	Mid, Inner	
41	0801318	1	Mid, Outer	
42	0801319	1	Fly, Boom	
43	0961951	8	Bushing (Part of Items 123 & 124)	
44	0962224	2	Bushing	
45	0791612	4	Screw 3/8 x 1-1/2	
46	0962297	2	Bushing	

## SECTION 4 - BOOM

ITEM	PART NUMBER	QTY	DESCRIPTION	REV
47	0962409	2	Bushing	
48	0962410	2	Bushing	
49	1100131	1	Cam	
50	1671032	1	Cover	
51	1671033	1	Cover	
52	1001228053	1	Platform Level Cylinder Assembly (See Separate Breakdown in CYLINDER Section)	
53	1001251025	1	Jib Cylinder Assembly (See Separate Breakdown in CYLINDER Section)	
54	1001251026	1	Telescope Cylinder Assembly (See Separate Breakdown in CYLINDER Section)	
55	3020039	AR	Lubricant, Moly	
56	3300239	4	Nut, Nylon Insert	
57	3020042	AR	Lubricant with PTFE	
58	3300458	1	Nut 1	
59	3300460	2	Nut 1-1/4	
60	3300461	3	Nut 1-3/8	
61	3311605	7	Nut 3/8	
62	3311801	4	Nut 1/2	
63	3311805	1	Nut 1/2	
64	3340871	2	Pad, Wear	
65	3340881	12	Pad, Wear	
66	3340910	1	Pad, Wear	
67	3340912	2	Pad, Wear	
68	4700039	1	Pad, Wear	
69	3340916	2	Pad, Wear	
70	3340917	2	Pad, Wear	
71	3340918	2	Pad, Wear	
72	4700038	1	Pad, Wear	
73	3340921	12	Pad, Wear	
74	3340922	6	Pad, Wear	
75	3340926	1	Pad, Wear	
76	3422926	1	Pin	
77	3422937	1	Pin	
78	1001119899	1	Pin	
79	3422956	1	Pin	
80	3422957	5	Pin	
81	3422958	1	Pin	
82	3422959	1	Pin	
83	3572950	2	Plate, Cable Retract Retainer	
84	3572951	2	Plate, Cable Retract Retainer	
85	3580342	2	Sheave	
86	1001154260	2	Sheave	
86A	1001154294	1	Ring, Snap	
86B	1001154304	1	Bushing (Inner)	
86C	1001154306	1	Bushing (Outer)	
87	3580298	2	Sheave	
87A	0962402	1	Bushing (Outer)	
87B	0962406	1	Bushing (Inner)	
88	3580300	1	Sheave	
88A	1001139972	1	Sleeve, Bushing (Inner)	
88B	0962403	1	Bushing (Outer)	

## SECTION 4 - BOOM

ITEM	PART NUMBER	QTY	DESCRIPTION	REV
89	3580302	2	Sheave	
89A	0962404	1	Bushing (Outer)	
89B	0962411	1	Bushing (Inner)	
90	3580341	2	Sheave	
91	3760233	1	Ring, Retaining	
92	3841143	6	Keeper, Pin	
93	3841203	2	Keeper, Pin	
94	3841258	1	Keeper, Pin	
95	3890034	1	Cable, Outer Mid Extend	
96	3890035	1	Cable, Outer Mid Extend	
97	3890036	2	Cable, Outer Mid Retract	
98	3890037	4	Cable, Fly Extend	
99	3890038	2	Cable, Fly Retract	
100	0641618	6	Screw 3/8 x 2-1/4	
101	4070863	2	Shim #11 Gauge	
102	4070864	2	Shim #18 Gauge	
103	4070895	2	Shim #16 Gauge	
104	4070897	6	Shim #18 Gauge	
105	4070898	12	Shim #11 Gauge	
106	4071012	1	Shim #16 Gauge	
107	4071013	2	Shim #16 Gauge	
108	4071015	2	Shim #16 Gauge	
109	4071017	1	Shim #16 Gauge	
110	4071018	8	Shim #16 Gauge	
111	4071019	12	Shim #11 Gauge	
112	4071024	1	Shim #16 Gauge	
113	4071025	1	Shim #16 Gauge	
114	4071027	2	Shim #16 Gauge	
115	4071028	6	Shim #16 Gauge	
116	4071029	6	Shim #11 Gauge	
117	4071031	4	Shim #16 Gauge	
118	4160197	1	Spring	
119	4711600	10	Washer 3/8	
120	4740509	2	Spacer	
121	4846453	1	Plate, Mounting	
122	4846462	1	Pivot	
123	4846482	1	Link, Jib (Upper) (Includes Item 43)	
124	0801550	1	Link, Jib (Lower) (Includes Item 43)	
125	4892000	2	Washer 5/8	
126	4071044	1	Shim #18 Gauge	
127	4071045	1	Shim #11 Gauge	
128	4071046	2	Shim #16 Gauge	
129	0363066	2	Bar, Stabilizer	
130	0962447	2	Bearing, Flanged	
131	3573437	1	Plate, Pulley Adjustment	
132	3580306	4	Pulley	
133	4568423	4	Tube, Spacer	
134	0641640	1	Bolt 3/8 x 5	
135	0641644	2	Bolt 3/8 x 5-1/2	
136	0791605	6	Screw 3/8 x 5/8	
137	3573444	6	Plate, Lock	

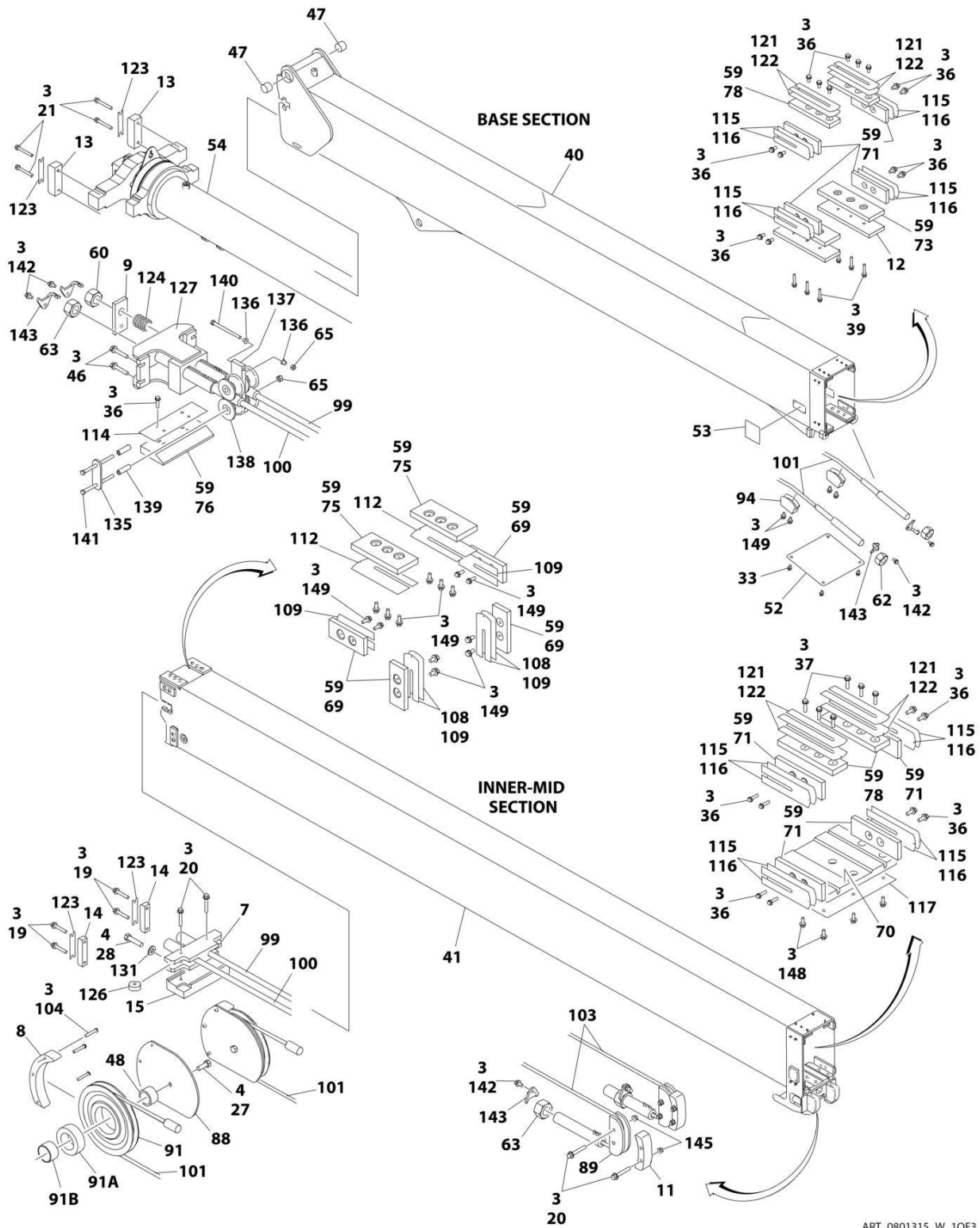
## SECTION 4 - BOOM

ITEM	PART NUMBER	QTY	DESCRIPTION	REV
138	0630558	1	Bolt 1 x 2	
139	3311608	8	Nut 3/8	
140	3760133	5	Ring, Retaining	
141	0811606	30	Screw 3/8 x 3/4	
142	0811607	24	Screw 3/8 x 7/8	



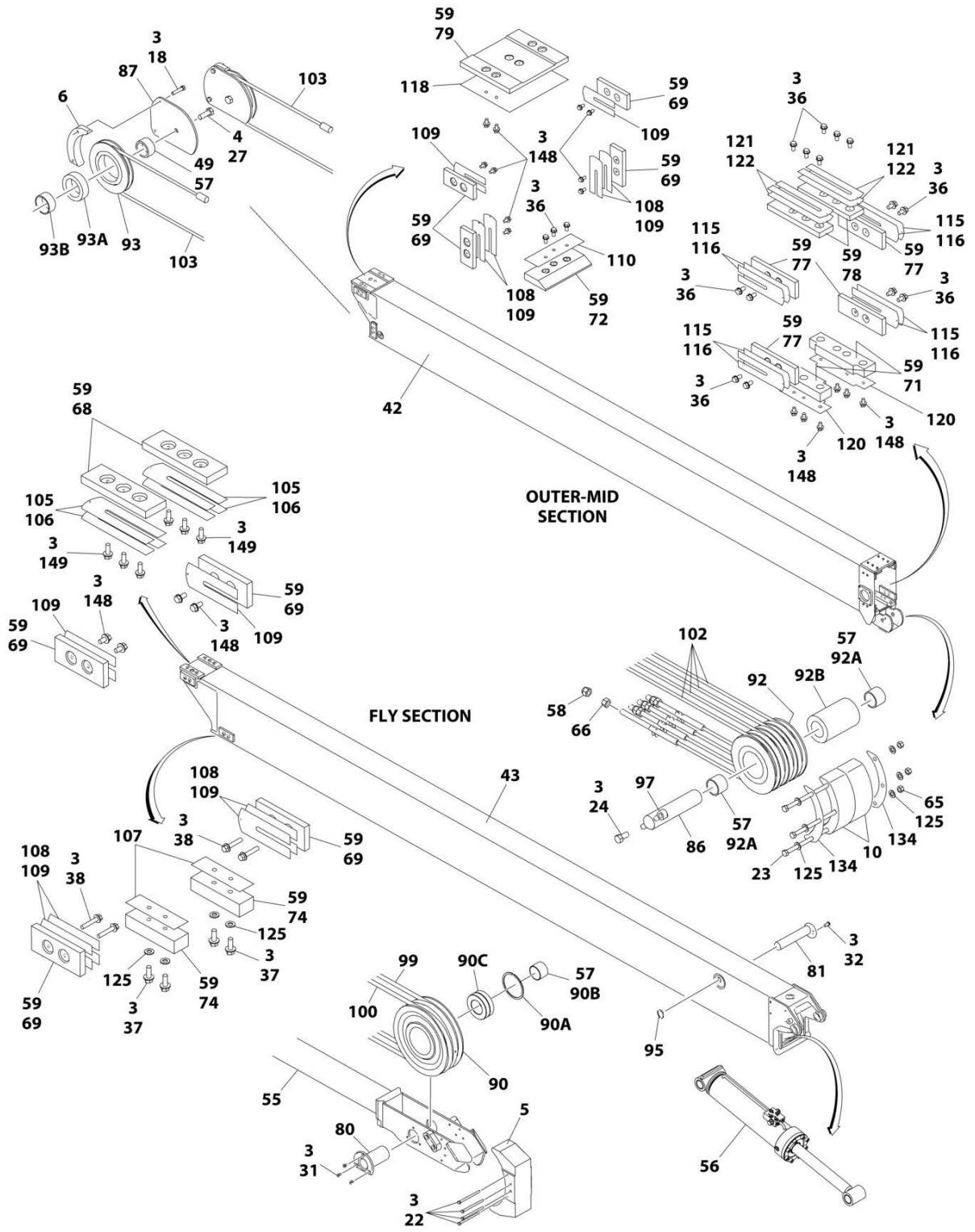
# SECTION 4 - BOOM

FIGURE 4-7. BOOM ASSEMBLY - WITHOUT COLD WEATHER PLUS PACKAGE (1350SJP)



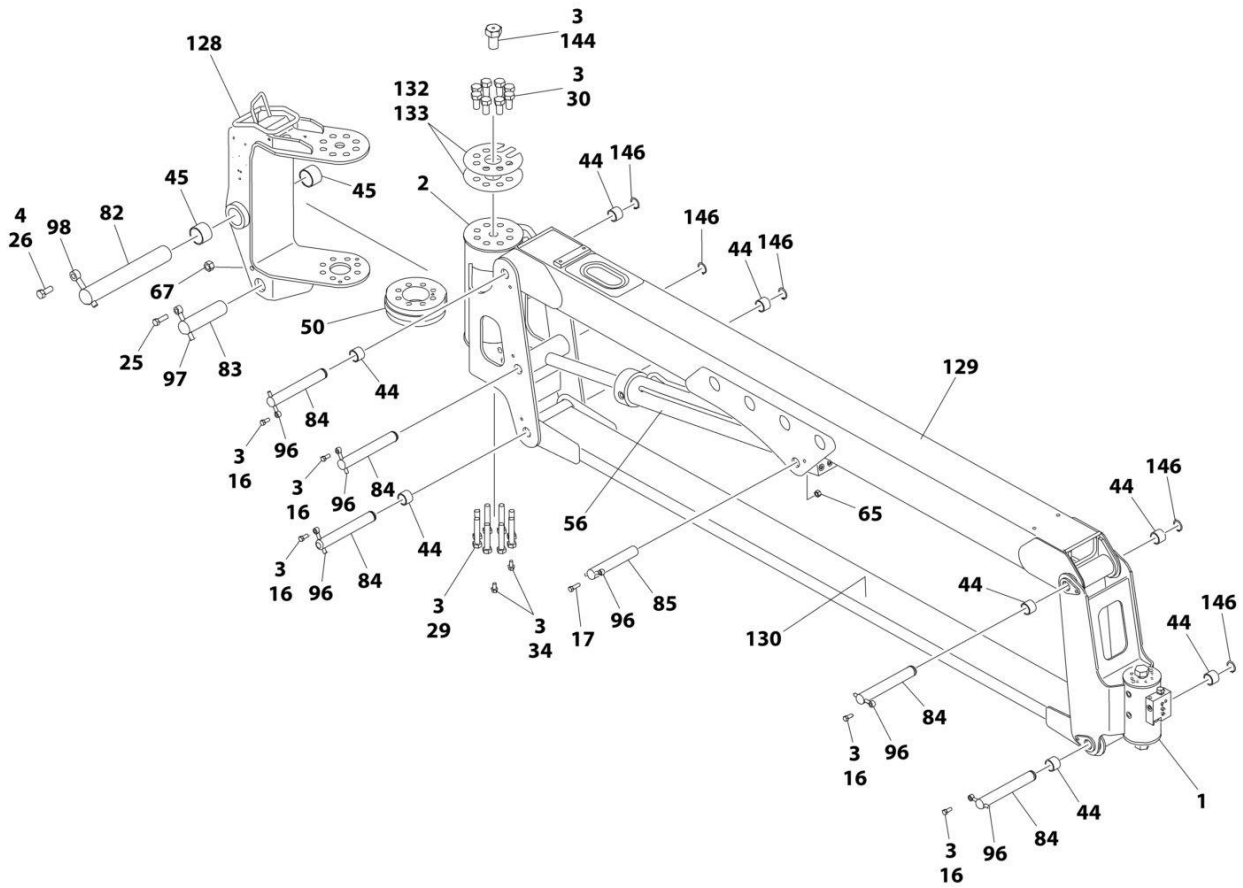
ART\_0801315\_W\_10F3

# SECTION 4 - BOOM



ART\_0801315\_W\_20F3

# SECTION 4 - BOOM



ART\_0801315\_W\_3OF3



## SECTION 4 - BOOM

**FIGURE 4-7. BOOM ASSEMBLY - WITHOUT COLD WEATHER PLUS PACKAGE (1350SJP)**

ITEM	PART NUMBER	QTY	DESCRIPTION	REV
	0801315	Ref	BOOM ASSEMBLY 1350SJP - WITHOUT COLD WEATHER PLUS PACKAGE (1350SJP)	W
1	1001178247	1	Actuator Assembly (Platform Rotate) (See Separate Breakdown in this Section)	
2	1001178248	1	Actuator Assembly (Jib Rotate) (See Separate Breakdown in this Section)	
3	0100011	AR	Compound, Locking	
4	0100019	AR	Compound, Locking	
5	0561431	1	Block, Rope Retainer	
6	0561437	2	Block, Rope Retainer	
7	0561439	1	Block, Outer Mid Extend	
8	0561444	2	Block, Cable Retainer	
9	0561454	1	Block, Switch Adjuster	
10	0561457	2	Block, Cable Retainer	
11	0561458	2	Block, Cable Retainer	
12	0561471	2	Block, Spacer	
13	0561500	2	Block, Trunnion Keeper	
14	0561482	2	Block, Trunnion Keeper	
15	3340955	1	Pad	
16	0641607	5	Bolt 3/8 x 7/8	
17	0641610	1	Bolt 3/8 x 1-1/4	
18	0641615	4	Bolt 3/8 x 1-7/8	
19	0791618	4	Screw 3/8 x 2-1/4	
20	0791620	10	Screw 3/8 x 2-1/2	
21	0791624	4	Screw 3/8 x 3	
22	0641646	4	Bolt 3/8 x 5-3/4	
23	0641652	3	Bolt 3/8 x 6-1/2	
24	0641808	1	Bolt 1/2 x 1	
25	0641813	1	Bolt 1/2 x 1-5/8	
26	0642012	1	Bolt 5/8 x 1-1/2	
27	0642014	4	Bolt 5/8 x 1-3/4	
28	0642022	2	Bolt 5/8 x 2-3/4	
29	0682028	8	Bolt 5/8 x 3-1/2 Grade 8	
30	0682212	8	Bolt 3/4 x 1-1/2 Grade 8	
31	0741606	3	Screw 3/8 x 3/4	
32	0741806	1	Screw 1/2 x 3/4	
33	0791604	4	Screw 3/8 x 1/2	
34	0791606	2	Screw 3/8 x 3/4	
36	0811608	43	Screw 3/8 x 1	
37	0811610	10	Screw 3/8 x 1-1/4	
38	0811614	4	Screw 3/8 x 1-3/4	
39	0811616	6	Screw 3/8 x 2	
40	0801301	1	Base, Boom	
41	0801302	1	Mid, Inner	
42	0801303	1	Mid, Outer	
43	0801304	1	Fly, Boom	
44	0961951	8	Bushing (Part of Item 129 & 130)	
45	0962224	2	Bearing	
46	0791612	4	Screw 3/8 x 1-1/2	
47	0962297	2	Bushing	

## SECTION 4 - BOOM

ITEM	PART NUMBER	QTY	DESCRIPTION	REV
48	0962409	2	Bushing	
49	0962410	2	Bushing	
50	1100131	1	Cam	
52	1671032	1	Cover	
53	1671033	1	Cover	
54	1001251021	1	Telescope Cylinder Assembly (See Separate Breakdown in CYLINDER Section)	
55	1001251023	1	Platform Level Cylinder Assembly (See Separate Breakdown in CYLINDER Section)	
56	1001251025	1	Jib Cylinder Assembly (See Separate Breakdown in CYLINDER Section)	
57	3020039	AR	Lubricant, Moly	
58	3300239	4	Nut, Nylon Insert	
59	3020042	AR	Lubricant with PTFE	
60	3300458	1	Nut 1	
62	3300460	2	Nut 1-1/4	
63	3300461	3	Nut 1-3/8	
65	3311605	7	Nut 3/8	
66	3311801	4	Nut 1/2	
67	3311805	1	Nut 1/2	
68	3340871	2	Pad, Wear	
69	3340881	12	Pad, Wear	
70	3340910	1	Pad, Wear	
71	3340912	2	Pad, Wear	
72	4700039	1	Pad, Wear	
73	3340916	2	Pad, Wear	
74	3340917	2	Pad, Wear	
75	3340918	2	Pad, Wear	
76	4700038	1	Pad, Wear	
77	3340921	12	Pad, Wear	
78	3340922	6	Pad, Wear	
79	3340926	1	Pad, Wear	
80	3422926	1	Pin	
81	3422937	1	Pin	
82	1001119899	1	Pin	
83	3422956	1	Pin	
84	3422957	5	Pin	
85	3422958	1	Pin	
86	3422959	1	Pin	
87	3572950	2	Plate, Cable Retract Retainer	
88	3572951	2	Plate, Cable Retract Retainer	
89	3580342	2	Sheave	
90	1001154260	2	Sheave	
90A	1001154294	1	Ring, Snap	
90B	1001154304	1	Bushing (Inner)	
90C	1001154306	1	Bushing (Outer)	
91	3580298	2	Sheave	
91A	0962402	1	Bushing (Outer)	
91B	0962406	1	Bushing (Inner)	
92	3580300	1	Sheave	
92A	1001139972	1	Bushing (Inner)	
92B	0962403	1	Bushing (Outer)	

## SECTION 4 - BOOM

ITEM	PART NUMBER	QTY	DESCRIPTION	REV
93	3580302	1	Sheave	
93A	0962404	1	Bushing (Outer)	
93B	0962411	1	Bushing (Inner)	
94	3580341	2	Sheave	
95	3760233	1	Ring, Retaining	
96	3841143	6	Keeper, Pin	
97	3841203	2	Keeper, Pin	
98	3841258	1	Keeper, Pin	
99	3890029	1	Cable, Outer Mid Extend	
100	3890030	1	Cable, Outer Mid Extend	
101	3890031	2	Cable, Outer Mid Retract	
102	3890032	4	Cable, Fly Extend	
103	3890033	2	Cable, Fly Retract	
104	0641618	6	Screw 3/8 x 2-1/4	
105	4070863	2	Shim #11 Gauge	
106	4070864	2	Shim #18 Gauge	
107	4070895	2	Shim #16 Gauge	
108	4070897	6	Shim #18 Gauge	
109	4070898	12	Shim #11 Gauge	
110	4071012	1	Shim #16 Gauge	
112	4071015	2	Shim #16 Gauge	
114	4071017	1	Shim #16 Gauge	
115	4071018	8	Shim #16 Gauge	
116	4071019	12	Shim #11 Gauge	
117	4071024	1	Shim #16 Gauge	
118	4071025	1	Shim #16 Gauge	
120	4071027	2	Shim #16 Gauge	
121	4071028	6	Shim #16 Gauge	
122	4071029	6	Shim #11 Gauge	
123	4071031	4	Shim #16 Gauge	
124	4160197	1	Spring	
125	4711600	10	Washer 3/8	
126	4740509	2	Spacer	
127	4846453	1	Plate, Mounting	
128	4846462	1	Pivot	
129	4846482	1	Link, Jib (Upper) (Includes Item 44)	
130	0801550	1	Link, Jib (Lower) (Includes Item 44)	
131	4892000	2	Washer 5/8	
132	4071044	1	Shim #18 Gauge	
133	4071045	1	Shim #11 Gauge	
134	4071046	2	Shim #16 Gauge	
135	0363066	2	Bar, Stabilizer	
136	0962447	2	Bearing, Flanged	
137	3573437	1	Plate, Pulley Adjustment	
138	3580306	4	Pulley	
139	4568423	4	Tube, Spacer	
140	0641640	1	Bolt 3/8 x 5	
141	0641644	2	Bolt 3/8 x 5-1/2	
142	0791605	6	Screw 3/8 x 5/8	
143	3573444	6	Plate, Lock	
144	0630558	1	Bolt 1-1/8 x 2	

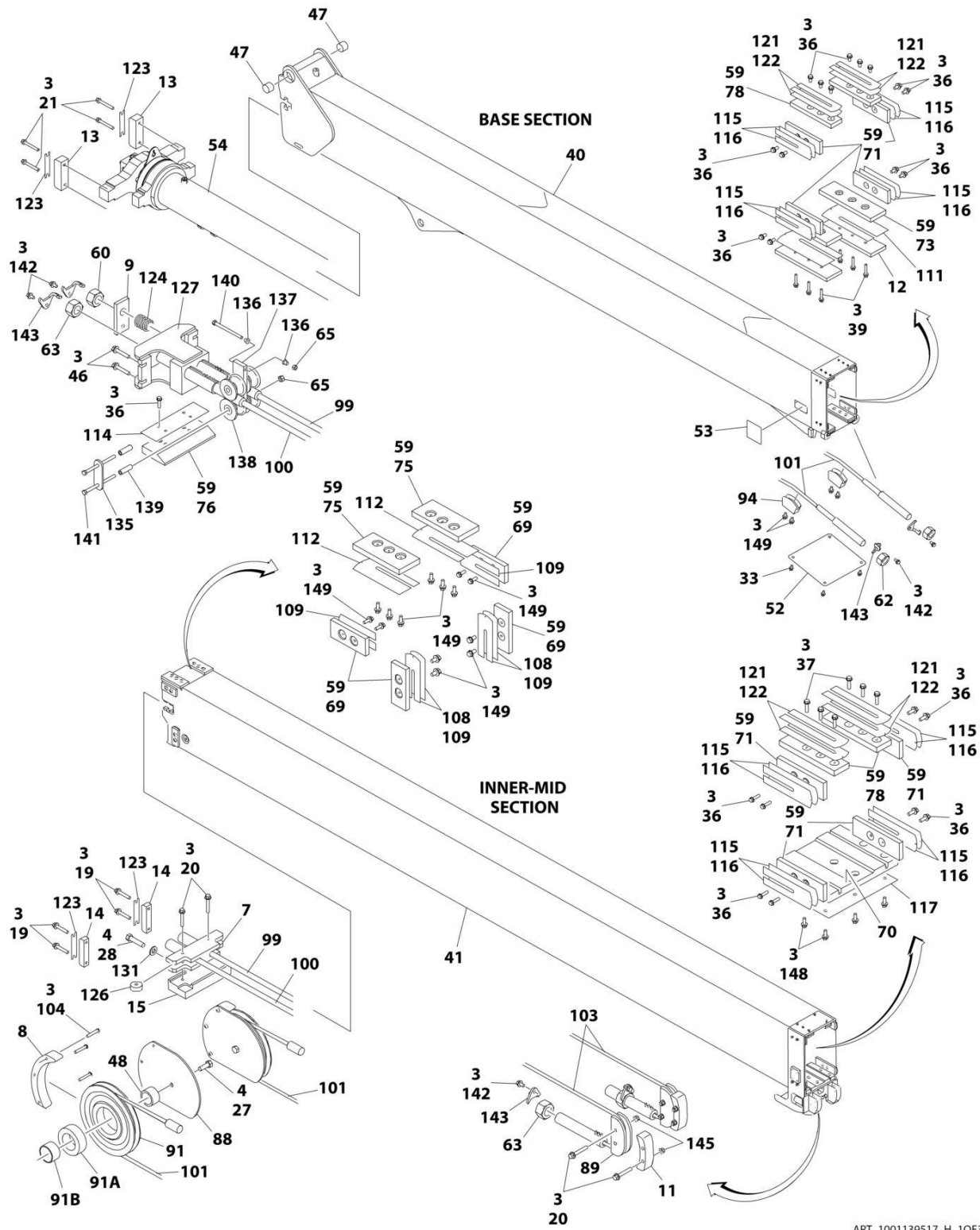
## SECTION 4 - BOOM

ITEM	PART NUMBER	QTY	DESCRIPTION	REV
145	3311608	8	Nut 3/8	
146	3760133	5	Ring, Retaining	
148	0811606	30	Screw 3/8 x 3/4	
149	0811607	24	Screw 3/8 x 7/8	



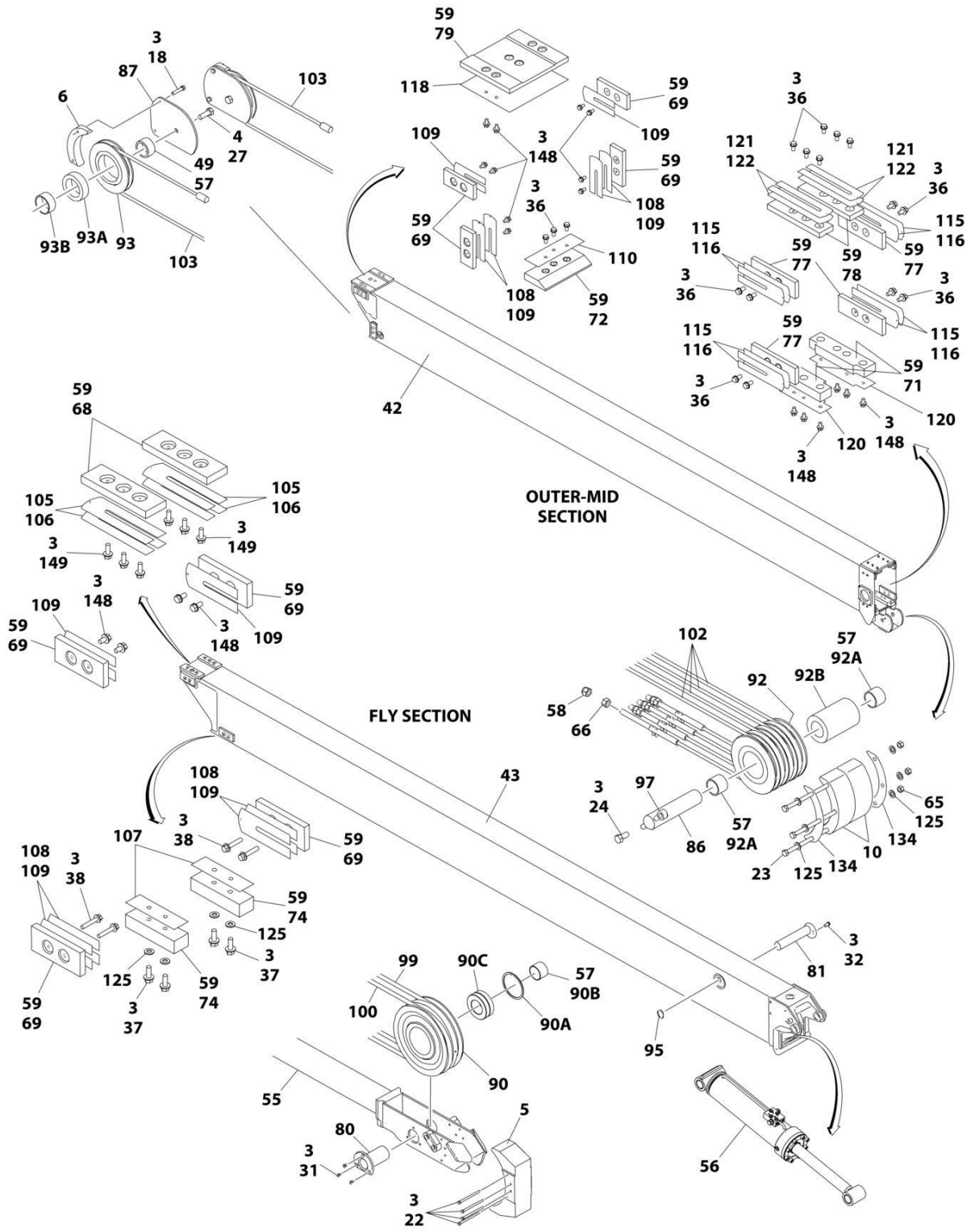
# SECTION 4 - BOOM

## FIGURE 4-8. BOOM ASSEMBLY - WITH COLD WEATHER PLUS PACKAGE (1200SJP)



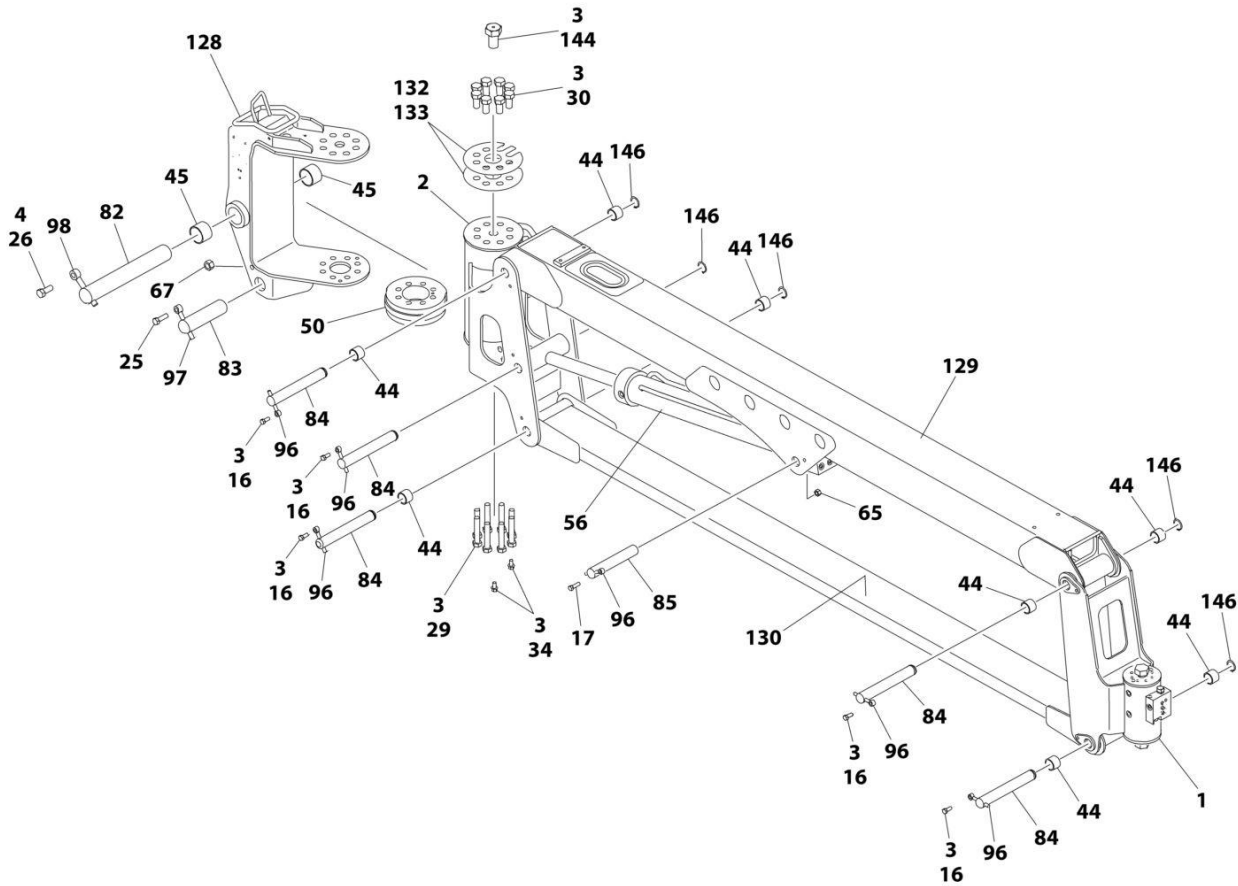
ART\_1001139517\_H\_10F3

# SECTION 4 - BOOM



ART\_1001139517\_H\_20F3

# SECTION 4 - BOOM



ART\_1001139517\_H\_3OF3



## SECTION 4 - BOOM

**FIGURE 4-8. BOOM ASSEMBLY - WITH COLD WEATHER PLUS PACKAGE (1200SJP)**

ITEM	PART NUMBER	QTY	DESCRIPTION	REV
	1001139517	Ref	BOOM ASSEMBLY 1350SJP - WITH COLD WEATHER PLUS PACKAGE (1350SJP)	H
1	1001178247	1	Actuator Assembly (Platform Rotate) (See Separate Breakdown in this Section)	
2	1001178248	1	Actuator Assembly (Jib Rotate) (See Separate Breakdown in this Section)	
3	0100011	AR	Compound, Locking	
4	0100019	AR	Compound, Locking	
5	0561431	1	Block, Rope Retainer	
6	0561437	2	Block, Rope Retainer	
7	0561439	1	Block, Outer Mid Extend	
8	0561444	2	Block, Cable Retainer	
9	0561454	1	Block, Switch Adjuster	
10	0561457	2	Block, Cable Retainer	
11	0561458	2	Block, Cable Retainer	
12	0561471	2	Block, Spacer	
13	0561500	2	Block, Trunnion Keeper	
14	0561482	2	Block, Trunnion Keeper	
15	3340955	1	Pad	
16	0641607	5	Bolt 3/8 x 7/8	
17	0641610	1	Bolt 3/8 x 1-1/4	
18	0641615	4	Bolt 3/8 x 1-7/8	
19	0791618	4	Screw 3/8 x 2-1/4	
20	0791620	10	Screw 3/8 x 2-1/2	
21	0791624	4	Screw 3/8 x 3	
22	0641646	4	Bolt 3/8 x 5-3/4	
23	0641652	3	Bolt 3/8 x 6-1/2	
24	0641808	1	Bolt 1/2 x 1	
25	0641813	1	Bolt 1/2 x 1-5/8	
26	0642012	1	Bolt 5/8 x 1-1/2	
27	0642014	4	Bolt 5/8 x 1-3/4	
28	0642022	2	Bolt 5/8 x 2-3/4	
29	0682028	8	Bolt 5/8 x 3-1/2 Grade 8	
30	0682212	8	Bolt 3/4 x 1-1/2 Grade 8	
31	0741606	3	Screw 3/8 x 3/4	
32	0741806	1	Screw 1/2 x 3/4	
33	0791604	4	Screw 3/8 x 1/2	
34	0791606	2	Screw 3/8 x 3/4	
36	0811608	43	Screw 3/8 x 1	
37	0811610	10	Screw 3/8 x 1-1/4	
38	0811614	4	Screw 3/8 x 1-3/4	
39	0811616	6	Screw 3/8 x 2	
40	0801301	1	Base, Boom	
41	0801302	1	Mid, Inner	
42	0801303	1	Mid, Outer	
43	0801304	1	Fly, Boom	
44	0961951	8	Bushing (Part of Item 129 & 130)	
45	0962224	2	Bearing	
46	0791612	4	Screw 3/8 x 1-1/2	
47	0962297	2	Bushing	

## SECTION 4 - BOOM

ITEM	PART NUMBER	QTY	DESCRIPTION	REV
48	0962409	2	Bushing	
49	0962410	2	Bushing	
50	1100131	1	Cam	
52	1671032	1	Cover	
53	1671033	1	Cover	
54	1001251021	1	Telescope Cylinder Assembly (See Separate Breakdown in CYLINDER Section)	
55	1001228053	1	Platform Level Cylinder Assembly (See Separate Breakdown in CYLINDER Section)	
56	1001251025	1	Jib Cylinder Assembly (See Separate Breakdown in CYLINDER Section)	
57	3020039	AR	Lubricant, Moly	
58	3300239	4	Nut, Nylon Insert	
59	3020042	AR	Lubricant with PTFE	
60	3300458	1	Nut 1	
62	3300460	2	Nut 1-1/4	
63	3300461	3	Nut 1-3/8	
65	3311605	7	Nut 3/8	
66	3311801	4	Nut 1/2	
67	3311805	1	Nut 1/2	
68	3340871	2	Pad, Wear	
69	3340881	12	Pad, Wear	
70	3340910	1	Pad, Wear	
71	3340912	2	Pad, Wear	
72	4700039	1	Pad, Wear	
73	3340916	2	Pad, Wear	
74	3340917	2	Pad, Wear	
75	3340918	2	Pad, Wear	
76	4700038	1	Pad, Wear	
77	3340921	12	Pad, Wear	
78	3340922	6	Pad, Wear	
79	3340926	1	Pad, Wear	
80	3422926	1	Pin	
81	3422937	1	Pin	
82	1001119899	1	Pin	
83	3422956	1	Pin	
84	3422957	5	Pin	
85	3422958	1	Pin	
86	3422959	1	Pin	
87	3572950	2	Plate, Cable Retract Retainer	
88	3572951	2	Plate, Cable Retract Retainer	
89	3580342	2	Sheave	
90	1001154260	2	Sheave	
90A	1001154294	1	Ring, Snap	
90B	1001154304	1	Bushing (Inner)	
90C	1001154306	1	Bushing (Outer)	
91	3580298	2	Sheave	
91A	0962402	1	Bushing (Outer)	
91B	0962406	1	Bushing (Inner)	
92	3580300	1	Sheave	
92A	1001139972	1	Sleeve, Bushing (Inner)	
92B	0962403	1	Bushing (Outer)	

## SECTION 4 - BOOM

ITEM	PART NUMBER	QTY	DESCRIPTION	REV
93	3580302	2	Sheave	
93A	0962404	1	Bushing (Outer)	
93B	0962411	1	Bushing (Inner)	
94	3580341	2	Sheave	
95	3760233	1	Ring, Retaining	
96	3841143	6	Keeper, Pin	
97	3841203	2	Keeper, Pin	
98	3841258	1	Keeper, Pin	
99	3890029	1	Cable, Outer Mid Extend	
100	3890030	1	Cable, Outer Mid Extend	
101	3890031	2	Cable, Outer Mid Retract	
102	3890032	4	Cable, Fly Extend	
103	3890033	2	Cable, Fly Retract	
104	0641618	6	Screw 3/8 x 2-1/4	
105	4070863	2	Shim #11 Gauge	
106	4070864	2	Shim #18 Gauge	
107	4070895	2	Shim #16 Gauge	
108	4070897	6	Shim #18 Gauge	
109	4070898	12	Shim #11 Gauge	
110	4071012	1	Shim #16 Gauge	
111	4071013	2	Shim #16 Gauge	
112	4071015	2	Shim #16 Gauge	
114	4071017	1	Shim #16 Gauge	
115	4071018	8	Shim #16 Gauge	
116	4071019	12	Shim #11 Gauge	
117	4071024	1	Shim #16 Gauge	
118	4071025	1	Shim #16 Gauge	
120	4071027	2	Shim #16 Gauge	
121	4071028	6	Shim #16 Gauge	
122	4071029	6	Shim #11 Gauge	
123	4071031	4	Shim #16 Gauge	
124	4160197	1	Spring	
125	4711600	10	Washer 3/8	
126	4740509	2	Spacer	
127	4846453	1	Plate, Mounting	
128	4846462	1	Pivot	
129	4846482	1	Link, Jib (Upper) (Includes Item 44)	
130	0801550	1	Link, Jib (Lower) (Includes Item 44)	
131	4892000	2	Washer 5/8	
132	4071044	1	Shim #18 Gauge	
133	4071045	1	Shim #11 Gauge	
134	4071046	2	Shim #16 Gauge	
135	0363066	2	Bar, Stabilizer	
136	0962447	2	Bearing, Flanged	
137	3573437	1	Plate, Pulley Adjustment	
138	3580306	4	Pulley	
139	4568423	4	Tube, Spacer	
140	0641640	1	Bolt 3/8 x 5	
141	0641644	2	Bolt 3/8 x 5-1/2	
142	0791605	6	Screw 3/8 x 5/8	
143	3573444	6	Plate, Lock	

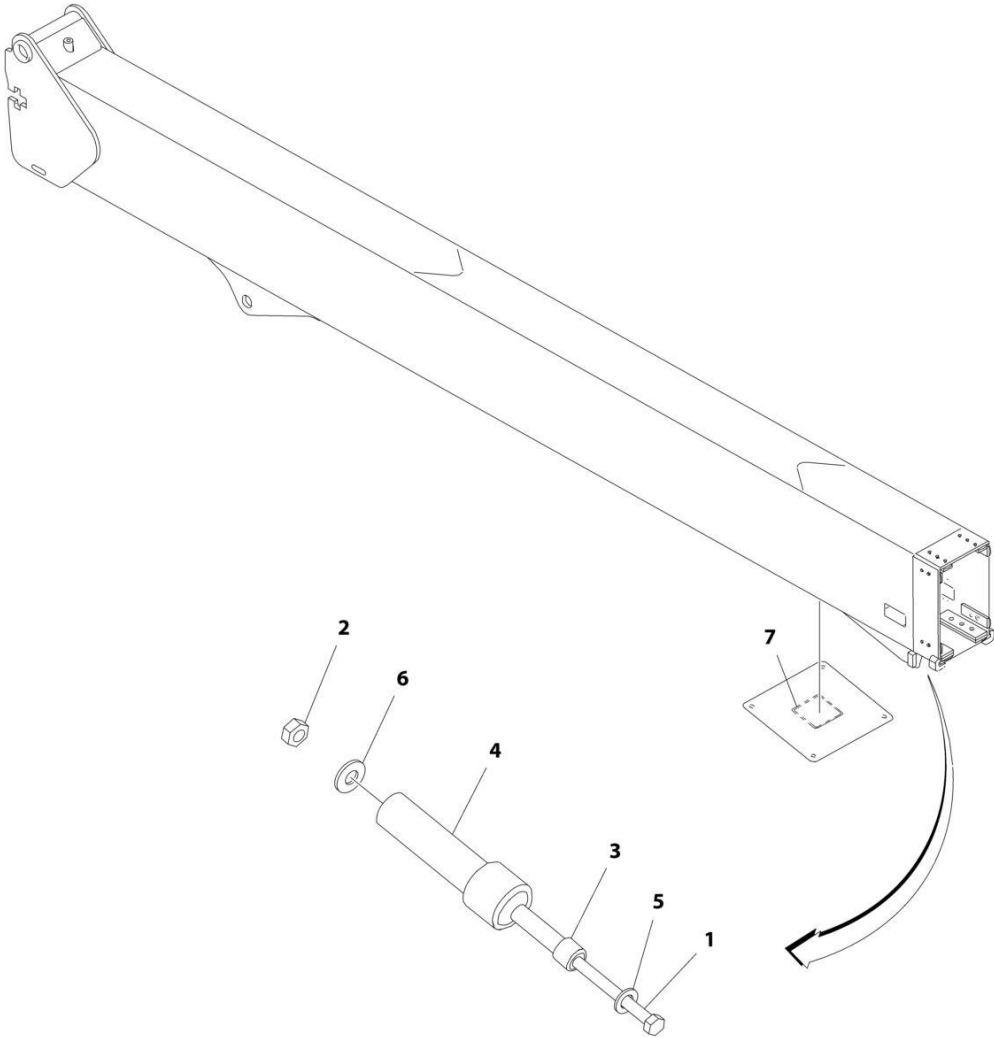
## SECTION 4 - BOOM

ITEM	PART NUMBER	QTY	DESCRIPTION	REV
144	0630558	1	Bolt 1 x 2	
145	3311608	8	Nut 3/8	
146	3760133	5	Ring, Retaining	
148	0811606	30	Screw 3/8 x 3/4	
149	0811607	24	Screw 3/8 x 7/8	



**SECTION 4 - BOOM**

**FIGURE 4-9. WIRE ROPE TOOLS INSTALLATION (OPTIONAL)**



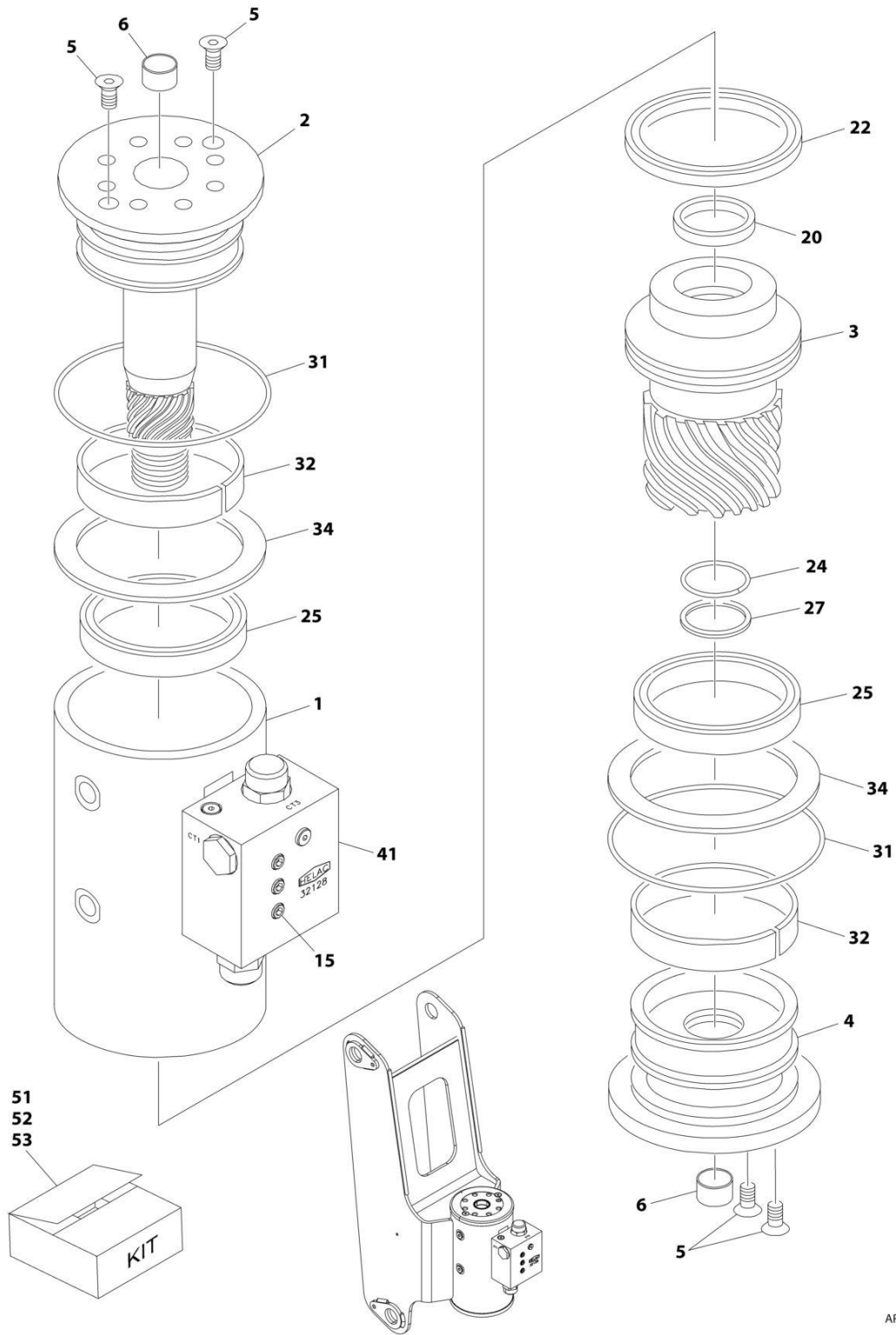
ART\_0272048

FIGURE 4-9. WIRE ROPE TOOLS INSTALLATION (OPTIONAL)

ITEM	PART NUMBER	QTY	DESCRIPTION	REV
	0272048	Ref	WIRE ROPE TOOLS INSTALLATION (OPTIONAL)	B
1	0641676	1	Bolt 3/8 x 9-1/2	
2	3311605	1	Nut 3/8	
3	4120040	1	Socket 3/4	
4	4120043	1	Socket 2	
5	4711600	1	Washer 3/8	
6	4891600	1	Washer 3/8	
7	1705307	1	Decal - Tool Location	

# SECTION 4 - BOOM

## FIGURE 4-10. PLATFORM ROTATE ASSEMBLY



ART\_1001178247



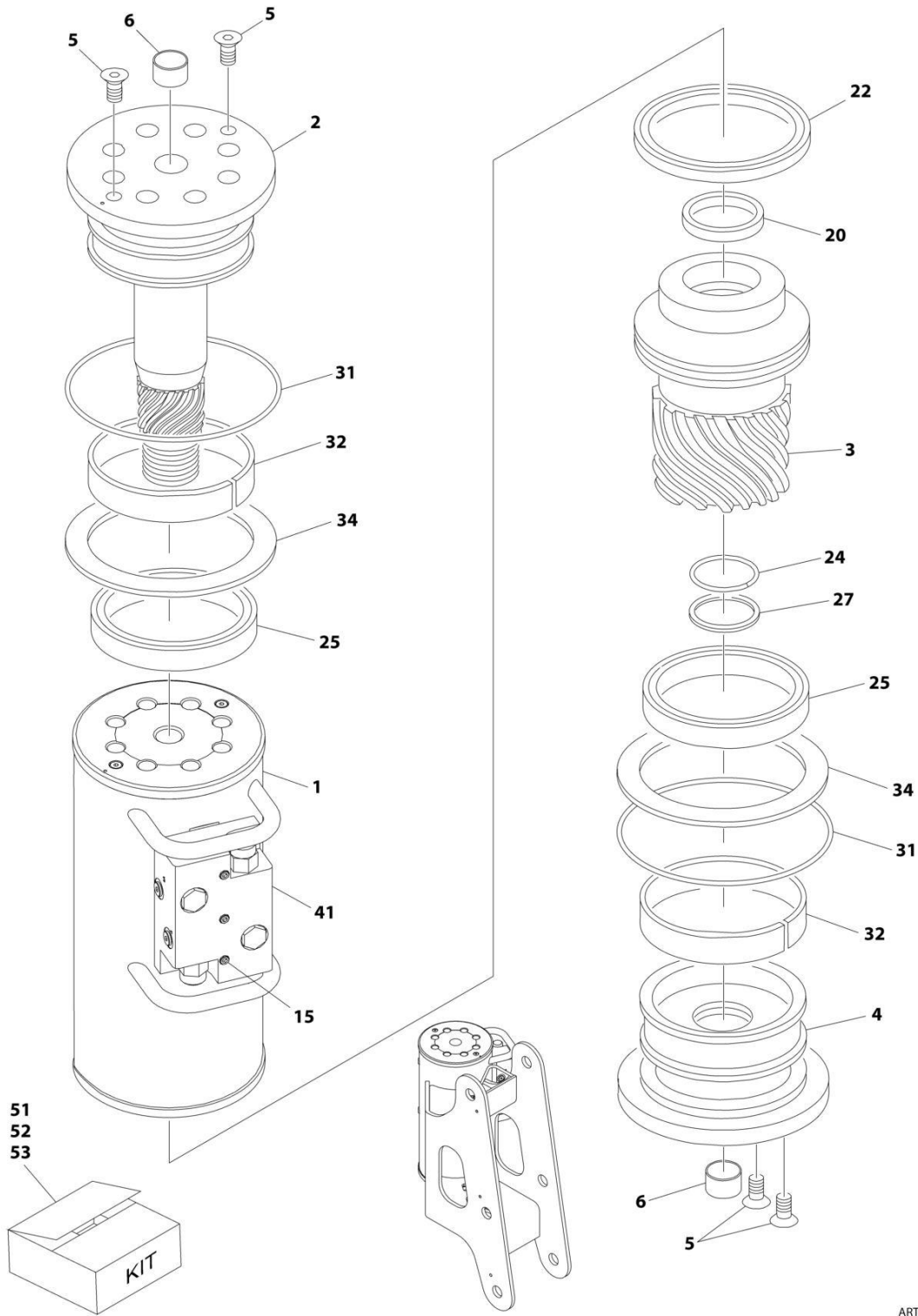
## SECTION 4 - BOOM

**FIGURE 4-10. PLATFORM ROTATE ASSEMBLY**

ITEM	PART NUMBER	QTY	DESCRIPTION	REV
	1001178247	Ref	PLATFORM ROTATE ASSEMBLY	A
1	See Note	NSS	Case/Bracket Weldment (Note: Not Available - Purchase Complete Assembly)	
2	7017162	1	Shaft	
3	7017163	1	Sleeve, Piston	
4	7017164	1	Cap, End	
5	See Note	AR	Screw (Note: See Item 53 for Replacement)	
5	See Note	AR	Dowel Pin (Note: See Item 53 for Replacement)	
6	7017195	2	Bushing	
15	See Note	NSS	Capscrew 1/4 x 1-1/2 Grade 8 (Note: Not Available for Purchase)	
20	See Note	1	Seal, Rod (Note: See Item 51 for Replacement Options)	
22	See Note	1	Seal, Piston (Note: See Item 51 for Replacement Options)	
24	See Note	1	Seal, Cap (Note: See Item 51 for Replacement Options)	
25	See Note	2	Packing, Bearing (Note: See Item 51 for Replacement Options)	
27	See Note	1	Ring, Cap Back-up (Note: See Item 51 for Replacement Options)	
31	See Note	2	Seal (Note: See Item 51 for Replacement Options)	
32	See Note	2	Bearing, Shaft (Note: See Item 52 for Replacement)	
34	See Note	2	Thrustwasher (Note: See Item 52 for Replacement)	
41	70001639	1	Motion Control Valve Assembly (Cartridges not serviced separately)	
51	70000342	1	Seal Kit (Includes Items 20, 22, 24, 25, 27 & 31)	
52	7017159	1	Bearing Kit (Includes Items 32 & 34)	
53	7017142	1	Hardware Kit (Includes Item 5 and Plugs)	

# SECTION 4 - BOOM

## FIGURE 4-11. JIB ROTATE ASSEMBLY



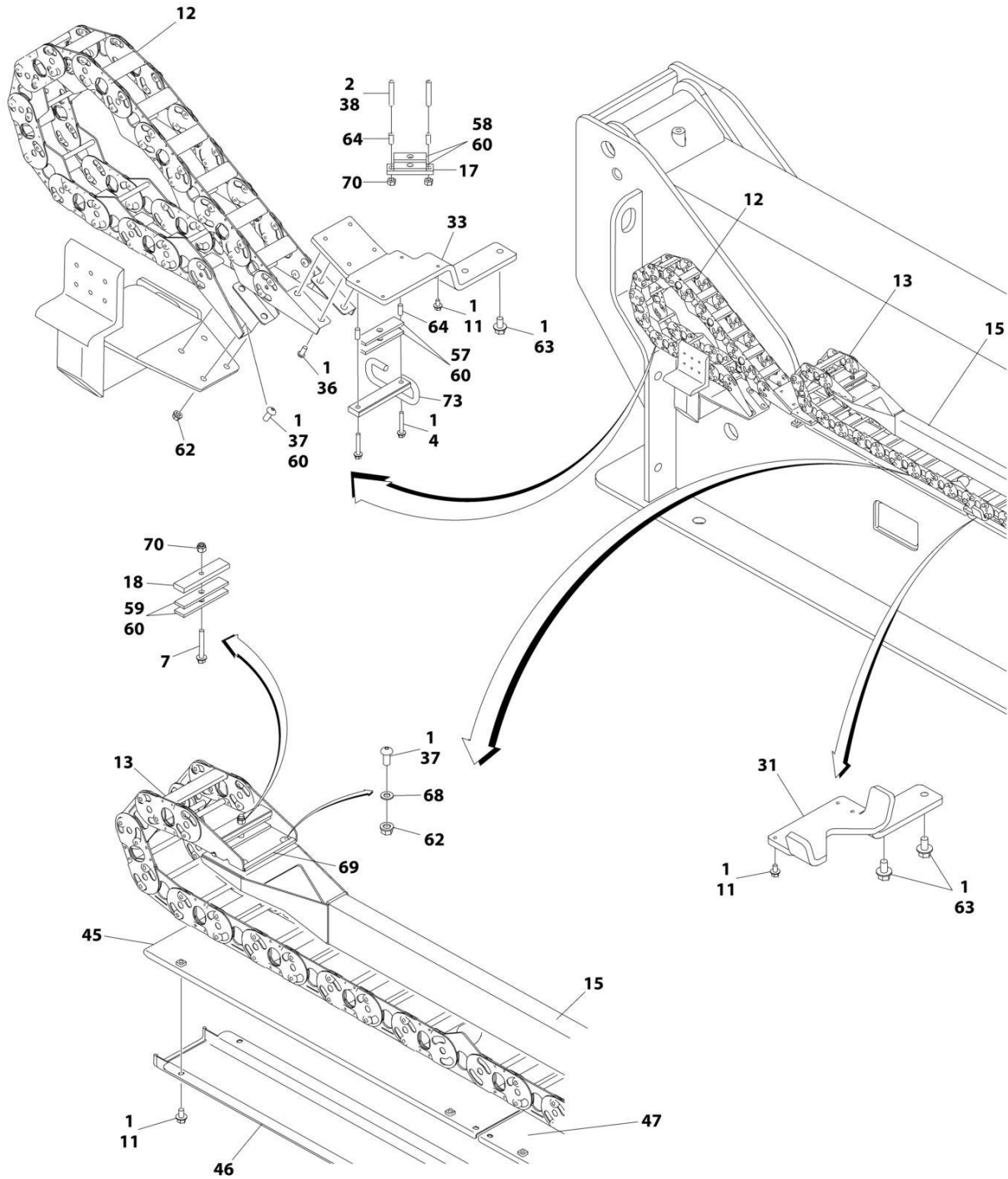
ART\_1001178248

FIGURE 4-11. JIB ROTATE ASSEMBLY

ITEM	PART NUMBER	QTY	DESCRIPTION	REV
	1001178248	Ref	JIB ROTATE ASSEMBLY	A
1	See Note	NSS	Case/Bracket Weldment (Note: Not Available - Purchase Complete Assembly)	
2	7017162	1	Shaft	
3	7017163	1	Sleeve, Piston	
4	7017164	1	Cap, End	
5	See Note	AR	Screw (Note: See Item 53 for Replacement)	
5	See Note	AR	Dowel Pin (Note: See Item 53 for Replacement)	
6	7017195	2	Bushing	
15	See Note	NSS	Capscrew 1/4 x 1-1/2 Grade 8 (Note: Not Available for Purchase)	
20	See Note	1	Seal, Rod (Note: See Item 51 for Replacement Options)	
22	See Note	1	Seal, Piston (Note: See Item 51 for Replacement Options)	
24	See Note	1	Seal, Cap (Note: See Item 51 for Replacement Options)	
25	See Note	2	Packing, Bearing (Note: See Item 51 for Replacement Options)	
27	See Note	1	Ring, Cap Back-up (Note: See Item 51 for Replacement Options)	
31	See Note	2	Seal (Note: See Item 51 for Replacement Options)	
32	See Note	2	Bearing, Shaft (Note: See Item 52 for Replacement)	
34	See Note	2	Thrustwasher (Note: See Item 52 for Replacement)	
41	70002859	1	Motion Control Valve Assembly (Cartridges not serviced separately)	
51	70000796	1	Seal Kit (Includes Items 20, 22, 24, 25, 27 & 31)	
52	7017185	1	Bearing Kit (Includes Items 32 & 34)	
53	70001640	1	Hardware Kit (Includes Item 5 and Plugs)	

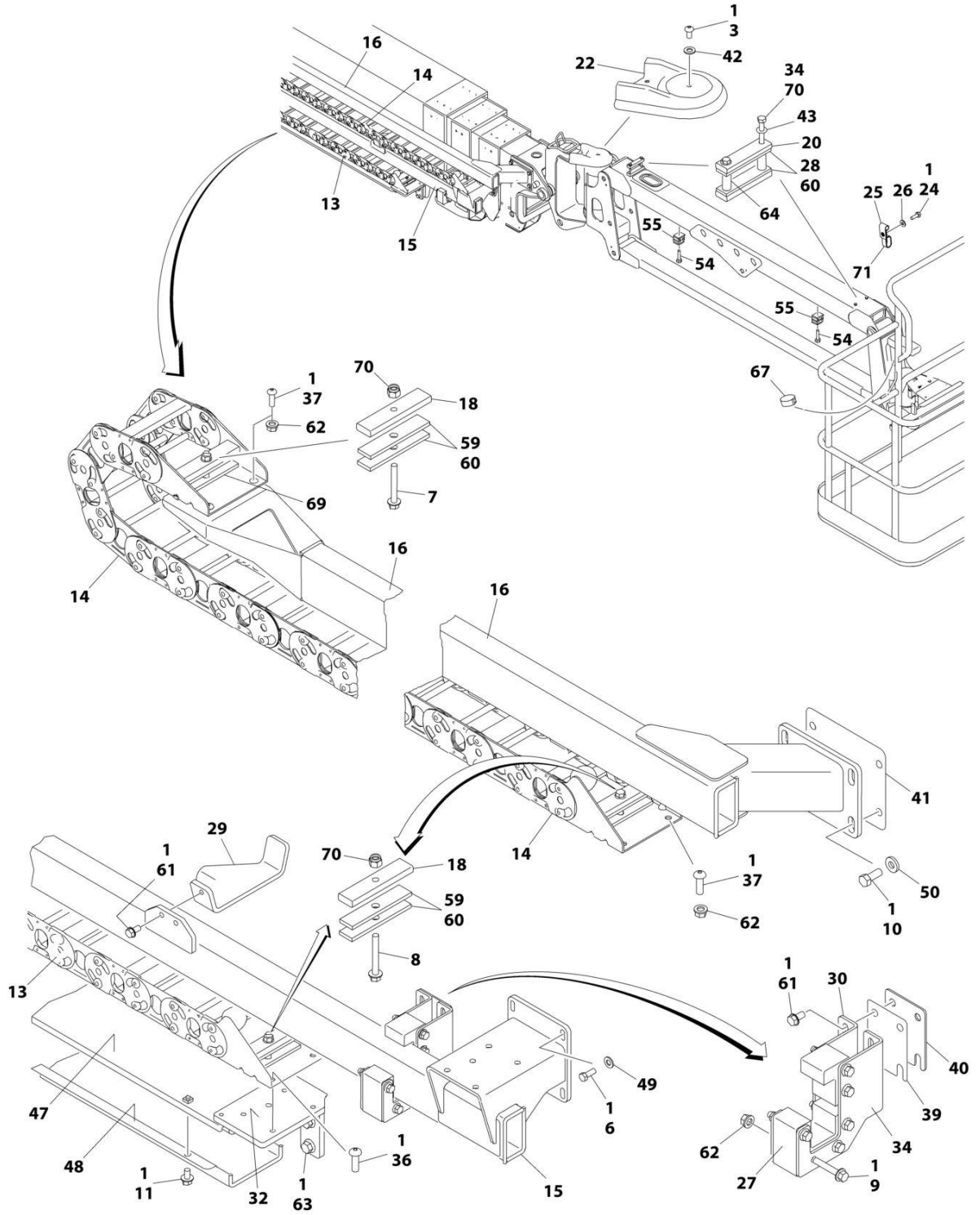
# SECTION 4 - BOOM

## FIGURE 4-12. POWER TRACK INSTALLATION (1200SJP)



ART\_0271800\_10F2

# SECTION 4 - BOOM



ART\_0271800\_20F2

## SECTION 4 - BOOM

**FIGURE 4-12. POWER TRACK INSTALLATION (1200SJP)**

ITEM	PART NUMBER	QTY	DESCRIPTION	REV
	0271800	Ref	POWER TRACK INSTALLATION - 1200SJP (1200SJP)	Q
1	0100011	AR	Compound, Locking	
2	0100019	AR	Compound, Locking	
3	0630467	3	Screw 5/16 x 1/2	
4	0791518	2	Screw 5/16 x 2-1/4	
6	0641608	4	Bolt 3/8 x 1	
7	0791620	2	Screw 3/8 x 2-1/2	
8	0791622	2	Screw 3/8 x 2-3/4	
9	0791624	6	Screw 3/8 x 3	
10	0641810	4	Bolt 1/2 x 1-1/4	
11	0791504	48	Screw 5/16 x 1/2	
12	1001131620	Ref	Carrier (T/T to Boom)	
12	70003917	AR	Section Repair Kit (Includes Inner and Outer Links, Joining Bars and Rollers and Assembling Hardware)	
12	70003918	1	Mounting Bracket Kit (Includes Mounting Brackets for Both Ends, 1 Roller Assembly and Assembling Hardware)	
13	1001131734	1	Carrier (Lower)	
13	70003913	AR	Section Repair Kit (Includes Inner and Outer Links, Joining Bars and Rollers and Assembling Hardware)	
13	70003915	1	Mounting Bracket Kit (Includes Mounting Brackets for Both Ends, 1 Roller Assembly and Assembling Hardware)	
13	70003914	AR	Center Bracket Kit (Includes 1 Flat Bar, 1 Round Bar, 1 Roller and Assembling Hardware)	
14	1001131729	1	Carrier (Upper)	
14	70003913	AR	Section Repair (Includes Inner and Outer Links, Joining Bars and Rollers and Assembling Hardware)	
14	70003915	1	Mounting Bracket Kit (Includes Mounting Brackets for Both Ends, 1 Roller Assembly and Assembling Hardware)	
14	70003914	AR	Center Bracket Kit (Includes 1 Flat Bar, 1 Round Bar, 1 Roller and Assembling Hardware)	
15	1180369	1	Tube, Push (Lower)	
16	1180370	1	Tube, Push (Upper)	
17	1320277	1	Clamp, Hose	
18	1320294	4	Clamp, Bar	
20	1320296	3	Clamp, Bar	
22	1671043	1	Cover, Jib Pivot	
24	0641406	1	Screw 1/4 x 3/4	
25	1320263	1	Clamp, Cable	
26	4711400	1	Washer 1/4	
27	3340925	1	Pad	
28	3340934	4	Pad, Clamp	
29	3573016	3	Support, Track	
30	3573179	2	Plate, Mounting	
31	3573181	4	Support, Track	
32	3573194	1	Plate, Track Mounting	
33	3573210	1	Plate, Track Mounting	
34	3900260	4	Capscrew 3/8 x 4	
36	3900283	8	Screw 3/8 x 3/4	
37	3900316	16	Screw 3/8 x 1	
38	3951620	2	Setscrew 3/8 x 2-1/2	
39	4071021	1	Shim, Adjusting 16Ga	

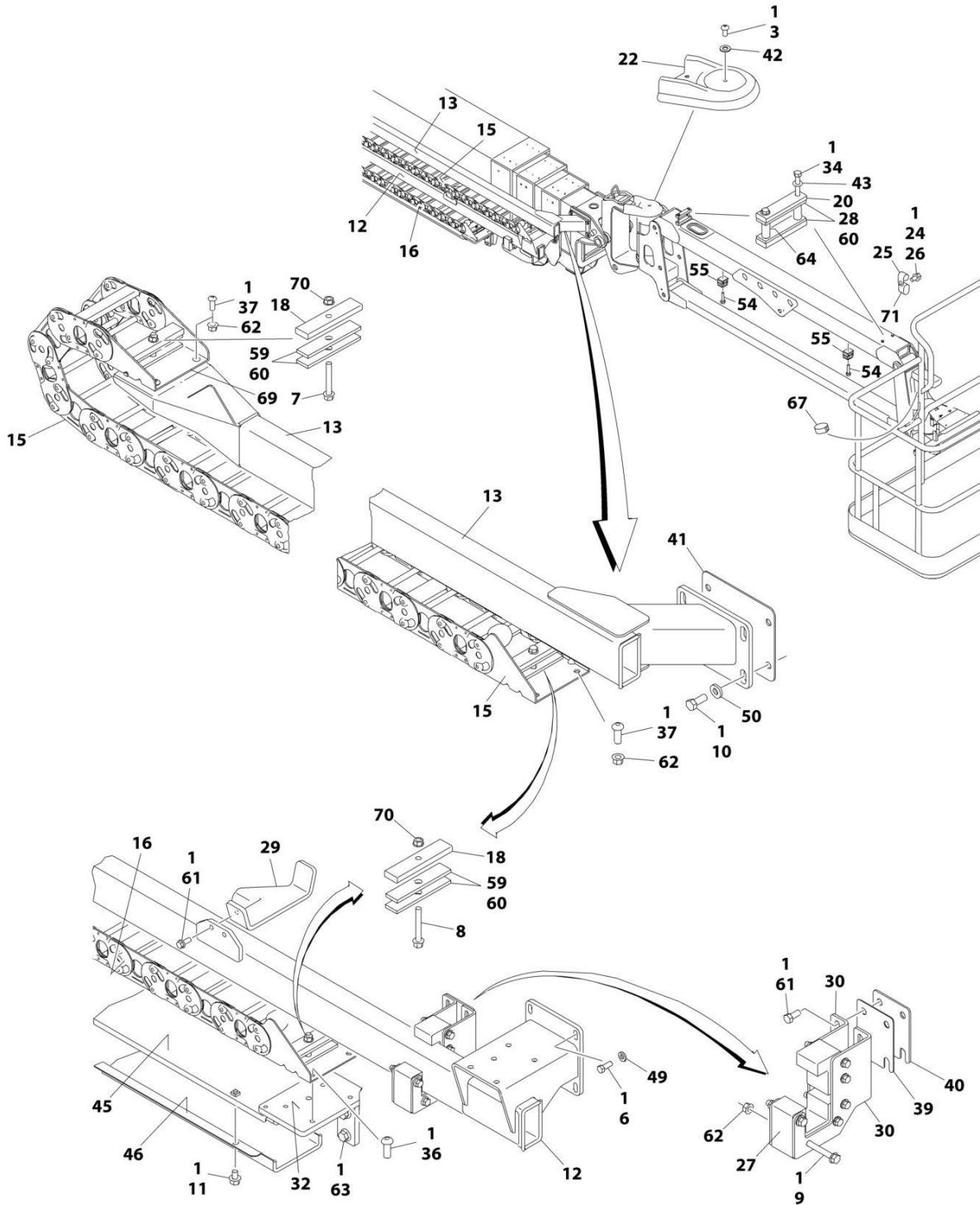
## SECTION 4 - BOOM

ITEM	PART NUMBER	QTY	DESCRIPTION	REV
40	4071022	1	Shim, Adjusting 11Ga	
41	4071023	1	Shim, Adjusting 11Ga	
42	4711500	3	Washer 5/16	
43	4711600	4	Washer 3/8	
45	4846431	1	Cover, Cable (Front)	
46	4846485	1	Support, Cable (Front)	
47	4846515	4	Cover, Cable (Rear)	
48	4846516	4	Support, Cable (Rear)	
49	4891600	4	Washer 3/8	
50	4891800	4	Washer 1/2	
54	0641510	2	Bolt 5/16 x 1-1/4	
55	1320159	2	Clamp	
56	4240018	10	Tie-Strap (Not Shown)	
57	3340940	2	Pad, Rubber	
58	3340941	2	Pad, Rubber	
59	3340942	8	Pad, Rubber	
60	0100081	AR	Adhesive #454	
61	0791607	10	Screw 3/8 x 7/8	
62	3311608	22	Nut 3/8	
63	0791808	12	Screw 1/2 x 1	
64	4562516	AR	Tubing, Poly	
66	4240155	4	Strap, 8 Cinch (Not Shown)	
67	4240156	1	Strap, 12 Cinch	
68	4751500	4	Washer 5/16	
69	4060804	11 in /28cm	Shield, Flex Trim 3/16	
70	3300492	8	Nut, Nylon Insert	
71	1321385	1	Clamp, Hose	
72	4240153	1	Strap, 4 Cinch (Not Shown)	
73	1001212790	1	Clamp	





# SECTION 4 - BOOM



ART\_0271570\_20F2

## SECTION 4 - BOOM

**FIGURE 4-13. POWER TRACK INSTALLATION (1350SJP)**

ITEM	PART NUMBER	QTY	DESCRIPTION	REV
	0271570	Ref	POWER TRACK INSTALLATION - 1350SJP (1350SJP)	R
1	0100011	AR	Compound, Locking	
2	0100019	AR	Compound, Locking	
3	0630467	3	Screw 5/16 x 1/2	
4	0791518	2	Screw 5/16 x 2-1/4	
6	0641608	4	Bolt 3/8 x 1	
7	0791620	2	Screw 3/8 x 2-1/2	
8	0791622	2	Screw 3/8 x 2-3/4	
9	0791624	6	Screw 3/8 x 3	
10	0641810	4	Bolt 1/2 x 1-1/4	
11	0791504	58	Screw 5/16 x 1/2	
12	1180362	1	Tube, Push (Lower)	
13	1180363	1	Tube, Push (Upper)	
14	1001131620	1	Carrier (T/T to Boom)	
14	70003917	AR	Section Repair Kit (Includes Inner and Outer Links, Joining Bars and Rollers and Assembling Hardware)	
14	70003918	1	Mounting Bracket Kit (Includes Mounting Brackets for Both Ends, 1 Roller Assembly and Assembling Hardware)	
15	1001131728	1	Carrier (Upper)	
15	70003913	AR	Section Repair Kit (Includes Inner and Outer Links, Joining Bars and Rollers and Assembling Hardware)	
15	70003915	1	Mounting Bracket Kit (Includes Mounting Brackets for Both Ends, 1 Roller Assembly and Assembling Hardware)	
15	70003914	AR	Center Bracket Kit (Includes 1 Flat Bar, 1 Round Bar, 1 Roller and Assembling Hardware)	
16	1001131733	1	Carrier (Lower)	
16	70003913	AR	Section Repair Kit (Includes Inner and Outer Links, Joining Bars and Rollers and Assembling Hardware)	
16	70003915	1	Mounting Bracket Kit (Includes Mounting Brackets for Both Ends, 1 Roller Assembly and Assembling Hardware)	
16	70003914	AR	Center Bracket Kit (Includes 1 Flat Bar, 1 Round Bar, 1 Roller and Assembling Hardware)	
17	1320277	1	Clamp, Hose	
18	1320294	4	Clamp, Bar	
20	1320296	3	Clamp, Bar	
22	1671043	1	Cover, Jib Pivot	
24	0641406	1	Screw 1/4 x 3/4	
25	1320263	1	Clamp, Cable	
26	4711400	1	Washer 1/4	
27	3340925	1	Pad	
28	3340934	4	Pad, Clamp	
29	3573016	3	Support, Track	
30	3573179	2	Plate, Mounting	
31	3573181	5	Support, Track	
32	3573194	1	Plate, Track Mounting	
33	3573210	1	Plate, Track Mounting	
34	3900260	4	Capscrew 3/8 x 4	
36	3900283	8	Screw 3/8 x 3/4	
37	3900316	16	Screw 3/8 x 1	
38	3951620	2	Setscrew 3/8 x 2-1/2	
39	4071021	1	Shim, Adjusting 16Ga	

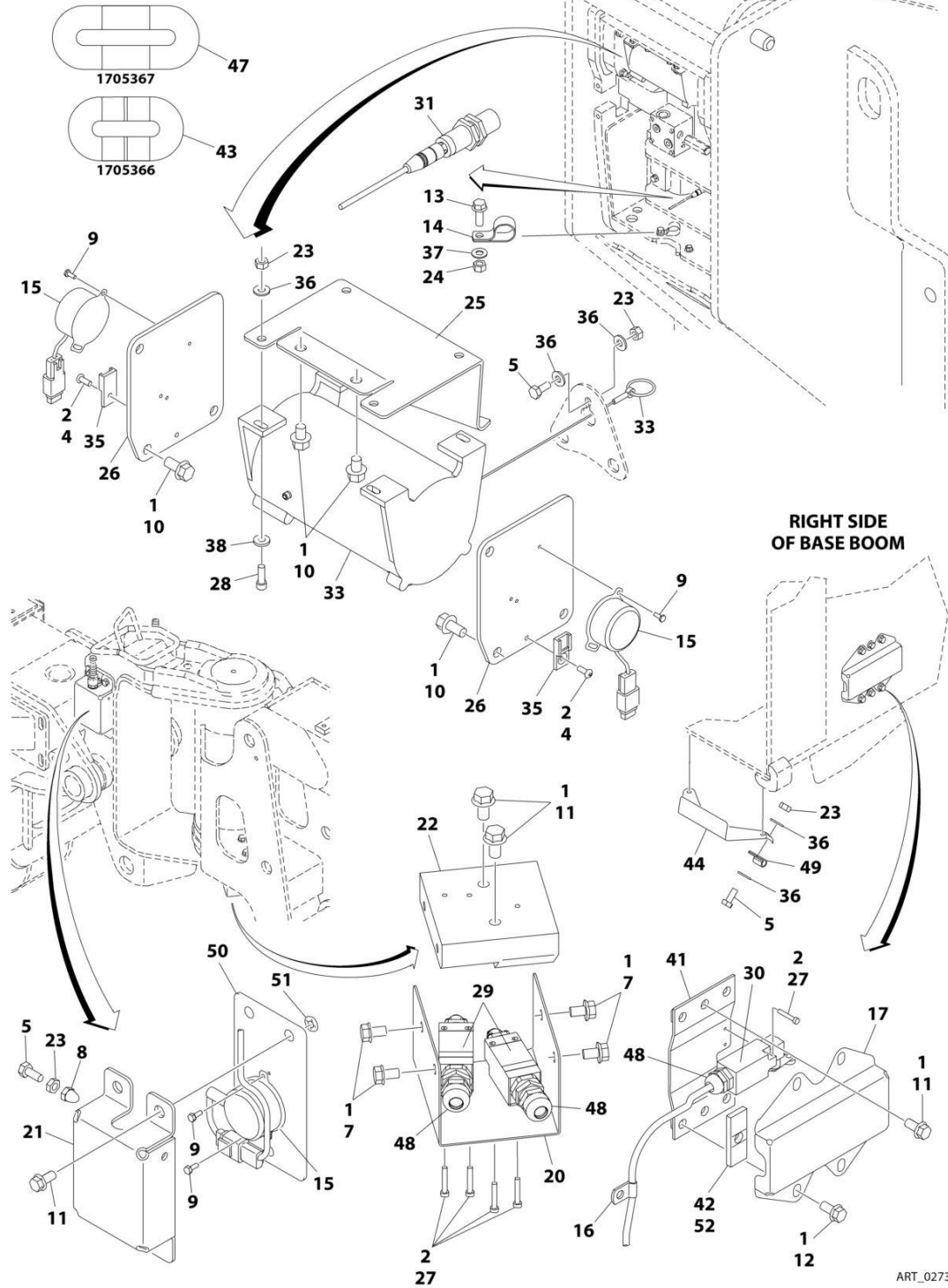
## SECTION 4 - BOOM

ITEM	PART NUMBER	QTY	DESCRIPTION	REV
40	4071022	1	Shim, Adjusting 11Ga	
41	4071023	1	Shim, Adjusting 11Ga	
42	4711500	3	Washer 5/16	
43	4711600	4	Washer 3/8	
45	4846423	5	Cover, Cable (Rear)	
46	4846429	5	Support, Cable (Rear)	
47	4846431	1	Cover, Cable (Front)	
48	4846485	1	Support, Cable (Front)	
49	4891600	4	Washer 3/8	
50	4891800	4	Washer 1/2	
54	0641510	2	Bolt 5/16 x 1-1/4	
55	1320159	2	Clamp	
56	4240018	10	Tie-Strap (Not Shown)	
57	3340940	2	Pad, Rubber	
58	3340941	2	Pad, Rubber	
59	3340942	8	Pad, Rubber	
60	0100081	AR	Adhesive #454	
61	0791607	10	Screw 3/8 x 7/8	
62	3311608	22	Nut 3/8	
63	0791808	14	Screw 1/2 x 1	
64	4562516	AR	Tubing, Poly	
66	4240155	4	Strap, 8 Cinch (Not Shown)	
67	4240156	1	Strap, 12 Cinch	
68	4751500	4	Washer 5/16	
69	4060804	11 in /28cm	Shield, Flex Trim 3/16	
70	3300492	8	Nut, Nylon Insert	
71	1321385	1	Clamp, Hose	
72	4240153	1	Strap, 4 Cinch (Not Shown)	
73	1001212790	1	Clamp	

# SECTION 4 - BOOM

## FIGURE 4-14. BOOM SENSORS AND SWITCHES INSTALLATION

WITNESS DECALS LOCATED ON  
BOTTOM OF INNER MID BOOM



ART\_0273696

## SECTION 4 - BOOM

**FIGURE 4-14. BOOM SENSORS AND SWITCHES INSTALLATION**

ITEM	PART NUMBER	QTY	DESCRIPTION	REV
	0273696	Ref	BOOM SENSORS AND SWITCHES INSTALLATION	H
1	0100011	AR	Compound, Locking	
2	0100035	AR	Compound, Locking	
3	0100048	AR	Grease, Dielectric	
4	0630464	2	Screw #10 x 1/2	
5	0641405	5	Bolt 1/4 x 5/8	
7	0791504	4	Screw 5/16 x 1/2	
8	3300430	2	Nut 1/4	
9	3930606	12	Screw, Machine #6 x 3/8	
10	0791604	8	Screw 3/8 x 1/2	
11	0791605	12	Screw 3/8 x 5/8	
12	0791606	4	Screw 3/8 x 3/4	
13	0791608	4	Screw 3/8 x 1	
14	1320130	2	Clamp, Hose	
15	1001147479	4	Sensor, Angle Indicator (Note: Control System must be recalibrated when Sensor is replaced)	
15	4460910	2	Connector, Female Deutsch - 3 Position	
15	4460917	6	Pin, Male	
15	4460913	1	Lock, Wedge	
16	1320301	1	Clamp, Cable	
17	1671031	1	Cover, Limit Switch	
20	1671039	1	Cover, Jib Switch	
21	1671044	2	Cover, Level Sensor	
22	3200433	1	Mount, Jib Switch	
23	3311405	9	Nut 1/4	
24	3311605	2	Nut 3/8	
25	3574431	1	Plate, Switch Mounting	
26	3573301	2	Plate, Sensor Mounting	
27	3930816	6	Capscrew #8 x 1	
28	3931414	4	Capscrew 1/4 x 7/8	
29	4360548	2	Switch, Jib Limit (Note: Control System must be recalibrated when Switch is replaced)	
30	4360578	1	Switch, Limit (Note: Control System must be recalibrated when Switch is replaced)	
31	4360527	1	Switch, Cable Break Proximity (Note: Control System must be recalibrated when Switch is replaced)	
33	4360543	1	Sensor, Boom Length (Note: Control System must be recalibrated when Sensor is replaced)	
35	4460914	2	Terminal, Base	
36	4711400	10	Washer 1/4	
37	4711600	2	Washer 3/8	
38	4891400	4	Washer 1/4	
41	4846484	1	Mount, Switch	
42	3340941	1	Pad, Rubber	
43	1705366	1	Decal - Boom Length (500LB Cap)	
44	3574616	1	Plate, Boom Length	
47	1705367	1	Decal - Boom Length (1000LB Cap)	
48	4460968	3	Connector, Strain Relief (Not Shown)	
49	1320136	2	Clamp, Cable (Not Shown)	
50	4341158	2	Plate, Mounting Sensor	
51	8310070	6	Pushnut 3/8	

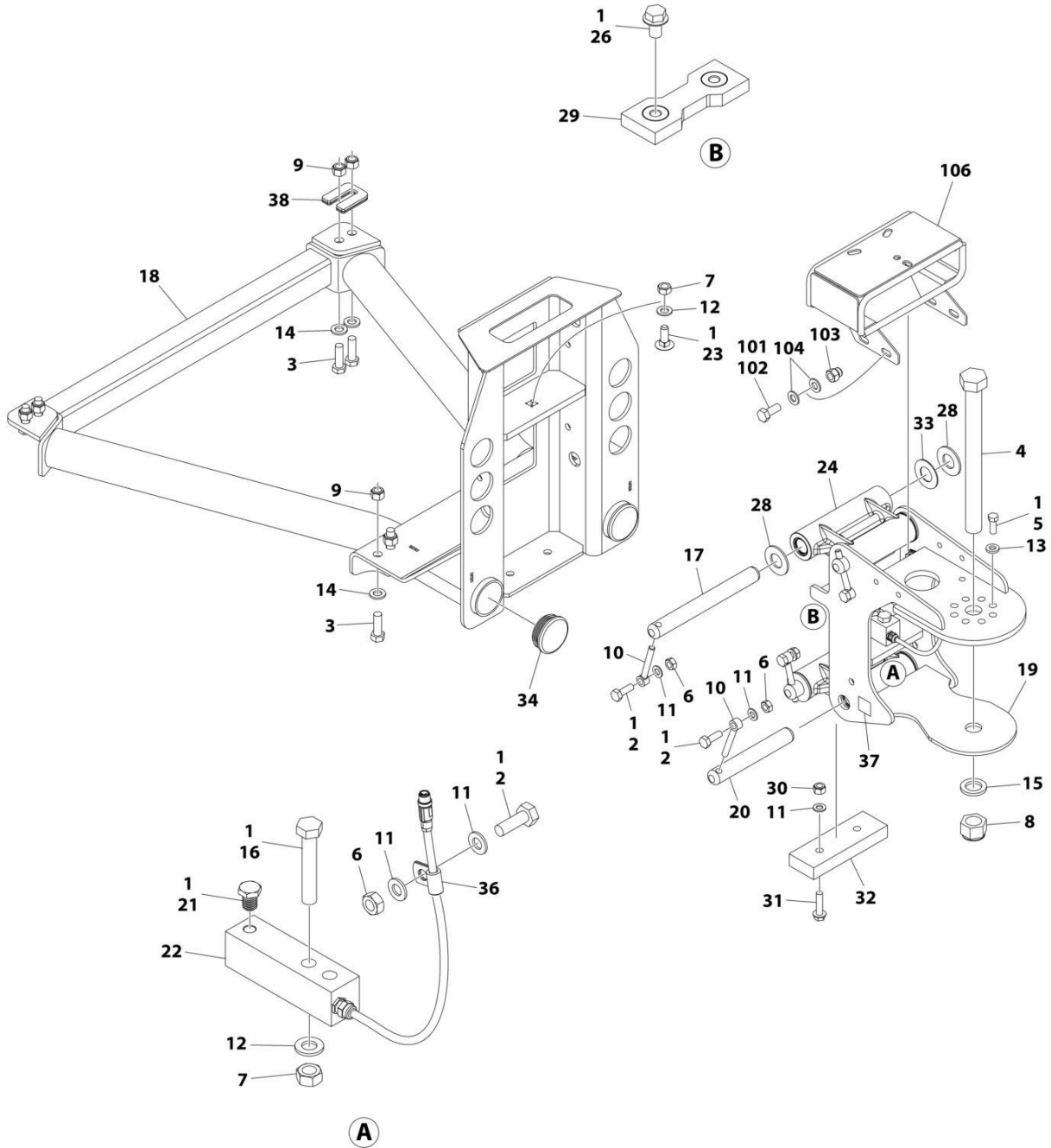
## SECTION 4 - BOOM

ITEM	PART NUMBER	QTY	DESCRIPTION	REV
52	0100081	AR	Adhesive	



# SECTION 4 - BOOM

## FIGURE 4-15. PLATFORM SUPPORT INSTALLATION



ART\_1001167596\_N



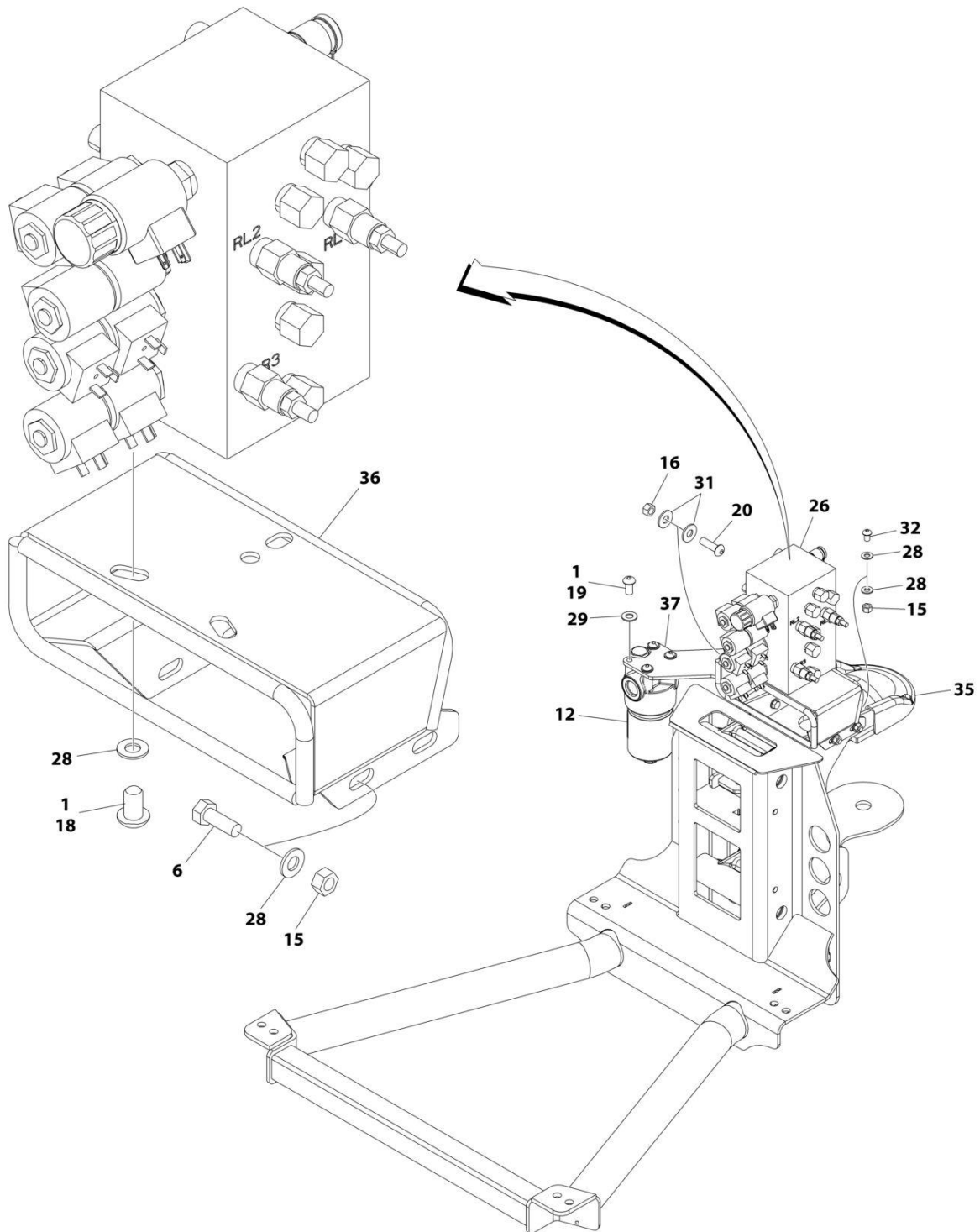
## SECTION 4 - BOOM

**FIGURE 4-15. PLATFORM SUPPORT INSTALLATION**

ITEM	PART NUMBER	QTY	DESCRIPTION	REV
	1001167596	Ref	PLATFORM SUPPORT INSTALLATION	N
1	0100011	AR	Compound, Locking	
2	0761014	5	Bolt M10 x 30	
3	0761216	8	Bolt M12 x 40	
4	1001255133	1	Bolt 1 x 11 GRD8	
5	0681608	8	Bolt 3/8 x 1 GRD8	
6	3291001	5	Nut M10	
7	3291201	3	Nut M12	
8	1001174040	1	Nut 1	
9	3291205	8	Nut M12	
10	3841143	4	Keeper, Pin	
11	4812000	8	Washer M10	
12	4812100	3	Washer M12	
13	4891600	8	Washer 3/8	
14	5241200	8	Washer M12	
15	4892600001	1	Washer 1	
16	1001098828	2	Bolt M12 x 70 CL10.9	
17	1001167565	2	Pin	
18	1001200494	1	Support, Platform	
19	1001167567	1	Support, Rotator	
20	1001168402	2	Pin	
21	1001188622	1	Screw	
22	1001247468	1	Loadcell	
23	1001188844	1	Bolt M12 x 35	
24	1001201351	2	Link	
24	1001187382	4	Bearing	
24	1001187383	4	Seal	
26	5251008	2	Bolt M10 x 16 CL10.9	
28	1001189002	8	Bearing	
29	1001190985	1	Pad, Wear	
30	3291005	2	Nut M10	
31	5251016	2	Bolt M10 x 40 CL10.9	
32	1001200491	1	Pad, Wear	
33	1001189001	4	Bearing	
34	1001204725	2	Plug	
36	91203039	1	Clamp	
37	1001216630	2	Decal - Tie Down/No Lift	
38	1001238421	Ref	Kit, Platform Leveling (Not Shown)	
	1001202687	Ref	VALVE MOUNT INSTALLATION	B
101	0100011	AR	Compound, Locking	
102	0760810	4	Bolt M8 x 20	
103	3290806	4	Nut M8	
104	4811900	8	Washer M8	
106	1001208994	1	Mount, Valve	

# SECTION 4 - BOOM

## FIGURE 4-16. CONTROL VALVE INSTALLATION



ART\_1001219990\_G\_30F3

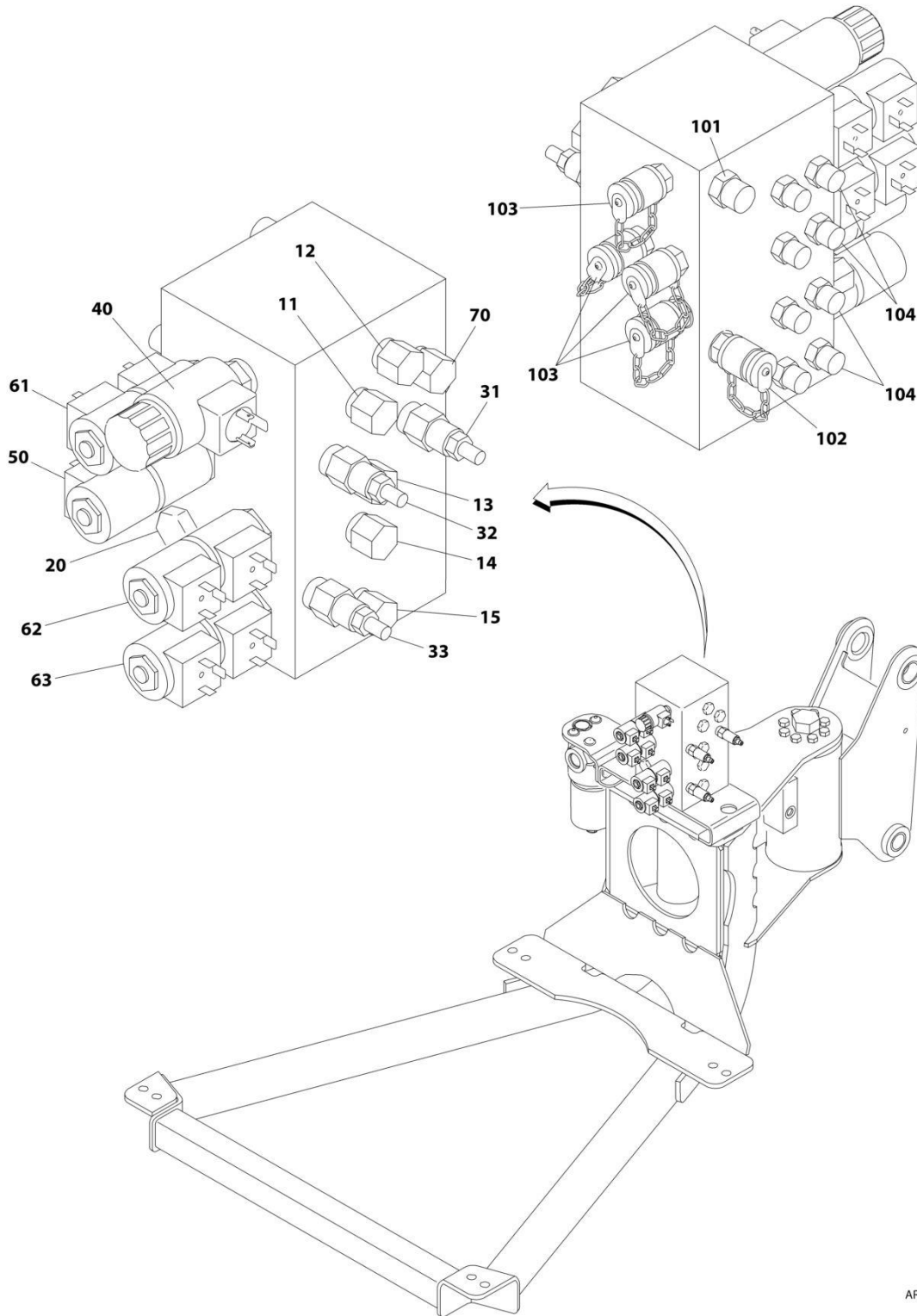
## SECTION 4 - BOOM

**FIGURE 4-16. CONTROL VALVE INSTALLATION**

ITEM	PART NUMBER	QTY	DESCRIPTION	REV
	1001219990	Ref	CONTROL VALVE INSTALLATION - WITH 1 CELL LSS	G
1	0100011	AR	Compound, Locking	
6	0641507	4	Bolt 5/16 x 7/8	
12	2120217	1	Filter, Pressure	
12	70002097	1	Element	
12	70004328	1	Plug, Indicator	
15	3311505	6	Nut 5/16	
16	3311605	2	Nut 3/8	
18	3900210	3	Screw 5/16 x 3/4	
19	3900283	4	Screw 3/8 x 3/4	
20	3900316	2	Screw 3/8 x 1	
26	4641460	1	Platform Valve (See Separate Breakdown in this Section)	
28	4711500	15	Washer 5/16	
29	4711600	4	Washer 3/8	
31	4751600	4	Washer 3/8	
32	88261024	2	Bolt 5/16 x 1	
35	1001207969	1	Cover, Support/Rotator	
36	1001208994	1	Plate, Valve Mounting	
37	1001222314	1	Bracket, Filter Mounting	

# SECTION 4 - BOOM

## FIGURE 4-17. CONTROL VALVE ASSEMBLY



ART\_4641460

**SECTION 4 - BOOM**

**FIGURE 4-17. CONTROL VALVE ASSEMBLY**

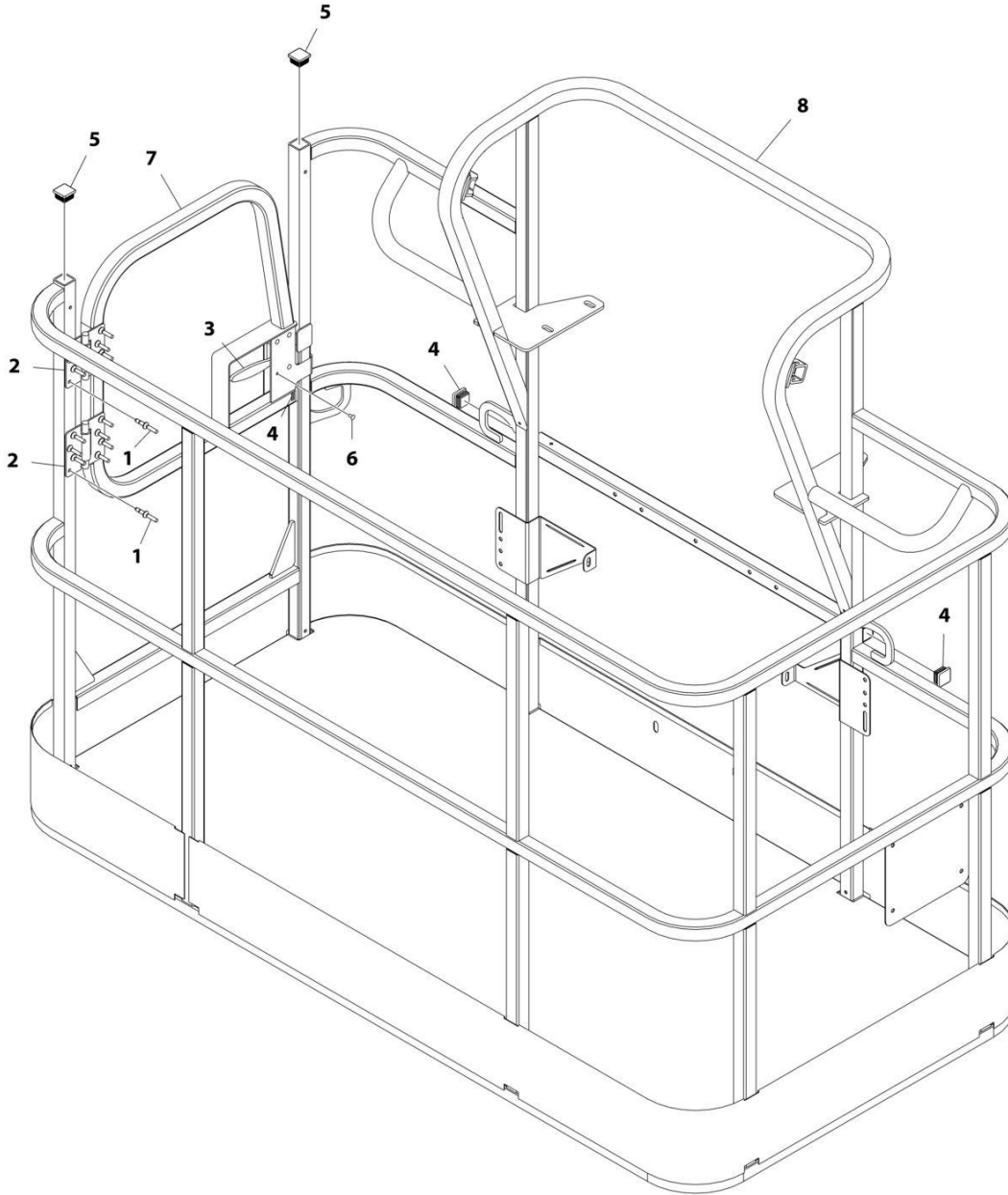
ITEM	PART NUMBER	QTY	DESCRIPTION	REV
	4641460	Ref	PLATFORM VALVE ASSEMBLY	C
11	7026018	1	Valve, Cartridge	
11	7011346	1	Seal Kit - Valve	
12	7026019	1	Valve, Cartridge (Flow Control)	
12	7011346	1	Seal Kit - Valve	
13	7026020	1	Valve, Cartridge (Rotate)	
13	7011346	1	Seal Kit - Valve	
14	7026021	1	Valve, Cartridge (Jib Swing)	
14	7011346	1	Seal Kit - Valve	
15	7026019	1	Valve, Cartridge (Jib Lift)	
15	7011346	1	Seal Kit - Valve	
20	7011355	1	Valve, Cartridge (Jib)	
20	2900770	1	Seal Kit - Valve	
31	7024572	1	Valve, Relief Cartridge (Platform Level Up)	
31	7011346	1	Seal Kit - Valve	
32	7024572	1	Valve, Relief Cartridge (Platform Level Down)	
32	7011346	1	Seal Kit - Valve	
33	7024572	1	Valve, Relief Cartridge (Jib Up/Down)	
33	7011346	1	Seal Kit - Valve	
40	7026022	1	Valve, Cartridge (Dump)	
40	2900770	1	Seal Kit - Valve	
40	7024571	1	Coil	
50	7023922	1	Valve, Cartridge (Platform Rotate)	
50	7017402	1	Seal Kit - Valve	
50	7012944	2	Coil	
61	7023922	1	Valve, Cartridge (Platform Level)	
61	7017402	1	Seal Kit - Valve	
61	7012944	2	Coil	
62	7023922	1	Valve, Cartridge (Jib Swing)	
62	7017402	1	Seal Kit - Valve	
62	7012944	2	Coil	
63	7023922	1	Valve, Cartridge (Jib Lift)	
63	7017402	1	Seal Kit - Valve	
63	7012944	2	Coil	
70	7026023	1	Valve, Cartridge (Check)	
70	7011346	1	Seal Kit - Valve	
	4641460	Ref	Platform Valve Assembly (Fitting Information)	C
101	2110606	1	Fitting, Straight	
102	4641255	1	Fitting (Check Valve)	
103	2221086	4	Check, Pressure	
104	2110404	8	Fitting, Straight	



**SECTION 5 - PLATFORM**

# SECTION 5 - PLATFORM

FIGURE 5-1. PLATFORM ASSEMBLY - 36IN X 6FT (91.5CM X 1.83M) WITH SWING GATE



ART\_1001186384



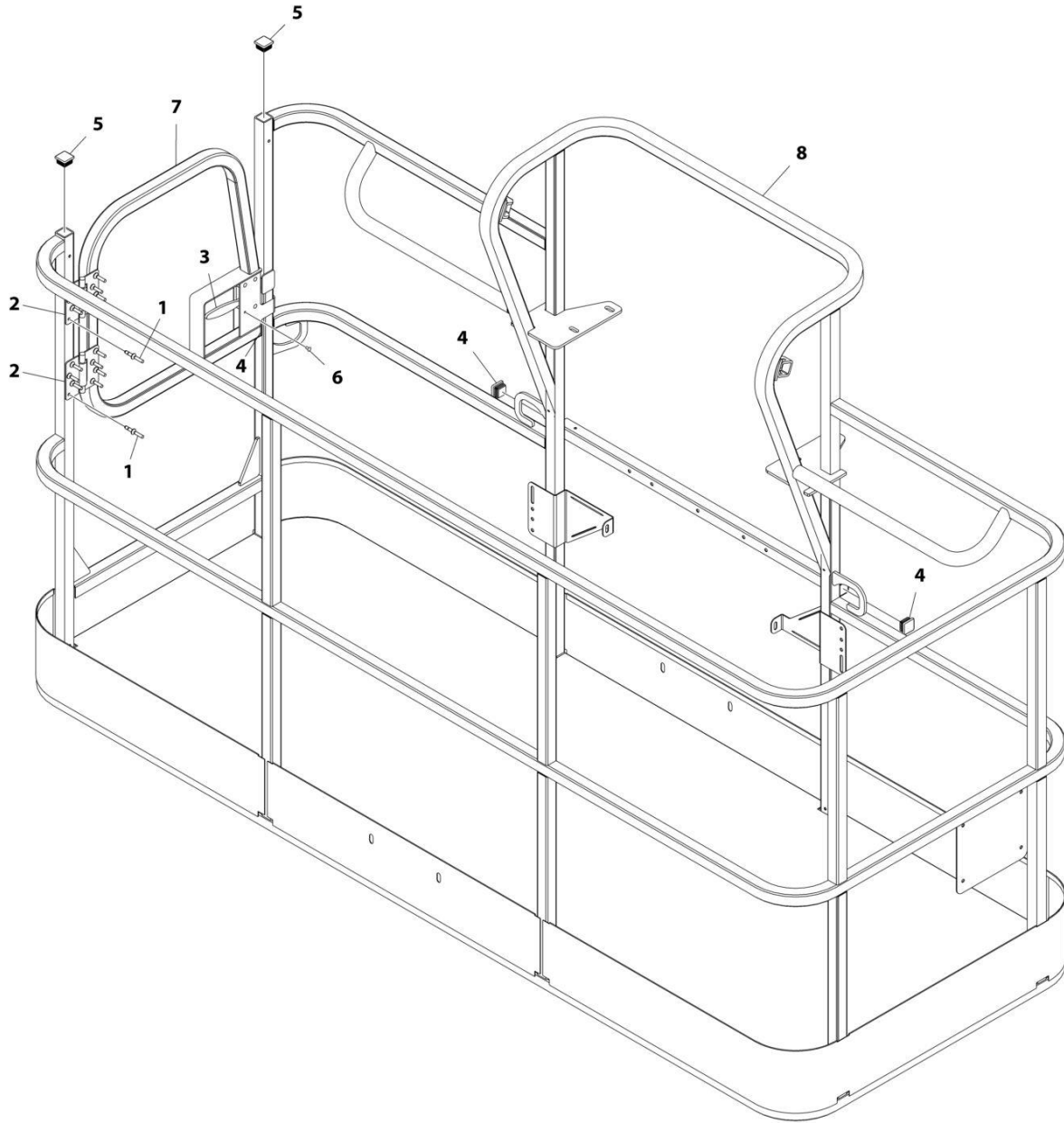
## SECTION 5 - PLATFORM

**FIGURE 5-1. PLATFORM ASSEMBLY - 36IN X 6FT (91.5CM X 1.83M) WITH SWING GATE**

ITEM	PART NUMBER	QTY	DESCRIPTION	REV
	1001186384	Ref	PLATFORM ASSEMBLY - 36IN X 6FT (91.5CM X 1.83M) WITH SWING GATE	C
	See Note	Ref	Note: Platform and Mesh must be ordered separately for Platforms with Mesh. See SPECIAL OPTIONS SECTION for Mesh Installations.	
	See Note	Ref	Note: Replacement Decals Must be Ordered Separately - See DECALS SECTION.	
1	2080040	16	Fastener, Huck	
2	2600281	2	Hinge	
3	2940074	1	Latch	
4	3520072	3	Plug	
5	3520198	2	Plug	
6	3820020	4	Rivet	
7	1001144629	1	Gate	
8	See Note	NSS	Platform (Note: Not Available - Purchase Platform Assembly)	

# SECTION 5 - PLATFORM

FIGURE 5-2. PLATFORM ASSEMBLY - 36IN X 8FT (91.5CM X 2.44M) WITH SWING GATE



ART\_1001186383

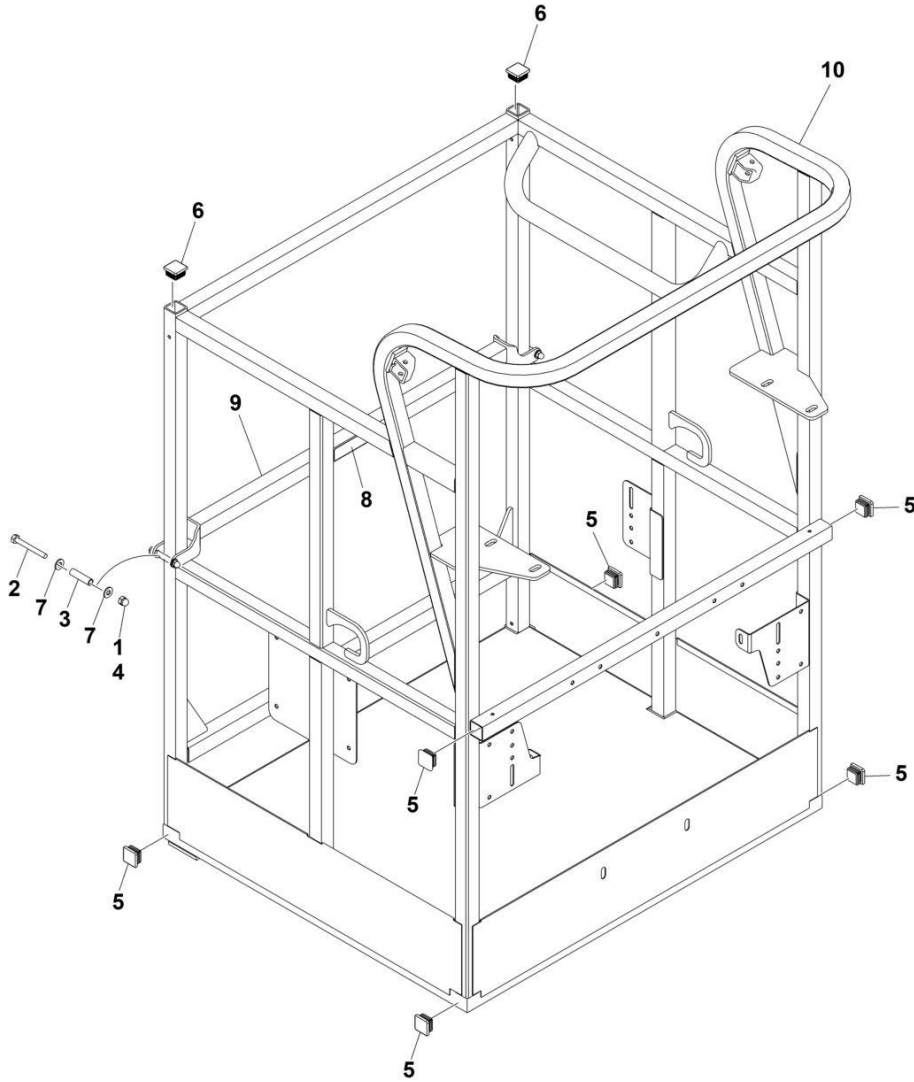
## SECTION 5 - PLATFORM

**FIGURE 5-2. PLATFORM ASSEMBLY - 36IN X 8FT (91.5CM X 2.44M) WITH SWING GATE**

ITEM	PART NUMBER	QTY	DESCRIPTION	REV
	1001186383	Ref	PLATFORM ASSEMBLY - 36IN X 8FT (91.5CM X 2.44M) WITH SWING GATE	D
		Ref	Note: Platform and Mesh must be ordered separately for Platforms with Mesh. See SPECIAL OPTIONS SECTION for Mesh Installations.	
		Ref	Note: Replacement Decals Must be Ordered Separately - See DECALS SECTION.	
1	2080040	16	Fastener, Huck	
2	2600281	2	Hinge	
3	2940074	1	Latch	
4	3520072	3	Plug	
5	3520198	2	Plug	
6	3820020	4	Rivet	
7	1001144629	1	Gate	
8	See Note	NSS	Platform (Note: Not Available - Purchase Platform Assembly)	

# SECTION 5 - PLATFORM

FIGURE 5-3. PLATFORM ASSEMBLY - 30IN X 3FT (76CM X .91M) - WITH DROP BAR



ART\_1001228215

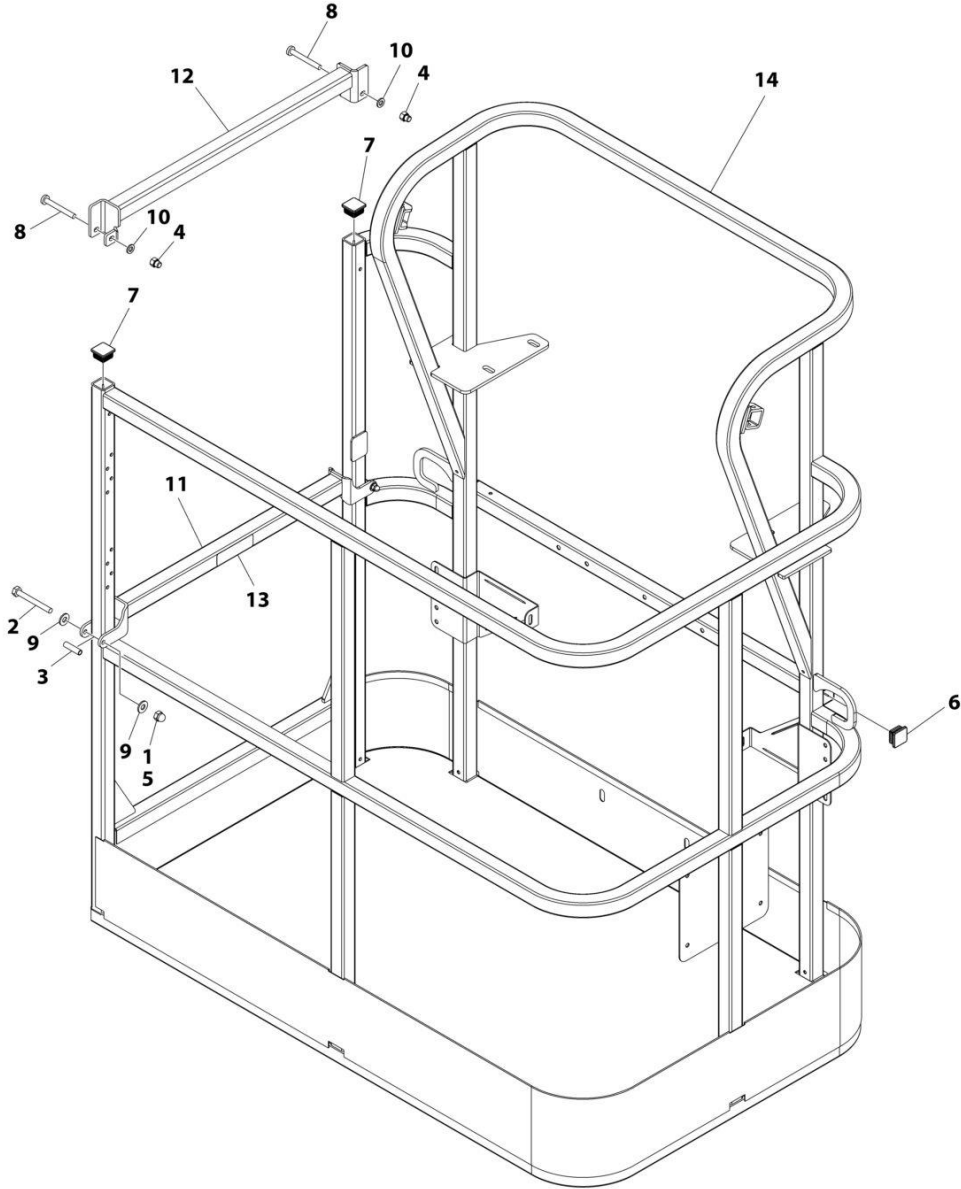
## SECTION 5 - PLATFORM

**FIGURE 5-3. PLATFORM ASSEMBLY - 30IN X 3FT (76CM X .91M) - WITH DROP BAR**

ITEM	PART NUMBER	QTY	DESCRIPTION	REV
	1001228215	Ref	PLATFORM ASSEMBLY	A
	See Note	Ref	Note: Platform and Mesh must be ordered separately for Platforms with Mesh. See SPECIAL OPTIONS SECTION for Mesh Installations.	
	See Note	Ref	Note: Replacement Decals Must be Ordered Separately - See DECAL SECTION.	
1	0100011	AR	Compound, Locking	
2	0641418	2	Bolt 1/4 x 2-1/4	
3	0961845	2	Bushing	
4	3300151	2	Nut 1/4	
5	3520072	6	Cap, Plug	
6	3520198	2	Cap, Plug	
7	4711400	4	Washer 1/4	
8	1001140429	1	Decal - Drop Bar	
9	1001226872	1	Bar, Drop	
10	See Note	NSS	Platform (Note: Not Available - Purchase Platform Assembly)	

# SECTION 5 - PLATFORM

FIGURE 5-4. PLATFORM ASSEMBLY - 30IN X 4FT (76.2CM X 1.22M) WITH DROP BAR



ART\_1001186375

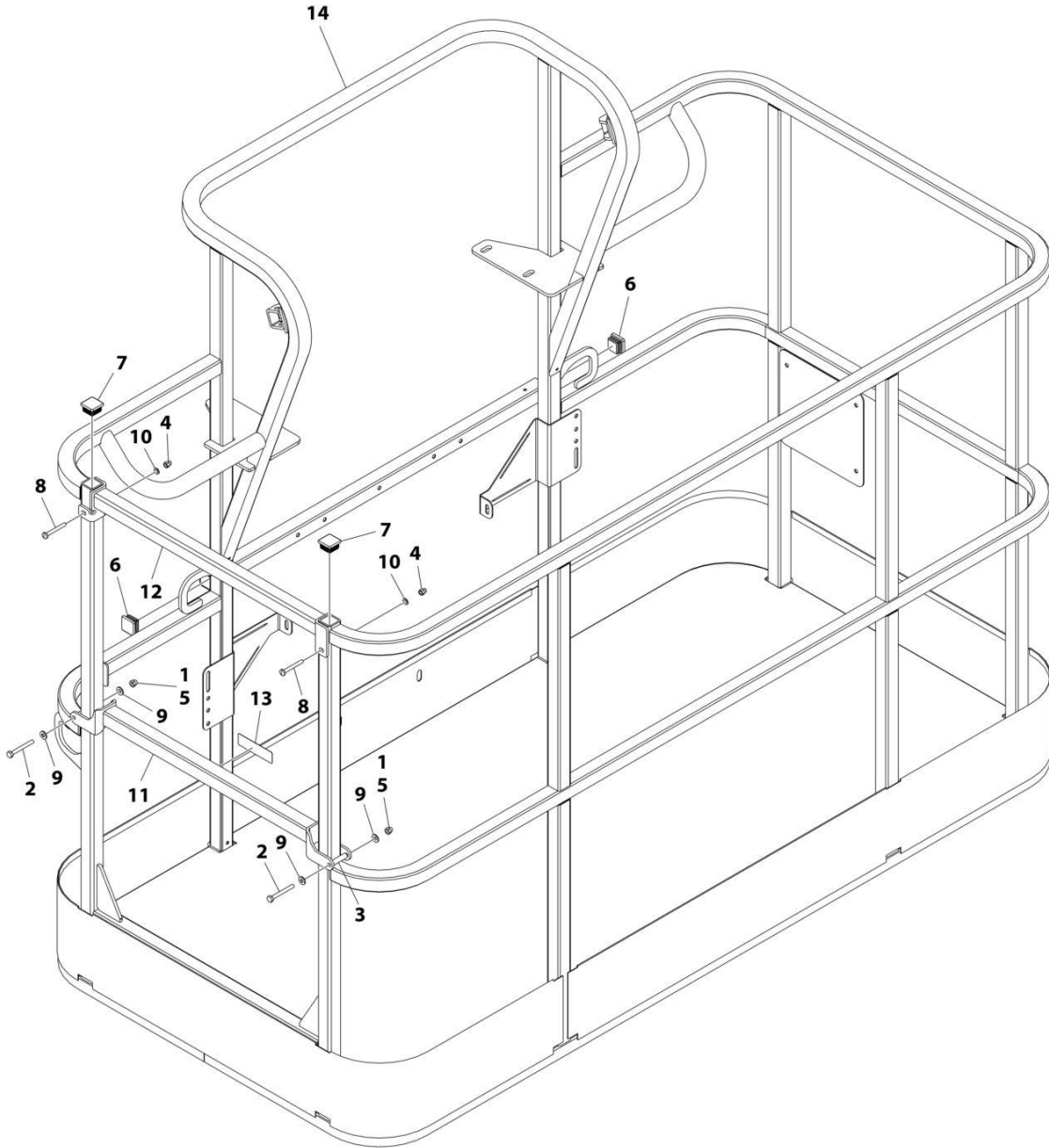
## SECTION 5 - PLATFORM

**FIGURE 5-4. PLATFORM ASSEMBLY - 30IN X 4FT (76.2CM X 1.22M) WITH DROP BAR**

ITEM	PART NUMBER	QTY	DESCRIPTION	REV
	1001186375	Ref	PLATFORM ASSEMBLY	B
		Ref	Note: Platform and Mesh must be ordered separately for Platforms with Mesh. See SPECIAL OPTIONS SECTION for Mesh Installations.	
		Ref	Note: Replacement Decals Must be Ordered Separately - See DECALS SECTION.	
1	0100011	AR	Compound, Locking	
2	0641418	2	Bolt 1/4 x 2-1/4	
3	0961845	2	Bushing	
4	3290606	2	Nut M6	
5	3300151	2	Nut 1/4	
6	3520072	2	Plug	
7	3520198	2	Plug	
8	4010618	2	Screw M6 x 50	
9	4711400	4	Washer 1/4	
10	4811700	2	Washer M6	
11	1001138494	1	Bar, Drop	
12	1001138514	1	Rail - Top	
13	1001140429	1	Decal - Drop Bar	
14	See Note	1	Platform (Note: Not Available - Purchase Platform Assembly)	

# SECTION 5 - PLATFORM

FIGURE 5-5. PLATFORM ASSEMBLY - 36IN X 6FT (91.5CM X 1.83M) WITH DROP BAR



ART\_1001186379



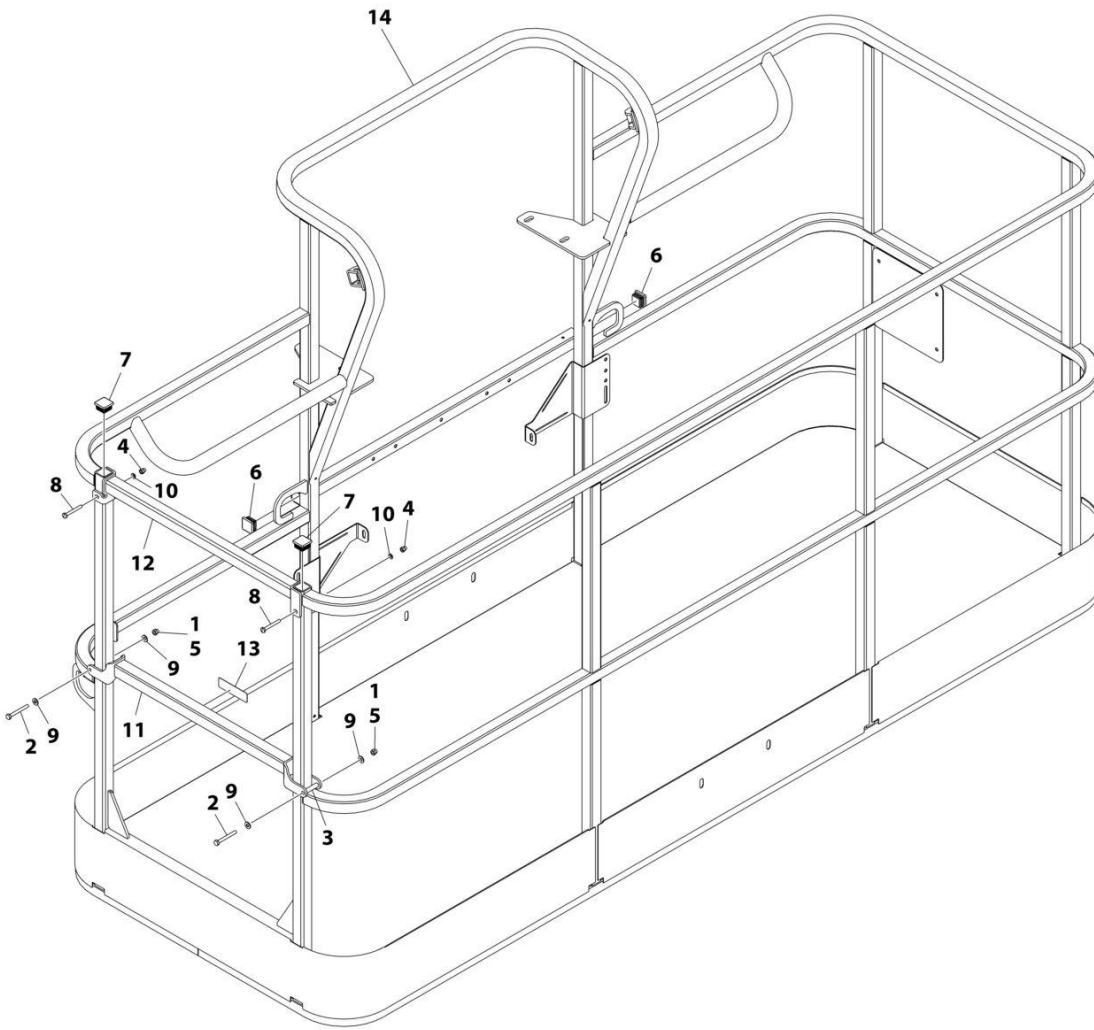
## SECTION 5 - PLATFORM

**FIGURE 5-5. PLATFORM ASSEMBLY - 36IN X 6FT (91.5CM X 1.83M) WITH DROP BAR**

ITEM	PART NUMBER	QTY	DESCRIPTION	REV
	1001186379	Ref	PLATFORM ASSEMBLY - 36IN X 6FT (91.5CM X 1.83M) WITH DROP BAR	B
		Ref	Note: Platform and Mesh must be ordered separately for Platforms with Mesh. See SPECIAL OPTIONS SECTION for Mesh Installations.	
		Ref	Note: Replacement Decals Must be Ordered Separately - See DECALS SECTION.	
1	0100011	AR	Compound, Locking	
2	0641418	2	Bolt 1/4 x 2-1/4	
3	0961845	2	Bushing	
4	3290606	2	Nut M6	
5	3300151	2	Nut 1/4	
6	3520072	2	Plug	
7	3520198	2	Plug	
8	4010618	2	Screw M6 x 50	
9	4711400	4	Washer 1/4	
10	4811700	2	Washer M6	
11	1001138494	1	Bar, Drop	
12	1001138514	1	Rail (Top)	
13	1001140429	1	Decal - Drop Bar	
14	See Note	NSS	Platform (Note: Not Available - Purchase Platform Assembly)	

# SECTION 5 - PLATFORM

FIGURE 5-6. PLATFORM ASSEMBLY - 36IN X 8FT (91.5CM X 2.44M) WITH DROP BAR



ART\_1001186382

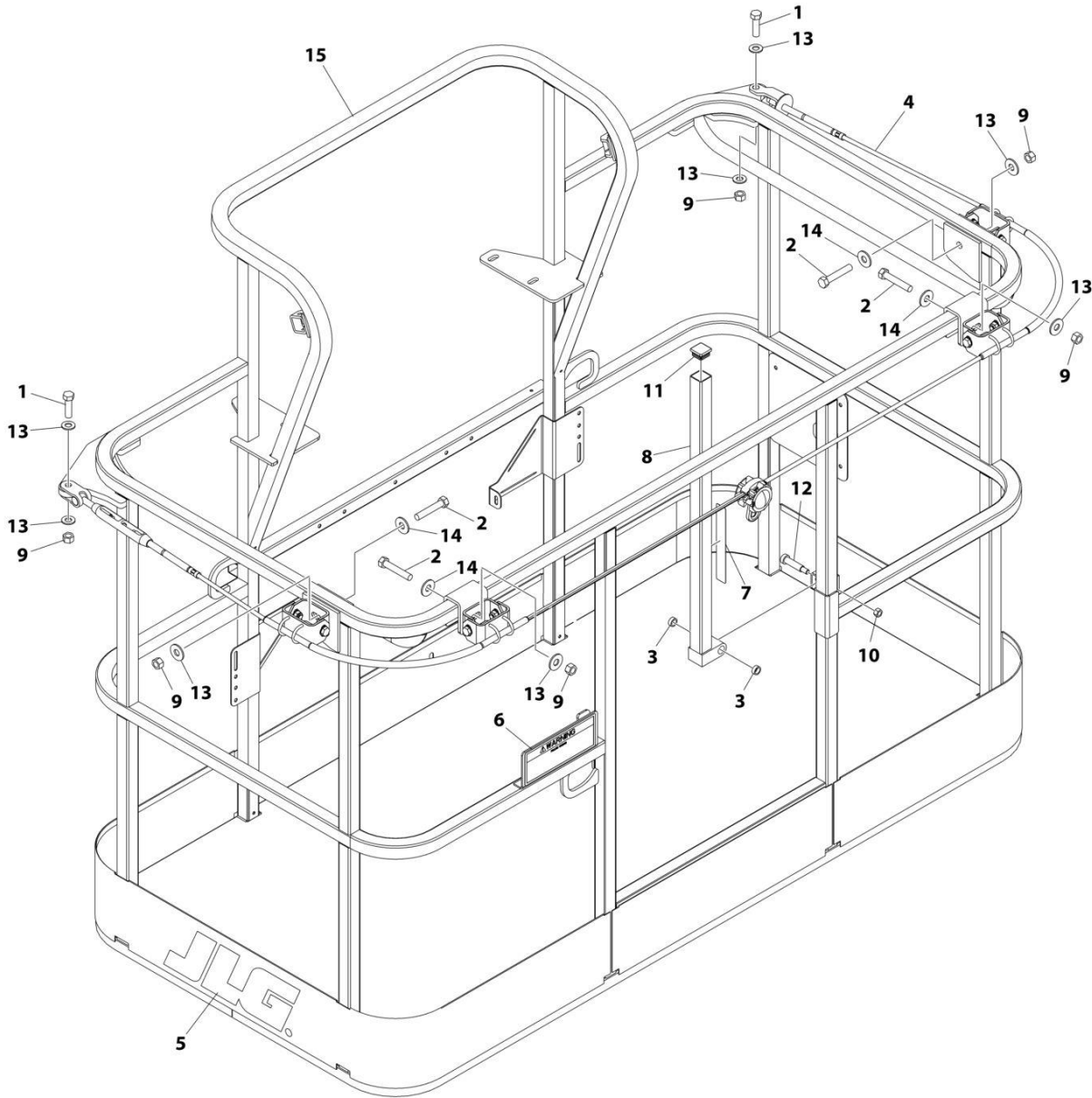
## SECTION 5 - PLATFORM

**FIGURE 5-6. PLATFORM ASSEMBLY - 36IN X 8FT (91.5CM X 2.44M) WITH DROP BAR**

ITEM	PART NUMBER	QTY	DESCRIPTION	REV
	1001186382	Ref	PLATFORM ASSEMBLY - 36IN X 8FT (91.5CM X 2.44M) WITH DROP BAR	C
		Ref	Note: Platform and Mesh must be ordered separately for Platforms with Mesh. See SPECIAL OPTIONS SECTION for Mesh Installations.	
		Ref	Note: Replacement Decals Must be Ordered Separately - See DECALS SECTION.	
1	0100011	AR	Compound, Locking	
2	0641418	2	Bolt 1/4 x 2-1/4	
3	0961845	2	Bushing	
4	3290606	2	Nut M6	
5	3300151	2	Nut 1/4	
6	3520072	2	Plug	
7	3520198	2	Plug	
8	4010618	2	Screw M6 x 50	
9	4711400	4	Washer 1/4	
10	4811700	2	Washer M6	
11	1001138494	1	Bar, Drop	
12	1001138514	1	Rail (Top)	
13	1001140429	1	Decal - Drop Bar	
14	See Note	NSS	Platform (Note: Not Available - Purchase Platform Assembly)	

# SECTION 5 - PLATFORM

FIGURE 5-7. PLATFORM ASSEMBLY - 36IN X 6FT (91.5CM X 1.83M) WITH FALL ARREST (ANSI, ANSI EXPORT AND CHINA SPECS)



ART\_1001186333

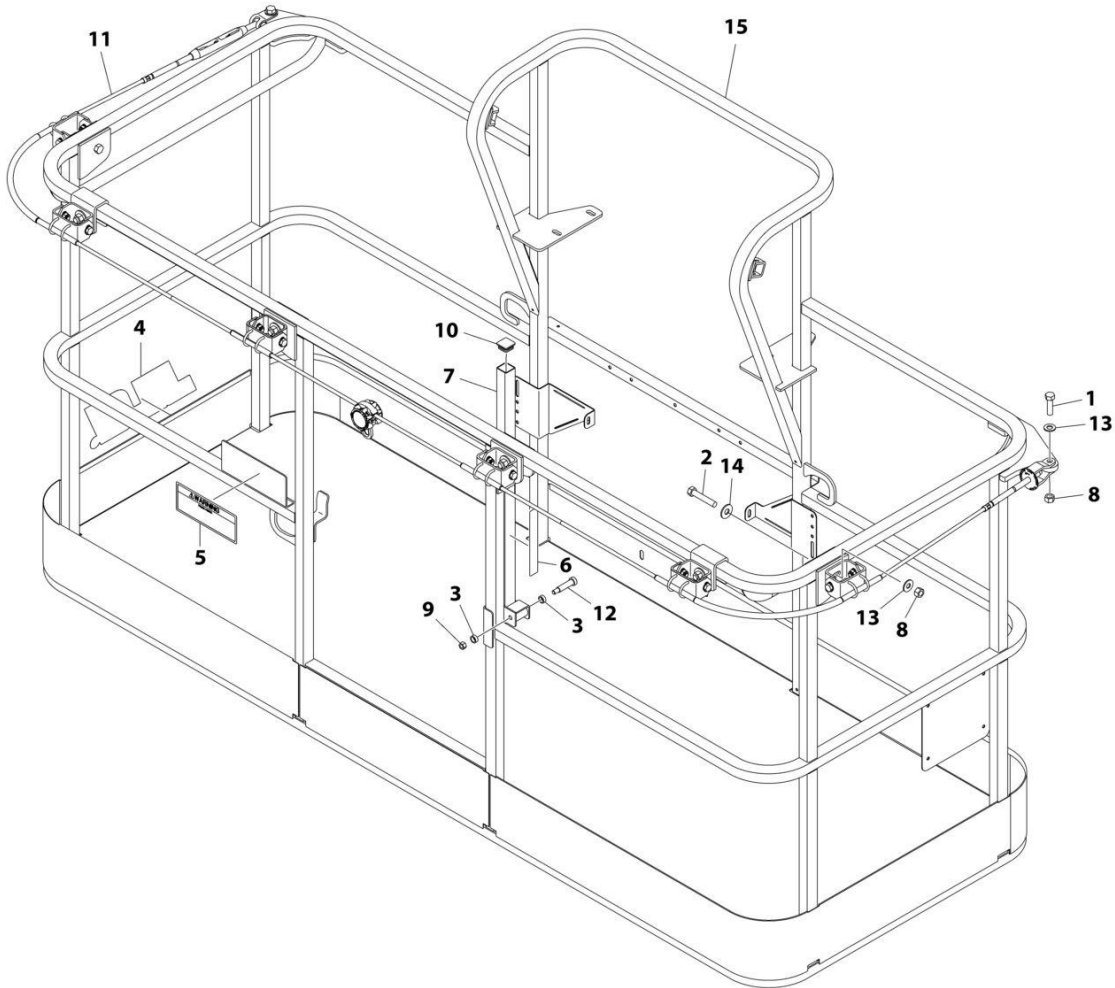
## SECTION 5 - PLATFORM

**FIGURE 5-7. PLATFORM ASSEMBLY - 36IN X 6FT (91.5CM X 1.83M) WITH FALL ARREST (ANSI, ANSI EXPORT AND CHINA SPECS)**

ITEM	PART NUMBER	QTY	DESCRIPTION	REV
	1001186333	Ref	PLATFORM ASSEMBLY	C
		Ref	Note: Replacement Decals Must be Ordered Separately - See DECALS SECTION.	
1	0681814	2	Bolt 1/2 x 1-3/4 Grade 8	
2	0681822	4	Bolt 1/2 x 2-3/4 Grade 8	
3	0962270	2	Bearing	
4	1001203655	1	Cable	
5	1702773	1	Decal - JLG	
6	1705014	1	Decal - Safety	
7	1706385	1	Decal - Drop Bar	
8	2410014	1	Bar, Drop	
9	3271805	6	Nut 1/2 Grade 8	
10	3311605	1	Nut 3/8	
11	3520072	1	Plug	
12	3900054	1	Bolt 1/2 x 1-3/4	
13	4711800	8	Washer 1/2	
14	4751800	4	Washer 1/2	
15	See Note	NSS	Platform (Note: Not Available - Purchase Platform Assembly)	

# SECTION 5 - PLATFORM

FIGURE 5-8. PLATFORM ASSEMBLY - 36IN X 8FT (91.5CM X 2.44M) WITH FALL ARREST (ANSI SPEC)



ART\_1001186334

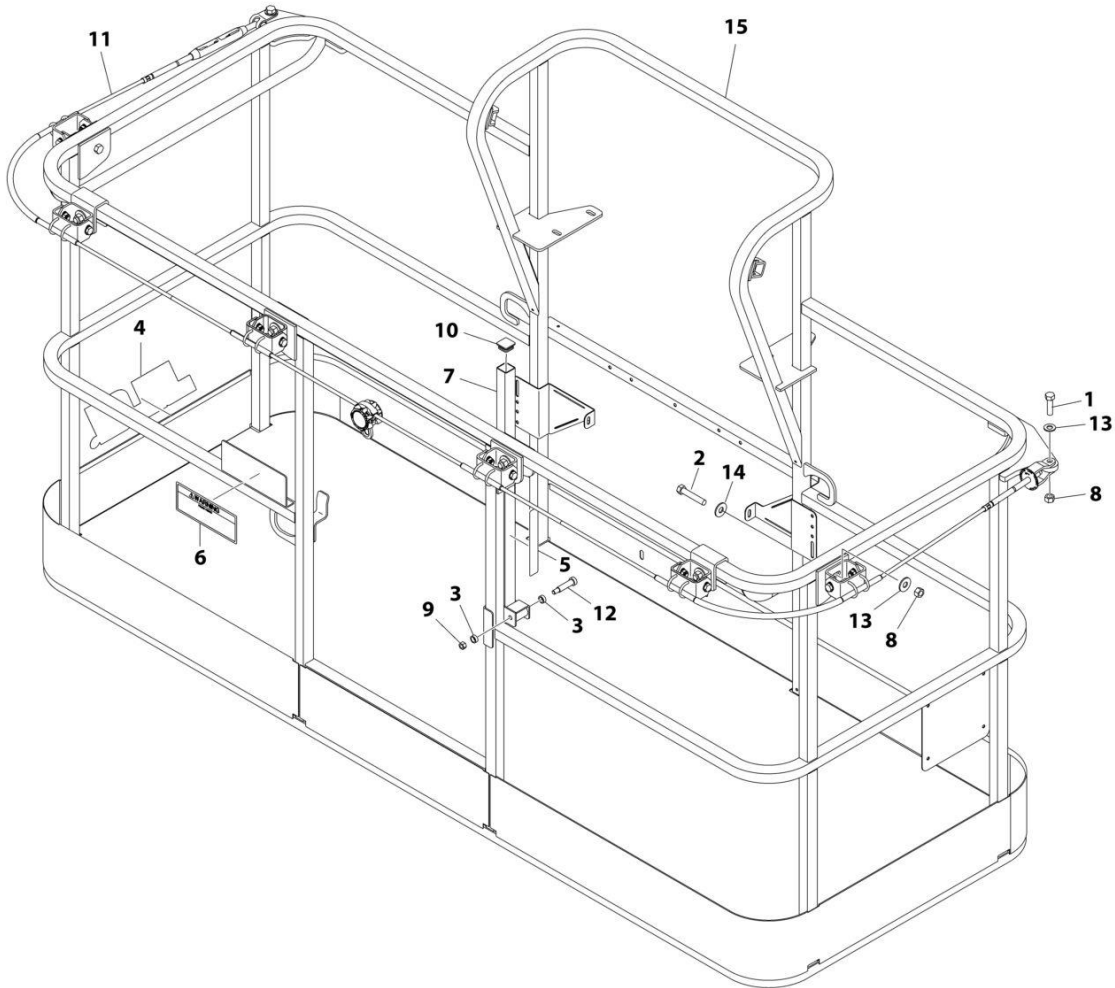
## SECTION 5 - PLATFORM

**FIGURE 5-8. PLATFORM ASSEMBLY - 36IN X 8FT (91.5CM X 2.44M) WITH FALL ARREST (ANSI SPEC)**

ITEM	PART NUMBER	QTY	DESCRIPTION	REV
	1001186334	Ref	PLATFORM ASSEMBLY	D
		Ref	Note: Replacement Decals Must be Ordered Separately - See DECALS SECTION.	
1	0681814	2	Bolt 1/2 x 1-3/4 Grade 8	
2	0681822	6	Bolt 1/2 x 2-3/4 Grade 8	
3	0962270	2	Bearing	
4	1702773	1	Decal - JLG	
5	1705014	1	Decal - Safety	
6	1706385	1	Decal - Drop Bar	
7	2410014	1	Bar, Drop	
8	3271805	8	Nut 1/2 Grade 8	
9	3311605	1	Nut 3/8	
10	3520072	1	Plug	
11	1001203656	1	Cable	
12	3900054	1	Bolt 1/2 x 1-3/4	
13	4711800	2	Washer 1/2	
14	4751800	6	Washer 1/2	
15	See Note	NSS	Platform (Note: Purchase Platform Assembly)	

# SECTION 5 - PLATFORM

FIGURE 5-9. PLATFORM ASSEMBLY - 36IN X 8FT (91.5CM X 2.44M) WITH FALL ARREST (AUSTRALIAN SPECS)



ART\_1001186389



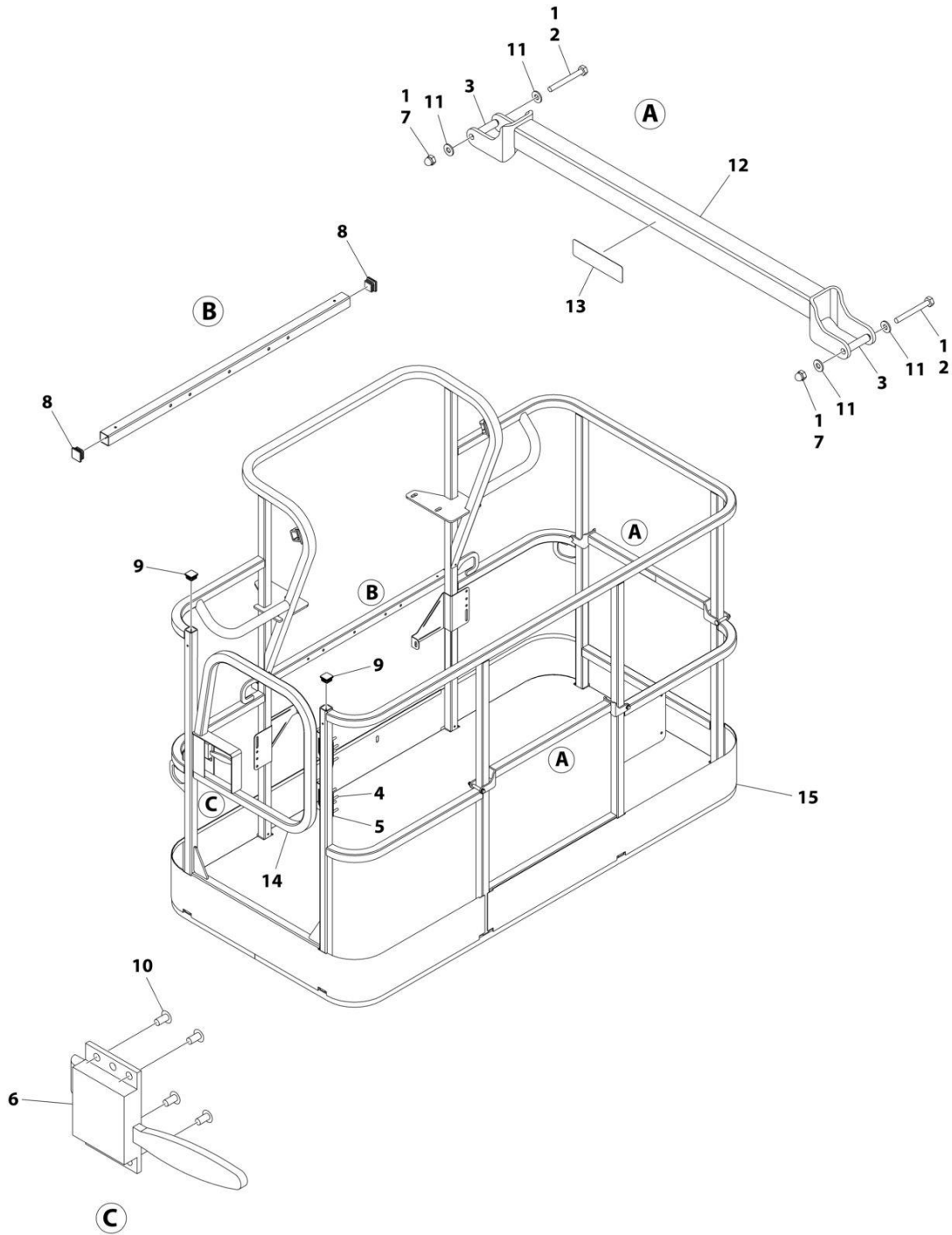
## SECTION 5 - PLATFORM

**FIGURE 5-9. PLATFORM ASSEMBLY - 36IN X 8FT (91.5CM X 2.44M) WITH FALL ARREST  
(AUSTRALIAN SPECS)**

ITEM	PART NUMBER	QTY	DESCRIPTION	REV
	1001186389	Ref	PLATFORM ASSEMBLY - 36IN X 8FT (91.5CM X 2.44M) WITH FALL ARREST	D
		Ref	Note: Standard decals must be ordered separately - See DECAL SECTION.	
1	0681814	2	Bolt 1/2 x 1-3/4 Grade 8	
2	0681822	6	Bolt 1/2 x 2-3/4 Grade 8	
3	0962270	2	Bearing	
4	1702773	1	Decal - JLG	
5	1706493	1	Decal - Drop Bar	
6	1706501	1	Decal - Safety	
7	2410014	1	Gate	
8	3271805	8	Nut 1/2 Grade 8	
9	3311605	1	Nut 3/8	
10	3520072	1	Plug	
11	1001203656	1	Cable	
12	3900054	1	Bolt 1/2 x 1-3/4	
13	4711800	8	Washer 1/2	
14	4751800	6	Washer 1/2	
15	1001186318	NSS	Platform (Note: Not Available - Purchase Platform Assembly)	

# SECTION 5 - PLATFORM

FIGURE 5-10. PLATFORM ASSEMBLY - 36IN X 6FT (91.5CM X 1.83M) TRI-ENTRY WITH SWING GATE



ART\_1001228376

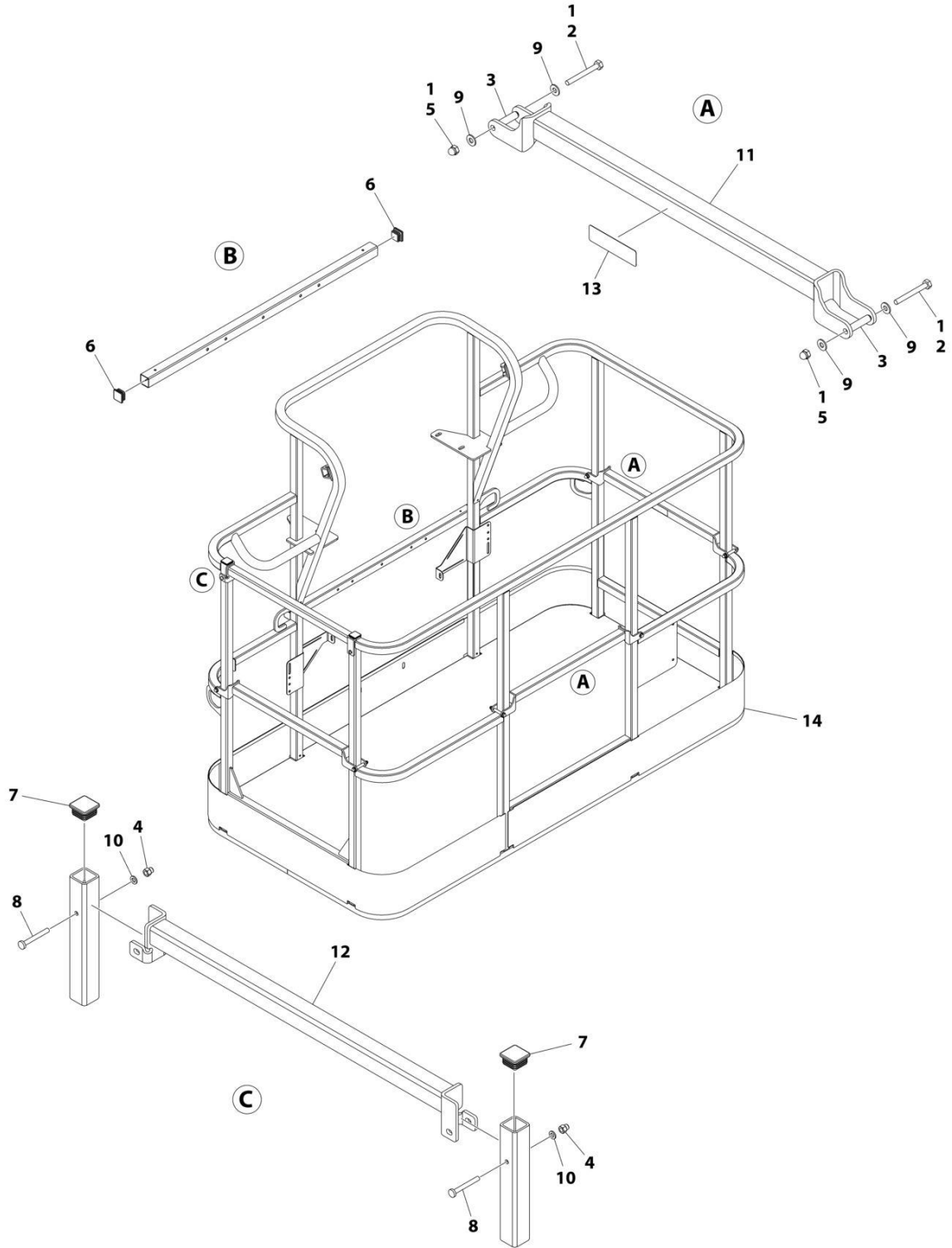
## SECTION 5 - PLATFORM

**FIGURE 5-10. PLATFORM ASSEMBLY - 36IN X 6FT (91.5CM X 1.83M) TRI-ENTRY WITH SWING GATE**

ITEM	PART NUMBER	QTY	DESCRIPTION	REV
	1001228376	Ref	PLATFORM ASSEMBLY - 36IN x 6FT (91.5CM x 1.83M)	B
		Ref	Note: Platform and Mesh must be ordered separately for Platforms with Mesh. See SPECIAL OPTIONS SECTION for Mesh Installations.	
		Ref	Note: Replacement Decals Must be Ordered Separately - See DECAL SECTION.	
1	0100011	AR	Compound, Locking	
2	0641418	4	Bolt 1/4 x 2-1/4	
3	0961845	4	Bushing	
4	2080040	16	Fastener	
5	2600281	2	Hinge	
6	2940074	1	Latch	
7	3300151	4	Nut 1/4	
8	3520072	3	Plug	
9	3520198	2	Plug	
10	3820020	4	Rivet	
11	4711400	8	Washer 1/4	
12	1001138494	2	Bar, Drop	
13	1001140429	2	Decal - Drop Bar	
14	1001144629	1	Gate	
15	See Note	NSS	Platform (Note: Not Available - Purchase Platform Assembly)	

# SECTION 5 - PLATFORM

FIGURE 5-11. PLATFORM ASSEMBLY - 36IN X 6FT (91.5CM X 1.83M) TRI-ENTRY WITH DROPBAR



ART\_1001228377

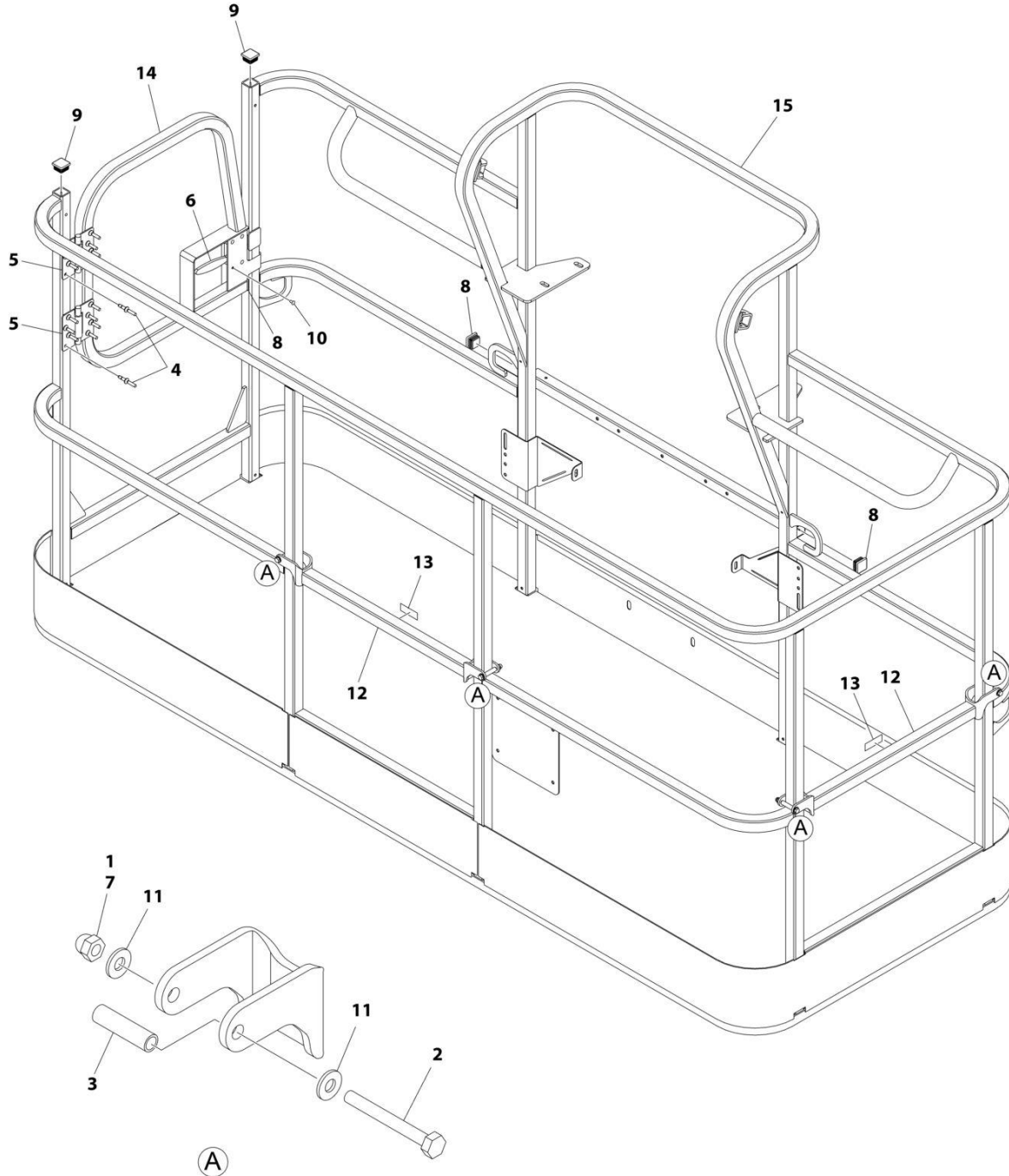
## SECTION 5 - PLATFORM

**FIGURE 5-11. PLATFORM ASSEMBLY - 36IN X 6FT (91.5CM X 1.83M) TRI-ENTRY WITH DROPBAR**

ITEM	PART NUMBER	QTY	DESCRIPTION	REV
	1001228377	Ref	PLATFORM ASSEMBLY - 36IN x 6FT (91.5CM x 1.83M)	B
		Ref	Note: Platform and Mesh must be ordered separately for Platforms with Mesh. See SPECIAL OPTIONS SECTION for Mesh Installations.	
		Ref	Note: Replacement Decals Must be Ordered Separately - See DECAL SECTION.	
1	0100011	1	Compound, Locking	
2	0641418	6	Bolt 1/4 x 2-1/4	
3	0961845	6	Bushing	
4	3290606	2	Nut M6	
5	3300151	6	Nut 1/4	
6	3520072	2	Plug	
7	3520198	2	Plug	
8	4010618	2	Screw M6 x 50	
9	4711400	12	Washer 1/4	
10	4811700	2	Washer M6	
11	1001138494	3	Bar, Drop	
12	1001138514	1	Rail (Top)	
13	1001140429	3	Decal - Drop Bar	
14	See Note	NSS	Platform, Weldment (Note: Not Available - Purchase Platform Assembly)	

# SECTION 5 - PLATFORM

FIGURE 5-12. PLATFORM ASSEMBLY - 36IN X 8FT (91.5CM X 2.44M) WITH TRI-ENTRY (1 GATE/2 DROP BARS)



ART\_1001228243

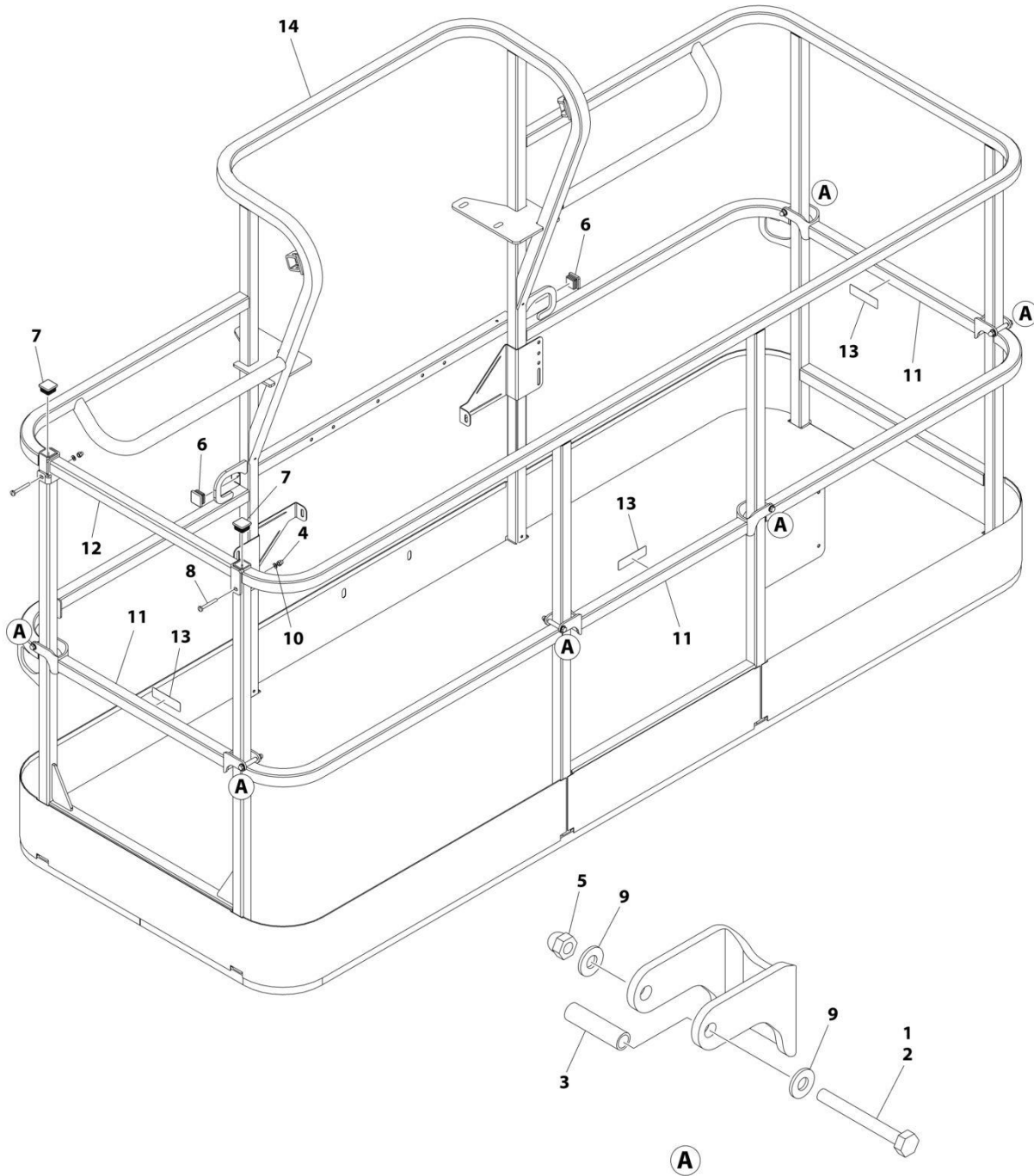
## SECTION 5 - PLATFORM

**FIGURE 5-12. PLATFORM ASSEMBLY - 36IN X 8FT (91.5CM X 2.44M) WITH TRI-ENTRY (1 GATE/2 DROP BARS)**

ITEM	PART NUMBER	QTY	DESCRIPTION	REV
	1001228243	Ref	PLATFORM ASSEMBLY - 36IN X 8FT (91.5CM X 2.44M) WITH TRI-ENTRY	A
		Ref	Note: Platform and Mesh must be ordered separately for Platforms with Mesh. See SPECIAL OPTIONS SECTION for Mesh Installations.	
1	0100011	AR	Compound, Locking	
2	0641418	4	Bolt 1/4 x 2-1/4	
3	0961845	4	Bushing	
4	2080040	16	Fastener, Huck	
5	2600281	2	Hinge, Self-Closing	
6	2940074	1	Latch	
7	3300151	4	Nut 1/4	
8	3520072	3	Cap, Plug	
9	3520198	2	Cap, Plug	
10	3820020	4	Rivet	
11	4711400	8	Washer 1/4	
12	1001138494	2	Bar, Drop	
13	1001140429	2	Decal - Drop Bar	
14	1001144629	1	Gate, Weldment	
15	See Note	1	Platform (Note: Not Available - Purchase Platform Assembly)	

# SECTION 5 - PLATFORM

FIGURE 5-13. PLATFORM ASSEMBLY - 36IN X 8FT (91.5CM X 2.44M) WITH TRI-ENTRY (3 DROP BARS)



ART\_1001228375



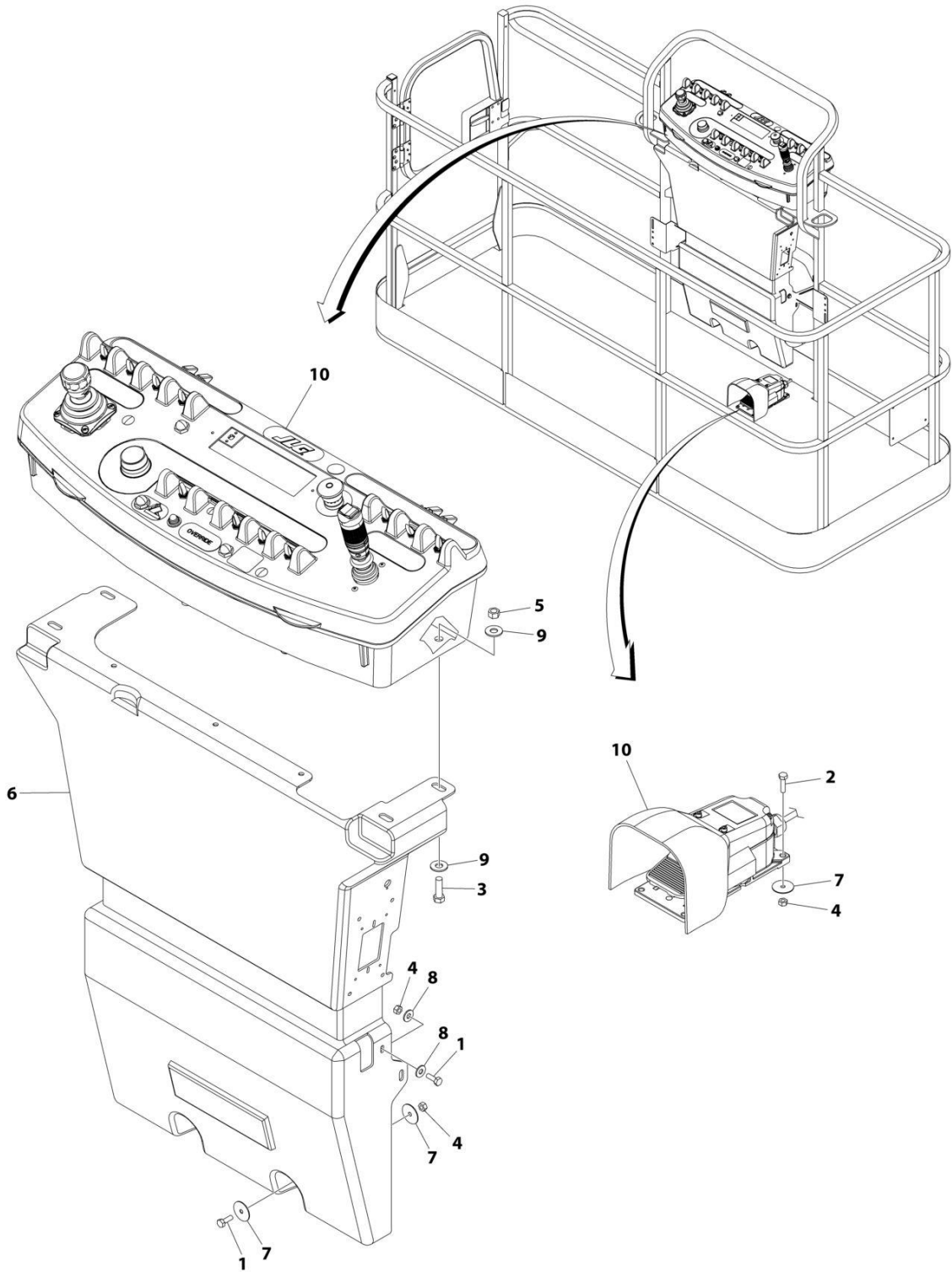
## SECTION 5 - PLATFORM

**FIGURE 5-13. PLATFORM ASSEMBLY - 36IN X 8FT (91.5CM X 2.44M) WITH TRI-ENTRY (3 DROP BARS)**

ITEM	PART NUMBER	QTY	DESCRIPTION	REV
	1001228375	Ref	PLATFORM ASSEMBLY - 36IN X 8FT (91.5CM X 2.44M) WITH TRI-ENTRY	A
		Ref	Note: Platform and Mesh must be ordered separately for Platforms with Mesh. See SPECIAL OPTIONS SECTION for Mesh Installations.	
		Ref	Note: Replacement Decals Must be Ordered Separately - See DECAL SECTION.	
1	0100011	AR	Compound, Locking	
2	0641418	6	Bolt 1/4 x 2-1/4	
3	0961845	6	Bushing	
4	3290606	2	Nut M6 x 1	
5	3300151	6	Nut 1/4	
6	3520072	2	Cap, Plug	
7	3520198	2	Cap, Plug	
8	4010618	2	Screw M6 x 50	
9	4711400	12	Washer 1/4	
10	4811700	2	Washer M6	
11	1001138494	3	Bar, Drop	
12	1001138514	1	Rail (Top)	
13	1001140429	3	Decal - Drop Bar	
14	See Note	1	Platform (Note: Not Available - Purchase Platform Assembly)	

# SECTION 5 - PLATFORM

## FIGURE 5-14. PLATFORM CONTROLS INSTALLATION



ART\_1001267387

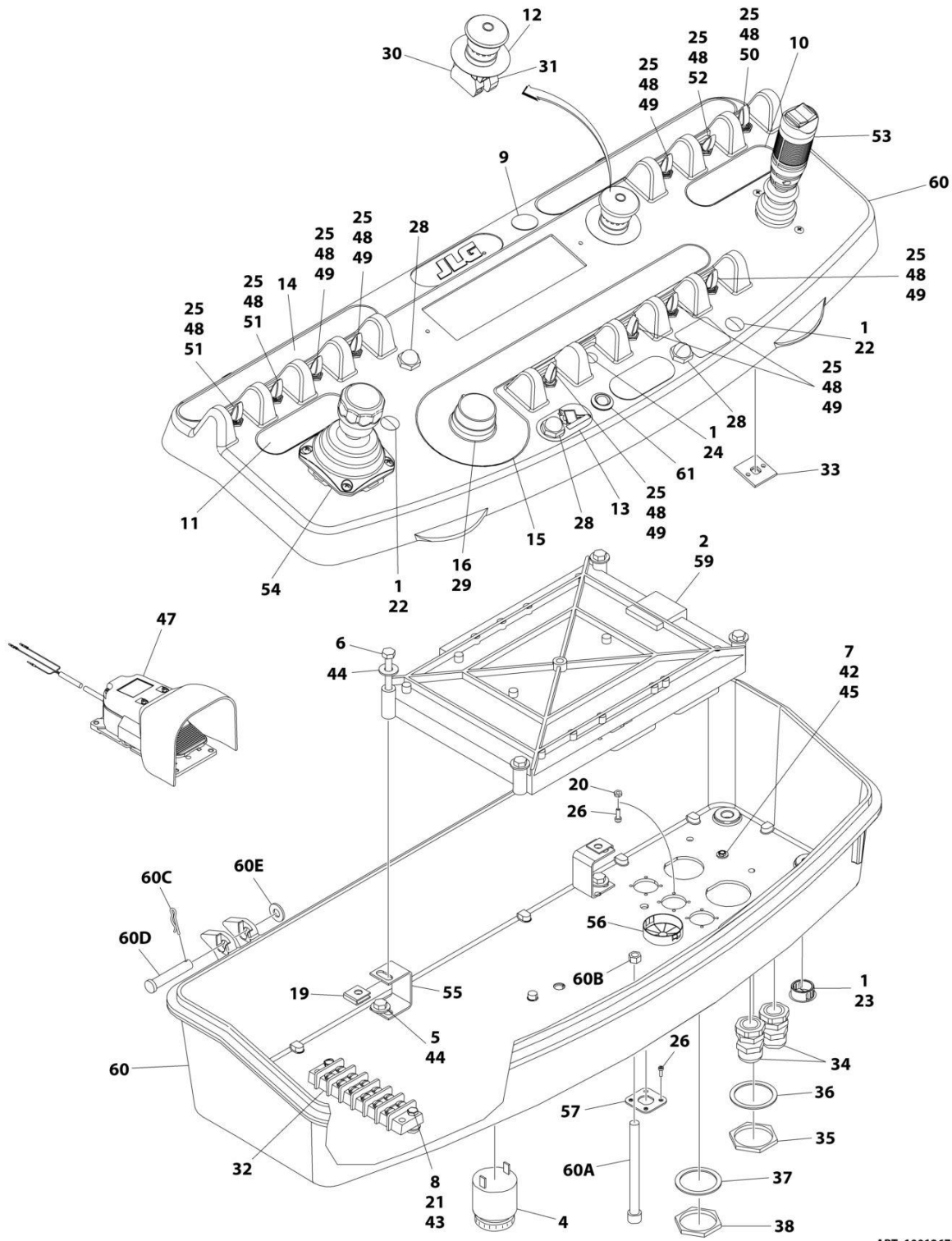
## SECTION 5 - PLATFORM

### FIGURE 5-14. PLATFORM CONTROLS INSTALLATION

ITEM	PART NUMBER	QTY	DESCRIPTION	REV
	1001267387	Ref	PLATFORM CONTROLS INSTALLATION	A
1	0641406	4	Bolt 1/4 x 3/4	
2	0641408	3	Bolt 1/4 x 1	
3	0641610	4	Bolt 3/8 x 1-1/4	
4	3311405	7	Nut 1/4	
5	3311605	4	Nut 3/8	
6	3380434	1	Panel, Molded	
7	4740362	7	Washer, Fender	
8	4751400	4	Washer 1/4	
9	4751600	8	Washer 3/8	
10	1001267389	1	Platform Console Box Assembly (See Separate Breakdown in this Section)	

# SECTION 5 - PLATFORM

## FIGURE 5-15. PLATFORM CONSOLE ASSEMBLY



ART\_1001267389\_D

## SECTION 5 - PLATFORM

### FIGURE 5-15. PLATFORM CONSOLE ASSEMBLY

ITEM	PART NUMBER	QTY	DESCRIPTION	REV
	1001267389	Ref	PLATFORM CONSOLE ASSEMBLY	D
1	0100009	AR	Sealant	
2	0100035	AR	Compound, Locking	
4	0140011	1	Alarm	
5	0641405	4	Bolt 1/4 x 5/8	
6	0641414	4	Bolt 1/4 x 1-3/4	
7	0720804	1	Screw #8 x 1/2	
8	0721006	2	Bolt #10 x 3/4	
9	1671314	1	Cover, Hole	
10	1702565	1	Decal - Drive and Steer	
11	1702566	1	Decal - Lift and Swing	
12	1704260	1	Decal - EMS	
13	1705171	1	Decal - Jib Stow	
14	1705744	1	Decal - Horn	
15	1705745	1	Decal - Function Speed	
16	2560136	1	Handle, Knob	
19	3300353	4	Nut, Tinnerman	
20	3300482	2	Nut M2.5	
21	3311005	2	Nut #10	
22	3520026	2	Plug, Hole	
23	3520030	1	Plug, Hole	
24	3520054	1	Plug, Hole	
25	3790012	11	O-Ring	
26	3900349	12	Capscrew M2.5	
28	4360387	3	Switch, Pushbutton	
29	4360407	1	Controller, Speed	
29	See Note	NSS	Gasket "Top Hat" (Included with Switch) (Note: Not Available - Purchase Complete Controller)	
30	1001274559	1	Switch, Emergency Stop	
31	4360476	1	Block, Contact	
32	4460007	1	Bar, Buss	
33	4460234	AR	Mount, Tie-Strap	
34	4460428	2	Connector, Strain Relief	
35	4460470	1	Nut, Terminal	
36	4460471	1	Washer, Terminal	
37	4460496	1	Nut, Terminal	
38	4460497	1	Washer, Terminal	
42	4750800	1	Washer #8	
43	4751000	2	Washer #10	
44	4751400	8	Washer 1/4	
45	4760800	1	Washer	
46	4922666	1	Harness, Analyzer Cable (Not Shown - See Separate Breakdown in ELECTRICAL Section)	
47	1001117174	1	Footswitch Assembly (See Separate Breakdown in this Section)	
48	1001155044	11	Nut 15/32-32	
49	1001155045	7	Switch, Toggle	
50	1001159256	1	Switch, Toggle	
51	1001161709	2	Switch, Toggle	
52	1001161710	1	Switch, Toggle	
53	1001275628	1	Controller Assembly (Drive and Steer)	

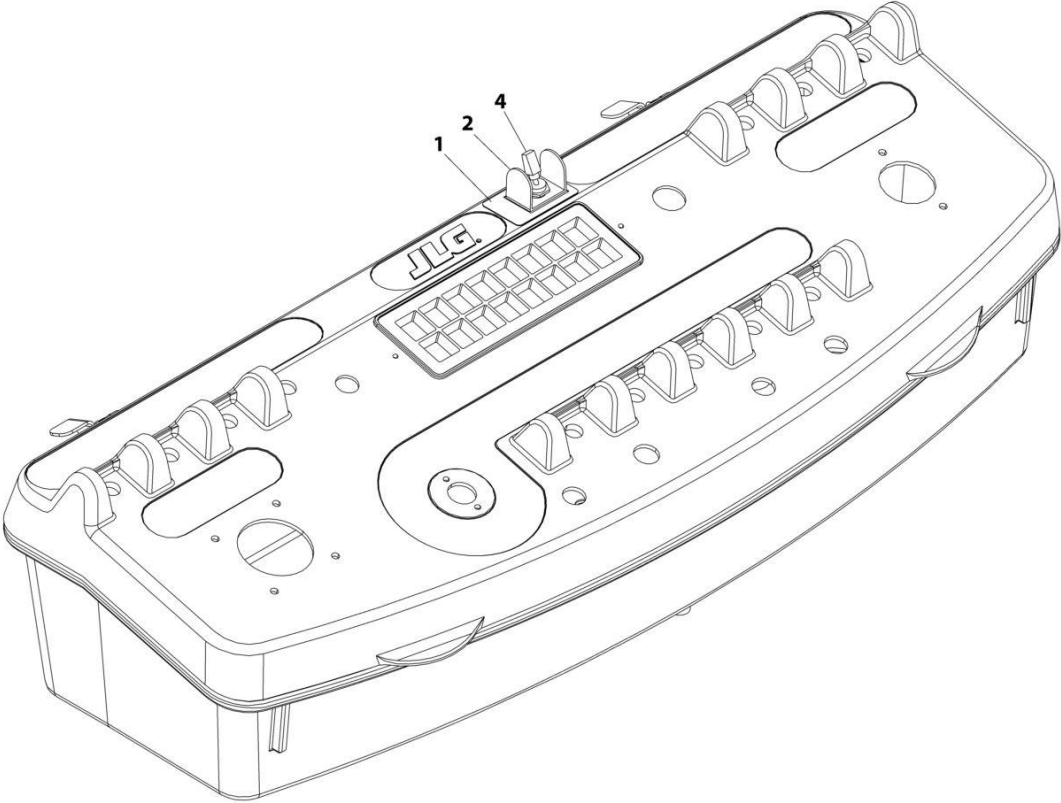
## SECTION 5 - PLATFORM

ITEM	PART NUMBER	QTY	DESCRIPTION	REV
54	1001275629	1	Controller Assembly (Lift and Swing)	B
55	1001172760	4	Bracket, Support	
56	1001185281	1	Plug	
57	1001220929	1	Mount, Connector	
58	1001241891	1	Harness, Console Box (Not Shown - See Separate Breakdown in ELECTRICAL Section)	
59	1600343	1	Module, Platform Control (Note: Re-calibration Required when Replaced)	
60	1001265905	1	Box, Console	
60A	0630568	1	Screw 3/8 x 4-1/2	
60B	3311601	1	Nut 3/8	
60C	3430616	2	Clevis	
60D	3470003	2	Pin	
60E	4711600	2	Washer 3/8	
61	1001206532	1	Light, Indicator	
62	4240099	AR	Tie-Strap (Not Shown)	



**SECTION 5 - PLATFORM**

**FIGURE 5-16. BOOM CONTROL SELECT SWITCH INSTALLATION**



ART\_0275098



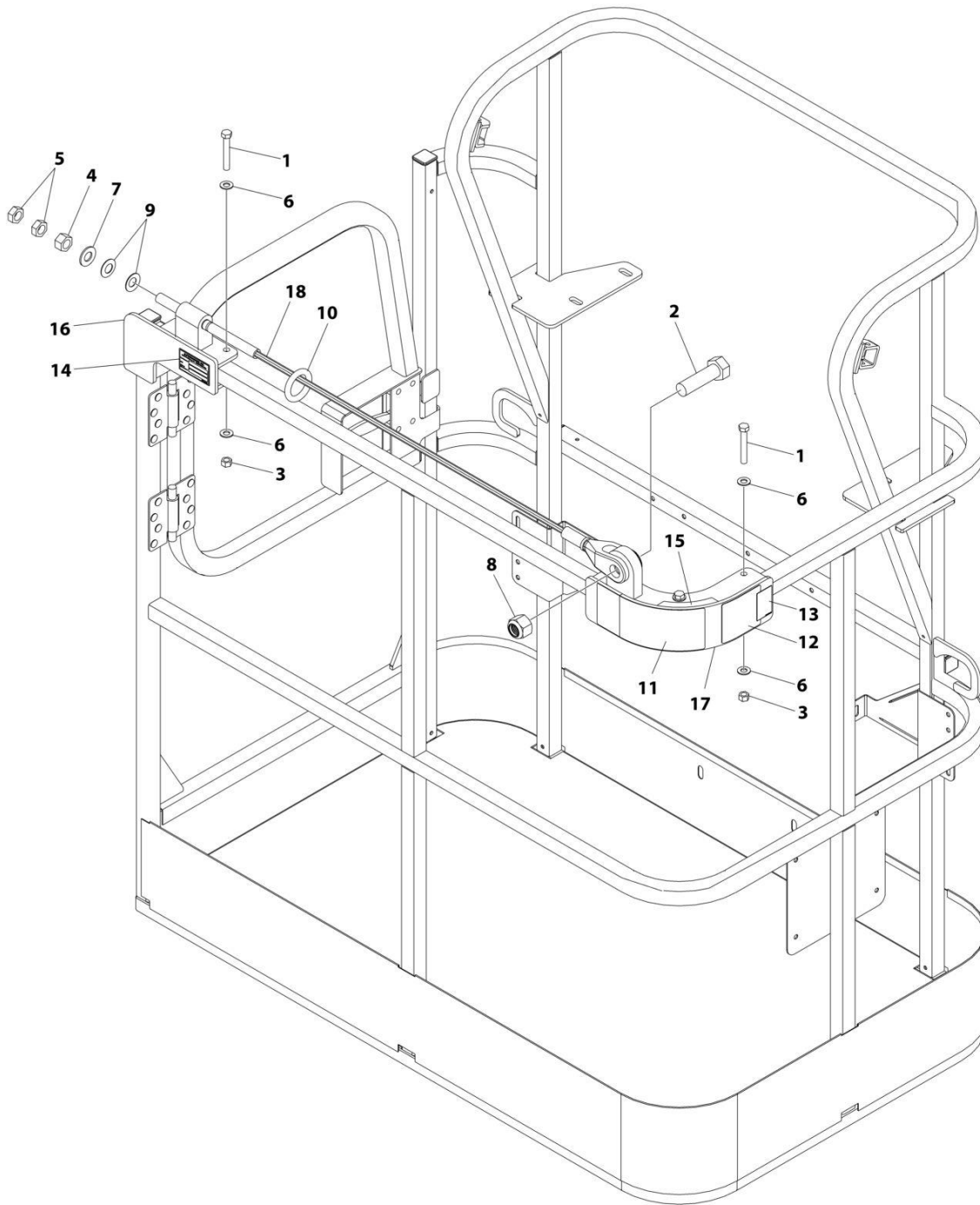
## SECTION 5 - PLATFORM

**FIGURE 5-16. BOOM CONTROL SELECT SWITCH INSTALLATION**

ITEM	PART NUMBER	QTY	DESCRIPTION	REV
	0275098	Ref	BOOM CONTROL SELECT SWITCH INSTALLATION	B
1	1706741	1	Decal - Boom Control Select	
2	4060906	1	Guard	
4	4360336	1	Switch, Toggle	

# SECTION 5 - PLATFORM

FIGURE 5-17. FALL ARREST INSTALLATION (BOLT - ON EXTERNAL) 4FFT/1.22M PLATFORM)



ART\_1001261338

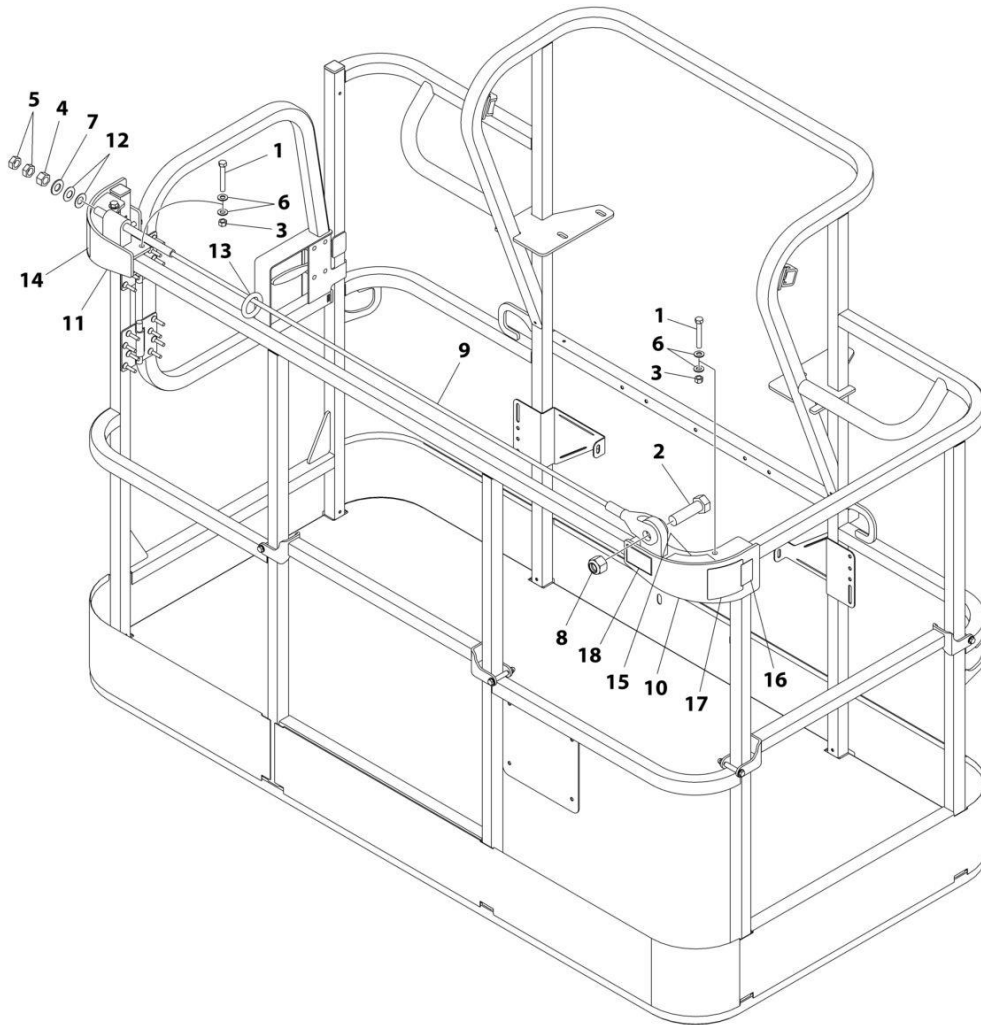
## SECTION 5 - PLATFORM

**FIGURE 5-17. FALL ARREST INSTALLATION (BOLT - ON EXTERNAL) 4FFT/1.22M PLATFORM)**

ITEM	PART NUMBER	QTY	DESCRIPTION	REV
	1001261338	Ref	FALL ARREST INSTALLATION	A
1	0681620	6	Bolt 3/8 x 2-1/2	
2	0682424	1	Bolt 7/8 x 3	
3	3271605	6	Nut 3/8	
4	3272001	1	Nut 5/8	
5	3312002	2	Nut 5/8	
6	4711600	12	Washer 3/8	
7	4712000	1	Washer 5/8	
8	88521214	1	Nut 7/8	
9	1001236891	2	Washer	
10	1001236895	1	Ring	
11	1001238263	1	Decal - Warning Falling Hazard	
12	1001248140	1	Decal - Bolt Fall Arrest Re-Cert	
13	1001248141	1	Decal - Incription	
14	See Note	NSS	Nameplate - Manufacturers Serial Number (Note: Not Available for Purchase)	
15	1001252629	1	Decal - Weight	
16	1001257271	1	Bracket (RH)	
17	1001257274	1	Bracket (LH)	
18	1001261335	1	Rope	

# SECTION 5 - PLATFORM

FIGURE 5-18. FALL ARREST INSTALLATION (BOLT - ON EXTERNAL) 6FT/1.82M PLATFORM



ART\_1001238463

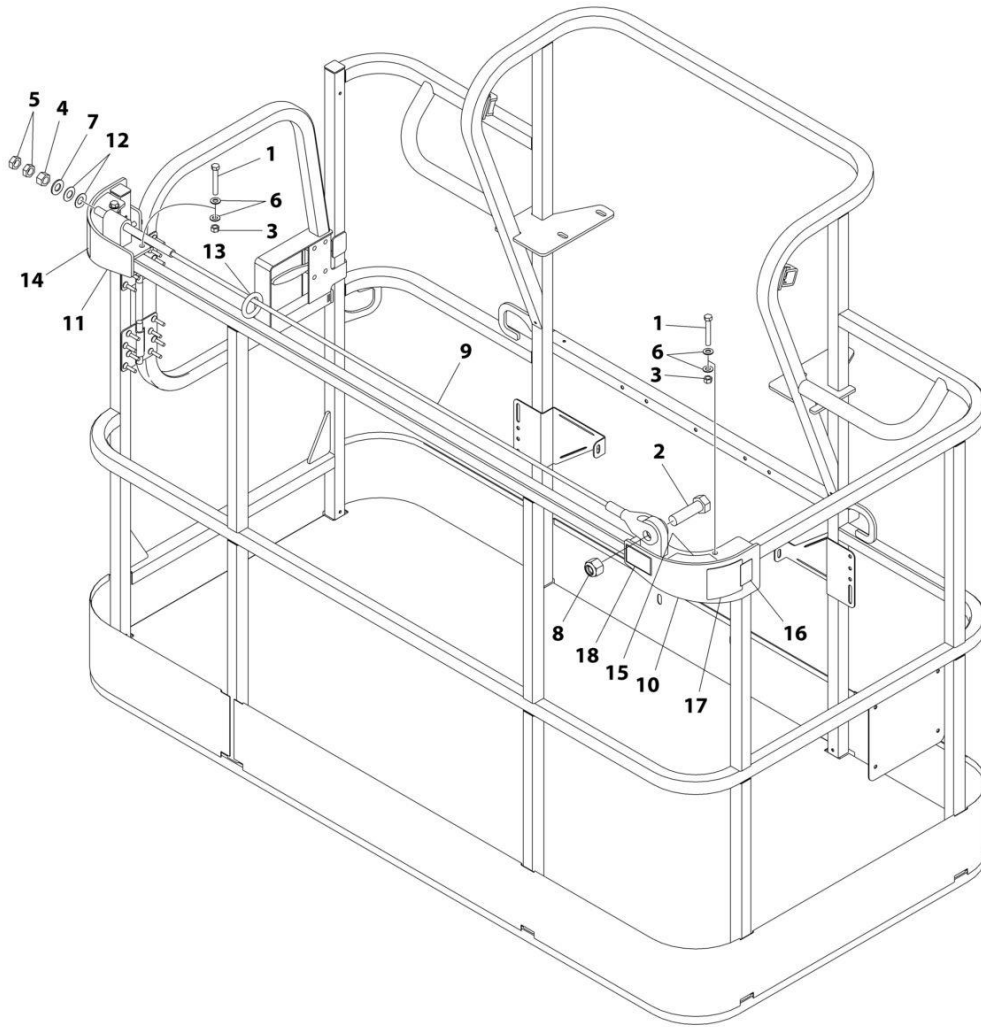
## SECTION 5 - PLATFORM

**FIGURE 5-18. FALL ARREST INSTALLATION (BOLT - ON EXTERNAL) 6FT/1.82M PLATFORM**

ITEM	PART NUMBER	QTY	DESCRIPTION	REV
	1001238463	Ref	FALL ARREST INSTALLATION (BOLT - ON) 6FT/1.82M PLATFORM	C
1	0681620	6	Bolt 3/8 x 2-1/2	
2	0682424	1	Bolt 7/8 x 3	
3	3271605	6	Nut 3/8	
4	3272001	1	Nut 5/8	
5	3312002	2	Nut 5/8	
6	4711600	12	Washer 3/8	
7	4712000	1	Washer 5/8	
8	88521214	1	Nut 7/8	
9	1001231950	1	Rope	
10	1001232010	1	Bracket (RH)	
11	1001232011	1	Bracket (LH)	
12	1001236891	2	Washer	
13	1001236895	1	Ring	
14	1001238263	1	Decal - Warning Falling Hazard	
15	1001252629	1	Decal - Weight	
16	1001248140	1	Decal - Bolt Fall Arrest Re-Cert	
17	1001248141	1	Decal - Inscription	

# SECTION 5 - PLATFORM

FIGURE 5-19. FALL ARREST INSTALLATION (BOLT - ON EXTERNAL) 6FT/1.82M PLATFORM (



ART\_1001236747

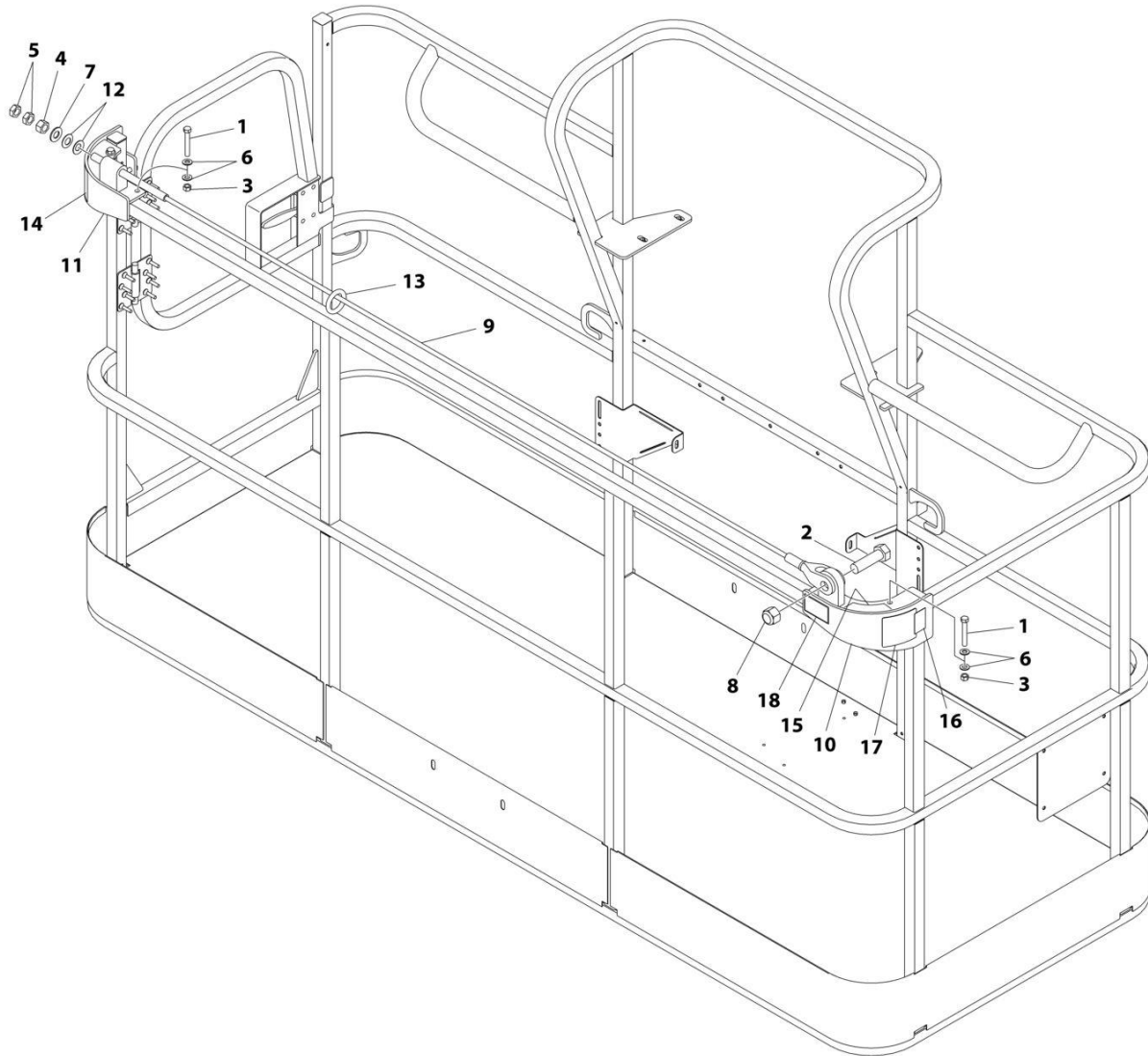
## SECTION 5 - PLATFORM

**FIGURE 5-19. FALL ARREST INSTALLATION (BOLT - ON EXTERNAL) 6FT/1.82M PLATFORM (**

ITEM	PART NUMBER	QTY	DESCRIPTION	REV
	1001236747	Ref	FALL ARREST INSTALLATION (BOLT - ON) 6FT/1.82M PLATFORM	C
1	0681620	6	Bolt 3/8 x 2-1/2	
2	0682424	1	Bolt 7/8 x 3	
3	3271605	6	Nut 3/8	
4	3272001	1	Nut 5/8	
5	3312002	2	Nut 5/8	
6	4711600	12	Washer 3/8	
7	4712000	1	Washer 5/8	
8	88521214	1	Nut 7/8	
9	1001231950	1	Rope	
10	1001232010	1	Bracket (RH)	
11	1001232011	1	Bracket (LH)	
12	1001236891	2	Washer	
13	1001236895	1	Ring	
14	1001238263	1	Decal - Warning Falling Hazard	
15	1001252629	1	Decal - Weight	
16	1001248140	1	Decal - Bolt Fall Arrest Re-Cert	
17	1001248141	1	Decal - Inscription	

# SECTION 5 - PLATFORM

FIGURE 5-20. FALL ARREST INSTALLATION (BOLT - ON EXTERNAL) 8FT/2.4M PLATFORM



ART\_1001236746



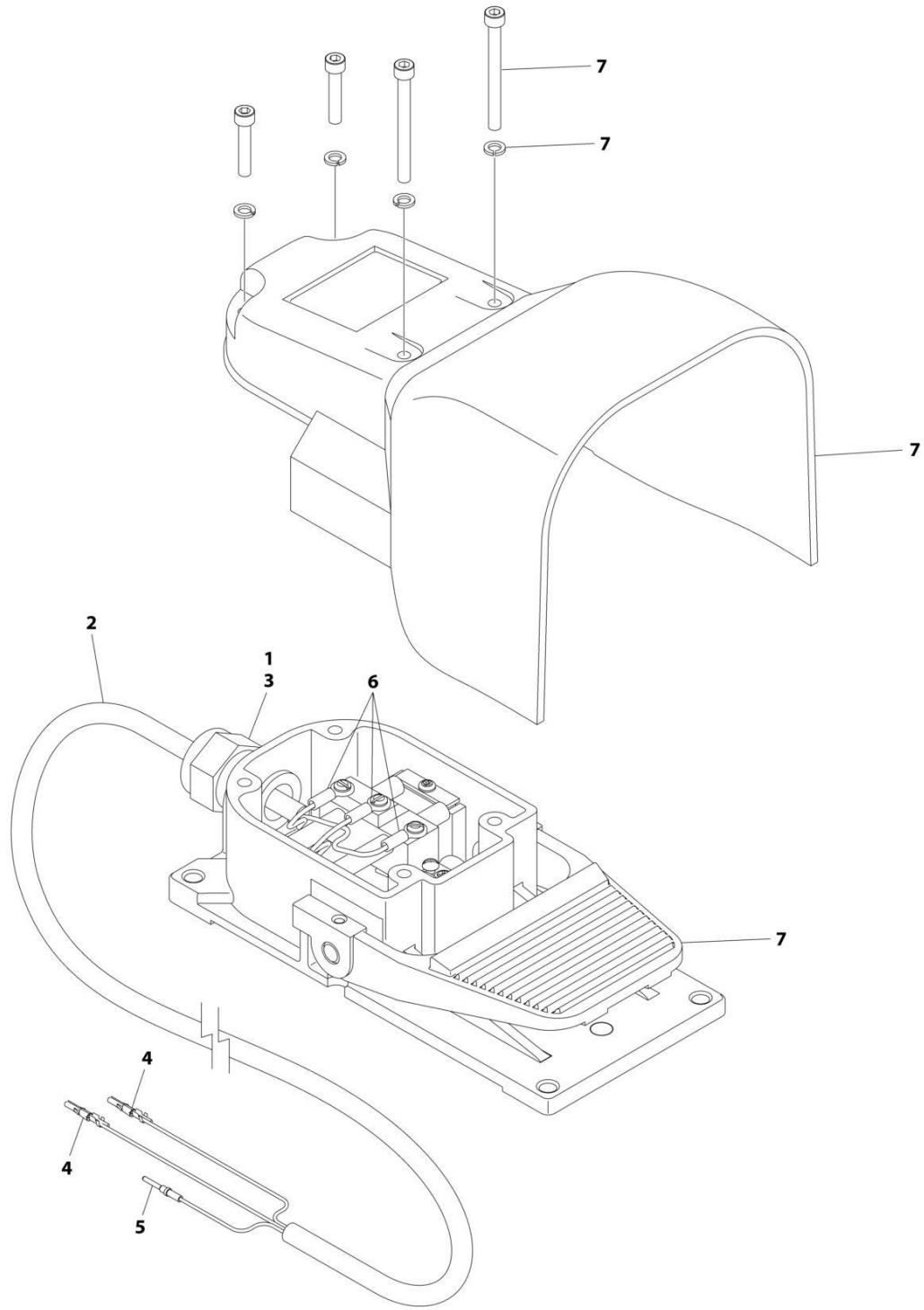
## SECTION 5 - PLATFORM

**FIGURE 5-20. FALL ARREST INSTALLATION (BOLT - ON EXTERNAL) 8FT/2.4M PLATFORM**

ITEM	PART NUMBER	QTY	DESCRIPTION	REV
	1001236746	Ref	FALL ARREST INSTALLATION (BOLT - ON) 8FT/2.4M PLATFORM	C
1	0681620	6	Bolt 3/8 x 2-1/2	
2	0682424	1	Bolt 7/8 x 3	
3	3271605	6	Nut 3/8	
4	3272001	1	Nut 5/8	
5	3312002	2	Nut 5/8	
6	4711600	12	Washer 3/8	
7	4712000	1	Washer 5/8	
8	88521214	1	Nut 7/8	
9	1001231949	1	Rope	
10	1001232010	1	Bracket (RH)	
11	1001232011	1	Bracket (LH)	
12	1001236891	2	Washer	
13	1001236895	1	Ring	
14	1001238263	1	Decal - Warning Falling Hazard	
15	1001252629	1	Decal - Weight 23LBS/10.4KG	
16	1001248140	1	Decal - Bolt Fall Arrest Re-Cert	
17	1001248141	1	Decal - Inscription	

# SECTION 5 - PLATFORM

## FIGURE 5-21. FOOTSWITCH ASSEMBLY



ART\_100117174

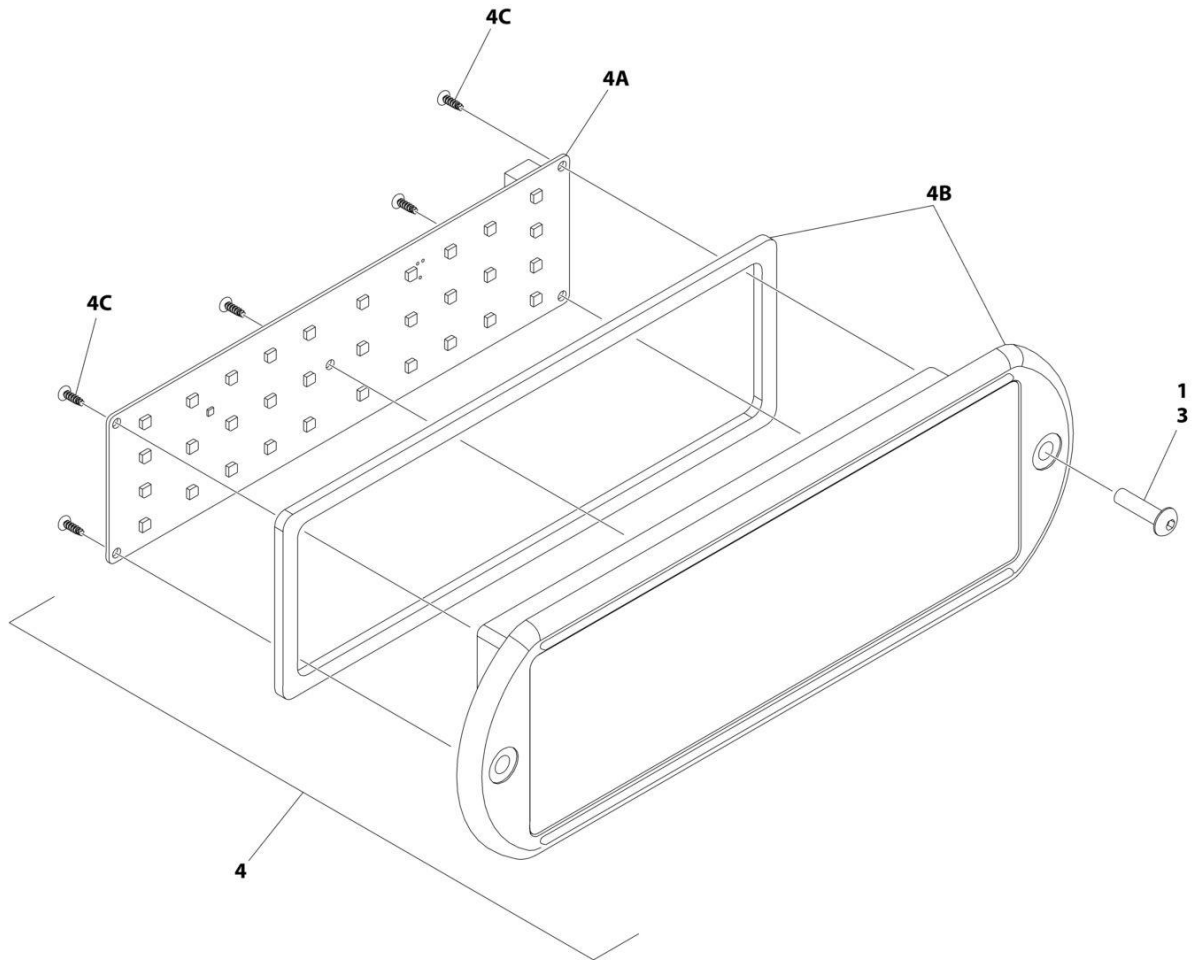
## SECTION 5 - PLATFORM

**FIGURE 5-21. FOOTSWITCH ASSEMBLY**

ITEM	PART NUMBER	QTY	DESCRIPTION	REV
	1001117174	Ref	FOOTSWITCH ASSEMBLY	C
1	0100020	AR	Sealant	
2	1060918	7.5 ft/ 2.3m	Cable, Electrical - 18/3	
3	4460071	1	Connector, Strain Relief	
4	4460226	2	Socket, Female	
5	4460464	1	Pin, Male	
6	1001098122	3	Terminal	
7	1001117172	1	Footswitch	
7	70002902	1	Switch, 20Amp	
7	70002903	1	Gasket	
7	70002905	1	Cover	
7	70002904	1	Kit, Replacement Bolt	

# SECTION 5 - PLATFORM

FIGURE 5-22. LIGHT PANEL INSTALLATION (MACHINES WITH SN STARTING WITH 03)



ART\_1001233959\_D\_20F2

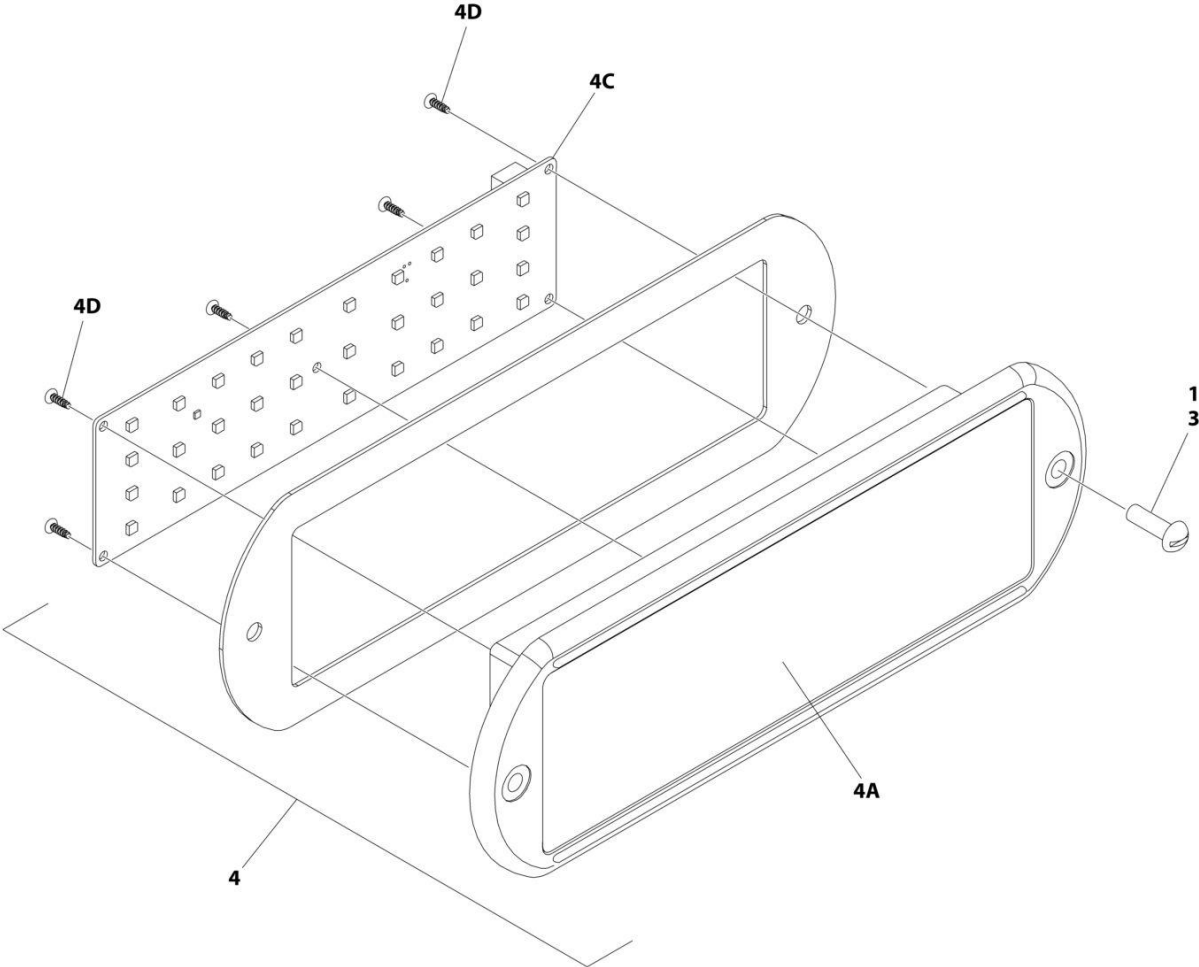
## SECTION 5 - PLATFORM

**FIGURE 5-22. LIGHT PANEL INSTALLATION (MACHINES WITH SN STARTING WITH 03)**

ITEM	PART NUMBER	QTY	DESCRIPTION	REV
	1001233959	Ref	LIGHT PANEL INSTALLATION - PLATFORM CONSOLE	D
1	0100035	AR	Compound, Locking	
3	0630518	2	Screw #10 x 3/4	
4	1001284583	1	Light Panel Assembly	A
4A	1001282106	1	Panel, LED Light	
4B	1001284582	1	Lens, Icon (Includes Gasket)	
4C		Ref	Screw	

**SECTION 5 - PLATFORM**

**FIGURE 5-23. LIGHT PANEL INSTALLATION (MACHINES WITH SN STARTING WITH B3)**



ART\_1001241398\_B\_20F2

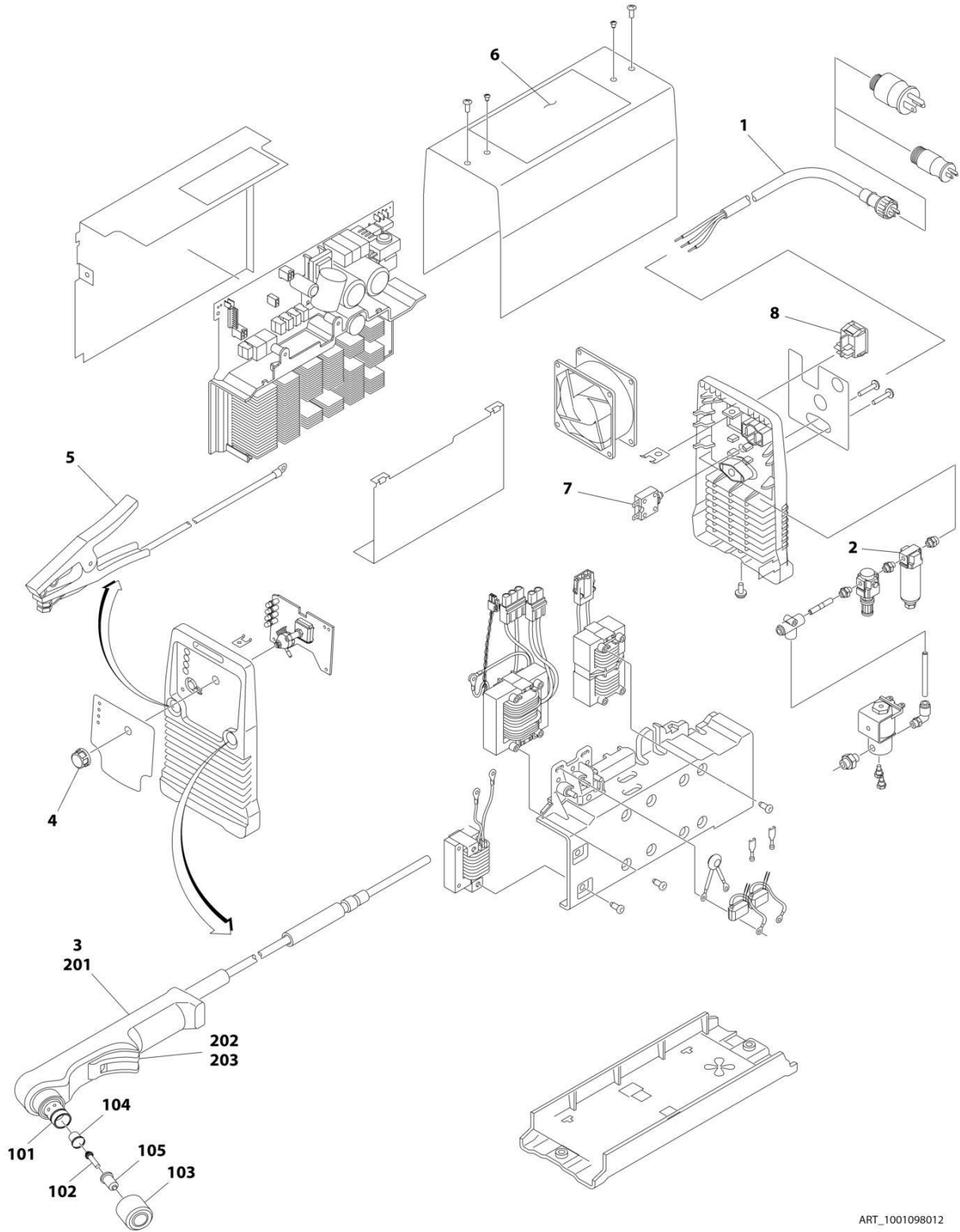
## SECTION 5 - PLATFORM

**FIGURE 5-23. LIGHT PANEL INSTALLATION (MACHINES WITH SN STARTING WITH B3)**

ITEM	PART NUMBER	QTY	DESCRIPTION	REV
	1001241398	Ref	LIGHT PANEL INSTALLATION - PLATFORM CONSOLE	B
1	0100035	AR	Compound, Locking	
3	3911010	2	Screw #10 x 5/8	
4	1001238671	1	Light Panel Assembly	
4A	1001236087	1	Lens, I-Con	
4C	1001238732	1	Panel, LED Light	
4D		Ref	Screw	

# SECTION 5 - PLATFORM

## FIGURE 5-24. PLASMA CUTTER ASSEMBLY



ART\_1001098012



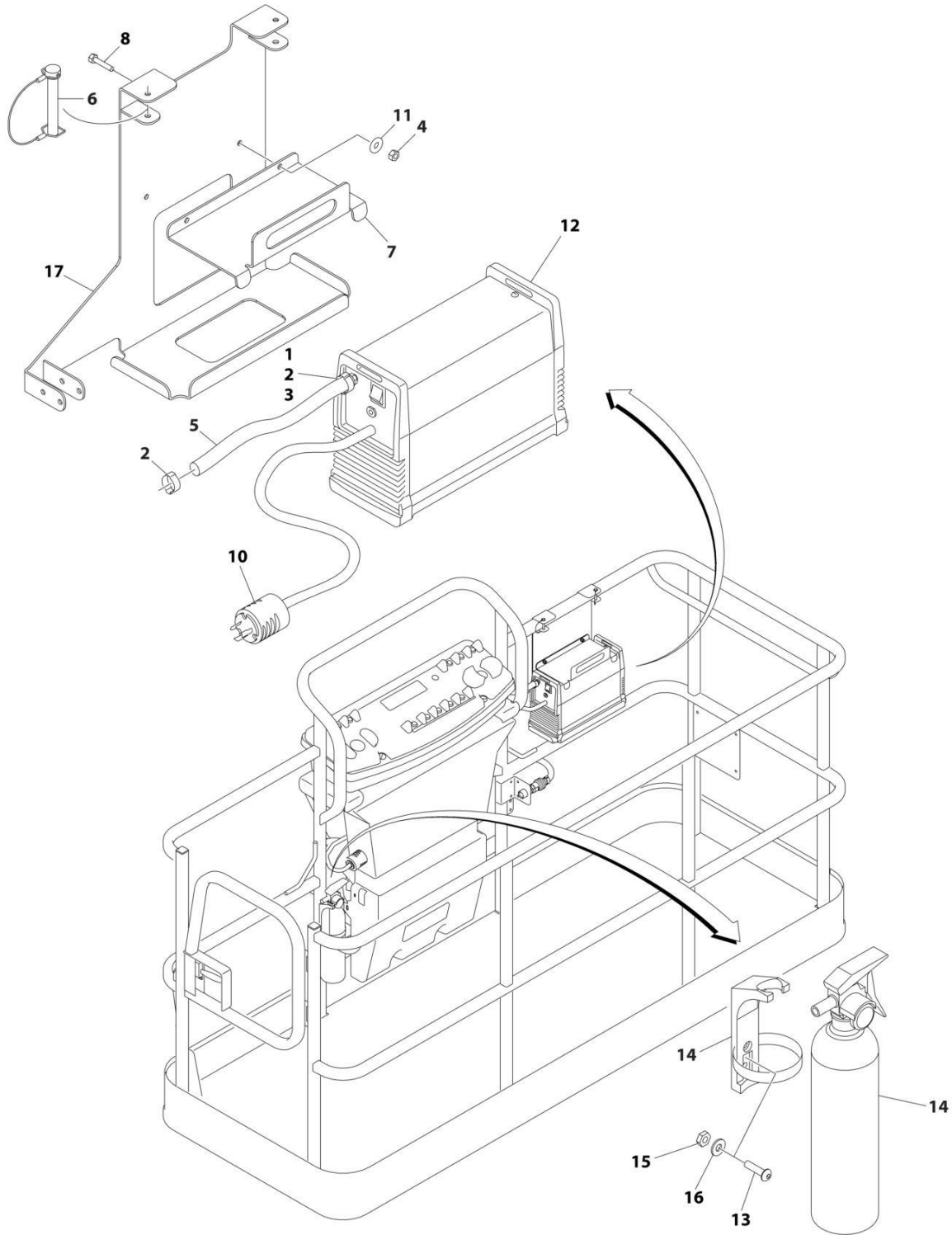
## SECTION 5 - PLATFORM

**FIGURE 5-24. PLASMA CUTTER ASSEMBLY**

ITEM	PART NUMBER	QTY	DESCRIPTION	REV
	1001098012	Ref	PLASMA CUTTER ASSEMBLY	A
		Ref	Note: For Other Components, contact your Miller Welder Dealer.	
1	70001424	1	Cable, Power	
1	70001425	1	Decal - Voltage Warning	
2	70001427	1	Filter, Regulator	
3	70001428	1	Torch Assembly (See Items 101-203 for Breakdown)	
4	7024471	1	Knob	
5	70001429	1	Clamp with Cable	
6	70001430	1	Decal - Caution	
7	70001431	1	Breaker, Circuit	
8	70001432	1	Switch, Rocker	
	70001428	Ref	TORCH ASSEMBLY	
101	7024530	1	O-Ring	
102	7024531	1	Electrode	
103	7024532	1	Cup, Retaining	
104	7024533	1	Swirl Ring	
105	7024534	1	Tip	
201	7024535	1	Handle, Torch	
202	7024536	1	Switch	
203	7024537	1	Trigger	

# SECTION 5 - PLATFORM

## FIGURE 5-25. SKYCUTTER INSTALLATION (ANSI, ANSI EXPORT, CHINA, CSA AND JAPANESE SPECS)



ART\_1001098149\_D

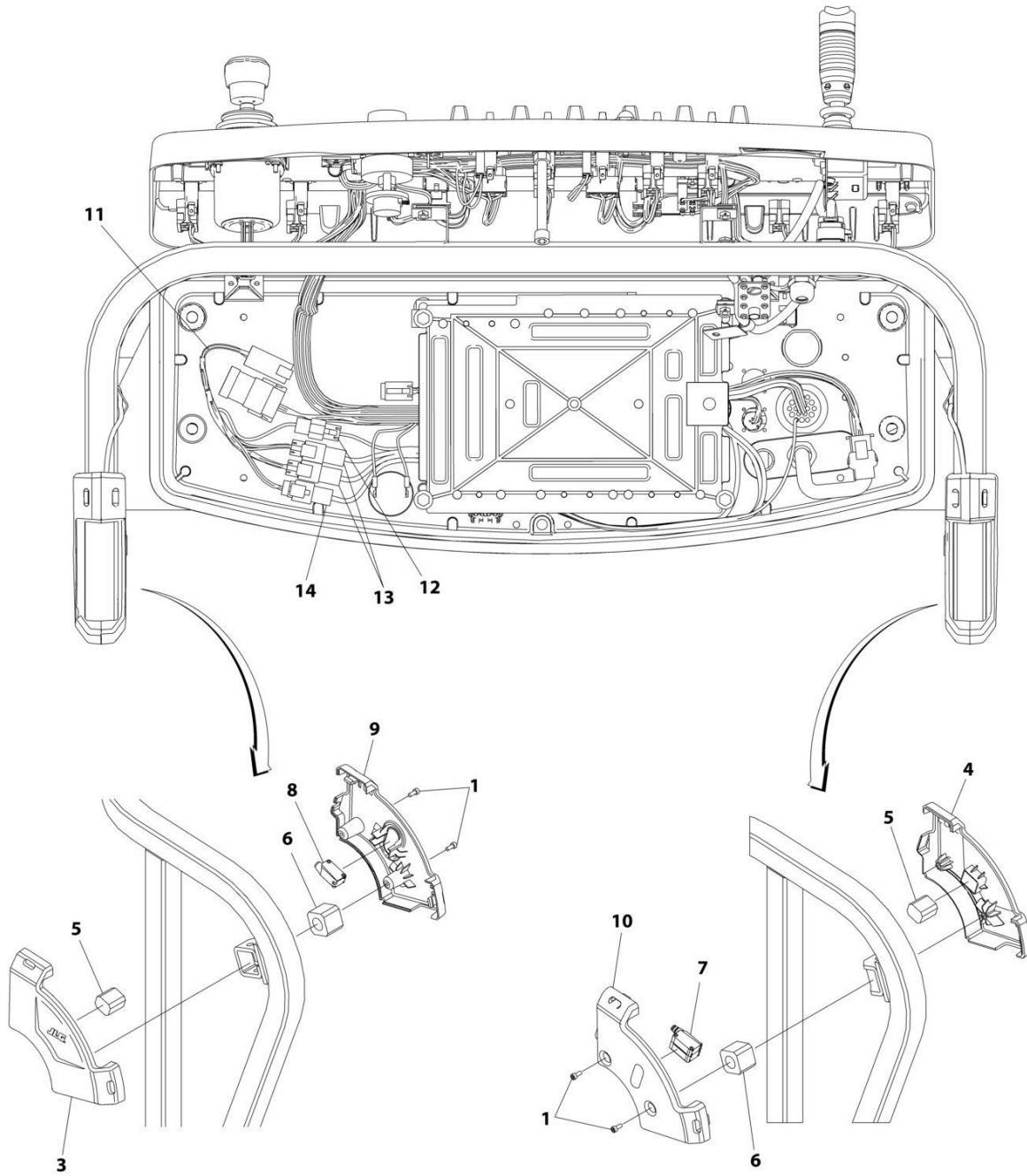
## SECTION 5 - PLATFORM

**FIGURE 5-25. SKYCUTTER INSTALLATION (ANSI, ANSI EXPORT, CHINA, CSA AND JAPANESE SPECS)**

ITEM	PART NUMBER	QTY	DESCRIPTION	REV
	1001098149	Ref	SKYCUTTER INSTALLATION	D
		Ref	Note: When replacing platform on machines with SkyCutter option, new bracket p/n 1001145405 must be purchased to accommodate SkyCutter components.	
1	0100020	AR	Sealant	
2	1320177	2	Clamp, Hose	
3	2180832	1	Fitting, NPT/Barbed	
4	3290605	2	Nut M6	
5	2720160	3 ft /.9m	Hose	
6	3421453	3	Pin	
7	3576799	1	Plate, Hold-Down	
8	4010608	2	Screw M6 x 16	
10	4460971	1	Plug, Twistlock	
11	4811700	2	Washer M6	
12	1001098012	1	Plasma Cutter Assembly (See Separate Breakdown in this Section)	
13	0630518	2	Screw #10 x 3/4	
14	2030010	1	Extinguisher, Fire	
15	3311005	2	Nut #10	
16	4751000	2	Washer #10	
17	1001145405	1	Support	

# SECTION 5 - PLATFORM

## FIGURE 5-26. SKYEYE INSTALLATION



ART\_1001229341

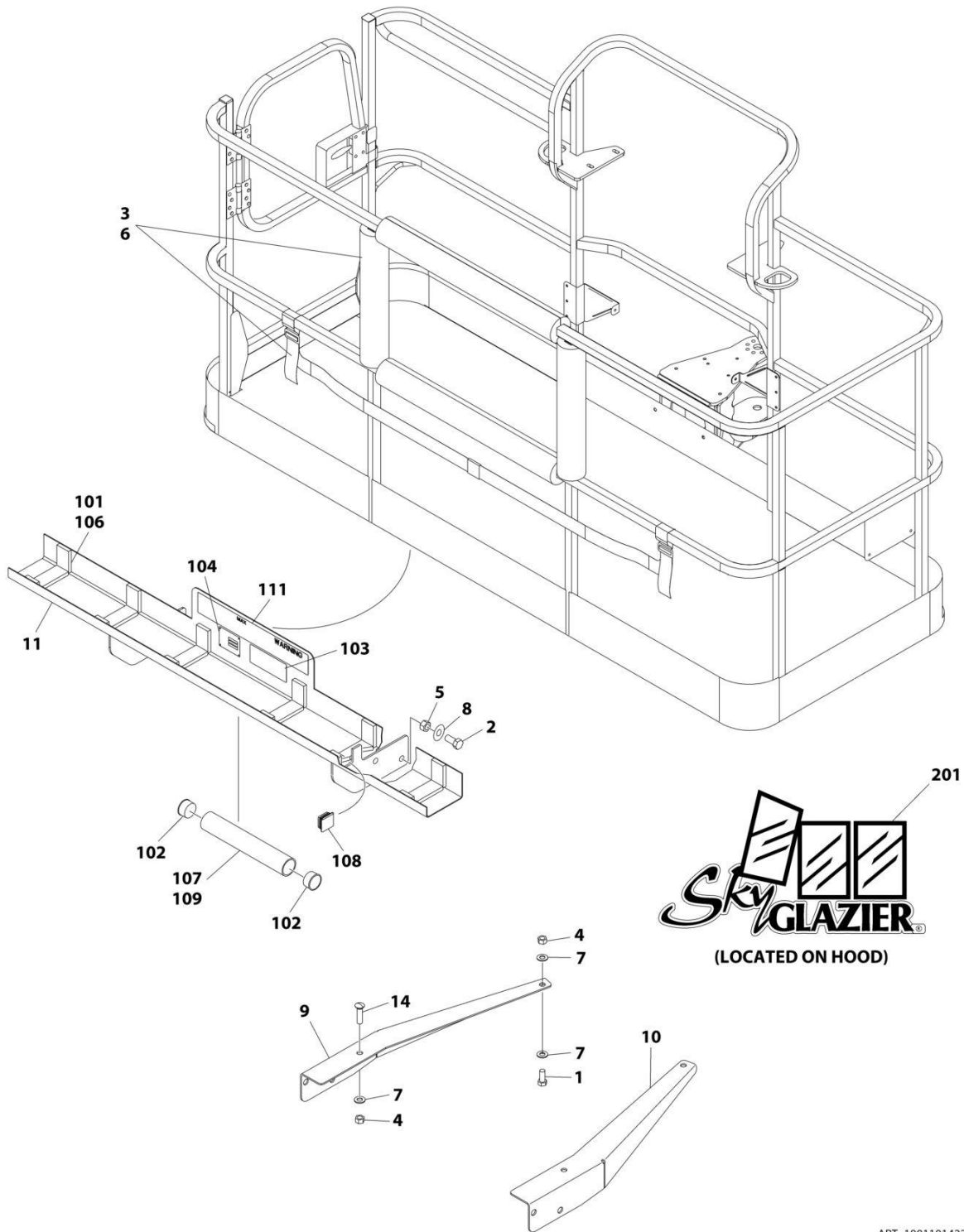
## SECTION 5 - PLATFORM

### FIGURE 5-26. SKYEYE INSTALLATION

ITEM	PART NUMBER	QTY	DESCRIPTION	REV
	1001229341	Ref	SKYEYE INSTALLATION	B
1	4031505	4	Bolt M4 x 10	
2	4240033	AR	Tie-Strap (Not Shown)	
3	1001227633	1	Housing, LH Outer	
4	1001227634	1	Housing, RH Outer	
5	1001227985	2	Shim	
6	1001227987	2	Shim	
7	1001228224	2	Sensor, Receiver	
8	1001228225	1	Sensor, Emitter	
9	1001232164	1	Housing, LH Inner	
10	1001232165	1	Housing, RH Inner	
11	1001237865	1	Harness, Skyeeye Intermediate (See Separate Breakdown in ELECTRICAL Section)	
12	1001238319	NLA	Harness, Skyeeye Drain Jumper	
12	1001187674	1	Plug, Male - 2 Position	
12	4460942	1	Terminal	
12	4460466	1	Plug, Terminal	
12	4460508	1	Pin, Male	
13	1001237863	2	Harness, Skyeeye Receiver (See Separate Breakdown in ELECTRICAL Section)	
14	1001237864	1	Harness, Skyeeye Emitter (See Separate Breakdown in ELECTRICAL Section)	

# SECTION 5 - PLATFORM

## FIGURE 5-27. SKYGLAZIER INSTALLATION (ANSI AND CSA SPECS)



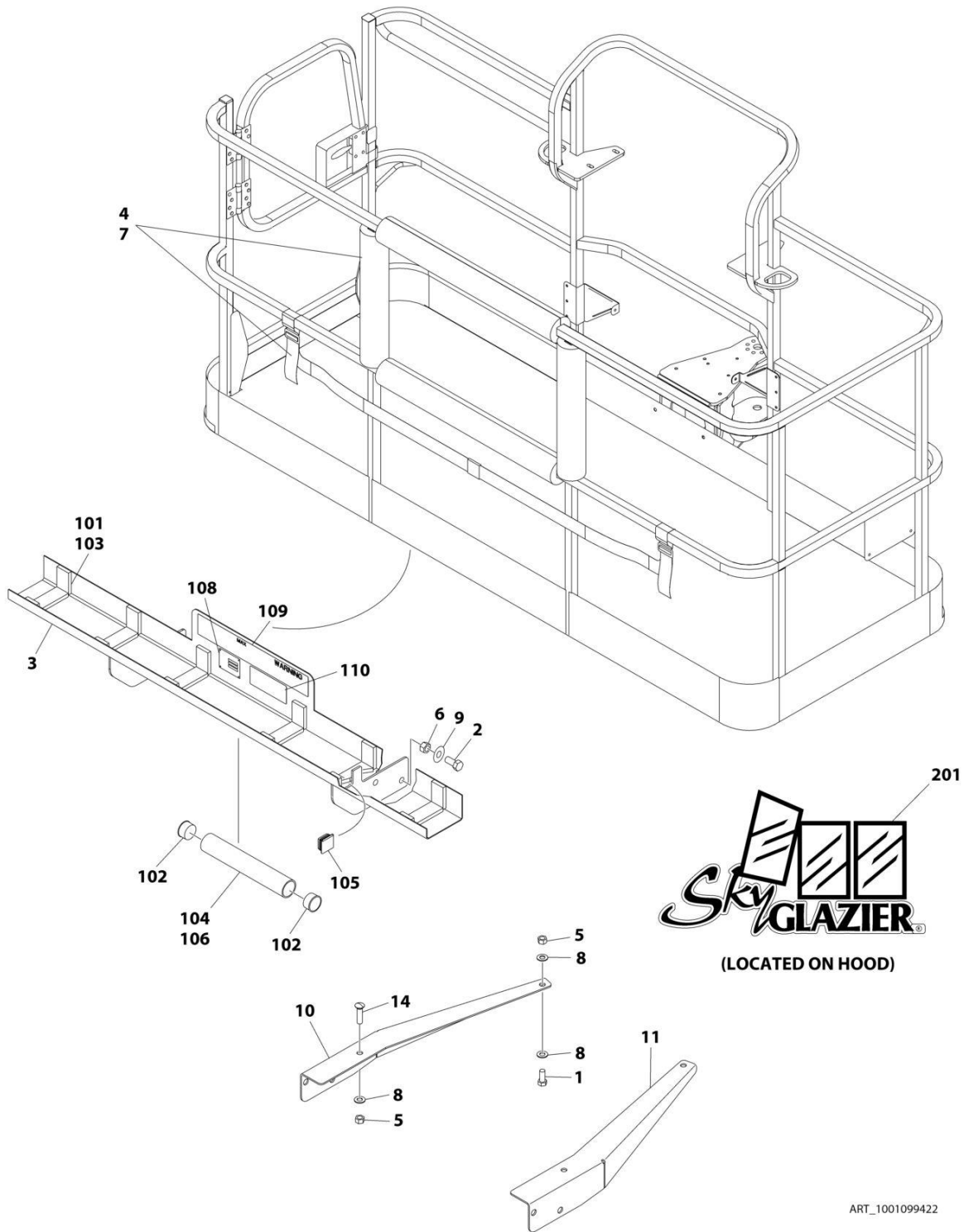
## SECTION 5 - PLATFORM

**FIGURE 5-27. SKYGLAZIER INSTALLATION (ANSI AND CSA SPECS)**

ITEM	PART NUMBER	QTY	DESCRIPTION	REV
	1001101422	Ref	SKYGLAZIER INSTALLATION	C
1	0642012	2	Bolt 5/8 x 1-1/2	
2	0642212	4	Bolt 3/4 x 1-1/2	
3	2902212	1	Bumpers and Strap Kit	
3	0940102	1	Bumper Only	
3	4240149	1	Strap Only	
4	3312005	4	Nut 5/8	
5	3312205	4	Nut 3/4	
6	4420014	AR	Tape	
7	4712000	6	Washer 5/8	
8	4712200	8	Washer 3/4	
9	1001099366	1	Support	
10	1001099367	1	Support	
11	1001101421	1	Tray Assembly (See Items 101-111 for Breakdown)	
14	8310129	2	Bolt 3/4 x 2-1/2	
	1001101421	Ref	TRAY ASSEMBLY	F
101	0100081	AR	Adhesive	
102	1120555	2	Cap, Tube	
103	1701509	1	Decal - Manual	
104	See Note	NSS	Nameplate - Serial Number (Note: Not Available for Purchase)	
106	3340956	1	Pad Kit	
107	3460334	1	Tube	
108	3520071	2	Plug	
109	4420066	AR	Tape, Double Sided	
111	1001163131	2	Decal - Glazier Capacity	
	0272418	Ref	SKYGLAZIER DECAL INSTALLATION	4
201	1705358	2	Decal - SkyGlazier	

# SECTION 5 - PLATFORM

## FIGURE 5-28. SKYGLAZIER INSTALLATION (BRAZIL SPECS)





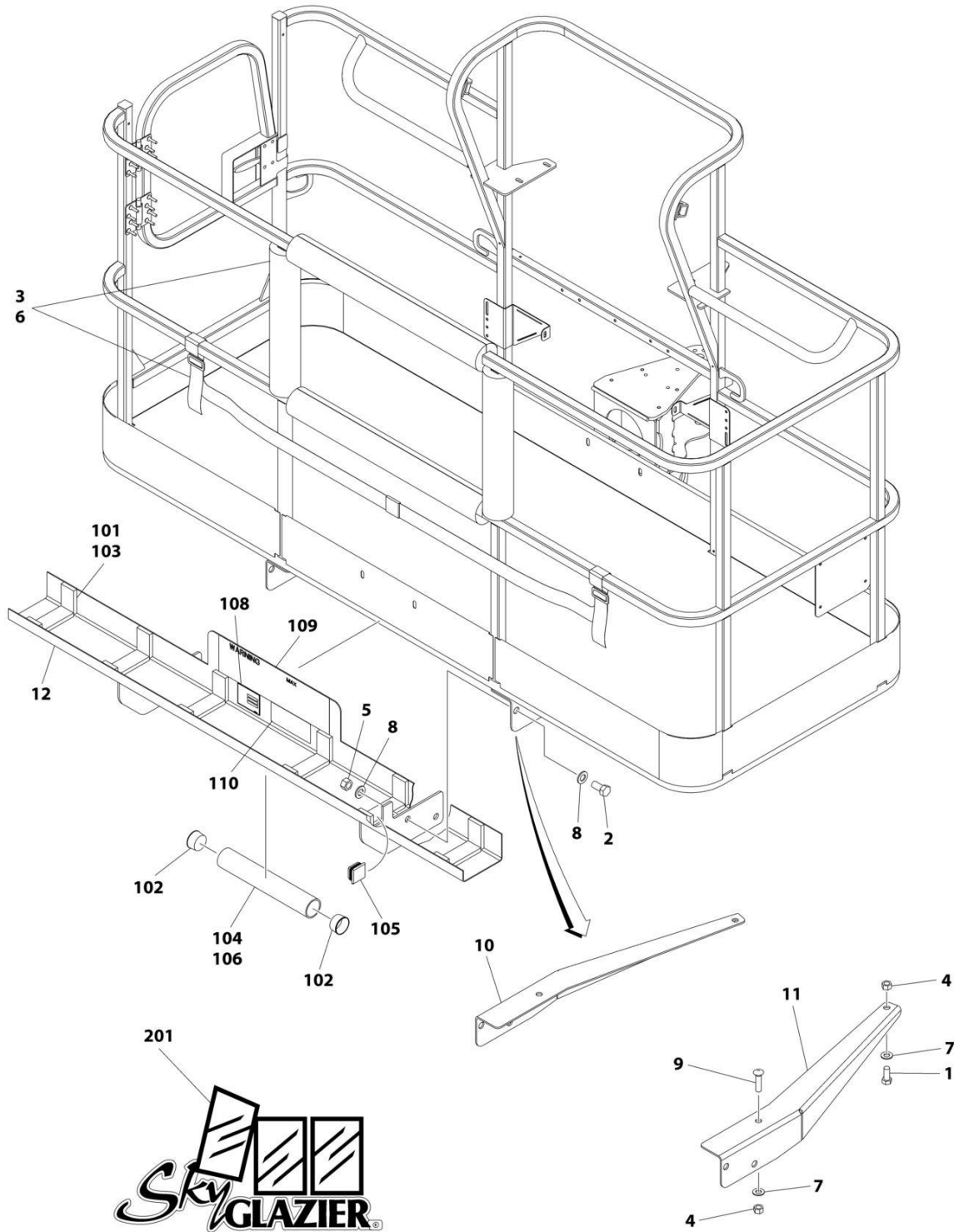
## SECTION 5 - PLATFORM

**FIGURE 5-28. SKYGLAZIER INSTALLATION (BRAZIL SPECS)**

ITEM	PART NUMBER	QTY	DESCRIPTION	REV
	1001099422	Ref	SKYGLAZIER INSTALLATION	C
1	0642012	2	Bolt 5/8 x 1-1/2	
2	0642212	4	Bolt 3/4 x 1-1/2	
3	0272951	1	Tray Assembly (See Items 101-110 for Breakdown)	
4	2902212	1	Bumpers and Strap Kit	
4	0940102	1	Bumper Only	
4	4240149	1	Strap Only	
5	3312005	4	Nut 5/8	
6	3312205	4	Nut 3/4	
7	4420014	AR	Tape	
8	4712000	6	Washer 5/8	
9	4712200	8	Washer 3/4	
10	1001099366	1	Support	
11	1001099367	1	Support	
14	8310129	2	Bolt 3/4 x 2-1/2	
	0272951	Ref	TRAY ASSEMBLY	F
101	0100081	AR	Adhesive	
102	1120555	2	Cap, Tube	
103	3340956	1	Pad Kit	
104	3460334	1	Tube	
105	3520071	2	Plug	
106	4420066	AR	Tape, Double Sided	
108	See Note	NSS	Nameplate - Serial Number (Note: Not Available for Purchase)	
109	1001163297	2	Decal - Glazier Capacity	
110	1701509	1	Decal - Manual	
	0272418	Ref	SKYGLAZIER DECAL INSTALLATION	4
201	1705358	2	Decal - SkyGlazier	

# SECTION 5 - PLATFORM

## FIGURE 5-29. SKYGLAZIER INSTALLATION (DANISH SPECS)



ART\_1001238462

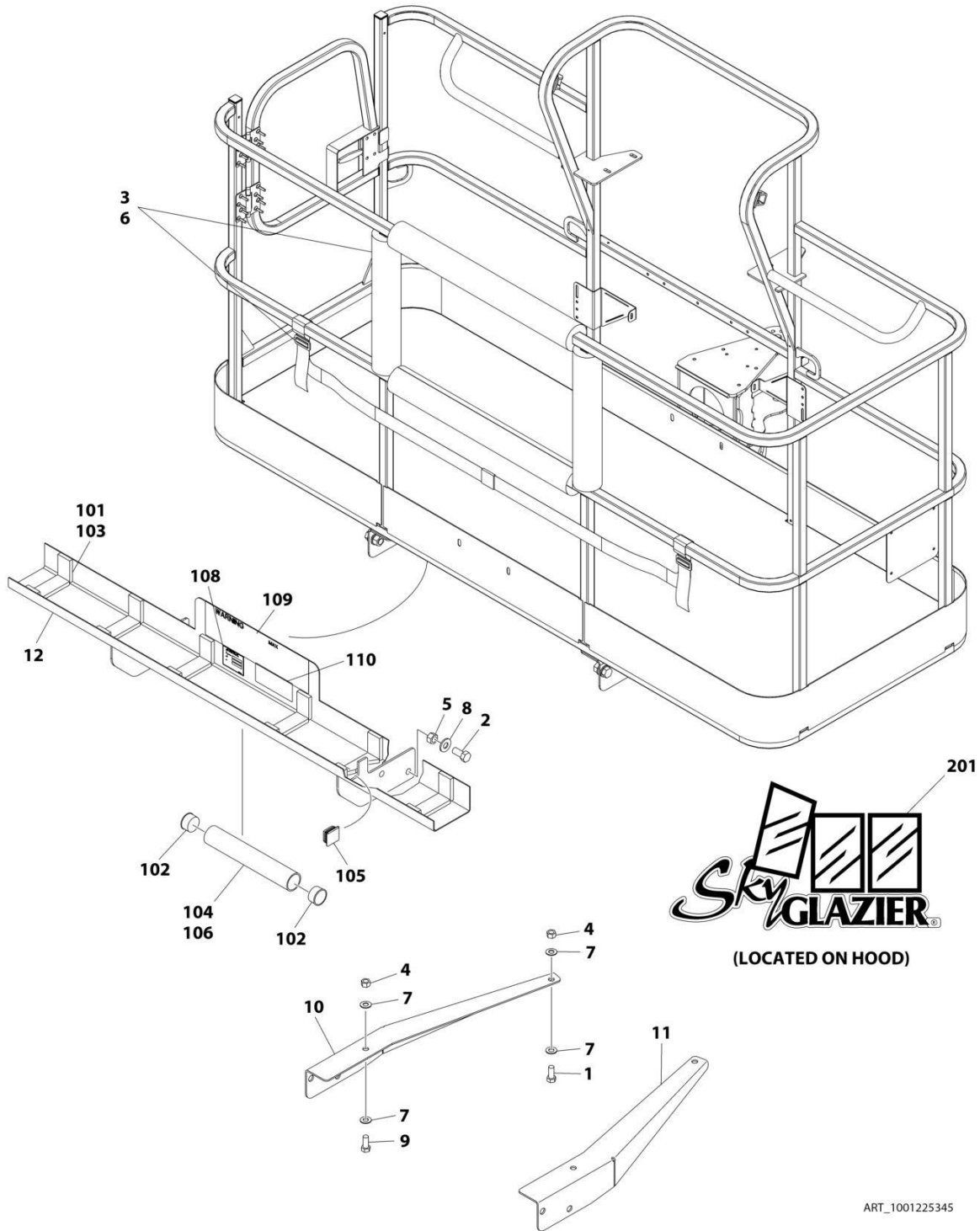
## SECTION 5 - PLATFORM

**FIGURE 5-29. SKYGLAZIER INSTALLATION (DANISH SPECS)**

ITEM	PART NUMBER	QTY	DESCRIPTION	REV
	1001238462	Ref	SKYGLAZIER INSTALLATION	A
1	0642012	2	Bolt 5/8 x 1-1/2	
2	0642212	4	Bolt 3/4 x 1-1/2	
3	2902212	1	Bumpers and Strap Kit	
3	0940102	1	Bumper Only	
3	4240149	1	Strap Only	
4	3312005	4	Nut 5/8	
5	3312205	4	Nut 3/4	
6	4420014	AR	Tape	
7	4712000	4	Washer 5/8	
8	4712200	8	Washer 3/4	
9	8310129	2	Bolt 5/8 x 2-1/2	
10	1001099366	1	Support	
11	1001099367	1	Support	
12	1001238423	1	Tray Assembly (See Items 101-110 for Breakdown)	
	1001238423	Ref	TRAY ASSEMBLY	B
101	0100081	AR	Adhesive	
102	1120555	2	Cap, Tube	
103	3340956	1	Pad Kit	
104	3460334	1	Tube	
105	3520071	2	Plug	
106	4420066	AR	Tape, Double Sided	
108	See Note	NSS	Nameplate - Serial Number (Note: Not Available for Purchase)	
109	1001237705	2	Decal - Glazier Capacity	
110	1701509	1	Decal - Manual	
	0272418	Ref	SKYGLAZIER DECAL INSTALLATION	4
201	1705358	2	Decal - SkyGlazier	

# SECTION 5 - PLATFORM

## FIGURE 5-30. SKYGLAZIER INSTALLATION (FINNISH SPECS)



ART\_1001225345

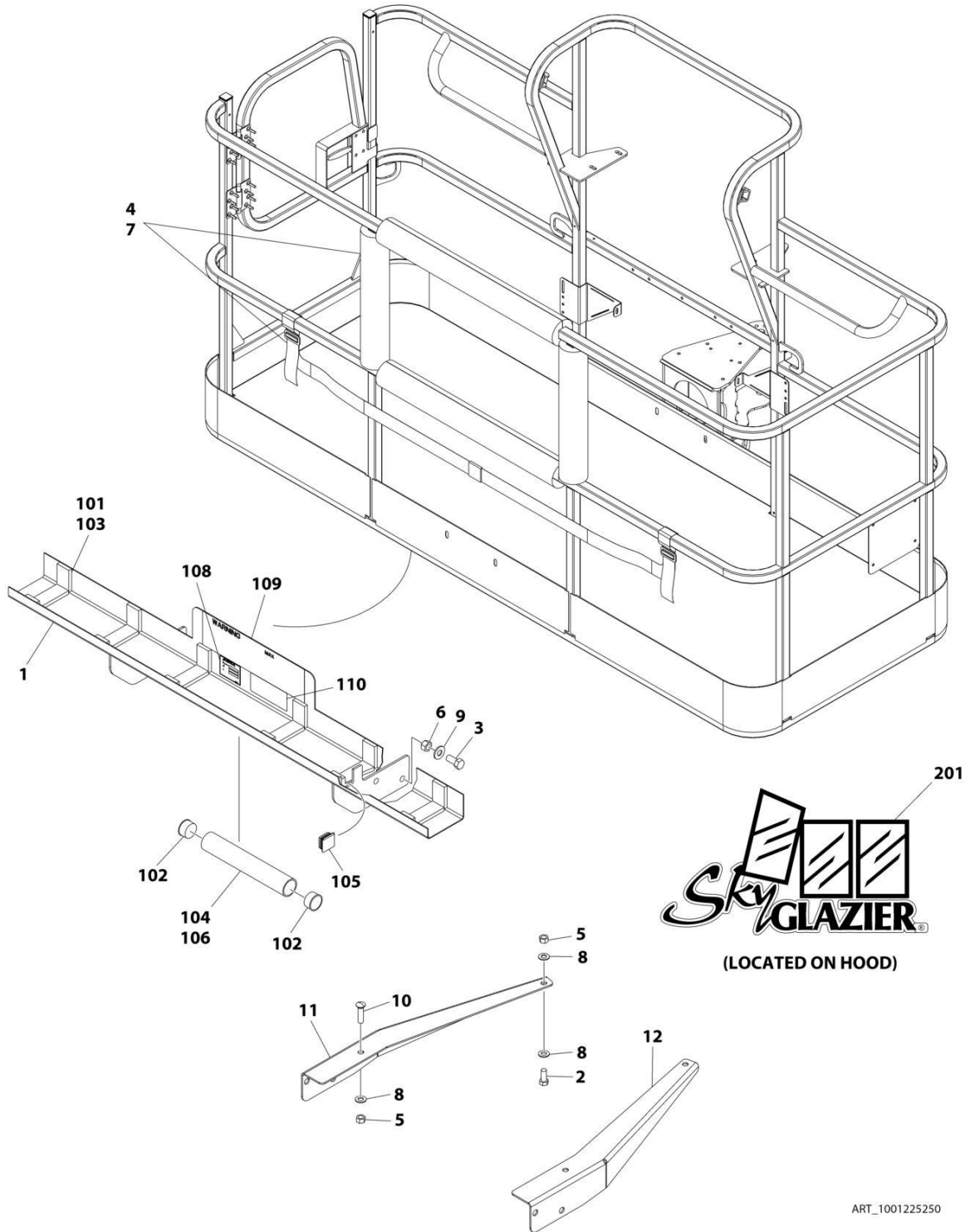
## SECTION 5 - PLATFORM

**FIGURE 5-30. SKYGLAZIER INSTALLATION (FINNISH SPECS)**

ITEM	PART NUMBER	QTY	DESCRIPTION	REV
	1001225345	Ref	SKYGLAZIER INSTALLATION	A
1	0642012	2	Bolt 5/8 x 1-1/2	
2	0642212	4	Bolt 3/4 x 1-1/2	
3	2902212	1	Bumpers and Strap Kit	
3	0940102	1	Bumper Only	
3	4240149	1	Strap Only	
4	3312005	4	Nut 5/8	
5	3312205	4	Nut 3/4	
6	4420014	AR	Tape	
7	4712000	6	Washer 5/8	
8	4712200	8	Washer 3/4	
9	8310129	2	Bolt 5/8 x 2-1/2	
10	1001099366	1	Support	
11	1001099367	1	Support	
12	1001181142	1	Tray Assembly (See Items 101-110 for Breakdown)	
	1001181142	Ref	TRAY ASSEMBLY	B
101	0100081	AR	Adhesive	
102	1120555	2	Cap, Tube	
103	3340956	1	Pad Kit	
104	3460334	1	Tube	
105	3520071	2	Plug	
106	4420066	AR	Tape, Double Sided	
108	See Note	NSS	Nameplate - Serial Number (Note: Not Available for Purchase)	
109	1001181134	2	Decal - Glazier Capacity	
110	1701509	1	Decal - Manual	
	0272418	Ref	SKYGLAZIER DECAL INSTALLATION	4
201	1705358	2	Decal - SkyGlazier	

# SECTION 5 - PLATFORM

## FIGURE 5-31. SKYGLAZIER INSTALLATION (FRENCH SPECS)



ART\_1001225250

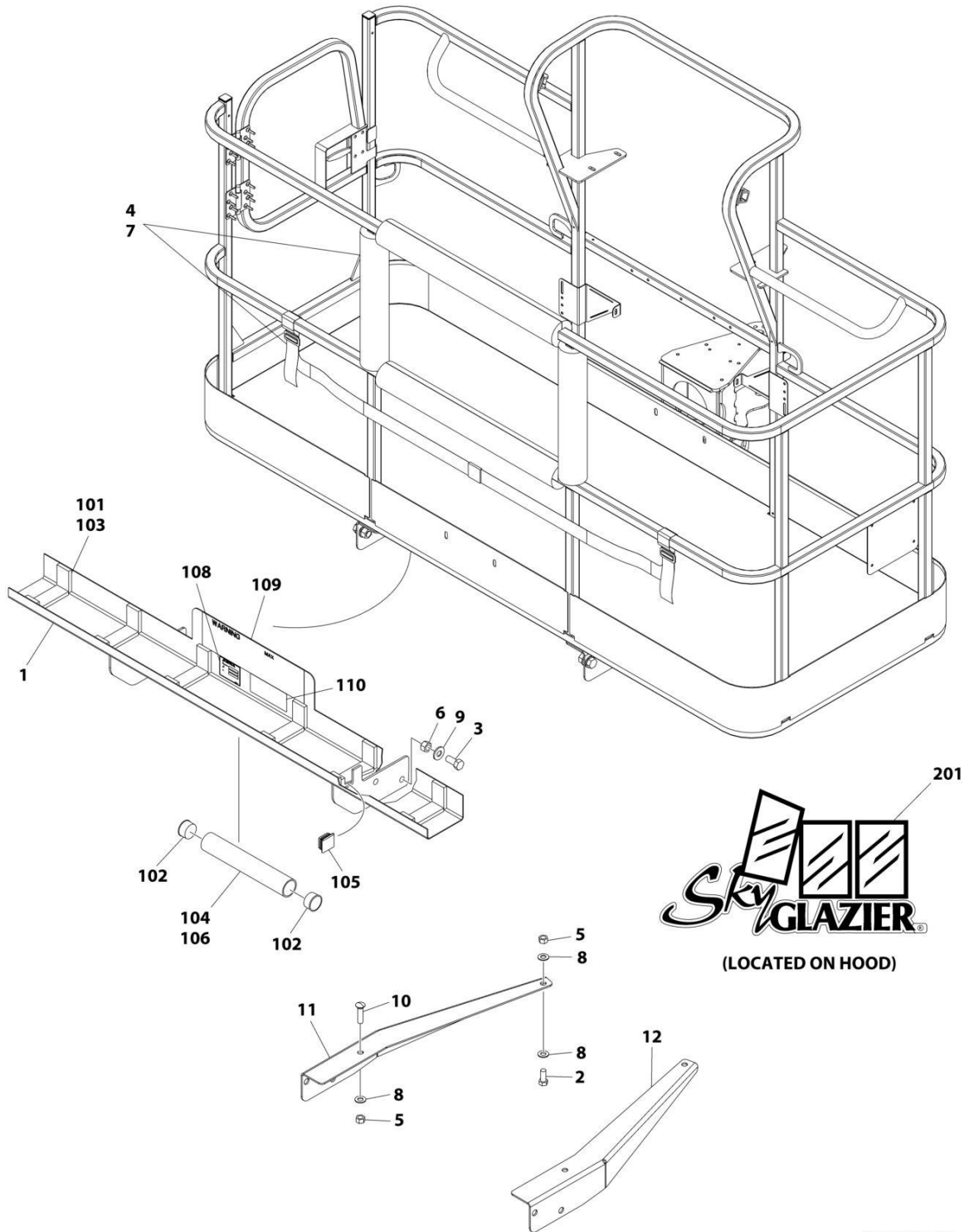
## SECTION 5 - PLATFORM

**FIGURE 5-31. SKYGLAZIER INSTALLATION (FRENCH SPECS)**

ITEM	PART NUMBER	QTY	DESCRIPTION	REV
	1001225250	Ref	SKYGLAZIER INSTALLATION	A
1	0272949	1	Tray Assembly (See Items 101-110 for Breakdown)	
2	0642012	2	Bolt 5/8 x 1-1/2	
3	0642212	4	Bolt 3/4 x 1-1/2	
4	2902212	1	Bumpers and Strap Kit	
4	0940102	1	Bumper Only	
4	4240149	1	Strap Only	
5	3312005	4	Nut 5/8	
6	3312205	4	Nut 3/4	
7	4420014	AR	Tape	
8	4712000	6	Washer 5/8	
9	4712200	8	Washer 3/4	
10	8310129	2	Bolt 5/8 x 2-1/2	
11	1001099366	1	Support	
12	1001099367	1	Support	
	0272949	Ref	TRAY ASSEMBLY	E
101	0100081	AR	Adhesive	
102	1120555	2	Cap, Tube	
103	3340956	1	Pad Kit	
104	3460334	1	Tube	
105	3520071	2	Plug	
106	4420066	AR	Tape, Double Sided	
108	See Note	NSS	Nameplate - Serial Number (Note: Not Available for Purchase)	
109	1001163293	2	Decal - Glazier Capacity	
110	1701509	1	Decal - Manual	
	0272418	Ref	SKYGLAZIER DECAL INSTALLATION	4
201	1705358	2	Decal - SkyGlazier	

# SECTION 5 - PLATFORM

## FIGURE 5-32. SKYGLAZIER INSTALLATION (GERMAN SPECS)



ART\_1001225249



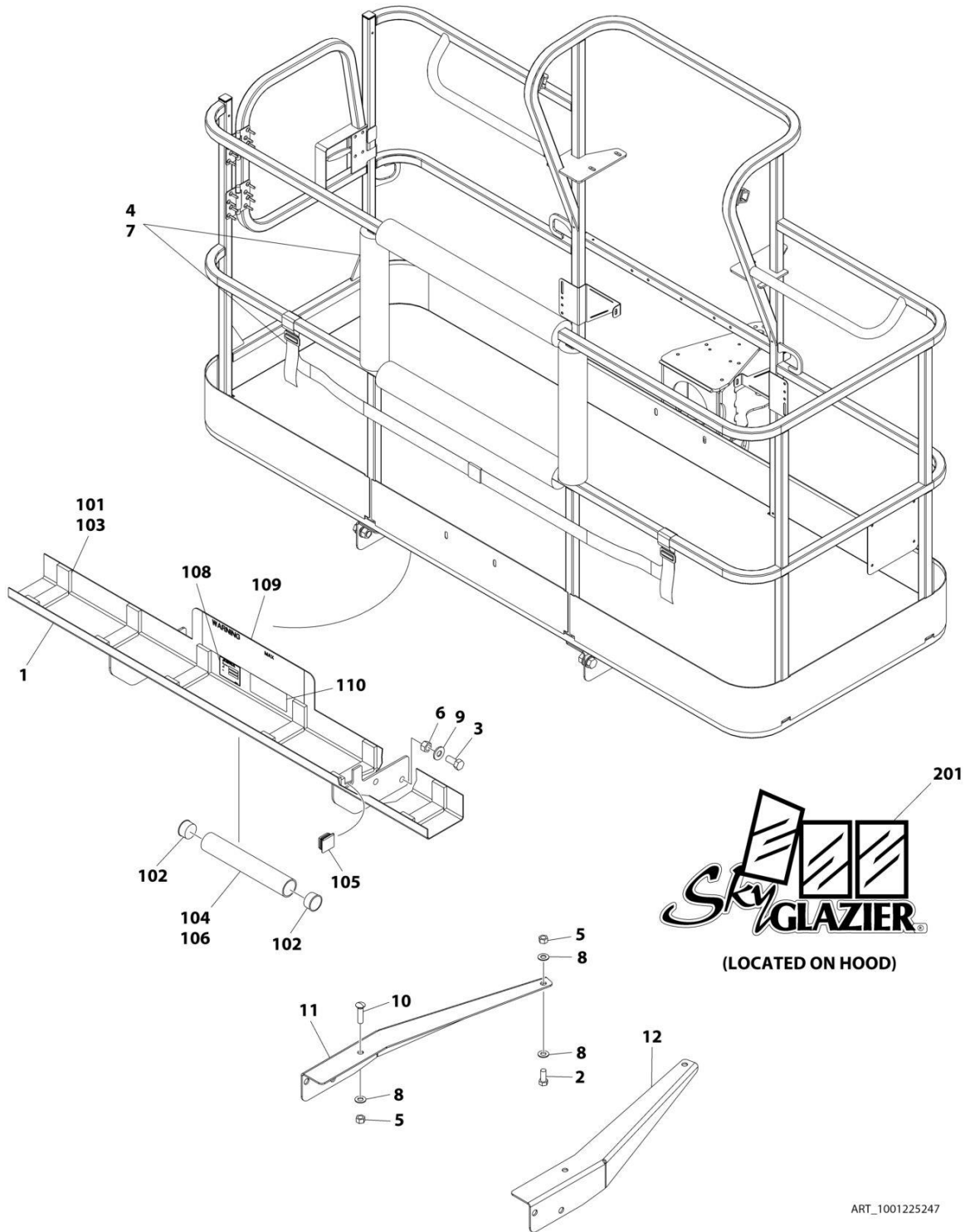
## SECTION 5 - PLATFORM

**FIGURE 5-32. SKYGLAZIER INSTALLATION (GERMAN SPECS)**

ITEM	PART NUMBER	QTY	DESCRIPTION	REV
	1001225249	Ref	SKYGLAZIER INSTALLATION	A
1	0272950	1	Tray Assembly (See Items 101-110 for Breakdown)	
2	0642012	2	Bolt 5/8 x 1-1/2	
3	0642212	4	Bolt 3/4 x 1-1/2	
4	2902212	1	Bumpers and Strap Kit	
4	0940102	1	Bumper Only	
4	4240149	1	Strap Only	
5	3312005	4	Nut 5/8	
6	3312205	4	Nut 3/4	
7	4420014	AR	Tape	
8	4712000	6	Washer 5/8	
9	4712200	8	Washer 3/4	
10	8310129	2	Bolt 5/8 x 2-1/2	
11	1001099366	1	Support	
12	1001099367	1	Support	
	0272950	Ref	TRAY ASSEMBLY	E
101	0100081	AR	Adhesive	
102	1120555	2	Cap, Tube	
103	3340956	1	Pad Kit	
104	3460334	1	Tube	
105	3520071	2	Plug	
106	4420066	AR	Tape, Double Sided	
108	See Note	NSS	Nameplate - Serial Number (Note: Not Available for Purchase)	
109	1001163298	2	Decal - Glazier Capacity	
110	1701509	1	Decal - Manual	
	0272418	Ref	SKYGLAZIER DECAL INSTALLATION	4
201	1705358	2	Decal - SkyGlazier	

# SECTION 5 - PLATFORM

## FIGURE 5-33. SKYGLAZIER INSTALLATION (ITALIAN SPECS)



ART\_1001225247

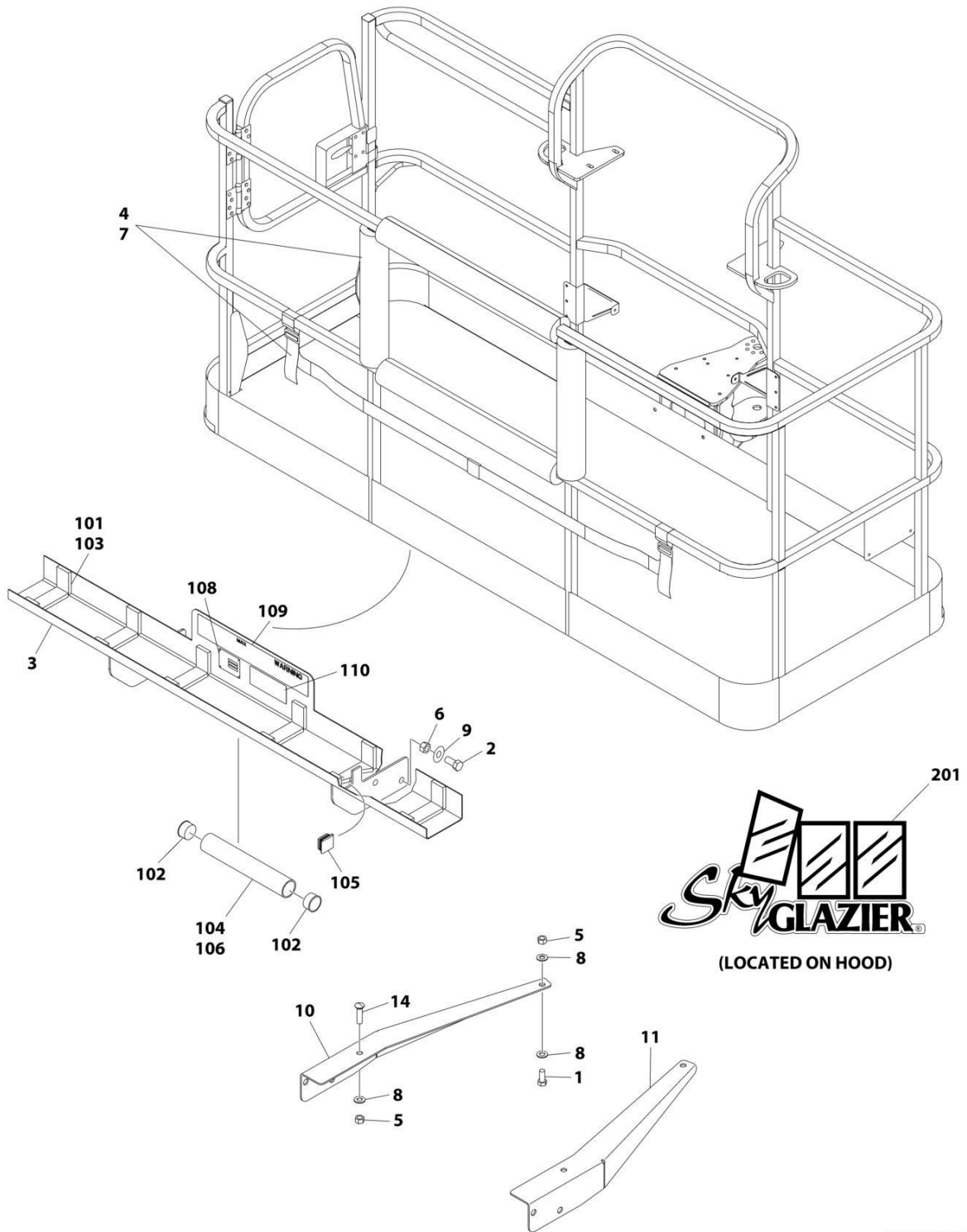
## SECTION 5 - PLATFORM

**FIGURE 5-33. SKYGLAZIER INSTALLATION (ITALIAN SPECS)**

ITEM	PART NUMBER	QTY	DESCRIPTION	REV
	1001225247	Ref	SKYGLAZIER INSTALLATION	A
1	0272952	1	Tray Assembly (See Items 101-110 for Breakdown)	
2	0642012	2	Bolt 5/8 x 1-1/2	
3	0642212	4	Bolt 3/4 x 1-1/2	
4	2902212	1	Bumpers and Strap Kit	
4	0940102	1	Bumper Only	
4	4240149	1	Strap Only	
5	3312005	4	Nut 5/8	
6	3312205	4	Nut 3/4	
7	4420014	AR	Tape	
8	4712000	6	Washer 5/8	
9	4712200	8	Washer 3/4	
10	8310129	2	Bolt 5/8 x 2-1/2	
11	1001099366	1	Support	
12	1001099367	1	Support	
	0272952	Ref	TRAY ASSEMBLY	E
101	0100081	AR	Adhesive	
102	1120555	2	Cap, Tube	
103	3340956	1	Pad Kit	
104	3460334	1	Tube	
105	3520071	2	Plug	
106	4420066	AR	Tape, Double Sided	
108	See Note	NSS	Nameplate - Serial Number (Note: Not Available for Purchase)	
109	1001163287	2	Decal - Glazier Capacity	
110	1701509	1	Decal - Manual	
	0272418	Ref	SKYGLAZIER DECAL INSTALLATION	4
201	1705358	2	Decal - SkyGlazier	

# SECTION 5 - PLATFORM

## FIGURE 5-34. SKYGLAZIER INSTALLATION (LATIN AMERICAN SPECS)



ART\_1001099421

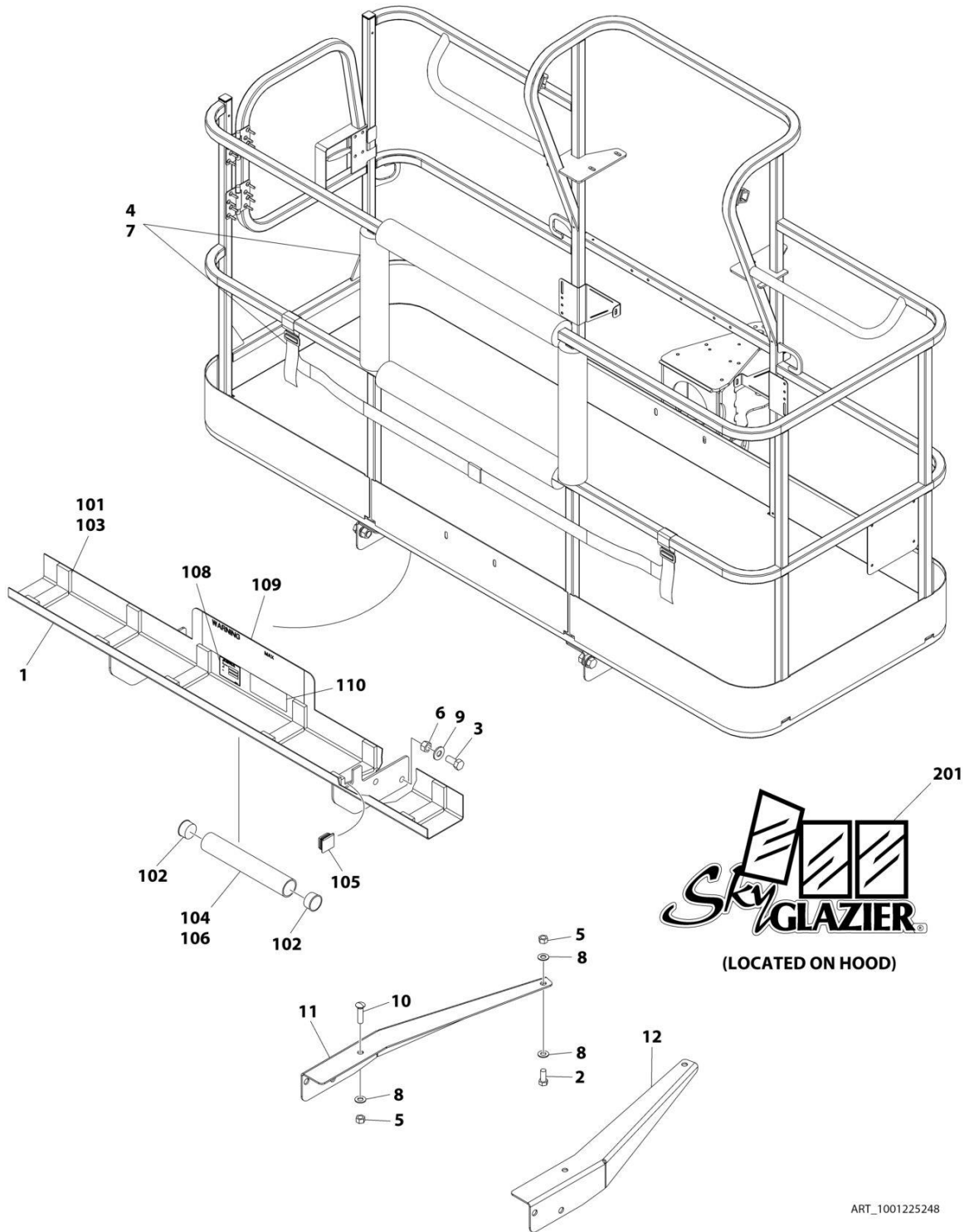
## SECTION 5 - PLATFORM

**FIGURE 5-34. SKYGLAZIER INSTALLATION (LATIN AMERICAN SPECS)**

ITEM	PART NUMBER	QTY	DESCRIPTION	REV
	1001099421	Ref	SKYGLAZIER INSTALLATION	C
1	0642012	2	Bolt 5/8 x 1-1/2	
2	0642212	4	Bolt 3/4 x 1-1/2	
3	0272948	1	Tray Assembly (See Items 101-110 for Breakdown)	
4	2902212	1	Bumpers and Strap Kit	
4	0940102	1	Bumper Only	
4	4240149	1	Strap Only	
5	3312005	4	Nut 5/8	
6	3312205	4	Nut 3/4	
7	4420014	AR	Tape	
8	4712000	6	Washer 5/8	
9	4712200	8	Washer 3/4	
10	1001099366	1	Support	
11	1001099367	1	Support	
14	8310129	2	Bolt 3/4 x 2-1/2	
	0272948	Ref	TRAY ASSEMBLY	F
101	0100081	AR	Adhesive	
102	1120555	2	Cap, Tube	
103	3340956	1	Pad Kit	
104	3460334	1	Tube	
105	3520071	2	Plug	
106	4420066	AR	Tape, Double Sided	
108	See Note	NSS	Nameplate - Serial Number (Note: Not Available for Purchase)	
109	1001163296	2	Decal - Glazier Capacity	
110	1701509	1	Decal - Manual	
	0272418	Ref	SKYGLAZIER DECAL INSTALLATION	4
201	1705358	2	Decal - SkyGlazier	

# SECTION 5 - PLATFORM

## FIGURE 5-35. SKYGLAZIER INSTALLATION (PORTUGUESE SPECS)



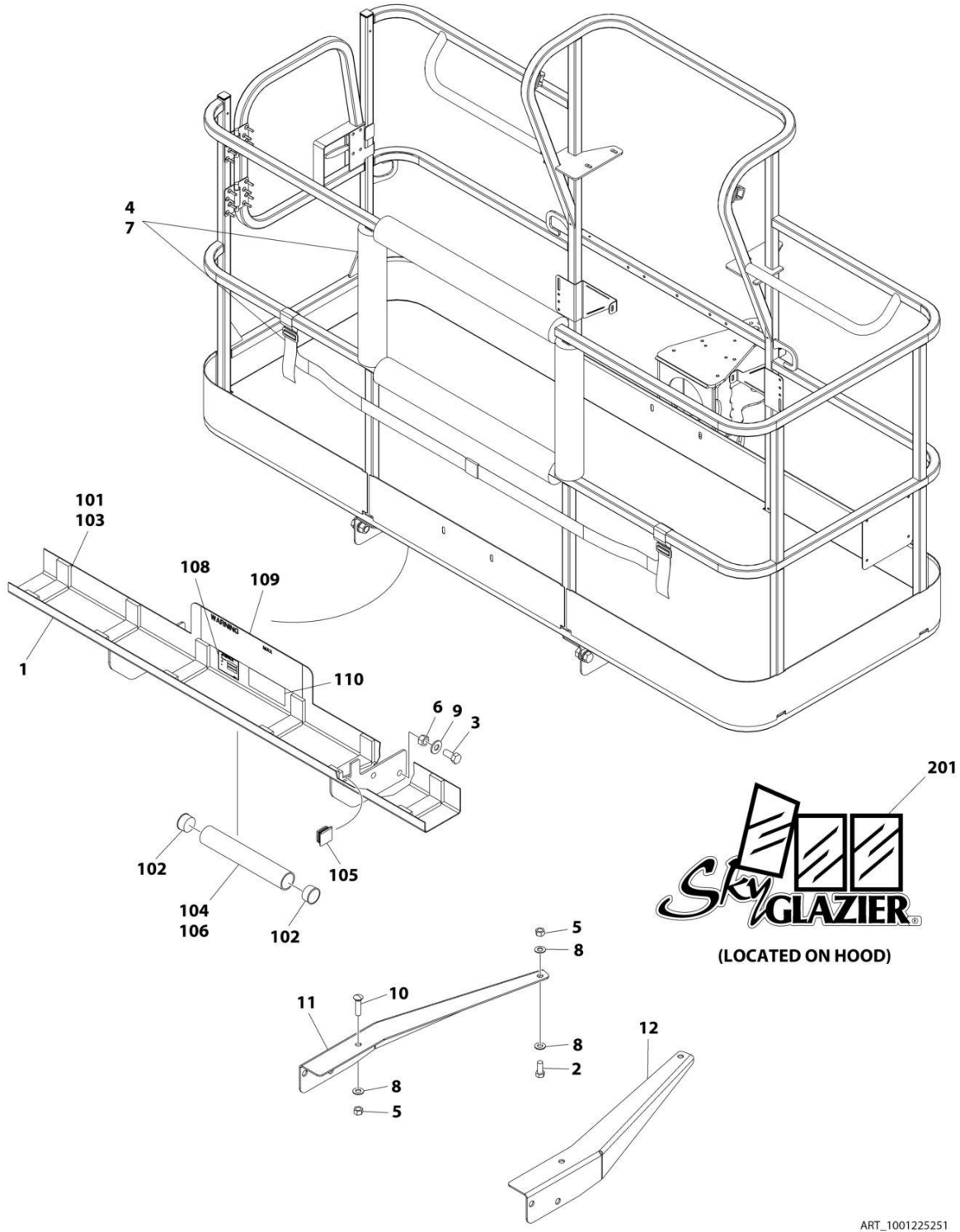
## SECTION 5 - PLATFORM

**FIGURE 5-35. SKYGLAZIER INSTALLATION (PORTUGUESE SPECS)**

ITEM	PART NUMBER	QTY	DESCRIPTION	REV
	1001225248	Ref	SKYGLAZIER INSTALLATION	A
1	0273406	1	Tray Assembly (See Items 101-110 for Breakdown)	
2	0642012	2	Bolt 5/8 x 1-1/2	
3	0642212	4	Bolt 3/4 x 1-1/2	
4	2902212	1	Bumpers and Strap Kit	
4	0940102	1	Bumper Only	
4	4240149	1	Strap Only	
5	3312005	4	Nut 5/8	
6	3312205	4	Nut 3/4	
7	4420014	AR	Tape	
8	4712000	6	Washer 5/8	
9	4712200	8	Washer 3/4	
10	8310129	2	Bolt 5/8 x 2-1/2	
11	1001099366	1	Support	
12	1001099367	1	Support	
	0273406	Ref	TRAY ASSEMBLY	E
101	0100081	AR	Adhesive	
102	1120555	2	Cap, Tube	
103	3340956	1	Pad Kit	
104	3460334	1	Tube	
105	3520071	2	Plug	
106	4420066	AR	Tape, Double Sided	
108	See Note	NSS	Nameplate - Serial Number (Note: Not Available for Purchase)	
109	1001163289	2	Decal - Glazier Capacity	
110	1701509	1	Decal - Manual	
	0272418	Ref	SKYGLAZIER DECAL INSTALLATION	4
201	1705358	2	Decal - SkyGlazier	

# SECTION 5 - PLATFORM

## FIGURE 5-36. SKYGLAZIER INSTALLATION (SPANISH SPECS)



ART\_1001225251



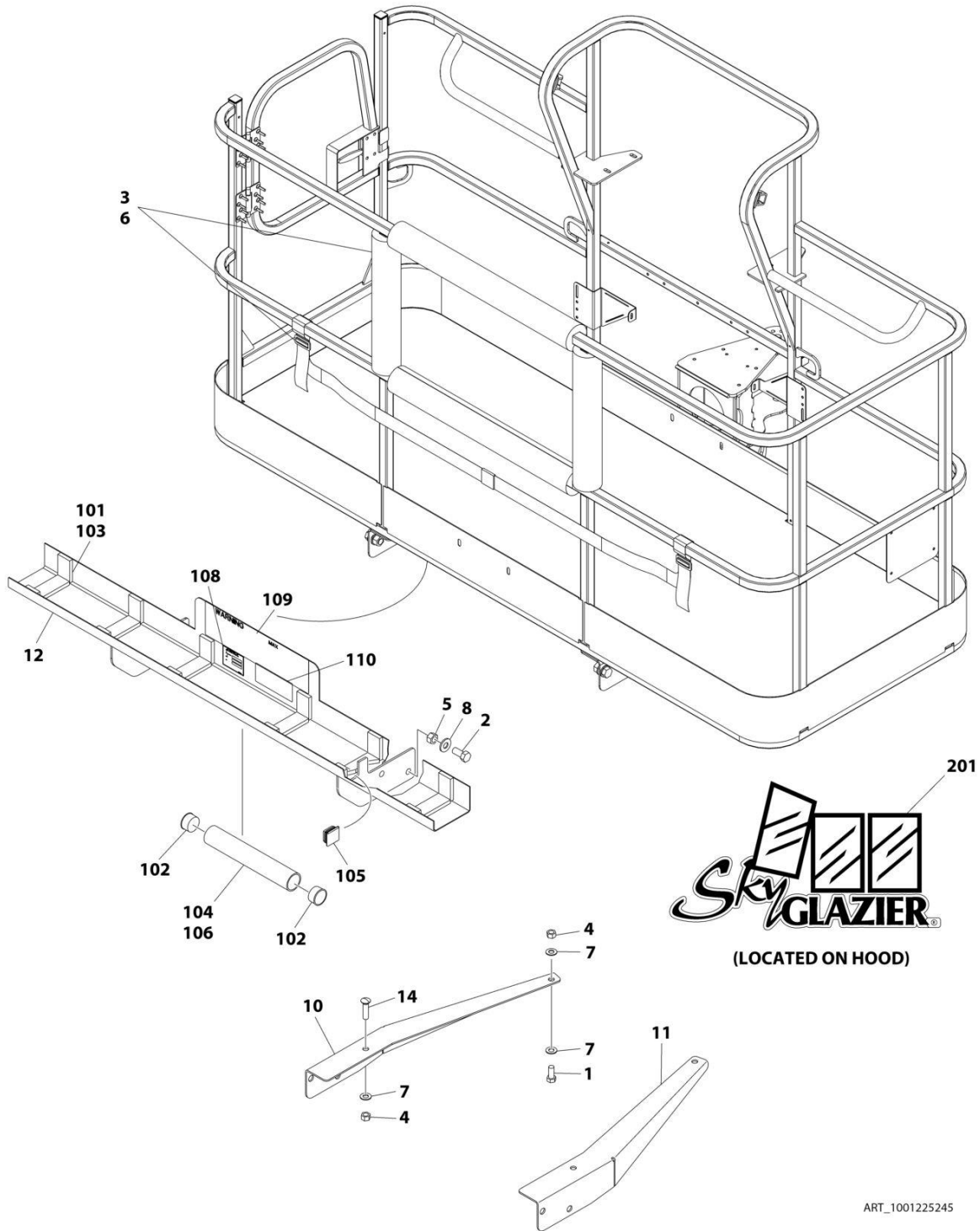
## SECTION 5 - PLATFORM

**FIGURE 5-36. SKYGLAZIER INSTALLATION (SPANISH SPECS)**

ITEM	PART NUMBER	QTY	DESCRIPTION	REV
	1001225251	Ref	SKYGLAZIER INSTALLATION	A
1	0273405	1	Tray Assembly (See Items 101-110 for Breakdown)	
2	0642012	2	Bolt 5/8 x 1-1/2	
3	0642212	4	Bolt 3/4 x 1-1/2	
4	2902212	1	Bumpers and Strap Kit	
4	0940102	1	Bumper Only	
4	4240149	1	Strap Only	
5	3312005	4	Nut 5/8	
6	3312205	4	Nut 3/4	
7	4420014	AR	Tape	
8	4712000	6	Washer 5/8	
9	4712200	8	Washer 3/4	
10	8310129	2	Bolt 5/8 x 2-1/2	
11	1001099366	1	Support	
12	1001099367	1	Support	
	0273405	Ref	TRAY ASSEMBLY	E
101	0100081	AR	Adhesive	
102	1120555	2	Cap, Tube	
103	3340956	1	Pad Kit	
104	3460334	1	Tube	
105	3520071	2	Plug	
106	4420066	AR	Tape, Double Sided	
108	See Note	NSS	Nameplate - Serial Number (Note: Not Available for Purchase)	
109	1001163288	2	Decal - Glazier Capacity	
110	1701509	1	Decal - Manual	
	0272418	Ref	SKYGLAZIER DECAL INSTALLATION	4
201	1705358	2	Decal - SkyGlazier	

# SECTION 5 - PLATFORM

## FIGURE 5-37. SKYGLAZIER INSTALLATION (SWEDISH SPECS)



ART\_1001225245

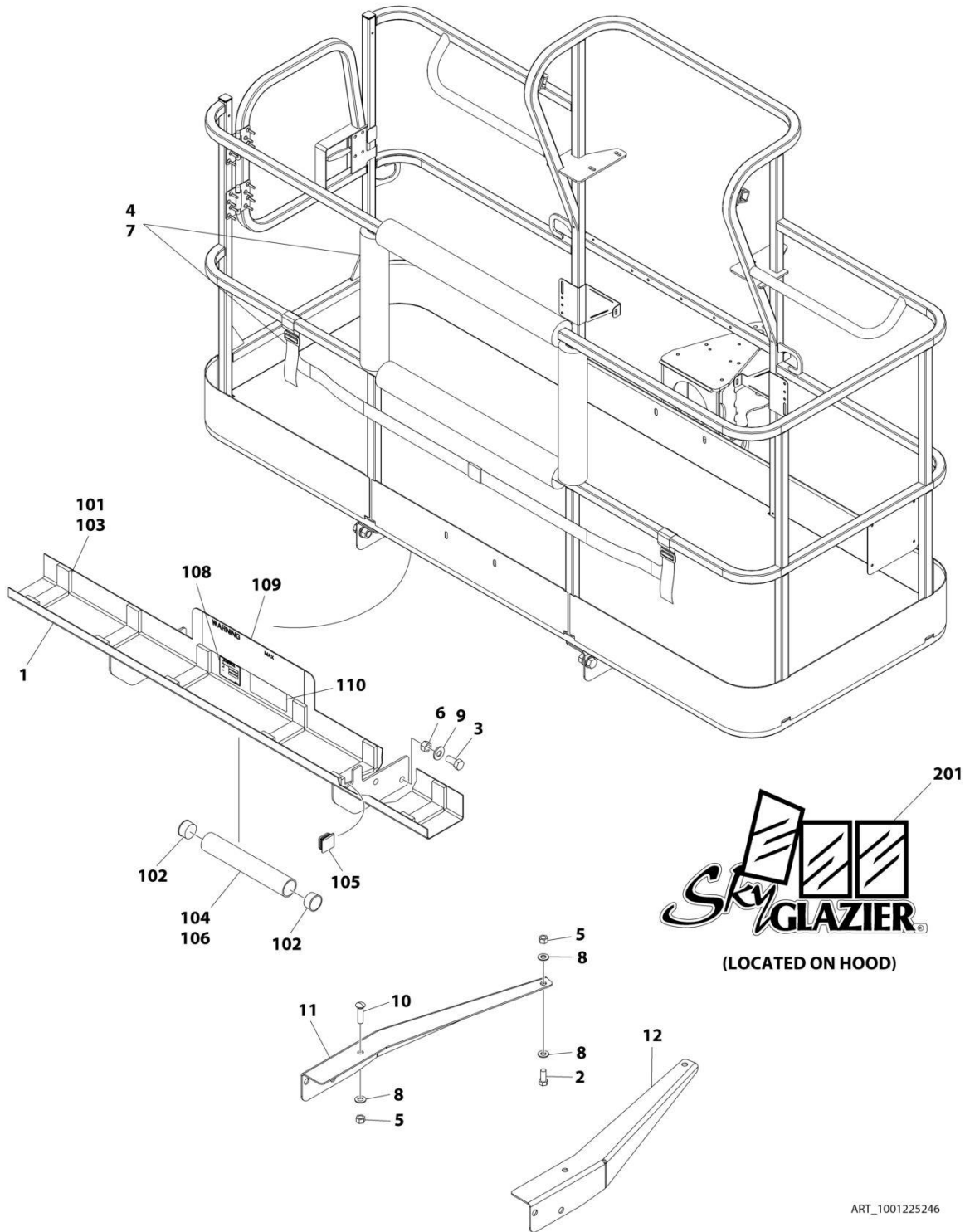
## SECTION 5 - PLATFORM

**FIGURE 5-37. SKYGLAZIER INSTALLATION (SWEDISH SPECS)**

ITEM	PART NUMBER	QTY	DESCRIPTION	REV
	1001225245	Ref	SKYGLAZIER INSTALLATION	B
1	0642012	2	Bolt 5/8 x 1-1/2	
2	0642212	4	Bolt 3/4 x 1-1/2	
3	2902212	1	Bumpers and Strap Kit	
3	0940102	1	Bumper Only	
3	4240149	1	Strap Only	
4	3312005	4	Nut 5/8	
5	3312205	4	Nut 3/4	
6	4420014	AR	Tape	
7	4712000	6	Washer 5/8	
8	4712200	8	Washer 3/4	
9	8310129	2	Bolt 5/8 x 2-1/2	
10	1001099366	1	Support	
11	1001099367	1	Support	
12	1001115603	1	Tray Assembly (See Items 101-110 for Breakdown)	
	1001115603	Ref	TRAY ASSEMBLY	D
101	0100081	AR	Adhesive	
102	1120555	2	Cap, Tube	
103	3340956	1	Pad Kit	
104	3460334	1	Tube	
105	3520071	2	Plug	
106	4420066	AR	Tape, Double Sided	
108	See Note	NSS	Nameplate - Serial Number (Note: Not Available for Purchase)	
109	1001163292	2	Decal - Glazier Capacity	
110	1701509	1	Decal - Manual	
	0272418	Ref	SKYGLAZIER DECAL INSTALLATION	4
201	1705358	2	Decal - SkyGlazier	

# SECTION 5 - PLATFORM

## FIGURE 5-38. SKYGLAZIER INSTALLATION (UK SPECS)



ART\_1001225246

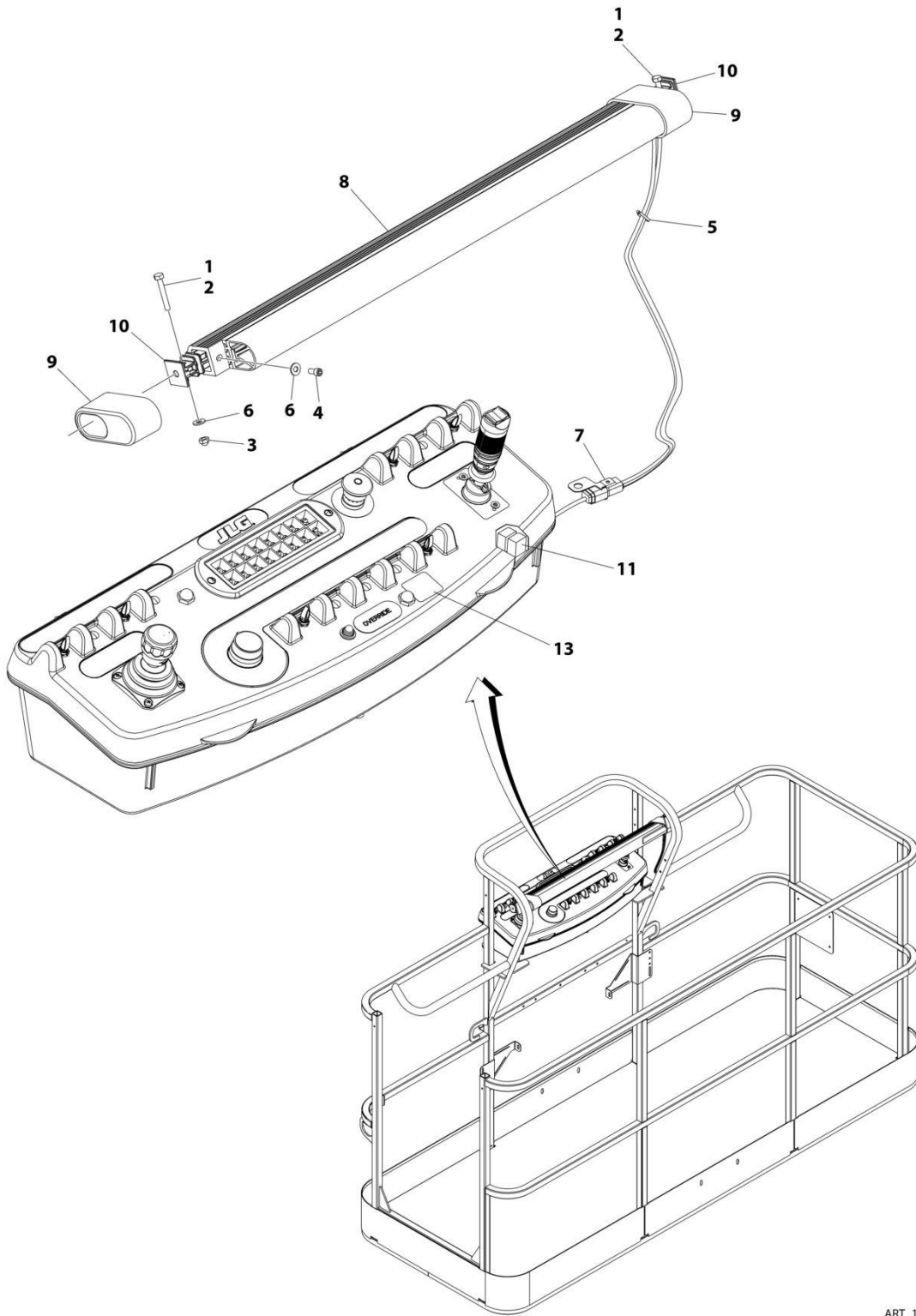
## SECTION 5 - PLATFORM

**FIGURE 5-38. SKYGLAZIER INSTALLATION (UK SPECS)**

ITEM	PART NUMBER	QTY	DESCRIPTION	REV
	1001225246	Ref	SKYGLAZIER INSTALLATION	A
1	0273404	1	Tray Assembly (See Items 101-110 for Breakdown)	
2	0642012	2	Bolt 5/8 x 1-1/2	
3	0642212	4	Bolt 3/4 x 1-1/2	
4	2902212	1	Bumpers and Strap Kit	
4	0940102	1	Bumper Only	
4	4240149	1	Strap Only	
5	3312005	4	Nut 3/4	
6	3312205	4	Nut 3/4	
7	4420014	AR	Tape	
8	4712000	6	Washer 5/8	
9	4712200	8	Washer 3/4	
10	8310129	2	Bolt 5/8 x 2-1/2	
11	1001099366	1	Support	
12	1001099367	1	Support	
	0273404	Ref	TRAY ASSEMBLY	F
101	0100081	AR	Adhesive	
102	1120555	2	Cap, Tube	
103	3340956	1	Pad Kit	
104	3460334	1	Tube	
105	3520071	2	Plug	
106	4420066	AR	Tape, Double Sided	
108	See Note	NSS	Nameplate - Serial Number (Note: Not Available for Purchase)	
109	1001163295	2	Decal - Glazier Capacity	
110	1701509	1	Decal - Manual	
	0272418	Ref	SKYGLAZIER DECAL INSTALLATION	4
201	1705358	2	Decal - SkyGlazier	

# SECTION 5 - PLATFORM

## FIGURE 5-39. SKYGUARD BAR INSTALLATION



ART\_1001238495

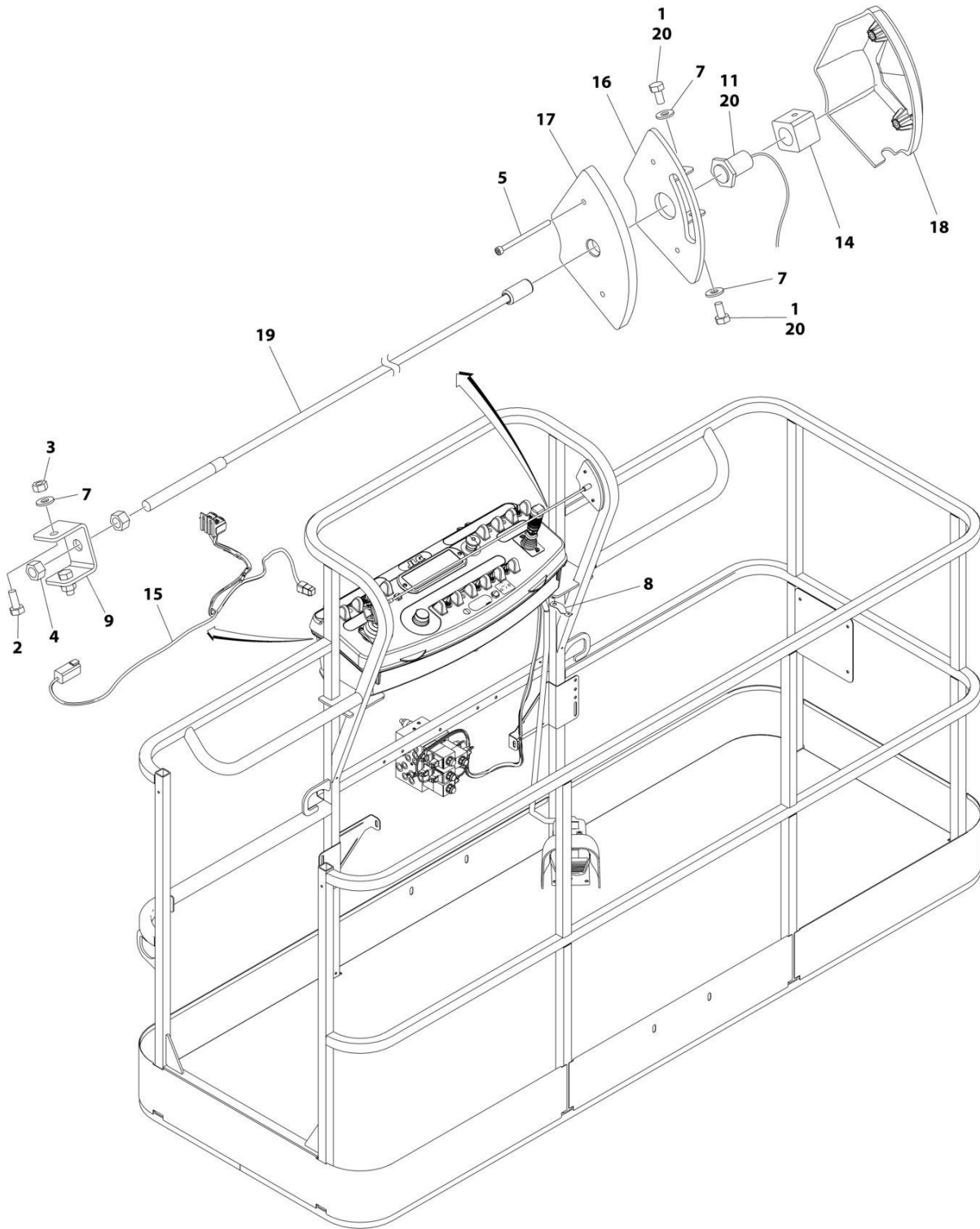
## SECTION 5 - PLATFORM

**FIGURE 5-39. SKYGUARD BAR INSTALLATION**

ITEM	PART NUMBER	QTY	DESCRIPTION	REV
	1001238495	Ref	SKYGUARD BAR INSTALLATION	A
1	0100011	AR	Compound, Locking	
2	0641414	2	Bolt 1/4 x 1-3/4	
3	3300430	2	Nut 1/4	
4	3931408	2	Capscrew 1/4 x 1/2	
5	4240033	8	Tie-Strap	
6	4711400	6	Washer 1/4	
7	1001120328	1	Mount	
8	1001137673	1	SkyGuard Switch Assembly	
9	1001186517	2	Cover, Platform Sensor	
10	1001209664	2	Support, Block	
11	1001186431	2	Relay	
12	1001225580	1	Interface Harness Assembly (Not Shown - Located Inside Console Box) (See Separate Breakdown in ELECTRICAL Section)	
13	1001144433	1	Decal - No Weight SkyGuard	

# SECTION 5 - PLATFORM

## FIGURE 5-40. SKYLINE INSTALLATION



ART\_1001238559\_D



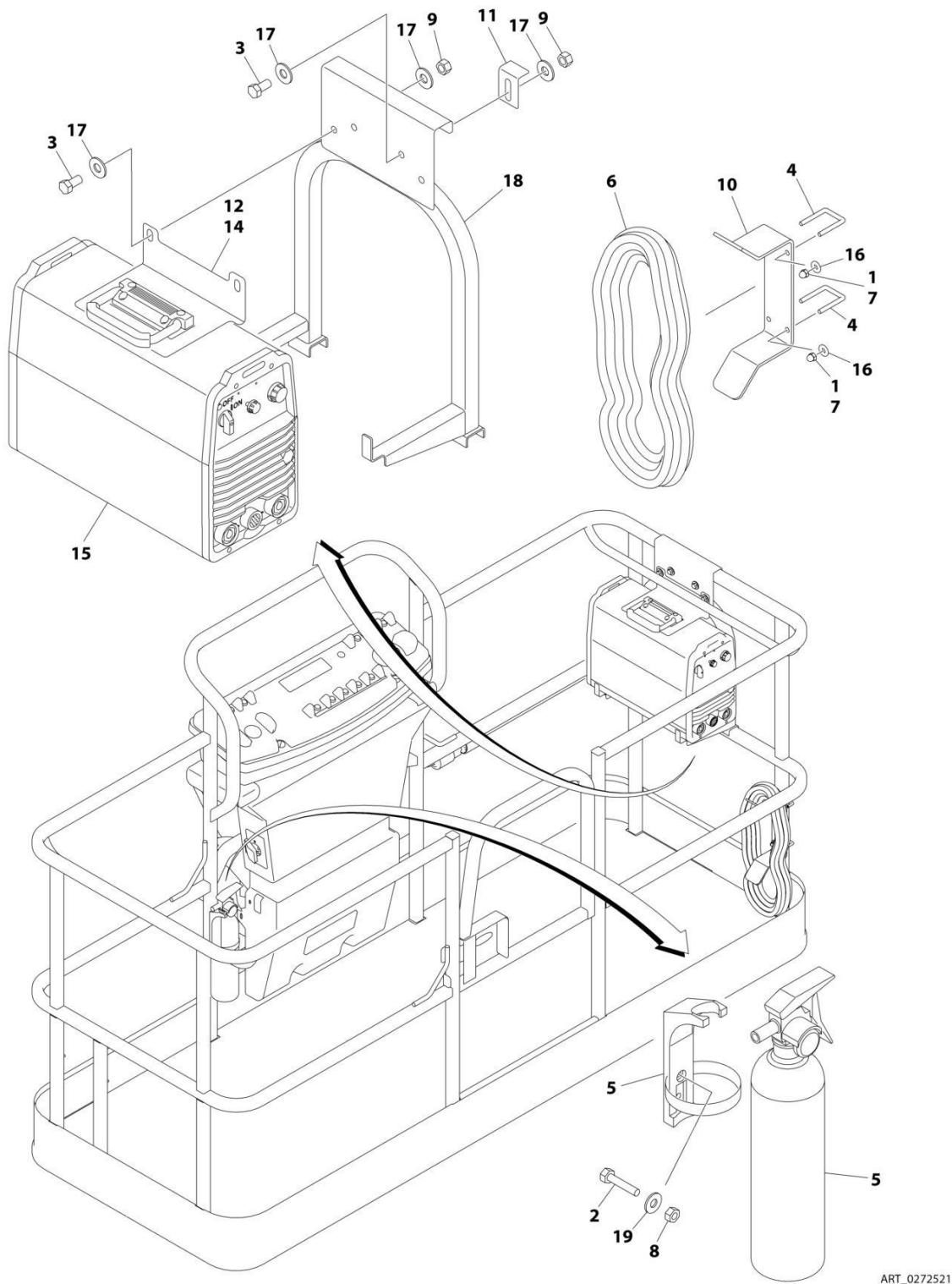
## SECTION 5 - PLATFORM

### FIGURE 5-40. SKYLINE INSTALLATION

ITEM	PART NUMBER	QTY	DESCRIPTION	REV
	1001238559	Ref	SKYLINE INSTALLATION	D
1	0641404	2	Bolt 1/4 x 1/2	
2	0641405	2	Bolt 1/4 x 5/8	
3	3311405	2	Nut 1/4	
4	3311601	2	Nut 3/8	
5	4031516	2	Capscrew M4 x 60	
6	4240033	AR	Tie-Strap (Not Shown)	
7	4711400	4	Washer 1/4	
8	1001120328	1	Mount	
9	1001232642	1	Bracket	
11	1001232667	1	Sensor, Proximity	
11	1001311034	1	Sensor, Proximity	
14	1001236552	1	Block	
15	1001238418	1	Harness, Skyline (See Separate Breakdown in ELECTRICAL Section)	
16	1001238472	1	Mount	
17	1001254473	1	Housing, LH	
18	1001241965	1	Housing, RH	
19	1001254472	1	Rod	
20	0100011	AR	Compound, Locking	

# SECTION 5 - PLATFORM

FIGURE 5-41. SKYWELDER INSTALLATION (50HZ) (ANSI EXPORT, AUSTRALIAN, CHINA AND JAPANESE SPECS)



ART\_0272521

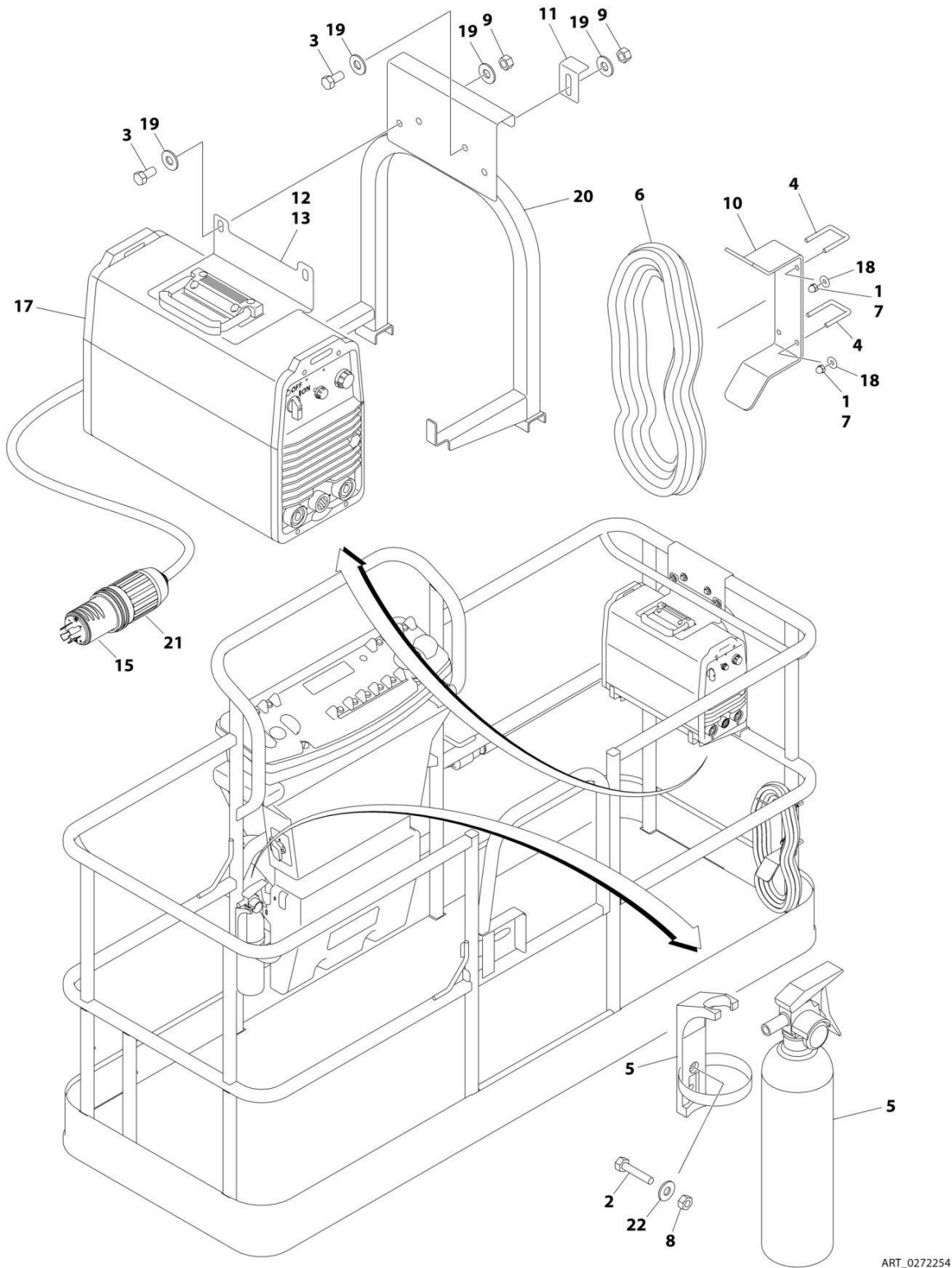
## SECTION 5 - PLATFORM

**FIGURE 5-41. SKYWELDER INSTALLATION (50HZ) (ANSI EXPORT, AUSTRALIAN, CHINA AND JAPANESE SPECS)**

ITEM	PART NUMBER	QTY	DESCRIPTION	REV
	0272521	Ref	SKYWELDER INSTALLATION	F
1	0100011	AR	Compound, Locking	
2	0630518	2	Screw #10 x 3/4	
3	0641606	4	Bolt 3/8 x 3/4	
4	1320302	2	U-Clamp	
5	2030010	1	Extinguisher, Fire	
6	2902217	1	Weld Leads Kit	
7	3300151	4	Nut 1/4	
8	3311005	2	Nut #10	
9	3311605	4	Nut 3/8	
10	3573400	1	Bracket	
11	3577121	2	Angle	
12	3573642	1	Plate	
13	4240099	AR	Tie-Strap (Not Shown)	
14	4420037	AR	Tape	
15	4530028	1	Welder Assembly (See Separate Breakdown in this Section)	
16	4751400	4	Washer 1/4	
17	4751600	8	Washer 3/8	
18	4846627	1	Support	
19	4751000	2	Washer #10	

# SECTION 5 - PLATFORM

FIGURE 5-42. SKYWELDER INSTALLATION (60HZ) (ANSI, ANSI EXPORT, CSA AND JAPANESE SPECS)



ART\_0272254

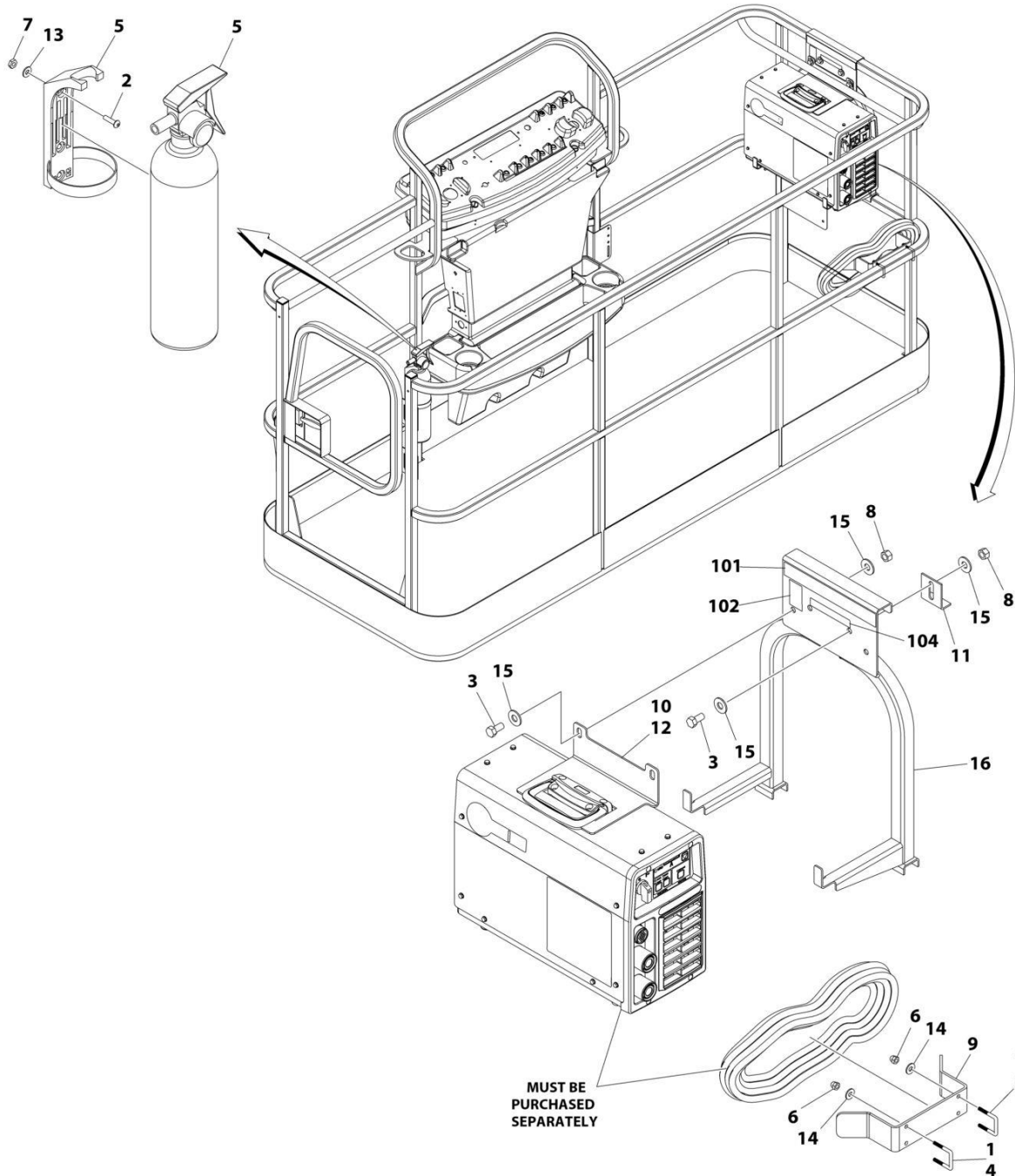
## SECTION 5 - PLATFORM

**FIGURE 5-42. SKYWELDER INSTALLATION (60HZ) (ANSI, ANSI EXPORT, CSA AND JAPANESE SPECS)**

ITEM	PART NUMBER	QTY	DESCRIPTION	REV
	0272254	Ref	SKYWELDER INSTALLATION	I
1	0100011	AR	Compound, Locking	
2	0630518	2	Screw #10 x 3/4	
3	0641606	4	Bolt 3/8 x 3/4	
4	1320302	2	U-Clamp	
5	2030010	1	Extinguisher, Fire	
6	2902217	1	Weld Leads Kit	
7	3300151	4	Nut 1/4	
8	3311005	2	Nut #10	
9	3311605	4	Nut 3/8	
10	3573400	1	Bracket	
11	3577121	2	Angle	
12	3573642	1	Plate	
13	4420037	AR	Tape	
14	4240099	AR	Tie-Strap (Not Shown)	
15	4460962	1	Plug, Male Twistlock	
17	4530028	1	Welder Assembly (See Separate Breakdown in this Section)	
18	4751400	4	Washer 1/4	
19	4751600	8	Washer 3/8	
20	4846627	1	Support	
21	1671093	1	Cover, Plug	
22	4751000	2	Washer #10	

# SECTION 5 - PLATFORM

FIGURE 5-43. SKYWELDER PREP PACKAGE (60HZ) (ANSI, ANSI EXPORT, CSA AND CHINA SPECS)



ART\_1001128527\_C

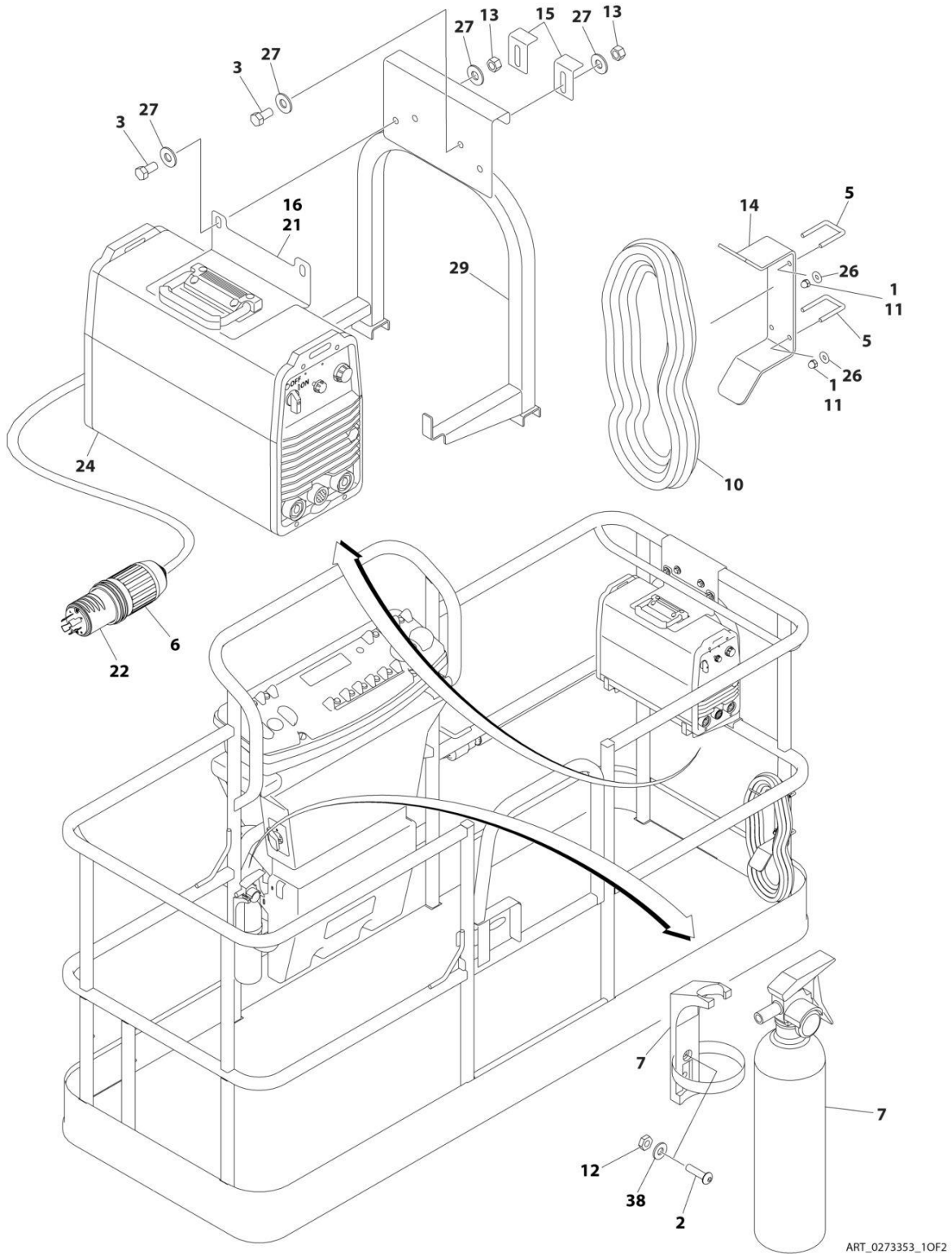
## SECTION 5 - PLATFORM

**FIGURE 5-43. SKYWELDER PREP PACKAGE (60HZ) (ANSI, ANSI EXPORT, CSA AND CHINA SPECS)**

ITEM	PART NUMBER	QTY	DESCRIPTION	REV
	1001128527	Ref	SKYWELDER PREP PACKAGE	C
1	0100011	AR	Compound, Locking	
2	0630518	2	Screw #10 x 3/4	
3	0641606	4	Bolt 3/8 x 3/4	
4	1320302	2	U-Clamp	
5	2030010	1	Extinguisher, Fire	
6	3300151	4	Nut 1/4	
7	3311005	2	Nut #10	
8	3311605	4	Nut 3/8	
9	3573400	1	Bracket	
10	1001269573	1	Plate	
11	3577121	2	Angle	
12	4420037	AR	Tape	
13	4751000	2	Washer #10	
14	4751400	4	Washer 1/4	
15	4751600	8	Washer 3/8	
16	1001269322	1	Support	
	1001128556	Ref	SKYWELDER DECAL INSTALLATION	D
101	1702868	1	Decal - No Hands	
102	1705305	1	Decal - Weld Lead	
104	1001228988	1	Decal - Weight	

# SECTION 5 - PLATFORM

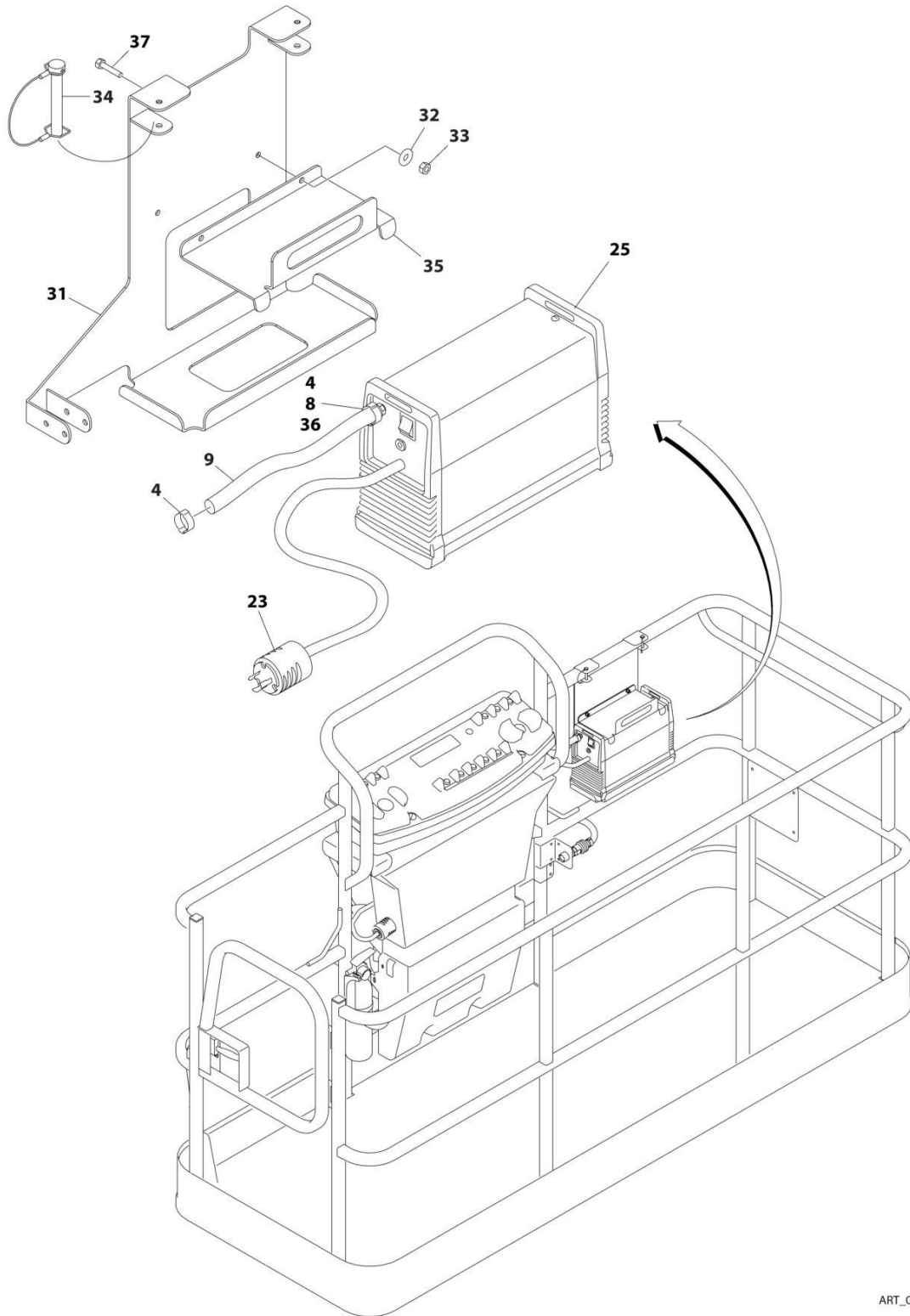
FIGURE 5-44. SKYWELDER/SKYCUTTER COMBO INSTALLATION (60HZ) (ANSI, ANSI EXPORT, CHINA, CSA AND JAPANESE SPECS)



ART\_0273353\_10F2



# SECTION 5 - PLATFORM



ART\_0273353\_20F2

## SECTION 5 - PLATFORM

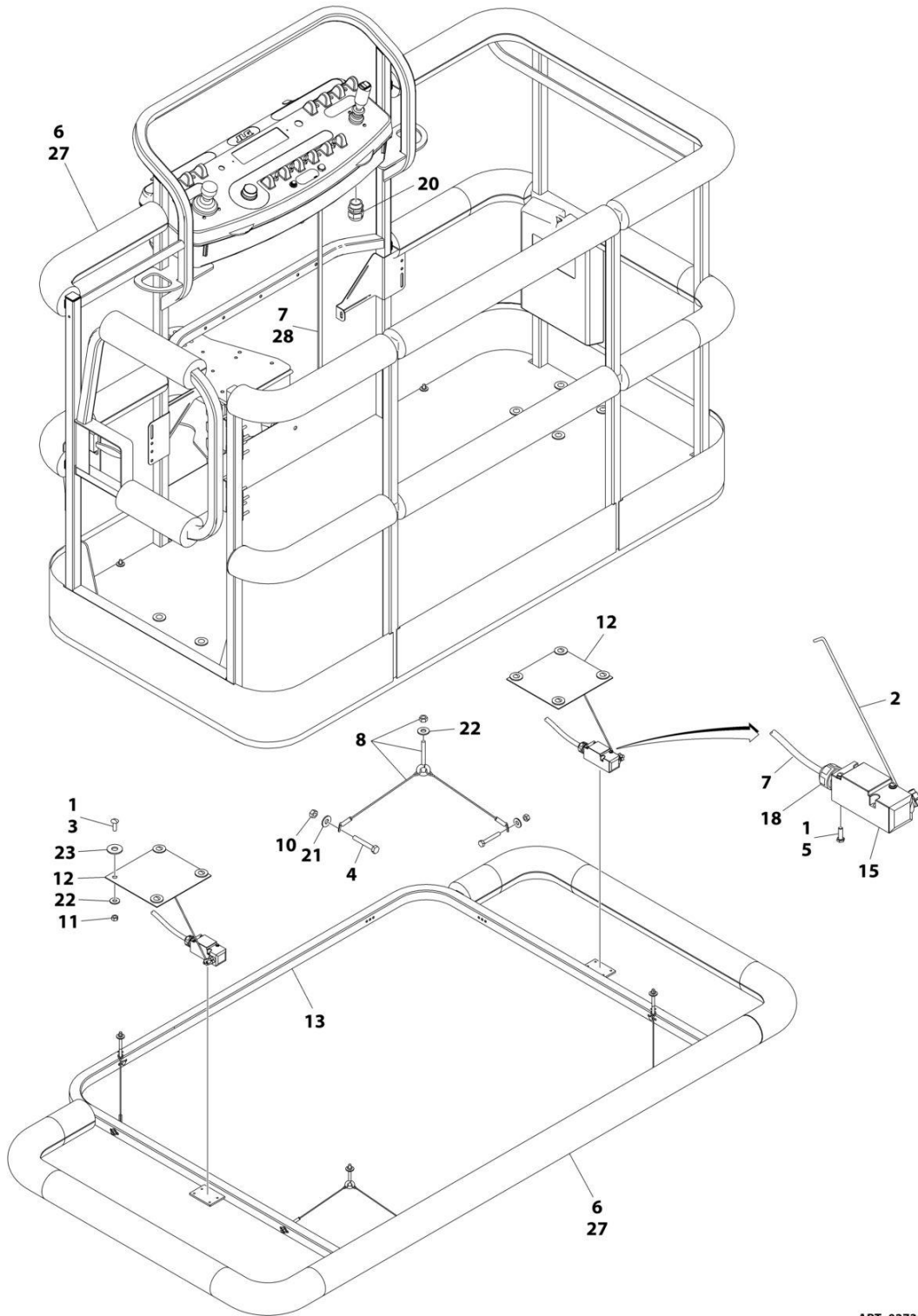
**FIGURE 5-44. SKYWELDER/SKYCUTTER COMBO INSTALLATION (60HZ) (ANSI, ANSI EXPORT, CHINA, CSA AND JAPANESE SPECS)**

ITEM	PART NUMBER	QTY	DESCRIPTION	REV
	0273353	Ref	SKYWELDER/SKYCUTTER COMBO INSTALLATION (60HZ)	G
1	0100011	AR	Compound, Locking	
2	0630518	2	Screw #10 x 3/4	
3	0641606	4	Bolt 3/8 x 3/4	
4	1320177	2	Clamp	
5	1320302	2	Clamp	
6	1671093	1	Cover, Plug	
7	2030010	1	Extinguisher, Fire	
8	2180832	1	Fitting, Barbed/NPT	
9	2720160	4.5 ft /1.37m	Hose	
10	2902217	1	Weld Leads Kit	
11	3300151	4	Nut 1/4	
12	3311005	2	Nut #10	
13	3311605	4	Nut 3/8	
14	3573400	1	Bracket	
15	3577121	2	Angle	
16	3573642	1	Plate	
20	4240099	AR	Tie-Strap (Not Shown)	
21	4420037	2.36 ft /.71m	Tape	
22	4460962	1	Plug, Twist Lock	
23	4460971	1	Plug, Twist Lock	
24	4530028	1	Welder Assembly (See Separate Breakdown in this section)	
25	1001098012	1	Plasma Cutter Assembly (See Separate Breakdown in this Section)	
26	4751400	4	Washer 1/4	
27	4751600	8	Washer 3/8	
29	4846627	1	Support	
31	1001145405	1	Bracket	
32	4811700	2	Washer M6	
33	3290605	2	Nut M6	
34	3421453	3	Pin	
35	3576799	1	Plate, Hold-Down	
36	0100020	1	Sealant	
37	4010608	2	Screw M6 x 16	
38	4751000	2	Washer #10	



# SECTION 5 - PLATFORM

FIGURE 5-45. SOFT TOUCH SYSTEM INSTALLATION - 6FT/1.8M PLATFORMS - (ALL SPECS)



ART\_0273824\_E

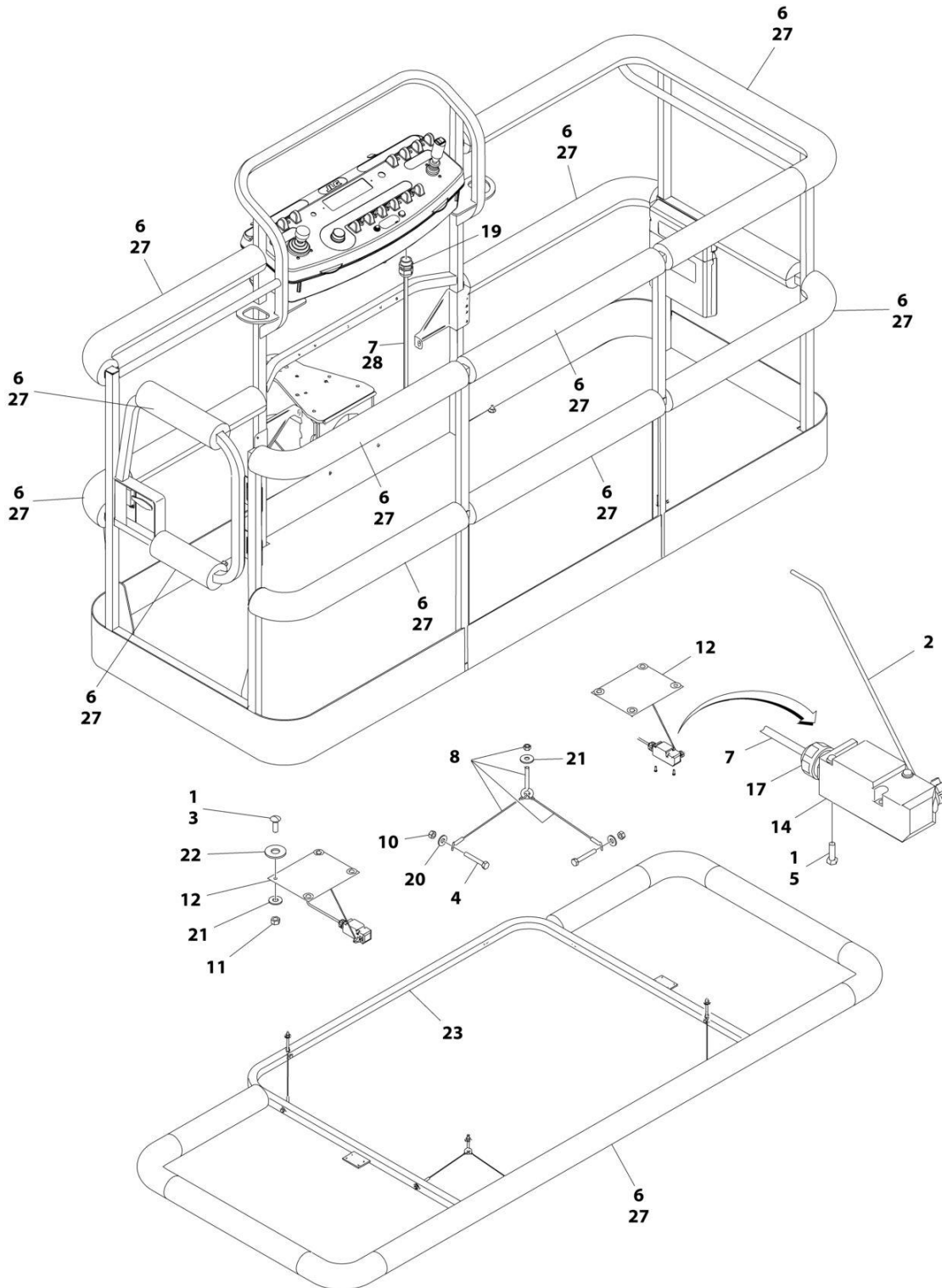
## SECTION 5 - PLATFORM

**FIGURE 5-45. SOFT TOUCH SYSTEM INSTALLATION - 6FT/1.8M PLATFORMS - (ALL SPECS)**

ITEM	PART NUMBER	QTY	DESCRIPTION	REV
	0273824	Ref	SOFT TOUCH SYSTEM INSTALLATION	E
1	0100011	AR	Compound, Locking	
2	0200048	2	Arm, Switch	
3	0630462	8	Bolt	
4	0641414	8	Bolt 1/4 x 1-3/4	
5	0731005	4	Bolt #10 x 5/8	
6	0940134	1	Bumper Kit (Includes Corners and Enough Straight Material for One Platform)	
6	0940092	AR	Bumper (Corner)	
6	0940094	AR	Bumper (12ft Length)	
7	1060341	23 ft/7m	Cable, Soft Touch - 16/2	
8	1060903	4	Wire Rope and Eyebolt Assembly	
10	3311401	8	Nut 1/4	
11	3311501	8	Nut 5/16	
12	3575359	2	Plate, Switch Strike	
13	3641569	1	Rail, Soft Touch	
14	4240099	7	Tie-Strap (Not Shown)	
15	4360057	2	Switch, Limit	
18	4460049	2	Connector, Strain Relief	
19	4460234	7	Tie-Strap (Not Shown)	
20	4460425	1	Connector, Strain Relief	
21	4751400	8	Washer 1/4	
22	4751500	12	Washer 5/16	
23	4751800	8	Washer 1/2	
27	1001197017	AR	Tie-Strap	
28	4460226	4	Socket	

# SECTION 5 - PLATFORM

FIGURE 5-46. SOFT TOUCH SYSTEM INSTALLATION - 8FT/2.4M PLATFORMS (ALL SPECS)  
(1350SJP)



ART\_0272427\_H

## SECTION 5 - PLATFORM

**FIGURE 5-46. SOFT TOUCH SYSTEM INSTALLATION - 8FT/2.4M PLATFORMS (ALL SPECS)  
(1350SJP)**

ITEM	PART NUMBER	QTY	DESCRIPTION	REV
	0272427	Ref	SOFT TOUCH INSTALLATION - 36IN X 8FT (91.5CM X 2.44M) PLATFORM	H
1	0100011	AR	Compound, Locking	
2	0200048	2	Arm, Switch	
3	0630462	8	Bolt	
4	0641414	8	Bolt 1/4 x 1-3/4	
5	0721005	4	Bolt #10 x 5/8	
6	0940103	1	Bumper Kit (Includes Corners and Enough Straight Material for One Platform)	
6	0940092	12	Bumper (Corner)	
6	0940094	AR	Bumper (12ft Length)	
7	1060341	23 ft/7m	Cable, Soft Touch - 16/2	
8	1060903	4	Wire Rope and Eyebolt Assembly	
10	3311401	8	Nut 1/4	
11	3311501	8	Nut 5/16	
12	3574091	2	Plate, Switch Strike	
13	4240099	7	Tie-Strap (Not Shown)	
14	4360057	2	Switch, Limit	
17	4460049	2	Connector, Strain Relief	
18	4460234	7	Tie-Strap (Not Shown)	
19	4460425	1	Connector, Strain Relief	
20	4751400	8	Washer 1/4	
21	4751500	12	Washer 5/16	
22	4751800	8	Washer 1/2	
23	4846673	1	Rail, Soft Touch	
27	1001197017	AR	Tie-Strap	
28	4460226	1	Socket	





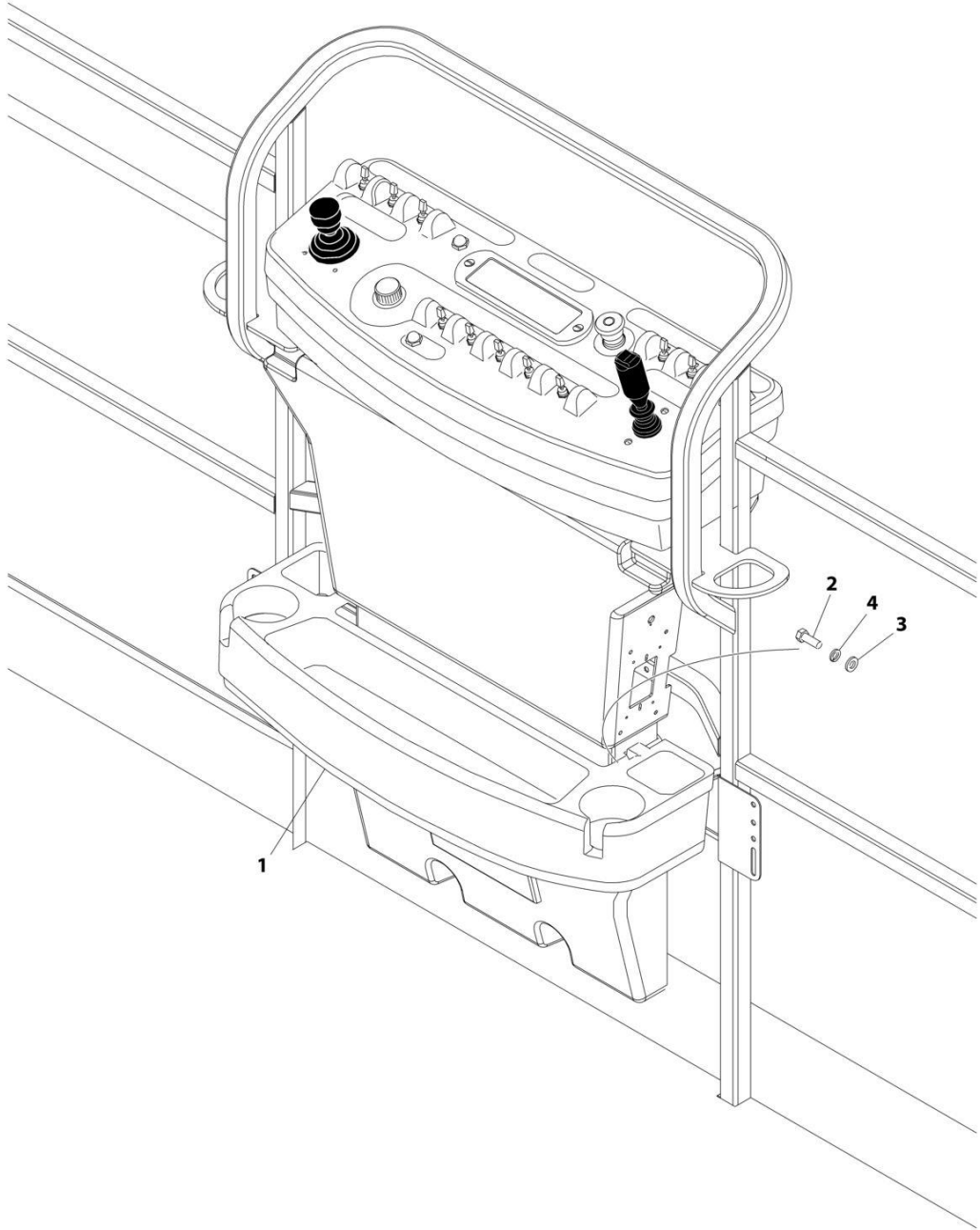
## SECTION 5 - PLATFORM

**FIGURE 5-47. SOFT TOUCH SYSTEM INSTALLATION - 8FT/2.4M PLATFORMS (ANSI SPECS WITH SN STARTING WITH 03)) (1350SJP)**

ITEM	PART NUMBER	QTY	DESCRIPTION	REV
	0273706	Ref	SOFT TOUCH INSTALLATION	E
1	0100011	AR	Compound, Locking	
2	0200048	2	Arm, Switch	
3	0630462	8	Bolt	
4	0641414	8	Bolt 1/4 x 1-3/4	
5	0721005	4	Bolt #10 x 5/8	
6	0940133	1	Bumper Kit (Includes Corners and Enough Straight Material for One Platform)	
6	0940092	8	Bumper (Corner)	
6	0940094	AR	Bumper (12ft Length)	
7	1060341	23 ft/7m	Cable, Soft Touch - 16/2	
8	1060903	4	Wire Rope and Eyebolt Assembly	
10	3311401	8	Nut 1/4	
11	3311501	8	Nut 5/16	
12	3574091	2	Plate, Switch Strike	
13	4240099	7	Tie-Strap (Not Shown)	
14	4360057	2	Switch, Limit	
17	4460049	2	Connector, Strain Relief	
18	4460234	7	Tie-Strap (Not Shown)	
19	4460425	1	Connector, Strain Relief	
20	4751400	8	Washer 1/4	
21	4751500	12	Washer 5/16	
22	4751800	8	Washer 1/2	
23	4846673	1	Rail, Soft Touch	
27	1001197017	AR	Tie-Strap	
28	4460226	4	Socket	

**SECTION 5 - PLATFORM**

**FIGURE 5-48. TRAY ASSEMBLY**



ART\_1580012

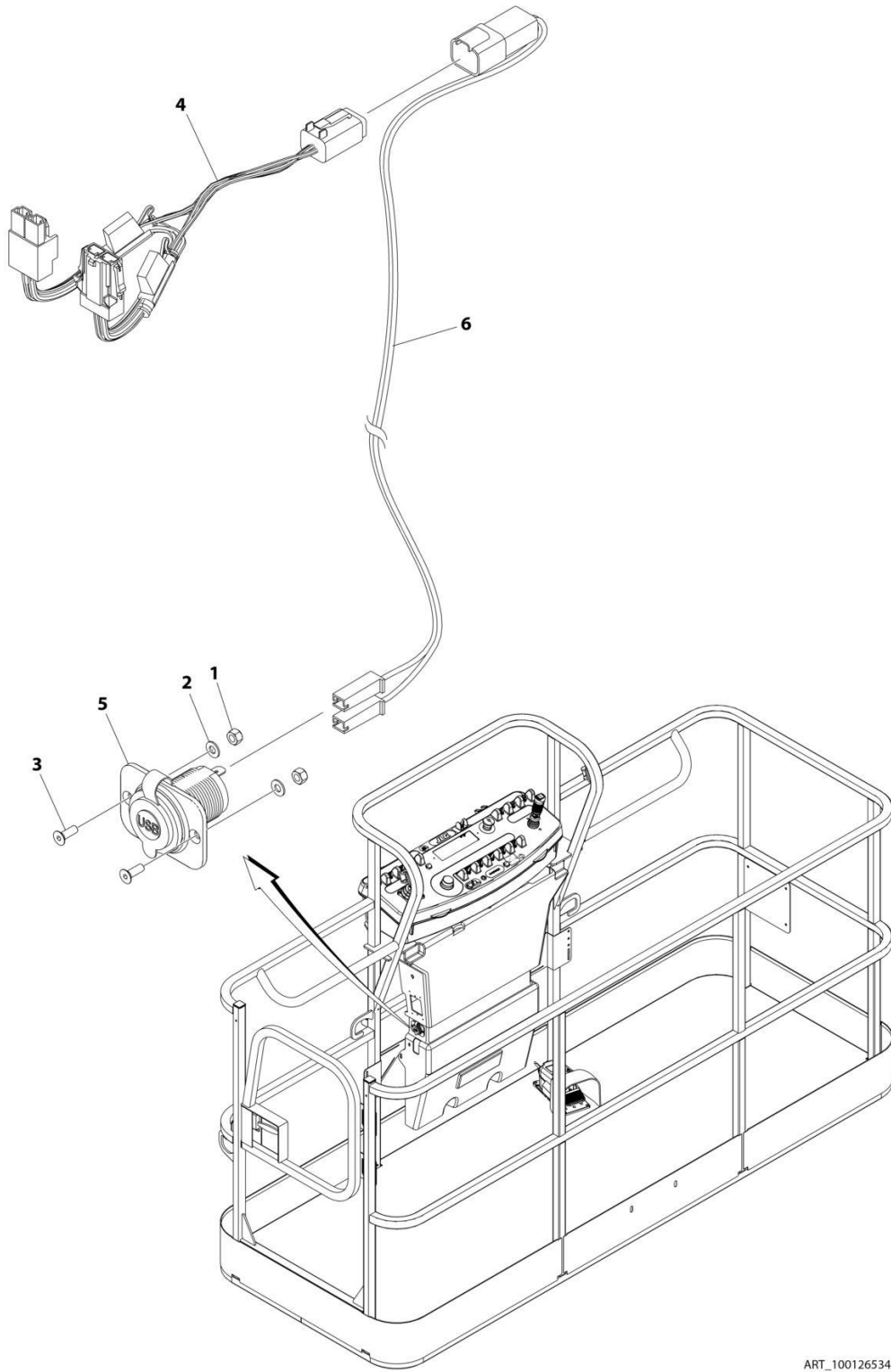
## SECTION 5 - PLATFORM

### FIGURE 5-48. TRAY ASSEMBLY

ITEM	PART NUMBER	QTY	DESCRIPTION	REV
	1580012	Ref	TRAY ASSEMBLY	C
1	See Note	NSS	Tray, Storage (Center) (Note: Purchase p/n 1580012)	
2	0641406	2	Bolt 1/4 x 3/4	
3	4751400	2	Washer 1/4	
4	4761400	2	Washer 1/4	

# SECTION 5 - PLATFORM

## FIGURE 5-49. USB CHARGER INSTALLATION



ART\_1001265342

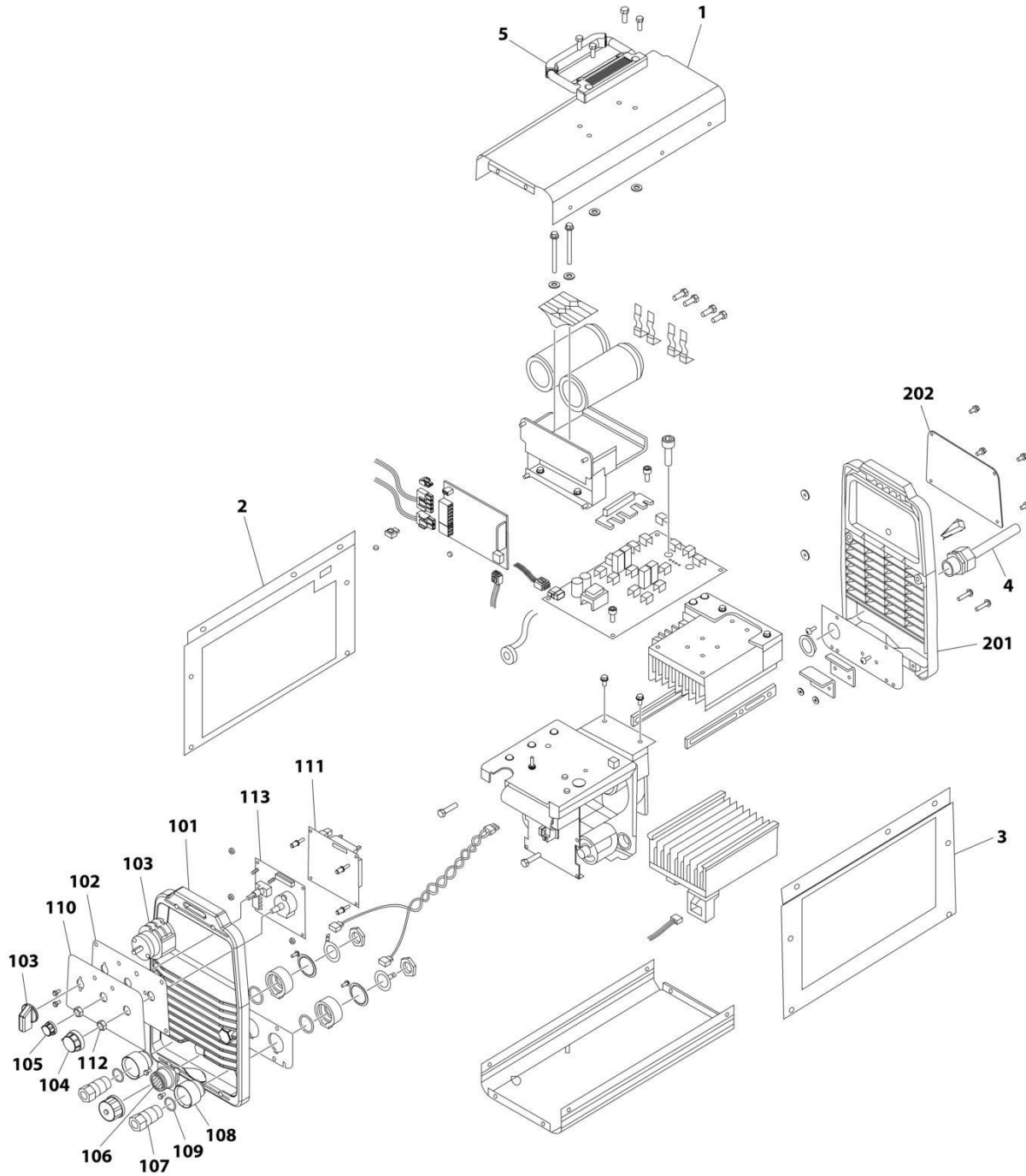
## SECTION 5 - PLATFORM

**FIGURE 5-49. USB CHARGER INSTALLATION**

ITEM	PART NUMBER	QTY	DESCRIPTION	REV
	1001265342	Ref	USB CHARGER INSTALLATION	A
1	3290405	2	Nut M4	
2	4811400	2	Washer M4	
3	1001097244	2	Screw M4 x 12	
4	1001120484	1	Harness, Work Lights	
4	4460879	1	Plug, Male - 2 Position	
4	4460887	2	Terminal	
4	2400060	2	Fuseholder Includes Cover	
4	8229249	2	Fuse, 3 Amp	
4	4460884	1	Connector - 4 Position	
4	4460465	4	Socket, Female	
4	1001120471	1	Connector - 2 Position	
4	1001120477	2	Terminal	
5	1001210636	1	Receptacle, USB	
6	1001265163	1	Harness, USB	A
6	4460260	2	Cover, Terminal	
6	4460259	2	Terminal	
6	4460932	1	Receptacle, Bussbar - 4 Position	
6	4460464	2	Pin, Male	
6	4460466	2	Plug, Terminal	

# SECTION 5 - PLATFORM

## FIGURE 5-50. WELDER ASSEMBLY



ART\_4530028

## SECTION 5 - PLATFORM

### FIGURE 5-50. WELDER ASSEMBLY

ITEM	PART NUMBER	QTY	DESCRIPTION	REV
	4530028	Ref	WELDER ASSEMBLY	B
		Ref	Note: For Other Components, contact your Miller Welder Dealer.	
1	7027773	1	Cover, Top	
1	7027774	1	Decal - Static Precautionary Warning	
2	See Note	NSS	Panel, LH Side (Note: Part of Item 1. Purchase Item 1)	
3	See Note	NSS	Panel, RH Side (Note: Part of Item 1. Purchase Item 1)	
4	7024467	1	Cable, Power	
4	7027775	1	Decal - Electrical Shock Warning (Not Shown)	
5	7027776	1	Handle, Carrying	
101	7024462	1	Panel, Front	
102	7024463	1	Panel, Console	
103	7024469	1	Switch with Lead	
104	7024470	1	Knob	
105	7024471	1	Knob	
106	7024472	1	Receptacle with Leads and Plugs	
107	7024473	2	Receptacle, Twistlock Female	
108	7024474	2	Insulator	
109	7024475	2	O-Ring	
110	7027777	1	Nameplate	
111	7027779	1	Circuit Card Assembly (Process Control)	
112	7024478	2	Nut	
113	7027778	1	Circuit Card Assembly (Operator Interface)	
201	7024462	1	Panel, Rear	
202	7027780	1	Panel, Cover	

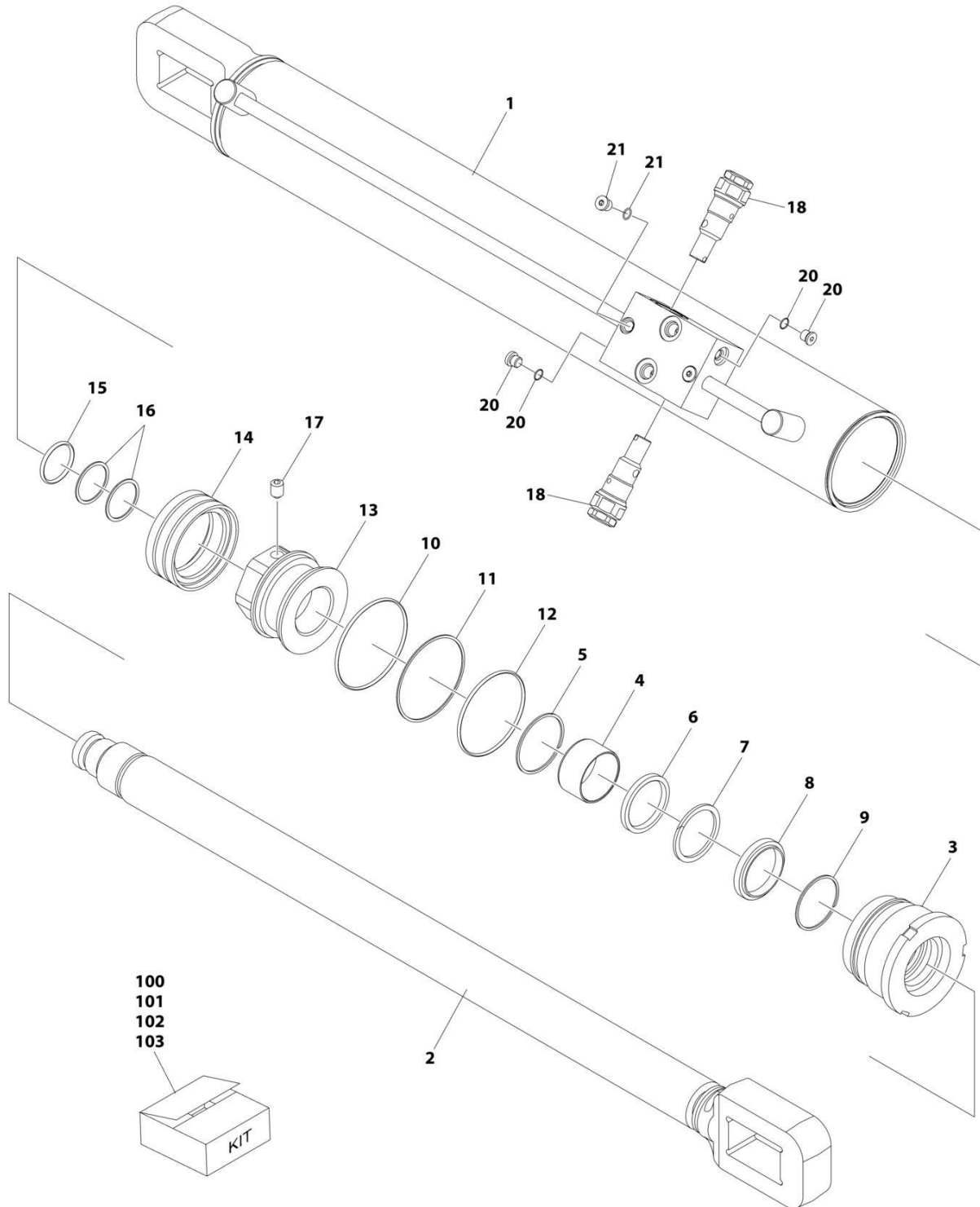




**SECTION 6 - CYLINDER**

# SECTION 6 - CYLINDER

## FIGURE 6-1. AXLE EXTENSION CYLINDER ASSEMBLY



ART\_1001251020

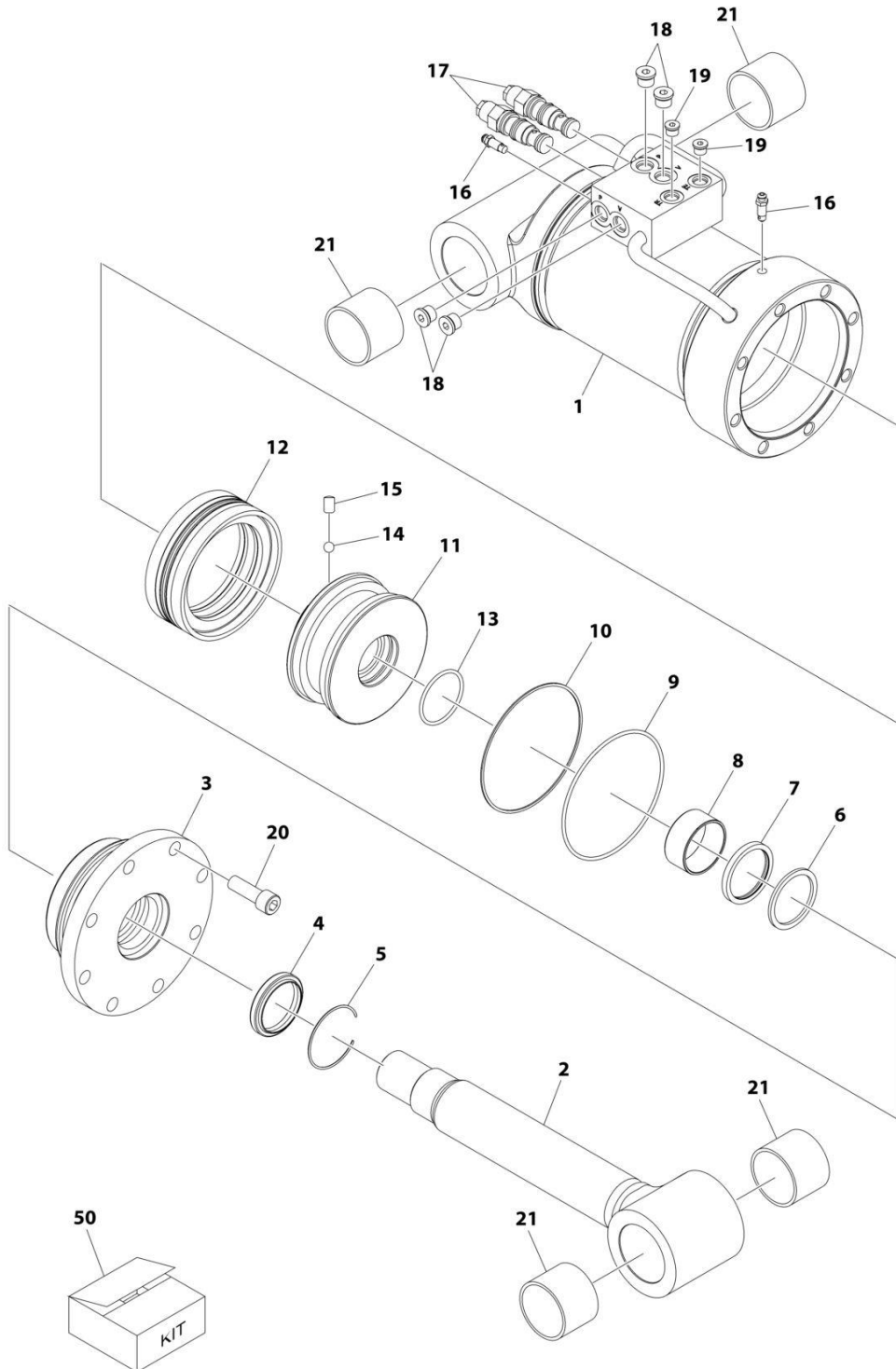
## SECTION 6 - CYLINDER

**FIGURE 6-1. AXLE EXTENSION CYLINDER ASSEMBLY**

ITEM	PART NUMBER	QTY	DESCRIPTION	REV
	1001251020	Ref	AXLE EXTENSION CYLINDER ASSEMBLY	A
		Ref	Note: Original Cylinder May Have Been Replaced with Service Replacement. Identify PN Stamped on Cylinder Before Ordering Parts.	
1	See Note	NSS	Barrel (Note: Use p/n 1001251020)	
2	70007382	1	Rod	
3	See Note	NSS	Head (Use Item 100)	
5	See Note	NSS	Ring (Note: Use Item 100)	
6	See Note	NSS	Seal (Note: Use Item 101)	
7	See Note	NSS	Ring, Back-up (Note: Use Item 101)	
8	See Note	NSS	Wiper, Rod (Note: Use Item 101)	
9	See Note	NSS	Ring, Retaining (Note: Use Item 101)	
10	See Note	NSS	O-Ring (Note: Use Item 101)	
11	See Note	NSS	Ring, Back-up (Note: Use Item 101)	
12	See Note	NSS	O-Ring (Note: Use Item 101)	
13	See Note	NSS	Piston (Note: Use Item 102)	
14	See Note	NSS	Seal (Note: Use Item 101)	
15	See Note	NSS	O-Ring (Note: Use Item 101)	
16	See Note	NSS	Ring, Back-up (Note: Use Item 101)	
17	See Note	NSS	Setscrew (Note: Use Item 102)	
18	4640509	2	Cartridge, Holding Valve	
18	2900792	2	Seal Kit - 4640509 Cartridge Valve (1 Per Assembly)	
20	See Note	NSS	Plug (Note: Use Item 103)	
21	See Note	NSS	Plug (Note: Use Item 103)	
100	70007383	1	Rod Cover Kit (Includes Items 3-5)	
101	70007384	1	Seal Kit (Includes Items 6-12 & 14-16)	
102	70007385	1	Piston Kit (Includes Items 13 & 17)	
103	70007386	1	Plug Kit (Includes Items 20 & 21)	

# SECTION 6 - CYLINDER

## FIGURE 6-2. AXLE LOCKOUT CYLINDER ASSEMBLY



ART\_1001251019

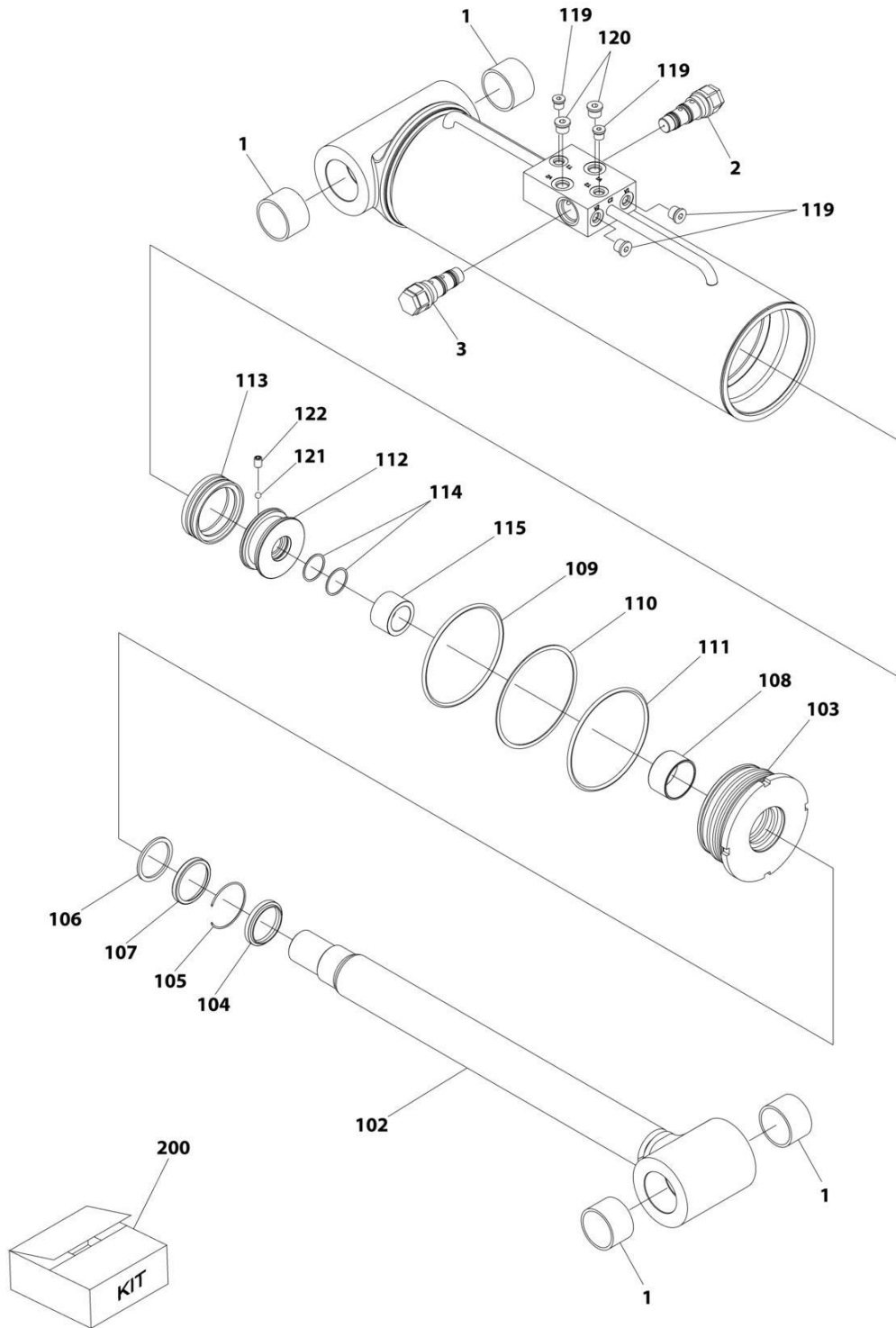
## SECTION 6 - CYLINDER

**FIGURE 6-2. AXLE LOCKOUT CYLINDER ASSEMBLY**

ITEM	PART NUMBER	QTY	DESCRIPTION	REV
	1001251019	Ref	AXLE LOCKOUT CYLINDER ASSEMBLY	B
		Ref	Note: Original Cylinder May Have Been Replaced with Service Replacement. Identify PN Stamped on Cylinder Before Ordering Parts.	
1	See Note	NSS	Barrel (Note: Use PN 1001251019)	
2	70007984	1	Rod	
3	70007985	1	Head	
4	See Note	NSS	Wiper (Note: Use Item 50)	
5	70002412	1	Ring, Retaining	
6	See Note	NSS	Seal, Rod (Note: Use Item 50)	
7	See Note	NSS	Ring, Back-up (Note: Use Item 50)	
8	70005153	1	Bearing	
9	See Note	NSS	O-Ring (Note: Use Item 50)	
10	See Note	NSS	Ring, Back-up (Note: Use Item 50)	
11	7007986	1	Piston	
12	See Note	NSS	Seal, Piston (Note: Use Item 50)	
13	See Note	NSS	O-Ring (Note: Use Item 50)	
14	70022564	1	Ball	
15	70006596	1	Setscrew M8 x 12	
16	70007987	2	Bleeder	
17	4641276	2	Cartridge, Valve - Counterbalance	
17	2900770	2	Seal Kit - 4641276 Valve	
18	2220885	4	Plug 9/16	
19	2220883	2	Plug 7/16	
20	70007988	8	Bolt M12 x 50	
21	0961950	4	Bearing	
50	70007989	1	Seal Kit - 1001251019 Cylinder (Includes Items 4, 6, 7, 9, 10, 12 & 13)	

# SECTION 6 - CYLINDER

## FIGURE 6-3. PLATFORM LEVEL CYLINDER ASSEMBLY - WITHOUT COLD WEATHER PLUS PACKAGE



ART\_1001251023

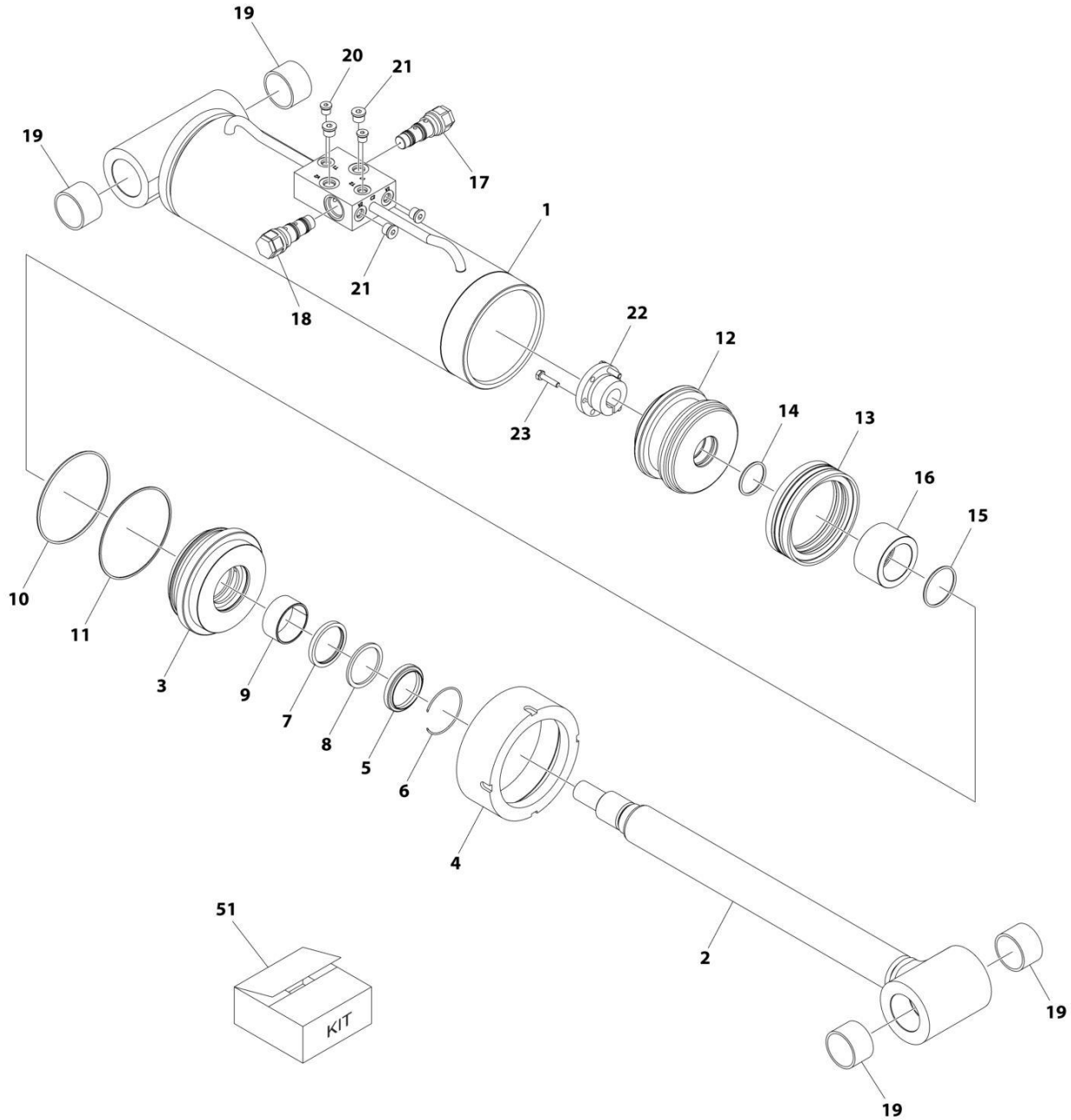
## SECTION 6 - CYLINDER

**FIGURE 6-3. PLATFORM LEVEL CYLINDER ASSEMBLY - WITHOUT COLD WEATHER PLUS PACKAGE**

ITEM	PART NUMBER	QTY	DESCRIPTION	REV
	1001251023	Ref	PLATFORM LEVEL CYLINDER ASSEMBLY	A
		Ref	Note: Original Cylinder May Have Been Replaced with Service Replacement. Identify PN Stamped on Cylinder Before Ordering Parts.	
1	0961949	4	Bushing	
2	4641248	1	Cartridge, Counterbalance Valve (Non-Vented)	
2	70004186	1	Seal Kit - For 4641248 Counterbalance Valve	
3	4640509	1	Cartridge, Holding Valve (Non-Vented)	
3	2900792	1	Seal Kit - For 4640509 Holding Valve	
102	70007999	1	Rod	
103	70008000	1	Head	
104	See Note	NSS	Wiper (Note: Use Item 200)	
105	70002412	1	Ring, Retaining	
106	See Note	NSS	Seal (Note: Use Item 200)	
107	See Note	NSS	Ring (Note: Use Item 200)	
108	70052577	1	Bearing	
109	See Note	NSS	O-Ring (Note: Use Item 200)	
110	See Note	NSS	Ring (Note: Use Item 200)	
111	See Note	NSS	O-Ring (Note: Use Item 200)	
112	70008001	1	Piston	
113	See Note	NSS	Seal (Note: Use Item 200)	
114	See Note	NSS	O-Ring (Note: Use Item 200)	
115	70008002	1	Spacer	
119	2220883	4	Plug 7/16	
120	2220885	2	Plug 9/16	
121	70022564	1	Ball, Steel	
122	70006596	1	Setscrew M8 x 1-1/4	
200	70008003	1	Seal Kit (Includes Items 4, 6, 7, 9-11, 13 & 14)	

# SECTION 6 - CYLINDER

FIGURE 6-4. PLATFORM LEVEL CYLINDER ASSEMBLY - WITH COLD WEATHER PLUS PACKAGE



ART\_1001228053



## SECTION 6 - CYLINDER

**FIGURE 6-4. PLATFORM LEVEL CYLINDER ASSEMBLY - WITH COLD WEATHER PLUS PACKAGE**

ITEM	PART NUMBER	QTY	DESCRIPTION	REV
	1001228053	Ref	PLATFORM LEVEL CYLINDER ASSEMBLY - WITH COLD WEATHER PLUS PACKAGE	B
		Ref	Note: Original Cylinder May Have Been Replaced with Service Replacement. Identify PN Stamped on Cylinder Before Ordering Parts.	
1	See Note	NSS	Barrel (Note: Not Available for Purchase)	
2	70007015	1	Rod	
3	70007016	1	Head	
4	70007017	1	Cap, Cylinder	
5	See Note	NSS	Wiper, Rod (Note: Use Item 51)	
6	70002412	1	Retainer	
7	See Note	NSS	Seal, Rod (Note: Use Item 51)	
8	See Note	NSS	Ring, Back-up (Note: Use Item 51)	
9	70005153	1	Ring, Wear	
10	See Note	NSS	O-Ring (Note: Use Item 51)	
11	See Note	NSS	Ring, Back-up (Note: Use Item 51)	
12	70007018	1	Piston	
13	See Note	NSS	Seal, Piston (Note: Use Item 51)	
14	See Note	NSS	O-Ring (Note: Use Item 51)	
15	See Note	NSS	O-Ring (Note: Use Item 51)	
16	70007019	1	Spacer	
17	4640509	1	Cartridge, Holding Valve (Non-Vented)	
17	2900792	1	Seal Kit - 4640509 Cartridge Valve	
18	4641248	1	Cartridge, Counterbalance Valve (Non-Vented)	
18	70004186	1	Seal Kit - 4641248 Cartridge Valve	
19	0961949	4	Bushing	
20	2220883	2	Plug, O-Ring	
21	2220885	4	Plug, O-Ring	
22	0961894	1	Bushing, Tapered	
23	0630535	3	Capscrew 1/4 x 1-1/8	
51	70007020	1	Seal Kit Options (Includes Items 5, 7, 8, 10, 11 & 13-15)	



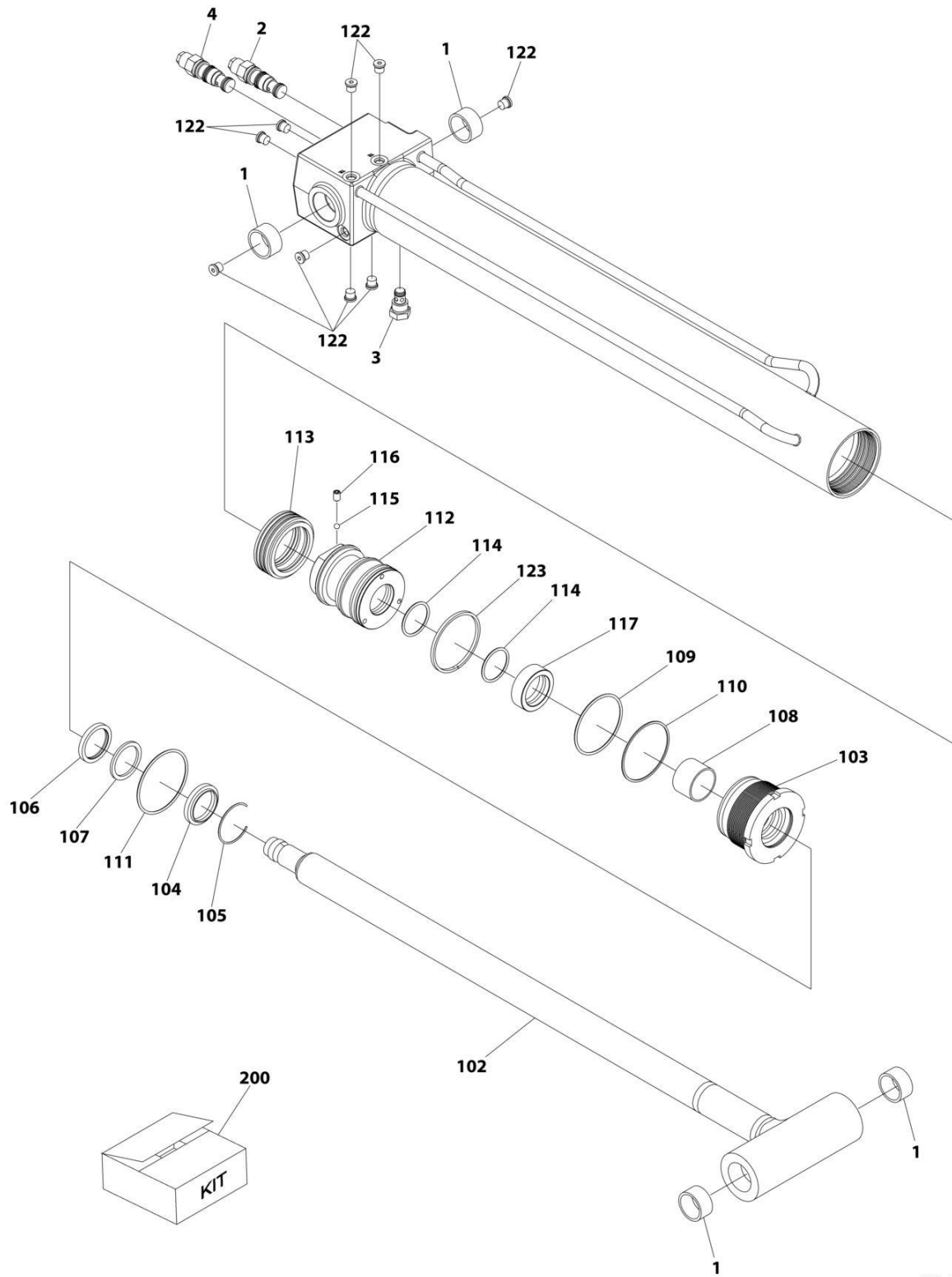
## SECTION 6 - CYLINDER

### FIGURE 6-5. LIFT CYLINDER ASSEMBLY

ITEM	PART NUMBER	QTY	DESCRIPTION	REV
	1001251024	Ref	LIFT CYLINDER ASSEMBLY	A
		Ref	Note: Original Cylinder May Have Been Replaced with Service Replacement. Identify PN Stamped on Cylinder Before Ordering Parts.	
1	0962297	4	Bushing	
2	4640438	1	Cartridge, Check Valve	
2	2900770	1	Seal Kit - 4640438 Cartridge Valve	
3	4640509	1	Cartridge, Holding Valve (Non-Vented)	
3	2900792	1	Seal Kit - 4640509 Cartridge Valve	
4	4641210	1	Cartridge, Pressure Regulator Valve	
4	7010545	1	Seal Kit - 4641210 Cartridge Valve	
101	See Note	NSS	Tube (Note: Not Available for Purchase)	
102	70008180	1	Rod	
103	70008181	1	Head	
104	See Note	NSS	Wiper, Dust (Note: Use Item 128)	
105	70026283	1	Ring, Retaining	
106	See Note	NSS	Seal, Rod (Note: Use Item 128)	
107	See Note	NSS	Ring, Backup (Note: Use Item 128)	
108	See Note	NSS	Ring, Buffer (Note: Use Item 128)	
109	70008182	1	Bushing	
110	See Note	NSS	O-Ring (Note: Use Item 128)	
111	See Note	NSS	Ring, Backup (Note: Use Item 128)	
112	70008183	1	Piston	
113	See Note	NSS	Seal, Piston (Note: Use Item 128)	
114	See Note	NSS	Ring, Wear (Note: Use Item 128)	
115	70007435	1	Cap, Tube	
116	See Note	NSS	O-Ring (Note: Use Item 128)	
117	See Note	NSS	O-Ring (Note: Use Item 128)	
118	70008184	1	Spacer	
119	See Note	NSS	O-Ring (Note: Use Item 128)	
120	70022564	1	Ball, Steel	
121	70007246	1	Setscrew	
122	70007282	1	Insert, Locking	
123	70007438	1	Setscrew	
124	2220883	3	Plug 7/16	
125	2220885	1	Plug 9/16	
126	70005433	2	Plug 7/8	
127	See Note	NSS	Ring, Dust (Note: Use Item 128)	
128	70008185	1	Seal Kit (Includes Items 104, 106-108, 110-111, 113-114, 116-117, 119 & 127)	

# SECTION 6 - CYLINDER

FIGURE 6-6. JIB CYLINDER ASSEMBLY - WITH OR WITHOUT COLD WEATHER PLUS PACKAGE



ART\_1001251025

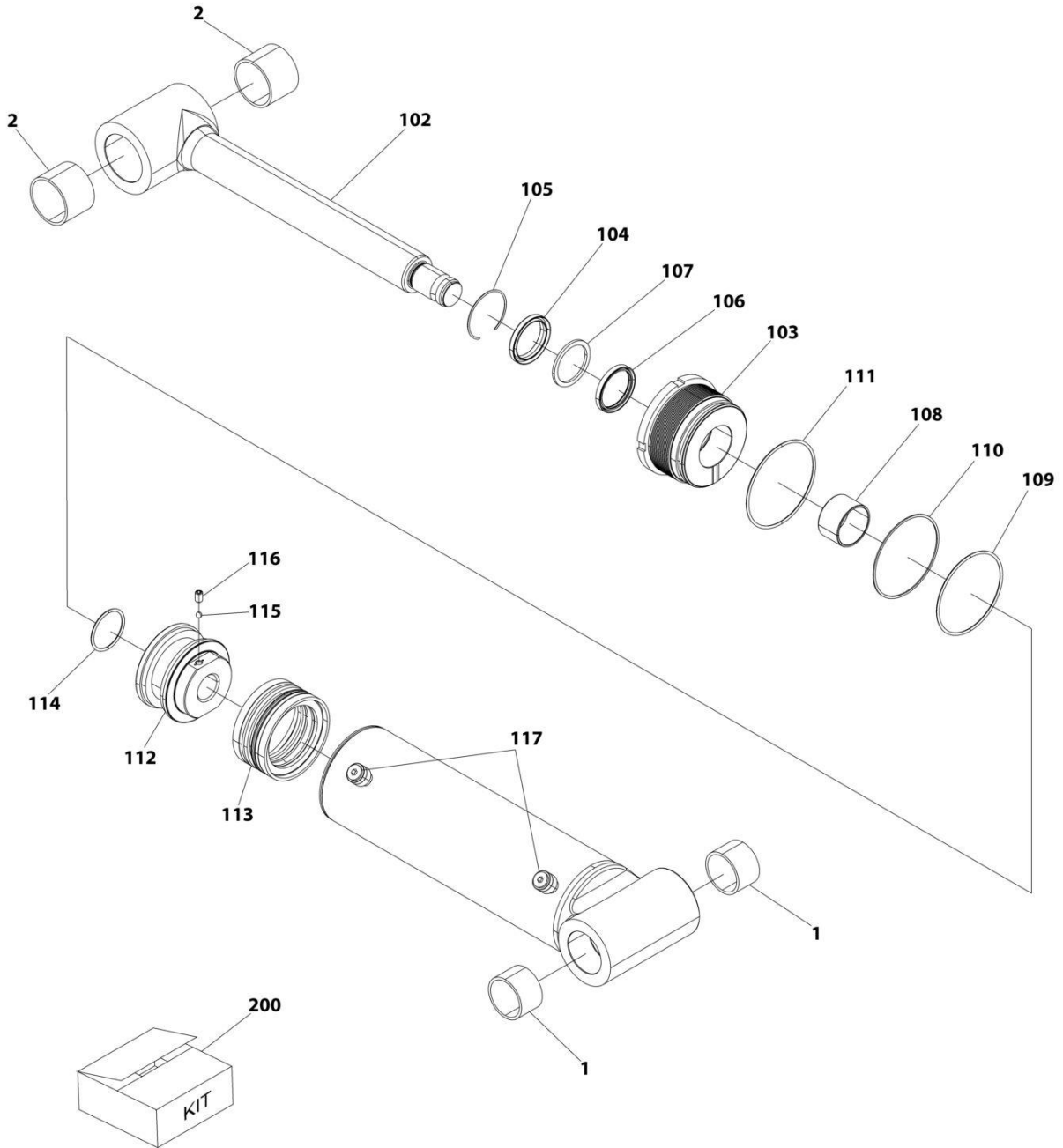
## SECTION 6 - CYLINDER

**FIGURE 6-6. JIB CYLINDER ASSEMBLY - WITH OR WITHOUT COLD WEATHER PLUS PACKAGE**

ITEM	PART NUMBER	QTY	DESCRIPTION	REV
	1001251025	Ref	JIB CYLINDER ASSEMBLY	A
		Ref	Note: Original Cylinder May Have Been Replaced with Service Replacement. Identify PN Stamped on Cylinder Before Ordering Parts.	
1	0962257	4	Bushing	
2	4640452	1	Valve, Counterbalance	
2	2900770	1	Seal Kit - For 4640452 Counterbalance Valve	
3	4641114	1	Valve, Check	
3	7012998	1	Seal Kit - For 4641114 Check Valve	
4	4641260	1	Valve, Counterbalance	
4	2900770	1	Seal Kit - For 4641260 Counterbalance Valve	
102	70007993	1	Rod	
103	70007994	1	Head	
104	See Note	NSS	Wiper (Note: Use Item 200)	
105	70002373	1	Ring, Retaining	
106	See Note	NSS	Seal (Note: Use Item 200)	
107	See Note	NSS	Ring (Note: Use Item 200)	
108	70005143	1	Bearing	
109	See Note	NSS	O-Ring (Note: Use Item 200)	
110	See Note	NSS	Ring (Note: Use Item 200)	
111	See Note	NSS	O-Ring (Note: Use Item 200)	
112	70007995	1	Piston	
113	See Note	NSS	Seal (Note: Use Item 200)	
114	See Note	NSS	O-Ring (Note: Use Item 200)	
115	70022564	1	Ball, Steel	
116	70006596	1	Setscrew M8 x 1-1/4	
117	70007996	1	Spacer	
122	2220883	9	Plug	
123	70007997	1	Ring	
200	70007998	1	Seal Kit (Includes Items 104, 106, 107, 109-111, 113 & 114)	

# SECTION 6 - CYLINDER

## FIGURE 6-7. STEER CYLINDER ASSEMBLY



ART\_1001251031

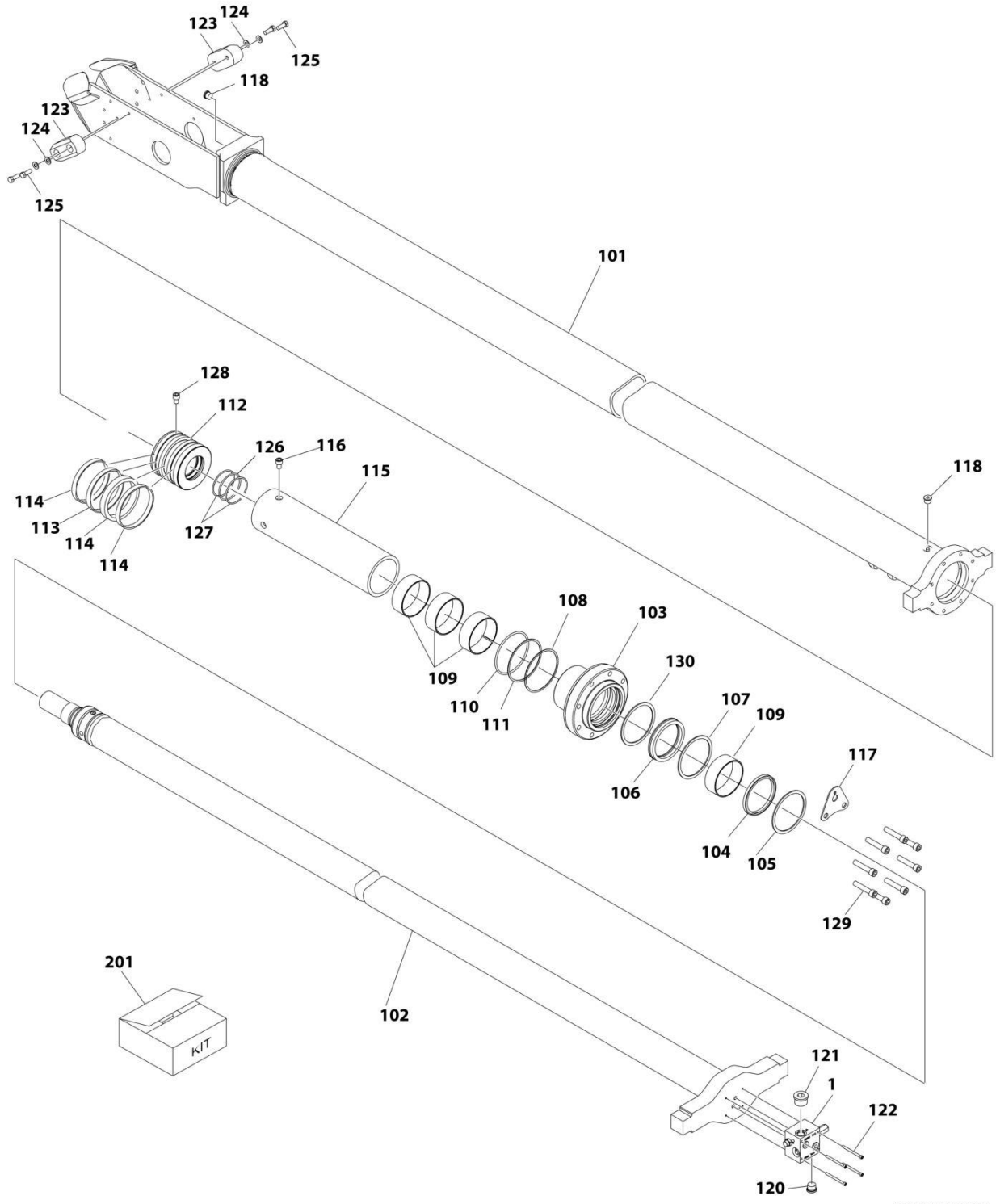
## SECTION 6 - CYLINDER

**FIGURE 6-7. STEER CYLINDER ASSEMBLY**

ITEM	PART NUMBER	QTY	DESCRIPTION	REV
	1001251031	Ref	STEER CYLINDER ASSEMBLY	A
		Ref	Note: Original Cylinder May Have Been Replaced with Service Replacement. Identify PN Stamped on Cylinder Before Ordering Parts.	
1	0961949	2	Bushing	
2	0961950	2	Bushing	
102	70008004	1	Rod	
103	70008005	1	Head	
104	See Note	NSS	Wiper (Note: Use Item 200)	
105	70002410	1	Ring, Retaining	
106	See Note	NSS	Seal (Note: Use Item 200)	
107	See Note	NSS	Ring (Note: Use Item 200)	
108	70004237	1	Bearing	
109	See Note	NSS	O-Ring (Note: Use Item 200)	
110	See Note	NSS	Ring (Note: Use Item 200)	
111	See Note	NSS	O-Ring (Note: Use Item 200)	
112	70008006	1	Piston	
113	See Note	NSS	Seal (Note: Use Item 200)	
114	See Note	NSS	O-Ring (Note: Use Item 200)	
115	70022564	1	Ball, Steel	
116	70006596	1	Setscrew M8 x 1-1/4	
117	2220885	2	Plug	
200	70008007	1	Seal Kit (Includes Items 104, 106, 107, 109-111, 113 & 114)	

# SECTION 6 - CYLINDER

## FIGURE 6-8. TELESCOPE CYLINDER ASSEMBLY (1200SJP)



ART\_1001251026



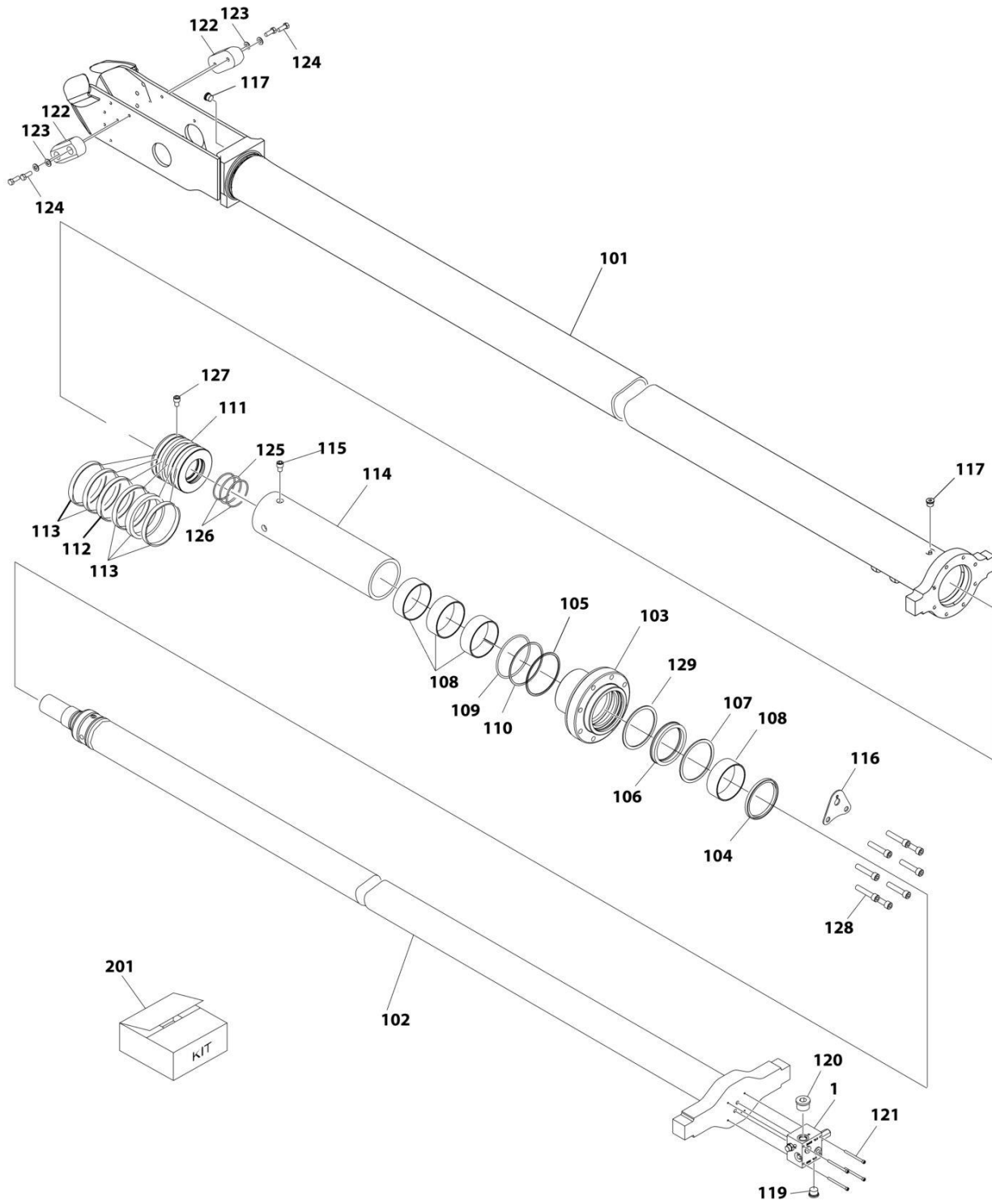
## SECTION 6 - CYLINDER

**FIGURE 6-8. TELESCOPE CYLINDER ASSEMBLY (1200SJP)**

ITEM	PART NUMBER	QTY	DESCRIPTION	REV
	1001251026	Ref	TELESCOPE CYLINDER ASSEMBLY	A
		Ref	Note: Original Cylinder May Have Been Replaced with Service Replacement. Identify PN Stamped on Cylinder Before Ordering Parts.	
1	4641256	1	Valve Assembly	
1	2220884	1	Plug, SAE #5 (With O-Ring)	
1	2220885	1	Plug, SAE #6 (With O-Ring)	
101	SEE NOTE	NSS	Tube (Note: Not Available for Purchase)	
102	70008039	1	Rod	
103	70008040	1	Gland	
104	SEE NOTE	NSS	Wiper, Dust (Note: Use Item 201)	
105	70026283	1	Ring, Retaining	
106	SEE NOTE	NSS	Seal, Rod (Note: Use Item 201)	
107	SEE NOTE	NSS	Ring, Backup (Note: Use Item 201)	
108	SEE NOTE	NSS	Ring, Buffer (Note: Use Item 201)	
109	SEE NOTE	NSS	Ring, Wear (Note: Use Item 201)	
110	SEE NOTE	NSS	O-Ring (Note: Use Item 201)	
111	SEE NOTE	NSS	Ring, Backup (Note: Use Item 201)	
112	700089041	1	Piston	
113	SEE NOTE	NSS	Seal, Piston (Note: Use Item 201)	
114	SEE NOTE	NSS	Ring, Wear (Note: Use Item 201)	
115	70008042	1	Spacer	
116	70008043	1	Bolt M8 X 16	
117	70008044	1	Bracket	
118	2220885	2	Plug, O-Ring	
120	2220886	1	Plug, O-Ring	
121	2220887	1	Plug, O-Ring	
122	70008045	4	Bolt M6 X 80	
123	70008046	2	Pad	
124	70006344	4	Washer	
125	70008047	4	Bolt M10 X 25	
126	SEE NOTE	NSS	O-Ring (Note: Use Item 201)	
127	SEE NOTE	NSS	Ring, Backup (Note: Use Item 201)	
128	70005839	1	Screw, Set	
129	70008048	8	Bolt M14 X 65	
130	70008049	1	Ring, Washer	
201	70008050	1	Seal Kit (Includes Items 104, 106-111, 113-114 & 126-127)	

# SECTION 6 - CYLINDER

## FIGURE 6-9. TELESCOPE CYLINDER ASSEMBLY (1350SJP)



ART\_1001251021

## SECTION 6 - CYLINDER

**FIGURE 6-9. TELESCOPE CYLINDER ASSEMBLY (1350SJP)**

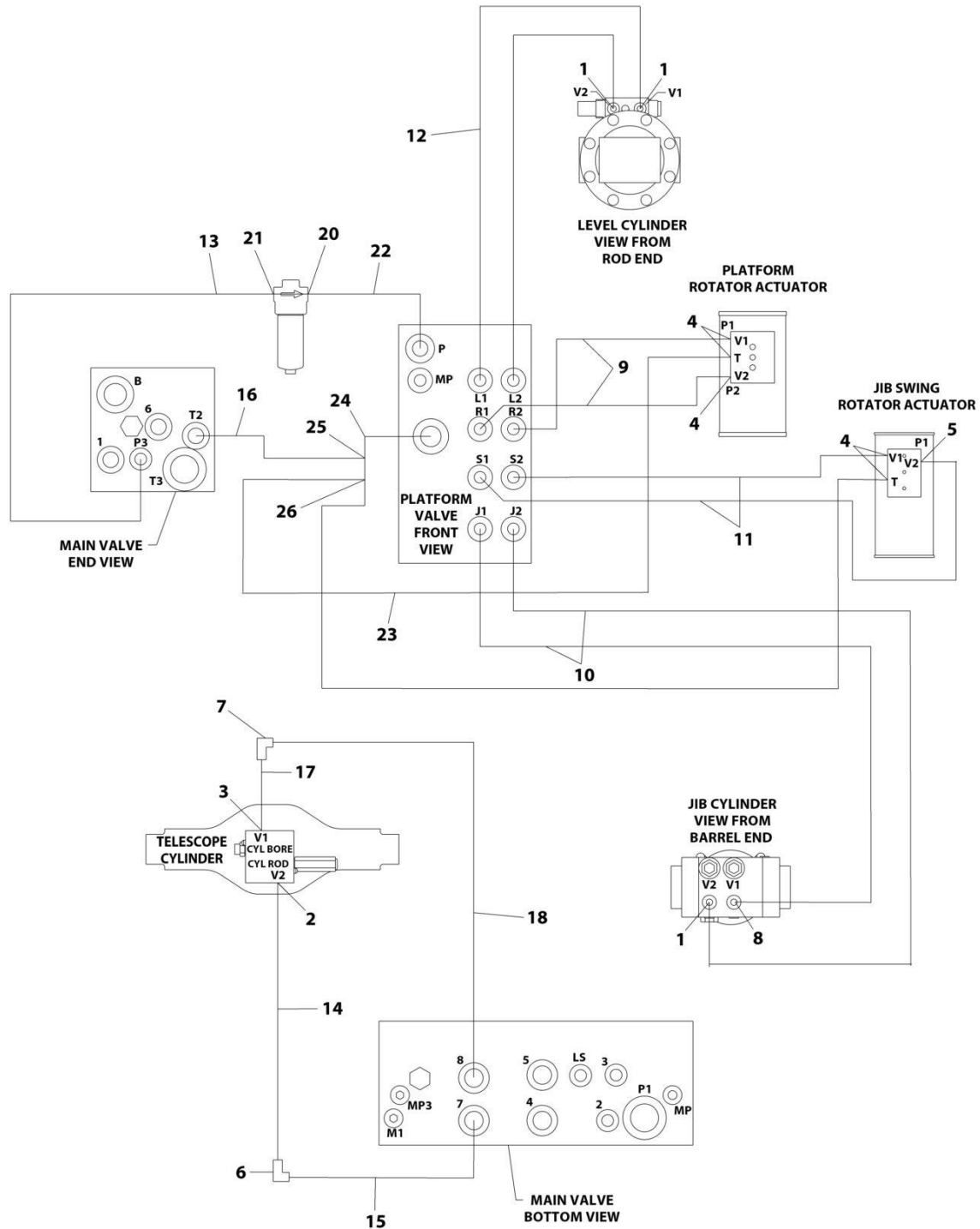
ITEM	PART NUMBER	QTY	DESCRIPTION	REV
	1001251021	Ref	TELESCOPE CYLINDER ASSEMBLY	A
		Ref	Note: Original Cylinder May Have Been Replaced with Service Replacement. Identify PN Stamped on Cylinder Before Ordering Parts.	
1	4641256	1	Valve Assembly	
101	SEE NOTE	NSS	Barrel (Note: Not Available for Purchase)	
102	70008083	1	Rod	
103	70008084	1	Head	
104	SEE NOTE	NSS	Wiper, Dust (Note: Use Item 201)	
105	SEE NOTE	NSS	Ring, Buffer (Note: Use Item 201)	
106	SEE NOTE	NSS	Seal, Rod (Note: Use Item 201)	
107	SEE NOTE	NSS	Ring, Backup (Note: Use Item 201)	
108	SEE NOTE	NSS	Ring, Wear (Note: Use Item 201)	
109	SEE NOTE	NSS	O-Ring (Note: Use Item 201)	
110	SEE NOTE	NSS	Ring, Backup (Note: Use Item 201)	
111	70008085	1	Piston	
112	SEE NOTE	NSS	Seal, Piston (Note: Use Item 201)	
113	SEE NOTE	NSS	Ring, Wear (Note: Use Item 201)	
114	70008086	1	Spacer	
115	70008043	1	Bolt M8 X 16	
116	70008044	1	Bracket	
117	2220885	2	Plug 9/16	
119	2220886	1	Plug 3/4	
120	70005433	1	Plug 7/8	
121	70008045	4	Bolt M6 X 80	
122	70008046	2	Pad	
123	70006344	4	Washer	
124	70008047	4	Bolt M10 X 25	
125	SEE NOTE	1	O-Ring (Note: Use Item 201)	
126	SEE NOTE	1	Ring, Backup (Note: Use Item 201)	
127	70005839	1	Screw, Set	
128	70008048	8	Bolt M14 X 65	
129	70008049	1	Ring, Washer	
201	70008087	1	Seal Kit (Includes 104-110, 112, 113, 125, 126)	



**SECTION 7 - HYDRAULIC**

# SECTION 7 - HYDRAULIC

## FIGURE 7-1. HYDRAULIC DIAGRAM - BOOM (1200SJP)



ART\_1283457\_10F7

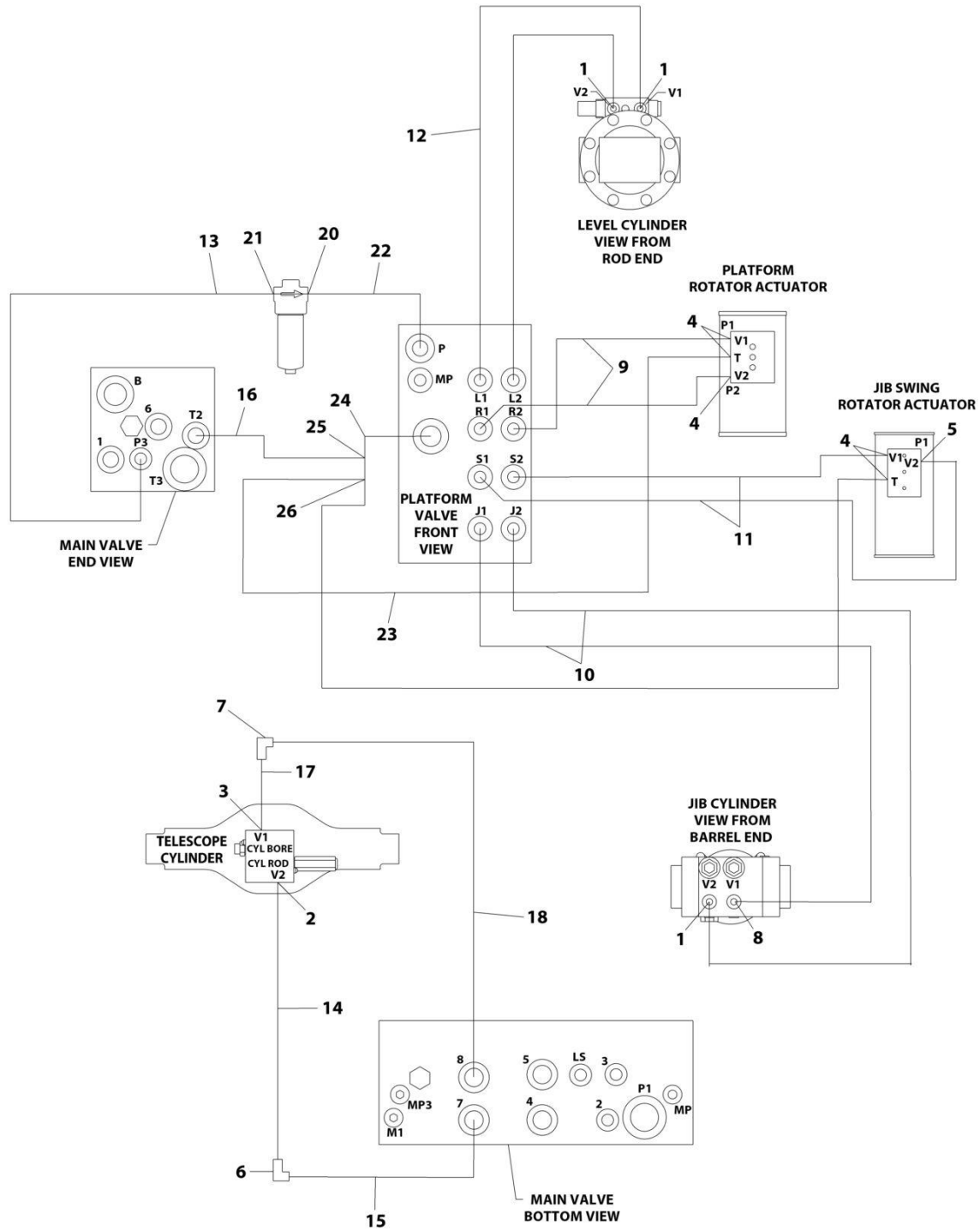
## SECTION 7 - HYDRAULIC

**FIGURE 7-1. HYDRAULIC DIAGRAM - BOOM (1200SJP)**

ITEM	PART NUMBER	QTY	DESCRIPTION	REV
	1283457	Ref	HYDRAULIC DIAGRAM - BOOM (1200SJP) (1200SJP)	L
	1001098025	Ref	Hydraulic Diagram - Upper Boom	3
1	2110404	3	Fitting, Straight ORFS/ORB	
2	2110808	1	Fitting, Straight ORFS/ORB	
3	2111010	1	Fitting, Straight ORFS/ORB	
4	2150404	5	Fitting, 45 ORFS/ORB	
5	2170204	1	Fitting, 90 ORFS/ORB	
6	2171208	1	Fitting, Elbow	
7	2171210	1	Fitting, Elbow	
8	2180830	1	Fitting, Orifice	
9	2753545	2	Hose	
10	2753717	2	Hose	
11	2753716	3	Hose	
12	2753552	2	Hose	
13	2753810	1	Hose	
14	2753745	1	Hose	
15	2753755	1	Hose	
16	2753811	1	Hose	
17	2753763	1	Hose	
18	2753767	1	Hose	
20	2110612	1	Fitting, Straight ORFS/ORB	
21	2130612	1	Fitting, 90 ORFS/ORB	
22	2717059	1	Hose	
23	2754288	1	Hose	
24	2170708	1	Fitting, Swivel Nut Run Tee ORFS/FSORFS/ORFS	
25	1001097820	1	Fitting, Adapter ORFS/FSORFS	
26	2170704	1	Fitting, Swivel Nut Run Tee ORFS/FSORFS/ORFS	

# SECTION 7 - HYDRAULIC

## FIGURE 7-2. HYDRAULIC DIAGRAM - BOOM (1350SJP)



ART\_1283457\_10F7



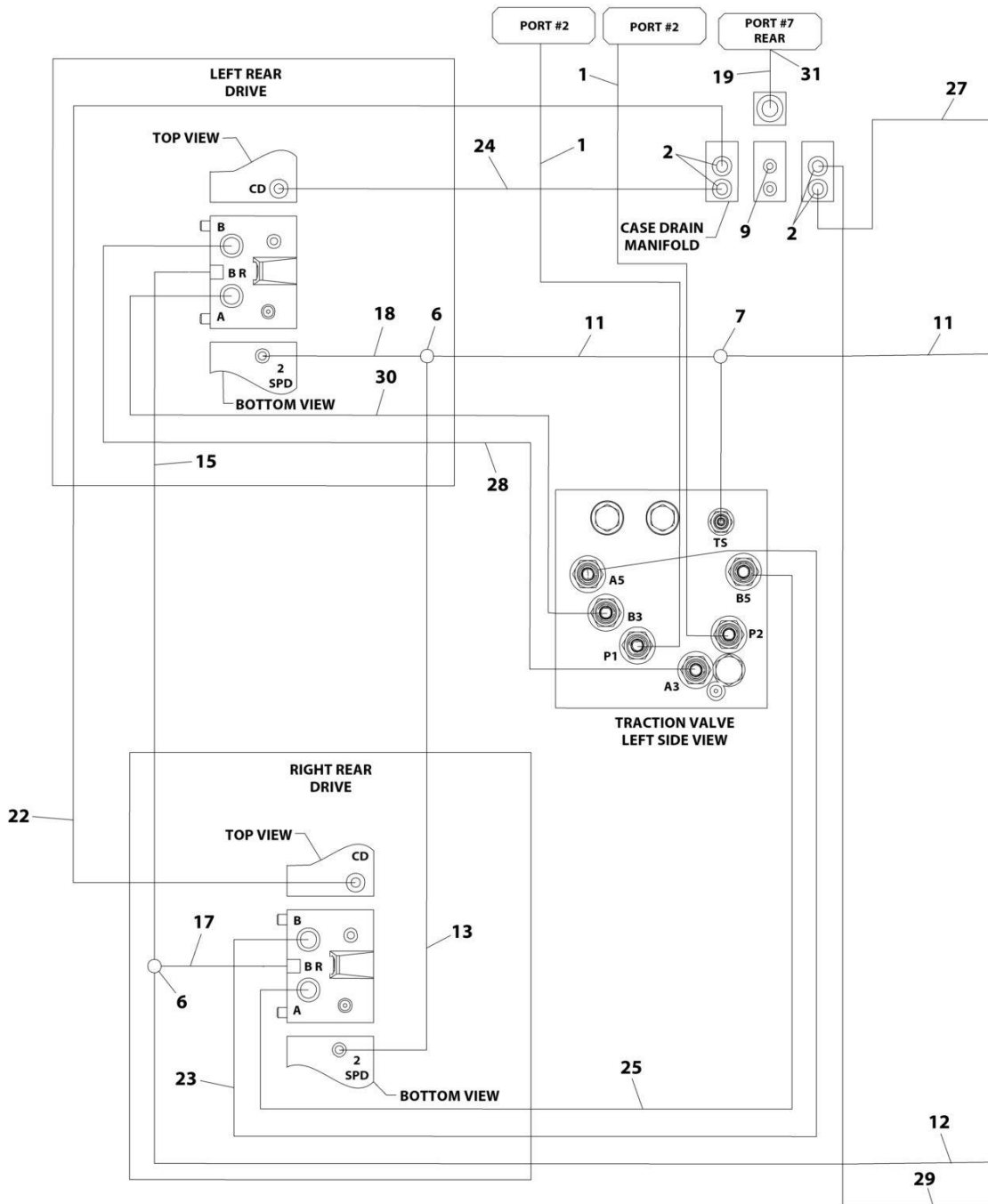
## SECTION 7 - HYDRAULIC

**FIGURE 7-2. HYDRAULIC DIAGRAM - BOOM (1350SJP)**

ITEM	PART NUMBER	QTY	DESCRIPTION	REV
	1283457	Ref	HYDRAULIC DIAGRAM - BOOM (1350SJP) (1350SJP)	L
	1001098026	Ref	Hydraulic Diagram - Upper Boom	3
1	2110404	3	Fitting, Straight ORFS/ORB	
2	2110808	1	Fitting, Straight ORFS/ORB	
3	2111010	1	Fitting, Straight ORFS/ORB	
4	2150404	5	Fitting, 45 ORFS/ORB	
5	2170204	1	Fitting, 90 ORFS/ORB	
6	2171208	1	Fitting, Elbow	
7	2171210	1	Fitting, Elbow	
8	2180830	1	Fitting, Orifice	
9	2753545	2	Hose	
10	2753717	2	Hose	
11	2753716	3	Hose	
12	2753552	2	Hose	
13	2753740	1	Hose	
14	2753745	1	Hose	
15	2753755	1	Hose	
16	2753751	1	Hose	
17	2753763	1	Hose	
18	2753767	1	Hose	
20	2110612	1	Fitting, Straight ORFS/ORB	
21	2130612	1	Fitting, 90 ORFS/ORB	
22	2717059	1	Hose	
23	2754288	1	Hose	
24	2170708	1	Fitting, Swivel Nut Run Tee ORFS/FSORFS/ORFS	
25	1001097820	1	Fitting, Adapter ORFS/FSORFS	
26	2170704	1	Fitting, Swivel Nut Run Tee ORFS/FSORFS/ORFS	

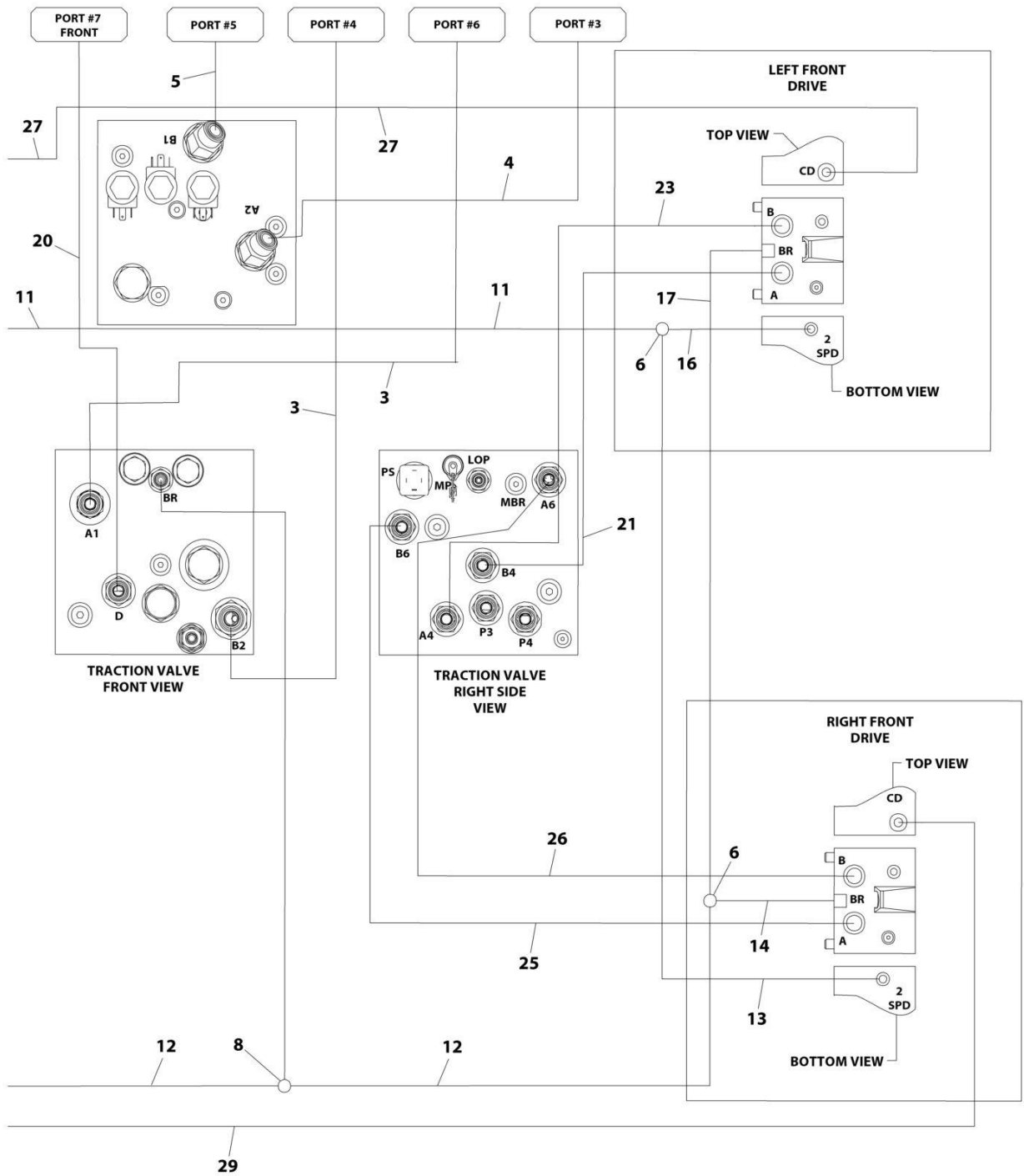
# SECTION 7 - HYDRAULIC

## FIGURE 7-3. HYDRAULIC DIAGRAM - DRIVE



ART\_2792772\_10F2

# SECTION 7 - HYDRAULIC



ART\_2792772\_2OF2

# SECTION 7 - HYDRAULIC

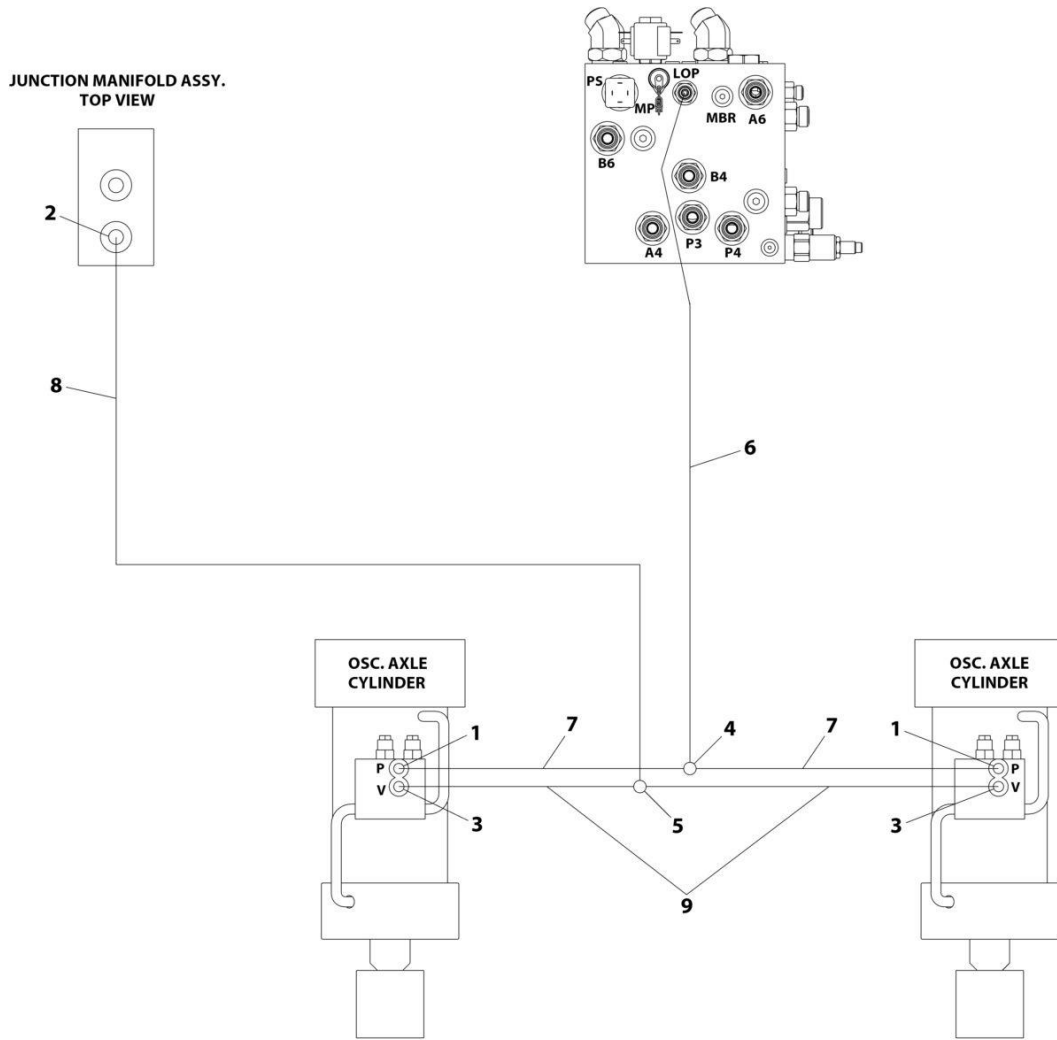
## FIGURE 7-3. HYDRAULIC DIAGRAM - DRIVE

ITEM	PART NUMBER	QTY	DESCRIPTION	REV
	1283457	Ref	HYDRAULIC DIAGRAM - DRIVE	L
	2792772	Ref	Hydraulic Diagram - Drive Circuit	F
1	2753685	2	Hose	
2	2110808	4	Fitting, Straight ORFS/ORB	
3	2753703	2	Hose	
4	2753764	1	Hose	
5	2753768	1	Hose	
6	2170504	4	Fitting, Tee ORFS	
7	2170704	1	Fitting, Tee ORFS/ORB/ORFS	
8	2170804	1	Fitting, Tee ORFS/ORB/ORFS	
9	2220235	1	Plug	
11	2753541	2	Hose	
12	2753545	2	Hose	
13	2753677	2	Hose	
14	2753714	1	Hose	
15	2753713	1	Hose	
16	2753716	1	Hose	
17	2753715	2	Hose	
18	2753552	1	Hose	
19	2753752	1	Hose	
20	2753582	1	Hose	
21	2753756	1	Hose	
22	2753747	1	Hose	
23	2753757	2	Hose	
24	2753748	1	Hose	
25	2753759	2	Hose	
26	2753760	1	Hose	
27	2753749	1	Hose	
28	2753761	1	Hose	
29	2753750	1	Hose	
30	2753762	1	Hose	
31	2110812	1	Fitting, Straight ORFS/ORB	



# SECTION 7 - HYDRAULIC

## FIGURE 7-4. HYDRAULIC DIAGRAM - OSCILLATING AXLE



ART\_2792647

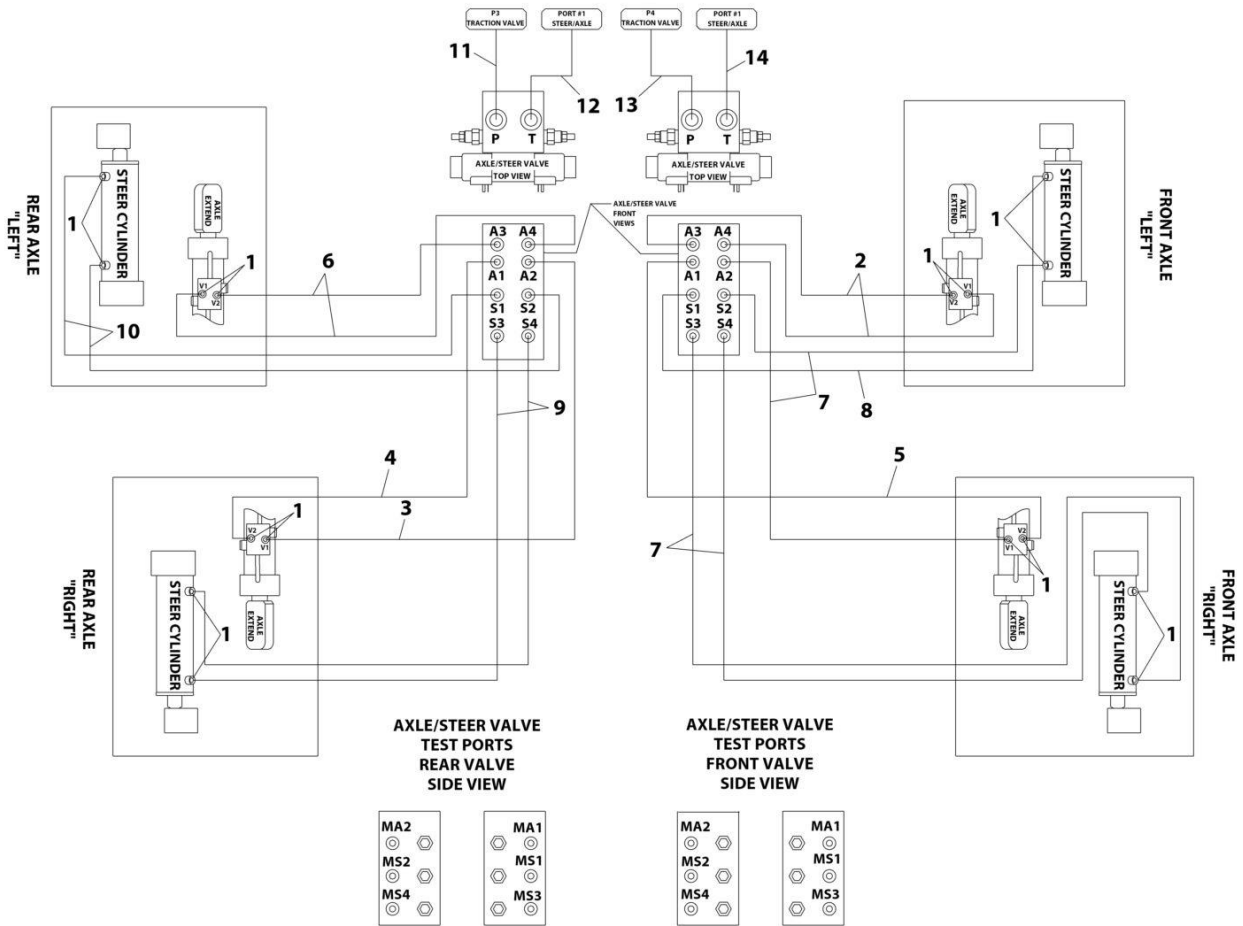
## SECTION 7 - HYDRAULIC

**FIGURE 7-4. HYDRAULIC DIAGRAM - OSCILLATING AXLE**

ITEM	PART NUMBER	QTY	DESCRIPTION	REV
	1283457	Ref	HYDRAULIC DIAGRAM - OSCILLATING AXLE	L
	2792647	Ref	Hydraulic Diagram - Oscillating Axle	4
1	2110406	2	Fitting, Straight ORFS/ORB	
2	2110604	1	Fitting, Straight ORFS/ORB	
3	2110606	2	Fitting, Straight ORFS/ORB	
4	2170504	1	Fitting, Tee ORFS	
5	2170506	1	Fitting, Tee ORFS	
6	2753726	1	Hose	
7	2753719	2	Hose	
8	2753727	1	Hose	
9	2753729	2	Hose	

# SECTION 7 - HYDRAULIC

## FIGURE 7-5. HYDRAULIC DIAGRAM - STEER



ART\_2792773



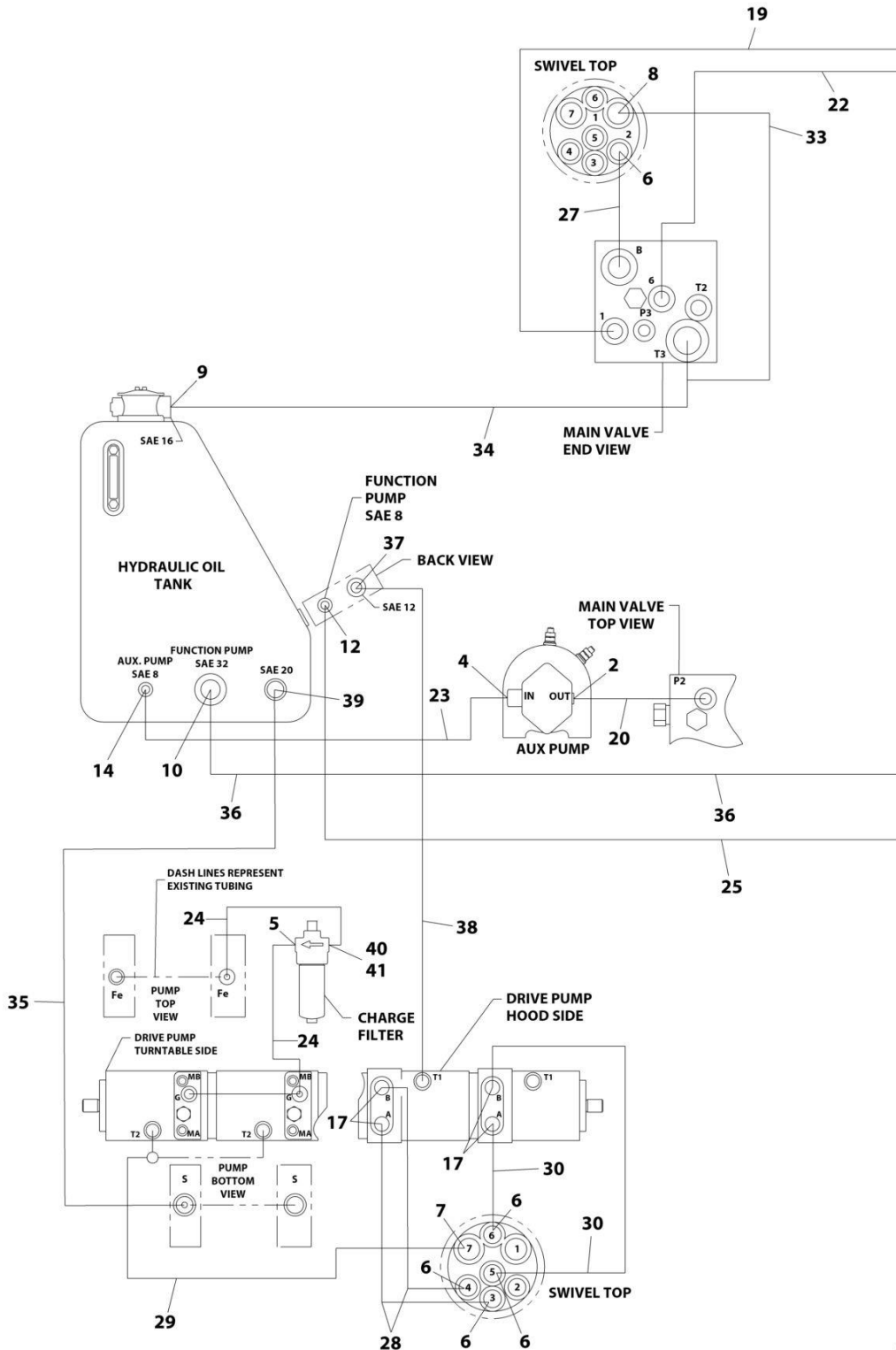
## SECTION 7 - HYDRAULIC

**FIGURE 7-5. HYDRAULIC DIAGRAM - STEER**

ITEM	PART NUMBER	QTY	DESCRIPTION	REV
	1283457	Ref	HYDRAULIC DIAGRAM - STEER	L
	2792773	Ref	Hydraulic Diagram - Steer	2
1	2130606	16	Fitting, 90 ORFS/ORB	
2	2753732	2	Hose	
3	2753733	1	Hose	
4	2753728	1	Hose	
5	2753734	1	Hose	
6	2753735	2	Hose	
7	2753736	4	Hose	
8	2753737	1	Hose	
9	2753738	2	Hose	
10	2753739	2	Hose	
11	2753753	1	Hose	
12	2753742	1	Hose	
13	2753754	1	Hose	
14	2753743	1	Hose	

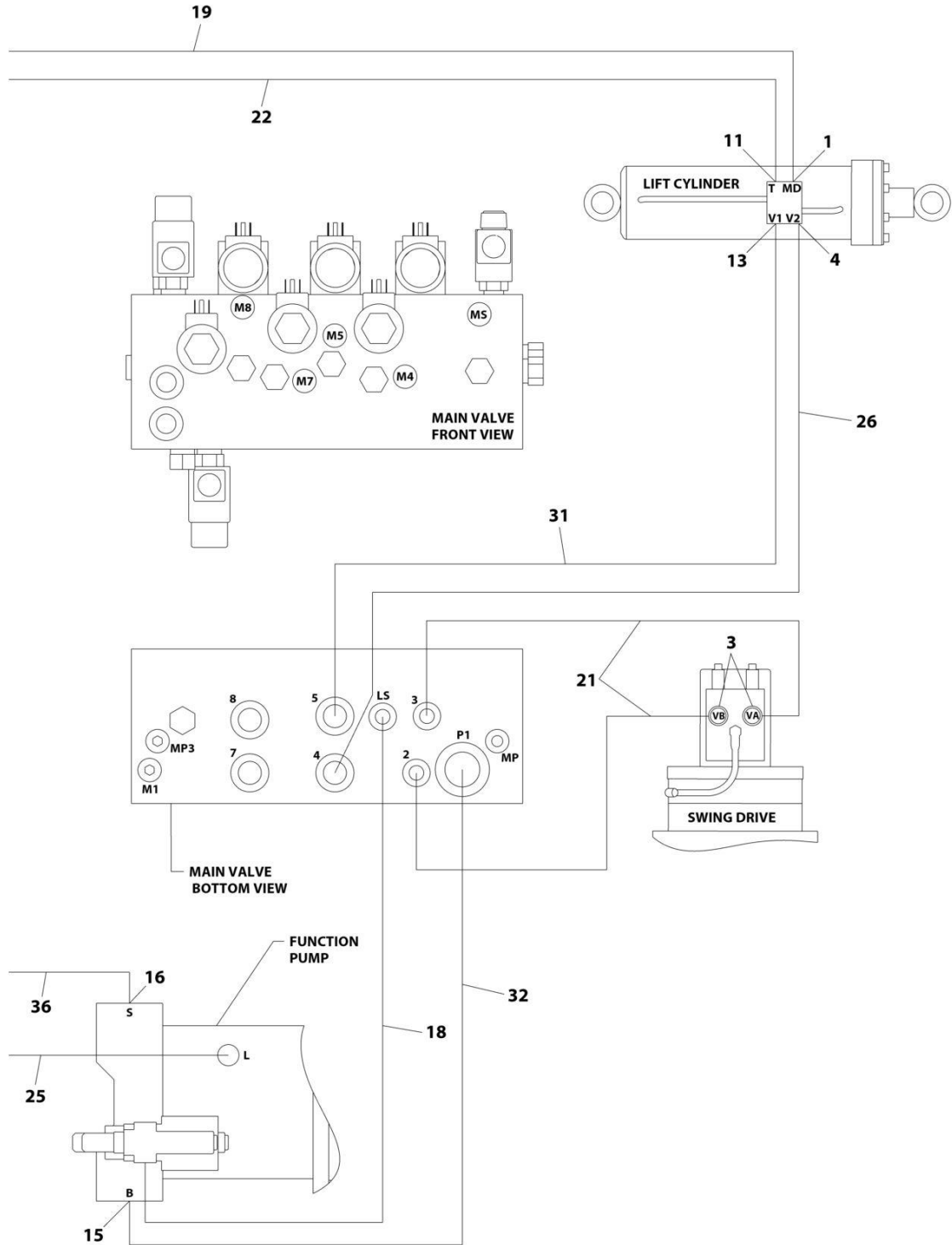
# SECTION 7 - HYDRAULIC

FIGURE 7-6. HYDRAULIC DIAGRAM - TURNTABLE (DEUTZ TD2011 ENGINES WITH REXROTH PUMPS)



ART\_1283457\_60F7

# SECTION 7 - HYDRAULIC



ART\_1283457\_7OF7

## SECTION 7 - HYDRAULIC

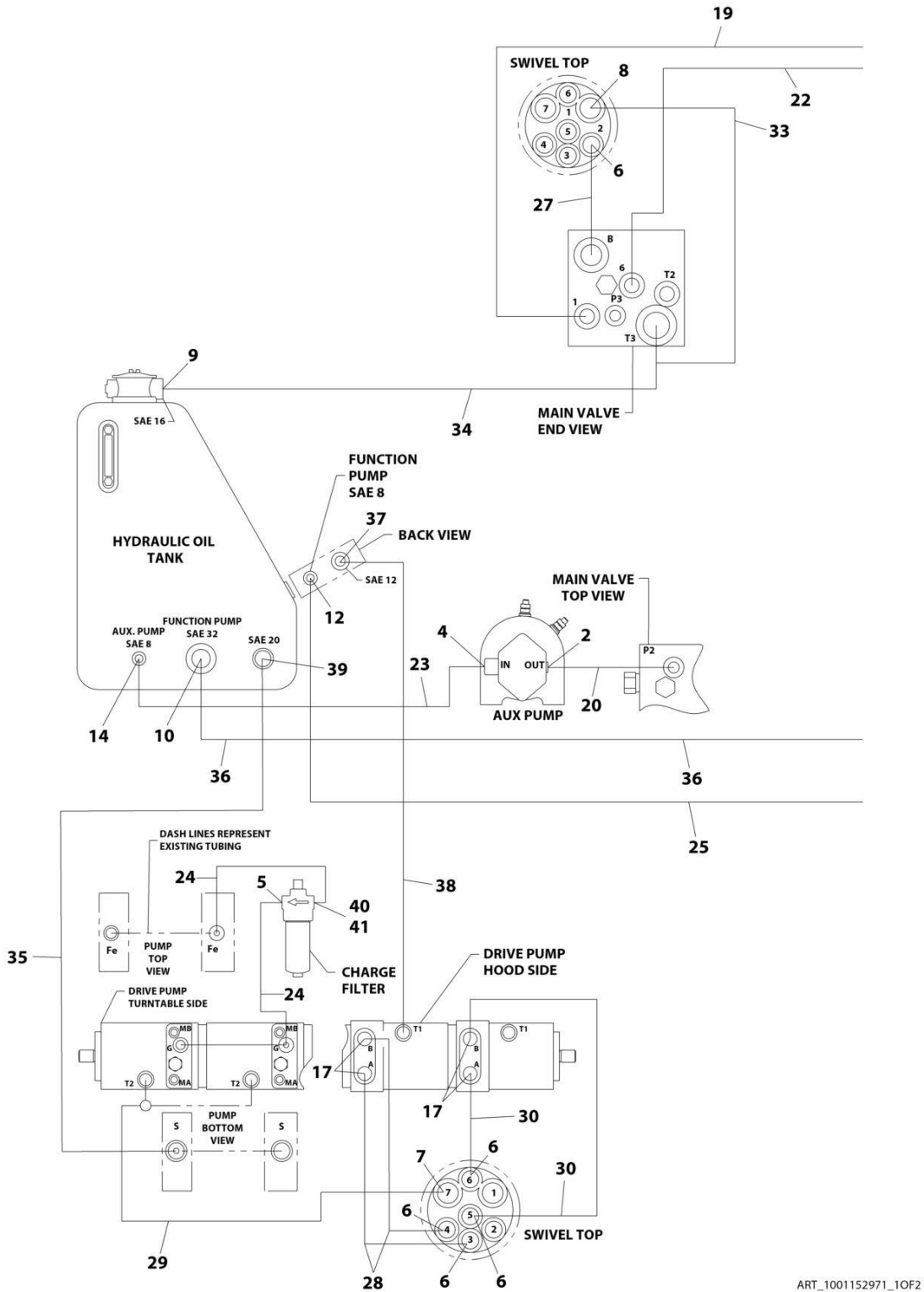
**FIGURE 7-6. HYDRAULIC DIAGRAM - TURNTABLE (DEUTZ TD2011 ENGINES WITH REXROTH PUMPS)**

ITEM	PART NUMBER	QTY	DESCRIPTION	REV
	1283457	Ref	HYDRAULIC DIAGRAM - TURNTABLE (DEUTZ TD2011 ENGINES WITH REXROTH PUMPS)	L
	1001114620	Ref	Hydraulic Diagram - Turntable	B
1	2110404	1	Fitting, Straight ORFS/ORB	
2	2110608	1	Fitting, Straight ORFS/ORB	
3	2110610	2	Fitting, Straight ORFS/ORB	
4	2110810	2	Fitting, Straight ORFS/ORB	
5	2110812	1	Fitting, Straight ORFS/ORB	
6	2111010	5	Fitting, Straight ORFS/ORB	
7	2111012	1	Fitting, Straight ORFS/ORB	
8	2111212	1	Fitting, Straight ORFS/ORB	
9	2111616	1	Fitting, Straight ORFS/ORB	
10	2113232	1	Fitting, Straight ORFS/ORB	
11	2130606	1	Fitting, 90 ORFS/ORB	
12	2130808	1	Fitting, 90 ORFS/ORB	
13	2131010	1	Fitting, 90 ORFS/ORB	
14	2150808	1	Fitting, 45 ORFS/ORB	
15	2220478	1	Flange Kit	
16	2220737	1	Flange Kit	
17	2221117	4	Flange Kit	
18	1001213385	1	Hose	
19	2753718	1	Hose	
20	2753730	1	Hose	
21	2753731	2	Hose	
22	2753734	1	Hose	
23	2753758	1	Hose	
24	2753746	2	Hose	
25	2753741	1	Hose	
26	2753744	1	Hose	
27	2753766	1	Hose	
28	2753769	2	Hose	
29	2753708	1	Hose	
30	2753770	2	Hose	
31	2753765	1	Hose	
32	2753771	1	Hose	
33	2753772	1	Hose	
34	2753774	1	Hose	
35	2753775	1	Hose	
36	2753776	1	Hose	
37	2131212	1	Fitting, 90 ORFS/ORB	
38	2753773	1	Hose	
39	2112020	1	Fitting, Straight ORFS/ORB	
40	2221084	1	Fitting, Tee ORFS/ORFS/ORB	
41	2170908	1	Fitting, Cap ORFS	



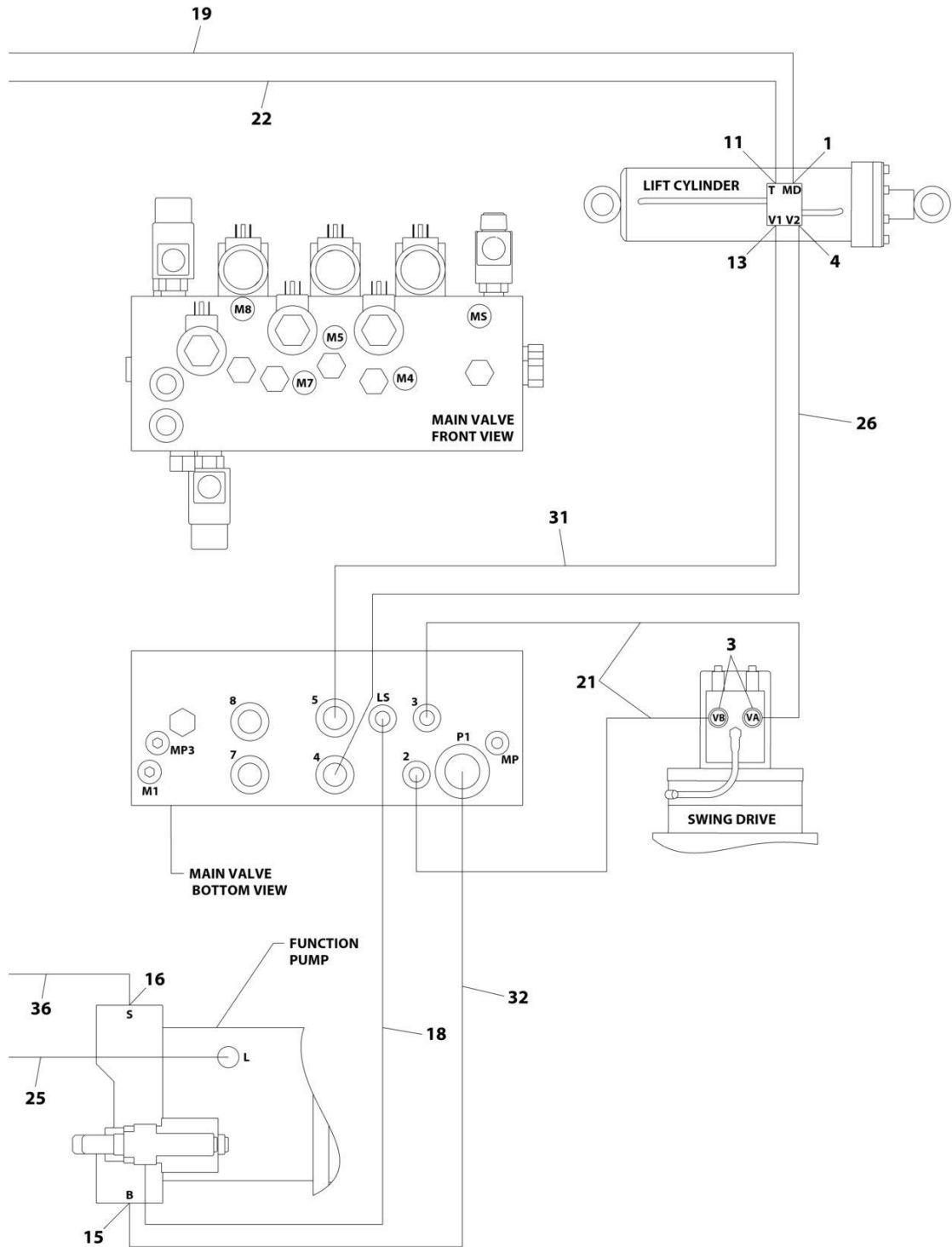
# SECTION 7 - HYDRAULIC

FIGURE 7-7. HYDRAULIC DIAGRAM - TURNTABLE (DEUTZ TCD2.9L4 ENGINES AND DEUTZ TCD2.9L4 (STAGE V) ENGINES WITH REXROTH PUMPS)



ART\_1001152971\_10F2

# SECTION 7 - HYDRAULIC



ART\_1001152971\_20F2

## SECTION 7 - HYDRAULIC

**FIGURE 7-7. HYDRAULIC DIAGRAM - TURNTABLE (DEUTZ TCD2.9L4 ENGINES AND DEUTZ TCD2.9L4 (STAGE V) ENGINES WITH REXROTH PUMPS)**

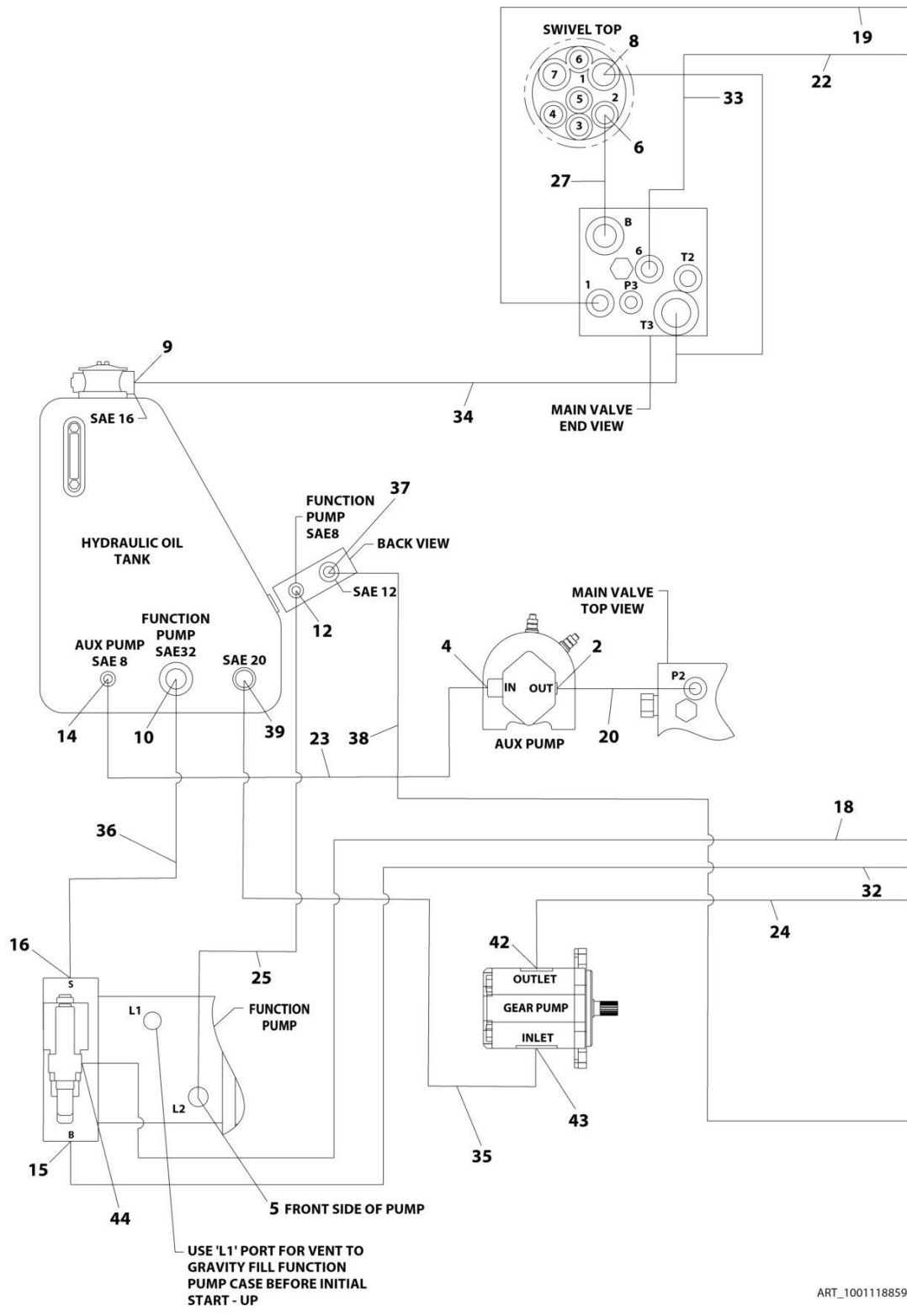
ITEM	PART NUMBER	QTY	DESCRIPTION	REV
	1001152971	Ref	HYDRAULIC DIAGRAM - TURNTABLE (DEUTZ TCD2.9L4 ENGINES AND DEUTZ TCD2.9L4 (STAGE V) ENGINES WITH REXROTH PUMPS)	C
	1001152968	Ref	Hydraulic Diagram - Turntable	B
1	2110404	1	Fitting, Straight ORFS/ORB	
2	2110608	1	Fitting, Straight ORFS/ORB	
3	2110610	2	Fitting, Straight ORFS/ORB	
4	2110810	2	Fitting, Straight ORFS/ORB	
5	2110812	1	Fitting, Straight ORFS/ORB	
6	2111010	5	Fitting, Straight ORFS/ORB	
7	2111012	1	Fitting, Straight ORFS/ORB	
8	2111212	1	Fitting, Straight ORFS/ORB	
9	2111616	1	Fitting, Straight ORFS/ORB	
10	2113232	1	Fitting, Straight ORFS/ORB	
11	2130606	1	Fitting, 90 ORFS/ORB	
12	2130808	1	Fitting, 90 ORFS/ORB	
13	2131010	1	Fitting, 90 ORFS/ORB	
14	2150808	1	Fitting, 45 ORFS/ORB	
15	2220478	1	Flange Kit	
16	2220737	1	Flange Kit	
17	2221117	4	Flange Kit	
18	1001213385	1	Hose	
19	2753718	1	Hose	
20	2753730	1	Hose	
21	2753731	2	Hose	
22	2753734	1	Hose	
23	2753758	1	Hose	
24	2753746	2	Hose	
25	2753741	1	Hose	
26	2753744	1	Hose	
27	2753766	1	Hose	
28	2753769	2	Hose	
29	2753708	1	Hose	
30	2753770	2	Hose	
31	2753765	1	Hose	
32	2753771	1	Hose	
33	2753772	1	Hose	
34	2753774	1	Hose	
35	1001152966	1	Hose	
36	2753776	1	Hose	
37	2131212	1	Fitting, 90 ORFS/ORB	
38	2753773	1	Hose	
39	2112020	1	Fitting, Straight ORFS/ORB	
40	2221084	1	Fitting, Tee ORFS/ORFS/ORB	
41	2170908	1	Fitting, Cap ORFS	





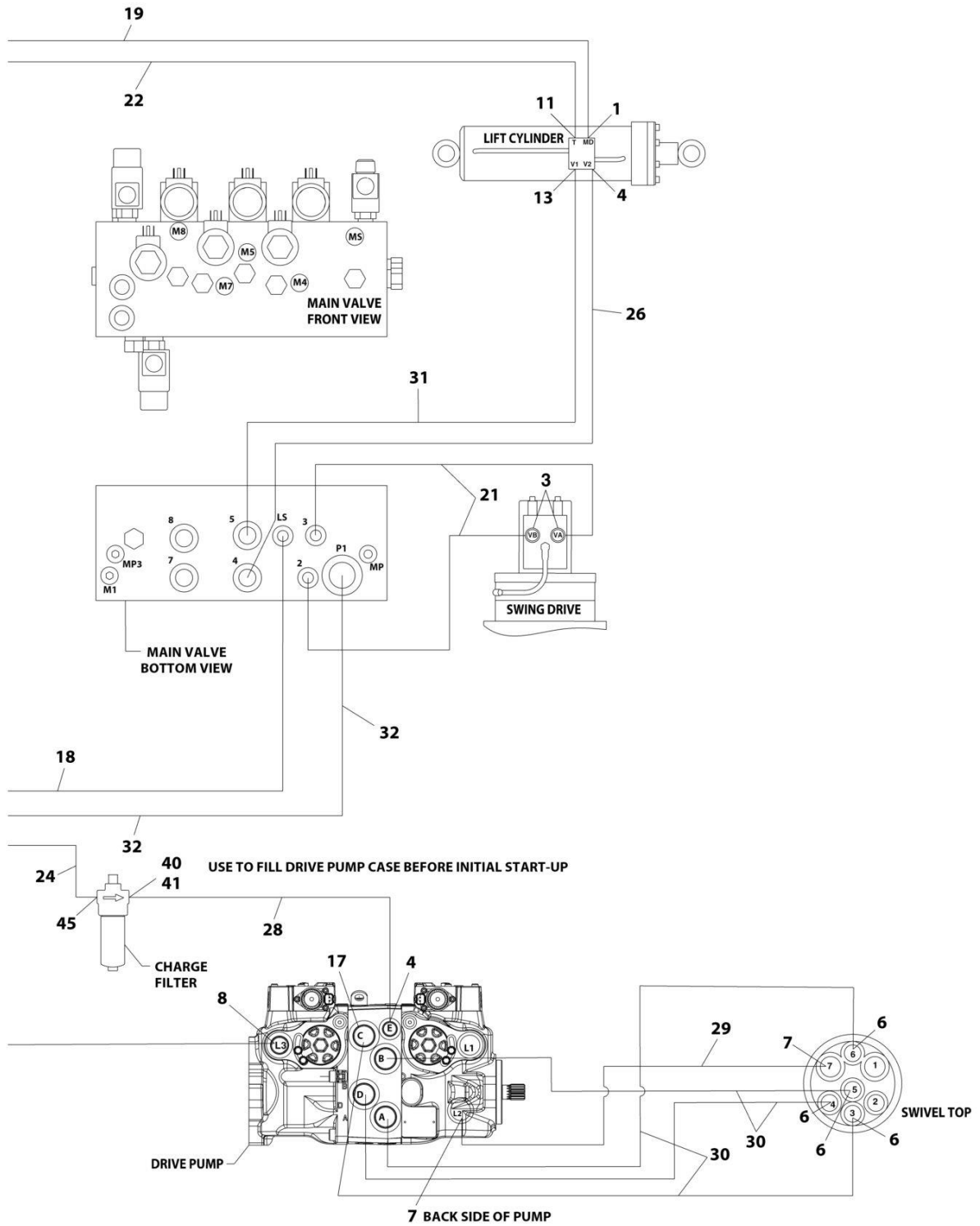
# SECTION 7 - HYDRAULIC

## FIGURE 7-8. HYDRAULIC DIAGRAM - TURNTABLE (WITH SAUER PUMPS)



ART\_100118859\_10F2

# SECTION 7 - HYDRAULIC



ART\_1001118859\_2OF2

## SECTION 7 - HYDRAULIC

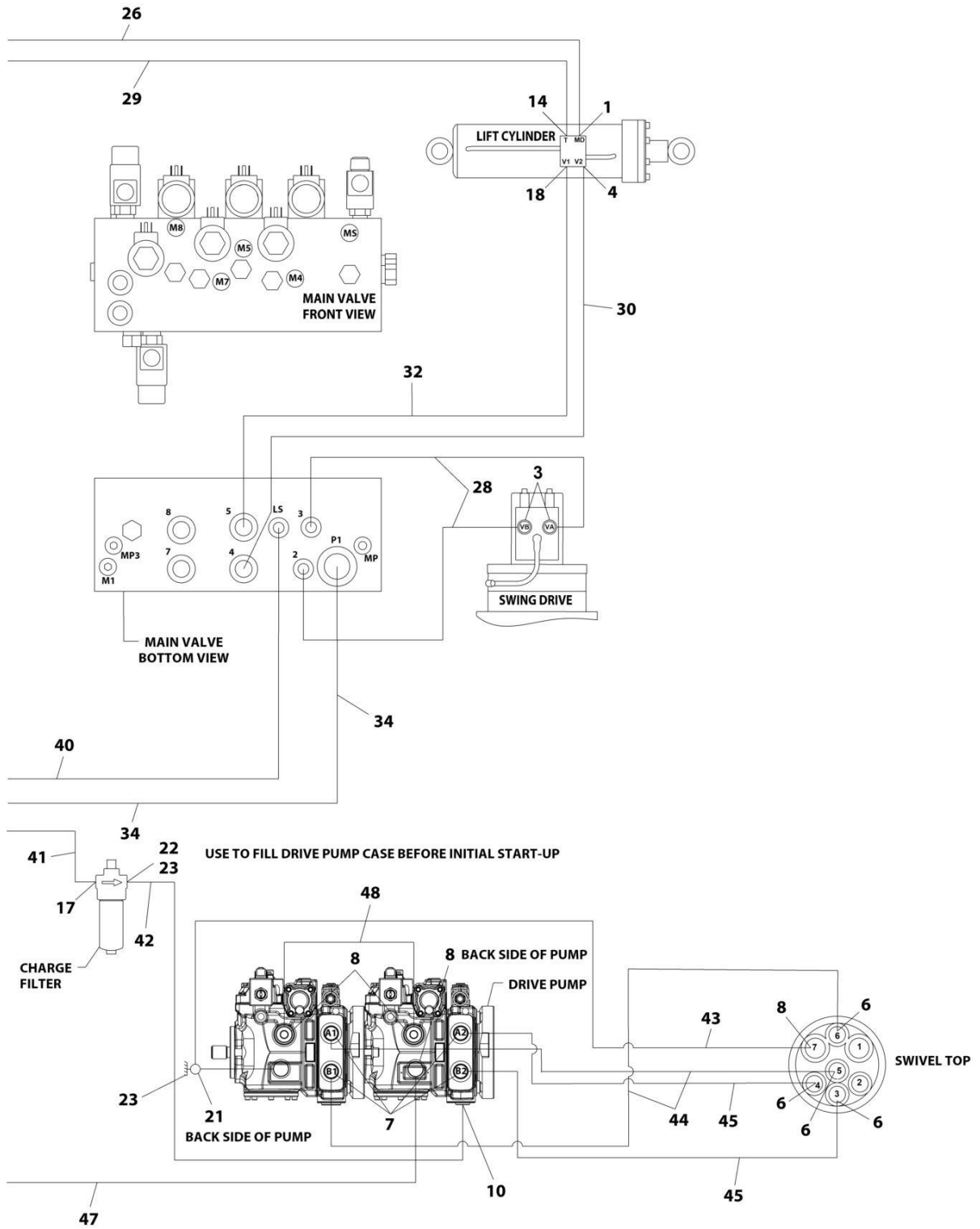
**FIGURE 7-8. HYDRAULIC DIAGRAM - TURNTABLE (WITH SAUER PUMPS)**

ITEM	PART NUMBER	QTY	DESCRIPTION	REV
	1001118859	Ref	HYDRAULIC DIAGRAM - TURNTABLE (WITH SAUER PUMPS)	D
	1001118869	Ref	Hydraulic Diagram - Turntable	B
1	2110404	1	Fitting, Straight ORFS/ORB	
2	2110608	1	Fitting, Straight ORFS/ORB	
3	2110610	2	Fitting, Straight ORFS/ORB	
4	2110810	3	Fitting, Straight ORFS/ORB	
5	2130810	1	Fitting, 90 ORFS/ORB	
6	2111010	5	Fitting, Straight ORFS/ORB	
7	2111012	2	Fitting, Straight ORFS/ORB	
8	2111212	2	Fitting, Straight ORFS/ORB	
9	2111616	1	Fitting, Straight ORFS/ORB	
10	2113232	1	Fitting, Straight ORFS/ORB	
11	2130606	1	Fitting, 90 ORFS/ORB	
12	2130808	1	Fitting, 90 ORFS/ORB	
13	2131010	1	Fitting, 90 ORFS/ORB	
14	2150808	1	Fitting, 45 ORFS/ORB	
15	2220478	1	Flange Kit	
16	1001110604	1	Flange Kit	
17	2111016	4	Fitting, Straight ORFS/ORB	
18	1001213385	1	Hose	
19	2753718	1	Hose	
20	2753730	1	Hose	
21	2753731	2	Hose	
22	2753734	1	Hose	
23	2753758	1	Hose	
24	2753746	1	Hose	
25	1001118934	1	Hose	
26	2753744	1	Hose	
27	2753766	1	Hose	
28	1001118933	1	Hose	
29	2753708	1	Hose	
30	1001109468	4	Hose	
31	2753765	1	Hose	
32	2753771	1	Hose	
33	2753772	1	Hose	
34	2753774	1	Hose	
35	1001119817	1	Hose	
36	1001118935	1	Hose	
37	2131612	1	Fitting, 90 ORFS/ORB	
38	1001119138	1	Hose	
39	2112020	1	Fitting, Straight ORFS/ORB	
40	2221084	1	Fitting, Tee ORFS/ORFS/ORB	
41	2170908	1	Fitting, Cap ORFS	
42	2110812	1	Fitting, Straight ORFS/ORB	
43	2112016	1	Fitting, Straight ORFS/ORB	
44	2130404	1	Fitting, 90 ORFS/ORB	
45	2130812	1	Fitting, 90 ORFS/ORB	





# SECTION 7 - HYDRAULIC



ART\_1001300099\_20F2

## SECTION 7 - HYDRAULIC

**FIGURE 7-9. HYDRAULIC DIAGRAM - TURNTABLE (WITH PMP PUMPS) (SN B300023322 to Present, SN B300023675 to Present, Excluding B300023444)**

ITEM	PART NUMBER	QTY	DESCRIPTION	REV
	1001300099	Ref	HYDRAULIC DIAGRAM - TURNTABLE (WITH PMP PUMPS)	A
1	2110404	1	Fitting, Straight ORFS/ORB	
2	2110608	1	Fitting, Straight ORFS/ORB	
3	2110610	2	Fitting, Straight ORFS/ORB	
4	2110810	2	Fitting, Straight ORFS/ORB	
5	2110812	1	Fitting, Straight ORFS/ORB	
6	2111010	5	Fitting, Straight ORFS/ORB	
7	2111012	4	Fitting, Straight ORFS/ORB	
8	2111212	5	Fitting, Straight ORFS/ORB	
9	2111616	2	Fitting, Straight ORFS/ORB	
10	2111620	1	Fitting, Straight ORFS/ORB	
11	2112020	1	Fitting, Straight ORFS/ORB	
12	2113232	1	Fitting, Straight ORFS/ORB	
13	2130404	1	Fitting, 90 ORFS/ORB	
14	2130606	1	Fitting, 90 ORFS/ORB	
15	2130808	1	Fitting, 90 ORFS/ORB	
17	2130812	1	Fitting, 90 ORFS/ORB	
18	2131010	1	Fitting, 90 ORFS/ORB	
19	2131612	1	Fitting, 90 ORFS/ORB	
20	2150808	1	Fitting, 45 ORFS/ORB	
21	2170312	1	Fitting, Tee ORFS/ORB/ORFS	
22	2170412	1	Fitting, Tee ORFS/ORFS/ORB	
23	2170912	2	Fitting, Cap FORFS	
24	2220478	1	Flange Kit	
25	2220737	1	Flange Kit	
26	2753718	1	Hose	
27	2753730	1	Hose	
28	2753731	2	Hose	
29	2753734	1	Hose	
30	2753744	1	Hose	
31	2753758	1	Hose	
32	2753765	1	Hose	
33	2753766	1	Hose	
34	2753771	1	Hose	
35	2753772	1	Hose	
36	2753774	1	Hose	
37	4061032	1	Hose (Not Shown)	
38	4240018	2	Tie-Strap (Not Shown)	
39	1001118934	1	Hose	
40	1001213385	1	Hose	
41	1001297564	1	Hose	
42	1001297565	1	Hose	
43	1001297566	1	Hose	
44	1001297567	2	Hose	
45	1001297568	2	Hose	
46	1001297569	1	Hose	
47	1001297570	1	Hose	
48	1001297571	1	Hose	
49	1001297572	1	Hose	



## SECTION 7 - HYDRAULIC

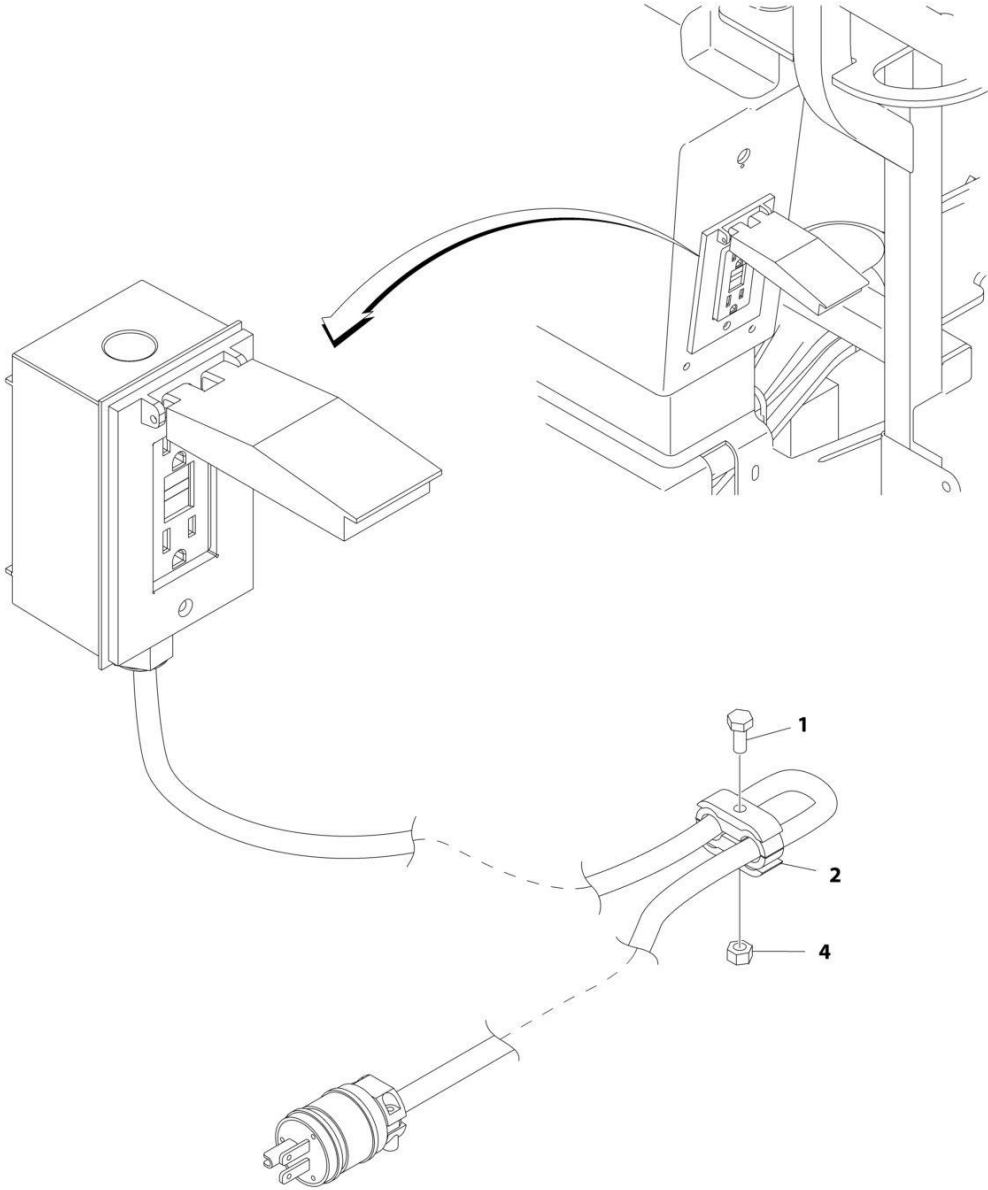
ITEM	PART NUMBER	QTY	DESCRIPTION	REV
50	1001297601	1	Hose	



**SECTION 8 - ELECTRICAL**

**SECTION 8 - ELECTRICAL**

**FIGURE 8-1. AC BOX AT PLATFORM - 110V (ANSI SPECS)**



ART\_0271955

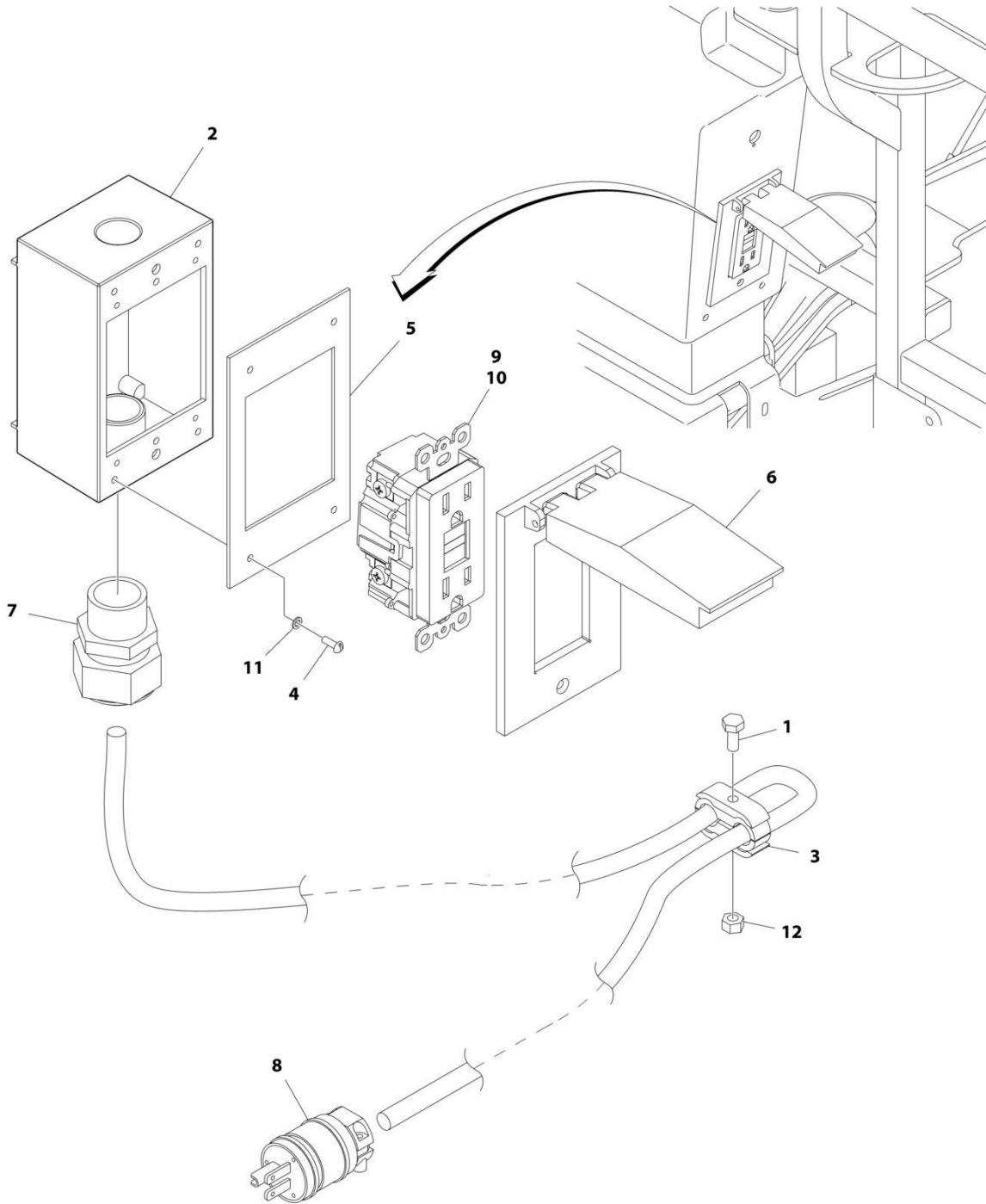
## SECTION 8 - ELECTRICAL

**FIGURE 8-1. AC BOX AT PLATFORM - 110V (ANSI SPECS)**

ITEM	PART NUMBER	QTY	DESCRIPTION	REV
	0271955	Ref	AC BOX AT PLATFORM - 110V	C
1	0641416	1	Bolt 1/4 x 2	
2	1320146	1	Clamp	
4	3311405	1	Nut 1/4	

# SECTION 8 - ELECTRICAL

## FIGURE 8-2. AC BOX AT PLATFORM - 110V GFI RECEPTACLE (ANSI, CSA AND JAPANESE SPECS)



ART\_0271953

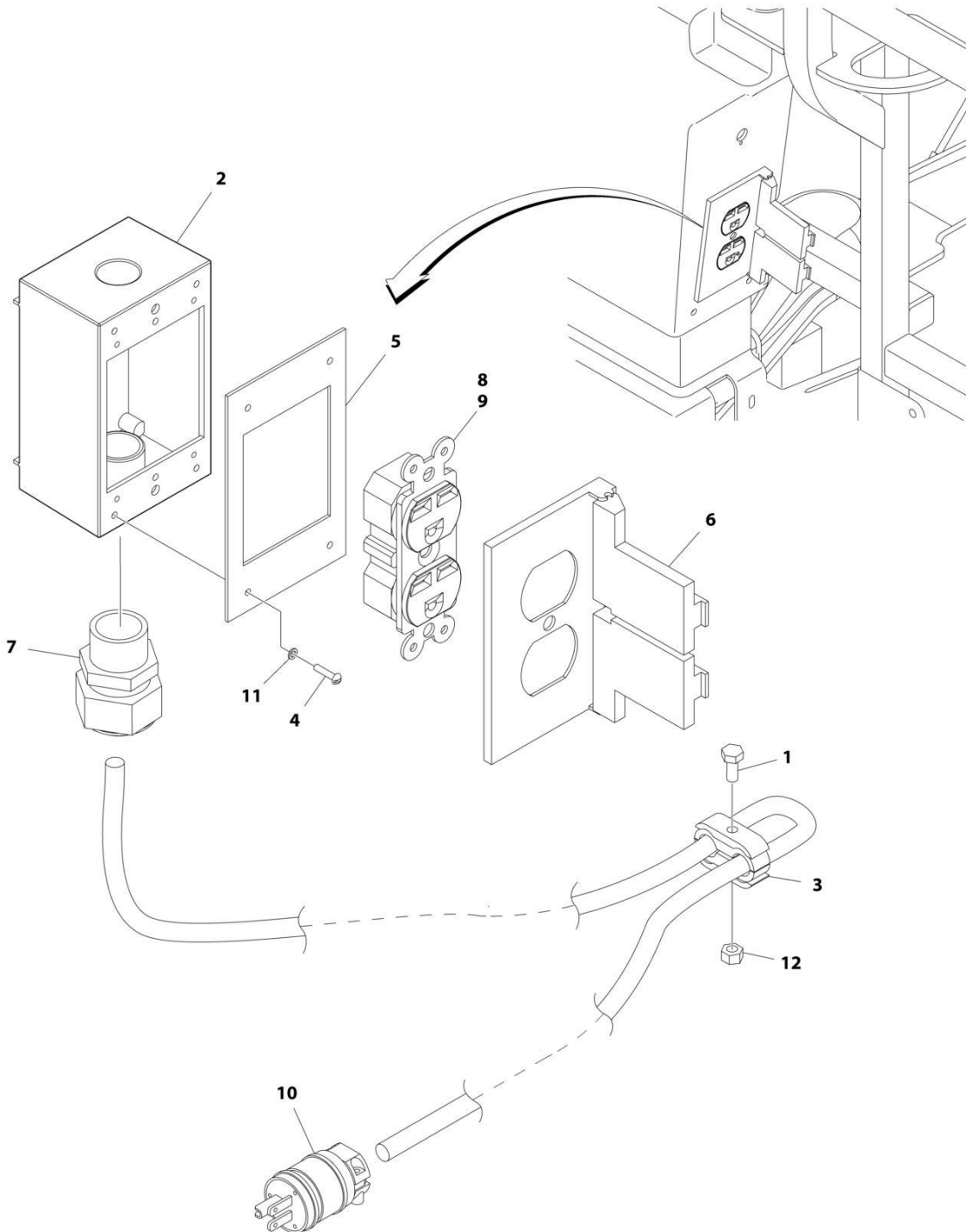
## SECTION 8 - ELECTRICAL

**FIGURE 8-2. AC BOX AT PLATFORM - 110V GFI RECEPTACLE (ANSI, CSA AND JAPANESE SPECS)**

ITEM	PART NUMBER	QTY	DESCRIPTION	REV
	0271953	Ref	AC BOX AT PLATFORM - 110V GFI RECEPTACLE	D
1	0641416	1	Bolt 1/4 x 2	
2	0860038	1	Box, Switch	
3	1320146	1	Clamp	
4	3910606	4	Screw 6 x 3/8	
5	3960422	1	Gasket, AC Receptacle	
6	1001110873	1	Shield, Receptacle Cover	
7	4460051	1	Connector, Strain Relief	
8	4460205	1	Plug, Male	
9	4460315	1	Terminal, Spade	
10	4460346	1	Terminal, Receptacle	
11	4760600	4	Washer 6	
12	3311405	1	Nut 1/4	

# SECTION 8 - ELECTRICAL

FIGURE 8-3. AC BOX AT PLATFORM - 220V GFI RECEPTACLE (ANSI, CSA AND JAPANESE SPECS)



ART\_0271954



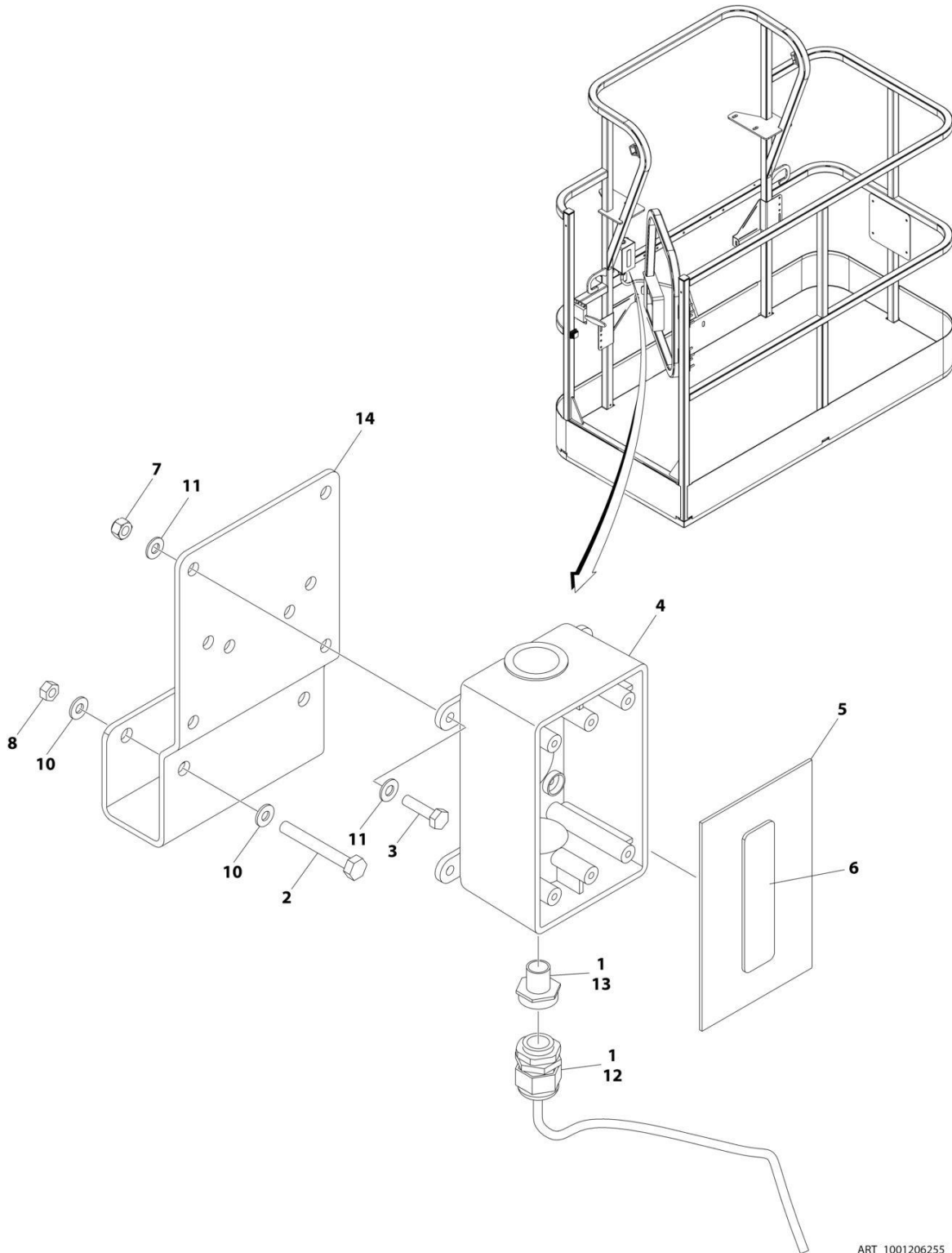
## SECTION 8 - ELECTRICAL

**FIGURE 8-3. AC BOX AT PLATFORM - 220V GFI RECEPTACLE (ANSI, CSA AND JAPANESE SPECS)**

ITEM	PART NUMBER	QTY	DESCRIPTION	REV
	0271954	Ref	AC BOX AT PLATFORM - 220V GFI RECEPTACLE	C
1	0641416	1	Bolt 1/4 x 2	
2	0860038	1	Box, Switch	
3	1320146	1	Clamp	
4	3910606	4	Screw 6 x 3/8	
5	3960422	1	Gasket, AC Receptacle	
6	4060092	1	Shield, Receptacle Cover	
7	4460051	1	Connector, Strain Relief	
8	4460125	1	Terminal, Receptacle	
9	4460315	1	Terminal, Spade	
10	4460709	1	Plug, Male	
11	4760600	4	Washer 6	
12	3311405	1	Nut 1/4	

# SECTION 8 - ELECTRICAL

FIGURE 8-4. AC BOX AT PLATFORM INSTALLATION - BOX WITH COVER (2X4 BOX) WITH 4000W GENERATOR (AUSTRALIAN SPECS)



ART\_1001206255

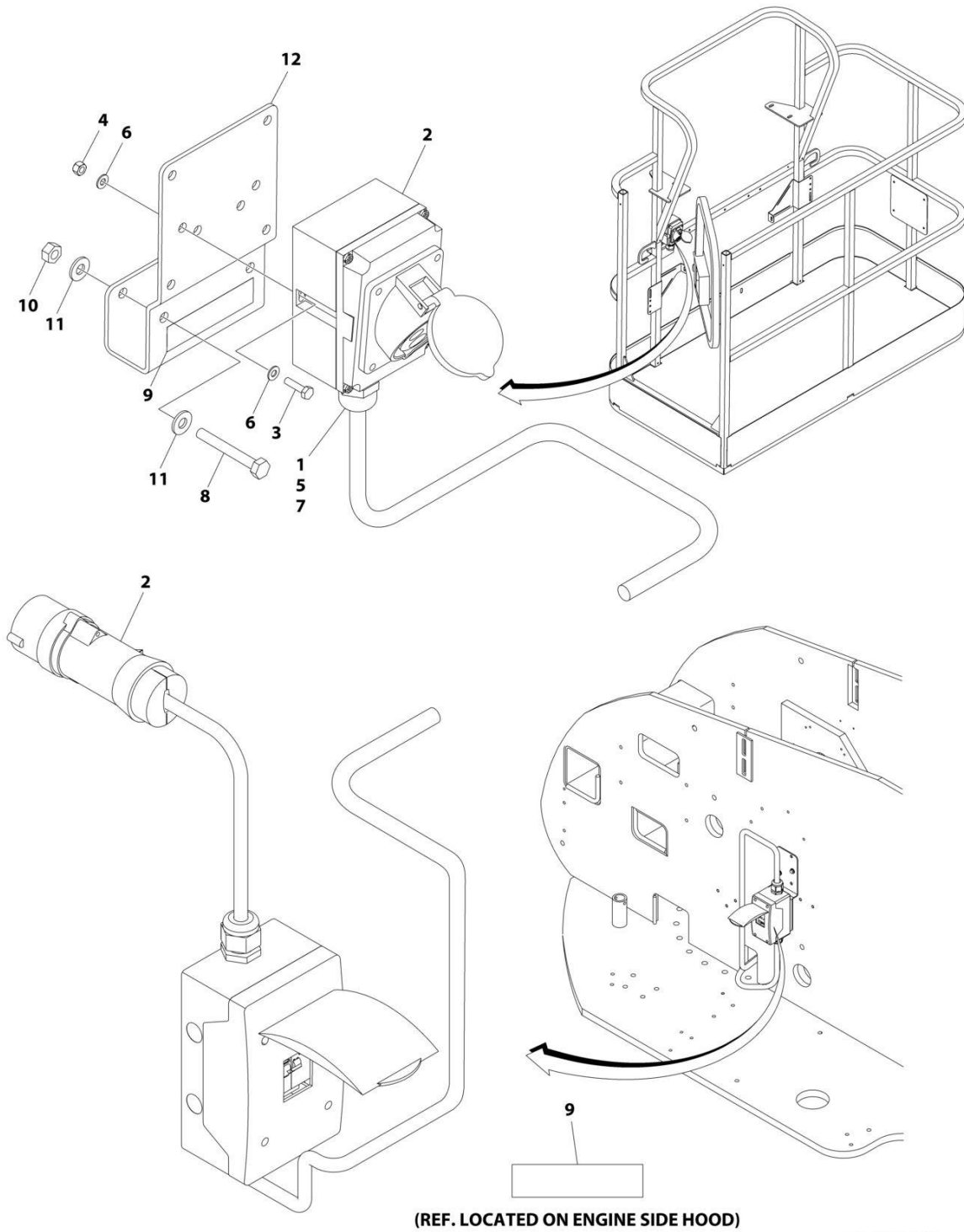
## SECTION 8 - ELECTRICAL

**FIGURE 8-4. AC BOX AT PLATFORM INSTALLATION - BOX WITH COVER (2X4 BOX) WITH 4000W GENERATOR (AUSTRALIAN SPECS)**

ITEM	PART NUMBER	QTY	DESCRIPTION	REV
	1001206255	Ref	AC BOX AT PLATFORM INSTALLATION - BOX WITH COVER (2X4 BOX) WITH 4000W GENERATOR	A
1	0100020	AR	Sealant, Pipe	
2	0641416	2	Bolt 1/4 x 2	
3	0700408	4	Bolt M4 x 16	
4	0861731	1	Box, Switch	
5	1670603	1	Cover	
6	3251242	1	Decal - 240V-50Hz	
7	3290405	4	Nut M4	
8	3311405	2	Nut 1/4	
10	4711400	4	Washer 1/4	
11	4811400	8	Washer M4	
12	1001101191	1	Connector, Strain Relief	
13	1001101197	1	Adapter	
14	1001193018	1	Bracket, AC Receptacle	

# SECTION 8 - ELECTRICAL

FIGURE 8-5. AC BOX AT PLATFORM INSTALLATION - 110V IEC 60309 YELLOW WITHOUT 2500W GENERATOR (CE & UK CA SPECS)



ART\_1001091969

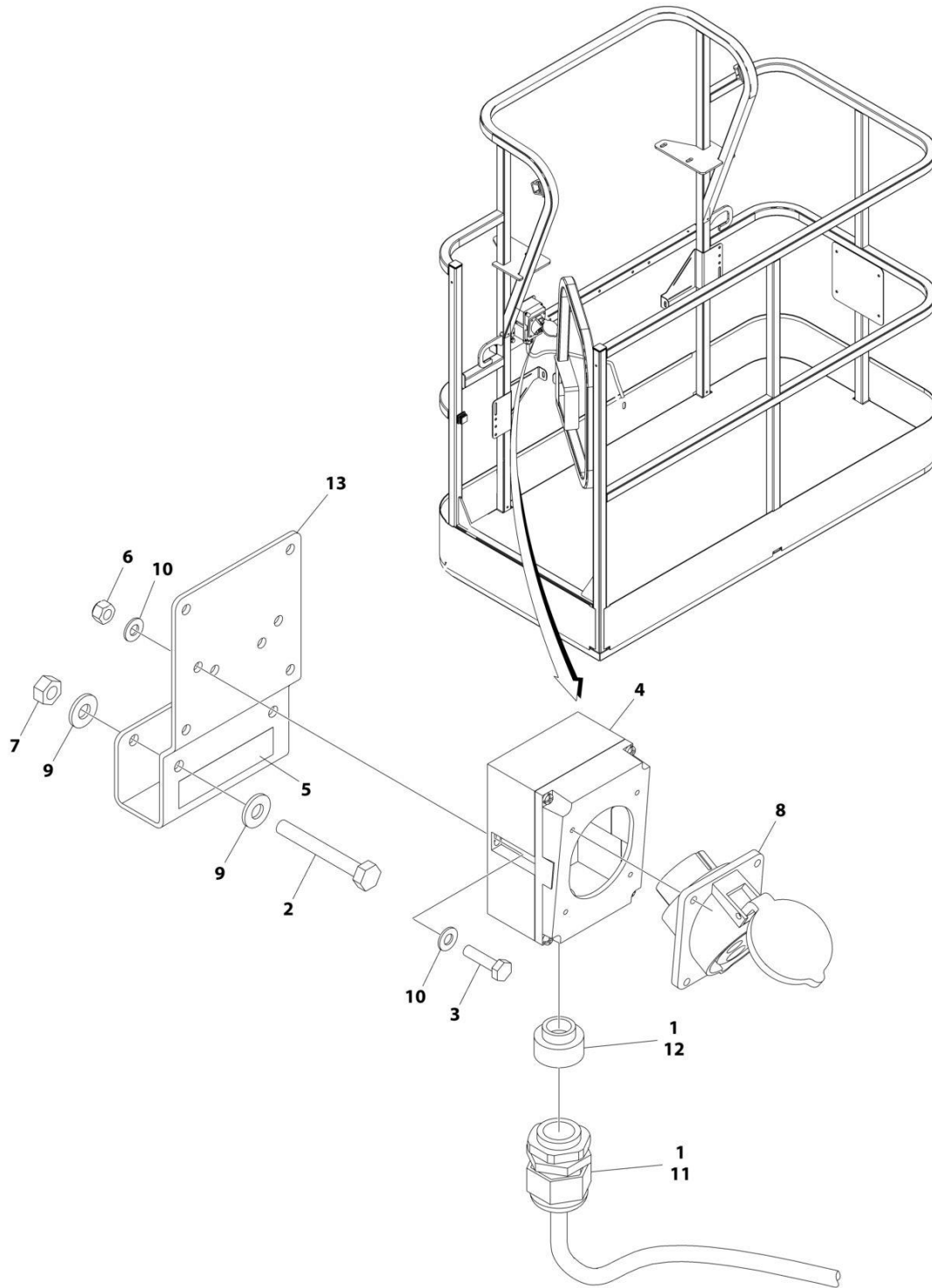
## SECTION 8 - ELECTRICAL

**FIGURE 8-5. AC BOX AT PLATFORM INSTALLATION - 110V IEC 60309 YELLOW WITHOUT 2500W GENERATOR (CE & UK CA SPECS)**

ITEM	PART NUMBER	QTY	DESCRIPTION	REV
	1001091969	Ref	AC BOX AT PLATFORM INSTALLATION - 110V IEC YELLOW	D
1	0100020	AR	Sealant, Pipe	
2	0275216	1	Receptacle Box Kit (See Separate Breakdown in this Section)	
3	0700408	2	Bolt M4 x 16	
4	3290405	2	Nut M4	
5	1001101196	1	Adapter	
6	4811400	4	Washer M4	
7	1001101191	1	Connector, Strain Relief	
8	0641416	2	Bolt 1/4 x 2	
9	1705325	2	Decal - 110V	
10	3311405	2	Nut 1/4	
11	4711400	4	Washer 1/4	
12	1001193018	1	Bracket	

# SECTION 8 - ELECTRICAL

FIGURE 8-6. AC BOX AT PLATFORM INSTALLATION - 110V IEC 60309 YELLOW WITHOUT 4000W GENERATOR (CE & UK CA SPECS)



ART\_1001206253

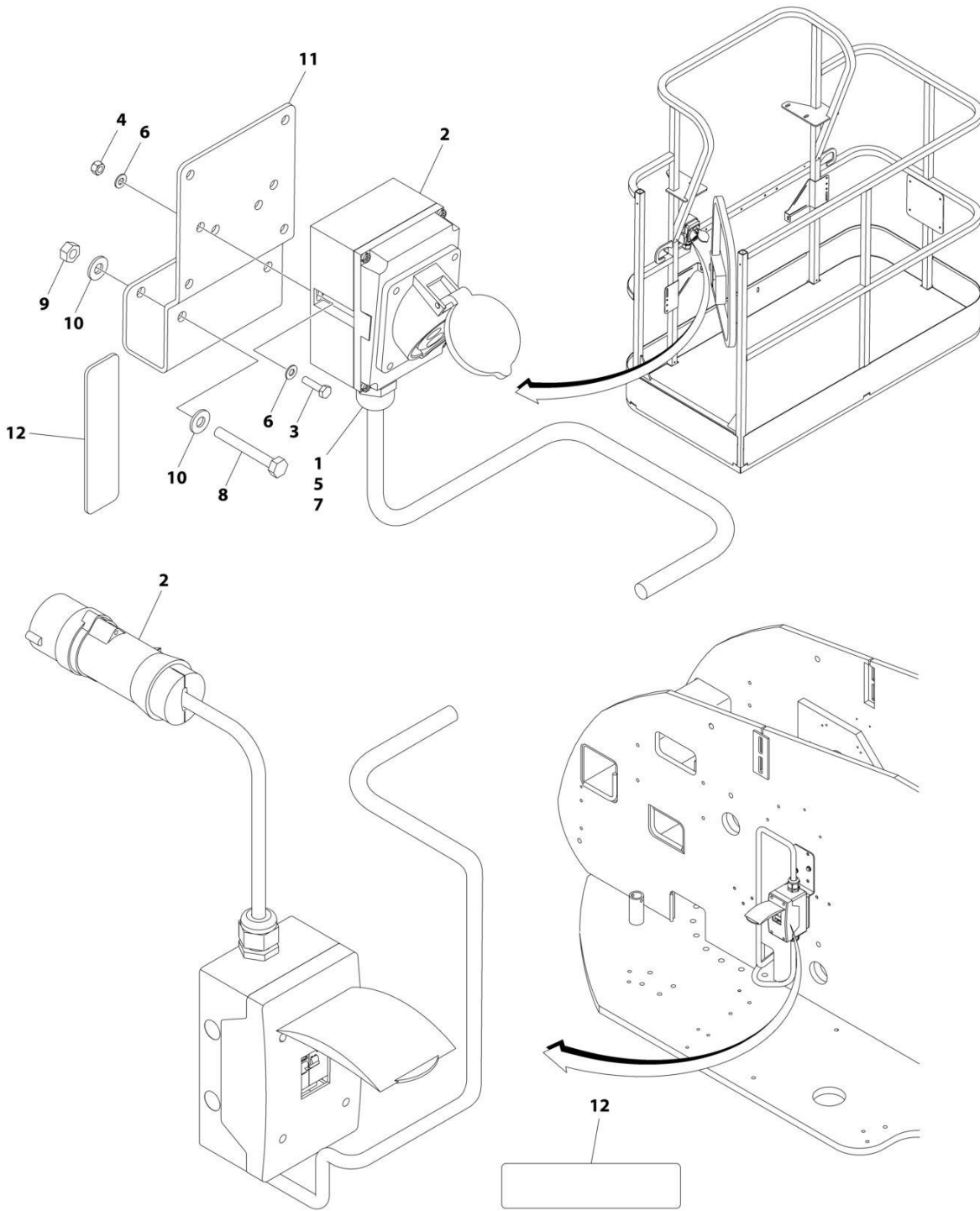
## SECTION 8 - ELECTRICAL

**FIGURE 8-6. AC BOX AT PLATFORM INSTALLATION - 110V IEC 60309 YELLOW WITHOUT 4000W GENERATOR (CE & UK CA SPECS)**

ITEM	PART NUMBER	QTY	DESCRIPTION	REV
	1001206253	Ref	AC BOX AT PLATFORM INSTALLATION - 110V IEC 60309 YELLOW WITHOUT 4000W GENERATOR	A
1	0100020	AR	Sealant, Pipe	
2	0641416	2	Bolt 1/4 x 2	
3	0700408	2	Bolt M4 x 16	
4	0861781	1	Box, Switch	
5	1705325	1	Decal - 110V	
6	3290405	2	Nut M4	
7	3311405	2	Nut 1/4	
8	4461198	1	Receptacle	
9	4711400	4	Washer 1/4	
10	4811400	4	Washer M4	
11	1001101191	1	Connector, Strain Relief	
12	1001101196	1	Adapter	
13	1001193018	1	Bracket, AC Receptacle	

# SECTION 8 - ELECTRICAL

FIGURE 8-7. AC BOX AT PLATFORM INSTALLATION - 220V IEC 60309 BLUE WITHOUT 2500W GENERATOR (CE & UK CA SPECS)



(REF. LOCATED ON ENGINE SIDE HOOD)

ART\_1001091970



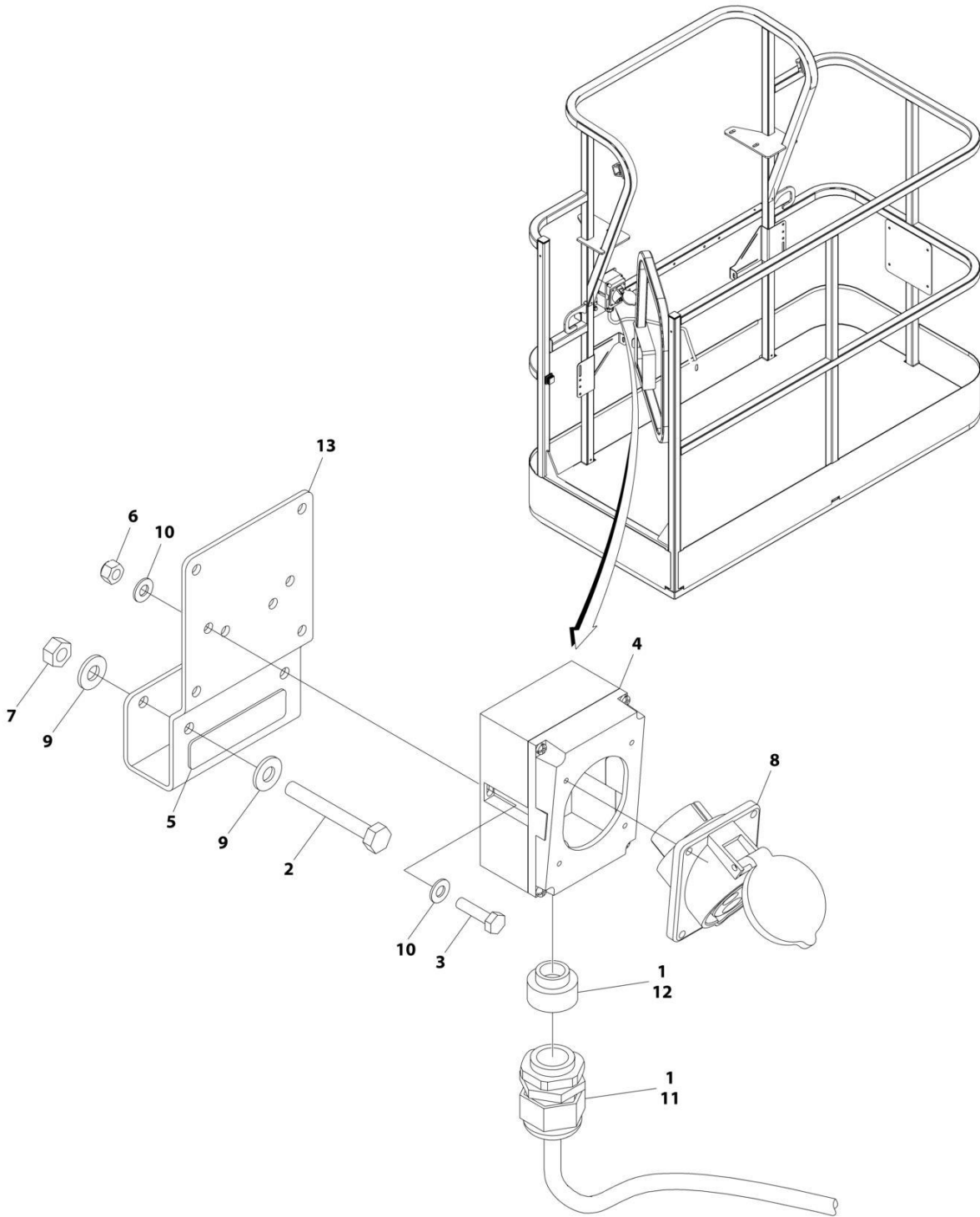
## SECTION 8 - ELECTRICAL

**FIGURE 8-7. AC BOX AT PLATFORM INSTALLATION - 220V IEC 60309 BLUE WITHOUT 2500W GENERATOR (CE & UK CA SPECS)**

ITEM	PART NUMBER	QTY	DESCRIPTION	REV
	1001091970	Ref	AC BOX AT PLATFORM INSTALLATION - 220V IEC BLUE	D
1	0100020	AR	Sealant, Pipe	
2	0275217	1	Receptacle Box Kit (See Separate Breakdown in this Section)	
3	0700408	2	Bolt M4 x 16	
4	3290405	2	Nut M4	
5	1001101196	1	Adapter	
6	4811400	4	Washer M4	
7	1001101191	1	Connector, Strain Relief	
8	0641416	2	Bolt 1/4 x 2	
9	3311405	2	Nut 1/4	
10	4711400	4	Washer 1/4	
11	1001193018	1	Bracket	
12	3251242	2	Decal - 240V/50Hz	

# SECTION 8 - ELECTRICAL

FIGURE 8-8. AC BOX AT PLATFORM INSTALLATION - 220V IEC 60309 BLUE WITHOUT 4000W GENERATOR (CE & UK CA SPECS)



ART\_1001206254

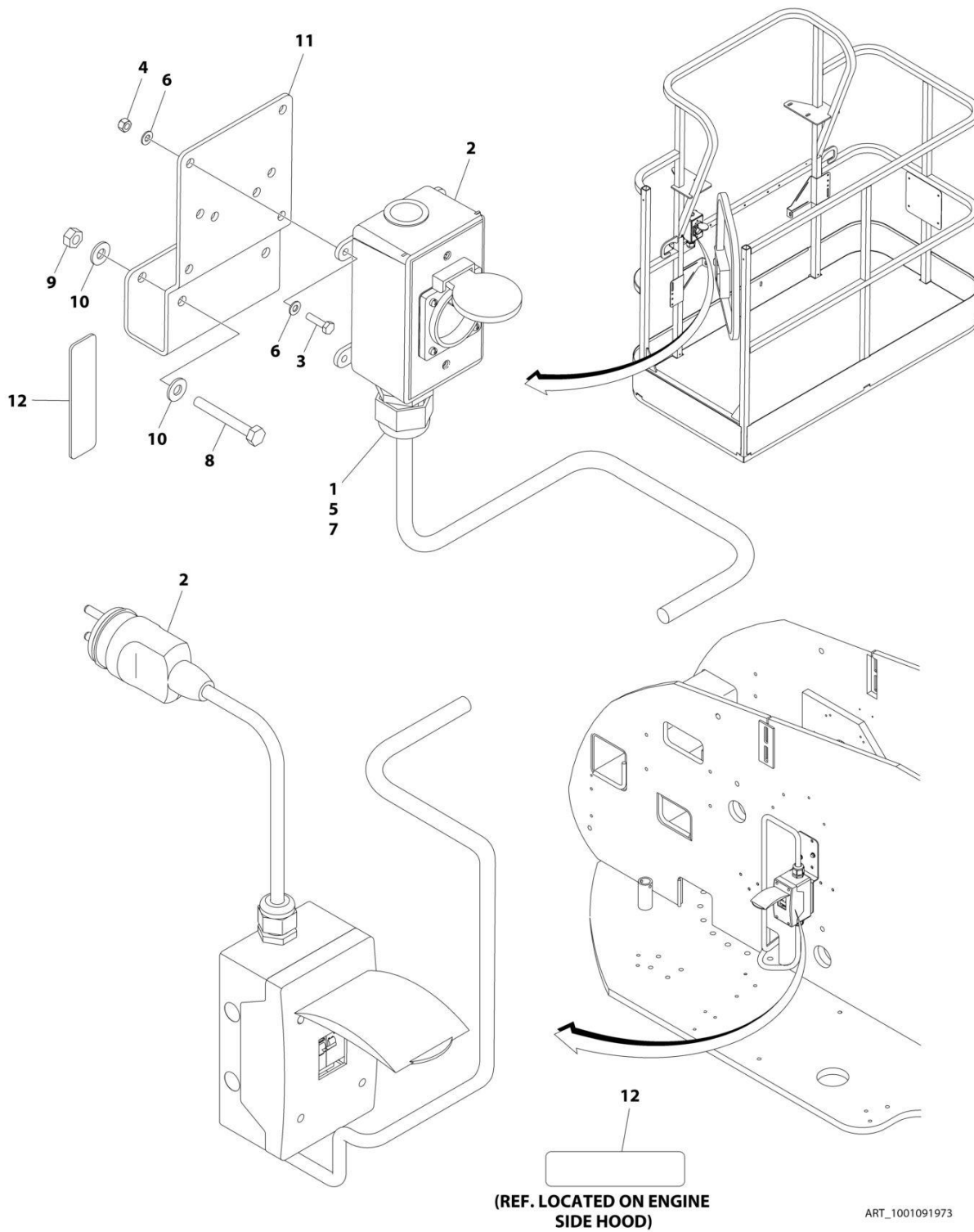
## SECTION 8 - ELECTRICAL

**FIGURE 8-8. AC BOX AT PLATFORM INSTALLATION - 220V IEC 60309 BLUE WITHOUT 4000W GENERATOR (CE & UK CA SPECS)**

ITEM	PART NUMBER	QTY	DESCRIPTION	REV
	1001206254	Ref	AC BOX AT PLATFORM INSTALLATION - 220V IEC BLUE	A
1	0100020	AR	Sealant, Pipe	
2	0641416	2	Bolt 1/4 x 2	
3	0700408	2	Bolt M4 x 16	
4	0861781	1	Box, Switch	
5	3251242	1	Decal - 240V/50Hz	
6	3290405	2	Nut M4	
7	3311405	2	Nut 1/4	
8	4461201	1	Receptacle	
9	4711400	4	Washer 1/4	
10	4811400	4	Washer M4	
11	1001101191	1	Connector, Strain Relief	
12	1001101196	1	Adapter	
13	1001193018	1	Bracket, AC Receptacle	

# SECTION 8 - ELECTRICAL

**FIGURE 8-9. AC BOX AT PLATFORM INSTALLATION - 220V CEE7 POST GROUND (2X4 BOX)  
WITHOUT 2500W GENERATOR (CE & UK CA SPECS)**



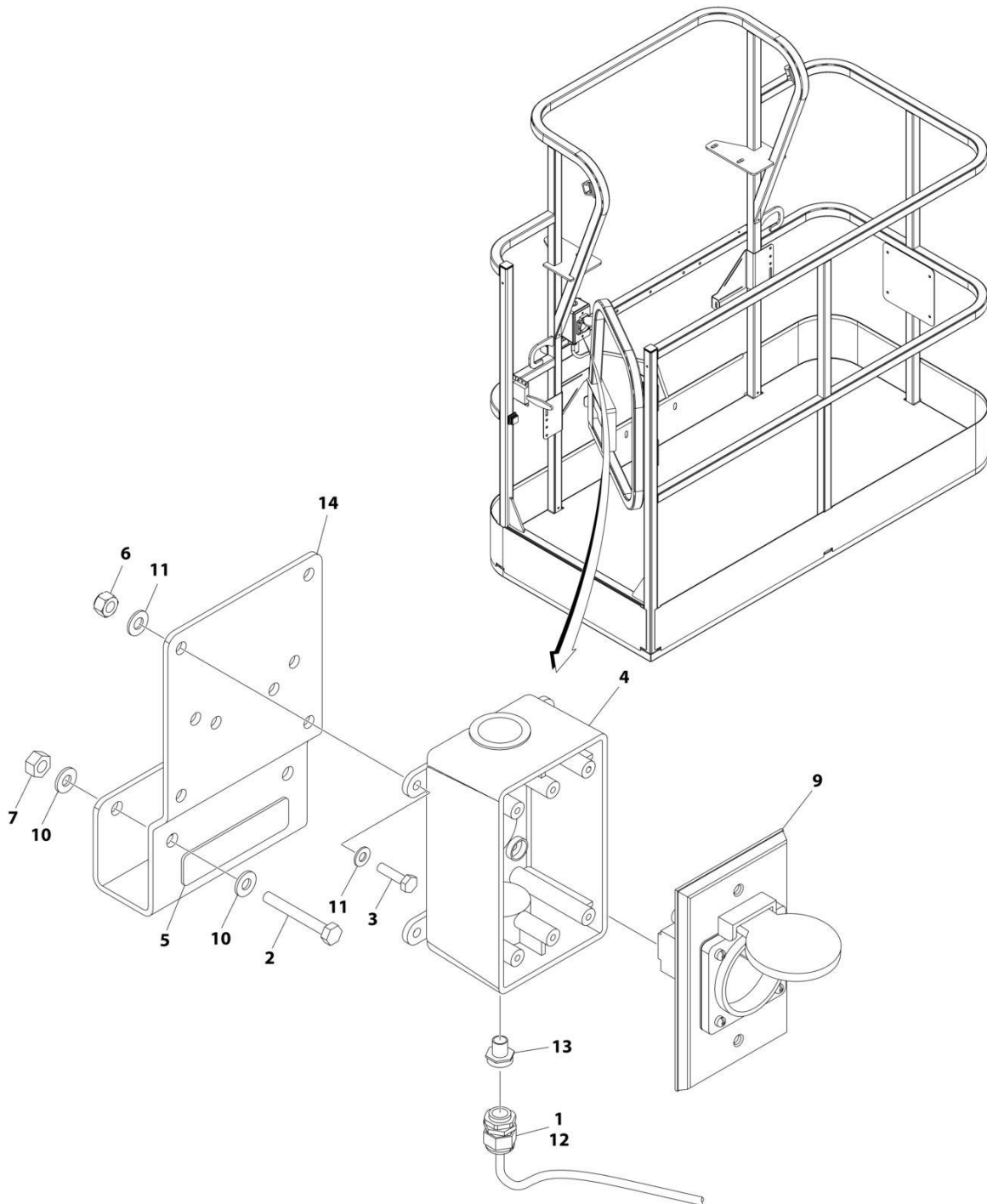
## SECTION 8 - ELECTRICAL

**FIGURE 8-9. AC BOX AT PLATFORM INSTALLATION - 220V CEE7 POST GROUND (2X4 BOX)  
WITHOUT 2500W GENERATOR (CE & UK CA SPECS)**

ITEM	PART NUMBER	QTY	DESCRIPTION	REV
	1001091973	Ref	AC BOX AT PLATFORM INSTALLATION - 220V CEE7 2X4 BOX POST GROUND	F
1	0100020	AR	Sealant, Pipe	
2	0275452	1	Receptacle Box Kit (See Separate Breakdown in this Section)	
3	0700408	4	Bolt M4 x 16	
4	3290405	4	Nut M4	
5	1001101197	1	Adapter	
6	4811400	8	Washer M4	
7	1001101191	1	Connector, Strain Relief	
8	0641416	2	Bolt 1/4 x 2	
9	3311405	2	Nut 1/4	
10	4711400	4	Washer 1/4	
11	1001193018	1	Bracket	
12	3251242	2	Decal - 240V/50Hz	
13	4460806	2	Terminal, Fork (Not Shown)	
14	1001205958	1	Terminal (Not Shown)	

# SECTION 8 - ELECTRICAL

FIGURE 8-10. AC BOX AT PLATFORM INSTALLATION - 220V CEE7 POST GROUND (2X4 BOX)  
WITHOUT 4000W GENERATOR (CE & UK CA SPECS)



ART\_1001206250

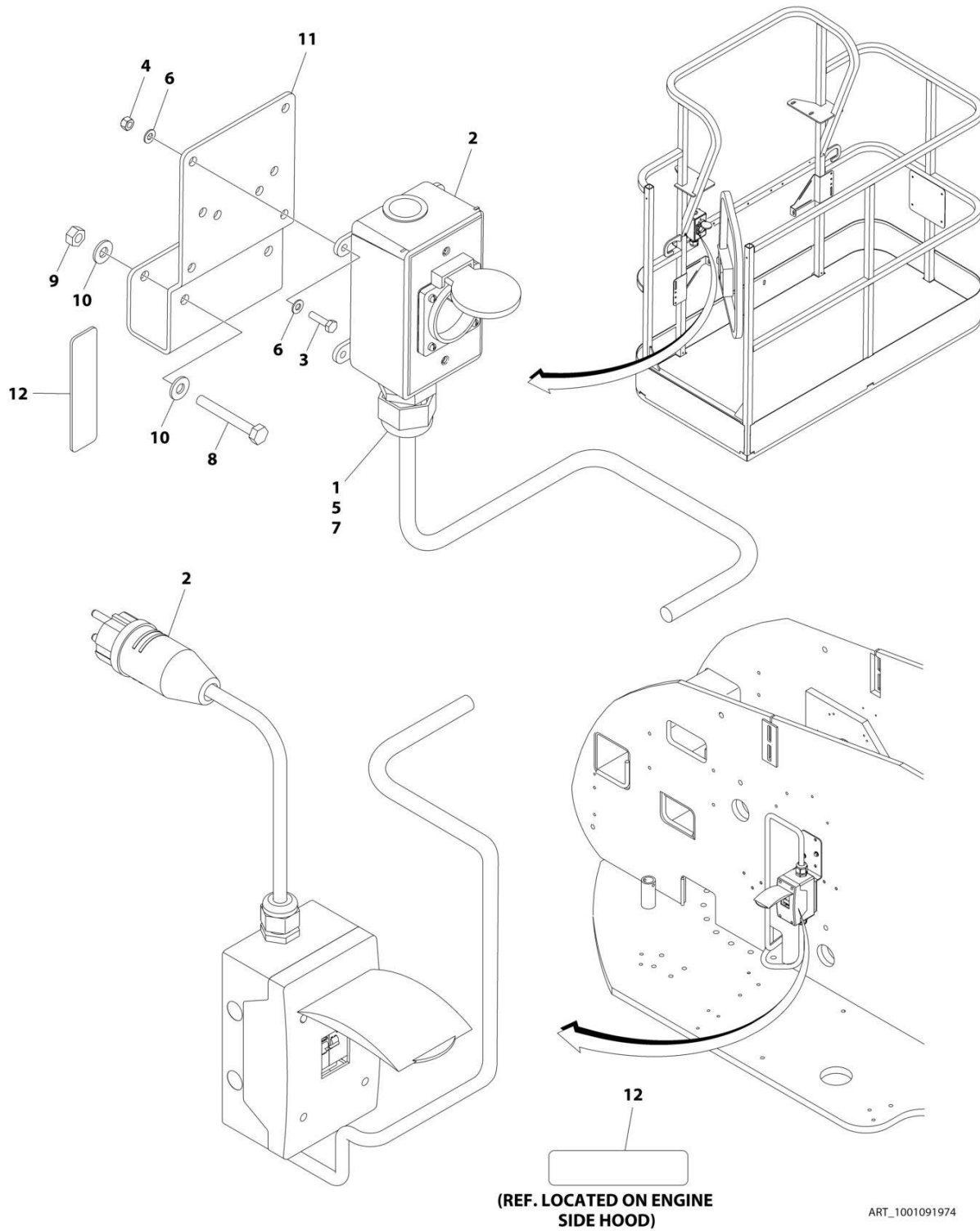
## SECTION 8 - ELECTRICAL

**FIGURE 8-10. AC BOX AT PLATFORM INSTALLATION - 220V CEE7 POST GROUND (2X4 BOX)  
WITHOUT 4000W GENERATOR (CE & UK CA SPECS)**

ITEM	PART NUMBER	QTY	DESCRIPTION	REV
	1001206250	Ref	AC BOX AT PLATFORM INSTALLATION - 220V CEE7 2X4 BOX POST GROUND	A
1	0100020	AR	Sealant, Pipe	
2	0641416	2	Bolt 1/4 x 2	
3	0700408	4	Bolt M4 x 16	
4	0861731	1	Box, Switch	
5	3251242	1	Decal - 240V/50Hz	
6	3290405	4	Nut M4	
7	3311405	2	Nut 1/4	
8	4460806	2	Terminal, Fork (Not Shown)	
9	4461244	1	Receptacle	
10	4711400	4	Washer 1/4	
11	4811400	8	Washer M4	
12	1001101191	1	Connector, Strain Relief	
13	1001101197	1	Adapter	
14	1001193018	1	Bracket, AC Receptacle	
15	1001205958	1	Terminal (Not Shown)	

# SECTION 8 - ELECTRICAL

FIGURE 8-11. AC BOX AT PLATFORM INSTALLATION - 220V CEE7 SIDE GROUND (2X4 BOX)  
WITHOUT 2500W GENERATOR (CE & UK CA SPECS)





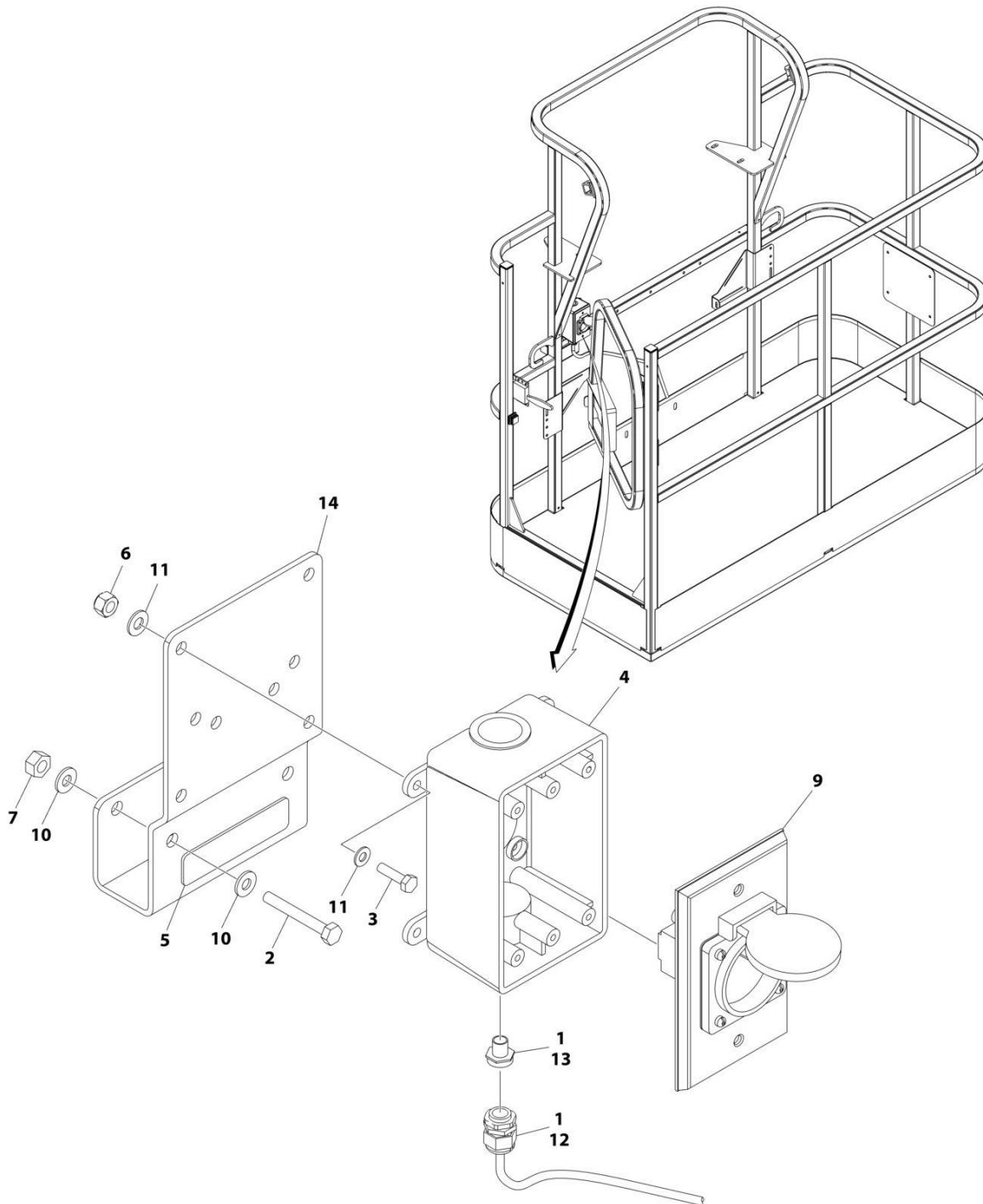
## SECTION 8 - ELECTRICAL

**FIGURE 8-11. AC BOX AT PLATFORM INSTALLATION - 220V CEE7 SIDE GROUND (2X4 BOX)  
WITHOUT 2500W GENERATOR (CE & UK CA SPECS)**

ITEM	PART NUMBER	QTY	DESCRIPTION	REV
	1001091974	Ref	AC BOX AT PLATFORM INSTALLATION - 220V CEE7 2X4 BOX SIDE GROUND	F
1	0100020	AR	Sealant, Pipe	
2	0275453	1	Receptacle Box Kit (See Separate Breakdown in this Section)	
3	0700408	4	Bolt M4 x 16	
4	3290405	4	Nut M4	
5	1001101197	1	Adapter	
6	4811400	8	Washer M4	
7	1001101191	1	Connector, Strain Relief	
8	0641416	2	Bolt 1/4 x 2	
9	3311405	2	Nut 1/4	
10	4711400	4	Washer 1/4	
11	1001193018	1	Bracket	
12	3251242	2	Decal - 240V/50Hz	
13	4460806	2	Terminal, Fork (Not Shown)	
14	1001205958	1	Terminal (Not Shown)	

# SECTION 8 - ELECTRICAL

FIGURE 8-12. AC BOX AT PLATFORM INSTALLATION - 220V CEE7 SIDE GROUND (2X4 BOX)  
WITHOUT 4000W GENERATOR (CE & UK CA SPECS)



ART\_1001206251

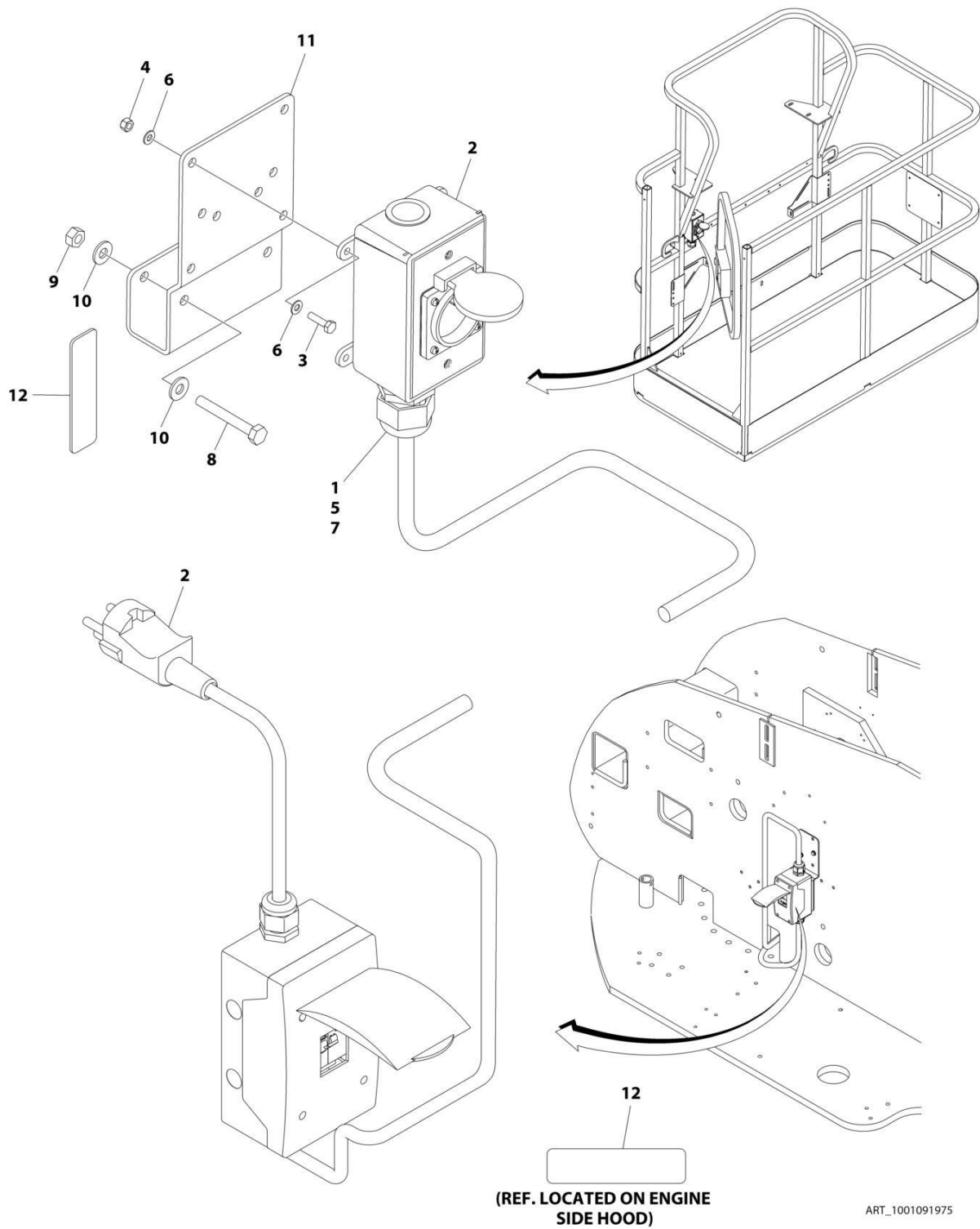
## SECTION 8 - ELECTRICAL

**FIGURE 8-12. AC BOX AT PLATFORM INSTALLATION - 220V CEE7 SIDE GROUND (2X4 BOX)  
WITHOUT 4000W GENERATOR (CE & UK CA SPECS)**

ITEM	PART NUMBER	QTY	DESCRIPTION	REV
	1001206251	Ref	AC BOX AT PLATFORM INSTALLATION - 220V CEE7 2X4 BOX SIDE GROUND	A
1	0100020	AR	Sealant, Pipe	
2	0641416	2	Bolt 1/4 x 2	
3	0700408	4	Bolt M4 x 16	
4	0861731	1	Box, Switch	
5	3251242	1	Decal - 240V/50Hz	
6	3290405	4	Nut M4	
7	3311405	2	Nut 1/4	
8	4460806	2	Terminal, Fork (Not Shown)	
9	4461245	1	Receptacle	
10	4711400	4	Washer 1/4	
11	4811400	8	Washer M4	
12	1001101191	1	Connector, Strain Relief	
13	1001101197	1	Adapter	
14	1001193018	1	Bracket, AC Receptacle	
15	1001205958	1	Terminal (Not Shown)	

# SECTION 8 - ELECTRICAL

**FIGURE 8-13. AC BOX AT PLATFORM INSTALLATION - 220V AFSINT 107 KEYED GROUND (2X4 BOX) WITHOUT 2500W GENERATOR (CE & UK CA SPECS)**



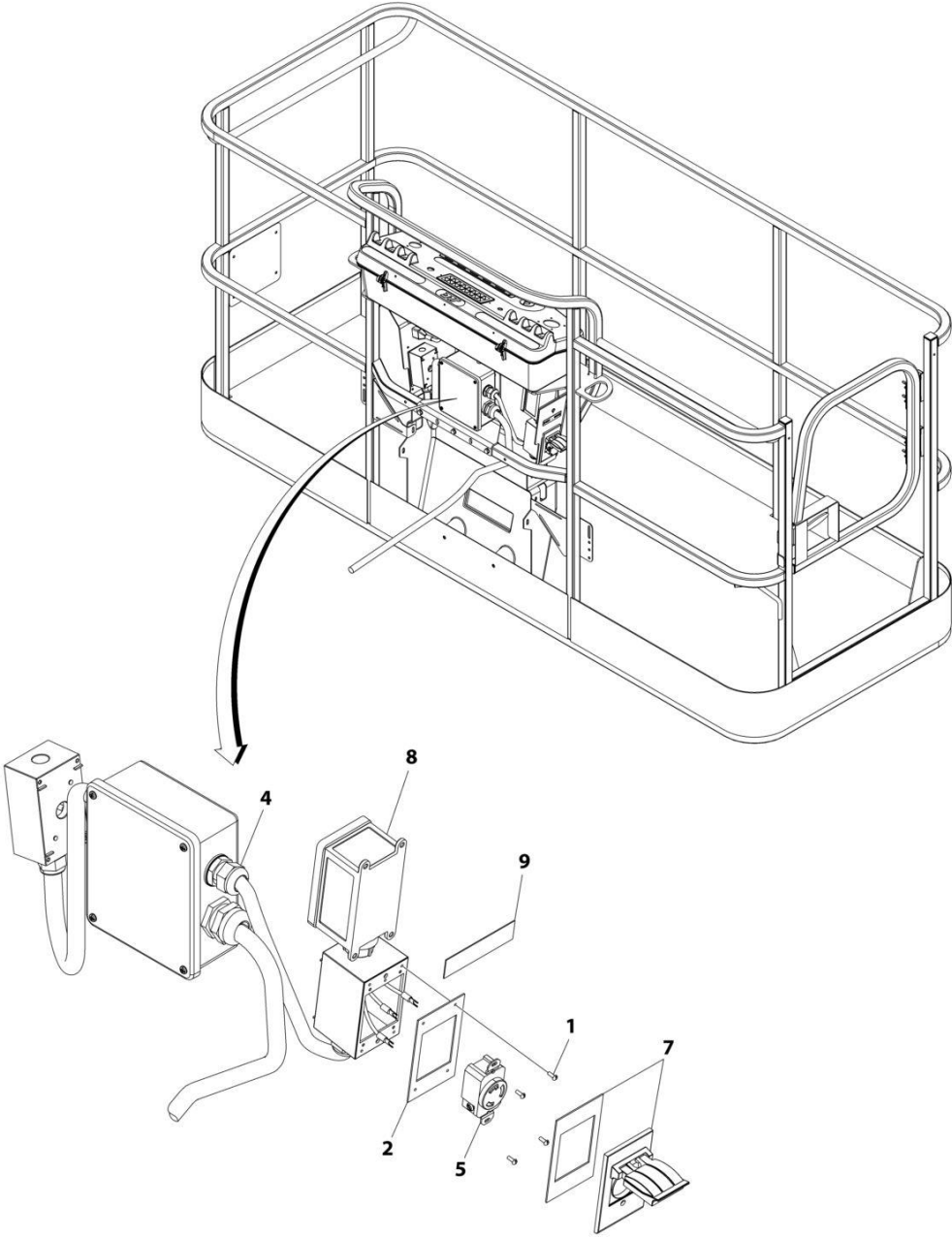
## SECTION 8 - ELECTRICAL

**FIGURE 8-13. AC BOX AT PLATFORM INSTALLATION - 220V AFSINT 107 KEYED GROUND (2X4 BOX) WITHOUT 2500W GENERATOR (CE & UK CA SPECS)**

ITEM	PART NUMBER	QTY	DESCRIPTION	REV
	1001091975	Ref	AC BOX AT PLATFORM INSTALLATION - 220V AFSINT 107 2X4 BOX KEYED GROUND	F
1	0100020	AR	Sealant, Pipe	
2	0275454	1	Receptacle Box Kit (See Separate Breakdown in this Section)	
3	0700408	4	Bolt M4 x 16	
4	3290405	4	Nut M4	
5	1001101197	1	Adapter	
6	4811400	8	Washer M4	
7	1001101191	1	Connector, Strain Relief	
8	0641416	2	Bolt 1/4 x 2	
9	3311405	2	Nut 1/4	
10	4711400	4	Washer 1/4	
11	1001193018	1	Bracket	
12	3251242	2	Decal - 240V/50Hz	
13	1001205958	3	Terminal (Not Shown)	

**SECTION 8 - ELECTRICAL**

**FIGURE 8-14. AC BOX AT PLATFORM INSTALLATION - 240V (WITH 4000W GENERATOR) (ANSI, ANSI EXPORT, CSA AND JAPANESE SPECS)**



ART\_1001171131

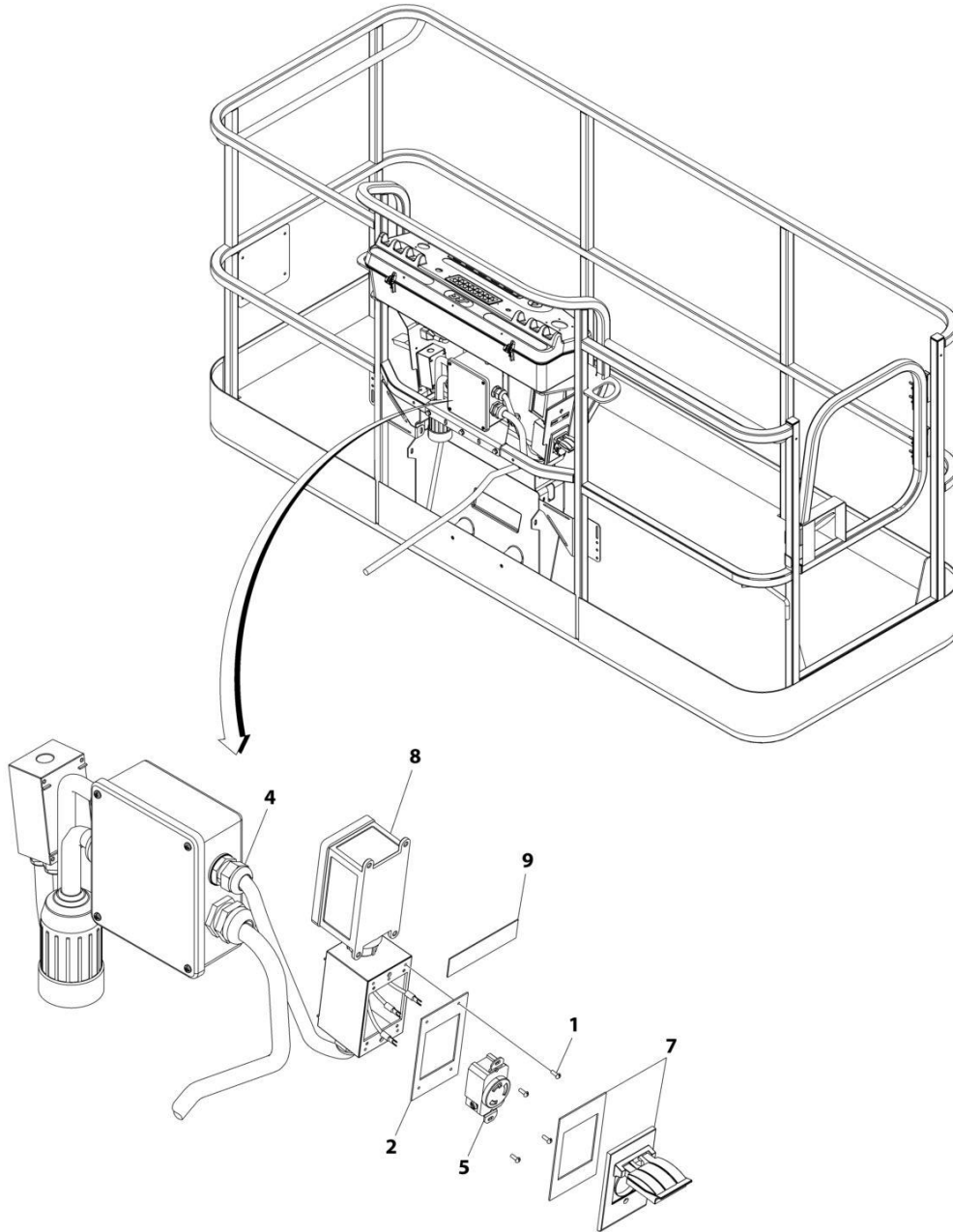
## SECTION 8 - ELECTRICAL

**FIGURE 8-14. AC BOX AT PLATFORM INSTALLATION - 240V (WITH 4000W GENERATOR) (ANSI, ANSI EXPORT, CSA AND JAPANESE SPECS)**

ITEM	PART NUMBER	QTY	DESCRIPTION	REV
	1001171131	Ref	AC BOX AT PLATFORM INSTALLATION - 240V RECEPTACLE	B
1	3910606	4	Screw 6 x 3/8	
2	3960422	1	Gasket	
3	4240018	AR	Tie-Strap (Not Shown)	
4	4460425	1	Connector, Strain Relief	
5	1001176862	1	Receptacle	
7	1001110872	1	Cover, Receptacle	
8	1001159120	1	Receptacle/Breaker Box Assembly	
8	1001148675	1	Box, Receptacle	
8	1001159118	1	Breaker GFCI 30Amp 240VAC	
8	4460612	1	Connector, Strain Relief	
8	1001159119	1	Connector (Between Boxes)	
9	1705374	1	Decal - 240V/60Hz	

## SECTION 8 - ELECTRICAL

FIGURE 8-15. AC BOX AT PLATFORM INSTALLATION - 240V (WITH 7500W SKYPOWER GENERATOR) (ALL SPECS EXCEPT AUSTRALIAN & CE & UK CA SPECS)



ART\_1001159121



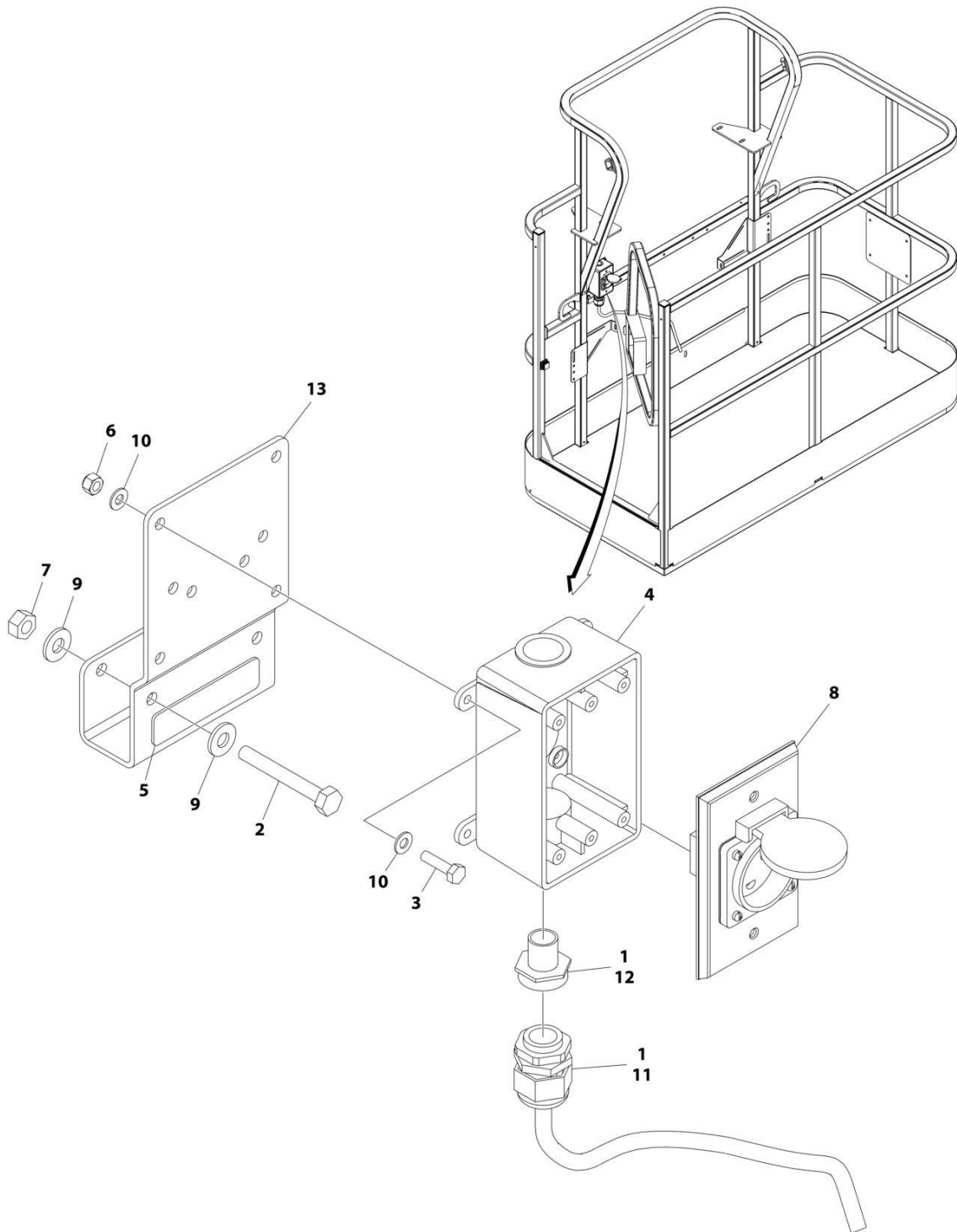
## SECTION 8 - ELECTRICAL

**FIGURE 8-15. AC BOX AT PLATFORM INSTALLATION - 240V (WITH 7500W SKYPOWER GENERATOR) (ALL SPECS EXCEPT AUSTRALIAN & CE & UK CA SPECS)**

ITEM	PART NUMBER	QTY	DESCRIPTION	REV
	1001159121	Ref	AC BOX AT PLATFORM INSTALLATION - 240V RECEPTACLE	B
1	3910606	4	Screw 6 x 3/8	
2	3960422	1	Gasket	
3	4240018	AR	Tie-Strap (Not Shown)	
4	4460425	1	Connector, Strain Relief	
5	4460958	1	Receptacle	
7	1001110872	1	Cover, Receptacle	
8	1001159120	1	Receptacle/Breaker Box Assembly	
8	1001148675	1	Box, Receptacle	
8	1001159118	1	Breaker Box Assembly	
8	4460612	1	Connector, Strain Relief	
8	1001159119	1	Connector (Between Boxes)	
9	1705374	1	Decal - 240V/60Hz	

# SECTION 8 - ELECTRICAL

FIGURE 8-16. AC BOX AT PLATFORM INSTALLATION - 220V AFSINT 107 KEYED GROUND (2X4 BOX) WITHOUT 4000W GENERATOR (CE & UK CA SPECS)



ART\_1001206252

## SECTION 8 - ELECTRICAL

**FIGURE 8-16. AC BOX AT PLATFORM INSTALLATION - 220V AFSINT 107 KEYED GROUND (2X4 BOX) WITHOUT 4000W GENERATOR (CE & UK CA SPECS)**

ITEM	PART NUMBER	QTY	DESCRIPTION	REV
	1001206252	Ref	AC BOX AT PLATFORM INSTALLATION - 220V AFSINT 107 2x4 BOX KEYED GROUND	A
1	0100020	AR	Sealant, Pipe	
2	0641416	2	Bolt 1/4 x 2	
3	0700408	4	Bolt M4 x 16	
4	0861731	1	Box, Switch	
5	3251242	1	Decal - 240V/50Hz	
6	3290405	4	Nut M4	
7	3311405	2	Nut 1/4	
8	4461246	1	Receptacle	
9	4711400	4	Washer 1/4	
10	4811400	8	Washer M4	
11	1001101191	1	Connector, Strain Relief	
12	1001101197	1	Adapter	
13	1001193018	1	Bracket, AC Receptacle	
14	1001205958	3	Terminal (Not Shown)	



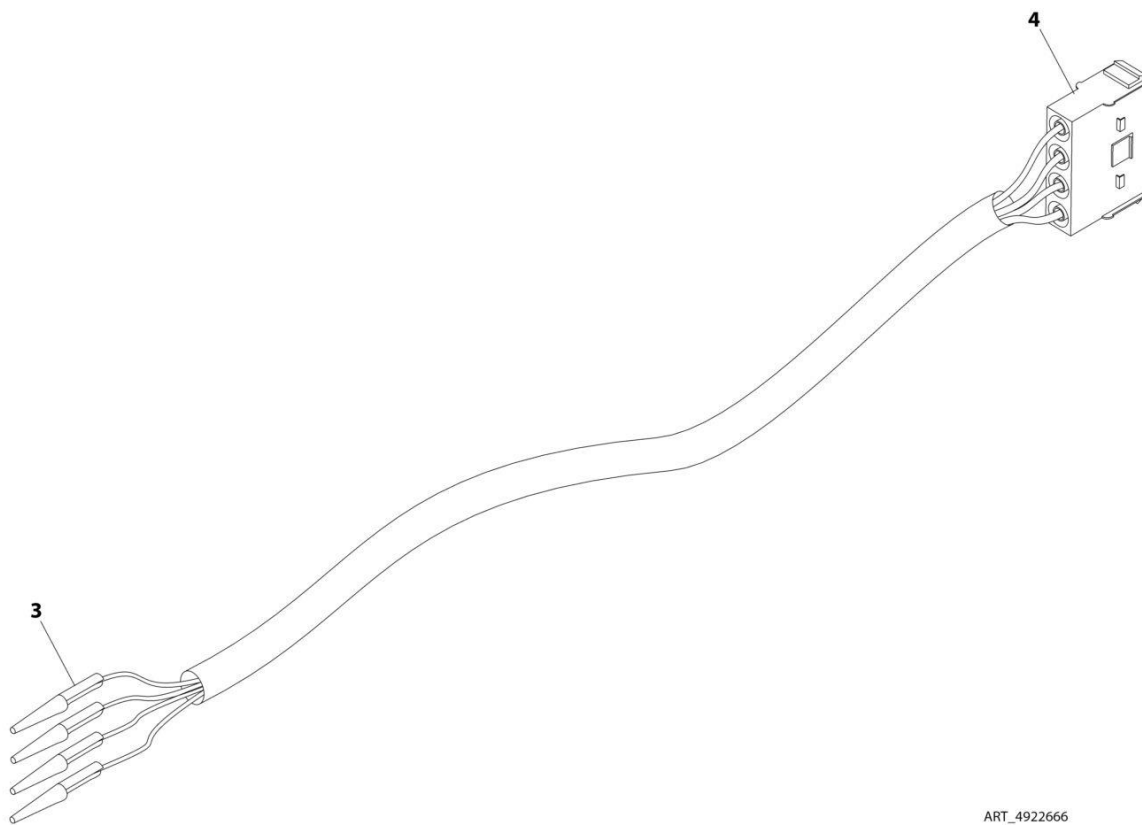
## SECTION 8 - ELECTRICAL

**FIGURE 8-17. AC 16 AMP BREAKER BOX INSTALLATION (CE & UK CA SPECS)**

ITEM	PART NUMBER	QTY	DESCRIPTION	REV
	1001095976	Ref	AC 16 AMP BREAKER BOX INSTALLATION	D
1	4010408	2	Screw M4 x 16	
2	0641407	2	Bolt 1/4 x 7/8	
3	0641416	AR	Bolt 1/4 x 2	
4	1320146	1	Clamp	
5	3311405	AR	Nut 1/4	
6	4711400	AR	Washer 1/4	
7	1001094915	1	Bracket	
8	1001109654	1	Breaker Box Kit - 16 Amp (See Separate Breakdown in this Section)	
9	1001091102	4	Washer M4	
10	3290405	2	Nut M4	

# SECTION 8 - ELECTRICAL

## FIGURE 8-18. ANALYZER CABLE HARNESS



ART\_4922666

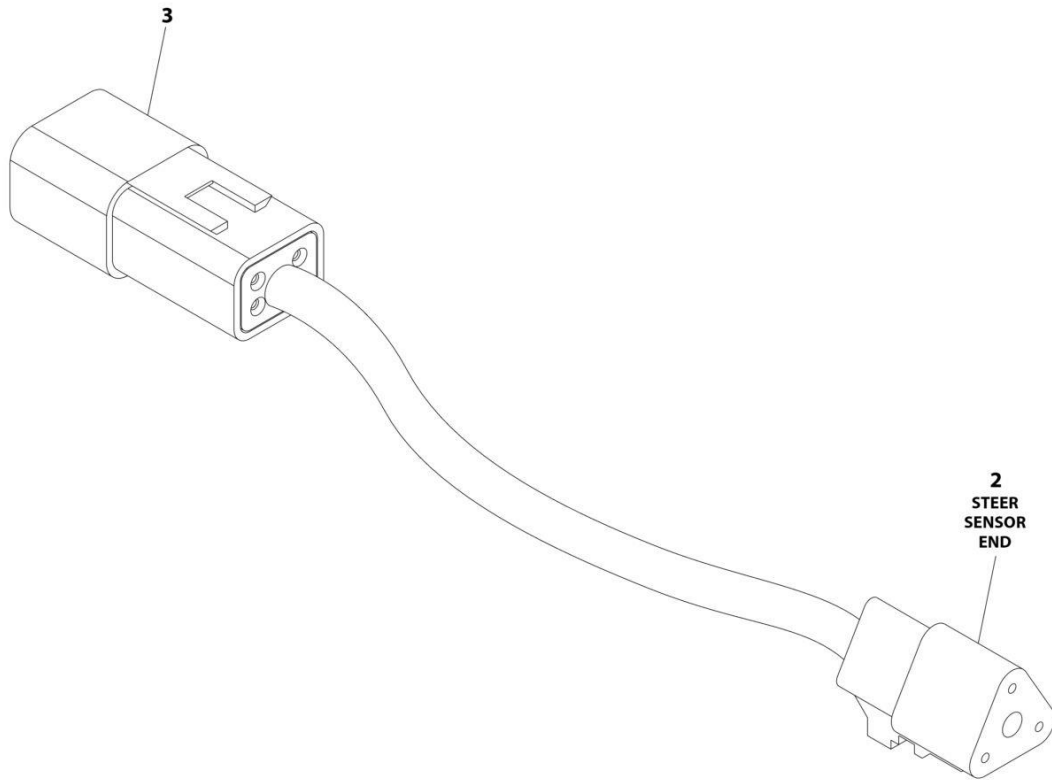
## SECTION 8 - ELECTRICAL

### FIGURE 8-18. ANALYZER CABLE HARNESS

ITEM	PART NUMBER	QTY	DESCRIPTION	REV
	4922666	Ref	ANALYZER CABLE HARNESS	C
3	4460226	4	Socket, Female	
4	4460761	1	Connector - 4 Position	
4	4460227	4	Pin, Male	

# SECTION 8 - ELECTRICAL

## FIGURE 8-19. AXLE POWER TRACK HARNESS ASSEMBLY



ART\_4922718



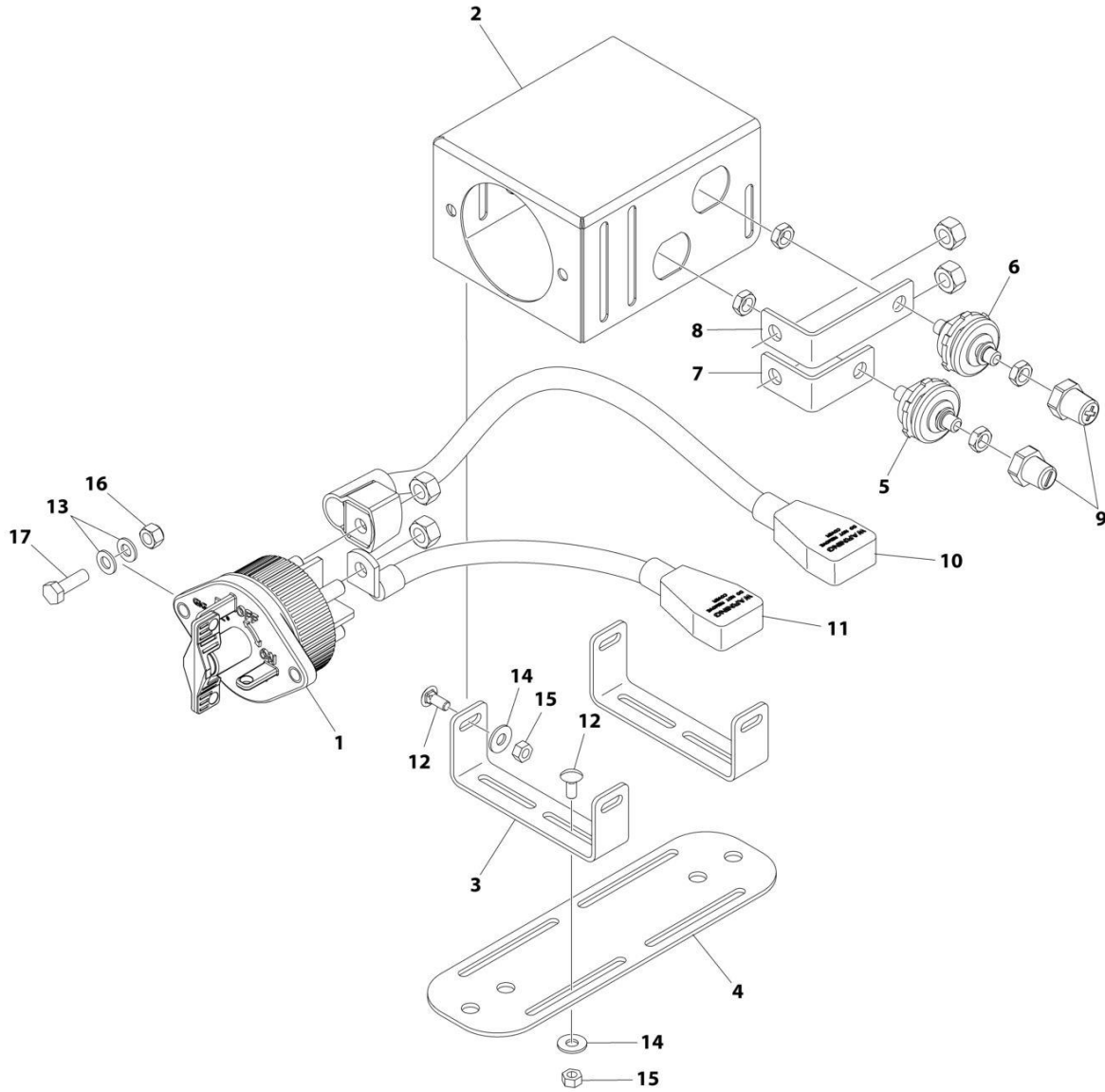
## SECTION 8 - ELECTRICAL

### FIGURE 8-19. AXLE POWER TRACK HARNESS ASSEMBLY

ITEM	PART NUMBER	QTY	DESCRIPTION	REV
	4922718	Ref	AXLE POWER TRACK HARNESS ASSEMBLY	E
2	4460539	1	Connector - 3 Position	
2	4460944	3	Socket, Female	
3	4460932	1	Connector - 4 Position	
3	4460943	4	Pin, Male	

# SECTION 8 - ELECTRICAL

## FIGURE 8-20. BATTERY DISCONNECT SWITCH



ART\_1001241630

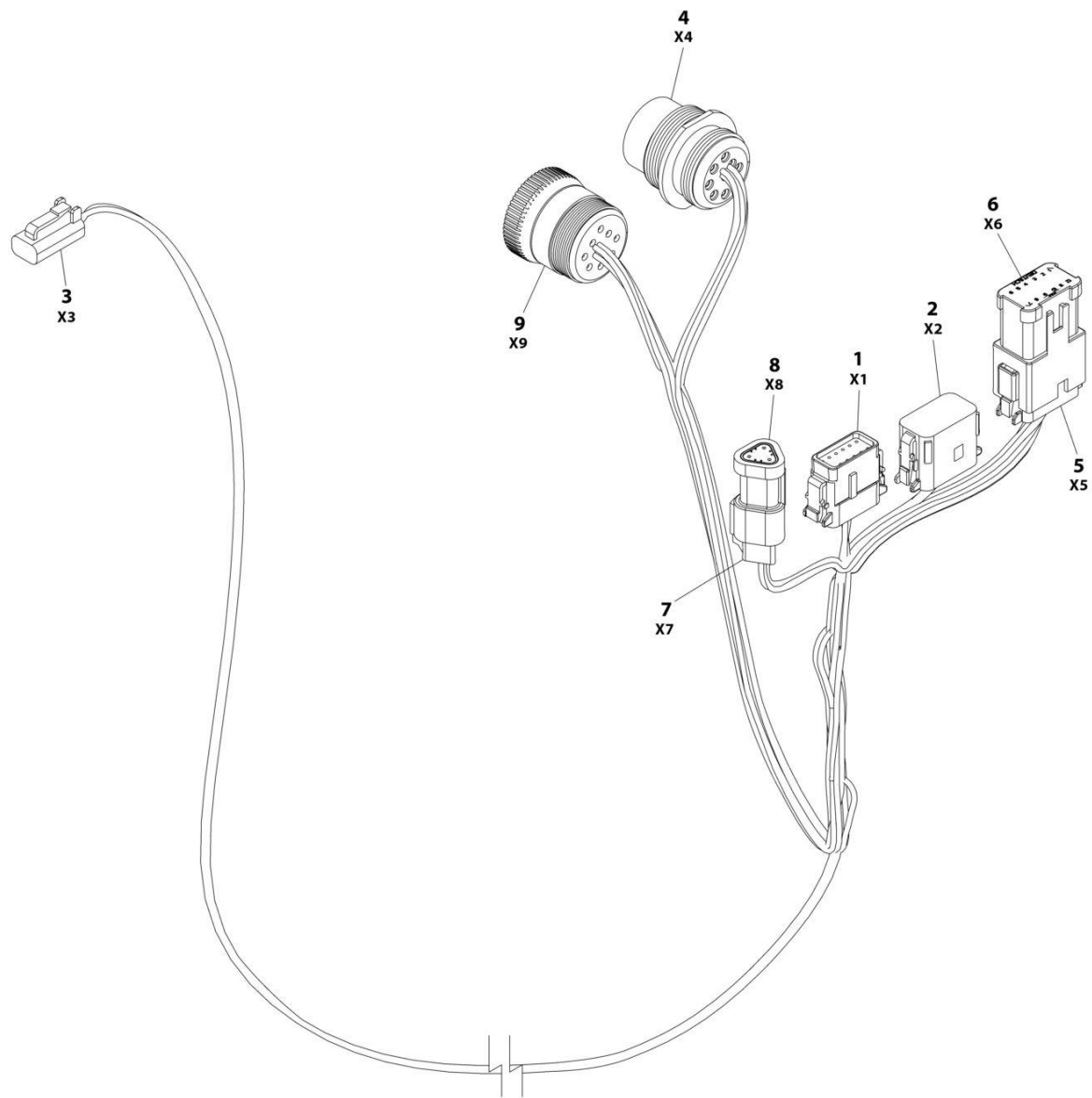
## SECTION 8 - ELECTRICAL

### FIGURE 8-20. BATTERY DISCONNECT SWITCH

ITEM	PART NUMBER	QTY	DESCRIPTION	REV
	1001241630	Ref	BATTERY DISCONNECT SWITCH	A
1	1001225346	1	Switch, Battery Disconnect	
2	1001226531	1	Mount	
3	1001239805	2	Mount	
4	1001241585	1	Plate	
5	1001214571	1	Connector (Black)	
6	1001214570	1	Connector (Red)	
7	1001209474	1	Buss bar	
8	1001209432	1	Buss bar	
9	1001206476	1	Connector	
10	1001236504	1	Cable (Positive)	
11	1001236505	1	Cable (Negative)	
12	88411013	8	Bolt 1/4 x 3/4	
13	4811900	4	Washer M8	
14	4751400	8	Washer 1/4	
15	3311405	8	Nut 1/4	
16	3290805	2	Nut M8	
17	0760812	2	Bolt M8 x 25	

# SECTION 8 - ELECTRICAL

## FIGURE 8-21. BEACON LIGHT HARNESS (BLUE BEACON LIGHT ONLY)



ART\_1001142736

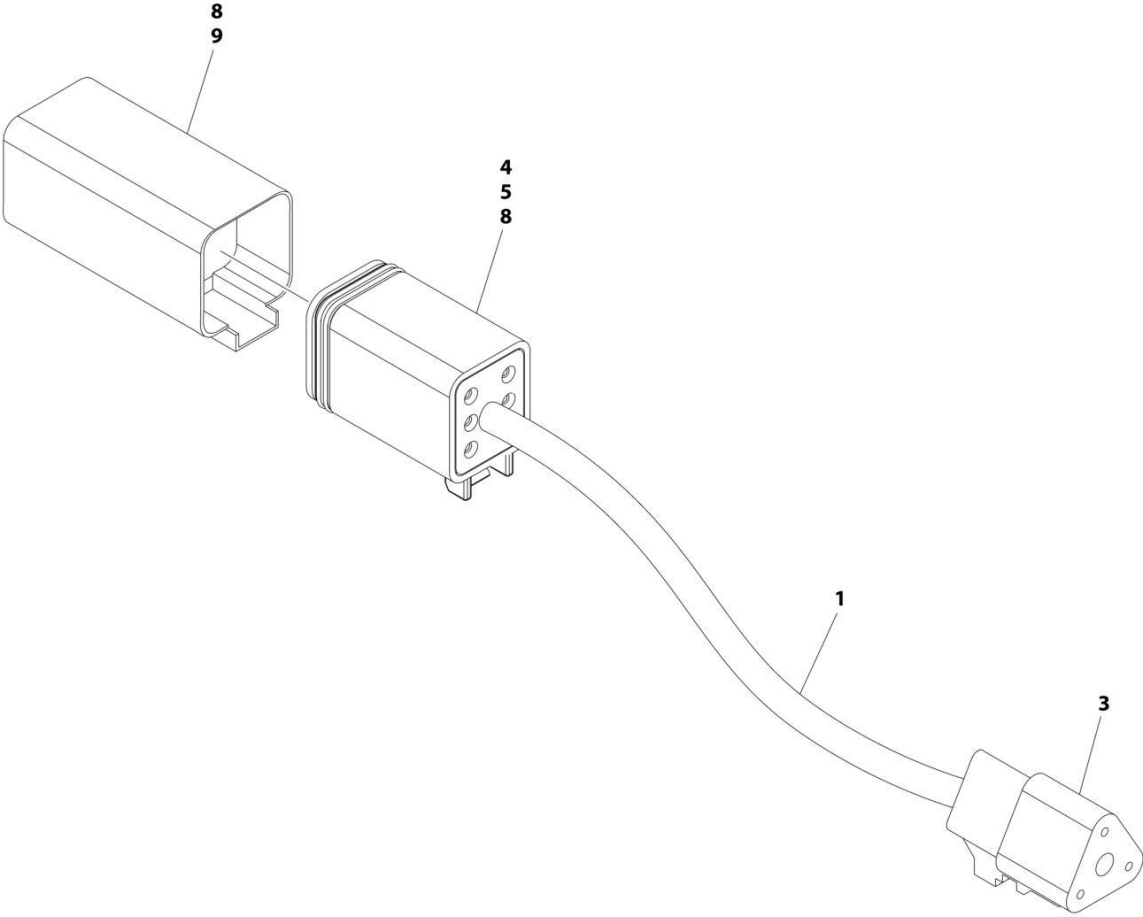
## SECTION 8 - ELECTRICAL

**FIGURE 8-21. BEACON LIGHT HARNESS (BLUE BEACON LIGHT ONLY)**

ITEM	PART NUMBER	QTY	DESCRIPTION	REV
	1001142736	Ref	STROBE LIGHT HARNESS	F
1	1001116808	1	Plug, Male - 12 Position	
1	4460928	3	Socket, Female	
1	4460518	9	Plug, Terminal	
2	1001116774	1	Plug, Male - 12 Position	
2	4460928	3	Socket, Female	
2	4460518	9	Plug, Terminal	
3	4460891	1	Plug, Male - 2 Position	
3	4460465	2	Socket, Female	
4	1001112612	1	Connector - 9 Position	
4	4460464	6	Pin, Male	
4	4460466	3	Plug, Terminal	
5	4460933	1	Plug, Male - 12 Position	
5	4460465	12	Socket, Female	
6	1001119020	1	Bussbar - 12 Position	
7	4461095	1	Plug, Male - 3 Position	
7	4460465	3	Socket, Female	
8	4461070	1	Bussbar - 3 Position	
9	1001112796	1	Connector - 9 Position	
9	4460465	6	Socket, Female	
9	4460466	3	Plug, Terminal	

**SECTION 8 - ELECTRICAL**

**FIGURE 8-22. B.L.A.M. TO BOOM LENGTH SENSOR HARNESS**



ART\_4922716

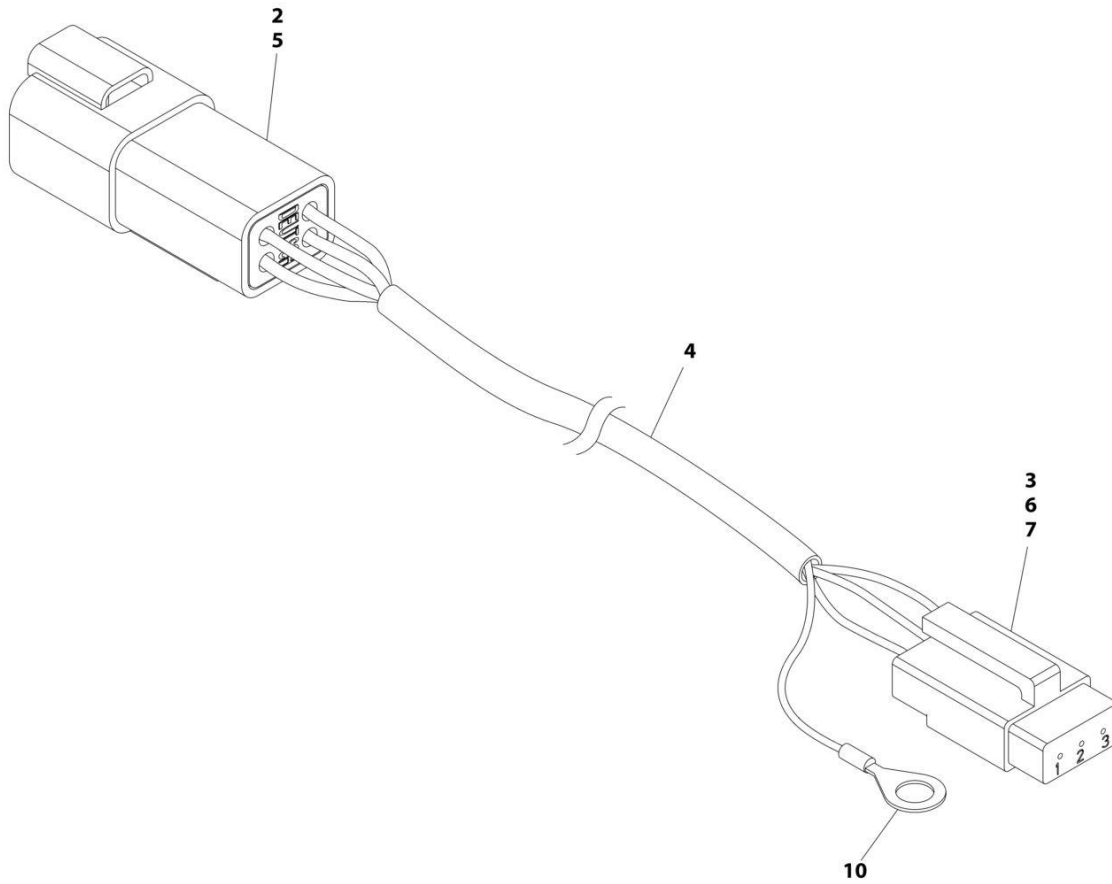
## SECTION 8 - ELECTRICAL

### FIGURE 8-22. B.L.A.M. TO BOOM LENGTH SENSOR HARNESS

ITEM	PART NUMBER	QTY	DESCRIPTION	REV
	4922716	Ref	B.L.A.M. TO BOOM LENGTH SENSOR HARNESS	H
1	1060981	14 ft/ 4.3m	Cable, Electrical 18/3	
3	4460539	1	Connector - 3 Position	
4	4460944	7	Socket, Female (Gold)	
5	4460894	1	Plug, Male - 6 Position	
8	4460466	AR	Plug, Terminal	
9	4460899	1	Connector, Female - 6 Position	

# SECTION 8 - ELECTRICAL

FIGURE 8-23. B.L.A.M. TO BOOM ANGLE SENSOR HARNESS (LEFT SIDE)



ART\_4922781



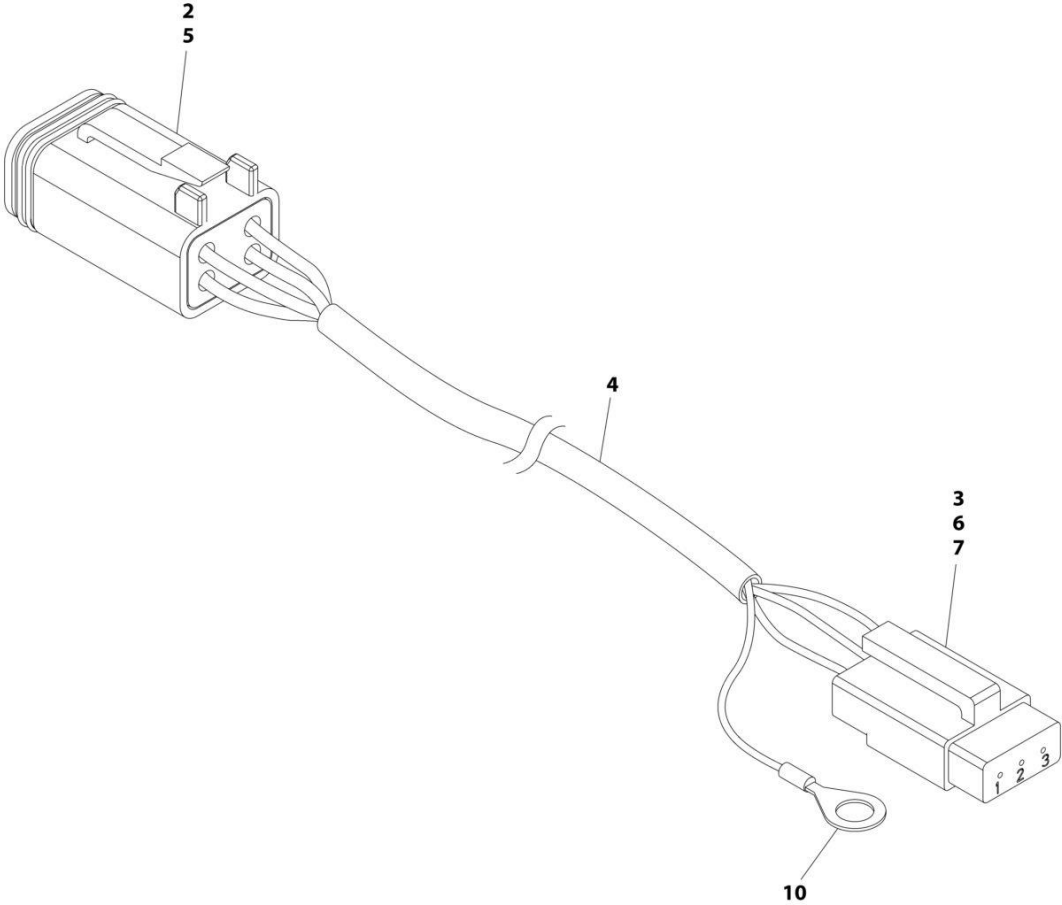
## SECTION 8 - ELECTRICAL

**FIGURE 8-23. B.L.A.M. TO BOOM ANGLE SENSOR HARNESS (LEFT SIDE)**

ITEM	PART NUMBER	QTY	DESCRIPTION	REV
	4922781	Ref	B.L.A.M. TO BOOM ANGLE SENSOR HARNESS (LEFT SIDE)	F
2	4460932	1	Connector, Female - 4 Position	
3	4460912	1	Lock, Wedge - Position	
4	1060982	16.2 ft/ 4.9m	Cable, Electrical 18/3	
5	4460943	4	Pin, Male 16 Ga	
6	4460911	1	Plug, Male - 3 Position	
7	4460918	3	Socket, Female (Gold)	
10	4460722	1	Terminal, Ring	

**SECTION 8 - ELECTRICAL**

**FIGURE 8-24. B.L.A.M. TO BOOM ANGLE SENSOR HARNESS (RIGHT SIDE)**



ART\_4922780

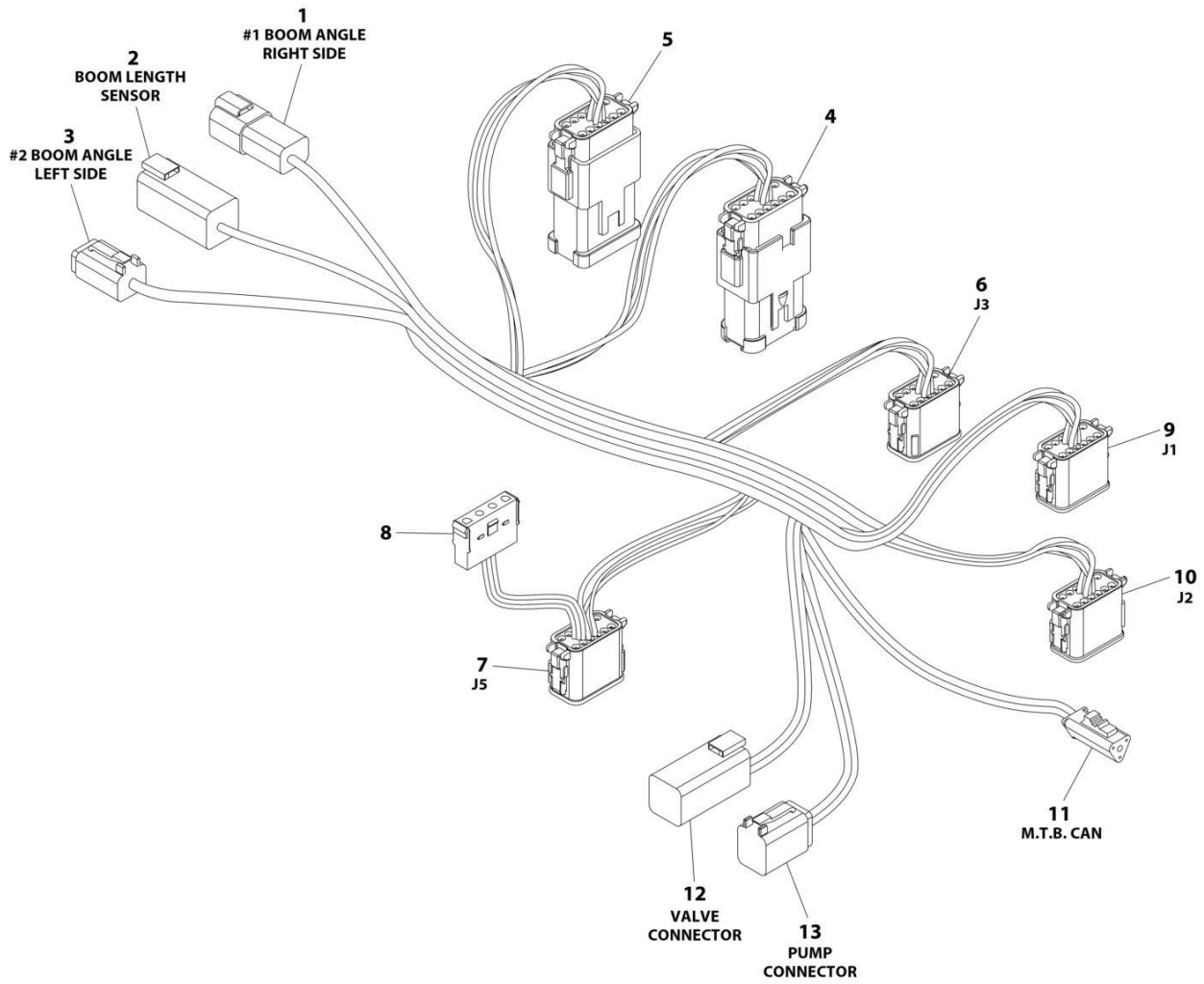
## SECTION 8 - ELECTRICAL

**FIGURE 8-24. B.L.A.M. TO BOOM ANGLE SENSOR HARNESS (RIGHT SIDE)**

ITEM	PART NUMBER	QTY	DESCRIPTION	REV
	4922780	Ref	B.L.A.M. TO BOOM ANGLE SENSOR HARNESS (RIGHT SIDE)	E
2	4460884	1	Connector, Gray - 4 Position	
3	4460912	1	Lock, Wedge - Position	
4	1060981	16.2 ft/ 4.9m	Cable, Electrical 18/3	
5	4460944	4	Socket, Female (Gold)	
6	4460911	1	Plug, Male - 3 Position	
7	4460918	3	Socket, Female (Gold)	
10	4460722	1	Terminal, Ring	

# SECTION 8 - ELECTRICAL

## FIGURE 8-25. B.L.A.M. HARNESS



ART\_1001242030\_C

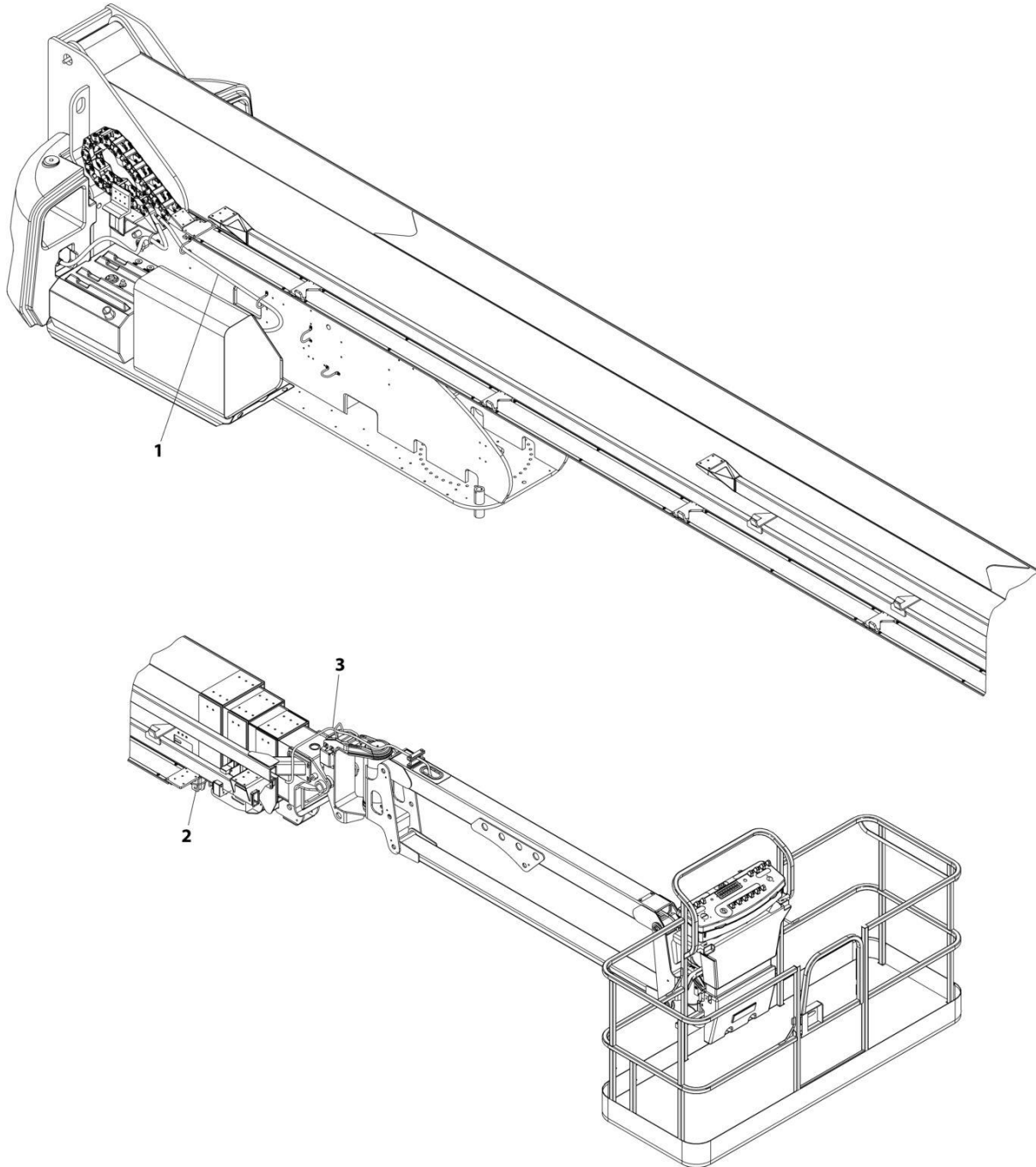
## SECTION 8 - ELECTRICAL

### FIGURE 8-25. B.L.A.M. HARNESS

ITEM	PART NUMBER	QTY	DESCRIPTION	REV
	1001242030	Ref	B.L.A.M. HARNESS	C
1	4460932	1	Connector - 4 Position (Gray)	
1	4460943	4	Pin, Male	
2	4460899	1	Connector, Female - 6 Position	
2	4460943	4	Pin, Male (Gold)	
2	4460466	2	Plug, Seal	
3	4460884	1	Connector - 4 Position (Gray)	
3	4460944	4	Socket, Female	
4	1001270340	1	Connector - 12 Position (Black)	
4	4460466	8	Plug, Seal	
4	4460465	2	Socket, Female	
4	4460942	2	Socket, Female	
4	1001271323	1	Connector - 12 Position Buss Bar	
5	1001270340	1	Plug, Male - 12 Position (Black)	
5	4460466	6	Plug, Seal	
5	4460944	5	Socket, Female	
5	4460465	1	Socket, Female	
5	4460837	1	Connector - 12 Position Buss Bar	
6	1001239344	1	Connector - 12 Position (Green)	
6	4460466	7	Plug, Seal	
6	4460944	3	Socket, Female	
6	4460465	2	Socket, Female	
7	1001239345	1	Connector - 12 Position (Brown)	
7	4460466	5	Plug, Seal	
7	4460465	7	Socket, Female	
8	4460761	1	Connector, Female - 4 Position (Natural)	
8	4460227	4	Pin, Male	
9	1001270339	1	Connector - 12 Position (Gray)	
9	4460466	7	Plug, Seal	
9	4460944	3	Socket, Female	
9	4460465	1	Socket, Female	
9	4460942	1	Socket, Female	
10	1001270340	1	Connector - 12 Position (Black)	
10	4460466	7	Plug, Seal	
10	4460944	2	Socket, Female	
10	4460465	3	Socket, Female	
11	4460966	1	Plug, Male - 3 Position (Green Lock)	
11	4460944	3	Socket, Female	
12	4460899	1	Connector, Female - 6 Position	
12	4460464	3	Socket, Female	
12	4460941	3	Pin, Male	
13	4460894	1	Connector - 6 Position (Gray)	
13	4460465	4	Socket, Female	
13	4460466	2	Plug, Seal	
14	4240033	AR	Tie-Strap (Not Shown)	

## SECTION 8 - ELECTRICAL

FIGURE 8-26. BOOM CABLES INSTALLATION (ANSI, ANSI EXPORT, CHINA, CSA AND JAPANESE SPECS) (1200SJP)



ART\_0271932

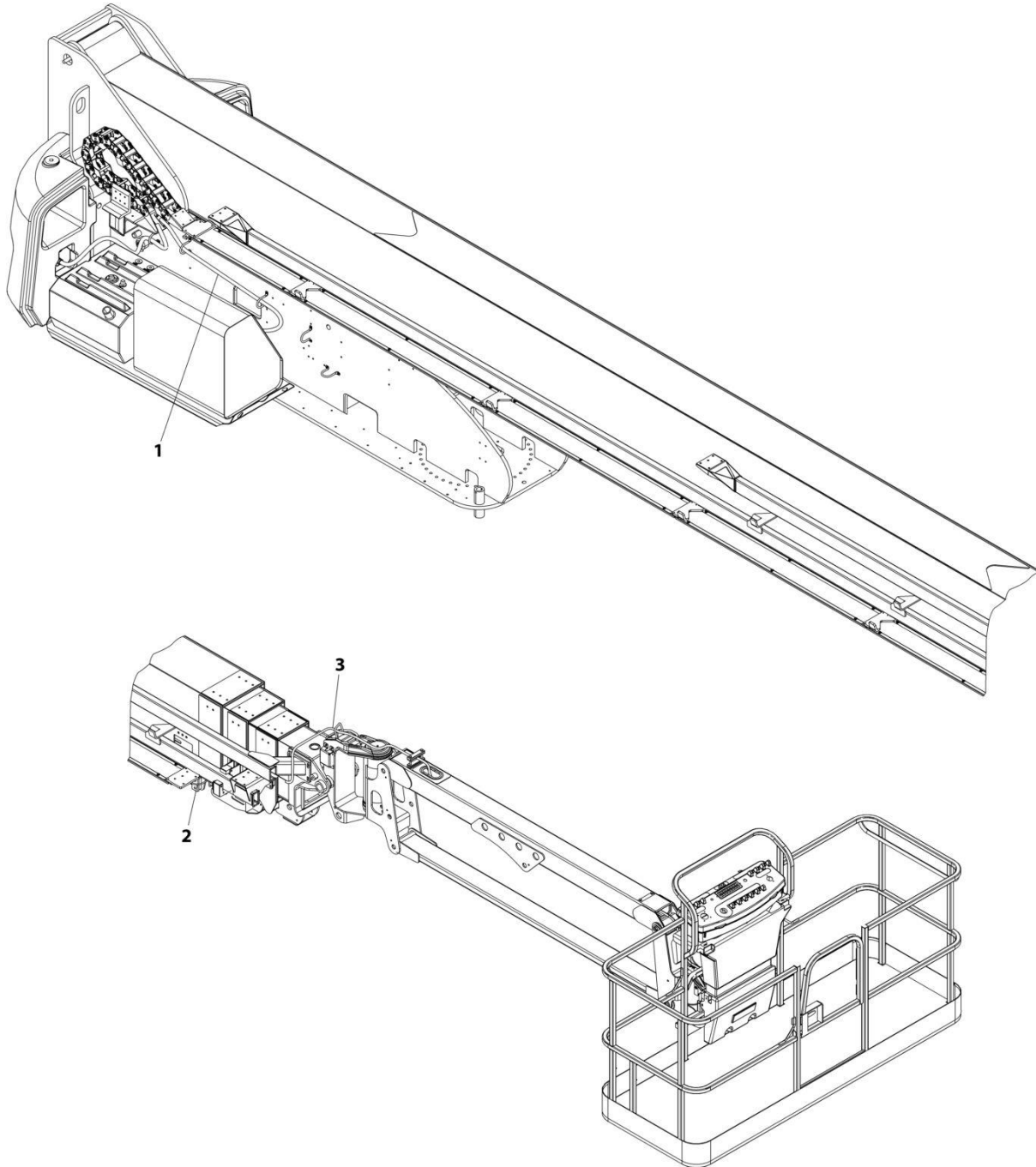
## SECTION 8 - ELECTRICAL

**FIGURE 8-26. BOOM CABLES INSTALLATION (ANSI, ANSI EXPORT, CHINA, CSA AND JAPANESE SPECS) (1200SJP)**

ITEM	PART NUMBER	QTY	DESCRIPTION	REV
	0271932	Ref	BOOM CABLES INSTALLATION	D
1	4922759	1	Harness, 10/3 AC	
2	4922763	1	Harness, 18/3 Transport Switch	
3	4922672	1	Harness, Main Boom Control (See Separate Breakdown in this Section)	

## SECTION 8 - ELECTRICAL

FIGURE 8-27. BOOM CABLES INSTALLATION (ANSI, ANSI EXPORT, CHINA, CSA AND JAPANESE SPECS) (1350SJP)



ART\_0271951



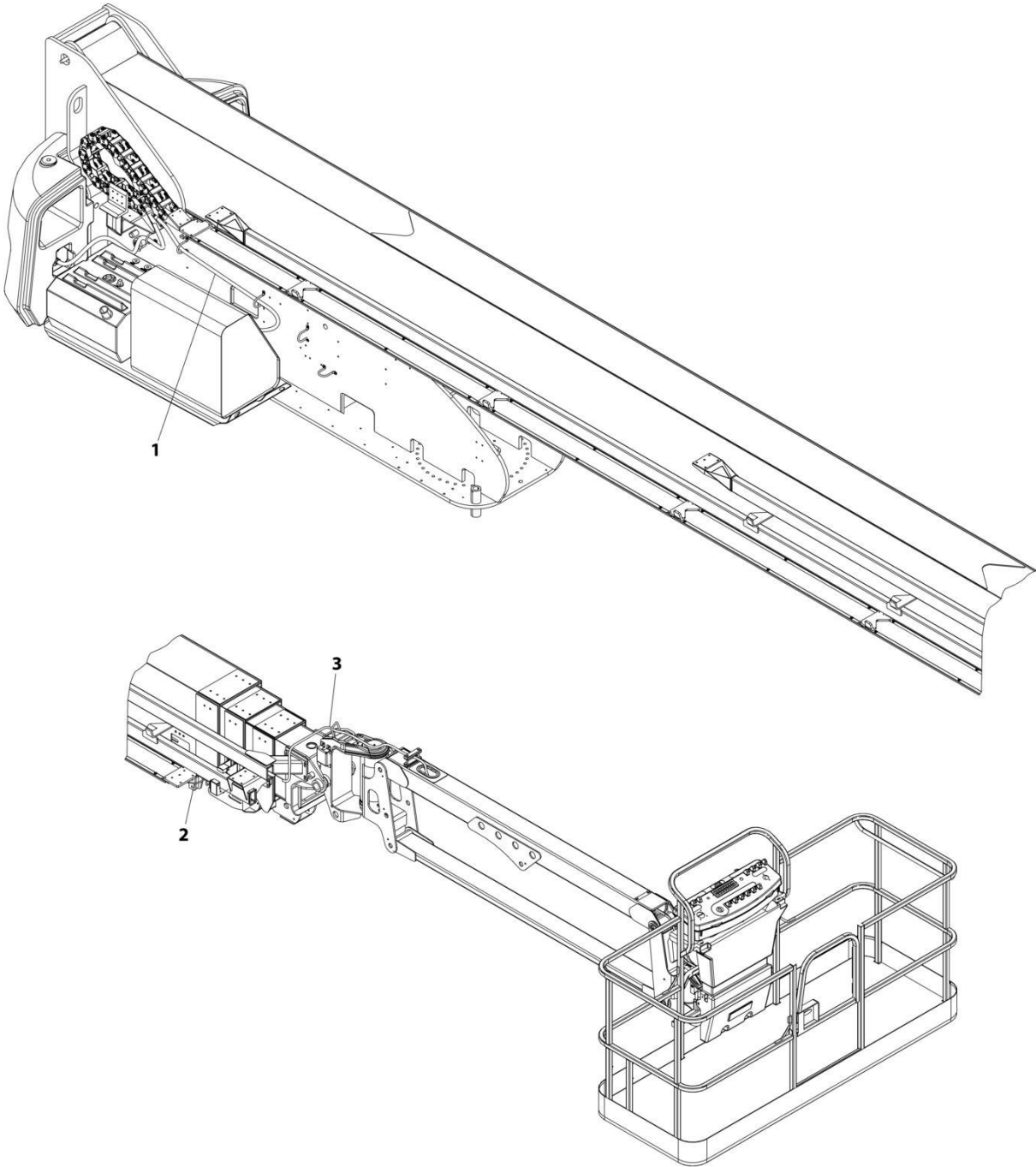
## SECTION 8 - ELECTRICAL

**FIGURE 8-27. BOOM CABLES INSTALLATION (ANSI, ANSI EXPORT, CHINA, CSA AND JAPANESE SPECS) (1350SJP)**

ITEM	PART NUMBER	QTY	DESCRIPTION	REV
	0271951	Ref	BOOM CABLES INSTALLATION	D
1	4922758	1	Harness, 10/3 AC	
2	4922762	1	Harness, 18/3 Transport Switch	
3	4922673	1	Harness, Main Boom Control (See Separate Breakdown in this Section)	

**SECTION 8 - ELECTRICAL**

**FIGURE 8-28. BOOM CABLES INSTALLATION (AUSTRALIAN, CE & UK CA SPECS) (1200SJP)**



ART\_0271950

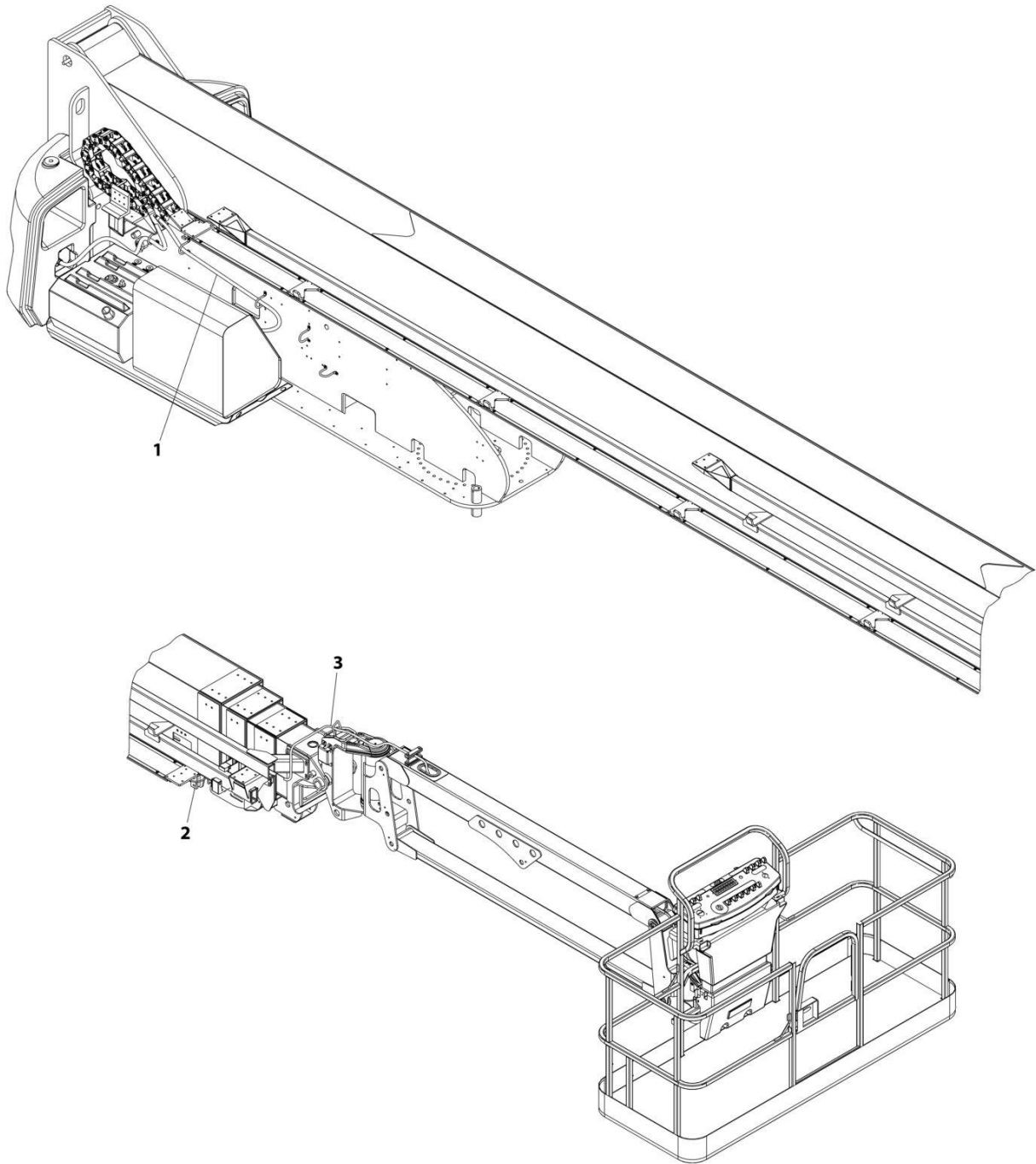
## SECTION 8 - ELECTRICAL

**FIGURE 8-28. BOOM CABLES INSTALLATION (AUSTRALIAN, CE & UK CA SPECS) (1200SJP)**

ITEM	PART NUMBER	QTY	DESCRIPTION	REV
	0271950	Ref	BOOM CABLES INSTALLATION	D
1	4922761	1	Harness, 10/3 AC	
2	4922763	1	Harness, 18/3 Transport Switch	
3	4922672	1	Harness, Main Boom Control (See Separate Breakdown in this Section)	

# SECTION 8 - ELECTRICAL

FIGURE 8-29. BOOM CABLES INSTALLATION (AUSTRALIAN, CE & UK CA SPECS) (1350SJP)



ART\_0271952

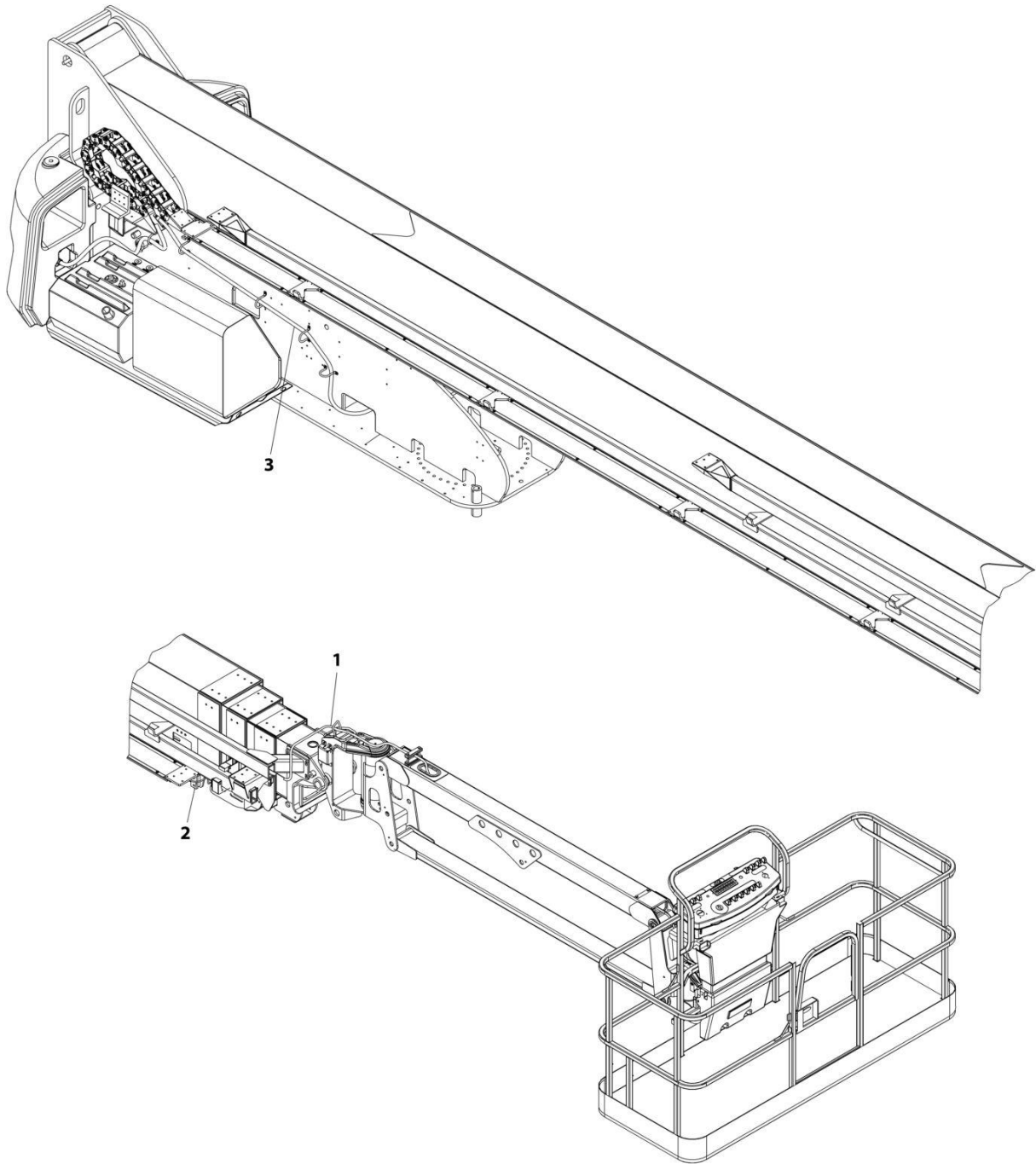
## SECTION 8 - ELECTRICAL

**FIGURE 8-29. BOOM CABLES INSTALLATION (AUSTRALIAN, CE & UK CA SPECS) (1350SJP)**

ITEM	PART NUMBER	QTY	DESCRIPTION	REV
	0271952	Ref	BOOM CABLES INSTALLATION	D
1	4922760	1	Harness, 10/3 AC	
2	4922762	1	Harness, 18/3 Transport Switch	
3	4922673	1	Harness, Main Boom Control (See Separate Breakdown in this Section)	

# SECTION 8 - ELECTRICAL

FIGURE 8-30. BOOM CABLES INSTALLATION - WITH 4000W GENERATOR (1200SJP)



ART\_1001161048

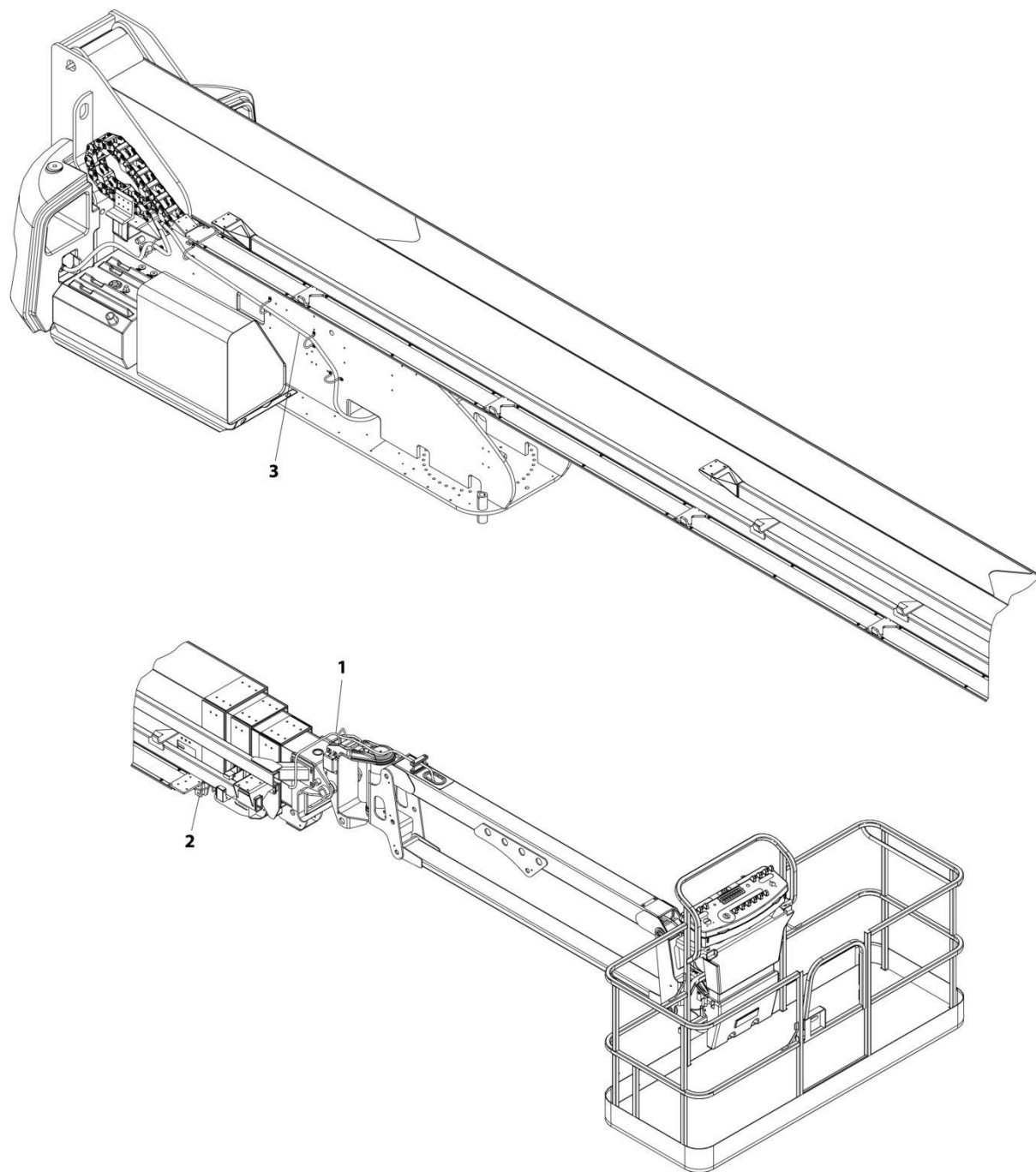
## SECTION 8 - ELECTRICAL

**FIGURE 8-30. BOOM CABLES INSTALLATION - WITH 4000W GENERATOR (1200SJP)**

ITEM	PART NUMBER	QTY	DESCRIPTION	REV
	1001161048	Ref	BOOM CABLES INSTALLATION - 1200SJP WITH 4000W GENERATOR	A
1	4922673	1	Harness, Main Boom Control (See Separate Breakdown in this Section)	
2	4922762	1	Harness, 18/3 Transport Switch	
3	1001161041	1	Harness, 8/4 Generator	
3	1001131969	152 ft /46.3m	Cable, Electrical 8/4	

## SECTION 8 - ELECTRICAL

FIGURE 8-31. BOOM CABLES INSTALLATION - WITH 4000W GENERATOR (1350SJP)



ART\_1001161050



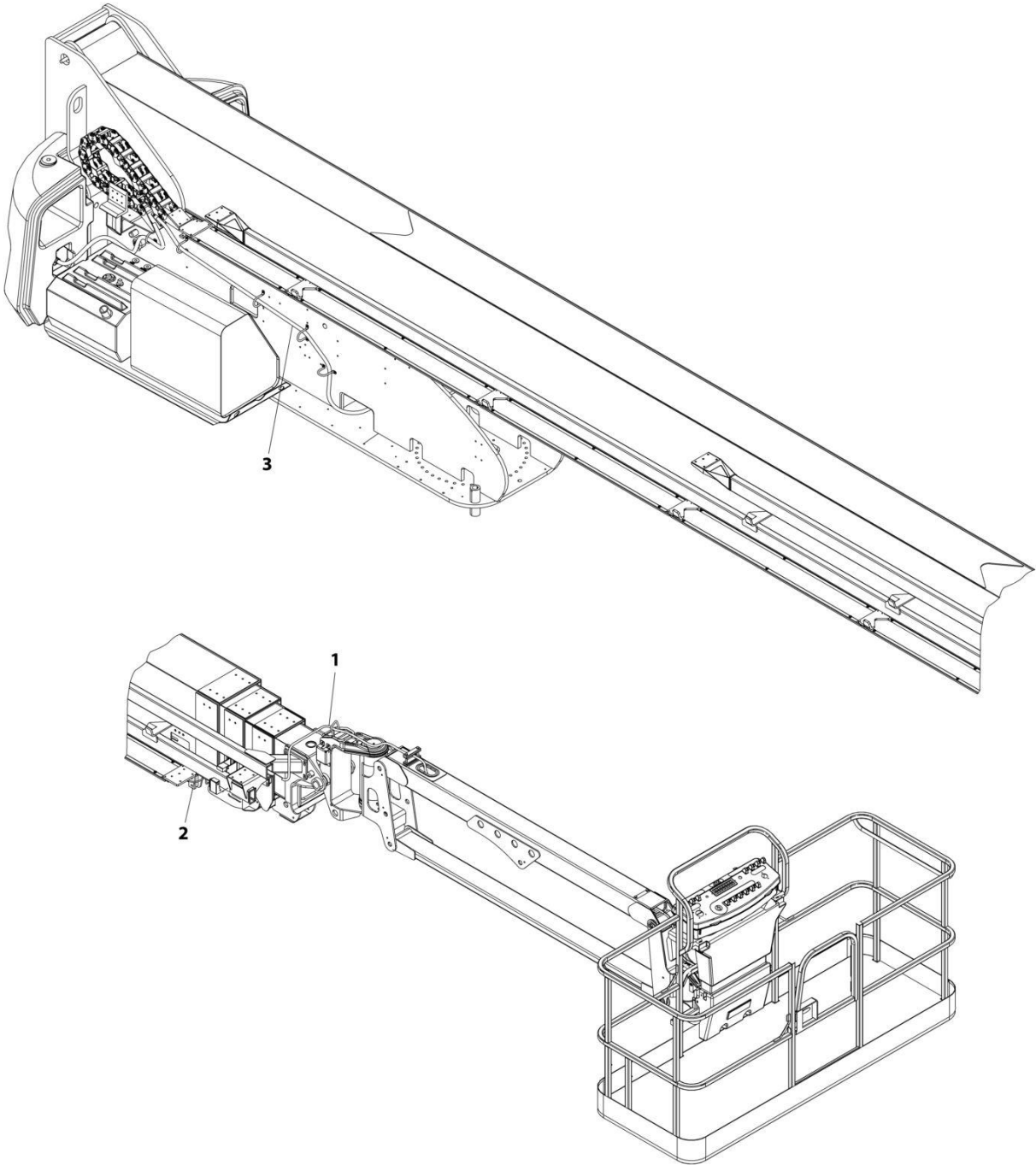
## SECTION 8 - ELECTRICAL

**FIGURE 8-31. BOOM CABLES INSTALLATION - WITH 4000W GENERATOR (1350SJP)**

ITEM	PART NUMBER	QTY	DESCRIPTION	REV
	1001161050	Ref	BOOM CABLES INSTALLATION - 1350SJP WITH 4000W GENERATOR	A
1	4922673	1	Harness, Main Boom Control (See Separate Breakdown in this Section)	
2	4922762	1	Harness, 18/3 Transport Switch	
3	1001161044	1	Harness, Generator	
3	1001131969	168 ft /51.2m	Cable, Electrical 8/4	

**SECTION 8 - ELECTRICAL**

**FIGURE 8-32. BOOM CABLES INSTALLATION - WITH 7500W GENERATOR (1200SJP)**



ART\_0273854

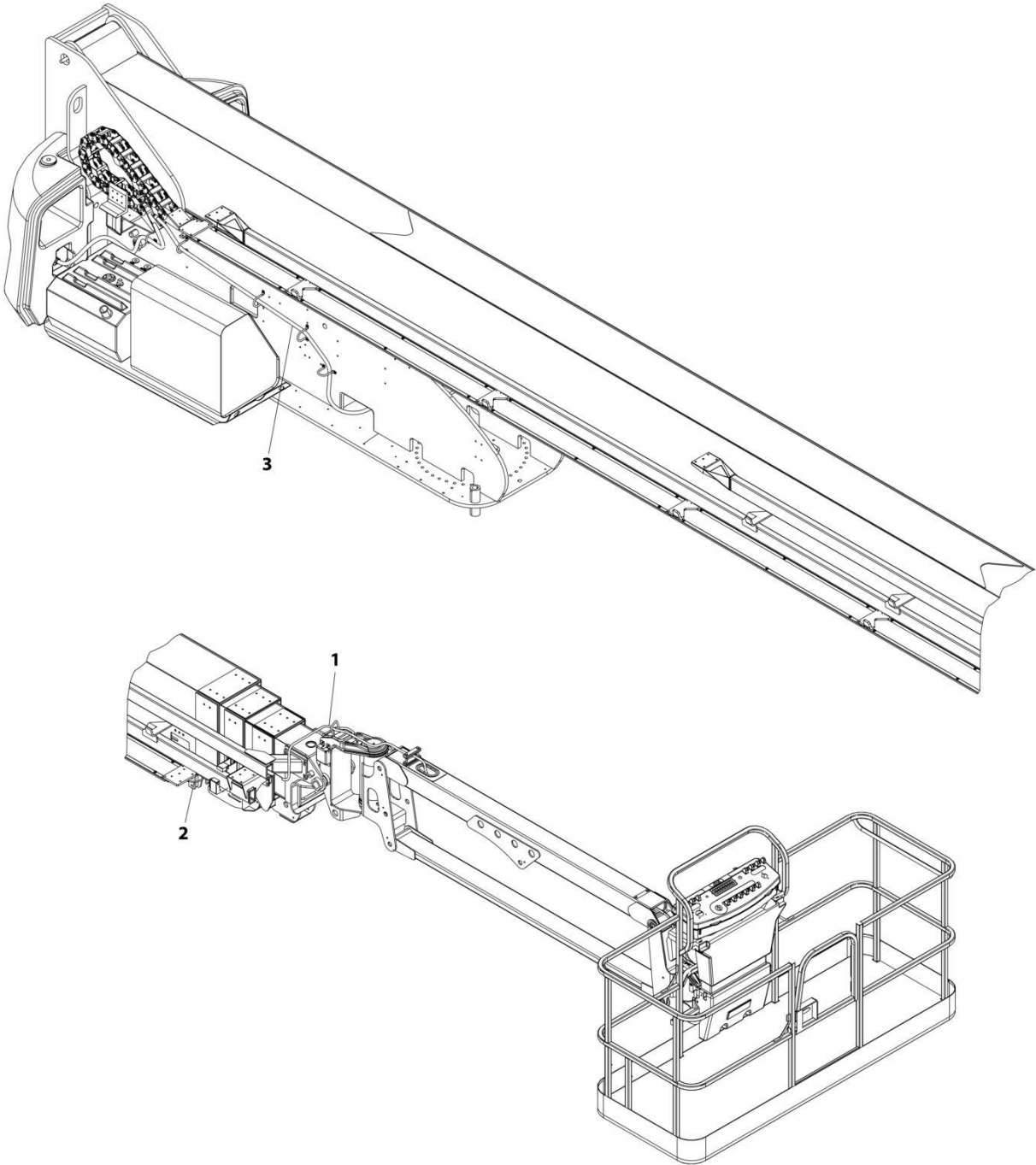
## SECTION 8 - ELECTRICAL

**FIGURE 8-32. BOOM CABLES INSTALLATION - WITH 7500W GENERATOR (1200SJP)**

ITEM	PART NUMBER	QTY	DESCRIPTION	REV
	0273854	Ref	BOOM CABLES INSTALLATION - 1200SJP WITH 7500W GENERATOR	A
1	4922672	1	Harness, Main Boom Control (See Separate Breakdown in this Section)	
2	4922763	1	Harness, 18/3 Transport Switch	
3	4922796	1	Harness, Generator	

**SECTION 8 - ELECTRICAL**

**FIGURE 8-33. BOOM CABLES INSTALLATION - WITH 7500W GENERATOR (1350SJP)**



ART\_0273855

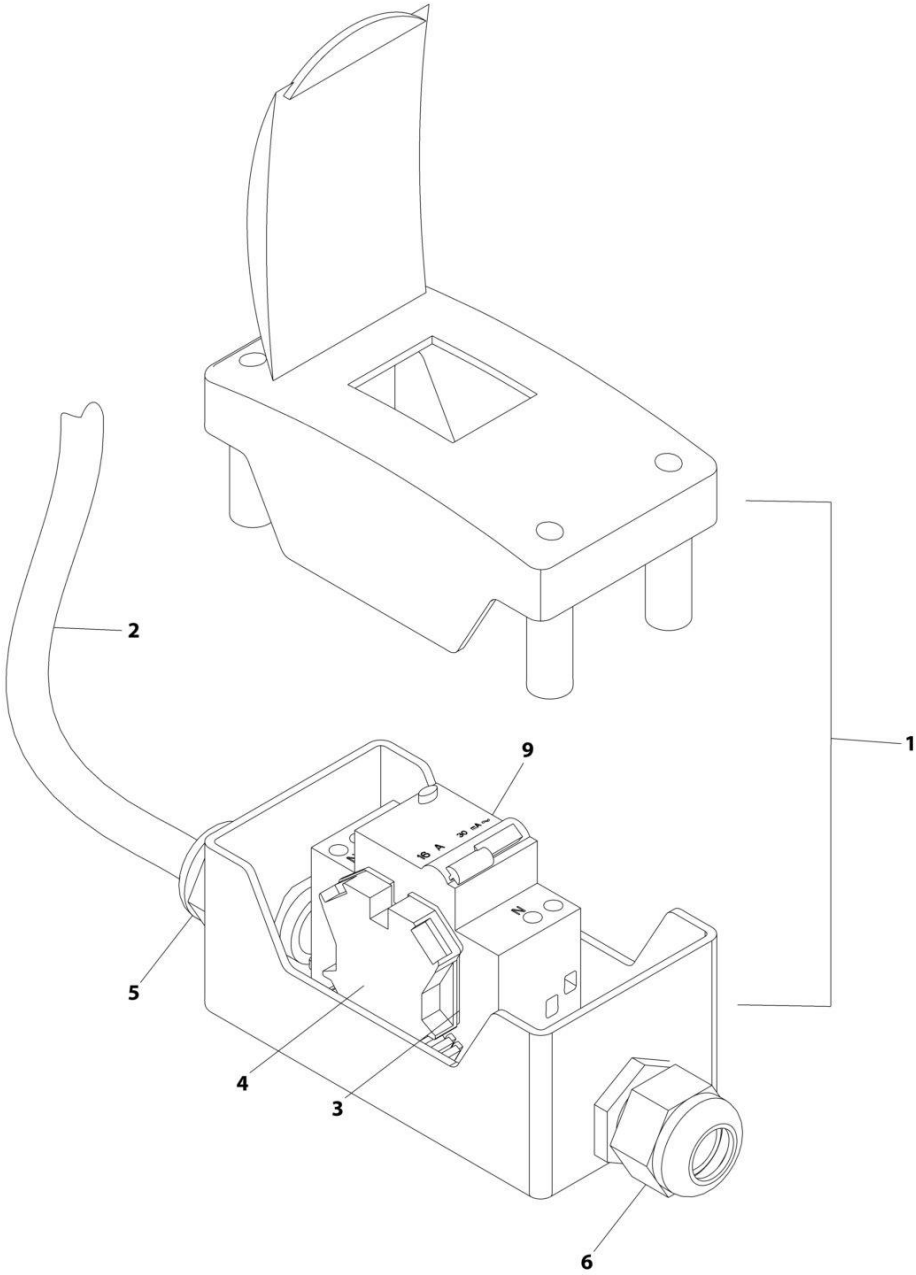
## SECTION 8 - ELECTRICAL

**FIGURE 8-33. BOOM CABLES INSTALLATION - WITH 7500W GENERATOR (1350SJP)**

ITEM	PART NUMBER	QTY	DESCRIPTION	REV
	0273855	Ref	BOOM CABLES INSTALLATION - 1350SJP WITH 7500W GENERATOR	A
1	4922673	1	Harness, Main Boom Control (See Separate Breakdown in this Section)	
2	4922762	1	Harness, 18/3 Transport Switch	
3	4922795	1	Harness, Generator	

**SECTION 8 - ELECTRICAL**

**FIGURE 8-34. BREAKER BOX KIT - 16 AMP (2500W GENERATOR)**



ART\_1001109654

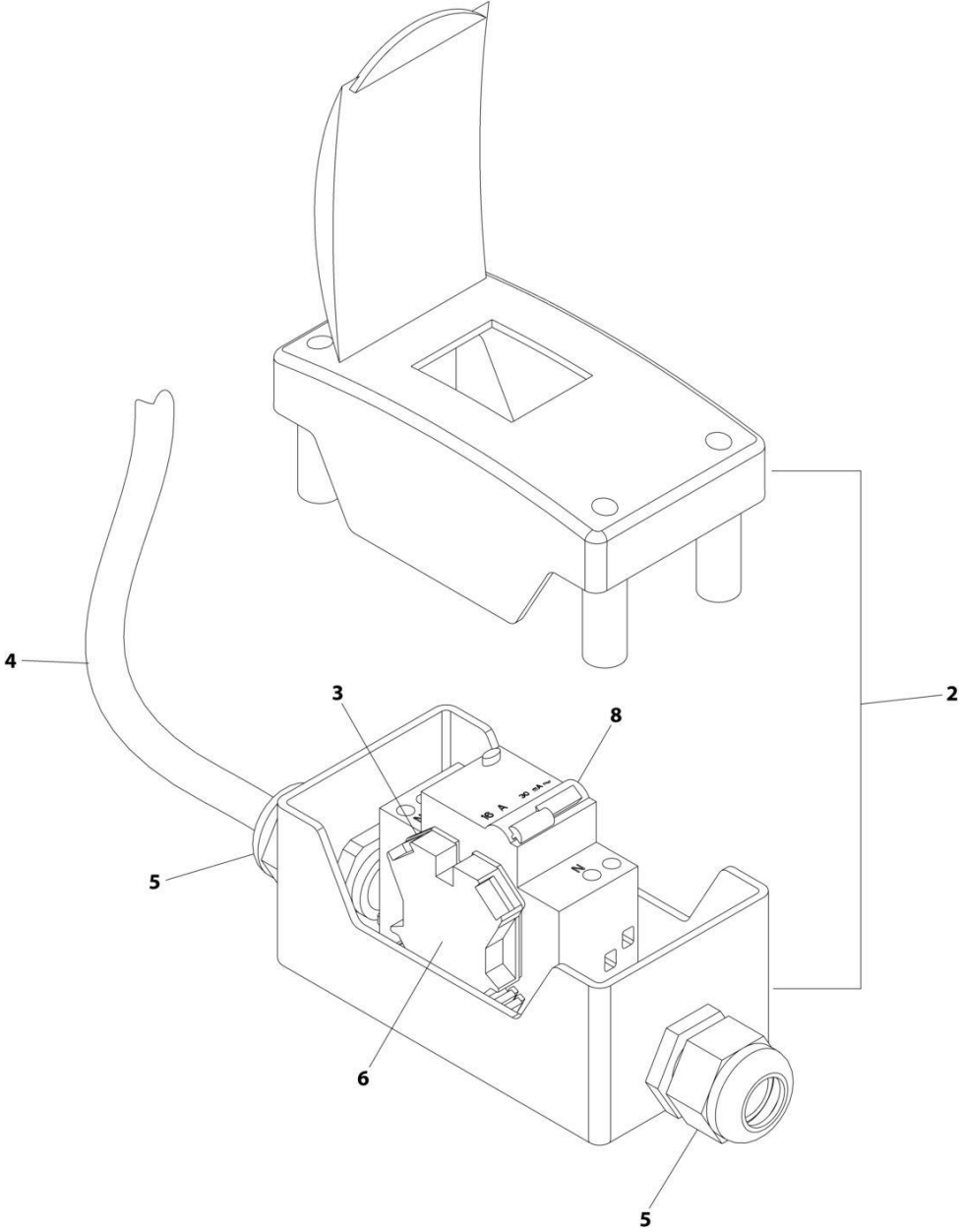
## SECTION 8 - ELECTRICAL

**FIGURE 8-34. BREAKER BOX KIT - 16 AMP (2500W GENERATOR)**

ITEM	PART NUMBER	QTY	DESCRIPTION	REV
	1001109654	Ref	BREAKER BOX KIT	C
1	0861880	1	Box, Breaker	
2	1060908	12 ft/ 3.6m	Cable 12/3	
3	4460956	1	Barrier, Terminal Block End	
4	4460957	1	Block, Terminal	
5	1001097150	1	Connector, Strain Relief	
6	1001101191	1	Connector, Strain Relief	
9	1001181045	1	Breaker - 30mA/16Amp	
10	1001100231	3	Terminal (Not Shown)	

**SECTION 8 - ELECTRICAL**

**FIGURE 8-35. BREAKER BOX KIT - 16 AMP (4000W GENERATOR)**



ART\_1001165368\_B



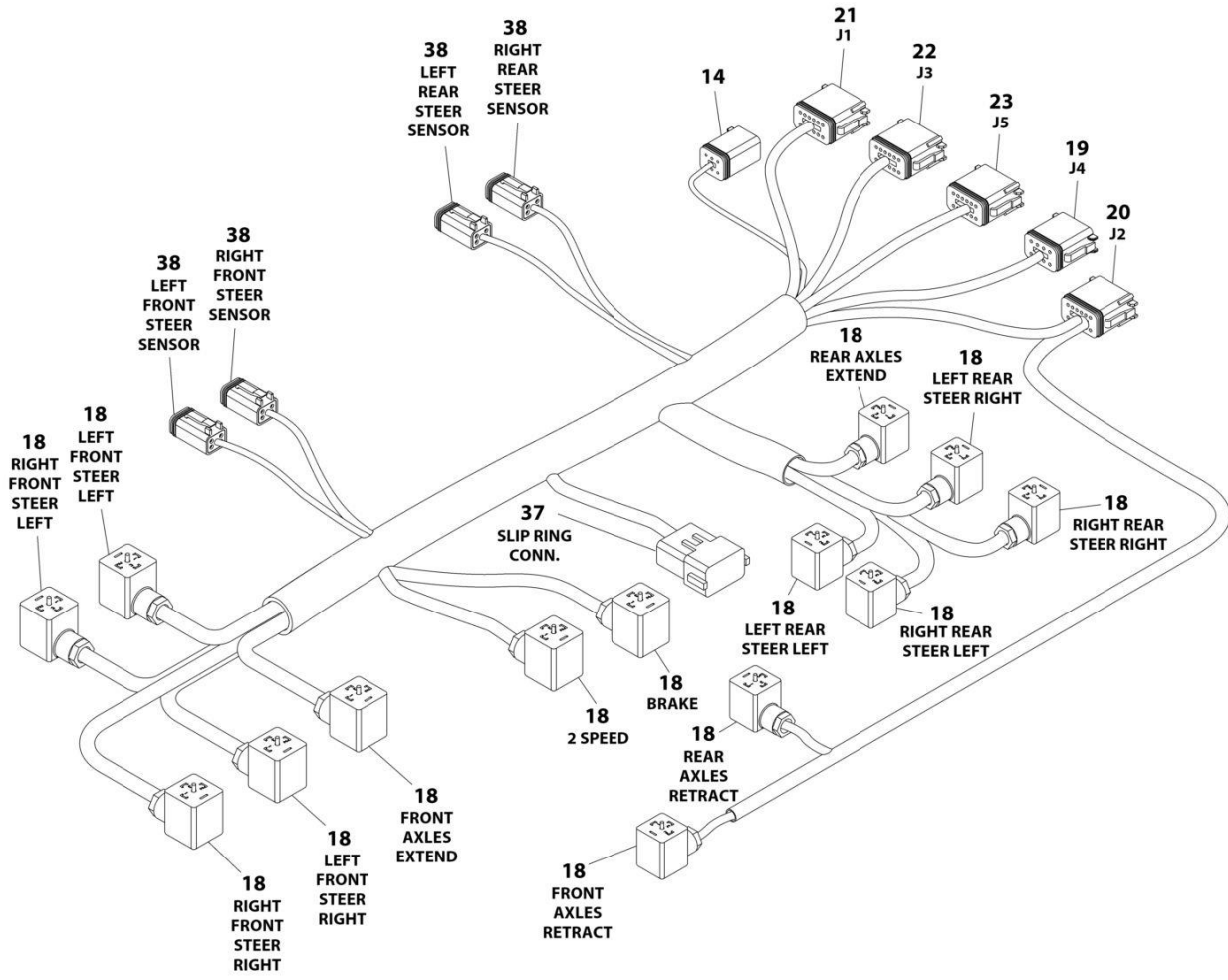
## SECTION 8 - ELECTRICAL

**FIGURE 8-35. BREAKER BOX KIT - 16 AMP (4000W GENERATOR)**

ITEM	PART NUMBER	QTY	DESCRIPTION	REV
	1001165368	Ref	BREAKER BOX KIT	B
2	0861880	1	Box, Circuit Breaker	
3	4460956	1	Barrier, Terminal Block End	
4	1060545	12 ft/ 3.6m	Cable, Electrical 10/3	
5	1001101191	2	Connector, Strain Relief	
6	4460957	1	Block, Terminal	
8	1001181045	1	Breaker 30mA/16Amp	

# SECTION 8 - ELECTRICAL

## FIGURE 8-36. CHASSIS HARNESS ASSEMBLY



ART\_4922696

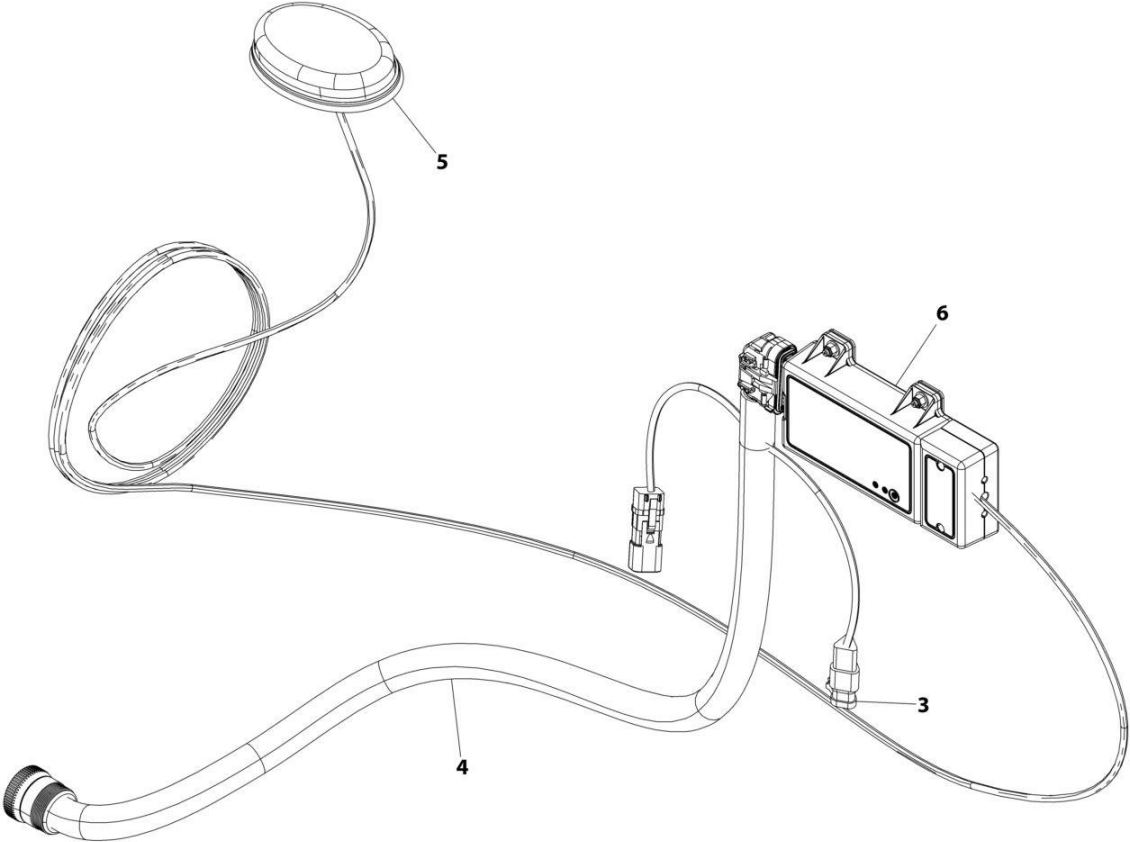
## SECTION 8 - ELECTRICAL

**FIGURE 8-36. CHASSIS HARNESS ASSEMBLY**

ITEM	PART NUMBER	QTY	DESCRIPTION	REV
	4922696	Ref	CHASSIS HARNESS ASSEMBLY	D
14	4460894	1	Connector - 6 Position	
14	4460465	6	Socket, Female	
14	4460892	1	Connector - 6 Position Buss Bar	
17	4460894	1	Connector - 6 Position (Not Shown)	
17	4460465	6	Socket, Female	
17	4460892	1	Connector - 6 Position Buss Bar	
18	4460880	14	DIN Connector	
19	4460930	1	Connector - 8 Position (Gray)	
19	4460465	1	Socket, Female	
19	4460466	7	Plug, Terminal	
20	4460836	1	Connector - 12 Position (Black)	
20	4460465	6	Socket, Female	
20	4460466	6	Plug, Terminal	
21	4460933	1	Connector - 12 Position (Gray)	
21	4460465	8	Socket, Female	
21	4460466	4	Plug, Terminal	
22	4460934	1	Connector - 12 Position (Green)	
22	4460944	12	Socket, Female	
23	4460935	1	Connector - 12 Position (Brown)	
23	4460465	8	Socket, Female	
25	4240032	10	Tie-Strap (Not Shown)	
26	4240033	15	Tie-Strap (Not Shown)	
37	4460950	1	Connector - 12 Position	
37	4460464	6	Pin, Male	
37	4460943	3	Pin, Male	
37	4460941	2	Pin, Male	
38	4460884	4	Connector - 4 Position (Gray)	
38	4460944	16	Socket, Female	

**SECTION 8 - ELECTRICAL**

**FIGURE 8-37. CLEARSKY INSTALLATION - 3G CANBUS CONNECTION (ANSI EXPORT, CE, AND UK CA SPECS)**



ART\_1001228951

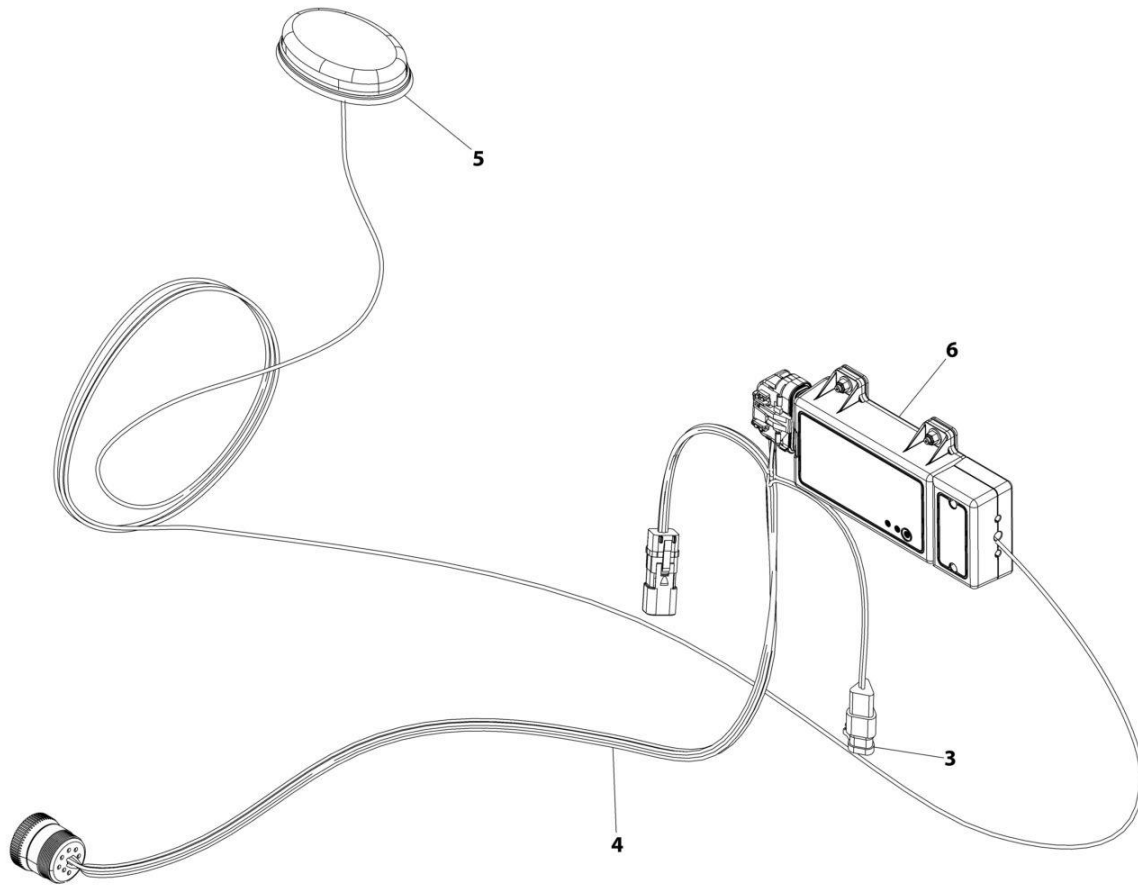
## SECTION 8 - ELECTRICAL

**FIGURE 8-37. CLEARSKY INSTALLATION - 3G CANBUS CONNECTION (ANSI EXPORT, CE, AND UK CA SPECS)**

ITEM	PART NUMBER	QTY	DESCRIPTION	REV
	1001228951	Ref	CLEARSKY INSTALLATION CANBUS CONNECTION	A
1	4240032	AR	Tie-Strap (Not Shown)	
2	4460234	AR	Strap, Cable -Tie (Not Shown)	
3	1001129408	1	Connector	
4	1001226739	1	ClearSky Harness (See Separate Breakdown in this Section)	
5	1001226799	1	Antenna	
6	1001228954	1	Telematics Control Module (Note: Re-calibration Required when Replaced)	

## SECTION 8 - ELECTRICAL

FIGURE 8-38. CLEARSKY INSTALLATION - 3G CANBUS CONNECTION (AUSTRALIAN SPECS)



ART\_1001246136

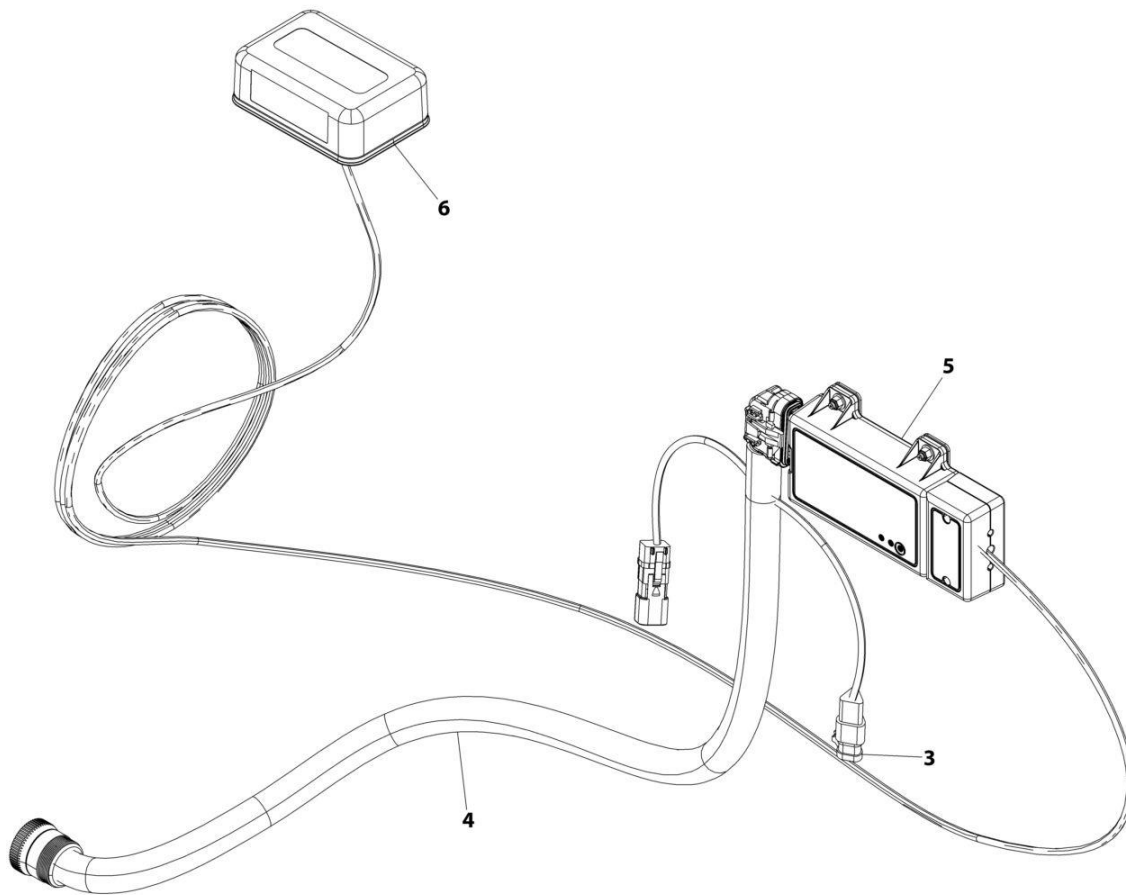
## SECTION 8 - ELECTRICAL

**FIGURE 8-38. CLEARSKY INSTALLATION - 3G CANBUS CONNECTION (AUSTRALIAN SPECS)**

ITEM	PART NUMBER	QTY	DESCRIPTION	REV
	1001246136	Ref	CLEARSKY INSTALLATION CANBUS CONNECTION	A
1	4240032	AR	Tie-Strap (Not Shown)	
2	4460234	AR	Strap, Cable -Tie (Not Shown)	
3	1001129408	1	Connector	
4	1001226739	1	ClearSky Harness (See Separate Breakdown in this Section)	
5	1001226799	1	Antenna	
6	1001246144	1	Telematics Control Module (Note: Re-calibration Required when Replaced)	

## SECTION 8 - ELECTRICAL

FIGURE 8-39. CLEARSKY INSTALLATION - 4G CANBUS CONNECTION (ALL SPECS EXCEPT CHINA SPECS)



ART\_1001227449



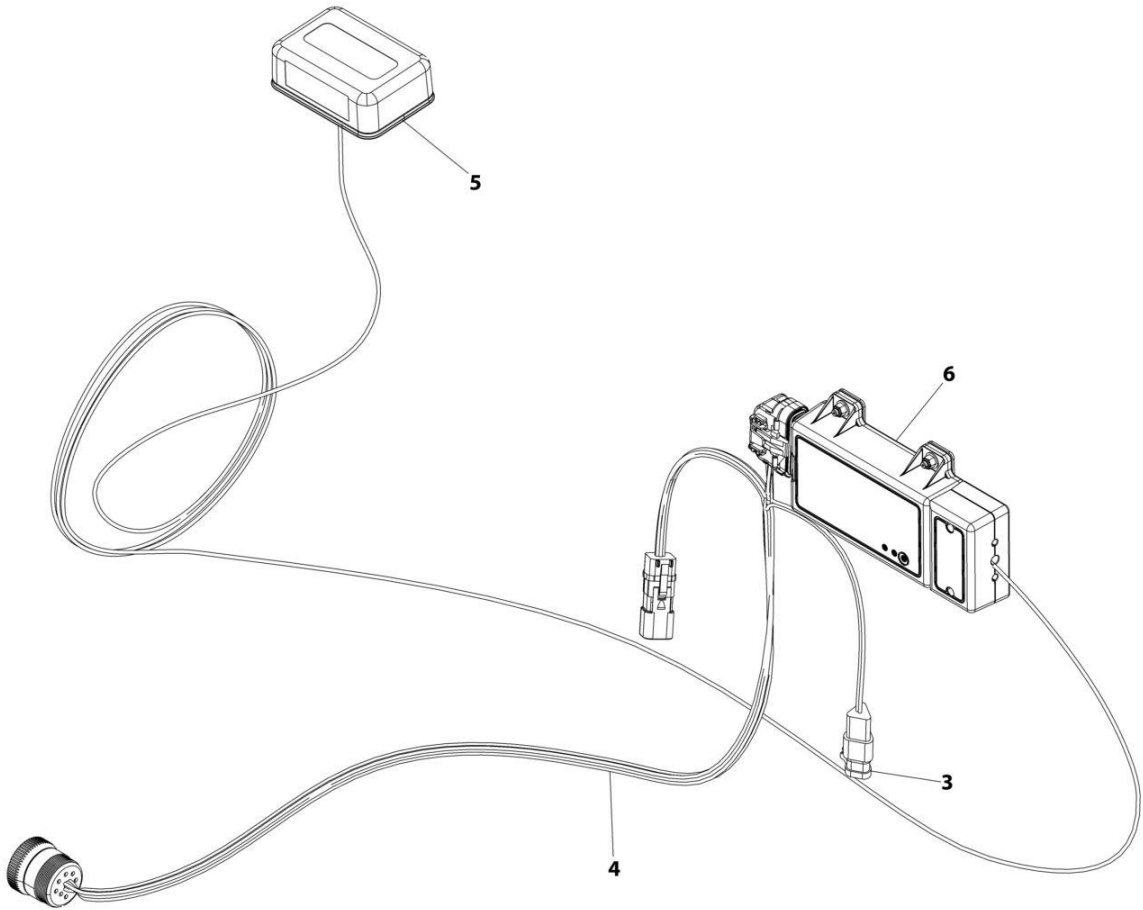
## SECTION 8 - ELECTRICAL

**FIGURE 8-39. CLEARSKY INSTALLATION - 4G CANBUS CONNECTION (ALL SPECS EXCEPT CHINA SPECS)**

ITEM	PART NUMBER	QTY	DESCRIPTION	REV
	1001227449	REF	CLEARSKY INSTALLATION CANBUS CONNECTION	B
1	4240032	AR	Tie-Strap (Not Shown)	
2	4460234	AR	Strap, Cable -Tie (Not Shown)	
3	1001129408	1	Connector	
4	1001226739	1	ClearSky Harness (See Separate Breakdown in this Section)	
5	1001262322	1	Telematics Control Module (Note: Re-calibration Required when Replaced)	
6	1001262327	1	Antenna	

**SECTION 8 - ELECTRICAL**

**FIGURE 8-40. CLEARSKY INSTALLATION - 4G CANBUS CONNECTION (CHINA SPECS)**



ART\_1001246137

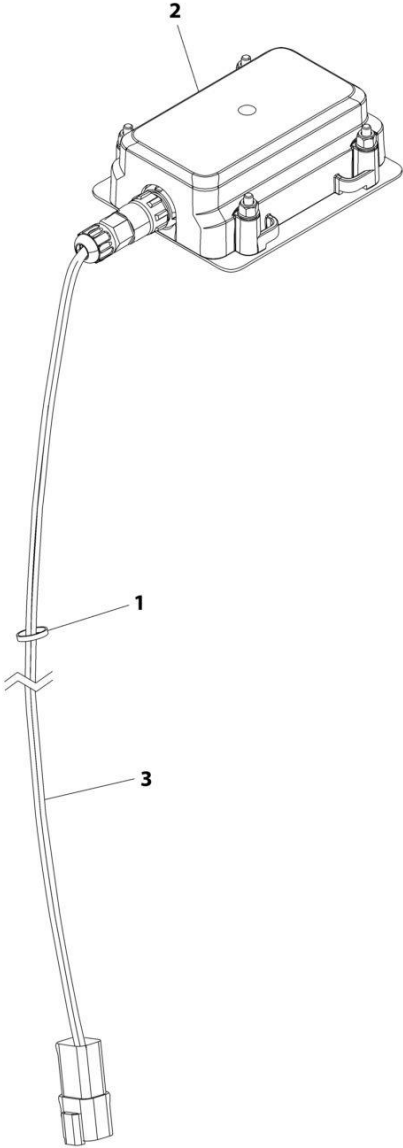
## SECTION 8 - ELECTRICAL

**FIGURE 8-40. CLEARSKY INSTALLATION - 4G CANBUS CONNECTION (CHINA SPECS)**

ITEM	PART NUMBER	QTY	DESCRIPTION	REV
	1001246137	Ref	CLEARSKY INSTALLATION CANBUS CONNECTION	A
1	4240032	AR	Tie-Strap (Not Shown)	
2	4460234	AR	Strap, Cable -Tie (Not Shown)	
3	1001129408	1	Connector	
4	1001226739	1	ClearSky Harness (See Separate Breakdown in this Section)	
5	1001226799	1	Antenna	
6	1001246145	1	Telematics Control Module (Note: Re-calibration Required when Replaced)	

**SECTION 8 - ELECTRICAL**

**FIGURE 8-41. CLEARSKY INSTALLATION - 3 WIRE GT1030 (ALL SPECS EXCEPT CHINA SPECS)**



ART\_1001276610

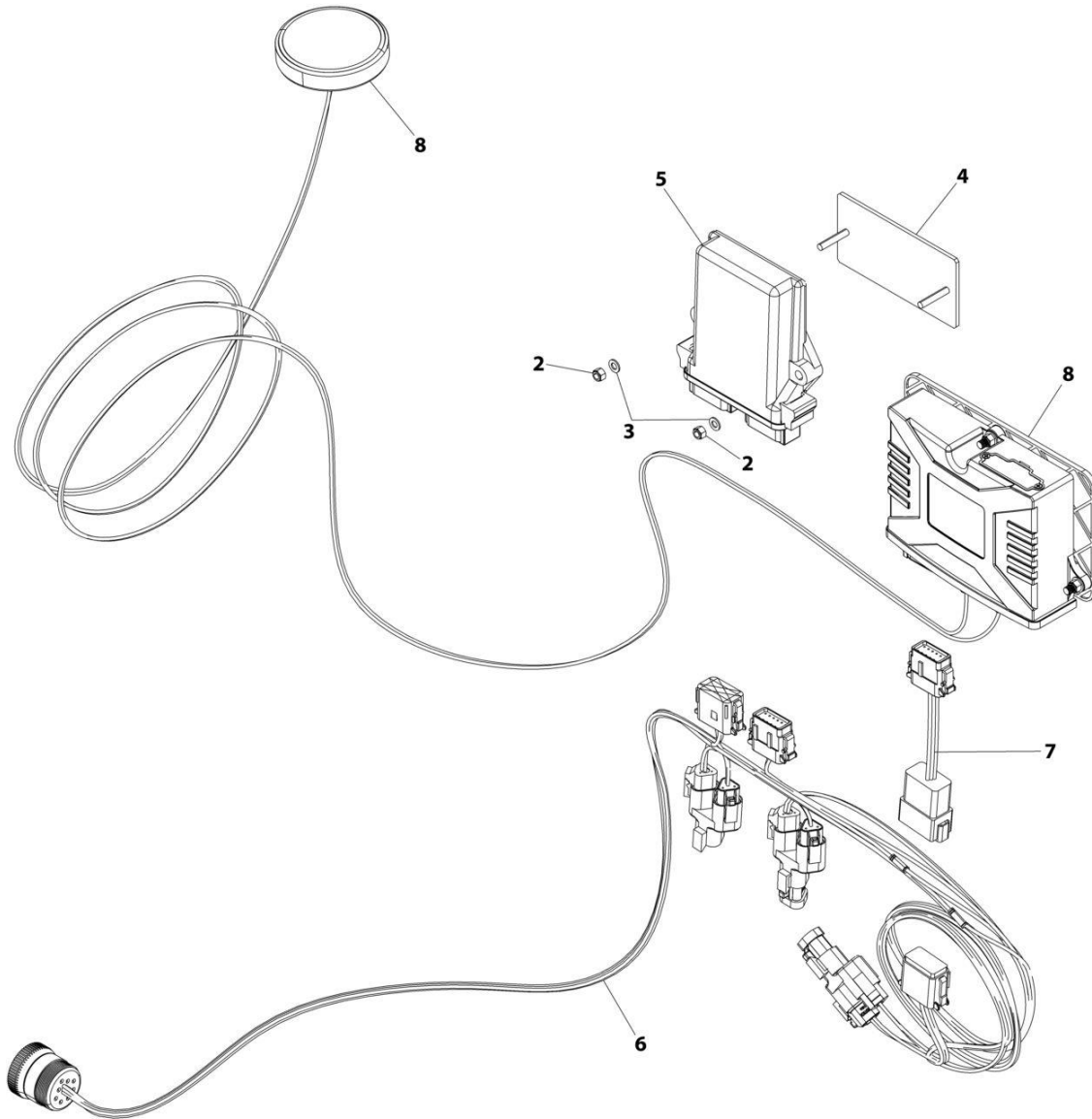
## SECTION 8 - ELECTRICAL

**FIGURE 8-41. CLEARSKY INSTALLATION - 3 WIRE GT1030 (ALL SPECS EXCEPT CHINA SPECS)**

ITEM	PART NUMBER	QTY	DESCRIPTION	REV
1	1001276610 4240032	Ref AR	CLEARSKY INSTALLATION 3-WIRE CONNECTION Tie-Strap	A
2	1001272659	1	Telematics Control Module Assembly (Note: Re-calibration Required when Replaced)	
3	1001273012	1	ClearSky Harness (See Separate Breakdown in this Section)	

# SECTION 8 - ELECTRICAL

FIGURE 8-42. CLEARSKY INSTALLATION - WITH DEUTZ TD2.9L4 (CHINA IV) ENGINES (CHINA SPECS)



ART\_1001289702

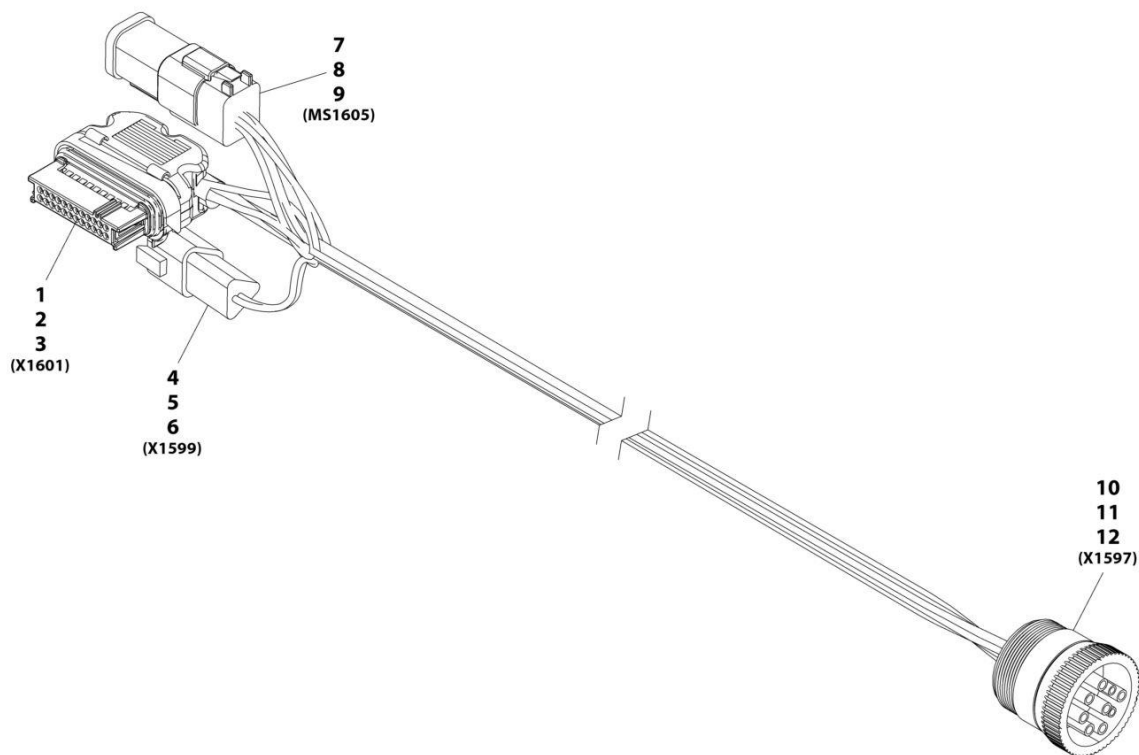
## SECTION 8 - ELECTRICAL

**FIGURE 8-42. CLEARSKY INSTALLATION - WITH DEUTZ TD2.9L4 (CHINA IV) ENGINES (CHINA SPECS)**

ITEM	PART NUMBER	QTY	DESCRIPTION	REV
	1001289702	Ref	CLEARSKY INSTALLATION	C
1	1062255	AR	Tie-Strap (Not Shown)	
2	3290505	2	Nut, Lock M5	
3	4811600	2	Washer M5	
4	1001219082	1	Bracket	
5	1001229458	1	Gateway Controller	
6	1001226831	1	ClearSky Harness (See Separate Breakdown in this Section)	
7	1001282406	1	Telematics Jumper Harness (See Separate Breakdown in this Section)	
8	1001289138	1	Telematics Control Module Assembly (Note: Re-calibration Required when Replaced) (See Separate Breakdown in this Section)	
9	1001244462	1	Connector, Cap	

# SECTION 8 - ELECTRICAL

## FIGURE 8-43. CLEARSKY HARNESS - 3G & 4G CANBUS CONNECTIONS



ART\_1001226739-A



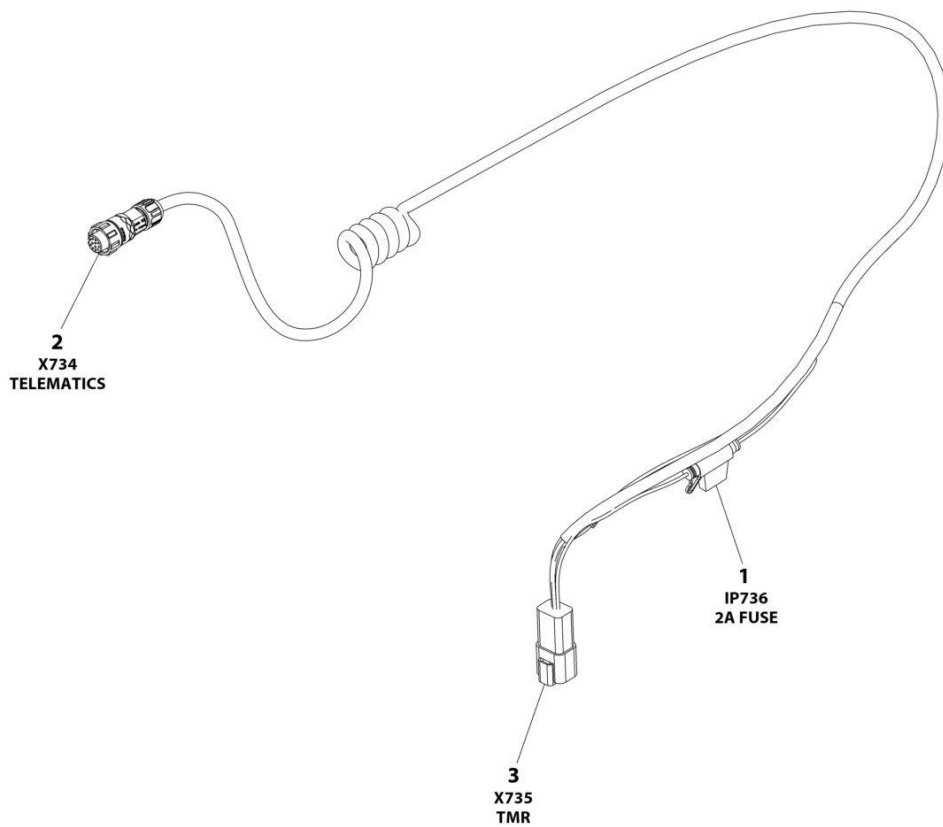
## SECTION 8 - ELECTRICAL

**FIGURE 8-43. CLEARSKY HARNESS - 3G & 4G CANBUS CONNECTIONS**

ITEM	PART NUMBER	QTY	DESCRIPTION	REV
	1001226739	Ref	Clearsky Harness	A
1	1001226636	1	Connector	
2	1001116731	16	Plug, Terminal	
3	1001226637	8	Terminal	
4	1001144147	1	Connector	
5	4460464	2	Terminal	
6	4460466	1	Plug, Terminal	
7	4460894	1	Connector	
8	4460465	6	Terminal	
9	1001226541	1	Connector- 6 Pin Bussbar	
10	1001112796	1	Connector	
11	4460465	8	Terminal	
12	4460466	1	Plug, Terminal	

# SECTION 8 - ELECTRICAL

## FIGURE 8-44. CLEARSKY HARNESS - 3 WIRE GT1030



ART\_1001273012

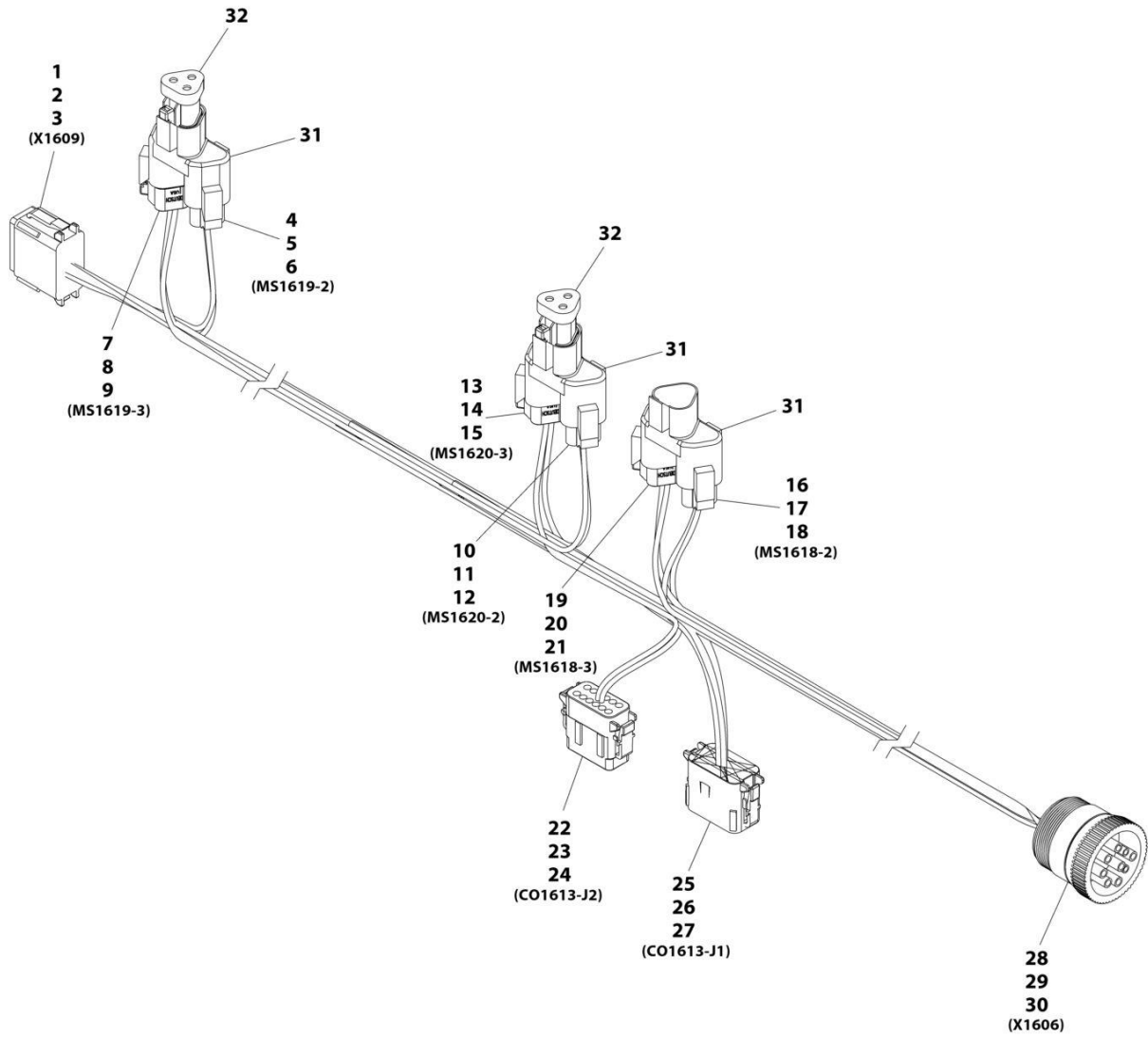
## SECTION 8 - ELECTRICAL

### FIGURE 8-44. CLEARSKY HARNESS - 3 WIRE GT1030

ITEM	PART NUMBER	QTY	DESCRIPTION	REV
	1001273012	Ref	CLEARSKY TELEMATICS HARNESS - GT1030	D
1	1001255901	1	Fuseholder	
1	1001196634	1	Fuse - 2Amp	
2	1001272997	1	Connector - 12 Position	
2		Ref	Terminal	
3	4460932	1	Receptacle, Female - 4 Position	
3	4460464	4	Pin, Male	

# SECTION 8 - ELECTRICAL

## FIGURE 8-45. CLEARSKY HARNESS - WITH DEUTZ TD2.9L4 (CHINA IV) ENGINES



ART\_1001226831-A

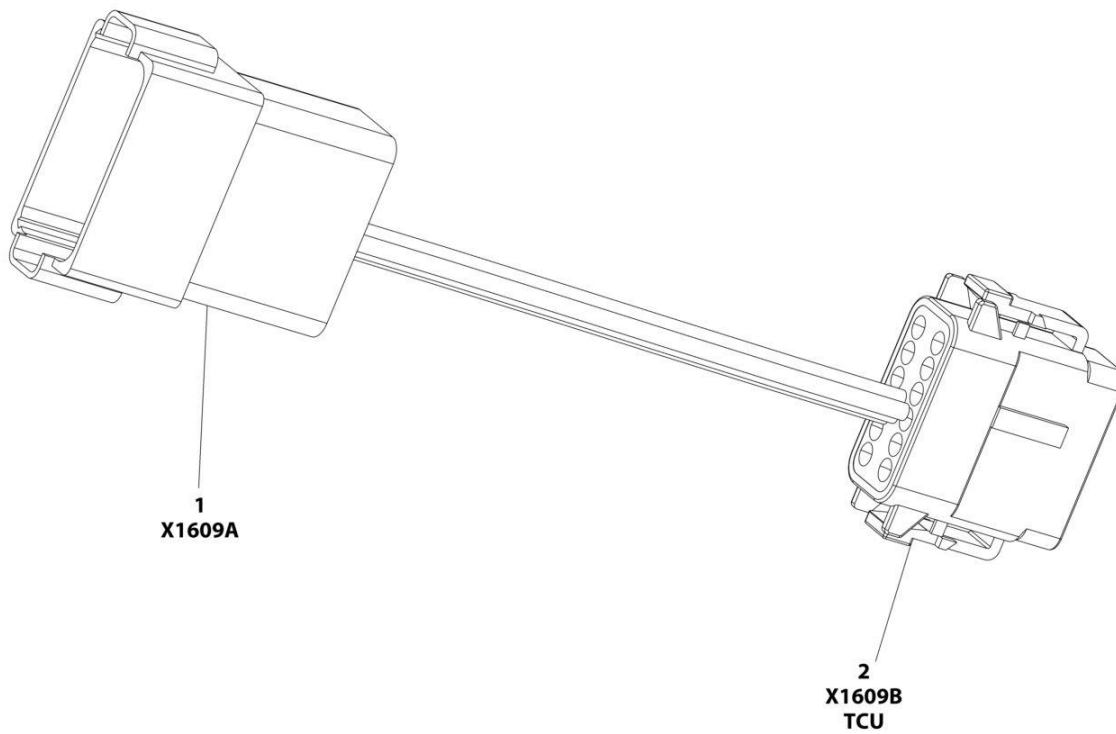
## SECTION 8 - ELECTRICAL

**FIGURE 8-45. CLEARSKY HARNESS - WITH DEUTZ TD2.9L4 (CHINA IV) ENGINES**

ITEM	PART NUMBER	QTY	DESCRIPTION	REV
	1001226831	Ref	Telematics Gateway Harness	A
1	4460933	1	Connector	
2	1001116692	5	Terminal	
3	4460466	7	Plug	
4	4460539	1	Connector	
5	4460465	2	Terminal	
6	4460466	1	Plug	
7	1001116812	1	Connector	
8	4460465	2	Terminal	
9	4460466	1	Plug	
10	4460539	1	Connector	
11	4460465	2	Terminal	
12	4460466	1	Plug	
13	1001116812	1	Connector	
14	4460465	2	Terminal	
15	4460466	1	Plug	
16	4460539	1	Connector	
17	4460465	2	Terminal	
18	4460466	1	Plug	
19	1001116812	1	Connector	
20	4460465	2	Terminal	
21	4460466	1	Plug	
22	1001116808	1	Connector	
23	1001116694	2	Terminal	
24	4460518	10	Plug	
25	1001116774	1	Connector	
26	1001116694	4	Terminal	
27	4460518	8	Plug	
28	1001112796	1	Connector	
29	1001116692	5	Terminal	
30	4460466	3	Plug	
31	4460945	3	Terminal, 3 Way "T" Receptacle	
32	1001116815	2	Connector, Plug 3-Pin	

## SECTION 8 - ELECTRICAL

FIGURE 8-46. CLEARSKY TELEMATICS JUMPER HARNESS



ART\_1001282406

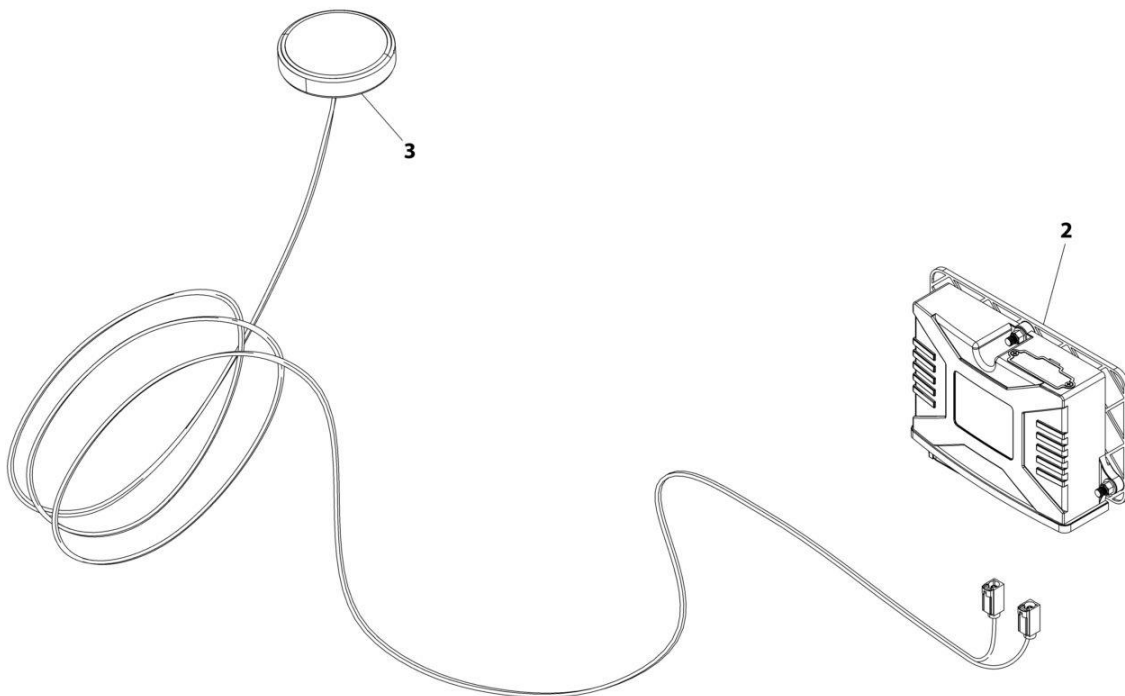
## SECTION 8 - ELECTRICAL

**FIGURE 8-46. CLEARSKY TELEMATICS JUMPER HARNESS**

ITEM	PART NUMBER	QTY	DESCRIPTION	REV
	1001282406	REF	TELEMATICS JUMPER HARNESS	B
1	4460970	1	Connector	
1	1001116693	5	Socket	
1	4460466	7	Plug, Sealing	
2	1001116774	1	Connector	
2	4460518	5	Plug Sealing	
2	1001116694	7	Socket	

# SECTION 8 - ELECTRICAL

## FIGURE 8-47. TELEMATICS CONTROL MODULE ASSEMBLY



ART\_1001289138



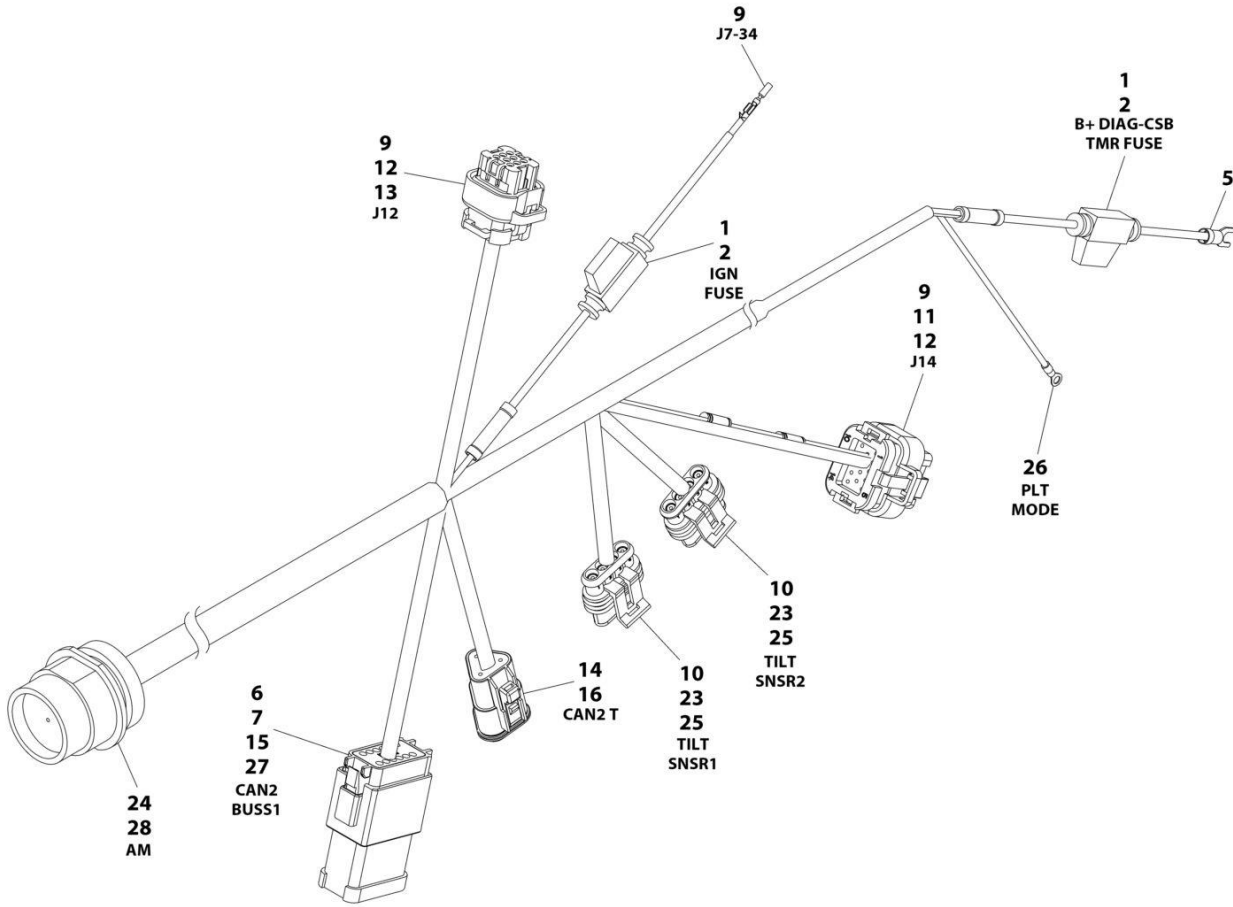
## SECTION 8 - ELECTRICAL

**FIGURE 8-47. TELEMATICS CONTROL MODULE ASSEMBLY**

ITEM	PART NUMBER	QTY	DESCRIPTION	REV
	1001289138	Ref	CLEARSKY CONTROL MODULE ASSEMBLY	A
2	1001289140	1	ClearSky Control Module	
3	1001289199	1	Antenna	

# SECTION 8 - ELECTRICAL

## FIGURE 8-48. CLEARSKY READY HARNESS



ART\_1001285139

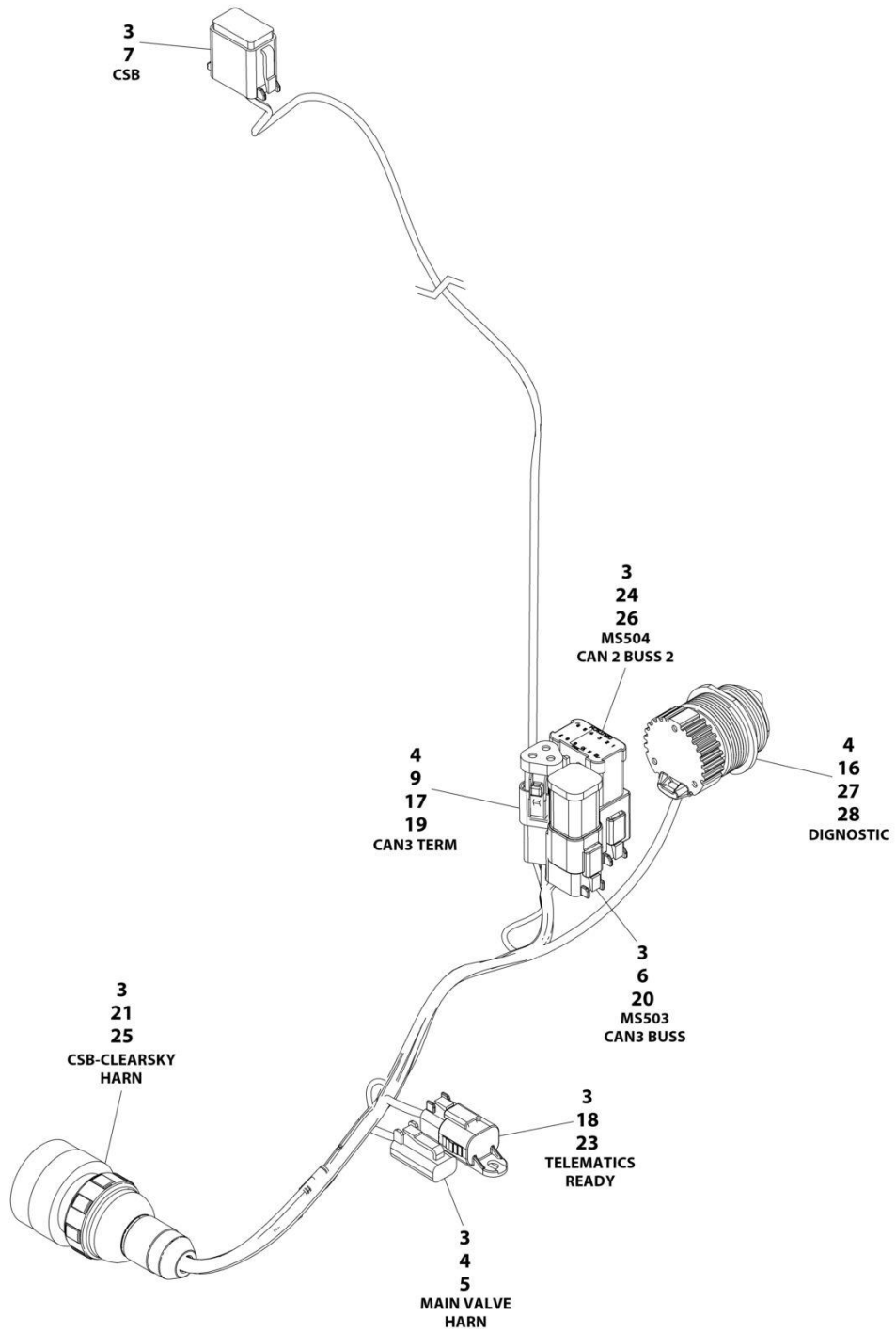
## SECTION 8 - ELECTRICAL

### FIGURE 8-48. CLEARSKY READY HARNESS

ITEM	PART NUMBER	QTY	DESCRIPTION	REV
	1001285139	Ref	CLEARSKY READY HARNESS	B
1	2400060	2	Fuseholder with Cover	
2	2400064	2	Fuse 5Amp	
5	4460183	1	Terminal, Fork	
5	4460144	1	Terminal, Fork	
6	4460933	1	Connector	
7	4460465	9	Socket	
9	4460871	15	Socket	
10	1001103012	2	Connector	
11	1001246859	1	Connector	
12	4460905	8	Plug	
13	1001113961	1	Connector	
14	1001116812	1	Connector	
15	1001119020	1	Connector	
16	4460944	3	Pin	
23	1001104498	8	Seal	
24	1001109484	1	Connector	
24	1001201081	1	Connector	
25	1001107854	8	Socket	
26	4460313	1	Terminal, Ring	
27	4460466	3	Plug	
28	4460464	12	Pin	

# SECTION 8 - ELECTRICAL

## FIGURE 8-49. DIAGNOSTIC HARNESS



ART\_1001287275\_B

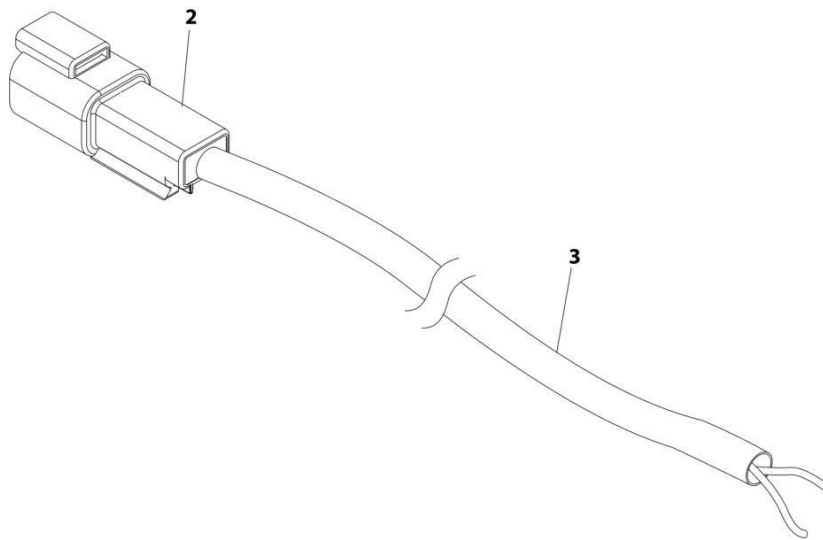
## SECTION 8 - ELECTRICAL

### FIGURE 8-49. DIAGNOSTIC HARNESS

ITEM	PART NUMBER	QTY	DESCRIPTION	REV
	1001287275	Ref	CSB HARNESS	B
3	4460465	43	Socket	
4	4460466	5	Plug	
5	4460891	1	Connector	
6	4460894	1	Connector	
7	4460930	1	Connector	
9	4460943	2	Pin	
16	1001112612	1	Connector	
17	1001116815	1	Connector	
18	1001192401	1	Connector	
19	1001144147	1	Pin	
20	1001226541	1	Connector	
21	4461042	1	Connector	
23	4460884	1	Connector	
24	4460933	1	Connector	
25	1001109485	1	Connector	
26	1001119020	1	Connector	
27	1001106736	1	Cap, Dust	
28	4460464	6	Pin	

## SECTION 8 - ELECTRICAL

FIGURE 8-50. DUAL CAPACITY JIB POSITION SWITCH HARNESS



ART\_4922785

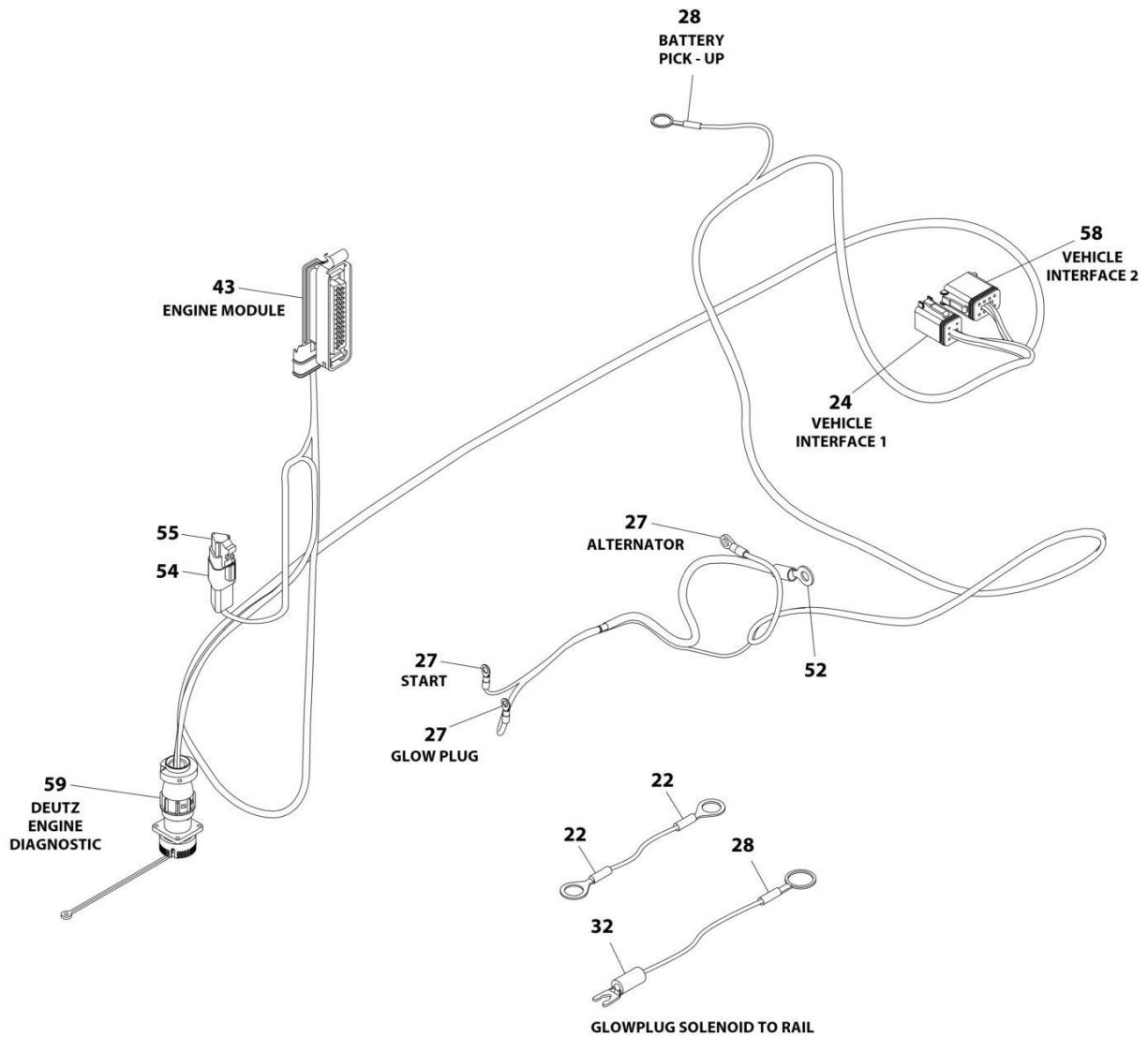
## SECTION 8 - ELECTRICAL

**FIGURE 8-50. DUAL CAPACITY JIB POSITION SWITCH HARNESS**

ITEM	PART NUMBER	QTY	DESCRIPTION	REV
	4922785	Ref	DUAL CAPACITY JIB POSITION SWITCH HARNESS	C
2	4460897	1	Connector - 2 Position	
2	4460464	2	Pin, Male	
3	1060902	15 ft/ 4.5m	Cable, Electrical 18/2	

# SECTION 8 - ELECTRICAL

## FIGURE 8-51. ENGINE HARNESS - DEUTZ TD2011 ENGINES AND DEUTZ TD2.9L4 ENGINES



ART\_1001119470



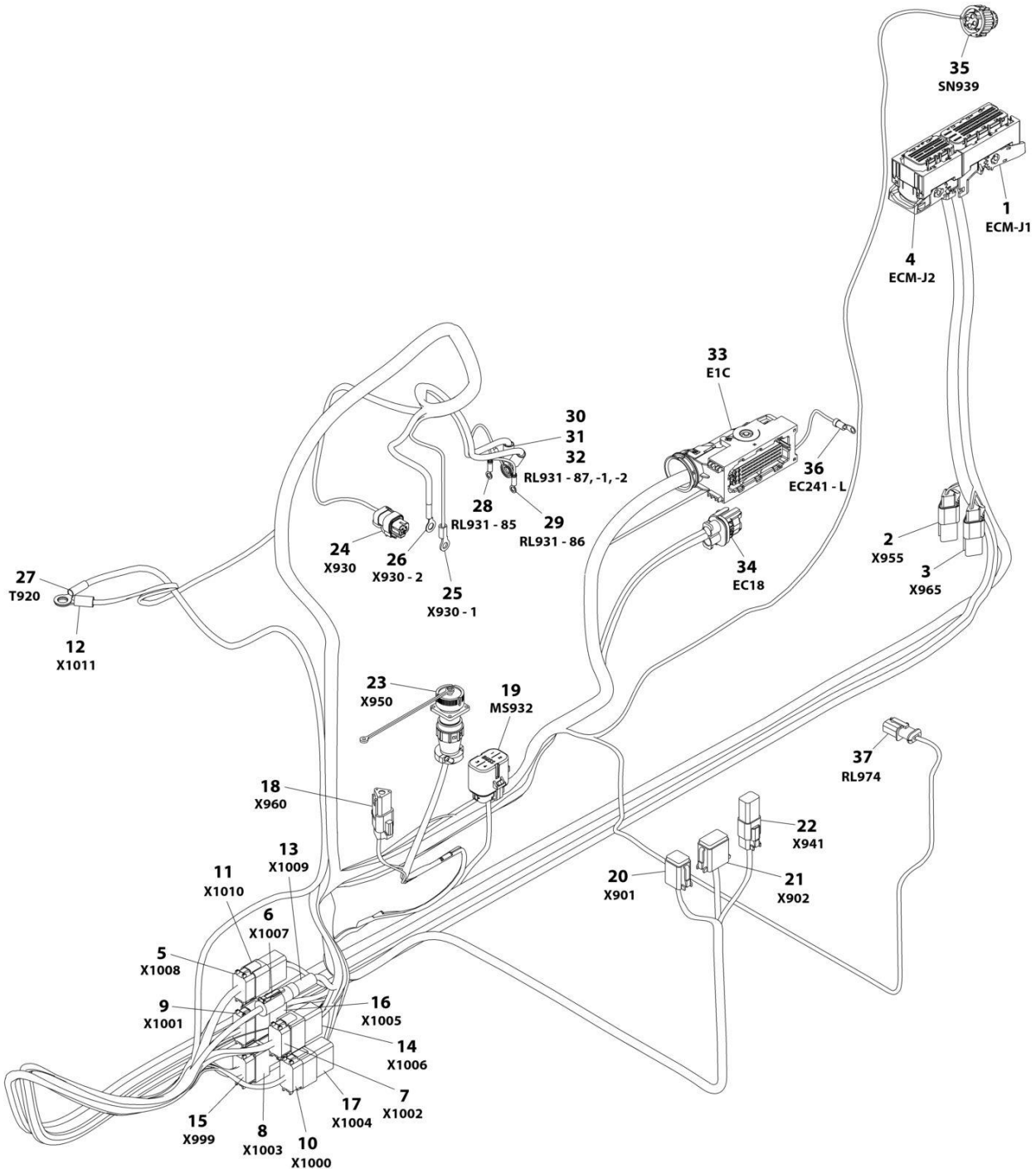
## SECTION 8 - ELECTRICAL

**FIGURE 8-51. ENGINE HARNESS - DEUTZ TD2011 ENGINES AND DEUTZ TD2.9L4 ENGINES**

ITEM	PART NUMBER	QTY	DESCRIPTION	REV
	1001119470	Ref	ENGINE HARNESS - DEUTZ TD2011 ENGINES	B
22	4460702	2	Terminal, Eyelet	
24	4460894	1	Connector - 6 Position	
24	4460465	2	Socket, Female	
24	4460466	1	Plug, Terminal	
24	4460944	3	Socket, Female	
27	4460313	3	Terminal, Eyelet	
28	4460019	2	Terminal, Eyelet	
32	4460315	1	Terminal, Fork	
43	4461052	1	Connector - 25 Position	
43	4461005	5	Terminal	
43	4461006	5	Seal	
43	4461060	2	Terminal (Tin)	
43	4461054	2	Seal, Terminal	
43	4461008	18	Plug, Hole	
43	4461053	1	Cover, Plug	
50	4240032	AR	Tie-Strap (Not Shown)	
51	4240033	AR	Tie-Strap (Not Shown)	
52	4461097	1	Terminal, Eyelet	
54	4461095	1	Connector - 3 Position	
54	4460944	3	Socket, Female	
55	4461070	1	Connector with Resistor (3 Position)	
58	4460930	1	Connector - 8 Position	
58	4460465	2	Socket, Female	
58	4460466	6	Seal, Plug	
59	2902443	1	Kit, Receptacle	
59	4461071	8	Terminal, Female (Gold)	
59	4461072	1	Connector, Flange Mount	
59	4461073	1	Connector, Dust Cap	
59	4461074	1	Connector, Shell	

# SECTION 8 - ELECTRICAL

## FIGURE 8-52. ENGINE HARNESS - DEUTZ TD2.9L4 ENGINES AND DEUTZ TCD2.9L4 ENGINES



ART\_1001138346

## SECTION 8 - ELECTRICAL

**FIGURE 8-52. ENGINE HARNESS - DEUTZ TD2.9L4 ENGINES AND DEUTZ TCD2.9L4 ENGINES**

ITEM	PART NUMBER	QTY	DESCRIPTION	REV
	1001138346	Ref	ENGINE HARNESS - DEUTZ TCD2.9L4 ENGINES AND DEUTZ TCD2.9L4 (STAGE V PRE-BUY) ENGINES	H
1	1001133956	1	Connector (Includes Cover, Locks and Retention Plate)	
1	1001182361	6	Terminal	
1	1001230934	15	Terminal	
1	1001126351	1	Terminal	
1	1001256507	4	Terminal	
1	1001230936	3	Plug, Terminal	
1	1001230935	62	Plug, Terminal	
1	1001126352	6	Terminal	
1	1001126384	19	Terminal	
1	1001126357	3	Plug, Seal	
1	1001126356	65	Plug, Seal	
2	4461070	1	Connector with Resistor (3 Position)	
2	4461095	1	Connector - 3 Position	
2	4460944	2	Socket, Female	
2	4460466	1	Seal, Plug	
3	4461070	1	Connector with Resistor (3 Position)	
3	4461095	1	Connector - 3 Position	
3	4460944	2	Socket, Female	
3	4460466	1	Seal, Plug	
4	1001133957	1	Connector (Includes Cover, Locks and Retention Plate)	
4	1001126351	13	Terminal	
4	1001230934	11	Terminal	
4	1001252527	4	Terminal	
4	1001256507	2	Terminal	
4	1001230935	19	Plug, Terminal	
4	1001230936	11	Plug, Terminal	
5	4460930	1	Connector - 8 Position	
5	4460944	5	Socket, Female (Gold)	
5	4460465	2	Socket, Female	
5	4460466	1	Seal, Plug	
6	1001116707	1	Connector - 1 Position	
6	91143340	1	Terminal	
7	4460935	1	Plug, Brown - 12 Position	
7	4460465	12	Socket, Female	
8	4460970	1	Connector - 12 Position	
8	4460941	12	Pin, Male	
9	4460934	1	Connector, Green - 12 Position	
9	4460465	10	Socket, Female	
9	4460466	2	Seal, Plug	
10	4460836	1	Connector, Black - 12 Position	
10	4460465	8	Socket, Female	
10	4460466	4	Seal, Plug	
11	4460931	1	Connector - 8 Position (Gray)	
11	4460943	5	Pin, Male (Gold)	
11	4460466	3	Plug, Socket	
12	8220164	1	Terminal, Eyelet	
13	1001116967	1	Connector - 1 Position	
13	91143339	1	Terminal	

## SECTION 8 - ELECTRICAL

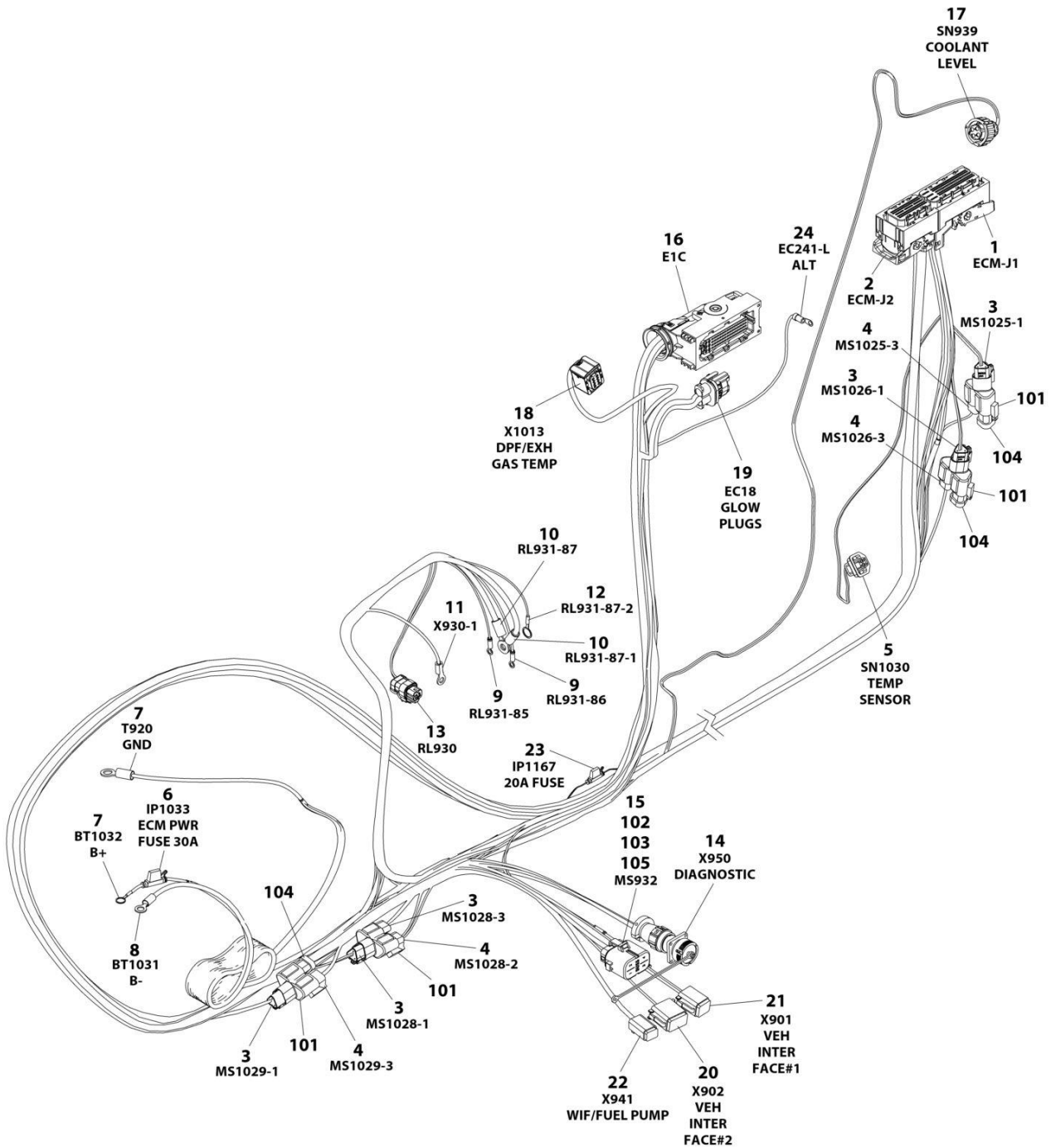
ITEM	PART NUMBER	QTY	DESCRIPTION	REV
14	4460982	1	Connector - 12 Position	
14	4460464	12	Pin, Male	
15	4460933	1	Connector, Gray - 12 Position	
15	4460942	12	Socket, Female	
16	1001152742	1	Connector - 12 Position	
16	4460464	10	Pin, Male	
16	4460466	2	Seal, Plug	
17	4460950	1	Connector - 12 Position	
17	4460464	8	Pin, Male	
17	4460466	4	Plug, Seal	
18	4461070	1	Connector with Resistor (3 Position)	
18	4461095	1	Connector - 3 Position	
18	4460944	2	Socket, Female	
18	4460466	1	Seal, Plug	
19	80484084	1	Connector - 8 Position	
19	8229242	1	Fuse - 5A	
19	80983191	1	Fuse - 10A	
19	1001147264	1	Cap	
19	1001116728	4	Plug	
19	4460458	4	Seal	
20	4460894	1	Connector - 6 Position	
20	4460465	3	Socket, Female	
20	4460944	2	Socket, Female	
20	4460466	1	Seal, Plug	
21	4460930	1	Connector - 8 Position	
21	4460465	1	Socket, Female	
21	4460466	7	Plug, Seal	
22	1001220379	1	Connector - 4 Position	
22	4460465	2	Socket, Female	
22	4460942	2	Socket, Female	
22	4460932	1	Connector - 4 Position	
22	4460466	4	Seal, Plug	
23	2902443	1	Kit, Receptacle	
23	4461071	8	Terminal, Female (Gold)	
23	4461072	1	Connector, Flange Mount	
23	4461073	1	Connector, Dust Cap	
23	4461074	1	Connector, Shell	
24	1001116952	1	Connector - 2 Position	
24	4460465	2	Socket, Female	
25	4460043	1	Terminal, Eyelet	
26	1001117106	1	Terminal, Eyelet	
27	4460019	1	Terminal, Eyelet	
28	4460247	1	Terminal, Eyelet	
29	4460247	1	Terminal, Eyelet	
30	1001117107	1	Terminal, Eyelet	
31	1001117107	1	Terminal, Eyelet	
32	4460703	1	Terminal, Eyelet	
33	1001126362	1	Connector - 62 Position	
33	1001126363	23	Terminal	
33	1001256506	2	Seal	
33	1001126364	21	Seal	

## SECTION 8 - ELECTRICAL

ITEM	PART NUMBER	QTY	DESCRIPTION	REV
33	1001126392	10	Terminal	
33	1001223459	10	Seal	
33	1001126365	2	Terminal	
33	4461054	2	Seal	
33	1001126391	22	Plug, Terminal	
33	4461008	4	Plug, Cavity	
34	1001142938	1	Connector - 2 Position	
34	1001142940	2	Terminal, Female	
34	1001142941	2	Seal	
35	1001133714	1	Connector - 4 Position	
35	1001133715	3	Terminal, Female	
35	1001135650	1	Seal	
35	1001135651	1	Plug, Cavity	
36	4460042	1	Terminal, Eyelet	
37	1001138110	1	Connector - 2 Position	
37	1001138111	2	Socket, Female	
37	1001138113	2	Seal	

# SECTION 8 - ELECTRICAL

## FIGURE 8-53. ENGINE HARNESS - DEUTZ TCD2.9L4 (STAGE V) & DEUTZ TCD2.9L4 (CHINA IV) ENGINES



ART\_1001276646

## SECTION 8 - ELECTRICAL

**FIGURE 8-53. ENGINE HARNESS - DEUTZ TCD2.9L4 (STAGE V) & DEUTZ TCD2.9L4 (CHINA IV) ENGINES**

ITEM	PART NUMBER	QTY	DESCRIPTION	REV
	1001276646	Ref	DEUTZ TCD2.9L4 STAGE V ENGINE HARNESS	B
1	1001133956	1	Connector (Includes Cover, Locks and Retention Plate)	
1	1001182361	6	Socket 18 - 15AWG Wire	
1	1001182365	6	Seal	
1	1001230934	23	Socket 0.75 MM2 Wire	
1	1001126351	3	Socket 2.5 - 1.5 MM2 Wire	
1	1001252527	4	Socket 0.85 MM2 Wire	
1	1001230935	57	Plug - Black	
1	1001230936	1	Plug - Natural	
2	1001133957	1	Connector (Includes Cover, Locks and Retention Plate)	
2	1001126351	13	Socket 2.5 - 1.5 MM2 Wire	
2	1001230934	26	Socket 0.75 MM2 Wire	
2	1001230935	10	Plug - Black	
2	1001230936	11	Plug - Natural	
3	1001116812	5	Connector	
3	4460944	10	Socket	
3	4460466	5	Plug	
4	4460539	4	Connector	
4	4460944	8	Socket	
4	4460466	4	Plug	
5	1001126487	1	Connector	
5	1001167635	2	Socket	
5	1001126485	2	Seal	
6	1001172064	1	Fuseholder	
6	1001172065	1	Fuse, 30Amp	
7	4460019	2	Terminal, Eyelet	
8	8220115	1	Terminal, Eyelet	
9	4460247	2	Terminal, Eyelet	
10	1001117107	2	Terminal, Eyelet	
11	4460043	1	Terminal, Eyelet	
12	4460703	1	Terminal, Eyelet	
13	1001116952	1	Connector	
13	4460465	2	Socket	
14	2902443	1	Kit, Receptacle	
14	4461071	8	Socket	
14	4461072	1	Connector	
14	4461073	1	Dust Cap	
14	4461074	1	Shell	
15	80484084	1	Connector	
15	4460748	4	Plug	
15	4460746	3	Socket 1.0 - 0.5 MM2 Wire	
15	1001234800	1	Socket 2.0 - 1.0 MM2 Wire	
15	4460458	4	Seal	
16	1001126362	1	Connector	
16	1001126363	37	Socket 20 - 17AWG	
16	1001126364	37	Seal (Use With 1001126363)	
16	1001126391	7	Plug - White	
16	4461008	4	Plug - Clear	
16	1001126392	12	Socket 16AWG	

## SECTION 8 - ELECTRICAL

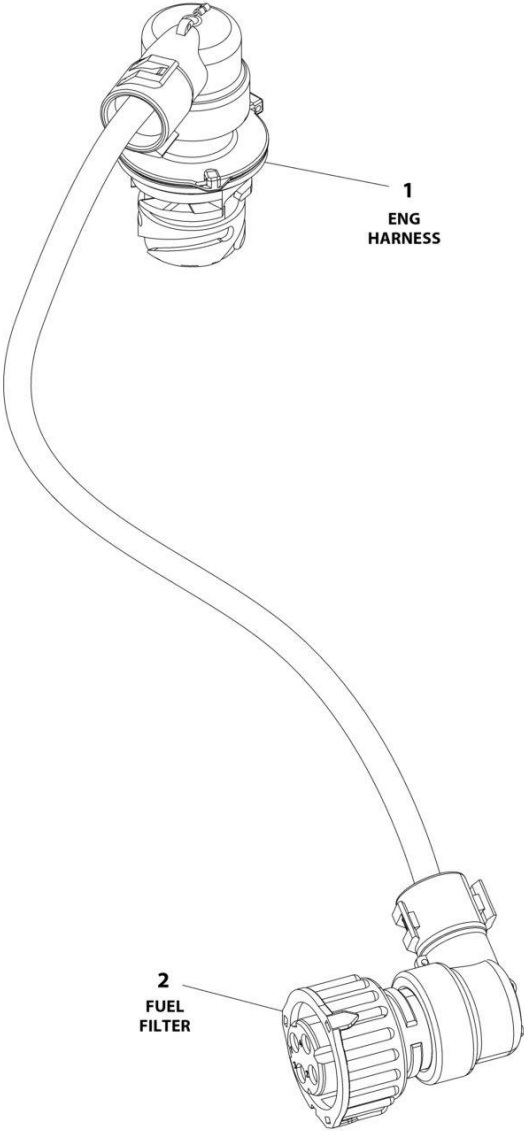
ITEM	PART NUMBER	QTY	DESCRIPTION	REV
16	1001223459	12	Seal (Use With 1001223459)	
16	1001167632	2	Socket 1.0 - 0.5 MM2 Wire	
16	4461054	2	Seal (Use With 10011676323)	
16	1001151856	1	Backshell	
17	1001133714	1	Connector	
17	1001133715	3	Socket	
17	1001135650	3	Seal	
17	1001135651	1	Plug	
18	1001239202	1	Connector	
18	1001126363	7	Socket	
18	1001126364	7	Seal	
18	1001135651	1	Plug	
19	1001142938	1	Connector	
19	1001142940	2	Socket	
19	1001142941	2	Seal	
20	4460930	1	Connector	
20	4460465	1	Socket	
20	4460466	7	Plug	
21	4460894	1	Connector	
21	4460465	2	Socket - Nickel	
21	4460944	2	Socket - Gold	
21	4460466	2	Plug	
22	4460884	1	Connector	
22	4460465	2	Socket 20 - 16AWG	
22	4460942	2	Socket 16 - 14AWG	
23	1001170764	1	Fuseholder with Cover and 20AMP Fuse	
23	1001197719	1	Resistor 620ohm/5 watt	
24	4460042	1	Terminal, Eyelet	
101	4460945	4	Connector	
102	8229242	1	Fuse, 5Amp	
103	80983191	1	Fuse, 10Amp	
104	1001116815	3	Connector	
105	1001147264	1	Cap	





**SECTION 8 - ELECTRICAL**

**FIGURE 8-54. FUEL FILTER HARNESS - DEUTZ TCD2.9L4 ENGINES AND DEUTZ TCD2.9L4 (STAGE V) ENGINES**



ART\_1001148843

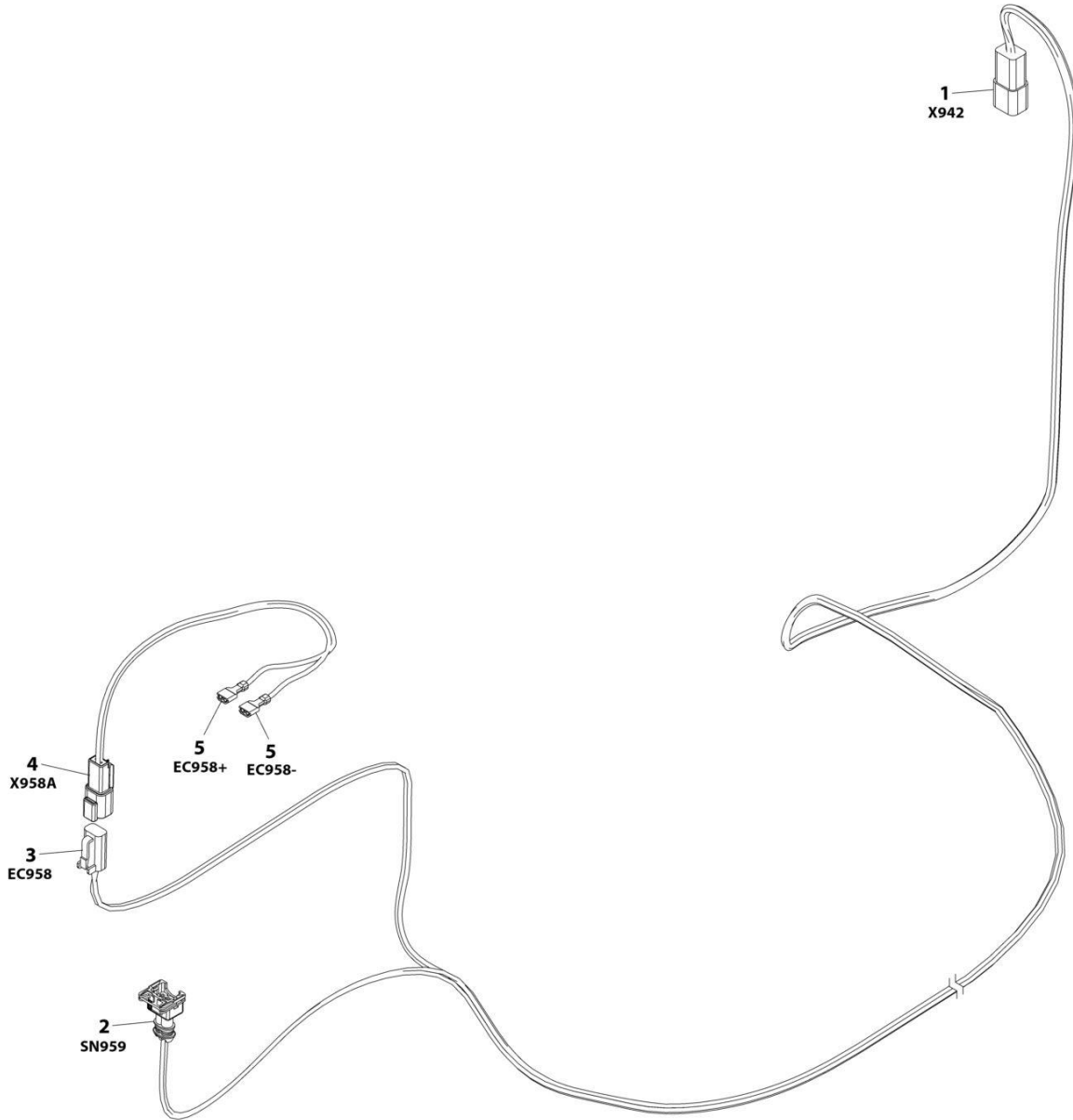
## SECTION 8 - ELECTRICAL

**FIGURE 8-54. FUEL FILTER HARNESS - DEUTZ TCD2.9L4 ENGINES AND DEUTZ TCD2.9L4 (STAGE V) ENGINES**

ITEM	PART NUMBER	QTY	DESCRIPTION	REV
	1001148843	Ref	FUEL FILTER HARNESS - DEUTZ TCD2.9L4 ENGINES	A
1	1001148842	1	Connector - 4 Position	
1	1001148841	4	Pin, Male	
1	1001135650	4	Seal	
2	1001133714	1	Plug, Male - 4 Position	
2	1001133715	4	Socket, Female	
2	1001135650	4	Seal	

# SECTION 8 - ELECTRICAL

## FIGURE 8-55. FUEL HARNESS - DEUTZ TCD2.9L4 ENGINES AND DEUTZ TCD2.9L4 (STAGE V) ENGINES



ART\_1001138491

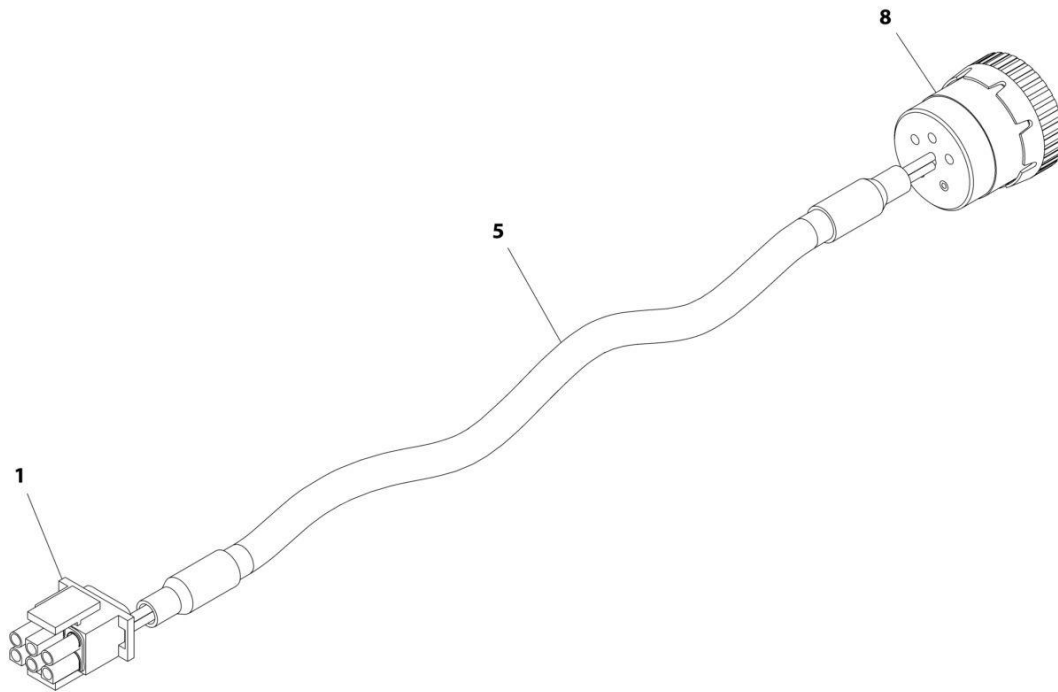
## SECTION 8 - ELECTRICAL

**FIGURE 8-55. FUEL HARNESS - DEUTZ TCD2.9L4 ENGINES AND DEUTZ TCD2.9L4 (STAGE V) ENGINES**

ITEM	PART NUMBER	QTY	DESCRIPTION	REV
	1001138491	Ref	FUEL PUMP HARNESS	D
1	4460932	1	Receptacle, Female - 4 Position	
1	4460941	2	Pin, Male	
1	4460464	2	Pin, Male	
2	1001116983	1	Plug, Male - 2 Position	
2	1001116710	2	Socket, Female	
2	4461054	2	Seal	
3	4460891	1	Plug, Male - 2 Position	
3	4460942	2	Socket, Female	
4	4460897	1	Connector - 2 Position	
4	4460941	2	Pin, Male	
5	8220051	2	Terminal, Ring	

# SECTION 8 - ELECTRICAL

FIGURE 8-56. GENERATOR HARNESS - 4000W GENERATOR



ART\_1001152533

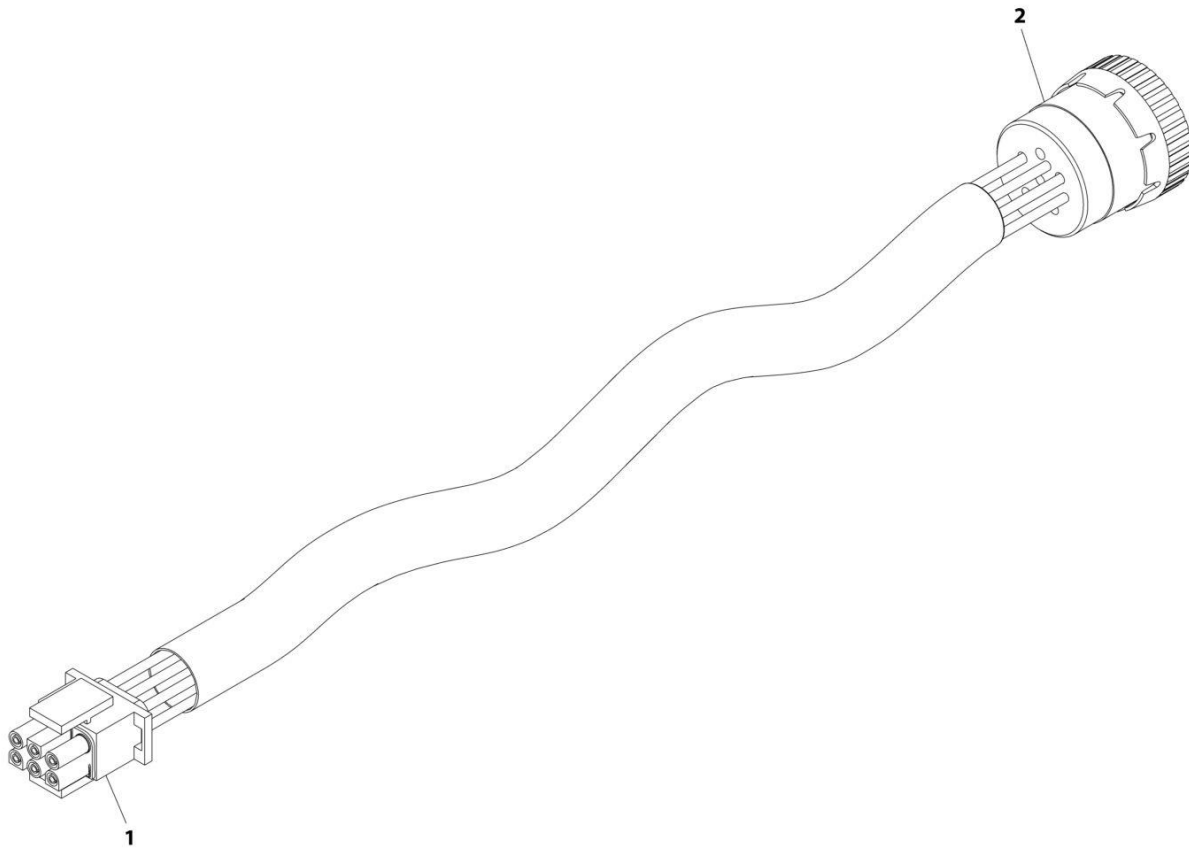
## SECTION 8 - ELECTRICAL

### FIGURE 8-56. GENERATOR HARNESS - 4000W GENERATOR

ITEM	PART NUMBER	QTY	DESCRIPTION	REV
	1001152533	Ref	GENERATOR HARNESS - 4000W GENERATOR	A
1	4460225	1	Connector - 6 Position	
1	4460268	2	Socket, Female	
1	4460807	1	Seal, Plug	
1	4460808	1	Seal, Plug	
5	1060341	8 ft /2.4m	Cable, 16/2	
8	77363233	1	Connector - 6 Position	
8	4460465	2	Socket, Female	

# SECTION 8 - ELECTRICAL

FIGURE 8-57. GENERATOR HARNESS - 7500W GENERATOR



ART\_4922972



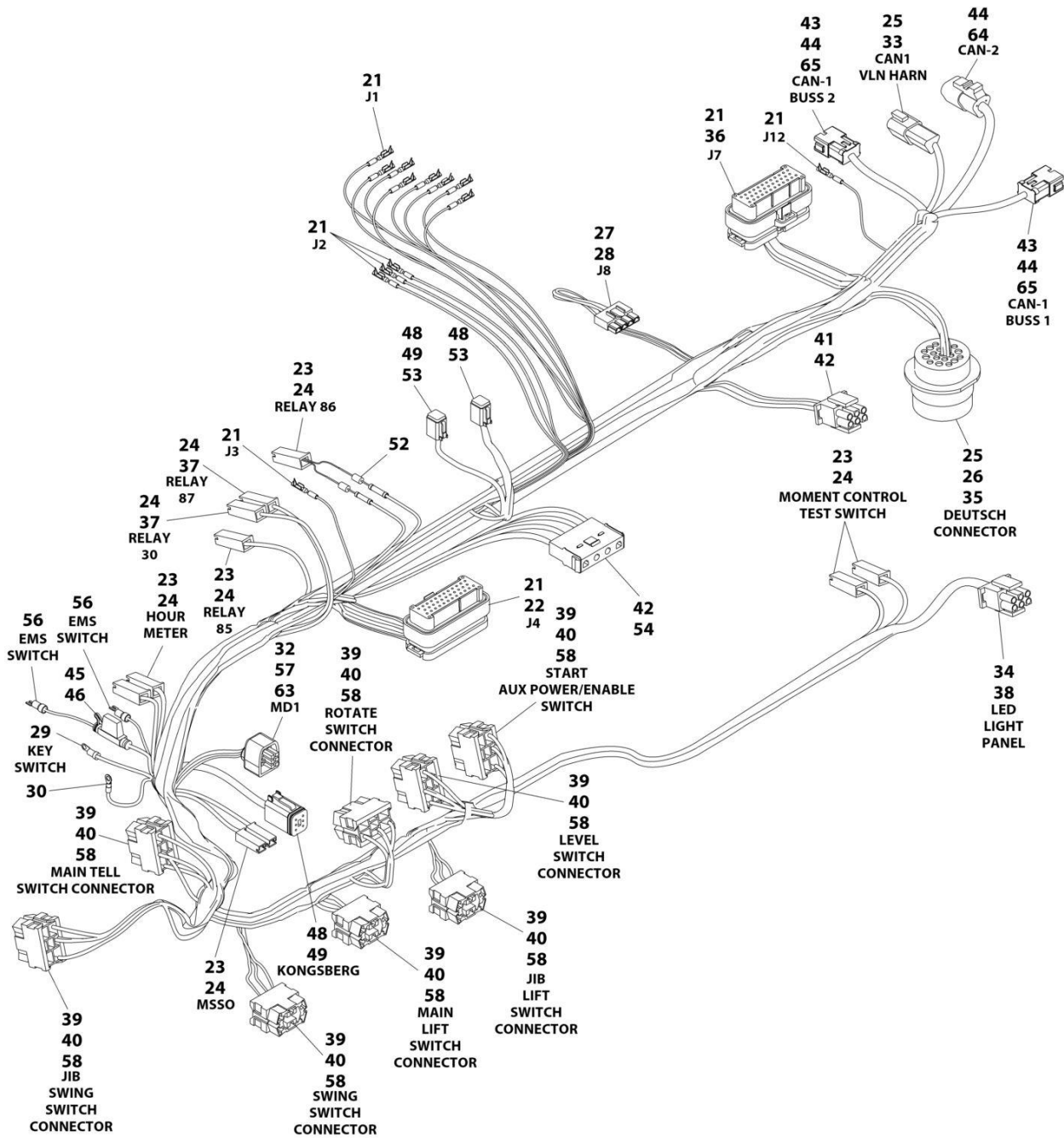
## SECTION 8 - ELECTRICAL

### FIGURE 8-57. GENERATOR HARNESS - 7500W GENERATOR

ITEM	PART NUMBER	QTY	DESCRIPTION	REV
	4922972	Ref	GENERATOR HARNESS - 7500W GENERATOR	C
1	4460225	1	Connector - 6 Position	
1	4460268	6	Socket, Female	
1	4460807	1	Seal, Plug	
1	4460808	1	Seal, Plug	
2	77363233	1	Connector - 6 Position	
2	4460465	6	Socket, Female	

# SECTION 8 - ELECTRICAL

## FIGURE 8-58. GROUND CONTROL BOX HARNESS



ART\_1001287193

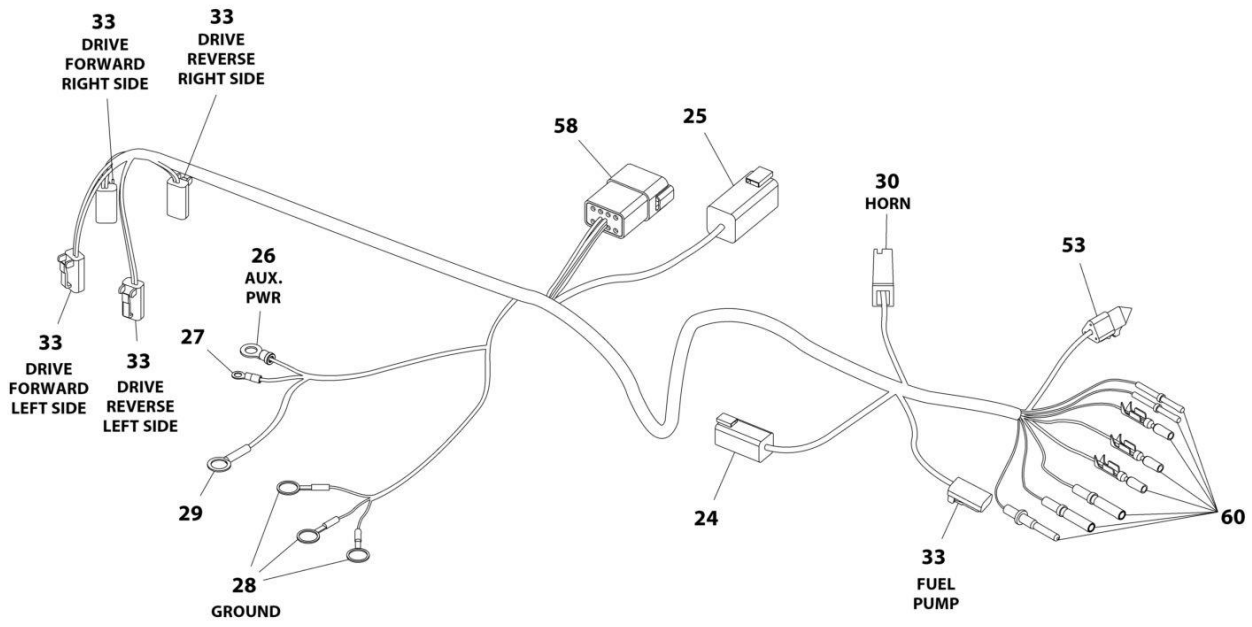
## SECTION 8 - ELECTRICAL

### FIGURE 8-58. GROUND CONTROL BOX HARNESS

ITEM	PART NUMBER	QTY	DESCRIPTION	REV
	1001287193	Ref	GROUND CONTROL BOX HARNESS	B
21	4460871	49	Socket	
22	4460876	1	Connector	
23	4460259	10	Socket	
24	4460260	12	Housing	
25	4460464	13	Pin 20 - 16AWG	
26	4460866	1	Connector	
27	4460878	1	Connector	
28	4460887	3	Socket	
29	4460142	3	Terminal, Ring	
30	4460313	3	Terminal, Ring	
32	4460868	1	Connector	
33	4460536	1	Connector	
34	1001237667	1	Connector	
35	4460508	3	Pin 14 - 12AWG	
36	4460873	1	Connector	
37	4460297	2	Socket	
38	1001237668	5	Socket	
39	4460418	8	Connector	
40	4460419	8	Socket 18 - 14AWG	
41	4460225	1	Plug	
42	4460227	10	Pin	
43	1001119020	2	Connector	
44	4460944	22	Socket	
45	2400066	1	Fuseholder with Cover	
46	2400065	1	Fuse, 30Amp	
48	4460894	3	Connector	
49	4460465	5	Socket 20 - 16AWG	
52	3990010	2	Diode - 3Amp	
53	4460942	2	Socket 16 - 14AWG	
54	4460761	1	Connector	
56	4460806	6	Terminal, Fork	
57	4460877	4	Socket	
58	1001159186	4	Socket 20 - 18AWG	
63	1001094105	1	Boot	
64	1001116812	1	Plug, Male - 3 Position	
65	4460933	2	Connector	

# SECTION 8 - ELECTRICAL

## FIGURE 8-59. GROUND CONTROLS TO ENGINE HARNESS



ART\_1001119372

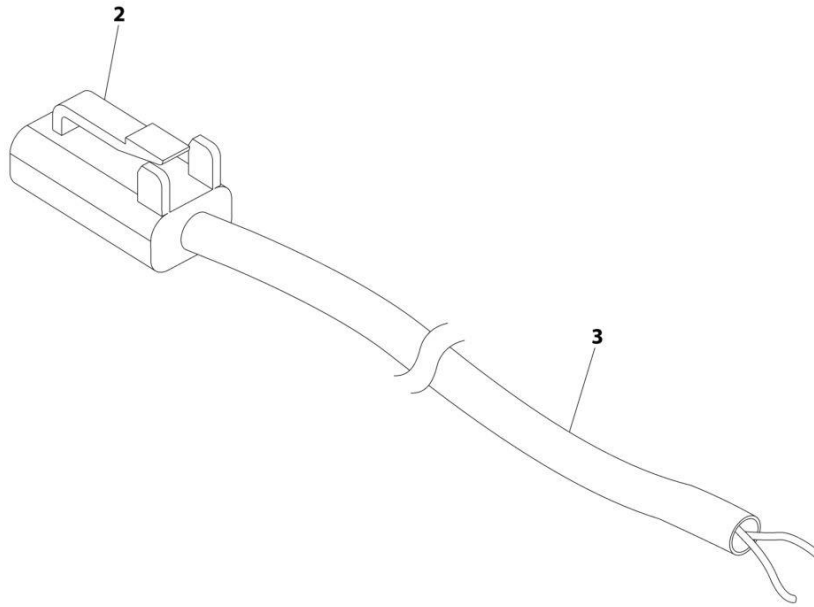
## SECTION 8 - ELECTRICAL

**FIGURE 8-59. GROUND CONTROLS TO ENGINE HARNESS**

ITEM	PART NUMBER	QTY	DESCRIPTION	REV
	1001119372	Ref	GROUND CONTROLS TO ENGINE HARNESS	C
24	4460899	1	Connector - 6 Position	
24	4460464	5	Pin, Male	
24	4460466	1	Plug, Terminal	
25	4460899	1	Connector - 6 Position	
25	4460464	4	Pin, Male	
25	4460943	2	Pin, Male (Gold)	
26	4460312	1	Terminal, Eyelet	
27	4460313	1	Terminal, Eyelet	
28	4460019	3	Terminal, Eyelet	
29	4460256	1	Terminal, Eyelet	
30	4460260	1	Terminal, Housing	
30	4460259	1	Terminal	
33	4460891	5	Connector - 2 Position	
33	4460465	10	Socket, Female	
53	4460539	1	Connector - 3 Position	
53	4460944	3	Socket, Female	
58	4460931	1	Connector - 8 Position	
58	4460464	8	Pin, Male	
60	4460465	2	Socket, Female	
60	4460887	1	Terminal (12 Gauge)	
60	4460871	11	Socket, Female	
60	4460508	1	Pin, Male	

# SECTION 8 - ELECTRICAL

## FIGURE 8-60. JIB STOW SWITCH HARNESS



ART\_4922784

## SECTION 8 - ELECTRICAL

### FIGURE 8-60. JIB STOW SWITCH HARNESS

ITEM	PART NUMBER	QTY	DESCRIPTION	REV
	4922784	Ref	JIB STOW SWITCH HARNESS	C
2	4460891	1	Connector - 2 Position	
2	4460465	2	Socket, Female	
3	1060902	15 ft/ 4.6m	Cable, Electrical 18/2	

# SECTION 8 - ELECTRICAL

## FIGURE 8-61. LOAD SENSING PIN HARNESS



ART\_4923256



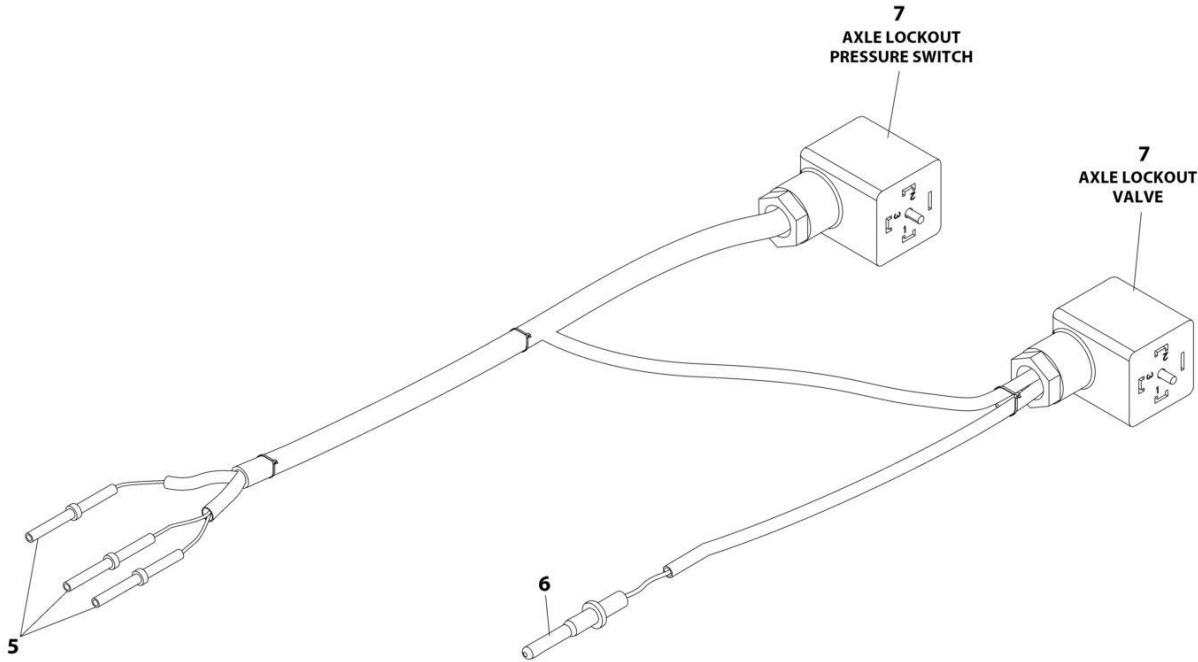
## SECTION 8 - ELECTRICAL

### FIGURE 8-61. LOAD SENSING PIN HARNESS

ITEM	PART NUMBER	QTY	DESCRIPTION	REV
	4923256	Ref	LOAD SENSING PIN HARNESS	C
1	4460930	1	Connector - 8 Position (Gray)	
1	4460465	4	Socket, Female	
1	4460466	3	Plug, Sealing	
2	See Note	NSS	Connector - 4 Position (Note: Not Available for Purchase)	
2	See Note	NSS	Terminal (Note: Not Available for Purchase)	

**SECTION 8 - ELECTRICAL**

**FIGURE 8-62. LOCKOUT VALVE HARNESS**



ART\_4922767\_D

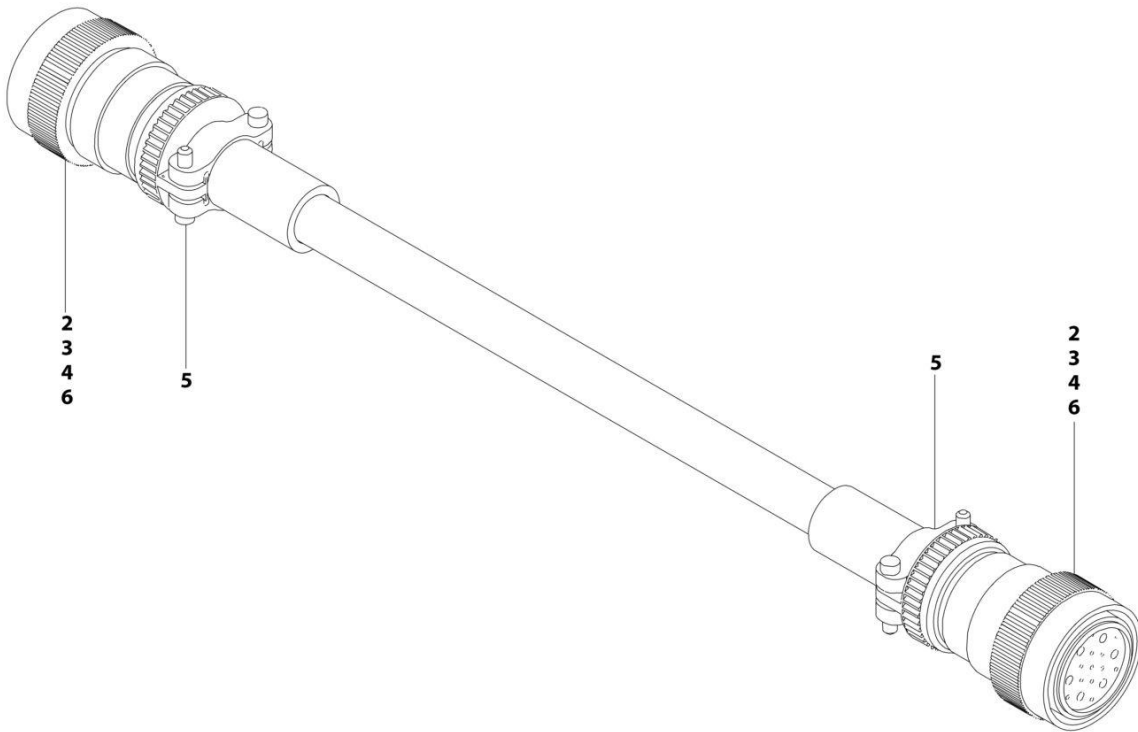
## SECTION 8 - ELECTRICAL

### FIGURE 8-62. LOCKOUT VALVE HARNESS

ITEM	PART NUMBER	QTY	DESCRIPTION	REV
	4922767	Ref	LOCKOUT VALVE HARNESS	D
5	4460465	3	Socket, Female	
6	4460464	1	Pin, Male	
7	1001263923	2	Connector, Din	
8	4240033	6	Tie-Strap (Not Shown)	

# SECTION 8 - ELECTRICAL

## FIGURE 8-63. MAIN BOOM CONTROL CABLE HARNESS (1200SJP)



ART\_4922672

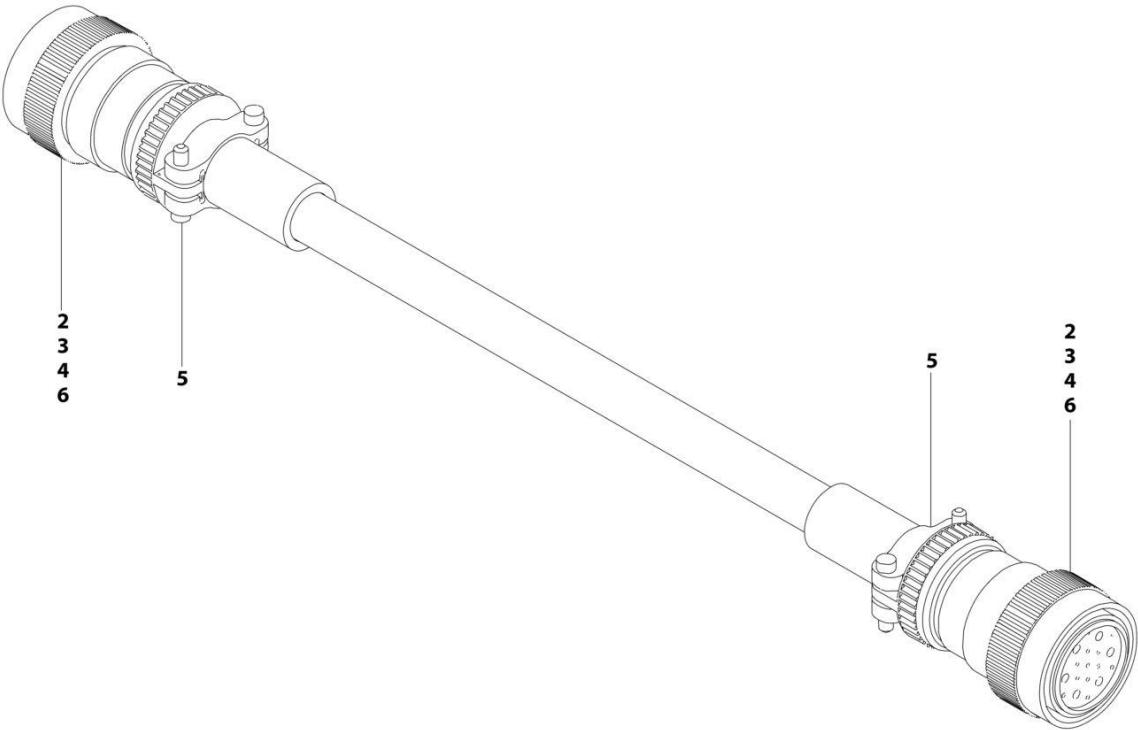
## SECTION 8 - ELECTRICAL

### FIGURE 8-63. MAIN BOOM CONTROL CABLE HARNESS (1200SJP)

ITEM	PART NUMBER	QTY	DESCRIPTION	REV
	4922672	Ref	MAIN BOOM CONTROL CABLE HARNESS - 1200SJP (1200SJP)	C
2	4460465	22	Socket, Female	
3	4460865	2	Connector - 19 Position	
4	4460509	8	Socket, Female	
5	4460473	2	Clamp	
6	4460466	8	Plug, Socket	

**SECTION 8 - ELECTRICAL**

**FIGURE 8-64. MAIN BOOM CONTROL CABLE HARNESS (1350SJP)**



ART\_4922673

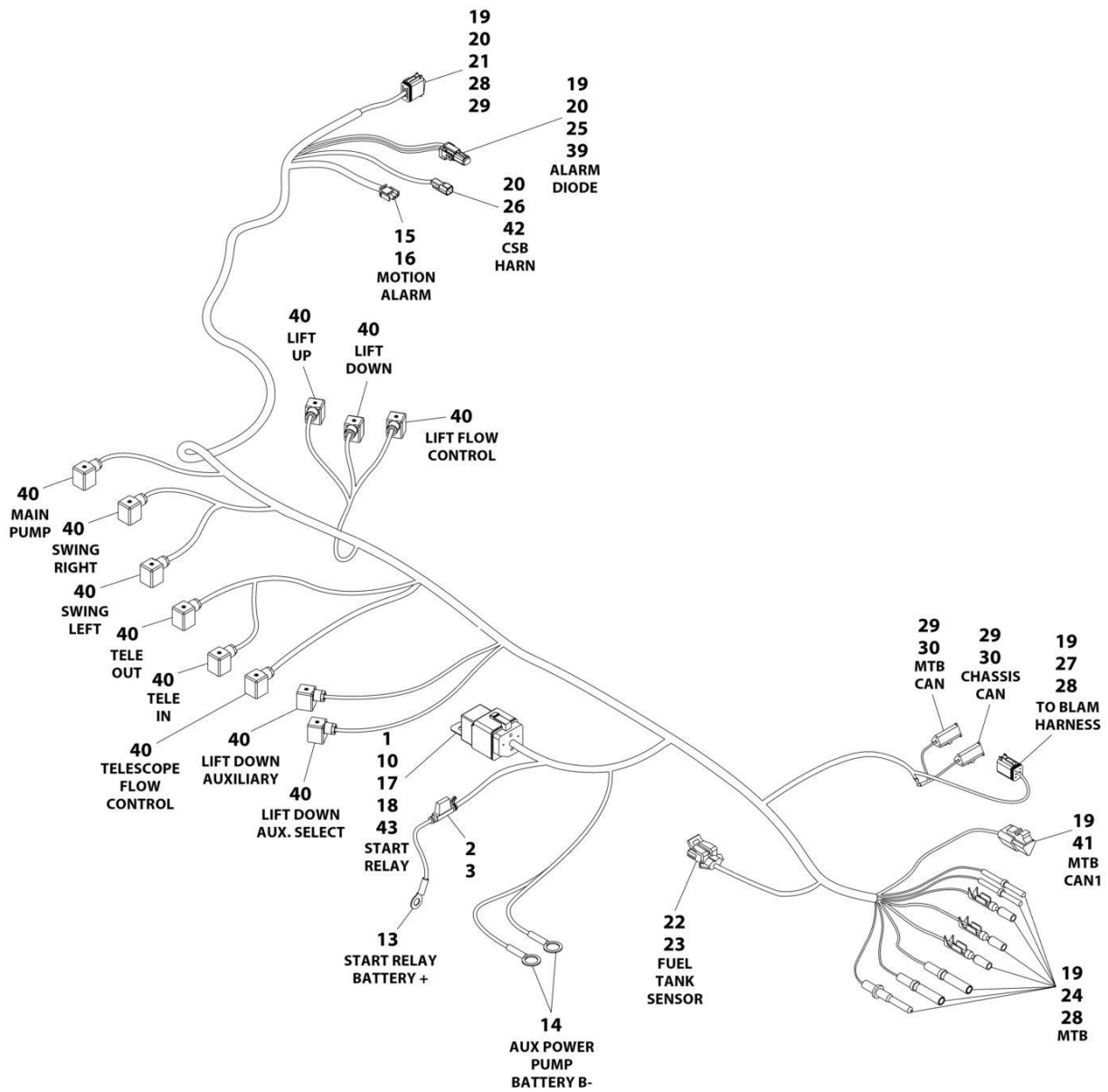
## SECTION 8 - ELECTRICAL

**FIGURE 8-64. MAIN BOOM CONTROL CABLE HARNESS (1350SJP)**

ITEM	PART NUMBER	QTY	DESCRIPTION	REV
	4922673	Ref	MAIN BOOM CONTROL CABLE HARNESS - 1350SJP (1350SJP)	D
2	4460465	22	Socket, Female	
3	4460865	2	Connector - 19 Position	
4	4460509	8	Socket, Female	
5	4460473	2	Clamp	
6	4460466	8	Plug, Socket	

# SECTION 8 - ELECTRICAL

## FIGURE 8-65. MAIN VALVE HARNESS



ART\_1001285060\_B



## SECTION 8 - ELECTRICAL

### FIGURE 8-65. MAIN VALVE HARNESS

ITEM	PART NUMBER	QTY	DESCRIPTION	REV
	1001285060	Ref	MAIN VALVE HARNESS	B
1	0100048	AR	Grease, Dielectric	
2	2400065	1	Fuse, 30Amp	
3	2400066	1	Holder, Fuse	
10	3740080	1	Relay	
13	4460019	1	Terminal, Eyelet	
14	4460256	2	Terminal, Eyelet	
15	4460267	2	Pin	
16	4460320	1	Connector	
17	4460374	1	Plug	
18	1001116733	4	Socket	
19	4460465	14	Socket 20 - 16AWG (Nickel)	
20	4460466	6	Plug	
21	4460836	1	Connector	
22	4460842	2	Socket	
23	4460843	1	Connector	
24	4460871	16	Socket 20 - 16AWG (Gold)	
25	4460884	1	Connector	
26	4460897	1	Connector	
27	4460894	1	Connector	
28	4460942	8	Socket 16 - 14AWG (Nickel)	
29	4460944	9	Socket 20 - 16AWG (Gold)	
30	4460965	2	Connector	
39	1001152266	1	Connector, Diode Pack	
40	1001263923	11	Connector	
41	4460539	1	Connector	
42	4460464	1	Pin	
43	1001116734	1	Socket	



## SECTION 8 - ELECTRICAL

### FIGURE 8-66. PLATFORM CONSOLE BOX HARNESS

ITEM	PART NUMBER	QTY	DESCRIPTION	REV
	1001241891	Ref	PLATFORM CONSOLE BOX HARNESS	J
2	4460866	1	Connector - 19 Pin	
2	4460464	7	Pin, Male Deutsch 16 Ga	
2	4460508	4	Pin, Male Deutsch 12 Ga	
2	4460943	3	Pin, Male 16 Ga (Gold)	
2	4460466	5	Plug	
3	4460874	1	Connector - 35 Position (Natural)	
3	4460871	33	Socket, Female	
3	4460905	2	Plug	
4	4460876	1	Connector - 35 Position (Blue)	
4	4460871	20	Socket, Female	
4	4460905	20	Plug	
5	4460873	1	Connector - 35 Position (Black)	
5	4460871	26	Socket, Female	
5	4460905	8	Plug	
8	4460879	1	Connector - 2 Position	
8	4460887	2	Terminal	
10	4460213	4	Terminal Eyelet	
11	4460260	10	Terminal, Housing	
11	4460259	10	Terminal	
13	4460418	12	Connector, Female - 6 Position	
13	4460419	12	Socket, Female	
13	1001159186	22	Terminal	
18	4460888	3	Terminal, Fork	
19	4460225	1	Connector - 6 Position	
19	4460227	5	Terminal (16 Gauge)	
25	4460806	1	Terminal, Fork	
26	4460434	2	Connector - 15 Position	
26	4460227	16	Pin, Male	
26	4460267	1	Pin, Male	
27	4460183	11	Terminal, Fork	
28	4460925	1	Connector - 21 Pin	
28	1001126011	13	Pin, Male Deutsch 16 Ga	
28	4460466	8	Plug	
30	1001121616	2	Connector - 6 Position	
30	1001121615	2	Base, Mounting	
33	4460142	1	Terminal, Eyelet	
36	4460016	2	Terminal (16 - 14AWG)	
36	1001271497	2	Terminal (22 - 18AWG)	
37	4460894	1	Connector - 6 Position	
37	4460465	5	Socket, Female	
37	4460466	1	Plug	
43	4460539	1	Plug, Male - 3 Position	
43	4460944	3	Socket, Female (Gold)	
44	4460536	1	Connector - 3 Position	
44	4460943	3	Pin, Male (Gold)	
47	4460933	1	Connector, Gray - 12 Position	
47	4460944	10	Socket, Female (Gold)	
47	4460466	2	Plug	
47	1001119020	1	Bussbar - 12 Position	

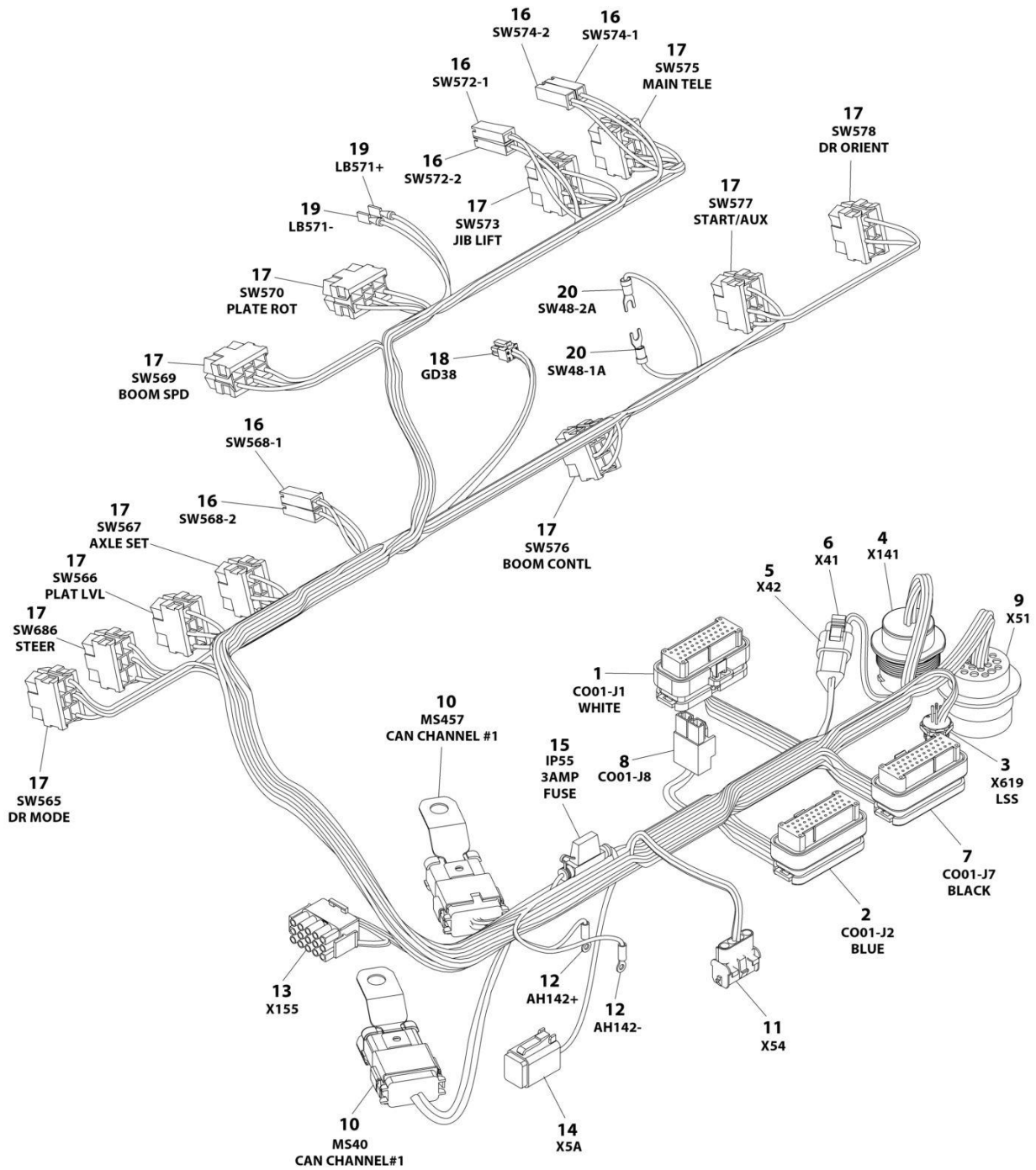
## SECTION 8 - ELECTRICAL

ITEM	PART NUMBER	QTY	DESCRIPTION	REV
50	1001213447	1	Connector - 5 Position	
70	1001237667	1	Connector - 6 Position	
70	1001237668	4	Socket, Female (Gold)	
71	2400060	1	Holder, Fuse	
71	8229249	1	Fuse	
75	4460042	1	Terminal, Ring	
83	4460708	2	Plug, Male - 15 Position	
83	4460226	2	Socket, Female	



# SECTION 8 - ELECTRICAL

## FIGURE 8-67. PLATFORM CONSOLE BOX HARNESS



ART\_1001243596

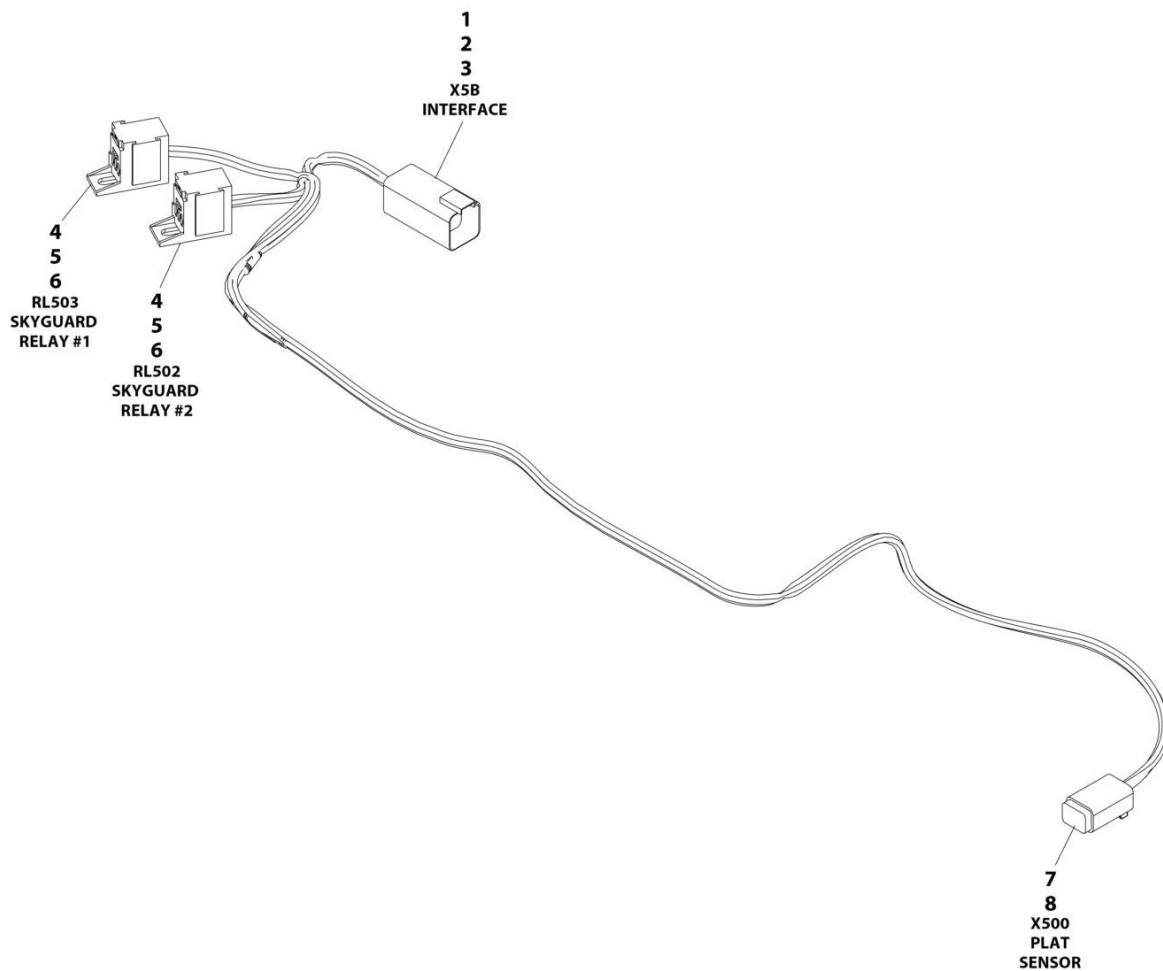
## SECTION 8 - ELECTRICAL

### FIGURE 8-67. PLATFORM CONSOLE BOX HARNESS

ITEM	PART NUMBER	QTY	DESCRIPTION	REV
	1001243596	Ref	PLATFORM CONSOLE BOX HARNESS	C
1	4460874	1	Connector - 35 Position	
1	4460871	24	Socket, Female	
1	4460905	11	Plug, Terminal	
2	4460876	1	Connector - 35 Position	
2	4460871	11	Socket, Female	
2	4460905	24	Plug, Terminal	
3	1001213447	1	Receptacle, Female - 5 Position (With Wires & Terminals)	
4	4460925	1	Connector - 21 Position	
4	1001126011	7	Pin, Male	
4	4460518	14	Plug, Terminal	
5	4460536	1	Recepracle, Female - 3 Position	
5	4460943	3	Pin, Male	
6	4460539	1	Plug, Male - 3 Position	
6	4460944	3	Socket, Male	
7	4460873	1	Connector - 35 Position	
7	4460871	19	Socket, Female	
7	4460905	16	Plug, Terminal	
8	4460879	1	Plug, Male - 2 Position	
8	4460887	2	Terminal	
9	4460866	1	Connector - 19 Position	
9	4460943	3	Pin, Male	
9	4460464	5	Pin, Male	
9	4460508	2	Pin, Male	
9	4460466	9	Plug, Terminal	
10	4460933	2	Plug, Male - 12 Position	
10	4460465	17	Socket, Female	
10	4460466	7	Plug, Terminal	
10	1001119020	2	Bussbar - 12 Position	
10	1001120328	2	Mount	
11	4460761	1	Receptacle, Female - 4 Position	
11	4460227	4	Pin, Male	
12	1001098122	2	Terminal, Ring	
13	4460434	2	Plug, Male - 15 Position	
13	4460227	6	Pin, Male	
13	4460267	12	Pin, Male	
14	4460894	1	Plug, Male - 6 Position	
14	4460465	4	Socket, Female	
14	4460466	2	Plug, Terminal	
15	2400060	1	Fuseholder with Cover	
15		Ref	Fuse - 3 AMP	
16	4460260	6	Cover, Terminal	
16	4460259	6	Terminal	
17	4460418	11	Connector - 6 Position	
17	4460419	20	Socket, Female	
17	1001159186	21	Socket, Female	
18	1001237667	1	Plug, Male - 6 Position	
18	1001237668	4	Socket, Female	
19	4460016	2	Terminal	
20	4460183	2	Terminal, Fork	

# SECTION 8 - ELECTRICAL

## FIGURE 8-68. PLATFORM INTERFACE HARNESS



ART\_1001225580



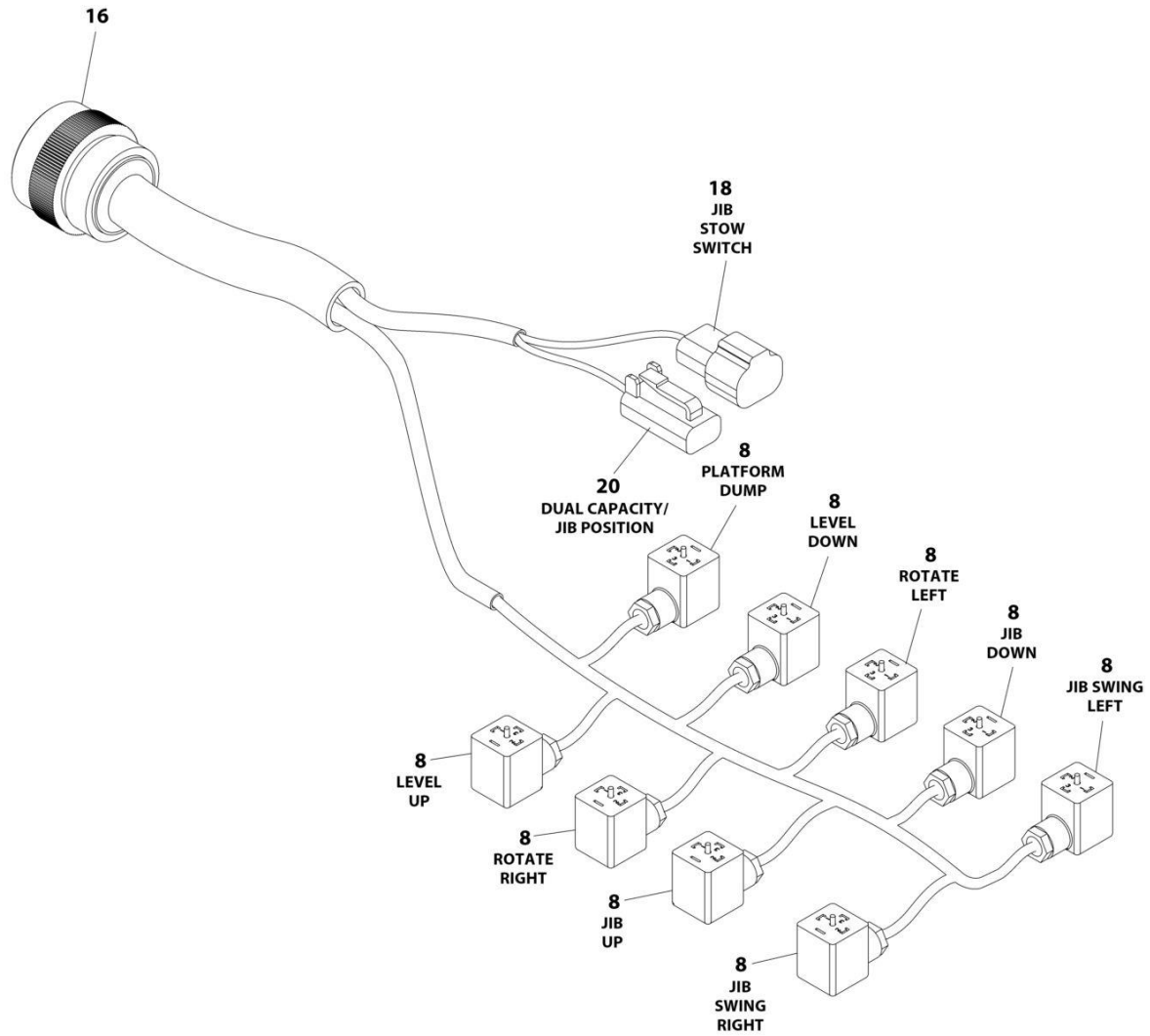
## SECTION 8 - ELECTRICAL

### FIGURE 8-68. PLATFORM INTERFACE HARNESS

ITEM	PART NUMBER	QTY	DESCRIPTION	REV
	1001225580	Ref	INTERFACE HARNESS - WITH 1 CELL LSS	D
1	4460899	1	Connector	
2	4460464	4	Terminal	
3	4460466	2	Plug	
4	1001186432	2	Connector	
5	1001116720	4	Terminal	
6	1001118388	4	Terminal	
7	4460884	1	Connector	
8	4460465	4	Terminal	

# SECTION 8 - ELECTRICAL

## FIGURE 8-69. PLATFORM VALVE HARNESS



ART\_4922777\_E

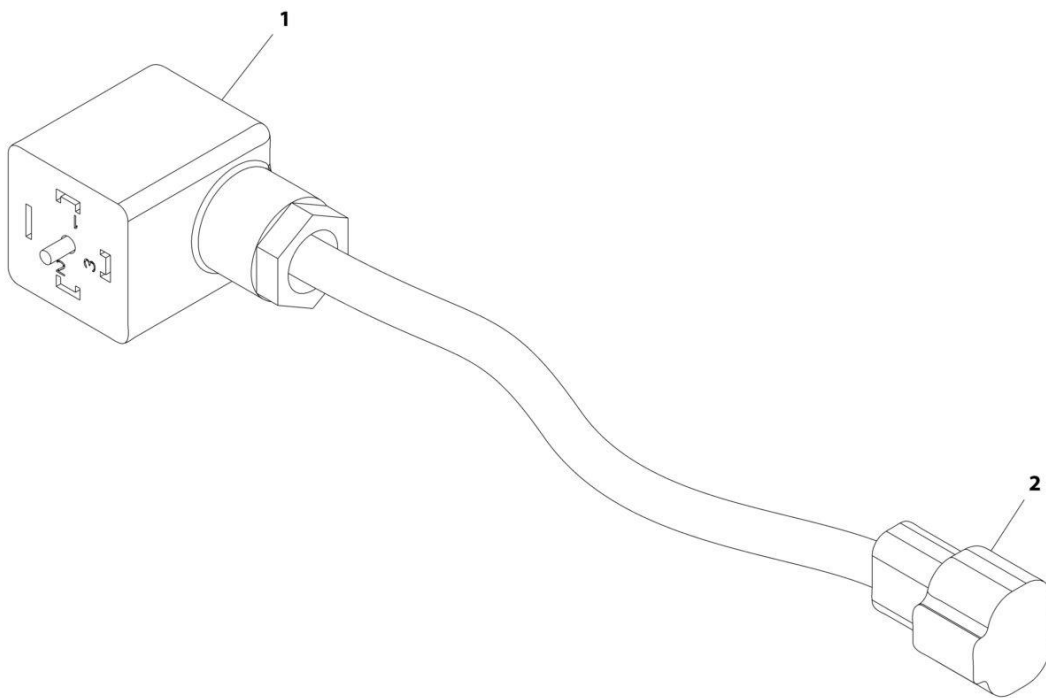
## SECTION 8 - ELECTRICAL

### FIGURE 8-69. PLATFORM VALVE HARNESS

ITEM	PART NUMBER	QTY	DESCRIPTION	REV
	4922777	Ref	PLATFORM VALVE HARNESS	E
7	4240033	10	Tie-Strap (Not Shown)	
8	1001263923	9	DIN Connector	
16	4460926	1	Connector - 21 Position	
16	4460928	13	Socket, Female	
16	4460466	8	Plug, Hole	
18	4460897	1	Connector - 2 Position	
18	4460464	2	Pin, Male	
20	4460891	1	Plug, Male - 2 Position	
20	4460465	2	Socket, Female	

# SECTION 8 - ELECTRICAL

## FIGURE 8-70. PUMP ADAPTER HARNESS - SAUER PUMPS



ART\_1001119456

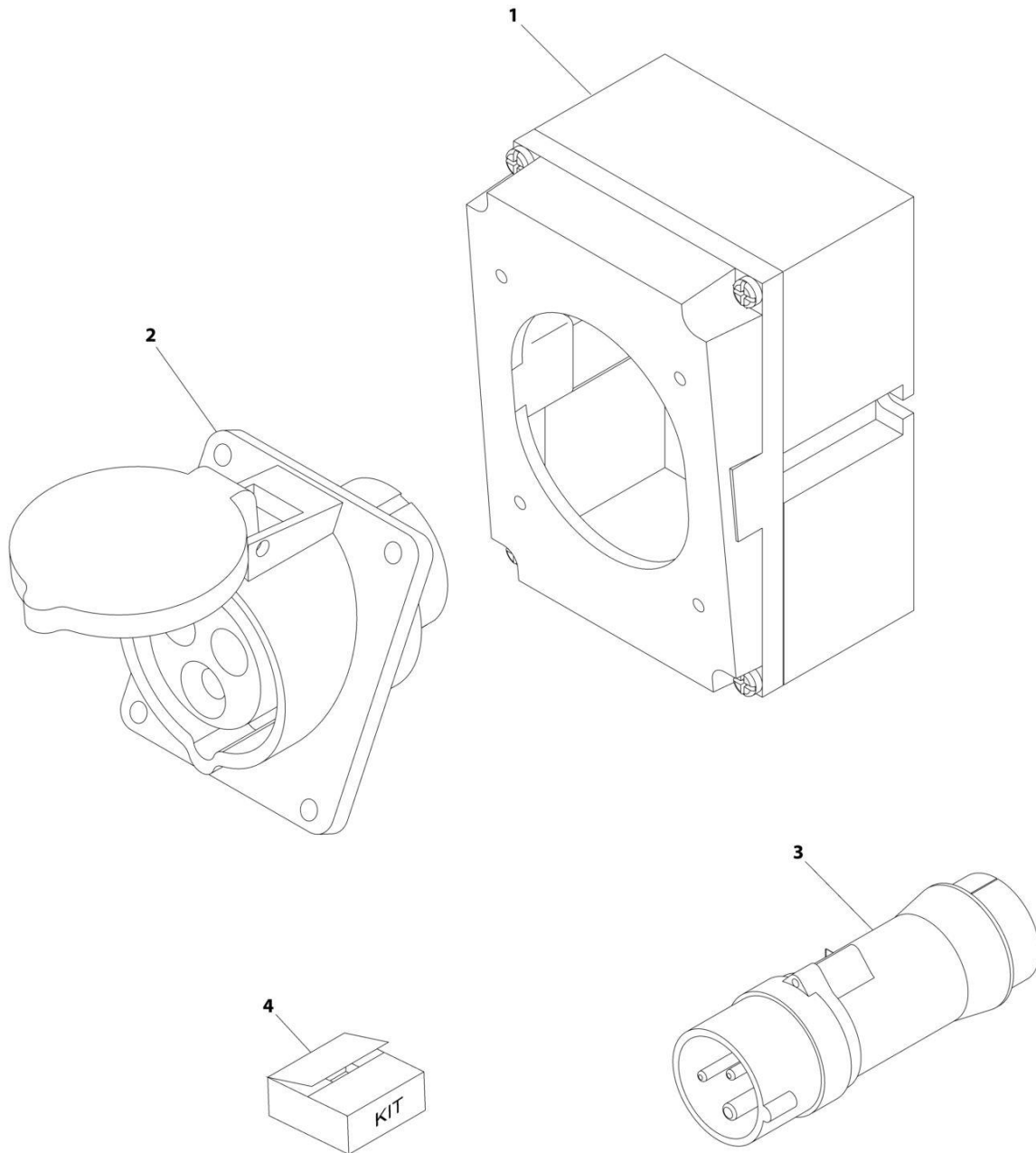
## SECTION 8 - ELECTRICAL

### FIGURE 8-70. PUMP ADAPTER HARNESS - SAUER PUMPS

ITEM	PART NUMBER	QTY	DESCRIPTION	REV
	1001119456	Ref	PUMP ADAPTER HARNESS - SAUER PUMPS	C
1	4460880	2	DIN Connector	
2	4460897	2	Connector - 2 Position	
2	4460464	4	Pin, Male	

## SECTION 8 - ELECTRICAL

FIGURE 8-71. RECEPTACLE BOX KIT - 110V IEC YELLOW WITHOUT 2500W GENERATOR (CE & UK CA SPECS)



ART\_0275216

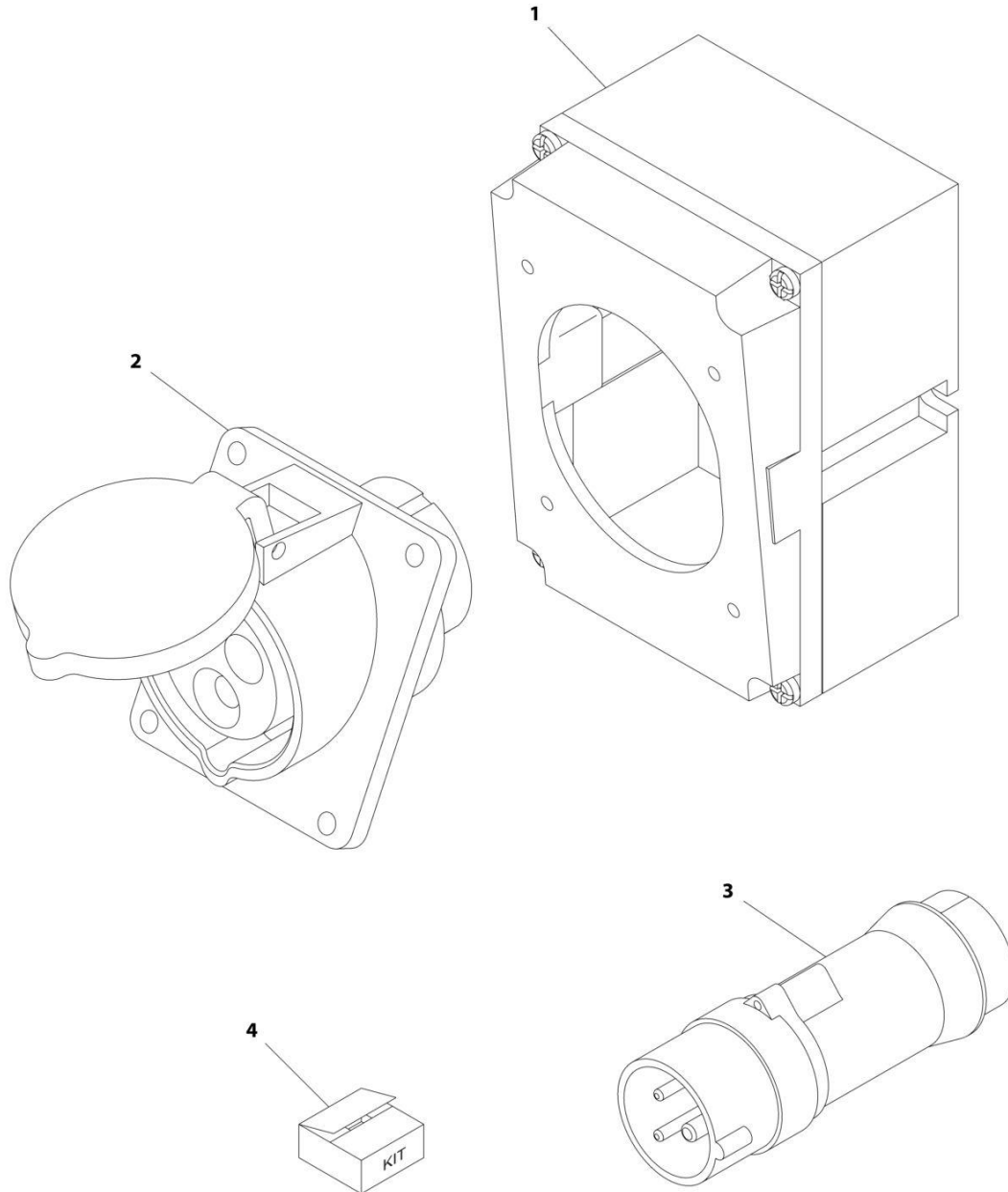
## SECTION 8 - ELECTRICAL

**FIGURE 8-71. RECEPTACLE BOX KIT - 110V IEC YELLOW WITHOUT 2500W GENERATOR (CE & UK CA SPECS)**

ITEM	PART NUMBER	QTY	DESCRIPTION	REV
	0275216	Ref	RECEPTACLE BOX KIT - 110V IEC YELLOW	B
1	0861781	1	Box, Switch	
2	4461198	1	Receptacle	
3	4461196	1	Plug, Male	
4	1001100341	1	Plug and Socket Kit (Includes Items 1-3 and Female Plug p/n 4461197)	

# SECTION 8 - ELECTRICAL

FIGURE 8-72. RECEPTACLE BOX KIT - 220V IEC BLUE WITHOUT 2500W GENERATOR (CE & UK CA SPECS)



ART\_0275217



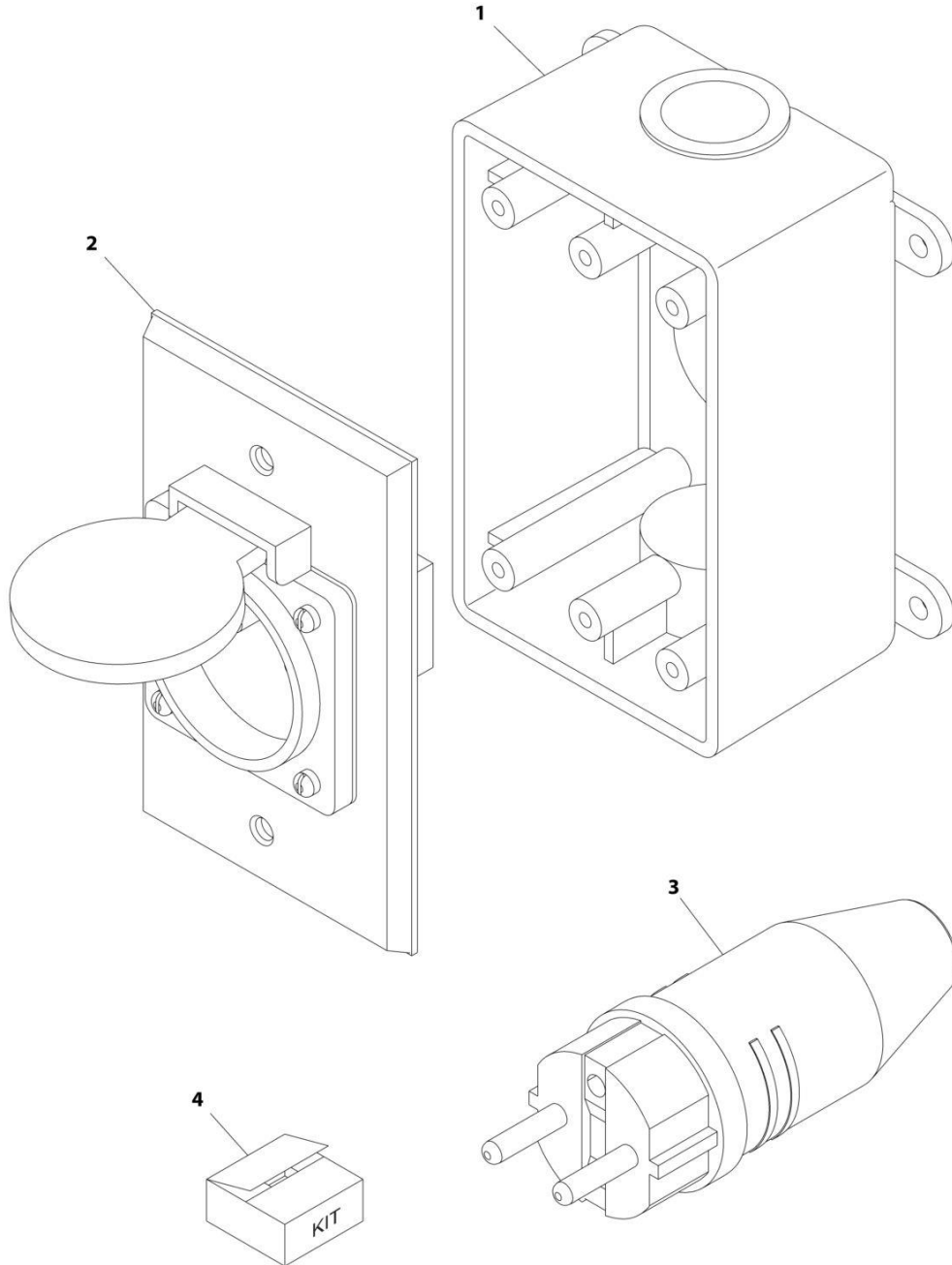
## SECTION 8 - ELECTRICAL

**FIGURE 8-72. RECEPTACLE BOX KIT - 220V IEC BLUE WITHOUT 2500W GENERATOR (CE & UK CA SPECS)**

ITEM	PART NUMBER	QTY	DESCRIPTION	REV
	0275217	Ref	RECEPTACLE BOX KIT - 220V IEC BLUE	B
1	0861781	1	Box, Switch	
2	4461201	1	Receptacle	
3	4461199	1	Plug, Male	
4	1001100342	1	Plug and Socket Kit (Includes Items 1-3 and Female Plug p/n 4461200)	

# SECTION 8 - ELECTRICAL

**FIGURE 8-73. RECEPTACLE BOX KIT - 220V CEE7 POST GROUND WITHOUT 2500W GENERATOR  
(2X4 BOX) (CE & UK CA SPECS)**



ART\_0275452-C

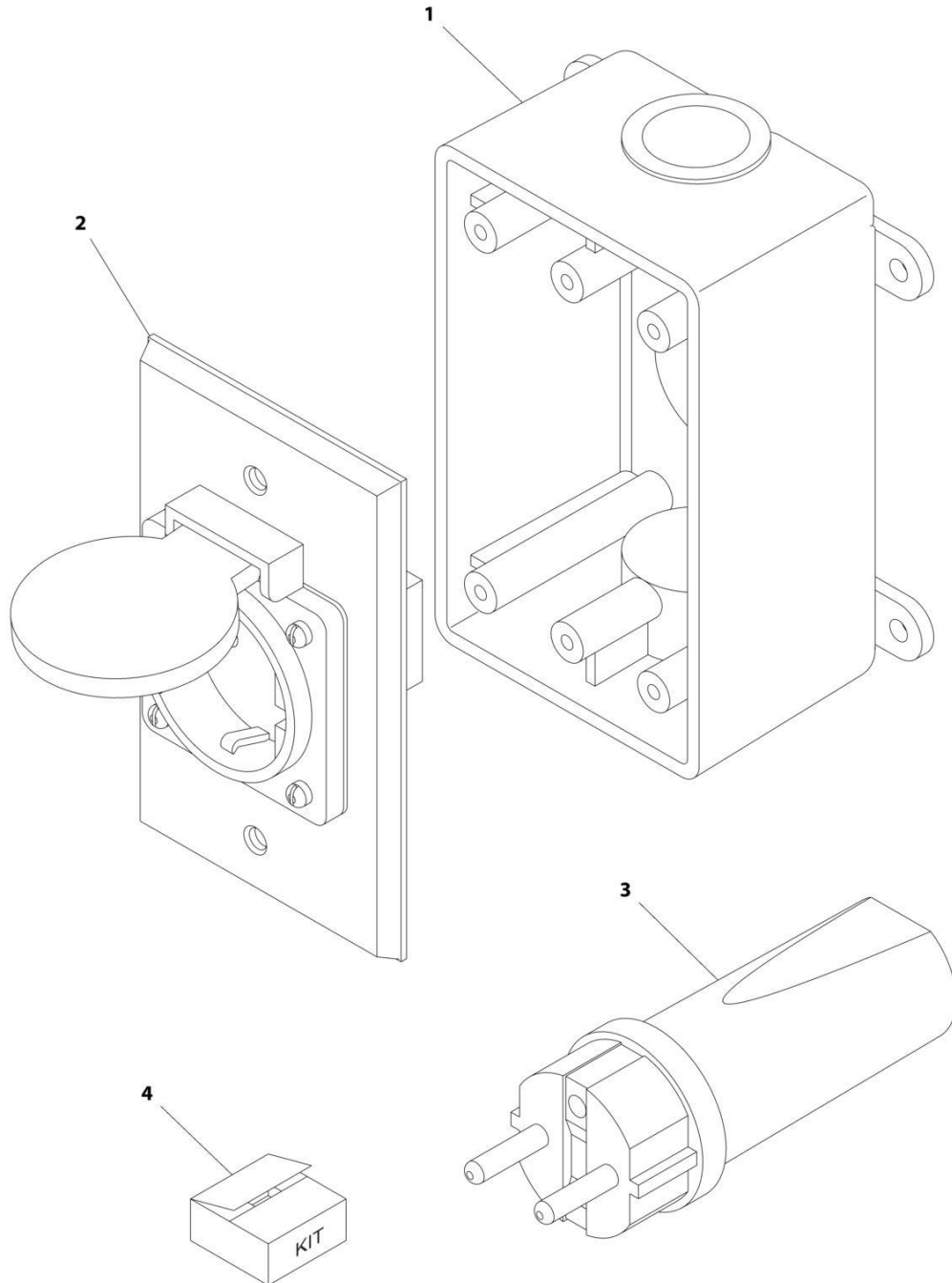
## SECTION 8 - ELECTRICAL

**FIGURE 8-73. RECEPTACLE BOX KIT - 220V CEE7 POST GROUND WITHOUT 2500W GENERATOR  
(2X4 BOX) (CE & UK CA SPECS)**

ITEM	PART NUMBER	QTY	DESCRIPTION	REV
	0275452	Ref	RECEPTACLE BOX KIT - 220V CEE7 POST GROUND 2IN X 4IN BOX	C
1	0861731	1	Box, Switch	
2	4461244	1	Receptacle	
3	4461205	1	Plug, Male	
4	1001100345	1	Plug and Socket Kit (Includes Items 1-3 and Female Plug p/n 4461203)	

## SECTION 8 - ELECTRICAL

FIGURE 8-74. RECEPTACLE BOX KIT - 220V CEE7 SIDE GROUND WITHOUT 2500W GENERATOR  
(2X4 BOX) (CE & UK CA SPECS)



ART\_0275453

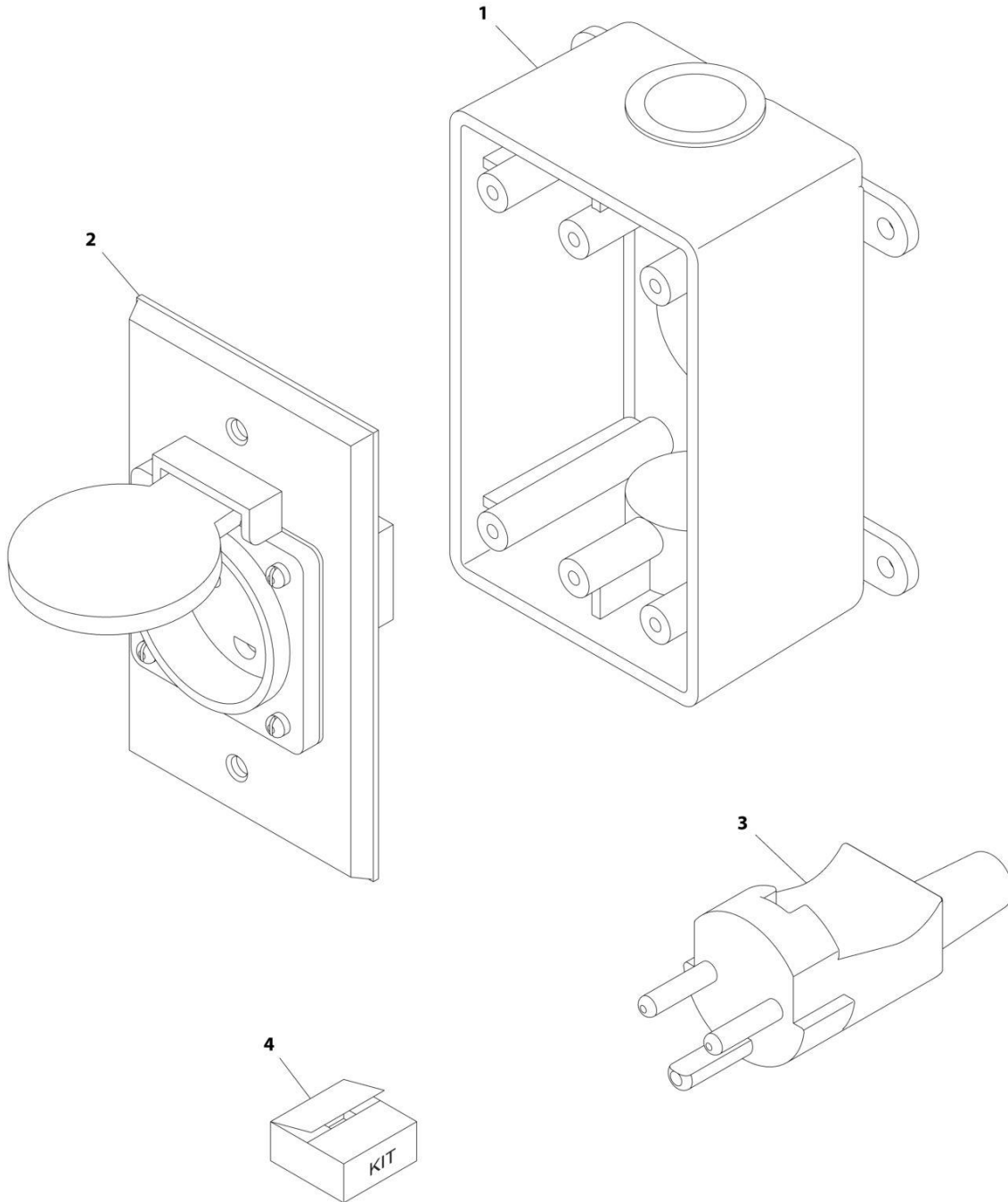
## SECTION 8 - ELECTRICAL

**FIGURE 8-74. RECEPTACLE BOX KIT - 220V CEE7 SIDE GROUND WITHOUT 2500W GENERATOR  
(2X4 BOX) (CE & UK CA SPECS)**

ITEM	PART NUMBER	QTY	DESCRIPTION	REV
	0275453	Ref	RECEPTACLE BOX KIT - 220V CEE7 SIDE GROUND	B
1	0861731	1	Box, Switch	
2	4461245	1	Receptacle	
3	4461205	1	Plug, Male	
4	1001100347	1	Plug and Socket Kit (Includes Items 1-3 and Female Plug p/n 4461206)	

# SECTION 8 - ELECTRICAL

FIGURE 8-75. RECEPTACLE BOX KIT - 220V AFSINT 107 KEYED GROUND WITHOUT 2500W GENERATOR (2X4 BOX) (CE & UK CA SPECS)



ART\_0275454

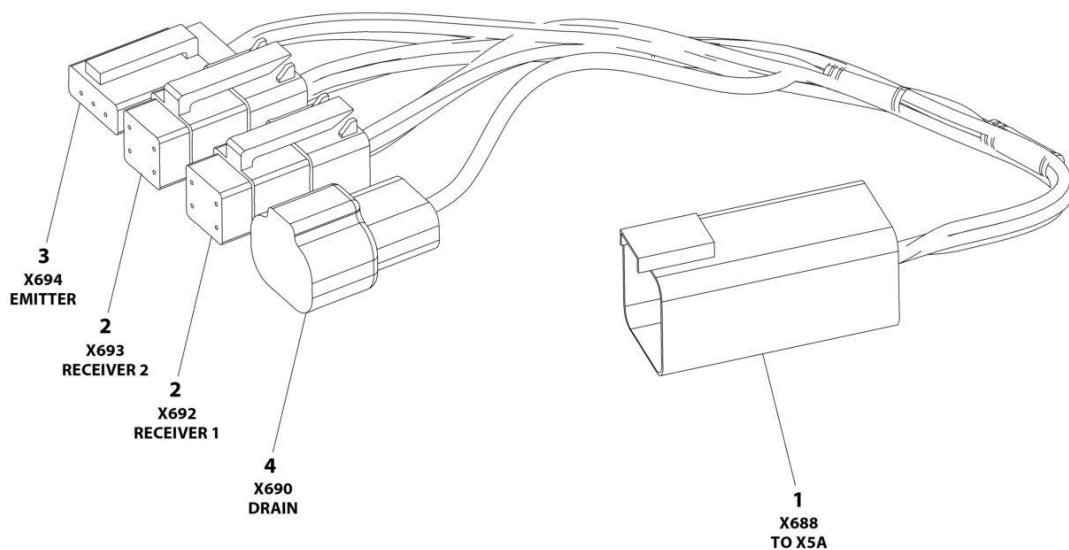
## SECTION 8 - ELECTRICAL

**FIGURE 8-75. RECEPTACLE BOX KIT - 220V AFSINT 107 KEYED GROUND WITHOUT 2500W GENERATOR (2X4 BOX) (CE & UK CA SPECS)**

ITEM	PART NUMBER	QTY	DESCRIPTION	REV
	0275454	Ref	RECEPTACLE BOX KIT - 220V AFSINT 107	B
1	0861731	1	Box, Switch	
2	4461246	1	Receptacle	
3	4461249	1	Plug, Male	
4	1001100346	1	Plug and Socket Kit (Includes Items 1-3 and Female Plug p/n 4461250)	

# SECTION 8 - ELECTRICAL

## FIGURE 8-76. SKYEYE INTERMEDIATE HARNESS



ART\_1001237865



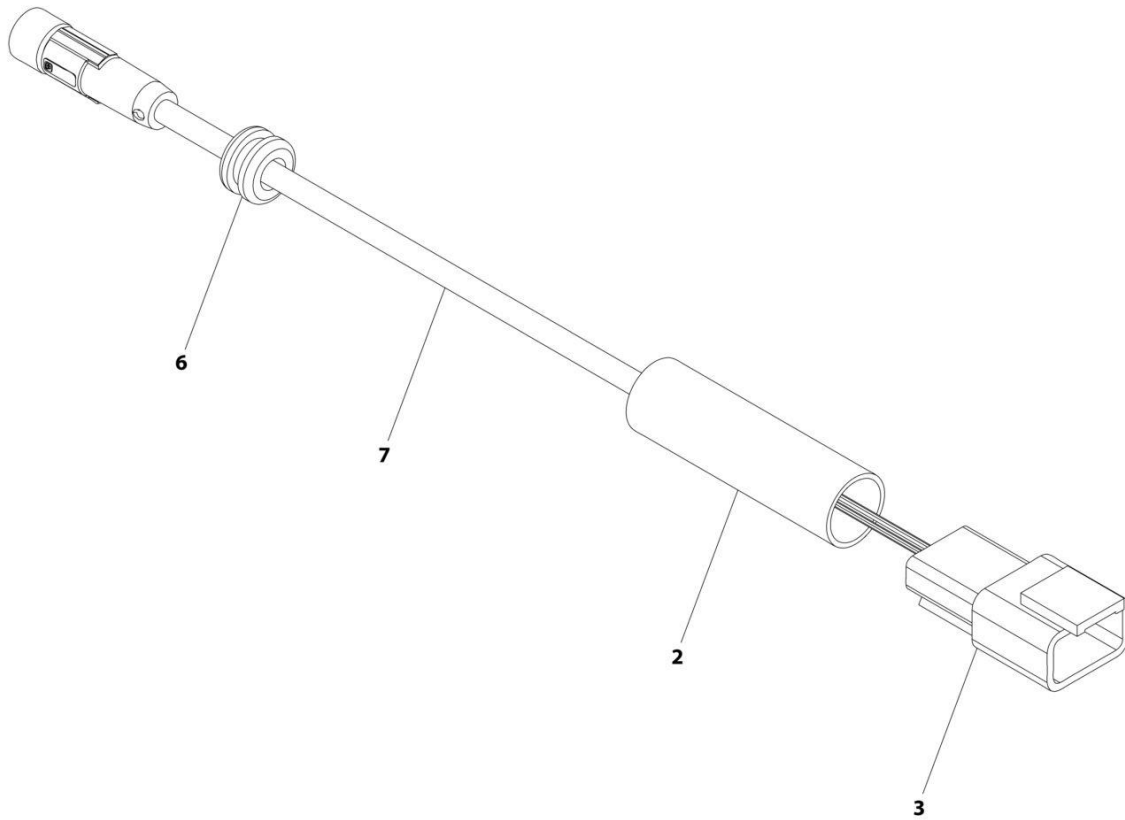
## SECTION 8 - ELECTRICAL

**FIGURE 8-76. SKYEYE INTERMEDIATE HARNESS**

ITEM	PART NUMBER	QTY	DESCRIPTION	REV
	1001237865	Ref	SKYEYE INTERMEDIATE HARNESS	A
1	4460899	1	Connector - 6 Position	
1	4460943	4	Pin, Male	
1	4460466	2	Plug, Terminal	
2	4461077	2	Connector - 4 Position	
2	1001119619	8	Socket, Female	
3	4460911	1	Connector - 3 Position	
3	1001119619	3	Socket, Female	
4	1001187681	1	Connector - 2 Position	
4	4460941	1	Pin, Male	
4	4460466	1	Plug, Terminal	

# SECTION 8 - ELECTRICAL

## FIGURE 8-77. SKYEYE EMITTER HARNESS



ART\_1001237864

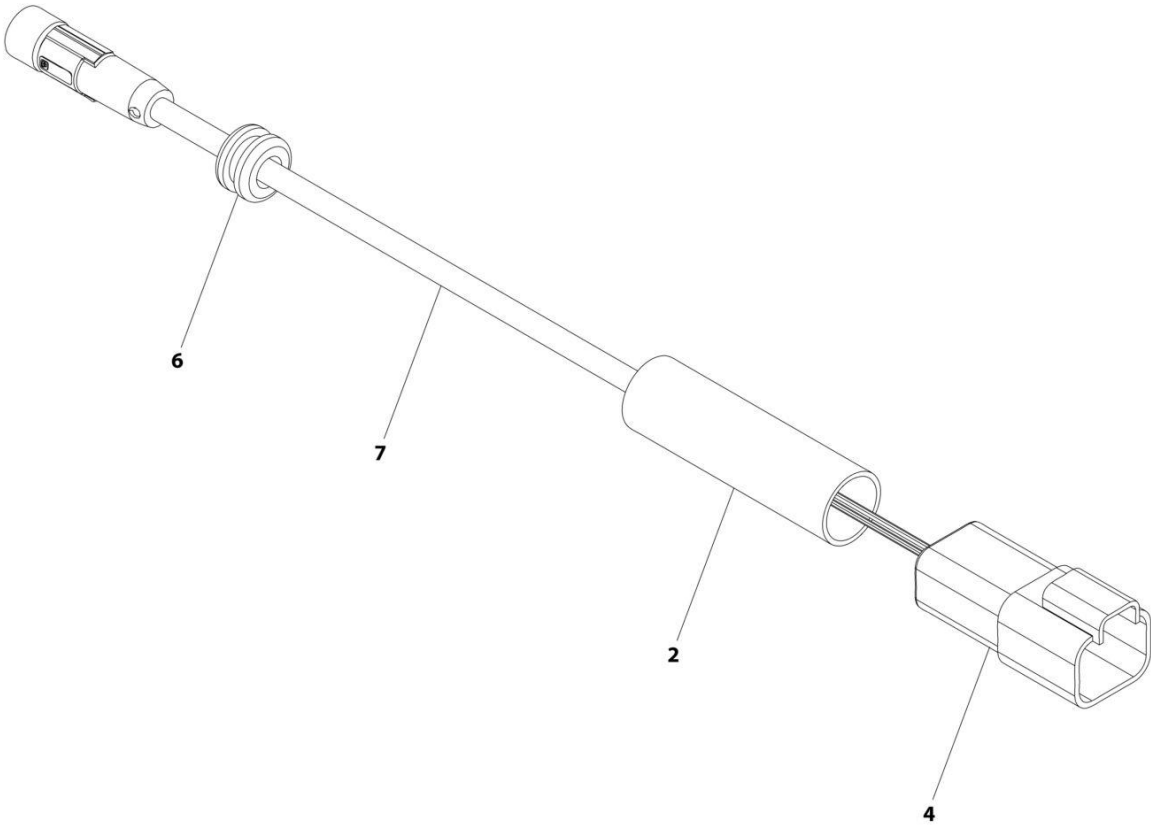
## SECTION 8 - ELECTRICAL

### FIGURE 8-77. SKYEYE EMITTER HARNESS

ITEM	PART NUMBER	QTY	DESCRIPTION	REV
	1001237864	Ref	SKYEYE EMITTER HARNESS	A
2	2820247	AR	Tubing, Heat Shrink	
3	4460910	1	Connector - 3 Position	
3	1001119620	3	Pin, Male	
6	1001227996	1	Grommet	
7	1001237862	1	Cable, M8 Female Cordset	

**SECTION 8 - ELECTRICAL**

**FIGURE 8-78. SKYEYE RECEIVER HARNESS**



ART\_1001237863

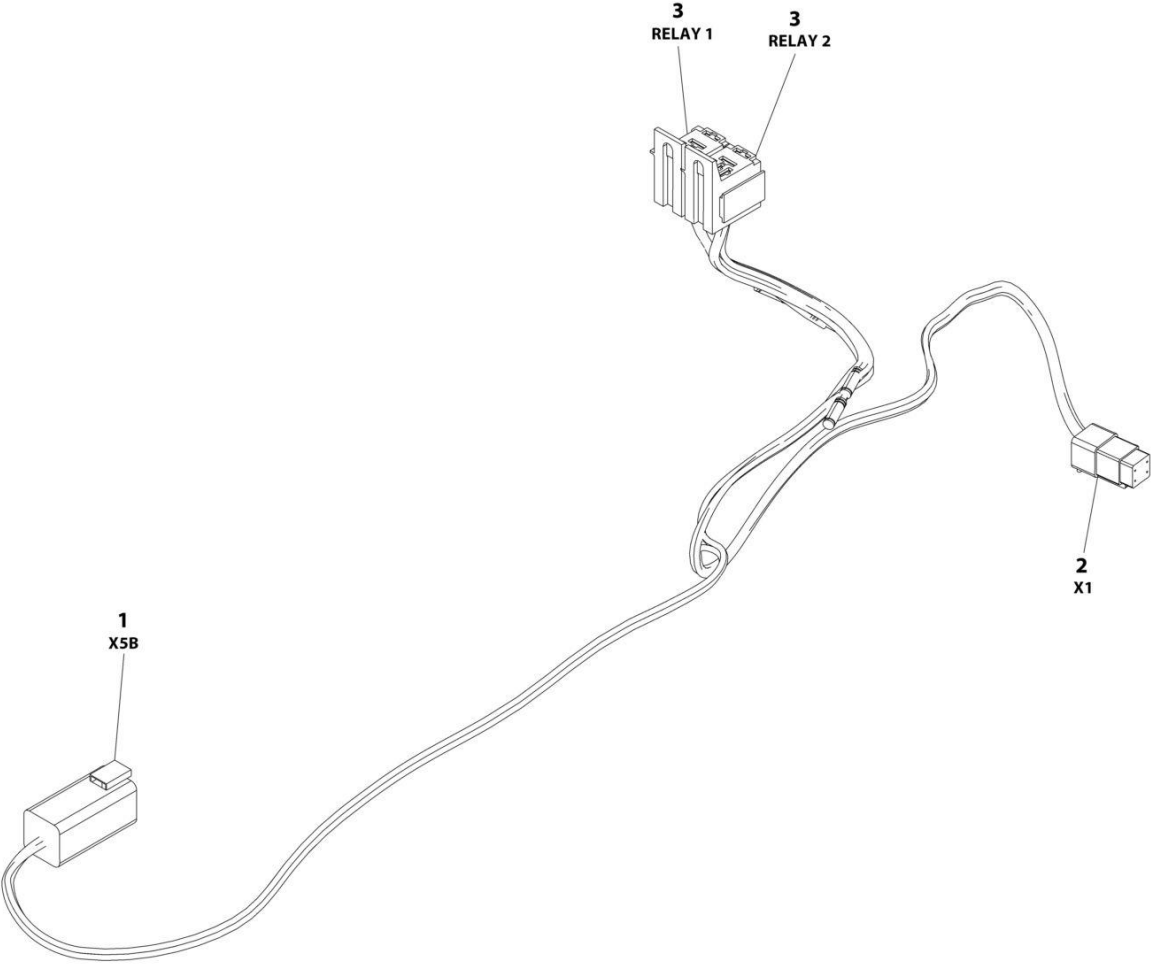
## SECTION 8 - ELECTRICAL

### FIGURE 8-78. SKYEYE RECEIVER HARNESS

ITEM	PART NUMBER	QTY	DESCRIPTION	REV
	1001237863	Ref	SKYEYE RECEIVER HARNESS	A
2	2820247	AR	Tubing, Heat Shrink	
4	1001097051	1	Connector - 4 Position	
4	1001119620	4	Pin, Male	
6	1001227996	1	Grommet	
7	1001237862	1	Cable, M8 Female Cordset	

**SECTION 8 - ELECTRICAL**

**FIGURE 8-79. SKYLINE HARNESS**



ART\_1001238418

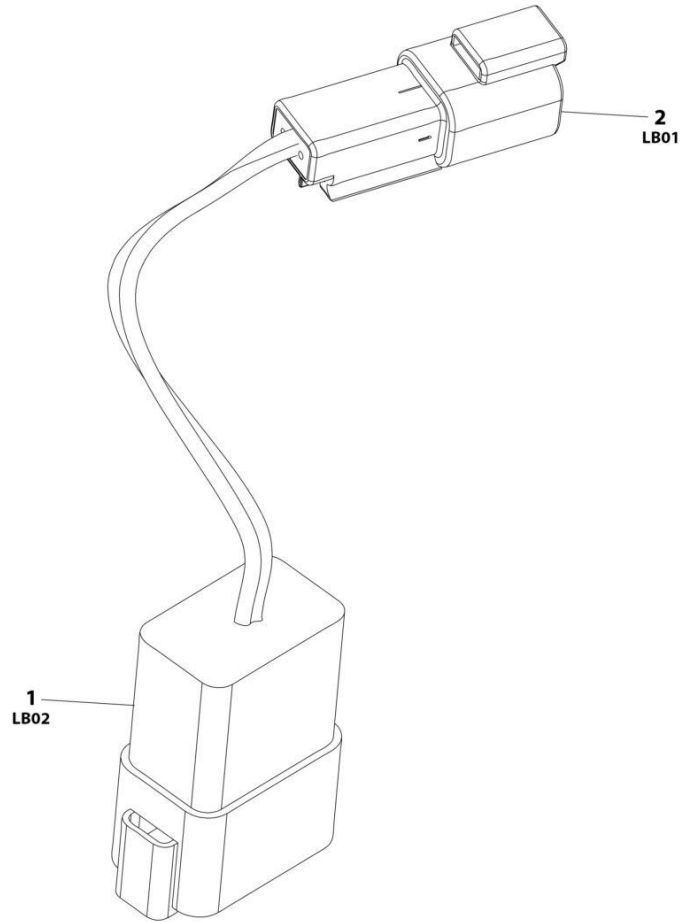
## SECTION 8 - ELECTRICAL

### FIGURE 8-79. SKYLINE HARNESS

ITEM	PART NUMBER	QTY	DESCRIPTION	REV
	1001238418	Ref	SKYLINE HARNESS	B
1	4460899	1	Connector - 6 Position	
1	4460464	4	Pin, Male	
1	4460466	2	Plug, Terminal	
2	4461077	1	Connector - 4 Position	
2	1001126009	4	Socket, Female	
3	1001186432	2	Plug, Relay	
3	1001118388	5	Terminal	
3	1001118384	3	Terminal	
3	3740086	2	Relay	

# SECTION 8 - ELECTRICAL

## FIGURE 8-80. STROBE LIGHT HARNESS (AMBER)



ART\_1001283776



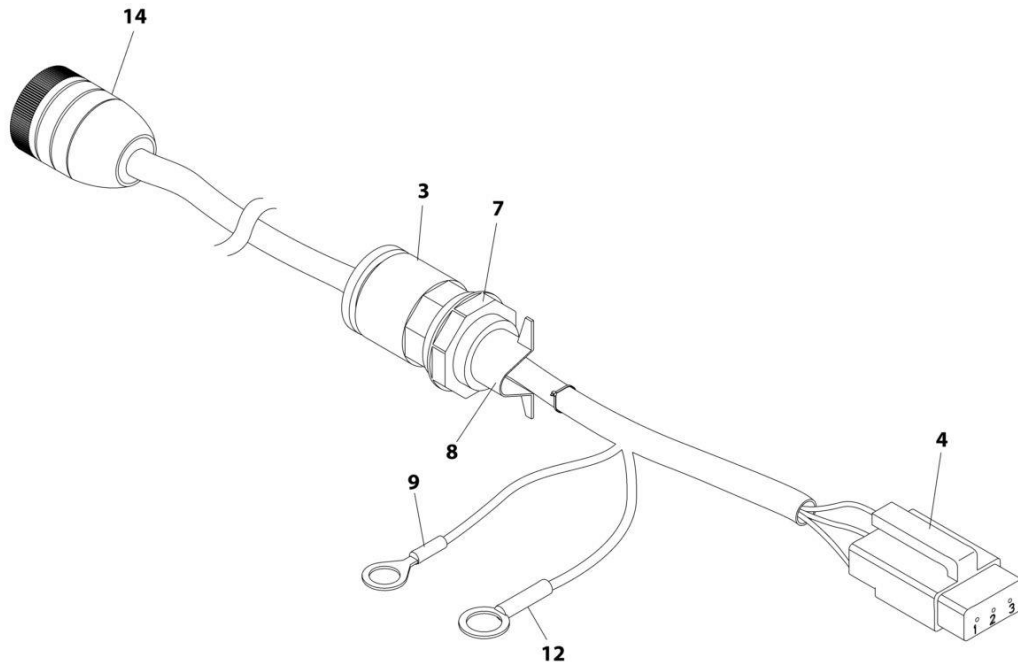
## SECTION 8 - ELECTRICAL

### FIGURE 8-80. STROBE LIGHT HARNESS (AMBER)

ITEM	PART NUMBER	QTY	DESCRIPTION	REV
	1001283776	Ref	STROBE LIGHT HARNESS (AMBER)	A
1	4460931	1	Connector	
1	4460464	2	Pin	
1	4460466	6	Plug	
2	4460897	1	Connector	
2	4460464	2	Pin	

# SECTION 8 - ELECTRICAL

## FIGURE 8-81. TILT SENSOR HARNESS (LEFT)



ART\_4922948

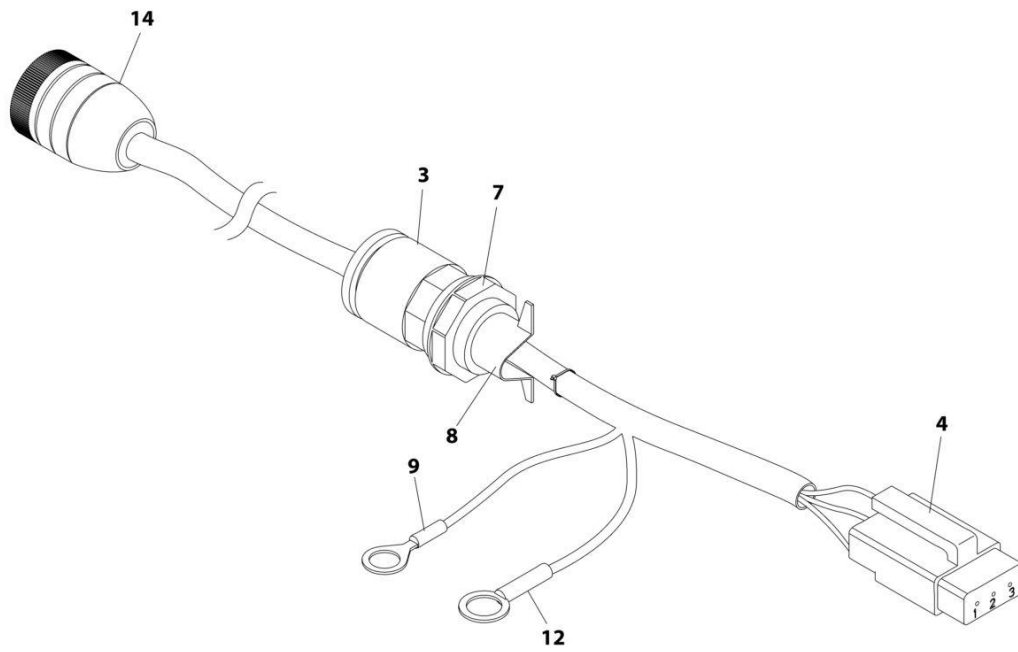
## SECTION 8 - ELECTRICAL

### FIGURE 8-81. TILT SENSOR HARNESS (LEFT)

ITEM	PART NUMBER	QTY	DESCRIPTION	REV
	4922948	Ref	TILT SENSOR HARNESS (LEFT)	E
3	1560011	1	Connector, Conduit	
4	4460911	1	Connector - 3 Position	
4	4460912	1	Lock, Wedge	
4	4460918	3	Pin, Male	
7	1560012	1	Nut, Conduit	
8	1320309	1	Clamp, Cable	
9	4460702	1	Terminal, Eyelet	
10	4240032	2	Tie-Strap (Not Shown)	
12	4460256	1	Terminal, Eyelet	
14	4461013	1	Connector - 6 Position	

# SECTION 8 - ELECTRICAL

## FIGURE 8-82. TILT SENSOR HARNESS (RIGHT)



ART\_4922947

## SECTION 8 - ELECTRICAL

### FIGURE 8-82. TILT SENSOR HARNESS (RIGHT)

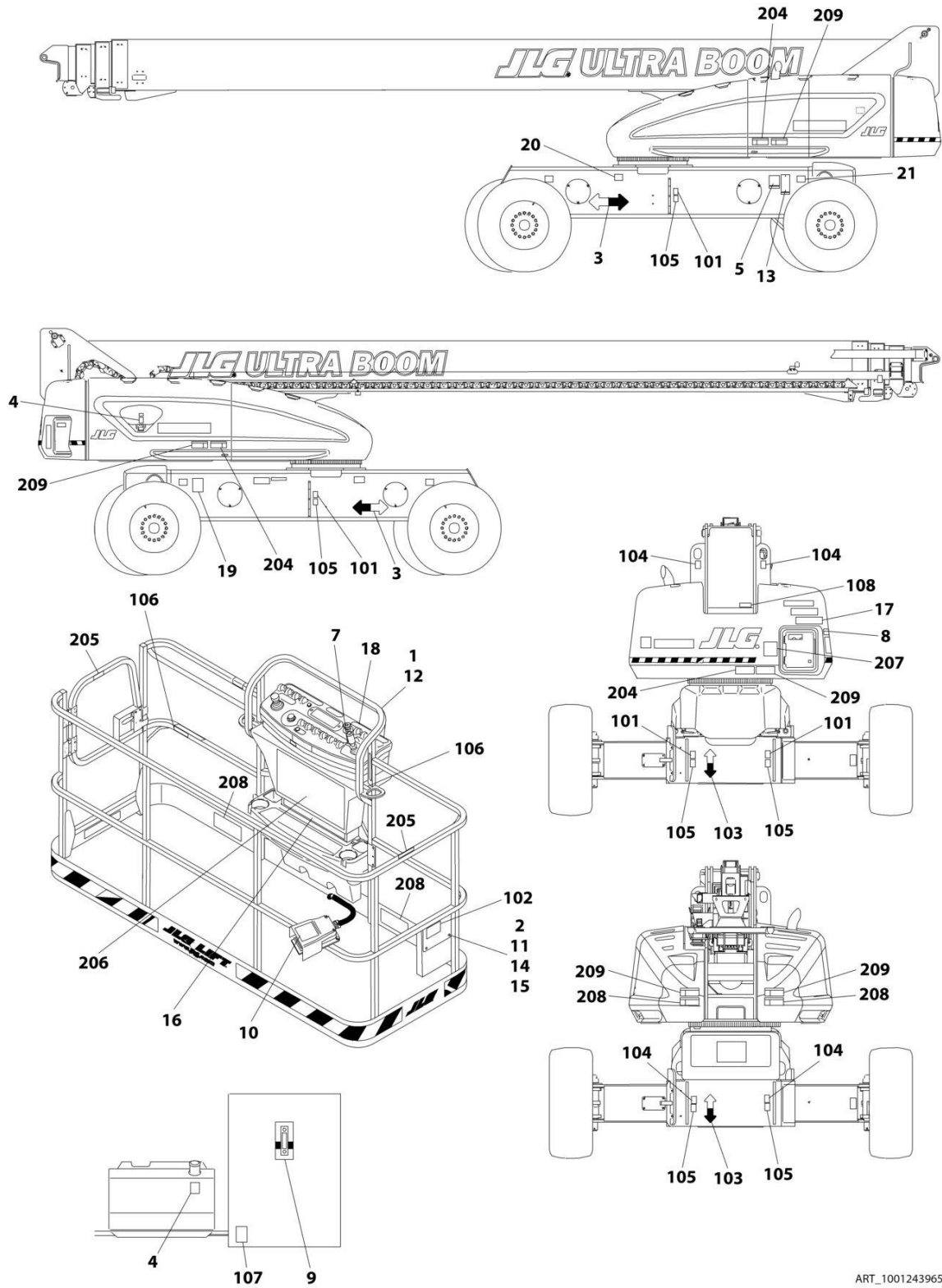
ITEM	PART NUMBER	QTY	DESCRIPTION	REV
	4922947	Ref	TILT SENSOR HARNESS (RIGHT)	E
3	1560011	1	Connector, Conduit	
4	4460911	1	Connector - 3 Position	
4	4460912	1	Lock, Wedge	
4	4460918	3	Pin, Male	
7	1560012	1	Nut, Conduit	
8	1320309	1	Clamp, Cable	
9	4460702	1	Terminal, Eyelet	
10	4240032	2	Tie-Strap (Not Shown)	
12	4460256	1	Terminal, Eyelet	
14	4461013	1	Connector - 6 Position	



**SECTION 9 - DECALS**

# SECTION 9 - DECALS

## FIGURE 9-1. DECAL INSTALLATION - ANSI SPEC



ART\_1001243965\_1200-1350



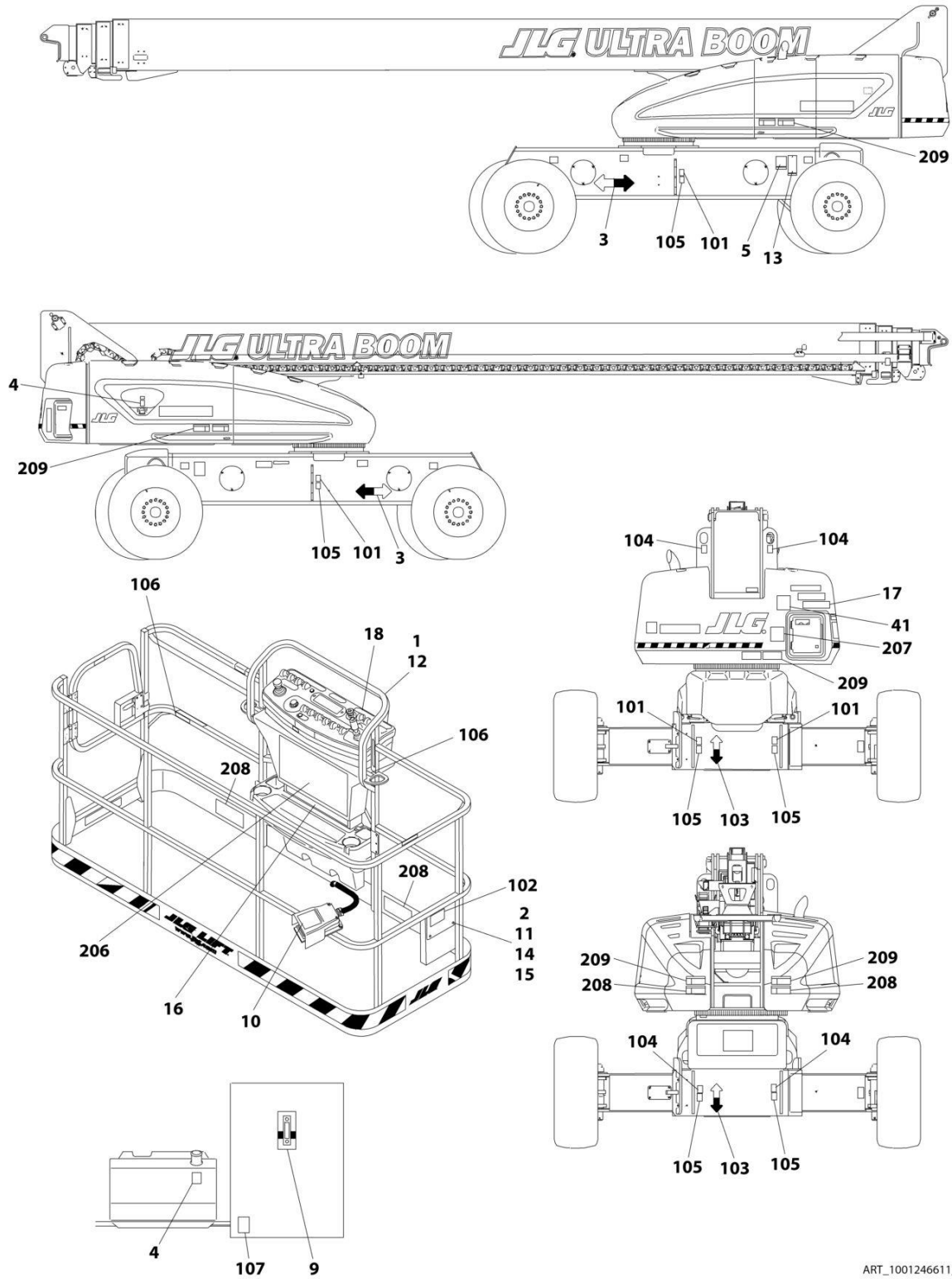
## SECTION 9 - DECALS

**FIGURE 9-1. DECAL INSTALLATION - ANSI SPEC**

ITEM	PART NUMBER	QTY	DESCRIPTION	REV
	1001248554	Ref	DECAL INSTALLATION - REFERENCE CHART	D
	1001243965	Ref	DECAL INSTALLATION - ANSI SPEC	B
1	0100048	AR	Grease, Dielectric	
2	0641406	4	Bolt 1/4 x 3/4	
3	1701501	4	Decal - Arrow	
4	1701505	2	Decal - Fuel	
5	See Note	1	Decal - Bar Code (Note: Not Available For Purchase)	
6	1704972	1	Decal - Warning Explosion/Fire (Not Shown - Located on Engine Air Filter Housing)	
7	1705351	1	Decal - Drive/Steer Instructions	
8	1705492	1	Decal - Tip Over Hazard	
9	1705511	1	Decal - Oil Level	
10	3252347	1	Decal - Footswitch	
11	3311405	4	Nut 1/4	
12	3520174	3	Plug	
13	3820001	2	Rivet	
14	4751400	4	Washer 1/4	
15	91403230	1	Box, Manual Storage	
16	1001253048	1	Decal - Capacity (Platform)	
17	1001253049	1	Decal - Capacity (Ground Control)	
18	1001122611	1	Decal - Stop	
19	1001131269	1	Decal - Patent	
20	1001223055	1	Decal - Yearly Inspection	
21	1001223453	1	Decal - Ices	
100	1001248539	1	Decal Master Kit (Not Shown - Includes Items 101-108)	
101	1701499	4	Decal - No Lift	
102	1701509	1	Decal - Manual	
103	1701529	2	Decal - Arrow	
104	1703811	8	Decal - Tie Down/Lift	
105	1703814	6	Decal - Tie Down	
106	1704277	4	Decal - Attach Lanyard Here	
107	1704412	1	Decal - Hydraulic Oil Chart	
108	3251243	1	Nameplate - 120V-60Hz	
200	1001248547	1	Decal Kit (Not Shown - Includes Items 204-209)	
204	1703953	7	Decal - Warning/Crushing	
205	1702868	2	Decal - No Hands	
206	1001231315	1	Decal - Danger/Warning (Platform)	
207	1705336	1	Decal - Danger/Warning (Ground Control)	
208	1703804	5	Decal - Warning Crushing	
209	1703805	5	Decal - Danger/Electrocution	

# SECTION 9 - DECALS

## FIGURE 9-2. DECAL INSTALLATION - AUSTRALIAN SPEC



ART\_1001246611\_1200-1350

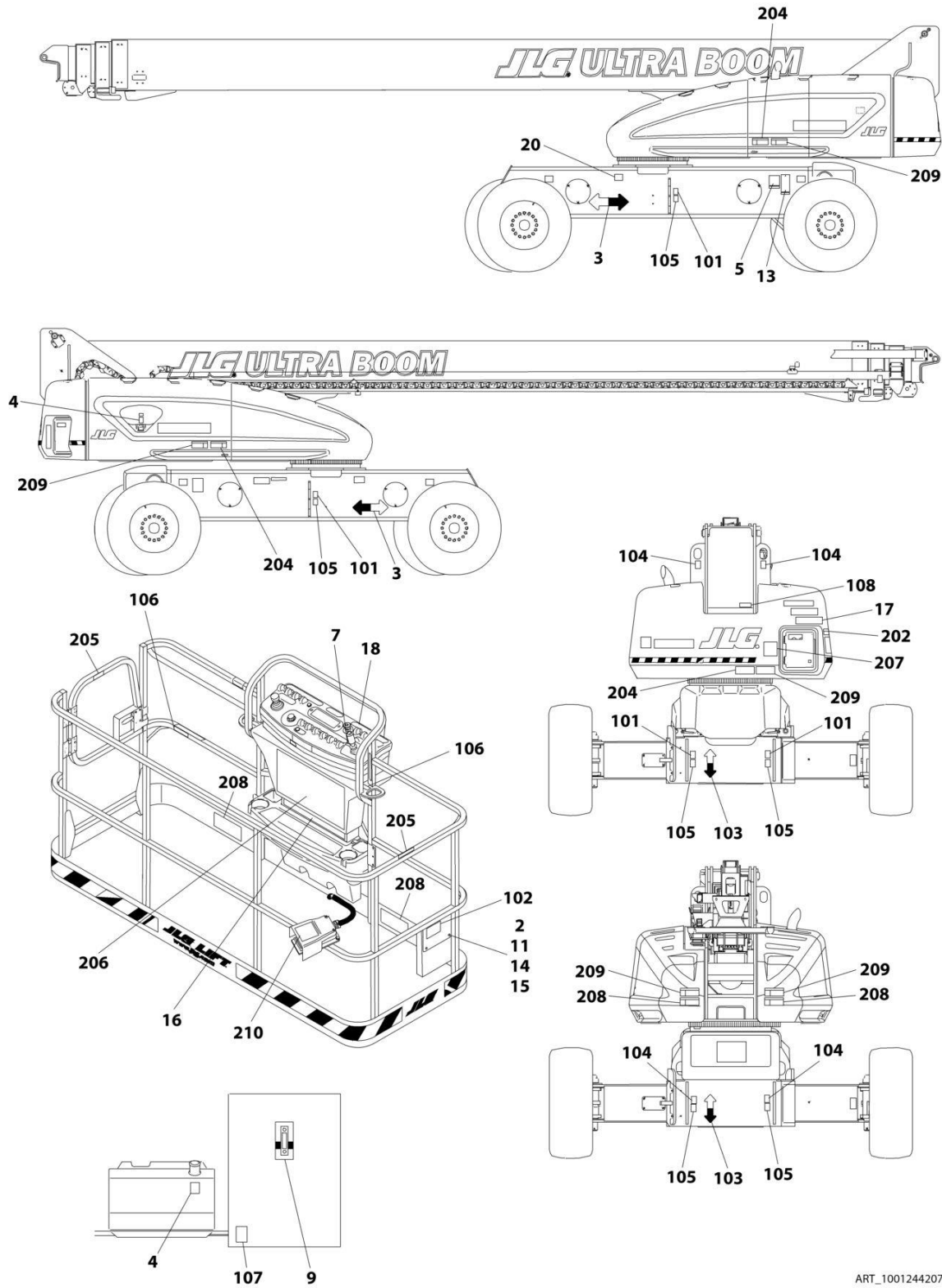
## SECTION 9 - DECALS

**FIGURE 9-2. DECAL INSTALLATION - AUSTRALIAN SPEC**

ITEM	PART NUMBER	QTY	DESCRIPTION	REV
	1001248554	Ref	DECAL INSTALLATION - REFERENCE CHART	D
	1001246611	Ref	DECAL INSTALLATION - AUSTRALIAN SPEC	A
1	0100048	AR	Grease, Dielectric	
2	0641406	4	Bolt 1/4 x 3/4	
3	1701501	4	Decal - Arrow	
4	1701505	2	Decal - Fuel	
5	See Note	1	Decal - Bar Code (Note: Not Available For Purchase)	
6	1706098	1	Decal - Warning Explosion/Fire (Not Shown - Located on Engine Air Filter Housing)	
9	1705511	1	Decal - Oil Level	
10	1705828	1	Decal - Footswitch	
11	3311405	4	Nut 1/4	
12	3520174	3	Plug	
13	3820001	6	Rivet	
14	4751400	4	Washer 1/4	
15	91403230	1	Box, Manual Storage	
16	1706770	1	Decal - Capacity (Platform)	
17	1705468	1	Decal - Capacity (Ground Control)	
18	1705174	1	Decal - Stop	
41	1001112551	1	Decal - Emergency Controls (Australian Spec)	
100	1001248540	1	Decal Master Kit (Not Shown - Includes Items 101-107)	
101	1701499	4	Decal - No Lift	
102	1701509	1	Decal - Manual	
103	1701529	2	Decal - Arrow	
104	1703811	4	Decal - Tie Down/Lift	
105	1703814	6	Decal - Tie Down	
106	1704277	4	Decal - Attach Lanyard Here	
107	1704412	1	Decal - Hydraulic Oil Chart	
200	1001248546	1	Decal Kit (Not Shown - Includes Items 206-209)	
206	1705921	1	Decal - Tipping/Electrical (Platform)	
207	1705822	1	Decal - Electrical/Safety (Ground Control)	
208	1701518	10	Decal - Warning Crushing	
209	1705961	5	Decal - Danger Electrocution	

# SECTION 9 - DECALS

FIGURE 9-3. DECAL INSTALLATION - BRAZIL SPEC (PORTGUESE/ENGLISH)



ART\_1001244207\_1200-1350

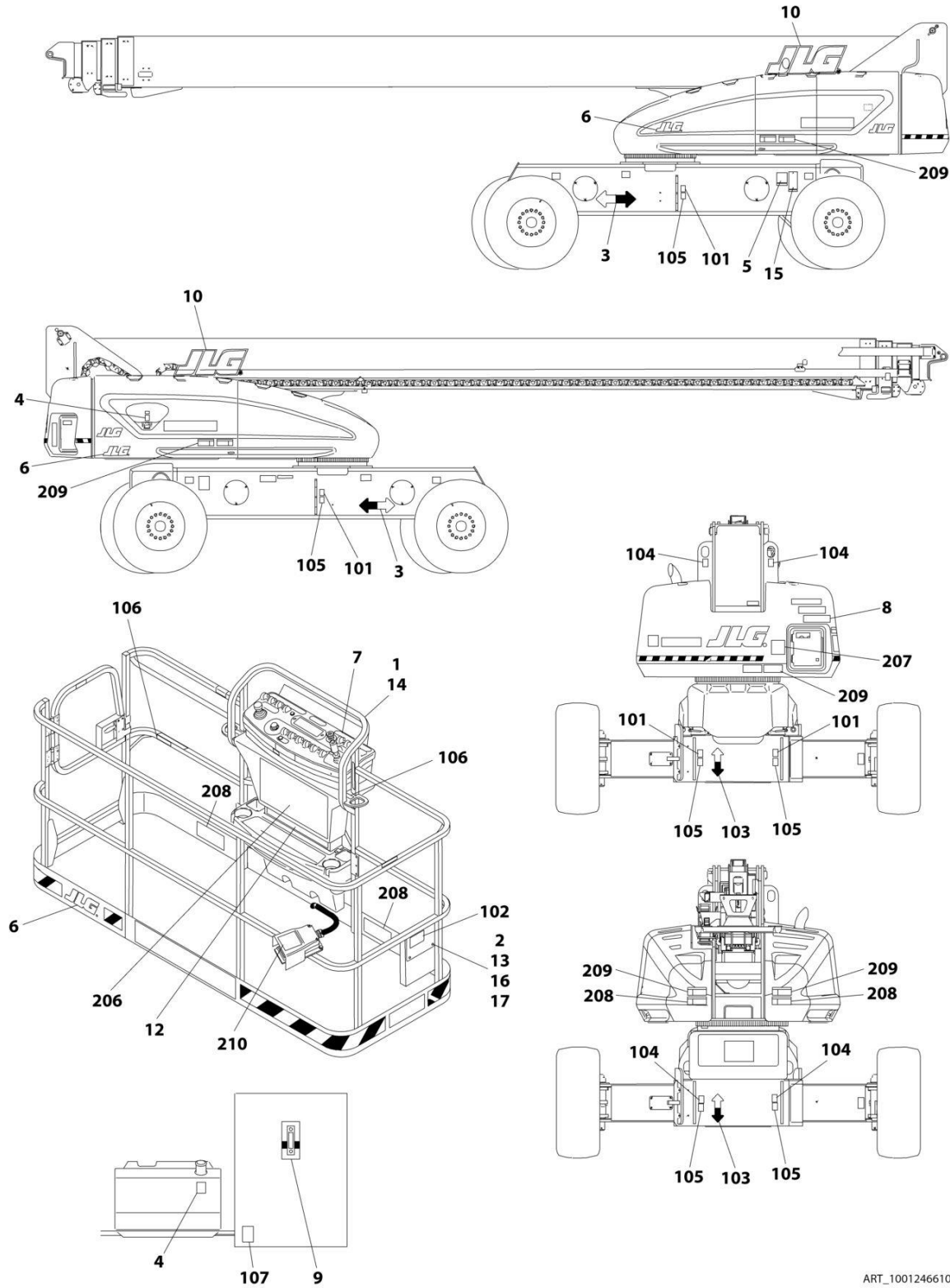
## SECTION 9 - DECALS

**FIGURE 9-3. DECAL INSTALLATION - BRAZIL SPEC (PORTGUESE/ENGLISH)**

ITEM	PART NUMBER	QTY	DESCRIPTION	REV
	1001248554	Ref	DECAL INSTALLATION - REFERENCE CHART	D
	1001244207	Ref	DECAL INSTALLATION - BRAZIL SPEC (PORTGUESE/ENGLISH)	B
2	0641406	4	Bolt 1/4 x 3/4	
3	1701501	4	Decal - Arrow	
4	1701505	2	Decal - Fuel	
5	See Note	1	Decal - Bar Code (Note: Not Available For Purchase)	
6	1706059	1	Decal - Warning Explosion/Fire (Not Shown - Located on Engine Air Filter Housing)	
7	1705905	1	Decal - Drive/Steer Instructions	
9	1705511	1	Decal - Oil Level	
11	3311405	4	Nut 1/4	
13	3820001	2	Rivet	
14	4751400	4	Washer 1/4	
15	91403230	1	Box, Manual Storage	
16	1001253057	1	Decal - Capacity (Platform)	
17	1001253058	1	Decal - Capacity (Ground Control)	
18	1001122611	1	Decal - Stop	
20	1001224052	1	Decal - Yearly Inspection	
100	1001248539	1	Decal Master Kit (Not Shown - Includes Items 101-108)	
101	1701499	4	Decal - No Lift	
102	1701509	1	Decal - Manual	
103	1701529	2	Decal - Arrow	
104	1703811	8	Decal - Tie Down/Lift	
105	1703814	6	Decal - Tie Down	
106	1704277	4	Decal - Attach Lanyard Here	
107	1704412	1	Decal - Hydraulic Oil Chart	
108	3251243	1	Nameplate - 120V-60Hz	
200	1001248551	1	Decal Kit (Not Shown - Includes Items 202-210)	
202	1705906	1	Decal - Tip Over Hazard	
203	1705901	1	Decal - Inspection (Not Shown)	
204	1705903	7	Decal - Warning/Crushing	
205	1705967	2	Decal - No Hands	
206	1001231319	1	Decal - Danger/Warning (Platform)	
207	1705896	1	Decal - Danger/Warning (Ground Control)	
208	1705898	5	Decal - Warning Crushing	
209	1705897	5	Decal - Danger/Electrocution	
210	1705902	1	Decal - Footswitch	

# SECTION 9 - DECALS

## FIGURE 9-4. DECAL INSTALLATION - CE & UK CA SPEC



ART\_1001246610\_1200-1350

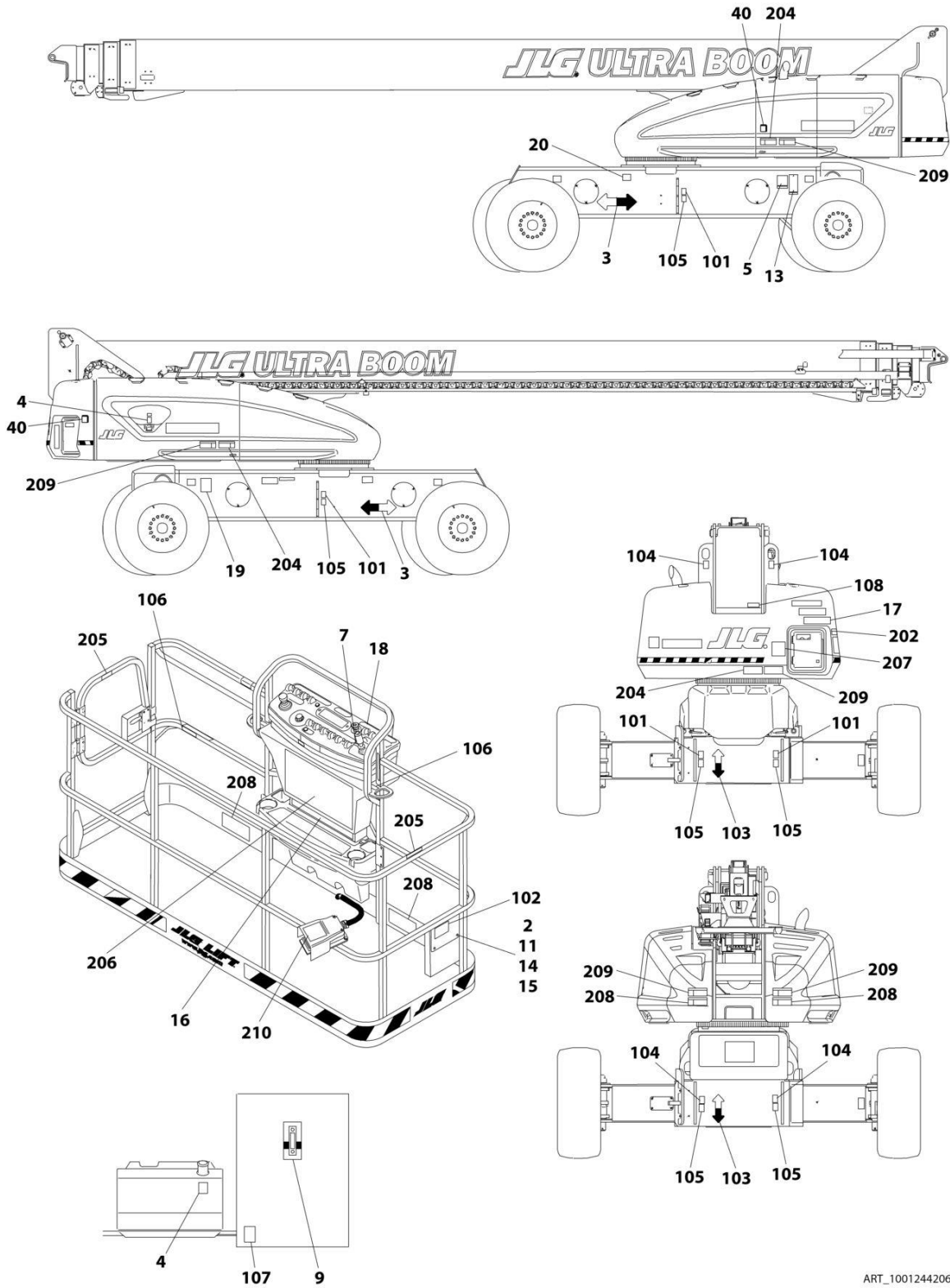
## SECTION 9 - DECALS

**FIGURE 9-4. DECAL INSTALLATION - CE & UK CA SPEC**

ITEM	PART NUMBER	QTY	DESCRIPTION	REV
	1001248559	Ref	DECAL INSTALLATION - REFERENCE CHART	B
	1001246610	Ref	DECAL INSTALLATION - CE & UK CA SPEC	A
1	0100048	AR	Grease, Dielectric	
2	0641406	7	Bolt 1/4 x 3/4	
3	1701501	4	Decal - Arrow	
4	1701505	2	Decal - Fuel	
5	See Note	1	Decal - Bar Code (Note: Not Available For Purchase)	
6	1702773	3	Decal - JLG	
7	1705174	1	Decal - Stop	
8	1705468	1	Decal - Capacity (Ground Control)	
9	1705511	1	Decal - Oil Level	
10	1705864	2	Decal - JLG	
11	1706098	1	Decal - Warning Explosion/Fire (Not Shown - Located on Engine Air Filter Housing)	
12	1706770	1	Decal - Capacity (Platform)	
13	3311405	4	Nut 1/4	
14	3520174	3	Plug	
15	3820001	6	Rivet	
16	4751400	7	Washer 1/4	
17	91403230	1	Box, Manual Storage	
100	1001248540	1	Decal Master Kit (Not Shown - Includes Items 101-107)	
101	1701499	4	Decal - No Lift	
102	1701509	1	Decal - Manual	
103	1701529	2	Decal - Arrow	
104	1703811	4	Decal - Tie Down/Lift	
105	1703814	6	Decal - Tie Down	
106	1704277	4	Decal - Attach Lanyard Here	
107	1704412	1	Decal - Hydraulic Oil Chart	
200	1001248546	1	Decal Kit (Not Shown - Includes Items 206-210)	
206	1705921	1	Decal - Tipping/Electrical (Platform)	
207	1705822	1	Decal - Electrical/Safety (Ground Control)	
208	1701518	10	Decal - Warning Crushing	
209	1705961	5	Decal - Danger Electrocution	
210	1705828	1	Decal - Footswitch	

# SECTION 9 - DECALS

FIGURE 9-5. DECAL INSTALLATION - CHINESE SPEC (CHINESE/ENGLISH)



ART\_1001244206\_1200-1350



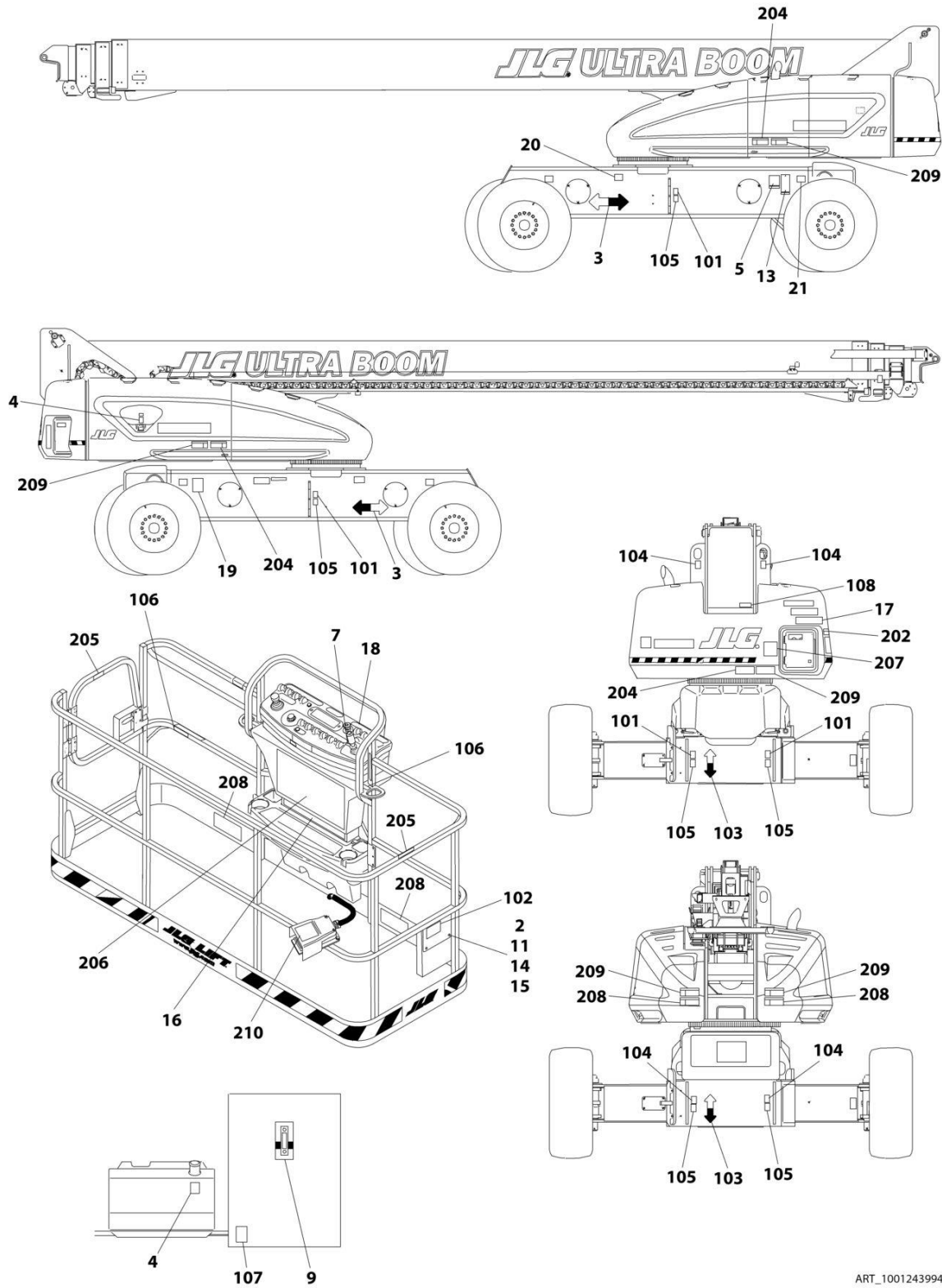
## SECTION 9 - DECALS

**FIGURE 9-5. DECAL INSTALLATION - CHINESE SPEC (CHINESE/ENGLISH)**

ITEM	PART NUMBER	QTY	DESCRIPTION	REV
	1001248554	Ref	DECAL INSTALLATION - REFERENCE CHART	D
	1001244206	Ref	DECAL INSTALLATION - CHINESE SPEC (CHINESE/ENGLISH)	B
2	0641406	4	Bolt 1/4 x 3/4	
3	1701501	4	Decal - Arrow	
4	1701505	2	Decal - Fuel	
5	See Note	1	Decal - Bar Code (Note: Not Available For Purchase)	
6	1706060	1	Decal - Warning Explosion/Fire (Not Shown - Located on Engine Air Filter Housing)	
7	1705430	1	Decal - Drive/Steer Instructions	
9	1705511	1	Decal - Oil Level	
11	3311405	4	Nut 1/4	
13	3820001	2	Rivet	
14	4751400	4	Washer 1/4	
15	91403230	1	Box, Manual Storage	
16	1001253054	2	Decal - Capacity (Platform)	
17	1001253056	1	Decal - Capacity (Ground Control)	
18	1001122611	1	Decal - Stop	
20	1001224050	1	Decal - Yearly Inspection	
40	1001244298	2	Decal - Wechat QR Code	
100	1001248539	1	Decal Master Kit (Not Shown - Includes Items 101-108)	
101	1701499	4	Decal - No Lift	
102	1701509	1	Decal - Manual	
103	1701529	2	Decal - Arrow	
104	1703811	8	Decal - Tie Down/Lift	
105	1703814	6	Decal - Tie Down	
106	1704277	4	Decal - Attach Lanyard Here	
107	1704412	1	Decal - Hydraulic Oil Chart	
108	3251243	1	Nameplate - 120V-60Hz	
200	1001248553	1	Decal Kit (Not Shown - Includes Items 202-210)	
202	1001117035	1	Decal - Tip Over Hazard	
204	1703943	7	Decal - Warning/Crushing	
205	1001116846	2	Decal - No Hands	
206	1001231321	1	Decal - Danger/Warning (Platform)	
207	1001116849	2	Decal - Danger/Warning (Ground Control)	
208	1703949	5	Decal - Warning Crushing	
209	1001116851	5	Decal - Danger/Electrocution	
210	1703982	1	Decal - Footswitch	

# SECTION 9 - DECALS

FIGURE 9-6. DECAL INSTALLATION - CSA SPEC (ENGLISH/FRENCH)



ART\_1001243994\_1200-1350

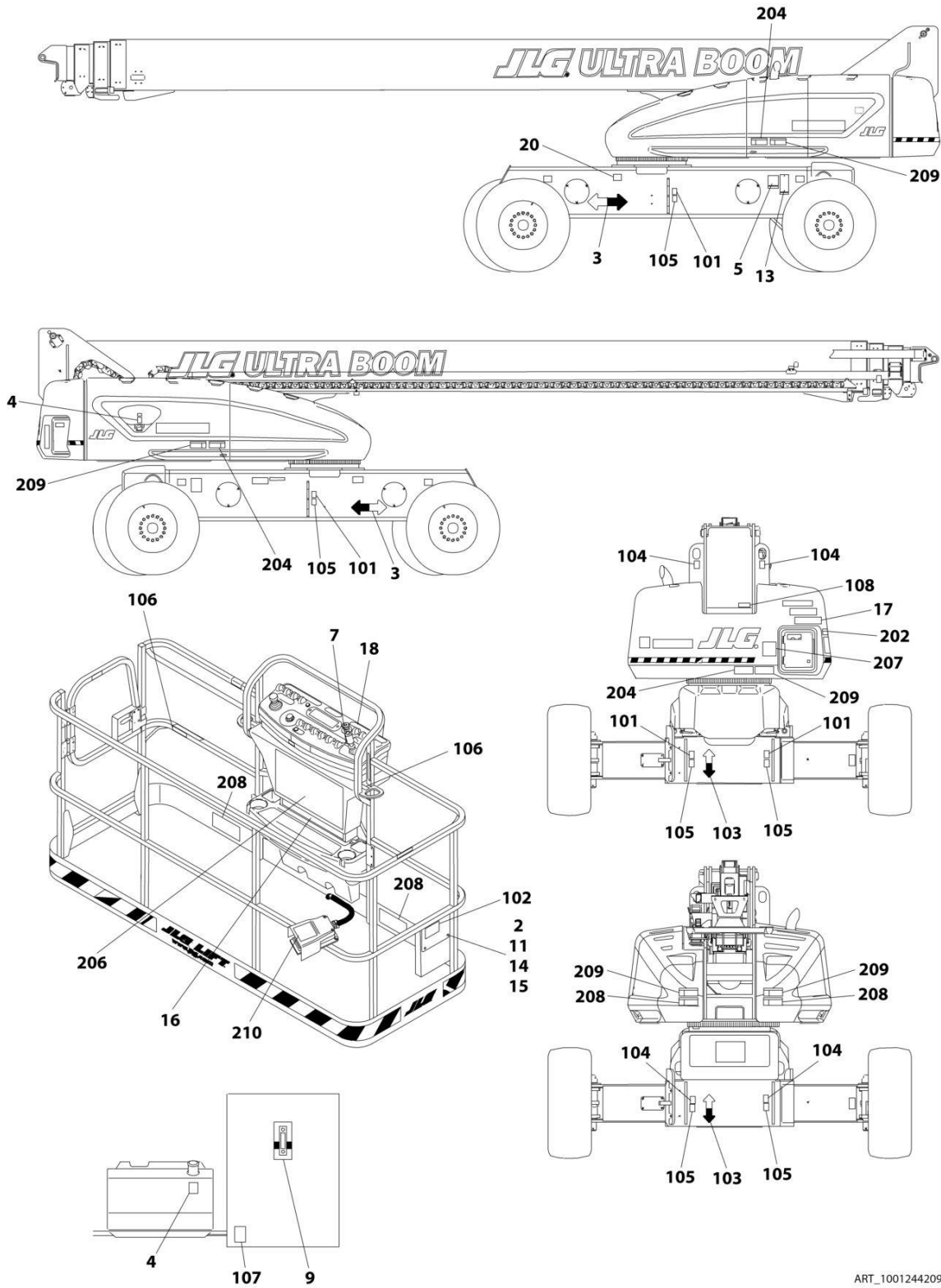
## SECTION 9 - DECALS

**FIGURE 9-6. DECAL INSTALLATION - CSA SPEC (ENGLISH/FRENCH)**

ITEM	PART NUMBER	QTY	DESCRIPTION	REV
	1001248554	Ref	DECAL INSTALLATION - REFERENCE CHART	D
	1001243994	Ref	DECAL INSTALLATION - CSA SPEC (ENGLISH/FRENCH)	B
2	0641406	4	Bolt 1/4 x 3/4	
3	1701501	4	Decal - Arrow	
4	1701505	2	Decal - Fuel	
5	See Note	1	Decal - Bar Code (Note: Not Available For Purchase)	
6	1706064	1	Decal - Warning Explosion/Fire (Not Shown - Located on Engine Air Filter Housing)	
7	1705429	1	Decal - Drive/Steer Instructions	
9	1705511	1	Decal - Oil Level	
11	3311405	4	Nut 1/4	
13	3820001	2	Rivet	
14	4751400	4	Washer 1/4	
15	91403230	1	Box, Manual Storage	
16	1001253050	1	Decal - Capacity (Platform)	
17	1001253051	1	Decal - Capacity (Ground Control)	
18	1705174	1	Decal - Stop	
19	1001131269	1	Decal - Patent	
20	1001223971	1	Decal - Yearly Inspection	
21	1001223453	1	Decal - Ices	
100	1001248539	1	Decal Master Kit (Not Shown - Includes Items 101-108)	
101	1701499	4	Decal - No Lift	
102	1701509	1	Decal - Manual	
103	1701529	2	Decal - Arrow	
104	1703811	8	Decal - Tie Down/Lift	
105	1703814	6	Decal - Tie Down	
106	1704277	4	Decal - Attach Lanyard Here	
107	1704412	1	Decal - Hydraulic Oil Chart	
108	3251243	1	Nameplate - 120V-60Hz	
200	1001248548	1	Decal Kit (Not Shown - Includes Items 202-210)	
202	1705505	1	Decal - Tip Over Hazard	
204	1703942	7	Decal - Warning/Crushing	
205	1704000	2	Decal - No Hands	
206	1001231316	1	Decal - Danger/Warning (Platform)	
207	1705347	1	Decal - Danger/Warning (Ground Control)	
208	1703948	5	Decal - Warning Crushing	
209	1703936	5	Decal - Danger/Electrocution	
210	1703984	1	Decal - Footswitch	

# SECTION 9 - DECALS

FIGURE 9-7. DECAL INSTALLATION - JAPANESE SPEC (JAPANESE/ENGLISH)



ART\_1001244209\_1200-1350

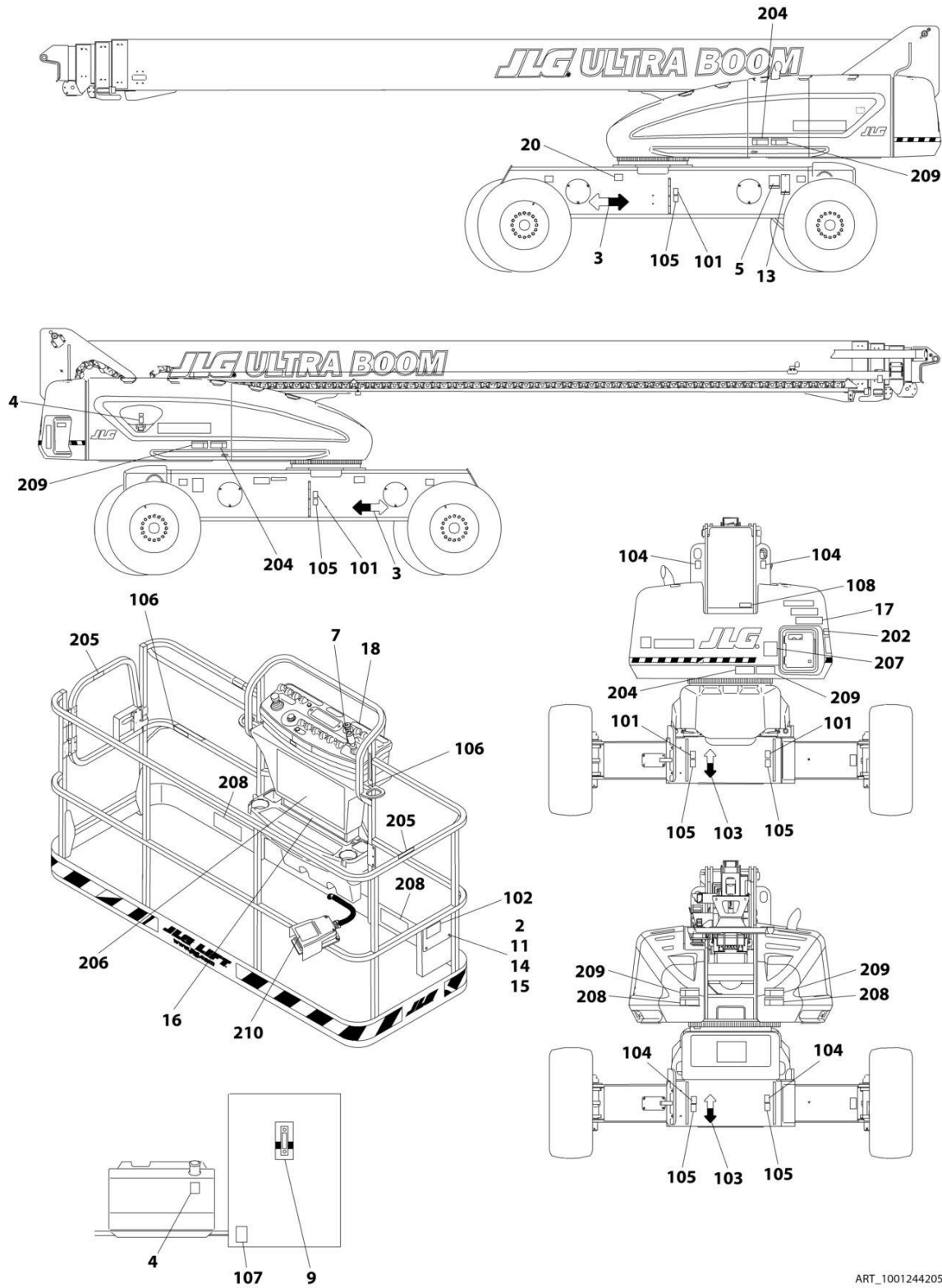
## SECTION 9 - DECALS

**FIGURE 9-7. DECAL INSTALLATION - JAPANESE SPEC (JAPANESE/ENGLISH)**

ITEM	PART NUMBER	QTY	DESCRIPTION	REV
	1001248554	Ref	DECAL INSTALLATION - REFERENCE CHART	D
	1001244209	Ref	DECAL INSTALLATION - JAPANESE SPEC (JAPANESE/ENGLISH)	B
2	0641406	4	Bolt 1/4 x 3/4	
3	1701501	4	Decal - Arrow	
4	1701505	2	Decal - Fuel	
5	See Note	1	Decal - Bar Code (Note: Not Available For Purchase)	
6	1706062	1	Decal - Warning Explosion/Fire (Not Shown - Located on Engine Air Filter Housing)	
7	1705426	1	Decal - Drive/Steer Instructions	
9	1705511	1	Decal - Oil Level	
11	3311405	4	Nut 1/4	
13	3820001	2	Rivet	
14	4751400	4	Washer 1/4	
15	91403230	1	Box, Manual Storage	
16	1001253061	1	Decal - Capacity (Platform)	
17	1001253062	1	Decal - Capacity (Ground Control)	
18	1001122611	1	Decal - Stop	
20	1001224053	1	Decal - Yearly Inspection	
100	1001248539	1	Decal Master Kit (Not Shown - Includes Items 101-108)	
101	1701499	4	Decal - No Lift	
102	1701509	1	Decal - Manual	
103	1701529	2	Decal - Arrow	
104	1703811	8	Decal - Tie Down/Lift	
105	1703814	6	Decal - Tie Down	
106	1704277	4	Decal - Attach Lanyard Here	
107	1704412	1	Decal - Hydraulic Oil Chart	
108	3251243	1	Nameplate - 120V-60Hz	
200	1001248552	1	Decal Kit (Not Shown - Includes Items 202-210)	
202	1705493	1	Decal - Tip Over Hazard	
204	1703944	7	Decal - Warning/Crushing	
206	1001231320	1	Decal - Danger/Warning (Platform)	
207	1705344	1	Decal - Danger/Warning (Ground Control)	
208	1703950	5	Decal - Warning Crushing	
209	1703938	5	Decal - Danger/Electrocution	
210	1703980	1	Decal - Footswitch	

# SECTION 9 - DECALS

FIGURE 9-8. DECAL INSTALLATION - KOREAN SPEC (KOREAN/ENGLISH)



ART\_1001244205\_1200-1350

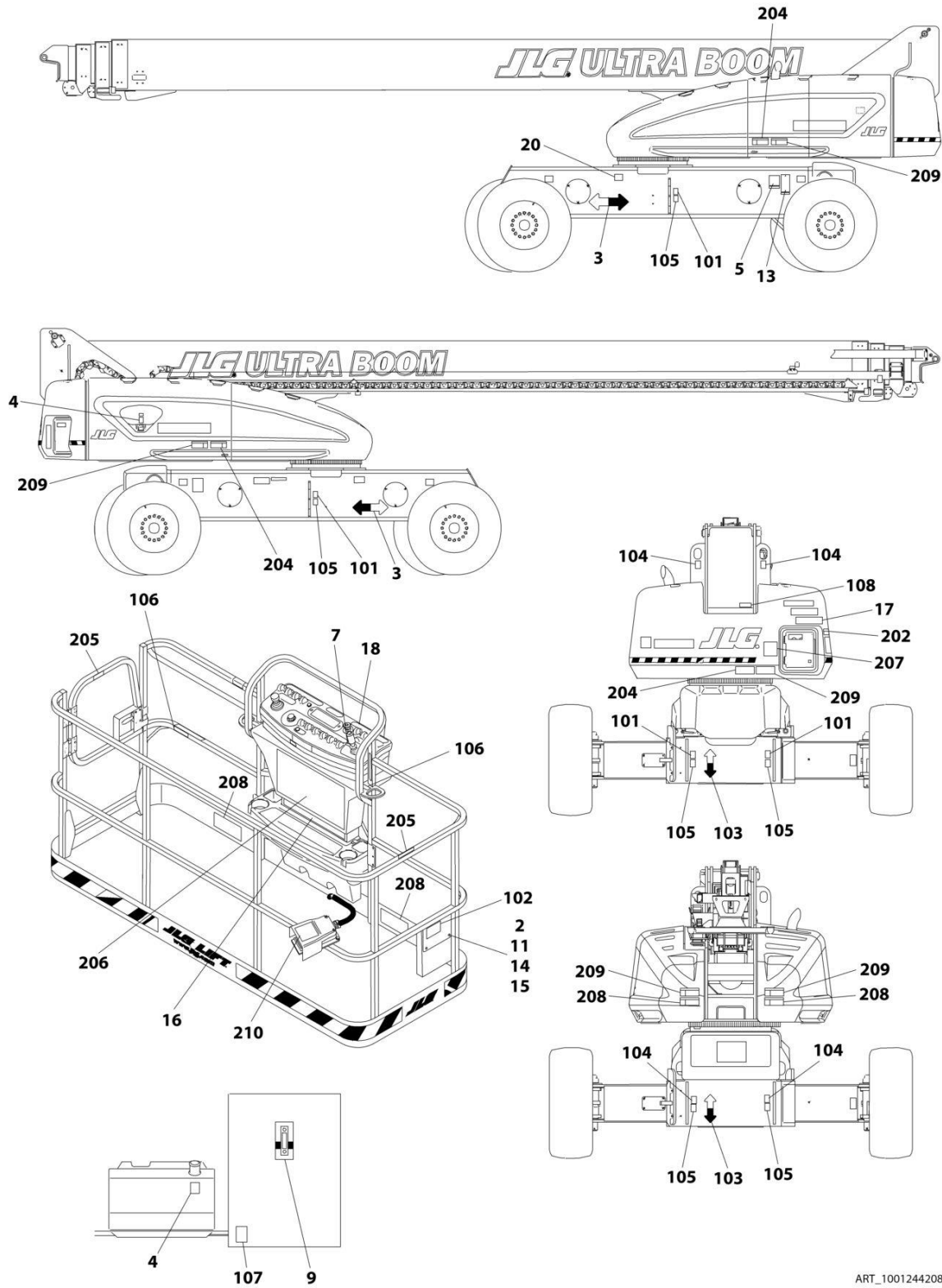
## SECTION 9 - DECALS

**FIGURE 9-8. DECAL INSTALLATION - KOREAN SPEC (KOREAN/ENGLISH)**

ITEM	PART NUMBER	QTY	DESCRIPTION	REV
	1001248554	Ref	DECAL INSTALLATION - REFERENCE CHART	D
	1001244205	Ref	DECAL INSTALLATION - KOREAN SPEC (KOREAN/ENGLISH)	B
2	0641406	4	Bolt 1/4 x 3/4	
3	1701501	4	Decal - Arrow	
4	1701505	2	Decal - Fuel	
5	See Note	1	Decal - Bar Code (Note: Not Available For Purchase)	
6	1706061	1	Decal - Warning Explosion/Fire (Not Shown - Located on Engine Air Filter Housing)	
7	1705427	1	Decal - Drive/Steer Instructions	
9	1705511	1	Decal - Oil Level	
11	3311405	4	Nut 1/4	
13	3820001	2	Rivet	
14	4751400	4	Washer 1/4	
15	91403230	1	Box, Manual Storage	
16	1001253052	1	Decal - Capacity (Platform)	
17	1001253053	1	Decal - Capacity (Ground Control)	
18	1001122611	1	Decal - Stop	
20	1001224048	1	Decal - Yearly Inspection	
100	1001248539	1	Decal Master Kit (Not Shown - Includes Items 101-108)	
101	1701499	4	Decal - No Lift	
102	1701509	1	Decal - Manual	
103	1701529	2	Decal - Arrow	
104	1703811	8	Decal - Tie Down/Lift	
105	1703814	6	Decal - Tie Down	
106	1704277	4	Decal - Attach Lanyard Here	
107	1704412	1	Decal - Hydraulic Oil Chart	
108	3251243	1	Nameplate - 120V-60Hz	
200	1001248549	1	Decal Kit (Not Shown - Includes Items 202-210)	
202	1705503	AR	Decal - Tip Over Hazard	
204	1703945	7	Decal - Warning/Crushing	
205	1705969	2	Decal - No Hands	
206	1001231317	1	Decal - Danger/Warning (Platform)	
207	1705345	1	Decal - Danger/Warning (Ground Control)	
208	1703951	5	Decal - Warning Crushing	
209	1703939	5	Decal - Danger/Electrocution	
210	1703981	1	Decal - Footswitch	

# SECTION 9 - DECALS

FIGURE 9-9. DECAL INSTALLATION - LATIN AMERICAN SPEC (SPANISH/ENGLISH)



ART\_1001244208\_1200-1350



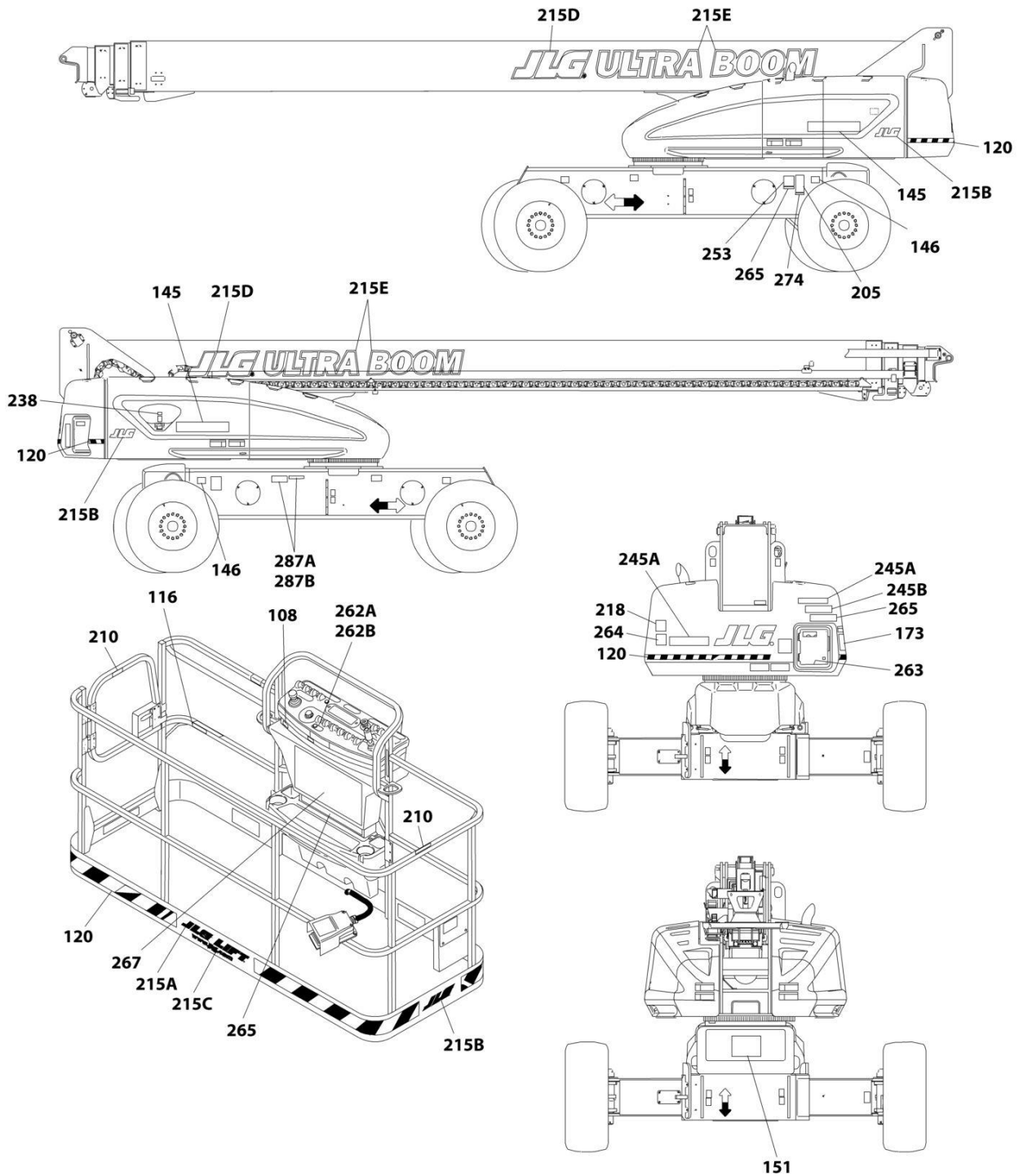
## SECTION 9 - DECALS

**FIGURE 9-9. DECAL INSTALLATION - LATIN AMERICAN SPEC (SPANISH/ENGLISH)**

ITEM	PART NUMBER	QTY	DESCRIPTION	REV
	1001248554	Ref	DECAL INSTALLATION - REFERENCE CHART	D
	1001244208	Ref	DECAL INSTALLATION - LATIN AMERICAN SPEC (SPANISH/ENGLISH)	B
2	0641406	4	Bolt 1/4 x 3/4	
3	1701501	4	Decal - Arrow	
4	1701505	2	Decal - Fuel	
5	See Note	1	Decal - Bar Code (Note: Not Available For Purchase)	
6	1706061	1	Decal - Warning Explosion/Fire (Not Shown - Located on Engine Air Filter Housing)	
7	1705910	1	Decal - Drive/Steer Instructions	
9	1705511	1	Decal - Oil Level	
11	3311405	4	Nut 1/4	
13	3820001	2	Rivet	
14	4751400	4	Washer 1/4	
15	91403230	1	Box, Manual Storage	
16	1001253059	1	Decal - Capacity (Platform)	
17	1001253060	1	Decal - Capacity (Ground Control)	
18	1001122611	1	Decal - Stop	
20	1001224049	1	Decal - Yearly Inspection	
100	1001248539	1	Decal Master Kit (Not Shown - Includes Items 101-108)	
101	1701499	4	Decal - No Lift	
102	1701509	1	Decal - Manual	
103	1701529	2	Decal - Arrow	
104	1703811	8	Decal - Tie Down/Lift	
105	1703814	6	Decal - Tie Down	
106	1704277	4	Decal - Attach Lanyard Here	
107	1704412	1	Decal - Hydraulic Oil Chart	
108	3251243	1	Nameplate - 120V-60Hz	
200	1001248550	1	Decal Kit (Not Shown - Includes Items 202-210)	
202	1705915	AR	Decal - Tip Over Hazard	
204	1703941	7	Decal - Warning/Crushing	
205	1704001	2	Decal - No Hands	
206	1001231318	1	Decal - Danger/Warning (Platform)	
207	1705917	1	Decal - Danger/Warning (Ground Control)	
208	1703947	5	Decal - Warning Crushing	
209	1703935	5	Decal - Danger/Electrocution	
210	1703983	1	Decal - Footswitch	

# SECTION 9 - DECALS

## FIGURE 9-10. DECAL INSTALLATION - OPTIONS



ART\_DECAL\_OPTIONS

## SECTION 9 - DECALS

**FIGURE 9-10. DECAL INSTALLATION - OPTIONS**

ITEM	PART NUMBER	QTY	DESCRIPTION	REV
	1001248554	Ref	DECAL INSTALLATION - REFERENCE CHART	D
	1001261213	Ref	DECAL INSTALLATION - OPTIONS	M
108	1001231801	1	Decal - Warning (Proposition 65) (ANSI Spec Only)	
116	1703175	1	Lanyard Attachment Decal (GM K-1 Spec) (ANSI and CSA Specs Only)	
120	4420051	21.9 ft/ 6.7m	Decal - Warning Stripes	
145	0272523	1	Decal - Model Designation Installation (1200SJP)	B
145	0272522	1	Decal - Model Designation Installation (1350SJP)	B
145A	1001268238	2	Decal - Model (1200SJP)	
145B	1001268239	2	Decal - Model (1350SJP)	
146	2902355	1	Decal - Max Tire Load Kit (1200SJP)	2
146	2902357	1	Decal - Max Tire Load Kit (1350SJP)	2
146A	1705178	4	Decal - Max Tire Load (1200SJP)	
146B	1705167	4	Decal - Max Tire Load (1350SJP)	
151	1001284689	1	Decal - Lift Diagram	
173	1705365	1	Decal - Daily Check List - ANSI Spec	
173	1705365	1	Decal - Daily Check List - Australian Spec	
173	1705452	1	Decal - Daily Check List - Chinese Spec (Chinese/English)	
173	1705451	1	Decal - Daily Check List - CSA Spec (English/French)	
173	1001285278	1	Decal - Daily Check List - Czech Spec	
173	1705552	1	Decal - Daily Check List - Danish Spec	
173	1705444	1	Decal - Daily Check List - Dutch Spec	
173	1705454	1	Decal - Daily Check List - Finnish Spec	
173	1705445	1	Decal - Daily Check List - French Spec	
173	1001172766	1	Decal - Daily Check List - German Spec (German/English)	
173	1705446	1	Decal - Daily Check List - Italian Spec	
173	1705449	1	Decal - Daily Check List - Japanese Spec (Japanese/English)	
173	1705448	1	Decal - Daily Check List - Korean Spec (Korean/English)	
173	1706904	1	Decal - Daily Check List - Latin American Spec (Spanish/English)	
173	1001219085	1	Decal - Daily Check List - Latvian Spec (Latvian/English)	
173	1001177533	1	Decal - Daily Check List - Norwegian Spec (Norwegian/English)	
173	1705554	1	Decal - Daily Check List - Polish Spec	
173	1705456	1	Decal - Daily Check List - Portuguese Spec	
173	1001221738	1	Decal - Daily Check List - Russian Spec	
173	1705447	1	Decal - Daily Check List - Spanish Spec	
173	1705455	1	Decal - Daily Check List - Swedish Spec	
173	1705365	1	Decal - Daily Check List - UK English Spec	
205	See Note	1	Decal - Nameplate (Note: Not Available for Purchase)	
210	1702868	2	Decal - No Hands - ANSI Spec	
210	1704000	2	Decal - No Hands - CSA Spec (French/English)	
210	1705969	2	Decal - No Hands - Korean Spec (Korean/English)	
215	0274730	1	Decal - JLG Decal Installation (ABS Hood)	E
215	1001116025	1	Decal - JLG Decal Installation (Steel Hood)	E
215	1001291459	1	Decal - JLG Decal Installation (Steel Hood)(Chinese)	A
215A	1702774	1	Decal - JLG Lift	
215A	1001288705	1	Decal - JLG Lift (Chinese)	
215B	1702773	1	Decal - JLG (Platform)	
215B	1702773	2	Decal - JLG (Steel Hood)	
215B	1001290348	1	Decal - JLG (Chinese)	

## SECTION 9 - DECALS

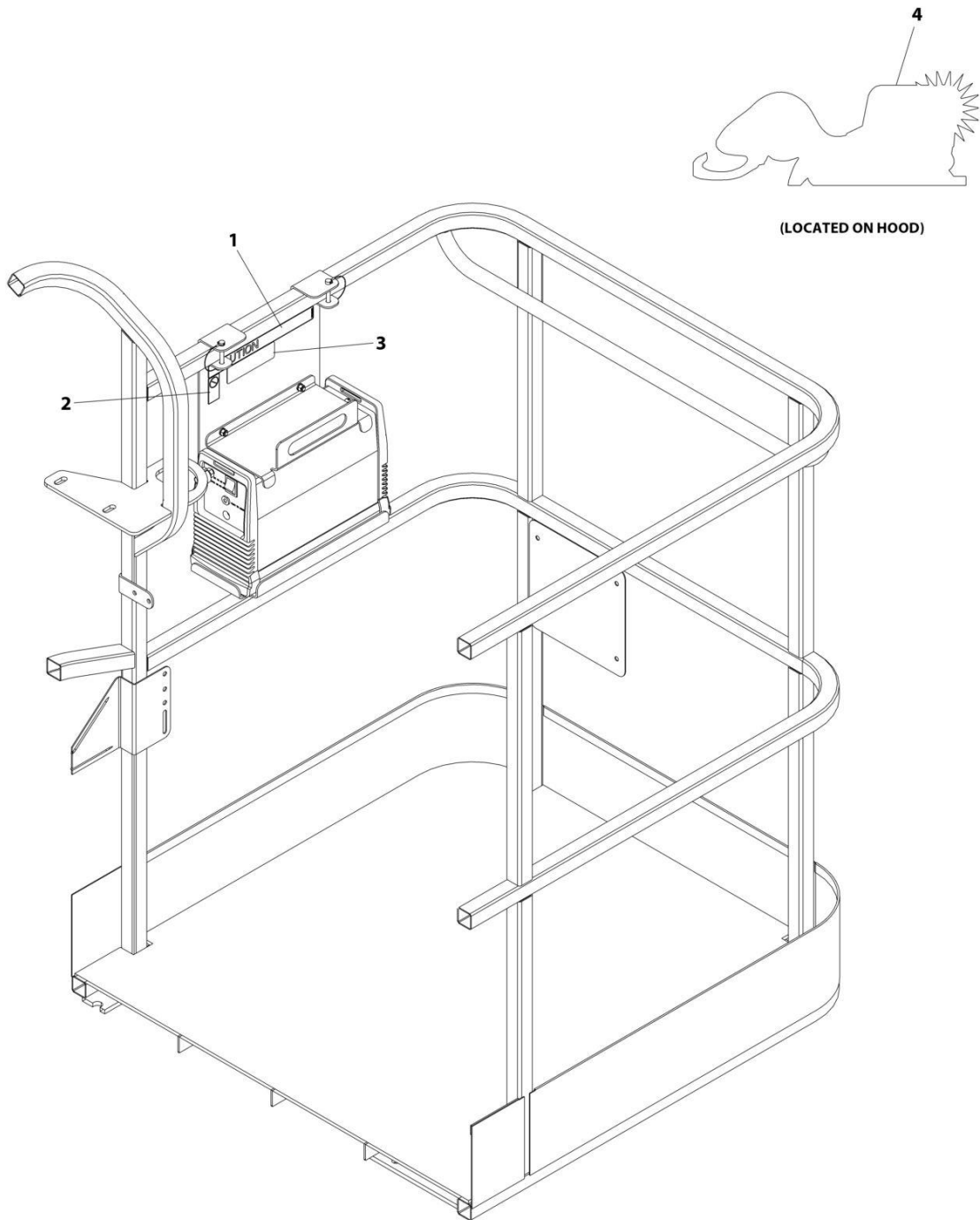
ITEM	PART NUMBER	QTY	DESCRIPTION	REV
215C	1704885	1	Decal - Website	
215D	1705864	2	Decal - JLG	
215D	1001290403	1	Decal - JLG (Chinese)	
215E	1001267315	2	Decal - Ultra Boom	
218	3251813	1	Decal - USA (ANSI, ANSI Export, China and CSA Specs)	
238	1001125387	1	Decal - Ultra Low Sulfur Fuel (Deutz TCD2.9L4 Engines) (ANSI and CSA Specs)	
238	1001139654	1	Decal - Ultra Low Sulfur Fuel (Deutz TCD2.9L4) (Deutz TCD2.9L4 Stage V) ( Deutz TCD2.9L China IV) Engines (ANSI Export (HRC), Japanese, CE & UK CA Specs)	
245	1001120994	1	Decal - ClearSky Telematics Decal Installation	A
245A	1001116208	2	Decal - ClearSky	
245B	1001120989	1	Decal - Radio Frequency Device	
245	1001294761	Ref	Smart Fleet ClearSky Decal Installation	A
245A	1001120989	1	Decal - Radio Frequency	
245B	1001294815	1	Decal - ClearSky	
253	1001143852	1	Decal - EPA (ANSI Export and Australian Specs)	
262A	1001141300	1	Decal - SkyGuard Override	
262B	1001141302	1	Decal - SkyGuard/Soft Touch Override	
263	1001197408	1	Decal - MSSO (CE & UK CA Specs Only)	
264	1705980	1	Decal - Sound Power (106Db) (Deutz TD2011 Engines)	
264	8007508	1	Decal - Sound Power (104Db) (Deutz TD2011 Engines)	
264	1001191526	1	Decal - Sound Power (110Db) (Deutz TCD2.9L4 Engines and Deutz TCD2.9L4 (Stage V) Engines)	
264	1001191525	1	Decal - Sound Power (108Db) (Deutz TCD2.9L4 (Stage V) Engines)	
265	1001275124	1	Decal - Soft Touch (ANSI) (English)	
265	1001275125	1	Decal - Soft Touch (China Spec) (English/Chinese)	
265	1001275126	1	Decal - Soft Touch (Latin American Spec) (English/Spanish)	
265	1001275127	1	Decal - Soft Touch (CSA Spec) (English/French)	
265	1001275128	1	Decal - Soft Touch (Japanese Spec) (English/Japanese)	
265	1001275129	1	Decal - Soft Touch (Korean Spec) (English/Korean)	
265	1001275130	1	Decal - Soft Touch (Brazil Spec) (English/Portuguese)	
265	1001275131	1	Decal - Soft Touch (Australian, CE & UK CA Spec)	
267	1001197529	1	Decal - Quick Reference (Dutch) (Lomax Rentals)	
267	1001197531	1	Decal - Quick Reference (Danish) (Lomax Rentals)	
267	1001180690	1	Decal - Quick Reference (English) (Lomax Rentals)	
267	1001197528	1	Decal - Quick Reference (French) (Lomax Rentals)	
267	1001197530	1	Decal - Quick Reference (German) (Lomax Rentals)	
267	1001197537	1	Decal - Quick Reference (Norwegian) (Lomax Rentals)	
267	1001197533	1	Decal - Quick Reference (Spanish) (Lomax Rentals)	
267	1001197532	1	Decal - Quick Reference (Swedish) (Lomax Rentals)	
274	1001214029	1	Decal Installation - EAC (Russian/CIS Specs)	
274	1001173703	1	Decal - EAC (Russian/CIS Specs)	
287A	1001236398	Ref	Decal Installation - ECO (With DEUTZ TCD2.9L4 (China IV) Engine)	
287A	3820001	8	Rivet	
287A	See Note	NSS	Plate - Environmental Protection (Note: Not Available for Purchase)	
287A	See Note	NSS	Plate - Mein Code (Note: Not Available for Purchase)	
287B	1001292058	1	Decal Installation - ECO (With Deutz TD2.9L4 Engine)	
287B	3820001	8	Rivet	
287B	See Note	NSS	Plate - Mein Code (Note: Not Available for Purchase)	

## SECTION 9 - DECALS

ITEM	PART NUMBER	QTY	DESCRIPTION	REV
287B	See Note	NSS	Plate - Environmental Protection (Note: Not Available for Purchase)	

# SECTION 9 - DECALS

FIGURE 9-11. SKYCUTTER DECAL INSTALLATION (ANSI, ANSI EXPORT, CHINESE & CSA SPECS)



ART\_0272599

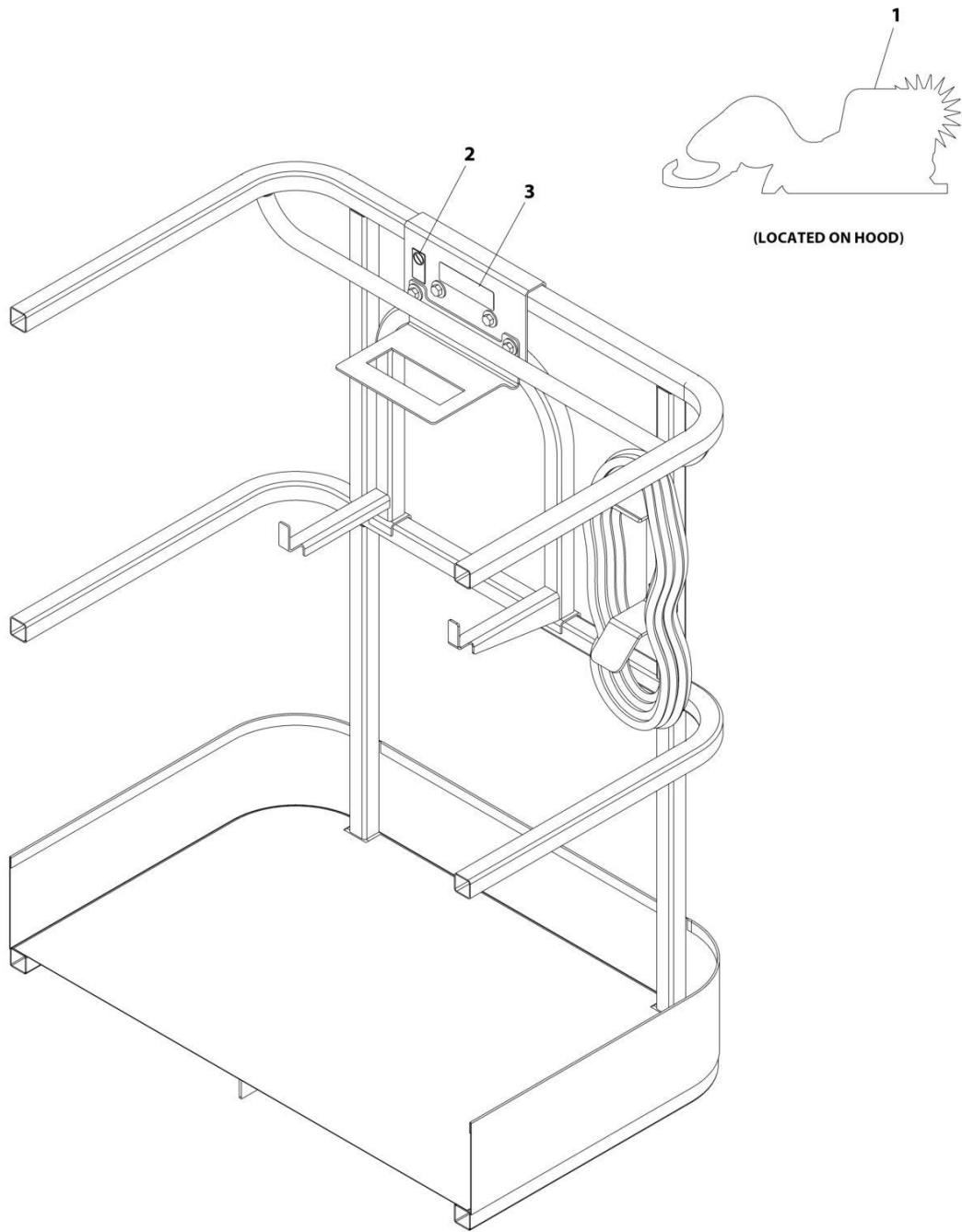
## SECTION 9 - DECALS

**FIGURE 9-11. SKYCUTTER DECAL INSTALLATION (ANSI, ANSI EXPORT, CHINESE & CSA SPECS)**

ITEM	PART NUMBER	QTY	DESCRIPTION	REV
	0272599	Ref	SKYCUTTER DECAL INSTALLATION	C
1	1702868	1	Decal - No Hands	
2	1705305	1	Decal - Weld Leads	
3	1001252627	1	Decal - Weight	
4	1705490	2	Decal - SkyCutter	

# SECTION 9 - DECALS

FIGURE 9-12. SKYCUTTER DECAL INSTALLATION (JAPANESE SPECS)



ART\_0272607\_C



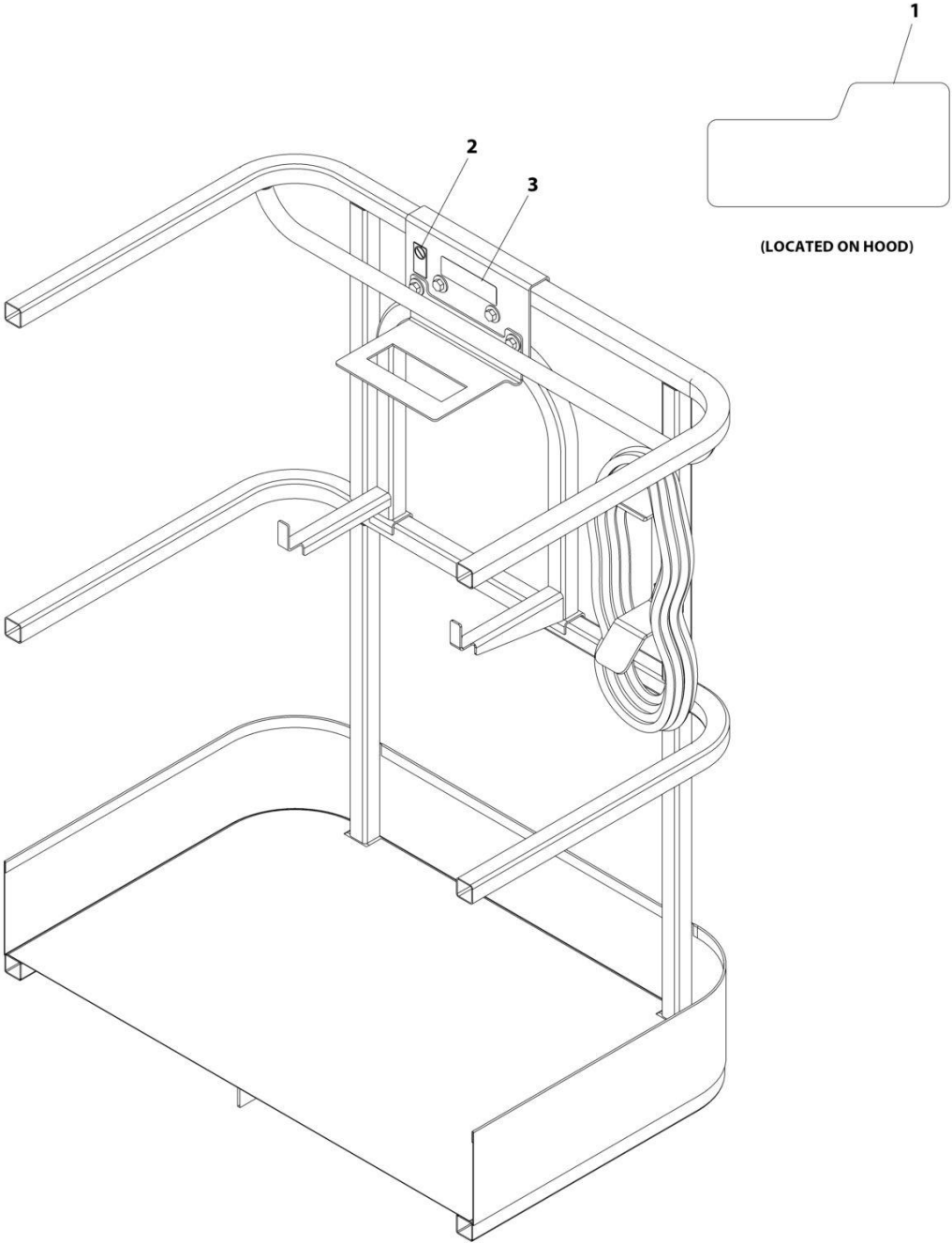
## SECTION 9 - DECALS

**FIGURE 9-12. SKYCUTTER DECAL INSTALLATION (JAPANESE SPECS)**

ITEM	PART NUMBER	QTY	DESCRIPTION	REV
	0272607	1	SKYCUTTER DECAL INSTALLATION	C
1	1705490	2	Decal - SkyCutter	
2	1705305	1	Decal - Weld Lead	
3	1001252627	1	Decal - Weight	

**SECTION 9 - DECALS**

**FIGURE 9-13. SKYWELDER DECAL INSTALLATION - 50HZ**



ART\_0272588

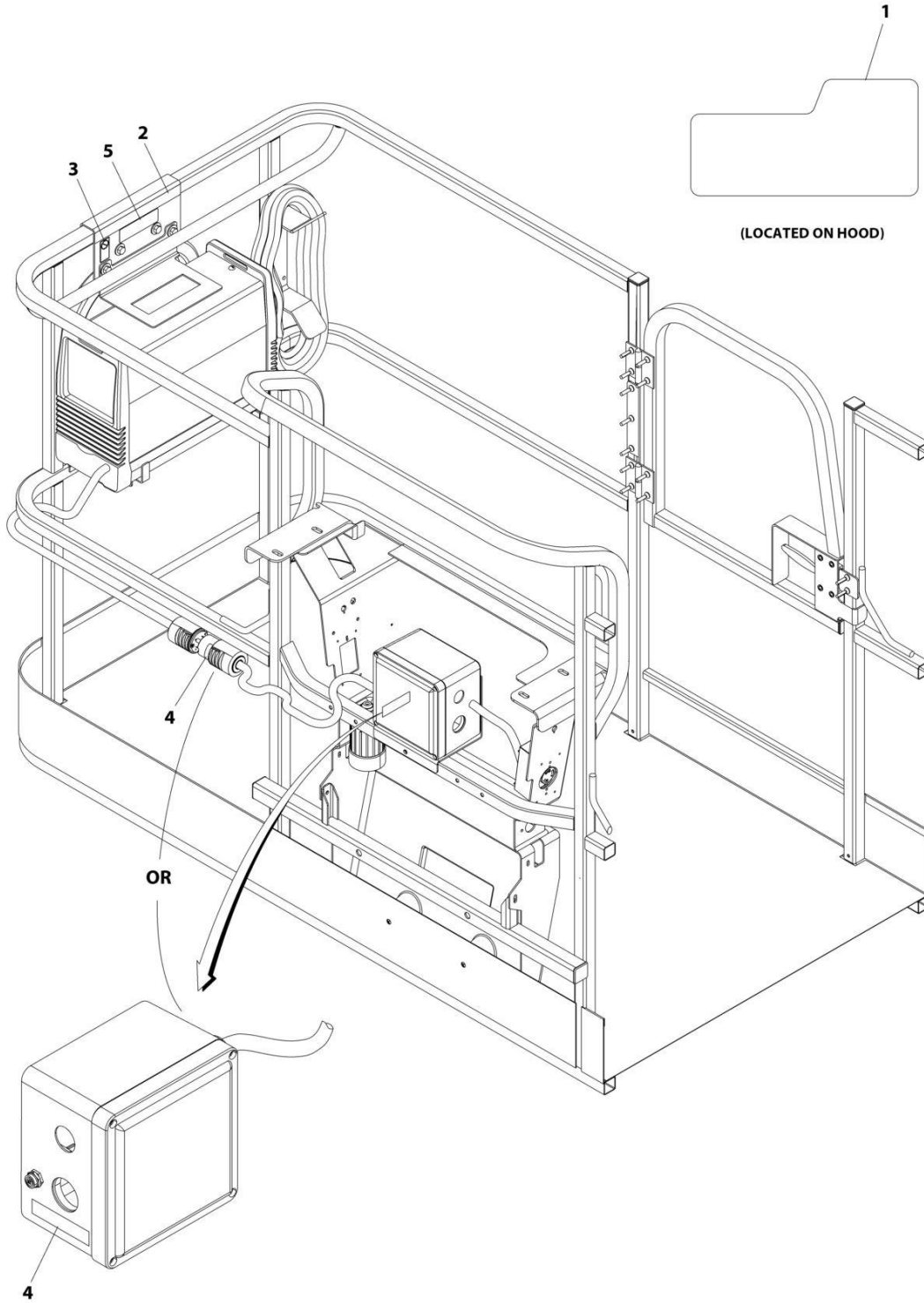
## SECTION 9 - DECALS

**FIGURE 9-13. SKYWELDER DECAL INSTALLATION - 50HZ**

ITEM	PART NUMBER	QTY	DESCRIPTION	REV
	0272588	Ref	SKYWELDER DECAL INSTALLATION - 50Hz	B
1	1705355	2	Decal - SkyWelder	
2	1705305	1	Decal - Weld Lead	
3	1001228988	1	Decal - Weight	

# SECTION 9 - DECALS

## FIGURE 9-14. SKYWELDER DECAL INSTALLATION - 60HZ



ART\_0272448\_C

## SECTION 9 - DECALS

### FIGURE 9-14. SKYWELDER DECAL INSTALLATION - 60HZ

ITEM	PART NUMBER	QTY	DESCRIPTION	REV
	0272448	Ref	SKYWELDER DECAL INSTALLATION - 60Hz	C
1	1705355	2	Decal - SkyWelder	
2	1702868	1	Decal - No Hands	
3	1705305	1	Decal - Weld Lead	
4	1705375	1	Decal - 240V - 3 Phase - 60Hz	
5	1001228988	1	Decal - Weight	



## **SECTION 10 - RECOMMENDED SERVICE PARTS STOCK**

## **SECTION 10 - RECOMMENDED SERVICE PARTS STOCK**

# SECTION 10 - RECOMMENDED SERVICE PARTS STOCK

## FIGURE 10-1. RECOMMENDED SERVICE PARTS STOCK

ITEM	PART NUMBER	QTY	DESCRIPTION	REV
		Ref	Note: The following list will service one machine (built to current production per date on the front cover) with emergency repair parts which can be installed in the field. Parts from the list should be replaced when inventory is depleted to keep service parts stock supplied. For further information, contact your JLG dealer or the JLG Industries Parts Department.	
	4360542	1	Breaker, Circuit (2500W Generator)	
	70001431	1	Breaker, Circuit (Plasma Cutter)	
	4360070	1	Breaker, Circuit 15Amp (4000W & 7500W Generator)	
	1001181045	1	Breaker, Circuit 30mA/16Amp (Breaker Box 16 Amp)	
	7024485	1	Breaker, Circuit 30Amp (7500W 60Hz Generator)	
	70006095	1	Breaker, Circuit 30Amp (7500W 50Hz Generator)	
	1001159118	1	Breaker, GFCI 30Amp (AC Box 240VAC)	
	7018991	1	Coil (Steer Valve & Main Valve)	
	7012944	1	Coil ( Traction Valve & Platform Valve)	
	7011354	1	Coil (Main Valve)	
	7017451	1	Coil (Main Valve)	
	7024571	1	Coil (Main Valve & Platform Valve)	
	7026029	1	Contactor, Rotary Circuit (Rotary Coupling & Collector Ring)	
	1001275628	1	Controller, Drive/Steer	
	1001275629	1	Controller, Lift/Swing	
	4360407	1	Controller, Speed (Potentiometer)	
	3990010	2	Diode - 3Amp (Ground Control Box Harness)	
		Ref	Engine - TD2011	
	1001202281	12	Element, Water/Fuel Separator	
	7016328	12	Filter, Fuel	
	7016331	12	Element, Oil	
	1600443	1	Module, EMR2 (ECM) (Note: Not available to order. Please Contact the JLG Parts Contact Center)	
	3740067	1	Relay	
	3740080	1	Relay	
	7026608	1	Relay, Start	
		Ref	Engine - TD2.9L4	
	70024190	12	Element, Air	
	70006405	12	Element, Water/Fuel Separator	
	70025153	12	Filter, Fuel Primary	
	70004512	12	Filter, Fuel Secondary	
	7016331	12	Filter, Oil	
	70023592	2	Fuse - 20Amp (Switched Output)	
	70023593	2	Fuse - 30Amp (Battery Output)	
	1001138228	1	Module, Power	
	1001117308	1	Relay	
	70005648	1	Relay	
	7024375	12	Element, Hydraulic Oil Filter	
	70002231	12	Element, Pressure Filter	
	70002097	12	Element, Pressure Filter	
	8229249	2	Fuse, 3A (USB Charger & Platform Control Box Harness)	
	2400064	2	Fuse, 5A (ClearSky Ready Harness)	
	8229242	2	Fuse, 5A (Ground Control Box Harness)	
	2400065	2	Fuse, 30A (Ground Control Box Harness & Main Valve Harness)	



## SECTION 10 - RECOMMENDED SERVICE PARTS STOCK

ITEM	PART NUMBER	QTY	DESCRIPTION	REV
	2860030	1	Key, Replacement	
	2940074	1	Latch, Platform	
	1001247468	1	Loadcell (Platform Support)	
	1001227960	1	Module, B.L.A.M.	
	1001277210	1	Module, Chassis ( <b>Prior to SN 0300298064, Prior to SN B300017880, Excluding 0300287515, B300016940, B300017007 and B300017072</b> )	
	1001112758	1	Module, Chassis ( <b>SN 0300298064 to Present, SN B300017880 to Present, Including 0300287515, B300016940, B300017007 and B300017072</b> )	
	1001142683	1	Module, Control Beacon	
	1001281100	1	Module, Ground Control	
	1600343	1	Module, Platform	
	3740067	1	Relay (Battery & Aux)	
	3740049	1	Relay (Ground Control Box)	
	3740080	1	Relay (110V/220V Generator Options & Main Valve Harness)	
	70006553	1	Relay (4000W Generator)	
	1001186431	1	Relay (SkyGuard Bar)	
	3740086	1	Relay (SkyLine Harness)	
	1001147479	1	Sensor, Angle Indicator (Boom Sensors & Switches)	
	4360543	1	Sensor, Boom Length (Boom Sensors & Switches)	
	4360527	1	Sensor, Cable Break Proximity (Boom Sensors & Switches)	
	1001228225	1	Sensor, Emitter (SkyEye)	
	4360548	1	Sensor, Jib Limit (Boom Sensors & Switches)	
	4360578	1	Sensor, Limit (Boom Sensors & Switches & Axle Install)	
	70000803	1	Sensor, Pressure (Steer Installation)	
	7026031	1	Sensor, Proximity (Rotary Coupling & Collector Ring)	
	1001232667	1	Sensor, Proximity (SkyLine)	
	1001311034	1	Sensor, Proximity (SkyLine)	
	1001228224	1	Sensor, Receiver (SkyEye)	
	4360505	1	Sensor, Rotary Angle Sensor (Steer)	
	1001137673	1	Sensor, SkyGuard Bar	
	1001219601	1	Sensor, Tilt Dual Axis Can (Ground Control Box)	
	1001225346	1	Switch, Battery Disconnect	
	1001117174	1	Switch, Foot	
	4360469	1	Switch, Key	
	4360274	1	Switch, Push Button Gray (Ground Control)	
	4360387	1	Switch, Push Button Yellow (Ground Control Box, Console Box & Soft Touch))	
	4360475	1	Switch, Push - Pull Emergency (Ground Control Box & Console Box)	
	4360328	1	Switch, Toggle (Ground Control Box)	
	4360336	1	Switch, Toggle (Generator & Boom Control)	
	1001155045	1	Switch, Toggle (Console Box)	
	1001159256	1	Switch, Toggle (Console Box)	
	1001161709	1	Switch, Toggle (Console Box)	
	1001161710	1	Switch, Toggle (Console Box)	
	70001432	1	Switch, Rocker (Plasma Cutter)	



**SECTION 11 - SPECIAL OPTIONS**

# SECTION 11 - SPECIAL OPTIONS

## FIGURE 11-1. SPECIAL OPTIONS/ACCESSORIES/KITS

ITEM	PART NUMBER	QTY	DESCRIPTION	REV
		Ref	Note: This list is to accommodate machines ordered with special equipment. Options may not be applicable to all models. For more specific parts information contact JLG Parts Department.	
		Ref	MISCELLANEOUS SPECIAL OPTIONS/ACCESSORIES/KITS	
	0272078	Ref	Accessory Counterweight (Required with SkyWelder and Fall Arrest Platform Options)	
	1340067	Ref	Air Cleaner Pre-Cleaner	
	0271956	Ref	Airline Installation, 1/2in (1200SJP)	
	0271933	Ref	Airline Installation, 1/2in (1350SJP)	
	1001202697	Ref	Air Intake Shut-off Valve (Deutz TCD2.9L4 Engines)	
	1001241275	Ref	Axle Wear Pad Kit	
	1001298013	Ref	Axle Hose Service Kit	
	1001298014	Ref	Axle Hose Service Kit	
	0271803	Ref	Bellows, Cylinder (Fixed Axle)	
	0271804	Ref	Bellows, Cylinder (Oscillating Axle)	
	0271805	Ref	Bellows, Cylinder (Boom)	
	0271875	Ref	Boom Wipers Installation	
	1001233763	Ref	Breather Heater (Deutz TCD2.9L4 Engines and Deutz TCD2.9L4 (Stage V Engines)	
	1001252494	Ref	China Ultra Master Kit Installations (Machines With SN Starting With B3)	
	1001220745	Ref	Booms and Cylinder Kit (1200SJP)	
	1001220747	Ref	Booms and Cylinder Kit (1350SJP)	
	1001283853	Ref	Boom Mid Rail Deck Kit	
	1001220041	Ref	China Parts Kit - (With 1 Cell LSS and Sauer Pump) (1200SJP)	
	1001220743	Ref	China Parts Kit - (With 1 Cell LSS and Sauer Pump) (1350SJP)	
	1001252492	Ref	Console and Footswitch Kit (1200SJP)	
	1001252493	Ref	Console and Footswitch Kit (1350SJP)	
	1001220039	Ref	Frame Kit (1200SJP)	
	1001252686	Ref	Frame Kit (1350SJP)	
	1001245072	Ref	Harness Kit	
	1001220044	Ref	Jib Kit (1200SJP)	
	1001220746	Ref	Jib Kit (1350SJP)	
	1001252490	Ref	Turntable Kit (1200SJP)	
	1001252491	Ref	Turntable Kit (1350SJP)	
		Ref	ClearSky (Telematics) Installations (Dealer Installed)	
	1001242192	Ref	ClearSky (Telematics) Access Control Installation Kit (Dealer Installed) (ANSI, ANSI Export and CSA Specs)	
	1001243183	Ref	ClearSky (Telematics) Added-on Kit (Dealer Installed) (ANSI, ANSI Export and CSA Specs)	
	1001246142	Ref	ClearSky (Telematics) Added-on Kit (Dealer Installed) (Australian Specs)	
	1001243184	Ref	ClearSky (Telematics) Added-on Kit (Dealer Installed) (CE & UK CA Specs)	
	1001119938	Ref	ClearSky Telematics (Dealer Installed) (ANSI Spec)	
	1001119946	Ref	ClearSky Telematics (Dealer Installed) (CSA Spec)	
	1001276923	Ref	ClearSky Telematics (Dealer Installed) (Contact JLG for Approved Countries)	
	1001265359	Ref	ClearSky Telematics Harness Kit (Dealer Installed)	
	1001293501	Ref	ClearSky Telematics CS550 Installation	
	0273862	Ref	Cold Weather Package (Deutz TD2011 Engines) (110V)	

## SECTION 11 - SPECIAL OPTIONS

ITEM	PART NUMBER	QTY	DESCRIPTION	REV
	1001235617	Ref	Cold Weather Package (Deutz TCD2.9L4 Engines and Deutz TCD2.9L4 (Stage V Engines)	
	1001271731	Ref	Cold Weather Package Deutz (Stage V)	
	1001282063	Ref	Cold Weather Package Deutz (Stage IV)	
	0272621	Ref	Control System Analyzer Installation	
	1001233047	Ref	Crankcase Breather Heater (Deutz TCD2'9L4 Engines)	
	1001213183	Ref	Cribbing Enable Installation	
	0257195	Ref	Government Warranty Decal	
		Ref	Decal Kits	
	1001248539	Ref	Decal Kit - Master (All Specs Except Australian, CE & UK CA Specs)	
	1001248540	Ref	Decal Kit - Master (Australian, CE & UK CA Specs)	
	1001248547	Ref	Decal Kit - Country Spec (ANSI Spec)	
	1001248546	Ref	Decal Kit - Country Spec (Australian, CE & UK CA Specs)	
	1001248551	Ref	Decal Kit - Country Spec (Brazilian Spec)	
	1001248553	Ref	Decal Kit - Country Spec (Chinese Spec)	
	1001248548	Ref	Decal Kit - Country Spec (CSA Spec)	
	1001248552	Ref	Decal Kit - Country Spec (Japanese Spec)	
	1001248549	Ref	Decal Kit - Country Spec (Korean Spec)	
	1001248550	Ref	Decal Kit - Country Spec (Latin American Spec)	
	1001270519	Ref	Decal Kit - Machine	
	1001272202	Ref	Decal Kit - Platform	
	1001272090	Ref	Decal Kit - Platform Console Box	
		Ref	Electrical Connector Kits	
	1001148902	Ref	Amp/Tyco Electrical Connector Kit	
	1001148903	Ref	Deutsch DT Electrical Connector Kit	
	1001148904	Ref	Deutsch HD Electrical Connector Kit	
	1001148905	Ref	Packard Electrical Connector Kit	
	1001148906	Ref	Various Electrical Connectors Kit	
	1001237883	Ref	Fall Arrest (Bolt-on) Add-on Kit (6ft/1.82m Platform (ANSI, ANSI Export, China, CSA & Japanese Specs Only) (Fits Platform p/ns 1001186384 & 1001228376)	
	1001237882	Ref	Fall Arrest (Bolt-on) Add-on Kit (8ft/2.4m Platform (ANSI, ANSI Export, China, CSA & Japanese Specs Only) (Fits Platform p/ns 1001186383)	
	1001206794	Ref	Fan & Belt Grille Add-on Kit (Deutz D2011 Engines Only)	
	1001206797	Ref	Fan & Belt Grille Add-on Kit (Deutz TCD2.9L4 Engines Only)	
	1001203564	Ref	Fan & Belt Grille Installation (Deutz TD2011 Engines and Deutz TCD2.9L4 (Stage V) Engines Only)	
	1001202221	Ref	Fan & Belt Grille Installation (Deutz TCD2.9L4 Engines Only)	
	1001182600	Ref	Fan Guard Installation (Deutz TD2011 Engines Only) (Factory Installed)	
	1001145708	Ref	Fan Guard Installation (Deutz TCD2.9L4 Engines and Deutz TCD2.9L4 (Stage V) Engines Only)	
		Ref	Filter Kits:	
	1001137027	Ref	Deutz TD2011 Engine Only	
	1001181151	Ref	Deutz TCD2.9L4 Engines Only	
	1001139099	Ref	Fire Extinguisher Installation	
	1001274833	Ref	Floor Mat Add-on Kit (30x48 Platform) (Dealer Installed)	
	1001274830	Ref	Floor Mat Add-on Kit (36x72 Platform) (Dealer Installed)	
	1001274829	Ref	Floor Mat Add-on Kit (36x96 Platform) (Dealer Installed)	
	1001191395	Ref	Fuel Cap Cover (Lockable) (Green)	
	1001202749	Ref	Fuel Cap Cover (Lockable) (Black)	

## SECTION 11 - SPECIAL OPTIONS

ITEM	PART NUMBER	QTY	DESCRIPTION	REV
	1001103286	Ref	Generator Hourmeter Installation	
	1001277689	Ref	Generator Service Kit	
	0271769	Ref	Headlight and Taillights Installation	
	1001293369	Ref	Hood Plug Installation	
	1001142966	Ref	Hood Bracket Kit (Eliminates bending of the hood when cranking engine tray open)	
	1001233534	Ref	Hose/Cable Protection (Platform)	
	1001112741	Ref	Hose/Cable Protection (Boom) (1200SJP)	
	1001228431	Ref	Hose/Cable Protection (Boom) (1350SJP)	
	1001299820	1	Hourmeter Gauge Kit	
	1001229940	Ref	Hydraulic Tank Lock Installation (Machines With SN Starting With B3)	
	0271808	Ref	Illumination Lights Installation	
	1001204930	Ref	Hostile Environment - With Oscillating Axle (Add-on Kit)	
	1001241417	Ref	Hostile Environment - Fixed Axle (Add-on Kit)	
	1001148971	Ref	Lanyard (Bolt-on) Installation Kit	
	2915046	Ref	Load Pin Harness Kit	
	1001288636	Ref	Lockout Cylinder Kit	
	1001236951	Ref	Low Temperature Cutout Installation (Russian Specs)	
	1001120564	Ref	Oil Cooler Service Kit	
	1001117294	Ref	Panel, Foot Switch	
	1001272166	Ref	Pipe Rack Kit	
	1001172045	Ref	Platform Cable Carrier Installation	
	1001195304	Ref	Platform Console Cover Installation (Clear Polycarbonate Cover) (All Specs)	
	1001266290	Ref	Platform Console Cover Installation (Steel Cover) (ANSI, ANSI Export, China, CSA and Japanese Specs)	
	1001295280	Ref	Platform Console Cover Installation (Steel) (Machines with SN starting with B3)	
	1580013	Ref	Platform Corner Storage Tray	
		Ref	Platform Entry Kits	
	1001142505	Ref	Drop Bar (Replacing Swing Gate with Drop Bar)	
	1001142504	Ref	Swing Gate (Replacing Drop Bar with Swing Gate)	
		Ref	Platform Light Installations	
	0272093	Ref	Flood Lights (1200SJP)	
	0272092	Ref	Flood Lights (1350SJP)	
	0272097	Ref	Work Lights (1200SJP)	
	0272096	Ref	Work Lights (1350SJP)	
		Ref	Platform Steel Mesh to Top Rail Add-on Kits (Dealer Installed)	
	1001281453	Ref	36in x 6ft (91.5cm x 1.83m) with Gate (ANSI and ANSI Export Specs)	
	1001281452	Ref	36in x 8ft (91.5cm x 2.44m) with Gate (ANSI and ANSI Export Specs)	
		Ref	Platform Steel Mesh to Top Rail Installations (Factory Installed)	
	1001269187	Ref	36in x 8ft (91.5cm x 2.44m) (ANSI and CSA Specs)	
	1001271642	Ref	36in x 6ft (91.5cm x 1.83m) (ANSI and CSA Specs)	
	1001272166	Ref	Platform Plastic Mesh to Top Rail Installations (Factory Installed)	
	1001266807	Ref	30in x 4ft (76cm x 1.22m) (ANSI, ANSI Export, CSA and Australian Specs) (China Specs with SN Starting with B3)	
	1001266489	Ref	36in x 6ft (91.5cm x 1.83m) (ANSI, ANSI Export, CSA and Australian Specs) (China Specs with SN Starting with B3)	
	1001266056	Ref	36in x 8ft (91.5cm x 2.44m) (ANSI, ANSI Export, CSA and Australian Specs) (China Specs with SN Starting with B3)	
		Ref	Platform Steel Mesh to Mid Rail Add-on Kits (Dealer Installed)	

## SECTION 11 - SPECIAL OPTIONS

ITEM	PART NUMBER	QTY	DESCRIPTION	REV
	1001281461	Ref	30in x 4ft (76.2cm x 1.22m) with Gate (ANSI, ANSI Export and Australian Specs)	
	1001281458	Ref	36in x 6ft (91.5cm x 1.83m) with Gate (ANSI, ANSI Export and Australian Specs)	
	1001281457	Ref	36in x 8ft (91.5cm x 2.44m) with Gate (ANSI, ANSI Export and Australian Specs)	
		Ref	Platform Steel Mesh to Mid Rail Installations (Factory Installed)	
	1001272274	Ref	30in x 4ft (76.2cm x 1.22m) (ANSI, ANSI Export and Australian Specs) (China Specs with SN Starting with 03)	
	1001271760	Ref	36in x 6ft (91.5cm x 1.83m) (ANSI, ANSI Export, Australian and China Specs)	
	1001269389	Ref	36in x 8ft (91.5cm x 2.44m) (ANSI, ANSI Export, Australian and China Specs)	
		Ref	Platform Plastic Mesh to Mid Rail Installations (Factory Installed)	
	1001266969	Ref	30in x 4ft (76cm x 1.22m) (ANSI, ANSI Export, CSA and Australian Specs) (China Specs with SN Starting with B3)	
	1001266284	Ref	36in x 6ft (91.5cm x 1.83m) (ANSI, ANSI Export, CSA and Australian Specs) (China Specs with SN Starting with B3)	
	1001266098	Ref	36in x 8ft (91.5cm x 2.44m) (ANSI, ANSI Export, CSA and Australian Specs) (China Specs with SN Starting with B3)	
	1001149730	Ref	Platform Mid Rail Repair Kit	
		Ref	Platform Rail Extensions	
	0272733	Ref	6ft Platform	
	0272725	Ref	8ft Platform	
	1001209059	Ref	Platform Work Surface Installation	
	1001099466	Ref	Programmable Security Lock Installation (CE & UK CA Spec Only) (1200SJP)	
	1001190891	Ref	Service Kits	W
	1001247073	Ref	SkyEye Retrofit Kit	
	1001241547	Ref	SkyEye Housing Repair Kit (LH Side)	
	1001241548	Ref	SkyEye Housing Repair Kit (RH Side)	
	1001249052	Ref	SkyGuard Retrofit Kit	
	1001250595	Ref	SkyGuard 6 Pin Retrofit Kit	
		Ref	SkyGuard Component Options:	
	1001210043	Ref	SkyGuard Complete Add-on Kit (Red Beacon)	
	1001209481	Ref	SkyGuard Complete Add-on Kit (Blue Beacon)	
	1001210042	Ref	SkyGuard Complete Add-on Kit (Red Beacon)	
	1001137672	Ref	SkyGuard Platform Sensor Kit	
	1001137440	Ref	Harness - Platform Sensor	
	1001186431	Ref	Relay	
	1001206544	Ref	SkyGuard Strobe Light Kit (Blue Beacon)	
	1001210028	Ref	SkyGuard Strobe Light Kit (Red Beacon)	
	1001262016	Ref	SkyLine Kit Add-on Kit (Dealer Installed)	
	1001250465	Ref	SkySense (EDS) Level 1 (2 Bar) Installation (Factory Installed)	
	1001250466	Ref	SkySense (EDS) Level 2 (3 Bar) Installation (Factory Installed)	
	1001289905	Ref	SkySense (EDS) Level 1 Kit (2 Bar) (Dealer Installed)	
	1001289906	Ref	SkySense (EDS) Level 2 Kit (3 Bar) (Dealer Installed)	
	1001253618	Ref	SkySense Module Service Kit (Level 1)	
	1001253619	Ref	SkySense Module Service Kit (Level 2)	
	1001282461	Ref	SkySense Padding Installation - For 36 x 48 Platforms equipped with SkySense	
	1001282434	Ref	SkySense Pre-cut Bumper Kit (use with 1001282461)	
	1001275642	Ref	SkySense Padding Installation - For 36 x 72 Platforms equipped with SkySense	

## SECTION 11 - SPECIAL OPTIONS

ITEM	PART NUMBER	QTY	DESCRIPTION	REV
	1001275650	Ref	SkySense Pre-cut Bumper Kit (use with 1001275642)	
	1001269655	Ref	SkySense Padding Installation - For 36 x 96 Platforms equipped with SkySense	
	1001276062	Ref	SkySense Pre-cut Bumper Kit (use with 1001269655)	
	1001231235	Ref	SkyWelder Locking Bracket	
	1001303167	1	SkyWelder Extension Cord Cable	
	1001281070	Ref	Strobe Beacon Replacement Kit	
	1001294070	1	Strobe Light (Blue) Kit	
	1001293874	1	Strobe Light (Red) Kit	
	1001292586	1	Strobe Light (Amber) Kit	
	1001284518	Ref	Telematics Gateway (Dealer Installed)	
	1001228926	Ref	Turntable Bearing Cover Installation	
		Ref	Tools For Service:	
	2901443	Ref	Analyzer Kit	
	1001249695	Ref	Analyzer and Cable Kit	
	1001249941	Ref	Analyzer and Cable Kit (Battery Powered)	
	1001137005	Ref	Cable Service Kit	
	0272048	Ref	Boom Cable Tools Installation	
	4120040	Ref	Socket 3/4in	
	4120043	Ref	Socket 2in	
	1705307	Ref	Decal - Tool Location	
	7002821	Ref	Crimper, Wire	
	70004646	Ref	Puller	
	70004647	Ref	Seal, Tool	
	70004648	Ref	Puller (Brake Assembly)	
	70004185	Ref	Torque Multiplier	
	7002823	Ref	Pin Extractor - Universal (For Electrical Connectors with Pins and Sockets)	
	4460467	Ref	Extractor - 16-18 Gauge (For Removal of Pin/Sockets from Deutsch Connectors)	
	4460510	Ref	Extractor - 12-14 Gauge (For Removal of Pin/Sockets from Deutsch Connectors)	
	7016654	Ref	Screwdriver, Magnetic	
	7002822	Ref	Screwdriver, Potentiometer	
	7004275	Ref	Seal Tool 1in (For Cylinders)	
	7004276	Ref	Seal Tool 1-1/2in (For Cylinders)	
	7002828	Ref	Stripper, Wire	
	4921850	Ref	Throttle Service Harness	
	70004185	Ref	Torque Multiplier	
	7016655	Ref	Wire Rope Sheave Gauge	
	1001277849	Ref	UGM2 Retrofit Kit	
	1001277844	Ref	UGM2 Retrofit Kit	
	1001274249	Ref	USB Charger Add-on Kit (Dealer Installed)	
	1001262959	Ref	Voltage Regulator Relocation Kit (ClearSky)	
	2910890	Ref	Wear Pad Kit (Includes Wear Pads, Shims and Hardware)	
		Ref	Weld Leads at Platform Installation	
	0271983	Ref	Weld Leads at Platform Installation (1200SJP)	
	0271820	Ref	Weld Leads at Platform Installation (1350SJP)	
	2910894	Ref	Wire Rope Kit - (Includes Cables, Sheaves, Sheave Pins and Hardware) (1200SJP)	
	2910895	Ref	Wire Rope Kit - (Includes Cables, Sheaves, Sheave Pins and Hardware) (1350SJP)	
	1001277222	Ref	White Noise Alarm Kit	



**SECTION 11 - SPECIAL OPTIONS**

ITEM	PART NUMBER	QTY	DESCRIPTION	REV
	1001277191	Ref	White Noise Ambient Alarm Kit	



**PART NUMBER INDEX**

## SECTION 11 - SPECIAL OPTIONS

0080237.....247, 259	307, 311, 315, 319,	0272427 ..... 703	0561471.... 553, 561, 569,
0080244.....251, 255, 263,	351, 355, 359, 363,	0272435 ..... 528, 536	577
267	367, 371, 375, 379,	0272448 ..... 965	0561482.... 553, 561, 569,
0080277.....27	383, 387, 419, 423,	0272521 ..... 691	577
0100009.....637	427, 445, 489	0272522 ..... 955	0561500.... 553, 561, 569,
0100011.... 19, 23, 27, 34,	0100081 ... 182, 183, 187,	0272523 ..... 955	577
41, 53, 59, 61, 65, 67,	591, 595, 598, 663,	0272588 ..... 963	0630407.... 142, 146, 150,
69, 83, 85, 91, 95, 97,	665, 667, 669, 671,	0272589 ..... 532, 540	157
99, 101, 103, 105, 127,	673, 675, 677, 679,	0272599 ..... 959	0630462.... 701, 703, 705
129, 131, 133, 135,	681, 683, 685	0272607 ..... 961	0630464..... 27, 141, 145,
137, 139, 141, 142,	0140001 ..... 67, 69	0272621 ..... 973	149, 153, 597
145, 146, 149, 150,	0140011 ..... 637	0272725 ..... 975	0630467..... 590, 594
153, 157, 182, 183,	0140032 ..... 165	0272733 ..... 975	0630511..... 85
186, 187, 192, 193,	0200048.... 701, 703, 705	0272948 ..... 677	0630518.... 161, 653, 659,
196, 200, 201, 203,	0200742 ..... 503, 507	0272949 ..... 671	691, 693, 695, 698
207, 211, 215, 219,	0200833 ..... 27	0272950 ..... 673	0630535..... 721
223, 227, 231, 235,	0236768 ..... 67, 69	0272951 ..... 665	0630548.... 141, 145, 149,
239, 243, 247, 251,	0239842 ..... 81	0272952 ..... 675	153
255, 259, 263, 267,	0257195 ..... 973	0273353 ..... 698	0630558.... 555, 564, 571,
275, 279, 282, 291,	0257887 ..... 165	0273404 ..... 685	580
295, 299, 303, 307,	0259666 ..... 159	0273405 ..... 681	0630568..... 638
311, 315, 319, 323,	0271512 ..... 79	0273406 ..... 679	0641404..... 85, 511, 515,
325, 327, 329, 331,	0271520 ..... 27	0273696 ..... 597	519, 523, 527, 531,
333, 337, 342, 351,	0271530 ..... 547	0273706 ..... 705	535, 539, 689
355, 359, 363, 367,	0271570 ..... 594	0273824 ..... 701	0641405..... 597, 637, 689
371, 375, 379, 383,	0271572 ..... 95	0273854 ..... 827	0641406..... 61, 141, 145,
387, 391, 393, 395,	0271595 ..... 182	0273855 ..... 829	149, 153, 169, 186,
397, 399, 401, 404,	0271688 ..... 91	0273862 ..... 972	200, 247, 251, 255,
410, 419, 423, 427,	0271769 ..... 974	0274730 ..... 955	259, 263, 267, 279,
431, 433, 435, 438,	0271795 ..... 67	0275098 ..... 641	282, 336, 342, 404,
445, 449, 452, 491,	0271799 ..... 543	0275216 ..... 773, 911	410, 438, 452, 503,
493, 503, 507, 511,	0271800 ..... 590	0275217 ..... 777, 913	507, 590, 594, 635,
515, 519, 523, 527,	0271803 ..... 972	0275452 ..... 781, 915	707, 937, 939, 941,
531, 535, 539, 543,	0271804 ..... 972	0275453 ..... 785, 917	943, 945, 947, 949,
545, 547, 549, 553,	0271805 ..... 972	0275454 ..... 789, 919	951, 953
561, 569, 577, 590,	0271806 ..... 165	0340003 ... 247, 251, 255,	0641407..... 65, 167, 279,
594, 597, 601, 603,	0271808 ..... 974	259, 263, 267	438, 452, 515, 523, 797
613, 615, 617, 619,	0271820 ..... 976	0340051 ... 247, 251, 255,	0641408 67, 69, 173, 175,
627, 629, 631, 633,	0271852 ..... 45	259, 263, 267	182, 186, 193, 201,
687, 689, 691, 693,	0271874 ..... 83	0363037 ..... 19, 23	203, 279, 291, 295,
695, 698, 701, 703, 705	0271875 ..... 972	0363062 ..... 67, 69	299, 303, 307, 311,
0100019.... 19, 23, 27, 29,	0271932 ..... 815	0363066 ... 555, 563, 571,	315, 319, 351, 355,
39, 77, 79, 519, 523,	0271933 ..... 972	579	359, 363, 367, 371,
527, 531, 535, 539,	0271950 ..... 819	0363076 ..... 19	375, 379, 383, 387,
543, 545, 547, 549,	0271951 ..... 817	0363081 ..... 503, 507	419, 423, 427, 445, 635
553, 561, 569, 577,	0271952 ..... 821	0363082 ..... 503, 507	0641410.... 207, 211, 215,
590, 594	0271953 ..... 767	0400020 ..... 67, 69	219, 223, 227, 231,
0100020.... 282, 337, 342,	0271954 ..... 769	0440251 ..... 79	235, 239, 243, 275,
404, 410, 438, 452,	0271955 ..... 765	0480122 ..... 507	291, 295, 299, 303,
511, 519, 528, 535,	0271956 ..... 972	0480127 ..... 503	307, 311, 315, 319,
651, 659, 698, 771,	0271983 ..... 976	0480128 ..... 511, 527	351, 355, 359, 363,
773, 775, 777, 779,	0272048 ..... 583, 976	0480129 ..... 531	367, 371, 375, 379,
781, 783, 785, 787,	0272055 ..... 45	0561431 ... 553, 561, 569,	383, 387, 419, 423,
789, 795	0272056 ..... 45	577	427, 445
0100035..... 27, 284, 597,	0272060 ... 248, 251, 255,	0561437 ... 553, 561, 569,	0641412..... 59, 61, 67, 69
637, 653, 655	260, 263, 267	577	0641414..... 61, 637, 687,
0100048..... 93, 141, 145,	0272064 ..... 177	0561439 ... 553, 561, 569,	701, 703, 705
149, 153, 167, 169,	0272078 ..... 972	577	0641416.... 765, 767, 769,
511, 519, 523, 528,	0272080 ..... 111	0561444 ... 553, 561, 569,	771, 773, 775, 777,
532, 535, 539, 597,	0272092 ..... 974	577	779, 781, 783, 785,
897, 937, 939, 943	0272093 ..... 974	0561454 ... 553, 561, 569,	787, 789, 795, 797
0100062.... 282, 338, 344,	0272096 ..... 974	577	0641418.... 613, 615, 617,
404, 410, 438, 452	0272097 ..... 974	0561457 ... 553, 561, 569,	619, 627, 629, 631, 633
0100079.... 207, 211, 215,	0272254 ..... 693	577	0641424..... 53
219, 223, 227, 231,	0272418 ... 663, 665, 667,	0561458 ... 553, 561, 569,	0641503.... 282, 338, 344,
235, 239, 243, 275,	669, 671, 673, 675,	577	404, 410, 438, 452
291, 295, 299, 303,	677, 679, 681, 683, 685		0641504..... 53

## SECTION 11 - SPECIAL OPTIONS

<p>0641505 ..... 27</p> <p>0641506 65, 85, 165, 182, 183, 187, 192, 196, 200, 207, 211, 215, 219, 223, 227, 231, 235, 239, 243, 247, 251, 255, 259, 263, 267</p> <p>0641507 ... 247, 251, 255, 259, 263, 267, 603</p> <p>0641508 ... 117, 121, 336, 342, 404, 410, 438, 452, 503, 507</p> <p>0641509 ..... 53, 179, 207, 211, 215, 219, 223, 227, 231, 235, 239, 243</p> <p>0641510 ... 187, 338, 344, 404, 410, 440, 454, 591, 595</p> <p>0641511 ..... 27, 207, 211, 215, 219, 223, 227, 231, 235, 239, 243, 275, 291, 295, 299, 303, 307, 311, 315, 319, 351, 355, 359, 363, 367, 371, 375, 379, 383, 387, 419, 423, 427, 445</p> <p>0641516 ... 511, 519, 527, 531, 535, 539</p> <p>0641520 ... 111, 113, 115, 119, 123, 125</p> <p>0641524 ..... 117, 121</p> <p>0641605 ... 207, 211, 215, 219, 223, 227, 231, 235, 239, 243, 247, 251, 255, 259, 263, 267, 275, 291, 295, 299, 303, 307, 311, 315, 319, 351, 355, 359, 363, 367, 371, 375, 379, 383, 387, 419, 423, 427, 445</p> <p>0641606 ... 19, 23, 67, 69, 85, 192, 196, 200, 208, 212, 216, 220, 224, 228, 231, 236, 240, 244, 275, 282, 291, 295, 299, 303, 307, 311, 315, 319, 336, 342, 351, 355, 359, 363, 367, 371, 375, 379, 383, 387, 404, 410, 419, 423, 427, 438, 445, 452, 691, 693, 695, 698</p> <p>0641607 ... 553, 561, 569, 577</p> <p>0641608 ... 19, 23, 53, 65, 83, 85, 95, 97, 99, 101, 103, 105, 111, 113, 125, 177, 179, 182, 186, 192, 196, 200, 247, 251, 255, 259, 263, 267, 275, 279, 282, 291, 295, 299, 303, 307, 311, 315, 319, 327, 329, 331,</p>	<p>333, 336, 342, 351, 355, 359, 363, 367, 371, 375, 379, 383, 387, 391, 393, 399, 401, 404, 410, 419, 423, 427, 431, 435, 438, 445, 449, 452, 495, 503, 507, 543, 545, 547, 549, 590, 594</p> <p>0641609 19, 23, 117, 121, 247, 251, 255, 259, 263, 267</p> <p>0641610 ... 182, 186, 192, 196, 200, 207, 211, 215, 219, 223, 227, 231, 235, 239, 243, 247, 251, 255, 259, 263, 267, 275, 282, 291, 295, 299, 303, 307, 311, 315, 319, 336, 342, 351, 355, 359, 363, 367, 371, 375, 379, 383, 387, 404, 410, 419, 423, 427, 438, 445, 452, 489, 493, 503, 507, 553, 561, 569, 577, 635</p> <p>0641611 19, 23, 491, 545, 549</p> <p>0641612 ... 275, 291, 295, 299, 303, 307, 311, 315, 319, 338, 344, 351, 355, 359, 363, 367, 371, 375, 379, 383, 387, 404, 410, 419, 423, 427, 440, 445, 454, 489, 543, 547</p> <p>0641613 ..... 19, 23</p> <p>0641614 . 95, 97, 99, 101, 103, 105</p> <p>0641615 ... 553, 561, 569, 577</p> <p>0641616 ..... 511, 515</p> <p>0641618 ... 519, 523, 528, 532, 535, 539, 555, 563, 571, 579</p> <p>0641630 ... 182, 186, 192, 196, 200</p> <p>0641634 ..... 27</p> <p>0641640 ... 555, 563, 571, 579</p> <p>0641644 ... 555, 563, 571, 579</p> <p>0641646 ... 553, 561, 569, 577</p> <p>0641652 ... 553, 561, 569, 577</p> <p>0641676 ..... 583</p> <p>0641706 ... 282, 336, 342, 404, 410, 438, 452</p> <p>0641708 ... 275, 282, 292, 296, 300, 304, 308, 312, 315, 319, 336, 342, 351, 355, 359, 363, 367, 371, 375, 379, 383, 387, 404,</p>	<p>410, 419, 423, 427, 438, 445, 452</p> <p>0641718 ..... 503, 507</p> <p>0641808.. 19, 23, 53, 207, 211, 215, 219, 223, 227, 231, 235, 239, 243, 247, 251, 255, 259, 263, 267, 275, 291, 295, 299, 303, 307, 311, 315, 319, 351, 355, 359, 363, 367, 371, 375, 379, 383, 387, 419, 423, 427, 445, 553, 561, 569, 577</p> <p>0641810 47, 51, 511, 515, 519, 523, 527, 531, 535, 539, 590, 594</p> <p>0641812 ..... 91, 247, 251, 255, 279, 323, 325, 327, 329, 331, 333, 391, 393, 399, 401, 435</p> <p>0641813 ..... 192, 196, 200, 553, 561, 569, 577</p> <p>0641814 ..... 20, 259, 263, 267, 323, 325, 327, 329, 395, 397, 431, 433, 449</p> <p>0641816 ..... 179</p> <p>0641818 ..... 177, 247, 251, 255, 259, 263, 267</p> <p>0641820 ..... 91</p> <p>0641826 ..... 247, 251, 255, 259, 263, 267</p> <p>0642010 ..... 207, 211, 215, 219, 223, 227, 231, 235, 239, 243, 275, 291, 295, 299, 303, 307, 311, 315, 319, 351, 355, 359, 363, 367, 371, 375, 379, 383, 387, 419, 423, 427, 445</p> <p>0642012 ..... 553, 561, 569, 577, 663, 665, 667, 669, 671, 673, 675, 677, 679, 681, 683, 685</p> <p>0642014 ..... 553, 561, 569, 577</p> <p>0642016 ..... 27</p> <p>0642020 ..... 23</p> <p>0642022 ..... 553, 561, 569, 577</p> <p>0642212 ..... 663, 665, 667, 669, 671, 673, 675, 677, 679, 681, 683, 685</p> <p>0642214 19, 23, 543, 545, 547, 549</p> <p>0681608 ..... 601</p> <p>0681620 ..... 643, 645, 647, 649</p> <p>0681813 ..... 19, 23</p> <p>0681814 19, 23, 621, 623, 625</p> <p>0681815 ..... 19, 23</p> <p>0681816 ..... 19, 23</p> <p>0681822 ..... 621, 623, 625</p>	<p>0682026 ..... 79</p> <p>0682028 ... 282, 336, 342, 404, 410, 438, 452, 553, 561, 569, 577</p> <p>0682040 ..... 79</p> <p>0682212 ... 553, 561, 569, 577</p> <p>0682422 ..... 77</p> <p>0682424 ... 643, 645, 647, 649</p> <p>0700408 ... 771, 773, 775, 777, 779, 781, 783, 785, 787, 789, 795</p> <p>0700615 ..... 173, 175</p> <p>0700616 .... 193, 201, 203</p> <p>0700812 ... 338, 344, 404, 410</p> <p>0700815 ... 282, 336, 342, 404, 410, 438, 452</p> <p>0701022 ..... 285</p> <p>0701024 ..... 282</p> <p>0701025 ..... 282</p> <p>0701418 ..... 503, 507</p> <p>0701617 ..... 29, 39</p> <p>0701619 .... 45, 47, 49, 51</p> <p>0711214 ... 247, 251, 255, 259, 263, 267</p> <p>0711417 ... 251, 255, 263, 267</p> <p>0720804 ..... 637</p> <p>0721005 ..... 703, 705</p> <p>0721006 .... 491, 493, 637</p> <p>0731005 ..... 701</p> <p>0731007 . 95, 97, 99, 101, 103, 105</p> <p>0741606 .... 27, 553, 561, 569, 577</p> <p>0741607 ... 511, 515, 519, 523, 535, 539</p> <p>0741806 ... 553, 561, 569, 577</p> <p>0760608 .... 182, 183, 187</p> <p>0760612 ... 141, 145, 149, 153</p> <p>0760808 ..... 438, 452</p> <p>0760810 ... 282, 338, 344, 404, 410, 601</p> <p>0760812 ..... 803</p> <p>0760814 ..... 283</p> <p>0760814001 ..... 283</p> <p>0761014 ..... 601</p> <p>0761016 ..... 282</p> <p>0761210 ... 275, 284, 291, 295, 299, 303, 307, 311, 315, 319, 351, 355, 359, 363, 367, 371, 375, 379, 383, 387, 419, 423, 427, 445</p> <p>0761212 ..... 438, 452</p> <p>0761214 34, 41, 282, 338, 344, 404, 410, 438, 452, 497</p> <p>0761215 ... 260, 263, 268, 279, 327, 329, 331, 333, 391, 393, 399, 401, 431, 435, 449</p> <p>0761216 ..... 601</p>
--	---	---	--

## SECTION 11 - SPECIAL OPTIONS

0771212....282, 336, 342, 404, 410, 438, 452	0902813 ..... 503, 507 0902888... 511, 519, 527, 531, 535, 539	1001094915 ..... 515, 523, 797	1001107973.....232, 244, 263
0771414....247, 251, 255, 259, 263, 267, 282, 336, 342, 404, 410, 438, 452	0902915 ..... 91 0903154 ..... 182, 186 0903156 ..... 182, 186 0903161 ..... 183, 187 0903162 ..... 183, 187 0940070... 247, 251, 255, 259, 263, 267, 282, 336, 342, 404, 410, 438, 452	1001095976 ..... 797 1001097051 ..... 925 1001097150 ..... 831 1001097244 ..... 709 1001097820 ..... 735, 737 1001098012 ..... 657, 659, 698	1001107975.....240, 267 1001108579.....101, 105 1001108616.....260, 264, 269, 279, 327, 329, 399, 401, 431, 449, 474 1001108617.....207, 211, 215, 219, 223, 228, 232, 235, 239, 243, 275, 291, 295, 299, 303, 307, 311, 315, 319, 351, 355, 359, 363, 367, 371, 375, 379, 383, 387, 419, 423, 427, 445
0791410.....59, 61 0791504.....590, 594, 597 0791518.....590, 594 0791604...59, 61, 85, 182, 186, 192, 196, 200, 553, 561, 569, 577, 597	0940092 .... 701, 703, 705 0940094 .... 701, 703, 705 0940102 ... 663, 665, 667, 669, 671, 673, 675, 677, 679, 681, 683, 685 0940103 ..... 703 0940133 ..... 705 0940134 ..... 701 0961845 ... 613, 615, 617, 619, 627, 629, 631, 633 0961894 ..... 721 0961949 .... 719, 721, 727 0961950 ..... 717, 727 0961951 ... 553, 561, 569, 577	1001098025 ..... 735 1001098026 ..... 737 1001098122 ..... 651, 903 1001098149 ..... 659 1001098512 ..... 207 1001098513 ..... 208, 216, 247 1001098516 ..... 211 1001098530 ..... 212, 220, 251 1001098531 ..... 224, 255 1001098601 ..... 247, 252, 256, 259, 264, 268, 271 1001098828 ..... 601 1001099366 ..... 663, 665, 667, 669, 671, 673, 675, 677, 679, 681, 683, 685 1001099367 ..... 663, 665, 667, 669, 671, 673, 675, 677, 679, 681, 683, 685 1001099421 ..... 677 1001099422 ..... 665 1001099466 ..... 975 1001099632 ..... 27 1001099869 ..... 507 1001100231 ..... 831 1001100233 ..... 507 1001100321 ..... 507 1001100341 ..... 911 1001100342 ..... 913 1001100345 ..... 915 1001100346 ..... 919 1001100347 ..... 917 1001101191 ..... 771, 773, 775, 777, 779, 781, 783, 785, 787, 789, 795, 831, 833 1001101196 ..... 773, 775, 777, 779 1001101197 ..... 771, 781, 783, 785, 787, 789, 795 1001101421 ..... 663 1001101422 ..... 663 1001101550 ..... 33, 41 1001103012 ..... 859 1001103286 ..... 974 1001104315 ..... 29, 31 1001104324 ..... 29 1001104325 ..... 31, 33 1001104498 ..... 859 1001106736 ..... 861 1001107359 ..... 99, 103 1001107854 ..... 859 1001107971 ..... 227, 236, 259	1001109048.....101, 105 1001109468.....756 1001109484.....859 1001109485.....861 1001109654.....797, 831 1001109677.....113, 119, 121, 123, 125 1001110027.....192 1001110059.....101, 105 1001110064.....142, 146, 150, 157 1001110108.....61 1001110109.....61 1001110110.....61 1001110111.....61 1001110112.....61 1001110113.....61 1001110425.....275, 291, 295, 299, 303, 307, 311, 315, 319, 351, 355, 359, 363, 367, 371, 375, 379, 383, 387, 419, 423, 427, 445 1001110433.....192, 196, 200 1001110486.....192, 196, 200 1001110513.....61 1001110604.....756 1001110740.....69 1001110872.....791, 793 1001110873.....511, 519, 528, 536, 767 1001110877.....61 1001110940.....85 1001111132.....216, 220, 224, 236, 240, 244 1001111175.....85 1001111176.....85 1001111193.....85 1001111219.....85 1001112551.....939 1001112612.....805, 861 1001112669.....49 1001112691.....192, 196, 200 1001112716.....49 1001112741.....974 1001112758.....53, 969 1001112766.....247, 251, 255, 259, 263, 267
0791605....555, 563, 571, 579, 597 0791606....553, 561, 569, 577, 597 0791607.....59, 591, 595 0791608.....597 0791612....553, 561, 569, 577 0791618....553, 561, 569, 577 0791620....553, 561, 569, 577, 590, 594 0791622.....590, 594 0791624....553, 561, 569, 577, 590, 594 0791808.....591, 595 0801301 .....569, 577 0801302 .....569, 577 0801303 .....569, 577 0801304 .....569, 577 0801315 .....547, 569 0801316 .....553, 561 0801317 .....553, 561 0801318 .....553, 561 0801319 .....553, 561 0801320 .....543, 553 0801550....555, 563, 571, 579 0811606....556, 564, 572, 580 0811607....556, 564, 572, 580 0811608....553, 561, 569, 577 0811610....553, 561, 569, 577 0811614....553, 561, 569, 577 0811616....553, 561, 569, 577 0860038....511, 519, 527, 535, 767, 769 0861538.....527, 535 0861572.....531, 539 0861731 ....771, 783, 787, 795, 915, 917, 919 0861781 ....775, 779, 911, 913 0861880.....831, 833 0902746.....182, 183, 187 0902755.....65 0902761 .....182, 187 0902762 .....183, 187 0902763 .....183, 187 0902800.....65	0961986... 247, 251, 255, 259, 263, 267, 282, 336, 342, 404, 410, 438, 452 0962033 ..... 19, 23 0962051 ..... 177, 179 0962224 ... 553, 561, 569, 577 0962257 ..... 725 0962270 .... 621, 623, 625 0962297 ... 553, 561, 569, 577, 723 0962402 ... 554, 562, 570, 578 0962403 ... 554, 562, 570, 578 0962404 ... 555, 563, 571, 579 0962406 ... 554, 562, 570, 578 0962409 ... 554, 562, 570, 578 0962410 ... 554, 562, 570, 578 0962411 ... 555, 563, 571, 579 0962423 ..... 27 0962447 ... 555, 563, 571, 579 0962449 ..... 508 0962520 ... 511, 515, 519, 523, 527, 531, 535, 539 1001091102 ..... 515, 523, 797 1001091969 ..... 773 1001091970 ..... 777 1001091973 ..... 781 1001091974 ..... 785 1001091975 ..... 789 1001094105 ..... 883	1001099367 ..... 663, 665, 667, 669, 671, 673, 675, 677, 679, 681, 683, 685 1001099421 ..... 677 1001099422 ..... 665 1001099466 ..... 975 1001099632 ..... 27 1001099869 ..... 507 1001100231 ..... 831 1001100233 ..... 507 1001100321 ..... 507 1001100341 ..... 911 1001100342 ..... 913 1001100345 ..... 915 1001100346 ..... 919 1001100347 ..... 917 1001101191 ..... 771, 773, 775, 777, 779, 781, 783, 785, 787, 789, 795, 831, 833 1001101196 ..... 773, 775, 777, 779 1001101197 ..... 771, 781, 783, 785, 787, 789, 795 1001101421 ..... 663 1001101422 ..... 663 1001101550 ..... 33, 41 1001103012 ..... 859 1001103286 ..... 974 1001104315 ..... 29, 31 1001104324 ..... 29 1001104325 ..... 31, 33 1001104498 ..... 859 1001106736 ..... 861 1001107359 ..... 99, 103 1001107854 ..... 859 1001107971 ..... 227, 236, 259	

## SECTION 11 - SPECIAL OPTIONS

1001112796 ..... 805, 849, 853	1001117172.....651	1001126356.....867	1001135680 ..... 337, 343, 405, 411, 439, 453
1001112878 ..... 215, 219, 223, 235, 239, 243	1001117174.....637, 651, 969	1001126357.....867	1001135779 ..... 284, 338, 343, 405, 411, 439, 453
1001112879 ..... 215, 219, 223, 235, 239, 243	1001117294.....974	1001126362.....868, 871	1001135901 ..... 337, 343, 405, 411, 439, 453
1001112880 ..... 215, 219, 223, 235, 239, 243	1001117308.....283, 337, 343, 405, 411, 439, 453, 968	1001126363.....868, 871, 872	1001135903 ..... 283, 439, 453
1001112911 ..... 85	1001117370.....215	1001126364.....868, 871, 872	1001135913 ..... 337, 343, 405, 411, 439, 453
1001112927 ..... 260, 264, 268, 279, 327, 329, 331, 333, 391, 393, 399, 401, 431, 435, 449, 481	1001117371.....219	1001126365.....869	1001135924 ..... 337, 343, 405, 411, 439, 453
1001113006 ..... 123	1001118384.....927	1001126391.....869, 871	1001135926 ..... 337, 343, 405, 411, 439, 453
1001113047 ..... 192, 196, 200	1001118388.....905, 927	1001126392.....869, 871	1001135943 ..... 337, 343, 405, 411, 439, 453
1001113103 ..... 101, 105	1001118712.....227	1001126485.....871	1001135946 ..... 283, 439, 453
1001113173 ..... 85	1001118713.....231	1001126487.....871	1001136356 ..... 515
1001113698 ..... 149, 153	1001118859.....756	1001128527.....695	1001136357 ..... 523, 540
1001113961 ..... 859	1001118869.....756	1001128556.....695	1001136626 ..... 337, 343, 405, 411, 439, 453
1001114392 ..... 85	1001118933.....756	1001129334.....142, 146, 150, 154	1001136665 ..... 283, 337, 343, 405, 411, 439, 453
1001114620 ..... 748	1001118934.....756, 760	1001129408.....837, 839, 841, 843	1001136834 ..... 283, 337, 343, 405, 411, 439, 453
1001115168 ..... 85	1001118935.....756	1001129858.....511, 512	1001137005 ..... 976
1001115440 ..... 85	1001118957.....113	1001131269.....937, 947	1001137027 ..... 973
1001115603 ..... 683	1001119020.....805, 859, 861, 883, 899, 903	1001131462.....192, 196, 200	1001137276 ..... 283, 337, 343, 405, 411, 439, 453
1001115961 ..... 49	1001119052.....235	1001131482.....179	1001137336 ..... 282
1001116015 ..... 223	1001119053.....243	1001131542.....247, 251, 255, 259, 263, 267, 275, 292, 296, 300, 304, 308, 312, 315, 319, 351, 355, 359, 363, 367, 371, 375, 379, 383, 387, 419, 423, 427, 445	1001137440 ..... 975
1001116025 ..... 955	1001119054.....239	1001131620.....590, 594	1001137590 ..... 535
1001116208 ..... 956	1001119138.....756	1001131728.....594	1001137591 ..... 539
1001116290 ..... 193, 201, 203	1001119372.....141, 145, 149, 153, 885	1001131729.....590	1001137672 ..... 975
1001116692 ..... 853	1001119456.....127, 133, 909	1001131733.....594	1001137673 ..... 687, 969
1001116693 ..... 855	1001119470.....127, 129, 133, 135, 865	1001131734.....590	1001138011 ..... 519, 523, 536, 540
1001116694 ..... 853, 855	1001119619.....921	1001131969.....823, 825	1001138110 ..... 869
1001116707 ..... 867	1001119620.....923, 925	1001133633.....284, 337, 343, 405, 411, 439, 453	1001138111 ..... 869
1001116710 ..... 877	1001119727.....283	1001133634.....283, 337, 343, 405, 411, 439, 453	1001138228 ..... 283, 337, 343, 405, 411, 439, 453, 968
1001116720 ..... 905	1001119817.....756	1001133714.....869, 872, 875	1001138248 ..... 284, 337, 343, 405, 411, 439, 453
1001116728 ..... 868	1001119899.....554, 562, 570, 578	1001133956.....867, 871	1001138253 ..... 283, 337, 343, 405, 411, 439, 453
1001116731 ..... 849	1001119938.....972	1001133957.....867, 871	1001138346 ..... 283, 337, 343, 867
1001116733 ..... 897	1001119946.....972	1001134389.....307	1001138491 ..... 275, 291, 295, 299, 303, 307, 311, 315, 319, 351, 355, 359, 363, 367, 371, 375, 379, 383, 387, 419, 423, 427, 445, 877
1001116734 ..... 897	1001119968.....528, 532, 537, 540	1001134390.....303, 307, 327	1001138494 ..... 615, 617, 619, 627, 629, 631, 633
1001116774 ..... 805, 853, 855	1001120328.....687, 689, 903	1001134392.....323, 327, 331, 336	1001138514 ..... 615, 617, 619, 629, 633
1001116792 ..... 275, 291, 295, 299, 303, 307, 311, 315, 319, 351, 355, 359, 363, 367, 371, 375, 379, 383, 387, 419, 423, 427, 445	1001120378.....507	1001134488.....283, 336, 344, 405, 411, 439, 453	1001138524 ..... 284, 337, 343, 405, 411, 439, 453
1001116808 ..... 805, 853	1001120382.....507	1001135138.....283, 337, 343, 405, 411, 439	1001138559 ..... 285, 337, 343, 406, 412, 439, 453
1001116812 ..... 853, 859, 871, 883	1001120471.....709	1001135560.....283, 337, 343, 405, 411, 439, 453	1001138565 ..... 515
1001116815 ..... 853, 861, 872	1001120477.....709	1001135562.....283, 337, 343, 405, 411, 439, 453	
1001116846 ..... 945	1001120484.....709	1001135650.....869, 872, 875	
1001116849 ..... 945	1001120564.....111, 113, 974	1001135651.....869, 872	
1001116851 ..... 945	1001120989.....956	1001135663.....179	
1001116952 ..... 868, 871	1001120994.....956	1001135679.....283, 337, 343, 405, 411	
1001116967 ..... 867	1001121615.....899		
1001116983 ..... 877	1001121616.....899		
1001117035 ..... 945	1001122528.....528, 532, 537, 540		
1001117078 ..... 529, 532, 537, 540	1001122611.....937, 941, 945, 949, 951, 953		
1001117106 ..... 868	1001125387.....956		
1001117107 ..... 868, 871	1001125425.....503		
1001117140 ..... 187	1001125426.....507		
	1001125427.....527		
	1001125428.....531		
	1001126009.....927		
	1001126011.....899, 903		
	1001126351.....867, 871		
	1001126352.....867		

## SECTION 11 - SPECIAL OPTIONS

1001138566.....511, 515, 519, 523	1001142144 ..... 186	1001148841 ..... 875	1001157528..... 528, 532, 536, 540
1001138717 .....338, 344, 406, 412	1001142501 ..... 283, 338, 344, 406, 412, 440, 454	1001148842 ..... 875	1001157592..... 527, 528, 535, 536
1001138800.....545	1001142504 ..... 974	1001148843 ..... 284, 338, 344, 406, 412, 440, 454, 875	1001158007..... 528, 532, 536, 540
1001138801.....545, 561	1001142505 ..... 974	1001148902 ..... 973	1001158008..... 512, 520, 528, 532, 536, 540
1001138827 .....283, 337, 343, 406, 412, 439, 453	1001142637 ..... 440, 454	1001148903 ..... 973	1001158363..... 512, 520
1001139099.....973	1001142645 ..... 519, 536	1001148904 ..... 973	1001159118..... 791, 793, 968
1001139240.....283, 337, 343, 406, 412, 439, 453	1001142683 ..... 173, 175, 969	1001148905 ..... 973	1001159119..... 791, 793
1001139357 .....511, 515	1001142685 ..... 283, 338, 344, 406, 412, 440, 454	1001148906 ..... 973	1001159120..... 791, 793
1001139492..... 119	1001142719 ..... 173, 175	1001148971 ..... 974	1001159121..... 793
1001139494..... 115	1001142736 ..... 173, 175, 805	1001149730 ..... 975	1001159186..... 883, 899, 903
1001139516.....549	1001142938 ..... 869, 872	1001149955 ..... 171	1001159256..... 637, 969
1001139517.....549, 577	1001142940 ..... 869, 872	1001151393 ..... 159	1001160505..... 182, 186
1001139654.....956	1001142941 ..... 869, 872	1001151432 ..... 284	1001160567.... 95, 97, 99, 103
1001139665..... 115, 119, 123	1001142966 ..... 974	1001151856 ..... 872	1001161041..... 823
1001139666..... 115, 119, 123	1001143087 ..... 115, 117, 119, 121, 123	1001152266 ..... 897	1001161044..... 825
1001139778.....200	1001143123 ..... 115, 119	1001152456 ..... 512, 520	1001161048..... 823
1001139958.....511	1001143294 ..... 179	1001152457 ..... 511, 519, 520	1001161050..... 825
1001139959.....515	1001143298 ..... 179	1001152525 ..... 512, 520, 528, 532, 536, 540	1001161401..... 19, 24
1001139972.....554, 562, 570, 578	1001143390 ..... 283, 338, 344, 406, 412, 440, 454	1001152530 ..... 512, 520	1001161402..... 19, 24
1001140222.....491	1001143852 ..... 956	1001152533 ..... 511, 515, 519, 523, 879	1001161403..... 19, 24
1001140312.....344, 406	1001144089 ..... 283, 338, 344, 406, 412, 440, 454	1001152566 ..... 187	1001161709..... 637, 969
1001140344.....519	1001144147 ..... 849, 861	1001152742 ..... 868	1001161710..... 637, 969
1001140346.....520	1001144433 ..... 687	1001152963 ..... 323, 325, 395, 397, 433, 468	1001163131..... 663
1001140347.....523	1001144629 ..... 609, 611, 627, 631	1001152966 ..... 752	1001163287..... 675
1001140429 ..... 613, 615, 617, 619, 627, 629, 631, 633	1001145089 ..... 291, 295, 299, 303, 307, 311, 316, 320, 352, 356, 360, 364, 368, 372, 376, 380, 384, 388, 420, 424, 428, 446	1001152968 ..... 752	1001163288..... 681
1001140485..... 186, 200	1001145154 ..... 284, 338, 344, 406, 412, 440, 454	1001152971 ..... 752	1001163289..... 679
1001140564.....283, 336, 343, 406, 412, 439, 453	1001145162 ..... 200	1001153024 ..... 337, 343, 406, 412, 440, 454	1001163292..... 683
1001140604.....295, 299, 307, 311, 319, 351, 355, 363, 367, 375, 379, 383	1001145382 ..... 248, 252, 256, 260, 264, 268	1001153257 ..... 511, 519	1001163293..... 671
1001141225.....275, 291, 295, 299, 303, 307, 311, 315, 319, 351, 355, 359, 363, 367, 371, 375, 379, 383, 387, 419, 423, 427, 445	1001145405 ..... 659, 698	1001153260 ..... 512, 520	1001163295..... 685
1001141300.....956	1001145560 ..... 291, 303, 316, 360, 372, 388, 420, 424, 428, 446	1001153387 ..... 338, 344, 406, 412, 440, 454	1001163296..... 677
1001141302.....956	1001145708 ..... 973	1001154260 ..... 554, 562, 570, 578	1001163297..... 665
1001141304.....283, 338, 343, 406, 412, 440, 453	1001145842 ..... 292, 296, 300, 304, 308, 312, 316, 320, 352, 356, 360, 364, 368, 372, 376, 380, 384, 388, 420, 424, 428, 446	1001154294 ..... 554, 562, 570, 578	1001163298..... 673
1001141717 .....283, 338, 343, 406, 412, 440, 454	1001146132 ..... 186, 201	1001154304 ..... 554, 562, 570, 578	1001165035..... 284, 337, 343, 406, 412, 440, 454
1001141718.....491, 493	1001146142 ..... 186	1001154306 ..... 554, 562, 570, 578	1001165101..... 323, 325, 327, 329, 331, 333, 391, 393, 395, 397, 399, 401, 440, 491
1001141719.....283, 336, 343, 406, 412, 440, 454	1001146178 ..... 186, 200	1001154405 ..... 284, 291, 295, 299, 303, 307, 311, 316, 320, 338, 344, 352, 356, 360, 364, 368, 372, 376, 380, 384, 388, 406, 412, 420, 424, 428, 440, 446, 454, 491, 493, 495	1001165368..... 515, 523, 833
1001141744.....311	1001146183 ..... 186, 200	1001155044 ..... 637	1001165820..... 338, 344, 406, 412, 440, 454
1001141745.....311, 329	1001146219 ..... 284, 336, 342, 406, 412, 440, 454	1001155045 ..... 637, 969	1001166393..... 283, 337, 343, 406, 412, 440, 454
1001141746.....325, 329, 333, 342	1001146244 ..... 200	1001155575 ..... 284, 337, 343, 406, 412, 440, 454	1001167164..... 279
1001141811.....295	1001146588 ..... 420, 424, 428, 440, 446, 454	1001155823 ..... 284, 338, 344, 406, 412, 440, 454	1001167565..... 601
1001141812.....291, 295, 323	1001147264 ..... 868, 872	1001157520 ..... 528, 532, 536, 540	1001167567..... 601
1001141813.....299, 325	1001147479 ..... 597, 969	1001157521 ..... 528, 532, 536, 540	1001167596..... 601
1001141815.....299	1001147551 ..... 109	1001157525 ..... 531, 532, 539, 540	1001167632..... 872
1001141817.....303	1001148675 ..... 791, 793		1001167635..... 871
1001141819.....291			1001168166..... 284



## SECTION 11 - SPECIAL OPTIONS

1001171095 ..... 260, 264, 269, 279, 327, 329, 399, 401, 431, 449, 477	1001178247..... 553, 561, 569, 577, 585	1001193674..... 19, 24	1001214571 ..... 803
1001171130 ..... 519	1001178248..... 553, 561, 569, 577, 587	1001195214..... 489	1001216630 ..... 601
1001171131 ..... 791	1001178797..... 495	1001195304..... 974	1001216876 ..... 51
1001171273 ..... 523	1001178894..... 284	1001196634..... 851	1001216877 ..... 51
1001172045 ..... 974	1001179154..... 512, 520, 528, 536	1001197017..... 701, 703, 705	1001219082 ..... 847
1001172064 ..... 871	1001180051..... 192, 197, 201	1001197408..... 956	1001219085 ..... 955
1001172065 ..... 871	1001180620..... 284, 440, 454	1001197528..... 956	1001219601 ..... 142, 146, 150, 153, 969
1001172760 ..... 638	1001180690..... 956	1001197529..... 956	1001219642 ..... 284, 287
1001172766 ..... 955	1001181045..... 831, 833, 968	1001197530..... 956	1001219990 .. 53, 65, 603
1001173163 ..... 193, 201, 203	1001181129..... 117, 121	1001197531..... 956	1001220039 ..... 972
1001173164 ..... 193, 201, 203	1001181134..... 669	1001197532..... 956	1001220041 ..... 972
1001173166 ..... 192, 196, 200	1001181142..... 669	1001197533..... 956	1001220044 ..... 972
1001173170 ..... 192, 196, 200	1001181151..... 973	1001197537..... 956	1001220379 ..... 868
1001173171 99, 101, 103, 105	1001181895..... 344, 406	1001197719..... 872	1001220560 ..... 117, 121
1001173183 ..... 193, 201, 203	1001181899..... 440, 454	1001200491..... 601	1001220735 ..... 279, 282
1001173184 ..... 201	1001182361..... 867, 871	1001200494..... 601	1001220743 ..... 972
1001173185 ..... 192, 196, 200	1001182365..... 871	1001201081..... 859	1001220745 ..... 972
1001173186 ..... 192, 196, 200	1001182600..... 973	1001201351..... 601	1001220746 ..... 972
1001173187 ..... 192, 196, 200	1001182806..... 167	1001202221 ..... 973	1001220747 ..... 972
1001173202 ..... 200	1001182997..... 284	1001202280..... 489	1001220770 ..... 284
1001173647 ..... 192, 196, 201	1001184682..... 169	1001202281..... 489, 968	1001220929 ..... 638
1001173651 ..... 192, 196, 201	1001185281..... 638	1001202687..... 601	1001221203 ..... 284
1001173703 ..... 956	1001186318..... 625	1001202697 ..... 972	1001221205 ..... 284
1001173912 ..... 192	1001186333..... 621	1001202749..... 973	1001221212 ..... 284, 501
1001173913 ..... 23	1001186334..... 623	1001203564..... 973	1001221217 ..... 284
1001173914 ..... 19	1001186375..... 615	1001203655..... 621	1001221219 ..... 284
1001173915 ..... 103	1001186379..... 617	1001203656..... 623, 625	1001221261 ..... 275
1001173918 ..... 105	1001186382..... 619	1001204159..... 489	1001221265 ..... 276, 279
1001174040 ..... 601	1001186383..... 611	1001204725..... 601	1001221427 ..... 284
1001174331 ..... 193	1001186384..... 609	1001204930..... 974	1001221666 ..... 121
1001175237 ..... 201	1001186389..... 625	1001205958..... 781, 783, 785, 787, 789, 795	1001221738 ..... 955
1001175250 ..... 193	1001186431..... 687, 969, 975	1001206250..... 783	1001221802 ..... 117
1001175859 ..... 192, 196, 201	1001186432..... 905, 927	1001206251..... 787	1001222314 ..... 603
1001175879 ..... 192, 196, 201	1001186517..... 687	1001206252..... 795	1001222773 ..... 493
1001175880 ..... 192, 196, 201	1001187011..... 284	1001206253..... 775	1001222817 ..... 495
1001176329 ..... 284	1001187382..... 601	1001206254..... 779	1001223055 ..... 937
1001176330 ..... 284	1001187383..... 601	1001206255..... 771	1001223068 ..... 495
1001176346 ..... 59	1001187674..... 661	1001206476..... 803	1001223453 ..... 937, 947
1001176347 ..... 61	1001187681..... 921	1001206532..... 638	1001223459 ..... 869, 872
1001176415 ..... 284	1001188376..... 117, 121	1001206544..... 975	1001223883 ..... 51
1001176416 ..... 284	1001188382..... 117, 121	1001206794..... 973	1001223971 ..... 947
1001176469 ..... 145, 149	1001188622..... 601	1001206797..... 973	1001224048 ..... 951
1001176862 ..... 791	1001188844..... 601	1001207969..... 603	1001224049 ..... 953
1001177533 ..... 955	1001188884..... 489	1001208299..... 440, 454	1001224050 ..... 945
1001177945 ..... 279	1001188887..... 489	1001208994..... 601, 603	1001224052 ..... 941
1001177946 ..... 279	1001189001..... 601	1001209059..... 975	1001224053 ..... 949
1001177957 ..... 279	1001189002..... 601	1001209432..... 803	1001225118 ..... 248, 252, 256, 260, 264, 268
1001177958 ..... 279	1001190891..... 975	1001209474..... 803	1001225245 ..... 683
1001177959 ..... 279	1001190985..... 601	1001209481..... 975	1001225246 ..... 685
1001178236 ..... 284	1001191272..... 337, 343, 406, 412, 440, 454	1001209664..... 687	1001225247 ..... 675
	1001191395..... 973	1001210028..... 975	1001225248 ..... 679
	1001191525..... 956	1001210042..... 975	1001225249 ..... 673
	1001191526..... 956	1001210043..... 975	1001225250 ..... 671
	1001191541..... 19, 24	1001210636..... 709	1001225251 ..... 681
	1001191620..... 440, 454	1001211556..... 457	1001225345 ..... 669
	1001192401..... 861	1001212223..... 535, 539	1001225346 ..... 803, 969
	1001193018..... 771, 773, 775, 777, 779, 781, 783, 785, 787, 789, 795	1001212790..... 591, 595	1001225430 ..... 347, 415, 457
		1001213183..... 973	1001225431 ..... 347, 415
		1001213385..... 748, 752, 756, 760	1001225432 ..... 458
		1001213447..... 900, 903	1001225580 ..... 687, 905
		1001213705..... 543, 545, 547, 549	1001226531 ..... 803
		1001214029..... 956	1001226541 ..... 849, 861
		1001214570..... 803	1001226636 ..... 849
			1001226637 ..... 849

## SECTION 11 - SPECIAL OPTIONS

1001226739.....837, 839, 841, 843, 849	1001234800 ..... 871	1001242192 ..... 972	1001250297.....192, 197, 200
1001226799.....837, 839, 843	1001235617 ..... 973	1001242373 ..... 142, 146, 150, 157	1001250465.....975
1001226831.....847, 853	1001235952 ..... 440, 454	1001243183 ..... 972	1001250466.....975
1001226872.....613	1001236087 ..... 655	1001243184 ..... 972	1001250595.....975
1001226923.....495	1001236091 ..... 161, 163	1001243414 ..... 193, 197, 201	1001251019.....23, 717
1001227449.....841	1001236398 ..... 956	1001243596 ..... 903	1001251020...19, 23, 715
1001227606.....275, 454, 493	1001236408 ..... 186	1001243731 ..... 167	1001251021.....570, 578, 731
1001227633.....661	1001236504 ..... 803	1001243734 ..... 169	1001251023.....554, 570, 719
1001227634.....661	1001236505 ..... 803	1001243849 ..... 167	1001251024.....543, 545, 547, 549, 723
1001227960.....65, 969	1001236552 ..... 689	1001243965 ..... 937	1001251025.....554, 562, 570, 578, 725
1001227985.....661	1001236746 ..... 649	1001243973 ..... 129	1001251026.....554, 562, 729
1001227987.....661	1001236747 ..... 647	1001243974 ..... 127	1001251031.....27, 727
1001227996.....923, 925	1001236754 ..... 137	1001243994 ..... 947	1001252490.....972
1001228053.....562, 578, 721	1001236891 ..... 643, 645, 647, 649	1001244026 ..... 173	1001252491.....972
1001228215.....613	1001236895 ..... 643, 645, 647, 649	1001244027 ..... 175	1001252492.....972
1001228224.....661, 969	1001236951 ..... 974	1001244081 ..... 131	1001252493.....972
1001228225.....661, 969	1001237124 ..... 187	1001244082 ..... 133	1001252494.....972
1001228243.....631	1001237125 ..... 186, 187	1001244083 ..... 135	1001252495.....972
1001228375.....633	1001237127 ..... 186	1001244205 ..... 951	1001252496.....972
1001228376.....627	1001237546 ..... 161	1001244206 ..... 945	1001252497.....972
1001228377.....629	1001237667 ..... 883, 900, 903	1001244207 ..... 941	1001252527.....867, 871
1001228431.....974	1001237668 ..... 883, 900, 903	1001244208 ..... 953	1001252627.....959, 961
1001228488.....77, 87	1001237705 ..... 667	1001244209 ..... 949	1001252629.....643, 645, 647, 649
1001228617.....77	1001237755 ..... 543, 545, 547, 549	1001244298 ..... 945	1001252686.....972
1001228926.....976	1001237825 ..... 423	1001244462 ..... 847	1001253048.....937
1001228951.....837	1001237826 ..... 419	1001245072 ..... 972	1001253049.....937
1001228954.....837	1001237862 ..... 923, 925	1001246136 ..... 839	1001253050.....947
1001228988.....695, 963, 965	1001237863 ..... 661, 925	1001246137 ..... 843	1001253051.....947
1001229058.....77	1001237864 ..... 661, 923	1001246142 ..... 972	1001253052.....951
1001229341.....661	1001237865 ..... 661, 921	1001246144 ..... 839	1001253053.....951
1001229458.....847	1001237882 ..... 973	1001246145 ..... 843	1001253054.....945
1001229599.....284	1001237883 ..... 973	1001246610 ..... 943	1001253055.....945
1001229600.....284	1001237884 ..... 973	1001246611 ..... 939	1001253056.....945
1001229940.....974	1001238263 ..... 643, 645, 647, 649	1001246859 ..... 859	1001253057.....941
1001230934.....867, 871	1001238263 ..... 643, 645, 647, 649	1001247073 ..... 975	1001253058.....941
1001230935.....867, 871	1001238319 ..... 661	1001247468 ..... 601, 969	1001253059.....953
1001230936.....867, 871	1001238418 ..... 689, 927	1001248140 ..... 643, 645, 647, 649	1001253060.....953
1001231235.....976	1001238421 ..... 601	1001248141 ..... 643, 645, 647, 649	1001253061.....949
1001231315.....937	1001238423 ..... 667	1001248539 ..... 937, 941, 945, 947, 949, 951, 953, 973	1001253062.....949
1001231316.....947	1001238462 ..... 667	1001248547 ..... 937, 973	1001253618.....975
1001231317.....951	1001238463 ..... 645	1001248548 ..... 947, 973	1001253619.....975
1001231318.....953	1001238472 ..... 689	1001248549 ..... 951, 973	1001254472.....689
1001231319.....941	1001238495 ..... 687	1001248550 ..... 953, 973	1001254473.....689
1001231320.....949	1001238559 ..... 689	1001248551 ..... 941, 973	1001255133.....601
1001231321.....945	1001238671 ..... 655	1001248552 ..... 949, 973	1001255901.....851
1001231801.....955	1001238673 ..... 163	1001248553 ..... 945, 973	1001256506.....868
1001231886.....169	1001238732 ..... 163, 655	1001248554 ..... 937, 939, 941, 945, 947, 949, 951, 953, 955	1001256507.....867
1001231949.....649	1001239202 ..... 872	1001248559 ..... 937, 939, 941, 945, 947, 949, 951, 953, 955	1001256859.....115, 117, 119, 121, 123
1001231950.....645, 647	1001239281 ..... 169	1001249052 ..... 975	1001256864.....337, 343, 406, 412, 440, 454
1001232010.....645, 647, 649	1001239344 ..... 813	1001249695 ..... 976	1001256879.....420, 424, 428, 446
1001232011.....645, 647, 649	1001239345 ..... 813	1001249941 ..... 976	1001257155.....284
1001232164.....661	1001239805 ..... 803	1001249964 ..... 337, 343, 347	1001257271.....643
1001232165.....661	1001241275 ..... 972	1001250296 ..... 192, 197, 200	1001257272.....643
1001232642.....689	1001241383 ..... 167		1001257276.....501
1001232667.....689, 969	1001241398 ..... 163, 655		1001257277.....247, 252, 256, 260, 264, 268
1001233047.....973	1001241417 ..... 974		1001258800.....440, 454
1001233492.....440, 454	1001241547 ..... 975		1001260432.....440
1001233534.....974	1001241548 ..... 975		1001261045.....440, 454
1001233763.....972	1001241585 ..... 803		1001261085.....440, 454
1001233959.....161, 653	1001241630 ..... 803		1001261213.....955
	1001241891 ..... 638, 899		
	1001241965 ..... 689		
	1001242030 ..... 813		

## SECTION 11 - SPECIAL OPTIONS

1001261335 .....	643	1001274249.....	976	1001282200.....	449, 452	1001292058 .....	956
1001261338 .....	643	1001274559.....	637	1001282201.....	445	1001292586 .....	976
1001262016 .....	975	1001274829.....	973	1001282239.....	154	1001292604 .....	454, 457
1001262322 .....	841	1001274830.....	973	1001282249.....	139, 153	1001293369 .....	974
1001262327 .....	841	1001274833.....	973	1001282250.....	139	1001293501 .....	972
1001262959 .....	976	1001275124.....	956	1001282333.....	497	1001293874 .....	976
1001263923 .....	891, 897, 907	1001275125.....	956	1001282406.....	847, 855	1001294070 .....	976
1001264917 .....	337, 343, 406, 412	1001275126.....	956	1001282431.....	975	1001294761 .....	956
1001264982 .....	337, 343, 406, 412	1001275127.....	956	1001282461.....	975	1001294815 .....	956
1001265163 .....	709	1001275128.....	956	1001282650.....	47	1001294878 .....	97, 99, 101, 109
1001265342 .....	709	1001275129.....	956	1001282651.....	47	1001295280 .....	974
1001265359 .....	972	1001275130.....	956	1001282652.....	47	1001297305 .....	123
1001265880 .....	146, 150	1001275131.....	956	1001282653.....	47	1001297306 .....	125
1001265905 .....	638	1001275149.....	171, 173, 175	1001283008.....	283, 337, 343, 406, 412, 440, 454	1001297394 .....	157
1001265970 .....	145	1001275628.....	637, 968	1001283776.....	171, 929	1001297564 .....	760
1001265972 .....	141	1001275629.....	638, 968	1001283853.....	972	1001297565 .....	760
1001265973 .....	149	1001275637.....	47, 51	1001284070.....	497	1001297566 .....	760
1001265974 .....	145, 149, 153, 157	1001275642.....	975	1001284100.....	497	1001297567 .....	760
1001265975 .....	127, 129, 145	1001275650.....	976	1001284101.....	497	1001297568 .....	760
1001265976 .....	131, 133, 135, 141	1001276062.....	976	1001284518.....	976	1001297569 .....	760
1001266056 .....	974	1001276610.....	845	1001284582.....	653	1001297570 .....	760
1001266098 .....	975	1001276646.....	406, 412, 440, 454, 871	1001284583.....	653	1001297571 .....	760
1001266284 .....	975	1001276923.....	972	1001284689.....	955	1001297572 .....	760
1001266290 .....	974	1001277191.....	977	1001285060.....	141, 145, 149, 153, 897	1001297601 .....	761
1001266350 .....	137, 149	1001277210.....	969	1001285139.....	141, 145, 149, 154, 859	1001298013 .....	972
1001266489 .....	974	1001277222.....	976	1001285278.....	955	1001298014 .....	972
1001266807 .....	974	1001277593.....	440, 443	1001286113.....	141, 145, 149, 153	1001299762 .....	109
1001266969 .....	975	1001277599.....	431, 433, 435, 438	1001286957.....	331, 333, 391, 393, 435, 483	1001299763 .....	109
1001267315 .....	956	1001277607.....	424, 433	1001286958.....	331, 333, 391, 393, 435, 485	1001299820 .....	974
1001267387 .....	635	1001277608.....	420, 431	1001286959.....	41, 43	1001300099 .....	760
1001267389 .....	635, 637	1001277689.....	974	1001286966.....	319	1001301545 .....	406, 412, 415
1001268238 .....	955	1001277844.....	976	1001286967.....	316, 320, 331	1001301546 .....	393, 397, 401, 410
1001268239 .....	955	1001277849.....	976	1001286995.....	41, 43	1001301590 .....	391, 395, 399, 404
1001269187 .....	974	1001278483.....	142, 146, 150, 153	1001286998.....	428, 435	1001301654 .....	352, 391
1001269322 .....	695	1001278607.....	91, 93	1001286999.....	39	1001301672 .....	368, 395
1001269389 .....	975	1001278850.....	173, 175	1001287193.....	141, 145, 149, 153, 883	1001301710 .....	360, 364, 393
1001269573 .....	695	1001280409.....	142	1001287275.....	127, 129, 131, 133, 135, 137, 139, 861	1001301713 .....	372, 376, 397
1001269655 .....	976	1001280411.....	141	1001288370.....	65	1001301718 .....	363
1001270105 .....	65, 73	1001281070.....	976	1001288636.....	974	1001301720 .....	359
1001270339 .....	813	1001281100.....	141, 145, 149, 154, 969	1001288705.....	955	1001301722 .....	375
1001270340 .....	813	1001281192.....	454	1001289138.....	847, 857	1001301723 .....	371
1001270519 .....	973	1001281298.....	497	1001289140.....	857	1001301725 .....	351
1001270572 .....	203	1001281304.....	497	1001289199.....	857	1001301728 .....	367
1001270572 .....	203	1001281305.....	497	1001289702.....	847	1001302539 .....	97
1001270573 .....	197	1001281307.....	497	1001289905.....	975	1001302540 .....	99
1001270574 .....	196	1001281309.....	497	1001289906.....	975	1001302541 .....	101
1001270575 .....	197, 203	1001281310.....	497	1001289964.....	453	1001302756 .....	384, 388, 401
1001270594 .....	171	1001281311.....	497	1001290348.....	955	1001302757 .....	380, 399
1001271323 .....	813	1001281359.....	497	1001290403.....	956	1001302758 .....	383
1001271497 .....	899	1001281360.....	497	1001291401.....	285, 338, 344, 406, 412, 454	1001302759 .....	387
1001271642 .....	974	1001281360.....	497	1001291459.....	955	1001302761 .....	379
1001271731 .....	973	1001281404.....	497	1001291868.....	457	1001303167 .....	976
1001271760 .....	975	1001281452.....	974			1001305410 .....	501
1001272090 .....	973	1001281453.....	974			1001305414 .....	501
1001272166 .....	974	1001281457.....	975			1001311034 .....	689, 969
1001272202 .....	973	1001281458.....	975			1060341 ...	701, 703, 705, 879
1001272274 .....	975	1001281461.....	975			1060343 .....	528, 536
1001272659 .....	845	1001281656.....	497			1060545 .....	833
1001272681 .....	173	1001281985.....	406, 412			1060902 .....	863, 887
1001272682 .....	175	1001281986.....	406, 412				
1001272997 .....	851	1001282063.....	973				
1001273012 .....	845, 851	1001282106.....	161, 653				
		1001282199.....	446, 449				

## SECTION 11 - SPECIAL OPTIONS

1060903.....701, 703, 705	351, 355, 359, 363,	1671194 ... 182, 183, 186,	1704277.... 937, 939, 941,
1060904.....255, 267	367, 371, 375, 379,	187	943, 945, 947, 949,
1060908.....831	383, 387, 419, 423,	1671314 ..... 637	951, 953
1060918.....651	427, 445	1701499 ... 937, 939, 941,	1704412.... 937, 939, 941,
1060981.....807, 811	1320223 ... 247, 251, 255,	943, 945, 947, 949,	943, 945, 947, 949,
1060982.....809	259, 263, 267	951, 953	951, 953
1062255.....847	1320263..19, 23, 590, 594	1701501 ... 937, 939, 941,	1704885..... 956
10702077..528, 532, 536,	1320277 ..... 590, 594	943, 945, 947, 949,	1704972..... 937
540	1320294 ..... 590, 594	951, 953	1705014..... 621, 623
10702082..528, 532, 536,	1320296 ..... 590, 594	1701505 ... 937, 939, 941,	1705167..... 955
540	1320301 ..... 597	943, 945, 947, 949,	1705171..... 637
10836804..141, 145, 149,	1320302 ... 691, 693, 695,	951, 953	1705174.... 939, 943, 947
153	698	1701509 ... 663, 665, 667,	1705178..... 955
1100131.... 554, 562, 570,	1320309 ..... 931, 933	669, 671, 673, 675,	1705305.... 695, 959, 961,
578	1321283 .... 420, 424, 427	677, 679, 681, 683,	963, 965
1120549.....27	1321289 ... 338, 344, 404,	685, 937, 939, 941,	1705307..... 583, 976
1120550.....27	410	943, 945, 947, 949,	1705325..... 773, 775
1120555.... 663, 665, 667,	1321385 ..... 591, 595	951, 953	1705336..... 937
669, 671, 673, 675,	1321716 ... 351, 359, 363,	1701518 ..... 939, 943	1705344..... 949
677, 679, 681, 683, 685	367, 371, 375, 379,	1701529 ... 937, 939, 941,	1705345..... 951
1180362.....594	383, 387, 420, 424,	943, 945, 947, 949,	1705347..... 947
1180363.....594	427, 445	951, 953	1705351..... 937
1180369.....590	1340065 ... 247, 251, 255,	1702565 ..... 637	1705355..... 963, 965
1180370.....590	259, 263, 267	1702566 ..... 637	1705358.... 663, 665, 667,
1260017.....81	1340067 ..... 972	1702773 ... 621, 623, 625,	669, 671, 673, 675,
1283457 .... 735, 737, 740,	1380147 ..... 177, 179	943, 955	677, 679, 681, 683, 685
743, 745, 748	1380169 .... 192, 196, 200	1702774 ..... 955	1705365..... 955
1320022.... 207, 211, 215,	1560011 ..... 931, 933	1702868 ... 695, 937, 955,	1705366..... 597
219, 223, 227, 231,	1560012 ..... 931, 933	959, 965	1705367..... 597
235, 239, 243, 247,	1580012 ..... 707	1702942 ..... 224, 240	1705374.... 511, 520, 791,
251, 255, 259, 263,	1580013 ..... 974	1703162 ... 247, 251, 255,	793
267, 275, 284, 291,	1600343 ..... 638, 969	259, 263, 267, 282,	1705375.... 528, 536, 965
295, 299, 303, 307,	1600443 ..... 271, 968	338, 344, 404, 410,	1705387.... 511, 519, 528,
311, 315, 319, 337,	1670603 ..... 771	438, 452	537
343, 351, 355, 359,	1670996 ..... 59	1703175 ..... 955	1705426..... 949
363, 367, 371, 375,	1671023 ... 247, 251, 255,	1703804 ..... 937	1705427..... 951
379, 383, 387, 404,	259, 263, 267	1703805 ..... 937	1705429..... 947
410, 419, 423, 427,	1671031 ..... 597	1703811 ... 937, 939, 941,	1705430..... 945
438, 445, 452, 489	1671032 ... 554, 562, 570,	943, 945, 947, 949,	1705444..... 955
1320058.... 247, 251, 255,	578	951, 953	1705445..... 955
259, 263, 267	1671033 ... 554, 562, 570,	1703814 ... 937, 939, 941,	1705446..... 955
1320060.... 247, 251, 255,	578	943, 945, 947, 949,	1705447..... 955
259, 263, 267	1671038 ... 182, 186, 192,	951, 953	1705448..... 955
1320095.... 141, 145, 149,	196, 200	1703935 ..... 953	1705449..... 955
153	1671039 ..... 597	1703936 ..... 947	1705451..... 955
1320130..... 284, 597	1671040 ..... 27	1703938 ..... 949	1705452..... 955
1320136..... 597	1671043 ..... 590, 594	1703939 ..... 951	1705454..... 955
1320146.... 765, 767, 769,	1671044 ..... 597	1703941 ..... 953	1705455..... 955
797	1671045 ..... 59, 61	1703942 ..... 947	1705456..... 955
1320159..... 591, 595	1671046 ..... 59, 61	1703943 ..... 945	1705460.... 528, 532, 536,
1320162.... 111, 113, 115,	1671047 ..... 59, 61	1703944 ..... 949	540
119, 123, 125	1671048 ..... 59, 61	1703945 ..... 951	1705461 ..... 532, 540
1320177 ..... 659, 698	1671049 ..... 59, 61	1703947 ..... 953	1705468..... 939, 943
1320187.... 207, 211, 215,	1671092 ..... 528, 536	1703948 ..... 947	1705489.... 515, 523, 532,
219, 223, 227, 231,	1671093 ..... 693, 698	1703949 ..... 945	540
235, 239, 243, 275,	1671121 ... 207, 211, 215,	1703950 ..... 949	1705490..... 959, 961
291, 295, 299, 303,	219, 223, 227, 231,	1703951 ..... 951	1705492..... 937
307, 311, 315, 319,	235, 239, 243, 275,	1703953 ..... 937	1705493..... 949
351, 355, 359, 363,	291, 295, 299, 303,	1703980 ..... 949	1705503..... 951
367, 371, 375, 379,	307, 311, 315, 319,	1703981 ..... 951	1705505..... 947
383, 387, 419, 423,	351, 355, 359, 363,	1703982 ..... 945	1705511.... 937, 939, 941,
427, 445	367, 371, 375, 379,	1703983 ..... 953	943, 945, 947, 949,
1320190.... 207, 211, 215,	383, 387, 419, 423,	1703984 ..... 947	951, 953
219, 223, 227, 231,	427, 445	1704000 ..... 947, 955	1705552..... 955
235, 239, 243, 275,	1671191 ..... 183	1704001 ..... 953	1705554..... 955
291, 295, 299, 303,	1671192 ..... 182	1704260 ..... 637	1705744..... 637
307, 311, 315, 319,	1671193 ..... 183, 187		1705745..... 637

## SECTION 11 - SPECIAL OPTIONS

1705822 ..... 939, 943	2112020 ... 748, 752, 756, 760	367, 371, 375, 379, 383, 387, 419, 423, 427, 445	375, 379, 383, 387, 419, 423, 427, 445
1705828 ..... 939, 943	2113232 ... 748, 752, 756, 760	2220451....247, 251, 255, 259, 263, 267	2753541 ..... 740
1705864 ..... 943, 956	2120217 ..... 603	2220478....748, 752, 756, 760	2753545 .... 735, 737, 740
1705896 ..... 941	2130404 ..... 756, 760	2220498....247, 251, 255, 259, 263, 267	2753552 .... 735, 737, 740
1705897 ..... 941	2130406 ..... 34, 41	2220737 .... 748, 752, 760	2753582 ..... 740
1705898 ..... 941	2130606 .... 73, 745, 748, 752, 756, 760	2220816.....489, 495	2753677 ..... 740
1705901 ..... 941	2130808 ... 748, 752, 756, 760	2220883.....57, 717, 719, 721, 723, 725	2753685 ..... 740
1705902 ..... 941	2130810 ..... 55, 756	2220884.....729	2753703 ..... 740
1705903 ..... 941	2130812 34, 41, 756, 760	2220885....717, 719, 721, 723, 727, 729, 731	2753708 .... 748, 752, 756
1705905 ..... 941	2131010 ... 748, 752, 756, 760	2220886.....729, 731	2753713 ..... 740
1705906 ..... 941	2131012 ..... 74	2220887.....729	2753714 ..... 740
1705910 ..... 953	2131212 ... 111, 113, 115, 117, 119, 121, 123, 125, 748, 752	2220890.....74	2753715 ..... 740
1705915 ..... 953	2131612 ..... 756, 760	2221084....748, 752, 756	2753716 .... 735, 737, 740
1705917 ..... 953	2150404 ..... 735, 737	2221086...55, 57, 74, 605	2753717 ..... 735, 737
1705921 ..... 939, 943	2150808 ... 748, 752, 756, 760	2221117 ..... 748, 752	2753718 ... 748, 752, 756, 760
1705961 ..... 939, 943	2151012 ..... 57	2221176....207, 211, 215, 219, 223, 227, 231, 235, 239, 243	2753719 ..... 743
1705967 ..... 941	2160002 ..... 79	2400060....709, 859, 900, 903	2753726 ..... 743
1705969 ..... 951, 955	2170204 ..... 735, 737	2400064.....859, 968	2753727 ..... 743
1705980 ..... 956	2170312 ..... 760	2400065....883, 897, 968	2753728 ..... 745
1706059 ..... 941	2170316 ..... 73	2400066.....883, 897	2753729 ..... 743
1706060 ..... 945	2170412 ..... 760	2410014....621, 623, 625	2753730 ... 748, 752, 756, 760
1706061 ..... 951, 953	2170504 ..... 740, 743	2420191...95, 97, 99, 103	2753731 ... 748, 752, 756, 760
1706062 ..... 949	2170506 ..... 743	2420203.....503	2753732 ..... 745
1706064 ..... 947	2170512 ..... 117, 121	2460048.....527, 531	2753733 ..... 745
1706098 ..... 939, 943	2170704 .... 735, 737, 740	2460055.....503	2753734 ... 745, 748, 752, 756, 760
1706385 ..... 621, 623	2170708 ..... 735, 737	2540038.....282	2753735 ..... 745
1706493 ..... 625	2170712 ... 111, 113, 115, 119, 123, 125	2560136.....637	2753736 ..... 745
1706501 ..... 625	2170804 ..... 740	2560187....183, 187, 193, 201, 203	2753737 ..... 745
1706741 ..... 641	2170908 .... 748, 752, 756	2580062.....255, 267	2753738 ..... 745
1706770 ..... 939, 943	2170912 ..... 760	2600279....142, 146, 150, 157	2753739 ..... 745
1706904 ..... 955	2171112 ... 115, 117, 119, 121, 123	2600280.....182, 186	2753740 ..... 737
2030010 ... 659, 691, 693, 695, 698	2171208 ..... 735, 737	2600281....609, 611, 627, 631	2753741 ..... 748, 752
2060025 ... 247, 251, 255, 259, 263, 267	2171210 ..... 735, 737	2680496.....183, 187	2753742 ..... 745
2080040 ... 609, 611, 627, 631	2172112 ..... 117, 121	2680498.....183, 187	2753743 ..... 745
2080051 ..... 182, 186	2180344 ..... 79	2717059.....735, 737	2753744 ... 748, 752, 756, 760
2110404 34, 41, 605, 735, 737, 748, 752, 756, 760	2180348 ... 207, 211, 215, 219, 223, 227, 231, 235, 239, 243, 489	2720015....284, 337, 343, 404, 410	2753745 ..... 735, 737
2110406 ..... 57, 74, 743	2180467 ..... 101, 105	2720058....247, 251, 255, 259, 263, 267, 489	2753746 .... 748, 752, 756
2110408 ..... 74	2180830 ..... 735, 737	2720160.....659, 698	2753747 ..... 740
2110604 ..... 743	2180832 ... 275, 291, 295, 299, 303, 307, 311, 315, 319, 351, 355, 359, 363, 367, 371, 375, 379, 383, 387, 419, 423, 427, 445, 659, 698	2720500....247, 251, 255, 259, 263, 267	2753748 ..... 740
2110606 55, 73, 605, 743	2220063 ..... 79	2720501....247, 251, 255, 259, 263, 267	2753749 ..... 740
2110608 .... 74, 748, 752, 756, 760	2220235 ..... 20, 740	2750528.....79	2753750 ..... 740
2110610 ... 748, 752, 756, 760	2220273 ..... 282	2750532....207, 211, 215, 219, 223, 227, 231, 235, 239, 243, 247, 251, 255, 259, 265, 267, 275, 291, 295, 299, 303, 307, 311, 315, 319, 351, 355, 359, 363, 367, 371,	2753751 ..... 737
2110612 ..... 735, 737	2220313 ... 207, 211, 215, 219, 223, 227, 231, 235, 239, 243, 275, 291, 295, 299, 303, 307, 311, 315, 319, 351, 355, 359, 363,	2750528.....79	2753752 ..... 740
2110808 . 34, 41, 73, 735, 737, 740			2753753 ..... 745
211081057, 74, 748, 752, 756, 760			2753754 ..... 745
211081234, 41, 740, 748, 752, 756, 760			2753755 ..... 735, 737
2111010 ..... 74, 735, 737, 748, 752, 756, 760			2753756 ..... 740
2111012 ..... 57, 748, 752, 756, 760			2753757 ..... 740
2111016 ..... 756			2753758 ... 748, 752, 756, 760
2111212 ... 748, 752, 756, 760			2753759 ..... 740
2111216 ..... 73			2753760 ..... 740
2111616 ... 748, 752, 756, 760			2753761 ..... 740
2111620 ..... 760			2753762 ..... 740
2112016 ..... 756			2753763 ..... 735, 737
			2753764 ..... 740
			2753765 ... 748, 752, 756, 760
			2753766 ... 748, 752, 756, 760
			2753767 ..... 735, 737

## SECTION 11 - SPECIAL OPTIONS

2753768.....740	3160339 ..... 31, 37	3300458 ... 554, 562, 570,	351, 355, 359, 363,
2753769.....748, 752	3200362... 247, 251, 256,	578	367, 371, 375, 379,
2753770.....748, 752	259, 263, 268	3300460 ... 554, 562, 570,	383, 387, 404, 410,
2753771....748, 752, 756,	3200401 ... 247, 251, 256,	578	419, 423, 427, 438,
760	259, 263, 268	3300461 ... 554, 562, 570,	445, 452, 491, 493,
2753772....748, 752, 756,	3200433 ..... 597	578	495, 503, 507, 554,
760	3220130 ..... 499	3300464 ..... 27	562, 570, 578, 583,
2753773.....748, 752	3251102 ... 503, 507, 511,	3300482 ..... 637	597, 603, 621, 623,
2753774....748, 752, 756,	515, 519, 523, 527,	3300492 ..... 591, 595	625, 635, 691, 693,
760	531, 535, 539	3310401 ... 282, 337, 342,	695, 698
2753775.....748	3251242 ... 771, 777, 779,	404, 410, 438, 452	3311608....556, 564, 572,
2753776.....748, 752	781, 783, 785, 787,	3310601 ..... 177, 179	580, 591, 595
2753778.....111, 113, 125	789, 795	3310805 ..... 19, 23	3311705....275, 282, 292,
2753810.....735	3251243 ... 511, 520, 528,	3311001 ... 141, 145, 149,	296, 300, 304, 308,
2753811.....735	536, 937, 941, 945,	153, 491, 493, 512,	312, 315, 319, 336,
2753843.....111	947, 949, 951, 953	520, 528, 532, 536, 540	342, 351, 355, 359,
2753999.....113	3251813 ..... 956	3311005 ... 503, 511, 519,	363, 367, 371, 375,
2754288.....735, 737	3252347 ..... 937	528, 532, 536, 540,	379, 383, 387, 404,
2792647 .....743	3252507 ..... 507	637, 659, 691, 693,	410, 419, 423, 427,
2792772.....740	3271601 ..... 489	695, 698	438, 445, 452
2792773.....745	3271605 ... 643, 645, 647,	3311401 .... 701, 703, 705	3311801....519, 523, 535,
2820031....503, 507, 511,	649	3311402 ... 142, 146, 150,	539, 554, 562, 570, 578
515, 519, 523, 527,	3271805 .... 621, 623, 625	157	3311805..47, 51, 91, 177,
531, 535, 539	3272001 ... 282, 336, 342,	3311405 ... 53, 61, 67, 69,	179, 192, 196, 200,
2820035.....165	404, 410, 438, 452,	167, 169, 186, 200,	248, 252, 256, 260,
2820141.....182	643, 645, 647, 649	248, 252, 256, 260,	264, 268, 554, 562,
2820145.....183	3290405 ... 171, 173, 175,	264, 268, 279, 282,	570, 578
2820146.....183	515, 523, 709, 771,	291, 295, 299, 303,	3312002.....77, 643, 645,
2820170....207, 211, 215,	773, 775, 777, 779,	307, 311, 315, 319,	647, 649
219, 223, 227, 231,	781, 783, 785, 787,	336, 342, 351, 355,	3312005.....23, 663, 665,
235, 239, 243	789, 795, 797	359, 363, 367, 371,	667, 669, 671, 673,
2820247.....923, 925	3290505 ..... 507, 847	375, 379, 383, 387,	675, 677, 679, 681,
2840016.....177, 179	3290601 ... 183, 187, 193,	404, 410, 419, 423,	683, 685
2860030.....159, 969	201, 203	427, 438, 445, 452,	3312205....663, 665, 667,
2900770.....73, 605, 717,	3290605 ... 141, 145, 149,	503, 507, 515, 523,	669, 671, 673, 675,
723, 725	153, 659, 698	597, 635, 689, 765,767,	677, 679, 681, 683, 685
2900792....715, 719, 721,	3290606 ... 615, 617, 619,	769, 771, 773, 775,	3312602....171, 173, 175
723	629, 633	777, 779, 781, 783,	3322201.....91
2901443.....976	3290607 ..... 173, 175	785, 787, 789, 795,	3340871....554, 562, 570,
2902065....247, 251, 255,	3290801 ... 282, 336, 342,	797, 803, 937, 939,	578
259, 263, 267, 282,	404, 410, 438, 452	941, 943, 945, 947,	3340877.....183, 187
337, 342, 404, 410,	3290805 ..... 284, 803	949, 951, 953	3340881 19, 23, 554, 562,
438, 452, 487	3290806 ... 338, 344, 404,	3311501 ... 183, 187, 701,	570, 578
2902099....207, 211, 215,	410, 601	703, 705	3340910....554, 562, 570,
219, 223, 227, 231,	3290807 ..... 284	3311505 27, 53, 111, 113,	578
235, 239, 243	3291001 ..... 282, 601	115, 117, 119, 121,	3340912....554, 562, 570,
2902212....663, 665, 667,	3291005 ..... 601	123, 125, 165, 179,	578
669, 671, 673, 675,	3291007 ..... 282	192, 193, 196, 200,	3340916....554, 562, 570,
677, 679, 681, 683, 685	3291201 ..... 601	201, 203, 207, 211,	578
2902217....691, 693, 698	3291205 ..... 601	215, 219, 223, 227,	3340917....554, 562, 570,
2902355.....955	3300151 ... 613, 615, 617,	231, 235, 239, 243,	578
2902357.....955	619, 627, 629, 631,	248, 252, 256, 260,	3340918....554, 562, 570,
2902443....865, 868, 871	633, 691, 693, 695, 698	264, 268, 603	578
2910890.....976	3300220 ... 275, 291, 295,	3311508 ... 511, 519, 527,	3340921....554, 562, 570,
2910894.....976	299, 303, 307, 311,	531, 535, 539	578
2910895.....976	315, 319, 355, 419,	3311601 ... 67, 69, 95, 97,	3340922....554, 562, 570,
2915046.....974	423, 427, 445	99, 101, 103, 105, 182,	578
2915072.....79	3300239 ... 554, 562, 570,	186, 193, 196, 201,	3340925.....590, 594
2940045.....85	578	638, 689	3340926....554, 562, 570,
2940074....609, 611, 627,	3300353 ..... 637	3311605 53, 85, 111, 113,	578
631, 969	3300396 ... 512, 520, 528,	117, 121, 125, 177,	3340934.....590, 594
2940173....182, 186, 193,	532, 536, 540	179, 182, 186, 192,	3340940.....591, 595
201, 203	3300408 ..... 161, 163	196, 200, 248, 252,	3340941....591, 595, 597
3020039....554, 562, 570,	3300430 ..... 597, 687	256, 260, 264, 268,	3340942.....591, 595
578	3300454 61, 65, 173, 175,	275, 282, 291, 295,	3340955....553, 561, 569,
3020042....554, 562, 570,	248, 252, 256, 260,	299, 303, 307, 311,	577
578	264, 268	315, 319, 336, 342,	

## SECTION 11 - SPECIAL OPTIONS

3340956 ... 663, 665, 667, 669, 671, 673, 675, 677, 679, 681, 683, 685	379, 383, 387, 419, 423, 427, 438, 445, 452, 637	3573669....207, 211, 215, 219, 223, 227, 231, 235, 239, 243	333, 391, 393, 399, 401, 431, 435, 449
3380434 ..... 635	3520071 ... 663, 665, 667, 669, 671, 673, 675, 677, 679, 681, 683, 685	3573727....207, 211, 227, 231	3790158 ..... 34, 41
3380472 ... 207, 211, 227, 231	3520072 ... 609, 611, 613, 615, 617, 619, 621, 623, 625, 627, 629, 631, 633	3573728....207, 211, 215, 219, 223, 227, 231, 235, 239, 243	3820001 ... 937, 939, 941, 943, 945, 947, 949, 951, 953, 956
3380473 ... 207, 211, 215, 219, 223, 227, 231, 235, 239, 243	3520174 .... 937, 939, 943	3574091.....703, 705	3820020 ... 609, 611, 627, 631
3421453 ..... 659, 698	3520186 ..... 182, 186	3574431.....597	3841143 ... 207, 211, 215, 219, 223, 227, 231, 235, 239, 243, 275, 291, 295, 299, 303, 307, 311, 315, 319, 351, 355, 359, 363, 367, 371, 375, 379, 383, 387, 419, 423, 427, 445
3421563 ..... 81	3520189 ..... 532, 540	3574616.....597	3841258 23, 27, 555, 563, 571, 579
3421565 ..... 81	3520192 ..... 532, 540	3575359.....701	3841287 19, 23, 543, 545, 547, 549
3422446 ... 207, 211, 215, 219, 223, 227, 231, 235, 239, 243, 275, 291, 295, 299, 303, 307, 311, 315, 319, 351, 355, 359, 363, 367, 371, 375, 379, 383, 387, 419, 423, 427, 445	3520198 ... 609, 611, 613, 615, 617, 619, 627, 629, 631, 633	3575782.....183, 187	3841340 ... 53, 95, 97, 99, 101, 103, 105
3422532 ... 248, 252, 256, 260, 264, 268	3537416 ... 248, 252, 256, 260, 264, 268	3576799.....659, 698	3841581 ... 543, 545, 547, 549
3422833 ..... 23	3537445 ..... 177	3577121....691, 693, 695, 698	3890029 ..... 571, 579
3422915 ..... 23	3539971 ... 248, 252, 256, 260, 264, 268	3580158.....248, 260	3890030 ..... 571, 579
3422917 ..... 27	3572950 ... 554, 562, 570, 578	3580276.....503	3890031 ..... 571, 579
3422918 ..... 19, 23	3572951 ... 554, 562, 570, 578	3580298....554, 562, 570, 578	3890032 ..... 571, 579
3422926 ... 554, 562, 570, 578	3573016 ..... 590, 594	3580300....554, 562, 570, 578	3890033 ..... 571, 579
3422937 ... 554, 562, 570, 578	3573142 ... 248, 252, 256, 260, 264, 268	3580302....555, 563, 571, 579	3890034 ..... 555, 563
3422940 ..... 27	3573144 ... 142, 146, 150, 157	3580306....555, 563, 571, 579	3890035 ..... 555, 563
3422941 ..... 27	3573179 ..... 590, 594	3580317....511, 515, 519, 523, 528, 531, 535, 539	3890036 ..... 555, 563
3422955 ... 543, 545, 547, 549	3573181 ..... 590, 594	3580318....511, 519, 528, 535	3890037 ..... 555, 563
3422956 ... 554, 562, 570, 578	3573181 ..... 590, 594	3580319....515, 523, 532, 539	3890038 ..... 555, 563
3422957 ... 554, 562, 570, 578	3573194 ..... 590, 594	3580320....252, 256, 264, 268, 282, 336, 342, 404, 410	3900054 .... 621, 623, 625
3422958 ... 554, 562, 570, 578	3573210 ..... 590, 594	3580341....555, 563, 571, 579	3900174 .... 192, 196, 200
3422959 ... 554, 562, 570, 578	3573231 ..... 182, 186	3580342....554, 562, 570, 578	3900210 ... 192, 193, 196, 200, 201, 203, 603
3422960 ..... 19, 23	3573232 ... 182, 186, 192, 196, 200	3600339....248, 252, 256, 462	3900232 ... 182, 186, 192, 196, 200
3422988 ... 543, 545, 547, 549	3573259 ..... 67	3600424.....67, 69, 71	3900251 ... 142, 146, 150, 157
3423208 ... 543, 545, 547, 549	3573294 ..... 19, 23	3620034 .... 111, 113, 125	3900260 ..... 590, 594
3423256 ..... 27	3573301 ..... 597	3641569.....701	3900267 ..... 512, 520
3430616 ..... 638	3573335 ..... 19, 23	3740049....141, 145, 149, 153, 969	3900270 ..... 19, 23
3430816 ..... 177, 179	3573355 ..... 83	3740067 67, 69, 248, 252, 256, 260, 264, 268, 968, 969	3900272 ... 207, 211, 215, 219, 223, 227, 231, 235, 239, 243
3450404 ..... 177, 179	3573400 ... 691, 693, 695, 698	3740086.....927, 969	3900283 . 59, 67, 99, 101, 103, 105, 182, 186, 590, 594, 603
3451214 ..... 27	3573411 ... 248, 252, 256, 260, 264, 268	3760133....556, 564, 572, 580	3900300 ..... 512, 520
3460334 ... 663, 665, 667, 669, 671, 673, 675, 677, 679, 681, 683, 685	3573412 ... 248, 252, 256, 260, 264, 268	3760170.....81	3900316 .... 590, 594, 603
3470003 ..... 638	3573437 ... 555, 563, 571, 579	3760233....555, 563, 571, 579	3900322 ..... 503, 507
3520026 ..... 637	3573444 ... 555, 563, 571, 579	3760308....193, 196, 201	3900349 ..... 637
3520030 ..... 637	3573454 ..... 177	3760383.....27	3900363 ... 183, 187, 193, 201, 203
3520034 ... 182, 186, 192, 196, 200	3573529 ... 248, 252, 256, 260, 264, 268	3790012.....637	3910408 ... 282, 337, 342, 404, 410, 438, 452
3520054 ..... 23, 248, 252, 256, 260, 264, 268, 275, 292, 296, 300, 304, 308, 312, 315, 319, 351, 355, 359, 363, 367, 371, 375,	3573642 .... 691, 693, 698	3790152....260, 264, 269, 279, 327, 329, 331, 333, 391, 393, 399, 401, 431, 435, 449	3910606 ... 511, 519, 528, 535, 767, 769, 791, 793
	3573644 ... 207, 211, 215, 219, 223, 227, 231, 235, 239, 243	3790155....260, 265, 269, 279, 327, 329, 331,	3910608 ..... 177, 179
	3573645 ... 207, 211, 227, 231		3910804 ..... 159
	3573646 ... 207, 211, 227, 231		

## SECTION 11 - SPECIAL OPTIONS

3911010.....163, 655	4060806 ..... 183, 187	307, 311, 315, 319,	4400457.....95, 103, 105,
3930606.....597	4060808 ..... 53	351, 355, 359, 363,	107
3930816.....597	4060906 ..... 641	367, 371, 375, 379,	4420014.... 663, 665, 667,
3930820.....19, 23	4061032 ..... 760	383, 387, 419, 423,	669, 671, 673, 675,
3931016....511, 519, 527,	4070863 ... 555, 563, 571,	427, 445, 511, 515,	677, 679, 681, 683, 685
531, 535, 539	579	519, 523, 528, 532,	4420037 67, 69, 691, 693,
3931020.....27	4070864 ... 555, 563, 571,	535, 539, 591, 595,	695, 698
3931408.....687	579	760, 791, 793	4420038..95, 97, 99, 101,
3931412.....27	4070895 ... 555, 563, 571,	4240032 ... 127, 129, 131,	103, 105
3931414.....597	579	133, 135, 137, 139,	4420051.....955
3931432....282, 337, 342,	4070897 ... 555, 563, 571,	173, 175, 285, 338,	4420060.....507
404, 410, 438, 452	579	344, 404, 410, 454,	4420066.... 663, 665, 667,
3931508....282, 338, 344,	4070898 ... 555, 563, 571,	835, 837, 839, 841,	669, 671, 673, 675,
404, 410, 438, 452	579	843, 845, 865, 931, 933	677, 679, 681, 683, 685
3931512.....93, 282, 336,	4071012 ... 555, 563, 571,	4240033 ... 661, 687, 689,	4460007.....637
342, 404, 410, 438, 452	579	813, 835, 865, 891, 907	4460016.....899, 903
3931616....127, 129, 131,	4071013 ..... 563, 579	4240099 ... 207, 211, 215,	4460019.... 865, 868, 871,
133, 135, 137, 139,	4071015 ... 555, 563, 571,	219, 223, 227, 231,	885, 897
141, 145, 149, 153	579	235, 239, 243, 248,	4460027.....503
3931628....282, 336, 342,	4071017 ... 555, 563, 571,	252, 256, 260, 264,	4460042.... 869, 872, 900
404, 410	579	268, 282, 338, 344,	4460043..... 868, 871
3932024.....27	4071018 ... 555, 563, 571,	404, 410, 420, 424,	4460049.... 701, 703, 705
3951620.....590, 594	579	427, 438, 445, 452,	4460051.....767, 769
3952020.....77	4071019 ... 555, 563, 571,	638, 691, 693, 698,	4460068.....512, 520
3960418....142, 146, 150,	579	701, 703, 705	4460071....511, 519, 528,
157	4071021 ..... 590, 594	4240139 .. 95, 97, 99, 103	535, 651
3960422....511, 519, 528,	4071022 ..... 591, 595	4240149 ... 663, 665, 667,	4460125.....769
535, 767, 769, 791, 793	4071023 ..... 591, 595	669, 671, 673, 675,	4460142.....883, 899
3960447 .... 193, 196, 201	4071024 ... 555, 563, 571,	677, 679, 681, 683, 685	4460144.....859
3960464 ..... 183, 187	579	4240150 ..... 183, 187	4460183.... 859, 899, 903
3960543....248, 252, 256,	4071025 ... 555, 563, 571,	4240153 ..... 591, 595	4460190.....503
260, 264, 268, 282,	579	4240155 19, 24, 591, 595	4460205.....767
336, 342, 404, 410,	4071027 ... 555, 563, 571,	4240156 ..... 591, 595	4460213.....899
438, 452	579	4300157 ... 519, 523, 535,	4460224.....524
3960544....248, 252, 256,	4071028 ... 555, 563, 571,	539	4460225.... 879, 881, 883,
260, 264, 268, 282,	579	4340923 ..... 182, 186	899
336, 342, 404, 410,	4071029 ... 555, 563, 571,	4340924 ..... 182, 186	4460226.... 651, 701, 703,
438, 452	579	4340995 ..... 182, 186	705, 799, 900
3960551 ..... 27	4071031 ... 555, 563, 571,	4340996 ..... 182, 186	4460227.... 799, 813, 883,
3960552 ..... 27	579	4340999 ... 182, 186, 192,	899, 903
3980006.....67, 69	4071035 ..... 19, 23	196, 200	4460234.... 127, 129, 131,
3990010 ..... 883, 968	4071036 ..... 19, 23	4341001 ..... 182, 186	133, 135, 137, 139,
4010408....515, 523, 797	4071039 ..... 19, 23	4341158 ..... 597	256, 268, 344, 352,
4010608.....659, 698	4071040 ..... 19, 23	4360057 .... 701, 703, 705	360, 364, 368, 372,
4010618....615, 617, 619,	4071041 ..... 77	4360070 ... 512, 520, 528,	376, 380, 384, 388,
629, 633	4071042 ..... 19, 23	532, 536, 540, 968	404, 637, 701, 703,
4031505.....661	4071044 ... 555, 563, 571,	4360274 ... 141, 145, 149,	705, 837, 839, 841, 843
4031509....171, 173, 175	579	153, 969	4460247.....868, 871
4031516.....689	4071045 ... 555, 563, 571,	4360328 ... 141, 145, 149,	4460256.... 885, 897, 931,
4031608.....507	579	153, 969	933
4031907.....282	4071046 ... 555, 563, 571,	4360336 ... 503, 507, 511,	4460259.... 709, 883, 885,
4031912.....452	579	515, 519, 523, 528,	899, 903
4031914....282, 336, 342,	4071048 ..... 182, 186	532, 535, 539, 641, 969	4460260.... 709, 883, 885,
404, 410, 438	4071049 ..... 20	4360387 ... 145, 149, 637,	899, 903
4032014....282, 336, 342,	4071050 ..... 20	969	4460267.... 897, 899, 903
404, 410	4071054 ..... 19, 23	4360407 ..... 637, 968	4460268.... 165, 167, 169,
4032022....248, 252, 256,	4071055 ..... 19, 23	4360469 ..... 159, 969	879, 881
260, 264, 268	4120040 ..... 583, 976	4360475 ... 141, 145, 149,	4460294.....524
4060092.....769	4120043 ..... 583, 976	153, 969	4460297.....883
4060802....503, 507, 511,	4160194 ... 182, 186, 192,	4360476 ... 141, 145, 149,	4460312.....885
515, 519, 523, 528,	196	153, 637	4460313.... 859, 865, 883,
532, 535, 539	4160197 ... 555, 563, 571,	4360505 ..... 27, 969	885
4060804.... 183, 187, 248,	579	4360527 ..... 597, 969	4460315.... 535, 767, 769,
252, 256, 260, 264,	4240018 ... 207, 211, 215,	4360542 ..... 503, 968	865
268, 591, 595	219, 223, 227, 231,	4360543 ..... 597, 969	4460320.....897
4060805....248, 252, 256,	235, 239, 243, 275,	4360548 ..... 597, 969	4460346.... 511, 519, 528,
260, 264, 268	291, 295, 299, 303,	4360578 19, 23, 597, 969	535, 767



## SECTION 11 - SPECIAL OPTIONS

4460374 ..... 897	4460746 ..... 871	4460932.....709, 801, 809, 813, 851, 868, 877	4568293... 248, 252, 256, 260, 264, 268
4460418 .... 883, 899, 903	4460748 ..... 871	4460933.....805, 835, 853, 859, 861, 868, 883, 899, 903	4568423... 555, 563, 571, 579
4460419 .... 883, 899, 903	4460761 ... 799, 813, 883, 903	4460934.....835, 867	4568426.... 111, 113, 125
4460424 .... 165, 167, 169	4460806 ... 781, 783, 785, 787, 883, 899	4460935.....835, 867	4568427 .... 111, 113, 125
4460425 ... 512, 520, 528, 532, 536, 540, 701, 703, 705, 791, 793	4460807 ..... 879, 881	4460941.....813, 835, 867, 877, 921	4640438 ..... 723
4460426 ... 141, 145, 149, 153, 512, 520, 528, 532, 536, 540	4460808 ..... 879, 881	4460942....661, 813, 868, 872, 877, 883, 897	4640452 ..... 725
4460428 ..... 637	4460836 ..... 93, 835, 867, 897	4460943....801, 809, 813, 835, 861, 867, 885, 899, 903, 921	4640465 ..... 93
4460434 ..... 899, 903	4460837 ..... 813	4460944.....93, 801, 807, 811, 813, 835, 859, 865, 867, 868, 871, 872, 883, 885, 897, 899, 903	4640509... 715, 719, 721, 723
4460458 ..... 868, 871	4460842 ..... 897	4460945.....853, 872	4640751... 248, 252, 256, 260, 264, 268, 284, 338, 344, 404, 410, 438, 452
4460464 ... 173, 175, 651, 709, 805, 813, 835, 849, 851, 859, 861, 863, 868, 877, 883, 885, 891, 897, 899, 903, 905, 907, 909, 927, 929	4460843 ..... 897	4460950.....93, 835, 868	4641114 ..... 725
4460465 ... 171, 528, 532, 537, 540, 709, 805, 813, 835, 849, 853, 859, 861, 865, 867, 868, 871, 872, 879, 881, 883, 885, 887, 889, 891, 893, 895, 897, 899, 903, 905, 907	4460865 ..... 893, 895	4460956.....831, 833	4641122 ..... 47
4460466 ..... 93, 661, 709, 805, 807, 813, 835, 849, 853, 855, 859, 861, 865, 867, 868, 871, 872, 885, 889, 893, 895, 897, 899, 903, 905, 907, 921, 927, 929	4460866 ... 149, 153, 883, 899, 903	4460957.....831, 833	4641155 ..... 53
4460467 ..... 976	4460868 ..... 883	4460958.....793	4641210 ..... 723
4460470 ... 141, 145, 149, 153, 637	4460873 .... 883, 899, 903	4460962.....693, 698	4641247 .... 111, 115, 117
4460471 ... 141, 145, 149, 153, 637	4460874 ... 141, 145, 149, 153, 899, 903	4460963.....528, 536	4641248 ..... 719, 721
4460473 ..... 893, 895	4460875 ... 141, 145, 149, 153	4460965.....897	4641255 ..... 605
4460483 ..... 512, 520	4460876 .... 883, 899, 903	4460966.....813	4641256 ..... 729, 731
4460488 ..... 173, 175	4460877 ..... 883	4460967....528, 532, 537, 540	4641260 ..... 725
4460496 ... 127, 129, 131, 133, 135, 137, 139, 141, 145, 149, 153, 637	4460878 ..... 883	4460968.19, 23, 507, 597	4641268 ..... 53, 55
4460497 ... 127, 129, 131, 133, 135, 137, 139, 141, 145, 149, 153, 637	4460879 .... 709, 899, 903	4460970.....855, 867	4641276 ..... 717
4460508 ... 661, 883, 885, 899, 903	4460880 ..... 835, 909	4460971.....659, 698	4641454 ..... 53, 57
4460509 ..... 893, 895	4460884 ..... 93, 709, 811, 813, 835, 861, 872, 897, 905	4460982.....868	4641460 ..... 603, 605
4460510 ..... 976	4460887 ... 709, 883, 885, 899, 903	4461005.....865	4700038... 554, 562, 570, 578
4460518 ... 805, 853, 855, 903	4460888 ..... 899	4461006.....865	4700039... 554, 562, 570, 578
4460526 ... 141, 145, 149, 153	4460891 ... 171, 805, 861, 877, 885, 887, 907	4461008.....865, 869, 871	4710400... 282, 337, 342, 405, 411, 438, 452
4460536 .... 883, 899, 903	4460892 ... 141, 145, 149, 153, 835	4461013.....931, 933	4711000... 491, 493, 512, 520, 528, 532, 536, 540
4460539 ... 801, 807, 853, 871, 885, 897, 899, 903	4460894 ... 807, 813, 835, 849, 861, 865, 868, 872, 883, 897, 899, 903	4461014.....861	4711400... 53, 61, 65, 67, 69, 167, 169, 182, 186, 193, 200, 201, 203, 207, 211, 215, 219, 223, 227, 231, 235, 239, 243, 275, 279, 282, 291, 295, 299, 303, 307, 311, 315, 319, 337, 342, 351, 355, 359, 363, 367, 371, 375, 379, 383, 387, 405, 411, 419, 423, 427, 438, 445, 452, 511, 515, 519, 523, 528, 532, 535, 539, 590, 594, 597, 613, 615, 617, 619, 627, 629, 631, 633, 687, 689, 771, 773, 775, 777, 779, 781, 783, 785, 787, 789, 795, 797
4460612 ..... 791, 793	4460897 ... 173, 175, 863, 877, 897, 907, 909, 929	4461015.....865	4711500... 27, 53, 65, 85, 111, 113, 115, 117, 119, 121, 123, 125, 179, 192, 193, 196, 200, 201, 203, 207, 211, 215, 219, 223, 227, 231, 235, 239, 243, 248, 252, 256, 260, 264, 268, 282,
4460702 .... 865, 931, 933	4460899 ... 807, 813, 885, 905, 921, 927	4461016.....865	
4460703 ..... 868, 871	4460905 ... 141, 145, 149, 153, 859, 899, 903	4461017.....865, 868, 871	
4460708 ..... 900	4460910 ..... 597, 923	4461018.....865, 868, 871	
4460709 ..... 769	4460911 ... 809, 811, 921, 931, 933	4461019.....921, 927	
4460722 ..... 809, 811	4460912 ... 809, 811, 931, 933	4461020.....805, 865, 867, 868	
	4460913 ..... 597	4461021.....865, 868, 871	
	4460914 ..... 27, 141, 145, 149, 153, 597	4461022.....865, 868, 871	
	4460917 ..... 597	4461023.....865, 868, 871	
	4460918 ... 809, 811, 931, 933	4461024.....921, 927	
	4460925 ..... 899, 903	4461025.....805, 865, 867, 868	
	4460926 ..... 907	4461026.....865, 868, 871	
	4460928 ..... 805, 907	4461027.....865, 868, 871	
	4460930 ... 835, 861, 865, 867, 868, 872, 889	4461028.....865, 868, 871	
	4460931 ... 867, 885, 929	4461029.....921, 927	
		4461030.....805, 865, 867, 868	
		4461031.....865, 868, 871	
		4461032.....865, 868, 871	
		4461033.....865, 868, 871	
		4461034.....865, 868, 871	
		4461035.....865, 868, 871	
		4461036.....865, 868, 871	
		4461037.....865, 868, 871	
		4461038.....865, 868, 871	
		4461039.....865, 868, 871	
		4461040.....865, 868, 871	
		4461041.....865, 868, 871	
		4461042.....865, 868, 871	
		4461043.....865, 868, 871	
		4461044.....865, 868, 871	
		4461045.....865, 868, 871	
		4461046.....865, 868, 871	
		4461047.....865, 868, 871	
		4461048.....865, 868, 871	
		4461049.....865, 868, 871	
		4461050.....865, 868, 871	
		4461051.....865, 868, 871	
		4461052.....865, 868, 871	
		4461053.....865, 868, 871	
		4461054.....865, 868, 871	
		4461055.....865, 868, 871	
		4461056.....865, 868, 871	
		4461057.....865, 868, 871	
		4461058.....865, 868, 871	
		4461059.....865, 868, 871	
		4461060.....865, 868, 871	
		4461061.....865, 868, 871	
		4461062.....865, 868, 871	
		4461063.....865, 868, 871	
		4461064.....865, 868, 871	
		4461065.....865, 868, 871	
		4461066.....865, 868, 871	
		4461067.....865, 868, 871	
		4461068.....865, 868, 871	
		4461069.....865, 868, 871	
		4461070.....865, 868, 871	
		4461071.....865, 868, 871	
		4461072.....865, 868, 871	
		4461073.....865, 868, 871	
		4461074.....865, 868, 871	
		4461075.....865, 868, 871	
		4461076.....865, 868, 871	
		4461077.....865, 868, 871	
		4461078.....865, 868, 871	
		4461079.....865, 868, 871	
		4461080.....865, 868, 871	
		4461081.....865, 868, 871	
		4461082.....865, 868, 871	
		4461083.....865, 868, 871	
		4461084.....865, 868, 871	
		4461085.....865, 868, 871	
		4461086.....865, 868, 871	
		4461087.....865, 868, 871	
		4461088.....865, 868, 871	
		4461089.....865, 868, 871	
		4461090.....865, 868, 871	
		4461091.....865, 868, 871	
		4461092.....865, 868, 871	
		4461093.....865, 868, 871	
		4461094.....865, 868, 871	
		4461095.....865, 868, 871	
		4461096.....865, 868, 871	
		4461097.....865, 868, 871	
		4461098.....865, 868, 871	
		4461099.....865, 868, 871	
		4461100.....865, 868, 871	
		4461101.....865, 868, 871	
		4461102.....865, 868, 871	
		4461103.....865, 868, 871	
		4461104.....865, 868, 871	
		4461105.....865, 868, 871	
		4461106.....865, 868, 871	
		4461107.....865, 868, 871	
		4461108.....865, 868, 871	
		4461109.....865, 868, 871	
		4461110.....865, 868, 871	
		4461111.....865, 868, 871	
		4461112.....865, 868, 871	
		4461113.....865, 868, 871	
		4461114.....865, 868, 871	
		4461115.....865, 868, 871	
		4461116.....865, 868, 871	
		4461117.....865, 868, 871	
		4461118.....865, 868, 871	
		4461119.....865, 868, 871	
		4461120.....865, 868, 871	
		4461121.....865, 868, 871	
		4461122.....865, 868, 871	
		4461123.....865, 868, 871	
		4461124.....865, 868, 871	
		4461125.....865, 868, 871	
		4461126.....865, 868, 871	
		4461127.....865, 868, 871	
		4461128.....865, 868, 871	
		4461129.....865, 868, 871	
		4461130.....865, 868, 871	
		4461131.....865, 868, 871	
		4461132.....865, 868, 871	
		4461133.....865, 868, 871	
		4461134.....865, 868, 871	
		4461135.....865, 868, 871	
		4461136.....865, 868, 871	
		4461137.....865, 868, 871	
		4461138.....865, 868, 871	
		4461139.....865, 868, 871	
		4461140.....865, 868, 871	
		4461141.....865, 868, 871	
		4461142.....865, 868, 871	
		4461143.....865, 868, 871	
		4461144.....865, 868, 871	
		4461145.....865, 868, 871	
		4461146.....865, 868, 871	
		4461147.....865, 868, 871	
		4461148.....865, 868, 871	
		4461149.....865, 868, 871	
		4461150.....865, 868, 871	
		4461151.....865, 868, 871	
		4461152.....865, 868, 871	
		4461153.....865, 868, 871	
		4461154.....865, 868, 871	
		4461155.....865, 868, 871	
		4461156.....865, 868, 871	
		4461157.....865, 868, 871	
		4461158.....865, 868, 871	
		4461159.....865, 868, 871	
		4461160.....865, 868, 871	
		4461161.....865, 868, 871	
		4461162.....865, 8	

## SECTION 11 - SPECIAL OPTIONS

336, 342, 405, 411, 438, 452, 591, 595, 603	519, 528, 532, 536, 540, 637, 659, 691, 693, 695, 698	4811902 ... 283, 336, 342, 405, 411, 439, 453	4920385.....284
4711600....19, 23, 53, 65, 67, 69, 117, 121, 177, 179, 182, 186, 192, 196, 200, 207, 211, 215, 219, 223, 227, 231, 235, 239, 243, 248, 252, 256, 260, 264, 268, 275, 283, 291, 295, 299, 303, 307, 311, 315, 319, 336, 342, 351, 355, 359, 363, 367, 371, 375, 379, 383, 387, 405, 411, 419, 423, 427, 438, 445, 452, 489, 491, 493, 495, 503, 507, 511, 515, 519, 523, 528, 532, 535, 539, 555, 563, 571, 579, 583, 591, 595, 597, 603, 638, 643, 645, 647, 649	4751400..... 85, 141, 145, 149, 153, 173, 175, 193, 201, 203, 248, 252, 256, 260, 264, 268, 283, 336, 342, 405, 411, 438, 452, 504, 507, 635, 637, 691, 693, 695, 698, 701, 703, 705, 707, 803, 937, 939, 941, 943, 945, 947, 949, 951, 953	4812000 ... 283, 336, 342, 405, 411, 439, 453, 601	4921850.....976
4711700....275, 283, 292, 296, 300, 304, 308, 312, 315, 319, 336, 342, 351, 355, 359, 363, 367, 371, 375, 379, 383, 387, 405, 411, 419, 423, 427, 438, 445, 452, 489, 503, 507	4751500... 165, 183, 187, 192, 196, 200, 511, 519, 528, 532, 535, 539, 591, 595, 701, 703, 705	4812002 ..... 284	4922641.... 507, 529, 532, 537, 540
4711800....19, 23, 27, 53, 177, 179, 248, 252, 256, 260, 264, 268, 621, 623, 625	4751600 ... 27, 59, 83, 85, 95, 97, 99, 101, 103, 105, 111, 113, 125, 127, 129, 131, 133, 135, 137, 139, 141, 149, 153, 182, 186, 192, 196, 200, 543, 545, 547, 549, 603, 635, 691, 693, 695, 698	4812100 ... 275, 283, 291, 295, 299, 303, 307, 311, 315, 319, 336, 342, 351, 355, 359, 363, 367, 371, 375, 379, 383, 387, 405, 411, 419, 423, 427, 439, 445, 453, 497, 601	4922666.....637, 799
4711900.....503, 507	4751700... 283, 336, 342, 405, 411, 438, 452	4812200 ... 283, 336, 342, 405, 411, 439, 453	4922672.... 815, 819, 827, 893
4712000.....23, 643, 645, 647, 649, 663, 665, 667, 669, 671, 673, 675, 677, 679, 681, 683, 685	4751800 . 47, 51, 91, 192, 196, 200, 621, 623, 625, 701, 703, 705	4831900 ... 336, 342, 405, 411, 439, 453	4922673.... 817, 821, 823, 825, 829, 895
4712200....663, 665, 667, 669, 671, 673, 675, 677, 679, 681, 683, 685	4752000... 207, 211, 215, 219, 223, 227, 231, 235, 239, 243, 275, 291, 295, 299, 303, 307, 311, 315, 319, 351, 355, 359, 363, 367, 371, 375, 379, 383, 387, 419, 423, 427, 445	4846383 ..... 19, 24	4922696.....835
4740171 .....325, 395	4760600 ..... 767, 769	4846423 ..... 595	4922716.....807
4740181 .....27	4760800 ..... 637	4846429 ..... 595	4922718.....801
4740229 .....27	4761400 ..... 707	4846431 ..... 591, 595	4922758.....817
4740274....248, 252, 256, 260, 264, 268	4770600 ..... 177, 179	4846453 ... 555, 563, 571, 579	4922759.....815
4740362 .....635	479140067, 69, 248, 252, 256, 260, 264, 268, 336, 342, 405, 411, 438, 452, 511, 515, 519, 523, 528, 532, 535, 539	4846462 ... 555, 563, 571, 579	4922760.....821
4740397....141, 145, 149, 153, 503, 507	4811400 ... 171, 173, 175, 709, 771, 773, 775, 777, 779, 781, 783, 785, 787, 789, 795	48464676 ..... 95, 97	4922761.....819
4740430.....59, 61, 279	4811600 ..... 27, 507, 847	4846482 ... 555, 563, 571, 579	4922762.... 817, 821, 823, 825, 829
4740461 .....19, 23	4811700 ... 141, 145, 150, 153, 173, 175, 615, 617, 619, 629, 633, 659, 698	4846484 ..... 597	4922763.... 815, 819, 827
4740500.....182, 186	4811900... 183, 187, 283, 336, 342, 405, 411, 439, 452, 601, 803	4846485 ..... 591, 595	4922767 .....891
4740505 .....27		4846503 ..... 182	4922777 .....907
4740509....555, 563, 571, 579		4846515 ..... 591	4922780.....811
4740518....248, 252, 256, 260, 264, 268		4846516 ..... 591	4922781.....809
4750600 .....177, 179		4846552 ... 248, 252, 256, 260, 264, 268	4922784.....887
4750800 .....19, 23, 637		4846627 .... 691, 693, 698	4922785.....863
4751000..95, 97, 99, 101, 103, 105, 141, 145, 149, 153, 503, 511,		4846637 ..... 19, 24	4922795.....829
		4846673 ..... 703, 705	4922796.....827
		4846945 ... 252, 256, 264, 268	4922947 .....933
		4846946 ... 248, 252, 256, 260, 264, 268	4922948 .....931
		4860236 ..... 47	4922972.... 528, 532, 535, 539, 881
		4891400 ..... 597	4923256.....889
		4891500 ..... 504, 507	4923468.... 248, 252, 256, 260, 264, 268
		4891600 ... 193, 196, 201, 260, 264, 268, 279, 327, 329, 331, 333, 391, 393, 399, 401, 431, 435, 449, 583, 591, 595, 601	4923592.... 248, 252, 260, 264
		4891800 ... 177, 179, 248, 252, 256, 260, 264, 268, 279, 323, 327, 329, 331, 333, 391, 393, 397, 399, 401, 431, 433, 435, 449, 511, 515, 519, 523, 528, 532, 535, 539, 591, 595	5241200..... 34, 41, 601
		4892000 ... 29, 39, 45, 47, 49, 51, 79, 283, 336, 342, 405, 411, 439, 453, 504, 507, 555, 563, 571, 579	5250808.....284
		4892400 ..... 77	5251008.....601
		4892600001 ..... 601	5251016.....601
			70000044.....271
			70000124.....503
			70000125.....503
			70000342.....585
			70000345.. 271, 287, 347, 415, 457
			70000619.. 527, 531, 535, 539
			70000793.....487
			70000796.....587
			70000801.....57
			70000802.....57
			70000803.....57, 969
			70000804.....57
			70000805.....57
			70000806.....57
			70000852.....37
			70000853.....37
			70000854.....37
			70000855.....37
			70000856.....37
			70000857.....37
			70000858.....37
			70000859.....37
			70000860.....37
			70000861.....37
			70000862.....37

## SECTION 11 - SPECIAL OPTIONS

70000863 . 527, 531, 536, 539	70002031 ..... 33	70002249.....34	70003708 . 512, 515, 520, 523, 527, 531, 536, 539
70000916 ..... 271	70002032 ..... 33, 87	70002255.....527, 531	70003709 . 512, 515, 520, 523, 527, 531, 536, 539
70000917 ..... 271	70002033 ..... 33	70002291.....536, 540	70003913 ..... 590, 594
70000918 ..... 271	70002034 ..... 33	70002297.....527, 531	70003914 ..... 590, 594
70000919 ..... 271	70002035 ..... 33	70002373.....725	70003915 ..... 590, 594
70000950 ..... 469	70002036 ..... 33	70002410.....727	70003917 ..... 590, 594
70001017 ..... 499	70002037 ..... 33	70002412...717, 719, 721	70003918 ..... 590, 594
70001056 ..... 71	70002039 ..... 33	70002460..527, 531, 536, 540	70004092 . 512, 515, 520, 523, 536, 540
70001100 . 527, 531, 535, 539	70002040 ..... 33	70002569.....464	70004094 ..... 536, 540
70001101 ..... 93	70002041 ..... 33	70002576.....481	70004098 . 512, 520, 536, 540
70001102 ..... 93	70002044 ..... 33	70002578.....477	70004099 . 520, 523, 536, 539
70001125 ..... 271	70002045 ..... 33	70002580.....477	70004169 ..... 527, 531
70001126 ..... 271	70002046 ..... 33	70002582.....477	70004171 . 512, 515, 527, 531
70001128 ..... 271	70002047 ..... 33	70002583.....477	70004185 ..... 976
70001129 ..... 271	70002048 ..... 33	70002585.....477	70004186 ..... 719, 721
70001130 ..... 271	70002049 ..... 33	70002586.....477	70004237 ..... 727
70001131 ..... 271	70002050 ..... 33	70002588.....477	70004276 ..... 288
70001135 ..... 271	70002052 ..... 33	70002589.....477	70004277 . 289, 348, 416, 458
70001384 . 527, 531, 535, 539	70002057 ..... 33, 87	70002590.....477	70004280 .. 287, 347, 458
70001424 ..... 657	70002088 ..... 527, 531	70002592.....478	70004282 ..... 288, 348
70001425 ..... 657	70002097 ..... 603, 968	70002593.....478	70004328 ..... 603
70001427 ..... 657	70002132 ..... 474	70002599.....478	70004413 ..... 101, 105
70001428 ..... 657	70002133 ..... 474, 477	70002600.....474	70004414 .95, 97, 99, 103
70001429 ..... 657	70002134 ..... 474	70002601.....474	70004416 ..... 477
70001430 ..... 657	70002135 ..... 474	70002602.....474	70004417 ..... 477
70001431 ..... 657, 968	70002136 ..... 474	70002604.....475	70004420 ..... 477
70001432 ..... 657, 969	70002137 ..... 474	70002605.....475	70004421 ..... 477
70001435 ..... 271	70002138 ..... 474	70002606.....475	70004422 ..... 478
70001639 ..... 585	70002139 ..... 474	70002607 ..... 475	70004423 ..... 477
70001640 ..... 587	70002140 ..... 474	70002608 ..... 475	70004426 ..... 477
70001696 ..... 527, 531	70002141 ..... 474	70002609 ..... 475	70004467 ..... 87
70001847 ..... 271	70002142 ..... 474	70002610 ..... 475	70004469 ..... 87
70001850 ..... 271	70002145 ..... 474	70002612 ..... 475	70004474 ..... 87
70001857 ..... 271	70002148 ..... 474	70002616 ..... 475	70004477 ..... 87
70001867 ..... 271	70002150 ..... 474	70002617 ..... 475	70004480 ..... 87
70001868 ..... 271	70002151 ..... 474	70002618 ..... 474	70004481 ..... 87
70001870 . 271, 287, 347, 416, 458	70002152 ..... 474	70002619 ..... 474	70004494 ..... 88
70001871 ..... 271	70002153 ..... 474	70002620 ..... 474	70004501 ..... 288, 348
70001930 ..... 73	70002154 ..... 474	70002621 ..... 475	70004502 ..... 348
70001939 ..... 55	70002155 ..... 474	70002622 ..... 475	70004504 .. 348, 415, 457
70001952 ..... 462	70002156 ..... 474	70002623 ..... 475	70004505 .. 347, 415, 458
70001953 ..... 527, 531	70002157 ..... 474	70002627.....33	70004506 ..... 347
70001955 ..... 477	70002158 ..... 474	70002674 ..... 33	70004507 ..... 347
70001956 ..... 477	70002159 ..... 474	70002718..271, 287, 347, 416, 458	70004508 .. 347, 415, 458
70001958 ..... 475	70002160 ..... 474	70002758.....74	70004509 ..... 347
70001966 . 512, 515, 520, 523, 527, 531, 536, 539	70002161 ..... 474	70002759.....73, 74	70004510 ..... 347
70001968 ..... 463, 469	70002162 ..... 474	70002760.....74	70004511 ..... 287
70001973 . 527, 531, 536, 540	70002163 ..... 474	70002859 ..... 587	70004512 ..... 287, 968
70001974 . 527, 531, 536, 540	70002164 ..... 474	70002902 ..... 651	70004646 ..... 976
70001976 ..... 55, 73	70002165 ..... 474	70002903 ..... 651	70004647 ..... 976
70002015 ..... 33	70002168 ..... 475	70002904 ..... 651	70004648 ..... 976
70002016 ..... 33	70002174 ..... 475	70002905 ..... 651	70004676 . 512, 515, 520, 523
70002018 ..... 33	70002175 ..... 475	70003135 ..... 271	70004677 ..... 515
70002019 ..... 33	70002177 ..... 475	70003136 ..... 271	70004678 . 512, 515, 520, 524
70002020 ..... 33	70002178 ..... 475	70003165 ..... 470	70004680 . 512, 515, 520, 524
70002021 ..... 33	70002179 ..... 475	70003167 ..... 469	70004681 ..... 515, 524
70002026 ..... 33	70002231 . 207, 211, 215, 219, 223, 228, 232, 235, 239, 243, 275, 291, 295, 299, 303, 307, 311, 315, 319, 351, 355, 359, 363, 367, 371, 375, 379, 383, 387, 419, 423, 427, 968	70003170 ..... 470	
70002027 ..... 33		70003173 ..... 468	
70002029 ..... 33	70002247 ..... 34	70003174 ..... 468	
70002030 ..... 33	70002248 ..... 34	70003175 ..... 468	
		70003177 ..... 468	
		70003340 ..... 469, 470	
		70003475 ..... 271	
		70003628 ..... 37	
		70003631 ..527, 531, 536, 539	

## SECTION 11 - SPECIAL OPTIONS

70004682..512, 515, 520, 524	70006553 . 511, 515, 519, 523, 969	70007793 ..... 485	70008494.....483
70004683.....516, 524	70006596 . 717, 719, 725, 727	70007794 ..... 485	70008495.....483
70004684.....512	70006653 ..... 348	70007795 ..... 485	70008496.....483
70004685.....512, 520	70006986 ..... 87	70007796 ..... 485	70008497.....483
70004686.....523	70006987 ..... 87	70007797 ..... 485	70008498.....483
70004687.....520	70006988 ..... 87	70007798 ..... 485	70008499.....483
70005023.....43, 483	70006989 ..... 87	70007799 ..... 485	70008500.....483
70005041.....483	70006990 ..... 87	70007800 ..... 485	70008501.....483
70005143.....725	70006991 ..... 87	70007801 ..... 485	70008502.....483
70005153.....717, 721	70006992 ..... 87	70007984 ..... 717	70008503.....483
70005171...287, 347, 458	70006993 ..... 87	70007985 ..... 717	70008504.....483
70005172..287, 347, 416, 458	70006994 ..... 87	70007987 ..... 717	70008505.....483
70005173...287, 416, 458	70006995 ..... 87	70007988 ..... 717	70008506.....483
70005174.....287	70006996 ..... 87	70007989 ..... 717	70008507.....483
70005176.....416, 458	70006997 ..... 87	70007993 ..... 725	70008508.....483
70005177...288, 416, 458	70006998 ..... 87	70007994 ..... 725	70008509.....483
70005181.....288	70006999 ..... 87	70007995 ..... 725	70008510.....483
70005184...288, 415, 457	70007000 ..... 87	70007996 ..... 725	70008511.....483
70005188.....288	70007001 ..... 87	70007997 ..... 725	70008512.....483
70005189.....288	70007002 ..... 87	70007998 ..... 725	70008513.....43
70005191.....289	70007003 ..... 87	70007999 ..... 719	70008514.....43
70005317.....87	70007004 ..... 88	70008000 ..... 719	70008515.....43
70005318.....87	70007005 ..... 88	70008001 ..... 719	70008516.....43
70005418.....478	70007006 ..... 88	70008002 ..... 719	70008517.....43
70005433.....723, 731	70007007 ..... 88	70008003 ..... 719	70008518.....43
70005480.....468	70007008 ..... 88	70008004 ..... 727	70008519.....43
70005481.....468	70007009 ..... 87	70008005 ..... 727	70008520.....43
70005527.....348	70007010 ..... 88	70008006 ..... 727	70008521.....43
70005647.....289, 348	70007011 ..... 87	70008007 ..... 727	70008522.....43
70005648...289, 348, 968	70007012 ..... 88	70008039 ..... 729	70008523.....43
70005839.....729, 731	70007013 ..... 88	70008040 ..... 729	70008524.....43
70005920.....287	70007015 ..... 721	70008042 ..... 729	70008525.....485
70005921.....287, 347	70007016 ..... 721	70008043 ..... 729, 731	70008526.....485
70005923.....288	70007017 ..... 721	70008044 ..... 729, 731	70008527.....485
70005924.....288	70007018 ..... 721	70008045 ..... 729, 731	70008528.....485
70005925.....288	70007019 ..... 721	70008046 ..... 729, 731	70008537.....457
70005926.....288, 348	70007020 ..... 721	70008047 ..... 729, 731	70008558.....457
70005927.....288	70007178 ..... 470	70008048 ..... 729, 731	70008564.....457
70005928.....288	70007246 ..... 723	70008049 ..... 729, 731	70008604.....457
70005929.....288, 348	70007282 ..... 723	70008050 ..... 729	70008607.....458
70005931...348, 415, 457	70007325 .. 348, 415, 457	70008083 ..... 731	70008608.....457
70005938.....416, 458	70007326 ..... 348, 457	70008084 ..... 731	700089041.....729
70005941..287, 347, 416, 458	70007327 ..... 348	70008085 ..... 731	70020329.....469
70005942..287, 347, 416, 458	70007328 .. 348, 415, 457	70008086 ..... 731	70020336.....470
70006093.....536, 539	70007329 ..... 348	70008087 ..... 731	70021867.....462, 468
70006094.....536, 540	70007330 ..... 348, 415	70008180 ..... 723	70021895.....288
70006095...536, 540, 968	70007331 ..... 348, 415	70008181 ..... 723	70022286.....477
70006096.....536, 540	70007353 ..... 272	70008182 ..... 723	70022564..717, 719, 723, 725, 727
70006097.....536, 540	70007354 ..... 415, 457	70008183 ..... 723	70023592..283, 337, 343, 405, 411, 439, 453, 968
70006127.....287	70007382 ..... 715	70008184 ..... 723	70023593..283, 337, 343, 405, 411, 439, 453, 968
70006144.....347	70007383 ..... 715	70008185 ..... 723	70024190..284, 337, 343, 405, 411, 439, 453, 968
70006344.....729, 731	70007384 ..... 715	70008296 ..... 416	70024484.....288
70006403.....495	70007385 ..... 715	70008359 ..... 93	70024488.....287
70006404.....495	70007386 ..... 715	70008360 ..... 93	70024494.....287, 347
70006405.....495, 968	70007387 ..... 715	70008361 ..... 93	70024502.....288
70006406.....495	70007435 ..... 723	70008362 ..... 93	70024504..287, 289, 348, 415, 457
70006407.....495	70007438 ..... 723	70008363 ..... 93	70024505.....457
70006408.....495	70007439 ..... 723	70008364 ..... 93	70024507..289, 348, 415, 457
70006409.....495	70007510 ..... 93	70008365 ..... 93	70024509.....288
70006410.....495	70007603 ..... 415, 457	70008422 ..... 415, 458	70024513..287, 347, 415, 457
70006552..511, 515, 519, 523	70007786 ..... 485	70008431 ..... 457	
	70007787 ..... 485	70008432 ..... 457	
	70007788 ..... 485	70008436 ..... 415	
	70007789 ..... 485	70008490 ..... 483	
	70007790 ..... 485	70008491 ..... 483	
	70007791 ..... 485	70008492 ..... 483	
	70007792 ..... 485	70008493 ..... 483	

## SECTION 11 - SPECIAL OPTIONS

70024517 .....	287	70025205 ..	287, 347, 416	7007986.....	717	7020447 .....	271
70024904 ..	347, 416, 458	70025210 .....	288, 348	7010543.....	57	7020460 .....	271
70024905 .	287, 347, 416, 458	70025231 .....	287, 415	7010545.....	723	7020465 ...	271, 287, 347, 416, 458
70024906 .	287, 347, 416, 458	70025235 .....	288, 347	7011016.....	71	7020468 .....	271
70024910 .....	288	70025239 .....	287, 347	7011043.....	71	7020471 .....	271
70024912 .....	288, 348	70025240 .....	288	7011044.....	71	7020479 .....	271
70024915 .....	289, 348	70025242 .....	348, 457	7011048.....	71	7020486 .....	271
70024917 .....	348	70025477 .....	288	7011062.....	71	7020492 ...	288, 348, 415
70024918 .....	289	70025533 .....	289	7011311.....	73	7021249 .....	37
70024919 .....	347	70025660 .....	289	7011346.....	55, 73, 605	7021256 .....	475
70024920 .	288, 289, 347, 348	70025733 .....	416	7011354.....	73, 968	7021265 .....	475
70024922 .....	289	70025768 .....	288	7011355.....	605	7021275 .....	37, 474, 477
70024924 .....	287, 347	70025788 .....	348	7012513.....	503, 507	7021293 .....	475
70024925 .....	287, 347	70025877 .....	348	7012514.....	503, 507	7021375 .....	73
70024961 .....	287, 347	70025931 .....	288	7012558.....	503	7021636 .....	73
70025076 .....	287	70026210 .	289, 348, 415, 457	7012706.....	462, 468	7022300 .....	475
70025077 .....	289	70026283 .....	723, 729	7012709.....	462	7022301 .....	474
70025080 .....	287	70026995 .....	288	7012715.....	462	7022311 .....	37
70025082 .....	287	70027432 .....	416, 458	7012773.....	55, 73	7022314 .....	37
70025084 .....	288	70028185 .....	416, 458	7012941.....	57	7022314 .....	37
70025091 .....	287	7002821 .....	976	7012942.....	57	7022321 .....	37
70025101 .....	288	7002822 .....	976	7012944.....	57, 605, 968	7022340 .....	477
70025107 .....	288	7002823 .....	976	7012955.....	57	7022368 .....	37
70025109 .....	288	7002828 .....	976	7012967.....	57	7022371 .....	37
70025111 .....	347	70028540 ..	348, 415, 457	7012998.....	57, 725	7023306 .....	107
70025112 .....	287	70028699 .....	348, 416	7015003....	247, 251, 255, 259, 263, 267	7023347 .....	107
70025112 .....	288, 348	70029401 .....	348	7015013....	247, 251, 255, 259, 263, 267	7023881 .....	463
70025115 .....	288	70029407 .....	457	7015014....	247, 251, 255, 259, 263, 267	7023887 .....	468
70025120 .....	289, 348	70029409 .....	457	7015015....	247, 251, 255, 259, 263, 267	7023922 .....	605
70025130 .....	415, 457	70029433 .....	348	7016314.....	101, 105	7023962 .....	477
70025133 .....	288	70029451 .....	347	7016322.....	177, 179	7023964 .....	477, 478
70025135 .	287, 347, 416, 458	70029512 .....	415	7016328.....	271, 968	7024005 .....	463
70025136 .....	347	70029517 ..	348, 415, 457	7016331....	271, 287, 347, 416, 458, 968	7024006 .....	469
70025137 .....	287, 347	70029520 ..	348, 415, 457	7016374.....	177, 179	7024038 .....	462, 468
70025140 .....	287, 347	70029557 ..	348, 415, 457	7016654.....	976	7024042 .....	462
70025142 .	288, 348, 415, 457	70029797 .....	348	7016655.....	976	7024043 .....	462
70025144 .	287, 347, 415, 458	70030097 .....	457	7017142.....	585	7024044 .....	462, 468
70025145 .....	287, 347	70030099 .....	457	7017159.....	585	7024064 .....	462, 468
70025146 .....	287, 347	70030359 .....	458	7017162.....	585, 587	7024065 .....	463, 469
70025149 .....	289	70030360 .....	415	7017163.....	585, 587	7024068 .....	463
70025151 .....	288, 347	70030381 .....	415, 458	7017164.....	585, 587	7024069 .....	464, 470
70025152 ..	287, 347, 458	70031055 .....	415, 457	7017185.....	587	7024070 .....	463
70025153 .....	287, 968	70031095 .....	415	7017195.....	585, 587	7024071 .....	463, 469
70025154 .....	287, 347	70031137 .....	415	7017402.....	605	7024072 .....	463, 469
70025155 .....	288	70031138 .....	457	7017405.....	57	7024073 .....	463, 469
70025158 .....	288	70031142 .....	415, 457	7017451.....	73, 968	7024075 .....	463, 469
70025158 .....	288	70031143 .....	415, 457	7017495.....	73	7024076 .....	463, 469
70025162 .....	287	70031144 .....	415, 457	7018936.....	464, 470	7024077 .....	463, 469
70025164 .	288, 348, 415, 457	70031388 .....	416, 458	7018942.....	73	7024078 .....	469
70025171 .....	287	70031474 .....	416, 458	7018991.....	55, 73, 968	7024079 .....	469
70025176 .....	287	70035212 .....	289	7019680.....	503	7024080 .....	463, 469
70025178 .....	288	7003655 ...	247, 251, 255, 259, 263, 267	7020043....	95, 97, 99, 103	7024083 .....	463
70025179 .....	288	7004275 .....	976	7020108.....	503, 507	7024084 .....	463
70025180 .....	288	7004276 .....	976	7020109.....	503, 507	7024085 .....	464
70025181 ..	287, 347, 415	70052577 .....	719	7020110.....	503, 508	7024087 .....	464
70025182 .....	288, 347	7007207 .....	474, 477	7020111.....	503, 508	7024088 .....	464
70025183 .....	288, 348	7007415 ...	475, 477, 478	7020175....	141, 145, 149, 153	7024089 .....	464
70025184 .....	288, 348	7007418 .....	474	7020176....	141, 145, 149, 153	7024096 .....	470
70025185 .....	288	7007419 .....	474	7020190.....	503, 507	7024097 .....	463
70025200 .....	288, 348	7007420 .....	37	7020414.....	271	7024374 .....	107
70025203 .....	288	7007437 .....	37			7024375 .....	107, 968
		7007438 .....	37			7024439 .....	107
		7007439 .....	37, 475			7024440 .....	107
		7007446 .....	37, 474, 477			7024441 .....	107
		7007489 .....	481			7024442 .....	107
						7024443 .....	107

## SECTION 11 - SPECIAL OPTIONS

7024444.....107	7024905.....469	359, 363, 367, 371,	8310070....141, 145, 150,
7024445.....107	7024906.....463, 469	375, 379, 383, 387,	153, 597
7024446.....107	7024907.....469	419, 423, 428, 445	8310129....663, 665, 667,
7024462.....711	7024908.....463, 469	7027044 ... 275, 291, 295,	669, 671, 673, 675,
7024463.....711	7024909.....469	299, 303, 307, 311,	677, 679, 681, 683, 685
7024467.....711	7024911.....463, 469	315, 320, 352, 356,	8310658.....200
7024469.....711	7024913.....462, 468	359, 364, 368, 371,	8405006....283, 291, 295,
7024470.....711	7024914.....462	376, 380, 384, 387,	299, 303, 307, 311,
7024471.....657, 711	7024915.....462	419, 423, 428, 445	315, 319, 338, 344,
7024472.....711	7024916.....462	7027045 ... 275, 291, 295,	351, 355, 359, 363,
7024473.....711	7024917.....462, 468	299, 303, 307, 311,	367, 371, 375, 379,
7024474.....711	7024918.....462, 468	316, 320, 352, 356,	383, 387, 405, 411,
7024475.....711	7024919.....462, 468	360, 364, 368, 372,	419, 423, 427, 439,
7024478.....711	7024920.....462, 468	376, 380, 384, 388,	445, 453, 491, 493, 495
7024485....527, 531, 968	7024921.....462, 468	419, 423, 428, 445	8405007....283, 337, 344,
7024488....527, 531, 535,	7024922.....462, 468	7027235 .....271	405, 411, 439, 453
539	7024924.....73	7027236 .....271	8405009....101, 105, 439,
7024489....527, 531, 535,	7024925.....73	7027239 .....271	453
539	7024927.....55	7027240 .....271	8405201....283, 336, 343,
7024530.....657	7026000.....73	7027276 .....271	405, 411, 439, 453
7024531.....657	7026001.....73	7027740 .....37	8405204....283, 336, 343,
7024532.....657	7026002.....73	7027773 .....711	405, 411, 439, 453
7024533.....657	7026003.....73	7027774 .....711	8405212.....439, 453
7024534.....657	7026004.....73	7027775 .....711	8405213.....439, 453
7024535.....657	7026005.....73	7027776 .....711	8406102....283, 338, 344,
7024536.....657	7026006.....73	7027777 .....711	405, 411, 439, 453
7024537.....657	7026007.....73	7027778 .....711	8406109.....283
7024565.....271	7026008.....73	7027779 .....711	8406112....283, 338, 344,
7024570.....73	7026016.....73	7027780 .....711	405, 411, 439, 453
7024571.....73, 605, 968	7026018.....605	7027790 .....271	8406201.....439, 453
7024572.....605	7026019.....605	7027791 .....271	8406302....283, 336, 342,
7024573.....73	7026020.....605	7027792 .....271	405, 411, 439, 453
7024574.....73	7026021.....605	7027799 ... 527, 531, 536,	8410011....283, 338, 344,
7024579....271, 287, 347,	7026022.....605	540	405, 411
416, 458	7026023.....605	7027887 .....503, 508	8410013....248, 252, 256,
7024580....207, 211, 215,	7026028.....55	7029593 .....71	260, 264, 268, 284,
219, 223, 227, 231,	7026029.....968	77143013 . 141, 146, 150,	336, 343, 405, 411
235, 239, 243	7026031.....969	153	8410014.....439, 453
7024581....207, 211, 215,	7026188.....527, 531	77363233 .....879, 881	8580420.....59, 61
219, 223, 227, 231,	7026571.....107	8007508 .....956	8750024.....117, 121
235, 239, 243	7026597 ... 527, 531, 536,	80334079 .....470	88261024.....603
7024582....207, 211, 215,	540	80363179 .....93	88411013.....803
219, 223, 227, 231,	7026608 .....271, 968	80484084 .....868, 871	88521214..643, 645, 647,
235, 239, 243	7026626 ... 527, 531, 536,	80604016 .....93	649
7024583....207, 211, 215,	540	80604021 .....93	88662523...192, 196, 201
219, 223, 227, 231,	7026980.....470	80934174 .....469	91143339.....867
235, 239, 243	7027042 ... 275, 291, 295,	80934644 .....470	91143340.....867
7024584....207, 211, 215,	299, 303, 307, 311,	80983191 .....868, 872	91203039.....601
219, 223, 227, 231,	315, 319, 351, 355,	8220051 .....877	91403230..937, 939, 941,
235, 239, 243	359, 363, 367, 371,	8220115 .....871	943, 945, 947, 949,
7024598.....177, 179	375, 379, 383, 387,	8220164 .....867	951, 953
7024800.....475	419, 423, 428, 445	8229242 ....868, 872, 968	91563070..336, 343, 405,
7024865.....37	7027043 ... 275, 291, 295,	8229249 ....709, 900, 968	411, 439, 453
7024867.....37	299, 303, 307, 311,	8310056 ... 331, 333, 391,	SEE NOTE .....729, 731
7024868.....37	315, 319, 351, 355,	393, 435	





**Corporate Office  
JLG Industries, Inc.  
1 JLG Drive  
McConnellsburg, PA 17233-9533 USA  
☎ (717) 485-5161 (Corporate)  
☎ (877) 554-5438 (Customer Support)  
📠 (717) 485-6417**

**Visit our website for JLG Worldwide Locations.  
[www.jlg.com](http://www.jlg.com)**



**OSHKOSH™**