



Illustrated Parts Manual

Models **800S** **860SJ**

PVC
2401

P/N
31223028

June 3, 2024 - Rev B

ANSI

CE



**UK
CA**

AS/NZS



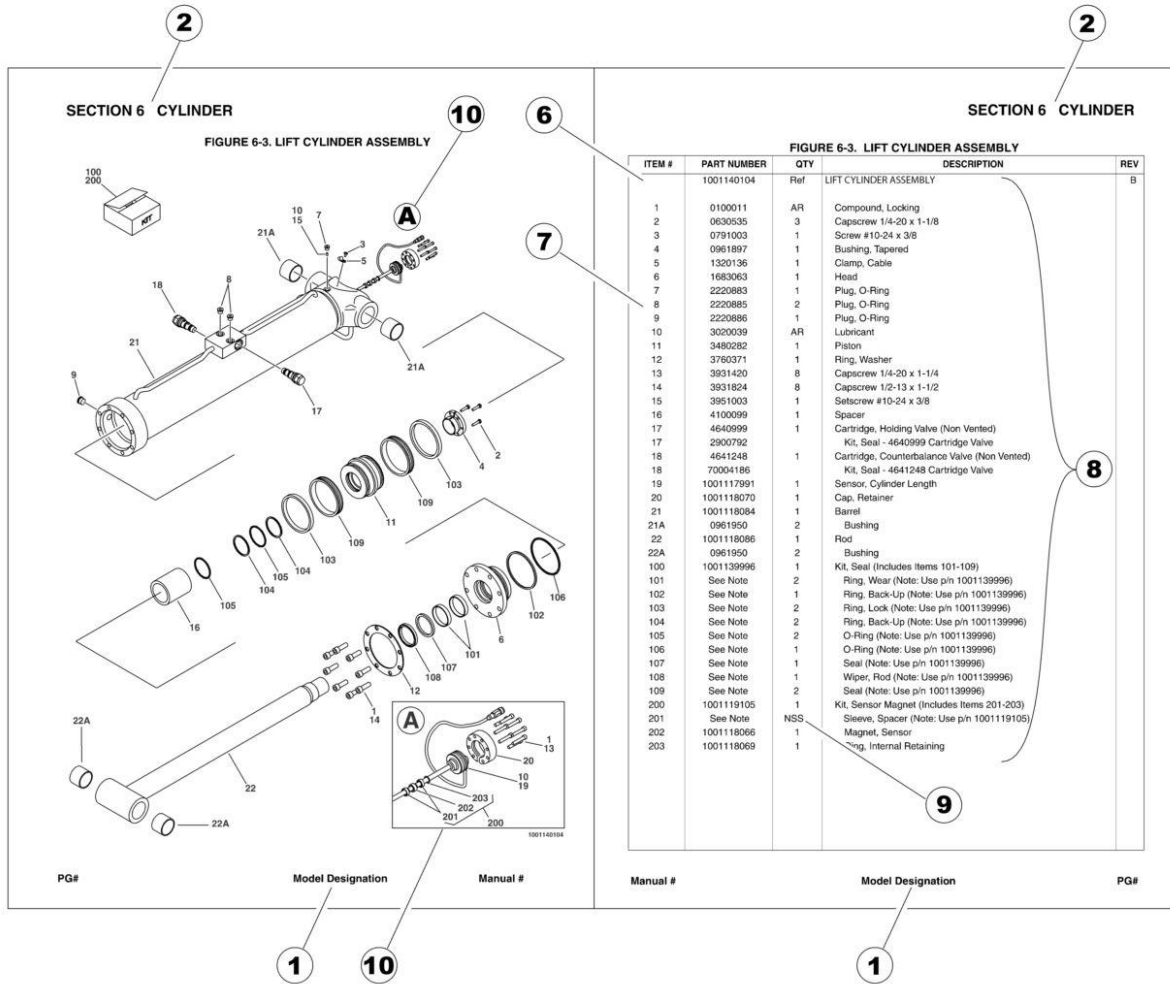
An Oshkosh Corporation Company

REVISION LOG

January 1, 2024 - A - Original Issue of Manual (Edited to B/M 1001245337 Revision BK)

June 3, 2024 - B - Revised Manual (Edited to B/M 1001245337 Revision BK)

GENERAL INFORMATION



1) MACHINE IDENTIFICATION

Machines are identified by model and in some cases a combination of models, serial number (SN) or regional standard (i.e ANSI, CE, CSA). Components may also be identified by SN or manufacturer. Common components that may be identified by these characteristics are engines and hydraulic components.

2) PARTS MANUAL ORGANIZATION

Product information in this manual is organized under section titles. Frame, Cylinder, Hydraulic and Electrical are a few examples. Each section is organized by figure and page number. The information within the Figure is then organized by item number, part number, description and corresponding illustration (s).

3) TABLE OF CONTENTS (NOT SHOWN)

A table of contents is found toward the beginning of the manual. Figure number, description and page number are provided for quick reference to the page containing the related information.

4) RECOMMENDED SPARE PARTS (NOT SHOWN)

The Recommended Spare Parts List, located near the end of the manual, reference most frequently used maintenance parts.

5) PART NUMBER INDEX (NOT SHOWN)

A numerical index listing all part numbers and the corresponding page number(s) appears at the back of the manual.

GENERAL INFORMATION

6) NON-SERVICED PARTS

In some instances, it is necessary to display non-serviced parts, assemblies or installations. In the case of assemblies and installations there will be a Ref in the Qty. column. In case of parts that are not available for service within assemblies or components, there will be a NSS (Not Sold Separately) or NLA (No Longer Available) listed in the Qty. column of the manual.

7) PARTS LIST ITEM NUMBERS

Numbers shown in the item# column correspond to numbers used in the associated illustration (s). Item numbers which are missing from the sequence in the parts list are not used on that page.

8) INDENTED PARTS DESCRIPTION

An indented part description is included in the item under which it is indented.

9) ABBREVIATION AND SYMBOLS

AC.....	Alternating Current	L.....	Liter
ADE.....	Advanced Design Electronics	LB(LBS).....	Pounds
AG.....	Agricultural	LCD.....	Liquid Crystal Display
ANSI.....	American National Standards Institute	LED.....	Light Emitting Diodes
AR.....	As Required	LH.....	Left Hand
ASSY.....	Assembly	LRC.....	Low Rated Countries
AUS.....	Australia	LSS.....	Load Sensing System
AUX.....	Auxiliary	M(m).....	Metric/Meter
AWG.....	American Wire Gauge	MM(mm).....	Milimeter
B/M.....	Bill of Material	mA.....	Miliamps
CAC.....	Charge Air Cooler	NLA.....	No Longer Available
CE.....	European Conformity	NPT.....	National Pipe Threads
CCW.....	Counter Clockwise	NSS.....	Not Sold Separately
CM.....	Centimeter	OD.....	Outside Diameter
CW.....	Clockwise	ORB.....	O-Ring Boss
CSA.....	Canadian Standards Association	ORFS.....	O-Ring Face Seal
CYL.....	Cylinder	OZ (oz).....	Ounces
DIA.....	Diameter	PG.....	Page
DC.....	Direct Current	PN.....	Part Number
DEF.....	Diesel Exhaust Fluid	QT(qt.).....	Quarts
EMS.....	Emergency Stop	QTY.....	Quantity
ENG.....	Engine	REF.....	Reference
FT(ft).....	Feet	REV.....	Revision Level
GA(Ga).....	Gauge	RH.....	Right Hand
HRC.....	High Rated Countries	SAE.....	Society of Automotive Engineers
HVAC.....	Heating, Ventilating, and Air Conditioning	SN.....	Serial Number
HYD.....	Hydraulic	SPEC(S).....	Specifications
Hz.....	Hertz	T/T.....	Turntable
ID.....	Inside Diameter	UGM.....	Universal Ground Module
IN.....	inches	V.....	Volts
ISO.....	International Organization for Standards	W.....	Watts
JIC.....	Joint Industry Council	#.....	Number
KG.....	Kilogram		

10) ILLUSTRATION REFERENCE LETTERS

When necessary, illustrations may contain reference letters that are intended to track information (i. e. hoses, harnesses) from one point to another or to track visual enlargement of components to show details that may be located in another area on the illustration.

Note: Due to continuous product improvements, JLG Industries, Inc. reserves the right to make specification changes without prior notification. Contact JLG Industries, Inc. for updated information.

TABLE OF CONTENTS

SECTION 1 - FRAME.....	19
FIGURE 1-1. AXLE INSTALLATION - FIXED (WITHOUT TOW PACKAGE)	20
FIGURE 1-2. AXLE INSTALLATION - OSCILLATING (WITHOUT TOW PACKAGE) (MACHINES WITH SN STARTING WITH 03 OR 13)	22
FIGURE 1-3. AXLE INSTALLATION - OSCILLATING (WITHOUT TOW PACKAGE) (MACHINES WITH SN STARTING WITH B3)	24
FIGURE 1-4. AXLE INSTALLATION - OSCILLATING (WITH TOW PACKAGE) (MACHINES WITH SN STARTING WITH 03) ...	26
FIGURE 1-5. AXLE INSTALLATION - OSCILLATING (WITH TOW PACKAGE) (MACHINES WITH SN STARTING WITH B3)...	28
FIGURE 1-6. STEERING INSTALLATION - WITHOUT TOW PACKAGE (MACHINES WITH SN STARTING WITH 03 OR 13) ..	30
FIGURE 1-7. STEERING INSTALLATION - WITHOUT TOW PACKAGE (MACHINES WITH SN STARTING WITH B3)	32
FIGURE 1-8. STEERING INSTALLATION - WITH TOW PACKAGE (MACHINES WITH SN STARTING WITH 03)	34
FIGURE 1-9. STEERING INSTALLATION - WITH TOW PACKAGE (MACHINES WITH SN STARTING WITH B3).....	36
FIGURE 1-10. WHEEL DRIVE AND FRAME VALVES INSTALLATION - 2WD	38
FIGURE 1-11. WHEEL DRIVE AND FRAME VALVES INSTALLATION – 4WD - DANFOSS MOTOR	40
FIGURE 1-12. WHEEL DRIVE AND FRAME VALVES INSTALLATION - 4WD - HENGLI MOTOR	42
FIGURE 1-13. HUB ASSEMBLY - 2WD FRONT	44
FIGURE 1-14. DRIVE HUB/BRAKE ASSEMBLY	46
FIGURE 1-15. DRIVE MOTOR ASSEMBLY - 2WD	48
FIGURE 1-16. DRIVE MOTOR ASSEMBLY - 4WD - DANFOSS MOTOR.....	50
FIGURE 1-17. DRIVE MOTOR ASSEMBLY - 4WD - HENGLI MOTOR.....	52
FIGURE 1-18. TIRE & WHEEL INSTALLATION - 15-625 NHS FOAM-FILLED	54
FIGURE 1-19. TIRE AND WHEEL INSTALLATION 18-625 NHS FOAM-FILLED TIRE	56
FIGURE 1-20. TIRE AND WHEEL INSTALLATION 18-625 NHS FOAM-FILLED NON-MARKING TIRE	58
FIGURE 1-21. TIRE AND WHEEL INSTALLATION 18-22.5 NHS FOAM-FILLED NON-MARKING TIRE	60
FIGURE 1-22. LP TANK BRACKETS INSTALLATIONS	62
FIGURE 1-23. FRAME SHIELDS INSTALLATION - 2WS	64
FIGURE 1-24. TOW PACKAGE INSTALLATION (ENGLISH DECALS).....	66
FIGURE 1-25. TOW PACKAGE INSTALLATION (FRENCH/ENGLISH DECALS).....	68
FIGURE 1-26. TOW BAR ASSEMBLY	70
SECTION 2 - TURNTABLE	73
FIGURE 2-1. CONTROL VALVES INSTALLATION (800S)	74
FIGURE 2-2. CONTROL VALVES INSTALLATION (860SJ).....	76
FIGURE 2-3. MAIN CONTROL VALVE ASSEMBLY	78
FIGURE 2-4. SWING DRIVE INSTALLATION	80
FIGURE 2-5. SWING DRIVE INSTALLATION (SN B300025209 to Present, SN 0300315049 to Present, SN B300025139 through B300025140)	82
FIGURE 2-6. SWING MOTOR/HUB ASSEMBLY	84
FIGURE 2-7. SWING MOTOR/HUB ASSEMBLY (Prior to SN B300025209, Prior to SN 0300315049, Except SN B300025139 through B300025140)	88
FIGURE 2-8. TURNTABLE BEARING INSTALLATION (ALL SPECS EXCEPT CHINA SPECS)	90
FIGURE 2-9. TURNTABLE BEARING INSTALLATION (CHINA SPECS).....	92
FIGURE 2-10. REMOTE BEARING LUBE INSTALLATION	94
FIGURE 2-11. TURNTABLE LOCK INSTALLATION.....	96
FIGURE 2-12. ROTARY COUPLING INSTALLATION	98

TABLE OF CONTENTS

FIGURE 2-13. TANK INSTALLATION - GAS ENGINES (HELGESEN 25 GAL HYDRAULIC TANK WITH 6IN DIA BREATHER)	100
FIGURE 2-14. TANK INSTALLATION - GAS ENGINES (JIANGYING 25 GAL HYDRAULIC TANK WITH 4IN DIA BREATHER)	102
FIGURE 2-15. TANK INSTALLATION - GAS ENGINES (47.8 GAL CAPACITY HYDRAULIC TANK)	104
FIGURE 2-16. TANK INSTALLATION - DIESEL ENGINES (HELGESEN 25 GAL HYDRAULIC TANK WITH 6IN BREATHER)	106
FIGURE 2-17. TANK INSTALLATION - DIESEL ENGINES (JIANGYING 25 GAL HYDRAULIC TANK WITH 4IN DIA BREATHER)	108
FIGURE 2-18. TANK INSTALLATION - DIESEL ENGINES (47.8 GAL CAPACITY HYDRAULIC TANK)	110
FIGURE 2-19. TANK INSTALLATION - DIESEL ENGINES (MACHINES WITH HOSTILE ENVIRONMENT PACKAGE) (25 GAL HYDRAULIC TANK WITH 6 INCH BREATHER)	112
FIGURE 2-20. TANK INSTALLATION - DIESEL ENGINES (MACHINES WITH HOSTILE ENVIRONMENT PACKAGE) (25 GAL HYDRAULIC TANK WITH 4 INCH BREATHER)	114
FIGURE 2-21. TANK INSTALLATION - DIESEL ENGINES (MACHINES WITH HOSTILE ENVIRONMENT PACKAGE) (47.8 GAL CAPACITY HYDRAULIC TANK)	116
FIGURE 2-22. HYDRAULIC TANK ASSEMBLY (HELGESEN 25 GAL HYDRAULIC TANK WITH 6IN DIA BREATHER)	118
FIGURE 2-23. HYDRAULIC TANK ASSEMBLY (JIANGYING 25 GAL HYDRAULIC TANK WITH 4IN DIA BREATHER)	120
FIGURE 2-24. HYDRAULIC TANK ASSEMBLY (47.8 GAL CAPACITY HYDRAULIC TANK)	122
FIGURE 2-25. AUXILIARY PUMP WITHOUT BATTERY DISCONNECT SWITCH INSTALLATION (MACHINES WITH SN STARTING WITH 03)	124
FIGURE 2-26. AUXILIARY PUMP WITHOUT BATTERY DISCONNECT SWITCH INSTALLATION (MACHINES WITH SN STARTING WITH B3)	126
FIGURE 2-27. AUXILIARY PUMP WITH BATTERY DISCONNECT SWITCH INSTALLATION (MACHINES WITH SN STARTING WITH 03)	128
FIGURE 2-28. AUXILIARY PUMP WITH BATTERY DISCONNECT SWITCH INSTALLATION (MACHINES WITH SN STARTING WITH B3)	130
FIGURE 2-29. AUXILIARY PUMP WITH BATTERY DISCONNECT SWITCH INSTALLATION (MACHINES WITH SN STARTING WITH B3)	132
FIGURE 2-30. GROUND CONTROL BOX ASSEMBLY - WITH DEUTZ D2011 - WITH MECHANICAL HOUR METER (ANSI EXPORT (LRC) AND AUSTRALIAN SPECS) (800S) (Prior to SN B300025484, Including)	134
FIGURE 2-31. GROUND CONTROL BOX ASSEMBLY - WITH DEUTZ D2011 - WITH MECHANICAL HOUR METER (ANSI EXPORT (LRC) AND AUSTRALIAN SPECS) (SN B300025484 to Present, SN 0300315625 to Present)	138
FIGURE 2-32. GROUND CONTROL BOX ASSEMBLY - WITH DEUTZ D2011 (CE & UK CA SPECS) (800S) (Prior to SN B300025484, Prior to SN 0300315625)	142
FIGURE 2-33. GROUND CONTROL BOX ASSEMBLY - WITH DEUTZ D2011 (CE & UK CA SPECS) (SN B300025484 to Present, SN 0300315625 to Present)	146
FIGURE 2-34. GROUND CONTROL BOX ASSEMBLY - WITH DEUTZ D2011 - WITH MECHANICAL HOUR METER (ANSI EXPORT (LRC) AND AUSTRALIAN SPECS) WITH TILT SENSOR (860SJ) (Prior to SN B300025484, Prior to SN 0300315625)	150
FIGURE 2-35. GROUND CONTROL BOX ASSEMBLY - WITH DEUTZ D2011 - WITH MECHANICAL HOUR METER (ANSI EXPORT (LRC) AND AUSTRALIAN SPECS) WITH TILT SENSOR (SN B300025484 to Present, SN 0300315625 to Present)	154
FIGURE 2-36. GROUND CONTROL BOX ASSEMBLY - WITH DEUTZ D2011 (CE & UK CA SPECS) WITH TILT SENSOR (860SJ) (Prior to SN B300025484, Prior to SN 0300315625)	158
FIGURE 2-37. GROUND CONTROL BOX ASSEMBLY - WITH DEUTZ D2011 (CE & UK CA SPECS) WITH TILT SENSOR (SN B300025484 to Present, SN 0300315625 to Present)	162
FIGURE 2-38. GROUND CONTROL BOX ASSEMBLY - WITH DEUTZ D2011 (HIGH TEMP MARKETS) (ANSI EXPORT (LRC) AND AUSTRALIAN SPECS) (860SJ)	166
FIGURE 2-39. GROUND CONTROL BOX ASSEMBLY - WITH DEUTZ TD2.9L4 - WITH MECHANICAL HOUR METER (ANSI, ANSI EXPORT (HRC), CSA AND JAPANESE SPECS) (800S) (Prior to SN B300025484, Prior to SN 0300315625)	170
FIGURE 2-40. GROUND CONTROL BOX ASSEMBLY - WITH DEUTZ TD2.9L4 - WITH MECHANICAL HOUR METER (ANSI, ANSI EXPORT (HRC), CSA AND JAPANESE SPECS) (SN B300025484 to Present, SN 0300315625 to Present)	174
FIGURE 2-41. GROUND CONTROL BOX ASSEMBLY - WITH DEUTZ TD2.9L4 (STAGE V) (CE & UK CA SPECS) (800S) (Prior to SN B300025484, Prior to SN 0300315625)	178

TABLE OF CONTENTS

FIGURE 2-42. GROUND CONTROL BOX ASSEMBLY - WITH DEUTZ TD2.9L4 (STAGE V) (CE & UK CA SPECS) (SN B300025484 to Present, SN 0300315625 to Present).....	182
FIGURE 2-43. GROUND CONTROL BOX ASSEMBLY - WITH DEUTZ TD2.9L4 - WITH MECHANICAL HOUR METER (ANSI, ANSI EXPORT (HRC), ANSI EXPORT (LRC WITH SN B3), CSA, JAPANESE, AUSTRALIAN (SN B3), RUSSIAN (SN B3) AND CHINA SPECS) WITH TILT SENSOR (860SJ) (Prior to SN B300025484, Prior to SN 0300315625).....	186
FIGURE 2-44. GROUND CONTROL BOX ASSEMBLY - WITH DEUTZ TD2.9L4 - WITH MECHANICAL HOUR METER (ANSI, ANSI EXPORT (HRC), ANSI EXPORT (LRC WITH SN B3), CSA, JAPANESE, AUSTRALIAN (SN B3), RUSSIAN (SN B3) AND CHINA SPECS) WITH TILT SENSOR (SN B300025484 to Present, SN 0300315625 to Present).....	190
FIGURE 2-45. GROUND CONTROL BOX ASSEMBLY - WITH DEUTZ TD2.9L4 (STAGE V) (CE & UK CA SPECS) WITH TILT SENSOR (860SJ) (Prior to SN B300025484, Prior to SN 0300315625).....	194
FIGURE 2-46. GROUND CONTROL BOX ASSEMBLY - WITH DEUTZ TD2.9L4 (STAGE V) (CE & UK CA SPECS) WITH TILT SENSOR (SN B300025484 to Present, SN 0300315625 to Present).....	198
FIGURE 2-47. GROUND CONTROL BOX ASSEMBLY - WITH FORD DF 2.5L - WITH MECHANICAL HOUR METER (ANSI, ANSI EXPORT (LRC & HRC) AND CSA SPECS) (800S) (Prior to SN B300025484, Prior to SN 0300315625).....	202
FIGURE 2-48. GROUND CONTROL BOX ASSEMBLY - WITH FORD DF 2.5L - WITH MECHANICAL HOUR METER (ANSI, ANSI EXPORT (LRC & HRC) AND CSA SPECS) (SN B300025484 to Present, SN 0300315625 to Present).....	206
FIGURE 2-49. GROUND CONTROL BOX ASSEMBLY - WITH FORD DF 2.5L - WITH MECHANICAL HOUR METER (ANSI, ANSI EXPORT (LRC & HRC), AUSTRALIAN AND CSA SPECS) (860SJ).....	210
FIGURE 2-50. GROUND CONTROL BOX ASSEMBLY - WITH FORD DF 2.5L - WITH MECHANICAL HOUR METER (ANSI, ANSI EXPORT (LRC & HRC), AUSTRALIAN AND CSA SPECS) (SN B300025484 to Present, SN 0300315625 to Present) ...	214
FIGURE 2-51. LIGHT PANEL INSTALLATION (MACHINES WITH SN STARTING WITH 03 OR 13).....	218
FIGURE 2-52. LIGHT PANEL INSTALLATION (MACHINES WITH SN STARTING WITH B3)	220
FIGURE 2-53. ALARM INSTALLATION	222
FIGURE 2-54. WHITE NOISE ALARM INSTALLATION - AMBIENT.....	224
FIGURE 2-55. WHITE NOISE ALARM INSTALLATION - CONSTANT.....	226
FIGURE 2-56. CLEARSKY INSTALLATION	228
FIGURE 2-57. STROBE LIGHT INSTALLATION (AMBER) (ALL SPECS EXCEPT CHINEASE SPECS).....	230
FIGURE 2-58. STROBE LIGHT INSTALLATION (AMBER) (CHINEASE SPECS).....	232
FIGURE 2-59. STROBE LIGHT INSTALLATION (BLUE).....	234
FIGURE 2-60. STROBE LIGHT INSTALLATION (RED)	236
FIGURE 2-61. NO BEACON INSTALLATION	238
FIGURE 2-62. DUAL CAPACITY INSTALLATION - ELEVATION AND TRANSPORTATION (800S).....	240
FIGURE 2-63. DUAL CAPACITY INSTALLATION - ELEVATION AND TRANSPORTATION (860SJ).....	242
FIGURE 2-64. LOWER SENSOR ASSEMBLY	244
FIGURE 2-65. EXHAUST STACK INSTALLATION - STEEL HOOD (DEUTZ D2011 ENGINES).....	246
FIGURE 2-66. EXHAUST STACK INSTALLATION - STEEL HOOD WITH HOSTILE ENVIRONMENT MACHINES (DEUTZ D2011 ENGINES).....	248
FIGURE 2-67. EXHAUST STACK INSTALLATION - STEEL HOOD WITH HOSTILE ENVIRONMENT MACHINES (DEUTZ TD2.9L4 ENGINES) (MACHINES WITH SN STARTING WITH B3).....	250
FIGURE 2-68. EXHAUST STACK INSTALLATION - STEEL HOOD (DEUTZ TD2.9L4 ENGINES) (MACHINES WITH SN STARTING WITH 03 OR 13).....	252
FIGURE 2-69. EXHAUST STACK INSTALLATION - STEEL HOOD (DEUTZ TD2.9L4 (STAGE V) ENGINES) (MACHINES WITH SN STARTING WITH 03)	254
FIGURE 2-70. EXHAUST STACK INSTALLATION - STEEL HOOD (DEUTZ TD2.9L4 ENGINES) (MACHINES WITH SN STARTING WITH B3).....	256
FIGURE 2-71. EXHAUST STACK INSTALLATION - STEEL HOOD (DEUTZ TD2.9L4 (STAGE V) ENGINES) (MACHINES WITH SN STARTING WITH B3).....	258
FIGURE 2-72. EXHAUST STACK INSTALLATION - STEEL HOOD WITH HOSTILE ENVIRONMENT MACHINES (DEUTZ TD2.9L4 ENGINES) (MACHINES WITH SN STARTING WITH 03 OR 13).....	260
FIGURE 2-73. EXHAUST STACK INSTALLATION - STEEL HOOD (FORD DF 2.5L ENGINES)	262
FIGURE 2-74. HOODS INSTALLATION - ABS (DEUTZ D2011 ENGINES)	264

TABLE OF CONTENTS

FIGURE 2-75. HOODS INSTALLATION - ABS (DEUTZ TD2.9L4 AND DEUTZ TD2.9L4 (STAGE V) ENGINES) (CE & UK CA SPECS ONLY)	268
FIGURE 2-76. HOODS INSTALLATION - STEEL (DEUTZ D2011 ENGINES).....	272
FIGURE 2-77. HOODS INSTALLATION - STEEL WITH HOSTILE ENVIRONMENT MACHINES (DEUTZ D2011 ENGINES) (MACHINES WITH SN STARTING WITH 03 OR 13)	276
FIGURE 2-78. HOODS INSTALLATION – STEEL WITH HOSTILE ENVIRONMENT MACHINES (DEUTZ TD2.9L4 ENGINES) (MACHINES WITH SN STARTING WITH B3)	280
FIGURE 2-79. HOODS INSTALLATION – STEEL (DEUTZ TD2.9L4 AND DEUTZ TD2.9L4 (STAGE V) ENGINES) (MACHINES WITH SN STARTING WITH 03 OR 13)	284
FIGURE 2-80. HOODS INSTALLATION - STEEL (DEUTZ TD2.9L4 ENGINES) (MACHINES WITH SN STARTING WITH B3).....	288
FIGURE 2-81. HOOD INSTALLATION - STEEL (DEUTZ TD2.9L4 ENGINES) (MACHINES WITH SN STARTING WITH B3) (CE & UK CA SPECS).....	292
FIGURE 2-82. HOODS INSTALLATION - STEEL (DEUTZ TD2.9L4 (STAGE V) ENGINES) (MACHINES WITH SN STARTING WITH B3)	296
FIGURE 2-83. HOODS INSTALLATION – STEEL WITH HOSTILE ENVIRONMENT MACHINES (DEUTZ TD2.9L4 ENGINES).....	300
FIGURE 2-84. HOODS INSTALLATION – STEEL (FORD DF 2.5L ENGINES)	304
FIGURE 2-85. HOOD ASSEMBLY - ENGINE SIDE REAR (DEUTZ TD2.9L4 ENGINES) (MACHINES WITH SN STARTING WITH B3).....	308
FIGURE 2-86. HOOD ASSEMBLY - ENGINE SIDE REAR (DEUTZ TD2.9L4 ENGINES) (MACHINES WITH SN STARTING WITH B3) (CE & UK CA SPECS).....	310
FIGURE 2-87. HOOD ASSEMBLY - ENGINE SIDE REAR (DEUTZ TD2.9L4 (STAGE V) ENGINES) (MACHINES WITH SN STARTING WITH B3)	312
FIGURE 2-88. HOOD ASSEMBLY - TANK SIDE REAR (DEUTZ TD2.9L4 AND DEUTZ TD2.9L4 (STAGE V) ENGINES) (MACHINES WITH SN STARTING WITH B3)	314
FIGURE 2-89. LIFTING PLATE INSTALLATION	316
FIGURE 2-90. SKYAIR AIR COMPRESSOR INSTALLATION (DEUTZ D2011 AND FORD DF 2.5L ENGINES)	318
FIGURE 2-91. SKYAIR AIR COMPRESSOR INSTALLATION (DEUTZ TD2.9L4 ENGINES)	320
FIGURE 2-92. AIR COMPRESSOR ASSEMBLY	322
FIGURE 2-93. WHITE NOISE ALARM HARNESS	326
SECTION 3 - ENGINE	329
FIGURE 3-1. DEUTZ D2011 ENGINE INSTALLATION (WITHOUT ARCTIC PACKAGE)	330
FIGURE 3-2. DEUTZ D2011 ENGINE INSTALLATION (WITH ARCTIC PACKAGE)	332
FIGURE 3-3. DEUTZ D2011 ENGINE INSTALLATION - (WITH ARCTIC PACKAGE) (WITH 47.8 GAL CAPACITY HYDRAULIC TANK)	336
FIGURE 3-4. DEUTZ D2011 ENGINE INSTALLATION (HIGH TEMP MARKETS)	340
FIGURE 3-5. DEUTZ D2011 ENGINE/PUMP SUB-ASSEMBLY (WITHOUT ARCTIC PACKAGE).....	342
FIGURE 3-6. DEUTZ D2011 ENGINE/PUMP SUB-ASSEMBLY (WITH ARCTIC PACKAGE)	344
FIGURE 3-7. DEUTZ D2011 ENGINE AND PUMP SUB-ASSEMBLY - (WITH ARCTIC PACKAGE) (WITH 47.8 GAL CAPACITY HYDRAULIC TANK).....	346
FIGURE 3-8. DEUTZ D2011 ENGINE ASSEMBLY (WITHOUT ARCTIC PACKAGE).....	348
FIGURE 3-9. DEUTZ D2011 ENGINE ASSEMBLY (WITH ARCTIC PACKAGE)	352
FIGURE 3-10. DEUTZ D2011 ENGINE COMPONENTS	356
FIGURE 3-11. DEUTZ TD2.9L4 (STAGE V) ENGINE INSTALLATION	360
FIGURE 3-12. DEUTZ TD2.9L4 ENGINE INSTALLATION (CHINA III)	364
FIGURE 3-13. DEUTZ TD2.9L4 ENGINE INSTALLATION (CHINA IV)	368
FIGURE 3-14. DEUTZ TD2.9L4 ENGINE/PUMP SUB-ASSEMBLY (STAGE V)	372
FIGURE 3-15. DEUTZ TD2.9L4 ENGINE/PUMP SUB-ASSEMBLY (CHINA III).....	374
FIGURE 3-16. DEUTZ TD2.9L4 ENGINE/PUMP SUB-ASSEMBLY (CHINA IV)	376
FIGURE 3-17. DEUTZ TD2.9L4 ENGINE ASSEMBLY (STAGE V)	378

TABLE OF CONTENTS

FIGURE 3-18. DEUTZ TD2.9L4 ENGINE ASSEMBLY (CHINA III ENGINE)	384
FIGURE 3-19. DEUTZ TD2.9L4 ENGINE ASSEMBLY (CHINA IV ENGINE)	390
FIGURE 3-20. DEUTZ ENGINE CHINA IV	396
FIGURE 3-21. DEUTZ TD2.9L4 ENGINE COMPONENTS (STAGE V)	398
FIGURE 3-22. DEUTZ TD2.9L4 ENGINE COMPONENTS (CHINA III ENGINE)	400
FIGURE 3-23. DEUTZ TD2.9L4 ENGINE COMPONENTS (CHINA IV ENGINE)	404
FIGURE 3-24. DEUTZ D2.9L4 - EMR5 ENGINE INSTALLATION WITH ARCTIC PACKAGE.....	406
FIGURE 3-25. DEUTZ D2.9L4 - EMR5 ENGINE AND PUMP SUB-ASSEMBLY WITH ARCTIC PACKAGE	410
FIGURE 3-26. ENGINE ASSEMBLY - DEUTZ D2.9L4 EMR5 ENGINE (WITH ARCTIC PACKAGE).....	412
FIGURE 3-27. DEUTZ D2.9L4 - EMR5 ENGINE INSTALLATION WITHOUT ARCTIC PACKAGE	418
FIGURE 3-28. DEUTZ D2.9L4 - EMR5 ENGINE AND PUMP SUB-ASSEMBLY WITHOUT ARCTIC PACKAGE	422
FIGURE 3-29. ENGINE ASSEMBLY - DEUTZ D2.9L4 EMR5 ENGINE (WITHOUT ARCTIC PACKAGE	424
FIGURE 3-30. ENGINE COMPONENTS - DEUTZ D2.9L4 EMR5 ENGINE	430
FIGURE 3-31. FUEL PUMP/FILTER BRACKET ASSEMBLY (DEUTZ TD2.9L4 ENGINES)	432
FIGURE 3-32. FUEL PUMP/FILTER BRACKET ASSEMBLY (DEUTZ TD2.9L4 (STAGE V) ENGINES)	434
FIGURE 3-33. FUEL PUMP/FILTER BRACKET ASSEMBLY (DEUTZ TD2.9L4 ENGINES) (CHINA III & CHINA IV ENGINE) ..	436
FIGURE 3-34. BREATHER HEATER INST (DEUTZ TD2.9L4 ENGINES).....	438
FIGURE 3-35. FORD ENGINE INSTALLATION - (WITHOUT ARCTIC PACKAGE).....	440
FIGURE 3-36. FORD ENGINE AND PUMP SUB-ASSEMBLY - (WITHOUT ARCTIC PACKAGE).....	444
FIGURE 3-37. FORD ENGINE ASSEMBLY (WITHOUT ARCTIC PACKAGE)	446
FIGURE 3-38. FORD ENGINE PREP ASSEMBLY	452
FIGURE 3-39. FORD ENGINE BRACKETS AND EXHAUST MANIFOLD INSTALLATION.....	454
FIGURE 3-40. FORD ENGINE DRIVE BELT INSTALLATION (MACHINES WITHOUT GENERATOR)	456
FIGURE 3-41. FORD ENGINE COMPONENTS.....	458
FIGURE 3-42. PUMP COUPING KIT (DEUTZ ENGINES)	462
FIGURE 3-43. HYDROSTATIC PUMP ASSEMBLY	464
FIGURE 3-44. VARIABLE PUMP ASSEMBLY - DEUTZ TD2.9L4 STAGE V ENGINES.....	466
FIGURE 3-45. VARIABLE PUMP ASSEMBLY - ALL ENGINES EXCEPT FOR DEUTZ TD2.9L4 STAGE V ENGINES	470
FIGURE 3-46. HYDROSTATIC PUMP ASSEMBLY.....	472
FIGURE 3-47. EXHAUST PIPE INSTALLATION - DEUTZ TD2.9L4 ENGINES.....	474
FIGURE 3-48. EXHAUST PIPE INSTALLATION - DEUTZ TD2.9L4 (STAGE V) ENGINES.....	476
FIGURE 3-49. EXHAUST PIPE INSTALLATION - FORD DF 2.5L ENGINES	478
FIGURE 3-50. SPARK ARRESTOR MUFFLER INSTALLATION - DEUTZ D2011 ENGINES	480
FIGURE 3-51. SPARK ARRESTING PIPE (MACHINES WITH SN STARTING WITH B3)	482
FIGURE 3-52. SPARK ARRESTOR INSTALLATION (WITH STEEL HOODS) (SN B300024951 to Present, SN 0300314209 to Present, SN 0300314005 through 0300314007, SN 0300314010 through 0300314012, SN 0300314021 through 0300314024, Including 0300314018)	484
FIGURE 3-53. SPARK ARRESTOR INSTALLATION (WITH PLASTIC HOODS) (SN B300024951 to Present, SN 0300314209 to Present, SN 0300314005 through 0300314007, SN 0300314010 through 0300314012, SN 0300314021 through 0300314024, Including 0300314018)	486
FIGURE 3-54. FUEL-WATER SEPARATOR INSTALLATION - DEUTZ D2011.....	488
FIGURE 3-55. FUEL-WATER SEPARATOR INSTALLATION - DEUTZ TD2.9L4.....	490
FIGURE 3-56. FUEL FILTER ASSEMBLY (DEUTZ TD2.9L4 ENGINES)	492
FIGURE 3-57. RIGHT ENGINE SUPPORT INSTALLATION (DEUTZ D2011 ENGINES MACHINES WITHOUT GENERATORS)	494
FIGURE 3-58. RIGHT ENGINE SUPPORT INSTALLATION (DEUTZ D2011 ENGINES MACHINES WITH GENERATORS)....	496

TABLE OF CONTENTS

FIGURE 3-59. ENGINE HOOD Baffle INSTALLATION - DEUTZ TD2.9L4 AND DEUTZ 2.9L4 (STAGE V) ENGINES WITH ABS HOODS.....	498
FIGURE 3-60. ENGINE HOOD Baffle INSTALLATION - DEUTZ TD2.9L4 AND DEUTZ 2.9L4 (STAGE V) ENGINES WITH STEEL HOODS.....	500
FIGURE 3-61. ENGINE TRAY JACK INSTALLATION - DEUTZ ENGINES.....	502
FIGURE 3-62. ENGINE TRAY JACK INSTALLATION - FORD ENGINES	504
FIGURE 3-63. QUICKFIT OIL DRAIN VALVE (DEUTZ ENGINES)	506
FIGURE 3-64. 2500W/110V/60HZ GENERATOR INSTALLATION - DEUTZ D2011 ENGINES	508
FIGURE 3-65. 2500W/110V/60HZ GENERATOR INSTALLATION - DEUTZ TD2.9L4 ENGINES	510
FIGURE 3-66. 2500W/110V/60HZ GENERATOR INSTALLATION - FORD ENGINES.....	514
FIGURE 3-67. 2500W/220V/50HZ GENERATOR INSTALLATION - DEUTZ D2011 ENGINES	518
FIGURE 3-68. 4000W/50HZ GENERATOR INSTALLATION - DEUTZ D2011 ENGINES.....	520
FIGURE 3-69. 4000W/60HZ GENERATOR INSTALLATION - DEUTZ D2011 ENGINES.....	524
FIGURE 3-70. 4000W/50HZ GENERATOR INSTALLATION - DEUTZ TD2.9L4 AND DEUTZ TD2.9L4 (STAGE V) ENGINES..	528
FIGURE 3-71. 4000W/60HZ GENERATOR INSTALLATION - DEUTZ TD2.9L4 ENGINES.....	532
FIGURE 3-72. 7500W/50HZ SKYPOWER GENERATOR INSTALLATION - DEUTZ D2011 ENGINES	536
FIGURE 3-73. 7500W/60HZ SKYPOWER GENERATOR INSTALLATION - DEUTZ D2011 ENGINES	540
FIGURE 3-74. 7500W/50HZ SKYPOWER GENERATOR INSTALLATION - DEUTZ TD2.9L4 AND DEUTZ TD2.9L4 (STAGE V) ENGINES.....	544
FIGURE 3-75. 7500W/60HZ SKYPOWER GENERATOR INSTALLATION - DEUTZ TD2.9L4 AND DEUTZ TD2.9L4 (STAGE V) ENGINES.....	548
FIGURE 3-76. 7500W/60HZ SKYPOWER GENERATOR INSTALLATION - FORD DF 2.5L ENGINES.....	552
SECTION 4 - BOOM.....	557
FIGURE 4-1. BOOMS AND CYLINDERS INSTALLATION (800S).....	558
FIGURE 4-2. BOOMS AND CYLINDERS INSTALLATION (MACHINES WITH SN STARTING WITH 03 OR 13) (860SJ).....	560
FIGURE 4-3. BOOMS AND CYLINDERS INSTALLATION (MACHINES WITH SN STARTING WITH B3) (860SJ)	562
FIGURE 4-4. MAIN BOOM ASSEMBLY (800S).....	566
FIGURE 4-5. MAIN BOOM ASSEMBLY (MACHINES WITH SN STARTING WITH 03 OR 13) (860SJ)	570
FIGURE 4-6. MAIN BOOM ASSEMBLY (MACHINES WITH SN STARTING WITH B3) (860SJ)	574
FIGURE 4-7. JIB ASSEMBLY (MACHINES WITH SN STARTING WITH 03 OR 13)	578
FIGURE 4-8. JIB ASSEMBLY (MACHINES WITH SN STARTING WITH B3) (860SJ).....	580
FIGURE 4-9. ROTATOR ASSEMBLY (800S).....	582
FIGURE 4-10. ROTATOR ASSEMBLY (860SJ).....	584
FIGURE 4-11. PLATFORM ROTATOR ASSEMBLY (MACHINES WITH SN STARTING WITH B3).....	586
FIGURE 4-12. PLATFORM SUPPORT INSTALLATION - (MACHINES WITH SN STARTING WITH B3)	588
FIGURE 4-13. PLATFORM SUPPORT ASSEMBLY - (MACHINES WITH SN STARTING WITH B3).....	590
FIGURE 4-14. POWER TRACK INSTALLATION - MAIN BOOM (800S).....	592
FIGURE 4-15. POWER TRACK INSTALLATION - MAIN BOOM (860SJ).....	594
FIGURE 4-16. POWERTRACK WITH PLASTIC CLAMP INSTALLATION (MACHINES WITH SN STARTING WITH B3) (EXCEPT CHINESE SPECS).....	596
FIGURE 4-17. POWERTRACK WITH STEEL CLAMP INSTALLATION (MACHINES WITH SN STARTING WITH 03) (ALL SPECS) (800S).....	598
FIGURE 4-18. POWERTRACK WITH STEEL CLAMP INSTALLATION (MACHINES WITH SN STARTING WITH 03) (ALL SPECS) (860SJ)	600
FIGURE 4-19. POWERTRACK WITH STEEL CLAMP INSTALLATION (MACHINES WITH SN STARTING WITH B3) (CHINESE SPECS).....	602
FIGURE 4-20. POWER TRACK SUPPORT BRACKET INSTALLATION - MAIN BOOM (860SJ).....	604

TABLE OF CONTENTS

FIGURE 4-21. CONTROL VALVE INSTALLATION (800S).....	606
FIGURE 4-22. CONTROL VALVE INSTALLATION (860SJ).....	608
FIGURE 4-23. PLATFORM VALVE ASSEMBLY (800S).....	610
FIGURE 4-24. PLATFORM VALVE ASSEMBLY (860SJ).....	612
FIGURE 4-25. LEVEL SENSOR SWITCH INSTALLATION.....	614
SECTION 5 - PLATFORM.....	617
FIGURE 5-1. PLATFORM ASSEMBLY WITH DROP-BAR - 30IN X 3FT (76CM X 1M).....	618
FIGURE 5-2. PLATFORM ASSEMBLY WITH DROP-BAR - 30IN X 4FT (76CM X 1.22M).....	620
FIGURE 5-3. PLATFORM ASSEMBLY WITH DROP-BAR - 30IN X 5FT (76CM X 1.52M).....	622
FIGURE 5-4. PLATFORM ASSEMBLY WITH DROP-BAR - 36IN X 6FT (91.5CM X 1.83M).....	624
FIGURE 5-5. PLATFORM ASSEMBLY WITH DROP BAR - 36IN X 6FT (91.5CM X 1.83M) (SHIPYARD MACHINES).....	626
FIGURE 5-6. PLATFORM ASSEMBLY WITH DROP BAR - 36IN X 6FT (91.5CM X 1.83M) (SHIPYARD MACHINES WITH PLATFORM BUMPERS REQUIRED).....	628
FIGURE 5-7. PLATFORM ASSEMBLY WITH DROP-BAR - 36IN X 8FT (91.5CM X 2.44M).....	630
FIGURE 5-8. PLATFORM ASSEMBLY WITH GATE - 30IN X 4FT (76CM X 1.22M).....	632
FIGURE 5-9. PLATFORM ASSEMBLY WITH GATE - 30IN X 5FT (76CM X 1.52M).....	634
FIGURE 5-10. PLATFORM ASSEMBLY WITH GATE- 36IN X 6FT (91.5CM X 1.83M).....	636
FIGURE 5-11. PLATFORM ASSEMBLY WITH GATE - 36IN X 8FT (91.5CM X 2.44M).....	638
FIGURE 5-12. PLATFORM ASSEMBLY WITH 1 GATE / 2 DROP BARS (TRI-ENTRY) - 36IN X 6FT (91.5CM X 1.83M).....	640
FIGURE 5-13. PLATFORM ASSEMBLY WITH 3 DROP BARS (TRI-ENTRY) - 36IN X 6FT (91.5CM X 1.83M).....	642
FIGURE 5-14. PLATFORM ASSEMBLY WITH 1 GATE / 2 DROP BARS (TRI-ENTRY) - 36IN X 8FT (91.5CM X 2.44M).....	644
FIGURE 5-15. PLATFORM ASSEMBLY WITH 3 DROP BARS (TRI-ENTRY) - 36IN X 8FT (91.5CM X 2.44M).....	646
FIGURE 5-16. PLATFORM ASSEMBLY WITH FALL ARREST (6FT).....	648
FIGURE 5-17. PLATFORM ASSEMBLY WITH FALL ARREST (8FT).....	650
FIGURE 5-18. PLATFORM CONSOLE AND FOOTSWITCH INSTALLATION.....	652
FIGURE 5-19. PLATFORM CONSOLE ASSEMBLY (Prior to SN 0300316515, Prior to SN B300025832, Excluding B300025716 and B300025748).....	654
FIGURE 5-20. PLATFORM CONSOLE ASSEMBLY (SN 0300316515 to Present, SN B300025832 to Present, Including B300025716 and B300025748).....	658
FIGURE 5-21. FOOTSWITCH ASSEMBLY.....	662
FIGURE 5-22. FALL ARREST INSTALLATION (BOLT-ON) (4FT/1.22M PLATFORM).....	664
FIGURE 5-23. FALL ARREST INSTALLATION (BOLT-ON) (6FT/1.82M PLATFORM).....	666
FIGURE 5-24. FALL ARREST INSTALLATION (BOLT-ON) (8FT/2.4M PLATFORM).....	668
FIGURE 5-25. FALL ARREST INSTALLATION (BOLT-ON) (6FT/1.82M TRI-ENTRY PLATFORM).....	670
FIGURE 5-26. LIGHT PANEL INSTALLATION (MACHINES WITH SN STARTING WITH 03 OR 13).....	672
FIGURE 5-27. LIGHT PANEL INSTALLATION (MACHINES WITH SN STARTING WITH B3).....	674
FIGURE 5-28. JIB SWITCH INSTALLATION (860SJ).....	676
FIGURE 5-29. SKYEYE INSTALLATION.....	678
FIGURE 5-30. SKYGUARD BAR INSTALLATION.....	680
FIGURE 5-31. SKYLINE INSTALLATION.....	682
FIGURE 5-32. STORAGE TRAY INSTALLATION - CENTER.....	684
FIGURE 5-33. SKYCUTTER INSTALLATION.....	686
FIGURE 5-34. SKYWELDER/SKYCUTTER COMBO INSTALLATION (60HZ).....	688
FIGURE 5-35. PLASMA CUTTER ASSEMBLY.....	692
FIGURE 5-36. SKYWELDER INSTALLATION (50HZ).....	694
FIGURE 5-37. SKYWELDER INSTALLATION (60HZ).....	696

TABLE OF CONTENTS

FIGURE 5-38. WELDER ASSEMBLY	698
FIGURE 5-39. SKYWELDER PREP PACKAGE (60HZ)	700
FIGURE 5-40. SKYGLAZIER INSTALLATION (ENGLISH LANGUAGE DECALS)	702
FIGURE 5-41. SKYGLAZIER INSTALLATION (SPANISH LANGUAGE DECALS)	704
FIGURE 5-42. SKYGLAZIER INSTALLATION (PORTUGUESE LANGUAGE DECALS)	706
FIGURE 5-43. SOFT TOUCH SYSTEM INSTALLATION - 6FT/1.83M PLATFORM	708
FIGURE 5-44. SOFT TOUCH SYSTEM INSTALLATION - 6FT/1.83M FALL ARREST PLATFORM	710
FIGURE 5-45. SOFT TOUCH SYSTEM INSTALLATION - 8FT/2.44M PLATFORM	712
FIGURE 5-46. SOFT TOUCH SYSTEM INSTALLATION - 8FT/2.44M FALL ARREST PLATFORM	714
FIGURE 5-47. PLATFORM BUMPER PADDING INSTALLATION (OPTIONAL).....	716
FIGURE 5-48. USB CHARGER INSTALLATION.....	718
SECTION 6 - CYLINDER.....	721
FIGURE 6-1. AXLE LOCKOUT CYLINDER ASSEMBLY.....	722
FIGURE 6-2. AXLE LOCKOUT CYLINDER ASSEMBLY.....	724
FIGURE 6-3. LEVEL CYLINDER ASSEMBLY - PLATFORM SLAVE (800S)	726
FIGURE 6-4. LEVEL CYLINDER ASSEMBLY - PLATFORM SLAVE (MACHINES WITH SN STARTING WITH 03 OR 13) (860SJ)	728
FIGURE 6-5. LEVEL CYLINDER ASSEMBLY - PLATFORM SLAVE (MACHINES WITH SN STARTING WITH B3) (860SJ).....	730
FIGURE 6-6. LIFT CYLINDER ASSEMBLY - JIB (860SJ).....	732
FIGURE 6-7. LIFT CYLINDER ASSEMBLY - JIB (860SJ).....	734
FIGURE 6-8. LIFT CYLINDER ASSEMBLY - MAIN BOOM (800S)	736
FIGURE 6-9. LIFT CYLINDER ASSEMBLY - MAIN BOOM (860SJ)	738
FIGURE 6-10. LIFT CYLINDER ASSEMBLY - MAIN BOOM (860SJ)	740
FIGURE 6-11. STEER CYLINDER ASSEMBLY	742
FIGURE 6-12. STEER CYLINDER ASSEMBLY	744
FIGURE 6-13. TELESCOPE CYLINDER ASSEMBLY (800S)	746
FIGURE 6-14. TELESCOPE CYLINDER ASSEMBLY (860SJ)	748
FIGURE 6-15. TELESCOPE CYLINDER SUB-ASSEMBLY	750
FIGURE 6-16. TELESCOPE CYLINDER ASSEMBLY.....	752
SECTION 7 - HYDRAULIC	755
FIGURE 7-1. HYDRAULIC DIAGRAM - AXLE (OSCILLATING).....	756
FIGURE 7-2. HYDRAULIC DIAGRAM - DRIVE (2WD).....	758
FIGURE 7-3. HYDRAULIC DIAGRAM - DRIVE (2WD WITHOUT TOWBAR AND ARCTIC PACKAGE) (ALL SPECS).....	762
FIGURE 7-4. HYDRAULIC DIAGRAM - DRIVE (2WD WITH TOW BAR PACKAGE).....	766
FIGURE 7-5. HYDRAULIC DIAGRAM - DRIVE (4WD WITHOUT ARCTIC PACKAGE).....	770
FIGURE 7-6. HYDRAULIC DIAGRAM - DRIVE (4WD WITH ARCTIC PACKAGE)	774
FIGURE 7-7. HYDRAULIC DIAGRAM - DRIVE (4WD WITH TOW BAR PACKAGE).....	778
FIGURE 7-8. HYDRAULIC DIAGRAM - DRIVE (4WD WITH ARCTIC & TOW BAR PACKAGE)	782
FIGURE 7-9. HYDRAULIC DIAGRAM - DRIVE (4WD WITH ARCTIC PACKAGE)	786
FIGURE 7-10. HYDRAULIC DIAGRAM - STANDARD (WITH TOW BAR PACKAGE) (800S)	790
FIGURE 7-11. HYDRAULIC DIAGRAM - STANDARD (WITHOUT TOW BAR PACKAGE) (860SJ).....	794
FIGURE 7-12. HYDRAULIC DIAGRAM - DRIVE (4WD WITHOUT ARCTIC PACKAGE) (ANSI, CSA AND JAPANESE SPECS ONLY)	798
FIGURE 7-13. HYDRAULIC DIAGRAM - DRIVE (4WD WITH ARCTIC PACKAGE) (ANSI, CSA AND RUSSIAN SPECS ONLY)	802

TABLE OF CONTENTS

FIGURE 7-14. HYDRAULIC DIAGRAM - DRIVE (2WD WITH TOWBAR PACKAGE) (ANSI AND CSA SPECS ONLY).....	806
FIGURE 7-15. HYDRAULIC DIAGRAM - DRIVE (4WD WITH TOWBAR PACKAGE) (ANSI, CSA AND RUSSIAN SPECS ONLY)	810
FIGURE 7-16. HYDRAULIC DIAGRAM - DRIVE (4WD WITH TOWBAR AND ARCTIC PACKAGE) (ANSI AND CSA SPECS ONLY).....	814
FIGURE 7-17. HYDRAULIC DIAGRAM - STANDARD (WITH TOW BAR PACKAGE) (860SJ).....	818
SECTION 8 - ELECTRICAL.....	823
FIGURE 8-1. AC BOX AT PLATFORM INSTALLATION - 110V GFI RECEPTACLE (ALL SPECS EXCEPT AUSTRALIAN, CE & UK CA SPECS)	824
FIGURE 8-2. AC BOX AT PLATFORM INSTALLATION - 220V (ANSI, CSA & JAPANESE SPECS)	826
FIGURE 8-3. AC BOX AT PLATFORM MID-BOOM PLUG INSTALLATION (WITHOUT 7500W SKYPOWER GENERATOR) (ANSI EXPORT, AUSTRALIAN, CE & UK CA SPECS)	828
FIGURE 8-4. AC BOX AT PLATFORM MID-BOOM PLUG INSTALLATION (WITHOUT GENERATOR) (CHINA SPECS)	830
FIGURE 8-5. AC BOX AT PLATFORM INSTALLATION - 110V IEC 60309 YELLOW WITHOUT 2500W GENERATOR (CE & UK CA SPECS)	832
FIGURE 8-6. AC BOX AT PLATFORM INSTALLATION - 110V IEC 60309 YELLOW WITH 2500W GENERATOR (CE & UK CA SPECS)	834
FIGURE 8-7. AC BOX AT PLATFORM INSTALLATION - 110V IEC YELLOW (CE & UK CA SPECS) (MACHINES WITH 4000W GENERATOR).....	836
FIGURE 8-8. AC BOX AT PLATFORM INSTALLATION - 220V IEC BLUE (CE & UK CA SPECS) (MACHINES WITH 2500W GENERATOR OR NO GENERATOR OPTION).....	838
FIGURE 8-9. AC BOX AT PLATFORM INSTALLATION - 220V IEC 60309 BLUE WITH 2500W GENERATOR (CE & UK CA SPECS)	840
FIGURE 8-10. AC BOX AT PLATFORM INSTALLATION - 220V IEC BLUE (CE & UK CA SPECS) (MACHINES WITH 4000W GENERATOR).....	842
FIGURE 8-11. AC BOX AT PLATFORM INSTALLATION - 220V CEE7 POST GROUND (CE & UK CA SPECS) (MACHINES WITH 2500W GENERATOR OR NO GENERATOR OPTION)	844
FIGURE 8-12. AC BOX AT PLATFORM INSTALLATION - 220V CEE7 POST GROUND (2X4 BOX) WITH 2500W GENERATOR (CE & UK CA SPECS).....	846
FIGURE 8-13. AC BOX AT PLATFORM INSTALLATION - 220V CEE7 POST GROUND (CE & UK CA SPECS) (MACHINES WITH 4000W GENERATOR)	848
FIGURE 8-14. AC BOX AT PLATFORM INSTALLATION - 220V CEE7 SIDE GROUND (CE & UK CA SPECS) (MACHINES WITH 2500W GENERATOR OR NO GENERATOR OPTION)	850
FIGURE 8-15. AC BOX AT PLATFORM INSTALLATION - 220V CEE7 SIDE GROUND (2X4 BOX) WITH 2500W GENERATOR (CE & UK CA SPECS).....	852
FIGURE 8-16. AC BOX AT PLATFORM INSTALLATION - 220V CEE7 SIDE GROUND (CE & UK CA SPECS) (MACHINES WITH 4000W GENERATOR)	854
FIGURE 8-17. AC BOX AT PLATFORM INSTALLATION - 220V AFSINT 107 KEYED GROUND (CE & UK CA SPECS) (MACHINES WITH 2500W GENERATOR OR NO GENERATOR OPTION)	856
FIGURE 8-18. AC BOX AT PLATFORM INSTALLATION - 220V AFSINT 107 KEYED GROUND (2X4 BOX) WITH 2500W GENERATOR (CE & UK CA SPECS)	858
FIGURE 8-19. AC BOX AT PLATFORM INSTALLATION - 220V AFSINT 107 KEYED GROUND (CE & UK CA SPECS) (MACHINES WITH 4000W GENERATOR)	860
FIGURE 8-20. AC BOX AT PLATFORM INSTALLATION - 220V (2X4 BOX & COVER ONLY - LOCALLY SUPPLIED RECEPTACLE) (4000W GENERATOR)	862
FIGURE 8-21. AC BOX AT PLATFORM INSTALLATION - 240V GFCI RECEPTACLE (ANSI, ANSI EXPORT AND CSA SPECS WITH 4000W SKYPOWER GENERATOR).....	864
FIGURE 8-22. AC BOX AT PLATFORM INSTALLATION - 240V GFCI RECEPTACLE (ANSI AND CSA SPECS WITH 7500W SKYPOWER GENERATOR)	866
FIGURE 8-23. AC CABLE WITH 16 AMP BREAKER INSTALLATION (WITHOUT 7500W SKYPOWER GENERATOR) (CE & UK CA SPECS)	868

TABLE OF CONTENTS

FIGURE 8-24. AC CABLE WITH 10 AMP BREAKER INSTALLATION (WITHOUT 7500W SKYPOWER GENERATOR) (CE & UK CA SPECS).....	870
FIGURE 8-25. ANALYZER CABLE HARNESS.....	872
FIGURE 8-26. BEACON CONTROL HARNESS (BLUE AND RED STROBE LIGHTS)	874
FIGURE 8-27. BATTERY DISCONNECT SWITCH INSTALLATION.....	876
FIGURE 8-28. BOOM CABLES INSTALLATION - WITHOUT ARCTIC PACKAGE (ALL SPECS) (800S)	878
FIGURE 8-29. BOOM CABLES INSTALLATION - WITH ARCTIC PACKAGE (ANSI, ANSI EXPORT AND CSA SPECS) (800S)	880
FIGURE 8-30. BOOM CABLES INSTALLATION - WITH 4000W GENERATOR AND WITHOUT ARCTIC PACKAGE (ANSI, ANSI EXPORT, CSA AND JAPANESE SPECS) (800S).....	882
FIGURE 8-31. BOOM CABLES INSTALLATION - WITH 7500W GENERATOR AND WITHOUT ARCTIC PACKAGE (ALL SPECS) (800S)	884
FIGURE 8-32. BOOM CABLES INSTALLATION - WITH 7500W GENERATOR AND WITH ARCTIC PACKAGE (ANSI, ANSI EXPORT AND CSA SPECS) (800S).....	886
FIGURE 8-33. BOOM CABLES INSTALLATION - WITHOUT ARCTIC PACKAGE (ALL SPECS) (860SJ)	888
FIGURE 8-34. BOOM CABLES INSTALLATION - WITH ARCTIC PACKAGE (ANSI, ANSI EXPORT AND CSA SPECS) (860SJ)	890
FIGURE 8-35. BOOM CABLES INSTALLATION - WITH 4000W GENERATOR AND WITHOUT ARCTIC PACKAGE (ANSI, ANSI EXPORT, CSA AND JAPANESE SPECS) (860SJ).....	892
FIGURE 8-36. BOOM CABLES INSTALLATION - WITH 7500W GENERATOR AND WITHOUT ARCTIC PACKAGE (ALL SPECS) (860SJ)	894
FIGURE 8-37. BOOM CABLES INSTALLATION - WITH 7500W GENERATOR AND WITH ARCTIC PACKAGE (ANSI, ANSI EXPORT AND CSA SPECS) (860SJ)	896
FIGURE 8-38. BOOM CABLES INSTALLATION - WITHOUT AC CABLES (CHINA SPECS) (860SJ)	898
FIGURE 8-39. BOOM HARNESS - (MAIN BOOM) (WITHOUT ARCTIC PACKAGE) (800S).....	900
FIGURE 8-40. BOOM HARNESS - (MAIN BOOM) (WITH ARCTIC PACKAGE) (800S)	902
FIGURE 8-41. BOOM HARNESS - (MAIN BOOM) (WITHOUT ARCTIC PACKAGE) (860SJ).....	904
FIGURE 8-42. BOOM HARNESS - (MAIN BOOM) (WITH ARCTIC PACKAGE) (860SJ)	906
FIGURE 8-43. BOOM CABLE (TOWER BOOM) (WITHOUT ARCTIC PACKAGE).....	908
FIGURE 8-44. BOOM CABLE (TOWER BOOM) (WITHOUT ARCTIC PACKAGE).....	910
FIGURE 8-45. BREAKER BOX KIT - ONE DOUBLE 16AMP BREAKER (CE & UK CA SPECS WITHOUT 7500W GENERATOR)	912
FIGURE 8-46. BREAKER BOX KIT - ONE DOUBLE 16AMP BREAKER (WITH 4000W/50HZ GENERATOR).....	914
FIGURE 8-47. BREAKER BOX KIT - 10 AMP (CE & UK CA SPECS WITHOUT 7500W GENERATOR)	916
FIGURE 8-48. CLEARSKY INSTALLATION - 3G CANBUS CONNECTION (ANSI EXPORT, CE & UK CA SPECS)	918
FIGURE 8-49. CLEARSKY INSTALLATION - 3G CANBUS CONNECTION (AUSTRALIAN SPECS)	920
FIGURE 8-50. CLEARSKY INSTALLATION - 4G CANBUS CONNECTION (ANSI & CSA SPECS).....	922
FIGURE 8-51. CLEARSKY INSTALLATION - 4G CANBUS CONNECTION (CHINA SPECS).....	924
FIGURE 8-52. CLEARSKY INSTALLATION 3-WIRE CONNECTION (ALL SPECS EXCEPT UL & CHINA SPECS)	926
FIGURE 8-53. CLEARSKY HARNESS - 3G & 4G CANBUS CONNECTIONS.....	928
FIGURE 8-54. CLEARSKY HARNESS - 3 WIRE CONNECTION.....	930
FIGURE 8-55. CSB HARNESS.....	932
FIGURE 8-56. ECU POWER JUMPER HARNESS.....	934
FIGURE 8-57. ENGINE HARNESS - DEUTZ D2011 ENGINES (ANSI EXPORT (LRC) AND AUSTRALIAN SPECS)	936
FIGURE 8-58. ENGINE HARNESS - DEUTZ D2011 ENGINES (CE & UK CA SPECS)	938
FIGURE 8-59. GROUND CONTROL ENGINE HARNESS - DEUTZ TD2.9L4 (STAGE V) ENGINE	940
FIGURE 8-60. ENGINE HARNESS - DEUTZ TD2.9L4 ENGINES & CHINA IV ENGINES WITHOUT DIESEL PARTICULATE FILTER.....	942

TABLE OF CONTENTS

FIGURE 8-61. ENGINE HARNESS - DEUTZ TD2.9L4 (STAGE V & CHINA IV) ENGINES WITH DIESEL PARTICULATE FILTER	946
FIGURE 8-62. ENGINE HARNESS - FORD DF 2.5L ENGINES.....	950
FIGURE 8-63. FUEL PUMP HARNESS - DEUTZ TD2.9L4 ENGINES	952
FIGURE 8-64. FUEL HARNESS - DEUTZ TD2.9L4 (STAGE V) ENGINE	954
FIGURE 8-65. GENERATOR TO ENGINE HARNESS - 2500W (FORD ENGINES)	956
FIGURE 8-66. GENERATOR TO ENGINE HARNESS - 4000W/50HZ (DEUTZ D2011 ENGINES)	958
FIGURE 8-67. GENERATOR TO ENGINE HARNESS - 4000W/60HZ (DEUTZ ENGINES).....	960
FIGURE 8-68. GENERATOR TO ENGINE HARNESS - 4000W/50HZ (DEUTZ TD2.9L4 ENGINES)	962
FIGURE 8-69. GENERATOR TO ENGINE HARNESS - 7500W SKYPOWER GENERATOR (DEUTZ D2011 ENGINES).....	964
FIGURE 8-70. GENERATOR HARNESS - 7500W SKYPOWER (DEUTZ TD2.9L4 T4F ENGINES).....	966
FIGURE 8-71. GENERATOR TO ENGINE HARNESS - 7500W SKYPOWER (FORD DF 2.5L ENGINES)	968
FIGURE 8-72. GENERATOR TO REAR OF BOOM HARNESS - 110V.....	970
FIGURE 8-73. GENERATOR TO REAR OF BOOM HARNESS - 220V.....	972
FIGURE 8-74. GROUND CONTROL BOX HARNESS (Prior to SN B300025484, Prior to SN 0300315625)	974
FIGURE 8-75. GROUND CONTROL BOX HARNESS (SN B300025484 to Present, SN 0300315625 to Present).....	976
FIGURE 8-76. HOLDING VALVE/LIFT DUMP HARNESS ASSEMBLY (WITHOUT ARCTIC PACKAGE)	980
FIGURE 8-77. HOLDING VALVE/LIFT DUMP HARNESS ASSEMBLY (WITH ARCTIC PACKAGE).....	982
FIGURE 8-78. PLATFORM CONSOLE BOX HARNESS (Prior to SN 0300316515, Prior to SN B300025832).....	984
FIGURE 8-79. PLATFORM CONSOLE BOX HARNESS (SN 0300316515 to Present, SN B300025832 to Present, Excluding B300025716 and B300025748).....	986
FIGURE 8-80. RECEPTACLE BOX KIT - 110V IEC YELLOW WITHOUT 2500W GENERATOR (CE & UK CA SPECS)	988
FIGURE 8-81. RECEPTACLE BOX KIT - 110V IEC YELLOW WITH 2500W GENERATOR (CE & UK CA SPECS).....	990
FIGURE 8-82. RECEPTACLE BOX KIT - 220V IEC BLUE WITHOUT 2500W GENERATOR (CE & UK CA SPECS).....	992
FIGURE 8-83. RECEPTACLE BOX KIT - 220V IEC BLUE WITH 2500W GENERATOR (CE & UK CA SPECS)	994
FIGURE 8-84. RECEPTACLE BOX KIT - 220V CEE7 POST GROUND 2X4 BOX (CE & UK CA SPEC)	996
FIGURE 8-85. RECEPTACLE BOX KIT - 220V CEE7 POST GROUND 2X4 BOX WITH 2500W GENERATOR (CE & UK CA SPEC).....	998
FIGURE 8-86. RECEPTACLE BOX KIT - 220V CEE7 SIDE GROUND 2X4 BOX (CE & UK CA SPEC).....	1000
FIGURE 8-87. RECEPTACLE BOX KIT - 220V CEE7 SIDE GROUND 2X4 BOX WITH 2500W GENERATOR (CE & UK CA SPEC).....	1002
FIGURE 8-88. RECEPTACLE BOX KIT - 220V AFSINT107 KEYED GROUND (CE & UK CA SPECS)	1004
FIGURE 8-89. RECEPTACLE BOX KIT - 220V AFSINT107 KEYED GROUND 2X4 BOX WITH 2500W GENERATOR (CE & UK CA SPECS)	1006
FIGURE 8-90. SKYEYE INTERMEDIATE HARNESS.....	1008
FIGURE 8-91. SKYEYE RECEIVER HARNESS	1010
FIGURE 8-92. SKYEYE EMITTER HARNESS.....	1012
FIGURE 8-93. SKYLINE HARNESS.....	1014
FIGURE 8-94. SKYGUARD INTERFACE HARNESS	1016
FIGURE 8-95. STROBE LIGHT JUMPER HARNESS.....	1018
FIGURE 8-96. TILT SENSOR HARNESS	1020
FIGURE 8-97. VALVE HARNESS	1022
SECTION 9 - DECALS.....	1025
FIGURE 9-1. DECAL INSTALLATION (ANSI SPECS) (800S).....	1026
FIGURE 9-2. DECAL INSTALLATION (AUSTRALIAN SPECS) (800S).....	1030
FIGURE 9-3. DECAL INSTALLATION (BRAZILIAN SPECS) (800S).....	1034

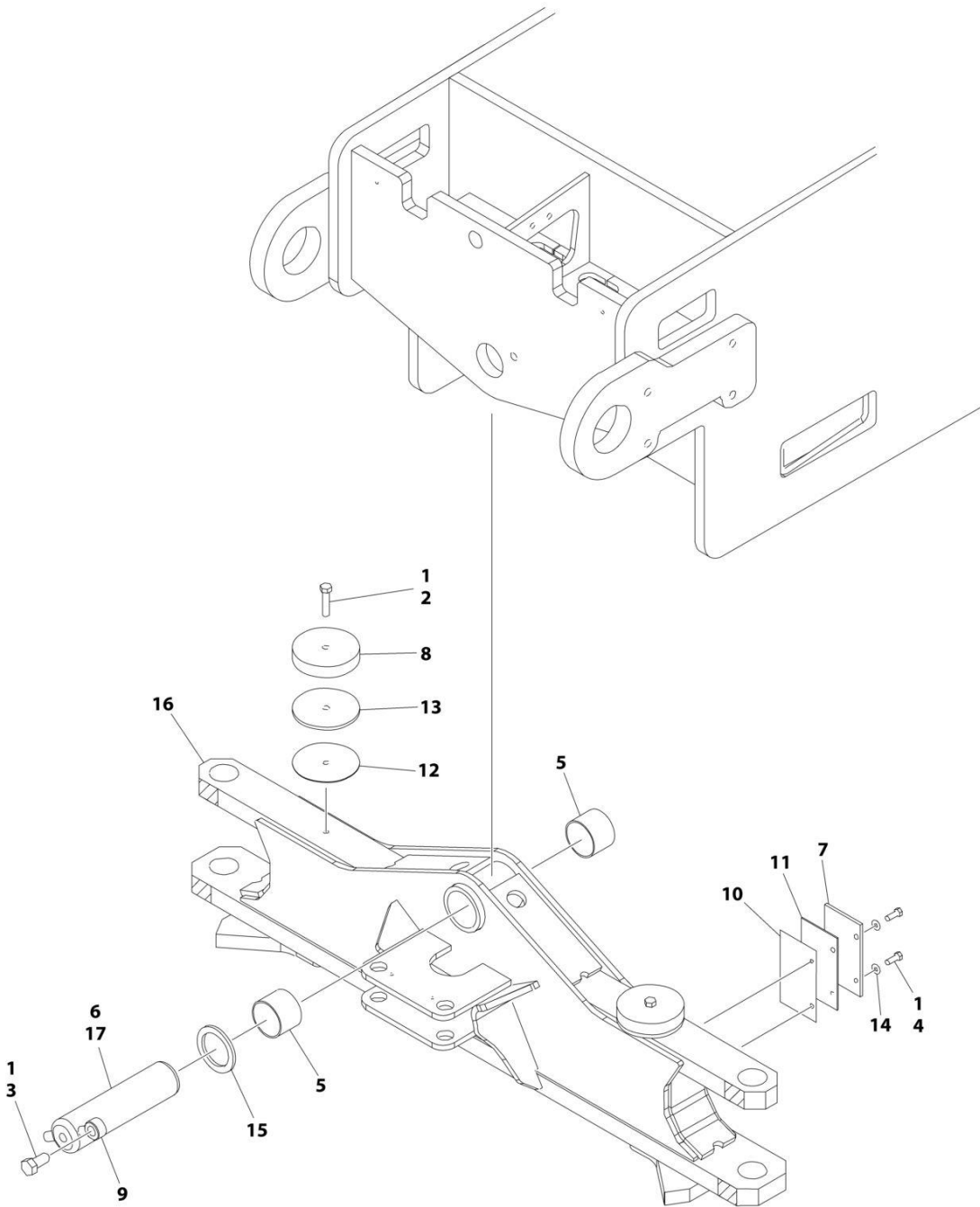
TABLE OF CONTENTS

FIGURE 9-4. DECAL INSTALLATION (CE & UK CA SPECS) (800S).....	1038
FIGURE 9-5. DECAL INSTALLATION - (CHINESE SPECS) (800S).....	1042
FIGURE 9-6. DECAL INSTALLATION - (CSA SPECS) (800S)	1046
FIGURE 9-7. DECAL INSTALLATION - (JAPANESE SPECS) (800S)	1050
FIGURE 9-8. DECAL INSTALLATION - (KOREAN SPECS) (800S).....	1054
FIGURE 9-9. DECAL INSTALLATION - (LATIN AMERICAN SPECS) (800S).....	1058
FIGURE 9-10. DECAL INSTALLATION - (ANSI SPECS) (860SJ).....	1062
FIGURE 9-11. DECAL INSTALLATION - (AUSTRALIAN SPECS) (860SJ).....	1066
FIGURE 9-12. DECAL INSTALLATION - (BRAZILIAN SPECS) (860SJ).....	1070
FIGURE 9-13. DECAL INSTALLATION - (CE & UK CA SPECS) (860SJ).....	1074
FIGURE 9-14. DECAL INSTALLATION - (CHINESE SPECS) (860SJ)	1078
FIGURE 9-15. DECAL INSTALLATION - (CSA SPECS) (860SJ).....	1082
FIGURE 9-16. DECAL INSTALLATION - (JAPANESE SPECS) (860SJ)	1086
FIGURE 9-17. DECAL INSTALLATION - (KOREAN SPECS) (860SJ).....	1090
FIGURE 9-18. DECAL INSTALLATION - (LATIN AMERICAN SPECS) (860SJ)	1094
FIGURE 9-19. DECAL INSTALLATION - OPTIONS.....	1098
FIGURE 9-20. SKYWELDER DECAL INSTALLATION - 50HZ.....	1102
FIGURE 9-21. SKYWELDER DECAL INSTALLATION - 60HZ.....	1104
SECTION 10 - RECOMMENDED SERVICE PARTS STOCK.....	1107
FIGURE 10-1. RECOMMENDED SERVICE PARTS STOCK.....	1108
SECTION 11 - SPECIAL OPTIONS	1111
FIGURE 11-1. SPECIAL OPTIONS/ACCESSORIES/KITS.....	1112
PART NUMBER INDEX.....	1119

SECTION 1 - FRAME

SECTION 1 - FRAME

FIGURE 1-1. AXLE INSTALLATION - FIXED (WITHOUT TOW PACKAGE)



ART_1001151037

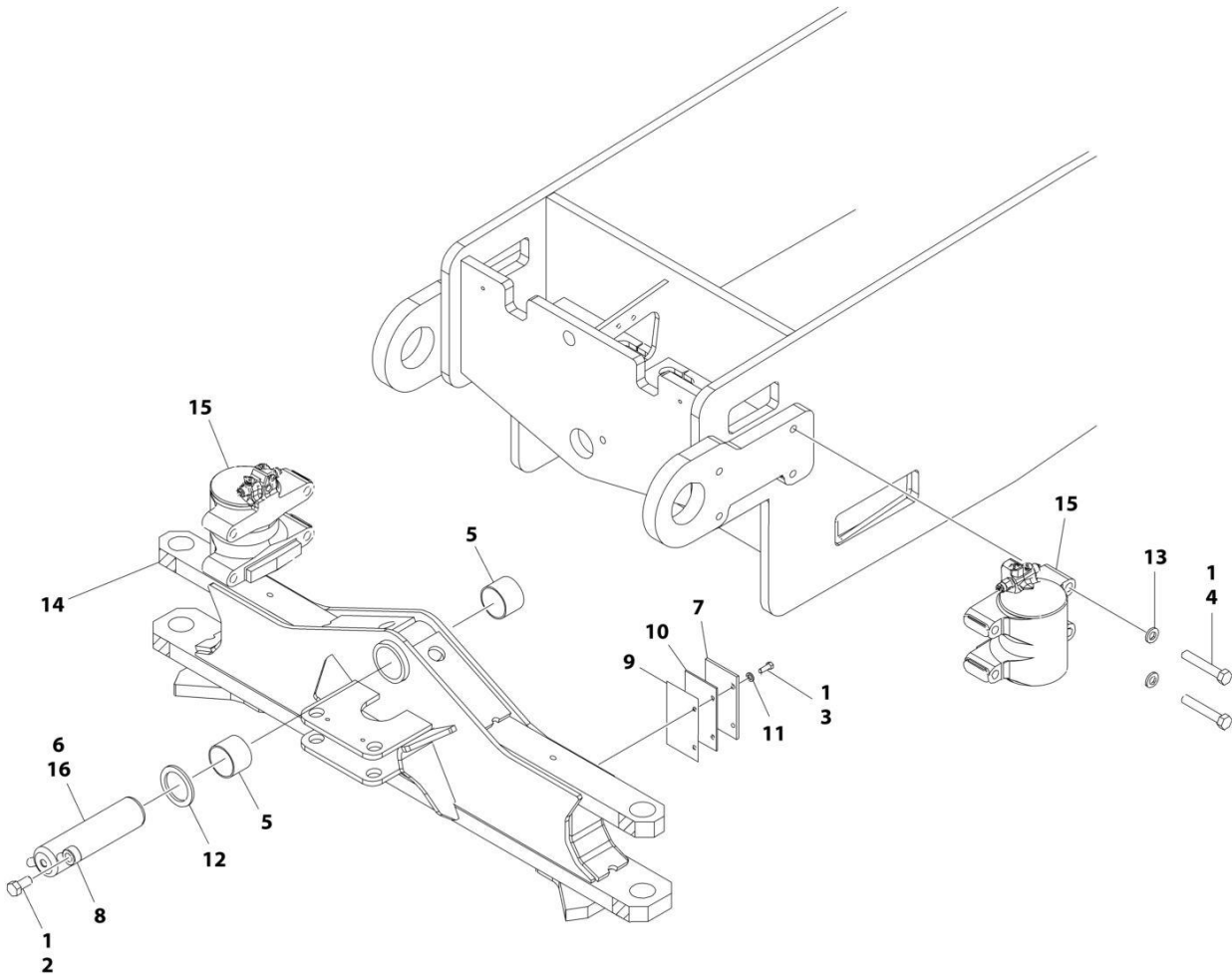
SECTION 1 - FRAME

FIGURE 1-1. AXLE INSTALLATION - FIXED (WITHOUT TOW PACKAGE)

ITEM	PART NUMBER	QTY	DESCRIPTION	REV
	1001151037	Ref	FIXED AXLE INSTALLATION	C
1	0100011	AR	Compound, Locking	
2	0641818	2	Bolt 1/2 x 2-1/4	
3	0642212	1	Bolt 3/4 x 1-1/2	
4	0681608	4	Bolt 3/8 x 1 Grade 8	
5	0962102	2	Bushing	
6	3020039	AR	Lubricant	
7	3538047	2	Shim, Wear	
8	3539877	2	Plate, Stop	
9	3841287	1	Keeper, Pin	
10	4070878	AR	Shim 1/16	
11	4070879	AR	Shim 1/8	
12	4070944	AR	Shim 1/16	
13	4070945	AR	Shim 1/4	
14	4711600	4	Washer 3/8	
15	4740472	1	Washer, Special	
16	1001152719	1	Axle	
17	1001156710	1	Pin	

SECTION 1 - FRAME

FIGURE 1-2. AXLE INSTALLATION - OSCILLATING (WITHOUT TOW PACKAGE) (MACHINES WITH SN STARTING WITH 03 OR 13)



ART_1001154584

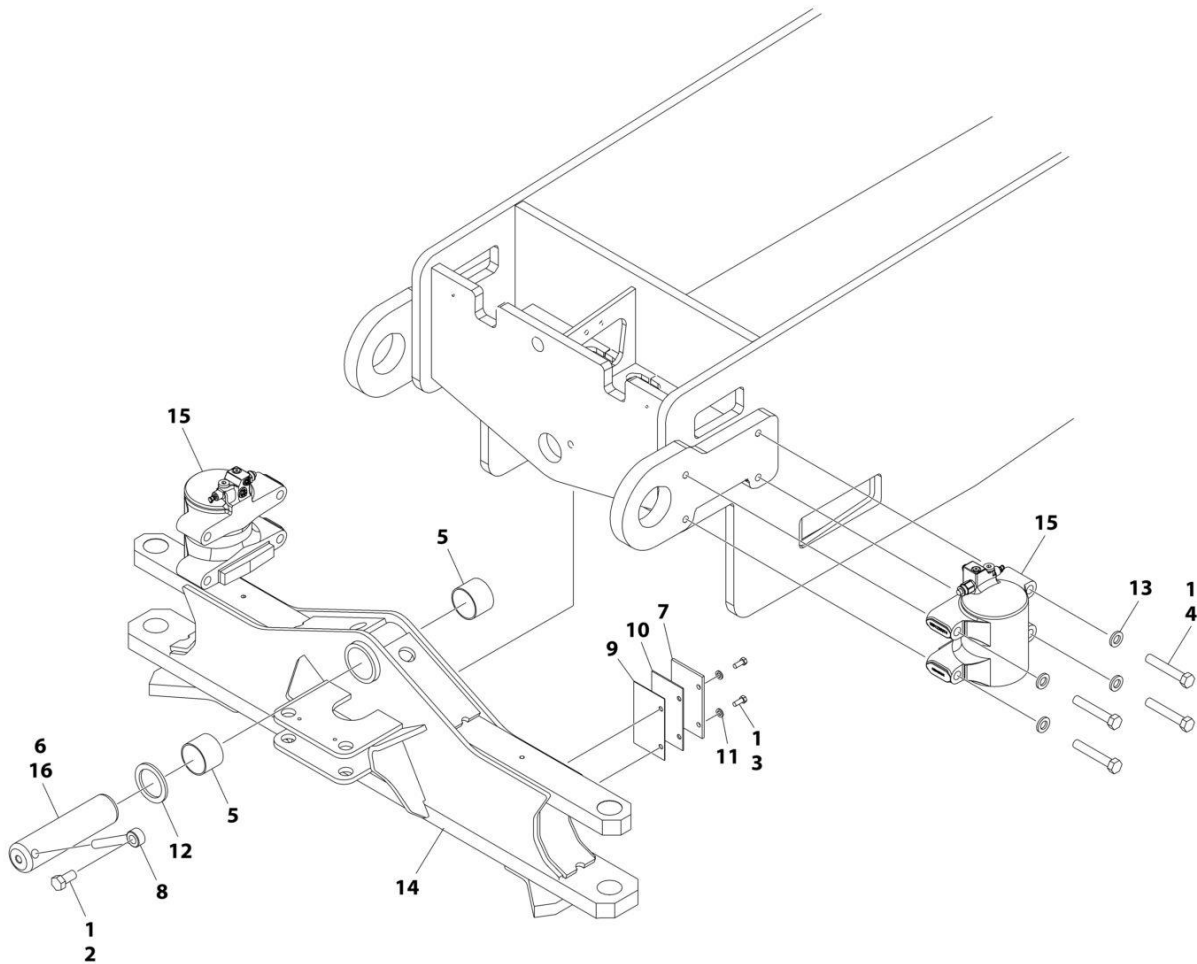
SECTION 1 - FRAME

FIGURE 1-2. AXLE INSTALLATION - OSCILLATING (WITHOUT TOW PACKAGE) (MACHINES WITH SN STARTING WITH 03 OR 13)

ITEM	PART NUMBER	QTY	DESCRIPTION	REV
	1001154584	Ref	AXLE INSTALLATION	D
1	0100011	AR	Compound, Locking	
2	0642212	1	Bolt 3/4 x 1-1/2	
3	0681608	4	Bolt 3/8 x 1 Grade 8	
4	0682236	8	Bolt 3/4 x 4-1/2 Grade 8	
5	0962102	2	Bushing	
6	3020039	AR	Lubricant	
7	3538047	2	Shim .25	
8	3841287	1	Keeper, Pin	
9	4070878	AR	Shim 16 Gauge	
10	4070879	AR	Shim 11 Gauge	
11	4711600	4	Washer 3/8	
12	4740472	1	Washer	
13	4892200	8	Washer 3/4	
14	1001152719	1	Axle	
15	1001204560	2	Axle Lockout Cylinder Assembly (See Separate Breakdown in CYLINDER SECTION)	
16	1001156710	1	Pin	

SECTION 1 - FRAME

FIGURE 1-3. AXLE INSTALLATION - OSCILLATING (WITHOUT TOW PACKAGE) (MACHINES WITH SN STARTING WITH B3)



ART_1001231147

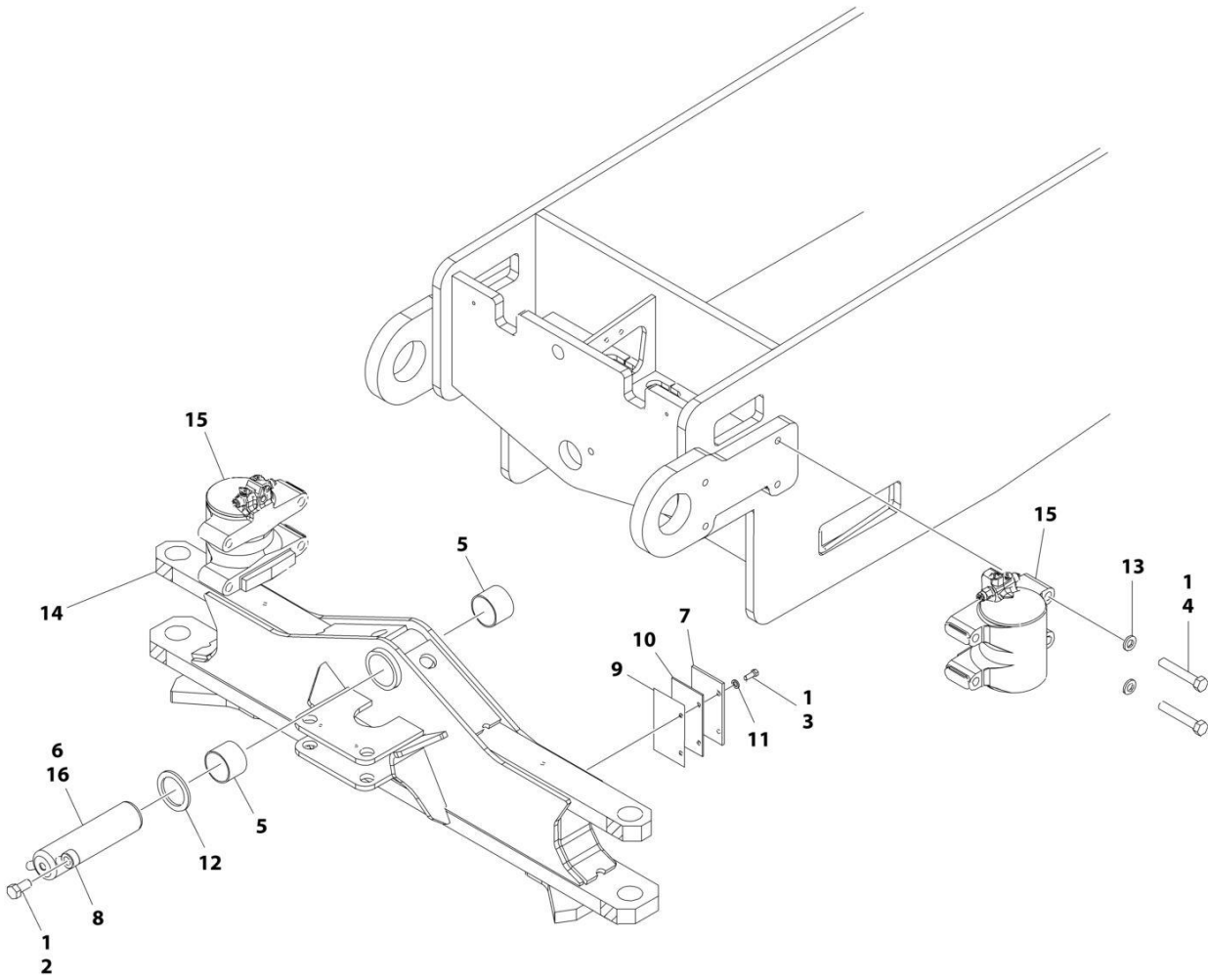
SECTION 1 - FRAME

FIGURE 1-3. AXLE INSTALLATION - OSCILLATING (WITHOUT TOW PACKAGE) (MACHINES WITH SN STARTING WITH B3)

ITEM	PART NUMBER	QTY	DESCRIPTION	REV
	1001231147	Ref	OSCILLATING AXLE INSTALLATION	A
1	0100011	AR	Compound, Locking	
2	0642212	1	Bolt 3/4 x 1-1/2	
3	0681608	4	Bolt 3/8 x1 Grade 8	
4	0682236	8	Bolt 3/4 x 4-1/2 Grade 8	
5	0962102	2	Bushing	
6	3020039	AR	Lubricant	
7	3538047	2	Shim, Axle Wear	
8	3841287	1	Shaft, Keeper 3/8 x 6	
9	4070878	2	Shim, Axle Wear	
10	4070879	2	Shim, Axle Wear	
11	4711600	4	Washer 3/8	
12	4740472	1	Washer, Special	
13	4892200	8	Flatwasher 3/4in Hardened	
14	1001152719	1	Axle	
15	1001230374	2	Axle Lockout Cylinder Assembly (See Separate Breakdown in CYLINDER SECTION)	
16	1001156710	1	Pin	

SECTION 1 - FRAME

FIGURE 1-4. AXLE INSTALLATION - OSCILLATING (WITH TOW PACKAGE) (MACHINES WITH SN STARTING WITH 03)



ART_1001155194

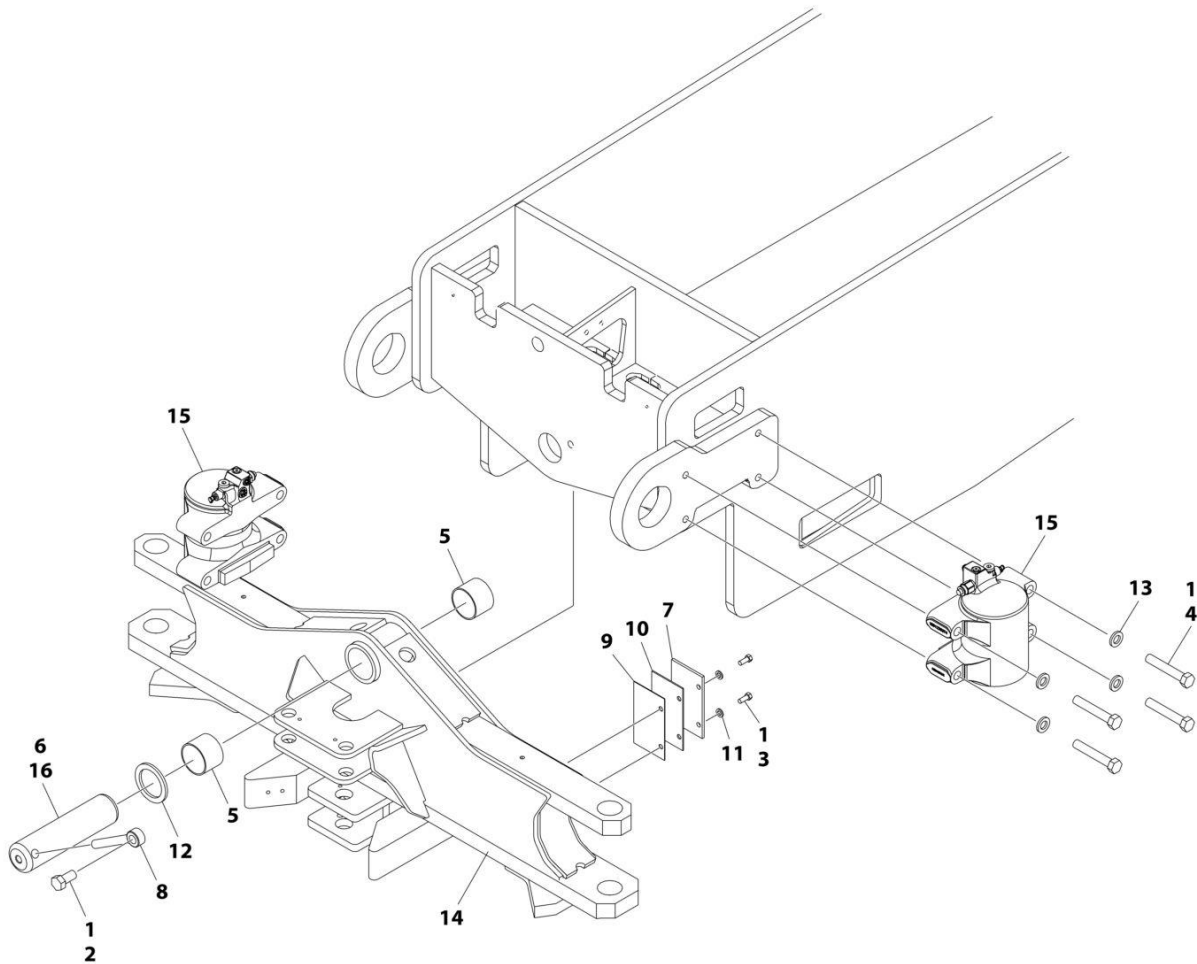
SECTION 1 - FRAME

FIGURE 1-4. AXLE INSTALLATION - OSCILLATING (WITH TOW PACKAGE) (MACHINES WITH SN STARTING WITH 03)

ITEM	PART NUMBER	QTY	DESCRIPTION	REV
	1001155194	Ref	AXLE INSTALLATION	D
1	0100011	AR	Compound, Locking	
2	0642212	1	Bolt 3/4 x 1-1/2	
3	0681608	4	Bolt 3/8 x 1 Grade 8	
4	0682236	8	Bolt 3/4 x 4-1/2 Grade 8	
5	0962102	2	Bushing	
6	3020039	AR	Lubricant	
7	3538047	2	Shim .25	
8	3841287	1	Keeper, Pin	
9	4070878	AR	Shim 16 Gauge	
10	4070879	AR	Shim 11 Gauge	
11	4711600	4	Washer 3/8	
12	4740472	1	Washer	
13	4892200	8	Washer 3/4	
14	1001154875	1	Axle	
15	1001204560	2	Axle Lockout Cylinder Assembly (See Separate Breakdown in CYLINDER SECTION)	
16	1001156710	1	Pin	

SECTION 1 - FRAME

FIGURE 1-5. AXLE INSTALLATION - OSCILLATING (WITH TOW PACKAGE) (MACHINES WITH SN STARTING WITH B3)



ART_1001232540

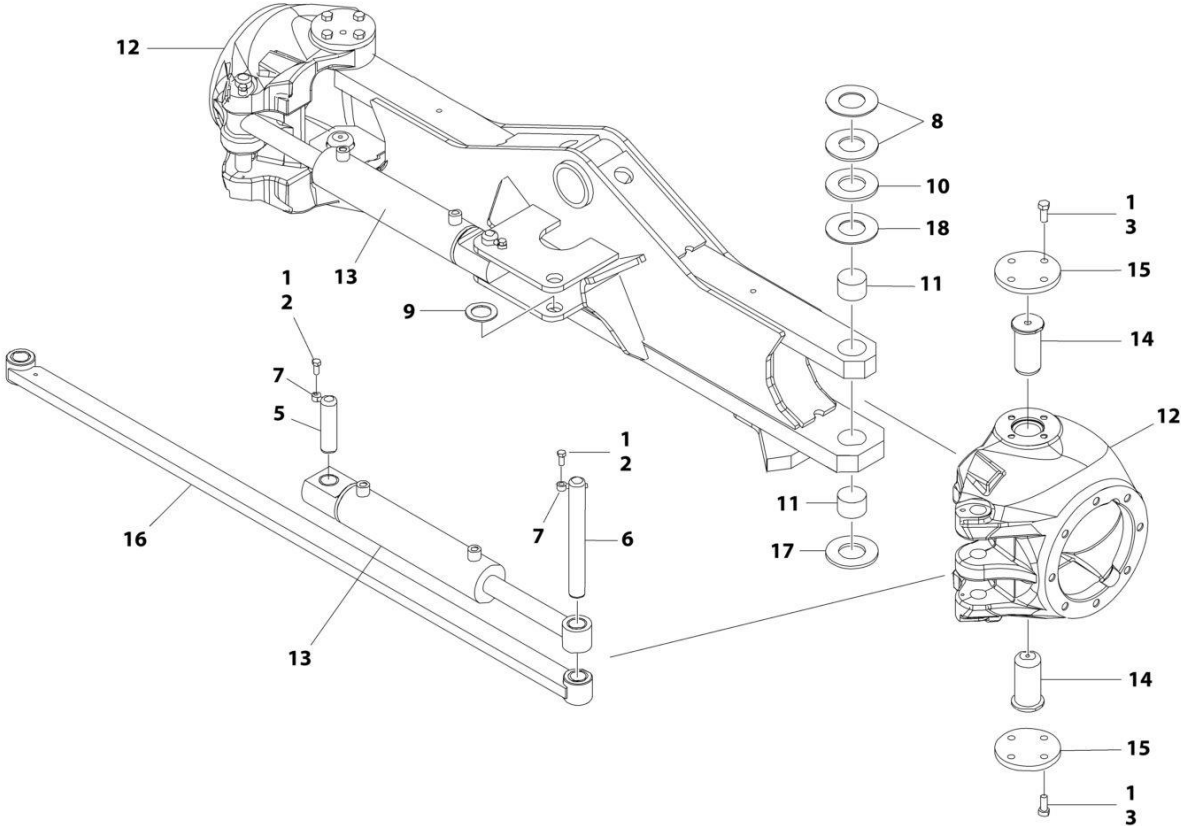
SECTION 1 - FRAME

FIGURE 1-5. AXLE INSTALLATION - OSCILLATING (WITH TOW PACKAGE) (MACHINES WITH SN STARTING WITH B3)

ITEM	PART NUMBER	QTY	DESCRIPTION	REV
	1001232540	Ref	OSCILLATING AXLE INSTALLATION	A
1	0100011	AR	Compound, Locking	
2	0642212	1	Bolt 3/4 x 1-1/2	
3	0681608	4	Bolt 3/8 x1 Grade 8	
4	0682236	8	Bolt 3/4 x 4-1/2 Grade 8	
5	0962102	2	Bushing	
6	3020039	AR	Lubricant	
7	3538047	2	Shim, Axle Wear	
8	3841287	1	Shaft, Keeper 3/8 x 6	
9	4070878	2	Shim, Axle Wear	
10	4070879	2	Shim, Axle Wear	
11	4711600	4	Washer 3/8	
12	4740472	1	Washer, Special	
13	4892200	8	Washer 3/4 Hardened	
14	1001154875	1	Axle	
15	1001230374	2	Axle Lockout Cylinder Assembly (See Separate Breakdown in CYLINDER SECTION)	
16	1001156710	1	Pin	

SECTION 1 - FRAME

FIGURE 1-6. STEERING INSTALLATION - WITHOUT TOW PACKAGE (MACHINES WITH SN STARTING WITH 03 OR 13)



ART_1001151034

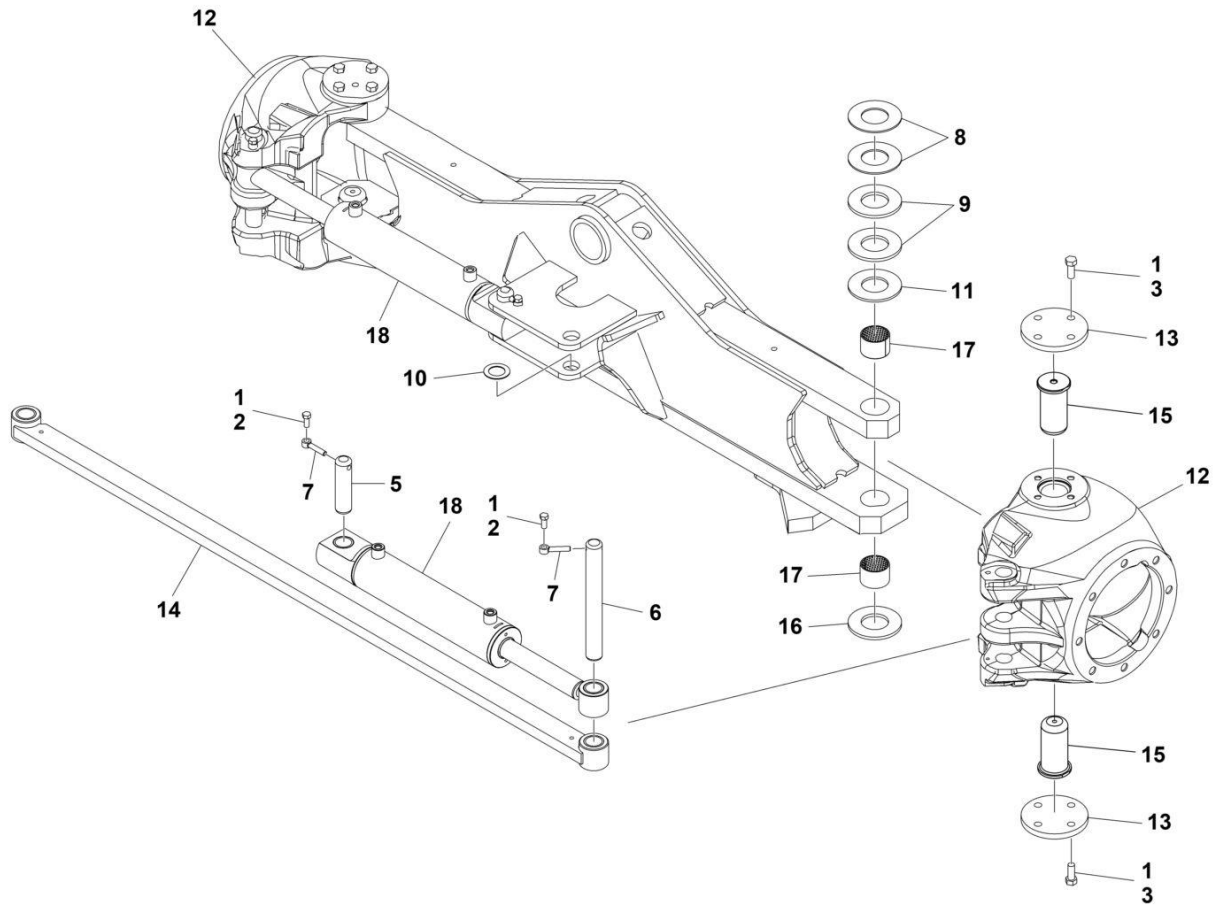
SECTION 1 - FRAME

FIGURE 1-6. STEERING INSTALLATION - WITHOUT TOW PACKAGE (MACHINES WITH SN STARTING WITH 03 OR 13)

ITEM	PART NUMBER	QTY	DESCRIPTION	REV
	1001151034	Ref	STEER INSTALLATION	H
1	0100011	AR	Compound, Locking	
2	0641607	4	Bolt 3/8 x 7/8	
3	0641810	16	Bolt 1/2 x 1-1/4	
5	3422417	2	Pin	
6	3422790	2	Pin	
7	3841520	4	Keeper, Pin	
8	4740256	AR	Washer, Thrust	
9	4740473	2	Washer	
10	1001103810	AR	Washer, Thrust	
11	1001165657	4	Bearing	
12	1001150372	2	Spindle	
13	1001150539	2	Steer Cylinder Assembly (See Separate Breakdown in CYLINDER SECTION)	
14	1001161355	4	Kingpin	
15	1001150937	4	Plate	
16	1001151980	1	Tie-Rod	
17	1001161399	2	Washer, Thrust	
18	4740463	AR	Washer, Thrust	

SECTION 1 - FRAME

FIGURE 1-7. STEERING INSTALLATION - WITHOUT TOW PACKAGE (MACHINES WITH SN STARTING WITH B3)



ART_1001230783

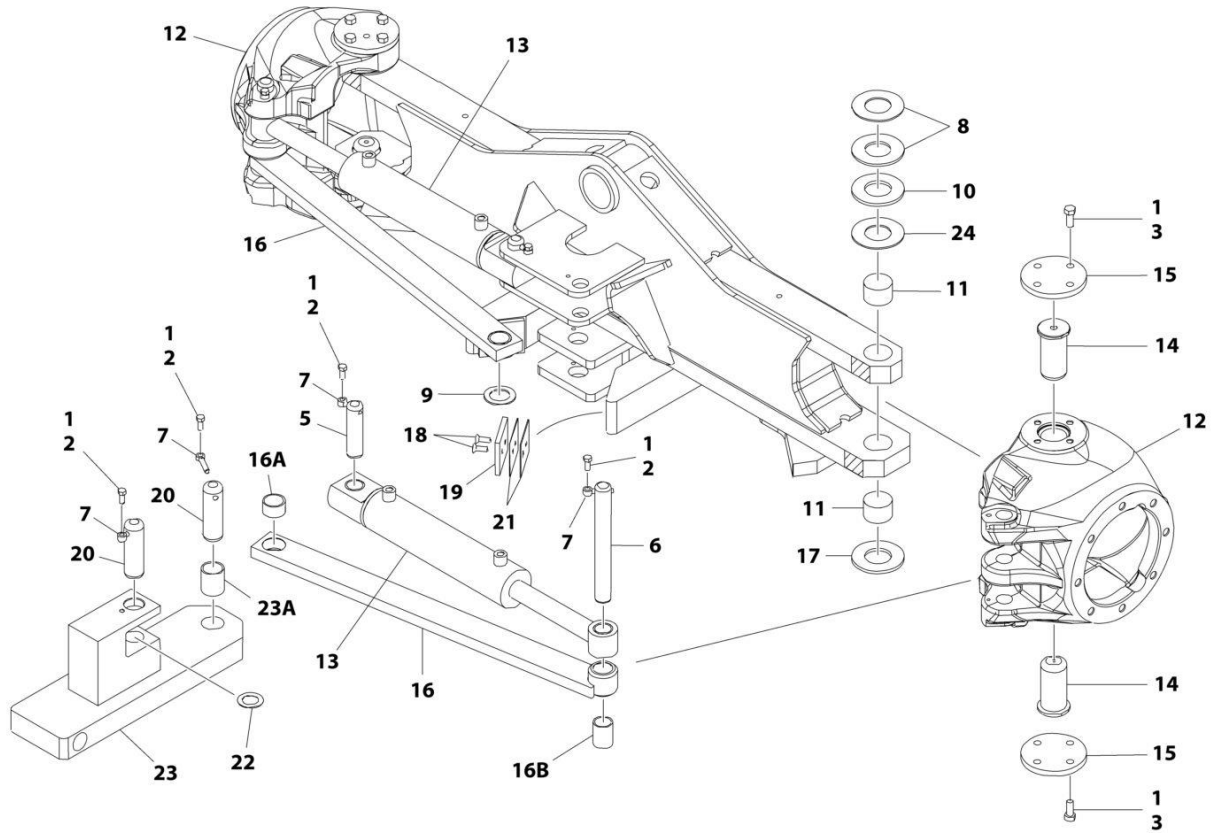
SECTION 1 - FRAME

FIGURE 1-7. STEERING INSTALLATION - WITHOUT TOW PACKAGE (MACHINES WITH SN STARTING WITH B3)

ITEM	PART NUMBER	QTY	DESCRIPTION	REV
	1001230783	Ref	STEER INSTALLATIONS	C
1	0100011	AR	Compound, Locking	
2	0641607	4	Bolt 3/8 x 7/8	
3	0641810	16	Bolt 1/2 x 1-1/4	
4	3020029	AR	Lubricant	
5	3422417	2	Pin	
6	3422790	2	Pin	
7	3841520	4	Keeper, Pin	
8	4740256	4	Thrustwasher	
9	4740463	4	Thrustwasher	
10	4740473	2	Washer, Special	
11	1001103810	2	Thrustwasher	
12	1001150372	2	Spindle	
13	1001150937	4	Plate	
14	1001151980	1	Tie-Rod	
15	1001161355	4	Kingpin	
16	1001161399	2	Thrustwasher	
17	1001165657	4	Bearing	
18	1001230375	2	Steer Cylinder Assembly (See Separate Breakdown in CYLINDER SECTION)	

SECTION 1 - FRAME

FIGURE 1-8. STEERING INSTALLATION - WITH TOW PACKAGE (MACHINES WITH SN STARTING WITH 03)



ART_1001155192

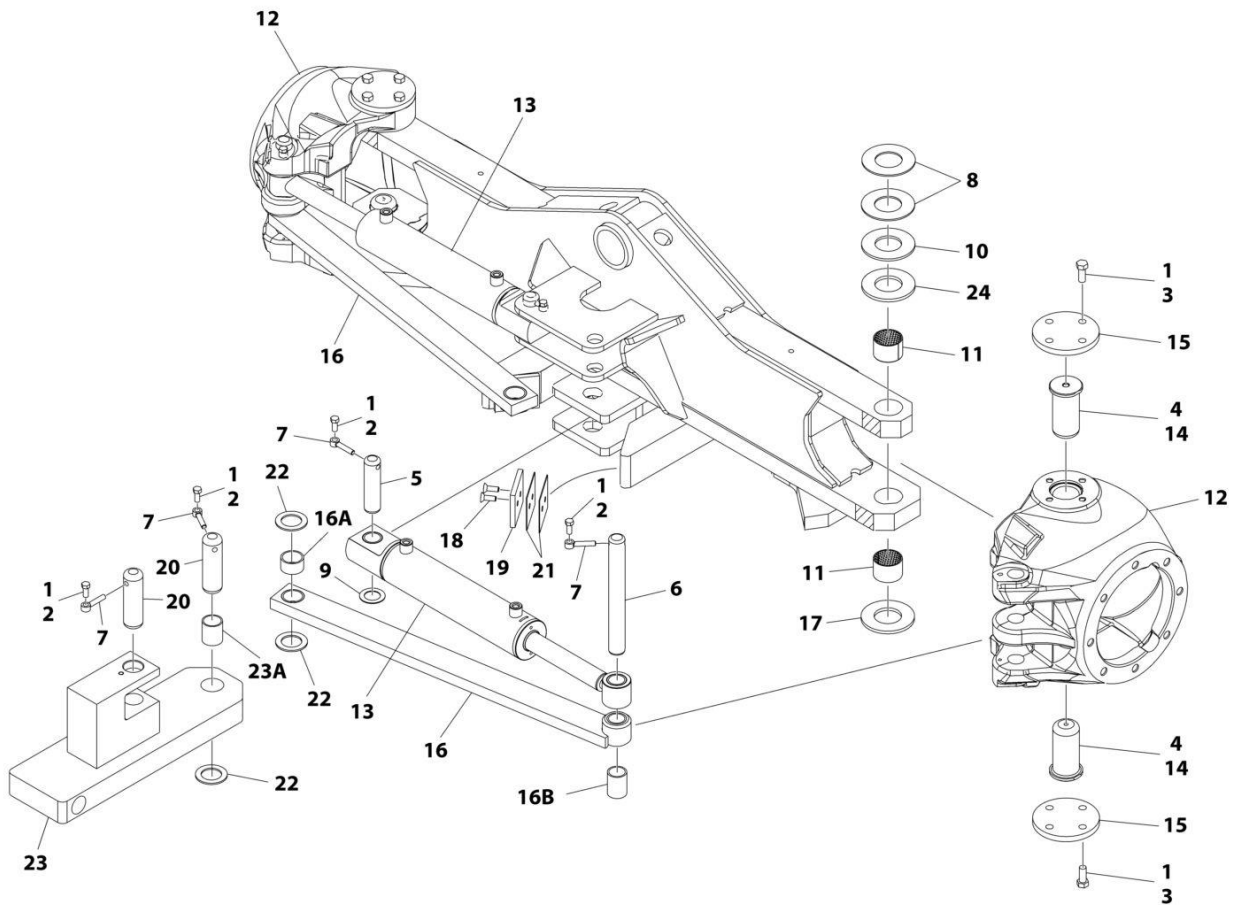
SECTION 1 - FRAME

FIGURE 1-8. STEERING INSTALLATION - WITH TOW PACKAGE (MACHINES WITH SN STARTING WITH 03)

ITEM	PART NUMBER	QTY	DESCRIPTION	REV
	1001155192	Ref	STEER INSTALLATION	G
1	0100011	AR	Compound, Locking	
2	0641607	6	Bolt 3/8 x 7/8	
3	0641810	16	Bolt 1/2 x 1-1/4	
5	3422417	2	Pin	
6	3422790	2	Pin	
7	3841520	6	Keeper, Pin	
8	4740256	AR	Washer, Thrust	
9	4740473	2	Washer	
10	1001103810	AR	Washer, Thrust	
11	1001165657	4	Bearing	
12	1001150372	2	Spindle	
13	1001150539	2	Steer Cylinder Assembly (See Separate Breakdown in CYLINDER SECTION)	
14	1001161355	4	Kingpin	
15	1001150937	4	Plate	
16	1001154931	2	Tie-Rod	
16A	0962181	1	Bushing	
16B	0962152	1	Bushing	
17	1001161399	2	Washer, Thrust	
18	0741609	4	Screw 3/8 x 1-1/8	
19	3340966	2	Pad, Stop	
20	3422848	2	Pin, Hitch	
21	4071059	AR	Shim 16 Gauge	
22	4740155	3	Washer, Thrust	
23	1001155035	1	Link	
23A	0962348	1	Bushing	
24	4740463	AR	Washer, Thrust	

SECTION 1 - FRAME

FIGURE 1-9. STEERING INSTALLATION - WITH TOW PACKAGE (MACHINES WITH SN STARTING WITH B3)



ART_1001232539

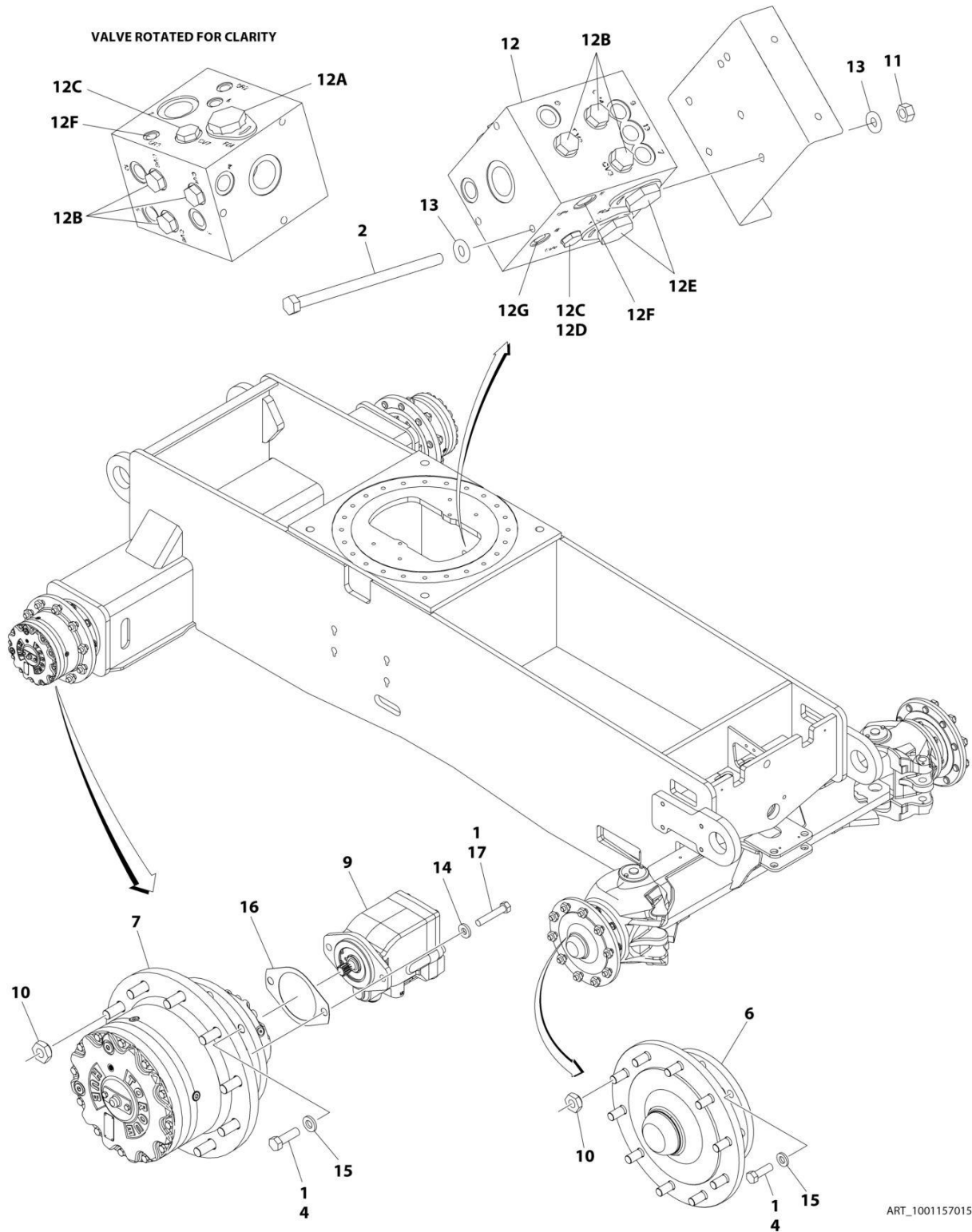
SECTION 1 - FRAME

FIGURE 1-9. STEERING INSTALLATION - WITH TOW PACKAGE (MACHINES WITH SN STARTING WITH B3)

ITEM	PART NUMBER	QTY	DESCRIPTION	REV
	1001232539	Ref	STEER INSTALLATION	F
1	0100011	AR	Compound, Locking	
2	0641607	6	Bolt 3/8 x 7/8	
3	0641810	16	Bolt 1/2 x 1-1/4	
4	3020029	AR	Lubricant	
5	3422417	2	Pin	
6	3422790	2	Pin	
7	3841520	6	Keeper, Pin	
8	4740256	4	Thrustwasher	
9	4740473	2	Washer, Special	
10	1001103810	2	Thrustwasher	
11	1001165657	4	Bearing	
12	1001150372	2	Spindle	
13	1001230375	2	Steer Cylinder Assembly (See Separate Breakdown in CYLINDER SECTION)	
14	1001161355	4	Kingpin	
15	1001150937	4	Plate	
16	1001154931	2	Tie-Rod	
16A	0962181	1	Bushing	
16B	0962152	1	Bushing	
17	1001161399	2	Thrustwasher	
18	0741609	4	Screw 3/8 x 1-1/8	
19	3340966	2	Pad, Stop	
20	3422848	2	Pin, Hitch	
21	4071059	4	Shim	
22	4740155	3	Thrustwasher	
23	1001155035	1	Link	
23A	0962348	1	Bushing	
24	4740463	4	Thrustwasher	

SECTION 1 - FRAME

FIGURE 1-10. WHEEL DRIVE AND FRAME VALVES INSTALLATION - 2WD



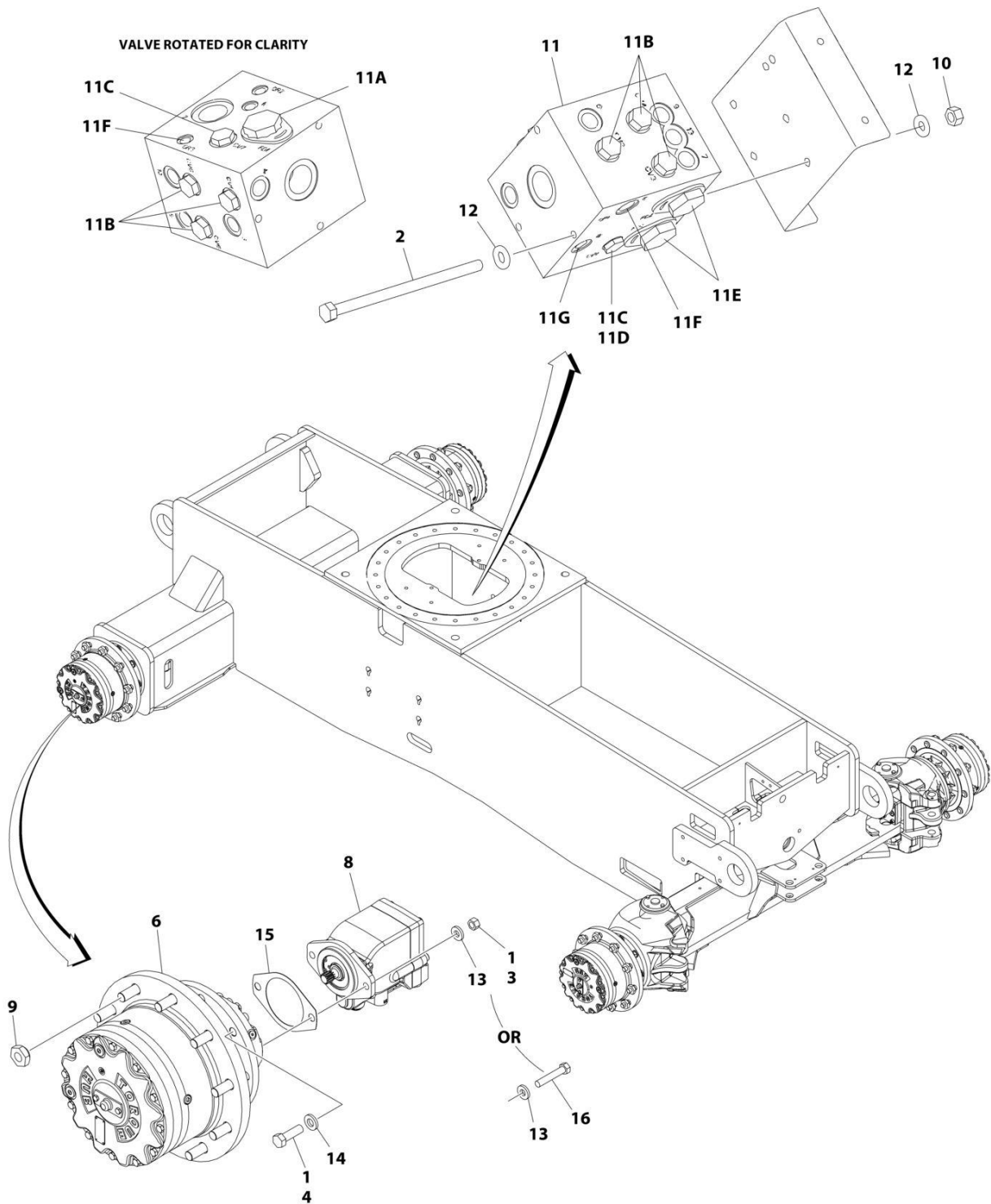
SECTION 1 - FRAME

FIGURE 1-10. WHEEL DRIVE AND FRAME VALVES INSTALLATION - 2WD

ITEM	PART NUMBER	QTY	DESCRIPTION	REV
	1001157015	Ref	WHEEL DRIVE INSTALLATION - 2WD	E
1	0100011	AR	Compound, Locking	
2	0641542	2	Bolt 5/16 x 5 1/4	
4	0682016	32	Bolt 5/8 x 2 Grade 8	
6	2780229	2	Hub Assembly (See Separate Breakdown in this Section)	
7	1001219219	2	Drive Hub Assembly (See Separate Breakdown in this Section)	
9	3160347	2	Drive Motor Assembly (See Separate Breakdown in this Section)	
10	3300007	40	Nut, Wheel	
11	3311505	2	Nut 5/16	
12	1001099870	1	Flow Divider Valve Assembly	C
12A	7023933	1	Cartridge, Flow Divider	
12A	7021625	1	Seal Kit - 7023933 Cartridge	
12A	70000781	1	Lockdown Kit	
12B	7022397	1	Cartridge, Check	
12B	7022399	1	Seal Kit - 7022397 Cartridge	
12C	70002390	1	Cartridge, Check	
12C	7022399	1	Seal Kit - 70002390 Cartridge	
12D	7024881	1	Piston, Pilot	
12E	7017406	1	Plug	
12F	7024844	1	Plug	
12F	7017492	1	Orifice	
13	4711500	4	Washer 5/16	
14	4891800	4	Washer, 1/2	
15	4892000	32	Washer 5/8	
16	3960526	2	Gasket	
17	0681822	4	Bolt 1/2 x 2-3/4 Grade 8	

SECTION 1 - FRAME

FIGURE 1-11. WHEEL DRIVE AND FRAME VALVES INSTALLATION – 4WD - DANFOSS MOTOR



ART_1001157016

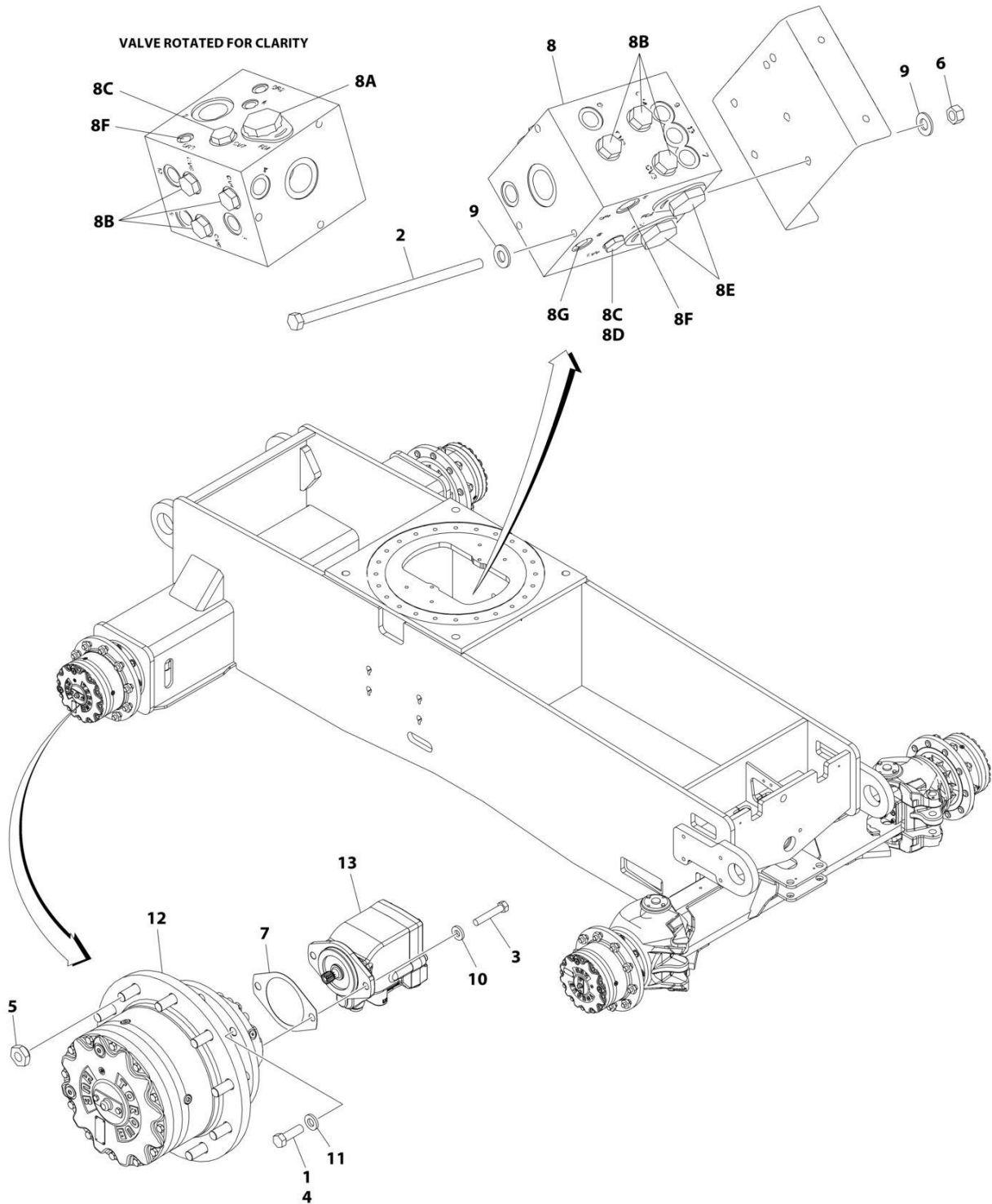
SECTION 1 - FRAME

FIGURE 1-11. WHEEL DRIVE AND FRAME VALVES INSTALLATION – 4WD - DANFOSS MOTOR

ITEM	PART NUMBER	QTY	DESCRIPTION	REV
	1001157016	Ref	WHEEL DRIVE AND FRAME VALVES INSTALLATION	E
1	0100011	AR	Compound, Locking	
2	0641560	3	Bolt 5/16 x 7-1/2	
3	3311801	8	Nut 1/2	
4	0682016	32	Bolt 5/8 x 2 Grade 8	
5	2300016	AR	Fluid, Hydraulic (Not Shown)	
6	1001219219	4	Drive Hub Assembly (See Separate Breakdown in this Section)	
8	3160348	4	Drive Motor Assembly (See Separate Breakdown in this Section)	
9	3300007	40	Nut, Wheel	
10	3311505	3	Nut 5/16	
11	4641303	1	Flow Divider Valve Assembly	C
11A	7023933	1	Cartridge, Flow Divider	
11A	7021625	1	Seal Kit - 7023933 Cartridge	
11B	7022397	6	Cartridge, Check	
11B	7022399	6	Seal Kit - 7022397 Cartridge	
11C	7021639	2	Cartridge, Check Valves	
11C	2900756	2	Seal Kit - 7021639 Cartridge	
11D	7024881	1	Piston, Pilot	
11E	7023917	2	Cartridge, Flow Divider	
11E	7021625	2	Seal Kit - 7023917 Cartridge	
11F	70003935	2	Orifice	
11G	70003936	1	Orifice	
12	4711500	6	Washer 5/16	
13	4891800	8	Washer 1/2	
14	4892000	32	Washer 5/8	
15	3960526	2	Gasket	
16	0681822	4	Bolt 1/2 x 2-3/4	

SECTION 1 - FRAME

FIGURE 1-12. WHEEL DRIVE AND FRAME VALVES INSTALLATION - 4WD - HENGLI MOTOR



ART_1001285009

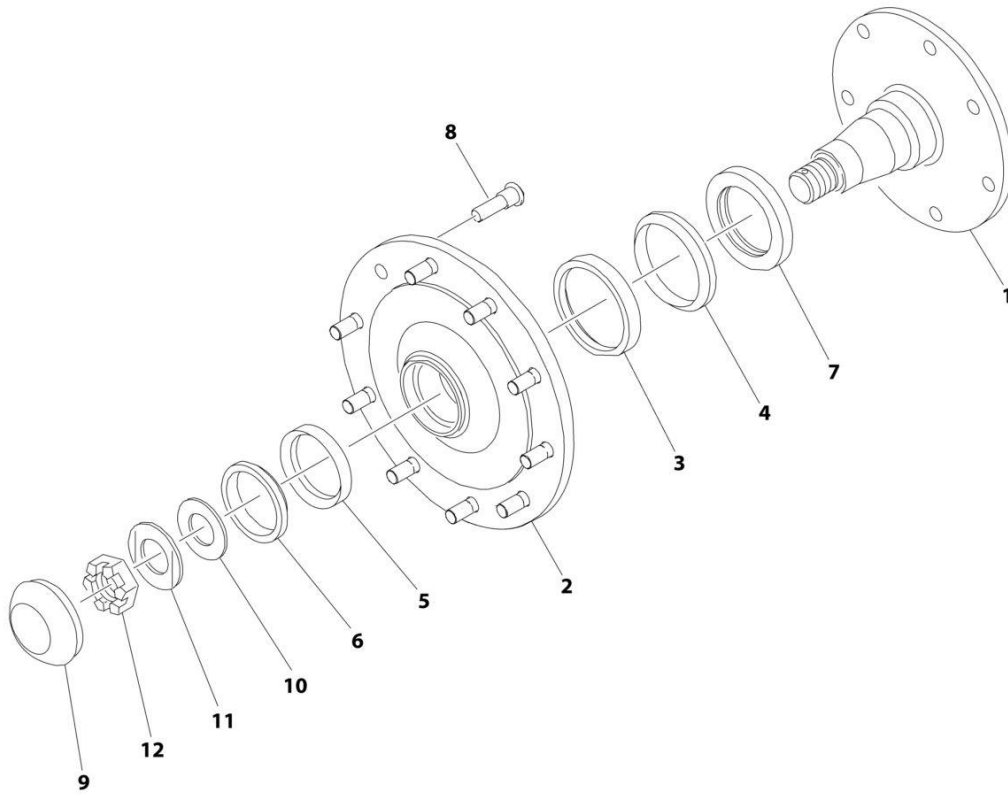
SECTION 1 - FRAME

FIGURE 1-12. WHEEL DRIVE AND FRAME VALVES INSTALLATION - 4WD - HENGLI MOTOR

ITEM	PART NUMBER	QTY	DESCRIPTION	REV
	1001285009	Ref	WHEEL DRIVE AND FRAME VALVES INSTALLATION	A
1	0100011	AR	Compound, Locking	
2	0641560	3	Bolt 5/16 x 7-1/2	
3	0681822	8	Bolt 1/2 x 2-3/4	
4	0682016	32	Bolt 5/8 x 2 Grade 8	
5	3300007	40	Nut, Wheel	
6	3311505	3	Nut 5/16	
7	3960526	4	Gasket	
8	4641303	1	Flow Divider Valve Assembly	
8A	7023933	1	Cartridge, Flow Divider	
8A	7021625	1	Seal Kit - 7023933 Cartridge	
8B	7022397	6	Cartridge, Check	
8B	7022399	6	Seal Kit - 7022397 Cartridge	
8C	7021639	2	Cartridge, Check Valves	
8C	2900756	2	Seal Kit - 7021639 Cartridge	
8D	7024881	1	Piston, Pilot	
8E	7023917	2	Cartridge, Flow Divider	
8E	7021625	2	Seal Kit - 7023917 Cartridge	
8F	70003935	2	Orifice	
8G	70003936	1	Orifice	
9	4711500	6	Washer 5/16	
10	4891800	8	Washer 1/2	
11	4892000	32	Washer 5/8	
12	1001219219	4	Drive Hub Assembly (See Separate Breakdown in this Section)	
13	1001278022	4	Drive Motor Assembly (See Separate Breakdown in this Section)	

SECTION 1 - FRAME

FIGURE 1-13. HUB ASSEMBLY - 2WD FRONT



ART_2780229

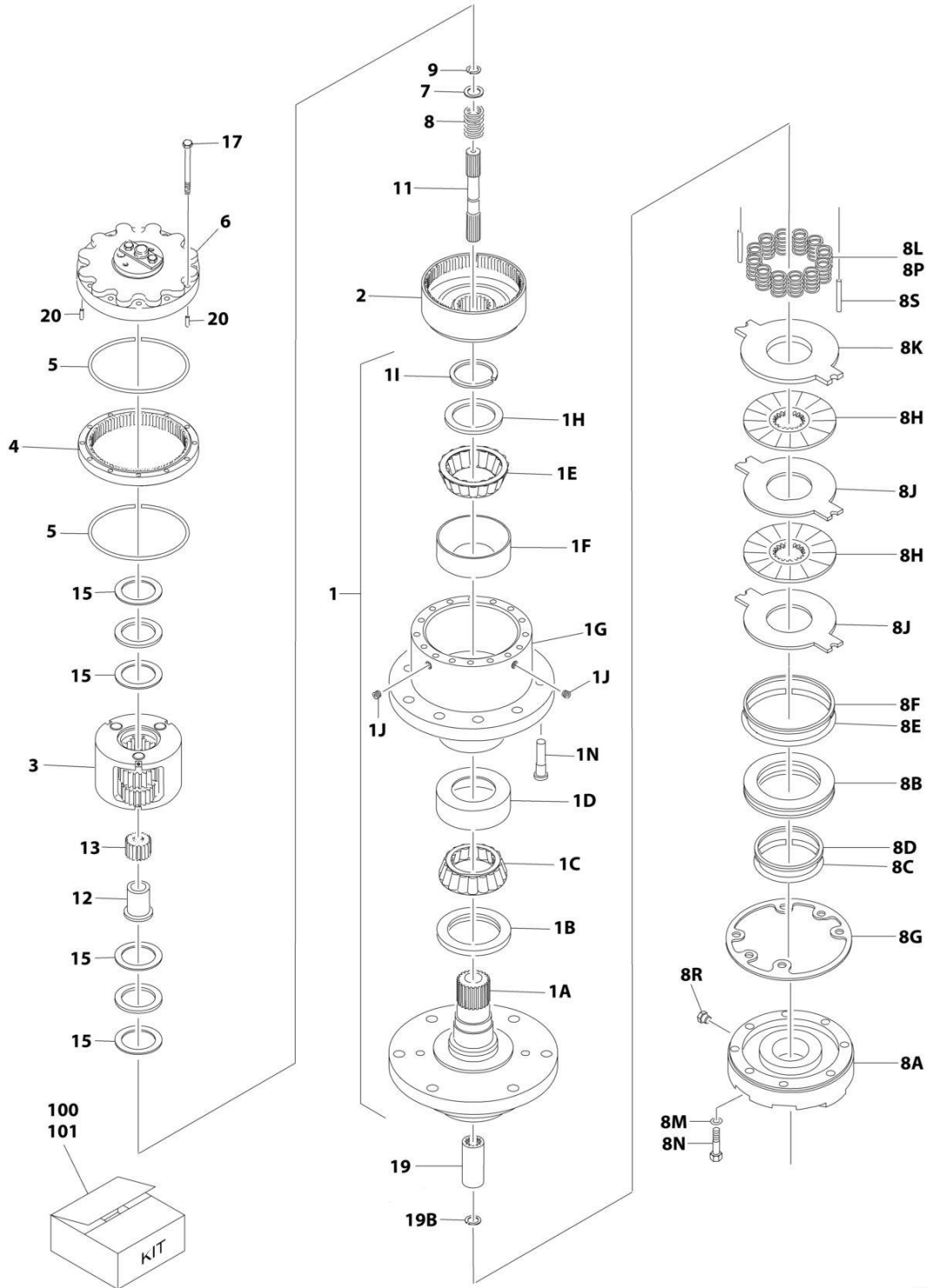
SECTION 1 - FRAME

FIGURE 1-13. HUB ASSEMBLY - 2WD FRONT

ITEM	PART NUMBER	QTY	DESCRIPTION	REV
	2780229	Ref	HUB ASSEMBLY	A
1	7017052	1	Spindle (1 per Assembly)	
2	7017053	1	Housing (1 per Assembly)	
3	7010404	1	Cup, Bearing - Inner (1 per Assembly)	
4	7010405	1	Cone, Bearing - Inner (1 per Assembly)	
5	7017056	1	Cup, Bearing - Outer (1 per Assembly)	
6	7017055	1	Cone, Bearing - Outer (1 per Assembly)	
7	7010406	1	Seal, Lip (1 per Assembly)	
8	7000265	10	Stud (10 per Assembly)	
9	7017054	1	Dust Cap (1 per Assembly)	
10	7017051	1	Washer, Special (1 per Assembly)	
11	7017057	1	Washer, Tanged (1 per Assembly)	
12	7017058	1	Nut, Bearing (1 per Assembly)	

SECTION 1 - FRAME

FIGURE 1-14. DRIVE HUB/BRAKE ASSEMBLY



ART_1001219219

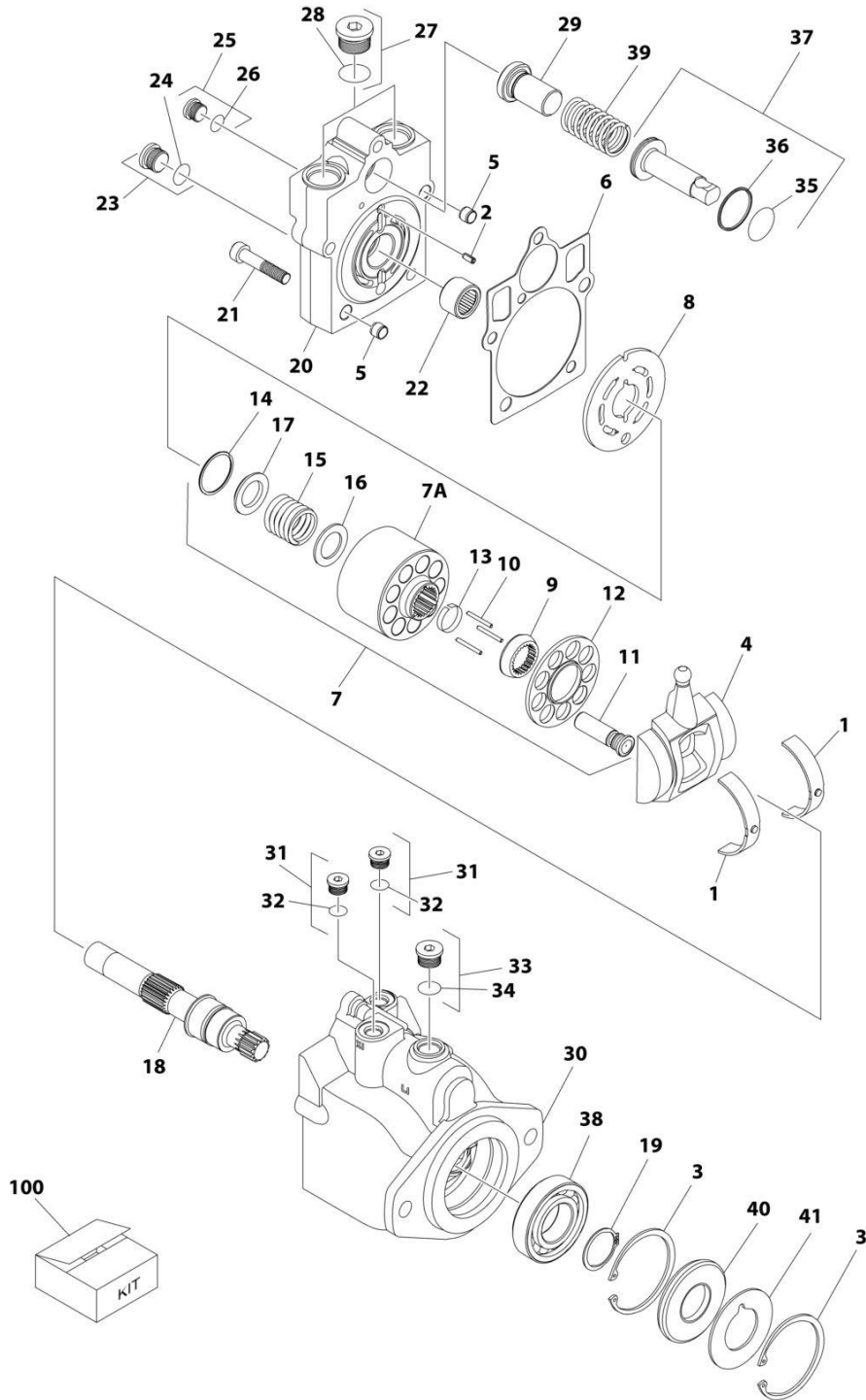
SECTION 1 - FRAME

FIGURE 1-14. DRIVE HUB/BRAKE ASSEMBLY

ITEM	PART NUMBER	QTY	DESCRIPTION	REV
	1001219219	Ref	DRIVE HUB/BRAKE ASSEMBLY	C
1	See Note	NSS	Spindle/Housing Assembly (Note: Not Available - Purchase Individual Components)	
1A	70006677	1	Spindle	
1B	70006678	1	Seal	
1C	1001091460	1	Cone, Bearing	
1D	1001091460	1	Cup, Bearing	
1E	1001091461	1	Cone, Bearing	
1F	1001091461	1	Cup, Bearing	
1G	See Note	NSS	Housing (Note: Not Available - Not Available for Purchase)	
1H	7000239	1	Thrustwasher	
1I	7000240	1	Ring, Retaining	
1J	7001928	1	Plug, Pipe	
1N	See Note	NSS	Stud, Wheel (Note: Not Available - Not Available for Purchase)	
2	7024782	1	Gear, Ring	
3	70006673	1	Carrier Assembly	
4	7024151	1	Gear, Internal	
5	7000224	2	O-Ring	
6	70006674	NSS	Cover Assembly (Note: Not Available - Not Available for Purchase)	
7	70006691	1	Thrustwasher	
8	7000283	1	Spring	
8A	7024191	1	Housing, Piston	
8B	70006684	1	Piston	
8C	See Note	NSS	O-Ring (Note: Use Item 101)	
8D	See Note	NSS	Ring, Back-up (Note: Use Item 101)	
8E	See Note	NSS	O-Ring (Note: Use Item 101)	
8F	See Note	NSS	Ring, Back-up (Note: Use Item 101)	
8G	See Note	NSS	Gasket (Note: Use Items 100 & 101)	
8H	See Note	NSS	Brake, Stator (Note: Use Item 100)	
8J	See Note	NSS	Brake, Rotor (Note: Use Item 100)	
8K	See Note	NSS	Plate, Pressure (Note: Use Item 100)	
8L	80344004	10	Spring	
8M	70006685	6	Capscrew	
8N	70006690	6	Lockwasher	
8P	70006680	2	Spring	
8R	7017082	2	Plug	
8S	7024190	2	Pin, Dowel	
9	7000284	1	Ring, Retaining	
11	70006675	1	Shaft, Input	
12	7024154	1	Spacer, Input	
13	7024149	1	Gear, Sun	
15	70006692	2	Thrustwasher	
17	7000289	12	Bolt 3/8 x 2-1/2in (Grade 8)	
19	70006676	1	Coupling	
19B	7017028	1	Ring, Retaining	
20	7017047	2	Pin, Dowel	
100	70006832	1	Friction Disc Kit (Includes Items 8G, 8H, 8J & 8K)	
101	70006833	1	Seal Kit (Includes Items - 8C-8G)	

SECTION 1 - FRAME

FIGURE 1-15. DRIVE MOTOR ASSEMBLY - 2WD



ART_3160347

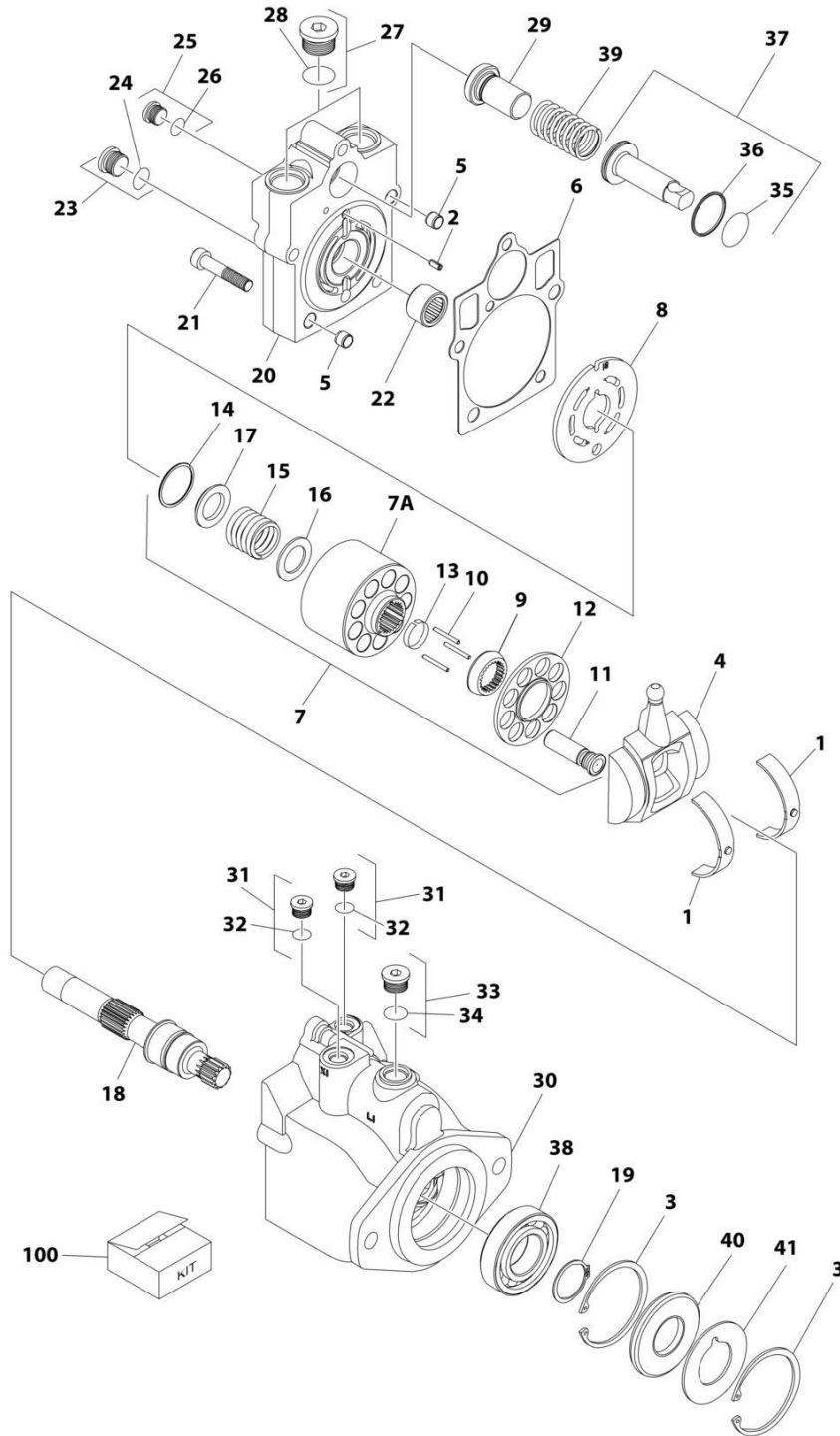
SECTION 1 - FRAME

FIGURE 1-15. DRIVE MOTOR ASSEMBLY - 2WD

ITEM	PART NUMBER	QTY	DESCRIPTION	REV
	3160347	Ref	DRIVE MOTOR ASSEMBLY	B
1	7022302	2	Bearing, Journal	
2	7007446	1	Pin	
3	7007438	2	Ring, Retaining	
4	7022305	1	Swash Plate	
5	See Note	2	Pin (Note: Not Available for Purchase)	
6	See Note	NSS	Gasket (Note: Use Item 100)	
7	7027740	1	Cylinder Block Kit (Includes Items 7A & 9-17)	
7A	See Note	NSS	Block, Cylinder (Note: Use Item 7)	
8	7024862	1	Plate, Valve	
9	7021277	1	Guide, Slipper Retainer	
10	7021275	3	Pin, Slipper Hold Down	
11	See Note	NSS	Piston Assembly (Note: Use Item 7)	
12	See Note	NSS	Retainer, Slipper (Note: Use Item 7)	
13	See Note	NSS	Retainer, Hold Down Pin (Note: Use Item 7)	
14	7022311	1	Ring, Retaining	
15	7024867	1	Spring	
16	7022313	1	Washer	
17	7022314	1	Retainer, Spring	
18	7023910	1	Shaft	
19	7007439	1	Ring, Retaining	
20	70000795	1	Cap, End - Axial	
21	7022368	5	Screw	
22	7021249	1	Bearing, Needle	
23	2220886	1	Plug (Includes Item 24)	
24	See Note	1	O-Ring (Note: Use Item 23 or 100)	
25	2220883	1	Plug (Includes Item 26)	
26	See Note	NSS	O-Ring (Note: Use Item 25 or 100)	
27	2220888	2	Plug (Includes Item 28)	
28	See Note	NSS	O-Ring (Note: Use Item 27 or 100)	
29	7027741	1	Seat, Spring	
30	See Note	NSS	Housing (Note: Not Available - Purchase Complete Assembly)	
31	2220883	2	Plug (Includes Item 32)	
32	See Note	NSS	O-Ring (Note: Use Item 31 or 100)	
33	2220886	1	Plug (Includes Item 34)	
34	See Note	NSS	O-Ring (Note: Use Item 33 or 100)	
35	See Note	NSS	O-Ring (Note: Use Item 100)	
36	See Note	NSS	Ring, Seal (Note: Use Item 100)	
37	7024871	1	Piston, Servo (Includes Items 35 & 36)	
38	7007437	1	Bearing	
39	7022326	1	Spring	
40	See Note	NSS	Seal, Lip (Note: Use Item 100)	
41	7022371	1	Washer, Support	
		Ref	KIT OPTIONS:	
100	7022328	1	Seal Kit (Includes Items 6, 24, 26, 28, 32, 34, 35, 36 & 40)	

SECTION 1 - FRAME

FIGURE 1-16. DRIVE MOTOR ASSEMBLY - 4WD - DANFOSS MOTOR



ART_3160348

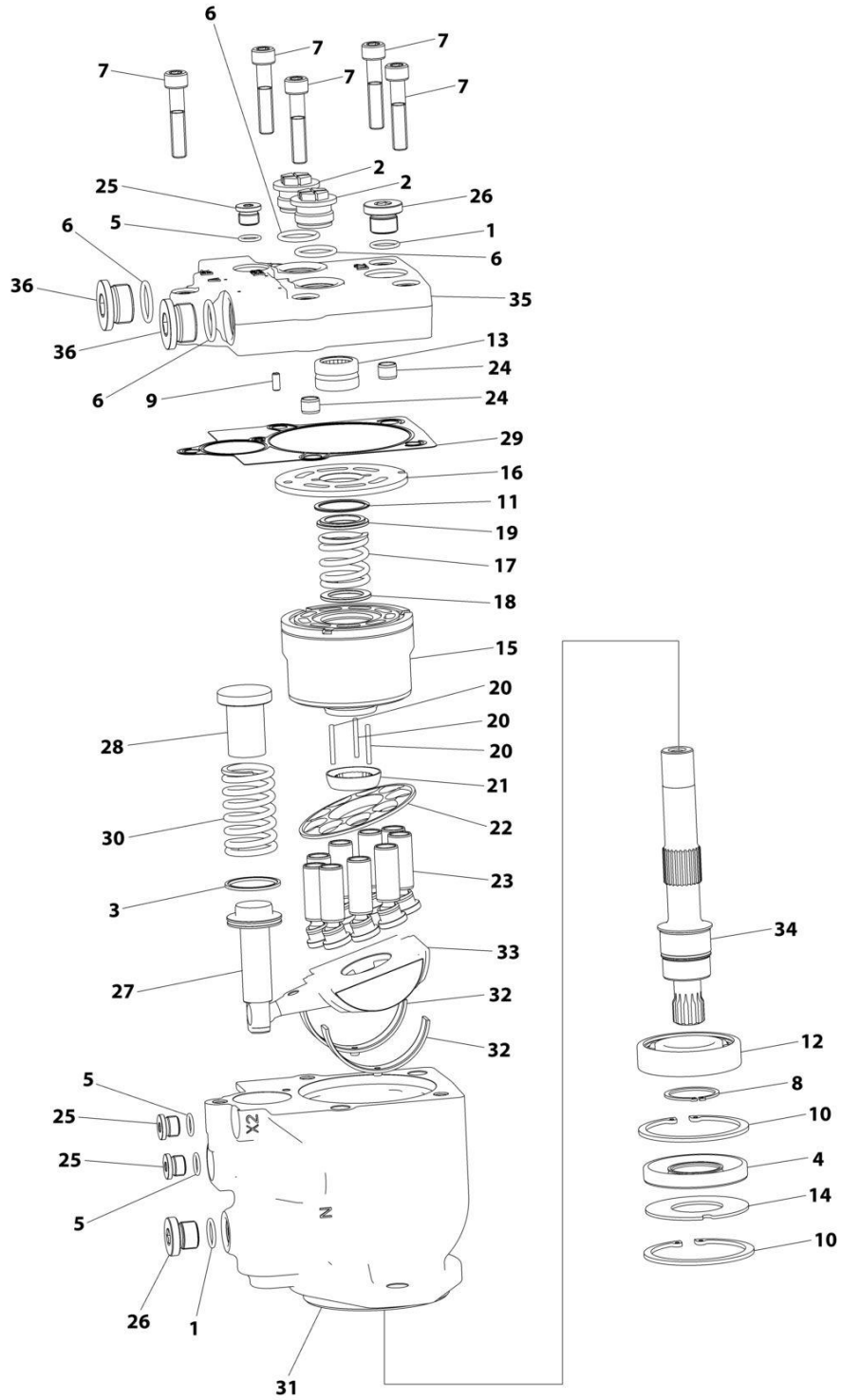
SECTION 1 - FRAME

FIGURE 1-16. DRIVE MOTOR ASSEMBLY - 4WD - DANFOSS MOTOR

ITEM	PART NUMBER	QTY	DESCRIPTION	REV
	3160348	Ref	DRIVE MOTOR ASSEMBLY	D
1	7022302	2	Bearing, Journal	
2	7007446	1	Pin	
3	7007438	2	Ring, Retaining	
4	7022305	1	Swash Plate	
5	See Note	2	Pin (Note: Not Available for Purchase)	
6	See Note	NSS	Gasket (Note: Use Item 100)	
7	7023907	1	Cylinder Block Kit (Includes Items 7A & 9-17)	
7A	See Note	NSS	Block, Cylinder (Note: Use Item 7)	
8	7023908	1	Plate, Valve	
9	7021277	1	Guide, Slipper Retainer	
10	7021275	3	Pin, Slipper Hold Down	
11	See Note	NSS	Piston Assembly (Note: Use Item 7)	
12	7022310	1	Retainer, Slipper	
13	7021276	1	Retainer, Hold Down Pin	
14	7022311	1	Ring, Retaining	
15	7022312	1	Spring	
16	7024868	1	Washer	
17	7022314	1	Retainer, Spring	
18	7023910	1	Shaft	
19	7007439	1	Ring, Retaining	
20	70000797	1	Cap, End - Axial	
21	7022368	5	Screw	
22	7021249	1	Bearing, Needle	
23	2220886	1	Plug (Includes Item 24)	
24	See Note	1	O-Ring (Note: Use Item 23 or 100)	
25	2220883	1	Plug (Includes Item 26)	
26	See Note	NSS	O-Ring (Note: Use Item 25 or 100)	
27	2220888	2	Plug (Includes Item 28)	
28	See Note	NSS	O-Ring (Note: Use Item 27 or 100)	
29	7022372	1	Seat, Spring	
30	See Note	NSS	Housing (Note: Not Available - Purchase Complete Assembly)	
31	2220883	2	Plug (Includes Item 32)	
32	See Note	NSS	O-Ring (Note: Use Item 31 or 100)	
33	2220886	1	Plug (Includes Item 34)	
34	See Note	NSS	O-Ring (Note: Use Item 33 or 100)	
35	See Note	NSS	O-Ring (Note: Use Item 100)	
36	See Note	NSS	Ring, Seal (Note: Use Item 100)	
37	7024854	1	Piston, Servo (Includes Items 35 & 36)	
38	7007437	1	Bearing	
39	7022326	1	Spring	
40	See Note	1	Seal, Lip (Note: Use Item 100)	
41	7022371	1	Washer, Support	
		Ref	KIT OPTIONS:	
100	7022328	1	Seal Kit (Includes Items 6, 24, 26, 28, 32, 34, 35, 36 & 40)	

SECTION 1 - FRAME

FIGURE 1-17. DRIVE MOTOR ASSEMBLY - 4WD - HENGLI MOTOR



ART_1001278022

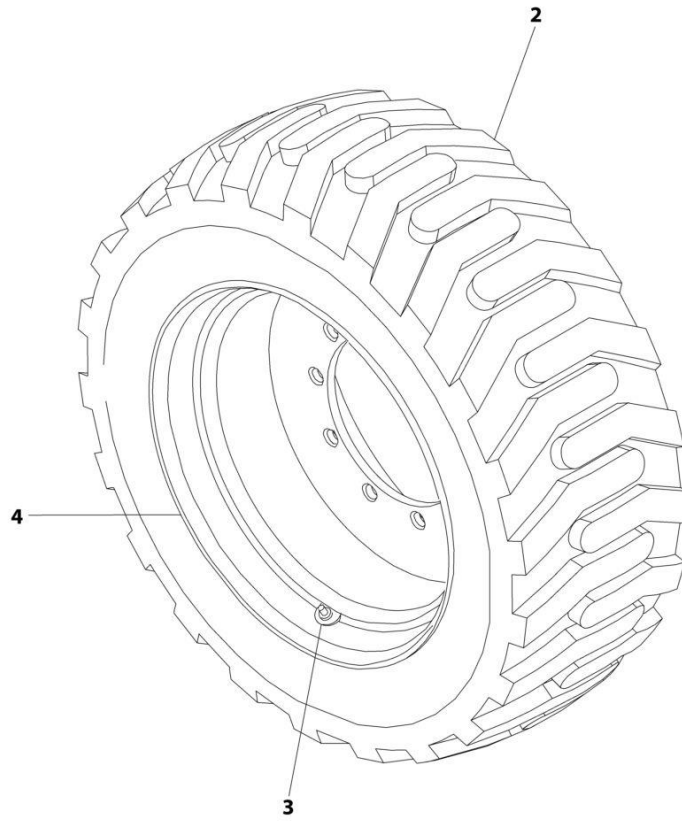
SECTION 1 - FRAME

FIGURE 1-17. DRIVE MOTOR ASSEMBLY - 4WD - HENGLI MOTOR

ITEM	PART NUMBER	QTY	DESCRIPTION	REV
	1001278022	Ref	DRIVE MOTOR ASSEMBLY	B
1	70007847	2	O-Ring	
2	70007848	2	Plug	
3	70007849	1	Ring, Sealing	
4	70007850	1	Bearing	
5	70007851	3	O-Ring	
6	70007852	4	O-Ring	
7	70007853	5	Capscrew M10 x 50	
8	70007854	1	Circlip	
9	70007855	1	Pin	
10		Ref	Circlip	
11	70007856	1	Ring, Retaining	
12	70007857	1	Bearing	
13	70007858	1	Bearing	
14	70007859	1	Gasket	
15	70007860	1	Cylinder	
16	70007861	1	Plate, Valve	
17	70007862	1	Spring	
18	70007863	1	Gasket	
19	70007864	1	Gasket	
20	70007865	3	Pin	
21	70007866	1	Bushing	
22	70007867	1	Retainer	
23	70007868	9	Piston	
24	70007869	2	Pin	
25	70007870	3	Plug	
26	70007871	2	Plug	
27	70007872	1	Piston	
28	70007873	1	Seat, Spring	
29	70007874	1	Gasket	
30	70007875	1	Spring	
31	See Note	NSS	Housing (Note: Purchase Complete Assembly)	
32	70007876	2	Bushing	
33	70007877	1	Plate, Swash	
34	70007878	1	Shaft	
35	See Note	NSS	Cover (Note: Purchase Complete Assembly)	
36	See Note	Ref	Plug (Note: Shipping Use Only)	

SECTION 1 - FRAME

FIGURE 1-18. TIRE & WHEEL INSTALLATION - 15-625 NHS FOAM-FILLED



ART_0270886

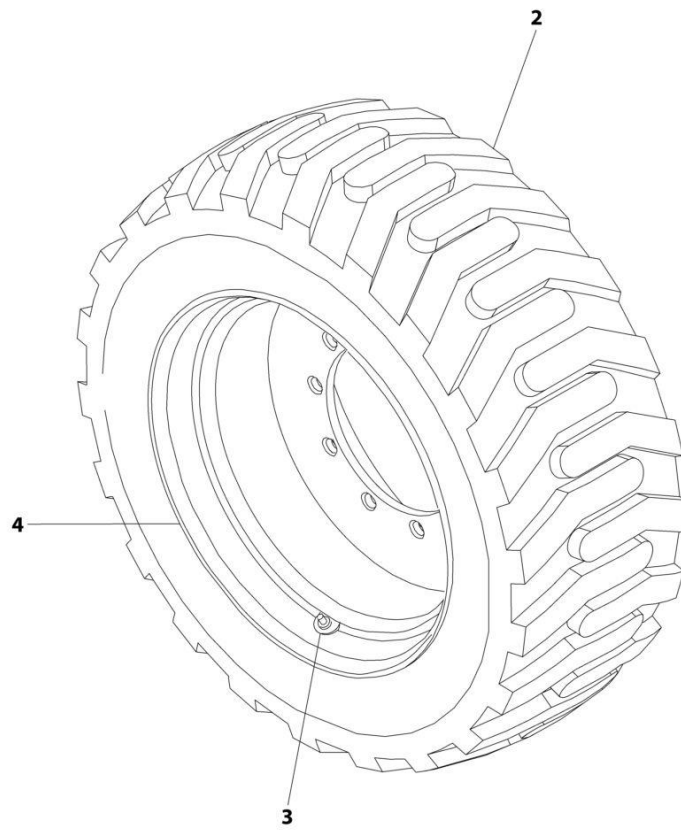
SECTION 1 - FRAME

FIGURE 1-18. TIRE & WHEEL INSTALLATION - 15-625 NHS FOAM-FILLED

ITEM	PART NUMBER	QTY	DESCRIPTION	REV
	0270886	Ref	TIRE AND WHEEL INSTALLATION	D
	0271085	2	Tire and Wheel Assembly - 15-625 NHS Foam-Filled LH Side	I
	0271086	2	Tire and Wheel Assembly - 15-625 NHS Foam-Filled RH Side	I
		Ref	Note: Assemblies may require ballast/foam filling to manufacturer's specifications prior to installing on a machine. Refer to Operation and Safety or Service and Maintenance Manuals.	
		Ref	Purchase individual tire and/or rim only if able to foam fill tire and wheel assembly, otherwise, purchase complete assembly.	
2	4520252	1	Tire 15-625	
3	4641122	1	Valve, Air	
4	4860224	1	Rim, Wheel - 13 x 24.5 Rim	

SECTION 1 - FRAME

FIGURE 1-19. TIRE AND WHEEL INSTALLATION 18-625 NHS FOAM-FILLED TIRE



ART_0270888

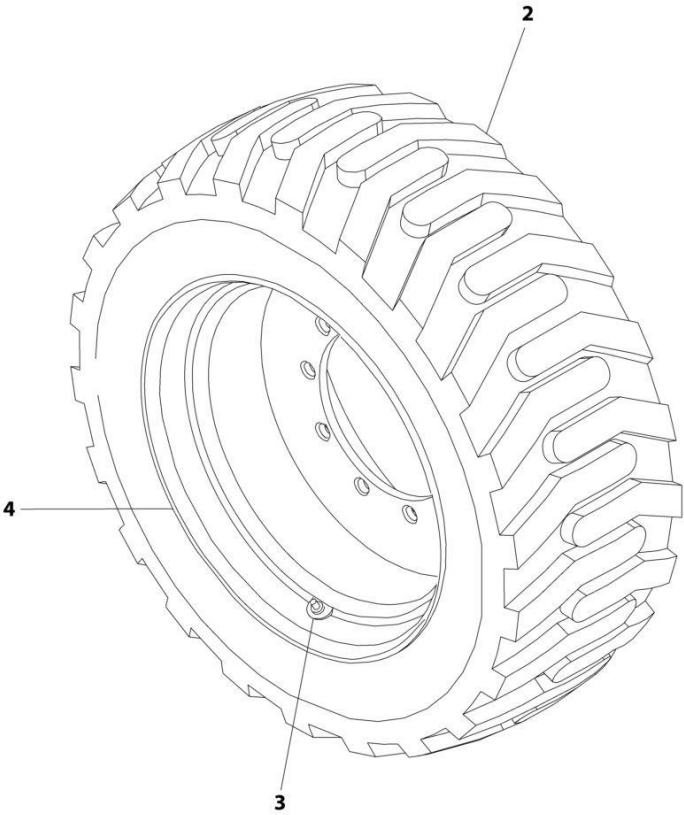
SECTION 1 - FRAME

FIGURE 1-19. TIRE AND WHEEL INSTALLATION 18-625 NHS FOAM-FILLED TIRE

ITEM	PART NUMBER	QTY	DESCRIPTION	REV
	0270888	Ref	TIRE AND WHEEL INSTALLATION	C
	0271090	2	Tire and Wheel Assembly - 18-625 NHS Foam-Filled LH Side	G
	0271091	2	Tire and Wheel Assembly - 18-625 NHS Foam-Filled RH Side	G
		Ref	Note: Assemblies may require ballast/foam filling to manufacturer's specifications prior to installing on a machine. Refer to Operation and Safety or Service and Maintenance Manuals.	
		Ref	Purchase individual tire and/or rim only if able to foam fill tire and wheel assembly, otherwise, purchase complete assembly.	
2	4520253	1	Tire 18-625	
3	4641122	1	Valve, Air	
4	4860225	1	Rim, Wheel - 15 x 24.5 Rim	

SECTION 1 - FRAME

FIGURE 1-20. TIRE AND WHEEL INSTALLATION 18-625 NHS FOAM-FILLED NON-MARKING TIRE



ART_1001169757

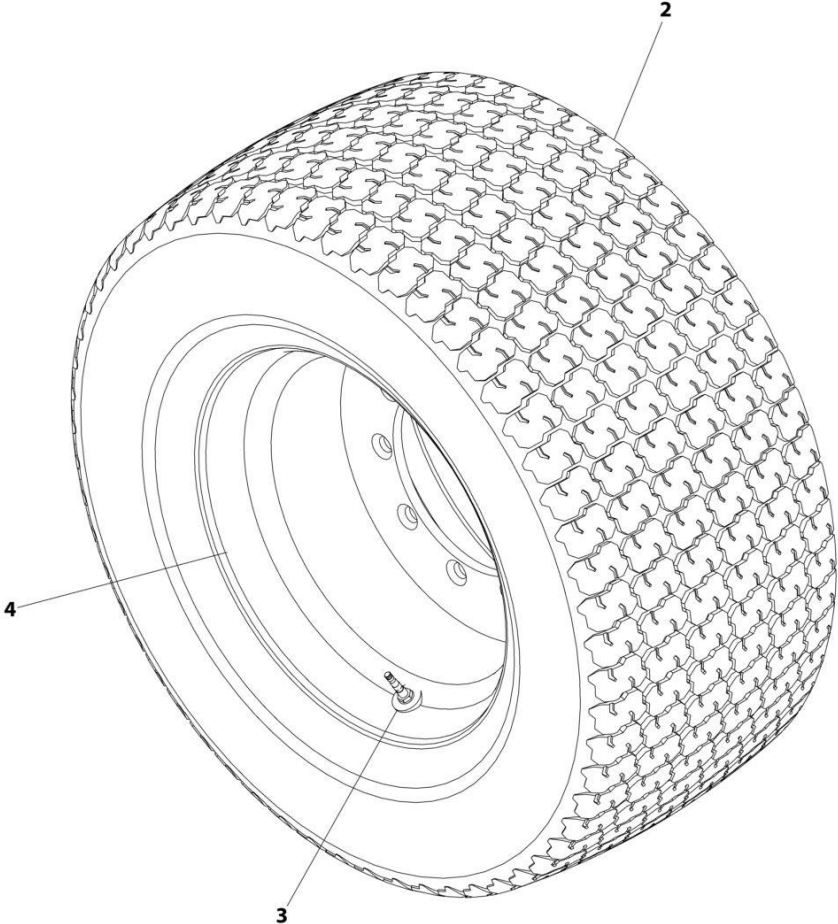
SECTION 1 - FRAME

FIGURE 1-20. TIRE AND WHEEL INSTALLATION 18-625 NHS FOAM-FILLED NON-MARKING TIRE

ITEM	PART NUMBER	QTY	DESCRIPTION	REV
	1001169757	Ref	TIRE AND WHEEL INSTALLATION	A
	1001169755	2	Tire and Wheel Assembly - 18-625 NHS Foam-Filled Non-Marking LH Side	D
	1001169756	2	Tire and Wheel Assembly - 18-625 NHS Foam-Filled Non-Marking RH Side	D
		Ref	Note: Assemblies may require ballast/foam filling to manufacturer's specifications prior to installing on a machine. Refer to Operation and Safety or Service and Maintenance Manuals.	
		Ref	Purchase individual tire and/or rim only if able to foam fill tire and wheel assembly, otherwise, purchase complete assembly.	
2	1001169754	1	Tire 18-625 Non-Marking	
3	4641122	1	Valve, Air	
4	4860225	1	Rim, Wheel - 15 x 24.5 Rim	

SECTION 1 - FRAME

FIGURE 1-21. TIRE AND WHEEL INSTALLATION 18-22.5 NHS FOAM-FILLED NON-MARKING TIRE



ART_1001268884

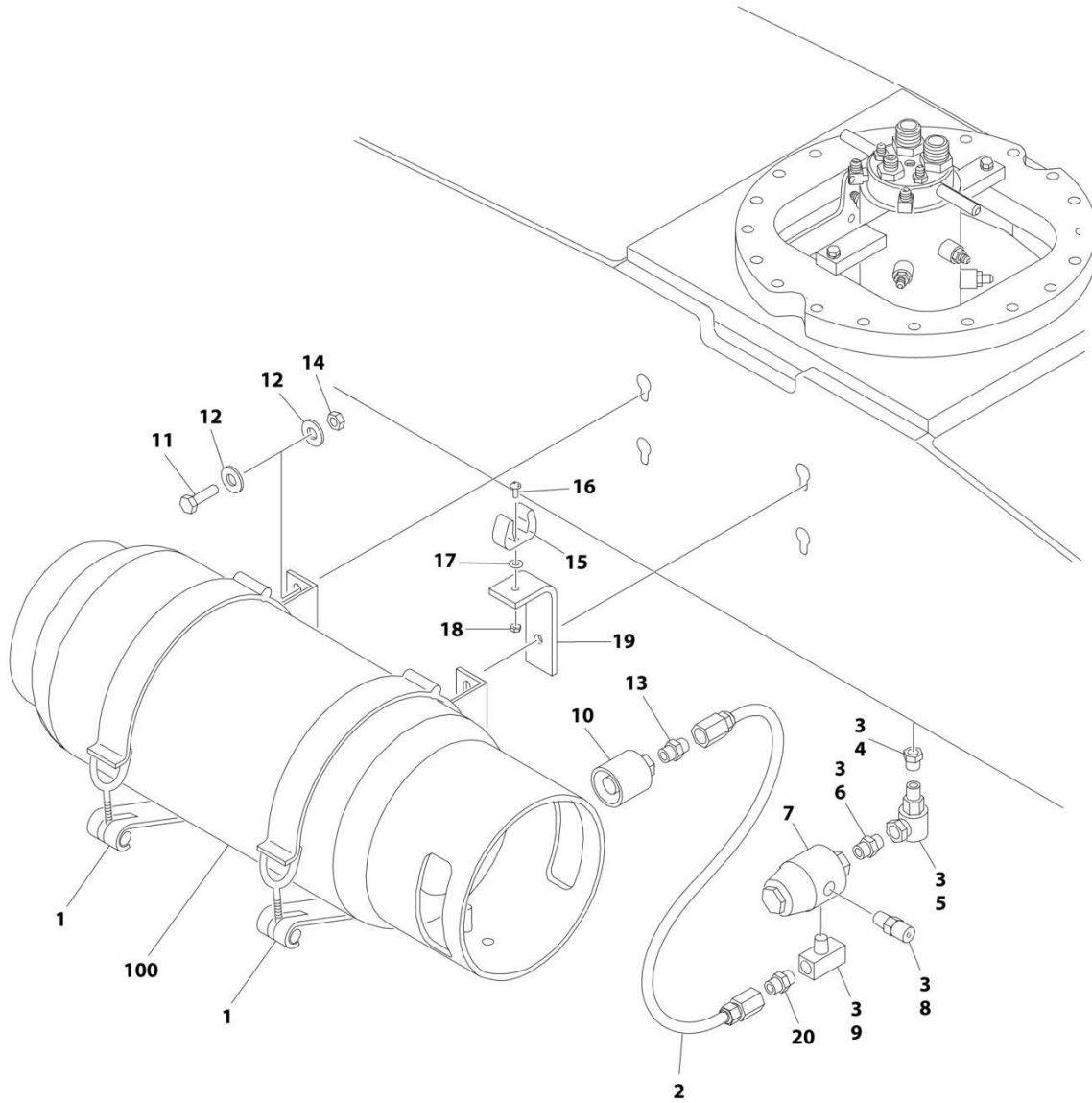
SECTION 1 - FRAME

FIGURE 1-21. TIRE AND WHEEL INSTALLATION 18-22.5 NHS FOAM-FILLED NON-MARKING TIRE

ITEM	PART NUMBER	QTY	DESCRIPTION	REV
	1001268884	Ref	TIRE AND WHEEL INSTALLATION	A
	1001268883	4	Tire and Wheel Assembly - 41 x 18LL x 22.5 NHS Foam-Filled Non-Marking	B
		Ref	Note: Assemblies may require ballast/foam filling to manufacturer's specifications prior to installing on a machine. Refer to Operation and Safety or Service and Maintenance Manuals.	
		Ref	Purchase individual tire and/or rim only if able to foam fill tire and wheel assembly, otherwise, purchase complete assembly.	
2	4520256	1	Tire 41 x 18LL x 22.5 Non-Marking	
3	4641122	1	Valve, Air	
4	1001209982	1	Rim, Wheel - 22.5 x 14 Rim	

SECTION 1 - FRAME

FIGURE 1-22. LP TANK BRACKETS INSTALLATIONS



ART_1001151010

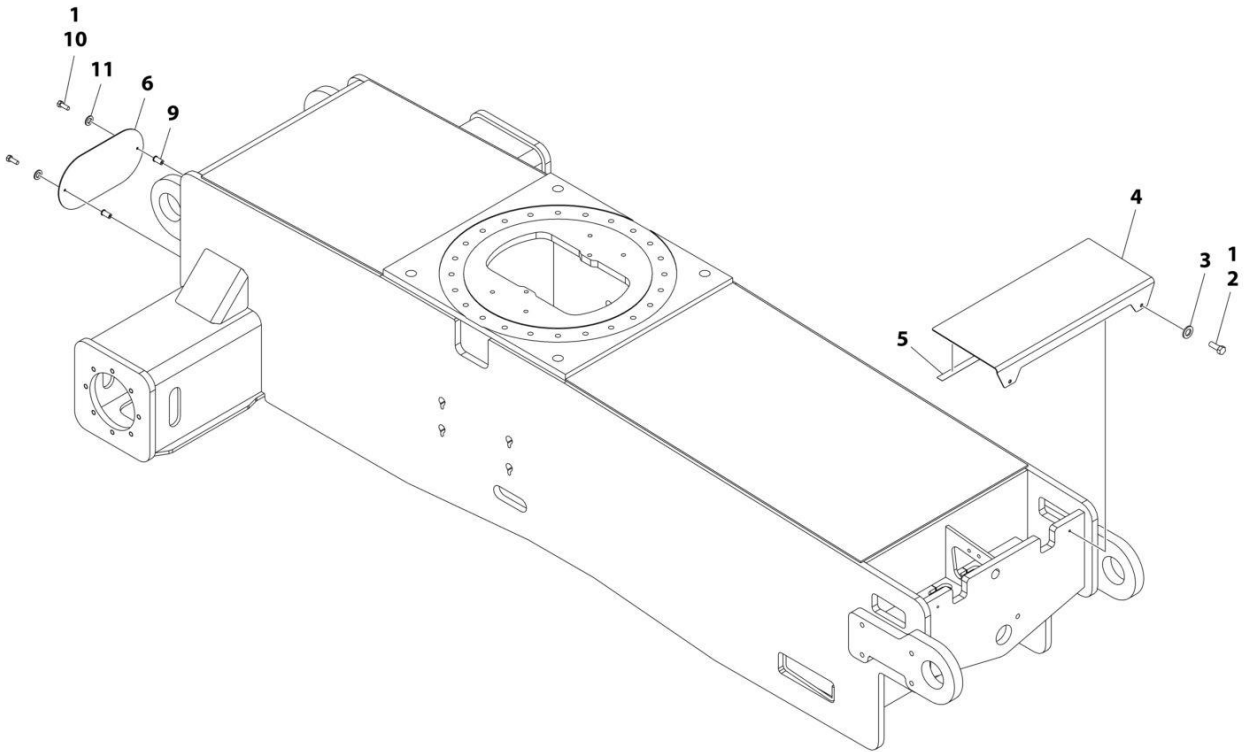
SECTION 1 - FRAME

FIGURE 1-22. LP TANK BRACKETS INSTALLATIONS

ITEM	PART NUMBER	QTY	DESCRIPTION	REV
	1001151010	Ref	LP TANK BRACKETS INSTALLATION	E
1	1320220	2	Clamp	
1	1320127	2	Clamp, Toggle (1 Per Clamp)	
2	2720144	2	Hose	
3	0100020	AR	Sealant, Pipe	
4	2221197	1	Fitting, Reducer	
5	1001247358	1	Fitting, 90 Swivel	
6	2220261	1	Fitting, Nipple	
7	2180388	1	Fitting, Bulkhead	
8	2180389	1	Valve, Relief	
9	2220418	1	Fitting, Tee	
10	2180387	2	Fitting, Straight	
11	0641617	8	Bolt 3/8 x 2-1/8	
12	4751600	16	Washer 3/8	
13	2180418	2	Fitting, Connector	
14	3311605	8	Nut 3/8	
15	1320218	2	Clamp, Spring	
16	0720804	2	Screw #8 x 1/2	
17	4750800	4	Washer #8	
18	3310805	2	Nut #8	
19	0181949	2	Angle, Support	
20	2221024	2	Fitting, Union Ball Check	
100	4400275	1	Tank, LP - 43.5 Lbs. (Aluminum)	

SECTION 1 - FRAME

FIGURE 1-23. FRAME SHIELDS INSTALLATION - 2WS



ART_1001158203

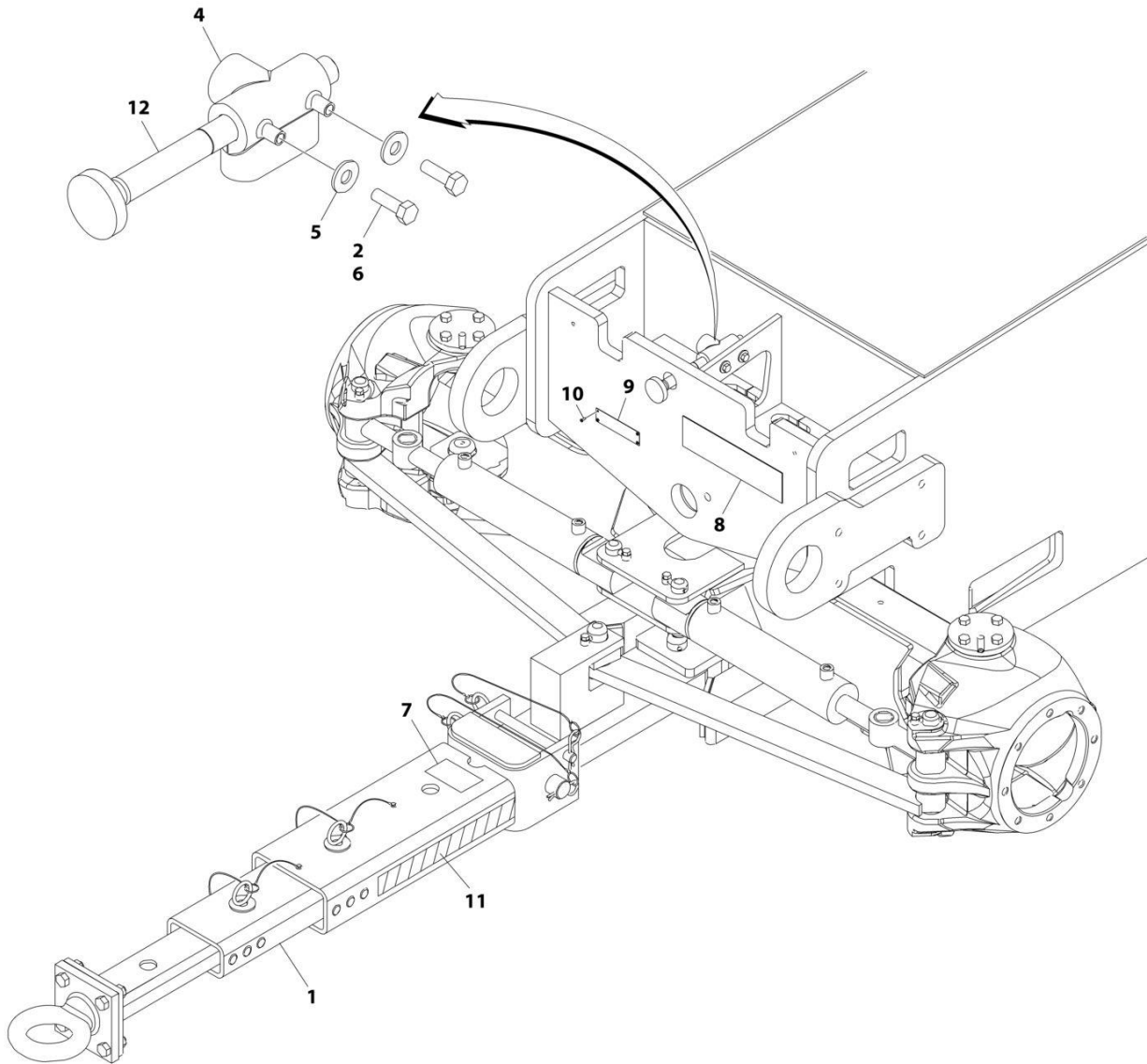
SECTION 1 - FRAME

FIGURE 1-23. FRAME SHIELDS INSTALLATION - 2WS

ITEM	PART NUMBER	QTY	DESCRIPTION	REV
	1001158203	Ref	FRAME SHIELDS INSTALLATION	D
1	0100011	AR	Compound, Locking	
2	0641606	2	Bolt 3/8 x 3/4	
3	4751600	2	Washer 3/8	
4	1001158187	1	Cover	
5	4280296	27 in/ 68cm	Trim	
6	1001158188	1	Cover	
9	8580420	2	Nut, Well	
10	0641410	2	Bolt 1/4 x 1-1/4	
11	4751400	2	Washer 1/4	

SECTION 1 - FRAME

FIGURE 1-24. TOW PACKAGE INSTALLATION (ENGLISH DECALS)



ART_1001158436

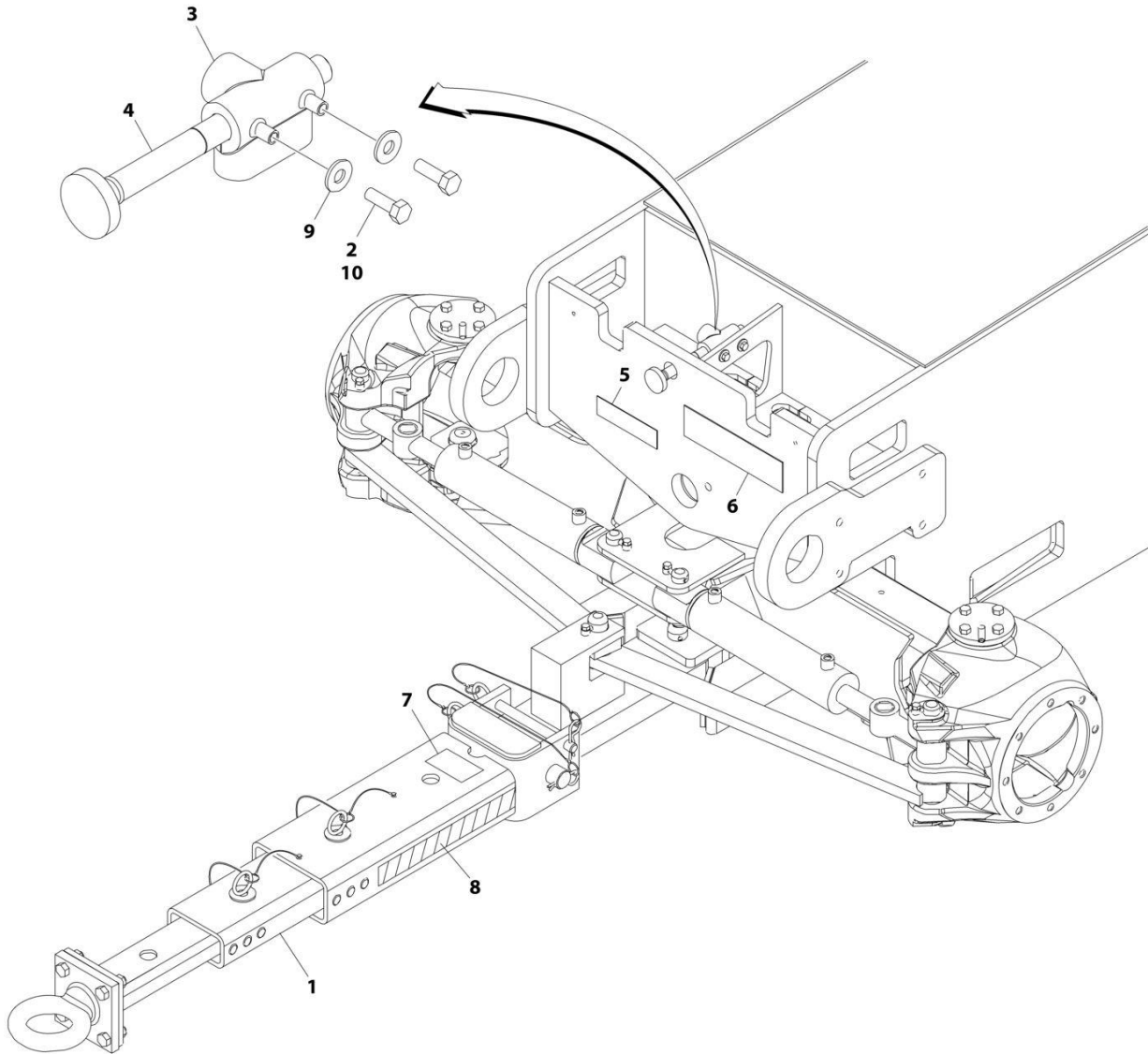
SECTION 1 - FRAME

FIGURE 1-24. TOW PACKAGE INSTALLATION (ENGLISH DECALS)

ITEM	PART NUMBER	QTY	DESCRIPTION	REV
	1001158436	Ref	TOW BAR INSTALLATION (ENGLISH DECALS)	B
	0270528	1	Tow Bar Assembly (See Separate Breakdown in this Section)	
2	0641508	2	Bolt 5/16 x 1	
4	4640261	1	Valve, Select	
5	4751500	4	Washer 5/16	
6	0100011	AR	Compound, Locking	
7	1704578	2	Decal - Crushing	
8	1705090	1	Decal - Towing Instructions	
9	3250872	1	Decal/Nameplate - Steer/Tow Select Valve	
10	3820001	4	Rivet	
11	4420051	AR	Tape, Safety	
12	1001160780	1	Extension, Rod	

SECTION 1 - FRAME

FIGURE 1-25. TOW PACKAGE INSTALLATION (FRENCH/ENGLISH DECALS)



ART_1001220283

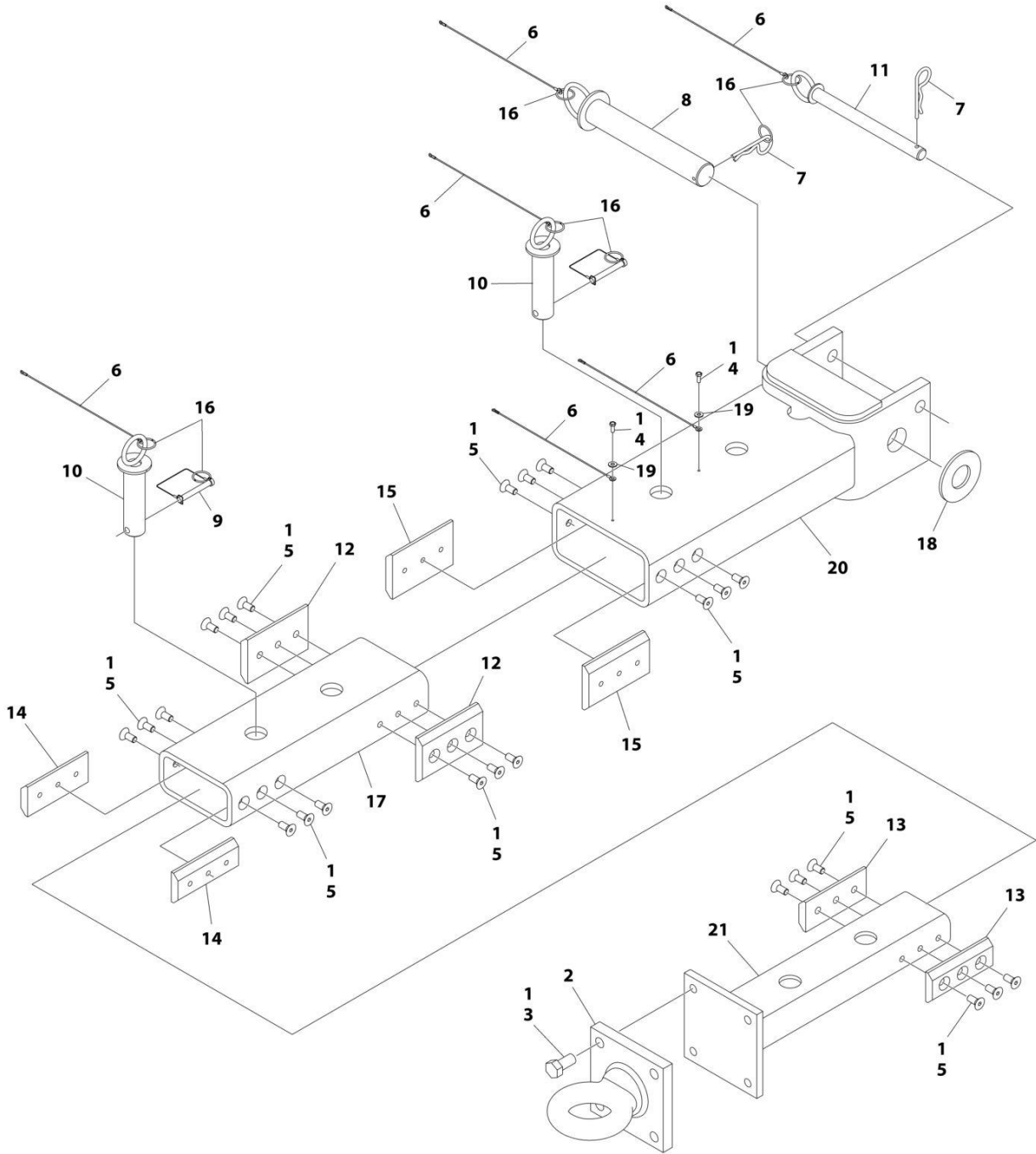
SECTION 1 - FRAME

FIGURE 1-25. TOW PACKAGE INSTALLATION (FRENCH/ENGLISH DECALS)

ITEM	PART NUMBER	QTY	DESCRIPTION	REV
	1001220283	Ref	TOW BAR INSTALLATION (FRENCH/ENGLISH DECALS)	A
	0270528	1	Tow Bar Assembly (See Separate Breakdown in this Section)	
2	0641508	2	Bolt 5/16 x 1	
3	4640261	1	Valve, Select	
4	1001160780	1	Extension, Rod	
5	1704272	1	Decal/Nameplate - Steer/Tow Select Valve	
6	1705820	1	Decal - Towing Instructions	
7	1706593	2	Decal - Crushing	
8	4420051	AR	Tape, Safety	
9	4751500	4	Washer 5/16	
10	0100011	AR	Compound, Locking	

SECTION 1 - FRAME

FIGURE 1-26. TOW BAR ASSEMBLY



ART_0270528

SECTION 1 - FRAME

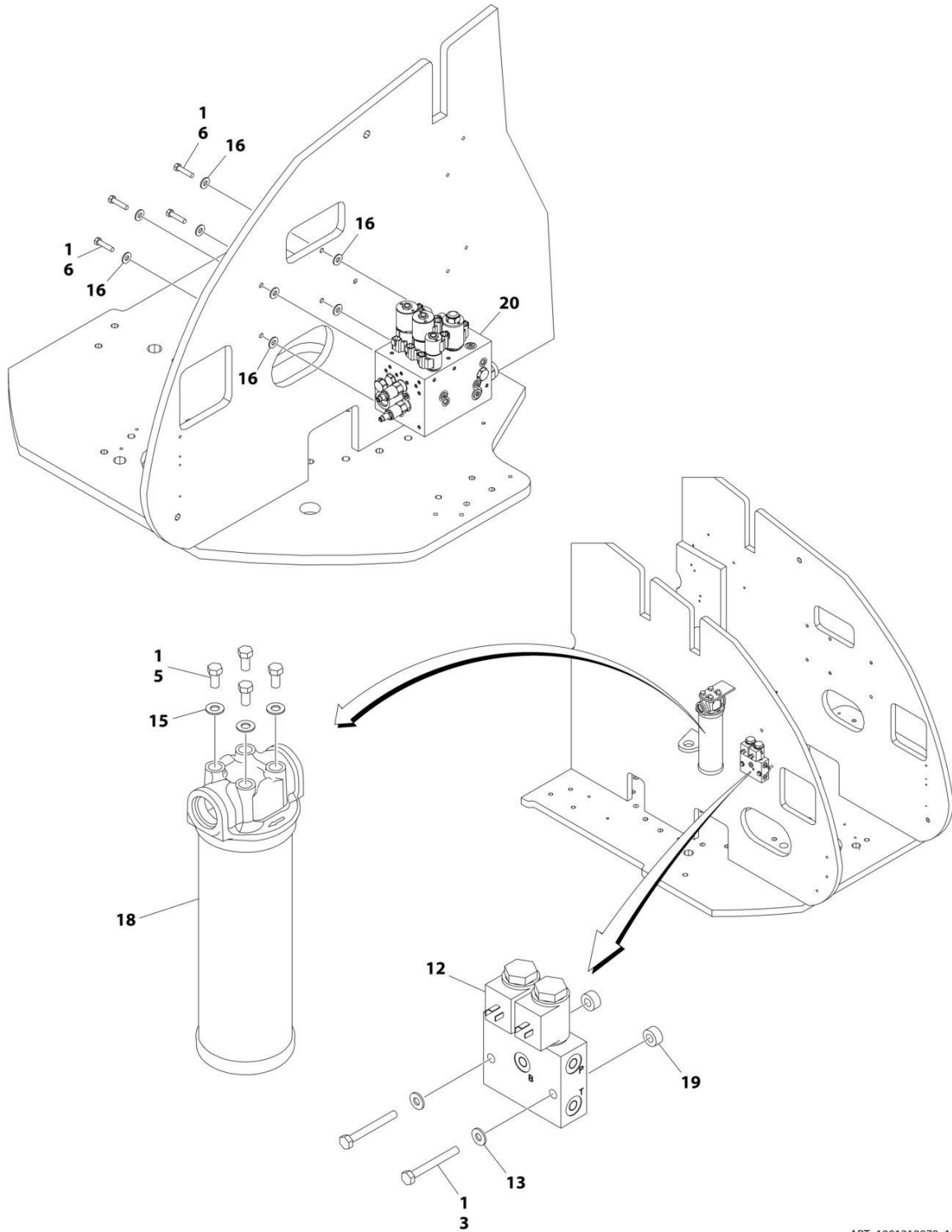
FIGURE 1-26. TOW BAR ASSEMBLY

ITEM	PART NUMBER	QTY	DESCRIPTION	REV
	0270528	Ref	TOW BAR ASSEMBLY	B
1	0100011	AR	Compound, Locking	
2	0362910	1	Pintle, Draw Eye	
3	0642010	4	Bolt 5/8 x 1-1/4	
4	0721004	2	Screw, Hex Machine	
5	0741607	24	Screw, Countersunk 3/8 x 7/8	
6	1060584	6	Cable, Lanyard	
7	3420372	2	Pin, Cotter	
8	3420447	1	Pin, Towing	
9	3421565	2	Pin, Snap	
10	3422841	2	Pin	
11	3422847	1	Pin	
12	3572009	2	Plate, Slide Stop	
13	3572010	2	Plate, Slide Stop	
14	3572011	2	Plate, Slide Stop	
15	3572012	2	Plate, Slide Stop	
16	3760170	8	Ring, Split	
17	4568133	1	Tube, Tow Bar	
18	4740036	1	Washer	
19	4751000	2	Washer #10	
20	4846295	1	Tow Bar Attach Weldment	
21	4846296	1	Pintle Attach Weldment	

SECTION 2 - TURNTABLE

SECTION 2 - TURNTABLE

FIGURE 2-1. CONTROL VALVES INSTALLATION (800S)



ART_1001219979_10F2

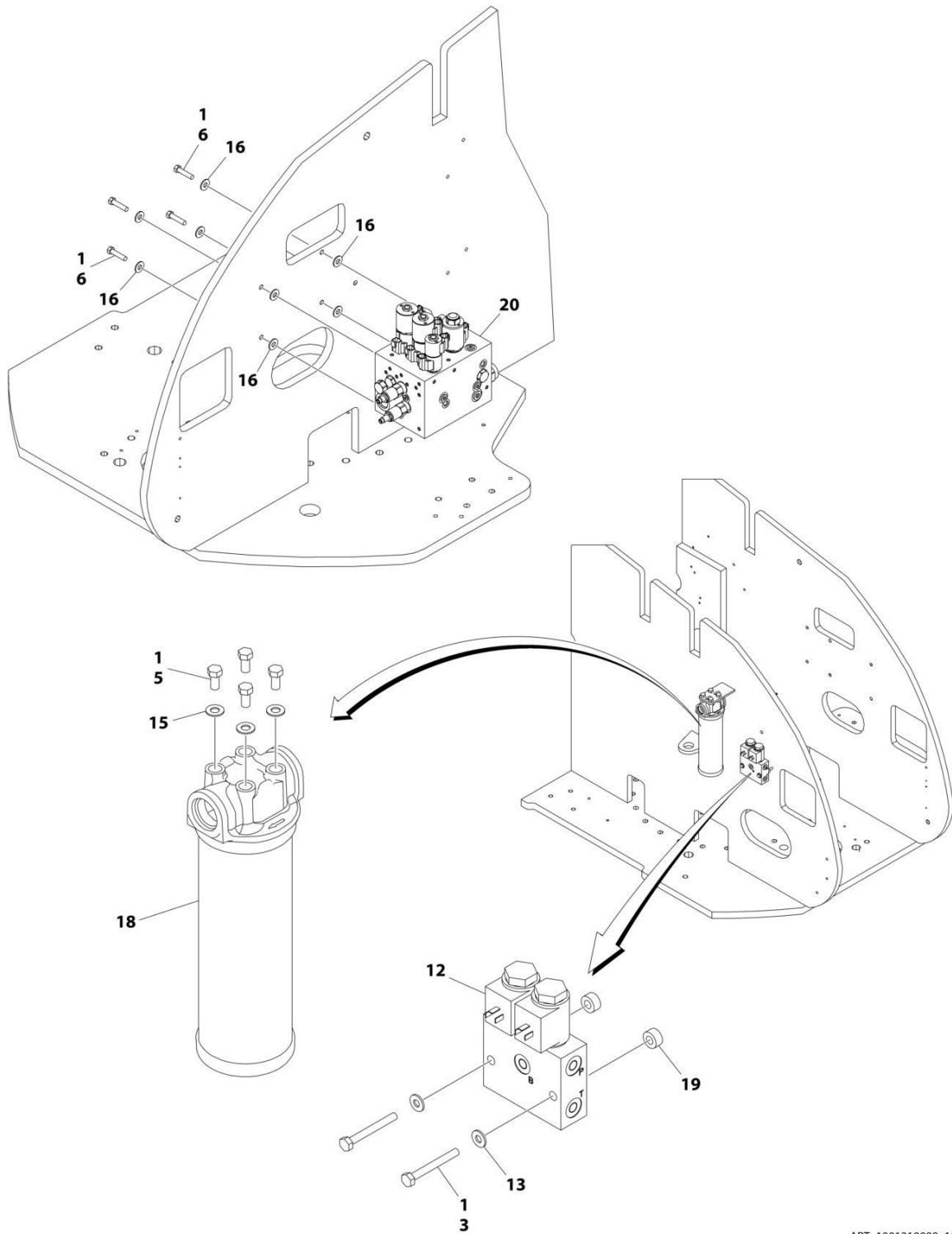
SECTION 2 - TURNTABLE

FIGURE 2-1. CONTROL VALVES INSTALLATION (800S)

ITEM	PART NUMBER	QTY	DESCRIPTION	REV
	1001219979	Ref	VALVES INSTALLATION	B
1	0100011	AR	Compound, Locking	
3	0641418	2	Bolt 1/4 x 2-1/4	
5	0641606	4	Bolt 3/8 x 3/4	
6	0641613	4	Bolt 3/8 x 1-5/8	
12	4641317	1	Dual Select Valve Assembly	C
12	7012944	2	Coil	
12	7012941	2	Cartridge Less Coil	
12	7010543	2	Seal Kit - 7012941 Valve (1 Per Cartridge)	
13	4711400	2	Washer 1/4	
15	4711600	4	Washer 3/8	
16	4751600	8	Washer 3/8	
18	1001108617	AR	Hydraulic Filter Assembly	
18	70002231	1	Element, Filter	
19	1001110425	1	Spacer	
20	1001235900	1	Main Control Valve Assembly (See Separate Breakdown in this Section)	

SECTION 2 - TURNTABLE

FIGURE 2-2. CONTROL VALVES INSTALLATION (860SJ)



ART_1001219980_10F2

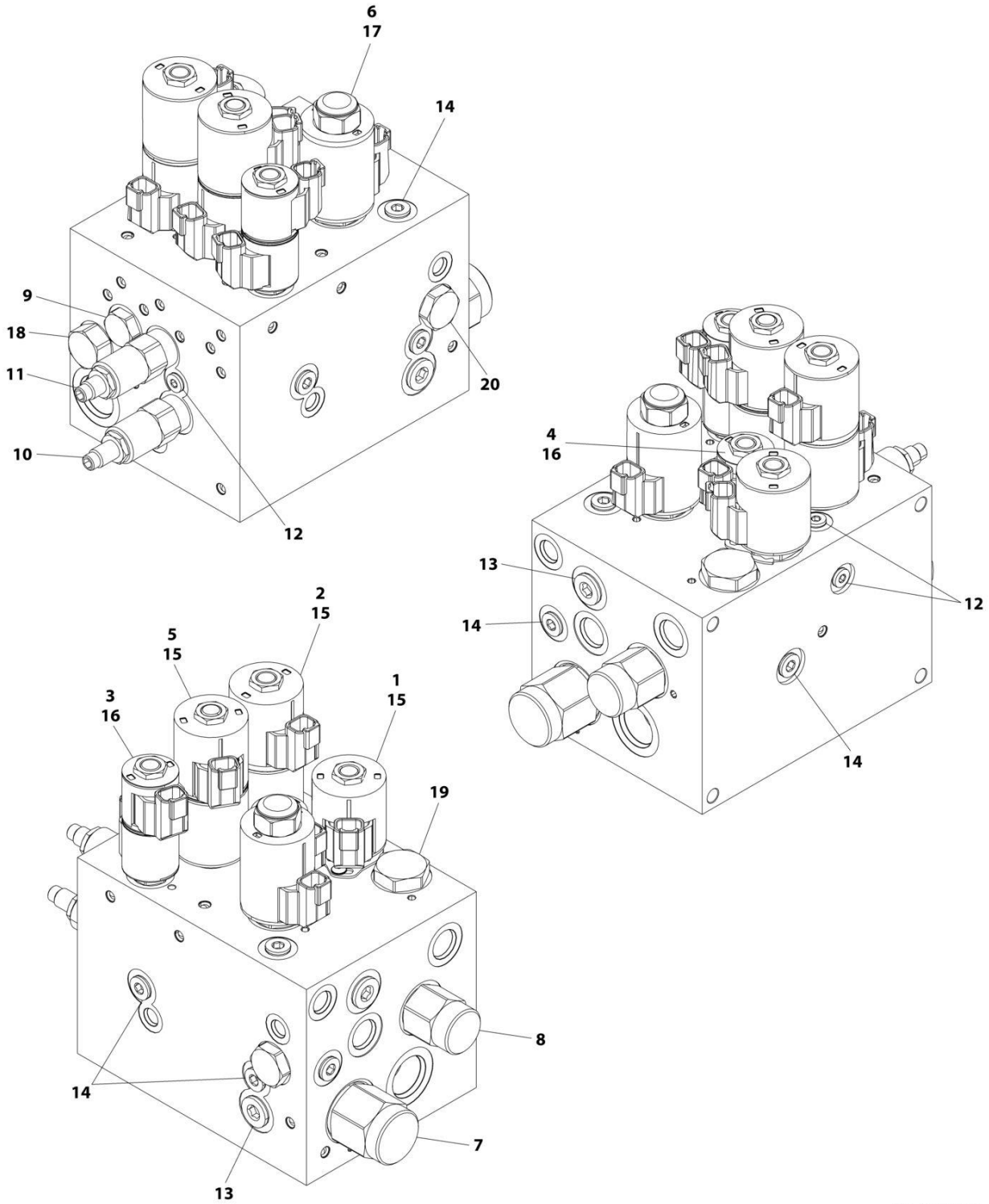
SECTION 2 - TURNTABLE

FIGURE 2-2. CONTROL VALVES INSTALLATION (860SJ)

ITEM	PART NUMBER	QTY	DESCRIPTION	REV
	1001219980	Ref	VALVES INSTALLATION	B
1	0100011	AR	Compound, Locking	
3	0641418	2	Bolt 1/4 x 2-1/4	
5	0641606	4	Bolt 3/8 x 3/4	
6	0641613	4	Bolt 3/8 x 1-5/8	
12	4641317	1	Dual Select Valve Assembly	C
12	7012944	2	Coil	
12	7012941	2	Cartridge Less Coil	
12	7010543	2	Seal Kit - 7012941 Valve (1 Per Cartridge)	
13	4711400	2	Washer 1/4	
15	4711600	4	Washer 3/8	
16	4751600	8	Washer 3/8	
18	1001108617	AR	Hydraulic Filter Assembly	
18	70002231	1	Element, Filter	
19	1001110425	1	Spacer	
20	1001235900	1	Main Control Valve Assembly (See Separate Breakdown in this Section)	

SECTION 2 - TURNTABLE

FIGURE 2-3. MAIN CONTROL VALVE ASSEMBLY



ART_1001235900

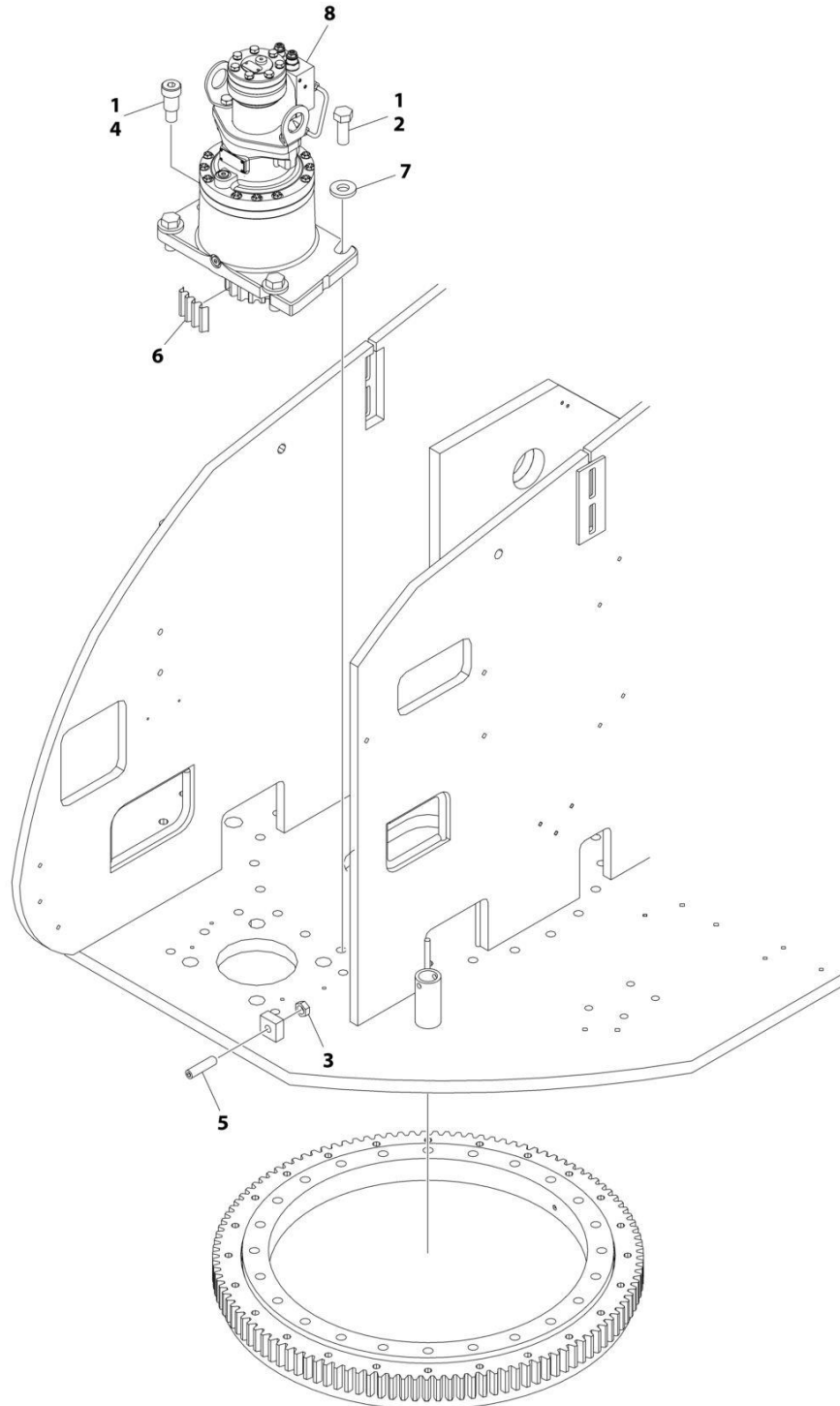
SECTION 2 - TURNTABLE

FIGURE 2-3. MAIN CONTROL VALVE ASSEMBLY

ITEM	PART NUMBER	QTY	DESCRIPTION	REV
	1001235900	Ref	MAIN CONTROL VALVE ASSEMBLY	B
1	70004570	1	Cartridge, Solenoid Valve (Main Dump)	
1	70004571	1	Seal Kit - 70004570 Valve	
1	70005725	1	Lock Down Kit	
2	7023925	1	Cartridge, Solenoid Valve (Steer)	
2	7012903	1	Seal Kit - 7023925 Valve	
3	7017452	1	Cartridge, Solenoid Valve (Tele)	
3	7017402	1	Seal Kit - 7017452 Valve	
4	7021612	1	Cartridge, Solenoid Valve (Lift)	
4	7012907	1	Seal Kit - 7021612 Valve	
5	70003022	1	Cartridge, Solenoid Valve (Swing)	
5	7012903	1	Seal Kit - 70003022 Valve	
6	70004572	1	Cartridge, Solenoid Valve (Tele)	
6	70004573	1	Seal Kit - 70004572 Valve	
7	70004574	1	Cartridge, Valve	
7	70004575	1	Seal Kit - 70004574 Valve	
8	70004576	1	Cartridge, Valve	
8	70004577	1	Seal Kit - 70004576 Valve	
9	10837580	1	Cartridge, Valve	
9	7010543	1	Seal Kit - 10837580 Valve	
10	7017422	1	Cartridge, Valve	
10	7012998	1	Seal Kit - 7017422 Valve	
11	70004578	1	Cartridge, Valve	
11	7021653	1	Seal Kit - 70004578 Valve	
12	91164059	3	Plug, #4	
13	91164057	3	Plug, #8	
14	91164079	6	Plug, #6	
15	70003788	5	Coil	
16	70002386	3	Coil	
17	70003789	1	Coil	
18	70004579	1	Cartridge, Valve	
18	70004580	1	Seal Kit - 70004579 Valve	
19	70004581	1	Cartridge, Valve	
19	70004571	1	Seal Kit - 70004581 Valve	
20	7023985	1	Cartridge, Valve	
20	7017496	1	Seal Kit - 7023985 Valve	

SECTION 2 - TURNTABLE

FIGURE 2-4. SWING DRIVE INSTALLATION



ART_1001094899

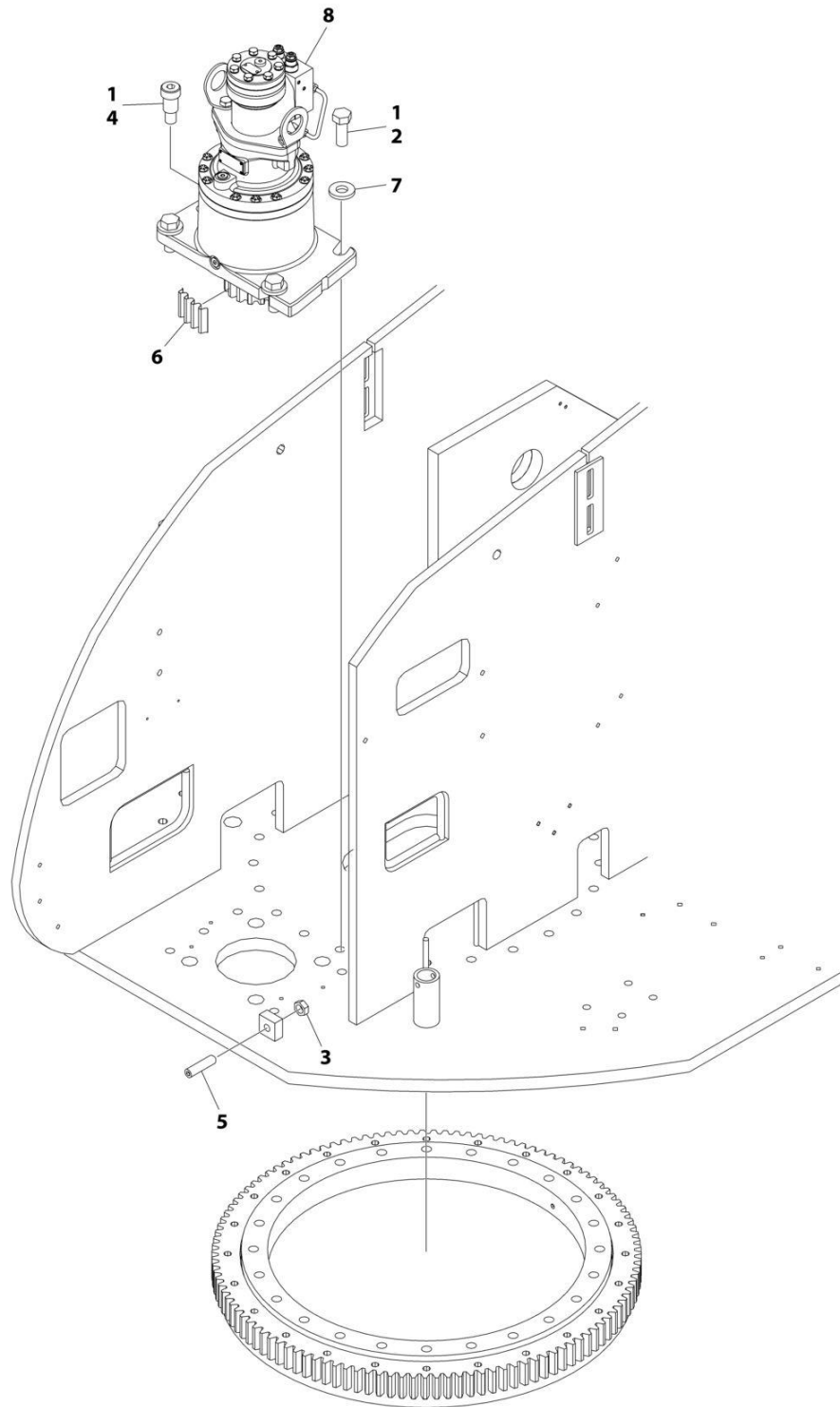
SECTION 2 - TURNTABLE

FIGURE 2-4. SWING DRIVE INSTALLATION

ITEM	PART NUMBER	QTY	DESCRIPTION	REV
	1001094899	Ref	SWING DRIVE INSTALLATION	E
1	0100019	AR	Compound, Locking	
2	0682216	4	Bolt 3/4 x 2 Grade 8	
3	3312002	1	Nut, Jam 3/4	
4	3900293	1	Bolt, Shoulder	
5	3952020	2	Setscrew 5/8 x 2-1/2	
6	1001125492	1	Shim	
7	4740057	4	Washer 3/4 Hardened	
8	1001229810	1	Swing Motor/Swing Hub Assembly (See Separate Breakdown in this Section)	

SECTION 2 - TURNTABLE

FIGURE 2-5. SWING DRIVE INSTALLATION (SN B300025209 to Present, SN 0300315049 to Present, SN B300025139 through B300025140)



ART_1001094899_F

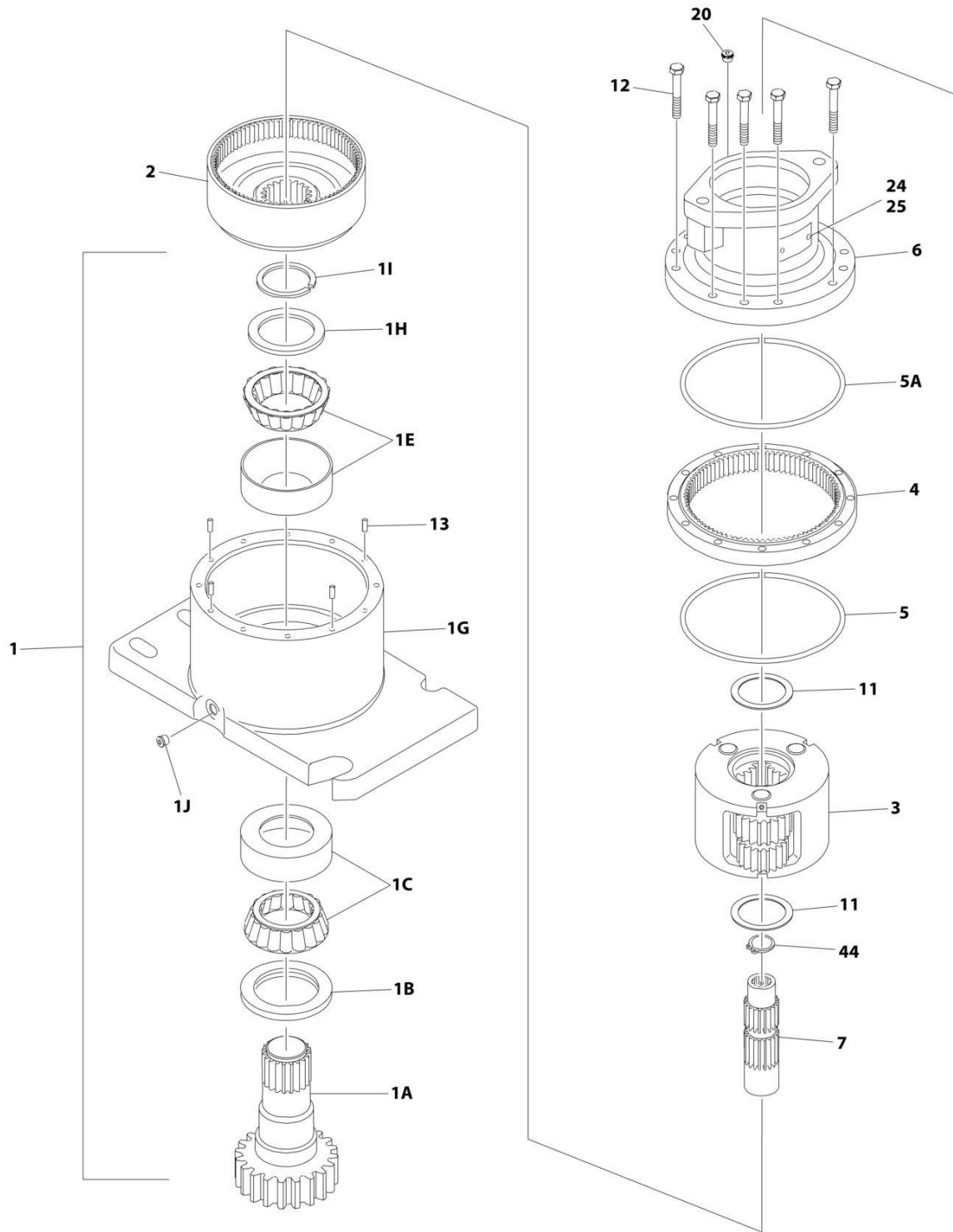
SECTION 2 - TURNTABLE

FIGURE 2-5. SWING DRIVE INSTALLATION (SN B300025209 to Present, SN 0300315049 to Present, SN B300025139 through B300025140)

ITEM	PART NUMBER	QTY	DESCRIPTION	REV
	1001094899	Ref	SWING DRIVE INSTALLATION	F
1	0100019	AR	Compound, Locking	
2	0682216	4	Bolt 3/4 x 2 Grade 8	
3	3312002	1	Nut, Jam 3/4	
4	3900293	1	Bolt, Shoulder	
5	3952020	2	Setscrew 5/8 x 2-1/2	
6	1001125492	1	Shim	
7	4740057	4	Washer 3/4 Hardened	
8	1001306803	1	Swing Motor/Swing Hub Assembly (See Separate Breakdown in this Section)	

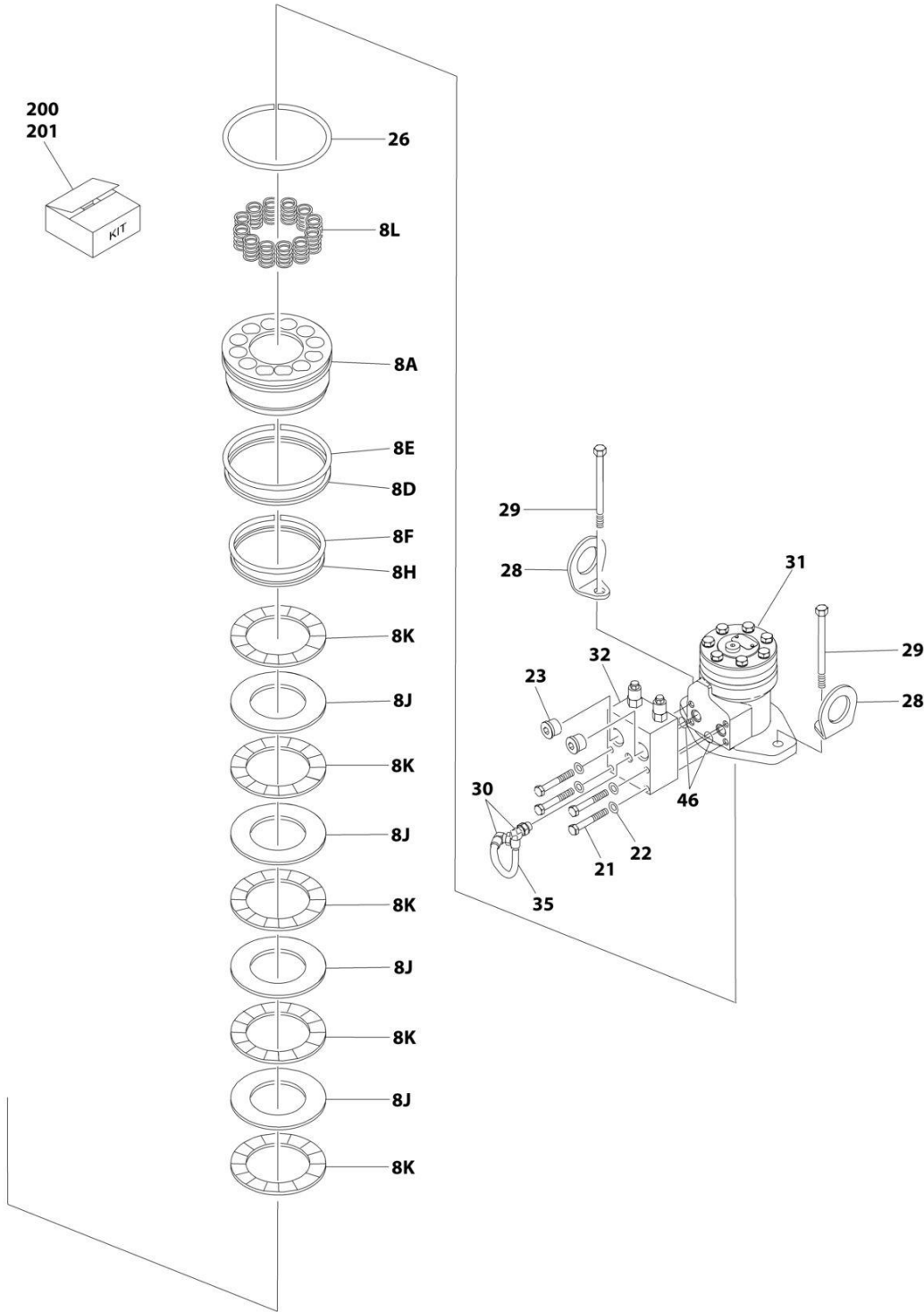
SECTION 2 - TURNTABLE

FIGURE 2-6. SWING MOTOR/HUB ASSEMBLY



ART_1001229810_10F2

SECTION 2 - TURNTABLE



ART_1001229810_20F2

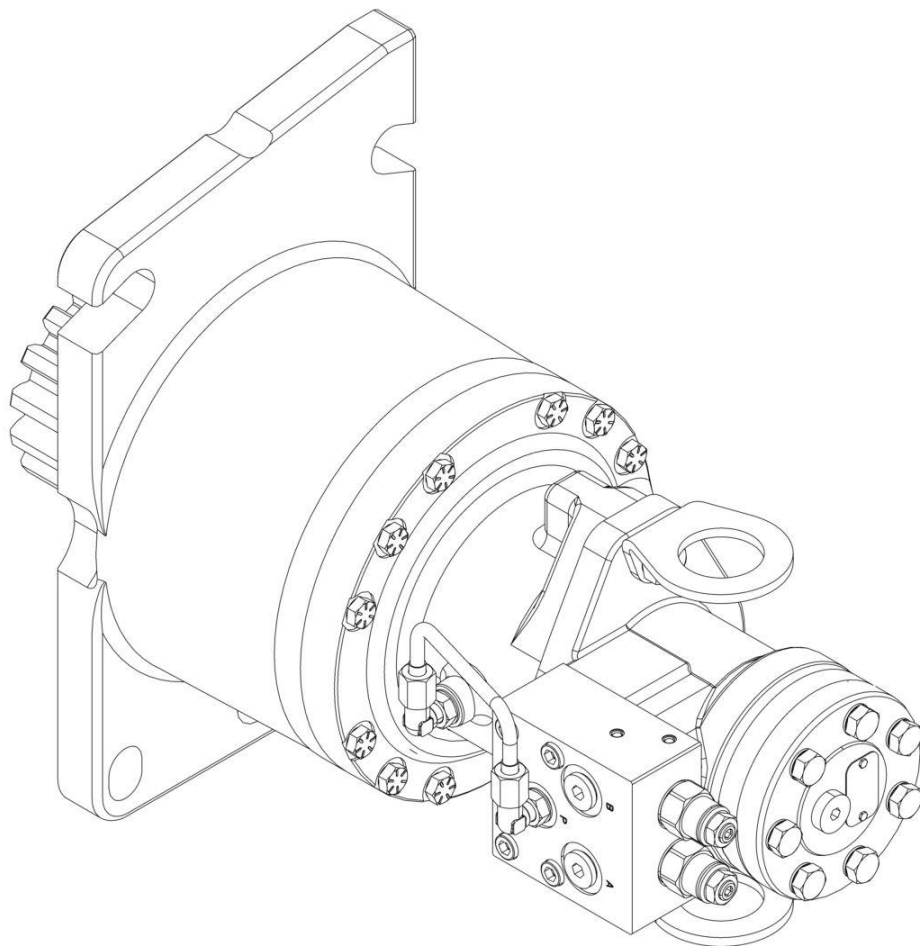
SECTION 2 - TURNTABLE

FIGURE 2-6. SWING MOTOR/HUB ASSEMBLY

ITEM	PART NUMBER	QTY	DESCRIPTION	REV
	1001229810	Ref	SWING MOTOR/HUB ASSEMBLY	C
1	See Note	1	Housing/Shaft Assembly (Note: Not Available - Purchase Individual Components)	
1A	7010492	1	Shaft, Output	
1B	7000228	1	Seal, Lip	
1C	7000255	1	Bearing Kit (Includes Cup and Cone)	
1E	7000257	1	Bearing Kit (Includes Cup and Cone)	
1G	7024762	1	Housing	
1H	7007633	1	Washer, Thrust	
1I	7000229	1	Ring, Retaining	
1J	7017072	1	Plug, Pipe	
2	7000246	1	Gear, Internal	
3	7000247	1	Carrier Assembly	
4	7000248	1	Gear, Ring	
5	7000230	1	O-Ring	
5A	7017070	1	O-Ring	
6	1001229810	NSS	Housing, Brake (Note: Not Available - Purchase Complete Assembly)	
7	70005203	1	Gear, Sun	
8A	70004037	1	Piston	
8D	70004041	1	O-Ring	
8E	70004044	1	Ring, Back-up	
8F	70004042	1	O-Ring	
8H	70004043	1	Ring, Back-up	
8J	70002085	4	Disc, Rotor	
8K	70002085	5	Disc, Stator	
8L	70002066	14	Spring	
11	7000253	2	Washer, Thrust	
12	7000217	12	Bolt 3/8 x 2-1/4 Grade 8	
13	7017080	4	Pin, Dowel	
20	7017072	1	Plug, Pipe	
21	7024704	4	Bolt 5/16 x 2 Grade 8	
22	70004045	4	Washer	
23	7017023	2	Plug, Pipe	
24	See Note	NSS	Plate, ID (Note: Not Available for Purchase)	
25	See Note	NSS	Rivet (Note: Not Available for Purchase)	
26	7024763	1	O-Ring	
28	See Note	NSS	Lug, Lifting (Note: Not Available for Purchase)	
29	70004040	2	Bolt 1/2 x 1 (Grade 8)	
30	7017085	2	Elbow	
31	70006304	1	Motor Assembly	
32	7024784	1	Valve Assembly - Complete (No Serviceable Parts)	
35	70004047	1	Tube	
44	7017028	1	Ring, Internal Retaining	
45	7000213	2	O-Ring	
		Ref	KIT OPTIONS:	
200	7024100	1	Seal Kit - Swing Hub (Includes Items 1B, 1I, 5, 5A & 11)	
201	70002085	1	Disc Kit - Swing Brake (Includes Items 8J & 8K)	

SECTION 2 - TURNTABLE

FIGURE 2-7. SWING MOTOR/HUB ASSEMBLY (Prior to SN B300025209, Prior to SN 0300315049, Except SN B300025139 through B300025140)



ART_1001306803

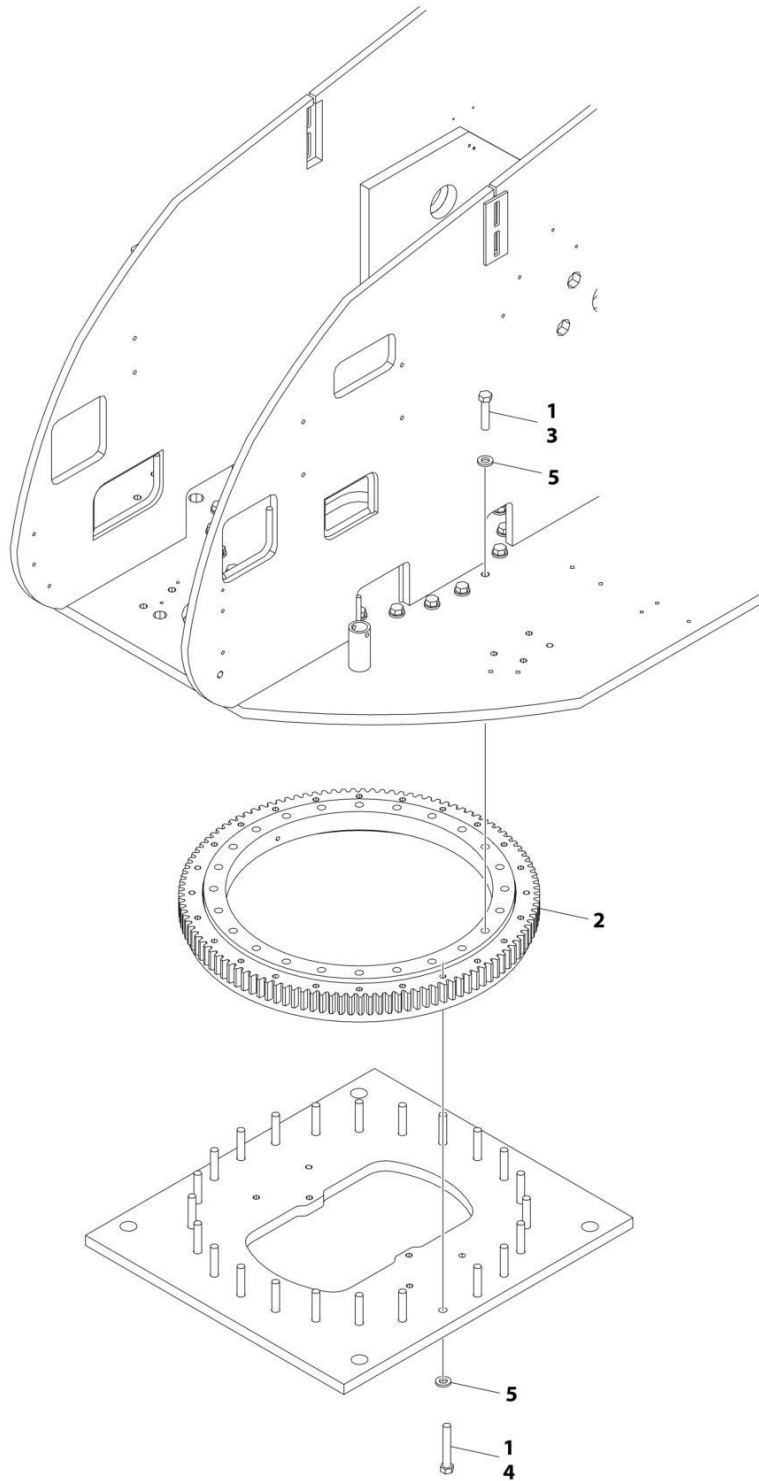
SECTION 2 - TURNTABLE

FIGURE 2-7. SWING MOTOR/HUB ASSEMBLY (Prior to SN B300025209, Prior to SN 0300315049, Except SN B300025139 through B300025140)

ITEM	PART NUMBER	QTY	DESCRIPTION	REV
	1001306803 See Note	Ref NSS	SWING MOTOR/HUB ASSEMBLY Note: No Service Parts Available at Time of Printing	A

SECTION 2 - TURNTABLE

FIGURE 2-8. TURNTABLE BEARING INSTALLATION (ALL SPECS EXCEPT CHINA SPECS)



ART_0271002

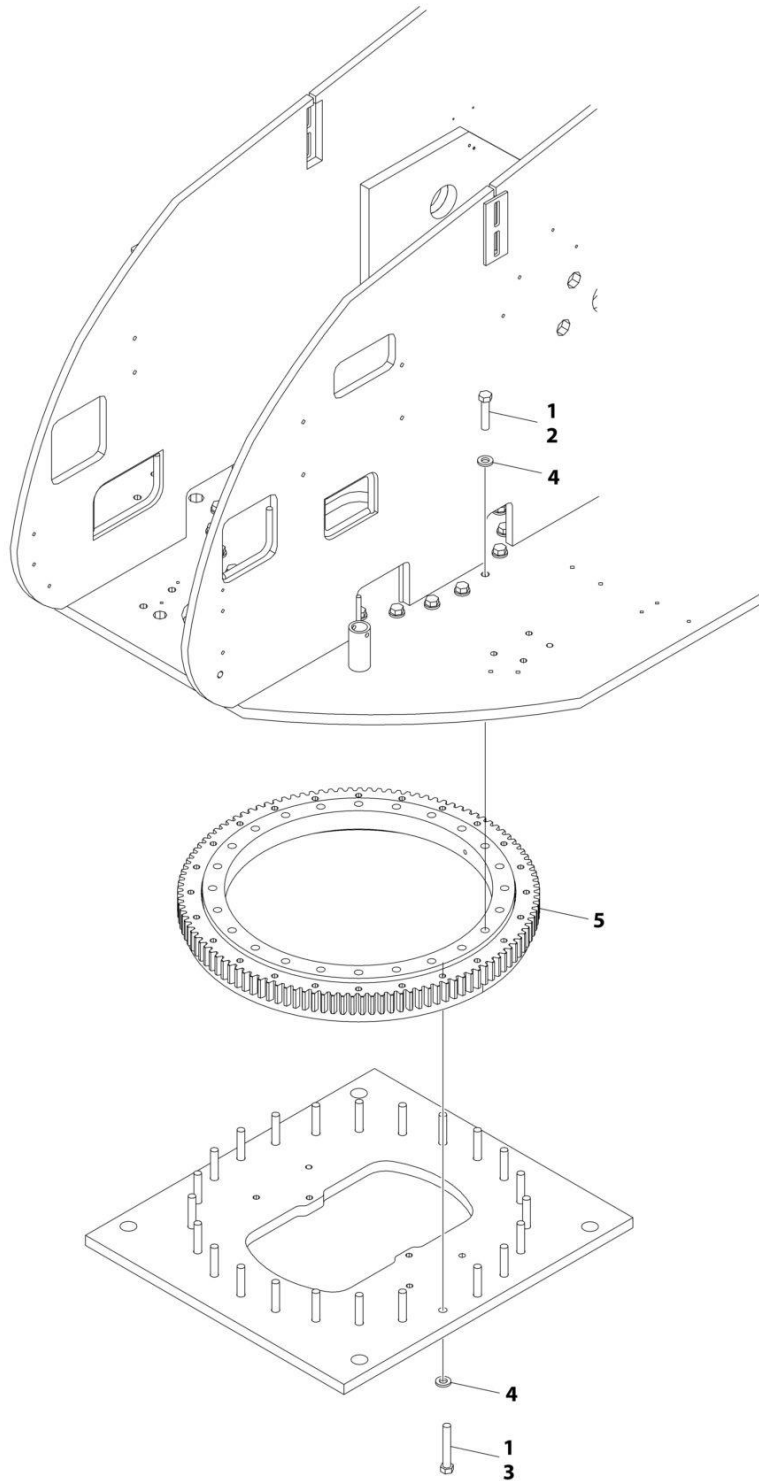
SECTION 2 - TURNTABLE

FIGURE 2-8. TURNTABLE BEARING INSTALLATION (ALL SPECS EXCEPT CHINA SPECS)

ITEM	PART NUMBER	QTY	DESCRIPTION	REV
	0271002	Ref	TURNTABLE BEARING INSTALLATION	E
1	0100019	AR	Compound, Locking	
2	0440244	1	Bearing, Turntable	
3	0682023	24	Bolt 5/8 x 2-7/8 Grade 8	
4	0682032	24	Bolt 5/8 x 4 Grade 8	
5	4892000	48	Washer, 5/8 Hardened	

SECTION 2 - TURNTABLE

FIGURE 2-9. TURNTABLE BEARING INSTALLATION (CHINA SPECS)



ART_1001287730

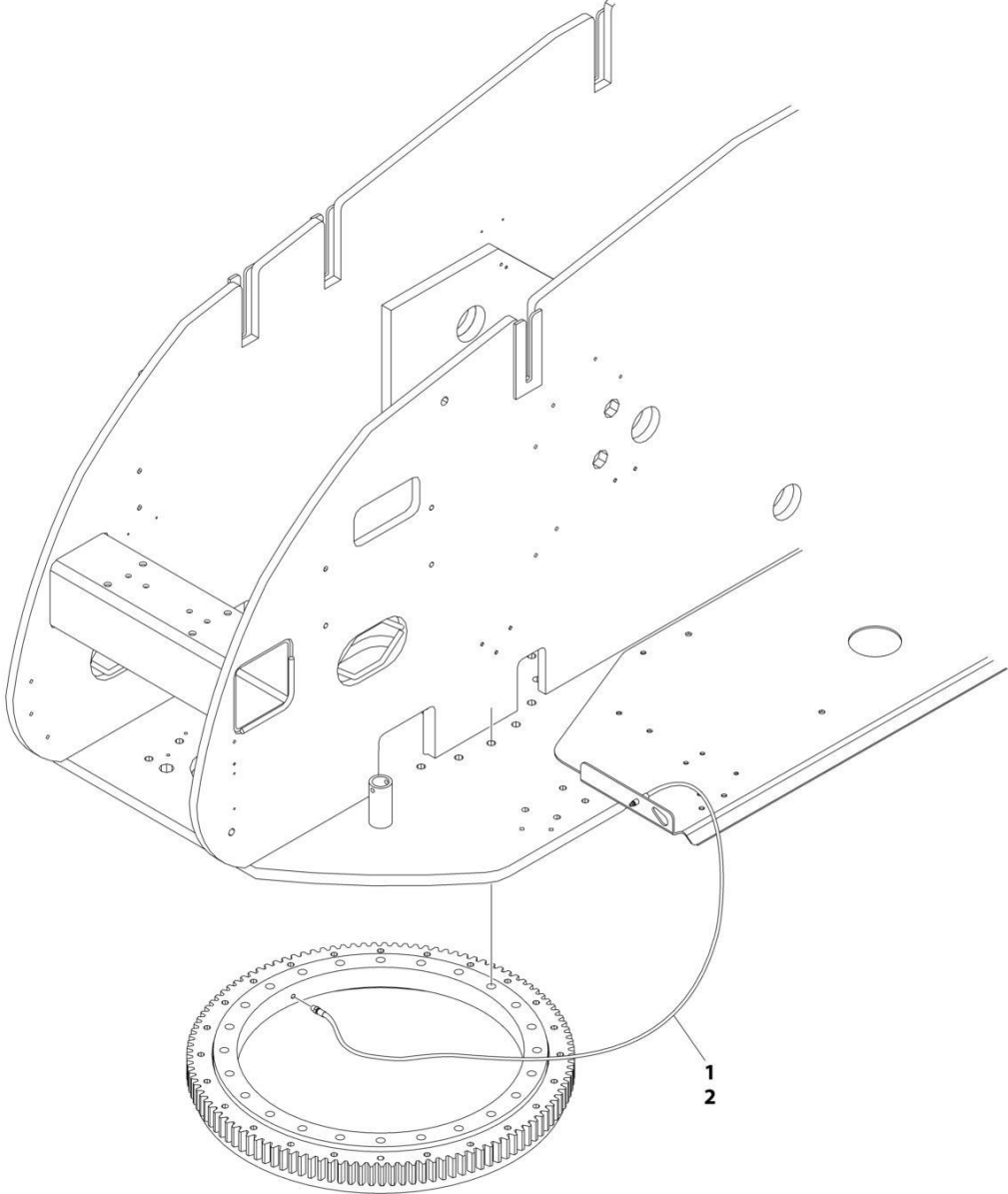
SECTION 2 - TURNTABLE

FIGURE 2-9. TURNTABLE BEARING INSTALLATION (CHINA SPECS)

ITEM	PART NUMBER	QTY	DESCRIPTION	REV
	1001287730	Ref	TURNTABLE BEARING INSTALLATION	A
1	0100019	AR	Compound, Locking	
2	0682023	24	Bolt 5/8 x 2-7/8	
3	0682032	24	Bolt 5/8 x 4	
4	4892000	48	Washer 5/8	
5	1001287729	1	Bearing, Turntable	

SECTION 2 - TURNTABLE

FIGURE 2-10. REMOTE BEARING LUBE INSTALLATION



ART_1001161076

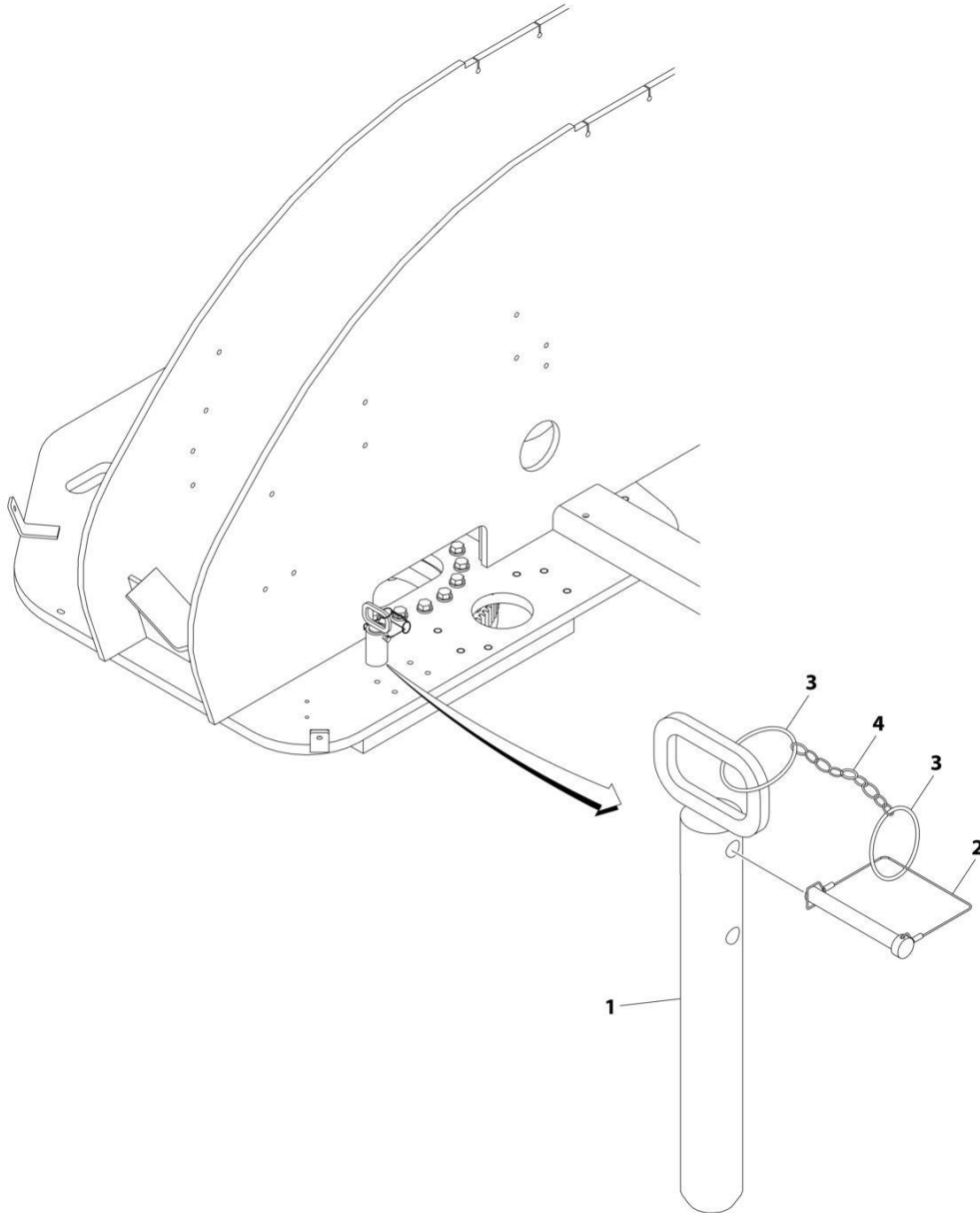
SECTION 2 - TURNTABLE

FIGURE 2-10. REMOTE BEARING LUBE INSTALLATION

ITEM	PART NUMBER	QTY	DESCRIPTION	REV
	1001161076	Ref	REMOTE BEARING LUBE INSTALLATION	B
1	0100011	AR	Compound, Locking	
2	1001188125	1	Hose and Fitting Assembly	

SECTION 2 - TURNTABLE

FIGURE 2-11. TURNTABLE LOCK INSTALLATION



ART_0259147

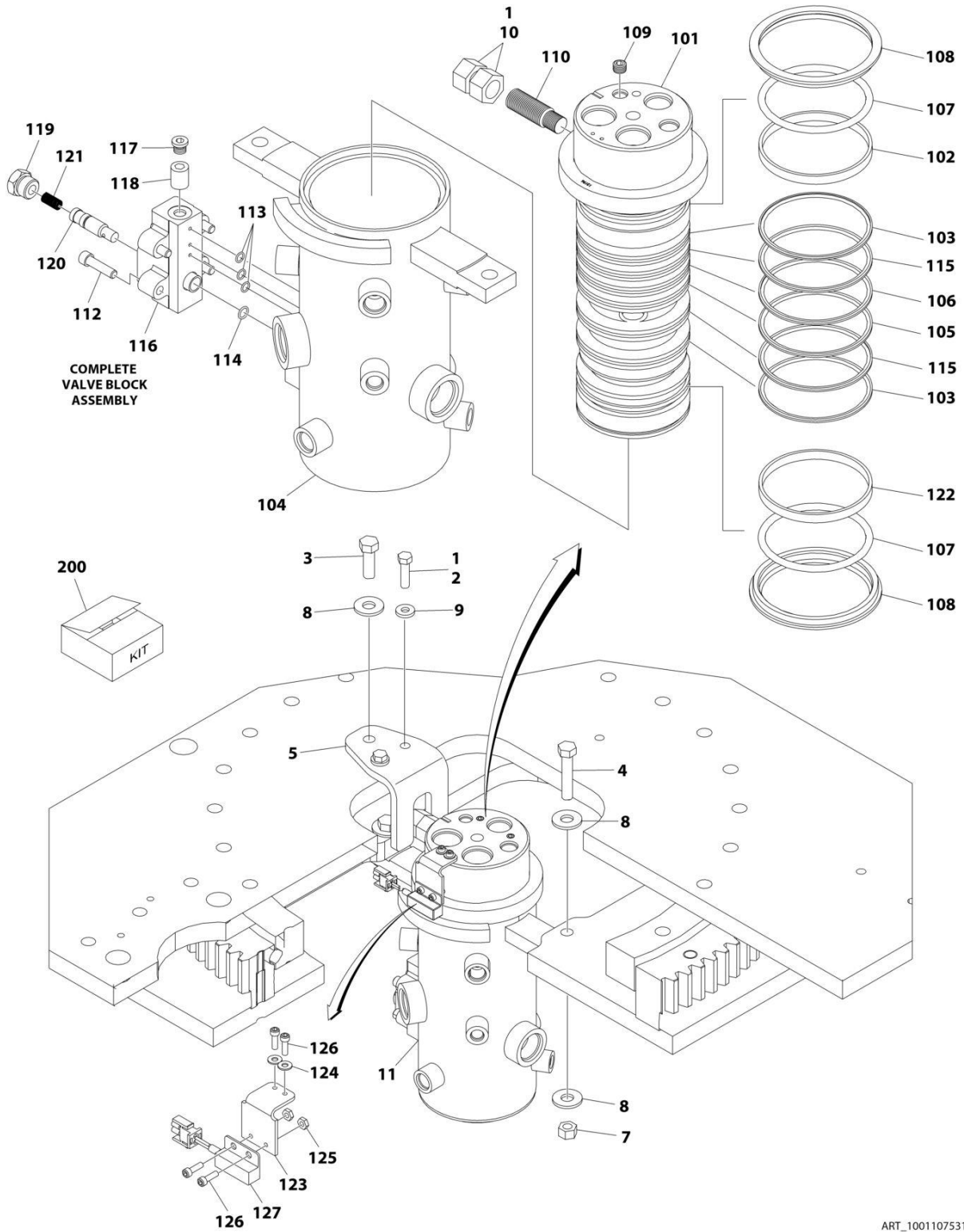
SECTION 2 - TURNTABLE

FIGURE 2-11. TURNTABLE LOCK INSTALLATION

ITEM	PART NUMBER	QTY	DESCRIPTION	REV
	0259147	Ref	TURNTABLE LOCK INSTALLATION	B
1	4844958	1	Pin	
2	3421565	1	Pin, Snap	
3	3760170	2	Ring, Quick Release	
4	1260017	9 in/ 23cm	Chain	

SECTION 2 - TURNTABLE

FIGURE 2-12. ROTARY COUPLING INSTALLATION



ART_1001107531

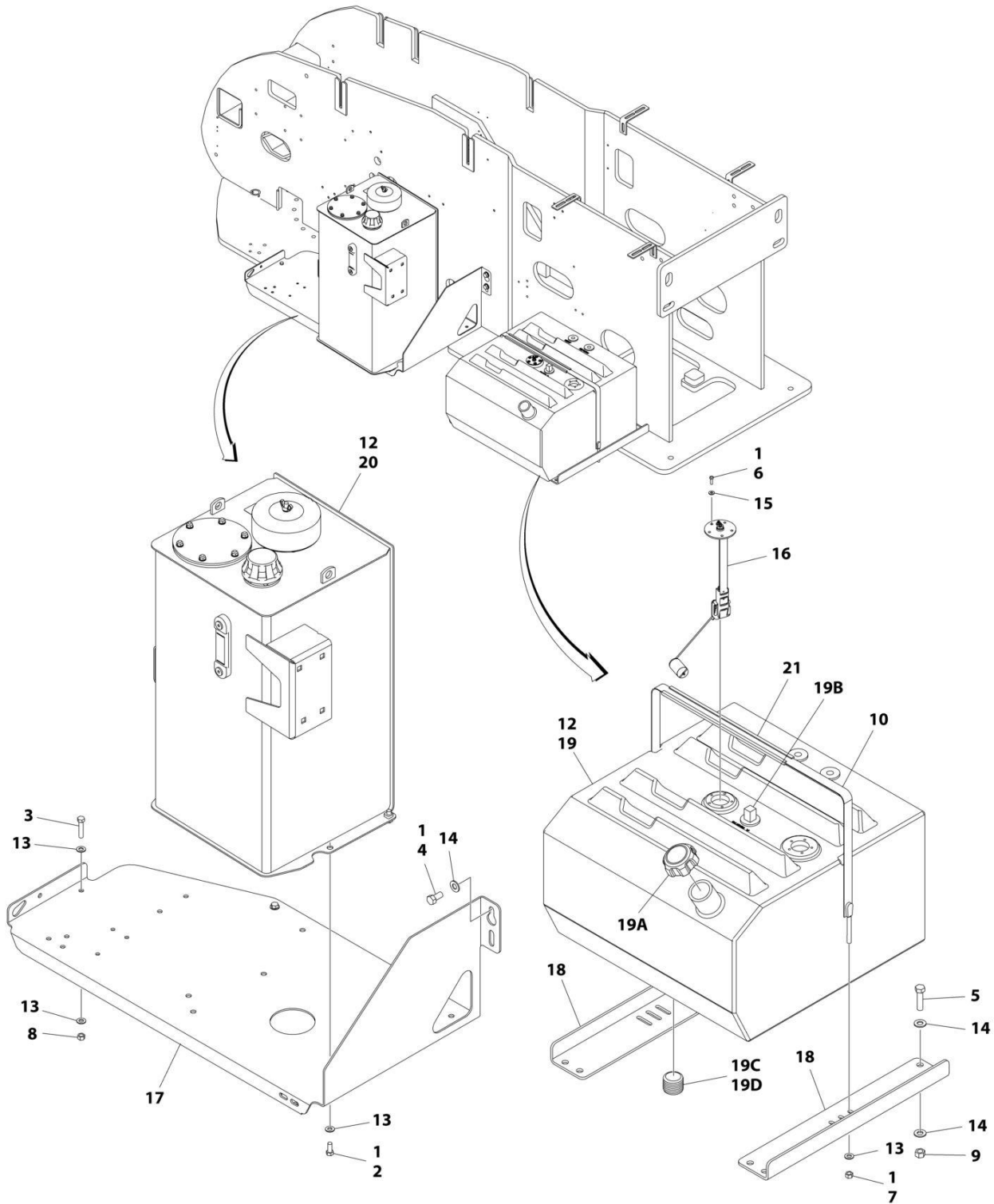
SECTION 2 - TURNTABLE

FIGURE 2-12. ROTARY COUPLING INSTALLATION

ITEM	PART NUMBER	QTY	DESCRIPTION	REV
	1001107531	Ref	ROTARY COUPLING INSTALLATION	A
1	0100011	AR	Compound, Locking	
2	0641611	2	Bolt 3/8 x 1-3/8	
3	0641812	1	Bolt 1/2 x 1-1/2	
4	0641820	2	Bolt 1/2 x 2-1/2	
5	0903242	1	Bracket	
7	3271805	2	Nut 1/2	
8	4751800	5	Washer 1/2 Regular	
9	4891600	2	Washer 3/8 Hardened	
10	3322201	2	Nut 3/4	
11	1001106974	1	Coupling, Rotary (See Items 101-128 for Breakdown)	
	1001106974	Ref	ROTARY COUPLING ASSEMBLY	B
101	1001106974	1	Body (Note: Not Available - Purchase Complete Assembly)	
102	70001248	1	Seal, Poly	
103	70001248	2	O-Ring/Seal	
104	See Note	NSS	Housing (Note: Not Available - Purchase Complete Assembly)	
105	70001248	6	Seal, Cap	
106	70001248	6	O-Ring	
107	7026503	2	Ring, Thrust	
108	7026504	2	Ring, Retaining	
109	80934561	2	Plug	
110	See Note	NSS	Lug, Torque (Note: Not Available for Purchase)	
112	7026197	4	Capscrew	
113	70001248	3	O-Ring	
114	70001248	1	O-Ring	
115	70001248	2	Bearing	
116	7024404	1	Block Valve Assembly	
117	7026505	1	Plug	
118	7026506	1	Valve, Check	
119	7026507	1	Plug	
120	7024404	1	Plunger, Valve (Note: Not Available for Purchase)	
121	7026509	1	Spring	
122	70001248	1	Seal, Oil	
123	70003454	1	Bracket, Switch Mounting	
124	4711000	4	Washer #10	
125	See Note	NSS	Nut 1/4 (Note: Not Available for Purchase)	
126	See Note	NSS	Capscrew 1/4 (Note: Not Available for Purchase)	
127	4360517	1	Switch, Proximity	
128	See Note	AR	Protective Netting (Not Shown) (Note: Not Available for Purchase)	
200	70001248	Ref	Seal Kit - (Includes Items 102, 103, 105, 106, 113, 114, 115 & 122)	

SECTION 2 - TURNTABLE

FIGURE 2-13. TANK INSTALLATION - GAS ENGINES (HELGESEN 25 GAL HYDRAULIC TANK WITH 6IN DIA BREATHER)



ART_1001178210

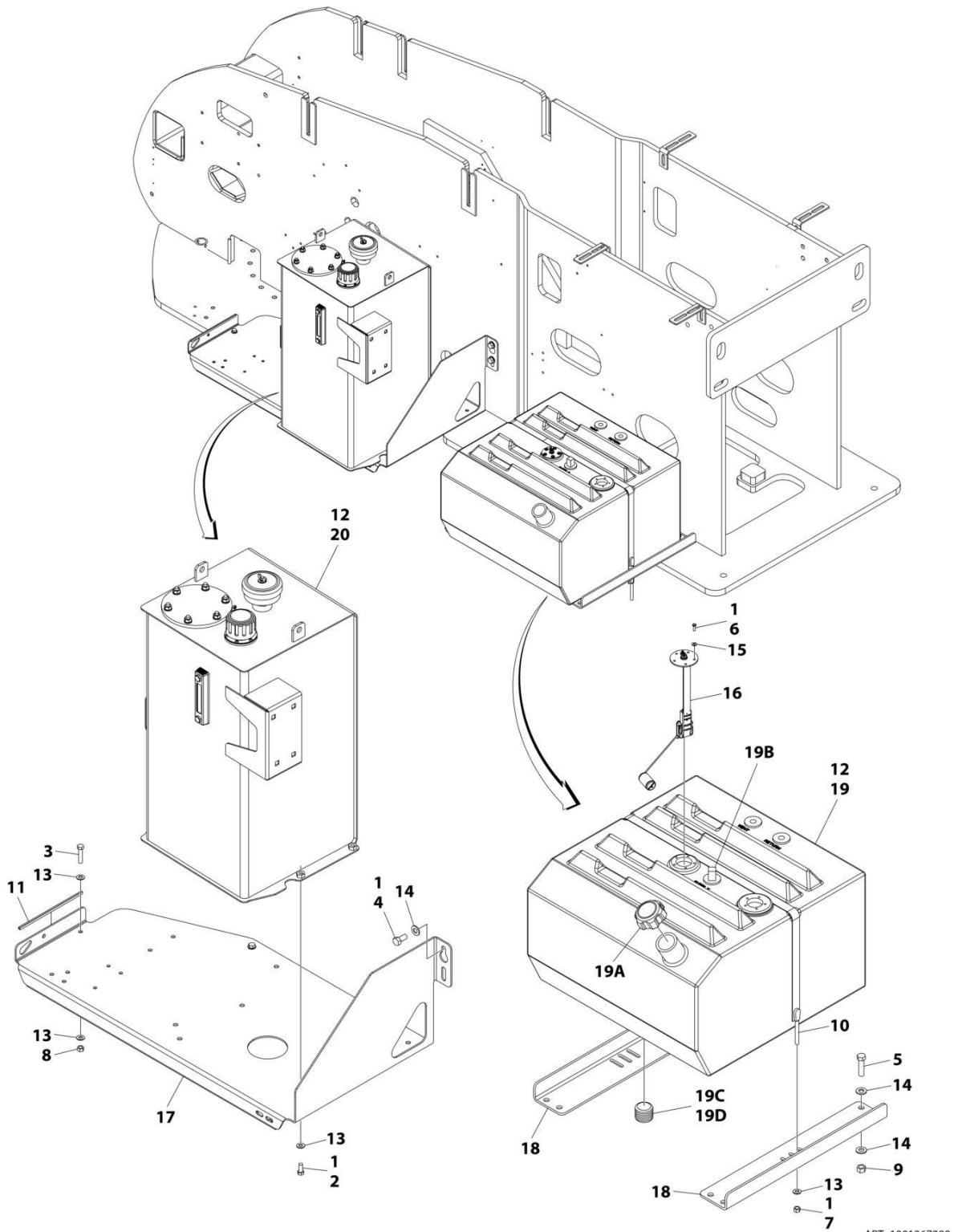
SECTION 2 - TURNTABLE

FIGURE 2-13. TANK INSTALLATION - GAS ENGINES (HELGESEN 25 GAL HYDRAULIC TANK WITH 6IN DIA BREATHER)

ITEM	PART NUMBER	QTY	DESCRIPTION	REV
	1001178210	Ref	TANKS INSTALLATION – GAS ENGINES	D
1	0100011	AR	Compound, Locking	
2	0641607	4	Bolt 3/8 x 7/8	
3	0641614	2	Bolt 3/8 x 1-3/4	
4	0641808	2	Bolt 1/2 x 1	
5	0641816	4	Bolt 1/2 x 2	
6	0731005	5	Capscrew #10 x 5/8	
7	3311601	2	Nut 3/8	
8	3311605	2	Nut 3/8	
9	3311805	4	Nut 1/2	
10	4240139	1	Strap, Tank Mounting	
12	4420038	6 ft/ 1.7m	Tape, Rubber	
13	4711600	10	Washer 3/8	
14	4711800	10	Washer 1/2	
15	4751000	5	Washer #10	
16	1001148607	1	Gauge, Fuel Level	
17	1001156805	1	Tray, Tank	
18	1001157056	2	Mount	
19	1001160559	1	Fuel Tank Assembly	
19A	1001211336	1	Cap	
19B	7020043	1	Tube, Pickup	
19C	2200222	1	Plug	
19D	0100020	AR	Sealant	
20	1001178057	1	Hydraulic Tank Assembly (See Separate Breakdown in this Section)	
21	4060804	9 in/ 23 cm	Flex-Trim	

SECTION 2 - TURNTABLE

FIGURE 2-14. TANK INSTALLATION - GAS ENGINES (JIANGYING 25 GAL HYDRAULIC TANK WITH 4IN DIA BREATHER)



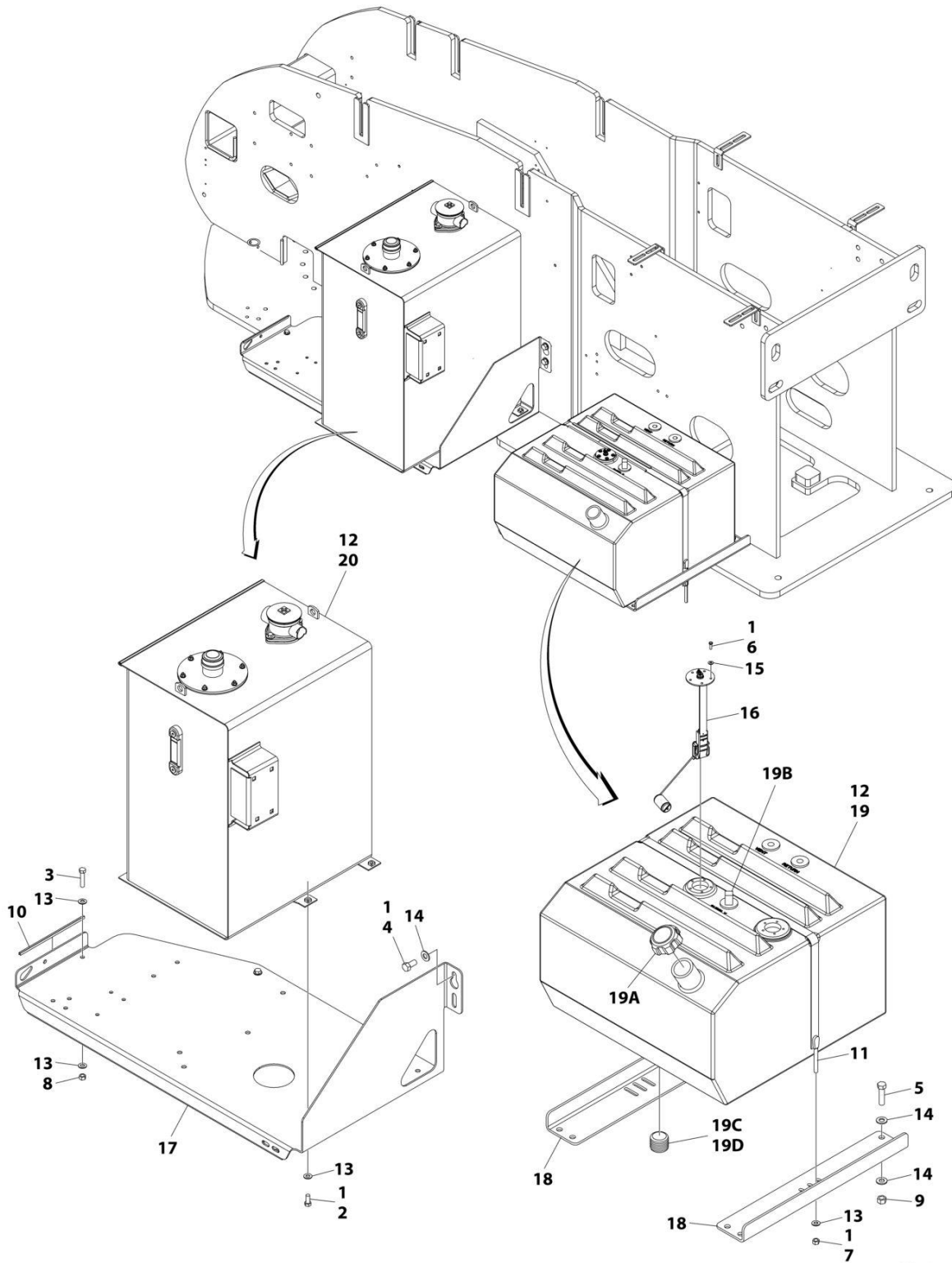
SECTION 2 - TURNTABLE

FIGURE 2-14. TANK INSTALLATION - GAS ENGINES (JIANGYING 25 GAL HYDRAULIC TANK WITH 4IN DIA BREATHER)

ITEM	PART NUMBER	QTY	DESCRIPTION	REV
	1001267288	Ref	TANK INSTALLATION (Machines With SN Starting With B3)	A
1	0100011	AR	Compound, Locking	
2	0641607	4	Bolt 3/8 x 7/8	
3	0641614	2	Bolt 3/8 x 1-3/4	
4	0641808	2	Bolt 1/2 x 1	
5	0641816	4	Bolt 1/2 x 2	
6	0731005	5	Capscrew #10 x 5/8	
7	3311601	2	Nut 3/8	
8	3311605	2	Nut 3/8	
9	3311805	4	Nut 1/2	
10	4240139	1	Strap	
11	4060804	9 in/ 23cm	Flex-Trim	
12	4420038	6 ft/ 1.7m	Tape, Rubber	
13	4711600	10	Washer 3/8	
14	4711800	10	Washer 1/2	
15	4751000	5	Washer #10	
16	1001148607	1	Sensor, Fuel	
17	1001156805	1	Tray, Tank	
18	1001157056	2	Mount	
19	1001160559	1	Fuel Tank	
19A	1001211336	1	Vented Fuel Cap	
19B	7020043	1	Tube, Pickup	
19C	2200222	1	Plug	
19D	0100020	1	Sealant	
20	1001267678	1	Hydraulic Tank Assembly (See Separate Breakdown in this Section)	

SECTION 2 - TURNTABLE

FIGURE 2-15. TANK INSTALLATION - GAS ENGINES (47.8 GAL CAPACITY HYDRAULIC TANK)



ART_1001285830

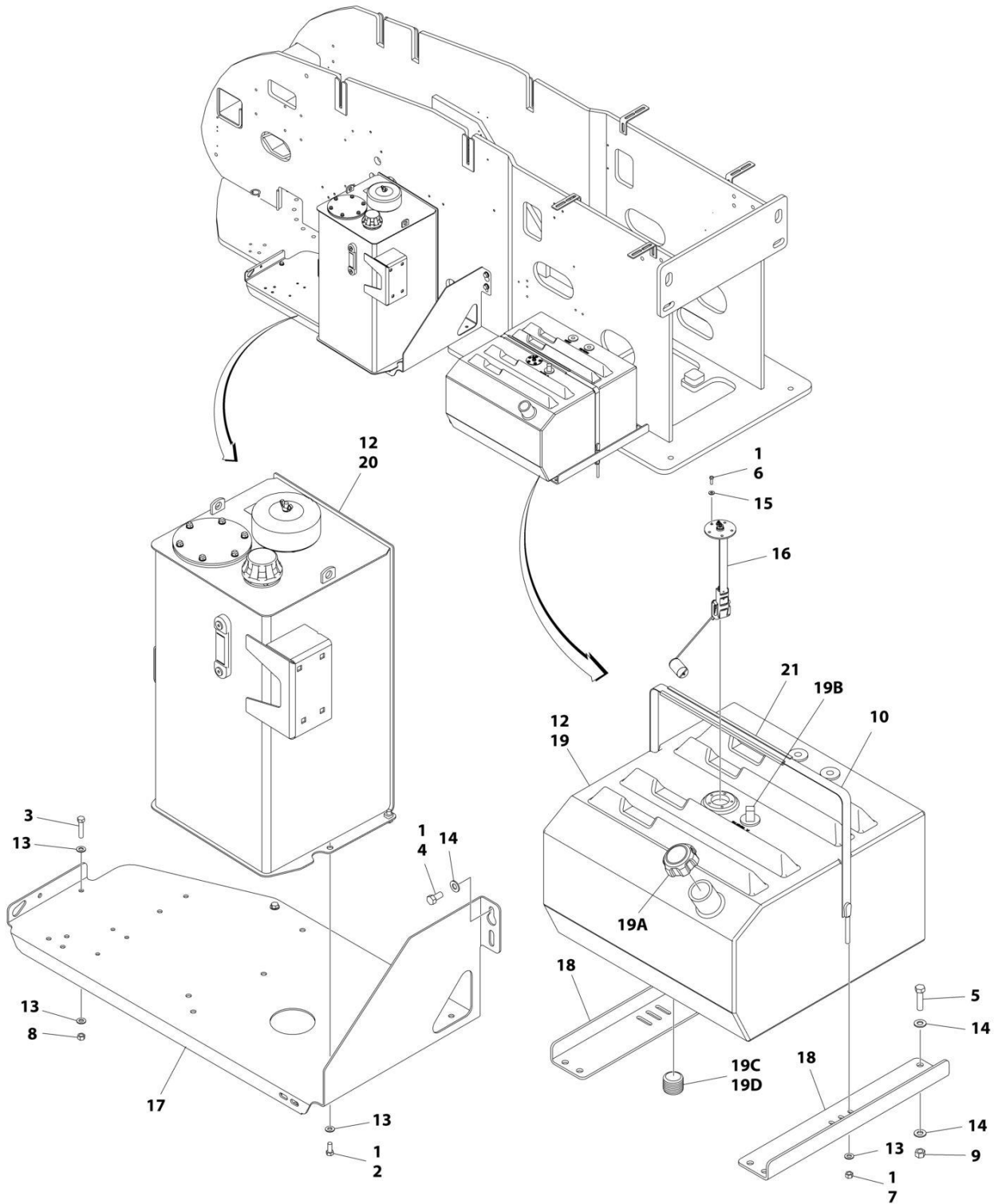
SECTION 2 - TURNTABLE

FIGURE 2-15. TANK INSTALLATION - GAS ENGINES (47.8 GAL CAPACITY HYDRAULIC TANK)

ITEM	PART NUMBER	QTY	DESCRIPTION	REV
	1001285830	Ref	TANK INSTALLATION	B
1	0100011	AR	Compound, Locking	
2	0641607	4	Bolt 3/8 x 7/8	
3	0641614	2	Bolt 3/8 x 1-3/4	
4	0641808	2	Bolt 1/2 x 1	
5	0641816	4	Bolt 1/2 x 2	
6	0731005	5	Capscrew #10 x 5/8	
7	3311601	2	Nut 3/8	
8	3311605	2	Nut 3/8	
9	3311805	4	Nut 1/2	
10	4060804	9 in/ 23cm	Flex-Trim	
11	4240139	1	Strap	
12	4420038	6 ft/ 1.7m	Tape, Rubber	
13	4711600	10	Washer 3/8	
14	4711800	10	Washer 1/2	
15	4751000	5	Washer #10	
16	1001148607	1	Sensor, Fuel	
17	1001156805	1	Tray, Tank	
18	1001157056	2	Mount	
19	1001160559	1	Fuel Tank	
19A	1001211336	1	Vented Fuel Cap	
19B	7020043	1	Tube, Pickup	
19C	2200222	1	Plug	
19D	0100020	1	Sealant	
20	1001285379	1	Hydraulic Tank Assembly (See Separate Breakdown in this Section)	

SECTION 2 - TURNTABLE

FIGURE 2-16. TANK INSTALLATION - DIESEL ENGINES (HELGESEN 25 GAL HYDRAULIC TANK WITH 6IN BREATHER)



ART_1001178209

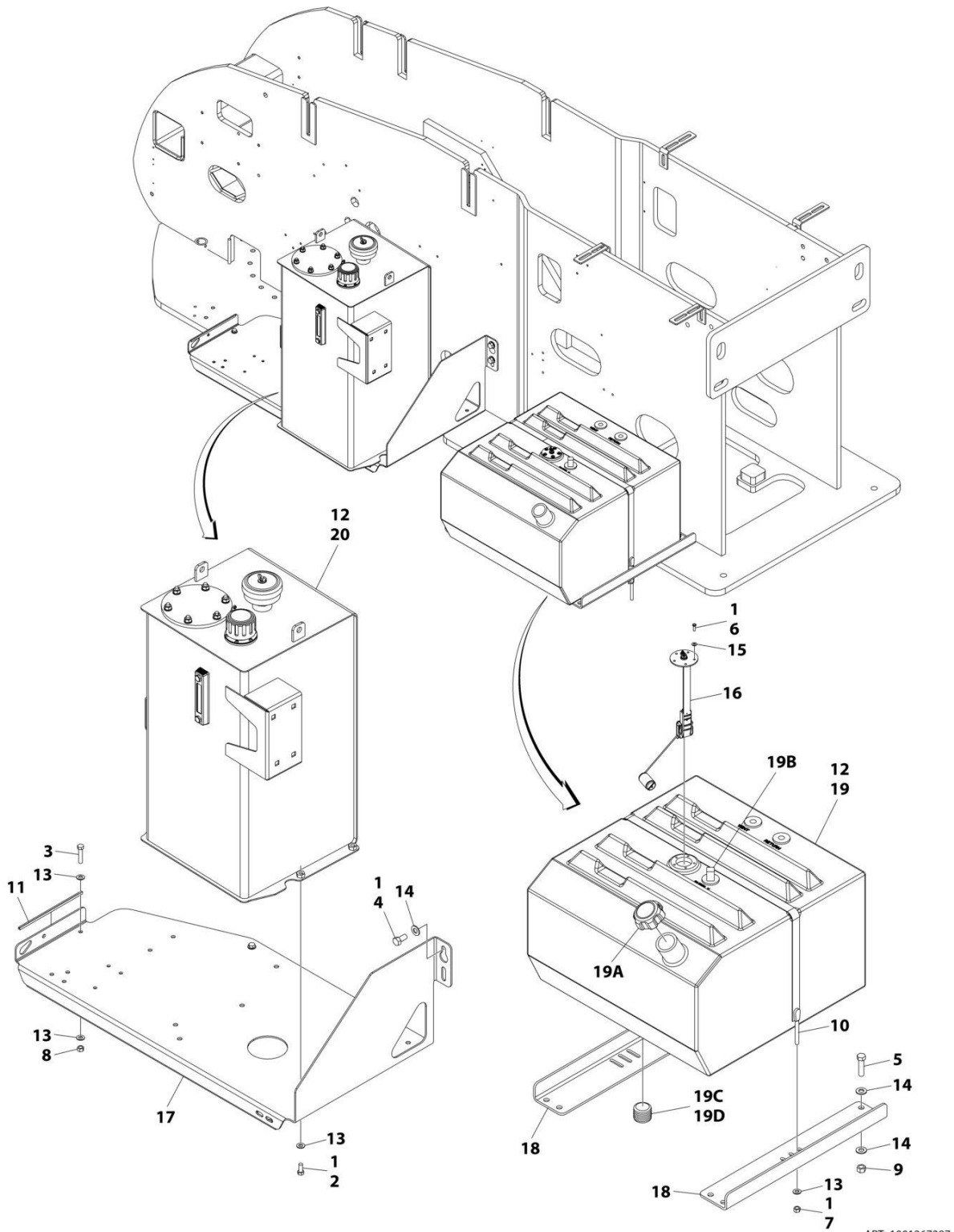
SECTION 2 - TURNTABLE

FIGURE 2-16. TANK INSTALLATION - DIESEL ENGINES (HELGESEN 25 GAL HYDRAULIC TANK WITH 6IN BREATHER)

ITEM	PART NUMBER	QTY	DESCRIPTION	REV
	1001178209	Ref	TANKS INSTALLATION – DIESEL ENGINES	D
1	0100011	AR	Compound, Locking	
2	0641607	4	Bolt 3/8 x 7/8	
3	0641614	2	Bolt 3/8 x 1-3/4	
4	0641808	2	Bolt 1/2 x 1	
5	0641816	4	Bolt 1/2 x 2	
6	0731005	5	Capscrew #10 x 5/8	
7	3311601	2	Nut 3/8	
8	3311605	2	Nut 3/8	
9	3311805	4	Nut 1/2	
10	4240139	1	Strap, Tank Mounting	
12	4420038	6 ft/1.7 m	Tape, Rubber	
13	4711600	10	Washer 3/8	
14	4711800	10	Washer 1/2	
15	4751000	5	Washer #10	
16	1001148607	1	Gauge, Fuel Level	
17	1001156805	1	Tray, Tank	
18	1001157056	2	Mount	
19	1001160567	1	Fuel Tank Assembly	
19A	70004414	1	Cap	
19B	7020043	1	Tube, Pickup	
19C	2200222	1	Plug	
19D	0100020	AR	Sealant	
20	1001178057	1	Hydraulic Tank Assembly (See Separate Breakdown in this Section)	
21	4060804	9 in/23 cm	Flex-Trim	

SECTION 2 - TURNTABLE

FIGURE 2-17. TANK INSTALLATION - DIESEL ENGINES (JIANGYING 25 GAL HYDRAULIC TANK WITH 4IN DIA BREATHER)



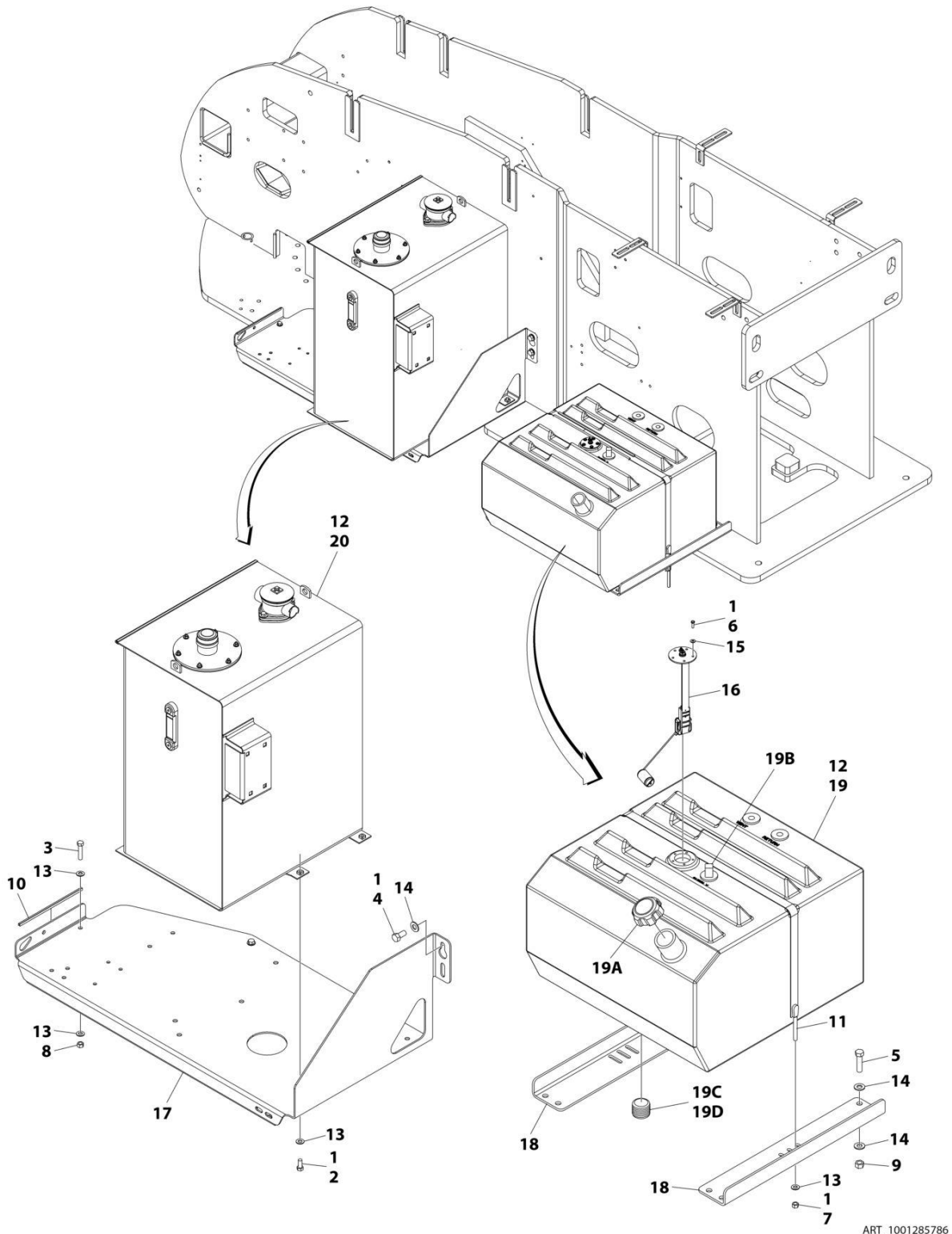
SECTION 2 - TURNTABLE

FIGURE 2-17. TANK INSTALLATION - DIESEL ENGINES (JIANGYING 25 GAL HYDRAULIC TANK WITH 4IN DIA BREATHER)

ITEM	PART NUMBER	QTY	DESCRIPTION	REV
	1001267287	Ref	TANK INSTALLATION (Machines With SN Starting With B3)	B
1	0100011	AR	Compound, Locking	
2	0641607	4	Bolt 3/8 x 7/8	
3	0641614	2	Bolt 3/8 x 1-3/4	
4	0641808	2	Bolt 1/2 x 1	
5	0641816	4	Bolt 1/2 x 2	
6	0731005	5	Capscrew #10 x 5/8	
7	3311601	2	Nut 3/8	
8	3311605	2	Nut 3/8	
9	3311805	4	Nut 1/2	
10	4240139	1	Strap	
11	4060804	9 in/ 23cm	Flex-Trim	
12	4420038	6 ft/ 1.7m	Tape, Rubber	
13	4711600	10	Washer 3/8	
14	4711800	10	Washer 1/2	
15	4751000	5	Washer #10	
16	1001148607	1	Sensor, Fuel	
17	1001156805	1	Tray, Tank	
18	1001157056	2	Mount	
19	1001160567	1	Fuel Tank	
19A	70004414	1	Cap	
19B	7020043	1	Tube, Pickup	
19C	2200222	1	Plug	
19D	0100020	1	Sealant	
20	1001267678	1	Hydraulic Tank Assembly (See Separate Breakdown in this Section)	

SECTION 2 - TURNTABLE

FIGURE 2-18. TANK INSTALLATION - DIESEL ENGINES (47.8 GAL CAPACITY HYDRAULIC TANK)



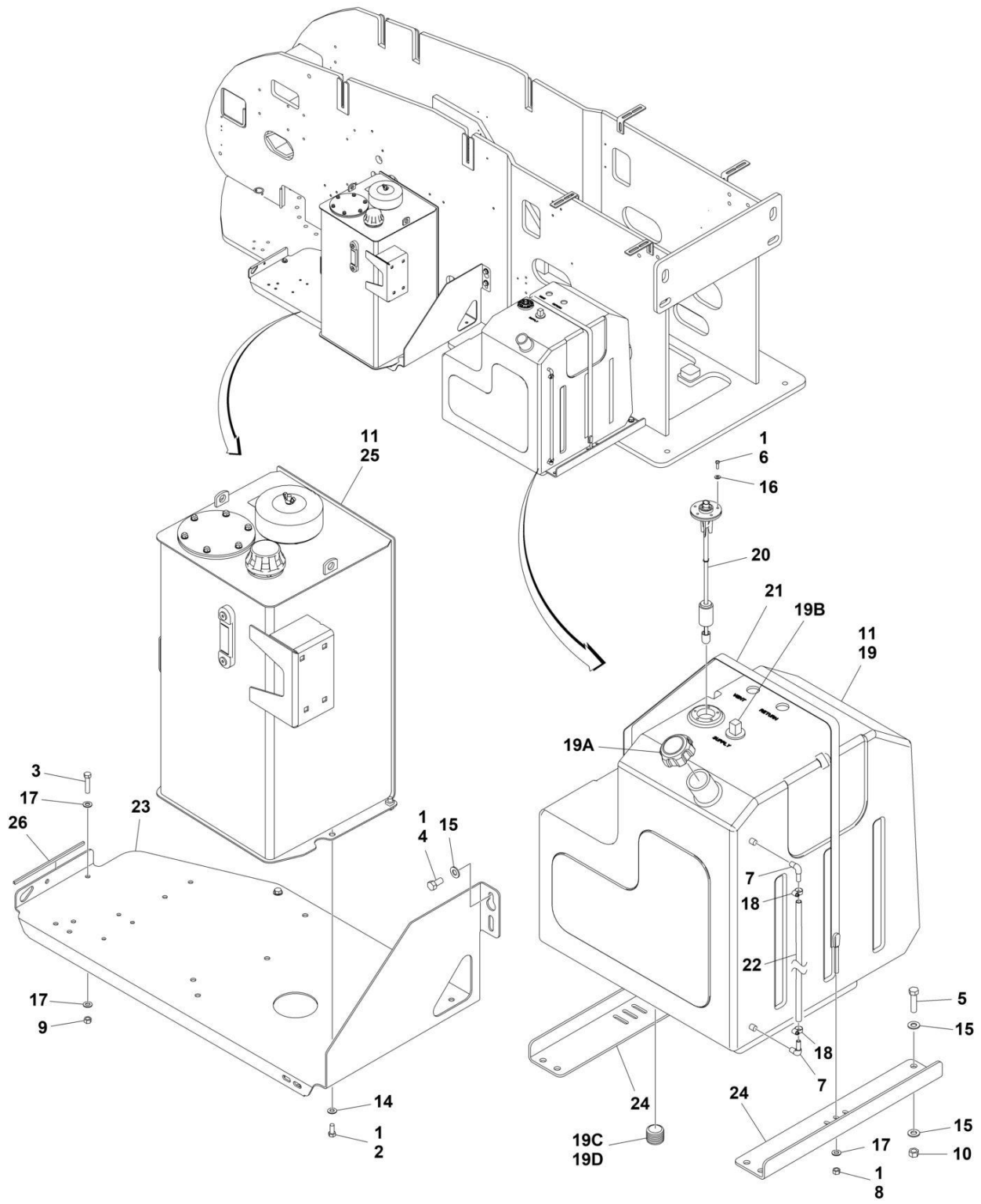
SECTION 2 - TURNTABLE

FIGURE 2-18. TANK INSTALLATION - DIESEL ENGINES (47.8 GAL CAPACITY HYDRAULIC TANK)

ITEM	PART NUMBER	QTY	DESCRIPTION	REV
	1001285786	Ref	TANK INSTALLATION	B
1	0100011	AR	Compound, Locking	
2	0641607	4	Bolt 3/8 x 7/8	
3	0641614	2	Bolt 3/8 x 1-3/4	
4	0641808	2	Bolt 1/2 x 1	
5	0641816	4	Bolt 1/2 x 2	
6	0731005	5	Capscrew #10 x 5/8	
7	3311601	2	Nut 3/8	
8	3311605	2	Nut 3/8	
9	3311805	4	Nut 1/2	
10	4060804	9 in/ 23cm	Flex-Trim	
11	4240139	1	Strap	
12	4420038	6 ft/ 1.7m	Tape, Rubber	
13	4711600	10	Washer 3/8	
14	4711800	10	Washer 1/2	
15	4751000	5	Washer #10	
16	1001148607	1	Sensor, Fuel	
17	1001156805	1	Tray, Tank	
18	1001157056	2	Mount	
19	1001160567	1	Fuel Tank	
19A	70004414	1	Cap	
19B	7020043	1	Tube, Pickup	
19C	2200222	1	Plug	
19D	0100020	1	Sealant	
20	1001285379	1	Hydraulic Tank Assembly (See Separate Breakdown in this Section)	

SECTION 2 - TURNTABLE

FIGURE 2-19. TANK INSTALLATION - DIESEL ENGINES (MACHINES WITH HOSTILE ENVIRONMENT PACKAGE) (25 GAL HYDRAULIC TANK WITH 6 INCH BREATHER)



ART_1001178211

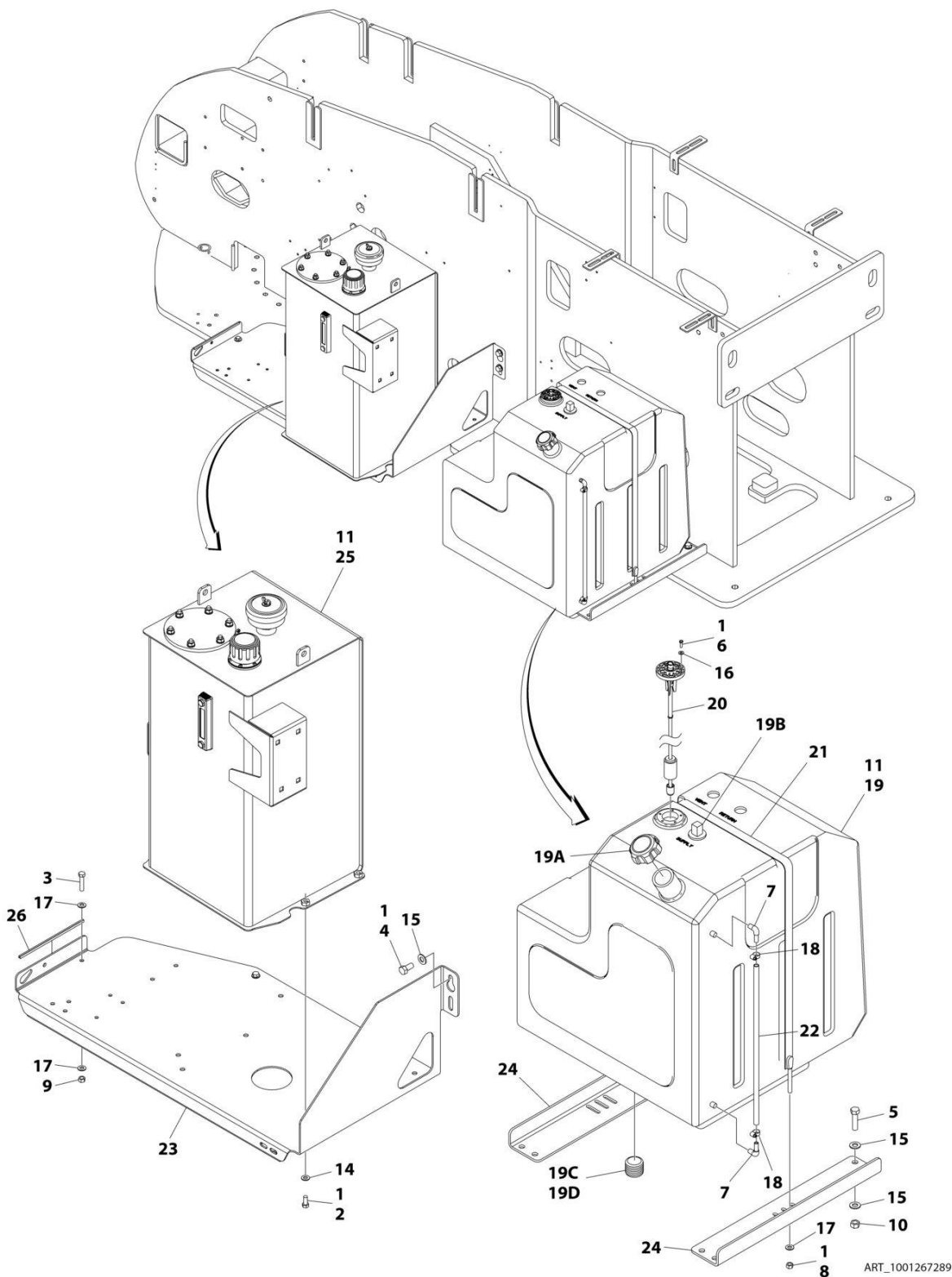
SECTION 2 - TURNTABLE

FIGURE 2-19. TANK INSTALLATION - DIESEL ENGINES (MACHINES WITH HOSTILE ENVIRONMENT PACKAGE) (25 GAL HYDRAULIC TANK WITH 6 INCH BREATHER)

ITEM	PART NUMBER	QTY	DESCRIPTION	REV
	1001178211	Ref	TANKS INSTALLATION – DIESEL ENGINES	C
1	0100011	AR	Compound, Locking	
2	0641607	4	Bolt 3/8 x 7/8	
3	0641614	2	Bolt 3/8 x 1-3/4	
4	0641808	2	Bolt 1/2 x 1	
5	0641816	4	Bolt 1/2 x 2	
6	0731005	5	Capscrew #10 x 5/8	
7	2180467	2	Fitting, Straight NPT/Barbed	
8	3311601	2	Nut 3/8	
9	3311605	2	Nut 3/8	
10	3311805	4	Nut 1/2	
11	4420038	6 ft/ 1.7m	Tape, Rubber	
12	4460834	1	Connector - 2 Position (Not Shown)	
13	4460842	2	Terminal (Not Shown)	
14	4711600	4	Washer 3/8	
15	4711800	10	Washer 1/2	
16	4751000	6	Washer #10	
17	4751600	6	Washer 3/8	
18	8405009	2	Clamp	
19	1001108579	1	Fuel Tank Assembly	
19A	7016314	1	Cap	
19B	70004413	1	Tube, Pickup	
19C	2200222	2	Plug (Not Shown)	
19D	0100020	AR	Sealant (Not Shown)	
20	1001109048	1	Gauge, Fuel Level	
21	1001110059	1	Strap, Tank Mounting	
22	1001113103	1	Tube, Fuel Sight	
23	1001156805	1	Tray, Tank	
24	1001157056	2	Mount	
25	1001178057	1	Hydraulic Tank Assembly (See Separate Breakdown in this Section)	
26	4060804	9 in/ 23cm	Flex-Trim	

SECTION 2 - TURNTABLE

FIGURE 2-20. TANK INSTALLATION - DIESEL ENGINES (MACHINES WITH HOSTILE ENVIRONMENT PACKAGE) (25 GAL HYDRAULIC TANK WITH 4 INCH BREATHER)



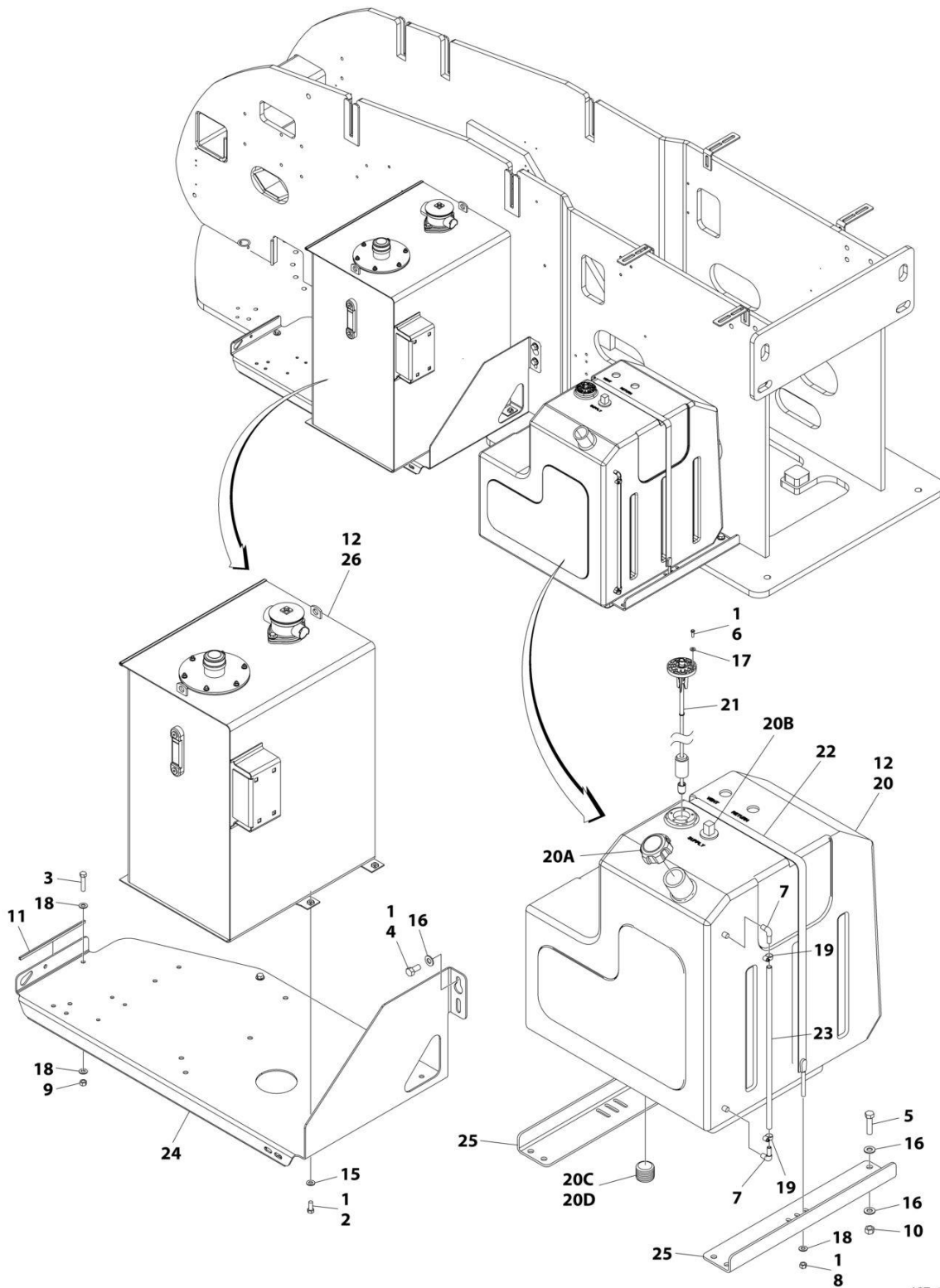
SECTION 2 - TURNTABLE

FIGURE 2-20. TANK INSTALLATION - DIESEL ENGINES (MACHINES WITH HOSTILE ENVIRONMENT PACKAGE) (25 GAL HYDRAULIC TANK WITH 4 INCH BREATHER)

ITEM	PART NUMBER	QTY	DESCRIPTION	REV
	1001267289	Ref	TANK INSTALLATION (Machines With SN Starting With B3)	A
1	0100011	AR	Compound, Locking	
2	0641607	4	Bolt 3/8 x 7/8	
3	0641614	2	Bolt 3/8 x 1-3/4	
4	0641808	2	Bolt 1/2 x 1	
5	0641816	4	Bolt 1/2 x 2	
6	0731005	5	Capscrew #10 x 5/8	
7	2180467	2	Fitting 1/4 x 5/16	
8	3311601	2	Nut 3/8	
9	3311605	2	Nut 3/8	
10	3311805	4	Nut 1/2	
11	4420038	6 ft/ 1.7m	Tape, Rubber	
12	4460834	1	Connector (Not Shown)	
13	4460842	2	Terminal (Not Shown)	
14	4711600	4	Washer 3/8	
15	4711800	10	Washer 1/2	
16	4751000	6	Washer #10	
17	4751600	6	Washer 3/8	
18	8405009	2	Clamp, Hose	
19	1001108579	1	Fuel Tank	
19A	1001211336	1	Vented Fuel Cap	
19B	7020043	1	Tube, Pickup	
19C	2200222	1	Plug	
19D	0100020	1	Sealant	
20	1001109048	1	Gauge, Fuel Level	
21	1001110059	1	Strap	
22	1001113103	1	Tube	
23	1001156805	1	Tray, Tank	
24	1001157056	2	Mount	
25	1001267678	1	Hydraulic Tank Assembly (See Separate Breakdown in this Section)	
26	4060804	9 in/ 23cm	Flex-Trim	

SECTION 2 - TURNTABLE

FIGURE 2-21. TANK INSTALLATION - DIESEL ENGINES (MACHINES WITH HOSTILE ENVIRONMENT PACKAGE) (47.8 GAL CAPACITY HYDRAULIC TANK)



ART_1001285831

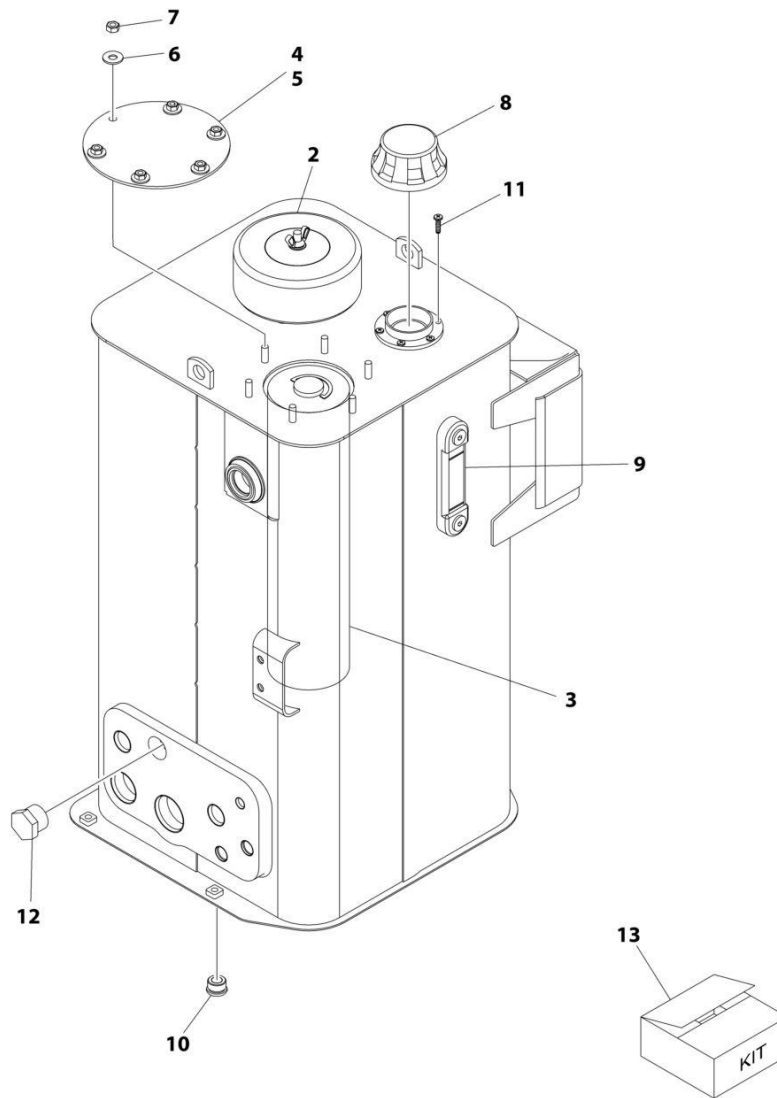
SECTION 2 - TURNTABLE

FIGURE 2-21. TANK INSTALLATION - DIESEL ENGINES (MACHINES WITH HOSTILE ENVIRONMENT PACKAGE) (47.8 GAL CAPACITY HYDRAULIC TANK)

ITEM	PART NUMBER	QTY	DESCRIPTION	REV
	1001285831	Ref	TANK INSTALLATION	B
1	0100011	AR	Compound, Locking	
2	0641607	4	Bolt 3/8 x 7/8	
3	0641614	2	Bolt 3/8 x 1-3/4	
4	0641808	2	Bolt 1/2 x 1	
5	0641816	4	Bolt 1/2 x 2	
6	0731005	5	Capscrew #10 x 5/8	
7	2180467	2	Fitting 1/4 x 5/16	
8	3311601	2	Nut 3/8	
9	3311605	2	Nut 3/8	
10	3311805	4	Nut 1/2	
11	4060804	9 in/ 23cm	Flex-Trim	
12	4420038	6 ft/ 1.7m	Tape, Rubber	
13	4460834	1	Connector (Not Shown)	
14	4460842	2	Terminal (Not Shown)	
15	4711600	4	Washer 3/8	
16	4711800	10	Washer 1/2	
17	4751000	5	Washer #10	
18	4751600	6	Washer 3/8	
19	8405009	2	Clamp, Hose	
20	1001108579	1	Fuel Tank	
20A	1001211336	1	Vented Fuel Cap	
20B	7020043	1	Tube, Pickup	
20C	2200222	1	Plug	
20D	0100020	1	Sealant	
21	1001109048	1	Gauge, Fuel Level	
22	1001110059	1	Strap	
23	1001113103	1	Tube	
24	1001156805	1	Tray, Tank	
25	1001157056	2	Mount	
26	1001285379	1	Hydraulic Tank Assembly (See Separate Breakdown in this Section)	

SECTION 2 - TURNTABLE

FIGURE 2-22. HYDRAULIC TANK ASSEMBLY (HELGESEN 25 GAL HYDRAULIC TANK WITH 6IN DIA BREATHER)



ART_1001178057

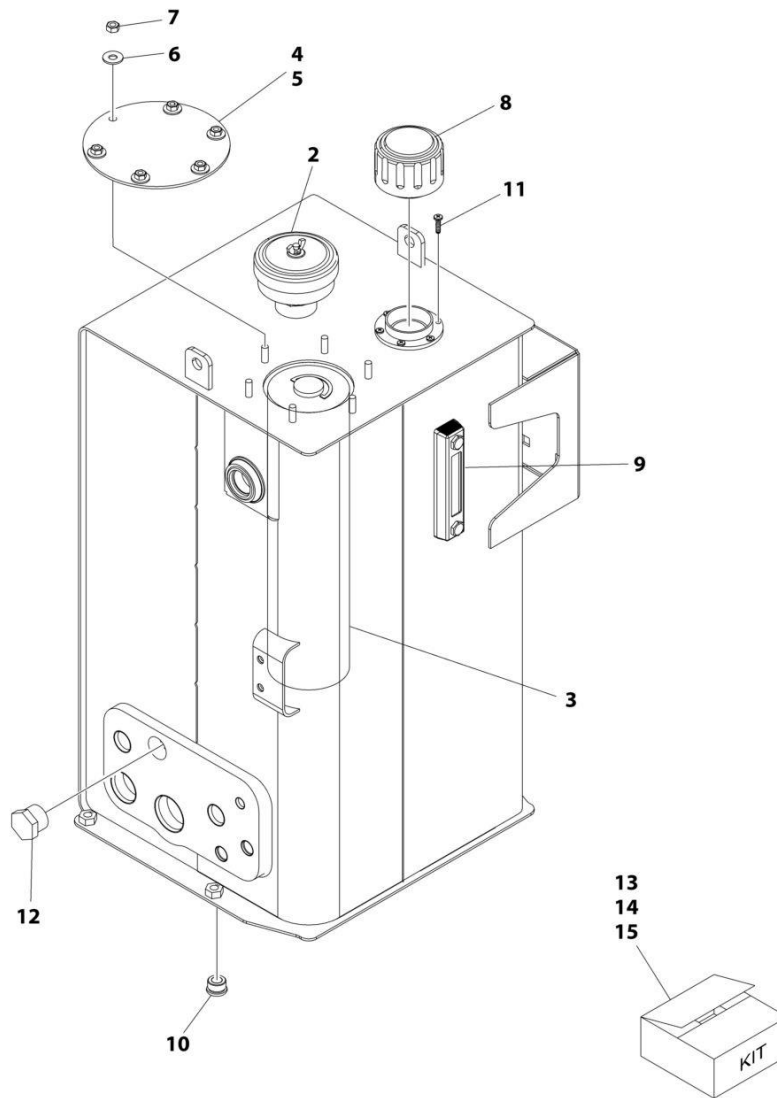
SECTION 2 - TURNTABLE

FIGURE 2-22. HYDRAULIC TANK ASSEMBLY (HELGESEN 25 GAL HYDRAULIC TANK WITH 6IN DIA BREATHER)

ITEM	PART NUMBER	QTY	DESCRIPTION	REV
	1001178057	Ref	HYDRAULIC TANK ASSEMBLY	D
2	70005708	1	Breather Assembly (Includes Breather, Element and Wingnut)	
2	See Note	NSS	Element, Breather (Note: Use p/n 70005708 or Item 13)	
3	See Note	NSS	Element, Hydraulic (Note: Use Item 13)	
4	70002839	1	Gasket	
5	See Note	NSS	Cover (Note: Not Available for Purchase)	
6	83304173	6	Washer 5/16	
7	70004199	6	Nut 5/16	
8	70002838	1	Cap, Fill	
9	7024441	1	Gauge, Level	
10	70002112	1	Plug	
11	70004795	6	Screw #10 x 3/4	
12	See Note	NSS	Plug (Note: Not Available - Purchase Locally)	
13	70002814	1	Hydraulic Tank Service Kit (Includes Items 2-4)	

SECTION 2 - TURNTABLE

FIGURE 2-23. HYDRAULIC TANK ASSEMBLY (JIANGYING 25 GAL HYDRAULIC TANK WITH 4IN DIA BREATHER)



ART_1001267678

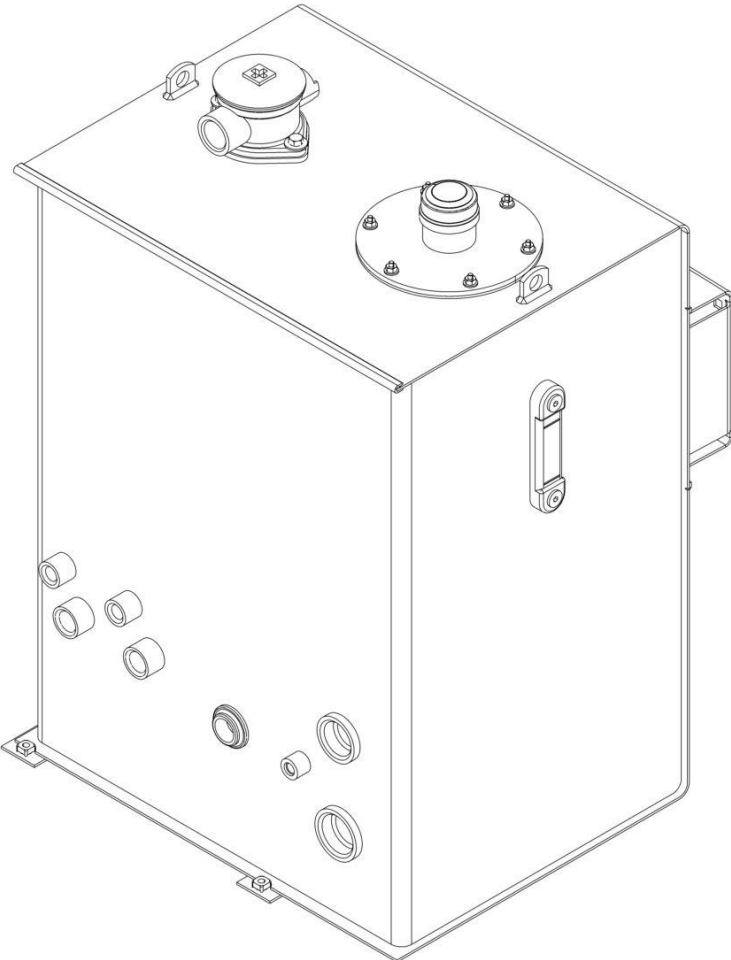
SECTION 2 - TURNTABLE

FIGURE 2-23. HYDRAULIC TANK ASSEMBLY (JIANGYING 25 GAL HYDRAULIC TANK WITH 4IN DIA BREATHER)

ITEM	PART NUMBER	QTY	DESCRIPTION	REV
	1001267678	REF	HYDRAULIC TANK ASSEMBLY	A
1	See Note	NSS	Hydraulic Tank Weldment (Not Shown) (Note: Not Available for Purchase)	
2	See Note	NSS	Breather Assembly (Note: Use Item 13)	
3	See Note	NSS	Element, Filter (Note: Use Item Use Item 14)	
4	70002839	1	Gasket	
5	See Note	NSS	Cover (Note: Not Available for Purchase)	
6	83304173	6	Washer 1/4	
7	70004199	6	Nut 5/16	
8	70002838	1	Cap, Fill	
9	70024441	1	Gauge, Level	
10	70002112	1	Plug	
11	70004795	6	Screw 10 x 3/4	
12	See Note	NSS	Plug (Note: Not Available for Purchase)	
13	70007726	1	Breather Kit (Note: Includes Item 2)	
14	70007727	1	Return Filter Kit (Note: Includes Item 3)	
15	70007725	1	Level Gauge Kit	

SECTION 2 - TURNTABLE

FIGURE 2-24. HYDRAULIC TANK ASSEMBLY (47.8 GAL CAPACITY HYDRAULIC TANK)



ART_1001285379

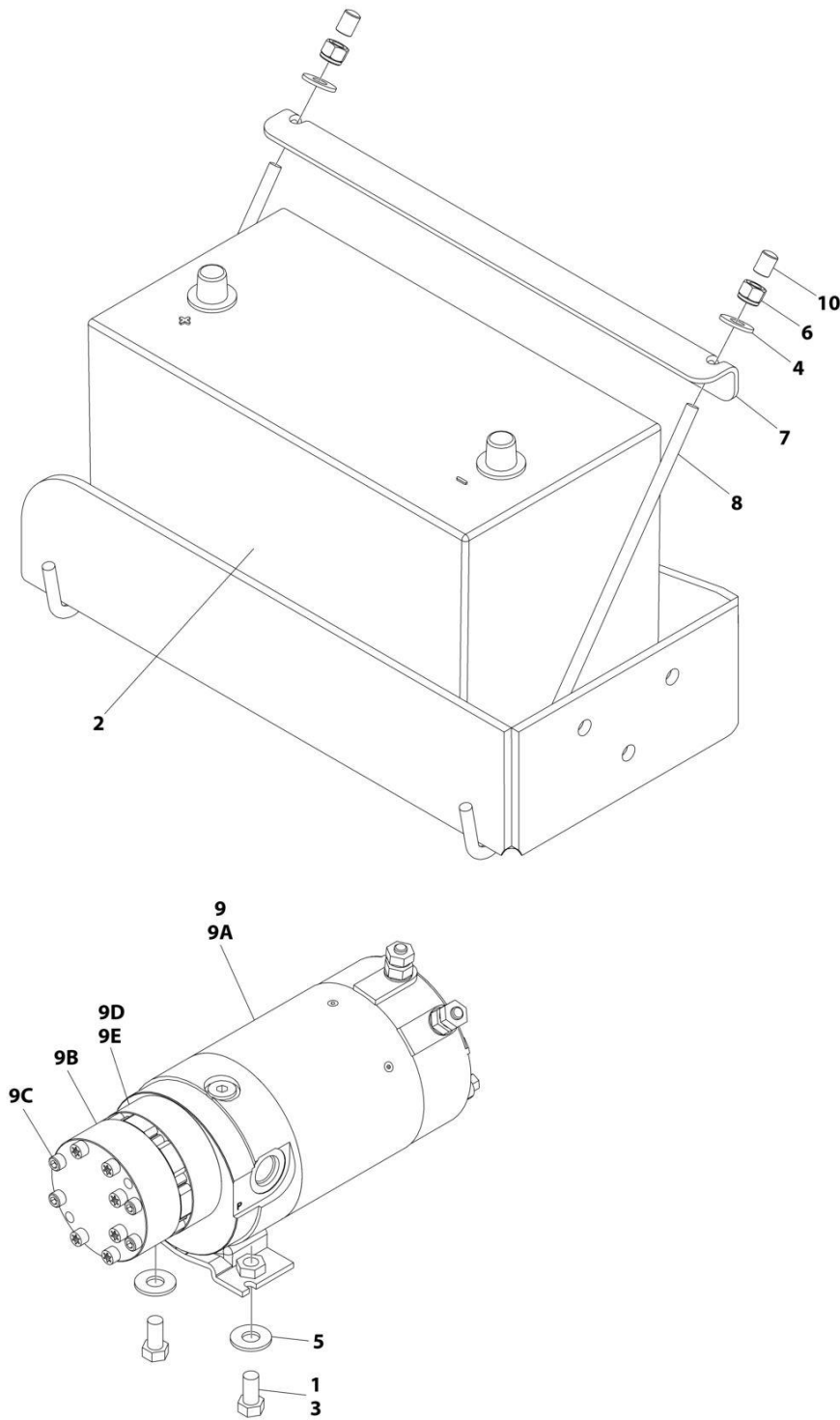
SECTION 2 - TURNTABLE

FIGURE 2-24. HYDRAULIC TANK ASSEMBLY (47.8 GAL CAPACITY HYDRAULIC TANK)

ITEM	PART NUMBER	QTY	DESCRIPTION	REV
	1001285379 See Note	Ref Ref	HYDRAULIC TANK ASSEMBLY Note: No Service Parts Available at Time of Printing	B

SECTION 2 - TURNTABLE

FIGURE 2-25. AUXILIARY PUMP WITHOUT BATTERY DISCONNECT SWITCH INSTALLATION
(MACHINES WITH SN STARTING WITH 03)



ART_1001239472

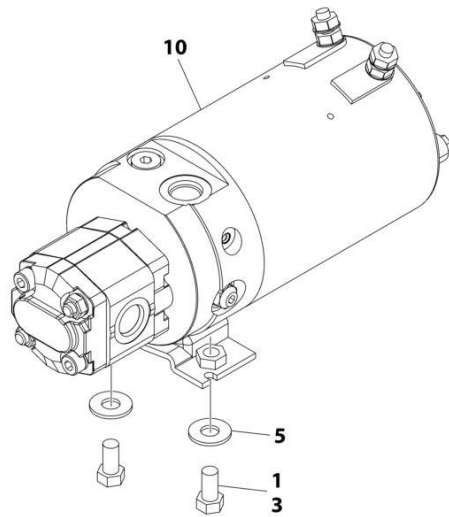
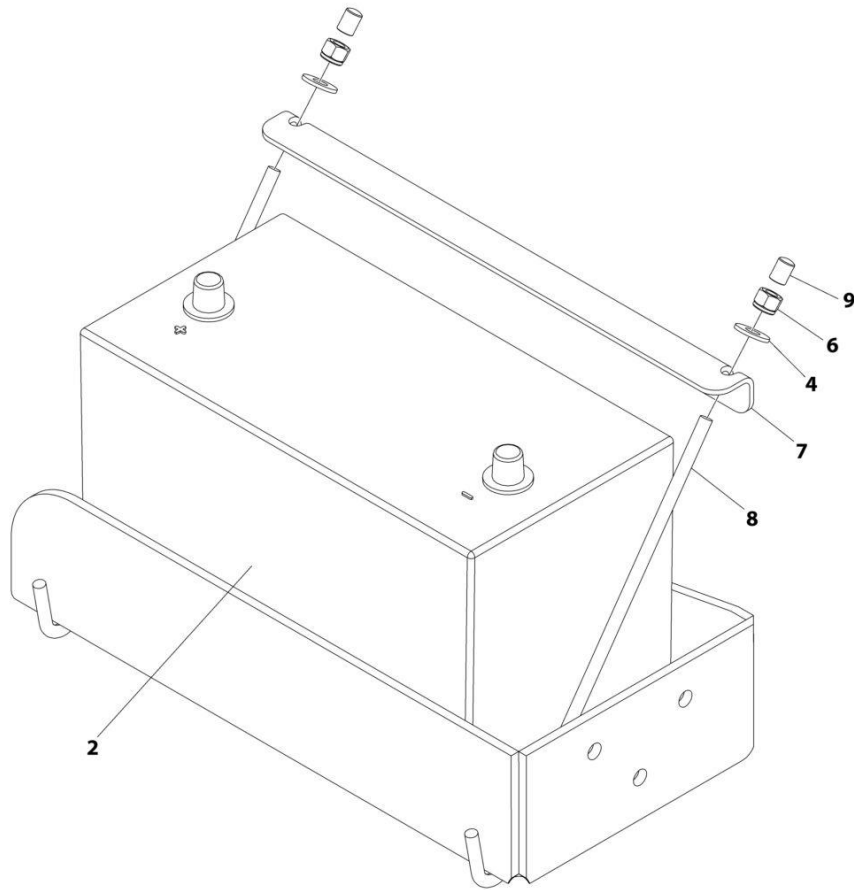
SECTION 2 - TURNTABLE

**FIGURE 2-25. AUXILIARY PUMP WITHOUT BATTERY DISCONNECT SWITCH INSTALLATION
(MACHINES WITH SN STARTING WITH 03)**

ITEM	PART NUMBER	QTY	DESCRIPTION	REV
	1001239472	Ref	AUXILIARY PUMP WITH BATTERY WITHOUT BATTERY DISCONNECT SWITCH INSTALLATION	A
1	0100011	AR	Compound, Locking	
2	0400075	1	Battery	
3	0641606	2	Bolt 3/8 x 3/4	
4	4751500	2	Washer 5/16	
5	4751600	2	Washer 3/8	
6	88521205	2	Nut 5/16	
7	91401281	1	Hold-down, Battery	
8	1001093382	2	Bolt, Battery Hold-down	
9	1001137459	1	Auxiliary Pump Assembly	
9A	70003998	1	Motor	
9B	70004266	1	Pump	
9C	70001020	4	Screw	
9D	70003612	2	O-Ring	
9E	70004267	1	O-Ring	
10	1001218572	2	Cap, Vinyl	

SECTION 2 - TURNTABLE

FIGURE 2-26. AUXILIARY PUMP WITHOUT BATTERY DISCONNECT SWITCH INSTALLATION
(MACHINES WITH SN STARTING WITH B3)



ART_1001284157

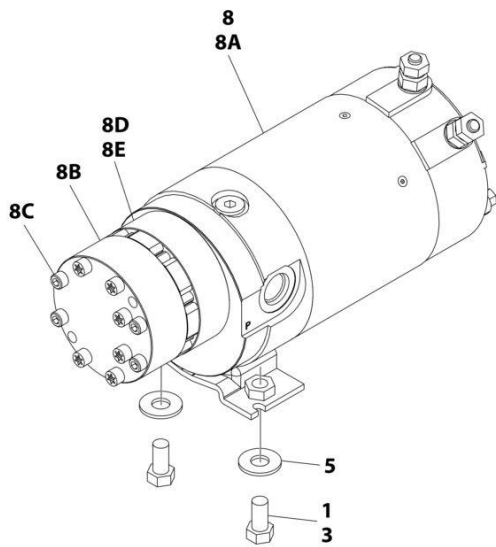
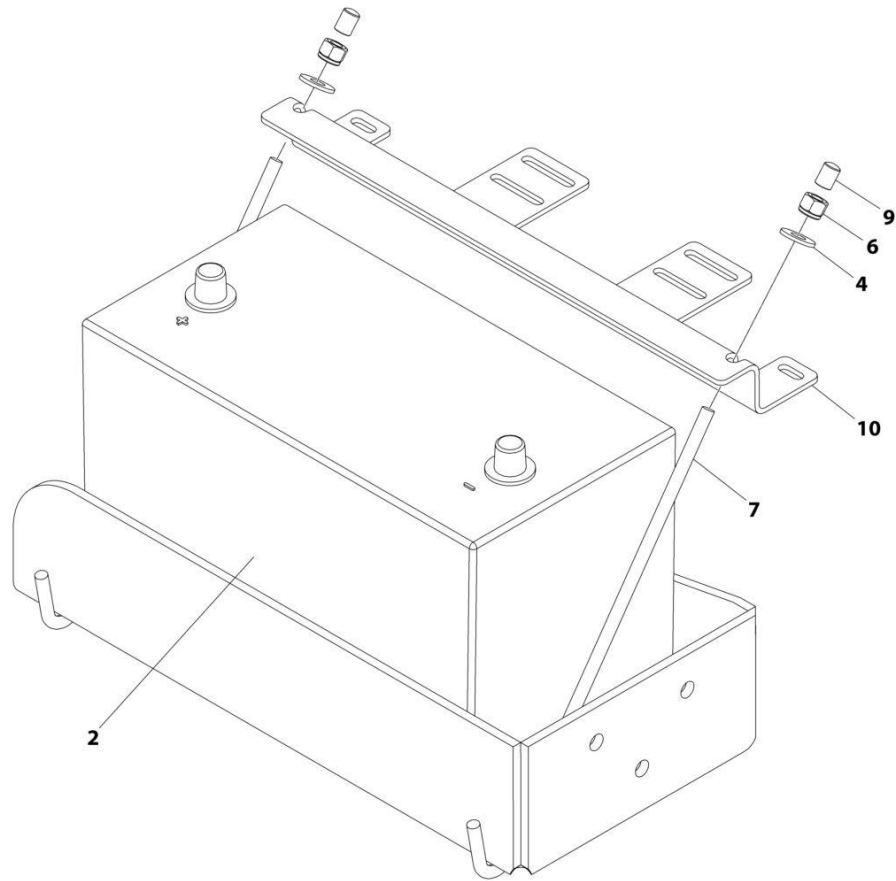
SECTION 2 - TURNTABLE

**FIGURE 2-26. AUXILIARY PUMP WITHOUT BATTERY DISCONNECT SWITCH INSTALLATION
(MACHINES WITH SN STARTING WITH B3)**

ITEM	PART NUMBER	QTY	DESCRIPTION	REV
	1001284157	Ref	AUXILIARY PUMP WITHOUT BATTERY DISCONNECT SWITCH INSTALLATION	A
1	0100011	AR	Compound, Locking	
2	0400075	1	Battery	
3	0761010	2	Bolt M10 x 20	
4	4751500	2	Washer 5/16	
5	4812002	2	Washer M10	
6	88521205	2	Nut 5/16	
7	91401281	1	Hold-down, Battery	
8	1001093382	2	Bolt, Battery Hold-down	
9	1001218572	2	Cap, Vinyl	
10	1001284156	1	Auxiliary Pump Assembly	

SECTION 2 - TURNTABLE

FIGURE 2-27. AUXILIARY PUMP WITH BATTERY DISCONNECT SWITCH INSTALLATION (MACHINES WITH SN STARTING WITH 03)



ART_1001239471

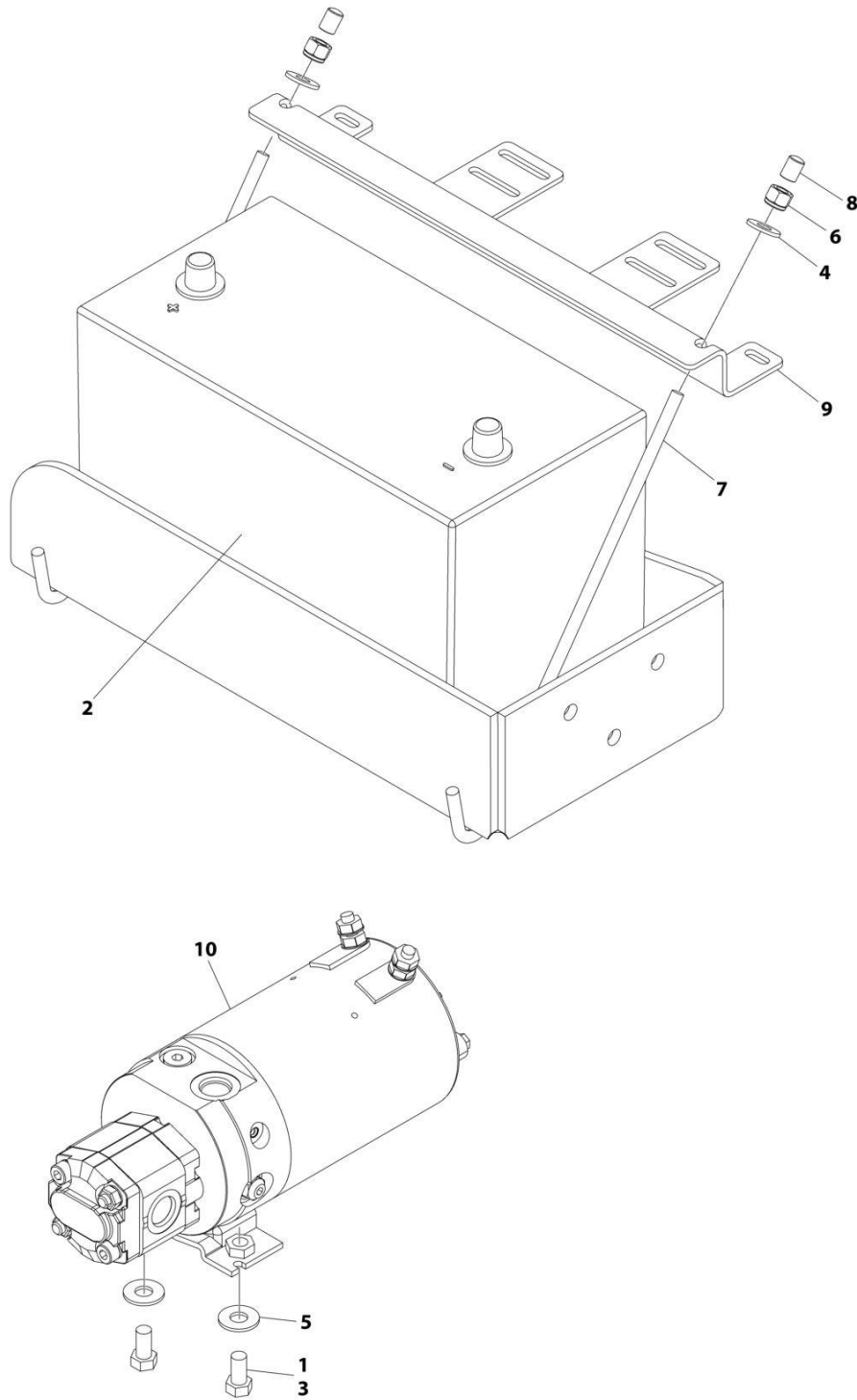
SECTION 2 - TURNTABLE

FIGURE 2-27. AUXILIARY PUMP WITH BATTERY DISCONNECT SWITCH INSTALLATION (MACHINES WITH SN STARTING WITH 03)

ITEM	PART NUMBER	QTY	DESCRIPTION	REV
	1001239471	Ref	AUXILIARY PUMP WITH BATTERY WITH BATTERY DISCONNECT SWITCH INSTALLATION	A
1	0100011	AR	Compound, Locking	
2	0400075	1	Battery	
3	0641606	2	Bolt 3/8 x 3/4	
4	4751500	2	Washer 5/16	
5	4751600	2	Washer 3/8	
6	88521205	2	Nut 5/16	
7	1001093382	2	Bolt, Battery Hold-down	
8	1001137459	1	Auxiliary Pump Assembly	
8A	70003998	1	Motor	
8B	70004266	1	Pump	
8C	70001020	4	Screw	
8D	70003612	2	O-Ring	
8E	70004267	1	O-Ring	
9	1001218572	2	Cap, Vinyl	
10	1001236303	1	Hold-down, Battery	

SECTION 2 - TURNTABLE

FIGURE 2-28. AUXILIARY PUMP WITH BATTERY DISCONNECT SWITCH INSTALLATION (MACHINES WITH SN STARTING WITH B3)



ART_1001287884

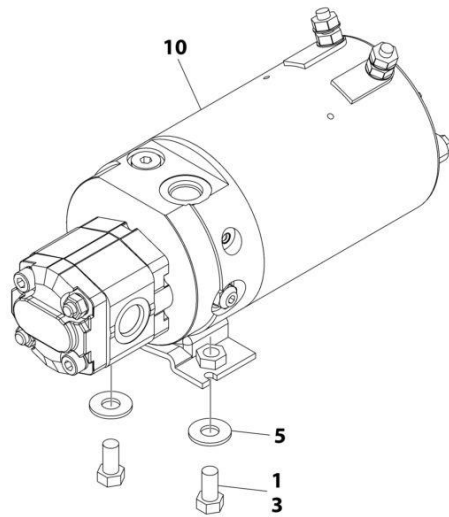
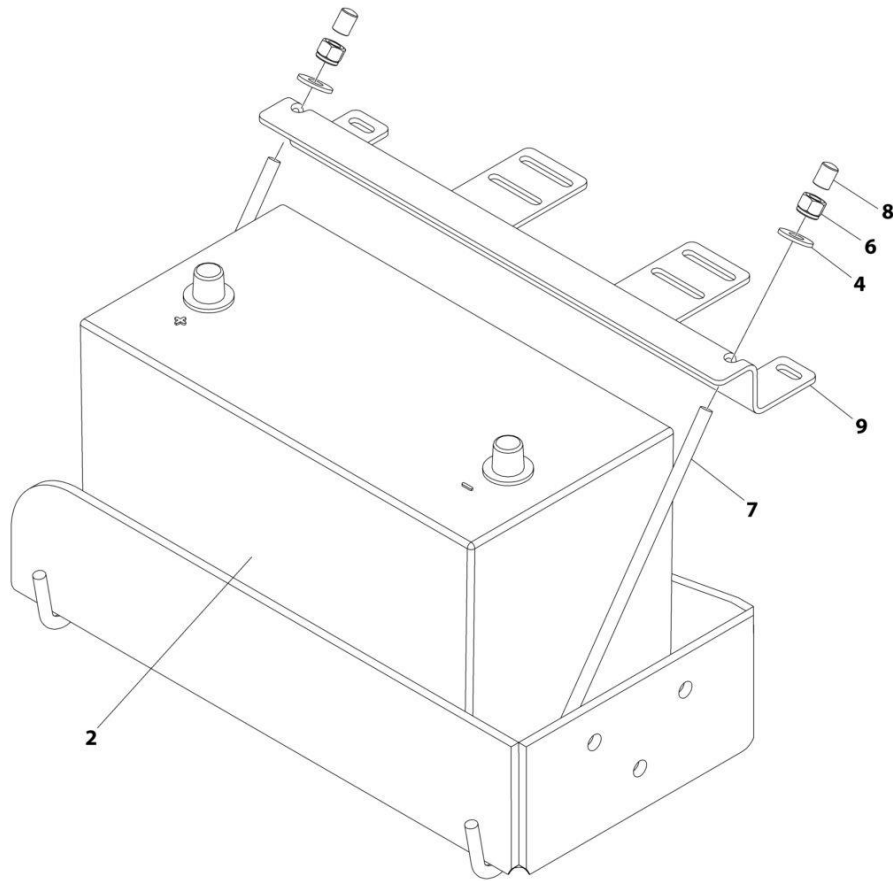
SECTION 2 - TURNTABLE

FIGURE 2-28. AUXILIARY PUMP WITH BATTERY DISCONNECT SWITCH INSTALLATION (MACHINES WITH SN STARTING WITH B3)

ITEM	PART NUMBER	QTY	DESCRIPTION	REV
	1001287884	Ref	AUXILIARY PUMP WITH BATTERY DISCONNECT SWITCH INSTALLATION	A
1	0100011	AR	Compound, Locking	
2	0400075	1	Battery	
3	0761010	2	Bolt M10 x 20	
4	4751500	2	Washer 5/16	
5	4812002	2	Washer M10	
6	88521205	2	Nut 5/16	
7	1001093382	2	Bolt, Battery Hold-down	
8	1001218572	2	Cap, Vinyl	
9	1001236303	1	Hold-down, Battery	
10	1001284156	1	Auxiliary Pump Assembly	

SECTION 2 - TURNTABLE

FIGURE 2-29. AUXILIARY PUMP WITH BATTERY DISCONNECT SWITCH INSTALLATION (MACHINES WITH SN STARTING WITH B3)



ART_1001287884

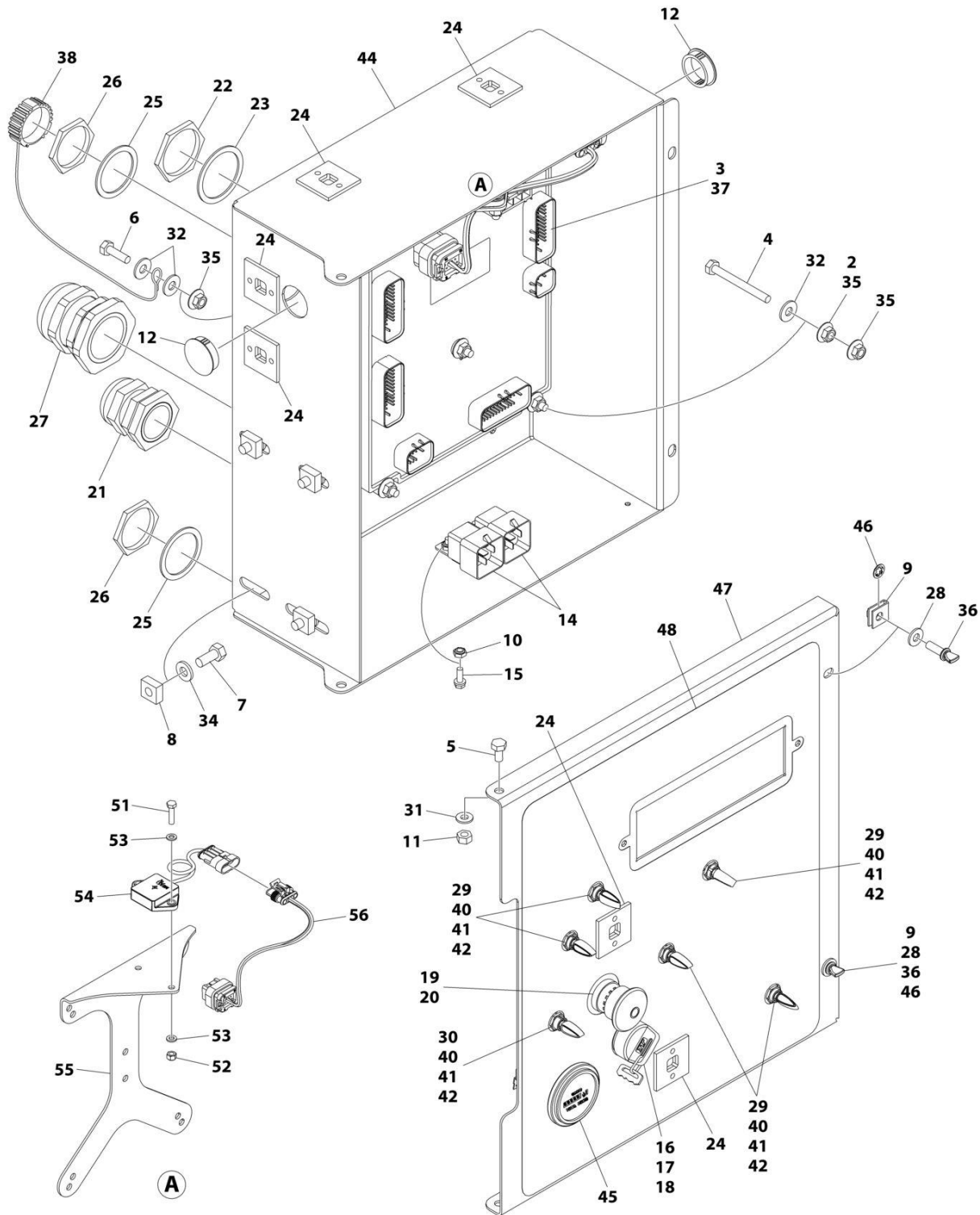
SECTION 2 - TURNTABLE

FIGURE 2-29. AUXILIARY PUMP WITH BATTERY DISCONNECT SWITCH INSTALLATION (MACHINES WITH SN STARTING WITH B3)

ITEM	PART NUMBER	QTY	DESCRIPTION	REV
	1001287884	Ref	AUXILIARY PUMP WITH BATTERY DISCONNECT SWITCH INSTALLATION	A
1	0100011	AR	Compound, Locking	
2	0400075	1	Battery	
3	0761010	2	Bolt M10 x 20	
4	4751500	2	Washer 5/16	
5	4812002	2	Washer M10	
6	88521205	2	Nut 5/16	
7	1001093382	2	Bolt, Battery Hold-down	
8	1001218572	2	Cap, Vinyl	
9	1001236303	1	Hold-down, Battery	
10	1001284156	1	Auxiliary Pump Assembly	

SECTION 2 - TURNTABLE

FIGURE 2-30. GROUND CONTROL BOX ASSEMBLY - WITH DEUTZ D2011 - WITH MECHANICAL HOUR METER (ANSI EXPORT (LRC) AND AUSTRALIAN SPECS) (800S) (Prior to SN B300025484, Including)



ART_1001266469_D

SECTION 2 - TURNTABLE

FIGURE 2-30. GROUND CONTROL BOX ASSEMBLY - WITH DEUTZ D2011 - WITH MECHANICAL HOUR METER (ANSI EXPORT (LRC) AND AUSTRALIAN SPECS) (800S) (Prior to SN B300025484, Including)

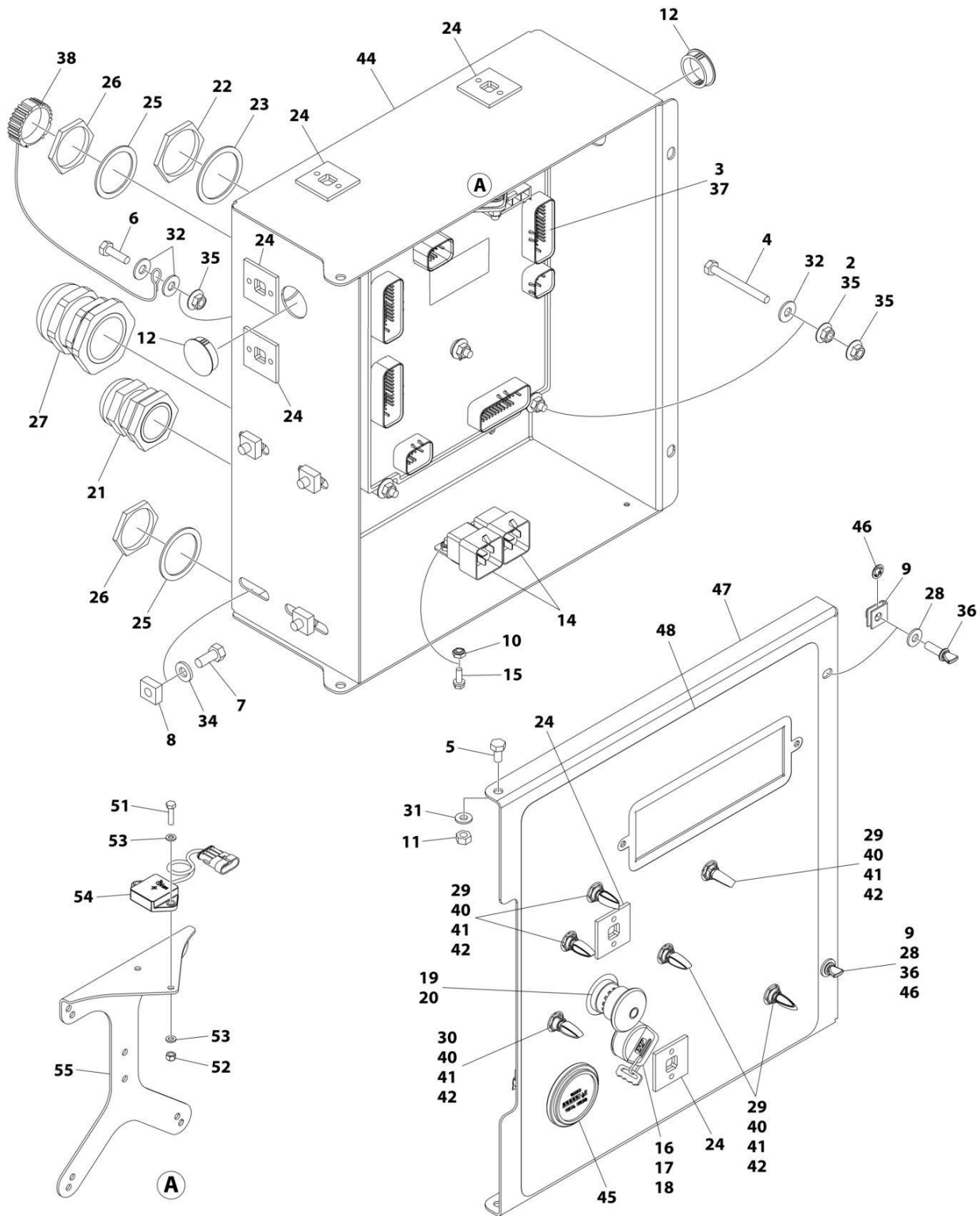
ITEM	PART NUMBER	QTY	DESCRIPTION	REV
	1001266469	Ref	GROUND CONTROL BOX ASSEMBLY	D
2	0100011	AR	Compound, Locking	
3	0100048	AR	Grease, Dielectric	
4	0630548	5	Bolt 2-1/2	
5	0641404	2	Bolt 1/4 x 1/2	
6	0641407	1	Bolt 1/4 x 7/8	
7	0641506	4	Bolt 5/16 x 3/4	
8	3300205	4	Nut, Retainer	
9	3300353	2	Nut, Tinnerman	
10	3300408	2	Nut	
11	3311405	2	Nut 1/4	
12	3520031	2	Plug	
14	3740049	2	Relay	
15	3900268	2	Bolt #10 x 1/2	
16	3910804	6	Screw #8 x 1/4	
17	4070991	1	Shim	
18	4360469	1	Switch, Key	
18	2860030	1 Set	Key Replacement	
19	4360475	1	Switch, Emergency Stop	
19	7020175	1	Cap, Mushroom	
19	7020176	1	Block, Contact	
20	4360476	1	Switch, Contact Block	
21	4460426	1	Connector, Strain Relief	
22	4460470	1	Nut, Terminal	
23	4460471	1	Lockwasher, Terminal	
24	4460488	6	Mounting Base, Terminal	
25	4460496	2	Washer, Terminal	
26	4460497	2	Nut, Terminal	
27	4460526	1	Connector, Strain Relief	
28	4711400	2	Washer 1/4	
29	4740397	5	Spacer	
30	4740444	1	Washer	
31	4740518	2	Washer	
32	4751400	7	Washer 1/4	
34	4891500	4	Washer 5/16	
35	77143013	11	Nut 1/4	
36	1001103308	2	Thumbscrew 1/4 x 3/4	
37	1001280600	1	Module, Ground Control (Note: Recalibration Required When Replaced)	
38	1001106736	1	Cap, Dust	
39	1001285515	1	Engine Harness (Not Shown - See Separate Breakdown in ELECTRICAL Section)	
40	1001155043	6	Washer	
41	1001155044	6	Nut 15/32	
42	1001155045	6	Switch, Toggle	
43	1001284973	1	Control Valve Harness (Not Shown - See Separate Breakdown in ELECTRICAL Section)	
44	1001287464	1	Plate	

SECTION 2 - TURNTABLE

ITEM	PART NUMBER	QTY	DESCRIPTION	REV
45	10836804	1	Hour Meter	
46	1001188874	2	Nut	
47	1001280403	1	Plate	
48	1001266479	1	Decal - Ground Control Box	
49	1001285346	1	Ground Control Box Harness (Not Shown - See Separate Breakdown in ELECTRICAL Section)	
51	0760612	2	Bolt M6 x 25	
52	3290605	2	Nut, Lock M6	
53	4811700	4	Washer M6	
54	1001219601	1	Sensor, Tilt	
55	1001271794	1	Bracket, Tilt Sensor	
56	1001276143	1	Harness, Tilt Sensor (See Separate Breakdown in ELECTRICAL Section)	

SECTION 2 - TURNTABLE

FIGURE 2-31. GROUND CONTROL BOX ASSEMBLY - WITH DEUTZ D2011 - WITH MECHANICAL HOUR METER (ANSI EXPORT (LRC) AND AUSTRALIAN SPECS) (SN B300025484 to Present, SN 0300315625 to Present)



ART_1001266469_E

SECTION 2 - TURNTABLE

FIGURE 2-31. GROUND CONTROL BOX ASSEMBLY - WITH DEUTZ D2011 - WITH MECHANICAL HOUR METER (ANSI EXPORT (LRC) AND AUSTRALIAN SPECS) (SN B300025484 to Present, SN 0300315625 to Present)

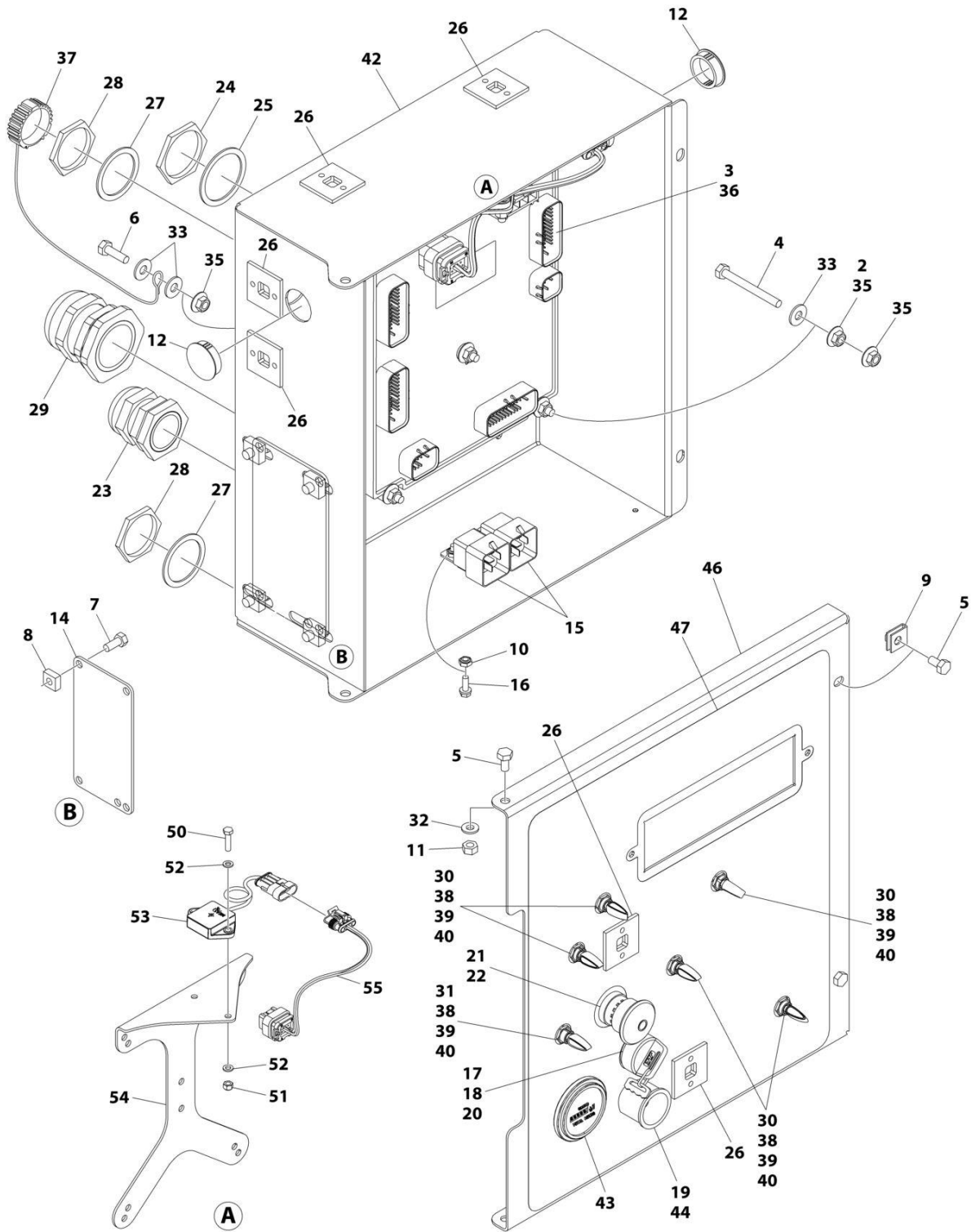
ITEM	PART NUMBER	QTY	DESCRIPTION	REV
	1001266469	Ref	GROUND CONTROL BOX ASSEMBLY	E
2	0100011	AR	Compound, Locking	
3	0100048	AR	Grease, Dielectric	
4	0630548	5	Bolt 2-1/2	
5	0641404	2	Bolt 1/4 x 1/2	
6	0641407	1	Bolt 1/4 x 7/8	
7	0641506	4	Bolt 5/16 x 3/4	
8	3300205	4	Nut, Retainer	
9	3300353	2	Nut, Tinnerman	
10	3300408	2	Nut	
11	3311405	2	Nut 1/4	
12	3520031	2	Plug	
14	3740049	2	Relay	
15	3900268	2	Bolt #10 x 1/2	
16	3910804	6	Screw #8 x 1/4	
17	4070991	1	Shim	
18	4360469	1	Switch, Key	
18	2860030	1 Set	Key Replacement	
19	4360475	1	Switch, Emergency Stop	
19	7020175	1	Cap, Mushroom	
19	7020176	1	Block, Contact	
20	4360476	1	Switch, Contact Block	
21	4460426	1	Connector, Strain Relief	
22	4460470	1	Nut, Terminal	
23	4460471	1	Lockwasher, Terminal	
24	4460488	6	Mounting Base, Terminal	
25	4460496	2	Washer, Terminal	
26	4460497	2	Nut, Terminal	
27	4460526	1	Connector, Strain Relief	
28	4711400	2	Washer 1/4	
29	4740397	5	Spacer	
30	4740444	1	Washer	
31	4740518	2	Washer	
32	4751400	7	Washer 1/4	
34	4891500	4	Washer 5/16	
35	77143013	11	Nut 1/4	
36	1001103308	2	Thumbscrew 1/4 x 3/4	
37	1001280600	1	Module, Ground Control (Note: Recalibration Required When Replaced)	
38	1001106736	1	Cap, Dust	
39	1001285515	1	Engine Harness (Not Shown - See Separate Breakdown in ELECTRICAL Section)	
40	1001155043	6	Washer	
41	1001155044	6	Nut 15/32	
42	1001155045	6	Switch, Toggle	
43	1001284973	1	Control Valve Harness (Not Shown - See Separate Breakdown in ELECTRICAL Section)	
44	1001287464	1	Plate	

SECTION 2 - TURNTABLE

ITEM	PART NUMBER	QTY	DESCRIPTION	REV
45	10836804	1	Hour Meter	
46	1001188874	2	Nut	
47	1001280403	1	Plate	
48	1001266479	1	Decal - Ground Control Box	
49	1001306145	1	Ground Control Box Harness (Not Shown - See Separate Breakdown in ELECTRICAL Section)	
51	0760612	2	Bolt M6 x 25	
52	3290605	2	Nut, Lock M6	
53	4811700	4	Washer M6	
54	1001219601	1	Sensor, Tilt	
55	1001271794	1	Bracket, Tilt Sensor	

SECTION 2 - TURNTABLE

FIGURE 2-32. GROUND CONTROL BOX ASSEMBLY - WITH DEUTZ D2011 (CE & UK CA SPECS)
(800S) (Prior to SN B300025484, Prior to SN 0300315625)



ART_1001266471_D

SECTION 2 - TURNTABLE

**FIGURE 2-32. GROUND CONTROL BOX ASSEMBLY - WITH DEUTZ D2011 (CE & UK CA SPECS)
(800S) (Prior to SN B300025484, Prior to SN 0300315625)**

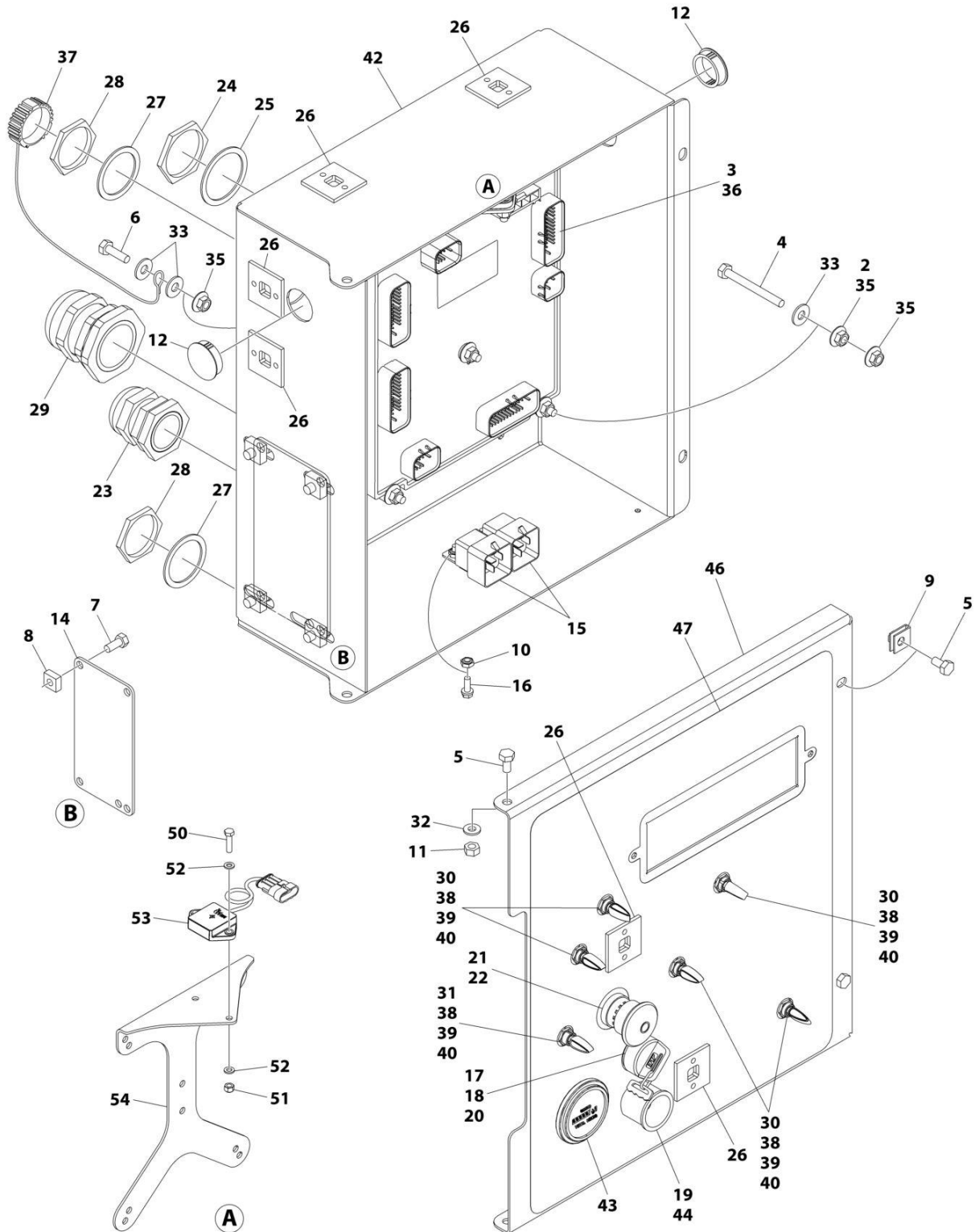
ITEM	PART NUMBER	QTY	DESCRIPTION	REV
	1001266471	Ref	GROUND CONTROL BOX ASSEMBLY	D
2	0100011	AR	Compound, Locking	
3	0100048	AR	Grease, Dielectric	
4	0630548	5	Bolt 2-1/2	
5	0641404	4	Bolt 1/4 x 1/2	
6	0641407	1	Bolt 1/4 x 7/8	
7	0641506	4	Bolt 5/16 x 3/4	
8	3300205	4	Nut, Retainer	
9	3300353	2	Nut, Tinnerman	
10	3300408	2	Nut	
11	3311405	2	Nut 1/4	
12	3520031	2	Plug	
14	3539219	1	Plate	
15	3740049	2	Relay	
16	3900268	2	Bolt #10 x 1/2	
17	3910804	6	Screw #8 x 1/4	
18	4070991	1	Shim	
19	4360387	1	Switch, Push Button	
20	4360469	1	Switch, Key	
20	2860030	1 Set	Key Replacement	
21	4360475	1	Switch, Emergency Stop	
21	7020175	1	Cap, Mushroom	
21	7020176	1	Block, Contact	
22	4360476	1	Switch, Contact Block	
23	4460426	1	Connector, Strain Relief	
24	4460470	1	Nut, Terminal	
25	4460471	1	Lockwasher, Terminal	
26	4460488	6	Mounting Base, Terminal	
27	4460496	2	Washer, Terminal	
28	4460497	2	Nut, Terminal	
29	4460526	1	Connector, Strain Relief	
30	4740397	5	Spacer	
31	4740444	1	Washer	
32	4740518	2	Washer	
33	4751400	7	Washer 1/4	
35	77143013	11	Nut 1/4	
36	1001280600	1	Module, Ground Control (Note: Re-calibration Required When Replaced)	
37	1001106736	1	Cap, Dust	
38	1001155043	6	Washer	
39	1001155044	6	Nut 15/32	
40	1001155045	6	Switch, Toggle	
41	1001284973	1	Control Valve Harness (Not Shown - See Separate Breakdown in ELECTRICAL Section)	
42	1001287464	1	Plate	
43	10836804	1	Gauge, Display	
44	1001176469	1	Shroud	
45	1001286027	1	Engine Harness (Not Shown - See Separate Breakdown in ELECTRICAL Section)	

SECTION 2 - TURNTABLE

ITEM	PART NUMBER	QTY	DESCRIPTION	REV
46	1001297391	1	Plate	
47	1001266481	1	Decal-Ground Control Box	
48	1001285346	1	Ground Control Box Harness (Not Shown - See Separate Breakdown in ELECTRICAL Section)	
50	0760612	2	Bolt M6 x 25	
51	3290605	2	Nut, Lock M6	
52	4811700	4	Washer M6	
53	1001219601	1	Sensor, Tilt	
54	1001271794	1	Bracket, Tilt Sensor	
55	1001276143	1	Harness, Tilt Sensor (See Separate Breakdown in ELECTRICAL Section)	

SECTION 2 - TURNTABLE

FIGURE 2-33. GROUND CONTROL BOX ASSEMBLY - WITH DEUTZ D2011 (CE & UK CA SPECS) (SN B300025484 to Present, SN 0300315625 to Present)



ART_1001266471_E

SECTION 2 - TURNTABLE

FIGURE 2-33. GROUND CONTROL BOX ASSEMBLY - WITH DEUTZ D2011 (CE & UK CA SPECS) (SN B300025484 to Present, SN 0300315625 to Present)

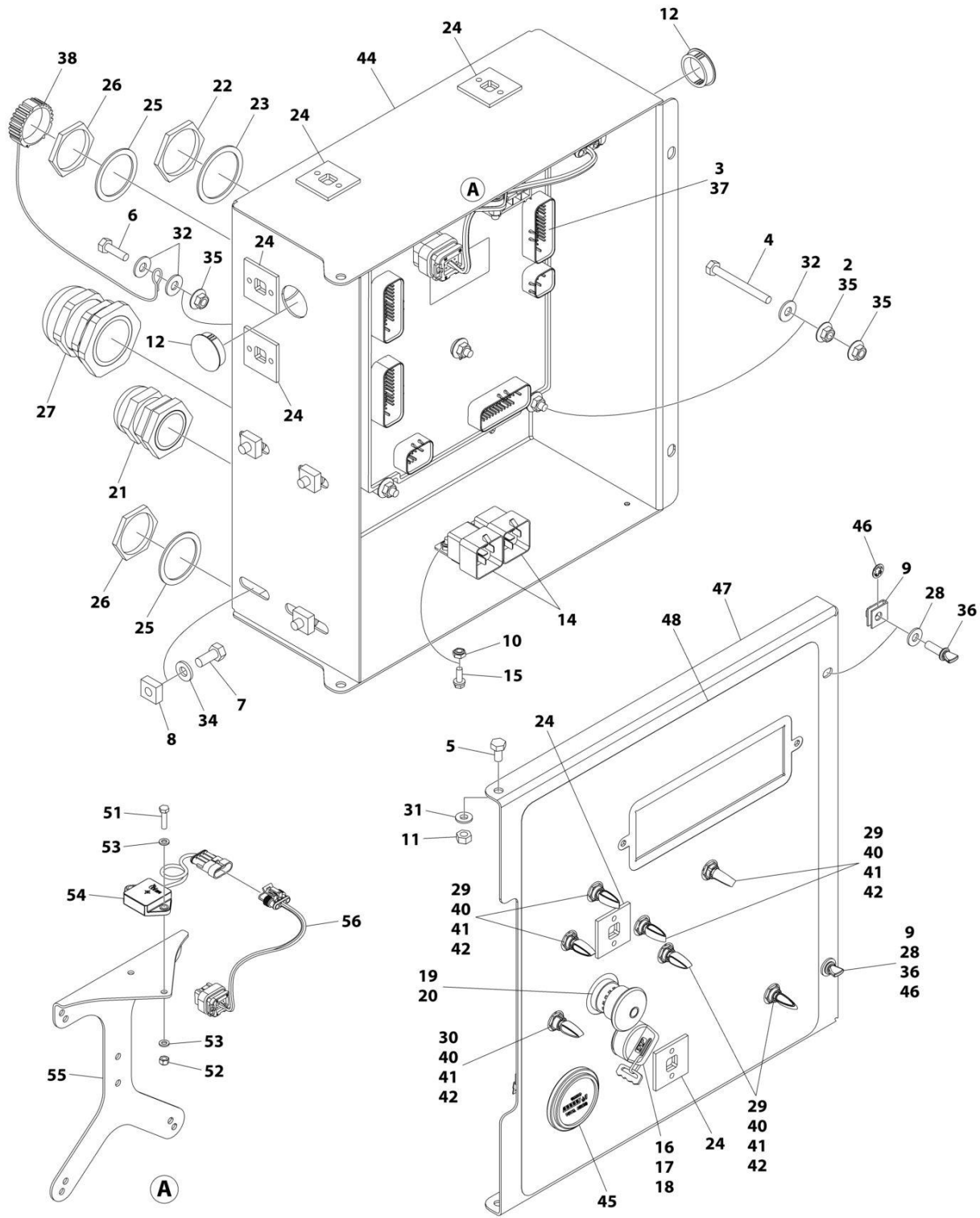
ITEM	PART NUMBER	QTY	DESCRIPTION	REV
	1001266471	Ref	GROUND CONTROL BOX ASSEMBLY	E
2	0100011	AR	Compound, Locking	
3	0100048	AR	Grease, Dielectric	
4	0630548	5	Bolt 2-1/2	
5	0641404	4	Bolt 1/4 x 1/2	
6	0641407	1	Bolt 1/4 x 7/8	
7	0641506	4	Bolt 5/16 x 3/4	
8	3300205	4	Nut, Retainer	
9	3300353	2	Nut, Tinnerman	
10	3300408	2	Nut	
11	3311405	2	Nut 1/4	
12	3520031	2	Plug	
14	3539219	1	Plate	
15	3740049	2	Relay	
16	3900268	2	Bolt #10 x 1/2	
17	3910804	6	Screw #8 x 1/4	
18	4070991	1	Shim	
19	4360387	1	Switch, Push Button	
20	4360469	1	Switch, Key	
20	2860030	1 Set	Key Replacement	
21	4360475	1	Switch, Emergency Stop	
21	7020175	1	Cap, Mushroom	
21	7020176	1	Block, Contact	
22	4360476	1	Switch, Contact Block	
23	4460426	1	Connector, Strain Relief	
24	4460470	1	Nut, Terminal	
25	4460471	1	Lockwasher, Terminal	
26	4460488	6	Mounting Base, Terminal	
27	4460496	2	Washer, Terminal	
28	4460497	2	Nut, Terminal	
29	4460526	1	Connector, Strain Relief	
30	4740397	5	Spacer	
31	4740444	1	Washer	
32	4740518	2	Washer	
33	4751400	7	Washer 1/4	
35	77143013	11	Nut 1/4	
36	1001280600	1	Module, Ground Control (Note: Re-calibration Required When Replaced)	
37	1001106736	1	Cap, Dust	
38	1001155043	6	Washer	
39	1001155044	6	Nut 15/32	
40	1001155045	6	Switch, Toggle	
41	1001284973	1	Control Valve Harness (Not Shown - See Separate Breakdown in ELECTRICAL Section)	
42	1001287464	1	Plate	
43	10836804	1	Gauge, Display	
44	1001176469	1	Shroud	
45	1001286027	1	Engine Harness (Not Shown - See Separate Breakdown in ELECTRICAL Section)	

SECTION 2 - TURNTABLE

ITEM	PART NUMBER	QTY	DESCRIPTION	REV
46	1001297391	1	Plate	
47	1001266481	1	Decal-Ground Control Box	
48	1001306145	1	Ground Control Box Harness (Not Shown - See Separate Breakdown in ELECTRICAL Section)	
50	0760612	2	Bolt M6 x 25	
51	3290605	2	Nut, Lock M6	
52	4811700	4	Washer M6	
53	1001219601	1	Sensor, Tilt	
54	1001271794	1	Bracket, Tilt Sensor	

SECTION 2 - TURNTABLE

FIGURE 2-34. GROUND CONTROL BOX ASSEMBLY - WITH DEUTZ D2011 - WITH MECHANICAL HOUR METER (ANSI EXPORT (LRC) AND AUSTRALIAN SPECS) WITH TILT SENSOR (860SJ) (Prior to SN B300025484, Prior to SN 0300315625)



ART_1001266470_D

SECTION 2 - TURNTABLE

FIGURE 2-34. GROUND CONTROL BOX ASSEMBLY - WITH DEUTZ D2011 - WITH MECHANICAL HOUR METER (ANSI EXPORT (LRC) AND AUSTRALIAN SPECS) WITH TILT SENSOR (860SJ) (Prior to SN B300025484, Prior to SN 0300315625)

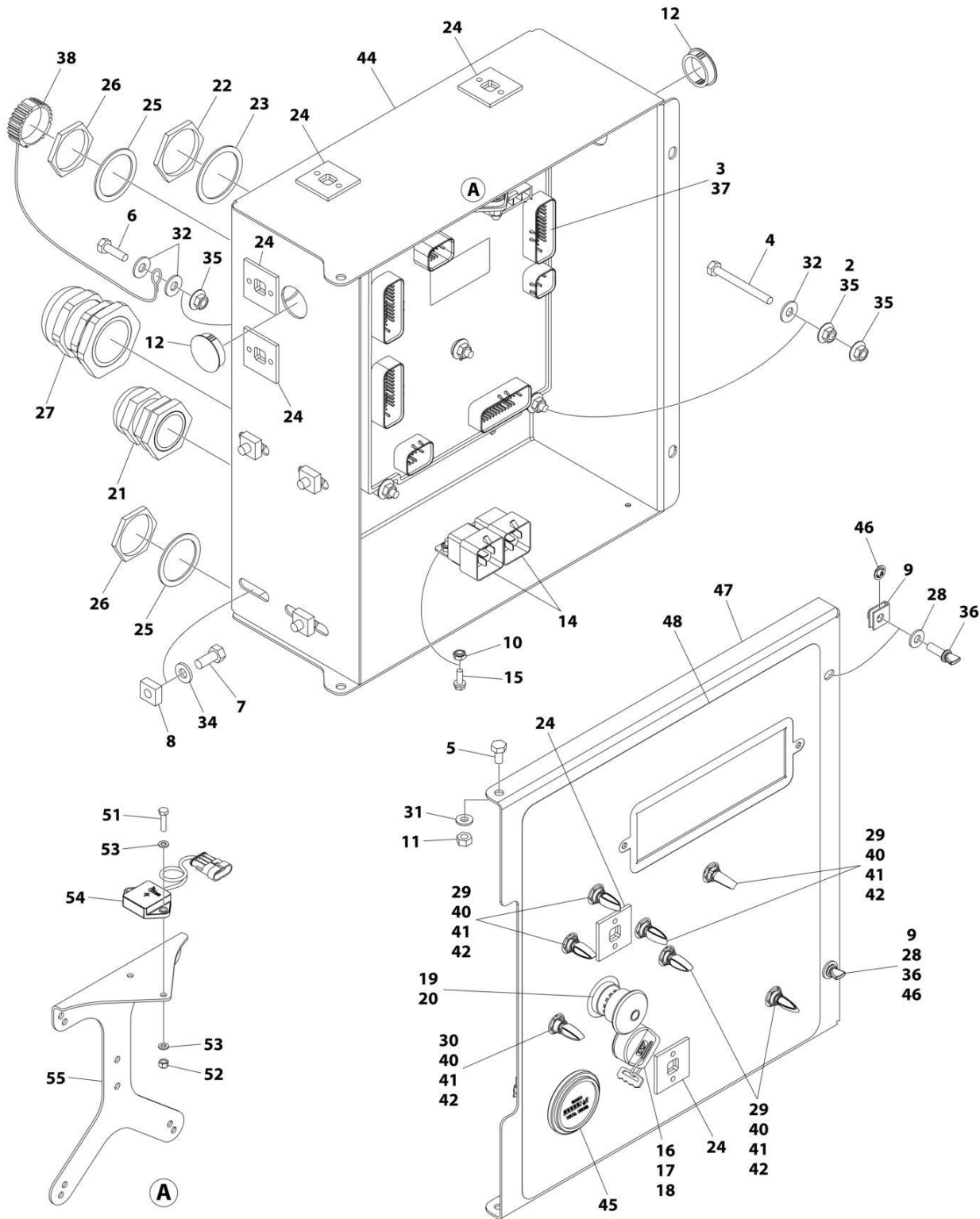
ITEM	PART NUMBER	QTY	DESCRIPTION	REV
	1001266470	Ref	GROUND CONTROL BOX ASSEMBLY	D
2	0100011	AR	Compound, Locking	
3	0100048	AR	Grease, Dielectric	
4	0630548	5	Bolt 2-1/2	
5	0641404	2	Bolt 1/4 x 1/2	
6	0641407	1	Bolt 1/4 x 7/8	
7	0641506	4	Bolt 5/16 x 3/4	
8	3300205	4	Nut, Retainer	
9	3300353	2	Nut, Tinnerman	
10	3300408	2	Nut	
11	3311405	2	Nut 1/4	
12	3520031	2	Plug	
14	3740049	2	Relay	
15	3900268	2	Bolt #10 x 1/2	
16	3910804	6	Screw #8 x 1/4	
17	4070991	1	Shim	
18	4360469	1	Switch, Key	
18	2860030	1 Set	Key Replacement	
19	4360475	1	Switch, Emergency Stop	
19	7020175	1	Cap, Mushroom	
19	7020176	1	Block, Contact	
20	4360476	1	Switch, Contact Block	
21	4460426	1	Connector, Strain Relief	
22	4460470	1	Nut, Terminal	
23	4460471	1	Lockwasher, Terminal	
24	4460488	6	Mounting Base, Terminal	
25	4460496	2	Washer, Terminal	
26	4460497	2	Nut, Terminal	
27	4460526	1	Connector, Strain Relief	
28	4711400	2	Washer 1/4	
29	4740397	6	Spacer	
30	4740444	1	Washer	
31	4740518	2	Washer	
32	4751400	7	Washer 1/4	
34	4891500	4	Washer 5/16	
35	77143013	11	Nut 1/4	
36	1001103308	2	Thumbscrew 1/4 x 3/4	
37	1001280600	1	Module, Ground Control (Note: Recalibration Required When Replaced)	
38	1001106736	1	Cap, Dust	
39	1001285515	1	Engine Harness (Not Shown - See Separate Breakdown in ELECTRICAL Section)	
40	1001155043	7	Washer	
41	1001155044	7	Nut 15/32	
42	1001155045	7	Switch, Toggle	
43	1001284973	1	Control Valve Harness (Not Shown - See Separate Breakdown in ELECTRICAL Section)	
44	1001287464	1	Plate	

SECTION 2 - TURNTABLE

ITEM	PART NUMBER	QTY	DESCRIPTION	REV
45	10836804	1	Hour Meter	
46	1001188874	2	Nut	
47	1001280403	1	Plate	
48	1001266480	1	Decal - Ground Control Box	
49	1001285346	1	Ground Control Box Harness (Not Shown - See Separate Breakdown in ELECTRICAL Section)	
51	0760612	2	Bolt M6 x 25	
52	3290605	2	Nut, Lock M6	
53	4811700	4	Washer M6	
54	1001219601	1	Sensor, Tilt	
55	1001271794	1	Bracket, Tilt Sensor	
56	1001276143	1	Harness, Tilt Sensor (See Separate Breakdown in ELECTRICAL Section)	

SECTION 2 - TURNTABLE

FIGURE 2-35. GROUND CONTROL BOX ASSEMBLY - WITH DEUTZ D2011 - WITH MECHANICAL HOUR METER (ANSI EXPORT (LRC) AND AUSTRALIAN SPECS) WITH TILT SENSOR (SN B300025484 to Present, SN 0300315625 to Present)



ART_1001266470_E

SECTION 2 - TURNTABLE

FIGURE 2-35. GROUND CONTROL BOX ASSEMBLY - WITH DEUTZ D2011 - WITH MECHANICAL HOUR METER (ANSI EXPORT (LRC) AND AUSTRALIAN SPECS) WITH TILT SENSOR (SN B300025484 to Present, SN 0300315625 to Present)

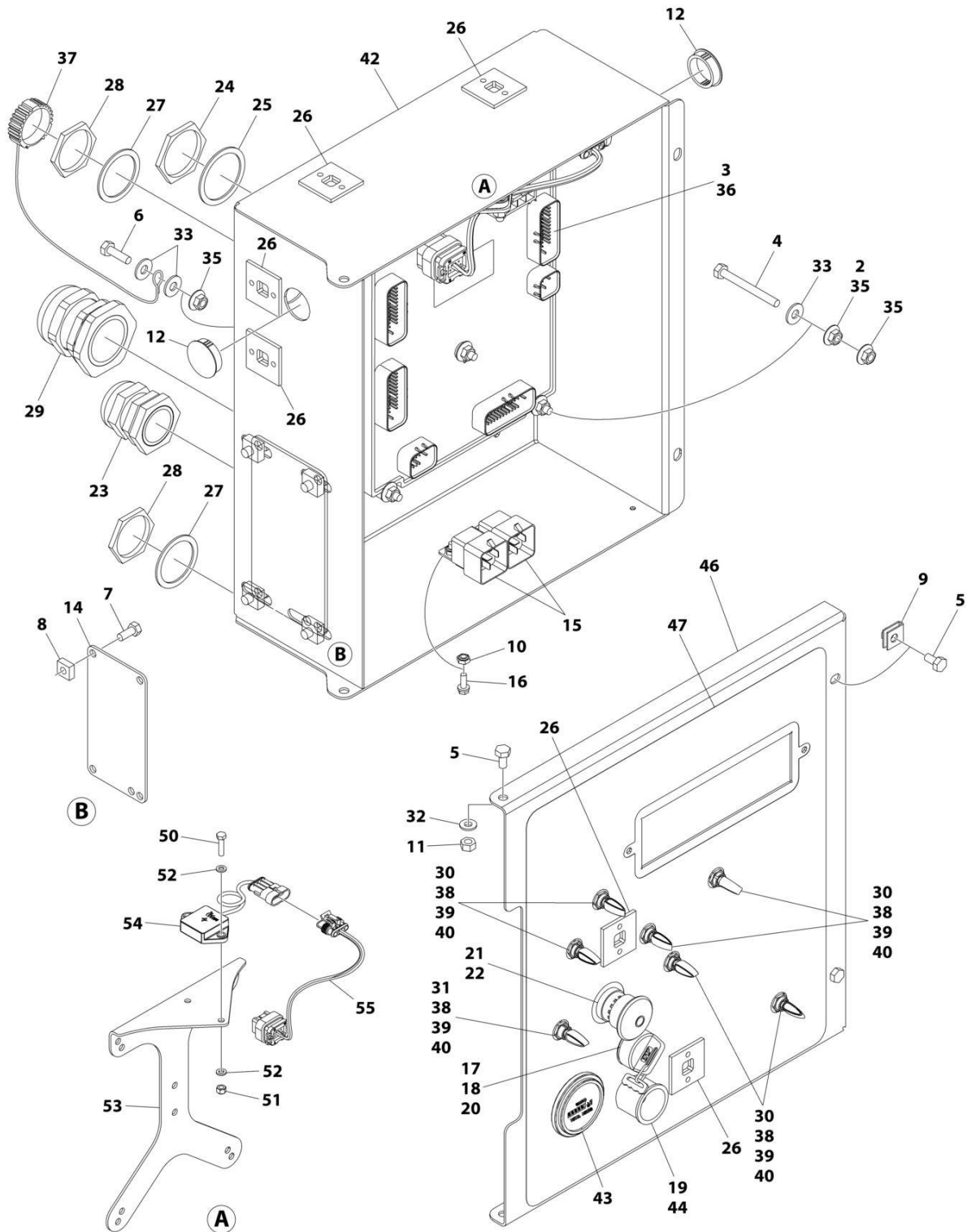
ITEM	PART NUMBER	QTY	DESCRIPTION	REV
	1001266470	Ref	GROUND CONTROL BOX ASSEMBLY	E
2	0100011	AR	Compound, Locking	
3	0100048	AR	Grease, Dielectric	
4	0630548	5	Bolt 2-1/2	
5	0641404	2	Bolt 1/4 x 1/2	
6	0641407	1	Bolt 1/4 x 7/8	
7	0641506	4	Bolt 5/16 x 3/4	
8	3300205	4	Nut, Retainer	
9	3300353	2	Nut, Tinnerman	
10	3300408	2	Nut	
11	3311405	2	Nut 1/4	
12	3520031	2	Plug	
14	3740049	2	Relay	
15	3900268	2	Bolt #10 x 1/2	
16	3910804	6	Screw #8 x 1/4	
17	4070991	1	Shim	
18	4360469	1	Switch, Key	
18	2860030	1 Set	Key Replacement	
19	4360475	1	Switch, Emergency Stop	
19	7020175	1	Cap, Mushroom	
19	7020176	1	Block, Contact	
20	4360476	1	Switch, Contact Block	
21	4460426	1	Connector, Strain Relief	
22	4460470	1	Nut, Terminal	
23	4460471	1	Lockwasher, Terminal	
24	4460488	6	Mounting Base, Terminal	
25	4460496	2	Washer, Terminal	
26	4460497	2	Nut, Terminal	
27	4460526	1	Connector, Strain Relief	
28	4711400	2	Washer 1/4	
29	4740397	6	Spacer	
30	4740444	1	Washer	
31	4740518	2	Washer	
32	4751400	7	Washer 1/4	
34	4891500	4	Washer 5/16	
35	77143013	11	Nut 1/4	
36	1001103308	2	Thumbscrew 1/4 x 3/4	
37	1001280600	1	Module, Ground Control (Note: Recalibration Required When Replaced)	
38	1001106736	1	Cap, Dust	
39	1001285515	1	Engine Harness (Not Shown - See Separate Breakdown in ELECTRICAL Section)	
40	1001155043	7	Washer	
41	1001155044	7	Nut 15/32	
42	1001155045	7	Switch, Toggle	
43	1001284973	1	Control Valve Harness (Not Shown - See Separate Breakdown in ELECTRICAL Section)	
44	1001287464	1	Plate	

SECTION 2 - TURNTABLE

ITEM	PART NUMBER	QTY	DESCRIPTION	REV
45	10836804	1	Hour Meter	
46	1001188874	2	Nut	
47	1001280403	1	Plate	
48	1001266480	1	Decal - Ground Control Box	
49	1001306145	1	Ground Control Box Harness (Not Shown - See Separate Breakdown in ELECTRICAL Section)	
51	0760612	2	Bolt M6 x 25	
52	3290605	2	Nut, Lock M6	
53	4811700	4	Washer M6	
54	1001219601	1	Sensor, Tilt	
55	1001271794	1	Bracket, Tilt Sensor	

SECTION 2 - TURNTABLE

FIGURE 2-36. GROUND CONTROL BOX ASSEMBLY - WITH DEUTZ D2011 (CE & UK CA SPECS)
WITH TILT SENSOR (860SJ) (Prior to SN B300025484, Prior to SN 0300315625)



ART_1001266472_D

SECTION 2 - TURNTABLE

**FIGURE 2-36. GROUND CONTROL BOX ASSEMBLY - WITH DEUTZ D2011 (CE & UK CA SPECS)
WITH TILT SENSOR (860SJ) (Prior to SN B300025484, Prior to SN 0300315625)**

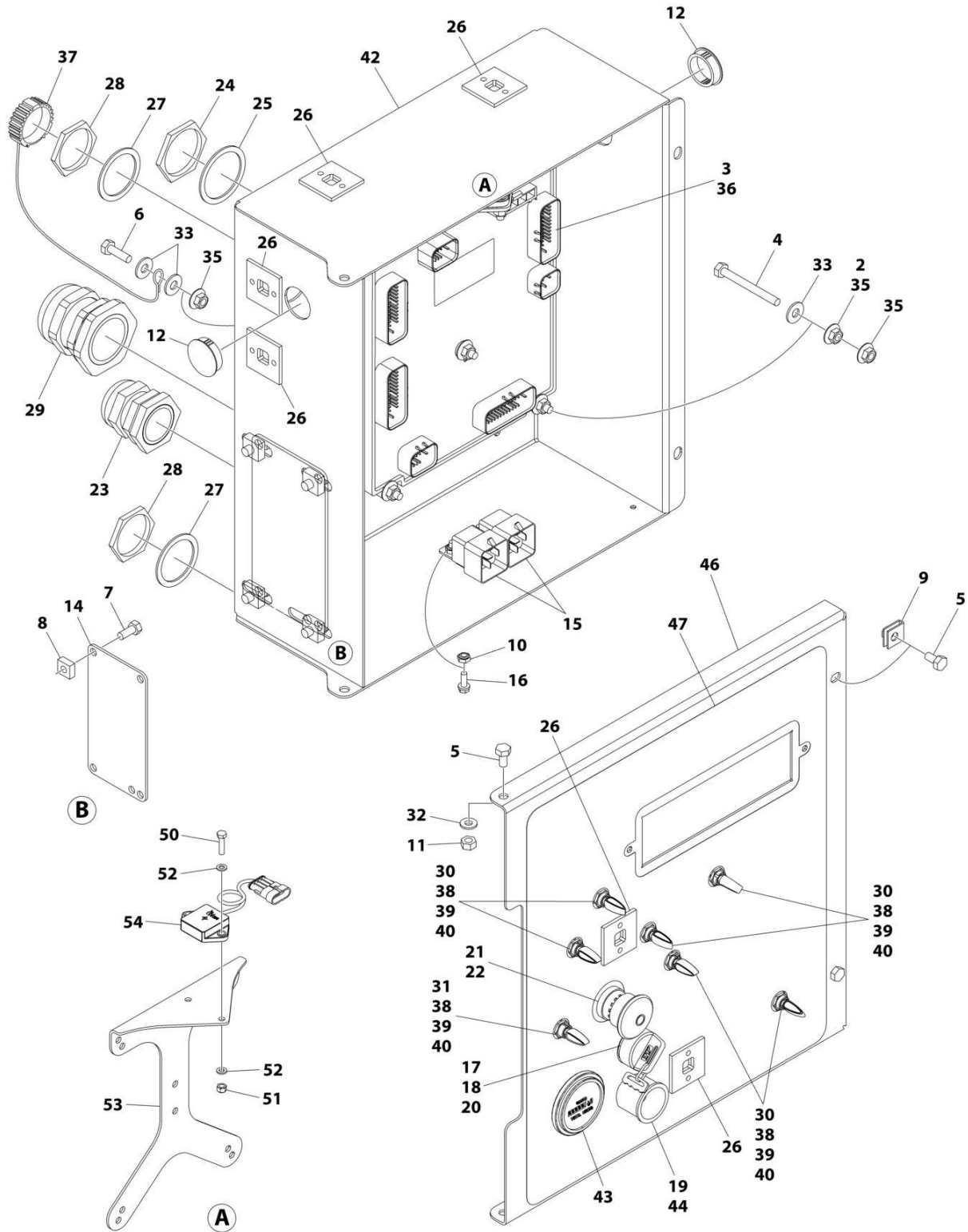
ITEM	PART NUMBER	QTY	DESCRIPTION	REV
	1001266472	Ref	GROUND CONTROL BOX ASSEMBLY	D
2	0100011	AR	Compound, Locking	
3	0100048	AR	Grease, Dielectric	
4	0630548	5	Bolt 2-1/2	
5	0641404	4	Bolt 1/4 x 1/2	
6	0641407	1	Bolt 1/4 x 7/8	
7	0641506	4	Bolt 5/16 x 3/4	
8	3300205	4	Nut, Retainer	
9	3300353	2	Nut, Tinnerman	
10	3300408	2	Nut	
11	3311405	2	Nut 1/4	
12	3520031	2	Plug	
14	3539219	1	Plate	
15	3740049	2	Relay	
16	3900268	2	Bolt #10 x 1/2	
17	3910804	6	Screw #8 x 1/4	
18	4070991	1	Shim	
19	4360387	1	Switch, Push Button	
20	4360469	1	Switch, Key	
20	2860030	1 Set	Key Replacement	
21	4360475	1	Switch, Emergency Stop	
21	7020175	1	Cap, Mushroom	
21	7020176	1	Block, Contact	
22	4360476	1	Switch, Contact Block	
23	4460426	1	Connector, Strain Relief	
24	4460470	1	Nut, Terminal	
25	4460471	1	Lockwasher, Terminal	
26	4460488	6	Mounting Base, Terminal	
27	4460496	2	Washer, Terminal	
28	4460497	2	Nut, Terminal	
29	4460526	1	Connector, Strain Relief	
30	4740397	6	Spacer	
31	4740444	1	Washer	
32	4740518	2	Washer	
33	4751400	7	Washer 1/4	
35	77143013	11	Nut 1/4	
36	1001280600	1	Module, Ground Control (Note: Recalibration Required When Replaced)	
37	1001106736	1	Cap, Dust	
38	1001155043	7	Washer	
39	1001155044	7	Nut 15/32	
40	1001155045	7	Switch, Toggle	
41	1001284973	1	Control Valve Harness (Not Shown - See Separate Breakdown in ELECTRICAL Section)	
42	1001287464	1	Plate	
43	10836804	1	Gauge, Display	
44	1001176469	1	Shroud	
45	1001286027	1	Engine Harness (Not Shown - See Separate Breakdown in ELECTRICAL Section)	

SECTION 2 - TURNTABLE

ITEM	PART NUMBER	QTY	DESCRIPTION	REV
46	1001297391	1	Plate	
47	1001266482	1	Decal - Ground Control Box	
48	1001285346	1	Ground Control Box Harness (Not Shown - See Separate Breakdown in ELECTRICAL Section)	
50	0760612	2	Bolt M6 x 25	
51	3290605	2	Nut, Lock M6	
52	4811700	4	Washer M6	
53	1001271794	1	Bracket, Tilt Sensor	
54	1001219601	1	Sensor, Tilt	
55	1001276143	1	Harness, Tilt Sensor (See Separate Breakdown in ELECTRICAL Section)	

SECTION 2 - TURNTABLE

FIGURE 2-37. GROUND CONTROL BOX ASSEMBLY - WITH DEUTZ D2011 (CE & UK CA SPECS)
WITH TILT SENSOR (SN B300025484 to Present, SN 0300315625 to Present)



ART_1001266472_E

SECTION 2 - TURNTABLE

**FIGURE 2-37. GROUND CONTROL BOX ASSEMBLY - WITH DEUTZ D2011 (CE & UK CA SPECS)
WITH TILT SENSOR (SN B300025484 to Present, SN 0300315625 to Present)**

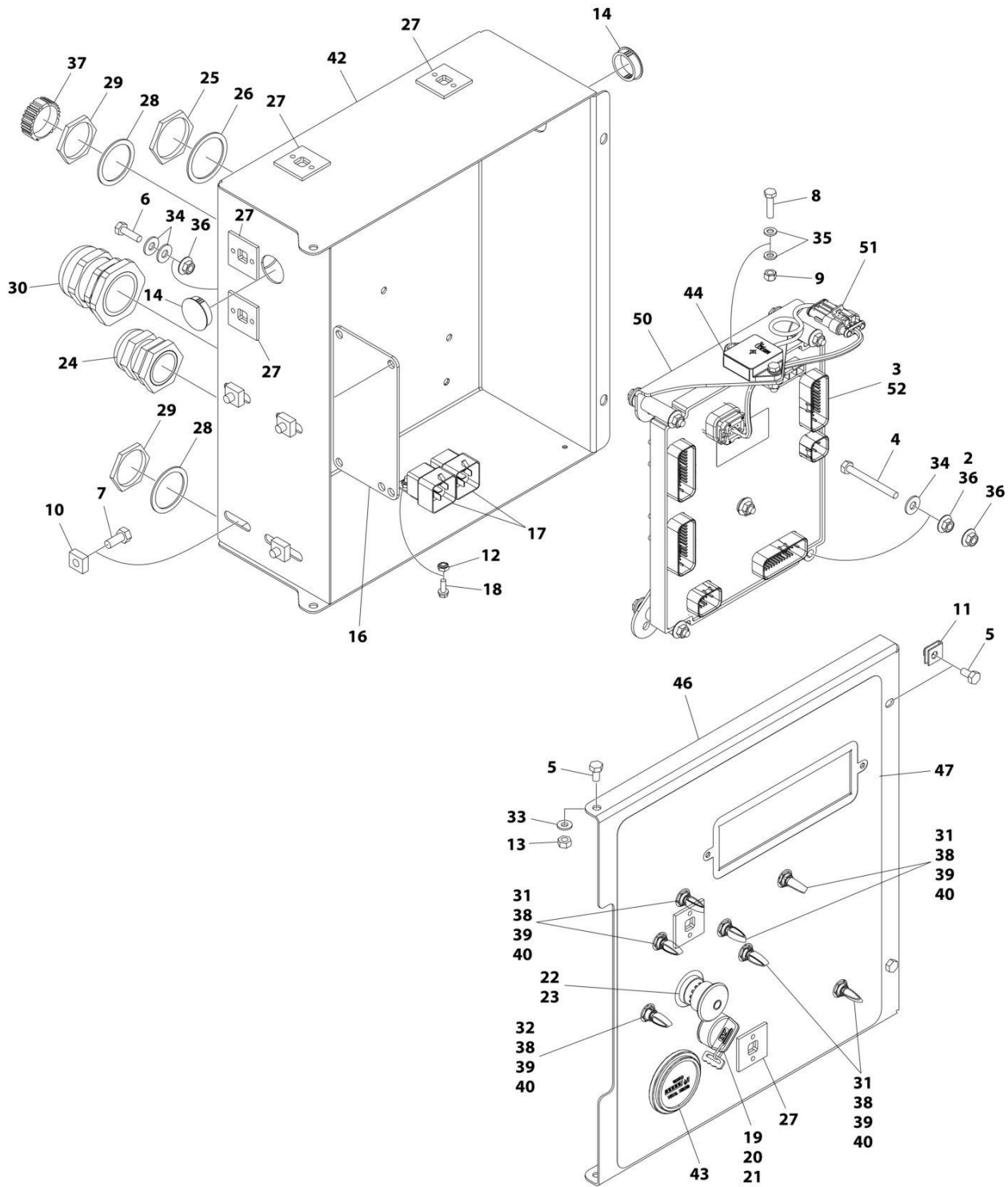
ITEM	PART NUMBER	QTY	DESCRIPTION	REV
	1001266472	Ref	GROUND CONTROL BOX ASSEMBLY	E
2	0100011	AR	Compound, Locking	
3	0100048	AR	Grease, Dielectric	
4	0630548	5	Bolt 2-1/2	
5	0641404	4	Bolt 1/4 x 1/2	
6	0641407	1	Bolt 1/4 x 7/8	
7	0641506	4	Bolt 5/16 x 3/4	
8	3300205	4	Nut, Retainer	
9	3300353	2	Nut, Tinnerman	
10	3300408	2	Nut	
11	3311405	2	Nut 1/4	
12	3520031	2	Plug	
14	3539219	1	Plate	
15	3740049	2	Relay	
16	3900268	2	Bolt #10 x 1/2	
17	3910804	6	Screw #8 x 1/4	
18	4070991	1	Shim	
19	4360387	1	Switch, Push Button	
20	4360469	1	Switch, Key	
20	2860030	1 Set	Key Replacement	
21	4360475	1	Switch, Emergency Stop	
21	7020175	1	Cap, Mushroom	
21	7020176	1	Block, Contact	
22	4360476	1	Switch, Contact Block	
23	4460426	1	Connector, Strain Relief	
24	4460470	1	Nut, Terminal	
25	4460471	1	Lockwasher, Terminal	
26	4460488	6	Mounting Base, Terminal	
27	4460496	2	Washer, Terminal	
28	4460497	2	Nut, Terminal	
29	4460526	1	Connector, Strain Relief	
30	4740397	6	Spacer	
31	4740444	1	Washer	
32	4740518	2	Washer	
33	4751400	7	Washer 1/4	
35	77143013	11	Nut 1/4	
36	1001280600	1	Module, Ground Control (Note: Recalibration Required When Replaced)	
37	1001106736	1	Cap, Dust	
38	1001155043	7	Washer	
39	1001155044	7	Nut 15/32	
40	1001155045	7	Switch, Toggle	
41	1001284973	1	Control Valve Harness (Not Shown - See Separate Breakdown in ELECTRICAL Section)	
42	1001287464	1	Plate	
43	10836804	1	Gauge, Display	
44	1001176469	1	Shroud	
45	1001286027	1	Engine Harness (Not Shown - See Separate Breakdown in ELECTRICAL Section)	

SECTION 2 - TURNTABLE

ITEM	PART NUMBER	QTY	DESCRIPTION	REV
46	1001297391	1	Plate	
47	1001266482	1	Decal - Ground Control Box	
48	1001306145	1	Ground Control Box Harness (Not Shown - See Separate Breakdown in ELECTRICAL Section)	
50	0760612	2	Bolt M6 x 25	
51	3290605	2	Nut, Lock M6	
52	4811700	4	Washer M6	
53	1001271794	1	Bracket, Tilt Sensor	
54	1001219601	1	Sensor, Tilt	

SECTION 2 - TURNTABLE

**FIGURE 2-38. GROUND CONTROL BOX ASSEMBLY - WITH DEUTZ D2011 (HIGH TEMP MARKETS)
(ANSI EXPORT (LRC) AND AUSTRALIAN SPECS) (860SJ)**



ART_1001278612_C

SECTION 2 - TURNTABLE

**FIGURE 2-38. GROUND CONTROL BOX ASSEMBLY - WITH DEUTZ D2011 (HIGH TEMP MARKETS)
(ANSI EXPORT (LRC) AND AUSTRALIAN SPECS) (860SJ)**

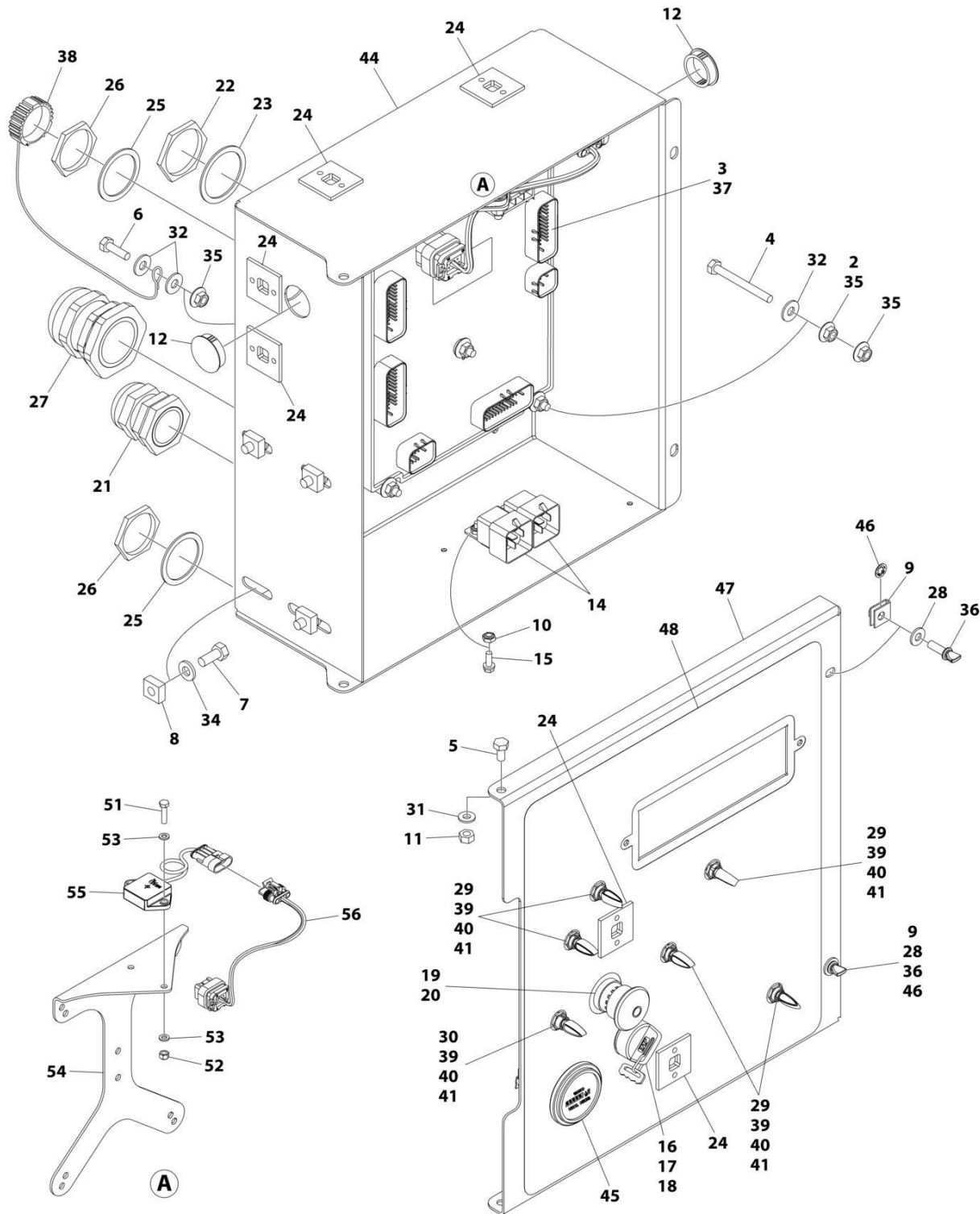
ITEM	PART NUMBER	QTY	DESCRIPTION	REV
	1001278612	Ref	GROUND CONTROL BOX ASSEMBLY	C
2	0100011	AR	Compound, Locking	
3	0100048	AR	Grease, Dielectric	
4	0630548	5	Bolt 2-1/2 Tap	
5	0641404	4	Bolt 1/4 x 1/2	
6	0641407	1	Bolt 1/4 x 7/8	
7	0641506	4	Bolt 5/16 x 3/4	
8	0760612	2	Bolt M6 x 25	
9	3290605	2	Nut, Lock M6	
10	3300205	4	Nut, Retainer	
11	3300353	2	Nut, Tinnerman	
12	3300408	2	Nut, Plastic Insert	
13	3311405	2	Nut 1/4	
14	3520031	2	Plug	
16	3539219	1	Plate, Reinforcement	
17	3740049	2	Relay	
18	3900268	2	Bolt #10 x 1/2	
19	3910804	6	Bolt #8 x 1/4	
20	4070991	1	Shim	
21	4360469	1	Switch, Key	
22	4360475	1	Switch, Emergency Stop	
22	7020175	1	Cap, Mushroom	
22	7020176	1	Block, Contact	
23	4360476	1	Switch, Contact Block	
24	4460426	1	Connector, Strain Relief	
25	4460470	1	Nut, Terminal	
26	4460471	1	Washer, Terminal	
27	4460488	6	Mounting Base, Terminal	
28	4460496	2	Washer, Terminal	
29	4460497	2	Nut, Terminal	
30	4460526	1	Connector, Strain Relief	
31	4740397	6	Spacer	
32	4740444	1	Washer	
33	4740518	2	Washer	
34	4751400	7	Washer 1/4	
35	4811700	4	Washer M6	
36	77143013	11	Nut 1/4	
37	1001106736	1	Cap, Dust	
38	1001155043	7	Washer	
39	1001155044	7	Nut 15/32	
40	1001155045	7	Switch, Toggle	
41	1001284973	1	Harness, Platform Valve (Not Shown - See Separate Breakdown in ELECTRICAL Section)	
42	1001287464	1	Box Less Lid	
43	10836804	1	Gauge, Display	
44	1001219601	1	Sensor, Tilt	
45	1001286027	1	Harness, Engine (Not Shown - See Separate Breakdown in ELECTRICAL Section)	
46	1001280403	1	Plate	

SECTION 2 - TURNTABLE

ITEM	PART NUMBER	QTY	DESCRIPTION	REV
47	1001266480	1	Decal, MTB	
48	1001285346	1	Harness, MTB (Not Shown - See Separate Breakdown in ELECTRICAL Section)	
49	1001285800	1	Wire, MTB (Not Shown)	
50	1001271794	1	Bracket, Tilt Sensor	
51	1001276143	1	Harness, Tilt Sensor (See Separate Breakdown in ELECTRICAL Section)	
52	1001280600	1	Module, Ground Control (Note: Re-calibration Required When Replaced)	

SECTION 2 - TURNTABLE

FIGURE 2-39. GROUND CONTROL BOX ASSEMBLY - WITH DEUTZ TD2.9L4 - WITH MECHANICAL HOUR METER (ANSI, ANSI EXPORT (HRC), CSA AND JAPANESE SPECS) (800S) (Prior to SN B300025484, Prior to SN 0300315625)



ART_1001266473_E

SECTION 2 - TURNTABLE

FIGURE 2-39. GROUND CONTROL BOX ASSEMBLY - WITH DEUTZ TD2.9L4 - WITH MECHANICAL HOUR METER (ANSI, ANSI EXPORT (HRC), CSA AND JAPANESE SPECS) (800S) (Prior to SN B300025484, Prior to SN 0300315625)

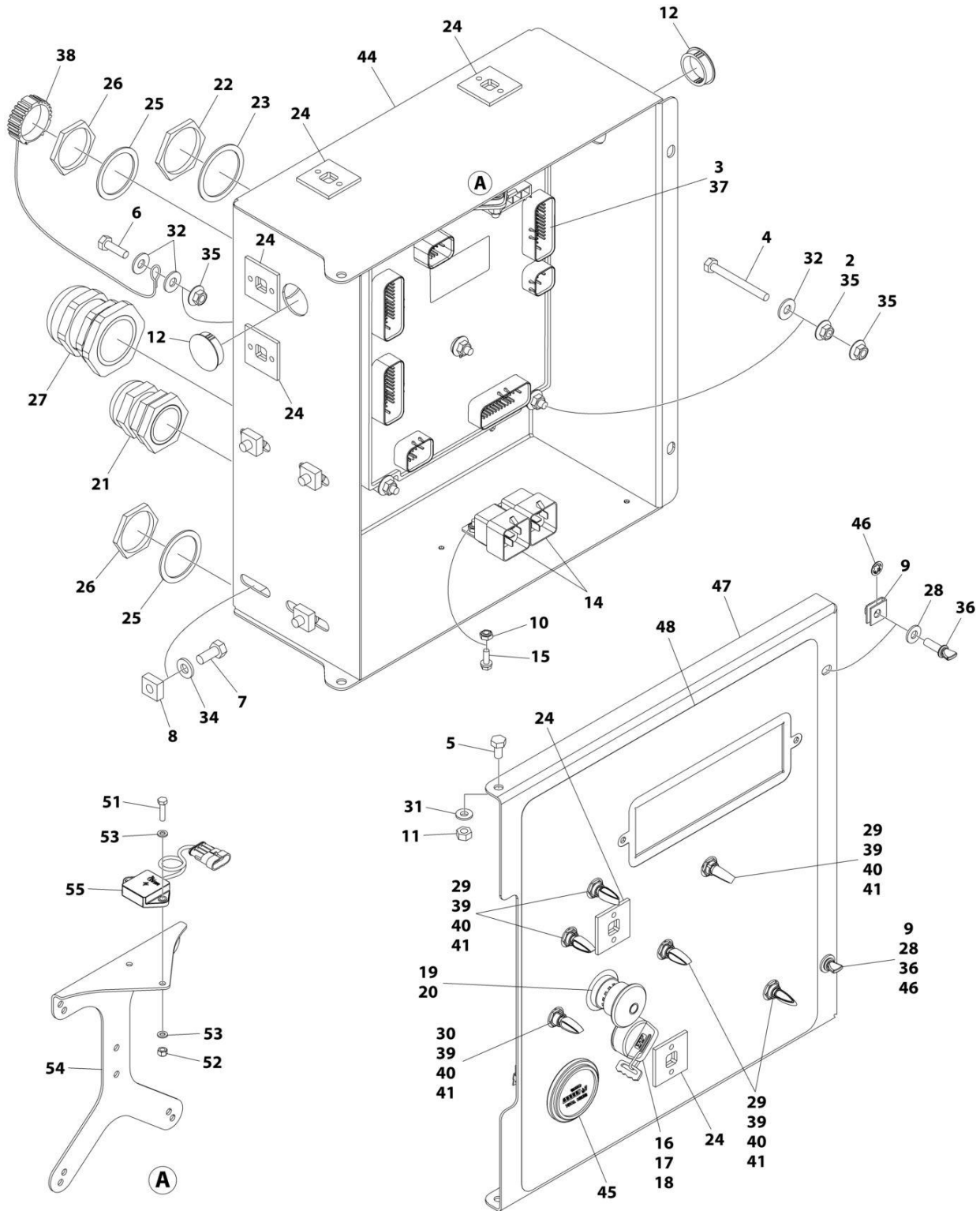
ITEM	PART NUMBER	QTY	DESCRIPTION	REV
	1001266473	Ref	GROUND CONTROL BOX ASSEMBLY	E
2	0100011	AR	Compound, Locking	
3	0100048	AR	Grease, Dielectric	
4	0630548	5	Bolt 2-1/2	
5	0641404	2	Bolt 1/4 x 1/2	
6	0641407	1	Bolt 1/4 x 7/8	
7	0641506	4	Bolt 5/16 x 3/4	
8	3300205	4	Nut, Retainer	
9	3300353	2	Nut, Tinnerman	
10	3300408	2	Nut	
11	3311405	2	Nut 1/4	
12	3520031	2	Plug	
14	3740049	2	Relay	
15	3900268	2	Bolt #10 x 1/2	
16	3910804	6	Screw #8 x 1/4	
17	4070991	1	Shim	
18	4360469	1	Switch, Key	
18	2860030	1 Set	Key Replacement	
19	1001274559	1	Switch, Emergency Stop	
20	4360476	1	Switch, Contact Block	
21	4460426	1	Connector, Strain Relief	
22	4460470	1	Nut, Terminal	
23	4460471	1	Lockwasher, Terminal	
24	4460488	6	Mounting Base, Terminal	
25	4460496	2	Washer, Terminal	
26	4460497	2	Nut, Terminal	
27	4460526	1	Connector, Strain Relief	
28	4711400	2	Washer 1/4	
29	4740397	5	Spacer	
30	4740444	1	Washer	
31	4740518	2	Washer	
32	4751400	7	Washer 1/4	
34	4891500	4	Washer 5/16	
35	77143013	11	Nut 1/4	
36	1001103308	2	Thumbscrew 1/4 x 3/4	
37	1001280600	1	Module, Ground Control (Note: Recalibration Required When Replaced)	
38	1001106736	1	Cap, Dust	
39	1001155043	6	Washer	
40	1001155044	6	Nut 15/32	
41	1001155045	6	Switch, Toggle	
42	1001295732	1	Engine Harness (Not Shown - See Separate Breakdown in ELECTRICAL Section)	
43	1001284973	1	Control Valve Harness (Not Shown - See Separate Breakdown in ELECTRICAL Section)	
44	1001287464	1	Plate	
45	10836804	1	Hour Meter	
46	1001188874	2	Nut	

SECTION 2 - TURNTABLE

ITEM	PART NUMBER	QTY	DESCRIPTION	REV
47	1001280403	1	Plate	
48	1001266479	1	Decal - Ground Control Box	
49	1001285346	1	Ground Control Box Harness (Not Shown - See Separate Breakdown in ELECTRICAL Section)	
51	0760612	2	Bolt M6 x 25	
52	3290605	2	Nut M6	
53	4811700	4	Washer M6	
54	1001271794	1	Bracket, Tilt Sensor	
55	1001219601	1	Sensor, Tilt	
56	1001276143	1	Harness, Tilt Sensor (See Separate Breakdown in ELECTRICAL Section)	

SECTION 2 - TURNTABLE

FIGURE 2-40. GROUND CONTROL BOX ASSEMBLY - WITH DEUTZ TD2.9L4 - WITH MECHANICAL HOUR METER (ANSI, ANSI EXPORT (HRC), CSA AND JAPANESE SPECS) (SN B300025484 to Present, SN 0300315625 to Present)



ART_1001266473_F

SECTION 2 - TURNTABLE

FIGURE 2-40. GROUND CONTROL BOX ASSEMBLY - WITH DEUTZ TD2.9L4 - WITH MECHANICAL HOUR METER (ANSI, ANSI EXPORT (HRC), CSA AND JAPANESE SPECS) (SN B300025484 to Present, SN 0300315625 to Present)

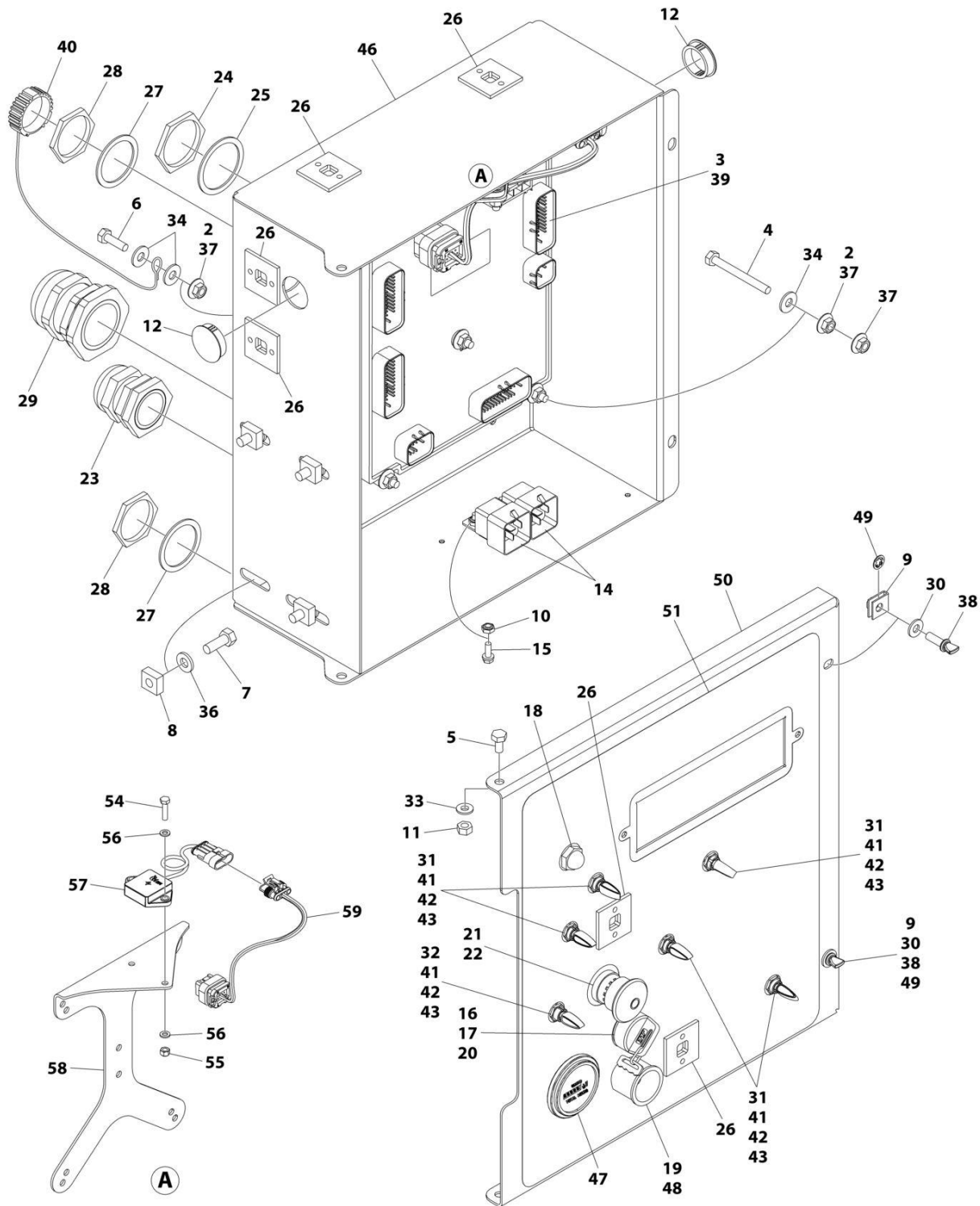
ITEM	PART NUMBER	QTY	DESCRIPTION	REV
	1001266473	Ref	GROUND CONTROL BOX ASSEMBLY	F
2	0100011	AR	Compound, Locking	
3	0100048	AR	Grease, Dielectric	
4	0630548	5	Bolt 2-1/2	
5	0641404	2	Bolt 1/4 x 1/2	
6	0641407	1	Bolt 1/4 x 7/8	
7	0641506	4	Bolt 5/16 x 3/4	
8	3300205	4	Nut, Retainer	
9	3300353	2	Nut, Tinnerman	
10	3300408	2	Nut	
11	3311405	2	Nut 1/4	
12	3520031	2	Plug	
14	3740049	2	Relay	
15	3900268	2	Bolt #10 x 1/2	
16	3910804	6	Screw #8 x 1/4	
17	4070991	1	Shim	
18	4360469	1	Switch, Key	
18	2860030	1 Set	Key Replacement	
19	1001274559	1	Switch, Emergency Stop	
20	4360476	1	Switch, Contact Block	
21	4460426	1	Connector, Strain Relief	
22	4460470	1	Nut, Terminal	
23	4460471	1	Lockwasher, Terminal	
24	4460488	6	Mounting Base, Terminal	
25	4460496	2	Washer, Terminal	
26	4460497	2	Nut, Terminal	
27	4460526	1	Connector, Strain Relief	
28	4711400	2	Washer 1/4	
29	4740397	5	Spacer	
30	4740444	1	Washer	
31	4740518	2	Washer	
32	4751400	7	Washer 1/4	
34	4891500	4	Washer 5/16	
35	77143013	11	Nut 1/4	
36	1001103308	2	Thumbscrew 1/4 x 3/4	
37	1001280600	1	Module, Ground Control (Note: Recalibration Required When Replaced)	
38	1001106736	1	Cap, Dust	
39	1001155043	6	Washer	
40	1001155044	6	Nut 15/32	
41	1001155045	6	Switch, Toggle	
42	1001295732	1	Engine Harness (Not Shown - See Separate Breakdown in ELECTRICAL Section)	
43	1001284973	1	Control Valve Harness (Not Shown - See Separate Breakdown in ELECTRICAL Section)	
44	1001287464	1	Plate	
45	10836804	1	Hour Meter	
46	1001188874	2	Nut	

SECTION 2 - TURNTABLE

ITEM	PART NUMBER	QTY	DESCRIPTION	REV
47	1001280403	1	Plate	
48	1001266479	1	Decal - Ground Control Box	
49	1001306145	1	Ground Control Box Harness (Not Shown - See Separate Breakdown in ELECTRICAL Section)	
51	0760612	2	Bolt M6 x 25	
52	3290605	2	Nut M6	
53	4811700	4	Washer M6	
54	1001271794	1	Bracket, Tilt Sensor	
55	1001219601	1	Sensor, Tilt	

SECTION 2 - TURNTABLE

FIGURE 2-41. GROUND CONTROL BOX ASSEMBLY - WITH DEUTZ TD2.9L4 (STAGE V) (CE & UK CA SPECS) (800S) (Prior to SN B300025484, Prior to SN 0300315625)



ART_1001266477_E

SECTION 2 - TURNTABLE

FIGURE 2-41. GROUND CONTROL BOX ASSEMBLY - WITH DEUTZ TD2.9L4 (STAGE V) (CE & UK CA SPECS) (800S) (Prior to SN B300025484, Prior to SN 0300315625)

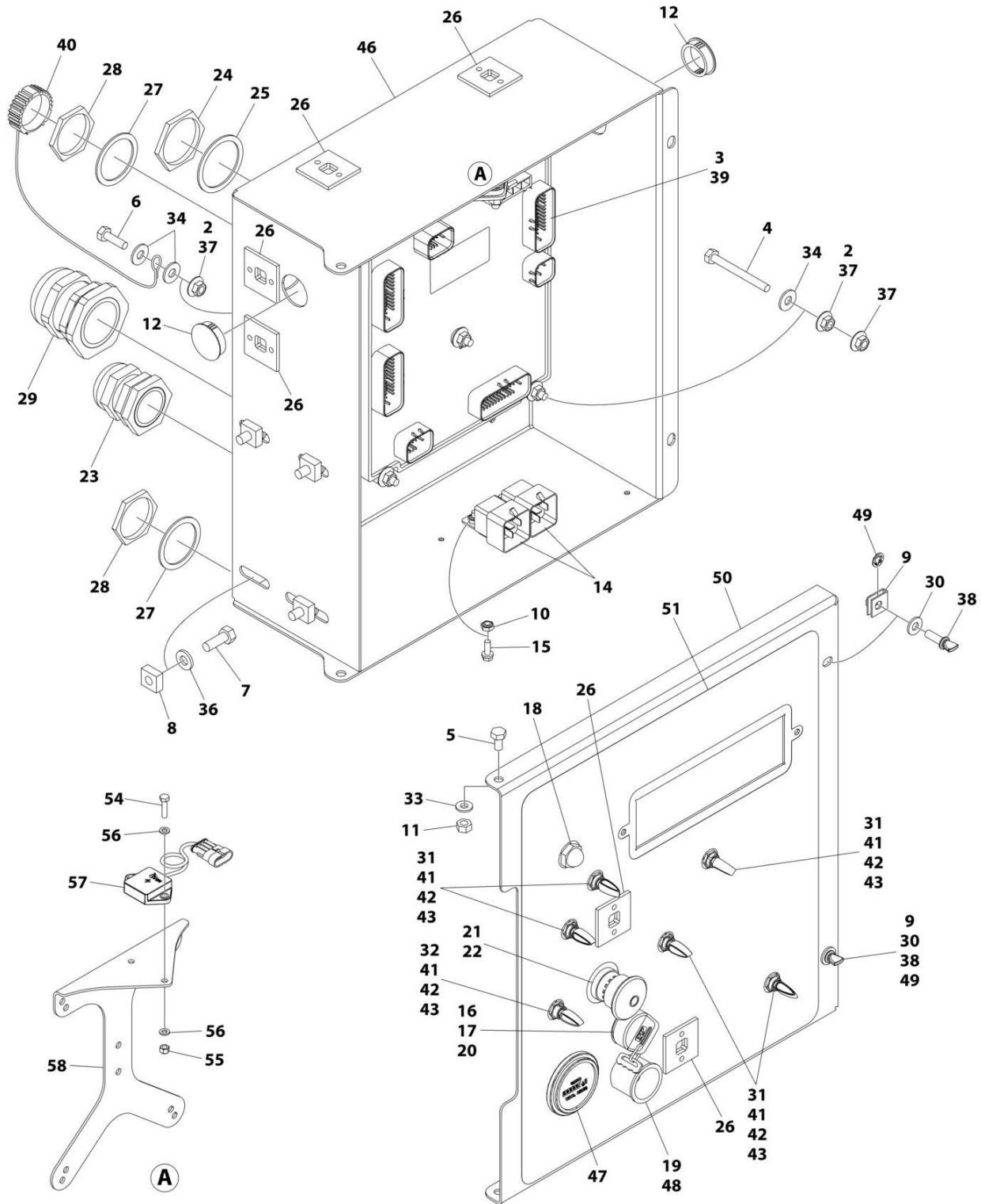
ITEM	PART NUMBER	QTY	DESCRIPTION	REV
	1001266477	Ref	GROUND CONTROL BOX ASSEMBLY	E
2	0100011	AR	Compound, Locking	
3	0100048	AR	Grease, Dielectric	
4	0630548	5	Bolt 2-1/2	
5	0641404	2	Bolt 1/4 x 1/2	
6	0641407	1	Bolt 1/4 x 7/8	
7	0641507	4	Bolt 5/16 x 7/8	
8	3300205	4	Nut, Retainer	
9	3300353	2	Nut, Tinnerman	
10	3300408	2	Nut	
11	3311405	2	Nut 1/4	
12	3520031	2	Plug	
14	3740049	2	Relay	
15	3900268	2	Bolt #10 x 1/2	
16	3910804	6	Screw #8 x 1/4	
17	4070991	1	Shim	
18	4360274	1	Switch, Push Button	
19	4360387	1	Switch, Push Button	
20	4360469	1	Switch, Key	
20	2860030	1 Set	Key Replacement	
21	1001274559	1	Switch, Emergency Stop	
22	4360476	1	Switch, Contact Block	
23	4460426	1	Connector, Strain Relief	
24	4460470	1	Nut, Terminal	
25	4460471	1	Lockwasher, Terminal	
26	4460488	6	Mounting Base, Terminal	
27	4460496	2	Washer, Terminal	
28	4460497	2	Nut, Terminal	
29	4460526	1	Connector, Strain Relief	
30	4711400	2	Washer 1/4	
31	4740397	5	Spacer	
32	4740444	1	Washer	
33	4740518	2	Washer	
34	4751400	7	Washer 1/4	
36	4891500	4	Washer 5/16	
37	77143013	11	Nut 1/4	
38	1001103308	2	Thumbscrew 1/4 x 3/4	
39	1001280600	1	Module, Ground Control (Note: Re-calibration Required When Replaced)	
40	1001106736	1	Cap, Dust	
41	1001155043	6	Washer	
42	1001155044	6	Nut 15/32	
43	1001155045	6	Switch, Toggle	
44	1001295732	1	Engine Harness (Not Shown - See Separate Breakdown in ELECTRICAL Section)	
45	1001284973	1	Control Valve Harness (Not Shown - See Separate Breakdown in ELECTRICAL Section)	
46	1001287464	1	Plate	
47	10836804	1	Gauge, Display	

SECTION 2 - TURNTABLE

ITEM	PART NUMBER	QTY	DESCRIPTION	REV
48	1001176469	1	Shroud	
49	1001188874	2	Nut	
50	1001297391	1	Plate	
51	1001266483	1	Decal - Ground Control Box	
52	1001285346	1	Ground Control Box Harness (Not Shown - See Separate Breakdown in ELECTRICAL Section)	
54	0760612	2	Bolt M6 x 25	
55	3290605	2	Nut, Lock M6	
56	4811700	4	Washer M6	
57	1001219601	1	Sensor, Tilt	
58	1001271794	1	Bracket, Tilt Sensor	
59	1001276143	1	Harness, Tilt Sensor (See Separate Breakdown in ELECTRICAL Section)	

SECTION 2 - TURNTABLE

FIGURE 2-42. GROUND CONTROL BOX ASSEMBLY - WITH DEUTZ TD2.9L4 (STAGE V) (CE & UK CA SPECS) (SN B300025484 to Present, SN 0300315625 to Present)



ART_1001266477_F

SECTION 2 - TURNTABLE

FIGURE 2-42. GROUND CONTROL BOX ASSEMBLY - WITH DEUTZ TD2.9L4 (STAGE V) (CE & UK CA SPECS) (SN B300025484 to Present, SN 0300315625 to Present)

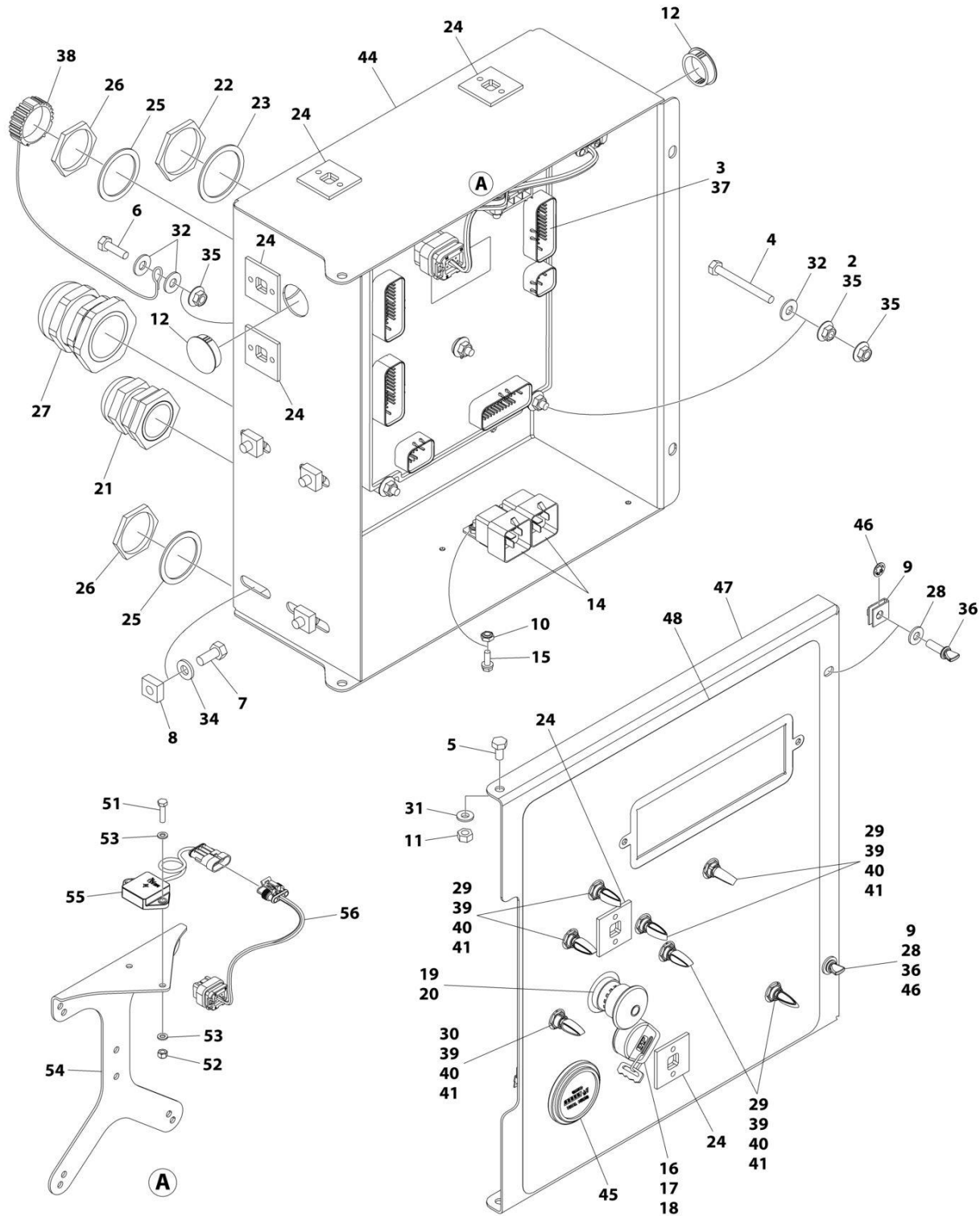
ITEM	PART NUMBER	QTY	DESCRIPTION	REV
	1001266477	Ref	GROUND CONTROL BOX ASSEMBLY	F
2	0100011	AR	Compound, Locking	
3	0100048	AR	Grease, Dielectric	
4	0630548	5	Bolt 2-1/2	
5	0641404	2	Bolt 1/4 x 1/2	
6	0641407	1	Bolt 1/4 x 7/8	
7	0641507	4	Bolt 5/16 x 7/8	
8	3300205	4	Nut, Retainer	
9	3300353	2	Nut, Tinnerman	
10	3300408	2	Nut	
11	3311405	2	Nut 1/4	
12	3520031	2	Plug	
14	3740049	2	Relay	
15	3900268	2	Bolt #10 x 1/2	
16	3910804	6	Screw #8 x 1/4	
17	4070991	1	Shim	
18	4360274	1	Switch, Push Button	
19	4360387	1	Switch, Push Button	
20	4360469	1	Switch, Key	
20	2860030	1 Set	Key Replacement	
21	1001274559	1	Switch, Emergency Stop	
22	4360476	1	Switch, Contact Block	
23	4460426	1	Connector, Strain Relief	
24	4460470	1	Nut, Terminal	
25	4460471	1	Lockwasher, Terminal	
26	4460488	6	Mounting Base, Terminal	
27	4460496	2	Washer, Terminal	
28	4460497	2	Nut, Terminal	
29	4460526	1	Connector, Strain Relief	
30	4711400	2	Washer 1/4	
31	4740397	5	Spacer	
32	4740444	1	Washer	
33	4740518	2	Washer	
34	4751400	7	Washer 1/4	
36	4891500	4	Washer 5/16	
37	77143013	11	Nut 1/4	
38	1001103308	2	Thumbscrew 1/4 x 3/4	
39	1001280600	1	Module, Ground Control (Note: Re-calibration Required When Replaced)	
40	1001106736	1	Cap, Dust	
41	1001155043	6	Washer	
42	1001155044	6	Nut 15/32	
43	1001155045	6	Switch, Toggle	
44	1001295732	1	Engine Harness (Not Shown - See Separate Breakdown in ELECTRICAL Section)	
45	1001284973	1	Control Valve Harness (Not Shown - See Separate Breakdown in ELECTRICAL Section)	
46	1001287464	1	Plate	
47	10836804	1	Gauge, Display	

SECTION 2 - TURNTABLE

ITEM	PART NUMBER	QTY	DESCRIPTION	REV
48	1001176469	1	Shroud	
49	1001188874	2	Nut	
50	1001297391	1	Plate	
51	1001266483	1	Decal - Ground Control Box	
52	1001306145	1	Ground Control Box Harness (Not Shown - See Separate Breakdown in ELECTRICAL Section)	
54	0760612	2	Bolt M6 x 25	
55	3290605	2	Nut, Lock M6	
56	4811700	4	Washer M6	
57	1001219601	1	Sensor, Tilt	
58	1001271794	1	Bracket, Tilt Sensor	

SECTION 2 - TURNTABLE

FIGURE 2-43. GROUND CONTROL BOX ASSEMBLY - WITH DEUTZ TD2.9L4 - WITH MECHANICAL HOUR METER (ANSI, ANSI EXPORT (HRC), ANSI EXPORT (LRC WITH SN B3), CSA, JAPANESE, AUSTRALIAN (SN B3), RUSSIAN (SN B3) AND CHINA SPECS) WITH TILT SENSOR (860SJ) (Prior to SN B300025484, Prior to SN 0300315625)



ART_1001266474_E

SECTION 2 - TURNTABLE

FIGURE 2-43. GROUND CONTROL BOX ASSEMBLY - WITH DEUTZ TD2.9L4 - WITH MECHANICAL HOUR METER (ANSI, ANSI EXPORT (HRC), ANSI EXPORT (LRC WITH SN B3), CSA, JAPANESE, AUSTRALIAN (SN B3), RUSSIAN (SN B3) AND CHINA SPECS) WITH TILT SENSOR (860SJ) (Prior to SN B300025484, Prior to SN 0300315625)

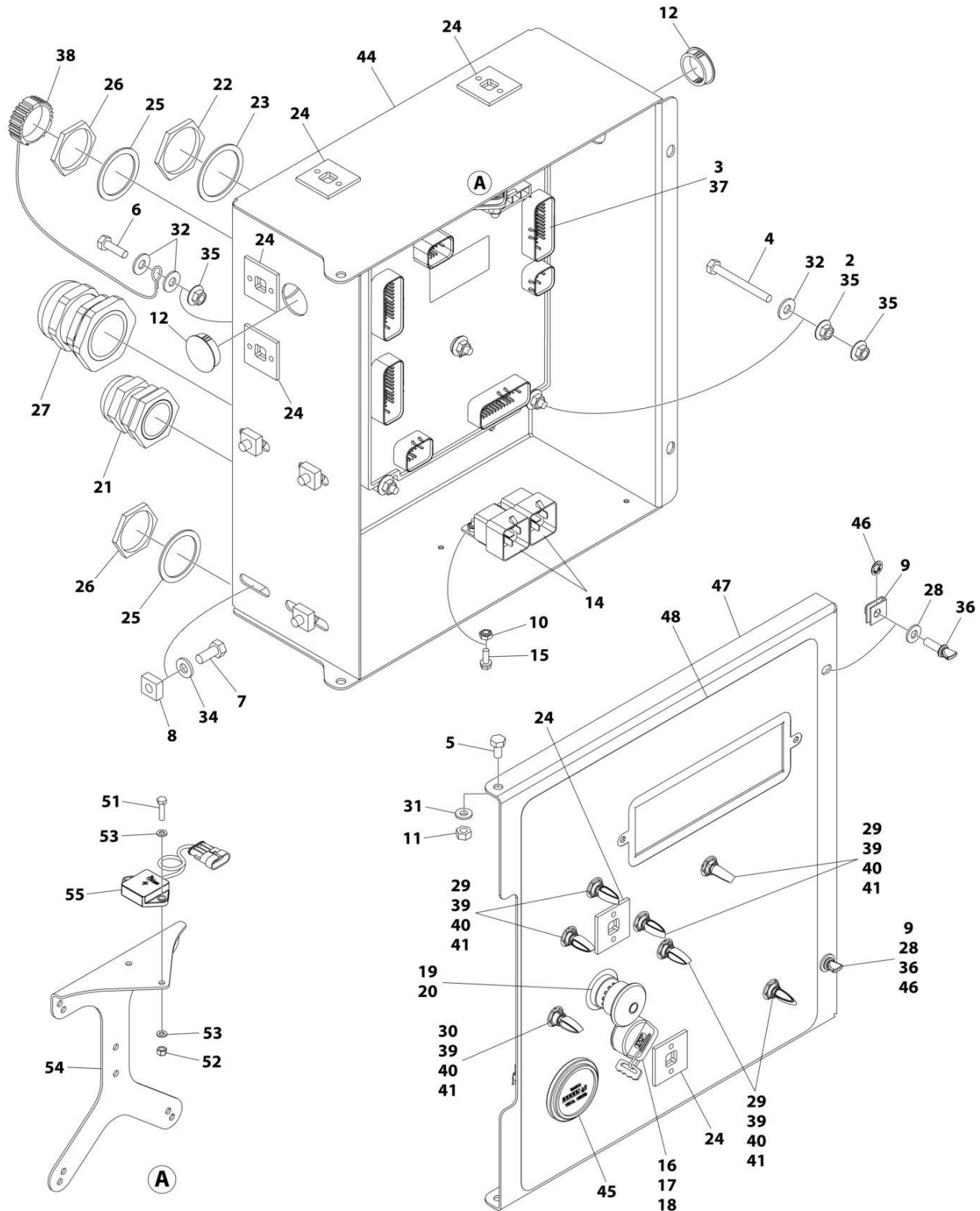
ITEM	PART NUMBER	QTY	DESCRIPTION	REV
	1001266474	Ref	GROUND CONTROL BOX ASSEMBLY	E
2	0100011	AR	Compound, Locking	
3	0100048	AR	Grease, Dielectric	
4	0630548	5	Bolt 2-1/2	
5	0641404	2	Bolt 1/4 x 1/2	
6	0641407	1	Bolt 1/4 x 7/8	
7	0641506	4	Bolt 5/16 x 3/4	
8	3300205	4	Nut, Retainer	
9	3300353	2	Nut, Tinnerman	
10	3300408	2	Nut	
11	3311405	2	Nut 1/4	
12	3520031	2	Plug	
14	3740049	2	Relay	
15	3900268	2	Bolt #10 x 1/2	
16	3910804	6	Screw #8 x 1/4	
17	4070991	1	Shim	
18	4360469	1	Switch, Key	
18	2860030	1 Set	Key Replacement	
19	1001274559	1	Switch, Emergency Stop	
20	4360476	1	Switch, Contact Block	
21	4460426	1	Connector, Strain Relief	
22	4460470	1	Nut, Terminal	
23	4460471	1	Lockwasher, Terminal	
24	4460488	6	Mounting Base, Terminal	
25	4460496	2	Washer, Terminal	
26	4460497	2	Nut, Terminal	
27	4460526	1	Connector, Strain Relief	
28	4711400	2	Washer 1/4	
29	4740397	6	Spacer	
30	4740444	1	Washer	
31	4740518	2	Washer	
32	4751400	7	Washer 1/4	
34	4891500	4	Washer 5/16	
35	77143013	11	Nut 1/4	
36	1001103308	2	Thumbscrew 1/4 x 3/4	
37	1001280600	1	Module, Ground Control (Note: Recalibration Required When Replaced)	
38	1001106736	1	Cap, Dust	
39	1001155043	7	Washer	
40	1001155044	7	Nut 15/32	
41	1001155045	7	Switch, Toggle	
42	1001295732	1	Engine Harness (Not Shown - See Separate Breakdown in ELECTRICAL Section)	
43	1001284973	1	Control Valve Harness (Not Shown - See Separate Breakdown in ELECTRICAL Section)	
44	1001287464	1	Plate	
45	10836804	1	Hour Meter	

SECTION 2 - TURNTABLE

ITEM	PART NUMBER	QTY	DESCRIPTION	REV
46	1001188874	2	Nut	
47	1001280403	1	Plate	
48	1001266480	1	Decal - Ground Control Box	
49	1001285346	1	Ground Control Box Harness (Not Shown - See Separate Breakdown in ELECTRICAL Section)	
51	0760612	2	Bolt M6 x 25	
52	3290605	2	Nut, Lock M6	
53	4811700	4	Washer M6	
54	1001271794	1	Bracket, Tilt Sensor	
55	1001219601	1	Sensor, Tilt	
56	1001276143	1	Harness, Tilt Sensor (See Separate Breakdown in ELECTRICAL Section)	

SECTION 2 - TURNTABLE

FIGURE 2-44. GROUND CONTROL BOX ASSEMBLY - WITH DEUTZ TD2.9L4 - WITH MECHANICAL HOUR METER (ANSI, ANSI EXPORT (HRC), ANSI EXPORT (LRC WITH SN B3), CSA, JAPANESE, AUSTRALIAN (SN B3), RUSSIAN (SN B3) AND CHINA SPECS) WITH TILT SENSOR (SN B300025484 to Present, SN 0300315625 to Present)



ART_1001266474_F

SECTION 2 - TURNTABLE

FIGURE 2-44. GROUND CONTROL BOX ASSEMBLY - WITH DEUTZ TD2.9L4 - WITH MECHANICAL HOUR METER (ANSI, ANSI EXPORT (HRC), ANSI EXPORT (LRC WITH SN B3), CSA, JAPANESE, AUSTRALIAN (SN B3), RUSSIAN (SN B3) AND CHINA SPECS) WITH TILT SENSOR (SN B300025484 to Present, SN 0300315625 to Present)

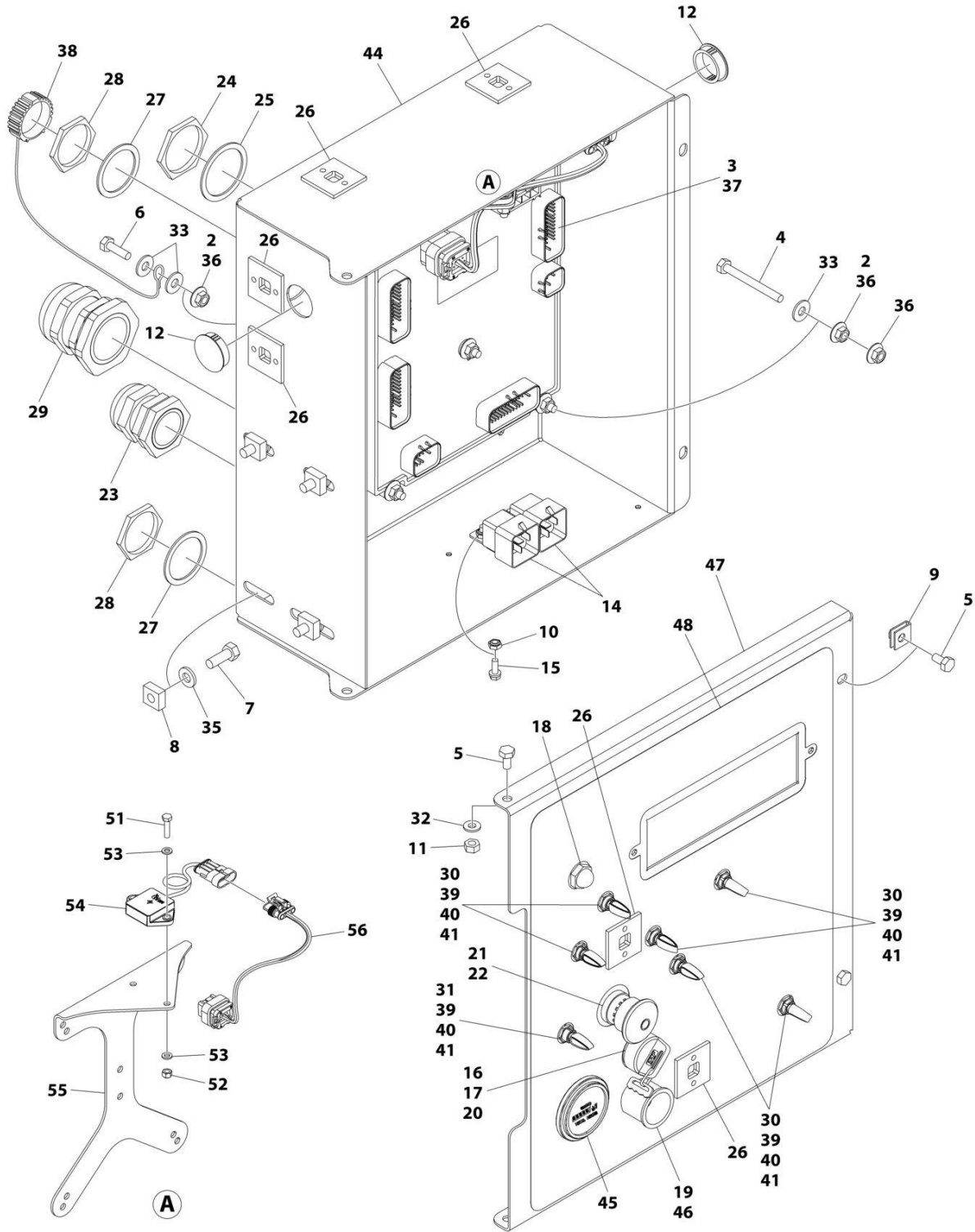
ITEM	PART NUMBER	QTY	DESCRIPTION	REV
	1001266474	Ref	GROUND CONTROL BOX ASSEMBLY	F
2	0100011	AR	Compound, Locking	
3	0100048	AR	Grease, Dielectric	
4	0630548	5	Bolt 2-1/2	
5	0641404	2	Bolt 1/4 x 1/2	
6	0641407	1	Bolt 1/4 x 7/8	
7	0641506	4	Bolt 5/16 x 3/4	
8	3300205	4	Nut, Retainer	
9	3300353	2	Nut, Tinnerman	
10	3300408	2	Nut	
11	3311405	2	Nut 1/4	
12	3520031	2	Plug	
14	3740049	2	Relay	
15	3900268	2	Bolt #10 x 1/2	
16	3910804	6	Screw #8 x 1/4	
17	4070991	1	Shim	
18	4360469	1	Switch, Key	
18	2860030	1 Set	Key Replacement	
19	1001274559	1	Switch, Emergency Stop	
20	4360476	1	Switch, Contact Block	
21	4460426	1	Connector, Strain Relief	
22	4460470	1	Nut, Terminal	
23	4460471	1	Lockwasher, Terminal	
24	4460488	6	Mounting Base, Terminal	
25	4460496	2	Washer, Terminal	
26	4460497	2	Nut, Terminal	
27	4460526	1	Connector, Strain Relief	
28	4711400	2	Washer 1/4	
29	4740397	6	Spacer	
30	4740444	1	Washer	
31	4740518	2	Washer	
32	4751400	7	Washer 1/4	
34	4891500	4	Washer 5/16	
35	77143013	11	Nut 1/4	
36	1001103308	2	Thumbscrew 1/4 x 3/4	
37	1001280600	1	Module, Ground Control (Note: Recalibration Required When Replaced)	
38	1001106736	1	Cap, Dust	
39	1001155043	7	Washer	
40	1001155044	7	Nut 15/32	
41	1001155045	7	Switch, Toggle	
42	1001295732	1	Engine Harness (Not Shown - See Separate Breakdown in ELECTRICAL Section)	
43	1001284973	1	Control Valve Harness (Not Shown - See Separate Breakdown in ELECTRICAL Section)	
44	1001287464	1	Plate	
45	10836804	1	Hour Meter	

SECTION 2 - TURNTABLE

ITEM	PART NUMBER	QTY	DESCRIPTION	REV
46	1001188874	2	Nut	
47	1001280403	1	Plate	
48	1001266480	1	Decal - Ground Control Box	
49	1001306145	1	Ground Control Box Harness (Not Shown - See Separate Breakdown in ELECTRICAL Section)	
51	0760612	2	Bolt M6 x 25	
52	3290605	2	Nut, Lock M6	
53	4811700	4	Washer M6	
54	1001271794	1	Bracket, Tilt Sensor	
55	1001219601	1	Sensor, Tilt	

SECTION 2 - TURNTABLE

FIGURE 2-45. GROUND CONTROL BOX ASSEMBLY - WITH DEUTZ TD2.9L4 (STAGE V) (CE & UK CA SPECS) WITH TILT SENSOR (860SJ) (Prior to SN B300025484, Prior to SN 0300315625)



ART_1001266478_E

SECTION 2 - TURNTABLE

FIGURE 2-45. GROUND CONTROL BOX ASSEMBLY - WITH DEUTZ TD2.9L4 (STAGE V) (CE & UK CA SPECS) WITH TILT SENSOR (860SJ) (Prior to SN B300025484, Prior to SN 0300315625)

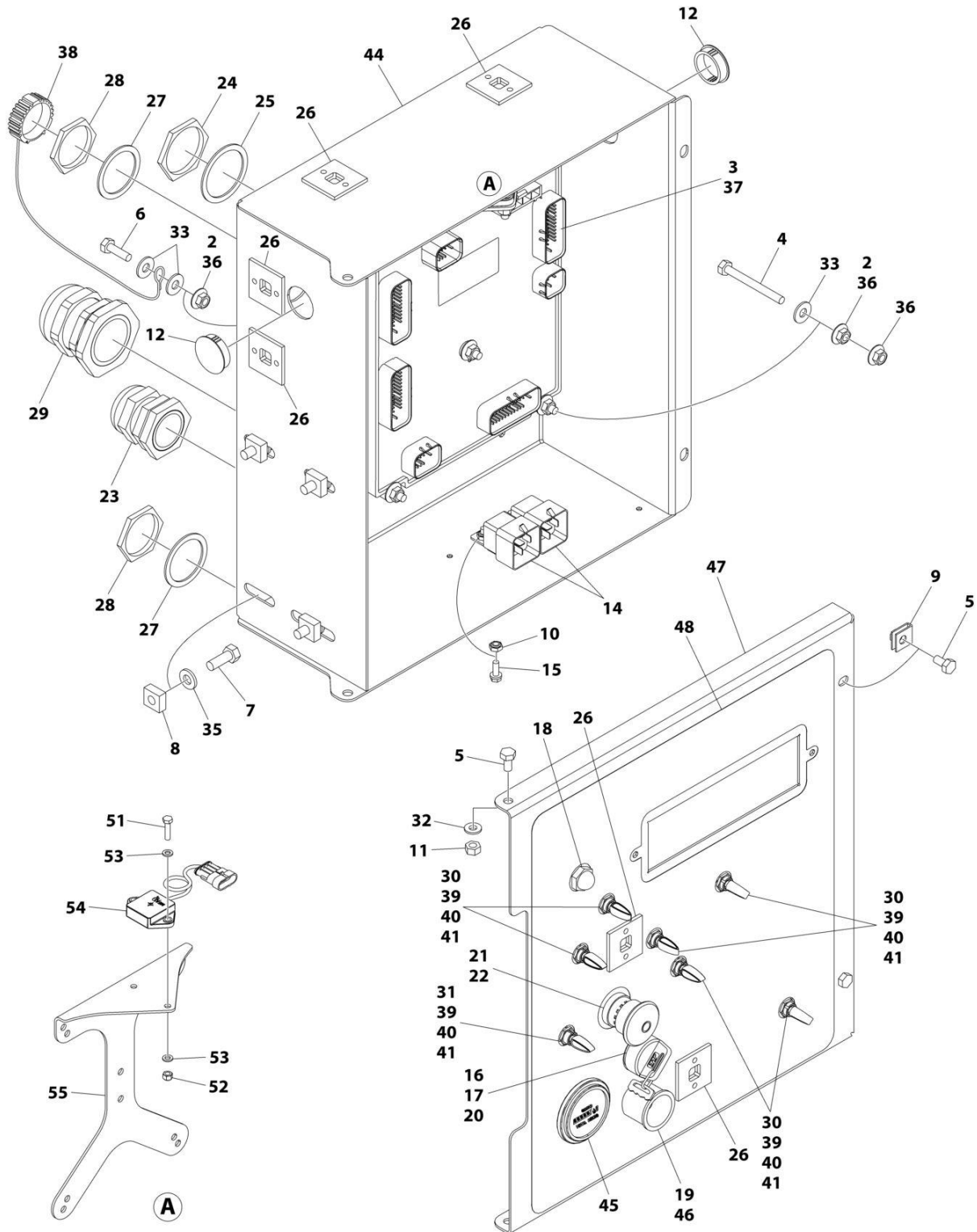
ITEM	PART NUMBER	QTY	DESCRIPTION	REV
	1001266478	Ref	GROUND CONTROL BOX ASSEMBLY	E
2	0100011	AR	Compound, Locking	
3	0100048	AR	Grease, Dielectric	
4	0630548	5	Bolt 2-1/2	
5	0641404	4	Bolt 1/4 x 1/2	
6	0641407	1	Bolt 1/4 x 7/8	
7	0641507	4	Bolt 5/16 x 7/8	
8	3300205	4	Nut, Retainer	
9	3300353	2	Nut, Tinnerman	
10	3300408	2	Nut	
11	3311405	2	Nut 1/4	
12	3520031	2	Plug	
14	3740049	2	Relay	
15	3900268	2	Bolt #10 x 1/2	
16	3910804	6	Screw #8 x 1/4	
17	4070991	1	Shim	
18	4360274	1	Switch, Push Button	
19	4360387	1	Switch, Push Button	
20	4360469	1	Switch, Key	
20	2860030	1 Set	Key Replacement	
21	1001274559	1	Switch, Emergency Stop	
22	4360476	1	Switch, Contact Block	
23	4460426	1	Connector, Strain Relief	
24	4460470	1	Nut, Terminal	
25	4460471	1	Lockwasher, Terminal	
26	4460488	6	Mounting Base, Terminal	
27	4460496	2	Washer, Terminal	
28	4460497	2	Nut, Terminal	
29	4460526	1	Connector, Strain Relief	
30	4740397	6	Spacer	
31	4740444	1	Washer	
32	4740518	2	Washer	
33	4751400	7	Washer 1/4	
35	4891500	4	Washer 5/16	
36	77143013	11	Nut 1/4	
37	1001280600	1	Module, Ground Control (Note: Re-calibration Required When Replaced)	
38	1001106736	1	Cap, Dust	
39	1001155043	7	Washer	
40	1001155044	7	Nut 15/32	
41	1001155045	7	Switch, Toggle	
42	1001295732	1	Engine Harness (Not Shown - See Separate Breakdown in ELECTRICAL Section)	
43	1001284973	1	Control Valve Harness (Not Shown - See Separate Breakdown in ELECTRICAL Section)	
44	1001287464	1	Plate	
45	10836804	1	Gauge, Display	
46	1001176469	1	Shroud	
47	1001297391	1	Plate	

SECTION 2 - TURNTABLE

ITEM	PART NUMBER	QTY	DESCRIPTION	REV
48	1001266484	1	Decal - Ground Control Box	
49	1001285346	1	Ground Control Box Harness (Not Shown - See Separate Breakdown in ELECTRICAL Section)	
51	0760612	2	Bolt M6 x 25	
52	3290605	2	Nut, Lock M6	
53	4811700	4	Washer M6	
54	1001219601	1	Sensor, Tilt	
55	1001271794	1	Bracket, Tilt Sensor	
56	1001276143	1	Harness, Tilt Sensor (See Separate Breakdown in ELECTRICAL Section)	

SECTION 2 - TURNTABLE

FIGURE 2-46. GROUND CONTROL BOX ASSEMBLY - WITH DEUTZ TD2.9L4 (STAGE V) (CE & UK CA SPECS) WITH TILT SENSOR (SN B300025484 to Present, SN 0300315625 to Present)



ART_1001266478_F

SECTION 2 - TURNTABLE

FIGURE 2-46. GROUND CONTROL BOX ASSEMBLY - WITH DEUTZ TD2.9L4 (STAGE V) (CE & UK CA SPECS) WITH TILT SENSOR (SN B300025484 to Present, SN 0300315625 to Present)

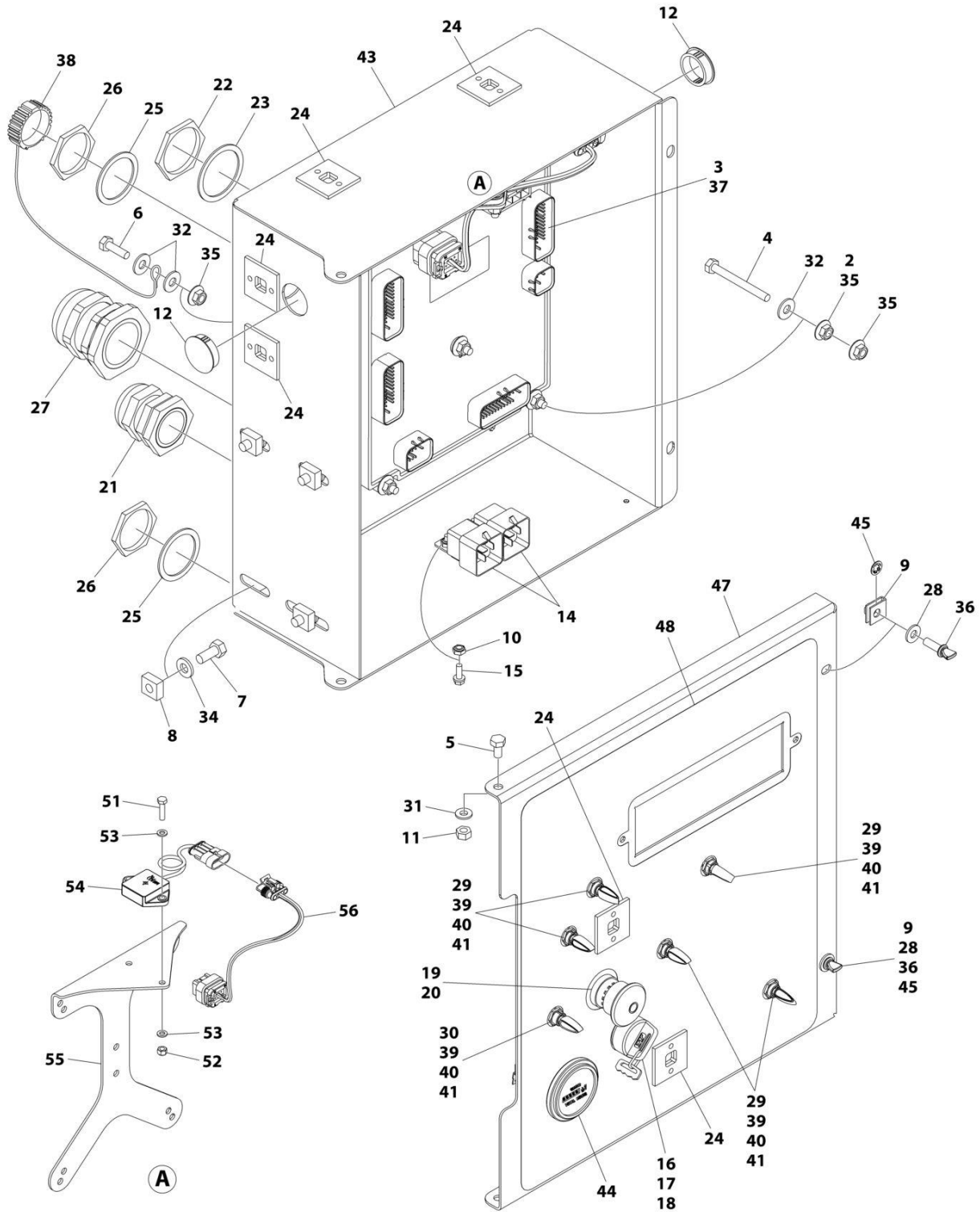
ITEM	PART NUMBER	QTY	DESCRIPTION	REV
	1001266478	Ref	GROUND CONTROL BOX ASSEMBLY	F
2	0100011	AR	Compound, Locking	
3	0100048	AR	Grease, Dielectric	
4	0630548	5	Bolt 2-1/2	
5	0641404	4	Bolt 1/4 x 1/2	
6	0641407	1	Bolt 1/4 x 7/8	
7	0641507	4	Bolt 5/16 x 7/8	
8	3300205	4	Nut, Retainer	
9	3300353	2	Nut, Tinnerman	
10	3300408	2	Nut	
11	3311405	2	Nut 1/4	
12	3520031	2	Plug	
14	3740049	2	Relay	
15	3900268	2	Bolt #10 x 1/2	
16	3910804	6	Screw #8 x 1/4	
17	4070991	1	Shim	
18	4360274	1	Switch, Push Button	
19	4360387	1	Switch, Push Button	
20	4360469	1	Switch, Key	
20	2860030	1 Set	Key Replacement	
21	1001274559	1	Switch, Emergency Stop	
22	4360476	1	Switch, Contact Block	
23	4460426	1	Connector, Strain Relief	
24	4460470	1	Nut, Terminal	
25	4460471	1	Lockwasher, Terminal	
26	4460488	6	Mounting Base, Terminal	
27	4460496	2	Washer, Terminal	
28	4460497	2	Nut, Terminal	
29	4460526	1	Connector, Strain Relief	
30	4740397	6	Spacer	
31	4740444	1	Washer	
32	4740518	2	Washer	
33	4751400	7	Washer 1/4	
35	4891500	4	Washer 5/16	
36	77143013	11	Nut 1/4	
37	1001280600	1	Module, Ground Control (Note: Re-calibration Required When Replaced)	
38	1001106736	1	Cap, Dust	
39	1001155043	7	Washer	
40	1001155044	7	Nut 15/32	
41	1001155045	7	Switch, Toggle	
42	1001295732	1	Engine Harness (Not Shown - See Separate Breakdown in ELECTRICAL Section)	
43	1001284973	1	Control Valve Harness (Not Shown - See Separate Breakdown in ELECTRICAL Section)	
44	1001287464	1	Plate	
45	10836804	1	Gauge, Display	
46	1001176469	1	Shroud	
47	1001297391	1	Plate	

SECTION 2 - TURNTABLE

ITEM	PART NUMBER	QTY	DESCRIPTION	REV
48	1001266484	1	Decal - Ground Control Box	
49	1001306145	1	Ground Control Box Harness (Not Shown - See Separate Breakdown in ELECTRICAL Section)	
51	0760612	2	Bolt M6 x 25	
52	3290605	2	Nut, Lock M6	
53	4811700	4	Washer M6	
54	1001219601	1	Sensor, Tilt	
55	1001271794	1	Bracket, Tilt Sensor	

SECTION 2 - TURNTABLE

FIGURE 2-47. GROUND CONTROL BOX ASSEMBLY - WITH FORD DF 2.5L - WITH MECHANICAL HOUR METER (ANSI, ANSI EXPORT (LRC & HRC) AND CSA SPECS) (800S) (Prior to SN B300025484, Prior to SN 0300315625)



ART_1001266475_D

SECTION 2 - TURNTABLE

FIGURE 2-47. GROUND CONTROL BOX ASSEMBLY - WITH FORD DF 2.5L - WITH MECHANICAL HOUR METER (ANSI, ANSI EXPORT (LRC & HRC) AND CSA SPECS) (800S) (Prior to SN B300025484, Prior to SN 0300315625)

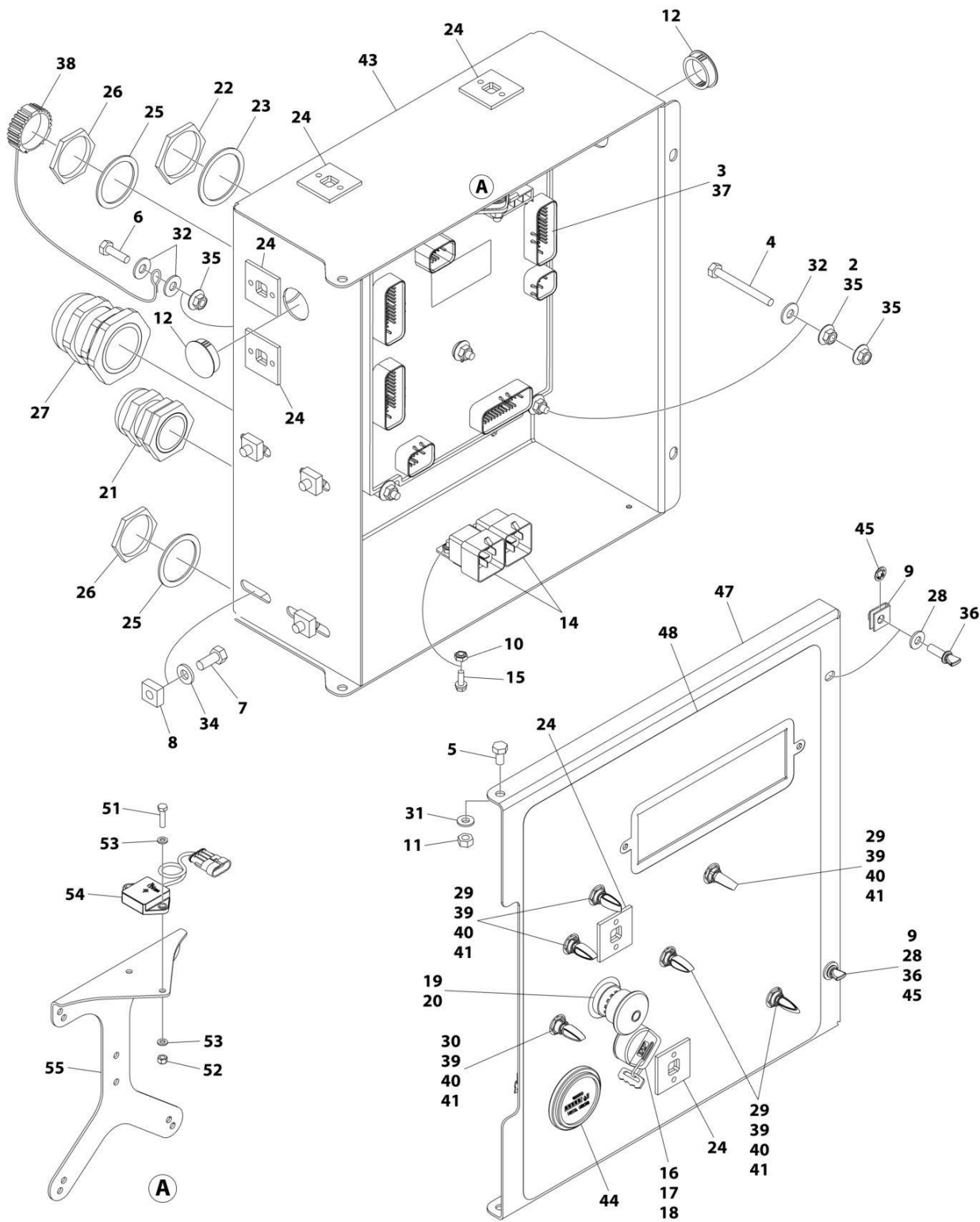
ITEM	PART NUMBER	QTY	DESCRIPTION	REV
	1001266475	Ref	GROUND CONTROL BOX ASSEMBLY	D
2	0100011	AR	Compound, Locking	
3	0100048	AR	Grease, Dielectric	
4	0630548	5	Bolt 2-1/2	
5	0641404	2	Bolt 1/4 x 1/2	
6	0641407	1	Bolt 1/4 x 7/8	
7	0641506	4	Bolt 5/16 x 3/4	
8	3300205	4	Nut, Retainer	
9	3300353	2	Nut, Tinnerman	
10	3300408	2	Nut	
11	3311405	2	Nut 1/4	
12	3520031	2	Plug	
14	3740049	2	Relay	
15	3900268	2	Bolt #10 x 1/2	
16	3910804	6	Screw #8 x 1/4	
17	4070991	1	Shim	
18	4360469	1	Switch, Key	
18	2860030	1 Set	Key Replacement	
19	4360475	1	Switch, Emergency Stop	
19	7020175	1	Cap, Mushroom	
19	7020176	1	Block, Contact	
20	4360476	1	Switch, Contact Block	
21	4460426	1	Connector, Strain Relief	
22	4460470	1	Nut, Terminal	
23	4460471	1	Lockwasher, Terminal	
24	4460488	6	Mounting Base, Terminal	
25	4460496	2	Washer, Terminal	
26	4460497	2	Nut, Terminal	
27	4460526	1	Connector, Strain Relief	
28	4711400	2	Washer 1/4	
29	4740397	5	Spacer	
30	4740444	1	Washer	
31	4740518	2	Washer	
32	4751400	7	Washer 1/4	
34	4891500	4	Washer 5/16	
35	77143013	11	Nut 1/4	
36	1001103308	2	Thumbscrew 1/4 x 3/4	
37	1001280600	1	Module, Ground Control (Note: Recalibration Required When Replaced)	
38	1001106736	1	Cap, Dust	
39	1001155043	6	Washer	
40	1001155044	6	Nut 15/32	
41	1001155045	6	Switch, Toggle	
42	1001284973	1	Control Valve Harness (Not Shown - See Separate Breakdown in ELECTRICAL Section)	
43	1001287464	1	Plate	
44	10836804	1	Hour Meter	
45	1001188874	2	Nut	

SECTION 2 - TURNTABLE

ITEM	PART NUMBER	QTY	DESCRIPTION	REV
46	1001286028	1	Engine Harness (Not Shown - See Separate Breakdown in ELECTRICAL Section)	
47	1001280403	1	Plate	
48	1001266479	1	Decal - Ground Control Box	
49	1001285346	1	Ground Control Box Harness (Not Shown - See Separate Breakdown in ELECTRICAL Section)	
51	0760612	2	Bolt M6 x 25	
52	3290605	2	Nut, Lock M6	
53	4811700	4	Washer M6	
54	1001219601	1	Sensor, Tilt	
55	1001271794	1	Bracket, Tilt Sensor	
56	1001276143	1	Harness, Tilt Sensor (See Separate Breakdown in ELECTRICAL Section)	

SECTION 2 - TURNTABLE

FIGURE 2-48. GROUND CONTROL BOX ASSEMBLY - WITH FORD DF 2.5L - WITH MECHANICAL HOUR METER (ANSI, ANSI EXPORT (LRC & HRC) AND CSA SPECS) (SN B300025484 to Present, SN 0300315625 to Present)



ART_1001266475_E

SECTION 2 - TURNTABLE

FIGURE 2-48. GROUND CONTROL BOX ASSEMBLY - WITH FORD DF 2.5L - WITH MECHANICAL HOUR METER (ANSI, ANSI EXPORT (LRC & HRC) AND CSA SPECS) (SN B300025484 to Present, SN 0300315625 to Present)

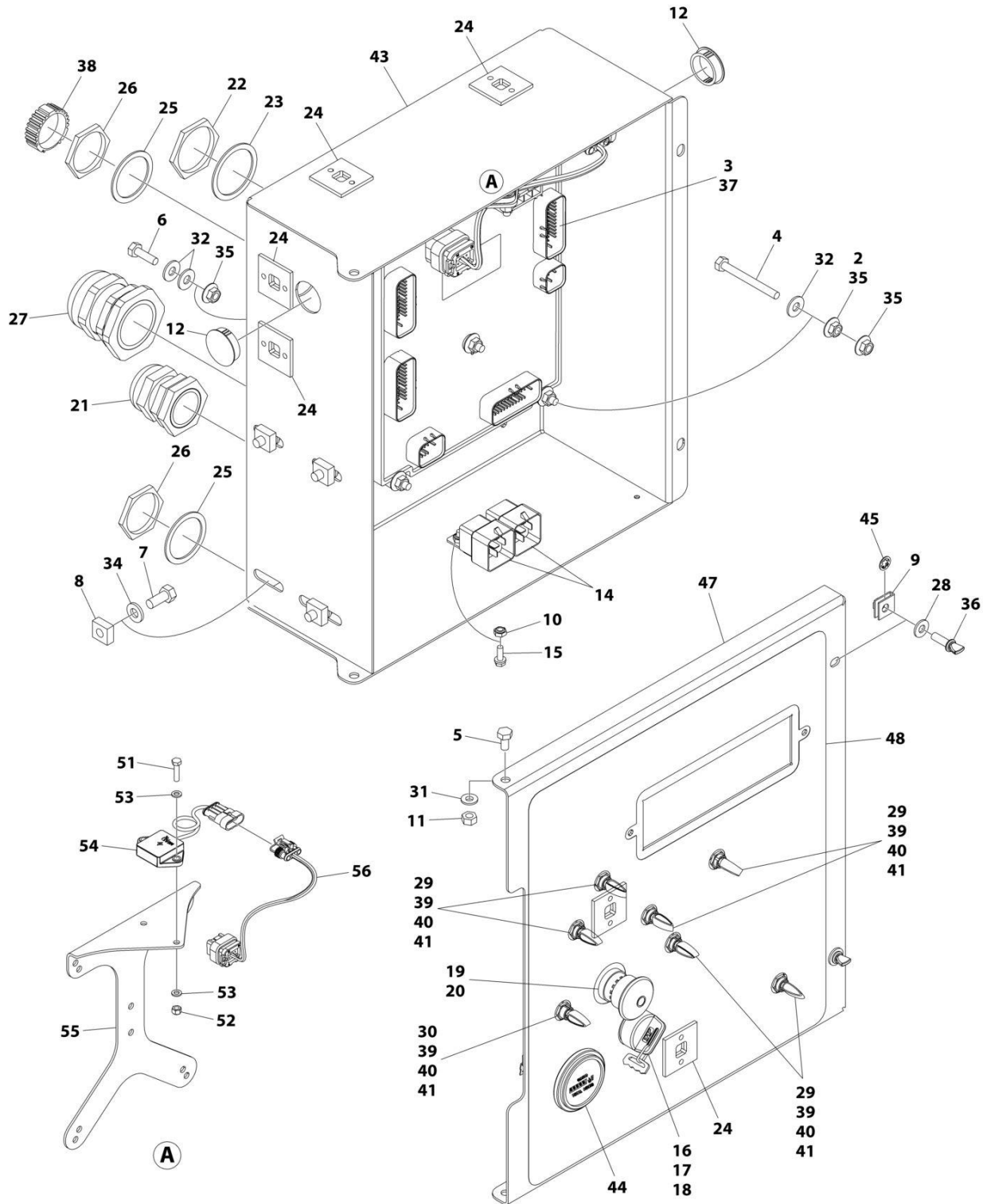
ITEM	PART NUMBER	QTY	DESCRIPTION	REV
	1001266475	Ref	GROUND CONTROL BOX ASSEMBLY	E
2	0100011	AR	Compound, Locking	
3	0100048	AR	Grease, Dielectric	
4	0630548	5	Bolt 2-1/2	
5	0641404	2	Bolt 1/4 x 1/2	
6	0641407	1	Bolt 1/4 x 7/8	
7	0641506	4	Bolt 5/16 x 3/4	
8	3300205	4	Nut, Retainer	
9	3300353	2	Nut, Tinnerman	
10	3300408	2	Nut	
11	3311405	2	Nut 1/4	
12	3520031	2	Plug	
14	3740049	2	Relay	
15	3900268	2	Bolt #10 x 1/2	
16	3910804	6	Screw #8 x 1/4	
17	4070991	1	Shim	
18	4360469	1	Switch, Key	
18	2860030	1 Set	Key Replacement	
19	4360475	1	Switch, Emergency Stop	
19	7020175	1	Cap, Mushroom	
19	7020176	1	Block, Contact	
20	4360476	1	Switch, Contact Block	
21	4460426	1	Connector, Strain Relief	
22	4460470	1	Nut, Terminal	
23	4460471	1	Lockwasher, Terminal	
24	4460488	6	Mounting Base, Terminal	
25	4460496	2	Washer, Terminal	
26	4460497	2	Nut, Terminal	
27	4460526	1	Connector, Strain Relief	
28	4711400	2	Washer 1/4	
29	4740397	5	Spacer	
30	4740444	1	Washer	
31	4740518	2	Washer	
32	4751400	7	Washer 1/4	
34	4891500	4	Washer 5/16	
35	77143013	11	Nut 1/4	
36	1001103308	2	Thumbscrew 1/4 x 3/4	
37	1001280600	1	Module, Ground Control (Note: Recalibration Required When Replaced)	
38	1001106736	1	Cap, Dust	
39	1001155043	6	Washer	
40	1001155044	6	Nut 15/32	
41	1001155045	6	Switch, Toggle	
42	1001284973	1	Control Valve Harness (Not Shown - See Separate Breakdown in ELECTRICAL Section)	
43	1001287464	1	Plate	
44	10836804	1	Hour Meter	
45	1001188874	2	Nut	

SECTION 2 - TURNTABLE

ITEM	PART NUMBER	QTY	DESCRIPTION	REV
46	1001286028	1	Engine Harness (Not Shown - See Separate Breakdown in ELECTRICAL Section)	
47	1001280403	1	Plate	
48	1001266479	1	Decal - Ground Control Box	
49	1001306145	1	Ground Control Box Harness (Not Shown - See Separate Breakdown in ELECTRICAL Section)	
51	0760612	2	Bolt M6 x 25	
52	3290605	2	Nut, Lock M6	
53	4811700	4	Washer M6	
54	1001219601	1	Sensor, Tilt	
55	1001271794	1	Bracket, Tilt Sensor	

SECTION 2 - TURNTABLE

FIGURE 2-49. GROUND CONTROL BOX ASSEMBLY - WITH FORD DF 2.5L - WITH MECHANICAL HOUR METER (ANSI, ANSI EXPORT (LRC & HRC), AUSTRALIAN AND CSA SPECS) (860SJ)



ART_1001266476_D

SECTION 2 - TURNTABLE

FIGURE 2-49. GROUND CONTROL BOX ASSEMBLY - WITH FORD DF 2.5L - WITH MECHANICAL HOUR METER (ANSI, ANSI EXPORT (LRC & HRC), AUSTRALIAN AND CSA SPECS) (860SJ)

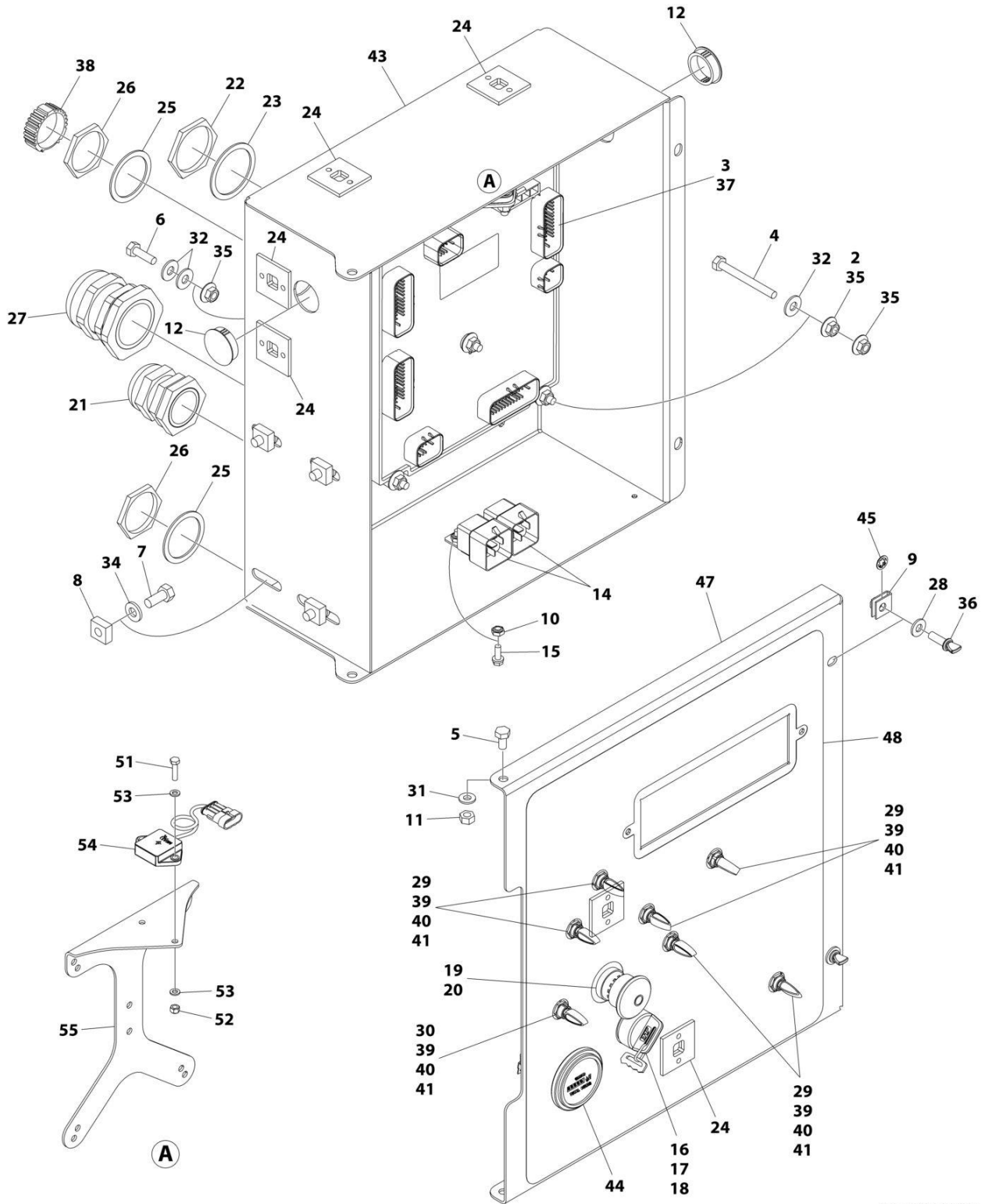
ITEM	PART NUMBER	QTY	DESCRIPTION	REV
	1001266476	Ref	GROUND CONTROL BOX ASSEMBLY	D
2	0100011	AR	Compound, Locking	
3	0100048	AR	Grease, Dielectric	
4	0630548	5	Screw 2-1/2 Tap	
5	0641404	2	Screw 1/4 x 1/2	
6	0641407	1	Screw 1/4 x 7/8	
7	0641506	4	Screw 5/16 x 3/4	
8	3300205	4	Nut, Retainer	
9	3300353	2	Nut, Tinnerman	
10	3300408	2	Nut, Plastic Insert	
11	3311405	2	Nut 1/4	
12	3520031	2	Plug	
14	3740049	2	Relay	
15	3900268	2	Screw #10 x 1/2	
16	3910804	6	Screw #8 x 1/4	
17	4070991	1	Shim	
18	4360469	1	Switch, Key	
19	4360475	1	Switch, Emergency Stop	
19	7020175	1	Cap, Mushroom	
19	7020176	1	Block, Contact	
20	4360476	1	Switch, Contact Block	
21	4460426	1	Connector, Strain Relief	
22	4460470	1	Nut, Terminal	
23	4460471	1	Washer, Terminal	
24	4460488	6	Mounting Base, Terminal	
25	4460496	2	Washer, Terminal	
26	4460497	2	Nut, Terminal	
27	4460526	1	Connector, Strain Relief	
28	4711400	2	Washer 1/4	
29	4740397	6	Spacer	
30	4740444	1	Washer	
31	4740518	2	Washer	
32	4751400	7	Washer 1/4	
34	4891500	4	Washer 5/16	
35	77143013	11	Nut 1/4	
36	1001103308	2	Screw 1/4	
37	1001280600	1	Module, Ground Control (Note: Re-calibration Required when Replaced)	
38	1001106736	1	Cap, Dust	
39	1001155043	7	Washer	
40	1001155044	7	Nut 15/32	
41	1001155045	7	Switch, Toggle	
42	1001284973	1	Harness, Platform Valve (Not Shown - See Separate Breakdown in ELECTRICAL Section)	
43	1001287464	1	Box Less Lid	
44	10836804	1	Hour Meter	
45	1001188874	2	Nut	
46	1001286028	1	Harness, Ford DF 2.5L Engine (Not Shown - See Separate Breakdown in ELECTRICAL Section)	

SECTION 2 - TURNTABLE

ITEM	PART NUMBER	QTY	DESCRIPTION	REV
47	1001280403	1	Plate	
48	1001266480	1	Decal, MTB	
49	1001285346	1	Harness, MTB (Not Shown - See Separate Breakdown in ELECTRICAL Section)	
50	1001285800	1	Wire, MTB (Not Shown)	
51	0760612	2	Bolt M6 x 25	
52	3290605	2	Nut, Lock M6	
53	4811700	4	Washer M6	
54	1001219601	1	Sensor, Tilt	
55	1001271794	1	Bracket, Tilt Sensor	
56	1001276143	1	Harness, Tilt Sensor (See Separate Breakdown in ELECTRICAL Section)	

SECTION 2 - TURNTABLE

FIGURE 2-50. GROUND CONTROL BOX ASSEMBLY - WITH FORD DF 2.5L - WITH MECHANICAL HOUR METER (ANSI, ANSI EXPORT (LRC & HRC), AUSTRALIAN AND CSA SPECS) (SN B300025484 to Present, SN 0300315625 to Present)



ART_1001266476_E

SECTION 2 - TURNTABLE

FIGURE 2-50. GROUND CONTROL BOX ASSEMBLY - WITH FORD DF 2.5L - WITH MECHANICAL HOUR METER (ANSI, ANSI EXPORT (LRC & HRC), AUSTRALIAN AND CSA SPECS) (SN B300025484 to Present, SN 0300315625 to Present)

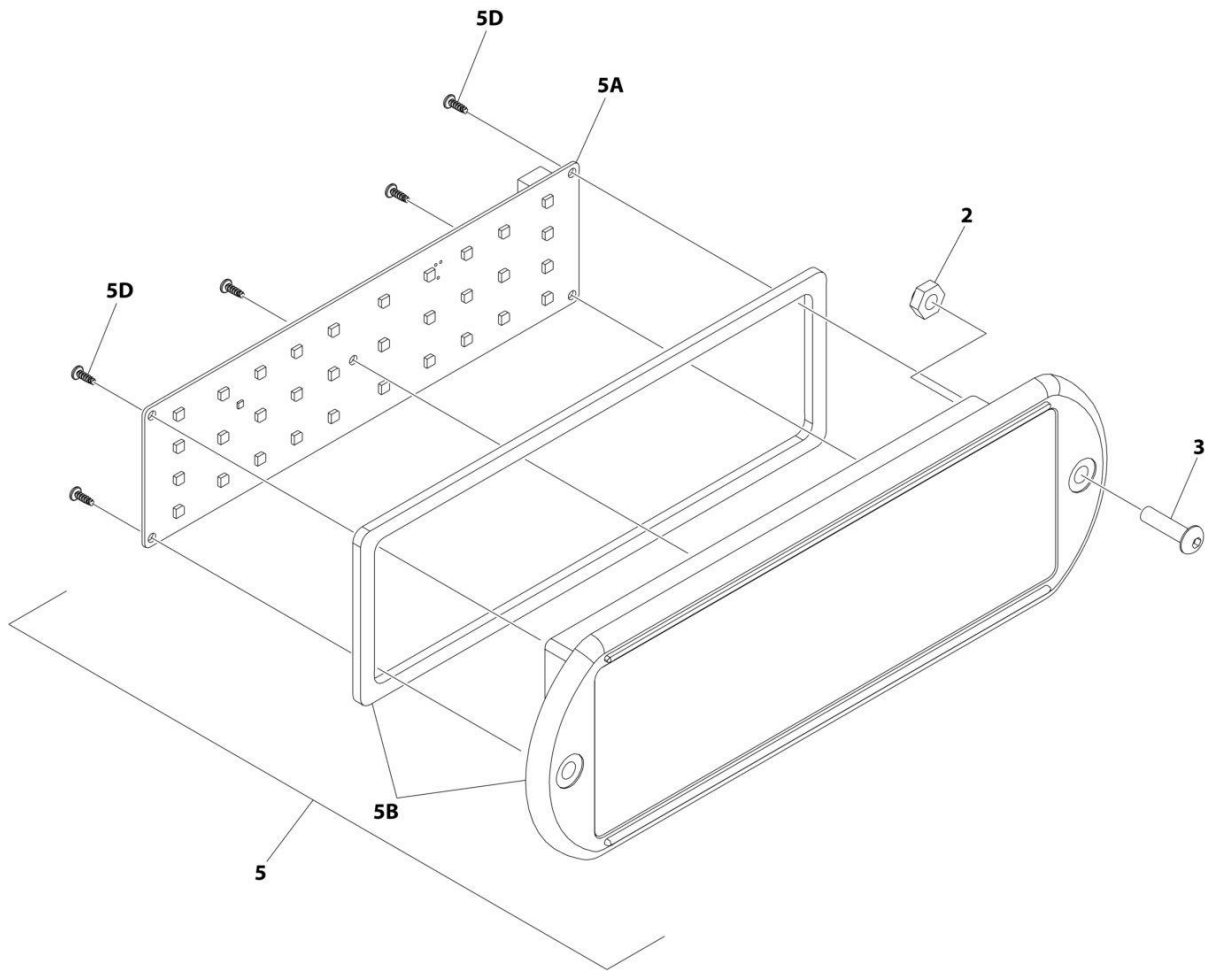
ITEM	PART NUMBER	QTY	DESCRIPTION	REV
	1001266476	Ref	GROUND CONTROL BOX ASSEMBLY	E
2	0100011	AR	Compound, Locking	
3	0100048	AR	Grease, Dielectric	
4	0630548	5	Screw 2-1/2 Tap	
5	0641404	2	Screw 1/4 x 1/2	
6	0641407	1	Screw 1/4 x 7/8	
7	0641506	4	Screw 5/16 x 3/4	
8	3300205	4	Nut, Retainer	
9	3300353	2	Nut, Tinnerman	
10	3300408	2	Nut, Plastic Insert	
11	3311405	2	Nut 1/4	
12	3520031	2	Plug	
14	3740049	2	Relay	
15	3900268	2	Screw #10 x 1/2	
16	3910804	6	Screw #8 x 1/4	
17	4070991	1	Shim	
18	4360469	1	Switch, Key	
19	4360475	1	Switch, Emergency Stop	
19	7020175	1	Cap, Mushroom	
19	7020176	1	Block, Contact	
20	4360476	1	Switch, Contact Block	
21	4460426	1	Connector, Strain Relief	
22	4460470	1	Nut, Terminal	
23	4460471	1	Washer, Terminal	
24	4460488	6	Mounting Base, Terminal	
25	4460496	2	Washer, Terminal	
26	4460497	2	Nut, Terminal	
27	4460526	1	Connector, Strain Relief	
28	4711400	2	Washer 1/4	
29	4740397	6	Spacer	
30	4740444	1	Washer	
31	4740518	2	Washer	
32	4751400	7	Washer 1/4	
34	4891500	4	Washer 5/16	
35	77143013	11	Nut 1/4	
36	1001103308	2	Screw 1/4	
37	1001280600	1	Module, Ground Control (Note: Re-calibration Required when Replaced)	
38	1001106736	1	Cap, Dust	
39	1001155043	7	Washer	
40	1001155044	7	Nut 15/32	
41	1001155045	7	Switch, Toggle	
42	1001284973	1	Harness, Platform Valve (Not Shown - See Separate Breakdown in ELECTRICAL Section)	
43	1001287464	1	Box Less Lid	
44	10836804	1	Hour Meter	
45	1001188874	2	Nut	

SECTION 2 - TURNTABLE

ITEM	PART NUMBER	QTY	DESCRIPTION	REV
46	1001286028	1	Harness, Ford DF 2.5L Engine (Not Shown - See Separate Breakdown in ELECTRICAL Section)	
47	1001280403	1	Plate	
48	1001266480	1	Decal, MTB	
49	1001306145	1	Harness, MTB (Not Shown - See Separate Breakdown in ELECTRICAL Section)	
50	1001285800	1	Wire, MTB (Not Shown)	
51	0760612	2	Bolt M6 x 25	
52	3290605	2	Nut, Lock M6	
53	4811700	4	Washer M6	
54	1001219601	1	Sensor, Tilt	
55	1001271794	1	Bracket, Tilt Sensor	

SECTION 2 - TURNTABLE

FIGURE 2-51. LIGHT PANEL INSTALLATION (MACHINES WITH SN STARTING WITH 03 OR 13)



ART_1001233959_D_10F2

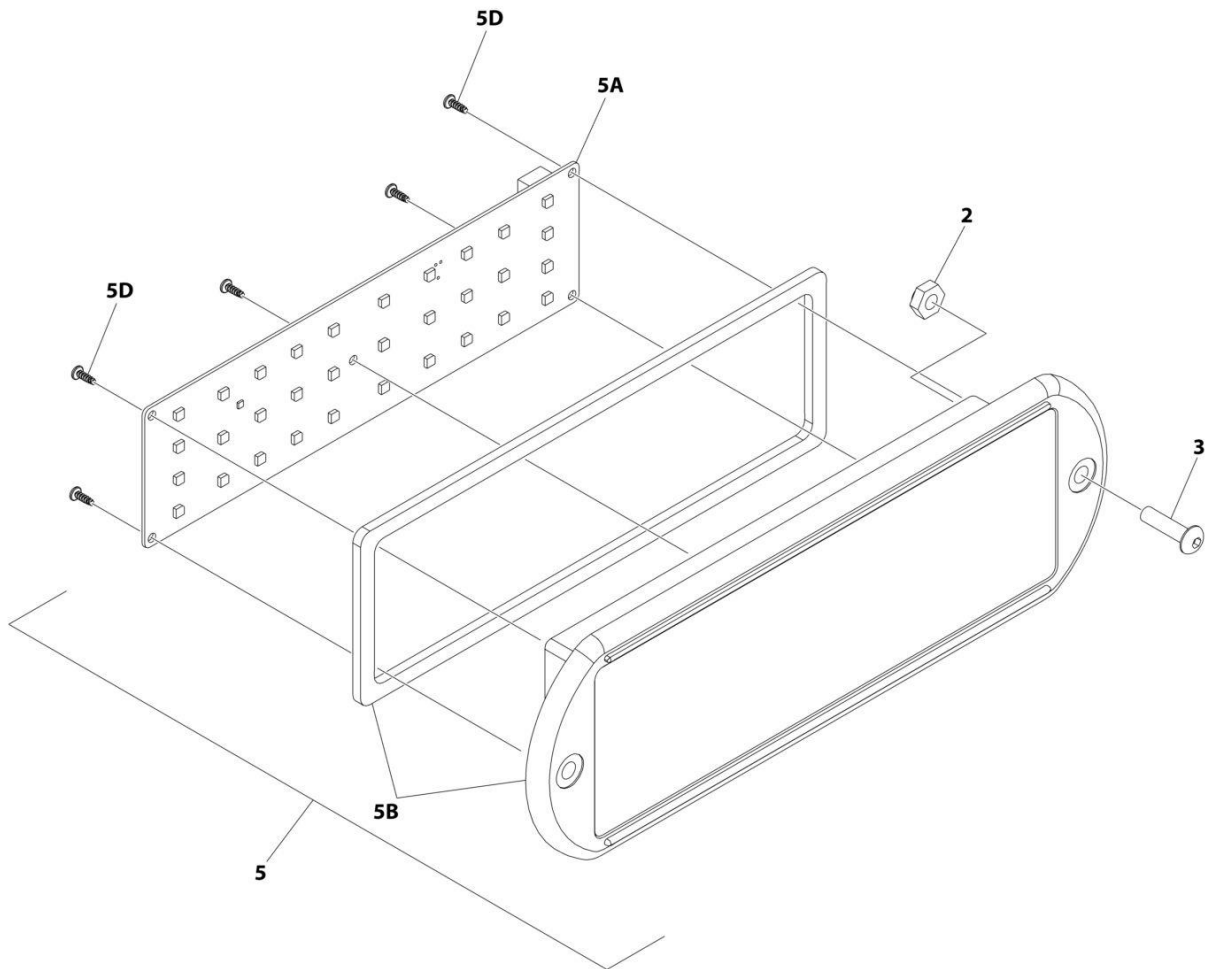
SECTION 2 - TURNTABLE

FIGURE 2-51. LIGHT PANEL INSTALLATION (MACHINES WITH SN STARTING WITH 03 OR 13)

ITEM	PART NUMBER	QTY	DESCRIPTION	REV
	1001233959	Ref	LIGHT PANEL INSTALLATION	D
2	3300408	2	Nut, Nylon Insert	
3	0630518	2	Screw #10 x 3/4	
5	1001237546	1	Light Panel Assembly	J
5A	1001282106	1	Panel, LED Light	
5B	1001236091	1	Lens, Icon (Includes Gasket)	
5D		Ref	Screw	

SECTION 2 - TURNTABLE

FIGURE 2-52. LIGHT PANEL INSTALLATION (MACHINES WITH SN STARTING WITH B3)



ART_1001241398_D_10F2

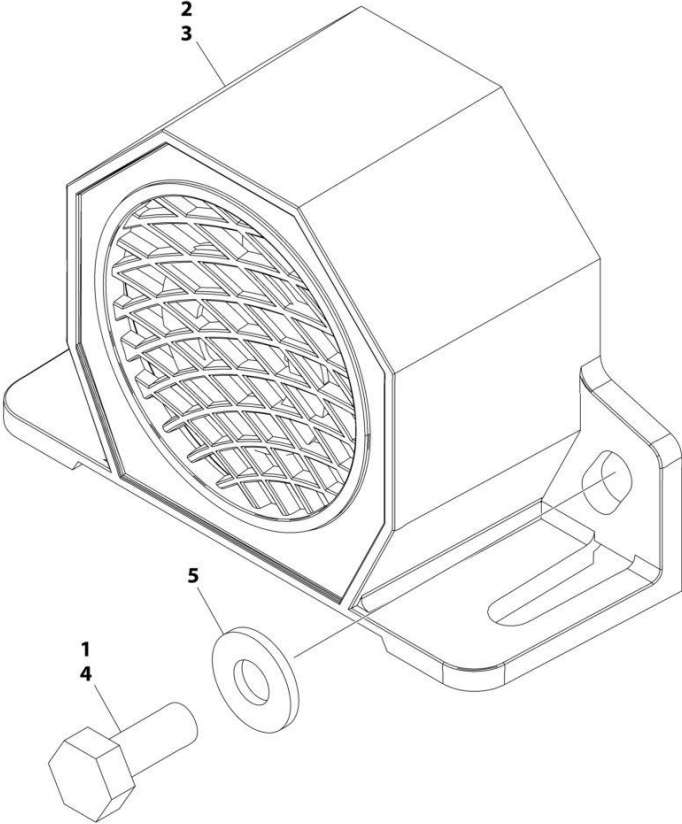
SECTION 2 - TURNTABLE

FIGURE 2-52. LIGHT PANEL INSTALLATION (MACHINES WITH SN STARTING WITH B3)

ITEM	PART NUMBER	QTY	DESCRIPTION	REV
	1001241398	Ref	LIGHT PANEL INSTALLATION	D
2	3300408	2	Nut, Nylon Insert	
3	0630518	2	Screw #10 x 3/4	
5	1001237546	1	Light Panel Assembly	J
5A	1001282106	1	Panel, LED Light	
5B	1001236091	1	Lens, Icon (Includes Gasket)	
5D		Ref	Screw	

SECTION 2 - TURNTABLE

FIGURE 2-53. ALARM INSTALLATION



ART_1001158364

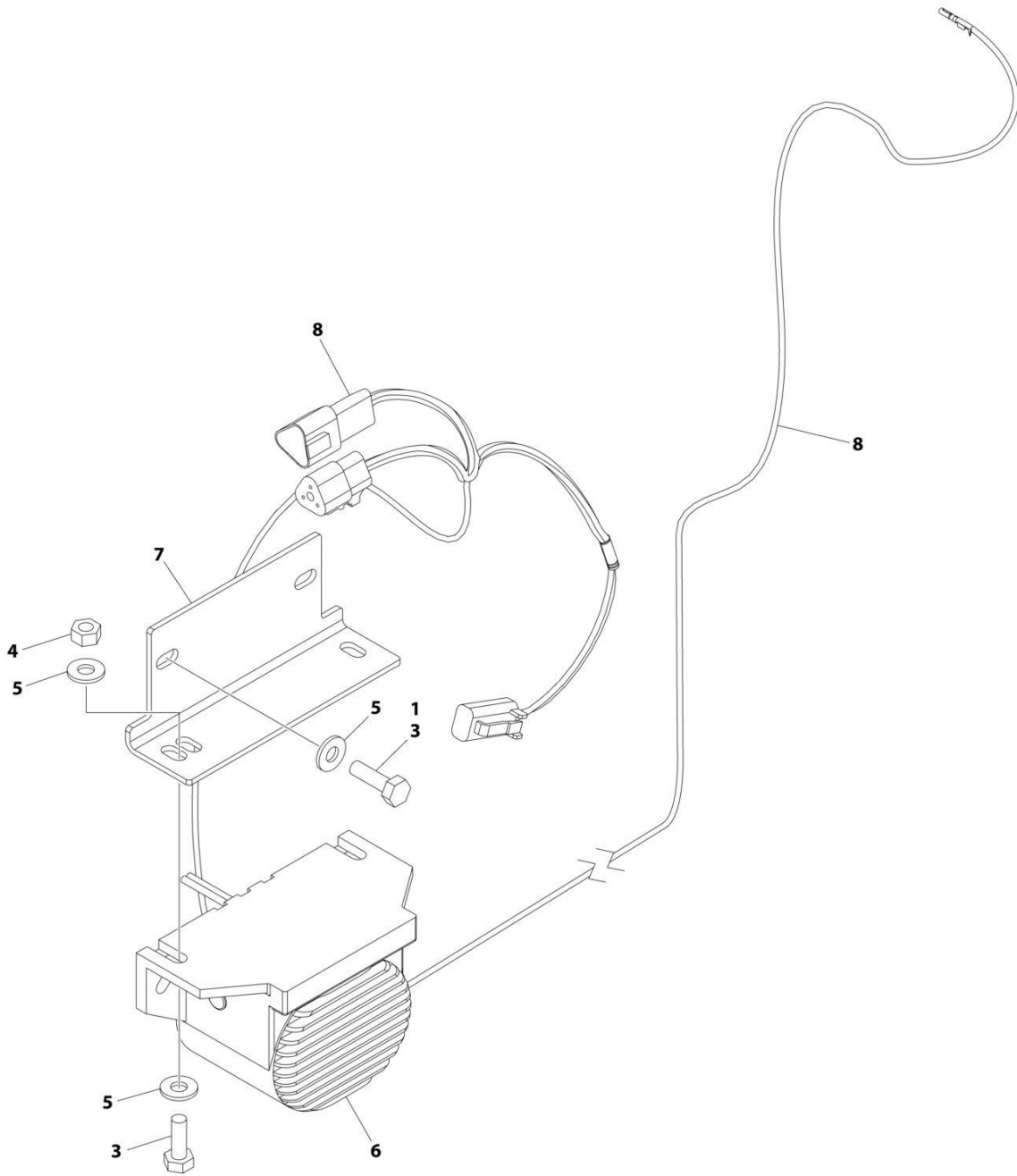
SECTION 2 - TURNTABLE

FIGURE 2-53. ALARM INSTALLATION

ITEM	PART NUMBER	QTY	DESCRIPTION	REV
	1001158364	Ref	ALARM INSTALLATION	A
1	0100011	AR	Compound, Locking	
2	0100048	AR	Grease, Dielectric	
3	0140044	1	Alarm	
4	0641405	2	Bolt 1/4 x 5/8	
5	4711400	2	Washer 1/4	

SECTION 2 - TURNTABLE

FIGURE 2-54. WHITE NOISE ALARM INSTALLATION - AMBIENT



ART_1001247281

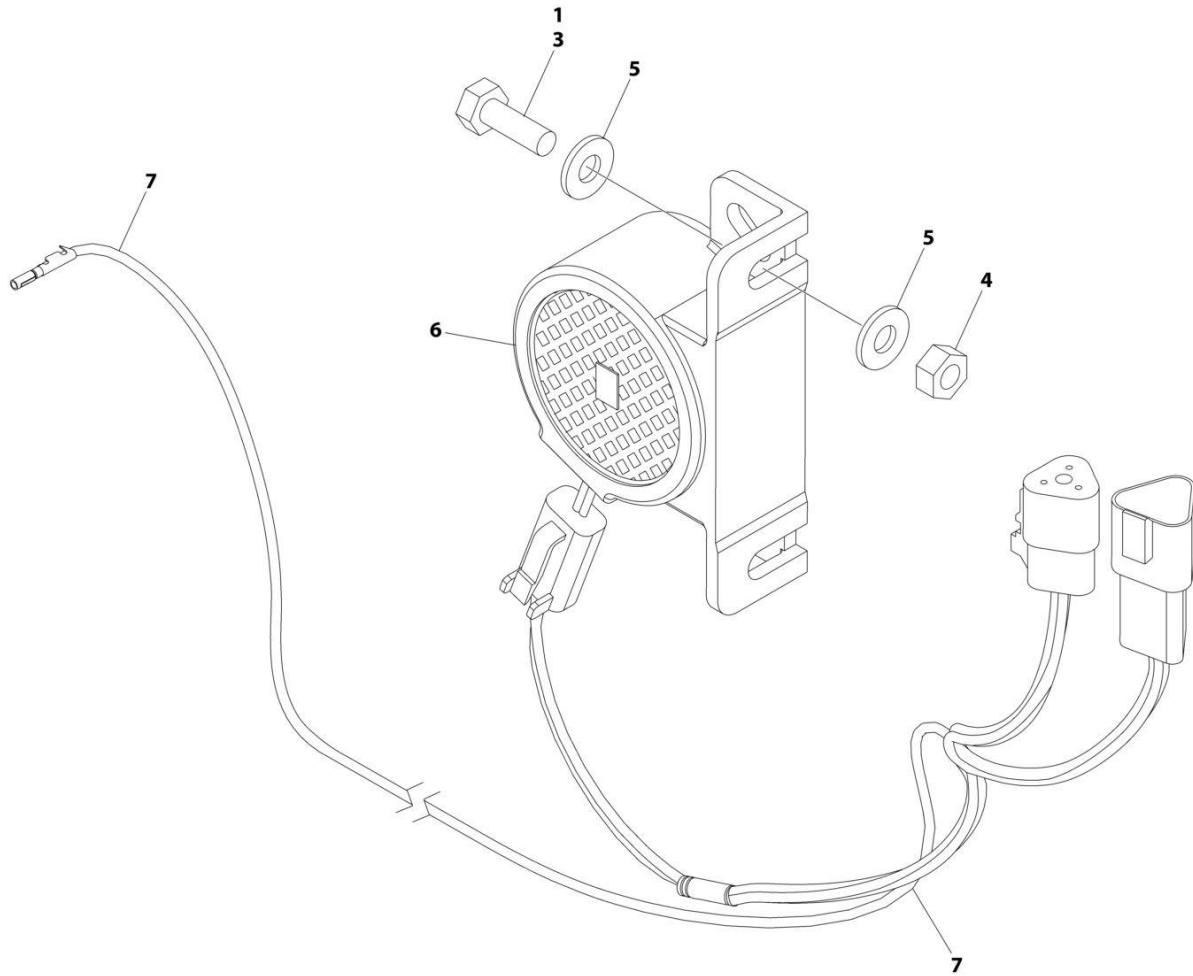
SECTION 2 - TURNTABLE

FIGURE 2-54. WHITE NOISE ALARM INSTALLATION - AMBIENT

ITEM	PART NUMBER	QTY	DESCRIPTION	REV
	1001247281	Ref	WHITE NOISE ALARM INSTALLATION	B
1	0100011	AR	Compound, Locking	
2	0100048	AR	Compound, Silicone (Not Shown)	
3	0641406	4	Bolt 1/4 x 3/4	
4	3311405	2	Nut 1/4	
5	4711400	6	Washer 1/4	
6	1001182806	1	Alarm	
7	1001231886	1	Plate	
8	1001243682	1	White Noise Motion Alarm Harness (See Separate Breakdown in this Section)	

SECTION 2 - TURNTABLE

FIGURE 2-55. WHITE NOISE ALARM INSTALLATION - CONSTANT



ART_1001263179

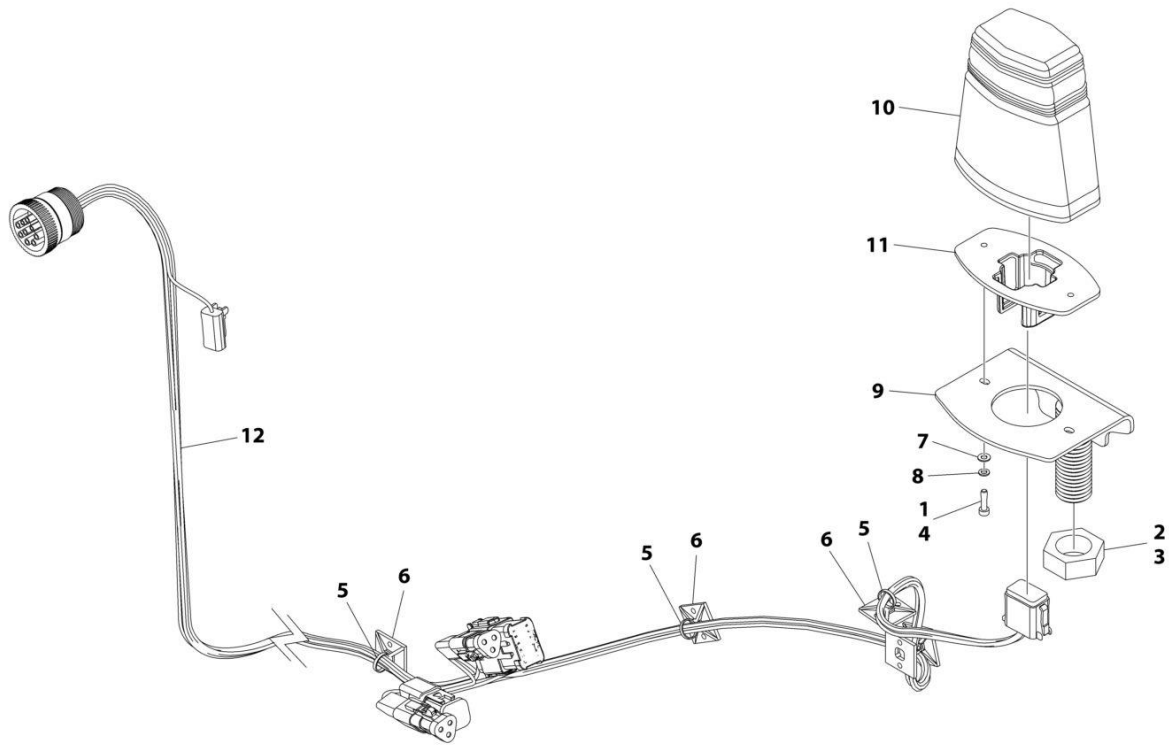
SECTION 2 - TURNTABLE

FIGURE 2-55. WHITE NOISE ALARM INSTALLATION - CONSTANT

ITEM	PART NUMBER	QTY	DESCRIPTION	REV
	1001263179	Ref	WHITE NOISE ALARM INSTALLATION	A
1	0100011	AR	Compound, Locking	
2	0100048	AR	Compound, Silicone (Not Shown)	
3	0641406	2	Bolt 1/4 x 3/4	
4	3311405	2	Nut 1/4	
5	4711400	4	Washer 1/4	
6	1001184682	1	Alarm	
7	1001243682	1	White Noise Motion Alarm Harness (See Separate Breakdown in this Section)	

SECTION 2 - TURNTABLE

FIGURE 2-56. CLEARSKY INSTALLATION



ART_1001289850

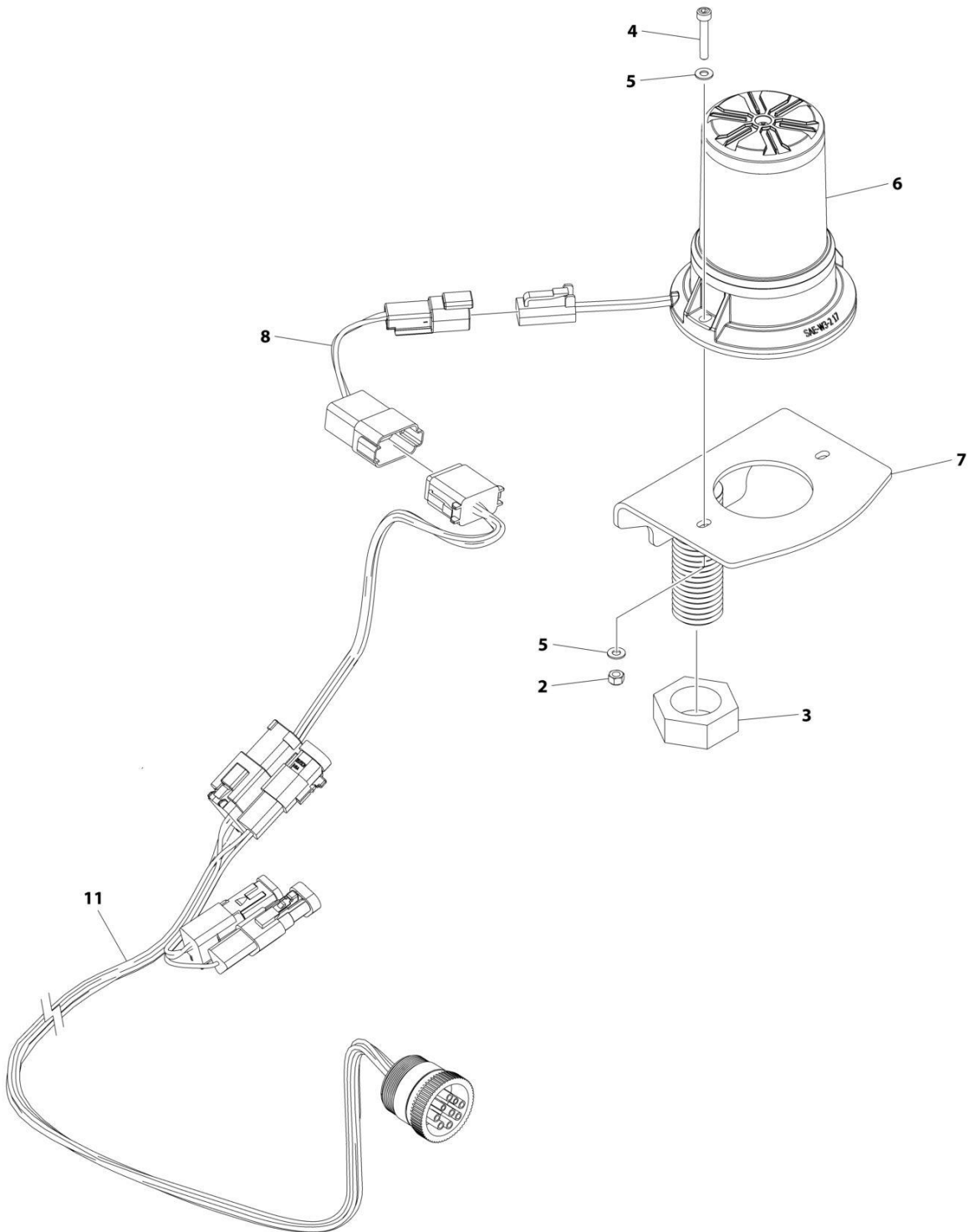
SECTION 2 - TURNTABLE

FIGURE 2-56. CLEARSKY INSTALLATION

ITEM	PART NUMBER	QTY	DESCRIPTION	REV
	1001289850	Ref	CLEARSKY INSTALLATION	B
1	0100011	AR	Compound, Locking	
2	3020043	AR	Lube, Anti-Seize	
3	3312602	1	Nut	
4	4031507	2	Bolt M4 x 16	
5	4240017	AR	Tie-Strap	
6	4460234	AR	Mount, Tie-Strap	
7	4811400	2	Washer M4	
8	4831400	2	Washer, Lock M4	
9	1001275149	1	Mount	
10	1001280661	1	Control, Clearsky	
11	1001289648	1	Plate	
12	1001286622	1	Harness	
13	3290401	2	Nut M4	
14	1001291056	2	Gasket	

SECTION 2 - TURNTABLE

FIGURE 2-57. STROBE LIGHT INSTALLATION (AMBER) (ALL SPECS EXCEPT CHINESE SPECS)



ART_1001160077_E

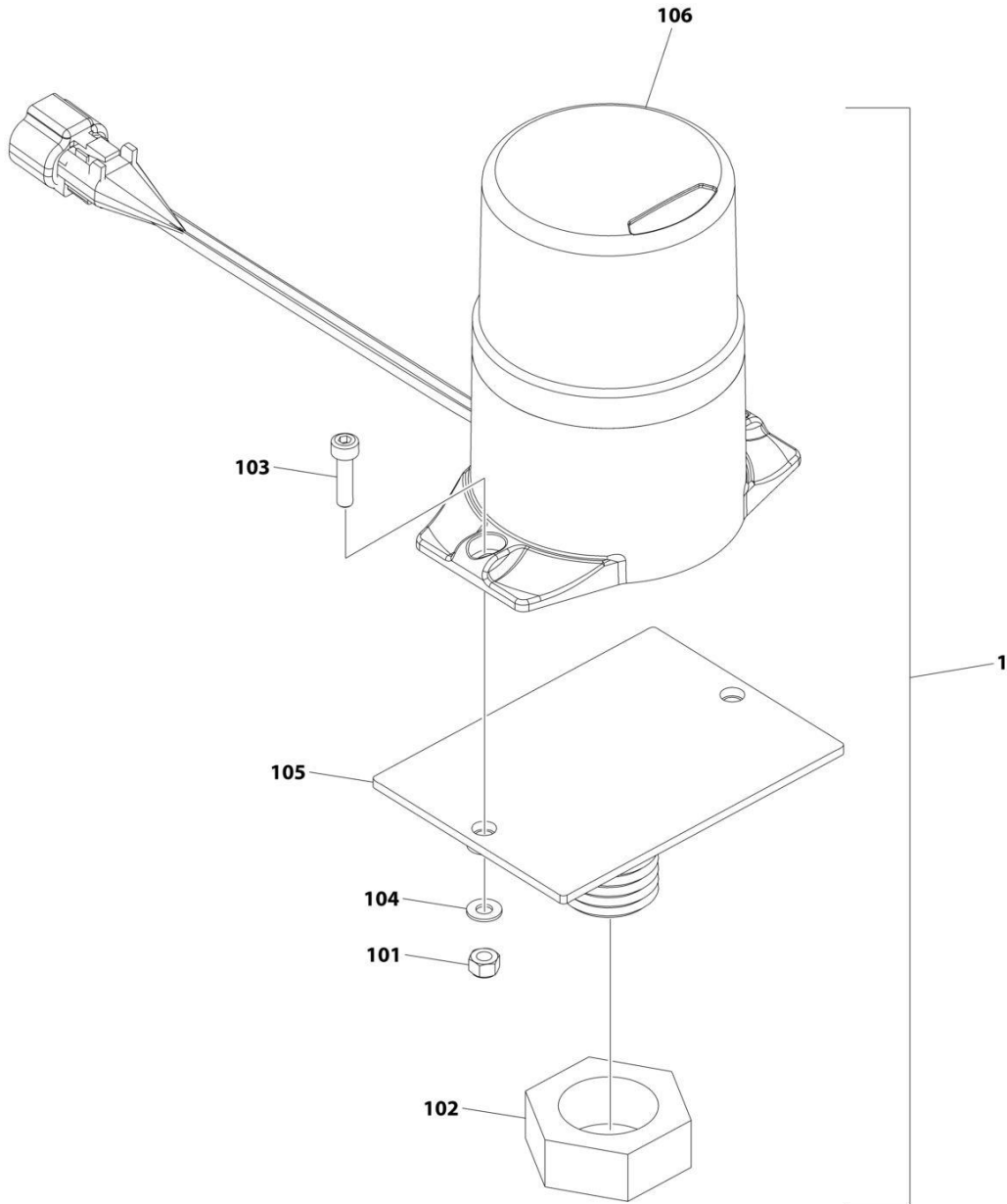
SECTION 2 - TURNTABLE

FIGURE 2-57. STROBE LIGHT INSTALLATION (AMBER) (ALL SPECS EXCEPT CHINEASE SPECS)

ITEM	PART NUMBER	QTY	DESCRIPTION	REV
	1001160077	Ref	STROBE LIGHT INSTALLATION (AMBER)	E
2	3290405	2	Nut, Lock M4	
3	3312602	1	Nut	
4	4031509	2	Capscrew M4 x 25	
5	4811400	4	Washer M4	
6	1001270594	1	Strobe Light/Harness Assembly	
6	4460891	1	Connector	
6	4460465	2	Socket	
7	1001275149	2	Mount	
8	1001283776	1	Harness, Strobe Jumper (See Separate Breakdown in ELECTRICAL Section)	
9	4240017	AR	Tie-Strap (Not Shown)	
10	4460234	AR	Mount, Tie-Strap (Not Shown)	
11	1001286622	1	CSB Harness (See Separate Breakdown in ELECTRICAL Section)	

SECTION 2 - TURNTABLE

FIGURE 2-58. STROBE LIGHT INSTALLATION (AMBER) (CHINESE SPECS)



ART_1001270288

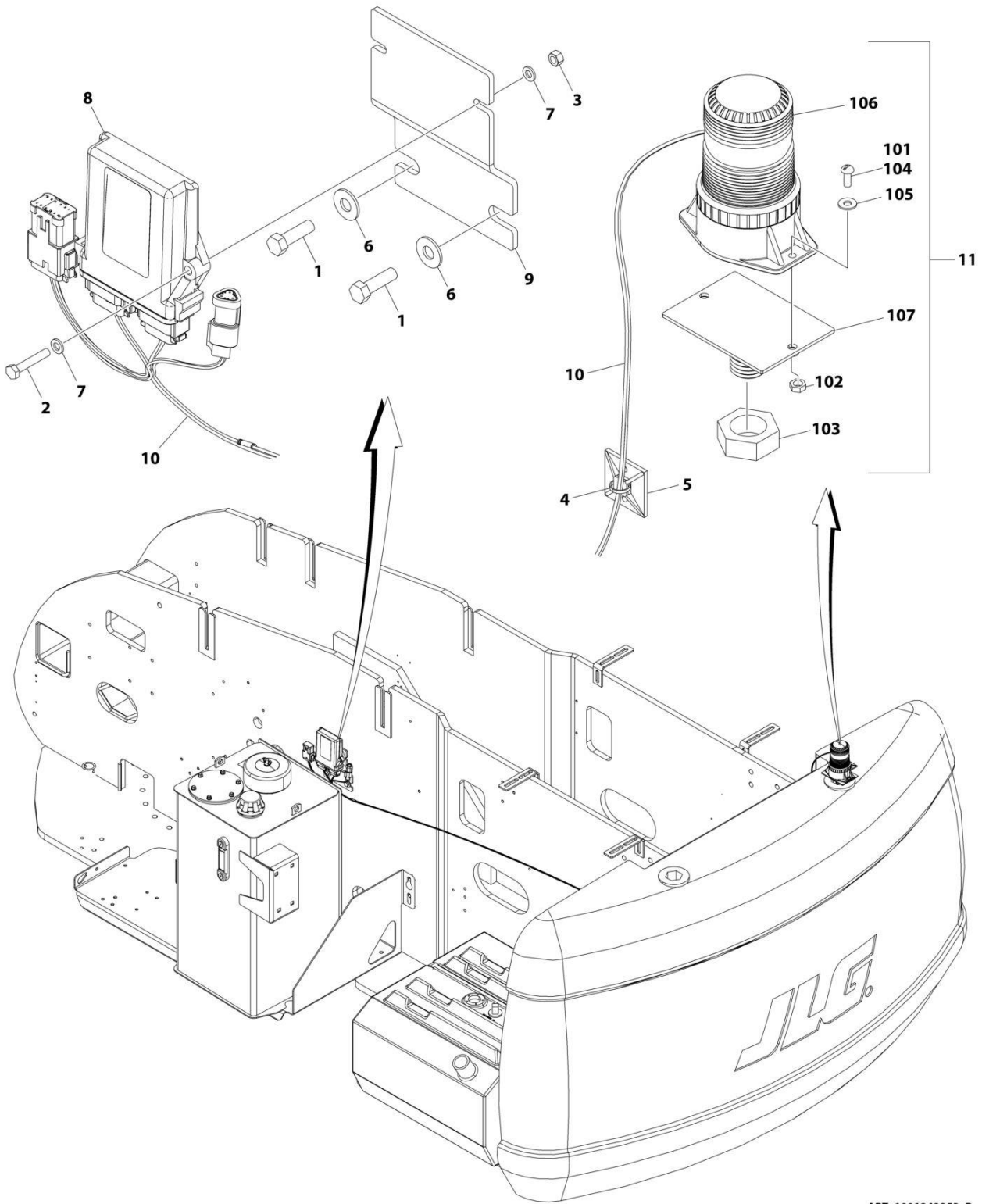
SECTION 2 - TURNTABLE

FIGURE 2-58. STROBE LIGHT INSTALLATION (AMBER) (CHINEASE SPECS)

ITEM	PART NUMBER	QTY	DESCRIPTION	REV
	1001270288	Ref	STROBE LIGHT INSTALLATION (AMBER)	A
1	1001270287	1	Strobe Light Assembly (Includes Items 101-106)	A
101	3290405	2	Nut M4	
102	3312602	1	Nut	
103	4031507	2	Screw M4	
104	4811400	2	Washer	
105	1001149994	1	Mount, Strobe	
106	1001233479	1	Lamp, Strobe Beacon	

SECTION 2 - TURNTABLE

FIGURE 2-59. STROBE LIGHT INSTALLATION (BLUE)



ART_1001242253_B

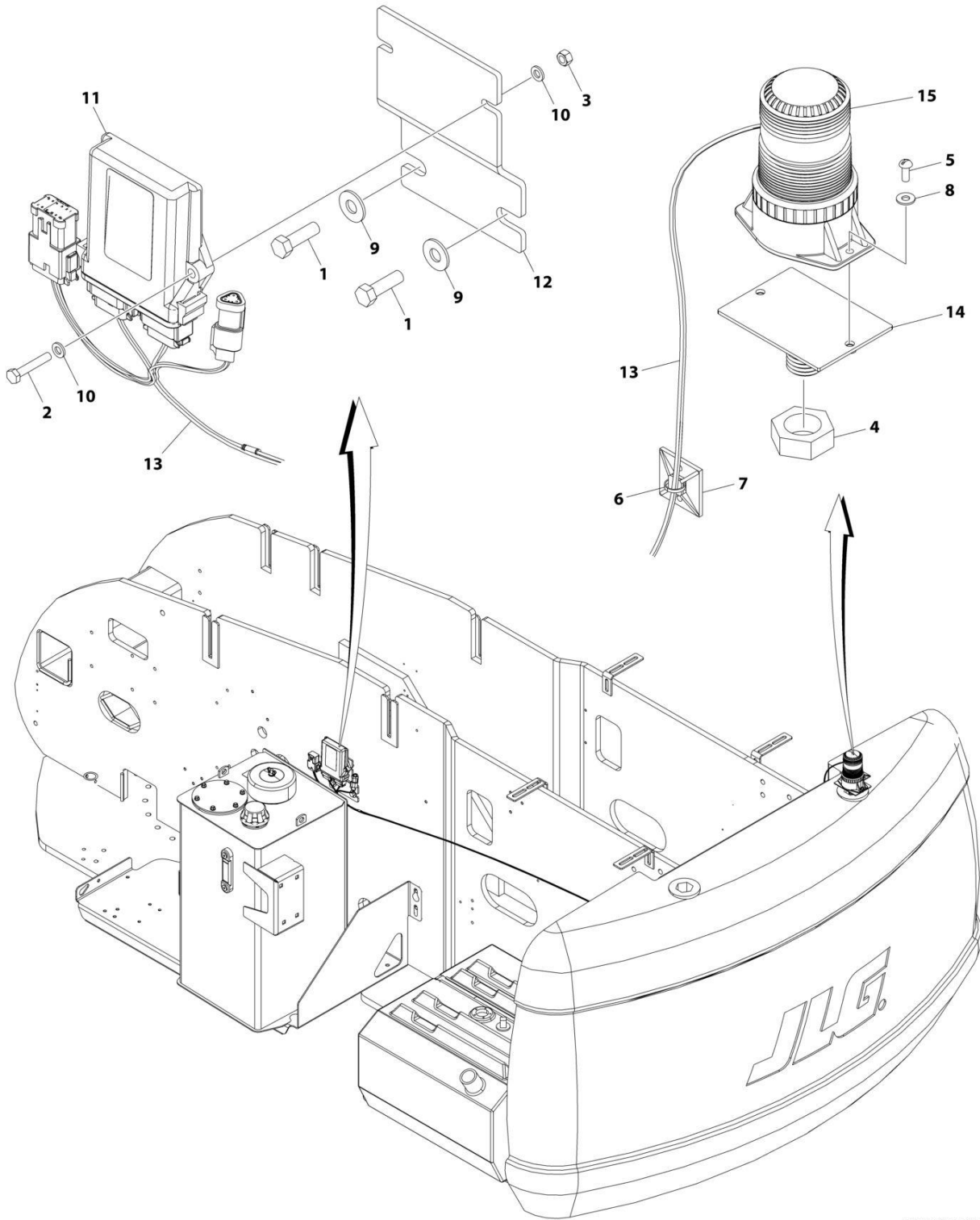
SECTION 2 - TURNTABLE

FIGURE 2-59. STROBE LIGHT INSTALLATION (BLUE)

ITEM	PART NUMBER	QTY	DESCRIPTION	REV
	1001242253	Ref	STROBE LIGHT INSTALLATION (BLUE)	B
1	0641610	2	Bolt 3/8 x 1-1/4	
2	0700615	2	Bolt 6 x 35	
3	3290607	2	Nut M6	
4	4240032	AR	Tie-Strap	
5	4460488	AR	Base, Terminal, Mounting	
6	4751600	2	Washer 3/8	
7	4811700	4	Washer M6	
8	1001142683	1	Module, Control - Beacon	
9	1001142722	1	Bracket	
10	1001142736	1	Beacon Control Harness (See Separate Breakdown in ELECTRICAL Section)	
11	1001278845	1	Beacon Kit - Blue (Includes Items 102 - 107)	
101	0100035	AR	Compound, Locking	
102	3290405	2	Nut, Lock M4	
103	3312602	1	Nut	
104	4031509	2	Capscrew M4 x 25	
105	4811400	2	Washer M4	
106	1001272681	1	Light, Beacon	
106	4460897	1	Connector	
106	4460464	2	Pin	
107	1001278850	1	Plate, Mounting	

SECTION 2 - TURNTABLE

FIGURE 2-60. STROBE LIGHT INSTALLATION (RED)



ART_1001242254

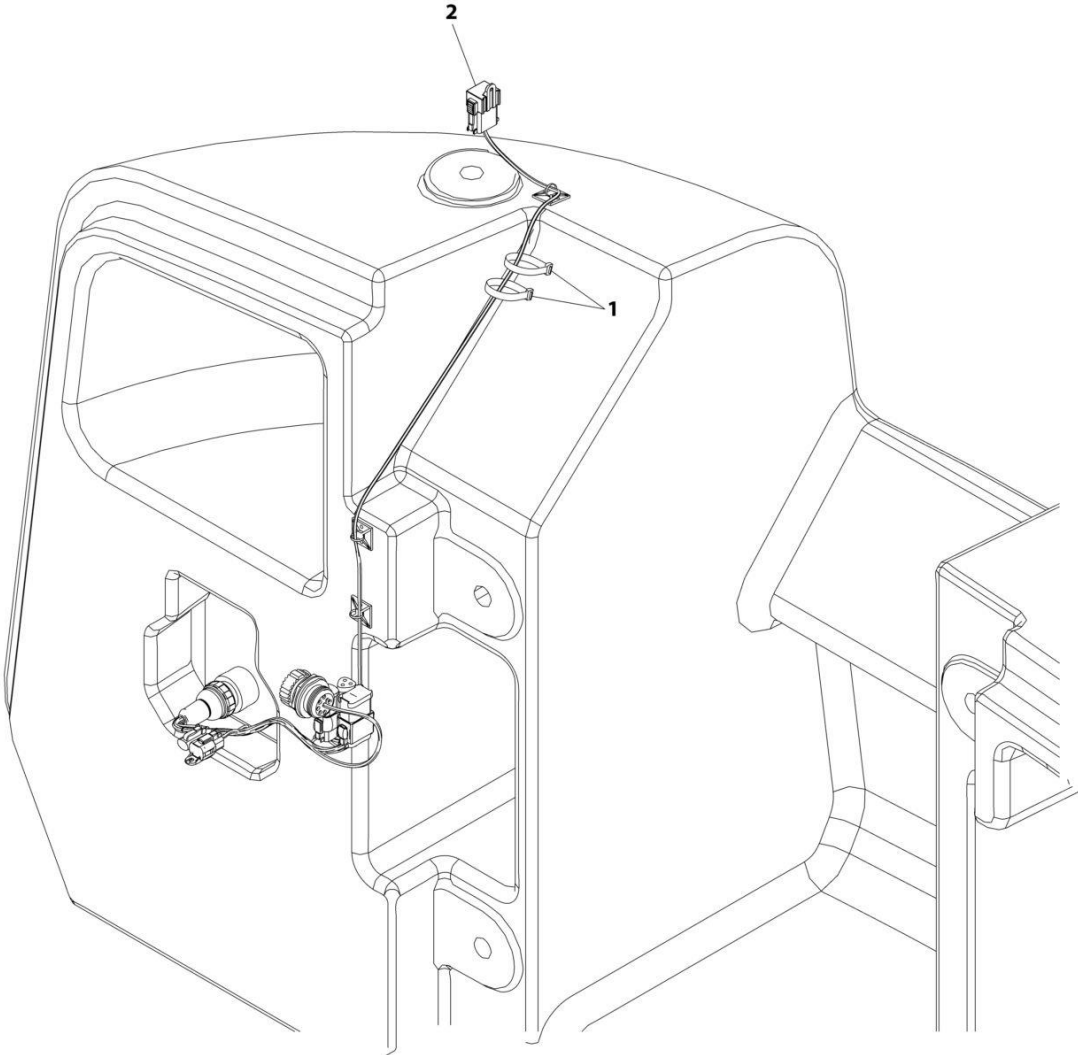
SECTION 2 - TURNTABLE

FIGURE 2-60. STROBE LIGHT INSTALLATION (RED)

ITEM	PART NUMBER	QTY	DESCRIPTION	REV
	1001242254	Ref	STROBE LIGHT INSTALLATION (RED)	A
1	0641610	2	Bolt 3/8 x 1-1/4	
2	0700615	2	Bolt 6 x 35	
3	3290607	2	Nut M6	
4	3312602	1	Nut	
5	3900085	2	Screw	
6	4240032	AR	Tie Strap	
7	4460488	AR	Base, Terminal, Mounting	
8	4751000	2	Washer	
9	4751600	2	Washer 3/8	
10	4811700	4	Washer M6	
11	1001142683	1	Module, Control - Beacon	
12	1001142722	1	Bracket	
13	1001142736	1	Beacon Control Harness (See Separate Breakdown in ELECTRICAL SECTION)	
14	1001149994	1	Mount, Strobe	
15	1001207004	1	Light, Beacon	

SECTION 2 - TURNTABLE

FIGURE 2-61. NO BEACON INSTALLATION



ART_1001293369

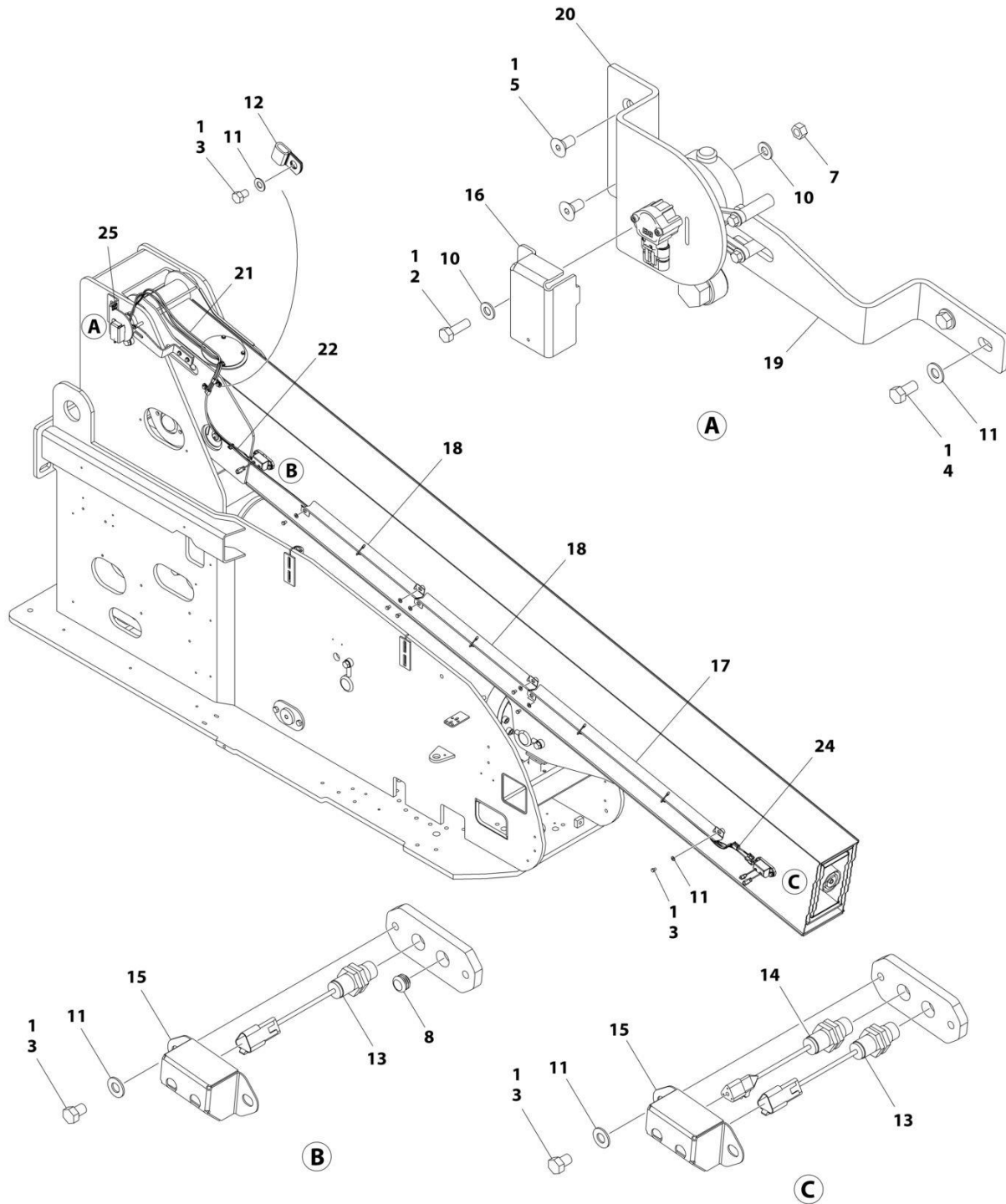
SECTION 2 - TURNTABLE

FIGURE 2-61. NO BEACON INSTALLATION

ITEM	PART NUMBER	QTY	DESCRIPTION	REV
	1001293369	Ref	NO BECON INSTALLATION	A
1	4240018	2	Strap, Cable Tie	
2	1001244462	1	Connector, Dust Cap	

SECTION 2 - TURNTABLE

FIGURE 2-62. DUAL CAPACITY INSTALLATION - ELEVATION AND TRANSPORTATION (800S)



ART_1001254021

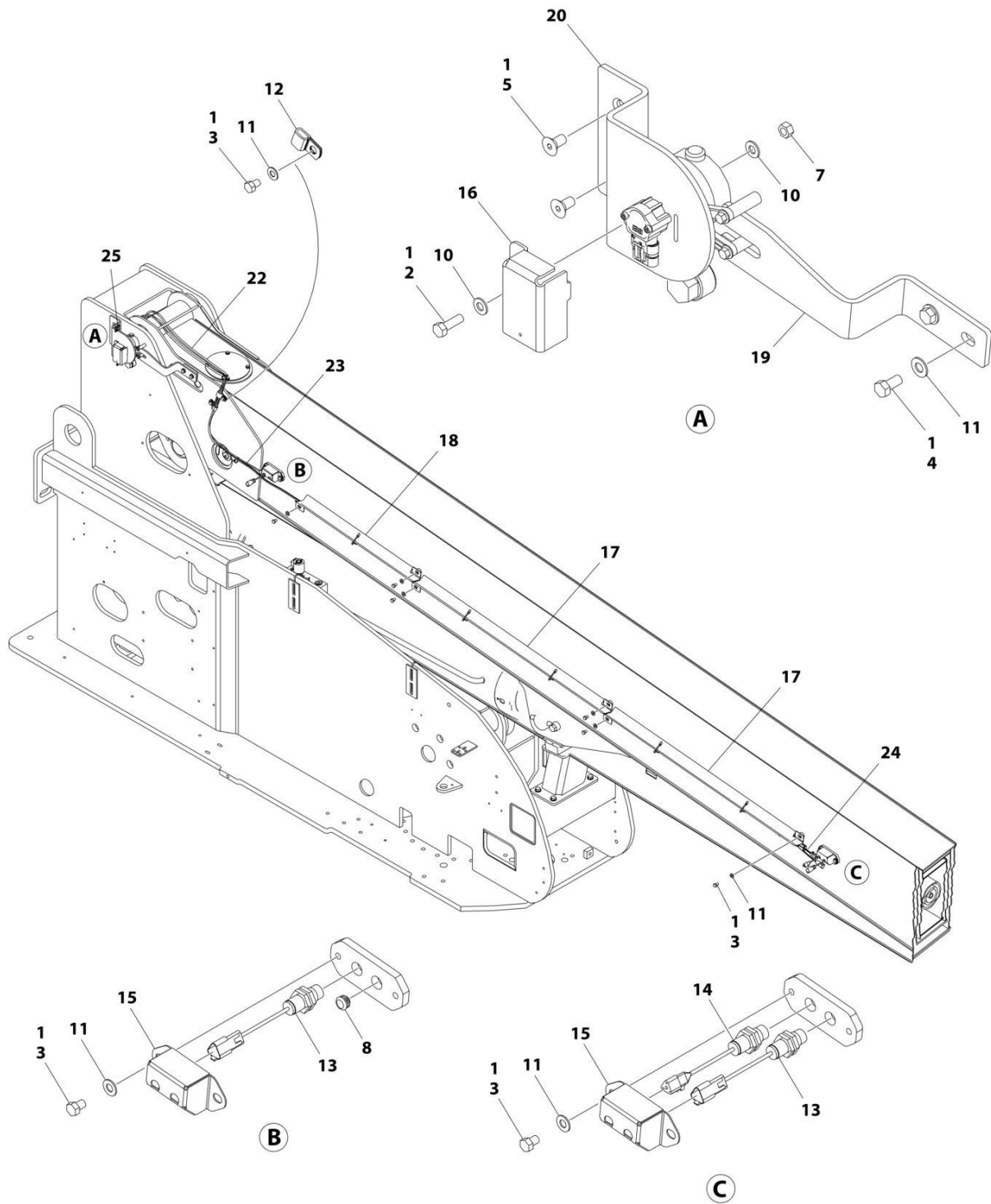
SECTION 2 - TURNTABLE

FIGURE 2-62. DUAL CAPACITY INSTALLATION - ELEVATION AND TRANSPORTATION (800S)

ITEM	PART NUMBER	QTY	DESCRIPTION	REV
	1001254021	Ref	DUAL CAPACITY INSTALLATION	C
1	0100011	AR	Compound, Locking	
2	0641508	1	Bolt 5/16 x 1	
3	0641604	12	Bolt 3/8 x 1/2	
4	0641606	2	Bolt 3/8 x 3/4	
5	0741606	2	Bolt 3/8 x 3/4	
7	3311501	1	Nut 5/16	
8	3520193	1	Plug	
9	4240033	AR	Tie-Strap (Not Shown)	
10	4711500	2	Washer 5/16	
11	4711600	14	Washer 3/8	
12	1001102858	2	Clamp	
13	1001170847	2	Sensor, Proximity (with Female Connector)	
14	1001182570	1	Sensor, Proximity (with Male Connector)	
15	1001204715	2	Bracket	
16	1001211588	1	Shield	
17	1001238138	1	Angle	
18	1001238327	2	Angle	
19	1001254019	1	Plate	
20	1001254020	1	Lower Sensor Assembly (See Separate Breakdown in this Section)	
21	1001255356	1	Cable, Boom Angle	
22	1001255357	1	Cable, Transport	
23	1001255358	1	Cable, Lower Sensor (Not Shown)	
24	1001255359	1	Cable, Upper Sensor	
25	4460234	2	Mount, Tie-Strap	

SECTION 2 - TURNTABLE

FIGURE 2-63. DUAL CAPACITY INSTALLATION - ELEVATION AND TRANSPORTATION (860SJ)



ART_1001255117

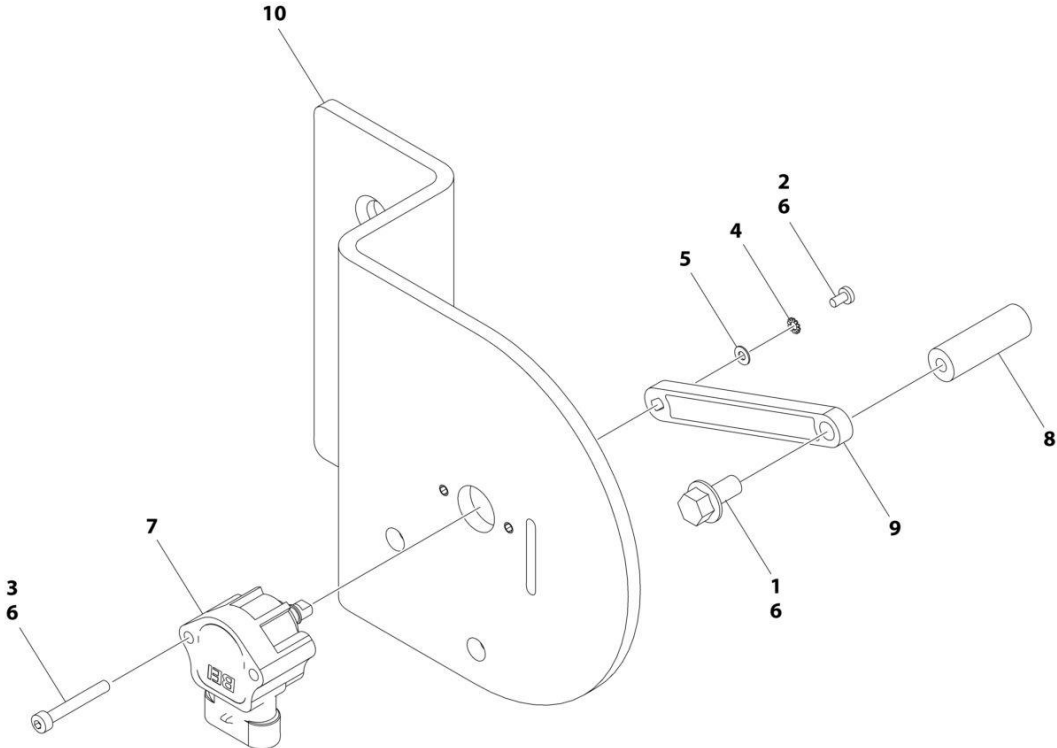
SECTION 2 - TURNTABLE

FIGURE 2-63. DUAL CAPACITY INSTALLATION - ELEVATION AND TRANSPORTATION (860SJ)

ITEM	PART NUMBER	QTY	DESCRIPTION	REV
	1001255117	Ref	DUAL CAPACITY INSTALLATION	C
1	0100011	AR	Compound, Locking	
2	0641508	1	Bolt 5/16 x 1	
3	0641604	12	Bolt 3/8 x 1/2	
4	0641606	2	Bolt 3/8 x 3/4	
5	0741606	2	Bolt 3/8 x 3/4	
7	3311501	1	Nut 5/16	
8	3520193	1	Plug	
9	4240033	AR	Tie-Strap (Not Shown)	
10	4711500	2	Washer 5/16	
11	4711600	14	Washer 3/8	
12	1001102858	2	Clamp	
13	1001170847	2	Sensor, Proximity (with Female Connector)	
14	1001182570	1	Sensor, Proximity (with Male Connector)	
15	1001204715	2	Bracket	
16	1001211588	1	Shield	
17	1001238138	2	Angle	
18	1001238327	1	Angle	
19	1001254019	1	Plate	
20	1001254020	1	Lower Sensor Assembly (See Separate Breakdown in this Section)	
21	1001255358	1	Cable, Lower Sensor (Not Shown)	
22	1001255356	1	Cable, Boom Angle	
23	1001255357	1	Cable, Transport	
24	1001255359	1	Cable, Upper Sensor	
25	4460234	2	Mount, Tie-Strap	

SECTION 2 - TURNTABLE

FIGURE 2-64. LOWER SENSOR ASSEMBLY



ART_1001254020

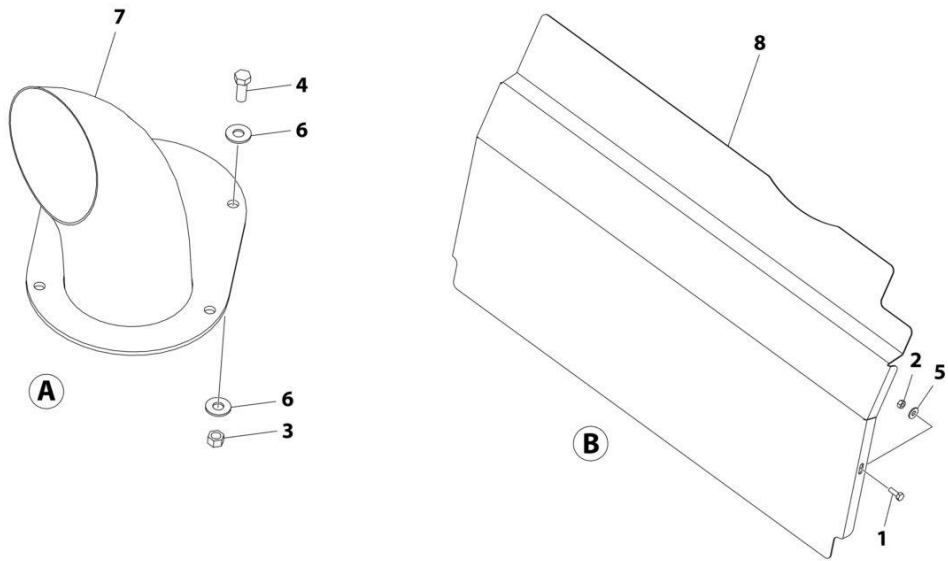
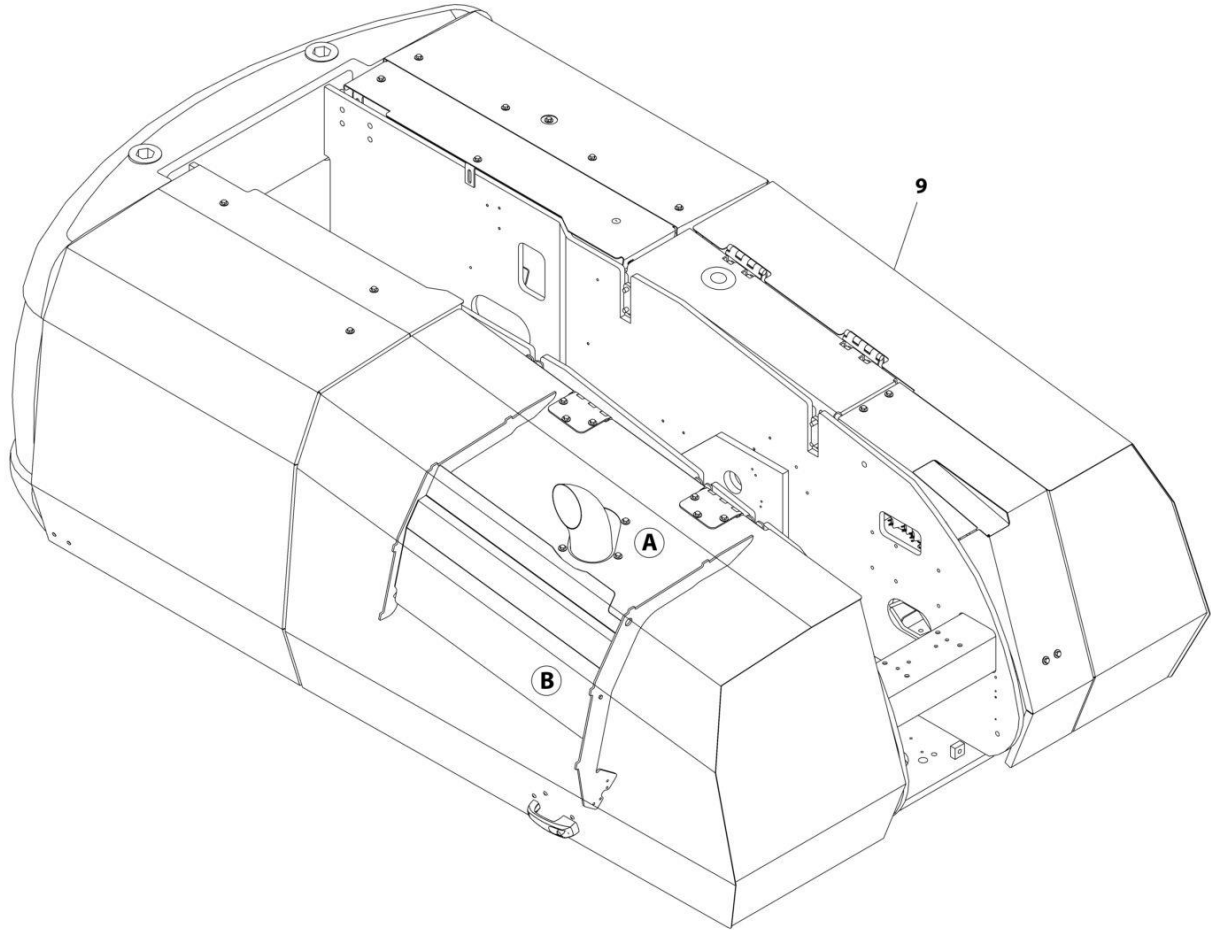
SECTION 2 - TURNTABLE

FIGURE 2-64. LOWER SENSOR ASSEMBLY

ITEM	PART NUMBER	QTY	DESCRIPTION	REV
	1001254020	Ref	DUAL CAPACITY INSTALLATION	B
1	0791404	1	Screw 1/4 x 1/2	
2	4010303	1	Screw M3 x 6	
3	4031510	2	Bolt M4 x 30	
4	4871200	1	Washer M3	
5	1001110544	1	Washer M3	
6	1001180620	AR	Adhesive	
7	1001191022	1	Sensor	
8	1001254016	1	Stud	
9	1001254017	1	Link, Angle Sensor Arm	
10	1001254018	1	Bracket	

SECTION 2 - TURNTABLE

FIGURE 2-65. EXHAUST STACK INSTALLATION - STEEL HOOD (DEUTZ D2011 ENGINES)



ART_1001157752

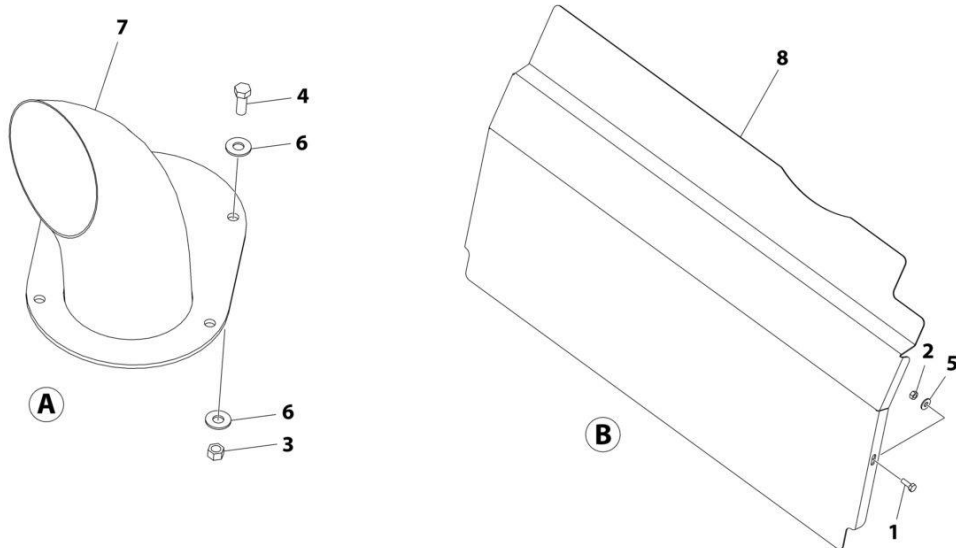
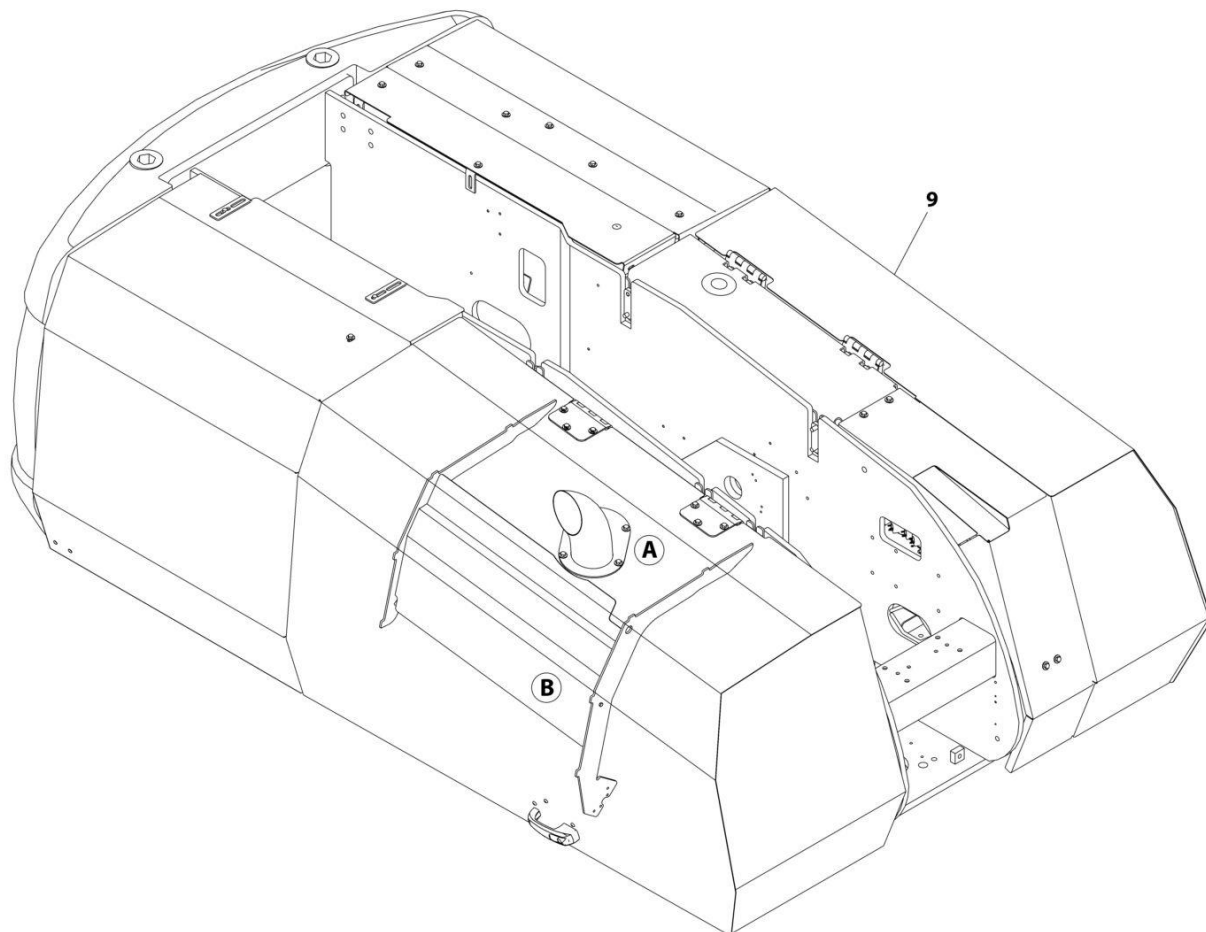
SECTION 2 - TURNTABLE

FIGURE 2-65. EXHAUST STACK INSTALLATION - STEEL HOOD (DEUTZ D2011 ENGINES)

ITEM	PART NUMBER	QTY	DESCRIPTION	REV
		Ref	NOTE: REPLACEMENT DECALS MUST BE PURCHASED SEPARATELY - SEE DECALS SECTION.	
	1001157752	Ref	EXHAUST STACK INSTALLATION - STEEL HOOD	D
1	0641406	3	Bolt 1/4 x 3/4	
2	3311405	3	Nut 1/4	
3	3311605	4	Nut 3/8	
4	0641608	4	Bolt 3/8 x 1	
5	4751400	3	Washer 1/4	
6	4751600	8	Washer 3/8	
7	1001116456	1	Stack, Exhaust	
8	1001150561	1	Shield, Heat	
9	1001157416	1	Steel Hood Installation (See Separate Breakdown in this Section)	

SECTION 2 - TURNTABLE

FIGURE 2-66. EXHAUST STACK INSTALLATION - STEEL HOOD WITH HOSTILE ENVIRONMENT MACHINES (DEUTZ D2011 ENGINES)



ART_1001157755

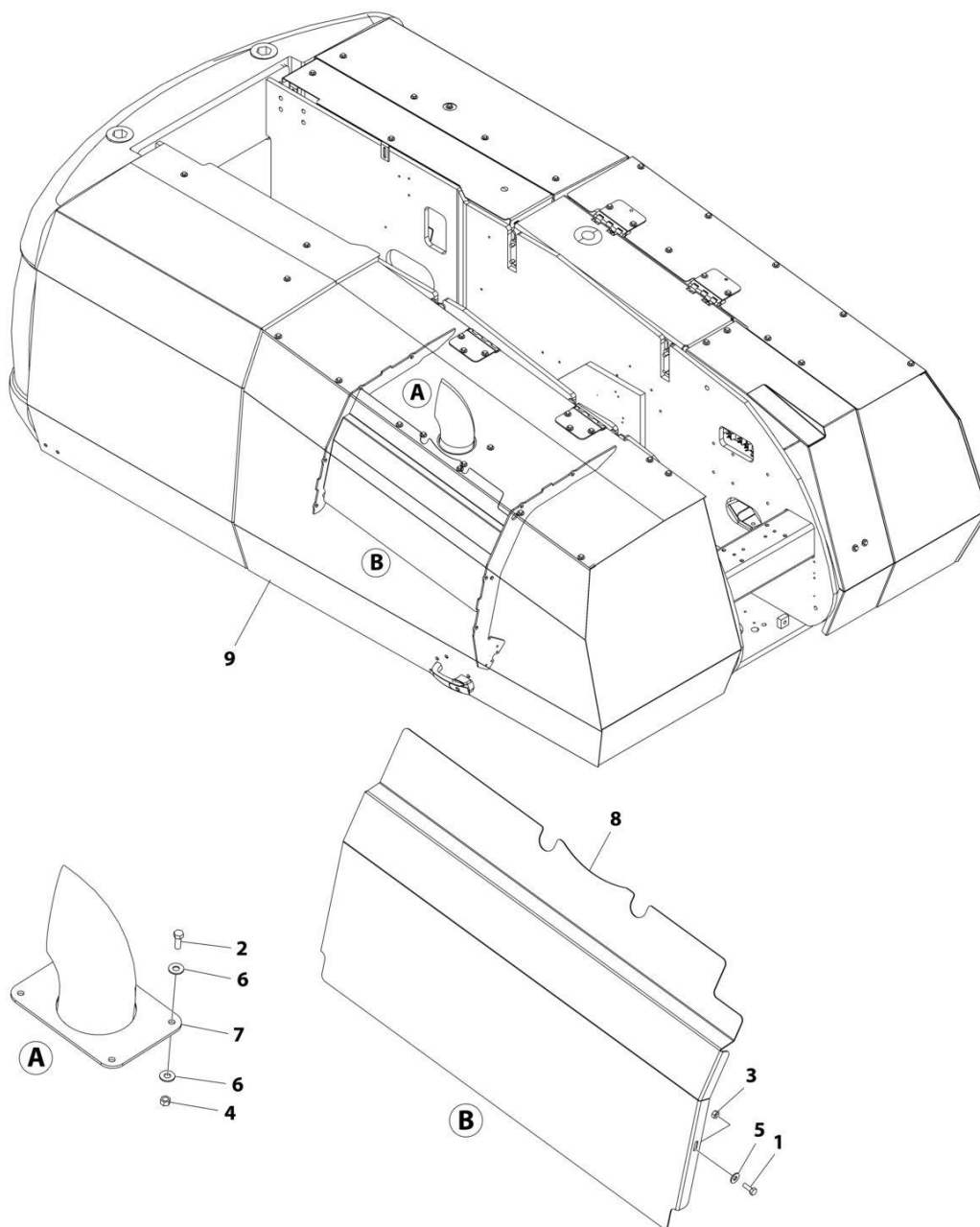
SECTION 2 - TURNTABLE

FIGURE 2-66. EXHAUST STACK INSTALLATION - STEEL HOOD WITH HOSTILE ENVIRONMENT MACHINES (DEUTZ D2011 ENGINES)

ITEM	PART NUMBER	QTY	DESCRIPTION	REV
		Ref	NOTE: REPLACEMENT DECALS MUST BE PURCHASED SEPARATELY - SEE DECALS SECTION.	
	1001157755	Ref	EXHAUST STACK INSTALLATION - STEEL HOOD	D
1	0641406	3	Bolt 1/4 x 3/4	
2	3311405	3	Nut 1/4	
3	3311605	4	Nut 3/8	
4	0641608	4	Bolt 3/8 x 1	
5	4751400	3	Washer 1/4	
6	4751600	8	Washer 3/8	
7	1001116456	1	Stack, Exhaust	
8	1001150561	1	Shield, Heat	
9	1001157753	1	Steel Hood Installation (See Separate Breakdown in this Section)	

SECTION 2 - TURNTABLE

FIGURE 2-67. EXHAUST STACK INSTALLATION - STEEL HOOD WITH HOSTILE ENVIRONMENT MACHINES (DEUTZ TD2.9L4 ENGINES) (MACHINES WITH SN STARTING WITH B3)



ART_1001256260

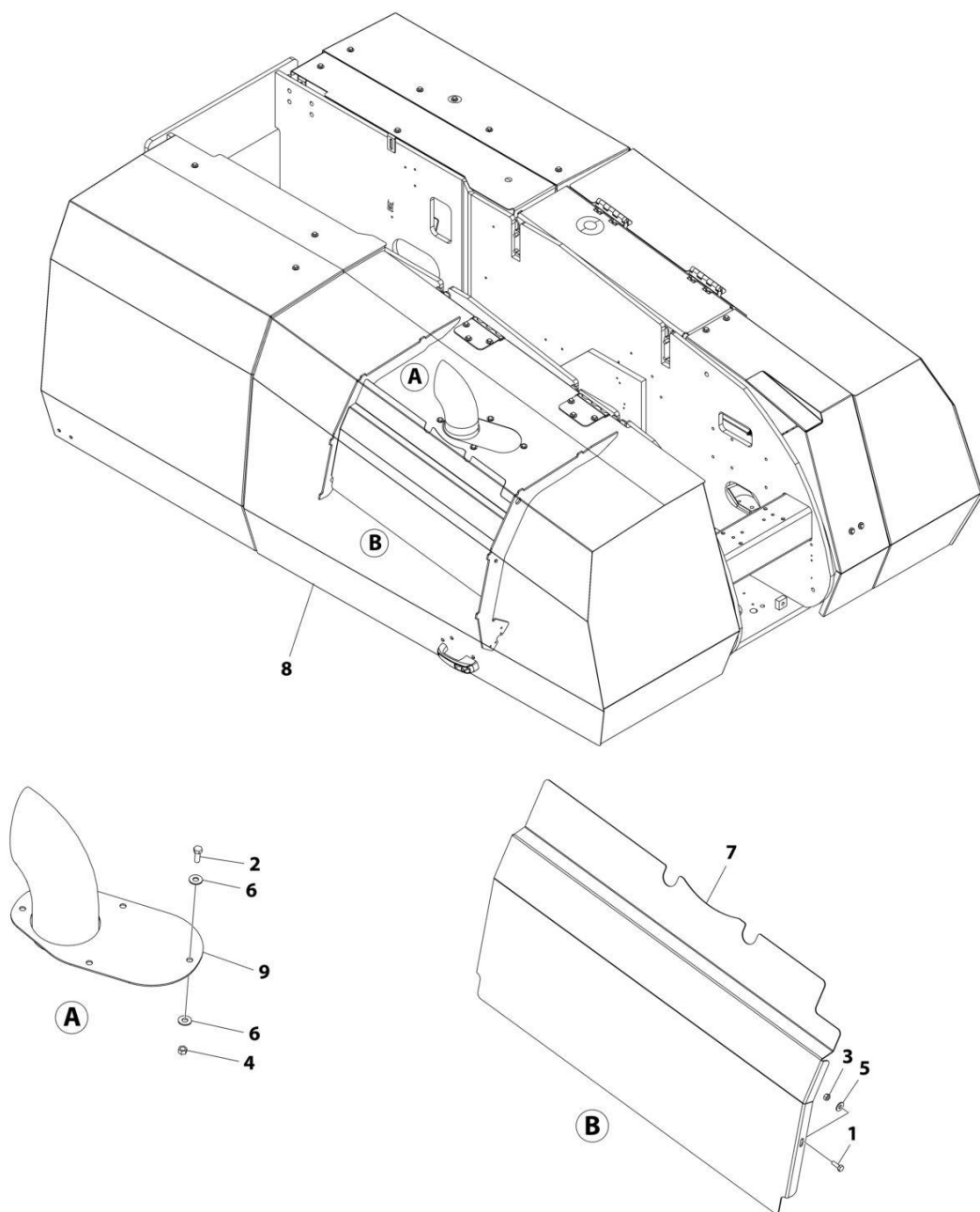
SECTION 2 - TURNTABLE

FIGURE 2-67. EXHAUST STACK INSTALLATION - STEEL HOOD WITH HOSTILE ENVIRONMENT MACHINES (DEUTZ TD2.9L4 ENGINES) (MACHINES WITH SN STARTING WITH B3)

ITEM	PART NUMBER	QTY	DESCRIPTION	REV
		Ref	NOTE: REPLACEMENT DECALS MUST BE PURCHASED SEPARATELY - SEE DECALS SECTION	
	1001256260	Ref	EXHAUST STACK INSTALLATION - STEEL HOOD	A
1	0641406	3	Bolt 1/4 x 3/4	
2	0641608	4	Bolt 3/8 x 1	
3	3311405	3	Nut 1/4	
4	3311605	4	Nut 3/8	
5	4751400	3	Washer 1/4	
6	4751600	8	Washer 3/8	
7	1001144527	1	Stack, Exhaust	
8	1001163101	1	Shield, Heat	
9	1001256259	1	Steel Hood Installation (See Separate Breakdown in this Section)	

SECTION 2 - TURNTABLE

FIGURE 2-68. EXHAUST STACK INSTALLATION - STEEL HOOD (DEUTZ TD2.9L4 ENGINES)
(MACHINES WITH SN STARTING WITH 03 OR 13)



ART_1001238931

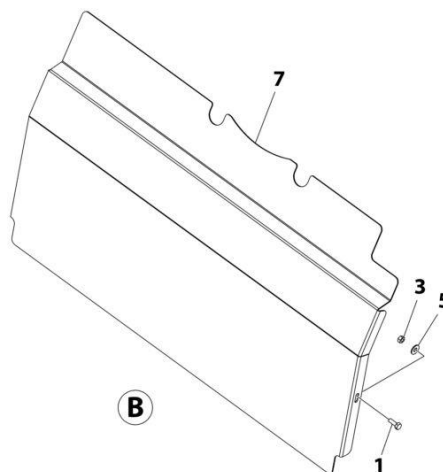
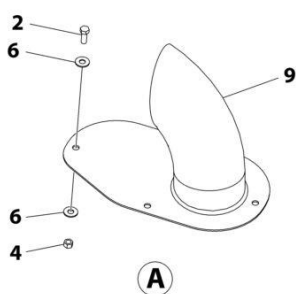
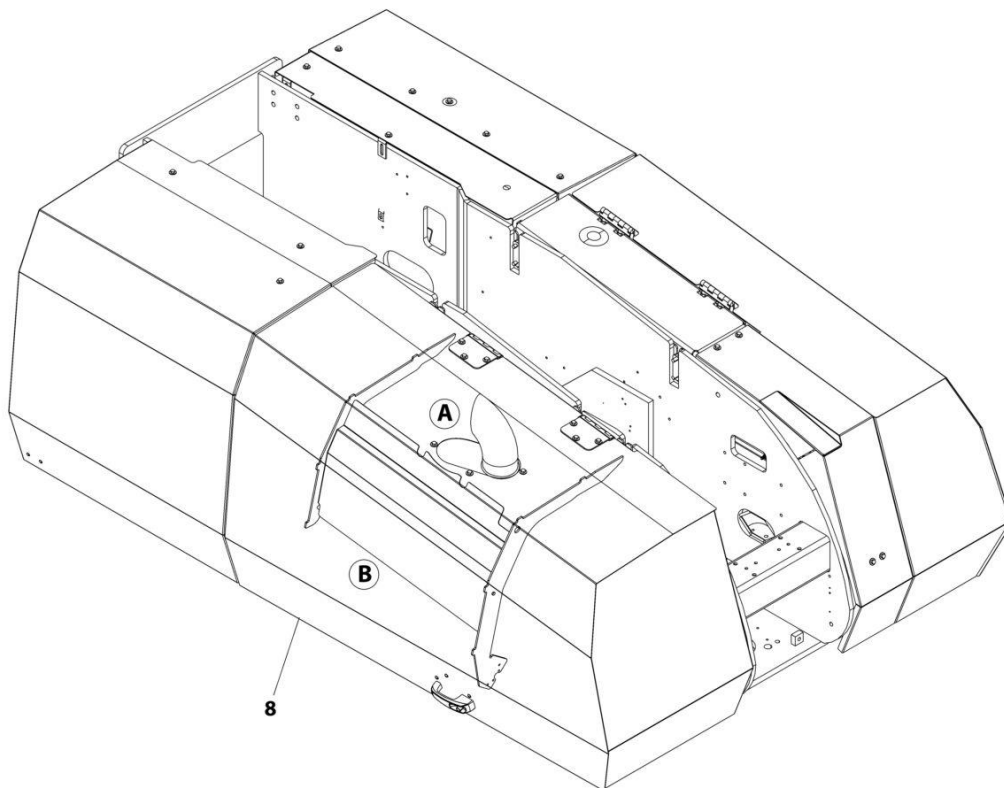
SECTION 2 - TURNTABLE

**FIGURE 2-68. EXHAUST STACK INSTALLATION - STEEL HOOD (DEUTZ TD2.9L4 ENGINES)
(MACHINES WITH SN STARTING WITH 03 OR 13)**

ITEM	PART NUMBER	QTY	DESCRIPTION	REV
		Ref	NOTE: REPLACEMENT DECALS MUST BE PURCHASED SEPARATELY - SEE DECALS SECTION.	
	1001238931	Ref	EXHAUST STACK INSTALLATION - STEEL HOOD	B
1	0641406	3	Bolt 1/4 x 3/4	
2	0641608	4	Bolt 3/8 x 1	
3	3311405	3	Nut 1/4	
4	3311605	4	Nut 3/8	
5	4751400	3	Washer 1/4	
6	4751600	8	Washer 3/8	
7	1001163101	1	Shield, Heat	
8	1001237194	1	Steel Hood Installation (See Separate Breakdown in this Section)	
9	1001237259	1	Stack, Exhaust	

SECTION 2 - TURNTABLE

FIGURE 2-69. EXHAUST STACK INSTALLATION - STEEL HOOD (DEUTZ TD2.9L4 (STAGE V) ENGINES) (MACHINES WITH SN STARTING WITH 03)



ART_1001237193

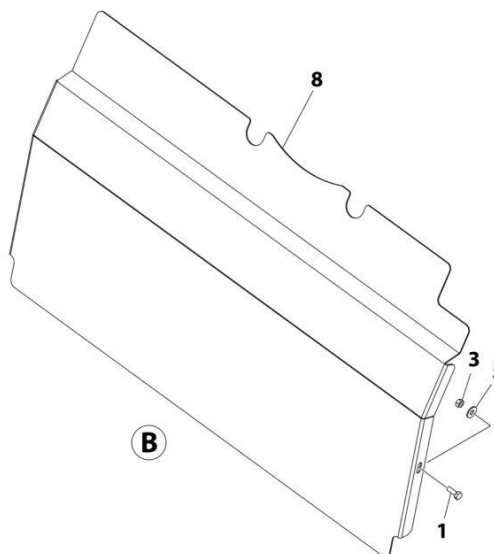
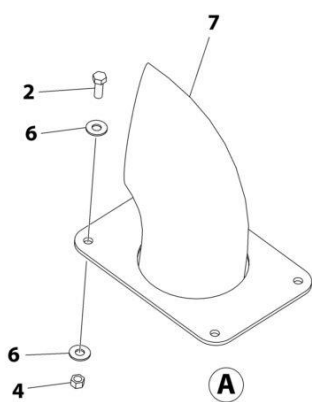
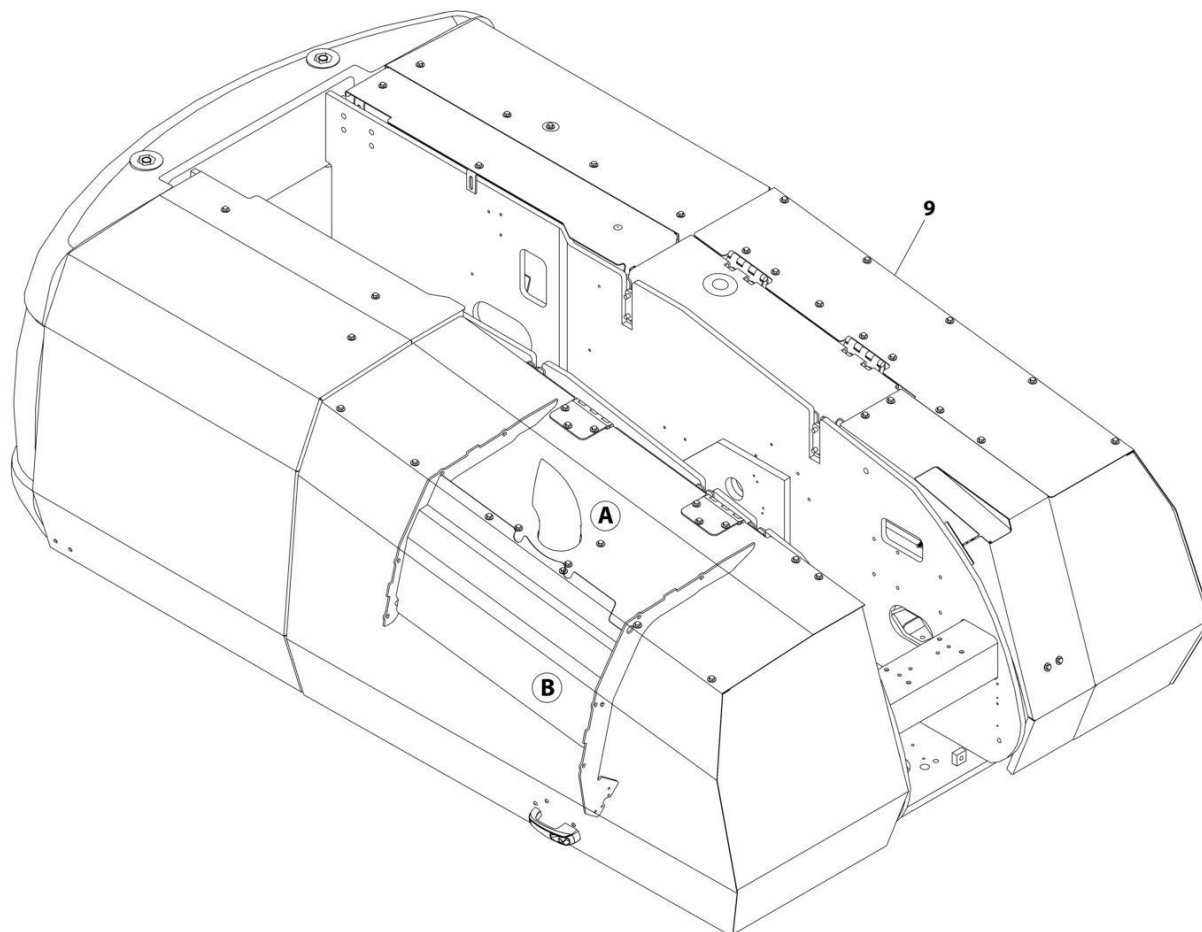
SECTION 2 - TURNTABLE

FIGURE 2-69. EXHAUST STACK INSTALLATION - STEEL HOOD (DEUTZ TD2.9L4 (STAGE V) ENGINES) (MACHINES WITH SN STARTING WITH 03)

ITEM	PART NUMBER	QTY	DESCRIPTION	REV
		Ref	NOTE: REPLACEMENT DECALS MUST BE PURCHASED SEPARATELY - SEE DECALS SECTION.	
	1001237193	Ref	EXHAUST STACK INSTALLATION - STEEL HOOD	B
1	0641406	3	Bolt 1/4 x 3/4	
2	0641608	4	Bolt 3/8 x 1	
3	3311405	3	Nut 1/4	
4	3311605	4	Nut 3/8	
5	4751400	3	Washer 1/4	
6	4751600	8	Washer 3/8	
7	1001163101	1	Shield, Heat	
8	1001237194	1	Steel Hood Installation (See Separate Breakdown in this Section)	
9	1001237261	1	Stack, Exhaust	

SECTION 2 - TURNTABLE

FIGURE 2-70. EXHAUST STACK INSTALLATION - STEEL HOOD (DEUTZ TD2.9L4 ENGINES)
(MACHINES WITH SN STARTING WITH B3)



ART_1001244467

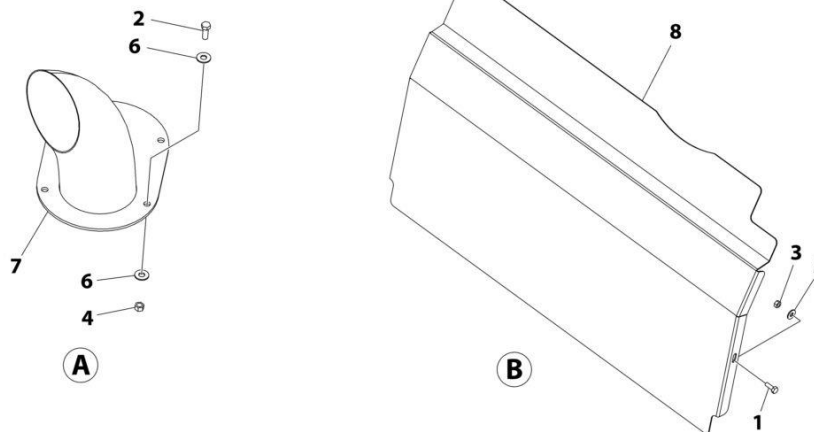
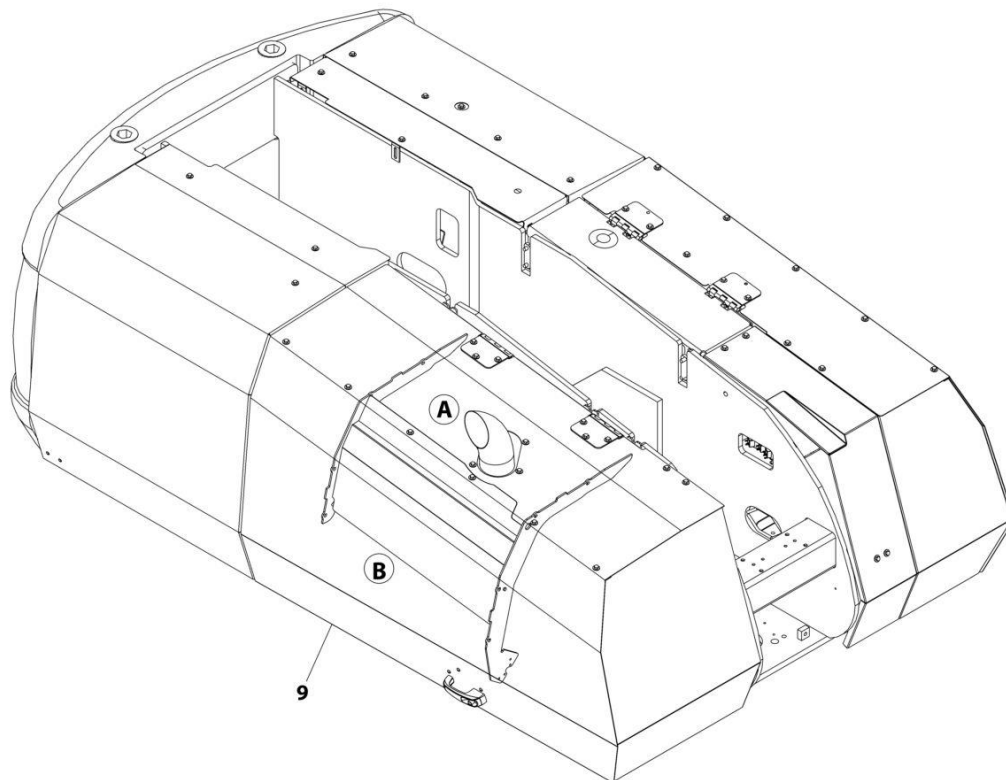
SECTION 2 - TURNTABLE

**FIGURE 2-70. EXHAUST STACK INSTALLATION - STEEL HOOD (DEUTZ TD2.9L4 ENGINES)
(MACHINES WITH SN STARTING WITH B3)**

ITEM	PART NUMBER	QTY	DESCRIPTION	REV
		Ref	NOTE: REPLACEMENT DECALS MUST BE PURCHASED SEPARATELY - SEE DECALS SECTION	
	1001244467	Ref	EXHAUST STACK INSTALLATION - STEEL HOOD	C
1	0641406	3	Bolt 1/4 x 3/4	
2	0641608	4	Bolt 3/8 x 1	
3	3311405	3	Nut 1/4	
4	3311605	4	Nut 3/8	
5	4751400	3	Washer 1/4	
6	4751600	8	Washer 3/8	
7	1001144527	1	Stack, Exhaust	
8	1001163101	1	Shield, Heat	
9	1001244466	1	Steel Hood Installation (See Separate Breakdown in this Section)	

SECTION 2 - TURNTABLE

FIGURE 2-71. EXHAUST STACK INSTALLATION - STEEL HOOD (DEUTZ TD2.9L4 (STAGE V) ENGINES) (MACHINES WITH SN STARTING WITH B3)



ART_1001256251

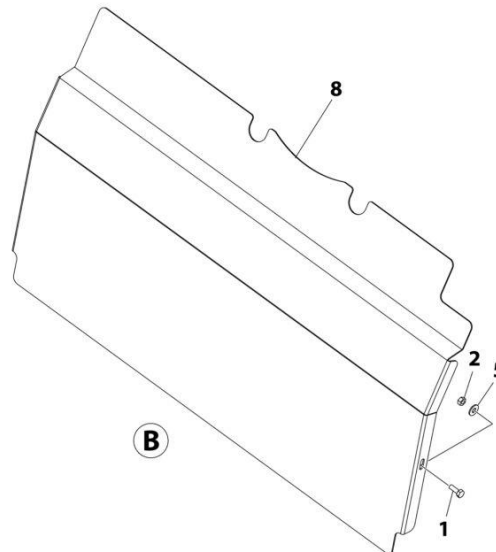
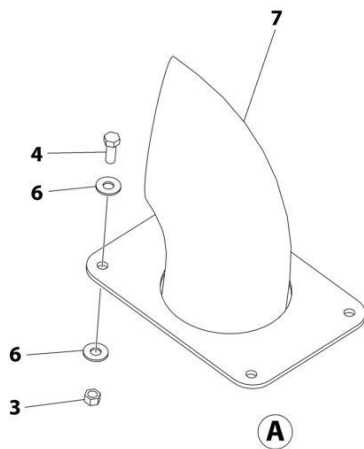
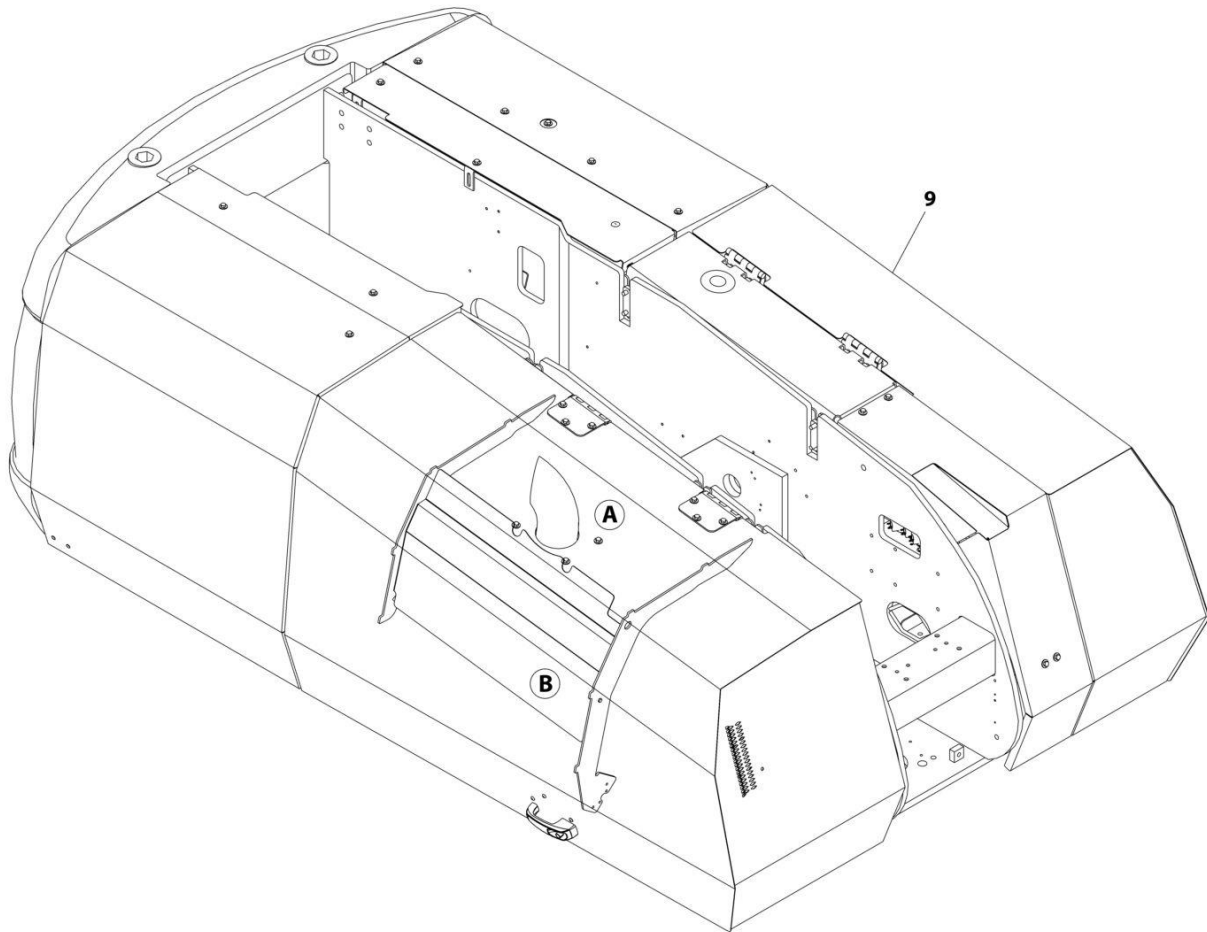
SECTION 2 - TURNTABLE

FIGURE 2-71. EXHAUST STACK INSTALLATION - STEEL HOOD (DEUTZ TD2.9L4 (STAGE V) ENGINES) (MACHINES WITH SN STARTING WITH B3)

ITEM	PART NUMBER	QTY	DESCRIPTION	REV
		Ref	NOTE: REPLACEMENT DECALS MUST BE PURCHASED SEPARATELY - SEE DECALS SECTION	
	1001256251	Ref	EXHAUST STACK INSTALLATION - STEEL HOOD	A
1	0641406	3	Bolt 1/4 x 3/4	
2	0641608	4	Bolt 3/8 x 1	
3	3311405	3	Nut 1/4	
4	3311605	4	Nut 3/8	
5	4751400	3	Washer 1/4	
6	4751600	8	Washer 3/8	
7	1001116456	1	Stack, Exhaust	
8	1001150561	1	Shield, Heat	
9	1001256248	1	Steel Hood Installation (See Separate Breakdown in this Section)	

SECTION 2 - TURNTABLE

FIGURE 2-72. EXHAUST STACK INSTALLATION - STEEL HOOD WITH HOSTILE ENVIRONMENT MACHINES (DEUTZ TD2.9L4 ENGINES) (MACHINES WITH SN STARTING WITH 03 OR 13)



ART_1001173869

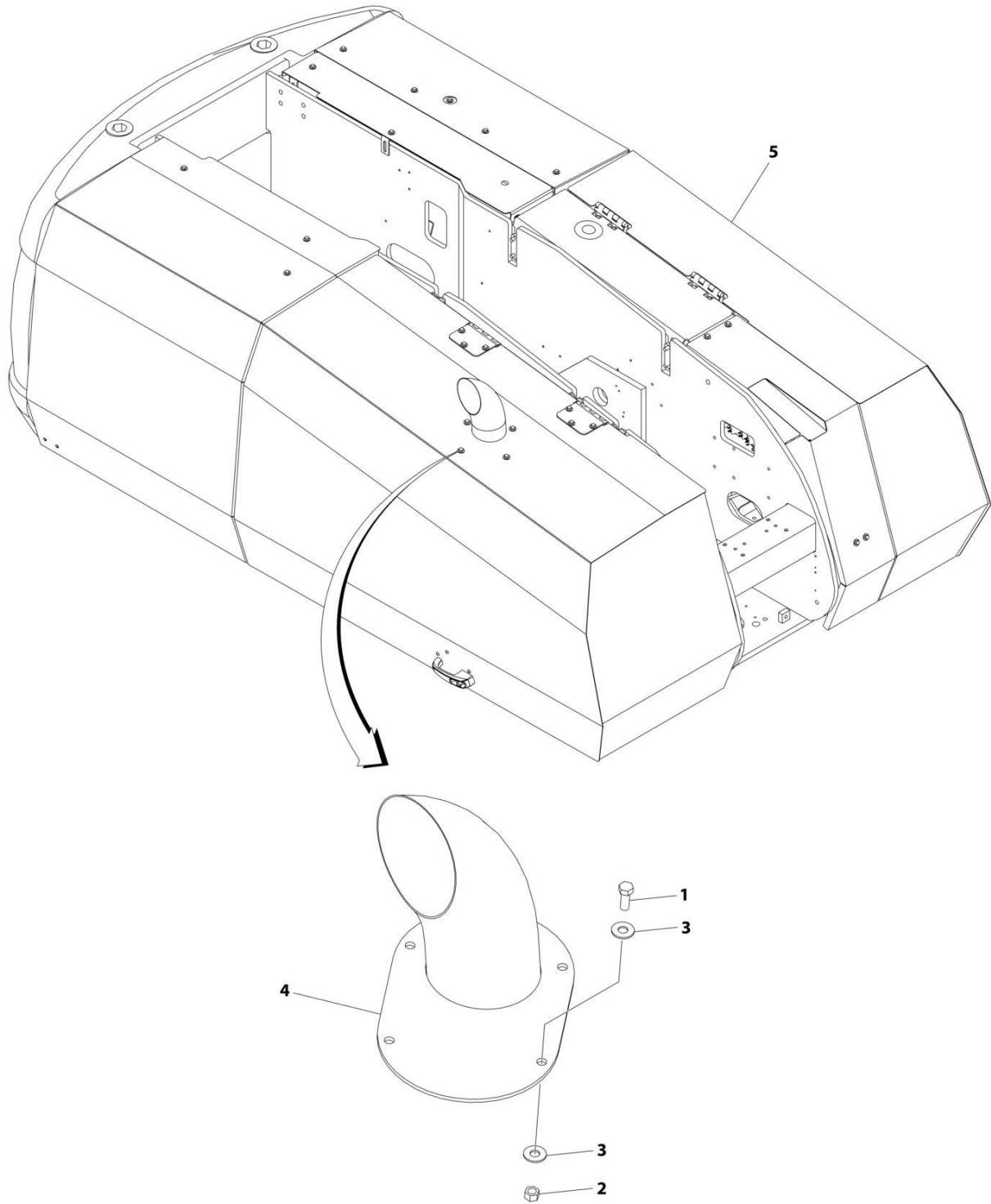
SECTION 2 - TURNTABLE

FIGURE 2-72. EXHAUST STACK INSTALLATION - STEEL HOOD WITH HOSTILE ENVIRONMENT MACHINES (DEUTZ TD2.9L4 ENGINES) (MACHINES WITH SN STARTING WITH 03 OR 13)

ITEM	PART NUMBER	QTY	DESCRIPTION	REV
		Ref	NOTE: REPLACEMENT DECALS MUST BE PURCHASED SEPARATELY - SEE DECALS SECTION.	
	1001173869	Ref	EXHAUST STACK INSTALLATION - STEEL HOOD	C
1	0641406	3	Bolt 1/4 x 3/4	
2	3311405	3	Nut 1/4	
3	3311605	4	Nut 3/8	
4	0641608	4	Bolt 3/8 x 1	
5	4751400	3	Washer 1/4	
6	4751600	8	Washer 3/8	
7	1001144527	1	Stack, Exhaust	
8	1001163101	1	Shield, Heat	
9	1001173870	1	Steel Hood Installation (See Separate Breakdown in this Section)	

SECTION 2 - TURNTABLE

FIGURE 2-73. EXHAUST STACK INSTALLATION - STEEL HOOD (FORD DF 2.5L ENGINES)



ART_1001220392

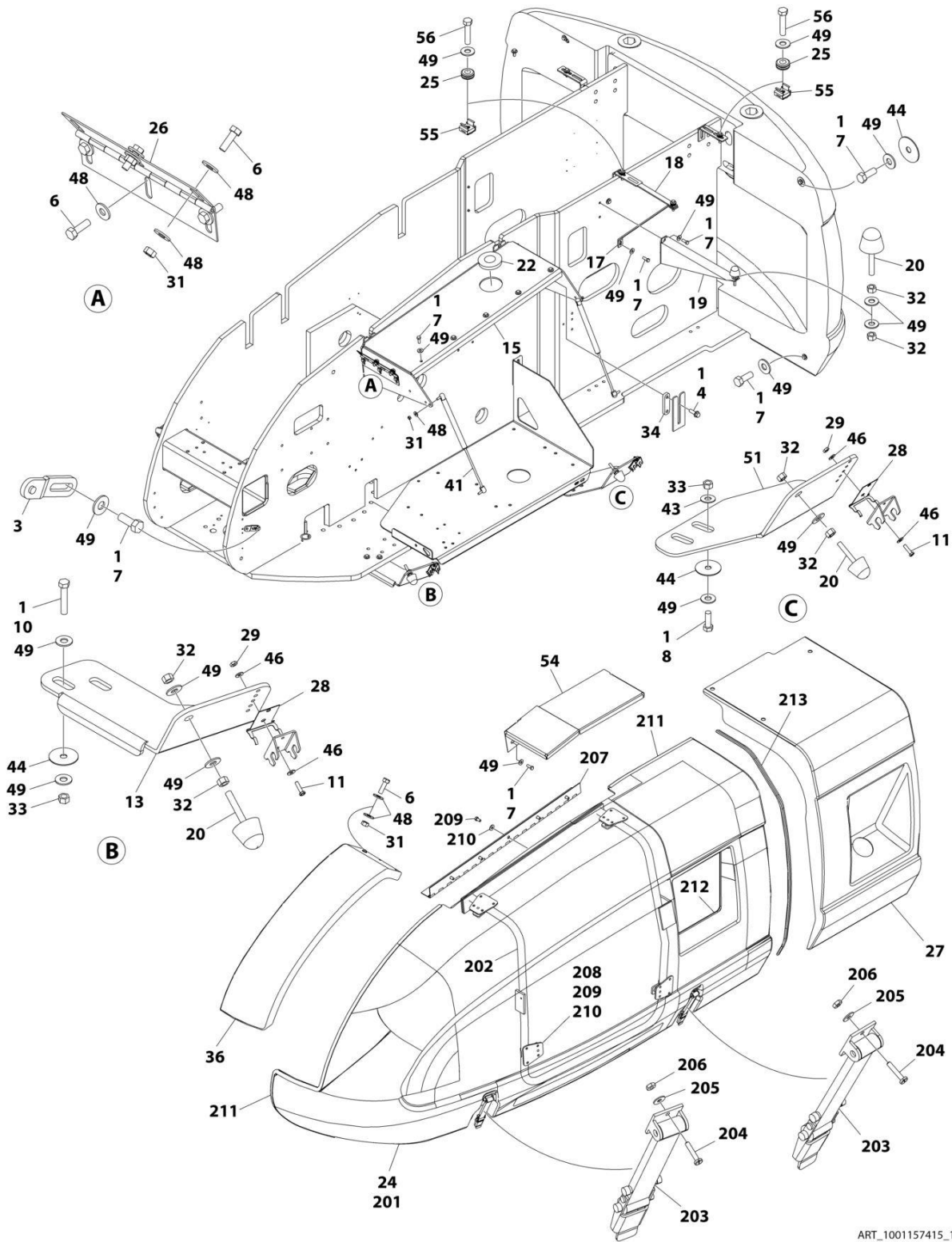
SECTION 2 - TURNTABLE

FIGURE 2-73. EXHAUST STACK INSTALLATION - STEEL HOOD (FORD DF 2.5L ENGINES)

ITEM	PART NUMBER	QTY	DESCRIPTION	REV
		Ref	NOTE: REPLACEMENT DECALS MUST BE PURCHASED SEPARATELY - SEE DECALS SECTION	
	1001220392	Ref	EXHAUST STACK INSTALLATION - STEEL HOOD	B
1	0641608	4	Bolt 3/8 x 1	
2	3311605	4	Nut 3/8	
3	4751600	8	Washer 3/8	
4	1001116457	1	Stack, Exhaust	
5	1001220393	1	Steel Hood Installation (See Separate Breakdown in this Section)	

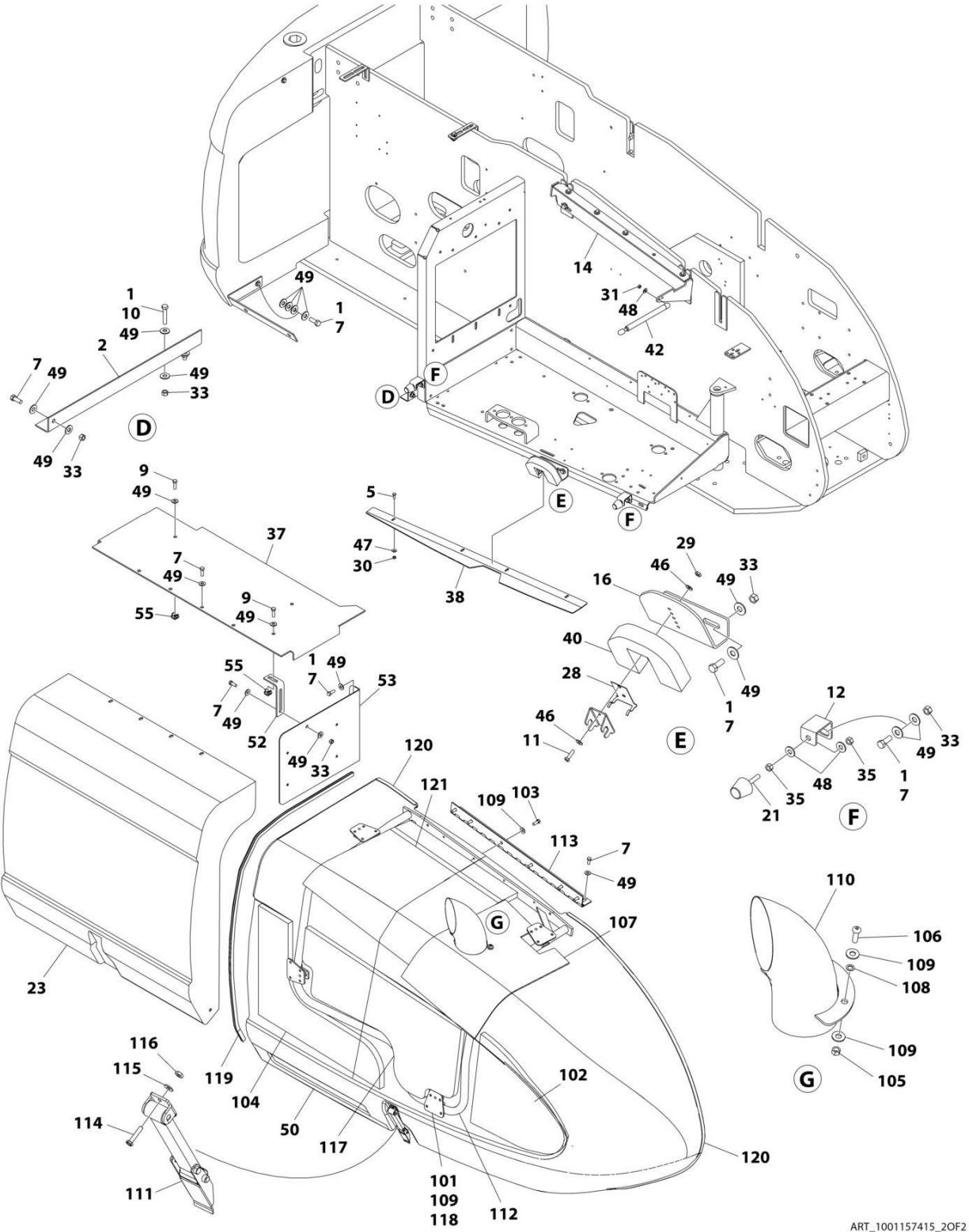
SECTION 2 - TURNTABLE

FIGURE 2-74. HOODS INSTALLATION - ABS (DEUTZ D2011 ENGINES)



ART_1001157415_10F2

SECTION 2 - TURNTABLE



ART_1001157415_20F2

SECTION 2 - TURNTABLE

FIGURE 2-74. HOODS INSTALLATION - ABS (DEUTZ D2011 ENGINES)

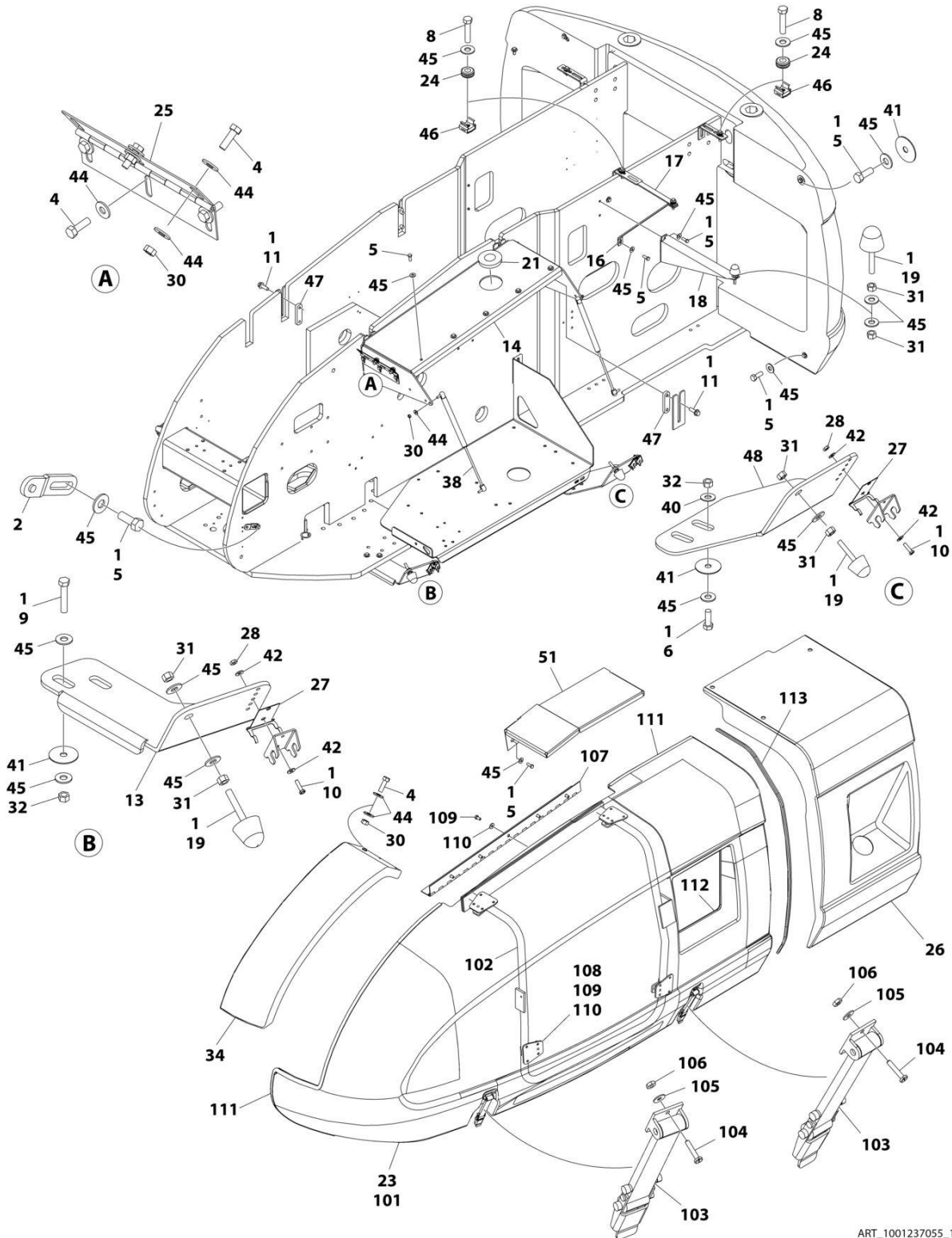
ITEM	PART NUMBER	QTY	DESCRIPTION	REV
		Ref	NOTE: REPLACEMENT DECALS MUST BE PURCHASED SEPARATELY - SEE DECALS SECTION.	
	1001157415	Ref	HOODS INSTALLATION - DEUTZ D2011 & GM ENGINES	G
1	0100011	AR	Compound, Locking	
2	1001161711	1	Angle, Hood Support	
3	0362770	1	Bar, Panel Mounting	
4	0811812	8	Bolt 1/2 x 1-1/2	
5	0641406	4	Bolt 1/4 x 3/4	
6	0641508	6	Bolt 5/16 x 1	
7	0641608	32	Bolt 3/8 x 1	
8	0641609	2	Bolt 3/8 x 1-1/8	
9	0641610	3	Bolt 3/8 x 1-1/4	
10	0641616	4	Bolt 3/8 x 2	
11	0721006	6	Screw #10 x 3/4	
12	0902219	2	Bracket, Bumper	
13	0902223	1	Bracket, Latch	
14	1001207558	1	Bracket, Hood Mounting	
15	0902412	1	Bracket, Hood Mounting	
16	0902491	1	Bracket, Latch	
17	0902673	1	Bracket, Support (Front Cover)	
18	0902674	1	Bracket, Support (Front Cover)	
19	0902769	1	Bracket, Bumper Support	
20	0940071	3	Bumper	
21	0940088	2	Bumper	
22	1120601	1	Plug, Cap	
23	1671201	1	Cover	
24	1671228	1	Hood Assembly - Tank Side (See Items 201-213 for Breakdown)	
25	2540035	3	Grommet	
26	2600244	1	Hinge, Adapter Panel	
27	2680490	1	Hood, Right Cover	
28	2940188	3	Latch, Spring Clip	
29	3311005	6	Nut #10	
30	3311405	4	Nut 1/4	
31	3311505	9	Nut 5/16	
32	3311601	6	Nut 3/8	
33	3311605	12	Nut 3/8	
34	1001150260	4	Plate	
35	3321501	4	Nut 5/16	
36	3380444	1	Panel, Adapter	
37	3380575	1	Panel, Cover	
38	1001208024	1	Plate, Seal	
39	3960389	3.5 ft/ 1.1m	Seal (Not Shown)	
40	3960470	1	Seal, Latch	
41	4160139	2	Spring, Gas (Tank Side)	
42	4160143	1	Spring, Gas (Engine Side)	
43	4711600	2	Washer 3/8	
44	4740076	5	Washer, Fender	
46	4751000	12	Washer #10	
47	4751400	4	Washer 1/4	

SECTION 2 - TURNTABLE

ITEM	PART NUMBER	QTY	DESCRIPTION	REV
48	4751500	19	Washer 5/16	
49	4751600	62	Washer 3/8	
50	1001099138	1	Hood Assembly - Engine Side (See Items 101-151 for Breakdown)	
51	1001157021	1	Bracket	
52	1001157474	1	Bracket	
53	1001157475	1	Panel	
54	1001157736	1	Panel	
55	1001126828	6	Nut, Tinnerman	
56	0641614	3	Bolt 3/8 x 1-3/4	
	1001099138	Ref	HOOD ASSEMBLY (ENGINE SIDE)	C
101	0641606	4	Bolt 3/8 x 3/4	
102	2820233	1	Insulation, Rear Sound	
103	0641608	6	Bolt 3/8 x 1	
104	2820235	1	Insulation, Rear Sound	
105	3311605	2	Nut 3/8	
106	3900232	2	Screw, Button Head 3/8 x 1-1/4	
107	1001101623	1	Shield, Heat Gasket	
108	4740500	2	Washer (Special)	
109	4751600	14	Washer 3/8	
110	1001099121	1	Tube, Exhaust	
111	2940088	1	Latch	
112	1671230	1	Frame, Tubular	
113	2600209	1	Hinge	
114	0721008	2	Screw, Machine #10 x 1	
115	4751000	2	Washer #10	
116	3311001	2	Nut #10	
117	2820234	1	Insulation, Center Sound	
118	1321384	4	Hold Down	
119	3960462	61 in/ 1.55m	Seal	
120	3960464	65 in/ 1.67m	Seal	
121	1001101673	1	Insulation	
	1671228	Ref	HOOD ASSEMBLY (TANK SIDE)	B
201	1671231	1	Hood	
202	1671232	1	Frame, Tubular	
203	2940088	2	Latch	
204	0721008	4	Screw, Machine #10 x 1	
205	4751000	4	Washer #10	
206	3311001	4	Nut #10	
207	2600233	1	Hinge	
208	1321384	4	Hold Down	
209	0641606	9	Bolt 3/8 x 3/4	
210	4711600	9	Washer 3/8	
211	3960464	65 in/ 2.11m	Seal	
212	3960438	55 in/1.4m	Seal	
213	3960462	53 in/ 1.35m	Seal	
	0272081	Ref	NOISE REDUCTION INSTALLATION (DEUTZ ENGINE MACHINES)	4-D
301	2820078	1	Foam, Acoustical (Not Shown)	

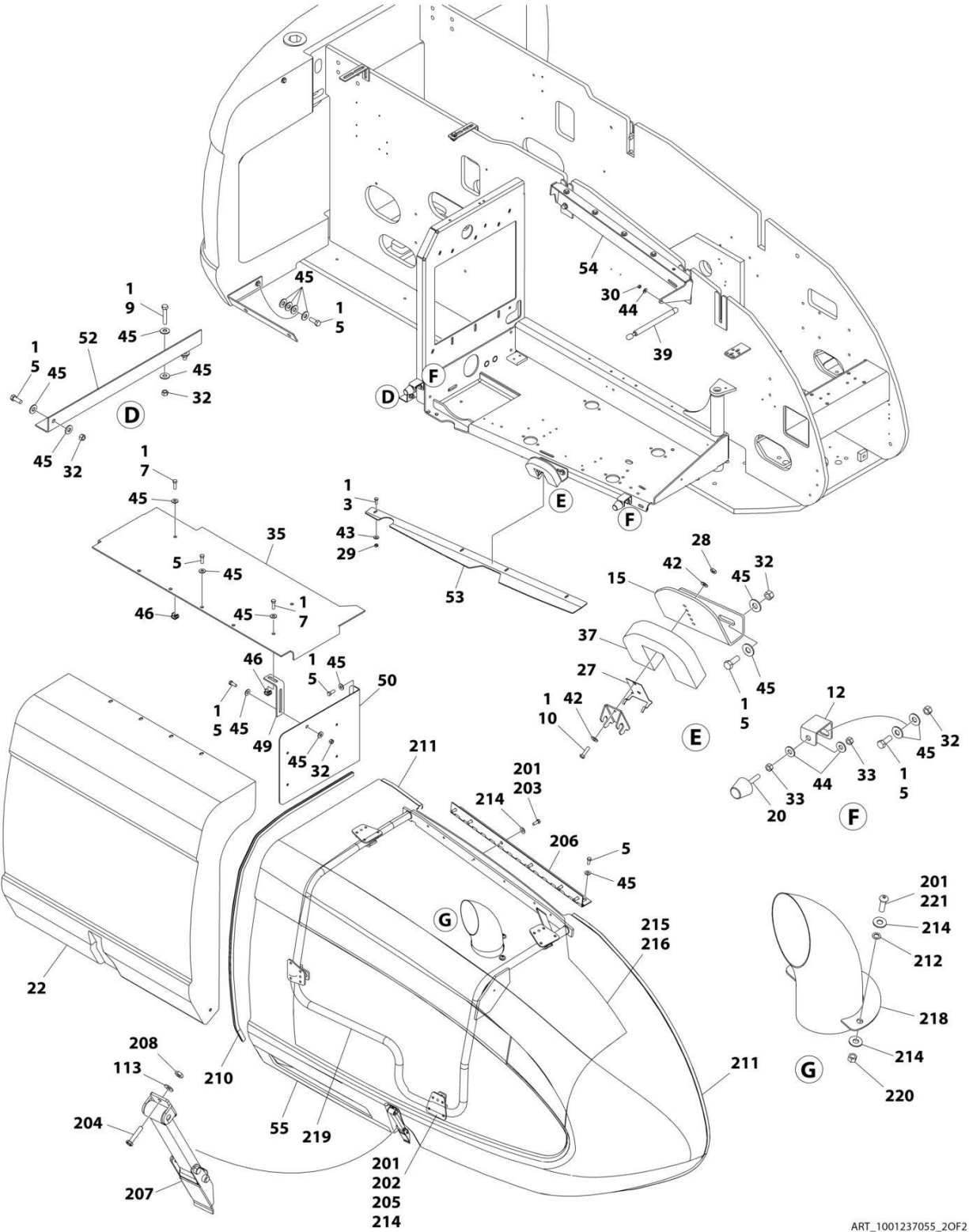
SECTION 2 - TURNTABLE

FIGURE 2-75. HOODS INSTALLATION - ABS (DEUTZ TD2.9L4 AND DEUTZ TD2.9L4 (STAGE V) ENGINES) (CE & UK CA SPECS ONLY)



ART_1001237055_10F2

SECTION 2 - TURNTABLE



ART_1001237055_20F2

SECTION 2 - TURNTABLE

FIGURE 2-75. HOODS INSTALLATION - ABS (DEUTZ TD2.9L4 AND DEUTZ TD2.9L4 (STAGE V) ENGINES) (CE & UK CA SPECS ONLY)

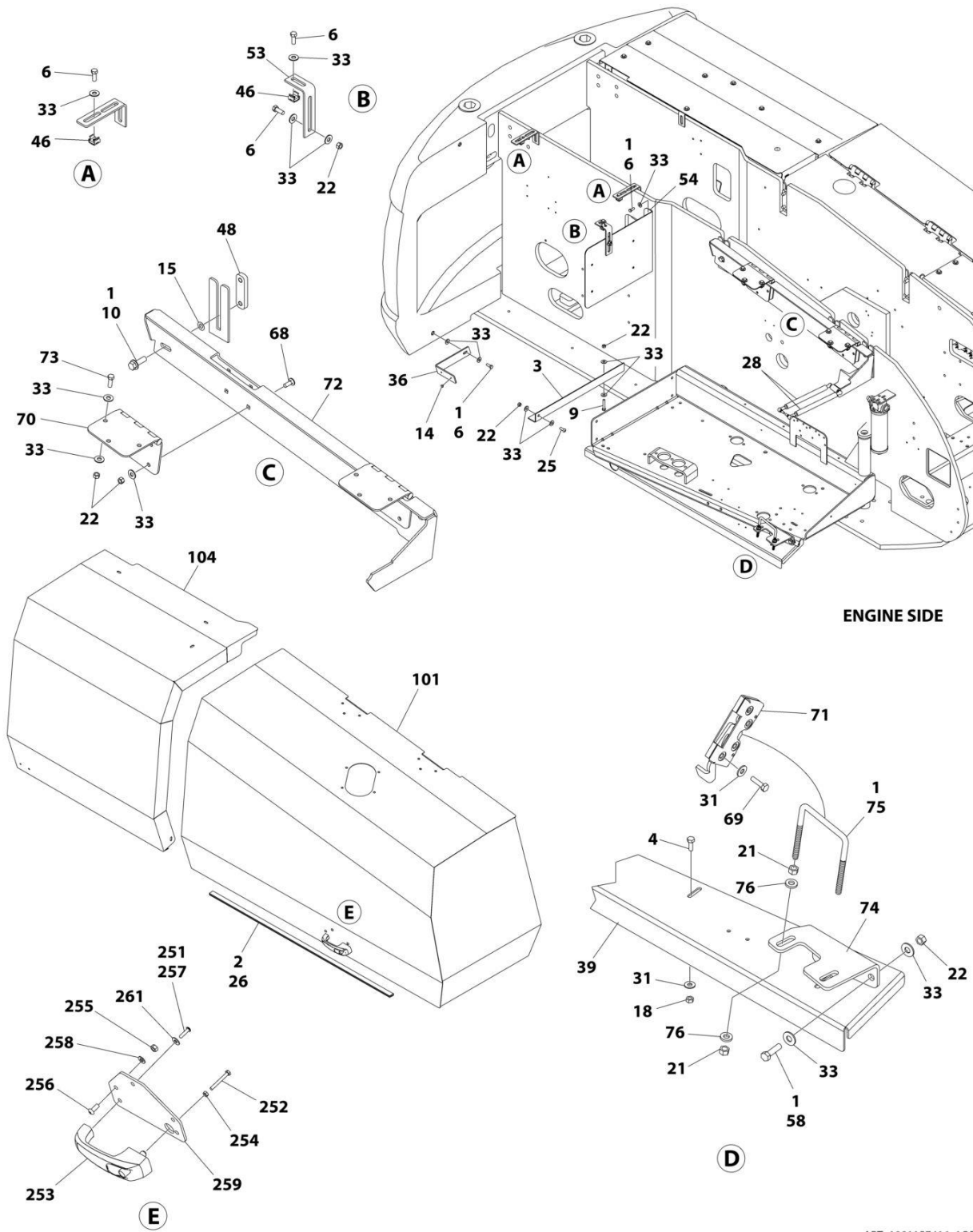
ITEM	PART NUMBER	QTY	DESCRIPTION	REV
		Ref	NOTE: REPLACEMENT DECALS MUST BE PURCHASED SEPARATELY - SEE DECALS SECTION.	
	1001237055	Ref	HOODS INSTALLATION	C
1	0100011	AR	Compound, Locking	
2	0362770	1	Bar, Panel Mounting	
3	0641406	4	Bolt 1/4 x 3/4	
4	0641508	6	Bolt 5/16i x 1	
5	0641608	32	Bolt 3/8 x 1	
6	0641609	2	Bolt 3/8 x 1-1/8	
7	0641610	3	Bolt 3/8 x 1-1/4	
8	0641614	3	Bolt 3/8 x 1-3/4	
9	0641616	4	Bolt 3/8 x 2	
10	0721006	6	Screw #10 x 3/4	
11	0811812	8	Bolt 1/2 x 1-1/2	
12	0902219	2	Bracket, Bumper	
13	0902223	1	Bracket, Latch	
14	0902412	1	Bracket, Hood Mounting	
15	0902491	1	Bracket, Latch	
16	0902673	1	Bracket, Support (Front Cover)	
17	0902674	1	Bracket, Support (Front Cover)	
18	0902769	1	Bracket, Bumper Support	
19	0940071	3	Bumper	
20	0940088	2	Bumper	
21	1120601	1	Plug, Cap	
22	1671201	1	Cover	
23	1671228	1	Hood Assembly - Tank Side (See Items 101-113 for Breakdown)	
24	2540035	3	Grommet	
25	2600244	1	Hinge, Adapter Panel	
26	2680490	1	Hood, Right Cover	
27	2940188	3	Latch, Spring Clip	
28	3311005	6	Nut #10	
29	3311405	4	Nut 1/4	
30	3311505	9	Nut 5/16	
31	3311601	6	Nut 3/8	
32	3311605	12	Nut 3/8	
33	3321501	4	Nut 5/16	
34	3380444	1	Panel, Adapter	
35	3380575	1	Panel, Cover	
36	3960389	3.5 ft/ 1.1m	Seal (Not Shown)	
37	3960470	1	Seal, Latch	
38	4160139	2	Spring, Gas (Tank Side)	
39	4160143	1	Spring, Gas (Engine Side)	
40	4711600	2	Washer 3/8	
41	4740076	5	Washer, Fender	
42	4751000	12	Washer #10	
43	4751400	4	Washer 1/4	
44	4751500	19	Washer 5/16	
45	4751600	63	Washer 5/16	

SECTION 2 - TURNTABLE

ITEM	PART NUMBER	QTY	DESCRIPTION	REV
46	1001126828	6	Nut, Tinnerman	
47	1001150260	4	Plate	
48	1001157021	1	Bracket	
49	1001157474	1	Bracket	
50	1001157475	1	Panel	
51	1001157736	1	Panel	
52	1001161711	1	Angle, Hood Support	
53	1001204648	1	Plate, Seal	
54	1001236392	1	Bracket, Hood Mounting	
55	1001236387	1	Hood Assembly - Engine Side (See Items 201-251 for Breakdown)	
	1671228	Ref	HOOD ASSEMBLY (TANK SIDE)	A
101	1671231	1	Hood	
102	1671232	1	Frame, Tubular	
103	2940088	2	Latch	
104	0721008	4	Screw, Machine #10 x 1	
105	4751000	4	Washer #10	
106	3311001	4	Nut #10	
107	2600233	1	Hinge	
108	1321384	4	Hold Down	
109	0641606	9	Bolt 3/8 x 3/4	
110	4711600	9	Washer 3/8	
111	3960464	83 in/ 2.11m	Seal	
112	3960438	55 in/1.4m	Seal	
113	3960462	53 in/ 1.35m	Seal	
	1001236387	Ref	HOOD ASSEMBLY (ENGINE SIDE)	C
201	0100011	1	Compound, Locking	
202	0641606	4	Bolt 3/8 x 3/4	
203	0641608	6	Bolt 3/8 x 1	
204	0721008	2	Screw, Machine #10 x 1	
205	1321384	4	Hold Down	
206	2600209	1	Hinge	
207	2940088	1	Latch	
208	3311001	2	Nut #10	
210	3960462	61 in/ 1.55m	Seal	
211	3960464	65 in/ 1.67m	Seal	
212	4740500	3	Washer (Special)	
213	4751000	2	Washer #10	
214	4751600	16	Washer 3/8	
215	1001117140	AR	Tape, Aluminum	
216	1001270099	AR	Insulation, Heat	
218	1001236389	1	Tube, Exhaust	
219	1001236871	1	Frame, Tubular	
220	3271601	3	Nut 3/8	
221	3900232	3	Screw, Button Head 3/8 x 1-1/4	

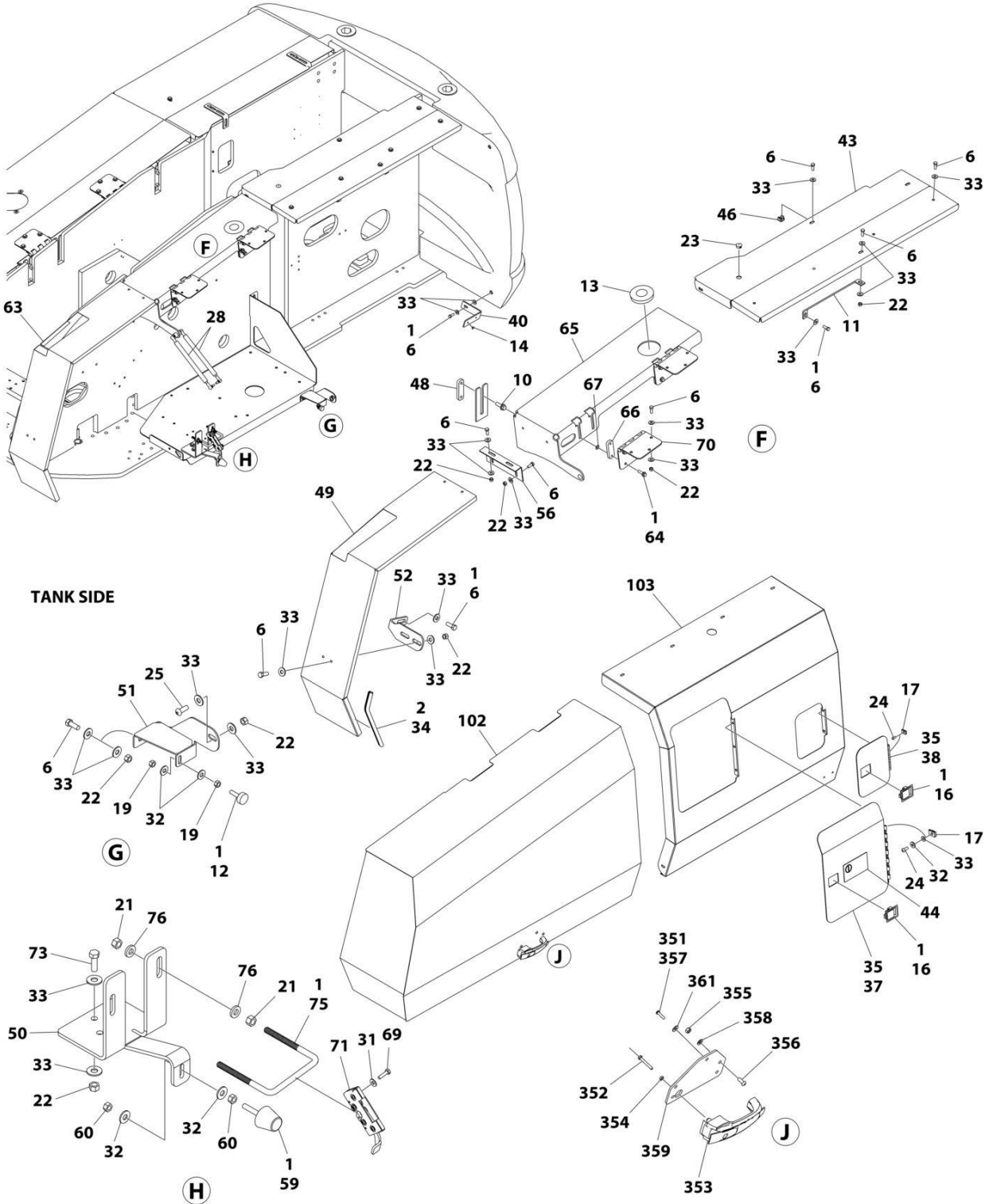
SECTION 2 - TURNTABLE

FIGURE 2-76. HOODS INSTALLATION - STEEL (DEUTZ D2011 ENGINES)



ART_1001157416_10F2

SECTION 2 - TURNTABLE



ART_1001157416_20F2

SECTION 2 - TURNTABLE

FIGURE 2-76. HOODS INSTALLATION - STEEL (DEUTZ D2011 ENGINES)

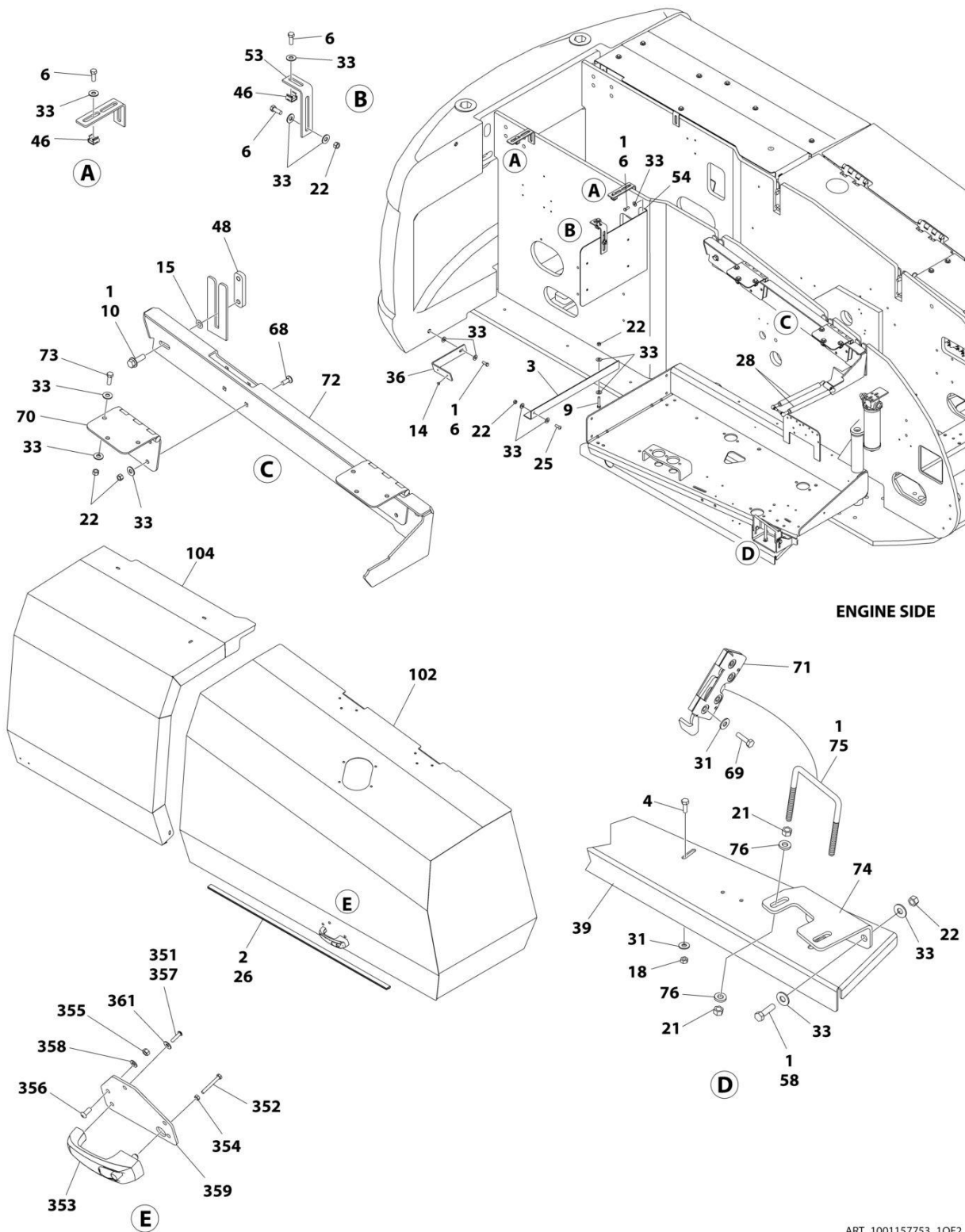
ITEM	PART NUMBER	QTY	DESCRIPTION	REV
		Ref	NOTE: REPLACEMENT DECALS MUST BE PURCHASED SEPARATELY - SEE DECALS SECTION.	
	1001157416	Ref	HOODS INSTALLATION	J
1	0100011	AR	Compound, Locking	
2	0100081	AR	Adhesive	
3	1001161711	1	Mount	
4	0641406	4	Bolt 1/4 x 3/4	
6	0641608	31	Bolt 3/8 x 7/8	
9	0641616	2	Bolt 3/8 x 2	
10	0811812	8	Bolt 1/2 x 1-1/2	
11	0902673	1	Bracket	
12	0940049	1	Stopper, Hood	
13	1120601	1	Plug	
14	2080040	4	Fastener, Huck	
15	2080072	4	Retainer	
16	2940045	2	Latch, Paddle	
17	3300364	5	Nut, Tinnerman	
18	3311405	4	Nut 1/4	
19	3311501	2	Nut 5/16	
21	3311601	8	Nut 3/8	
22	3311605	39	Nut 3/8	
23	3520030	1	Plug, Hole	
24	3900210	5	Screw, Button Head 5/16 x 3/4	
25	3900316	2	Screw, Button Head 3/8 x 1	
26	3960389	54 in/1.4m	Seal	
28	4160194	4	Spring, Gas	
31	4751400	12	Washer 1/4	
32	4751500	7	Washer 5/16	
33	4751600	80	Washer 3/8	
34	1001110166	59 in /1.5mm	Seal	
35	1001113047	84 in /2.14m	Seal	
36	1001116280	1	Bracket, Hood	
37	1001116322	1	Door	
38	1001116344	1	Door	
39	1001117249	1	Plate, Seal	
40	1001116358	1	Bracket	
43	1001117027	1	Bracket	
44	1001117307	1	Decal - Emergency Stop	
46	1001126828	5	Nut, Tinnerman	
48	1001150260	4	Plate	
49	1001173580	1	Plate	
50	1001250295	1	Bracket, Striker	
51	1001157025	1	Bracket	
52	1001157344	1	Bracket	
53	1001157474	1	Bracket	
54	1001157475	1	Panel	
56	1001157612	1	Bracket	
58	0641611	2	Bolt 3/8 x 1-3/8	

SECTION 2 - TURNTABLE

ITEM	PART NUMBER	QTY	DESCRIPTION	REV
59	0940088	1	Bumper	
60	3321501	2	Nut 5/16	
63	4420038	6 in/16cm	Tape	
64	0811610	8	Screw 3/8 x 1-1/4	
65	1001157284	1	Mount	
66	1001186251	4	Plate	
67	8310070	8	Push-nut 3/8	
68	0630485	8	Bolt, Carriage	
69	0641408	8	Bolt 1/4 x 1	
70	1001186254	4	Hinge	
71	2940173	2	Latch	
72	1001196768	1	Bracket	
73	0641609	9	Bolt 3/8 x 1-1/8	
74	1001250294	1	Bracket	
75	1001243414	2	Bolt 3/8	
76	4891600	8	Washer 3/8	
100	1001174283	1	Hood Kit - Standard Machines (Not Shown - Includes Items 101-104)	C
101	1001157208	1	Hood Assembly - Engine Side Rear (See Items 251-261 for Breakdown)	
102	1001157209	1	Hood Assembly - Tank Side Rear (See Items 351-361 for Breakdown)	
103	1001116558	1	Hood - Tank Side Front	
104	1001116620	1	Hood - Engine Side Front	
	1001157208	Ref	HOOD ASSEMBLY - ENGINE SIDE REAR	D
251	0100011	AR	Compound, Locking	
252	0700618	1	Bolt M6 x 50	
253	2560187	1	Handle, Push Button	
254	3290601	1	Nut M6	
255	3311505	3	Nut 5/16	
256	3900210	3	Screw, Button Head 5/16 x 3/4	
257	3900363	2	Screw, Button Head M6 x 25	
258	4711500	3	Washer 5/16	
259	1001116290	1	Plate, Latch Mounting	
261	4751400	2	Washer 1/4	
	1001157209	Ref	HOOD ASSEMBLY - TANK SIDE REAR	C
351	0100011	AR	Compound, Locking	
352	0700617	1	Bolt M6 x 45	
353	2560187	1	Handle, Push Button	
354	0700615	1	Nut M6	
355	3311505	3	Nut 5/16	
356	3900210	3	Screw, Button Head 5/16 x 3/4	
357	3900363	2	Screw, Button Head M6 x 25	
358	4711500	3	Washer 5/16	
359	1001116290	1	Plate, Latch Mounting	
361	4751400	2	Washer 1/4	
	0272081	Ref	NOISE REDUCTION INSTALLATION (DEUTZ ENGINE MACHINES)	4-D
401	2820078	1	Foam, Acoustical (Not Shown)	

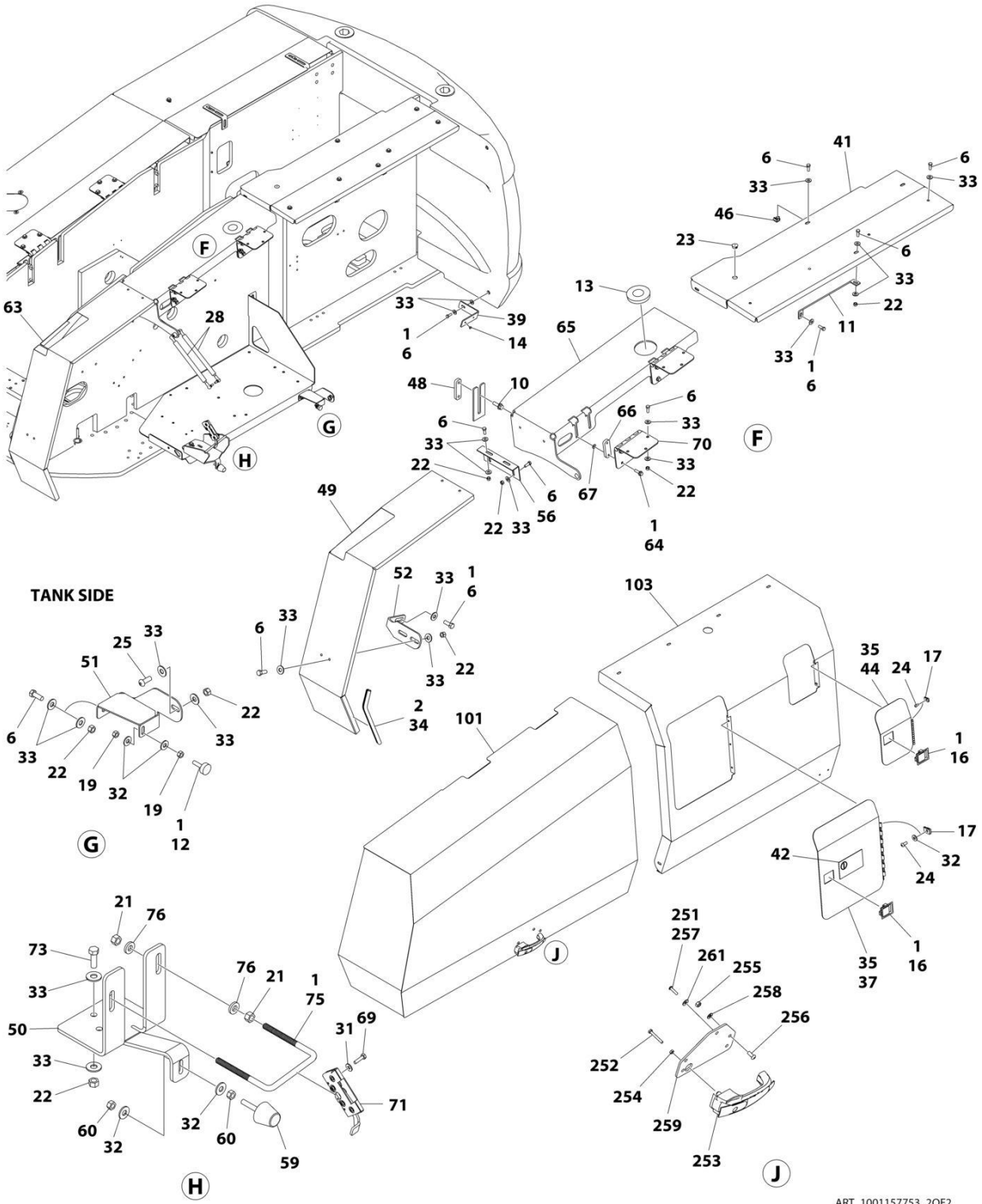
SECTION 2 - TURNTABLE

FIGURE 2-77. HOODS INSTALLATION - STEEL WITH HOSTILE ENVIRONMENT MACHINES (DEUTZ D2011 ENGINES) (MACHINES WITH SN STARTING WITH 03 OR 13)



ART_1001157753_10F2

SECTION 2 - TURNTABLE



ART_1001157753_20F2

SECTION 2 - TURNTABLE

FIGURE 2-77. HOODS INSTALLATION - STEEL WITH HOSTILE ENVIRONMENT MACHINES (DEUTZ D2011 ENGINES) (MACHINES WITH SN STARTING WITH 03 OR 13)

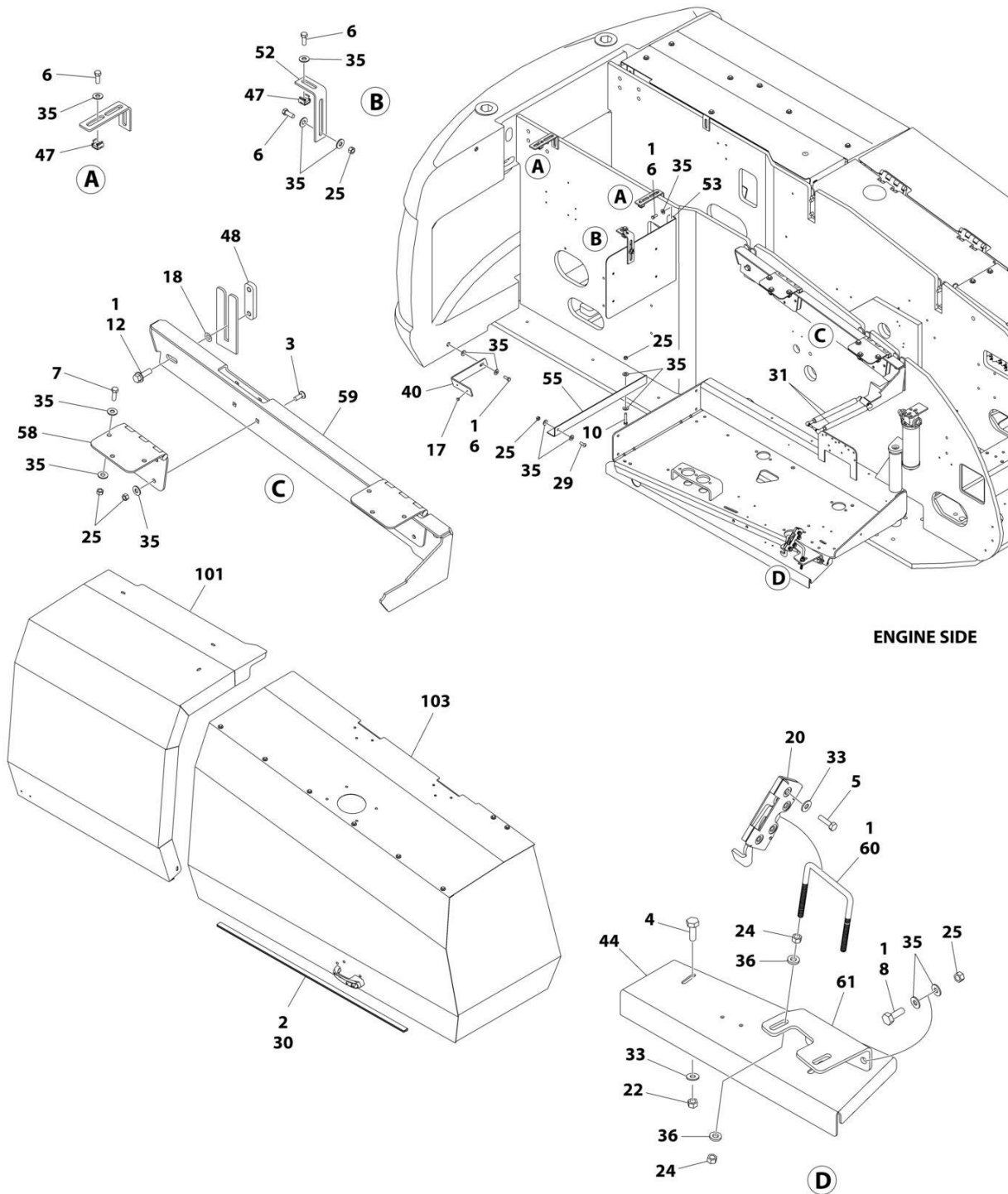
ITEM	PART NUMBER	QTY	DESCRIPTION	REV
		Ref	NOTE: REPLACEMENT DECALS MUST BE PURCHASED SEPARATELY - SEE DECALS SECTION.	
	1001157753	Ref	HOODS INSTALLATIONS	I
1	0100011	AR	Compound, Locking	
2	0100081	AR	Adhesive	
3	1001161711	1	Mount	
4	0641406	4	Bolt 1/4 x 3/4	
6	0641608	31	Bolt 3/8 x 7/8	
9	0641616	2	Bolt 3/8 x 2	
10	0811812	8	Bolt 1/2 x 1-1/2	
11	0902673	1	Bracket	
12	0940049	1	Stopper, Hood	
13	1120601	1	Plug	
14	2080040	4	Fastener, Huck	
15	2080072	4	Retainer	
16	2940045	2	Latch, Paddle	
17	3300364	5	Nut, Tinnerman	
18	3311405	4	Nut 1/4	
19	3311501	2	Nut 5/16	
21	3311601	1	Nut 3/8	
22	3311605	39	Nut 3/8	
23	3520030	1	Plug, Hole	
24	3900210	5	Screw, Button Head 5/16 x 3/4	
25	3900316	2	Screw, Button Head 3/8 x 1	
26	3960389	54 in/1.4m	Seal	
28	4160194	4	Spring, Gas	
31	4751400	12	Washer 1/4	
32	4751500	7	Washer 5/16	
33	4751600	80	Washer 3/8	
34	1001110166	59 in /1.5mm	Seal	
35	1001113047	84 in /2.14m	Seal	
36	1001116280	1	Bracket, Hood	
37	1001116322	1	Door	
38	1001117249	1	Plate, Seal	
39	1001116358	1	Bracket	
41	1001117027	1	Bracket	
42	1001117307	1	Decal - Emergency Stop	
44	1001125501	1	Door	
46	1001126828	5	Nut, Tinnerman	
48	1001150260	4	Plate	
49	1001173580	1	Plate	
50	1001250295	1	Bracket, Striker	
51	1001157025	1	Bracket	
52	1001157344	1	Bracket	
53	1001157474	1	Bracket	
54	1001157475	1	Panel	
56	1001157612	1	Bracket	

SECTION 2 - TURNTABLE

ITEM	PART NUMBER	QTY	DESCRIPTION	REV
58	0641611	2	Bolt 3/8 x 1-3/8	
59	0940088	1	Bumper	
60	3321501	2	Nut 5/16	
63	4420038	6 in/16cm	Tape	
64	0811610	8	Screw 3/8 x 1-1/4	
65	1001157284	1	Mount	
66	1001186251	4	Plate	
67	8310070	8	Push-nut 3/8	
68	0630485	8	Bolt, Carriage	
69	0641408	8	Bolt 1/4 x 1	
70	1001186254	4	Hinge	
71	2940173	2	Latch	
72	1001196768	1	Bracket	
73	0641609	9	Bolt 3/8 x 1-1/8	
74	1001250294	1	Bracket	
75	1001243414	2	Bolt 3/8	
76	4891600	8	Washer 3/8	
100	1001174282	1	Hood Kit - Hostile Environment Machines (Not Shown - Includes Items 101-104)	C
101	1001157209	1	Hood Assembly - Tank Side Rear (See Items 251-261 for Breakdown)	
102	1001157208	1	Hood Assembly - Engine Side Rear (See Items 351-361 for Breakdown)	D
103	1001125502	1	Hood - Tank Side Front	
104	1001116620	1	Hood - Engine Side Front	
	1001157209	Ref	HOOD ASSEMBLY - TANK SIDE REAR	B
251	0100011	AR	Compound, Locking	
252	0700617	1	Bolt M6 x 45	
253	2560187	1	Handle, Push Button	
254	3290601	1	Nut M6	
255	3311505	3	Nut 5/16	
256	3900210	3	Screw, Button Head 5/16 x 3/4	
257	3900363	2	Screw, Button Head M6 x 25	
258	4711500	3	Washer 5/16	
259	1001116290	1	Plate, Latch Mounting	
261	4751400	2	Washer 1/4	
	1001157208	Ref	HOOD ASSEMBLY - ENGINE SIDE REAR	
351	0100011	AR	Compound, Locking	
352	0700618	AR	Bolt M6 x 50	
353	2560187	1	Handle, Push Button	
354	3290601	1	Nut M6	
355	3311505	3	Nut 5/16	
356	3900210	3	Screw, Button Head 5/16 x 3/4	
357	3900363	2	Screw, Button Head M6 x 25	
358	4711500	3	Washer 5/16	
359	1001116290	1	Plate, Latch Mounting	
361	4751400	2	Washer 1/4	
	0272081	Ref	NOISE REDUCTION INSTALLATION (DEUTZ ENGINE MACHINES)	4-D
401	2820078	1	Foam, Acoustical (Not Shown)	

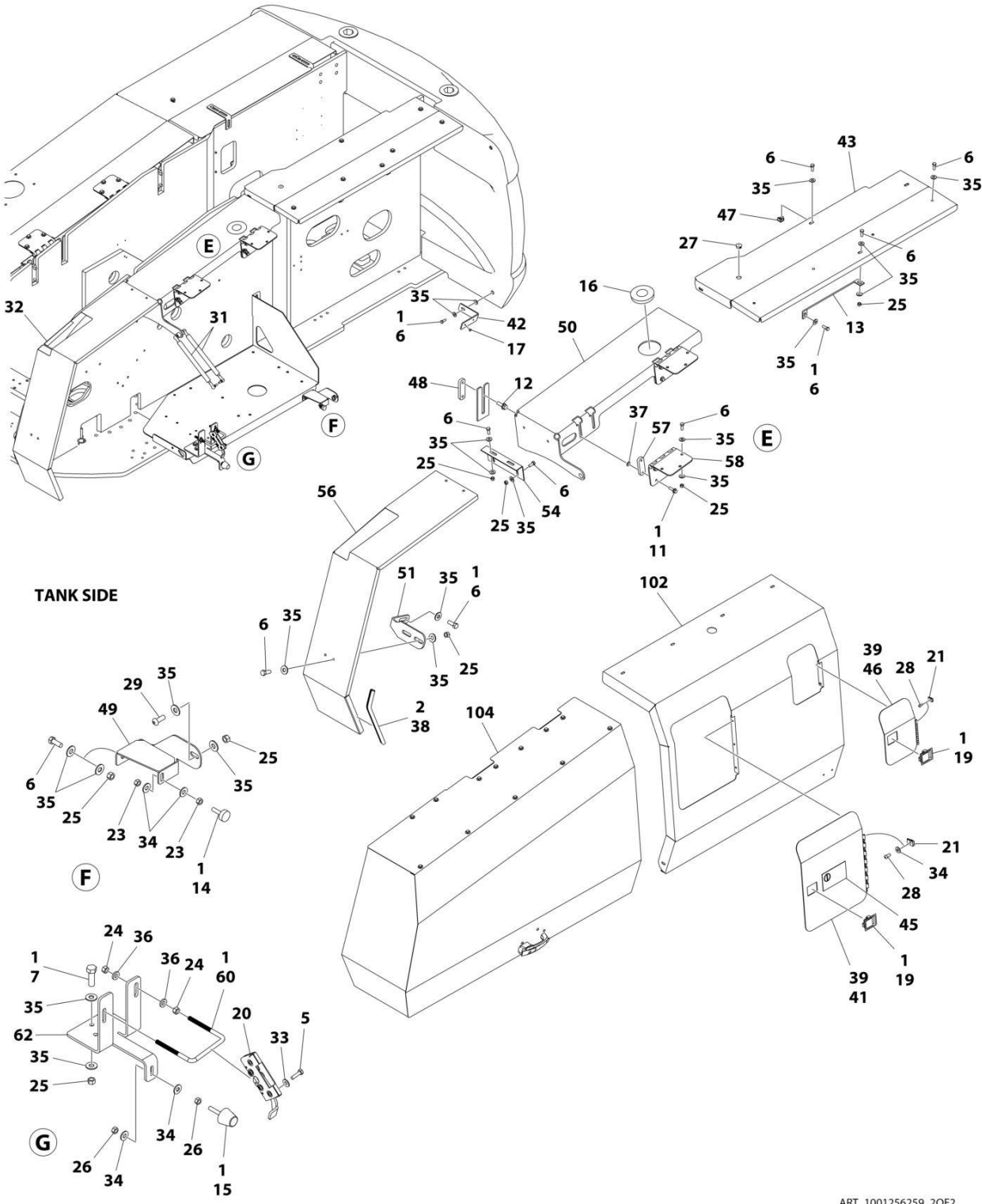
SECTION 2 - TURNTABLE

FIGURE 2-78. HOODS INSTALLATION – STEEL WITH HOSTILE ENVIRONMENT MACHINES (DEUTZ TD2.9L4 ENGINES) (MACHINES WITH SN STARTING WITH B3)



ART_1001256259_10F2

SECTION 2 - TURNTABLE



ART_1001256259_20F2

SECTION 2 - TURNTABLE

FIGURE 2-78. HOODS INSTALLATION – STEEL WITH HOSTILE ENVIRONMENT MACHINES (DEUTZ TD2.9L4 ENGINES) (MACHINES WITH SN STARTING WITH B3)

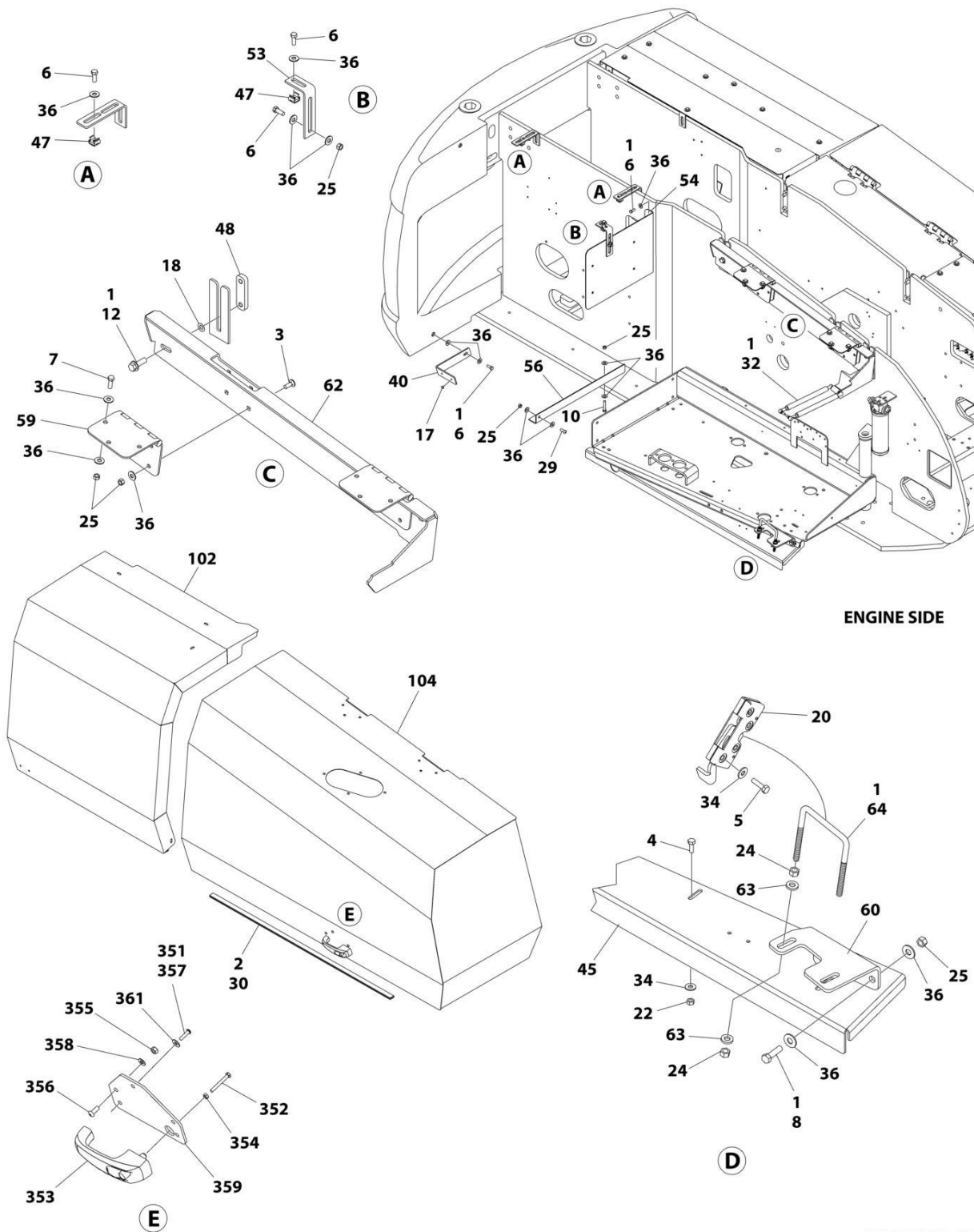
ITEM	PART NUMBER	QTY	DESCRIPTION	REV
		Ref	NOTE: REPLACEMENT DECALS MUST BE PURCHASED SEPARATELY - SEE DECALS SECTION.	
	1001256259	Ref	HOODS INSTALLATIONS	C
1	0100011	AR	Compound, Locking	
2	0100081	AR	Adhesive	
3	0630485	8	Bolt, Carriage	
4	0641406	4	Bolt 1/4 x 3/4	
5	0641408	8	Bolt 1/4 x 1	
6	0641608	31	Bolt 3/8 x 7/8	
7	0641609	9	Bolt 3/8 x 1-1/8	
8	0641611	2	Bolt 3/8 x 1-3/8	
10	0641616	2	Bolt 3/8 x 2	
11	0811610	8	Screw 3/8 x 1-1/4	
12	0811812	8	Bolt 1/2 x 1-1/2	
13	0902673	1	Bracket	
14	0940049	1	Stopper, Hood	
15	0940088	1	Bumper	
16	1120601	1	Plug	
17	2080040	4	Fastener, Huck	
18	2080072	4	Retainer	
19	2940045	2	Latch, Paddle	
20	2940173	2	Latch	
21	3300364	5	Nut, Tinnerman	
22	3311405	4	Nut 1/4	
23	3311501	2	Nut 5/16	
24	3311601	8	Nut 3/8	
25	3311605	39	Nut 3/8	
26	3321501	2	Nut 5/16	
27	3520030	1	Plug, Hole	
28	3900210	5	Screw, Button Head 5/16 x 3/4	
29	3900316	2	Screw, Button Head 3/8 x 1	
30	3960389	54 in/1.4m	Seal	
31	4160194	4	Spring, Gas	
32	4420038	6 in/16cm	Tape	
33	4751400	12	Washer 1/4	
34	4751500	7	Washer 5/16	
35	4751600	80	Washer 3/8	
36	4891600	8	Washer 3/8	
37	8310070	8	Push-nut 3/8	
38	1001110166	59 in /1.5mm	Seal	
39	1001113047	84 in /2.14m	Seal	
40	1001116280	1	Bracket, Hood	
41	1001116322	1	Door	
42	1001116358	1	Bracket	
43	1001117027	1	Bracket	
44	1001117249	1	Plate, Seal	
45	1001117307	1	Decal - Emergency Stop	

SECTION 2 - TURNTABLE

ITEM	PART NUMBER	QTY	DESCRIPTION	REV
46	1001125501	1	Door	
47	1001126828	5	Nut, Tinnerman	
48	1001150260	4	Plate	
49	1001157025	1	Bracket	
50	1001157284	1	Mount	
51	1001157344	1	Bracket	
52	1001157474	1	Bracket	
53	1001157475	1	Panel	
54	1001157612	1	Bracket	
55	1001161711	1	Mount	
56	1001173580	1	Plate	
57	1001186251	4	Plate	
58	1001186254	4	Hinge	
59	1001196768	1	Bracket	
60	1001243414	2	Bolt 3/8	
61	1001250294	1	Bracket	
62	1001250295	1	Bracket	
100	1001256258	1	Hood Kit - Hostile Environment Machines (Not Shown - Includes Items 101-104)	
101	1001116620	1	Hood - Engine Side Front	
102	1001125502	1	Hood - Tank Side Front	
103	1001244463	1	Hood Assembly - Engine Side Rear (See Separate Breakdown in this Section)	
104	1001244465	1	Hood Assembly - Tank Side Rear (See Separate Breakdown in this Section)	

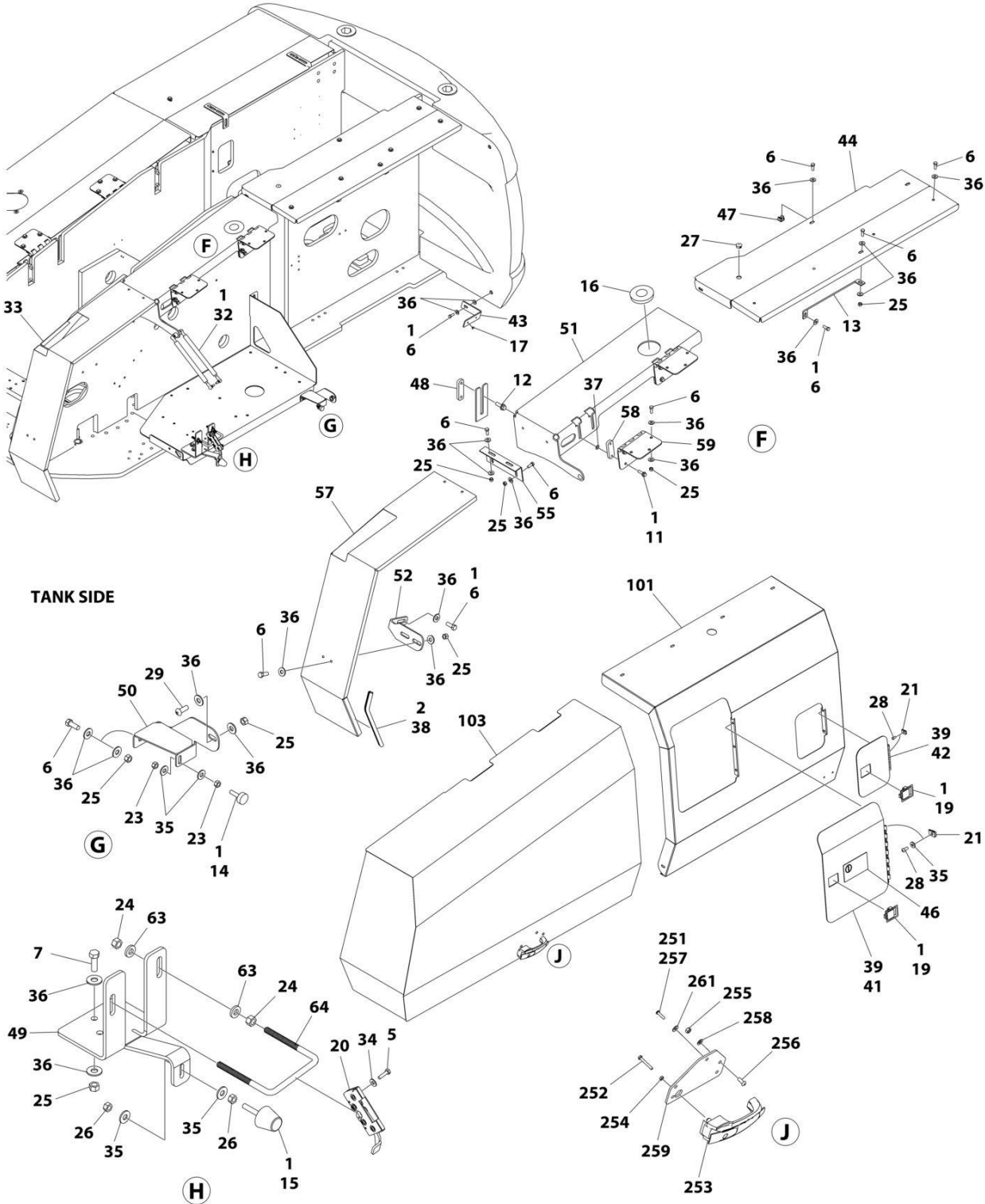
SECTION 2 - TURNTABLE

FIGURE 2-79. HOODS INSTALLATION – STEEL (DEUTZ TD2.9L4 AND DEUTZ TD2.9L4 (STAGE V) ENGINES) (MACHINES WITH SN STARTING WITH 03 OR 13)



ART_1001237194_10F2

SECTION 2 - TURNTABLE



ART_1001237194_20F2

SECTION 2 - TURNTABLE

FIGURE 2-79. HOODS INSTALLATION – STEEL (DEUTZ TD2.9L4 AND DEUTZ TD2.9L4 (STAGE V) ENGINES) (MACHINES WITH SN STARTING WITH 03)

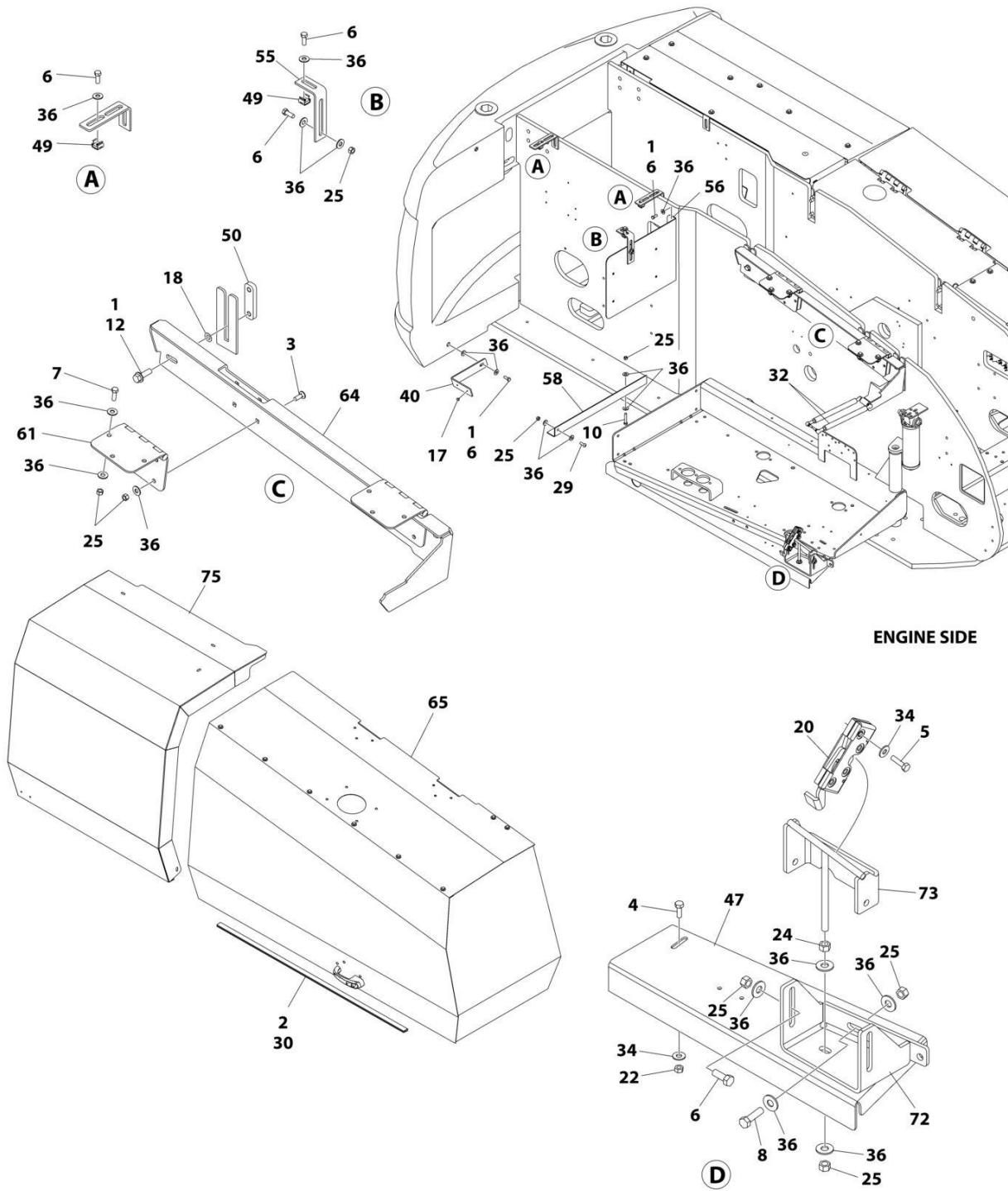
ITEM	PART NUMBER	QTY	DESCRIPTION	REV
		Ref	NOTE: REPLACEMENT DECALS MUST BE PURCHASED SEPARATELY - SEE DECALS SECTION.	
	1001237194	Ref	HOODS INSTALLATION	D
1	0100011	AR	Compound, Locking	
2	0100081	AR	Adhesive	
3	0630485	8	Bolt, Carriage	
4	0641406	4	Bolt 1/4 x 3/4	
5	0641408	8	Bolt 1/4 x 1	
6	0641608	30	Bolt 3/8 x 7/8	
7	0641609	9	Bolt 3/8 x 1-1/8	
8	0641611	2	Bolt 3/8 x 1-3/8	
10	0641616	2	Bolt 3/8 x 2	
11	0811610	8	Screw 3/8 x 1-1/4	
12	0811812	8	Bolt 1/2 x 1-1/2	
13	0902673	1	Bracket	
14	0940049	1	Stopper, Hood	
15	0940088	1	Bumper	
16	1120601	1	Plug	
17	2080040	4	Fastener, Huck	
18	2080072	4	Retainer	
19	2940045	2	Latch, Paddle	
20	2940173	2	Latch	
21	3300364	5	Nut, Tinnerman	
22	3311405	4	Nut 1/4	
23	3311501	2	Nut 5/16	
24	3311601	8	Nut 3/8	
25	3311605	39	Nut 3/8	
26	3321501	2	Nut 5/16	
27	3520030	1	Plug, Hole	
28	3900210	5	Screw, Button Head 5/16 x 3/4	
29	3900316	3	Screw, Button Head 3/8 x 1	
30	3960389	54 in/1.4m	Seal	
32	4160194	4	Spring, Gas	
33	4420038	6 in/16cm	Tape	
34	4751400	12	Washer 1/4	
35	4751500	7	Washer 5/16	
36	4751600	79	Washer 3/8	
37	8310070	8	Push-nut 3/8	
38	1001110166	59 in /1.5mm	Seal	
39	1001113047	84 in /2.14m	Seal	
40	1001116280	1	Bracket, Hood	
41	1001116322	1	Door	
42	1001116344	1	Door	
43	1001116358	1	Bracket	
44	1001117027	1	Bracket	
45	1001117249	1	Plate, Seal	
46	1001117307	1	Decal - Emergency Stop	

SECTION 2 - TURNTABLE

ITEM	PART NUMBER	QTY	DESCRIPTION	REV
47	1001126828	5	Nut, Tinnerman	
48	1001150260	4	Plate	
49	1001250295	1	Bracket	
50	1001157025	1	Bracket	
51	1001157284	1	Mount	
52	1001157344	1	Bracket	
53	1001157474	1	Bracket	
54	1001157475	1	Panel	
55	1001157612	1	Bracket	
56	1001161711	1	Mount	
57	1001173580	1	Plate	
58	1001186251	4	Plate	
59	1001186254	4	Hinge	
60	1001250294	1	Bracket	
62	1001196768	1	Bracket	
63	4891600	8	Washer 3/8	
64	1001243414	2	Bolt 3/8	
100	1001237286	1	Hood Kit - Standard Machines (Not Shown - Includes Items 101-104)	
101	1001116558	1	Hood - Tank Side Front	
102	1001116620	1	Hood - Engine Side Front	
103	1001157209	1	Hood Assembly - Tank Side Rear (See Items 351-361 for Breakdown)	
104	1001237205	1	Hood Assembly - Engine Side Rear (See Items 351-361 for Breakdown)	
	1001157209	Ref	HOOD ASSEMBLY - TANK SIDE REAR	C
251	0100011	AR	Compound, Locking	
252	0700615	1	Bolt M6 x 35	
253	2560187	1	Handle, Push Button	
254	3290601	1	Nut M6	
255	3311505	3	Nut 5/16	
256	3900210	3	Screw, Button Head 5/16 x 3/4	
257	3900363	2	Screw, Button Head M6 x 25	
258	4711500	3	Washer 5/16	
259	1001116290	1	Plate, Latch Mounting	
261	4751400	2	Washer 1/4	
	1001237205	Ref	HOOD ASSEMBLY - ENGINE SIDE REAR	B
351	0100011	AR	Compound, Locking	
252	0700618	1	Bolt M6 x 50	
353	2560187	1	Handle, Push Button	
354	3290601	1	Nut M6	
355	3311505	3	Nut 5/16	
356	3900210	3	Screw, Button Head 5/16 x 3/4	
357	3900363	2	Screw, Button Head M6 x 25	
358	4711500	3	Washer 5/16	
359	1001116290	1	Plate, Latch Mounting	
361	4751400	2	Washer 1/4	

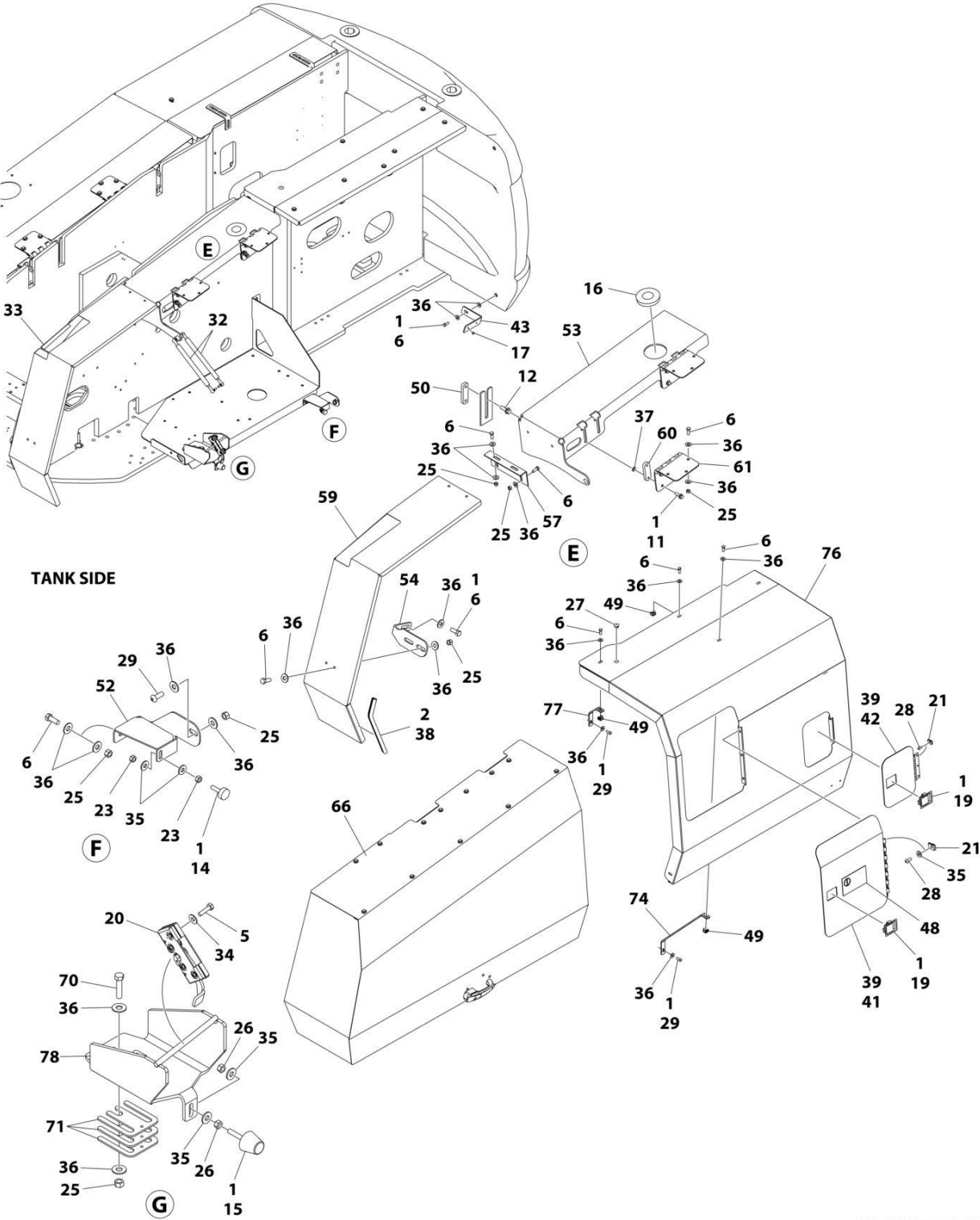
SECTION 2 - TURNTABLE

FIGURE 2-80. HOODS INSTALLATION - STEEL (DEUTZ TD2.9L4 ENGINES) (MACHINES WITH SN STARTING WITH B3)



ART_1001244466_G_10F2

SECTION 2 - TURNTABLE



ART_1001244466_G_2OF2

SECTION 2 - TURNTABLE

FIGURE 2-80. HOODS INSTALLATION - STEEL (DEUTZ TD2.9L4 ENGINES) (MACHINES WITH SN STARTING WITH B3)

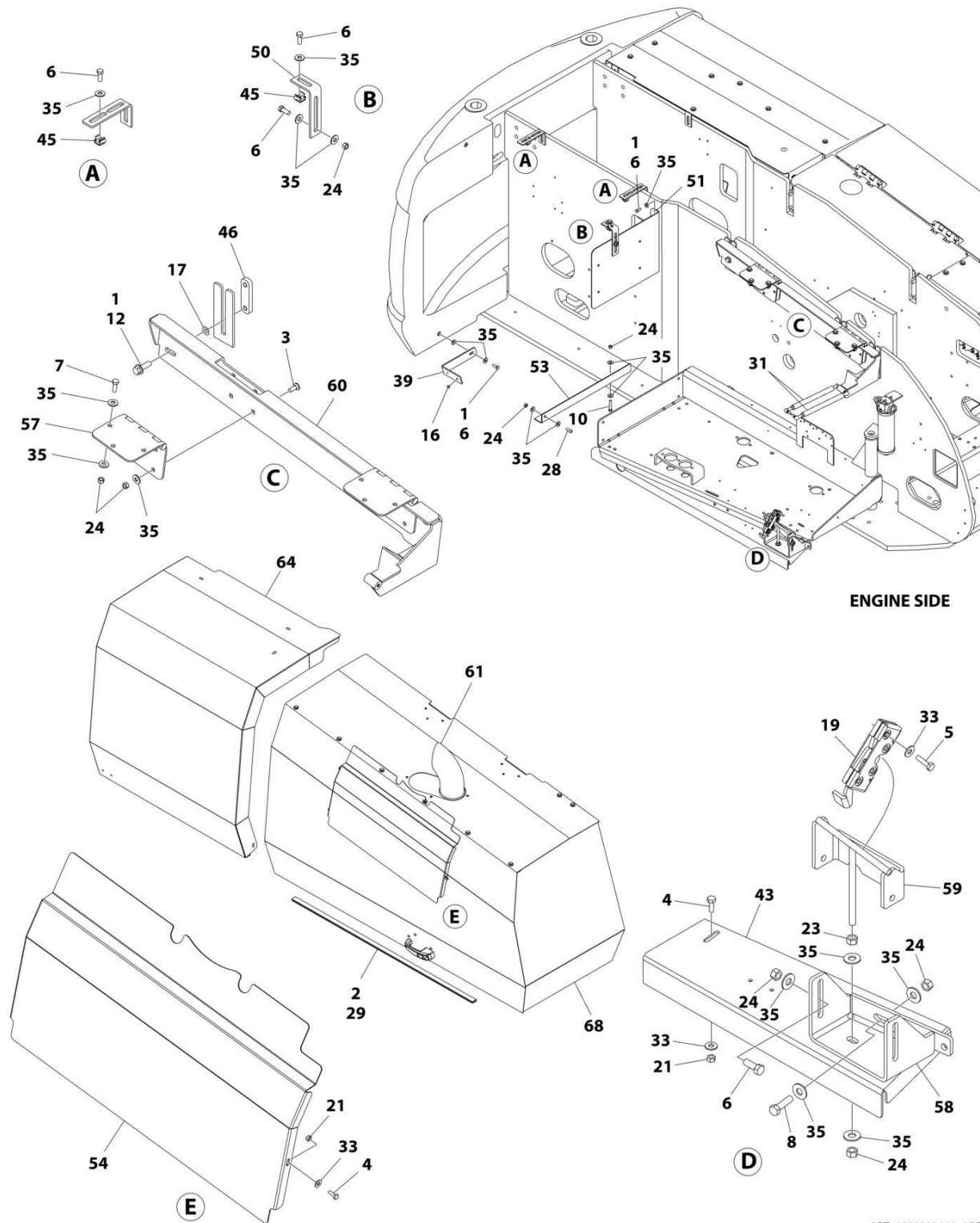
ITEM	PART NUMBER	QTY	DESCRIPTION	REV
		Ref	NOTE: REPLACEMENT DECALS MUST BE PURCHASED SEPARATELY - SEE DECALS SECTION.	
	1001244466	Ref	HOODS INSTALLATION	G
1	0100011	AR	Compound, Locking	
2	0100081	AR	Adhesive	
3	0630485	8	Bolt, Carriage	
4	0641406	4	Bolt 1/4 x 3/4	
5	0641408	8	Bolt 1/4 x 1	
6	0641608	AR	Bolt 3/8 x 7/8	
7	0641609	6	Bolt 3/8 x 1-1/8	
8	0641611	2	Bolt 3/8 x 1-3/8	
10	0641616	2	Bolt 3/8 x 2	
11	0811610	8	Screw 3/8 x 1-1/4	
12	0811812	8	Bolt 1/2 x 1-1/2	
14	0940049	1	Stopper, Hood	
15	0940088	1	Bumper	
16	1120601	1	Plug	
17	2080040	4	Fastener, Huck	
18	2080072	4	Retainer	
19	2940045	2	Latch, Paddle	
20	2940173	2	Latch	
21	3300364	5	Nut, Tinnerman	
22	3311405	4	Nut 1/4	
23	3311501	2	Nut 5/16	
24	3311601	1	Nut 3/8	
25	3311605	41	Nut 3/8	
26	3321501	2	Nut 5/16	
27	3520030	1	Plug, Hole	
28	3900210	5	Screw, Button Head 5/16 x 3/4	
29	3900316	4	Screw, Button Head 3/8 x 1	
30	3960389	54 in/1.4m	Seal	
32	4160194	4	Spring, Gas	
33	4420038	6 in/16cm	Tape	
34	4751400	12	Washer 1/4	
35	4751500	7	Washer 5/16	
36	4751600	AR	Washer 3/8	
37	8310070	8	Push-nut 3/8in	
38	1001110166	59 in /1.5mm	Seal	
39	1001113047	84 in /2.14m	Seal	
40	1001116280	1	Bracket, Hood	
41	1001116322	1	Door	
42	1001116344	1	Door	
43	1001116358	1	Bracket	
47	1001117249	1	Plate, Seal	
48	1001117307	1	Decal - Emergency Stop	
49	1001126828	7	Nut, Tinnerman	
50	1001150260	4	Plate	

SECTION 2 - TURNTABLE

ITEM	PART NUMBER	QTY	DESCRIPTION	REV
52	1001157025	1	Bracket	
53	1001157284	1	Mount	
54	1001157344	1	Bracket	
55	1001157474	1	Bracket	
56	1001157475	1	Panel	
57	1001157612	1	Bracket	
58	1001161711	1	Mount	
59	1001173580	1	Plate	
60	1001186251	4	Plate	
61	1001186254	4	Hinge	
64	1001196768	1	Bracket	
65	1001244463	1	Hood Assembly - Engine Side Rear (See Separate Breakdown in This Section)	
66	1001244465	1	Hood Assembly - Tank Side Rear (See Separate Breakdown in This Section)	
70	0641613	3	Screw 3/8 x 1-5/8	
71	4071048	3	Shim	
72	1001186501	1	Bracket	
73	1001186502	1	Bracket	
74	1001269959	1	Bracket	
75	1001269988	1	Hood, Engine Side	
76	1001269989	1	Hood, Tank Side	
77	1001271074	1	Bracket	
78	1001272305	1	Bracket	
	0272081	Ref	NOISE REDUCTION INSTALLATION (DEUTZ ENGINE MACHINES)	4-D
401	2820078	1	Foam, Acoustical (Not Shown)	

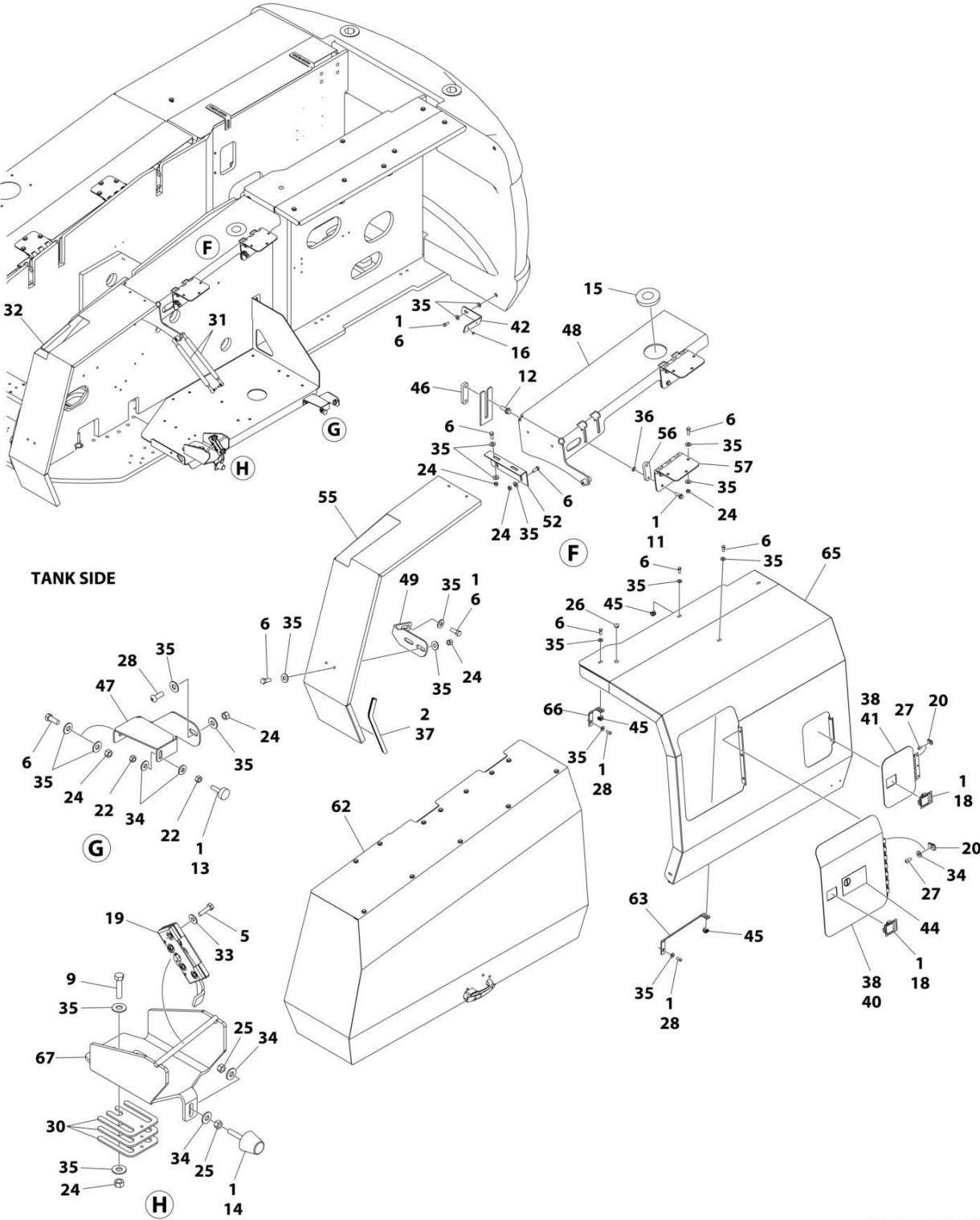
SECTION 2 - TURNTABLE

FIGURE 2-81. HOOD INSTALLATION - STEEL (DEUTZ TD2.9L4 ENGINES) (MACHINES WITH SN STARTING WITH B3) (CE & UK CA SPECS)



ART_1001302664_10F2

SECTION 2 - TURNTABLE



ART_1001302664_20F2

SECTION 2 - TURNTABLE

FIGURE 2-81. HOOD INSTALLATION - STEEL (DEUTZ TD2.9L4 ENGINES) (MACHINES WITH SN STARTING WITH B3) (CE & UK CA SPECS)

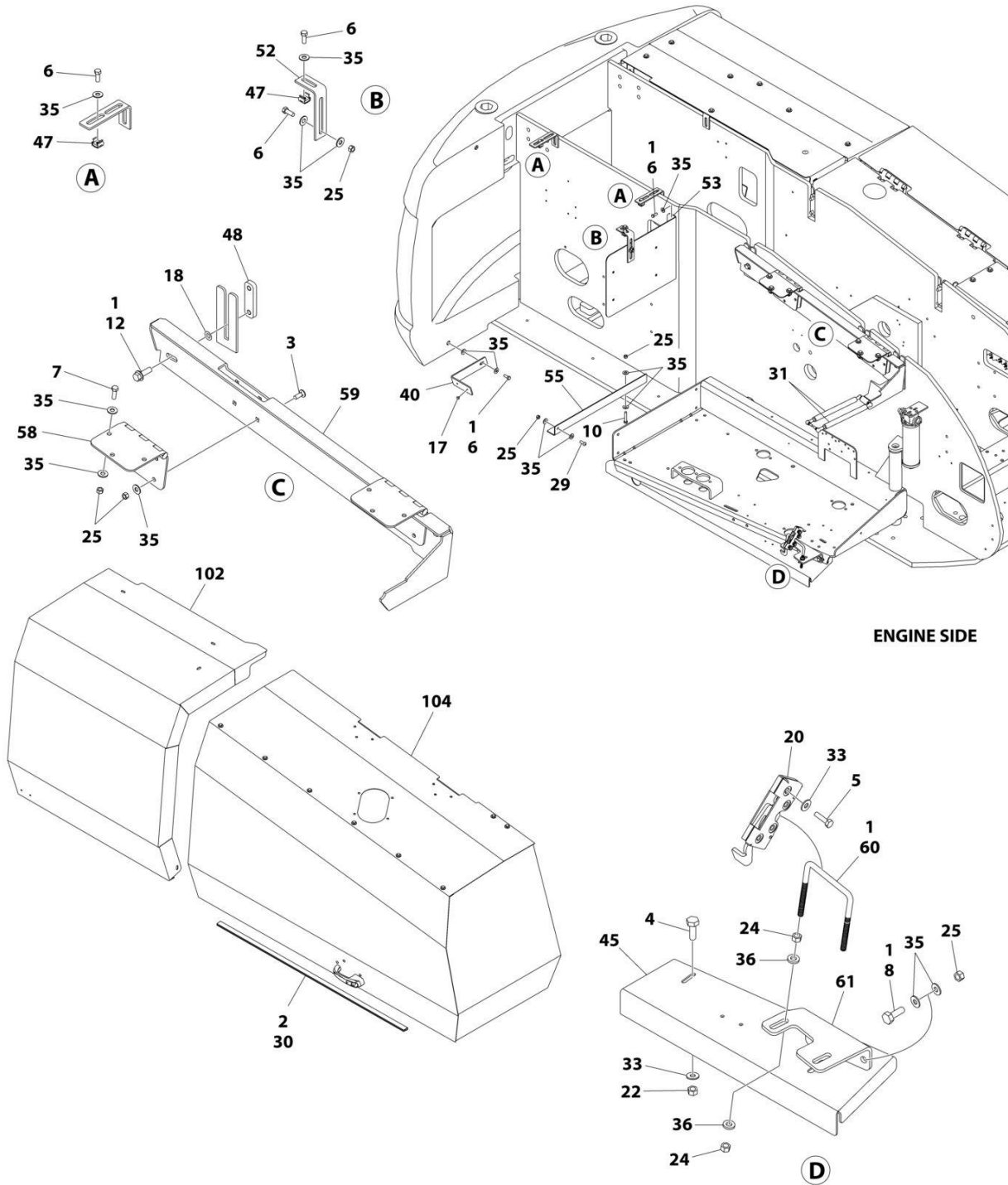
ITEM	PART NUMBER	QTY	DESCRIPTION	REV
		Ref	NOTE: REPLACEMENT DECALS MUST BE PURCHASED SEPARATELY - SEE DECALS SECTION.	
	1001302664	Ref	HOODS INSTALLATION	A
1	0100011	AR	Compound, Locking	
2	0100081	AR	Adhesive	
3	0630485	8	Bolt, Carriage	
4	0641406	7	Bolt 1/4 x 3/4	
5	0641408	8	Bolt 1/4 x 1	
6	0641608	AR	Bolt 3/8 x 7/8	
7	0641609	6	Bolt 3/8 x 1-1/8	
8	0641611	2	Bolt 3/8 x 1-3/8	
9	0641613	3	Screw 3/8 x 1-5/8	
10	0641616	2	Bolt 3/8 x 2	
11	0811610	8	Screw 3/8 x 1-1/4	
12	0811812	8	Bolt 1/2 x 1-1/2	
13	0940049	1	Stopper, Hood	
14	0940088	1	Bumper	
15	1120601	1	Plug	
16	2080040	4	Fastener, Huck	
17	2080072	4	Retainer	
18	2940045	2	Latch, Paddle	
19	2940173	2	Latch	
20	3300364	5	Nut, Tinnerman 5/16	
21	3311405	7	Nut 1/4	
22	3311501	2	Nut 5/16	
23	3311601	1	Nut 3/8	
24	3311605	45	Nut 3/8	
25	3321501	2	Nut 5/16	
26	3520030	1	Plug, Hole	
27	3900210	5	Screw 5/16 x 3/4	
28	3900316	4	Screw 3/8 x 1	
29	3960389	54 in/1.4m	Seal	
30	4071048	3	Shim	
31	4160194	4	Spring, Gas	
32	4420038	6 in/16cm	Tape	
33	4751400	15	Washer 1/4	
34	4751500	7	Washer 5/16	
35	4751600	AR	Washer 3/8	
36	8310070	8	Push-nut 3/8in	
37	1001110166	59 in /1.5mm	Seal	
38	1001113047	84 in /2.14m	Seal	
39	1001116280	1	Bracket, Hood	
40	1001116322	1	Door	
41	1001116344	1	Door	
42	1001116358	1	Bracket	
43	1001117249	1	Plate, Seal	
44	1001117307	1	Decal - Emergency Stop	

SECTION 2 - TURNTABLE

ITEM	PART NUMBER	QTY	DESCRIPTION	REV
45	1001126828	7	Nut, Tinnerman 3/8	
46	1001150260	4	Plate	
47	1001157025	1	Bracket	
48	1001157284	1	Mount	
49	1001157344	1	Bracket	
50	1001157474	1	Bracket	
51	1001157475	1	Panel	
52	1001157612	1	Bracket	
53	1001161711	1	Mount	
54	1001163101	1	Plate	
55	1001173580	1	Plate	
56	1001186251	4	Plate	
57	1001186254	4	Hinge	
58	1001186501	1	Bracket	
59	1001186502	1	Bracket	
60	1001196768	1	Bracket	
61	1001237261	1	Pipe, Exhaust	
62	1001244465	1	Hood Assembly - Tank Side Rear (See Separate Breakdown in This Section)	
63	1001269959	1	Bracket	
64	1001269988	1	Hood, Engine Side	
65	1001269989	1	Hood, Tank Side	
66	1001271074	1	Bracket	
67	1001272305	1	Bracket	
68	1001302665	1	Hood Assembly - Engine Side Rear (See Separate Breakdown in this Section)	

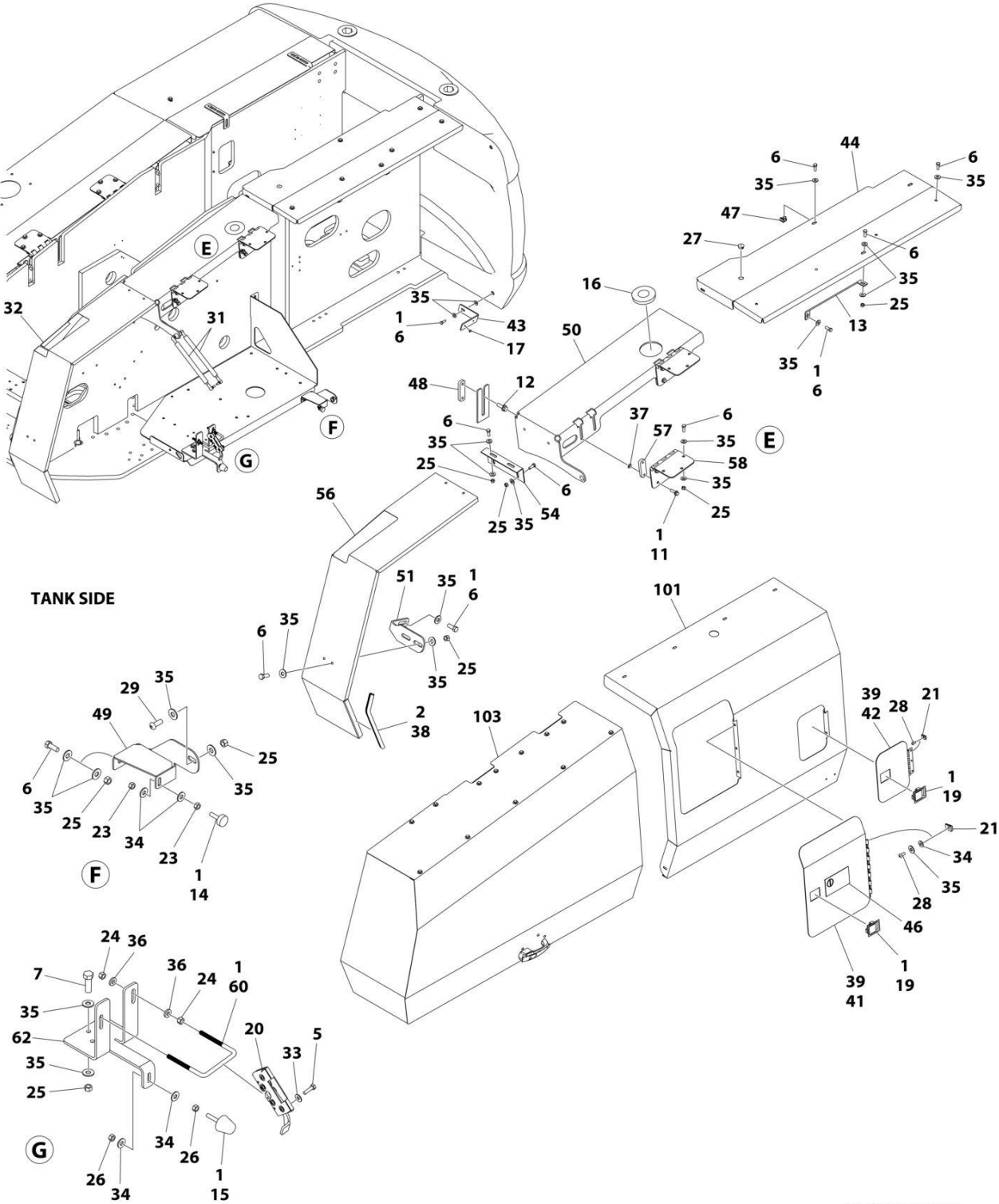
SECTION 2 - TURNTABLE

FIGURE 2-82. HOODS INSTALLATION - STEEL (DEUTZ TD2.9L4 (STAGE V) ENGINES) (MACHINES WITH SN STARTING WITH B3)



ART_1001256248_10F2

SECTION 2 - TURNTABLE



ART_1001256248_20F2

SECTION 2 - TURNTABLE

FIGURE 2-82. HOODS INSTALLATION - STEEL (DEUTZ TD2.9L4 (STAGE V) ENGINES) (MACHINES WITH SN STARTING WITH B3)

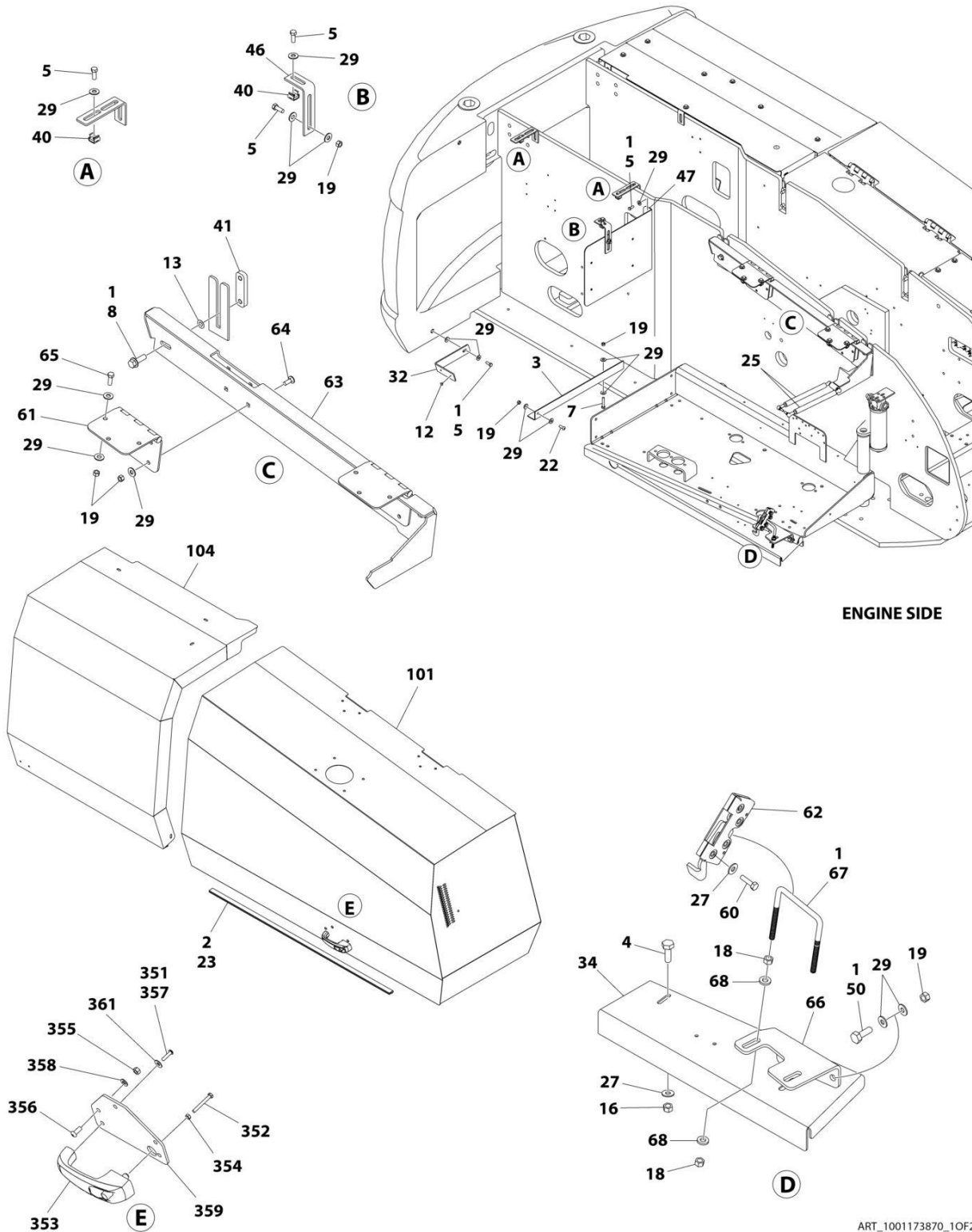
ITEM	PART NUMBER	QTY	DESCRIPTION	REV
		Ref	NOTE: REPLACEMENT DECALS MUST BE PURCHASED SEPARATELY - SEE DECALS SECTION.	
	1001256248	Ref	HOODS INSTALLATION	C
1	0100011	AR	Compound, Locking	
2	0100081	AR	Adhesive	
3	0630485	8	Bolt, Carriage	
4	0641406	4	Bolt 1/4 x 3/4	
5	0641408	8	Bolt 1/4 x 1	
6	0641608	31	Bolt 3/8 x 7/8	
7	0641609	9	Bolt 3/8 x 1-1/8	
8	0641611	2	Bolt 3/8 x 1-3/8	
10	0641616	2	Bolt 3/8 x 2	
11	0811610	8	Screw 3/8 x 1-1/4	
12	0811812	8	Bolt 1/2 x 1-1/2	
13	0902673	1	Bracket	
14	0940049	1	Stopper, Hood	
15	0940088	1	Bumper	
16	1120601	1	Plug	
17	2080040	4	Fastener, Huck	
18	2080072	4	Retainer	
19	2940045	2	Latch, Paddle	
20	2940173	2	Latch	
21	3300364	5	Nut, Tinnerman	
22	3311405	4	Nut 1/4	
23	3311501	2	Nut 5/16	
24	3311601	8	Nut 3/8	
25	3311605	39	Nut 3/8	
26	3321501	2	Nut 5/16	
27	3520030	1	Plug, Hole	
28	3900210	5	Screw, Button Head 5/16 x 3/4	
29	3900316	2	Screw, Button Head 3/8 x 1	
30	3960389	54 in/1.4m	Seal	
32	4160194	4	Spring, Gas	
33	4420038	6 in/16cm	Tape	
34	4751400	12	Washer 1/4	
35	4751500	7	Washer 5/16	
36	4751600	80	Washer 3/8	
37	8310070	8	Push-nut 3/8in	
38	1001110166	59 in /1.5mm	Seal	
39	1001113047	84 in /2.14m	Seal	
40	1001116280	1	Bracket, Hood	
41	1001116322	1	Door	
42	1001116344	1	Door	
43	1001116358	1	Bracket	
44	1001117027	1	Bracket	
45	1001117249	1	Plate, Seal	
46	1001117307	1	Decal - Emergency Stop	

SECTION 2 - TURNTABLE

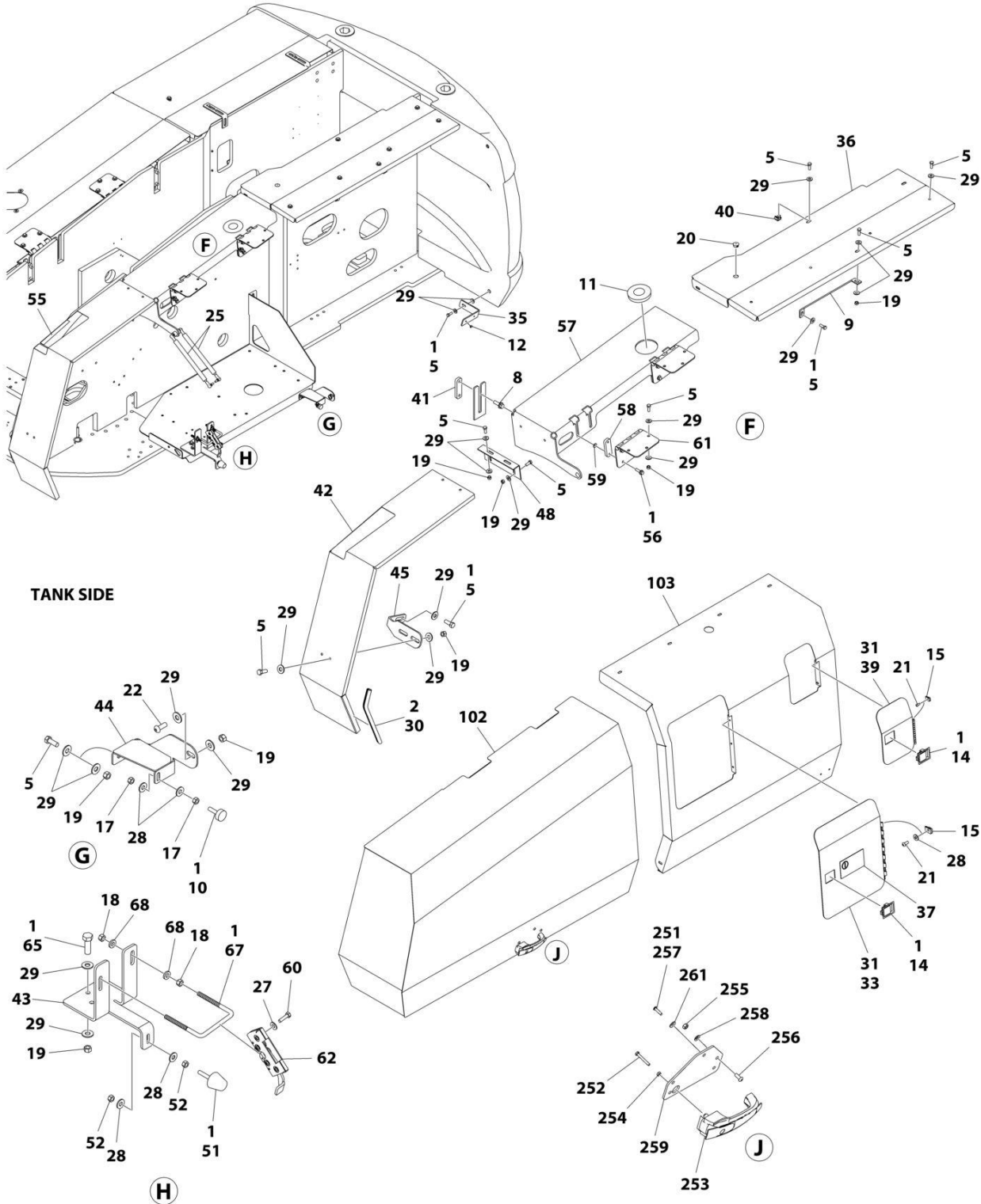
ITEM	PART NUMBER	QTY	DESCRIPTION	REV
47	1001126828	5	Nut, Tinnerman	
48	1001150260	4	Plate	
49	1001157025	1	Bracket	
50	1001157284	1	Mount	
51	1001157344	1	Bracket	
52	1001157474	1	Bracket	
53	1001157475	1	Panel	
54	1001157612	1	Bracket	
55	1001161711	1	Mount	
56	1001173580	1	Plate	
57	1001186251	4	Plate	
58	1001186254	4	Hinge	
59	1001196768	1	Bracket	
60	1001243414	2	Bolt 3/8	
61	1001250294	1	Bracket	
62	1001250295	1	Bracket	
100	1001256247	1	Hood Kit - Standard Machines (Not Shown - Includes Items 101-104)	
101	1001116558	1	Hood - Tank Side Front	
102	1001116620	1	Hood - Engine Side	
103	1001244465	1	Hood Assembly - Tank Side Rear (See Separate Breakdown in This Section)	
104	1001256244	1	Hood Assembly - Engine Side Rear (See Separate Breakdown in This Section)	

SECTION 2 - TURNTABLE

FIGURE 2-83. HOODS INSTALLATION – STEEL WITH HOSTILE ENVIRONMENT MACHINES (DEUTZ TD2.9L4 ENGINES)



SECTION 2 - TURNTABLE



ART_1001173870_20F2

SECTION 2 - TURNTABLE

FIGURE 2-83. HOODS INSTALLATION – STEEL WITH HOSTILE ENVIRONMENT MACHINES (DEUTZ TD2.9L4 ENGINES)

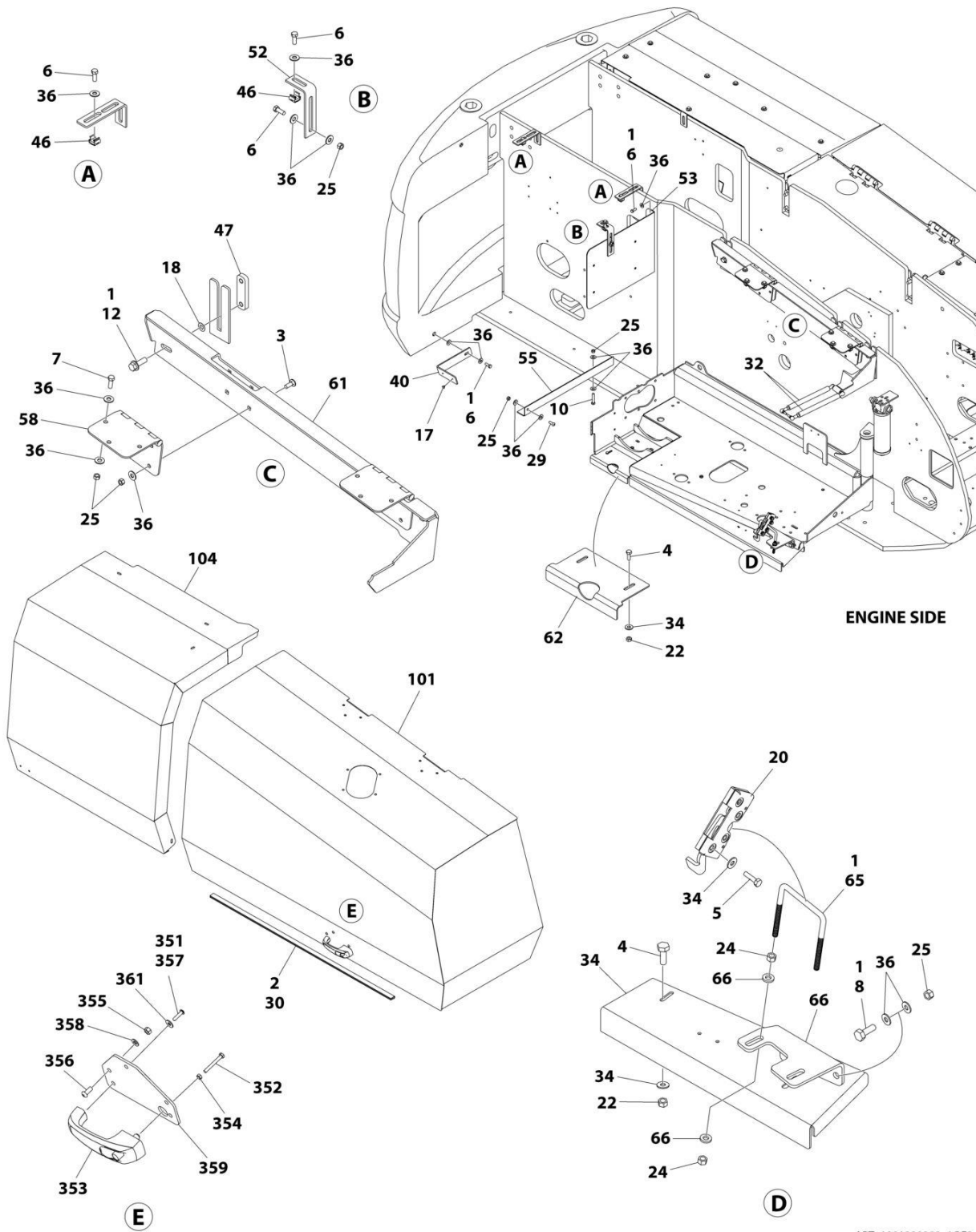
ITEM	PART NUMBER	QTY	DESCRIPTION	REV
		Ref	NOTE: REPLACEMENT DECALS MUST BE PURCHASED SEPARATELY - SEE DECALS SECTION.	
	1001173870	Ref	HOODS INSTALLATION	G
1	0100011	AR	Compound, Locking	
2	0100081	AR	Adhesive	
3	1001161711	1	Mount	
4	0641406	4	Bolt 1/4 x 3/4	
5	0641608	31	Bolt 3/8 x 7/8	
7	0641616	2	Bolt 3/8 x 2	
8	0811812	8	Bolt 1/2 x 1-1/2	
9	0902673	1	Bracket	
10	0940049	1	Stopper, Hood	
11	1120601	1	Plug	
12	2080040	4	Fastener, Huck	
13	2080072	4	Retainer	
14	2940045	2	Latch, Paddle	
15	3300364	5	Nut, Tinnerman	
16	3311405	4	Nut 1/4	
17	3311501	2	Nut 5/16	
18	3311601	8	Nut 3/8	
19	3311605	39	Nut 3/8	
20	3520030	1	Plug, Hole	
21	3900210	5	Screw, Button Head 5/16 x 3/4	
22	3900316	2	Screw, Button Head 3/8 x 1	
23	3960389	54 in/1.4m	Seal	
25	4160194	4	Spring, Gas	
27	4751400	12	Washer 1/4	
28	4751500	7	Washer 5/16	
29	4751600	80	Washer 3/8	
30	1001110166	59 in /1.5mm	Seal	
31	1001113047	84 in /2.14m	Seal	
32	1001116280	1	Bracket, Hood	
33	1001116322	1	Door	
34	1001117249	1	Plate, Seal	
35	1001116358	1	Bracket	
36	1001117027	1	Bracket	
37	1001117307	1	Decal - Emergency Stop	
39	1001125501	1	Door	
40	1001126828	5	Nut, Tinnerman	
41	1001150260	4	Plate	
42	1001173580	1	Plate	
43	1001250295	1	Bracket, Striker	
44	1001157025	1	Bracket	
45	1001157344	1	Bracket	
46	1001157474	1	Bracket	
47	1001157475	1	Panel	
48	1001157612	1	Bracket	

SECTION 2 - TURNTABLE

ITEM	PART NUMBER	QTY	DESCRIPTION	REV
50	0641611	2	Bolt 3/8 x 1-3/8	
51	0940088	1	Bumper	
52	3321501	2	Nut 5/16	
55	4420038	6 in/16cm	Tape	
56	0811610	8	Screw 3/8 x 1-1/4	
57	1001157284	1	Mount	
58	1001186251	4	Plate	
59	8310070	8	Pushnut 3/8in	
60	0641408	8	Bolt 1/4 x 1	
61	1001186254	4	Hinge	
62	2940173	2	Latch	
63	1001196768	1	Bracket	
64	0630485	8	Bolt, Carriage	
65	0641609	6	Bolt 3/8 x 1-1/8	
66	1001250294	1	Bracket	
67	1001243414	2	Bolt 3/8	
68	4891600	8	Screw 3/8	
100	1001174101	1	Hood Kit - Hostile Environment Machines(Not Shown - Includes Items 101-104)	C
101	1001162915	1	Hood Assembly - Engine Side Rear (See Items 251-261 for Breakdown)	
102	1001157209	1	Hood Assembly - Tank Side Rear (See Items 351-361 for Breakdown)	
103	1001125502	1	Hood - Tank Side Front	
104	1001116620	1	Hood - Engine Side Front	
	1001162915	Ref	HOOD ASSEMBLY - ENGINE SIDE REAR	C
251	0100011	AR	Compound, Locking	
252	0700618	1	Bolt M6 x 50	
253	2560187	1	Handle, Push Button	
254	3290601	1	Nut M6	
255	3311505	3	Nut 5/16	
256	3900210	3	Screw, Button Head 5/16 x 3/4	
257	3900363	2	Screw, Button Head M6 x 25	
258	4711500	3	Washer 5/16	
259	1001116290	1	Plate, Latch Mounting	
261	4751400	2	Washer 1/4	
	1001157209	Ref	HOOD ASSEMBLY - TANK SIDE REAR	B
351	0100011	1	Compound, Locking	
352	0700617	1	Bolt M6 x 45	
353	2560187	1	Handle, Push Button	
354	3290601	1	Nut M6	
355	3311505	3	Nut 5/16	
356	3900210	3	Screw, Button Head 5/16 x 3/4	
357	3900363	2	Screw, Button Head M6 x 25	
358	4711500	3	Washer 5/16	
359	1001116290	1	Plate, Latch Mounting	
361	4751400	2	Washer 1/4	
	0272081	Ref	NOISE REDUCTION INSTALLATION (DEUTZ ENGINE MACHINES)	4-D
401	2820078	1	Foam, Acoustical (Not Shown)	

SECTION 2 - TURNTABLE

FIGURE 2-84. HOODS INSTALLATION – STEEL (FORD DF 2.5L ENGINES)



ART_1001220393_10F2

SECTION 2 - TURNTABLE

FIGURE 2-84. HOODS INSTALLATION – STEEL (FORD DF 2.5L ENGINES)

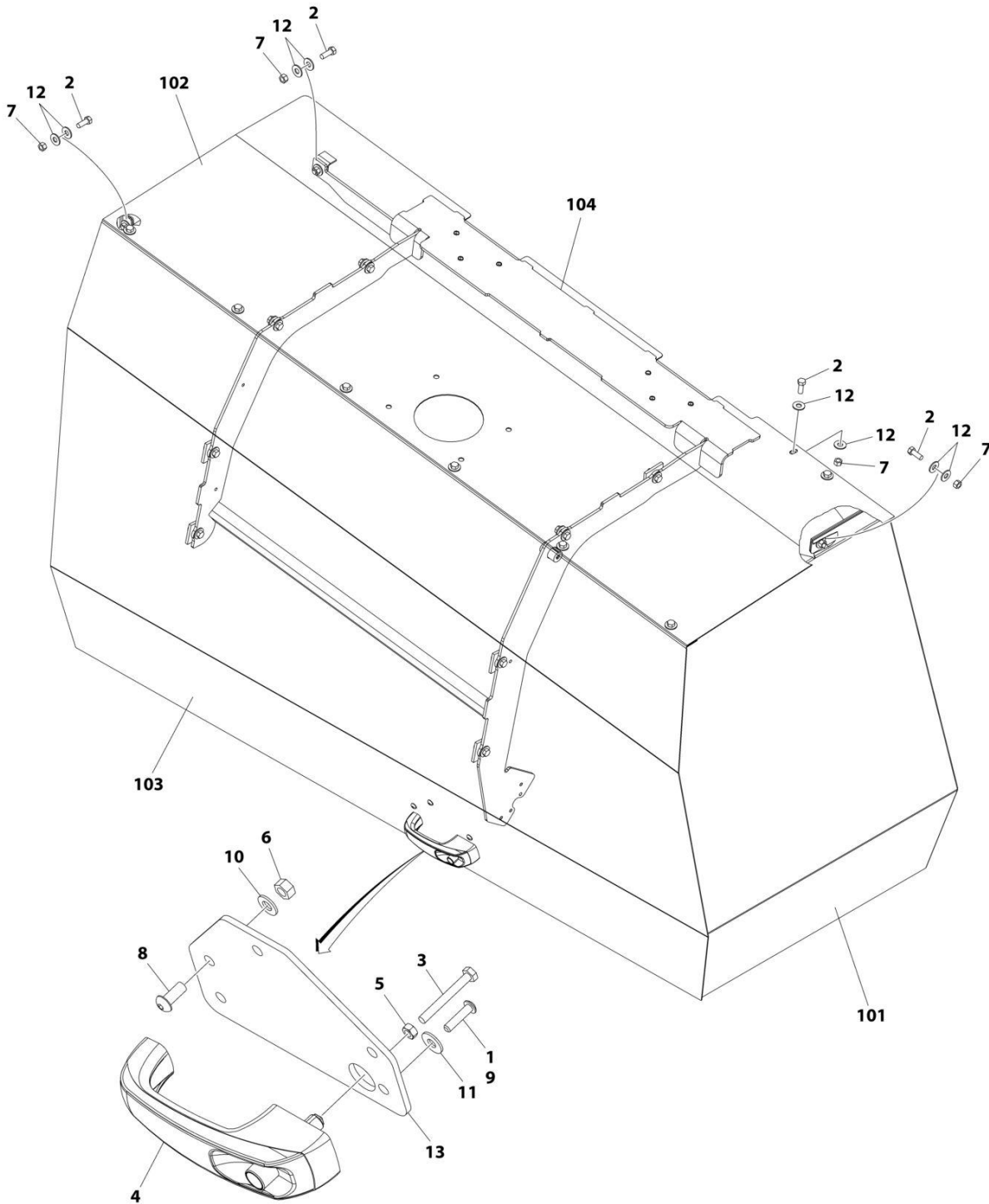
ITEM	PART NUMBER	QTY	DESCRIPTION	REV
		Ref	NOTE: REPLACEMENT DECALS MUST BE PURCHASED SEPARATELY - SEE DECALS SECTION.	
	1001220393	Ref	HOODS INSTALLATION	C
1	0100011	AR	Compound, Locking	
2	0100081	AR	Adhesive	
3	0630485	8	Bolt, Carriage	
4	0641406	5	Bolt 1/4 x 3/4	
5	0641408	8	Bolt 1/4 x 1	
6	0641608	31	Bolt 3/8 x 7/8	
7	0641609	9	Bolt 3/8 x 1-1/8	
8	0641611	2	Bolt 3/8 x 1-3/8	
10	0641616	2	Bolt 3/8 x 2	
11	0811610	8	Screw 3/8 x 1-1/4	
12	0811812	8	Bolt 1/2 x 1-1/2	
13	0902673	1	Bracket	
14	0940049	1	Stopper, Hood	
15	0940088	1	Bumper	
16	1120601	1	Plug	
17	2080040	4	Fastener, Huck	
18	2080072	4	Retainer	
19	2940045	2	Latch, Paddle	
20	2940173	2	Latch	
21	3300364	5	Nut, Tinnerman	
22	3311405	5	Nut 1/4	
23	3311501	2	Nut 5/16	
24	3311601	8	Nut 3/8	
25	3311605	39	Nut 3/8	
26	3321501	2	Nut 5/16	
27	3520030	1	Plug, Hole	
28	3900210	5	Screw, Button Head 5/16 x 3/4	
29	3900316	2	Screw, Button Head 3/8 x 1	
30	3960389	54 in/1.4m	Seal	
32	4160194	4	Spring, Gas	
33	4420038	6 in/16cm	Tape	
34	4751400	13	Washer 1/4	
35	4751500	7	Washer 5/16	
36	4751600	80	Washer 3/8	
37	8310070	8	Push-nut 3/8	
38	1001110166	59 in /1.5mm	Seal	
39	1001113047	84 in /2.14m	Seal	
40	1001116280	1	Bracket, Hood	
41	1001116322	1	Door	
42	1001116344	1	Door	
43	1001116358	1	Bracket	
44	1001117027	1	Bracket	
45	1001117307	1	Decal - Emergency Stop	
46	1001126828	5	Nut, Tinnerman	
47	1001150260	4	Plate	

SECTION 2 - TURNTABLE

ITEM	PART NUMBER	QTY	DESCRIPTION	REV
48	1001250295	1	Bracket, Striker	
49	1001157025	1	Bracket	
50	1001157284	1	Mount	
51	1001157344	1	Bracket	
52	1001157474	1	Bracket	
53	1001157475	1	Panel	
54	1001157612	1	Bracket	
55	1001161711	1	Mount	
56	1001173580	1	Plate	
57	1001186251	4	Plate	
58	1001186254	4	Hinge	
61	1001196768	1	Bracket	
62	1001220002	1	Baffle	
63	1001220067	1	Plate, Seal	
64	1001250294	1	Bracket	
65	1001243414	2	Bolt 3/8	
66	4891600	8	Washer 3/8	
100	1001174283	1	Hood Kit - Standard Machines (Not Shown - Includes Items 101-104)	C
101	1001157208	1	Hood Assembly - Engine Side Rear (See Items 251-261 for Breakdown)	
102	1001157209	1	Hood Assembly - Tank Side Rear (See Items 351-361 for Breakdown)	
103	1001116558	1	Hood - Tank Side Front	
104	1001116620	1	Hood - Engine Side Front	
	1001157208	Ref	HOOD ASSEMBLY - ENGINE SIDE REAR	D
251	0100011	AR	Compound, Locking	
252	0700618	1	Bolt M6 x 50	
253	2560187	1	Handle, Push Button	
254	3290601	1	Nut M6	
255	3311505	3	Nut 5/16	
256	3900210	3	Screw, Button Head 5/16 x 3/4	
257	3900363	2	Screw, Button Head M6 x 25	
258	4711500	3	Washer 5/16	
259	1001116290	1	Plate, Latch Mounting	
261	4751400	2	Washer 1/4	
	1001157209	Ref	HOOD ASSEMBLY - TANK SIDE REAR	B
351	0100011	AR	Compound, Locking	
352	0700617	1	Bolt M6 x 45mm	
353	2560187	1	Handle, Push Button	
354	3290601	1	Nut M6	
355	3311505	3	Locknut 5/16in-18NC	
356	3900210	3	Screw, Button Head 5/16in-18 x 3/4in	
357	3900363	2	Screw, Button Head M6 x 25mm	
358	4711500	3	Flatwasher 5/16in Thin	
359	1001116290	1	Plate, Latch Mounting	
361	4751400	2	Flatwasher 1/4in Regular	

SECTION 2 - TURNTABLE

FIGURE 2-85. HOOD ASSEMBLY - ENGINE SIDE REAR (DEUTZ TD2.9L4 ENGINES) (MACHINES WITH SN STARTING WITH B3)



ART_1001244463

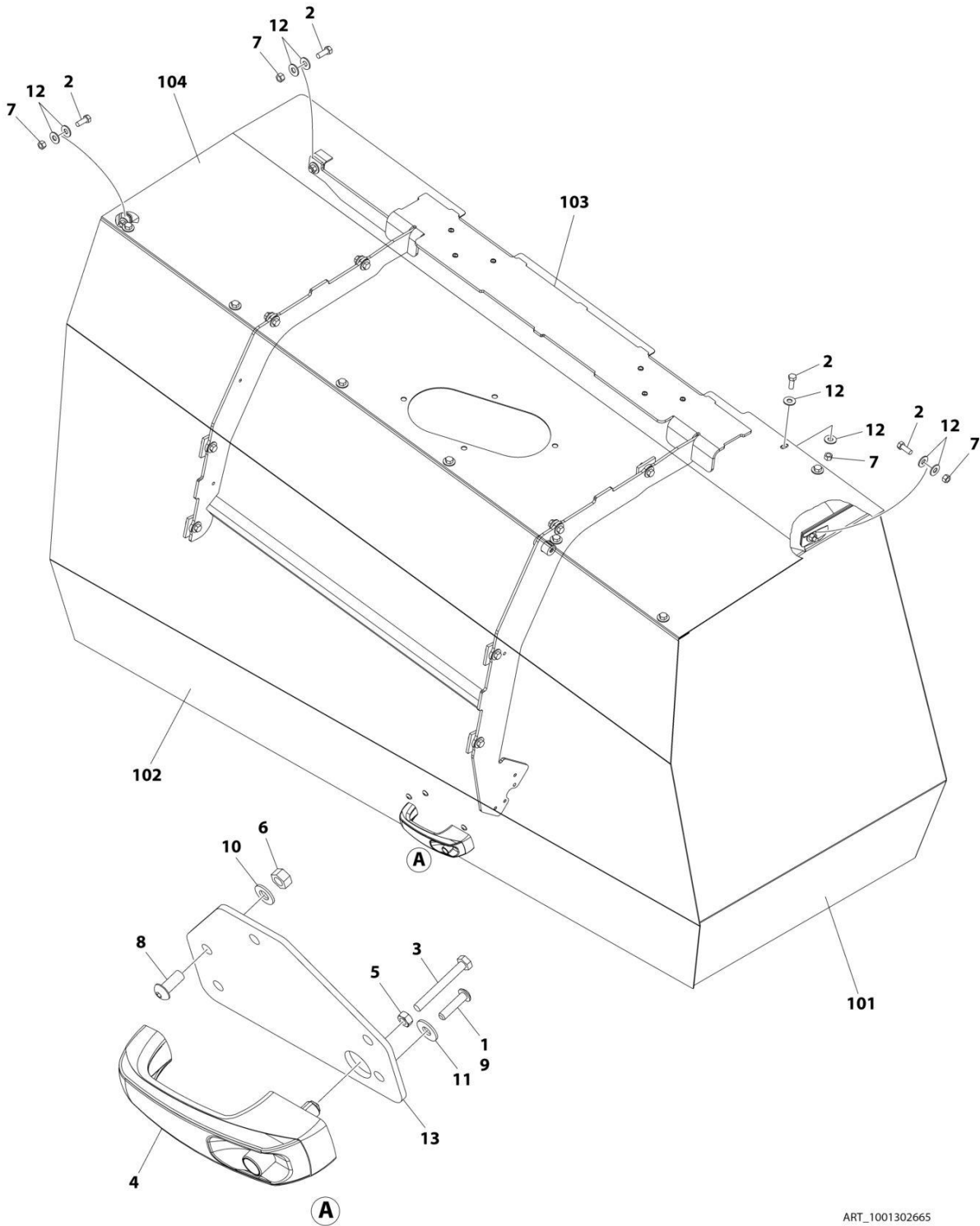
SECTION 2 - TURNTABLE

FIGURE 2-85. HOOD ASSEMBLY - ENGINE SIDE REAR (DEUTZ TD2.9L4 ENGINES) (MACHINES WITH SN STARTING WITH B3)

ITEM	PART NUMBER	QTY	DESCRIPTION	REV
	1001244463	Ref	HOOD ASSEMBLY - ENGINE SIDE REAR	A
1	0100011	AR	Compound, Locking	
2	0641608	28	Bolt 3/8 x 7/8	
3	0700618	1	Bolt M6 x 50	
4	2560187	1	Handle, Push Button	
5	3290601	1	Nut M6	
6	3311505	3	Nut 5/16	
7	3311605	28	Nut 3/8	
8	3900210	3	Screw, Button Head 5/16 x 3/4	
9	3900363	2	Screw, Button Head M6 x 25	
10	4711500	3	Washer 5/16	
11	4751400	2	Washer 1/4	
12	4751600	56	Washer 3/8	
13	1001116290	1	Plate, Latch Mounting	
100	1001243985	1	Hood Engine Side Kit (Not Shown - Includes Items 101-104)	
101	1001239688	1	End Panel	
102	1001239689	1	Top Panel	
103	1001239690	1	Side Panel	
104	1001239691	1	Support	

SECTION 2 - TURNTABLE

FIGURE 2-86. HOOD ASSEMBLY - ENGINE SIDE REAR (DEUTZ TD2.9L4 ENGINES) (MACHINES WITH SN STARTING WITH B3) (CE & UK CA SPECS)



ART_1001302665

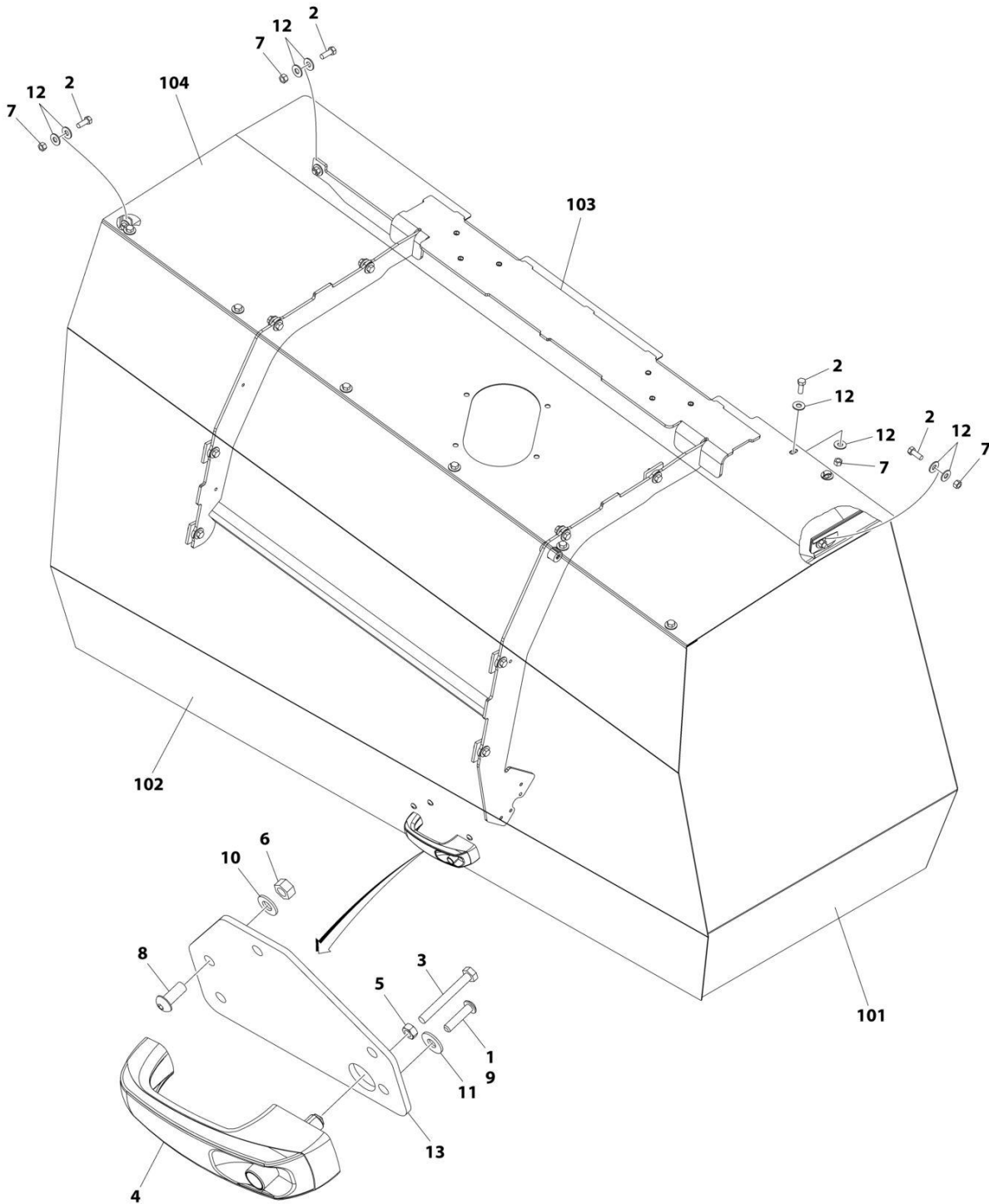
SECTION 2 - TURNTABLE

FIGURE 2-86. HOOD ASSEMBLY - ENGINE SIDE REAR (DEUTZ TD2.9L4 ENGINES) (MACHINES WITH SN STARTING WITH B3) (CE & UK CA SPECS)

ITEM	PART NUMBER	QTY	DESCRIPTION	REV
	1001302665	Ref	HOOD ASSEMBLY - ENGINE SIDE REAR	A
1	0100011	AR	Compound, Locking	
2	0641608	28	Bolt 3/8 x 7/8	
3	0700618	1	Bolt M6 x 50	
4	2560187	1	Handle, Push Button	
5	3290601	1	Nut M6	
6	3311505	3	Nut 5/16	
7	3311605	28	Nut 3/8	
8	3900210	3	Screw 5/16 x 3/4	
9	3900363	2	Screw M6 x 25	
10	4711500	3	Washer 5/16	
11	4751400	2	Washer 1/4	
12	4751600	56	Washer 3/8	
13	1001116290	1	Plate, Latch Mounting	
100	1001302666	1	Hood, Engine Side Rear Kit (Not Shown)	
101	1001239688	1	End Panel	
102	1001239690	1	Side Panel	
103	1001239691	1	Support	
104	1001302667	1	Top Panel	

SECTION 2 - TURNTABLE

FIGURE 2-87. HOOD ASSEMBLY - ENGINE SIDE REAR (DEUTZ TD2.9L4 (STAGE V) ENGINES)
(MACHINES WITH SN STARTING WITH B3)



ART_1001256244

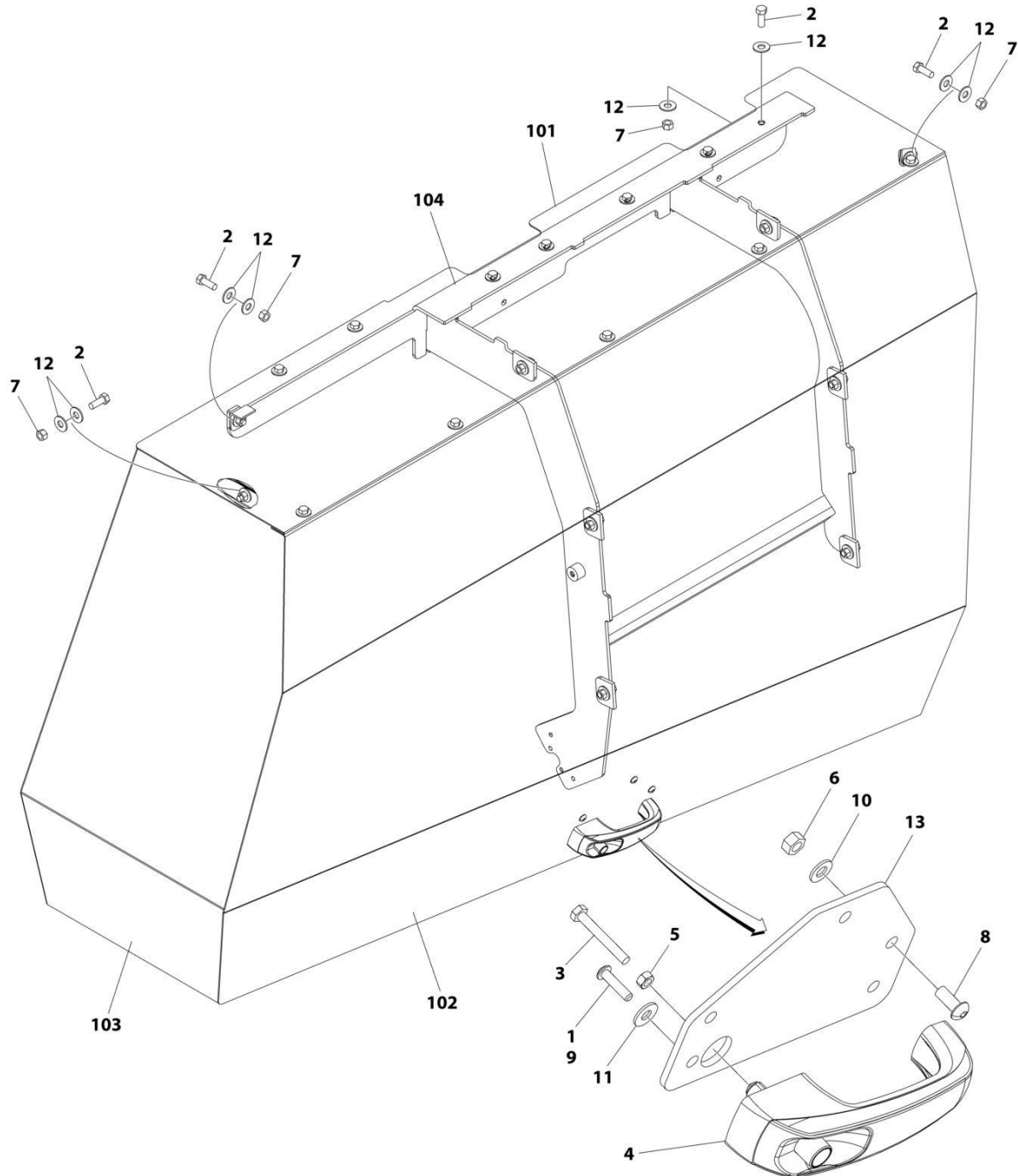
SECTION 2 - TURNTABLE

**FIGURE 2-87. HOOD ASSEMBLY - ENGINE SIDE REAR (DEUTZ TD2.9L4 (STAGE V) ENGINES)
(MACHINES WITH SN STARTING WITH B3)**

ITEM	PART NUMBER	QTY	DESCRIPTION	REV
	1001256244	Ref	HOOD ASSEMBLY - ENGINE SIDE REAR	A
1	0100011	AR	Compound, Locking	
2	0641608	28	Bolt 3/8 x 7/8	
3	0700618	1	Bolt M6 x 50	
4	2560187	1	Handle, Push Button	
5	3290601	1	Nut M6	
6	3311505	3	Nut 5/16	
7	3311605	28	Nut 3/8	
8	3900210	3	Screw, Button Head 5/16 x 3/4	
9	3900363	2	Screw, Button Head M6 x 25	
10	4711500	3	Washer 5/16	
11	4751400	2	Washer 1/4	
12	4751600	56	Washer 3/8	
13	1001116290	1	Plate, Latch Mounting	
100	1001256250	1	Hood Engine Side Kit (Not Shown - Includes Items 101-104)	
101	1001239688	1	End Panel	
102	1001239690	1	Side Panel	
103	1001239691	1	Support	
104	1001256203	1	Top Panel	

SECTION 2 - TURNTABLE

FIGURE 2-88. HOOD ASSEMBLY - TANK SIDE REAR (DEUTZ TD2.9L4 AND DEUTZ TD2.9L4 (STAGE V) ENGINES) (MACHINES WITH SN STARTING WITH B3)



ART_1001244465

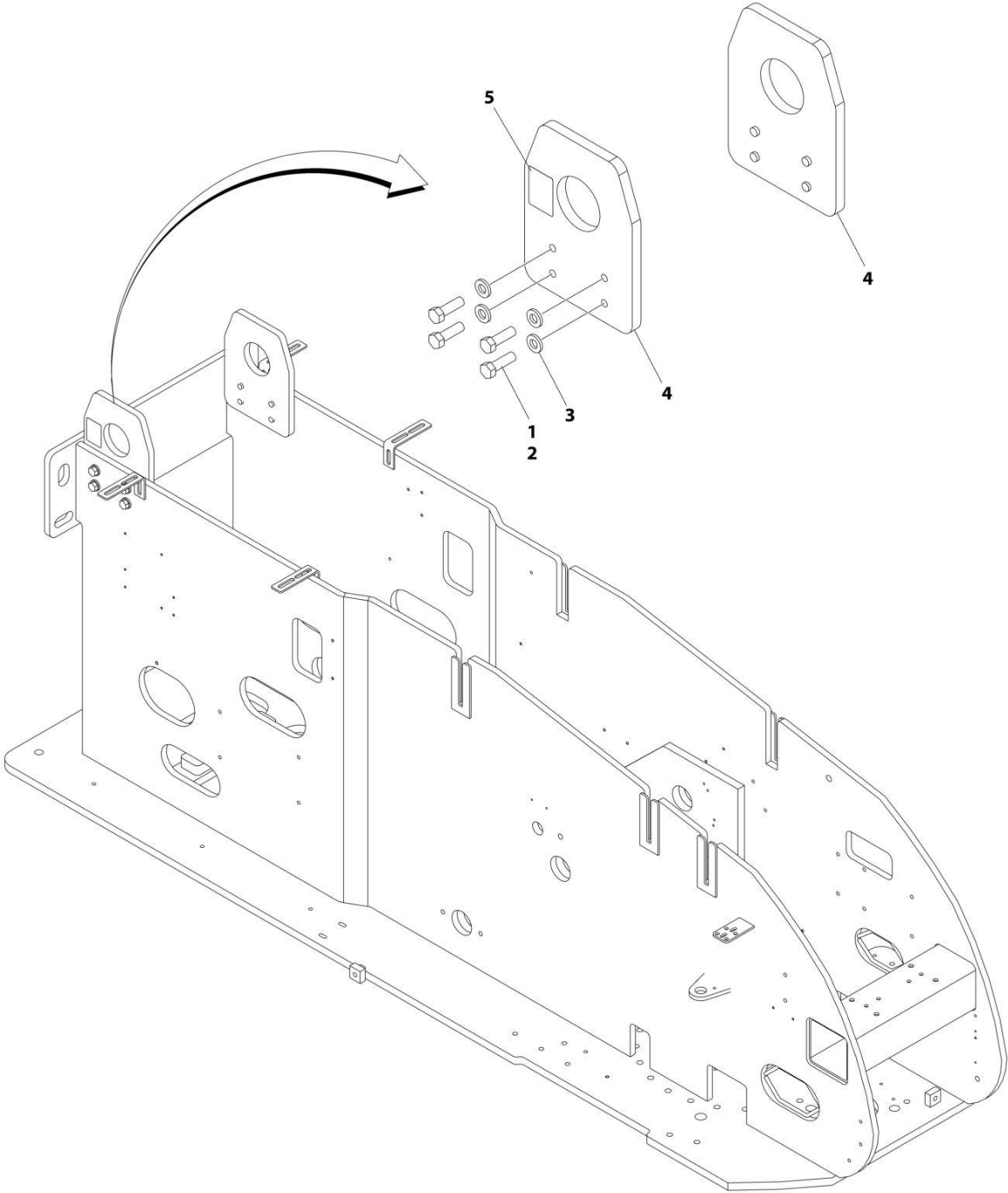
SECTION 2 - TURNTABLE

FIGURE 2-88. HOOD ASSEMBLY - TANK SIDE REAR (DEUTZ TD2.9L4 AND DEUTZ TD2.9L4 (STAGE V) ENGINES) (MACHINES WITH SN STARTING WITH B3)

ITEM	PART NUMBER	QTY	DESCRIPTION	REV
	1001244465	Ref	HOOD ASSEMBLY - TANK SIDE REAR	A
1	0100011	AR	Compound, Locking	
2	0641608	28	Bolt 3/8 x 7/8	
3	0700617	1	Bolt M6 x 45	
4	2560187	1	Handle, Push Button	
5	3290601	1	Nut M6	
6	3311505	3	Nut 5/16	
7	3311605	28	Nut 3/8	
8	3900210	3	Screw, Button Head 5/16 x 3/4	
9	3900363	2	Screw, Button Head M6 x 25	
10	4711500	3	Washer 5/16	
11	4751400	2	Washer 1/4	
12	4751600	56	Washer 3/8	
13	1001116290	1	Plate, Latch Mounting	
100	1001243986	1	Hood Tank Side Kit (Not Shown - Includes Items 101-104)	
101	1001239721	1	Top Panel	
102	1001239722	1	Side Panel	
103	1001239723	1	End Panel	
104	1001239724	1	Support	

SECTION 2 - TURNTABLE

FIGURE 2-89. LIFTING PLATE INSTALLATION



ART_1001158084

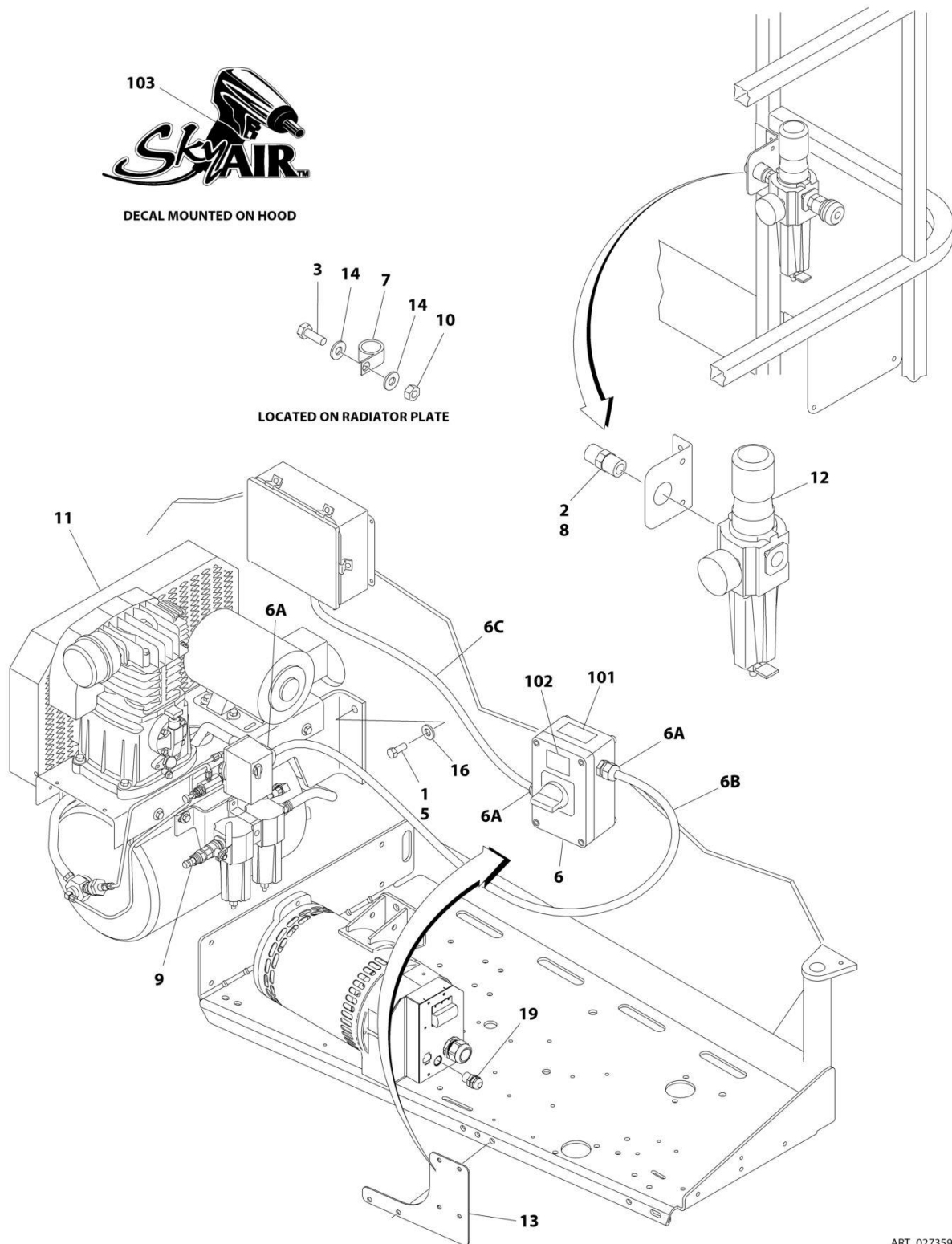
SECTION 2 - TURNTABLE

FIGURE 2-89. LIFTING PLATE INSTALLATION

ITEM	PART NUMBER	QTY	DESCRIPTION	REV
	1001158084	Ref	LIFTING PLATE INSTALLATION	B
1	0100019	AR	Compound, Locking	
2	0682016	8	Bolt 5/8in-11NC x 2in Grade 8	
3	4892000	8	Flatwasher 5/8in Hardened	
4	1001157870	2	Plate, Lifting	
5	1703811	2	Decal - Lift	

SECTION 2 - TURNTABLE

FIGURE 2-90. SKYAIR AIR COMPRESSOR INSTALLATION (DEUTZ D2011 AND FORD DF 2.5L ENGINES)



ART_0273596

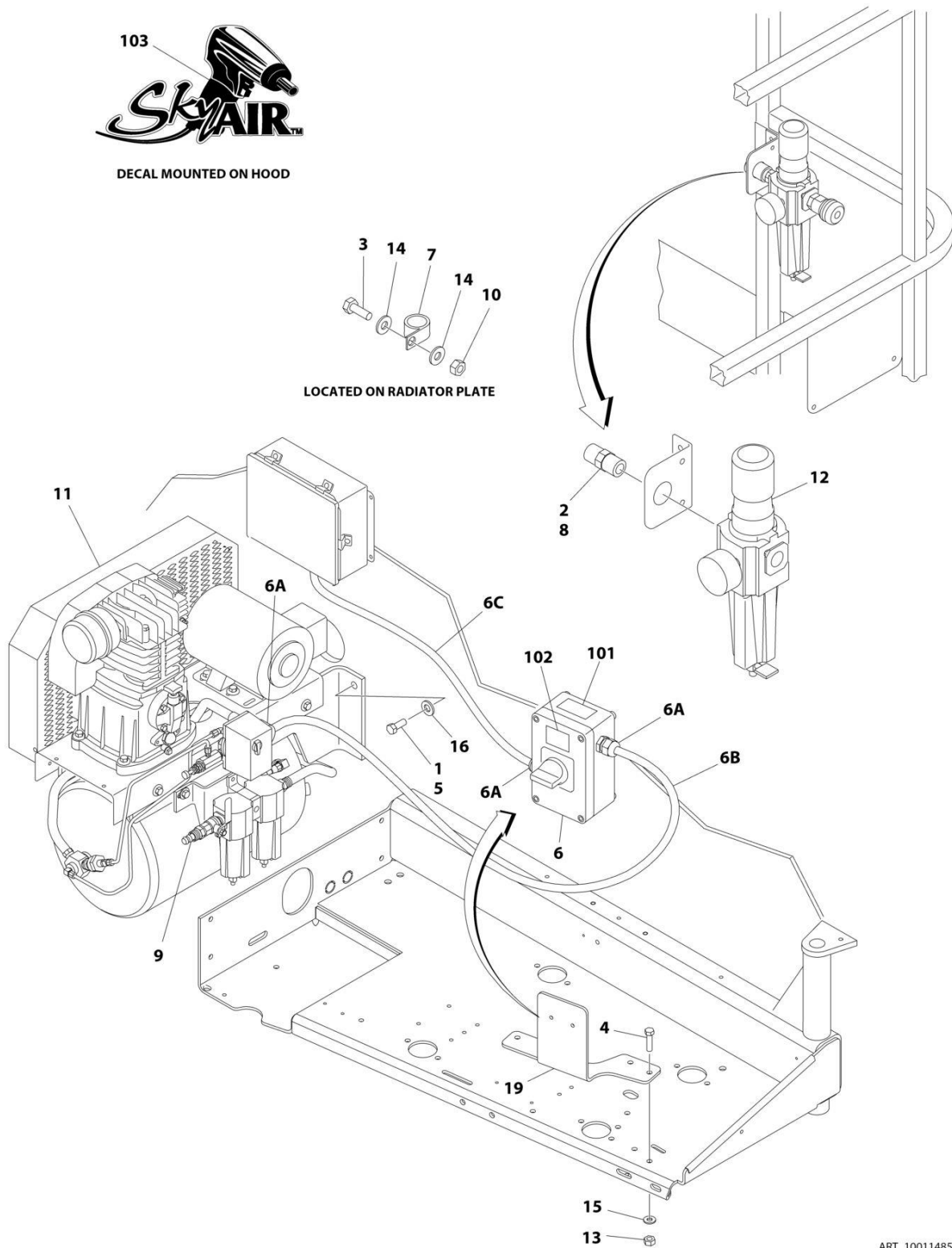
SECTION 2 - TURNTABLE

FIGURE 2-90. SKYAIR AIR COMPRESSOR INSTALLATION (DEUTZ D2011 AND FORD DF 2.5L ENGINES)

ITEM	PART NUMBER	QTY	DESCRIPTION	REV
	0273596	Ref	SKYAIR AIR COMPRESSOR INSTALLATION	B
1	0100019	AR	Compound, Locking	
2	0100020	AR	Sealant #567	
3	0641406	2	Bolt 1/4 x 3/4	
5	0641810	4	Bolt 1/2 x 1-1/4	
6	0861642	1	Control Box Assembly	
6A	4460633	3	Connector, Strain Relief	
6B	70002948	AR	Cable, Electrical - 12/4 (13ft/4m)	
6C	70002948	AR	Cable, Electrical - 12/4 (30in/76cm)	
7	1320224	2	Clamp	
8	2220252	1	Fitting	
9	2220750	1	Fitting	
10	3311405	2	Nut 1/4	
11	3600386	1	Compressor Assembly (See Separate Breakdown in this Section)	
12	3720021	1	Filter/Regulator Assembly	
12	7027781	1	Service Kit (Includes Gaskets and Seals)	
12	7027782	1	Filter	
12	7027784	1	Gauge	
12	7027783	1	Valve, Drain	
13	4340747	1	Bracket, Control Box	
14	4711400	4	Washer 1/4	
16	4751800	4	Washer 1/2	
18	4240033	AR	Tie-Strap (Not Shown)	
19	4460428	1	Connector, Strain Relief	
	0273687	Ref	DECAL INSTALLATION	
101	1705836	1	Decal - Hazard Voltage	
102	1705837	1	Decal - Air Compressor	
103	1705886	2	Decal - SkyAir	

SECTION 2 - TURNTABLE

FIGURE 2-91. SKYAIR AIR COMPRESSOR INSTALLATION (DEUTZ TD2.9L4 ENGINES)



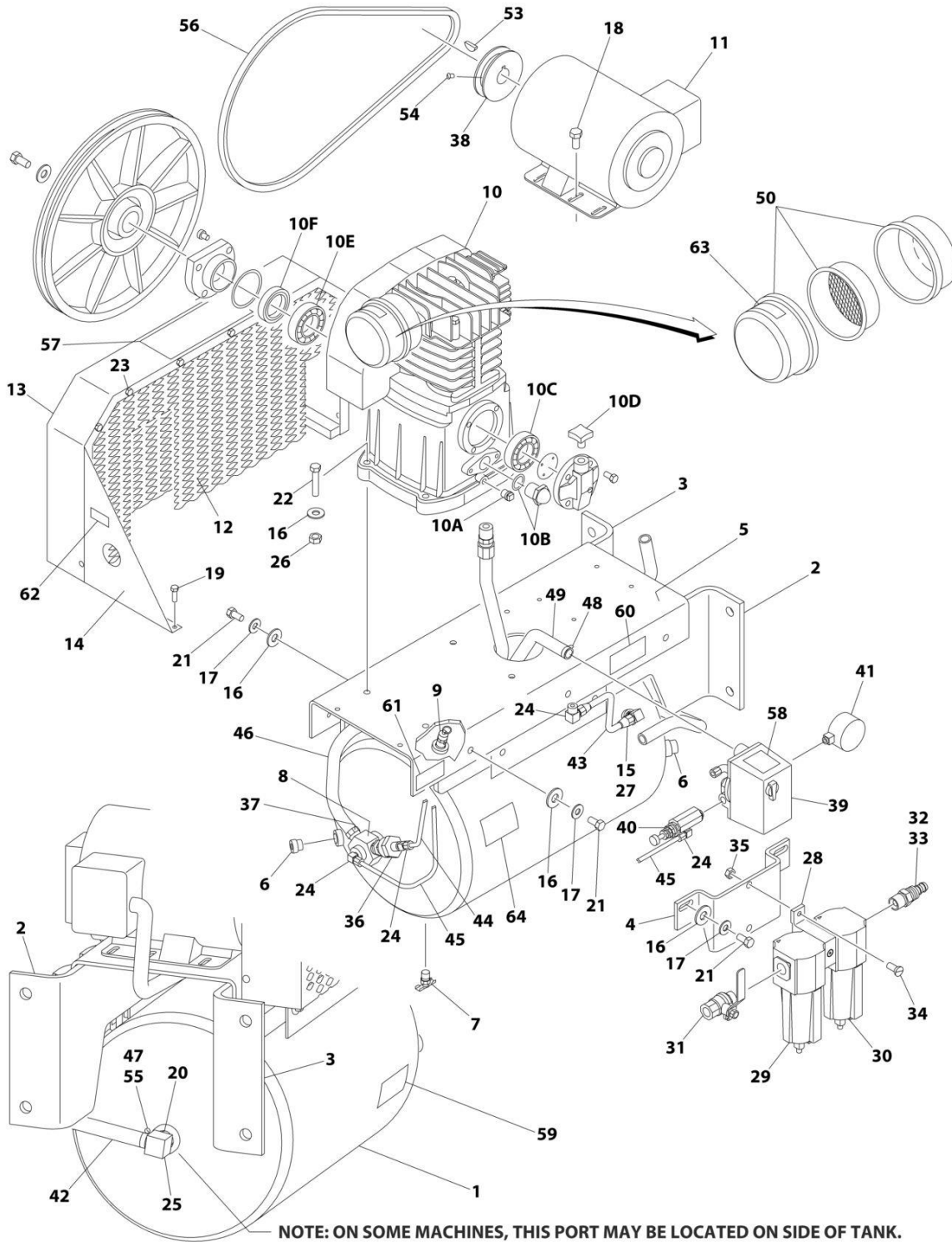
SECTION 2 - TURNTABLE

FIGURE 2-91. SKYAIR AIR COMPRESSOR INSTALLATION (DEUTZ TD2.9L4 ENGINES)

ITEM	PART NUMBER	QTY	DESCRIPTION	REV
	1001148565	Ref	SKYAIR AIR COMPRESSOR INSTALLATION	B
1	0100019	AR	Compound, Locking	
2	0100020	AR	Sealant #567	
3	0641406	2	Bolt 1/4 x 3/4	
4	0641608	3	Bolt 3/8 x 1	
5	0641810	4	Bolt 1/2 x 1-1/4	
6	0861642	1	Control Box Assembly	
6A	4460633	3	Connector, Strain Relief	
6B	70002948	AR	Cable, Electrical - 12/4 (13ft/4m)	
6C	70002948	AR	Cable, Electrical - 12/4 (30in/76cm)	
7	1320224	2	Clamp	
8	2220252	1	Fitting	
9	2220750	1	Fitting	
10	3311405	2	Nut 1/4	
11	3600386	1	Compressor Assembly (See Separate Breakdown in this Section)	
12	3720021	1	Filter/Regulator Assembly	
12	7027781	1	Service Kit (Includes Gaskets and Seals)	
12	7027782	1	Filter	
12	7027784	1	Gauge	
12	7027783	1	Valve, Drain	
13	3311605	3	Nut 3/8	
14	4711400	4	Washer 1/4	
15	4711600	3	Washer 3/8	
16	4751800	4	Washer 1/2	
18	4240033	AR	Tie-Strap (Not Shown)	
19	1001144447	1	Bracket, Control Box	
	0273687	Ref	DECAL INSTALLATION	A
101	1705836	1	Decal - Hazard Voltage	
102	1705837	1	Decal - Air Compressor	
103	1705886	2	Decal - SkyAir	

SECTION 2 - TURNTABLE

FIGURE 2-92. AIR COMPRESSOR ASSEMBLY



ART_3600386

SECTION 2 - TURNTABLE

FIGURE 2-92. AIR COMPRESSOR ASSEMBLY

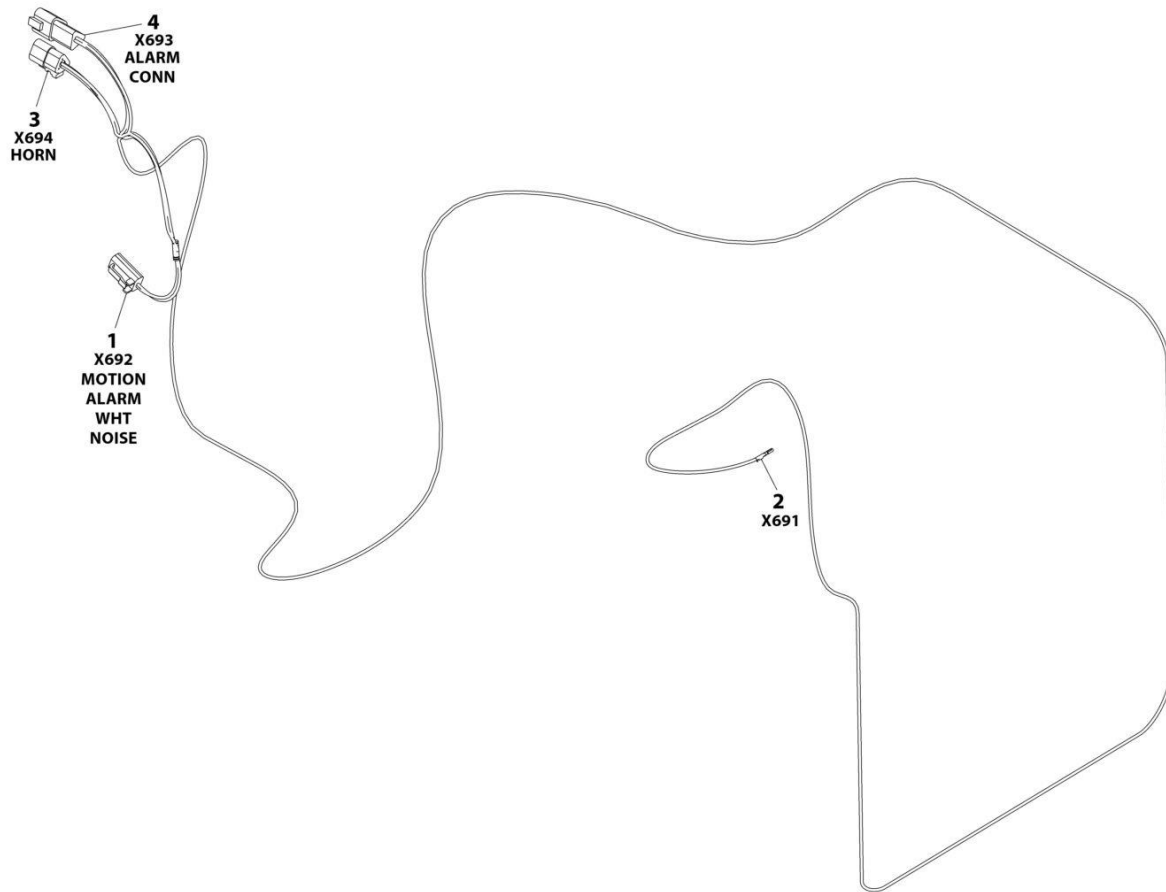
ITEM	PART NUMBER	QTY	DESCRIPTION	REV
	3600386	Ref	AIR COMPRESSOR ASSEMBLY	B
1	7026632	1	Tank	
2	See Note	1	Bracket, Mounting (Note: Not Available for Purchase)	
3	See Note	1	Bracket, Mounting (Note: Not Available for Purchase)	
4	See Note	1	Bracket, Regulator Mounting (Note: Not Available for Purchase)	
5	See Note	1	Deck (Note: Not Available for Purchase)	
6	See Note	2	Plug (Note: Not Available for Purchase)	
7	7026633	1	Valve, Drain	
8	7026634	1	Valve, Check	
9	7026635	1	Valve, Safety	
10	7026636	1	Pump Assembly	
10	7026659	1	Gasket and Seal Kit	
10A	7026651	1	Plug, Oil Drain	
10B	7026652	1	Gauge, Oil Sight	
10C	7026653	1	Bearing	
10D	7026654	1	Cap, Oil Fill	
10E	7026655	1	Bearing	
10F	7026656	1	Seal	
11	7026637	1	Motor Assembly	
11	See Note	1	Brush Kit (Note: Not Available for Purchase)	
12	See Note	1	Screen, Inner (Note: Not Available for Purchase)	
13	See Note	1	Guard, Belt (Note: Not Available for Purchase)	
14	See Note	2	Support (Note: Not Available for Purchase)	
15	See Note	1	Bushing (Note: Not Available for Purchase)	
16	4751600	18	Washer 3/8	
17	4761600	10	Washer 3/8	
18	0641506	4	Bolt 5/16 x 3/4	
19	0641406	8	Bolt 1/4 x 3/4	
20	See Note	1	Bushing (Note: Not Available for Purchase)	
21	0641610	10	Bolt 3/8 x 1-1/4	
22	0641616	4	Bolt 3/8 x 2	
23	See Note	10	Bolt 1/4 x 1/2 (Note: Not Available for Purchase)	
24	See Note	4	Fitting (Note: Not Available for Purchase)	
25	See Note	1	Fitting, Barbed (Note: Not Available for Purchase)	
26	3311605	4	Nut 3/8	
27	See Note	1	Fitting, Compression (Note: Not Available for Purchase)	
28	See Note	1	Bracket, Mounting (Note: Not Available for Purchase)	
29	7026660	1	Filter, Oil Removal	
30	7026661	1	Filter, Water Removal	
31	70001663	1	Valve, Ball Shut-Off	
32	See Note	1	Bushing (Note: Not Available for Purchase)	
33	See Note	1	Fitting, Barbed (Note: Not Available for Purchase)	
34	See Note	2	Screw 1/4 x 1 (Note: Not Available for Purchase)	
35	3311405	2	Nut 1/4	
36	See Note	1	Unloader (Note: Not Available for Purchase)	
37	See Note	1	Fitting (Note: Not Available for Purchase)	
38	See Note	1	Pulley (Note: Not Available for Purchase)	
39	7026638	1	Switch, Pressure	
40	7026639	1	Vale, Pilot	
41	7026640	1	Gauge	

SECTION 2 - TURNTABLE

ITEM	PART NUMBER	QTY	DESCRIPTION	REV
42	See Note	1	Hose (Note: Not Available for Purchase)	
43	See Note	1	Tube, Feed (Note: Not Available for Purchase)	
44	See Note	1	Tube (Note: Not Available for Purchase)	
45	See Note	1	Tube (Note: Not Available for Purchase)	
46	See Note	1	Aftercooler (Note: Not Available for Purchase)	
47	See Note	2	Clamp (Note: Not Available for Purchase)	
48	See Note	2	Clamp (Note: Not Available for Purchase)	
49	See Note	1	Harness, Wiring (Note: Not Available for Purchase)	
50	7026658	1	Filter Assembly	
50	7026641	1	Element, Filter	
51	See Note	23 oz	Oil, Compressor (Note: Not Available for Purchase)	
52	0100020	AR	Sealant	
53	See Note	1	Key (Note: Not Available for Purchase)	
54	See Note	2	Setscrew (Note: Not Available for Purchase)	
55	See Note	2	Cover, Clamp End (Note: Not Available for Purchase)	
56	7026642	1	Belt	
57	7026643	1	Decal - Unit Warning	
58	7026644	1	Decal - Pressure Switch Warning	
59	7026645	1	Decal - Drain Tank Warning	
60	7026646	1	Decal - Compressor Maintenance	
61	7026647	1	Decal - Initial Oil Fill	
62	7026648	1	Decal - Hot Surfaces Warning	
63	7026649	1	Decal - Paper Element Cleaning	
64	7026650	1	Decal - Dual Control	

SECTION 2 - TURNTABLE

FIGURE 2-93. WHITE NOISE ALARM HARNESS



ART_1001243682

SECTION 2 - TURNTABLE

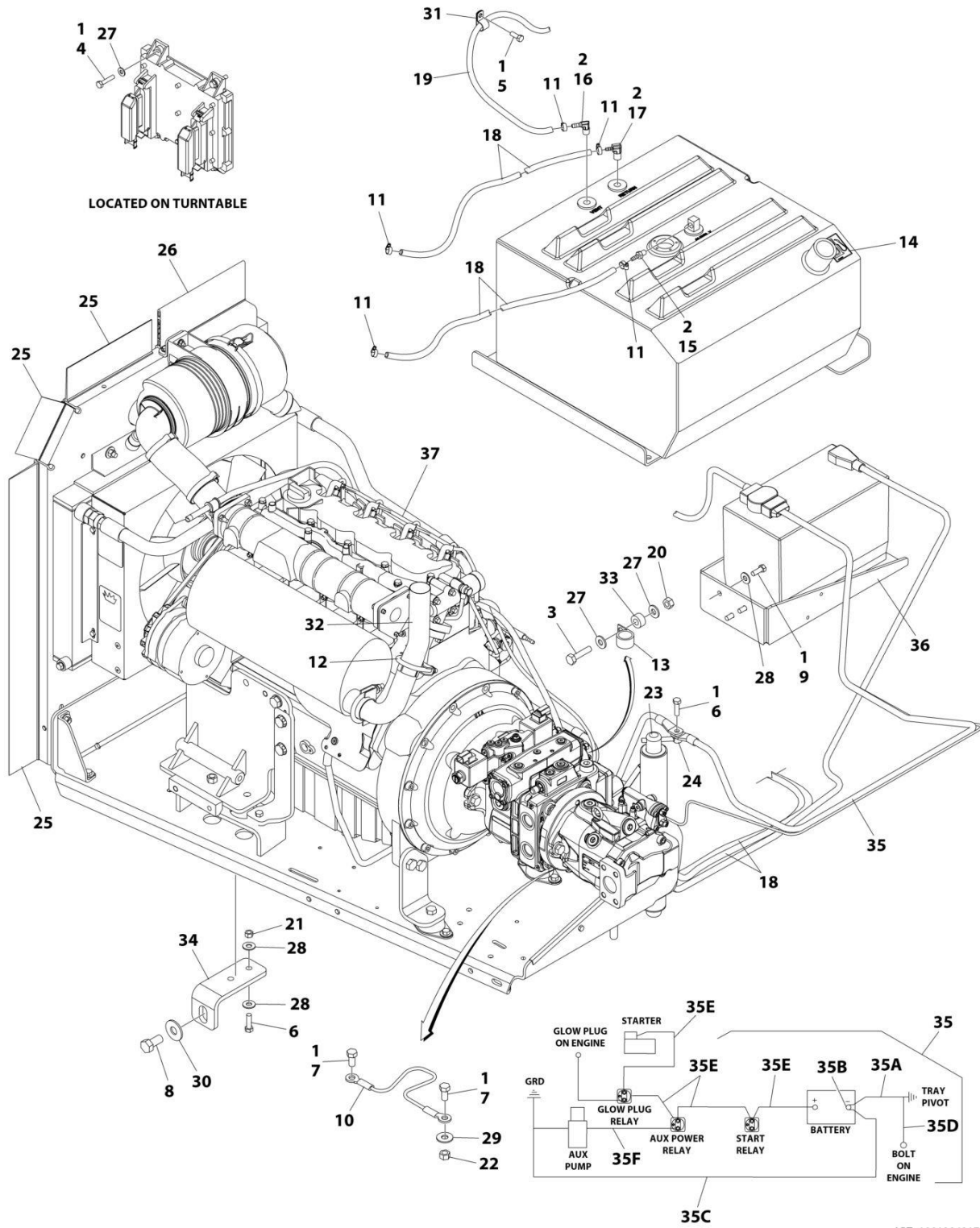
FIGURE 2-93. WHITE NOISE ALARM HARNESS

ITEM	PART NUMBER	QTY	DESCRIPTION	REV
	1001243682	Ref	WHITE NOISE ALARM HARNESS	A
1	4460891	1	Plug, Male - 2 Position	
1	4460465	2	Socket, Female	
2	4460871	1	Terminal	
3	4460539	1	Plug, Male- 3 Position	
3	4460465	3	Socket, Female	
4	4460536	1	Receptacle, Female- 3 Position	
4	4460464	3	Pin, Male	

SECTION 3 - ENGINE

SECTION 3 - ENGINE

FIGURE 3-1. DEUTZ D2011 ENGINE INSTALLATION (WITHOUT ARCTIC PACKAGE)



ART_1001296317

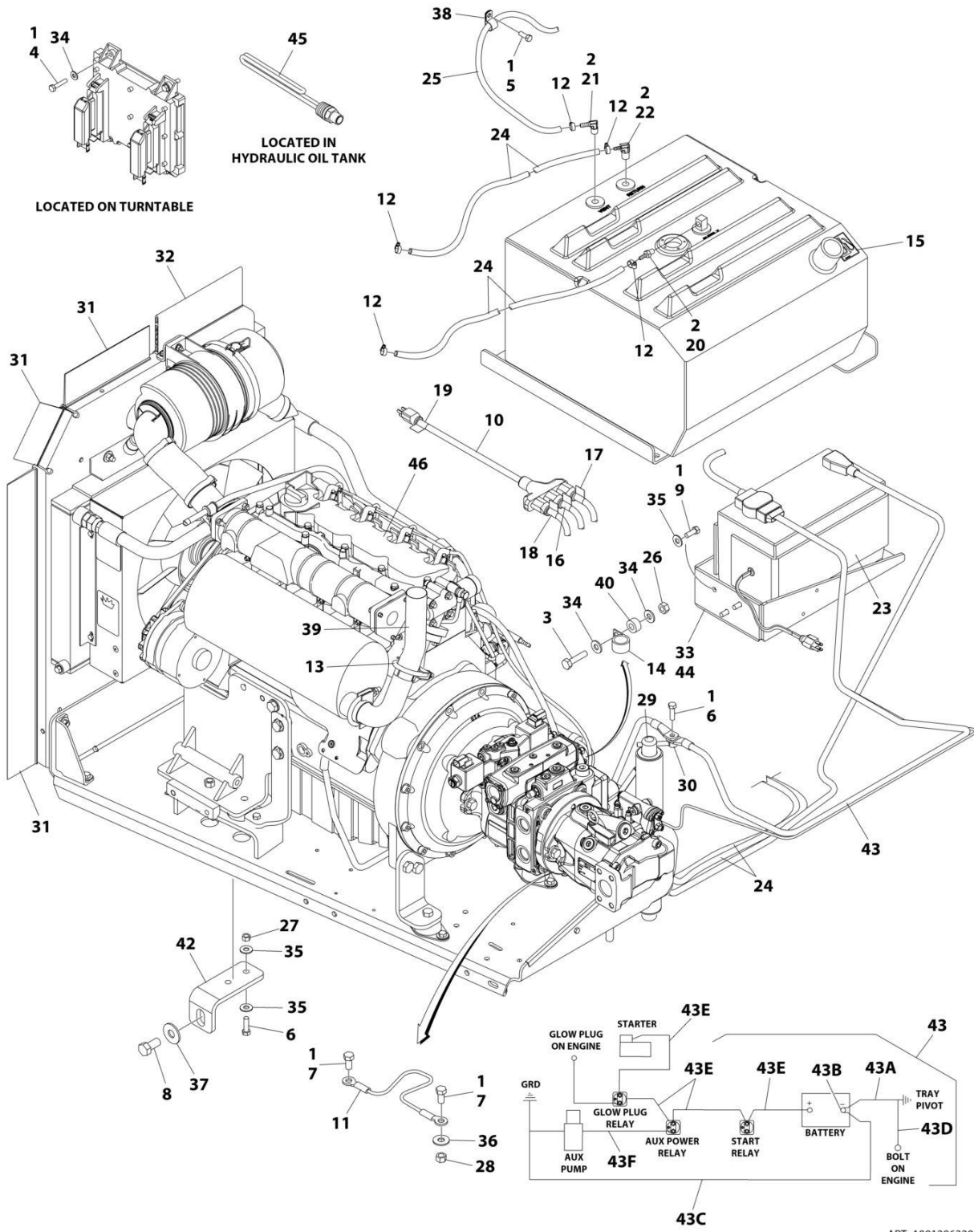
SECTION 3 - ENGINE

FIGURE 3-1. DEUTZ D2011 ENGINE INSTALLATION (WITHOUT ARCTIC PACKAGE)

ITEM	PART NUMBER	QTY	DESCRIPTION	REV
	1001296317	Ref	DEUTZ D2011 ENGINE INSTALLATION	A
1	0100011	AR	Compound, Locking	
2	0100020	AR	Sealant, Pipe	
3	0641409	1	Bolt 1/4 x 1-1/8	
4	0641410	4	Bolt 1/4 x 1-1/4	
5	0641608	1	Bolt 3/8 x 1	
6	0641610	3	Bolt 3/8 x 1-1/4	
7	0641808	2	Bolt 1/2 x 1	
8	0642010	1	Bolt 5/8 x 1-1/4	
9	0681608	3	Bolt 3/8 x 1	
10	1060637	1	Lanyard	
11	1320022	5	Clamp	
12	1320176	1	Clamp	
13	1320224	1	Clamp	
14	1701505	1	Decal - Diesel	
15	2180348	1	Fitting, Straight NPTF/Barbed	
16	2220313	1	Fitting, 90 NPTF/Barbed	
17	2221176	1	Fitting, 90	
18	2720058	30 ft/9 m	Hose	
19	2750532	3.5 ft/1 m	Hose	
20	3311405	1	Nut 1/4	
21	3311605	2	Nut 3/8	
22	3311801	1	Nut 1/2	
23	3422446	1	Pin	
24	3841143	1	Pin, Keeper	
25	3960548	4 ft/1.5 m	Seal	
26	3960549	11 in/28 cm	Seal	
27	4711400	6	Washer 1/4	
28	4751600	7	Washer 3/8	
29	4751800	1	Washer 1/2	
30	4752000	1	Washer 5/8	
31	8406102	1	Clip	
32	1001101600	1	Tube, Exhaust	
33	1001110425	1	Spacer	
34	1001151070	1	Plate	
35	1001155143	1	Battery Cable Kit	D
35A	7027092	1	Cable, Battery (Black) (Battery - to Tray Pivot and Relay Grds)	
35B	8270147	1	Terminal, Battery (With Boot)	
35C	7027093	1	Cable, Battery (Black) (Battery - to Aux Pump and Relay Grds)	
35D	7027053	1	Cable, Battery (Black) (Engine to Tray Pivot Grd)	
35E	7027094	1	Cable (Red) (Battery + to Aux Relay/Power Module/Starter)	
35F	7027095	1	Cable (Red) (Aux Relay to Aux Pump)	
36	1001162497	1	Bracket	
37	1001296316	1	Engine and Pump Assembly without Arctic Package (See Separate Breakdown in this Section)	

SECTION 3 - ENGINE

FIGURE 3-2. DEUTZ D2011 ENGINE INSTALLATION (WITH ARCTIC PACKAGE)



ART_1001296320

SECTION 3 - ENGINE

FIGURE 3-2. DEUTZ D2011 ENGINE INSTALLATION (WITH ARCTIC PACKAGE)

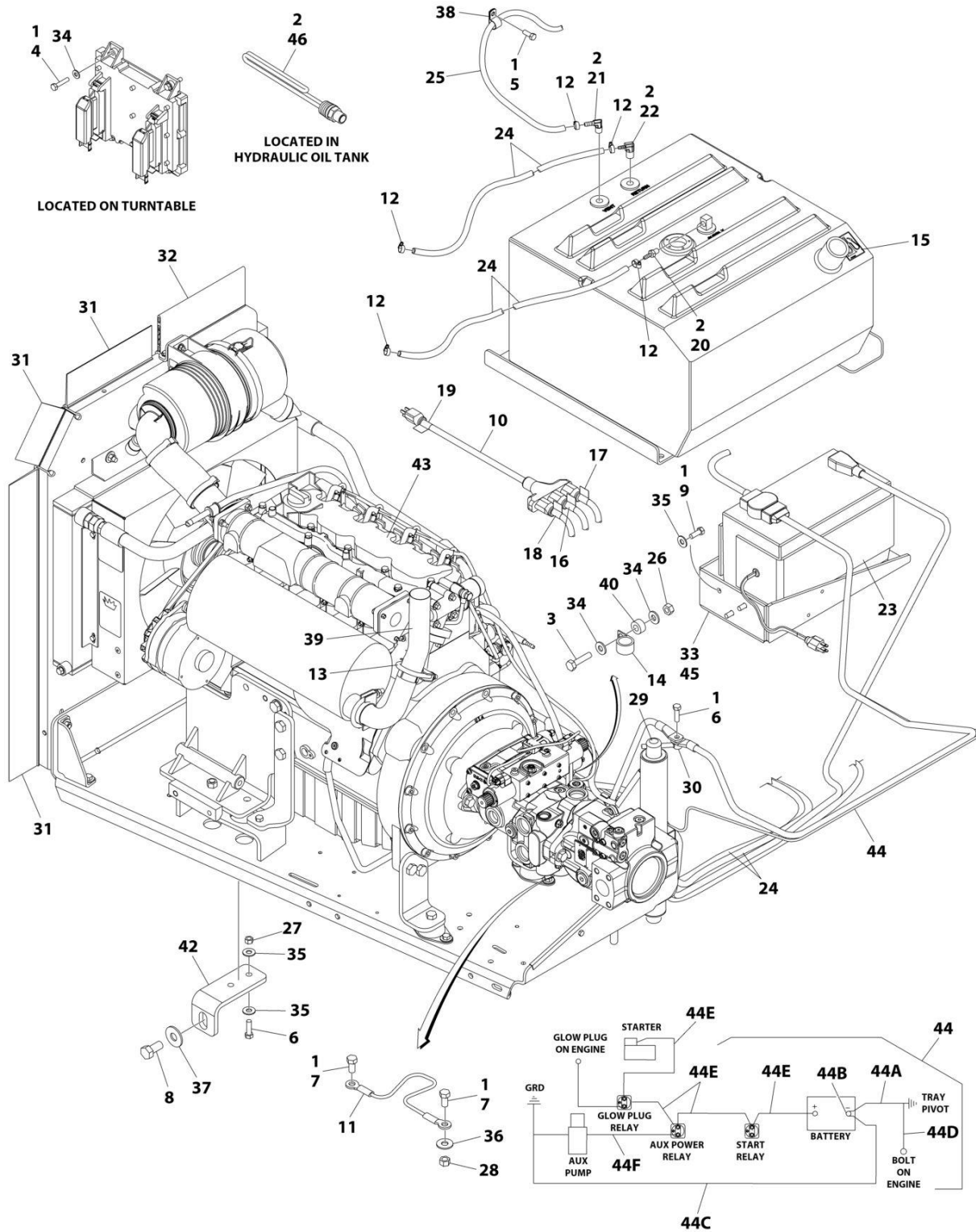
ITEM	PART NUMBER	QTY	DESCRIPTION	REV
	1001296320	Ref	DEUTZ D2011 ENGINE INSTALLATION	A
1	0100011	AR	Compound, Locking	
2	0100020	AR	Sealant, Pipe	
3	0641409	1	Bolt 1/4 x 1-1/8	
4	0641410	4	Bolt 1/4 x 1-1/4	
5	0641608	1	Bolt 3/8 x 1	
6	0641610	3	Bolt 3/8 x 1-1/4	
7	0641808	2	Bolt 1/2 x 1	
8	0642010	1	Bolt 5/8 x 1-1/4	
9	0681608	3	Bolt 3/8 x 1	
10	1060626	1	Cord, 3 Way Extension	
11	1060637	1	Lanyard	
12	1320022	5	Clamp	
13	1320176	1	Clamp	
14	1320224	1	Clamp	
15	1701505	1	Decal - Diesel	
16	1702941	1	Decal - Battery Heater	
17	1702942	1	Decal - Engine Block Heater	
18	1702943	1	Decal - Hydraulic Tank Heater	
19	1702944	1	Decal - Heater Cord	
20	2180348	1	Fitting, Straight NPTF/Barbed	
21	2220313	1	Fitting, 90 NPTF/Barbed	
22	2221176	1	Fitting, 90	
23	2580024	1	Heater, Battery	
24	2720058	30 ft/9 m	Hose	
25	2750532	3.5 ft/1 m	Hose	
26	3311405	1	Nut 1/4	
27	3311605	2	Nut 3/8	
28	3311801	1	Nut 1/2	
29	3422446	1	Pin, Pivot	
30	3841143	1	Pin, Keeper	
31	3960548	4 ft/1.5 m	Seal	
32	3960549	11 in/28 cm	Seal	
33	3980007	1	Seat, Battery	
34	4711400	6	Washer 1/4	
35	4751600	7	Washer 3/8	
36	4751800	1	Washer 1/2	
37	4752000	1	Washer 5/8	
38	8406102	1	Clip	
39	1001101600	1	Tube, Exhaust	
40	1001110425	1	Spacer	
41	1001150918	1	Cable, Immersion Heater (Not Shown)	
42	1001151070	1	Plate	
43	1001155143	1	Battery Cable Kit	
43A	7027092	1	Cable, Battery (Black) (Battery - to Tray Pivot and Relay Grds)	
43B	8270147	1	Terminal, Battery (With Boot)	
43C	7027093	1	Cable, Battery (Black) (Battery - to Aux Pump and Relay Grds)	
43D	7027053	1	Cable, Battery (Black) (Engine to Tray Pivot Grd)	
43E	7027094	1	Cable (Red) (Battery + to Aux Relay/Power Module/Starter)	

SECTION 3 - ENGINE

ITEM	PART NUMBER	QTY	DESCRIPTION	REV
43F	7027095	1	Cable (Red) (Aux Relay to Aux Pump)	
44	1001162497	1	Bracket	
45	1001188972	1	Heater, Hydraulic Tank	
46	1001296318	1	Engine and Pump Assembly with Arctic Package (See Separate Breakdown in this Section)	

SECTION 3 - ENGINE

FIGURE 3-3. DEUTZ D2011 ENGINE INSTALLATION - (WITH ARCTIC PACKAGE) (WITH 47.8 GAL CAPACITY HYDRAULIC TANK)



ART_1001287834

SECTION 3 - ENGINE

FIGURE 3-3. DEUTZ D2011 ENGINE INSTALLATION - (WITH ARCTIC PACKAGE) (WITH 47.8 GAL CAPACITY HYDRAULIC TANK)

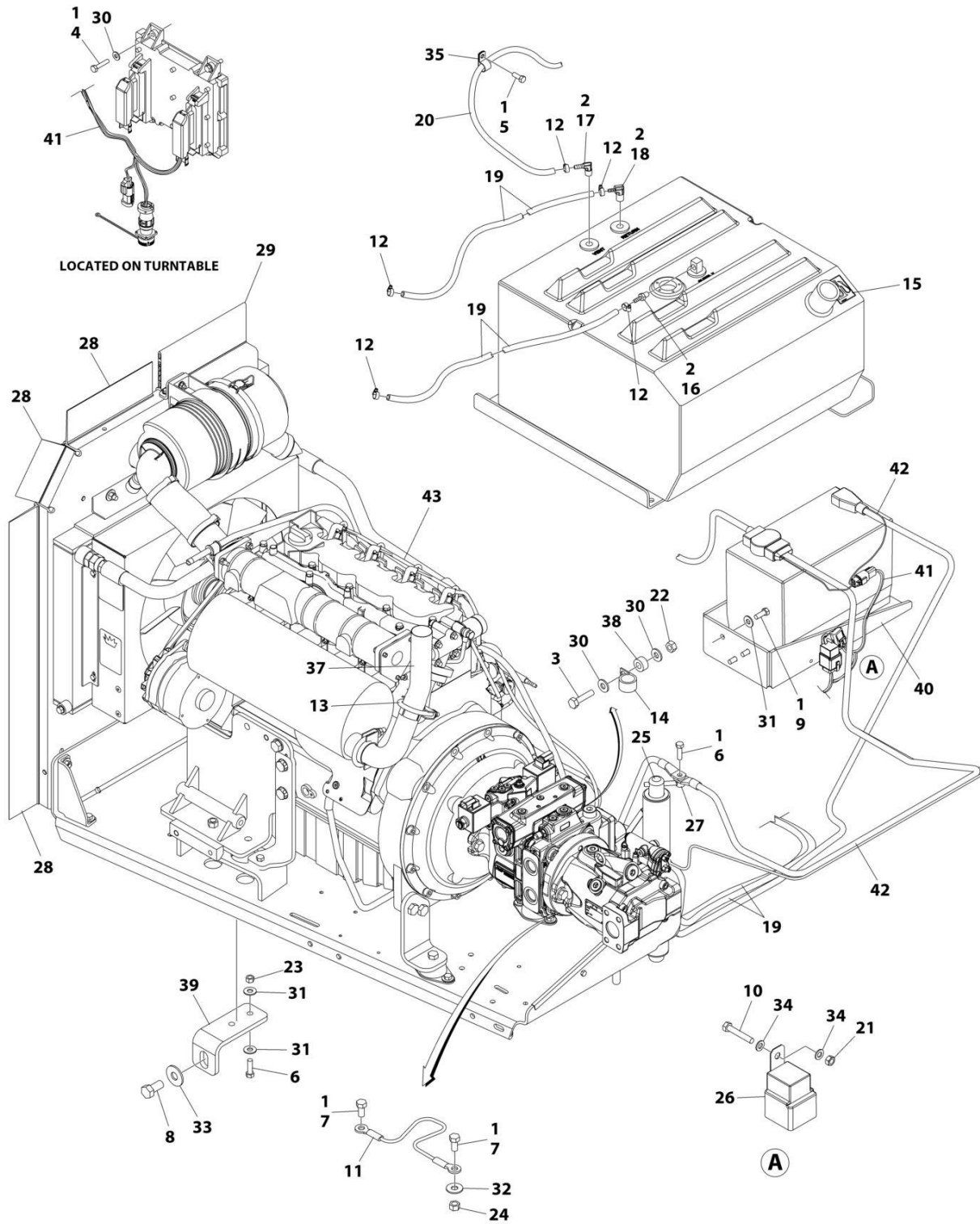
ITEM	PART NUMBER	QTY	DESCRIPTION	REV
	1001287834	Ref	DEUTZ D2011 ENGINE INSTALLATION	A
1	0100011	AR	Compound, Locking	
2	0100020	AR	Sealant, Pipe	
3	0641409	1	Bolt 1/4 x 1-1/8	
4	0641410	4	Bolt 1/4 x 1-1/4	
5	0641608	1	Bolt 3/8 x 1	
6	0641610	3	Bolt 3/8 x 1-1/4	
7	0641808	2	Bolt 1/2 x 1	
8	0642010	1	Bolt 5/8 x 1-1/4	
9	0681608	3	Bolt 3/8 x 1 Grade 8	
10	1060626	1	Cord, 3 Way Extension	
11	1060637	1	Cable, Lanyard	
12	1320022	5	Clamp, Hose	
13	1320176	1	Clamp	
14	1320224	1	Clamp	
15	1701505	1	Decal - Diesel	
16	1702941	1	Decal - Battery Heater	
17	1702942	1	Decal - Engine Block Heater	
18	1702943	1	Decal - Hydraulic Tank Heater	
19	1702944	1	Decal - Heater Cord	
20	2180348	1	Fitting, Straight Barbed	
21	2220313	1	Fitting, Elbow	
22	2221176	1	Fitting, Elbow Barbed	
23	2580024	1	Heater, Battery	
24	2720058	30 ft/ 9.2m	Hose	
25	2750532	3.6 ft/ 1m	Hose	
26	3311405	1	Nut 1/4	
27	3311605	2	Nut 3/8	
28	3311801	1	Nut 1/2	
29	3422446	1	Pin, Pivot	
30	3841143	1	Pin, Keeper	
31	3960548	44 in/ 1.1m	Seal	
32	3960549	11 in/ 28cm	Seal	
33	3980007	1	Seat, Battery	
34	4711400	6	Washer 1/4	
35	4751600	7	Washer 3/8	
36	4751800	1	Washer 1/2	
37	4752000	1	Washer 5/8	
38	8406102	1	Clip	
39	1001101600	1	Tube, Exhaust	
40	1001110425	1	Spacer	
41	1001150918	1	Cable, Immersion Heater (Not Shown)	
42	1001151070	1	Plate	
43	1001154237	1	Engine and Pump Assembly with Arctic Package (See Separate Breakdown in this Section)	
44	1001155143	1	Battery Cable Kit	
44A	7027092	1	Cable, Battery (Black) (Battery - to Tray Pivot and Relay Grds)	

SECTION 3 - ENGINE

ITEM	PART NUMBER	QTY	DESCRIPTION	REV
44B	8270147	1	Terminal, Battery (With Boot) Cable, Battery (Black)	
44C	7027093	1	Cable, Battery (Black) (Battery - to Aux Pump Ground)	
44D	7027053	1	Cable, Battery (Black) (Engine to Tray Pivot Grd)	
44E	7027094	1	Cable (Red) (Battery + to Relays/Starter)	
44F	7027095	1	Cable (Red) (Aux Relay to Aux Pump)	
45	1001162497	1	Bracket	
46	1001188972	1	Heater, Hydraulic Tank	

SECTION 3 - ENGINE

FIGURE 3-4. DEUTZ D2011 ENGINE INSTALLATION (HIGH TEMP MARKETS)



ART_1001296323

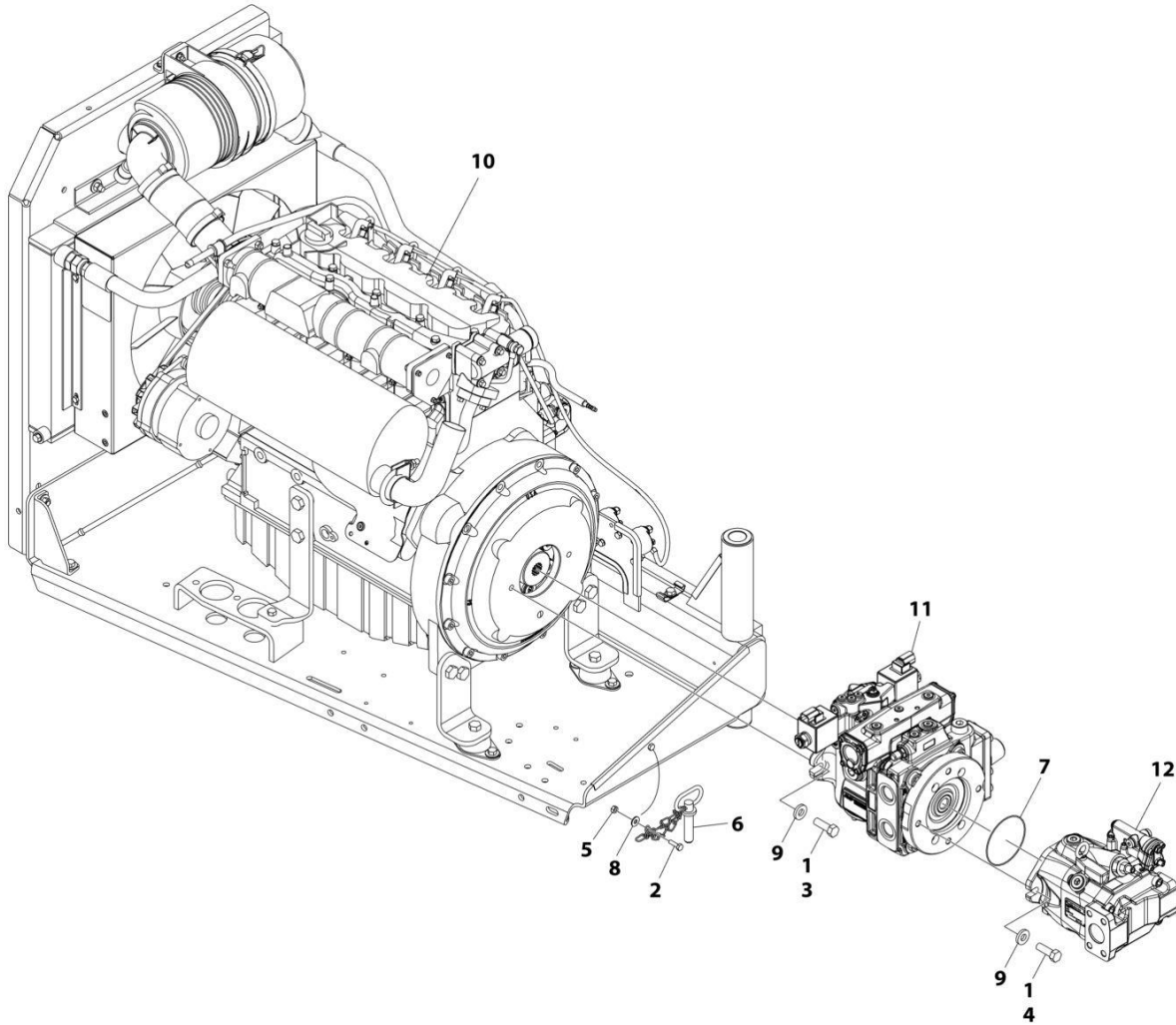
SECTION 3 - ENGINE

FIGURE 3-4. DEUTZ D2011 ENGINE INSTALLATION (HIGH TEMP MARKETS)

ITEM	PART NUMBER	QTY	DESCRIPTION	REV
	1001296323	Ref	DEUTZ D2011 ENGINE INSTALLATION	A
1	0100011	AR	Compound, Locking	
2	0100020	AR	Sealant, Pipe	
3	0641409	1	Bolt 1/4 x 1-1/8	
4	0641410	4	Bolt 1/4 x 1-1/4	
5	0641608	1	Bolt 3/8 x 1	
6	0641610	3	Bolt 3/8 x 1-1/4	
7	0641808	2	Bolt 1/2 x 1	
8	0642010	1	Bolt 5/8 x 1-1/4	
9	0681608	3	Bolt 3/8 x 1	
10	0760514	1	Bolt M5 x 30	
11	1060637	1	Lanyard	
12	1320022	5	Clamp	
13	1320176	1	Clamp	
14	1320224	1	Clamp	
15	1701505	1	Decal - Diesel	
16	2180348	1	Fitting, Straight NPTF/Barbed	
17	2220313	1	Fitting, 90 NPTF/Barbed	
18	2221176	1	Fitting, 90	
19	2720058	30 ft/9 m	Hose	
20	2750532	3.5 ft/1 m	Hose	
21	3290501	1	Nut M5	
22	3311405	1	Nut 1/4	
23	3311605	2	Nut 3/8	
24	3311801	1	Nut 1/2	
25	3422446	1	Pin	
26	3740080	1	Relay	
27	3841143	1	Pin, Keeper	
28	3960548	4 ft/1.5 m	Seal	
29	3960549	11 in/28 cm	Seal	
30	4711400	6	Washer 1/4	
31	4751600	7	Washer 3/8	
32	4751800	1	Washer 1/2	
33	4752000	1	Washer 5/8	
34	4811600	2	Washer M5	
35	8406102	1	Clip	
36	1001004720	AR	Tie-Strap (Not Shown)	
37	1001101600	1	Tube, Exhaust	
38	1001110425	1	Spacer	
39	1001151070	1	Plate	
40	1001162497	1	Bracket	
41	1001243366	1	ECU Jumper Harness	
42	1001243992	1	Battery Cable Kit	
43	1001296316	1	Engine and Pump Assembly without Arctic Package (See Separate Breakdown in this Section)	

SECTION 3 - ENGINE

FIGURE 3-5. DEUTZ D2011 ENGINE/PUMP SUB-ASSEMBLY (WITHOUT ARCTIC PACKAGE)



ART_1001296316

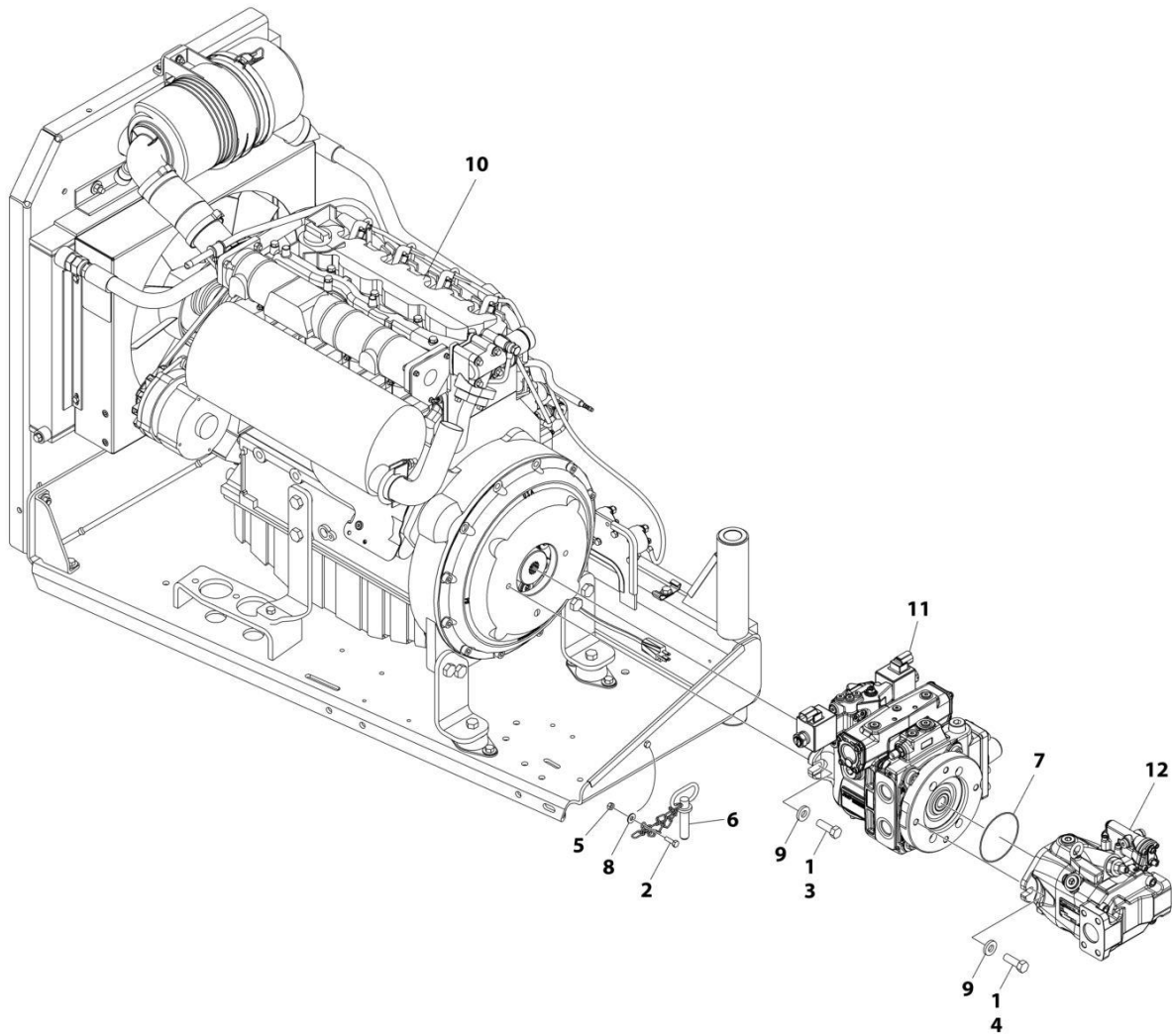
SECTION 3 - ENGINE

FIGURE 3-5. DEUTZ D2011 ENGINE/PUMP SUB-ASSEMBLY (WITHOUT ARCTIC PACKAGE)

ITEM	PART NUMBER	QTY	DESCRIPTION	REV
	1001296316	Ref	DEUTZ D2011 ENGINE/PUMP SUB-ASSEMBLY	A
1	0100011	AR	Compound, Locking	
2	0641407	1	Bolt 1/4 x 7/8	
3	0641812	2	Bolt 1/2 x 1-1/2	
4	0711215	2	Bolt M12 x 35	
5	3311405	1	Nut 1/4	
6	3422532	1	Pin, Hitch	
7	3790044	1	O-Ring	
8	4751400	1	Washer 1/4	
9	4891800	4	Washer 1/2	
10	1001153396	1	Engine Assembly Without Arctic Package (See Separate Breakdown in this Section)	
11	1001276376	1	Hydrostatic Pump Assembly with Fittings (See Separate Breakdown in this Section)	
12	1001276377	1	Variable Pump Assembly with Fittings (See Separate Breakdown in this Section)	

SECTION 3 - ENGINE

FIGURE 3-6. DEUTZ D2011 ENGINE/PUMP SUB-ASSEMBLY (WITH ARCTIC PACKAGE)



ART_1001296318

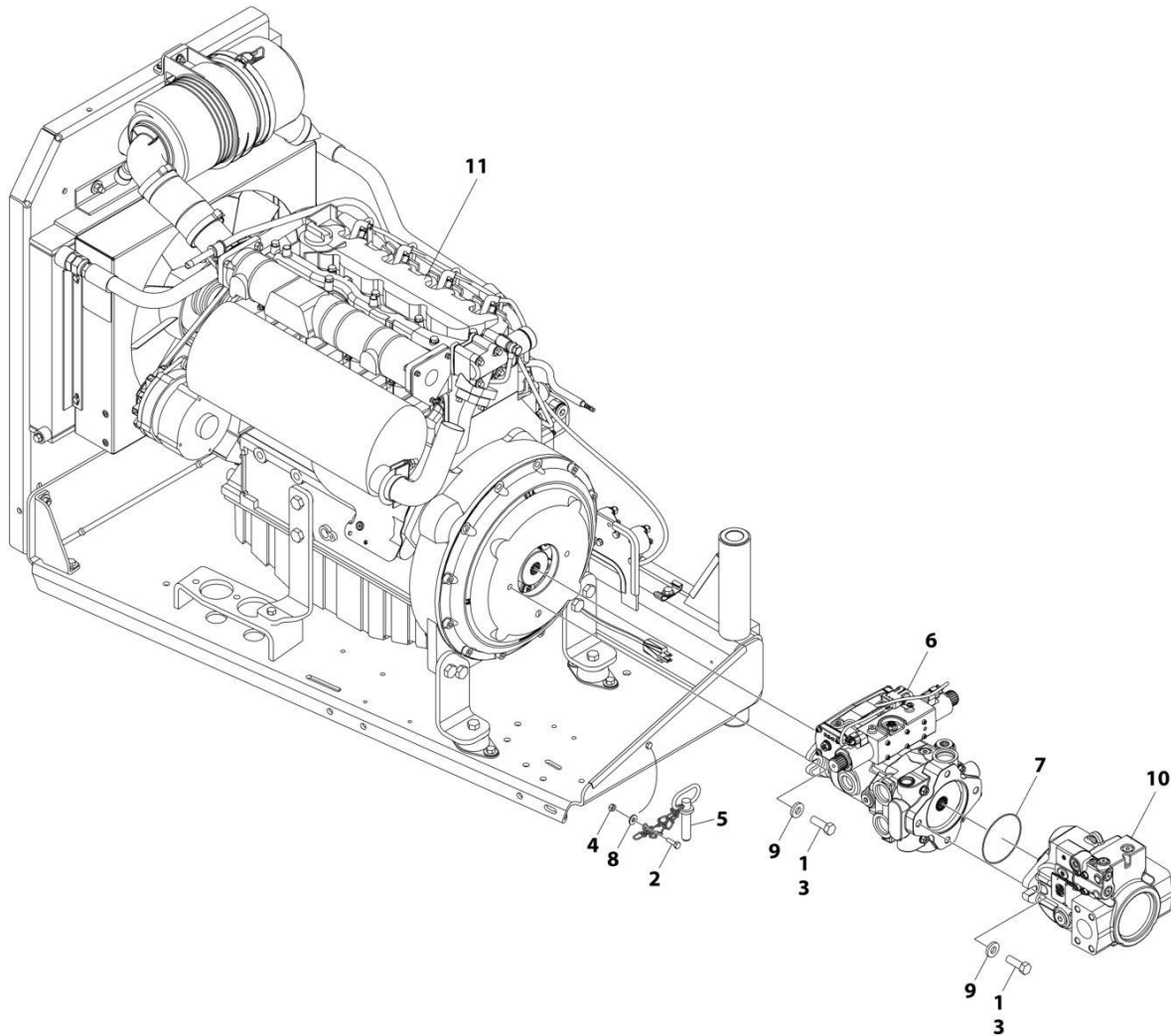
SECTION 3 - ENGINE

FIGURE 3-6. DEUTZ D2011 ENGINE/PUMP SUB-ASSEMBLY (WITH ARCTIC PACKAGE)

ITEM	PART NUMBER	QTY	DESCRIPTION	REV
	1001296318	Ref	DEUTZ D2011 ENGINE/PUMP SUB-ASSEMBLY	A
1	0100011	AR	Compound, Locking	
2	0641407	1	Bolt 1/4 x 7/8	
3	0641812	2	Bolt 1/2 x 1-1/2	
4	0711215	2	Bolt M12 x 35	
5	3311405	1	Nut 1/4	
6	3422532	1	Pin	
7	3790044	1	O-Ring	
8	4751400	1	Washer 1/4	
9	4891800	4	Washer 1/2	
10	1001153779	1	Engine Assembly With Arctic Package (See Separate Breakdown in this Section)	
11	1001276376	1	Hydrostatic Pump Assembly with Fittings (See Separate Breakdown in this Section)	
12	1001276377	1	Variable Pump Assembly with Fittings (See Separate Breakdown in this Section)	

SECTION 3 - ENGINE

FIGURE 3-7. DEUTZ D2011 ENGINE AND PUMP SUB-ASSEMBLY - (WITH ARCTIC PACKAGE) (WITH 47.8 GAL CAPACITY HYDRAULIC TANK)



ART_1001154237

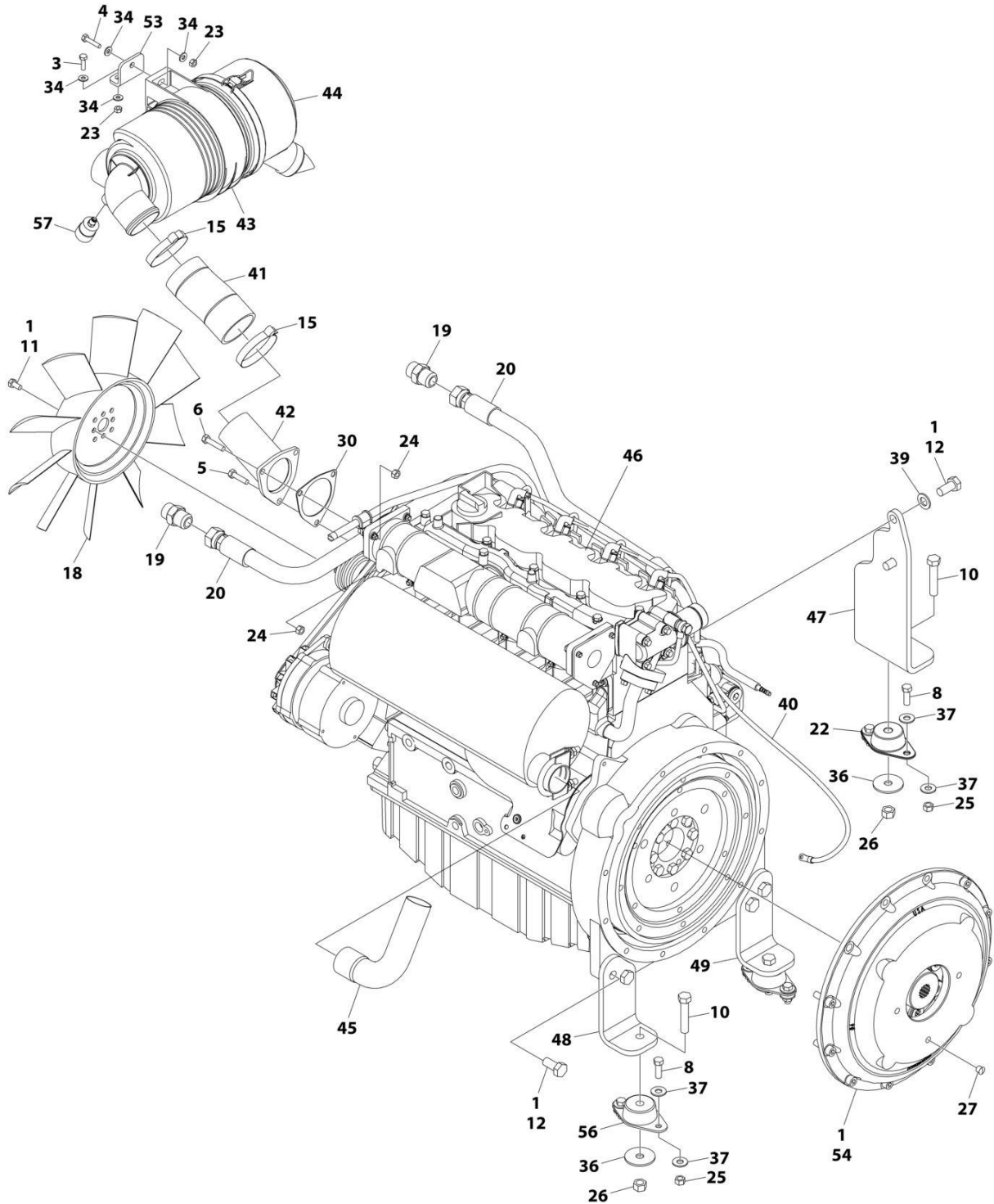
SECTION 3 - ENGINE

FIGURE 3-7. DEUTZ D2011 ENGINE AND PUMP SUB-ASSEMBLY - (WITH ARCTIC PACKAGE) (WITH 47.8 GAL CAPACITY HYDRAULIC TANK)

ITEM	PART NUMBER	QTY	DESCRIPTION	REV
	1001154237	Ref	DEUTZ D2011 ENGINE AND PUMP SUB-ASSEMBLY (WITH ARCTIC PACKAGE)	D
1	0100011	AR	Compound, Locking	
2	0641407	1	Bolt 1/4 x 7/8	
3	0641812	4	Bolt 1/2 x 1-1/2	
4	3311405	1	Nut 1/4	
5	3422532	1	Pin, Hitch	
6	1001225745	1	Hydrostatic Pump Assembly with Fittings (See Separate Breakdown in this Section)	
7	3790044	1	O-Ring	
8	4751400	1	Washer 1/4	
9	4891800	4	Washer 1/2	
10	1001094595	1	Variable Pump Assembly with Fittings (See Separate Breakdown in this Section)	
11	1001153779	1	Engine Assembly With Arctic Package (See Separate Breakdown in this Section)	

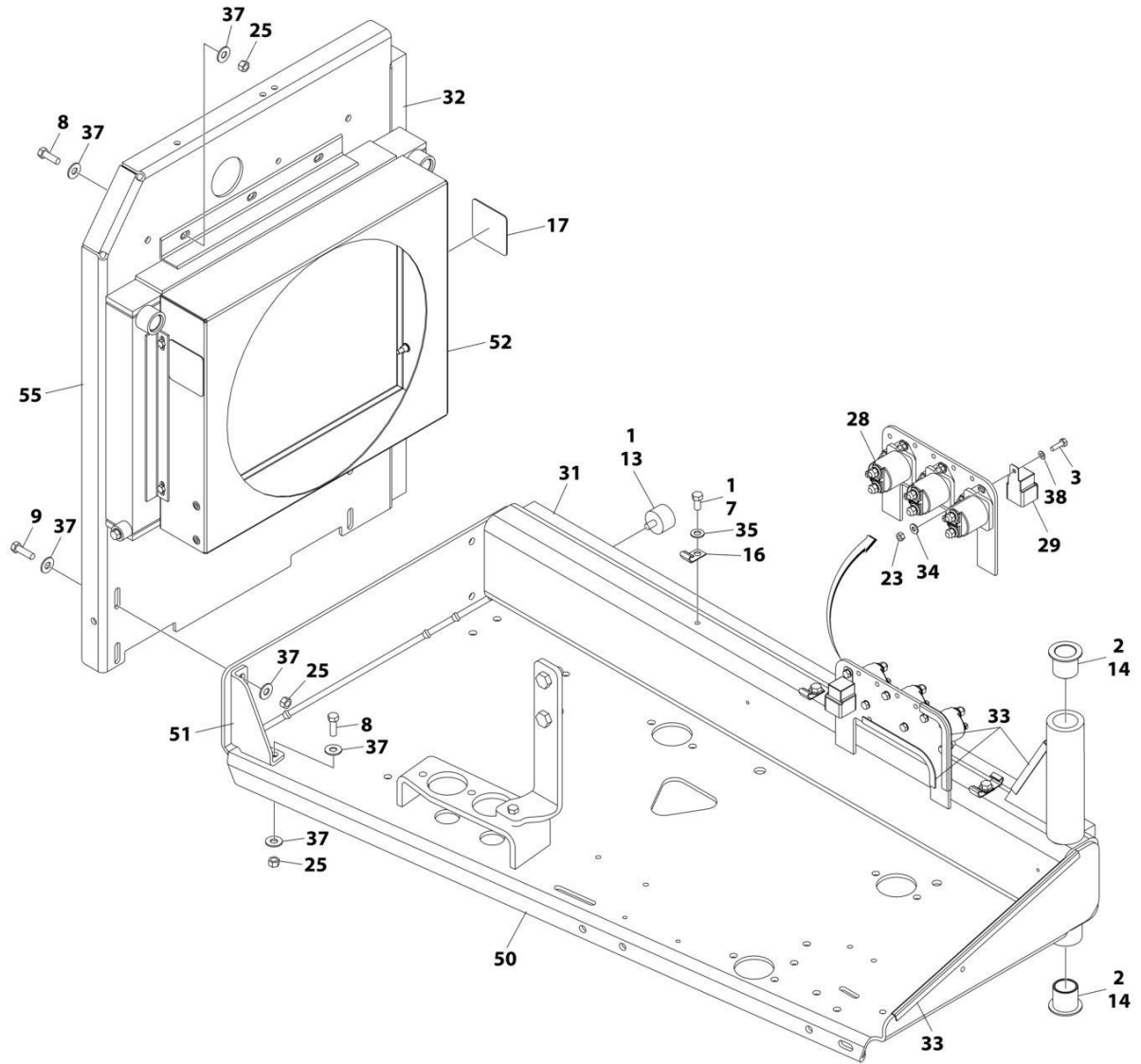
SECTION 3 - ENGINE

FIGURE 3-8. DEUTZ D2011 ENGINE ASSEMBLY (WITHOUT ARCTIC PACKAGE)



ART_1001153396_10F2

SECTION 3 - ENGINE



ART_1001153396_20F2

SECTION 3 - ENGINE

FIGURE 3-8. DEUTZ D2011 ENGINE ASSEMBLY (WITHOUT ARCTIC PACKAGE)

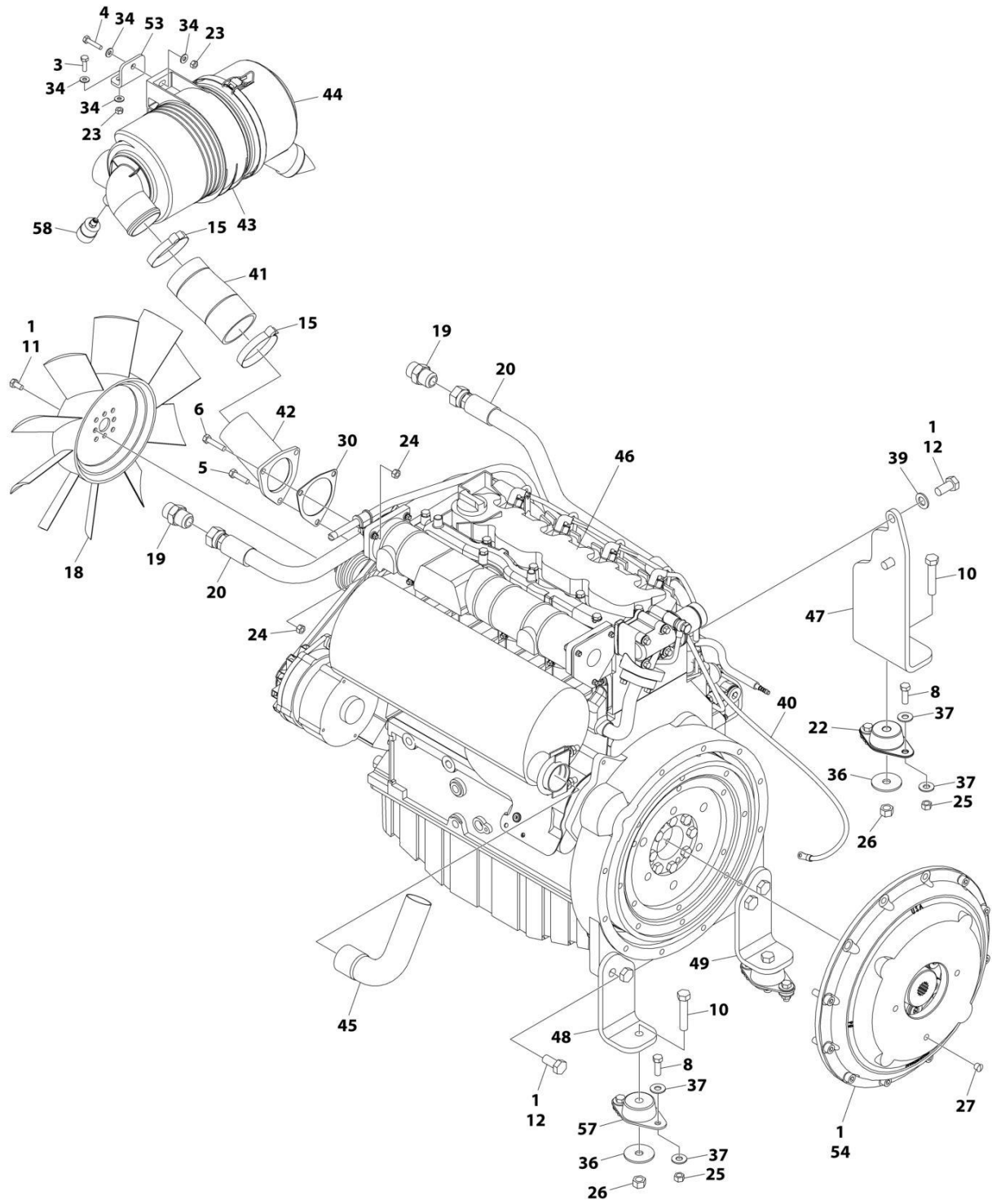
ITEM	PART NUMBER	QTY	DESCRIPTION	REV
	1001153396	Ref	ENGINE ASSEMBLY WITHOUT ARCTIC PACKAGE	H
1	0100011	AR	Compound, Locking	
2	0100062	AR	Compound, Locking	
3	0641407	8	Bolt 1/4 x 7/8	
4	0641410	2	Bolt 1/4 x 1-1/4	
5	0641510	2	Bolt 5/16 x 1-1/4	
6	0641512	1	Bolt 5/16 x 1-1/2	
7	0641606	3	Bolt 3/8 x 3/4	
8	0641609	14	Bolt 3/8 x 1-1/8	
9	0641610	4	Bolt 3/8 x 1-1/4	
10	0641820	3	Bolt 1/2 x 2-1/2	
11	0700808	4	Bolt M8 x 16	
12	0771414	6	Bolt M14 x 30	
13	0940070	1	Bumper	
14	0961986	2	Bushing, Flanged	
15	1320016	2	Clamp	
16	1320223	4	J-Clip	
17	1703162	2	Decal - Caution Fan Blade	
18	2060025	1	Fan	
19	2220451	2	Fitting, Straight	
20	2720398	2	Hose, Oil Cooler	
22	3200406	1	Mount, Motor	
23	3311405	10	Nut 1/4	
24	3311505	3	Nut 5/16	
25	3311605	18	Nut 3/8	
26	3311805	3	Nut 1/2	
27	3520054	2	Plug	
28	3740067	3	Relay	
29	3740080	1	Relay	
30	3960407	1	Gasket, Air Intake	
31	3960468	1	Seal	
32	3960469	1	Seal	
33	4060805	37 in/1m	Flex-Trim	
34	4711400	14	Washer 1/4	
35	4711600	3	Washer 3/8	
36	4740274	3	Washer, Snubbing	
37	4751600	36	Washer 3/8	
38	4791400	6	Washer, Star 1/4	
39	4812200	2	Washer M14	
40	4923379	1	Harness, Glow Plug	
41	1001001939	1	Hose, Flex	
42	1001146273	1	Adapter, Air Intake	
43	1001147812	1	Clamp	
44	1001147813	1	Air Cleaner Assembly Filter Element	
44	70004020	1	Element, Filter (Not Shown)	
45	1001147820	1	Pipe, Exhaust	
46	1001147823	1	Engine, Deutz D2011 (See Separate Breakdown in this section)	
47	1001149704	1	Support, Engine	
48	1001149705	1	Support, Engine	
49	1001149706	1	Support, Engine	

SECTION 3 - ENGINE

ITEM	PART NUMBER	QTY	DESCRIPTION	REV
50	1001149793	1	Tray, Engine	
51	1001150915	1	Gusset	
52	1001150998	1	Radiator	
53	1001152459	1	Plate, Air Cleaner Mounting	
54	1001153282	1	Pump Coupling Kit (See Separate Breakdown in this section)	
55	1001153414	1	Plate, Radiator Mounting	
56	3200401	2	Mount, Motor	
57	1001143390	1	Indicator	

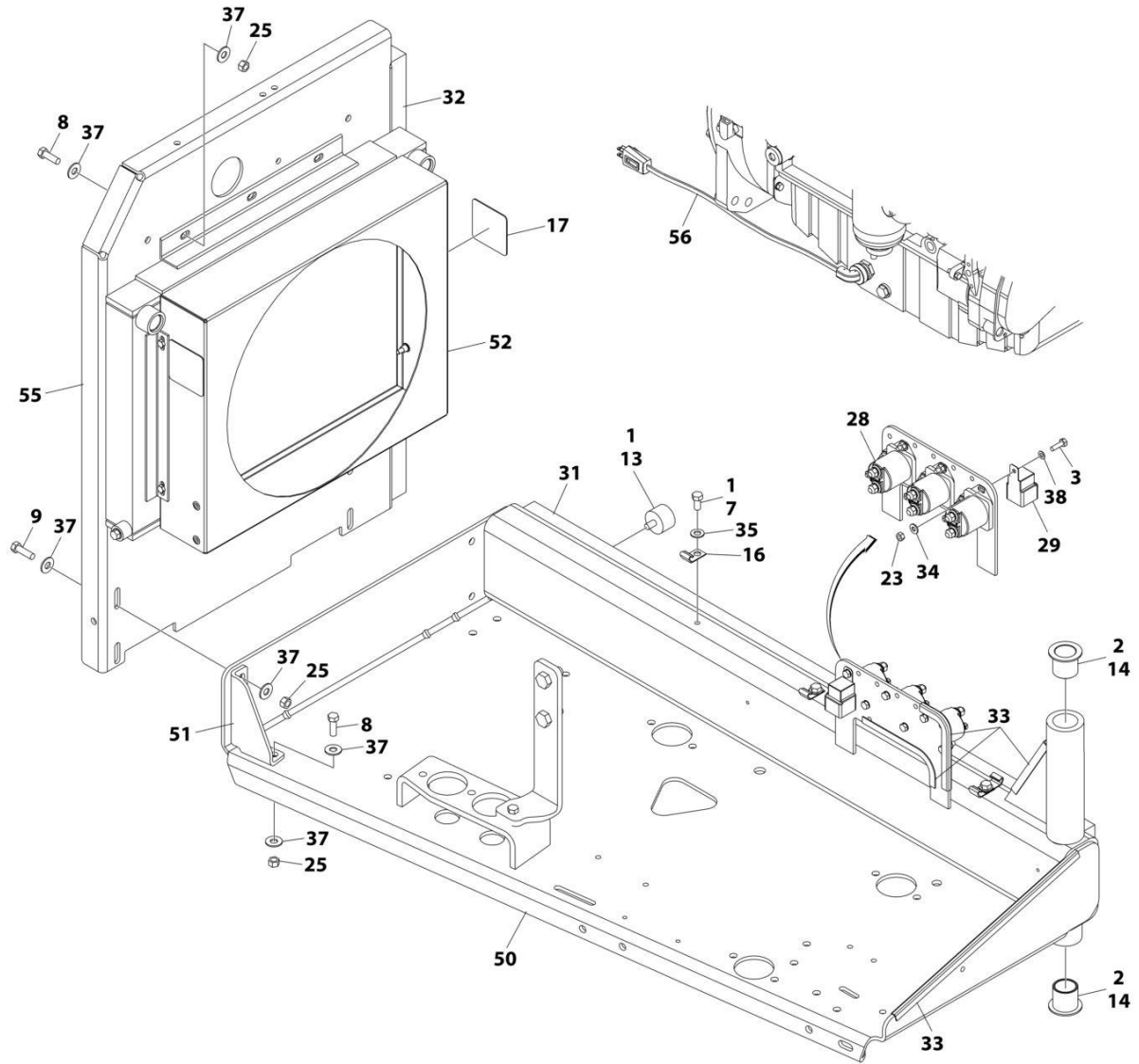
SECTION 3 - ENGINE

FIGURE 3-9. DEUTZ D2011 ENGINE ASSEMBLY (WITH ARCTIC PACKAGE)



ART_1001153779_10F2

SECTION 3 - ENGINE



ART_1001153779_2OF2

SECTION 3 - ENGINE

FIGURE 3-9. DEUTZ D2011 ENGINE ASSEMBLY (WITH ARCTIC PACKAGE)

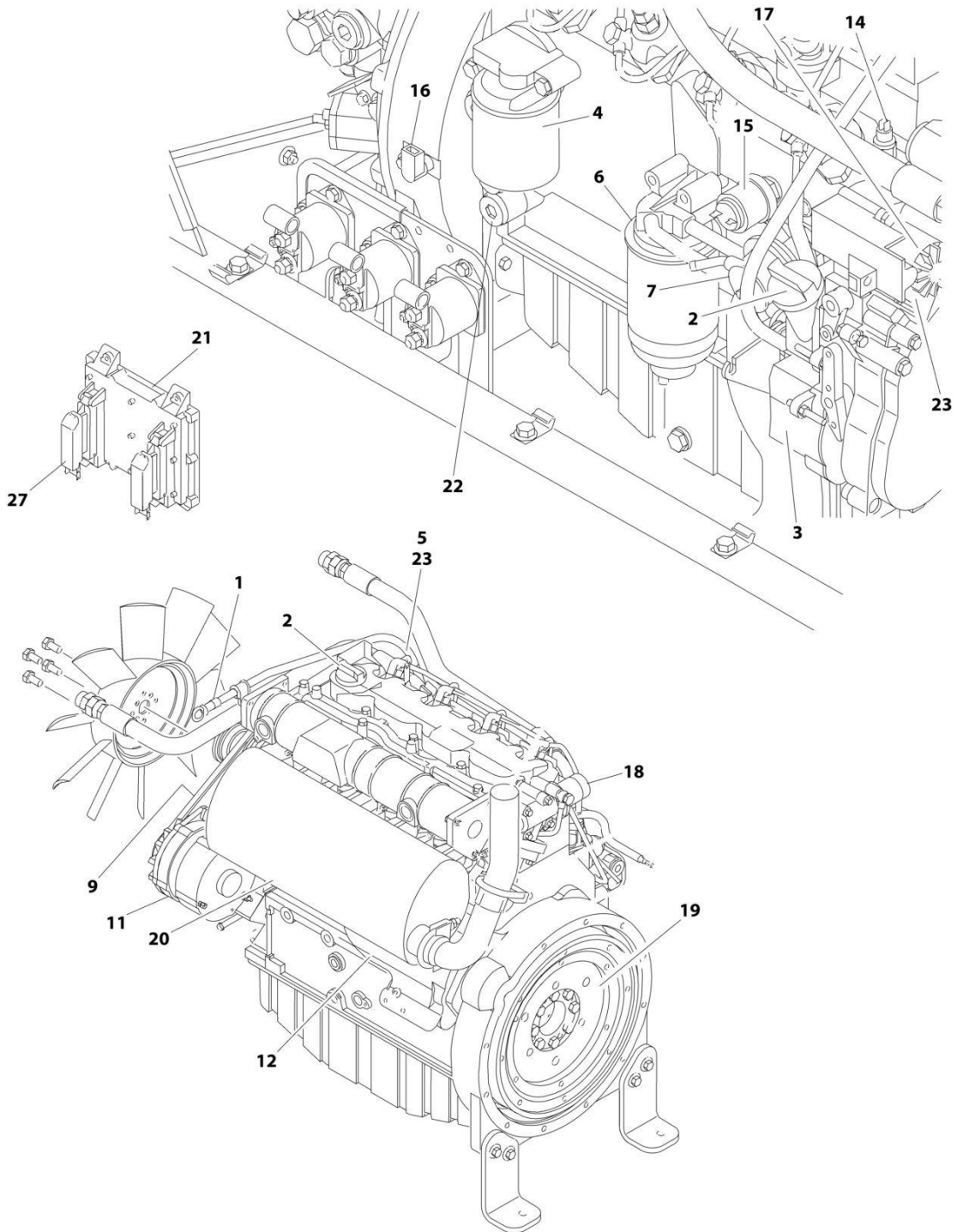
ITEM	PART NUMBER	QTY	DESCRIPTION	REV
	1001153779	Ref	ENGINE ASSEMBLY WITH ARCTIC PACKAGE	H
1	0100011	AR	Compound, Locking	
2	0100062	AR	Compound, Locking	
3	0641407	8	Bolt 1/4 x 7/8	
4	0641410	2	Bolt 1/4 x 1-1/4	
5	0641510	2	Bolt 5/16 x 1-1/4	
6	0641512	1	Bolt 5/16 x 1-1/2	
7	0641606	3	Bolt 3/8 x 3/4	
8	0641609	14	Bolt 3/8 x 1-1/8	
9	0641610	4	Bolt 3/8 x 1-1/4	
10	0641820	3	Bolt 1/2 x 2-1/2	
11	0700808	4	Bolt M8 x 16	
12	0771414	6	Bolt M14 x 30	
13	0940070	1	Bumper	
14	0961986	2	Bushing, Flanged	
15	1320016	2	Clamp	
16	1320223	4	J-Clip	
17	1703162	2	Decal - Caution Fan Blade	
18	2060025	1	Fan	
19	2220451	2	Fitting, Straight	
20	2720398	2	Hose, Oil Cooler	
22	3200406	1	Mount, Motor	
23	3311405	10	Nut 1/4	
24	3311505	3	Nut 5/16	
25	3311605	18	Nut 3/8	
26	3311805	3	Nut 1/2	
27	3520054	2	Plug	
28	3740067	3	Relay	
29	3740080	1	Relay	
30	3960407	1	Gasket, Air Intake	
31	3960468	1	Seal	
32	3960469	1	Seal	
33	4060805	37 in/1m	Flex-Trim	
34	4711400	14	Washer 1/4	
35	4711600	3	Washer 3/8	
36	4740274	3	Washer, Snubbing	
37	4751600	36	Washer 3/8	
38	4791400	6	Washer, Star 1/4	
39	4812200	2	Washer M14	
40	4923379	1	Harness, Glow Plug	
41	1001001939	1	Hose, Flex	
42	1001146273	1	Adapter, Air Intake	
43	1001147812	1	Clamp	
44	1001147813	1	Air Cleaner Assembly Filter Element	
44	70004020	1	Element, Filter (Not Shown)	
45	1001147820	1	Pipe, Exhaust	
46	1001147823	1	Engine, Deutz D2011 (See Separate Breakdown in this Section)	
47	1001149704	1	Support, Engine	
48	1001149705	1	Support, Engine	
49	1001149706	1	Support, Engine	

SECTION 3 - ENGINE

ITEM	PART NUMBER	QTY	DESCRIPTION	REV
50	1001149793	1	Tray, Engine	
51	1001150915	1	Gusset	
52	1001150998	1	Radiator	
53	1001152459	1	Plate, Air Cleaner Mounting	
54	1001153282	1	Pump Coupling Kit (See Separate Breakdown in this Section)	
55	1001153414	1	Plate, Radiator Mounting	
56	2580062	1	Heater, Block	
57	3200401	2	Mount, Motor	
58	1001143390	1	Indicator	

SECTION 3 - ENGINE

FIGURE 3-10. DEUTZ D2011 ENGINE COMPONENTS



ART_1001147823

SECTION 3 - ENGINE

FIGURE 3-10. DEUTZ D2011 ENGINE COMPONENTS

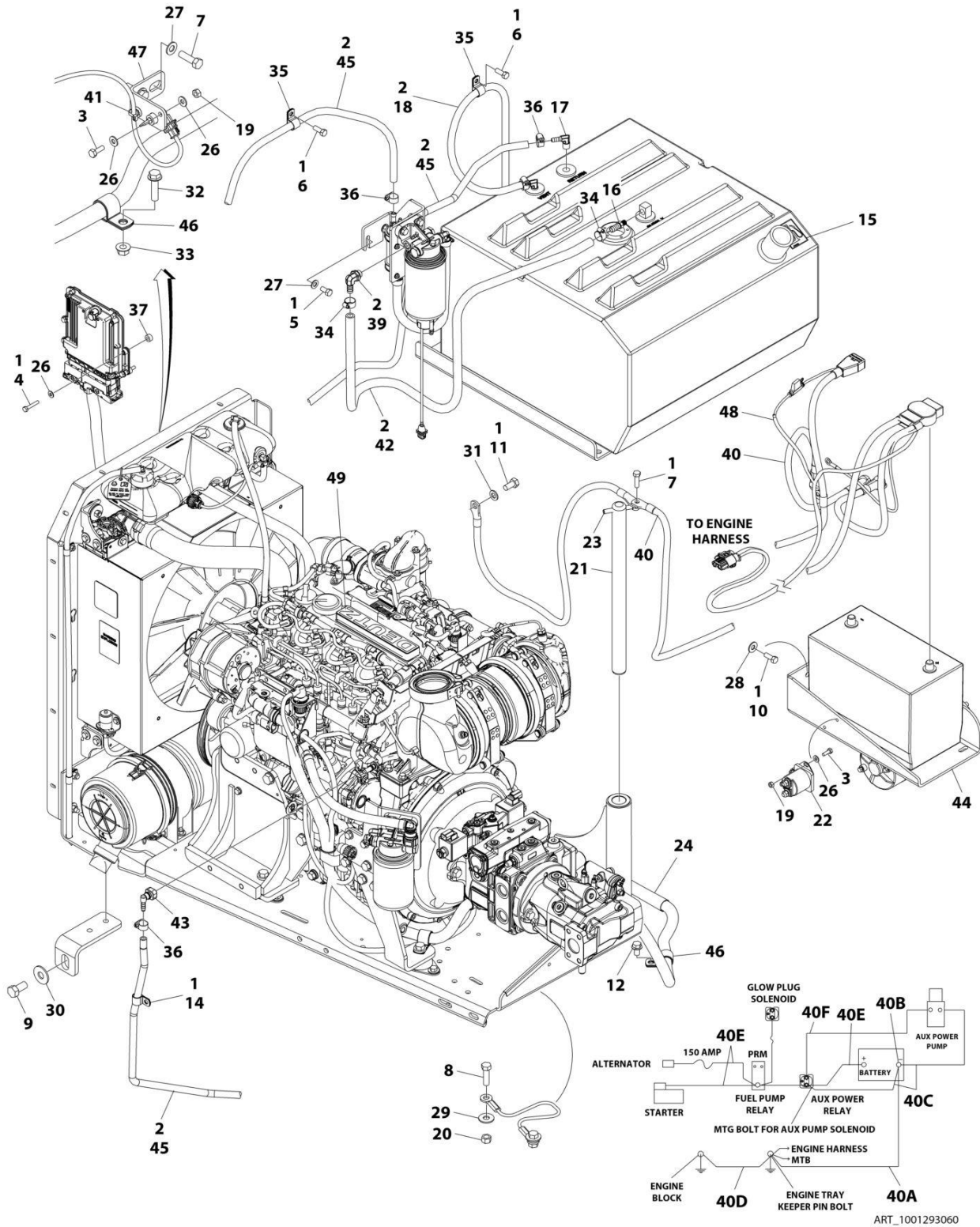
ITEM	PART NUMBER	QTY	DESCRIPTION	REV
	1001147823	Ref	ENGINE COMPONENTS	C
1	70004287	1	Dipstick	
1	70000044	1	Seal, Dipstick	
1	70001002	1	Tube, Dipstick	
1	7020403	1	Seal, Dipstick Tube	
2	7020465	2	Cap, Filler	
3	70001850	1	Pump, Oil Lube	
3	7020468	1	Seal Between Oil Pump and Engine Block (Not Shown)	
4	7016331	1	Filter, Oil	
4	70003472	1	Bracket, Oil Filter	
4	7027236	1	Sender, Temperature	
4	70025082	1	Ring, Sealing	
5	70000912	4	Series A Injector	
5	70000913	4	Series B Injector	
5	70000914	4	Series C Injector	
5	70000915	4	Series D Injector	
5	70003464	4	Seal/Gasket, Pump (1 Per Injector)	
5	70003478	4	Injector, Fuel	
5	70003136	4	Seal/Gasket, Pump (1 Per Injector)	
6	7016328	1	Filter, Fuel	
6	70003465	1	Sensor	
6	70003466	1	Seal, Sensor	
7	70000916	1	Pump, Fuel Supply	
7	70001435	1	Repair Kit for Fuel Supply Pump	
7	70000919	1	Hand Pump for Fuel Supply Pump	
7	70000917	1	O - Seal Between Fuel Pump and Engine Block	
7	70000918	1	O - Seal Between Fuel Pump and Hand Pump	
8	70001871	4	Gasket, Intake Manifold	
9	7020408	1	V-Belt	
10		Ref	Exhaust Manifold Components (Not Shown)	
10	70001835	1	Gasket, Exhaust Adapter to Exhaust Rail	
10	70001841	1	Valve, Exhaust (Fits into Exhaust Adapter)	
10	70001836	1	Gasket, Exhaust Rail to Cylinder Head	
10	70001837	1	Gasket, Exhaust Manifold to Muffler	
10	70002200	4	Stud, Mounting	
10	See Note	AR	Nut, Exhaust Manifold	
11	70004056	1	Alternator	
11	70001868	1	Regulator, Voltage (Not Shown)	
11	70001866	1	Seal, Gasket for Voltage Regulator (Not Shown)	
11	70002234	1	Bar, Alternator Adjustment	
12	7020479	1	Starter	
12	70004058	1	Relay	
13	70004060	2	Plug-In Connector	
14	7027791	1	Transmitter, Temperature	
15	7027790	1	Sensor, Oil Pressure	
16	70004272	1	Sensor, Speed	
17	7027792	1	Throttle Actuator	
17	7027276	2	Spring	
18	70003475	1	Thermostat (Located at rear of engine block - Not Shown)	
19	70001870	1	Flywheel with Ring Gear	

SECTION 3 - ENGINE

ITEM	PART NUMBER	QTY	DESCRIPTION	REV
19	7024579	1	Gear, Ring 110 Tooth	
20	7000695	1	Muffler	
20	70001844	1	U-Ciamp	
20	7020471	4	Gasket	
21	7027795	1	Module, Control	
22	70001181	1	Valve, Pressure Control	
22	70124410	1	Spring	
22	70025082	1	Seal	
22	70124440	1	Screw, Locking	
23	70000345	4	Plug, Glow	
24	70000800	1	Camshaft Pulley Repair Kit (Not Shown)	
26	70002415	1	Gasket, Head with 1 Notch (Not Shown)	
62	70002416	1	Gasket, Head with 2 Notch (Not Shown)	
26	70002417	1	Gasket, Head with 3 Notch (Not Shown)	
27	7027796	1	Harness, Engine (Connects to Item 421)	
27	70001872	1	Harness, Engine (Connects to p/n 7027796)	
28		Ref	Gaskets and Seals - Miscellaneous (Not Shown)	
28	70004289	1	Gasket Set	
28	70002718	1	Seal, Rear Main	
28	70004280	1	Seal, Front Main	
29	70025752	1	Valve, Pressure Relief (Not Shown - Located at Engine Front Left)	
29	70025753	1	Spring	
29	70005916	1	Seal	
29	70005917	1	Plug, Locking	

SECTION 3 - ENGINE

FIGURE 3-11. DEUTZ TD2.9L4 (STAGE V) ENGINE INSTALLATION



SECTION 3 - ENGINE

FIGURE 3-11. DEUTZ TD2.9L4 (STAGE V) ENGINE INSTALLATION

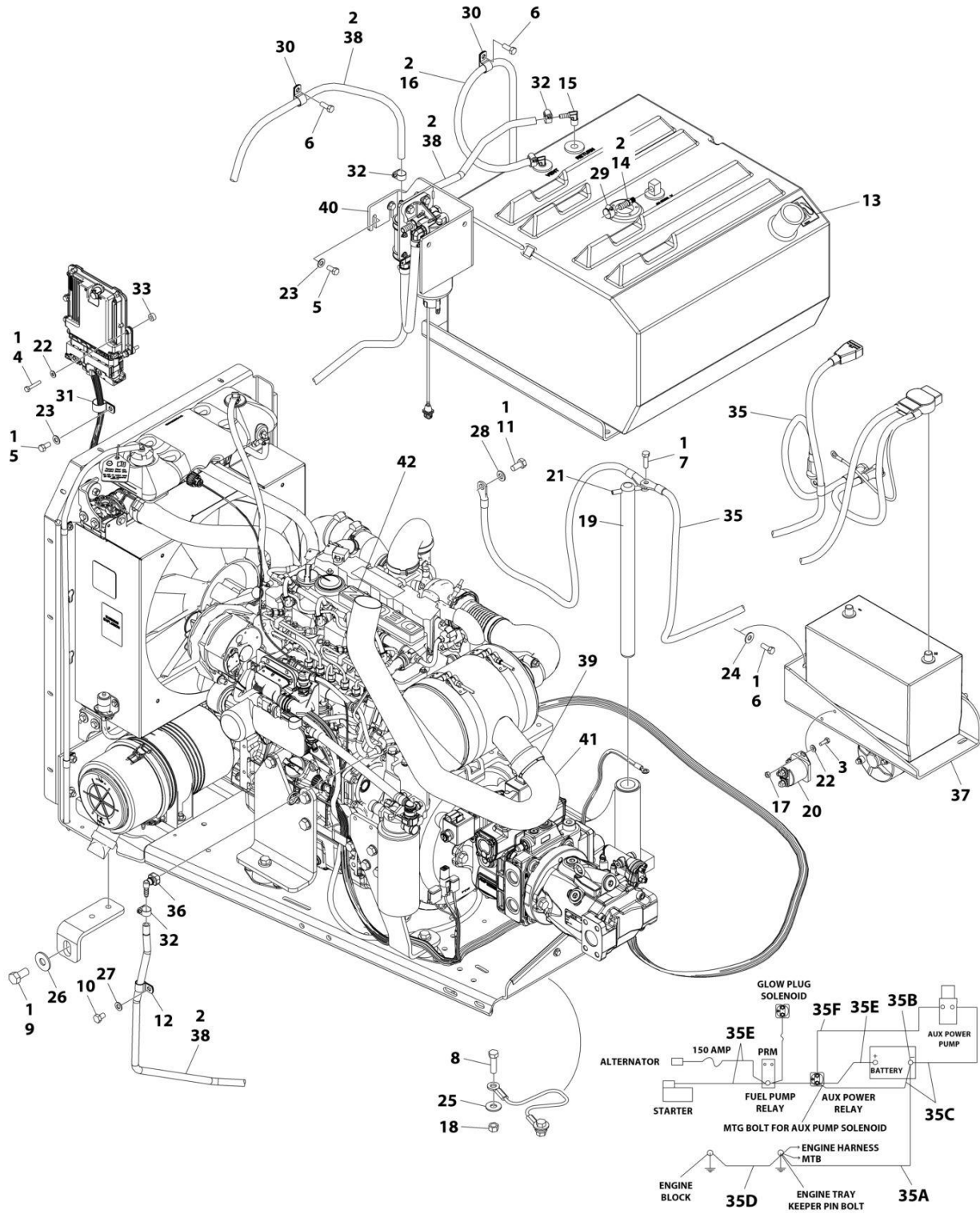
ITEM	PART NUMBER	QTY	DESCRIPTION	REV
	1001293060	Ref	DEUTZ TD2.9L4 (STAGE V) ENGINE INSTALLATION	A
1	0100011	AR	Compound, Locking	
2	0100020	AR	Sealant, Pipe	
3	0641406	3	Bolt 1/4 x 3/4	
4	0641412	4	Bolt 1/4 x 1-1/2	
5	0641606	2	Bolt 3/8 x 3/4	
6	0641608	2	Bolt 3/8 x 1	
7	0641610	3	Bolt 3/8 x 1-1/4	
8	0641814	1	Bolt 1/2 x 1-3/4	
9	0642010	1	Bolt 5/8 x 1-1/4	
10	0681608	3	Bolt 3/8 x 1	
11	0771212	1	Bolt M12 x 25	
12	0811606	1	Screw 3/8 x 3/4	
13	1062255	AR	Tie-Strap (Not Shown)	
14	1320061	1	Clamp	
15	1701505	1	Decal - Diesel Fuel (Located on Fuel Tank or Hood)	
16	2180832	1	Fitting, Straight Barbed	
17	2220313	2	Fitting, 90 NPTF/Barbed	
18	2750532	4 ft/1.5 m	Hose	
19	3311405	3	Nut 1/4	
20	3311805	1	Nut 1/2	
21	3422446	1	Pin	
22	3740067	1	Relay	
23	3841143	1	Pin, Keeper	
24	4100063	1	Sleeve, Hose Wrap	
25	4240099	AR	Tie-Strap (Not Shown)	
26	4711400	9	Washer 1/4	
27	4711600	4	Washer 3/8	
28	4751600	3	Washer 3/8	
29	4751800	1	Washer 1/2	
30	4752000	1	Washer 5/8	
31	4812100	1	Washer M12	
32	5251016	1	Bolt M10 x 40	
33	5261000	1	Nut M10	
34	8405006	2	Clamp	
35	8406102	2	Clip	
36	8410013	5	Clamp	
37	1001110425	4	Spacer	
38	1001138491	1	Fuel Pump Harness (Not Shown - See Separate Breakdown in ELECTRICAL Section)	
39	1001142501	1	Fitting, 90 Barbed	
40	1001143736	1	Battery Cable Kit	F
40A	7027084	1	Cable, Battery (Black) (Battery - to Tray Pivot Grd)	
40B	8270147	1	Terminal, Battery (With Boot)	
40C	7027085	1	Cable, Battery (Black) (Battery - to Aux Pump and Relay Grds)	
40D	7027086	1	Cable, Battery (Black) (Engine to Tray Pivot Grd)	
40E	7027087	1	Cable (Red) (Battery + to Aux Relay/Power Module/Starter)	
40F	7027088	1	Cable (Red) (Aux Relay to Aux Pump)	
41	1001146588	1	Strap	
42	1001154405	5 ft/1.5 m	Hose	

SECTION 3 - ENGINE

ITEM	PART NUMBER	QTY	DESCRIPTION	REV
43	1001155823	1	Fitting, 90 Quick Disconnect	
44	1001162497	1	Bracket, Battery	
45	1001165035	28 ft/9 m	Hose	
46	1001191620	2	Clamp	
47	1001256879	1	Bracket	
48	1001289593	1	ECU Power Jumper Harness (See Separate Breakdown in ELECTRICAL Section)	
49	1001296655	1	Engine and Pump Assembly without Arctic Package (See Separate Breakdown in this Section)	

SECTION 3 - ENGINE

FIGURE 3-12. DEUTZ TD2.9L4 ENGINE INSTALLATION (CHINA III)



ART_1001296328

SECTION 3 - ENGINE

FIGURE 3-12. DEUTZ TD2.9L4 ENGINE INSTALLATION (CHINA III)

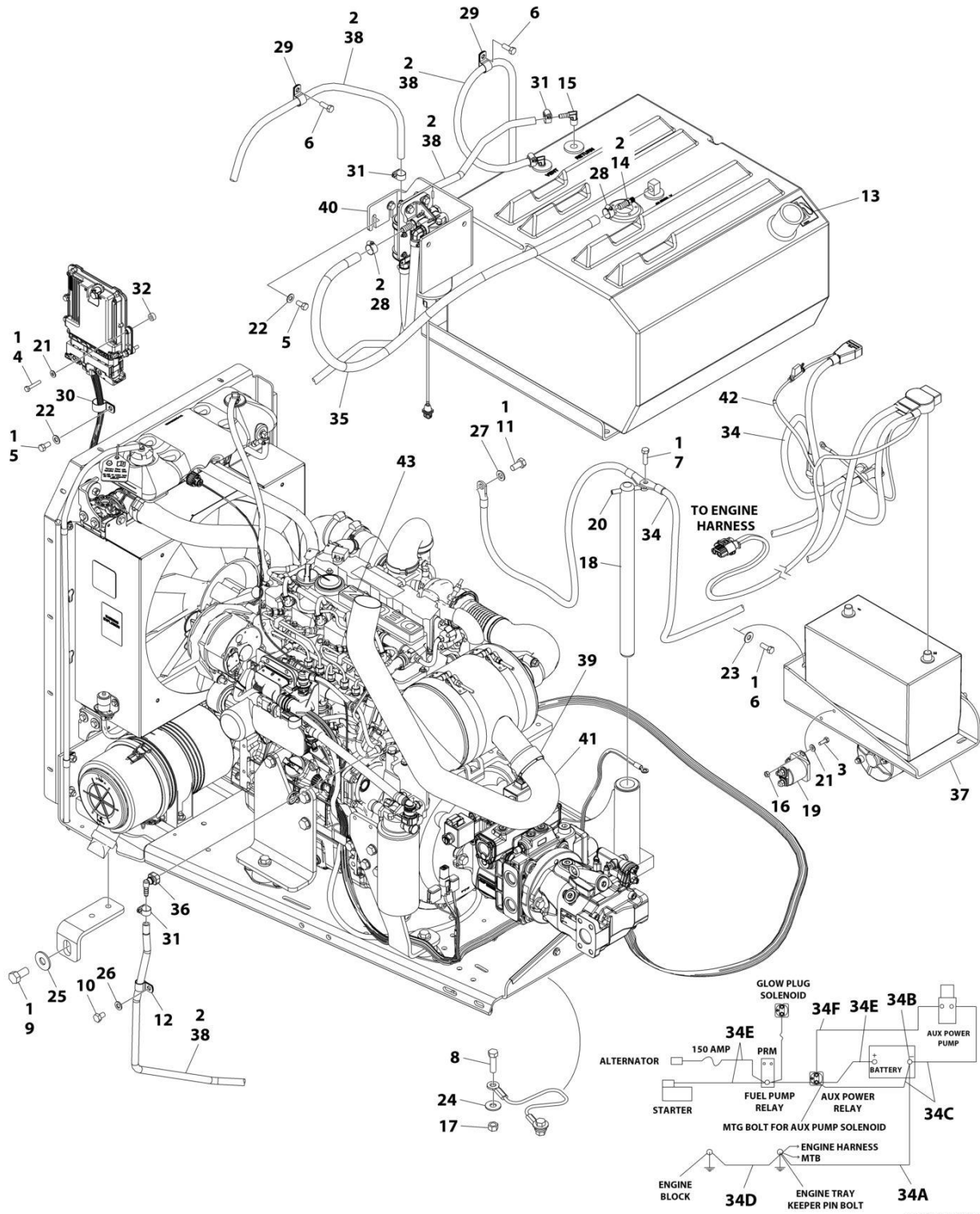
ITEM	PART NUMBER	QTY	DESCRIPTION	REV
	1001296328	Ref	DEUTZ TD2.9L4 ENGINE INSTALLATION (CHINA III)	A
1	0100011	AR	Compound, Locking	
2	0100020	AR	Sealant, Pipe	
3	0641406	2	Bolt 1/4 x 3/4	
4	0641412	4	Bolt 1/4 x 1-1/2	
5	0641606	3	Bolt 3/8 x 3/4	
6	0641608	5	Bolt 3/8 x 1	
7	0641610	1	Bolt 3/8 x 1-1/4	
8	0641814	1	Bolt 1/2 x 1-3/4	
9	0642010	1	Bolt 5/8 x 1-1/4	
10	0761008	1	Bolt M10 x 16	
11	0771212	1	Bolt M12 x 25	
12	1320061	1	Clamp	
13	1701505	1	Decal - Diesel Fuel (Located on Fuel Tank or Hood)	
14	2180832	1	Fitting, Straight Barbed	
15	2220313	2	Fitting, 90 NPTF/Barbed	
16	2750532	3.5 ft/1 m	Hose	
17	3311405	2	Nut 1/4	
18	3311805	1	Nut 1/2	
19	3422446	1	Pin, Pivot	
20	3740067	1	Relay	
21	3841143	1	Pin, Keeper	
22	4711400	7	Washer 1/4	
23	4711600	3	Washer 3/8	
24	4751600	3	Washer 3/8	
25	4751800	1	Washer 1/2	
26	4752000	1	Washer 5/8	
27	4812000	1	Washer M10	
28	4812100	1	Washer M12	
29	8405006	1	Clamp	
30	8406102	2	Clip	
31	8406201	1	Clip	
32	8410013	5	Clamp	
33	1001110425	4	Spacer	
34	1001138491	1	Fuel Pump Harness (Not Shown - See Separate Breakdown in ELECTRICAL Section)	
35	1001143736	1	Battery Cable Kit	
35A	7027084	1	Cable, Battery (Black) (Battery - to Tray Pivot Grd)	
35B	8270147	1	Terminal, Battery (With Boot)	
35C	7027085	1	Cable, Battery (Black) (Battery - to Aux Pump and Relay Grds)	
35D	7027086	1	Cable, Battery (Black) (Engine to Tray Pivot Grd)	
35E	7027087	1	Cable (Red) (Battery + to Aux Relay/Power Module/Starter)	
35F	7027088	1	Cable (Red) (Aux Relay to Aux Pump)	
36	1001155823	1	Fitting, 90 Quick Disconnect	
37	1001162497	1	Bracket, Battery	
38	1001165035	23.5 ft/7 m	Hose	
39	1001221212	1	Clamp	
40	1001227224	1	Bracket Assembly Less Filter/Pump (See Separate Breakdown in this Section)	

SECTION 3 - ENGINE

ITEM	PART NUMBER	QTY	DESCRIPTION	REV
41	1001247011	1	Pipe, Exhaust	
42	1001296327	1	Engine and Pump Assembly without Arctic Package (See Separate Breakdown in this Section)	

SECTION 3 - ENGINE

FIGURE 3-13. DEUTZ TD2.9L4 ENGINE INSTALLATION (CHINA IV)



SECTION 3 - ENGINE

FIGURE 3-13. DEUTZ TD2.9L4 ENGINE INSTALLATION (CHINA IV)

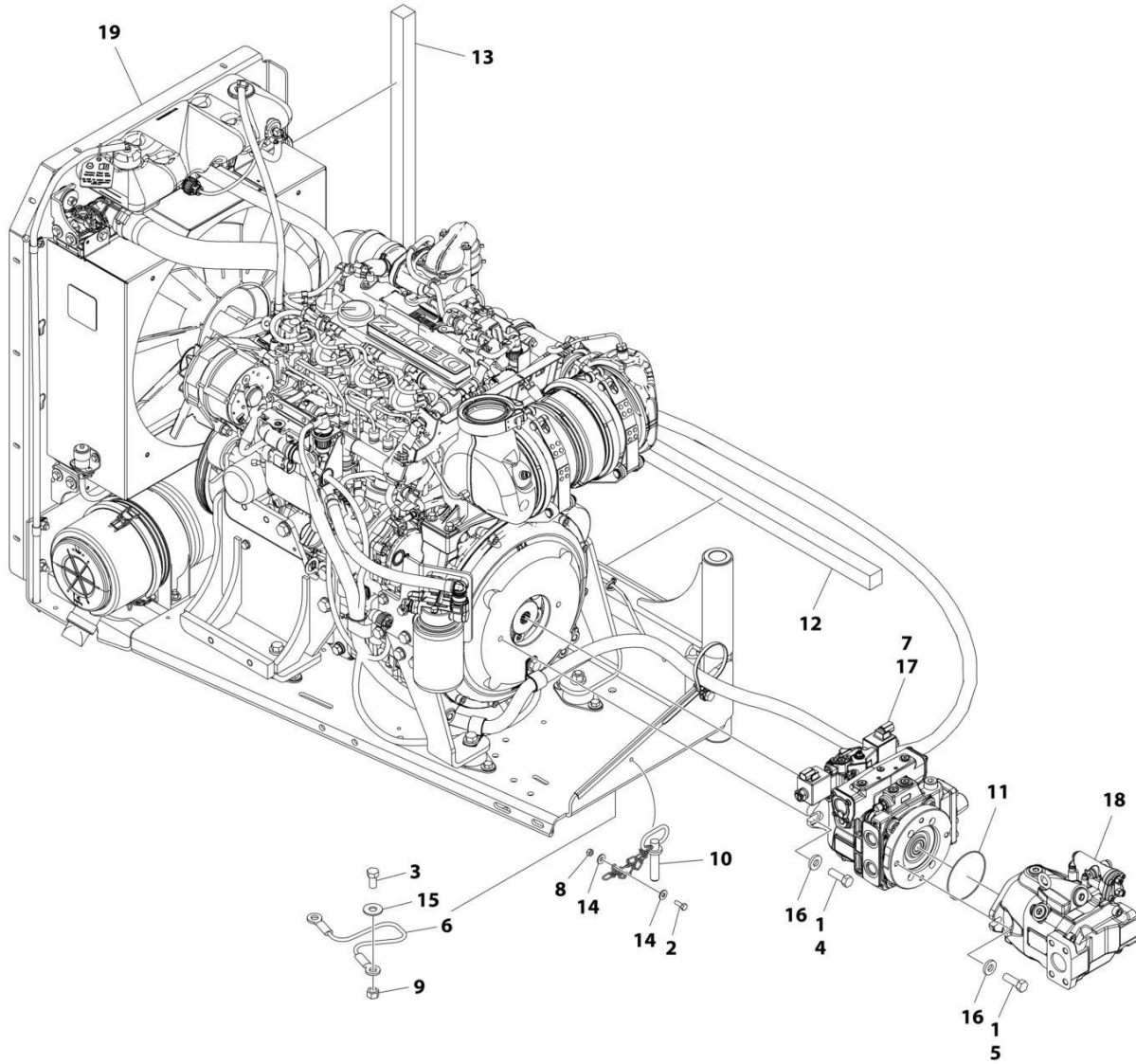
ITEM	PART NUMBER	QTY	DESCRIPTION	REV
	1001296325	Ref	DEUTZ TD2.9L4 ENGINE INSTALLATION (CHINA IV)	A
1	0100011	AR	Compound, Locking	
2	0100020	AR	Sealant, Pipe	
3	0641406	2	Bolt 1/4 x 3/4	
4	0641412	4	Bolt 1/4 x 1-1/2	
5	0641606	3	Bolt 3/8 x 3/4	
6	0641608	5	Bolt 3/8 x 1	
7	0641610	1	Bolt 3/8 x 1-1/4	
8	0641814	1	Bolt 1/2 x 1-3/4	
9	0642010	1	Bolt 5/8 x 1-1/4	
10	0761008	1	Bolt M10 x 16	
11	0771212	1	Bolt M12 x 25	
12	1320061	1	Clamp	
13	1701505	1	Decal - Diesel Fuel (Located on Fuel Tank or Hood)	
14	2180832	1	Fitting, Straight Barbed	
15	2220313	2	Fitting, 90 NPTF/Barbed	
16	3311405	2	Nut 1/4	
17	3311805	1	Nut 1/2	
18	3422446	1	Pin	
19	3740067	1	Relay	
20	3841143	1	Pin, Keeper	
21	4711400	7	Washer 1/4	
22	4711600	3	Washer 3/8	
23	4751600	3	Washer 3/8	
24	4751800	1	Washer 1/2	
25	4752000	1	Washer 5/8	
26	4812000	1	Washer M10	
27	4812100	1	Washer M12	
28	8405006	2	Clamp	
29	8406102	2	Clip	
30	8406201	1	Clip	
31	8410013	5	Clamp	
32	1001110425	4	Spacer	
33	1001138491	1	Fuel Pump Harness (Not Shown - See Separate Breakdown in ELECTRICAL Section)	
34	1001143736	1	Battery Cable Kit	
34A	7027084	1	Cable, Battery (Black) (Battery - to Tray Pivot Grd)	
34B	8270147	1	Terminal, Battery (With Boot)	
34C	7027085	1	Cable, Battery (Black) (Battery - to Aux Pump and Relay Grds)	
34D	7027086	1	Cable, Battery (Black) (Engine to Tray Pivot Grd)	
34E	7027087	1	Cable (Red) (Battery + to Aux Relay/Power Module/Starter)	
34F	7027088	1	Cable (Red) (Aux Relay to Aux Pump)	
35	1001154405	4 ft/1.2 m	Hose	
36	1001155823	1	Fitting, 90 Quick Disconnect	
37	1001162497	1	Bracket, Battery	
38	1001165035	29 ft/9 m	Hose	
39	1001221212	1	Clamp	
40	1001227224	1	Bracket Assembly Less Filter/Pump (See Separate Breakdown in this Section)	
41	1001247011	1	Pipe, Exhaust	

SECTION 3 - ENGINE

ITEM	PART NUMBER	QTY	DESCRIPTION	REV
42	1001289593	1	ECU Power Jumper Harness (See Separate Breakdown in ELECTRICAL Section)	
43	1001296319	1	Engine and Pump Assembly without Arctic Package (See Separate Breakdown in this Section)	

SECTION 3 - ENGINE

FIGURE 3-14. DEUTZ TD2.9L4 ENGINE/PUMP SUB-ASSEMBLY (STAGE V)



ART_1001296655

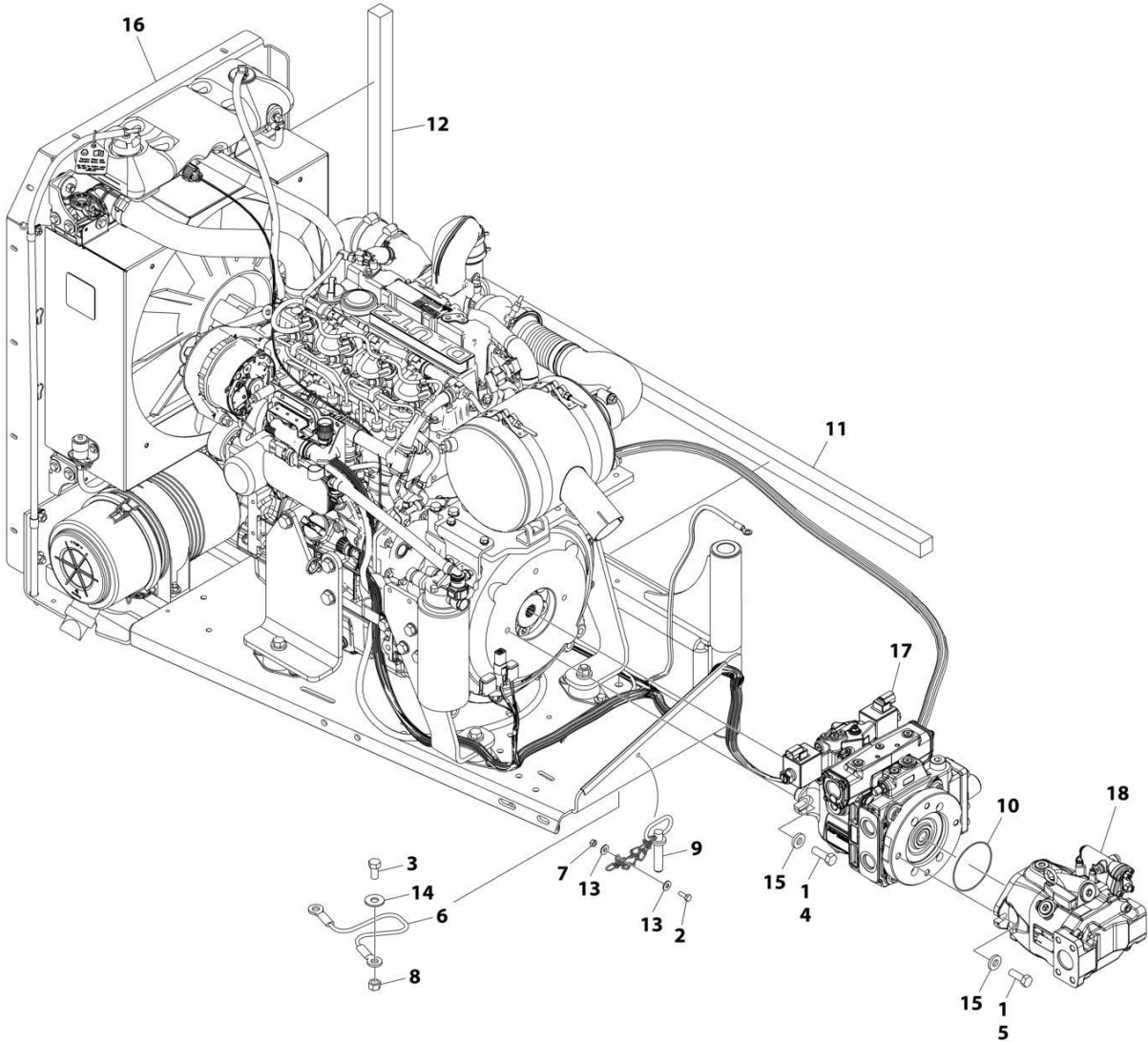
SECTION 3 - ENGINE

FIGURE 3-14. DEUTZ TD2.9L4 ENGINE/PUMP SUB-ASSEMBLY (STAGE V)

ITEM	PART NUMBER	QTY	DESCRIPTION	REV
	1001296655	Ref	DEUTZ D2011 ENGINE/PUMP SUB-ASSEMBLY	A
1	0100011	AR	Compound, Locking	
2	0641406	1	Bolt 1/4 x 3/4	
3	0641808	1	Bolt 1/2 x 1	
4	0641812	2	Bolt 1/2 x 1-1/2	
5	0711215	2	Bolt M12 x 35	
6	1060637	1	Lanyard	
7	3020037	AR	Lubricant	
8	3311405	1	Nut 1/4	
9	3311801	1	Nut 1/2	
10	3422532	1	Pin, Hitch	
11	3790044	1	O-Ring	
12	3960468	1	Seal	
13	3960469	1	Seal	
14	4751400	2	Washer 1/4	
15	4751800	1	Washer 1/2	
16	4891800	4	Washer 1/2	
17	1001276376	1	Hydrostatic Pump Assembly (See Separate Breakdown in this Section)	
18	1001276377	1	Variable Pump Assembly with Fittings (See Separate Breakdown in this Section)	
19	1001277598	1	Engine Assembly - DEUTZ 2.9L4 (Stage V) Engines (See Separate Breakdown in this Section)	

SECTION 3 - ENGINE

FIGURE 3-15. DEUTZ TD2.9L4 ENGINE/PUMP SUB-ASSEMBLY (CHINA III)



ART_1001296327

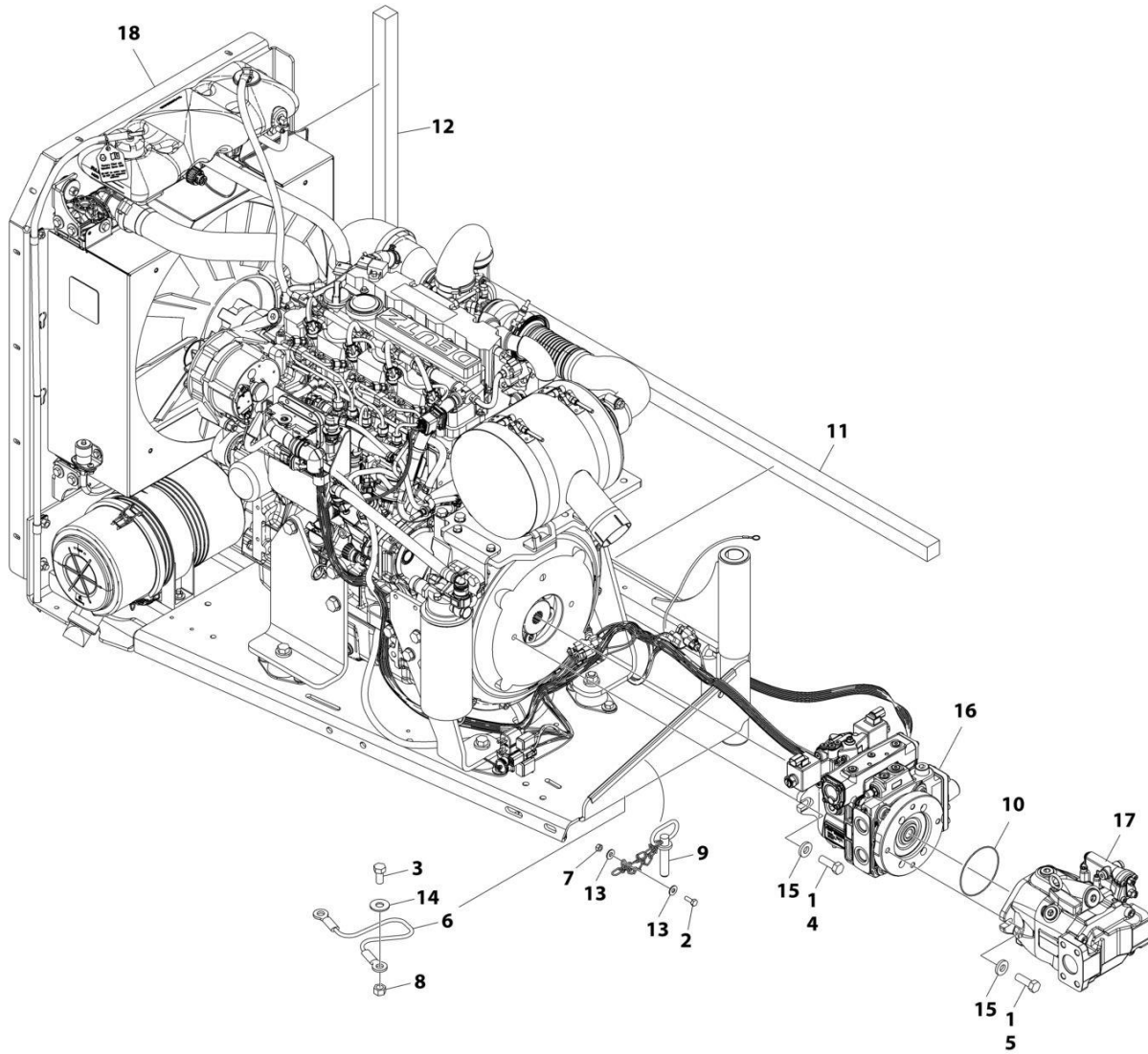
SECTION 3 - ENGINE

FIGURE 3-15. DEUTZ TD2.9L4 ENGINE/PUMP SUB-ASSEMBLY (CHINA III)

ITEM	PART NUMBER	QTY	DESCRIPTION	REV
	1001296327	Ref	DEUTZ TD2.9L4 ENGINE/PUMP SUB-ASSEMBLY (CHINA III)	A
1	0100011	AR	Compound, Locking	
2	0641406	1	Bolt 1/4 x 3/4	
3	0641808	1	Bolt 1/2 x 1	
4	0641812	2	Bolt 1/2 x 1-1/2	
5	0711215	2	Bolt M12 x 35	
6	1060637	1	Lanyard	
7	3311405	1	Nut 1/4	
8	3311801	1	Nut 1/2	
9	3422532	1	Pin	
10	3790044	1	O-Ring	
11	3960468	1	Seal	
12	3960469	1	Seal	
13	4751400	2	Washer 1/4	
14	4751800	1	Washer 1/2	
15	4891800	4	Washer 1/2	
16	1001227614	1	Engine Assembly (See Separate Breakdown in this Section)	
17	1001276376	1	Hydrostatic Pump Assembly (See Separate Breakdown in this Section)	
18	1001276377	1	Variable Pump Assembly with Fittings (See Separate Breakdown Engine Assembly)	

SECTION 3 - ENGINE

FIGURE 3-16. DEUTZ TD2.9L4 ENGINE/PUMP SUB-ASSEMBLY (CHINA IV)



ART_1001296319

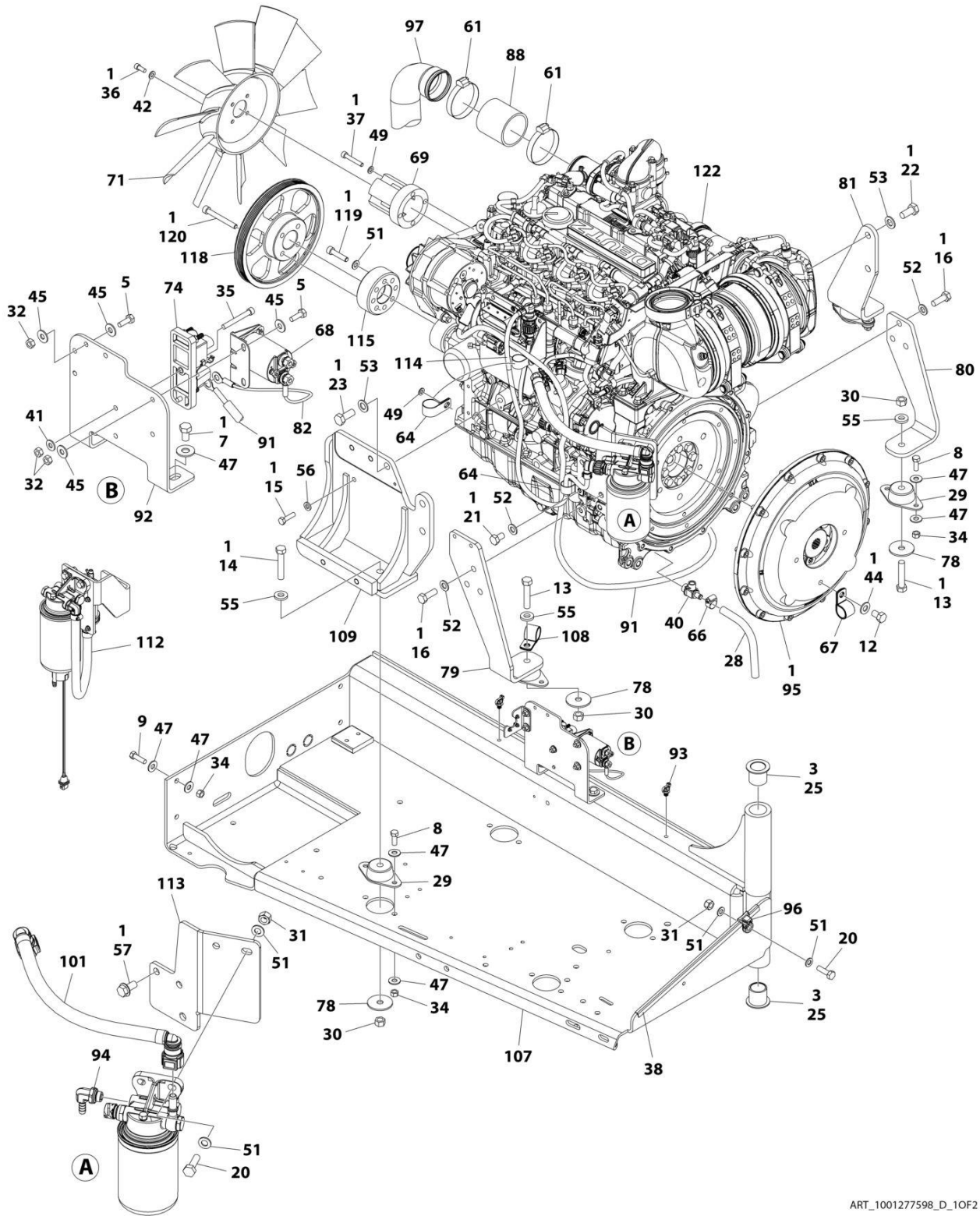
SECTION 3 - ENGINE

FIGURE 3-16. DEUTZ TD2.9L4 ENGINE/PUMP SUB-ASSEMBLY (CHINA IV)

ITEM	PART NUMBER	QTY	DESCRIPTION	REV
	1001296319	Ref	DEUTZ TD2.9L4 ENGINE/PUMP SUB-ASSEMBLY	A
1	0100011	AR	Compound, Locking	
2	0641406	1	Bolt 1/4 x 3/4	
3	0641808	1	Bolt 1/2 x 1	
4	0641812	2	Bolt 1/2 x 1-1/2	
5	0711215	2	Bolt M12 x 35	
6	1060637	1	Lanyard	
6	3311405	1	Nut 1/4	
8	3311801	1	Nut 1/2	
9	3422532	1	Pin, Hitch	
10	3790044	1	O-Ring	
11	3960468	1	Seal	
12	3960469	1	Seal	
13	4751400	2	Washer 1/4	
14	4751800	1	Washer 1/2	
15	4891800	4	Washer 1/2	
16	1001276376	1	Hydrostatic Pump Assembly (See Separate Breakdown in this Section)	
17	1001276377	1	Variable Pump Assembly with Fittings (See Separate Breakdown in this Section)	
18	1001281609	1	Engine Assembly (See Separate Breakdown in this Section)	

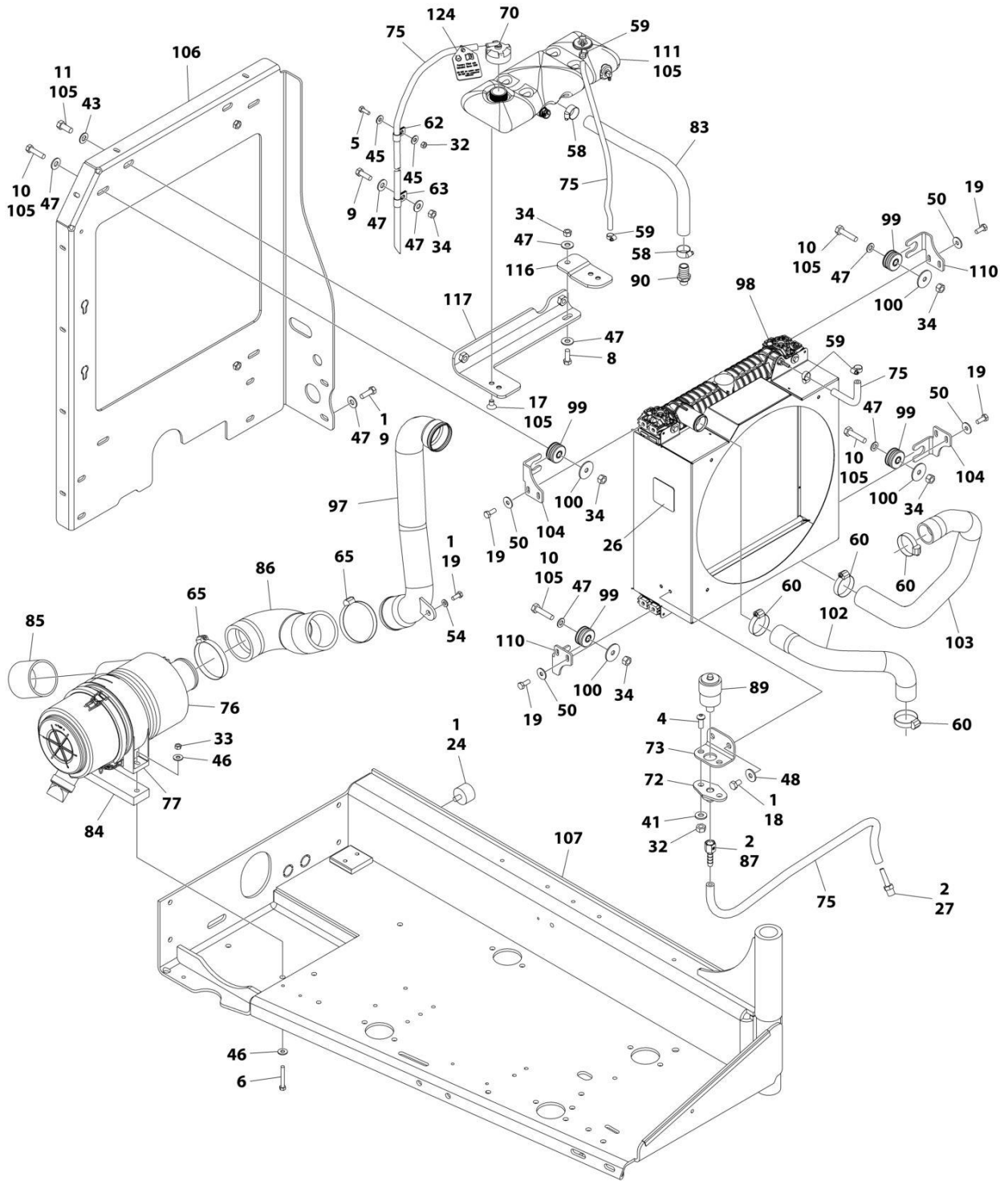
SECTION 3 - ENGINE

FIGURE 3-17. DEUTZ TD2.9L4 ENGINE ASSEMBLY (STAGE V)



ART_1001277598_D_10F2

SECTION 3 - ENGINE



ART_1001277598_D_20F2

SECTION 3 - ENGINE

FIGURE 3-17. DEUTZ TD2.9L4 ENGINE ASSEMBLY (STAGE V)

ITEM	PART NUMBER	QTY	DESCRIPTION	REV
	1001277598	Ref	DEUTZ TD2.9L4 ENGINE ASSEMBLY (STAGE V)	D
1	0100011	AR	Locking, Compound	
2	0100020	AR	Sealant	
3	0100062	AR	Compound, Locking	
4	0630407	2	Screw 1/4 x 5/8	
5	0641406	3	Bolt 1/4 x 3/4	
6	0641518	2	Bolt 5/16 x 2-1/4	
7	0641605	2	Bolt 3/8 x 5/8	
8	0641608	9	Bolt 3/8 x 1	
9	0641609	6	Bolt 3/8 x 1-1/8	
10	0641612	4	Bolt 3/8 x 1-1/2	
11	0641708	2	Bolt 7/16 x 1	
12	0641806	1	Bolt 1/2 x 3/4	
13	0681820	3	Bolt 1/2 x 2-1/2 Grade 8	
14	0681822	1	Bolt 1/2 x 2-3/4 Grade 8	
15	0700814	1	Bolt M8 x 30	
16	0711215	6	Bolt M12 x 35	
17	0741605	2	Screw 3/8 x 5/8	
18	0760605	2	Bolt M6 x 10	
19	0760810	9	Bolt M8 x 20	
20	0761015	3	Bolt M10 x 35	
21	0761210	1	Bolt M12 x 20	
22	0771414	2	Bolt M14 x 30 Grade 10.9	
23	0771415	3	Bolt M14 x 35 Grade 10.9	
24	0940070	1	Bumper	
25	0961986	2	Bushing, Flanged	
26	1703162	1	Decal - Caution Fan Blade	
27	2220315	1	Fitting, Straight Barbed	
28	2720340	1 ft /0.3 m	Hose	
29	3200401	4	Mount, Motor	
30	3271801	4	Nut 1/2 Grade 8	
31	3291005	3	Nut M10	
32	3311405	6	Nut 1/4	
33	3311505	2	Nut 5/16	
34	3311605	17	Nut 3/8	
35	3931432	1	Capscrew 1/4 x 2	
36	3931512	4	Capscrew 5/16 x 3/4	
37	4031914	4	Capscrew M8 x 50	
38	4060805	2 ft /0.4 m	Flex-Trim	
39	4240099	AR	Tie-Strap (Not Shown)	
40	4640751	1	Valve, Oil Drain	
41	4711400	3	Washer 1/4	
42	4711500	4	Washer 5/16	
43	4711700	2	Washer 7/16	
44	4711800	1	Washer 1/2	
45	4751400	6	Washer 1/4	
46	4751500	4	Washer 5/16	
47	4751600	34	Washer 3/8	
48	4811702	2	Washer M6	
49	4811900	5	Washer M8	

SECTION 3 - ENGINE

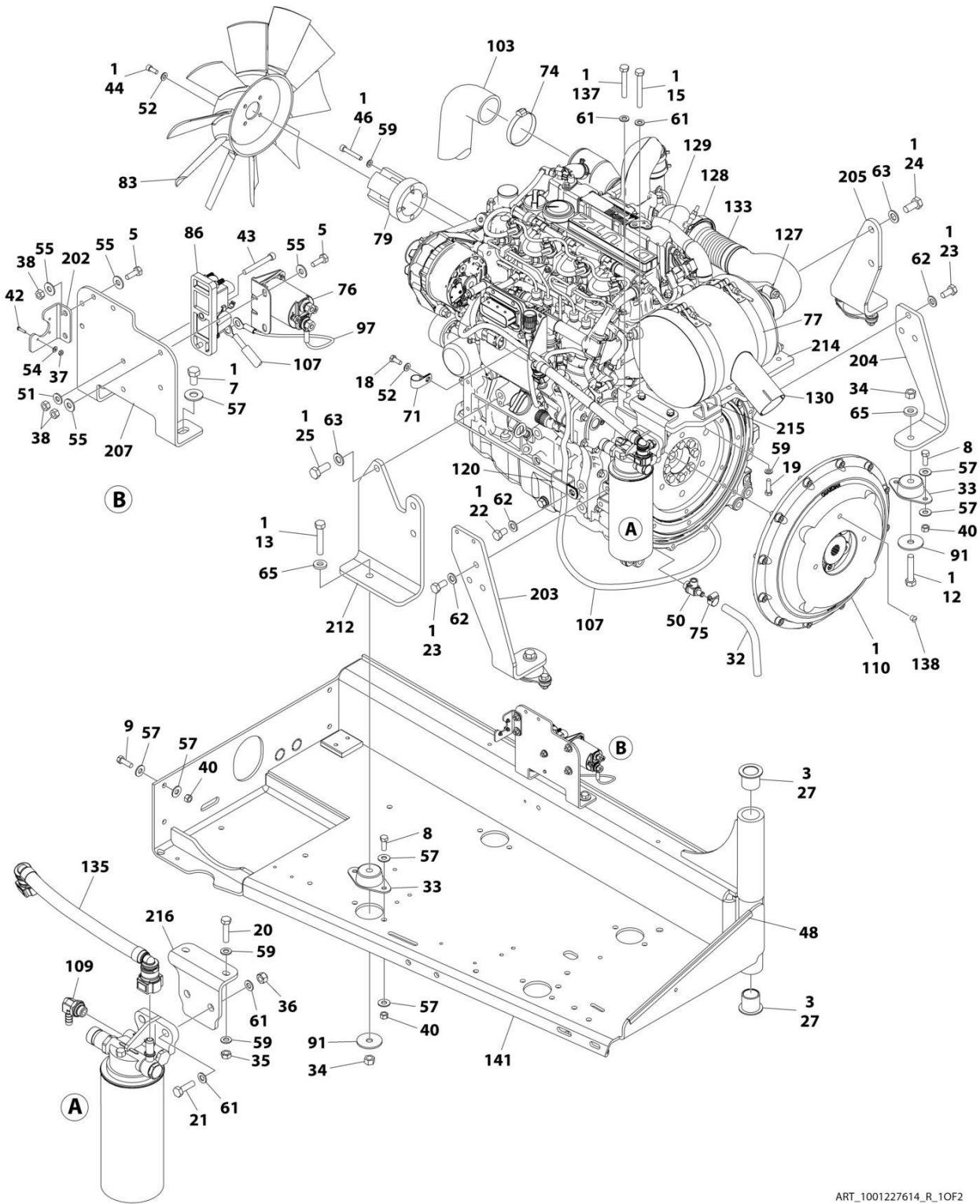
ITEM	PART NUMBER	QTY	DESCRIPTION	REV
50	4811902	8	Washer M8	
51	4812000	10	Washer M10	
52	4812100	7	Washer M12	
53	4812200	5	Washer M14	
54	4891500	1	Washer 5/16	
55	4891800	4	Washer 1/2	
56	5240800	1	Washer M8	
57	5251010	2	Bolt M10 x 20	
58	8405007	2	Clamp	
59	8405009	4	Clamp	
60	8405104	4	Clamp	
61	8405204	2	Clamp	
62	8406109	1	Clip	
63	8406110	1	Clip	
64	8406201	2	Clip	
65	8410011	2	Clamp	
66	8410013	1	Clamp	
67	85031405	1	Clamp	
68	1001117308	1	Relay	
69	1001135138	1	Adapter	
70	1001136834	1	Cap, Tank	
71	1001137276	1	Fan	
72	1001138173	1	Support	
73	1001138175	1	Bracket	
74	1001138228	1	Relay, Power Module	
75	1001138248	8 ft /3 m	Tube	
76	1001138489	1	Air Cleaner Assembly	
77	1001138557	1	Clamp	
78	1001139409	4	Washer, Special	
79	1001140448	1	Mount, Rear Engine	
80	1001140450	1	Mount, Rear Engine	
81	1001140454	1	Mount, Front Engine	
82	1001141304	1	Harness, Glow Plug	
83	1001141370	1	Hose	
84	1001141419	1	Shim	
85	1001141585	1	Hose, Inlet	
86	1001141586	1	Pipe, Intake	
87	1001141995	1	Fitting, Straight NPT/Barbed	
88	1001142623	1	Hose, Inlet	
89	1001143390	1	Indicator, Service	
90	1001143797	1	Fitting, Straight Metric/Barbed	
91	1001143907	1	Cable, Alternator Power	
92	1001145154	1	Plate, Relay Mounting	
93	1001146588	3	Strap	
94	1001152489	1	Fitting, 90 Metric/ Barbed	
95	1001153282	1	Pump Coupling Kit (See Separate Breakdown in this section)	
96	1001156107	1	Holder, Cable	
97	1001165842	1	Pipe	
98	1001167042	1	Radiator (Modine Radiator)	
99	1001169054	4	Pad, Isolator	
100	1001169138	4	Washer	

SECTION 3 - ENGINE

ITEM	PART NUMBER	QTY	DESCRIPTION	REV
101	1001177359	1	Hose	
102	1001177844	1	Hose, Radiator - Upper	
103	1001177845	1	Hose, Radiator - Lower	
104	1001178223	2	Bracket, Radiator	
105	1001180620	AR	Adhesive	
106	1001186985	1	Plate, Mounting	
107	1001190610	1	Tray	
108	1001191620	1	Clamp	
109	1001202368	1	Mount, Generator/Engine	
110	1001204325	2	Bracket, Radiator	
111	1001230635	1	Tank	
112	1001235949	1	Bracket, Fuel Pump/Filter Assy (See Separate Breakdown in this Section)	
113	1001238268	1	Mount, Fuel Filter	
114	1001245913	1	Harness, Deutz TD2.9L4 (Stage V) Engine Fuel Filter (See Separate Breakdown in ELECTRICAL Section)	
115	1001258800	1	Adapter	
116	1001260412	1	Bracket, Surge Tank	
117	1001260413	1	Bracket, Tank	
118	1001281192	1	Pulley	
119	1001261045	4	Capscrew M10 x 45	
120	1001261085	4	Capscrew M10 x 85	
121	1001276644	1	Harness Deutz (Not Shown - See Separate Breakdown in ELECTRICAL Section)	
122	1001277592	1	Engine Deutz (See Separate Breakdown in this section)	
123	4240032	AR	Tie-Strap (Not Shown)	
124	1001291401	1	Tag, Coolant	

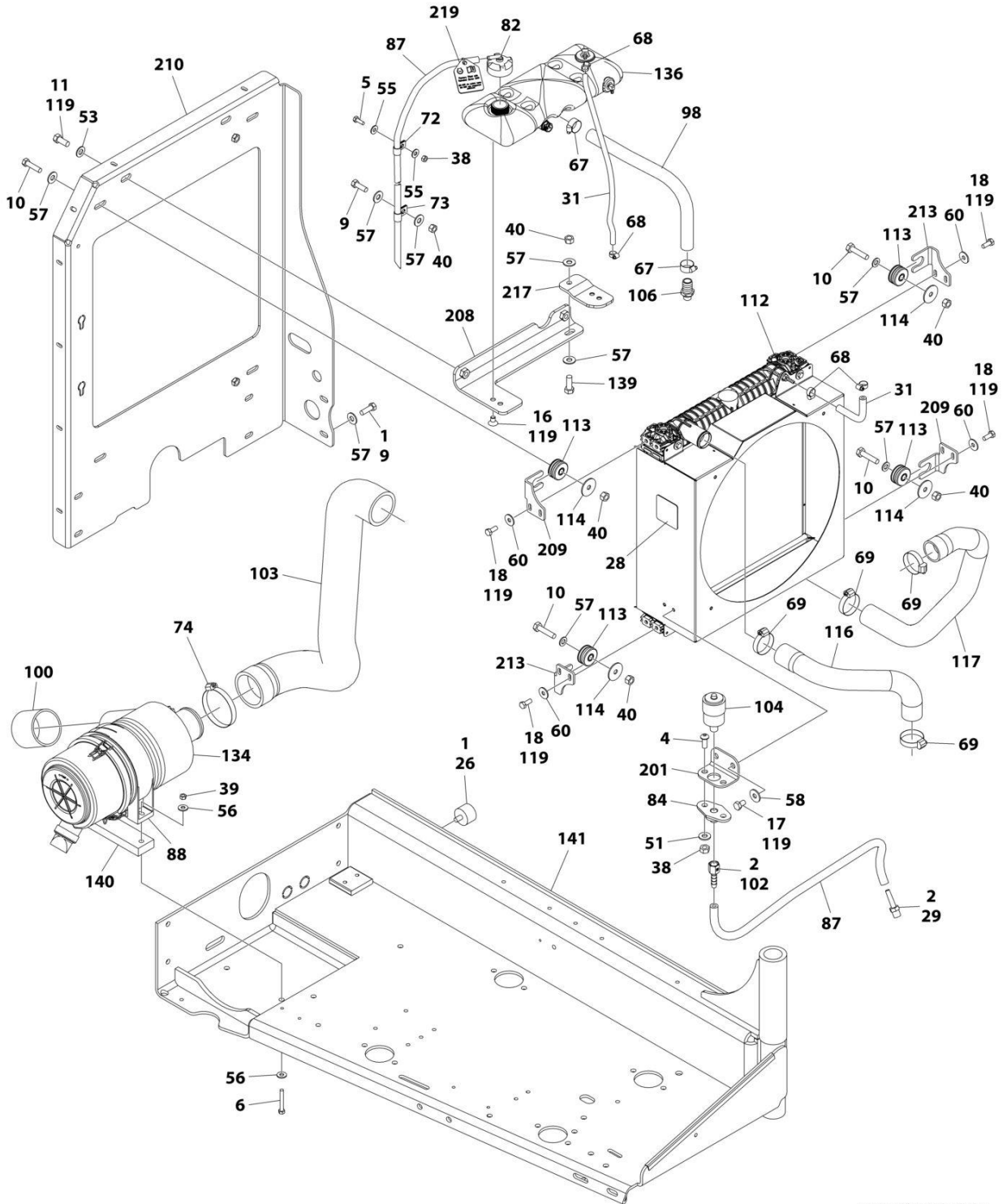
SECTION 3 - ENGINE

FIGURE 3-18. DEUTZ TD2.9L4 ENGINE ASSEMBLY (CHINA III ENGINE)



ART_1001227614_R_10F2

SECTION 3 - ENGINE



ART_1001227614_R_20F2

SECTION 3 - ENGINE

FIGURE 3-18. DEUTZ TD2.9L4 ENGINE ASSEMBLY (CHINA III ENGINE)

ITEM	PART NUMBER	QTY	DESCRIPTION	REV
	1001227614	Ref	DEUTZ TD2.9L4 ENGINE ASSEMBLY	R
1	0100011	AR	Compound, Locking	
2	0100020	AR	Sealant	
3	0100062	AR	Compound, Locking	
4	0630407	2	Screw 1/4 x 5/8	
5	0641406	5	Bolt 1/4 x 3/4	
6	0641518	2	Bolt 5/16 x 2-1/4	
7	0641605	2	Bolt 3/8 x 5/8	
8	0641608	8	Bolt 3/8 x 1	
9	0641609	6	Bolt 3/8 x 1-1/8	
10	0641612	4	Bolt 3/8 x 1-1/2	
11	0641708	2	Bolt 7/16 x 1	
12	0681820	3	Bolt 1/2 x 2-1/2 Grade 8	
13	0681822	1	Bolt 1/2 x 2-3/4 Grade 8	
15	0701025	2	Bolt M10 x 85	
16	0741605	2	Screw 3/8 x 5/8	
17	0760605	2	Bolt M6 x 10	
18	0760810	10	Bolt M8 x 20	
19	0760814	4	Bolt M8 x 30	
20	0760815	2	Bolt M8 x 35	
21	0761015	2	Bolt M10 x 35	
22	0761210	1	Bolt M12 x 20	
23	0771212	6	Bolt M12 x 25 Grade 10.9	
24	0771414	2	Bolt M14 x 30 Grade 10.9	
25	0771415	3	Bolt M14 x 35	
26	0940070	1	Bumper	
27	0961986	2	Bushing, Flanged	
28	1703162	1	Decal - Caution Fan Blade	
29	2220315	1	Fitting, Straight Barbed	
31	2720015	3 ft /1 m	Hose	
32	2720340	1 ft /0.4 m	Hose	
33	3200401	4	Mount, Motor	
34	3271801	4	Nut 1/2	
35	3290801	2	Nut M8	
36	3291005	2	Nut M10	
37	3310401	3	Nut #4	
38	3311405	8	Nut 1/4	
39	3311505	2	Locknut 5/16	
40	3311605	17	Nut 3/8	
42	3910408	3	Screw #4 x 1/2	
43	3931432	1	Capscrew 1/4 x 2	
44	3931512	4	Capscrew 5/16 x 3/4	
46	4031914	4	Capscrew M8 x 50	
48	4060805	2 ft /0.4 m	Flex-Trim	
49	4240099	AR	Tie-Strap (Not Shown)	
50	4640751	1	Valve, Oil Drain	
51	4711400	3	Washer 1/4	
52	4711500	5	Washer 5/16	
53	4711700	2	Washer 7/16	
54	4750400	3	Washer #4	

SECTION 3 - ENGINE

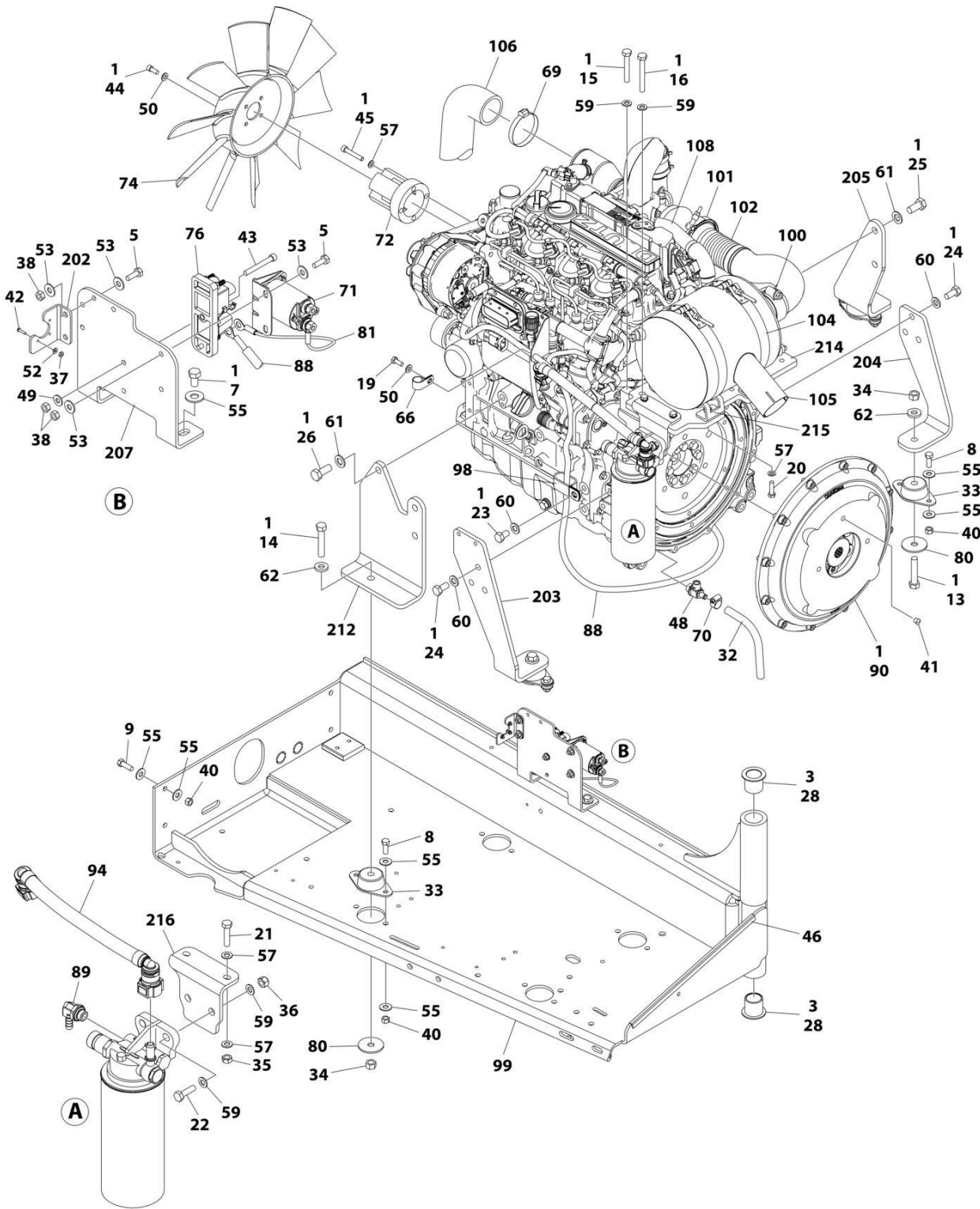
ITEM	PART NUMBER	QTY	DESCRIPTION	REV
55	4751400	10	Washer 1/4	
56	4751500	4	Washer 5/16	
57	4751600	34	Washer 3/8	
58	4811702	2	Washer M6	
59	4811900	12	Washer M8	
60	4811902	8	Washer M8	
61	4812000	8	Washer M10	
62	4812100	7	Washer M12	
63	4812200	5	Washer M14	
65	4891800	4	Washer 1/2	
67	8405007	2	Clamp	
68	8405009	4	Clamp	
69	8405104	4	Clamp	
71	8406102	1	Clip	
72	8406109	1	Clip	
73	8406110	1	Clip	
74	8410011	2	Clamp	
75	8410013	1	Clamp	
76	1001117308	1	Relay	
77	1001233089	2	Strap	
79	1001135138	1	Adapter	
82	1001136834	1	Cap, Tank	
83	1001137276	1	Fan	
84	1001138173	1	Support	
86	1001138228	1	Relay, Power Module	
87	1001138248	6 ft /2 m	Tube	
88	1001138557	1	Clamp	
91	1001139409	4	Washer, Special	
97	1001141304	1	Harness, Glow Plug	
98	1001141370	1	Hose	
100	1001141585	1	Hose, Inlet	
102	1001141995	1	Fitting, Straight NPT/Barbed	
103	1001266525	1	Hose, Inlet	
104	1001143390	1	Indicator, Service	
105	1001143726	1	Harness, Deutz Engine (Not Shown - See Separate Breakdown in ELECTRICAL SECTION)	
106	1001143797	1	Fitting, Straight Metric/Barbed	
107	1001143907	1	Cable, Alternator Power	
109	1001152489	1	Fitting, 90 Metric/ Barbed	
110	1001153282	1	Pump Coupling Kit (See Separate Breakdown in this Section)	
112	1001167042	1	Radiator	
113	1001169054	4	Isolator	
114	1001169138	4	Washer	
116	1001177844	1	Hose, Radiator - Upper	
117	1001177845	1	Hose, Radiator - Lower	
119	1001180620	AR	Adhesive	
120	1001181899	1	P-Clamp	
127	1001221212	1	Clamp	
128	1001221219	1	Clamp	
129	1001223591	1	Engine, Deutz TD2.9L4 Components (See Separate Breakdown in this Section)	
130	1001257278	1	Muffler	

SECTION 3 - ENGINE

ITEM	PART NUMBER	QTY	DESCRIPTION	REV
133	1001224940	1	Pipe, Exhaust	
134	1001138489	1	Air Cleaner Assembly	
134	91403102	1	Element, Filter	
135	1001177359	1	Hose	
136	1001230635	1	Tank	
137	0701022	2	Bolt M10 x 70	
138	3520054	1	Plug	
139	0681608	1	Bolt 3/8 x 1 Grade 8	
140	1001267256	1	Shim, Air Cleaner	
141	1001190610	1	Support, Engine Try	
200	1001257412	1	Bracket Engine Kit (Includes Items 201-217)	F
201	1001138175	1	Bracket	
203	1001140448	1	Mount, Rear Engine	
204	1001140450	1	Mount, Rear Engine	
205	1001140454	1	Mount, Front Engine	
207	1001145154	1	Plate, Relay Mounting	
208	1001260413	1	Bracket, Tank	
209	1001178223	2	Bracket, Radiator	
210	1001186985	1	Plate, Mounting	
212	1001266499	1	Mount, Generator/Engine	
213	1001204325	2	Bracket, Radiator	
214	1001221203	1	Bracket	
215	1001224936	1	Mount, Doc Weldment	
216	1001224937	2	Mount, Fuel Filter	
217	1001260412	1	Bracket	
218	4240032	AR	Tie-Strap (Not Shown)	
219	1001291401	1	Tag, Coolant	

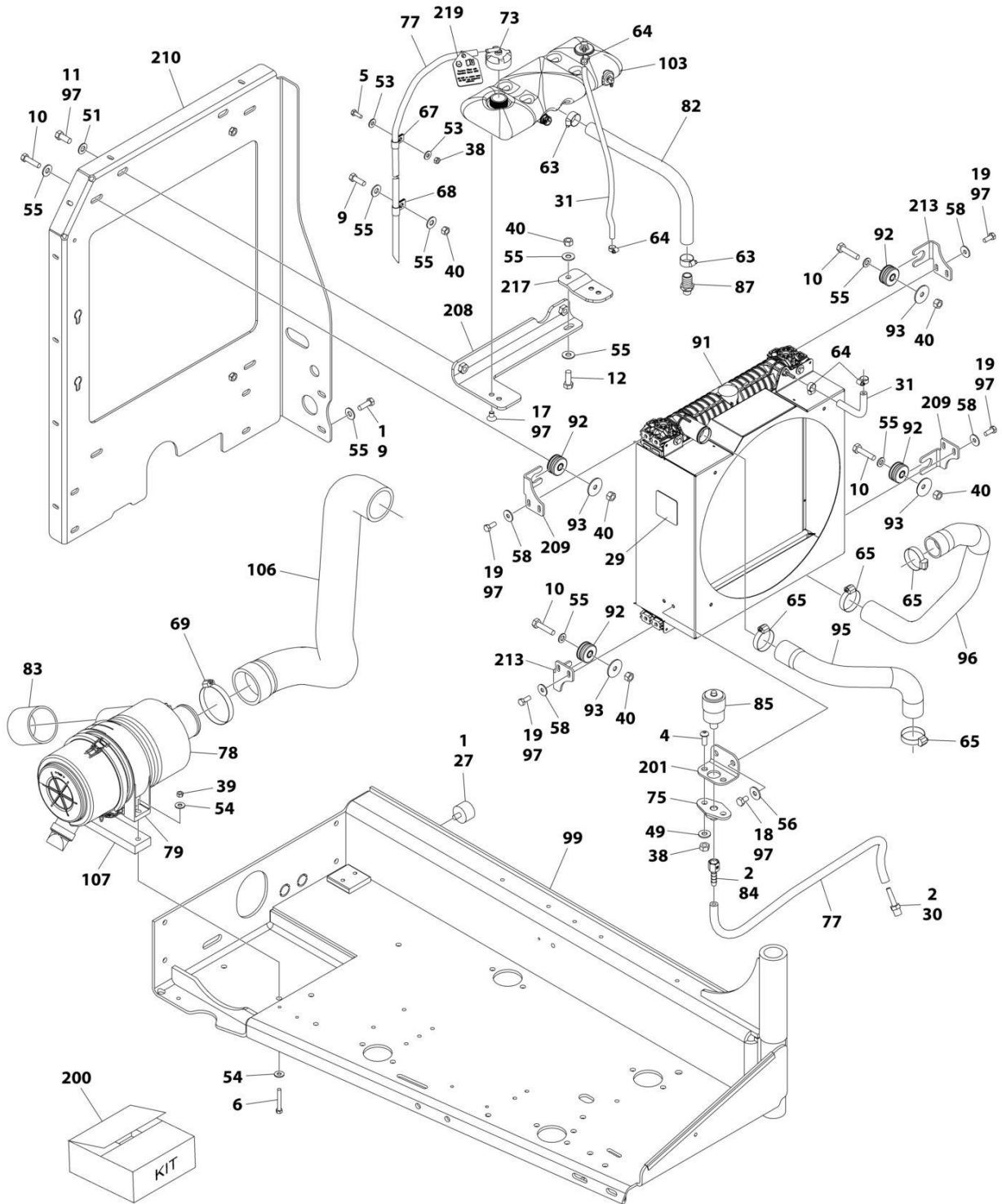
SECTION 3 - ENGINE

FIGURE 3-19. DEUTZ TD2.9L4 ENGINE ASSEMBLY (CHINA IV ENGINE)



ART_1001281609_F_10F2

SECTION 3 - ENGINE



ART_1001281609_F_2OF2

SECTION 3 - ENGINE

FIGURE 3-19. DEUTZ TD2.9L4 ENGINE ASSEMBLY (CHINA IV ENGINE)

ITEM	PART NUMBER	QTY	DESCRIPTION	REV
	1001281609	Ref	DEUTZ TD2.9L4 ENGINE ASSEMBLY	F
1	0100011	AR	Compound, Locking	
2	0100020	AR	Sealant	
3	0100062	AR	Compound, Locking	
4	0630407	2	Screw 1/4 x 5/8	
5	0641406	5	Bolt 1/4 x 3/4	
6	0641518	2	Bolt 5/16 x 2-1/4	
7	0641605	2	Bolt 3/8 x 5/8	
8	0641608	8	Bolt 3/8 x 1	
9	0641609	6	Bolt 3/8 x 1-1/8	
10	0641612	4	Bolt 3/8 x 1-1/2	
11	0641708	2	Bolt 7/16 x 1	
12	0681608	1	Bolt 3/8 x 1 Grade 8	
13	0681820	3	Bolt 1/2 x 2-1/2 Grade 8	
14	0681822	1	Bolt 1/2 x 2-3/4 Grade 8	
15	0701022	2	Bolt M10 x 70	
16	0701025	2	Bolt M10 x 85	
17	0741605	2	Screw 3/8 x 5/8	
18	0760605	2	Bolt M6 x 10	
19	0760810	9	Bolt M8 x 20	
20	0760814	4	Bolt M8 x 30	
21	0760815	2	Bolt M8 x 35	
22	0761015	2	Bolt M10 x 35	
23	0761210	1	Bolt M12 x 20	
24	0771212	6	Bolt M12 x 25 Grade 10.9	
25	0771414	2	Bolt M14 x 30 Grade 10.9	
26	0771415	3	Bolt M14 x 35	
27	0940070	1	Bumper	
28	0961986	2	Bushing, Flanged	
29	1703162	1	Decal - Caution Fan Blade	
30	2220315	1	Fitting, Straight Barbed	
31	2720015	3 ft /1 m	Hose	
32	2720340	1 ft /0.3 m	Hose	
33	3200401	4	Mount, Motor	
34	3271801	4	Nut 1/2	
35	3290801	2	Nut M8	
36	3291005	2	Nut M10	
37	3310401	3	Nut #4	
38	3311405	8	Nut 1/4	
39	3311505	2	Locknut 5/16	
40	3311605	17	Nut 3/8	
41	3520054	1	Plug	
42	3910408	3	Screw #4 x 1/2	
43	3931432	1	Capscrew 1/4 x 2	
44	3931512	4	Capscrew 5/16 x 3/4	
45	4031912	4	Capscrew M8 x 50	
46	4060805	2 ft /0.4 m	Flex-Trim	
47	4240099	AR	Tie-Strap (Not Shown)	
48	4640751	1	Valve, Oil Drain	
49	4711400	3	Washer 1/4	

SECTION 3 - ENGINE

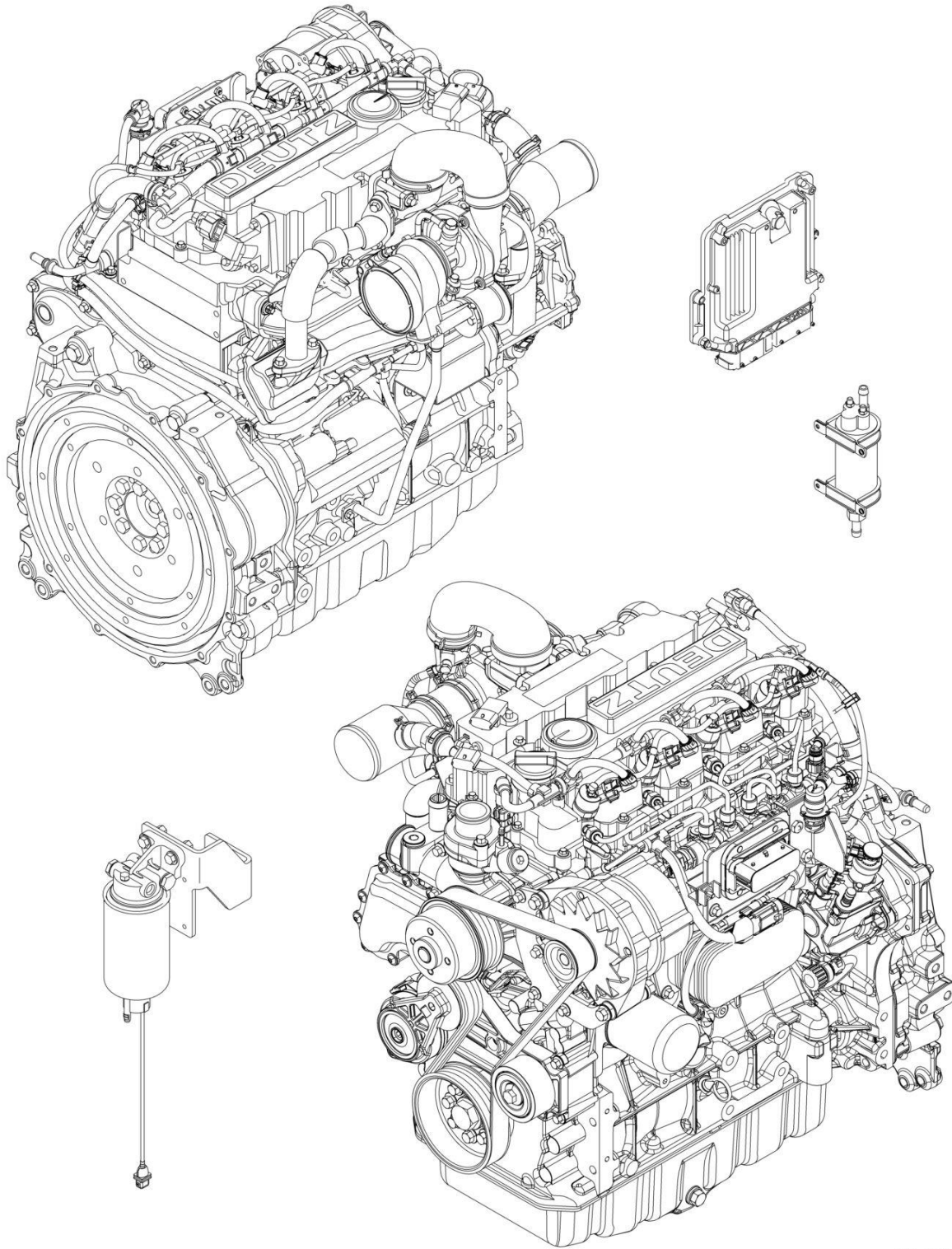
ITEM	PART NUMBER	QTY	DESCRIPTION	REV
50	4711500	5	Washer 5/16	
51	4711700	2	Washer 7/16	
52	4750400	3	Washer #4	
53	4751400	10	Washer 1/4	
54	4751500	4	Washer 5/16	
55	4751600	34	Washer 3/8	
56	4811702	2	Washer M6	
57	4811900	12	Washer M8	
58	4811902	8	Washer M8	
59	4812000	8	Washer M10	
60	4812100	7	Washer M12	
61	4812200	5	Washer M14	
62	4891800	4	Washer 1/2	
63	8405007	2	Clamp	
64	8405009	4	Clamp	
65	8405104	4	Clamp	
66	8406102	1	Clip	
67	8406109	1	Clip	
68	8406110	1	Clip	
69	8410011	2	Clamp	
70	8410013	1	Clamp	
71	1001117308	1	Relay	
72	1001289964	1	Adapter	
73	1001136834	1	Cap, Tank	
74	1001137276	1	Fan	
75	1001138173	1	Support	
76	1001138228	1	Relay, Power Module	
77	1001138248	6 ft /2 m	Tube	
78	1001138489	1	Air Cleaner Assembly	
78	91403102	1	Element, Filter	
79	1001138557	1	Clamp	
80	1001139409	4	Washer, Special	
81	1001141304	1	Harness, Glow Plug	
82	1001141370	1	Hose	
83	1001141585	1	Hose, Inlet	
84	1001141995	1	Fitting, Straight NPT/Barbed	
85	1001143390	1	Indicator, Service	
86	1001276644	1	Harness, Deutz Engine (Not Shown - See Separate Breakdown in ELECTRICAL Section)	
87	1001143797	1	Fitting, Straight Metric/Barbed	
88	1001143907	1	Cable, Alternator Power	
89	1001152489	1	Fitting, 90 Metric/ Barbed	
90	1001153282	1	Pump Coupling Kit (See Separate Breakdown in this Section)	
91	1001167042	1	Radiator	
92	1001169054	4	Isolator	
93	1001169138	4	Washer	
94	1001177359	1	Hose	
95	1001177844	1	Hose, Radiator - Upper	
96	1001177845	1	Hose, Radiator - Lower	
97	1001180620	AR	Adhesive	
98	1001181899	1	P-Clamp	
99	1001190610	1	Support, Engine Try	

SECTION 3 - ENGINE

ITEM	PART NUMBER	QTY	DESCRIPTION	REV
100	1001221212	1	Clamp	
101	1001221219	1	Clamp	
102	1001224940	1	Pipe, Exhaust	
103	1001230635	1	Tank	
104	1001233089	2	Strap	
105	1001257278	1	Muffler	
106	1001266525	1	Hose, Inlet	
107	1001267256	1	Shim, Air Cleaner	
108	1001291681	1	Deutz Engine China IV (See Separate Breakdown in this Section)	
109	1001281985	1	Connector (Not Shown - Use With Harness 1001238878)	
110	1001281986	1	Connector (Not Shown - Use With Harness 1001238878)	
200	1001257412	1	Bracket Engine Kit (Includes Items 201-217)	D
201	1001138175	1	Bracket	
202	1001139240	1	Bracket	
203	1001140448	1	Mount, Rear Engine	
204	1001140450	1	Mount, Rear Engine	
205	1001140454	1	Mount, Front Engine	
207	1001145154	1	Plate, Relay Mounting	
208	1001260413	1	Bracket, Tank	
209	1001178223	2	Bracket, Radiator	
210	1001186985	1	Plate, Mounting	
212	1001266499	1	Mount, Generator/Engine	
213	1001204325	2	Bracket, Radiator	
214	1001221203	1	Bracket	
215	1001224936	2	Mount, Doc Weldment	
216	1001224937	1	Mount, Fuel Filter	
217	1001260412	1	Bracket	
218	4240032	AR	Tie-Strap (Not Shown)	
219	1001291401	1	Tag, Coolant	

SECTION 3 - ENGINE

FIGURE 3-20. DEUTZ ENGINE CHINA IV



ART_1001291681

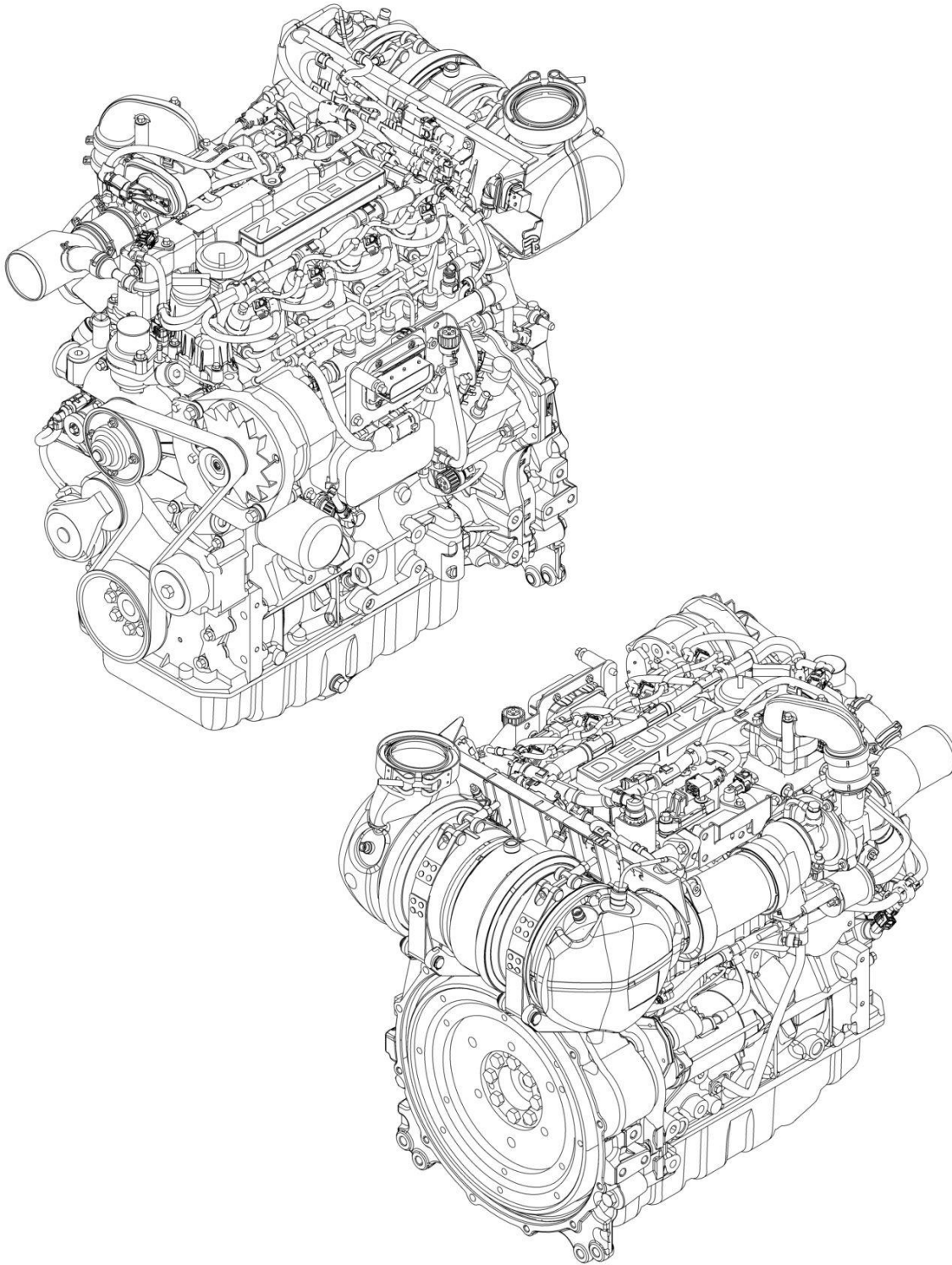
SECTION 3 - ENGINE

FIGURE 3-20. DEUTZ ENGINE CHINA IV

ITEM	PART NUMBER	QTY	DESCRIPTION	REV
	1001291681 See Note	Ref Ref	DEUTZ ENGINE CHINA IV Note: No Service Parts Available at Time of Printing	A

SECTION 3 - ENGINE

FIGURE 3-21. DEUTZ TD2.9L4 ENGINE COMPONENTS (STAGE V)



ART_1001277592

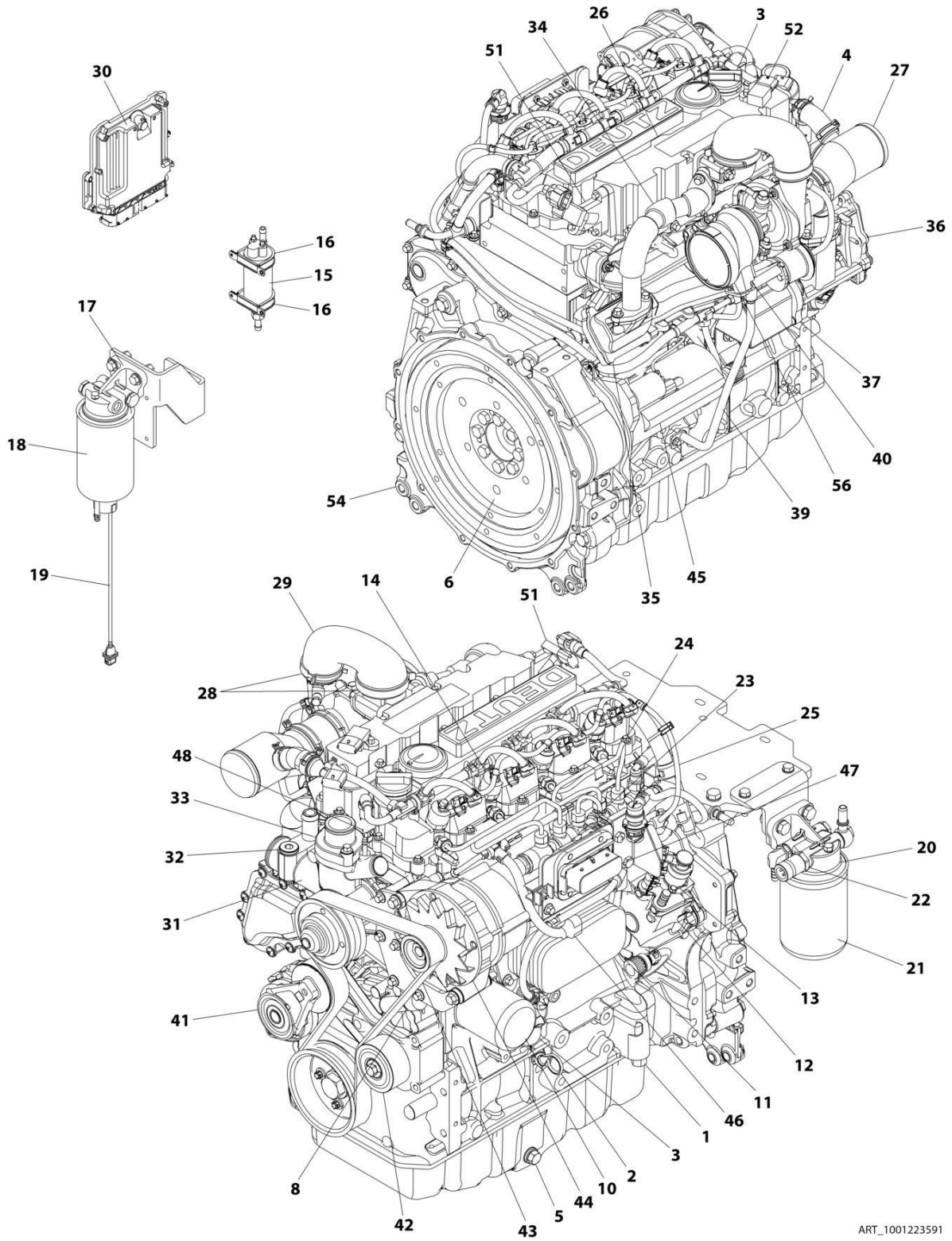
SECTION 3 - ENGINE

FIGURE 3-21. DEUTZ TD2.9L4 ENGINE COMPONENTS (STAGE V)

ITEM	PART NUMBER	QTY	DESCRIPTION	REV
	1001277592	Ref	DEUTZ ENGINE COMPONENTS	A
	See Note	Ref	Note: No Service Parts Available at Time of Printing	

SECTION 3 - ENGINE

FIGURE 3-22. DEUTZ TD2.9L4 ENGINE COMPONENTS (CHINA III ENGINE)



ART_1001223591

SECTION 3 - ENGINE

FIGURE 3-22. DEUTZ TD2.9L4 ENGINE COMPONENTS (CHINA III ENGINE)

ITEM	PART NUMBER	QTY	DESCRIPTION	REV
	1001223591	Ref	DEUTZ TD2.9L4 ENGINE COMPONENTS	C
1	70025660	1	Plug	
1	70006264	1	Valve, Plunger	
1	70006265	1	Spring	
1	70006266	1	Seal	
2	70024904	1	Dipstick	
2	70024905	2	Seal	
3	7020465	2	Cap, Fill	
4	70005920	1	Line, Breather	
4	70025111	2	Clamp	
5	70006941	2	Plug	
5	70005942	2	Seal	
6	70001870	1	Flywheel	
6	7024579	1	Ring Gear	
6	70025139	8	Bolt	
7		Ref	Gasket & Seal Options (Not Shown):	
7	70005938	1	Gasket Kit	
7	70024906	1	Gasket, Head	
7	70005922	1	Gasket, Valve Cover	
7	70028185	1	Gasket, Front Cover	
7	70004280	1	Seal, Front Main	
7	70002718	1	Seal, Rear Main	
8	See Note	NSS	Valve, Slide (Note: Not Available for Purchase)	
8	70025082	1	Seal	
9	70005172	1	Pump, Lube (Not Shown - Located RH Rear)	
9	70025135	1	O-Seal	
9	70005173	1	Gasket	
10	7016331	1	Filter, Oil	
11	70024494	1	Cooler, Oil	
11	70024925	1	Gasket, Oil Filter	
12	70024924	1	Pump, High Pressure	
12	70025152	1	Gasket (Spacer to Pump)	
12	70024488	1	Spacer	
12	70024517	1	Gasket (Spacer to Block)	
12	70004505	1	Valve, Overflow	
12	70004506	1	Gasket, Overflow	
12	70004507	1	Gasket, Overflow	
13	70004508	1	Valve, Volume Control	
13	70004509	1	O-Ring	
13	70004510	1	Gasket	
14	70025181	4	Injector	
14	70025140	4	Washer, Sealing	
14	70025146	4	Clamp	
14	70025145	4	O-Seal	
14	70025154	4	Shoe/Pad, Clamping	
15	70006144	NLA	Pump, Fuel Supply (Use p/n 1001226098)	
16	70025144	2	Clip, Clamp	
17	70024961	1	Fuel Filter Assembly	
18	1001225430	1	Element, Filter	
19	70024513	1	Cable, Sensor	

SECTION 3 - ENGINE

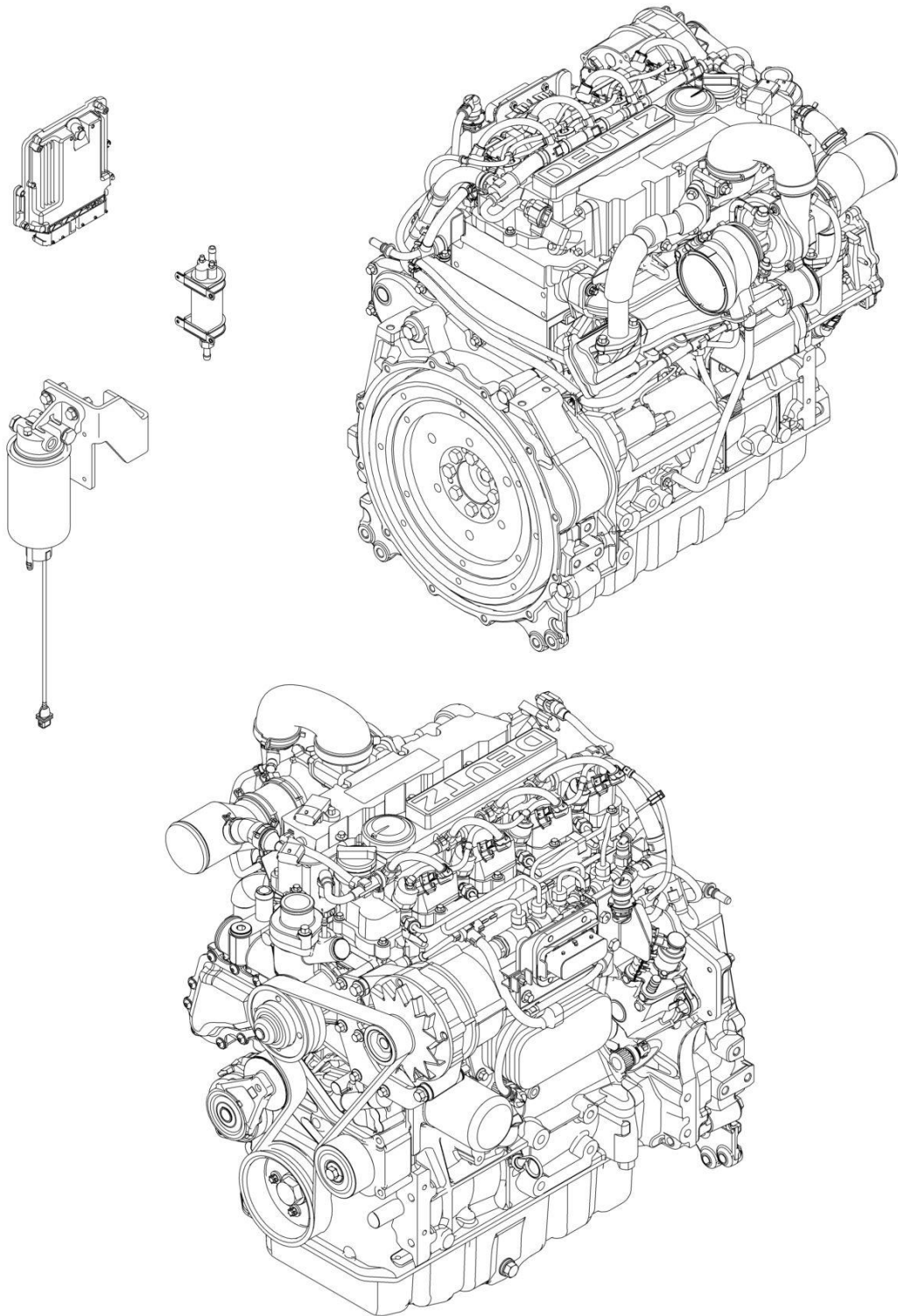
ITEM	PART NUMBER	QTY	DESCRIPTION	REV
19	70025239	1	Seal, Ring	
20	70004511	1	Fuel Filter Assembly	
20	70004513	2	Seal (at Hollow Bolt)	
21	1001225432	1	Element, Filter	
22	70028538	1	Sensor, Pressure	
22	70024920	1	O-Seal	
23	70025151	1	Rail, Fuel	
23	70025235	1	Repair Kit - Fuel Rail	
23	70025240	1	O-Ring	
24	70025182	1	Tube, Fuel - Cylinders 1 & 2	
24	70025183	1	Tube, Fuel - Cylinders 3 & 4	
24	70025184	1	Tube, Fuel	
25	70024502	1	Pipe, Fuel Leakage	
25	70025185	1	Hose, Fuel	
25	70025158	1	Manifold	
25	70025109	2	Clamp, Spring	
25	70025115	1	Clamp	
25	70025133	1	Hose	
25	70025101	2	Clamp	
25	70025148	1	Connector, Plug-in	
26	70005923	1	Manifold, Charger Air	
26	70005177	1	Gasket, Charger Air Manifold	
26	70005924	1	Seal (Manifold to Elbow)	
26	7000180	1	Line, Breather (Not Shown)	
26	70005181	1	O-Seal (Breather to Manifold)	
27	70005926	1	Elbow	
27	70025112	2	Clamp	
27	70004501	1	Sleeve, Rubber	
28	See Note	NSS	Sleeve (Note: Not Available for Purchase)	
28	70025107	2	Clamp	
29	70005928	1	Elbow, Air Charge	
30	70025210	1	Module, ECU	
31	70028802	1	Pump, Coolant	
31	70025200	1	Ring, Sealing (Pump to Block)	
32	70025084	2	Plug	
32	7020492	2	Ring, Sealing	
33	70005929	1	Thermostat	
33	70005184	1	O-Seal (Thermostat to Housing)	
33	70025142	1	Housing, Thermostat	
33	70005931	1	O-Seal (Thermostat to Pump)	
33	70025124	2	Bolt	
34	See Note	NSS	Tube (Note: Not Available for Purchase)	
34	70025179	2	Gasket (at Either End of Tube)	
35	See Note	NSS	Valve, Shuttle (Note: Not Available for Purchase)	
35	70025180	1	Gasket	
35	See Note	NSS	Housing, Shuttle Valve (Note: Not Available for Purchase)	
35	70025175	1	Cap, Shuttle Valve	
36	70025203	1	Module, EGR	
36	70025155	1	Plug (Not Shown)	
37	70005188	1	Valve, EGR Control	
37	70005189	1	Seal (Valve to Module)	

SECTION 3 - ENGINE

ITEM	PART NUMBER	QTY	DESCRIPTION	REV
38	70004282	1	Manifold, Exhaust (Not Shown)	
38	70025164	1	Gasket, Manifold to Head (Not Shown)	
38	70025130	8	Bolt, Manifold (Not Shown)	
38	70026995	1	Elbow, Exhaust (Not Shown)	
38	70025179	2	Gasket, Manifold to Elbow (Not Shown)	
39	70005932	1	Tube, Oil Return	
39	70025132	1	O-Seal	
40	70004276	1	Turbocharger	
40	70024509	1	Gasket (Turbocharger to Oil Return Tube Housing)	
40	1001191599	1	Gasket (Turbocharger to Exhaust)	
41	70025477	1	Tensioner, Belt	
42	70024484	1	Roller, Idler	
43	70004277	1	Belt	
44	70025733	1	Pulley, Alternator	
44	70006652	1	Alternator	
44	70006653	1	Controller	
44	See Note	NSS	Fan (Note: Not Available for Purchase)	
45	70024915	1	Starter	
45	70005647	1	Switch, Solenoid	
45	70005648	1	Relay	
46	70000345	4	Glow Plug	
46	70025231	1	Harness, Glow Plug	
46	70025233	1	Connector, Plug-in	
47	70025077	1	Harness, Engine	
48	70024918	1	Sender, Temperature	
49	70028538	1	Sensor, Pressure (Not Shown - RH Front)	
49	70024920	1	O-Seal	
50	70026210	1	Sensor, Speed (Not Shown - Front)	
50	70005191	1	Ring, Seal	
51	70024507	1	Sensor, Pressure	
51	70025120	1	O-Seal	
51	70005933	1	Adapter	
51	70005934	1	O-Seal	
52	70024922	1	Sender, Temperature	
52	70025212	1	O-Seal	
53	70026210	1	Sensor, Speed (Not Shown - Front)	
53	70024917	1	O-Seal	
54	70025192	1	Housing	
56	70005527	1	Clip	

SECTION 3 - ENGINE

FIGURE 3-23. DEUTZ TD2.9L4 ENGINE COMPONENTS (CHINA IV ENGINE)



ART_1001281610

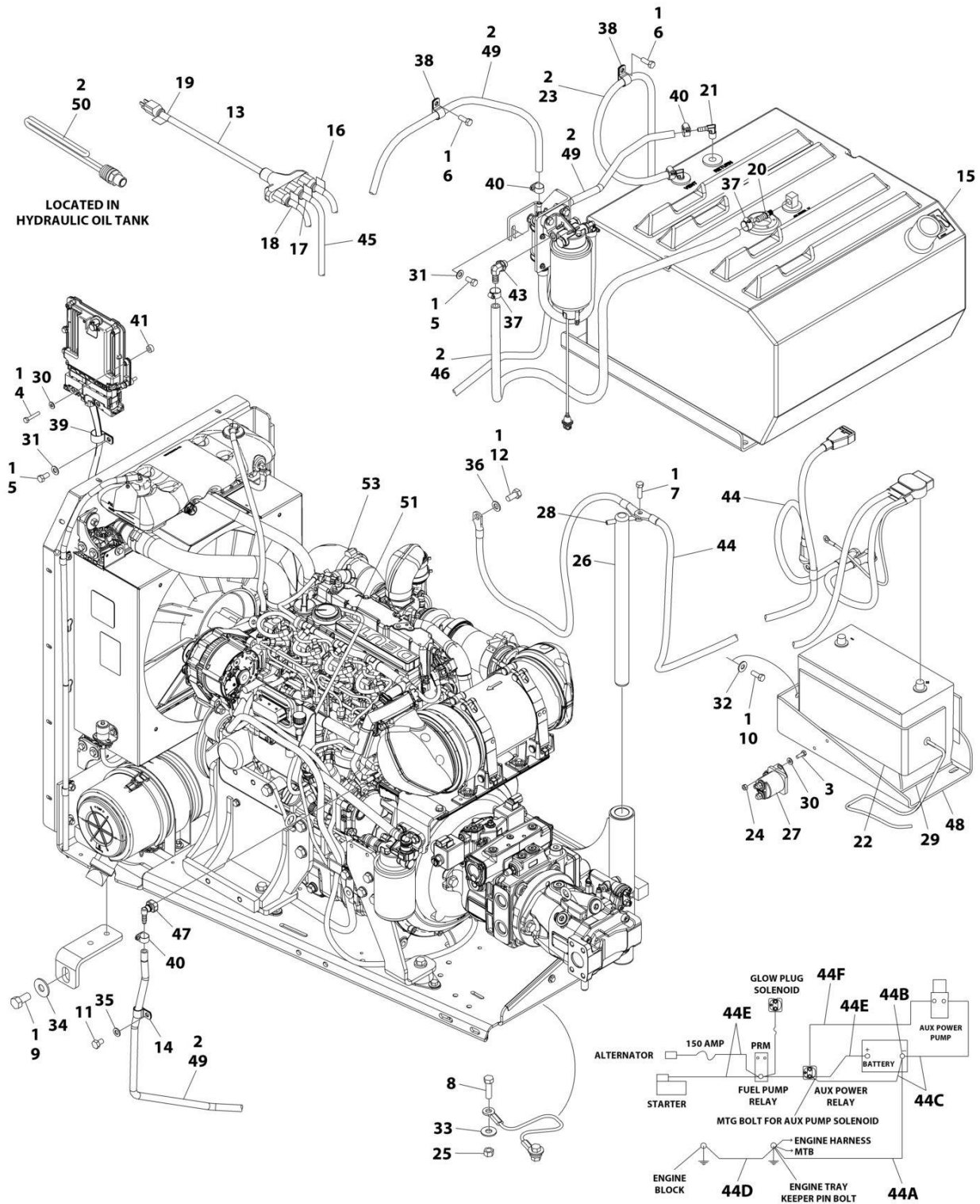
SECTION 3 - ENGINE

FIGURE 3-23. DEUTZ TD2.9L4 ENGINE COMPONENTS (CHINA IV ENGINE)

ITEM	PART NUMBER	QTY	DESCRIPTION	REV
	1001281610	Ref	DEUTZ TD2.9L4 ENGINE COMPONENTS	A
	See Note	Ref	Note: No Service Parts Available at Time of Printing	

SECTION 3 - ENGINE

FIGURE 3-24. DEUTZ D2.9L4 - EMR5 ENGINE INSTALLATION WITH ARCTIC PACKAGE



ART_1001302097

SECTION 3 - ENGINE

FIGURE 3-24. DEUTZ D2.9L4 - EMR5 ENGINE INSTALLATION WITH ARCTIC PACKAGE

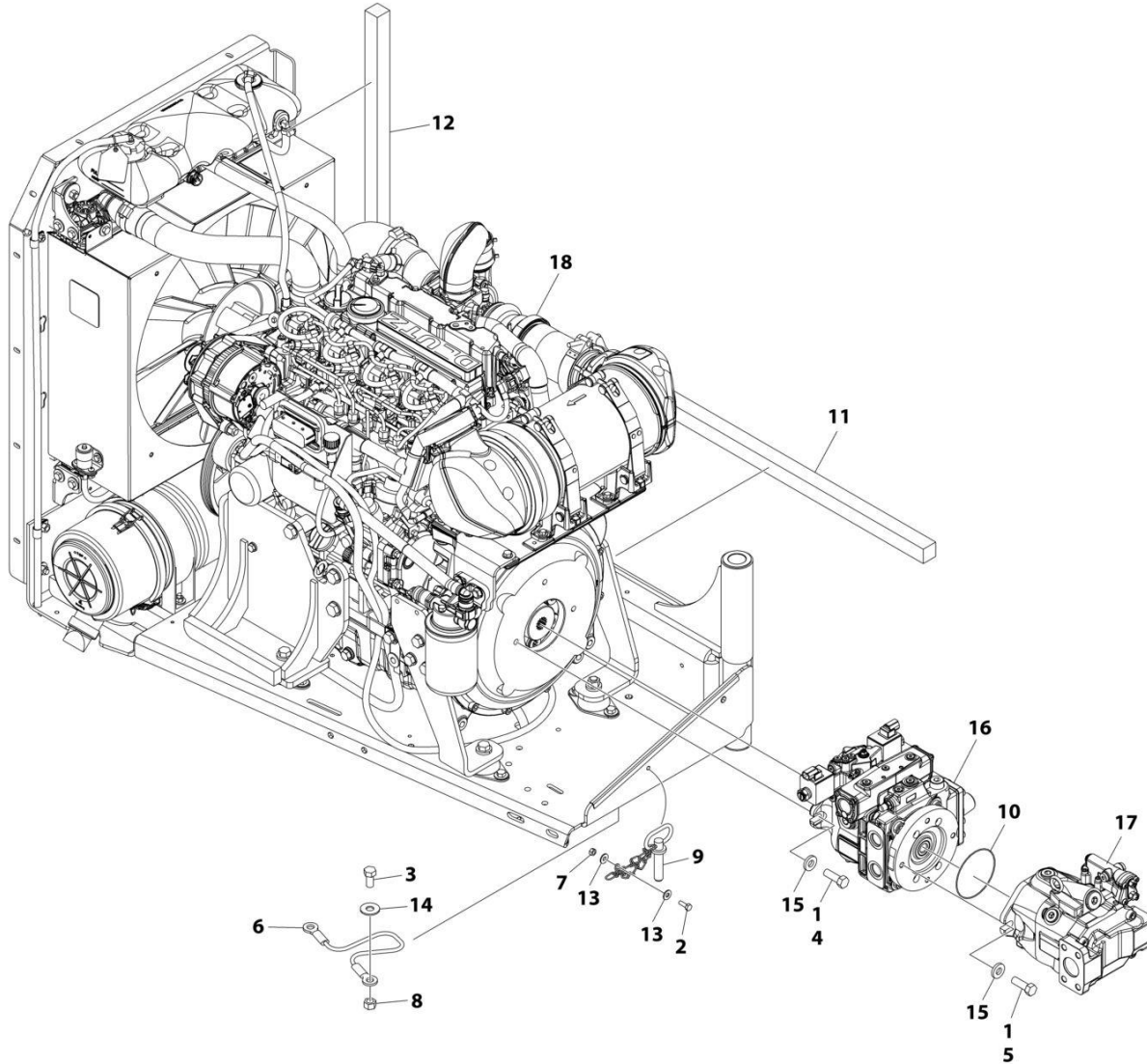
ITEM	PART NUMBER	QTY	DESCRIPTION	REV
	1001302097	Ref	ENGINE INSTALLATION EMR5 WITH ARCTIC PACKAGE	A
1	0100011	AR	Compound, Locking	
2	0100020	AR	Sealant, Pipe	
3	0641406	2	Bolt 1/4 x 3/4	
4	0641412	4	Bolt 1/4 x 1-1/2	
5	0641606	3	Bolt 3/8 x 3/4	
6	0641608	2	Bolt 3/8 x 1	
7	0641610	1	Bolt 3/8 x 1-1/4	
8	0641814	1	Bolt 1/2 x 1-3/4	
9	0642010	1	Bolt 5/8 x 1-1/4	
10	0681608	3	Bolt 3/8 x 1	
11	0761008	1	Bolt M10 x 16	
12	0771212	1	Bolt M12 x 25	
13	1060626	1	Cord, 3-Way Extension	
14	1320061	1	Clamp	
15	1701505	1	Decal - Diesel	
16	1702941	1	Decal - Battery Heater	
17	1702942	1	Decal - Engine Heater	
18	1702943	1	Decal - Hydraulic Tank Heater	
19	1702944	1	Decal - Heater Cord	
20	2180832	1	Fitting, Barbed	
21	2220313	2	Fitting, 90	
22	2580024	1	Heater, Battery	
23	2750532	4 ft /1.2 m	Hose	
24	3311405	2	Nut 1/4	
25	3311805	1	Nut 1/2	
26	3422446	1	Pin	
27	3740067	1	Relay	
28	3841143	1	Keeper, Pin	
29	3980007	1	Seat, Battery	
30	4711400	7	Washer 1/4	
31	4711600	3	Washer 3/8	
32	4751600	3	Washer 3/8	
33	4751800	1	Washer 1/2	
34	4752000	1	Washer 5/8	
35	4812000	1	Washer M10	
36	4812100	1	Washer M12	
37	8405006	2	Clamp	
38	8406102	2	Clip	
39	8406201	1	Clip	
40	8410013	5	Clamp	
41	1001110425	4	Spacer	
42	1001138491	1	Fuel Harness (See Separate Breakdown in ELECTRICAL Section)	
43	1001142501	1	Fitting, 90	
44	1001143736	1	Battery Cable Kit	
44A	7027084	1	Cable, Battery (Black) (Battery - to Tray Pivot Grds)	
44B	8270147	1	Terminal, Battery (With Boot)	
44C	7027085	1	Cable, Battery (Black) (Battery - to Aux Pump and Relay Grds)	
44D	7027086	1	Cable, Battery (Black) (Engine to Tray Pivot Grd)	
44E	7027087	1	Cable (Red) (Battery + to Aux Relay/Power Module/Starter)	

SECTION 3 - ENGINE

ITEM	PART NUMBER	QTY	DESCRIPTION	REV
44F	7027088	1	Cable (Red) (Aux Relay to Aux Pump)	
44	See Note	1	Cable (Aux Relay to Starter) (Note: Use P/N 7027087)	
45	1001150918	1	Cable, Extension Cord	
46	1001154405	5 ft /1.6 m	Hose	
47	1001155823	1	Fitting, 90 Quick Disconnect	
48	1001162497	1	Bracket	
49	1001165035	28 ft /8.5 m	Hose	
50	1001188972	1	Heater, Immersion	
51	1001233763	1	Breather Heater Installation (See Separate Breakdown in this Section)	
52	1001289593	1	ECU Power Jumper Harness (Not Shown) (See Separate Breakdown in ELECTRICAL Section)	
53	1001302003	1	Engine and Pump Assembly with Arctic Package (See Separate Breakdown in this Section)	

SECTION 3 - ENGINE

FIGURE 3-25. DEUTZ D2.9L4 - EMR5 ENGINE AND PUMP SUB-ASSEMBLY WITH ARCTIC PACKAGE



ART_1001302003

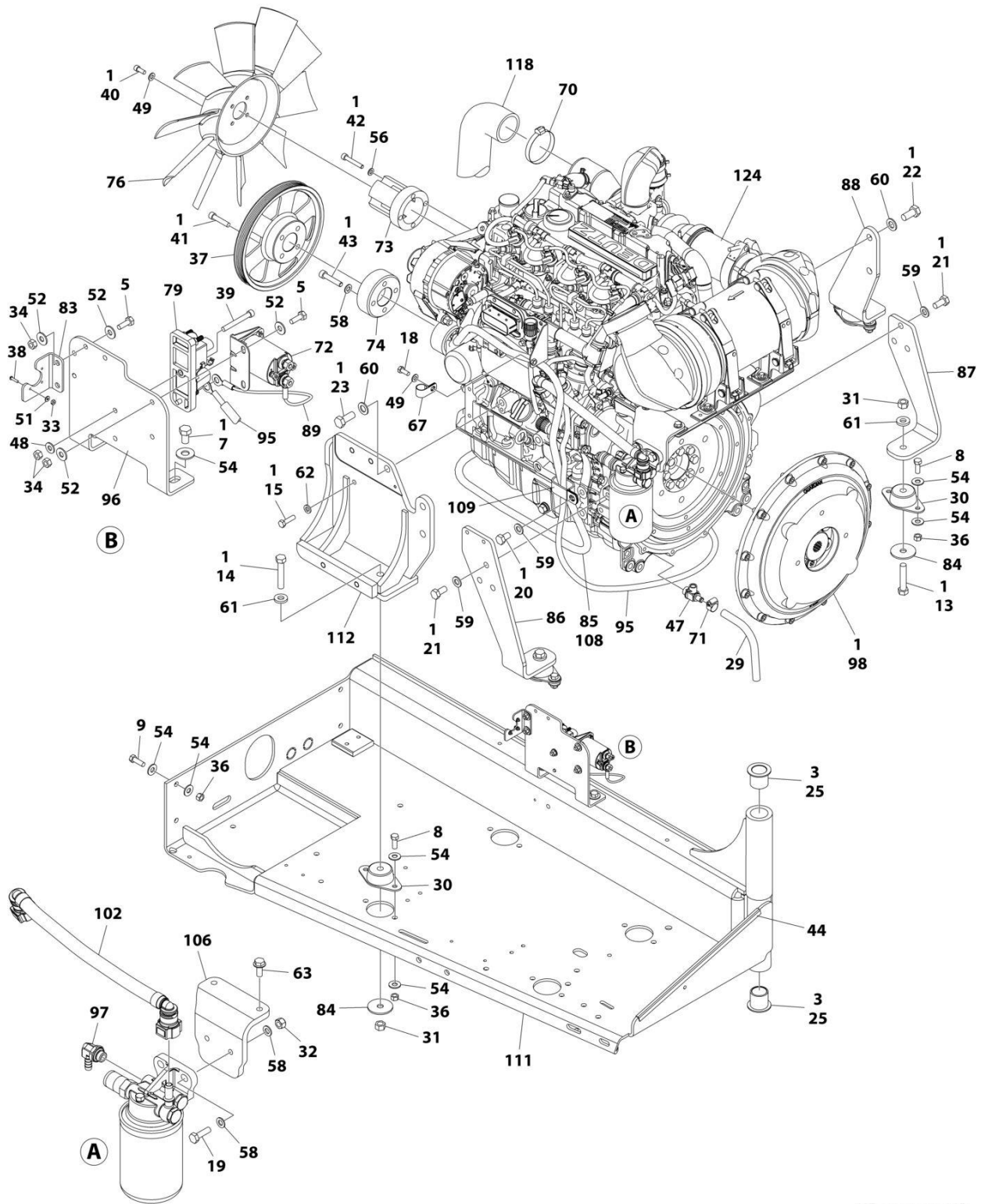
SECTION 3 - ENGINE

FIGURE 3-25. DEUTZ D2.9L4 - EMR5 ENGINE AND PUMP SUB-ASSEMBLY WITH ARCTIC PACKAGE

ITEM	PART NUMBER	QTY	DESCRIPTION	REV
	1001302003	Ref	ENGINE AND PUMP SUB-ASSEMBLY EMR5 WITH ARCTIC PACKAGE	A
1	0100011	AR	Compound, Locking	
2	0641406	1	Bolt 1/4 x 3/4	
3	0641808	1	Bolt 1/2 x 1	
4	0641812	2	Bolt 1/2 x 1-1/2	
5	0711215	2	Bolt M12 x 35	
6	1060637	1	Lanyard	
7	3311405	1	Nut 1/4	
8	3311801	1	Nut 1/2	
9	3422532	1	Pin	
10	3790044	1	O-Ring	
11	3960468	1	Seal	
12	3960469	1	Seal	
13	4751400	2	Washer 1/4	
14	4751800	1	Washer 1/2	
15	4891800	4	Washer 1/2	
16	1001276376	1	Hydrostatic Pump Assembly (See Separate Breakdown in this Section)	
17	1001276377	1	Variable Pump Assembly with Fittings (See Separate Breakdown in this Section)	
18	1001301950	1	Engine Assembly with Arctic Package (See Separate Breakdown in this Section)	

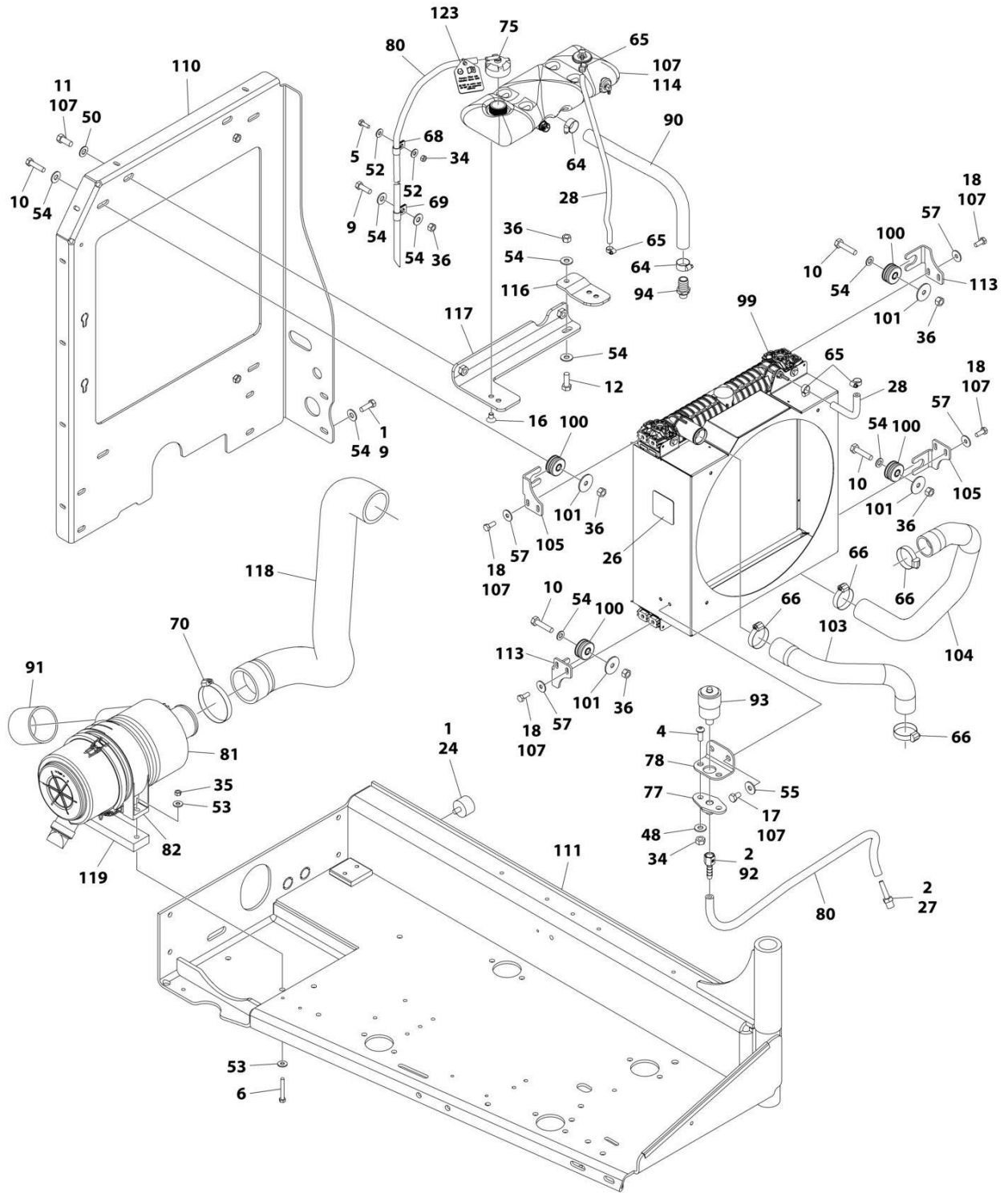
SECTION 3 - ENGINE

FIGURE 3-26. ENGINE ASSEMBLY - DEUTZ D2.9L4 EMR5 ENGINE (WITH ARCTIC PACKAGE)



ART_1001301950_10F2

SECTION 3 - ENGINE



ART_1001301950_20F2

SECTION 3 - ENGINE

FIGURE 3-26. ENGINE ASSEMBLY - DEUTZ D2.9L4 EMR5 ENGINE (WITH ARCTIC PACKAGE)

ITEM	PART NUMBER	QTY	DESCRIPTION	REV
	1001301950	Ref	ENGINE ASSEMBLY - DEUTZ D2.9L4 EMR5 ENGINE	A
1	0100011	AR	Locking, Compound	
2	0100020	AR	Sealant, Pipe	
3	0100062	AR	Adhesive	
4	0630407	2	Screw 1/4 x 5/8	
5	0641406	5	Bolt 1/4 x 3/4	
6	0641518	2	Bolt 5/16 x 2-1/4	
7	0641605	2	Bolt 3/8 x 5/8	
8	0641608	8	Bolt 3/8 x 1	
9	0641609	6	Bolt 3/8 x 1-1/8	
10	0641612	4	Bolt 3/8 x 1-1/2	
11	0641708	2	Bolt 7/16 x 1	
12	0681608	1	Bolt 3/8 x 1	
13	0681820	3	Bolt 1/2 x 2-1/2	
14	0681822	1	Bolt 1/2 x 2-3/4	
15	0700814	1	Bolt M8 x 30	
16	0741605	2	Screw 3/8 x 5/8	
17	0760605	2	Bolt M6 x 10	
18	0760810	9	Bolt M8 x 20	
19	0761015	2	Bolt M10 x 35	
20	0761210	1	Bolt M12 x 20	
21	0771212	6	Bolt M12 x 25	
22	0771414	2	Bolt M14 x 30	
23	0771415	3	Bolt M14 x 35	
24	0940070	1	Bumper	
25	0961986	2	Bushing	
26	1703162	1	Decal - Fan Blade	
27	2220315	1	Fitting, Straight Barbed	
28	2720015	3 ft /1 m	Hose	
29	2720340	1 ft /0.3 m	Hose	
30	3200401	4	Mount	
31	3271801	4	Nut 1/2	
32	3291005	2	Nut M10	
33	3310401	3	Nut #4	
34	3311405	8	Nut 1/4	
35	3311505	2	Nut 5/16	
36	3311605	17	Nut 3/8	
37	3580320	1	Pulley	
38	3910408	3	Screw #4 x 1/2	
39	3931432	1	Capscrew 1/4 x 2	
40	3931512	4	Capscrew 5/16 x 3/4	
41	3931628	4	Capscrew 3/8 x 1-3/4	
42	4031914	4	Capscrew M8 x 50	
43	4032014	4	Capscrew M10 x 50	
44	4060805	2 ft /0.4 m	Shield	
45	4240032	AR	Tie-Strap (Not Shown)	
46	4240099	AR	Tie-Strap (Not Shown)	
47	4640751	1	Valve, Oil Drain	
48	4711400	3	Washer 1/4	
49	4711500	5	Washer 5/16	

SECTION 3 - ENGINE

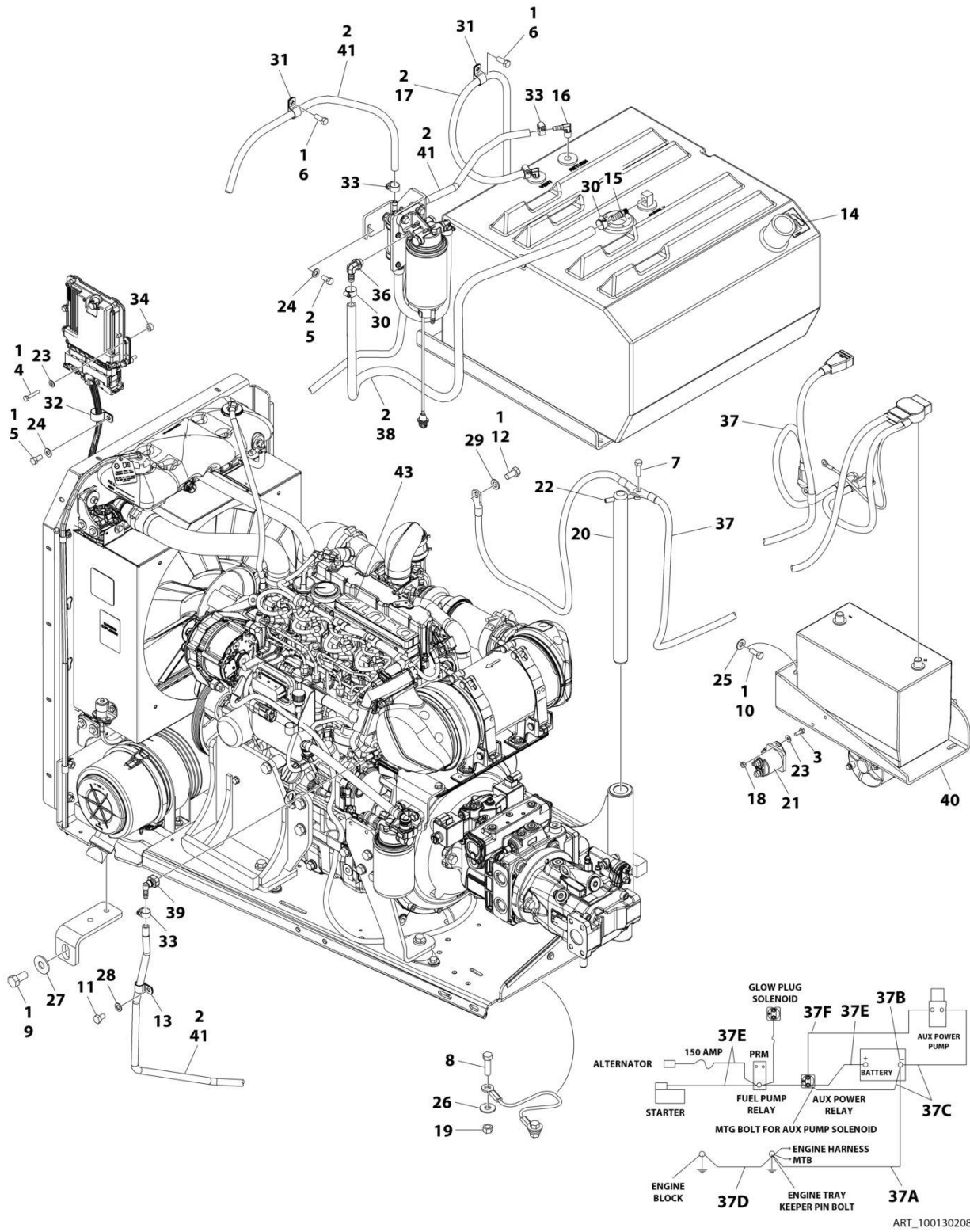
ITEM	PART NUMBER	QTY	DESCRIPTION	REV
50	4711700	2	Washer 7/16	
51	4750400	3	Washer #4	
52	4751400	10	Washer 1/4	
53	4751500	4	Washer 5/16	
54	4751600	34	Washer 3/8	
55	4811702	2	Washer M6	
56	4811900	4	Washer M8	
57	4811902	8	Washer M8	
58	4812000	8	Washer M10	
59	4812100	7	Washer M12	
60	4812200	5	Washer M14	
61	4891800	4	Washer 1/2	
62	5240800	1	Washer M8	
63	5250810	2	Bolt M8 x 20	
64	8405007	2	Clamp	
65	8405009	4	Clamp	
66	8405104	4	Clamp	
67	8406102	1	Clip	
68	8406109	1	Clip	
69	8406110	1	Clip	
70	8410011	2	Clamp	
71	8410013	1	Clamp	
72	1001117308	1	Relay	
73	1001135138	1	Adapter	
74	1001135679	1	Adapter	
75	1001136834	1	Cap	
76	1001137276	1	Fan	
77	1001138173	1	Support	
78	1001138175	1	Bracket	
79	1001138228	1	Relay, Power Module	
79	70023592	1	Fuse 20Amp	
79	70023593	1	Fuse 30Amp	
80	1001138248	6 ft /2 m	Tube	
81	1001138489	1	Filter	
82	1001138557	1	Clamp	
83	1001139240	1	Bracket	
84	1001139409	4	Washer	
85	1001140312	1	Heater, Engine Block	
86	1001140448	1	Plate	
87	1001140450	1	Plate	
88	1001140454	1	Plate	
89	1001141304	1	Wire, Glow Fuse	
90	1001141370	1	Hose	
91	1001141585	1	Hose	
92	1001141995	1	Fitting, Straight NPT/Barbed	
93	1001143390	1	Indicator	
94	1001143797	1	Fitting, Straight Barbed	
95	1001143907	1	Cable, Alternator Power	
96	1001145154	1	Plate	
97	1001152489	1	Fitting, 90 Barbed	
98	1001153282	1	Pump Coupling Kit (See Separate Breakdown in this Section)	

SECTION 3 - ENGINE

ITEM	PART NUMBER	QTY	DESCRIPTION	REV
99	1001167042	1	Radiator	
100	1001169054	4	Isolator	
101	1001169138	4	Pad	
102	1001177359	1	Hose	
103	1001177844	1	Hose, Radiator (Upper)	
104	1001177845	1	Hose, Radiator (Lower)	
105	1001178223	2	Bracket	
106	1001178876	1	Mount	
107	1001180620	AR	Adhesive	
108	1001181895	AR	Adhesive	
109	1001181899	1	Clamp	
110	1001186985	1	Support	
111	1001190610	1	Support	
112	1001202368	1	Support	
113	1001204325	2	Bracket	
114	1001230635	1	Tank	
114	0100020	AR	Sealant	
114	1001134488	1	Fitting, 90 NPT/Barbed	
114	1001138827	1	Sensor	
114	1001140564	1	Fitting, 90 NPT/Barbed	
114	1001229542	1	Tank	
115	1001235949	1	Bracket, Fuel Pump/Filter Assembly (Not Shown) (See Separate Breakdown in this Section)	
116	1001260412	1	Bracket	
117	1001260413	1	Bracket	
118	1001266525	1	Hose	
119	1001267256	1	Shim	
120	1001276644	1	Deutz Engine Harness (Not Shown) (See Separate Breakdown in ELECTRICAL Section)	
121	1001281985	1	Connector (Not Shown)	
122	1001281986	1	Connector (Not Shown)	
123	1001291401	1	Tag, Coolant	
124	1001301717	1	Deutz TD2.9L4 EMR5 Engine (See Separate Breakdown in this Section)	

SECTION 3 - ENGINE

FIGURE 3-27. DEUTZ D2.9L4 - EMR5 ENGINE INSTALLATION WITHOUT ARCTIC PACKAGE



SECTION 3 - ENGINE

FIGURE 3-27. DEUTZ D2.9L4 - EMR5 ENGINE INSTALLATION WITHOUT ARCTIC PACKAGE

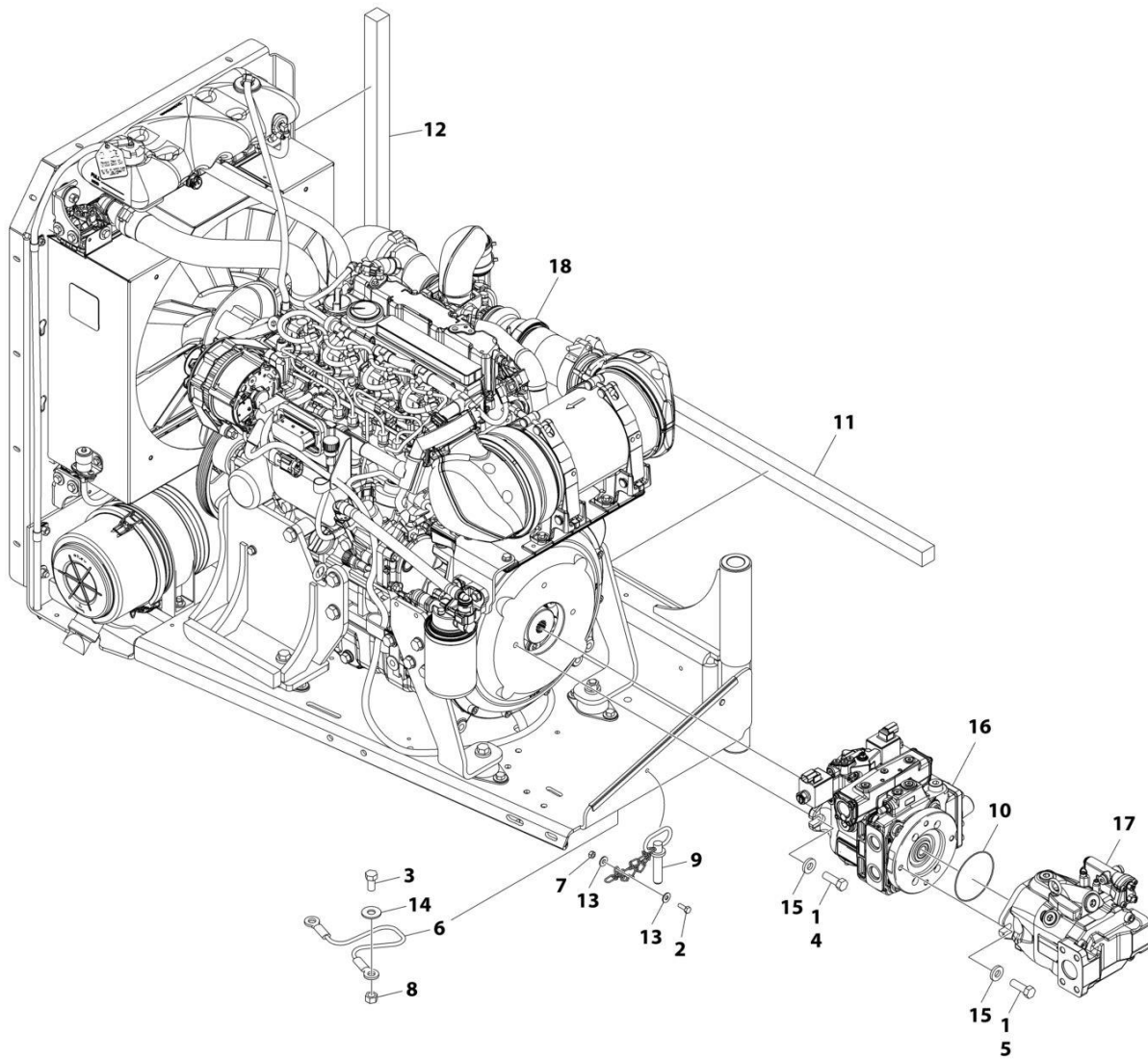
ITEM	PART NUMBER	QTY	DESCRIPTION	REV
	1001302087	Ref	ENGINE INSTALLATION EMR5 WITHOUT ARCTIC PACKAGE	A
1	0100011	AR	Compound, Locking	
2	0100020	AR	Sealant, Pipe	
3	0641406	2	Bolt 1/4 x 3/4	
4	0641412	4	Bolt 1/4 x 1-1/2	
5	0641606	3	Bolt 3/8 x 3/4	
6	0641608	2	Bolt 3/8 x 1	
7	0641610	1	Bolt 3/8 x 1-1/4	
8	0641814	1	Bolt 1/2 x 1-3/4	
9	0642010	1	Bolt 5/8 x 1-1/4	
10	0681608	3	Bolt 3/8 x 1	
11	0761008	1	Bolt M10 x 16	
12	0771212	1	Bolt M12 x 25	
13	1320061	1	Clamp	
14	1701505	1	Decal - Diesel	
15	2180832	1	Fitting, Barbed	
16	2220313	2	Fitting, 90	
17	2750532	4 ft /1.2 m	Hose	
18	3311405	2	Nut 1/4	
19	3311805	1	Nut 1/2	
20	3422446	1	Pin	
21	3740067	1	Relay	
22	3841143	1	Keeper, Pin	
23	4711400	7	Washer 1/4	
24	4711600	3	Washer 3/8	
25	4751600	3	Washer 3/8	
26	4751800	1	Washer 1/2	
27	4752000	1	Washer 5/8	
28	4812000	1	Washer M10	
29	4812100	1	Washer M12	
30	8405006	2	Clamp	
31	8406102	2	Clip	
32	8406201	1	Clip	
33	8410013	5	Clamp	
34	1001110425	4	Spacer	
35	1001138491	1	Fuel Harness (See Separate Breakdown in ELECTRICAL Section)	
36	1001142501	1	Fitting, 90	
37	1001143736	1	Battery Cable Kit	
37A	7027084	1	Cable, Battery (Black) (Battery - to Tray Pivot Grds)	
37B	8270147	1	Terminal, Battery (With Boot)	
37C	7027085	1	Cable, Battery (Black) (Battery - to Aux Pump and Relay Grds)	
37D	7027086	1	Cable, Battery (Black) (Engine to Tray Pivot Grd)	
37E	7027087	1	Cable (Red) (Battery + to Aux Relay/Power Module/Starter)	
37F	7027088	1	Cable (Red) (Aux Relay to Aux Pump)	
37	See Note	1	Cable (Aux Relay to Starter) (Note: Use P/N 7027087)	
38	1001154405	5 ft /1.6 m	Hose	
39	1001155823	1	Fitting, 90 Quick Disconnect	
40	1001162497	1	Bracket	
41	1001165035	28 ft /8.5 m	Hose	

SECTION 3 - ENGINE

ITEM	PART NUMBER	QTY	DESCRIPTION	REV
42	1001289593	1	ECU Power Jumper Harness (Not Shown) (See Separate Breakdown in ELECTRICAL Section)	
43	1001301946	1	Engine and Pump Assembly without Arctic Package (See Separate Breakdown in this Section)	

SECTION 3 - ENGINE

FIGURE 3-28. DEUTZ D2.9L4 - EMR5 ENGINE AND PUMP SUB-ASSEMBLY WITHOUT ARCTIC PACKAGE



ART_1001301946

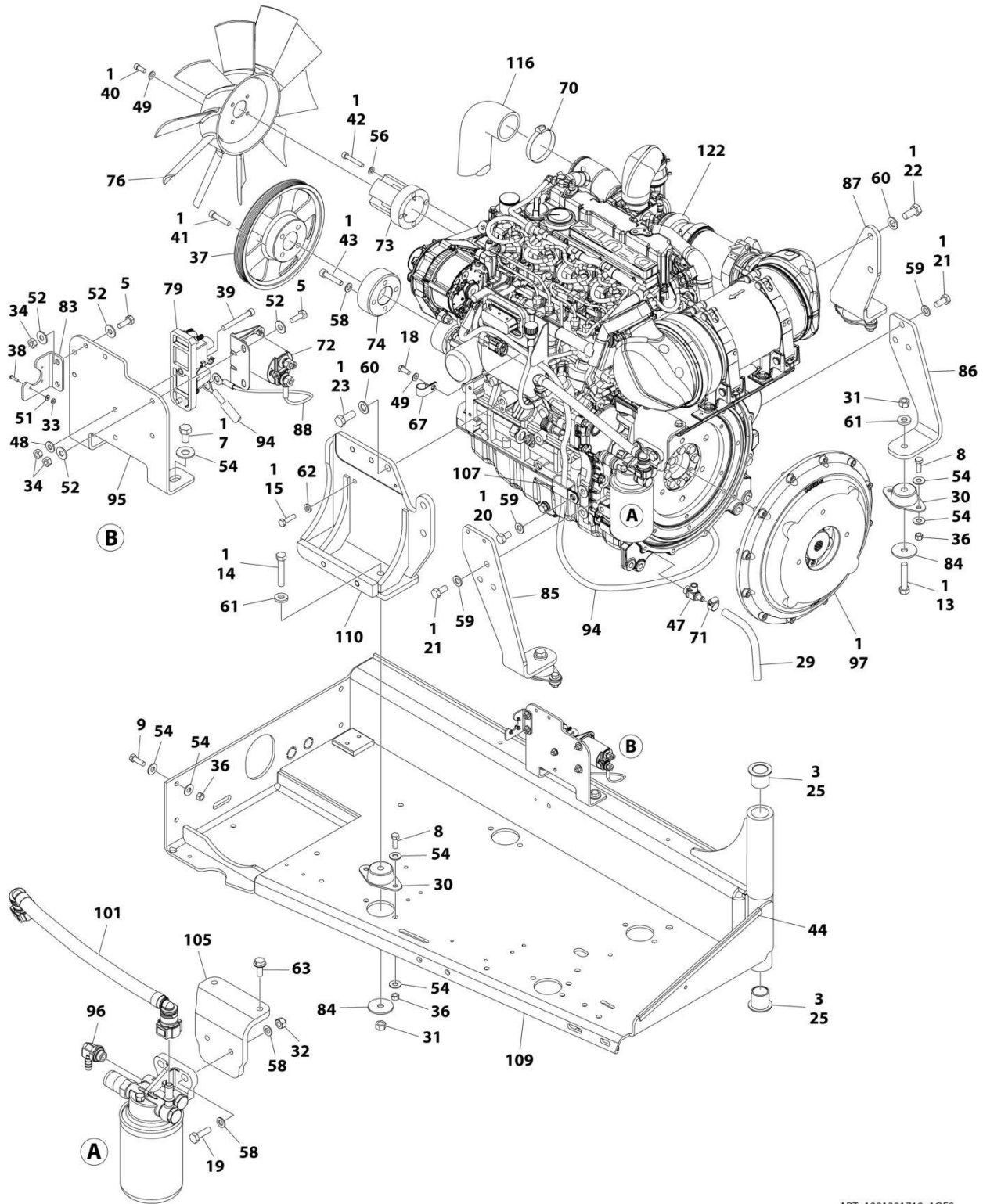
SECTION 3 - ENGINE

FIGURE 3-28. DEUTZ D2.9L4 - EMR5 ENGINE AND PUMP SUB-ASSEMBLY WITHOUT ARCTIC PACKAGE

ITEM	PART NUMBER	QTY	DESCRIPTION	REV
	1001301946	Ref	ENGINE AND PUMP SUB-ASSEMBLY EMR5 WITHOUT ARCTIC PACKAGE	A
1	0100011	AR	Compound, Locking	
2	0641406	1	Bolt 1/4 x 3/4	
3	0641808	1	Bolt 1/2 x 1	
4	0641812	2	Bolt 1/2 x 1-1/2	
5	0711215	2	Bolt M12 x 35	
6	1060637	1	Lanyard	
7	3311405	1	Nut 1/4	
8	3311801	1	Nut 1/2	
9	3422532	1	Pin	
10	3790044	1	O-Ring	
11	3960468	1	Seal	
12	3960469	1	Seal	
13	4751400	2	Washer 1/4	
14	4751800	1	Washer 1/2	
15	4891800	4	Washer 1/2	
16	1001276376	1	Hydrostatic Pump Assembly (See Separate Breakdown in this Section)	
17	1001276377	1	Variable Pump Assembly with Fittings (See Separate Breakdown in this Section)	
18	1001301719	1	Engine Assembly without Arctic Package (See Separate Breakdown in this Section)	

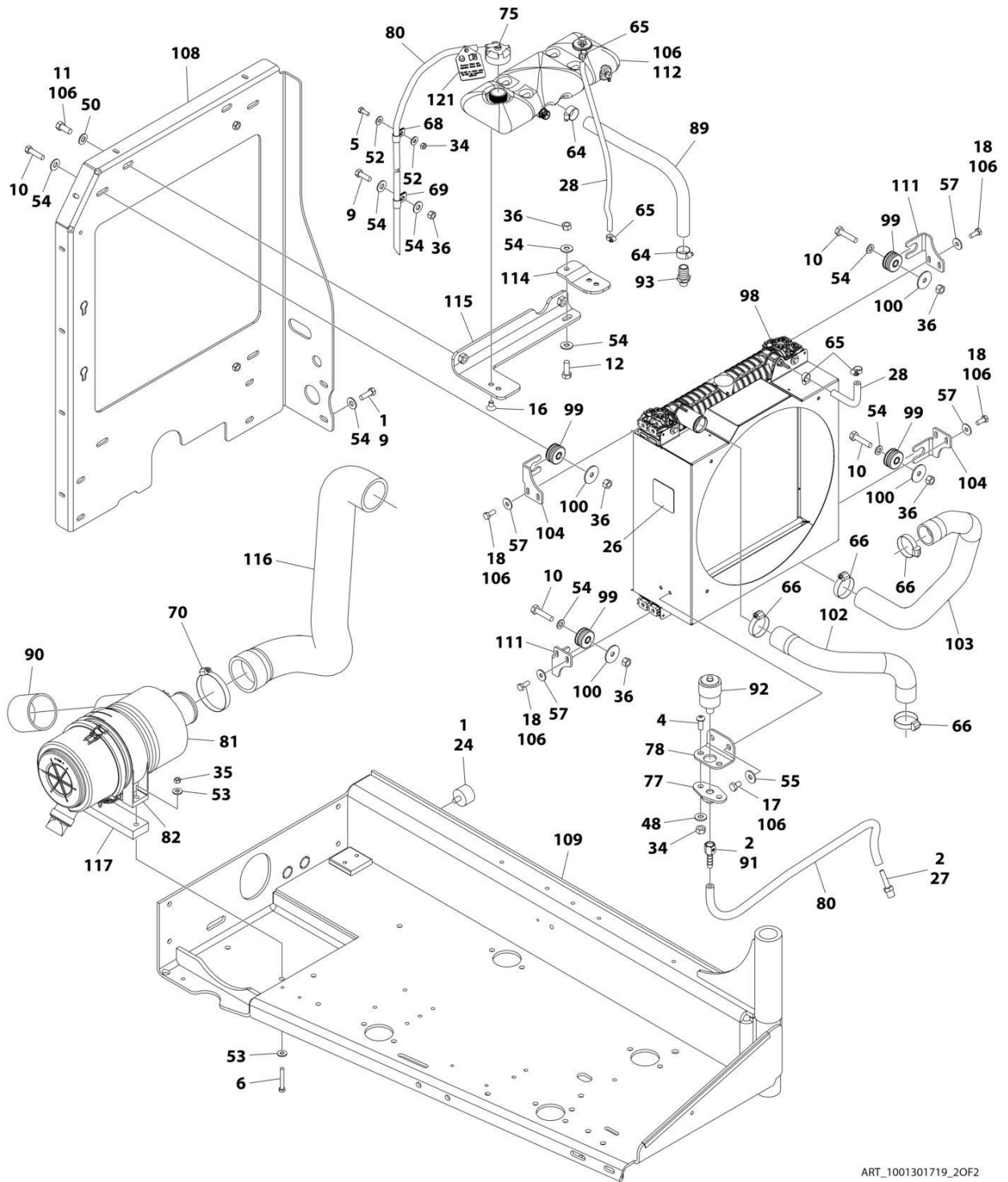
SECTION 3 - ENGINE

FIGURE 3-29. ENGINE ASSEMBLY - DEUTZ D2.9L4 EMR5 ENGINE (WITHOUT ARCTIC PACKAGE)



ART_1001301719_10F2

SECTION 3 - ENGINE



ART_1001301719_2OF2

SECTION 3 - ENGINE

FIGURE 3-29. ENGINE ASSEMBLY - DEUTZ D2.9L4 EMR5 ENGINE (WITHOUT ARCTIC PACKAGE)

ITEM	PART NUMBER	QTY	DESCRIPTION	REV
	1001301719	Ref	ENGINE ASSEMBLY - DEUTZ D2.9L4 EMR5 ENGINE	A
1	0100011	AR	Locking, Compound	
2	0100020	AR	Sealant, Pipe	
3	0100062	AR	Adhesive	
4	0630407	2	Screw 1/4 x 5/8	
5	0641406	5	Bolt 1/4 x 3/4	
6	0641518	2	Bolt 5/16 x 2-1/4	
7	0641605	2	Bolt 3/8 x 5/8	
8	0641608	8	Bolt 3/8 x 1	
9	0641609	6	Bolt 3/8 x 1-1/8	
10	0641612	4	Bolt 3/8 x 1-1/2	
11	0641708	2	Bolt 7/16 x 1	
12	0681608	1	Bolt 3/8 x 1	
13	0681820	3	Bolt 1/2 x 2-1/2	
14	0681822	1	Bolt 1/2 x 2-3/4	
15	0700814	1	Bolt M8 x 30	
16	0741605	2	Screw 3/8 x 5/8	
17	0760605	2	Bolt M6 x 10	
18	0760810	9	Bolt M8 x 20	
19	0761015	2	Bolt M10 x 35	
20	0761210	1	Bolt M12 x 20	
21	0771212	6	Bolt M12 x 25	
22	0771414	2	Bolt M14 x 30	
23	0771415	3	Bolt M14 x 35	
24	0940070	1	Bumper	
25	0961986	2	Bushing	
26	1703162	1	Decal - Fan Blade	
27	2220315	1	Fitting, Straight Barbed	
28	2720015	3 ft /1 m	Hose	
29	2720340	1 ft /0.3 m	Hose	
30	3200401	4	Mount	
31	3271801	4	Nut 1/2	
32	3291005	2	Nut M10	
33	3310401	3	Nut #4	
34	3311405	8	Nut 1/4	
35	3311505	2	Nut 5/16	
36	3311605	17	Nut 3/8	
37	3580320	1	Pulley	
38	3910408	3	Screw #4 x 1/2	
39	3931432	1	Capscrew 1/4 x 2	
40	3931512	4	Capscrew 5/16 x 3/4	
41	3931628	4	Capscrew 3/8 x 1-3/4	
42	4031914	4	Capscrew M8 x 50	
43	4032014	4	Capscrew M10 x 50	
44	4060805	2 ft /0.4 m	Shield	
45	4240032	AR	Tie-Strap (Not Shown)	
46	4240099	AR	Tie-Strap (Not Shown)	
47	4640751	1	Valve, Oil Drain	
48	4711400	3	Washer 1/4	
49	4711500	5	Washer 5/16	

SECTION 3 - ENGINE

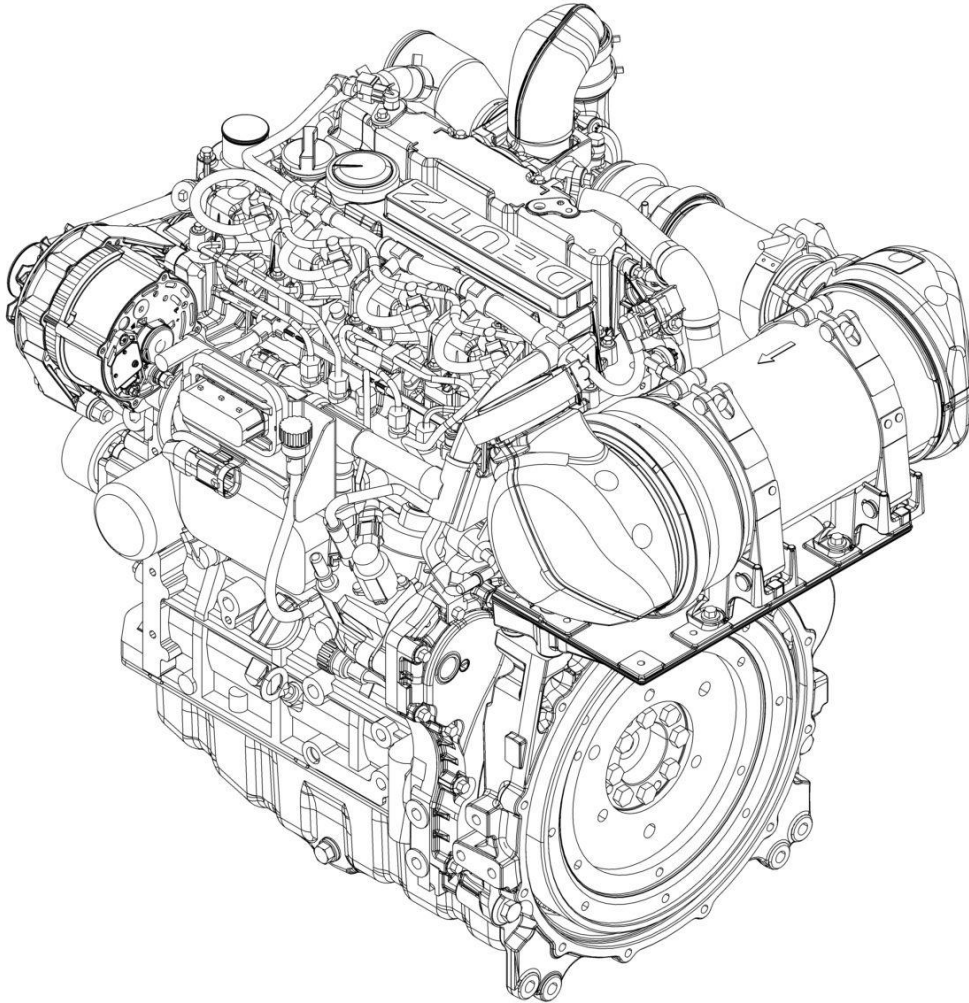
ITEM	PART NUMBER	QTY	DESCRIPTION	REV
50	4711700	2	Washer 7/16	
51	4750400	3	Washer #4	
52	4751400	10	Washer 1/4	
53	4751500	4	Washer 5/16	
54	4751600	34	Washer 3/8	
55	4811702	2	Washer M6	
56	4811900	4	Washer M8	
57	4811902	8	Washer M8	
58	4812000	8	Washer M10	
59	4812100	7	Washer M12	
60	4812200	5	Washer M14	
61	4891800	4	Washer 1/2	
62	5240800	1	Washer M8	
63	5250810	2	Bolt M8 x 20	
64	8405007	2	Clamp	
65	8405009	4	Clamp	
66	8405104	4	Clamp	
67	8406102	1	Clip	
68	8406109	1	Clip	
69	8406110	1	Clip	
70	8410011	2	Clamp	
71	8410013	1	Clamp	
72	1001117308	1	Relay	
73	1001135138	1	Adapter	
74	1001135679	1	Adapter	
75	1001136834	1	Cap	
76	1001137276	1	Fan	
77	1001138173	1	Support	
78	1001138175	1	Bracket	
79	1001138228	1	Relay, Power Module	
79	70023593	1	Fuse 30Amp	
79	70023592	1	Fuse 20Amp	
80	1001138248	6 ft /2 m	Tube	
81	1001138489	1	Filter	
82	1001138557	1	Clamp	
83	1001139240	1	Bracket	
84	1001139409	4	Washer	
85	1001140448	1	Plate	
86	1001140450	1	Plate	
87	1001140454	1	Plate	
88	1001141304	1	Wire, Glow Fuse	
89	1001141370	1	Hose	
90	1001141585	1	Hose	
91	1001141995	1	Fitting, Straight NPT/Barbed	
92	1001143390	1	Indicator	
93	1001143797	1	Fitting, Straight Barbed	
94	1001143907	1	Cable, Alternator Power	
95	1001145154	1	Plate	
96	1001152489	1	Fitting, 90 Barbed	
97	1001153282	1	Pump Coupling Kit (See Separate Breakdown in this Section)	
98	1001167042	1	Radiator	

SECTION 3 - ENGINE

ITEM	PART NUMBER	QTY	DESCRIPTION	REV
99	1001169054	4	Isolator	
100	1001169138	4	Pad	
101	1001177359	1	Hose	
102	1001177844	1	Hose, Radiator (Upper)	
103	1001177845	1	Hose, Radiator (Lower)	
104	1001178223	2	Bracket	
105	1001178876	1	Mount	
106	1001180620	AR	Adhesive	
107	1001181899	1	Clamp	
108	1001186985	1	Support	
109	1001190610	1	Support	
110	1001202368	1	Support	
111	1001204325	2	Bracket	
112	1001230635	1	Tank	
112	0100020	AR	Sealant	
112	1001134488	1	Fitting, 90 NPT/Barbed	
112	1001138827	1	Sensor, Coolant Level	
112	1001140564	1	Fitting, 90 NPT/Barbed	
112	1001229542	1	Tank	
113	1001235949	1	Bracket, Fuel Pump/Filter Assembly (Not Shown) (See Separate Breakdown in this Section)	
114	1001260412	1	Bracket	
115	1001260413	1	Bracket	
116	1001266525	1	Hose	
117	1001267256	1	Shim	
118	1001276644	1	Deutz Engine Harness (Not Shown) (See Separate Breakdown in ELECTRICAL Section)	
119	1001281985	1	Connector (Not Shown)	
120	1001281986	1	Connector (Not Shown)	
121	1001291401	1	Tag, Coolant	
122	1001301717	1	Deutz TD2.9L4 EMR5 Engine (See Separate Breakdown in this Section)	

SECTION 3 - ENGINE

FIGURE 3-30. ENGINE COMPONENTS - DEUTZ D2.9L4 EMR5 ENGINE



ART_1001301717

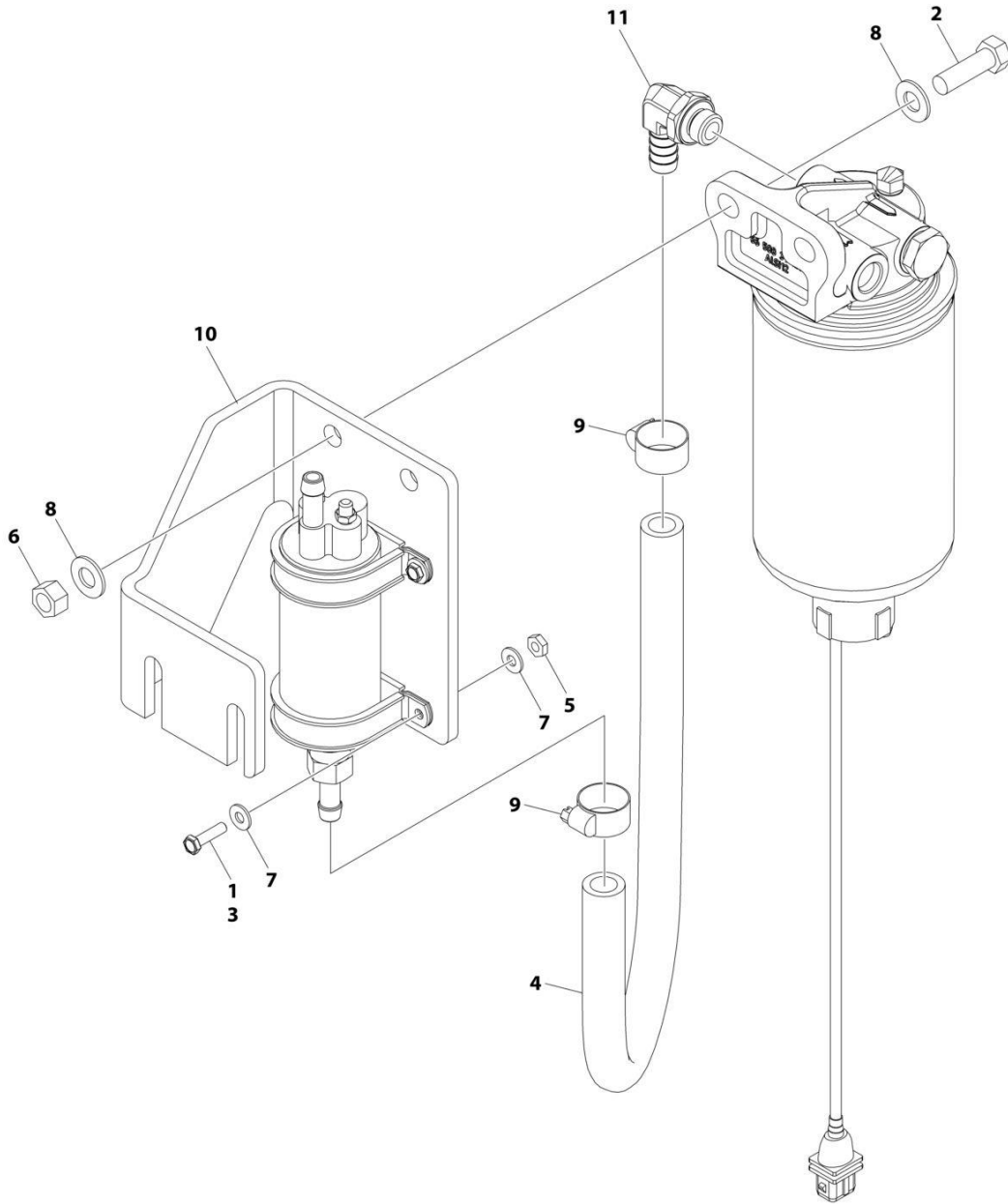
SECTION 3 - ENGINE

FIGURE 3-30. ENGINE COMPONENTS - DEUTZ D2.9L4 EMR5 ENGINE

ITEM	PART NUMBER	QTY	DESCRIPTION	REV
	1001301717	Ref	ENGINE COMPONENTS - DEUTZ D2.9L4 EMR5 ENGINE	A
	See Note	Ref	Note: No Service Parts Available at Time of Printing	

SECTION 3 - ENGINE

FIGURE 3-31. FUEL PUMP/FILTER BRACKET ASSEMBLY (DEUTZ TD2.9L4 ENGINES)



ART_1001162335

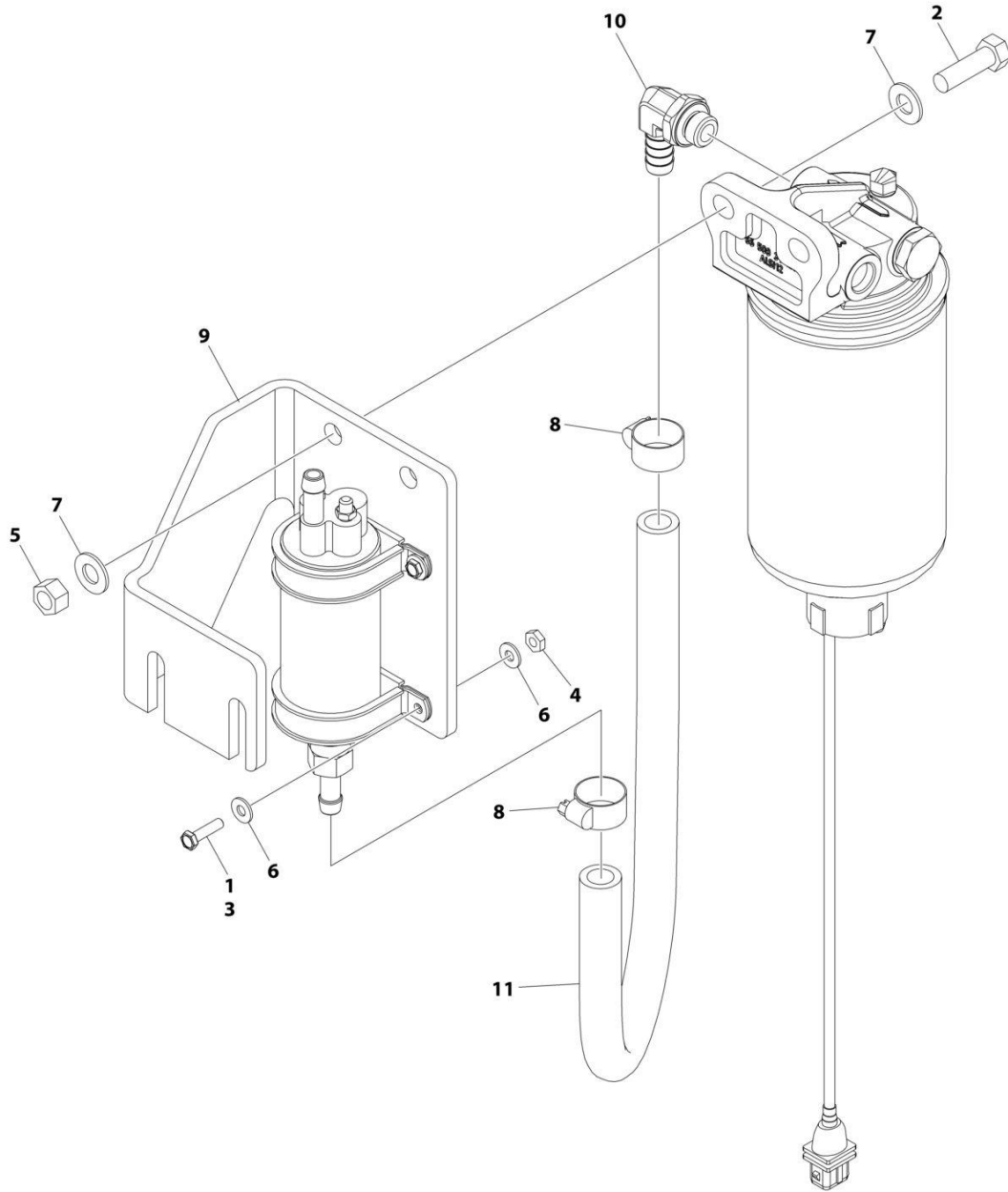
SECTION 3 - ENGINE

FIGURE 3-31. FUEL PUMP/FILTER BRACKET ASSEMBLY (DEUTZ TD2.9L4 ENGINES)

ITEM	PART NUMBER	QTY	DESCRIPTION	REV
	1001162335	Ref	BRACKET ASSEMBLY - FUEL PUMP AND FILTER (DEUTZ D2.9L4 ENGINE)	E
1	0100011	AR	Compound, Locking	
2	0641610	2	Bolt 3/8 x 1-1/4	
3	0721006	4	Bolt #10 x 3/4	
4	1001154405	AR	Hose	
5	3311001	4	Nut #10	
6	3311605	2	Nut 3/8	
7	4711000	8	Washer #10	
8	4711600	4	Washer 3/8	
9	8405006	2	Clamp	
10	1001141870	1	Plate, Fuel Pump Mount	
11	1001142501	1	Fitting, Elbow Barbed	

SECTION 3 - ENGINE

FIGURE 3-32. FUEL PUMP/FILTER BRACKET ASSEMBLY (DEUTZ TD2.9L4 (STAGE V) ENGINES)



ART_1001235949

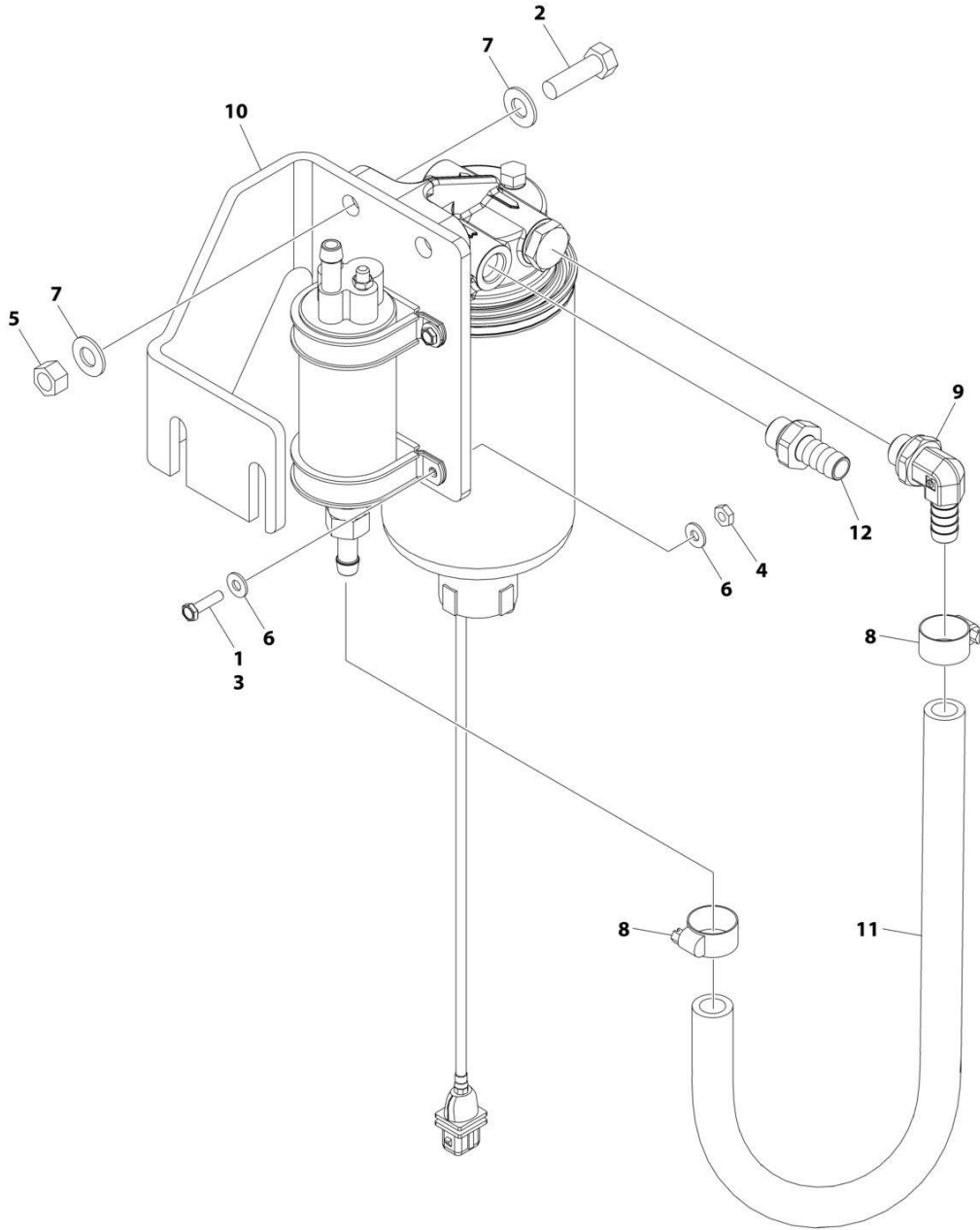
SECTION 3 - ENGINE

FIGURE 3-32. FUEL PUMP/FILTER BRACKET ASSEMBLY (DEUTZ TD2.9L4 (STAGE V) ENGINES)

ITEM	PART NUMBER	QTY	DESCRIPTION	REV
	1001235949	Ref	BRACKET ASSEMBLY - FUEL PUMP AND FILTER (DEUTZ D2.9L4 (STAGE V) ENGINE)	A
1	0100035	AR	Compound, Locking	
2	0641610	2	Bolt 3/8 x 1-1/4	
3	0721006	4	Bolt #10 x 3/4	
4	3311001	4	Nut #10	
5	3311605	2	Nut 3/8	
6	4711000	8	Washer #10	
7	4711600	4	Washer 3/8	
8	8405006	2	Clamp	
9	1001141870	1	Plate, Fuel Pump Mount	
10	1001142501	1	Fitting, Elbow Barbed	
11	1001154405	1.5 ft /0.4m	Hose	

SECTION 3 - ENGINE

FIGURE 3-33. FUEL PUMP/FILTER BRACKET ASSEMBLY (DEUTZ TD2.9L4 ENGINES) (CHINA III & CHINA IV ENGINE)



ART_1001227224_E

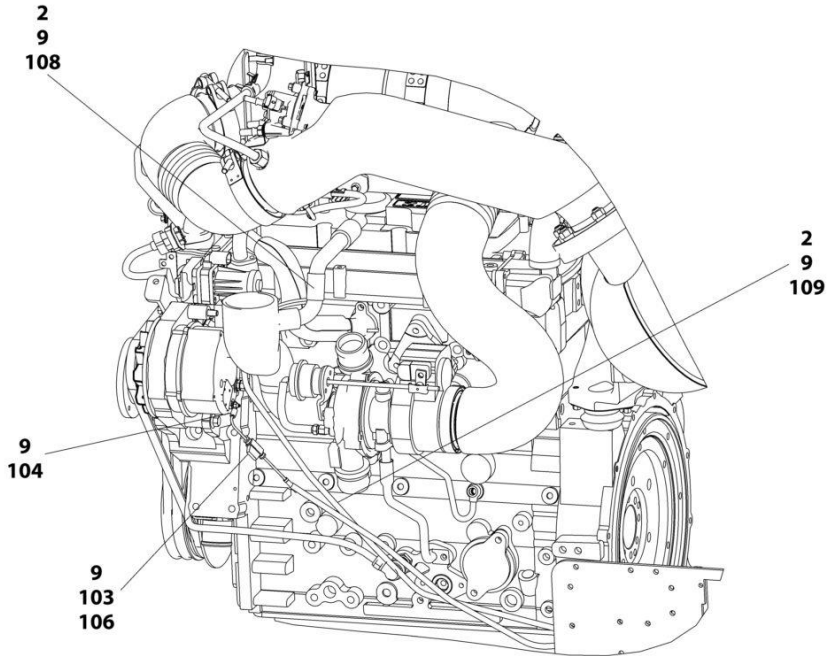
SECTION 3 - ENGINE

FIGURE 3-33. FUEL PUMP/FILTER BRACKET ASSEMBLY (DEUTZ TD2.9L4 ENGINES) (CHINA III & CHINA IV ENGINE)

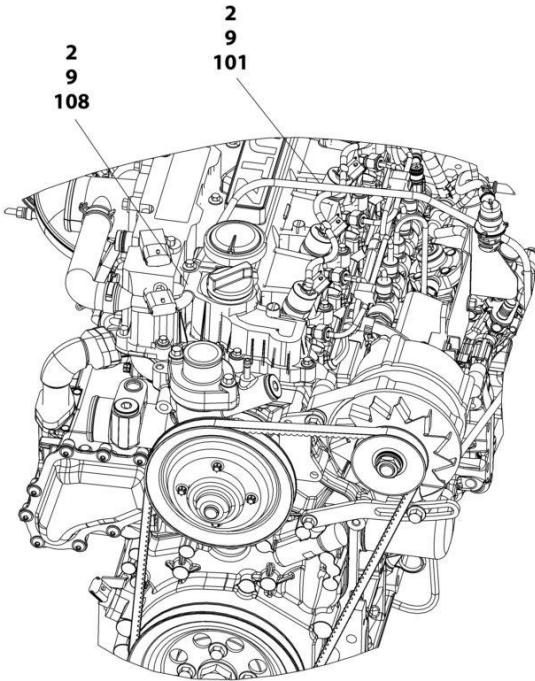
ITEM	PART NUMBER	QTY	DESCRIPTION	REV
	1001227224	Ref	BRACKET ASSEMBLY (LESS FUEL PUMP AND FILTER)	E
1	0100011	AR	Locking, Compound	
2	0641610	2	Bolt 3/8 x 1-1/4	
3	0721006	4	Bolt #10 x 3/4	
4	3311001	4	Nut #10	
5	3311605	2	Nut 3/8	
6	4711000	8	Washer #10	
7	4711600	4	Washer 3/8	
8	8405006	2	Clamp	
9	1001142501	1	Fitting, 90 Metric/Barbed	
10	1001141870	1	Plate, Fuel Pump Mount	
11	1001154405	AR	Hose	
12	1001141718	1	Fitting, Straight (Not Shown)	

SECTION 3 - ENGINE

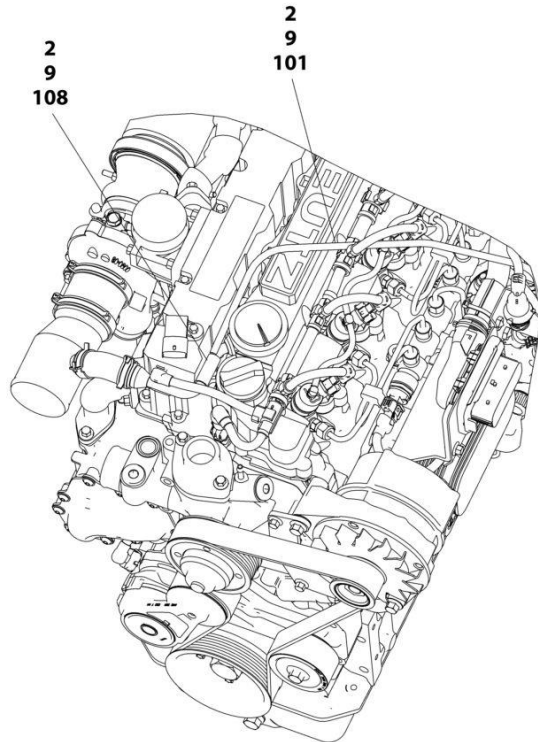
FIGURE 3-34. BREATHER HEATER INST (DEUTZ TD2.9L4 ENGINES)



TDC3.6 ENGINES



D2.9L4 ENGINES



TCD2.9L4 AND TD2.9L4 ENGINES

ART_1001233763

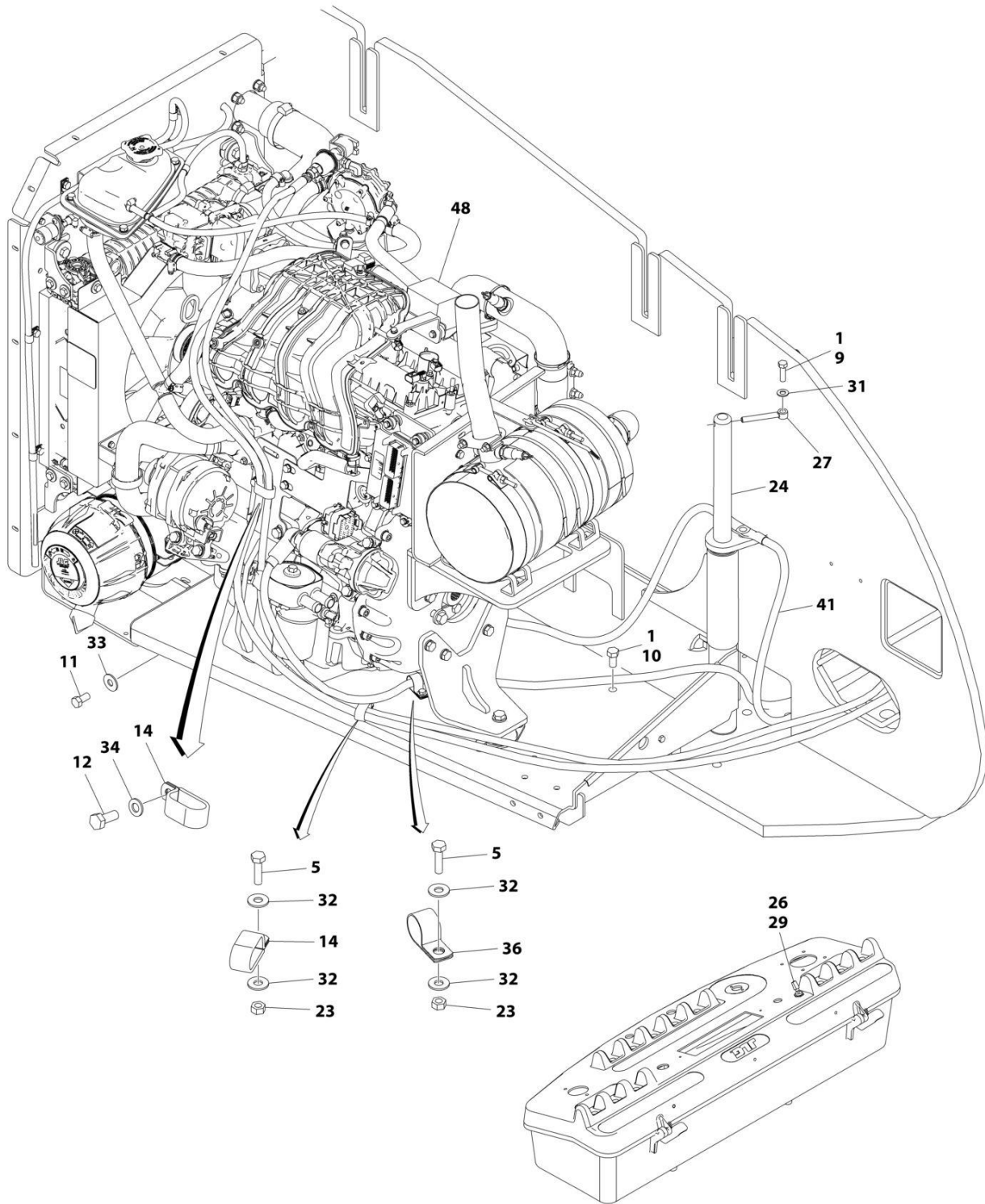
SECTION 3 - ENGINE

FIGURE 3-34. BREATHER HEATER INST (DEUTZ TD2.9L4 ENGINES)

ITEM	PART NUMBER	QTY	DESCRIPTION	REV
	1001233763	Ref	BREATHER HEATER INSTALLATION - DEUTZ ENGINES	D
2	4240099	AR	Tie-Strap	
9	1001243895	1	Breather Heater Harness	C
101	2820035	AR	Insulation	
103	2400060	1	Fuseholder with Cover	
104	4460043	1	Terminal, Ring	
105	4460722	1	Terminal, Ring (Not Shown)	
106	1001196634	1	Fuse - 2 Amp	
108	1001232842	1	Breather Heater Kit	

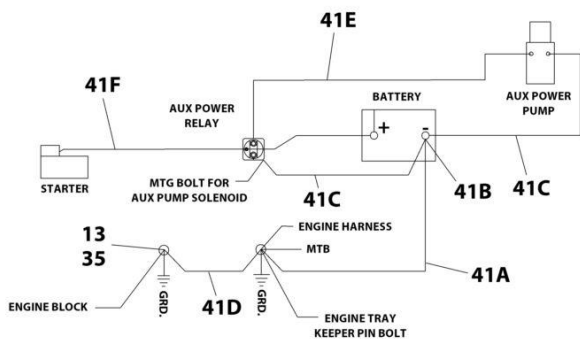
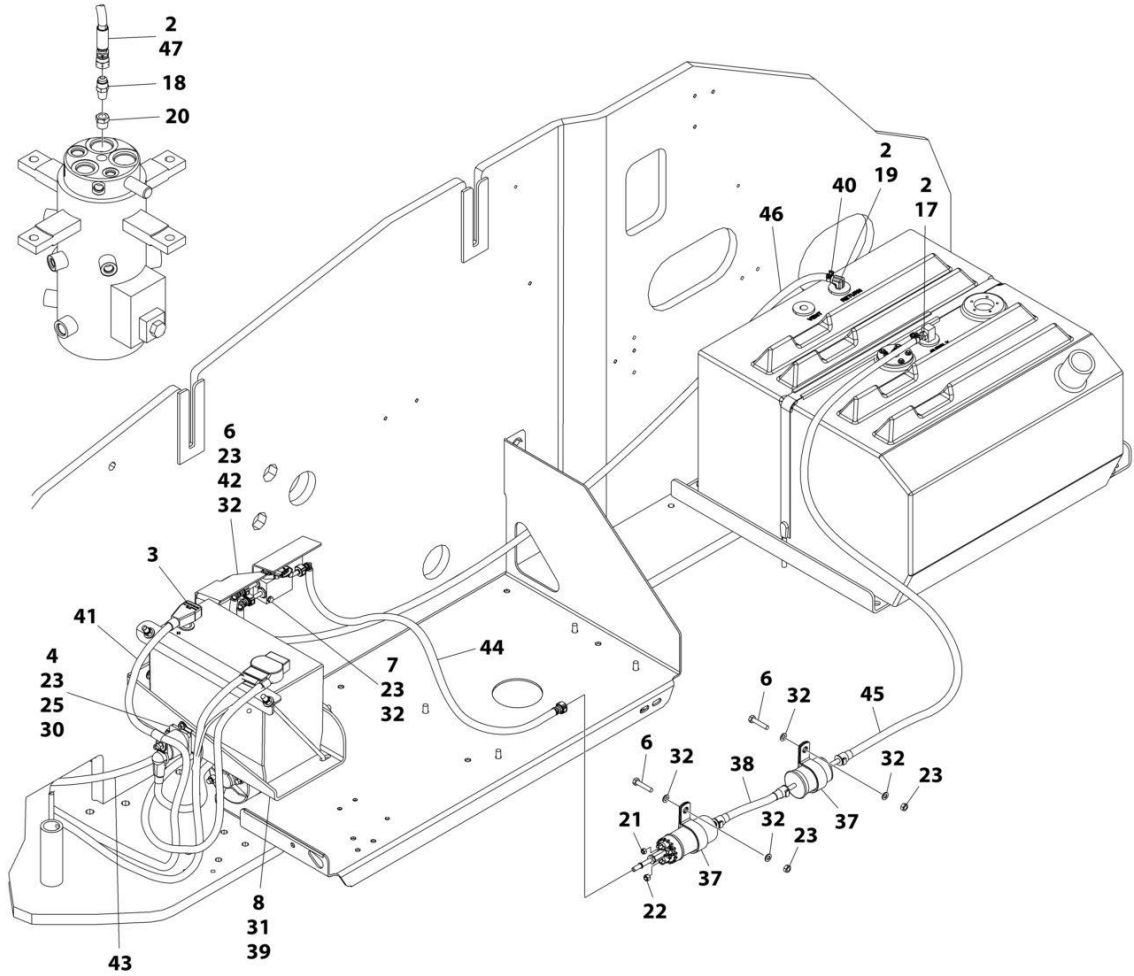
SECTION 3 - ENGINE

FIGURE 3-35. FORD ENGINE INSTALLATION - (WITHOUT ARCTIC PACKAGE)



ART_1001285038_10F2

SECTION 3 - ENGINE



BATTERY CABLE KIT - ITEM 41

ART_1001285038_2OF2

SECTION 3 - ENGINE

FIGURE 3-35. FORD ENGINE INSTALLATION - (WITHOUT ARCTIC PACKAGE)

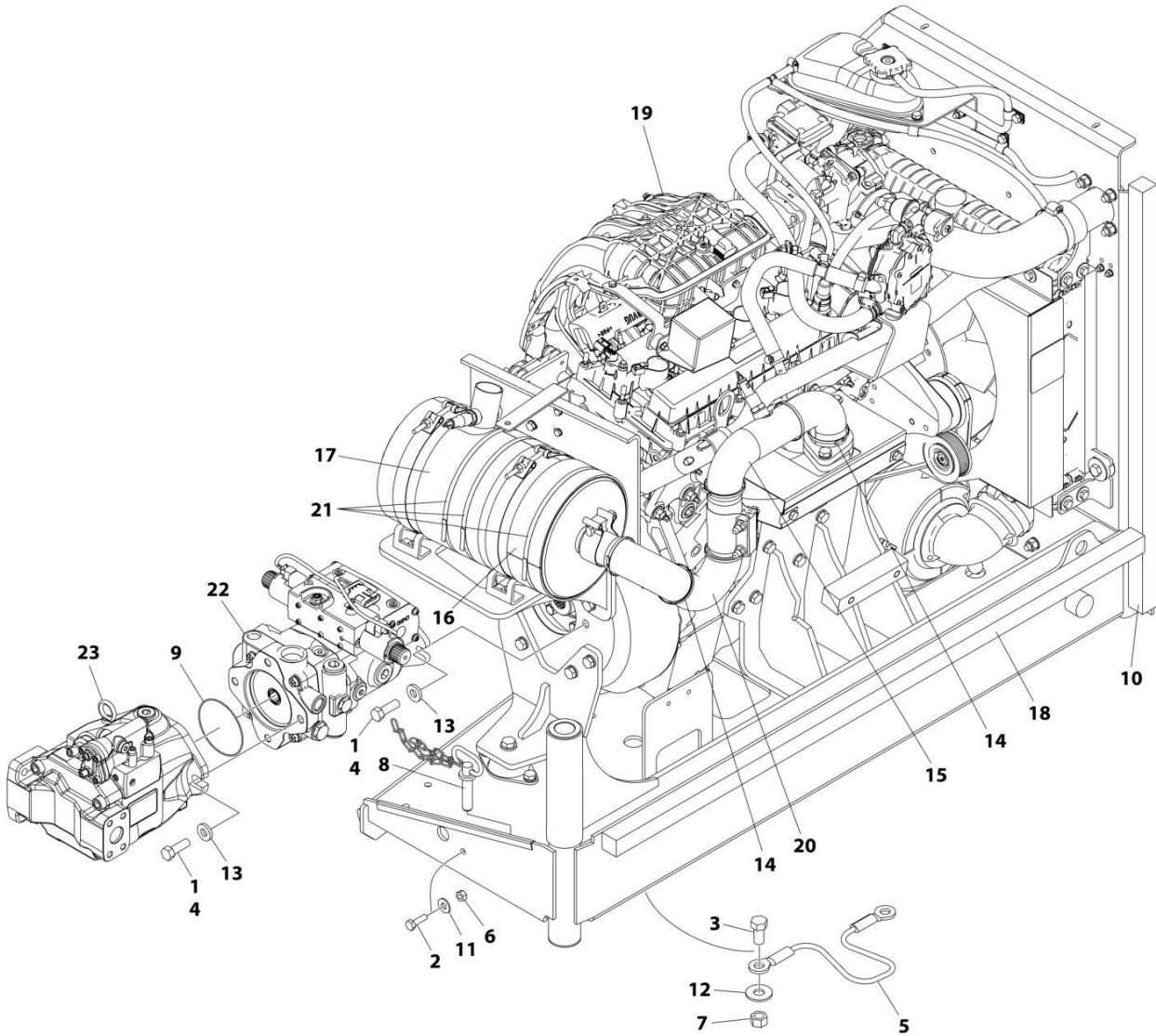
ITEM	PART NUMBER	QTY	DESCRIPTION	REV
	1001285038	Ref	FORD ENGINE INSTALLATION	A
1	0100011	AR	Compound, Locking	
2	0100020	AR	Sealant	
3	0100048	AR	Grease, Terminal	
4	0641406	2	Bolt 1/4 x 3/4	
5	0641408	2	Bolt 1/4 x 1	
6	0641412	4	Bolt 1/4 x 1-1/2	
7	0641420	2	Bolt 1/4 x 2-1/2	
8	0641607	3	Bolt 3/8 x 7/8	
9	0641610	1	Bolt 3/8 x 1-1/4	
10	0641808	1	Bolt 1/2 x 1	
11	0642010	1	Bolt 5/8 x 1-1/4	
12	0760810	1	Bolt M8 x 20	
13	0761008	1	Bolt M10 x 16	
14	1321283	2	Clamp	
15	1701542	1	Decal - Gas (Not Shown)	
16	1701543	AR	Decal - LPG (Not Shown)	
17	2180348	1	Fitting, Straight NPT/Barbed	
18	2180418	1	Fitting, Straight	
19	2221176	1	Fitting, 90	
20	2221197	1	Fitting, Straight NPT	
21	3290405	1	Nut M4	
22	3290505	1	Nut M5	
23	3311405	10	Nut 1/4	
24	3422446	1	Pin	
25	3740067	1	Relay	
26	3790012	1	O-Ring (Not Shown - Located on Platform Console Box)	
27	3841143	1	Keeper, Pin	
28	4240099	AR	Tie-Strap (Not Shown)	
29	4360336	1	Switch, Toggle (Not Shown - Located on Platform Console Box)	
30	4711400	4	Washer 1/4	
31	4711600	4	Washer 3/8	
32	4751400	16	Washer 1/4	
33	4752000	1	Washer 5/8	
34	4811900	1	Washer M8	
35	4812000	1	Washer M10	
36	8406201	1	Clip	
37	85941018	2	Clamp	
38	1001156823	1	Hose	
39	1001162497	1	Bracket, Battery	
40	1001174486	2	Clamp	
41	1001216568	1	Battery Cable Kit	
41A	7027084	1	Cable, Battery - Ground to Battery -	
41B	8270147	1	Terminal, Battery with Boot	
41C	7027085	1	Cable, Battery - Auxiliary Pump/Relay to Battery -	
49D	7027086	1	Cable, Battery - Engine to Ground	
41E	7027088	1	Cable, Battery - Auxiliary Relay to Auxiliary Pump	
41F	70009020	1	Cable, Battery - Starter/Auxiliary Relay to Battery +	
42	1001219370	1	Bracket	
43	1001219634	1	Hose	

SECTION 3 - ENGINE

ITEM	PART NUMBER	QTY	DESCRIPTION	REV
44	1001219636	1	Hose	
45	1001219637	1	Hose	
46	1001219638	1	Hose	
47	1001219639	1	Hose	
48	1001285037	Ref	Ford Engine and Pump Sub-Assembly (See Separate Breakdown in this Section)	

SECTION 3 - ENGINE

FIGURE 3-36. FORD ENGINE AND PUMP SUB-ASSEMBLY - (WITHOUT ARCTIC PACKAGE)



ART_1001285037

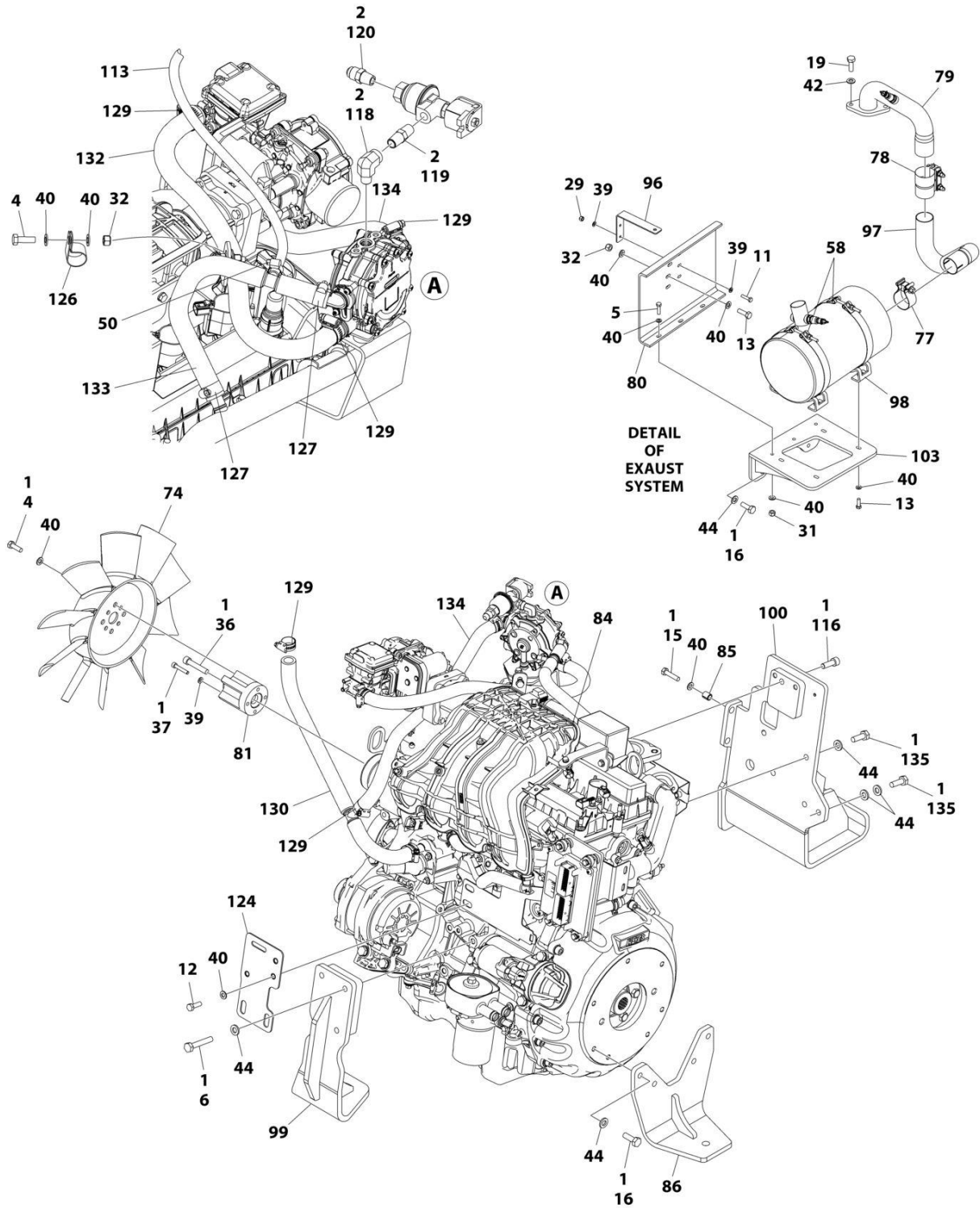
SECTION 3 - ENGINE

FIGURE 3-36. FORD ENGINE AND PUMP SUB-ASSEMBLY - (WITHOUT ARCTIC PACKAGE)

ITEM	PART NUMBER	QTY	DESCRIPTION	REV
	1001285037	Ref	FORD ENGINE AND PUMP SUB-ASSEMBLY (WITHOUT ARCTIC PACKAGE)	A
1	0100011	AR	Compound, Locking	
2	0641407	1	Bolt 1/4 x 7/8	
3	0641808	1	Bolt 1/2 x 1	
4	0641812	4	Bolt 1/2 x 1-1/2	
5	1060637	1	Cable, Lanyard	
6	3311405	1	Nut 1/4	
7	3311805	1	Nut 1/2	
8	3422532	1	Pin	
9	3790044	1	O-Ring	
10	3960469	1	Seal	
11	4751400	1	Washer 1/4	
12	4751800	1	Washer 1/2	
13	4891800	4	Washer 1/2	
14	1001100825	6	Strap	
15	1001216532	1	Insulate, Exhaust Pipe	
16	1001216534	1	Insulate, Muffler	
17	1001216535	1	Insulate, Muffler	
18	1001217170	1	Seal	
19	1001217191	1	Ford Engine Assembly without Arctic Package (See Separate Breakdown in this Section)	
20	1001218085	1	Insulate, Exhaust Pipe	
21	1001221464	3	Strap	
22	1001225745	1	Hydrostatic Pump Assembly (See Separate Breakdown in this Section)	
23	1001276377	1	Variable Pump Assembly (See Separate Breakdown in this Section)	

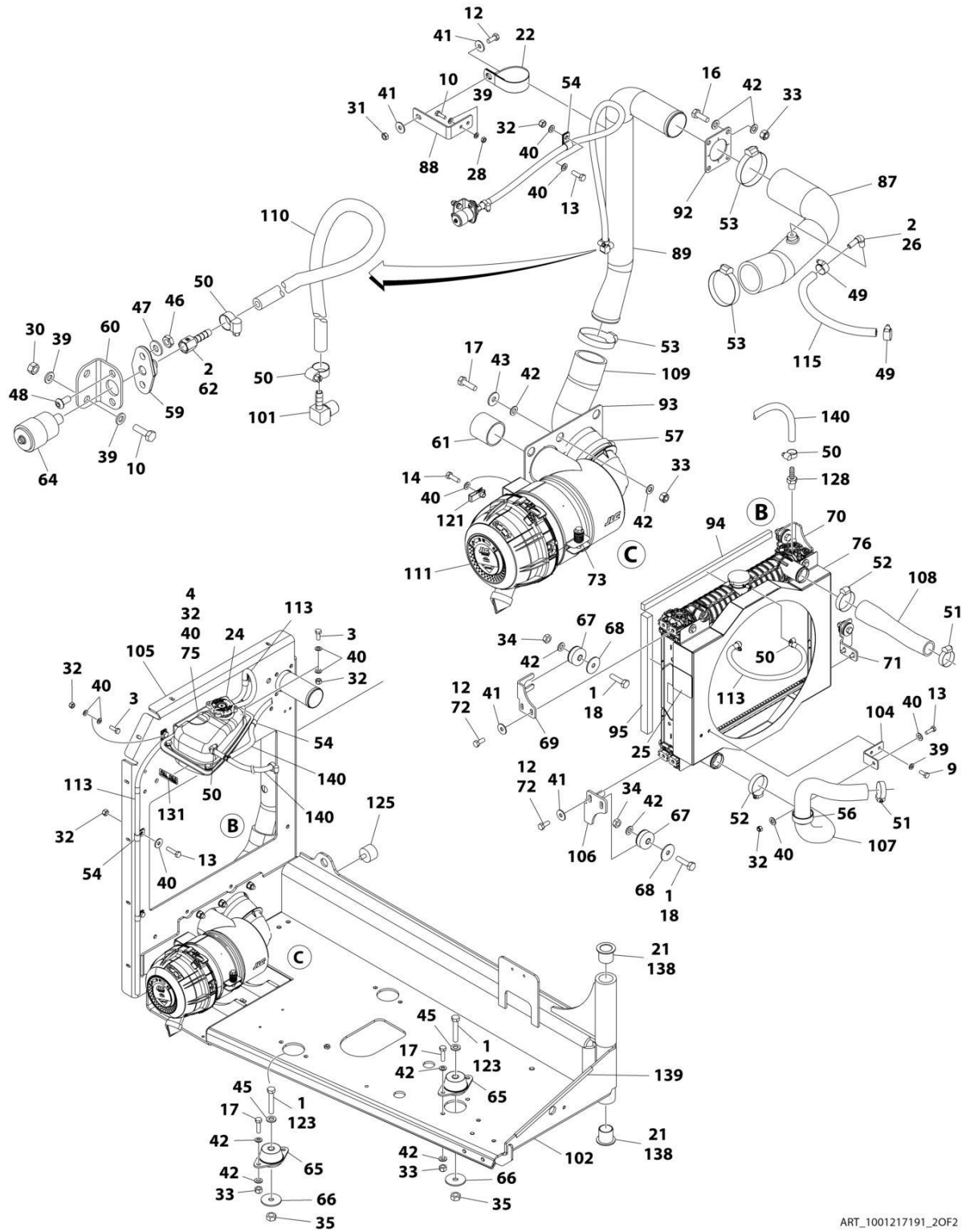
SECTION 3 - ENGINE

FIGURE 3-37. FORD ENGINE ASSEMBLY (WITHOUT ARCTIC PACKAGE)



ART_1001217191_10F2

SECTION 3 - ENGINE



ART_1001217191_2OF2

SECTION 3 - ENGINE

FIGURE 3-37. FORD ENGINE ASSEMBLY (WITHOUT ARCTIC PACKAGE)

ITEM	PART NUMBER	QTY	DESCRIPTION	REV
	1001217191	Ref	FORD ENGINE ASSEMBLY	S
1	0100011	AR	Compound, Locking	
2	0100020	AR	Sealant	
3	0700810	3	Bolt 8 x 20	
4	0700812	7	Bolt 8 x 25	
5	0700814	3	Bolt 8 x 30	
6	0711020	3	Bolt M10 x 60	
9	0760608	2	Bolt 6 x 16	
10	0760610	4	Bolt M6 x 20	
11	0760612	2	Bolt 6 x 25	
12	0760810	11	Bolt M8 x 20	
13	0760812	12	Bolt M8 x 25	
14	0760814	2	Bolt M8 x 30	
15	0760815	2	Bolt M8 x 35	
16	0761014	11	Bolt M10 x 30	
17	0761015	12	Bolt M10 x 35	
18	0761016	4	Bolt M10 x 40	
19	0771014	2	Bolt 10 x 30	
21	0961986	2	Bearing, Flange	
22	1320110	1	Clamp	
23	1001187781	1	Tie-Strap (Not Shown)	
24	1001223584	1	Tank, Surge	
25	1703162	2	Decal - Fan Blade	
26	2180467	1	Fitting, Straight NPT/Barb	
28	3290601	2	Nut M6	
29	3290605	2	Nut M6	
30	3290607	2	Nut M6	
31	3290801	4	Nut M8	
32	3290805	14	Nut M8	
33	3291005	16	Nut M10	
34	3291001	4	Nut M10	
35	3291201	3	Nut M12	
36	3931644	1	Screw 3/8 x 2-3/4	
37	4031711	4	Capscrew M6 x 35	
38	4240099	AR	Tie-Strap (Not Shown)	
39	4811700	18	Washer M6	
40	4811900	48	Washer M8	
41	4811902	10	Washer M8	
42	4812000	38	Washer M10	
43	4812002	6	Washer M10	
44	5241000	15	Washer M10	
45	5241200	3	Washer M12	
46	8305401	2	Nut Jam	
47	8307109	2	Washer	
48	8310548	2	Screw 1/4 x 1/2	
49	8405006	2	Clamp	
50	8405009	5	Gear	
51	8405102	2	Clamp	
52	8405104	2	Clamp	
53	8405203	3	Clamp	

SECTION 3 - ENGINE

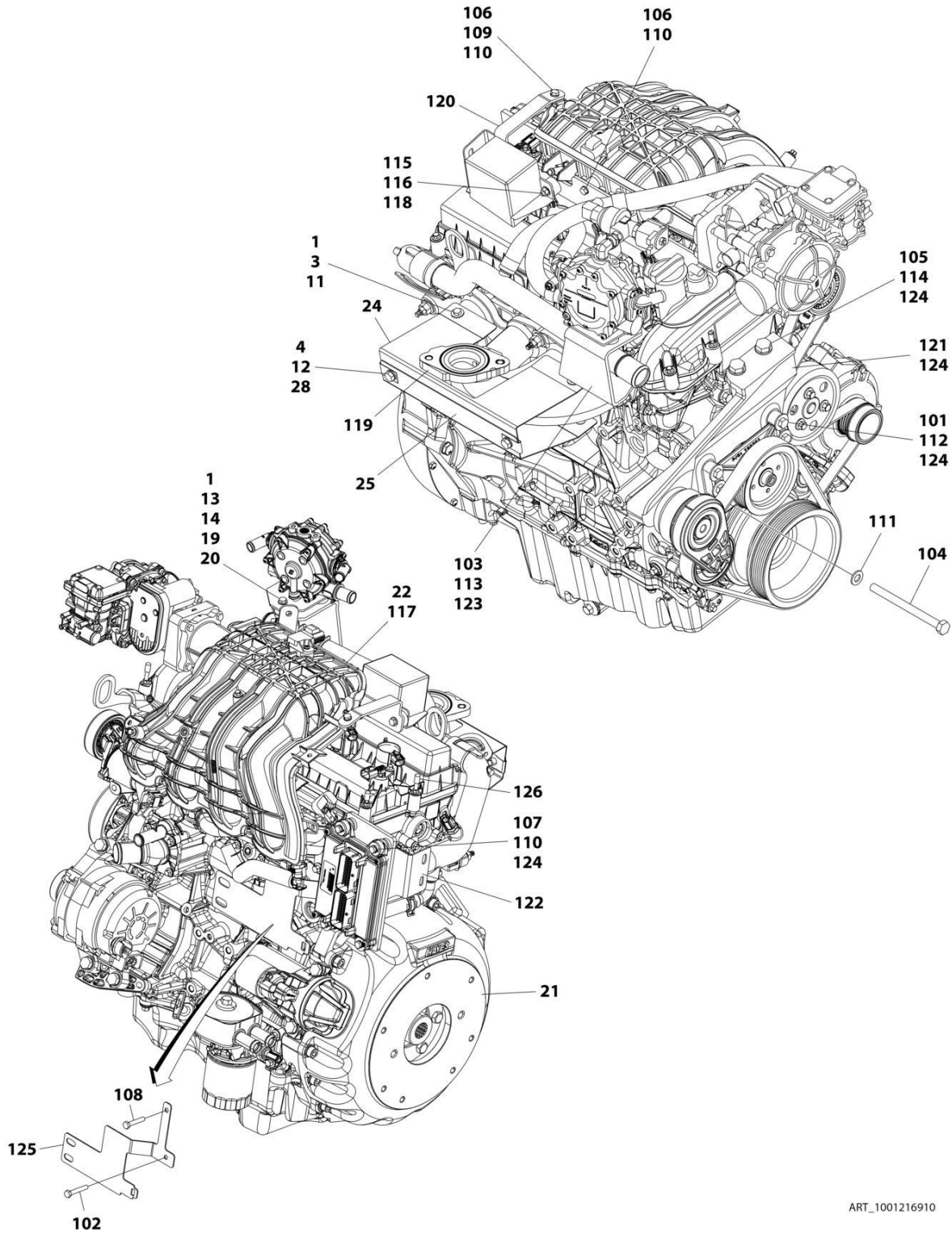
ITEM	PART NUMBER	QTY	DESCRIPTION	REV
54	8406109	6	Clip	
56	8410001	1	Clamp	
57	8410011	1	Clamp	
58	1001128901	2	Strap	
59	1001138173	1	Support	
60	1001138175	1	Bracket	
61	1001141585	1	Hose	
62	1001141995	2	Fitting, Straight NPT/Barbed	
64	1001149639	1	Indicator, Restriction	
65	1001191610	3	Mount, Motor	
66	1001168018	3	Washer	
67	1001169054	4	Isolator	
68	1001169138	4	Pad, Snubbing	
69	1001169967	1	Bracket	
70	1001170035	1	Bracket	
71	1001176329	1	Bracket	
72	1001180620	AR	Adhesive	
73	1001186426	1	Clamp	
74	1001223042	1	Fan	
75	1001225442	1	Bracket	
76	1001223923	1	Radiator	
77	1001215681	1	Clamp	
78	1001215974	1	Clamp	
79	1001216075	1	Pipe, Exhaust	
80	1001216092	1	Shield, Heat	
81	1001216201	1	Adapter	
84	1001216910	1	Ford Engine Prep Assembly (See Separate Breakdown in this Section)	
85	1001216919	2	Sleeve	
86	1001290252	1	Mount, Engine Rear	
87	1001217032	1	Tube	
88	1001217046	1	Bracket	
89	1001217090	1	Tube	
92	1001217174	1	Seal	
93	1001217175	1	Seal	
94	1001217183	2	Seal	
95	1001217185	2	Seal	
96	1001217186	1	Support	
97	1001217317	1	Pipe	
98	1001217543	2	Mount	
99	1001218362	1	Mount	
100	1001218449	1	Bracket	
101	1001134488	1	Fitting	
102	1001219259	1	Support	
103	1001219345	1	Muffler	
104	1001219361	1	Support	
105	1001219363	1	Plate	
106	1001219480	1	Bracket	
107	1001219611	1	Hose	
108	1001219612	1	Hose	
109	1001219613	1	Tube	

SECTION 3 - ENGINE

ITEM	PART NUMBER	QTY	DESCRIPTION	REV
110	1001138248	31 in/ 77cm	Tube	
111	1001189979	1	Air Filter Assembly	
111	70005008	1	Element, Filter - Primary	
111	70006460	1	Element, Filter -Secondary	
111	8273291	1	Valve, Dust Evacuator	
111	70006461	1	Cover	
113	2720058	55 in/ 1.5m	Hose	
115	1001165035	10 26cm	Hose	
116	5272010	1	Bolt M10 x 30	
118	1001247359	1	Fitting, 90 FSNPSM/NPTF	
119	2220261	1	Fitting	
120	2180418	1	Fitting	
121	1001221615	2	Nut M8	
123	0711223	3	Bolt 12 x 75	
124	1001222033	1	Plate	
125	0940070	1	Bumper	
126	8406201	1	Clip	
127	8410009	2	Gear Clamp	
128	2180348	1	Fitting	
129	1001173535	6	Clamp	
130	1001224489	1	Hose	
131	1001225510	1	Decal	
132	1001216531	1	Hose	
133	1001227666	1	Hose	
134	1001224486	1	Hose	
135	0711014	5	Bolt 10 x 30	
138	0100062	AR	Compound Locking	
139	4060805	16 in/ 41cm	Shield	
140	1001227667	1	Hose	
141	1001303818	1	Washer M10	

SECTION 3 - ENGINE

FIGURE 3-38. FORD ENGINE PREP ASSEMBLY



ART_1001216910

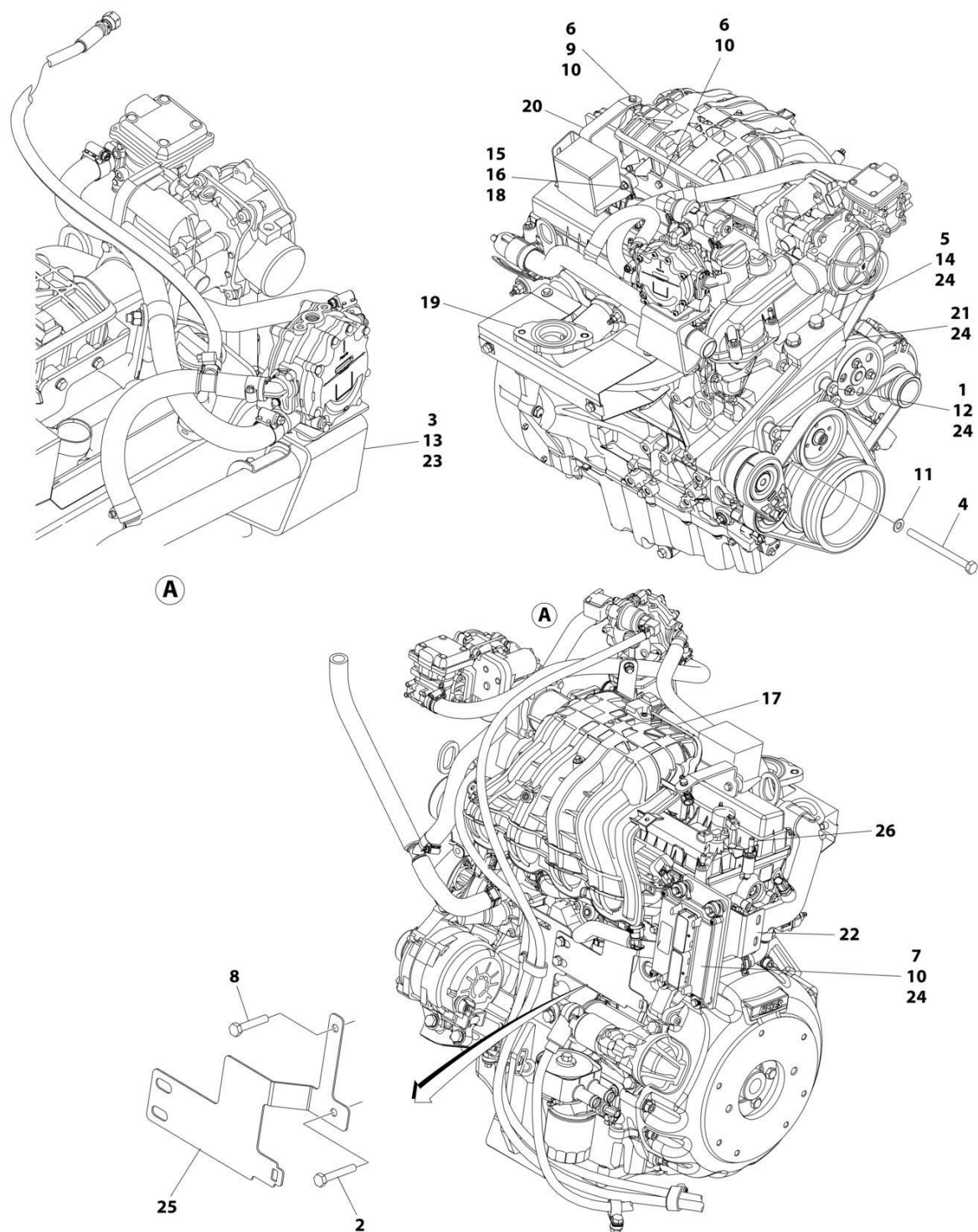
SECTION 3 - ENGINE

FIGURE 3-38. FORD ENGINE PREP ASSEMBLY

ITEM	PART NUMBER	QTY	DESCRIPTION	REV
	1001216910	Ref	FORD ENGINE PREP ASSEMBLY	F
1	0100011	AR	Compound, Locking	
3	0760605	4	Bolt M6 x 10	
4	0760807	2	Bolt M8 x 14	
11	4811702	4	Washer M6	
12	4811900	2	Washer M8	
13	5250605	3	Bolt M6 x 10	
14	5260600	1	Nut M6 Class 10	
19	1001211794	3	Mount, Isolator	
20	1001227769	1	Plate	
21	1001213810	1	Pump Coupling Kit	
21	70006134	1	Coupling	
21	70006135	1	Housing	
21	70006136	1	Hardware Kit	
22	1001216065	1	Ford Engine Assembly (See Items 101-126 for Breakdown)	
24	1001216768	1	Bracket	
25	1001216769	1	Bracket	
28	1001149160	2	Nut, Tinnerman M8	
	1001216065	Ref	FORD ENGINE PREP ASSEMBLY - BRACKETS/EXHAUST MANIFOLD	M
101	0700816	4	Bolt M8 x 40	
102	0700818	1	Bolt M8 x 50	
103	0701014	2	Bolt M10 x 30	
104	0710827	1	Bolt M8 x 100 Grade 10.9	
105	0711216	2	Bolt M12 x 40	
106	0760610	3	Bolt M6 x 20	
107	0760615	4	Bolt M6 x 35	
108	0760817	1	Bolt M8 x 45	
109	3290601	1	Nut M6	
110	4811700	8	Washer M6	
111	4811900	1	Washer M8	
112	4811902	4	Washer M8	
113	4812000	1	Washer M10	
114	4812100	2	Washer M12	
115	5250605	2	Bolt M6 x 10	
116	5260600	2	Nut M6 Class 10	
117	1001210448	1	Engine, Ford 2.5L (See Separate Breakdown in this Section)	
118	1001211794	2	Mount	
119	1001214827	1	Manifold, Exhaust	
120	1001215384	1	Bracket	
121	1001216071	1	Bracket	
122	1001216144	1	Support, Muffler	
123	1001227772	1	Mount, Vaporizer	
124	0100011	AR	Compound, Locking	
125	1001221545	1	Plate	
126	1001222641	6	Cap	

SECTION 3 - ENGINE

FIGURE 3-39. FORD ENGINE BRACKETS AND EXHAUST MANIFOLD INSTALLATION



ART_1001216065

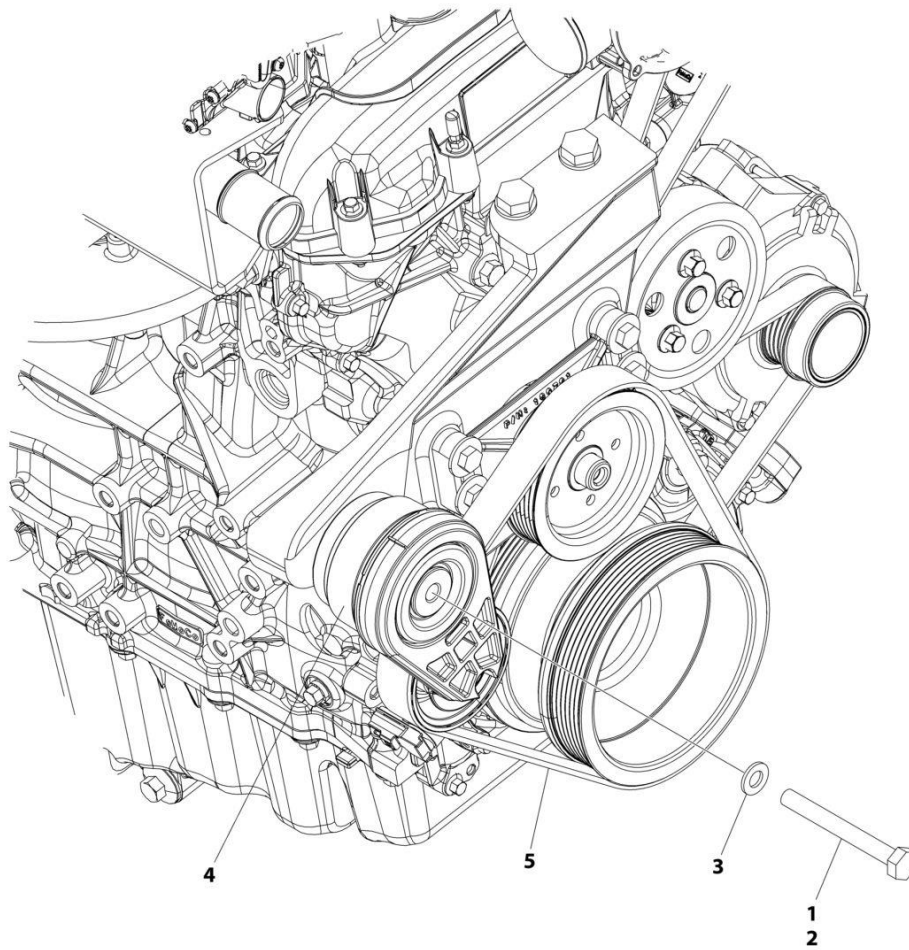
SECTION 3 - ENGINE

FIGURE 3-39. FORD ENGINE BRACKETS AND EXHAUST MANIFOLD INSTALLATION

ITEM	PART NUMBER	QTY	DESCRIPTION	REV
	1001216065	Ref	FORD ENGINE ASSEMBLY - BRACKETS/EXHAUST MANIFOLD	N
1	0700816	4	Bolt M8 x 40	
2	0700818	1	Bolt M8 x 50	
3	0701014	2	Bolt M10 x 30	
4	0710827	1	Bolt M8 x 100 Grade 10.9	
5	0711216	2	Bolt M12 x 40	
6	0760610	3	Bolt M6 x 20	
7	0760615	4	Bolt M6 x 35	
8	0760817	1	Bolt M8 x 45	
9	3290601	1	Nut M6	
10	4811700	8	Washer M6	
11	4811900	1	Washer M8	
12	4811902	4	Washer M8	
13	4812000	1	Washer M10	
14	4812100	2	Washer M12	
15	5250605	2	Bolt M6 x 10	
16	5260600	2	Nut M6 Class 10	
17	1001210448	1	Engine, Ford 2.5L (See Separate Breakdown in this Section)	
18	1001211794	2	Mount	
19	1001214827	1	Manifold, Exhaust	
20	1001215384	1	Bracket	
21	1001216071	1	Bracket	
22	1001216144	1	Support, Muffler	
23	1001227772	1	Mount, Vaporizer	
24	0100011	AR	Compound, Locking	
25	1001221545	1	Plate	
26	1001222641	6	Cap	

SECTION 3 - ENGINE

FIGURE 3-40. FORD ENGINE DRIVE BELT INSTALLATION (MACHINES WITHOUT GENERATOR)



ART_1001220404

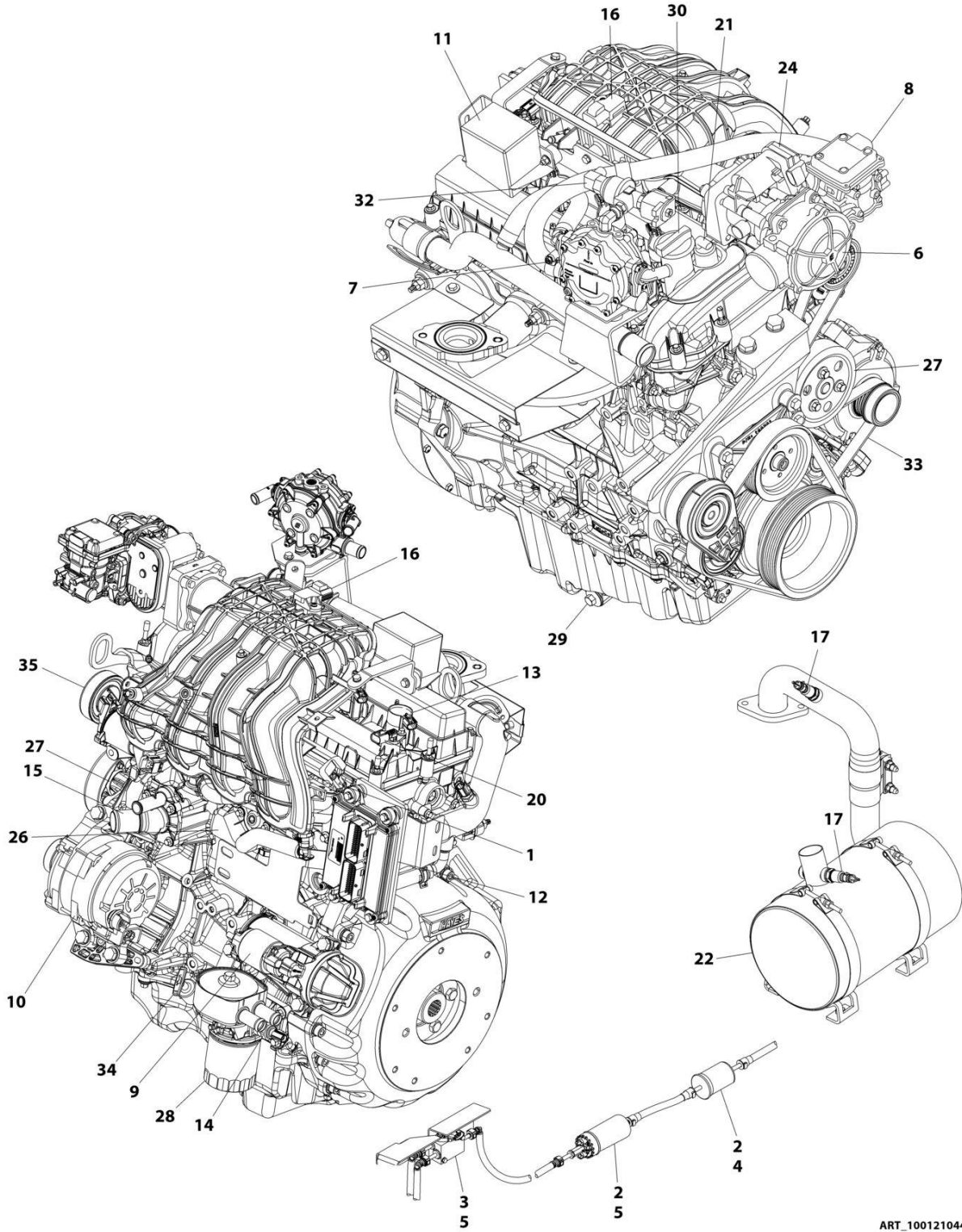
SECTION 3 - ENGINE

FIGURE 3-40. FORD ENGINE DRIVE BELT INSTALLATION (MACHINES WITHOUT GENERATOR)

ITEM	PART NUMBER	QTY	DESCRIPTION	REV
	1001220404	Ref	DRIVE BELT INSTALLATION	C
1	0100011	AR	Compound, Locking	
2	0701026	1	Bolt M10 x 90	
3	4812002	1	Washer M10	
4	1001216300	1	Pulley	
5	1001216619	1	V-Belt	

SECTION 3 - ENGINE

FIGURE 3-41. FORD ENGINE COMPONENTS



ART_1001210448

SECTION 3 - ENGINE

FIGURE 3-41. FORD ENGINE COMPONENTS

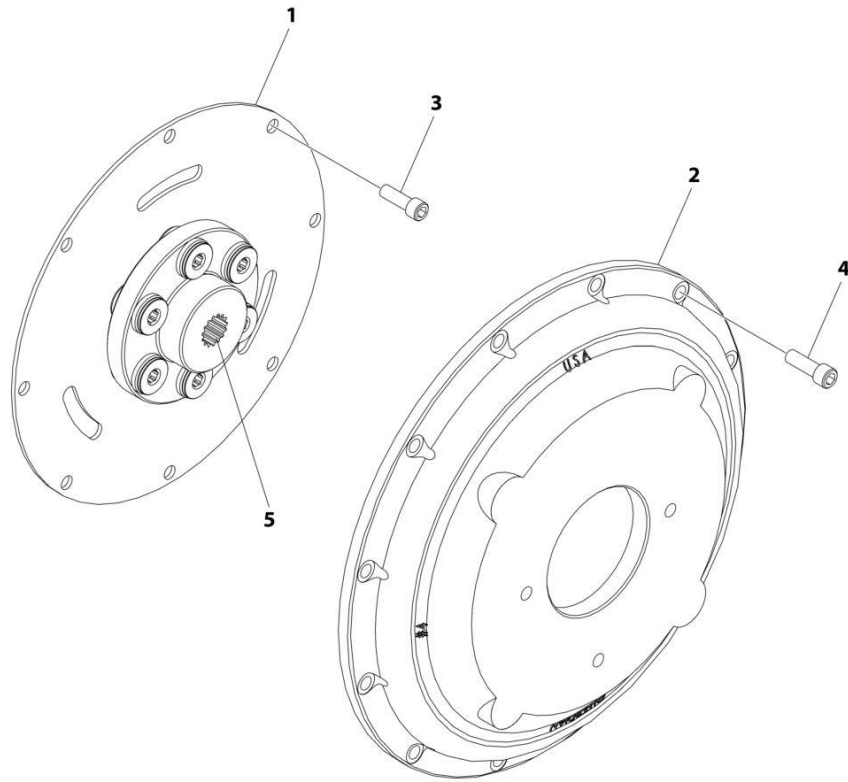
ITEM	PART NUMBER	QTY	DESCRIPTION	REV
	1001210448	Ref	FORD ENGINE COMPONENTS	H
1	70006145	4	Injector, Fuel	
1	70006147	1	Rail, Fuel	
2	70006150	1	Pump, Fuel	
2	70006154	1	Fitting M10	
3	70006151	1	Block, Fuel	
3	70006152	2	Fitting SAE6	
3	70006153	1	Fitting SAE3	
3	70006189	1	Harness, Fuel Block	
4	70006155	1	Filter, Fuel	
5	7022162	8	Clamp	
5	70006157	8	Clip, Fuel Quick Disconnect	
6	70006158	1	Mixer, LP	
6	70006168	1	Mixer Diaphragm Replacement Kit	
6	70006159	1	Adapter, Mixer to Governor	
6	70006160	1	O-Ring, Mixer to Adapter	
6	70006161	1	Seal, Mixer to Adapter	
7	70006162	1	Regulator, LP Vapor	
7	70006166	2	Fitting	
7	70006167	1	Fitting, Straight	
7	70006165	2	Isolator, Rubber	
8	70006163	1	Regulator, Direct Electronic Pressure	
8	70006164	1	Adapter, Fitting 90	
9	70006169	1	Starter	
9	70006233	1	Harness, Alternator/Starter	
10	70006170	1	Alternator	
11	70006173	1	Cover, Relay Box	
11	70006171	2	Relay (Fuel Pump & Power)	
11	70006172	1	Relay (Starter)	
11	70006175	1	Fuse - 20Amp (Starter)	
11	70006174	1	Decal - Relay Box Cover	
11	70006188	1	Harness, Engine	
11	70006165	2	Isolator, Rubber	
12	70006176	1	Module - Engine Control Unit (ECU/GCP)	
12	70006191	1	Software & Diagnostic Cable	
13	70006177	4	Coil and Boot Assembly	
13	70006178	4	Plug, Spark	
14	70006179	1	Switch, Oil Pressure	
15	70006180	1	Sensor, Knock	
16	70006181	1	Sensor, TMAP	
17	70006182	2	Sensor, O2	
18	70006183	1	Sensor, Coolant Temperature (Not Shown - Located Rear of Engine Block)	
19	70006184	1	Sensor, Crank Position (Not Shown - Located at Front RH Side of Block)	
20	70006185	1	Sensor, Cam Position	
21	70006186	1	Solenoid, Timing	
21	70006187	1	Grommet, Rubber	
22	70006194	1	Muffler	
22	70006195	1	Plug (Located at Muffler Outlet)	

SECTION 3 - ENGINE

ITEM	PART NUMBER	QTY	DESCRIPTION	REV
23		Ref	Gasket Options (Not Shown)	
23	70006196	1	Gasket, Exhaust Manifold to Head	
23	70006197	1	Gasket, Exhaust Manifold Outlet	
23	70006200	1	Gasket, Intake Manifold to Head	
23	70006219	1	Gasket Set - Camshaft Cover	
23	70006225	1	Gasket, Cylinder Head	
24	70006198	1	Governor	
24	7027404	1	Gasket, Governor Actuator	
24	70006199	1	Gasket, Governor to Intake Manifold Adapter	
25	70006203	1	Flywheel (Not Shown)	
26	70006205	1	Thermostat (Includes Housing)	
26	70006206	1	Gasket, Water Inlet	
27	70006207	1	Pump, Water	
27	70006208	1	O-Ring, Water Pump	
27	See Note	NSS	Pulley, Water Pump (Note: Not Available for Purchase at This Time)	
28	70006213	1	Filter, Oil	
29	70006215	1	Plug, Oil Drain	
29	70006217	1	Gasket, Oil Drain Plug	
30	70006221	1	Cap, Oil Fill	
31	70006232	1	Sensor, Crank (Not Shown)	
32	70006235	1	Valve, Lock-Off (Includes Filter)	
33	70006202	1	Belt	
34	70006236	1	Dipstick	
35	70007108	1	Belt Tensioner	

SECTION 3 - ENGINE

FIGURE 3-42. PUMP COUPLING KIT (DEUTZ ENGINES)



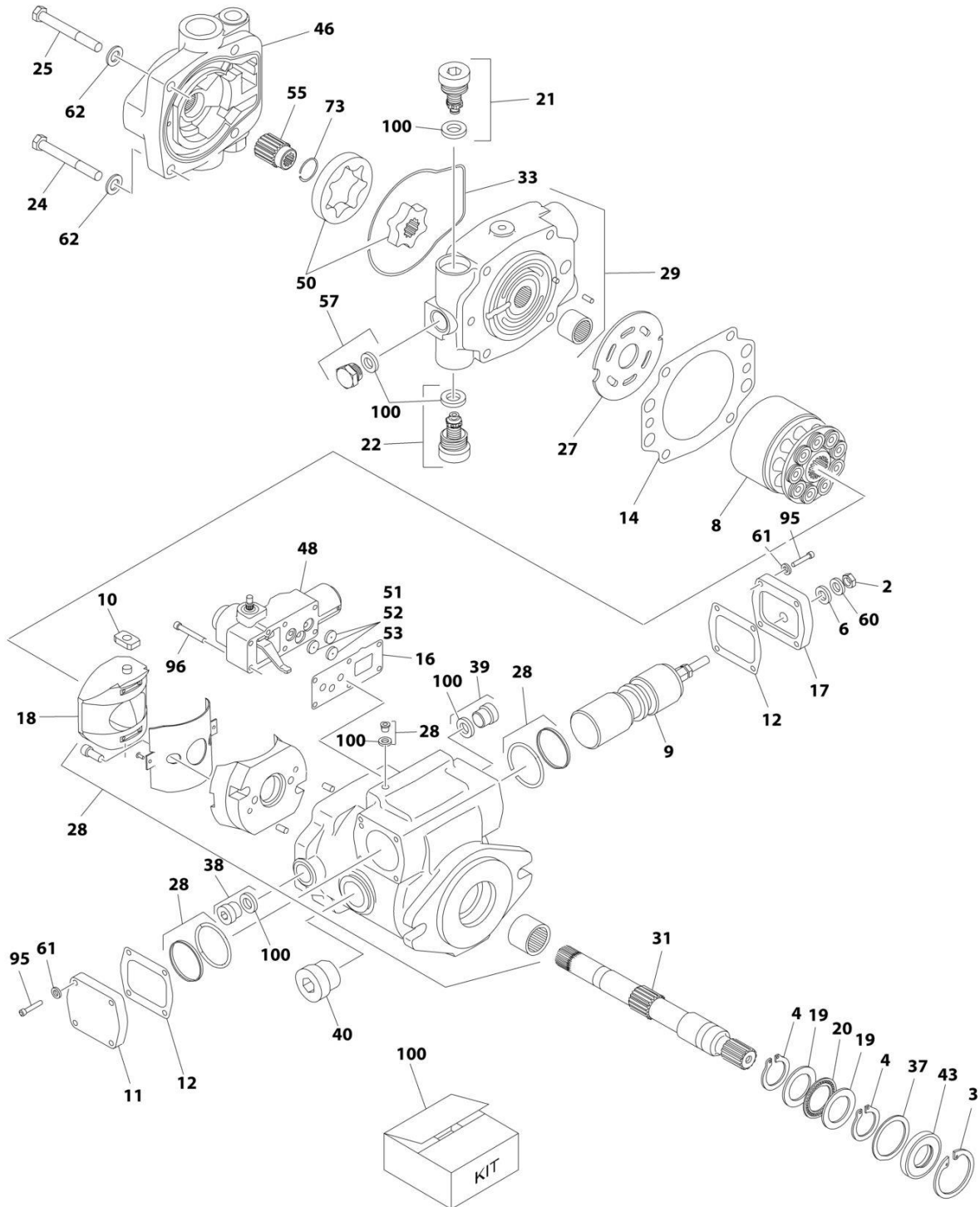
ART_1001153282

SECTION 3 - ENGINE**FIGURE 3-42. PUMP COUPLING KIT (DEUTZ ENGINES)**

ITEM	PART NUMBER	QTY	DESCRIPTION	REV
	1001153282	Ref	PUMP COUPLING KIT	E
1	70004183	1	Coupling Guardian	
2	See Note	NSS	Plate, Pump Adapter (Note: Use p/n 1001153282)	
3	See Note	8	Capscrew M10 x 20 Grade 10.9 (Note: Not Available - Purchase Locally or Purchase Kit)	
4	See Note	12	Capscrew M10 x 25 Grade 10.9 (Note: Not Available - Purchase Locally or Purchase Kit)	
5	3020021	AR	Grease, Coupling	

SECTION 3 - ENGINE

FIGURE 3-43. HYDROSTATIC PUMP ASSEMBLY



ART_1001225745

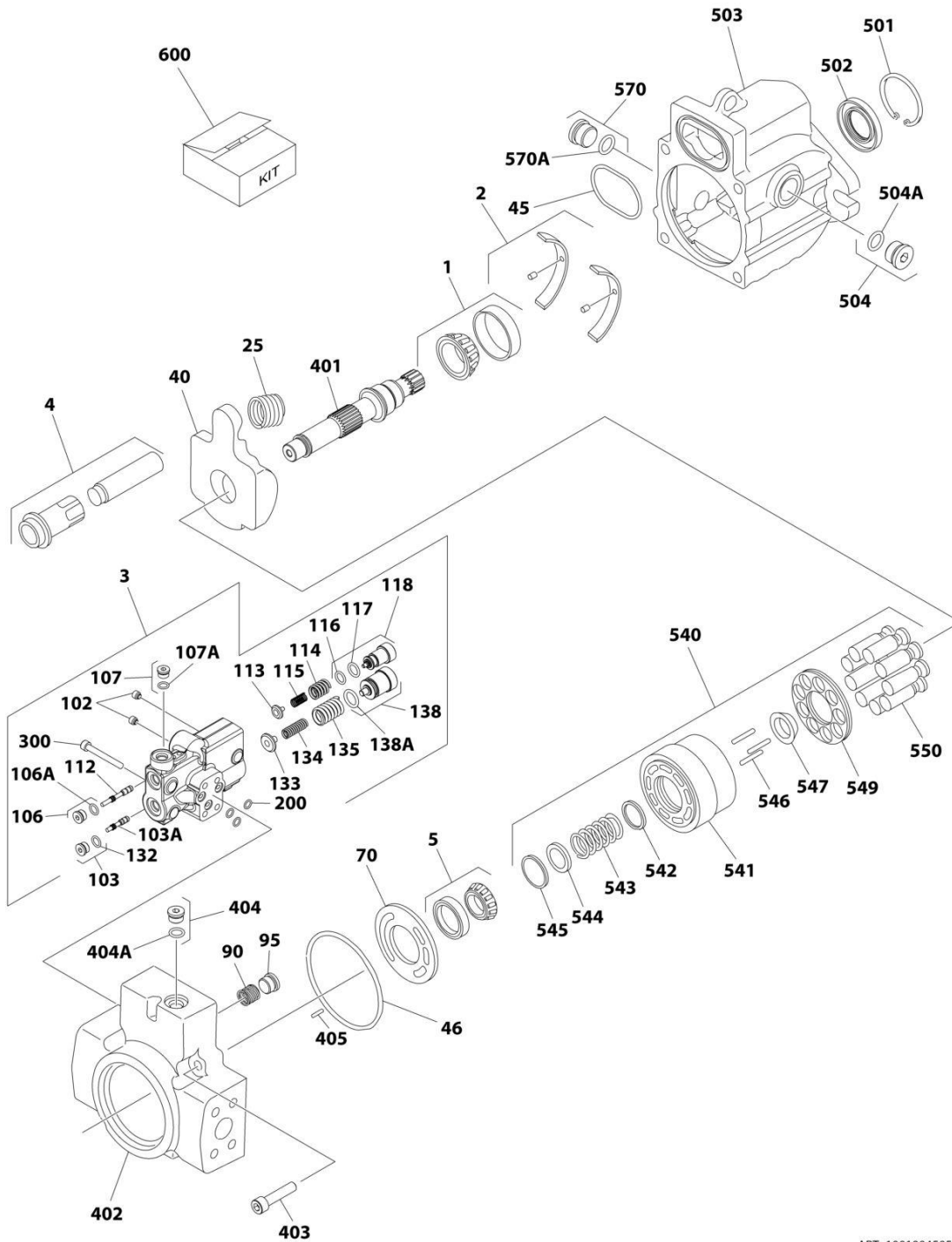
SECTION 3 - ENGINE

FIGURE 3-43. HYDROSTATIC PUMP ASSEMBLY

ITEM	PART NUMBER	QTY	DESCRIPTION	REV
	1001225745	Ref	HYDROSTATIC PUMP ASSEMBLY	A
2	70004329	1	Nut	
3	See Note	NSS	Ring, Retaining (Note: Use Item 100)	
4	See Note	NSS	Ring, Retaining (Note: Use Item 100)	
6	See Note	NSS	Washer, Seal (Note: Use Item 100)	
8	70004331	1	Cylinder Block Assembly	
9	70004332	1	Servo Piston Assembly	
10	70004333	1	Follower, Servo Piston	
11	70005458	1	Cover	
12	See Note	NSS	Gasket, Cover (Note: Use Item 100)	
14	See Note	NSS	Gasket, Housing (Note: Use Item 100)	
16	See Note	NSS	Gasket, Control Housing (Note: Use Item 100)	
17	70005459	1	Cover	
18	70004336	1	Camplate Assembly	
19	7004907	2	Race, Thrust	
20	7004908	1	Bearing, Thrust	
21	70004337	1	Relief Valve Assembly	
22	70004337	1	Relief Valve Assembly	
24	70004338	2	Capscrew	
25	70004338	2	Capscrew	
27	70004340	1	Plate, Valve	
28	See Note	NSS	Housing (Note: Not Available - Purchase Assembly)	
29	70005460	1	End Cover Assembly	
31	70004342	1	Shaft, Drive	
33	See Note	NSS	O-Ring (Note: Use Item 100)	
37	7004906	1	Washer	
38	70005461	1	Plug	
39	70005461	1	Plug	
40	70005462	1	Plug	
43	See Note	NSS	Seal, Shaft (Note: Use Item 100)	
46	70004343	1	Adapter, Charge Pump	
48	70004344	1	Servo Control Assembly	
50	70004345	1	Gerotor	
51	70004346	1	Orifice	
52	70004346	1	Orifice	
53	70004346	1	Orifice	
55	70004347	1	Coupler	
57	70005463	1	Plug	
60	70004348	1	Washer	
61	70004349	8	Washer	
62	70004350	4	Washer	
73	70004351	1	Ring, Retaining	
95	70005464	8	Capscrew	
96	70005465	6	Capscrew	
100	70004352	1	Seal Kit - Pump (Includes Items 3, 4, 6, 12, 14, 16, 33 & 43 and Valve and Plug O-Rings and Seals)	

SECTION 3 - ENGINE

FIGURE 3-44. VARIABLE PUMP ASSEMBLY - DEUTZ TD2.9L4 STAGE V ENGINES



ART_1001094595

SECTION 3 - ENGINE

FIGURE 3-44. VARIABLE PUMP ASSEMBLY - DEUTZ TD2.9L4 STAGE V ENGINES

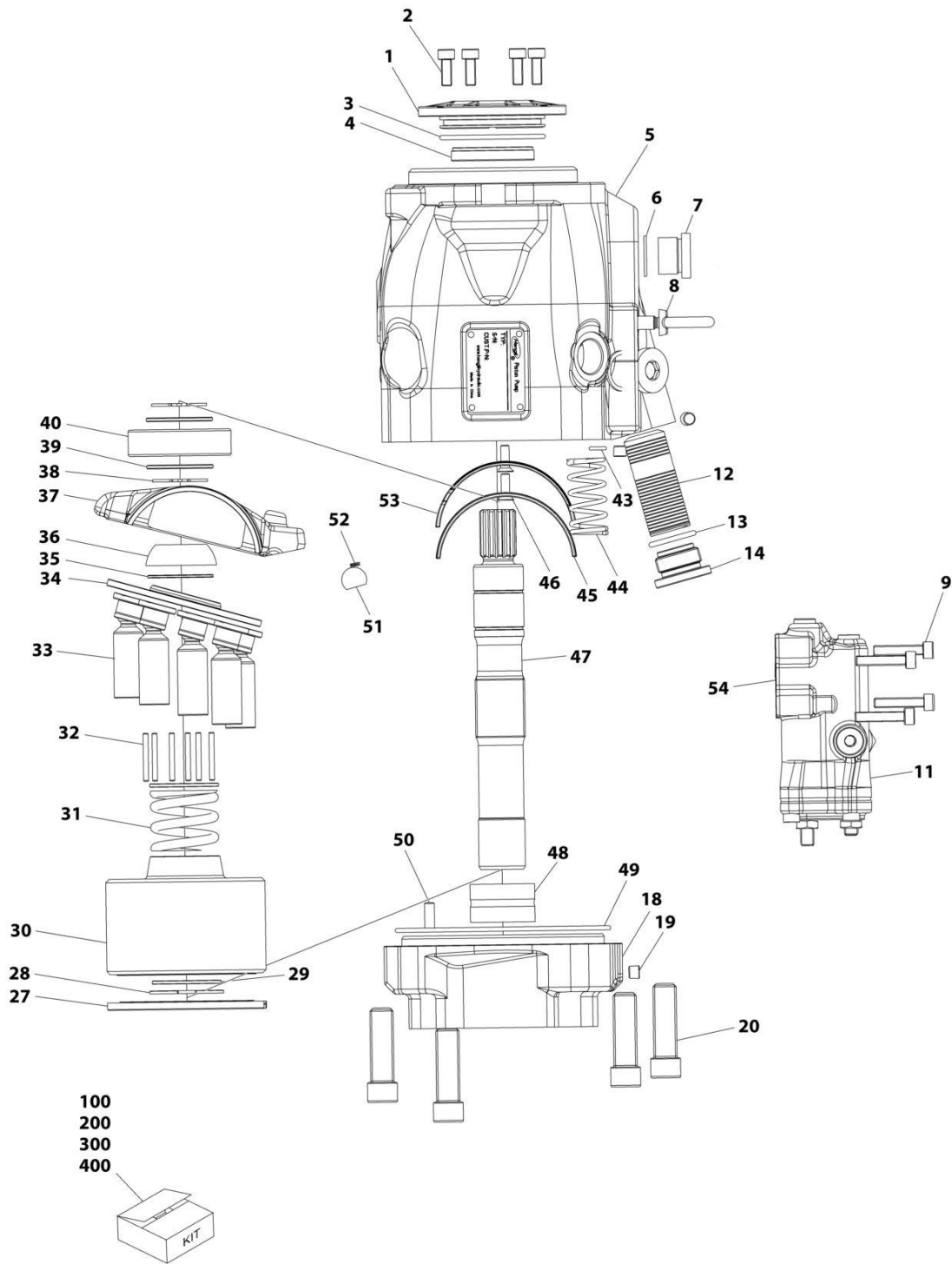
ITEM	PART NUMBER	QTY	DESCRIPTION	REV
	1001094595	Ref	VARIABLE PUMP ASSEMBLY	A
1	7023947	1	Bearing, Front (Includes Cup and Cone)	
2	7023948	1	Bearings, Swash Plate (Includes Both Sides and Pins)	
3	7023956	1	Control Valve Assembly (Includes Items 102-300)	
4	7023949	1	Servo Piston Assembly	
5	7023950	1	Bearing, Rear (Includes Cup and Cone)	
25	7023951	1	Spring	
40	7023952	1	Swash Plate	
45	See Note	NSS	O-Ring (Note: Use Item 600)	
46	See Note	NSS	O-Ring (Note: Use Item 600)	
70	70001954	1	Plate, Valve	
90	70001955	1	Spring, Check Valve	
95	70001956	1	Poppet, Check Valve	
102	See Note	NSS	Setscrew (Note: Use Item 3)	
103	See Note	NSS	Plug (Note: Use Item 3)	
103A	See Note	NSS	O-Ring (Note: Use Item 600)	
106	See Note	NSS	Plug (Note: Use Item 3)	
106A	See Note	NSS	O-Ring (Note: Use Item 600)	
107	See Note	NSS	Plug (Note: Use Item 3)	
107A	See Note	NSS	O-Ring (Note: Use Item 600)	
112	See Note	NSS	Spool, Control (Note: Use Item 3)	
113	See Note	NSS	Guide, Spring (Note: Use Item 3)	
114	See Note	NSS	Spring (Note: Use Item 3)	
115	See Note	NSS	Spring (Note: Use Item 3)	
116	See Note	NSS	O-Ring (Note: Use Item 600)	
117	See Note	NSS	Ring, Back-up (Note: Use Item 600)	
118	See Note	NSS	Plug, Adjusting (Note: Use Item 3)	
132	See Note	NSS	Spool, Control (Note: Use Item 3)	
133	See Note	NSS	Guide, Spring (Note: Use Item 3)	
134	See Note	NSS	Spring (Note: Use Item 3)	
135	See Note	NSS	Spring (Note: Use Item 3)	
138	See Note	NSS	Plug, PC Adjusting (Note: Use Item 3)	
138A	See Note	NSS	O-Ring (Note: Use Item 600)	
200	See Note	NSS	Ring, Seal (Note: Use Item 600)	
300	7023957	4	Screw	
401	7023958	1	Shaft	
402	70001957	1	Cap, End	
403	7023960	4	Screw	
404	7022318	1	Plug	
404A	See Note	NSS	O-Ring (Note: Use Item 600)	
405	7023961	1	Pin	
501	7023962	1	Ring, Retaining	
502	See Note	NSS	Seal, Lip (Note: Use Item 600)	
503	See Note	NSS	Housing (Note: Not Available - Purchase Assembly)	
504	7023964	1	Plug	
504A	7007415	1	O-Ring	
540	7023965	1	Cylinder Block Assembly	
541	See Note	NSS	Block, Cylinder (Note: Use Item 540)	
542	7024868	1	Washer	
543	7024867	1	Spring	

SECTION 3 - ENGINE

ITEM	PART NUMBER	QTY	DESCRIPTION	REV
544	7022314	1	Retainer, Spring	
545	7022311	1	Ring, Retaining	
546	7021275	3	Pin, Slipper	
547	7024864	1	Guide, Slipper	
549	7024866	1	Retainer, Slipper	
550	7023966	9	Piston Assembly	
570	7023964	1	Plug	
570A	7007415	1	O-Ring	
600	7023967	1	Seal Kit - Complete (Includes Items 45, 46, 103A, 106A, 107A, 118, 138A, 200, 444A & 502)	

SECTION 3 - ENGINE

FIGURE 3-45. VARIABLE PUMP ASSEMBLY - ALL ENGINES EXCEPT FOR DEUTZ TD2.9L4 STAGE V ENGINES



ART_1001276377

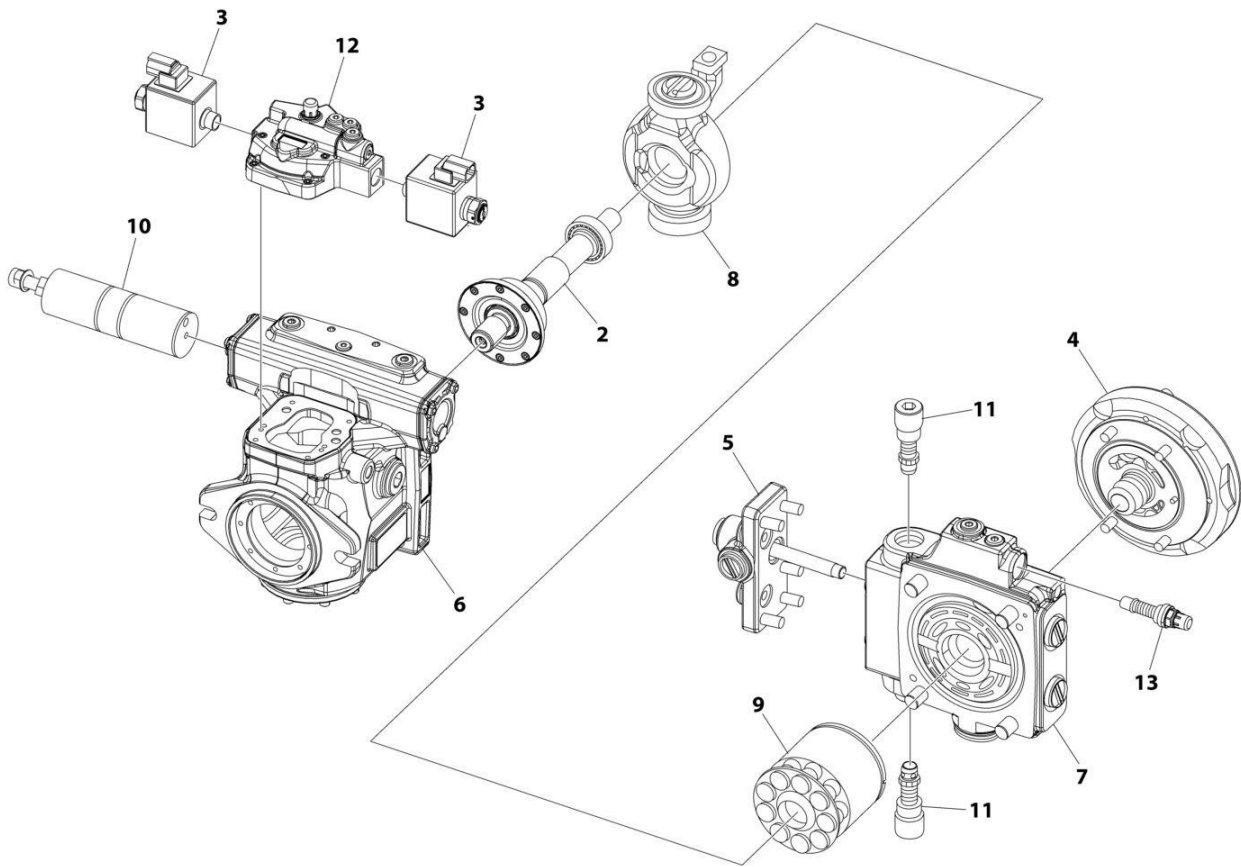
SECTION 3 - ENGINE

FIGURE 3-45. VARIABLE PUMP ASSEMBLY - ALL ENGINES EXCEPT FOR DEUTZ TD2.9L4 STAGE V ENGINES

ITEM	PART NUMBER	QTY	DESCRIPTION	REV
	1001276377	Ref	VARIABLE PUMP ASSEMBLY	B
1	70007789	1	Case, Oil Seal	
2	See Note	NSS	Capscrew M6 x 16 (Note: Purchase Separately)	
3	See Note	NSS	O-Ring (Note: Use Item 100)	
4	70007798	1	Seal, Oil	
5	See Note	NSS	Housing (Note: Not Available - Purchase Assembly)	
6	See Note	NSS	O-Ring (Note: Use Item 100)	
7	70007790	3	Plug	
8	See Note	NSS	Bolt, Eye M8 (Note: Purchase Separately)	
9	See Note	NSS	Capscrew M9 x 30 (Note: Purchase Separately)	
11	70007787	1	Valve, Control	
12	70007800	1	Piston	
13	See Note	NSS	O-Ring (Note: Use Item 100)	
14	70007801	1	Plug	
18	See Note	NSS	Cover (Note: Not Available - Purchase Assembly)	
19	70007791	3	Plug	
20	See Note	NSS	Capscrew M12 x 45 (Note: Purchase Separately)	
27	See Note	NSS	Plate, Valve (Note: Use Item 200)	
28	See Note	NSS	Circlip (Note: Use Item 200)	
29	See Note	NSS	Shim (Note: Use Item 200)	
30	See Note	NSS	Cylinder (Note: Use Item 200)	
31	See Note	NSS	Spring (Note: Use Item 200)	
32	See Note	NSS	Pin (Note: Use Item 200)	
33	See Note	NSS	Piston Assembly (Note: Use Item 200)	
34	See Note	NSS	Retainer (Note: Use Item 200)	
35	See Note	NSS	Shim (Note: Use Item 200)	
36	See Note	NSS	Bushing (Note: Use Item 200)	
37	See Note	NSS	Plate, Swash (Note: Use Item 300)	
38	See Note	NSS	Circlip (Note: Use Item 400)	
39	See Note	NSS	Shim (Note: Use Item 400)	
40	See Note	NSS	Bearing, Cylinder (Note: Use Item 400)	
43	See Note	NSS	O-Ring (Note: Use Item 100)	
44	70007792	1	Spring	
45	70007793	1	Bushing	
46	70007796	2	Capscrew M5 x 16	
47	See Note	NSS	Shaft (Note: Use Item 400)	
48	70007797	1	Bearing	
49	See Note	NSS	O-Ring (Note: Use Item 100)	
50	70007794	1	Spring	
51	See Note	NSS	Ball, Steel (Note: Use Item 300)	
52	See Note	NSS	Spring (Note: Use Item 300)	
53	70007795	1	Bushing	
54	70007799	1	Gasket	
100	70007802	1	Seal Kit (Includes Items 3, 6, 13, 43 & 49)	
200	70007786	1	Cylinder Assembly (Includes Items 27 - 36)	
300	70007788	1	Swash Plate Assembly (Includes Items 37, 51 & 52)	
400	70007785	1	Shaft Assembly (Includes Items 38 - 40 & 47)	

SECTION 3 - ENGINE

FIGURE 3-46. HYDROSTATIC PUMP ASSEMBLY



ART_1001276376

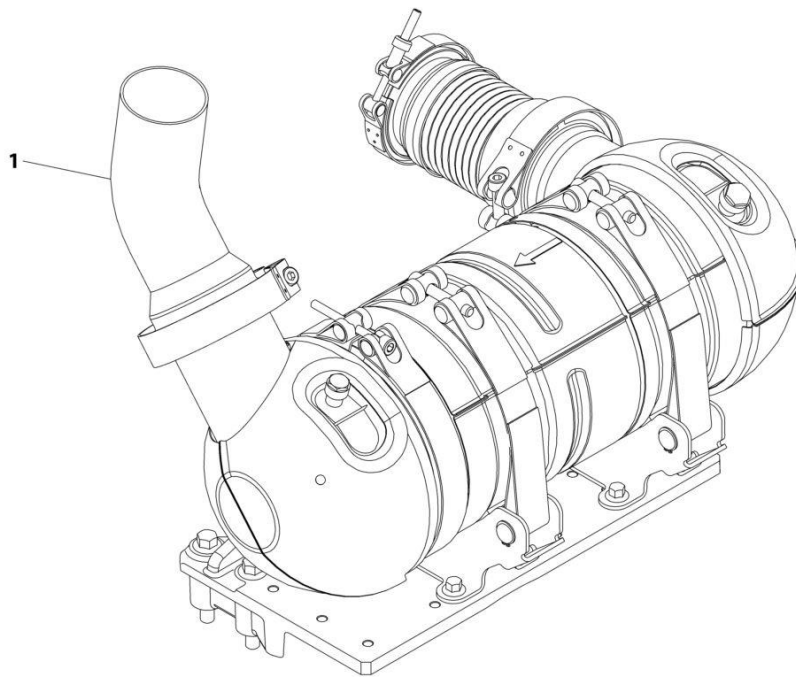
SECTION 3 - ENGINE

FIGURE 3-46. HYDROSTATIC PUMP ASSEMBLY

ITEM	PART NUMBER	QTY	DESCRIPTION	REV
	1001276376	Ref	HYDROSTATIC PUMP ASSEMBLY	B
2	70008497	1	Shaft Assembly	
3	70008498	2	Coil Assembly	
4	70008602	1	Gerotor Body Assembly	
5	70008511	1	Body Assembly	
6	See Note	NSS	Body Assembly (Note: Use PN 1001276376)	
7	70008601	1	Distributor Assembly	
8	70008500	1	Swashplate Assembly	
9	70008501	1	Rotor Assembly	
10	70008502	1	Servo Assembly	
11	70008600	2	Relief Valve	
12	70008504	1	Control Valve Assembly	
13	70008505	1	Relief Valve Assembly	

SECTION 3 - ENGINE

FIGURE 3-47. EXHAUST PIPE INSTALLATION - DEUTZ TD2.9L4 ENGINES



ART_1001216221

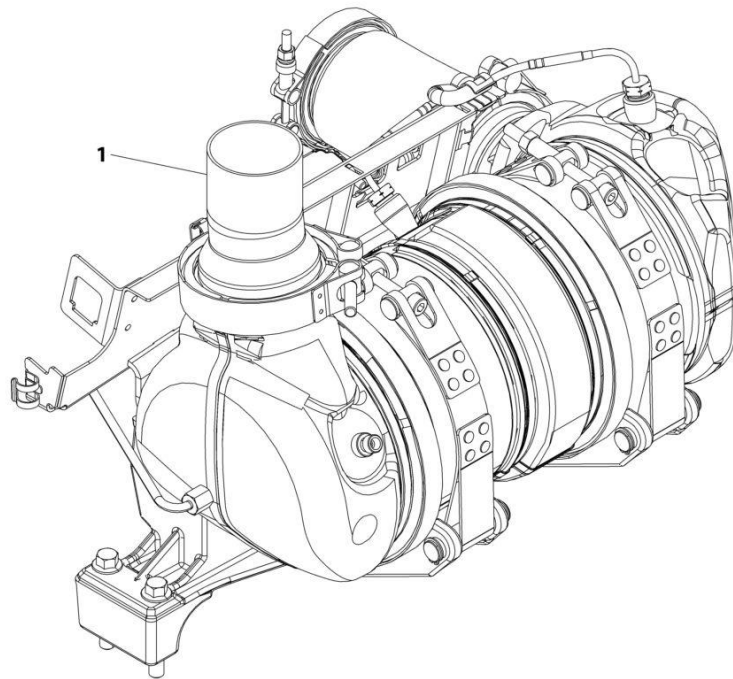
SECTION 3 - ENGINE

FIGURE 3-47. EXHAUST PIPE INSTALLATION - DEUTZ TD2.9L4 ENGINES

ITEM	PART NUMBER	QTY	DESCRIPTION	REV
1	1001216221 1001158145	Ref 1	EXHAUST PIPE INSTALLATION Pipe, Exhaust	A

SECTION 3 - ENGINE

FIGURE 3-48. EXHAUST PIPE INSTALLATION - DEUTZ TD2.9L4 (STAGE V) ENGINES



ART_1001236334

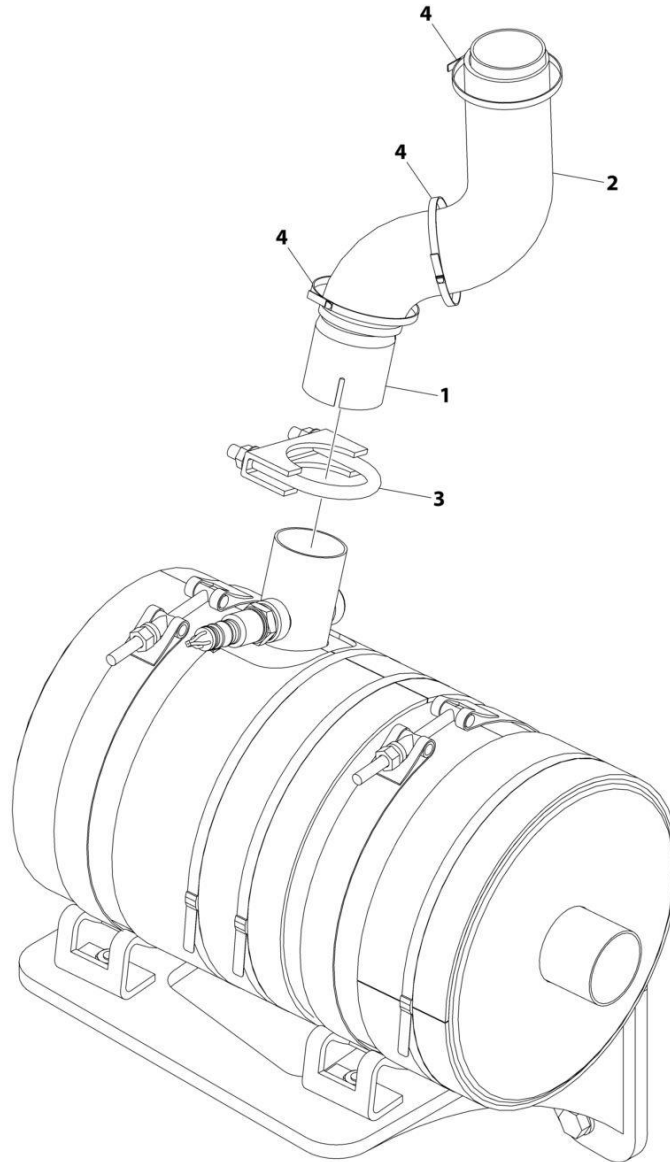
SECTION 3 - ENGINE

FIGURE 3-48. EXHAUST PIPE INSTALLATION - DEUTZ TD2.9L4 (STAGE V) ENGINES

ITEM	PART NUMBER	QTY	DESCRIPTION	REV
1	1001236334	Ref	EXHAUST PIPE INSTALLATION	B
	1001236335	1	Pipe, Exhaust	

SECTION 3 - ENGINE

FIGURE 3-49. EXHAUST PIPE INSTALLATION - FORD DF 2.5L ENGINES



ART_1001220142

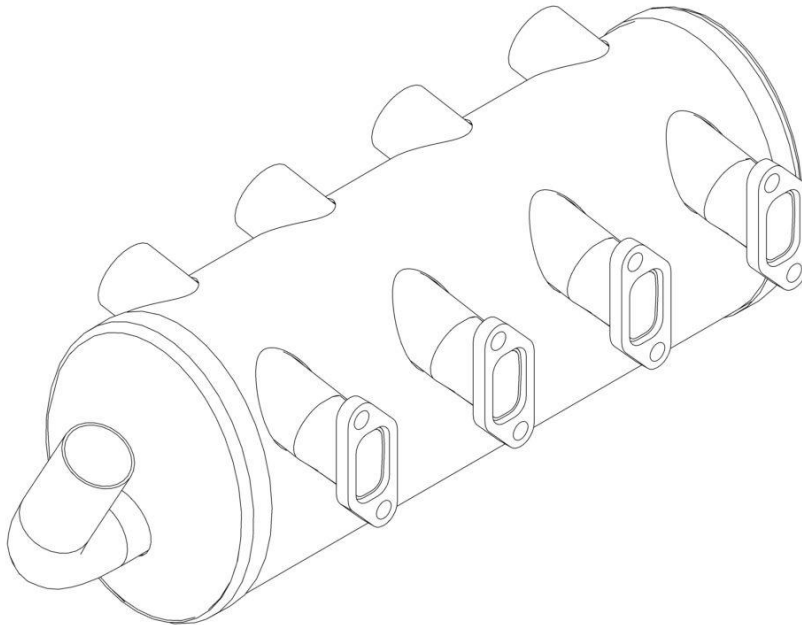
SECTION 3 - ENGINE

FIGURE 3-49. EXHAUST PIPE INSTALLATION - FORD DF 2.5L ENGINES

ITEM	PART NUMBER	QTY	DESCRIPTION	REV
	1001220142	Ref	EXHAUST PIPE INSTALIATION	B
1	1001217350	1	Tail Pipe	
2	1001218087	1	Insulate	
3	1001221397	1	Clamp	
4	1001100825	3	Strap	

SECTION 3 - ENGINE

FIGURE 3-50. SPARK ARRESTOR MUFFLER INSTALLATION - DEUTZ D2011 ENGINES



ART_1001257283

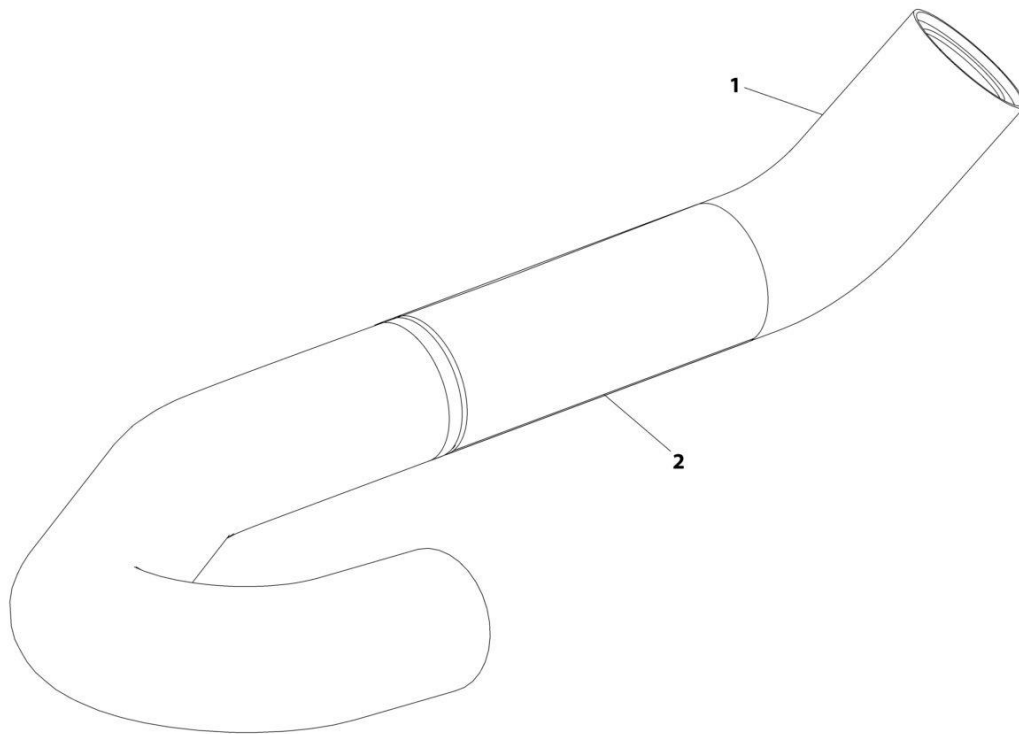
SECTION 3 - ENGINE

FIGURE 3-50. SPARK ARRESTOR MUFFLER INSTALLATION - DEUTZ D2011 ENGINES

ITEM	PART NUMBER	QTY	DESCRIPTION	REV
	1001257283 See Note	Ref 1	MUFFLER INSTALLATION SPARK ARRESTOR Muffler, (Note: Use P/N 1001257283)	A

SECTION 3 - ENGINE

FIGURE 3-51. SPARK ARRESTING PIPE (MACHINES WITH SN STARTING WITH B3)



ART_1001296987

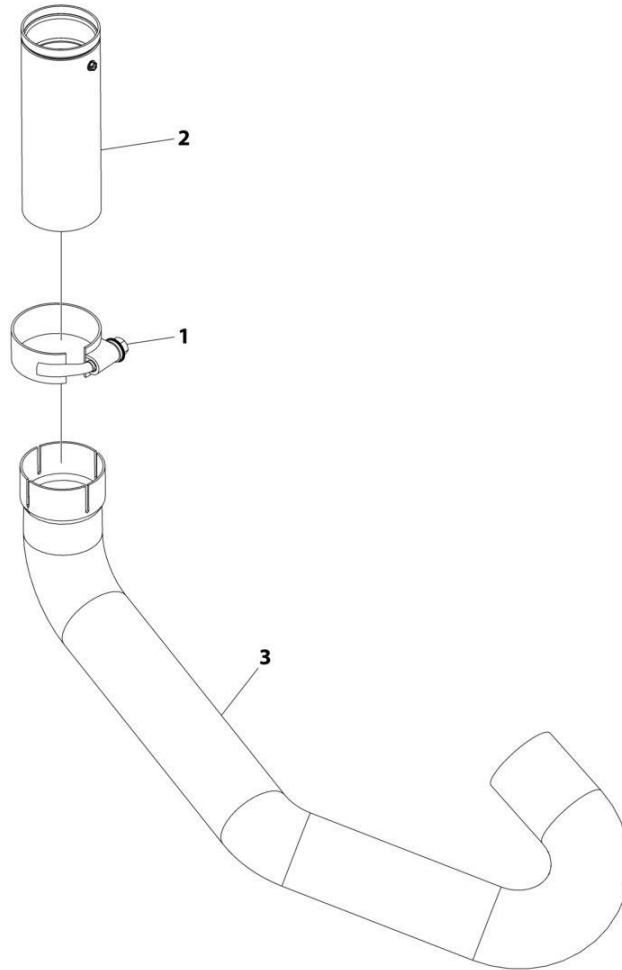
SECTION 3 - ENGINE

FIGURE 3-51. SPARK ARRESTING PIPE (MACHINES WITH SN STARTING WITH B3)

ITEM	PART NUMBER	QTY	DESCRIPTION	REV
	1001296987	Ref	SPARK ARRESTING PIPE	A
1	1001247011	1	Pipe, Exhaust	
2	1001257276	1	Muffler, Spark Arresting	

SECTION 3 - ENGINE

FIGURE 3-52. SPARK ARRESTOR INSTALLATION (WITH STEEL HOODS) (SN B300024951 to Present, SN 0300314209 to Present, SN 0300314005 through 0300314007, SN 0300314010 through 0300314012, SN 0300314021 through 0300314024, Including 0300314018)



ART_1001301337

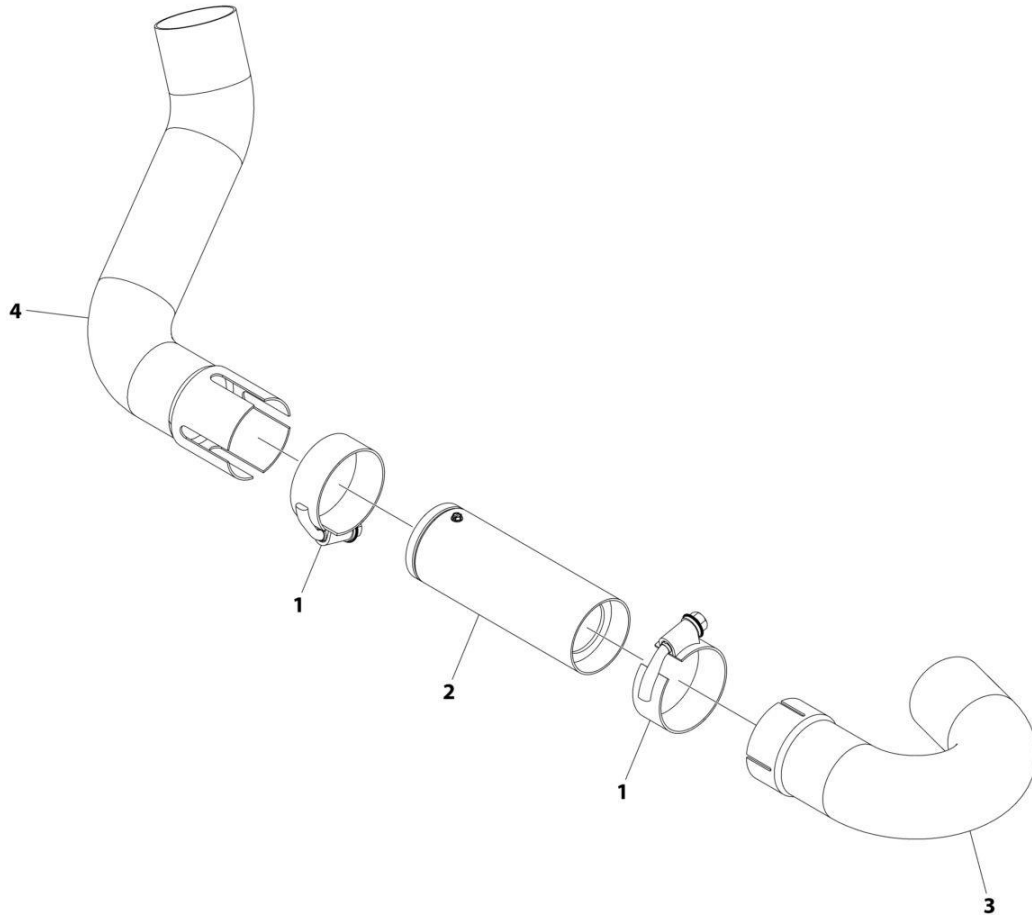
SECTION 3 - ENGINE

FIGURE 3-52. SPARK ARRESTOR INSTALLATION (WITH STEEL HOODS) (SN B300024951 to Present, SN 0300314209 to Present, SN 0300314005 through 0300314007, SN 0300314010 through 0300314012, SN 0300314021 through 0300314024, Including 0300314018)

ITEM	PART NUMBER	QTY	DESCRIPTION	REV
	1001301337	Ref	SPARK ARRESTOR INSTALLATION	A
1	1001221212	1	Clamp	
2	1001257276	1	Muffler, Spark Arresting	
3	1001301831	1	Pipe, Exhaust	

SECTION 3 - ENGINE

FIGURE 3-53. SPARK ARRESTOR INSTALLATION (WITH PLASTIC HOODS) (SN B300024951 to Present, SN 0300314209 to Present, SN 0300314005 through 0300314007, SN 0300314010 through 0300314012, SN 0300314021 through 0300314024, Including 0300314018)



ART_1001301338

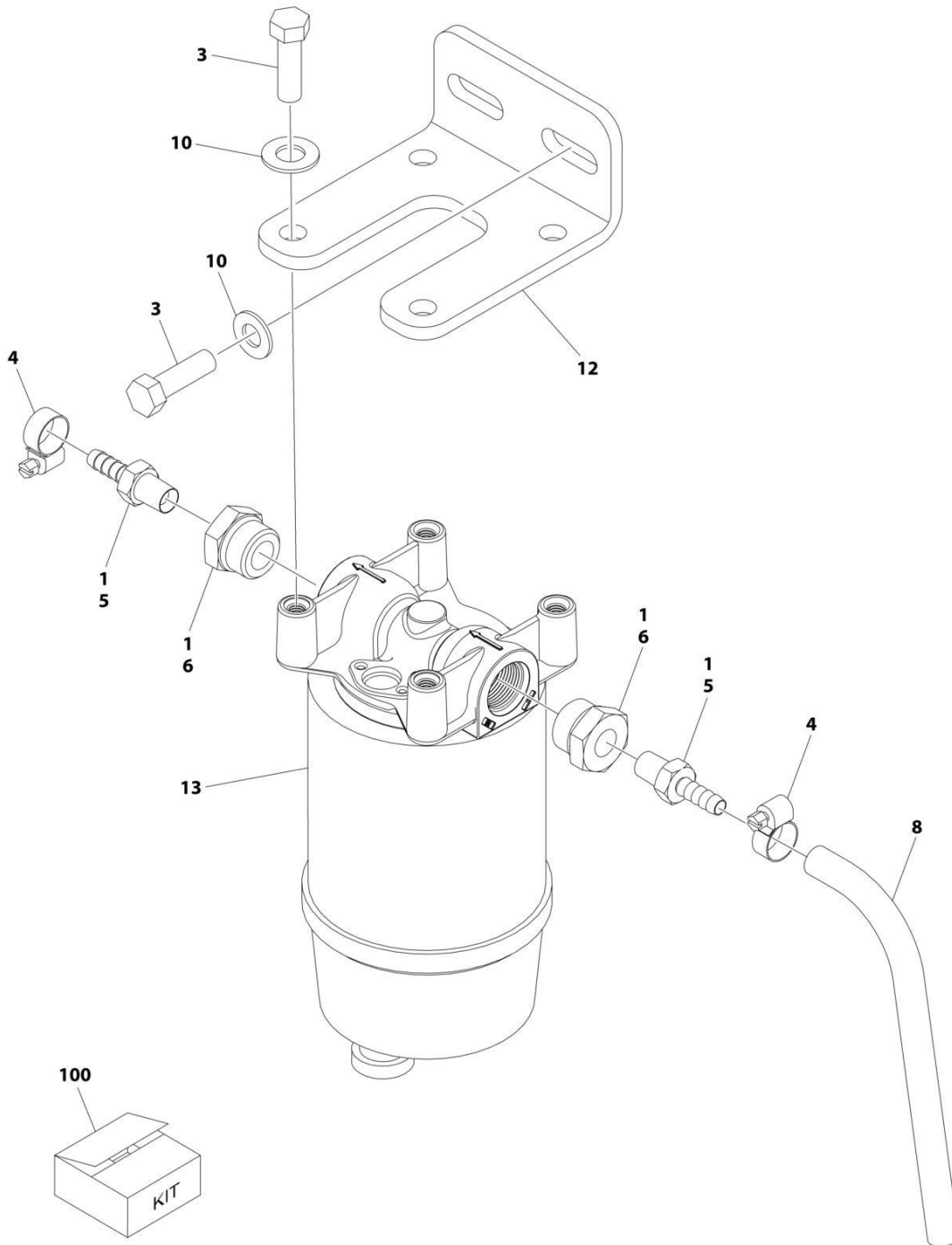
SECTION 3 - ENGINE

FIGURE 3-53. SPARK ARRESTOR INSTALLATION (WITH PLASTIC HOODS) (SN B300024951 to Present, SN 0300314209 to Present, SN 0300314005 through 0300314007, SN 0300314010 through 0300314012, SN 0300314021 through 0300314024, Including 0300314018)

ITEM	PART NUMBER	QTY	DESCRIPTION	REV
	1001301338	Ref	SPARK ARRESTOR INSTALLATION	A
1	1001221212	2	Clamp	
2	1001257276	1	Muffler, Spark Arresting	
3	1001302221	1	Pipe, Exhaust	
4	1001302223	1	Pipe, Exhaust	

SECTION 3 - ENGINE

FIGURE 3-54. FUEL-WATER SEPARATOR INSTALLATION - DEUTZ D2011



ART_1001196428

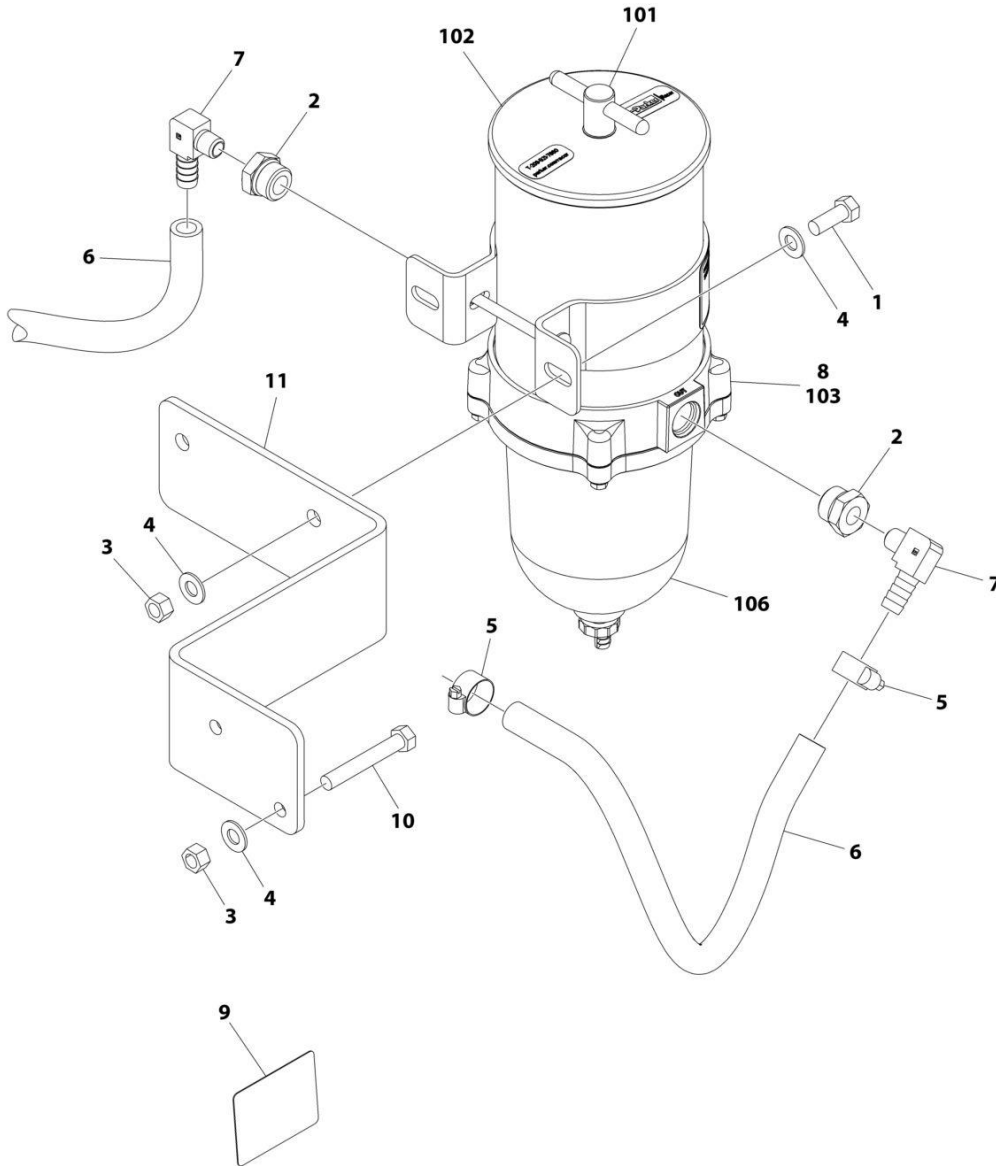
SECTION 3 - ENGINE

FIGURE 3-54. FUEL-WATER SEPARATOR INSTALLATION - DEUTZ D2011

ITEM	PART NUMBER	QTY	DESCRIPTION	REV
	1001196428	Ref	FUEL-WATER SEPARATOR INSTALLATION - DEUTZ D2011 (OPTIONAL)	B
1	0100020	AR	Sealant	
3	0641610	6	Bolt 3/8 x 1-1/4	
4	1320022	2	Clamp	
5	2180348	2	Fitting, Straight	
6	2220816	2	Fitting, Straight	
8	2720058	12 in/ 31cm	Hose	
10	4751600	6	Washer 3/8	
12	1001188884	1	Bracket	
13	1001188887	1	Fuel/Water Separator Assembly	
13	1001202280	1	Head	
13	1001202281	1	Element	
100	1001204667	1	Fuel/Water Separator Add-on Kit	

SECTION 3 - ENGINE

FIGURE 3-55. FUEL-WATER SEPARATOR INSTALLATION - DEUTZ TD2.9L4



NOTE : LOCATED ON HOOD

ART_1001226286_D

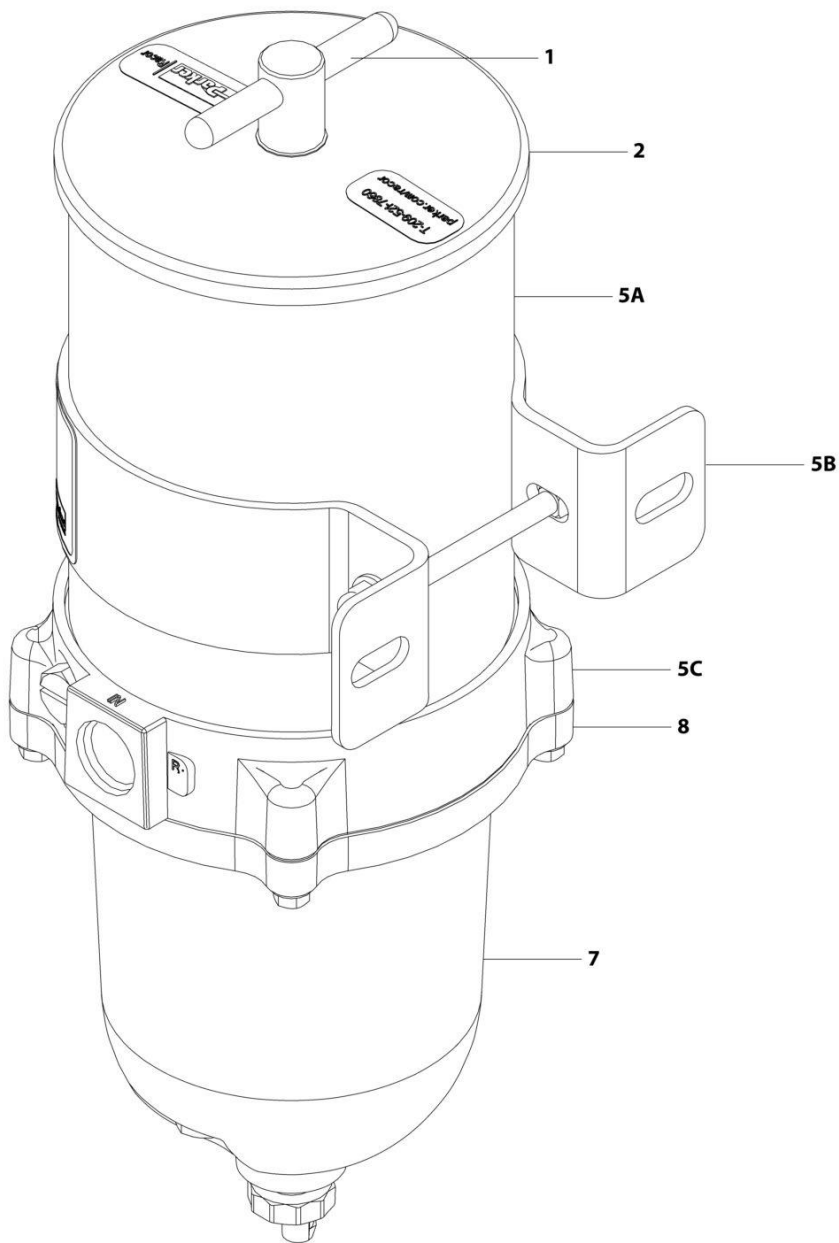
SECTION 3 - ENGINE

FIGURE 3-55. FUEL-WATER SEPARATOR INSTALLATION - DEUTZ TD2.9L4

ITEM	PART NUMBER	QTY	DESCRIPTION	REV
	1001226286	Ref	FUEL FILTER INSTALLATION	D
1	0641608	2	Bolt 3/8 x 1	
2	2220816	2	Fitting, Straight NPT	
3	3311605	4	Nut 3/8	
4	4711600	6	Washer 3/8	
5	8405006	2	Clamp	
6	1001154405	13 ft/ 3.96m	Hose	
7	1001178797	2	Fitting, 90	
8	1001222817	1	Fuel Filter Assembly (See Items 101-107 for Breakdown)	
9	1001226923	1	Decal - Fuel Water Separator	
10	0641620	2	Bolt 3/8 x 2-1/2	
11	1001254657	1	Bracket	
	1001222817	Ref	FUEL FILTER ASSEMBLY	
101	70006403	1	T-Handle Kit (Includes O-Ring)	
102	70006404	1	Lid Kit (Includes Gasket)	
103	70006405	1	Element	
104	70006406	1	Checkball & Gasket Kit (Not Shown)	
105	70006407	1	Centrifuge and Baffle Kit (Not Shown)	
106	70006409	1	Bowl Kit (Includes Gasket, O-Ring and Drain)	
106	70006408	1	Gasket, Bowl	
107	70006410	1	Bowl Ring Kit (Includes Gasket & Hardware) (Not Shown)	

SECTION 3 - ENGINE

FIGURE 3-56. FUEL FILTER ASSEMBLY (DEUTZ TD2.9L4 ENGINES)



ART_1001222817

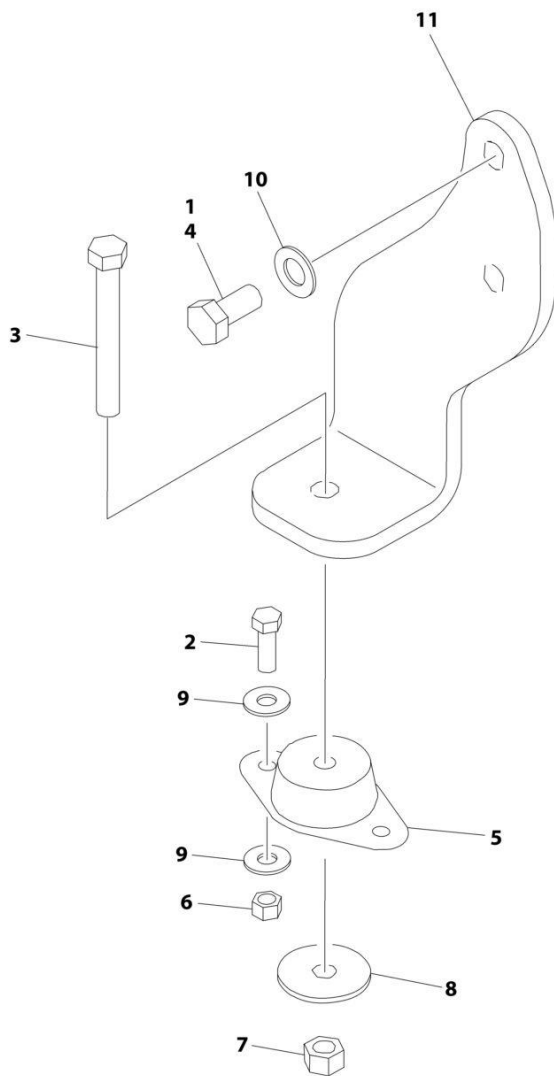
SECTION 3 - ENGINE

FIGURE 3-56. FUEL FILTER ASSEMBLY (DEUTZ TD2.9L4 ENGINES)

ITEM	PART NUMBER	QTY	DESCRIPTION	REV
	1001222817	Ref	FUEL FILTER ASSEMBLY	A
1	70006403	1	Handle Kit (Includes Handle, Handle O-Ring & Lid Gasket)	
2	70006404	1	Lid Kit (Includes Lid, Handle O-Ring & Lid Gasket)	
3	70006405	1	Element, Filter (Not Shown)	
5A	See Note	NSS	Housing (Note: Use p/n 1001222817)	
5B	See Note	NSS	Bracket (Note: Use p/n 1001222817)	
5C	See Note	NSS	Tube, Return (Note: Use p/n 1001222817)	
6	70006407	1	Certrfuge & Baffle Kit (Not Shown - Located at Bottom of 5C) (Also Includes p/n 70006406 & Bowl Gasket)	
6	70006406	1	Checkball & Gasket Kit (Not Shown - Located at Bottom of 5C)	
7	70006409	1	Bowl Kit (Includes Bowl Gasket, Plug with O-Ring & Drain)	
7	70006408	1	Gasket, Bowl	
8	70006410	1	Bowl Ring Kit (Includes Bowl Gasket & Bolts)	

SECTION 3 - ENGINE

FIGURE 3-57. RIGHT ENGINE SUPPORT INSTALLATION (DEUTZ D2011 ENGINES MACHINES WITHOUT GENERATORS)



ART_1001151253

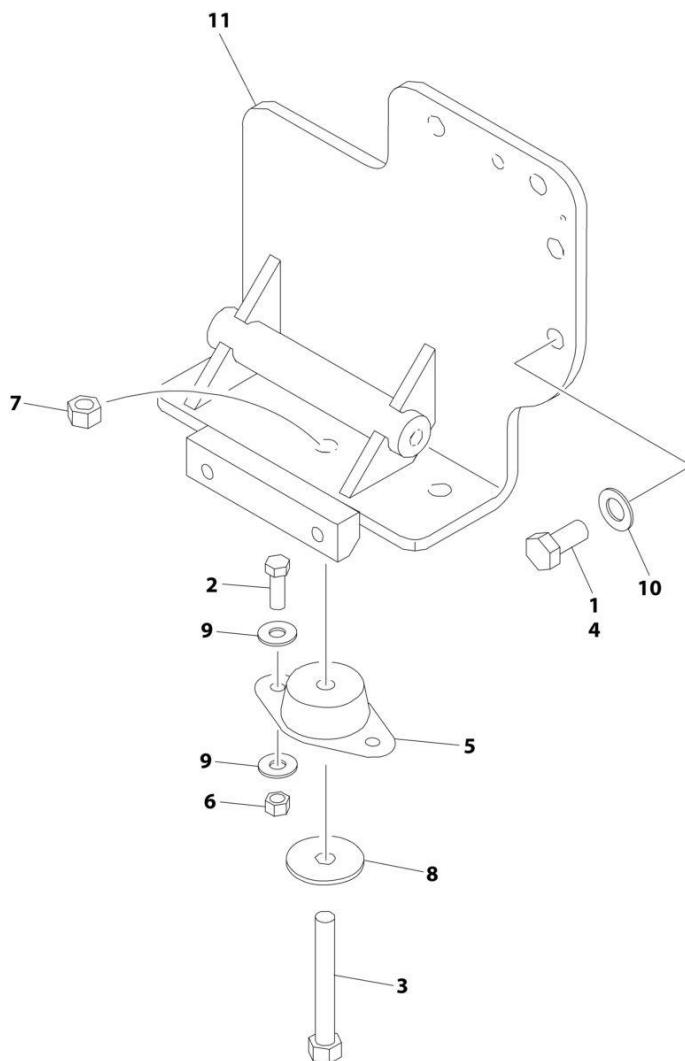
SECTION 3 - ENGINE

FIGURE 3-57. RIGHT ENGINE SUPPORT INSTALLATION (DEUTZ D2011 ENGINES MACHINES WITHOUT GENERATORS)

ITEM	PART NUMBER	QTY	DESCRIPTION	REV
	1001151253	Ref	RIGHT ENGINE SUPPORT INSTALLATION	A
1	0100011	AR	Compound, Locking	
2	0641609	2	Bolt 3/8 x 1-1/8	
3	0641820	1	Bolt 1/2 x 2-1/2	
4	0711414	2	Bolt M14 x 30 Grade 10.9	
5	3200401	1	Mount, Motor	
6	3311605	2	Nut 3/8	
7	3311805	1	Nut 1/2	
8	4740274	1	Washer	
9	4751600	4	Washer 3/8	
10	4812200	2	Washer M14	
11	1001149703	1	Support, Engine (Right Front)	

SECTION 3 - ENGINE

FIGURE 3-58. RIGHT ENGINE SUPPORT INSTALLATION (DEUTZ D2011 ENGINES MACHINES WITH GENERATORS)



ART_1001151252

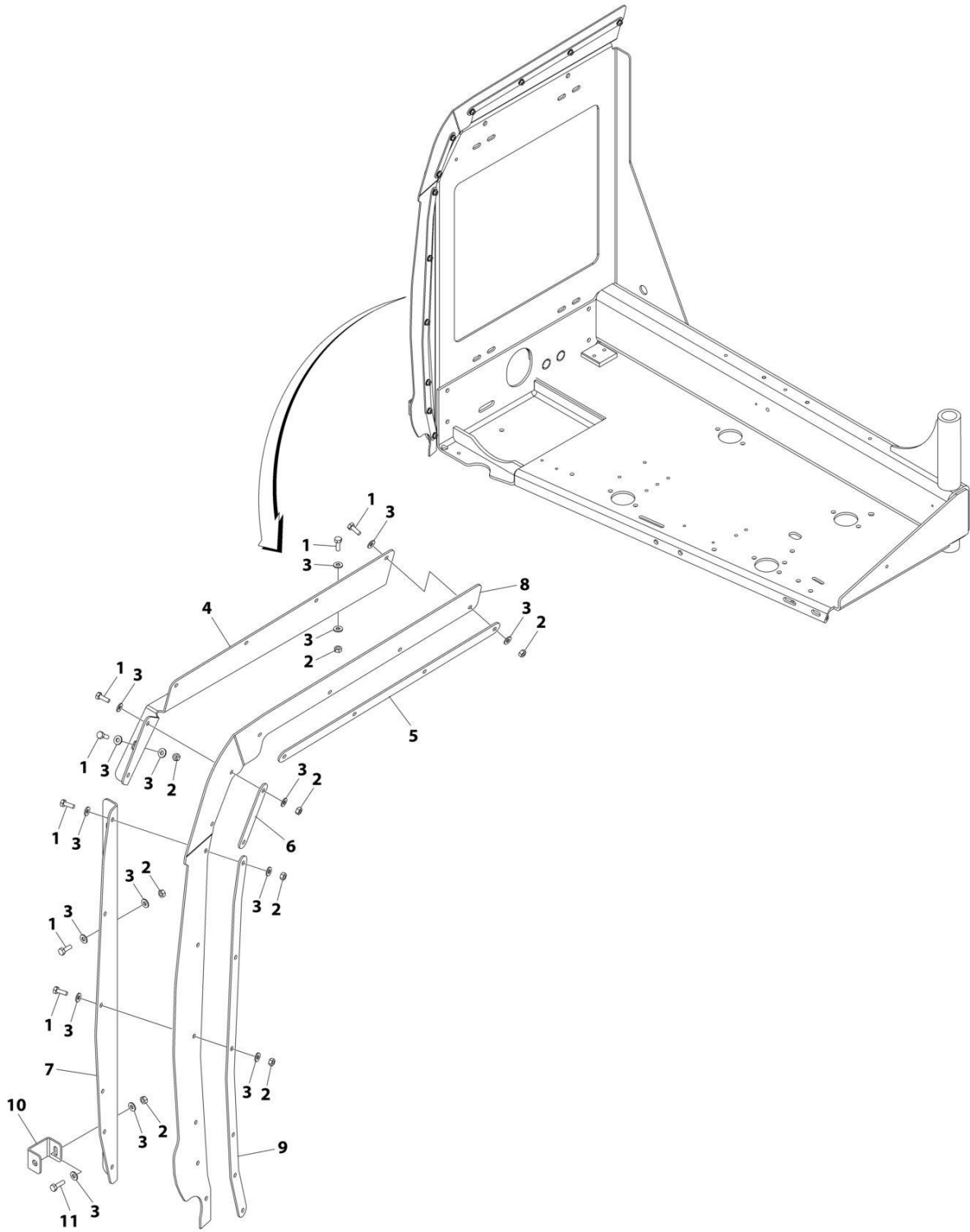
SECTION 3 - ENGINE

FIGURE 3-58. RIGHT ENGINE SUPPORT INSTALLATION (DEUTZ D2011 ENGINES MACHINES WITH GENERATORS)

ITEM	PART NUMBER	QTY	DESCRIPTION	REV
	1001151252	Ref	RIGHT ENGINE SUPPORT INSTALLATION	B
1	0100011	AR	Compound, Locking	
2	0641609	2	Bolt 3/8 x 1-1/8	
3	0641818	1	Bolt 1/2 x 2-1/2	
4	0711414	3	Bolt M14 x 30 Grade 10.9	
5	3200401	1	Mount, Motor	
6	3311605	2	Nut 3/8	
7	3311805	1	Nut 1/2	
8	4740274	1	Washer	
9	4751600	4	Washer 3/8	
10	4812200	3	Washer M14	
11	1001150890	1	Support, Engine (Right Front)	

SECTION 3 - ENGINE

FIGURE 3-59. ENGINE HOOD Baffle INSTALLATION - DEUTZ TD2.9L4 AND DEUTZ 2.9L4 (STAGE V) ENGINES WITH ABS HOODS



ART_1001143484

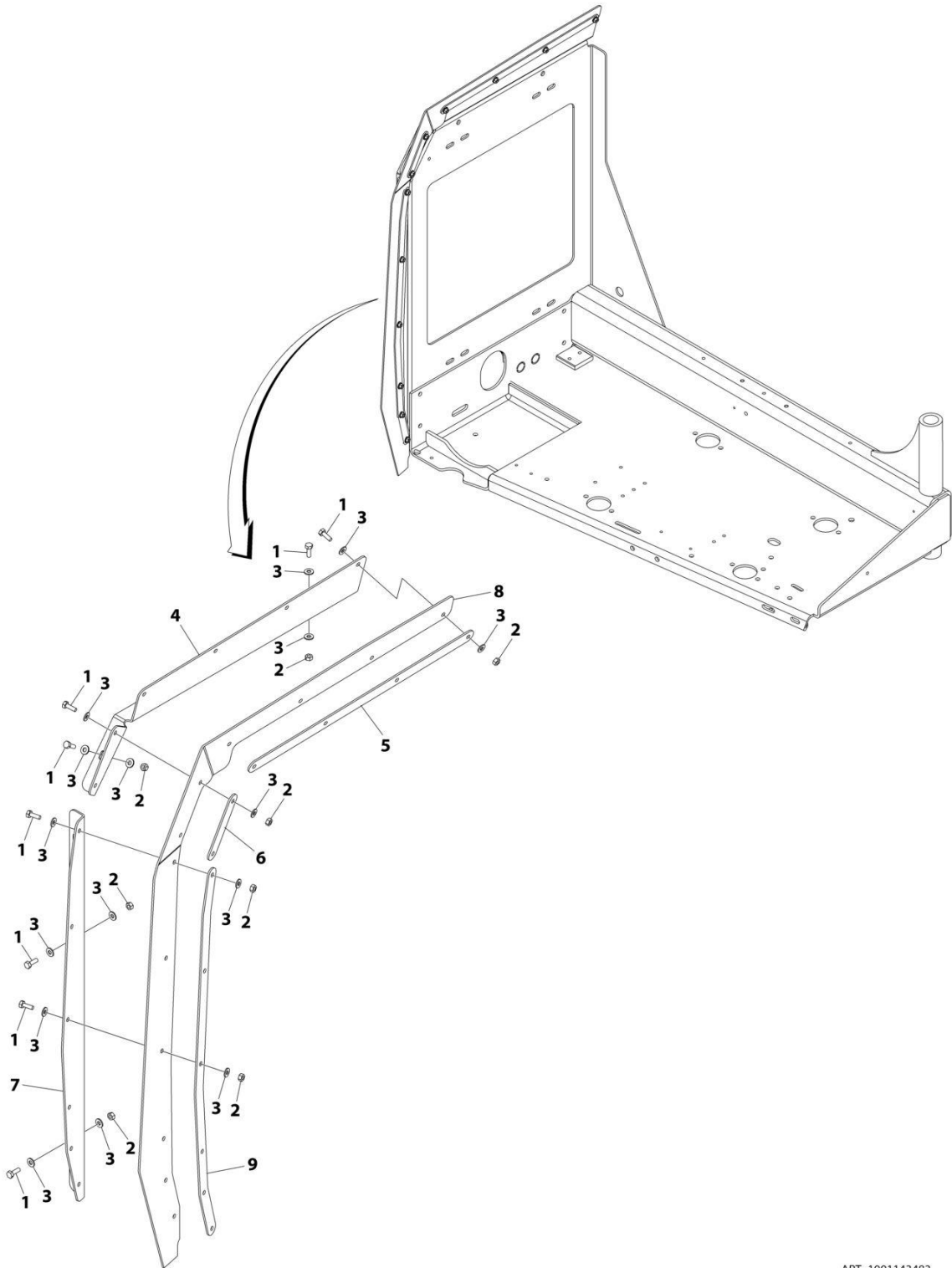
SECTION 3 - ENGINE

FIGURE 3-59. ENGINE HOOD BAFFLE INSTALLATION - DEUTZ TD2.9L4 AND DEUTZ 2.9L4 (STAGE V) ENGINES WITH ABS HOODS

ITEM	PART NUMBER	QTY	DESCRIPTION	REV
	1001143484	Ref	BAFFLES INSTALLATION (ABS HOODS)	C
1	0641406	18	Bolt 1/4 x 3/4	
2	3311405	19	Nut 1/4	
3	4711400	38	Washer 1/4	
4	1001174745	1	Bracket	
5	1001142031	1	Bracket	
6	1001142032	1	Bracket	
7	1001143449	1	Bracket	
8	1001195967	1	Baffle	
9	1001143525	1	Bracket	
10	1001143860	1	Bracket, Bumper	
11	0641407	1	Bolt 1/4 x 78	

SECTION 3 - ENGINE

FIGURE 3-60. ENGINE HOOD Baffle INSTALLATION - DEUTZ TD2.9L4 AND DEUTZ 2.9L4 (STAGE V) ENGINES WITH STEEL HOODS



ART_1001143483

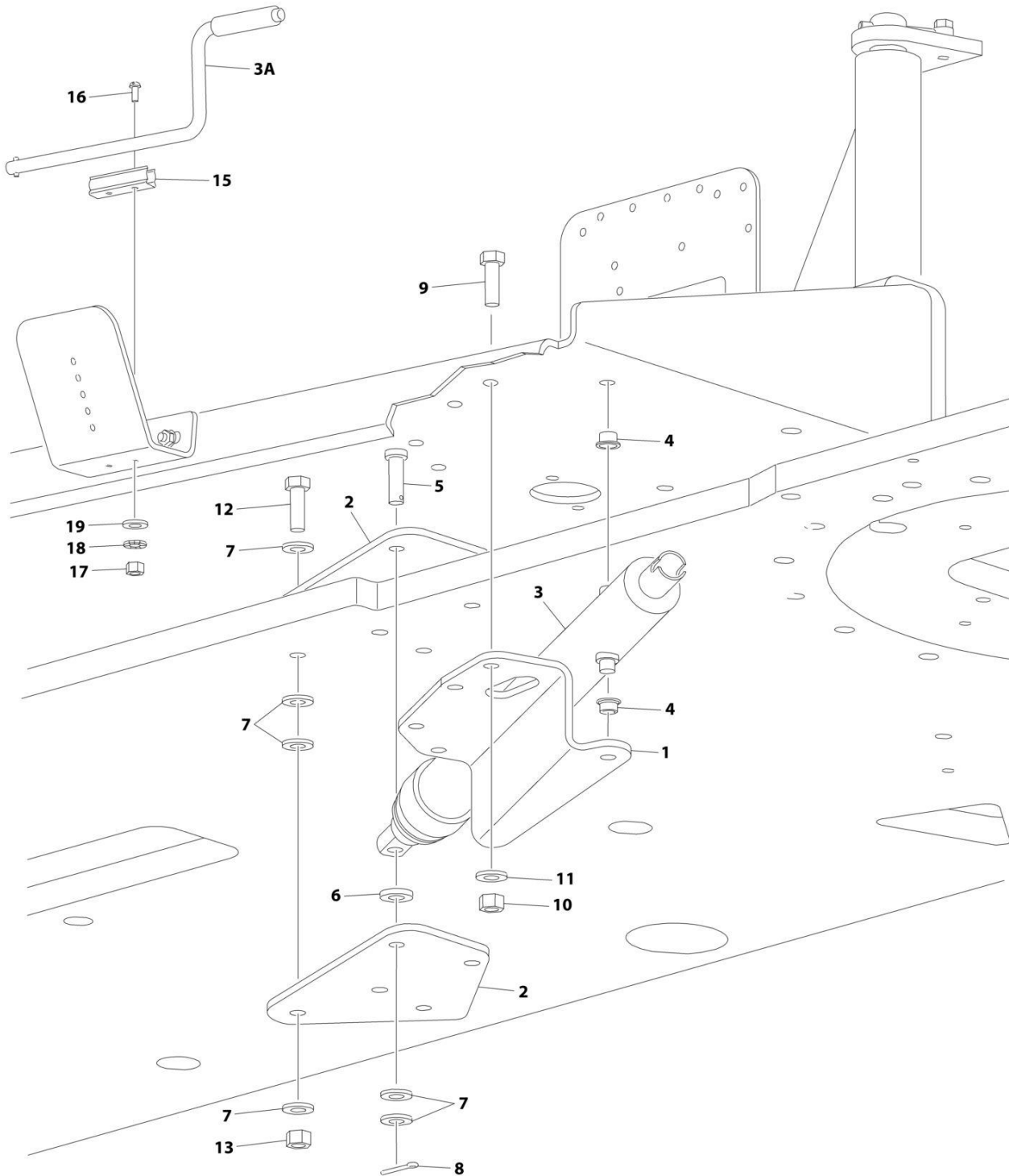
SECTION 3 - ENGINE

FIGURE 3-60. ENGINE HOOD BAFFLE INSTALLATION - DEUTZ TD2.9L4 AND DEUTZ 2.9L4 (STAGE V) ENGINES WITH STEEL HOODS

ITEM	PART NUMBER	QTY	DESCRIPTION	REV
	1001143483	Ref	BAFFLES INSTALLATION (STEEL HOODS)	B
1	0641406	19	Bolt 1/4 x 3/4	
2	3311405	19	Nut 1/4	
3	4711400	38	Washer 1/4	
4	1001174745	1	Bracket	
5	1001142031	1	Bracket	
6	1001142032	1	Bracket	
7	1001143449	1	Bracket	
8	1001174746	1	Baffle	
9	1001143525	1	Bracket	

SECTION 3 - ENGINE

FIGURE 3-61. ENGINE TRAY JACK INSTALLATION - DEUTZ ENGINES



ART_0258728

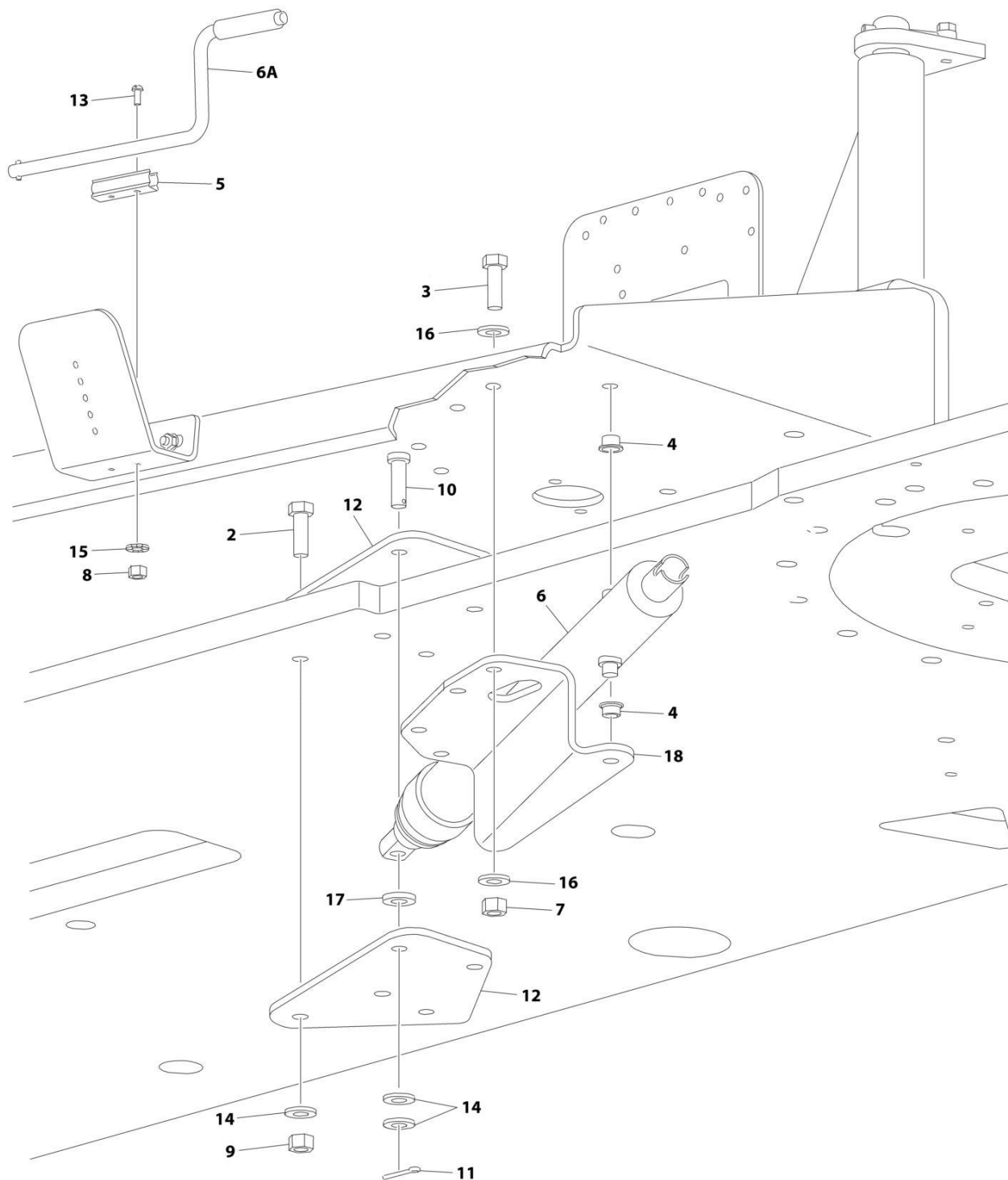
SECTION 3 - ENGINE

FIGURE 3-61. ENGINE TRAY JACK INSTALLATION - DEUTZ ENGINES

ITEM	PART NUMBER	QTY	DESCRIPTION	REV
	0258728	Ref	ENGINE TRAY JACK INSTALLATION	2-C
1	3537445	1	Bracket	
2	3537446	2	Bracket	
3	2840016	1	Jack and Handle Assembly	F
3A	7024598	1	Handle	
4	0962051	2	Bearing, Flange	
5	3430816	1	Pin, Clevis	
6	4891800	1	Washer 1/2	
7	4711800	6	Washer 1/2	
8	3450404	1	Pin, Cotter 1/8 x 1	
9	0641609	4	Bolt 3/8 x 1-1/8	
10	3311605	4	Nut 3/8	
11	4891600	4	Washer 3/8	
12	0641818	4	Bolt 1/2 x 2-1/4	
13	3311805	4	Nut 1/2	
15	1380147	1	Clip, Spring	
16	3910608	2	Screw #6 x 1	
17	3310601	2	Nut #6	
18	4770600	2	Washer #6	
19	4740119	2	Washer	

SECTION 3 - ENGINE

FIGURE 3-62. ENGINE TRAY JACK INSTALLATION - FORD ENGINES



ART_1001219881

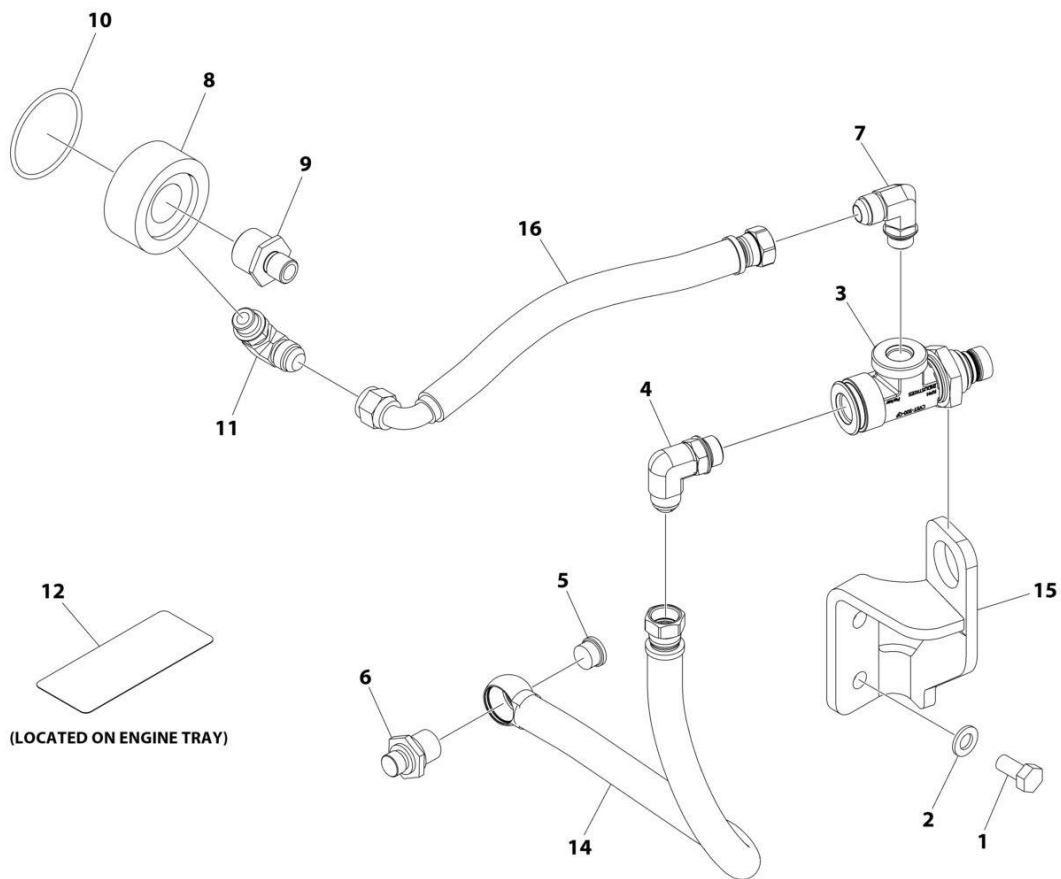
SECTION 3 - ENGINE

FIGURE 3-62. ENGINE TRAY JACK INSTALLATION - FORD ENGINES

ITEM	PART NUMBER	QTY	DESCRIPTION	REV
	1001219881	Ref	ENGINE TRAY JACK INSTALLATION	B
2	0641818	4	Bolt 1/2 x 2-1/4	
3	0761014	3	Bolt M10 x 30	
4	0962051	2	Bearing, Flange	
5	1380147	1	Clip, Spring	
6	2840016	1	Jack and Handle Assembly	F
6A	7024598	1	Handle	
7	3291007	3	Nut M10	
8	3310601	2	Nut #6-32	
9	3311805	4	Nut 1/2-13	
10	3430816	1	Pin, Clevis	
11	3450404	1	Pin, Cotter 1/8 x 1	
12	3537446	2	Bracket	
13	3910608	2	Screw #6-32 x 1	
14	4711800	6	Washer 1/2	
15	4770600	2	Washer #6	
16	4812000	6	Washer M10	
17	4891800	1	Washer 1/2	
18	1001218547	1	Bracket	

SECTION 3 - ENGINE

FIGURE 3-63. QUICKFIT OIL DRAIN VALVE (DEUTZ ENGINES)



ART_1001285349

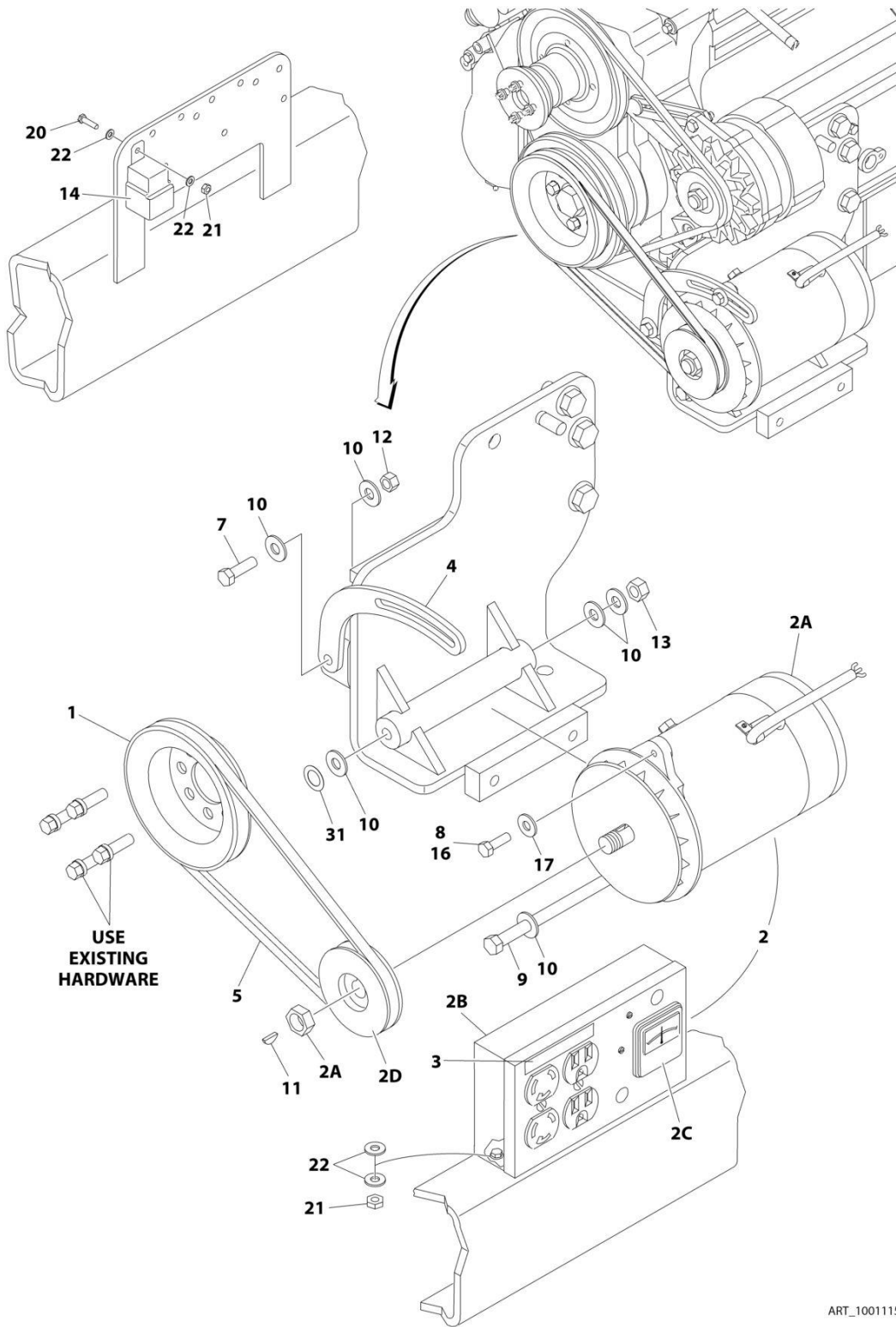
SECTION 3 - ENGINE

FIGURE 3-63. QUICKFIT OIL DRAIN VALVE (DEUTZ ENGINES)

ITEM	PART NUMBER	QTY	DESCRIPTION	REV
	1001285349	Ref	QUICKFIT OIL VALVE	A
1	0761212	2	Bolt M12 x 25	
2	4812100	2	Washer M12	
3	1001281298	1	Valve, Quickfit	
4	1001281301	1	Fitting, 90	
5	1001281304	1	Plug	
6	1001281305	1	Fitting, Banjo	
7	1001281307	1	Fitting, 90	
8	1001281309	1	Filter, Ring	
9	1001281310	1	Fitting, Straight	
10	1001281311	1	O-Ring	
11	1001281359	1	Valve, Check	
12	1001281360	1	Decal - RPM Quickfit	
13	1001281656	1	Tie-Strap (Not Shown)	
14	1001284101	1	Hose	
15	1001287536	1	Bracket	
16	1001288113	1	Hose	

SECTION 3 - ENGINE

FIGURE 3-64. 2500W/110V/60HZ GENERATOR INSTALLATION - DEUTZ D2011 ENGINES



ART_1001115405

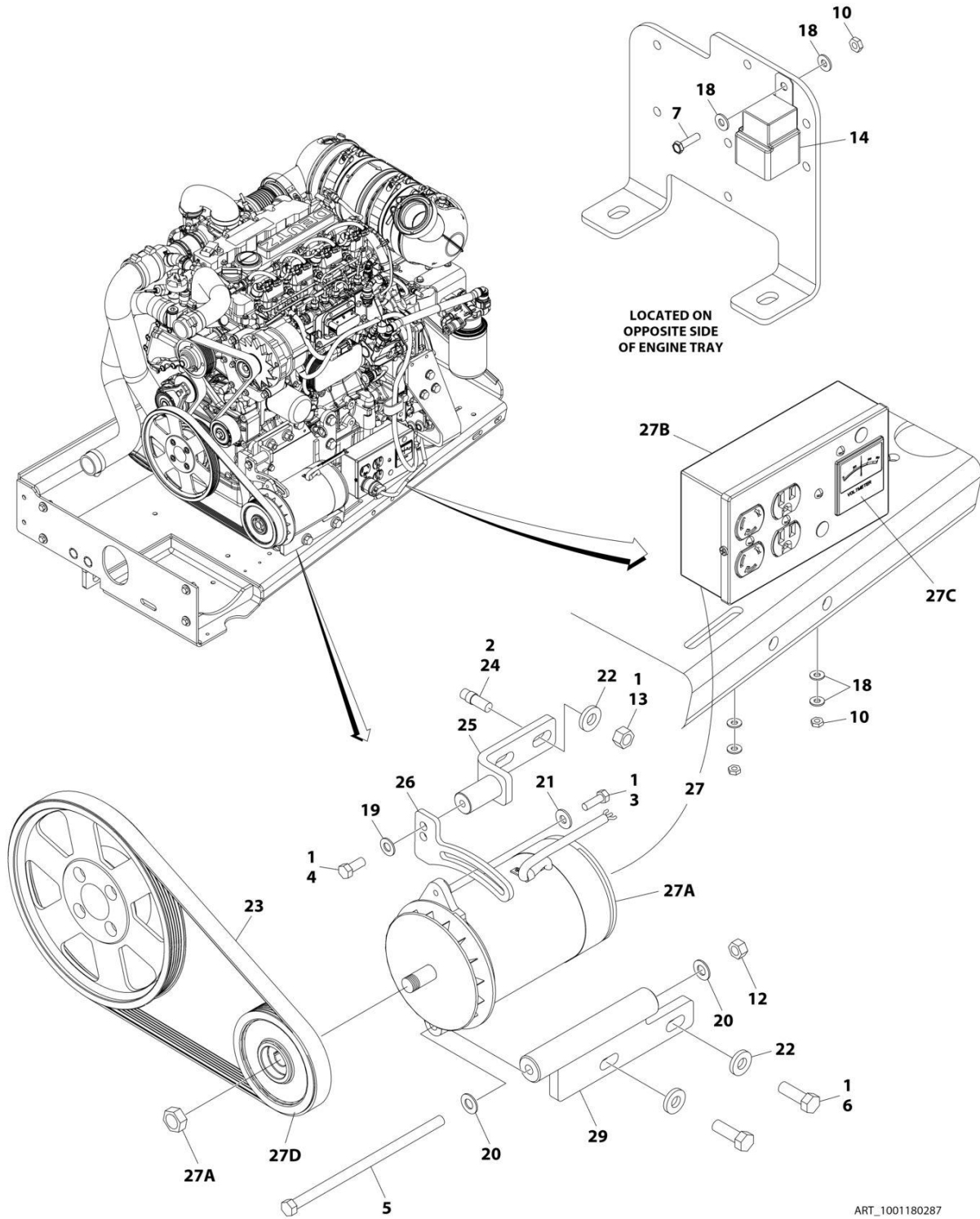
SECTION 3 - ENGINE

FIGURE 3-64. 2500W/110V/60HZ GENERATOR INSTALLATION - DEUTZ D2011 ENGINES

ITEM	PART NUMBER	QTY	DESCRIPTION	REV
	1001115405	Ref	2500W GENERATOR INSTALLATION - 110V/60Hz	B
1	3580158	1	Pulley	
2	2460055	1	Generator and Control Box Assembly:	
2A	7012558	1	Generator Only - 110V/60Hz	
2A		Ref	Note: Replacement Generators come standard with p/n 3580134 pulley. This pulley may not be correct for all applications. Refer to pulley options below.	
2A	7026199	1	Armature with Slip Rings	
2A	7012513	4	Cap, Brush Holder	
2A	7020108	4	Brush	
2A	7020109	4	Holder, Brush	
2A	7012514	1	Fan	
2A	7020110	1	Bell, Front	
2A	7020111	1	Bell, Rear	
2A	7020190	1	Bearing	
2B	7019680	1	Box, Control	
2B		Ref	Receptacle Options:	
2B	4460190	1	Receptacle, Standard	
2B	4460027	1	Receptacle, Twistlock	
2B	4360542	1	Breaker, Circuit	
2B	3520028	1	Plug, Hole	
2C	2420203	1	Voltmeter	
2D	3580276	1	Pulley	
2D	7027887	1	Key, Woodruff	
3	3251243	1	Decal - 110V/60Hz	
4	0200742	1	Arm, Adjusting	
5	0480121	1	V-Belt	
7	0641610	1	Bolt 3/8 x 1-1/4	
8	0100011	AR	Compound, Locking	
9	0641772	1	Bolt 7/16 x 9	
10	4751600	6	Washer 3/8	
11	2860012	1	Key, Woodruff	
12	3311605	1	Nut 3/8	
13	3311705	1	Nut 7/16	
14	3740080	1	Relay	
16	0641508	1	Bolt 5/16 x 1	
17	4751500	AR	Washer 5/16	
18	1001112588	1	Wiring Diagram Components (Not Shown)	
18	1001112589	1	Generator Harness (Not Shown)	
18	4922641	1	Generator ON/OFF Switch Harness (Not Shown - Located at Platform)	
20	0721006	AR	Bolt #10 x 3/4	
21	3311005	3	Nut #10	
22	4751000	AR	Washer #10	
25	4360336	1	Switch, Toggle (Not Shown - Located at Platform)	
26	4740397	1	Bushing (Not Shown - Located at Platform)	
27	4060802	1	Guard, Switch (Not Shown - Located at Platform)	
29	2820031	4 in/ 10cm	Heat Shrink (Not Shown - Located at Platform)	
30	3251102	1	Decal (Not Shown - Located at Platform)	
31	4070585	AR	Shim	

SECTION 3 - ENGINE

FIGURE 3-65. 2500W/110V/60HZ GENERATOR INSTALLATION - DEUTZ TD2.9L4 ENGINES



ART_1001180287

SECTION 3 - ENGINE

FIGURE 3-65. 2500W/110V/60HZ GENERATOR INSTALLATION - DEUTZ TD2.9L4 ENGINES

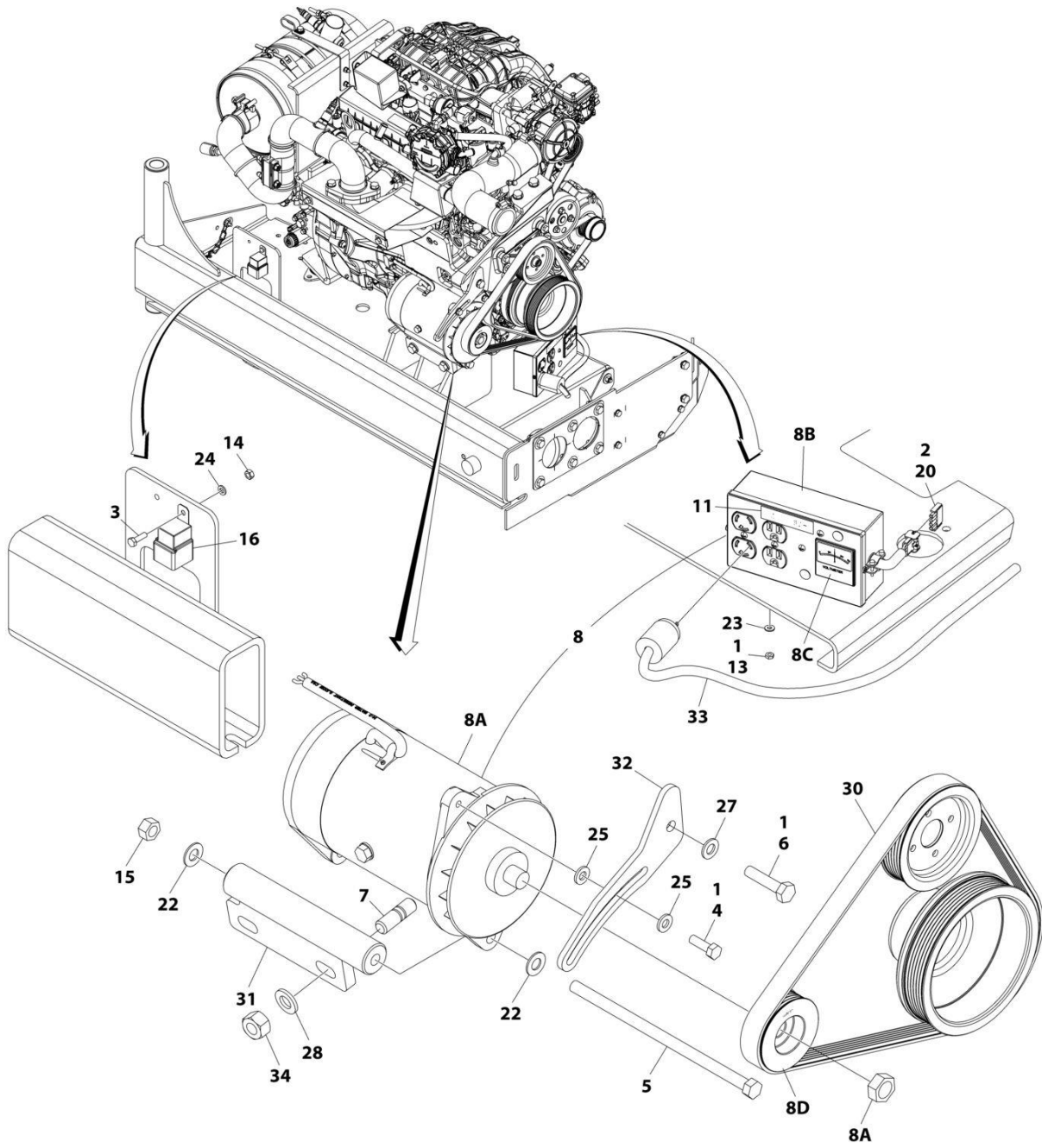
ITEM	PART NUMBER	QTY	DESCRIPTION	REV
	1001180287	Ref	2500W GENERATOR INSTALLATION - DEUTZ TD2.9L4 (OPTIONAL)	C
1	0100011	AR	Compound, Locking	
2	0100019	AR	Compound, Locking	
3	0641508	1	Bolt 5/16 x 1	
4	0641607	1	Bolt 3/8 x 7/8	
5	0641772	1	Bolt 7/16 x 9	
6	0641812	2	Bolt 1/2 x 1-1/2	
7	0721006	1	Screw #10 x 3/4	
8	2820031	AR	Heat Shrink (Not Shown - Located at Platform)	
9	3251102	1	Name Plate - Generator On (Not Shown - Located at Platform)	
10	3311005	3	Nut #10	
12	3311705	1	Nut 7/16	
13	3311801	2	Nut 1/2	
14	3740080	1	Relay	
15	4060802	1	Guard, Switch (Not Shown - Located at Platform)	
16	4240018	AR	Strap, Cable Tie (Not Shown)	
17	4360336	1	Switch, Toggle (Not Shown - Located at Platform)	
18	4711000	6	Washer #10	
19	4711600	1	Washer 3/8	
20	4711700	2	Washer 7/16	
21	4751500	1	Washer 5/16	
22	4891800	4	Washer 1/2	
23	1001148138	1	V-Belt	
24	1001163599	2	Stud	
25	1001216015	1	Bracket	
26	1001179837	1	Arm, Adjustment	
27	1001180001	1	Generator and Control Box Assembly	
27A	7012558	1	Generator Only - 110V/60Hz	
27A		Ref	Note: Replacement Generators come standard with p/n 3580134 pulley. This pulley may not be correct for all applications. Refer to pulley options below.	
27A	7026199	1	Armature with Slip Rings	
27A	7012513	4	Cap, Brush Holder	
27A	7020108	4	Brush	
27A	7020109	4	Holder, Brush	
27A	7012514	1	Fan	
27A	7020110	1	Bell, Front	
27A	7020111	1	Bell, Rear	
27A	7020190	2	Bearing	
27B	7019680	1	Box, Control - 110V/60Hz	
27B		Ref	Receptacle Options:	
27B	4460190	1	Receptacle, Standard (110V Only)	
27B	4460027	1	Receptacle, Twistlock (110V Only)	
27B	4360542	1	Breaker, Circuit	
27B	3520028	1	Plug, Hole	
27C	2420203	1	Voltmeter	
27D	3580276	1	Pulley	
27D	7027887	1	Key, Woodruff	
28		Ref	Wiring Diagram Components (Not Shown)	

SECTION 3 - ENGINE

ITEM	PART NUMBER	QTY	DESCRIPTION	REV
28	4922641	1	Generator On/Off Switch Harness (Not Shown - Located at Platform)	
28	1001180052	1	Generator Harness (Not Shown)	
29	1001181243	1	Mount, Generator	

SECTION 3 - ENGINE

FIGURE 3-66. 2500W/110V/60HZ GENERATOR INSTALLATION - FORD ENGINES



ART_1001219619

SECTION 3 - ENGINE

FIGURE 3-66. 2500W/110V/60HZ GENERATOR INSTALLATION - FORD ENGINES

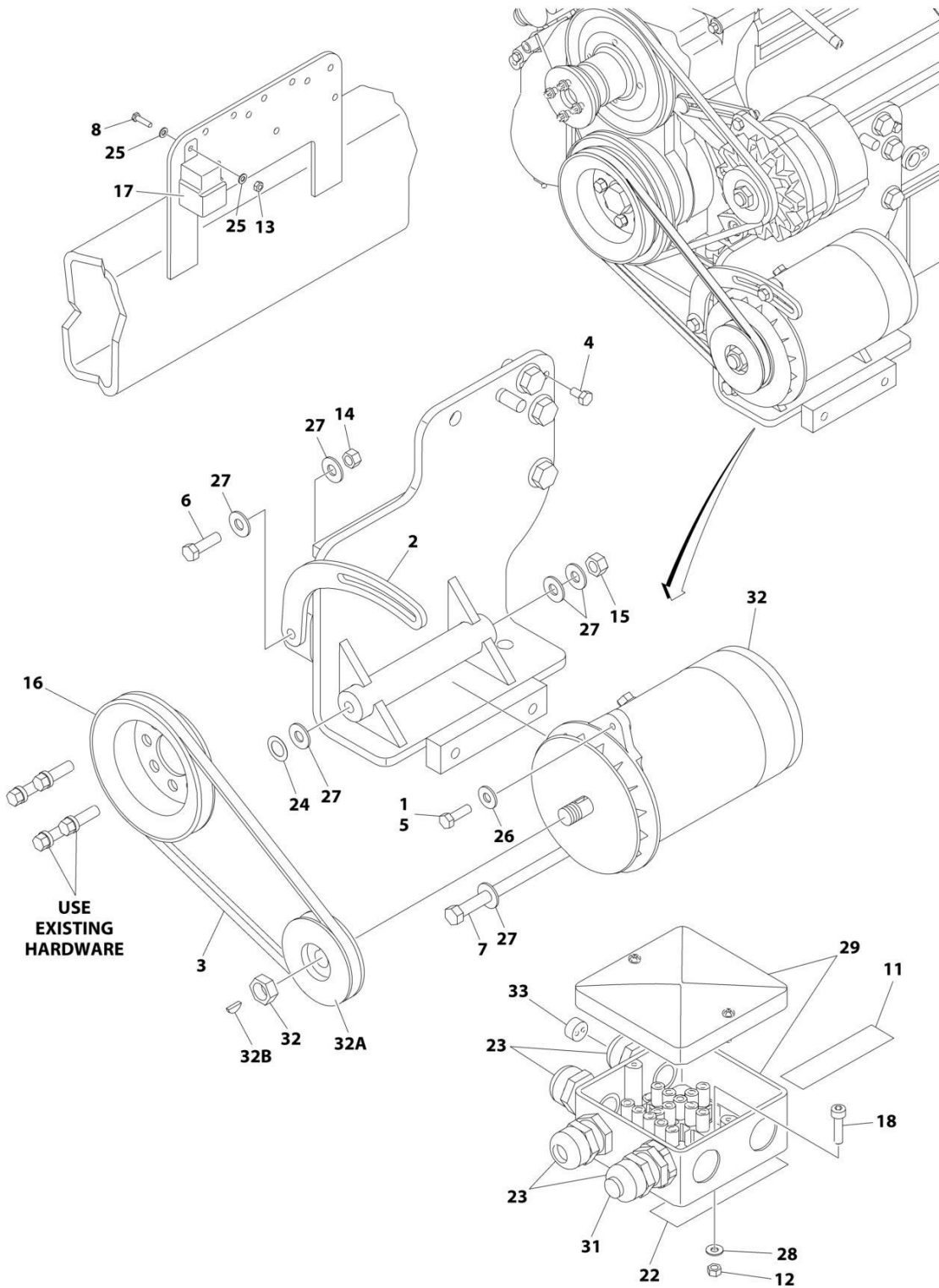
ITEM	PART NUMBER	QTY	DESCRIPTION	REV
	1001219619	Ref	2500W GENERATOR INSTALLATION - FORD MACHINES (OPTIONAL)	E
1	0100011	AR	Compound, Locking	
2	0100048	AR	Grease, Dielectric	
3	0760610	1	Bolt M6 x 20	
4	0641508	1	Bolt 5/16 x 1	
5	0641772	1	Bolt 7/16 x 9	
6	0761016	1	Bolt M10 x 40	
7	1001155041	1	Stud	
8	2460051	1	Generator and Control Box Assembly	
8A	7012558	1	Generator Only - 110V/60Hz	
		Ref	Note: Replacement Generators come standard with pin 3580134 pulley. This pulley may not be correct for all applications. Refer to pulley options below.	
8A	7026199	1	Armature with Slip Rings	
8A	7012513	4	Cap, Brush Holder	
8A	7020108	4	Brush	
8A	7020109	4	Holder, Brush	
8A	7012514	1	Fan	
8A	7020110	1	Bell, Front	
8A	7020111	1	Bell, Rear	
8A	7020190	2	Bearing	
8B	7019680	1	Box, Control - 110V/60Hz	
8B		Ref	Receptacle Options:	
8B	4460190	1	Receptacle, Standard (110V Only)	
8B	4460027	1	Receptacle, Twistlock (110V Only)	
8B	4360542	1	Breaker, Circuit	
8B	3520028	1	Plug, Hole	
8C	2420203	1	Voltmeter	
8D	3580324	1	Pulley	
8D	7027887	1	Key, Woodruff	
9	2820031	1	Heat Shrink (Not Shown - Located at Platform)	
10	3251102	1	Nameplate Generator (Not Shown - Located at Platform)	
11	3251243	1	Decal - 120V-60Hz	
13	3311005	2	Nut #10	
14	3290601	1	Nut M6	
15	3311705	1	Nut 7/16	
16	3740080	1	Relay	
17	4060802	1	Guard Switch (Not Shown - Located at Platform)	
18	4240099	AR	Tie-Strap (Not Shown)	
19	4360336	1	Switch, Toggle (Not Shown - Located at Platform)	
20	4460321	1	Plug, Male - 4 Position	
22	4711700	2	Washer 7/16	
23	4751000	2	Washer #10	
24	4811700	1	Washer M6	
25	4891500	2	Washer 5/16	
27	4812000	1	Washer M10	
28	4812200	2	Washer M14	
29		Ref	Wiring Diagram Components (Not Shown)	

SECTION 3 - ENGINE

ITEM	PART NUMBER	QTY	DESCRIPTION	REV
29	4922641	1	Generator On/Off Switch Harness (Not Shown - Located at Platform)	
29	4923445	1	Generator Harness (Not Shown - See Separate Breakdown in ELECTRICAL SECTION)	
30	1001216391	1	V-Belt	
31	1001219630	1	Mount, Generator	
32	1001219632	1	Arm, Adjustment	
33	4921829	1	Harness, Inverter	
34	3291201	2	Nut M12	

SECTION 3 - ENGINE

FIGURE 3-67. 2500W/220V/50HZ GENERATOR INSTALLATION - DEUTZ D2011 ENGINES



ART_1001115409

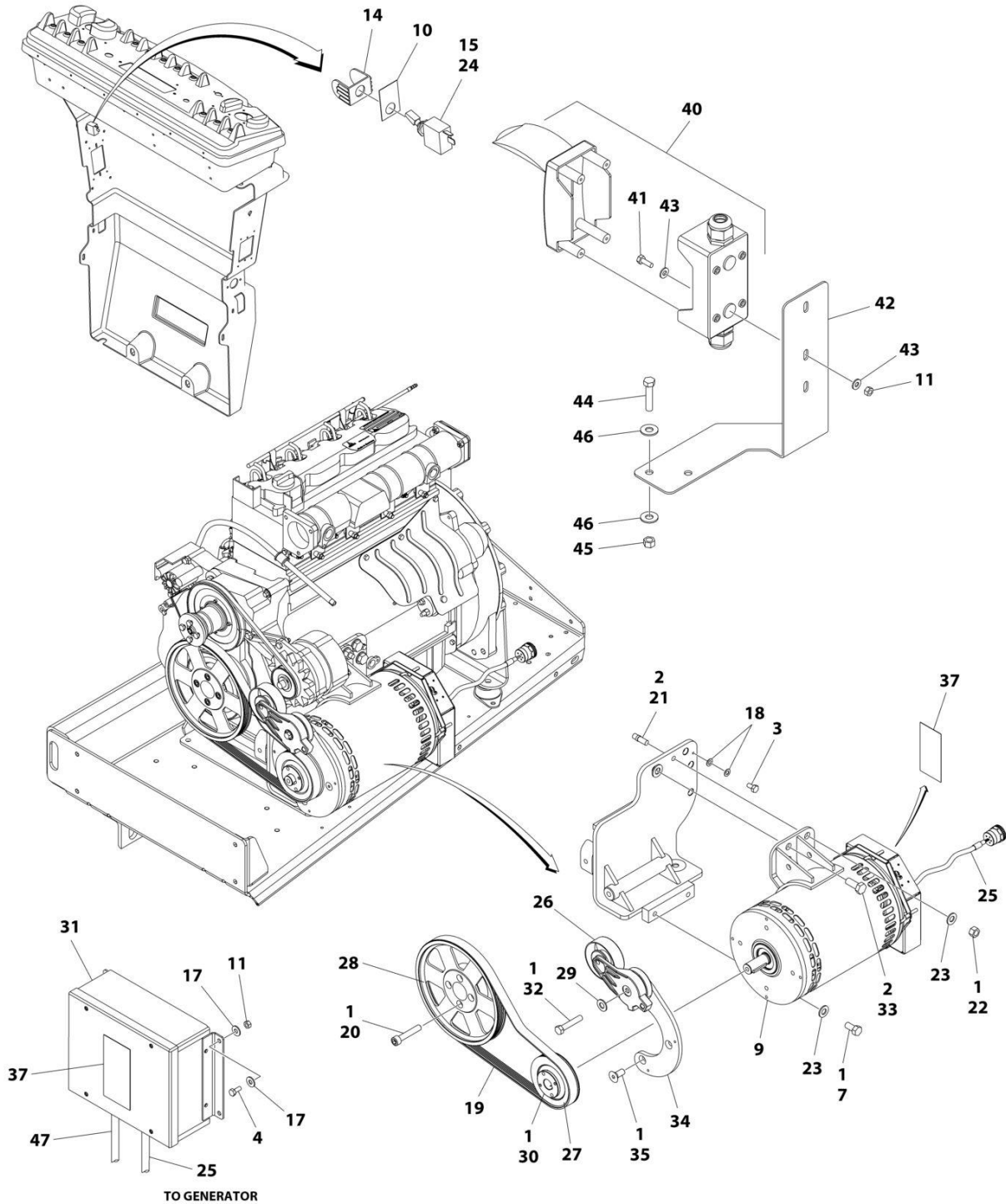
SECTION 3 - ENGINE

FIGURE 3-67. 2500W/220V/50HZ GENERATOR INSTALLATION - DEUTZ D2011 ENGINES

ITEM	PART NUMBER	QTY	DESCRIPTION	REV
	1001115409	Ref	2500W GENERATOR INSTALLATION - 220V/50Hz	B
1	0100011	AR	Compound, Locking	
2	0200742	1	Arm, Adjusting	
3	0480121	1	V-Belt	
4	0641404	1	Bolt 1/4 x 1/2	
5	0641508	1	Bolt 5/16 x 1	
6	0641610	1	Bolt 3/8 x 1-1/4	
7	0641772	1	Bolt 7/16 x 9	
8	0721006	AR	Bolt #10 x 3/4	
9	2820031	4 in/10cm	Heat Shrink (Not Shown - Located at Platform)	
10	3251102	1	Decal (Not Shown - Located at Platform)	
11	3252507	2	Decal - 220V - 50Hz	
		Ref	Note: One Decal Not Shown - Located on the Inside of Platform Rail.	
12	3290505	1	Nut M5	
13	3311005	1	Nut #10	
14	3311605	1	Nut 3/8	
15	3311705	1	Nut 7/16	
16	3580158	1	Pulley	
17	3740080	1	Relay	
18	4031608	1	Bolt M5 x 20	
19	4060802	1	Guard, Switch (Not Shown - Located at Platform)	
20	4240018	1	Tie Strap (Not Shown)	
21	4360336	1	Switch, Toggle (Not Shown - Located at Platform)	
22	4420060	AR	Tape, Double Coated Acrylic Foam	
23	4460968	3	Connector, Strain Relief	
24	4740397	1	Shim	
25	4751000	2	Washer #10	
26	4751500	1	Washer 5/16	
27	4751600	6	Washer 3/8	
28	4811600	1	Washer M5	
29	1001099869	1	Box, Junction	
30		Ref	Wiring Diagram Components (Not Shown)	
30	4922641	1	Generator On/Off Switch Harness (Not Shown - Located at Platform)	
30	1001112589	1	Generator Harness (Not Shown)	
31	1001100234	1	Light, Red	
32	1001100321	1	Generator	
32	70000123	1	Armature with Slip Rings	
32	7012513	4	Cap, Brush Holder	
32	7020108	4	Brush	
32	7020109	4	Holder, Brush	
32	7012514	1	Fan	
32	7020110	1	Bell, Front	
32	7020111	1	Bell, Rear	
32	7020190	1	Bearing	
32A	3580134	1	Pulley - 50Hz	
32B	7027887	1	Key, Woodruff	
33	0962449	1	Bushing	

SECTION 3 - ENGINE

FIGURE 3-68. 4000W/50HZ GENERATOR INSTALLATION - DEUTZ D2011 ENGINES



ART_1001153310

SECTION 3 - ENGINE

FIGURE 3-68. 4000W/50HZ GENERATOR INSTALLATION - DEUTZ D2011 ENGINES

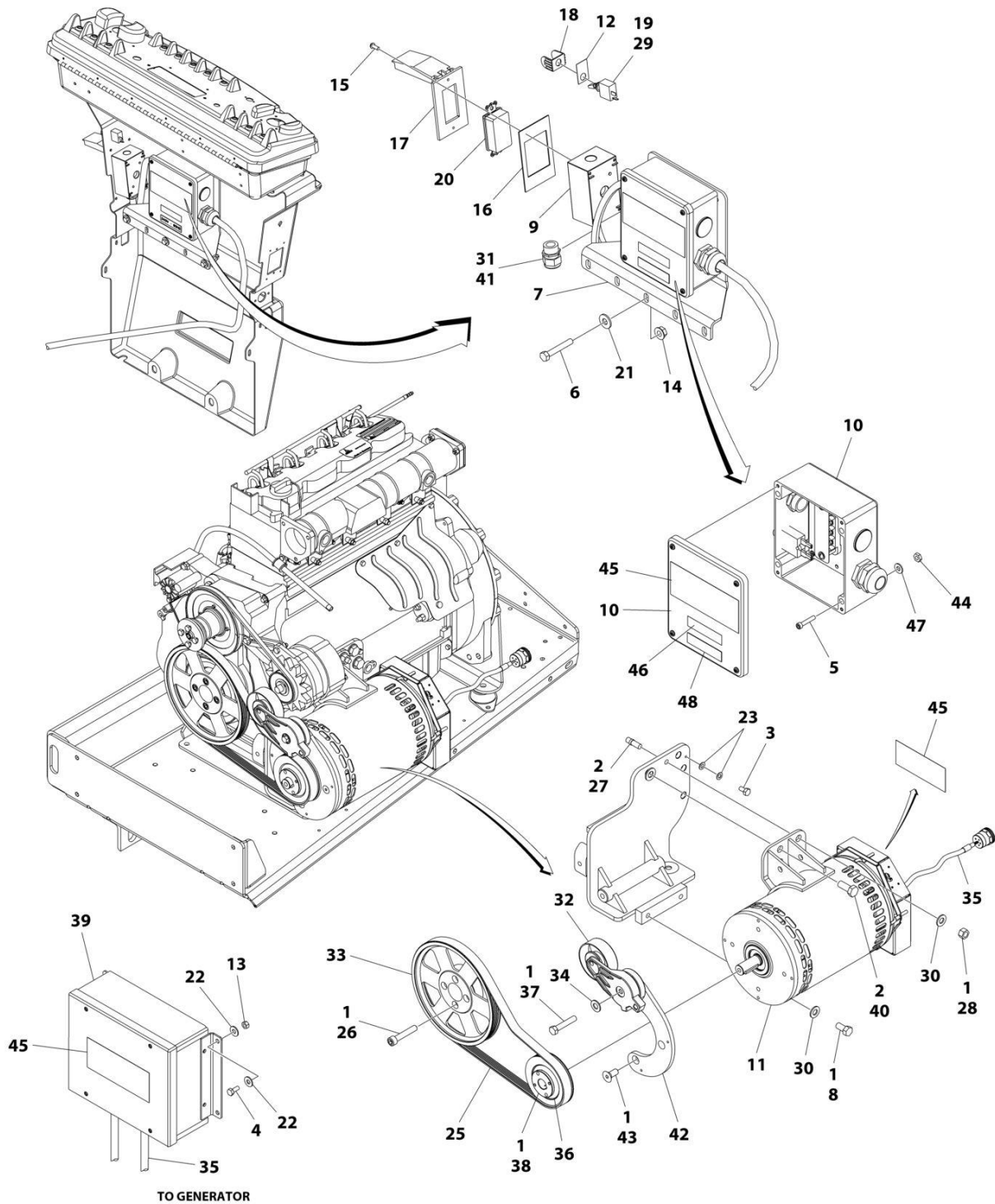
ITEM	PART NUMBER	QTY	DESCRIPTION	REV
	1001153310	Ref	4000W/50HZ GENERATOR INSTALLATION - DEUTZ D2011 ENGINES	F
1	0100011	AR	Compound, Locking	
2	0100019	AR	Compound, Locking	
3	0641404	1	Bolt 1/4 x 1/2	
4	0641405	4	Bolt 1/4 x 5/8	
7	0641808	2	Bolt 1/2 x 1	
9	1001138565	1	Generator Assembly	
9	70003709	1	Ring, Retaining (External)	
9	70003708	1	Ring, Retaining (Internal)	
9	70001966	1	Bearing	
9	70004092	1	Endbell (Shaft End)	
9	70004171	1	Key	
9	70004676	1	Rotor	
9	70004677	1	Stator	
9	70004678	1	Endbell (Rear)	
9	70004679	1	Cover, Endbell (Rear)	
9	70004680	1	Enclosure, Wiring	
9	70004681	1	Cover, Enclosure	
9	70004682	1	Switch, Reset (Located on Enclosure Cover)	
9	70004683	1	Connector, Strain Relief (Located on Enclosure Cover)	
10	3251102	1	Nameplate - Generator	
11	3311405	6	Nut 1/4	
14	4060802	1	Guard, Switch	
15	4360336	1	Switch, Toggle	
17	4751400	8	Washer 1/4	
18	4791400	2	Washer 1/4	
19	0480126	1	Belt, Generator	
20	4032015	4	Capscrew M10 x 55	
21	4300157	1	Stud	
22	3311801	1	Nut 1/2	
23	4711800	3	Washer 1/2	
24	2820031	AR	Heat Shrink	
25	1001152532	1	Harness, Generator (See Separate Breakdown in ELECTRICAL Section)	
26	3580317	1	Pulley, Tensioner	
27	3580319	1	Pulley, Generator	
28	3580320	1	Pulley, Engine	
29	4711600	1	Washer 3/8	
30	0962520	1	Bushing	
31	1001138566	1	Box, Control	
31	70006552	1	Capacitor	
31	70006553	1	Relay	
32	0641616	1	Bolt 3/8 x 2	
33	0771415	1	Bolt M14 x 35	
34	1001139357	1	Mount, Tensioner	
35	0741607	3	Screw 3/8 x 7/8	
37	1705489	2	Decal - Hazardous Voltage	
40	1001165368	1	Breaker Box Kit (See Separate Breakdown in ELECTRICAL SECTION)	

SECTION 3 - ENGINE

ITEM	PART NUMBER	QTY	DESCRIPTION	REV
41	0641406	2	Bolt 1/4 x 3/4	
42	1001177910	1	Bracket	
43	4711400	4	Washer 1/4	
44	0641614	2	Bolt 3/8 x 1-3/4	
45	3311605	2	Nut 3/8	
46	4751600	4	Washer 3/8	
47	1001153197	1	Generator Harness (See Separate Breakdown in ELECTRICAL SECTION)	

SECTION 3 - ENGINE

FIGURE 3-69. 4000W/60HZ GENERATOR INSTALLATION - DEUTZ D2011 ENGINES



ART_1001153309

SECTION 3 - ENGINE

FIGURE 3-69. 4000W/60HZ GENERATOR INSTALLATION - DEUTZ D2011 ENGINES

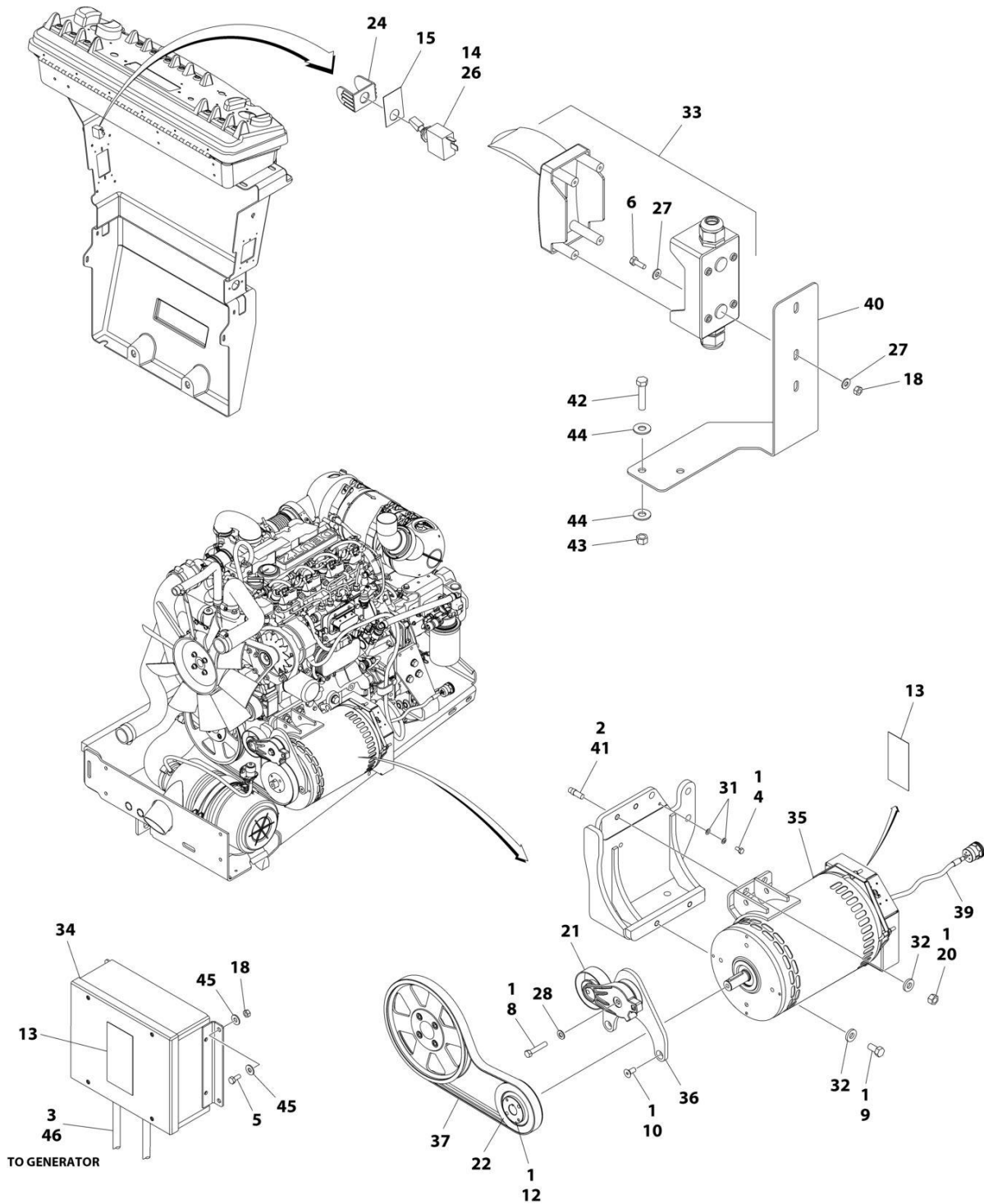
ITEM	PART NUMBER	QTY	DESCRIPTION	REV
	1001153309	Ref	4000W/60HZ GENERATOR INSTALLATION - DEUTZ D2011 ENGINES	B
1	0100011	AR	Compound, Locking	
2	0100019	AR	Compound, Locking	
3	0641404	1	Bolt 1/4 x 1/2	
4	0641405	4	Bolt 1/4 x 5/8	
5	3931016	4	Capscrew #10 x 1	
6	0641516	3	Bolt 5/16 x 2	
7	0902888	1	Bracket	
8	0641808	2	Bolt 1/2 x 1	
9	0860038	1	Box, Receptacle	
10	1001152457	1	Junction Box Assembly	
10	3300396	1	Cover, Breaker	
10	4360070	1	Breaker, Circuit - 15Amp	
10	4460425	1	Connector, Strain Relief (LH Side)	
10	4460426	1	Connector, Strain Relief (RH Side)	
10	1001152530	1	Block, Terminal	
10	1001158363	1	Cover, Terminal Block	
10	1001153260	1	Decal - Wiring Diagram	
11	1001129858	1	Generator Assembly	
11	70003709	1	Ring, Retaining (External)	
11	70003708	1	Ring, Retaining (Internal)	
11	70001966	1	Bearing	
11	70004092	1	Endbell (Shaft End)	
11	70004171	1	Key	
11	70004676	1	Rotor	
11	70004684	1	Stator	
11	70004678	1	Endbell (Rear)	
11	70004679	1	Cover, Endbell (Rear)	
11	70004680	1	Enclosure, Wiring	
11	70004685	1	Cover, Enclosure	
11	70004682	1	Switch, Reset (Located on Enclosure Cover)	
11	70004098	1	Connector, Strain Relief (Located on Enclosure Cover)	
12	3251102	1	Nameplate - Generator	
13	3311405	4	Nut 1/4	
14	3311508	3	Nut 5/16	
15	3910606	4	Screw #6 x 3/8	
16	3960422	1	Gasket, Receptacle	
17	1001110873	1	Cover, Receptacle	
18	4060802	1	Guard, Switch	
19	4360336	1	Switch, Toggle	
20	4460346	1	Receptacle	
21	4751500	3	Washer 5/16	
22	4751400	8	Washer 1/4	
23	4791400	2	Washer 1/4	
25	0480129	1	Belt, Generator	
26	4032015	4	Capscrew M10 x 55	
27	4300157	1	Stud	
28	3311801	1	Nut 1/2	
29	2820031	AR	Heat Shrink	

SECTION 3 - ENGINE

ITEM	PART NUMBER	QTY	DESCRIPTION	REV
30	4711800	3	Washer 1/2	
31	4460071	1	Connector, Strain Relief	
32	3580317	1	Pulley, Tensioner	
33	3580320	1	Pulley, Engine	
34	4711600	1	Washer 3/8	
35	1001152532	1	Harness, Generator (See Separate Breakdown in ELECTRICAL Section)	
36	3580318	1	Pulley, Generator	
37	0641616	1	Bolt 3/8 x 2	
38	0962520	1	Bushing	
39	1001138566	1	Box, Control	
39	70006552	1	Capacitor	
39	70006553	1	Relay	
40	0771415	1	Bolt M14 x 35	
41	0100020	AR	Sealant	
42	1001139357	1	Mount, Tensioner	
43	0741607	3	Screw 3/8 x 7/8	
44	3311005	4	Nut #10	
45	1705387	3	Decal - Hazardous Voltage	
46	3251243	1	Decal - 120V-60Hz	
47	4751000	4	Washer #10	
48	1705374	1	Decal - 240V-60Hz	

SECTION 3 - ENGINE

FIGURE 3-70. 4000W/50HZ GENERATOR INSTALLATION - DEUTZ TD2.9L4 AND DEUTZ TD2.9L4 (STAGE V) ENGINES



ART_1001171269

SECTION 3 - ENGINE

**FIGURE 3-70. 4000W/50HZ GENERATOR INSTALLATION - DEUTZ TD2.9L4 AND DEUTZ TD2.9L4
(STAGE V) ENGINES**

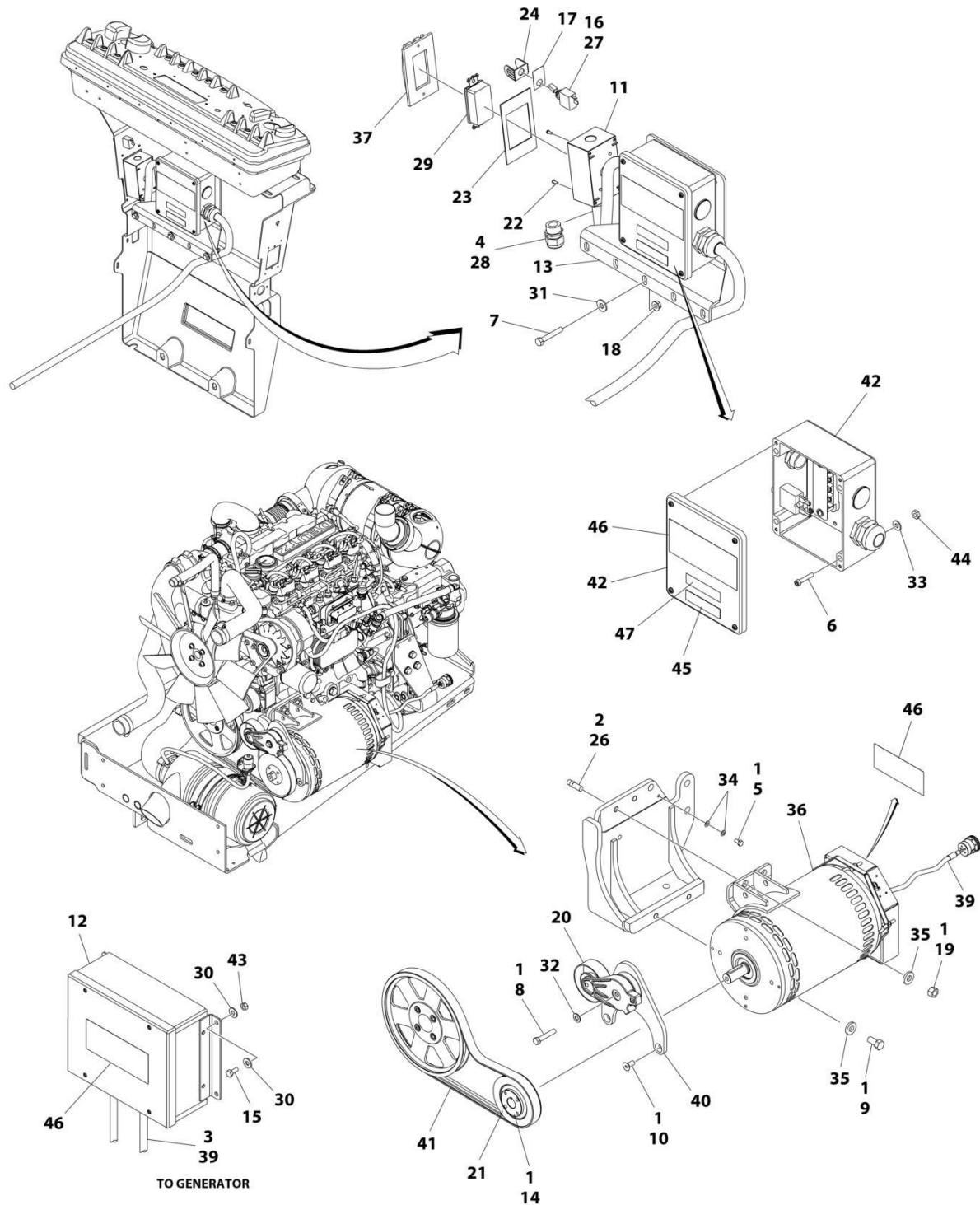
ITEM	PART NUMBER	QTY	DESCRIPTION	REV
	1001171269	Ref	4000W/50HZ GENERATOR INSTALLATION	E
1	0100011	AR	Compound, Locking	
2	0100019	AR	Compound, Locking	
3	0100048	AR	Grease, Dielectric	
4	0641404	1	Bolt 1/4 x 1/2	
5	0641405	4	Bolt 1/4 x 5/8	
6	0641406	2	Bolt 1/4 x 3/4	
8	0641618	1	Bolt 3/8 x 2-1/4	
9	0641808	2	Bolt 1/2 x 1	
10	0741607	3	Screw 3/8 x 7/8	
12	0962520	1	Bushing, Split	
13	1705489	2	Decal - Hazardous Voltage	
14	2820031	AR	Heat Shrink	
15	3251102	1	Nameplate - Generator	
18	3311405	6	Nut 1/4	
20	3311801	2	Nut 1/2	
21	3580317	1	Tensioner, Belt with Pulley	
22	3580319	1	Pulley, Generator	
24	4060802	1	Guard, Switch	
25	4240018	AR	Tie-Strap (Not Shown)	
26	4360336	1	Switch, Toggle	
27	4711400	4	Washer 1/4	
28	4711600	1	Washer 3/8	
31	4791400	2	Washer 1/4	
32	4891800	4	Washer 1/2	
33	1001165368	1	Breaker Box Kit (See Separate Breakdown in ELECTRICAL SECTION)	
34	1001138566	1	Box, Control	
34	70006552	1	Capacitor	
34	70006553	1	Relay	
35	1001140347	1	Generator Assembly	
35	70003709	1	Ring, Retaining (External)	
35	70003708	1	Ring, Retaining (Internal)	
35	70001966	1	Bearing	
35	70004092	1	Endbell (Shaft End)	
35	70004099	1	Key	
35	70004676	1	Rotor	
35	70004686	1	Stator	
35	70004678	1	Endbell (Rear)	
35	70004679	1	Cover, Endbell (Rear)	
35	70004680	1	Enclosure, Wiring	
35	70004681	1	Cover, Enclosure (50Hz)	
35	70004682	1	Switch, Reset (Located on Enclosure Cover)	
35	70004683	1	Connector, Strain Relief (50Hz) (Located on Enclosure Cover)	
35	4460224	1	Connector - 6 Position (50Hz) (Located on Enclosure Cover)	
35	4460294	2	Pin, Male (50Hz) (Located on Enclosure Cover)	
36	1001142643	1	Support, Gen Tensioner	
37	1001142645	1	Belt, Generator (50Hz)	

SECTION 3 - ENGINE

ITEM	PART NUMBER	QTY	DESCRIPTION	REV
39	1001152532	1	Harness, Generator (See Separate Breakdown in ELECTRICAL Section)	
40	1001177910	1	Bracket	
41	1001163599	2	Stud	
42	0641614	2	Bolt 3/8 x 1-3/4	
43	3311605	2	Nut 3/8	
44	4751600	4	Washer 3/8	
45	4751400	8	Washer 1/4	
46	1001153259	1	Generator Harness (See Separate Breakdown in ELECTRICAL SECTION)	

SECTION 3 - ENGINE

FIGURE 3-71. 4000W/60HZ GENERATOR INSTALLATION - DEUTZ TD2.9L4 ENGINES



ART_1001171127

SECTION 3 - ENGINE

FIGURE 3-71. 4000W/60HZ GENERATOR INSTALLATION - DEUTZ TD2.9L4 ENGINES

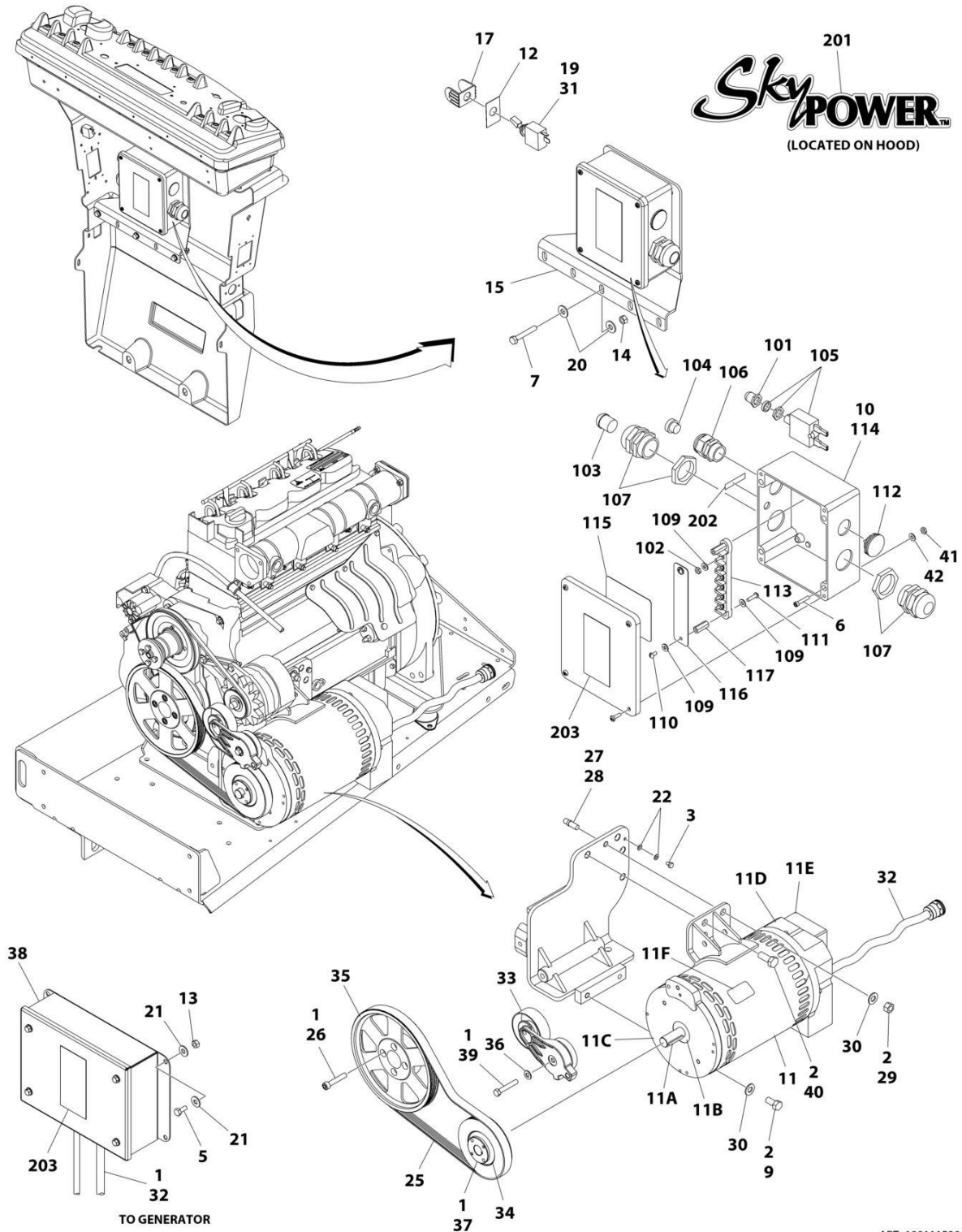
ITEM	PART NUMBER	QTY	DESCRIPTION	REV
	1001171127	Ref	4000W/60HZ GENERATOR INSTALLATION - DEUTZ TD2.9L4 ENGINES	C
1	0100011	AR	Compound, Locking	
2	0100019	AR	Compound, Locking	
3	0100048	AR	Grease, Dielectric	
4	0100079	AR	Sealant	
5	0641404	1	Bolt 1/4 x 1/2	
6	3931016	4	Capscrew #10 x 1	
7	0641516	3	Bolt 5/16 x 2	
8	0641618	1	Bolt 3/8 x 2-1/4	
9	0641808	2	Bolt 1/2 x 1	
10	0741607	3	Screw 3/8 x 7/8	
11	0860038	1	Box, Switch	
12	1001138566	1	Box, Control	
12	70006552	1	Capacitor	
12	70006553	1	Relay	
13	0902888	1	Bracket, Junction Box	
14	0962520	1	Bushing, Split	
15	0641405	4	Bolt 1/4 x 5/8	
16	2820031	AR	Heat Shrink	
17	3251102	1	Nameplate - Generator	
18	3311508	3	Nut 5/16	
19	3311801	2	Nut 1/2	
20	3580317	1	Tensioner, Belt with Pulley	
21	3580318	1	Pulley, Generator	
22	3910606	4	Screw #6 x 3/8	
23	3960422	1	Gasket, AC Receptacle	
24	4060802	1	Guard, Switch	
25	4240018	AR	Tie-Strap (Not Shown)	
26	1001163599	2	Stud	
27	4360336	1	Switch, Toggle	
28	4460071	1	Connector, Strain Relief	
29	4460346	1	Receptacle	
30	4711400	AR	Washer 1/4	
31	4751500	3	Washer 5/16	
32	4711600	1	Washer 3/8	
33	4751000	4	Washer #10	
34	4791400	2	Washer 1/4	
35	4891800	4	Washer 1/2	
36	1001140346	1	Generator Assembly	
36	70003709	1	Ring, Retaining (External)	
36	70003708	1	Ring, Retaining (Internal)	
36	70001966	1	Bearing	
36	70004092	1	Endbell (Shaft End)	
36	70004099	1	Key	
36	70004676	1	Rotor	
36	70004687	1	Stator	
36	70004678	1	Endbell (Rear)	
36	70004679	1	Cover, Endbell (Rear)	
36	70004680	1	Enclosure, Wiring	

SECTION 3 - ENGINE

ITEM	PART NUMBER	QTY	DESCRIPTION	REV
36	70004685	1	Cover, Enclosure	
36	70004682	1	Switch, Reset (Located on Enclosure Cover)	
36	70004098	1	Connector, Strain Relief (Located on Enclosure Cover)	
37	1001110873	1	Cover, Receptacle	
39	1001152532	1	Harness, Generator	
40	1001142643	1	Support, Gen Tensioner	
41	1001142646	1	Belt, Generator	
42	1001152457	1	Junction Box Assembly	
42	3300396	1	Cover, Breaker	
42	4360070	1	Breaker, Circuit - 15Amp	
42	4460425	1	Connector, Strain Relief (LH Side)	
42	4460426	1	Connector, Strain Relief (RH Side)	
42	1001152530	1	Block, Terminal	
42	1001158363	1	Cover, Terminal Block	
42	1001153260	1	Decal - Wiring Diagram	
43	3311405	4	Nut 1/4	
44	3311005	4	Nut #10	
45	1705374	1	Decal - 240V (60Hz)	
46	1705387	3	Decal - Hazardous Voltage	
47	3251243	1	Decal - 120V-60Hz	

SECTION 3 - ENGINE

FIGURE 3-72. 7500W/50HZ SKYPOWER GENERATOR INSTALLATION - DEUTZ D2011 ENGINES



ART_1001115394

SECTION 3 - ENGINE

FIGURE 3-72. 7500W/50HZ SKYPOWER GENERATOR INSTALLATION - DEUTZ D2011 ENGINES

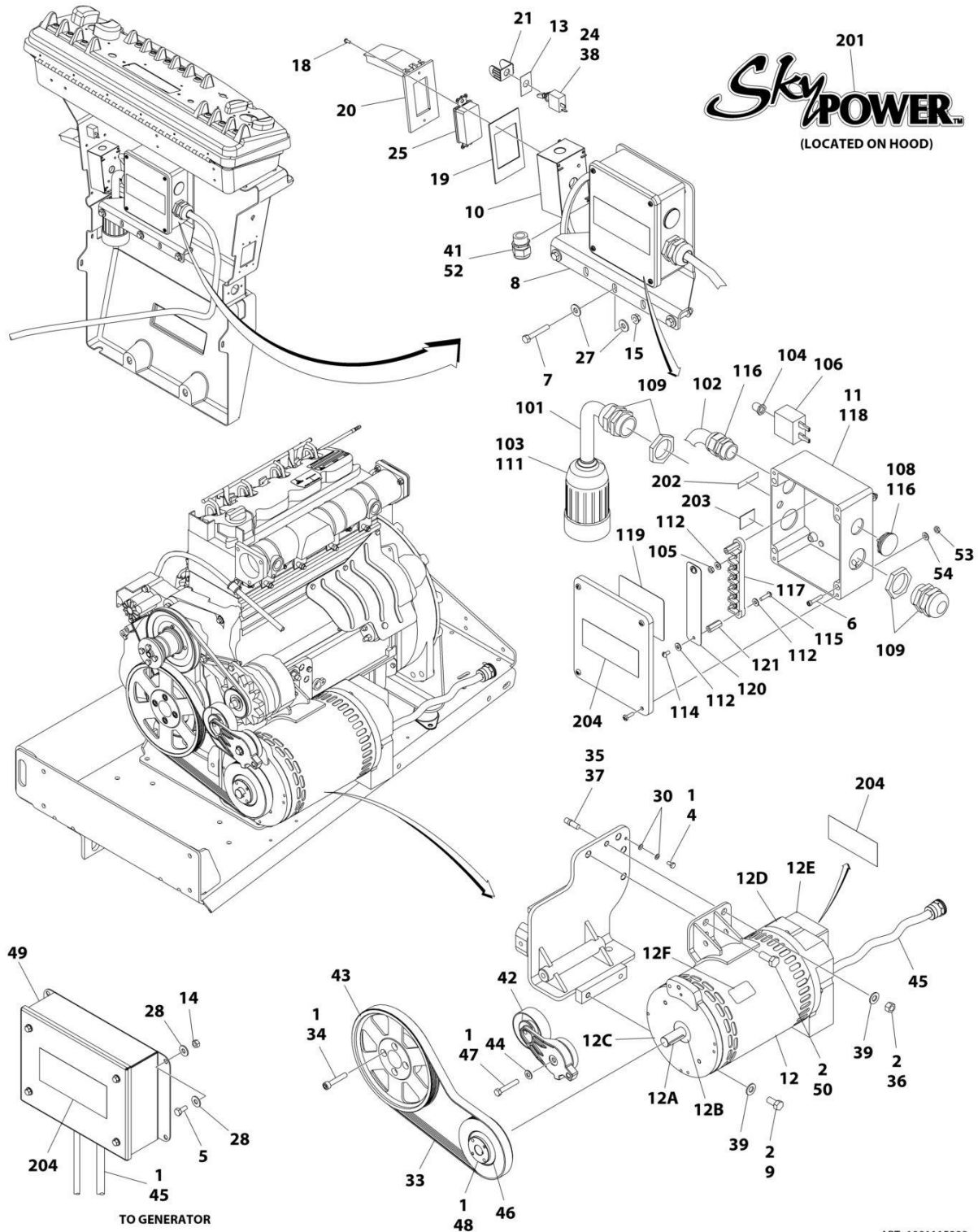
ITEM	PART NUMBER	QTY	DESCRIPTION	REV
	1001115394	Ref	7500W/50HZ SKYPOWER GENERATOR INSTALLATION	F
1	0100011	AR	Compound, Locking	
2	0100019	AR	Compound, Locking	
3	0641403	1	Bolt 1/4 x 3/8	
5	0641405	4	Bolt 1/4 x 5/8	
6	3931016	4	Capscrew 3/8 x 1	
7	0641516	3	Bolt 5/16 x 2	
9	0641808	2	Bolt 1/2 x 1	
10	1001157525	1	Junction Box Assembly (See Items 101-117 for Breakdown)	
11	2460048	1	Generator Assembly	
11	70001100	1	Rotor (Includes p/n 70001384 & 70000863) (Not Shown)	
11	70001384	1	Bearing, Ball Radial (Not Shown):	
11	70000863	1	Fan (Not Shown)	
11	70002088	1	Stator (Not Shown)	
11	70002297	1	Stud	
11	70003631	1	Brushholder Assembly (Not Shown)	
11A	70004171	1	Key	
11B	70001966	1	Bearing, Ball Radial (Located in Belt Tensioner Endbell)	
11B	70003708	1	Ring, Internal Retaining (Located in Belt Tensioner Endbell)	
11B	70003709	1	Ring, External Retaining (Located in Belt Tensioner Endbell)	
11C	70001953	1	Endbell, Belt Tensioner	
11D	70004169	1	Endbell, Brush Block	
11E	70004169	1	Shroud	
11E	See Note	NSS	Insulator, Endbell (Note: Not Available for Purchase)	
11E	7027799	1	Block, Connector 6 Position (Not Shown)	
11E	70002460	1	Nut, Brass (Attaches p/n 7027799 to Cover) (Not Shown)	
11E	7024485	1	Breaker, Circuit 30Amp (Not Shown)	
11E	70001696	1	Boot, Breaker (Not Shown)	
11E	7026626	1	Connector, 6 Position (Includes Seal) (Not Shown - Plugs into Item 36)	
11E	7026597	1	Connector, with Leads (Not Shown)	
11E	7026188	1	Clamp, Cable (Not Shown)	
11E	70004169	1	Plate, End Panel	
11E	70001974	1	Decal - Terminal Connections	
11F	70001973	1	Decal - Warning Moving Parts	
12	3252764	1	Nameplate	
13	3311405	4	Nut 1/4	
14	3311505	3	Nut 5/16	
15	0902888	1	Bracket, Box Mounting	
17	4060802	1	Guard, Switch	
19	4360336	1	Switch, Toggle	
20	4711500	6	Washer 5/16	
21	4751400	8	Washer 1/4	
22	4791400	2	Washer 1/4	
25	0480126	1	Belt, Drive	
26	4032015	4	Capscrew M10 X 55	
27	4300157	1	Stud	
28	0100062	AR	Adhesive	
29	3311801	1	Nut 1/2	
30	4711800	3	Washer 1/2	

SECTION 3 - ENGINE

ITEM	PART NUMBER	QTY	DESCRIPTION	REV
31	2820031	1	Heat Shrink	
32	4922925	1	Harness, Generator	
33	3580317	1	Tensioner, Belt with Pulley	
34	3580319	1	Pulley	
35	3580320	1	Pulley	
36	4711600	1	Washer 3/8	
37	0962520	1	Bushing, Split Taper	
38	0861572	1	Control Box Assembly	
38	7024488	1	Card, Circuit - Generator Power	
38	See Note	NSS	Fuse (Note: Not Available - Purchase Locally)	
38	7024489	1	Card, Circuit - Control	
38	70000619	1	Harness, Control Box (Internal)	
38		Ref	Note: Same Circuit Card (P/N 7024489) is used for both 60Hz & 50Hz Specs. When replacing card, rocker switch on card must be set for required application.	
39	0641618	1	Bolt 3/8 x 2-1/4	
40	0771415	1	Bolt M14 x 35 Grade 10.9	
41	3311005	4	Nut #10	
42	4751000	4	Washer #10	
	1001157525	Ref	JUNCTION BOX ASSEMBLY	B
101	3300396	1	Cover, Fuse	
102	3311001	6	Nut #10	
103	3520189	1	Plug	
104	3520192	1	Plug	
105	4360070	1	Circuit Breaker - 15Amp	
106	4460425	1	Connector, Strain Relief	
107	4460426	2	Connector, Strain Relief	
109	4711000	10	Washer, #10	
110	10702077	2	Screw #10 x 3/8	
111	10702082	2	Screw #10 x 3/4	
112	1001152525	1	Plug	
113	1001157520	1	Block, Terminal	
114	1001157521	1	Box, Junction	
115	1001157528	1	Decal - Wiring Schematic	
116	1001158007	1	Cover, PVC	
117	1001158008	2	Stand-Off	
	0272589	Ref	DECAL INSTALLATION	A
201	1705460	2	Decal - SkyPower	
202	1705461	1	Decal - 240V - 3 Phase	
203	1705489	2	Decal, Hazardous Voltage	
	1001157769	Ref	ELECTRICAL DIAGRAM COMPONENTS	B
301	1001152429	1	Generator Harness (Not Shown - See Separate Breakdown in ELECTRICAL SECTION)	
304	4922641	1	Switch Harness (Not Shown)	

SECTION 3 - ENGINE

FIGURE 3-73. 7500W/60HZ SKYPOWER GENERATOR INSTALLATION - DEUTZ D2011 ENGINES



ART_1001115388

SECTION 3 - ENGINE

FIGURE 3-73. 7500W/60HZ SKYPOWER GENERATOR INSTALLATION - DEUTZ D2011 ENGINES

ITEM	PART NUMBER	QTY	DESCRIPTION	REV
	100115388	Ref	7500W SKYPOWER GENERATOR INSTALLATION	F
1	0100011	AR	Compound, Locking	
2	0100019	AR	Compound, Locking	
4	0641404	1	Bolt 1/4 x 1/2	
5	0641405	4	Bolt 1/4 x 5/8	
6	3931016	4	Capscrew 3/8 x 1	
7	0641516	3	Bolt 5/16 x 2	
8	0902888	1	Bracket, Box Mounting	
9	0641808	2	Bolt 1/2 x 1	
10	0860038	1	Box, Switch	
11	1001157592	1	Junction Box Assembly (See Items 101-121 for Breakdown)	
12	2460048	1	Generator Assembly	
12	70001100	1	Rotor (Includes p/n 70001384 & 70000863) (Not Shown)	
12	70001384	1	Bearing, Ball Radial (Not Shown):	
12	70000863	1	Fan (Not Shown)	
12	70002088	1	Stator (Not Shown)	
12	70002297	1	Stud	
12	70003631	1	Brushholder Assembly (Not Shown)	
12A	70004171	1	Key	
12B	70001966	1	Bearing, Ball Radial (Located in Belt Tensioner Endbell)	
12B	70003708	1	Ring, Internal Retaining (Located in Belt Tensioner Endbell)	
12B	70003709	1	Ring, External Retaining (Located in Belt Tensioner Endbell)	
12C	70001953	1	Endbell, Belt Tensioner	
12D	70004169	1	Endbell, Brush Block	
12E	70004169	1	Shroud	
12E	See Note	NSS	Insulator, Endbell (Note: Not Available for Purchase)	
12E	7027799	1	Block, Connector 6 Position (Not Shown)	
12E	70002460	1	Nut, Brass (Attaches p/n 7027799 to Cover) (Not Shown)	
12E	7024485	1	Breaker, Circuit 30Amp (Not Shown)	
12E	70001696	1	Boot, Breaker (Not Shown)	
12E	7026626	1	Connector, 6 Position (Includes Seal) (Not Shown - Plugs into Item 36)	
12E	7026597	1	Connector, with Leads (Not Shown)	
12E	7026188	1	Clamp, Cable (Not Shown)	
12E	70004169	1	Plate, End Panel	
12E	70001974	1	Decal - Terminal Connections	
12F	70001973	1	Decal - Warning Moving Parts	
13	3252764	1	Nameplate	
14	3311405	4	Nut 1/4	
15	3311508	3	Nut, Flange 5/16	
18	3910606	4	Screw #6 x 3/8	
19	3960422	1	Gasket	
20	1001110873	1	Cover, Receptacle	
21	4060802	1	Guard, Switch	
24	4360336	1	Switch, Toggle	
25	4460346	1	Receptacle, Female (110-120V)	
27	4751500	3	Washer 5/16	
28	4751400	8	Washer 1/4	
30	4791400	2	Washer 1/4	
33	0480129	1	Belt, Drive	

SECTION 3 - ENGINE

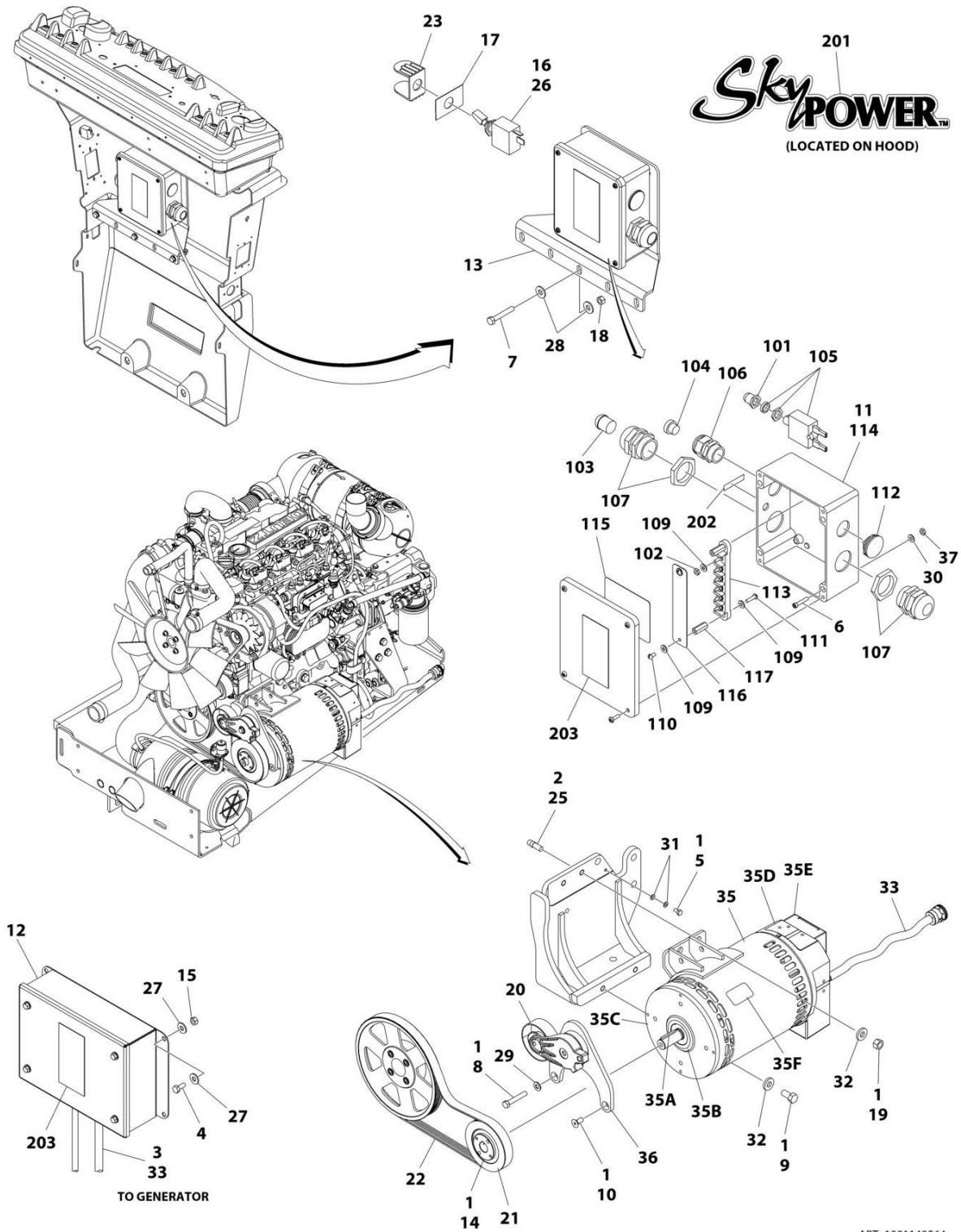
ITEM	PART NUMBER	QTY	DESCRIPTION	REV
34	4032015	4	Capscrew M10 x 55	
35	4300157	1	Stud	
36	3311801	1	Nut 1/2	
37	0100062	AR	Adhesive	
38	2820031	1	Heat Shrink	
39	4711800	3	Washer 1/2	
41	4460071	1	Connector, Strain Relief	
42	3580317	1	Tensioner, Belt with Pulley	
43	3580320	1	Pulley	
44	4711600	1	Washer 3/8	
45	4922925	1	Harness, Generator	
46	3580318	1	Pulley	
47	0641618	1	Bolt 3/8 x 2-1/4	
48	0962520	1	Bushing, Split Taper	
49	0861538	1	Control Box Assembly	
49	7024488	1	Card, Circuit - Generator Power	
49	See Note	1	Fuse (Note: Not Available - Purchase Locally)	
49	70000619	1	Harness, Control Box (Internal)	
49	7024489	1	Card, Circuit - Control	
49		Ref	Note: Same Circuit Card (P/N 7024489) is used for both 60Hz & 50Hz Specs. When replacing card, rocker switch on card must be set for required application.	
50	0771415	1	Bolt M14 x 35 Grade 10.9	
52	0100020	AR	Sealant	
53	3311005	4	Nut #10	
54	4751000	4	Washer #10	
	1001157592	Ref	JUNCTION BOX ASSEMBLY	
101	1060343	1.5 ft /.46m	Cable, Electrical 10/4	
102	1001179154	2.5 ft /76cm	Cable, Electrical 12/3	
103	1671092	1	Cover	
104	3300396	1	Cover, Fuse	
105	3311001	6	Nut #10	
106	4360070	1	Circuit Breaker - 15Amp	
108	4460425	1	Connector, Strain Relief	
109	4460426	2	Connector, Strain Relief	
111	4460963	1	Connector	
112	4711000	10	Washer, #10	
114	10702077	2	Screw #10 x 3/8	
115	10702082	2	Screw #10 x 3/4	
116	1001152525	1	Plug	
117	1001157520	1	Block, Terminal	
118	1001157521	1	Box, Junction	
119	1001157528	1	Decal - Wiring Schematic	
120	1001158007	1	Cover, PVC	
121	1001158008	2	Stand-Off	
	0272435	Ref	DECAL INSTALLATION	D
201	1705460	2	Decal - SkyPower	
202	3251243	1	Decal - 120V - 60Hz (60Hz Spec Only) (Not Shown - Located at Platform Receptacle)	
203	1705375	1	Decal - 240V - 3 Phase	

SECTION 3 - ENGINE

ITEM	PART NUMBER	QTY	DESCRIPTION	REV
204	1705387	3	Decal, Hazardous Voltage	B
	1001157769	Ref	ELECTRICAL DIAGRAM COMPONENTS	
301	1001152429	1	Generator Harness (Not Shown - See Separate Breakdown in ELECTRICAL SECTION)	
304	4922641	1	Switch Harness (Not Shown)	

SECTION 3 - ENGINE

FIGURE 3-74. 7500W/50HZ SKYPOWER GENERATOR INSTALLATION - DEUTZ TD2.9L4 AND DEUTZ TD2.9L4 (STAGE V) ENGINES



ART_1001148564

SECTION 3 - ENGINE

FIGURE 3-74. 7500W/50HZ SKYPOWER GENERATOR INSTALLATION - DEUTZ TD2.9L4 AND DEUTZ TD2.9L4 (STAGE V) ENGINES

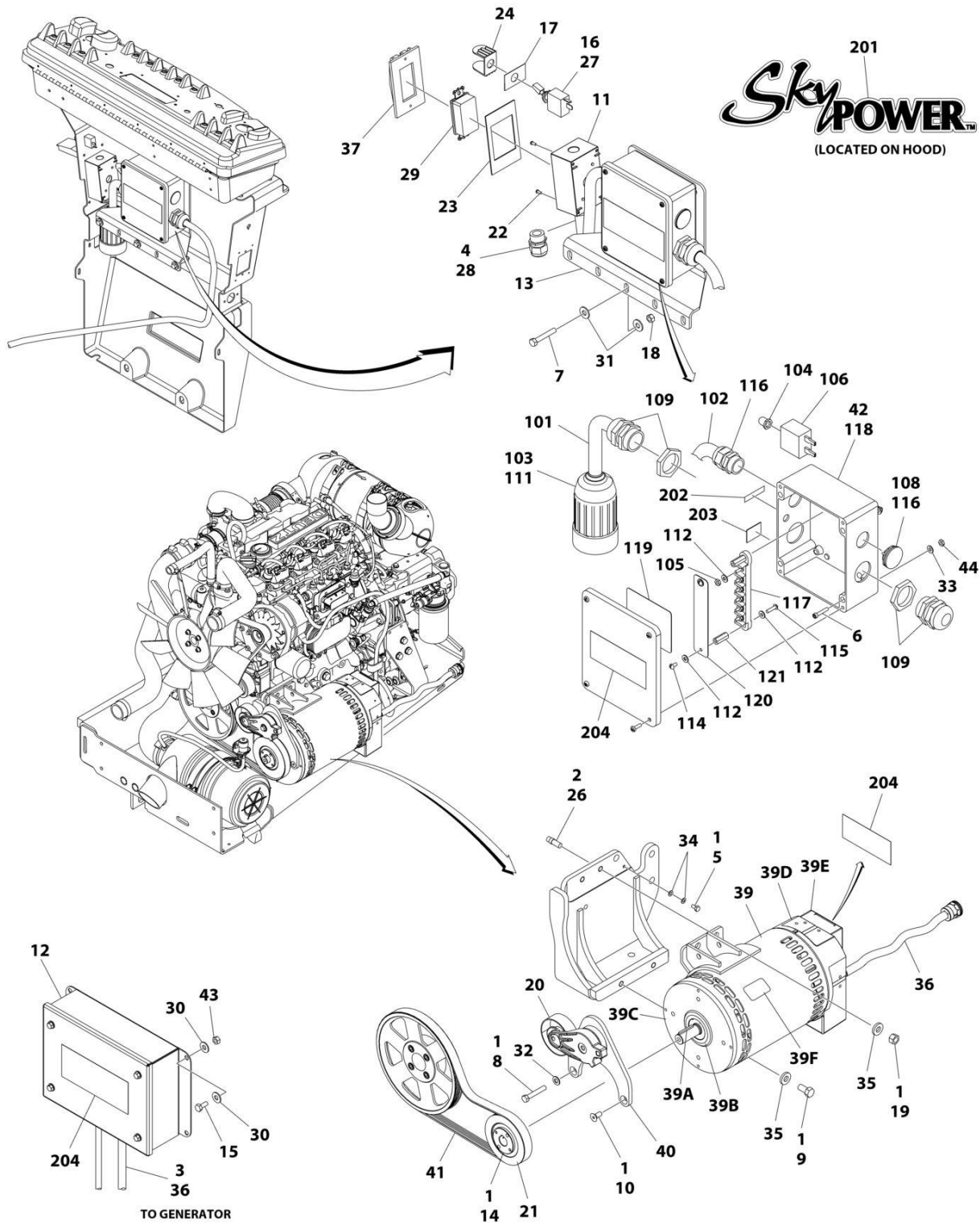
ITEM	PART NUMBER	QTY	DESCRIPTION	REV
	1001148564	Ref	7500W SKYPOWER GENERATOR INSTALLATION	F
1	0100011	AR	Compound, Locking	
2	0100019	AR	Compound, Locking	
3	0100048	AR	Compound, Silicone	
4	0641405	4	Bolt 1/4 x 5/8	
5	0641404	1	Bolt 1/4 x 1/2	
6	3931016	4	Capscrew 3/8 x 1	
7	0641516	3	Bolt 5/16 x 2	
8	0641618	1	Bolt 3/8 x 2-1/4	
9	0641808	2	Bolt 1/2 x 1	
10	0741607	3	Screw 3/8 x 7/8	
11	1001157525	1	Junction Box Assembly (See Items 101-117 for Breakdown)	
12	0861572	1	Control Box Assembly	
12	7024488	1	Card, Circuit - Generator Power	
12	See Note	NSS	Fuse (Note: Not Available - Purchase Locally)	
12	7024489	1	Card, Circuit - Control	
12	70000619	1	Harness, Control Box (Internal)	
		Ref	Note: Same Circuit Card (P/N 7024489) is used for both 60Hz and 50Hz. When replacing card, rocker switch on card must be set for required application.	
13	0902888	1	Bracket, Box Mounting	
14	0962520	1	Bushing, Split Taper	
15	3311405	4	Nut 1/4	
16	2820031	1	Heat Shrink	
17	3252764	1	Nameplate	
18	3311505	3	Nut 5/16	
19	3311801	2	Nut 1/2	
20	3580317	1	Tensioner, Belt with Pulley	
21	3580319	1	Pulley	
22	1001142645	1	Belt, Drive	
23	4060802	1	Guard, Switch	
24	4240018	AR	Tie-Strap (Not Shown)	
25	1001163599	2	Stud	
26	4360336	1	Switch, Toggle	
27	4751400	8	Washer 1/4	
28	4711500	6	Washer 5/16	
29	4711600	1	Washer 3/8	
30	4751000	4	Washer #10	
31	4791400	2	Washer 1/4	
32	4891800	4	Washer 1/2 Hardened	
33	4922925	1	Harness, Generator	
35	1001212223	Ref	Generator Assembly	
35	70001100	1	Rotor (Includes p/n 70001384 & 70000863) (Not Shown)	
35	70001384	1	Bearing, Ball Radial (Not Shown):	
35	70000863	1	Fan (Not Shown)	
35	70006093	1	Stator (Not Shown)	
35	70002297	1	Stud	
35	70003631	1	Brushholder Assembly (Not Shown)	
35A	70004099	1	Key	

SECTION 3 - ENGINE

ITEM	PART NUMBER	QTY	DESCRIPTION	REV
35B	70001966	1	Bearing, Ball Radial (Located in Belt Tensioner Endbell)	
35B	70003708	1	Ring, Internal Retaining (Located in Belt Tensioner Endbell)	
35B	70003709	1	Ring, External Retaining (Located in Belt Tensioner Endbell)	
35C	70004092	1	Endbell, Belt Tensioner	
35D	70004094	1	Endbell, Brush Block	
35E	70006094	1	Shroud	
35E	70002291	1	Insulator, Endbell	
35E	7027799	1	Block, Connector 6 Position (Not Shown)	
35E	70002460	1	Nut, Brass (Attaches p/n 7027799 to Cover) (Not Shown)	
35E	70006095	1	Breaker, Circuit 30Amp (Not Shown)	
35E	70006096	1	Boot, Breaker Options (Not Shown):	
35E	7026626	1	Connector, 6 Position (Includes Seal) (Not Shown - Plugs into Item 36)	
35E	7026597	1	Connector, with Leads (Not Shown)	
35E	70004098	1	Clamp, Cable (Not Shown)	
35E	70006097	1	Plate, End Panel	
35E	70001974	1	Decal - Terminal Connections	
35F	70001973	1	Decal - Warning Moving Parts	
36	1001142643	1	Support	
37	3311005	4	Nut #10	
	1001157525	Ref	JUNCTION BOX ASSEMBLY	B
101	3300396	1	Cover, Fuse	
102	3311001	6	Nut #10	
103	3520189	1	Plug	
104	3520192	1	Plug	
105	4360070	1	Circuit Breaker - 15Amp	
106	4460425	1	Connector, Strain Relief	
107	4460426	2	Connector, Strain Relief	
109	4711000	10	Washer, #10	
110	10702077	2	Screw #10 x 3/8	
111	10702082	2	Screw #10 x 3/4	
112	1001152525	1	Plug	
113	1001157520	1	Block, Terminal	
114	1001157521	1	Box, Junction	
115	1001157528	1	Decal - Wiring Schematic	
116	1001158007	1	Cover, PVC	
117	1001158008	2	Stand-Off	
	0272589	Ref	DECAL INSTALLATION	A
201	1705460	2	Decal - SkyPower	
203	1705461	1	Decal - 240V - 3 Phase	
204	1705489	2	Decal, Hazardous Voltage	
	1001157770	Ref	ELECTRICAL DIAGRAM COMPONENTS	A
301	1001119968	1	Generator Harness (Not Shown - See Separate Breakdown in ELECTRICAL SECTION)	
304	4922641	1	Switch Harness (Not Shown)	

SECTION 3 - ENGINE

FIGURE 3-75. 7500W/60HZ SKYPOWER GENERATOR INSTALLATION - DEUTZ TD2.9L4 AND DEUTZ TD2.9L4 (STAGE V) ENGINES



ART_1001148563

SECTION 3 - ENGINE

FIGURE 3-75. 7500W/60HZ SKYPOWER GENERATOR INSTALLATION - DEUTZ TD2.9L4 AND DEUTZ TD2.9L4 (STAGE V) ENGINES

ITEM	PART NUMBER	QTY	DESCRIPTION	REV
	1001148563	Ref	7500W SKYPOWER GENERATOR INSTALLATION	F
1	0100011	AR	Compound, Locking	
2	0100019	AR	Compound, Locking	
3	0100048	AR	Compound, Silicone	
4	0100079	AR	Sealant	
5	0641404	1	Bolt 1/4 x 1/2	
6	3931016	4	Capscrew 3/8 x 1	
7	0641516	3	Bolt 5/16 x 2	
8	0641618	1	Bolt 3/8 x 2-1/4	
9	0641808	2	Bolt 1/2 x 1	
10	0741607	3	Screw 3/8 x 7/8	
11	0860038	1	Box, Switch	
12	0861538	1	Control Box Assembly	
12	7024488	1	Card, Circuit - Generator Power	
12	See Note	1	Fuse (Note: Not Available - Purchase Locally)	
12	70000619	1	Harness, Control Box (Internal)	
12	7024489	1	Card, Circuit - Control	
12		Ref	Note: Same Circuit Card (P/N 7024489) is used for both 60Hz & 50Hz Specs. When replacing card, rocker switch on card must be set for required application.	
13	0902888	1	Bracket, Box Mounting	
14	0962520	1	Bushing, Split Taper	
15	0641405	4	Bolt 1/4 x 5/8	
16	2820031	1	Heat Shrink	
17	3252764	1	Nameplate	
18	3311505	3	Nut 5/16	
19	3311801	2	Nut 1/2	
20	3580317	1	Tensioner, Belt with Pulley	
21	3580318	1	Pulley	
22	3910606	4	Screw #6 x 3/8	
23	3960422	1	Gasket	
24	4060802	1	Guard, Switch	
25	4240018	AR	Tie-Strap (Not Shown)	
26	1001163599	2	Stud	
27	4360336	1	Switch, Toggle	
28	4460071	1	Connector, Strain Relief	
29	4460346	1	Receptacle, Female (110-120V)	
30	4711400	8	Washer 1/4	
31	4711500	6	Washer 5/16	
32	4711600	1	Washer 3/8	
33	4751000	4	Washer #10	
34	4791400	2	Washer 1/4	
35	4891800	4	Washer 1/2 Hardened	
36	4922925	1	Harness, Generator	
37	1001110873	1	Cover, Receptacle	
39	1001212223	Ref	Generator Assembly	
39	70001100	1	Rotor (Includes p/n 70001384 & 70000863) (Not Shown)	
39	70001384	1	Bearing, Ball Radial (Not Shown):	
39	70000863	1	Fan (Not Shown)	

SECTION 3 - ENGINE

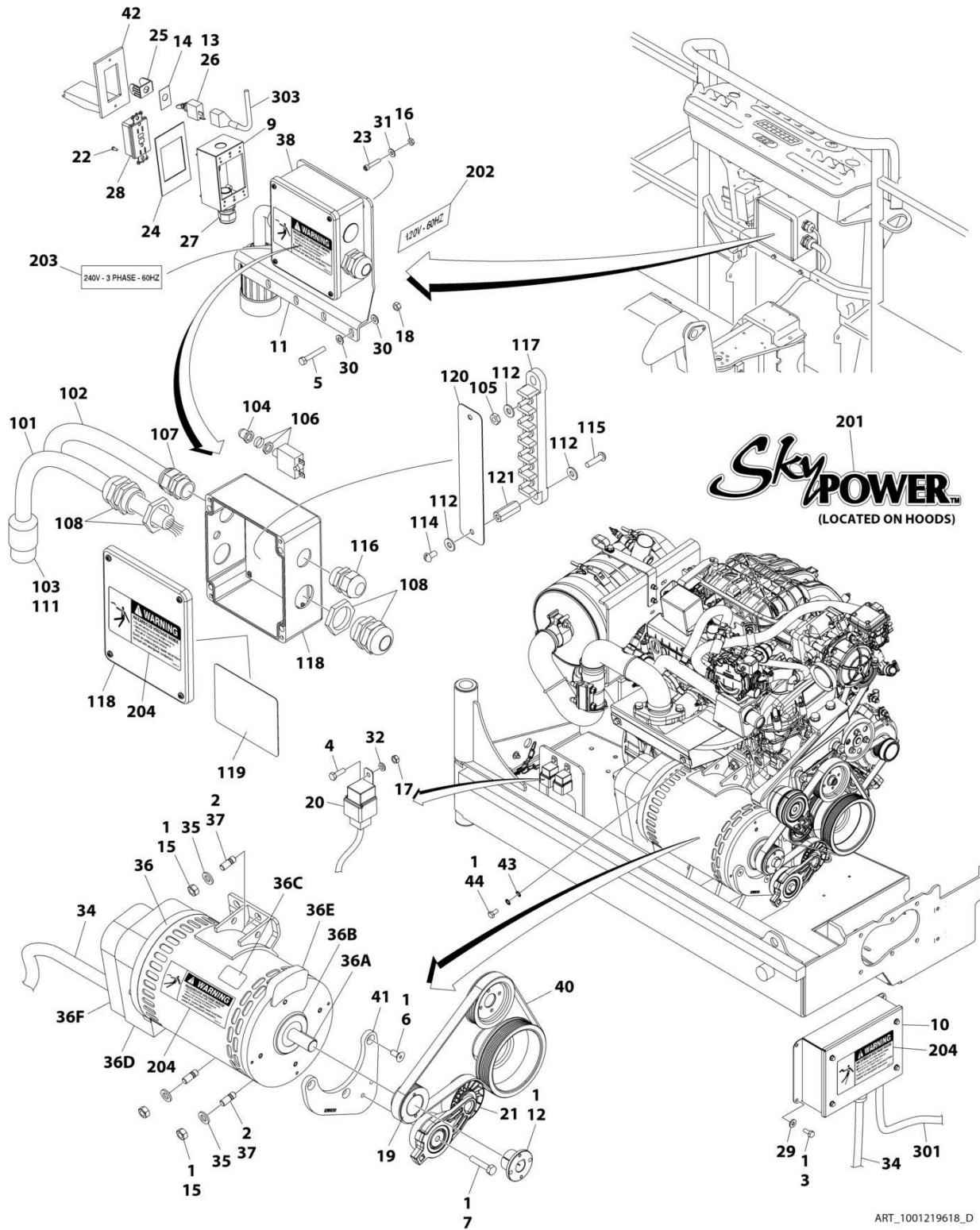
ITEM	PART NUMBER	QTY	DESCRIPTION	REV
39	70006093	1	Stator (Not Shown)	
39	70002297	1	Stud	
39	70003631	1	Brush holder Assembly (Not Shown)	
39A	70004099	1	Key	
39B	70001966	1	Bearing, Ball Radial (Located in Belt Tensioner Endbell)	
39B	70003708	1	Ring, Internal Retaining (Located in Belt Tensioner Endbell)	
39B	70003709	1	Ring, External Retaining (Located in Belt Tensioner Endbell)	
39C	70004092	1	Endbell, Belt Tensioner	
39D	70004094	1	Endbell, Brush Block	
39E	70006094	1	Shroud	
39E	70002291	1	Insulator, Endbell	
39E	7027799	1	Block, Connector 6 Position (Not Shown)	
39E	70002460	1	Nut, Brass (Attaches p/n 7027799 to Cover) (Not Shown)	
39E	70006095	1	Breaker, Circuit 30Amp (Not Shown)	
39E	70006096	1	Boot, Breaker Options (Not Shown):	
39E	7026626	1	Connector, 6 Position (Includes Seal) (Not Shown - Plugs into Item 36)	
39E	7026597	1	Connector, with Leads (Not Shown)	
39E	70004098	1	Clamp, Cable (Not Shown)	
39E	70006097	1	Plate, End Panel	
39E	70001974	1	Decal - Terminal Connections	
39F	70001973	1	Decal - Warning Moving Parts	
40	1001142643	1	Support	
41	1001142646	1	Belt, Drive	
42	1001157592	1	Junction Box Assembly (See Items 101-121 for Breakdown)	
43	3311405	4	Nut 1/4	
44	3311005	4	Nut #10	
	1001157592	Ref	JUNCTION BOX ASSEMBLY	D
101	1060343	1.5 ft /.46m	Cable, Electrical 10/4	
102	1001179154	2.5 ft /76cm	Cable, Electrical 12/3	
103	1671092	1	Cover	
104	3300396	1	Cover, Fuse	
105	3311001	6	Nut #10	
106	4360070	1	Circuit Breaker - 15Amp	
108	4460425	1	Connector, Strain Relief	
109	4460426	2	Connector, Strain Relief	
111	4460963	1	Connector	
112	4711000	10	Washer, #10	
114	10702077	2	Screw #10 x 3/8	
115	10702082	2	Screw #10 x 3/4	
116	1001152525	1	Plug	
117	1001157520	1	Block, Terminal	
118	1001157521	1	Box, Junction	
119	1001157528	1	Decal - Wiring Schematic	
120	1001158007	1	Cover, PVC	
121	1001158008	2	Stand-Off	
	0272435	Ref	DECAL INSTALLATION	D
201	1705460	2	Decal - SkyPower	
202	3251243	1	Decal - 120V - 60Hz (60Hz Spec Only) (Not Shown - Located at Platform Receptacle)	

SECTION 3 - ENGINE

ITEM	PART NUMBER	QTY	DESCRIPTION	REV
203	1705375	1	Decal - 240V - 3 Phase	A
204	1705387	3	Decal, Hazardous Voltage	
	1001157770	Ref	ELECTRICAL DIAGRAM COMPONENTS	
301	1001119968	1	Generator Harness (Not Shown - See Separate Breakdown in ELECTRICAL SECTION)	
303	4922641	1	Switch Harness (Not Shown)	

SECTION 3 - ENGINE

FIGURE 3-76. 7500W/60HZ SKYPOWER GENERATOR INSTALLATION - FORD DF 2.5L ENGINES



SECTION 3 - ENGINE

FIGURE 3-76. 7500W/60HZ SKYPOWER GENERATOR INSTALLATION - FORD DF 2.5L ENGINES

ITEM	PART NUMBER	QTY	DESCRIPTION	REV
	1001219618	Ref	7500W SKYPOWER GENERATOR INSTALLATION - FORD ENGINES	D
		Ref	Note: See ELECTRICAL SECTION for Boom Cable Components.	
1	0100011	AR	Compound, Locking	
2	0100019	AR	Compound, Locking	
3	0641405	4	Bolt 1/4 x 5/8	
4	0760610	2	Bolt M6 x 20	
5	0641516	3	Bolt 5/16 x 2	
6	0741607	3	Screw 3/8 x 7/8	
7	0761018	1	Bolt M10 x 50	
9	0860038	1	Box, Switch	
10	0861538	1	Control Box Assembly	
10	7024488	1	Card, Circuit - Generator Power	
10	See Note	1	Fuse (Note: Not Available - Purchase Locally)	
10	7024489	1	Card, Circuit - Control	
10	70000619	1	Harness, Circuit Card	
11	0902888	1	Bracket, Box Mounting	
12	0962520	1	Bushing, Split Taper	
13	2820031	1	Heat Shrink	
14	3252764	1	Nameplate - AC & Weld	
15	3291201	4	Nut M12	
16	3311005	4	Nut #10	
17	3290601	2	Nut M6	
18	3311505	3	Nut 5/16	
19	3580314	1	Pulley	
20	3740080	2	Relay	
21	3580317	1	Tensioner, Belt	
22	3910606	2	Screw #6 x 3/8	
23	3931016	4	Capscrew #10 x 1	
24	3960422	1	Gasket	
25	4060802	1	Guard, Switch	
26	4360336	1	Switch, Toggle	
27	4460071	1	Connector, Strain Relief	
28	4460346	1	Receptacle	
29	4711400	4	Washer 1/4	
30	4711500	6	Washer 5/16	
31	4751000	4	Washer #10	
32	4811700	2	Washer M6	
34	4922925	1	Harness, Generator	
35	5241200	4	Washer M12	
36	1001136104	1	Generator Assembly	
36	70003631	1	Brushholder Assembly (Not Shown) (was p/n 7024484)	
36	7024485	1	Breaker, Circuit 30Amp (Not Shown)	
36	70001696	1	Boot, Breaker (was p/n 7024486 - Not Shown)	
36	70001966	1	Bearing, Ball Radial (Located In Belt Tensioner Endbell - Not Shown)	
36	7027799	1	Block, Connector 6 Position (Not Shown)	
36	70002460	6	Nut, Brass (Attaches p/n 7027799 to Cover) (Not Shown)	
36	7026188	1	Clamp, Cable (Not Shown)	
36	7026597	1	Connector, W/Leads (Not Shown)	

SECTION 3 - ENGINE

ITEM	PART NUMBER	QTY	DESCRIPTION	REV
36	7026626	1	Connector - 6 Position with Seal (Not Shown)	
36	70002088	1	Stator (Not Shown)	
36	70004169	1	Panel, End (Not Shown) (was p/n 70002255)	
36	70001974	1	Decal - Terminal Connections (Not Shown)	
36	70000863	1	Fan (Not Shown)	
36	70002297	4	Stud (Not Shown)	
36A	70004171	1	Key (was p/n 7024561)	
36A	70001100	1	Armature, Generator (Includes Radial Ball Bearing on End with Brushes and Fan)	
36A	70001384	1	Bearing, Ball Radial	
36B	70001966	1	Bearing, Radial Ball	
36B	70003708	1	Ring, Internal Retaining (Located in Belt Tensioner Endbell)	
36B	70003709	1	Ring, External Retaining (Located in Belt Tensioner Endbell)	
36C	70001973	1	Decal - Warning Moving Parts	
36D	70004169	1	Endbell, Brush Block (was p/n 70001385)	
36E	70001953	1	Endbell, Belt Tensioner	
36F	70004169	1	Endbell, Shroud Assembly (was p/n 70002290)	
37	1001196382	4	Stud	
38	1001157592	1	Junction Box Assembly (See Items 101-121 for Breakdown)	
40	1001216390	1	V-Belt	
41	1001218930	1	Mount, Tensioner	
42	1001110873	1	Cover, Receptacle	
43	4871700	2	Washer M6	
44	0760606	1	Bolt M6 x 12	
	1001157592	Ref	JUNCTION BOX ASSEMBLY	C
101	1060343	1.5 ft /0.46m	Cable, Electrical - 10/4 (60Hz Only)	
102	1001179154	2.5 ft /0.76m	Cable Electrical - 12/3	
103	1671092	1	Cover, Connector	
104	3300396	1	Cover, Fuse	
105	3311001	6	Nut #10	
106	4360070	1	Breaker, Circuit 15Amp	
107	4460425	1	Connector, Strain Relief	
108	4460426	2	Connector, Strain Relief	
111	4460963	1	Receptacle	
112	4711000	10	Washer #10	
114	10702077	2	Screw #10 x 3/8	
115	10702082	2	Screw #10 x 3/4	
116	1001152525	1	Plug, Hole	
117	1001157520	1	Block, Terminal Pole	
118	1001157521	1	Box, Junction	
119	1001157528	1	Decal - Box Junction	
120	1001158007	1	Cover	
121	1001158008	2	Standoff	
	0272435	Ref	DECAL INSTALLATION	D
201	1705460	2	Decal - SkyPower	
202	3251243	1	Decal - 120V - 60Hz (60Hz Spec Only) (Located on Opposite Side)	
203	1705375	1	Decal - 240V - 3 Phase	
204	1705387	3	Decal, Hazardous Voltage	
	1001221498	Ref	ELECTRICAL DIAGRAM COMPONENTS	B

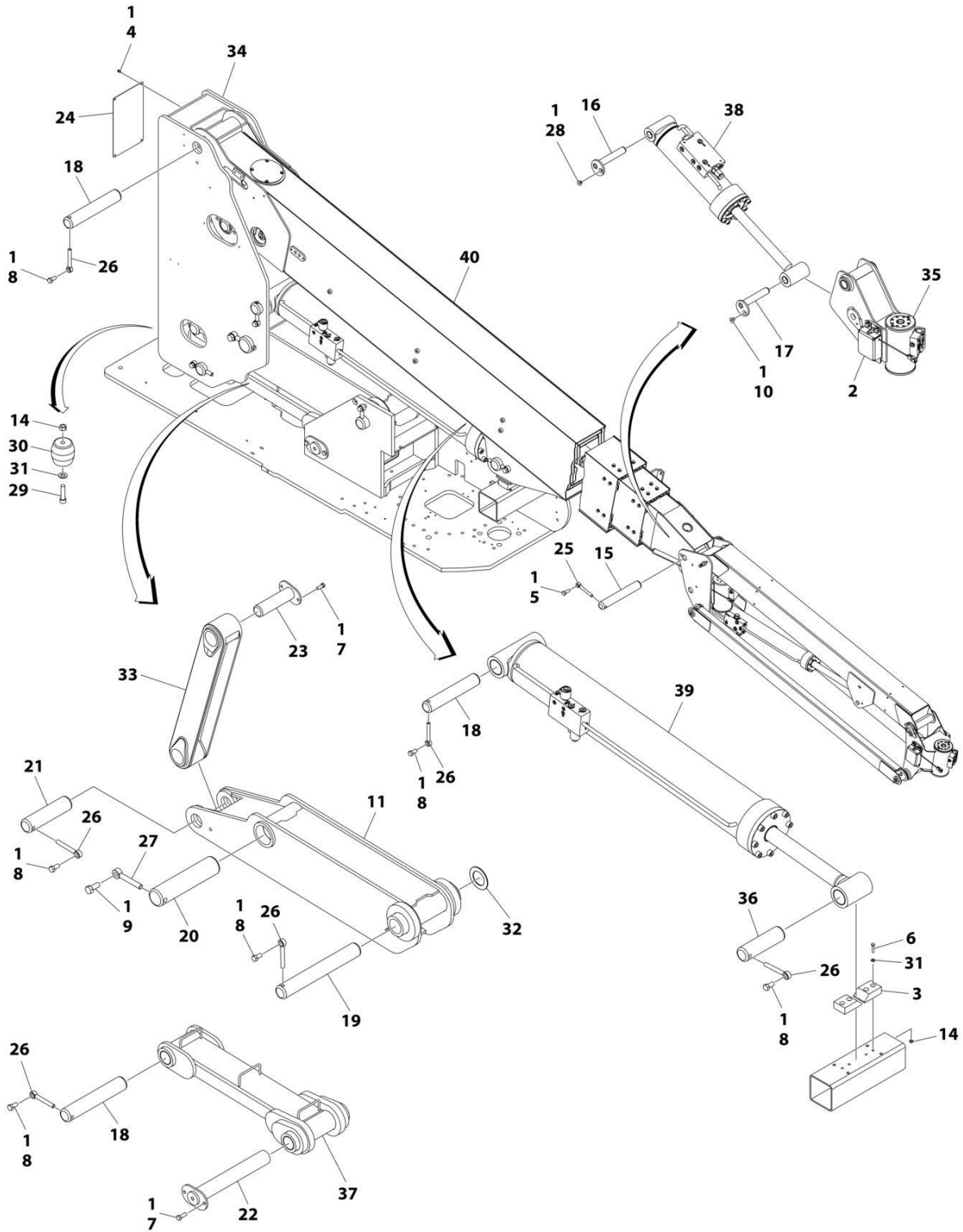
SECTION 3 - ENGINE

ITEM	PART NUMBER	QTY	DESCRIPTION	REV
301	1001257972	1	Generator to Engine Harness (See Separate Breakdown in ELECTRICAL SECTION)	
303	4922641	1	Generator On/Off Switch Harness	

SECTION 4 - BOOM

SECTION 4 - BOOM

FIGURE 4-1. BOOMS AND CYLINDERS INSTALLATION (800S)



ART_1001254011_C

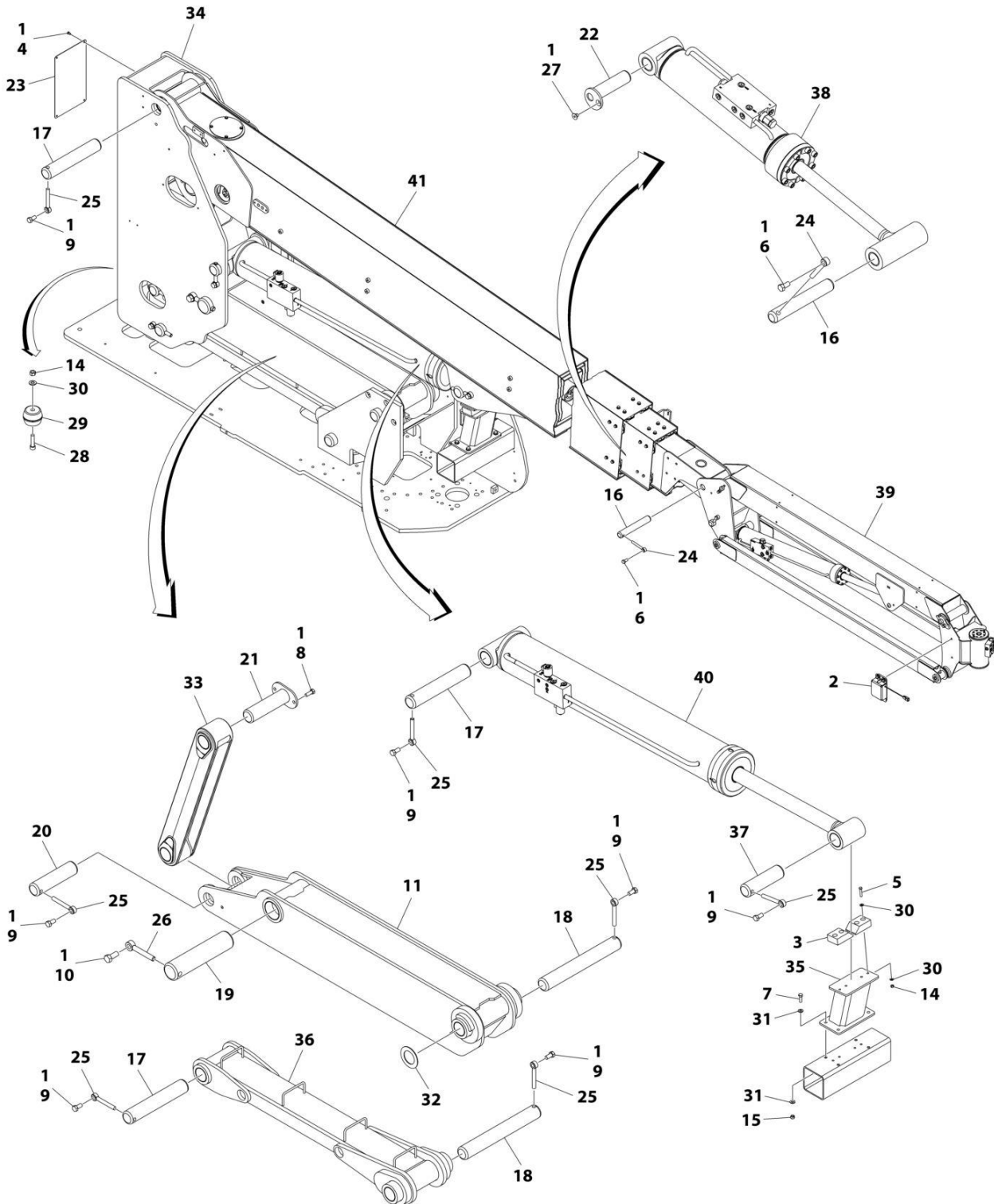
SECTION 4 - BOOM

FIGURE 4-1. BOOMS AND CYLINDERS INSTALLATION (800S)

ITEM	PART NUMBER	QTY	DESCRIPTION	REV
	1001254011	Ref	BOOMS AND CYLINDERS INSTALLATION	C
1	0100011	AR	Compound, Locking	
2	0273695	1	Platform Level Sensor Switch Assembly (See Separate Breakdown in this Section)	
3	0561380	2	Block, Boom Rest	
4	0641504	4	Bolt 5/16 x 5/8	
5	0641608	1	Bolt 3/8 x 1	
6	0641613	4	Bolt 3/8 x 1-5/8	
7	0642014	4	Bolt 5/8 x 1-3/4	
8	0642212	6	Bolt 3/4 x 1-1/2	
9	0642618	1	Bolt 1 x 2-1/4	
10	0741605	1	Bolt 3/8 x 5/8	
11	0801279	1	Tower Weldment	
14	3311605	6	Nut 3/8	
15	3422562	1	Pin	
16	3422569	1	Pin	
17	3422580	1	Pin	
18	3422908	3	Pin	
19	3422909	1	Pin	
20	3422910	1	Pin	
21	3422920	1	Pin	
22	3422930	1	Pin	
23	3422931	1	Pin	
24	3573050	1	Cover, Upright Rear	
25	3841143	1	Keeper, Pin	
26	3841287	6	Keeper, Pin	
27	3841356	1	Keeper, Pin	
28	3900192	1	Screw 3/8 x 1/2	
29	3931624	2	Capscrew, Socket Head 3/8 x 1-1/2	
30	4160187	2	Spring, Rubber	
31	4711600	6	Washer 3/8	
32	4740492	1	Thrustwasher	
33	1001117804	1	Power Link Weldment	
34	1001258003	1	Upright	
35	1001181060	1	Rotator (See Separate Breakdown in this Section)	
36	1001196221	1	Pin	
37	1001201602	1	Link (Tower) Weldment	
38	1001251027	1	Level Cylinder Assembly - Platform Slave (See Separate Breakdown in CYLINDER Section)	
39	1001251028	1	Lift Cylinder Assembly - Main Boom (See Separate Breakdown in CYLINDER Section)	
40	1001254010	1	Boom Assembly - Main (See Separate Breakdown in this Section)	

SECTION 4 - BOOM

FIGURE 4-2. BOOMS AND CYLINDERS INSTALLATION (MACHINES WITH SN STARTING WITH 03 OR 13) (860SJ)



ART_1001255110_D

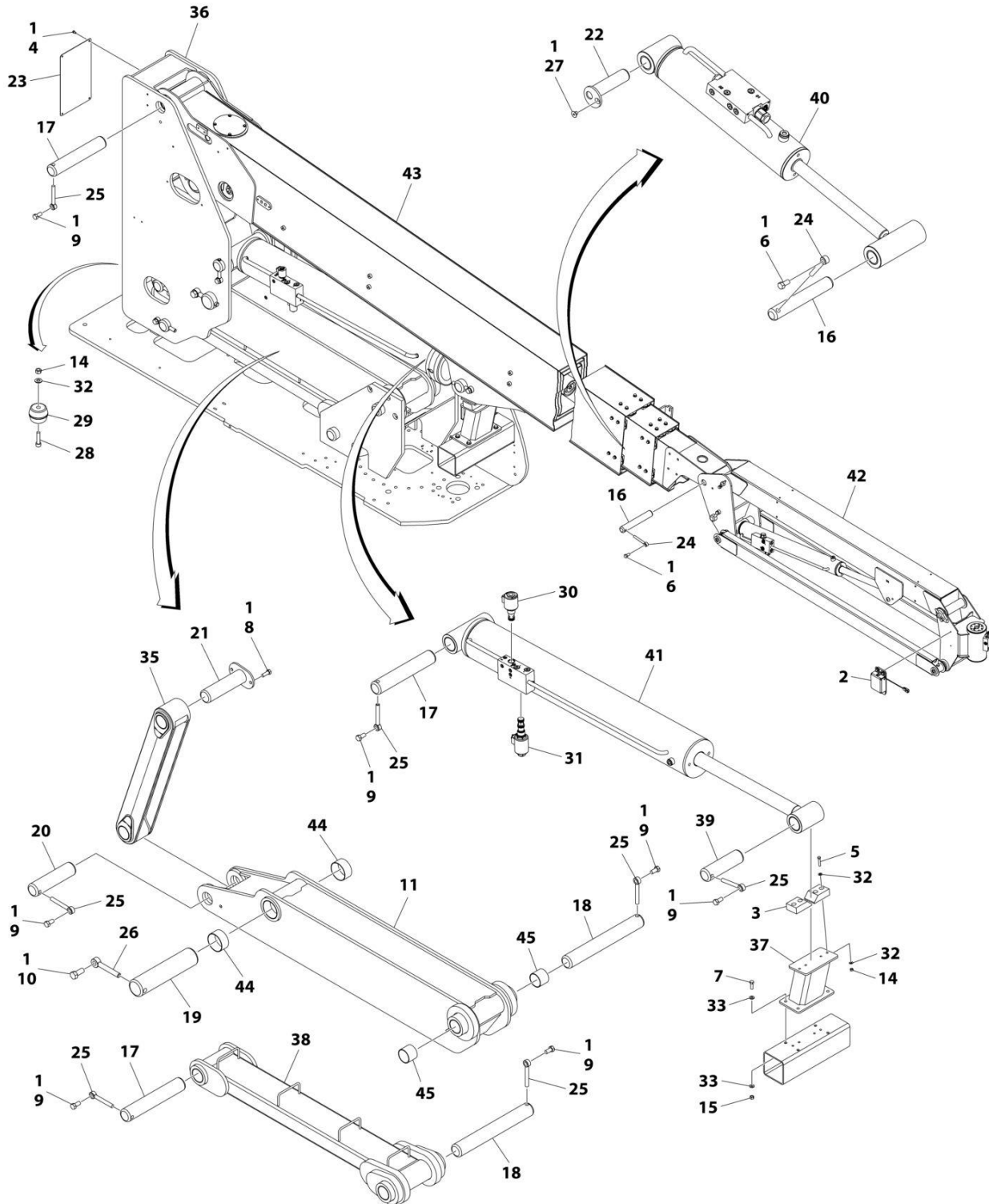
SECTION 4 - BOOM

FIGURE 4-2. BOOMS AND CYLINDERS INSTALLATION (MACHINES WITH SN STARTING WITH 03 OR 13) (860SJ)

ITEM	PART NUMBER	QTY	DESCRIPTION	REV
	1001255110	Ref	BOOMS AND CYLINDERS INSTALLATION	D
1	0100011	AR	Compound, Locking	
2	0273695	1	Platform Level Sensor Switch Assembly (See Separate Breakdown in this Section)	
3	0561380	2	Block, Boom Rest	
4	0641504	4	Bolt 5/16 x 5/8	
5	0641615	4	Bolt 3/8 x 1-7/8	
6	0641808	2	Bolt 1/2 x 1	
7	0641812	4	Bolt 1/2 x 1-1/2	
8	0642014	2	Bolt 5/8 x 1-3/4	
9	0642212	7	Bolt 3/4 x 1-1/2	
10	0642618	1	Bolt 1 x 2-1/4	
11	1001258007	1	Tower Weldment	
14	3311605	6	Nut 3/8	
15	3311805	4	Nut 1/2	
16	3422793	2	Pin	
17	3422908	3	Pin	
18	3422909	2	Pin	
19	3422910	1	Pin	
20	3422920	1	Pin	
21	3422931	1	Pin	
22	3422932	1	Pin	
23	3573050	1	Cover, Upright Rear	
24	3841203	2	Keeper, Pin	
25	3841287	7	Keeper, Pin	
26	3841356	1	Keeper, Pin	
27	3900192	1	Screw 3/8 x 1/2	
28	3931624	2	Capscrew, Socket Head 3/8 x 1-1/2	
29	4160187	2	Spring, Rubber	
30	4711600	10	Washer 3/8	
31	4711800	8	Washer 1/2	
32	4740492	1	Thrustwasher	
33	1001117805	1	Power Link Weldment	
34	1001258003	1	Upright	
35	1001157837	1	Rest, Boom	
36	1001257776	1	Link (Tower) Weldment	
37	1001196221	1	Pin	
38	1001251022	1	Platform Level Cylinder Assembly (See Separate Breakdown in CYLINDER Section)	
39	1001247055	1	Jib Assembly (See Separate Breakdown in this Section)	
40	1001251029	1	Lift Cylinder Assembly - Main Boom (See Separate Breakdown in CYLINDER Section)	
41	1001255111	1	Boom Assembly - Main (See Separate Breakdown in this Section)	

SECTION 4 - BOOM

FIGURE 4-3. BOOMS AND CYLINDERS INSTALLATION (MACHINES WITH SN STARTING WITH B3) (860SJ)



ART_1001255116_G

SECTION 4 - BOOM

**FIGURE 4-3. BOOMS AND CYLINDERS INSTALLATION (MACHINES WITH SN STARTING WITH B3)
(860SJ)**

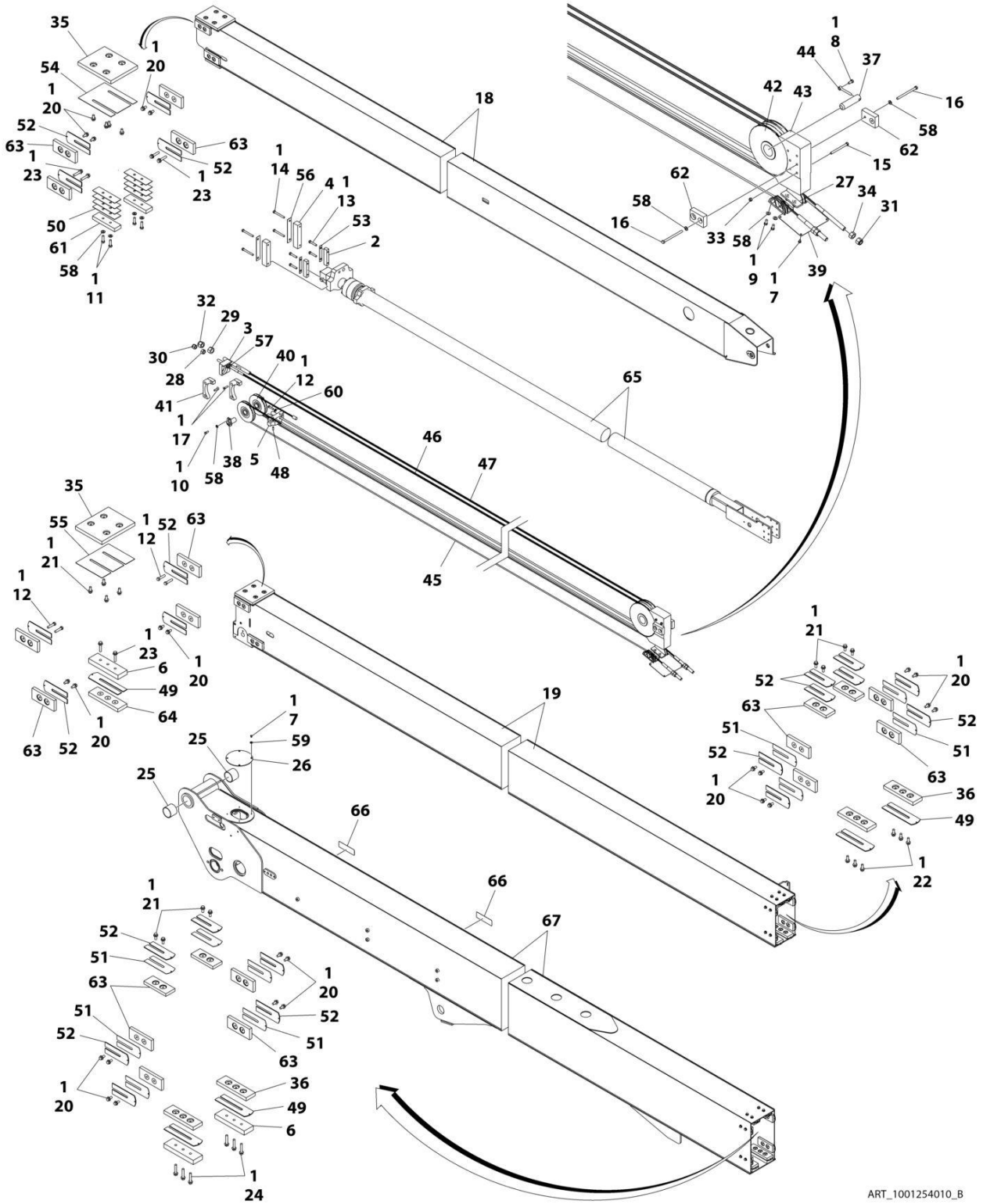
ITEM	PART NUMBER	QTY	DESCRIPTION	REV
	1001255116	Ref	BOOMS AND CYLINDERS INSTALLATION	G
1	0100011	AR	Compound, Locking	
2	0273695	1	Platform Level Sensor Switch Assembly (See Separate Breakdown in this Section)	
3	0561380	2	Block, Boom Rest	
4	0641504	4	Bolt 5/16 x 5/8	
5	0641615	4	Bolt 3/8 x 1-7/8	
6	0641808	2	Bolt 1/2 x 1	
7	0641812	4	Bolt 1/2 x 1-1/2	
8	0642014	2	Bolt 5/8 x 1-3/4	
9	0642212	7	Bolt 3/4 x 1-1/2	
10	0642618	1	Bolt 1 x 2-1/4	
11	0801306	1	Tower Weldment	
14	3311605	6	Nut 3/8	
15	3311805	4	Nut 1/2	
16	3422793	2	Pin	
17	3422908	3	Pin	
18	3422909	2	Pin	
19	3422910	1	Pin	
20	3422920	1	Pin	
21	3422931	1	Pin	
22	3422932	1	Pin	
23	3573050	1	Cover, Upright Rear	
24	3841203	2	Keeper, Pin	
25	3841287	7	Keeper, Pin	
26	3841356	1	Keeper, Pin	
27	3900192	1	Screw 3/8 x 1/2	
28	3931624	2	Capscrew, Socket Head 3/8 x 1-1/2	
29	4160187	2	Spring, Rubber	
30	4641188	1	Cartridge, Lift Holding Solenoid	
30	7023923	1	Cartridge - 4641188 Valve	
30	7023919	1	Seal Kit - 4641188 Valve	
30	7012943	1	Coil - 4641188 Valve	
31	4641234	1	Cartridge, Lift Relief Proportional Solenoid	
31	7023982	1	Cartridge - 4641234 Valve	
31	7012925	1	Seal Kit - 4641234 Valve	
31	7017451	1	Coil - 4641234 Valve	
32	4711600	10	Washer 3/8	
33	4711800	8	Washer 1/2	
35	1001117805	1	Power Link Weldment	
36	1001157180	1	Upright	
37	1001157837	1	Rest, Boom	
38	1001194573	1	Link (Tower) Weldment	
39	1001196221	1	Pin	
40	1001230372	1	Platform Level Cylinder Assembly (See Separate Breakdown in CYLINDER Section)	
41	1001230373	1	Lift Cylinder Assembly - Main Boom (See Separate Breakdown in CYLINDER Section)	
42	1001289163	1	Jib Assembly (See Separate Breakdown in this Section)	

SECTION 4 - BOOM

ITEM	PART NUMBER	QTY	DESCRIPTION	REV
43	1001268530	1	Boom Assembly - Main (See Separate Breakdown in this Section)	
44	0962122	2	Bearing	
45	0962297	2	Bearing	

SECTION 4 - BOOM

FIGURE 4-4. MAIN BOOM ASSEMBLY (800S)



ART_1001254010_B

SECTION 4 - BOOM

FIGURE 4-4. MAIN BOOM ASSEMBLY (800S)

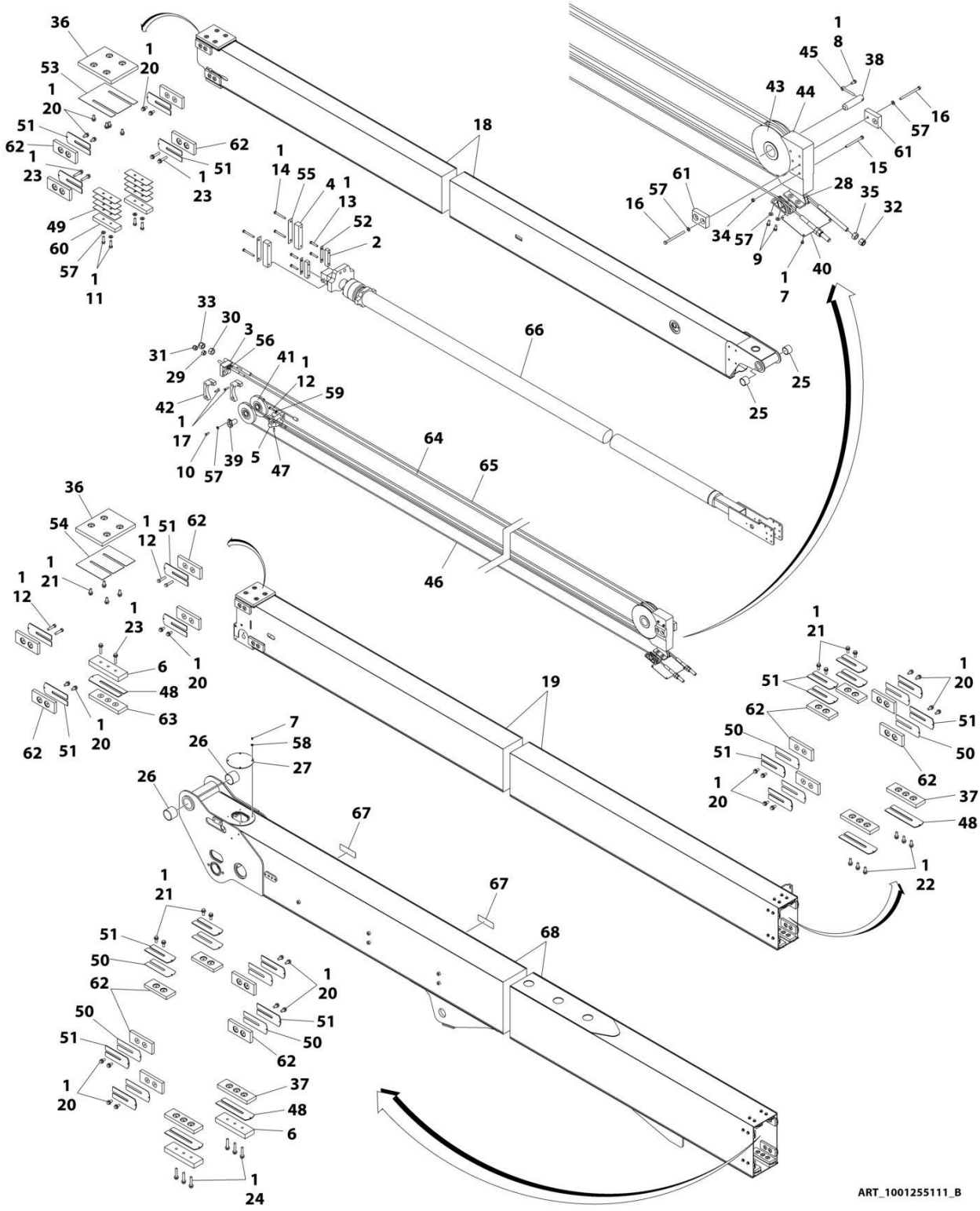
ITEM	PART NUMBER	QTY	DESCRIPTION	REV
	1001254010	Ref	MAIN BOOM ASSEMBLY	B
1	0100011	AR	Compound, Locking	
2	0561185	2	Block, Telescope Attach	
3	0561445	1	Block, Spring Mounting	
4	0561446	2	Block, Tele Mount	
5	0561447	1	Block, Cable Mount	
6	0561449	3	Block, Spacer	
7	0641403	8	Bolt 1/4 x 3/8	
8	0641606	1	Bolt 3/8 x 3/4	
9	0641607	4	Bolt 3/8 x 7/8	
10	0641608	2	Bolt 3/8 x 1	
11	0641610	4	Bolt 3/8 x 1-1/4	
12	0641613	6	Bolt 3/8 x 1-5/8	
13	0641616	4	Bolt 3/8 x 2	
14	0641626	4	Bolt 3/8 x 3-1/4	
15	0641634	4	Bolt 3/8 x 4 1/4	
16	0641640	2	Bolt 3/8 x 5	
17	0741612	6	Screw, Flathead 3/8 x 1-1/2	
18	0801275	1	Fly Weldment	
19	0801649	1	Mid Weldment	
20	0811606	28	Screw 3/8 x 3/4	
21	0811607	12	Screw 3/8 x 7/8	
22	0811608	6	Screw 3/8 x 1	
23	0811614	6	Screw 3/8 x 1-3/4	
24	0811616	6	Screw 3/8 x 2	
25	0962297	2	Bearing	
26	1120510	1	Cover, Pin	
27	1220078	2	Sheave, Block	
28	3272001	1	Nut 5/8	
29	3272401	1	Nut 7/8	
30	3300240	1	Nut 5/8	
31	3300241	2	Nut 3/4	
32	3300242	1	Nut 7/8	
33	3311605	4	Nut 3/8	
34	3312201	2	Nut 3/4	
35	3340757	2	Pad, Wear	
36	3340871	4	Pad, Wear	
37	3422417	1	Pin, Extend Sheave	
38	3422424	2	Pin	
39	3539622	1	Plate, Cover	
40	3580243	2	Sheave, Retract	
40	0961951	1	Bushing	
41	3580249	2	Guard, Sheave	
42	3580288	1	Sheave, Extend	
42	0961951	2	Bushing	
43	3580289	1	Guard, Sheave	
44	3841143	1	Keeper, Pin	
45	3890013	2	Cable, Wire Rope	
46	3890014	1	Cable, Wire Rope	
47	3890015	1	Cable, Wire Rope	

SECTION 4 - BOOM

ITEM	PART NUMBER	QTY	DESCRIPTION	REV
48	3951608	2	Setscrew 3/8 x 1	
49	4070863	5	Shim (#11 Gauge)	
50	4070895	8	Shim (#16 Gauge)	
51	4070897	10	Shim (#18 Gauge)	
52	4070898	22	Shim (#11 Gauge)	
53	4070929	2	Shim (#16 Gauge)	
54	4070939	1	Shim (#16 Gauge)	
55	4070940	1	Shim (#16 Gauge)	
56	4071020	2	Shim (#16 Gauge)	
57	4160149	1	Spring, Torsion	
58	4711600	12	Washer 3/8	
59	4751400	4	Washer 1/4	
60	4891600	2	Washer 3/8 Hardened	
61	1001148650	2	Pad, Wear	
62	1001148651	2	Pad, Wear	
63	1001148652	20	Pad, Wear	
64	1001148653	1	Pad, Wear	
65	1001251081	1	Telescope Cylinder Assembly Options (See Separate Breakdown in CYLINDER Section)	
66	1001250737	2	Cover	
67	1001254009	1	Base Weldment	

SECTION 4 - BOOM

FIGURE 4-5. MAIN BOOM ASSEMBLY (MACHINES WITH SN STARTING WITH 03 OR 13) (860SJ)



ART_1001255111_B

SECTION 4 - BOOM

FIGURE 4-5. MAIN BOOM ASSEMBLY (MACHINES WITH SN STARTING WITH 03 OR 13) (860SJ)

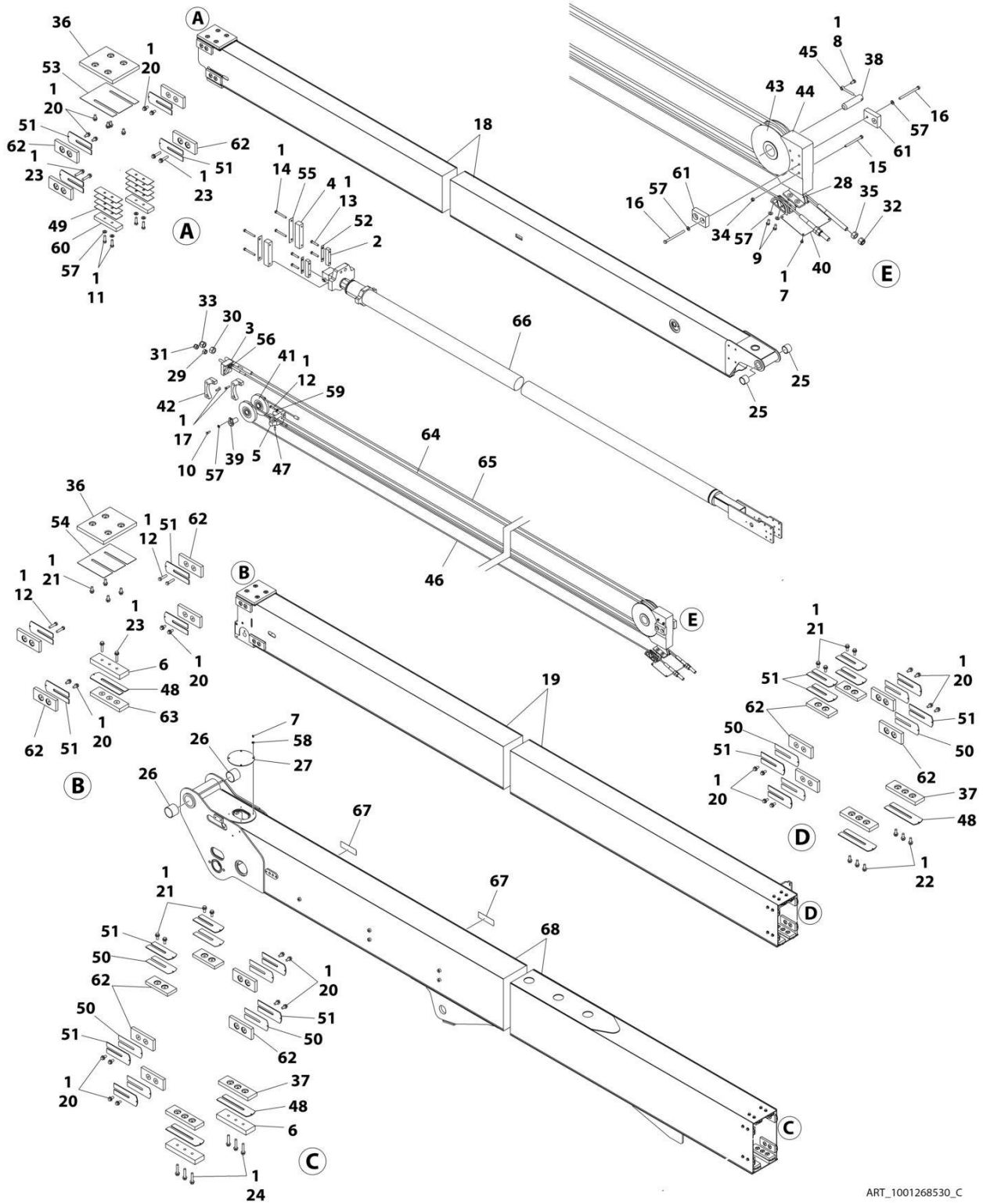
ITEM	PART NUMBER	QTY	DESCRIPTION	REV
	1001255111	Ref	MAIN BOOM ASSEMBLY	B
1	0100011	AR	Compound, Locking	
2	0561185	2	Block, Telescope Attach	
3	0561445	1	Block, Spring Mounting	
4	0561446	2	Block, Tele Mount	
5	0561447	1	Block, Cable Mount	
6	0561449	3	Block, Spacer	
7	0641403	8	Bolt 1/4 x 3/8	
8	0641606	1	Bolt 3/8 x 3/4	
9	0641607	4	Bolt 3/8 x 7/8	
10	0641608	2	Bolt 3/8 x 1	
11	0641610	4	Bolt 3/8 x 1-1/4	
12	0641613	6	Bolt 3/8 x 1-5/8	
13	0641616	4	Bolt 3/8 x 2	
14	0641626	4	Bolt 3/8 x 3-1/4	
15	0641634	4	Bolt 3/8 x 4 1/4	
16	0641640	2	Bolt 3/8 x 5	
17	0741612	6	Screw, Flathead 3/8 x 1-1/2	
18	0801282	1	Fly Weldment	
19	0801647	1	Mid Weldment	
20	0811606	28	Screw 3/8 x 3/4	
21	0811607	12	Screw 3/8 x 7/8	
22	0811608	6	Screw 3/8 x 1	
23	0811614	6	Screw 3/8 x 1-3/4	
24	0811616	6	Screw 3/8 x 2	
25	0961948	2	Bearing	
26	0962297	2	Bearing	
27	1120510	1	Cover, Pin	
28	1220078	2	Sheave, Block	
29	3272001	1	Nut 5/8	
30	3272401	1	Nut 7/8	
31	3300240	1	Nut 5/8	
32	3300241	2	Nut 3/4	
33	3300242	1	Nut 7/8	
34	3311605	4	Nut 3/8	
35	3312201	2	Nut 3/4	
36	3340757	2	Pad, Wear	
37	3340871	4	Pad, Wear	
38	3422417	1	Pin, Extend Sheave	
39	3422424	2	Pin	
40	3539622	1	Plate, Cover	
41	3580243	2	Sheave, Retract	
41	0961951	1	Bushing	
42	3580249	2	Guard, Sheave	
43	3580288	1	Sheave, Extend	
43	0961951	2	Bushing	
44	3580289	1	Guard, Sheave	
45	3841143	1	Keeper, Pin	
46	3890016	2	Cable, Wire Rope	
47	3951608	2	Setscrew 3/8 x 1	

SECTION 4 - BOOM

ITEM	PART NUMBER	QTY	DESCRIPTION	REV
48	4070863	5	Shim (#11 Gauge)	
49	4070895	8	Shim (#16 Gauge)	
50	4070897	10	Shim (#18 Gauge)	
51	4070898	22	Shim (#11 Gauge)	
52	4070929	2	Shim (#16 Gauge)	
53	4070939	1	Shim (#16 Gauge)	
54	4070940	1	Shim (#16 Gauge)	
55	4071020	2	Shim (#16 Gauge)	
56	4160149	1	Spring, Torsion	
57	4711600	12	Washer 3/8	
58	4751400	4	Washer 1/4	
59	4891600	2	Washer 3/8 Hardened	
60	1001148650	2	Pad, Wear	
61	1001148651	2	Pad, Wear	
62	1001148652	20	Pad, Wear	
63	1001148653	1	Pad, Wear	
64	1001181235	1	Cable, Wire Rope	
65	1001181236	1	Cable, Wire Rope	
66	1001251083	1	Telescope Cylinder Assembly Options (See Separate Breakdown in CYLINDER SECTION)	
67	1001250737	2	Cover	
68	1001255112	1	Base Weldment	

SECTION 4 - BOOM

FIGURE 4-6. MAIN BOOM ASSEMBLY (MACHINES WITH SN STARTING WITH B3) (860SJ)



ART_1001268530_C

SECTION 4 - BOOM

FIGURE 4-6. MAIN BOOM ASSEMBLY (MACHINES WITH SN STARTING WITH B3) (860SJ)

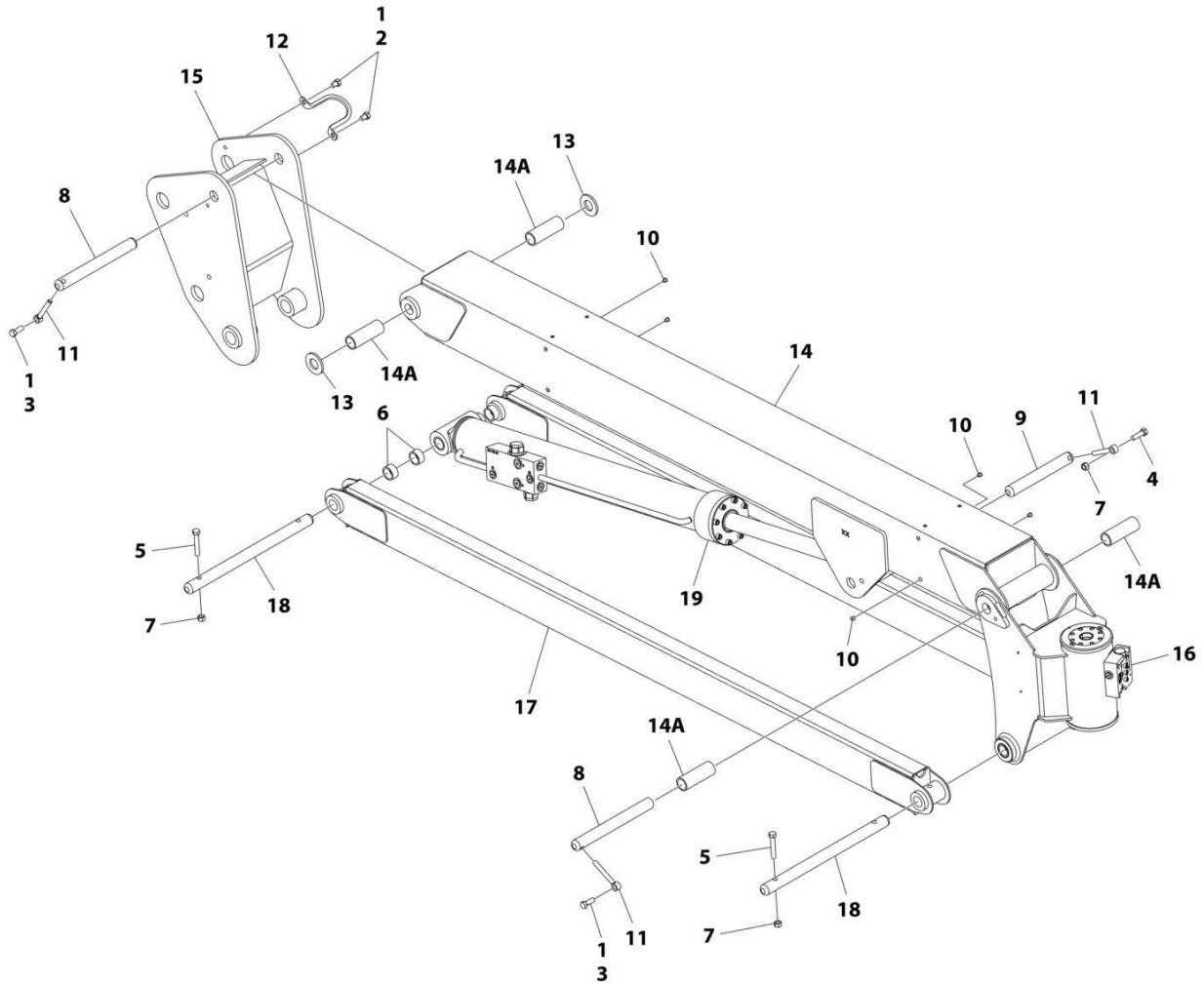
ITEM	PART NUMBER	QTY	DESCRIPTION	REV
	1001268530	Ref	860SJ MAIN BOOM ASSEMBLY	C
1	0100011	AR	Compound, Locking	
2	0561185	2	Block, Telescope Attach	
3	0561445	1	Block, Spring Mounting	
4	0561446	2	Block, Tele Mount	
5	0561447	1	Block, Cable Mount	
6	0561449	3	Block, Spacer	
7	0641403	8	Bolt 1/4 x 3/8	
8	0641606	1	Bolt 3/8 x 3/4	
9	0641607	4	Bolt 3/8 x 7/8	
10	0641608	2	Bolt 3/8 x 1	
11	0641610	4	Bolt 3/8 x 1-1/4	
12	0641613	6	Bolt 3/8 x 1-5/8	
13	0641616	4	Bolt 3/8 x 2	
14	0641626	4	Bolt 3/8 x 3-1/4	
15	0641634	4	Bolt 3/8 x 4 1/4	
16	0641640	2	Bolt 3/8 x 5	
17	0741612	6	Screw, Flathead 3/8 x 1-1/2	
18	1001267550	1	Fly Weldment	
19	1001267551	1	Mid Weldment	
20	0811606	28	Screw 3/8 x 3/4	
21	0811607	12	Screw 3/8 x 7/8	
22	0811608	6	Screw 3/8 x 1	
23	0811614	6	Screw 3/8 x 1-3/4	
24	0811616	6	Screw 3/8 x 2	
25	0961948	2	Bearing	
26	0962297	2	Bearing	
27	1120510	1	Cover, Pin	
28	1220078	2	Sheave, Block	
29	3272001	1	Nut 5/8	
30	3272401	1	Nut 7/8	
31	3300240	1	Nut 5/8	
32	3300241	2	Nut 3/4	
33	3300242	1	Nut 7/8	
34	3311605	4	Nut 3/8	
35	3312201	2	Nut 3/4	
36	3340757	2	Pad, Wear	
37	3340871	4	Pad, Wear	
38	3422417	1	Pin, Extend Sheave	
39	3422424	2	Pin	
40	3539622	1	Plate, Cover	
41	3580243	2	Sheave, Retract	
41	0961951	1	Bushing	
42	3580249	2	Guard, Sheave	
43	3580288	1	Sheave, Extend	
43	0961951	2	Bushing	
44	3580289	1	Guard, Sheave	
45	3841143	1	Keeper, Pin	
46	3890016	2	Cable, Wire Rope	
47	3951608	2	Setscrew 3/8 x 1	

SECTION 4 - BOOM

ITEM	PART NUMBER	QTY	DESCRIPTION	REV
48	4070863	5	Shim (#11 Gauge)	
49	4070895	8	Shim (#16 Gauge)	
50	4070897	10	Shim (#18 Gauge)	
51	4070898	22	Shim (#11 Gauge)	
52	4070929	2	Shim (#16 Gauge)	
53	4070939	1	Shim (#16 Gauge)	
54	4070940	1	Shim (#16 Gauge)	
55	4071020	2	Shim (#16 Gauge)	
56	4160149	1	Spring, Torsion	
57	4711600	12	Washer 3/8	
58	4751400	4	Washer 1/4	
59	4891600	2	Washer 3/8 Hardened	
60	1001148650	2	Pad, Wear	
61	1001148651	2	Pad, Wear	
62	1001148652	20	Pad, Wear	
63	1001148653	1	Pad, Wear	
64	1001181235	1	Cable, Wire Rope	
65	1001181236	1	Cable, Wire Rope	
66	1001298869	1	Telescope Cylinder Assembly Options (See Separate Breakdown in CYLINDER Section)	
67	1001250737	2	Cover	
68	1001267552	1	Base Weldment	

SECTION 4 - BOOM

FIGURE 4-7. JIB ASSEMBLY (MACHINES WITH SN STARTING WITH 03 OR 13)



ART_1001247055

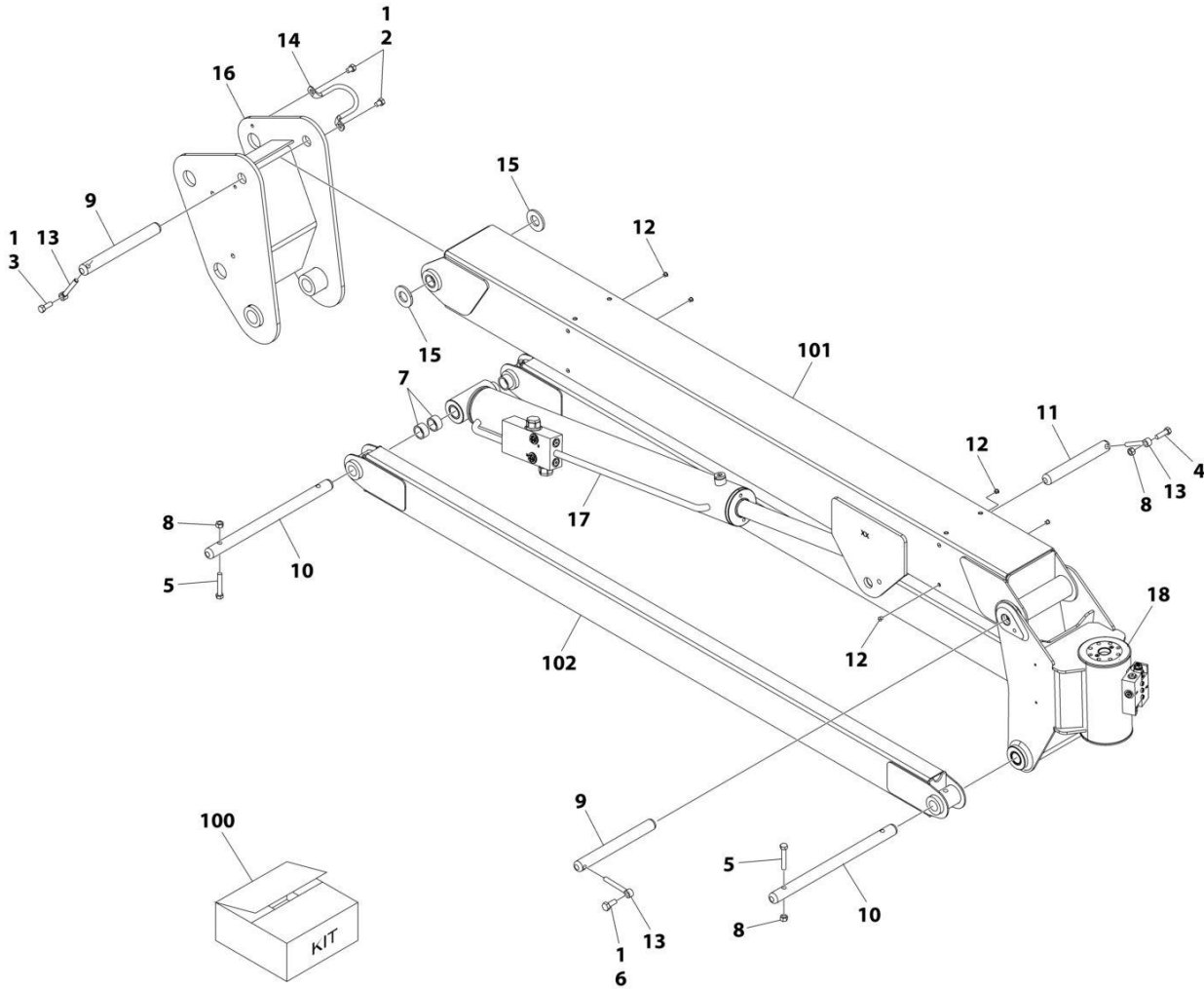
SECTION 4 - BOOM

FIGURE 4-7. JIB ASSEMBLY (MACHINES WITH SN STARTING WITH 03 OR 13)

ITEM	PART NUMBER	QTY	DESCRIPTION	REV
	1001247055	Ref	JIB ASSEMBLY	B
1	0100011	AR	Compound, Locking	
2	0641604	2	Bolt 3/8 x 1/2	
3	0641608	2	Bolt 3/8 x 1	
4	0641610	1	Bolt 3/8 x 1-1/4	
5	0641618	4	Bolt 3/8 x 2-1/4	
6	0961947	4	Bushing	
7	3311605	5	Nut 3/8	
8	3422860	2	Pin	
9	3422867	1	Pin	
10	3520034	8	Plug, Hole	
11	3841143	3	Keeper, Pin	
12	3841340	1	Loop, Hose	
13	4740439	2	Thrustwasher	
14	4844816	1	Link, Jib (Upper)	
14A	0962335	4	Bushing	
15	4846435	1	Pivot, Jib	
16	1001181051	1	Rotator Options (See Separate Breakdown in this Section)	
17	4844817	2	Link, Jib (Lower)	
18	3422861	2	Pin	
19	1001248012	1	Jib Lift Cylinder Assembly (See Separate Breakdown in CYLINDER SECTION)	

SECTION 4 - BOOM

FIGURE 4-8. JIB ASSEMBLY (MACHINES WITH SN STARTING WITH B3) (860SJ)



ART_1001289163

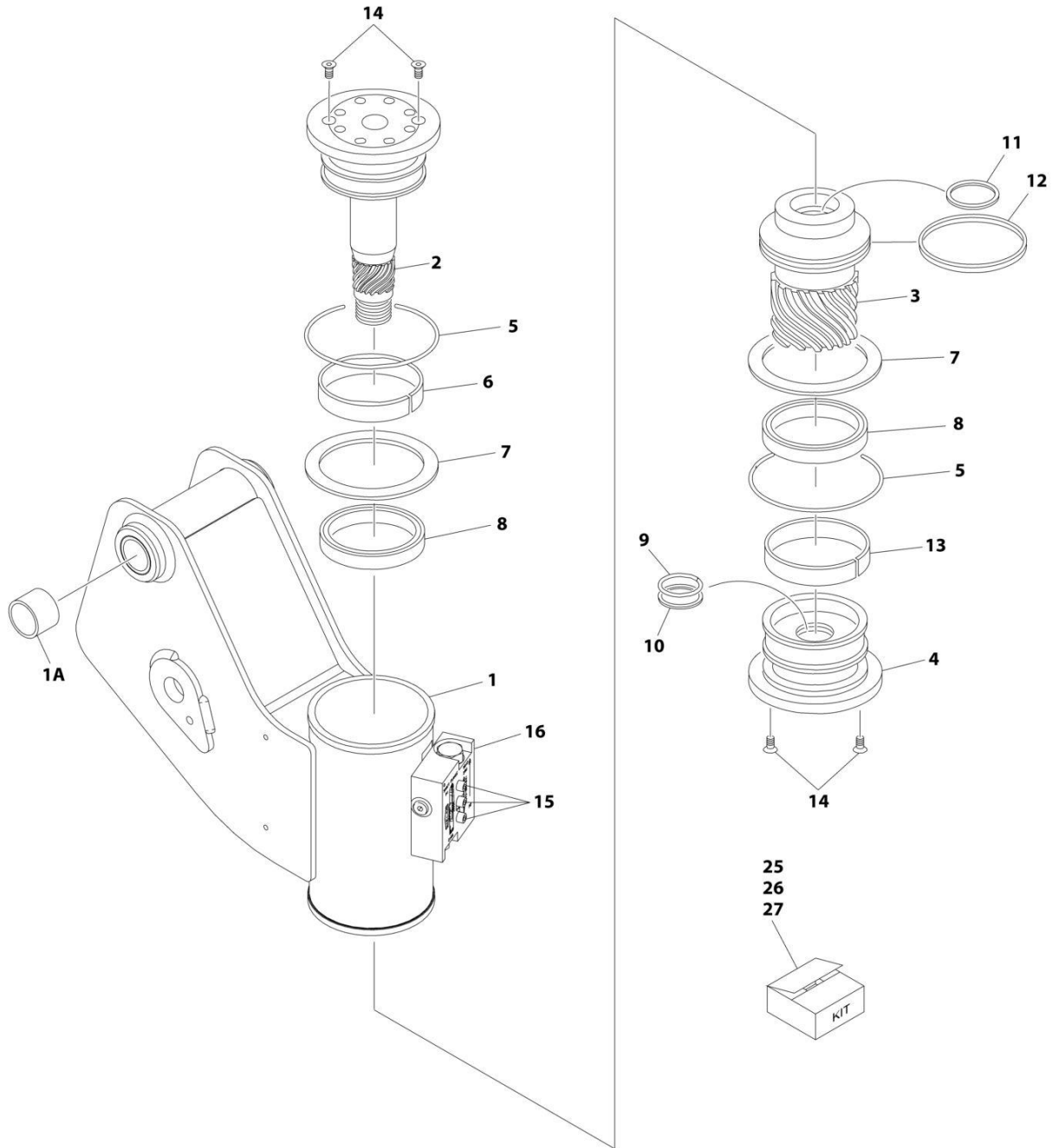
SECTION 4 - BOOM

FIGURE 4-8. JIB ASSEMBLY (MACHINES WITH SN STARTING WITH B3) (860SJ)

ITEM	PART NUMBER	QTY	DESCRIPTION	REV
	1001289163	Ref	JIB ASSEMBLY - 860SJ	A
1	0100011	AR	Compound, Locking	
2	0641604	2	Bolt 3/8 x 1/2	
3	0641608	1	Bolt 3/8 x 1	
4	0641610	1	Bolt 3/8 x 1-1/4	
5	0641618	4	Bolt 3/8 x 2-1/4	
6	0761012	1	Bolt M10 x 25	
7	0961947	4	Bearing	
8	3311605	5	Nut 3/8	
9	3422860	2	Pin	
10	3422861	2	Pin	
11	3422867	1	Pin	
12	3520034	8	Plug	
13	3841143	3	Keeper, Pin	
14	3841340	1	Rod	
15	4740439	2	Thrustwasher	
16	4846435	1	Pivot, Jib	
17	1001230371	1	Jib Lift Cylinder Assembly (See Separate Breakdown in CYLINDER Section)	
18	1001276878	1	Rotator Options (See Separate Breakdown in this Section)	
100	1001295242	1	Jib Link Kit	
101	4844816	1	Link, Jib (Top)	
101	0962335	4	Bushing	
102	4844817	2	Link, Jib (Bottom)	

SECTION 4 - BOOM

FIGURE 4-9. ROTATOR ASSEMBLY (800S)



ART_1001181060

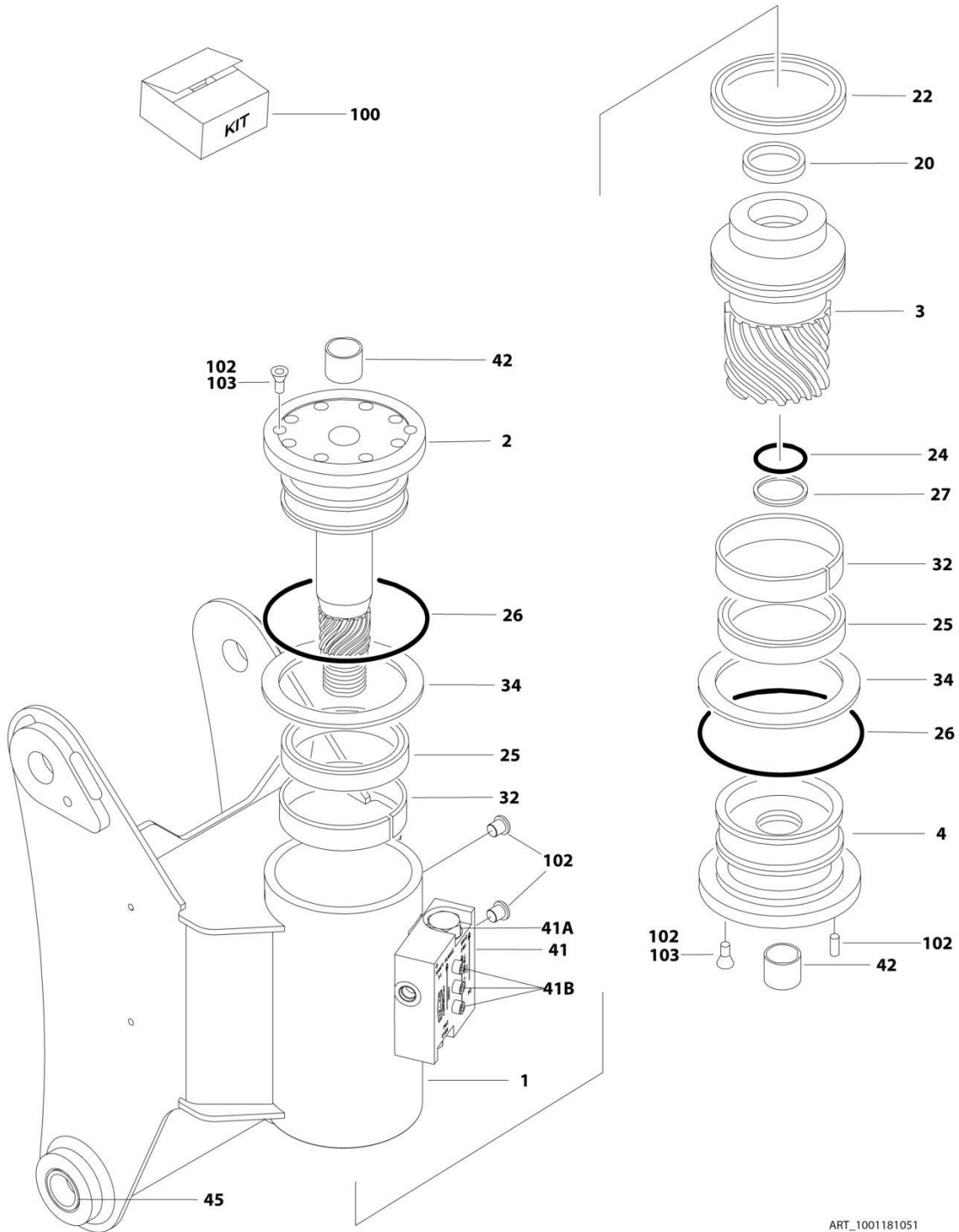
SECTION 4 - BOOM

FIGURE 4-9. ROTATOR ASSEMBLY (800S)

ITEM	PART NUMBER	QTY	DESCRIPTION	REV
	1001181060	Ref	ROTATOR ASSEMBLY (800S)	A
1	See Note	NSS	Housing/Ring Gear Assembly (Note: Not Available - Purchase Complete Assembly)	
1A	0961951	2	Bushing	
2	7017162	1	Shaft	
2	7017195	2	Bushing, Shaft	
3	7017163	1	Piston/Sleeve Assembly	
4	7017164	1	Cap, End	
5	See Note	NSS	O-Ring (Note: Use Item 25)	
6	See Note	NSS	Bearing, Shaft (Note: Use Item 26)	
7	See Note	NSS	Washer, Thrust (Note: Use Item 26)	
8	See Note	NSS	Packing, Bearing (Note: Use Item 25)	
9	See Note	NSS	Seal, Cap (Note: Use Item 25)	
10	See Note	NSS	Ring, Back-up Cap (Note: Use Item 25)	
11	See Note	NSS	Seal, Rod (Note: Use Item 25)	
12	See Note	NSS	Seal, Piston (Note: Use Item 25)	
13	See Note	NSS	Bearing, Cap (Note: Use Item 26)	
14	70001697	6	Capscrew 1/4 x 3/8 Grade 8	
15	See Note	NSS	Bolt 1/4 x 1-1/2 Grade 8 (Note: Not Available - Purchase Locally)	
16	7017172	1	Valve Assembly	
16	7017192	2	Cartridge, Valve	
16	See Note	NSS	Seal Kit - 7017192 Valve (Note: Not Available - Purchase Cartridge)	
16	See Note	NSS	Cartridge, Valve (Not Shown - Located on Side of Block) (Note: Not Available - Purchase Complete Valve)	
16	See Note	NSS	Seal Kit - Valve Located on Side of Block (Note: Not Available - Purchase Cartridge)	
25	70000342	1	Seal Kit (Includes Items 5, 8-12 & 27)	
26	7017159	1	Bearing Kit (Includes Items 6, 7 & 13)	
27	7017142	1	Hardware Kit (Includes Dowel Pins, Plugs and Item 14)	

SECTION 4 - BOOM

FIGURE 4-10. ROTATOR ASSEMBLY (860SJ)



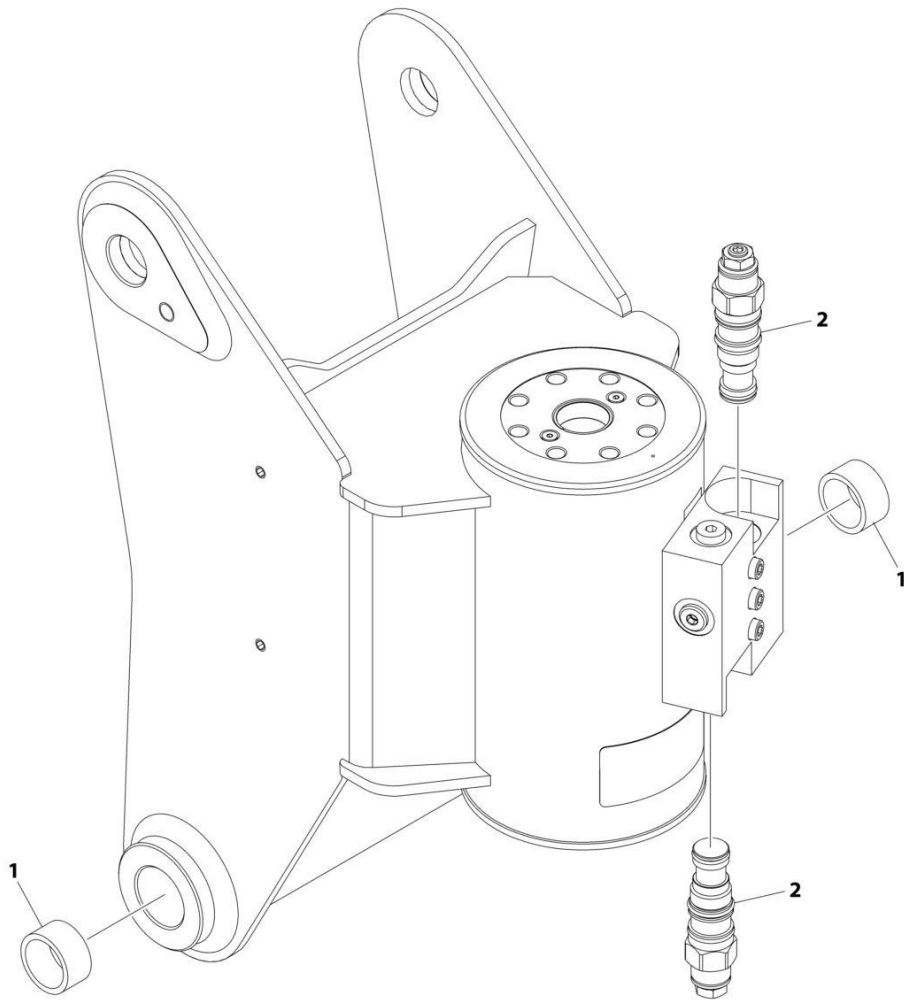
ART_1001181051

FIGURE 4-10. ROTATOR ASSEMBLY (860SJ)

ITEM	PART NUMBER	QTY	DESCRIPTION	REV
	1001181051	Ref	ROTATOR ASSEMBLY	A
1	See Note	NSS	Housing/Ring Gear Assembly (Note: Not Available - Purchase Complete Rotator Assembly)	
2	7017162	1	Shaft Weldment	
3	7017163	1	Piston/Sleeve Assembly	
4	7017164	1	Cap, End	
20	See Note	NSS	T-Seal (Note: Use Item 100)	
22	See Note	NSS	T-Seal (Note: Use Item 100)	
24	See Note	NSS	O-Ring (Note: Use Item 100)	
25	See Note	NSS	Seal (Note: Use Item 100)	
26	See Note	NSS	O-Ring (Note: Use Item 100)	
27	See Note	NSS	Ring, Back-up (Note: Use Item 100)	
32	See Note	NSS	Ring, Wear (Note: Use Item 101)	
34	See Note	NSS	Washer, Thrust (Note: Use Item 101)	
41	7017172	AR	Valve Assembly	
41A	7017192	2	Cartridge, Valve	
41A	See Note	NSS	Seal Kit - 7017192 Valve (Note: Not Available for Purchase)	
41B	See Note	3	Bolt 1/4-20NC x 1-1/2 Grade 8 (Note: Not Available - Purchase Locally)	
42	7017195	2	Bushing	
45	7017150	2	Bushing	
100	70000342	1	Seal Kit (Includes Items 20, 22, 24, 25, 27 & 33)	
101	7017159	1	Bearing Kit (Includes Items 32 & 34)	
102	7017142	1	Hardware Kit	
103	70001697	4	Screw, Countersunk 1/4 x 3/8 Grade 8	

SECTION 4 - BOOM

FIGURE 4-11. PLATFORM ROTATOR ASSEMBLY (MACHINES WITH SN STARTING WITH B3)



ART_1001276878

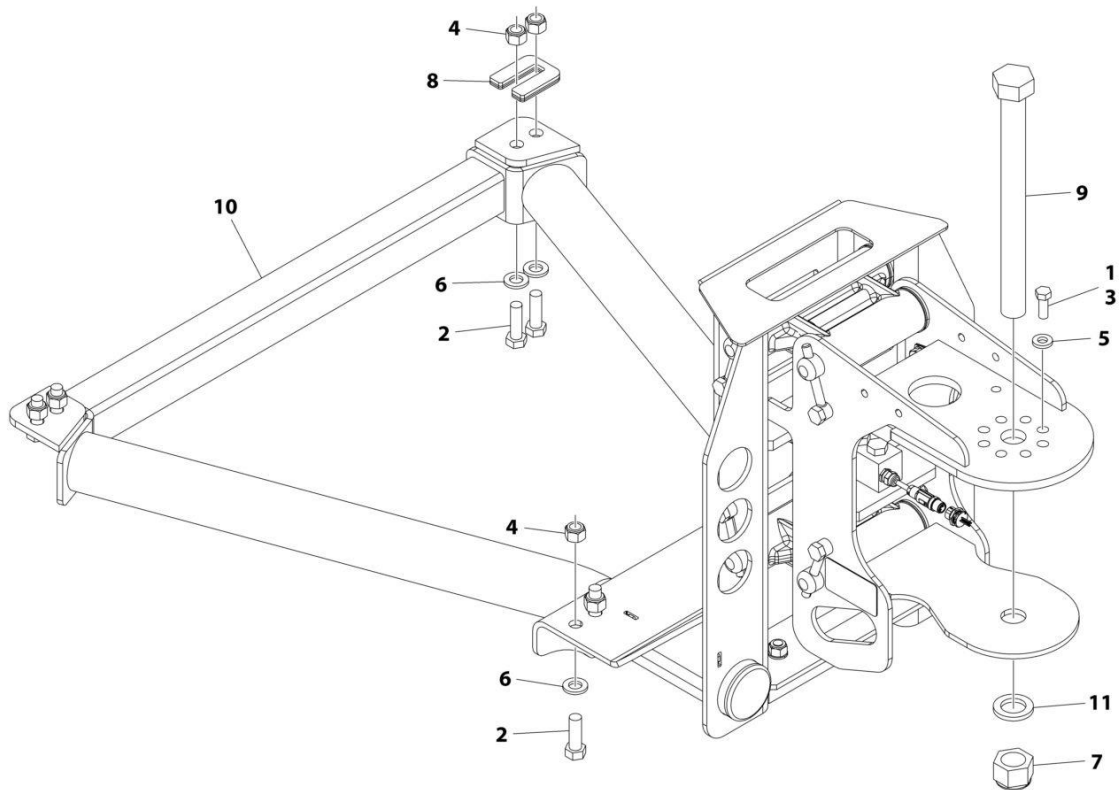
SECTION 4 - BOOM

FIGURE 4-11. PLATFORM ROTATOR ASSEMBLY (MACHINES WITH SN STARTING WITH B3)

ITEM	PART NUMBER	QTY	DESCRIPTION	REV
	1001276878	Ref	PLATFORM ROTATOR ASSEMBLY	A
	See Note	Ref	Note: No Other Service Parts Available at Time of Printing	
1	0961947	2	Bushing	
2	1001297748	2	Valve, Counterbalance	

SECTION 4 - BOOM

FIGURE 4-12. PLATFORM SUPPORT INSTALLATION - (MACHINES WITH SN STARTING WITH B3)



ART_1001299793

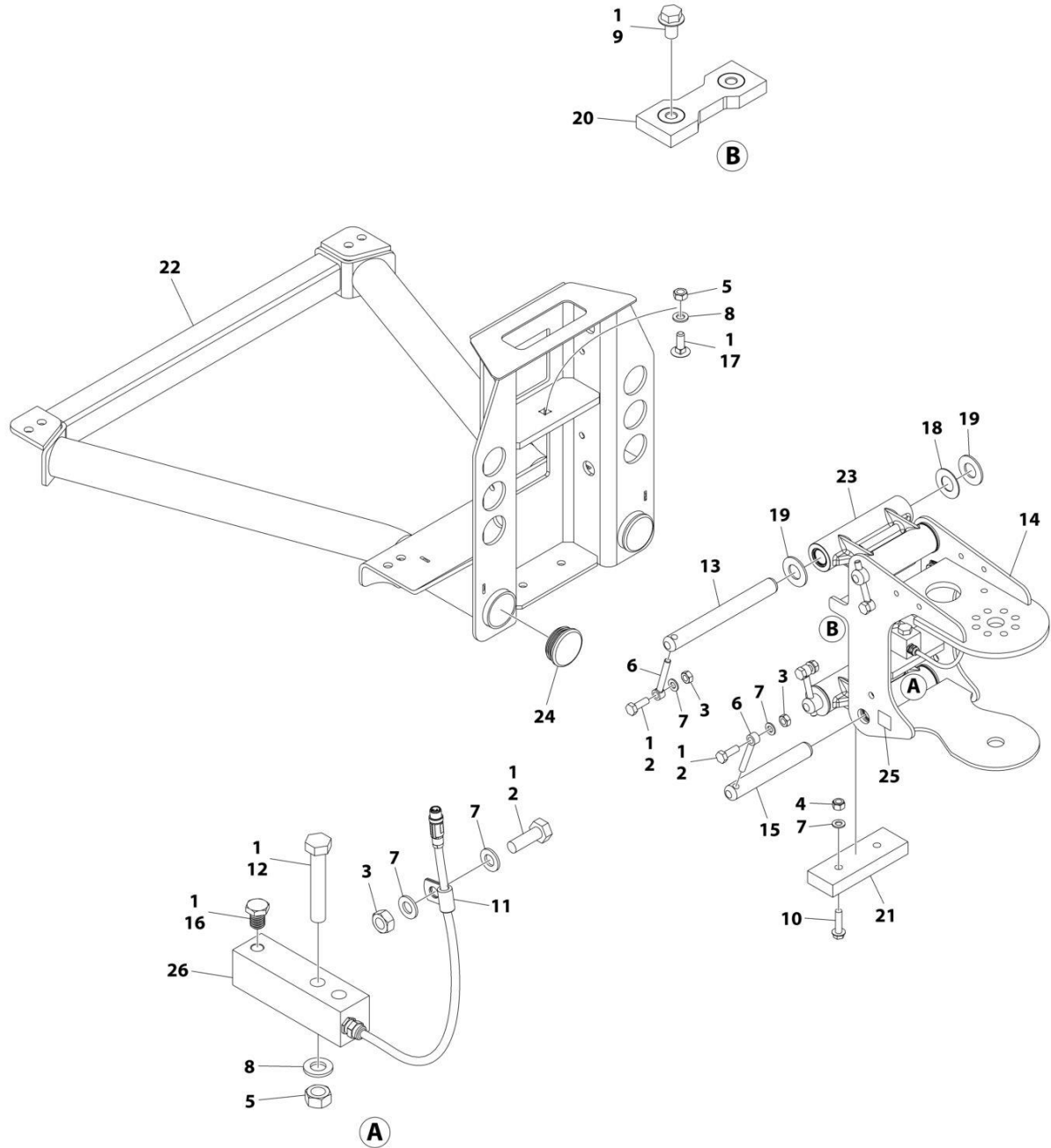
SECTION 4 - BOOM

FIGURE 4-12. PLATFORM SUPPORT INSTALLATION - (MACHINES WITH SN STARTING WITH B3)

ITEM	PART NUMBER	QTY	DESCRIPTION	REV
	1001299793	Ref	PLATFORM SUPPORT INSTALLATION	A
1	0100011	AR	Compound, Locking	
2	0761216	8	Bolt M12 x 40	
3	0771012	8	Bolt M10 x 25	
4	3291205	8	Nut M12 x 1-3/4	
5	4891600	8	Washer 3/8	
6	5241200	8	Washer M12	
7	1001174040	1	Nut	
8	1001238421	AR	Platform Leveling Kit	
8	1001238399	2	Shim M2	
8	1001238400	1	Shim M4	
9	1001255133	1	Bolt 1 x 11	
10	1001289607	1	Platform Support with LSS (See Separate Breakdown in this Section)	
11	4892600001	1	Washer 1	

SECTION 4 - BOOM

FIGURE 4-13. PLATFORM SUPPORT ASSEMBLY - (MACHINES WITH SN STARTING WITH B3)



ART_1001289607

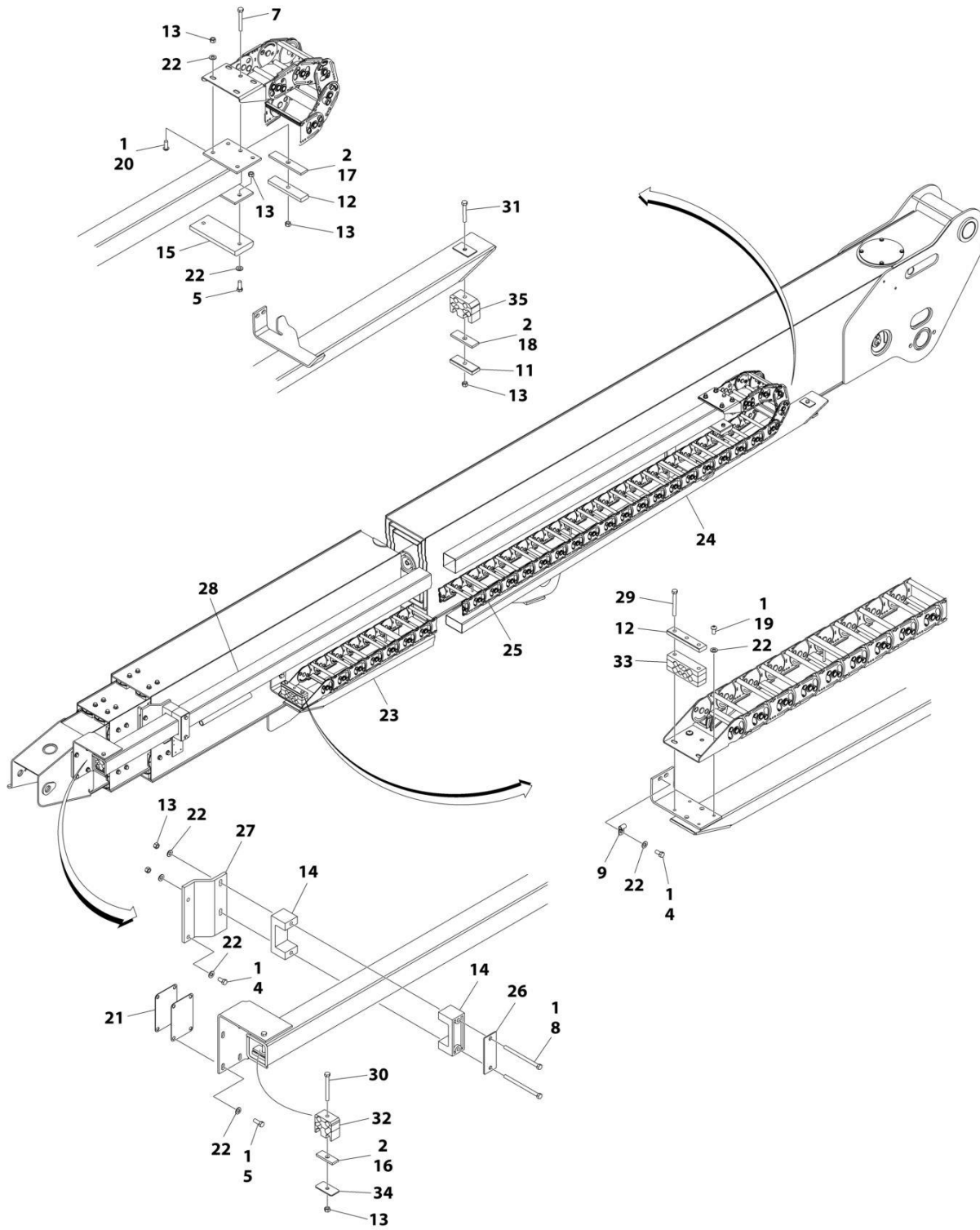
SECTION 4 - BOOM

FIGURE 4-13. PLATFORM SUPPORT ASSEMBLY - (MACHINES WITH SN STARTING WITH B3)

ITEM	PART NUMBER	QTY	DESCRIPTION	REV
	1001289607	Ref	PLATFORM SUPPORT ROTATOR INSTALLATION	A
1	0100011	AR	Compound, Locking	
2	0761014	5	Bolt M10 x 30	
3	3291001	5	Nut M10	
4	3291005	2	Nut M10	
5	3291201	3	Nut M12	
6	3841143	4	Keeper, Pin	
7	4812000	8	Washer M10	
8	4812100	3	Washer M12	
9	5251008	2	Bolt M10 x 16	
10	5251016	2	Bolt M10 x 40	
11	91203039	1	Clamp	
12	1001098828	2	Bolt M12 x 70 Grade 10.9	
13	1001167565	2	Pin	
14	1001167567	1	Support, Rotator	
15	1001168402	2	Pin	
16	1001188622	1	Screw	
17	1001188844	1	Bolt M12 x 35	
18	1001189001	4	Bearing	
19	1001189002	8	Bearing	
20	1001190985	1	Pad, Wear	
21	1001200491	1	Pad, Wear	
22	1001200494	1	Support, Platform	
23	1001201351	2	Link	
23	1001187382	4	Bearing	
23	1001187383	4	Seal	
24	1001204725	2	Plug	
25	1001216630	2	Decal - Tie Down/No Lift	
26	1001247468	1	Loadcell	

SECTION 4 - BOOM

FIGURE 4-14. POWER TRACK INSTALLATION - MAIN BOOM (800S)



ART_1001156965_C

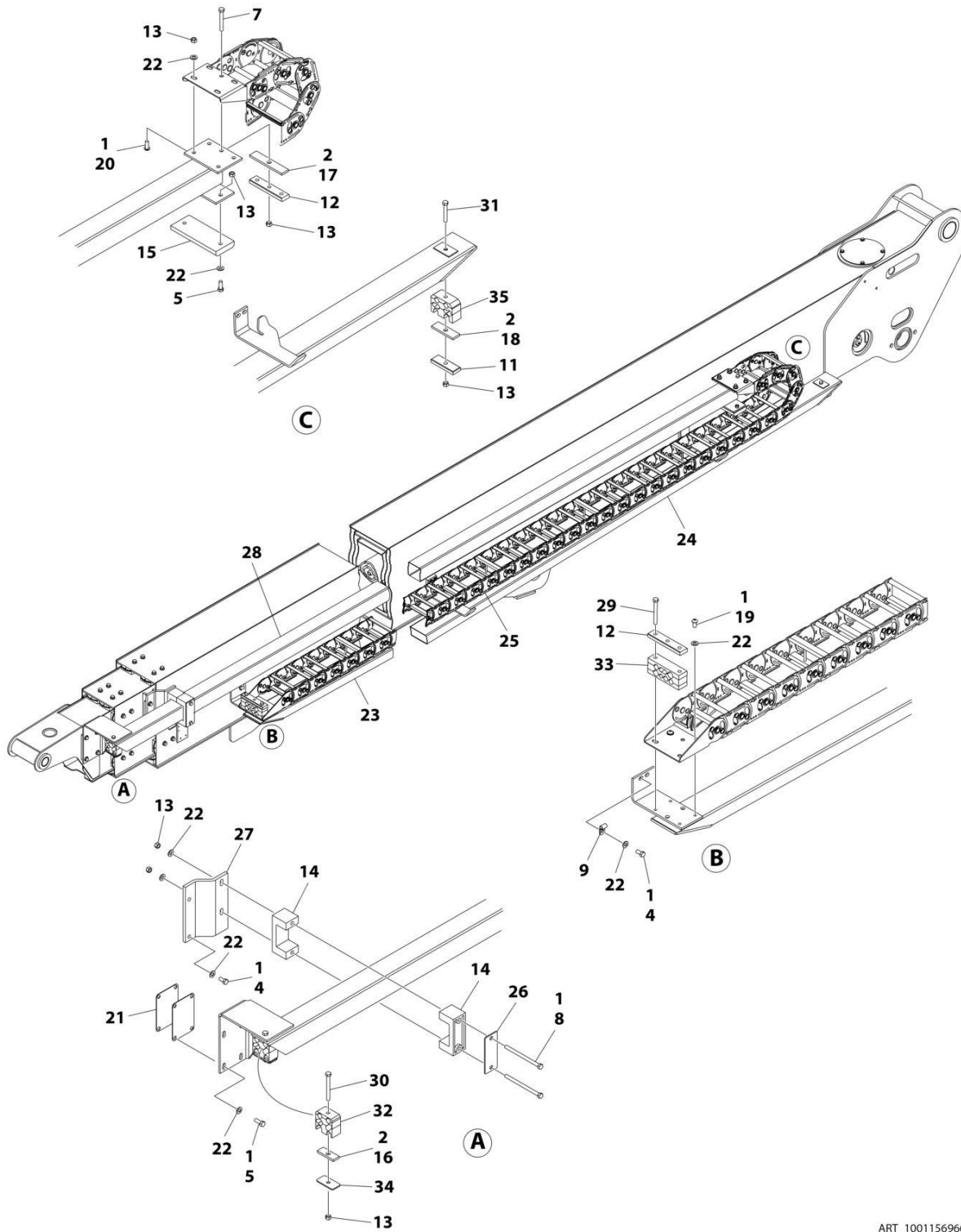
SECTION 4 - BOOM

FIGURE 4-14. POWER TRACK INSTALLATION - MAIN BOOM (800S)

ITEM	PART NUMBER	QTY	DESCRIPTION	REV
	1001156965	Ref	POWER TRACK INSTALLATION	C
1	0100011	AR	Compound, Locking	
2	0100081	AR	Adhesive	
4	0641606	12	Bolt 3/8 x 3/4	
5	0641608	6	Bolt 3/8 x 1	
7	0641622	1	Bolt 3/8 x 2-3/4	
8	0641644	2	Bolt 3/8 x 5-1/2	
9	1320263	2	Clamp, Cable	
11	1320289	1	Clamp, Hose	
12	1320294	2	Bar, Clamping	
13	3311605	11	Nut 3/8	
14	3340764	2	Pad, Wear	
15	3340787	1	Pad, Wear	
16	3340941	1	Pad, Push Tube	
17	3340942	1	Pad, Rubber	
18	3340943	1	Pad, Rubber	
19	3900283	2	Screw, Button Head 3/8 x 3/4	
20	3900316	4	Screw, Button Head 3/8 x 1	
21	4070969	2	Shim	
22	4711600	26	Washer 3/8	
23	4846553	1	Support, Push Tube	
24	4846558	1	Tube, Push	
25	1001131731	1	Power Track	
25	70003921	AR	Repair Section (Includes 1 Pin Assembly for each end)	
25	70003922	1	Mounting Feet (Includes Both Pair of Feet)	
26	1001136400	1	Plate	
27	1001156439	1	Plate	
28	1001156443	1	Tube, Push	
29	0641626	2	Bolt 3/8 x 3-1/4	
30	0641630	1	Bolt 3/8 x 3-3/4	
31	0641632	1	Bolt 3/8 x 4	
32	1001281077	1	Clamp, Block	
33	1001281168	1	Clamp, Block	
34	1001281170	1	Bar	
35	1001281171	1	Clamp, Block	

SECTION 4 - BOOM

FIGURE 4-15. POWER TRACK INSTALLATION - MAIN BOOM (860SJ)



ART_1001156966_D

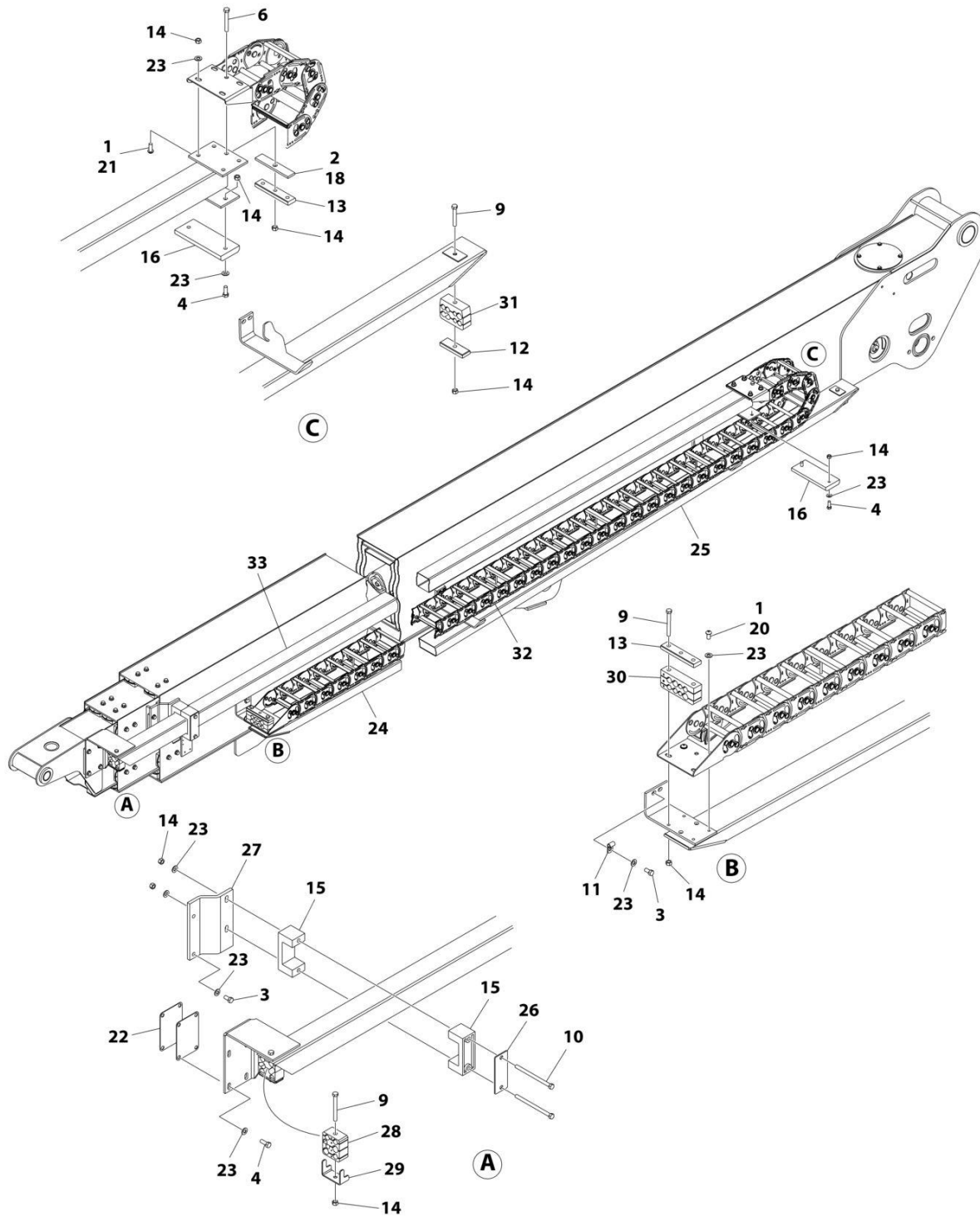
SECTION 4 - BOOM

FIGURE 4-15. POWER TRACK INSTALLATION - MAIN BOOM (860SJ)

ITEM	PART NUMBER	QTY	DESCRIPTION	REV
	1001156966	Ref	POWER TRACK INSTALLATION	D
1	0100011	AR	Compound, Locking	
2	0100081	AR	Adhesive	
4	0641606	12	Bolt 3/8 x 3/4	
5	0641608	6	Bolt 3/8 x 1	
7	0641622	1	Bolt 3/8 x 2-3/4	
8	0641644	2	Bolt 3/8 x 5-1/2	
9	1320263	2	Clamp, Cable	
11	1320289	1	Clamp, Hose	
12	1320294	2	Bar, Clamping	
13	3311605	11	Nut 3/8	
14	3340764	2	Pad, Wear	
15	3340787	1	Pad, Wear	
16	3340941	1	Pad, Push Tube	
17	3340942	1	Pad, Rubber	
18	3340943	1	Pad, Rubber	
19	3900283	2	Screw, Button Head 3/8 x 3/4	
20	3900316	4	Screw, Button Head 3/8 x 1	
21	4070969	2	Shim	
22	4711600	26	Washer 3/8	
23	4846553	1	Support, Push Tube	
24	4846558	1	Tube, Push	
25	1001131731	1	Power Track	
25	70003921	AR	Repair Section (Includes 1 Pin Assembly for each end)	
25	70003922	1	Mounting Feet (Includes Both Pair of Feet)	
26	1001136400	1	Plate	
27	1001156439	1	Plate	
28	1001291944	1	Tube, Push	
29	0641626	2	Bolt 3/8 x 3-1/4	
30	0641630	1	Bolt 3/8 x 3-3/4	
31	0641632	1	Bolt 3/8 x 4	
32	1001281077	1	Clamp, Block	
33	1001281168	1	Clamp, Block	
34	1001281170	1	Bar	
35	1001281171	1	Clamp, Block	

SECTION 4 - BOOM

FIGURE 4-16. POWERTRACK WITH PLASTIC CLAMP INSTALLATION (MACHINES WITH SN STARTING WITH B3) (EXCEPT CHINESE SPECS)



ART_1001288409_D

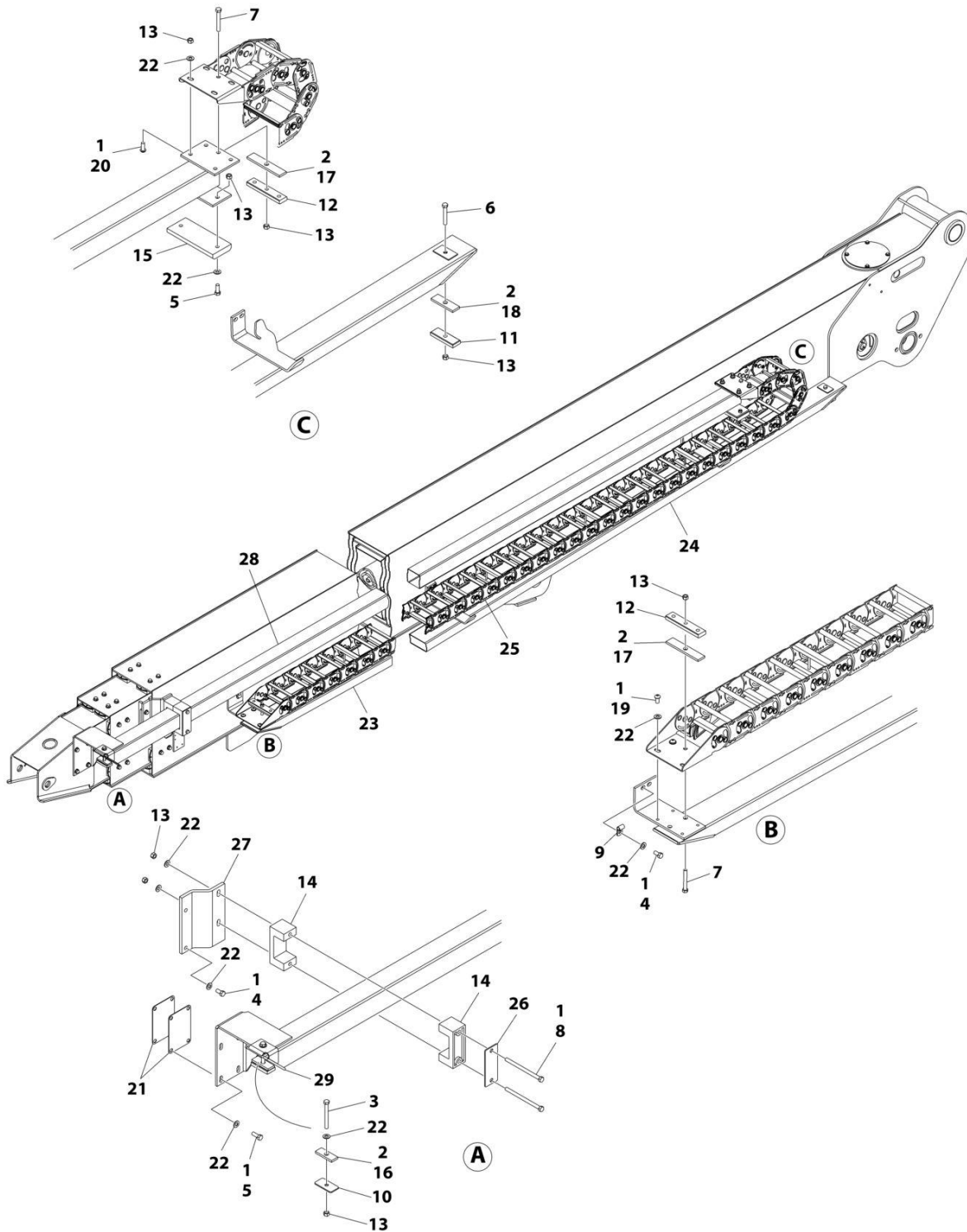
SECTION 4 - BOOM

FIGURE 4-16. POWERTRACK WITH PLASTIC CLAMP INSTALLATION (MACHINES WITH SN STARTING WITH B3) (EXCEPT CHINESE SPECS)

ITEM	PART NUMBER	QTY	DESCRIPTION	REV
	1001288409	Ref	POWERTRACK WITH STEEL CLAMP	D
1	0100011	AR	Compound, Locking	
2	0100081	AR	Adhesive	
3	0641606	12	Bolt 3/8 x 3/4	
4	0641608	6	Bolt 3/8 x 1	
6	0641622	1	Bolt 3/8 x 2-3/4	
9	0641632	1	Bolt 3/8 x 4	
10	0641644	4	Bolt 3/8 x 5-1/2	
11	1320263	2	Clamp	
12	1320289	1	Clamp	
13	1320294	2	Clamp	
14	3311605	13	Nut 3/8	
15	3340764	2	Pad	
16	3340787	1	Pad, Wear	
18	3340942	1	Pad, Rubber	
20	3900283	2	Screw 3/8 x 3/4	
21	3900316	4	Screw 3/8 x 1	
22	4070969	2	Shim	
23	4711600	26	Washer 3/8	
24	4846553	1	Support, Power Track	
25	4846558	1	Support, Power Track	
26	1001136400	1	Plate	
27	1001156439	1	Plate	
28	1001299624	1	Clamp	
29	1001295197	1	Bar, Clamp	
30	1001299648	1	Clamp	
31	1001299649	1	Clamp	
32	1001288407	1	Power Track	
33	1001291944	1	PushTube	

SECTION 4 - BOOM

FIGURE 4-17. POWERTRACK WITH STEEL CLAMP INSTALLATION (MACHINES WITH SN STARTING WITH 03) (ALL SPECS) (800S)



ART_1001292031

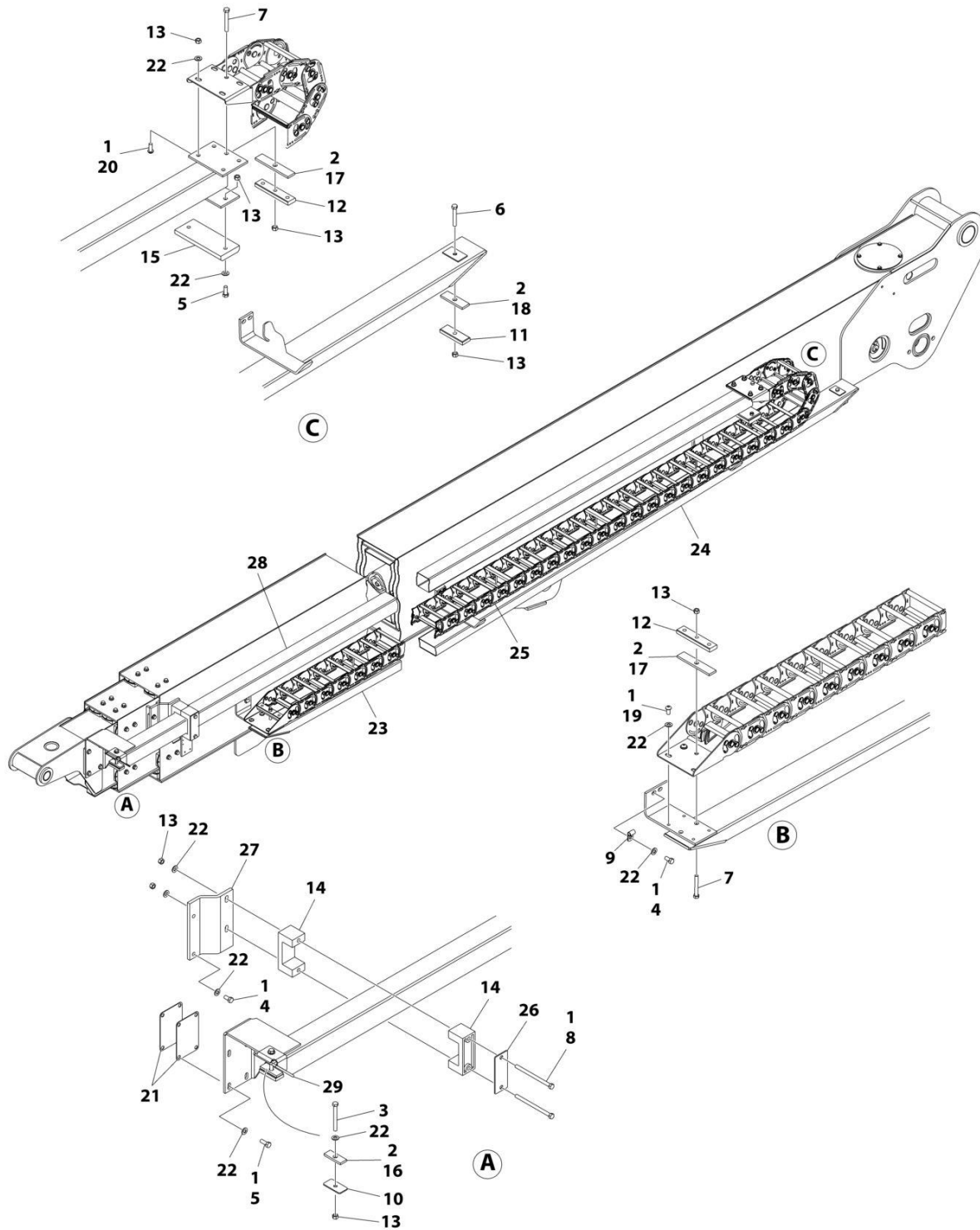
SECTION 4 - BOOM

FIGURE 4-17. POWERTRACK WITH STEEL CLAMP INSTALLATION (MACHINES WITH SN STARTING WITH 03) (ALL SPECS) (800S)

ITEM	PART NUMBER	QTY	DESCRIPTION	REV
	1001292031	Ref	POWERTRACK WITH STEEL CLAMP INSTALLATION	A
1	0100011	AR	Compound, Locking	
2	0100081	AR	Adhesive	
3	0630539	1	Screw 3/8 x 3/4	
4	0641606	12	Bolt 3/8 x 3/4	
5	0641608	6	Bolt 3/8 x 1	
6	0641620	1	Bolt 3/8 x 2-1/2	
7	0641622	2	Bolt 3/8 x 2-3/4	
8	0641644	2	Bolt 3/8 x 5-1/2	
9	1320263	2	Clamp	
10	1320288	1	Clamp	
11	1320289	1	Clamp	
12	1320294	2	Clamp	
13	3311605	12	Nut 3/8	
14	3340764	2	Pad	
15	3340787	1	Pad, Wear	
16	3340941	2	Pad, Rubber	
17	3340942	2	Pad, Rubber	
18	3340943	2	Pad, Rubber	
19	3900283	4	Screw 3/8 x 3/4	
20	3900316	4	Screw 3/8 x 1	
21	4070969	2	Shim	
22	4711600	29	Washer 3/8	
23	4846553	1	Support, Power Track	
24	4846558	1	Support, Power Track	
25	1001131731	1	Power Track	
26	1001136400	1	Plate	
27	1001156439	1	Plate	
28	1001291566	1	Push Tube	
29	1001293261	1	Bracket	

SECTION 4 - BOOM

FIGURE 4-18. POWERTRACK WITH STEEL CLAMP INSTALLATION (MACHINES WITH SN STARTING WITH 03) (ALL SPECS) (860SJ)



ART_1001292032

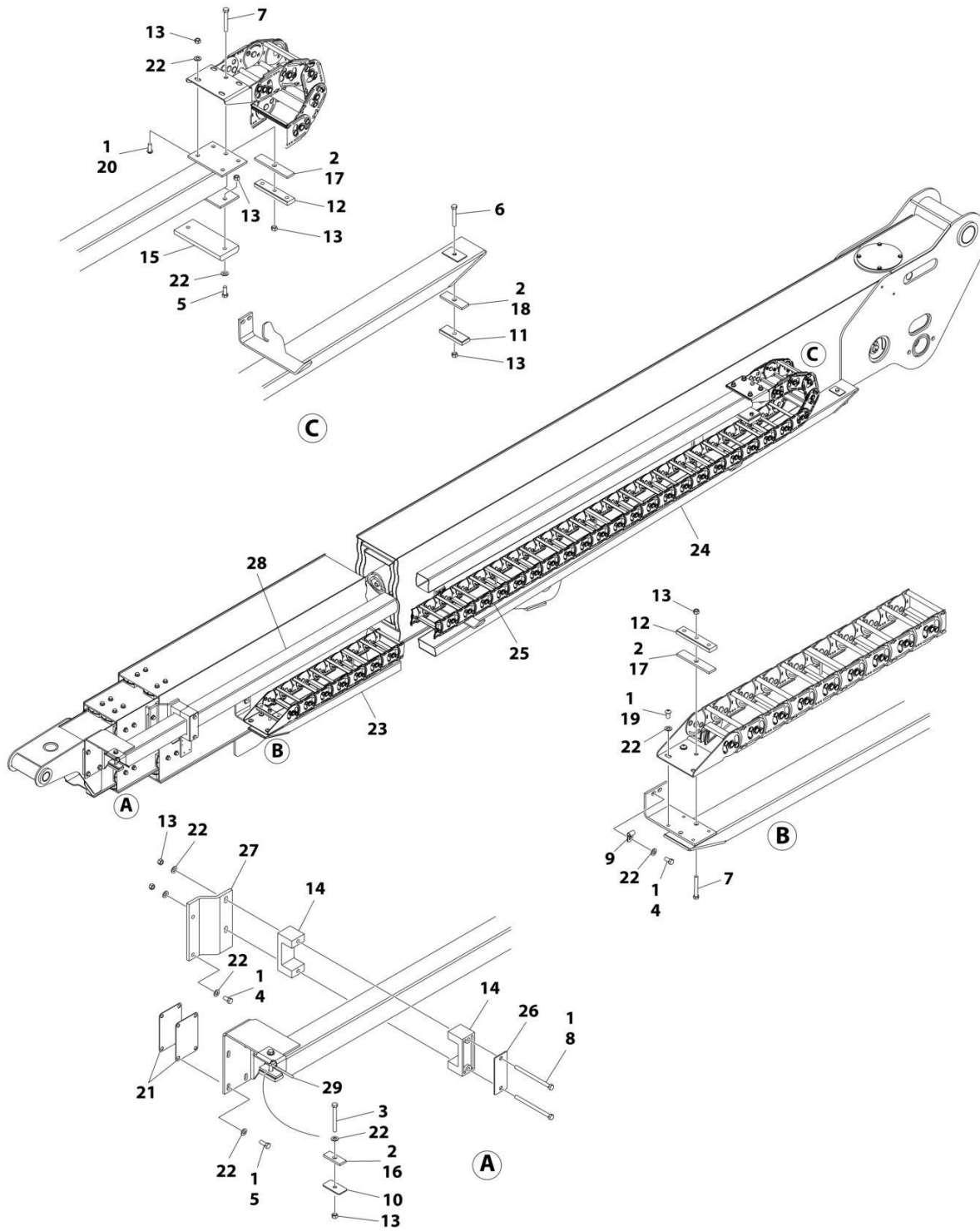
SECTION 4 - BOOM

FIGURE 4-18. POWERTRACK WITH STEEL CLAMP INSTALLATION (MACHINES WITH SN STARTING WITH 03) (ALL SPECS) (860SJ)

ITEM	PART NUMBER	QTY	DESCRIPTION	REV
	1001292032	Ref	POWERTRACK WITH STEEL CLAMP INSTALLATION	A
1	0100011	AR	Compound, Locking	
2	0100081	AR	Adhesive	
3	0630539	1	Screw 3/8 x 3/4	
4	0641606	12	Bolt 3/8 x 3/4	
5	0641608	6	Bolt 3/8 x 1	
6	0641620	1	Bolt 3/8 x 2-1/2	
7	0641622	2	Bolt 3/8 x 2-3/4	
8	0641644	2	Bolt 3/8 x 5-1/2	
9	1320263	2	Clamp	
10	1320288	1	Clamp	
11	1320289	1	Clamp	
12	1320294	2	Clamp	
13	3311605	12	Nut 3/8	
14	3340764	2	Pad	
15	3340787	1	Pad, Wear	
16	3340941	2	Pad, Rubber	
17	3340942	2	Pad, Rubber	
18	3340943	2	Pad, Rubber	
19	3900283	4	Screw 3/8 x 3/4	
20	3900316	4	Screw 3/8 x 1	
21	4070969	2	Shim	
22	4711600	29	Washer 3/8	
23	4846553	1	Support, Power Track	
24	4846558	1	Support, Power Track	
25	1001131731	1	Power Track	
26	1001136400	1	Plate	
27	1001156439	1	Plate	
28	1001291944	1	Push Tube	
29	1001293261	1	Bracket	

SECTION 4 - BOOM

FIGURE 4-19. POWERTRACK WITH STEEL CLAMP INSTALLATION (MACHINES WITH SN STARTING WITH B3) (CHINESE SPECS)



ART_1001294100

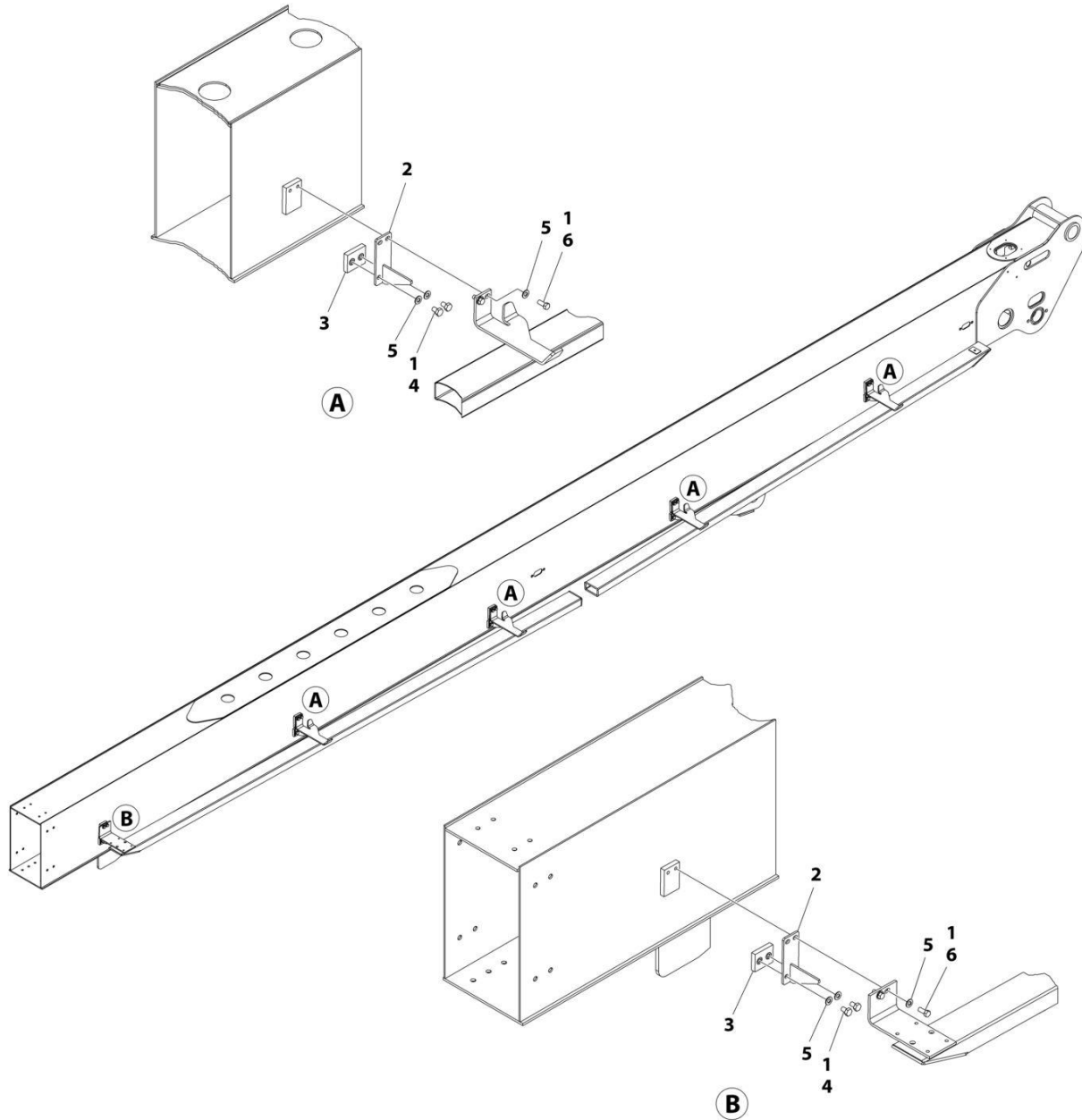
SECTION 4 - BOOM

FIGURE 4-19. POWERTRACK WITH STEEL CLAMP INSTALLATION (MACHINES WITH SN STARTING WITH B3) (CHINESE SPECS)

ITEM	PART NUMBER	QTY	DESCRIPTION	REV
	1001294100	Ref	POWERTRACK WITH STEEL CLAMP	A
1	0100011	AR	Compound, Locking	
2	0100081	AR	Adhesive	
3	0630539	1	Screw 3/8 x 3/4	
4	0641606	12	Bolt 3/8 x 3/4	
5	0641608	6	Bolt 3/8 x 1	
6	0641620	1	Bolt 3/8 x 2-1/2	
7	0641622	2	Bolt 3/8 x 2-3/4	
8	0641644	2	Bolt 3/8 x 5-1/2	
9	1320263	2	Clamp	
10	1320288	1	Clamp	
11	1320289	1	Clamp	
12	1320294	2	Clamp	
13	3311605	12	Nut 3/8	
14	3340764	2	Pad	
15	3340787	1	Pad, Wear	
16	3340941	2	Pad, Rubber	
17	3340942	2	Pad, Rubber	
18	3340943	2	Pad, Rubber	
19	3900283	4	Screw 3/8 x 3/4	
20	3900316	4	Screw 3/8 x 1	
21	4070969	2	Shim	
22	4711600	29	Washer 3/8	
23	4846553	1	Support, Power Track	
24	4846558	1	Support, Power Track	
25	1001288407	1	Power Track	
26	1001136400	1	Plate	
27	1001156439	1	Plate	
28	1001291944	1	Push Tube	
29	1001293261	1	Bracket	

SECTION 4 - BOOM

FIGURE 4-20. POWER TRACK SUPPORT BRACKET INSTALLATION - MAIN BOOM (860SJ)



ART_1001241698

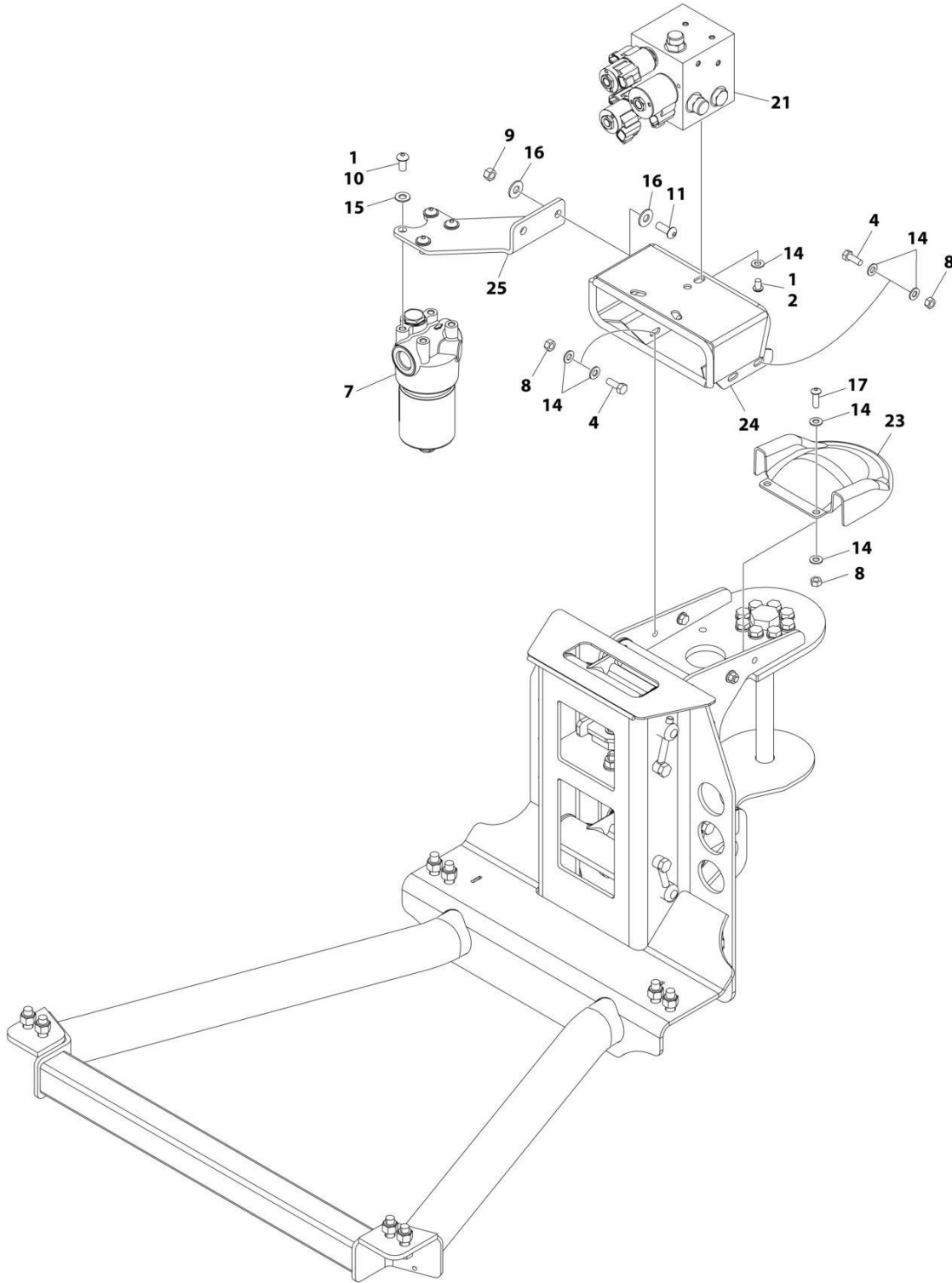
SECTION 4 - BOOM

FIGURE 4-20. POWER TRACK SUPPORT BRACKET INSTALLATION - MAIN BOOM (860SJ)

ITEM	PART NUMBER	QTY	DESCRIPTION	REV
	1001241698	Ref	POWER TRACK SUPPORT BRACKET INSTALLATION	A
1	0100011	AR	Compound, Locking	
2	1001241694	5	Bracket	
3	1001241697	5	Pad, Wear	
4	0761008	10	Bolt M10 x 16	
5	4711600	20	Washer 3/8	
6	0641607	10	Bolt 3/8 x 7/8	

SECTION 4 - BOOM

FIGURE 4-21. CONTROL VALVE INSTALLATION (800S)



ART_1001219979_20F2

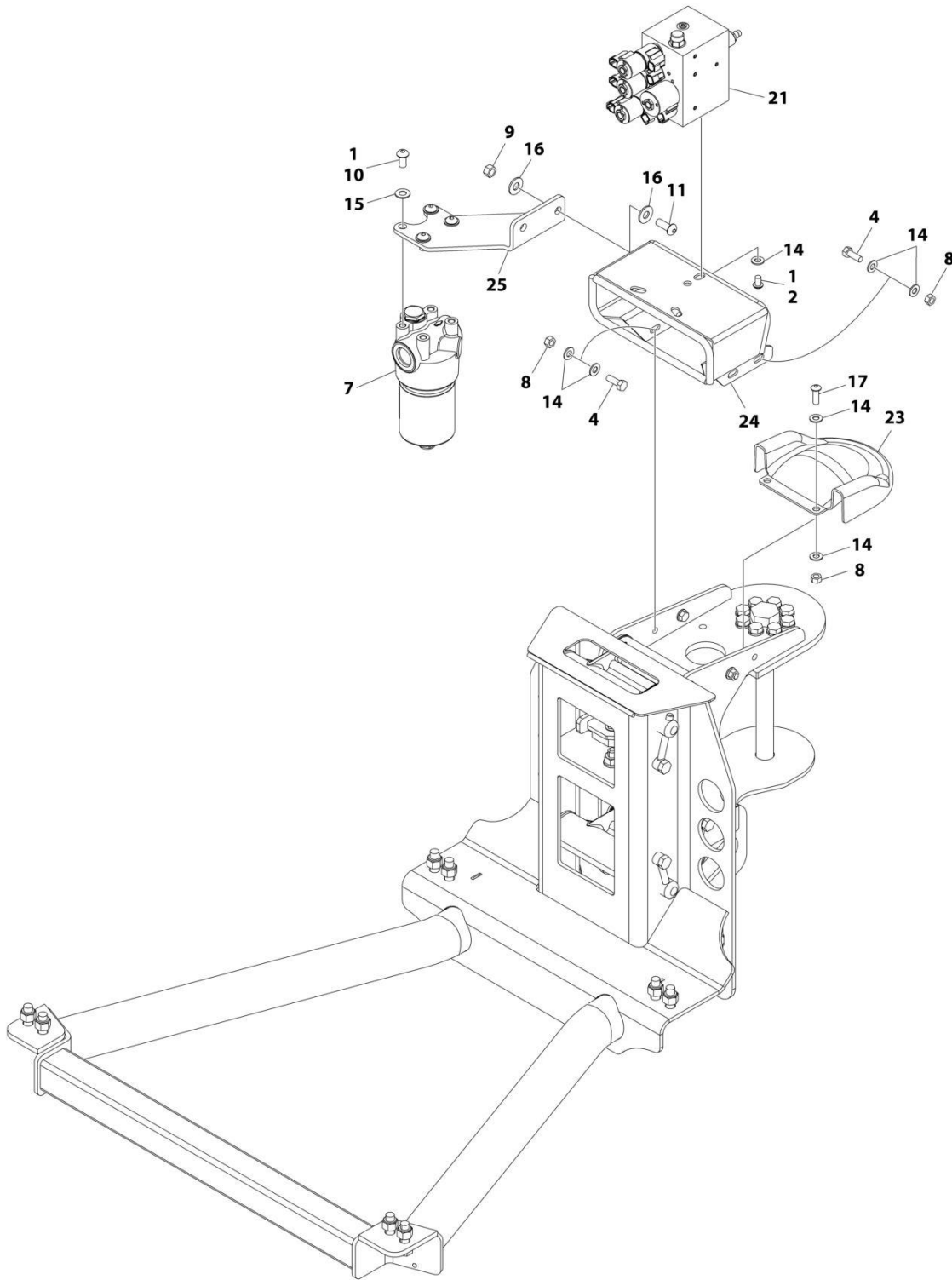
SECTION 4 - BOOM

FIGURE 4-21. CONTROL VALVE INSTALLATION (800S)

ITEM	PART NUMBER	QTY	DESCRIPTION	REV
	1001219979	Ref	CONTROL VALVE INSTALLATION	B
1	0100011	AR	Compound, Locking	
2	0630467	3	Screw, Button Head	
4	0641507	4	Bolt 5/16 x 7/8	
7	2120217	1	Filter, High Pressure	
7	70002097	1	Element, Filter	
7	70001499	1	Kit, Seal	
7	70004328	1	Plug, Indicator	
8	3311505	6	Nut 5/16	
9	3311605	2	Nut 3/8	
10	3900283	4	Screw 3/8 x 3/4	
11	3900316	2	Screw 3/8 x 1	
14	4711500	15	Washer 5/16	
15	4711600	4	Washer 3/8	
16	4751600	4	Washer 3/8	
17	88261024	2	Screw 5/16 x 1	
21	1001244114	1	Valve, Platform (See Separate Breakdown in this Section)	
22	1001168025	1	Upper Valve Harness (not shown)	
22	4460926	1	Connector - 21 Position	
22	1001126008	8	Terminal	
22	1001126009	6	Terminal (Gold)	
22	4460911	2	Connector 3 Position	
22	1001126009	6	Terminal (Gold)	
22	4460891	7	Connector 2 Position	
22	4460465	14	Terminal	
23	1001207969	1	Cover	
24	1001208994	1	Plate, Valve Mounting	
25	1001222314	1	Bracket, Filter Mounting	

SECTION 4 - BOOM

FIGURE 4-22. CONTROL VALVE INSTALLATION (860SJ)



ART_1001219980_20F2

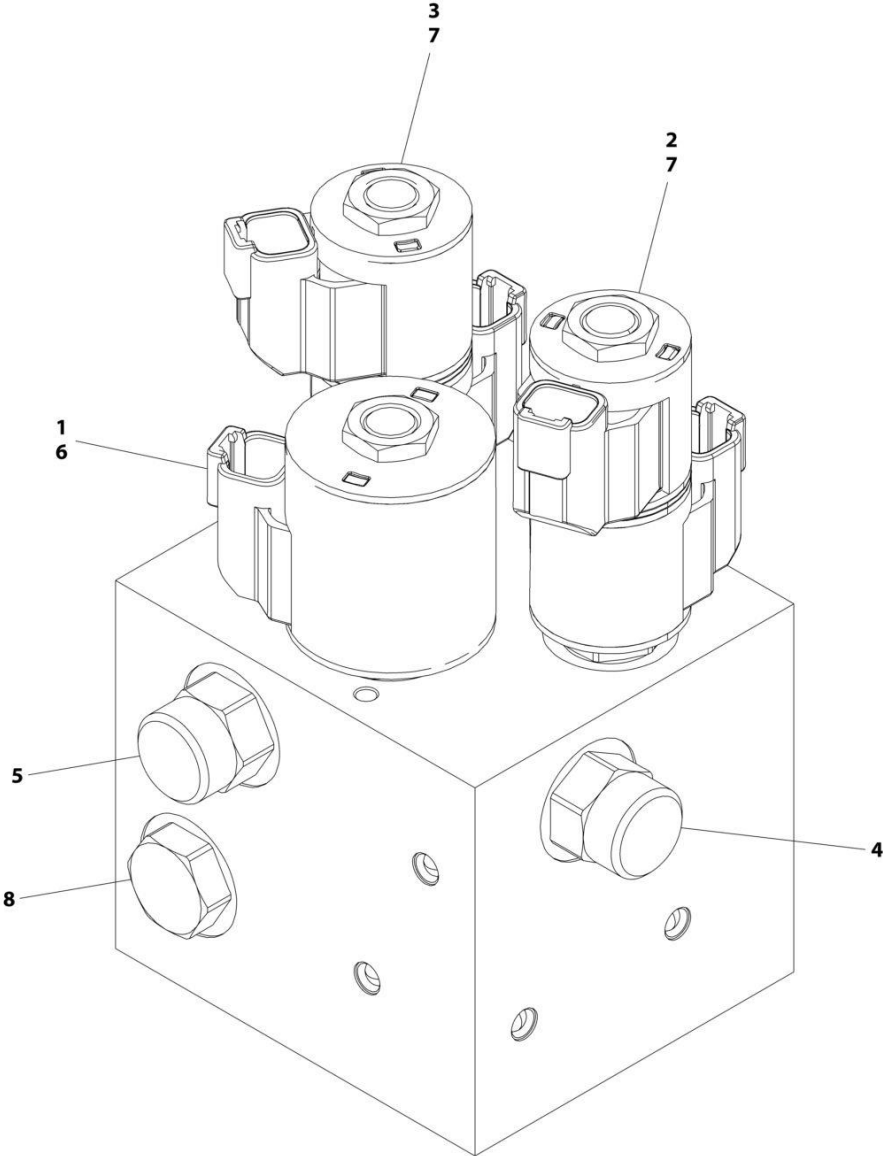
SECTION 4 - BOOM

FIGURE 4-22. CONTROL VALVE INSTALLATION (860SJ)

ITEM	PART NUMBER	QTY	DESCRIPTION	REV
	1001219980	Ref	CONTROL VALVE INSTALLATION	B
1	0100011	AR	Compound, Locking	
2	0630467	3	Screw, Button Head	
4	0641507	4	Bolt 5/16 x 7/8	
7	2120217	1	Filter, High Pressure	
7	70002097	1	Element, Filter	
7	70001499	1	Kit, Seal	
7	70004328	1	Plug, Indicator	
8	3311505	6	Nut 5/16	
9	3311605	2	Nut 3/8	
10	3900283	4	Screw 3/8 x 3/4	
11	3900316	2	Screw 3/8 x 1	
14	4711500	15	Washer 5/16	
15	4711600	4	Washer 3/8	
16	4751600	4	Washer 3/8	
17	88261024	2	Screw 5/16 x 1	
21	1001235901	1	Valve, Platform (See Separate Breakdown in this Section)	
22	1001168025	1	Upper Valve Harness (not shown)	
22	4460926	1	Connector - 21 Position	
22	1001126008	8	Terminal	
22	1001126009	6	Terminal (Gold)	
22	4460911	2	Connector 3 Position	
22	1001126009	6	Terminal (Gold)	
22	4460891	7	Connector 2 Position	
22	4460465	14	Terminal	
23	1001207969	1	Cover	
24	1001208994	1	Plate, Valve Mounting	
25	1001222314	1	Bracket, Filter Mounting	

SECTION 4 - BOOM

FIGURE 4-23. PLATFORM VALVE ASSEMBLY (800S)



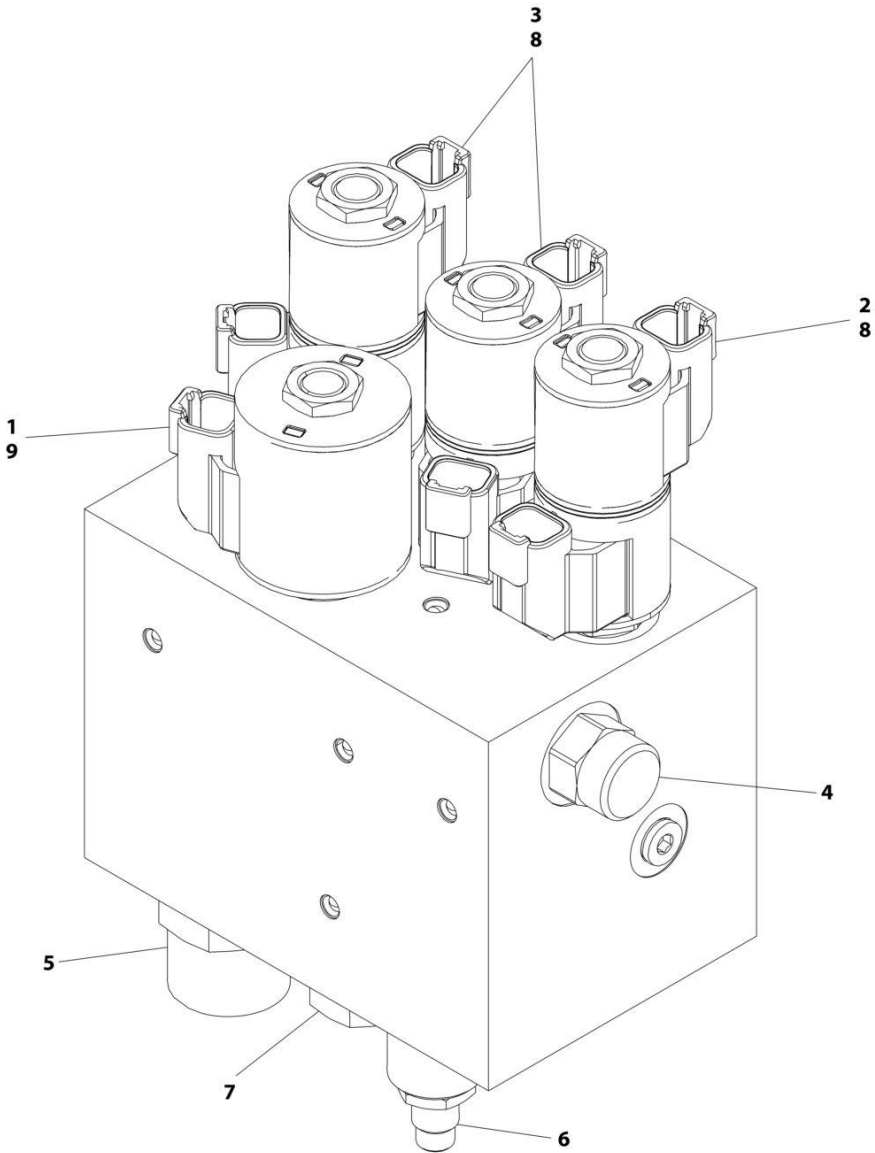
ART_1001244114

FIGURE 4-23. PLATFORM VALVE ASSEMBLY (800S)

ITEM	PART NUMBER	QTY	DESCRIPTION	REV
	1001244114	Ref	PLATFORM VALVE ASSEMBLY	B
1	7012995	1	Cartridge, Solenoid Valve (Pressure)	
1	7012518	1	Seal Kit - 7012995 Valve	
2	7017452	1	Cartridge, Solenoid Valve (Platform Rotator)	
2	7017402	1	Seal Kit - 7017452 Valve	
3	7023922	1	Cartridge, Solenoid Valve (Platform Level)	
3	7017402	1	Seal Kit - 7023922 Valve	
4	7012989	1	Cartridge, Valve (Flow Regulator)	
4	7012953	1	Seal Kit - 7012989 Valve	
5	7017446	1	Cartridge, Valve (Flow Regulator)	
5	7012953	1	Seal Kit - 7023984 & 7017446 Valves	
6	70003788	1	Coil	
7	70002386	4	Coil	
8	7012955	1	Cartridge, Valve (Check Valve)	
8	7012967	1	Seal Kit - 7012955 Valve	
9	70004582	1	Orifice (Not Shown - Located on Back at Port T)	

SECTION 4 - BOOM

FIGURE 4-24. PLATFORM VALVE ASSEMBLY (860SJ)



ART_1001235901

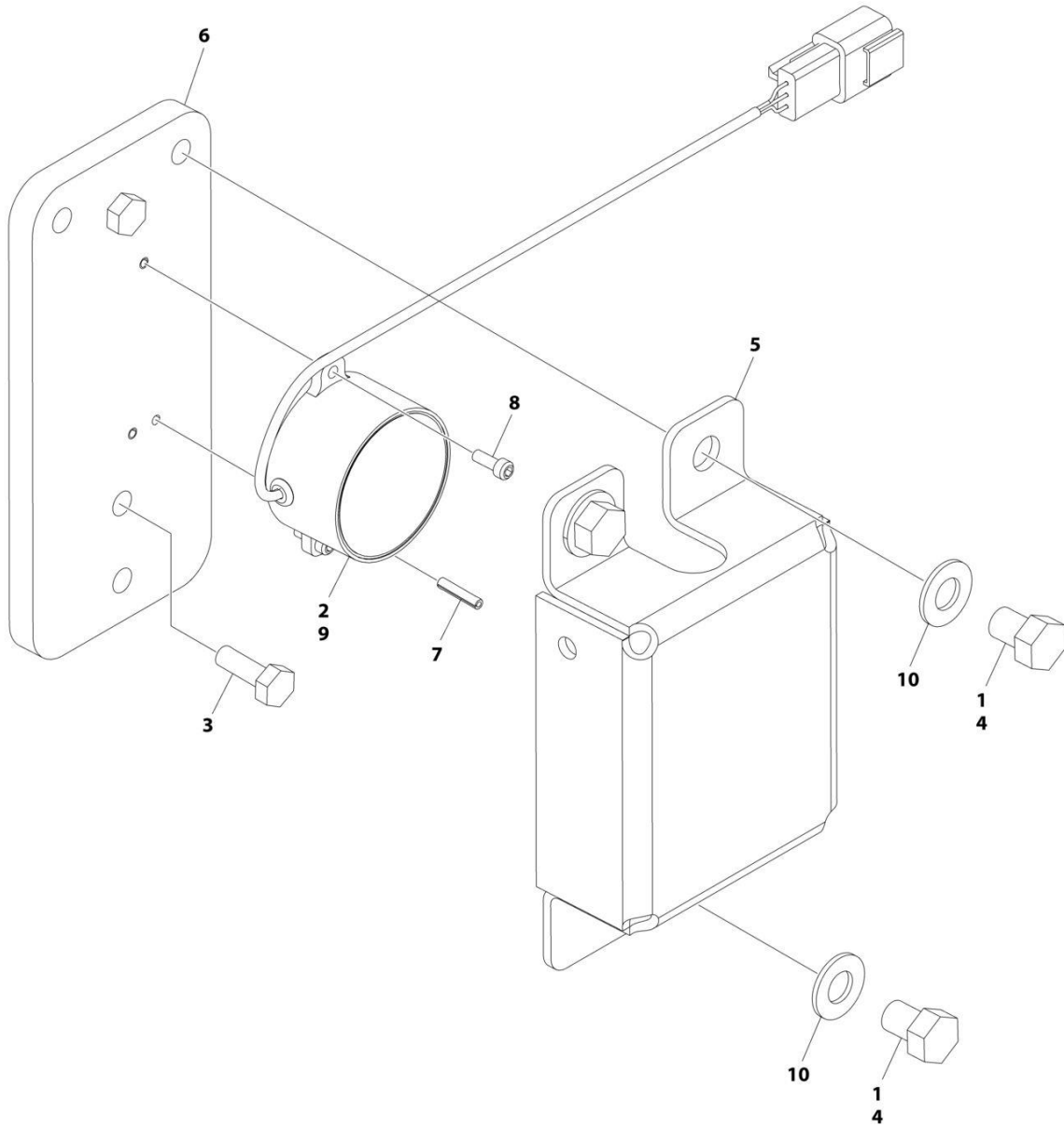
SECTION 4 - BOOM

FIGURE 4-24. PLATFORM VALVE ASSEMBLY (860SJ)

ITEM	PART NUMBER	QTY	DESCRIPTION	REV
	1001235901	Ref	PLATFORM VALVE ASSEMBLY	A
1	7012995	1	Cartridge, Solenoid Valve (Pressure)	
1	7012518	1	Seal Kit - 7012955 Valve	
2	7017452	1	Cartridge, Solenoid Valve (Platform Rotator)	
2	7017402	1	Seal Kit - 7017452 Valve	
3	7023922	2	Cartridge, Solenoid Valve (Platform Jib & Platform Level)	
3	7017402	2	Seal Kit - 7023922 Valve	
4	7012989	1	Cartridge, Valve (Flow Regulator)	
4	7012953	1	Seal Kit - 7012989 Valve	
5	7023984	NLA	Cartridge, Valve (use p/n 7017446)	
5	7017446	1	Cartridge, Valve (Flow Regulator)	
5	7012953	1	Seal Kit - 7023984 Valve	
6	70004578	1	Cartridge, Valve	
6	7021653	1	Seal Kit - 70004578 Valve	
7	7012955	1	Cartridge, Valve (Check Valve)	
7	7012967	1	Seal Kit - 7012955 Valve	
8	70002386	6	Coil	
9	70003788	1	Coil	
10	70004582	1	Orifice (Not Shown - Located on Back at Port T)	

SECTION 4 - BOOM

FIGURE 4-25. LEVEL SENSOR SWITCH INSTALLATION



ART_0273695

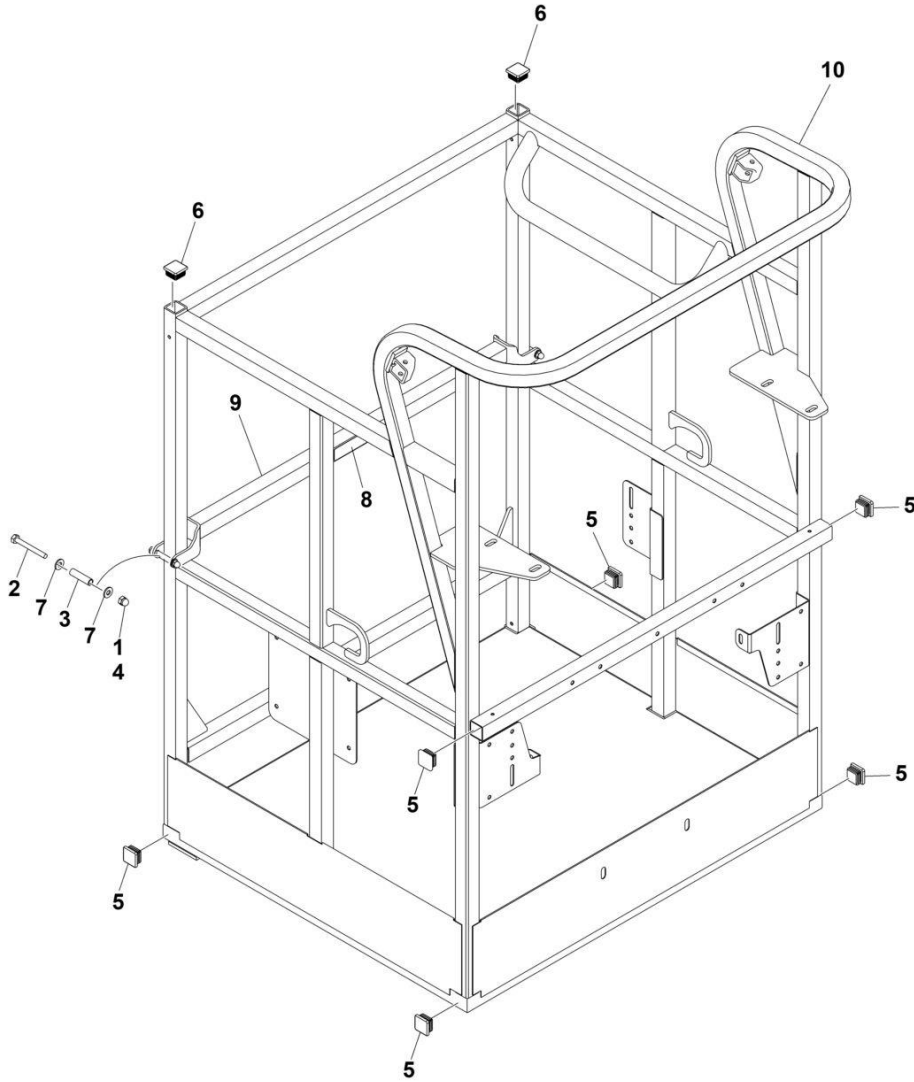
FIGURE 4-25. LEVEL SENSOR SWITCH INSTALLATION

ITEM	PART NUMBER	QTY	DESCRIPTION	REV
	0273695	Ref	LEVEL SENSOR SWITCH INSTALLATION	D
1	0100011	AR	Compound, Locking	
2	0100035	AR	Compound, Locking	
3	0641406	4	Bolt 1/4 x 3/4	
4	0641604	6	Bolt 3/8 x 1/2	
5	1671044	2	Cover, Sensor	
6	3200449	2	Mount, Sensor	
7	3440410	2	Rollpin	
8	3930606	4	Capscrew #6 x 3/8	
9	1001147479	2	Sensor	
10	4711600	6	Washer 3/8	

SECTION 5 - PLATFORM

SECTION 5 - PLATFORM

FIGURE 5-1. PLATFORM ASSEMBLY WITH DROP-BAR - 30IN X 3FT (76CM X 1M)



ART_1001228215

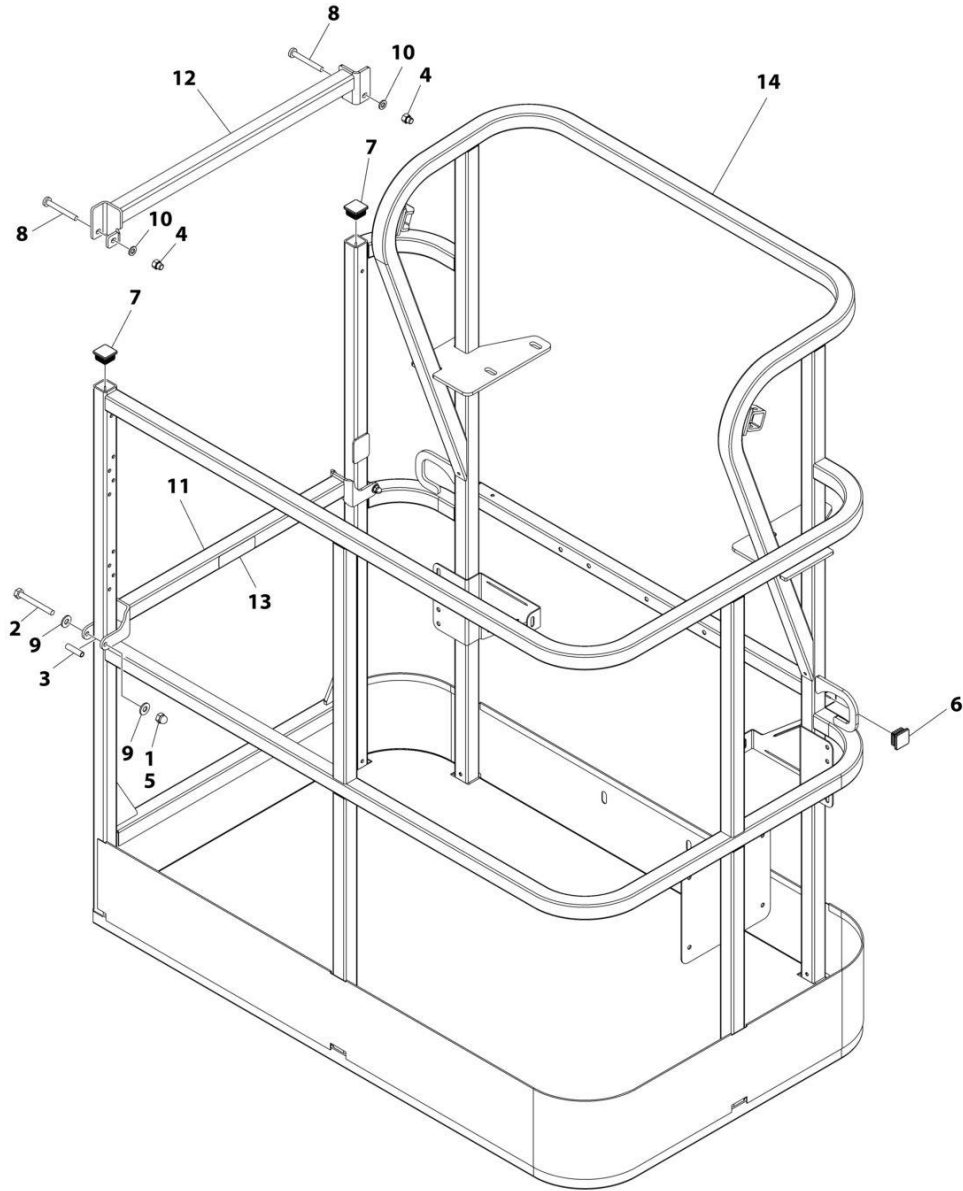
SECTION 5 - PLATFORM

FIGURE 5-1. PLATFORM ASSEMBLY WITH DROP-BAR - 30IN X 3FT (76CM X 1M)

ITEM	PART NUMBER	QTY	DESCRIPTION	REV
	1001228215	Ref	PLATFORM ASSEMBLY	A
	See Note	Ref	Note: Platform and Mesh must be ordered separately for Platforms with Mesh. See SPECIAL OPTIONS SECTION for Mesh Installations.	
	See Note	Ref	Note: Replacement Decals Must be Ordered Separately - See DECAL SECTION.	
1	0100011	AR	Compound, Locking	
2	0641418	2	Bolt 1/4 x 2-1/4	
3	0961845	2	Bushing	
4	3300151	2	Nut 1/4	
5	3520072	6	Cap, Plug	
6	3520198	2	Cap, Plug	
7	4711400	4	Washer 1/4	
8	1001140429	1	Decal - Drop Bar	
9	1001226872	1	Bar, Drop	
10	See Note	NSS	Platform (Note: Not Available - Purchase Platform Assembly)	

SECTION 5 - PLATFORM

FIGURE 5-2. PLATFORM ASSEMBLY WITH DROP-BAR - 30IN X 4FT (76CM X 1.22M)



ART_1001186375

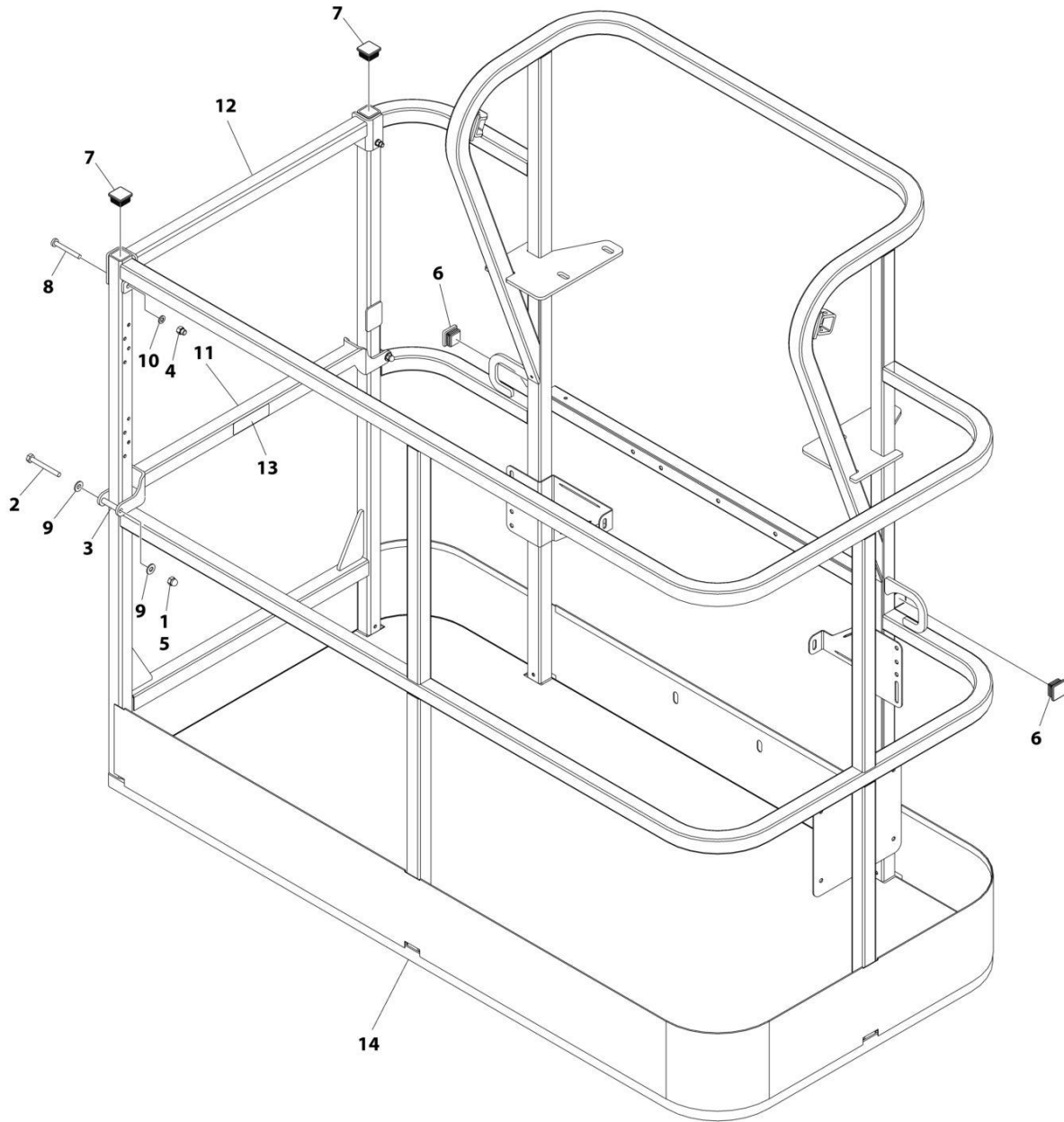
SECTION 5 - PLATFORM

FIGURE 5-2. PLATFORM ASSEMBLY WITH DROP-BAR - 30IN X 4FT (76CM X 1.22M)

ITEM	PART NUMBER	QTY	DESCRIPTION	REV
	1001186375	Ref	PLATFORM ASSEMBLY	B
		Ref	Note: Platform and Mesh must be ordered separately for Platforms with Mesh. See SPECIAL OPTIONS SECTION for Mesh Installations.	
		Ref	Note: Replacement Decals Must be Ordered Separately - See DECALS SECTION.	
1	0100011	AR	Compound, Locking	
2	0641418	2	Bolt 1/4 x 2-1/4	
3	0961845	2	Bushing	
4	3290606	2	Nut M6	
5	3300151	2	Nut 1/4	
6	3520072	2	Plug	
7	3520198	2	Plug	
8	4010618	2	Screw M6 x 50	
9	4711400	4	Washer 1/4	
10	4811700	2	Washer M6	
11	1001138494	1	Bar, Drop	
12	1001138514	1	Rail - Top	
13	1001140429	1	Decal - Drop Bar	
14	See Note	1	Platform (Note: Not Available - Purchase Platform Assembly)	

SECTION 5 - PLATFORM

FIGURE 5-3. PLATFORM ASSEMBLY WITH DROP-BAR - 30IN X 5FT (76CM X 1.52M)



ART_1001186377

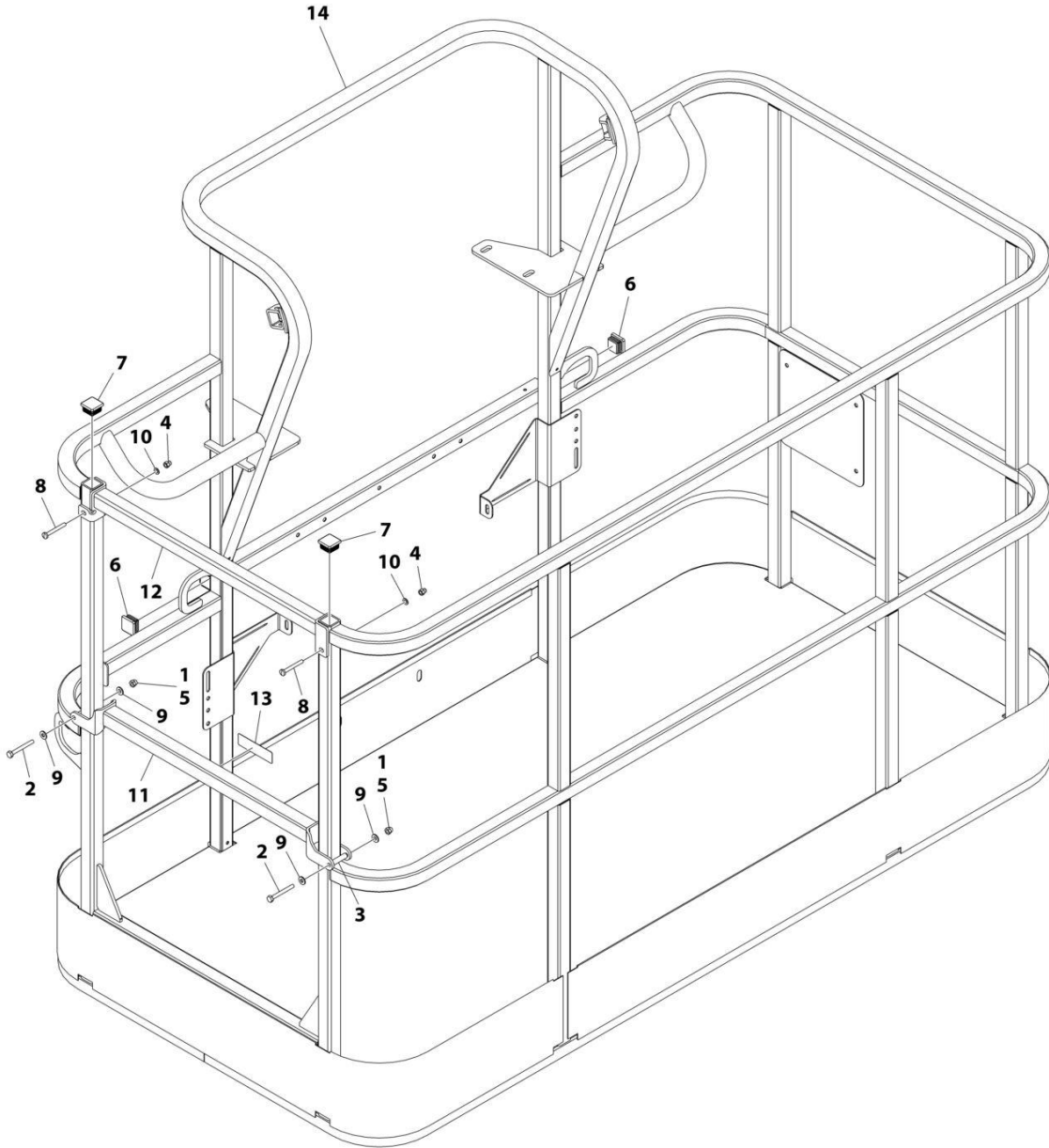
SECTION 5 - PLATFORM

FIGURE 5-3. PLATFORM ASSEMBLY WITH DROP-BAR - 30IN X 5FT (76CM X 1.52M)

ITEM	PART NUMBER	QTY	DESCRIPTION	REV
	1001186377	Ref	PLATFORM ASSEMBLY	C
		Ref	Note: Platform and Mesh must be ordered separately for Platforms with Mesh. See SPECIAL OPTIONS SECTION for Mesh Installations.	
		Ref	Note: Replacement Decals Must be Ordered Separately - See DECALS SECTION.	
1	0100011	AR	Compound, Locking	
2	0641420	2	Bolt 1/4 x 2-1/2	
3	0961845	2	Bushing	
4	3290606	2	Nut M6	
5	3300151	2	Nut 1/4	
6	3520072	2	Plug	
7	3520198	2	Plug	
8	4010618	2	Screw M6 x 50	
9	4711400	4	Washer 1/4	
10	4811700	2	Washer M6	
11	1001138494	1	Bar, Drop	
12	1001138514	1	Rail (Top)	
13	1001140429	1	Decal - Drop Bar	
14	See Note	NSS	Platform (Note: Not Available - Purchase Platform Assembly)	

SECTION 5 - PLATFORM

FIGURE 5-4. PLATFORM ASSEMBLY WITH DROP-BAR - 36IN X 6FT (91.5CM X 1.83M)



ART_1001186379

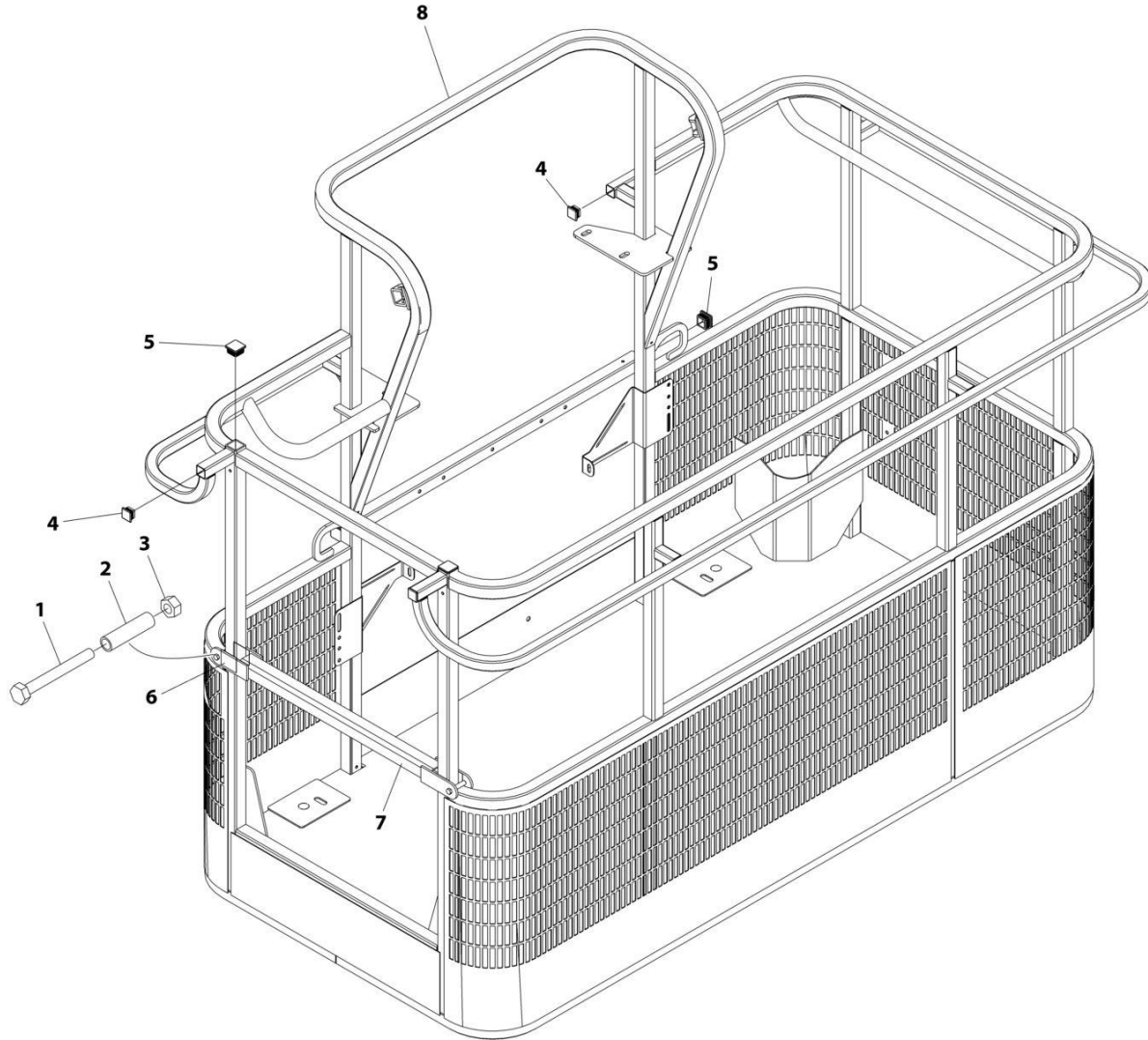
SECTION 5 - PLATFORM

FIGURE 5-4. PLATFORM ASSEMBLY WITH DROP-BAR - 36IN X 6FT (91.5CM X 1.83M)

ITEM	PART NUMBER	QTY	DESCRIPTION	REV
	1001186379	Ref	PLATFORM ASSEMBLY - 36IN X 6FT (91.5CM X 1.83M) WITH DROP BAR	B
		Ref	Note: Platform and Mesh must be ordered separately for Platforms with Mesh. See SPECIAL OPTIONS SECTION for Mesh Installations.	
		Ref	Note: Replacement Decals Must be Ordered Separately - See DECALS SECTION.	
1	0100011	AR	Compound, Locking	
2	0641418	2	Bolt 1/4 x 2-1/4	
3	0961845	2	Bushing	
4	3290606	2	Nut M6	
5	3300151	2	Nut 1/4	
6	3520072	2	Plug	
7	3520198	2	Plug	
8	4010618	2	Screw M6 x 50	
9	4711400	4	Washer 1/4	
10	4811700	2	Washer M6	
11	1001138494	1	Bar, Drop	
12	1001138514	1	Rail (Top)	
13	1001140429	1	Decal - Drop Bar	
14	See Note	NSS	Platform (Note: Not Available - Purchase Platform Assembly)	

SECTION 5 - PLATFORM

FIGURE 5-5. PLATFORM ASSEMBLY WITH DROP BAR - 36IN X 6FT (91.5CM X 1.83M) (SHIPYARD MACHINES)



ART_1001186374

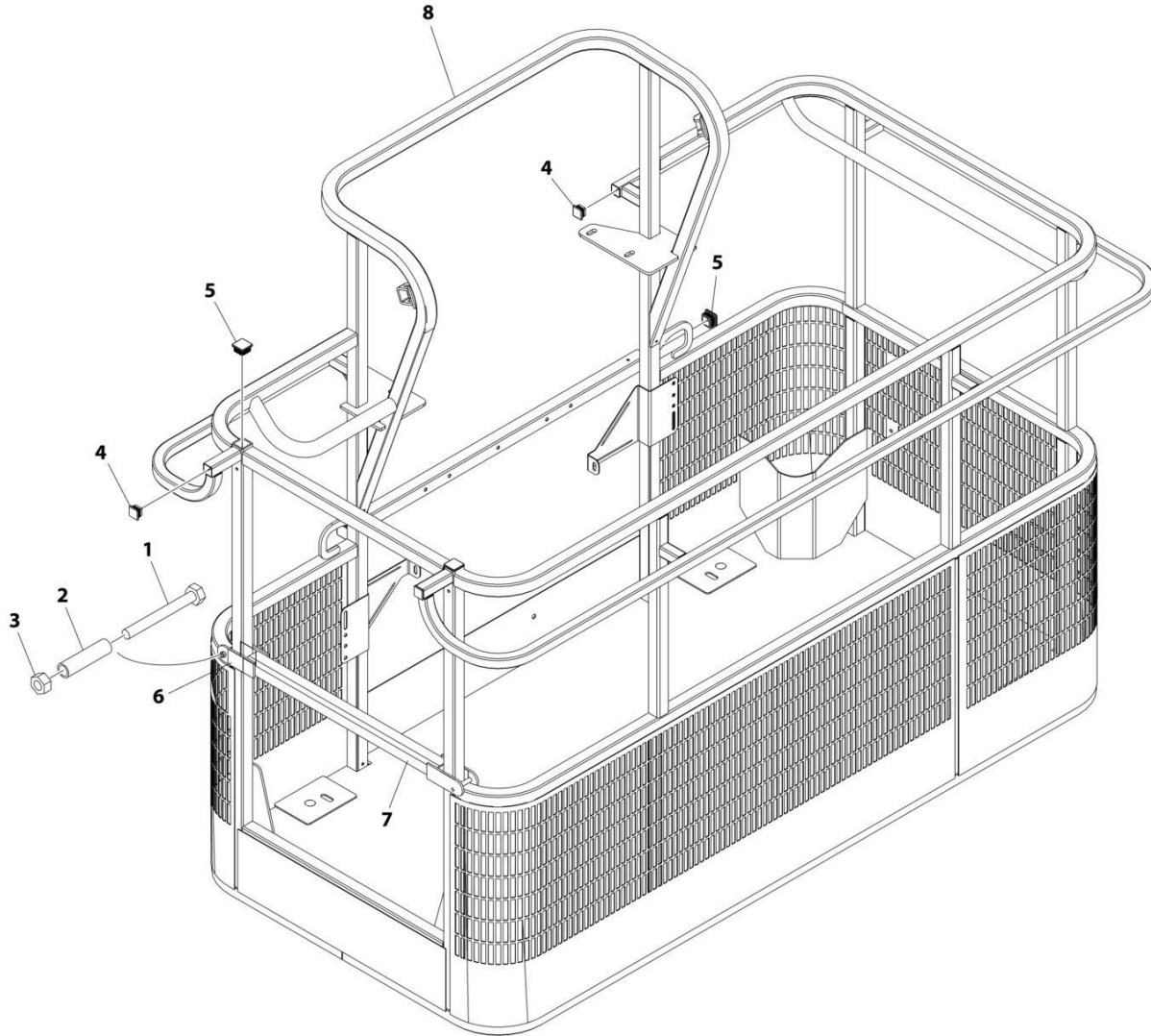
SECTION 5 - PLATFORM

FIGURE 5-5. PLATFORM ASSEMBLY WITH DROP BAR - 36IN X 6FT (91.5CM X 1.83M) (SHIPYARD MACHINES)

ITEM	PART NUMBER	QTY	DESCRIPTION	REV
	1001186374	Ref	PLATFORM ASSEMBLY	B
1	0641418	2	Bolt 1/4 x 2 - 1/4	
2	0961845	2	Bushing	
3	3311405	2	Nut 1/4	
4	3520182	4	Plug	
5	3520198	4	Plug	
6	4420055	4	Tape	
7	1001111346	1	Drop - Bar	
8	See Note	1	Platform (Note: Purchase Complete Assembly)	

SECTION 5 - PLATFORM

FIGURE 5-6. PLATFORM ASSEMBLY WITH DROP BAR - 36IN X 6FT (91.5CM X 1.83M) (SHIPYARD MACHINES WITH PLATFORM BUMPERS REQUIRED)



ART_1001186371

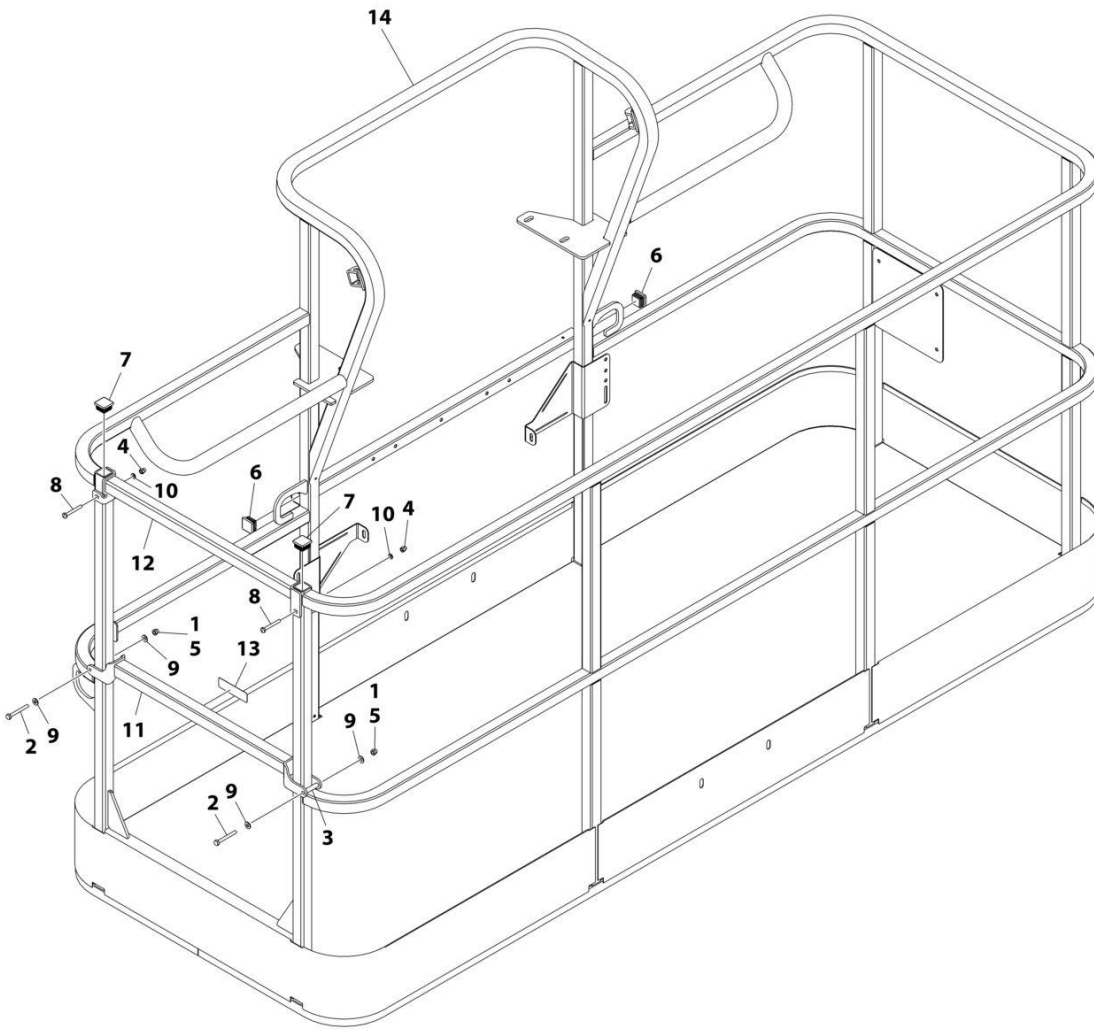
SECTION 5 - PLATFORM

FIGURE 5-6. PLATFORM ASSEMBLY WITH DROP BAR - 36IN X 6FT (91.5CM X 1.83M) (SHIPYARD MACHINES WITH PLATFORM BUMPERS REQUIRED)

ITEM	PART NUMBER	QTY	DESCRIPTION	REV
	1001186371	Ref	PLATFORM ASSEMBLY	B
1	0641418	2	Bolt 1/4 x 2 - 1/4	
2	0961845	2	Bushing	
3	3311405	2	Nut 1/4	
4	3520182	4	Plug	
5	3520198	4	Plug	
6	4420055	4	Tape	
7	1001111346	1	Drop - Bar	
8	See Note	1	Platform (Note: Purchase Complete Assembly)	

SECTION 5 - PLATFORM

FIGURE 5-7. PLATFORM ASSEMBLY WITH DROP-BAR - 36IN X 8FT (91.5CM X 2.44M)



ART_1001186382

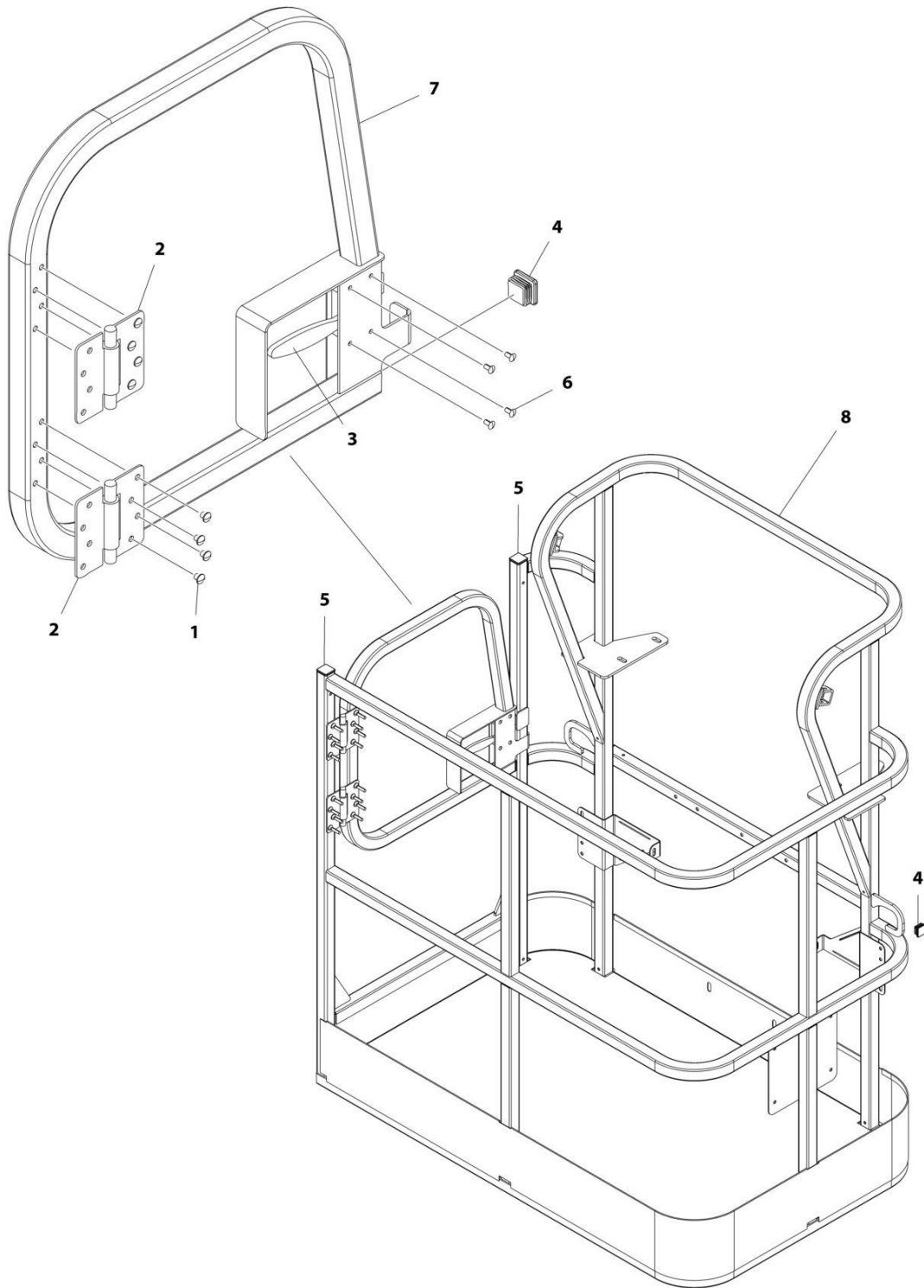
SECTION 5 - PLATFORM

FIGURE 5-7. PLATFORM ASSEMBLY WITH DROP-BAR - 36IN X 8FT (91.5CM X 2.44M)

ITEM	PART NUMBER	QTY	DESCRIPTION	REV
	1001186382	Ref	PLATFORM ASSEMBLY - 36IN X 8FT (91.5CM X 2.44M) WITH DROP BAR	C
		Ref	Note: Platform and Mesh must be ordered separately for Platforms with Mesh. See SPECIAL OPTIONS SECTION for Mesh Installations.	
		Ref	Note: Replacement Decals Must be Ordered Separately - See DECALS SECTION.	
1	0100011	AR	Compound, Locking	
2	0641418	2	Bolt 1/4 x 2-1/4	
3	0961845	2	Bushing	
4	3290606	2	Nut M6	
5	3300151	2	Nut 1/4	
6	3520072	2	Plug	
7	3520198	2	Plug	
8	4010618	2	Screw M6 x 50	
9	4711400	4	Washer 1/4	
10	4811700	2	Washer M6	
11	1001138494	1	Bar, Drop	
12	1001138514	1	Rail (Top)	
13	1001140429	1	Decal - Drop Bar	
14	See Note	NSS	Platform (Note: Not Available - Purchase Platform Assembly)	

SECTION 5 - PLATFORM

FIGURE 5-8. PLATFORM ASSEMBLY WITH GATE - 30IN X 4FT (76CM X 1.22M)



ART_1001186387

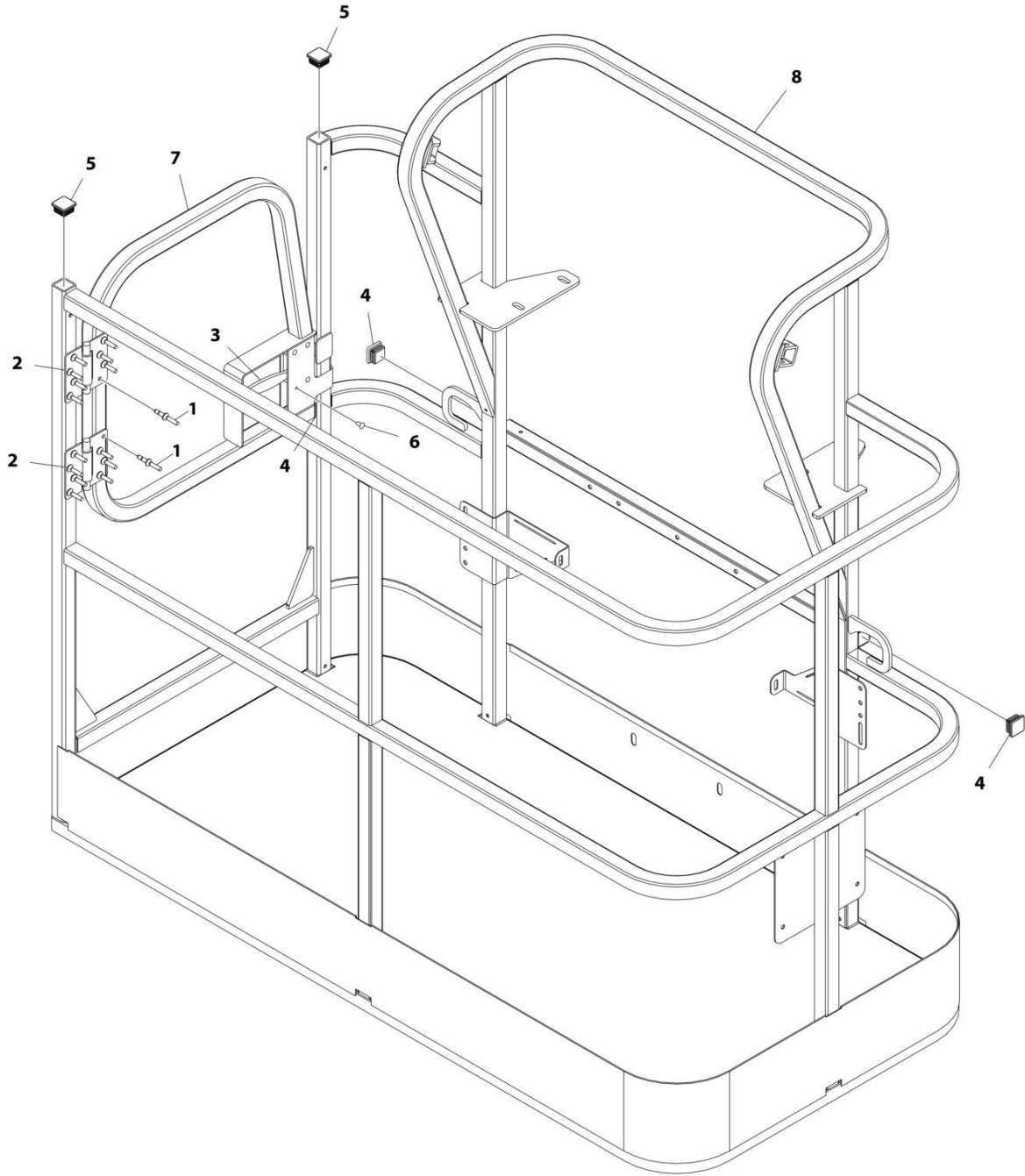
SECTION 5 - PLATFORM

FIGURE 5-8. PLATFORM ASSEMBLY WITH GATE - 30IN X 4FT (76CM X 1.22M)

ITEM	PART NUMBER	QTY	DESCRIPTION	REV
	1001186387	Ref	PLATFORM ASSEMBLY	C
		Ref	Note: Platform and Mesh must be ordered separately for Platforms with Mesh. See SPECIAL OPTIONS SECTION for Mesh Installations.	
		Ref	Note: Replacement Decals Must be Ordered Separately - See DECALS SECTION.	
1	2080040	16	Fastener, Huck	
2	2600281	2	Hinge, Self-Closing	
3	2940074	1	Latch	
4	3520072	3	Plug	
5	3520198	2	Plug	
6	3820020	4	Rivet	
7	1001144629	1	Gate	
8	See Note	1	Platform (Note: Not Available - Purchase Platform Assembly)	

SECTION 5 - PLATFORM

FIGURE 5-9. PLATFORM ASSEMBLY WITH GATE - 30IN X 5FT (76CM X 1.52M)



ART_1001186386

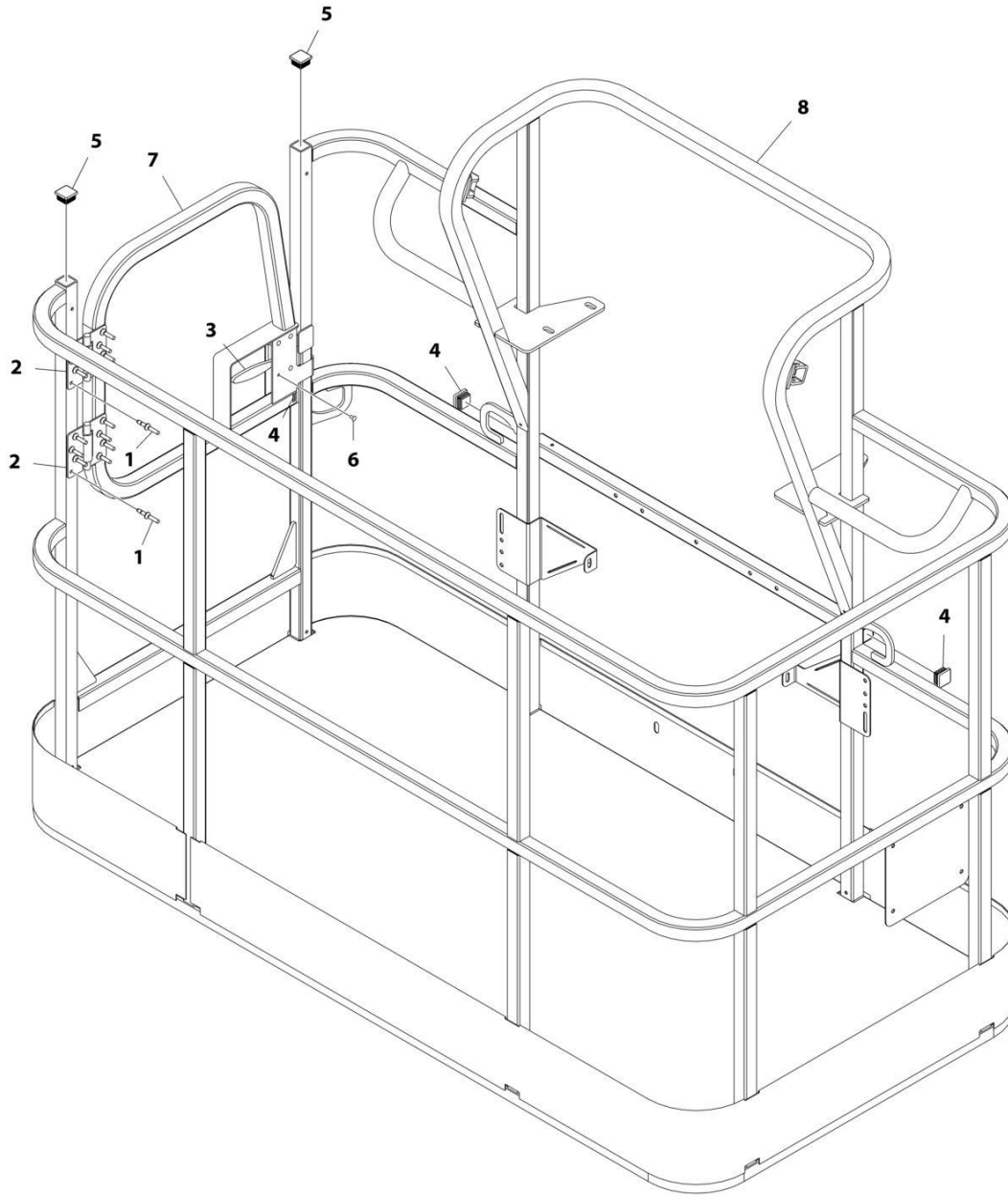
SECTION 5 - PLATFORM

FIGURE 5-9. PLATFORM ASSEMBLY WITH GATE - 30IN X 5FT (76CM X 1.52M)

ITEM	PART NUMBER	QTY	DESCRIPTION	REV
	1001186386	Ref	PLATFORM ASSEMBLY	C
		Ref	Note: Platform and Mesh must be ordered separately for Platforms with Mesh. See SPECIAL OPTIONS SECTION for Mesh Installations.	
		Ref	Note: Replacement Decals Must be Ordered Separately - See DECALS SECTION.	
1	2080040	16	Fastener, Huck	
2	2600281	2	Hinge, Self-Closing	
3	2940074	1	Latch	
4	3520072	3	Plug	
5	3520198	2	Plug	
6	3820020	4	Rivet	
7	1001144629	1	Gate	
8	See Note	NSS	Platform (Note: Not Available - Purchase Platform Assembly)	

SECTION 5 - PLATFORM

FIGURE 5-10. PLATFORM ASSEMBLY WITH GATE- 36IN X 6FT (91.5CM X 1.83M)



ART_1001186384

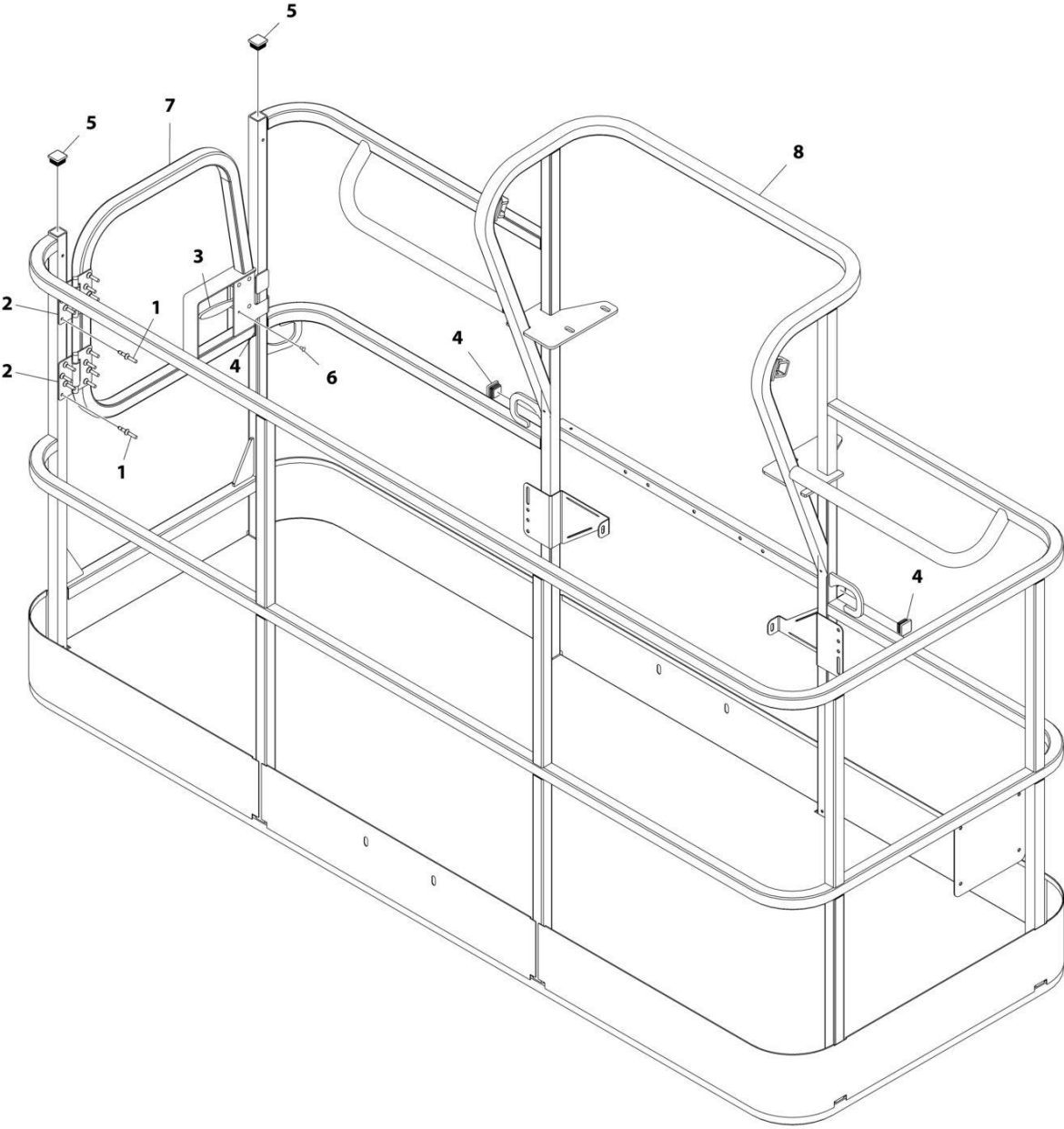
SECTION 5 - PLATFORM

FIGURE 5-10. PLATFORM ASSEMBLY WITH GATE- 36IN X 6FT (91.5CM X 1.83M)

ITEM	PART NUMBER	QTY	DESCRIPTION	REV
	1001186384	Ref	PLATFORM ASSEMBLY - 36IN X 6FT (91.5CM X 1.83M) WITH SWING GATE	C
	See Note	Ref	Note: Platform and Mesh must be ordered separately for Platforms with Mesh. See SPECIAL OPTIONS SECTION for Mesh Installations.	
	See Note	Ref	Note: Replacement Decals Must be Ordered Separately - See DECALS SECTION.	
1	2080040	16	Fastener, Huck	
2	2600281	2	Hinge	
3	2940074	1	Latch	
4	3520072	3	Plug	
5	3520198	2	Plug	
6	3820020	4	Rivet	
7	1001144629	1	Gate	
8	See Note	NSS	Platform (Note: Not Available - Purchase Platform Assembly)	

SECTION 5 - PLATFORM

FIGURE 5-11. PLATFORM ASSEMBLY WITH GATE - 36IN X 8FT (91.5CM X 2.44M)



ART_1001186383

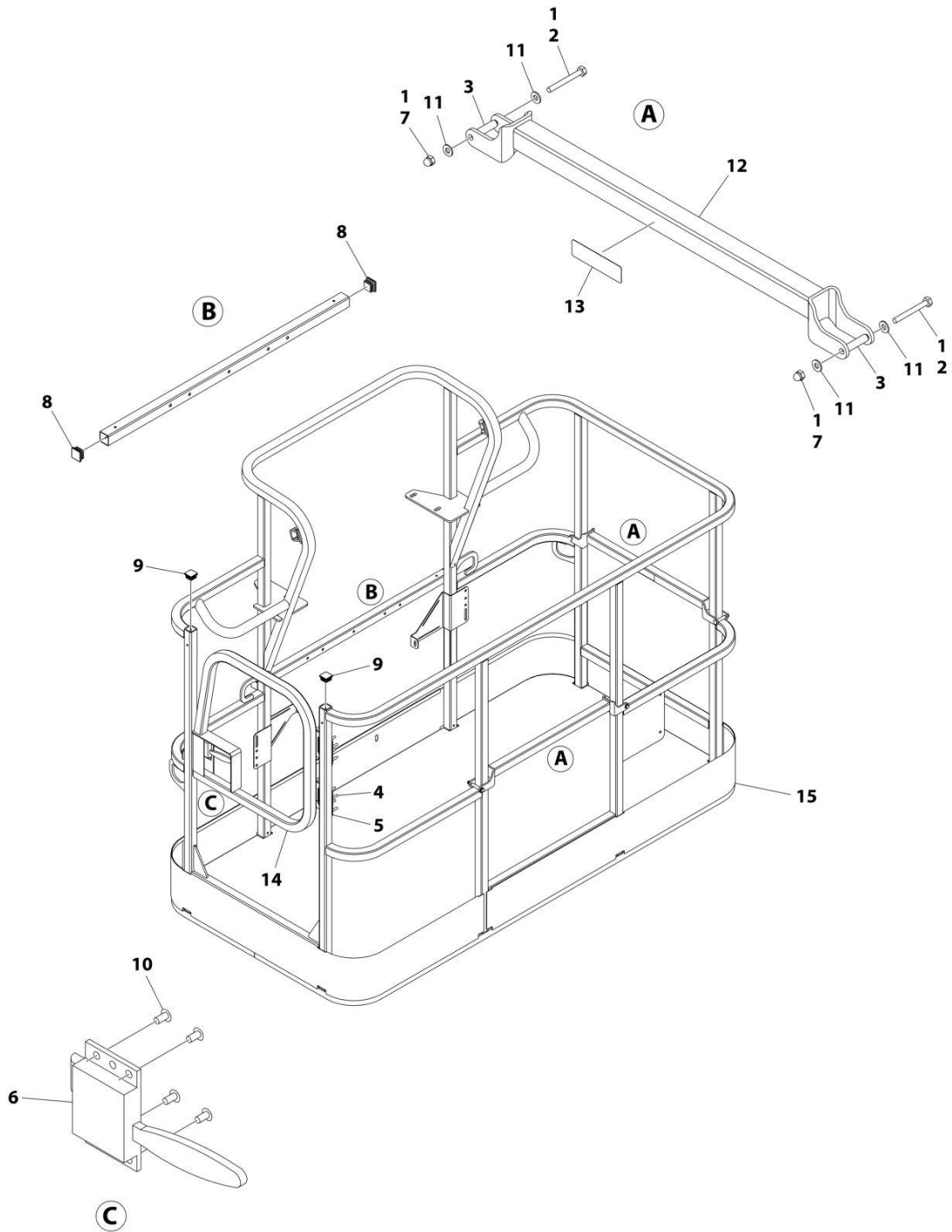
SECTION 5 - PLATFORM

FIGURE 5-11. PLATFORM ASSEMBLY WITH GATE - 36IN X 8FT (91.5CM X 2.44M)

ITEM	PART NUMBER	QTY	DESCRIPTION	REV
	1001186383	Ref	PLATFORM ASSEMBLY - 36IN X 8FT (91.5CM X 2.44M) WITH SWING GATE	D
		Ref	Note: Platform and Mesh must be ordered separately for Platforms with Mesh. See SPECIAL OPTIONS SECTION for Mesh Installations.	
		Ref	Note: Replacement Decals Must be Ordered Separately - See DECALS SECTION.	
1	2080040	16	Fastener, Huck	
2	2600281	2	Hinge	
3	2940074	1	Latch	
4	3520072	3	Plug	
5	3520198	2	Plug	
6	3820020	4	Rivet	
7	1001144629	1	Gate	
8	See Note	NSS	Platform (Note: Not Available - Purchase Platform Assembly)	

SECTION 5 - PLATFORM

FIGURE 5-12. PLATFORM ASSEMBLY WITH 1 GATE / 2 DROP BARS (TRI-ENTRY) - 36IN X 6FT (91.5CM X 1.83M)



ART_1001228376

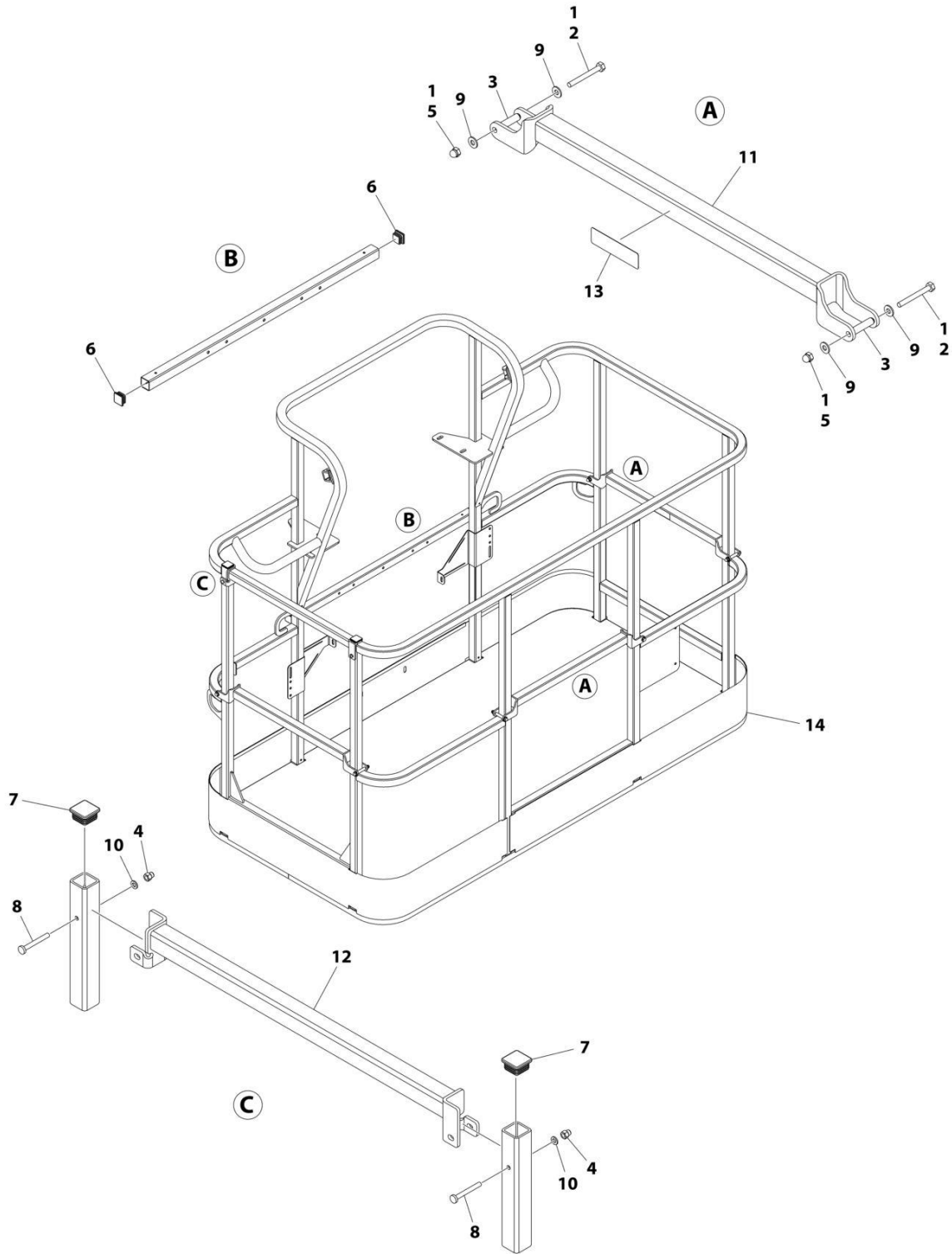
SECTION 5 - PLATFORM

**FIGURE 5-12. PLATFORM ASSEMBLY WITH 1 GATE / 2 DROP BARS (TRI-ENTRY) - 36IN X 6FT
(91.5CM X 1.83M)**

ITEM	PART NUMBER	QTY	DESCRIPTION	REV
	1001228376	Ref	PLATFORM ASSEMBLY - 36IN x 6FT (91.5CM x 1.83M)	B
		Ref	Note: Platform and Mesh must be ordered separately for Platforms with Mesh. See SPECIAL OPTIONS SECTION for Mesh Installations.	
		Ref	Note: Replacement Decals Must be Ordered Separately - See DECAL SECTION.	
1	0100011	AR	Compound, Locking	
2	0641418	4	Bolt 1/4 x 2-1/4	
3	0961845	4	Bushing	
4	2080040	16	Fastener	
5	2600281	2	Hinge	
6	2940074	1	Latch	
7	3300151	4	Nut 1/4	
8	3520072	3	Plug	
9	3520198	2	Plug	
10	3820020	4	Rivet	
11	4711400	8	Washer 1/4	
12	1001138494	2	Bar, Drop	
13	1001140429	2	Decal - Drop Bar	
14	1001144629	1	Gate	
15	See Note	NSS	Platform (Note: Not Available - Purchase Platform Assembly)	

SECTION 5 - PLATFORM

FIGURE 5-13. PLATFORM ASSEMBLY WITH 3 DROP BARS (TRI-ENTRY) - 36IN X 6FT (91.5CM X 1.83M)



ART_1001228377

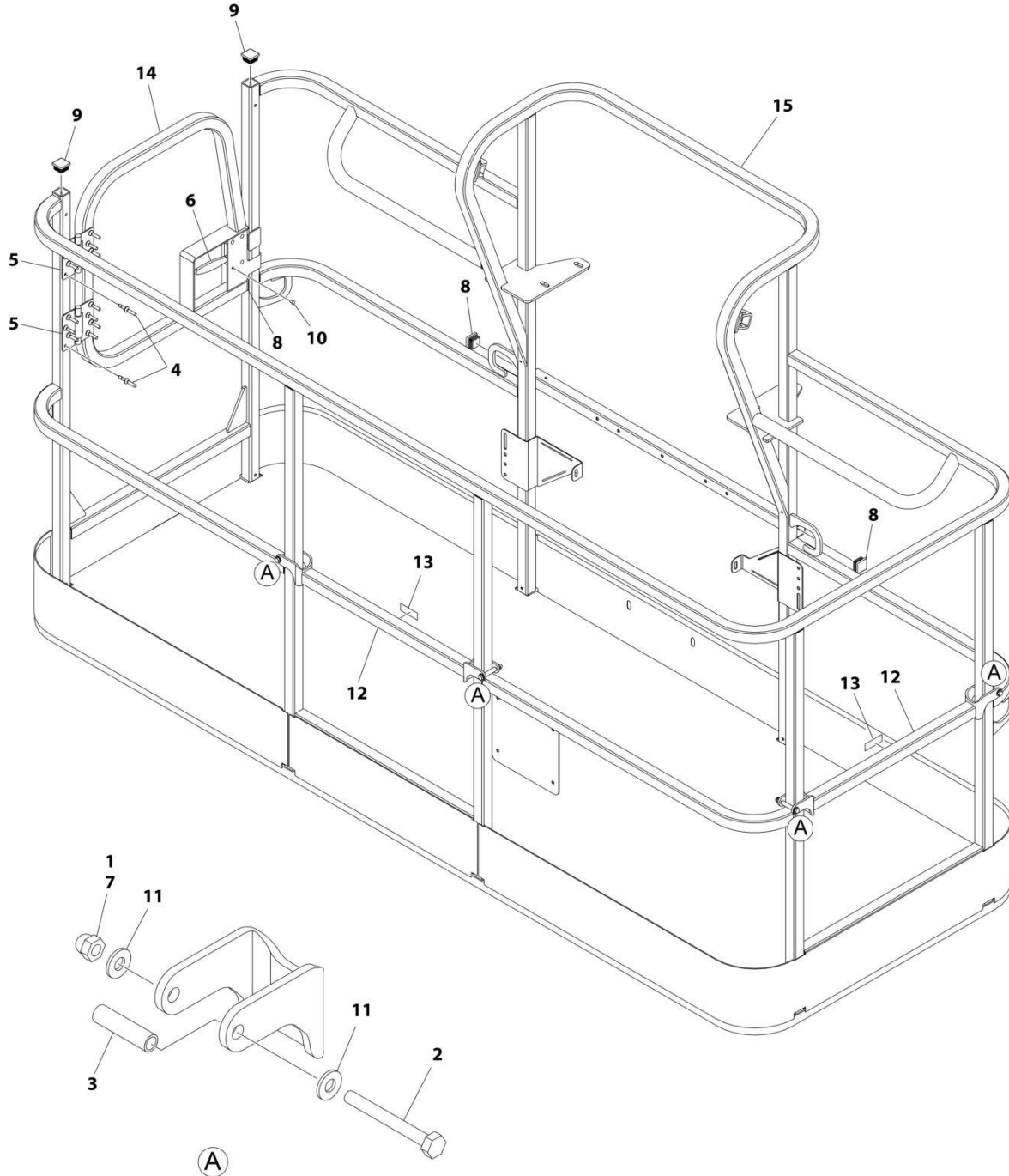
SECTION 5 - PLATFORM

FIGURE 5-13. PLATFORM ASSEMBLY WITH 3 DROP BARS (TRI-ENTRY) - 36IN X 6FT (91.5CM X 1.83M)

ITEM	PART NUMBER	QTY	DESCRIPTION	REV
	1001228377	Ref	PLATFORM ASSEMBLY - 36IN x 6FT (91.5CM x 1.83M)	B
		Ref	Note: Platform and Mesh must be ordered separately for Platforms with Mesh. See SPECIAL OPTIONS SECTION for Mesh Installations.	
		Ref	Note: Replacement Decals Must be Ordered Separately - See DECAL SECTION.	
1	0100011	1	Compound, Locking	
2	0641418	6	Bolt 1/4 x 2-1/4	
3	0961845	6	Bushing	
4	3290606	2	Nut M6	
5	3300151	6	Nut 1/4	
6	3520072	2	Plug	
7	3520198	2	Plug	
8	4010618	2	Screw M6 x 50	
9	4711400	12	Washer 1/4	
10	4811700	2	Washer M6	
11	1001138494	3	Bar, Drop	
12	1001138514	1	Rail (Top)	
13	1001140429	3	Decal - Drop Bar	
14	See Note	NSS	Platform, Weldment (Note: Not Available - Purchase Platform Assembly)	

SECTION 5 - PLATFORM

FIGURE 5-14. PLATFORM ASSEMBLY WITH 1 GATE / 2 DROP BARS (TRI-ENTRY) - 36IN X 8FT
(91.5CM X 2.44M)



ART_1001228243

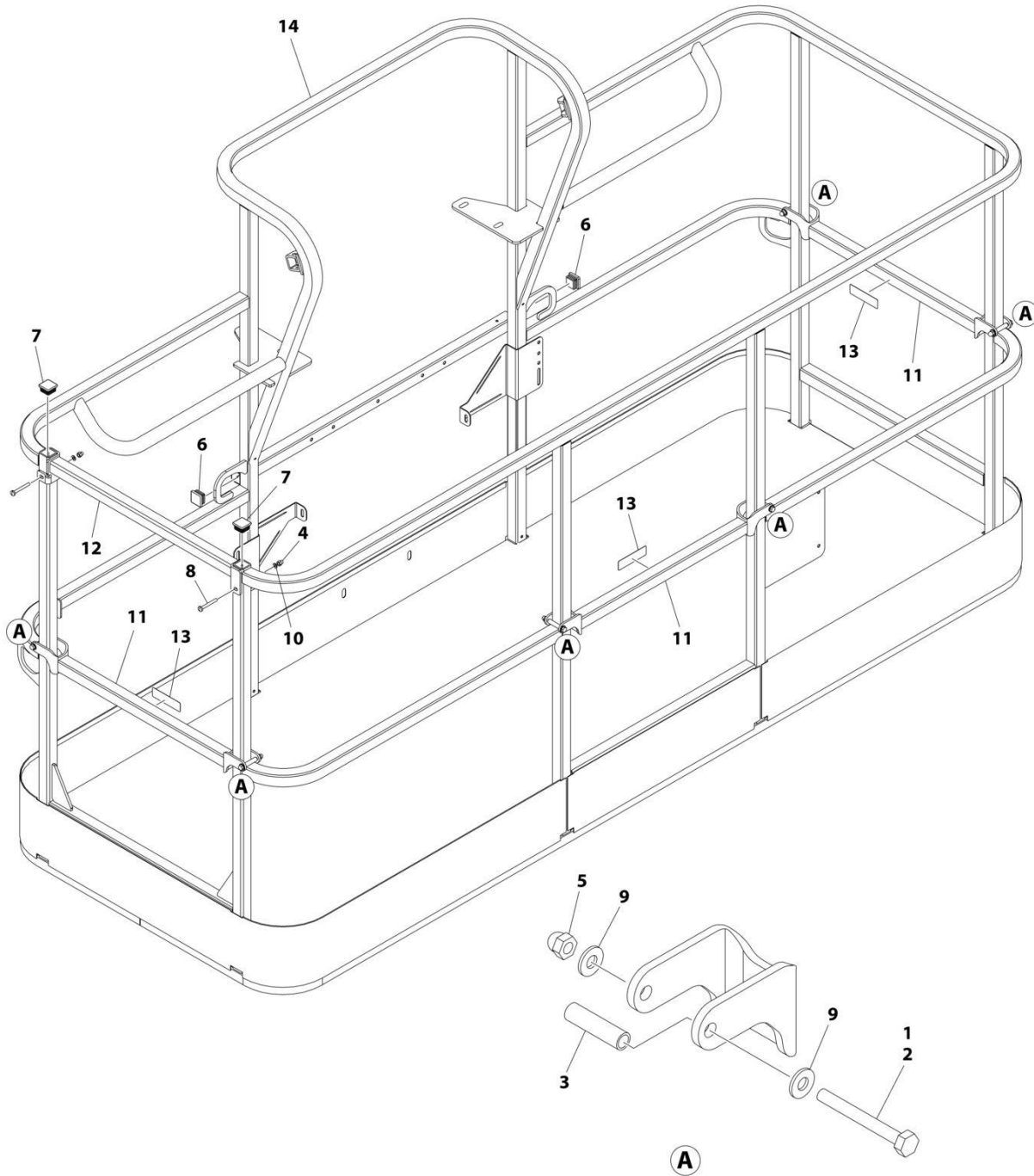
SECTION 5 - PLATFORM

**FIGURE 5-14. PLATFORM ASSEMBLY WITH 1 GATE / 2 DROP BARS (TRI-ENTRY) - 36IN X 8FT
(91.5CM X 2.44M)**

ITEM	PART NUMBER	QTY	DESCRIPTION	REV
	1001228243	Ref	PLATFORM ASSEMBLY - 36IN X 8FT (91.5CM X 2.44M) WITH TRI-ENTRY	A
		Ref	Note: Platform and Mesh must be ordered separately for Platforms with Mesh. See SPECIAL OPTIONS SECTION for Mesh Installations.	
1	0100011	AR	Compound, Locking	
2	0641418	4	Bolt 1/4 x 2-1/4	
3	0961845	4	Bushing	
4	2080040	16	Fastener, Huck	
5	2600281	2	Hinge, Self-Closing	
6	2940074	1	Latch	
7	3300151	4	Nut 1/4	
8	3520072	3	Cap, Plug	
9	3520198	2	Cap, Plug	
10	3820020	4	Rivet	
11	4711400	8	Washer 1/4	
12	1001138494	2	Bar, Drop	
13	1001140429	2	Decal - Drop Bar	
14	1001144629	1	Gate, Weldment	
15	See Note	1	Platform (Note: Not Available - Purchase Platform Assembly)	

SECTION 5 - PLATFORM

FIGURE 5-15. PLATFORM ASSEMBLY WITH 3 DROP BARS (TRI-ENTRY) - 36IN X 8FT (91.5CM X 2.44M)



ART_1001228375

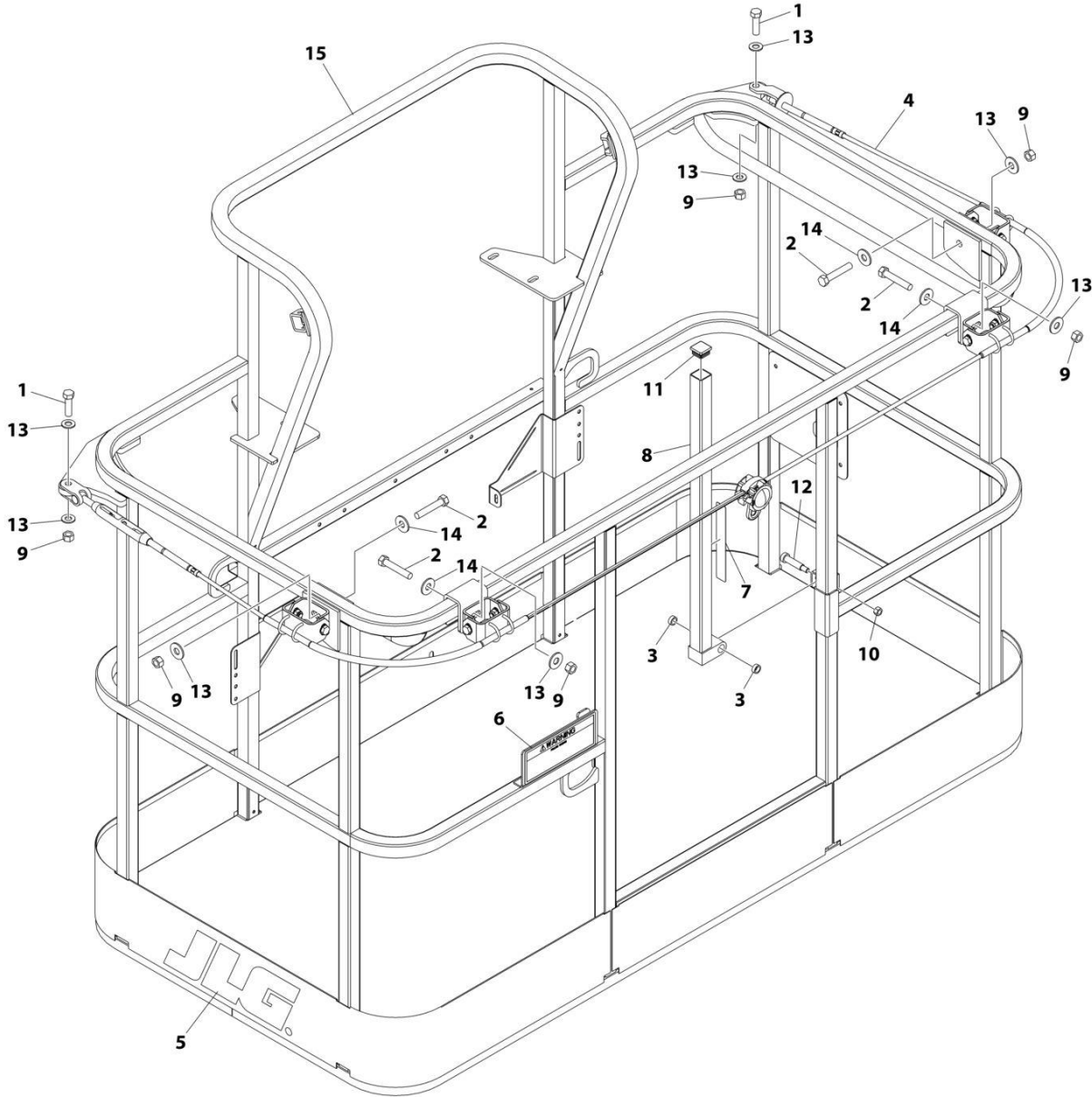
SECTION 5 - PLATFORM

FIGURE 5-15. PLATFORM ASSEMBLY WITH 3 DROP BARS (TRI-ENTRY) - 36IN X 8FT (91.5CM X 2.44M)

ITEM	PART NUMBER	QTY	DESCRIPTION	REV
	1001228375	Ref	PLATFORM ASSEMBLY - 36IN X 8FT (91.5CM X 2.44M) WITH TRI-ENTRY	A
		Ref	Note: Platform and Mesh must be ordered separately for Platforms with Mesh. See SPECIAL OPTIONS SECTION for Mesh Installations.	
		Ref	Note: Replacement Decals Must be Ordered Separately - See DECAL SECTION.	
1	0100011	AR	Compound, Locking	
2	0641418	6	Bolt 1/4 x 2-1/4	
3	0961845	6	Bushing	
4	3290606	2	Nut M6 x 1	
5	3300151	6	Nut 1/4	
6	3520072	2	Cap, Plug	
7	3520198	2	Cap, Plug	
8	4010618	2	Screw M6 x 50	
9	4711400	12	Washer 1/4	
10	4811700	2	Washer M6	
11	1001138494	3	Bar, Drop	
12	1001138514	1	Rail (Top)	
13	1001140429	3	Decal - Drop Bar	
14	See Note	1	Platform (Note: Not Available - Purchase Platform Assembly)	

SECTION 5 - PLATFORM

FIGURE 5-16. PLATFORM ASSEMBLY WITH FALL ARREST (6FT)



ART_1001186333

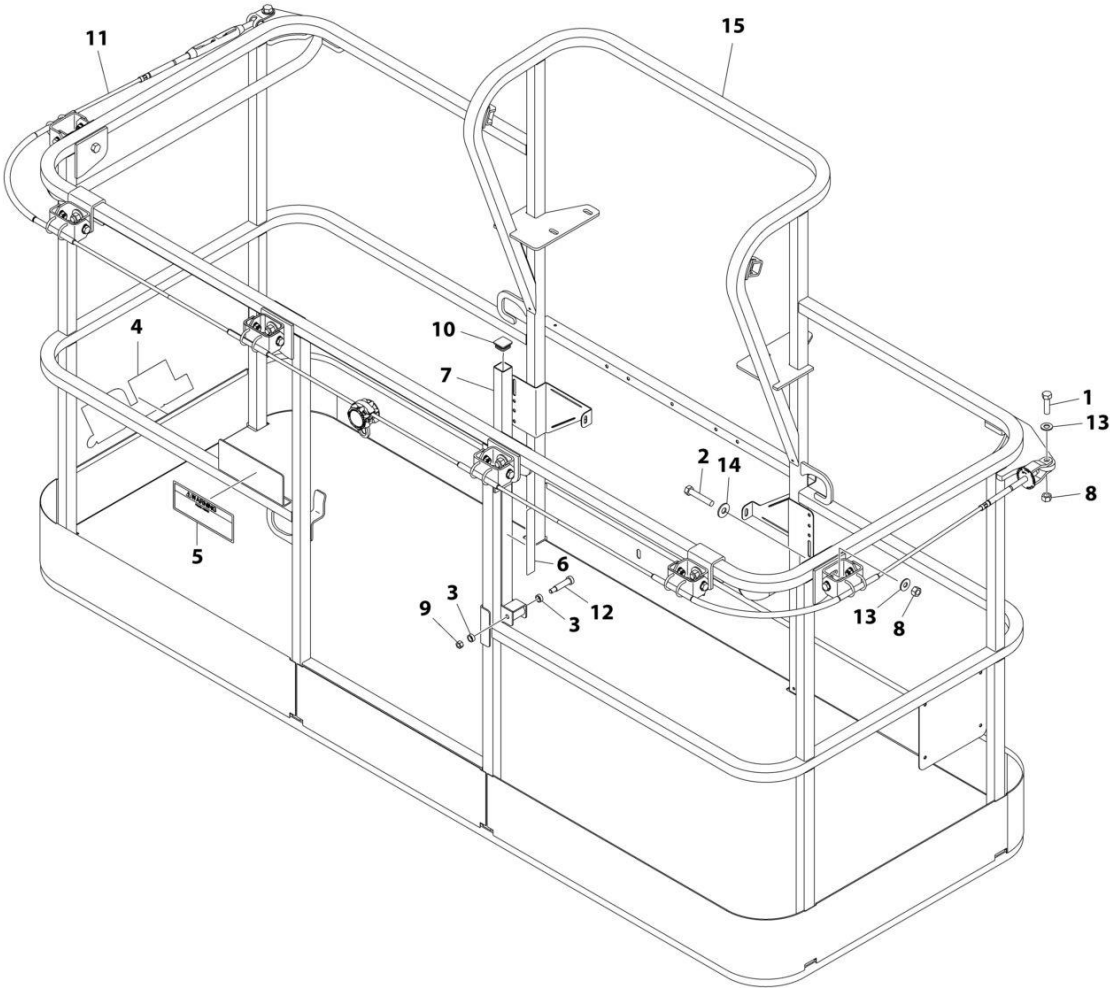
SECTION 5 - PLATFORM

FIGURE 5-16. PLATFORM ASSEMBLY WITH FALL ARREST (6FT)

ITEM	PART NUMBER	QTY	DESCRIPTION	REV
	1001186333	Ref	PLATFORM ASSEMBLY	C
		Ref	Note: Replacement Decals Must be Ordered Separately - See DECALS SECTION.	
1	0681814	2	Bolt 1/2 x 1-3/4 Grade 8	
2	0681822	4	Bolt 1/2 x 2-3/4 Grade 8	
3	0962270	2	Bearing	
4	1001203655	1	Cable	
5	1702773	1	Decal - JLG	
6	1705014	1	Decal - Safety	
7	1706385	1	Decal - Drop Bar	
8	2410014	1	Bar, Drop	
9	3271805	6	Nut 1/2 Grade 8	
10	3311605	1	Nut 3/8	
11	3520072	1	Plug	
12	3900054	1	Bolt 1/2 x 1-3/4	
13	4711800	8	Washer 1/2	
14	4751800	4	Washer 1/2	
15	See Note	NSS	Platform (Note: Not Available - Purchase Platform Assembly)	

SECTION 5 - PLATFORM

FIGURE 5-17. PLATFORM ASSEMBLY WITH FALL ARREST (8FT)



ART_1001186334

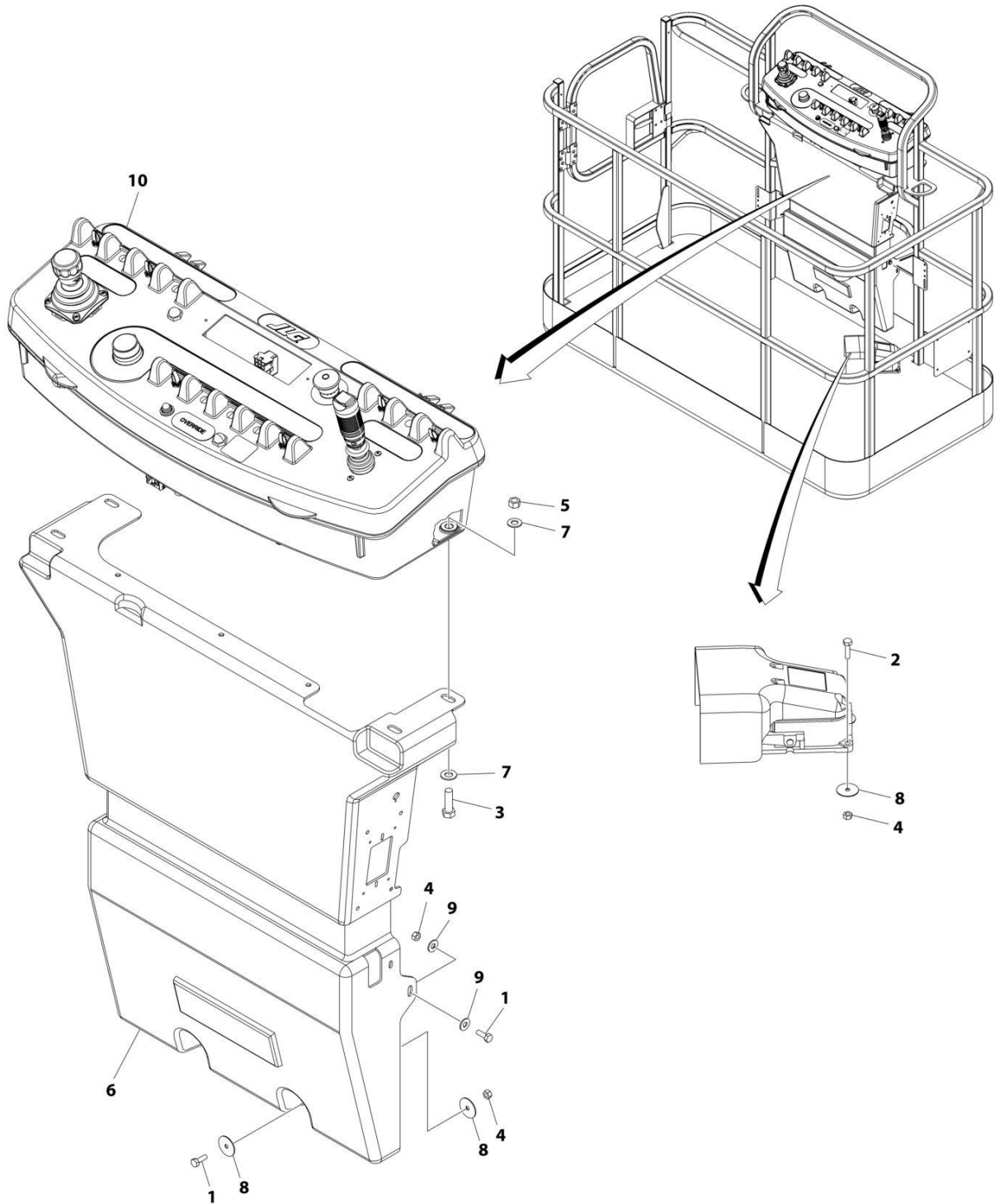
SECTION 5 - PLATFORM

FIGURE 5-17. PLATFORM ASSEMBLY WITH FALL ARREST (8FT)

ITEM	PART NUMBER	QTY	DESCRIPTION	REV
	1001186334	Ref	PLATFORM ASSEMBLY	D
		Ref	Note: Replacement Decals Must be Ordered Separately - See DECALS SECTION.	
1	0681814	2	Bolt 1/2 x 1-3/4 Grade 8	
2	0681822	6	Bolt 1/2 x 2-3/4 Grade 8	
3	0962270	2	Bearing	
4	1702773	1	Decal - JLG	
5	1705014	1	Decal - Safety	
6	1706385	1	Decal - Drop Bar	
7	2410014	1	Bar, Drop	
8	3271805	8	Nut 1/2 Grade 8	
9	3311605	1	Nut 3/8	
10	3520072	1	Plug	
11	1001203656	1	Cable	
12	3900054	1	Bolt 1/2 x 1-3/4	
13	4711800	2	Washer 1/2	
14	4751800	6	Washer 1/2	
15	See Note	NSS	Platform (Note: Purchase Platform Assembly)	

SECTION 5 - PLATFORM

FIGURE 5-18. PLATFORM CONSOLE AND FOOTSWITCH INSTALLATION



ART_1001241703

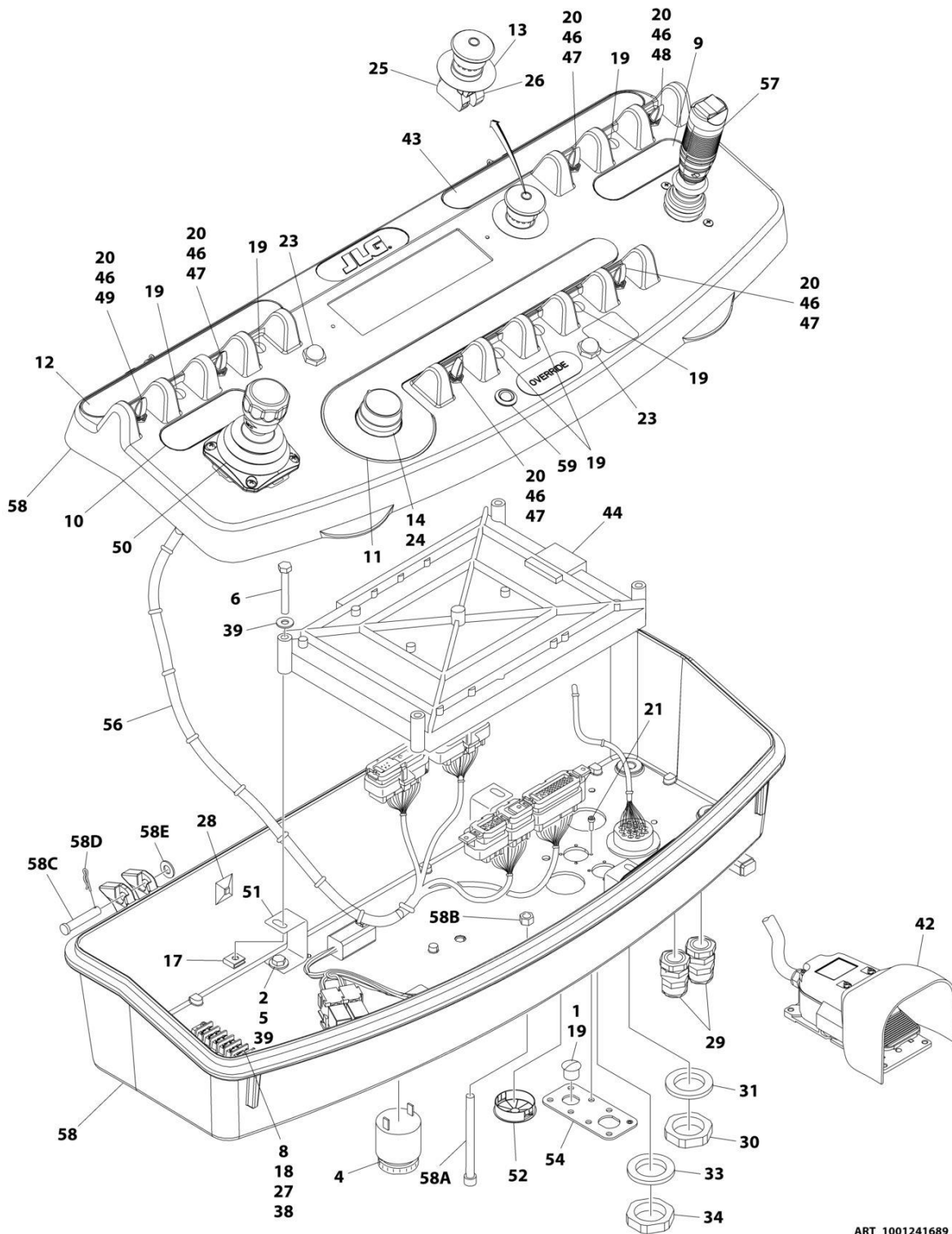
SECTION 5 - PLATFORM

FIGURE 5-18. PLATFORM CONSOLE AND FOOTSWITCH INSTALLATION

ITEM	PART NUMBER	QTY	DESCRIPTION	REV
	1001241703	Ref	PLATFORM CONSOLE AND FOOTSWITCH INSTALLATION	B
1	0641406	4	Bolt 1/4 x 3/4	
2	0641408	3	Bolt 1/4 x 1	
3	0641610	4	Bolt 3/8 x 1-1/4	
4	3311405	7	Nut 1/4	
5	3311605	4	Nut 3/8	
6	3380434	1	Panel	
7	4751600	8	Washer 3/8	
8	4740362	7	Washer	
9	4751400	4	Washer 1/4	
10	1001241689	1	Platform Console Assembly (See Separate Breakdown in this Section)	

SECTION 5 - PLATFORM

FIGURE 5-19. PLATFORM CONSOLE ASSEMBLY (Prior to SN 0300316515, Prior to SN B300025832, Excluding B300025716 and B300025748)



ART_1001241689_D

SECTION 5 - PLATFORM

FIGURE 5-19. PLATFORM CONSOLE ASSEMBLY (Prior to SN 0300316515, Prior to SN B300025832, Excluding B300025716 and B300025748)

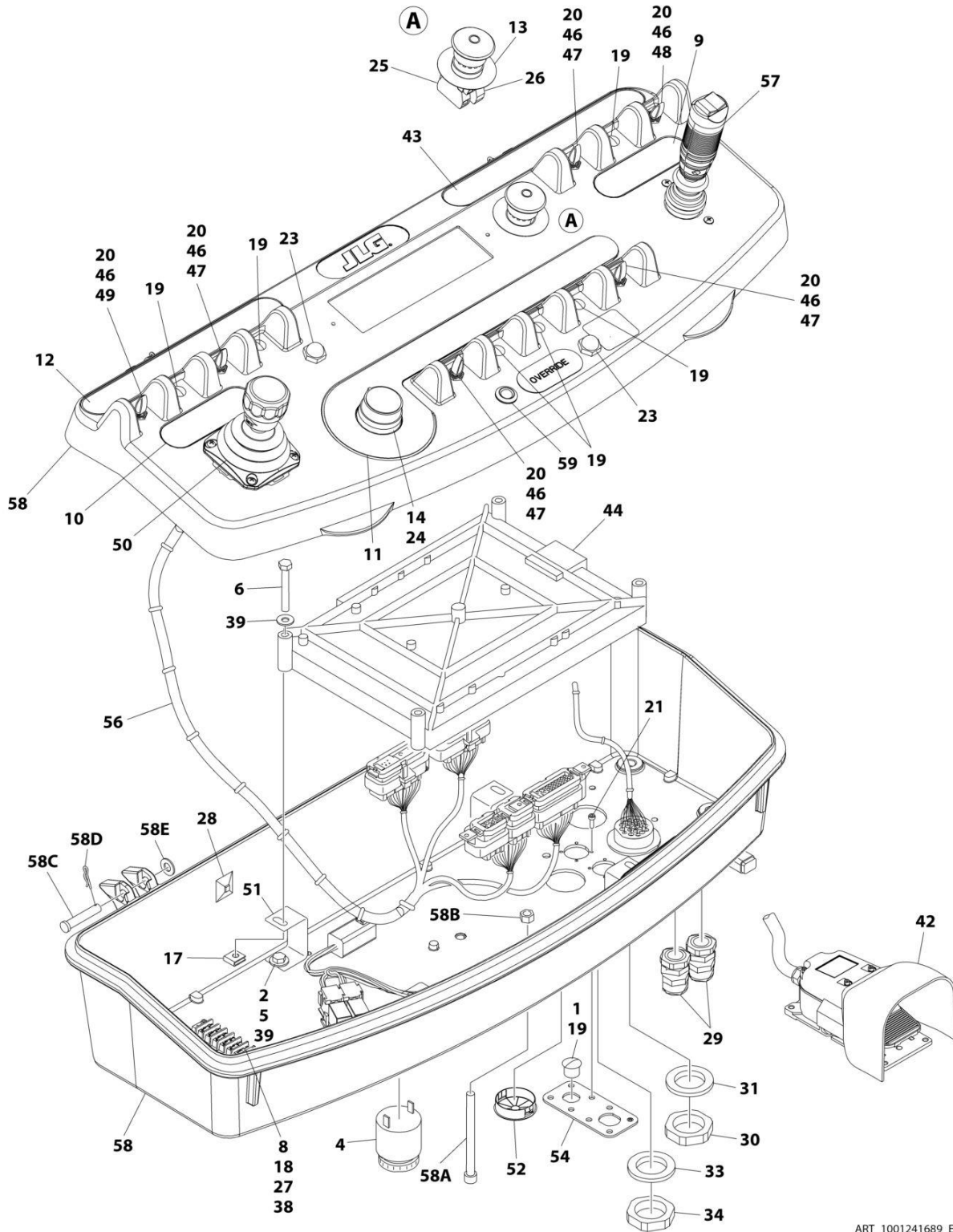
ITEM	PART NUMBER	QTY	DESCRIPTION	REV
	1001241689	Ref	CONSOLE BOX ASSEMBLY	D
1	0100009	AR	Sealant	
2	0100035	AR	Compound, Locking	
4	0140011	1	Alarm	
5	0641405	4	Bolt 1/4 x 5/8	
6	0641414	4	Bolt 1/4 x 1-3/4	
8	0721006	2	Screw #10 x 3/4	
9	1702565	1	Decal - Drive and Steer	
10	1702566	1	Decal - Lift and Swing	
11	1702567	1	Decal - Function Speed	
12	1001184626	1	Decal - Horn	
13	1704260	1	Decal - Emergency Stop	
14	2560136	1	Knob	
17	3300353	4	Nut, Tinnerman	
18	3311005	2	Nut #10	
19	3520054	7	Plug, Hole	
20	3790012	6	O-Ring	
21	3900349	8	Capscrew M2.5	
22	4240099	AR	Tie-Strap (Not Shown)	
23	4360387	2	Switch, Push Button	
24	4360407	1	Switch, Flow Control	
24	See Note	1	Gasket "Top Hat" (Included with Switch) (Note: Not Available for Purchase)	
24	70003784	1	Seal	
25	1001274559	1	Switch, Emergency Stop	
26	4360476	1	Switch, Contact	
27	4460007	1	Bussbar	
28	4460234	6	Mount, Tie-Strap	
29	4460428	2	Connector, Strain Relief	
30	4460470	1	Nut	
31	4460471	1	Washer	
33	4460496	1	Washer	
34	4460497	1	Nut	
38	4751000	2	Washer #10	
39	4751400	8	Washer 1/4	
41	4922666	1	Harness, Analyzer Cable (Not Shown - See Separate Breakdown in ELECTRICAL Section)	
42	1001117174	1	Footswitch Assembly (See Separate Breakdown in this Section)	
43	1001184618	1	Decal - Stop	
44	1001141138	1	Module, Platform (Note: Re-calibration Required when Replaced)	
46	1001155044	6	Nut 15/32	
47	1001155045	4	Switch, Toggle	
48	1001159256	1	Switch, Toggle	
49	1001161709	1	Switch, Toggle	
50	1001275629	1	Controller Lift/Swing	
51	1001172760	4	Bracket	
52	1001185281	1	Plug	
54	1001213882	1	Mount	

SECTION 5 - PLATFORM

ITEM	PART NUMBER	QTY	DESCRIPTION	REV
56	1001244181	1	Harness, Console Box (See Separate Breakdown in ELECTRICAL Section)	
57	1001275628	1	Controller Drive/Steer	
58	1001215228	1	Console Box Assembly	
58A	0630568	1	Capscrew 3/8 x 4-1/2	
58B	3311601	1	Nut 3/8	
58C	3430616	2	Pin	
58D	3470003	2	Hairpin	
58E	4711600	2	Washer 3/8	
59	1001206532	1	Lamp, LED Indicator Yellow	

SECTION 5 - PLATFORM

FIGURE 5-20. PLATFORM CONSOLE ASSEMBLY (SN 0300316515 to Present, SN B300025832 to Present, Including B300025716 and B300025748)



ART_1001241689_E

SECTION 5 - PLATFORM

FIGURE 5-20. PLATFORM CONSOLE ASSEMBLY (SN 0300316515 to Present, SN B300025832 to Present, Including B300025716 and B300025748)

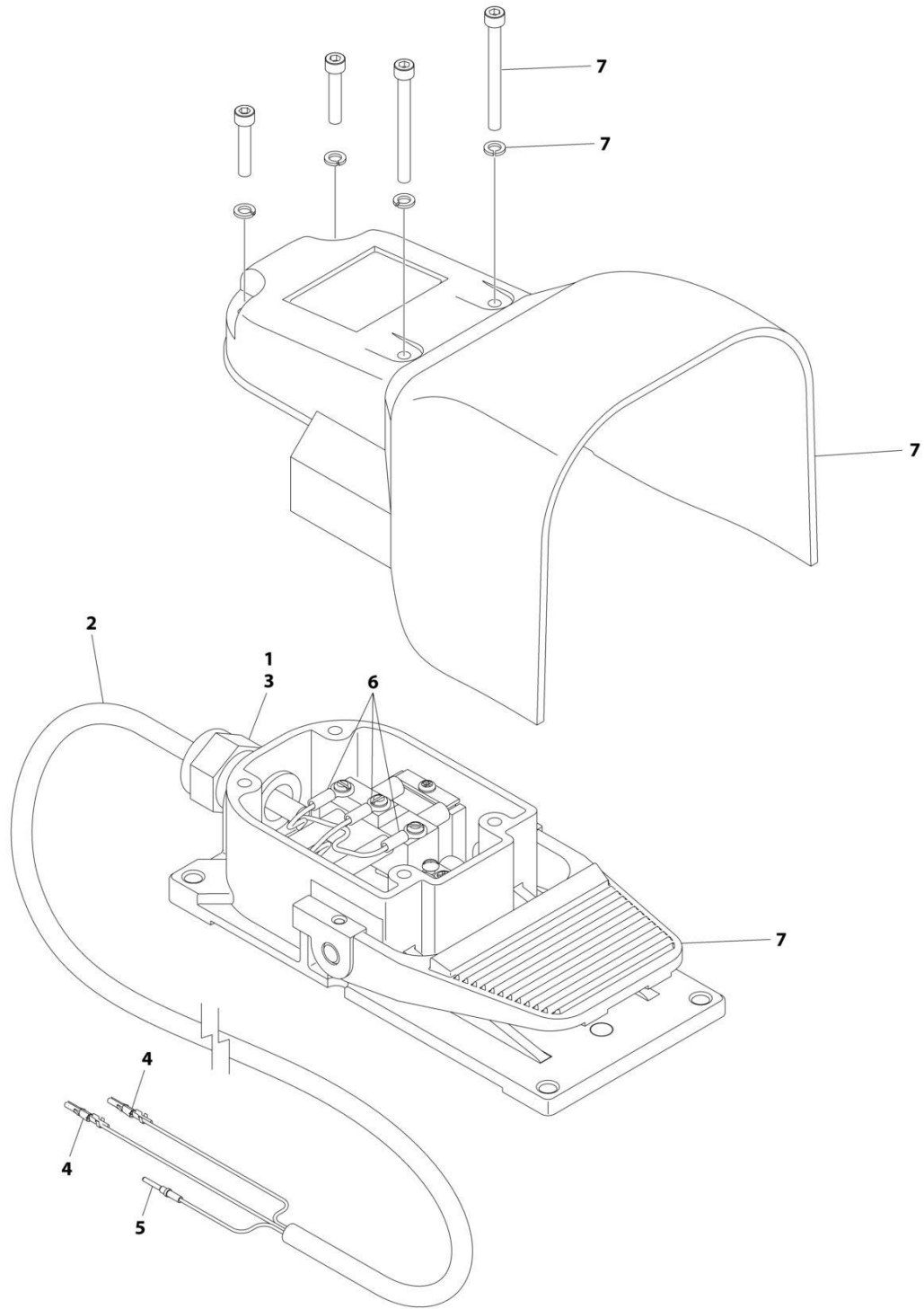
ITEM	PART NUMBER	QTY	DESCRIPTION	REV
	1001241689	Ref	PLATFORM CONSOLE ASSEMBLY	E
1	0100009	AR	Sealant	
2	0100035	AR	Compound, Locking	
4	0140011	1	Alarm	
5	0641405	4	Bolt 1/4 x 5/8	
6	0641414	4	Bolt 1/4 x 1-3/4	
8	0721006	2	Screw #10 x 3/4	
9	1702565	1	Decal - Drive and Steer	
10	1702566	1	Decal - Lift and Swing	
11	1702567	1	Decal - Function Speed	
12	1001184626	1	Decal - Horn	
13	1704260	1	Decal - Emergency Stop	
14	2560136	1	Knob	
17	3300353	4	Nut, Tinnerman	
18	3311005	2	Nut #10	
19	3520054	7	Plug, Hole	
20	3790012	6	O-Ring	
21	3900349	8	Capscrew M2.5	
22	4240099	AR	Tie-Strap (Not Shown)	
23	4360387	2	Switch, Push Button	
24	4360407	1	Switch, Flow Control	
24	See Note	1	Gasket "Top Hat" (Included with Switch) (Note: Not Available for Purchase)	
24	70003784	1	Seal	
25	1001274559	1	Switch, Emergency Stop	
26	4360476	1	Switch, Contact	
27	4460007	1	Bussbar	
28	4460234	6	Mount, Tie-Strap	
29	4460428	2	Connector, Strain Relief	
30	4460470	1	Nut	
31	4460471	1	Washer	
33	4460496	1	Washer	
34	4460497	1	Nut	
38	4751000	2	Washer #10	
39	4751400	8	Washer 1/4	
41	4922666	1	Harness, Analyzer Cable (Not Shown - See Separate Breakdown in ELECTRICAL Section)	
42	1001117174	1	Footswitch Assembly (See Separate Breakdown in this Section)	
43	1001184618	1	Decal - Stop	
44	1001141138	1	Module, Platform (Note: Re-calibration Required when Replaced)	
46	1001155044	6	Nut 15/32	
47	1001155045	4	Switch, Toggle	
48	1001159256	1	Switch, Toggle	
49	1001161709	1	Switch, Toggle	
50	1001275629	1	Controller Lift/Swing	
51	1001172760	4	Bracket	
52	1001185281	1	Plug	
54	1001213882	1	Mount	

SECTION 5 - PLATFORM

ITEM	PART NUMBER	QTY	DESCRIPTION	REV
56	1001309251	1	Harness, Console Box (See Separate Breakdown in ELECTRICAL Section)	
57	1001275628	1	Controller Drive/Steer	
58	1001215228	1	Console Box Assembly	
58A	0630568	1	Capscrew 3/8 x 4-1/2	
58B	3311601	1	Nut 3/8	
58C	3430616	2	Pin	
58D	3470003	2	Hairpin	
58E	4711600	2	Washer 3/8	
59	1001206532	1	Lamp, LED Indicator Yellow	

SECTION 5 - PLATFORM

FIGURE 5-21. FOOTSWITCH ASSEMBLY



ART_1001117174

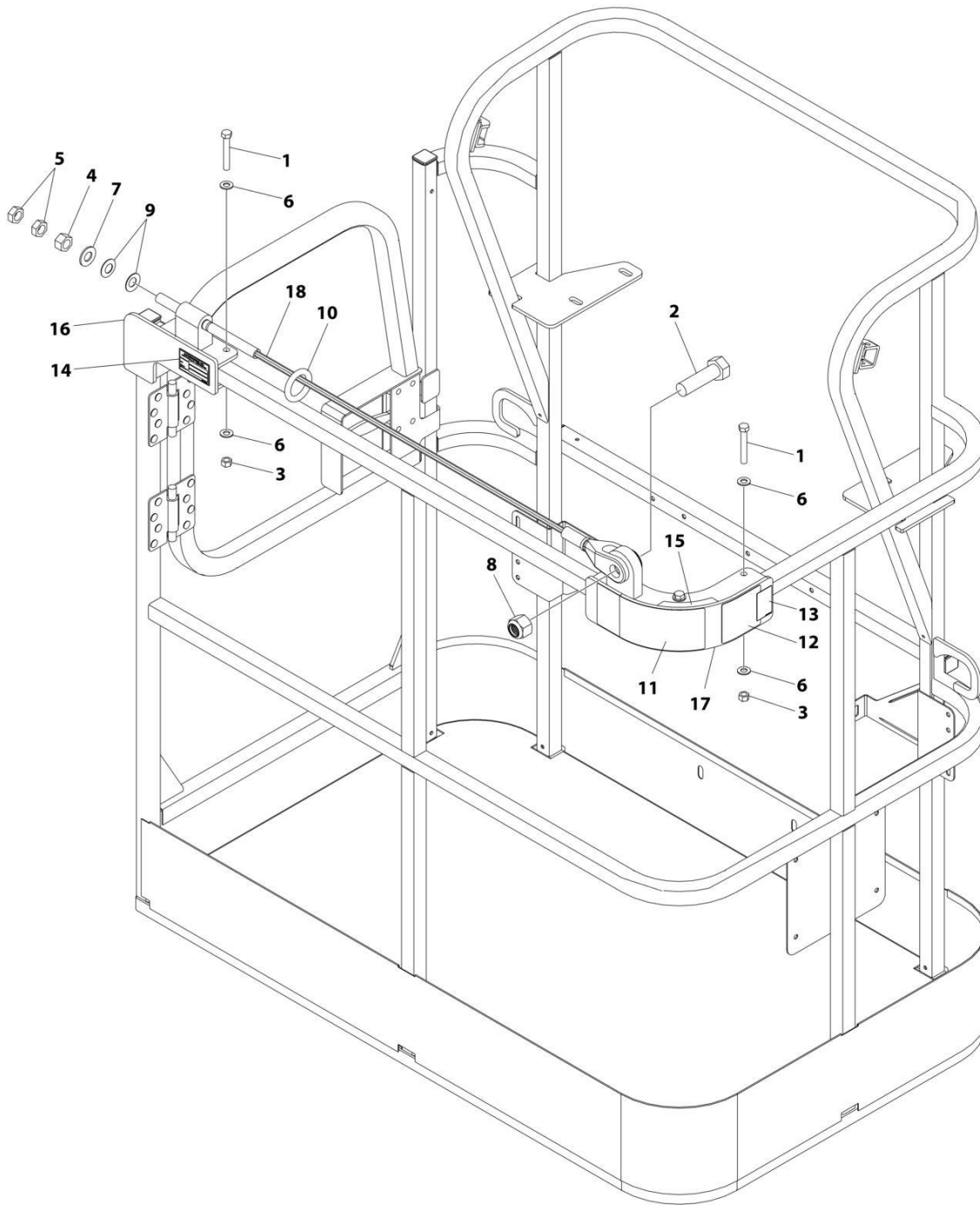
SECTION 5 - PLATFORM

FIGURE 5-21. FOOTSWITCH ASSEMBLY

ITEM	PART NUMBER	QTY	DESCRIPTION	REV
	1001117174	Ref	FOOTSWITCH ASSEMBLY	C
1	0100020	AR	Sealant	
2	1060918	7.5 ft/ 2.3m	Cable, Electrical - 18/3	
3	4460071	1	Connector, Strain Relief	
4	4460226	2	Socket, Female	
5	4460464	1	Pin, Male	
6	1001098122	3	Terminal	
7	1001117172	1	Footswitch	
7	70002902	1	Switch, 20Amp	
7	70002903	1	Gasket	
7	70002905	1	Cover	
7	70002904	1	Kit, Replacement Bolt	

SECTION 5 - PLATFORM

FIGURE 5-22. FALL ARREST INSTALLATION (BOLT-ON) (4FT/1.22M PLATFORM)



ART_1001261338

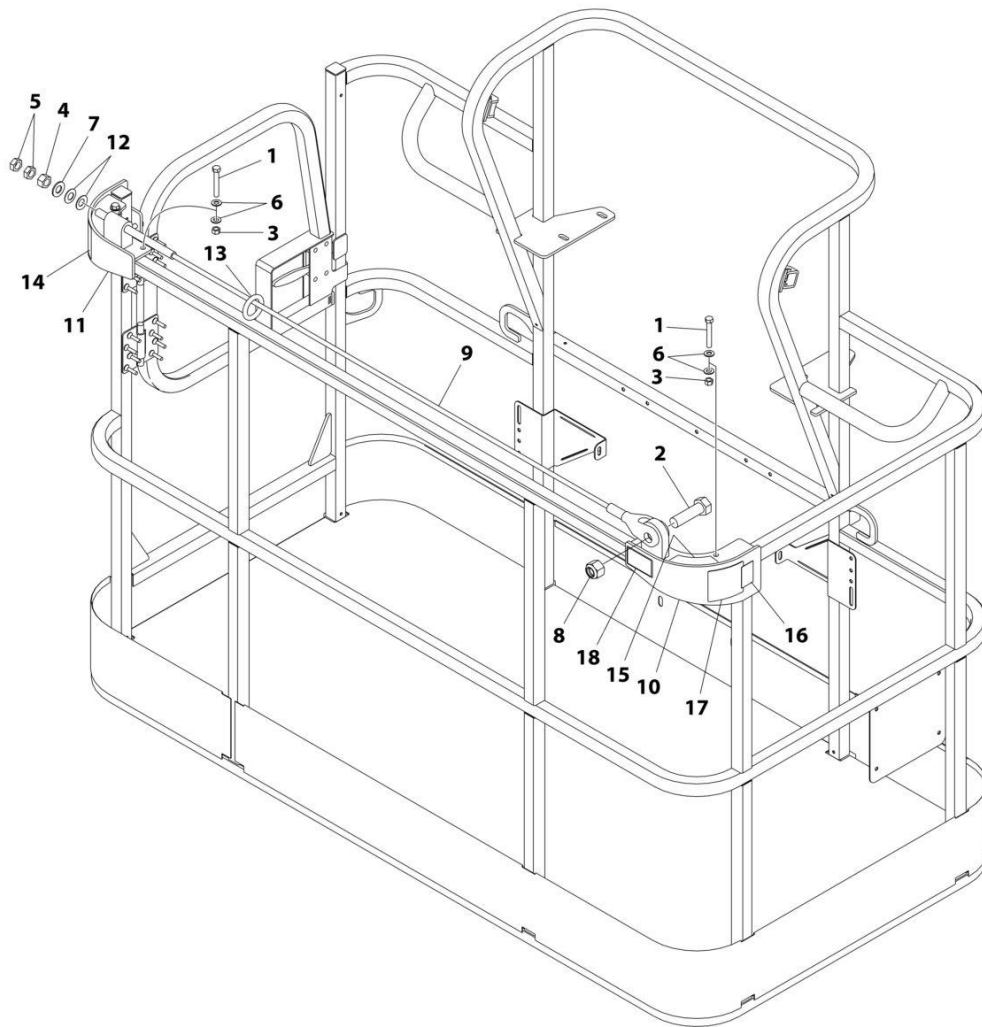
SECTION 5 - PLATFORM

FIGURE 5-22. FALL ARREST INSTALLATION (BOLT-ON) (4FT/1.22M PLATFORM)

ITEM	PART NUMBER	QTY	DESCRIPTION	REV
	1001261338	Ref	FALL ARREST INSTALLATION	A
1	0681620	6	Bolt 3/8 x 2-1/2	
2	0682424	1	Bolt 7/8 x 3	
3	3271605	6	Nut 3/8	
4	3272001	1	Nut 5/8	
5	3312002	2	Nut 5/8	
6	4711600	12	Washer 3/8	
7	4712000	1	Washer 5/8	
8	88521214	1	Nut 7/8	
9	1001236891	2	Washer	
10	1001236895	1	Ring	
11	1001238263	1	Decal - Warning Falling Hazard	
12	1001248140	1	Decal - Bolt Fall Arrest Re-Cert	
13	1001248141	1	Decal - Incription	
14	See Note	NSS	Nameplate - Manufacturers Serial Number (Note: Not Available for Purchase)	
15	1001252629	1	Decal - Weight	
16	1001257271	1	Bracket (RH)	
17	1001257274	1	Bracket (LH)	
18	1001261335	1	Rope	

SECTION 5 - PLATFORM

FIGURE 5-23. FALL ARREST INSTALLATION (BOLT-ON) (6FT/1.82M PLATFORM)



ART_1001236747

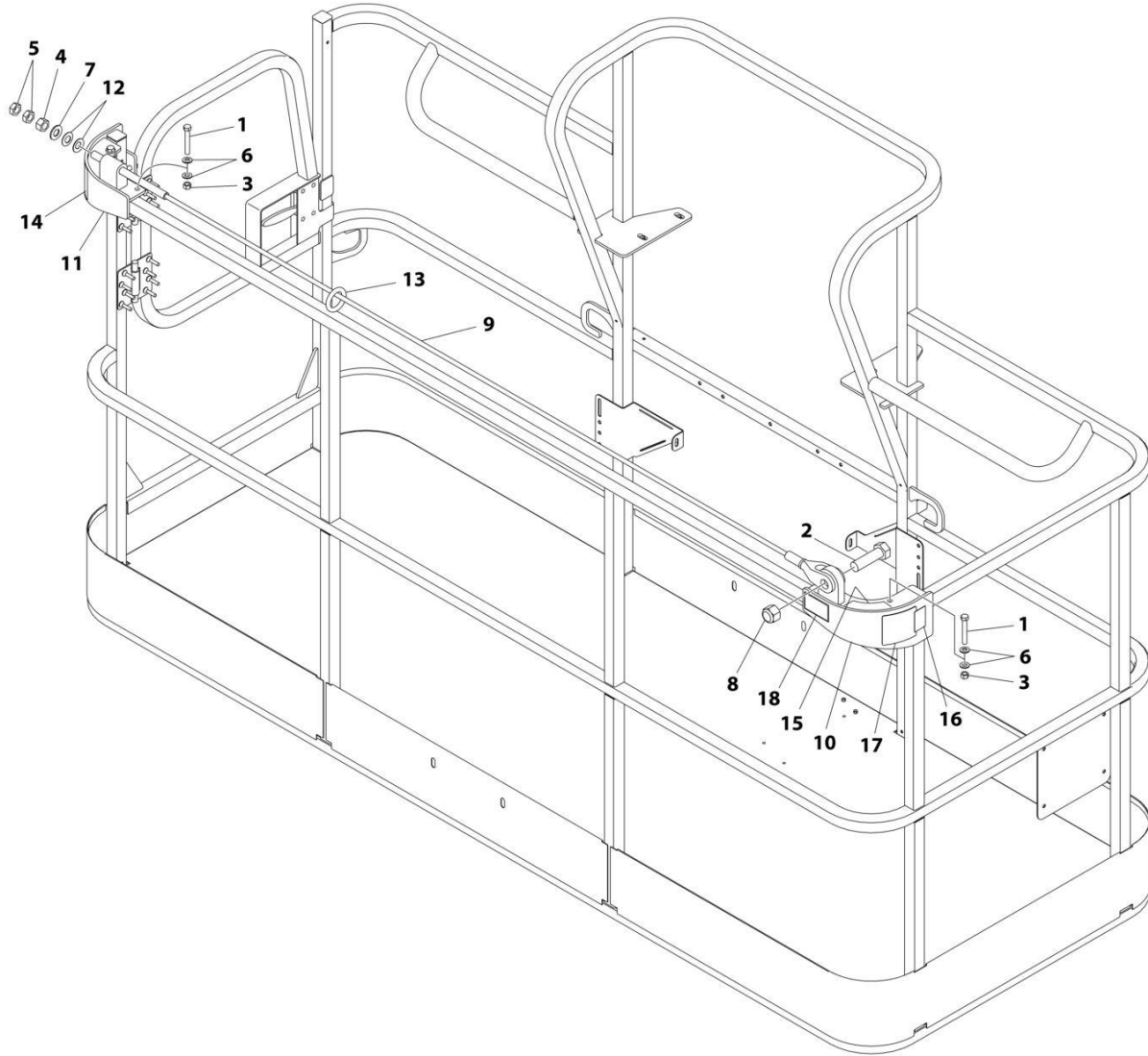
SECTION 5 - PLATFORM

FIGURE 5-23. FALL ARREST INSTALLATION (BOLT-ON) (6FT/1.82M PLATFORM)

ITEM	PART NUMBER	QTY	DESCRIPTION	REV
	1001236747	Ref	FALL ARREST INSTALLATION (BOLT - ON) 6FT/1.82M PLATFORM	C
1	0681620	6	Bolt 3/8 x 2-1/2	
2	0682424	1	Bolt 7/8 x 3	
3	3271605	6	Nut 3/8	
4	3272001	1	Nut 5/8	
5	3312002	2	Nut 5/8	
6	4711600	12	Washer 3/8	
7	4712000	1	Washer 5/8	
8	88521214	1	Nut 7/8	
9	1001231950	1	Rope	
10	1001232010	1	Bracket (RH)	
11	1001232011	1	Bracket (LH)	
12	1001236891	2	Washer	
13	1001236895	1	Ring	
14	1001238263	1	Decal - Warning Falling Hazard	
15	1001252629	1	Decal - Weight	
16	1001248140	1	Decal - Bolt Fall Arrest Re-Cert	
17	1001248141	1	Decal - Inscription	

SECTION 5 - PLATFORM

FIGURE 5-24. FALL ARREST INSTALLATION (BOLT-ON) (8FT/2.4M PLATFORM)



ART_1001236746

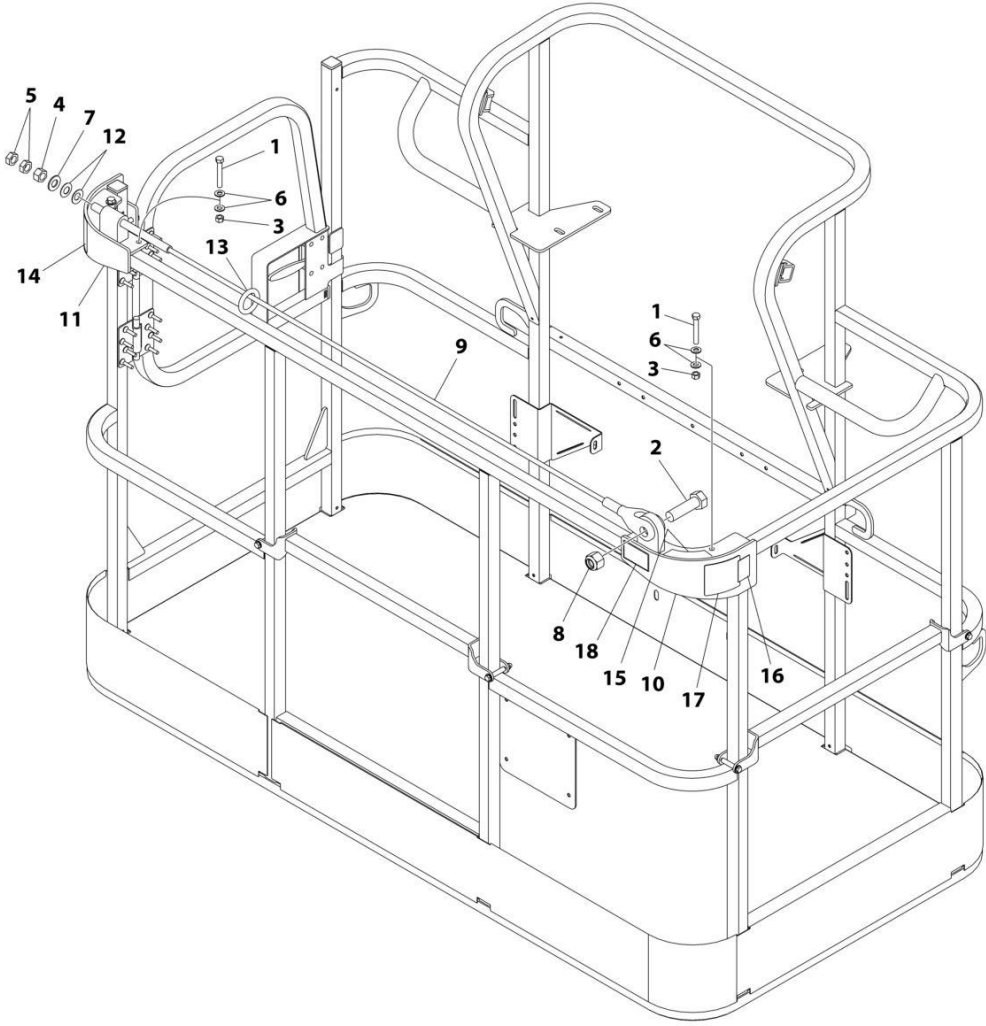
SECTION 5 - PLATFORM

FIGURE 5-24. FALL ARREST INSTALLATION (BOLT-ON) (8FT/2.4M PLATFORM)

ITEM	PART NUMBER	QTY	DESCRIPTION	REV
	1001236746	Ref	FALL ARREST INSTALLATION (BOLT - ON) 8FT/2.4M PLATFORM	C
1	0681620	6	Bolt 3/8 x 2-1/2	
2	0682424	1	Bolt 7/8 x 3	
3	3271605	6	Nut 3/8	
4	3272001	1	Nut 5/8	
5	3312002	2	Nut 5/8	
6	4711600	12	Washer 3/8	
7	4712000	1	Washer 5/8	
8	88521214	1	Nut 7/8	
9	1001231949	1	Rope	
10	1001232010	1	Bracket (RH)	
11	1001232011	1	Bracket (LH)	
12	1001236891	2	Washer	
13	1001236895	1	Ring	
14	1001238263	1	Decal - Warning Falling Hazard	
15	1001252629	1	Decal - Weight 23LBS/10.4KG	
16	1001248140	1	Decal - Bolt Fall Arrest Re-Cert	
17	1001248141	1	Decal - Inscription	

SECTION 5 - PLATFORM

FIGURE 5-25. FALL ARREST INSTALLATION (BOLT-ON) (6FT/1.82M TRI-ENTRY PLATFORM)



ART_1001238463

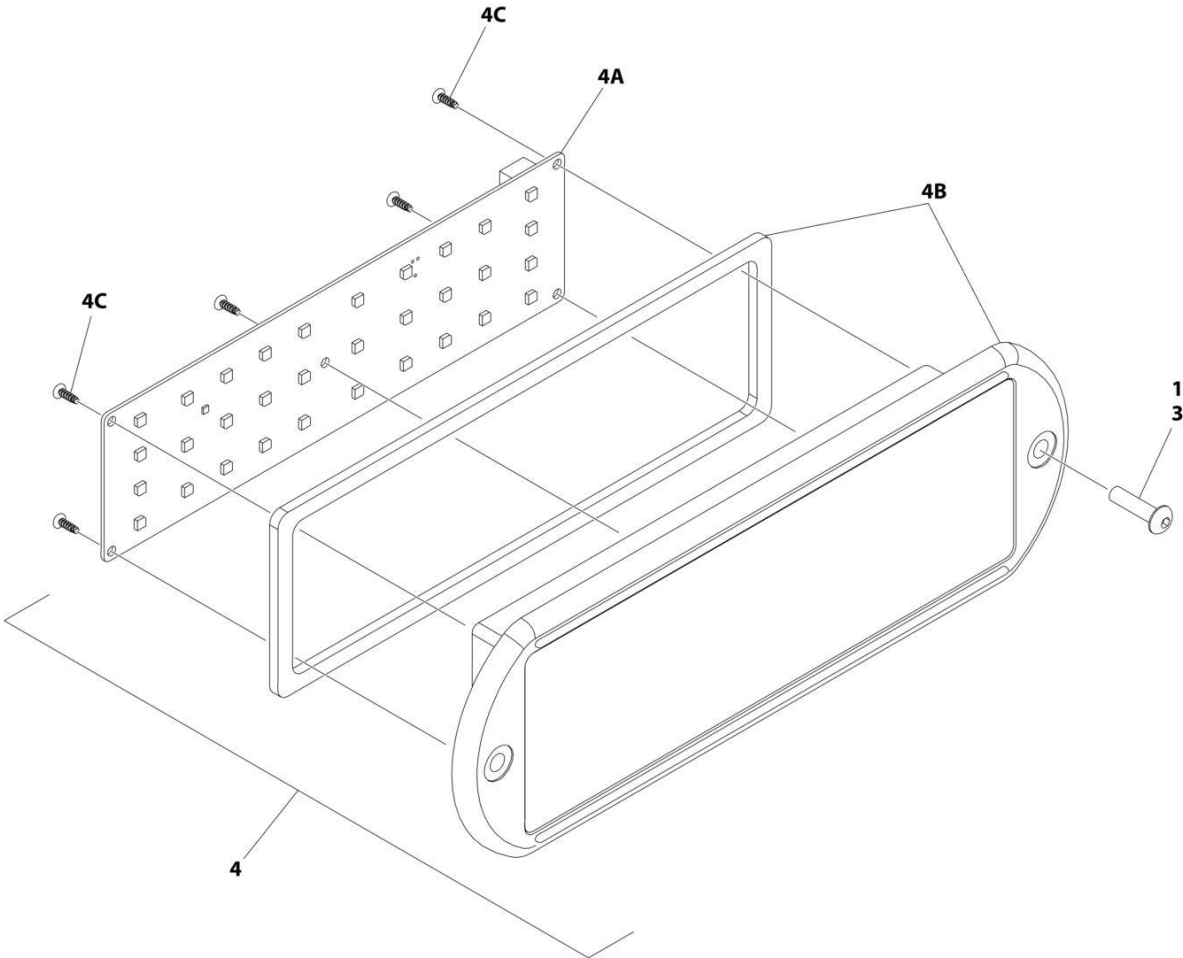
SECTION 5 - PLATFORM

FIGURE 5-25. FALL ARREST INSTALLATION (BOLT-ON) (6FT/1.82M TRI-ENTRY PLATFORM)

ITEM	PART NUMBER	QTY	DESCRIPTION	REV
	1001238463	Ref	FALL ARREST INSTALLATION (BOLT - ON) 6FT/1.82M PLATFORM	C
1	0681620	6	Bolt 3/8 x 2-1/2	
2	0682424	1	Bolt 7/8 x 3	
3	3271605	6	Nut 3/8	
4	3272001	1	Nut 5/8	
5	3312002	2	Nut 5/8	
6	4711600	12	Washer 3/8	
7	4712000	1	Washer 5/8	
8	88521214	1	Nut 7/8	
9	1001231950	1	Rope	
10	1001232010	1	Bracket (RH)	
11	1001232011	1	Bracket (LH)	
12	1001236891	2	Washer	
13	1001236895	1	Ring	
14	1001238263	1	Decal - Warning Falling Hazard	
15	1001252629	1	Decal - Weight	
16	1001248140	1	Decal - Bolt Fall Arrest Re-Cert	
17	1001248141	1	Decal - Inscription	

SECTION 5 - PLATFORM

FIGURE 5-26. LIGHT PANEL INSTALLATION (MACHINES WITH SN STARTING WITH 03 OR 13)



ART_1001233959_D_20F2

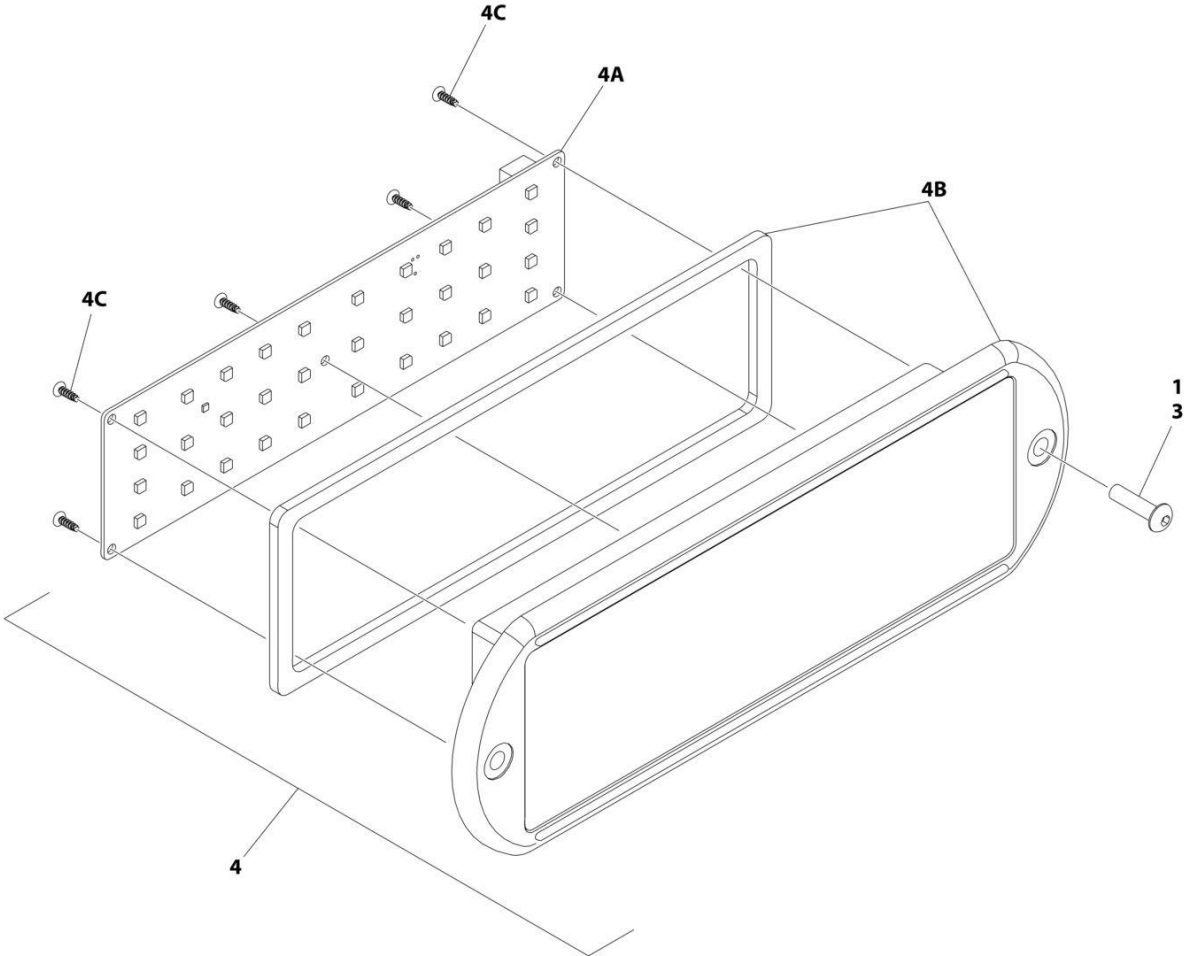
SECTION 5 - PLATFORM

FIGURE 5-26. LIGHT PANEL INSTALLATION (MACHINES WITH SN STARTING WITH 03 OR 13)

ITEM	PART NUMBER	QTY	DESCRIPTION	REV
	1001233959	Ref	LIGHT PANEL INSTALLATION - PLATFORM CONSOLE	D
1	0100035	AR	Compound, Locking	
3	0630518	2	Screw #10 x 3/4	
4	1001284583	1	Light Panel Assembly	A
4A	1001282106	1	Panel, LED Light	
4B	1001284582	1	Lens, Icon (Includes Gasket)	
4C		Ref	Screw	

SECTION 5 - PLATFORM

FIGURE 5-27. LIGHT PANEL INSTALLATION (MACHINES WITH SN STARTING WITH B3)



ART_1001241398_D_2OF2

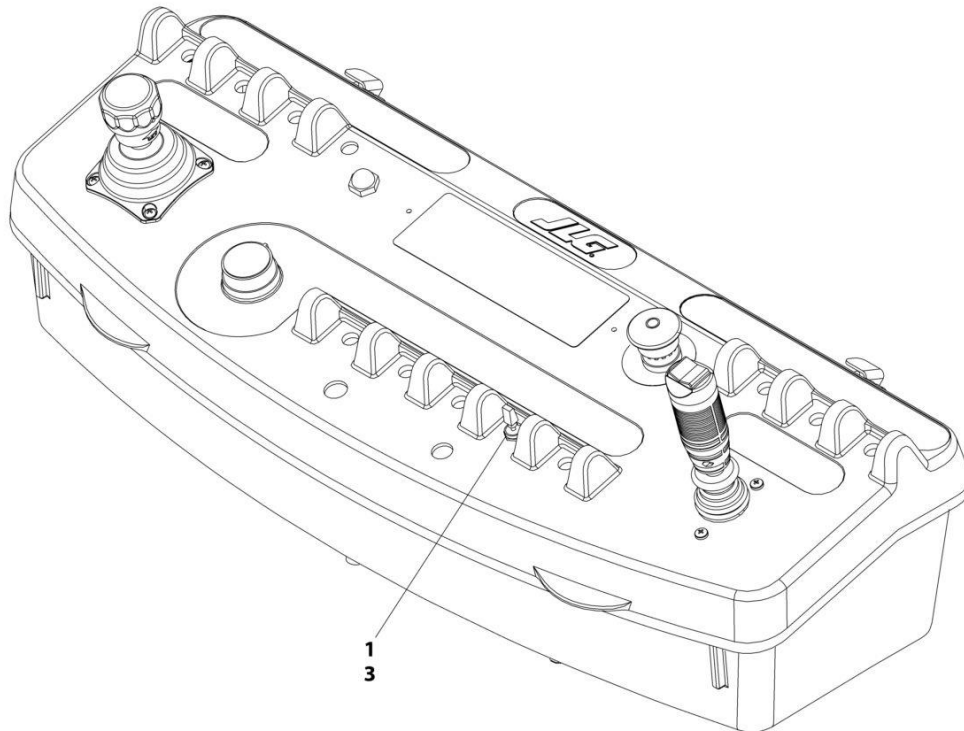
SECTION 5 - PLATFORM

FIGURE 5-27. LIGHT PANEL INSTALLATION (MACHINES WITH SN STARTING WITH B3)

ITEM	PART NUMBER	QTY	DESCRIPTION	REV
	1001241398	Ref	LIGHT PANEL INSTALLATION - PLATFORM CONSOLE	D
1	0100035	AR	Compound, Locking	
3	0630518	2	Screw #10 x 3/4	
4	1001284583	1	Light Panel Assembly	A
4A	1001282106	1	Panel, LED Light	
4B	1001284582	1	Lens, Icon (Includes Gasket)	
4C		Ref	Screw	

SECTION 5 - PLATFORM

FIGURE 5-28. JIB SWITCH INSTALLATION (860SJ)



ART_0258608

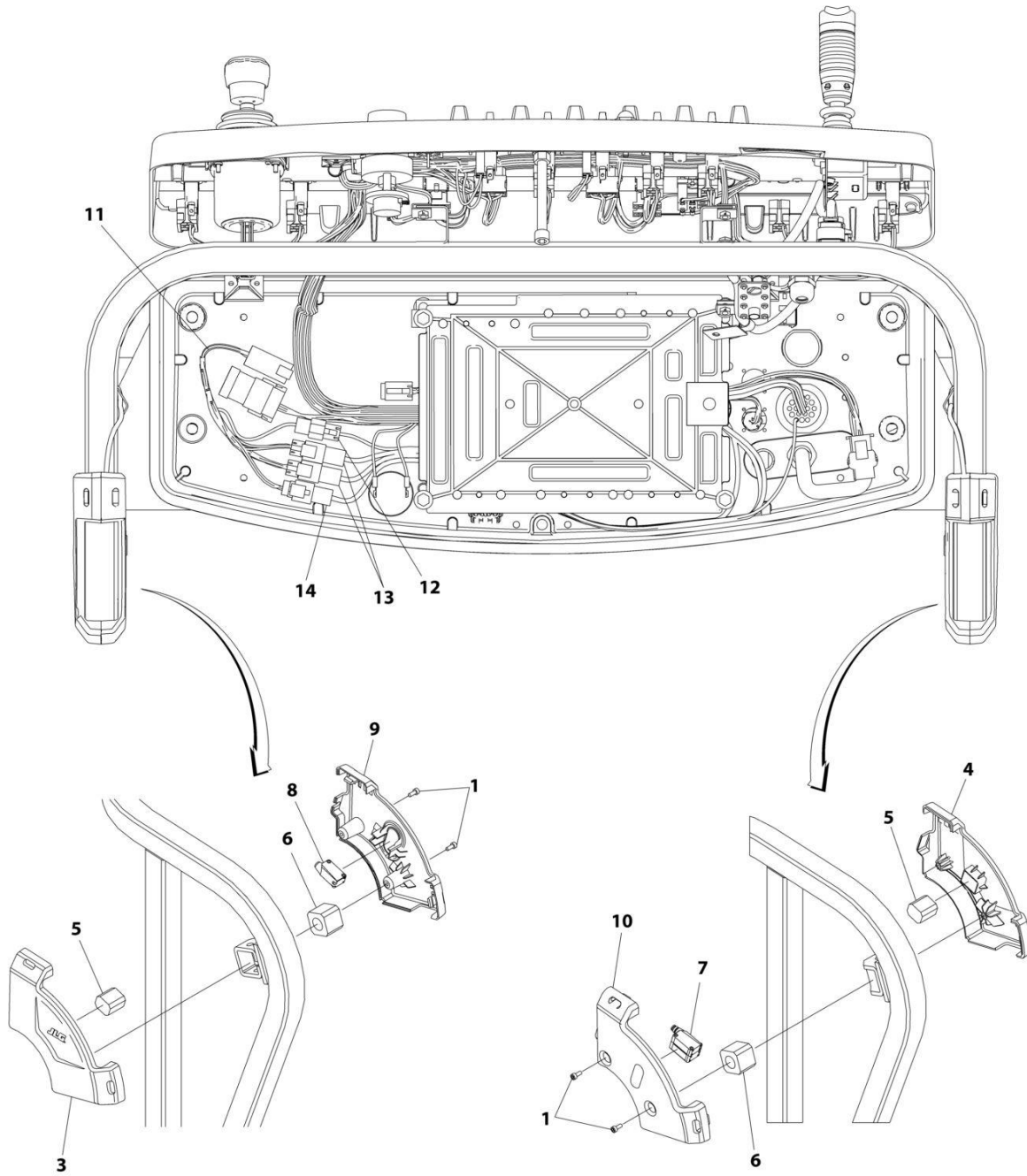
SECTION 5 - PLATFORM

FIGURE 5-28. JIB SWITCH INSTALLATION (860SJ)

ITEM	PART NUMBER	QTY	DESCRIPTION	REV
	0258608	Ref	JIB SWITCH INSTALLATION	C
1	4360328	1	Switch, Toggle	
3	3790012	1	O-Ring	

SECTION 5 - PLATFORM

FIGURE 5-29. SKYEYE INSTALLATION



ART_1001229341

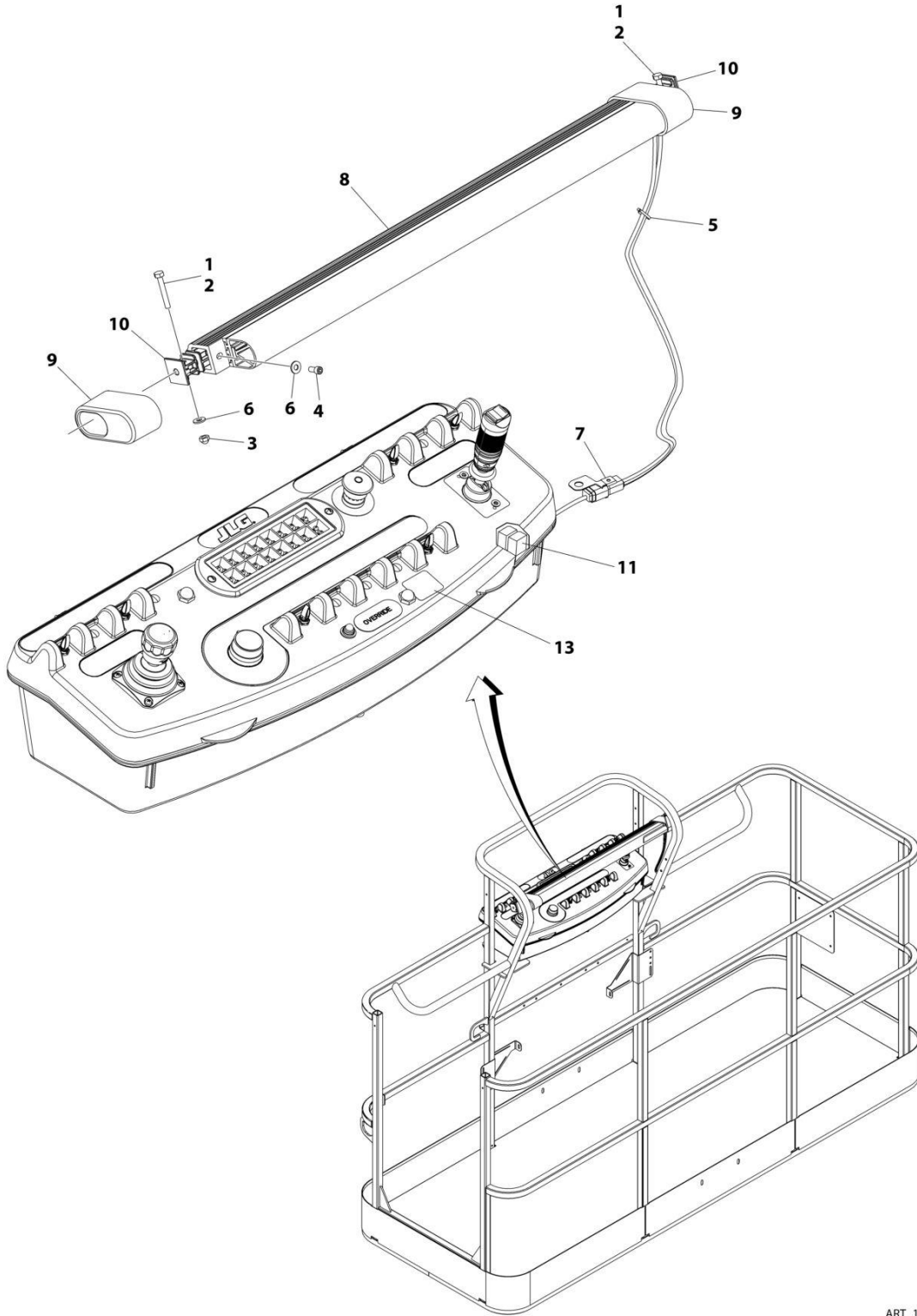
SECTION 5 - PLATFORM

FIGURE 5-29. SKYEYE INSTALLATION

ITEM	PART NUMBER	QTY	DESCRIPTION	REV
	1001229341	Ref	SKYEYE INSTALLATION	B
1	4031505	4	Bolt M4 x 10	
2	4240033	AR	Tie-Strap (Not Shown)	
3	1001227633	1	Housing, LH Outer	
4	1001227634	1	Housing, RH Outer	
5	1001227985	2	Shim	
6	1001227987	2	Shim	
7	1001228224	2	Sensor, Receiver	
8	1001228225	1	Sensor, Emitter	
9	1001232164	1	Housing, LH Inner	
10	1001232165	1	Housing, RH Inner	
11	1001237865	1	Harness, Skyeeye Intermediate (See Separate Breakdown in ELECTRICAL Section)	
12	1001238319	NLA	Harness, Skyeeye Drain Jumper	
12	1001187674	1	Plug, Male - 2 Position	
12	4460942	1	Terminal	
12	4460466	1	Plug, Terminal	
12	4460508	1	Pin, Male	
13	1001237863	2	Harness, Skyeeye Receiver (See Separate Breakdown in ELECTRICAL Section)	
14	1001237864	1	Harness, Skyeeye Emitter (See Separate Breakdown in ELECTRICAL Section)	

SECTION 5 - PLATFORM

FIGURE 5-30. SKYGUARD BAR INSTALLATION



ART_1001238495

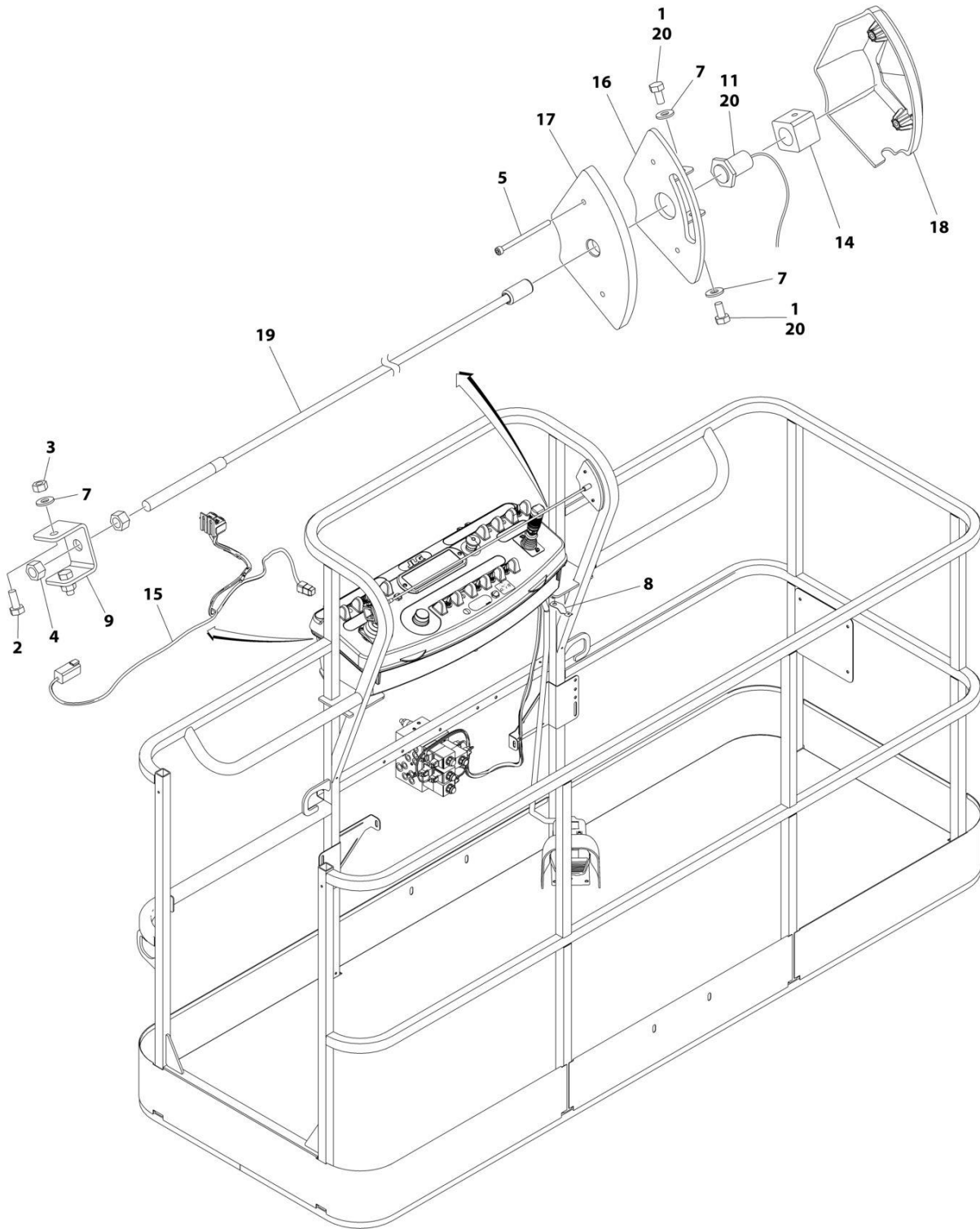
SECTION 5 - PLATFORM

FIGURE 5-30. SKYGUARD BAR INSTALLATION

ITEM	PART NUMBER	QTY	DESCRIPTION	REV
	1001238495	Ref	SKYGUARD BAR INSTALLATION	A
1	0100011	AR	Compound, Locking	
2	0641414	2	Bolt 1/4 x 1-3/4	
3	3300430	2	Nut 1/4	
4	3931408	2	Capscrew 1/4 x 1/2	
5	4240033	8	Tie-Strap	
6	4711400	6	Washer 1/4	
7	1001120328	1	Mount	
8	1001137673	1	SkyGuard Switch Assembly	
9	1001186517	2	Cover, Platform Sensor	
10	1001209664	2	Support, Block	
11	1001186431	2	Relay	
12	1001225580	1	Interface Harness Assembly (Not Shown - Located Inside Console Box) (See Separate Breakdown in ELECTRICAL Section)	
13	1001144433	1	Decal - No Weight SkyGuard	

SECTION 5 - PLATFORM

FIGURE 5-31. SKYLINE INSTALLATION



ART_1001238559_D

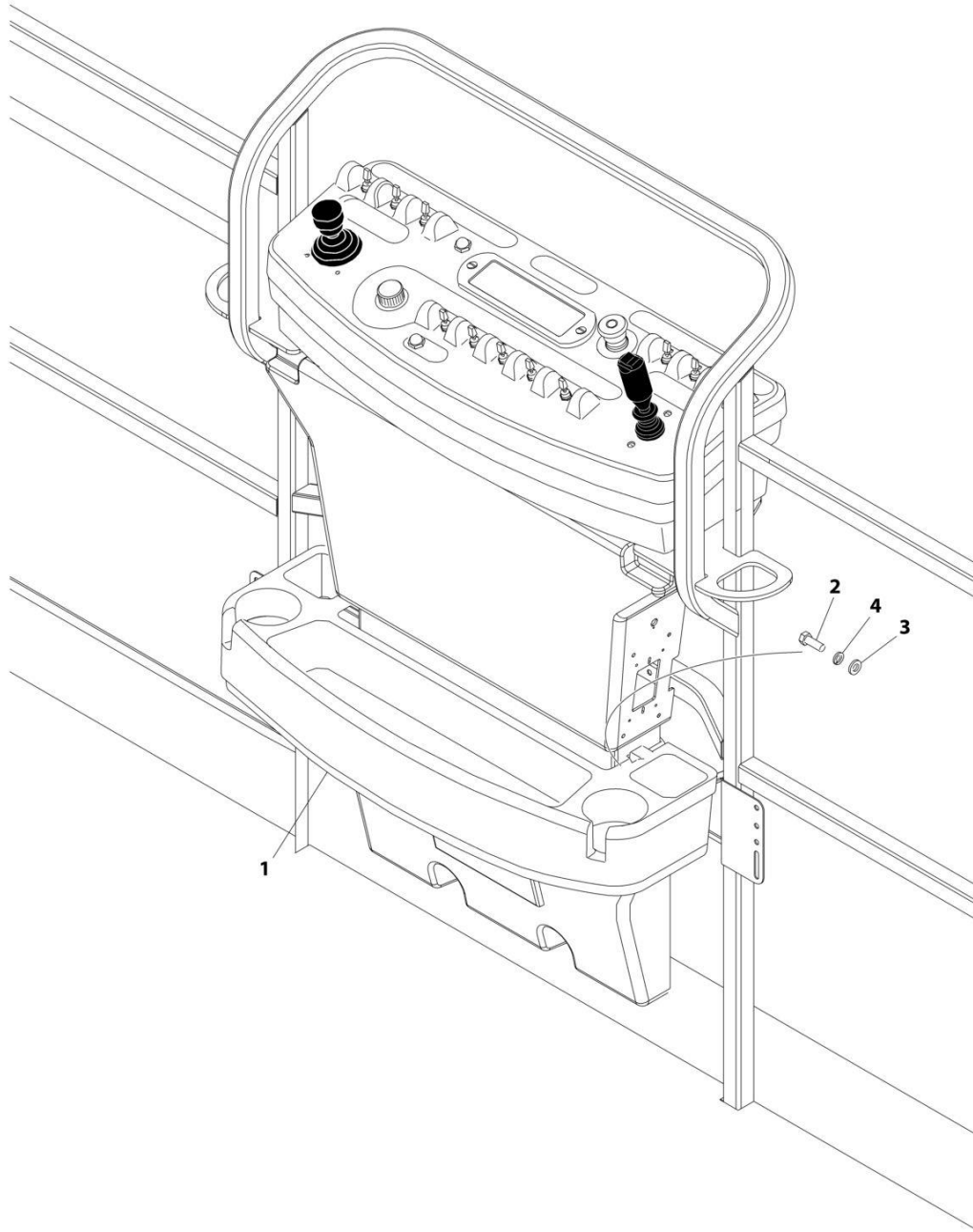
SECTION 5 - PLATFORM

FIGURE 5-31. SKYLINE INSTALLATION

ITEM	PART NUMBER	QTY	DESCRIPTION	REV
	1001238559	Ref	SKYLINE INSTALLATION	D
1	0641404	2	Bolt 1/4 x 1/2	
2	0641405	2	Bolt 1/4 x 5/8	
3	3311405	2	Nut 1/4	
4	3311601	2	Nut 3/8	
5	4031516	2	Capscrew M4 x 60	
6	4240033	AR	Tie-Strap (Not Shown)	
7	4711400	4	Washer 1/4	
8	1001120328	1	Mount	
9	1001232642	1	Bracket	
11	1001232667	1	Sensor, Proximity	
11	1001311034	1	Sensor, Proximity	
14	1001236552	1	Block	
15	1001238418	1	Harness, Skyline (See Separate Breakdown in ELECTRICAL Section)	
16	1001238472	1	Mount	
17	1001254473	1	Housing, LH	
18	1001241965	1	Housing, RH	
19	1001254472	1	Rod	
20	0100011	AR	Compound, Locking	

SECTION 5 - PLATFORM

FIGURE 5-32. STORAGE TRAY INSTALLATION - CENTER



ART_1580012

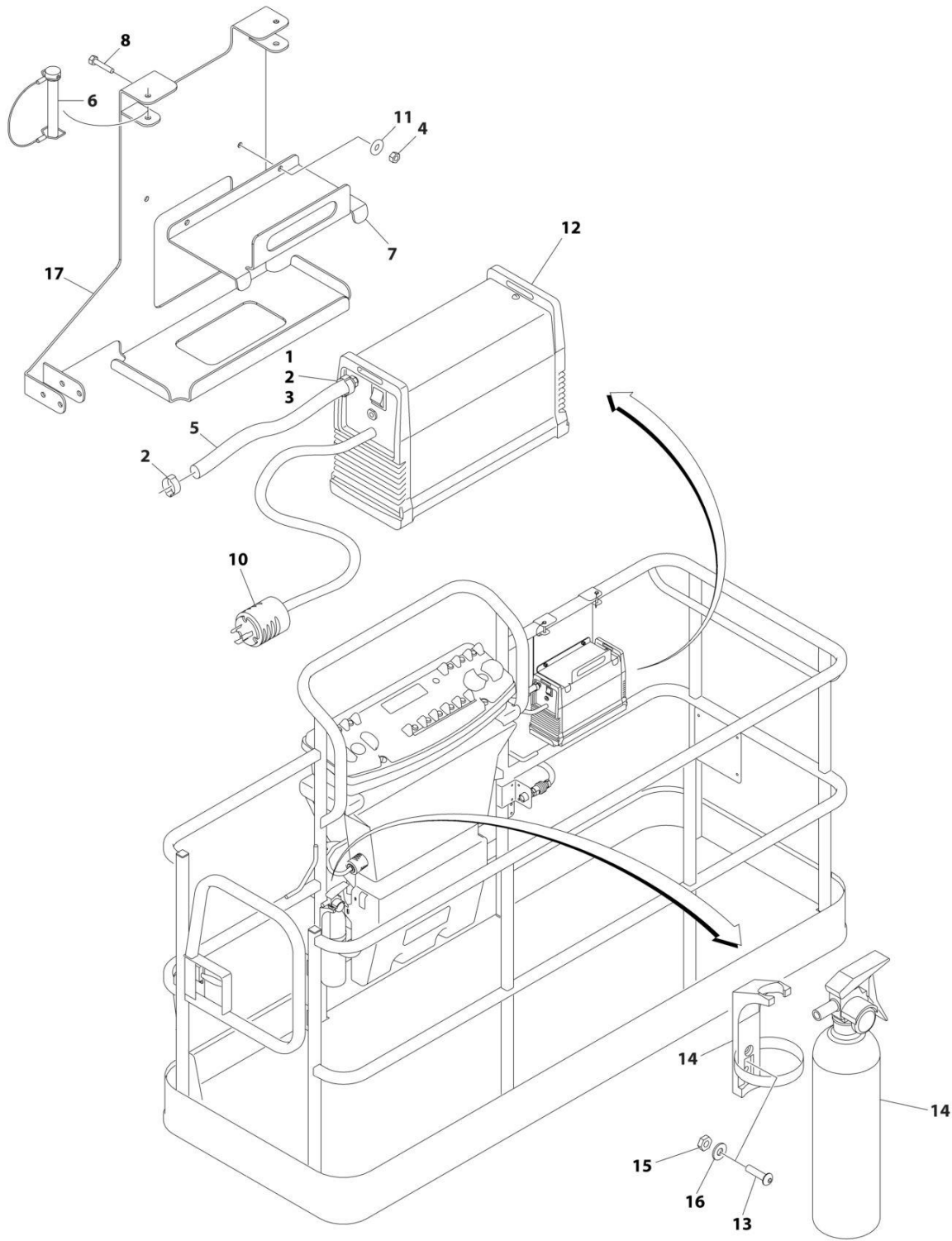
SECTION 5 - PLATFORM

FIGURE 5-32. STORAGE TRAY INSTALLATION - CENTER

ITEM	PART NUMBER	QTY	DESCRIPTION	REV
	1580012	Ref	TRAY ASSEMBLY	C
1	See Note	NSS	Tray, Storage (Center) (Note: Purchase p/n 1580012)	
2	0641406	2	Bolt 1/4 x 3/4	
3	4751400	2	Washer 1/4	
4	4761400	2	Washer 1/4	

SECTION 5 - PLATFORM

FIGURE 5-33. SKYCUTTER INSTALLATION



ART_1001098149_D

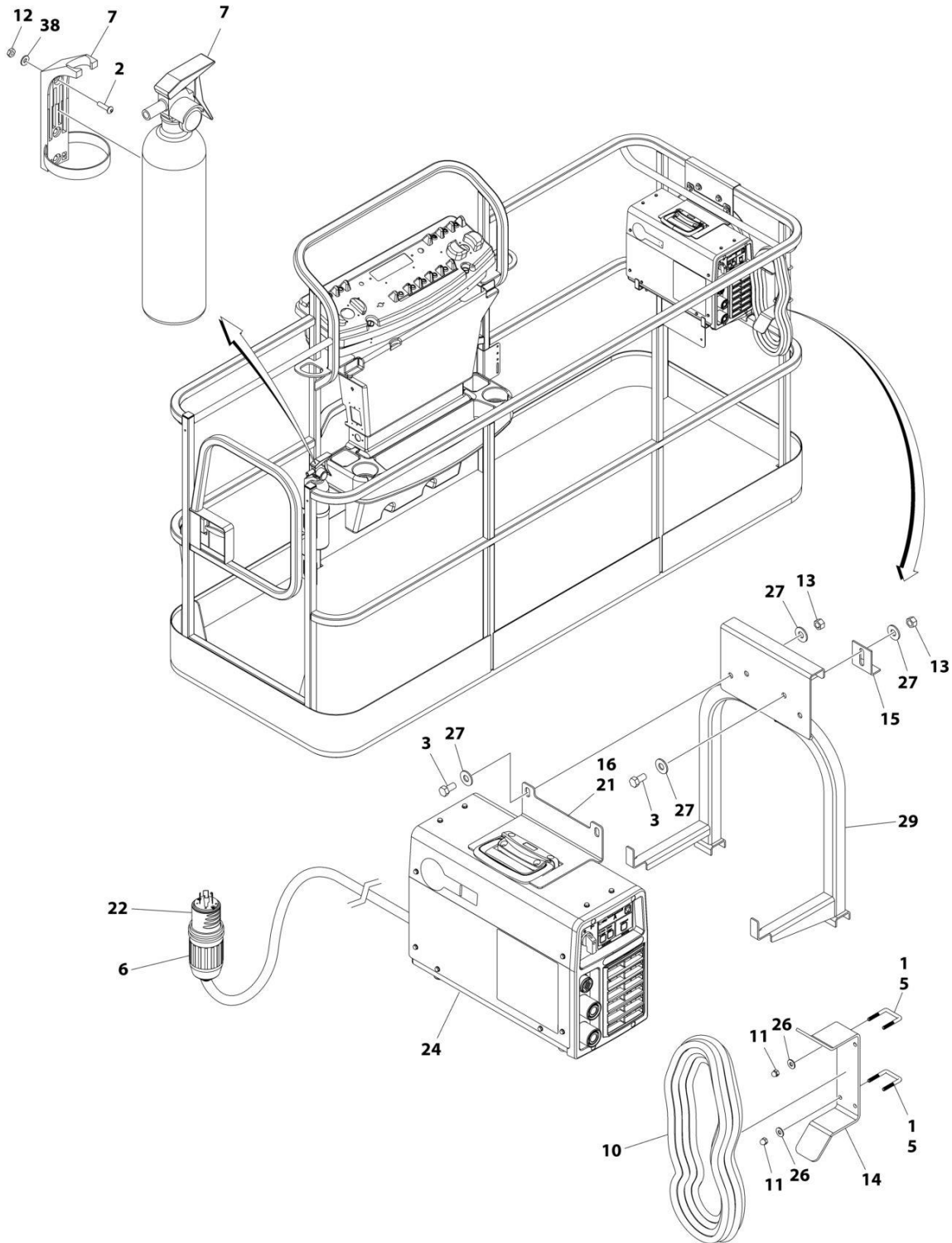
SECTION 5 - PLATFORM

FIGURE 5-33. SKYCUTTER INSTALLATION

ITEM	PART NUMBER	QTY	DESCRIPTION	REV
	1001098149	Ref	SKYCUTTER INSTALLATION	D
		Ref	Note: When replacing platform on machines with SkyCutter option, new bracket p/n 1001145405 must be purchased to accommodate SkyCutter components.	
1	0100020	AR	Sealant	
2	1320177	2	Clamp, Hose	
3	2180832	1	Fitting, NPT/Barbed	
4	3290605	2	Nut M6	
5	2720160	3 ft /.9m	Hose	
6	3421453	3	Pin	
7	3576799	1	Plate, Hold-Down	
8	4010608	2	Screw M6 x 16	
10	4460971	1	Plug, Twistlock	
11	4811700	2	Washer M6	
12	1001098012	1	Plasma Cutter Assembly (See Separate Breakdown in this Section)	
13	0630518	2	Screw #10 x 3/4	
14	2030010	1	Extinguisher, Fire	
15	3311005	2	Nut #10	
16	4751000	2	Washer #10	
17	1001145405	1	Support	

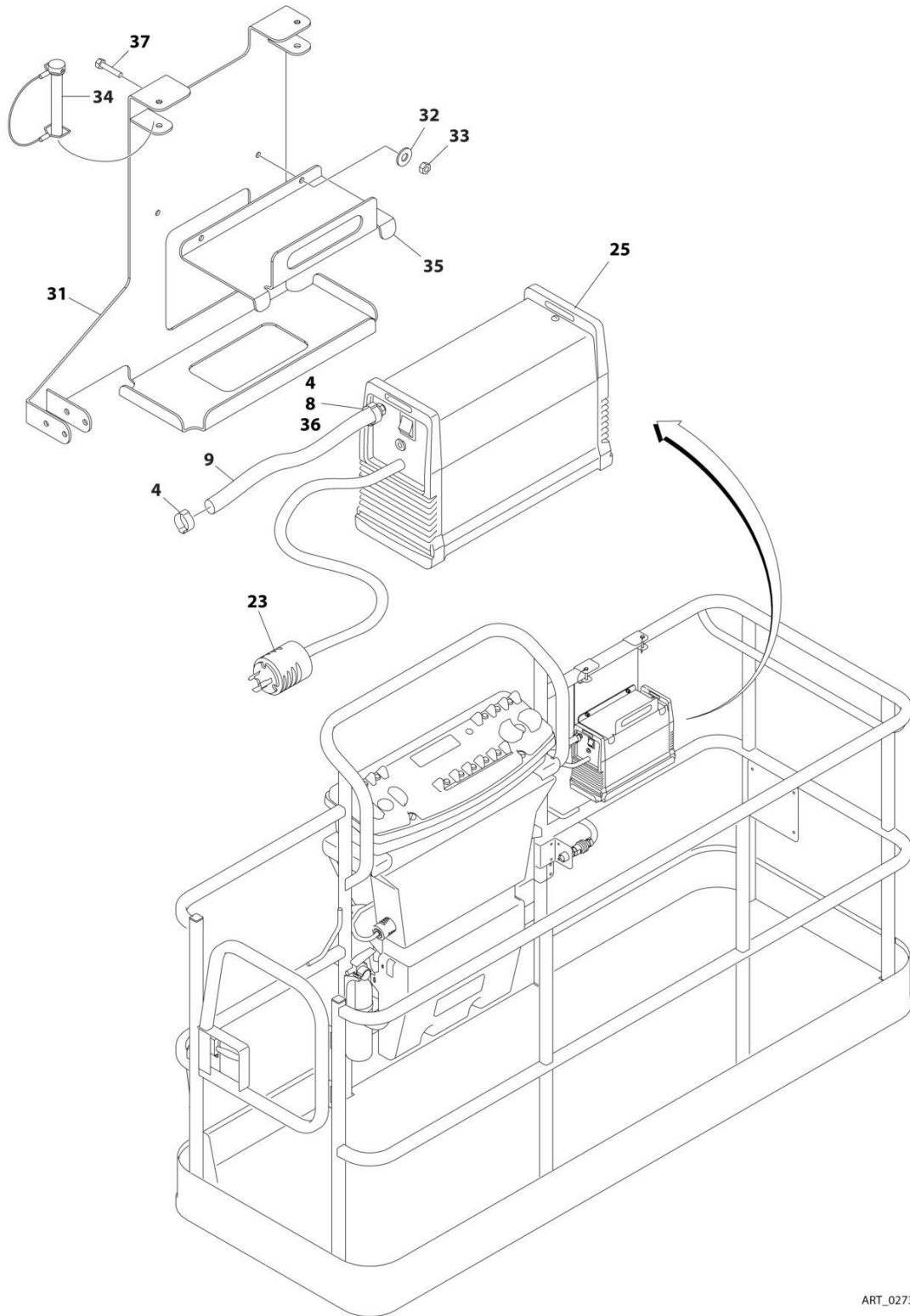
SECTION 5 - PLATFORM

FIGURE 5-34. SKYWELDER/SKYCUTTER COMBO INSTALLATION (60HZ)



ART_0273353_H_10F2

SECTION 5 - PLATFORM



ART_0273353_H_20F2

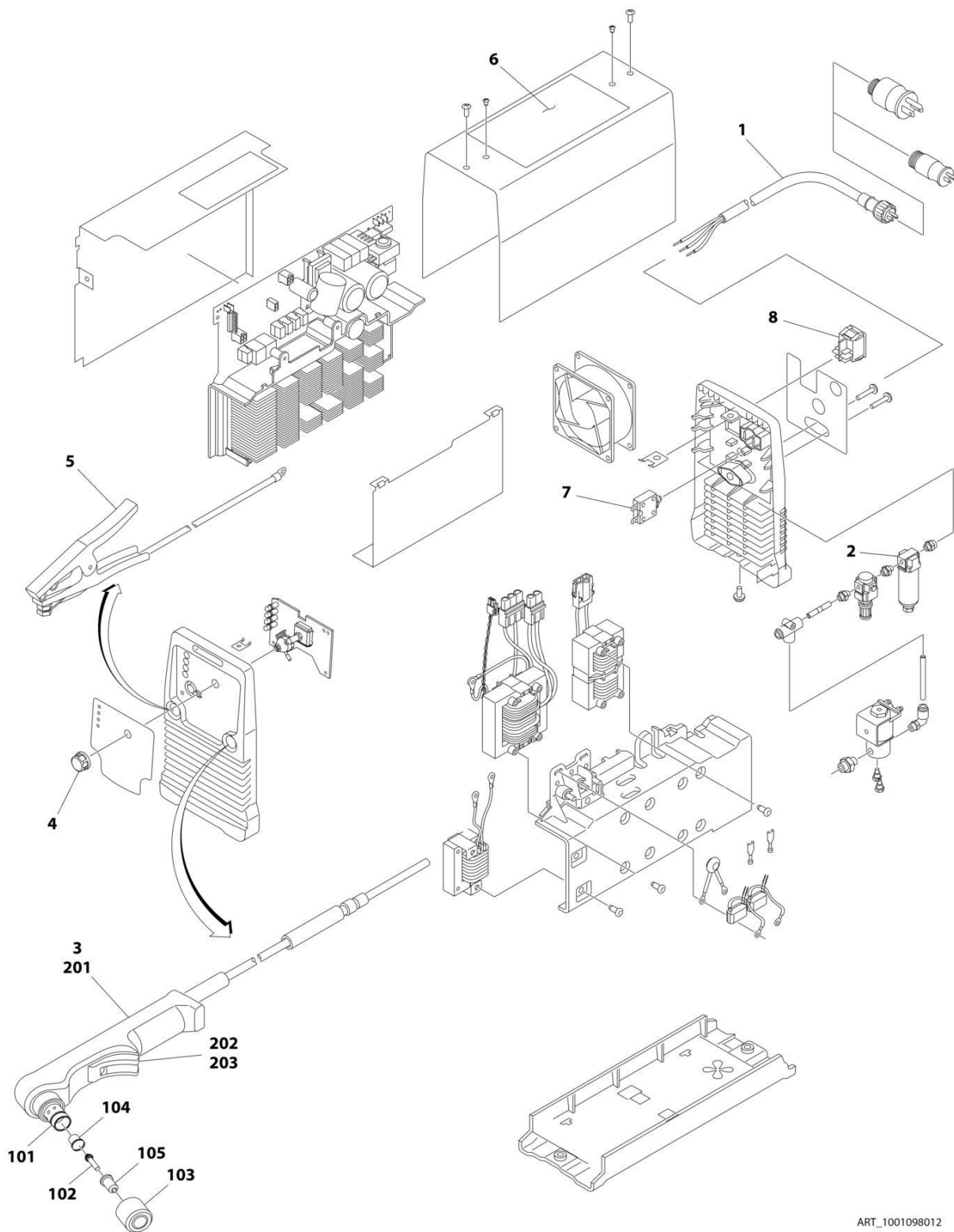
SECTION 5 - PLATFORM

FIGURE 5-34. SKYWELDER/SKYCUTTER COMBO INSTALLATION (60HZ)

ITEM	PART NUMBER	QTY	DESCRIPTION	REV
	0273353	Ref	SKYWELDER/SKYCUTTER COMBO INSTALLATION (60HZ)	H
1	0100011	AR	Compound, Locking	
2	0630518	2	Screw #10 x 3/4	
3	0641606	4	Bolt 3/8 x 3/4	
4	1320177	2	Clamp	
5	1320302	2	Clamp	
6	1671093	1	Cover, Plug	
7	2030010	1	Extinguisher, Fire	
8	2180832	1	Fitting, Barbed/NPT	
9	2720160	4.5 ft /1.37m	Hose	
10	2902217	1	Weld Leads Kit	
11	3300151	4	Nut 1/4	
12	3311005	2	Nut #10	
13	3311605	4	Nut 3/8	
14	3573400	1	Bracket	
15	3577121	2	Angle	
16	1001269573	1	Plate	
20	4240099	AR	Tie-Strap (Not Shown)	
21	4420037	2.36 ft /.71m	Tape	
22	4460962	1	Plug, Twist Lock	
23	4460971	1	Plug, Twist Lock	
24	1001268820	1	Welder Assembly (See Separate Breakdown in this section)	
25	1001098012	1	Plasma Cutter Assembly (See Separate Breakdown in this Section)	
26	4751400	4	Washer 1/4	
27	4751600	8	Washer 3/8	
29	1001269322	1	Support	
31	1001145405	1	Bracket	
32	4811700	2	Washer M6	
33	3290605	2	Nut M6	
34	3421453	3	Pin	
35	3576799	1	Plate, Hold-Down	
36	0100020	1	Sealant	
37	4010608	2	Screw M6 x 16	
38	4751000	2	Washer #10	

SECTION 5 - PLATFORM

FIGURE 5-35. PLASMA CUTTER ASSEMBLY



ART_1001098012

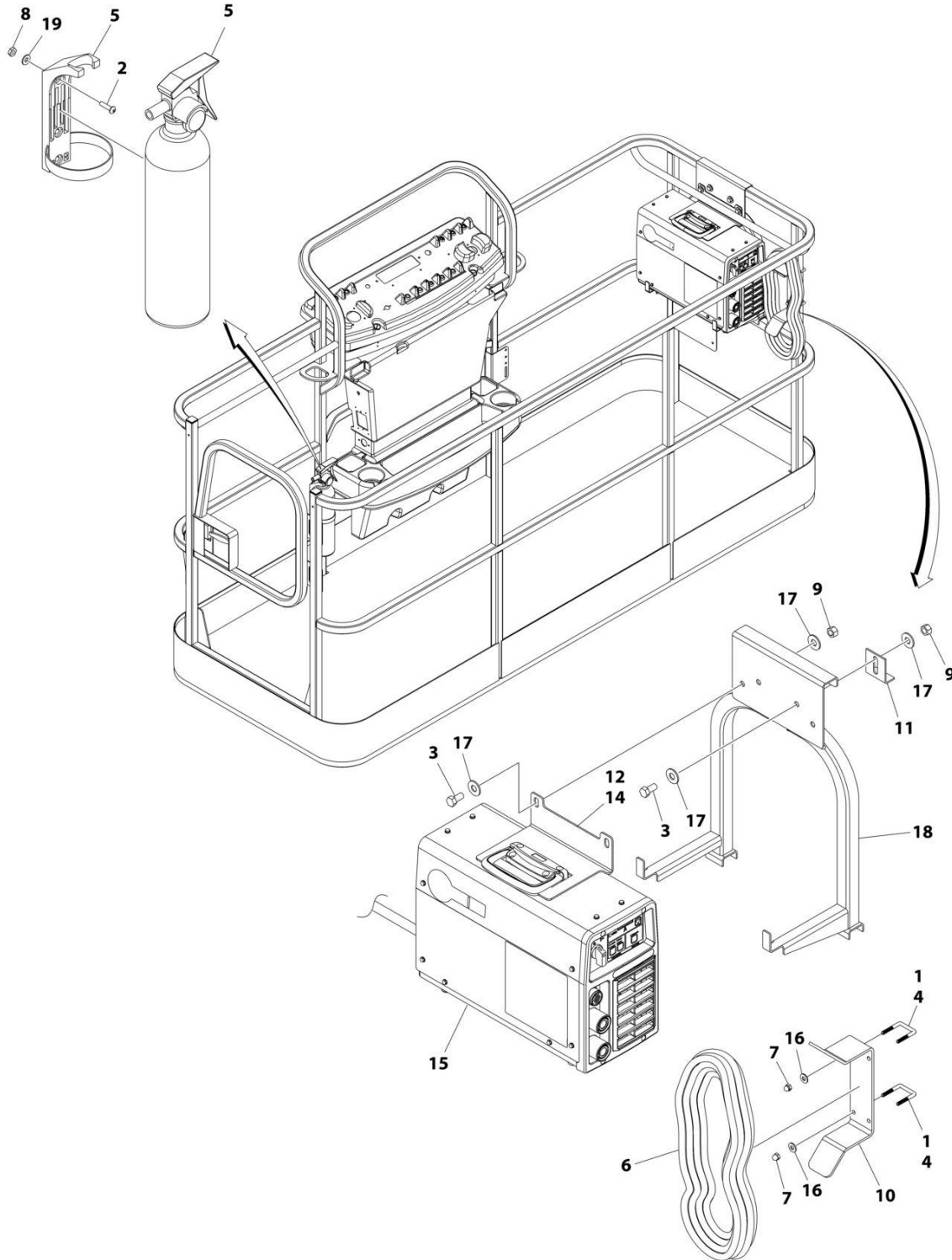
SECTION 5 - PLATFORM

FIGURE 5-35. PLASMA CUTTER ASSEMBLY

ITEM	PART NUMBER	QTY	DESCRIPTION	REV
	1001098012	Ref	PLASMA CUTTER ASSEMBLY	A
		Ref	Note: For Other Components, contact your Miller Welder Dealer.	
1	70001424	1	Cable, Power	
1	70001425	1	Decal - Voltage Warning	
2	70001427	1	Filter, Regulator	
3	70001428	1	Torch Assembly (See Items 101-203 for Breakdown)	
4	7024471	1	Knob	
5	70001429	1	Clamp with Cable	
6	70001430	1	Decal - Caution	
7	70001431	1	Breaker, Circuit	
8	70001432	1	Switch, Rocker	
	70001428	Ref	TORCH ASSEMBLY	
101	7024530	1	O-Ring	
102	7024531	1	Electrode	
103	7024532	1	Cup, Retaining	
104	7024533	1	Swirl Ring	
105	7024534	1	Tip	
201	7024535	1	Handle, Torch	
202	7024536	1	Switch	
203	7024537	1	Trigger	

SECTION 5 - PLATFORM

FIGURE 5-36. SKYWELDER INSTALLATION (50HZ)



ART_0272521_G

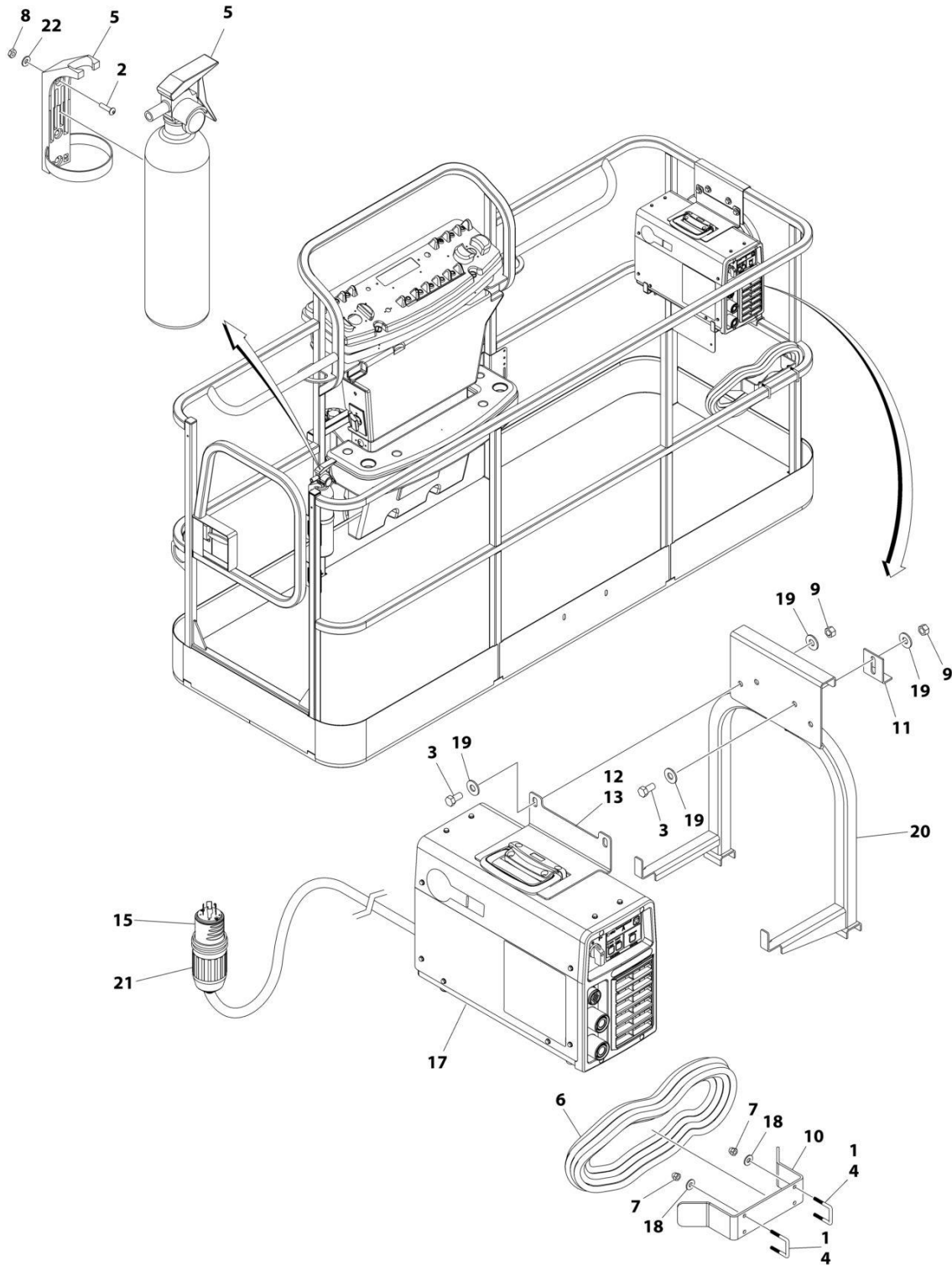
SECTION 5 - PLATFORM

FIGURE 5-36. SKYWELDER INSTALLATION (50HZ)

ITEM	PART NUMBER	QTY	DESCRIPTION	REV
	0272521	Ref	SKYWELDER INSTALLATION	G
1	0100011	AR	Compound, Locking	
2	0630518	2	Screw #10 x 3/4	
3	0641606	4	Bolt 3/8 x 3/4	
4	1320302	2	U-Clamp	
5	2030010	1	Extinguisher, Fire	
6	2902217	1	Weld Leads Kit	
7	3300151	4	Nut 1/4	
8	3311005	2	Nut #10	
9	3311605	4	Nut 3/8	
10	3573400	1	Bracket	
11	3577121	2	Angle	
12	1001269573	1	Plate	
13	4240099	AR	Tie-Strap (Not Shown)	
14	4420037	AR	Tape	
15	1001268820	1	Welder Assembly (See Separate Breakdown in this Section)	
16	4751400	4	Washer 1/4	
17	4751600	8	Washer 3/8	
18	1001269322	1	Support	
19	4751000	2	Washer #10	

SECTION 5 - PLATFORM

FIGURE 5-37. SKYWELDER INSTALLATION (60HZ)



ART_0272254_J

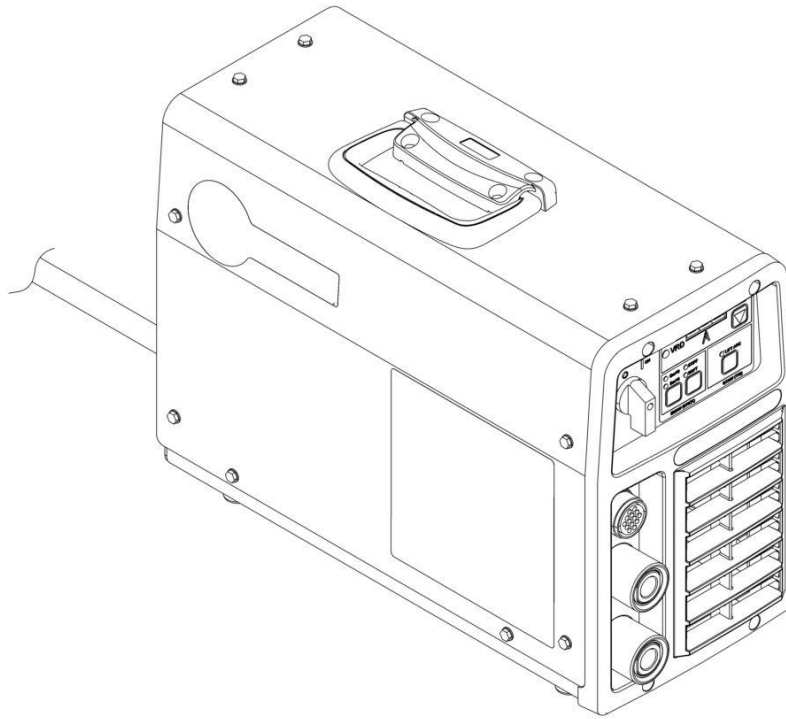
SECTION 5 - PLATFORM

FIGURE 5-37. SKYWELDER INSTALLATION (60HZ)

ITEM	PART NUMBER	QTY	DESCRIPTION	REV
	0272254	Ref	SKYWELDER INSTALLATION	J
1	0100011	AR	Compound, Locking	
2	0630518	2	Screw #10 x 3/4	
3	0641606	4	Bolt 3/8 x 3/4	
4	1320302	2	U-Clamp	
5	2030010	1	Extinguisher, Fire	
6	2902217	1	Weld Leads Kit	
7	3300151	4	Nut 1/4	
8	3311005	2	Nut #10	
9	3311605	4	Nut 3/8	
10	3573400	1	Bracket	
11	3577121	2	Angle	
12	1001269573	1	Plate	
13	4420037	AR	Tape	
14	4240099	AR	Tie-Strap (Not Shown)	
15	4460962	1	Plug, Male Twistlock	
17	1001268820	1	Welder Assembly (See Separate Breakdown in this Section)	
18	4751400	4	Washer 1/4	
19	4751600	8	Washer 3/8	
20	1001269322	1	Support	
21	1671093	1	Cover, Plug	
22	4751000	2	Washer #10	

SECTION 5 - PLATFORM

FIGURE 5-38. WELDER ASSEMBLY



ART_1001268820

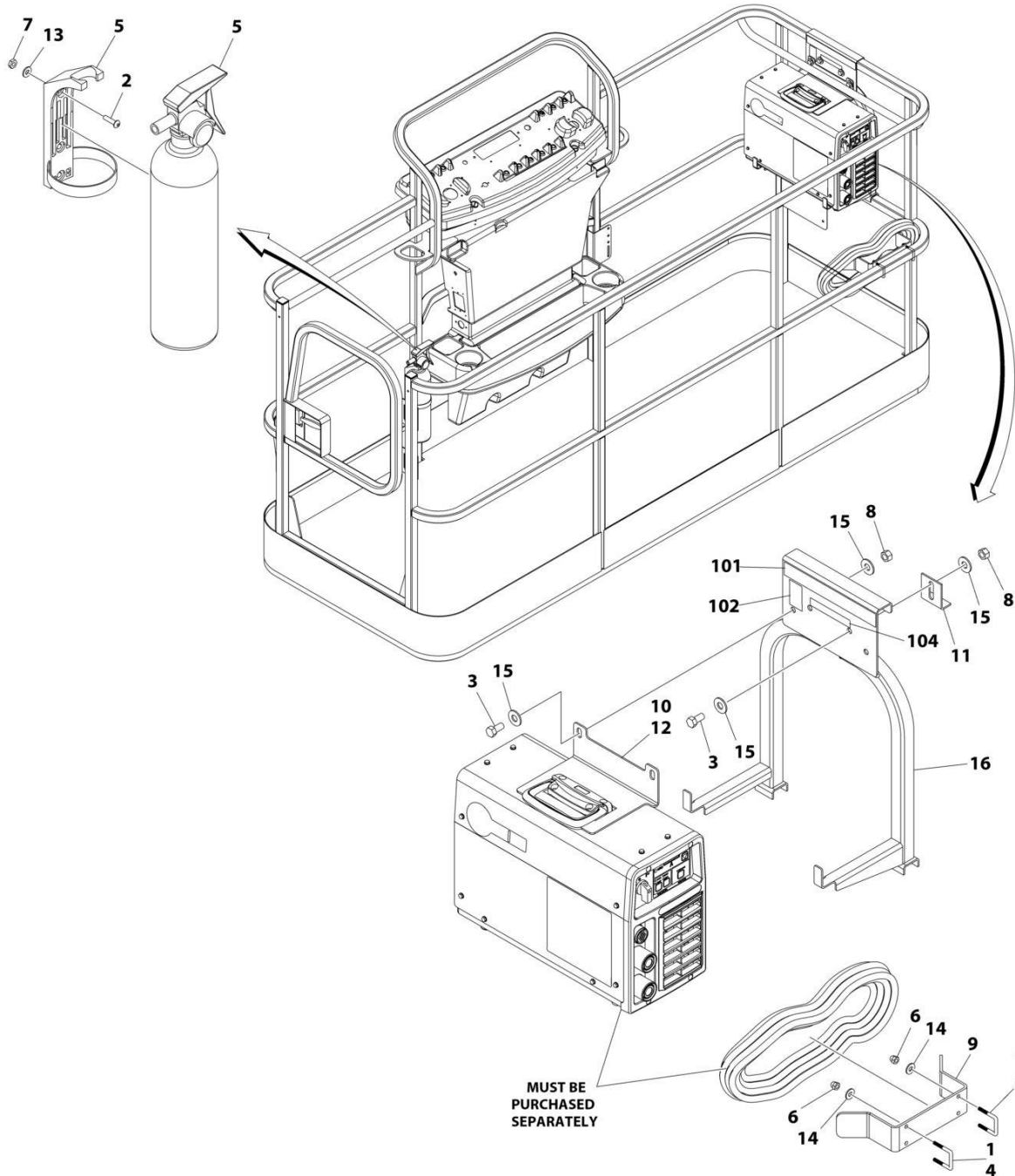
SECTION 5 - PLATFORM

FIGURE 5-38. WELDER ASSEMBLY

ITEM	PART NUMBER	QTY	DESCRIPTION	REV
	1001268820	1 Ref	WELDER ASSEMBLY Note: No Service Parts available at time of Printing.	B

SECTION 5 - PLATFORM

FIGURE 5-39. SKYWELDER PREP PACKAGE (60HZ)



ART_1001128527_C

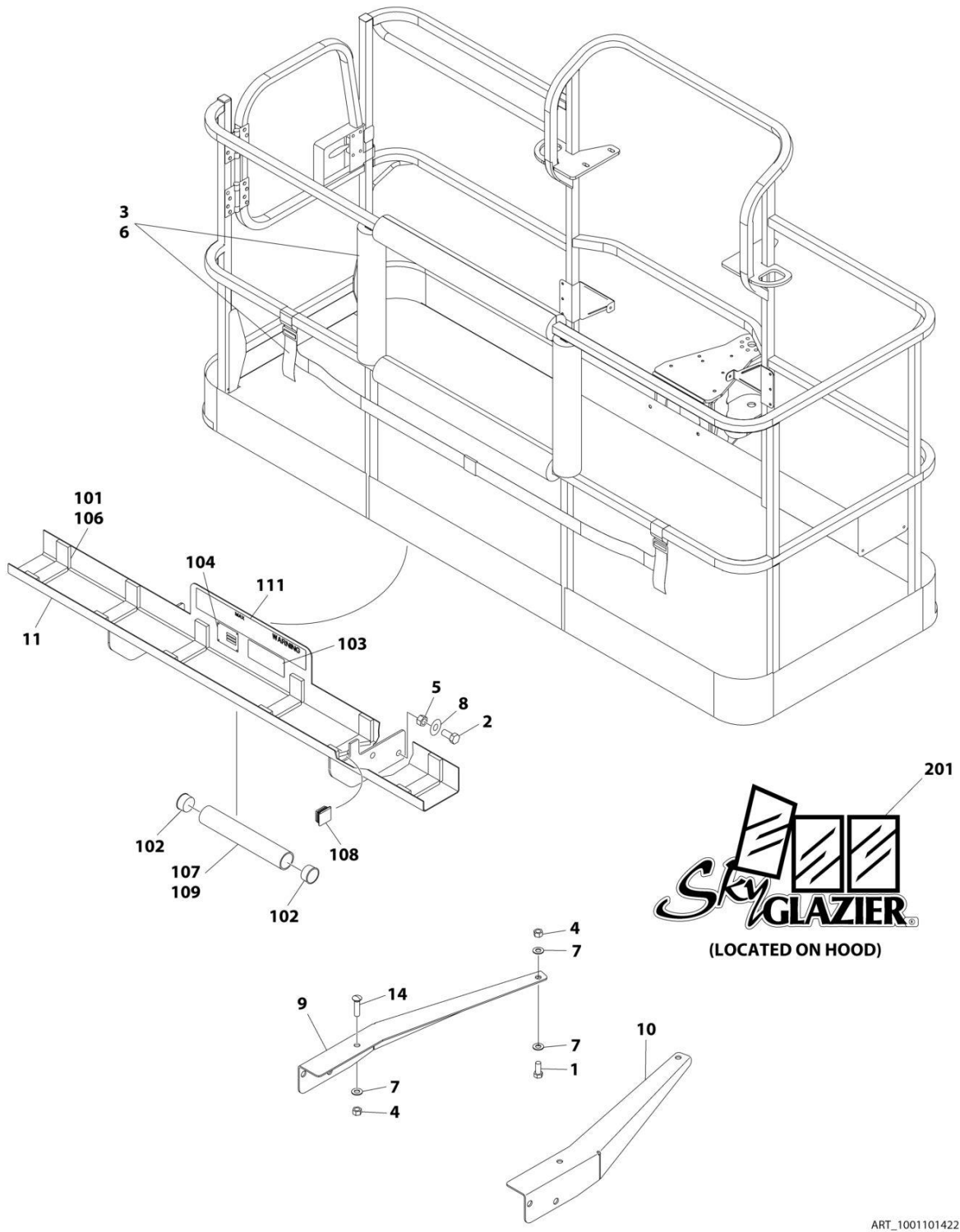
SECTION 5 - PLATFORM

FIGURE 5-39. SKYWELDER PREP PACKAGE (60HZ)

ITEM	PART NUMBER	QTY	DESCRIPTION	REV
	1001128527	Ref	SKYWELDER PREP PACKAGE	C
1	0100011	AR	Compound, Locking	
2	0630518	2	Screw #10 x 3/4	
3	0641606	4	Bolt 3/8 x 3/4	
4	1320302	2	U-Clamp	
5	2030010	1	Extinguisher, Fire	
6	3300151	4	Nut 1/4	
7	3311005	2	Nut #10	
8	3311605	4	Nut 3/8	
9	3573400	1	Bracket	
10	1001269573	1	Plate	
11	3577121	2	Angle	
12	4420037	AR	Tape	
13	4751000	2	Washer #10	
14	4751400	4	Washer 1/4	
15	4751600	8	Washer 3/8	
16	1001269322	1	Support	
	1001128556	Ref	SKYWELDER DECAL INSTALLATION	D
101	1702868	1	Decal - No Hands	
102	1705305	1	Decal - Weld Lead	
104	1001228988	1	Decal - Weight	

SECTION 5 - PLATFORM

FIGURE 5-40. SKYGLAZIER INSTALLATION (ENGLISH LANGUAGE DECALS)



ART_1001101422

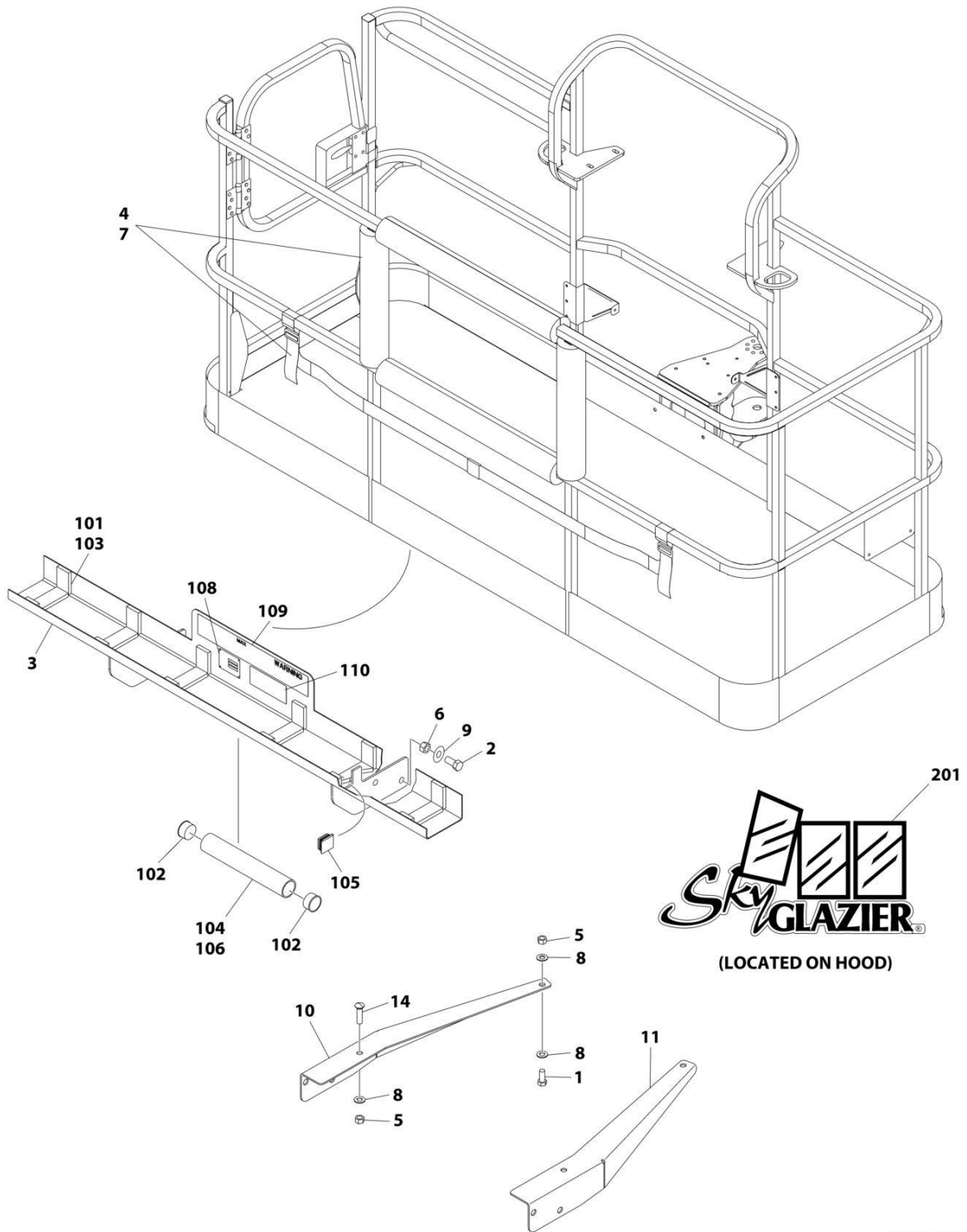
SECTION 5 - PLATFORM

FIGURE 5-40. SKYGLAZIER INSTALLATION (ENGLISH LANGUAGE DECALS)

ITEM	PART NUMBER	QTY	DESCRIPTION	REV
	1001101422	Ref	SKYGLAZIER INSTALLATION	C
1	0642012	2	Bolt 5/8 x 1-1/2	
2	0642212	4	Bolt 3/4 x 1-1/2	
3	2902212	1	Bumpers and Strap Kit	
3	0940102	1	Bumper Only	
3	4240149	1	Strap Only	
4	3312005	4	Nut 5/8	
5	3312205	4	Nut 3/4	
6	4420014	AR	Tape	
7	4712000	6	Washer 5/8	
8	4712200	8	Washer 3/4	
9	1001099366	1	Support	
10	1001099367	1	Support	
11	1001101421	1	Tray Assembly (See Items 101-111 for Breakdown)	
14	8310129	2	Bolt 3/4 x 2-1/2	
	1001101421	Ref	TRAY ASSEMBLY	F
101	0100081	AR	Adhesive	
102	1120555	2	Cap, Tube	
103	1701509	1	Decal - Manual	
104	See Note	NSS	Nameplate - Serial Number (Note: Not Available for Purchase)	
106	3340956	1	Pad Kit	
107	3460334	1	Tube	
108	3520071	2	Plug	
109	4420066	AR	Tape, Double Sided	
111	1001163131	2	Decal - Glazier Capacity	
	0272418	Ref	SKYGLAZIER DECAL INSTALLATION	4
201	1705358	2	Decal - SkyGlazier	

SECTION 5 - PLATFORM

FIGURE 5-41. SKYGLAZIER INSTALLATION (SPANISH LANGUAGE DECALS)



ART_1001099421

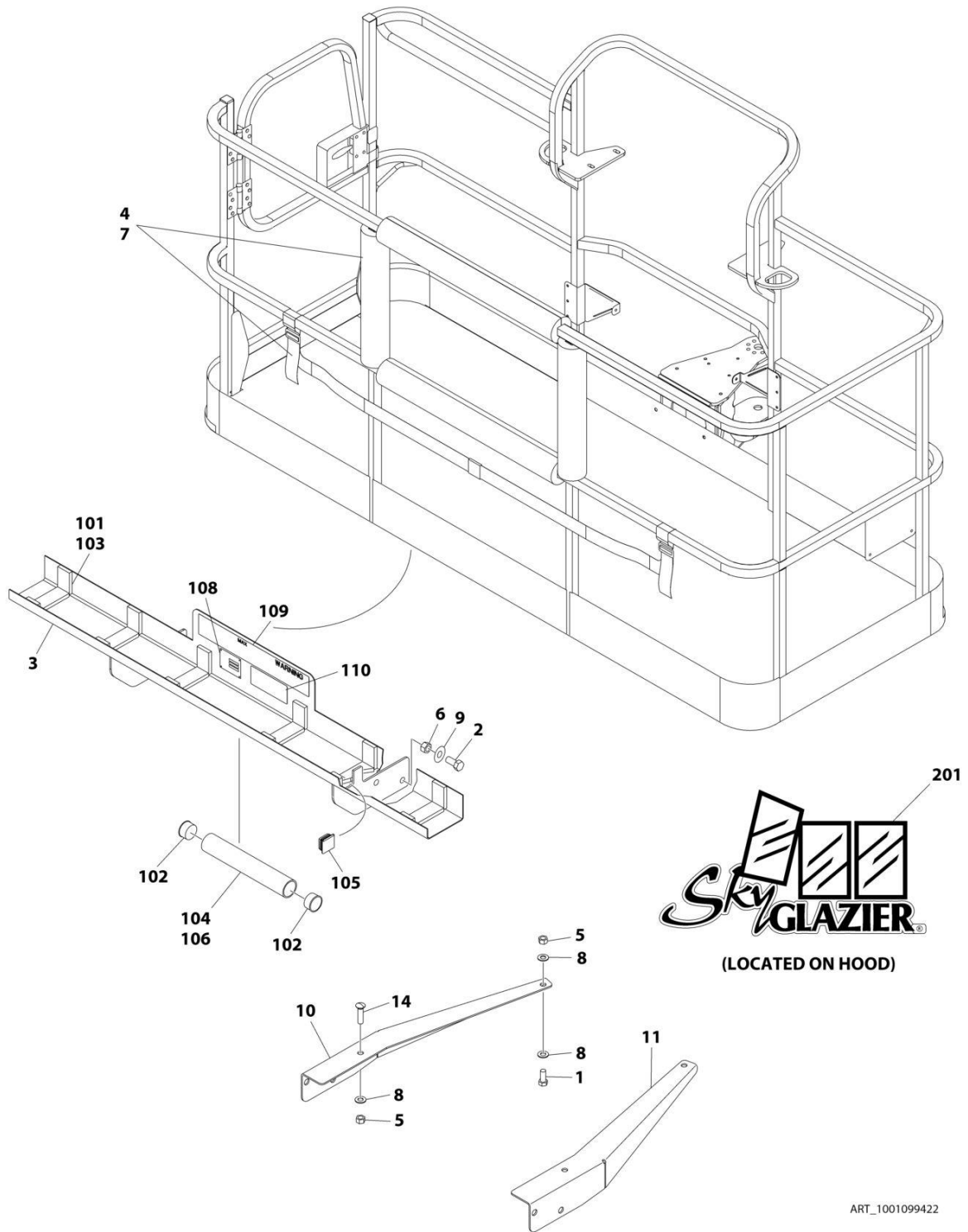
SECTION 5 - PLATFORM

FIGURE 5-41. SKYGLAZIER INSTALLATION (SPANISH LANGUAGE DECALS)

ITEM	PART NUMBER	QTY	DESCRIPTION	REV
	1001099421	Ref	SKYGLAZIER INSTALLATION	C
1	0642012	2	Bolt 5/8 x 1-1/2	
2	0642212	4	Bolt 3/4 x 1-1/2	
3	0272948	1	Tray Assembly (See Items 101-110 for Breakdown)	
4	2902212	1	Bumpers and Strap Kit	
4	0940102	1	Bumper Only	
4	4240149	1	Strap Only	
5	3312005	4	Nut 5/8	
6	3312205	4	Nut 3/4	
7	4420014	AR	Tape	
8	4712000	6	Washer 5/8	
9	4712200	8	Washer 3/4	
10	1001099366	1	Support	
11	1001099367	1	Support	
14	8310129	2	Bolt 3/4 x 2-1/2	
	0272948	Ref	TRAY ASSEMBLY	F
101	0100081	AR	Adhesive	
102	1120555	2	Cap, Tube	
103	3340956	1	Pad Kit	
104	3460334	1	Tube	
105	3520071	2	Plug	
106	4420066	AR	Tape, Double Sided	
108	See Note	NSS	Nameplate - Serial Number (Note: Not Available for Purchase)	
109	1001163296	2	Decal - Glazier Capacity	
110	1701509	1	Decal - Manual	
	0272418	Ref	SKYGLAZIER DECAL INSTALLATION	4
201	1705358	2	Decal - SkyGlazier	

SECTION 5 - PLATFORM

FIGURE 5-42. SKYGLAZIER INSTALLATION (PORTUGUESE LANGUAGE DECALS)



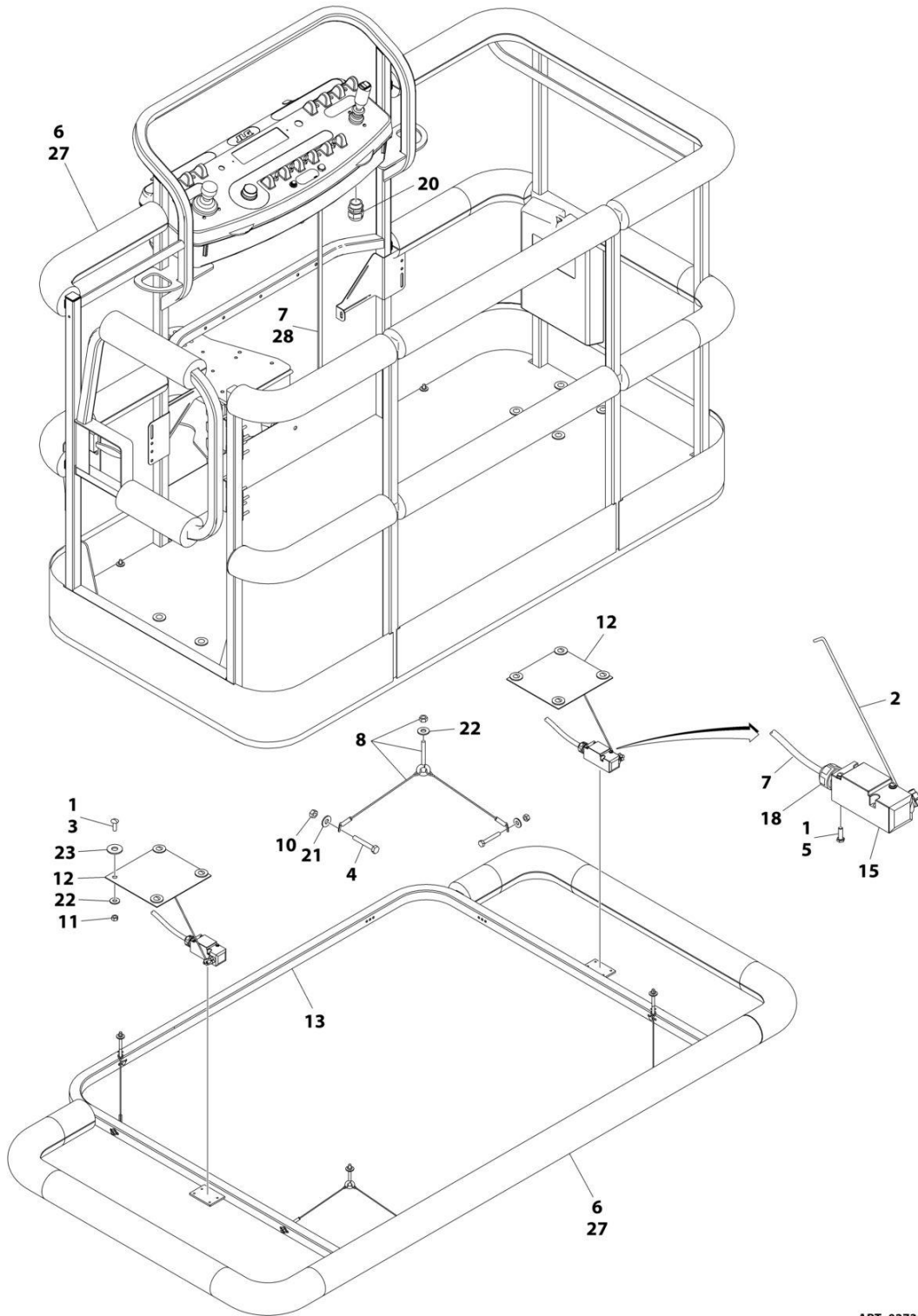
SECTION 5 - PLATFORM

FIGURE 5-42. SKYGLAZIER INSTALLATION (PORTUGUESE LANGUAGE DECALS)

ITEM	PART NUMBER	QTY	DESCRIPTION	REV
	1001099422	Ref	SKYGLAZIER INSTALLATION	C
1	0642012	2	Bolt 5/8 x 1-1/2	
2	0642212	4	Bolt 3/4 x 1-1/2	
3	0272951	1	Tray Assembly (See Items 101-110 for Breakdown)	
4	2902212	1	Bumpers and Strap Kit	
4	0940102	1	Bumper Only	
4	4240149	1	Strap Only	
5	3312005	4	Nut 5/8	
6	3312205	4	Nut 3/4	
7	4420014	AR	Tape	
8	4712000	6	Washer 5/8	
9	4712200	8	Washer 3/4	
10	1001099366	1	Support	
11	1001099367	1	Support	
14	8310129	2	Bolt 3/4 x 2-1/2	
	0272951	Ref	TRAY ASSEMBLY	F
101	0100081	AR	Adhesive	
102	1120555	2	Cap, Tube	
103	3340956	1	Pad Kit	
104	3460334	1	Tube	
105	3520071	2	Plug	
106	4420066	AR	Tape, Double Sided	
108	See Note	NSS	Nameplate - Serial Number (Note: Not Available for Purchase)	
109	1001163297	2	Decal - Glazier Capacity	
110	1701509	1	Decal - Manual	
	0272418	Ref	SKYGLAZIER DECAL INSTALLATION	4
201	1705358	2	Decal - SkyGlazier	

SECTION 5 - PLATFORM

FIGURE 5-43. SOFT TOUCH SYSTEM INSTALLATION - 6FT/1.83M PLATFORM



ART_0273824_E

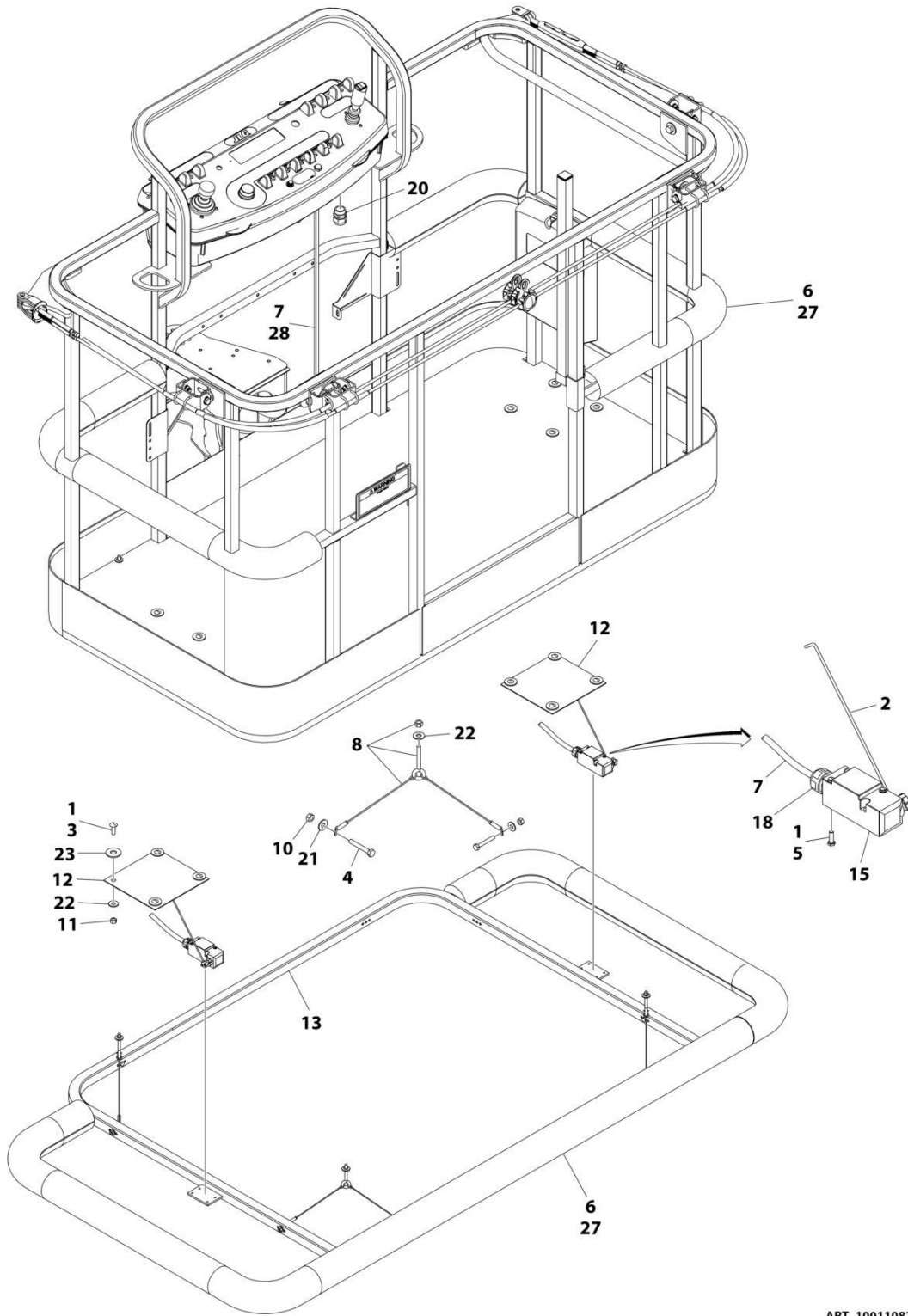
SECTION 5 - PLATFORM

FIGURE 5-43. SOFT TOUCH SYSTEM INSTALLATION - 6FT/1.83M PLATFORM

ITEM	PART NUMBER	QTY	DESCRIPTION	REV
	0273824	Ref	SOFT TOUCH SYSTEM INSTALLATION	E
1	0100011	AR	Compound, Locking	
2	0200048	2	Arm, Switch	
3	0630462	8	Bolt	
4	0641414	8	Bolt 1/4 x 1-3/4	
5	0731005	4	Bolt #10 x 5/8	
6	0940134	1	Bumper Kit (Includes Corners and Enough Straight Material for One Platform)	
6	0940092	AR	Bumper (Corner)	
6	0940094	AR	Bumper (12ft Length)	
7	1060341	23 ft/7m	Cable, Soft Touch - 16/2	
8	1060903	4	Wire Rope and Eyebolt Assembly	
10	3311401	8	Nut 1/4	
11	3311501	8	Nut 5/16	
12	3575359	2	Plate, Switch Strike	
13	3641569	1	Rail, Soft Touch	
14	4240099	7	Tie-Strap (Not Shown)	
15	4360057	2	Switch, Limit	
18	4460049	2	Connector, Strain Relief	
19	4460234	7	Tie-Strap (Not Shown)	
20	4460425	1	Connector, Strain Relief	
21	4751400	8	Washer 1/4	
22	4751500	12	Washer 5/16	
23	4751800	8	Washer 1/2	
27	1001197017	AR	Tie-Strap	
28	4460226	4	Socket	

SECTION 5 - PLATFORM

FIGURE 5-44. SOFT TOUCH SYSTEM INSTALLATION - 6FT/1.83M FALL ARREST PLATFORM



ART_1001108256_D

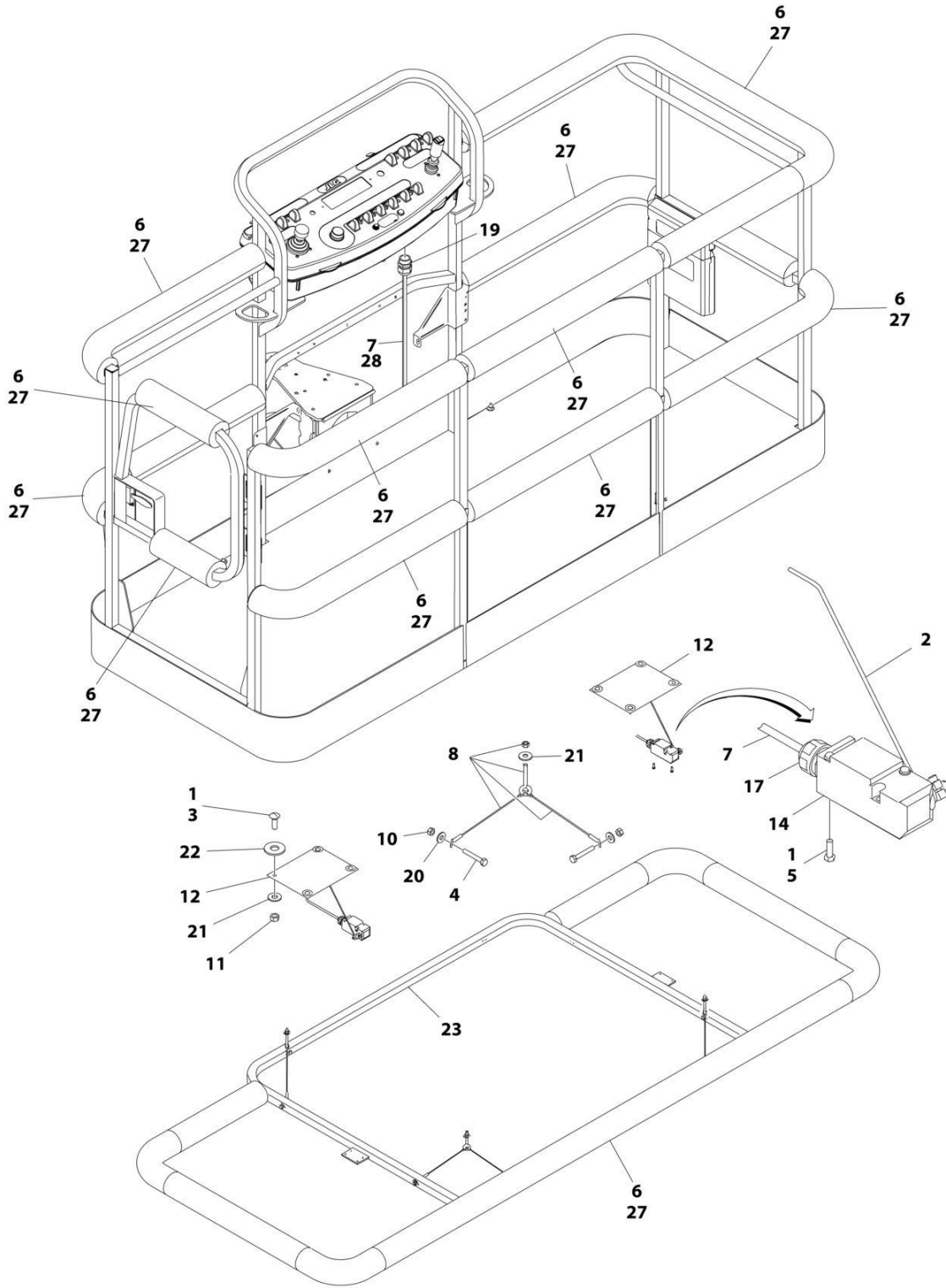
SECTION 5 - PLATFORM

FIGURE 5-44. SOFT TOUCH SYSTEM INSTALLATION - 6FT/1.83M FALL ARREST PLATFORM

ITEM	PART NUMBER	QTY	DESCRIPTION	REV
	1001108256	Ref	SOFT TOUCH INSTALLATION	D
1	0100011	AR	Compound, Locking	
2	0200048	2	Arm, Switch	
3	0630462	8	Bolt	
4	0641414	8	Bolt 1/4 x 1-3/4	
5	0731005	4	Bolt #10 x 5/8	
6	0940177	1	Bumper Kit (Includes Corners and Enough Straight Material for One Platform)	
6	0940092	8	Bumper (Corner)	
6	0940094	AR	Bumper (12ft Length)	
7	1060341	23 ft/7m	Cable, Soft Touch - 16/2	
8	1060903	4	Wire Rope and Eyebolt Assembly	
10	3311401	8	Nut 1/4	
11	3311501	8	Nut 5/16	
12	3575359	2	Plate, Switch Strike	
13	3641569	1	Rail, Soft Touch	
14	4240099	7	Tie-Strap (Not Shown)	
15	4360057	2	Switch, Limit	
18	4460049	2	Connector, Strain Relief	
19	4460234	7	Tie-Strap (Not Shown)	
20	4460425	1	Connector, Strain Relief	
21	4751400	8	Washer 1/4	
22	4751500	9	Washer 5/16	
23	4751800	8	Washer 1/2	
27	1001197017	AR	Strap, Cable Tie (Yellow)	
28	4460226	4	Socket	

SECTION 5 - PLATFORM

FIGURE 5-45. SOFT TOUCH SYSTEM INSTALLATION - 8FT/2.44M PLATFORM



ART_0272427_H

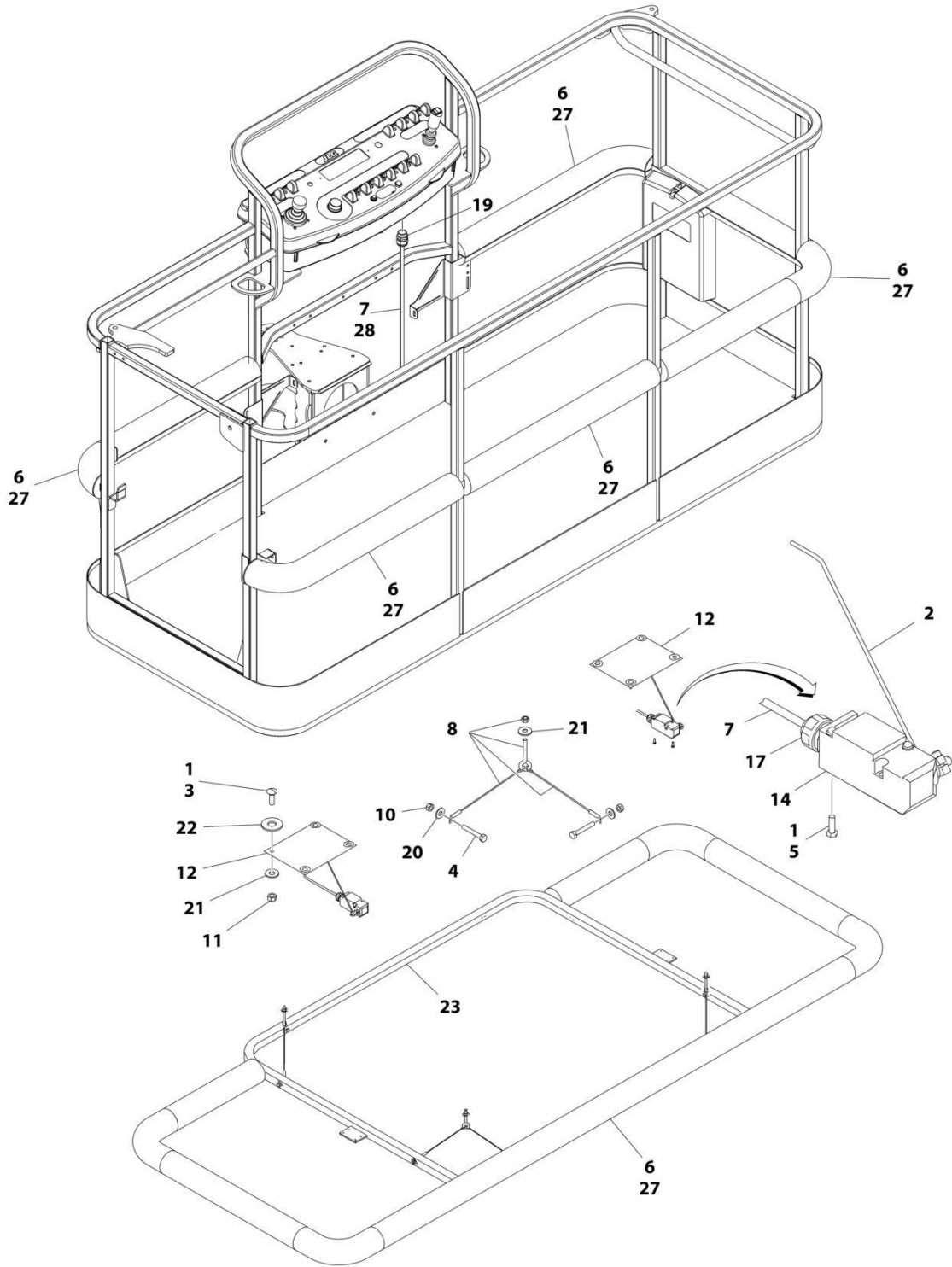
SECTION 5 - PLATFORM

FIGURE 5-45. SOFT TOUCH SYSTEM INSTALLATION - 8FT/2.44M PLATFORM

ITEM	PART NUMBER	QTY	DESCRIPTION	REV
	0272427	Ref	SOFT TOUCH INSTALLATION - 36IN X 8FT (91.5CM X 2.44M) PLATFORM	H
1	0100011	AR	Compound, Locking	
2	0200048	2	Arm, Switch	
3	0630462	8	Bolt	
4	0641414	8	Bolt 1/4 x 1-3/4	
5	0721005	4	Bolt #10 x 5/8	
6	0940103	1	Bumper Kit (Includes Corners and Enough Straight Material for One Platform)	
6	0940092	12	Bumper (Corner)	
6	0940094	AR	Bumper (12ft Length)	
7	1060341	23 ft/7m	Cable, Soft Touch - 16/2	
8	1060903	4	Wire Rope and Eyebolt Assembly	
10	3311401	8	Nut 1/4	
11	3311501	8	Nut 5/16	
12	3574091	2	Plate, Switch Strike	
13	4240099	7	Tie-Strap (Not Shown)	
14	4360057	2	Switch, Limit	
17	4460049	2	Connector, Strain Relief	
18	4460234	7	Tie-Strap (Not Shown)	
19	4460425	1	Connector, Strain Relief	
20	4751400	8	Washer 1/4	
21	4751500	12	Washer 5/16	
22	4751800	8	Washer 1/2	
23	4846673	1	Rail, Soft Touch	
27	1001197017	AR	Tie-Strap	
28	4460226	1	Socket	

SECTION 5 - PLATFORM

FIGURE 5-46. SOFT TOUCH SYSTEM INSTALLATION - 8FT/2.44M FALL ARREST PLATFORM



ART_0273706_E

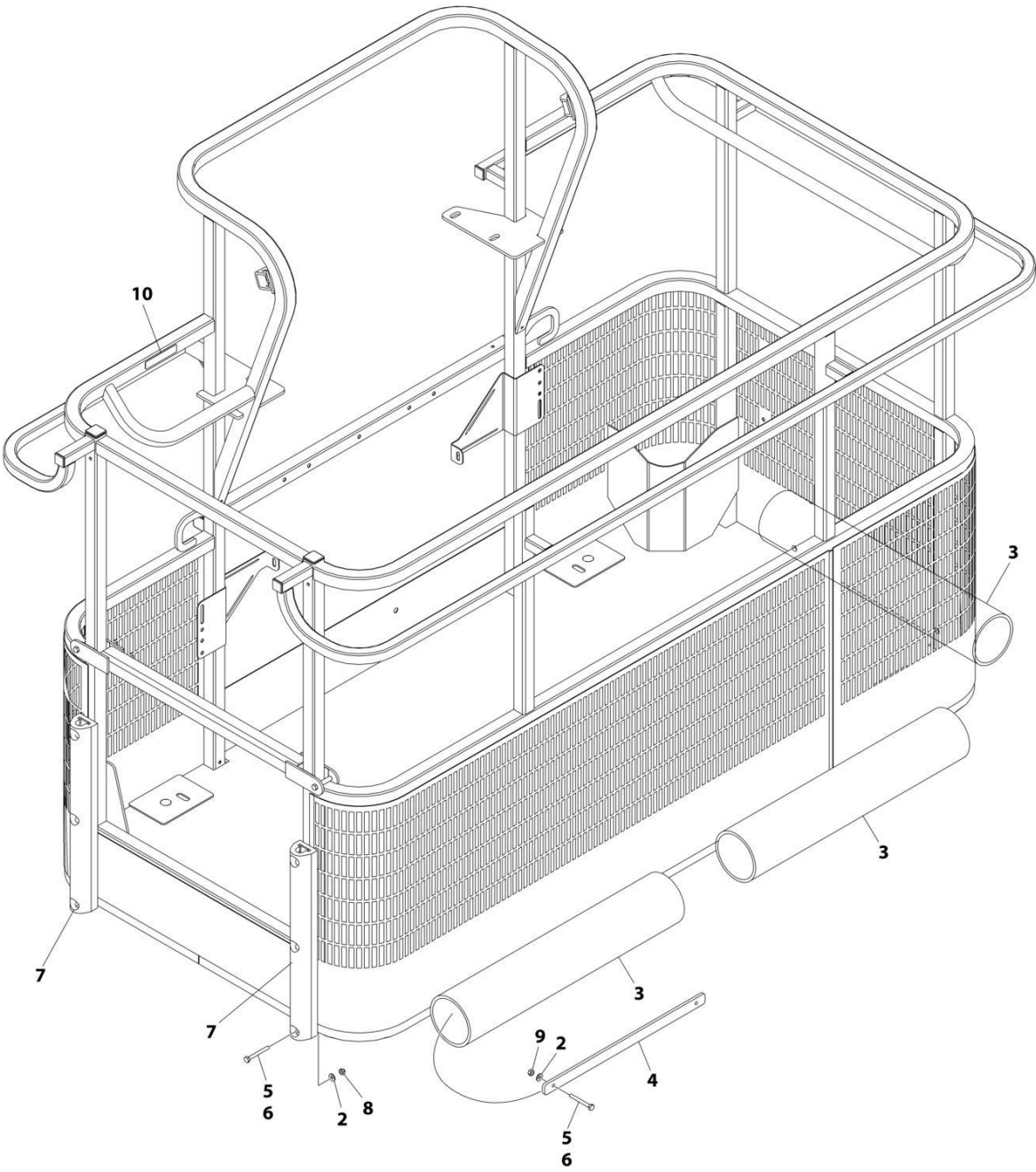
SECTION 5 - PLATFORM

FIGURE 5-46. SOFT TOUCH SYSTEM INSTALLATION - 8FT/2.44M FALL ARREST PLATFORM

ITEM	PART NUMBER	QTY	DESCRIPTION	REV
	0273706	Ref	SOFT TOUCH INSTALLATION	E
1	0100011	AR	Compound, Locking	
2	0200048	2	Arm, Switch	
3	0630462	8	Bolt	
4	0641414	8	Bolt 1/4 x 1-3/4	
5	0721005	4	Bolt #10 x 5/8	
6	0940133	1	Bumper Kit (Includes Corners and Enough Straight Material for One Platform)	
6	0940092	8	Bumper (Corner)	
6	0940094	AR	Bumper (12ft Length)	
7	1060341	23 ft/7m	Cable, Soft Touch - 16/2	
8	1060903	4	Wire Rope and Eyebolt Assembly	
10	3311401	8	Nut 1/4	
11	3311501	8	Nut 5/16	
12	3574091	2	Plate, Switch Strike	
13	4240099	7	Tie-Strap (Not Shown)	
14	4360057	2	Switch, Limit	
17	4460049	2	Connector, Strain Relief	
18	4460234	7	Tie-Strap (Not Shown)	
19	4460425	1	Connector, Strain Relief	
20	4751400	8	Washer 1/4	
21	4751500	12	Washer 5/16	
22	4751800	8	Washer 1/2	
23	4846673	1	Rail, Soft Touch	
27	1001197017	AR	Tie-Strap	
28	4460226	4	Socket	

SECTION 5 - PLATFORM

FIGURE 5-47. PLATFORM BUMPER PADDING INSTALLATION (OPTIONAL)



ART_1001110982

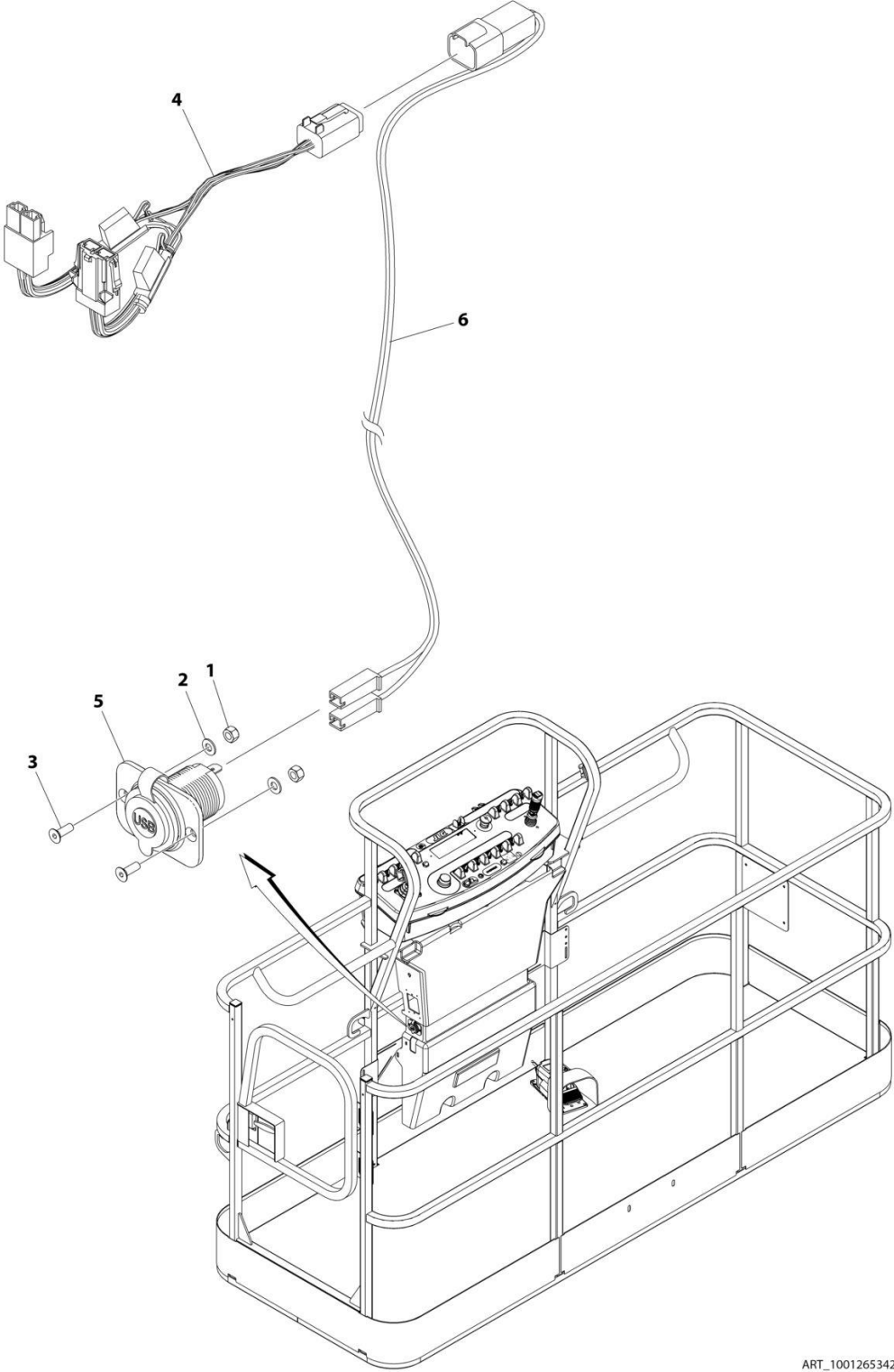
SECTION 5 - PLATFORM

FIGURE 5-47. PLATFORM BUMPER PADDING INSTALLATION (OPTIONAL)

ITEM	PART NUMBER	QTY	DESCRIPTION	REV
	1001110982	Ref	BUMPER INSTALLATION	E
2	4711400	10	Washer 1/4	
3	1001110979	3	Bumper	
4	1001110980	3	Clamp, Bumper	
5	0100011	AR	Compound, Locking	
6	0641418	10	Bolt 1/4 x 2-1/4	
7	0940159	2	Bumper	
8	3300430	4	Nut, Acorn 1/4	
9	3311405	6	Nut 1/4	
10	1001251863	1	Decal - Bumpers Accessory Weight	

SECTION 5 - PLATFORM

FIGURE 5-48. USB CHARGER INSTALLATION



ART_1001265342

SECTION 5 - PLATFORM

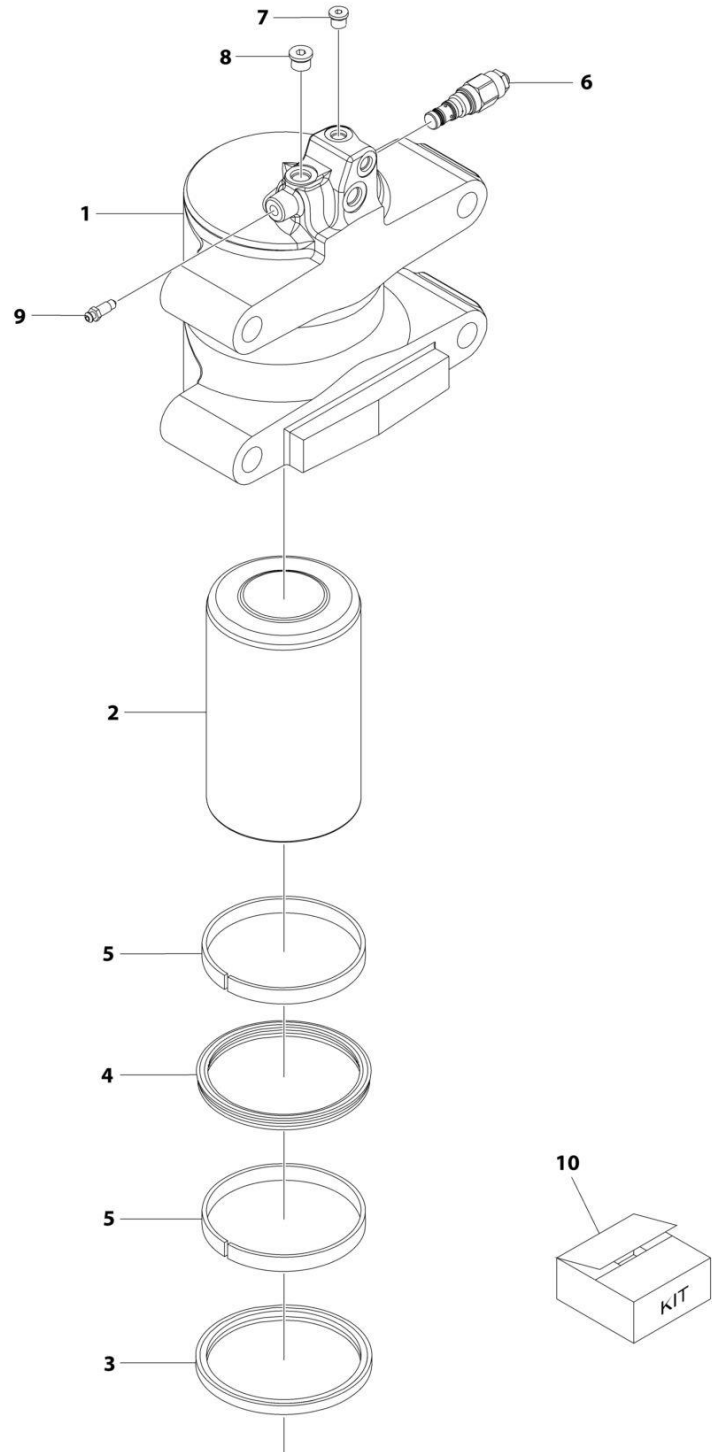
FIGURE 5-48. USB CHARGER INSTALLATION

ITEM	PART NUMBER	QTY	DESCRIPTION	REV
	1001265342	Ref	USB CHARGER INSTALLATION	A
1	3290405	2	Nut M4	
2	4811400	2	Washer M4	
3	1001097244	2	Screw M4 x 12	
4	1001120484	1	Harness, Work Lights	
4	4460879	1	Plug, Male - 2 Position	
4	4460887	2	Terminal	
4	2400060	2	Fuseholder Includes Cover	
4	8229249	2	Fuse, 3 Amp	
4	4460884	1	Connector - 4 Position	
4	4460465	4	Socket, Female	
4	1001120471	1	Connector - 2 Position	
4	1001120477	2	Terminal	
5	1001210636	1	Receptacle, USB	
6	1001265163	1	Harness, USB	A
6	4460260	2	Cover, Terminal	
6	4460259	2	Terminal	
6	4460932	1	Receptacle, Bussbar - 4 Position	
6	4460464	2	Pin, Male	
6	4460466	2	Plug, Terminal	

SECTION 6 - CYLINDER

SECTION 6 - CYLINDER

FIGURE 6-1. AXLE LOCKOUT CYLINDER ASSEMBLY



ART_1001204560

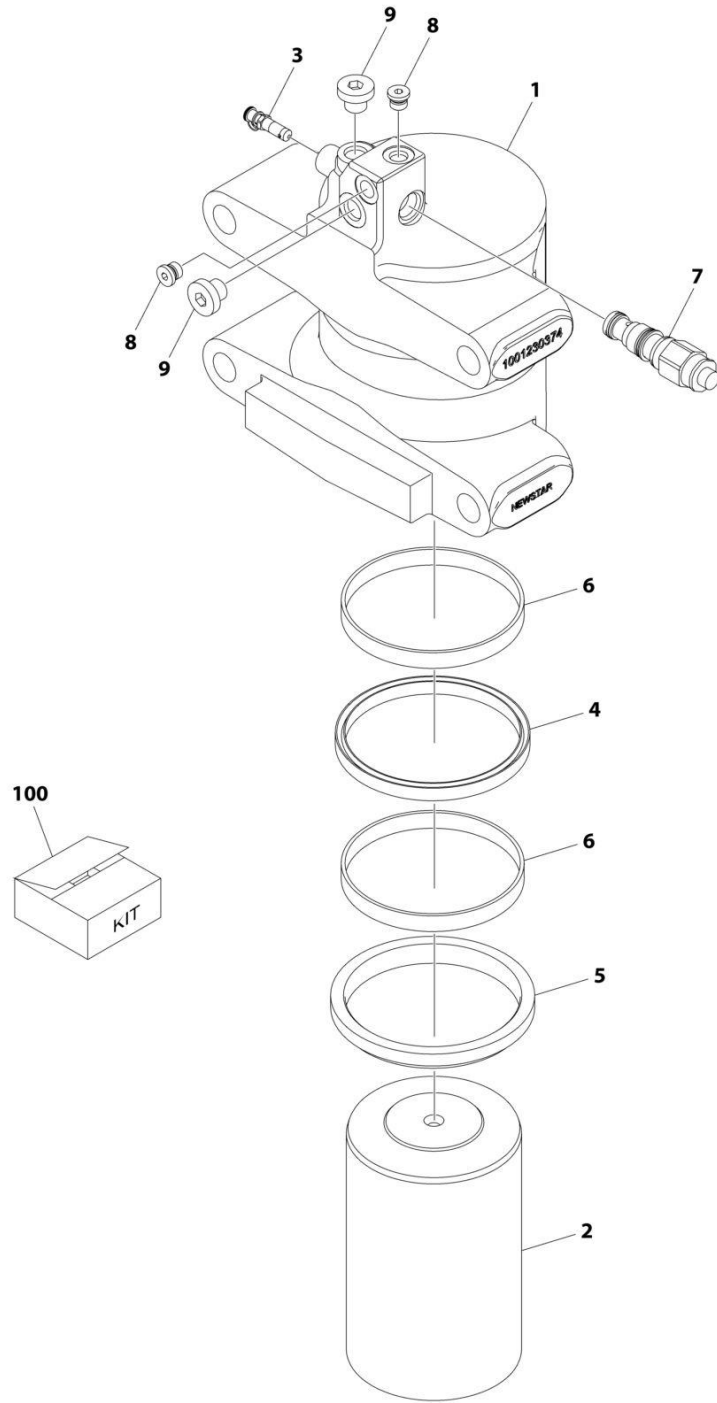
SECTION 6 - CYLINDER

FIGURE 6-1. AXLE LOCKOUT CYLINDER ASSEMBLY

ITEM	PART NUMBER	QTY	DESCRIPTION	REV
	1001204560	Ref	AXLE LOCKOUT CYLINDER ASSEMBLY	D
1	1001154126	1	Barrel	
2	1001154687	1	Rod	
3	See Note	NSS	Wiper (Note: Use Item 10)	
4	See Note	NSS	Seal, Rod (Note: Use Item 10)	
5	See Note	NSS	Ring, Wear (Note: Use Item 10)	
6	1001117372	1	Cartridge, Valve (Counterbalance)	
6	70002842	1	Seal Kit - 1001117372 Valve (1 Per Assembly)	
7	2220883	1	Plug, O-Ring	
8	2220885	1	Plug, O-Ring	
9	4640858	1	Valve, Bleeder	
10	1001098167	1	Seal Kit (Includes Items 3-5)	

SECTION 6 - CYLINDER

FIGURE 6-2. AXLE LOCKOUT CYLINDER ASSEMBLY



ART_1001230374

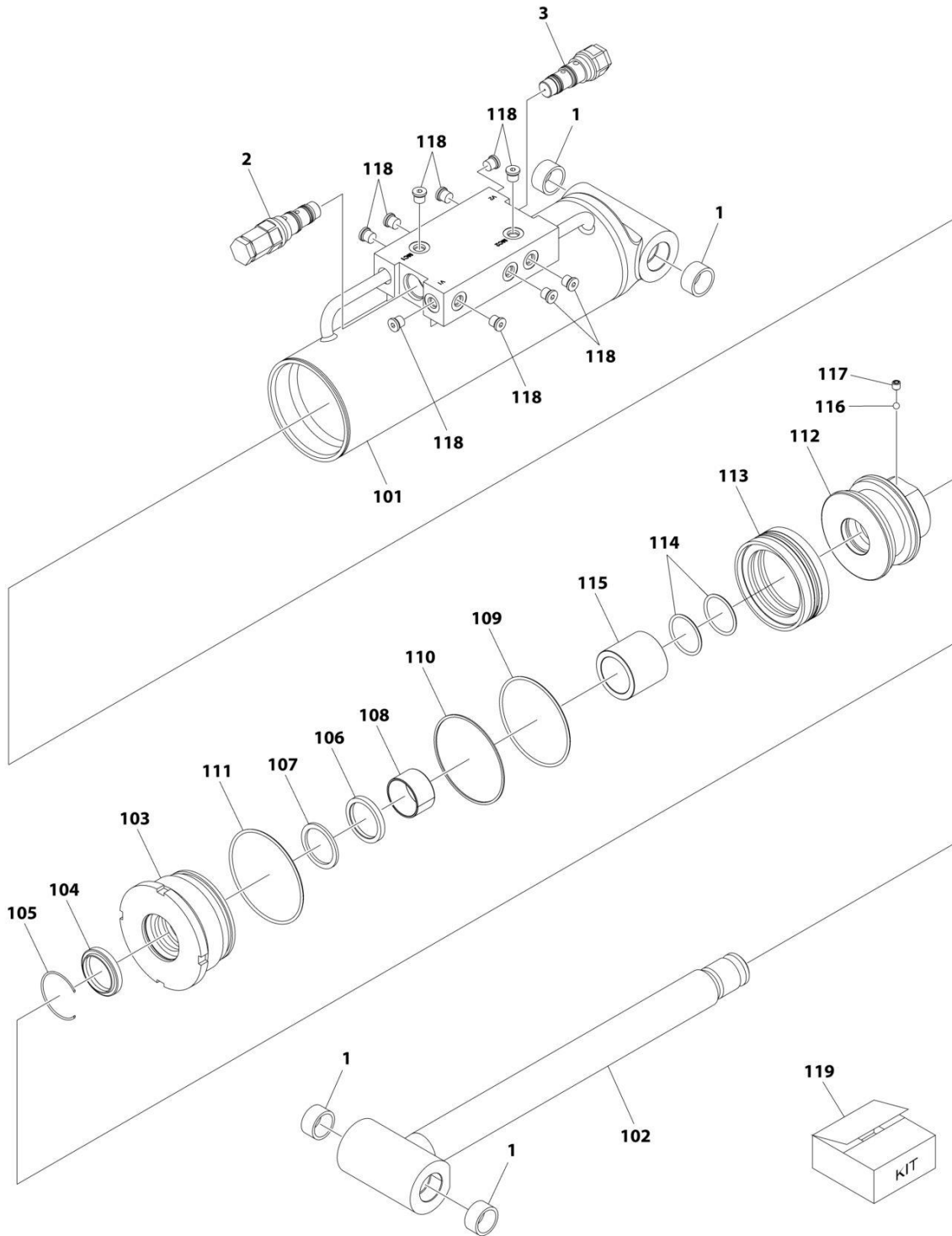
SECTION 6 - CYLINDER

FIGURE 6-2. AXLE LOCKOUT CYLINDER ASSEMBLY

ITEM	PART NUMBER	QTY	DESCRIPTION	REV
	1001230374	Ref	AXLE LOCKOUT CYLINDER ASSEMBLY	A
		Ref	Note: Original Cylinder may have been replaced with Service Replacement. Identify PN Stamped on Cylinder Before Ordering Parts.	
1	See Note	NSS	Barrel (Note: Not Available for Purchase)	
2	70006948	1	Rod	
3	4640858	1	Bleeder Valve	
4	See Note	NSS	Seal, Rod (Note: Use Item 100)	
5	See Note	NSS	Wiper (Note: Use Item 100)	
6	See Note	NSS	Ring, Wear (Note: Use Item 100)	
7	1001117372	1	Counterbalance Valve	
7	70002842	1	Seal Kit - 1001117372 Valve	
8	2220883	2	Plug	
9	2220885	2	Plug	
100	70006949	1	Seal kit - 1001230374 Cylinder (Includes 4-6)	

SECTION 6 - CYLINDER

FIGURE 6-3. LEVEL CYLINDER ASSEMBLY - PLATFORM SLAVE (800S)



ART_1001251027

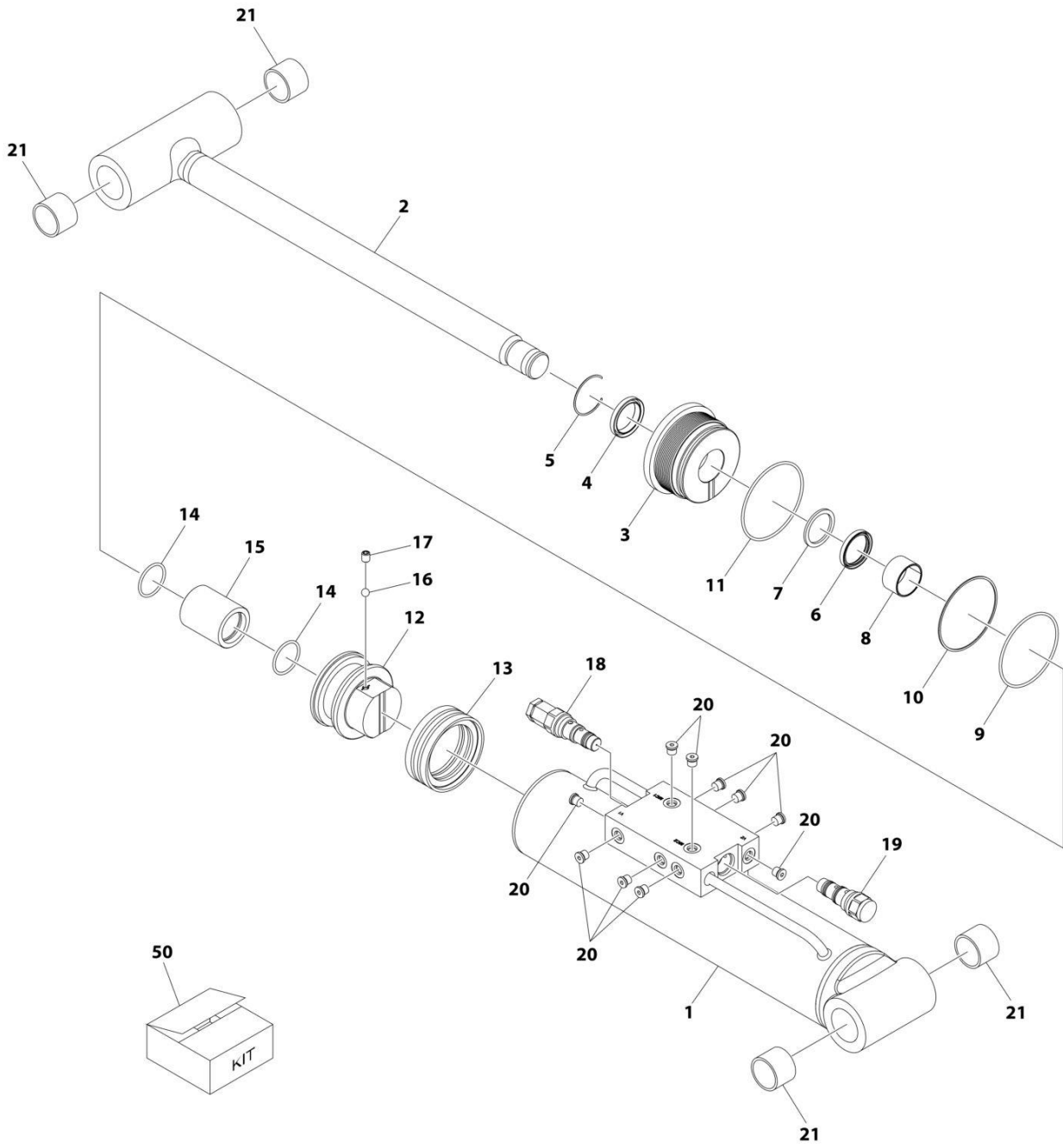
SECTION 6 - CYLINDER

FIGURE 6-3. LEVEL CYLINDER ASSEMBLY - PLATFORM SLAVE (800S)

ITEM	PART NUMBER	QTY	DESCRIPTION	REV
	1001251027	Ref	LEVEL CYLINDER ASSEMBLY - PLATFORM SLAVE	A
		Ref	Note: Original Cylinder May Have Been Replaced with Service Replacement. Identify PN Stamped on Cylinder Before Ordering Parts.	
1	0961947	4	Bushing	
2	4640932	1	Valve, Cartridge	
2	7011112	1	Seal Kit - 4640932 Valve	
3	4641232	1	Valve, Cartridge	
3	7011112	1	Seal Kit - 4641232 Valve	
101	See Note	NSS	Tube (Note: Not Available for Purchase)	
102	70008186	1	Rod	
103	70007971	1	Head	
104	See Note	NSS	Wiper, Dust (Note: Use Item 119)	
105	70002373	1	Ring, Retaining	
106	See Note	NSS	Rod, Seal (Note: Use Item 119)	
107	See Note	NSS	Ring, Backup (Note: Use Item 119)	
108	70005871	1	Bushing	
109	See Note	NSS	O-Ring (Note: Use Item 119)	
110	See Note	NSS	Ring, Backup (Note: Use Item 119)	
111	See Note	NSS	O-Ring (Note: Use Item 119)	
112	70007972	1	Piston	
113	See Note	NSS	Seal, Piston (Note: Use Item 119)	
114	See Note	NSS	O-Ring (Note: Use Item 119)	
115	70008187	1	Spacer	
116	70022564	1	Ball, Steel	
117	70022563	1	Setscrew	
118	2220883	10	Plug	
119	7007974	1	Seal Kit (Includes Items 104, 106-107, 109-111 & 113-114)	

SECTION 6 - CYLINDER

FIGURE 6-4. LEVEL CYLINDER ASSEMBLY - PLATFORM SLAVE (MACHINES WITH SN STARTING WITH 03 OR 13) (860SJ)



ART_1001251022

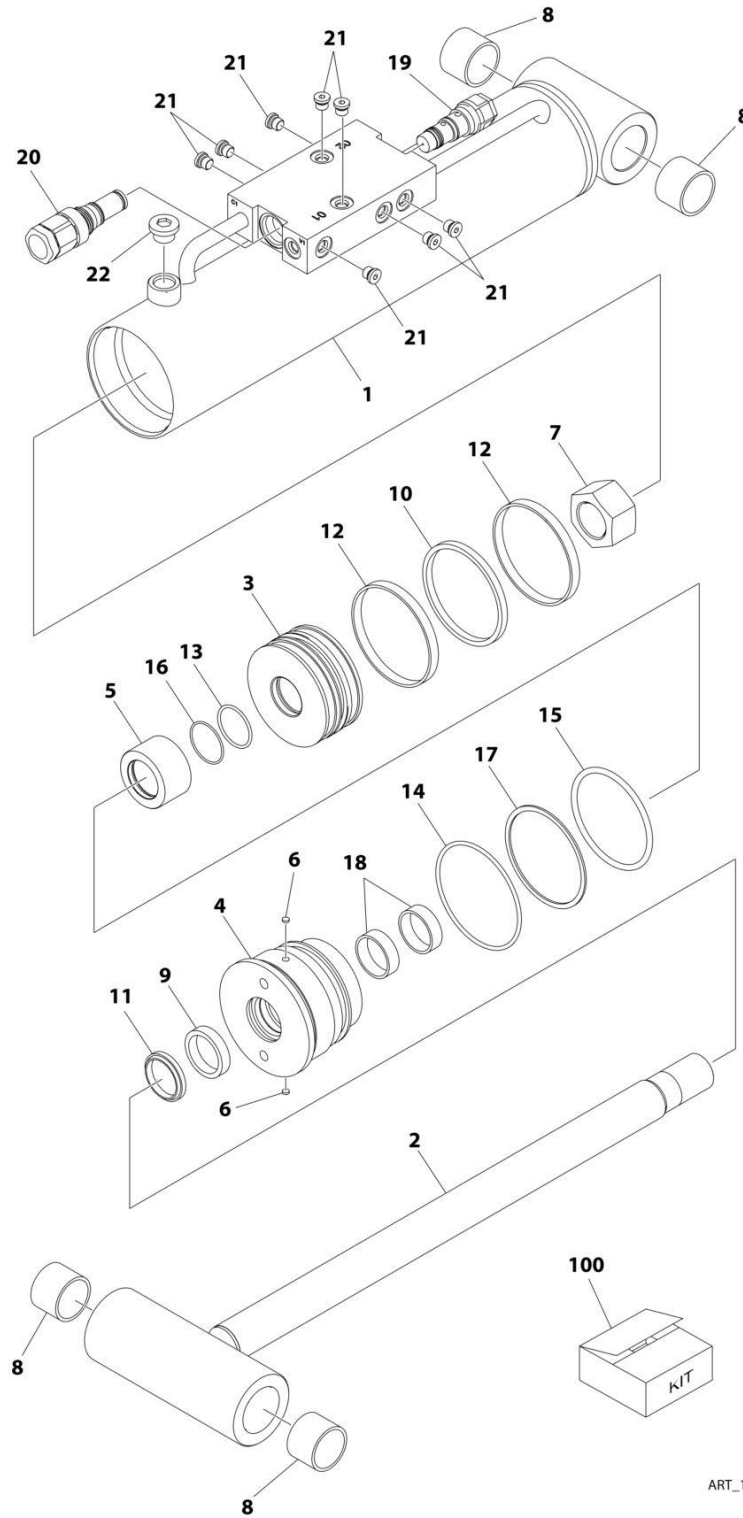
SECTION 6 - CYLINDER

FIGURE 6-4. LEVEL CYLINDER ASSEMBLY - PLATFORM SLAVE (MACHINES WITH SN STARTING WITH 03 OR 13) (860SJ)

ITEM	PART NUMBER	QTY	DESCRIPTION	REV
	1001251022	Ref	TELESCOPE CYLINDER ASSEMBLY	A
		Ref	Note: Original Cylinder may have been replaced with Service Replacement. Identify PN Stamped on Cylinder Before Ordering Parts.	
1	See Note	NSS	Barrel (Note: Use PN 1001251022)	
2	70007970	1	Rod	
3	70007971	1	Head	
4	See Note	NSS	Wiper (Note: Use Item 50)	
5	70002373	1	Ring, Retaining	
6	See Note	NSS	Seal, Rod (Note: Use Item 50)	
7	See Note	NSS	Ring, Back-up (Note: Use Item 50)	
8	70005871	1	Bearing	
9	See Note	NSS	O-Ring (Note: Use Item 50)	
10	See Note	NSS	Ring, Back-up (Note: Use Item 50)	
11	See Note	NSS	O-Ring (Note: Use Item 50)	
12	70007972	1	Piston	
13	See Note	NSS	Seal, Piston (Note: Use Item 50)	
14	See Note	NSS	O-Ring (Note: Use Item 50)	
15	70007973	1	Spacer	
16	70022564	1	Ball	
17	70022563	1	Setscrew	
18	4640932	1	Cartridge, Valve - Counterbalance	
18	7011112	1	Seal Kit - 4640932 Valve	
19	4641232	1	Cartridge, Valve - Counterbalance	
19	7011112	1	Seal Kit - 4641232 Valve	
20	2220883	10	Plug 7/16	
21	0961948	4	Bearing	
50	70007974	1	Seal Kit - 1001251022 Cylinder (Includes Items 4, 6, 7, 9-11, 13 & 14)	

SECTION 6 - CYLINDER

FIGURE 6-5. LEVEL CYLINDER ASSEMBLY - PLATFORM SLAVE (MACHINES WITH SN STARTING WITH B3) (860SJ)



ART_1001230372

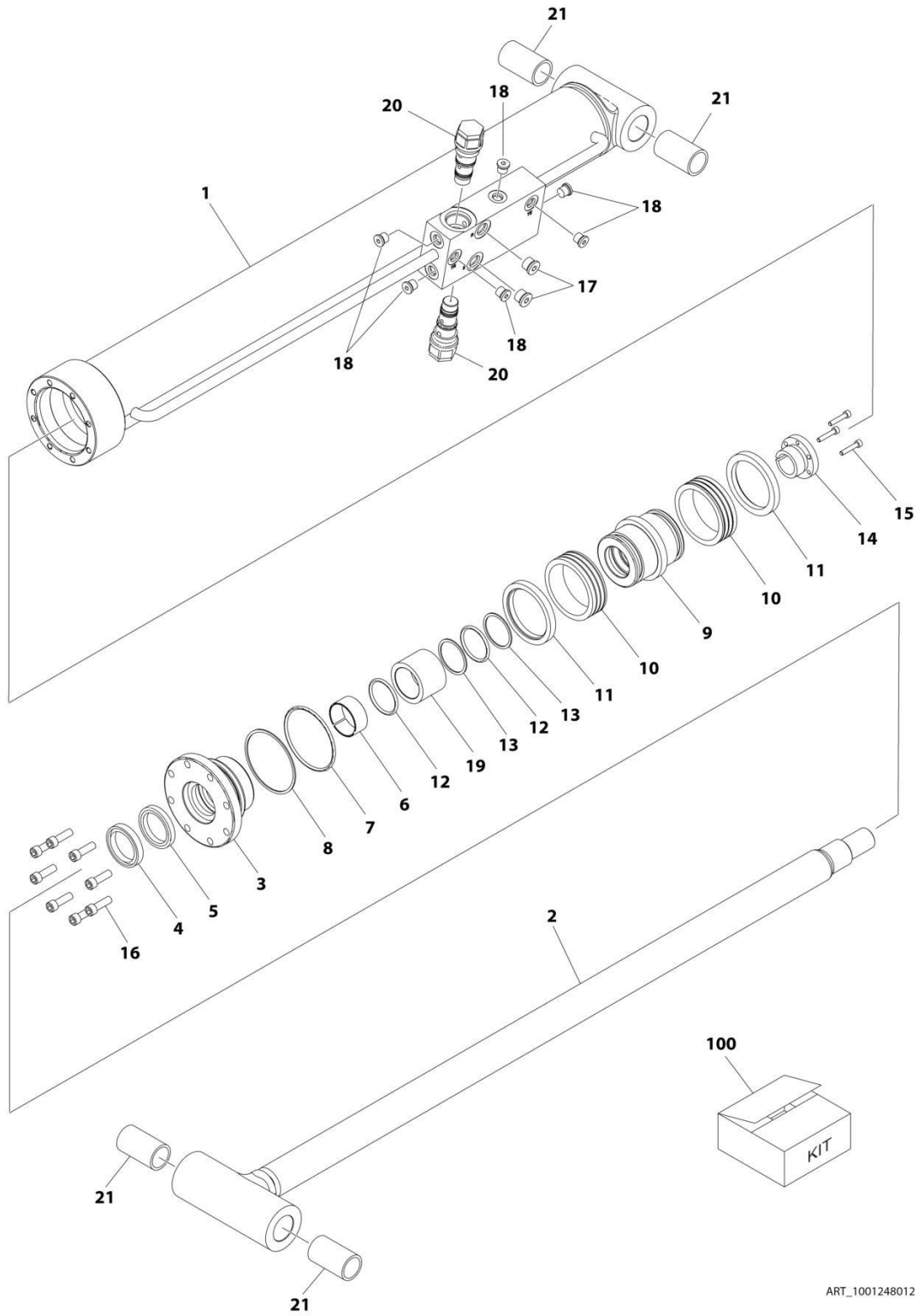
SECTION 6 - CYLINDER

FIGURE 6-5. LEVEL CYLINDER ASSEMBLY - PLATFORM SLAVE (MACHINES WITH SN STARTING WITH B3) (860SJ)

ITEM	PART NUMBER	QTY	DESCRIPTION	REV
	1001230372	Ref	LEVEL CYLINDER ASSEMBLY - PLATFORM SLAVE	A
		Ref	Note: Original Cylinder may have been replaced with Service Replacement. Identify PN Stamped on Cylinder Before Ordering Parts.	
1	See Note	NSS	Barrel (Note: Not Available for Purchase)	
2	70006935	1	Rod	
3	70006936	1	Piston	
4	70006937	1	Head	
5	70006938	1	Spacer	
6	70003636	2	Insert	
7	70006893	1	Nut	
8	0961948	4	Bushing	
9	See Note	NSS	Seal, Rod (Note: Use Item 100)	
10	See Note	NSS	Seal, Piston (Note: Use Item 100)	
11	See Note	NSS	Wiper (Note: Use Item 100)	
12	See Note	NSS	Ring, Wear (Note: Use Item 100)	
13	See Note	NSS	O-Ring (Note: Use Item 100)	
14	See Note	NSS	O-Ring (Note: Use Item 100)	
15	See Note	NSS	O-Ring (Note: Use Item 100)	
16	See Note	NSS	O-Ring (Note: Use Item 100)	
17	See Note	NSS	Ring, Back-up (Note: Use Item 100)	
18	See Note	NSS	Ring, Wear (Note: Use Item 100)	
19	4641232	1	Valve, Cartridge	
19	7011112	1	Seal Kit - 4640932 Valve	
20	4640932	1	Valve, Cartridge	
20	7011112	1	Seal Kit - 4641232 Valve	
21	2220883	10	Plug	
22	2220886	1	Plug	
100	70006939	1	Seal Kit (Includes Items 9-18)	

SECTION 6 - CYLINDER

FIGURE 6-6. LIFT CYLINDER ASSEMBLY - JIB (860SJ)



ART_1001248012

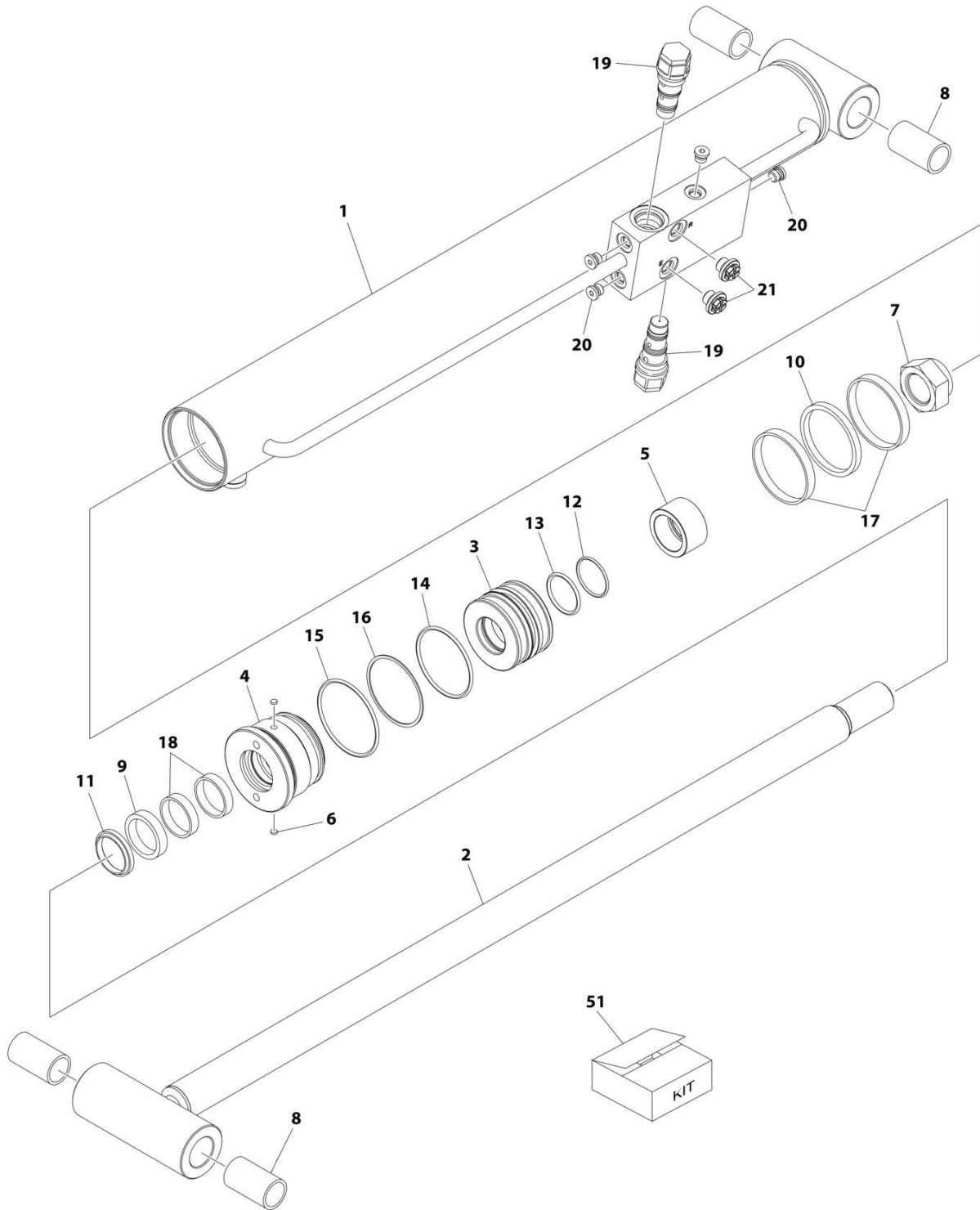
SECTION 6 - CYLINDER

FIGURE 6-6. LIFT CYLINDER ASSEMBLY - JIB (860SJ)

ITEM	PART NUMBER	QTY	DESCRIPTION	REV
	1001248012	Ref	LIFT CYLINDER ASSEMBLY - JIB	C
		Ref	Note: Original Cylinder May Have Been Replaced with Service Replacement. Identify PN Stamped on Cylinder Before Ordering Parts.	
1	See Note	NSS	Barrel (Note: Not Available for Purchase)	
2	70006734	1	Rod	
3	70006649	1	Head	
4	See Note	NSS	Wiper (Note: Use Item 100)	
5	See Note	NSS	Seal, Rod (Note: Use Item 100)	
6	See Note	NSS	Ring, Wear (Note: Use Item 100)	
7	See Note	NSS	O-Ring (Note: Use Item 100)	
8	See Note	NSS	Ring, Back-up (Note: Use Item 100)	
9	70006650	1	Piston	
10	See Note	NSS	Seal (Note: Use Item 100)	
11	See Note	NSS	Ring, Lock (Note: Use Item 100)	
12	See Note	NSS	O-Ring (Note: Use Item 100)	
13	See Note	NSS	Ring, Back-up (Note: Use Item 100)	
14	0961893	1	Bushing, Tapered	
15	0630534	3	Capscrew, Socket Head #10 x 1	
16	70006735	8	Capscrew 5/16	
17	2220885	2	Plug, O-Ring	
18	2220883	6	Plug, O-Ring	
19	70006736	1	Spacer	
20	4640509	2	Cartridge, Valve	
20	2900792	2	Seal Kit - 4640509 Valve	
21	0962336	4	Bushing	
100	1001138795	1	Seal Kit (Includes Items 4-8 & 10-13)	

SECTION 6 - CYLINDER

FIGURE 6-7. LIFT CYLINDER ASSEMBLY - JIB (860SJ)



ART_1001230371

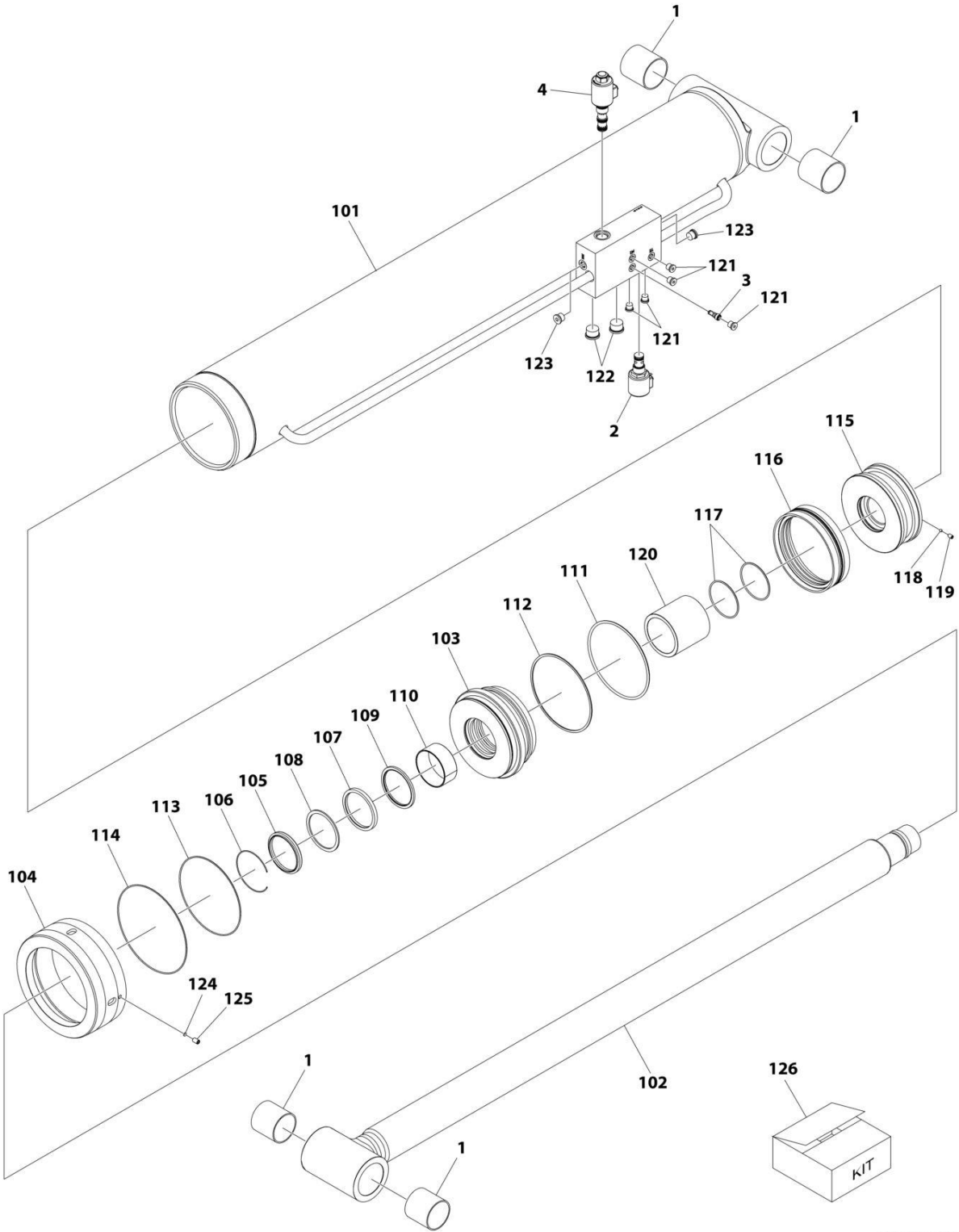
SECTION 6 - CYLINDER

FIGURE 6-7. LIFT CYLINDER ASSEMBLY - JIB (860SJ)

ITEM	PART NUMBER	QTY	DESCRIPTION	REV
	1001230371	Ref	LIFT CYLINDER ASSEMBLY - JIB	A
		Ref	Note: Original Cylinder may have been replaced with Service Replacement. Identify PN Stamped on Cylinder Before Ordering Parts.	
1	See Note	NSS	Barrel (Note: Purchase Complete Assembly)	
2	70006930	1	Rod	
3	70006931	1	Piston	
4	70006932	1	Head	
5	70006933	1	Spacer, Tube	
6	70003636	1	Lock, Insert	
7	70006900	1	Nut	
8	0962336	4	Bushing	
9	See Note	NSS	Seal, Rod (Note: Use Item 51)	
10	See Note	NSS	Seal, Piston (Note: Use Item 51)	
11	See Note	NSS	Wiper (Note: Use Item 51)	
12	See Note	NSS	O-Ring (Note: Use Item 51)	
13	See Note	NSS	O-Ring (Note: Use Item 51)	
14	See Note	NSS	O-Ring (Note: Use Item 51)	
15	See Note	NSS	O-Ring (Note: Use Item 51)	
16	See Note	NSS	Ring, Back-up (Note: Use Item 51)	
17	See Note	NSS	Ring, Wear (Note: Use Item 51)	
18	See Note	NSS	Ring, Wear (Note: Use Item 51)	
19	4640509	2	Catridge, Valve	
19	2900792	2	Seal Kit - 4640509 Valve	
20	2220883	4	Plug	
21	2220885	2	Plug	
51	70006934	1	Seal Kit (Includes Item 9-18)	

SECTION 6 - CYLINDER

FIGURE 6-8. LIFT CYLINDER ASSEMBLY - MAIN BOOM (800S)



ART_1001251028

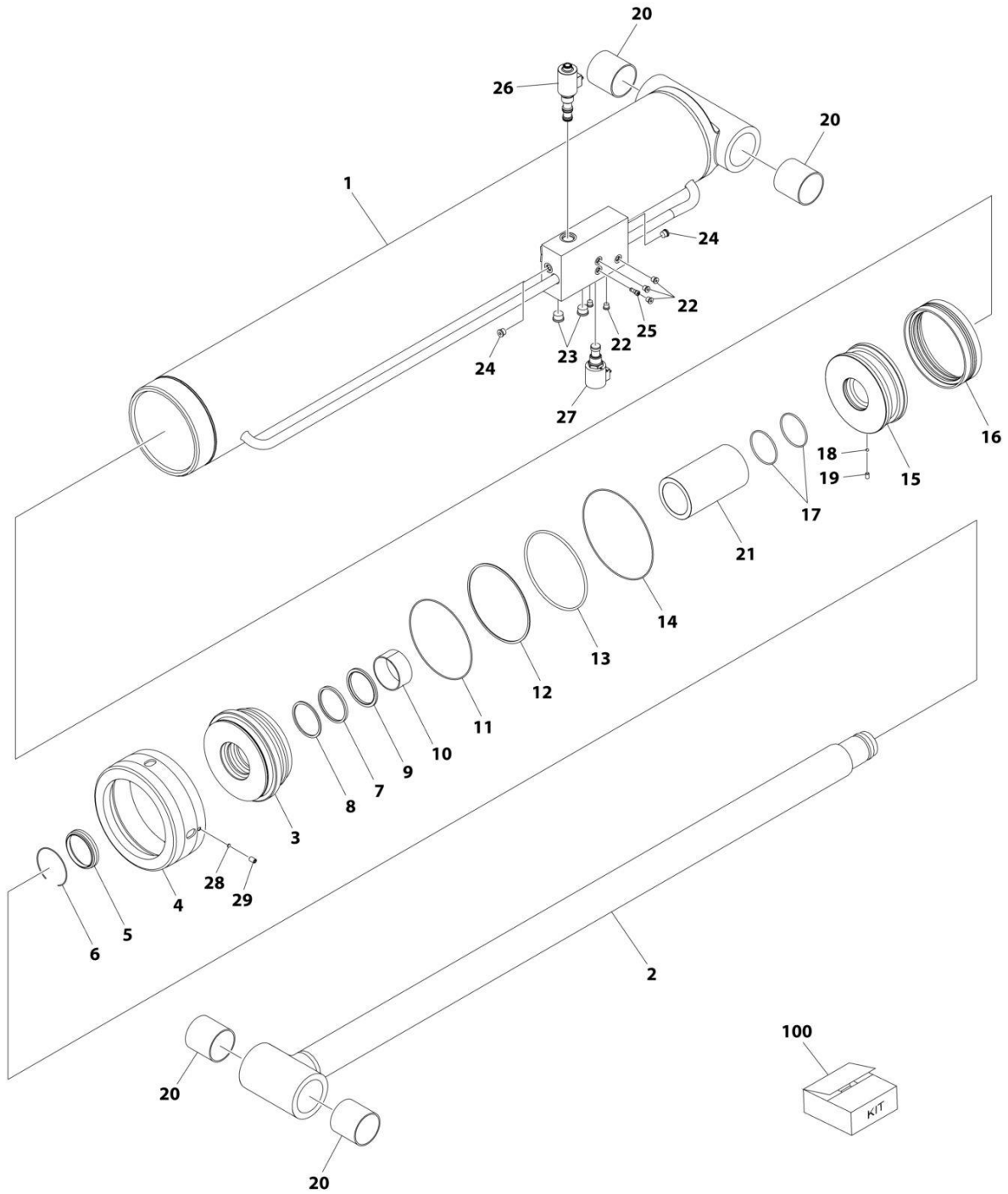
SECTION 6 - CYLINDER

FIGURE 6-8. LIFT CYLINDER ASSEMBLY - MAIN BOOM (800S)

ITEM	PART NUMBER	QTY	DESCRIPTION	REV
	1001251028	Ref	LIFT CYLINDER ASSEMBLY - MAIN BOOM	A
		Ref	Note: Original Cylinder May Have Been Replaced with Service Replacement. Identify PN Stamped on Cylinder Before Ordering Parts.	
1	0962033	4	Bushing	
2	4641188	1	Cartridge, Lift Holding Solenoid (800S,860SJ)	
2	7023923	1	Cartridge - 4641188 Valve	
2	7023919	1	Seal Kit - 4641188 Valve	
2	7012943	1	Coil - 4641188 Valve	
3	4641194	1	Cartridge, Relief Valve	
3	7023927	1	Seal Kit - 4641194 Valve	
4	4641234	1	Cartridge, Lift Relief Proportional Solenoid (800S,800S,860SJ,860SJ)	
4	7023982	1	Cartridge - 4641234 Valve	
4	7012925	1	Seal Kit - 4641234 Valve	
4	7017451	1	Coil - 4641234 Valve	
101	See Note	NSS	Tube (Note: Not Available for Purchase)	
102	70008188	1	Rod	
103	70008189	1	Head	
104	70007278	1	Cap, Tube	
105	See Note	NSS	Wiper, Dust (Note: Use Item 126)	
106	70023380	1	Ring, Retaining	
107	See Note	NSS	Seal, Rod (Note: Use Item 126)	
108	See Note	NSS	Ring, Backup (Note: Use Item 126)	
109	See Note	NSS	Ring, Buffer (Note: Use Item 126)	
110	70007423	1	Bushing	
111	See Note	NSS	O-Ring (Note: Use Item 126)	
112	See Note	NSS	Ring, Backup (Note: Use Item 126)	
113	See Note	NSS	O-Ring (Note: Use Item 126)	
114	See Note	NSS	O-Ring (Note: Use Item 126)	
115	70008190	1	Piston	
116	See Note	NSS	Seal, Piston (Note: Use Item 126)	
117	See Note	NSS	O-Ring (Note: Use Item 126)	
118	70022564	1	Ball, Steel	
119	70006596	1	Setscrew	
120	70008191	1	Spacer	
121	2220883	5	Plug 7/16	
122	70005433	2	Plug 7/8	
123	2220885	2	Plug 9/16	
124	70007282	1	Insert, Locking	
125	70026287	1	Setscrew	
126	70008192	1	(Includes Items 105, 107-109, 111-114 & 116-117)	

SECTION 6 - CYLINDER

FIGURE 6-9. LIFT CYLINDER ASSEMBLY - MAIN BOOM (860SJ)



ART_1001251029

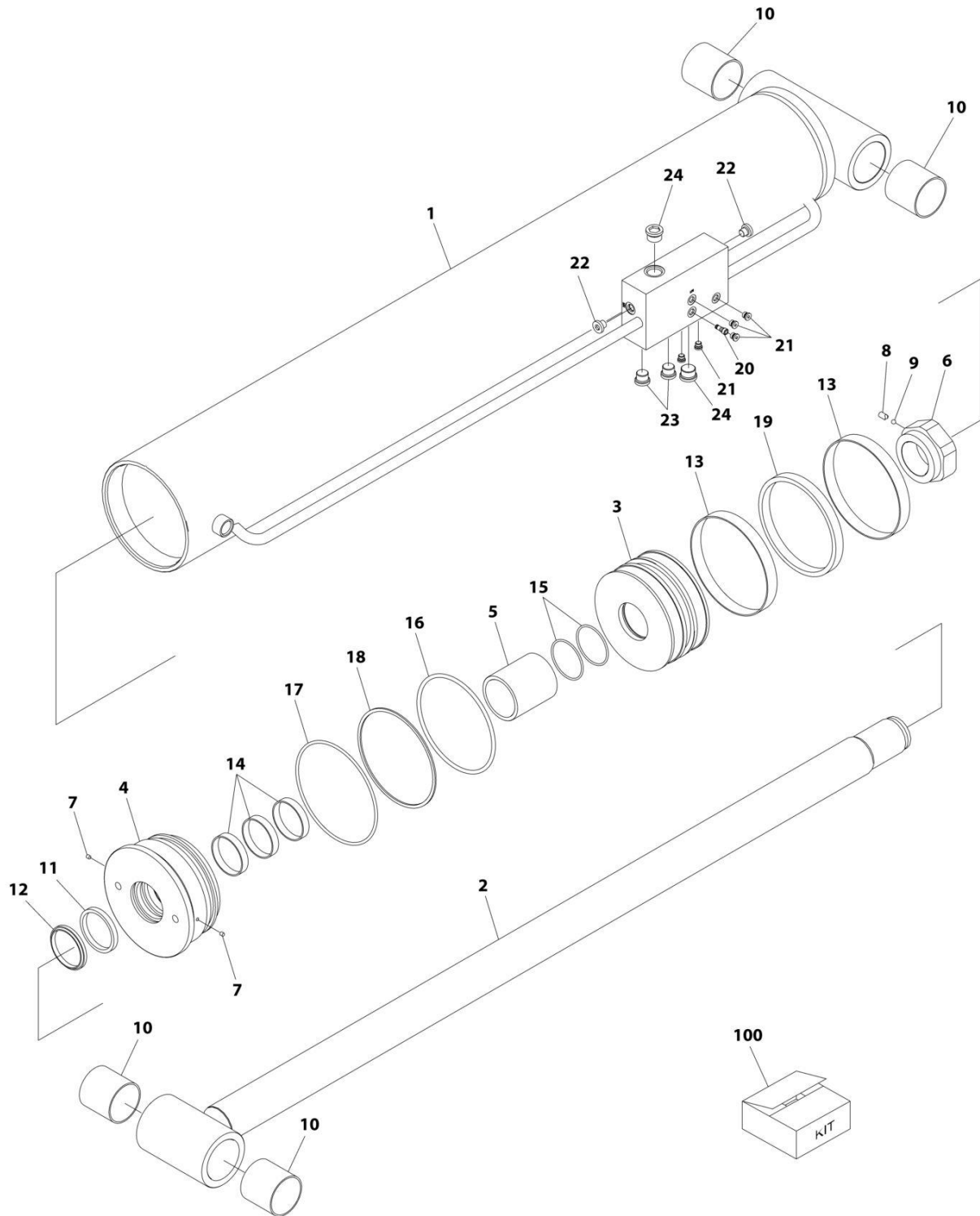
SECTION 6 - CYLINDER

FIGURE 6-9. LIFT CYLINDER ASSEMBLY - MAIN BOOM (860SJ)

ITEM	PART NUMBER	QTY	DESCRIPTION	REV
	1001251029	Ref	LIFT CYLINDER ASSEMBLY - MAIN BOOM	A
		Ref	Note: Original Cylinder may have been replaced with Service Replacement. Identify PN Stamped on Cylinder Before Ordering Parts.	
1	See Note	NSS	Barrel (Note: Not Available for Purchase)	
2	70007276	1	Rod	
3	70007277	1	Head	
4	70007278	1	Cap, Tube	
5	See Note	NSS	Wiper (Note: Use Item 100)	
6	70027750	1	Ring, Retainer	
7	See Note	NSS	Seal, Rod (Note: Use Item 100)	
8	See Note	NSS	Ring, Back-up (Note: Use Item 100)	
9	See Note	NSS	Ring, Buffer (Note: Use Item 100)	
10	70007279	1	Bearing	
11	See Note	NSS	O-Ring (Note: Use Item 100)	
12	See Note	NSS	Ring, Back-up (Note: Use Item 100)	
13	See Note	NSS	O-Ring (Note: Use Item 100)	
14	See Note	NSS	O-Ring (Note: Use Item 100)	
15	70007280	1	Piston	
16	See Note	NSS	Seal, Piston (Note: Use Item 100)	
17	See Note	NSS	O-Ring (Note: Use Item 100)	
18	70022564	1	Steel Ball	
19	70029468	1	Setscrew	
20	0962033	4	Bushing	
21	70007281	1	Spacer	
22	2220883	5	Plug	
23	70005433	2	Plug	
24	2220885	2	Plug	
25	4641194	1	Cartridge, Relief Valve	
25	7023927	1	Seal Kit - 4641194 Valve	
26	4641234	1	Cartridge, Lift Relief Proportional Solenoid	
26	7023982	1	Cartridge - 4641234 Valve	
26	7012925	1	Seal Kit - 4641234 Valve	
26	7017451	1	Coil - 4641234 Valve	
27	4641188	1	Cartridge, Lift Holding Solenoid	
27	7023923	1	Cartridge - 4641188 Valve	
27	7023919	1	Seal Kit - 4641188 Valve	
27	7012943	1	Coil - 4641188 Valve	
28	70007282	1	Insert, Locking	
29	70026287	1	Setscrew	
100	70007283	1	Seal Kit (Includes Items 5, 7-9, 11-14, 16 & 17)	

SECTION 6 - CYLINDER

FIGURE 6-10. LIFT CYLINDER ASSEMBLY - MAIN BOOM (860SJ)



ART_1001230373

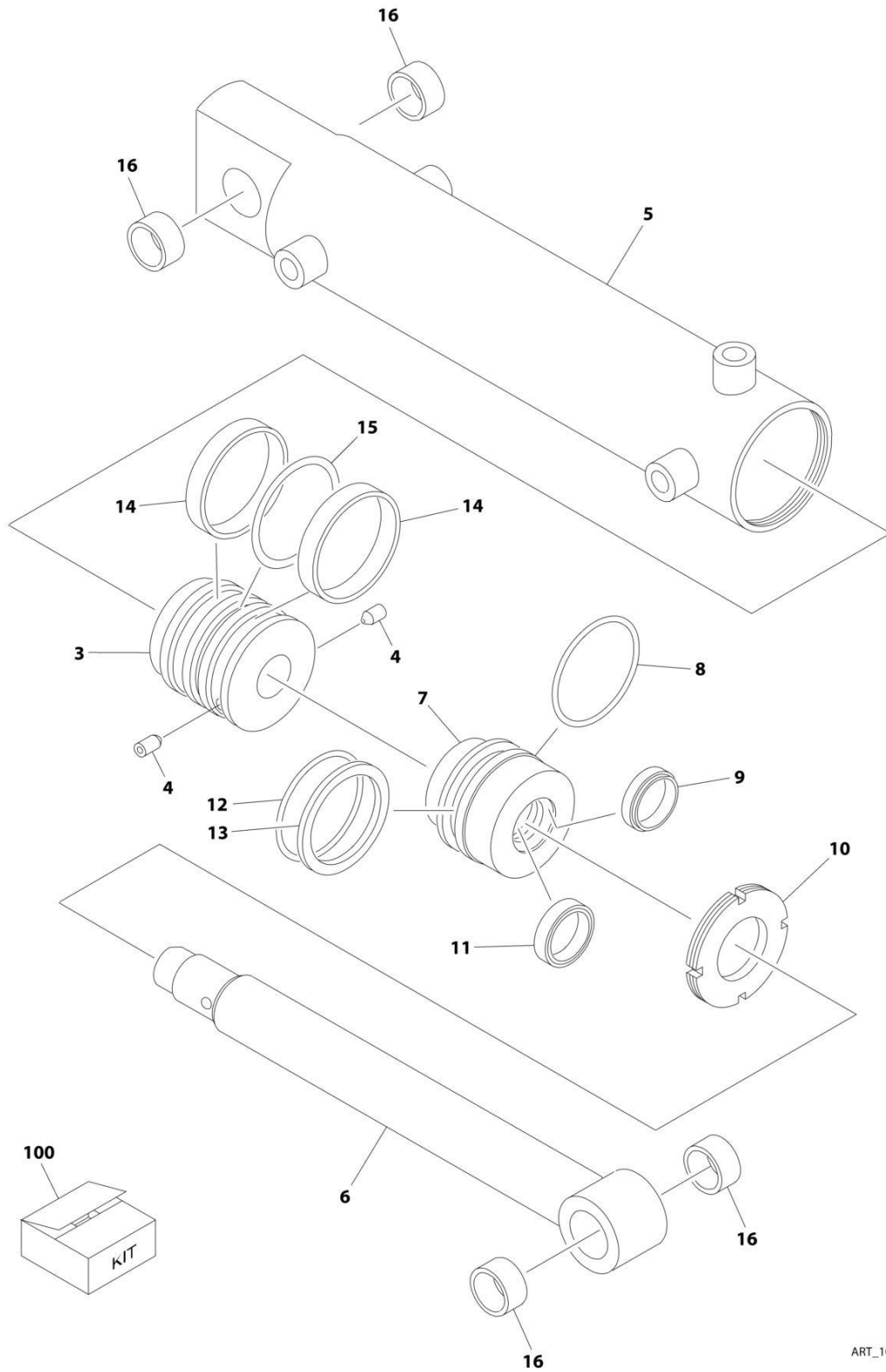
SECTION 6 - CYLINDER

FIGURE 6-10. LIFT CYLINDER ASSEMBLY - MAIN BOOM (860SJ)

ITEM	PART NUMBER	QTY	DESCRIPTION	REV
	1001230373	Ref	LIFT CYLINDER ASSEMBLY	A
		Ref	Note: Original Cylinder may have been replaced with Service Replacement. Identify PN Stamped on Cylinder Before Ordering Parts.	
1	See Note	NSS	Barrel (Note: Not Available for Purchase)	
2	70006940	1	Rod	
3	70006941	1	Piston	
4	70006942	1	Head	
5	70006943	1	Spacer	
6	70006944	1	Nut	
7	70006899	2	Insert	
8	70006945	1	Setscrew	
9	70004120	1	Ball	
10	0962033	4	Bushing	
11	See Note	NSS	Seal, Rod (Note: Use Item 100)	
12	See Note	NSS	Wiper (Note: Use Item 100)	
13	See Note	NSS	Ring, Wear (Note: Use Item 100)	
14	See Note	NSS	Ring, Wear (Note: Use Item 100)	
15	See Note	NSS	O-Ring (Note: Use Item 100)	
16	See Note	NSS	O-Ring (Note: Use Item 100)	
17	See Note	NSS	O-Ring (Note: Use Item 100)	
18	See Note	NSS	Ring, Back-up (Note: Use Item 100)	
19	See Note	NSS	Seal, Piston (Note: Use Item 100)	
20	4641194	1	Valve, Cartridge	
20	7023927	1	Seal Kit - 4640509 Valve	
21	2220883	5	Plug	
22	2220885	2	Plug	
23	2220888	2	Plug	
24	2220887	3	Plug	
100	70006947	1	Seal Kit (Includes Items 9-18)	

SECTION 6 - CYLINDER

FIGURE 6-11. STEER CYLINDER ASSEMBLY



ART_1001150539

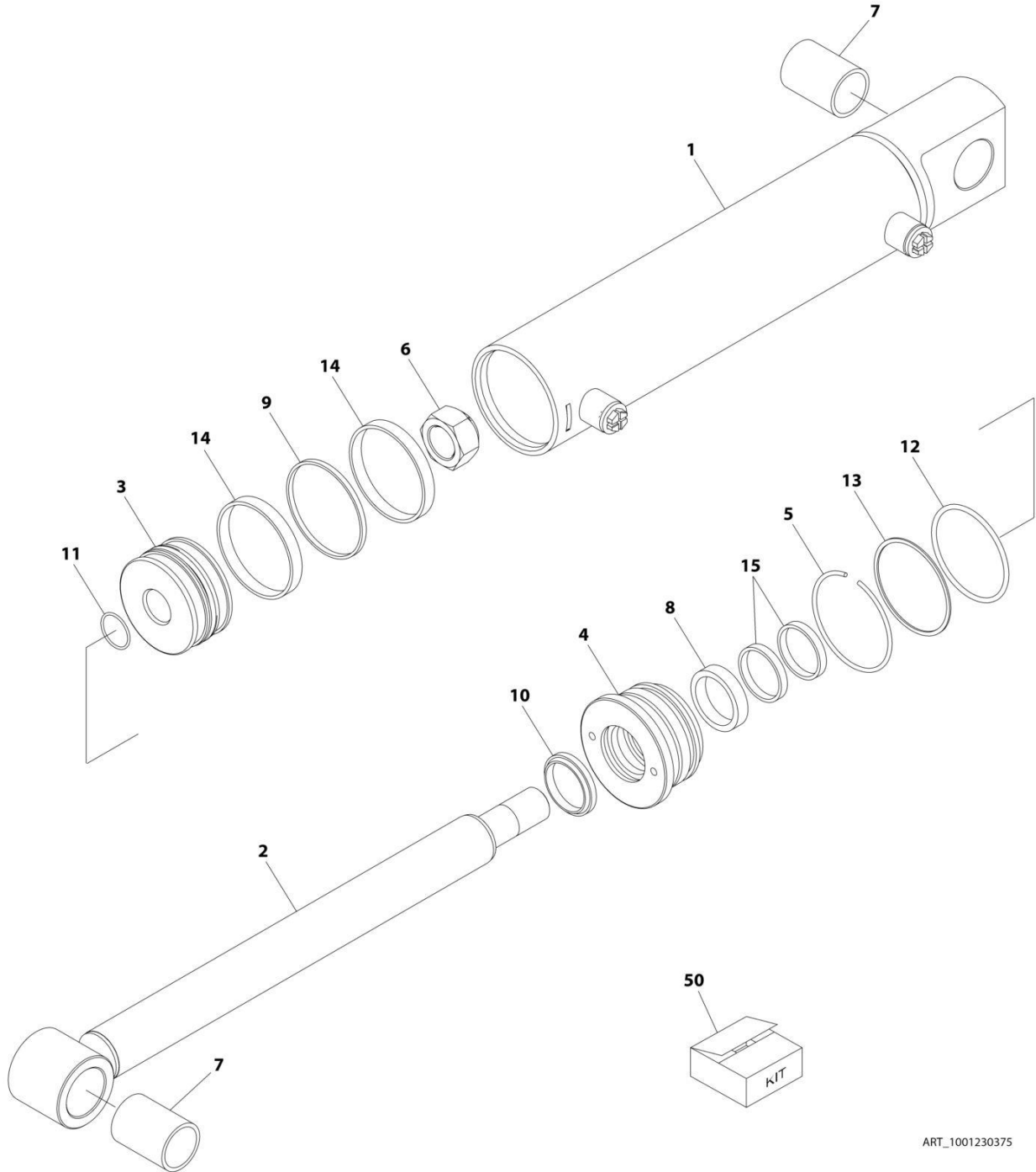
SECTION 6 - CYLINDER

FIGURE 6-11. STEER CYLINDER ASSEMBLY

ITEM	PART NUMBER	QTY	DESCRIPTION	REV
	1001150539	Ref	STEER CYLINDER ASSEMBLY	F
		Ref	Note: Original Cylinder may have been replaced with Service Replacement. Identify PN Stamped on Cylinder Before Ordering Parts.	
3	70002744	1	Piston	
4	70002745	2	Setscrew M6 x 10	
5	70004381	1	Barrel	
6	70004382	1	Rod	
7	70002748	1	Head	
8	See Note	NSS	Ring (Note: Use Item 100)	
9	See Note	NSS	Wiper (Note: Use Item 100)	
10	70002749	1	Nut, Spanner	
11	See Note	NSS	Seal (Note: Use Item 100)	
12	See Note	NSS	O-Ring (Note: Use Item 100)	
13	See Note	NSS	Ring, Back-up (Note: Use Item 100)	
14	See Note	NSS	Ring, Wear (Note: Use Item 100)	
15	See Note	NSS	Seal (Note: Use Item 100)	
16	0962152	4	Bushings	
100	70002751	1	Seal Kit (Includes Items 8, 9 & 11-15)	

SECTION 6 - CYLINDER

FIGURE 6-12. STEER CYLINDER ASSEMBLY



ART_1001230375

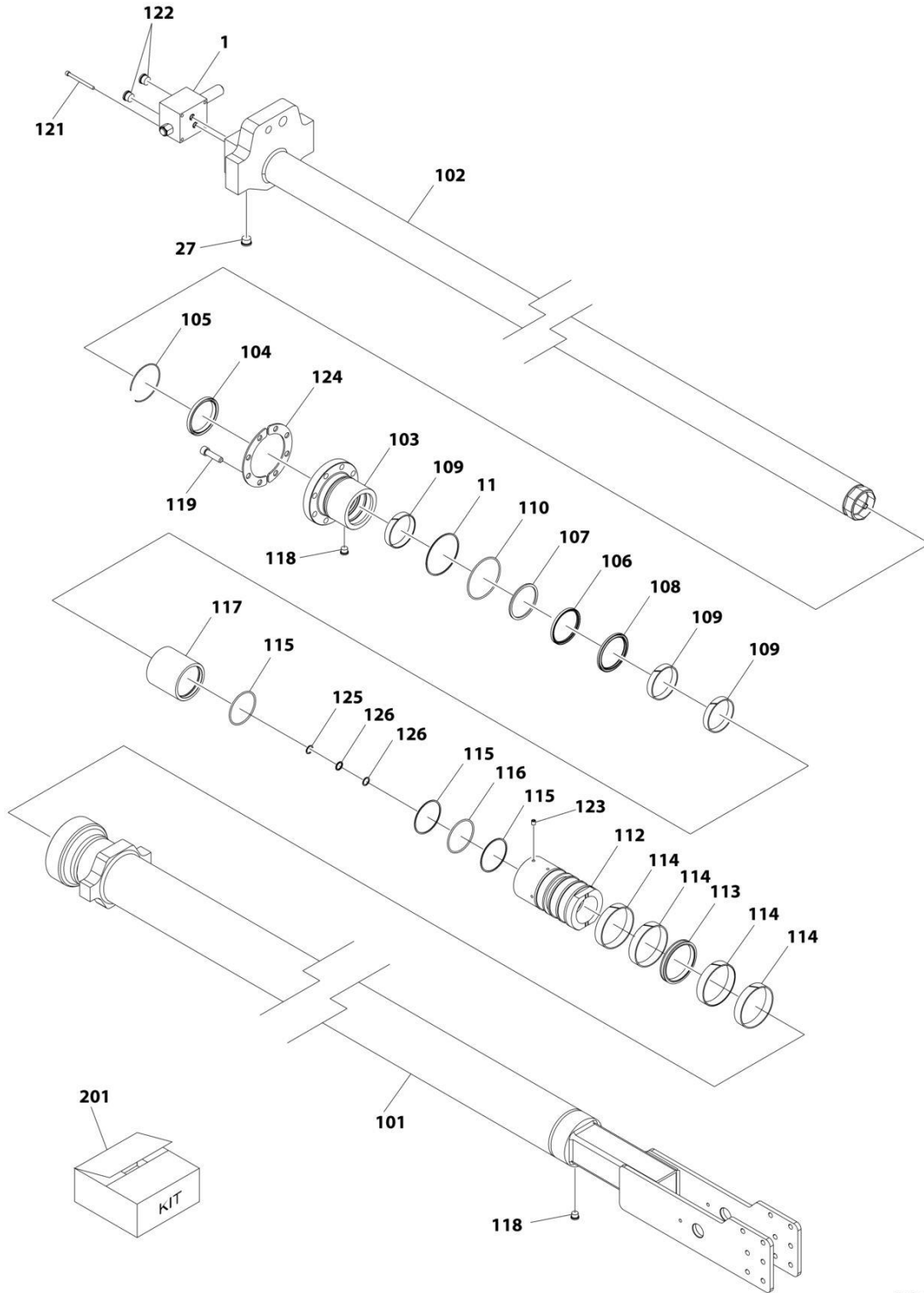
SECTION 6 - CYLINDER

FIGURE 6-12. STEER CYLINDER ASSEMBLY

ITEM	PART NUMBER	QTY	DESCRIPTION	REV
	1001230375	Ref	STEER CYLINDER ASSEMBLY	A
		Ref	Note: Original Cylinder may have been replaced with Service Replacement. Identify PN Stamped on Cylinder Before Ordering Parts.	
1	See Note	NSS	Barrel (Note: Not Available for Purchase)	
2	70006964	1	Rod	
3	70006965	1	Piston	
4	70006966	1	Head	
5	70006967	1	Nut	
6	70006968	1	Ring, Baffle	
7	0962152	2	Bushing	
8	See Note	NSS	Seal, Rod (Note: Use Item 50)	
9	See Note	NSS	Seal (Note: Use Item 50)	
10	See Note	NSS	Wiper (Note: Use Item 50)	
11	See Note	NSS	O-Ring (Note: Use Item 50)	
12	See Note	NSS	O-Ring (Note: Use Item 50)	
13	See Note	NSS	Ring, Back-up (Note: Use Item 50)	
14	See Note	NSS	Ring, Wear (Note: Use Item 50)	
15	See Note	NSS	Ring, Wear (Note: Use Item 50)	
50	70006969	1	Seal Kit - 1001230375 Cyliner (Includes Items 8-15)	

SECTION 6 - CYLINDER

FIGURE 6-13. TELESCOPE CYLINDER ASSEMBLY (800S)



ART_1001251081

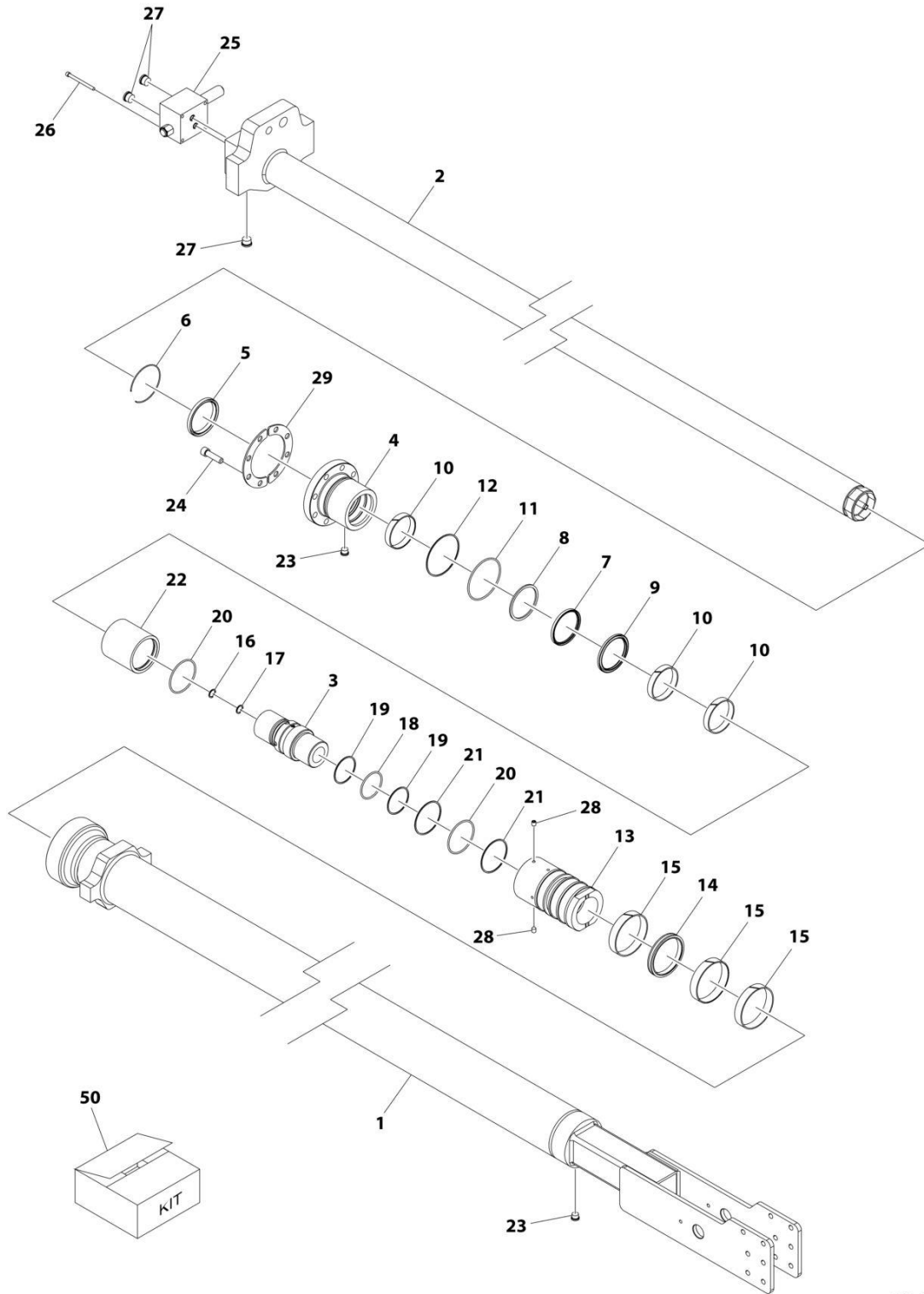
SECTION 6 - CYLINDER

FIGURE 6-13. TELESCOPE CYLINDER ASSEMBLY (800S)

ITEM	PART NUMBER	QTY	DESCRIPTION	REV
	1001251081	Ref	TELESCOPE CYLINDER ASSEMBLY	A
		Ref	Note: Original Cylinder May Have Been Replaced with Service Replacement. Identify PN Stamped on Cylinder Before Ordering Parts.	
1	4641033	1	Valve Assembly (No Serviceable Parts - Sold as Assembly Only)	
101	SEE NOTE	NSS	Barrel (Note: Not Available for Purchase)	
102	70008080	1	Rod	
103	70007977	1	Head	
104	SEE NOTE	NSS	Wiper, Dust (Note: Use Item 201)	
105	70023379	1	Ring, Retaining	
106	SEE NOTE	NSS	Seal, Rod (Note: Use Item 201)	
107	SEE NOTE	NSS	Ring, Backup (Note: Use Item 201)	
108	SEE NOTE	NSS	Ring, Buffer (Note: Use Item 201)	
109	SEE NOTE	NSS	Ring, Wear (Note: Use Item 201)	
110	SEE NOTE	NSS	O-Ring (Note: Use Item 201)	
111	SEE NOTE	NSS	Ring, Backup (Note: Use Item 201)	
112	70008081	1	Piston	
113	SEE NOTE	NSS	Seal, Piston (Note: Use Item 201)	
114	SEE NOTE	NSS	Ring, Wear (Note: Use Item 201)	
115	SEE NOTE	NSS	O-Ring (Note: Use Item 201)	
116	SEE NOTE	NSS	Ring, Backup (Note: Use Item 201)	
117	70008082	1	Spacer	
118	2220885	2	Plug 9/16	
119	70007980	8	Bolt M12 X 45	
121	70007981	4	Bolt M6 X 75	
122	2220886	3	Plug 3/4	
123	70005839	1	Screw, Set	
124	70007982	2	Ring, Washer	
125	SEE NOTE	NSS	O-Ring (Note: Use Item 201)	
126	SEE NOTE	NSS	Ring, Backup (Note: Use Item 201)	
201	70007983	1	Seal, Kit (Includes 104, 106-111, 113-116, 125, 126)	

SECTION 6 - CYLINDER

FIGURE 6-14. TELESCOPE CYLINDER ASSEMBLY (860SJ)



ART_1001251083

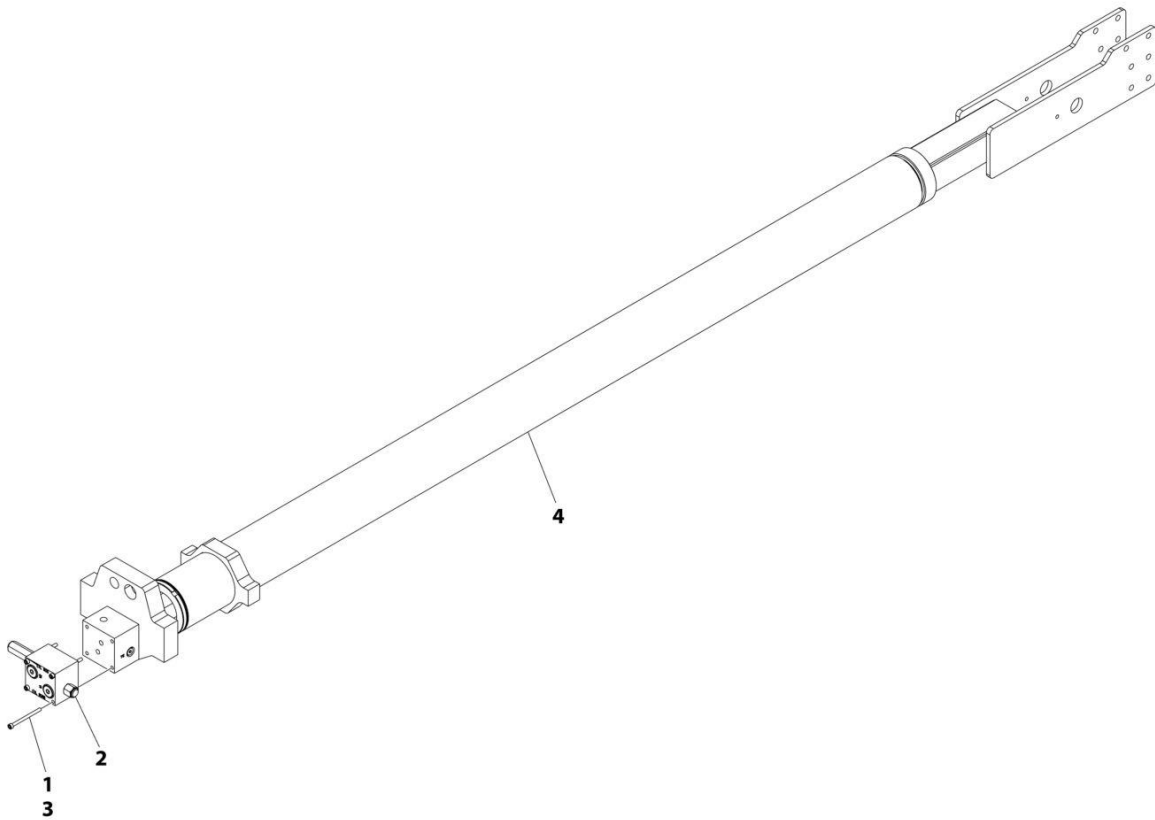
SECTION 6 - CYLINDER

FIGURE 6-14. TELESCOPE CYLINDER ASSEMBLY (860SJ)

ITEM	PART NUMBER	QTY	DESCRIPTION	REV
	1001251083	Ref	TELESCOPE CYLINDER ASSEMBLY	A
		Ref	Note: Original Cylinder may have been replaced with Service Replacement. Identify PN Stamped on Cylinder Before Ordering Parts.	
1	See Note	NSS	Barrel (Note: Use PN 1001251083)	
2	70007975	1	Rod	
3	70007976	1	End, Rod	
4	70007977	1	Head	
5	See Note	NSS	Wiper (Note: Use Item 50)	
6	70023379	1	Ring, Retaining	
7	See Note	NSS	Seal, Rod (Note: Use Item 50)	
8	See Note	NSS	Ring, Back-up (Note: Use Item 50)	
9	See Note	NSS	Ring (Note: Use Item 50)	
10	See Note	NSS	Ring, Wear (Note: Use Item 50)	
11	See Note	NSS	O-Ring (Note: Use Item 50)	
12	See Note	NSS	Ring, Back-up (Note: Use Item 50)	
13	70007978	1	Piston	
14	See Note	NSS	Seal, Piston (Note: Use Item 50)	
15	See Note	NSS	Ring, Wear (Note: Use Item 50)	
16	See Note	NSS	O-Ring (Note: Use Item 50)	
17	See Note	NSS	Ring, Back-up (Note: Use Item 50)	
18	See Note	NSS	Ring (Note: Use Item 50)	
19	See Note	NSS	Ring, Back-up (Note: Use Item 50)	
20	See Note	NSS	O-Ring (Note: Use Item 50)	
21	See Note	NSS	Ring, Back-up (Note: Use Item 50)	
22	70007979	1	Spacer	
23	2220885	2	Plug 9/16	
24	70007980	8	Bolt M12 x 45	
25	4641033	1	Cartridge, Valve - Counterbalance	
25	7024508	1	Seal Kit - 4641033 Valve	
26	70007981	4	Bolt M6 x 75	
27	2220886	3	Plug 3/4	
28	70005839	2	Setscrew M8 x 1-1/4	
29	70007982	2	Ring, Washer	
50	70007983	1	Seal Kit - 1001251083 Cylinder (Includes Items 5, 7-12 & 14-21)	

SECTION 6 - CYLINDER

FIGURE 6-15. TELESCOPE CYLINDER SUB-ASSEMBLY



ART_1001298869

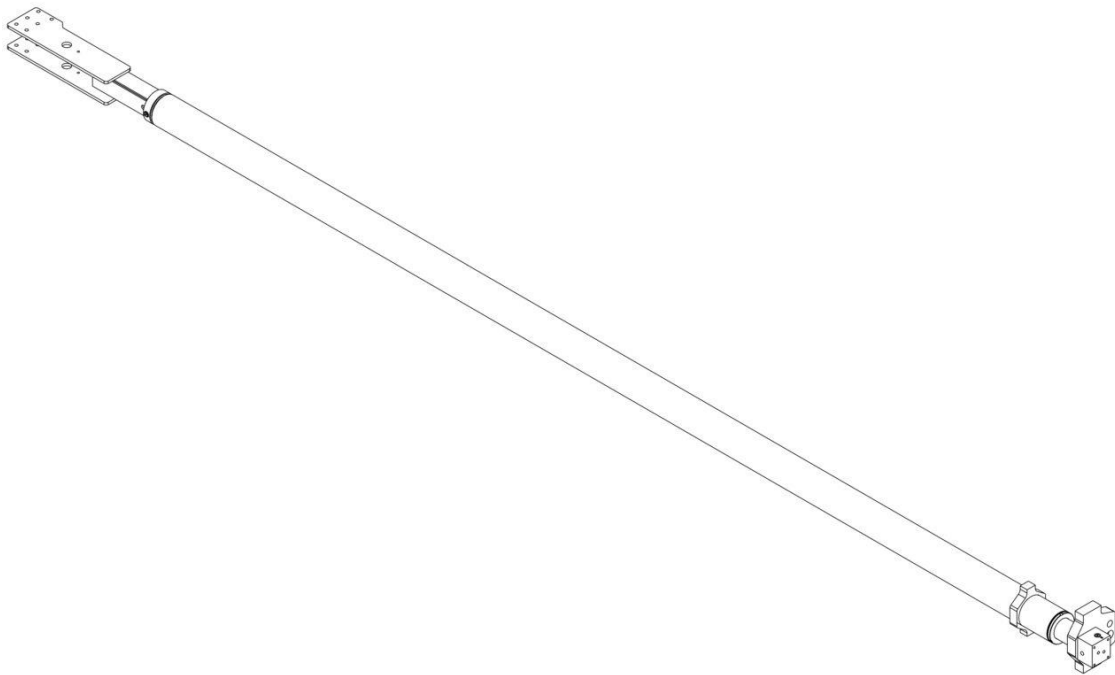
SECTION 6 - CYLINDER

FIGURE 6-15. TELESCOPE CYLINDER SUB-ASSEMBLY

ITEM	PART NUMBER	QTY	DESCRIPTION	REV
	1001298869	Ref	TELESCOPE CYLINDER SUB-ASSEMBLY	A
1	0100011	AR	Compound, Locking	
2	4641033	1	Valve, Dual Hold	
3	5271720	4	Bolt M6 x 80	
4	1001269510	1	Telescope Cylinder Assembly (See Separate Breakdown in this Section)	

SECTION 6 - CYLINDER

FIGURE 6-16. TELESCOPE CYLINDER ASSEMBLY



ART_1001269510

SECTION 6 - CYLINDER

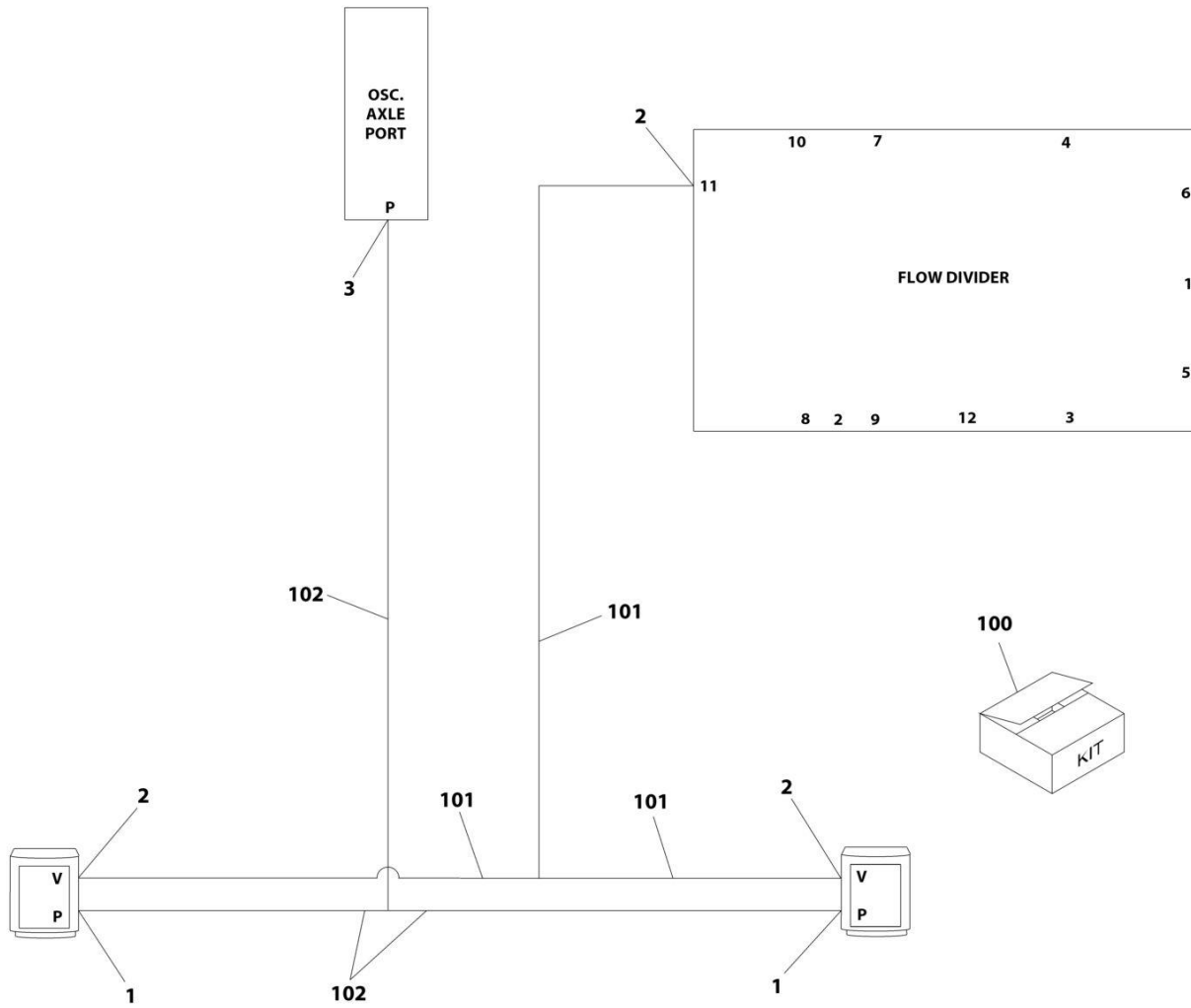
FIGURE 6-16. TELESCOPE CYLINDER ASSEMBLY

ITEM	PART NUMBER	QTY	DESCRIPTION	REV
	1001269510 See Note	Ref NSS	TELESCOPE CYLINDER ASSEMBLY Note: No Service Parts Available at Time of Printing	A

SECTION 7 - HYDRAULIC

SECTION 7 - HYDRAULIC

FIGURE 7-1. HYDRAULIC DIAGRAM - AXLE (OSCILLATING)



ART_1001157400

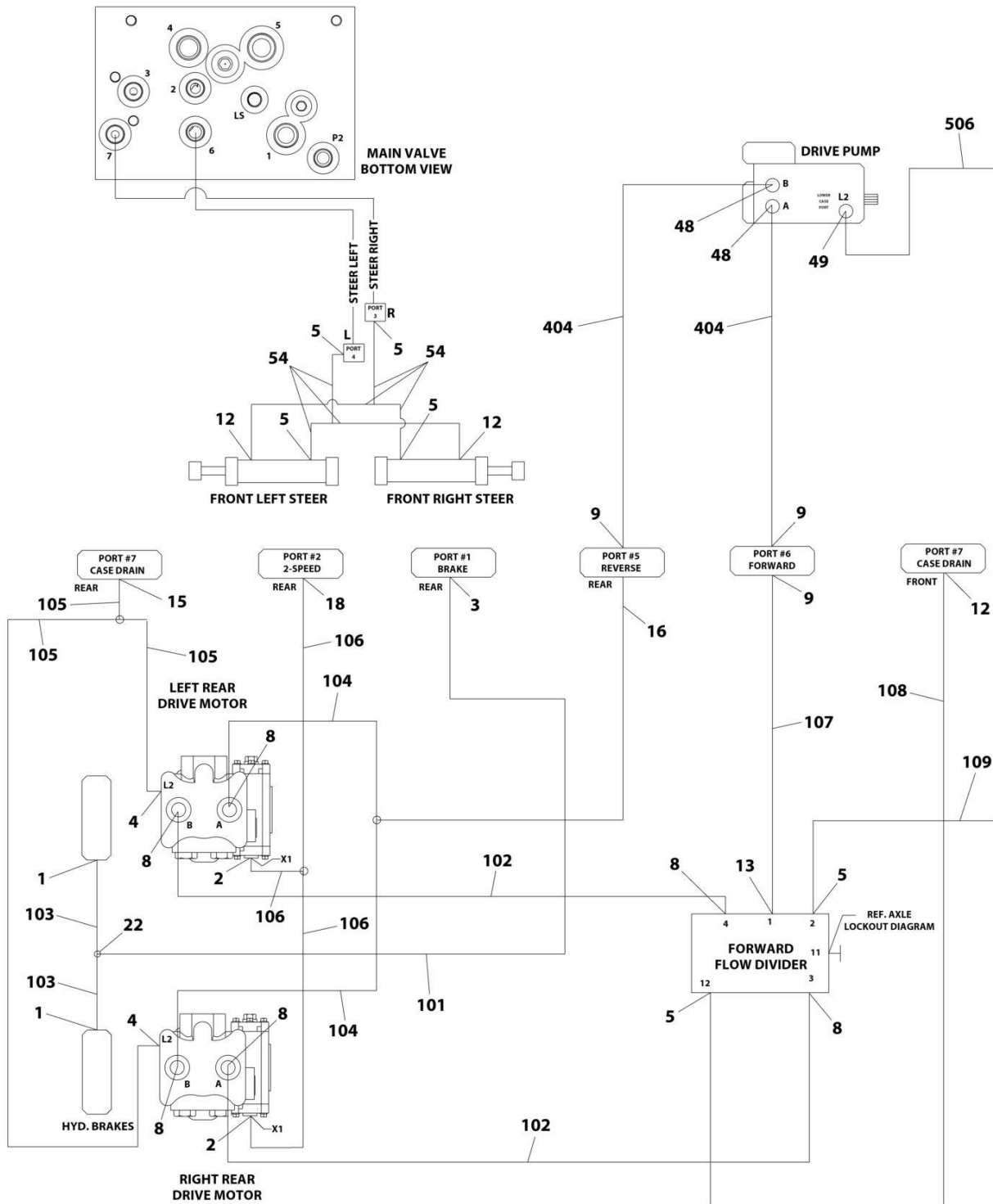
SECTION 7 - HYDRAULIC

FIGURE 7-1. HYDRAULIC DIAGRAM - AXLE (OSCILLATING)

ITEM	PART NUMBER	QTY	DESCRIPTION	REV
	1001157400	Ref	AXLE LOCKOUT HYDRAULIC DIAGRAM	G
1	2110404	2	Fitting, Straight ORFS/ORB	
2	2110606	3	Fitting, Straight ORFS/ORB	
3	2110408	1	Fitting, Straight ORFS/ORB	
100	1001270068	1	Hose Lockout Kit	
101	1001198336	1	Hose with Crimped Tee	
102	1001198339	1	Hose with Crimped Tee	

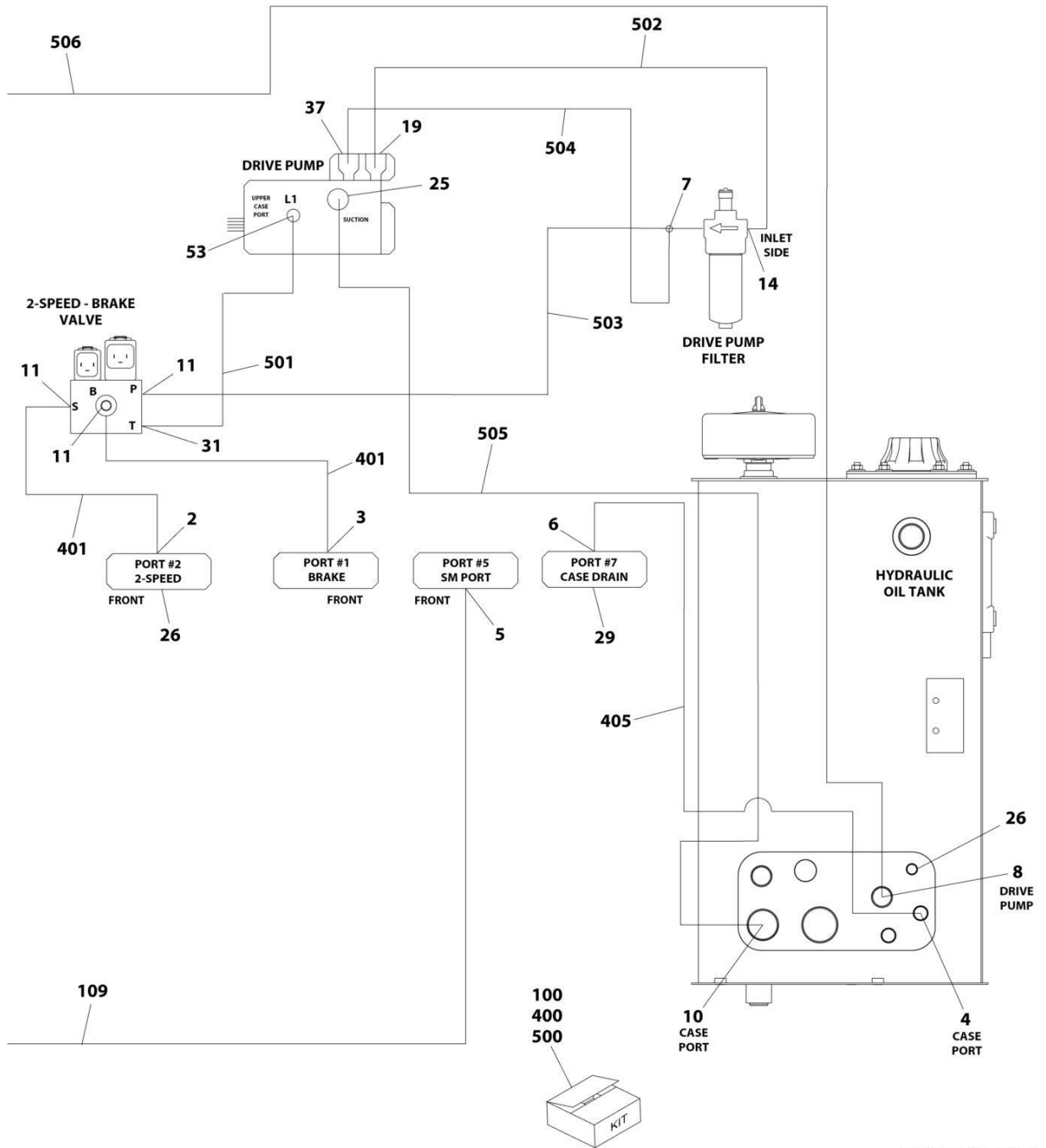
SECTION 7 - HYDRAULIC

FIGURE 7-2. HYDRAULIC DIAGRAM - DRIVE (2WD)



ART_1001178218_G_10F2

SECTION 7 - HYDRAULIC



ART_1001178218_G_20F2

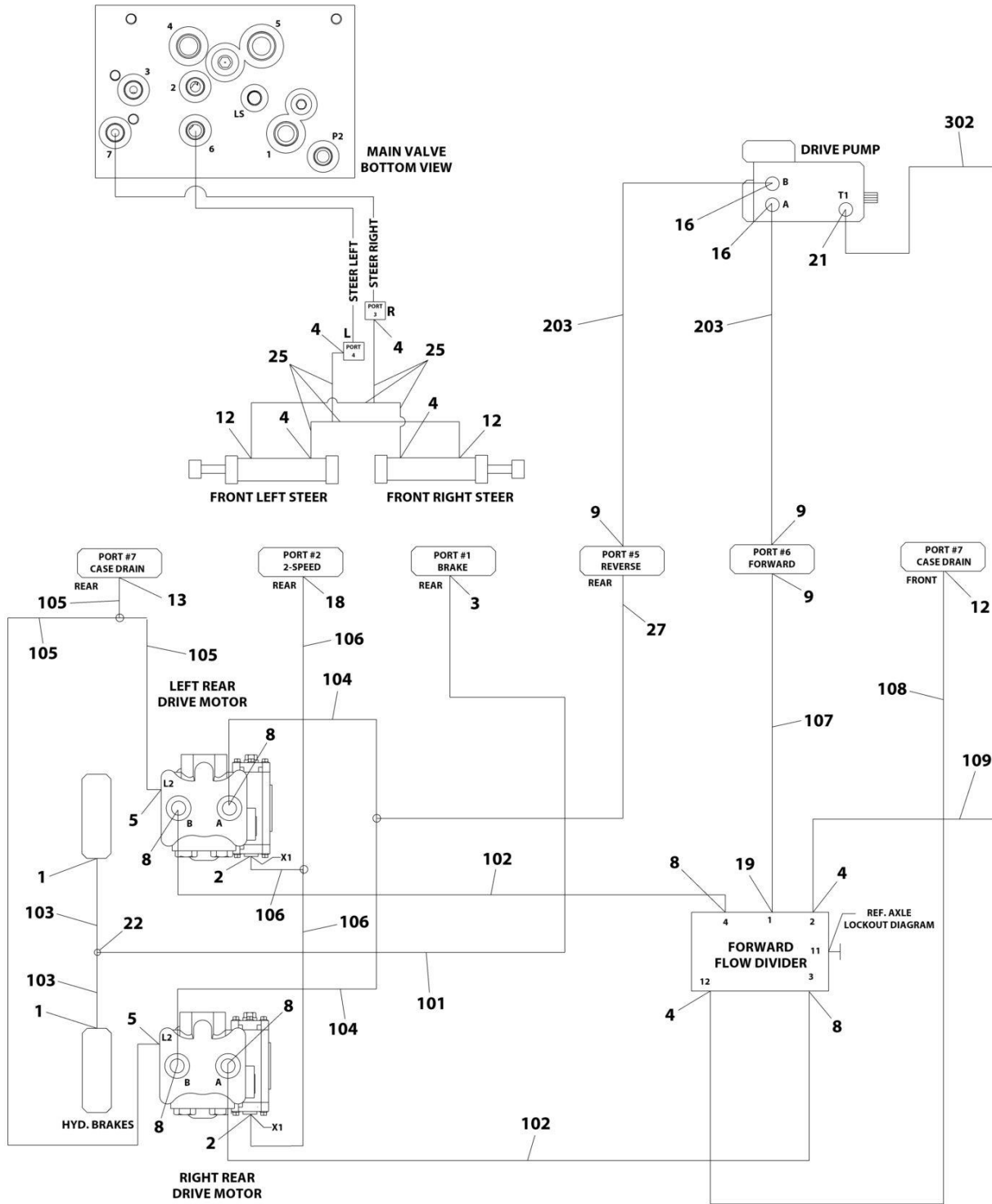
SECTION 7 - HYDRAULIC

FIGURE 7-2. HYDRAULIC DIAGRAM - DRIVE (2WD)

ITEM	PART NUMBER	QTY	DESCRIPTION	REV
	1001178218	Ref	DRIVE HYDRAULIC DIAGRAM - 2WD	G
1	2110404	2	Fitting, Straight ORFS/ORB	
2	2110406	3	Fitting, Straight ORFS/ORB	
3	2110408	2	Fitting, Straight ORFS/ORB	
4	2110808	3	Fitting, Straight ORFS/ORB	
5	2110606	7	Fitting, Straight ORFS/ORB	
6	2110812	1	Fitting, Straight ORFS/ORB	
7	1001198337	1	Fitting, Tee ORFS/ORB-RUN	
8	2111212	7	Fitting, Straight ORFS/ORB	
9	2111616	3	Fitting, Straight ORFS/ORB	
10	2112020	1	Fitting, Straight ORFS/ORB	
11	2130404	3	Fitting, 90 ORFS/ORB	
12	2130606	3	Fitting, 90 ORFS/ORB	
13	2151616	1	Fitting, 45 ORFS/ORB	
14	2131012	1	Fitting, 90 ORFS/ORB	
15	2130808	1	Fitting, 90 ORFS/ORB	
16	1001199395	1	Fitting, Tee ORFS/ORFS/ORB	
18	2150406	1	Fitting, 45 ORFS/ORB	
19	2111016	1	Fitting, Straight ORFS/ORB	
22	2170504	1	Fitting, Tee ORFS/ORFS/ORFS	
25	2132016	1	Fitting, 90 ORFS/ORB	
26	2220237	2	Fitting, Plug ORB	
29	2220238	1	Plug	
31	2170204	1	Fitting, 90 ORFS/ORB	
37	2110810	1	Fitting, Straight ORFS/ORB	
48	2131616	2	Fitting, 90 ORFS/ORB	
49	2131212	1	Fitting, 90 ORFS/ORB	
53	1001199396	1	Fitting, 90 ORFS/SORB	
54	1001198333	2	Hose with Crimped Tee	
100	1001270084	1	Towbar Rear Hose Kit	
101	2753622	1	Hose	
102	2753688	2	Hose	
103	2754337	2	Hose	
104	1001159854	2	Hose	
105	1001198334	1	Hose with Crimped Tee	
106	1001198340	1	Hose with Crimped Tee	
400	1001270071	1	Arctic Turntable Hose Kit	
401	2753540	2	Hose	
404	2753667	2	Hose	
405	2753685	1	Hose	
500	1001270072	1	Arctic Turntable Hose Kit	
501	2753555	1	Hose	
502	2753768	1	Hose	
503	1001095307	1	Hose	
504	1001095308	1	Hose	
505	1001157866	1	Hose	
506	2753699	1	Hose	

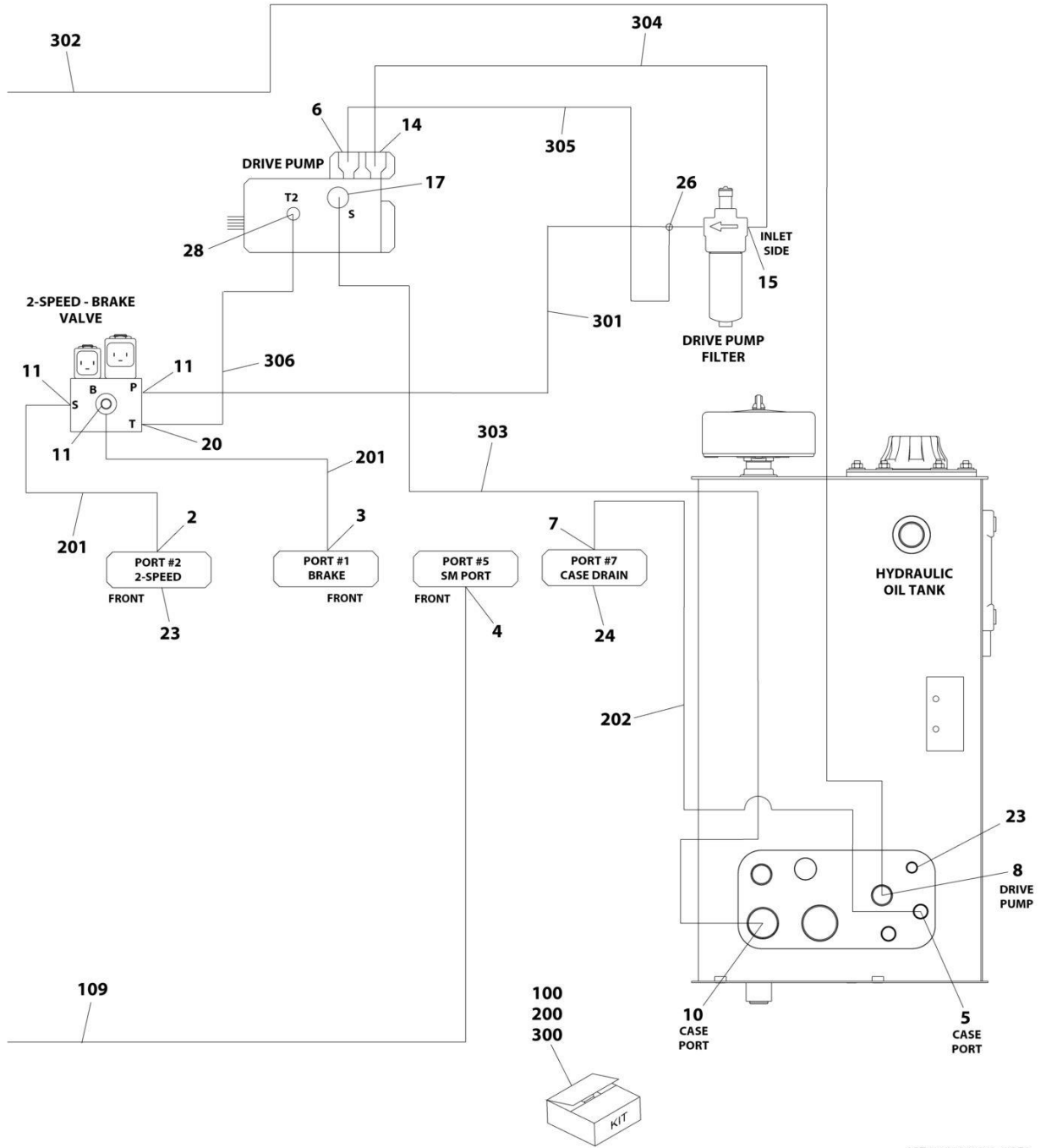
SECTION 7 - HYDRAULIC

FIGURE 7-3. HYDRAULIC DIAGRAM - DRIVE (2WD WITHOUT TOWBAR AND ARCTIC PACKAGE) (ALL SPECS)



ART_1001296862_10F2

SECTION 7 - HYDRAULIC



ART_1001296862_20F2

SECTION 7 - HYDRAULIC

**FIGURE 7-3. HYDRAULIC DIAGRAM - DRIVE (2WD WITHOUT TOWBAR AND ARCTIC PACKAGE)
(ALL SPECS)**

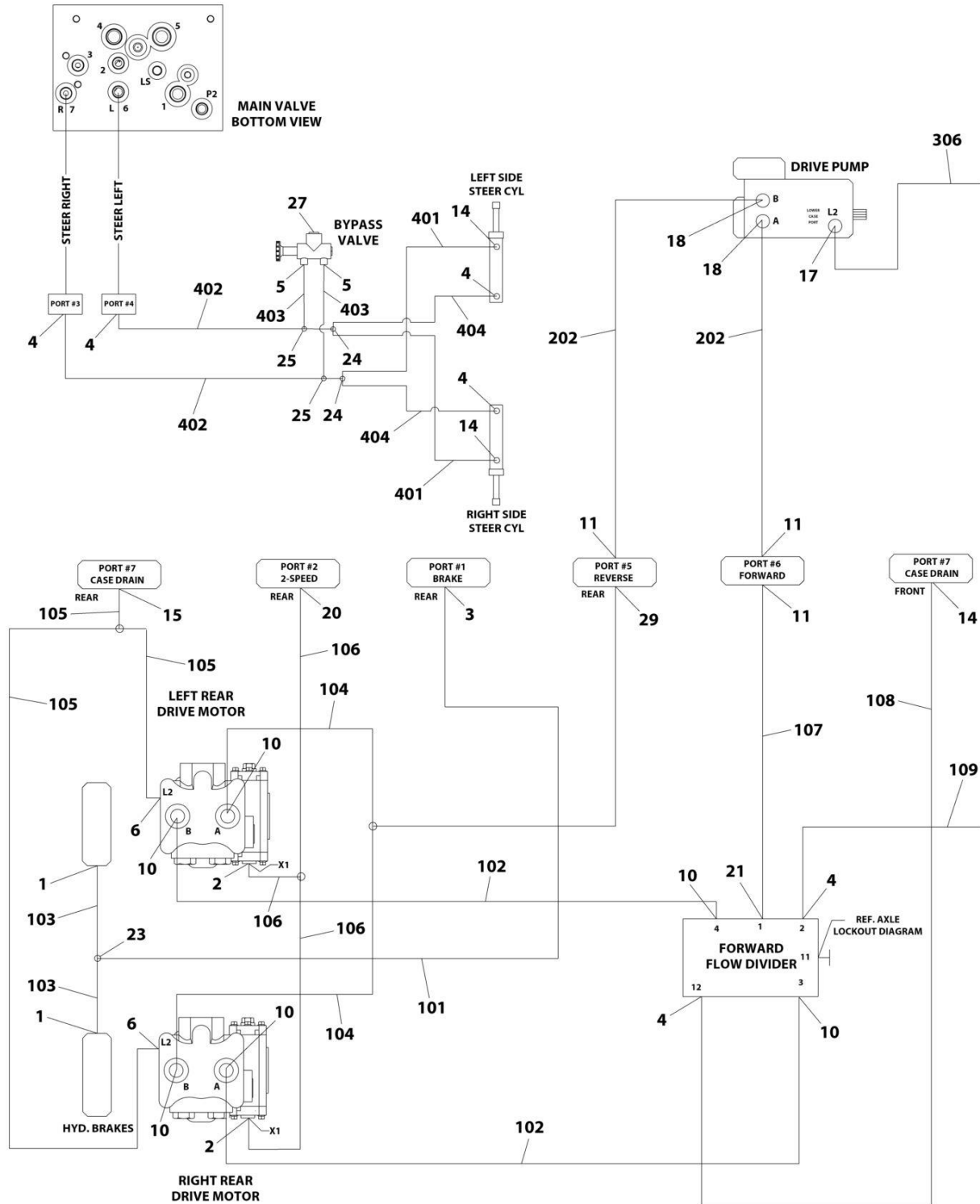
ITEM	PART NUMBER	QTY	DESCRIPTION	REV
	1001296862	Ref	HYDRAULIC DIAGRAM - DRIVE (2WD)	A
1	2110404	2	Fitting, Straight ORFS/ORB	
2	2110406	3	Fitting, Straight ORFS/ORB	
3	2110408	2	Fitting, Straight ORFS/ORB	
4	2110606	7	Fitting, Straight ORFS/ORB	
5	2110808	3	Fitting, Straight ORFS/ORB	
6	2110810	1	Fitting, Straight ORFS/ORB	
7	2110812	1	Fitting, Straight ORFS/ORB	
8	2111212	7	Fitting, Straight ORFS/ORB	
9	2111616	3	Fitting, Straight ORFS/ORB	
10	2112020	1	Fitting, Straight ORFS/ORB	
11	2130404	3	Fitting, 90 ORFS/ORB	
12	2130606	3	Fitting, 90 ORFS/ORB	
13	2130808	1	Fitting, 90 ORFS/ORB	
14	2131010	1	Fitting, 90 ORFS/ORB	
15	2131012	1	Fitting, 90 ORFS/ORB	
16	2131612	2	Fitting, 90 ORFS/ORB	
17	2132016	1	Fitting, 90 ORFS/ORB	
18	2150406	1	Fitting, 45 ORFS/ORB	
19	2151616	1	Fitting, 45 ORFS/ORB	
20	2170204	1	Fitting, 90 ORFS/ORB	
21	2170212	1	Fitting, 90 ORFS/ORB	
22	2170504	1	Fitting, Tee ORFS	
23	2220237	2	Plug 3/8	
24	2220238	1	Plug 1/2	
25	1001198333	2	Hose with Crimped Tee	
26	1001198337	1	Fitting, Tee ORFS/ORB-RUN	
27	1001199395	1	Fitting, Tee ORFS/ORFS/ORB	
28	1001199396	1	Fitting, 90 ORFS/SORB	
100	1001270084	1	Hose Kit - Towbar Rear	
101	2753622	1	Hose	
102	2753688	2	Hose	
103	2754337	2	Hose	
104	1001159854	2	Hose	
105	1001198334	1	Hose with Crimped Tee	
106	1001198340	1	Hose with Crimped Tee	
107	2753635	1	Hose	
108	2754242	1	Hose	
109	2754243	1	Hose	
200	1001296856	1	Hose Kit - Turntable	
201	2753540	2	Hose	
202	2753685	1	Hose	
203	1001296833	2	Hose	
300	1001296857	1	Hose Kit - Turntable	
301	1001095307	1	Hose	
302	1001296834	1	Hose	
303	1001296835	1	Hose	
304	1001296836	1	Hose	
305	1001296837	1	Hose	

SECTION 7 - HYDRAULIC

ITEM	PART NUMBER	QTY	DESCRIPTION	REV
306	1001296838	1	Hose	

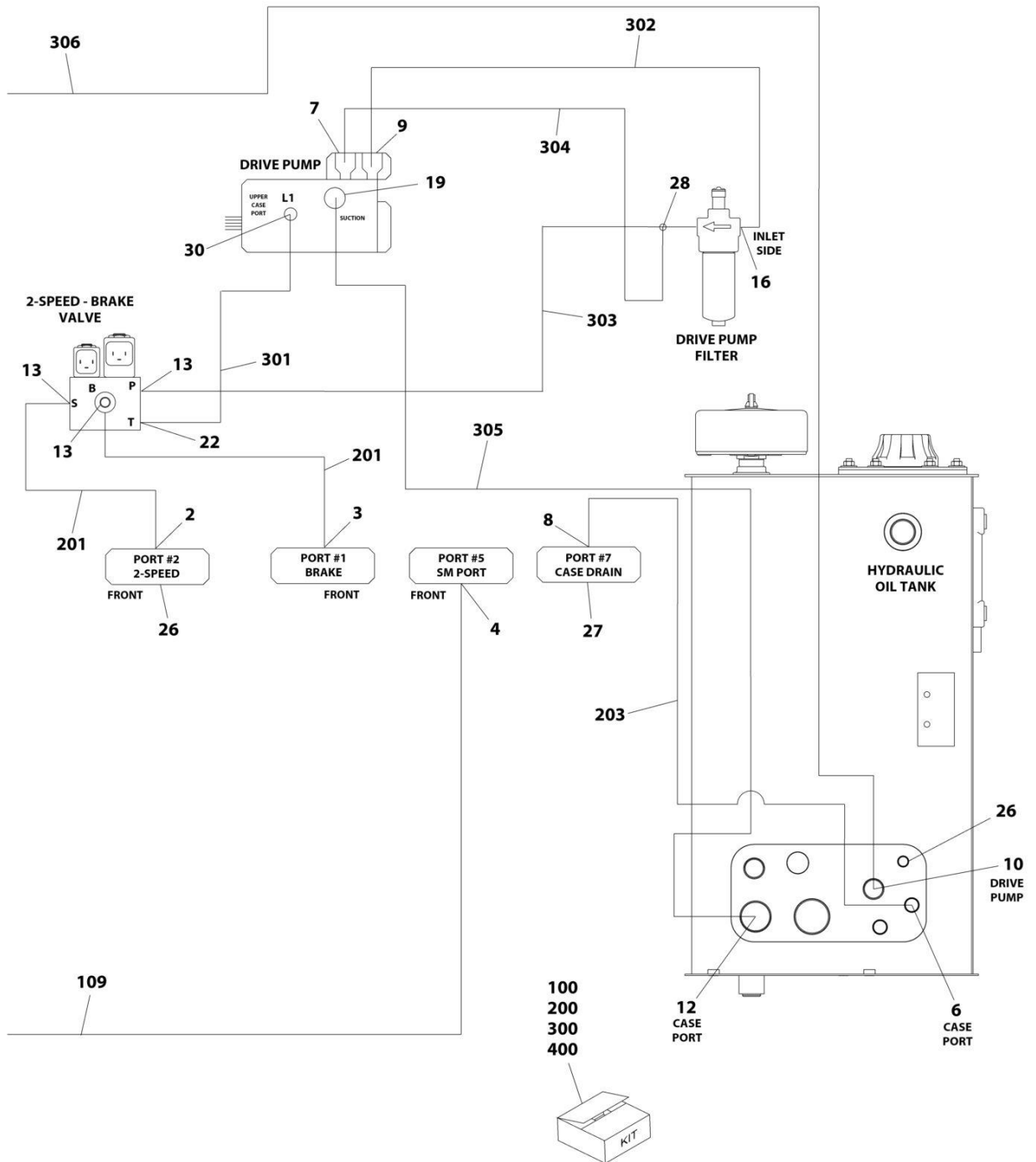
SECTION 7 - HYDRAULIC

FIGURE 7-4. HYDRAULIC DIAGRAM - DRIVE (2WD WITH TOW BAR PACKAGE)



ART_1001287748_10F2

SECTION 7 - HYDRAULIC



ART_1001287748_20F2

SECTION 7 - HYDRAULIC

FIGURE 7-4. HYDRAULIC DIAGRAM - DRIVE (2WD WITH TOW BAR PACKAGE)

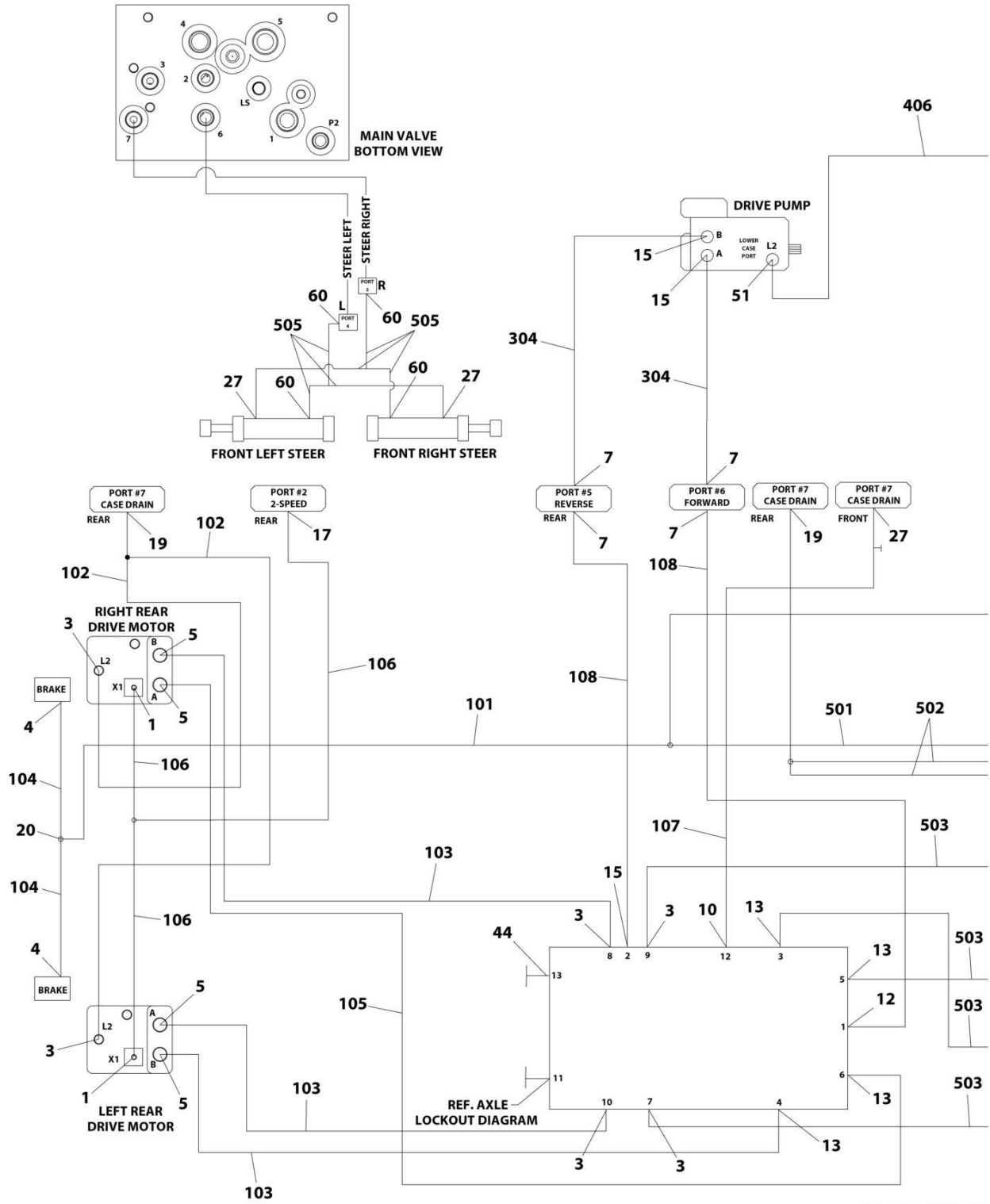
ITEM	PART NUMBER	QTY	DESCRIPTION	REV
	1001287748	Ref	DRIVE HYDRAULIC DIAGRAM - 2WD	A
1	2110404	2	Fitting, Straight ORFS/ORB	
2	2110406	3	Fitting, Straight ORFS/ORB	
3	2110408	2	Fitting, Straight ORFS/ORB	
4	2110606	7	Fitting, Straight ORFS/ORB	
5	2110608	2	Fitting, Straight ORFS/ORB	
6	2110808	3	Fitting, Straight ORFS/ORB	
7	2110810	1	Fitting, Straight ORFS/ORB	
8	2110812	1	Fitting, Straight ORFS/ORB	
9	2111016	1	Fitting, Straight ORFS/ORB	
10	2111212	7	Fitting, Straight ORFS/ORB	
11	2111616	3	Fitting, Straight ORFS/ORB	
12	2112020	1	Fitting, Straight ORFS/ORB	
13	2130404	3	Fitting, 90 ORFS/ORB	
14	2130606	3	Fitting, 90 ORFS/ORB	
15	2130808	1	Fitting, 90 ORFS/ORB	
16	2131012	1	Fitting, 90 ORFS/ORB	
17	2131212	1	Fitting, 90 ORFS/ORB	
18	2131616	2	Fitting, 90 ORFS/ORB	
19	2132016	1	Fitting, 90 ORFS/ORB	
20	2150406	1	Fitting, 45 ORFS/ORB	
21	2151616	1	Fitting, 45 ORFS/ORB	
22	2170204	1	Fitting, 90 ORFS/ORB	
23	2170504	1	Fitting, Tee ORFS/ORFS/ORFS	
24	2170506	2	Fitting, Tee ORFS/ORFS/ORFS	
25	2170706	2	Fitting, Tee ORFS/FSORFS/ORFS	
26	2220237	2	Fitting, Plug ORB	
27	2220238	2	Plug	
28	1001198337	1	Fitting, Tee ORFS/ORB-RUN	
29	1001199395	1	Fitting, Tee ORFS/ORFS/ORB	
30	1001199396	1	Fitting, 90 ORFS/SORB	
100	1001270084	1	Towbar Rear Hose Kit	
101	2753622	1	Hose	
102	2753688	2	Hose	
103	2754337	2	Hose	
104	1001159854	2	Hose	
105	1001198334	1	Hose with Crimped Tee	
106	1001198340	1	Hose with Crimped Tee	
107	2753635	1	Hose	
108	2754242	1	Hose	
109	2754243	1	Hose	
200	1001270071	1	Arctic Turntable Hose Kit	
201	2753540	2	Hose	
202	2753667	2	Hose	
203	2753685	1	Hose	
300	1001270072	1	Arctic Turntable Hose Kit	
301	2753555	1	Hose	
302	2753768	1	Hose	
303	1001095307	1	Hose	
304	1001095308	1	Hose	

SECTION 7 - HYDRAULIC

ITEM	PART NUMBER	QTY	DESCRIPTION	REV
305	1001157866	1	Hose	
306	2753699	1	Hose	
400	1001270077	1	Towbar Front Hose Kit	
401	2753656	2	Hose	
402	2753732	2	Hose	
403	2753879	2	Hose	
404	1001159340	2	Hose	

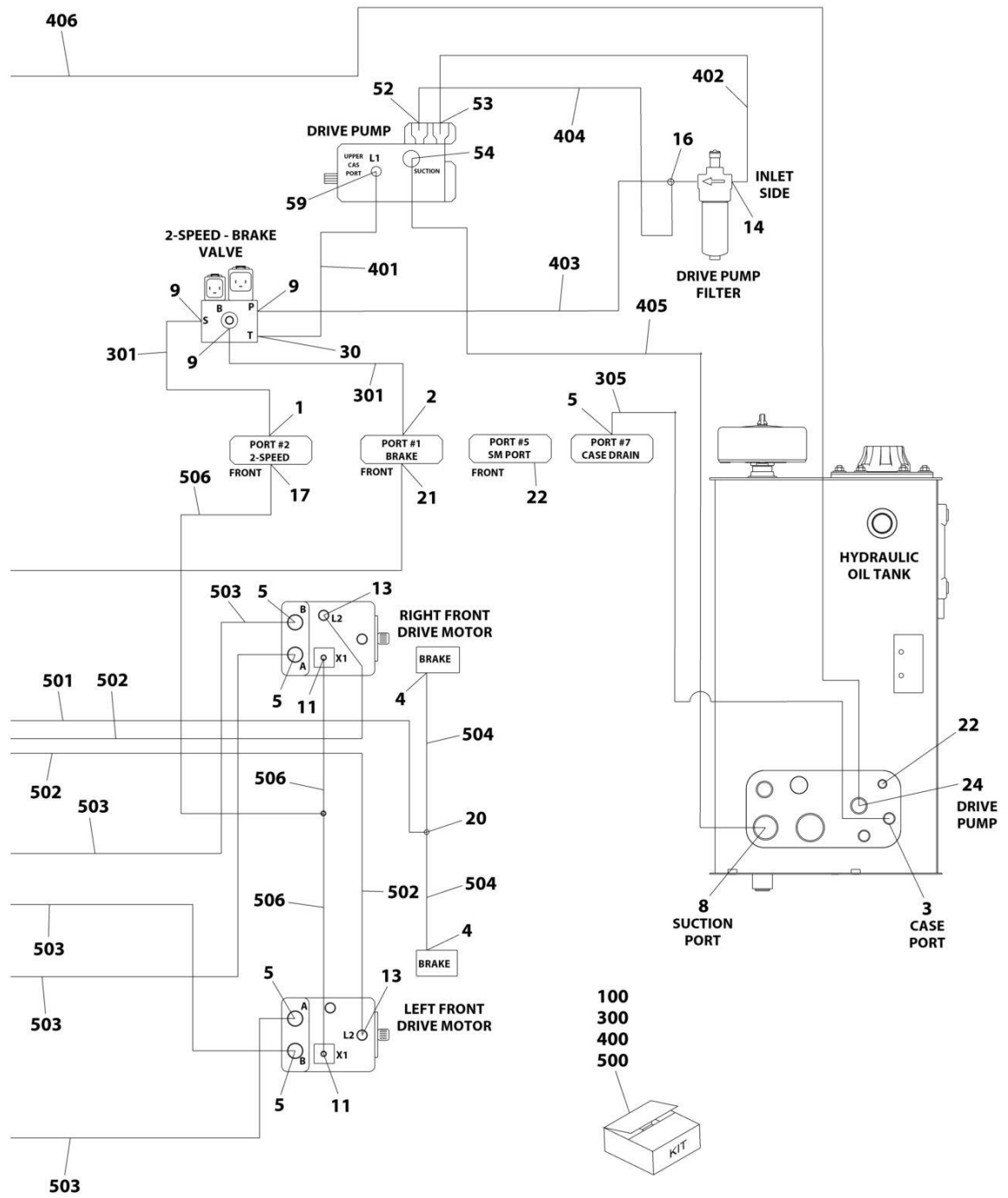
SECTION 7 - HYDRAULIC

FIGURE 7-5. HYDRAULIC DIAGRAM - DRIVE (4WD WITHOUT ARCTIC PACKAGE)



ART_1001178219_F_10F2

SECTION 7 - HYDRAULIC



ART_1001178219_F_20F2

SECTION 7 - HYDRAULIC

FIGURE 7-5. HYDRAULIC DIAGRAM - DRIVE (4WD WITHOUT ARCTIC PACKAGE)

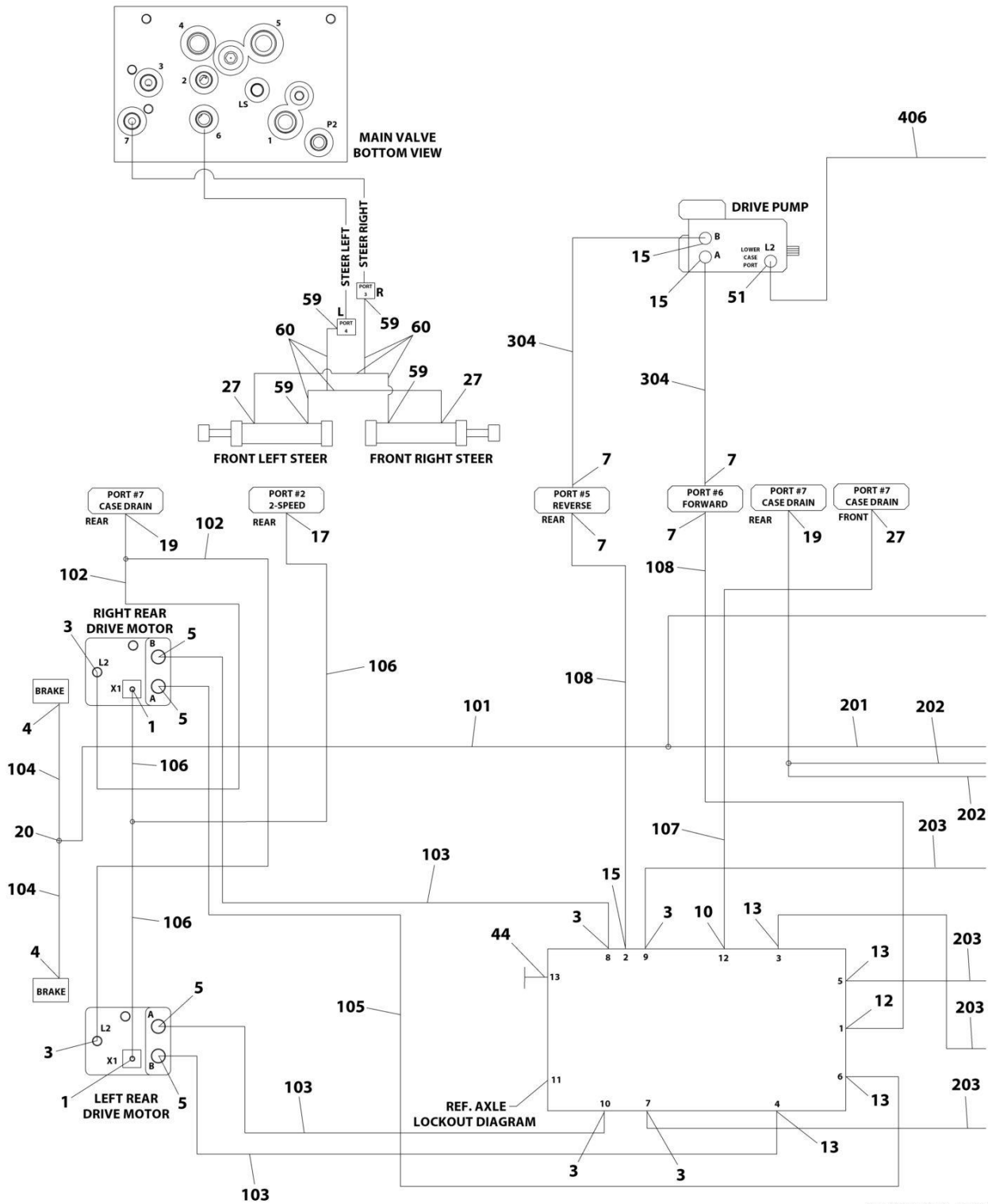
ITEM	PART NUMBER	QTY	DESCRIPTION	REV
	1001178219	Ref	HYDRAULIC DIAGRAM - DRIVE (4WD)	F
1	2110406	3	Fitting, Straight ORFS/ORB	
2	2110408	1	Fitting, Straight ORFS/ORB	
3	2110808	7	Fitting, Straight ORFS/ORB	
4	2110404	4	Fitting, Straight ORFS/ORB	
5	2110812	9	Fitting, Straight ORFS/ORB	
7	2111616	4	Fitting, Straight ORFS/ORB	
8	2112020	1	Fitting, Straight ORFS/ORB	
9	2130404	3	Fitting, 90 ORFS/ORB	
10	2130604	1	Fitting, 90 ORFS/ORB	
11	2130406	2	Fitting, 90 ORFS/ORB	
12	2151616	1	Fitting, 90 ORFS/ORB	
13	2130808	6	Fitting, 90 ORFS/ORB	
14	2131012	1	Fitting, 90 ORFS/ORB	
15	2131616	3	Fitting, 90 ORFS/ORB	
16	1001198337	1	Fitting, Tee ORFS/ORB-RUN	
17	2150406	2	Fitting, 45 ORFS/ORB	
19	2170408	2	Fitting, Tee ORFS/ORB/ORFS	
20	2170504	2	Fitting, Tee ORFS/ORFS/ORFS	
21	1001198338	1	Fitting, Tee ORFS/SORB/ORFS	
22	2220237	2	Fitting, Plug ORB	
24	2111212	1	Fitting, Straight ORFS/ORB	
27	2130606	3	Fitting, 90 ORFS/ORB	
30	2170204	1	Fitting, 90 ORFS/ORB	
44	2220238	1	Plug	
51	2131212	1	Fitting, 90 ORFS/ORB	
52	2110810	1	Fitting, Straight ORFS/ORB	
53	2111016	1	Fitting, Straight ORFS/ORB	
54	2132016	1	Fitting, 90 ORFS/ORB	
59	1001199396	1	Fitting, 90 ORFS/SORB	
60	2110606	4	Fitting, Straight ORFS/ORB	
100	1001270069	1	Arctic Towbar Hose Kit	
101	2753622	1	Hose	
102	2753686	2	Hose	
103	2753971	3	Hose	
104	2754337	2	Hose	
105	2754338	1	Hose	
106	1001198340	1	Hose with Crimped Tee	
107	2753626	1	Hose	
108	2753634	2	Hose	
300	1001270071	1	Arctic Turntable Hose Kit	
301	2753540	2	Hose	
304	2753667	2	Hose	
305	2753685	1	Hose	
400	1001270072	1	Arctic Turntable Hose Kit	
401	2753555	1	Hose	
402	2753768	1	Hose	
403	1001095307	1	Hose	
404	1001095308	1	Hose	
405	1001157866	1	Hose	

SECTION 7 - HYDRAULIC

ITEM	PART NUMBER	QTY	DESCRIPTION	REV
406	2753699	1	Hose	
500	1001270630	1	Front Hose Kit	
501	2753542	1	Hose	
502	2753628	2	Hose	
503	2753970	4	Hose	
504	2754512	2	Hose	
505	1001198333	2	Hose	
506	1001198341	1	Hose	

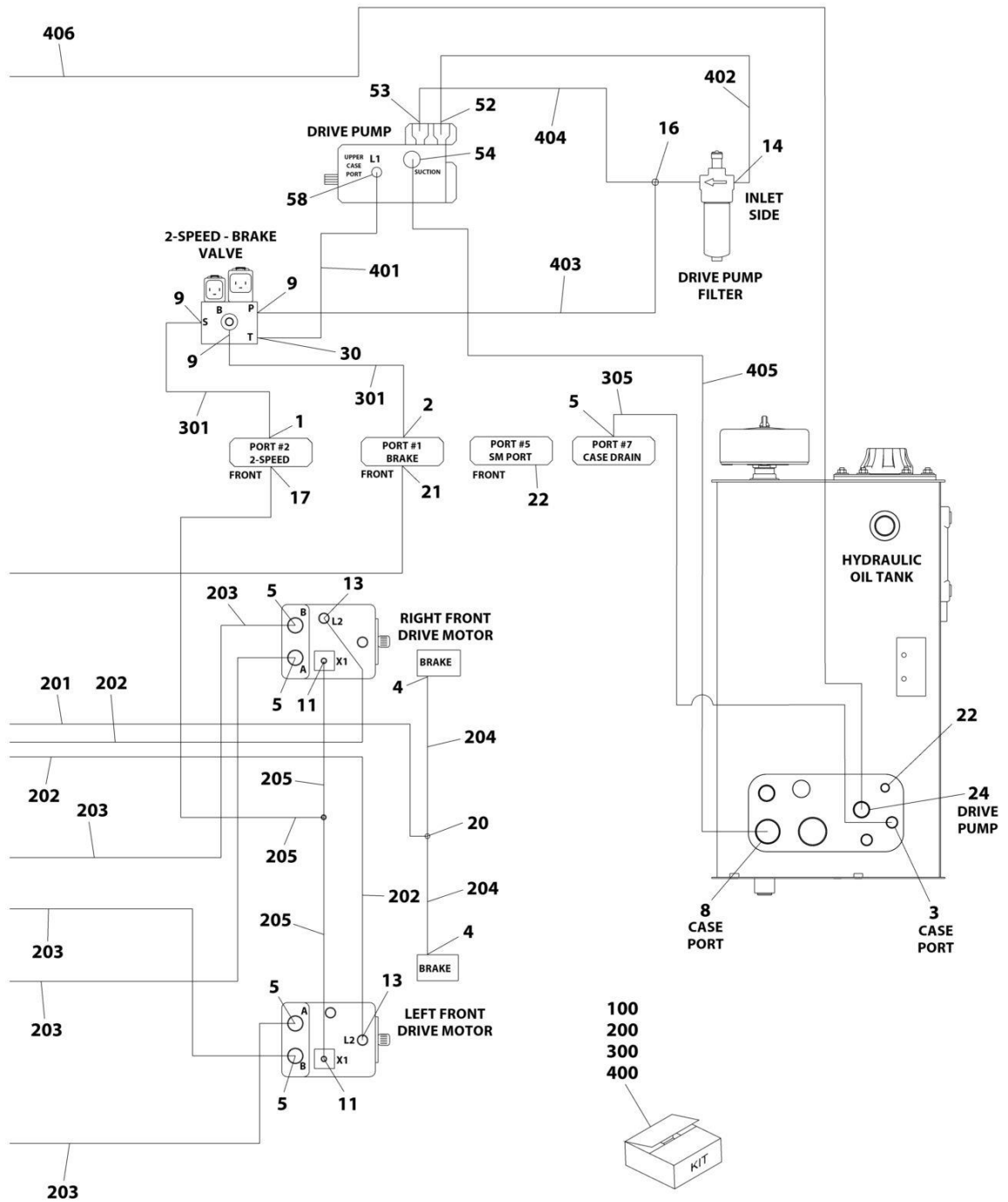
SECTION 7 - HYDRAULIC

FIGURE 7-6. HYDRAULIC DIAGRAM - DRIVE (4WD WITH ARCTIC PACKAGE)



ART_1001178220_G_10F2

SECTION 7 - HYDRAULIC



ART_1001178220_G_20F2

SECTION 7 - HYDRAULIC

FIGURE 7-6. HYDRAULIC DIAGRAM - DRIVE (4WD WITH ARCTIC PACKAGE)

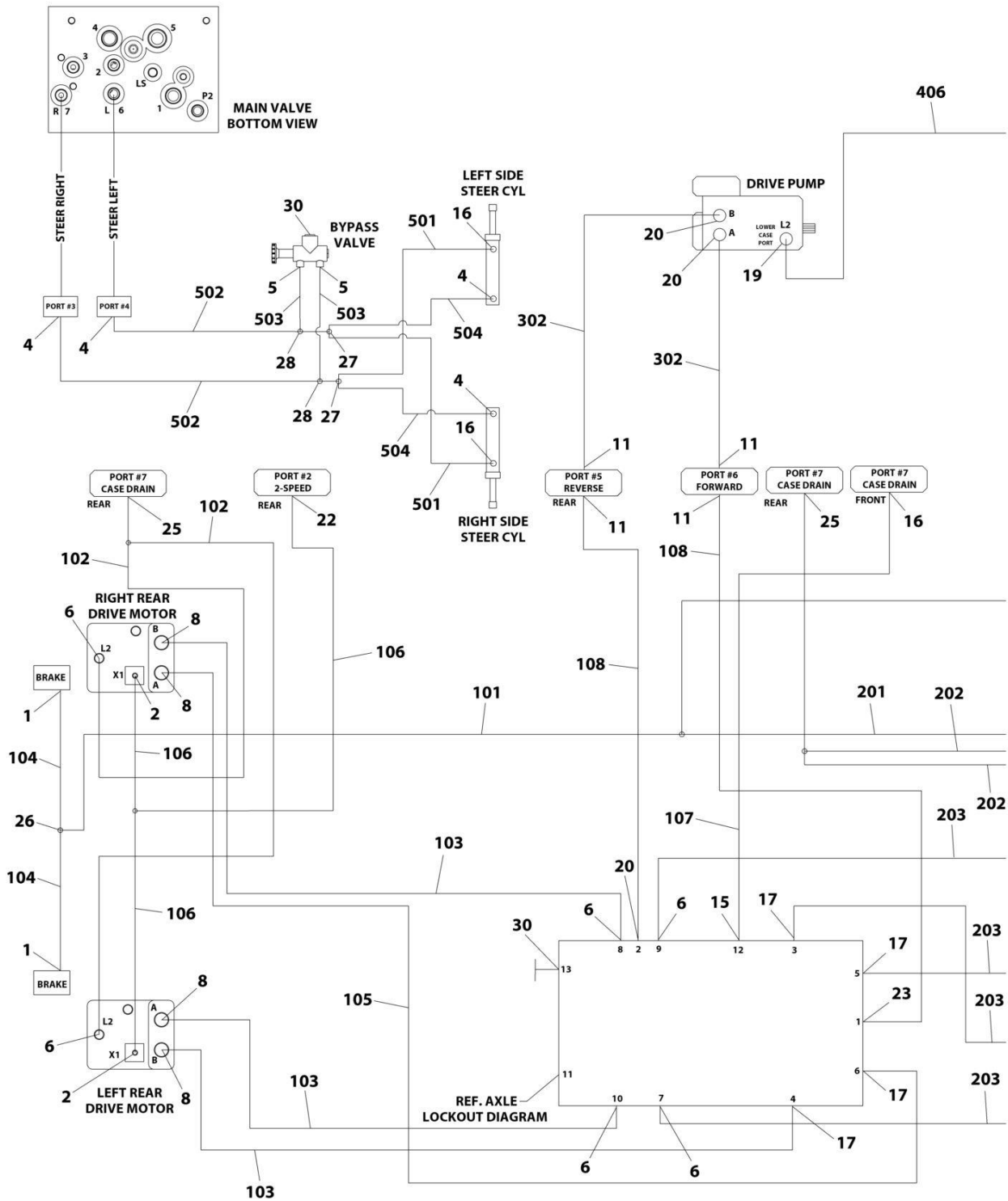
ITEM	PART NUMBER	QTY	DESCRIPTION	REV
	1001178220	Ref	HYDRAULIC DIAGRAM - DRIVE (4WD)	G
1	2110406	3	Fitting, Straight ORFS/ORB	
2	2110408	1	Fitting, Straight ORFS/ORB	
3	2110808	7	Fitting, Straight ORFS/ORB	
4	2110404	4	Fitting, Straight ORFS/ORB	
5	2110812	9	Fitting, Straight ORFS/ORB	
7	2111616	4	Fitting, Straight ORFS/ORB	
8	2112020	1	Fitting, Straight ORFS/ORB	
9	2130404	3	Fitting, 90 ORFS/ORB	
10	2130604	1	Fitting, 90 ORFS/ORB	
11	2130406	2	Fitting, 90 ORFS/ORB	
12	2151616	1	Fitting, 90 ORFS/ORB	
13	2130808	6	Fitting, 90 ORFS/ORB	
14	2131012	1	Fitting, 90 ORFS/ORB	
15	2131616	3	Fitting, 90 ORFS/ORB	
16	1001198337	1	Fitting, Tee ORFS/ORB-RUN	
17	2150406	2	Fitting, 45 ORFS/ORB	
19	2170408	2	Fitting, Tee ORFS/ORB/ORFS	
20	2170504	2	Fitting, Tee ORFS/ORFS/ORFS	
21	1001198338	1	Fitting, Tee ORFS/SORB/ORFS	
22	2220237	2	Fitting, Plug ORB	
24	2111212	1	Fitting, Straight ORFS/ORB	
27	2130606	3	Fitting, 90 ORFS/ORB	
30	2170204	1	Fitting, 90 ORFS/ORB	
44	2220238	1	Hose	
51	2131212	1	Fitting, 90 ORFS/ORB	
52	2111016	1	Fitting, Straight ORFS/ORB	
53	2110810	1	Fitting, Straight ORFS/ORB	
54	2132016	1	Fitting, 90 ORFS/ORB	
58	1001199396	1	Fitting, 90 ORFS/SORB	
59	2110606	4	Fitting, Straight ORFS/ORB	
60	1001198333	2	Hose	
100	1001270069	1	Arctic Towbar Hose Kit	
101	2753622	1	Hose	
102	2753686	2	Hose	
103	2753971	3	Hose	
104	2754337	2	Hose	
105	2754338	1	Hose	
106	1001198340	1	Hose with Crimped Tee	
107	2753626	1	Hose	
108	2753634	2	Hose	
200	1001270073	1	Arctic Towbar Hose Kit	
201	2753542	1	Hose	
202	2754720	2	Hose	
203	2754743	4	Hose	
204	1001106957	2	Hose	
205	1001204269	1	Hose with Crimped Tee	
300	1001270071	1	Arctic Turntable Hose Kit	
301	2753540	2	Hose	
304	2753667	2	Hose	

SECTION 7 - HYDRAULIC

ITEM	PART NUMBER	QTY	DESCRIPTION	REV
305	2753685	1	Hose	
400	1001270072	1	Arctic Turntable Hose Kit	
401	2753555	1	Hose	
402	2753768	1	Hose	
403	1001095307	1	Hose	
404	1001095308	1	Hose	
405	1001157866	1	Hose	
406	2753699	1	Hose	

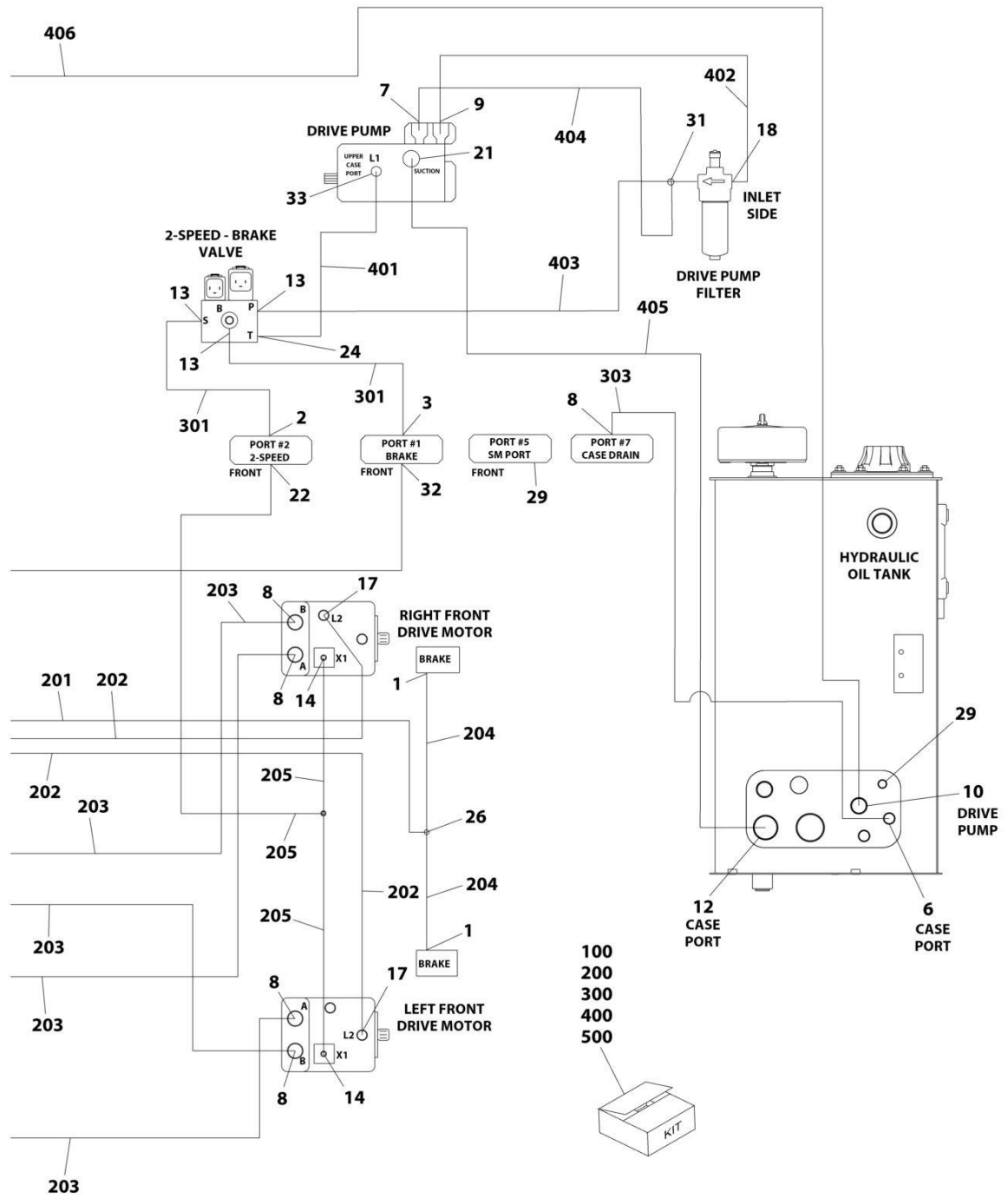
SECTION 7 - HYDRAULIC

FIGURE 7-7. HYDRAULIC DIAGRAM - DRIVE (4WD WITH TOW BAR PACKAGE)



ART_1001287749_10F2

SECTION 7 - HYDRAULIC



ART_1001287749_20F2

SECTION 7 - HYDRAULIC

FIGURE 7-7. HYDRAULIC DIAGRAM - DRIVE (4WD WITH TOW BAR PACKAGE)

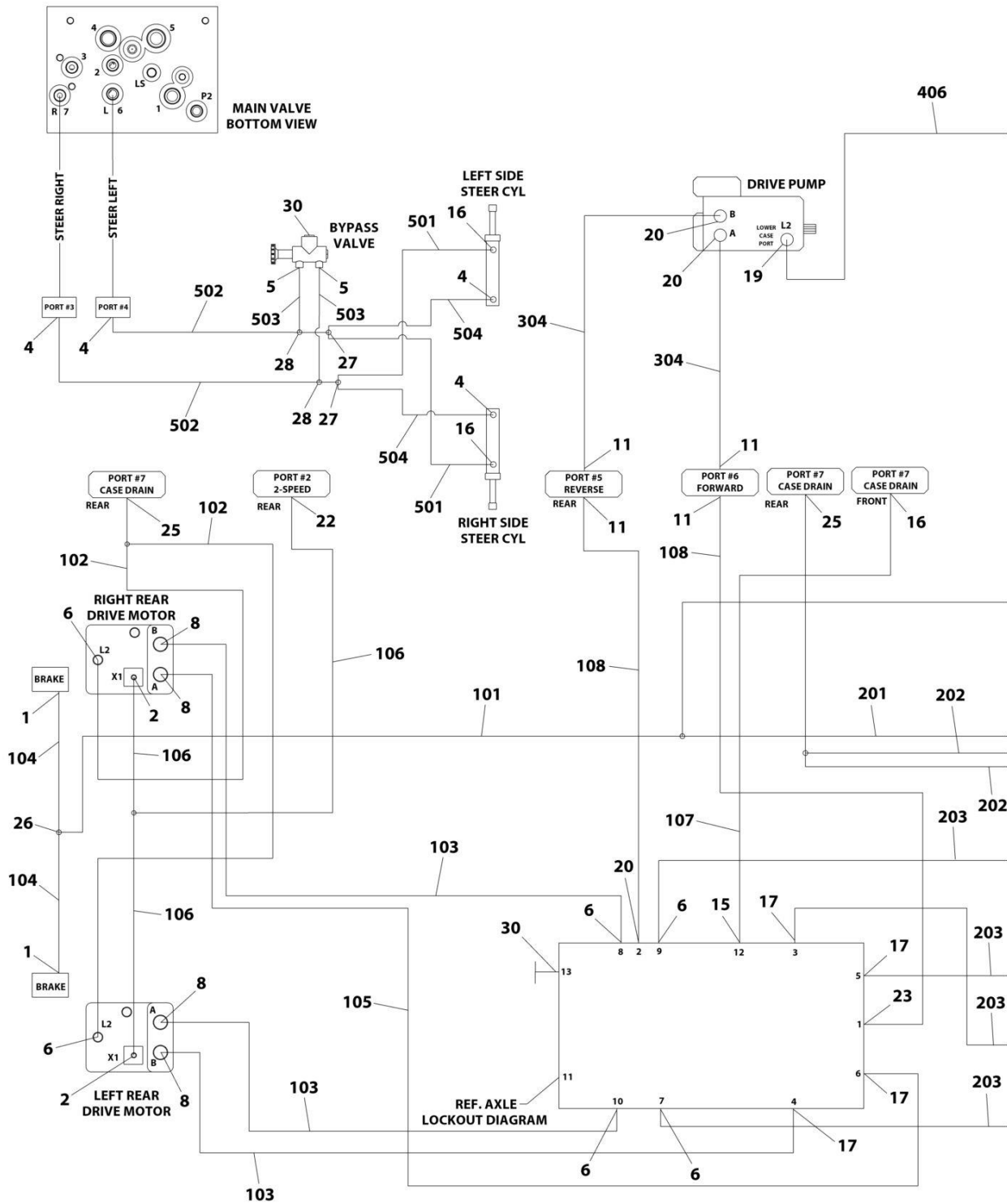
ITEM	PART NUMBER	QTY	DESCRIPTION	REV
	1001287749	Ref	HYDRAULIC DIAGRAM - DRIVE (4WD)	A
1	2110404	4	Fitting, Straight ORFS/ORB	
2	2110406	3	Fitting, Straight ORFS/ORB	
3	2110408	1	Fitting, Straight ORFS/ORB	
4	2110606	4	Fitting, Straight ORFS/ORB	
5	2110608	2	Fitting, Straight ORFS/ORB	
6	2110808	7	Fitting, Straight ORFS/ORB	
7	2110810	1	Fitting, Straight ORFS/ORB	
8	2110812	9	Fitting, Straight ORFS/ORB	
9	2111016	1	Fitting, Straight ORFS/ORB	
10	2111212	1	Fitting, Straight ORFS/ORB	
11	2111616	4	Fitting, Straight ORFS/ORB	
12	2112020	1	Fitting, Straight ORFS/ORB	
13	2130404	3	Fitting, 90 ORFS/ORB	
14	2130406	2	Fitting, 90 ORFS/ORB	
15	2130604	1	Fitting, 90 ORFS/ORB	
16	2130606	3	Fitting, 90 ORFS/ORB	
17	2130808	6	Fitting, 90 ORFS/ORB	
18	2131012	1	Fitting, 90 ORFS/ORB	
19	2131212	1	Fitting, 90 ORFS/ORB	
20	2131616	3	Fitting, 90 ORFS/ORB	
21	2132016	1	Fitting, 90 ORFS/ORB	
22	2150406	2	Fitting, 45 ORFS/ORB	
23	2151616	1	Fitting, 90 ORFS/ORB	
24	2170204	1	Fitting, 90 ORFS/ORB	
25	2170408	2	Fitting, Tee ORFS/ORB/ORFS	
26	2170504	2	Fitting, Tee ORFS/ORFS/ORFS	
27	2170506	2	Fitting, Tee ORFS/ORFS/ORFS	
28	2170706	2	Fitting, Tee ORFS/FSORFS/ORFS	
29	2220237	2	Fitting, Plug ORB	
30	2220238	2	Hose	
31	1001198337	1	Fitting, Tee ORFS/ORB-RUN	
32	1001198338	1	Fitting, Tee ORFS/SORB/ORFS	
33	1001199396	1	Fitting, 90 ORFS/SORB	
100	1001270069	1	Arctic Towbar Hose Kit	
101	2753622	1	Hose	
102	2753686	2	Hose	
103	2753971	3	Hose	
104	2754337	2	Hose	
105	2754338	1	Hose	
106	1001198340	1	Hose with Crimped Tee	
107	2753626	1	Hose	
108	2753634	2	Hose	
200	1001270070	1	Front Hose Kit	
201	2753542	1	Hose	
202	2753628	2	Hose	
203	2753970	4	Hose	
204	2754512	2	Hose	
205	1001198341	1	Hose	
300	1001270071	1	Arctic Turntable Hose Kit	

SECTION 7 - HYDRAULIC

ITEM	PART NUMBER	QTY	DESCRIPTION	REV
301	2753540	2	Hose	
302	2753667	2	Hose	
303	2753685	1	Hose	
400	1001270072	1	Arctic Turntable Hose Kit	
401	2753555	1	Hose	
402	2753768	1	Hose	
403	1001095307	1	Hose	
404	1001095308	1	Hose	
405	1001157866	1	Hose	
406	2753699	1	Hose	
500	1001270077	1	Towbar Front Hose Kit	
501	2753656	2	Hose	
502	2753732	2	Hose	
503	2753879	2	Hose	
504	1001159340	2	Hose	

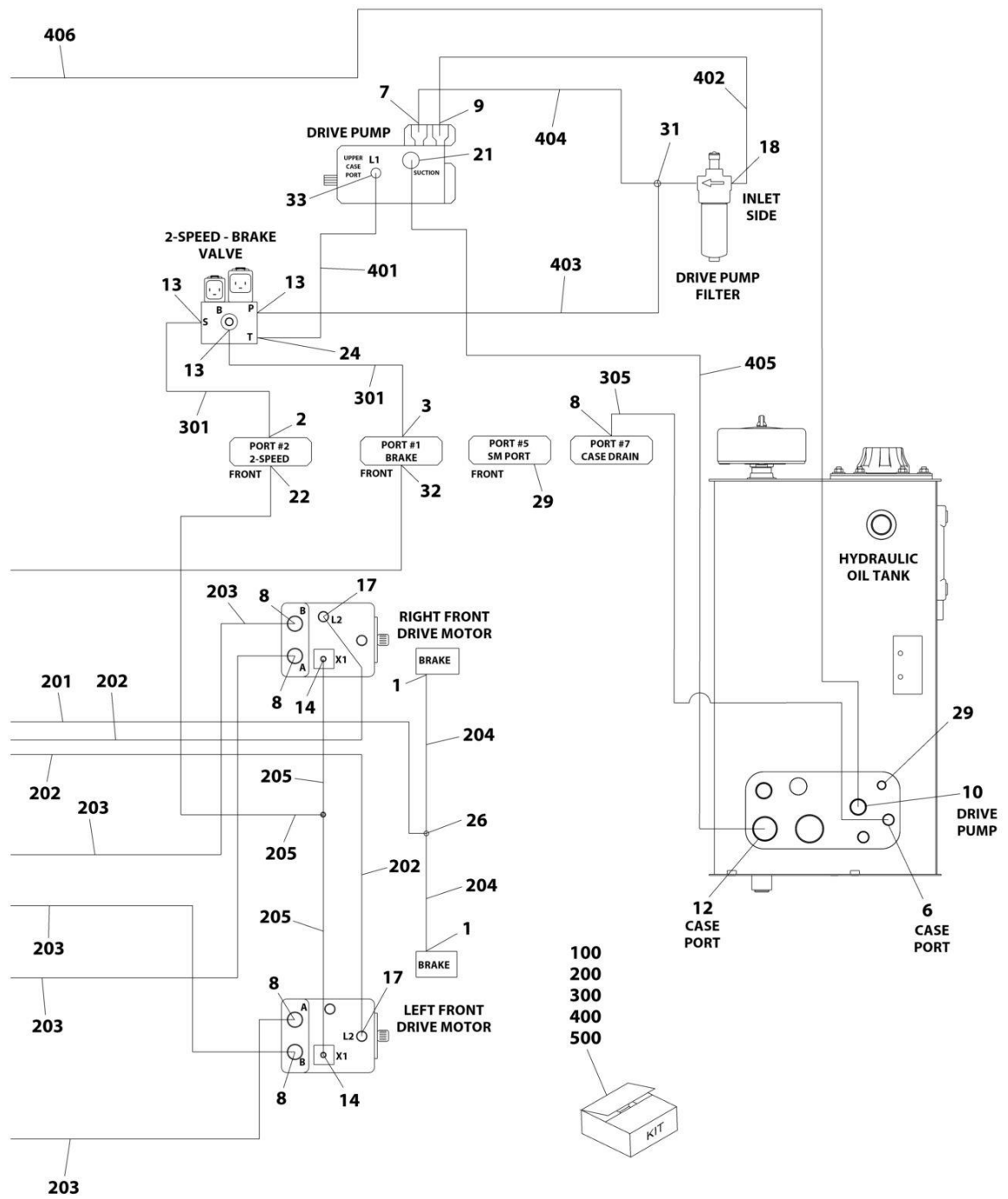
SECTION 7 - HYDRAULIC

FIGURE 7-8. HYDRAULIC DIAGRAM - DRIVE (4WD WITH ARCTIC & TOW BAR PACKAGE)



ART_1001287750_10F2

SECTION 7 - HYDRAULIC



ART_100128750_20F2

SECTION 7 - HYDRAULIC

FIGURE 7-8. HYDRAULIC DIAGRAM - DRIVE (4WD WITH ARCTIC & TOW BAR PACKAGE)

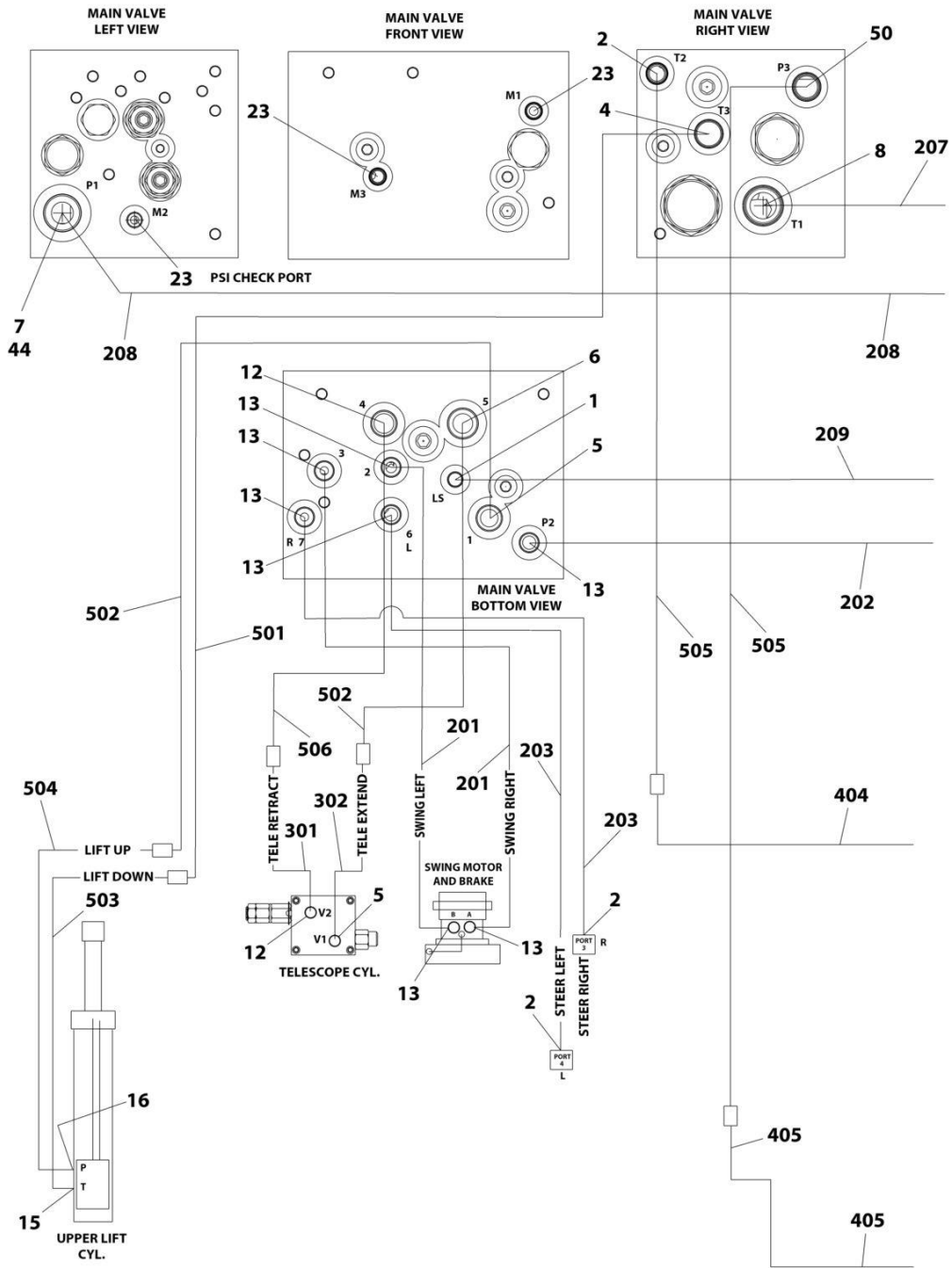
ITEM	PART NUMBER	QTY	DESCRIPTION	REV
	1001287750	Ref	HYDRAULIC DIAGRAM - DRIVE (4WD)	A
1	2110404	4	Fitting, Straight ORFS/ORB	
2	2110406	3	Fitting, Straight ORFS/ORB	
3	2110408	1	Fitting, Straight ORFS/ORB	
4	2110606	4	Fitting, Straight ORFS/ORB	
5	2110608	2	Fitting, Straight ORFS/ORB	
6	2110808	7	Fitting, Straight ORFS/ORB	
7	2110810	1	Fitting, Straight ORFS/ORB	
8	2110812	9	Fitting, Straight ORFS/ORB	
9	2111016	1	Fitting, Straight ORFS/ORB	
10	2111212	1	Fitting, Straight ORFS/ORB	
11	2111616	4	Fitting, Straight ORFS/ORB	
12	2112020	1	Fitting, Straight ORFS/ORB	
13	2130404	3	Fitting, 90 ORFS/ORB	
14	2130406	2	Fitting, 90 ORFS/ORB	
15	2130604	1	Fitting, 90 ORFS/ORB	
16	2130606	3	Fitting, 90 ORFS/ORB	
17	2130808	6	Fitting, 90 ORFS/ORB	
18	2131012	1	Fitting, 90 ORFS/ORB	
19	2131212	1	Fitting, 90 ORFS/ORB	
20	2131616	3	Fitting, 90 ORFS/ORB	
21	2132016	1	Fitting, 90 ORFS/ORB	
22	2150406	2	Fitting, 45 ORFS/ORB	
23	2151616	1	Fitting, 90 ORFS/ORB	
24	2170204	1	Fitting, 90 ORFS/ORB	
25	2170408	2	Fitting, Tee ORFS/ORB/ORFS	
26	2170504	2	Fitting, Tee ORFS/ORFS/ORFS	
27	2170506	2	Fitting, Tee ORFS/ORFS/ORFS	
28	2170706	2	Fitting, Tee ORFS/FSORFS/ORFS	
29	2220237	2	Fitting, Plug ORB	
30	2220238	1	Hose	
31	1001198337	1	Fitting, Tee ORFS/ORB-RUN	
32	1001198338	1	Fitting, Tee ORFS/SORB/ORFS	
33	1001199396	1	Fitting, 90 ORFS/SORB	
100	1001270069	1	Arctic Towbar Hose Kit	
101	2753622	1	Hose	
102	2753686	2	Hose	
103	2753971	3	Hose	
104	2754337	2	Hose	
105	2754338	1	Hose	
106	1001198340	1	Hose with Crimped Tee	
107	2753626	1	Hose	
108	2753634	2	Hose	
200	1001270073	1	Arctic Towbar Hose Kit	
201	2753542	1	Hose	
202	2754720	2	Hose	
203	2754743	4	Hose	
204	1001106957	2	Hose	
205	1001204269	1	Hose with Crimped Tee	
300	1001270071	1	Arctic Turntable Hose Kit	

SECTION 7 - HYDRAULIC

ITEM	PART NUMBER	QTY	DESCRIPTION	REV
301	2753540	2	Hose	
304	2753667	2	Hose	
305	2753685	1	Hose	
400	1001270072	1	Arctic Turntable Hose Kit	
401	2753555	1	Hose	
402	2753768	1	Hose	
403	1001095307	1	Hose	
404	1001095308	1	Hose	
405	1001157866	1	Hose	
406	2753699	1	Hose	
500	1001270077	1	Towbar Front Hose Kit	
501	2753656	2	Hose	
502	2753732	2	Hose	
503	2753879	2	Hose	
504	1001159340	2	Hose	

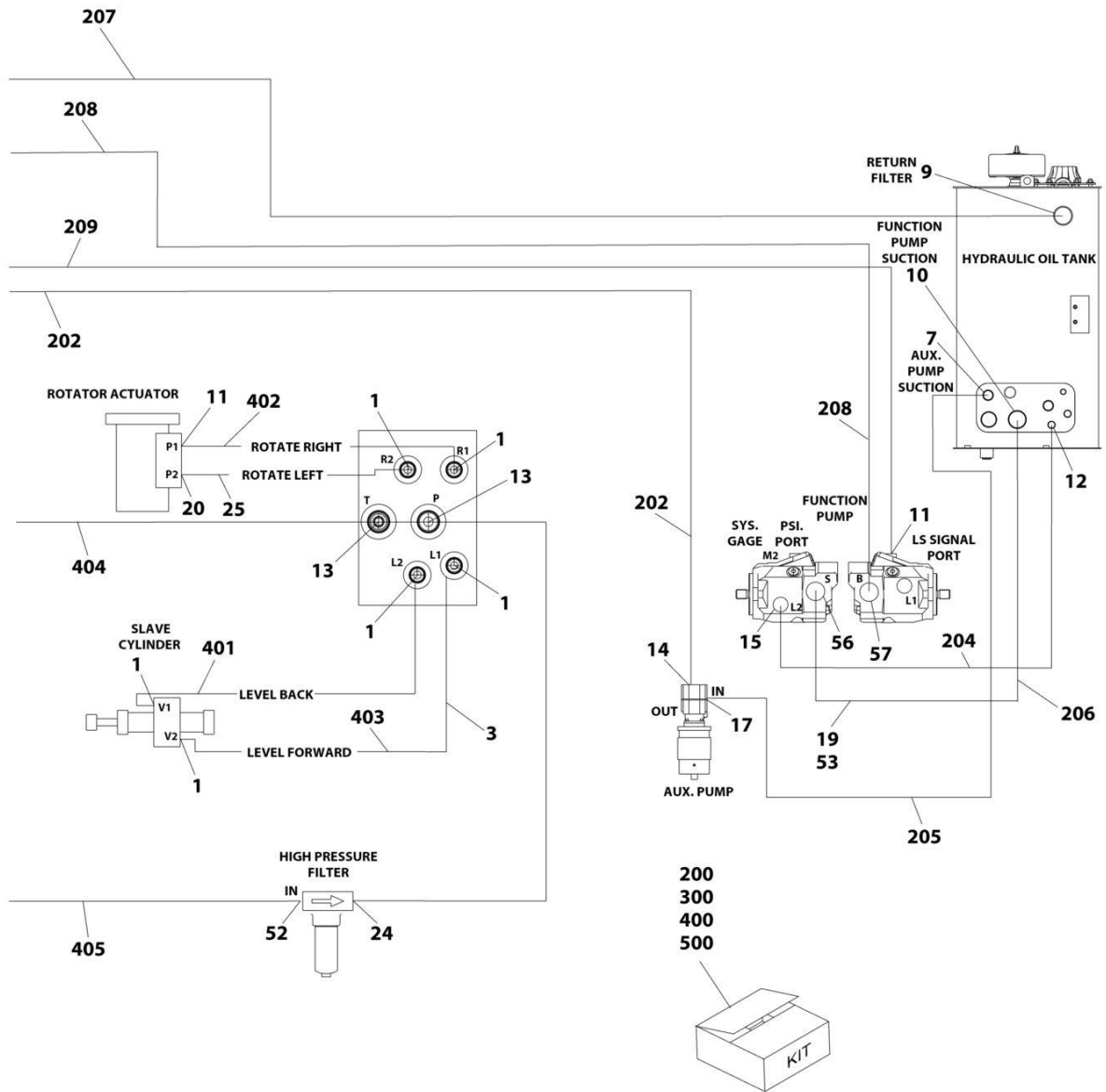
SECTION 7 - HYDRAULIC

FIGURE 7-9. HYDRAULIC DIAGRAM - DRIVE (4WD WITH ARCTIC PACKAGE)



ART_1001178215_M_10F2

SECTION 7 - HYDRAULIC



ART_1001178215_M_20F2

SECTION 7 - HYDRAULIC

FIGURE 7-9. HYDRAULIC DIAGRAM - DRIVE (4WD WITH ARCTIC PACKAGE)

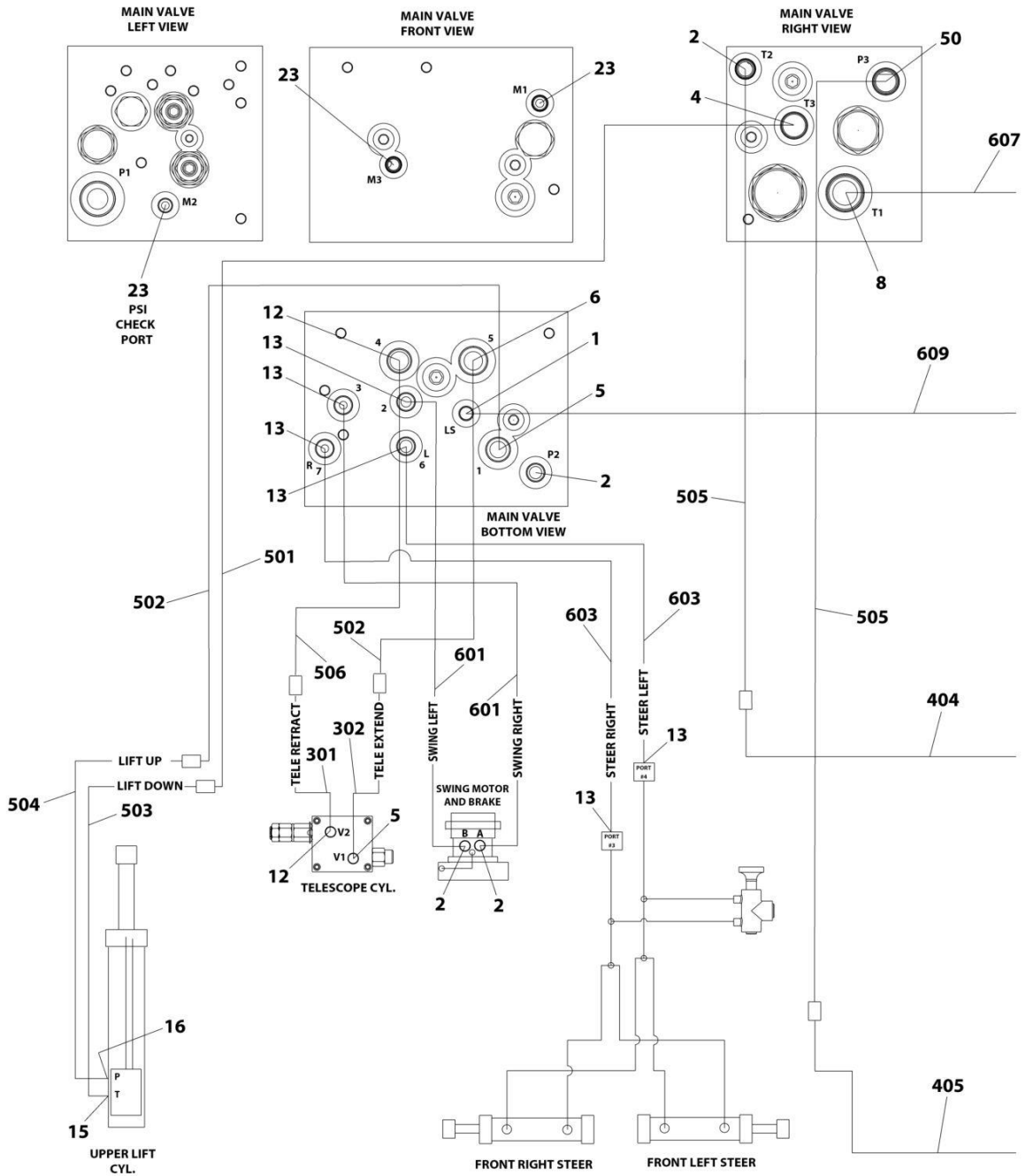
ITEM	PART NUMBER	QTY	DESCRIPTION	REV
	1001178215	Ref	STANDARD HYDRAULIC DIAGRAM	M
1	2110404	7	Fitting, Straight ORFS/ORB	
2	2110606	3	Fitting, Straight ORFS/ORB	
3	2717059	1	Hose	
4	2170208	1	Fitting, 90 ORFS/ORB	
5	2111008	2	Fitting, Straight ORFS/ORB	
6	2111010	1	Fitting, Straight ORFS/ORB	
7	2111212	2	Fitting, Straight ORFS/ORB	
8	88662327	1	Fitting, Straight ORFS/ORB	
9	2151616	1	Fitting, 45 ORFS/ORB	
10	2112424	1	Fitting, Straight ORFS/ORB	
11	2130404	2	Fitting, 90 ORFS/ORB	
12	2110808	3	Fitting, Straight ORFS/ORB	
13	2130606	9	Fitting, 90 ORFS/ORB	
14	2130608	1	Fitting, 90 ORFS/ORB	
15	2130810	2	Fitting, 90 ORFS/ORB	
16	2131010	1	Fitting, 90 ORFS/ORB	
17	2111208	1	Fitting, Straight ORFS/ORB	
19	4240018	3	Tie-Strap	
20	2150404	1	Fitting, 45 ORFS/ORB	
23	2221086	3	Fitting, Pressure Check	
24	2110612	1	Fitting, Straight ORFS/ORB	
25	2753545	1	Hose	
44	2172112	1	Fitting, 90 ORFS/FSORFS	
50	2110608	1	Fitting, Straight ORFS/ORB	
52	2130612	1	Fitting, 90 ORFS/ORB	
53	4061032	1	Hose, Guard	
56	2220737	1	Split Flange Kit	
57	2220478	1	Split Flange Kit	
200	1001270075	1	Turntable Hose Kit	
201	2753653	2	Hose	
202	2753654	1	Hose	
203	2753656	2	Hose	
204	2753686	1	Hose	
205	1001111968	1	Hose	
206	1001157851	1	Hose	
207	1001177226	1	Hose	
208	1001181894	1	Hose	
209	2753622	1	Hose	
300	1001270076	1	Boom Hose Kit	
301	2753681	1	Hose	
302	2753683	1	Hose	
400	1001271618	1	Hose Kit	
401	2753622	1	Hose	
402	2753674	1	Hose	
403	2753675	1	Hose	
404	2753679	1	Hose	
405	2753693	1	Hose	
500	1001271619	1	Hose Kit	
501	2753670	1	Hose	

SECTION 7 - HYDRAULIC

ITEM	PART NUMBER	QTY	DESCRIPTION	REV
502	2753671	2	Hose	
503	2753682	1	Hose	
504	2753684	1	Hose	
505	1001167194	2	Hose	
506	1001167196	1	Hose	

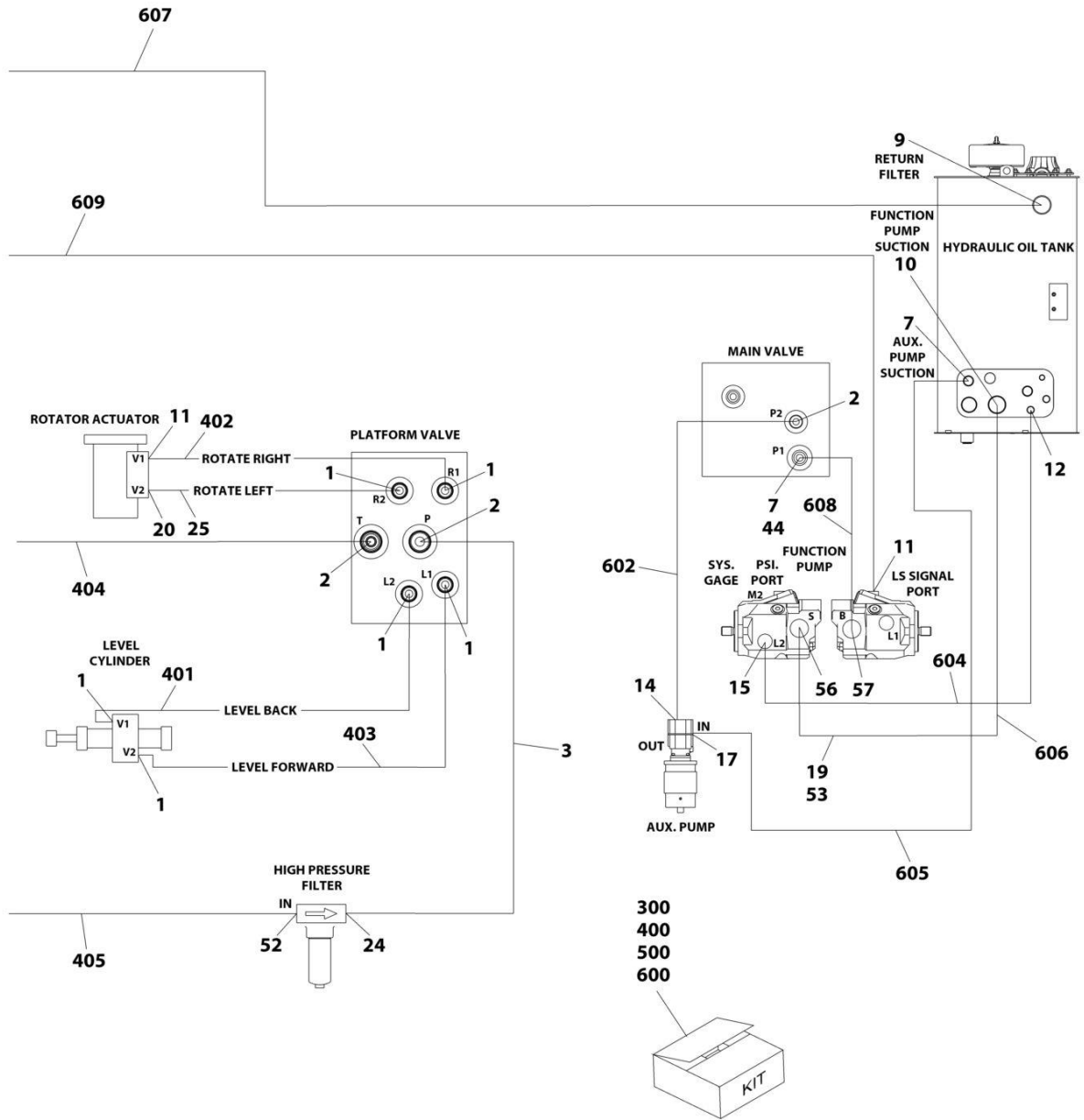
SECTION 7 - HYDRAULIC

FIGURE 7-10. HYDRAULIC DIAGRAM - STANDARD (WITH TOW BAR PACKAGE) (800S)



ART_1001217940_F_10F2

SECTION 7 - HYDRAULIC



ART_1001217940_F_2OF2

SECTION 7 - HYDRAULIC

FIGURE 7-10. HYDRAULIC DIAGRAM - STANDARD (WITH TOW BAR PACKAGE) (800S)

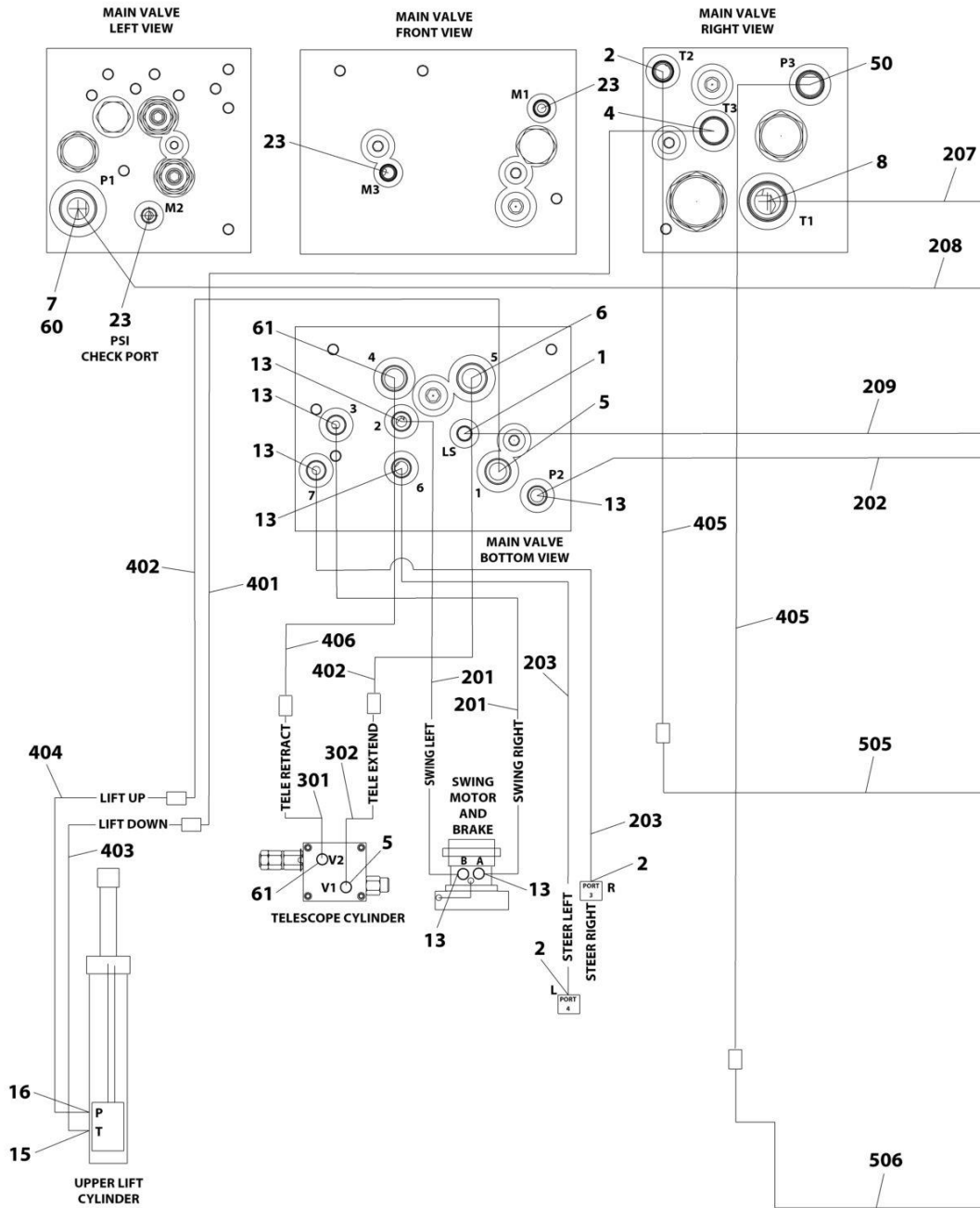
ITEM	PART NUMBER	QTY	DESCRIPTION	REV
	1001217940	Rev	STANDARD HYDRAULIC DIAGRAM	F
1	2110404	7	Fitting, Straight ORFS/ORB	
2	2130606	6	Fitting, 90 ORFS/ORB	
3	2717059	1	Hose	
4	2170208	1	Fitting, 90 ORFS/ORB	
5	2111008	2	Fitting, Straight ORFS/ORB	
6	2111010	1	Fitting, Straight ORFS/ORB	
7	2111212	2	Fitting, Straight ORFS/ORB	
8	88662327	1	Fitting, Straight ORFS/ORB	
9	2151616	1	Fitting, 45 ORFS/ORB	
10	2112424	1	Fitting, Straight ORFS/ORB	
11	2130404	2	Fitting, 90 ORFS/ORB	
12	2110808	3	Fitting, Straight ORFS/ORB	
13	2110606	6	Fitting, Straight ORFS/ORB	
14	2130608	1	Fitting, 90 ORFS/ORB	
15	2130810	2	Fitting, 90 ORFS/ORB	
16	2131010	1	Fitting, 90 ORFS/ORB	
17	2111208	1	Fitting, Straight ORFS/ORB	
19	4240018	3	Tie-Strap	
20	2150404	1	Fitting, 45 ORFS/ORB	
23	2221086	3	Fitting, Pressure Check	
24	2110612	1	Fitting, Straight ORFS/ORB	
25	2753545	1	Hose	
44	2172112	1	Fitting, 90 ORFS/FSORFS	
50	2110608	1	Fitting, Straight ORFS/ORB	
52	2130612	1	Fitting, 90 ORFS/ORB	
53	4061032	1	Hose, Guard	
56	2220737	1	Split Flange Kit	
57	2220478	1	Split Flange Kit	
300	1001270076	1	Boom Hose Kit	
301	2753681	1	Hose	
302	2753683	1	Hose	
400	1001271618	1	Hose Kit	
401	2753622	1	Hose	
402	2753674	1	Hose	
403	2753675	1	Hose	
404	2753679	1	Hose	
405	2753693	1	Hose	
500	1001271619	1	Hose Kit	
501	2753670	1	Hose	
502	2753671	2	Hose	
503	2753682	1	Hose	
504	2753684	1	Hose	
505	1001167194	2	Hose	
506	1001167196	1	Hose	
600	1001270075	1	Turntable Hose Kit	
601	2753653	2	Hose	
602	2753654	1	Hose	
603	2753656	2	Hose	
604	2753686	1	Hose	

SECTION 7 - HYDRAULIC

ITEM	PART NUMBER	QTY	DESCRIPTION	REV
605	1001111968	1	Hose	
606	1001157851	1	Hose	
607	1001177226	1	Hose	
608	1001181894	1	Hose	
609	2753622	1	Hose	

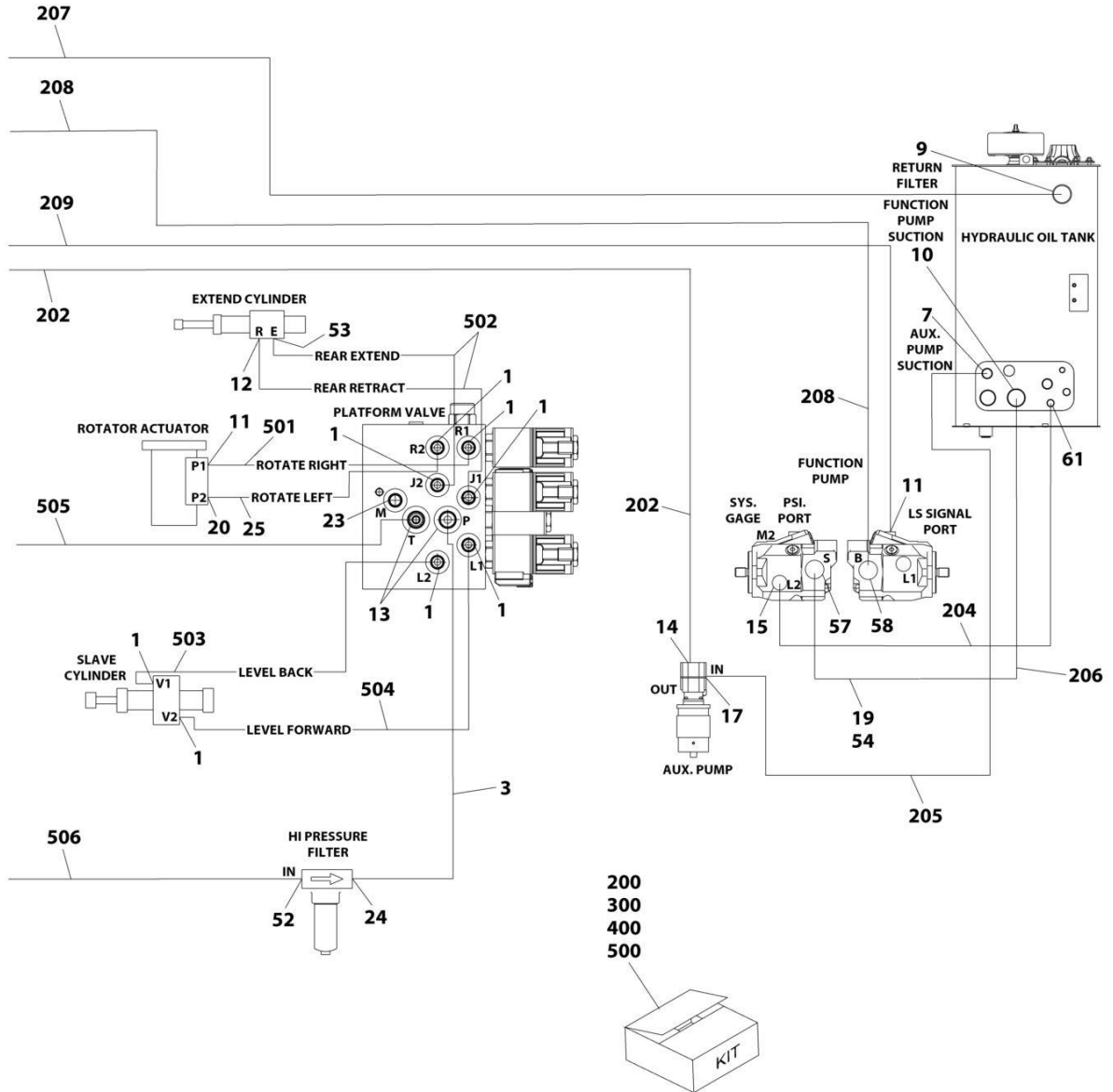
SECTION 7 - HYDRAULIC

FIGURE 7-11. HYDRAULIC DIAGRAM - STANDARD (WITHOUT TOW BAR PACKAGE) (860SJ)



ART_1001178217_M_10F2

SECTION 7 - HYDRAULIC



ART_1001178217_M_20F2

SECTION 7 - HYDRAULIC

FIGURE 7-11. HYDRAULIC DIAGRAM - STANDARD (WITHOUT TOW BAR PACKAGE) (860SJ)

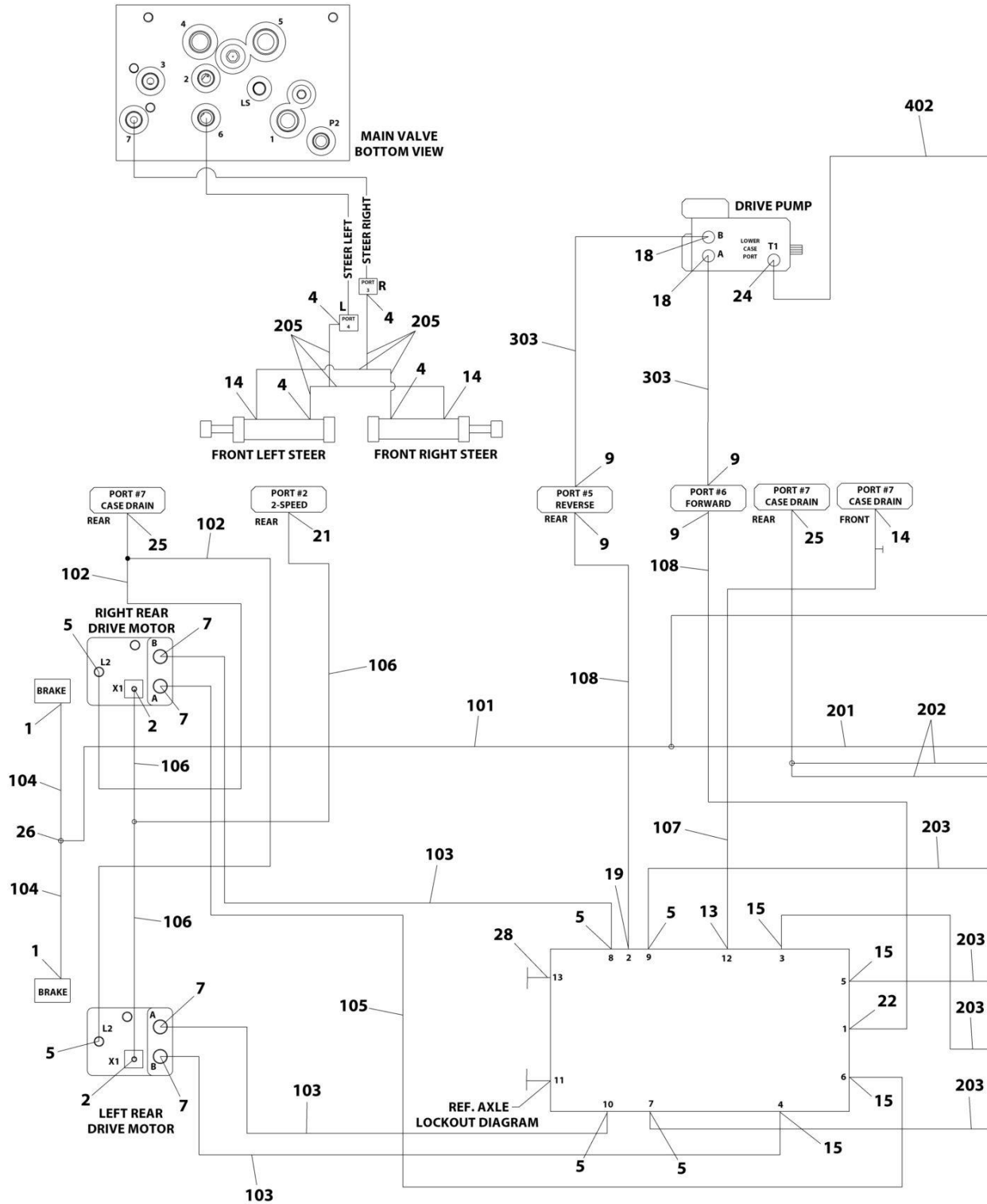
ITEM	PART NUMBER	QTY	DESCRIPTION	REV
	1001178217	Ref	STANDARD HYDRAULIC DIAGRAM	M
1	2110404	9	Fitting, Straight ORFS/ORB	
2	2110606	3	Fitting, Straight ORFS/ORB	
3	2717059	1	Hose	
4	2170208	1	Fitting, 90 ORFS/ORB	
5	2111008	2	Fitting, Straight ORFS/ORB	
6	2111010	1	Fitting, Straight ORFS/ORB	
7	2111212	2	Fitting, Straight ORFS/ORB	
8	88662327	1	Fitting, Straight ORFS/ORB	
9	2151616	1	Fitting, 45 ORFS/ORB	
10	2112424	1	Fitting, Straight ORFS/ORB	
11	2130404	2	Fitting, 90 ORFS/ORB	
12	2130406	1	Fitting, 90 ORFS/ORB	
13	2130606	9	Fitting, 90 ORFS/ORB	
14	2130608	1	Fitting, 90 ORFS/ORB	
15	2130810	2	Fitting, 90 ORFS/ORB	
16	2131010	1	Fitting, 90 ORFS/ORB	
17	2111208	1	Fitting, Straight ORFS/ORB	
19	4240018	3	Tie-Strap	
20	2150404	1	Fitting, 45 ORFS/ORB	
23	2221086	4	Fitting, Pressure Check	
24	2110612	1	Fitting, Straight ORFS/ORB	
25	2753545	1	Hose	
50	2110608	1	Fitting, Straight ORFS/ORB	
52	2130612	1	Fitting, 90 ORFS/ORB	
53	2180829	1	Fitting, 90 ORFS/ORB	
54	4061032	1	Hose, Guard	
57	2220737	1	Split Flange Kit	
58	2220478	1	Split Flange Kit	
60	2172112	1	Fitting, 90 ORFS/FSORFS	
61	2110808	3	Fitting, Straight ORFS/ORB	
200	1001270075	1	Turntable Hose Kit	
201	2753653	2	Hose	
202	2753654	1	Hose	
203	2753656	2	Hose	
204	2753686	1	Hose	
205	1001111968	1	Hose	
206	1001157851	1	Hose	
207	1001177226	1	Hose	
208	1001181894	1	Hose	
209	2753622	1	Hose	
300	1001270076	1	Boom Hose Kit	
301	2753681	1	Hose	
302	2753683	1	Hose	
400	1001271619	1	Hose Kit	
401	2753670	1	Hose	
402	2753671	2	Hose	
403	2753682	1	Hose	
404	2753684	1	Hose	
405	1001167194	2	Hose	

SECTION 7 - HYDRAULIC

ITEM	PART NUMBER	QTY	DESCRIPTION	REV
406	1001167196	1	Hose	
500	1001271620	1	Hose Kit	
501	2753674	1	Hose	
502	2753676	2	Hose	
503	2753677	1	Hose	
504	2753678	1	Hose	
505	2753680	1	Hose	
506	2753692	1	Hose	

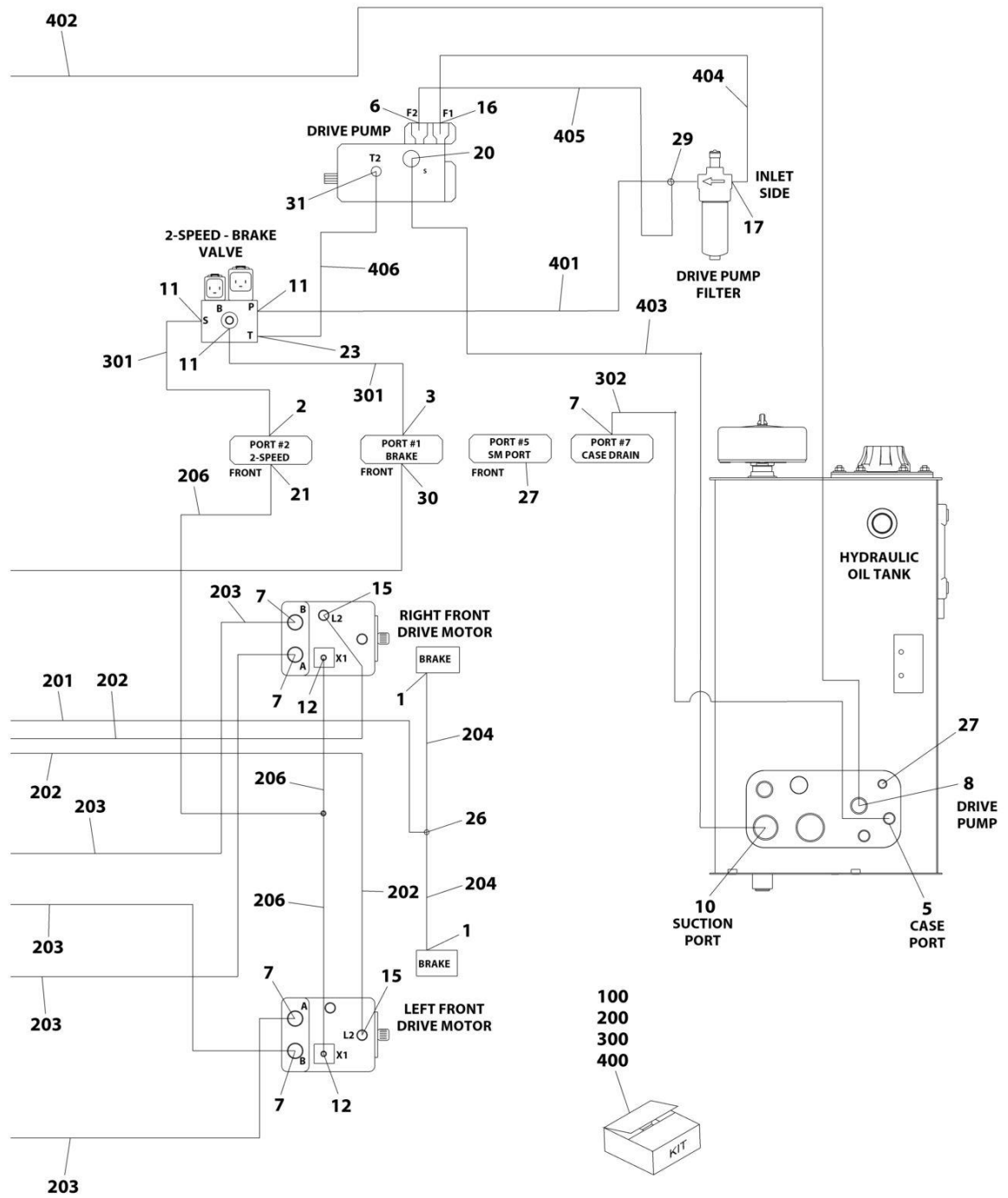
SECTION 7 - HYDRAULIC

FIGURE 7-12. HYDRAULIC DIAGRAM - DRIVE (4WD WITHOUT ARCTIC PACKAGE) (ANSI, CSA AND JAPANESE SPECS ONLY)



ART_1001296846_10F2

SECTION 7 - HYDRAULIC



ART_1001296846_20F2

SECTION 7 - HYDRAULIC

FIGURE 7-12. HYDRAULIC DIAGRAM - DRIVE (4WD WITHOUT ARCTIC PACKAGE) (ANSI, CSA AND JAPANESE SPECS ONLY)

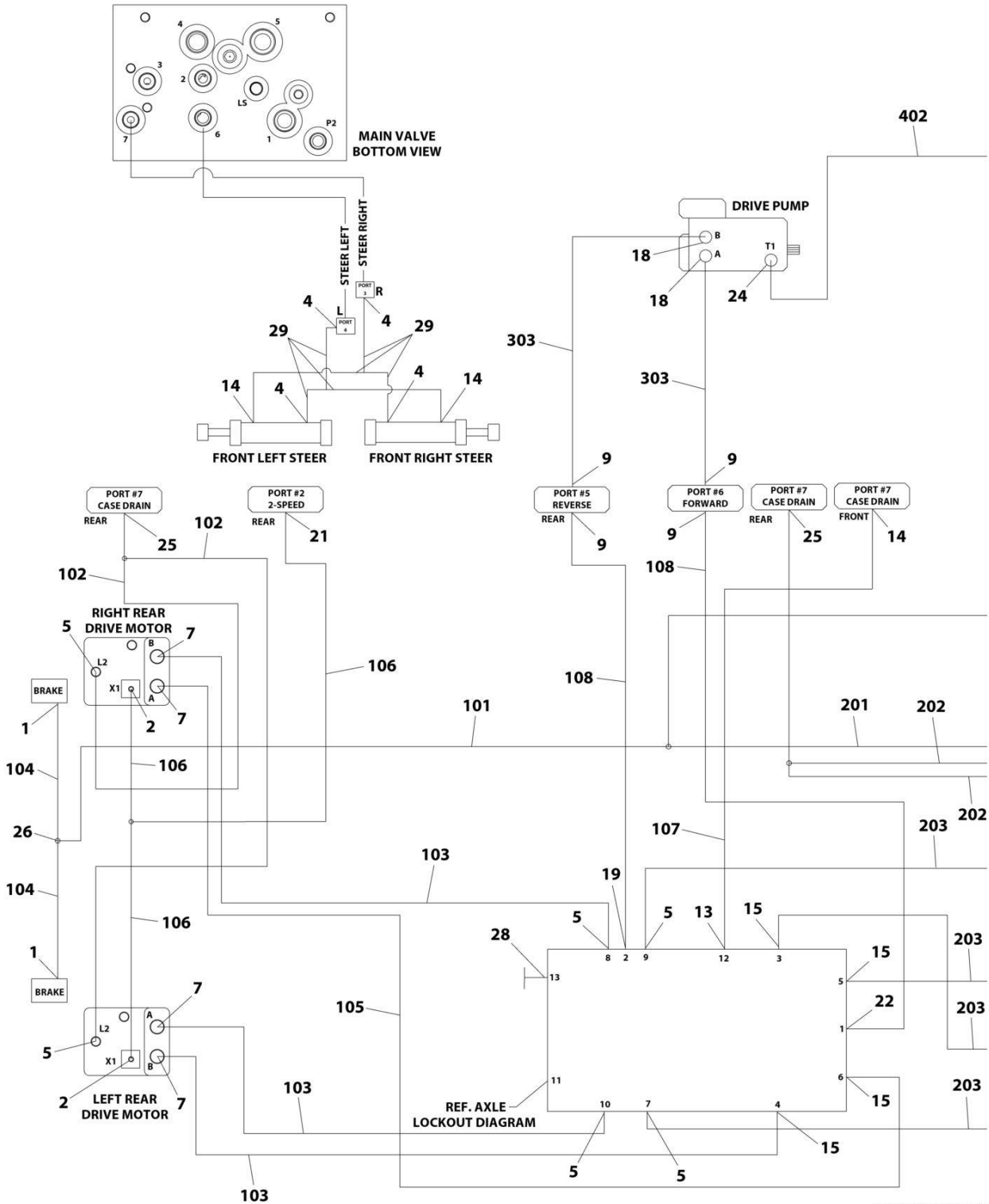
ITEM	PART NUMBER	QTY	DESCRIPTION	REV
	1001296846	Ref	HYDRAULIC DIAGRAM - DRIVE (4WD)	A
1	2110404	4	Fitting, Straight ORFS/ORB	
2	2110406	3	Fitting, Straight ORFS/ORB	
3	2110408	1	Fitting, Straight ORFS/ORB	
4	2110606	4	Fitting, Straight ORFS/ORB	
5	2110808	7	Fitting, Straight ORFS/ORB	
6	2110810	1	Fitting, Straight ORFS/ORB	
7	2110812	9	Fitting, Straight ORFS/ORB	
8	2111212	1	Fitting, Straight ORFS/ORB	
9	2111616	4	Fitting, Straight ORFS/ORB	
10	2112020	1	Fitting, Straight ORFS/ORB	
11	2130404	3	Fitting, 90 ORFS/ORB	
12	2130406	2	Fitting, 90 ORFS/ORB	
13	2130604	1	Fitting, 90 ORFS/ORB	
14	2130606	3	Fitting, 90 ORFS/ORB	
15	2130808	6	Fitting, 90 ORFS/ORB	
16	2131010	1	Fitting, 90 ORFS/ORB	
17	2131012	1	Fitting, 90 ORFS/ORB	
18	2131612	2	Fitting, 90 ORFS/ORB	
19	2131616	1	Fitting, 90 ORFS/ORB	
20	2132016	1	Fitting, 90 ORFS/ORB	
21	2150406	2	Fitting, 45 ORFS/ORB	
22	2151616	1	Fitting, 45 ORFS/ORB	
23	2170204	1	Fitting, 90 ORFS/ORB	
24	2170212	1	Fitting, 90 ORFS/ORB	
25	2170408	2	Fitting, Tee ORFS/ORB/ORFS	
26	2170504	2	Fitting, Tee ORFS/ORFS/ORFS	
27	2220237	2	Plug 3/8	
28	2220238	1	Plug 1/2	
29	1001198337	1	Fitting, Tee ORFS/ORB-RUN	
30	1001198338	1	Fitting, Tee ORFS/SORB/ORFS	
31	1001199396	1	Fitting, 90 ORFS/SORB	
100	1001270069	1	Hose Kit - Arctic Towbar	
101	2753622	1	Hose	
102	2753686	2	Hose	
103	2753971	3	Hose	
104	2754337	2	Hose	
105	2754338	1	Hose	
106	1001198340	1	Hose with Crimped Tee	
107	2753626	1	Hose	
108	2753634	2	Hose	
200	1001270630	1	Hose Kit - Front	
201	2753542	1	Hose	
202	2753628	2	Hose	
203	2753970	4	Hose	
204	2754512	2	Hose	
205	1001198333	2	Hose	
206	1001198341	1	Hose	
300	1001296856	1	Hose Kit - Turntable	

SECTION 7 - HYDRAULIC

ITEM	PART NUMBER	QTY	DESCRIPTION	REV
301	2753540	2	Hose	
302	2753685	1	Hose	
303	1001296833	2	Hose	
400	1001296857	1	Hose Kit - Turntable	
401	1001095307	1	Hose	
402	1001296834	1	Hose	
403	1001296835	1	Hose	
404	1001296836	1	Hose	
405	1001296837	1	Hose	
406	1001296838	1	Hose	

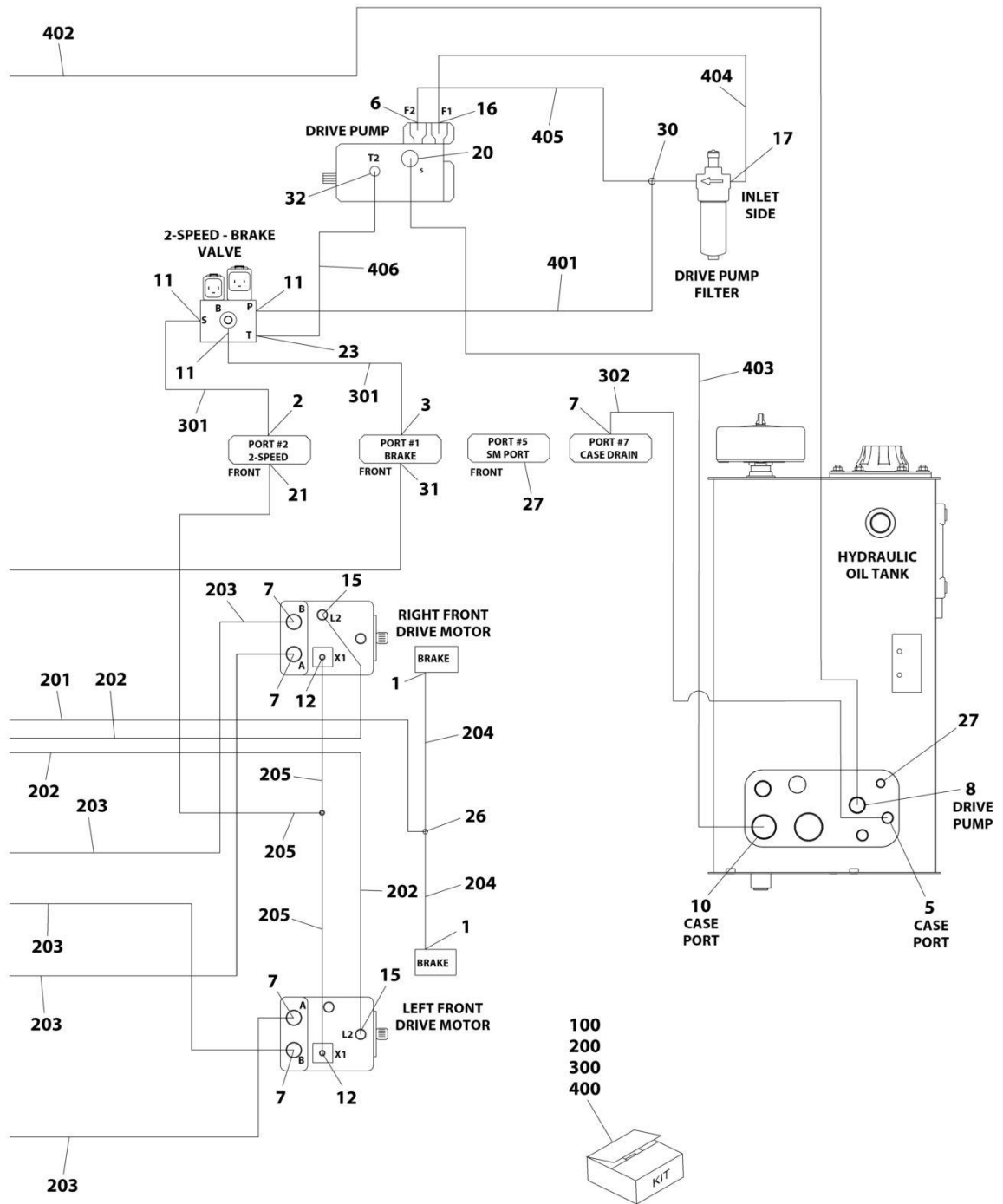
SECTION 7 - HYDRAULIC

FIGURE 7-13. HYDRAULIC DIAGRAM - DRIVE (4WD WITH ARCTIC PACKAGE) (ANSI, CSA AND RUSSIAN SPECS ONLY)



ART_1001296847_10F2

SECTION 7 - HYDRAULIC



ART_1001296847_2OF2

SECTION 7 - HYDRAULIC

FIGURE 7-13. HYDRAULIC DIAGRAM - DRIVE (4WD WITH ARCTIC PACKAGE) (ANSI, CSA AND RUSSIAN SPECS ONLY)

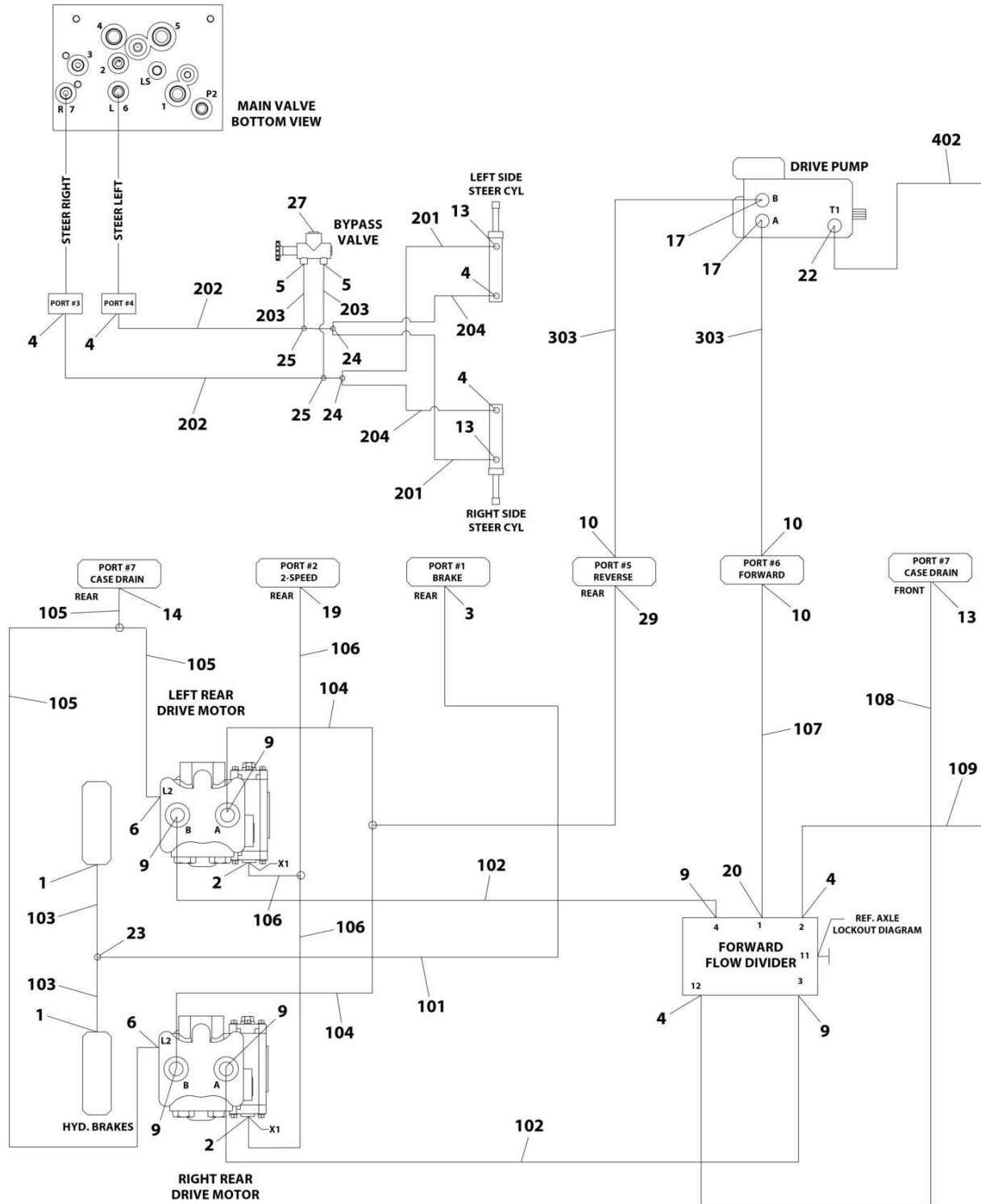
ITEM	PART NUMBER	QTY	DESCRIPTION	REV
	1001296847	Ref	HYDRAULIC DIAGRAM - DRIVE (4WD)	A
1	2110404	4	Fitting, Straight ORFS/ORB	
2	2110406	3	Fitting, Straight ORFS/ORB	
3	2110408	1	Fitting, Straight ORFS/ORB	
4	2110606	4	Fitting, Straight ORFS/ORB	
5	2110808	7	Fitting, Straight ORFS/ORB	
6	2110810	1	Fitting, Straight ORFS/ORB	
7	2110812	9	Fitting, Straight ORFS/ORB	
8	2111212	1	Fitting, Straight ORFS/ORB	
9	2111616	4	Fitting, Straight ORFS/ORB	
10	2112020	1	Fitting, Straight ORFS/ORB	
11	2130404	3	Fitting, 90 ORFS/ORB	
12	2130406	2	Fitting, 90 ORFS/ORB	
13	2130604	1	Fitting, 90 ORFS/ORB	
14	2130606	3	Fitting, 90 ORFS/ORB	
15	2130808	6	Fitting, 90 ORFS/ORB	
16	2131010	1	Fitting, 90 ORFS/ORB	
17	2131012	1	Fitting, 90 ORFS/ORB	
18	2131612	2	Fitting, 90 ORFS/ORB	
19	2131616	1	Fitting, 90 ORFS/ORB	
20	2132016	1	Fitting, 90 ORFS/ORB	
21	2150406	2	Fitting, 45 ORFS/ORB	
22	2151616	1	Fitting, 45 ORFS/ORB	
23	2170204	1	Fitting, 90 ORFS/ORB	
24	2170212	1	Fitting, 90 ORFS/ORB	
25	2170408	2	Fitting, Tee ORFS/ORB/ORFS	
26	2170504	2	Fitting, Tee ORFS/ORFS/ORFS	
27	2220237	2	Plug 3/8	
28	2220238	1	Plug 1/2	
29	1001198333	2	Hose	
30	1001198337	1	Fitting, Tee ORFS/ORB-RUN	
31	1001198338	1	Fitting, Tee ORFS/SORB/ORFS	
32	1001199396	1	Fitting, 90 ORFS/SORB	
100	1001270069	1	Hose Kit - Arctic Towbar	
101	2753622	1	Hose	
102	2753686	2	Hose	
103	2753971	3	Hose	
104	2754337	2	Hose	
105	2754338	1	Hose	
106	1001198340	1	Hose with Crimped Tee	
107	2753626	1	Hose	
108	2753634	2	Hose	
200	1001270073	1	Hose Kit - Arctic Towbar	
201	2753542	1	Hose	
202	2754720	2	Hose	
203	2754743	4	Hose	
204	1001106957	2	Hose	
205	1001204269	1	Hose with Crimped Tee	
300	1001296856	1	Hose Kit - Arctic Turntable	

SECTION 7 - HYDRAULIC

ITEM	PART NUMBER	QTY	DESCRIPTION	REV
301	2753540	2	Hose	
302	2753685	1	Hose	
303	1001296833	2	Hose	
400	1001296857	1	Hose Kit - Arctic Turntable	
401	1001095307	1	Hose	
402	1001296834	1	Hose	
403	1001296835	1	Hose	
404	1001296836	1	Hose	
405	1001296837	1	Hose	
406	1001296838	1	Hose	

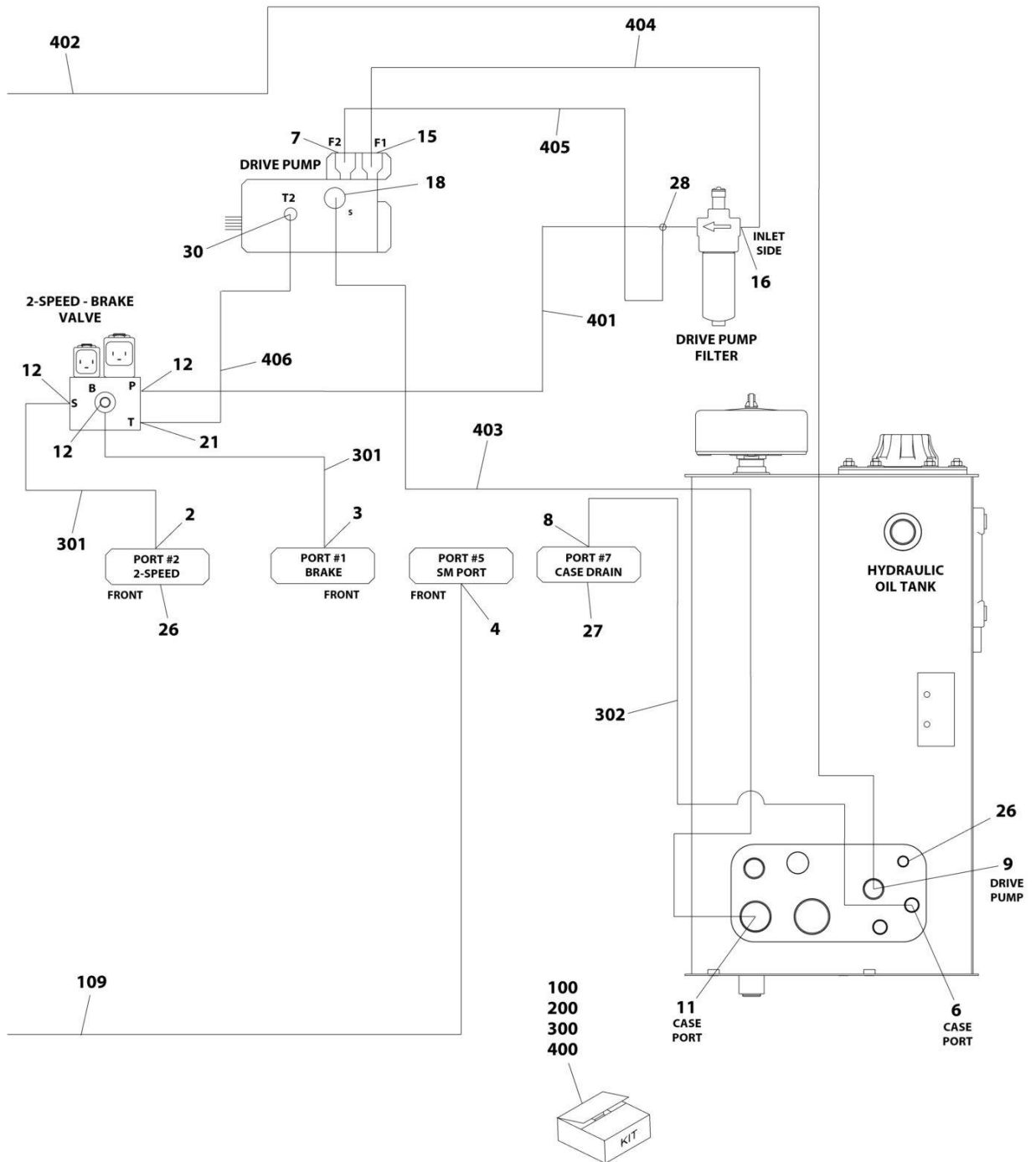
SECTION 7 - HYDRAULIC

FIGURE 7-14. HYDRAULIC DIAGRAM - DRIVE (2WD WITH TOWBAR PACKAGE) (ANSI AND CSA SPECS ONLY)



ART_1001296848_10F2

SECTION 7 - HYDRAULIC



ART_1001296848_20F2

SECTION 7 - HYDRAULIC

FIGURE 7-14. HYDRAULIC DIAGRAM - DRIVE (2WD WITH TOWBAR PACKAGE) (ANSI AND CSA SPECS ONLY)

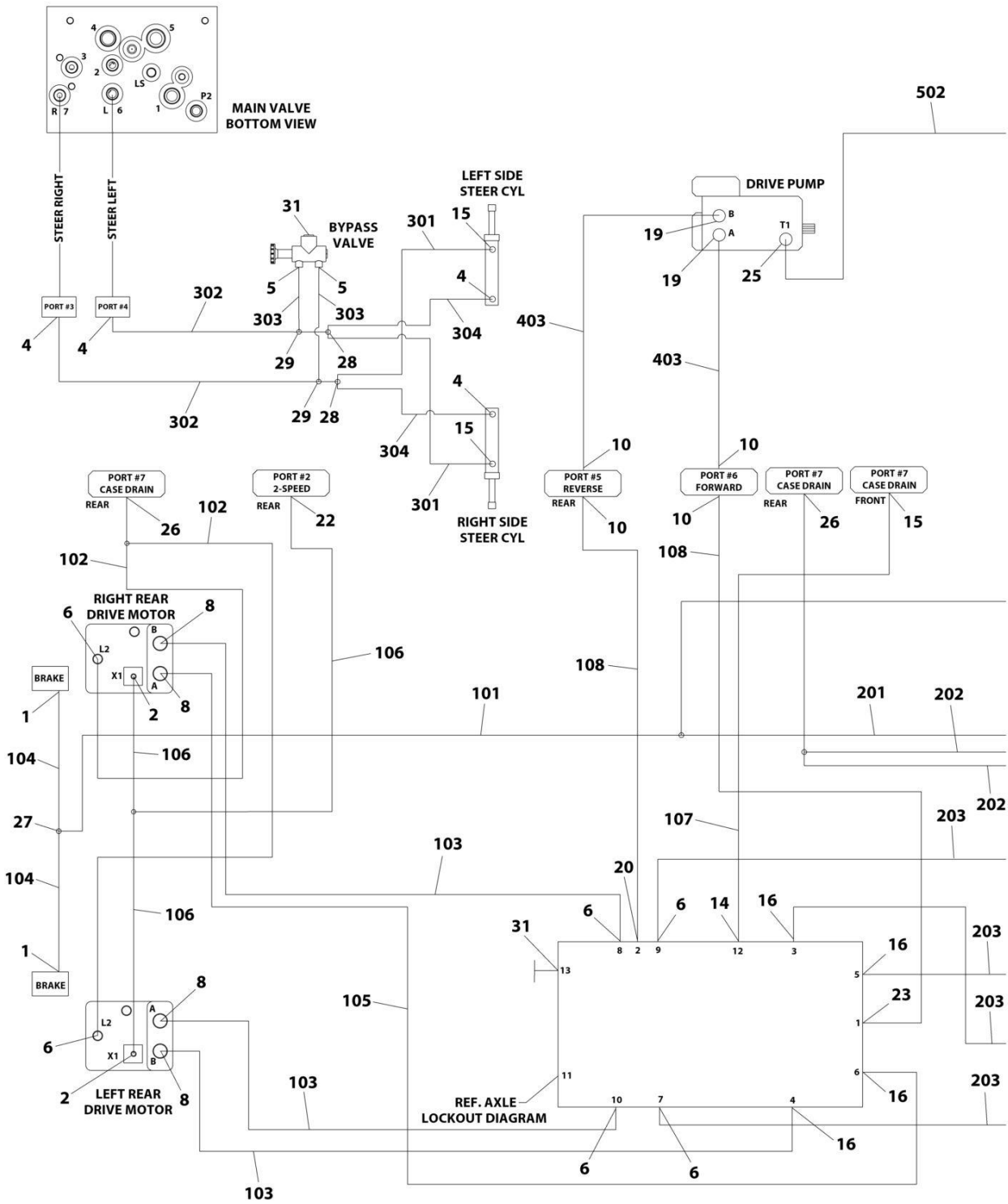
ITEM	PART NUMBER	QTY	DESCRIPTION	REV
	1001296848	Ref	HYDRAULIC DIAGRAM - DRIVE (2WD)	A
1	2110404	2	Fitting, Straight ORFS/ORB	
2	2110406	3	Fitting, Straight ORFS/ORB	
3	2110408	2	Fitting, Straight ORFS/ORB	
4	2110606	7	Fitting, Straight ORFS/ORB	
5	2110608	2	Fitting, Straight ORFS/ORB	
6	2110808	3	Fitting, Straight ORFS/ORB	
7	2110810	1	Fitting, Straight ORFS/ORB	
8	2110812	1	Fitting, Straight ORFS/ORB	
9	2111212	7	Fitting, Straight ORFS/ORB	
10	2111616	3	Fitting, Straight ORFS/ORB	
11	2112020	1	Fitting, Straight ORFS/ORB	
12	2130404	3	Fitting, 90 ORFS/ORB	
13	2130606	3	Fitting, 90 ORFS/ORB	
14	2130808	1	Fitting, 90 ORFS/ORB	
15	2131010	1	Fitting, 90 ORFS/ORB	
16	2131012	1	Fitting, 90 ORFS/ORB	
17	2131612	2	Fitting, 90 ORFS/ORB	
18	2132016	1	Fitting, 90 ORFS/ORB	
19	2150406	1	Fitting, 45 ORFS/ORB	
20	2151616	1	Fitting, 45 ORFS/ORB	
21	2170204	1	Fitting, 90 ORFS/ORB	
22	2170212	1	Fitting, 90 ORFS/ORB	
23	2170504	1	Fitting, Tee ORFS/ORFS/ORFS	
24	2170506	2	Fitting, Tee ORFS/ORFS/ORFS	
25	2170706	2	Fitting, Tee ORFS/FSORFS/ORFS	
26	2220237	2	Plug 3/8	
27	2220238	2	Plug 1/2	
28	1001198337	1	Fitting, Tee ORFS/ORB-RUN	
29	1001199395	1	Fitting, Tee ORFS/ORFS/ORB	
30	1001199396	1	Fitting, 90 ORFS/SORB	
100	1001270084	1	Hose Kit - Arctic Towbar	
101	2753622	1	Hose	
102	2753688	2	Hose	
103	2754337	2	Hose	
104	1001159854	2	Hose	
105	1001198334	1	Hose with Crimped Tee	
106	1001198340	1	Hose with Crimped Tee	
107	2753635	1	Hose	
108	2754242	1	Hose	
109	2754243	1	Hose	
200	1001270077	1	Hose Kit - Arctic Towbar	
201	2753656	2	Hose	
202	2753732	2	Hose	
203	2753879	2	Hose	
204	1001159340	2	Hose	
300	1001296856	1	Hose Kit - Arctic Turntable	
301	2753540	2	Hose	
302	2753685	1	Hose	

SECTION 7 - HYDRAULIC

ITEM	PART NUMBER	QTY	DESCRIPTION	REV
303	1001296833	2	Hose	
400	1001296857	1	Hose Kit - Arctic Turntable	
401	1001095307	1	Hose	
402	1001296834	1	Hose	
403	1001296835	1	Hose	
404	1001296836	1	Hose	
405	1001296837	1	Hose	
406	1001296838	1	Hose	

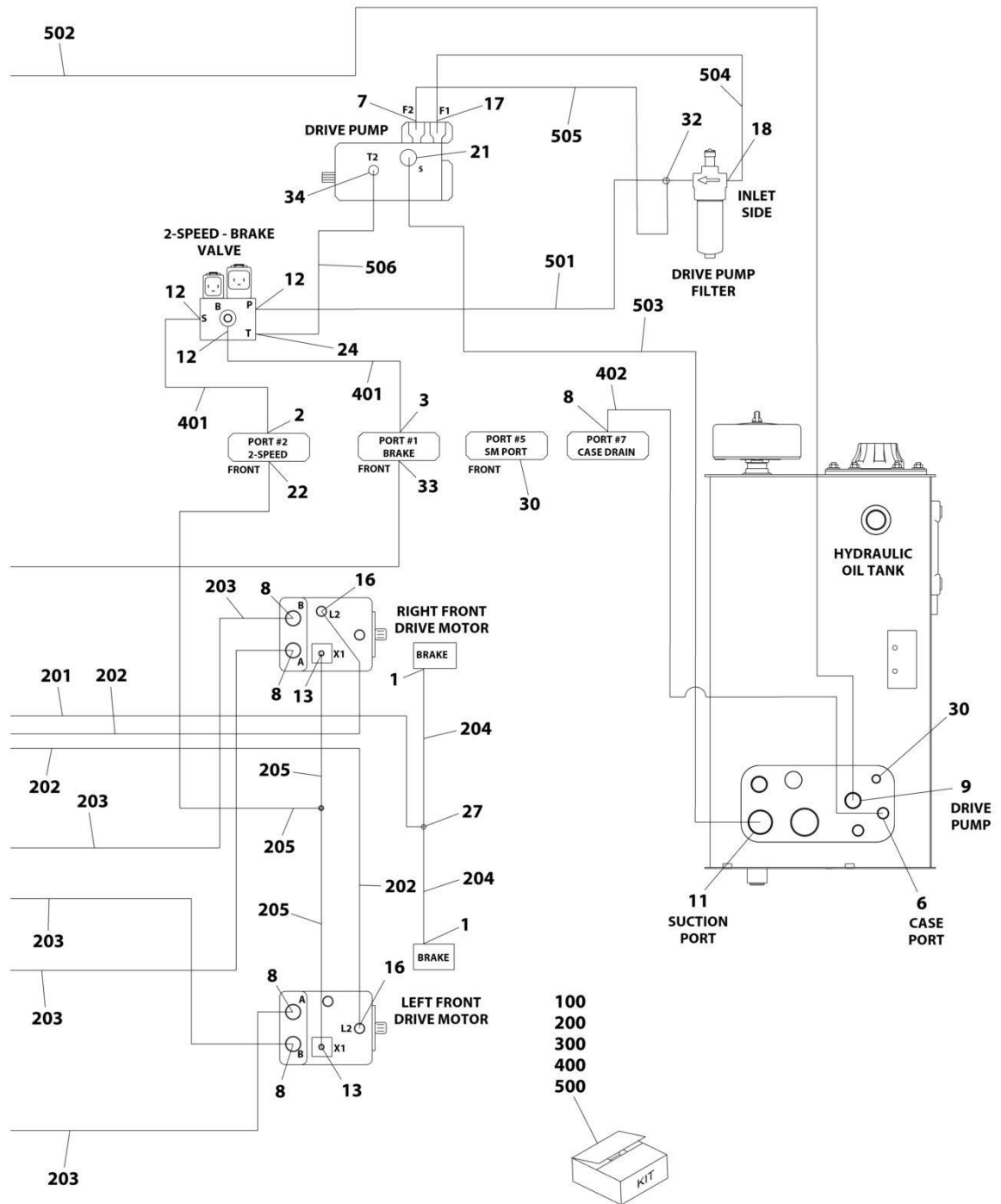
SECTION 7 - HYDRAULIC

FIGURE 7-15. HYDRAULIC DIAGRAM - DRIVE (4WD WITH TOWBAR PACKAGE) (ANSI, CSA AND RUSSIAN SPECS ONLY)



ART_1001296849_10F2

SECTION 7 - HYDRAULIC



ART_1001296849_20F2

SECTION 7 - HYDRAULIC

FIGURE 7-15. HYDRAULIC DIAGRAM - DRIVE (4WD WITH TOWBAR PACKAGE) (ANSI, CSA AND RUSSIAN SPECS ONLY)

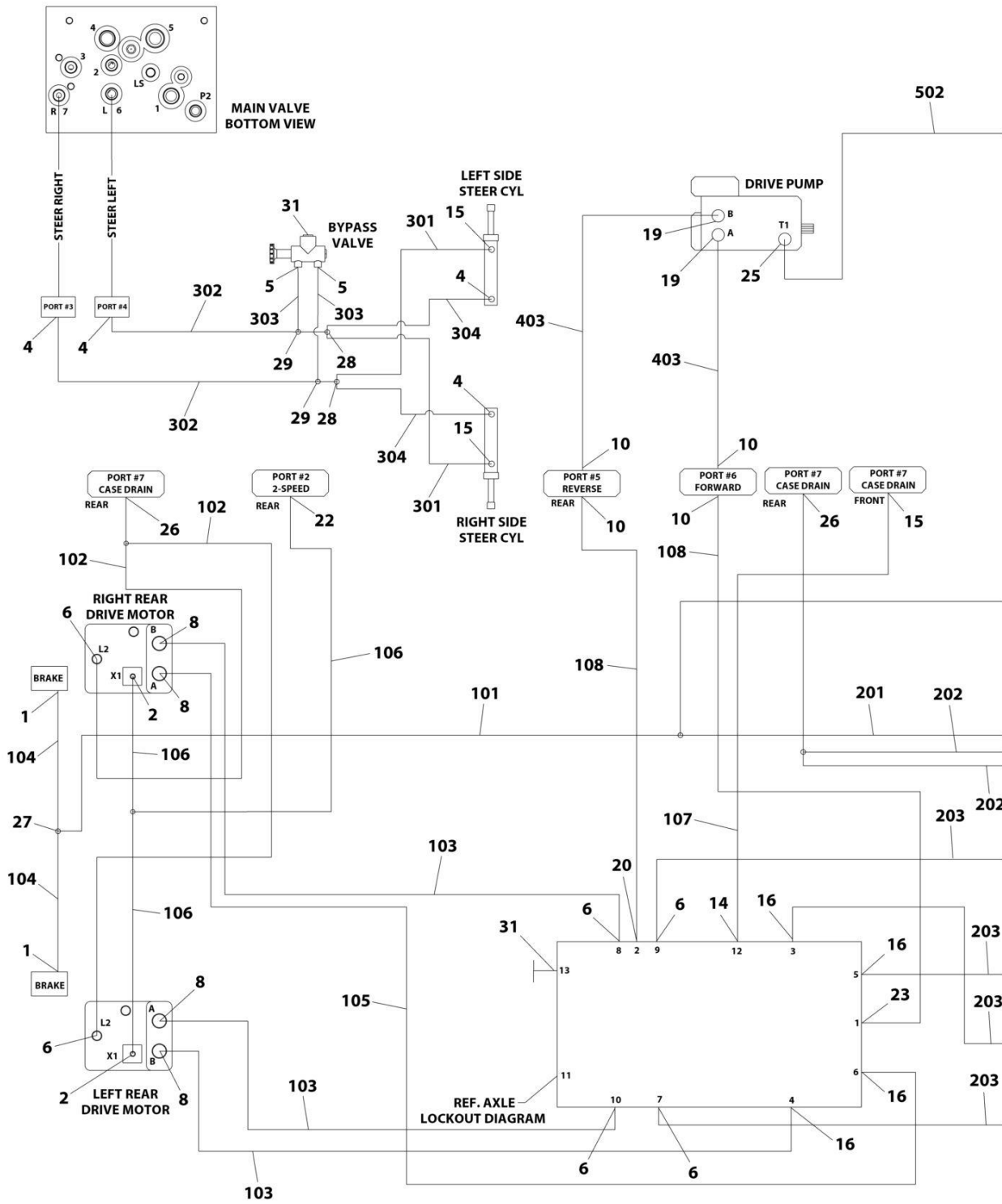
ITEM	PART NUMBER	QTY	DESCRIPTION	REV
	1001296849	Ref	HYDRAULIC DIAGRAM - DRIVE (4WD)	A
1	2110404	4	Fitting, Straight ORFS/ORB	
2	2110406	3	Fitting, Straight ORFS/ORB	
3	2110408	1	Fitting, Straight ORFS/ORB	
4	2110606	4	Fitting, Straight ORFS/ORB	
5	2110608	2	Fitting, Straight ORFS/ORB	
6	2110808	7	Fitting, Straight ORFS/ORB	
7	2110810	1	Fitting, Straight ORFS/ORB	
8	2110812	9	Fitting, Straight ORFS/ORB	
9	2111212	1	Fitting, Straight ORFS/ORB	
10	2111616	4	Fitting, Straight ORFS/ORB	
11	2112020	1	Fitting, Straight ORFS/ORB	
12	2130404	3	Fitting, 90 ORFS/ORB	
13	2130406	2	Fitting, 90 ORFS/ORB	
14	2130604	1	Fitting, 90 ORFS/ORB	
15	2130606	3	Fitting, 90 ORFS/ORB	
16	2130808	6	Fitting, 90 ORFS/ORB	
17	2131010	1	Fitting, 90 ORFS/ORB	
18	2131012	1	Fitting, 90 ORFS/ORB	
19	2131612	2	Fitting, 90 ORFS/ORB	
20	2131616	1	Fitting, 90 ORFS/ORB	
21	2132016	1	Fitting, 90 ORFS/ORB	
22	2150406	2	Fitting, 45 ORFS/ORB	
23	2151616	1	Fitting, 45 ORFS/ORB	
24	2170204	1	Fitting, 90 ORFS/ORB	
25	2170212	1	Fitting, 90 ORFS/ORB	
26	2170408	2	Fitting, Tee ORFS/ORB/ORFS	
27	2170504	2	Fitting, Tee ORFS/ORFS/ORFS	
28	2170506	2	Fitting, Tee ORFS/ORFS/ORFS	
29	2170706	2	Fitting, Tee ORFS/FSORFS/ORFS	
30	2220237	2	Plug 3/8	
31	2220238	2	Plug 1/2	
32	1001198337	1	Fitting, Tee ORFS/ORB-RUN	
33	1001198338	1	Fitting, Tee ORFS/SORB/ORFS	
34	1001199396	1	Fitting, 90 ORFS/SORB	
100	1001270069	1	Hose Kit - Arctic Towbar	
101	2753622	1	Hose	
102	2753686	2	Hose	
103	2753971	3	Hose	
104	2754337	2	Hose	
105	2754338	1	Hose	
106	1001198340	1	Hose with Crimped Tee	
107	2753626	1	Hose	
108	2753634	2	Hose	
200	1001270070	1	Hose Kit - Front	
201	2753542	1	Hose	
202	2753628	2	Hose	
203	2753970	4	Hose	
204	2754512	2	Hose	

SECTION 7 - HYDRAULIC

ITEM	PART NUMBER	QTY	DESCRIPTION	REV
205	1001198341	1	Hose	
300	1001270077	1	Hose Kit - Towbar Front	
301	2753656	2	Hose	
302	2753732	2	Hose	
303	2753879	2	Hose	
304	1001159340	2	Hose	
400	1001296856	1	Hose Kit - Turntable	
401	2753540	2	Hose	
402	2753685	1	Hose	
403	1001296833	2	Hose	
500	1001296857	1	Hose Kit - Turntable	
501	1001095307	1	Hose	
502	1001296834	1	Hose	
503	1001296835	1	Hose	
504	1001296836	1	Hose	
505	1001296837	1	Hose	
506	1001296838	1	Hose	

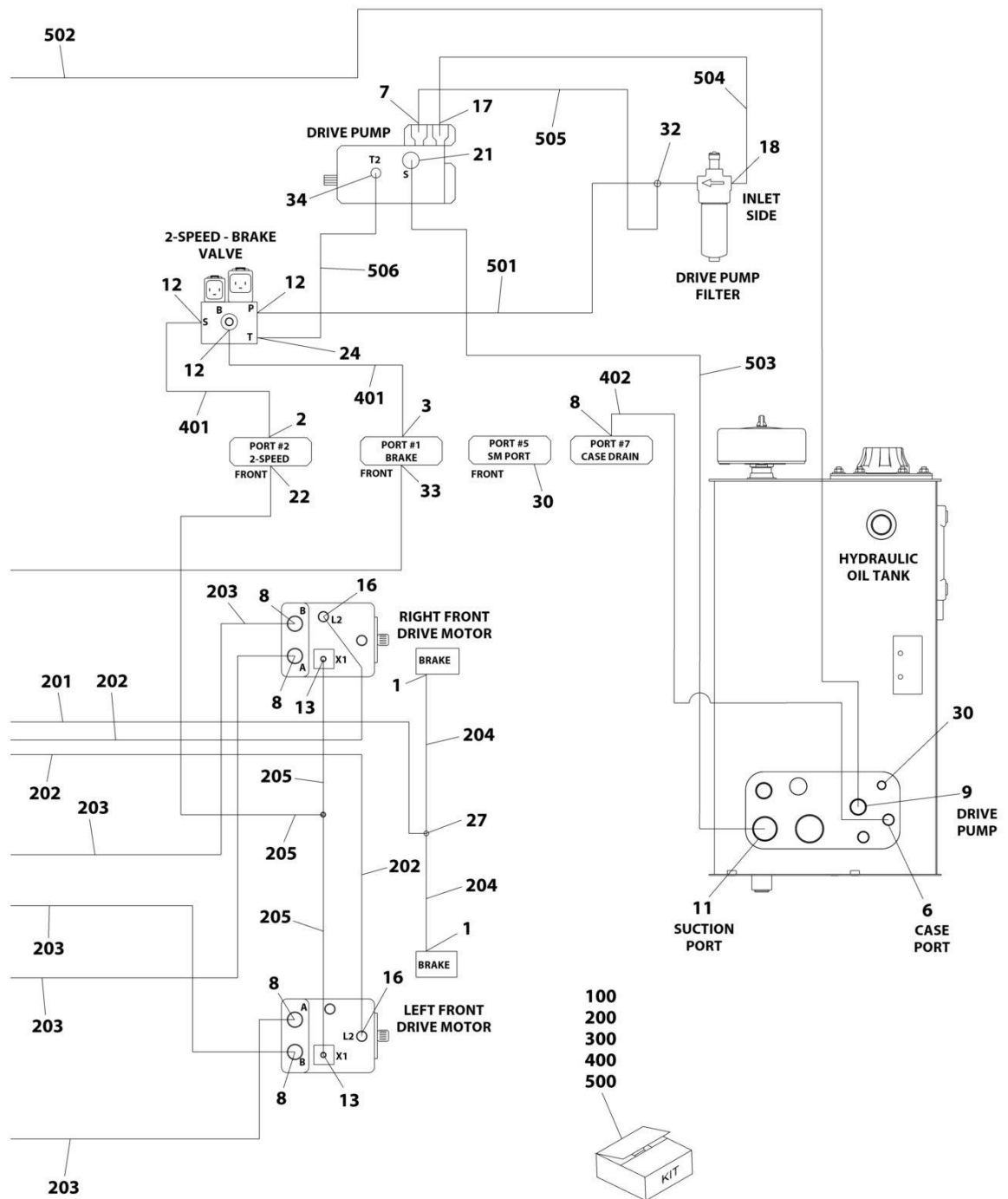
SECTION 7 - HYDRAULIC

FIGURE 7-16. HYDRAULIC DIAGRAM - DRIVE (4WD WITH TOWBAR AND ARCTIC PACKAGE) (ANSI AND CSA SPECS ONLY)



ART_1001296850_10F2

SECTION 7 - HYDRAULIC



ART_1001296850_2OF2

SECTION 7 - HYDRAULIC

FIGURE 7-16. HYDRAULIC DIAGRAM - DRIVE (4WD WITH TOWBAR AND ARCTIC PACKAGE) (ANSI AND CSA SPECS ONLY)

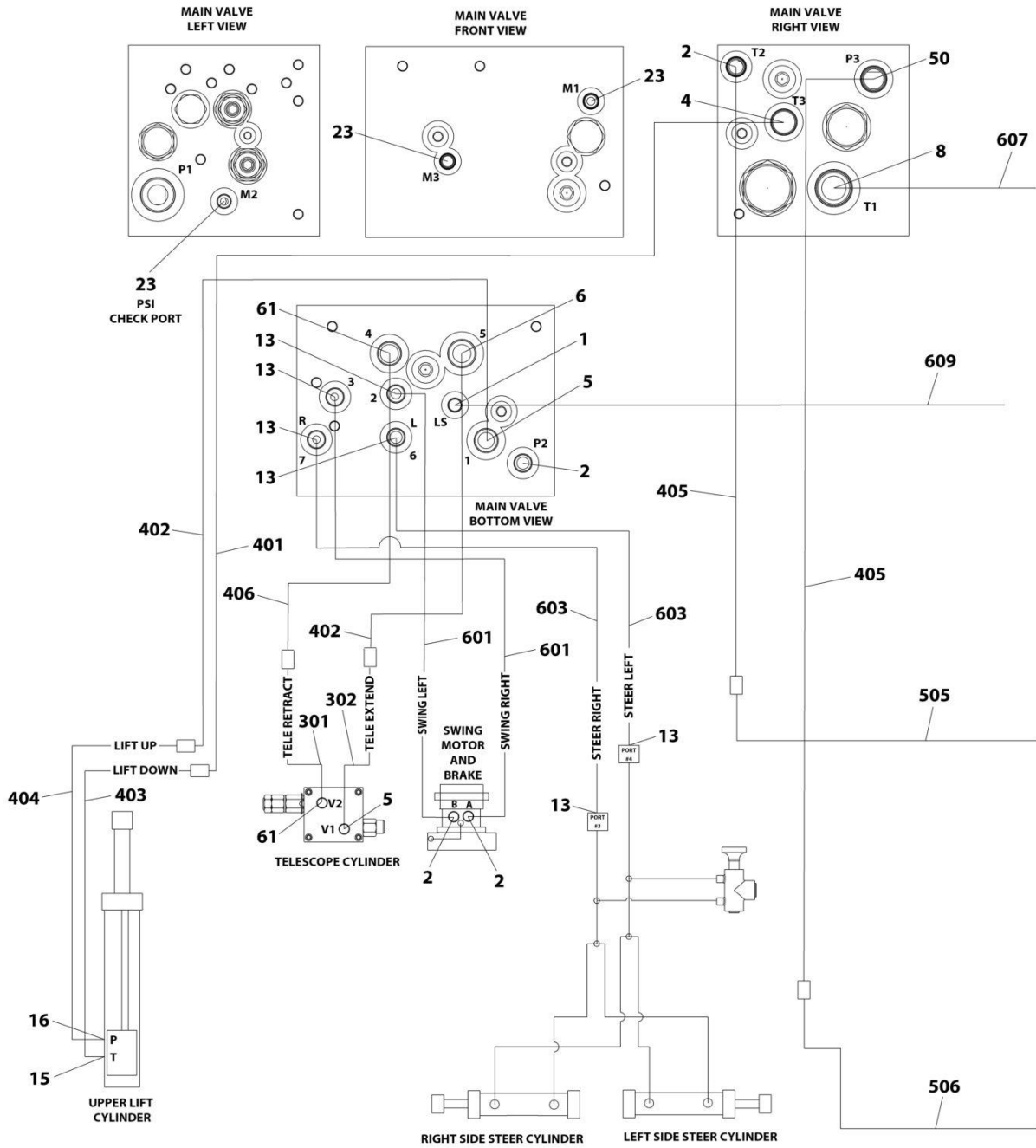
ITEM	PART NUMBER	QTY	DESCRIPTION	REV
	1001296850	Ref	HYDRAULIC DIAGRAM - DRIVE (4WD)	A
1	2110404	4	Fitting, Straight ORFS/ORB	
2	2110406	3	Fitting, Straight ORFS/ORB	
3	2110408	1	Fitting, Straight ORFS/ORB	
4	2110606	4	Fitting, Straight ORFS/ORB	
5	2110608	2	Fitting, Straight ORFS/ORB	
6	2110808	7	Fitting, Straight ORFS/ORB	
7	2110810	1	Fitting, Straight ORFS/ORB	
8	2110812	9	Fitting, Straight ORFS/ORB	
9	2111212	1	Fitting, Straight ORFS/ORB	
10	2111616	4	Fitting, Straight ORFS/ORB	
11	2112020	1	Fitting, Straight ORFS/ORB	
12	2130404	3	Fitting, 90 ORFS/ORB	
13	2130406	2	Fitting, 90 ORFS/ORB	
14	2130604	1	Fitting, 90 ORFS/ORB	
15	2130606	3	Fitting, 90 ORFS/ORB	
16	2130808	6	Fitting, 90 ORFS/ORB	
17	2131010	1	Fitting, 90 ORFS/ORB	
18	2131012	1	Fitting, 90 ORFS/ORB	
19	2131612	2	Fitting, 90 ORFS/ORB	
20	2131616	1	Fitting, 90 ORFS/ORB	
21	2132016	1	Fitting, 90 ORFS/ORB	
22	2150406	2	Fitting, 45 ORFS/ORB	
23	2151616	1	Fitting, 45 ORFS/ORB	
24	2170204	1	Fitting, 90 ORFS/ORB	
25	2170212	1	Fitting, 90 ORFS/ORB	
26	2170408	2	Fitting, Tee ORFS/ORB/ORFS	
27	2170504	2	Fitting, Tee ORFS/ORFS/ORFS	
28	2170506	2	Fitting, Tee ORFS/ORFS/ORFS	
29	2170706	2	Fitting, Tee ORFS/FSORFS/ORFS	
30	2220237	2	Plug 3/8	
31	2220238	2	Plug 1/2	
32	1001198337	1	Fitting, Tee ORFS/ORB-RUN	
33	1001198338	1	Fitting, Tee ORFS/SORB/ORFS	
34	1001199396	1	Fitting, 90 ORFS/SORB	
100	1001270069	1	Hose Kit - Arctic Towbar	
101	2753622	1	Hose	
102	2753686	2	Hose	
103	2753971	3	Hose	
104	2754337	2	Hose	
105	2754338	1	Hose	
106	1001198340	1	Hose with Crimped Tee	
107	2753626	1	Hose	
108	2753634	2	Hose	
200	1001270073	1	Hose Kit - Arctic Towbar	
201	2753542	1	Hose	
202	2754720	2	Hose	
203	2754743	4	Hose	
204	1001106957	2	Hose	

SECTION 7 - HYDRAULIC

ITEM	PART NUMBER	QTY	DESCRIPTION	REV
205	1001204269	1	Hose with Crimped Tee	
300	1001270077	1	Hose Kit - Towbar Front	
301	2753656	2	Hose	
302	2753732	2	Hose	
303	2753879	2	Hose	
304	1001159340	2	Hose	
400	1001296856	1	Hose Kit - Turntable	
401	2753540	2	Hose	
402	2753685	1	Hose	
403	1001296833	2	Hose	
500	1001296857	1	Hose Kit - Turntable	
501	1001095307	1	Hose	
502	1001296834	1	Hose	
503	1001296835	1	Hose	
504	1001296836	1	Hose	
505	1001296837	1	Hose	
506	1001296838	1	Hose	

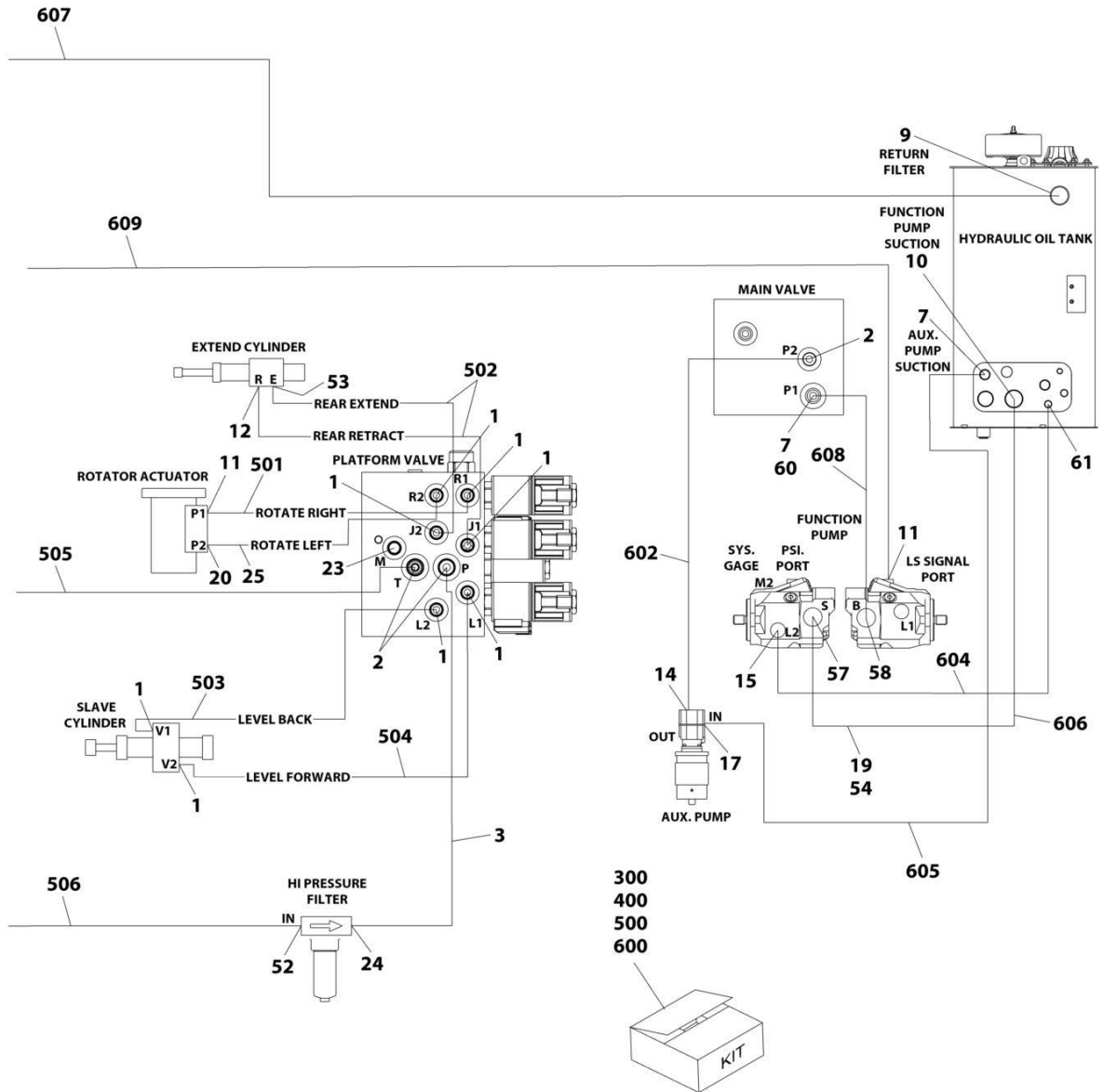
SECTION 7 - HYDRAULIC

FIGURE 7-17. HYDRAULIC DIAGRAM - STANDARD (WITH TOW BAR PACKAGE) (860SJ)



ART_1001217941_F_10F2

SECTION 7 - HYDRAULIC



ART_1001217941_F_20F2

SECTION 7 - HYDRAULIC

FIGURE 7-17. HYDRAULIC DIAGRAM - STANDARD (WITH TOW BAR PACKAGE) (860SJ)

ITEM	PART NUMBER	QTY	DESCRIPTION	REV
	1001217941	Ref	STANDARD HYDRAULIC DIAGRAM	F
1	2110404	9	Fitting, Straight ORFS/ORB	
2	2130606	6	Fitting, 90 ORFS/ORB	
3	2717059	1	Hose	
4	2170208	1	Fitting, 90 ORFS/ORB	
5	2111008	2	Fitting, Straight ORFS/ORB	
6	2111010	1	Fitting, Straight ORFS/ORB	
7	2111212	2	Fitting, Straight ORFS/ORB	
8	88662327	1	Fitting, Straight ORFS/ORB	
9	2151616	1	Fitting, 45 ORFS/ORB	
10	2112424	1	Fitting, Straight ORFS/ORB	
11	2130404	2	Fitting, 90 ORFS/ORB	
12	2130406	1	Fitting, 90 ORFS/ORB	
13	2110606	6	Fitting, Straight ORFS/ORB	
14	2130608	1	Fitting, 90 ORFS/ORB	
15	2130810	2	Fitting, 90 ORFS/ORB	
16	2131010	1	Fitting, 90 ORFS/ORB	
17	2111208	1	Fitting, Straight ORFS/ORB	
19	4240018	3	Tie-Strap	
20	2150404	1	Fitting, 45 ORFS/ORB	
23	2221086	4	Fitting, Pressure Check	
24	2110612	1	Fitting, Straight ORFS/ORB	
25	2753545	1	Hose	
50	2110608	1	Fitting, Straight ORFS/ORB	
52	2130612	1	Fitting, 90 ORFS/ORB	
53	2180829	1	Fitting, 90 ORFS/ORB	
54	4061032	1	Hose, Guard	
57	2220737	1	Split Flange Kit	
58	2220478	1	Split Flange Kit	
60	2172112	1	Fitting, 90 ORFS/FSORFS	
61	2110808	3	Fitting, Straight ORFS/ORB	
300	1001270076	1	Boom Hose Kit	
301	2753681	1	Hose	
302	2753683	1	Hose	
400	1001271619	1	Hose Kit	
401	2753670	1	Hose	
402	2753671	2	Hose	
403	2753682	1	Hose	
404	2753684	1	Hose	
405	1001167194	2	Hose	
406	1001167196	1	Hose	
500	1001271620	1	Hose Kit	
501	2753674	1	Hose	
502	2753676	2	Hose	
503	2753677	1	Hose	
504	2753678	1	Hose	
505	2753680	1	Hose	
506	2753692	1	Hose	
600	1001270075	1	Turntable Hose Kit	
601	2753653	2	Hose	

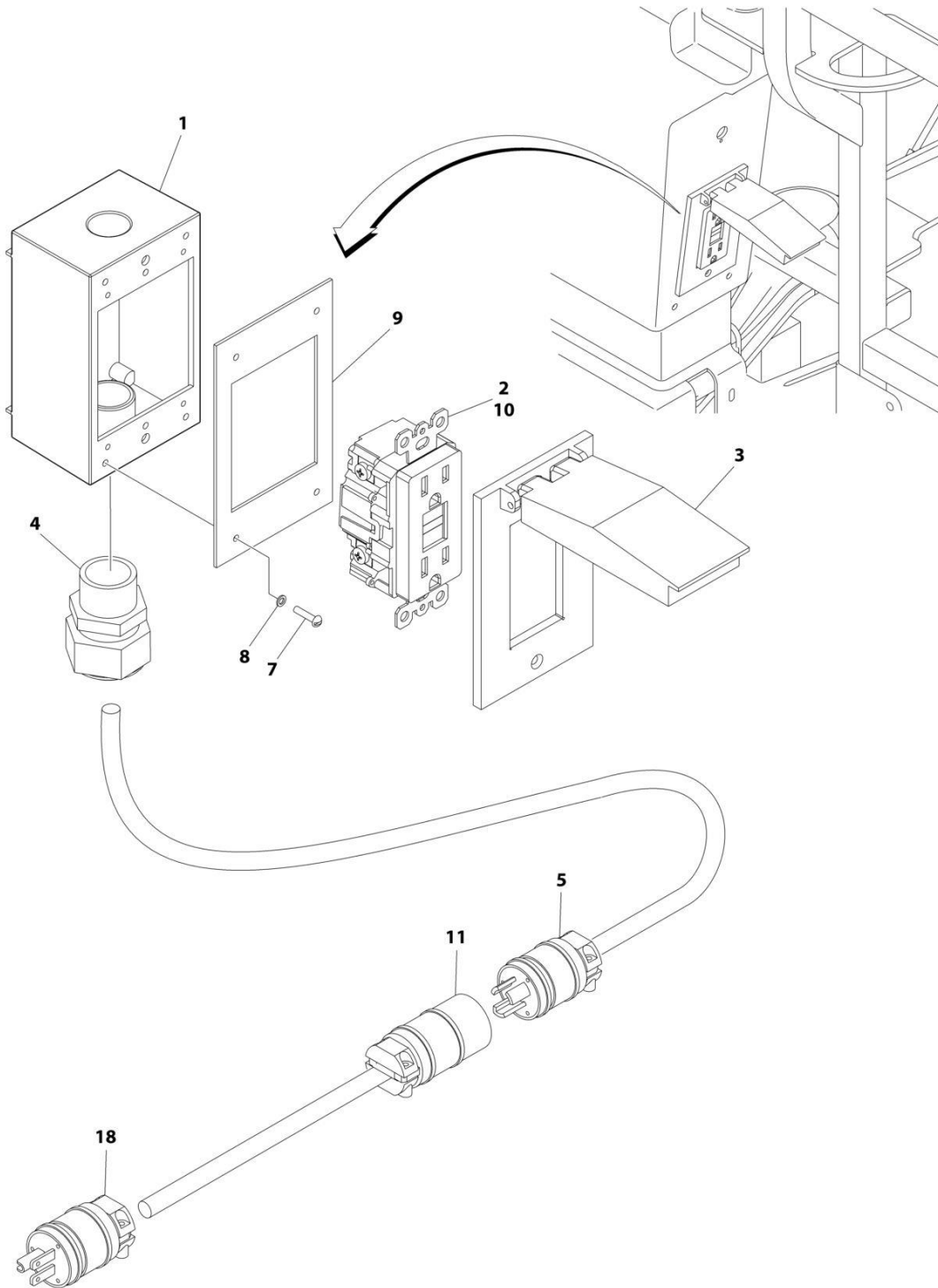
SECTION 7 - HYDRAULIC

ITEM	PART NUMBER	QTY	DESCRIPTION	REV
602	2753654	1	Hose	
603	2753656	2	Hose	
604	2753686	1	Hose	
605	1001111968	1	Hose	
606	1001157851	1	Hose	
607	1001177226	1	Hose	
608	1001181894	1	Hose	
609	2753622	1	Hose	

SECTION 8 - ELECTRICAL

SECTION 8 - ELECTRICAL

FIGURE 8-1. AC BOX AT PLATFORM INSTALLATION - 110V GFI RECEPTACLE (ALL SPECS EXCEPT AUSTRALIAN, CE & UK CA SPECS)



ART_0272259

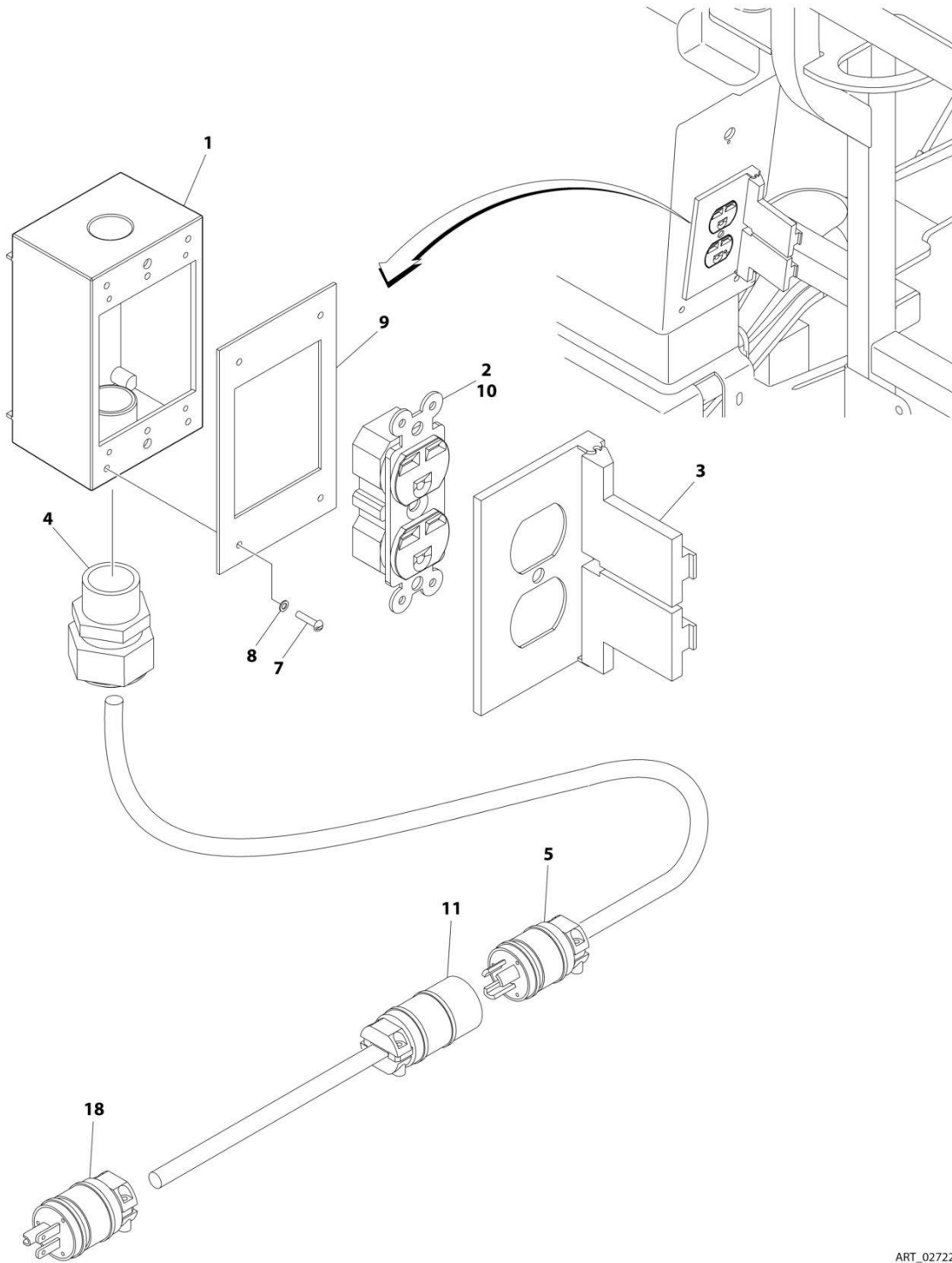
SECTION 8 - ELECTRICAL

FIGURE 8-1. AC BOX AT PLATFORM INSTALLATION - 110V GFI RECEPTACLE (ALL SPECS EXCEPT AUSTRALIAN, CE & UK CA SPECS)

ITEM	PART NUMBER	QTY	DESCRIPTION	REV
	0272259	Ref	AC BOX AT PLATFORM INSTALLATION - 110V GFI RECEPTACLE	C
1	0860038	1	Box, Switch	
2	4460346	1	Receptacle	
3	1001110873	1	Shield, Cover	
4	4460051	1	Connector, Strain Relief	
5	1001213584	1	Plug, Male	
7	3910610	4	Screw #6 x 5/8	
8	4760600	4	Washer #6	
9	3960422	1	Gasket	
10	4460315	3	Terminal, Spade	
11	1001213585	1	Receptacle, Female	
18	4460205	1	Plug, Male	

SECTION 8 - ELECTRICAL

FIGURE 8-2. AC BOX AT PLATFORM INSTALLATION - 220V (ANSI, CSA & JAPANESE SPECS)



ART_0272260

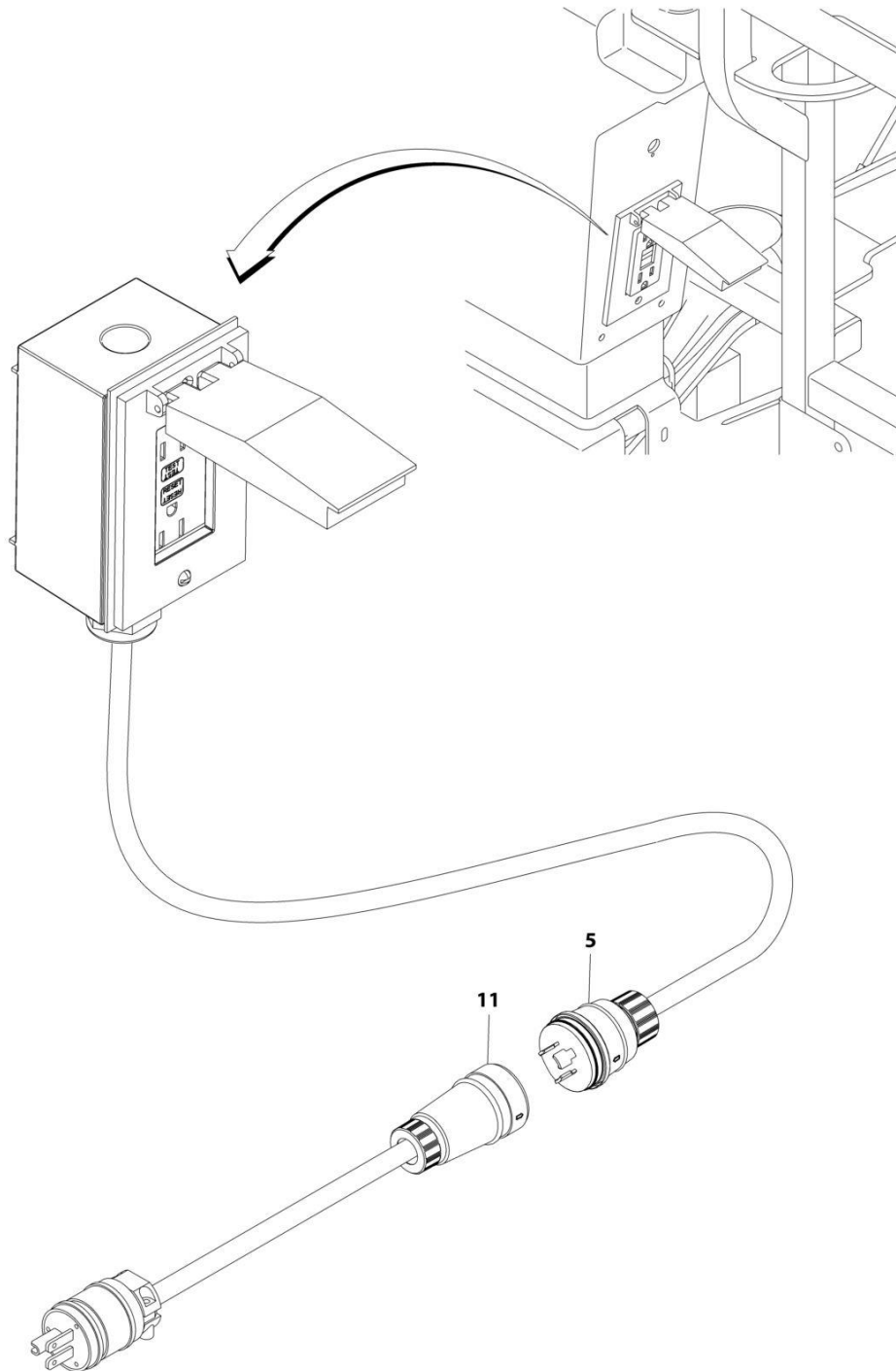
SECTION 8 - ELECTRICAL

FIGURE 8-2. AC BOX AT PLATFORM INSTALLATION - 220V (ANSI, CSA & JAPANESE SPECS)

ITEM	PART NUMBER	QTY	DESCRIPTION	REV
	0272260	Ref	AC BOX AT PLATFORM INSTALLATION - 220V	C
1	0860038	1	Box, Switch	
2	4460125	1	Receptacle	
3	4060092	1	Shield	
4	4460051	1	Connector, Strain Relief	
5	1001213584	2	Plug, Male	
7	3910610	4	Screw #6 x 5/8	
8	4760600	4	Washer #6	
9	3960422	1	Gasket	
10	4460315	1	Terminal, Spade	
11	1001213585	1	Receptacle, Female	
18	4460233	1	Plug, Male	

SECTION 8 - ELECTRICAL

FIGURE 8-3. AC BOX AT PLATFORM MID-BOOM PLUG INSTALLATION (WITHOUT 7500W SKYPOWER GENERATOR) (ANSI EXPORT, AUSTRALIAN, CE & UK CA SPECS)



ART_0256202

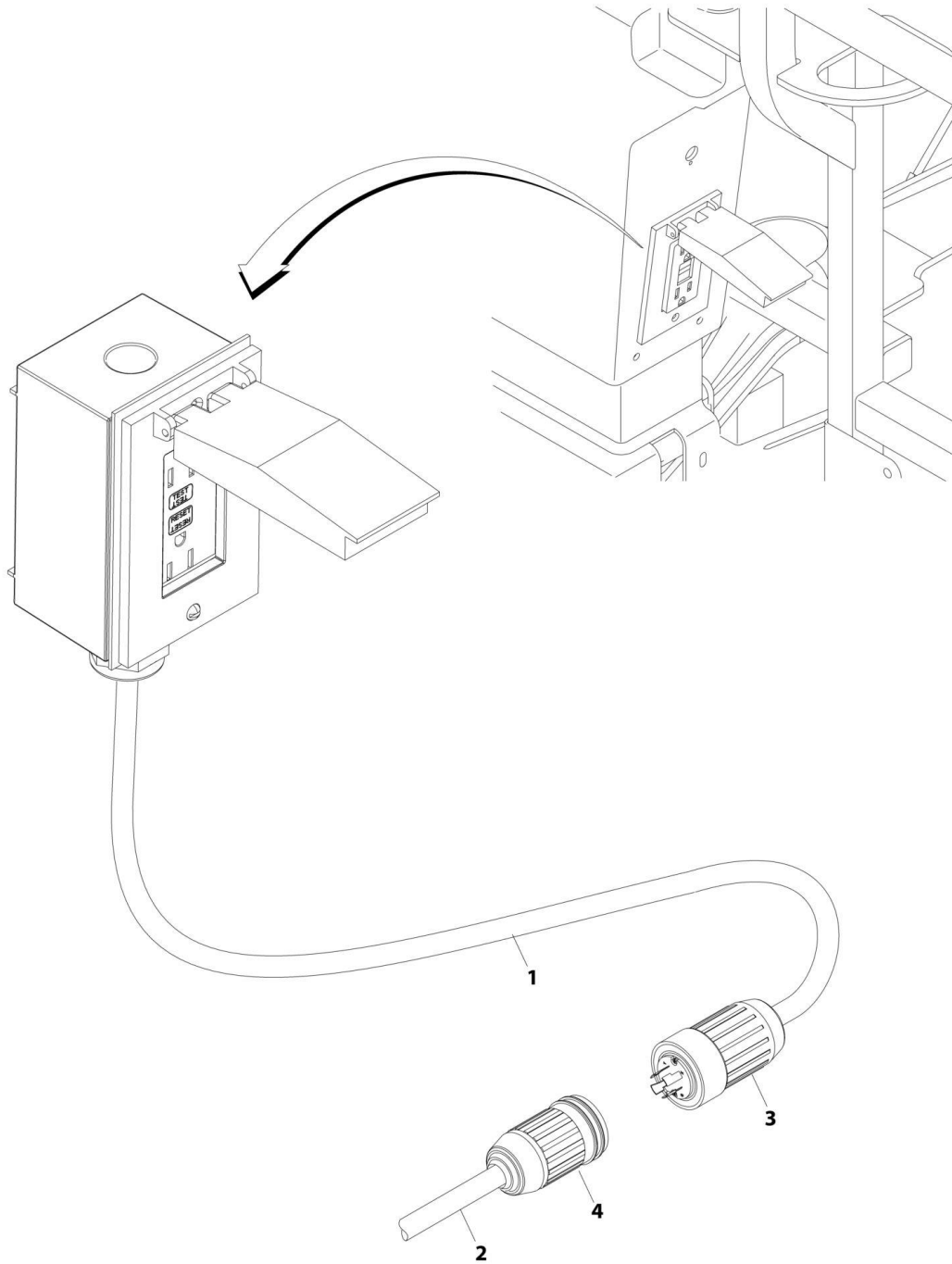
SECTION 8 - ELECTRICAL

FIGURE 8-3. AC BOX AT PLATFORM MID-BOOM PLUG INSTALLATION (WITHOUT 7500W SKYPOWER GENERATOR) (ANSI EXPORT, AUSTRALIAN, CE & UK CA SPECS)

ITEM	PART NUMBER	QTY	DESCRIPTION	REV
	0256202	Ref	AC BOX AT PLATFORM MID-BOOM PLUG INSTALLATION	D
5	1001213584	1	Plug	
11	1001213585	1	Receptacle	

SECTION 8 - ELECTRICAL

FIGURE 8-4. AC BOX AT PLATFORM MID-BOOM PLUG INSTALLATION (WITHOUT GENERATOR)
(CHINA SPECS)



ART_1001243561

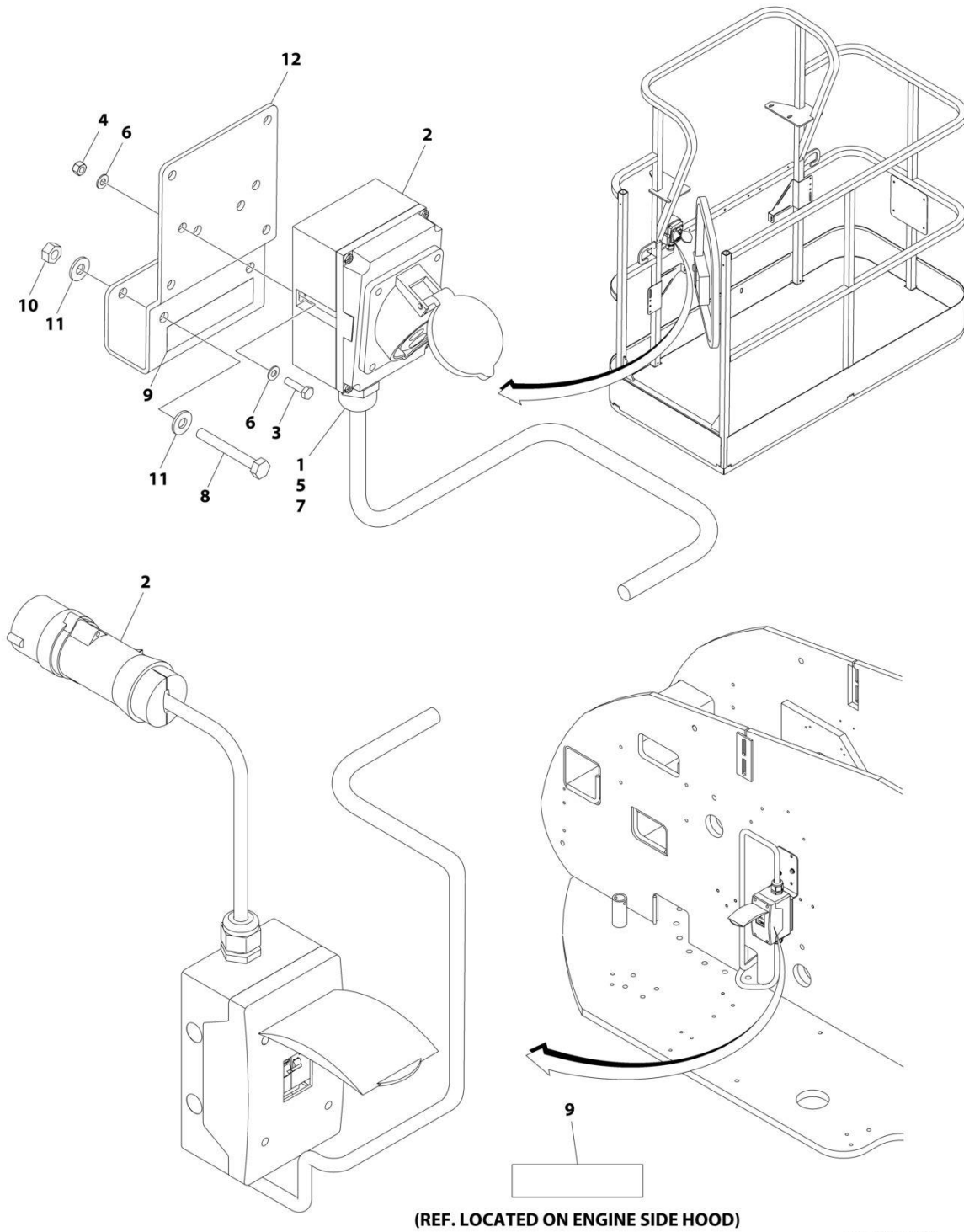
SECTION 8 - ELECTRICAL

**FIGURE 8-4. AC BOX AT PLATFORM MID-BOOM PLUG INSTALLATION (WITHOUT GENERATOR)
(CHINA SPECS)**

ITEM	PART NUMBER	QTY	DESCRIPTION	REV
	1001243561	Ref	AC BOX AT PLATFORM MID-BOOM PLUG INSTALLATION	A
1	4922874	1	Cable, Electrical 10/3	
2	4922877	1	Cable, Electrical 10/3	
3	1001213584	1	Plug	
4	1001213585	1	Receptacle	

SECTION 8 - ELECTRICAL

FIGURE 8-5. AC BOX AT PLATFORM INSTALLATION - 110V IEC 60309 YELLOW WITHOUT 2500W GENERATOR (CE & UK CA SPECS)



ART_1001091969

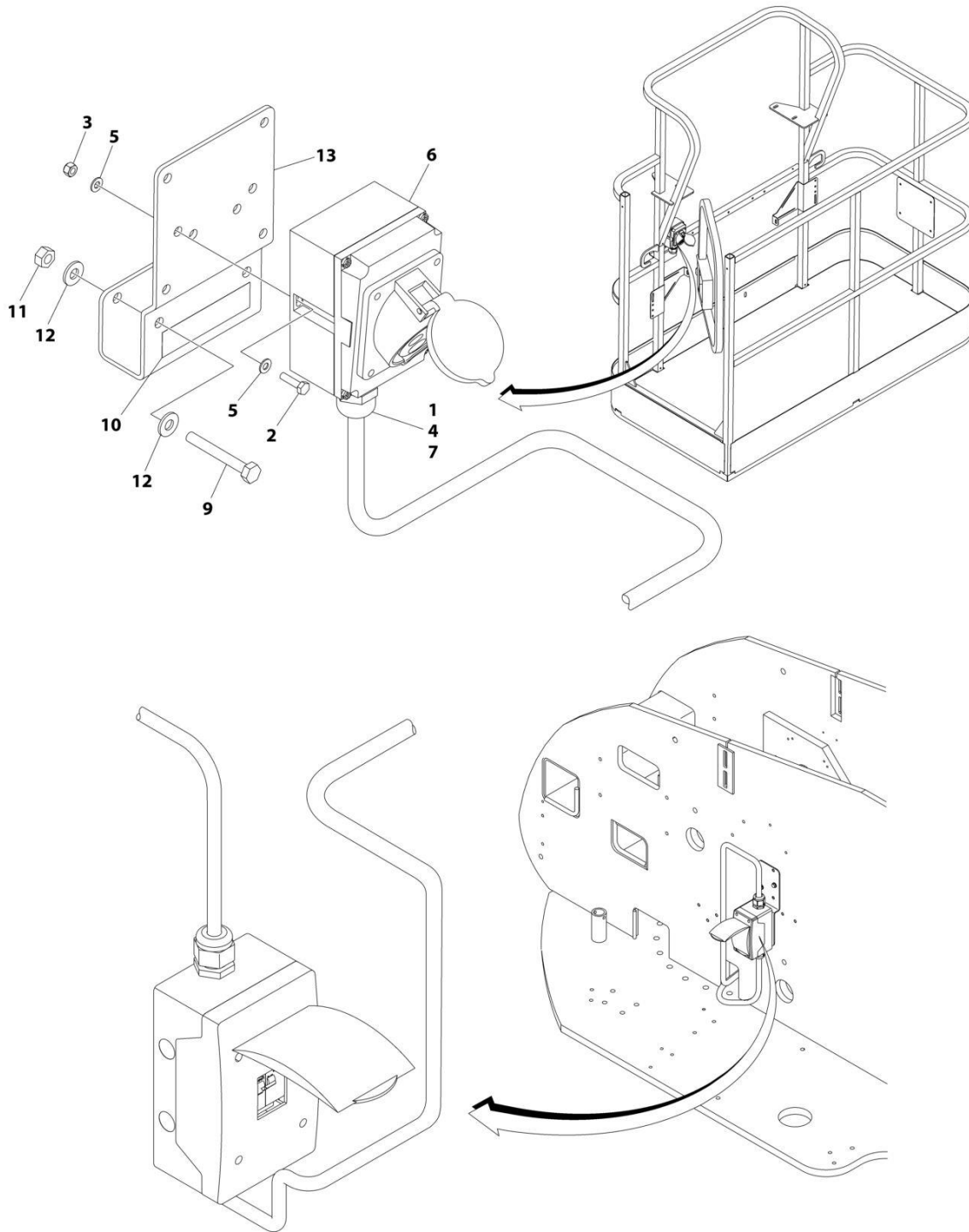
SECTION 8 - ELECTRICAL

FIGURE 8-5. AC BOX AT PLATFORM INSTALLATION - 110V IEC 60309 YELLOW WITHOUT 2500W GENERATOR (CE & UK CA SPECS)

ITEM	PART NUMBER	QTY	DESCRIPTION	REV
	1001091969	Ref	AC BOX AT PLATFORM INSTALLATION - 110V IEC YELLOW	D
1	0100020	AR	Sealant, Pipe	
2	0275216	1	Receptacle Box Kit (See Separate Breakdown in this Section)	
3	0700408	2	Bolt M4 x 16	
4	3290405	2	Nut M4	
5	1001101196	1	Adapter	
6	4811400	4	Washer M4	
7	1001101191	1	Connector, Strain Relief	
8	0641416	2	Bolt 1/4 x 2	
9	1705325	2	Decal - 110V	
10	3311405	2	Nut 1/4	
11	4711400	4	Washer 1/4	
12	1001193018	1	Bracket	

SECTION 8 - ELECTRICAL

FIGURE 8-6. AC BOX AT PLATFORM INSTALLATION - 110V IEC 60309 YELLOW WITH 2500W GENERATOR (CE & UK CA SPECS)



ART_1001100326

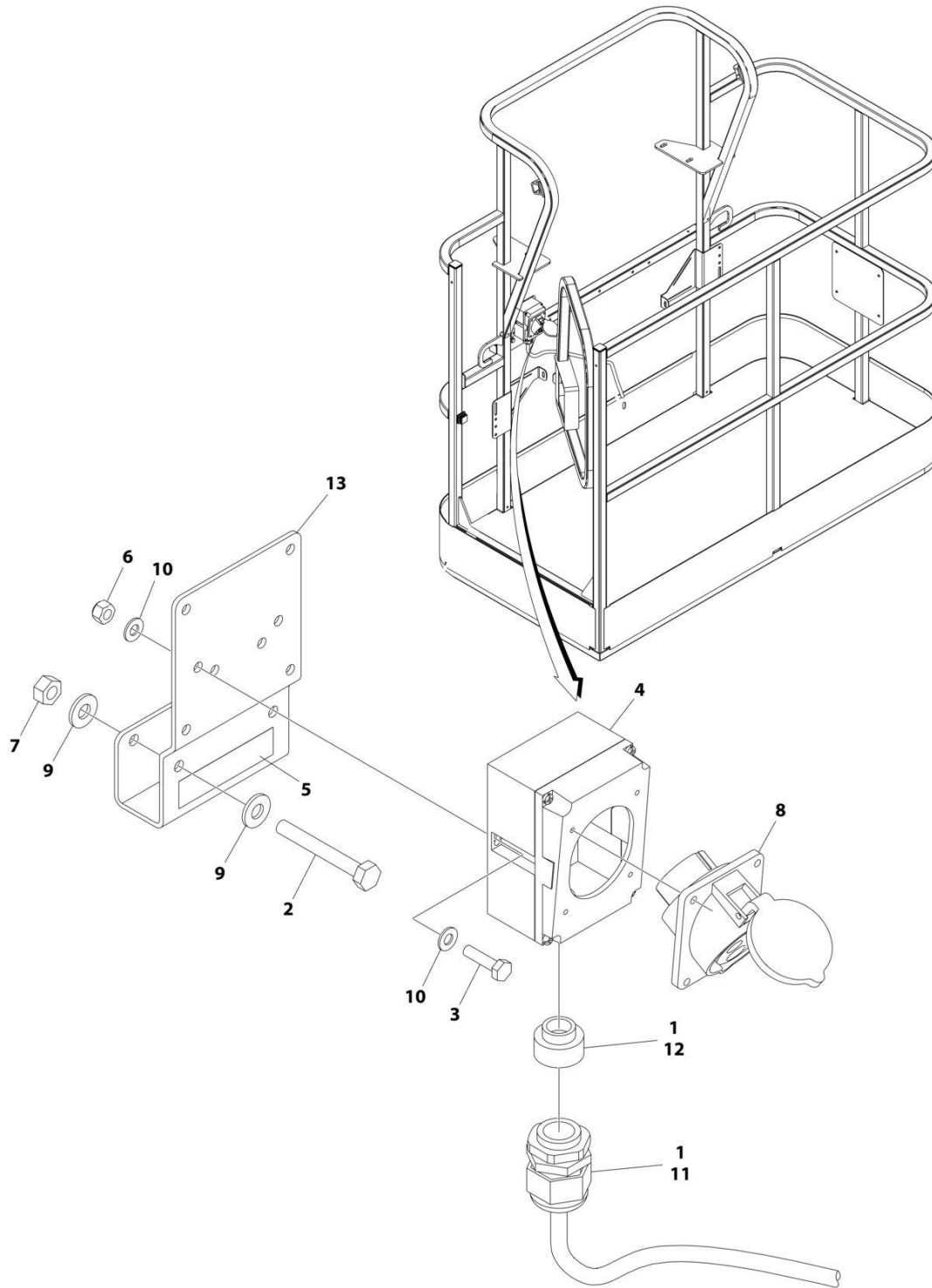
SECTION 8 - ELECTRICAL

FIGURE 8-6. AC BOX AT PLATFORM INSTALLATION - 110V IEC 60309 YELLOW WITH 2500W GENERATOR (CE & UK CA SPECS)

ITEM	PART NUMBER	QTY	DESCRIPTION	REV
	1001100326	Ref	AC BOX AT PLATFORM INSTALLATION - 110V IEC 60309 YELLOW	D
1	0100020	AR	Sealant, Pipe	
2	0700408	2	Bolt M4 x 16	
3	3290405	2	Nut M4	
4	1001101196	1	Adapter	
5	4811400	4	Washer M4	
6	1001100341	1	Receptacle Box Kit (See Separate Breakdown in this Section)	
7	1001101191	1	Connector, Strain Relief	
8	1060908	10 ft /3.05m	Cable, Electrical 12/3 (Not Shown)	
9	0641416	2	Bolt 1/4 x 2	
10	1705325	1	Decal - 110V	
11	3311405	2	Nut 1/4	
12	4711400	4	Washer 1/4	
13	1001193018	1	Bracket	

SECTION 8 - ELECTRICAL

**FIGURE 8-7. AC BOX AT PLATFORM INSTALLATION - 110V IEC YELLOW (CE & UK CA SPECS)
(MACHINES WITH 4000W GENERATOR)**



ART_1001206253

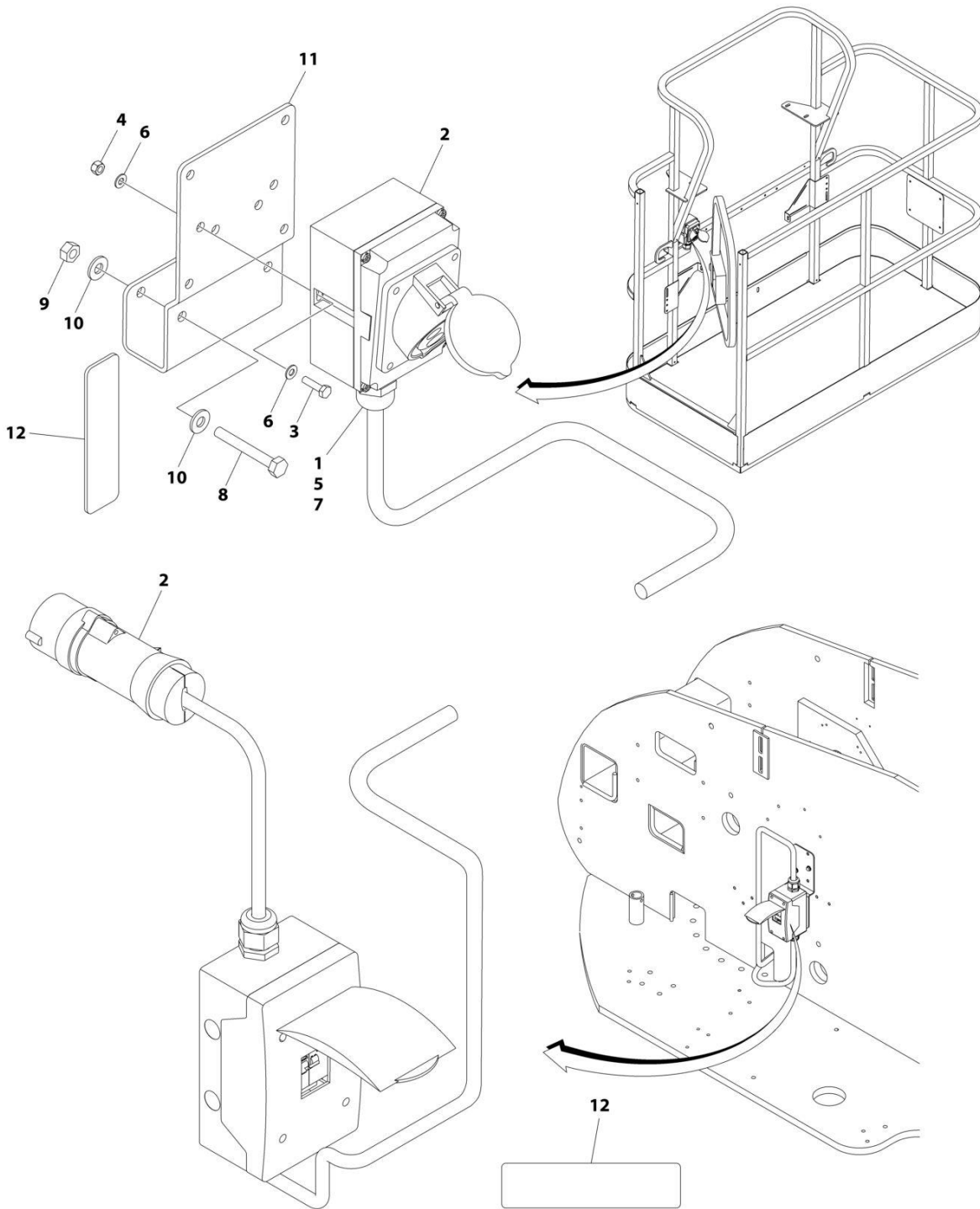
SECTION 8 - ELECTRICAL

**FIGURE 8-7. AC BOX AT PLATFORM INSTALLATION - 110V IEC YELLOW (CE & UK CA SPECS)
(MACHINES WITH 4000W GENERATOR)**

ITEM	PART NUMBER	QTY	DESCRIPTION	REV
	1001206253	Ref	AC BOX AT PLATFORM INSTALLATION - 110V IEC 60309 YELLOW WITHOUT 4000W GENERATOR	A
1	0100020	AR	Sealant, Pipe	
2	0641416	2	Bolt 1/4 x 2	
3	0700408	2	Bolt M4 x 16	
4	0861781	1	Box, Switch	
5	1705325	1	Decal - 110V	
6	3290405	2	Nut M4	
7	3311405	2	Nut 1/4	
8	4461198	1	Receptacle	
9	4711400	4	Washer 1/4	
10	4811400	4	Washer M4	
11	1001101191	1	Connector, Strain Relief	
12	1001101196	1	Adapter	
13	1001193018	1	Bracket, AC Receptacle	

SECTION 8 - ELECTRICAL

**FIGURE 8-8. AC BOX AT PLATFORM INSTALLATION - 220V IEC BLUE (CE & UK CA SPECS)
(MACHINES WITH 2500W GENERATOR OR NO GENERATOR OPTION)**



(REF. LOCATED ON ENGINE SIDE HOOD)

ART_1001091970

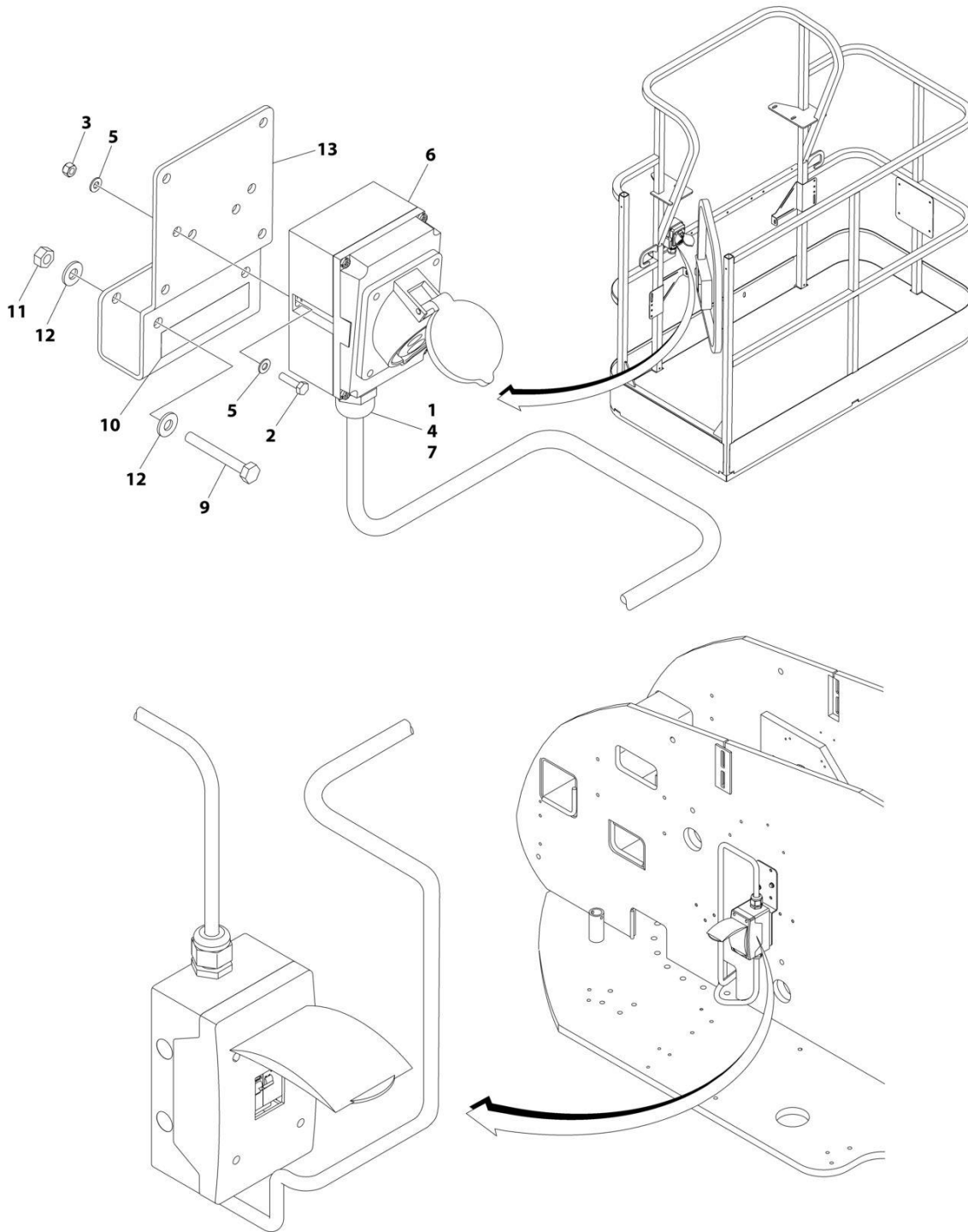
SECTION 8 - ELECTRICAL

**FIGURE 8-8. AC BOX AT PLATFORM INSTALLATION - 220V IEC BLUE (CE & UK CA SPECS)
(MACHINES WITH 2500W GENERATOR OR NO GENERATOR OPTION)**

ITEM	PART NUMBER	QTY	DESCRIPTION	REV
	1001091970	Ref	AC BOX AT PLATFORM INSTALLATION - 220V IEC BLUE	D
1	0100020	AR	Sealant, Pipe	
2	0275217	1	Receptacle Box Kit (See Separate Breakdown in this Section)	
3	0700408	2	Bolt M4 x 16	
4	3290405	2	Nut M4	
5	1001101196	1	Adapter	
6	4811400	4	Washer M4	
7	1001101191	1	Connector, Strain Relief	
8	0641416	2	Bolt 1/4 x 2	
9	3311405	2	Nut 1/4	
10	4711400	4	Washer 1/4	
11	1001193018	1	Bracket	
12	3251242	2	Decal - 240V/50Hz	

SECTION 8 - ELECTRICAL

FIGURE 8-9. AC BOX AT PLATFORM INSTALLATION - 220V IEC 60309 BLUE WITH 2500W GENERATOR (CE & UK CA SPECS)



ART_1001100327

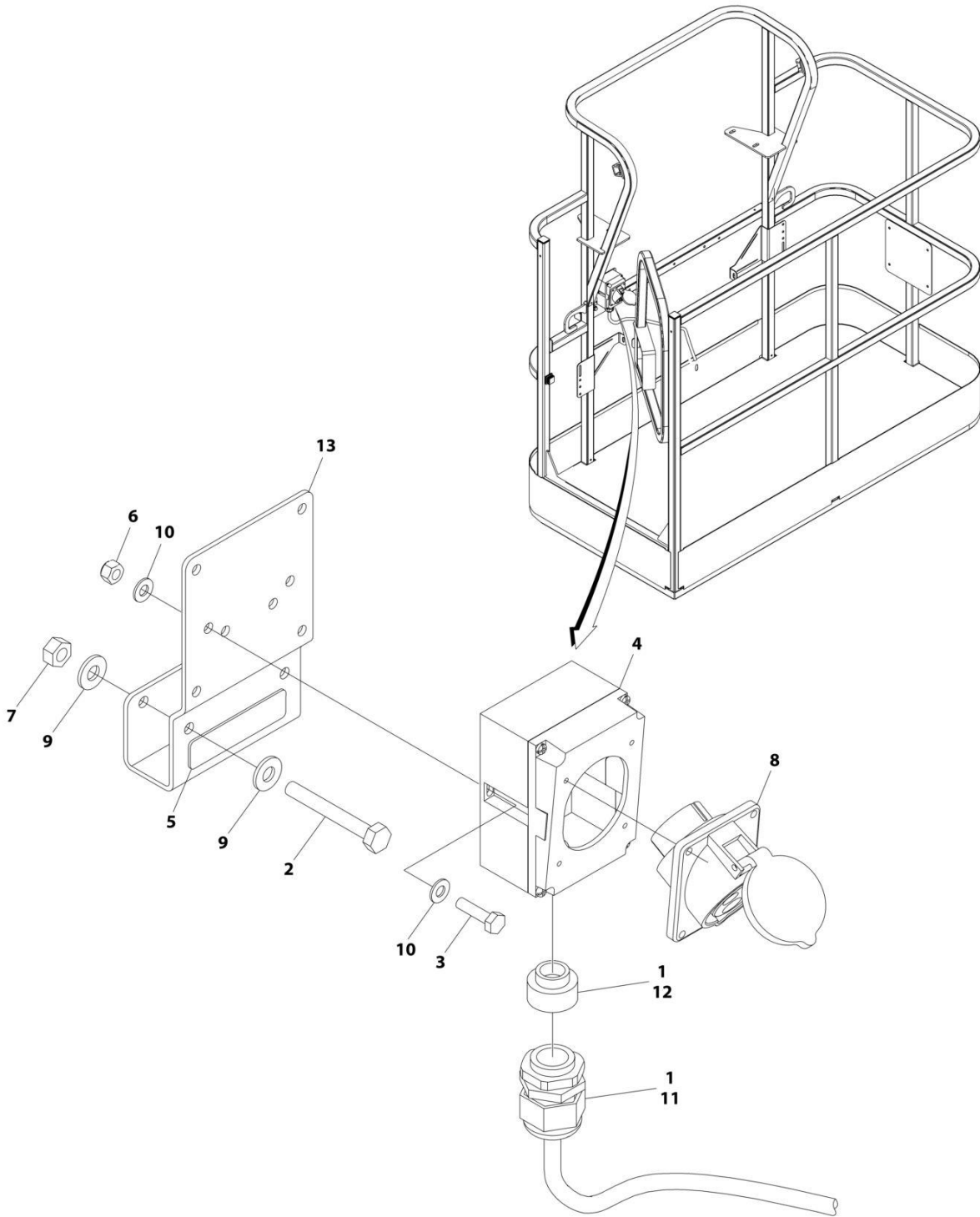
SECTION 8 - ELECTRICAL

FIGURE 8-9. AC BOX AT PLATFORM INSTALLATION - 220V IEC 60309 BLUE WITH 2500W GENERATOR (CE & UK CA SPECS)

ITEM	PART NUMBER	QTY	DESCRIPTION	REV
	1001100327	Ref	AC BOX AT PLATFORM INSTALLATION - 220V IEC 60309 BLUE	D
1	0100020	AR	Sealant, Pipe	
2	0700408	2	Bolt M4 x 16	
3	3290405	2	Nut M4	
4	1001101196	1	Adapter	
5	4811400	4	Washer M4	
6	1001100342	1	Receptacle Box Kit (See Separate Breakdown in this Section)	
7	1001101191	1	Connector, Strain Relief	
8	1060908	10 ft /3.05m	Cable, Electrical 12/3 (Not Shown)	
9	0641416	2	Bolt 1/4 x 2	
10	3252507	1	Decal - 220V	
11	3311405	2	Nut 1/4	
12	4711400	4	Washer 1/4	
13	1001193018	1	Bracket	

SECTION 8 - ELECTRICAL

**FIGURE 8-10. AC BOX AT PLATFORM INSTALLATION - 220V IEC BLUE (CE & UK CA SPECS)
(MACHINES WITH 4000W GENERATOR)**



ART_1001206254

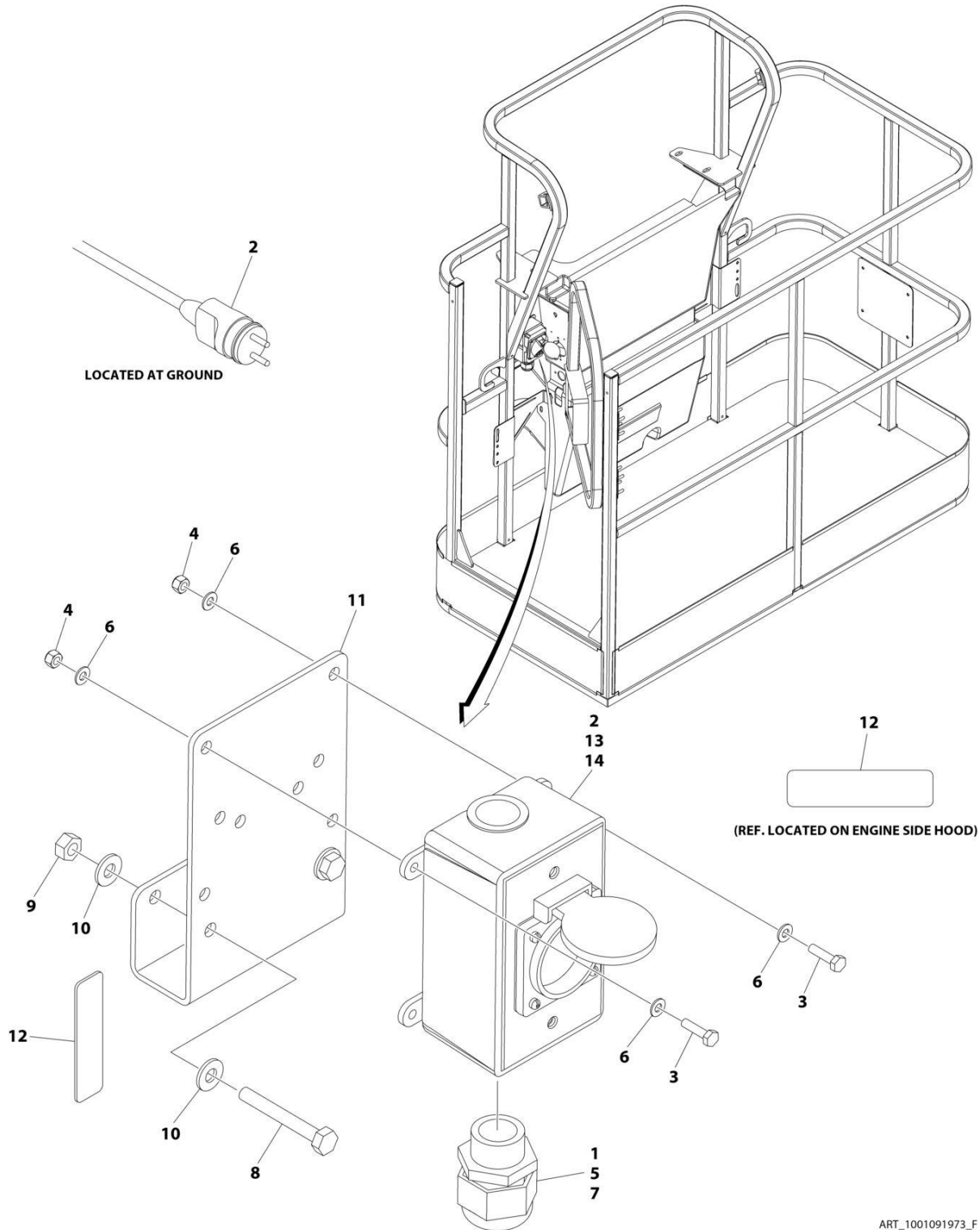
SECTION 8 - ELECTRICAL

**FIGURE 8-10. AC BOX AT PLATFORM INSTALLATION - 220V IEC BLUE (CE & UK CA SPECS)
(MACHINES WITH 4000W GENERATOR)**

ITEM	PART NUMBER	QTY	DESCRIPTION	REV
	1001206254	Ref	AC BOX AT PLATFORM INSTALLATION - 220V IEC BLUE	A
1	0100020	AR	Sealant, Pipe	
2	0641416	2	Bolt 1/4 x 2	
3	0700408	2	Bolt M4 x 16	
4	0861781	1	Box, Switch	
5	3251242	1	Decal - 240V/50Hz	
6	3290405	2	Nut M4	
7	3311405	2	Nut 1/4	
8	4461201	1	Receptacle	
9	4711400	4	Washer 1/4	
10	4811400	4	Washer M4	
11	1001101191	1	Connector, Strain Relief	
12	1001101196	1	Adapter	
13	1001193018	1	Bracket, AC Receptacle	

SECTION 8 - ELECTRICAL

FIGURE 8-11. AC BOX AT PLATFORM INSTALLATION - 220V CEE7 POST GROUND (CE & UK CA SPECS) (MACHINES WITH 2500W GENERATOR OR NO GENERATOR OPTION)



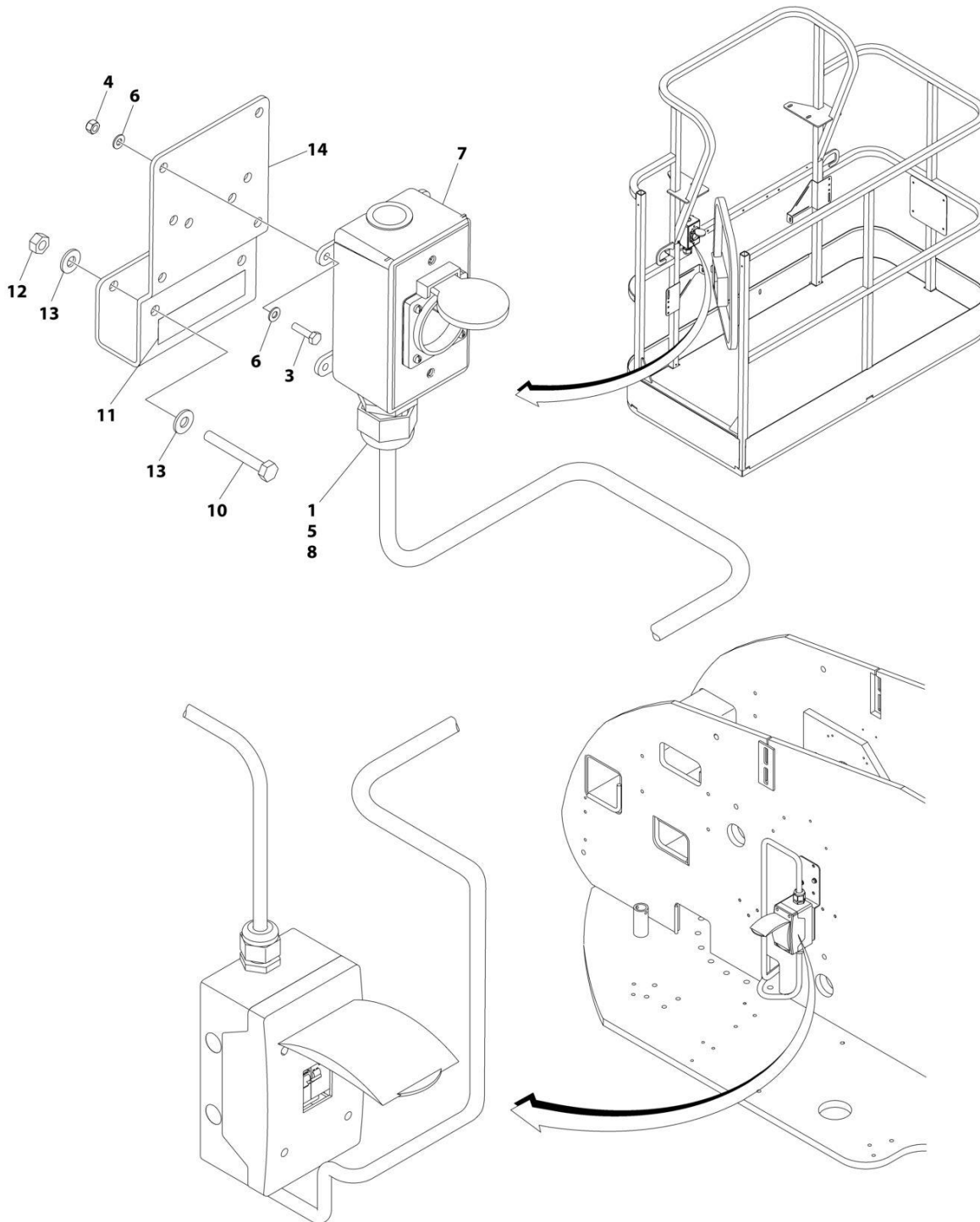
SECTION 8 - ELECTRICAL

FIGURE 8-11. AC BOX AT PLATFORM INSTALLATION - 220V CEE7 POST GROUND (CE & UK CA SPECS) (MACHINES WITH 2500W GENERATOR OR NO GENERATOR OPTION)

ITEM	PART NUMBER	QTY	DESCRIPTION	REV
	1001091973	Ref	AC BOX AT PLATFORM INSTALLATION - 220V CEE7 2X4 BOX POST GROUND	F
1	0100020	AR	Sealant, Pipe	
2	0275452	1	Receptacle Box Kit (See Separate Breakdown in this Section)	
3	0700408	4	Bolt M4 x 16	
4	3290405	4	Nut M4	
5	1001101197	1	Adapter	
6	4811400	8	Washer M4	
7	1001101191	1	Connector, Strain Relief	
8	0641416	2	Bolt 1/4 x 2	
9	3311405	2	Nut 1/4	
10	4711400	4	Washer 1/4	
11	1001193018	1	Bracket	
12	3251242	2	Decal - 240V/50Hz	
13	4460806	2	Terminal, Fork (Not Shown)	
14	1001205958	1	Terminal (Not Shown)	

SECTION 8 - ELECTRICAL

FIGURE 8-12. AC BOX AT PLATFORM INSTALLATION - 220V CEE7 POST GROUND (2X4 BOX) WITH 2500W GENERATOR (CE & UK CA SPECS)



ART_1001100331

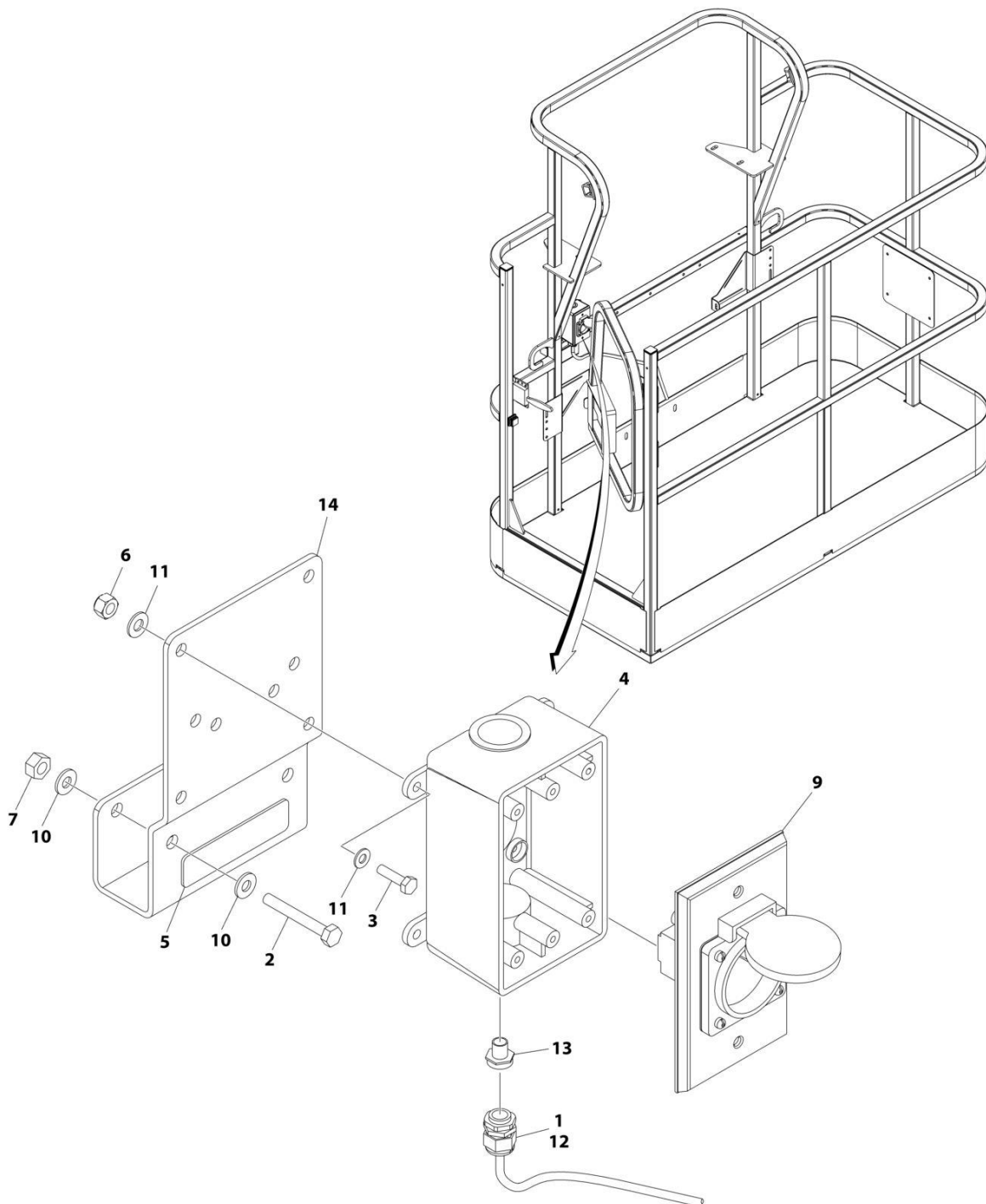
SECTION 8 - ELECTRICAL

FIGURE 8-12. AC BOX AT PLATFORM INSTALLATION - 220V CEE7 POST GROUND (2X4 BOX) WITH 2500W GENERATOR (CE & UK CA SPECS)

ITEM	PART NUMBER	QTY	DESCRIPTION	REV
	1001100331	Ref	AC BOX AT PLATFORM INSTALLATION - 220V CEE7 POST GROUND (2X4 BOX)	E
1	0100020	AR	Sealant, Pipe	
3	0700408	4	Bolt M4 x 16	
4	3290405	4	Nut M4	
5	1001101197	1	Adapter	
6	4811400	8	Washer M4	
7	1001100345	1	Receptacle Box Kit (See Separate Breakdown in this Section)	
8	1001101191	1	Connector, Strain Relief	
9	1060908	10 ft /3.05m	Cable, Electrical 12/3 (Not Shown)	
10	0641416	2	Bolt 1/4 x 2	
11	3252507	1	Decal - 220V	
12	3311405	2	Nut 1/4	
13	4711400	4	Washer 1/4	
14	1001193018	1	Bracket	
15	4460806	2	Terminal, Fork (Not Shown)	
16	1001205958	1	Terminal (Not Shown)	

SECTION 8 - ELECTRICAL

FIGURE 8-13. AC BOX AT PLATFORM INSTALLATION - 220V CEE7 POST GROUND (CE & UK CA SPECS) (MACHINES WITH 4000W GENERATOR)



ART_1001206250

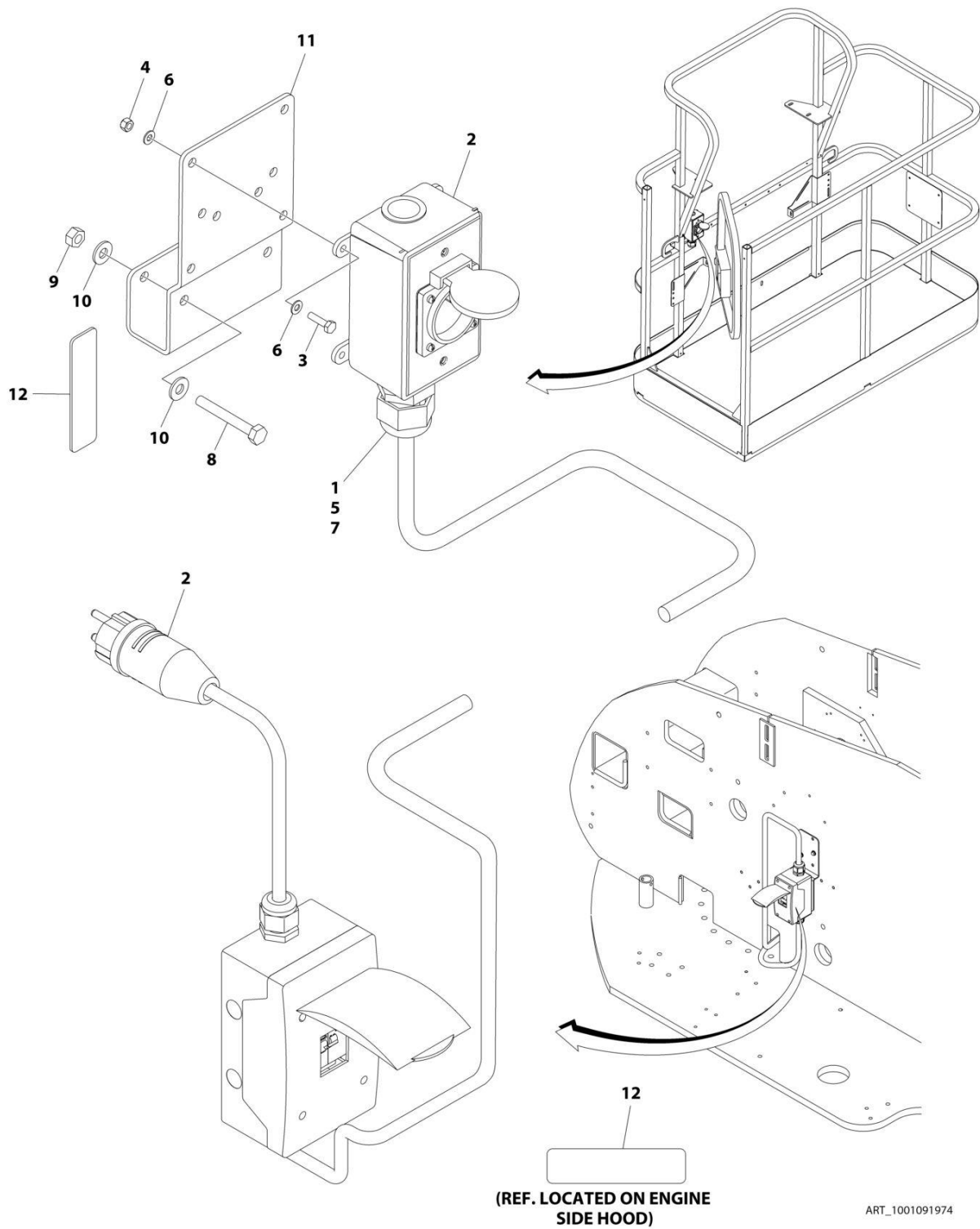
SECTION 8 - ELECTRICAL

FIGURE 8-13. AC BOX AT PLATFORM INSTALLATION - 220V CEE7 POST GROUND (CE & UK CA SPECS) (MACHINES WITH 4000W GENERATOR)

ITEM	PART NUMBER	QTY	DESCRIPTION	REV
	1001206250	Ref	AC BOX AT PLATFORM INSTALLATION - 220V CEE7 2X4 BOX POST GROUND	A
1	0100020	AR	Sealant, Pipe	
2	0641416	2	Bolt 1/4 x 2	
3	0700408	4	Bolt M4 x 16	
4	0861731	1	Box, Switch	
5	3251242	1	Decal - 240V/50Hz	
6	3290405	4	Nut M4	
7	3311405	2	Nut 1/4	
8	4460806	2	Terminal, Fork (Not Shown)	
9	4461244	1	Receptacle	
10	4711400	4	Washer 1/4	
11	4811400	8	Washer M4	
12	1001101191	1	Connector, Strain Relief	
13	1001101197	1	Adapter	
14	1001193018	1	Bracket, AC Receptacle	
15	1001205958	1	Terminal (Not Shown)	

SECTION 8 - ELECTRICAL

FIGURE 8-14. AC BOX AT PLATFORM INSTALLATION - 220V CEE7 SIDE GROUND (CE & UK CA SPECS) (MACHINES WITH 2500W GENERATOR OR NO GENERATOR OPTION)



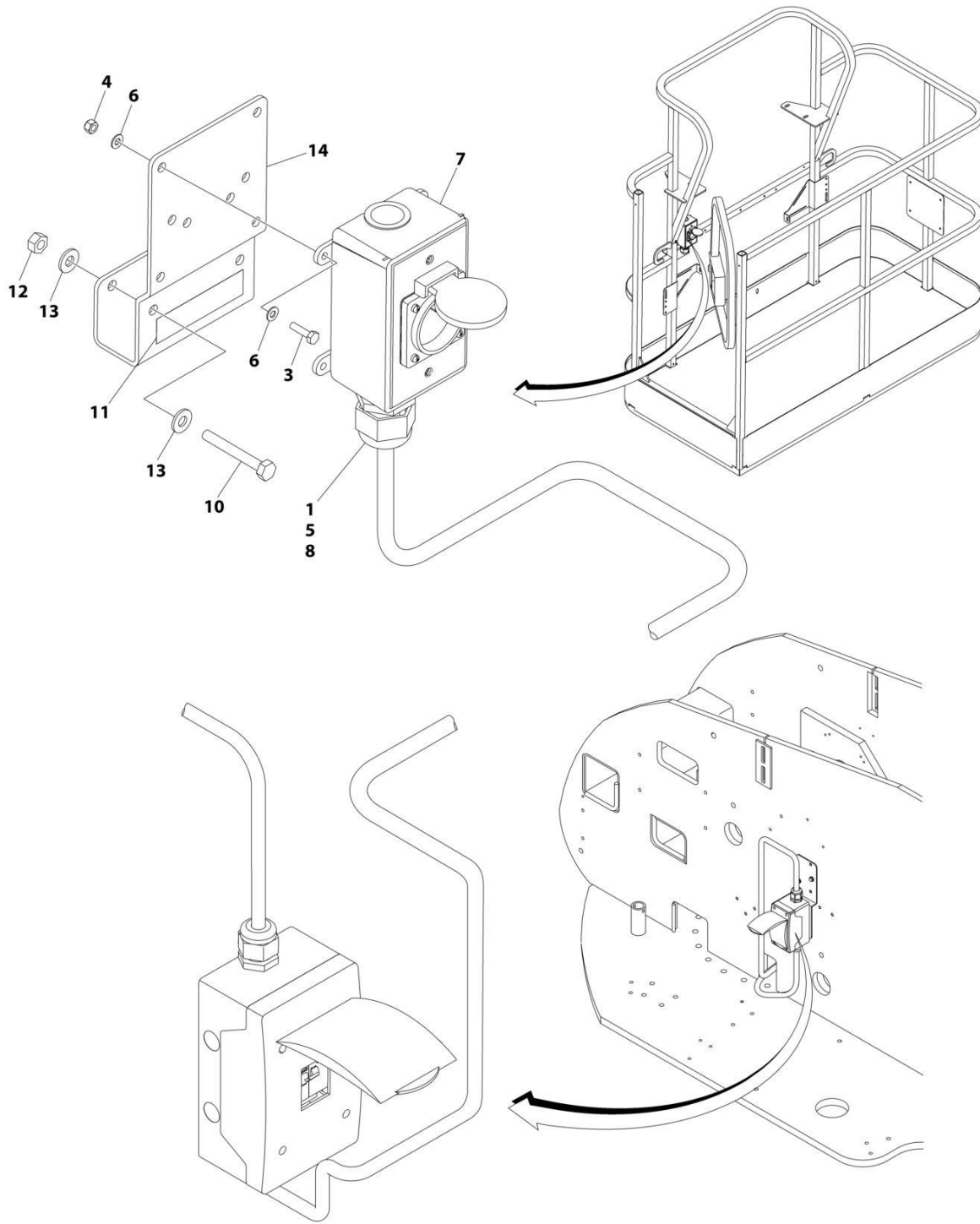
SECTION 8 - ELECTRICAL

FIGURE 8-14. AC BOX AT PLATFORM INSTALLATION - 220V CEE7 SIDE GROUND (CE & UK CA SPECS) (MACHINES WITH 2500W GENERATOR OR NO GENERATOR OPTION)

ITEM	PART NUMBER	QTY	DESCRIPTION	REV
	1001091974	Ref	AC BOX AT PLATFORM INSTALLATION - 220V CEE7 2X4 BOX SIDE GROUND	F
1	0100020	AR	Sealant, Pipe	
2	0275453	1	Receptacle Box Kit (See Separate Breakdown in this Section)	
3	0700408	4	Bolt M4 x 16	
4	3290405	4	Nut M4	
5	1001101197	1	Adapter	
6	4811400	8	Washer M4	
7	1001101191	1	Connector, Strain Relief	
8	0641416	2	Bolt 1/4 x 2	
9	3311405	2	Nut 1/4	
10	4711400	4	Washer 1/4	
11	1001193018	1	Bracket	
12	3251242	2	Decal - 240V/50Hz	
13	4460806	2	Terminal, Fork (Not Shown)	
14	1001205958	1	Terminal (Not Shown)	

SECTION 8 - ELECTRICAL

FIGURE 8-15. AC BOX AT PLATFORM INSTALLATION - 220V CEE7 SIDE GROUND (2X4 BOX) WITH 2500W GENERATOR (CE & UK CA SPECS)



ART_1001100333

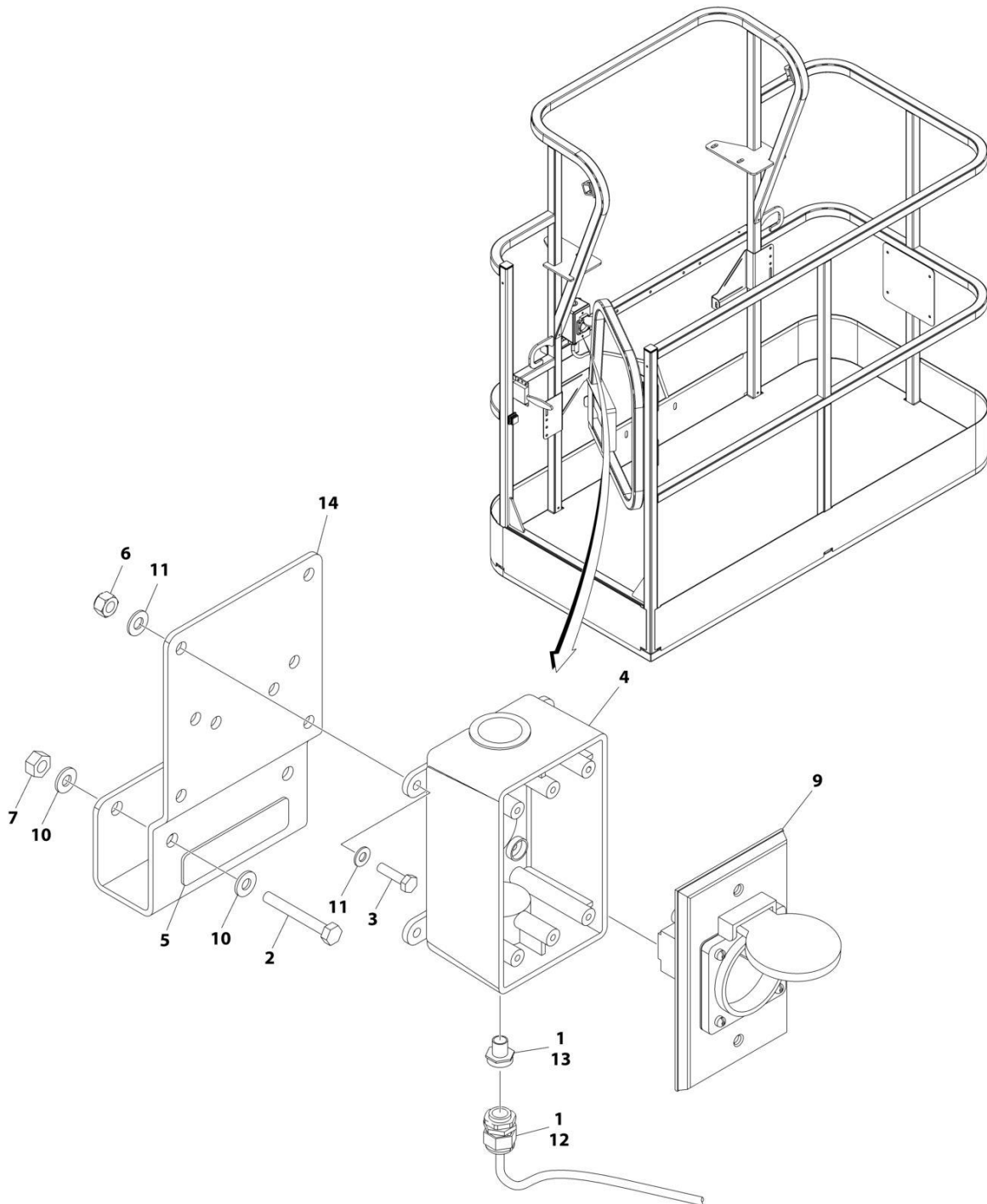
SECTION 8 - ELECTRICAL

FIGURE 8-15. AC BOX AT PLATFORM INSTALLATION - 220V CEE7 SIDE GROUND (2X4 BOX) WITH 2500W GENERATOR (CE & UK CA SPECS)

ITEM	PART NUMBER	QTY	DESCRIPTION	REV
	1001100333	Ref	AC BOX AT PLATFORM INSTALLATION - 220V CEE7 SIDE GROUND (2X4 BOX)	E
1	0100020	AR	Sealant, Pipe	
3	0700408	4	Bolt M4 x 16	
4	3290405	4	Nut M4	
5	1001101197	1	Adapter	
6	4811400	8	Washer M4	
7	1001100347	1	Receptacle Box Kit (See Separate Breakdown in this Section)	
8	1001101191	1	Connector, Strain Relief	
9	1060908	10 ft /3.05m	Cable, Electrical 12/3 (Not Shown)	
10	0641416	2	Bolt 1/4 x 2	
11	3252507	1	Decal - 220V	
12	3311405	2	Nut 1/4	
13	4711400	4	Washer 1/4	
14	1001193018	1	Bracket	
15	4460806	2	Terminal, Fork (Not Shown)	
16	1001205958	1	Terminal (Not Shown)	

SECTION 8 - ELECTRICAL

FIGURE 8-16. AC BOX AT PLATFORM INSTALLATION - 220V CEE7 SIDE GROUND (CE & UK CA SPECS) (MACHINES WITH 4000W GENERATOR)



ART_1001206251

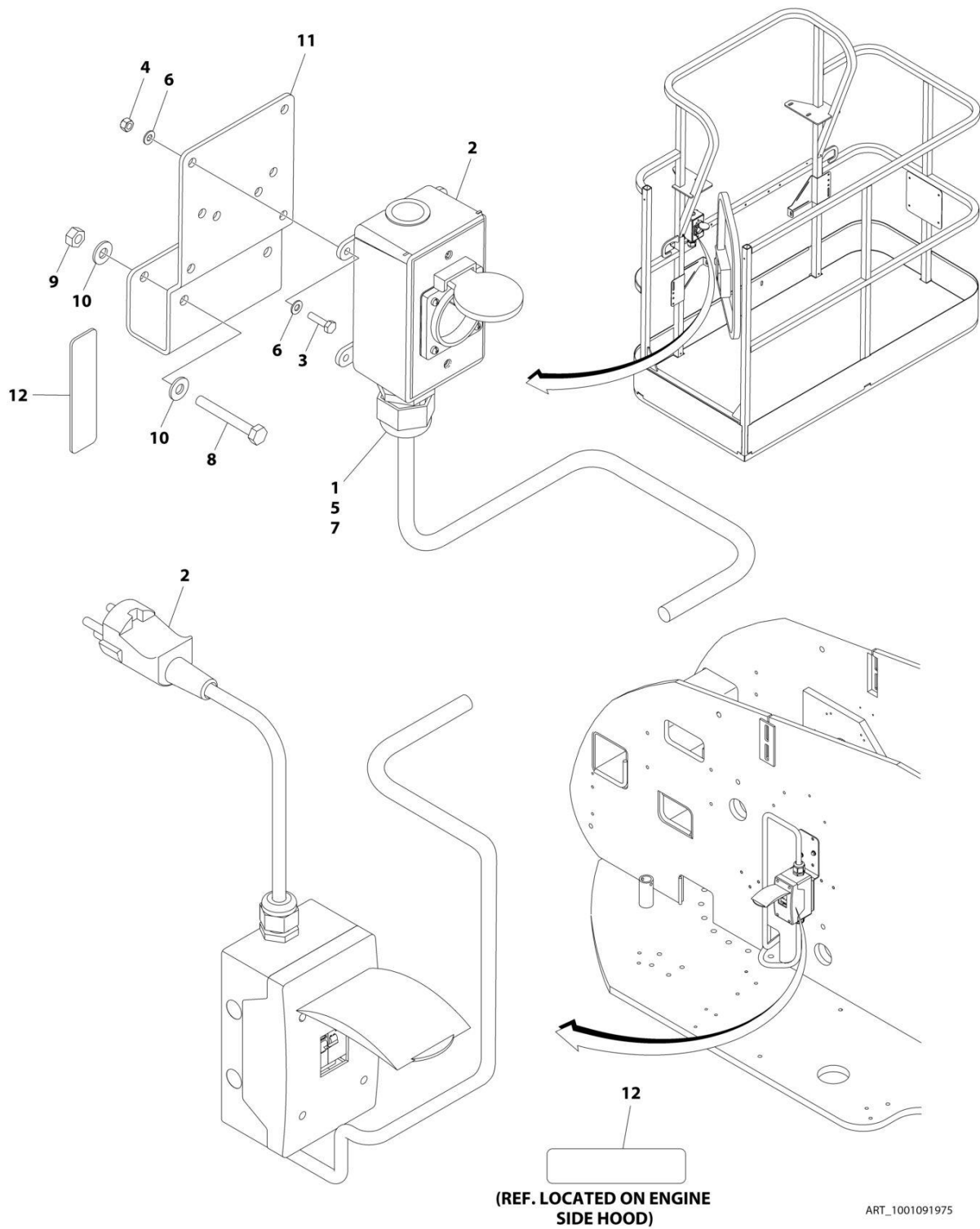
SECTION 8 - ELECTRICAL

FIGURE 8-16. AC BOX AT PLATFORM INSTALLATION - 220V CEE7 SIDE GROUND (CE & UK CA SPECS) (MACHINES WITH 4000W GENERATOR)

ITEM	PART NUMBER	QTY	DESCRIPTION	REV
	1001206251	Ref	AC BOX AT PLATFORM INSTALLATION - 220V CEE7 2X4 BOX SIDE GROUND	A
1	0100020	AR	Sealant, Pipe	
2	0641416	2	Bolt 1/4 x 2	
3	0700408	4	Bolt M4 x 16	
4	0861731	1	Box, Switch	
5	3251242	1	Decal - 240V/50Hz	
6	3290405	4	Nut M4	
7	3311405	2	Nut 1/4	
8	4460806	2	Terminal, Fork (Not Shown)	
9	4461245	1	Receptacle	
10	4711400	4	Washer 1/4	
11	4811400	8	Washer M4	
12	1001101191	1	Connector, Strain Relief	
13	1001101197	1	Adapter	
14	1001193018	1	Bracket, AC Receptacle	
15	1001205958	1	Terminal (Not Shown)	

SECTION 8 - ELECTRICAL

FIGURE 8-17. AC BOX AT PLATFORM INSTALLATION - 220V AFSINT 107 KEYED GROUND (CE & UK CA SPECS) (MACHINES WITH 2500W GENERATOR OR NO GENERATOR OPTION)



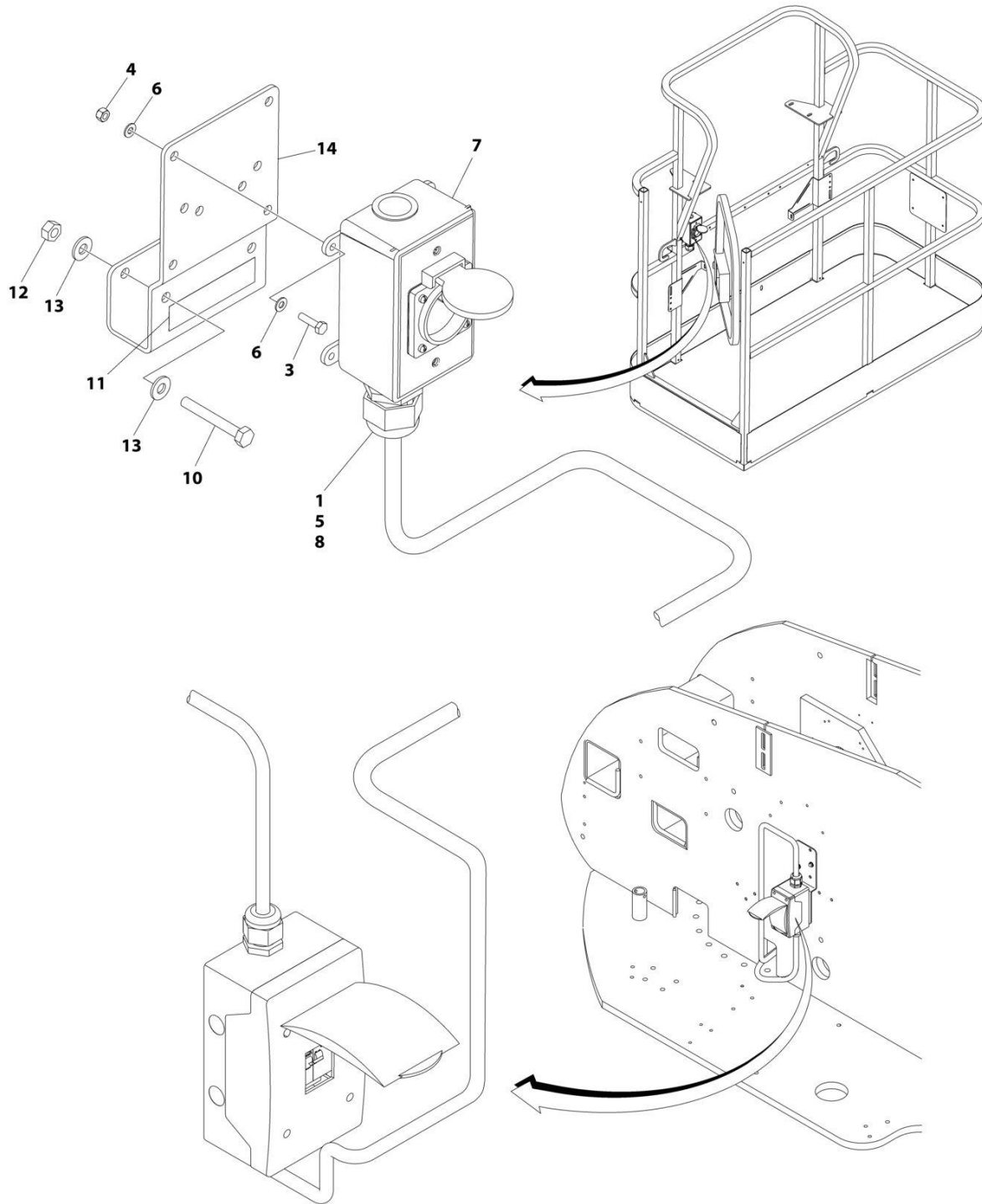
SECTION 8 - ELECTRICAL

FIGURE 8-17. AC BOX AT PLATFORM INSTALLATION - 220V AFSINT 107 KEYED GROUND (CE & UK CA SPECS) (MACHINES WITH 2500W GENERATOR OR NO GENERATOR OPTION)

ITEM	PART NUMBER	QTY	DESCRIPTION	REV
	1001091975	Ref	AC BOX AT PLATFORM INSTALLATION - 220V AFSINT 107 2X4 BOX KEYED GROUND	F
1	0100020	AR	Sealant, Pipe	
2	0275454	1	Receptacle Box Kit (See Separate Breakdown in this Section)	
3	0700408	4	Bolt M4 x 16	
4	3290405	4	Nut M4	
5	1001101197	1	Adapter	
6	4811400	8	Washer M4	
7	1001101191	1	Connector, Strain Relief	
8	0641416	2	Bolt 1/4 x 2	
9	3311405	2	Nut 1/4	
10	4711400	4	Washer 1/4	
11	1001193018	1	Bracket	
12	3251242	2	Decal - 240V/50Hz	
13	1001205958	3	Terminal (Not Shown)	

SECTION 8 - ELECTRICAL

FIGURE 8-18. AC BOX AT PLATFORM INSTALLATION - 220V AFSINT 107 KEYED GROUND (2X4 BOX) WITH 2500W GENERATOR (CE & UK CA SPECS)



ART_1001100337

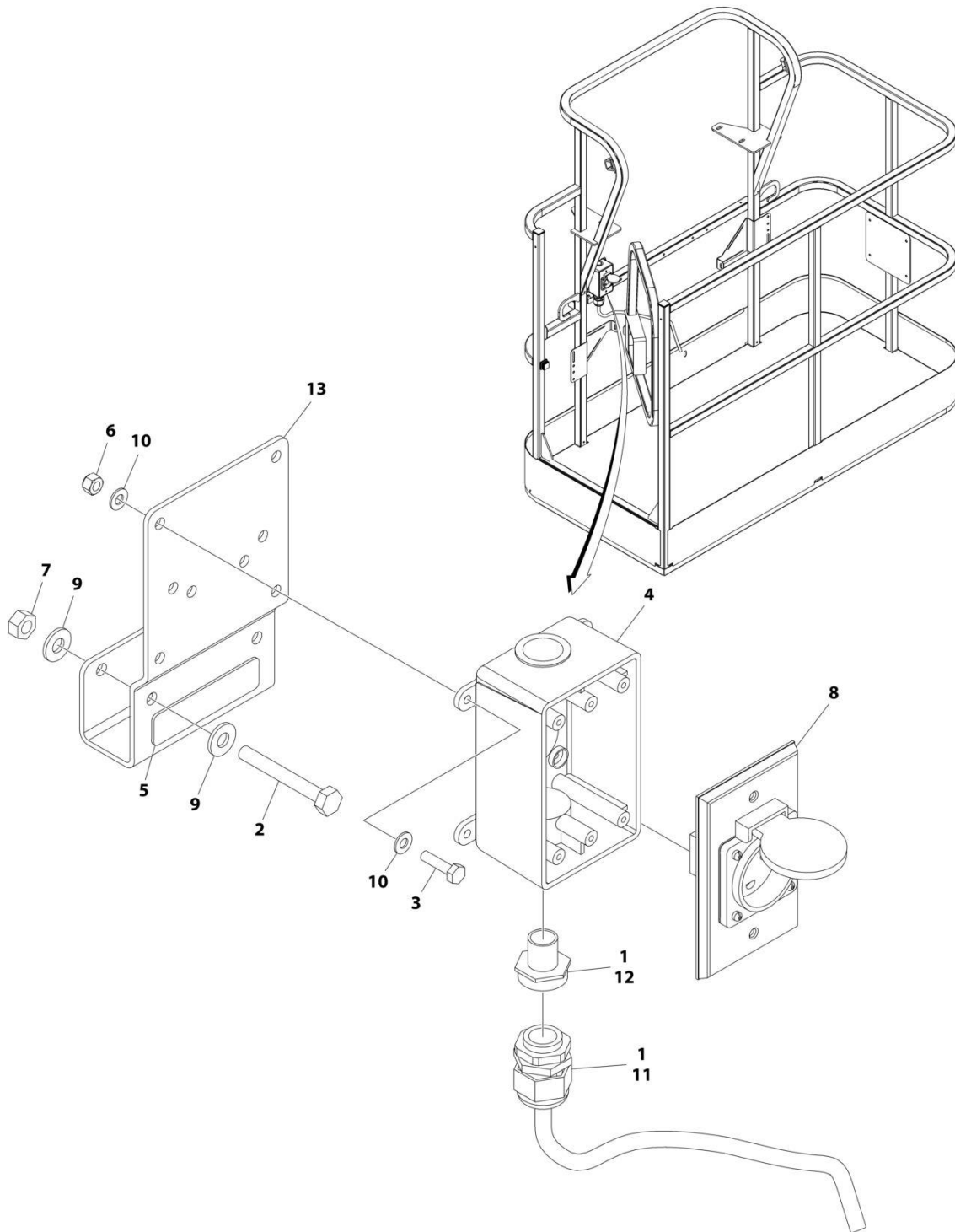
SECTION 8 - ELECTRICAL

FIGURE 8-18. AC BOX AT PLATFORM INSTALLATION - 220V AFSINT 107 KEYED GROUND (2X4 BOX) WITH 2500W GENERATOR (CE & UK CA SPECS)

ITEM	PART NUMBER	QTY	DESCRIPTION	REV
	1001100337	Ref	AC BOX AT PLATFORM INSTALLATION - 220V AFSINT 107 2X4 BOX KEYED GROUND (2X4 BOX)	E
1	0100020	AR	Sealant, Pipe	
3	0700408	4	Bolt M4 x 16	
4	3290405	4	Nut M4	
5	1001101197	1	Adapter	
6	4811400	8	Washer M4	
7	1001100346	1	Receptacle Box Kit (See Separate Breakdown in this Section)	
8	1001101191	1	Connector, Strain Relief	
9	1060908	10 ft /3.05m	Cable, Electrical 12/3 (Not Shown)	
10	0641416	2	Bolt 1/4 x 2	
11	3252507	1	Decal - 220V	
12	3311405	2	Nut 1/4	
13	4711400	4	Washer 1/4	
14	1001193018	1	Bracket	
15	1001205958	3	Terminal (Not Shown)	

SECTION 8 - ELECTRICAL

FIGURE 8-19. AC BOX AT PLATFORM INSTALLATION - 220V AFSINT 107 KEYED GROUND (CE & UK CA SPECS) (MACHINES WITH 4000W GENERATOR)



ART_1001206252

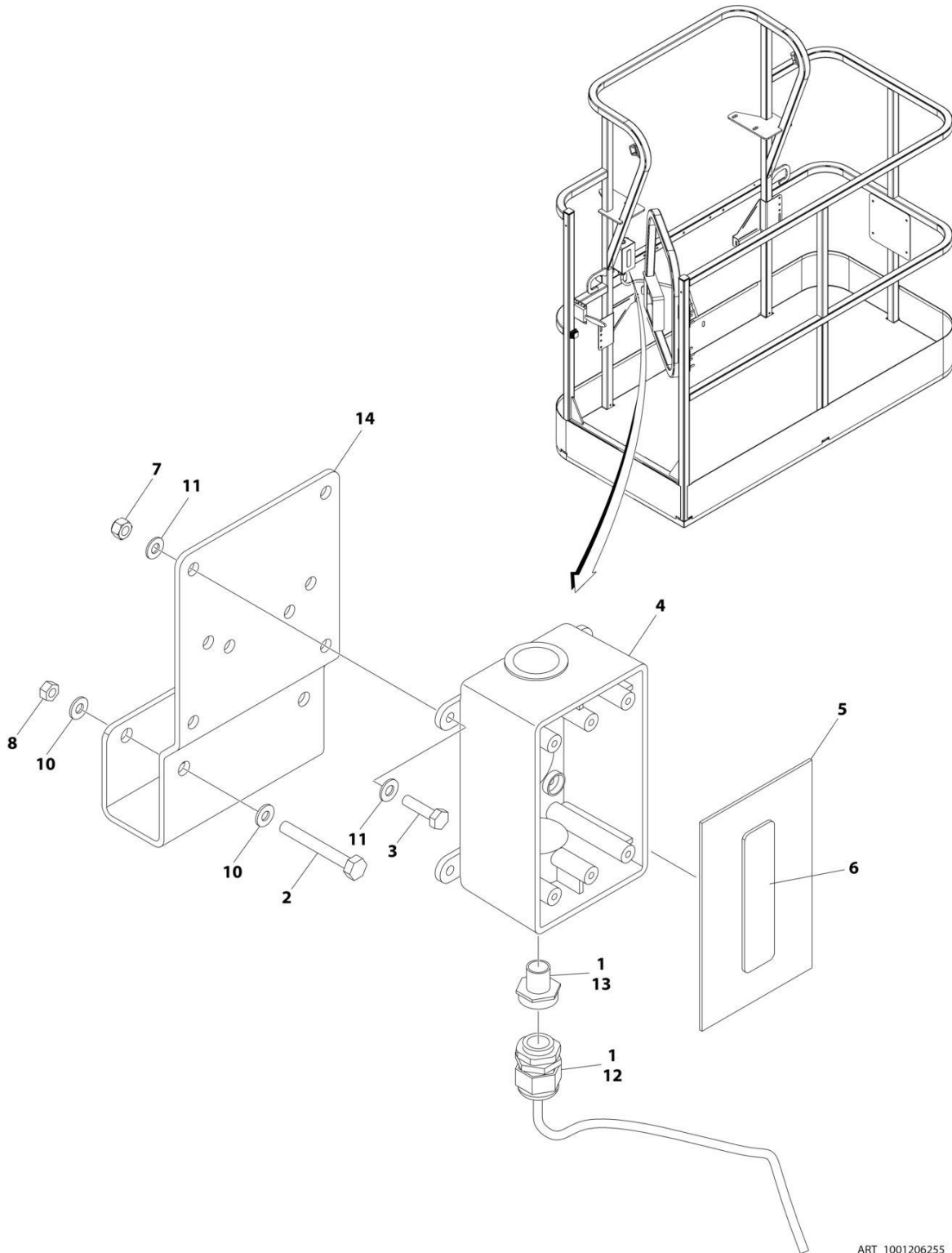
SECTION 8 - ELECTRICAL

FIGURE 8-19. AC BOX AT PLATFORM INSTALLATION - 220V AFSINT 107 KEYED GROUND (CE & UK CA SPECS) (MACHINES WITH 4000W GENERATOR)

ITEM	PART NUMBER	QTY	DESCRIPTION	REV
	1001206252	Ref	AC BOX AT PLATFORM INSTALLATION - 220V AFSINT 107 2x4 BOX KEYED GROUND	A
1	0100020	AR	Sealant, Pipe	
2	0641416	2	Bolt 1/4 x 2	
3	0700408	4	Bolt M4 x 16	
4	0861731	1	Box, Switch	
5	3251242	1	Decal - 240V/50Hz	
6	3290405	4	Nut M4	
7	3311405	2	Nut 1/4	
8	4461246	1	Receptacle	
9	4711400	4	Washer 1/4	
10	4811400	8	Washer M4	
11	1001101191	1	Connector, Strain Relief	
12	1001101197	1	Adapter	
13	1001193018	1	Bracket, AC Receptacle	
14	1001205958	3	Terminal (Not Shown)	

SECTION 8 - ELECTRICAL

FIGURE 8-20. AC BOX AT PLATFORM INSTALLATION - 220V (2X4 BOX & COVER ONLY - LOCALLY SUPPLIED RECEPTACLE) (4000W GENERATOR)



ART_1001206255

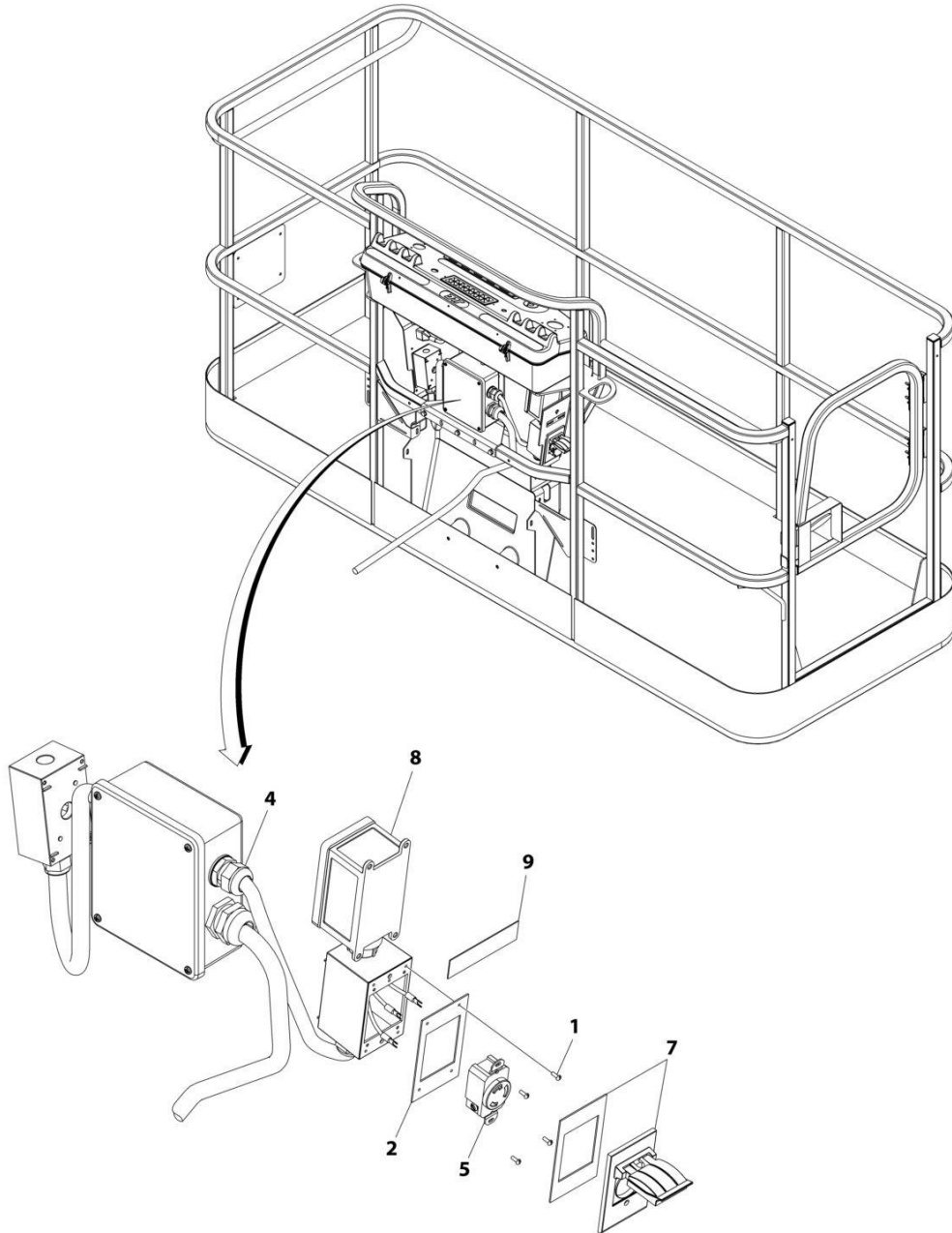
SECTION 8 - ELECTRICAL

FIGURE 8-20. AC BOX AT PLATFORM INSTALLATION - 220V (2X4 BOX & COVER ONLY - LOCALLY SUPPLIED RECEPTACLE) (4000W GENERATOR)

ITEM	PART NUMBER	QTY	DESCRIPTION	REV
	1001206255	Ref	AC BOX AT PLATFORM INSTALLATION - BOX WITH COVER (2X4 BOX) WITH 4000W GENERATOR	A
1	0100020	AR	Sealant, Pipe	
2	0641416	2	Bolt 1/4 x 2	
3	0700408	4	Bolt M4 x 16	
4	0861731	1	Box, Switch	
5	1670603	1	Cover	
6	3251242	1	Decal - 240V-50Hz	
7	3290405	4	Nut M4	
8	3311405	2	Nut 1/4	
10	4711400	4	Washer 1/4	
11	4811400	8	Washer M4	
12	1001101191	1	Connector, Strain Relief	
13	1001101197	1	Adapter	
14	1001193018	1	Bracket, AC Receptacle	

SECTION 8 - ELECTRICAL

FIGURE 8-21. AC BOX AT PLATFORM INSTALLATION - 240V GFCI RECEPTACLE (ANSI, ANSI EXPORT AND CSA SPECS WITH 4000W SKYPOWER GENERATOR)



ART_1001171131

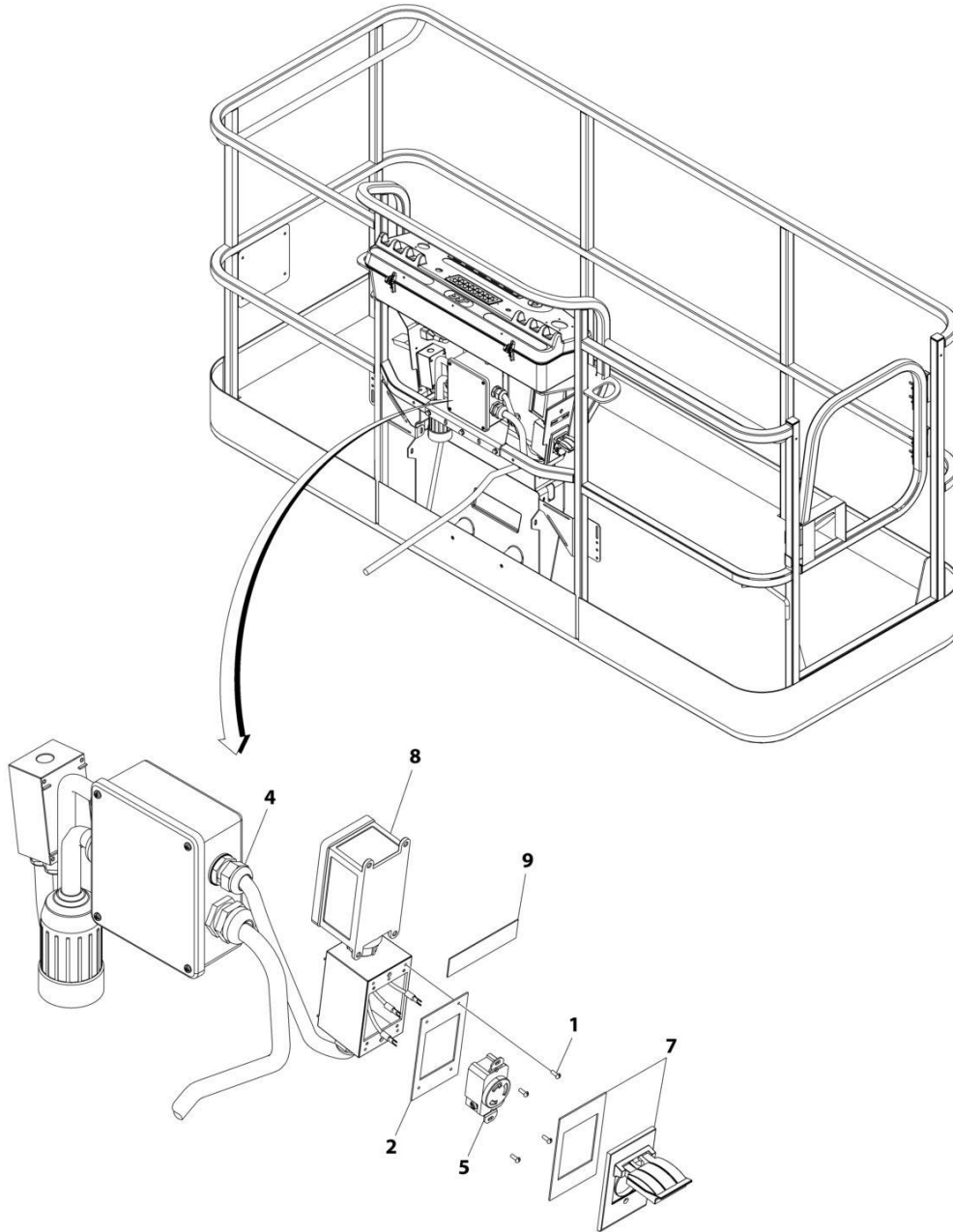
SECTION 8 - ELECTRICAL

FIGURE 8-21. AC BOX AT PLATFORM INSTALLATION - 240V GFCI RECEPTACLE (ANSI, ANSI EXPORT AND CSA SPECS WITH 4000W SKYPOWER GENERATOR)

ITEM	PART NUMBER	QTY	DESCRIPTION	REV
	1001171131	Ref	AC BOX AT PLATFORM INSTALLATION - 240V RECEPTACLE	B
1	3910606	4	Screw 6 x 3/8	
2	3960422	1	Gasket	
3	4240018	AR	Tie-Strap (Not Shown)	
4	4460425	1	Connector, Strain Relief	
5	1001176862	1	Receptacle	
7	1001110872	1	Cover, Receptacle	
8	1001159120	1	Receptacle/Breaker Box Assembly	
8	1001148675	1	Box, Receptacle	
8	1001159118	1	Breaker GFCI 30Amp 240VAC	
8	4460612	1	Connector, Strain Relief	
8	1001159119	1	Connector (Between Boxes)	
9	1705374	1	Decal - 240V/60Hz	

SECTION 8 - ELECTRICAL

FIGURE 8-22. AC BOX AT PLATFORM INSTALLATION - 240V GFCI RECEPTACLE (ANSI AND CSA SPECS WITH 7500W SKYPOWER GENERATOR)



ART_1001159121

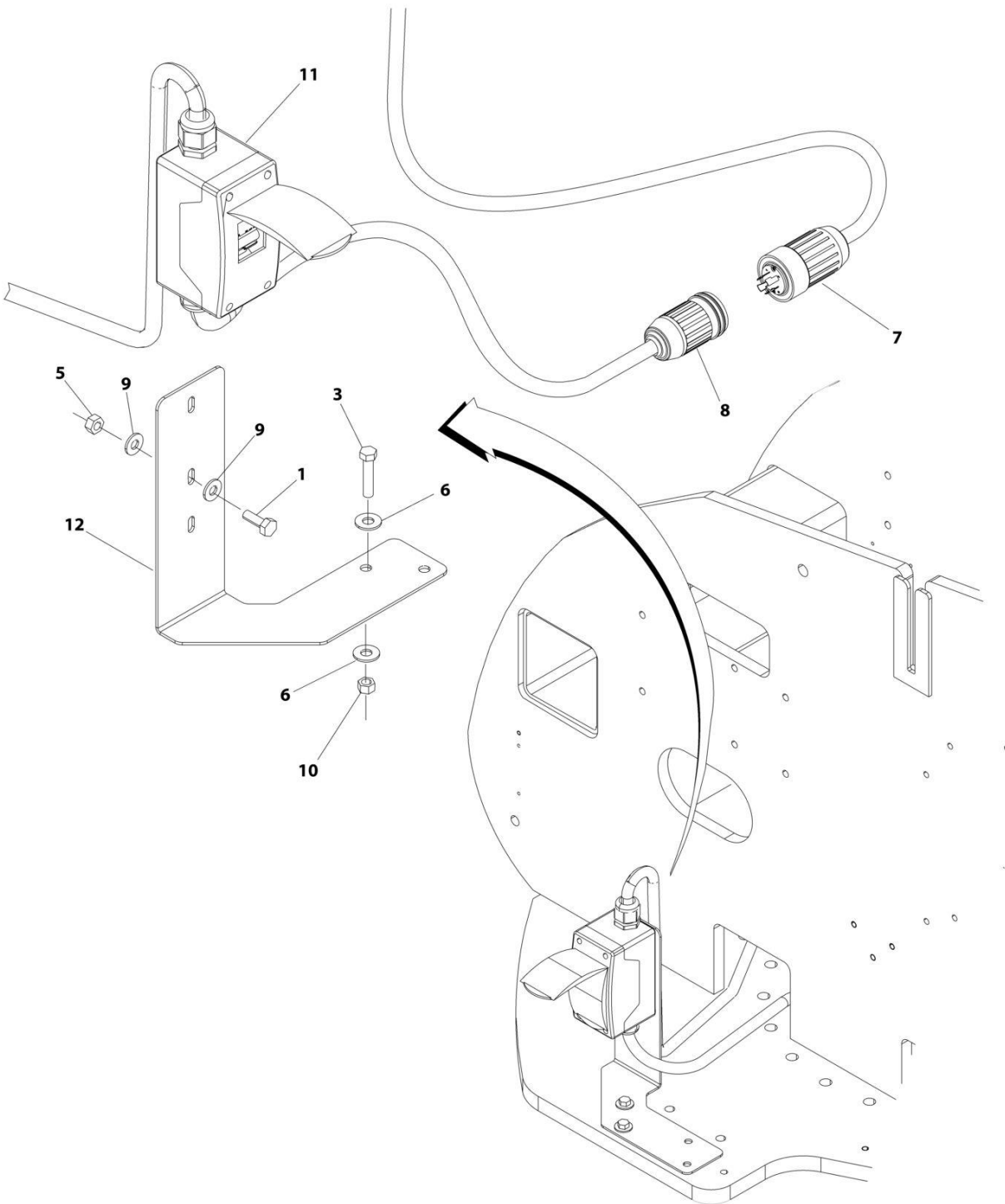
SECTION 8 - ELECTRICAL

FIGURE 8-22. AC BOX AT PLATFORM INSTALLATION - 240V GFCI RECEPTACLE (ANSI AND CSA SPECS WITH 7500W SKYPOWER GENERATOR)

ITEM	PART NUMBER	QTY	DESCRIPTION	REV
	1001159121	Ref	AC BOX AT PLATFORM INSTALLATION - 240V RECEPTACLE	B
1	3910606	4	Screw 6 x 3/8	
2	3960422	1	Gasket	
3	4240018	AR	Tie-Strap (Not Shown)	
4	4460425	1	Connector, Strain Relief	
5	4460958	1	Receptacle	
7	1001110872	1	Cover, Receptacle	
8	1001159120	1	Receptacle/Breaker Box Assembly	
8	1001148675	1	Box, Receptacle	
8	1001159118	1	Breaker Box Assembly	
8	4460612	1	Connector, Strain Relief	
8	1001159119	1	Connector (Between Boxes)	
9	1705374	1	Decal - 240V/60Hz	

SECTION 8 - ELECTRICAL

FIGURE 8-23. AC CABLE WITH 16 AMP BREAKER INSTALLATION (WITHOUT 7500W SKYPOWER GENERATOR) (CE & UK CA SPECS)



ART_1001177711

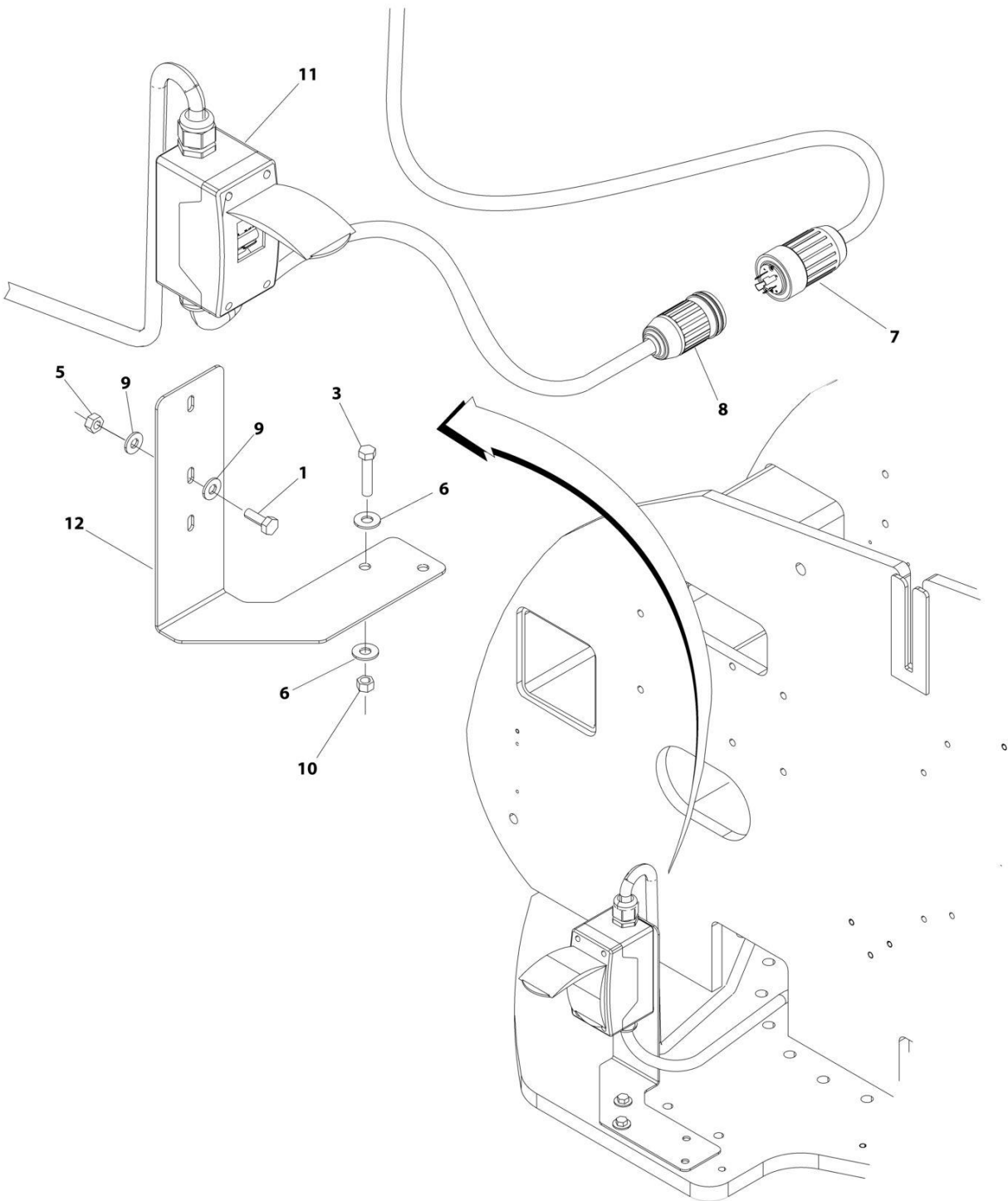
SECTION 8 - ELECTRICAL

FIGURE 8-23. AC CABLE WITH 16 AMP BREAKER INSTALLATION (WITHOUT 7500W SKYPOWER GENERATOR) (CE & UK CA SPECS)

ITEM	PART NUMBER	QTY	DESCRIPTION	REV
	1001177711	Ref	AC CABLE WITH 16 AMP BREAKER INSTALLATION	C
1	0641406	2	Bolt 1/4 x 3/4	
3	0641614	2	Bolt 3/8 x 1-3/4	
5	3311405	2	Nut 1/4	
6	3311605	2	Nut 3/8	
7	1001213584	1	Plug, Male	
8	1001213585	1	Receptacle, Female	
9	4711400	2	Washer 1/4	
10	4751600	2	Washer 3/8	
11	1001109654	1	Breaker Box Kit - With 2 Breakers (See Separate Breakdown in this Section)	
12	1001177910	1	Bracket	

SECTION 8 - ELECTRICAL

FIGURE 8-24. AC CABLE WITH 10 AMP BREAKER INSTALLATION (WITHOUT 7500W SKYPOWER GENERATOR) (CE & UK CA SPECS)



ART_1001177712

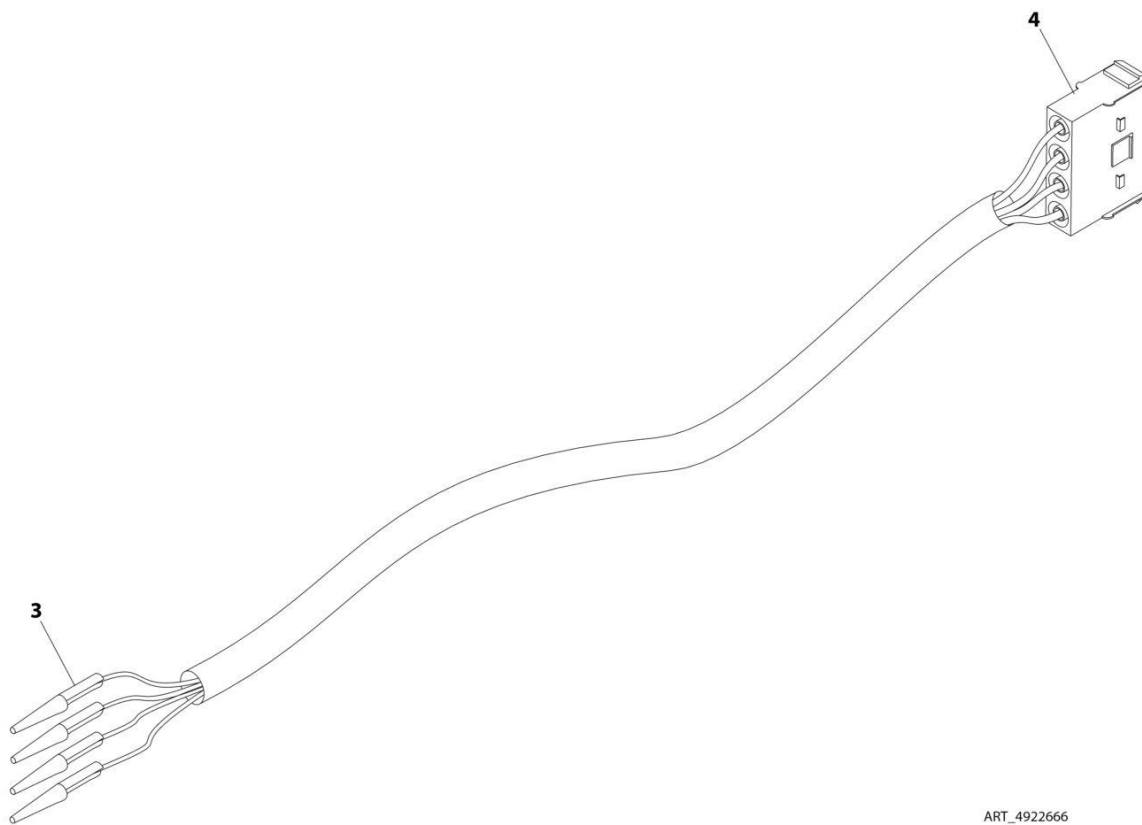
SECTION 8 - ELECTRICAL

FIGURE 8-24. AC CABLE WITH 10 AMP BREAKER INSTALLATION (WITHOUT 7500W SKYPOWER GENERATOR) (CE & UK CA SPECS)

ITEM	PART NUMBER	QTY	DESCRIPTION	REV
	1001177712	Ref	AC CABLE WITH 10 AMP BREAKER INSTALLATION	C
1	0641406	2	Bolt 1/4 x 3/4	
3	0641614	2	Bolt 3/8 x 1-3/4	
5	3311405	2	Nut 1/4	
6	3311605	2	Nut 3/8	
7	1001213584	1	Plug, Male	
8	1001213585	1	Receptacle, Female	
9	4711400	4	Washer 1/4	
10	4751600	4	Washer 3/8	
11	1001109648	1	Breaker Box Kit - With 2 Breakers (See Separate Breakdown in this Section)	
12	1001177910	1	Bracket	

SECTION 8 - ELECTRICAL

FIGURE 8-25. ANALYZER CABLE HARNESS



ART_4922666

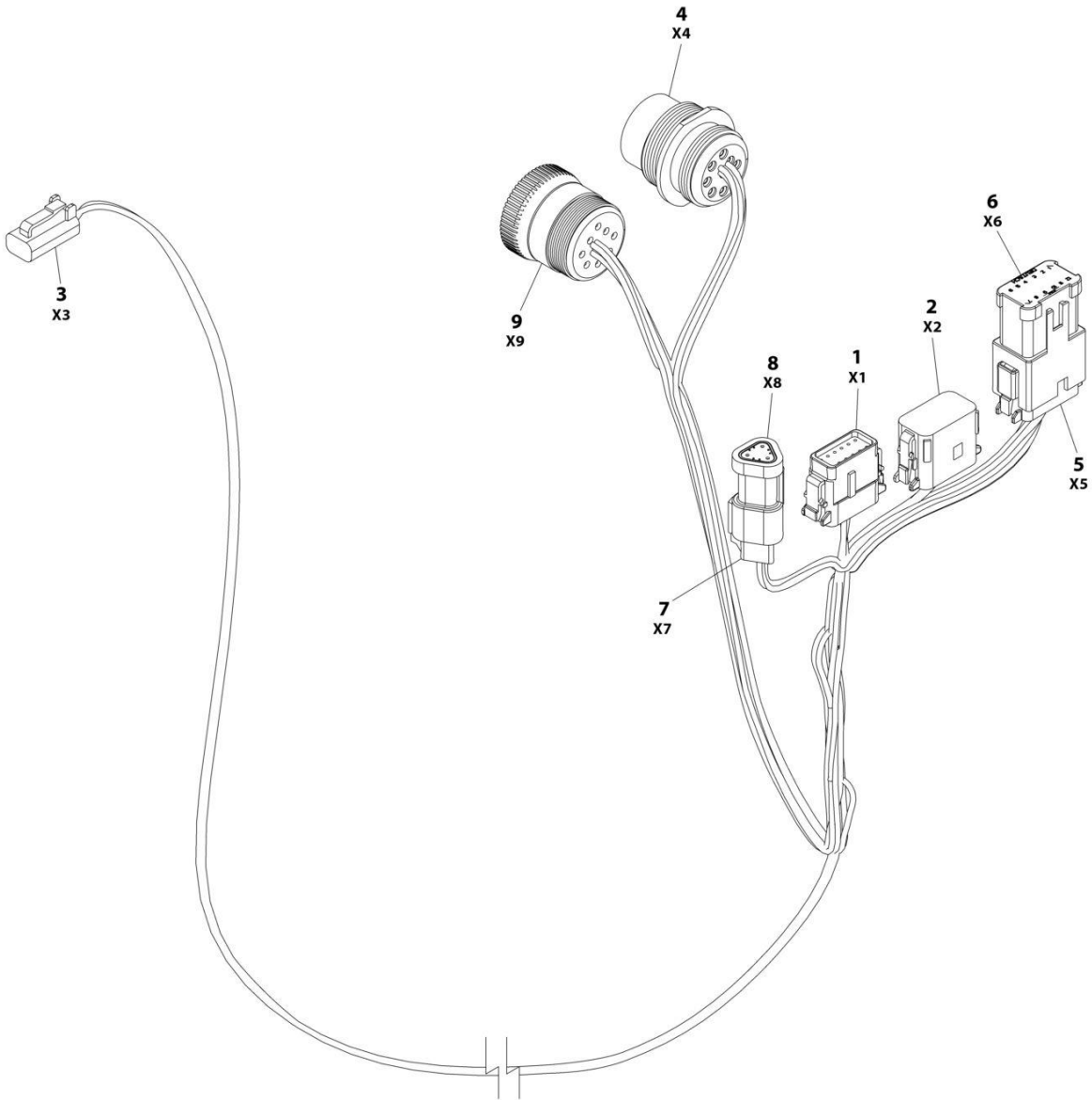
SECTION 8 - ELECTRICAL

FIGURE 8-25. ANALYZER CABLE HARNESS

ITEM	PART NUMBER	QTY	DESCRIPTION	REV
	4922666	Ref	ANALYZER CABLE HARNESS	C
3	4460226	4	Socket, Female	
4	4460761	1	Connector - 4 Position	
4	4460227	4	Pin, Male	

SECTION 8 - ELECTRICAL

FIGURE 8-26. BEACON CONTROL HARNESS (BLUE AND RED STROBE LIGHTS)



ART_1001142736

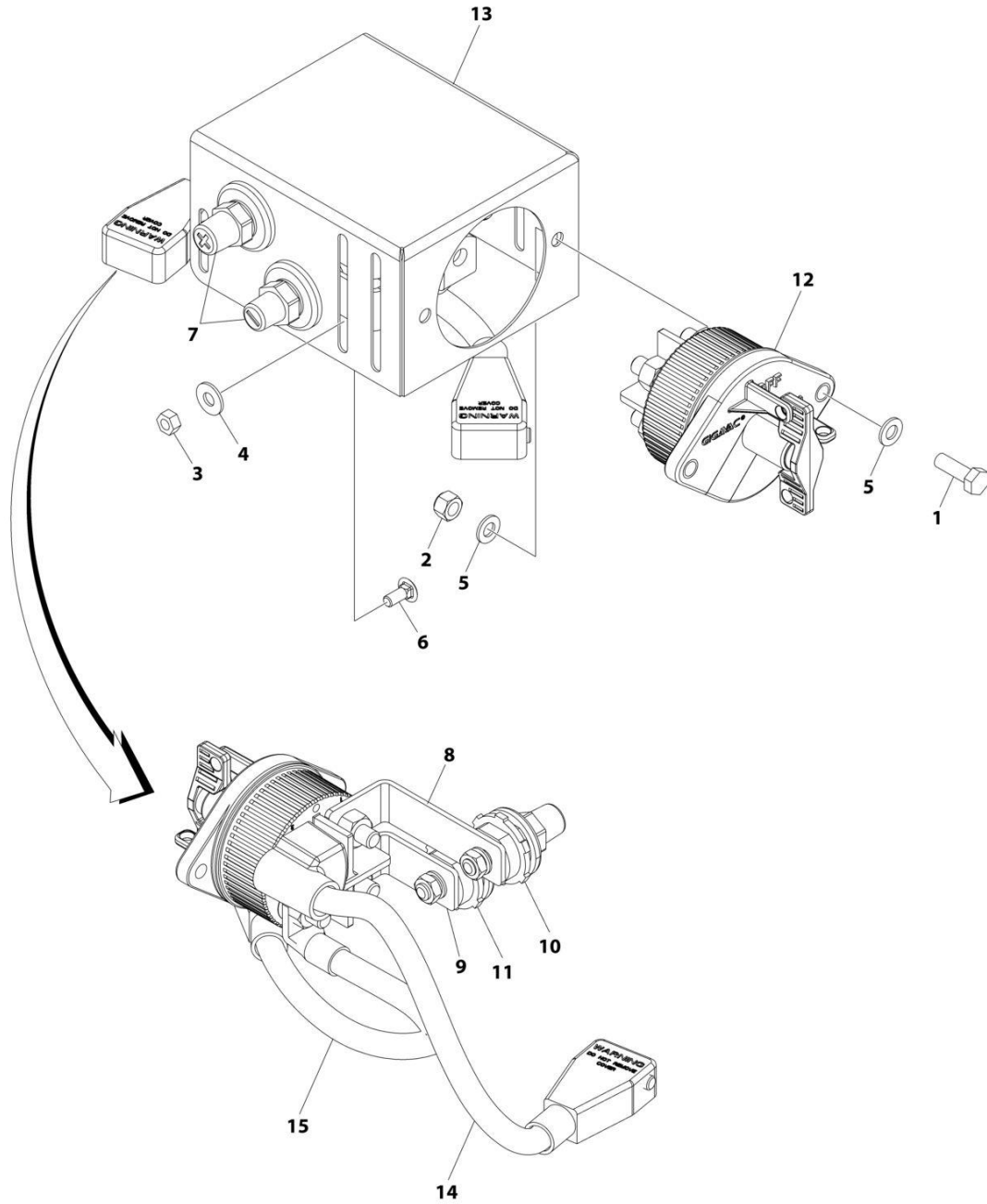
SECTION 8 - ELECTRICAL

FIGURE 8-26. BEACON CONTROL HARNESS (BLUE AND RED STROBE LIGHTS)

ITEM	PART NUMBER	QTY	DESCRIPTION	REV
	1001142736	Ref	STROBE LIGHT HARNESS	F
1	1001116808	1	Plug, Male - 12 Position	
1	4460928	3	Socket, Female	
1	4460518	9	Plug, Terminal	
2	1001116774	1	Plug, Male - 12 Position	
2	4460928	3	Socket, Female	
2	4460518	9	Plug, Terminal	
3	4460891	1	Plug, Male - 2 Position	
3	4460465	2	Socket, Female	
4	1001112612	1	Connector - 9 Position	
4	4460464	6	Pin, Male	
4	4460466	3	Plug, Terminal	
5	4460933	1	Plug, Male - 12 Position	
5	4460465	12	Socket, Female	
6	1001119020	1	Bussbar - 12 Position	
7	4461095	1	Plug, Male - 3 Position	
7	4460465	3	Socket, Female	
8	4461070	1	Bussbar - 3 Position	
9	1001112796	1	Connector - 9 Position	
9	4460465	6	Socket, Female	
9	4460466	3	Plug, Terminal	

SECTION 8 - ELECTRICAL

FIGURE 8-27. BATTERY DISCONNECT SWITCH INSTALLATION



ART_1001236304

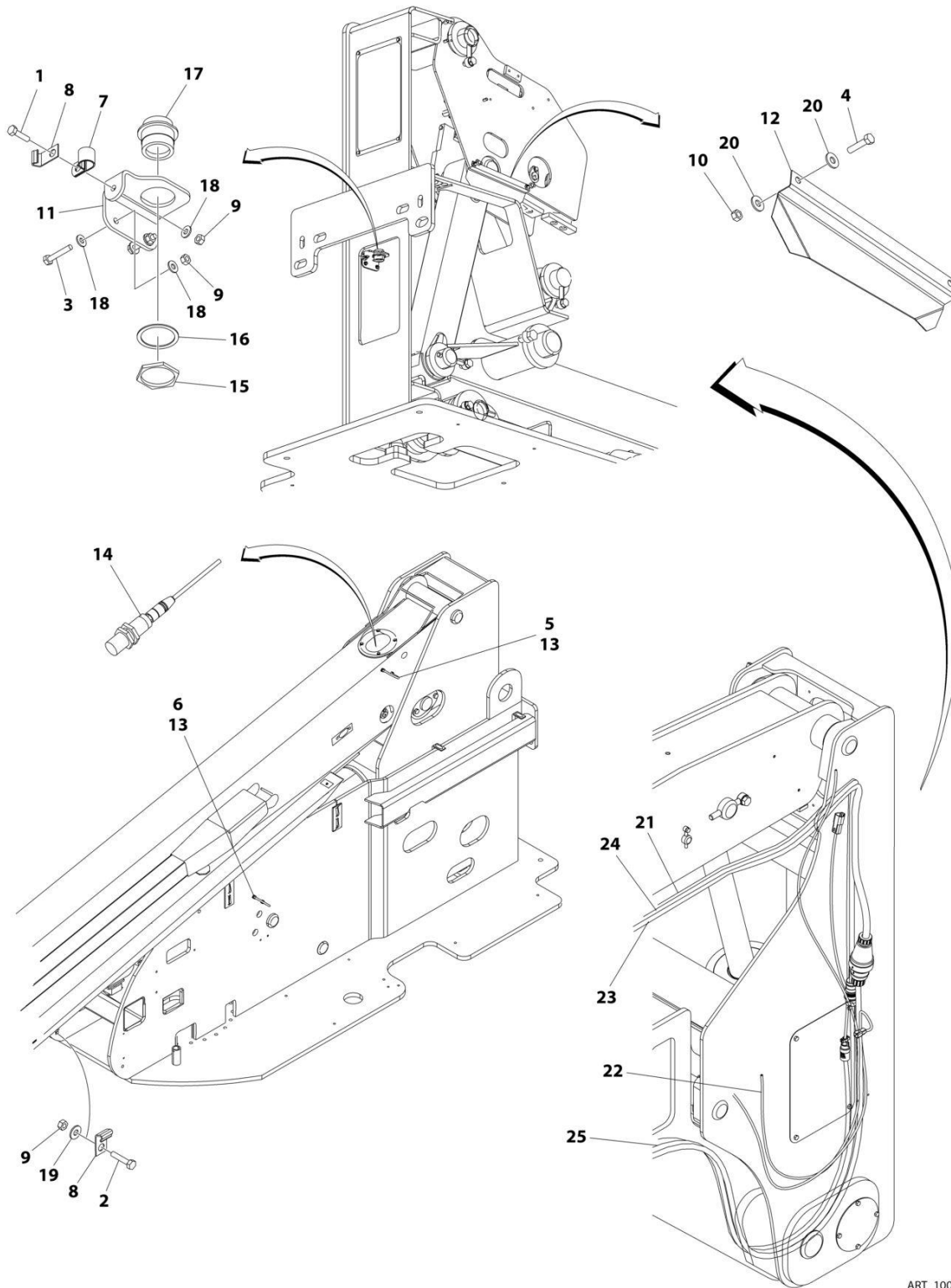
SECTION 8 - ELECTRICAL

FIGURE 8-27. BATTERY DISCONNECT SWITCH INSTALLATION

ITEM	PART NUMBER	QTY	DESCRIPTION	REV
	1001236304	Ref	BATTERY DISCONNECT SWITCH INSTALLATION	A
1	0760812	2	Bolt M8 x 25	
2	3290805	2	Nut M8	
3	3311405	3	Nut 1/4	
4	4751400	3	Washer 1/4	
5	4811900	4	Washer M8	
6	88411013	3	Bolt 1/4 x 3/4	
7	1001206476	1	Connectors, Post	
8	1001209432	1	Bussbar	
9	1001209474	1	Bussbar	
10	1001214570	1	Connector (Red)	
11	1001214571	1	Connector (Black)	
12	1001225346	1	Switch, Battery	
13	1001226531	1	Mount	
14	1001236504	1	Cable, Battery (+)	
15	1001236505	1	Cable, Battery (-)	

SECTION 8 - ELECTRICAL

FIGURE 8-28. BOOM CABLES INSTALLATION - WITHOUT ARCTIC PACKAGE (ALL SPECS) (800S)



ART_1001256190

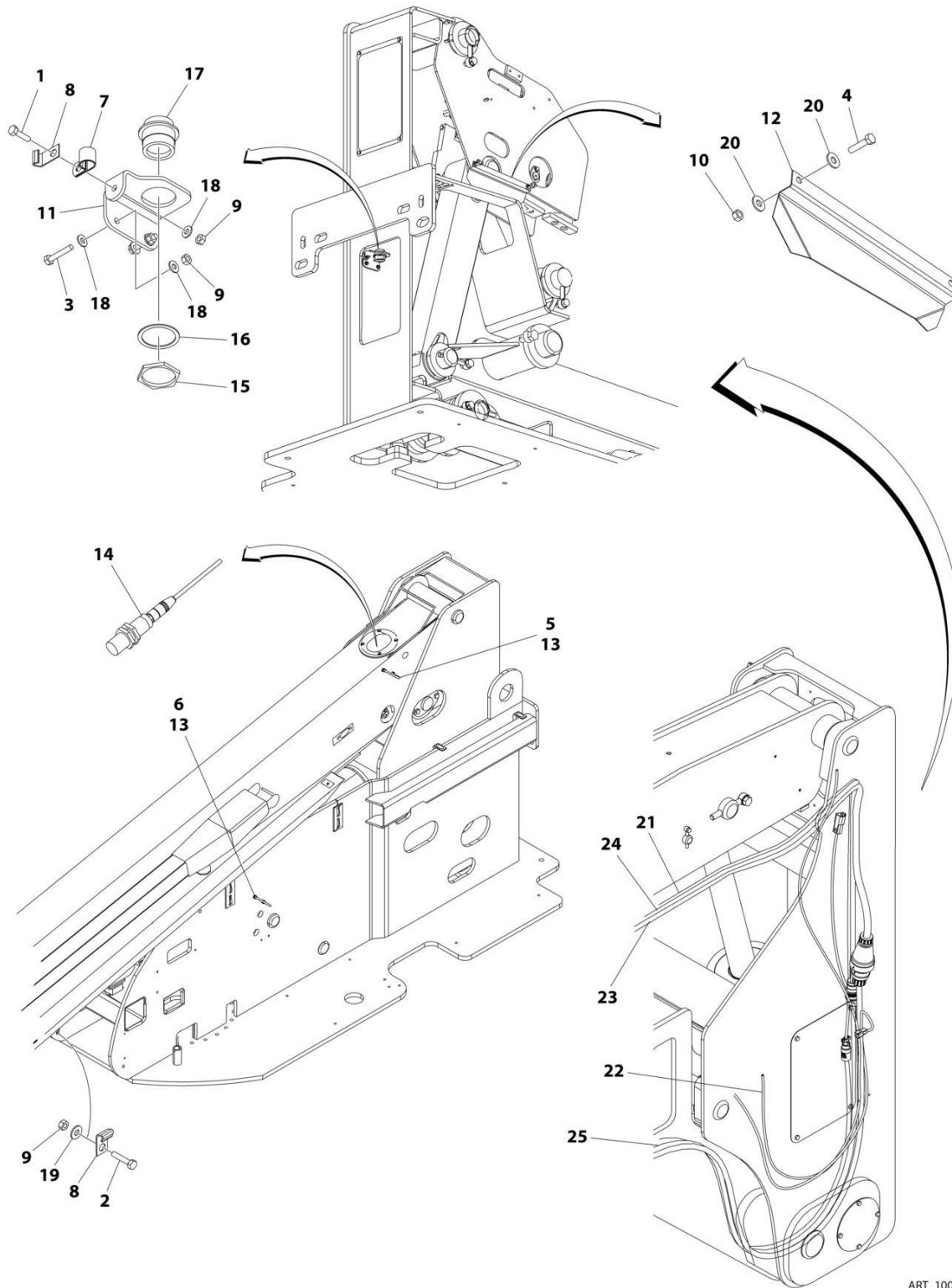
SECTION 8 - ELECTRICAL

FIGURE 8-28. BOOM CABLES INSTALLATION - WITHOUT ARCTIC PACKAGE (ALL SPECS) (800S)

ITEM	PART NUMBER	QTY	DESCRIPTION	REV
	1001256190	Ref	BOOM CABLES INSTALLATION	B
1	0641408	1	Bolt 1/4 x 1	
2	0641410	1	Bolt 1/4 x 1-1/4	
3	0641412	2	Bolt 1/4 x 1-1/2	
4	0641511	2	Bolt 5/16 x 1-3/8	
5	0641604	2	Bolt 3/8 x 1/2	
6	0641607	2	Bolt 3/8 x 7/8	
7	1320061	1	Clamp	
8	1320223	2	Clamp	
9	3311405	4	Nut 1/4	
10	3311505	2	Nut 5/16	
11	3573047	1	Plate	
12	3573296	1	Plate	
13	3841340	2	Rod	
14	4360506	1	Switch, Proximity	
15	4460470	1	Nut, Terminal	
16	4460471	1	Washer, Terminal	
17	4460866	1	Connector - 19 Pin	
18	4711400	5	Washer 1/4	
19	4751400	1	Washer 1/4	
20	4751500	4	Washer 5/16	
21	4922566	1	Harness Assembly - Main Boom (See Separate Breakdown in this Section)	
22	4922569	1	Harness Assembly - Tower Boom (See Separate Breakdown in this Section)	
23	4922660	1	Holding Valve/Lift Dump Harness Assembly (See Separate Breakdown in this Section)	
24	4922875	1	AC Cable, 10/3 (Main Boom)	
25	4922876	1	AC Cable, 10/3 (Tower Boom)	

SECTION 8 - ELECTRICAL

FIGURE 8-29. BOOM CABLES INSTALLATION - WITH ARCTIC PACKAGE (ANSI, ANSI EXPORT AND CSA SPECS) (800S)



ART_1001256192

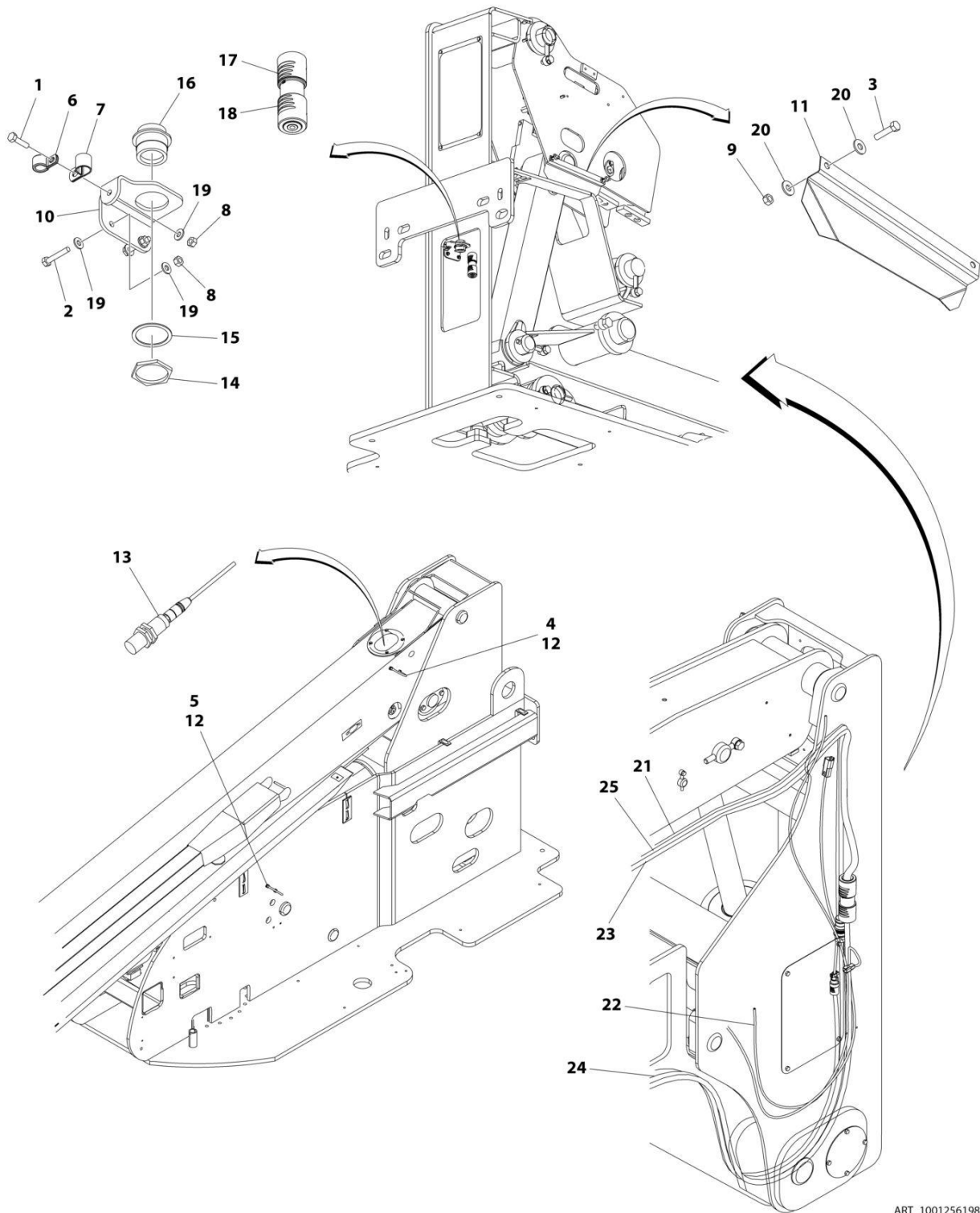
SECTION 8 - ELECTRICAL

FIGURE 8-29. BOOM CABLES INSTALLATION - WITH ARCTIC PACKAGE (ANSI, ANSI EXPORT AND CSA SPECS) (800S)

ITEM	PART NUMBER	QTY	DESCRIPTION	REV
	1001256192	Ref	BOOM CABLES INSTALLATION	A
1	0641408	1	Bolt 1/4 x 1	
2	0641410	1	Bolt 1/4 x 1-1/4	
3	0641412	2	Bolt 1/4 x 1-1/2	
4	0641511	2	Bolt 5/16 x 1-3/8	
5	0641604	2	Bolt 3/8 x 1/2	
6	0641607	2	Bolt 3/8 x 7/8	
7	1320061	1	Clamp	
8	1320223	2	Clamp	
9	3311405	4	Nut 1/4	
10	3311505	2	Nut 5/16	
11	3573047	1	Plate	
12	3573296	1	Plate	
13	3841340	2	Rod	
14	4360506	1	Switch, Proximity	
15	4460470	1	Nut, Terminal	
16	4460471	1	Washer, Terminal	
17	4460866	1	Connector - 19 Pin	
18	4711400	5	Washer 1/4	
19	4751400	1	Washer 1/4	
20	4751500	4	Washer 5/16	
21	4923596	1	Harness Assembly - Tower Boom (See Separate Breakdown in this Section)	
22	4923597	1	Holding Valve/Lift Dump Harness Assembly (See Separate Breakdown in this Section)	
23	4923601	1	AC Cable, 8/5 (Main Boom)	
24	1001091618	1	Harness Assembly - Main Boom (See Separate Breakdown in this Section)	
25	1001091620	1	AC Cable, 10/3 (Tower Boom)	

SECTION 8 - ELECTRICAL

FIGURE 8-30. BOOM CABLES INSTALLATION - WITH 4000W GENERATOR AND WITHOUT ARCTIC PACKAGE (ANSI, ANSI EXPORT, CSA AND JAPANESE SPECS) (800S)



ART_1001256198

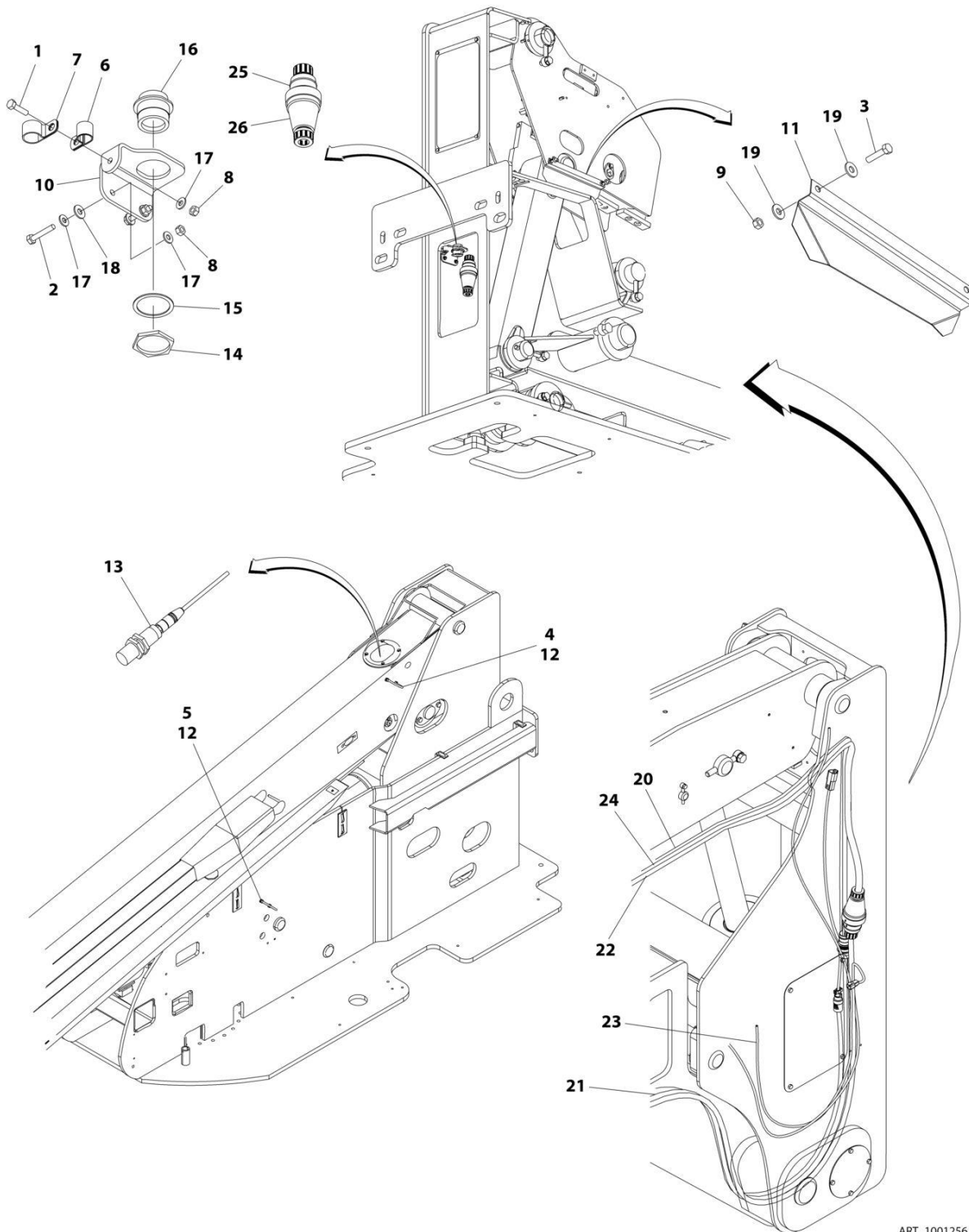
SECTION 8 - ELECTRICAL

FIGURE 8-30. BOOM CABLES INSTALLATION - WITH 4000W GENERATOR AND WITHOUT ARCTIC PACKAGE (ANSI, ANSI EXPORT, CSA AND JAPANESE SPECS) (800S)

ITEM	PART NUMBER	QTY	DESCRIPTION	REV
	1001256198	Ref	BOOM CABLES INSTALLATION	A
1	0641408	1	Bolt 1/4 x 1	
2	0641412	2	Bolt 1/4 x 1-1/2	
3	0641511	2	Bolt 5/16 x 1-3/8	
4	0641604	2	Bolt 3/8 x 1/2	
5	0641607	2	Bolt 3/8 x 7/8	
6	1320041	1	Clamp	
7	1320061	1	Clamp	
8	3311405	3	Nut 1/4	
9	3311505	2	Nut 5/16	
10	3573047	1	Plate	
11	3573296	1	Plate	
12	3841340	2	Rod	
13	4360506	1	Switch, Proximity	
14	4460470	1	Nut, Terminal	
15	4460471	1	Washer, Terminal	
16	4460866	1	Connector - 19 Pin	
17	4460959	1	Terminal, Turnlock Plug	
18	4460960	1	Terminal, Turnlock Connector	
19	4711400	5	Washer 1/4	
20	4751500	4	Washer 5/16	
21	4922566	1	Harness Assembly - Main Boom (See Separate Breakdown in this Section)	
22	4922569	1	Harness Assembly - Tower Boom (See Separate Breakdown in this Section)	
23	4922660	1	Holding Valve/Lift Dump Harness Assembly (See Separate Breakdown in this Section)	
24	1001156425	1	AC Cable, 10/4 (Tower Boom)	
25	1001156426	1	AC Cable, 10/4 (Main Boom)	

SECTION 8 - ELECTRICAL

FIGURE 8-31. BOOM CABLES INSTALLATION - WITH 7500W GENERATOR AND WITHOUT ARCTIC PACKAGE (ALL SPECS) (800S)



ART_1001256196

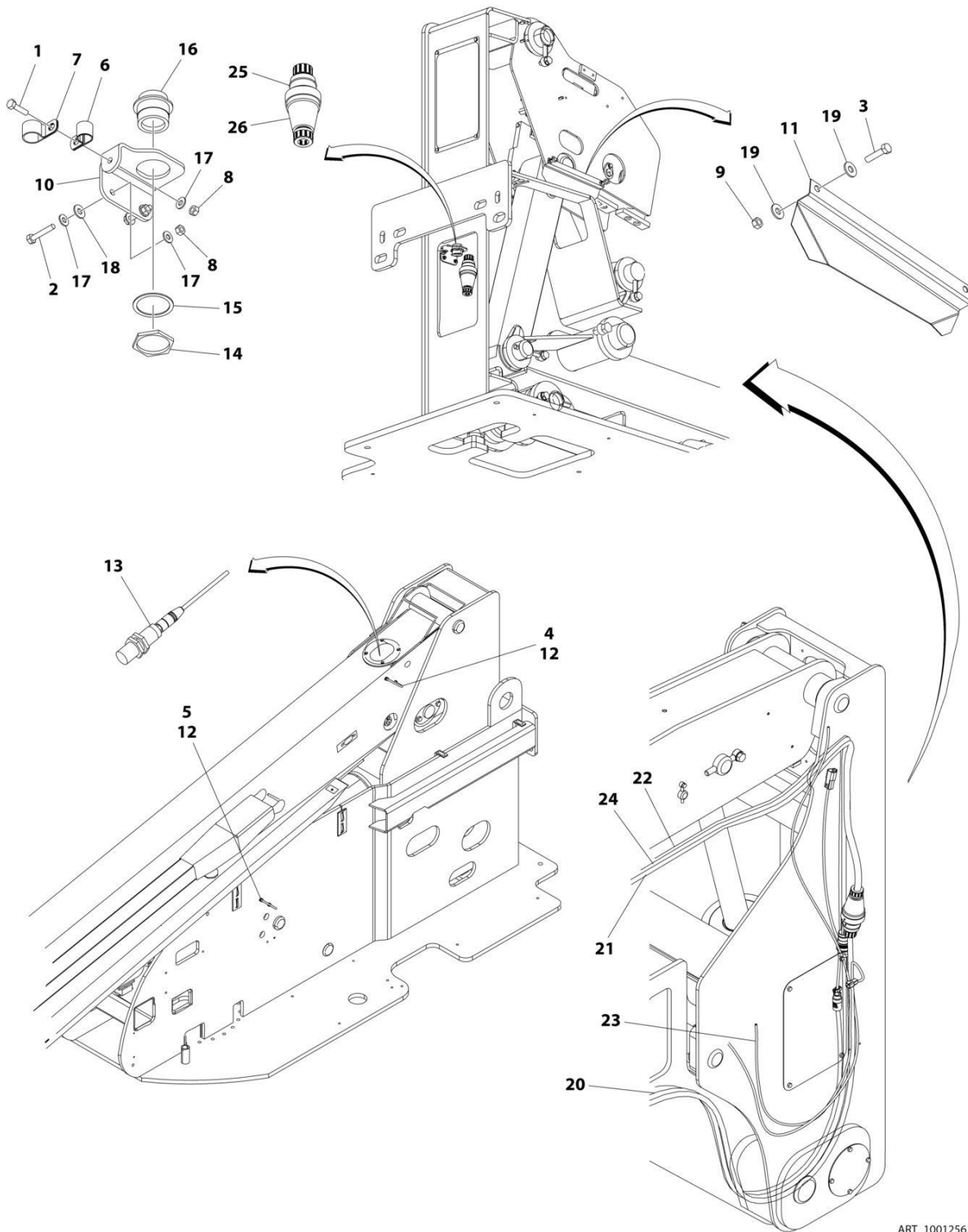
SECTION 8 - ELECTRICAL

FIGURE 8-31. BOOM CABLES INSTALLATION - WITH 7500W GENERATOR AND WITHOUT ARCTIC PACKAGE (ALL SPECS) (800S)

ITEM	PART NUMBER	QTY	DESCRIPTION	REV
	1001256196	Ref	BOOM CABLES INSTALLATION	A
1	0641408	1	Bolt 1/4 x 1	
2	0641412	2	Bolt 1/4 x 1-1/2	
3	0641511	2	Bolt 5/16 x 1-3/8	
4	0641604	2	Bolt 3/8 x 1/2	
5	0641607	2	Bolt 3/8 x 7/8	
6	1320061	1	Clamp	
7	1320202	1	Clamp	
8	3311405	3	Nut 1/4	
9	3311505	2	Nut 5/16	
10	3573047	1	Plate	
11	3573296	1	Plate	
12	3841340	2	Rod	
13	4360506	1	Switch, Proximity	
14	4460470	1	Nut, Terminal	
15	4460471	1	Washer, Terminal	
16	4460866	1	Connector - 19 Pin	
17	4711400	5	Washer 1/4	
18	4751400	1	Washer 1/4	
19	4751500	4	Washer 5/16	
20	4922566	1	Harness Assembly - Main Boom (See Separate Breakdown in this Section)	
21	4922569	1	Harness Assembly - Tower Boom (See Separate Breakdown in this Section)	
22	4922660	1	Holding Valve/Lift Dump Harness Assembly (See Separate Breakdown in this Section)	
23	1001121669	1	AC Cable, 8/5 (Tower Boom)	
24	1001121670	1	AC Cable, 8/5 (Main Boom)	
25	1001218622	1	Terminal, Turnlock Plug	
26	1001218623	1	Terminal, Turnlock Connector	

SECTION 8 - ELECTRICAL

FIGURE 8-32. BOOM CABLES INSTALLATION - WITH 7500W GENERATOR AND WITH ARCTIC PACKAGE (ANSI, ANSI EXPORT AND CSA SPECS) (800S)



ART_1001256194

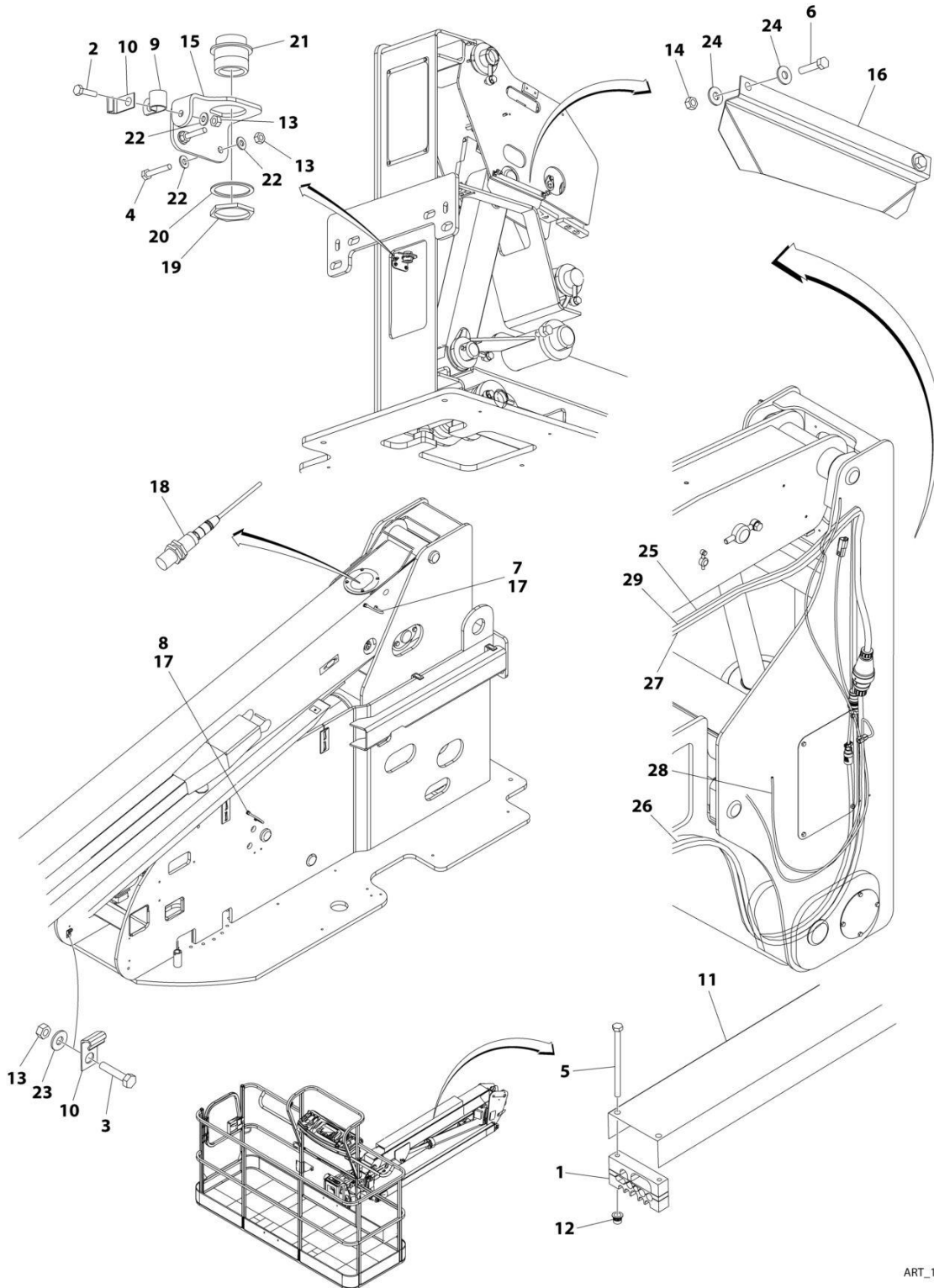
SECTION 8 - ELECTRICAL

FIGURE 8-32. BOOM CABLES INSTALLATION - WITH 7500W GENERATOR AND WITH ARCTIC PACKAGE (ANSI, ANSI EXPORT AND CSA SPECS) (800S)

ITEM	PART NUMBER	QTY	DESCRIPTION	REV
	1001256194	Ref	BOOM CABLES INSTALLATION	A
1	0641408	1	Bolt 1/4 x 1	
2	0641412	2	Bolt 1/4 x 1-1/2	
3	0641511	2	Bolt 5/16 x 1-3/8	
4	0641604	2	Bolt 3/8 x 1/2	
5	0641607	2	Bolt 3/8 x 7/8	
6	1320061	1	Clamp	
7	1320202	1	Clamp	
8	3311405	3	Nut 1/4	
9	3311505	2	Nut 5/16	
10	3573047	1	Plate	
11	3573296	1	Plate	
12	3841340	2	Rod	
13	4360506	1	Switch, Proximity	
14	4460470	1	Nut, Terminal	
15	4460471	1	Washer, Terminal	
16	4460866	1	Connector - 19 Pin	
17	4711400	5	Washer 1/4	
18	4751400	1	Washer 1/4	
19	4751500	4	Washer 5/16	
20	4923596	1	Harness Assembly - Tower Boom (See Separate Breakdown in this Section)	
21	4923597	1	Holding Valve/Lift Dump Harness Assembly (See Separate Breakdown in this Section)	
22	1001091618	1	Harness Assembly - Main Boom (See Separate Breakdown in this Section)	
23	1001121669	1	AC Cable, 8/5 (Tower Boom)	
24	1001121670	1	AC Cable, 8/5 (Main Boom)	
25	1001218622	1	Terminal, Turnlock Plug	
26	1001218623	1	Terminal, Turnlock Connector	

SECTION 8 - ELECTRICAL

FIGURE 8-33. BOOM CABLES INSTALLATION - WITHOUT ARCTIC PACKAGE (ALL SPECS) (860SJ)



ART_1001256191

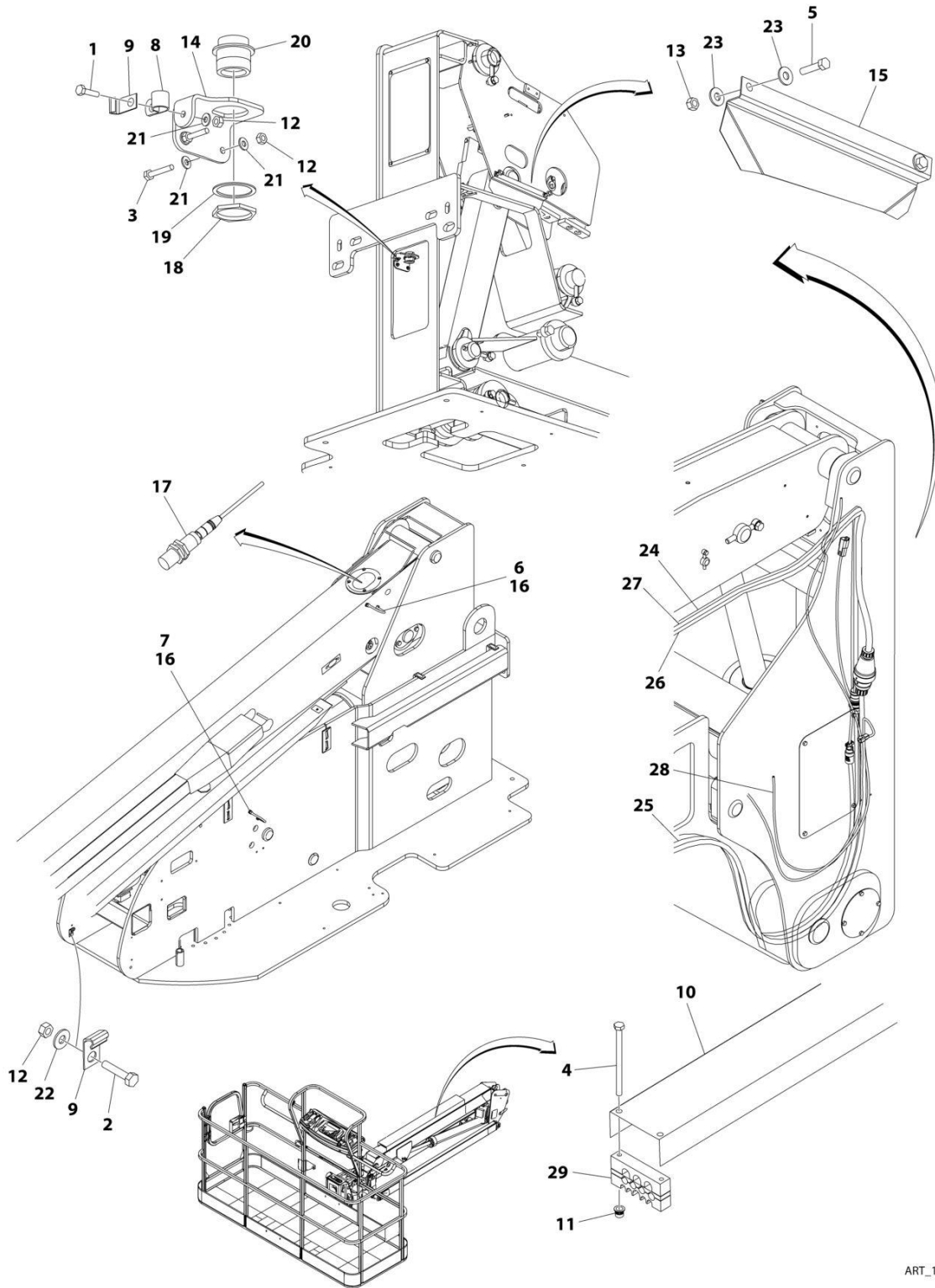
SECTION 8 - ELECTRICAL

FIGURE 8-33. BOOM CABLES INSTALLATION - WITHOUT ARCTIC PACKAGE (ALL SPECS) (860SJ)

ITEM	PART NUMBER	QTY	DESCRIPTION	REV
	1001256191	Ref	BOOM CABLES INSTALLATION	D
1	0561484	2	Block, Clamp	
2	0641408	1	Bolt 1/4 x 1	
3	0641410	1	Bolt 1/4 x 1-1/4	
4	0641412	2	Bolt 1/4 x 1-1/2	
5	0700626	4	Bolt M6 x 90	
6	0641511	2	Bolt 5/16 x 1-3/8	
7	0641604	2	Bolt 3/8 x 1/2	
8	0641607	2	Bolt 3/8 x 7/8	
9	1320061	1	Clamp	
10	1320223	2	Clamp	
11	1671034	1	Cover	
12	1001260680	4	Rivnut M6	
13	3311405	4	Nut 1/4	
14	3311505	2	Nut 5/16	
15	3573047	1	Plate	
16	3573296	1	Plate	
17	3841340	2	Rod	
18	4360506	1	Switch, Proximity	
19	4460470	1	Nut, Terminal	
20	4460471	1	Washer, Terminal	
21	4460866	1	Connector - 19 Pin	
22	4711400	5	Washer 1/4	
23	4751400	1	Washer 1/4	
24	4751500	4	Washer 5/16	
25	4922567	1	Harness Assembly - Main Boom (See Separate Breakdown in this Section)	
26	4922569	1	Harness Assembly - Tower Boom (See Separate Breakdown in this Section)	
27	4922660	1	Holding Valve/Lift Dump Harness Assembly (See Separate Breakdown in this Section)	
28	4922876	1	AC Cable, 10/3 (Tower Boom)	
29	4922878	1	AC Cable, 10/3 (Main Boom)	

SECTION 8 - ELECTRICAL

FIGURE 8-34. BOOM CABLES INSTALLATION - WITH ARCTIC PACKAGE (ANSI, ANSI EXPORT AND CSA SPECS) (860SJ)



ART_1001256193

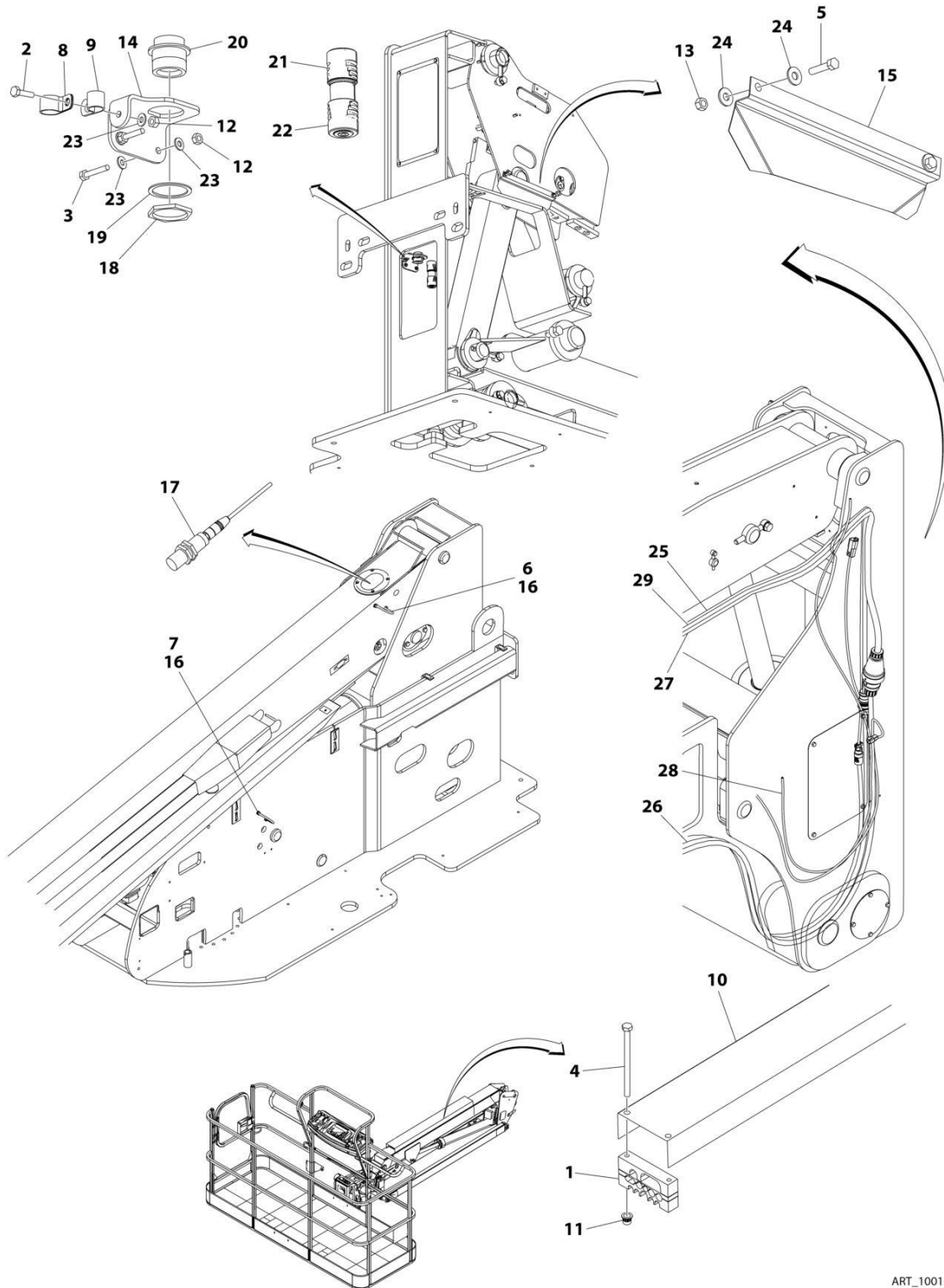
SECTION 8 - ELECTRICAL

FIGURE 8-34. BOOM CABLES INSTALLATION - WITH ARCTIC PACKAGE (ANSI, ANSI EXPORT AND CSA SPECS) (860SJ)

ITEM	PART NUMBER	QTY	DESCRIPTION	REV
	1001256193	Ref	BOOM CABLES INSTALLATION	C
1	0641408	1	Bolt 1/4 x 1	
2	0641410	1	Bolt 1/4 x 1-1/4	
3	0641412	2	Bolt 1/4 x 1-1/2	
4	0700626	1	Bolt M6 x 90	
5	0641511	2	Bolt 5/16 x 1-3/8	
6	0641604	2	Bolt 3/8 x 1/2	
7	0641607	2	Bolt 3/8 x 7/8	
8	1320061	1	Clamp	
9	1320223	2	Clamp	
10	1671034	1	Cover	
11	1001260680	4	Rivnut M6	
12	3311405	4	Nut 1/4	
13	3311505	2	Nut 5/16	
14	3573047	1	Plate	
15	3573296	1	Plate	
16	3841340	2	Rod	
17	4360506	1	Switch, Proximity	
18	4460470	1	Nut, Terminal	
19	4460471	1	Washer, Terminal	
20	4460866	1	Connector - 19 Pin	
21	4711400	5	Washer 1/4	
22	4751400	1	Washer 1/4	
23	4751500	4	Washer 5/16	
24	4923595	1	Harness Assembly - Main Boom (See Separate Breakdown in this Section)	
25	4923596	1	Harness Assembly - Tower Boom (See Separate Breakdown in this Section)	
26	4923597	1	Holding Valve/Lift Dump Harness Assembly (See Separate Breakdown in this Section)	
27	4923600	1	AC Cable, 10/3 (Main Boom)	
28	4923601	1	AC Cable, 10/3 (Tower Boom)	
29	1001091472	2	Block, Clamp	

SECTION 8 - ELECTRICAL

FIGURE 8-35. BOOM CABLES INSTALLATION - WITH 4000W GENERATOR AND WITHOUT ARCTIC PACKAGE (ANSI, ANSI EXPORT, CSA AND JAPANESE SPECS) (860SJ)



ART_1001256199

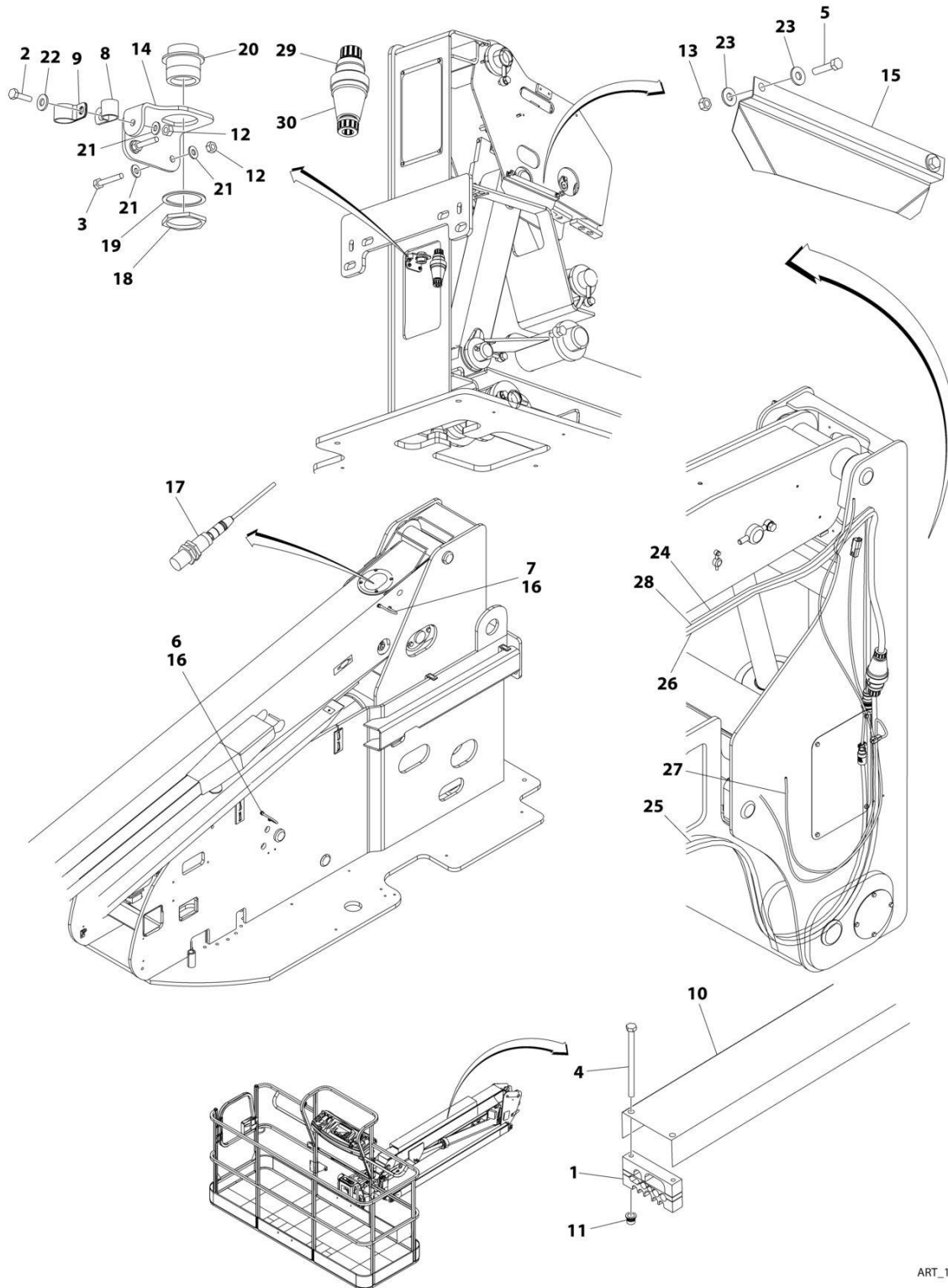
SECTION 8 - ELECTRICAL

FIGURE 8-35. BOOM CABLES INSTALLATION - WITH 4000W GENERATOR AND WITHOUT ARCTIC PACKAGE (ANSI, ANSI EXPORT, CSA AND JAPANESE SPECS) (860SJ)

ITEM	PART NUMBER	QTY	DESCRIPTION	REV
	1001256199	Ref	BOOM CABLES INSTALLATION	C
1	0561484	2	Block, Clamp	
2	0641408	1	Bolt 1/4 x 1	
3	0641412	2	Bolt 1/4 x 1-1/2	
4	0700626	4	Bolt M6 x 90	
5	0641511	2	Bolt 5/16 x 1-3/8	
6	0641604	2	Bolt 3/8 x 1/2	
7	0641607	2	Bolt 3/8 x 7/8	
8	1320041	1	Clamp	
9	1320061	1	Clamp	
10	1671034	1	Cover	
11	1001260680	4	Rivnut M6	
12	3311405	3	Nut 1/4	
13	3311505	2	Nut 5/16	
14	3573047	1	Plate	
15	3573296	1	Plate	
16	3841340	2	Rod	
17	4360506	1	Switch, Proximity	
18	4460470	1	Nut, Terminal	
19	4460471	1	Washer, Terminal	
20	4460866	1	Connector - 19 Pin	
21	4460959	1	Terminal, Turnlock Plug	
22	4460960	1	Terminal, Turnlock Connector	
23	4711400	5	Washer 1/4	
24	4751500	4	Washer 5/16	
25	4922567	1	Harness Assembly - Main Boom (See Separate Breakdown in this Section)	
26	4922569	1	Harness Assembly - Tower Boom (See Separate Breakdown in this Section)	
27	4922660	1	Holding Valve/Lift Dump Harness Assembly (See Separate Breakdown in this Section)	
28	1001156425	1	AC Cable, 10/4 (Tower Boom)	
29	1001156427	1	AC Cable, 10/4 (Main Boom)	

SECTION 8 - ELECTRICAL

FIGURE 8-36. BOOM CABLES INSTALLATION - WITH 7500W GENERATOR AND WITHOUT ARCTIC PACKAGE (ALL SPECS) (860SJ)



ART_1001256197

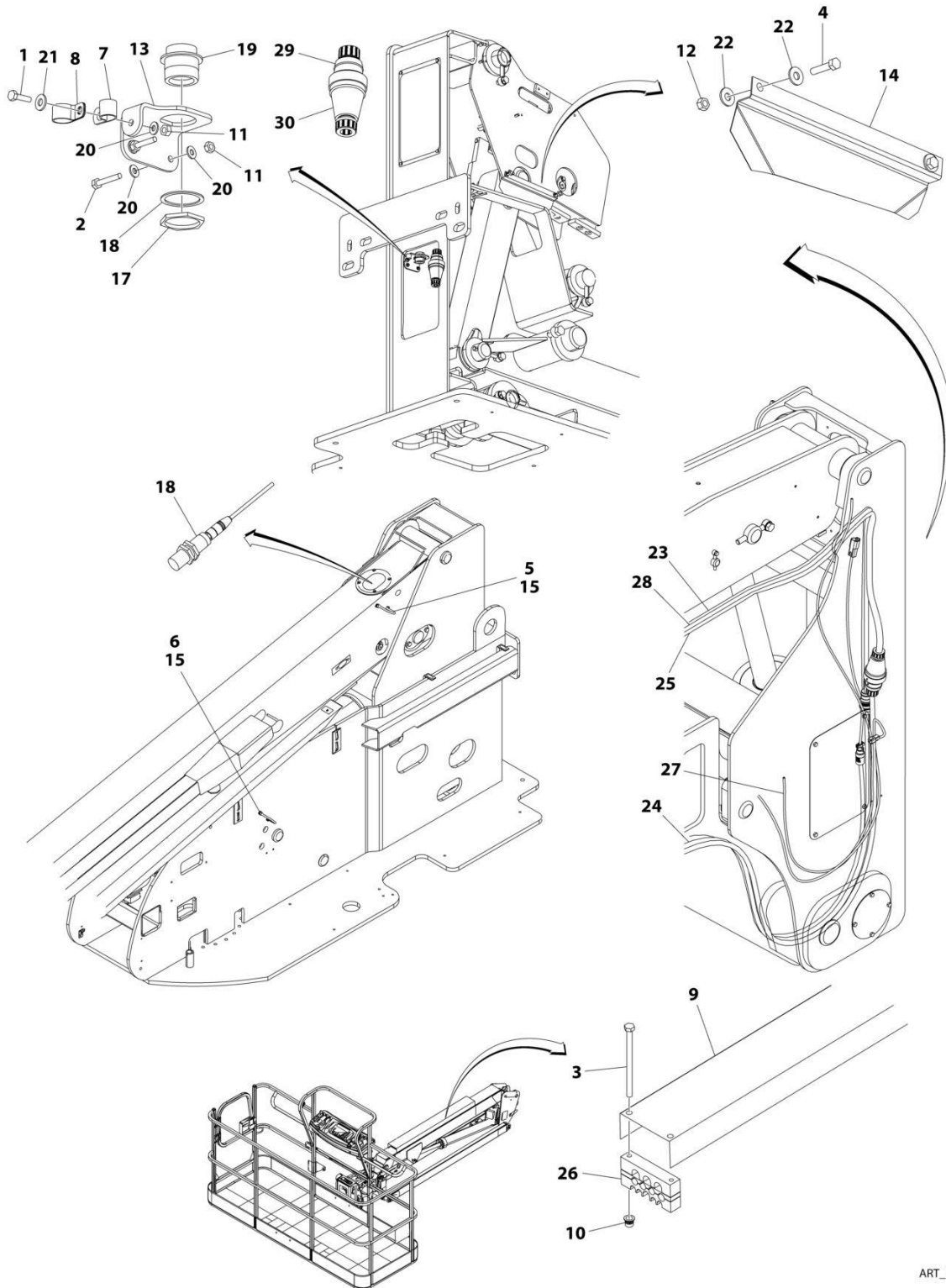
SECTION 8 - ELECTRICAL

FIGURE 8-36. BOOM CABLES INSTALLATION - WITH 7500W GENERATOR AND WITHOUT ARCTIC PACKAGE (ALL SPECS) (860SJ)

ITEM	PART NUMBER	QTY	DESCRIPTION	REV
	1001256197	Ref	BOOM CABLES INSTALLATION	C
1	0561484	2	Block, Clamp	
2	0641408	1	Bolt 1/4 x 1	
3	0641412	2	Bolt 1/4 x 1-1/2	
4	0700626	4	Bolt M6 x 90	
5	0641511	2	Bolt 5/16 x 1-3/8	
6	0641604	2	Bolt 3/8 x 1/2	
7	0641607	2	Bolt 3/8 x 7/8	
8	1320061	1	Clamp	
9	1320202	1	Clamp	
10	1671034	1	Cover	
11	1001176636	4	Rivnut M6	
11	1001260680	4	Rivnut M6	
12	3311405	3	Nut 1/4	
13	3311505	2	Nut 5/16	
14	3573047	1	Plate	
15	3573296	1	Plate	
16	3841340	2	Rod	
17	4360506	1	Switch, Proximity	
18	4460470	1	Nut, Terminal	
19	4460471	1	Washer, Terminal	
20	4460866	1	Connector - 19 Pin	
21	4711400	5	Washer 1/4	
22	4751400	1	Washer 1/4	
23	4751500	4	Washer 5/16	
24	4922567	1	Harness Assembly - Main Boom (See Separate Breakdown in this Section)	
25	4922569	1	Harness Assembly - Tower Boom (See Separate Breakdown in this Section)	
26	4922660	1	Holding Valve/Lift Dump Harness Assembly (See Separate Breakdown in this Section)	
27	1001121669	1	AC Cable, 8/5 (Tower Boom)	
28	1001121671	1	AC Cable, 8/5 (Main Boom)	
29	1001218622	1	Terminal, Turnlock Plug	
30	1001218623	1	Terminal, Turnlock Connector	

SECTION 8 - ELECTRICAL

FIGURE 8-37. BOOM CABLES INSTALLATION - WITH 7500W GENERATOR AND WITH ARCTIC PACKAGE (ANSI, ANSI EXPOERT AND CSA SPECS) (860SJ)



ART_1001256195

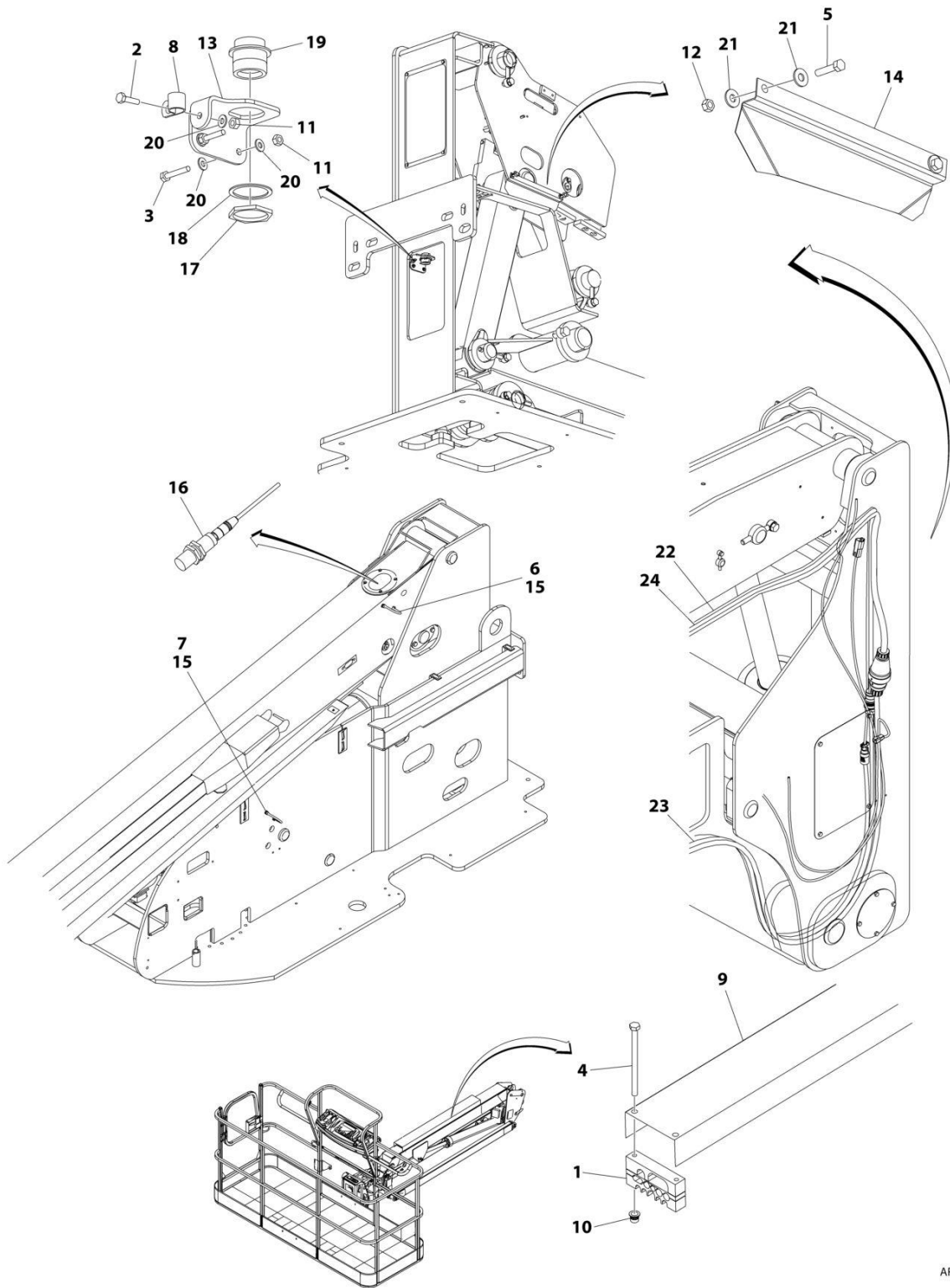
SECTION 8 - ELECTRICAL

FIGURE 8-37. BOOM CABLES INSTALLATION - WITH 7500W GENERATOR AND WITH ARCTIC PACKAGE (ANSI, ANSI EXPOERT AND CSA SPECS) (860SJ)

ITEM	PART NUMBER	QTY	DESCRIPTION	REV
	1001256195	Ref	BOOM CABLES INSTALLATION	C
1	0641408	1	Bolt 1/4 x 1	
2	0641412	2	Bolt 1/4 x 1-1/2	
3	0700626	4	Bolt M6 x 90	
4	0641511	2	Bolt 5/16 x 1-3/8	
5	0641604	2	Bolt 3/8 x 1/2	
6	0641607	2	Bolt 3/8 x 7/8	
7	1320061	1	Clamp	
8	1320202	1	Clamp	
9	1671034	1	Cover	
10	1001260680	4	Rivnut M6	
11	3311405	3	Nut 1/4	
12	3311505	2	Nut 5/16	
13	3573047	1	Plate	
14	3573296	1	Plate	
15	3841340	2	Rod	
16	4360506	1	Switch, Proximity	
17	4460470	1	Nut, Terminal	
18	4460471	1	Washer, Terminal	
19	4460866	1	Connector - 19 Pin	
20	4711400	5	Washer 1/4	
21	4751400	1	Washer 1/4	
22	4751500	4	Washer 5/16	
23	4923595	1	Harness Assembly - Main Boom (See Separate Breakdown in this Section)	
24	4923596	1	Harness Assembly - Tower Boom (See Separate Breakdown in this Section)	
25	4923597	1	Holding Valve/Lift Dump Harness Assembly (See Separate Breakdown in this Section)	
26	1001091472	2	Block, Clamp	
27	1001121669	1	AC Cable, 8/5 (Tower Boom)	
28	1001121671	1	AC Cable, 8/5 (Main Boom)	
29	1001218622	1	Terminal, Turnlock Plug	
30	1001218623	1	Terminal, Turnlock Connector	

SECTION 8 - ELECTRICAL

FIGURE 8-38. BOOM CABLES INSTALLATION - WITHOUT AC CABLES (CHINA SPECS) (860SJ)



ART_1001256201

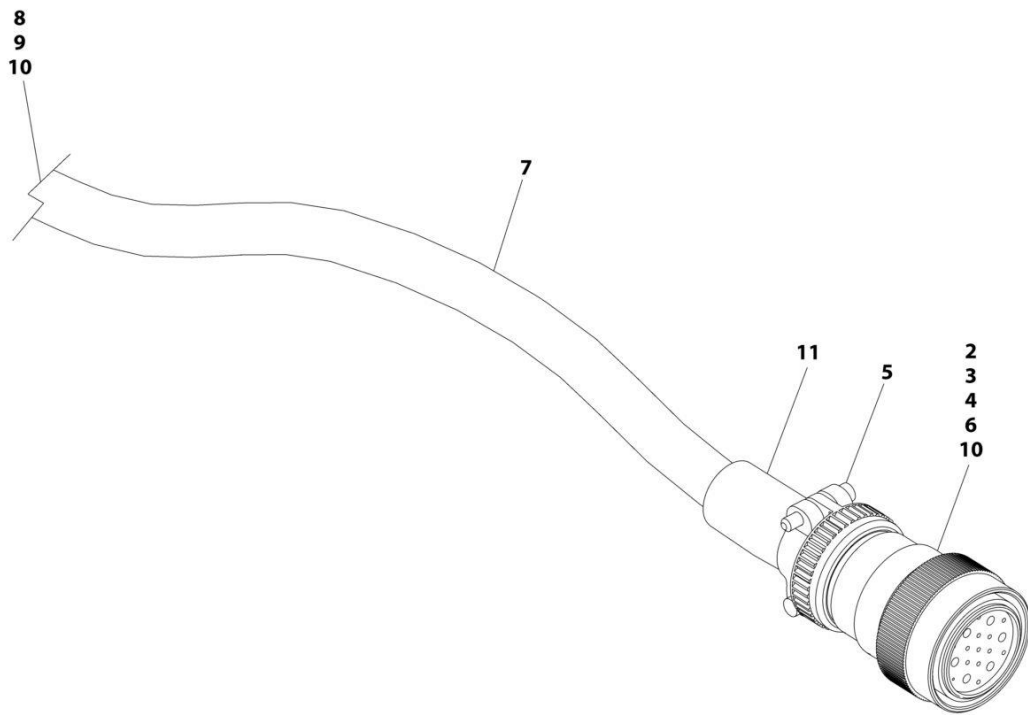
SECTION 8 - ELECTRICAL

FIGURE 8-38. BOOM CABLES INSTALLATION - WITHOUT AC CABLES (CHINA SPECS) (860SJ)

ITEM	PART NUMBER	QTY	DESCRIPTION	REV
	1001256201	Ref	BOOM CABLES INSTALLATION	C
1	0561484	2	Block, Clamp	
2	0641408	1	Bolt 1/4 x 1	
3	0641412	2	Bolt 1/4 x 1-1/2	
4	0700626	4	Bolt M6 x 90	
5	0641511	2	Bolt 5/16 x 1-3/8	
6	0641604	2	Bolt 3/8 x 1/2	
7	0641607	2	Bolt 3/8 x 7/8	
8	1320061	1	Clamp	
9	1671034	1	Cover	
10	1001260680	4	Rivnut M6	
11	3311405	3	Nut 1/4	
12	3311505	2	Nut 5/16	
13	3573047	1	Plate	
14	3573296	1	Plate	
15	3841340	2	Rod	
16	4360506	1	Switch, Proximity	
17	4460470	1	Nut, Terminal	
18	4460471	1	Washer, Terminal	
19	4460866	1	Connector - 19 Pin	
20	4711400	5	Washer 1/4	
21	4751500	4	Washer 5/16	
22	4922567	1	Harness Assembly - Main Boom (See Separate Breakdown in this Section)	
23	4922569	1	Harness Assembly - Tower Boom (See Separate Breakdown in this Section)	
24	4922660	1	Holding Valve/Lift Dump Harness Assembly (See Separate Breakdown in this Section)	

SECTION 8 - ELECTRICAL

FIGURE 8-39. BOOM HARNESS - (MAIN BOOM) (WITHOUT ARCTIC PACKAGE) (800S)



ART_4922566

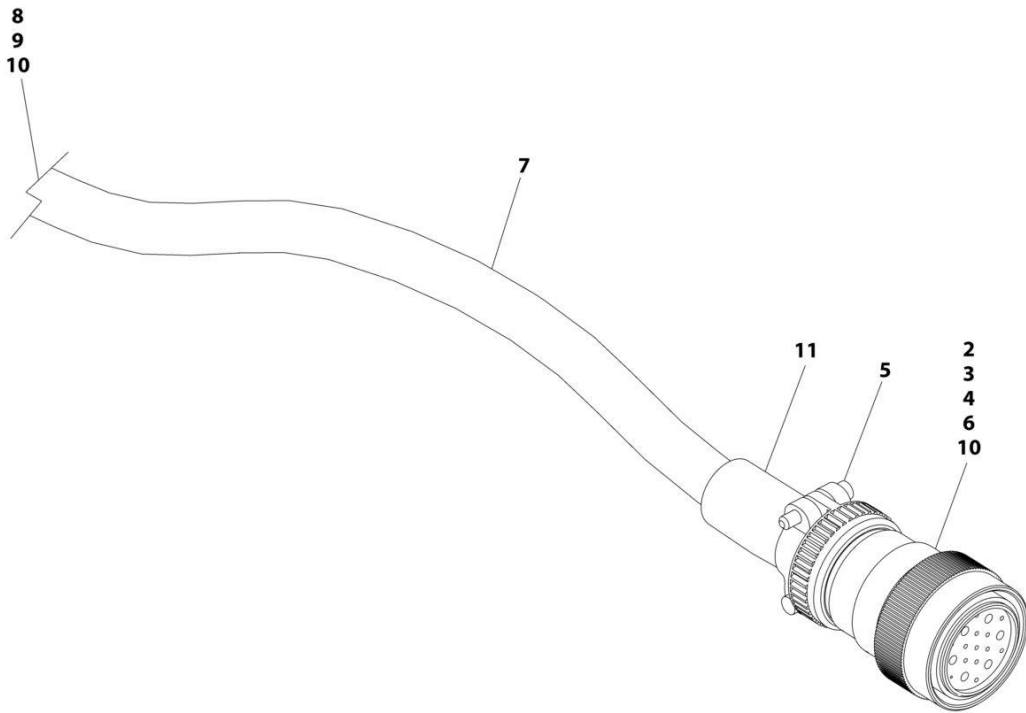
SECTION 8 - ELECTRICAL

FIGURE 8-39. BOOM HARNESS - (MAIN BOOM) (WITHOUT ARCTIC PACKAGE) (800S)

ITEM	PART NUMBER	QTY	DESCRIPTION	REV
	4922566	Ref	BOOM HARNESS	C
2	4460465	11	Socket, Female	
3	4460865	1	Connector - 19 Position	
4	4460509	4	Socket, Female	
5	4460473	1	Clamp	
6	4460466	8	Plug, Terminal	
7	2820031	AR	Heatshrink	
8	4460464	11	Pin, Male	
9	4460508	4	Pin, Male	
10	2820118	AR	Heatshrink, Clear	
11	1001226400	1	Insulate, Heatshrink	

SECTION 8 - ELECTRICAL

FIGURE 8-40. BOOM HARNESS - (MAIN BOOM) (WITH ARCTIC PACKAGE) (800S)



ART_1001091618

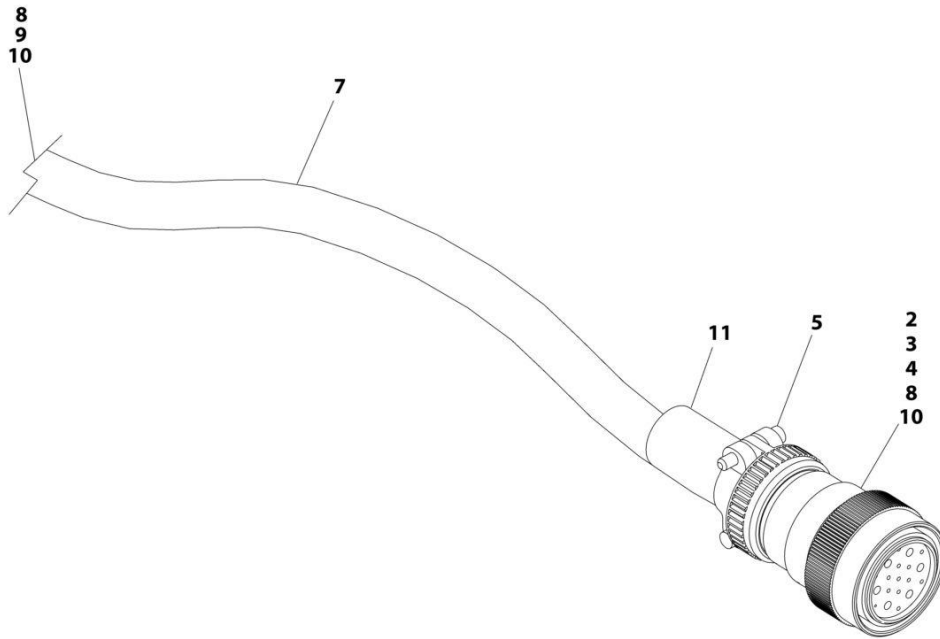
SECTION 8 - ELECTRICAL

FIGURE 8-40. BOOM HARNESS - (MAIN BOOM) (WITH ARCTIC PACKAGE) (800S)

ITEM	PART NUMBER	QTY	DESCRIPTION	REV
	1001091618	Ref	BOOM HARNESS	C
2	4460465	11	Socket, Female	
3	4460865	1	Connector - 19 Position	
4	4460509	4	Socket, Female	
5	4460473	1	Clamp	
6	4460466	8	Plug, Terminal	
7	2820031	AR	Heatshrink	
8	4460464	11	Pin, Male	
9	4460508	4	Pin, Male	
10	2820118	AR	Heatshrink, Clear	
11	1001226400	1	Insulate, Heatshrink	

SECTION 8 - ELECTRICAL

FIGURE 8-41. BOOM HARNESS - (MAIN BOOM) (WITHOUT ARCTIC PACKAGE) (860SJ)



ART_4922567

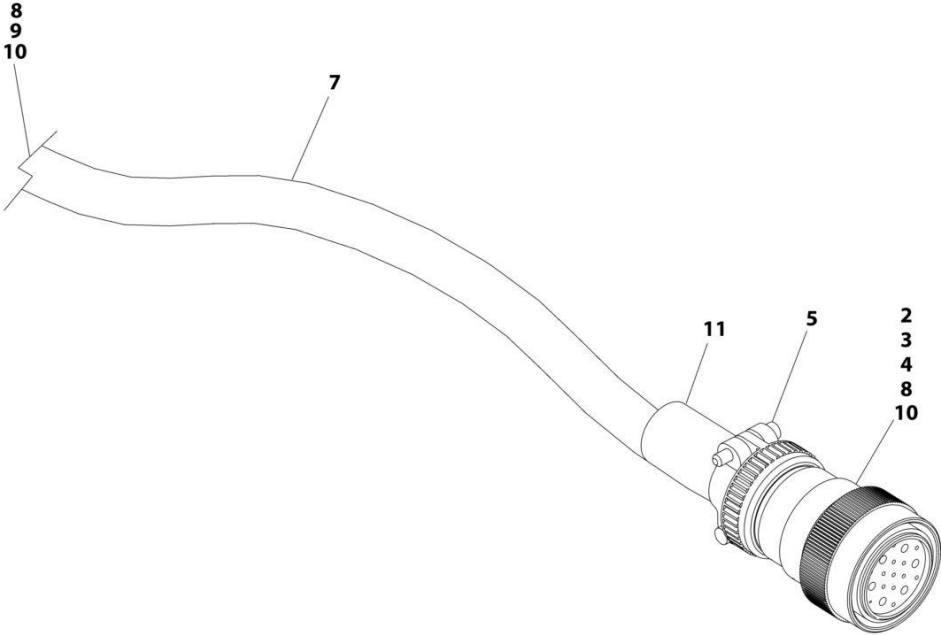
SECTION 8 - ELECTRICAL

FIGURE 8-41. BOOM HARNESS - (MAIN BOOM) (WITHOUT ARCTIC PACKAGE) (860SJ)

ITEM	PART NUMBER	QTY	DESCRIPTION	REV
	4922567	Ref	BOOM HARNESS	D
2	4460465	11	Socket, Female	
3	4460865	1	Connector - 19 Position	
4	4460509	4	Socket, Female	
5	4460473	1	Clamp	
6	4460466	8	Plug, Terminal	
7	2820031	AR	Heatshrink	
8	4460464	11	Pin, Male	
9	4460508	4	Pin, Male	
10	2820118	AR	Heatshrink, Clear	
11	1001226400	1	Insulate, Heatshrink	

SECTION 8 - ELECTRICAL

FIGURE 8-42. BOOM HARNESS - (MAIN BOOM) (WITH ARCTIC PACKAGE) (860SJ)



ART_4923595

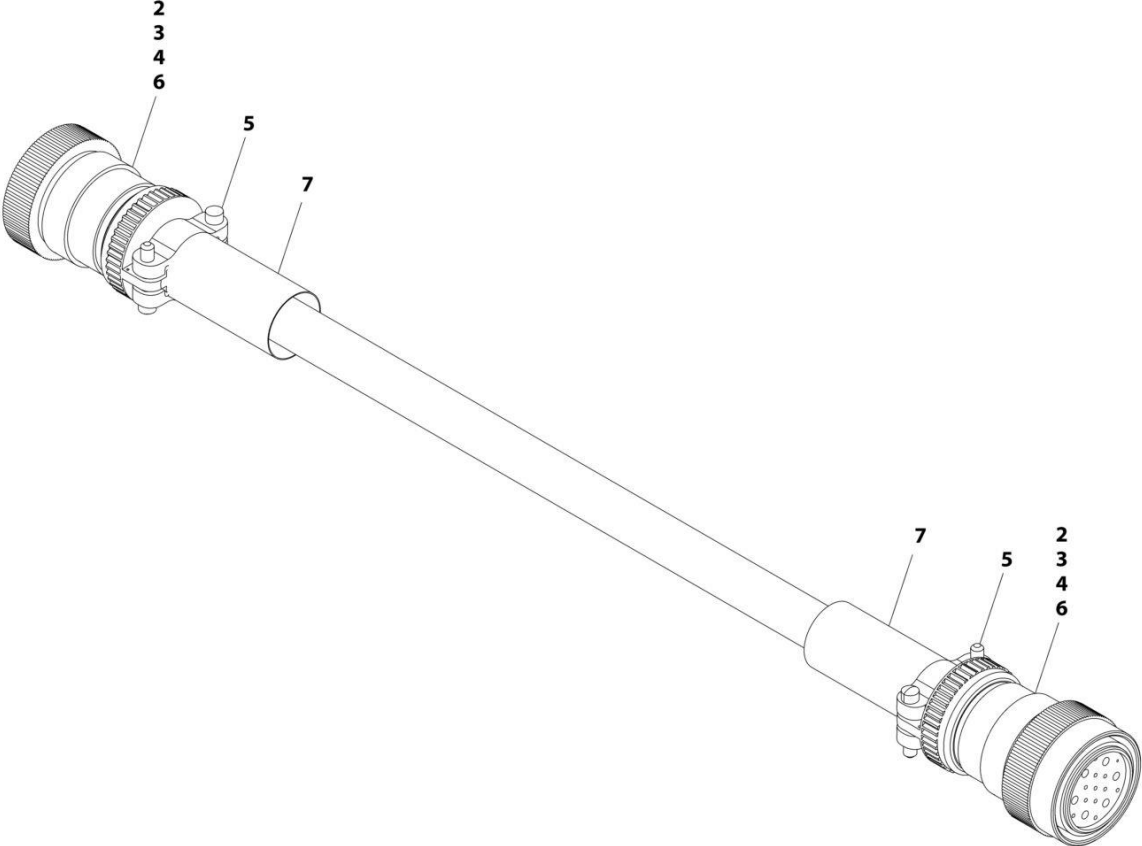
SECTION 8 - ELECTRICAL

FIGURE 8-42. BOOM HARNESS - (MAIN BOOM) (WITH ARCTIC PACKAGE) (860SJ)

ITEM	PART NUMBER	QTY	DESCRIPTION	REV
	4923595	Ref	BOOM HARNESS	D
2	4460465	11	Socket, Female	
3	4460865	1	Connector - 19 Position	
4	4460509	4	Socket, Female	
5	4460473	1	Clamp	
6	4460466	8	Plug, Terminal	
7	2820031	AR	Heatshrink	
8	4460464	11	Pin, Male	
9	4460508	4	Pin, Male	
10	2820118	AR	Heatshrink, Clear	
11	1001226400	1	Insulate, Heatshrink	

SECTION 8 - ELECTRICAL

FIGURE 8-43. BOOM CABLE (TOWER BOOM) (WITHOUT ARCTIC PACKAGE)



ART_4922569

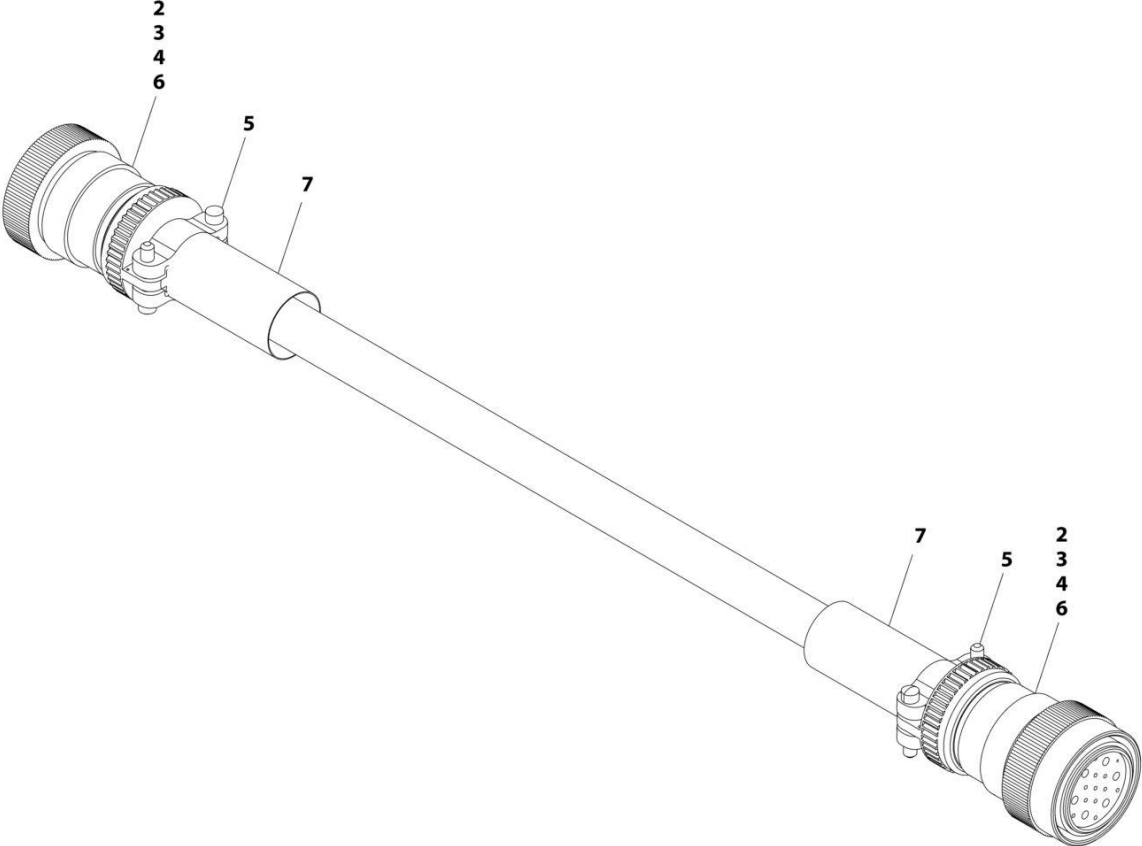
SECTION 8 - ELECTRICAL

FIGURE 8-43. BOOM CABLE (TOWER BOOM) (WITHOUT ARCTIC PACKAGE)

ITEM	PART NUMBER	QTY	DESCRIPTION	REV
	4922569	Ref	BOOM CABLE - TOWER BOOM	B
2	4460465	22	Socket, Female	
3	4460865	2	Connector - 19 Position	
4	4460509	8	Socket, Female	
5	4460473	2	Clamp	
6	4460466	8	Plug, Terminal	
7	1001226400	2	Insulate, Heatshrink	

SECTION 8 - ELECTRICAL

FIGURE 8-44. BOOM CABLE (TOWER BOOM) (WITHOUT ARCTIC PACKAGE)



ART_4923596

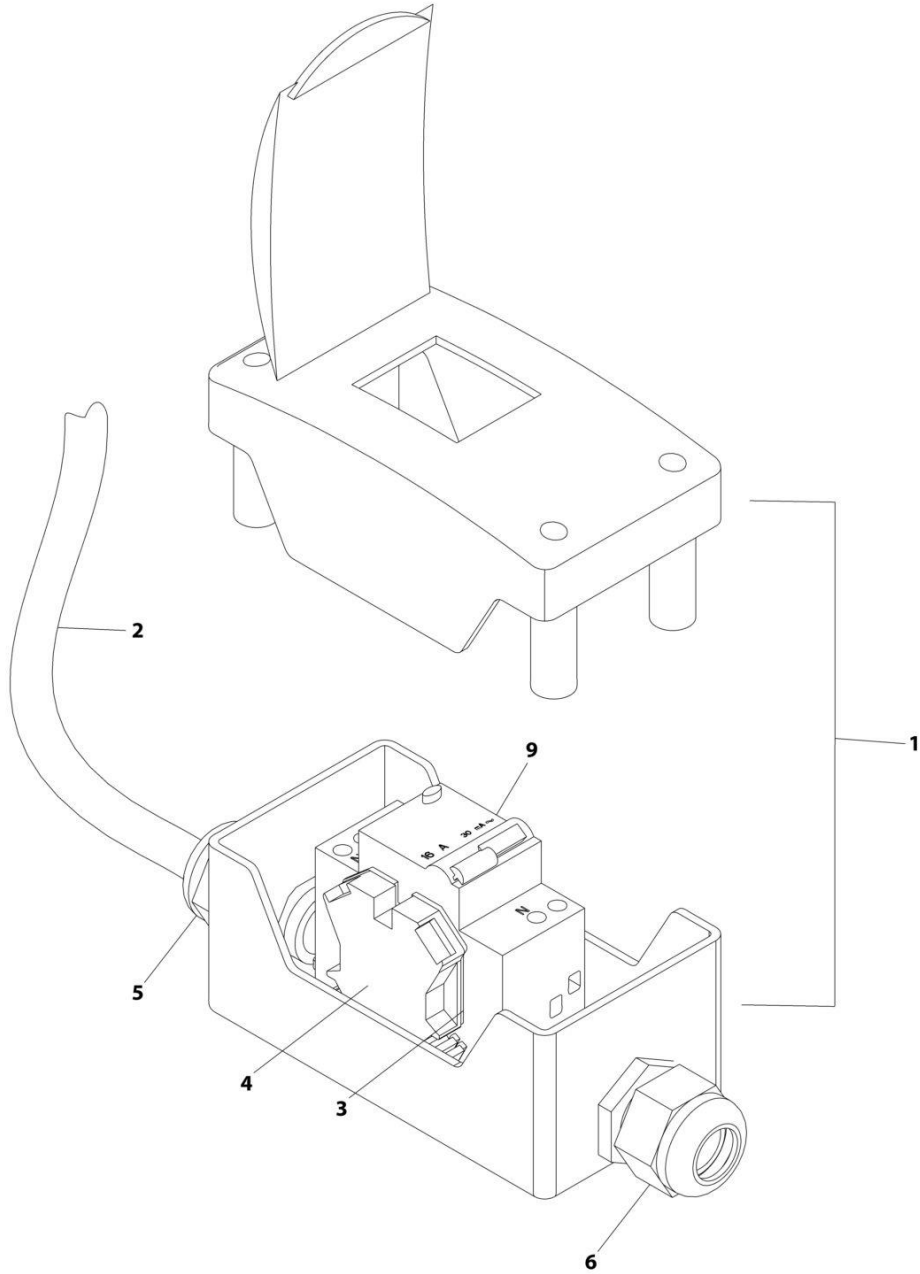
SECTION 8 - ELECTRICAL

FIGURE 8-44. BOOM CABLE (TOWER BOOM) (WITHOUT ARCTIC PACKAGE)

ITEM	PART NUMBER	QTY	DESCRIPTION	REV
	4923596	Ref	BOOM CABLE - TOWER BOOM	C
2	4460465	22	Socket, Female	
3	4460865	2	Connector - 19 Position	
4	4460509	8	Socket, Female	
5	4460473	2	Clamp	
6	4460466	8	Plug, Terminal	
7	1001226400	2	Insulate, Heatshrink	

SECTION 8 - ELECTRICAL

FIGURE 8-45. BREAKER BOX KIT - ONE DOUBLE 16AMP BREAKER (CE & UK CA SPECS WITHOUT 7500W GENERATOR)



ART_1001109654

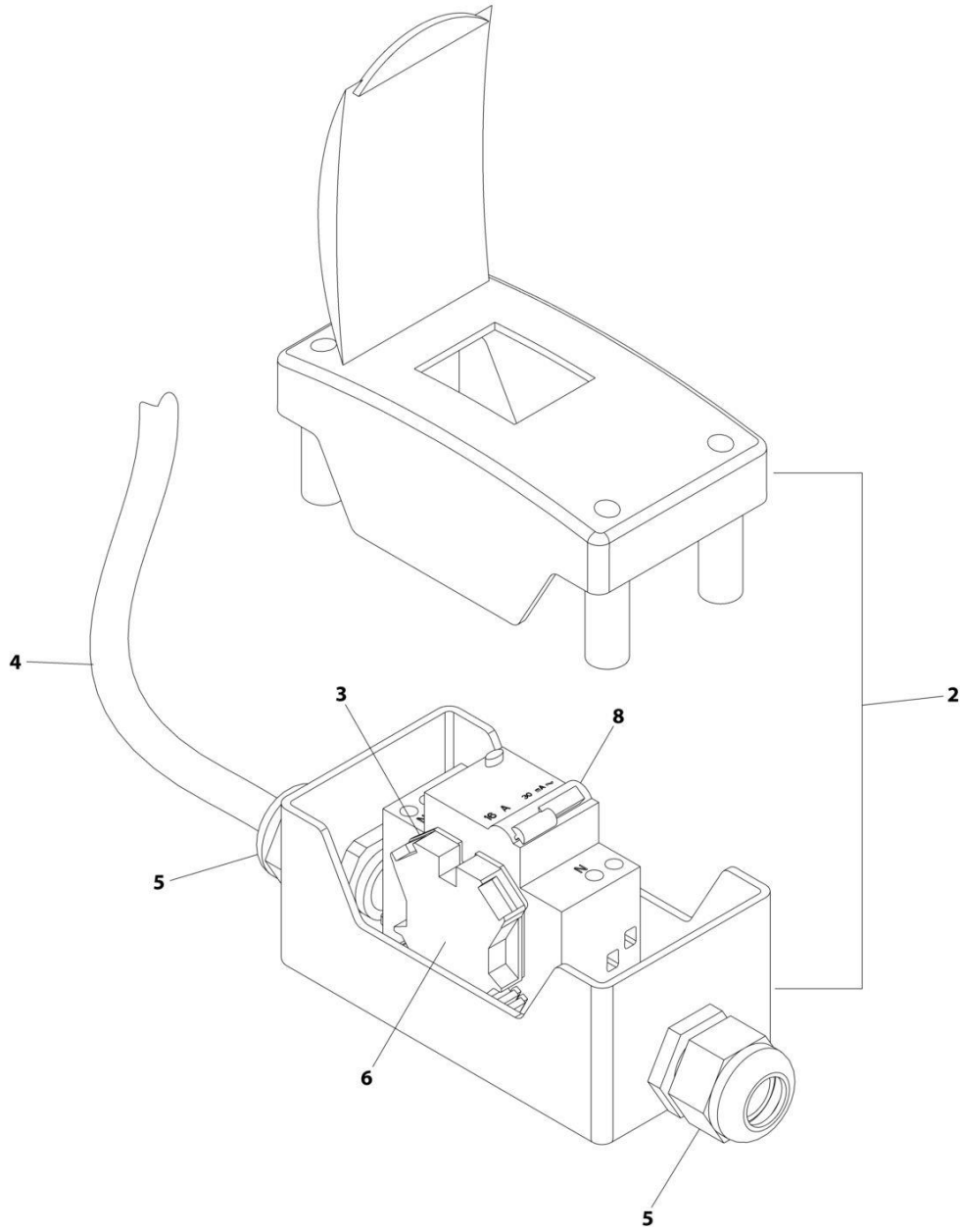
SECTION 8 - ELECTRICAL

FIGURE 8-45. BREAKER BOX KIT - ONE DOUBLE 16AMP BREAKER (CE & UK CA SPECS WITHOUT 7500W GENERATOR)

ITEM	PART NUMBER	QTY	DESCRIPTION	REV
	1001109654	Ref	BREAKER BOX KIT	C
1	0861880	1	Box, Breaker	
2	1060908	12 ft/ 3.6m	Cable 12/3	
3	4460956	1	Barrier, Terminal Block End	
4	4460957	1	Block, Terminal	
5	1001097150	1	Connector, Strain Relief	
6	1001101191	1	Connector, Strain Relief	
9	1001181045	1	Breaker - 30mA/16Amp	
10	1001100231	3	Terminal (Not Shown)	

SECTION 8 - ELECTRICAL

FIGURE 8-46. BREAKER BOX KIT - ONE DOUBLE 16AMP BREAKER (WITH 4000W/50HZ GENERATOR)



ART_1001165368_B

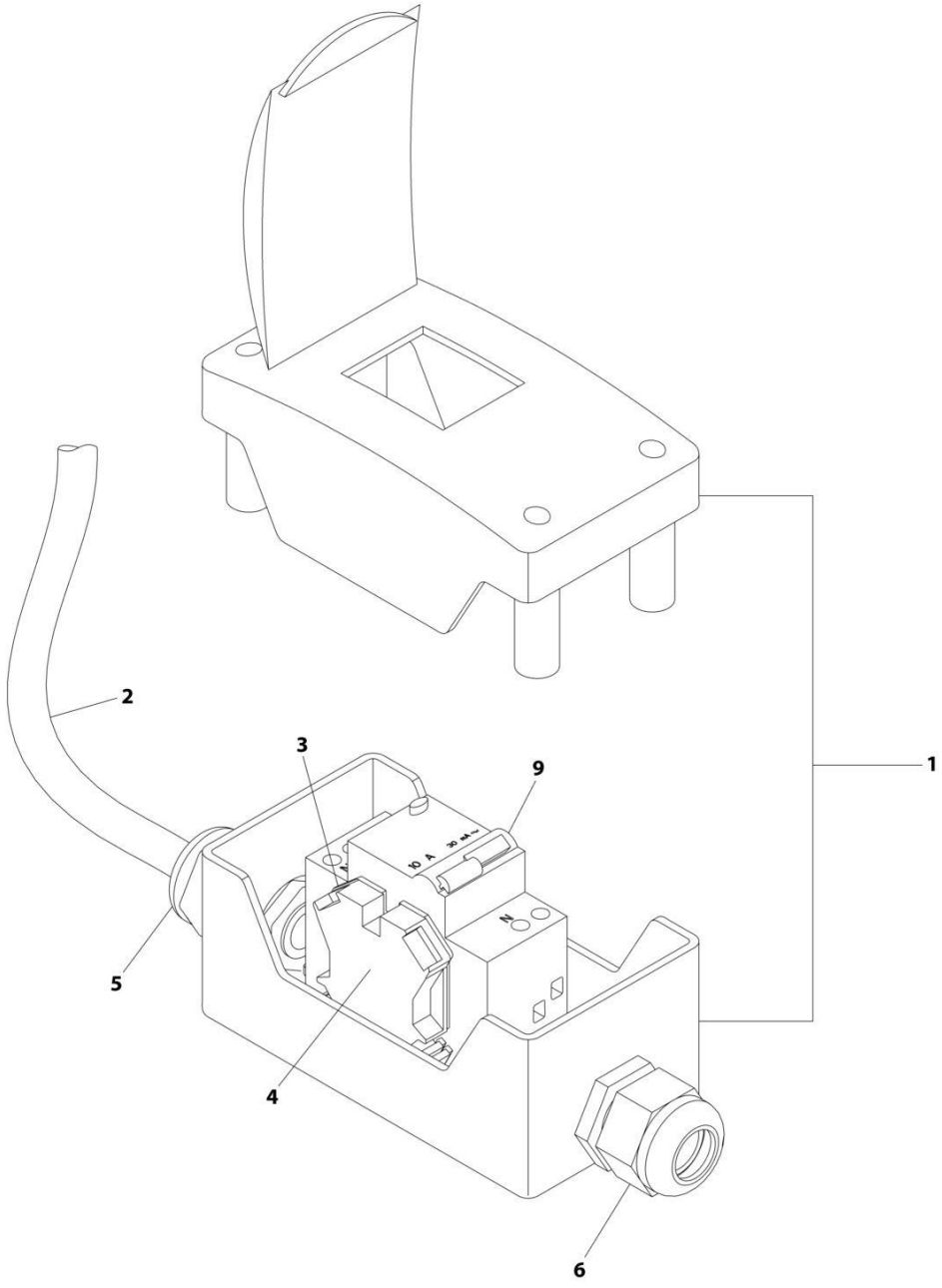
SECTION 8 - ELECTRICAL

FIGURE 8-46. BREAKER BOX KIT - ONE DOUBLE 16AMP BREAKER (WITH 4000W/50HZ GENERATOR)

ITEM	PART NUMBER	QTY	DESCRIPTION	REV
	1001165368	Ref	BREAKER BOX KIT	B
2	0861880	1	Box, Circuit Breaker	
3	4460956	1	Barrier, Terminal Block End	
4	1060545	12 ft/ 3.6m	Cable, Electrical 10/3	
5	1001101191	2	Connector, Strain Relief	
6	4460957	1	Block, Terminal	
8	1001181045	1	Breaker 30mA/16Amp	

SECTION 8 - ELECTRICAL

FIGURE 8-47. BREAKER BOX KIT - 10 AMP (CE & UK CA SPECS WITHOUT 7500W GENERATOR)



ART_1001109648

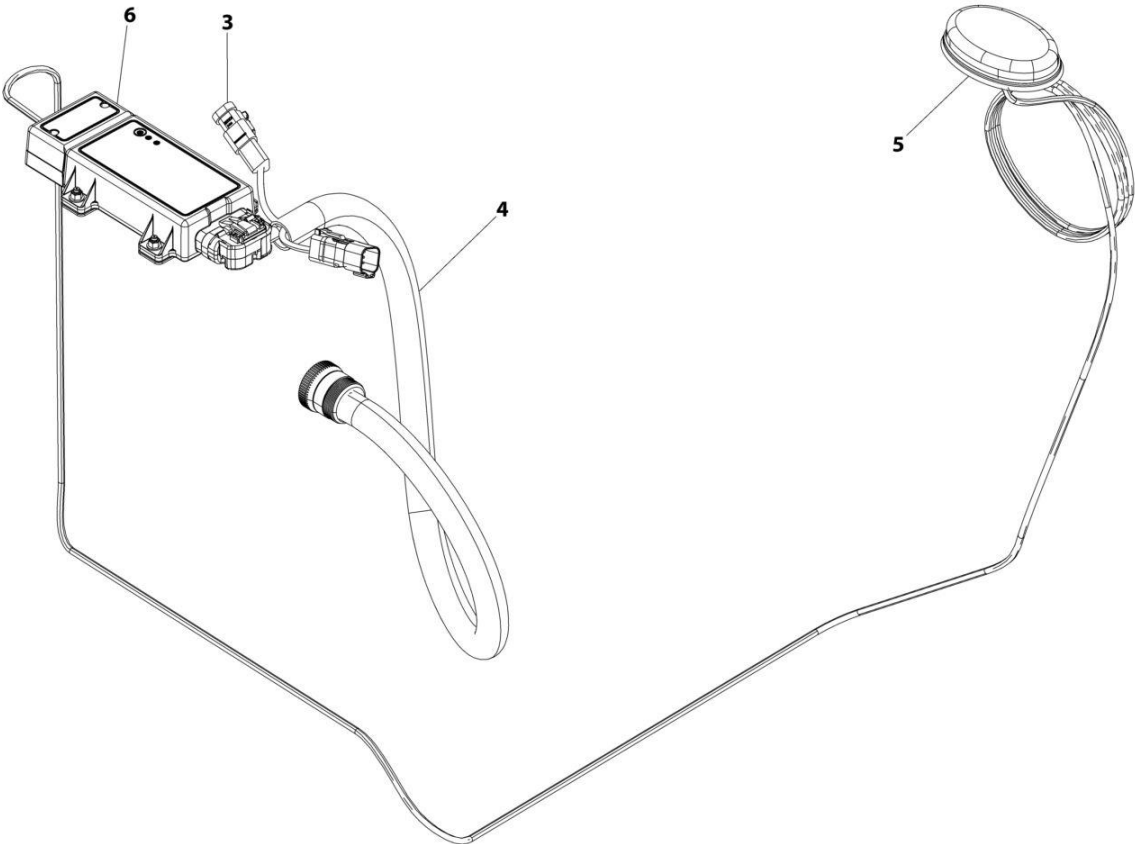
SECTION 8 - ELECTRICAL

FIGURE 8-47. BREAKER BOX KIT - 10 AMP (CE & UK CA SPECS WITHOUT 7500W GENERATOR)

ITEM	PART NUMBER	QTY	DESCRIPTION	REV
	1001109648	Ref	BREAKER BOX KIT - 10 AMP (2500W GENERATOR)	B
1	0861880	1	Box, Breaker	
2	1060908	12 ft /3.6m	Cable, Electrical 12/3	
3	4460956	1	Barrier, Terminal Block End	
4	4460957	1	Block, Terminal	
5	1001097150	1	Connector, Strain Relief	
6	1001101191	1	Connector, Strain Relief	
9	1001181046	1	Breaker 30mA/16Amp	

SECTION 8 - ELECTRICAL

FIGURE 8-48. CLEARSKY INSTALLATION - 3G CANBUS CONNECTION (ANSI EXPORT, CE & UK CA SPECS)



ART_1001228950

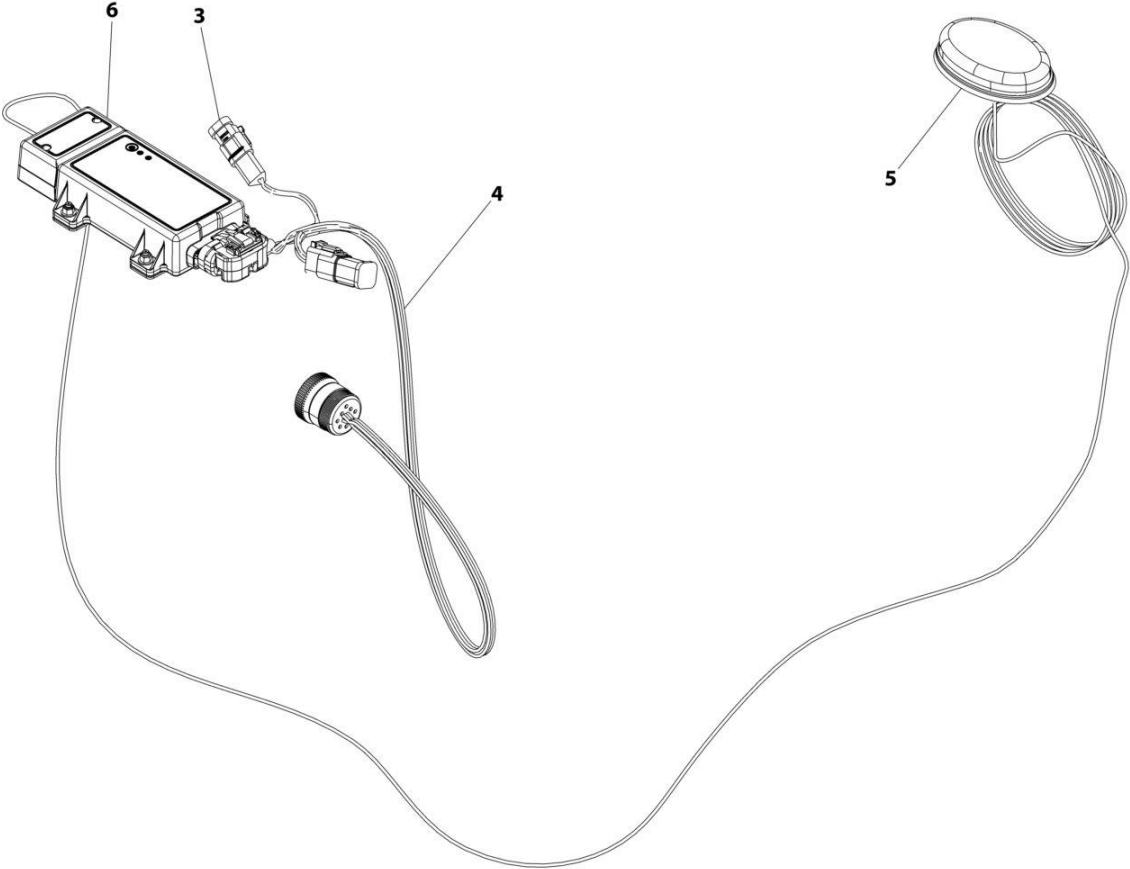
SECTION 8 - ELECTRICAL

FIGURE 8-48. CLEARSKY INSTALLATION - 3G CANBUS CONNECTION (ANSI EXPORT, CE & UK CA SPECS)

ITEM	PART NUMBER	QTY	DESCRIPTION	REV
	1001228950	REF	CLEARSKY INSTALLATION CANBUS CONNECTION	A
1	4240032	AR	Tie-Strap (Not Shown)	
2	4460234	AR	Strap, Cable Tie (Not Shown)	
3	1001116815	1	Connector	
4	1001226739	1	ClearSky Harness (See Separate Breakdown in this Section)	
5	1001226799	1	Antenna	
6	1001228954	1	Telematics Control Module (Note: Re-calibration Required when Replaced)	

SECTION 8 - ELECTRICAL

FIGURE 8-49. CLEARSKY INSTALLATION - 3G CANBUS CONNECTION (AUSTRALIAN SPECS)



ART_1001246475

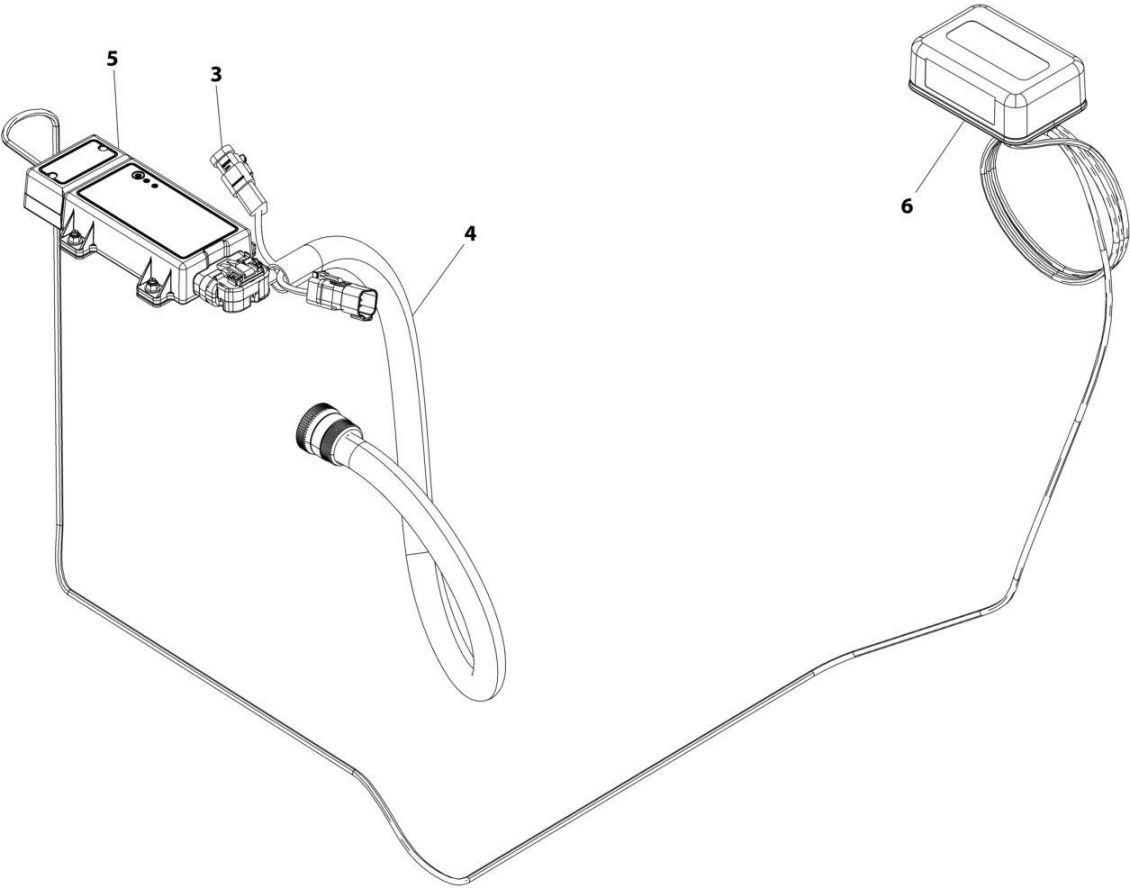
SECTION 8 - ELECTRICAL

FIGURE 8-49. CLEARSKY INSTALLATION - 3G CANBUS CONNECTION (AUSTRALIAN SPECS)

ITEM	PART NUMBER	QTY	DESCRIPTION	REV
	1001246475	REF	CLEARSKY INSTALLATION CANBUS CONNECTION	A
1	4240032	AR	Tie-Strap (Not Shown)	
2	4460234	AR	Strap, Cable Tie (Not Shown)	
3	1001116815	1	Connector	
4	1001226739	1	ClearSky Harness (See Separate Breakdown in this Section)	
5	1001226799	1	Antenna	
6	1001246144	1	Telematics Control Module (Note: Re-calibration Required when Replaced)	

SECTION 8 - ELECTRICAL

FIGURE 8-50. CLEARSKY INSTALLATION - 4G CANBUS CONNECTION (ANSI & CSA SPECS)



ART_1001227494

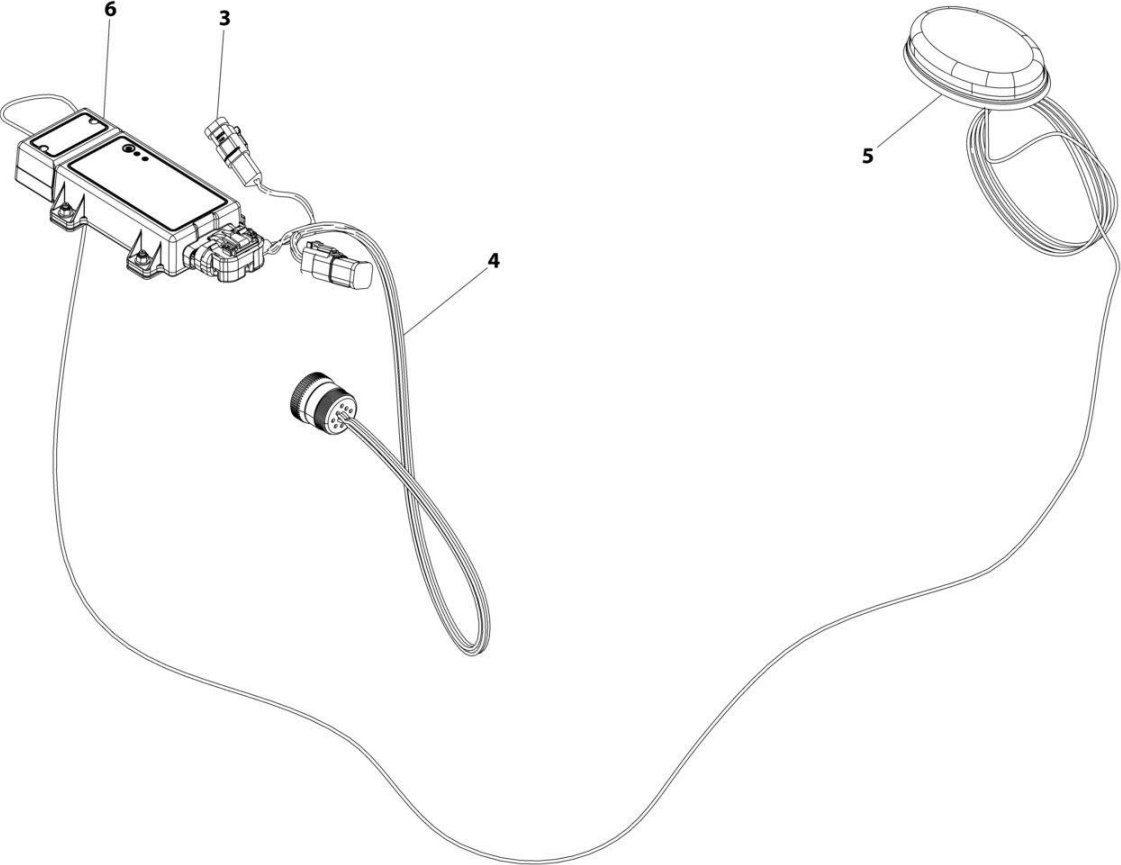
SECTION 8 - ELECTRICAL

FIGURE 8-50. CLEARSKY INSTALLATION - 4G CANBUS CONNECTION (ANSI & CSA SPECS)

ITEM	PART NUMBER	QTY	DESCRIPTION	REV
	1001227494	Ref	CLEARSKY INSTALLATION CANBUS CONNECTION	B
1	4240032	AR	Tie-Strap (Not Shown)	
2	4460234	AR	Strap, Cable Tie (Not Shown)	
3	1001116815	1	Connector	
4	1001226739	1	ClearSky Harness (See Separate Breakdown in this Section)	
5	1001262322	1	Telematics Control Module (Note: Re-calibration Required when Replaced)	
6	1001262326	1	Antenna	

SECTION 8 - ELECTRICAL

FIGURE 8-51. CLEARSKY INSTALLATION - 4G CANBUS CONNECTION (CHINA SPECS)



ART_1001246476

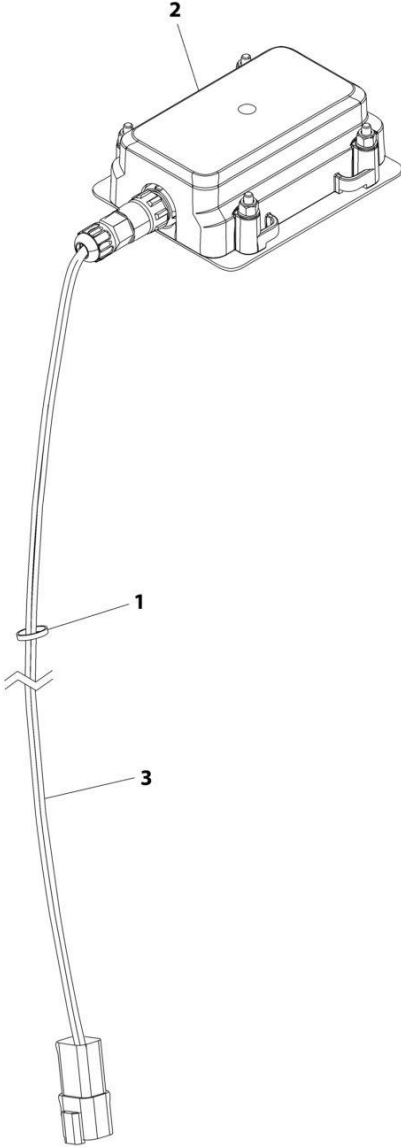
SECTION 8 - ELECTRICAL

FIGURE 8-51. CLEARSKY INSTALLATION - 4G CANBUS CONNECTION (CHINA SPECS)

ITEM	PART NUMBER	QTY	DESCRIPTION	REV
	1001246476	Ref	CLEARSKY INSTALLATION CANBUS CONNECTION	A
1	4240032	AR	Tie-Strap (Not Shown)	
2	4460234	AR	Strap, Cable Tie (Not Shown)	
3	1001116815	1	Connector	
4	1001226739	1	ClearSky Harness (See Separate Breakdown in this Section)	
5	1001226799	1	Antenna	
6	1001246145	1	Telematics Control Module (Note: Re-calibration Required when Replaced)	

SECTION 8 - ELECTRICAL

FIGURE 8-52. CLEARSKY INSTALLATION 3-WIRE CONNECTION (ALL SPECS EXCEPT UL & CHINA SPECS)



ART_1001276610

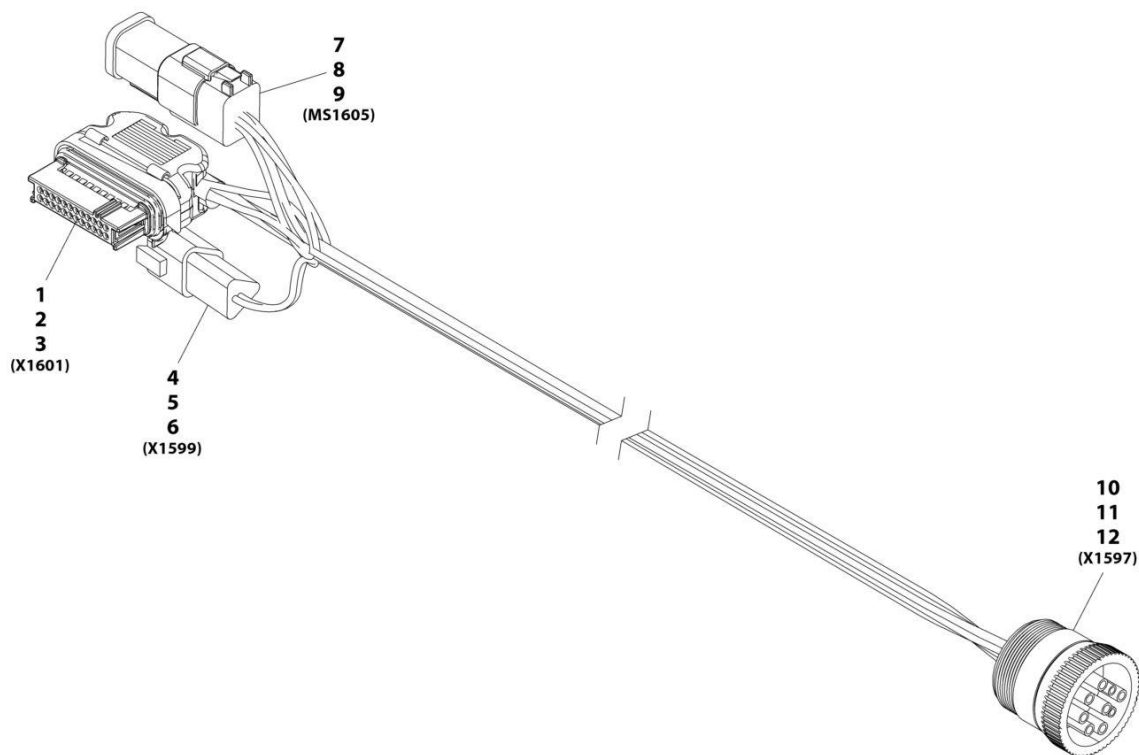
SECTION 8 - ELECTRICAL

FIGURE 8-52. CLEARSKY INSTALLATION 3-WIRE CONNECTION (ALL SPECS EXCEPT UL & CHINA SPECS)

ITEM	PART NUMBER	QTY	DESCRIPTION	REV
	1001276610	Ref	CLEARSKY INSTALLATION 3-WIRE CONNECTION	A
1	4240032	AR	Tie-Strap	
2	1001272659	1	Telematics Control Module Assembly (Note: Re-calibration Required when Replaced)	
3	1001273012	1	ClearSky Harness (See Separate Breakdown in this Section)	

SECTION 8 - ELECTRICAL

FIGURE 8-53. CLEARSKY HARNESS - 3G & 4G CANBUS CONNECTIONS



ART_1001226739-A

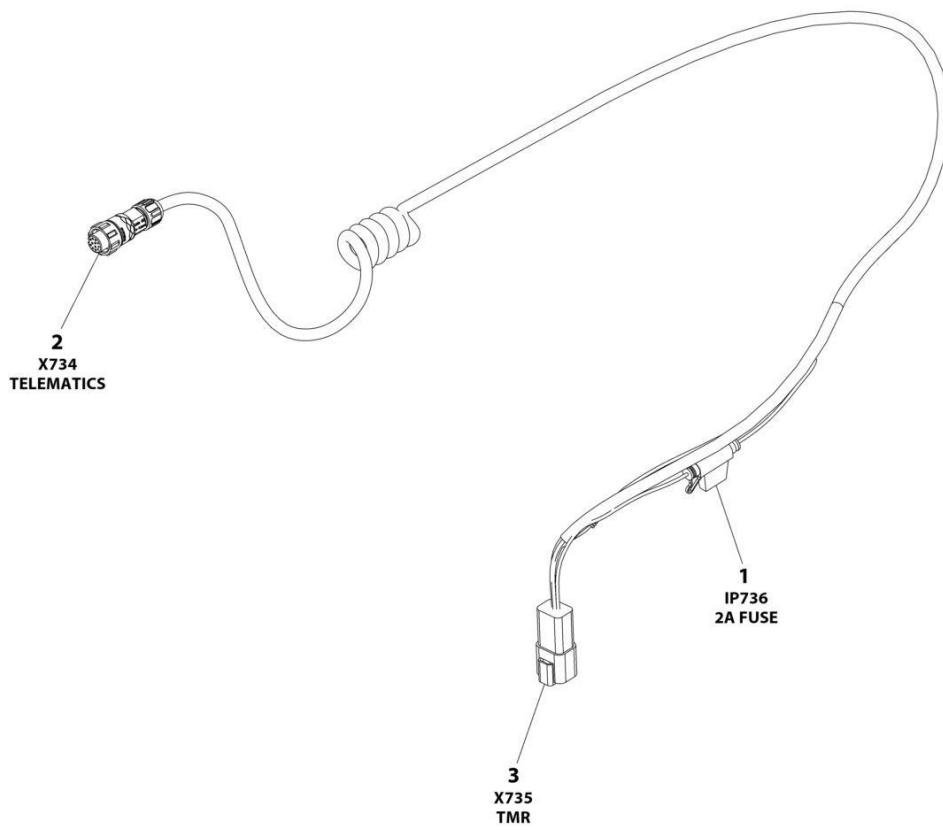
SECTION 8 - ELECTRICAL

FIGURE 8-53. CLEARSKY HARNESS - 3G & 4G CANBUS CONNECTIONS

ITEM	PART NUMBER	QTY	DESCRIPTION	REV
	1001226739	Ref	Clearsky Harness	A
1	1001226636	1	Connector	
2	1001116731	16	Plug, Terminal	
3	1001226637	8	Terminal	
4	1001144147	1	Connector	
5	4460464	2	Terminal	
6	4460466	1	Plug, Terminal	
7	4460894	1	Connector	
8	4460465	6	Terminal	
9	1001226541	1	Connector- 6 Pin Bussbar	
10	1001112796	1	Connector	
11	4460465	8	Terminal	
12	4460466	1	Plug, Terminal	

SECTION 8 - ELECTRICAL

FIGURE 8-54. CLEARSKY HARNESS - 3 WIRE CONNECTION



ART_1001273012

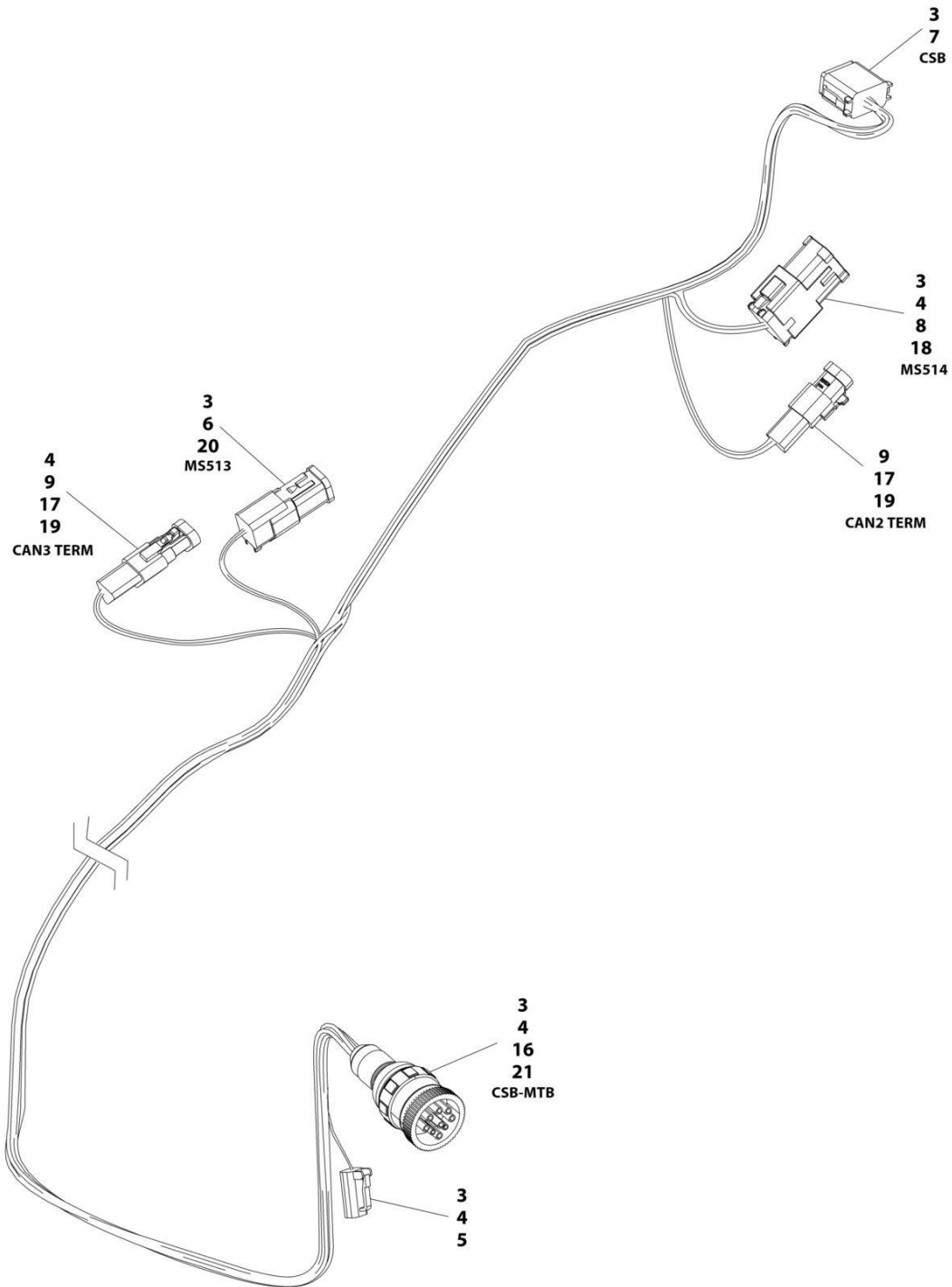
SECTION 8 - ELECTRICAL

FIGURE 8-54. CLEARSKY HARNESS - 3 WIRE CONNECTION

ITEM	PART NUMBER	QTY	DESCRIPTION	REV
	1001273012	Ref	CLEARSKY TELEMATICS HARNESS - GT1030	D
1	1001255901	1	Fuseholder	
1	1001196634	1	Fuse - 2Amp	
2	1001272997	1	Connector - 12 Position	
2		Ref	Terminal	
3	4460932	1	Receptacle, Female - 4 Position	
3	4460464	4	Pin, Male	

SECTION 8 - ELECTRICAL

FIGURE 8-55. CSB HARNESS



ART_1001286622

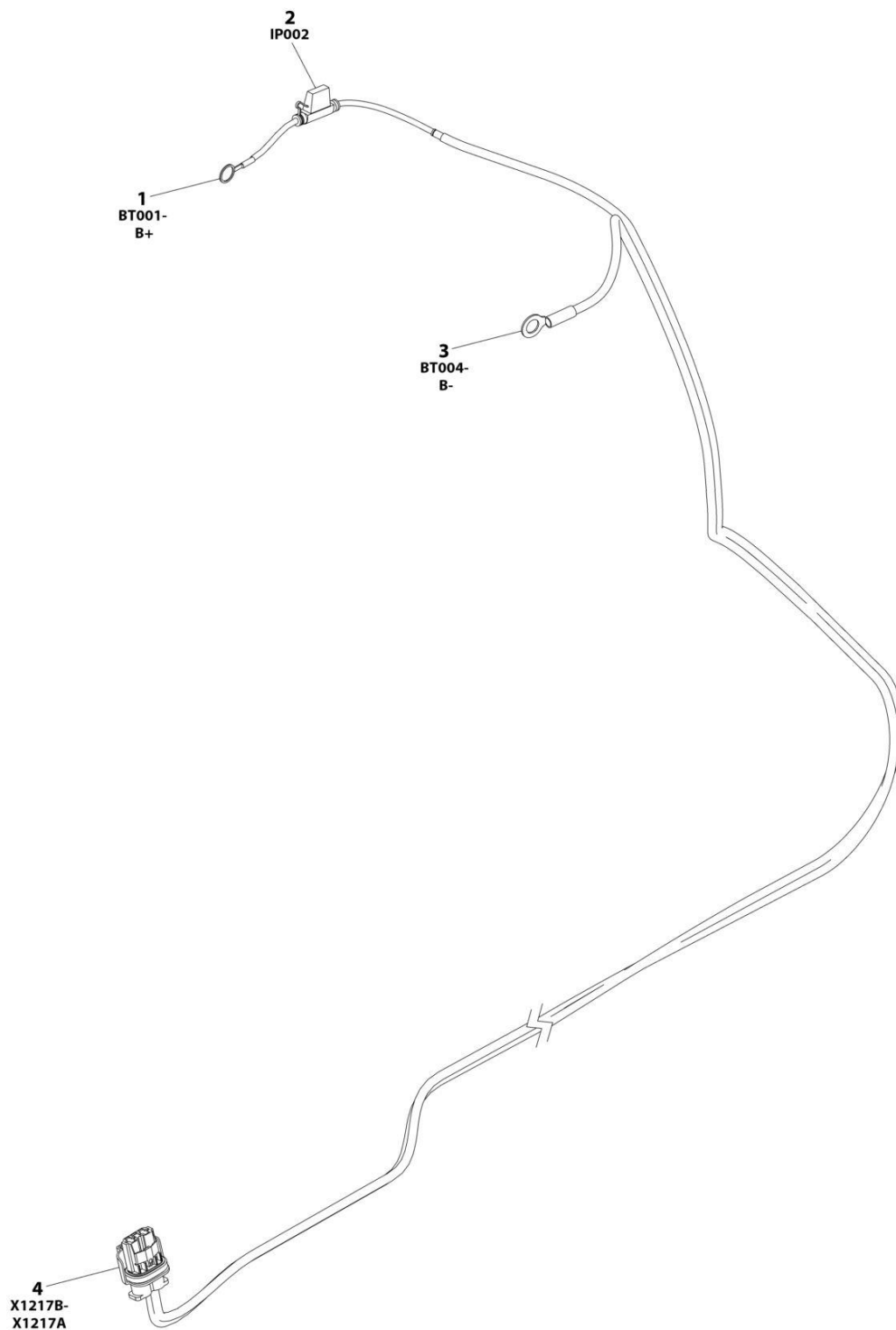
SECTION 8 - ELECTRICAL

FIGURE 8-55. CSB HARNESS

ITEM	PART NUMBER	QTY	DESCRIPTION	REV
	1001286622	Ref	CSB HARNESS	C
3	4460465	32	Socket	
4	4460466	6	Plug, Terminal	
5	4460891	1	Connector	
6	4460894	1	Connector	
7	4460930	1	Connector	
8	4460933	1	Connector	
9	4460943	6	Pin	
16	1001112796	1	Connector	
17	1001116815	2	Connector	
18	1001119020	1	Connector	
19	1001144147	2	Pin	
20	1001226541	1	Connector	
21	4461042	1	Connector	

SECTION 8 - ELECTRICAL

FIGURE 8-56. ECU POWER JUMPER HARNESS



ART_1001289593

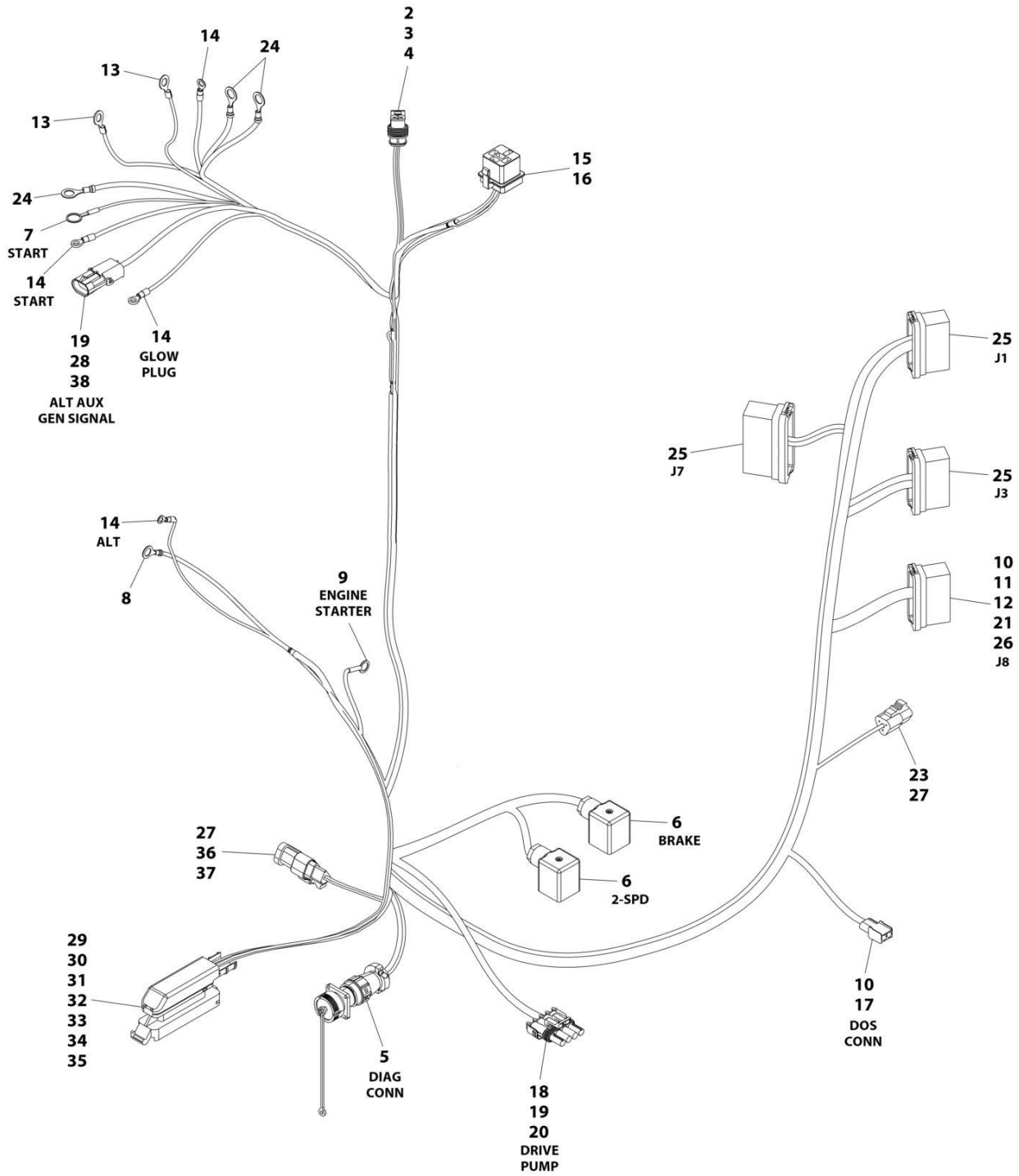
SECTION 8 - ELECTRICAL

FIGURE 8-56. ECU POWER JUMPER HARNESS

ITEM	PART NUMBER	QTY	DESCRIPTION	REV
	1001289593	Ref	ECU POWER JUMPER HARNESS	A
1	4460019	1	Terminal Ring	
2	1001172064	1	Fuse Holder	
2	1001172065	1	Fuse 30Amp	
3	8220164	1	Terminal Ring	
4	1001142938	1	Connector	
4	1001142940	2	Terminal	
4	1001142941	2	Seal	

SECTION 8 - ELECTRICAL

FIGURE 8-57. ENGINE HARNESS - DEUTZ D2011 ENGINES (ANSI EXPORT (LRC) AND AUSTRALIAN SPECS)



ART_1001285515

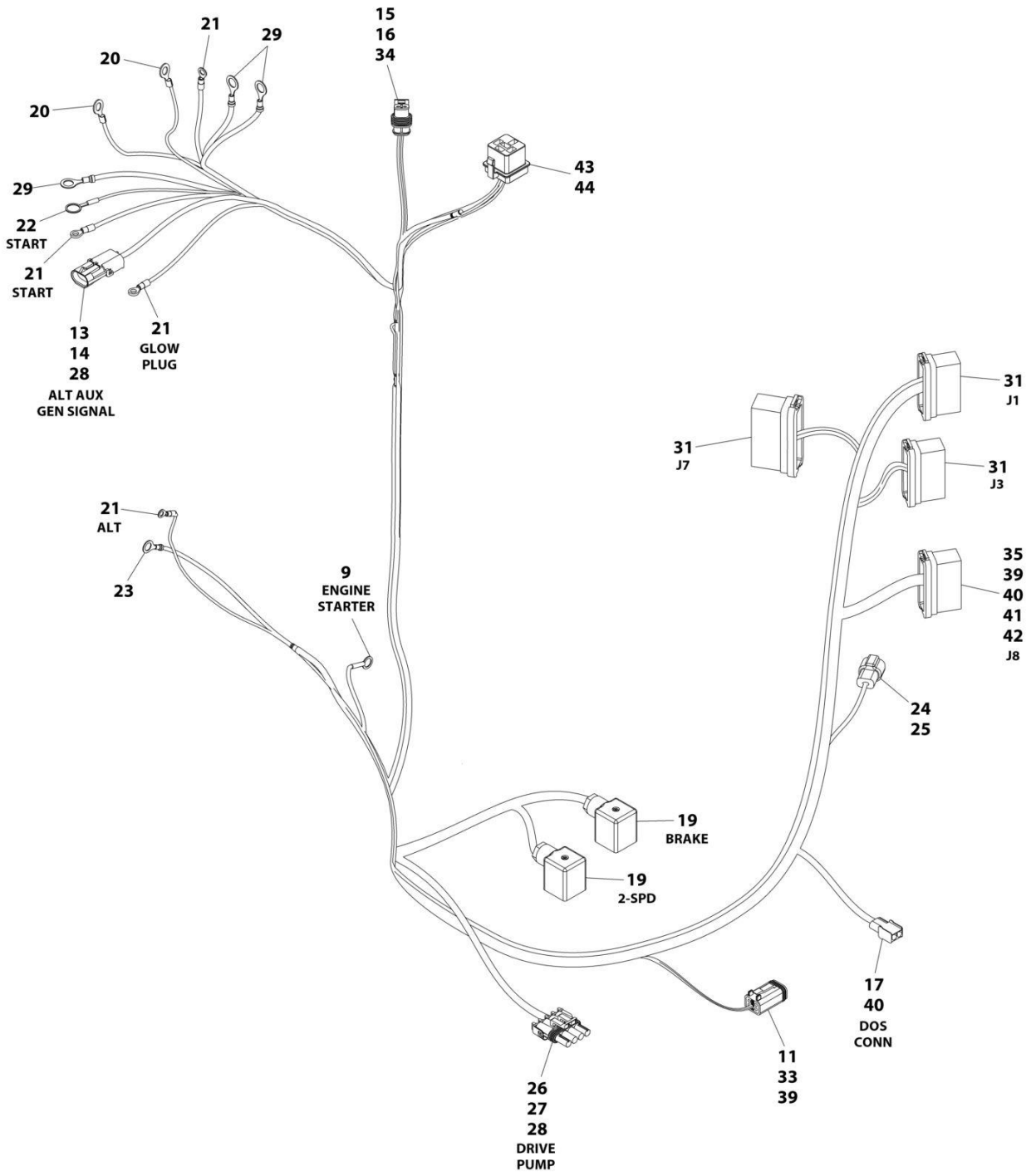
SECTION 8 - ELECTRICAL

FIGURE 8-57. ENGINE HARNESS - DEUTZ D2011 ENGINES (ANSI EXPORT (LRC) AND AUSTRALIAN SPECS)

ITEM	PART NUMBER	QTY	DESCRIPTION	REV
	1001285515	Ref	ENGINE HARNESS - DEUTZ D2011 ENGINES	A
2	1001102290	1	Connector	
3	1001102291	2	Terminal	
4	1001102304	2	Seal	
5	2902443	1	Kit, Receptacle	
5	4461073	1	Cap, Dust	
6	1001263923	2	Connector	
7	4460019	1	Terminal, Ring	
8	4460043	1	Terminal, Ring	
9	4460142	1	Terminal - Ring	
10	4460226	4	Socket	
11	4460259	1	Terminal	
12	4460260	1	Cover, Terminal	
13	4460312	2	Terminal, Ring	
14	4460313	4	Terminal, Ring	
15	4460374	1	Plug	
16	4460375	4	Terminal	
17	4460424	1	Connector	
18	4460457	4	Socket	
19	4460458	6	Seal	
20	4460460	1	Connector	
21	4460465	2	Socket	
23	4460539	1	Connector	
24	4460670	3	Terminal, Ring	
25	4460871	10	Socket	
26	4460887	1	Terminal	
27	4460944	6	Socket	
28	4460979	2	Terminal	
29	4461005	5	Terminal	
30	4461006	5	Seal	
31	4461008	18	Plug, Terminal	
32	4461052	1	Connector	
33	4461053	1	Cover, Plug	
34	4461054	2	Seal	
35	4461060	2	Terminal	
36	4461070	1	Connector	
37	4461095	1	Plug	
38	4461157	1	Connector	

SECTION 8 - ELECTRICAL

FIGURE 8-58. ENGINE HARNESS - DEUTZ D2011 ENGINES (CE & UK CA SPECS)



ART_1001286027

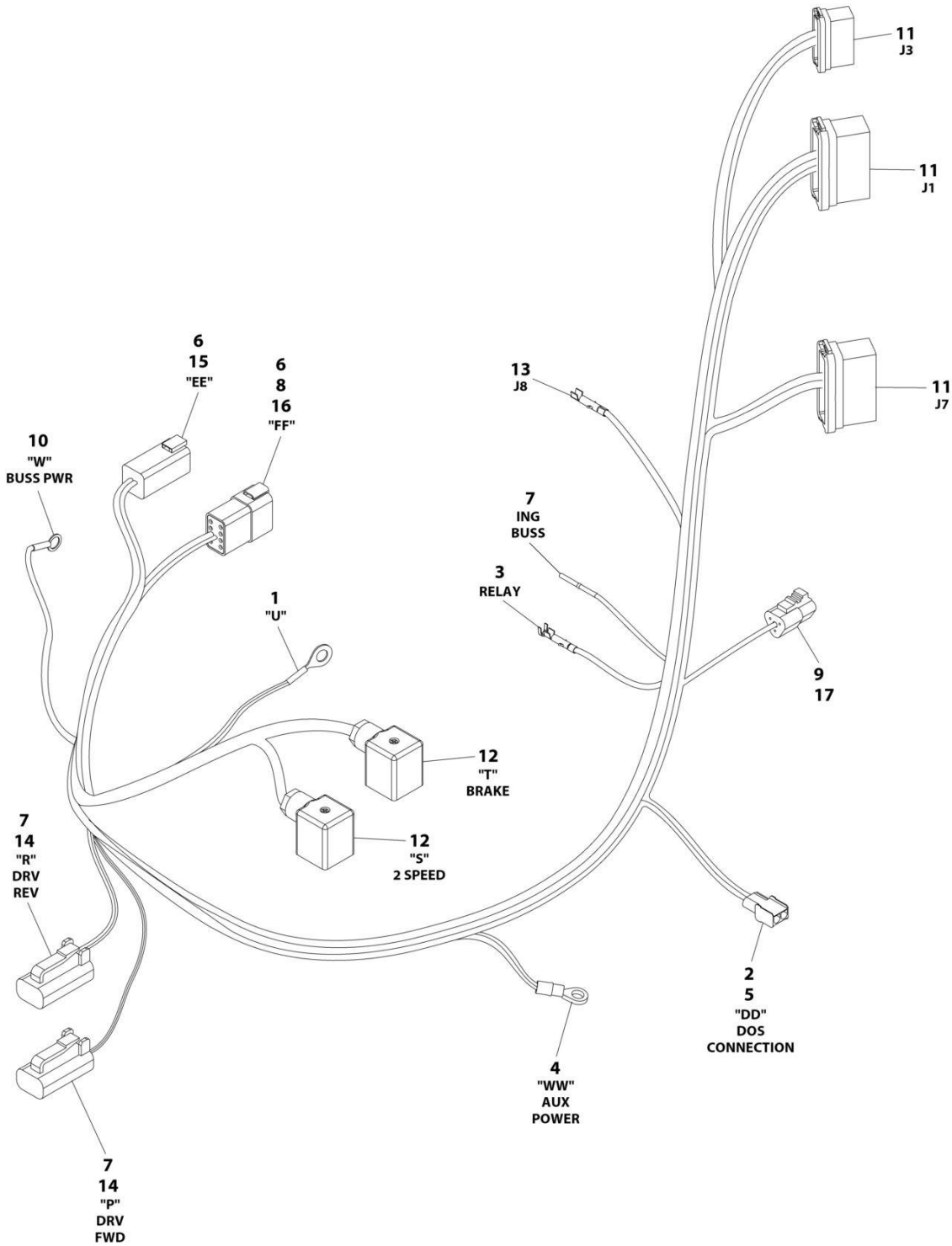
SECTION 8 - ELECTRICAL

FIGURE 8-58. ENGINE HARNESS - DEUTZ D2011 ENGINES (CE & UK CA SPECS)

ITEM	PART NUMBER	QTY	DESCRIPTION	REV
	1001286027	Ref	ENGINE HARNESS - DEUTZ D2011 ENGINES	A
9	4460142	1	Terminal - Ring	
11	4460884	1	Connector	
13	4460979	2	Pin	
14	4461157	1	Connector	
15	1001102291	2	Terminal	
16	1001102304	2	Seal	
17	4460424	1	Connector	
19	4460880	2	Connector	
20	4460312	2	Terminal, Ring	
21	4460313	4	Terminal, Ring	
22	4460019	1	Terminal, Ring	
23	4460043	1	Terminal, Ring	
24	4460539	1	Plug	
25	4460944	3	Socket	
26	4460460	1	Connector	
27	4460457	4	Sleeve	
28	4460458	6	Seal	
29	4460670	3	Terminal, Ring	
31	4460871	9	Socket	
33	4460466	1	Plug, Terminal	
34	1001102290	1	Connector	
35	4460887	1	Terminal	
39	4460465	5	Socket	
40	4460226	4	Socket	
41	4460259	1	Terminal	
42	4460260	1	Cover, Terminal	
43	4460374	1	Plug	
44	4460375	4	Terminal	

SECTION 8 - ELECTRICAL

FIGURE 8-59. GROUND CONTROL ENGINE HARNESS - DEUTZ TD2.9L4 (STAGE V) ENGINE



ART_1001295732

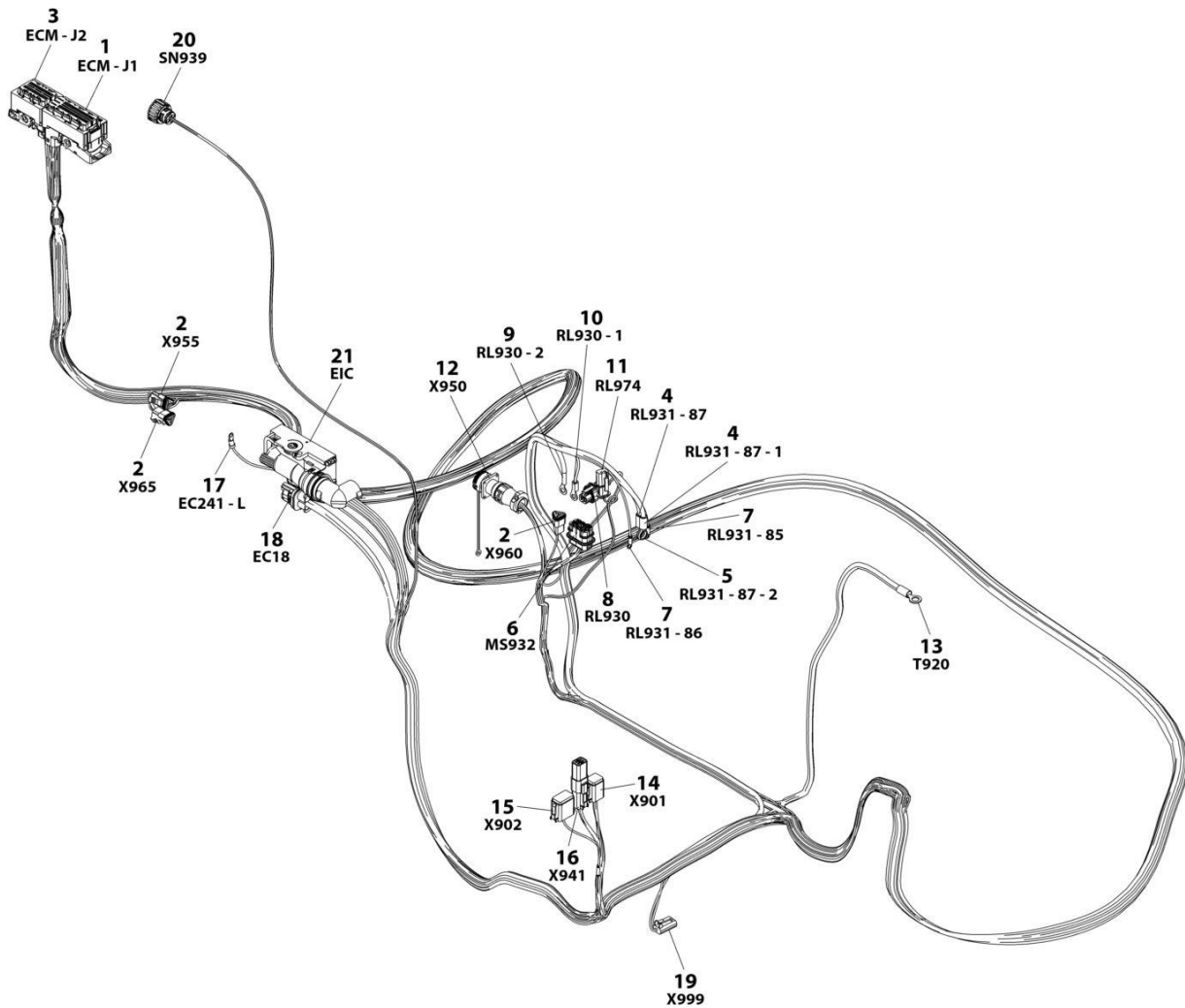
SECTION 8 - ELECTRICAL

FIGURE 8-59. GROUND CONTROL ENGINE HARNESS - DEUTZ TD2.9L4 (STAGE V) ENGINE

ITEM	PART NUMBER	QTY	DESCRIPTION	REV
	1001295732	Ref	GROUND CONTROL ENGINE HARNESS	A
1	4460019	1	Ring, Terminal	
2	4460226	2	Socket	
3	4460268	1	Socket	
4	4460313	1	Ring, Terminal	
5	4460424	1	Connector	
6	4460464	10	Pin	
7	4460465	7	Pin	
8	4460466	4	Plug	
9	4460539	1	Connector	
10	4460738	1	Ring, Terminal	
11	4460871	11	Socket	
12	4460880	2	Connector	
13	4460887	1	Socket	
14	4460891	2	Connector	
15	4460899	1	Connector	
16	4460931	1	Connector	
17	4460944	3	Pin	

SECTION 8 - ELECTRICAL

FIGURE 8-60. ENGINE HARNESS - DEUTZ TD2.9L4 ENGINES & CHINA IV ENGINES WITHOUT DIESEL PARTICULATE FILTER



ART_1001143726

SECTION 8 - ELECTRICAL

FIGURE 8-60. ENGINE HARNESS - DEUTZ TD2.9L4 ENGINES & CHINA IV ENGINES WITHOUT DIESEL PARTICULATE FILTER

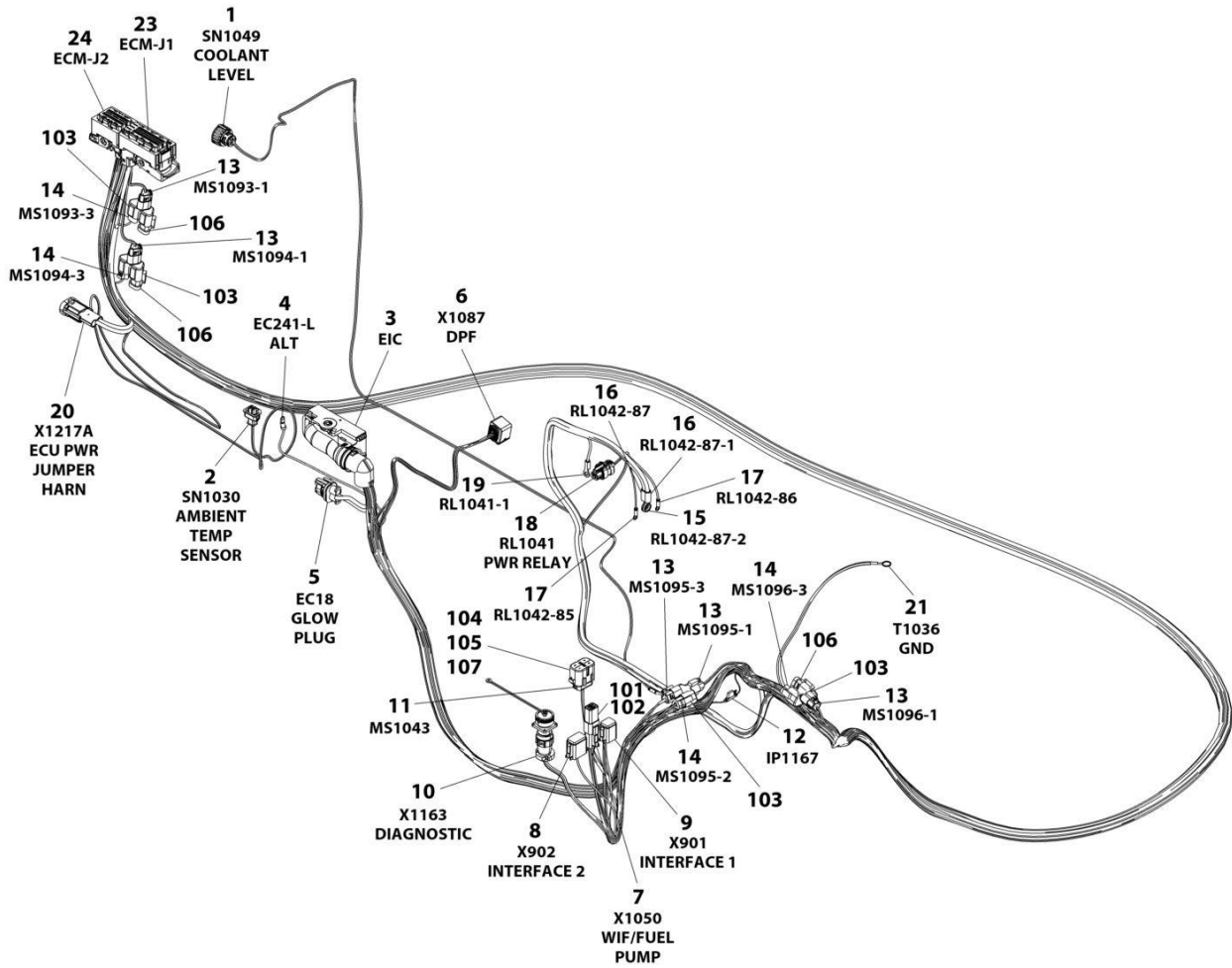
ITEM	PART NUMBER	QTY	DESCRIPTION	REV
	1001143726	Ref	ENGINE HARNESS	L
1	1001133956	1	Connector - 94 Position	
1	1001126351	2	Terminal	
1	1001126352	6	Terminal	
1	1001126384	21	Terminal	
1	1001126357	2	Plug, Terminal	
1	1001126356	63	Plug, Terminal	
2	4461095	3	Plug, Male - 3 Position	
2	4460944	6	Socket, Female	
2	4460466	3	Plug, Terminal	
3	1001133957	1	Connector - 60 Position	
3	1001126351	13	Terminal	
3	1001126384	17	Terminal	
3	1001126357	11	Plug, Terminal	
3	1001126356	19	Plug, Terminal	
4	1001117107	2	Terminal, Ring	
5	4460703	1	Terminal, Ring	
6	80484084	1	Plug, Male - 8 Position	
6	8229242	1	Fuse - 5Amp	
6	80983191	1	Fuse - 10Amp	
6	1001116728	4	Socket, Female	
6	1001116727	4	Plug, Terminal	
6	4460458	4	Seal, Terminal	
6	1001147264	1	Cap	
7	4460247	2	Terminal, Ring	
8	1001116952	1	Plug, Male - 2 Position	
8	4460465	2	Socket, Female	
9	1001117106	1	Terminal, Ring	
10	4460043	1	Terminal, Ring	
11	1001138110	1	Connector - 2 Position	
11	1001138111	2	Terminal	
11	1001138113	2	Seal	
12	2902443	1	Receptacle Kit	
12	4461073	1	Cap, Dust	
12	4461071	6	Terminal	
13	8220115	1	Terminal, Ring	
14	4460894	1	Plug, Male - 6 Position	
14	4460465	3	Socket, Female	
14	4460944	2	Socket, Female	
14	4460466	1	Plug, Terminal	
15	4460930	1	Plug, Male - 8 Position	
15	4460465	1	Socket, Female	
15	4460466	7	Plug, Terminal	
16	1001220379	1	Plug, Male - 4 Position	
16	4460465	2	Socket, Female	
16	4460942	2	Socket, Female	
16	4460932	1	Receptacle, Bussbar - 4 Position	
17	4460042	1	Terminal, Ring	
18	1001142938	1	Plug, Male - 2 Position	

SECTION 8 - ELECTRICAL

ITEM	PART NUMBER	QTY	DESCRIPTION	REV
18	1001142940	2	Terminal	
18	1001142941	2	Seal	
19	4460891	1	Plug, Male - 4 Position	
19	4460465	2	Socket, Female	
19	1001171403	1	Resistor Assembly	
19	4460897	1	Receptacle, Female - 4 Position	
20	1001133714	1	Connector - 4 Position	
20	1001133715	3	Terminal	
20	1001135650	3	Seal, Terminal	
20	1001135651	1	Plug, Terminal	
21	1001126362	1	Connector - 62 Position	
21	1001126363	23	Terminal	
21	1001126392	10	Terminal	
21	1001126365	2	Terminal	
21	1001126391	23	Plug, Terminal	
21	4461008	4	Plug, Terminal	
21	1001256506	2	Seal, Terminal	
21	1001126364	21	Seal, Terminal	
21	1001223459	10	Seal, Terminal	
21	4461008	4	Plug, Terminal	
21	1001151856	1	Elbow	

SECTION 8 - ELECTRICAL

FIGURE 8-61. ENGINE HARNESS - DEUTZ TD2.9L4 (STAGE V & CHINA IV) ENGINES WITH DIESEL PARTICULATE FILTER



ART_1001276644

SECTION 8 - ELECTRICAL

FIGURE 8-61. ENGINE HARNESS - DEUTZ TD2.9L4 (STAGE V & CHINA IV) ENGINES WITH DIESEL PARTICULATE FILTER

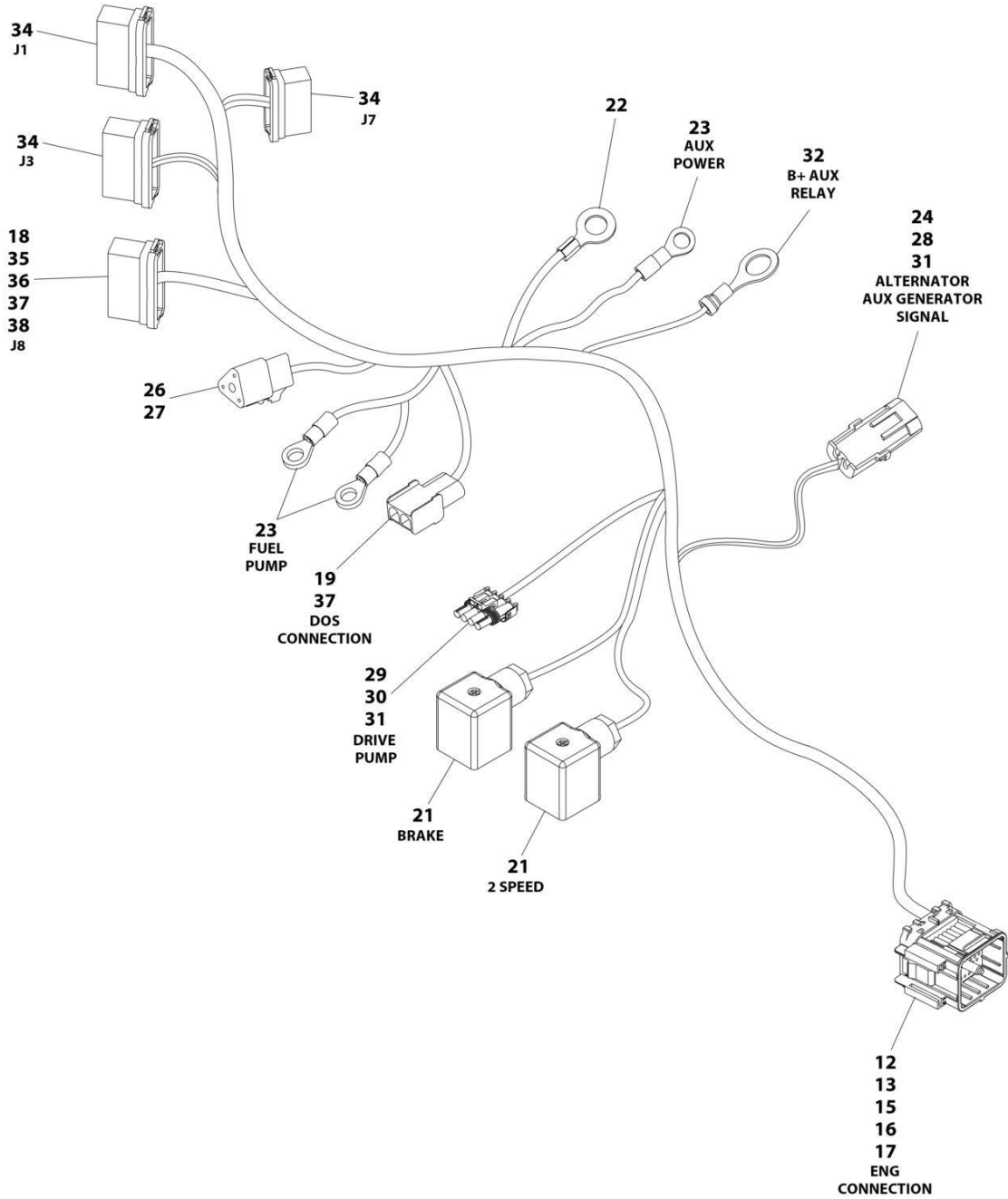
ITEM	PART NUMBER	QTY	DESCRIPTION	REV
	1001276644	Ref	Engine Harness - Deutz Engines	B
1	1001133714	1	Connector	
1	1001133715	3	Terminal	
1	1001135650	3	Seal, Terminal	
1	1001135651	1	Plug, Terminal	
2	1001126487	1	Connector	
2	1001167635	2	Terminal	
2	1001126485	2	Seal, Terminal	
3	1001126362	1	Connector	
3	1001126363	37	Terminal	
3	1001126392	12	Terminal	
3	1001126391	7	Plug, Terminal	
3	4461008	4	Plug, Terminal	
3	1001167632	2	Terminal	
3	1001126364	37	Seal, Terminal	
3	1001223459	12	Seal, Terminal	
3	4461054	2	Seal, Terminal	
4	4460042	1	Terminal, Ring	
5	1001142938	1	Plug	
5	1001142940	2	Terminal	
5	1001142941	2	Seal	
6	1001239202	1	Connector	
6	1001126363	7	Terminal	
6	1001126391	1	Plug, Terminal	
6	1001126364	7	Seal, Terminal	
7	4460884	1	Connector	
7	4460465	2	Socket	
7	4460942	2	Socket	
8	4460930	1	Plug	
8	4460465	1	Socket	
8	4460466	7	Plug, Terminal	
9	4460894	1	Plug	
9	4460465	2	Socket	
9	4460944	2	Socket	
9	4460466	2	Plug, Terminal	
10	2902443	1	Receptacle Kit	
10	4461073	1	Cap, Dust	
10	4461071	6	Terminal	
11	80484084	1	Plug	
11	4460748	4	Seal, Terminal	
11	4460746	3	Terminal	
11	1001234800	1	Terminal	
11	4460458	4	Seal, Terminal	
12	1001170764	1	Fuse Holder, Includes Resistor	
12	1001197719	1	Resistor 0.5W	
13	1001116812	5	Plug	
13	4460944	10	Socket	
13	4460466	5	Plug, Terminal	
14	4460539	4	Connector	

SECTION 8 - ELECTRICAL

ITEM	PART NUMBER	QTY	DESCRIPTION	REV
14	4460944	8	Socket	
14	4460466	4	Plug, Terminal	
15	4460703	1	Terminal, Ring	
16	1001117107	2	Terminal, Ring	
17	4460247	2	Terminal, Ring	
18	1001116952	1	Plug	
18	4460465	2	Socket	
19	4460043	1	Terminal, Ring	
20	1001289552	1	Connector	
20	1001289553	2	Socket	
20	1001142941	2	Seal	
21	4460019	1	Terminal, Ring	
23	1001133956	1	Connector	
23	1001126351	3	Terminal	
23	1001182361	6	Terminal	
23	1001230934	25	Terminal	
23	1001230935	55	Plug, Terminal	
23	1001252527	4	Terminal	
23	1001230936	1	Plug, Terminal	
23	1001182365	6	Seal, Terminal	
24	1001133957	1	Connector	
24	1001126351	13	Terminal	
24	1001230935	10	Plug, Terminal	
24	1001230934	26	Terminal	
24	1001230936	11	Plug, Terminal	
101	4460466	4	Seal, Terminal	
102	4460932	1	Connector	
103	4460945	4	Receptacle	
104	8229242	1	Fuse - 5Amp	
105	80983191	1	Fuse - 10Amp	
106	1001116815	3	Connector	
107	1001147264	1	Cap	

SECTION 8 - ELECTRICAL

FIGURE 8-62. ENGINE HARNESS - FORD DF 2.5L ENGINES



ART_1001286028

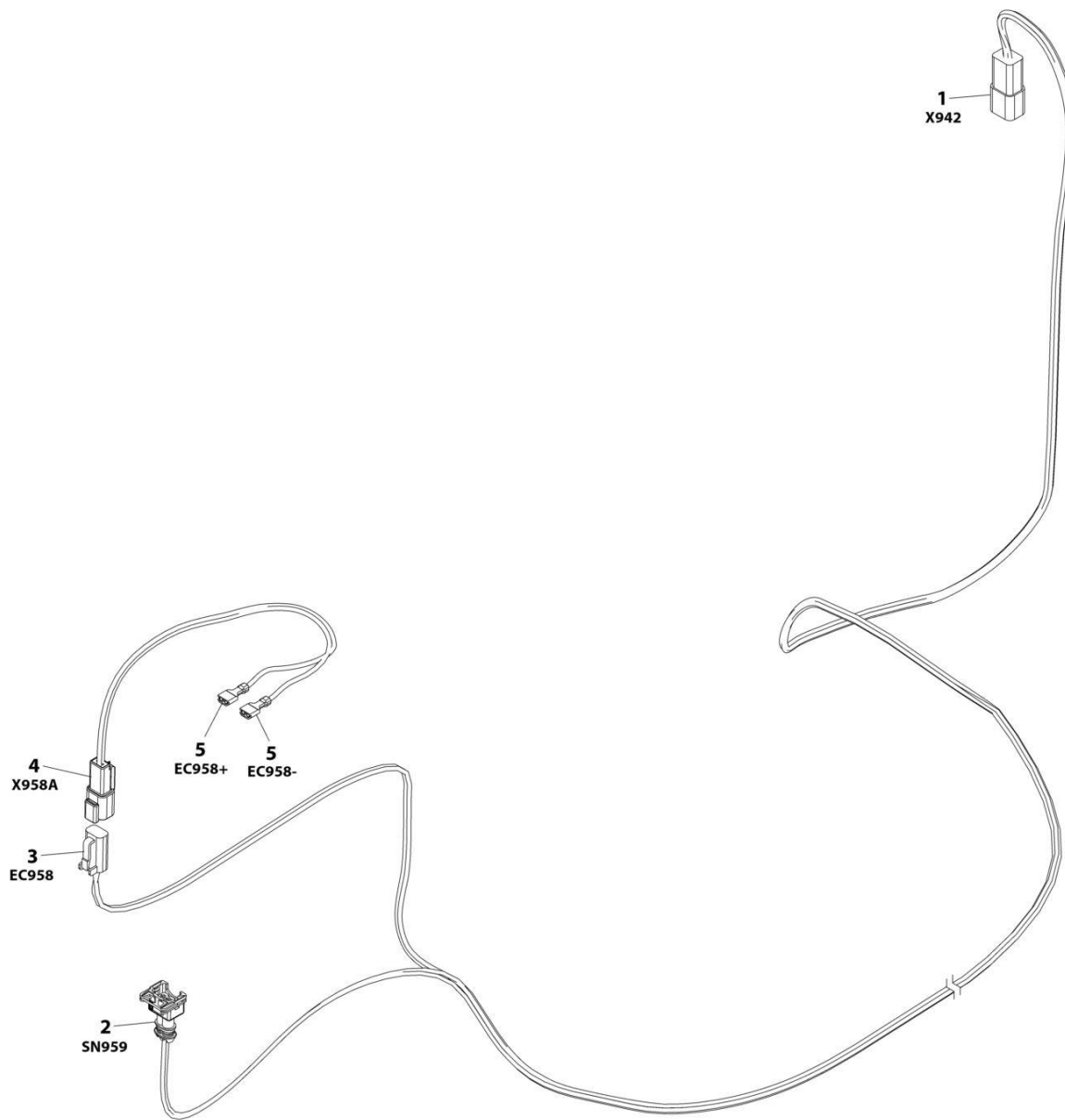
SECTION 8 - ELECTRICAL

FIGURE 8-62. ENGINE HARNESS - FORD DF 2.5L ENGINES

ITEM	PART NUMBER	QTY	DESCRIPTION	REV
	1001286028	Ref	ENGINE HARNESS - FORD DF 2.5L ENGINES	B
12	1001216213	3	Plug, Terminal	
13	1001216212	1	Terminal	
15	1001215534	33	Plug, Terminal	
16	1001215091	5	Terminal	
17	1001215016	1	Connector	
18	4460260	1	Cover, Terminal	
19	4460424	1	Connector	
21	4460880	2	Connector	
22	4460312	1	Terminal, Ring	
23	4460313	3	Terminal, Ring	
24	4460979	2	Pin	
26	4460539	1	Connector	
27	4460944	3	Socket	
28	4461157	1	Connector	
29	4460460	1	Connector	
30	4460457	4	Terminal	
31	4460458	6	Seal	
32	4460738	1	Terminal, Ring	
34	4460871	9	Socket	
35	4460259	1	Terminal	
36	4460887	1	Terminal	
37	4460226	3	Socket	
38	4460465	2	Socket	

SECTION 8 - ELECTRICAL

FIGURE 8-63. FUEL PUMP HARNESS - DEUTZ TD2.9L4 ENGINES



ART_1001138491

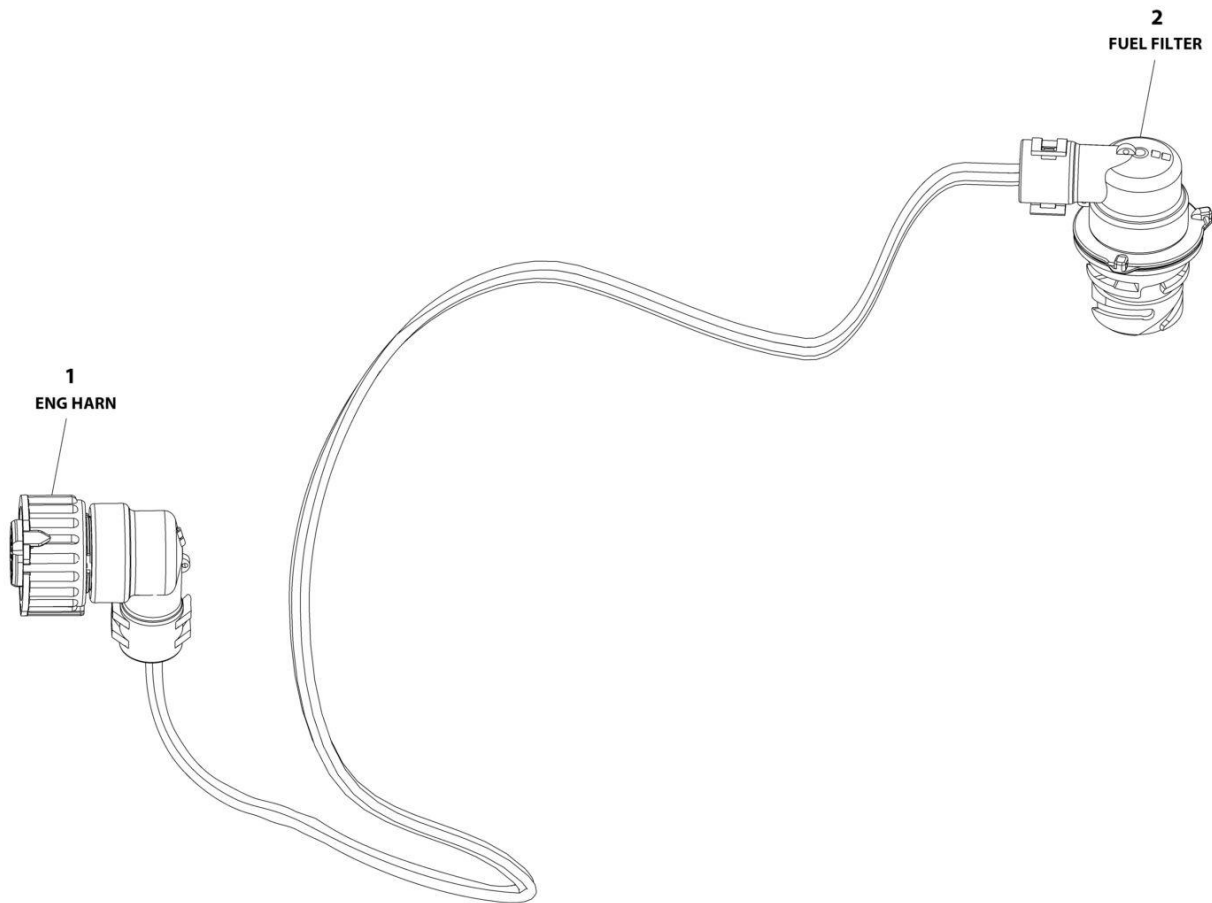
SECTION 8 - ELECTRICAL

FIGURE 8-63. FUEL PUMP HARNESS - DEUTZ TD2.9L4 ENGINES

ITEM	PART NUMBER	QTY	DESCRIPTION	REV
	1001138491	Ref	FUEL PUMP HARNESS	D
1	4460932	1	Receptacle, Female - 4 Position	
1	4460941	2	Pin, Male	
1	4460464	2	Pin, Male	
2	1001116983	1	Plug, Male - 2 Position	
2	1001116710	2	Socket, Female	
2	4461054	2	Seal	
3	4460891	1	Plug, Male - 2 Position	
3	4460942	2	Socket, Female	
4	4460897	1	Connector - 2 Position	
4	4460941	2	Pin, Male	
5	8220051	2	Terminal, Ring	

SECTION 8 - ELECTRICAL

FIGURE 8-64. FUEL HARNESS - DEUTZ TD2.9L4 (STAGE V) ENGINE



ART_1001245913

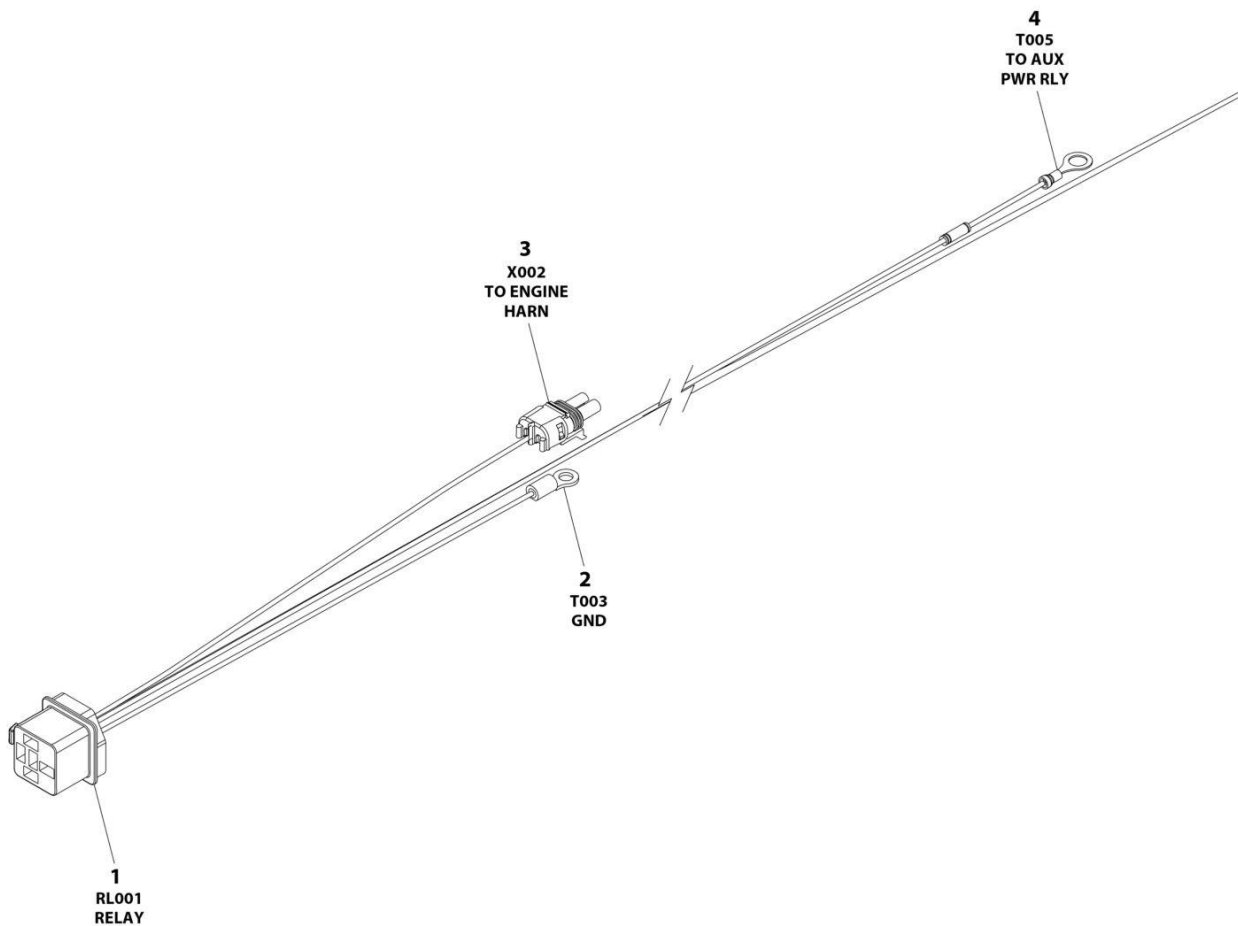
SECTION 8 - ELECTRICAL

FIGURE 8-64. FUEL HARNESS - DEUTZ TD2.9L4 (STAGE V) ENGINE

ITEM	PART NUMBER	QTY	DESCRIPTION	REV
	1001245913	Ref	FUEL HARNESS - DEUTZ (STAGE V) ENGINE	D
1	1001148842	1	Connector - 4 Position	
1	1001148841	4	Pin, Male	
1	1001135650	4	Seal	
2	1001133714	1	Plug, Male - 4 Position	
2	1001133715	4	Socket, Female	
2	1001135650	4	Seal	

SECTION 8 - ELECTRICAL

FIGURE 8-65. GENERATOR TO ENGINE HARNESS - 2500W (FORD ENGINES)



ART_4923445

SECTION 8 - ELECTRICAL

FIGURE 8-65. GENERATOR TO ENGINE HARNESS - 2500W (FORD ENGINES)

ITEM	PART NUMBER	QTY	DESCRIPTION	REV
	4923445	Ref	GENERATOR TO ENGINE HARNESS	B
1	4460374	1	Plug, Sealed Relay	
1	1001116734	2	Socket, Female	
1	1001116733	2	Socket, Female	
2	4460043	1	Terminal, Ring	
3	4460742	1	Plug, Male - 2 Position	
3	4460457	1	Socket, Female	
3	4460458	1	Seal, Terminal	
3	1001116727	1	Plug, Terminal	
4	4460670	1	Terminal, Ring	

SECTION 8 - ELECTRICAL

FIGURE 8-66. GENERATOR TO ENGINE HARNESS - 4000W/50HZ (DEUTZ D2011 ENGINES)



ART_1001153197

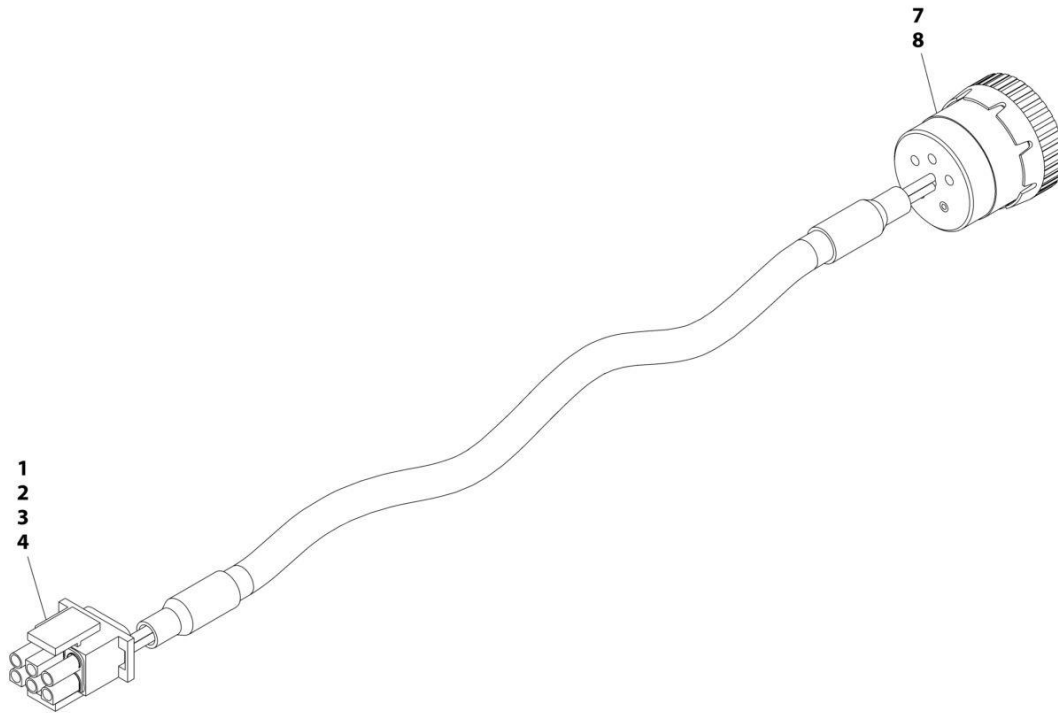
SECTION 8 - ELECTRICAL

FIGURE 8-66. GENERATOR TO ENGINE HARNESS - 4000W/50HZ (DEUTZ D2011 ENGINES)

ITEM	PART NUMBER	QTY	DESCRIPTION	REV
	1001153197	Ref	GENERATOR TO ENGINE HARNESS	B
1	4460967	1	Plug, Male - 3 Position	
1	4460465	2	Socket, Female	
2	4460043	1	Terminal, Ring	
3	4460742	1	Plug, Male - 2 Position	
3	4460743	1	Socket, Female	
3	4460458	1	Seal, Terminal	
3	1001116727	1	Plug, Terminal	

SECTION 8 - ELECTRICAL

FIGURE 8-67. GENERATOR TO ENGINE HARNESS - 4000W/60HZ (DEUTZ ENGINES)



ART_1001152532

SECTION 8 - ELECTRICAL

FIGURE 8-67. GENERATOR TO ENGINE HARNESS - 4000W/60HZ (DEUTZ ENGINES)

ITEM	PART NUMBER	QTY	DESCRIPTION	REV
	1001152532	Ref	GENERATOR HARNESS	A
1	4460225	1	Connector - 6 Position	
2	4460268	2	Socket, Female	
3	4460807	1	Seal	
4	4460808	1	Seal	
7	4460465	2	Socket, Female	
8	77363233	1	Connector - 6 Position	

SECTION 8 - ELECTRICAL

FIGURE 8-68. GENERATOR TO ENGINE HARNESS - 4000W/50HZ (DEUTZ TD2.9L4 ENGINES)



ART_1001153259

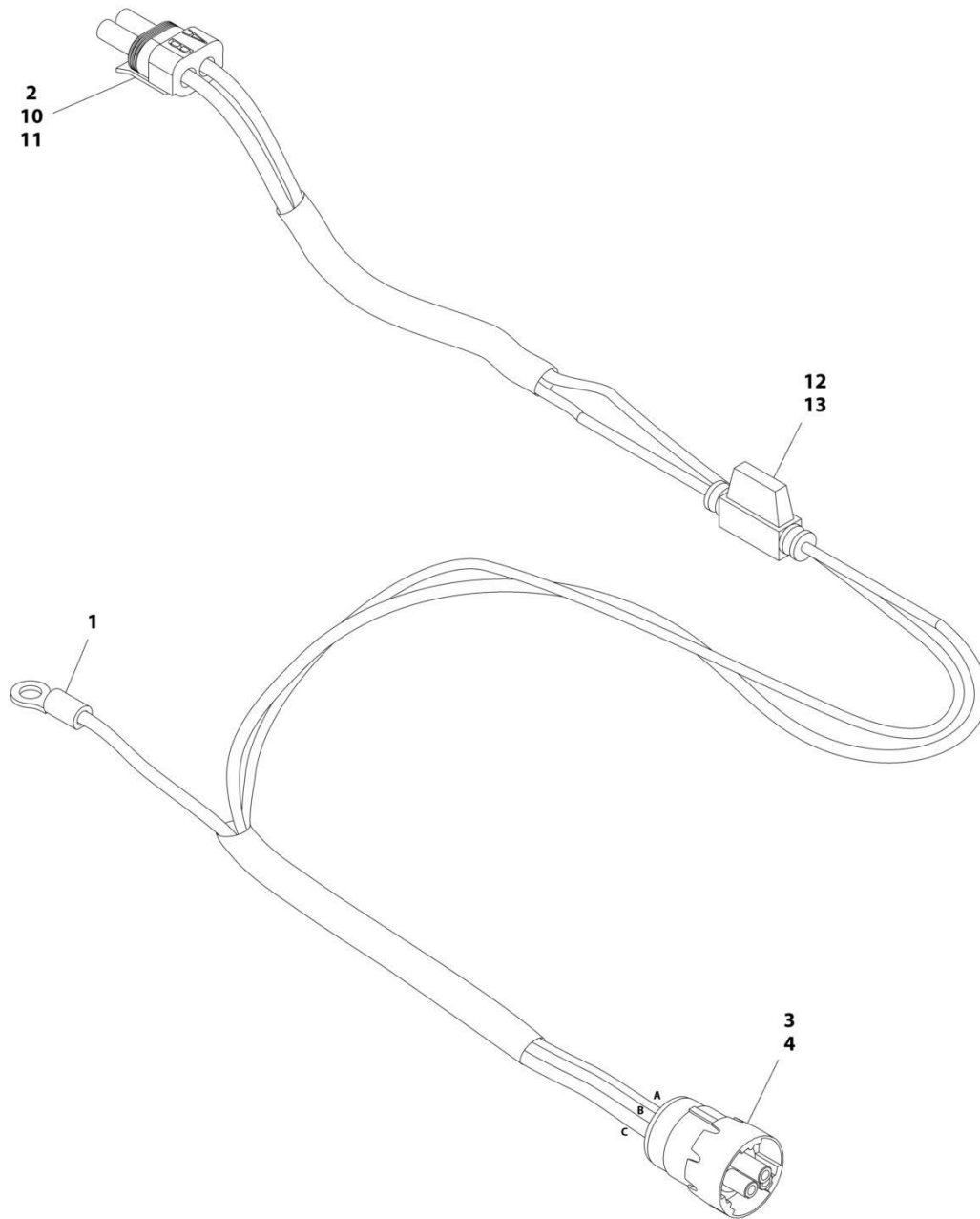
SECTION 8 - ELECTRICAL

FIGURE 8-68. GENERATOR TO ENGINE HARNESS - 4000W/50HZ (DEUTZ TD2.9L4 ENGINES)

ITEM	PART NUMBER	QTY	DESCRIPTION	REV
	1001153259	Ref	GENERATOR TO PLATFORM HARNESS (4000W-60HZ GENERATOR)	B
1	4460967	1	Connector - 3 Position	
1	4460465	2	Socket, Female	
2	4460465	2	Socket, Female	

SECTION 8 - ELECTRICAL

FIGURE 8-69. GENERATOR TO ENGINE HARNESS - 7500W SKYPOWER GENERATOR (DEUTZ D2011 ENGINES)



ART_1001152429

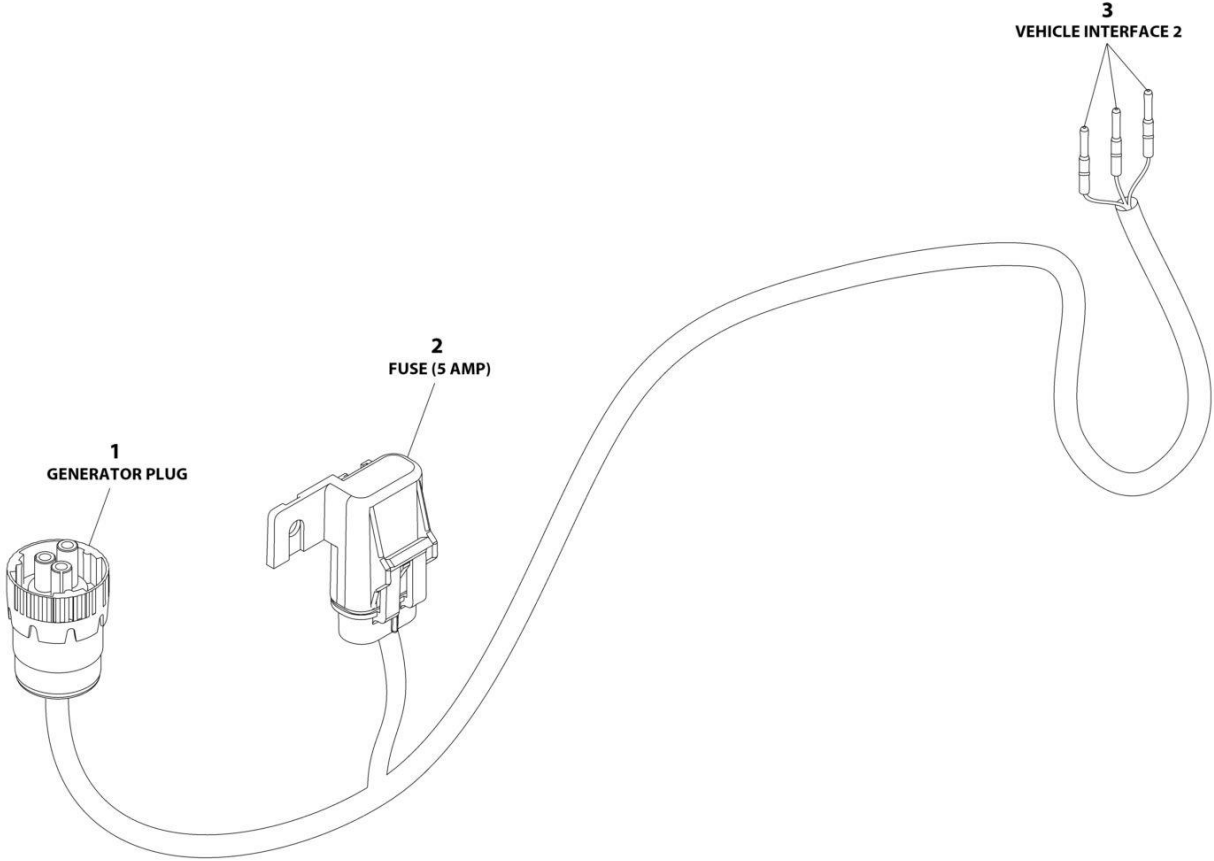
SECTION 8 - ELECTRICAL

FIGURE 8-69. GENERATOR TO ENGINE HARNESS - 7500W SKYPOWER GENERATOR (DEUTZ D2011 ENGINES)

ITEM	PART NUMBER	QTY	DESCRIPTION	REV
	1001152429	Ref	GENERATOR TO ENGINE HARNESS	C
1	4460043	1	Terminal, Ring	
2	4460742	1	Plug, Male - 2 Position	
3	4460967	1	Connector - 3 Position	
4	4460465	3	Socket, Female	
10	4460743	2	Terminal, Female	
11	4460458	2	Seal	
12	2400060	1	Fuseholder (Includes Cover)	
13	2400064	1	Fuse - 5Amp	

SECTION 8 - ELECTRICAL

FIGURE 8-70. GENERATOR HARNESS - 7500W SKYPOWER (DEUTZ TD2.9L4 T4F ENGINES)



ART_1001119968

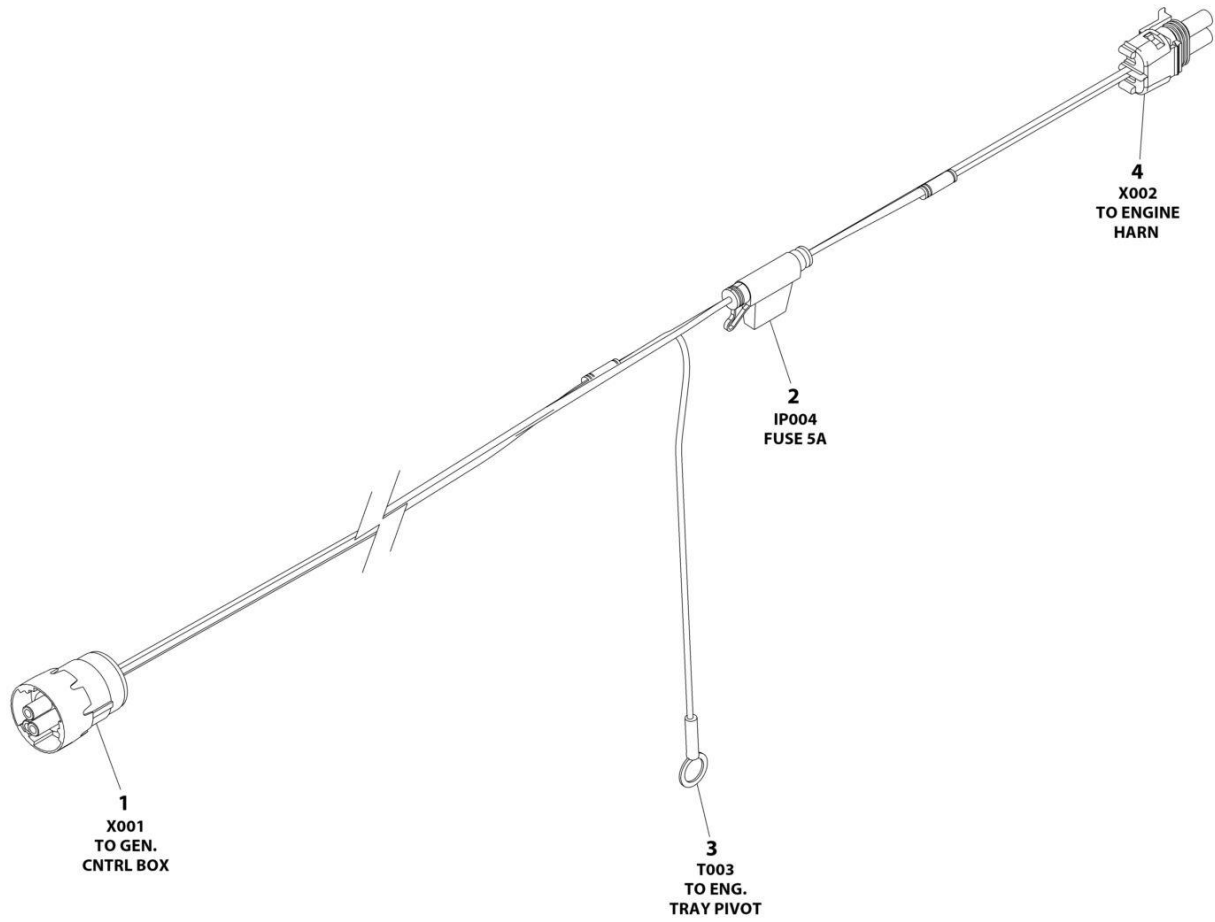
SECTION 8 - ELECTRICAL

FIGURE 8-70. GENERATOR HARNESS - 7500W SKYPOWER (DEUTZ TD2.9L4 T4F ENGINES)

ITEM	PART NUMBER	QTY	DESCRIPTION	REV
	1001119968	Ref	GENERATOR HARNESS - 7500W GENERATOR	C
1	4460967	1	Connector - 3 Position	
1	4460465	3	Socket, Female	
2	1001117078	1	Connector, Metri-Pack with 5Amp Fuse	
3	4460465	3	Socket, Female	

SECTION 8 - ELECTRICAL

FIGURE 8-71. GENERATOR TO ENGINE HARNESS - 7500W SKYPOWER (FORD DF 2.5L ENGINES)



ART_1001257972

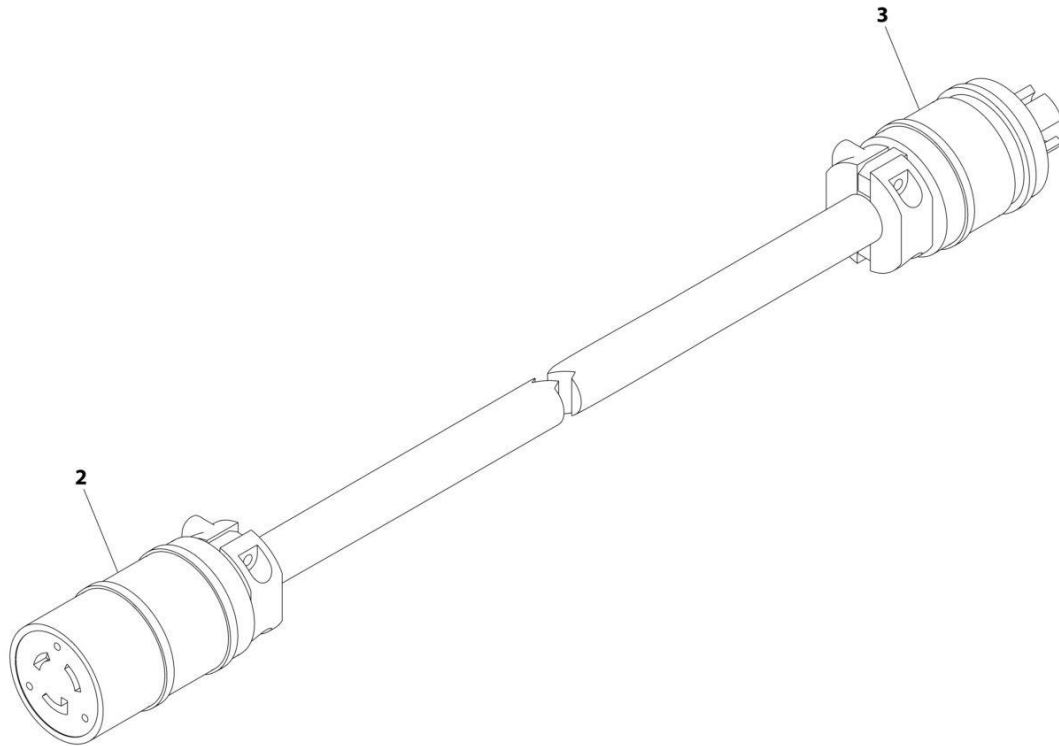
SECTION 8 - ELECTRICAL

FIGURE 8-71. GENERATOR TO ENGINE HARNESS - 7500W SKYPOWER (FORD DF 2.5L ENGINES)

ITEM	PART NUMBER	QTY	DESCRIPTION	REV
	1001257972	Ref	GENERATOR TO ENGINE HARNESS	A
1	4460967	1	Plug, Male - 3 Position	
1	4460465	3	Socket, Female	
2	2400060	1	Fuse-holder (Includes Cover)	
2	2400064	1	Fuse - 5Amp	
3	4460256	1	Terminal, Ring	
4	4460742	1	Plug, Male - 2 Position	
4	4460457	2	Socket, Female	
4	4460458	2	Seal, Terminal	

SECTION 8 - ELECTRICAL

FIGURE 8-72. GENERATOR TO REAR OF BOOM HARNESS - 110V



ART_4922741

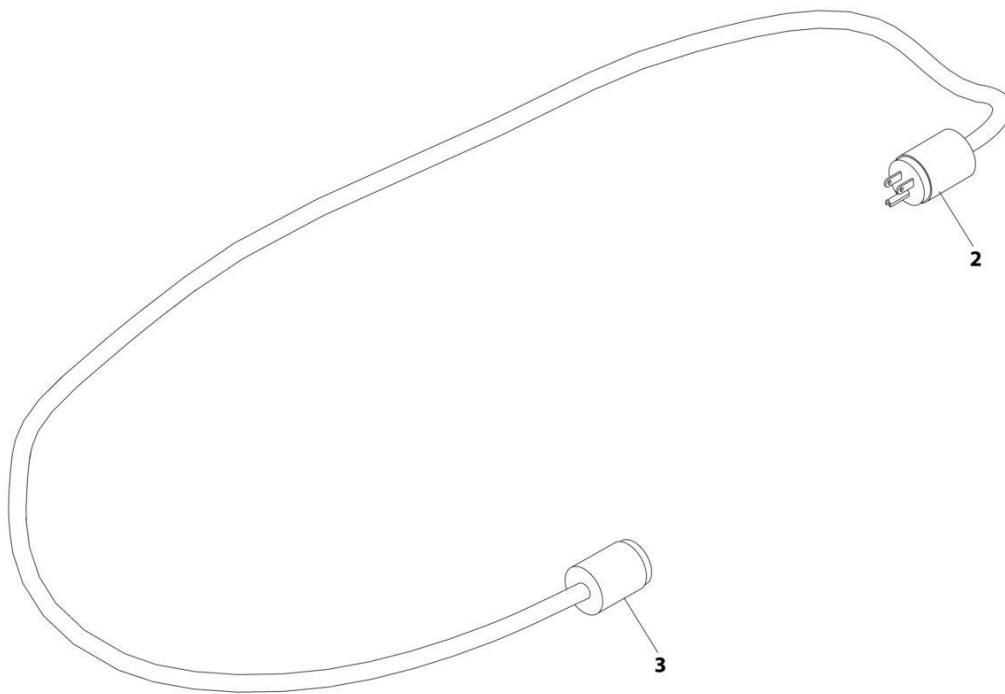
SECTION 8 - ELECTRICAL

FIGURE 8-72. GENERATOR TO REAR OF BOOM HARNESS - 110V

ITEM	PART NUMBER	QTY	DESCRIPTION	REV
	4922741	Ref	GENERATOR TO REAR OF BOOM HARNESS - 110V	A
2	4460134	1	Connector, Female	
3	4460205	1	Plug, Male	

SECTION 8 - ELECTRICAL

FIGURE 8-73. GENERATOR TO REAR OF BOOM HARNESS - 220V



ART_4921955

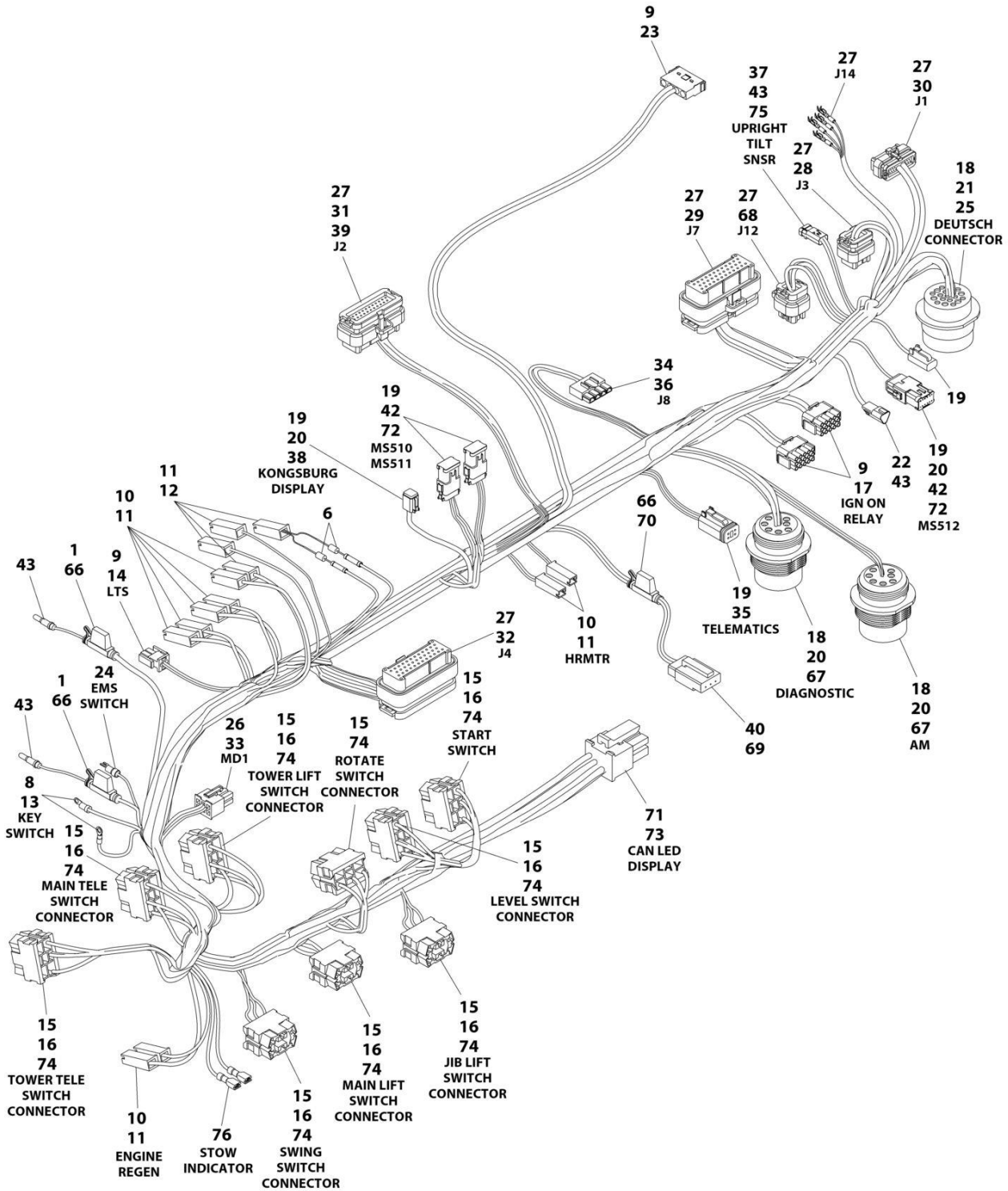
SECTION 8 - ELECTRICAL

FIGURE 8-73. GENERATOR TO REAR OF BOOM HARNESS - 220V

ITEM	PART NUMBER	QTY	DESCRIPTION	REV
	4921955	Ref	GENERATOR TO REAR OF BOOM HARNESS - 220V	A
2	4460233	1	Terminal, Plug	
3	4460701	1	Terminal, Connector	

SECTION 8 - ELECTRICAL

FIGURE 8-74. GROUND CONTROL BOX HARNESS (Prior to SN B300025484, Prior to SN 0300315625)



ART_1001285346

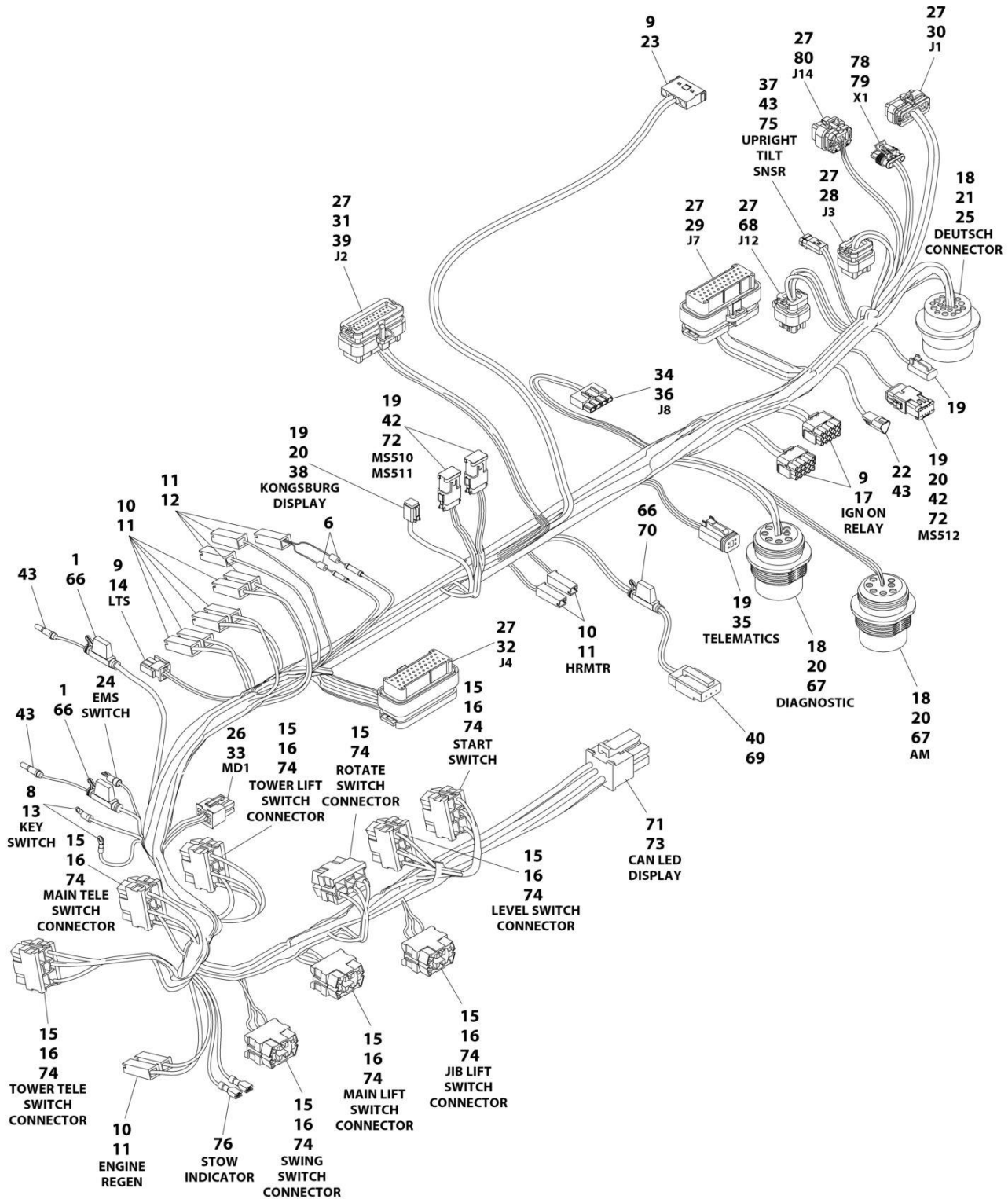
SECTION 8 - ELECTRICAL

FIGURE 8-74. GROUND CONTROL BOX HARNESS (Prior to SN B300025484, Prior to SN 0300315625)

ITEM	PART NUMBER	QTY	DESCRIPTION	REV
	1001285346	Ref	GROUND CONTROL BOX HARNESS	C
1	2400060	2	Fuse Holder	
6	3990010	2	Diode, 6 Amp	
8	4460142	4	Terminal, Ring	
9	4460227	36	Pin	
10	4460259	11	Socket	
11	4460260	15	Housing, Terminal	
12	4460297	4	Socket	
13	4460313	3	Terminal, Ring	
14	4460320	1	Connector	
15	4460418	9	Connector, Switch	
16	4460419	8	Socket	
17	4460434	2	Connector	
18	4460464	27	Terminal	
19	4460465	45	Terminal	
20	4460466	9	Plug, Terminal	
21	4460508	4	Pin	
22	4460536	1	Connector	
23	4460761	1	Connector	
24	4460806	5	Terminal, Fork	
25	4460866	1	Terminal	
26	4460868	1	Connector	
27	4460871	88	Socket	
28	4460872	1	Connector	
29	4460873	1	Connector	
30	4460874	1	Connector	
31	4460875	1	Connector	
32	4460876	1	Connector	
33	4460877	4	Socket	
34	4460878	1	Housing, Terminal	
35	4460884	1	Connector	
36	4460887	3	Socket	
37	1001229530	1	Connector	
38	4460894	1	Plug	
39	4460905	2	Seal	
40	4460911	1	Plug, Terminal	
42	4460933	3	Connector	
43	4460943	8	Terminal	
66	8229242	3	Fuse 5 Amp	
67	1001112612	2	Connector	
67	1001249095	2	Connector	
68	1001113961	1	Plug	
69	1001116694	3	Terminal	
70	1001255901	1	Fuse Holder	
71	1001237668	5	Socket	
72	1001119020	3	Connector	
73	1001237667	1	Connector	
74	1001159186	18	Socket	
75	1001200497	1	Connector	
76	1001201885	2	Terminal	

SECTION 8 - ELECTRICAL

FIGURE 8-75. GROUND CONTROL BOX HARNESS (SN B300025484 to Present, SN 0300315625 to Present)



ART_1001306145

SECTION 8 - ELECTRICAL

FIGURE 8-75. GROUND CONTROL BOX HARNESS (SN B300025484 to Present, SN 0300315625 to Present)

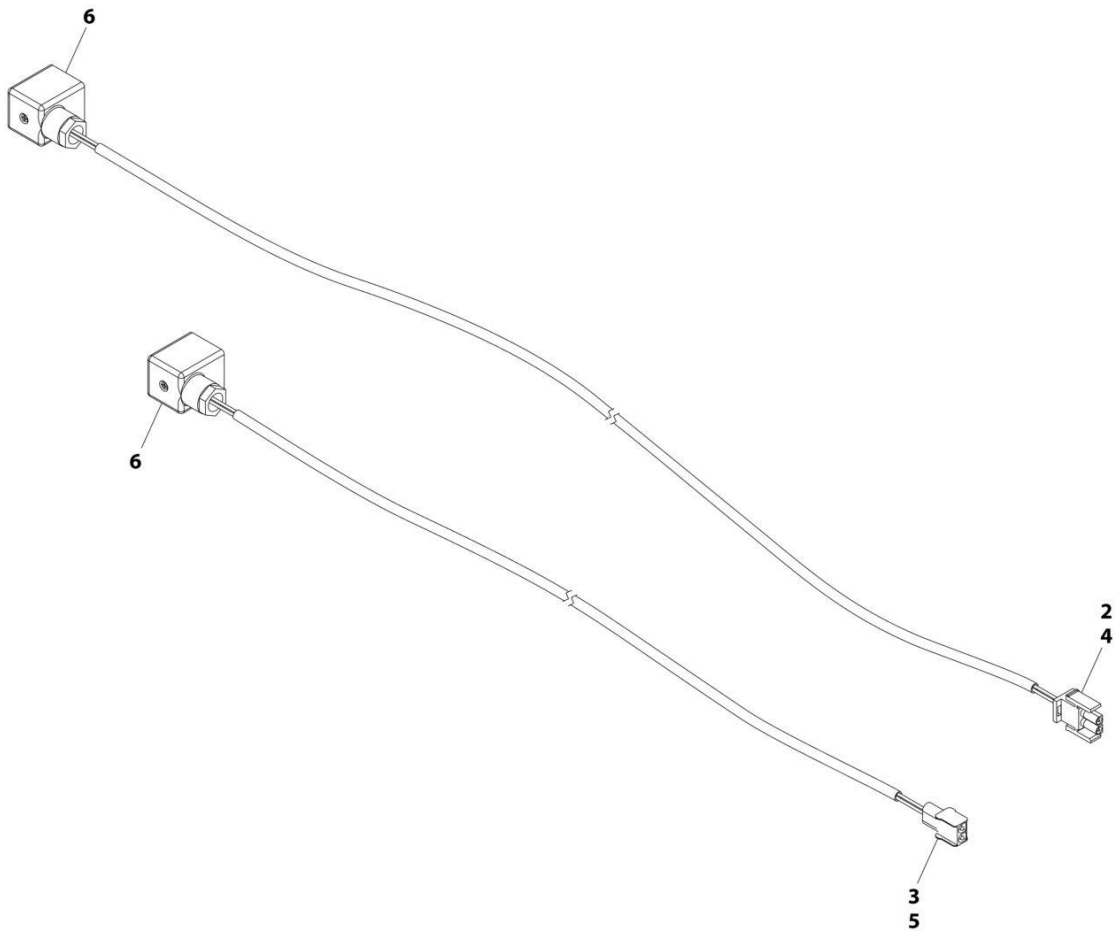
ITEM	PART NUMBER	QTY	DESCRIPTION	REV
	1001306145	Ref	GROUND CONTROL BOX HARNESS	A
1	2400060	2	Fuseholder	
6	3990010	2	Diode, 6Amp	
8	4460142	4	Terminal, Ring	
9	4460227	36	Pin	
10	4460259	11	Socket	
11	4460260	15	Housing, Terminal	
12	4460297	4	Socket	
13	4460313	3	Terminal, Ring	
14	4460320	1	Connector	
15	4460418	9	Connector, Switch	
16	4460419	8	Socket	
17	4460434	2	Connector	
18	4460464	27	Pin	
19	4460465	45	Socket	
20	4460466	9	Plug, Terminal	
21	4460508	4	Pin	
22	4460536	1	Connector	
23	4460761	1	Connector	
24	4460806	5	Terminal, Fork	
25	4460866	1	Pin	
26	4460868	1	Connector	
27	4460871	92	Socket	
28	4460872	1	Connector	
29	4460873	1	Connector	
30	4460874	1	Connector	
31	4460875	1	Connector	
32	4460876	1	Connector	
33	4460877	4	Socket	
34	4460878	1	Housing, Terminal	
35	4460884	1	Connector	
36	4460887	3	Socket	
37	1001229530	1	Connector	
38	4460894	1	Plug	
39	4460905	2	Seal	
40	4460911	1	Plug, Terminal	
42	4460933	3	Connector	
43	4460943	8	Pin	
66	8229242	3	Fuse, 5Amp	
67	1001249095	2	Connector	
68	1001113961	1	Plug	
69	1001116694	3	Socket	
70	1001255901	1	Fuseholder	
71	1001237668	5	Socket	
72	1001119020	3	Connector	
73	1001237667	1	Connector	
74	1001159186	18	Socket	
75	1001200497	1	Connector	
76	1001201885	2	Terminal	

SECTION 8 - ELECTRICAL

ITEM	PART NUMBER	QTY	DESCRIPTION	REV
78	1001103012	1	Connector	
79	1001107854	4	Terminal	
80	1001246859	1	Connector	

SECTION 8 - ELECTRICAL

FIGURE 8-76. HOLDING VALVE/LIFT DUMP HARNESS ASSEMBLY (WITHOUT ARCTIC PACKAGE)



ART_4922660

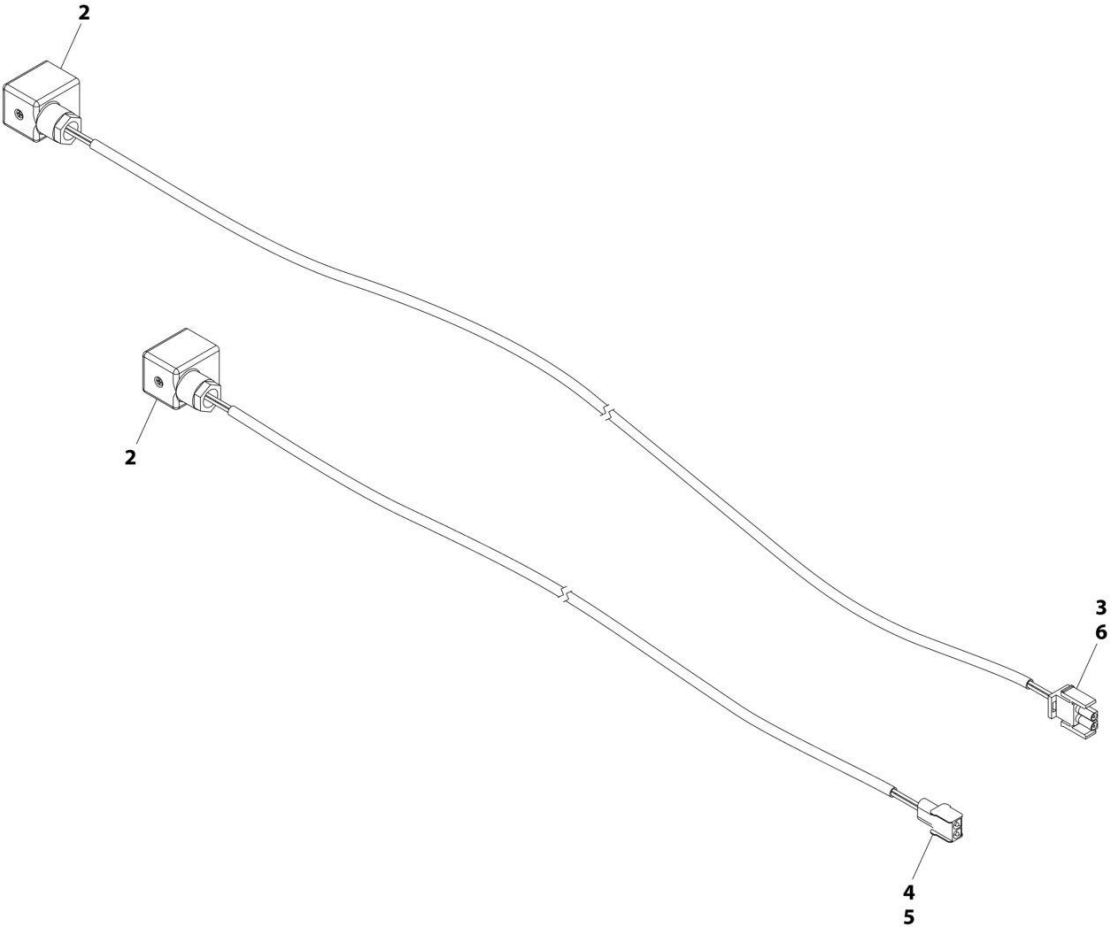
SECTION 8 - ELECTRICAL

FIGURE 8-76. HOLDING VALVE/LIFT DUMP HARNESS ASSEMBLY (WITHOUT ARCTIC PACKAGE)

ITEM	PART NUMBER	QTY	DESCRIPTION	REV
	4922660	Ref	HOLDING VALVE/LIFT DUMP HARNESS ASSEMBLY	E
2	4460226	2	Socket, Female	
3	4460267	2	Pin, Male	
4	4460320	1	Connector - 2 Position	
5	4460424	1	Connector - 2 Position	
6	4460880	2	Connector, Din	

SECTION 8 - ELECTRICAL

FIGURE 8-77. HOLDING VALVE/LIFT DUMP HARNESS ASSEMBLY (WITH ARCTIC PACKAGE)



ART_4923597

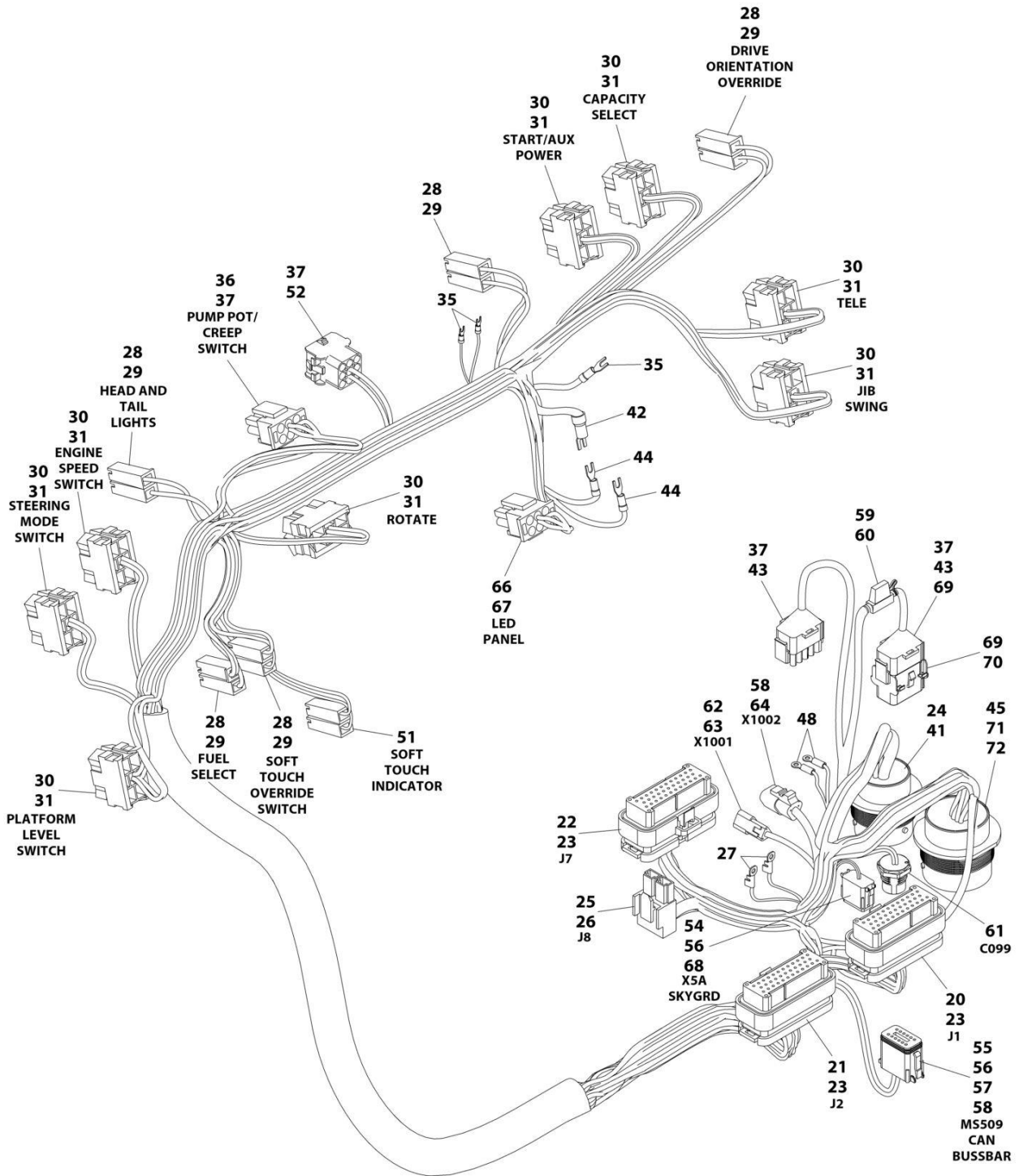
SECTION 8 - ELECTRICAL

FIGURE 8-77. HOLDING VALVE/LIFT DUMP HARNESS ASSEMBLY (WITH ARCTIC PACKAGE)

ITEM	PART NUMBER	QTY	DESCRIPTION	REV
	4923597	Ref	HOLDING VALVE/LIFT DUMP HARNESS ASSEMBLY	1
2	4460880	2	Connector, Din	
3	4460320	1	Connector - 2 Position	
4	4460424	1	Connector - 2 Position	
5	4460267	2	Pin, Male	
6	4460226	2	Socket, Female	

SECTION 8 - ELECTRICAL

FIGURE 8-78. PLATFORM CONSOLE BOX HARNESS (Prior to SN 0300316515, Prior to SN B300025832)



ART_1001244181

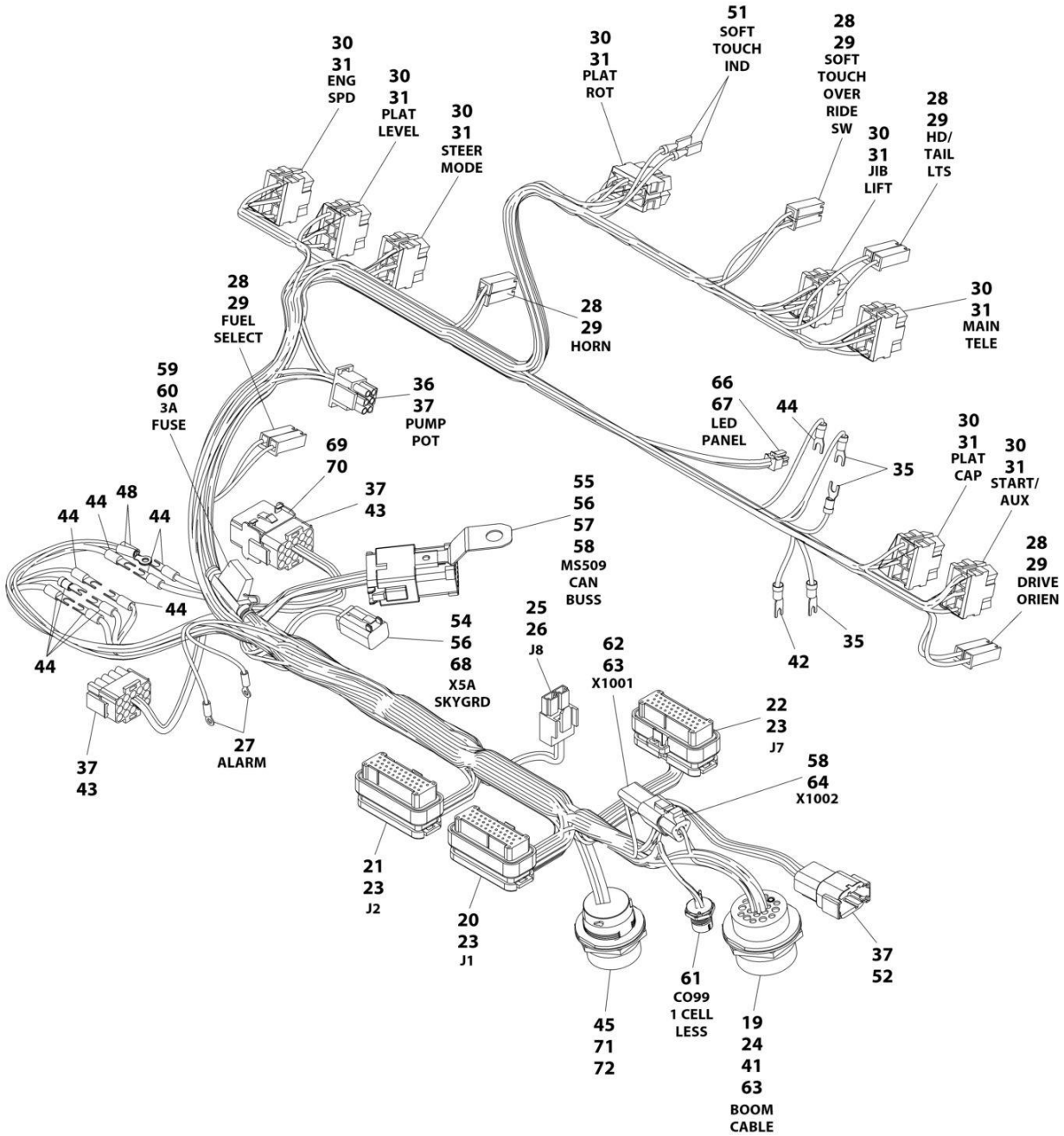
SECTION 8 - ELECTRICAL

FIGURE 8-78. PLATFORM CONSOLE BOX HARNESS (Prior to SN 0300316515, Prior to SN B300025832)

ITEM	PART NUMBER	QTY	DESCRIPTION	REV
	1001244181	1	PLATFORM CONSOLE BOX HARNESS	I
20	4460874	1	Connector - 35 Position (Natural)	
21	4460876	1	Connector - 35 Position (Blue)	
22	4460873	1	Connector - 35 Position (Black)	
23	4460871	70	Socket, Female	
24	4460464	7	Pin, Male Deutsch 16 Ga	
25	4460879	1	Connector - 2 Position	
26	4460887	2	Terminal	
27	1001098122	2	Terminal Eyelet	
28	4460260	10	Terminal, Housing	
29	4460259	10	Terminal	
30	4460418	8	Connector, Female - 6 Position	
31	4460419	24	Socket, Female	
32	4460905	AR	Plug (Not Shown)	
35	4460888	3	Terminal, Fork	
36	4460225	1	Connector - 6 Position	
37	4460227	26	Pin, Male	
41	4460508	5	Pin, Male Deutsch 12 Ga	
42	4460806	1	Terminal, Fork	
43	4460434	2	Connector - 15 Position	
44	4460183	10	Terminal, Fork	
45	4460925	1	Connector - 21 Pin	
48	4460142	2	Terminal, Eyelet	
51	4460016	2	Terminal	
51	1001293138	2	Terminal	
52	4460266	1	Connector - 9 Position	
54	4460894	1	Connector - 6 Position	
55	4460933	1	Connector, Gray - 12 Position	
56	4460466	AR	Plug	
57	1001119020	1	Bussbar - 12 Position	
58	4460944	13	Socket, Female (Gold)	
59	2400060	1	Fuse, Holder	
60	8229249	1	Fuse, 3 Amp	
61	1001213447	1	Connector - 5 Position	
62	4460536	1	Connector - 3 Position	
63	4460943	6	Pin, Male (Gold)	
64	4460539	1	Plug, Male - 3 Position	
66	1001237667	1	Plug, Male - 6 Position	
67	1001237668	4	Socket, Female	
68	4460465	5	Socket, Female	
69	4460708	2	Connector - 15 Position	
70	4460226	2	Socket, Female	
71	1001126011	14	Pin, Male Deutsch 16 Ga	
72	4460518	7	Plug, Terminal	

SECTION 8 - ELECTRICAL

FIGURE 8-79. PLATFORM CONSOLE BOX HARNESS (SN 0300316515 to Present, SN B300025832 to Present, Excluding B300025716 and B300025748)



ART_1001309251

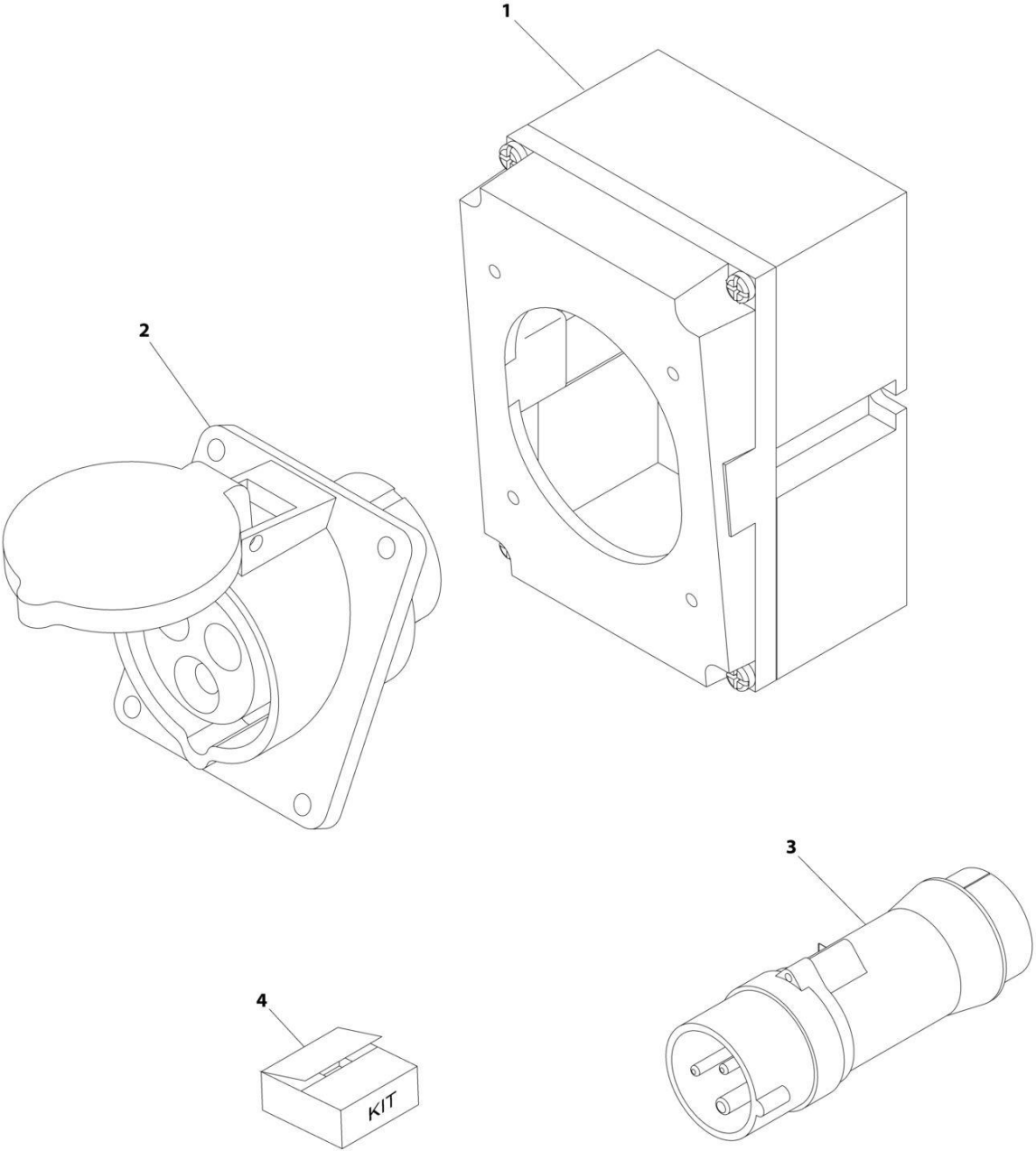
SECTION 8 - ELECTRICAL

FIGURE 8-79. PLATFORM CONSOLE BOX HARNESS (SN 0300316515 to Present, SN B300025832 to Present, Excluding B300025716 and B300025748)

ITEM	PART NUMBER	QTY	DESCRIPTION	REV
	1001309251	Ref	PLATFORM CONSOLE BOX HARNESS	A
19	4460866	1	Connector 19 Position	
20	4460874	1	Connector 35 Position	
21	4460876	1	Connector 35 Position	
22	4460873	1	Connector 35 Position	
23	4460871	70	Terminal	
24	4460464	7	Terminal	
25	4460879	1	Plug	
26	4460887	2	Terminal	
27	1001098122	2	Terminal, Ring	
28	4460260	10	Housing, Terminal	
29	4460259	10	Terminal	
30	4460418	8	Connector 6 Position	
31	4460419	24	Terminal	
32	4460905	AR	Plug (Not Shown)	
35	4460888	3	Terminal, Fork	
36	4460225	1	Plug, Terminal	
37	4460227	26	Terminal	
41	4460508	5	Terminal	
42	4460806	1	Terminal, Fork	
43	4460434	2	Connector 15 Position	
44	4460183	10	Terminal, Fork	
45	4460925	1	Connector 21 Position	
48	4460142	2	Terminal, Ring	
51	1001293138	2	Terminal	
52	4460266	1	Connector	
54	4460894	1	Bussbar	
55	4460933	1	Connector 12 Position	
56	4460466	3	Plug	
57	1001119020	1	Connector	
58	4460944	13	Terminal (Gold)	
59	2400060	1	Fuseholder with Cover	
60	8229249	1	Fuse, 3Amp	
61	1001213447	1	Connector	
62	4460536	1	Connector	
63	4460943	6	Terminal	
64	4460539	1	Plug	
66	1001237667	1	Connector	
67	1001237668	4	Terminal	
68	4460465	5	Terminal	
69	4460708	2	Connector 15 Position	
70	4460226	2	Terminal	
71	1001126011	14	Terminal	
72	4460518	1	Plug, Terminal	

SECTION 8 - ELECTRICAL

FIGURE 8-80. RECEPTACLE BOX KIT - 110V IEC YELLOW WITHOUT 2500W GENERATOR (CE & UK CA SPECS)



ART_0275216

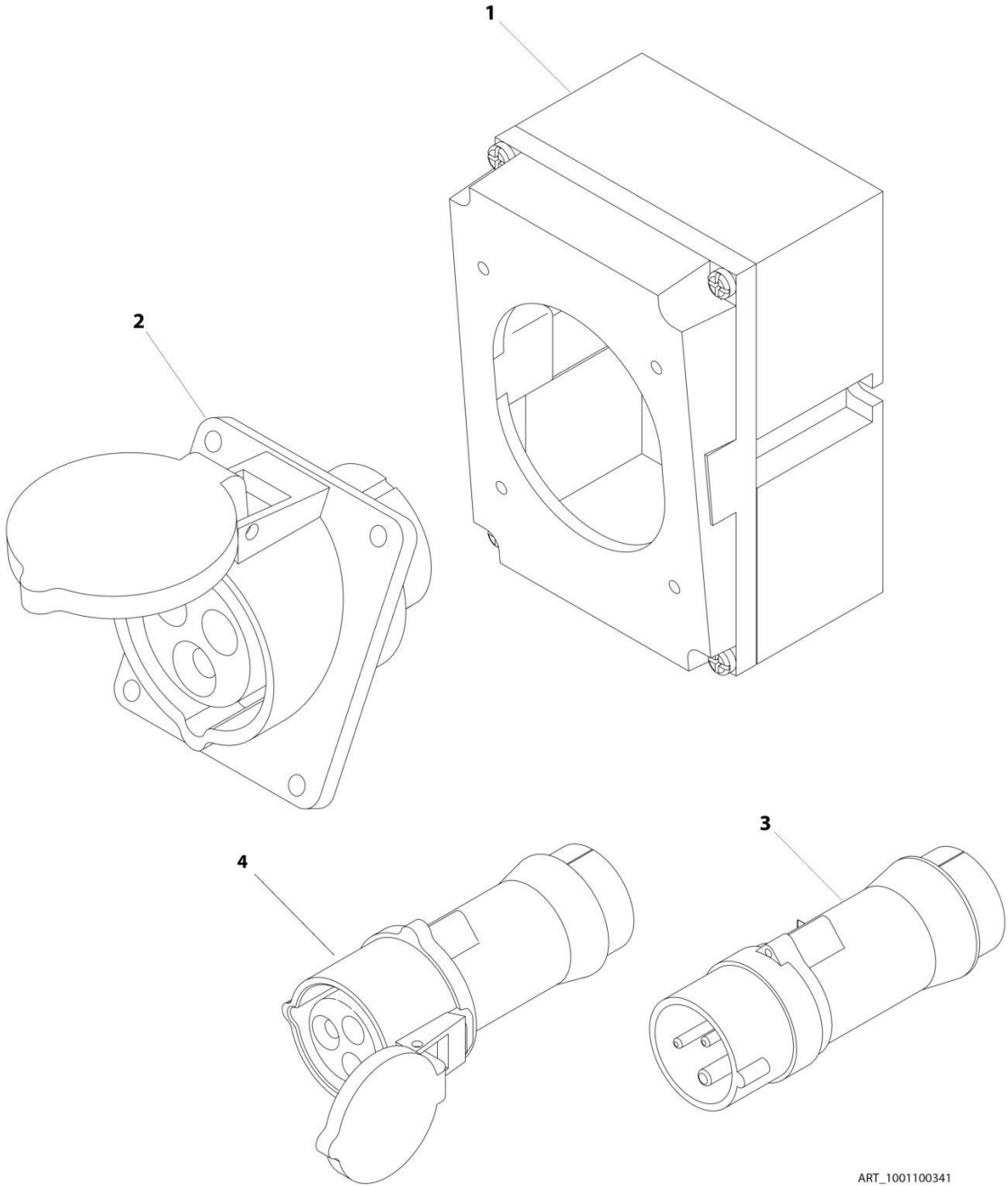
SECTION 8 - ELECTRICAL

FIGURE 8-80. RECEPTACLE BOX KIT - 110V IEC YELLOW WITHOUT 2500W GENERATOR (CE & UK CA SPECS)

ITEM	PART NUMBER	QTY	DESCRIPTION	REV
	0275216	Ref	RECEPTACLE BOX KIT - 110V IEC YELLOW	B
1	0861781	1	Box, Switch	
2	4461198	1	Receptacle	
3	4461196	1	Plug, Male	
4	1001100341	1	Plug and Socket Kit (Includes Items 1-3 and Female Plug p/n 4461197)	

SECTION 8 - ELECTRICAL

FIGURE 8-81. RECEPTACLE BOX KIT - 110V IEC YELLOW WITH 2500W GENERATOR (CE & UK CA SPECS)



ART_1001100341

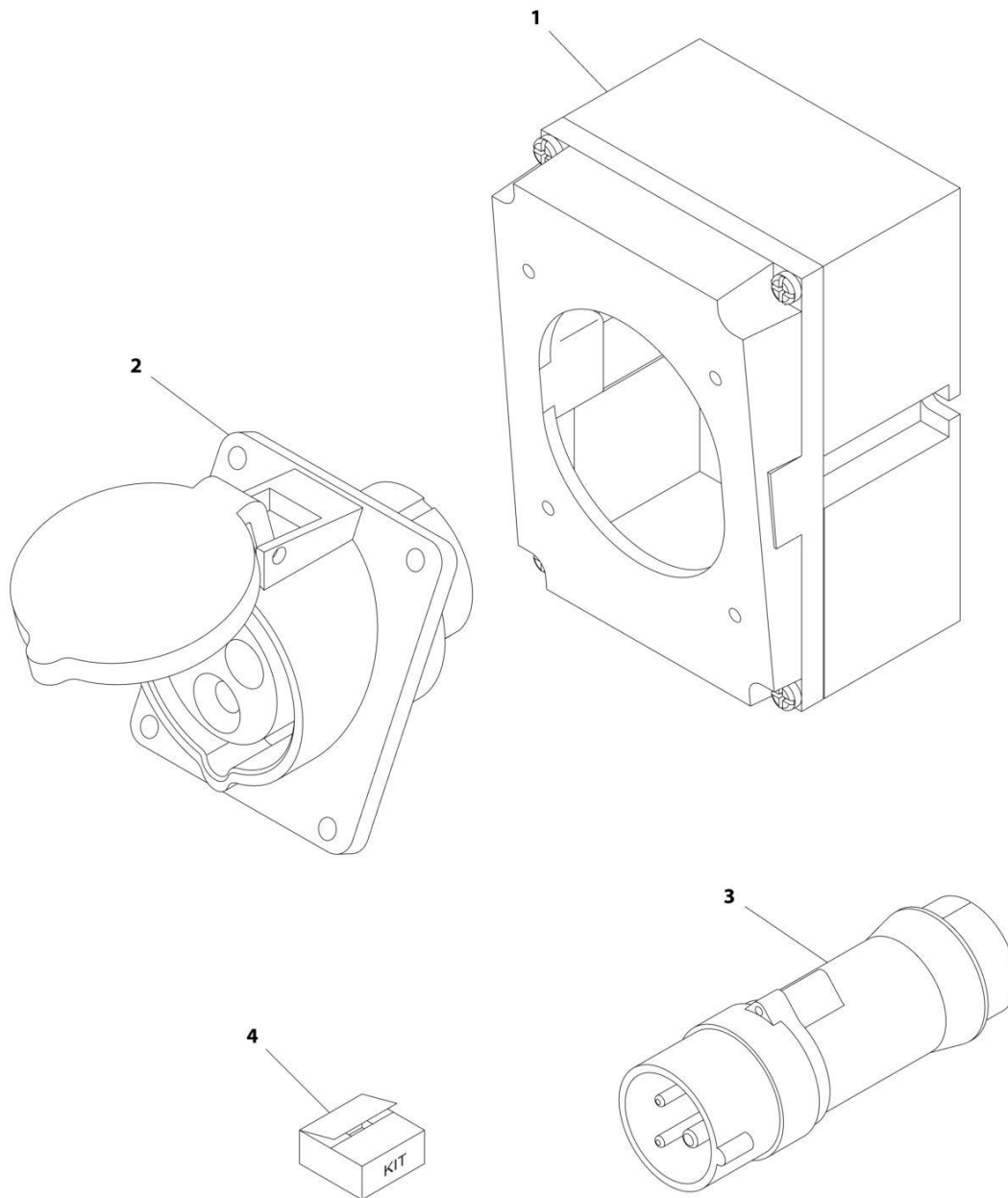
SECTION 8 - ELECTRICAL

FIGURE 8-81. RECEPTACLE BOX KIT - 110V IEC YELLOW WITH 2500W GENERATOR (CE & UK CA SPECS)

ITEM	PART NUMBER	QTY	DESCRIPTION	REV
	1001100341	Ref	RECEPTACLE BOX KIT - 110V IEC YELLOW	2
1	0861781	1	Box, Switch	
2	4461198	1	Receptacle	
3	4461196	1	Plug, Male	
4	4461197	1	Plug, Female	

SECTION 8 - ELECTRICAL

FIGURE 8-82. RECEPTACLE BOX KIT - 220V IEC BLUE WITHOUT 2500W GENERATOR (CE & UK CA SPECS)



ART_0275217

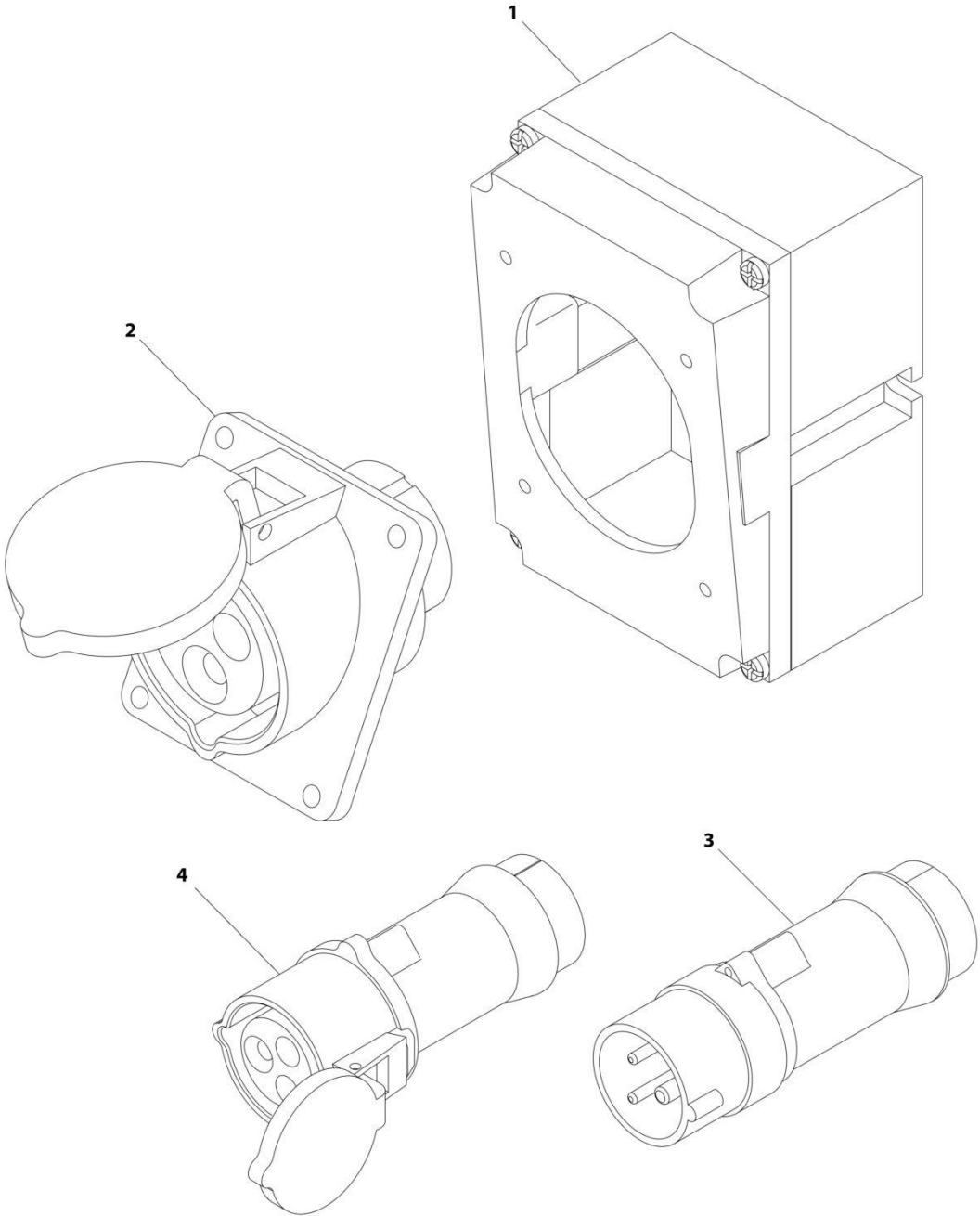
SECTION 8 - ELECTRICAL

FIGURE 8-82. RECEPTACLE BOX KIT - 220V IEC BLUE WITHOUT 2500W GENERATOR (CE & UK CA SPECS)

ITEM	PART NUMBER	QTY	DESCRIPTION	REV
	0275217	Ref	RECEPTACLE BOX KIT - 220V IEC BLUE	B
1	0861781	1	Box, Switch	
2	4461201	1	Receptacle	
3	4461199	1	Plug, Male	
4	1001100342	1	Plug and Socket Kit (Includes Items 1-3 and Female Plug p/n 4461200)	

SECTION 8 - ELECTRICAL

FIGURE 8-83. RECEPTACLE BOX KIT - 220V IEC BLUE WITH 2500W GENERATOR (CE & UK CA SPECS)



ART_1001100342

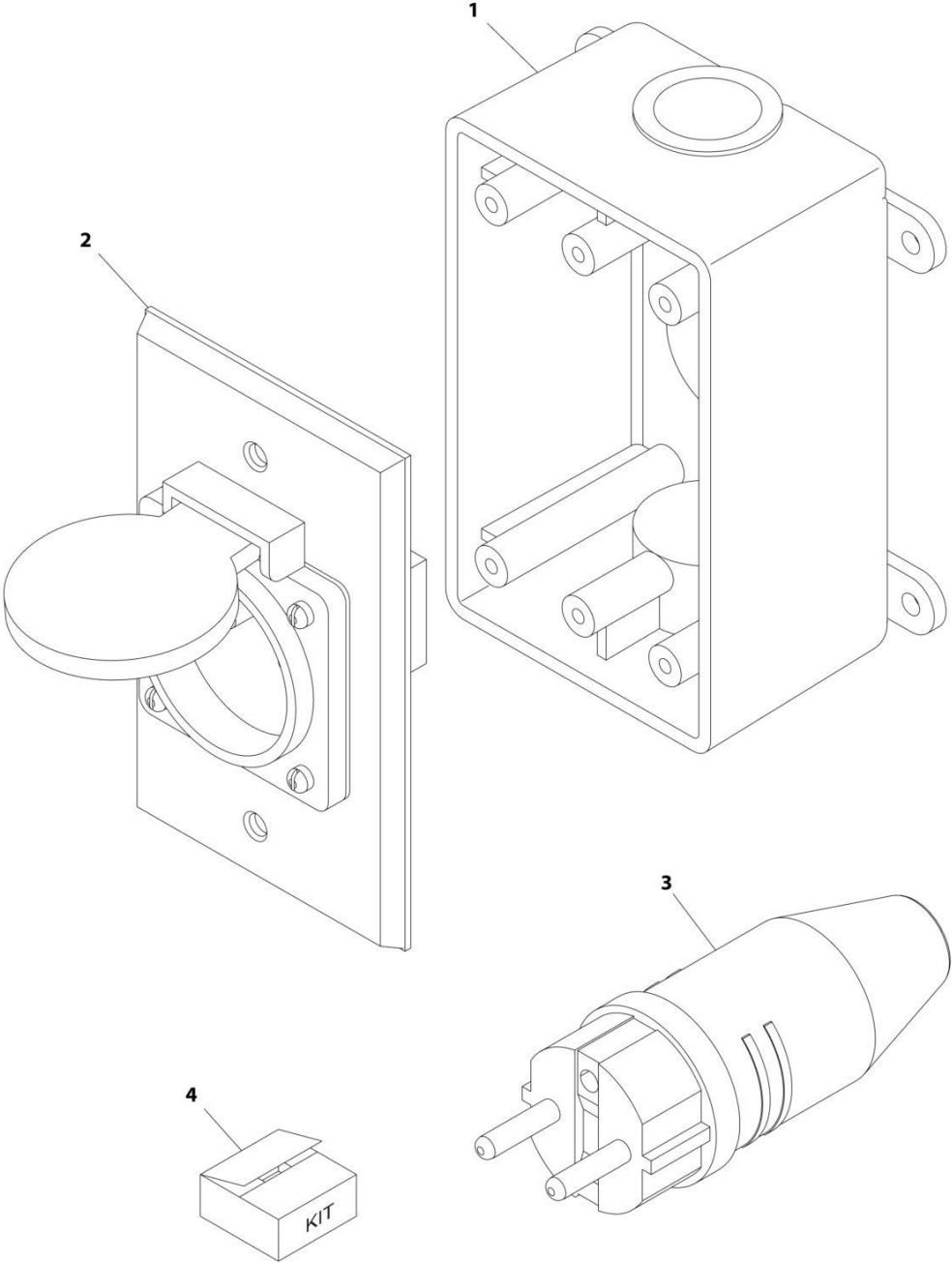
SECTION 8 - ELECTRICAL

FIGURE 8-83. RECEPTACLE BOX KIT - 220V IEC BLUE WITH 2500W GENERATOR (CE & UK CA SPECS)

ITEM	PART NUMBER	QTY	DESCRIPTION	REV
	1001100342	Ref	RECEPTACLE BOX KIT - 220V IEC BLUE WITH 2500W GENERATOR (CE & UK CA SPECS)	2
1	0861781	1	Box, Switch	
2	4461201	1	Receptacle	
3	4461199	1	Plug, Male	
4	4461200	1	Plug, Female	

SECTION 8 - ELECTRICAL

FIGURE 8-84. RECEPTACLE BOX KIT - 220V CEE7 POST GROUND 2X4 BOX (CE & UK CA SPEC)



ART_0275452-C

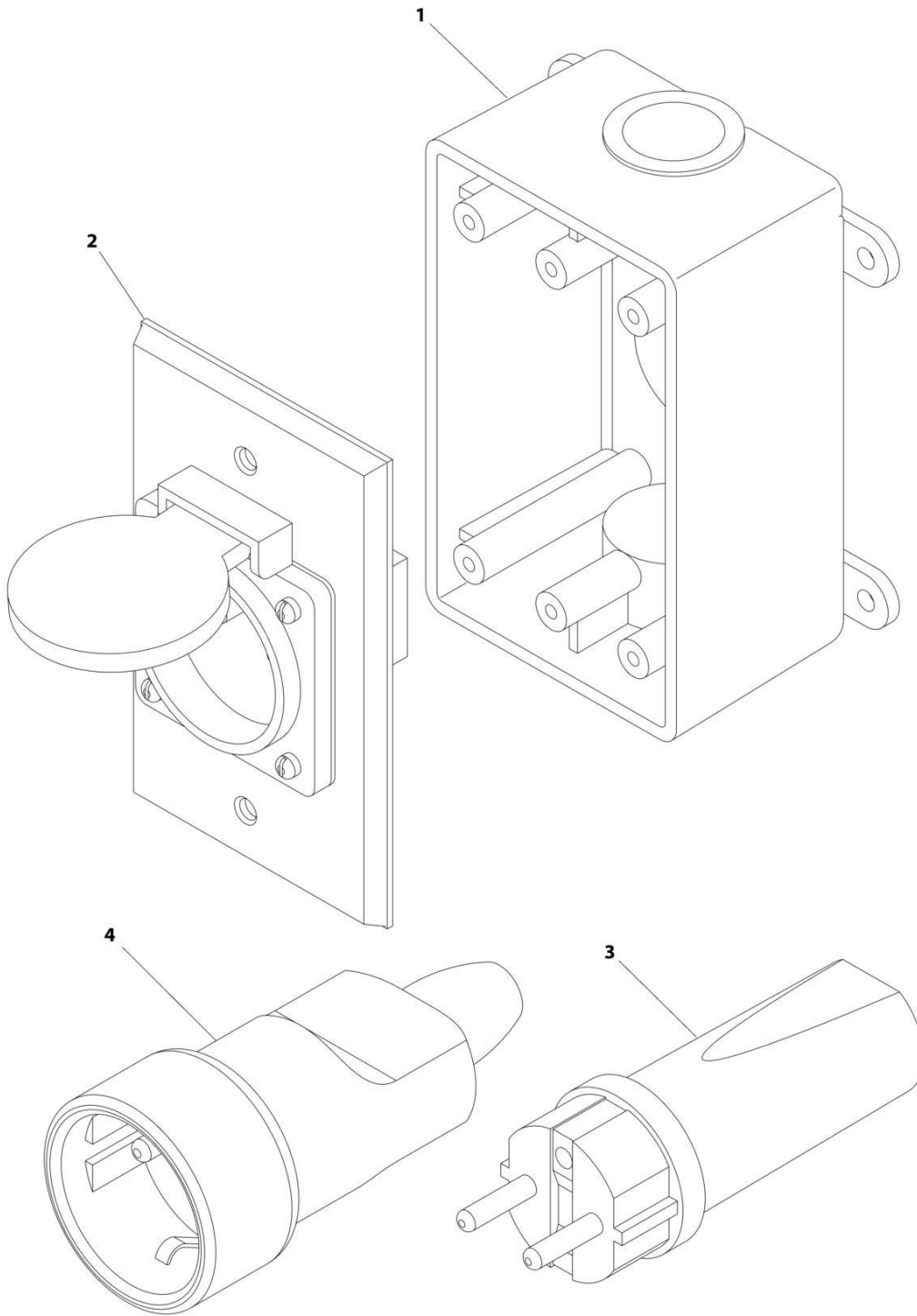
SECTION 8 - ELECTRICAL

FIGURE 8-84. RECEPTACLE BOX KIT - 220V CEE7 POST GROUND 2X4 BOX (CE & UK CA SPEC)

ITEM	PART NUMBER	QTY	DESCRIPTION	REV
	0275452	Ref	RECEPTACLE BOX KIT - 220V CEE7 POST GROUND 2IN X 4IN BOX	C
1	0861731	1	Box, Switch	
2	4461244	1	Receptacle	
3	4461205	1	Plug, Male	
4	1001100345	1	Plug and Socket Kit (Includes Items 1-3 and Female Plug p/n 4461203)	

SECTION 8 - ELECTRICAL

FIGURE 8-85. RECEPTACLE BOX KIT - 220V CEE7 POST GROUND 2X4 BOX WITH 2500W GENERATOR (CE & UK CA SPEC)



ART_1001100345

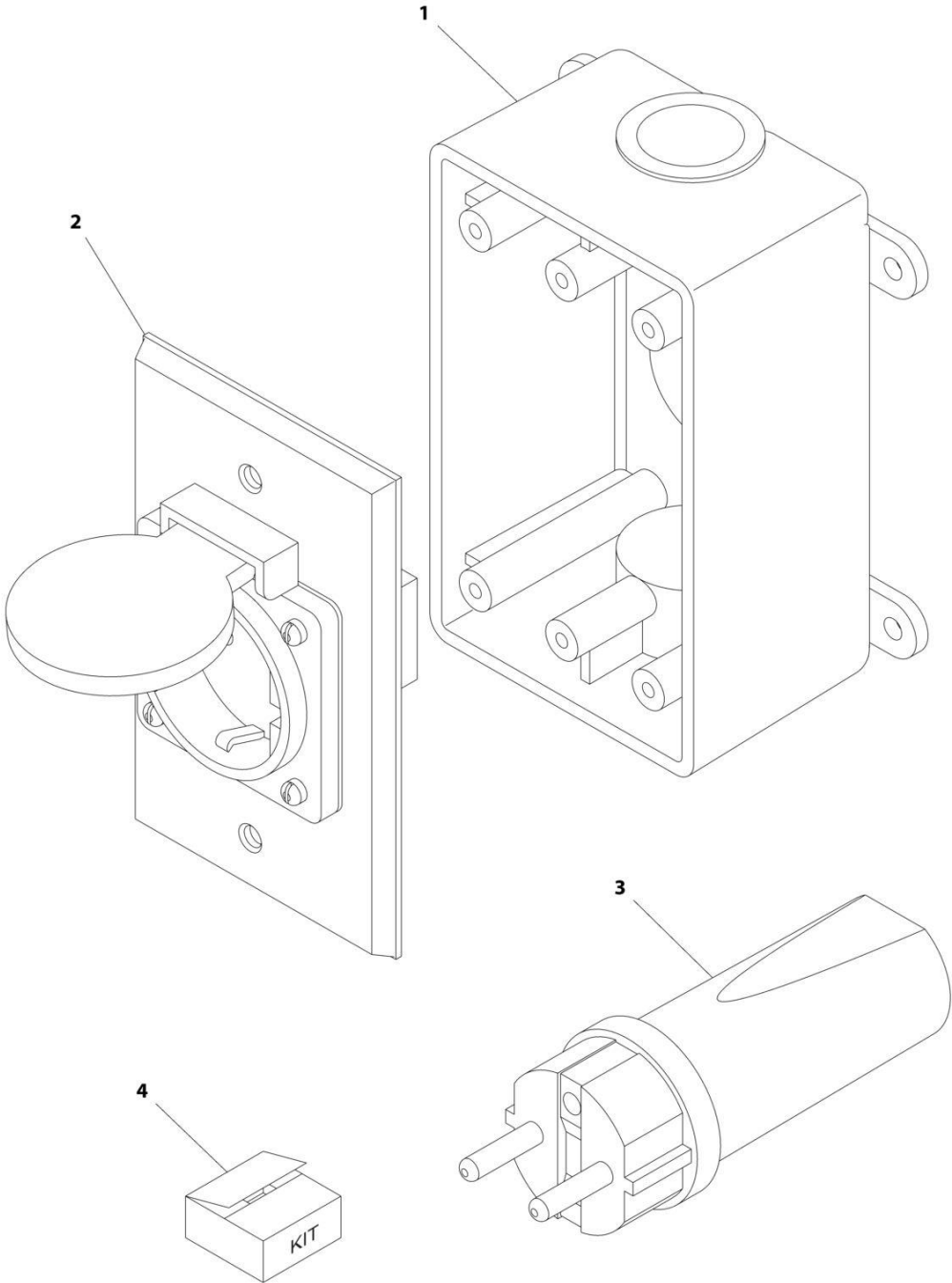
SECTION 8 - ELECTRICAL

FIGURE 8-85. RECEPTACLE BOX KIT - 220V CEE7 POST GROUND 2X4 BOX WITH 2500W GENERATOR (CE & UK CA SPEC)

ITEM	PART NUMBER	QTY	DESCRIPTION	REV
	1001100345	Ref	RECEPTACLE BOX KIT - 220V CEE7 POST GROUND	C
1	0861731	1	Box, Switch	
2	4461244	1	Receptacle	
3	4461205	1	Plug, Male	
4	4461203	1	Plug, Female	

SECTION 8 - ELECTRICAL

FIGURE 8-86. RECEPTACLE BOX KIT - 220V CEE7 SIDE GROUND 2X4 BOX (CE & UK CA SPEC)



ART_0275453

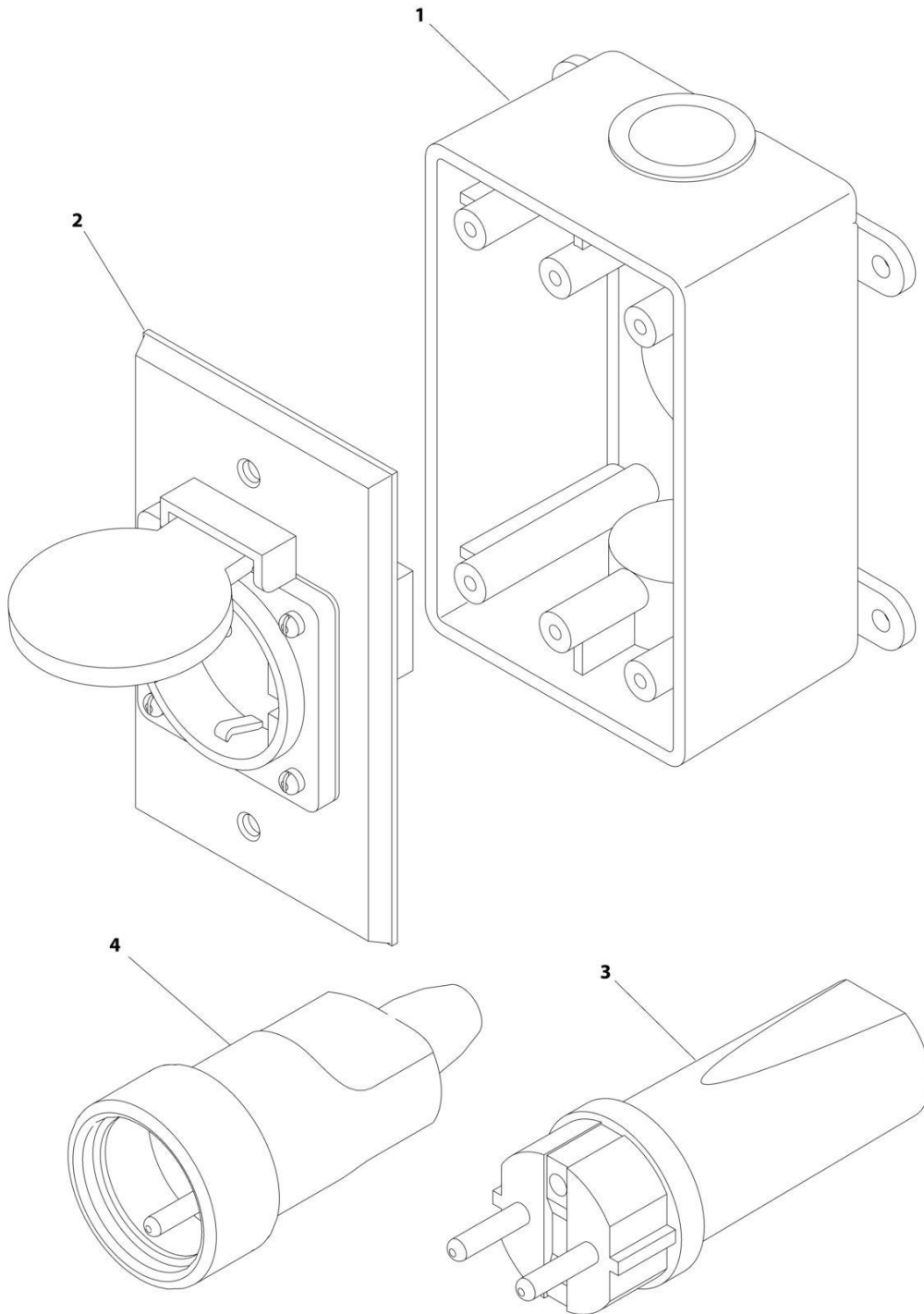
SECTION 8 - ELECTRICAL

FIGURE 8-86. RECEPTACLE BOX KIT - 220V CEE7 SIDE GROUND 2X4 BOX (CE & UK CA SPEC)

ITEM	PART NUMBER	QTY	DESCRIPTION	REV
	0275453	Ref	RECEPTACLE BOX KIT - 220V CEE7 SIDE GROUND	B
1	0861731	1	Box, Switch	
2	4461245	1	Receptacle	
3	4461205	1	Plug, Male	
4	1001100347	1	Plug and Socket Kit (Includes Items 1-3 and Female Plug p/n 4461206)	

SECTION 8 - ELECTRICAL

FIGURE 8-87. RECEPTACLE BOX KIT - 220V CEE7 SIDE GROUND 2X4 BOX WITH 2500W GENERATOR (CE & UK CA SPEC)



ART_1001100347

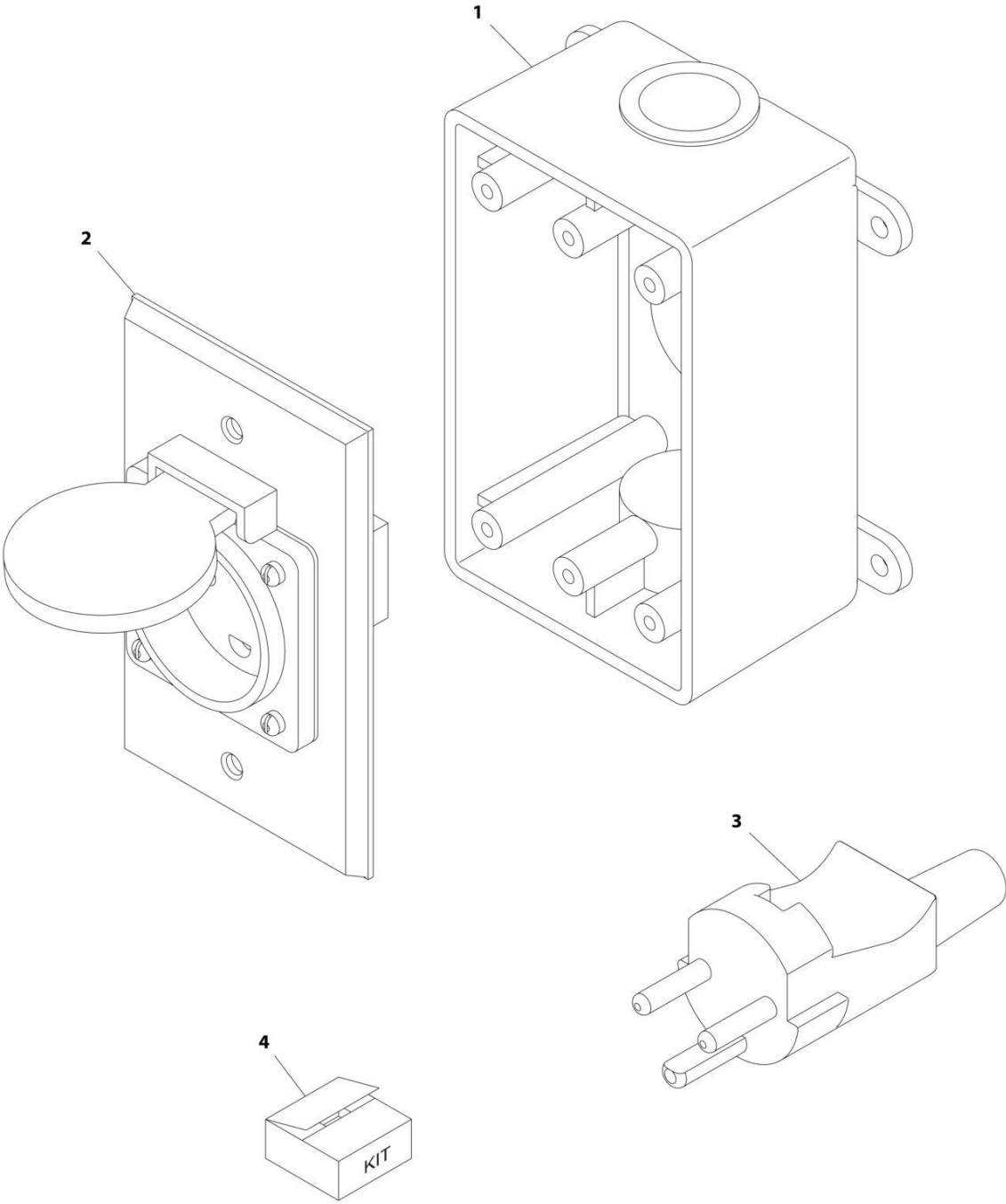
SECTION 8 - ELECTRICAL

FIGURE 8-87. RECEPTACLE BOX KIT - 220V CEE7 SIDE GROUND 2X4 BOX WITH 2500W GENERATOR (CE & UK CA SPEC)

ITEM	PART NUMBER	QTY	DESCRIPTION	REV
	1001100347	Ref	RECEPTACLE BOX KIT - 220V CEE7 SIDE GROUND	3
1	0861731	1	Box, Switch	
2	4461245	1	Receptacle	
3	4461205	1	Plug, Male	
4	4461206	1	Plug, Female	

SECTION 8 - ELECTRICAL

FIGURE 8-88. RECEPTACLE BOX KIT - 220V AFSINT107 KEYED GROUND (CE & UK CA SPECS)



ART_0275454

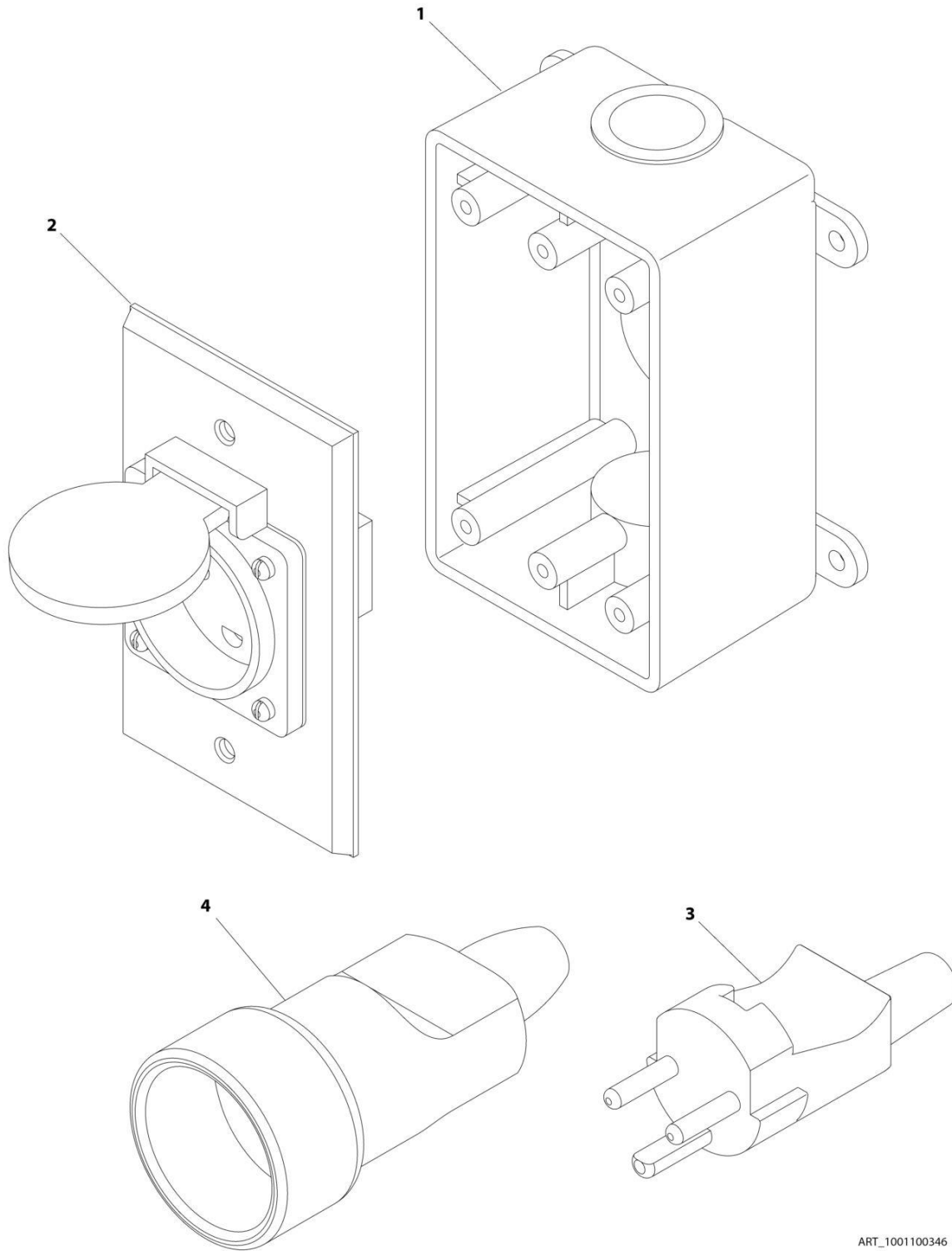
SECTION 8 - ELECTRICAL

FIGURE 8-88. RECEPTACLE BOX KIT - 220V AFSINT107 KEYED GROUND (CE & UK CA SPECS)

ITEM	PART NUMBER	QTY	DESCRIPTION	REV
	0275454	Ref	RECEPTACLE BOX KIT - 220V AFSINT 107	B
1	0861731	1	Box, Switch	
2	4461246	1	Receptacle	
3	4461249	1	Plug, Male	
4	1001100346	1	Plug and Socket Kit (Includes Items 1-3 and Female Plug p/n 4461250)	

SECTION 8 - ELECTRICAL

FIGURE 8-89. RECEPTACLE BOX KIT - 220V AFSINT107 KEYED GROUND 2X4 BOX WITH 2500W GENERATOR (CE & UK CA SPECS)



ART_1001100346

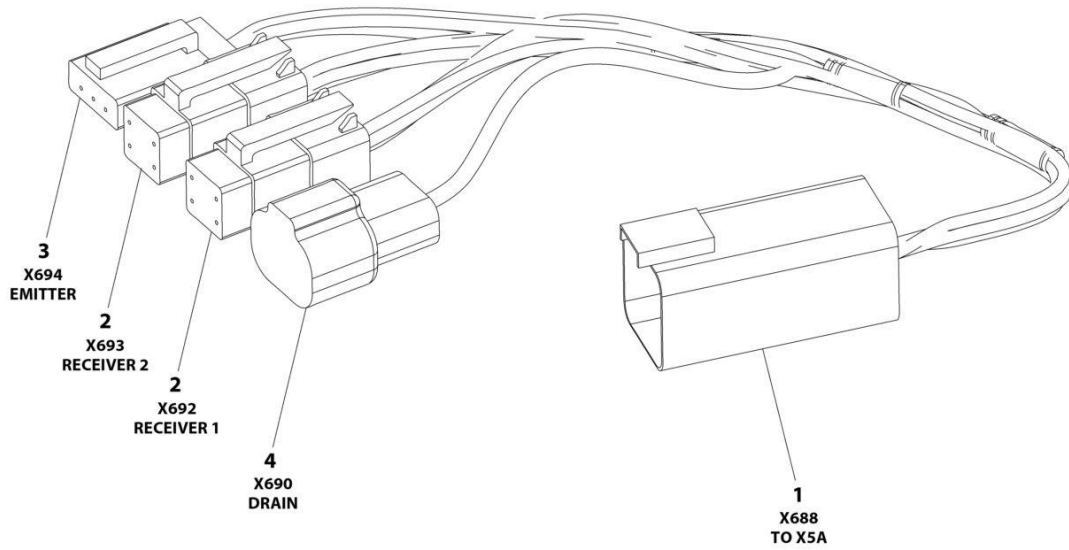
SECTION 8 - ELECTRICAL

FIGURE 8-89. RECEPTACLE BOX KIT - 220V AFSINT107 KEYED GROUND 2X4 BOX WITH 2500W GENERATOR (CE & UK CA SPECS)

ITEM	PART NUMBER	QTY	DESCRIPTION	REV
	1001100346	Ref	RECEPTACLE BOX KIT - 220V AFSINT 107 KEYED GROUND WITH 2500W GENERATOR (2X4 BOX) (CE & UK CA SPECS)	2
1	0861731	1	Box, Switch	
2	4461246	1	Receptacle	
3	4461249	1	Plug, Male	
4	4461250	1	Plug, Female	

SECTION 8 - ELECTRICAL

FIGURE 8-90. SKYEYE INTERMEDIATE HARNESS



ART_1001237865

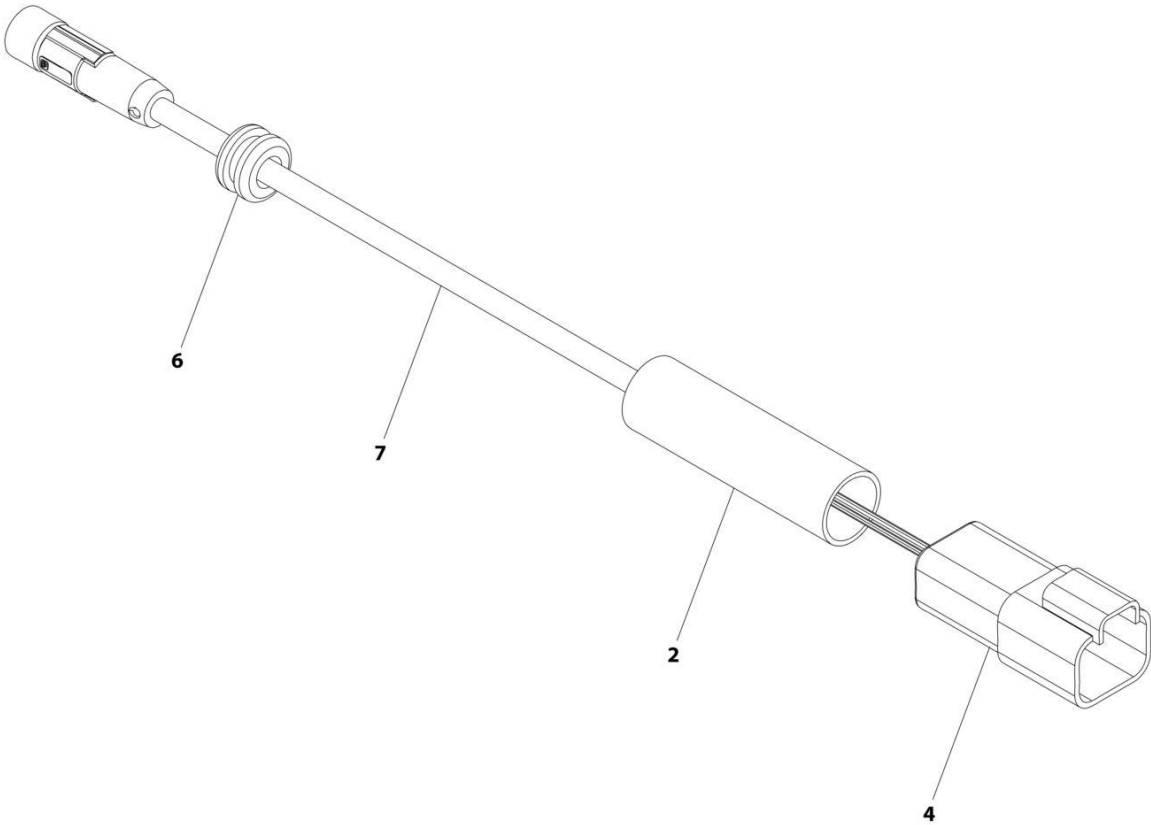
SECTION 8 - ELECTRICAL

FIGURE 8-90. SKYEYE INTERMEDIATE HARNESS

ITEM	PART NUMBER	QTY	DESCRIPTION	REV
	1001237865	Ref	SKYEYE INTERMEDIATE HARNESS	A
1	4460899	1	Connector - 6 Position	
1	4460943	4	Pin, Male	
1	4460466	2	Plug, Terminal	
2	4461077	2	Connector - 4 Position	
2	1001119619	8	Socket, Female	
3	4460911	1	Connector - 3 Position	
3	1001119619	3	Socket, Female	
4	1001187681	1	Connector - 2 Position	
4	4460941	1	Pin, Male	
4	4460466	1	Plug, Terminal	

SECTION 8 - ELECTRICAL

FIGURE 8-91. SKYEYE RECEIVER HARNESS



ART_1001237863

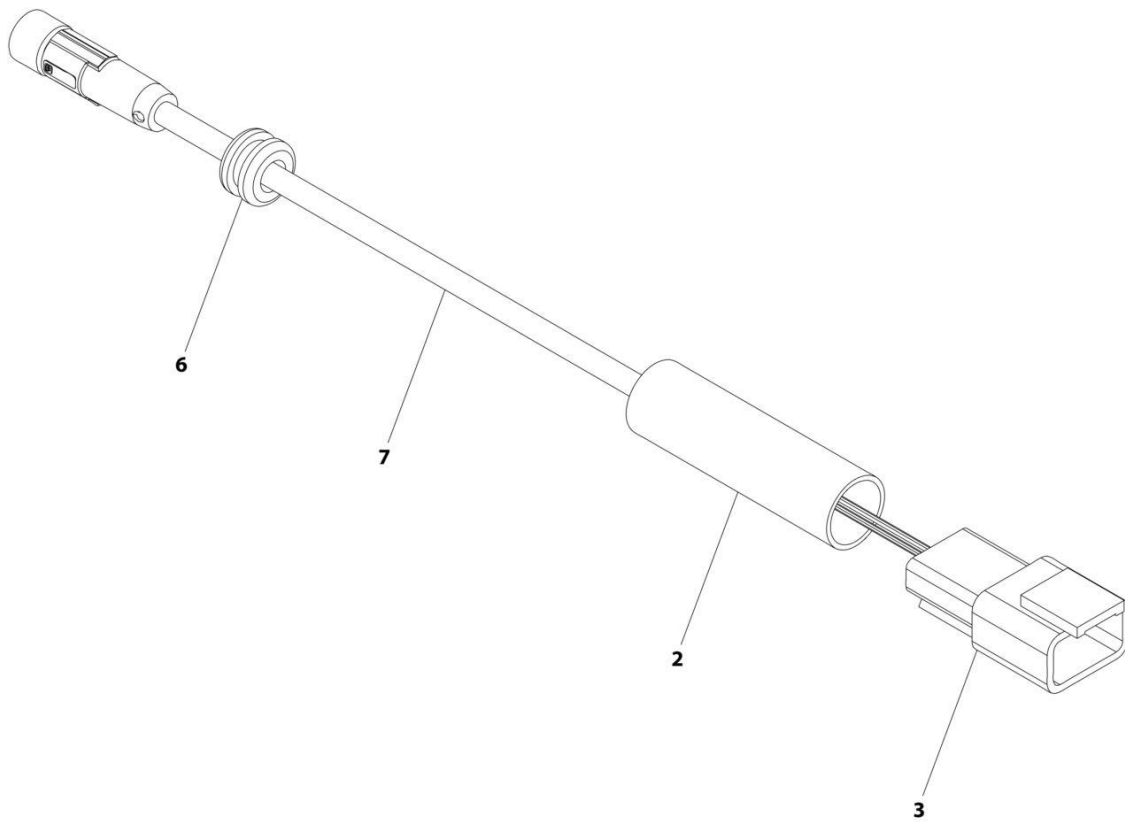
SECTION 8 - ELECTRICAL

FIGURE 8-91. SKYEYE RECEIVER HARNESS

ITEM	PART NUMBER	QTY	DESCRIPTION	REV
	1001237863	Ref	SKYEYE RECEIVER HARNESS	A
2	2820247	AR	Tubing, Heat Shrink	
4	1001097051	1	Connector - 4 Position	
4	1001119620	4	Pin, Male	
6	1001227996	1	Grommet	
7	1001237862	1	Cable, M8 Female Cordset	

SECTION 8 - ELECTRICAL

FIGURE 8-92. SKYEYE EMITTER HARNESS



ART_1001237864

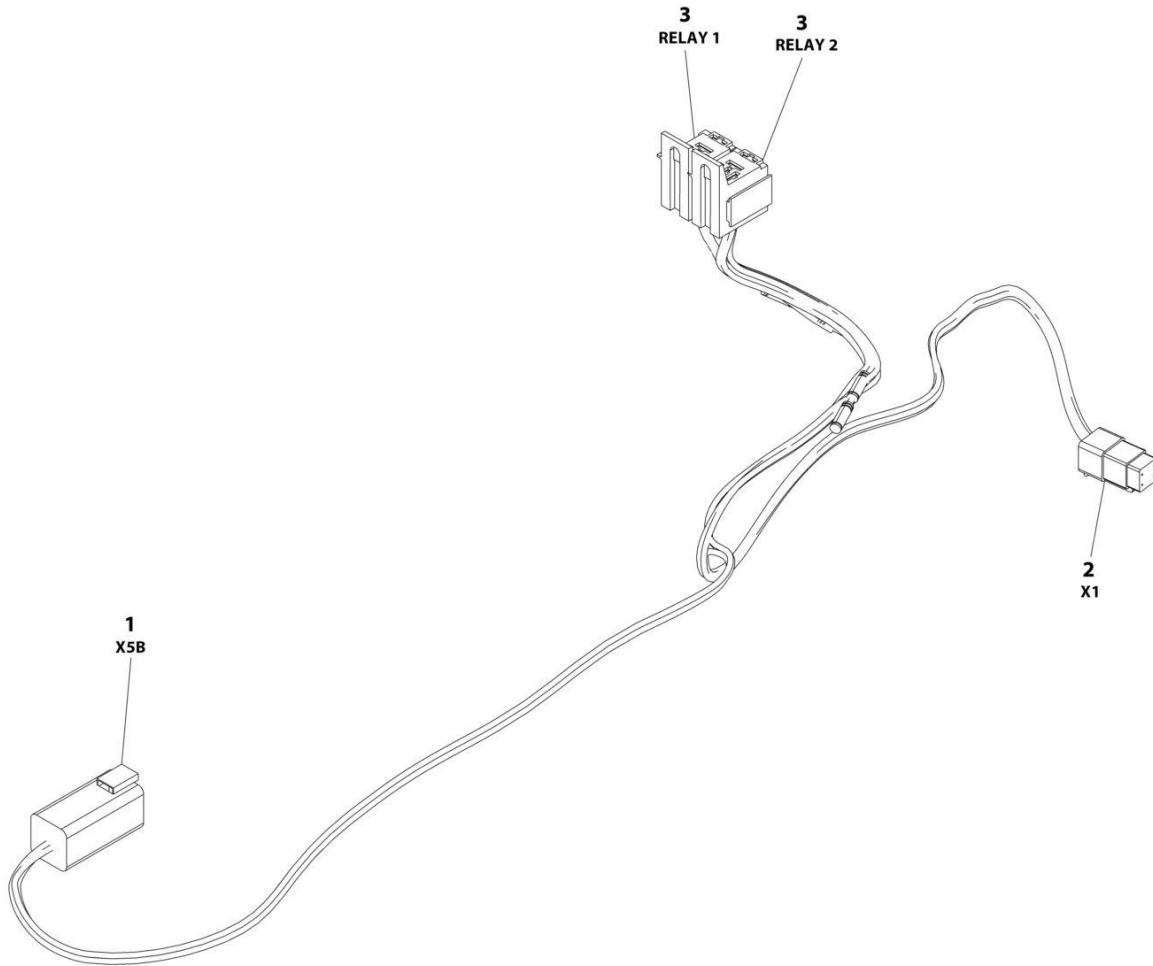
SECTION 8 - ELECTRICAL

FIGURE 8-92. SKYEYE EMITTER HARNESS

ITEM	PART NUMBER	QTY	DESCRIPTION	REV
	1001237864	Ref	SKYEYE EMITTER HARNESS	A
2	2820247	AR	Tubing, Heat Shrink	
3	4460910	1	Connector - 3 Position	
3	1001119620	3	Pin, Male	
6	1001227996	1	Grommet	
7	1001237862	1	Cable, M8 Female Cordset	

SECTION 8 - ELECTRICAL

FIGURE 8-93. SKYLINE HARNESS



ART_1001238418

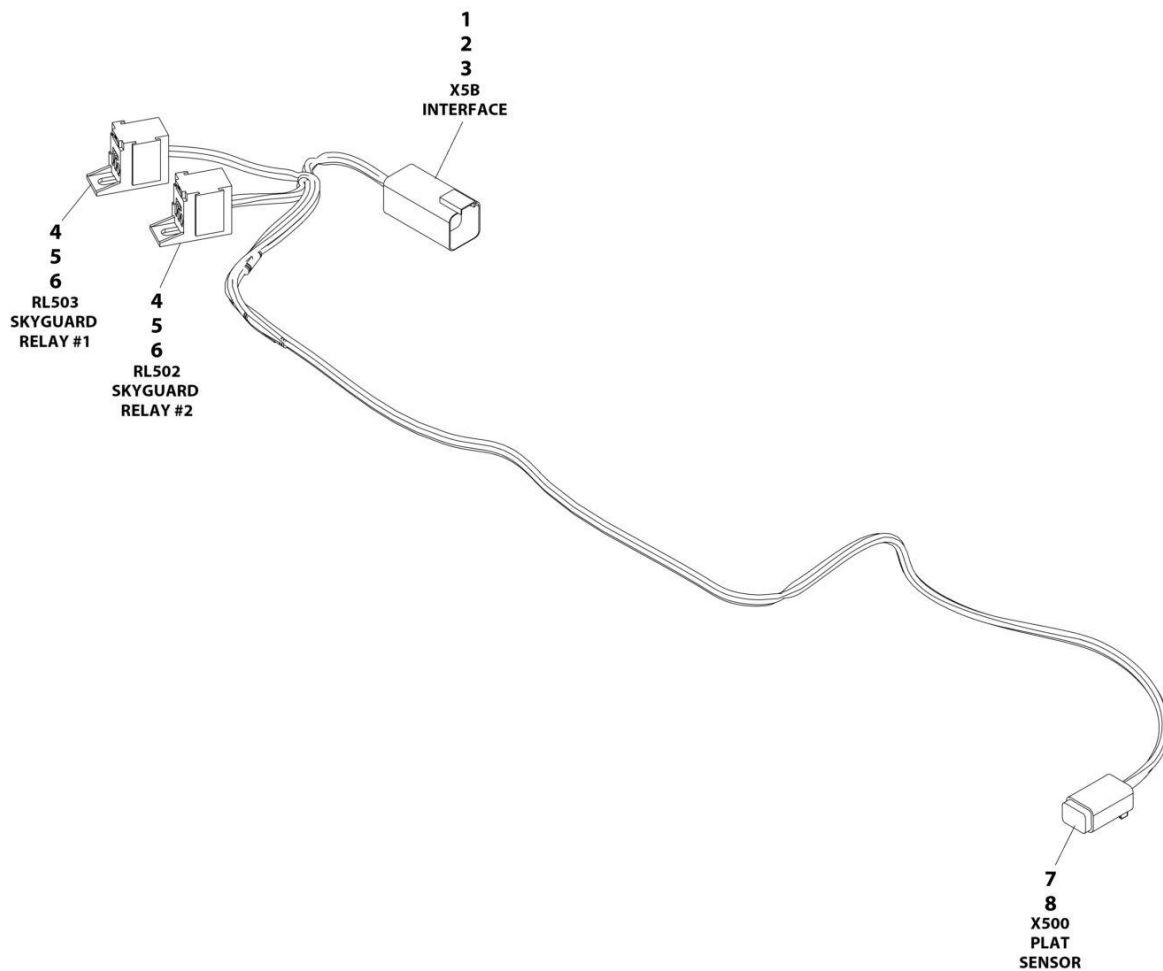
SECTION 8 - ELECTRICAL

FIGURE 8-93. SKYLINE HARNESS

ITEM	PART NUMBER	QTY	DESCRIPTION	REV
	1001238418	Ref	SKYLINE HARNESS	B
1	4460899	1	Connector - 6 Position	
1	4460464	4	Pin, Male	
1	4460466	2	Plug, Terminal	
2	4461077	1	Connector - 4 Position	
2	1001126009	4	Socket, Female	
3	1001186432	2	Plug, Relay	
3	1001118388	5	Terminal	
3	1001118384	3	Terminal	
3	3740086	2	Relay	

SECTION 8 - ELECTRICAL

FIGURE 8-94. SKYGUARD INTERFACE HARNESS



ART_1001225580

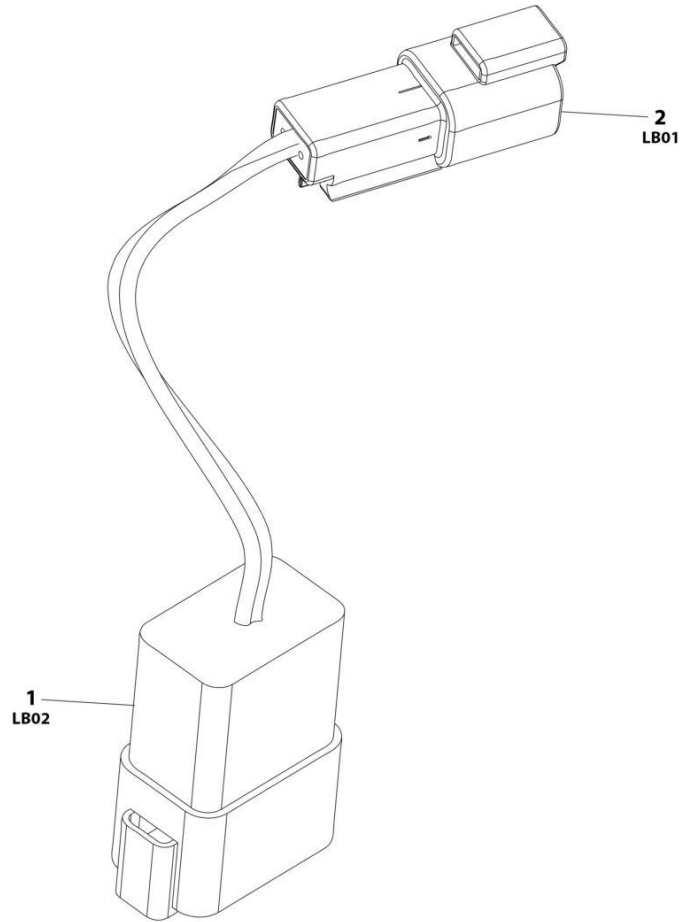
SECTION 8 - ELECTRICAL

FIGURE 8-94. SKYGUARD INTERFACE HARNESS

ITEM	PART NUMBER	QTY	DESCRIPTION	REV
	1001225580	Ref	INTERFACE HARNESS - WITH 1 CELL LSS	D
1	4460899	1	Connector	
2	4460464	4	Terminal	
3	4460466	2	Plug	
4	1001186432	2	Connector	
5	1001116720	4	Terminal	
6	1001118388	4	Terminal	
7	4460884	1	Connector	
8	4460465	4	Terminal	

SECTION 8 - ELECTRICAL

FIGURE 8-95. STROBE LIGHT JUMPER HARNESS



ART_1001283776

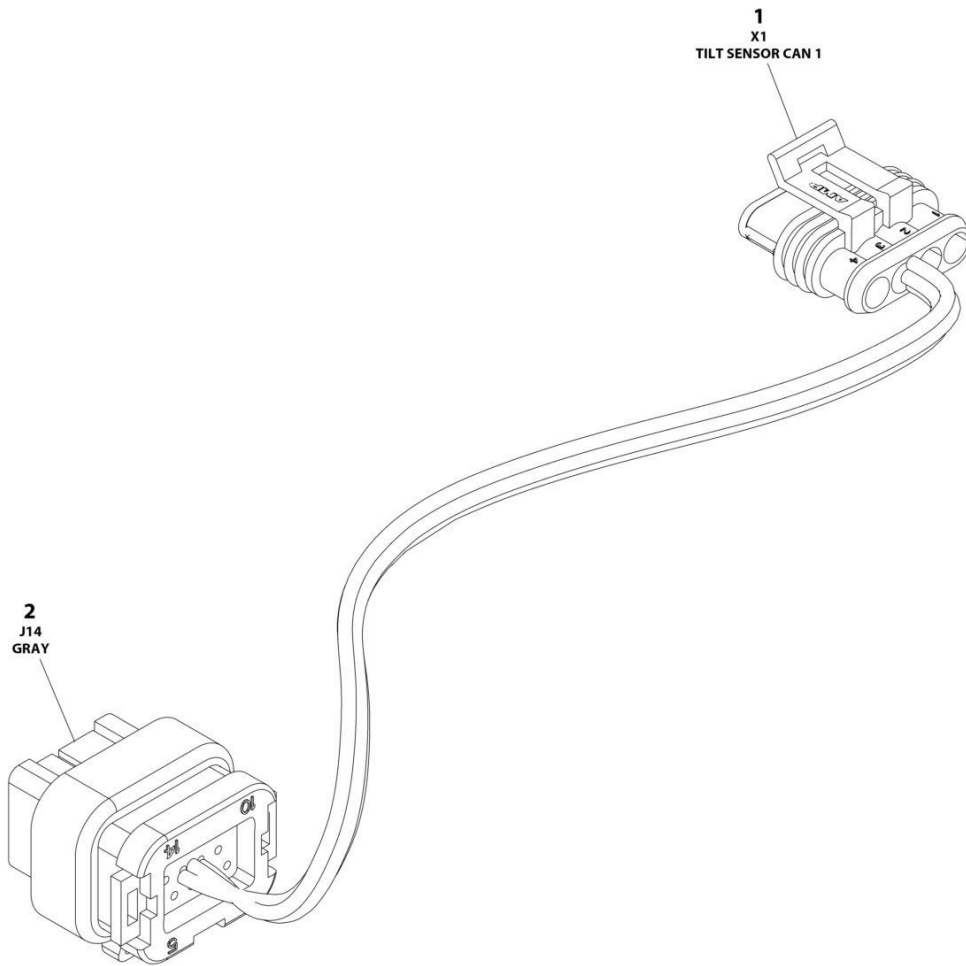
SECTION 8 - ELECTRICAL

FIGURE 8-95. STROBE LIGHT JUMPER HARNESS

ITEM	PART NUMBER	QTY	DESCRIPTION	REV
	1001283776	Ref	STROBE LIGHT HARNESS (AMBER)	A
1	4460931	1	Connector	
1	4460464	2	Pin	
1	4460466	6	Plug	
2	4460897	1	Connector	
2	4460464	2	Pin	

SECTION 8 - ELECTRICAL

FIGURE 8-96. TILT SENSOR HARNESS



ART_1001276143

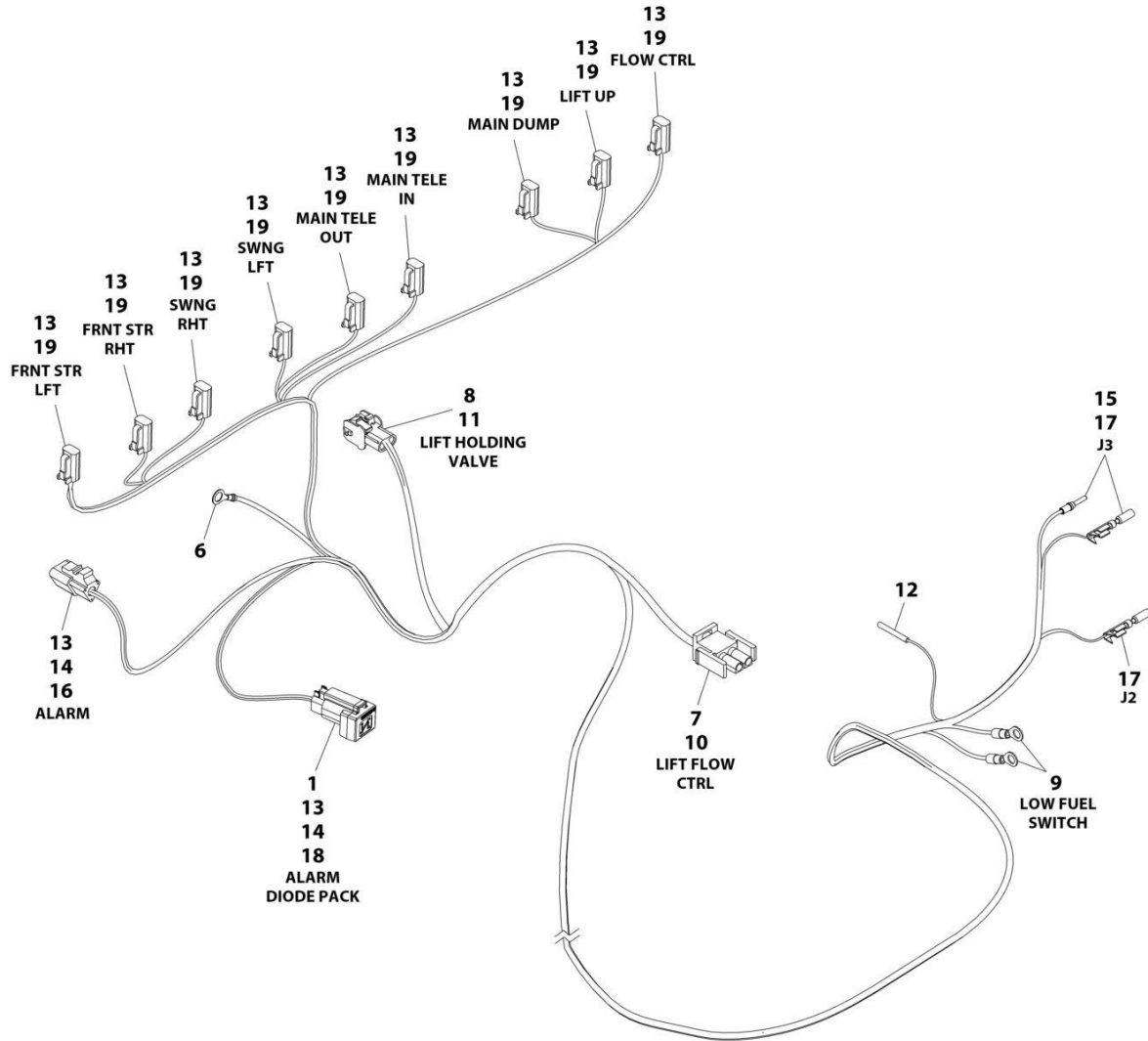
SECTION 8 - ELECTRICAL

FIGURE 8-96. TILT SENSOR HARNESS

ITEM	PART NUMBER	QTY	DESCRIPTION	REV
	1001276143	Ref	TILT SENSOR HARNESS	B
1	1001103012	1	Connector - 4 Position	
1	1001107854	4	Terminal, Male	
1	1001104498	4	Terminal, Seal	
2	1001246859	1	Connector - 14 Position	
2	4460871	4	Socekt, Female	
2	4460905	10	Plug, Terminal	

SECTION 8 - ELECTRICAL

FIGURE 8-97. VALVE HARNESS



ART_1001284973

SECTION 8 - ELECTRICAL

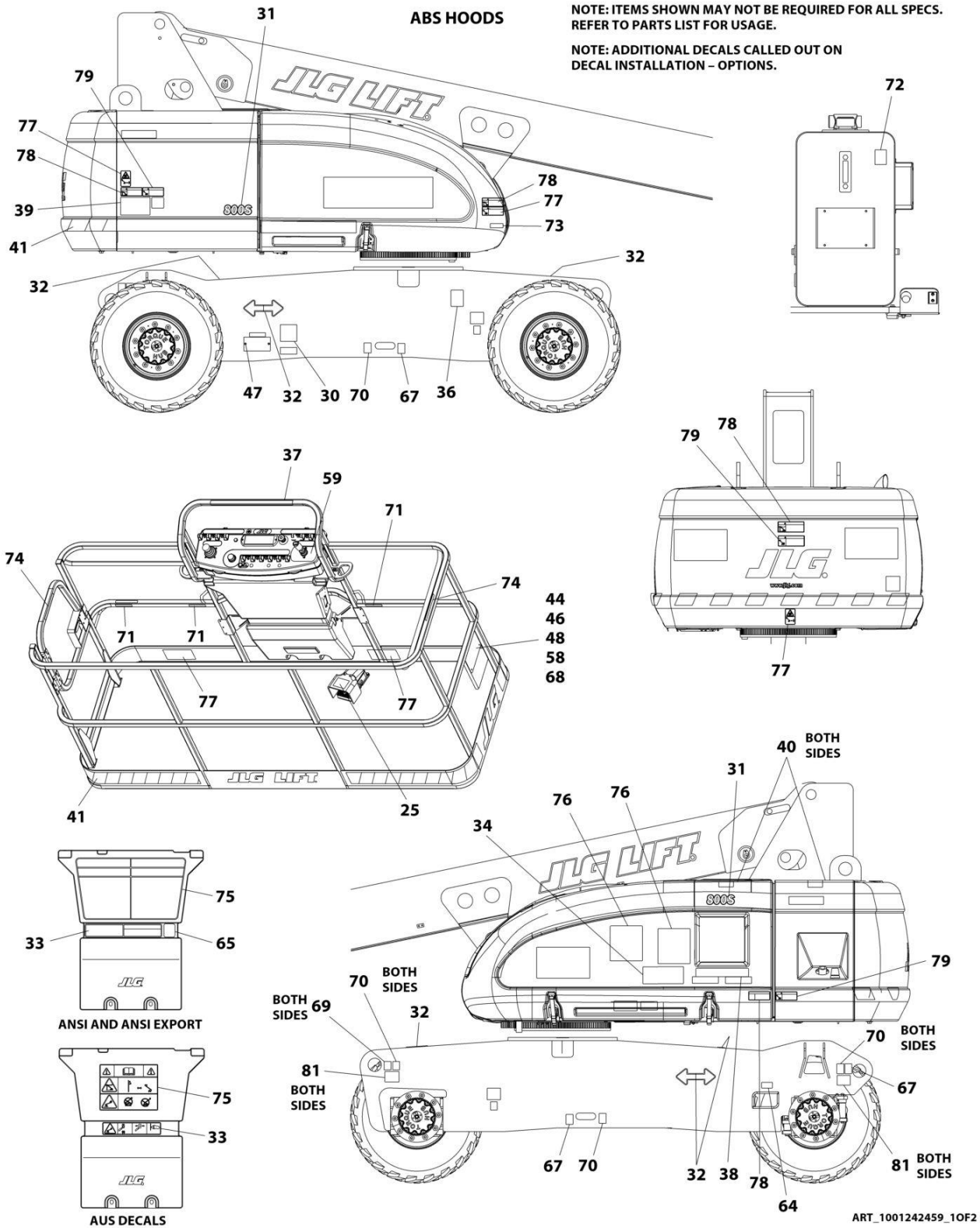
FIGURE 8-97. VALVE HARNESS

ITEM	PART NUMBER	QTY	DESCRIPTION	REV
	1001284973	Ref	VALVE HARNESS	B
1	1001152266	1	Connector	
6	4460019	1	Terminal, Ring	
7	4460226	2	Socket	
8	4460267	2	Pin	
9	4460313	2	Terminal, Ring	
10	4460320	1	Terminal, Plug	
11	4460424	1	Terminal, Plug	
12	4460464	1	Pin	
13	4460465	23	Socket	
14	4460466	2	Plug, Seal	
15	4460508	1	Terminal	
16	4460539	1	Terminal, Plug	
17	4460871	20	Socket	
18	4460884	1	Connector	
19	4460891	9	Connector	

SECTION 9 - DECALS

SECTION 9 - DECALS

FIGURE 9-1. DECAL INSTALLATION (ANSI SPECS) (800S)

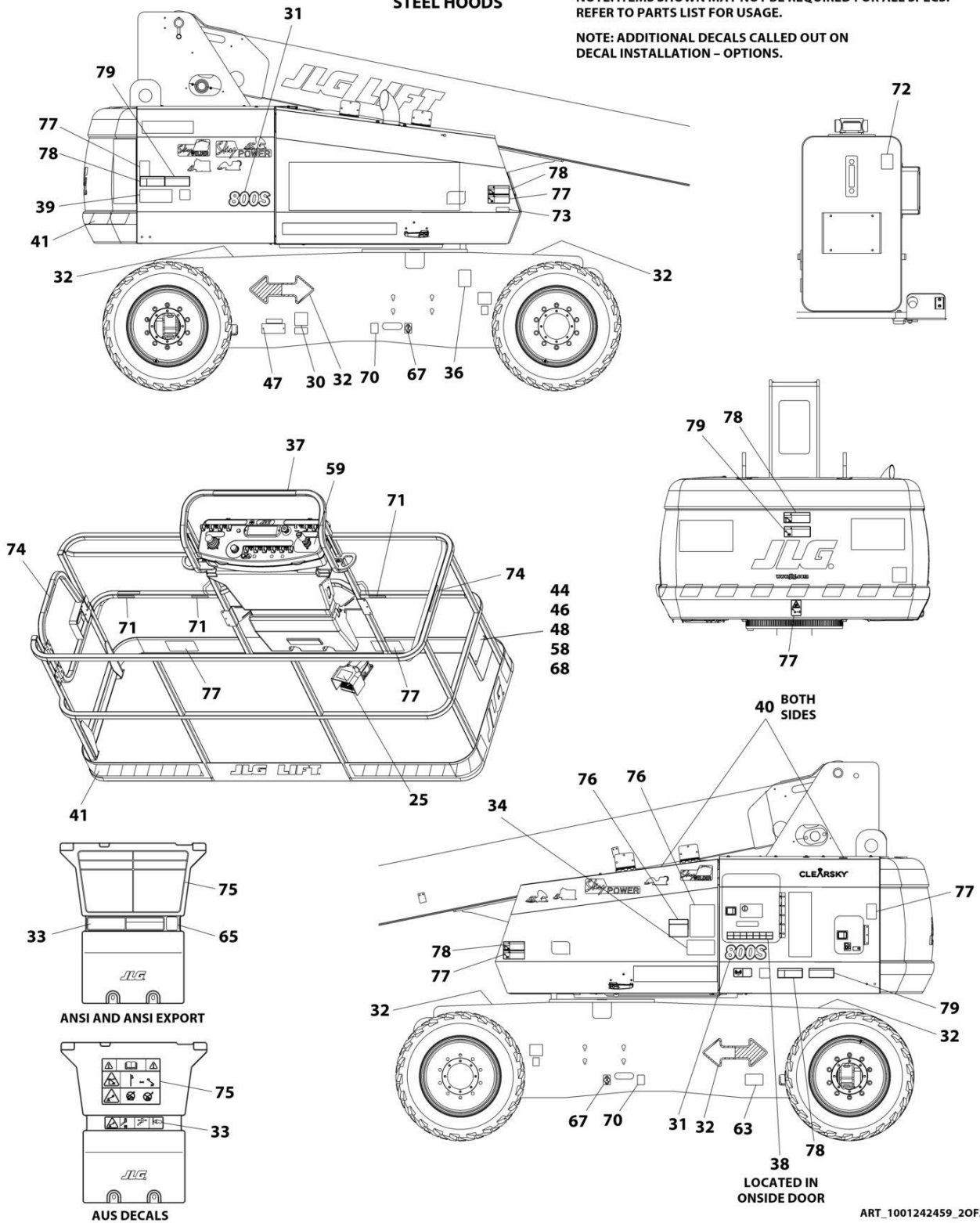


SECTION 9 - DECALS

STEEL HOODS

NOTE: ITEMS SHOWN MAY NOT BE REQUIRED FOR ALL SPECS. REFER TO PARTS LIST FOR USAGE.

NOTE: ADDITIONAL DECALS CALLED OUT ON DECAL INSTALLATION - OPTIONS.



ART_1001242459_20F2

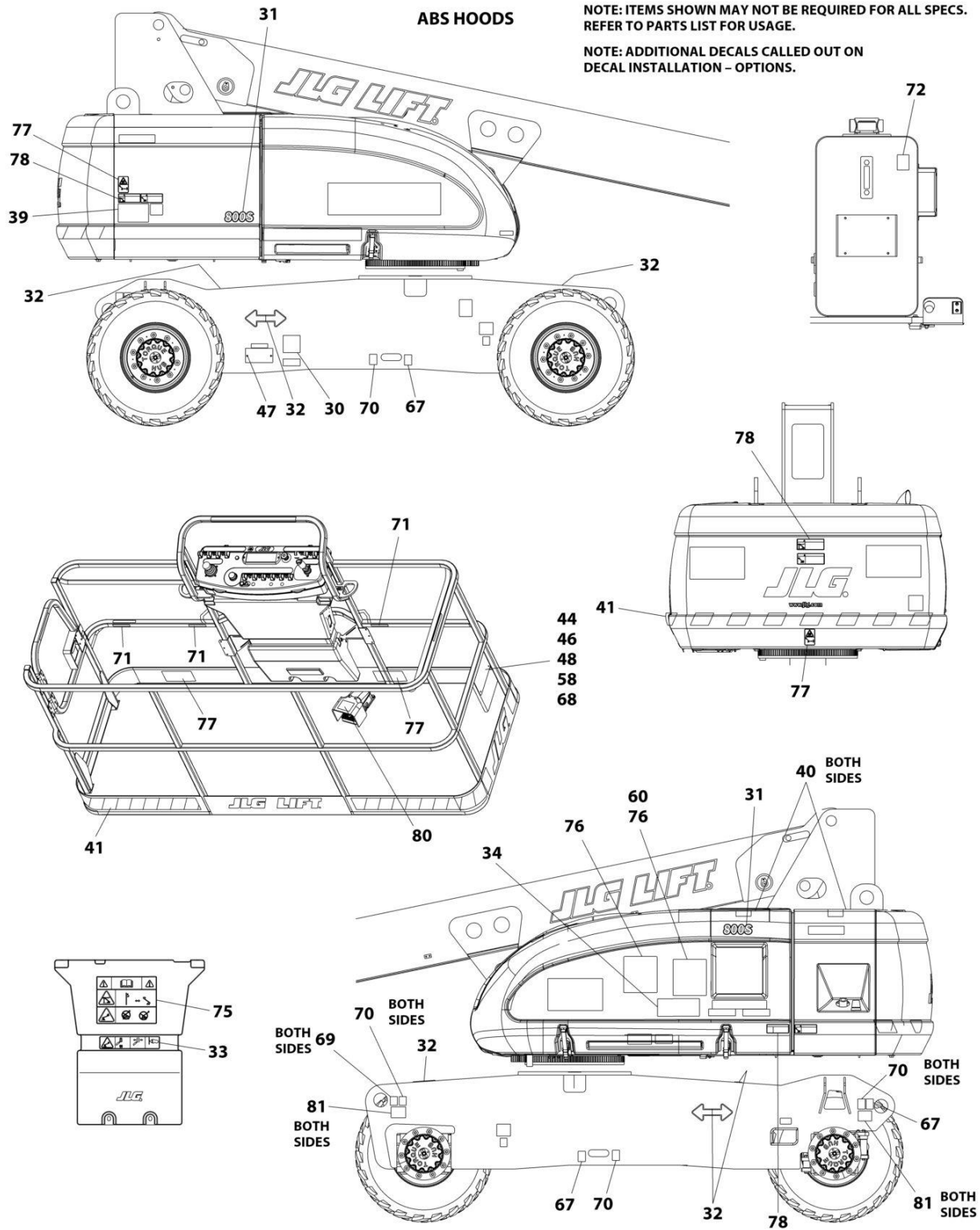
SECTION 9 - DECALS

FIGURE 9-1. DECAL INSTALLATION (ANSI SPECS) (800S)

ITEM	PART NUMBER	QTY	DESCRIPTION	REV
	1001242459	Ref	STANDARD DECAL INSTALLATION	E
25	3252347	1	Decal - Footswitch	
30	See Note	NSS	Decal - Bar Code (Note: Not Available for Purchase)	
31	1001267308	2	Decal - Model	
32	1701501	4	Decal- Arrow	
33	1001257229	1	Decal Capacity - 500LBS Unrestricted Capacity	
34	1001257230	1	Decal Capacity - 500LBS Unrestricted Capacity	
36	1001131269	1	Decal - Patent	
39	1001284687	1	Decal - Lift Diagram	
40	1701691	4	Decal - No Step	
41	4420051	23.1 ft /7m	Stripes, Warning	
44	0860520	1	Box, Manual Storage	
46	3311405	4	Nut 1/4	
47	3820001	2	Rivet	
48	4751400	8	Washer 1/4	
58	0641406	4	Bolt 1/4 x 3/4	
59	1705351	1	Decal - Drive/Steer Instructions	
63	1001223055	1	Decal - Yearly Inspection	
64	1001223453	1	Decal - ICES	
67	1701499	4	Decal - No Lift	
68	1701509	1	Decal - Manual	
69	1703811	4	Decal - Tie Down/Lift	
70	1703814	6	Decal - Tie Down	
71	1704277	4	Decal - Attach Lanyard Here	
72	1704412	1	Decal - Hydraulic Oil Chart	
73	3251243	1	Nameplate - 120V-60HZ	
74	1702868	2	Decal - No Hands	
75	1703797	1	Decal - Warning/Danger	
76	1705336	1	Decal - Warning Inspection (MTB)	
77	1703804	5	Decal - Warning Crushing	
78	1703805	5	Decal - Danger Electrocution	
79	1703953	7	Decal - Warning Crushing	
81	1703475	4	Decal - Max Tire Load	

SECTION 9 - DECALS

FIGURE 9-2. DECAL INSTALLATION (AUSTRALIAN SPECS) (800S)



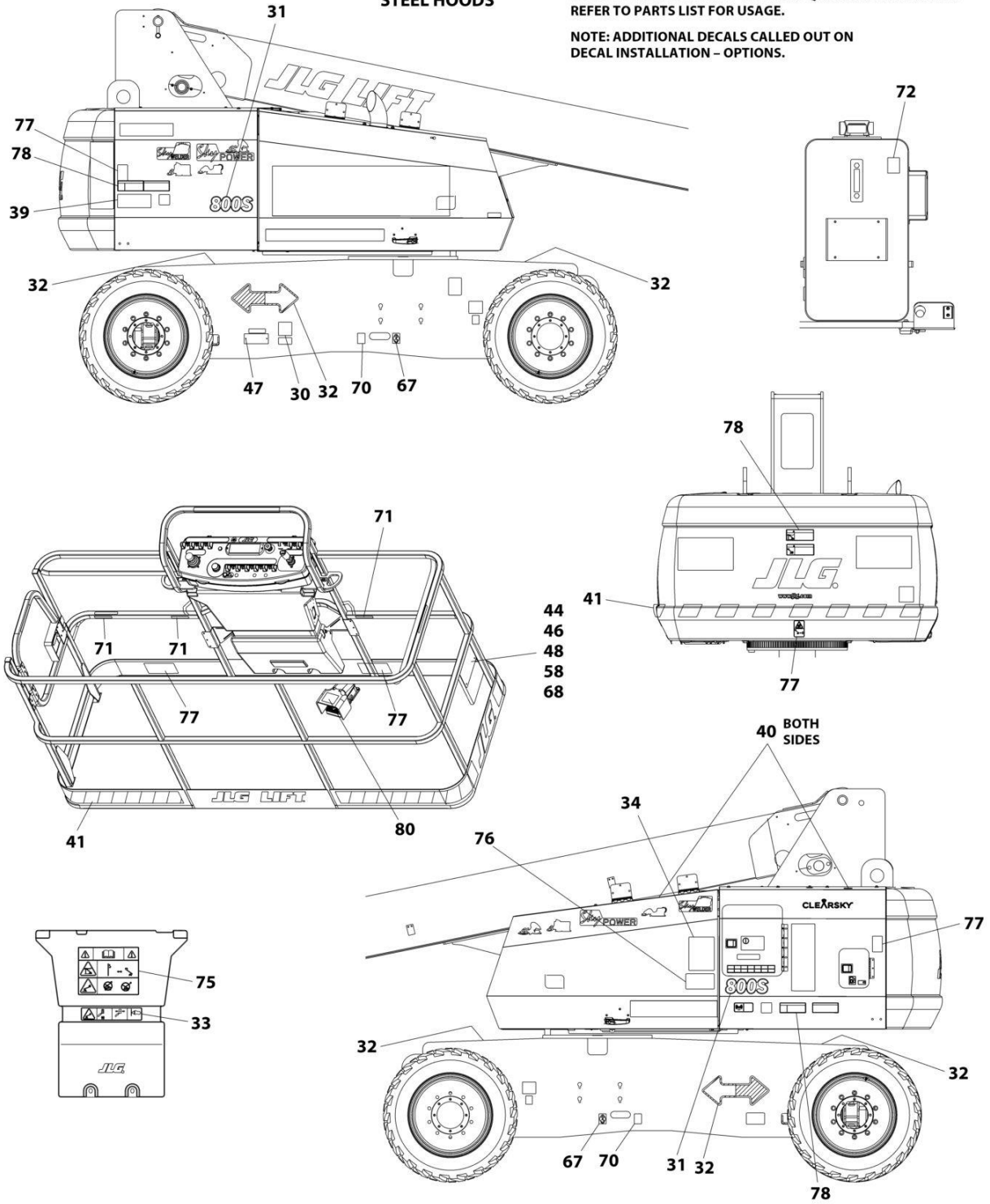
ART_1001257322_10F2

SECTION 9 - DECALS

STEEL HOODS

NOTE: ITEMS SHOWN MAY NOT BE REQUIRED FOR ALL SPECS. REFER TO PARTS LIST FOR USAGE.

NOTE: ADDITIONAL DECALS CALLED OUT ON DECAL INSTALLATION - OPTIONS.



ART_1001257322_20F2

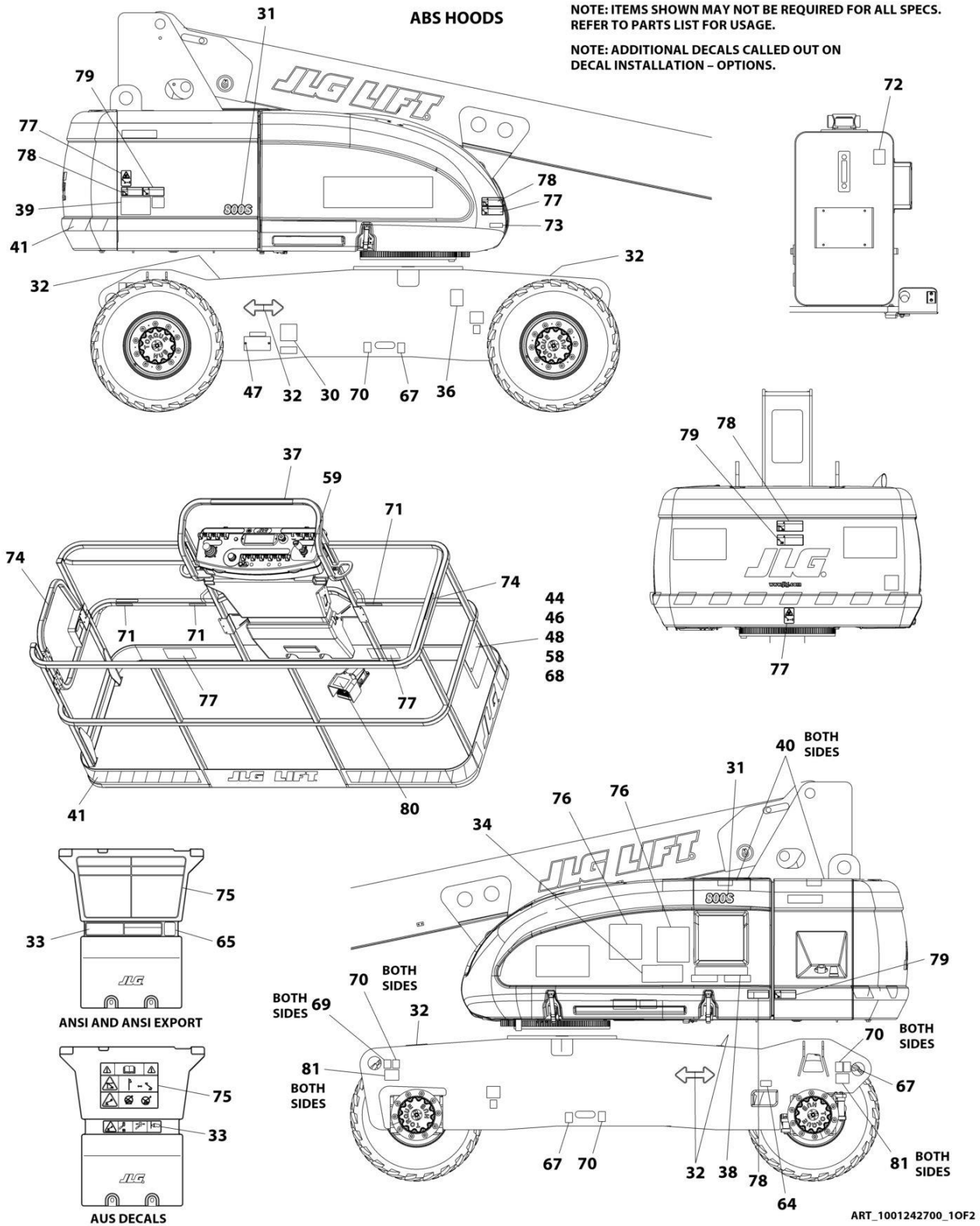
SECTION 9 - DECALS

FIGURE 9-2. DECAL INSTALLATION (AUSTRALIAN SPECS) (800S)

ITEM	PART NUMBER	QTY	DESCRIPTION	REV
	1001257322	Ref	STANDARD DECAL INSTALLATION	C
30	See Note	NSS	Decal - Bar Code (Note: Not Available for Purchase)	
31	1001267308	2	Decal - 800S	
32	1701501	4	Decal- Arrow	
33	1001257257	1	Decal Dual Capacity - 500LBS/230kg & 992LBS/450kg	
34	1001257258	1	Decal Dual Capacity - 507LBS/230kg & 992LBS/450kg	
39	1001284687	1	Decal - Lift Diagram	
40	1701691	4	Decal - No Step	
41	4420051	23.1 ft /7m	Stripes, Warning	
44	0860520	1	Box, Manual Storage	
46	3311405	4	Nut 1/4	
47	3820001	2	Rivet	
48	4751400	8	Washer 1/4	
58	0641406	4	Bolt 1/4 x 3/4	
60	1001112551	1	Decal - Emergency Control	
67	1701499	4	Decal - No Lift	
68	1701509	1	Decal - Manual	
69	1703811	4	Decal - Tie Down/Lift	
70	1703814	6	Decal - Tie Down	
71	1704277	4	Decal - Attach Lanyard Here	
72	1704412	1	Decal - Hydraulic Oil Chart	
75	1705921	1	Decal - Tipping/Electric (PLF)	
76	1705822	1	Decal - Electric/Safety Manual	
77	1701518	10	Decal - Warning Crushing	
78	1705961	5	Decal - Danger Electrocution	
80	1705828	1	Decal - Footswitch	
81	1703475	4	Decal - Max Tire Load	

SECTION 9 - DECALS

FIGURE 9-3. DECAL INSTALLATION (BRAZILIAN SPECS) (800S)

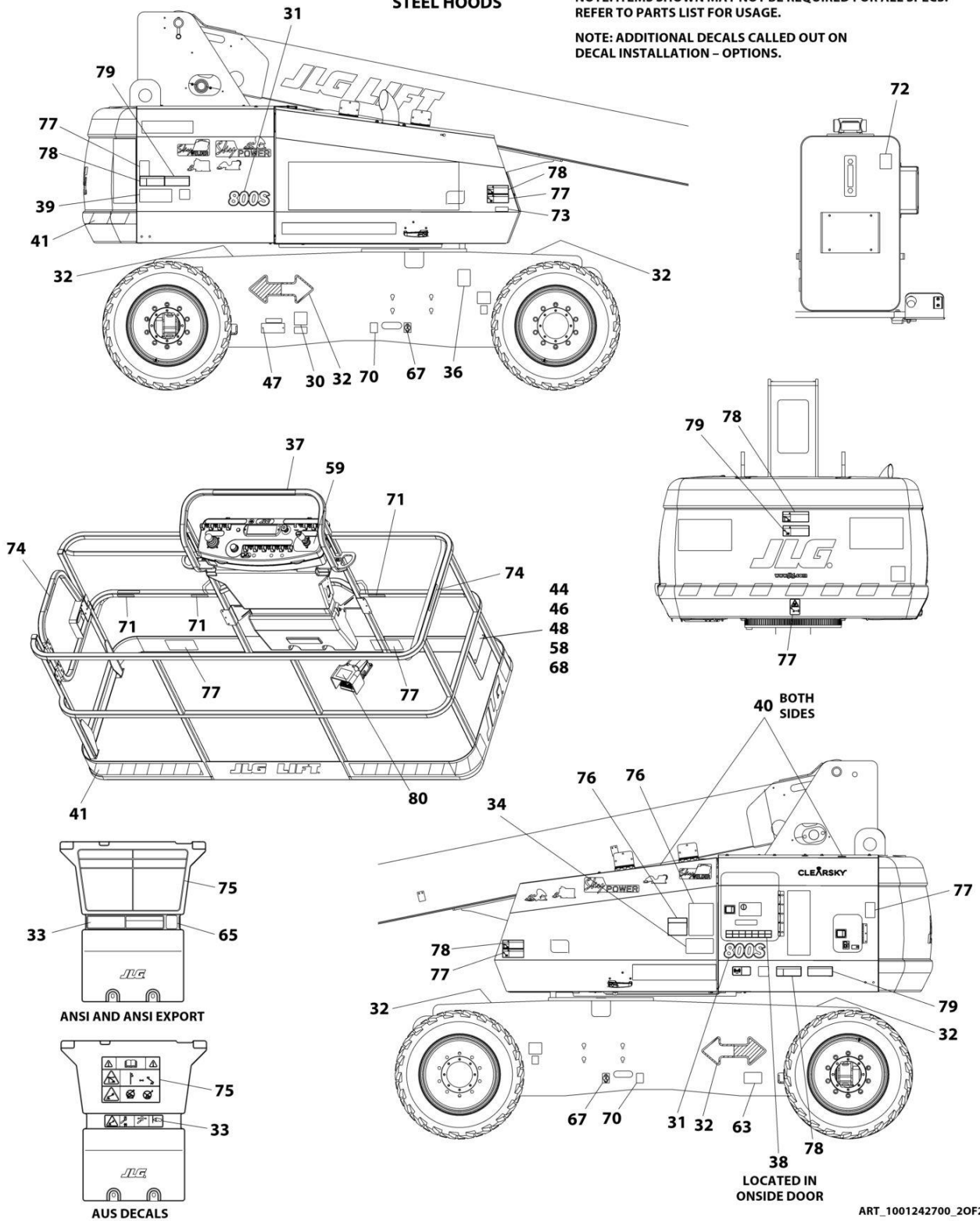


SECTION 9 - DECALS

STEEL HOODS

NOTE: ITEMS SHOWN MAY NOT BE REQUIRED FOR ALL SPECS. REFER TO PARTS LIST FOR USAGE.

NOTE: ADDITIONAL DECALS CALLED OUT ON DECAL INSTALLATION - OPTIONS.



ART_1001242700_20F2

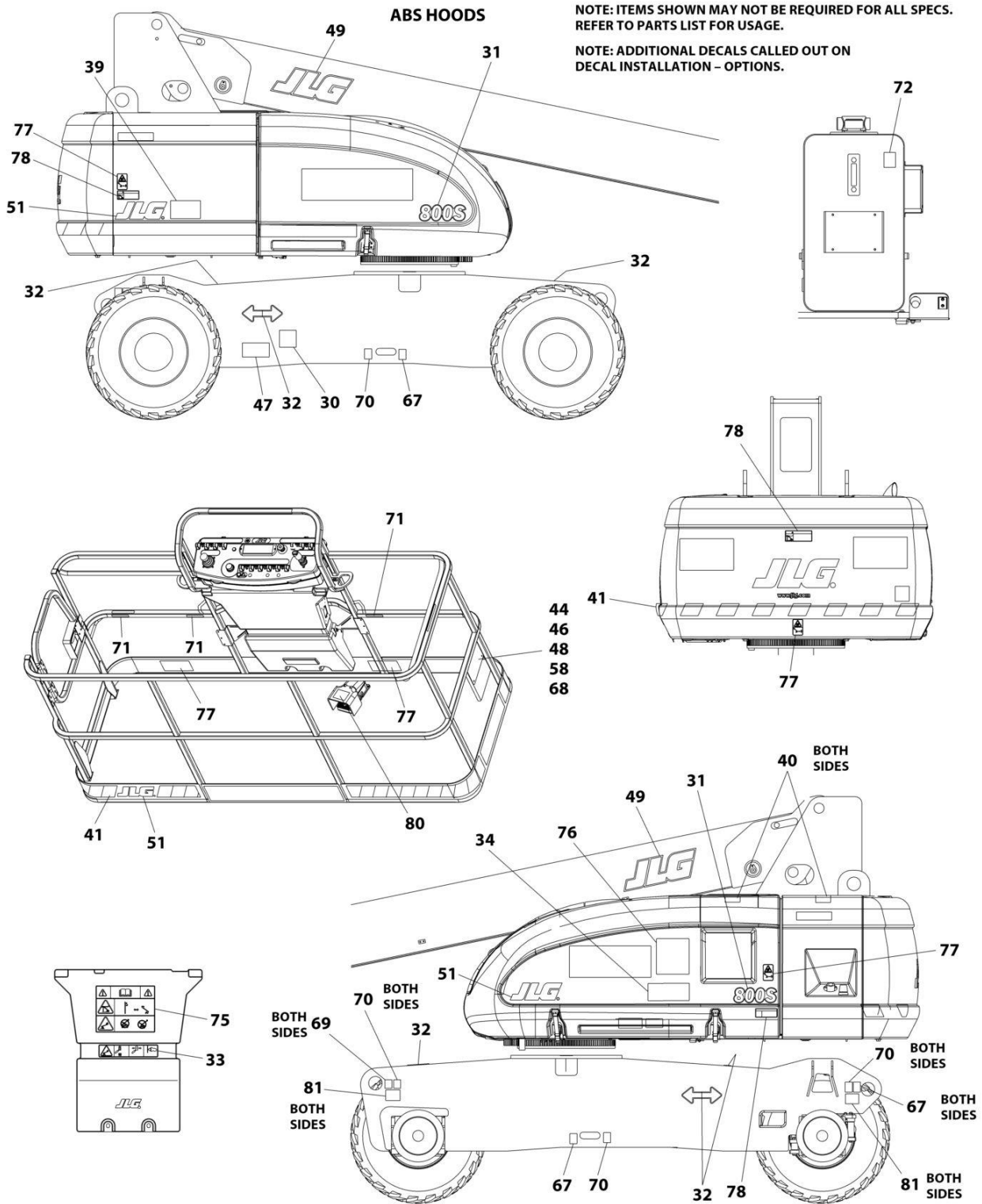
SECTION 9 - DECALS

FIGURE 9-3. DECAL INSTALLATION (BRAZILIAN SPECS) (800S)

ITEM	PART NUMBER	QTY	DESCRIPTION	REV
	1001242700	Ref	STANDARD DECAL INSTALLATION	E
30	See Note	NSS	Decal - Bar Code (Note: Not Available for Purchase)	
31	1001267308	2	Decal - 800S	
32	1701501	4	Decal - Arrow	
33	1001257241	1	Decal Capacity - 500LBS Unrestricted Capacity	
34	1001257242	1	Decal Capacity - 500LBS Unrestricted Capacity	
39	1001284687	1	Decal - Lift Diagram	
40	1701691	4	Decal - No Step	
41	4420051	23.1 ft /7m	Stripes, Warning	
44	0860520	1	Box, Manual Storage	
46	3311405	4	Nut 1/4	
47	3820001	2	Rivet	
48	4751400	8	Washer 1/4	
58	0641406	4	Bolt 1/4 x 3/4	
59	1705905	1	Decal - Drive/Steer Instructions	
63	1001224052	1	Decal - Yearly Inspection	
67	1701499	4	Decal - No Lift	
68	1701509	1	Decal - Manual	
69	1703811	4	Decal - Tie Down/Lift	
70	1703814	6	Decal - Tie Down	
71	1704277	4	Decal - Attach Lanyard Here	
72	1704412	1	Decal - Hydraulic Oil Chart	
74	1705967	2	Decal - No Hands	
75	1705895	1	Decal - Warning/Danger	
76	1705896	1	Decal - Warning Inspection (MTB)	
77	1705898	5	Decal - Warning Crushing	
78	1705897	5	Decal - Danger Electrocuton	
79	1705903	7	Decal - Warning Crushing	
80	1705902	1	Decal - Foot Switch	
81	1703475	4	Decal - Max Tire Load	

SECTION 9 - DECALS

FIGURE 9-4. DECAL INSTALLATION (CE & UK CA SPECS) (800S)



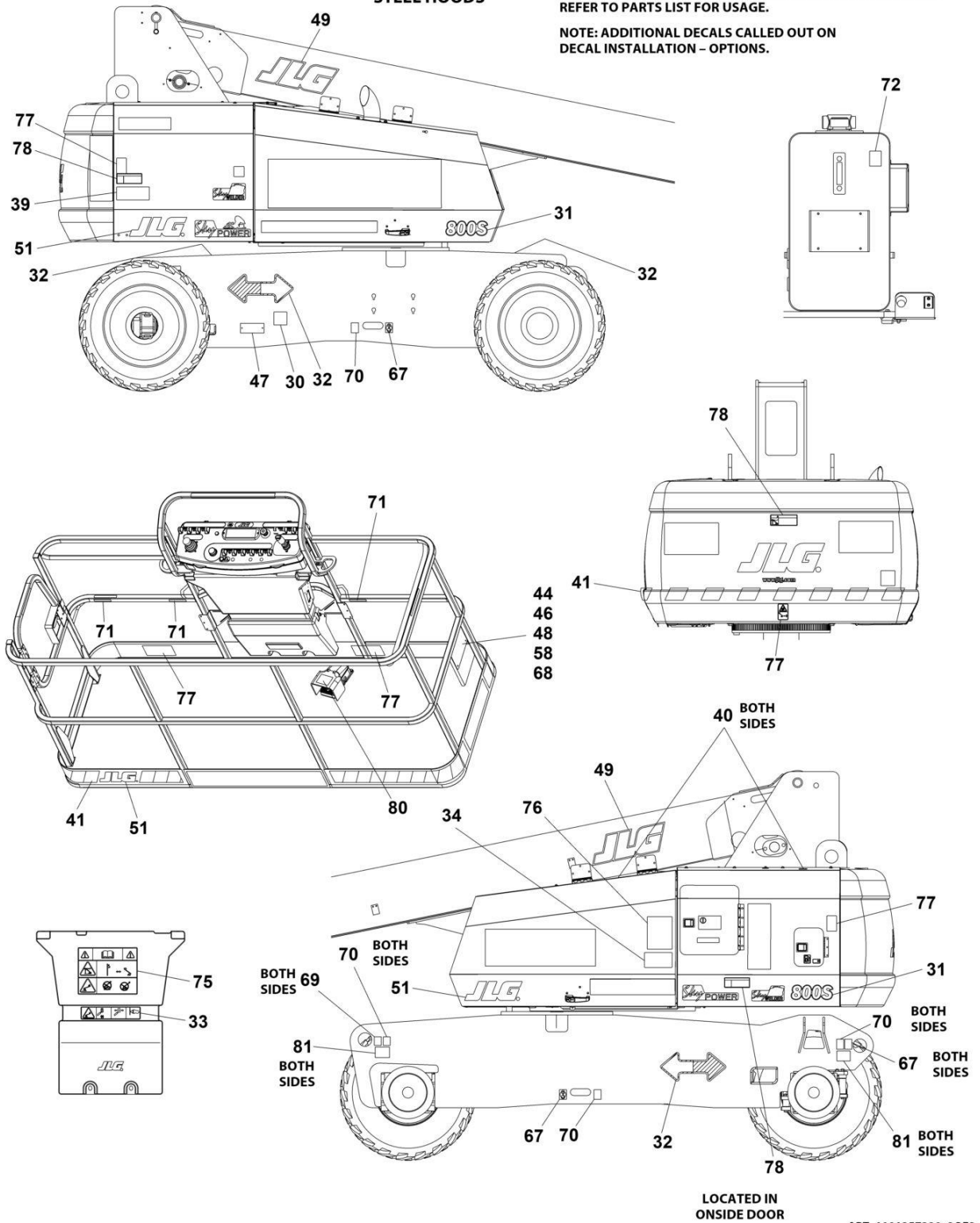
ART_1001257320_10F2

SECTION 9 - DECALS

STEEL HOODS

NOTE: ITEMS SHOWN MAY NOT BE REQUIRED FOR ALL SPECS. REFER TO PARTS LIST FOR USAGE.

NOTE: ADDITIONAL DECALS CALLED OUT ON DECAL INSTALLATION - OPTIONS.



ART_1001257320_20F2

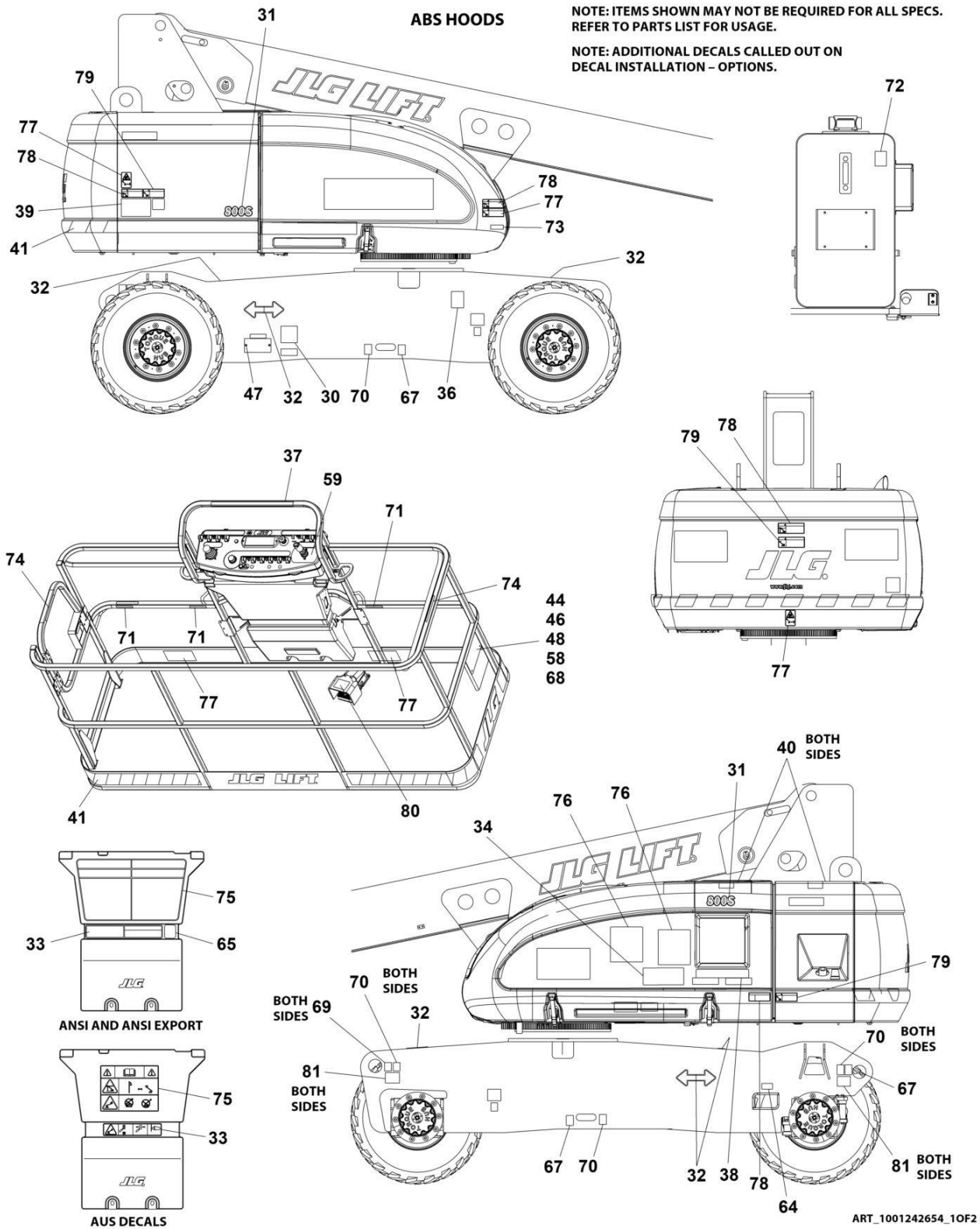
SECTION 9 - DECALS

FIGURE 9-4. DECAL INSTALLATION - (CE & UK CA SPECS) (800S)

ITEM	PART NUMBER	QTY	DESCRIPTION	REV
	1001257320	Ref	STANDARD DECAL INSTALLATION	C
30	See Note	NSS	Decal - Bar Code (Note: Not Available for Purchase)	
31	1001267308	2	Decal - 800S	
32	1701501	4	Decal- Arrow	
33	1001257257	1	Decal Dual Capacity - 507LBS/230kg & 992LBS/450kg	
34	1001257258	1	Decal Dual Capacity - 507LBS/230kg & 992LBS/450kg	
39	1001284687	1	Decal - Lift Diagram	
40	1701691	4	Decal - No Step	
41	4420051	23.1 ft /7m	Stripes, Warning	
44	0860520	1	Box, Manual Storage	
46	3311405	4	Nut 1/4	
47	3820001	2	Rivet	
48	4751400	8	Washer 1/4	
49	1001159323	2	Decal - JLG (8in Height)	
51	1702773	3	Decal - JLG (5in Height)	
58	0641406	4	Bolt 1/4 x 3/4	
67	1701499	4	Decal - No Lift	
68	1701509	1	Decal - Manual	
69	1703811	4	Decal - Tie Down/Lift	
70	1703814	6	Decal - Tie Down	
71	1704277	4	Decal - Attach Lanyard Here	
72	1704412	1	Decal - Hydraulic Oil Chart	
75	1705921	1	Decal - Tipping/Electric (PLF)	
76	1705822	1	Decal - Electric/Safety Manual	
77	1701518	10	Decal - Warning Crushing	
78	1705961	5	Decal - Danger Electrocution	
80	1705828	1	Decal - Footswitch	
81	1703475	4	Decal - Max Tire Load	

SECTION 9 - DECALS

FIGURE 9-5. DECAL INSTALLATION - (CHINESE SPECS) (800S)

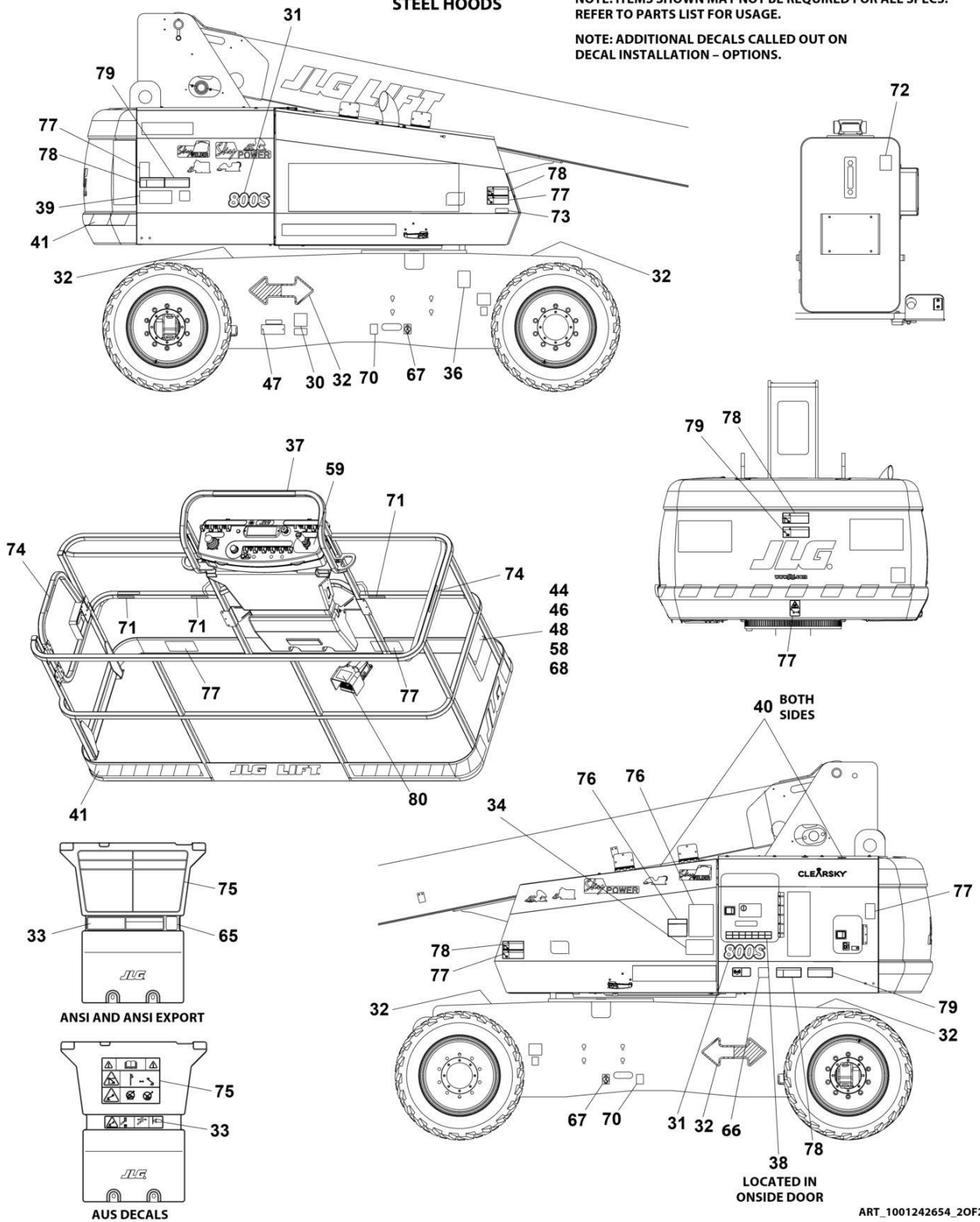


SECTION 9 - DECALS

STEEL HOODS

NOTE: ITEMS SHOWN MAY NOT BE REQUIRED FOR ALL SPECS. REFER TO PARTS LIST FOR USAGE.

NOTE: ADDITIONAL DECALS CALLED OUT ON DECAL INSTALLATION - OPTIONS.



ART_1001242654_20F2

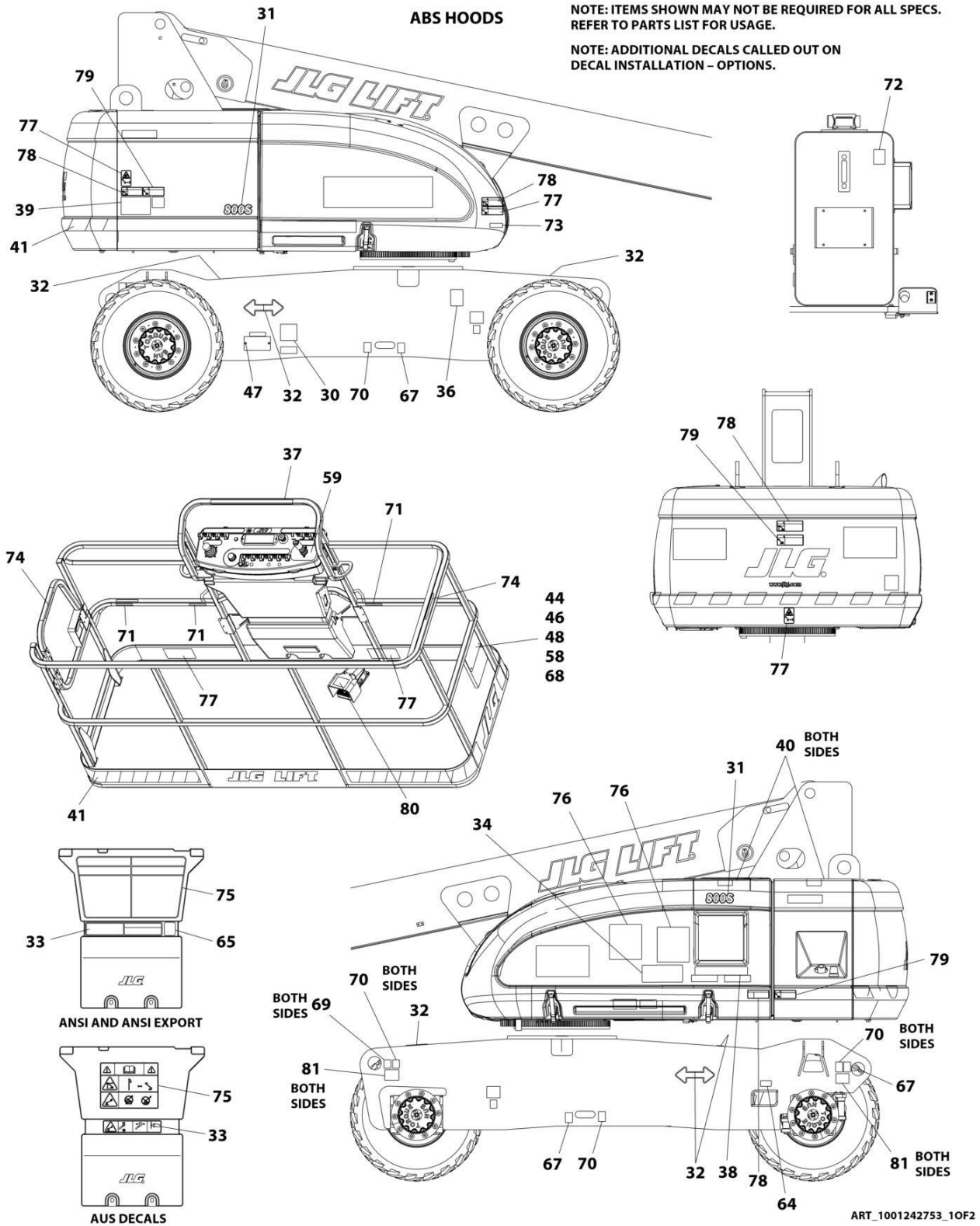
SECTION 9 - DECALS

FIGURE 9-5. DECAL INSTALLATION - (CHINESE SPECS) (800S)

ITEM	PART NUMBER	QTY	DESCRIPTION	REV
	1001242654	Ref	STANDARD DECAL INSTALLATION	E
30	See Note	NSS	Decal - Bar Code (Note: Not Available for Purchase)	
31	1001267308	2	Decal - 800S	
32	1701501	4	Decal - Arrow	
33	1001257235	1	Decal Capacity - 500LBS Unrestricted Capacity	
34	1001257236	1	Decal Capacity - 500LBS Unrestricted Capacity	
39	1001284687	1	Decal - Lift Diagram	
40	1701691	4	Decal - No Step	
41	4420051	23.1 ft /7m	Stripes, Warning	
44	0860520	1	Box, Manual Storage	
46	3311405	4	Nut 1/4	
47	3820001	2	Rivet	
48	4751400	8	Washer 1/4	
58	0641406	4	Bolt 1/4 x 3/4	
59	1705430	1	Decal - Drive/Steer Instructions	
63	1001224050	1	Decal - Yearly Inspection	
65	1001244301	1	Decal - No Platform to Ground Attachments	
66	1001244298	1	Decal - Wechat	
67	1701499	4	Decal - No Lift	
68	1701509	1	Decal - Manual	
69	1703811	4	Decal - Tie Down/Lift	
70	1703814	6	Decal - Tie Down	
71	1704277	4	Decal - Attach Lanyard Here	
72	1704412	1	Decal - Hydraulic Oil Chart	
73	3251243	1	Nameplate - 120V-60HZ	
74	1001116846	2	Decal - No Hands	
75	1703925	1	Decal - Warning/Danger	
76	1001116849	2	Decal - Warning Inspection (MTB)	
77	1703949	5	Decal - Warning Crushing	
78	1001116851	5	Decal - Danger Electrocution	
79	1703943	7	Decal - Warning Crushing	
80	1703982	1	Decal - Footswitch	
81	1703475	4	Decal - Max Tire Load	

SECTION 9 - DECALS

FIGURE 9-6. DECAL INSTALLATION - (CSA SPECS) (800S)

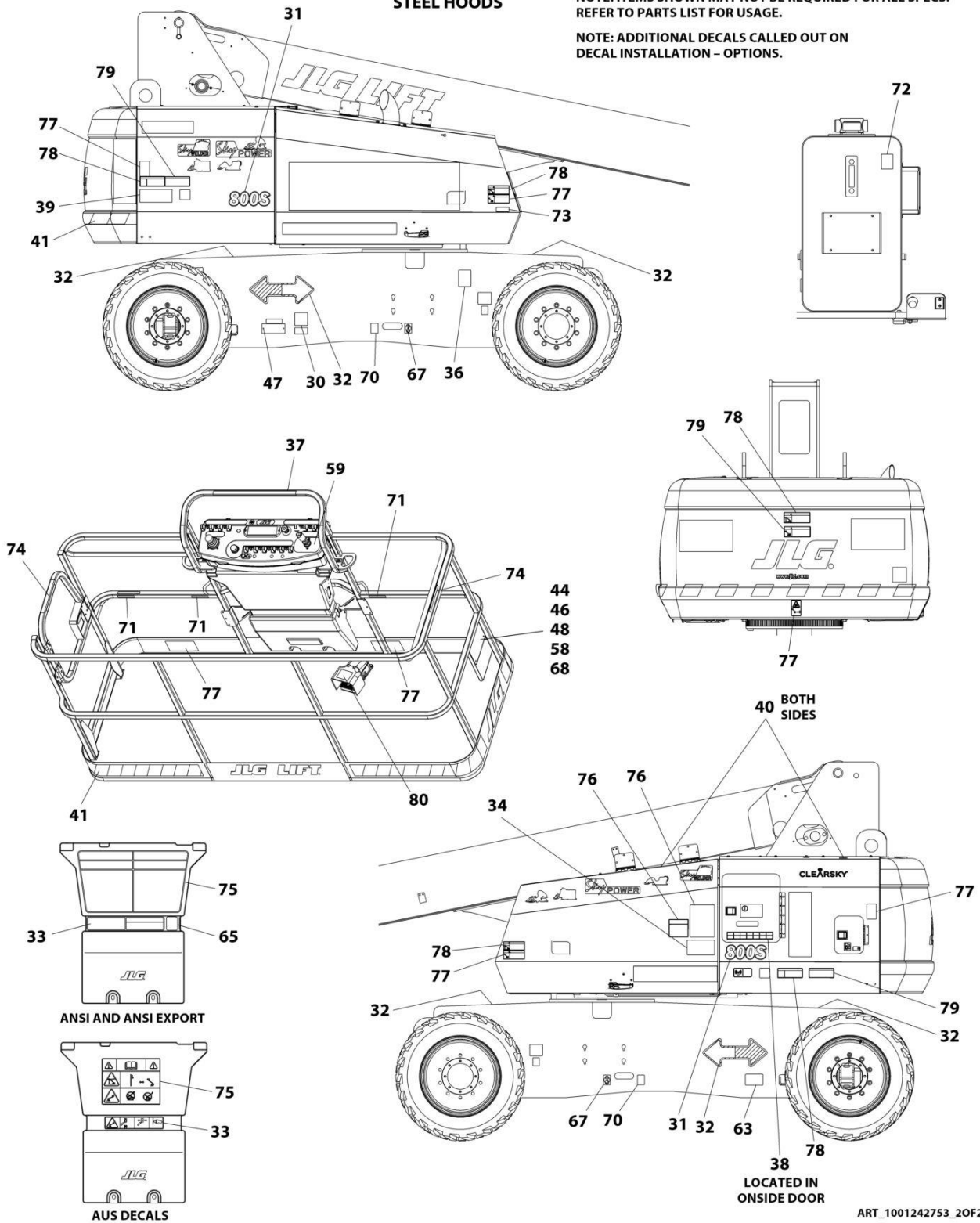


SECTION 9 - DECALS

STEEL HOODS

NOTE: ITEMS SHOWN MAY NOT BE REQUIRED FOR ALL SPECS. REFER TO PARTS LIST FOR USAGE.

NOTE: ADDITIONAL DECALS CALLED OUT ON DECAL INSTALLATION - OPTIONS.



ART_1001242753_20F2

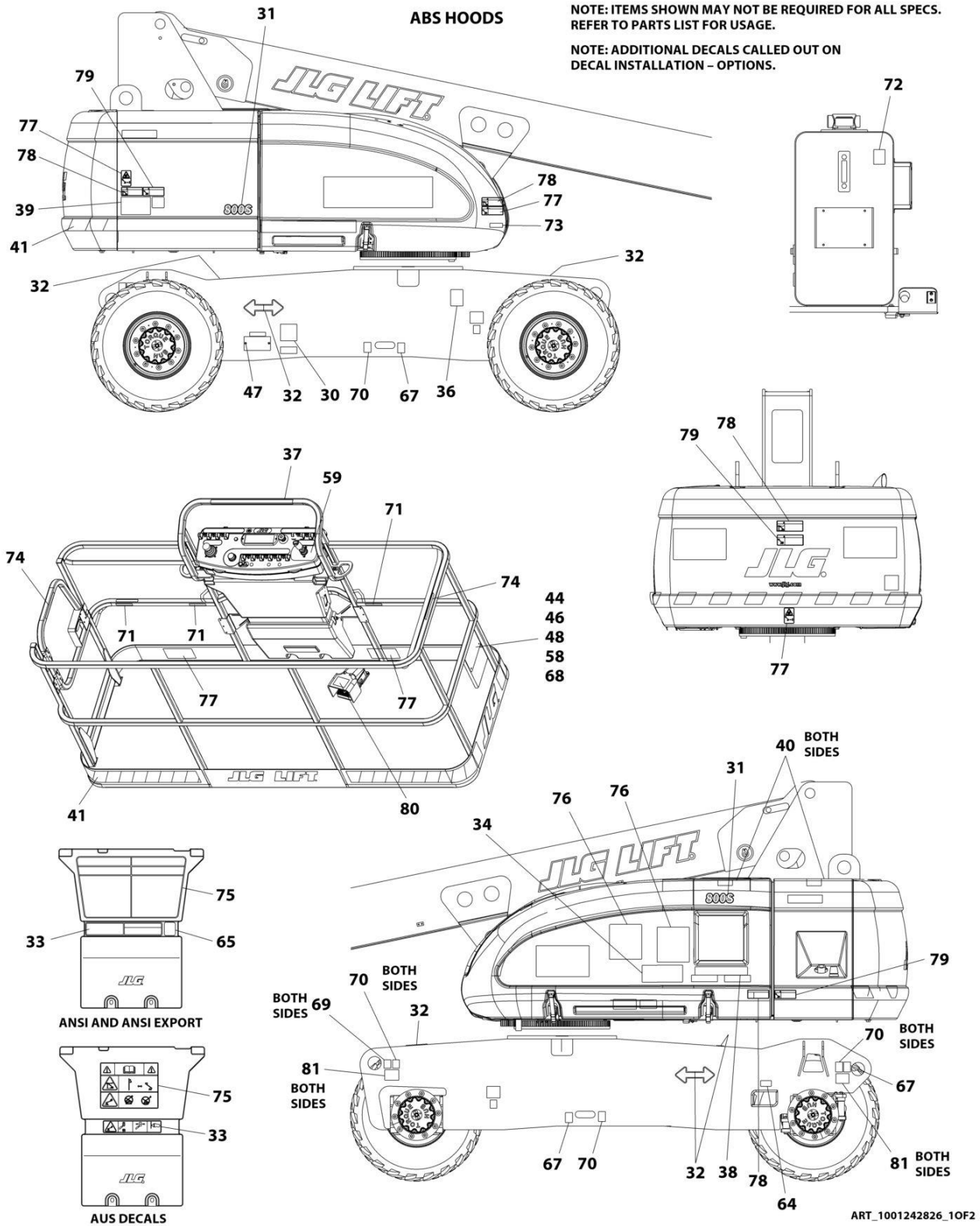
SECTION 9 - DECALS

FIGURE 9-6. DECAL INSTALLATION - (CSA SPECS) (800S)

ITEM	PART NUMBER	QTY	DESCRIPTION	REV
	1001242753	Ref	STANDARD DECAL INSTALLATION	E
30	See Note	NSS	Decal - Bar Code (Note: Not Available for Purchase)	
31	1001267308	2	Decal - 800S	
32	1701501	4	Decal- Arrow	
33	1001257231	1	Decal Capacity - 500LBS Unrestricted Capacity	
34	1001257232	1	Decal Capacity - 500LBS Unrestricted Capacity	
36	1001131269	1	Decal - Patent	
39	1001284687	1	Decal - Lift Diagram	
40	1701691	4	Decal - No Step	
41	4420051	23.1 ft /7m	Stripes, Warning	
44	0860520	1	Box, Manual Storage	
46	3311405	4	Nut 1/4	
47	3820001	2	Rivet	
48	4751400	8	Washer 1/4	
58	0641406	4	Bolt 1/4 x 3/4	
59	1705429	1	Decal - Drive/Steer Instructions	
63	1001223971	1	Decal - Yearly Inspection	
64	1001223453	1	Decal - ICES	
67	1701499	4	Decal - No Lift	
68	1701509	1	Decal - Manual	
69	1703811	4	Decal - Tie Down/Lift	
70	1703814	6	Decal - Tie Down	
71	1704277	4	Decal - Attach Lanyard Here	
72	1704412	1	Decal - Hydraulic Oil Chart	
74	1704000	2	Decal - No Hands	
75	1703924	1	Decal - Warning/Danger	
76	1705347	1	Decal - Warning Inspection (MTB)	
77	1703848	5	Decal - Warning Crushing	
78	1703936	5	Decal - Danger Electrocution	
79	1703942	7	Decal - Warning Crushing	
80	1703984	1	Decal - Footswitch	
81	1703475	4	Decal - Max Tire Load	

SECTION 9 - DECALS

FIGURE 9-7. DECAL INSTALLATION - (JAPANESE SPECS) (800S)

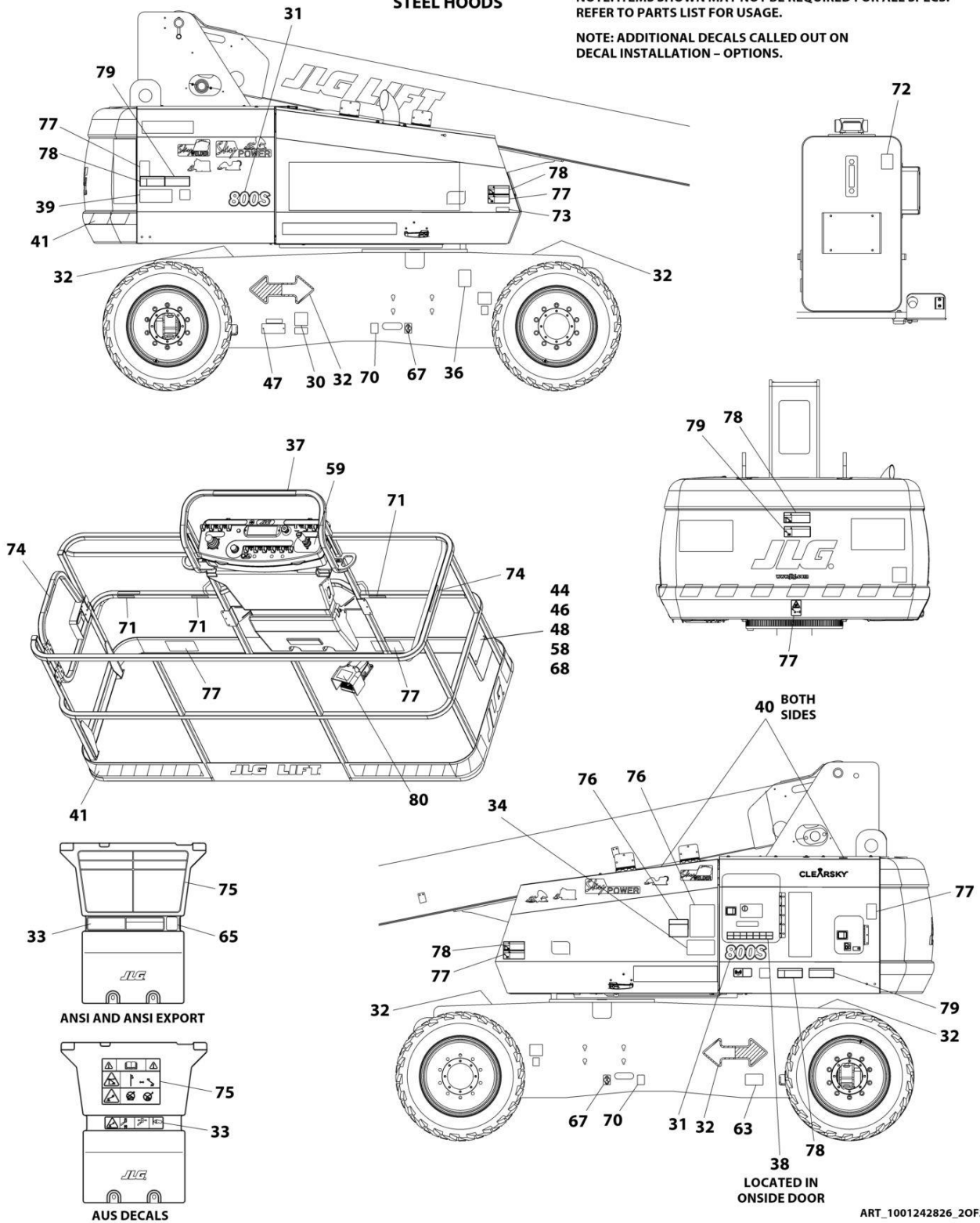


SECTION 9 - DECALS

STEEL HOODS

NOTE: ITEMS SHOWN MAY NOT BE REQUIRED FOR ALL SPECS. REFER TO PARTS LIST FOR USAGE.

NOTE: ADDITIONAL DECALS CALLED OUT ON DECAL INSTALLATION - OPTIONS.



ART_1001242826_20F2

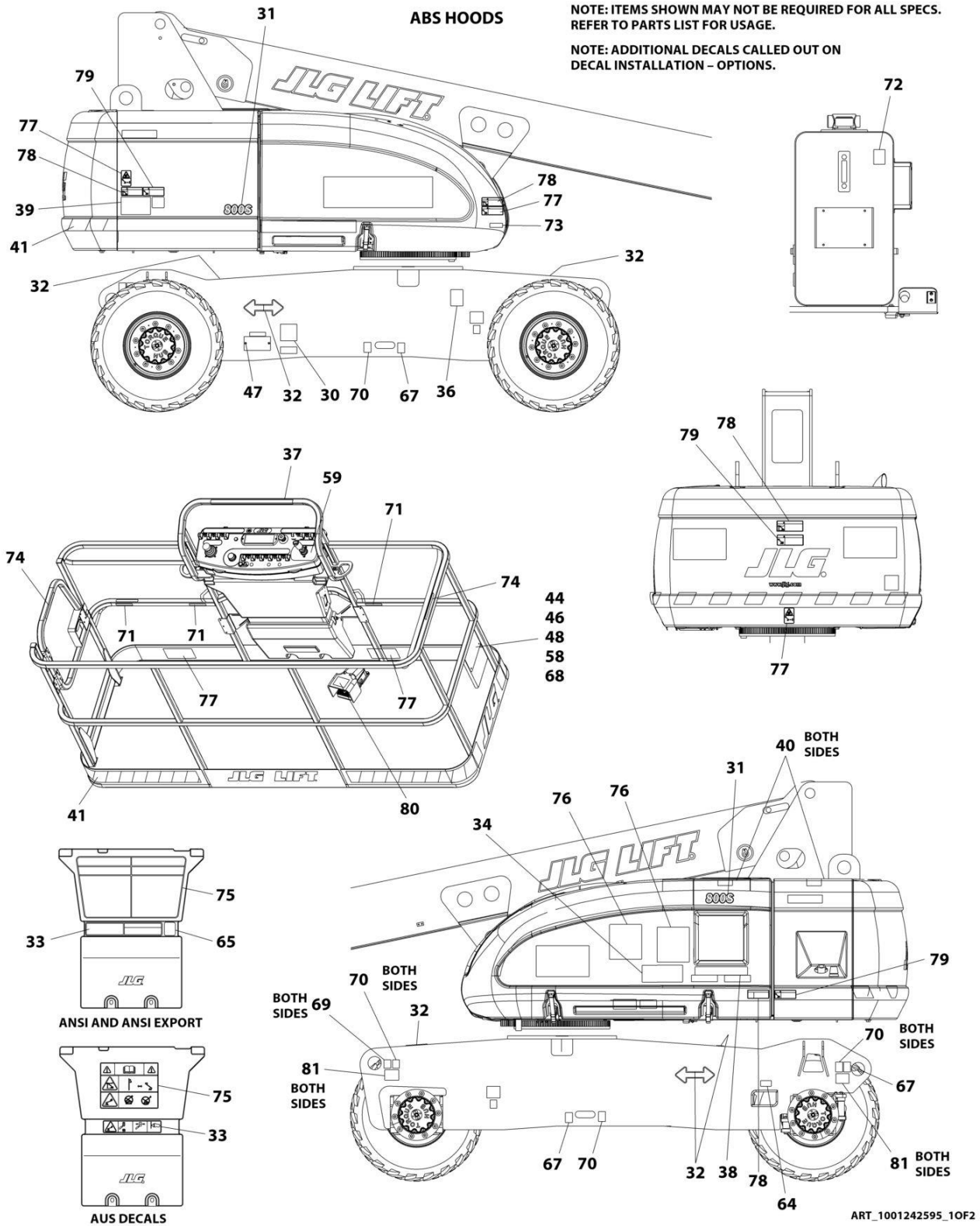
SECTION 9 - DECALS

FIGURE 9-7. DECAL INSTALLATION - (JAPANESE SPECS) (800S)

ITEM	PART NUMBER	QTY	DESCRIPTION	REV
	1001242826	Ref	STANDARD DECAL INSTALLATION	E
30	See Note	NSS	Decal - Bar Code (Note: Not Available for Purchase)	
31	1001267308	2	Decal - 800S	
32	1701501	4	Decal - Arrow	
33	1001257239	1	Decal Capacity - 500LBS Unrestricted Capacity	
34	1001257240	1	Decal Capacity - 500LBS Unrestricted Capacity	
39	1001284687	1	Decal - Lift Diagram	
40	1701691	4	Decal - No Step	
41	4420051	23.1 ft /7m	Stripes, Warning	
44	0860520	1	Box, Manual Storage	
46	3311405	4	Nut 1/4	
47	3820001	2	Rivet	
48	4751400	8	Washer 1/4	
58	0641406	4	Bolt 1/4 x 3/4	
59	1705426	1	Decal - Drive/Steer Instructions	
63	1001224053	1	Decal - Yearly Inspection	
67	1701499	4	Decal - No Lift	
68	1701509	1	Decal - Manual	
69	1703811	4	Decal - Tie Down/Lift	
70	1703814	6	Decal - Tie Down	
71	1704277	4	Decal - Attach Lanyard Here	
72	1704412	1	Decal - Hydraulic Oil Chart	
73	3251243	1	Nameplate - 120V-60HZ	
75	1703926	1	Decal - Warning/Danger	
76	1705344	1	Decal - Warning Inspection (MTB)	
77	1703950	5	Decal - Warning Crushing	
78	1703938	5	Decal - Danger Electrocuton	
79	1703944	7	Decal - Warning Crushing	
80	1703980	1	Decal - Footswitch	
81	1703475	4	Decal - Max Tire Load	

SECTION 9 - DECALS

FIGURE 9-8. DECAL INSTALLATION - (KOREAN SPECS) (800S)

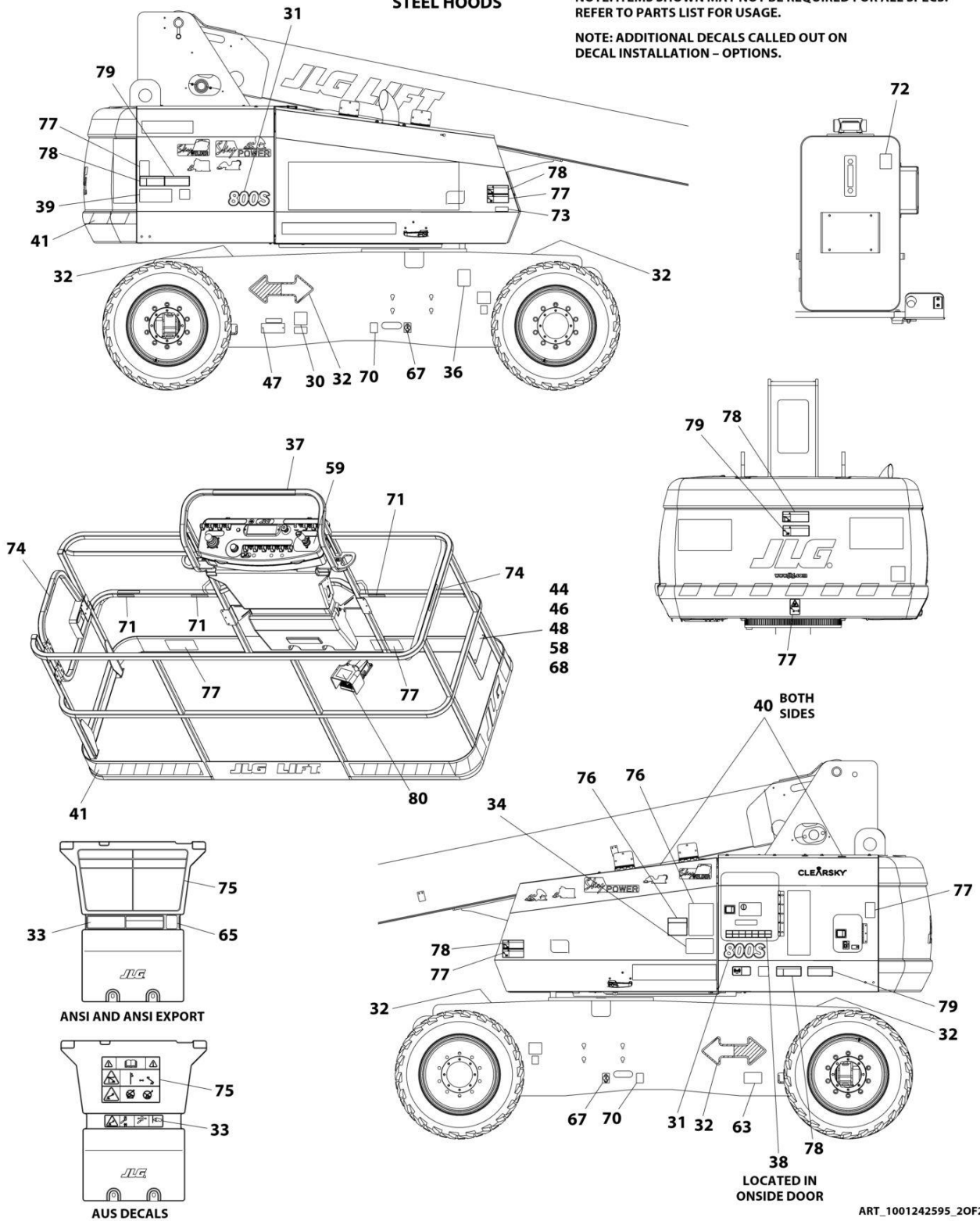


SECTION 9 - DECALS

STEEL HOODS

NOTE: ITEMS SHOWN MAY NOT BE REQUIRED FOR ALL SPECS. REFER TO PARTS LIST FOR USAGE.

NOTE: ADDITIONAL DECALS CALLED OUT ON DECAL INSTALLATION - OPTIONS.



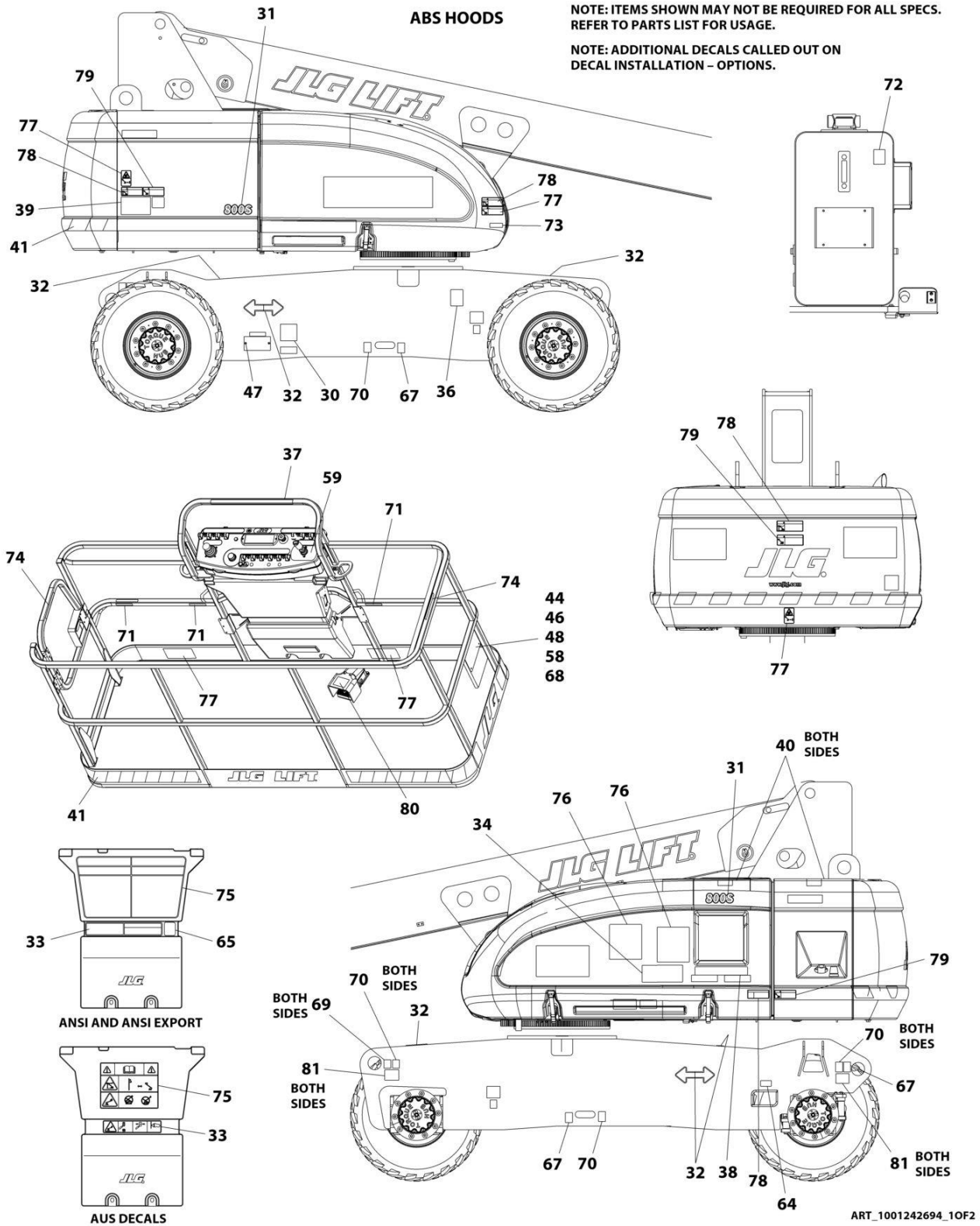
SECTION 9 - DECALS

FIGURE 9-8. DECAL INSTALLATION - (KOREAN SPECS) (800S)

ITEM	PART NUMBER	QTY	DESCRIPTION	REV
	1001242595	Ref	STANDARD DECAL INSTALLATION	E
30	See Note	NSS	Decal - Bar Code (Note: Not Available for Purchase)	
31	1001267308	2	Decal - 800S	
32	1701501	4	Decal- Arrow	
33	1001257233	1	Decal Capacity - 500LBS Unrestricted Capacity	
34	1001257234	1	Decal Capacity - 500LBS Unrestricted Capacity	
39	1001284687	1	Decal - Lift Diagram	
40	1701691	4	Decal - No Step	
41	4420051	23.1 ft /7m	Stripes, Warning	
44	0860520	1	Box, Manual Storage	
46	3311405	4	Nut 1/4	
47	3820001	2	Rivet	
48	4751400	8	Washer 1/4	
58	0641406	4	Bolt 1/4 x 3/4	
59	1705427	1	Decal - Drive/Steer Instructions	
63	1001224048	1	Decal - Yearly Inspection	
67	1701499	4	Decal - No Lift	
68	1701509	1	Decal - Manual	
69	1703811	4	Decal - Tie Down/Lift	
70	1703814	6	Decal - Tie Down	
71	1704277	4	Decal - Attach Lanyard Here	
72	1704412	1	Decal - Hydraulic Oil Chart	
73	3251243	1	Nameplate - 120V-60HZ	
74	1705969	2	Decal - No Hands	
75	1703927	1	Decal - Warning/Danger	
76	1705345	1	Decal - Warning Inspection (MTB)	
77	1703951	5	Decal - Warning Crushing	
78	1703939	5	Decal - Danger Electrocutation	
79	1703945	7	Decal - Warning Crushing	
80	1703981	1	Decal - Footswitch	
81	1703475	4	Decal - Max Tire Load	

SECTION 9 - DECALS

FIGURE 9-9. DECAL INSTALLATION - (LATIN AMERICAN SPECS) (800S)

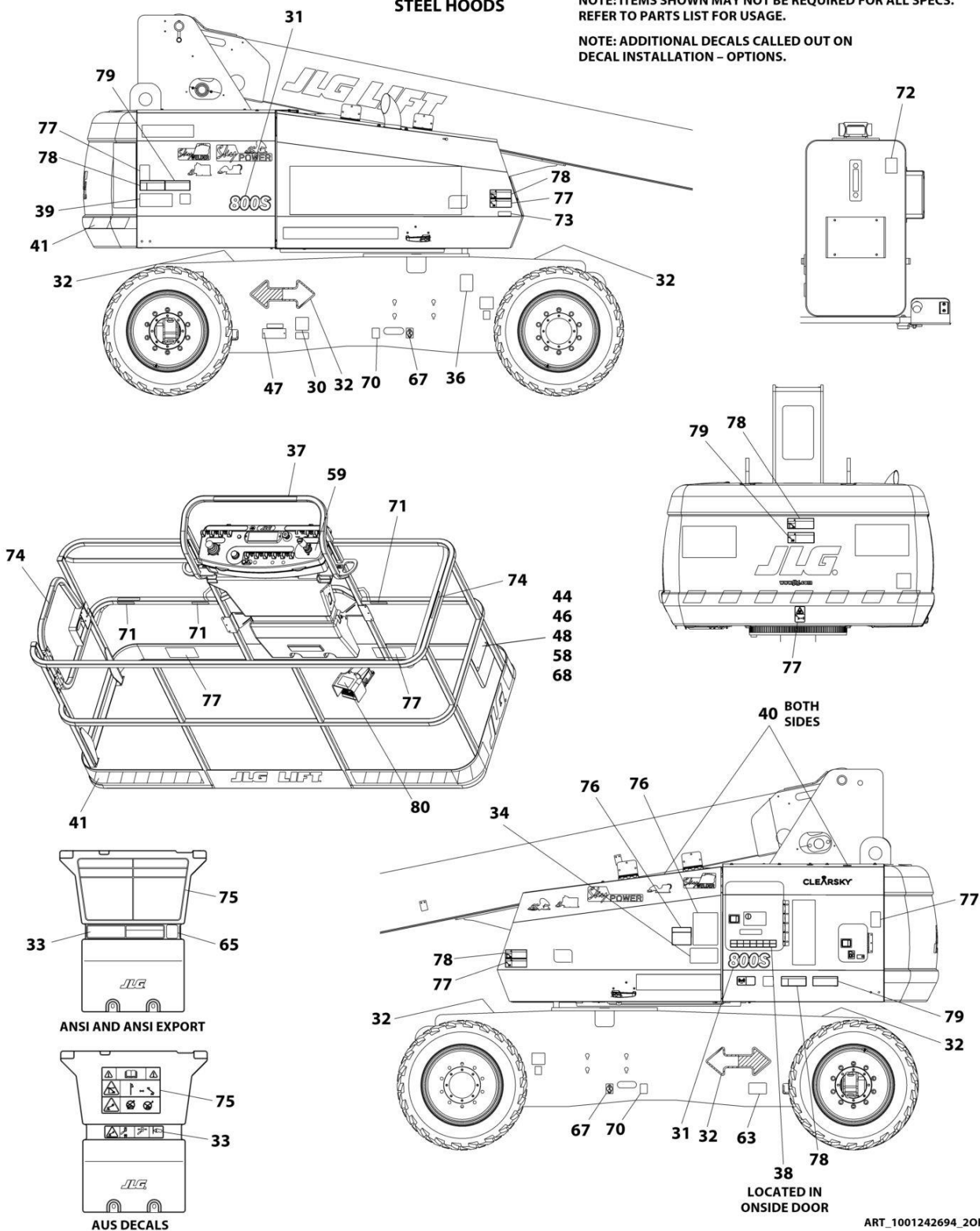


SECTION 9 - DECALS

STEEL HOODS

NOTE: ITEMS SHOWN MAY NOT BE REQUIRED FOR ALL SPECS. REFER TO PARTS LIST FOR USAGE.

NOTE: ADDITIONAL DECALS CALLED OUT ON DECAL INSTALLATION - OPTIONS.



ART_1001242694_20F2

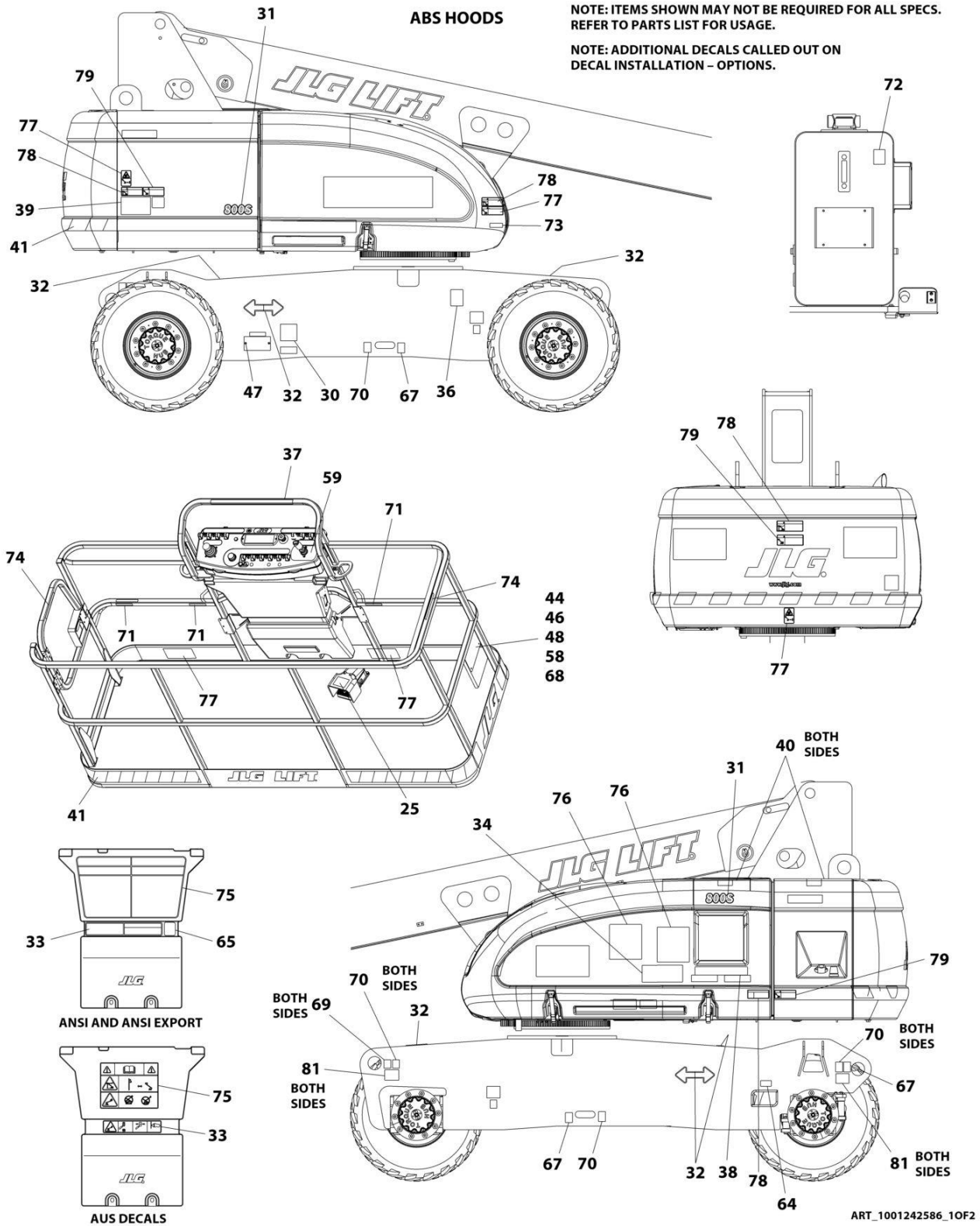
SECTION 9 - DECALS

FIGURE 9-9. DECAL INSTALLATION - (LATIN AMERICAN SPECS) (800S)

ITEM	PART NUMBER	QTY	DESCRIPTION	REV
	1001242694	Ref	STANDARD DECAL INSTALLATION	E
30	See Note	NSS	Decal - Bar Code (Note: Not Available for Purchase)	
31	1001267308	2	Decal - 800S	
32	1701501	4	Decal- Arrow	
33	1001257237	1	Decal Capacity - 500LBS Unrestricted Capacity	
34	1001257238	1	Decal Capacity - 500LBS Unrestricted Capacity	
39	1001284687	1	Decal - Lift Diagram	
40	1701691	4	Decal - No Step	
41	4420051	23.1 ft /7m	Stripes, Warning	
44	0860520	1	Box, Manual Storage	
46	3311405	4	Nut 1/4	
47	3820001	2	Rivet	
48	4751400	8	Washer 1/4	
58	0641406	4	Bolt 1/4 x 3/4	
59	1705910	1	Decal - Drive/Steer Instructions	
63	1001224049	1	Decal - Yearly Inspection	
67	1701499	4	Decal - No Lift	
68	1701509	1	Decal - Manual	
69	1703811	4	Decal - Tie Down/Lift	
70	1703814	6	Decal - Tie Down	
71	1704277	4	Decal - Attach Lanyard Here	
72	1704412	1	Decal - Hydraulic Oil Chart	
73	3251243	1	Nameplate - 120V-60HZ	
74	1704001	2	Decal - No Hands	
75	1703923	1	Decal - Warning/Danger	
76	1705917	1	Decal - Warning Inspection (MTB)	
77	1703947	5	Decal - Warning Crushing	
78	1703935	5	Decal - Danger Electrocution	
79	1703941	7	Decal - Warning Crushing	
80	1703983	1	Decal - Footswitch	
81	1703475	4	Decal - Max Tire Load	

SECTION 9 - DECALS

FIGURE 9-10. DECAL INSTALLATION - (ANSI SPECS) (860SJ)

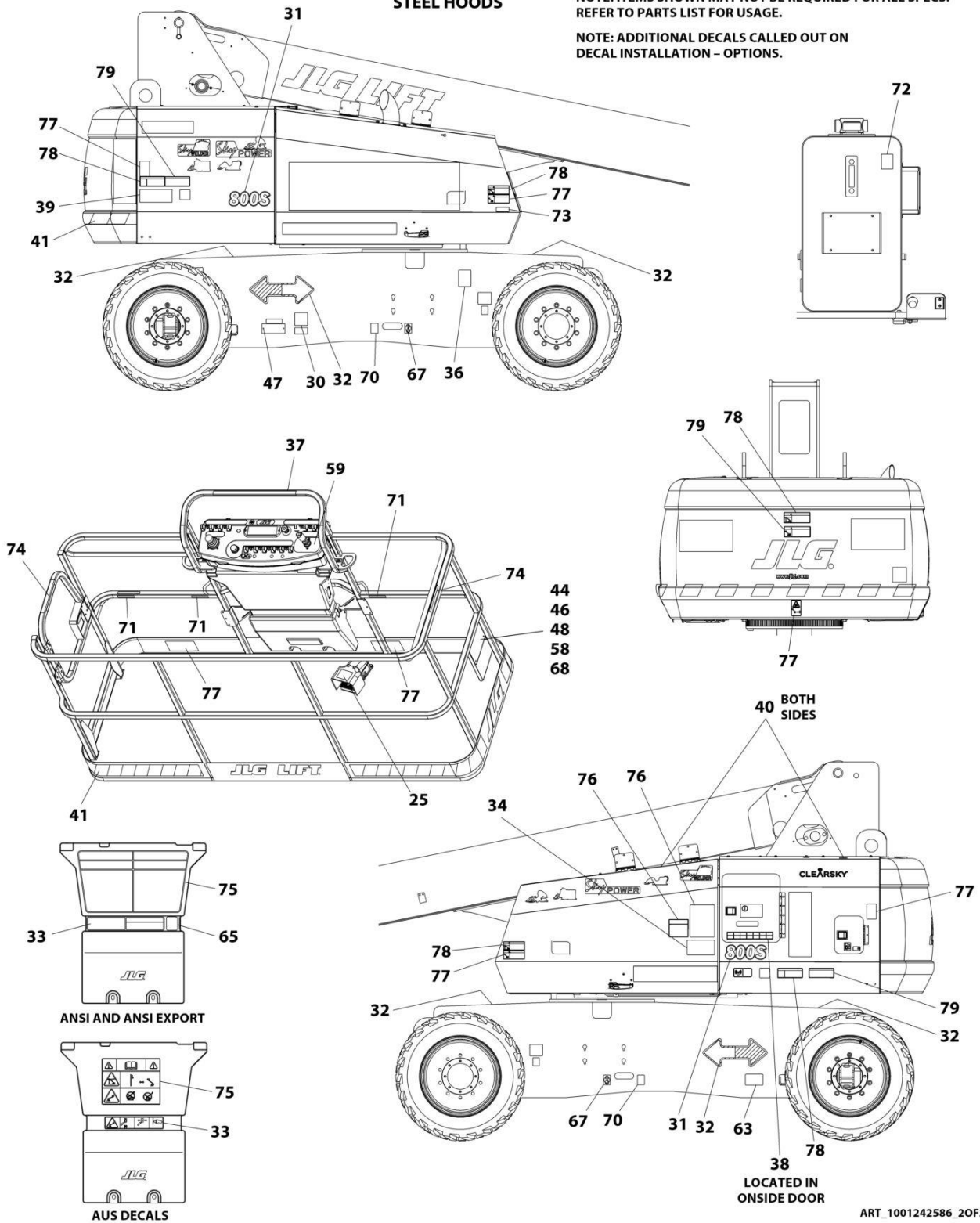


SECTION 9 - DECALS

STEEL HOODS

NOTE: ITEMS SHOWN MAY NOT BE REQUIRED FOR ALL SPECS. REFER TO PARTS LIST FOR USAGE.

NOTE: ADDITIONAL DECALS CALLED OUT ON DECAL INSTALLATION - OPTIONS.



ART_1001242586_20F2

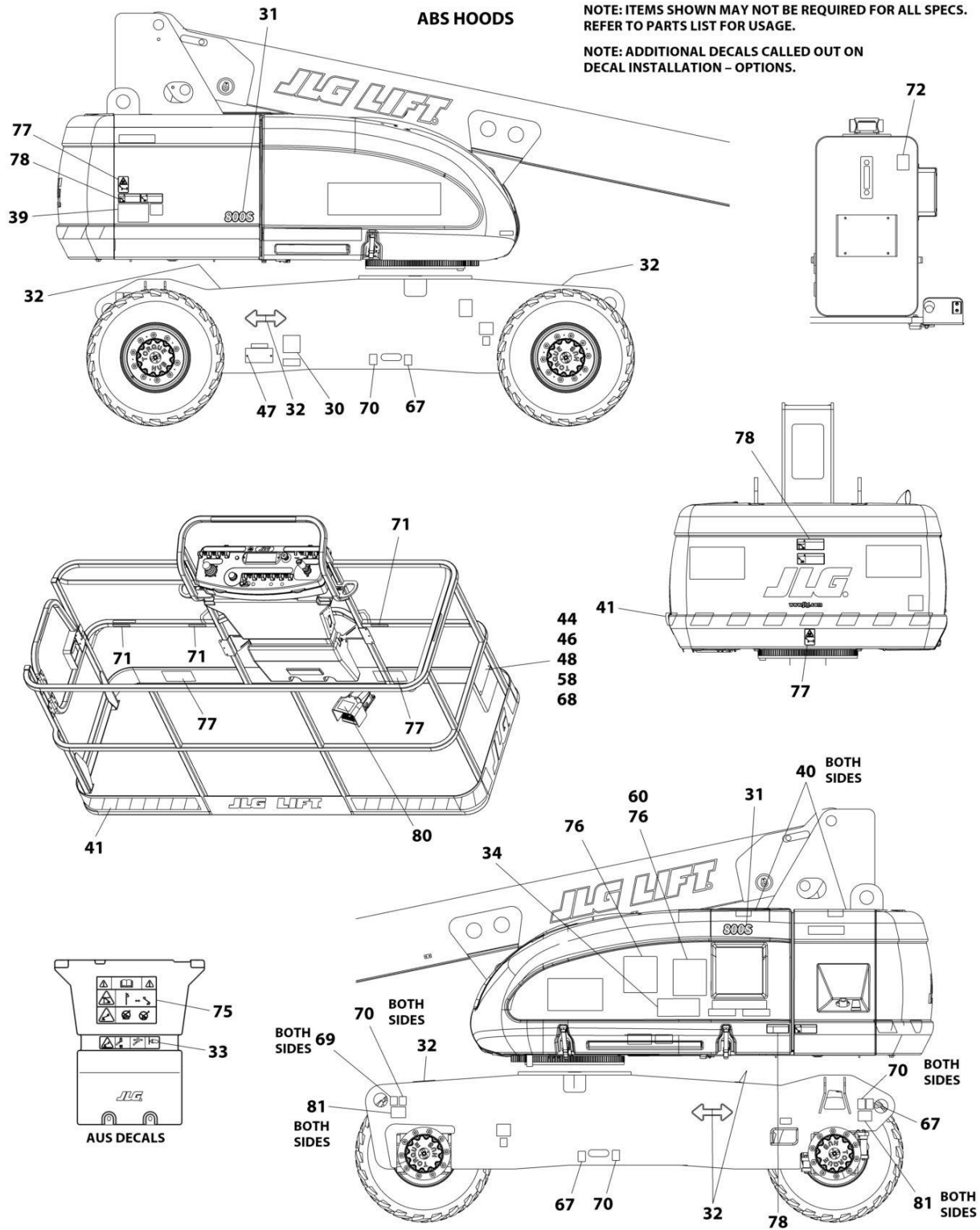
SECTION 9 - DECALS

FIGURE 9-10. DECAL INSTALLATION - (ANSI SPECS) (860SJ)

ITEM	PART NUMBER	QTY	DESCRIPTION	REV
	1001242586	Ref	STANDARD DECAL INSTALLATION	E
25	3252347	1	Decal - Footswitch	
30	See Note	NSS	Decal - Bar Code (Note: Not Available for Purchase)	
31	1001267309	2	Decal - 860SJ	
32	1701501	4	Decal- Arrow	
33	1001257243	1	Decal Capacity - 500LBS Unrestricted Capacity	
34	1001257244	1	Decal Capacity - 500LBS Unrestricted Capacity	
36	1001131269	1	Decal - Patent	
39	1001284687	1	Decal - Lift Diagram	
40	1701691	4	Decal - No Step	
41	4420051	23.1 ft /7m	Stripes, Warning	
44	0860520	1	Box, Manual Storage	
46	3311405	4	Nut 1/4	
47	3820001	2	Rivet	
48	4751400	8	Washer 1/4	
58	0641406	4	Bolt 1/4 x 3/4	
59	1705351	1	Decal - Drive/Steer Instructions	
63	1001223055	1	Decal - Yearly Inspection	
64	1001223453	1	Decal - ICES	
67	1701499	4	Decal - No Lift	
68	1701509	1	Decal - Manual	
69	1703811	4	Decal - Tie Down/Lift	
70	1703814	6	Decal - Tie Down	
71	1704277	4	Decal - Attach Lanyard Here	
72	1704412	1	Decal - Hydraulic Oil Chart	
73	3251243	1	Nameplate - 120V-60HZ	
74	1702868	2	Decal - No Hands	
75	1703797	1	Decal - Warning/Danger	
76	1705336	1	Decal - Warning Inspection (MTB)	
77	1703804	5	Decal - Warning Crushing	
78	1703805	5	Decal - Danger Electrocution	
79	1703953	7	Decal - Warning Crushing	
81	1703482	4	Decal - Max Tire Load	

SECTION 9 - DECALS

FIGURE 9-11. DECAL INSTALLATION - (AUSTRALIAN SPECS) (860SJ)



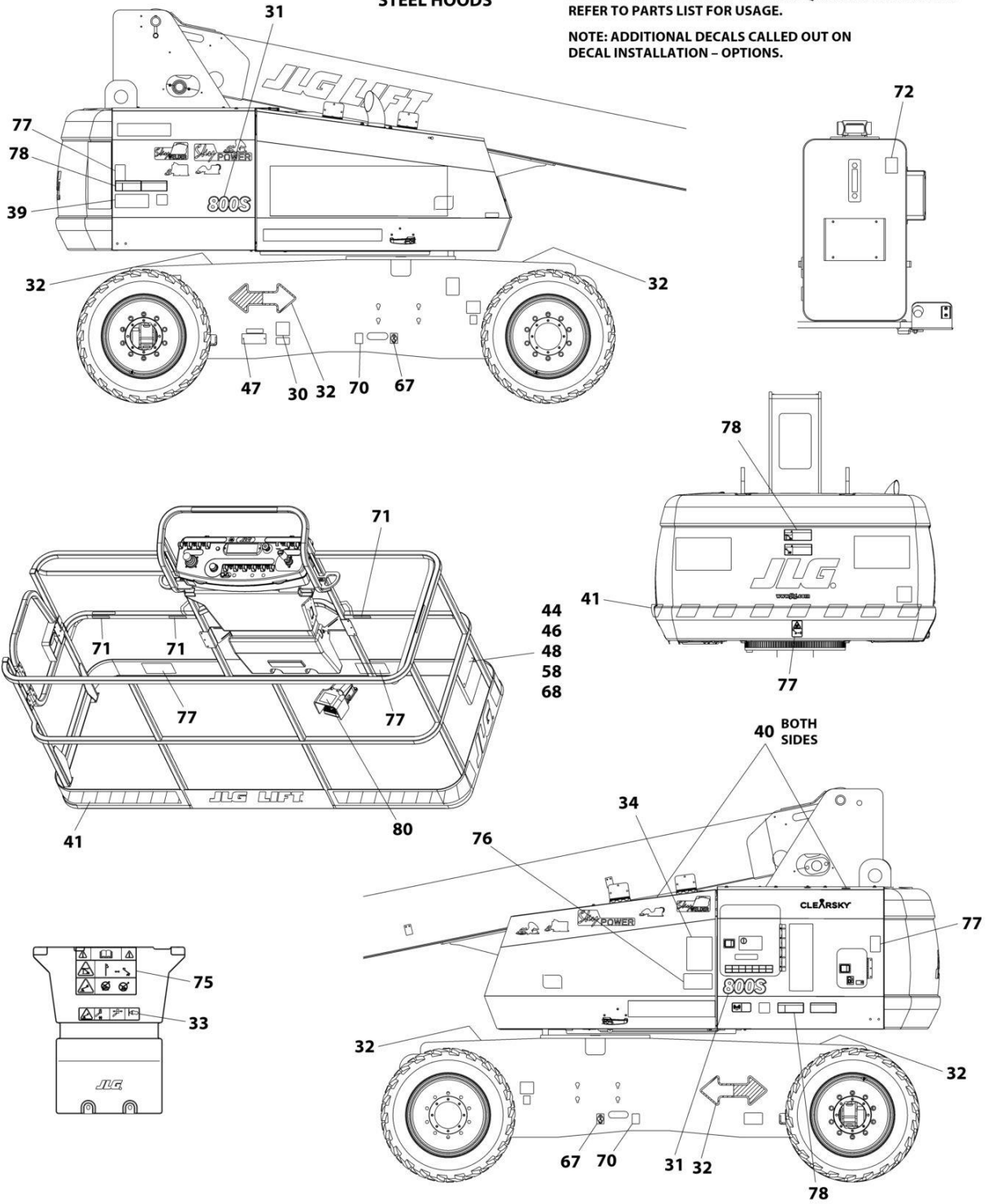
ART_1001257323_10F2

SECTION 9 - DECALS

STEEL HOODS

NOTE: ITEMS SHOWN MAY NOT BE REQUIRED FOR ALL SPECS. REFER TO PARTS LIST FOR USAGE.

NOTE: ADDITIONAL DECALS CALLED OUT ON DECAL INSTALLATION - OPTIONS.



ART_1001257323_20F2

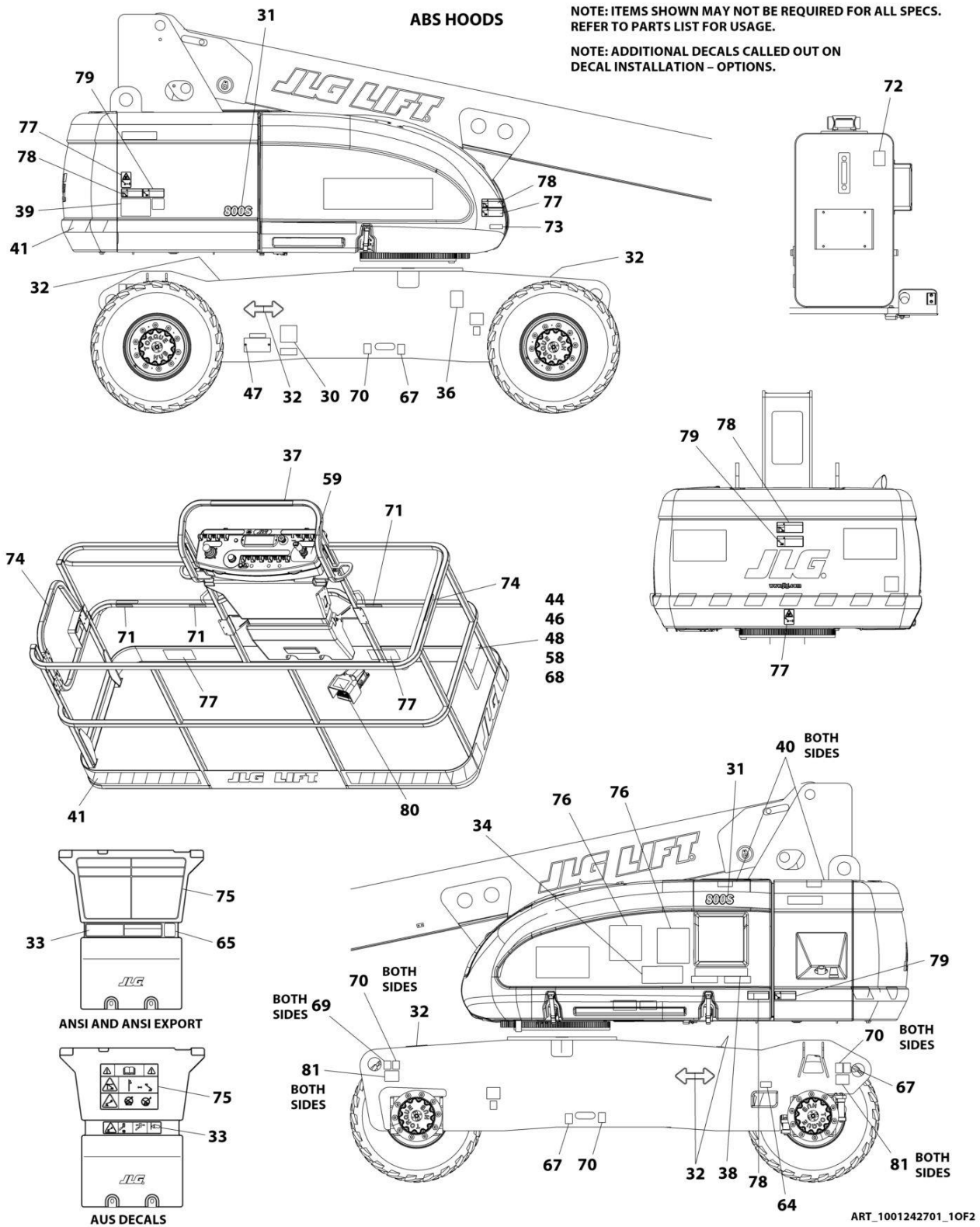
SECTION 9 - DECALS

FIGURE 9-11. DECAL INSTALLATION - (AUSTRALIAN SPECS) (860SJ)

ITEM	PART NUMBER	QTY	DESCRIPTION	REV
	1001257323	Ref	STANDARD DECAL INSTALLATION	C
30	See Note	NSS	Decal - Bar Code (Note: Not Available for Purchase)	
31	1001267309	2	Decal - 860SJ	
32	1701501	4	Decal- Arrow	
33	1001257259	1	Decal Dual Capacity - 507LBS/230kg & 750LBS/340kg	
34	1001257260	1	Decal Dual Capacity - 507LBS/230kg & 750LBS/340kg	
39	1001284687	1	Decal - Lift Diagram	
40	1701691	4	Decal - No Step	
41	4420051	23.1 ft /7m	Stripes, Warning	
44	0860520	1	Box, Manual Storage	
46	3311405	4	Nut 1/4	
47	3820001	2	Rivet	
48	4751400	8	Washer 1/4	
58	0641406	4	Bolt 1/4 x 3/4	
60	1001112551	1	Decal - Emergency Control	
67	1701499	4	Decal - No Lift	
68	1701509	1	Decal - Manual	
69	1703811	4	Decal - Tie Down/Lift	
70	1703814	6	Decal - Tie Down	
71	1704277	4	Decal - Attach Lanyard Here	
72	1704412	1	Decal - Hydraulic Oil Chart	
75	1705921	1	Decal - Tipping/Electric (PLF)	
76	1705822	1	Decal - Electric/Safety Manual	
77	1701518	10	Decal - Warning Crushing	
78	1705961	5	Decal - Danger Electrocution	
80	1705828	1	Decal - Footswitch	
81	1703482	4	Decal - Max Tire Load	

SECTION 9 - DECALS

FIGURE 9-12. DECAL INSTALLATION - (BRAZILIAN SPECS) (860SJ)

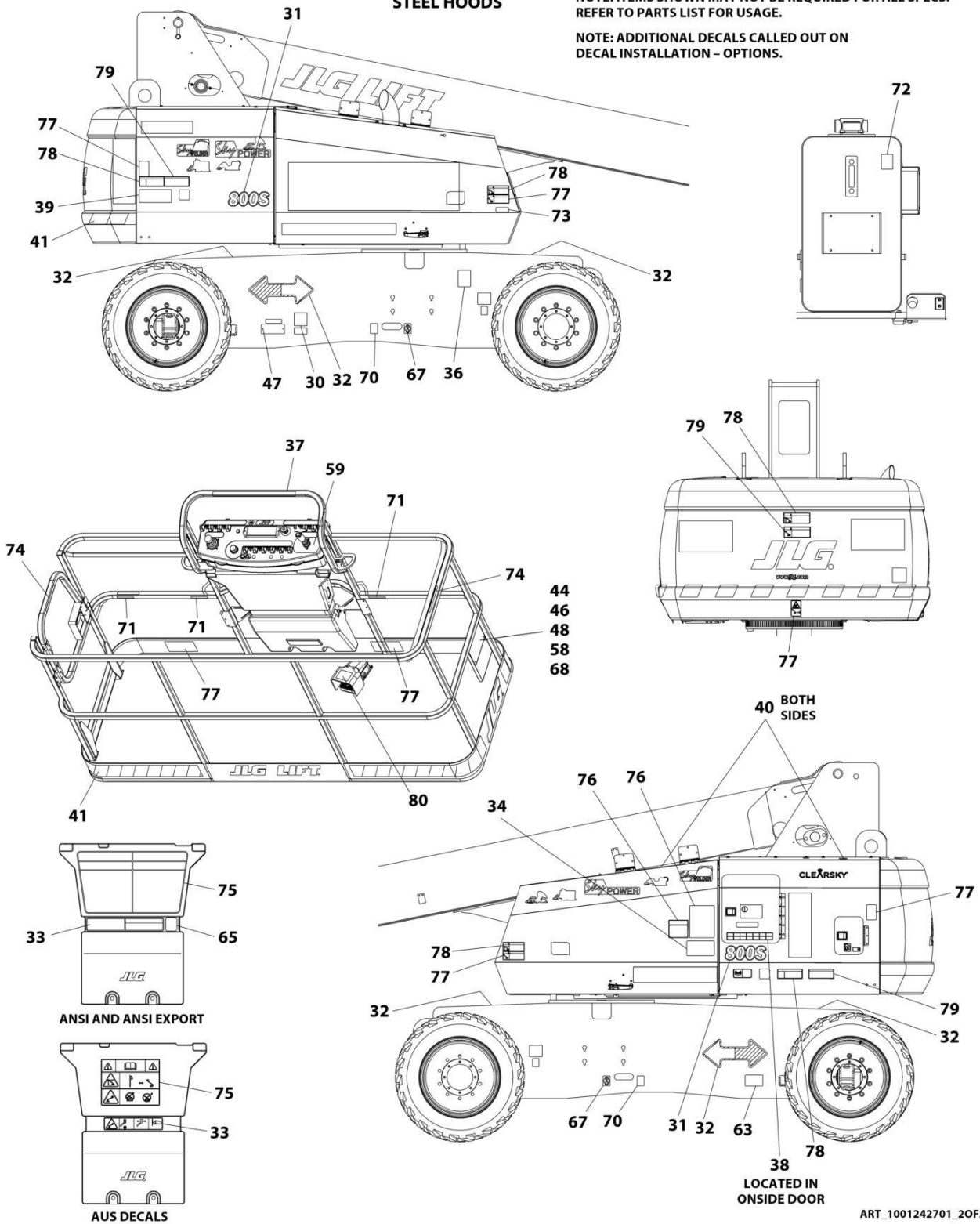


SECTION 9 - DECALS

STEEL HOODS

NOTE: ITEMS SHOWN MAY NOT BE REQUIRED FOR ALL SPECS. REFER TO PARTS LIST FOR USAGE.

NOTE: ADDITIONAL DECALS CALLED OUT ON DECAL INSTALLATION - OPTIONS.



ART_1001242701_20F2

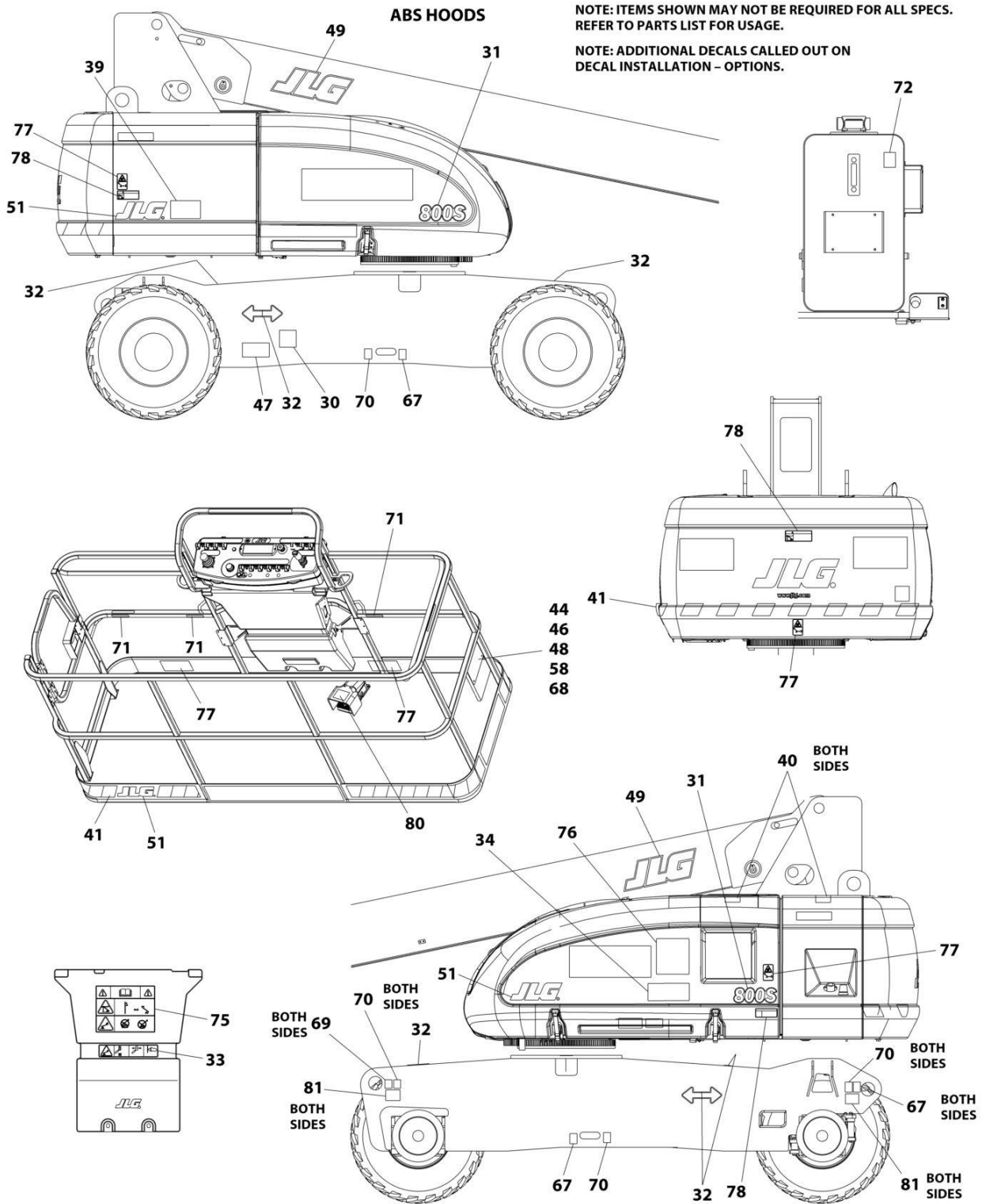
SECTION 9 - DECALS

FIGURE 9-12. DECAL INSTALLATION - (BRAZILIAN SPECS) (860SJ)

ITEM	PART NUMBER	QTY	DESCRIPTION	REV
	1001242701	Ref	STANDARD DECAL INSTALLATION	E
30	See Note	NSS	Decal - Bar Code (Note: Not Available for Purchase)	
31	1001267309	2	Decal - 860SJ	
32	1701501	4	Decal- Arrow	
33	1001257255	1	Decal Capacity - 500LBS Unrestricted Capacity	
34	1001257256	1	Decal Capacity - 500LBS Unrestricted Capacity	
39	1001284687	1	Decal - Lift Diagram	
40	1701691	4	Decal - No Step	
41	4420051	23.1 ft /7m	Stripes, Warning	
44	0860520	1	Box, Manual Storage	
46	3311405	4	Nut 1/4	
47	3820001	2	Rivet	
48	4751400	8	Washer 1/4	
58	0641406	4	Bolt 1/4 x 3/4	
59	1705905	1	Decal - Drive/Steer Instructions	
63	1001224052	1	Decal - Yearly Inspection	
67	1701499	4	Decal - No Lift	
68	1701509	1	Decal - Manual	
69	1703811	4	Decal - Tie Down/Lift	
70	1703814	6	Decal - Tie Down	
71	1704277	4	Decal - Attach Lanyard Here	
72	1704412	1	Decal - Hydraulic Oil Chart	
74	1705967	2	Decal - No Hands	
75	1705895	1	Decal - Warning/Danger	
76	1705896	1	Decal - Warning Inspection (MTB)	
77	1705898	5	Decal - Warning Crushing	
78	1705897	5	Decal - Danger Electrocuton	
79	1705903	7	Decal - Warning Crushing	
80	1705902	1	Decal - Foot Switch	
81	1703482	4	Decal - Max Tire Load	

SECTION 9 - DECALS

FIGURE 9-13. DECAL INSTALLATION - (CE & UK CA SPECS) (860SJ)



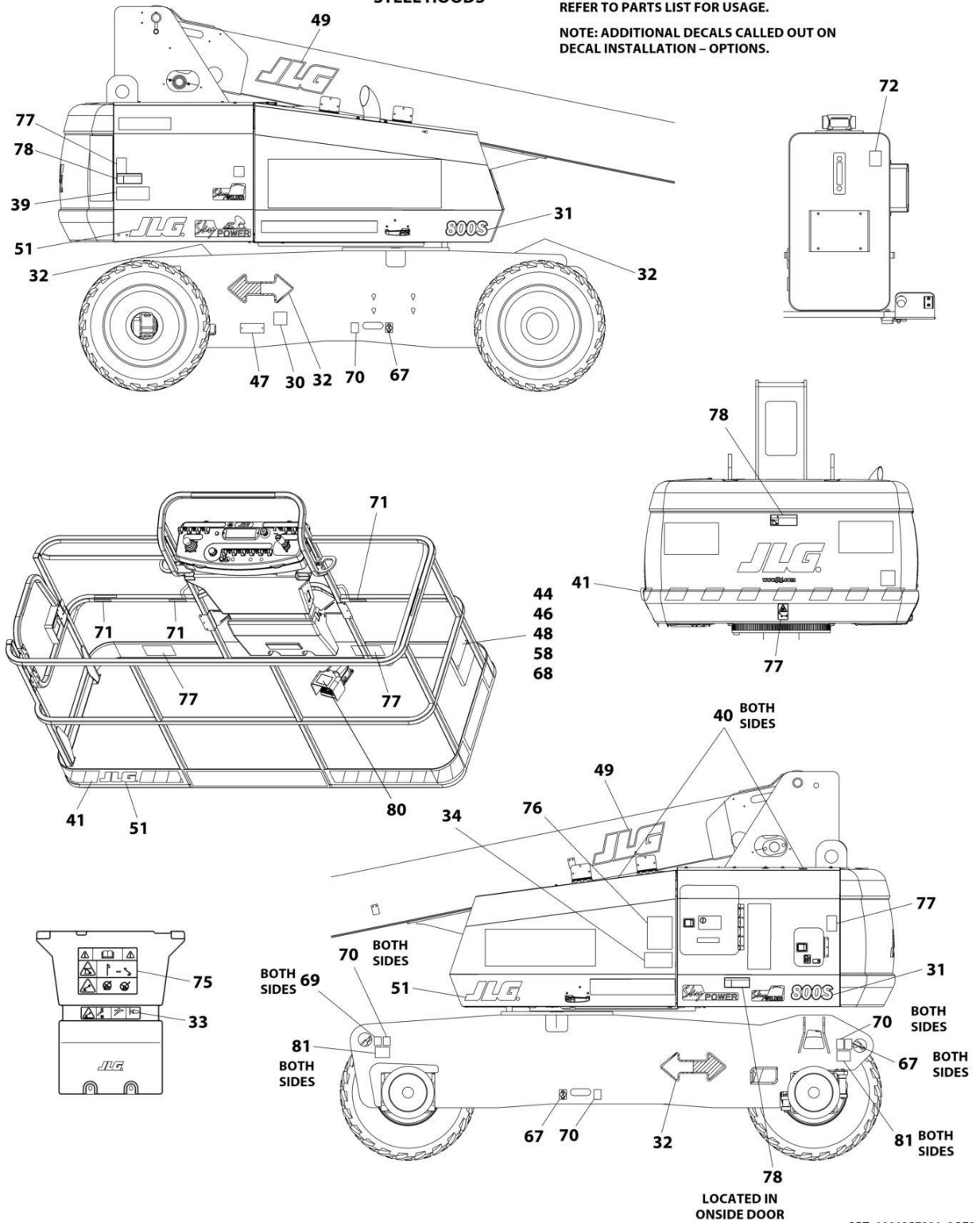
ART_1001257321_10F2

SECTION 9 - DECALS

STEEL HOODS

NOTE: ITEMS SHOWN MAY NOT BE REQUIRED FOR ALL SPECS. REFER TO PARTS LIST FOR USAGE.

NOTE: ADDITIONAL DECALS CALLED OUT ON DECAL INSTALLATION - OPTIONS.



ART_1001257321_20F2

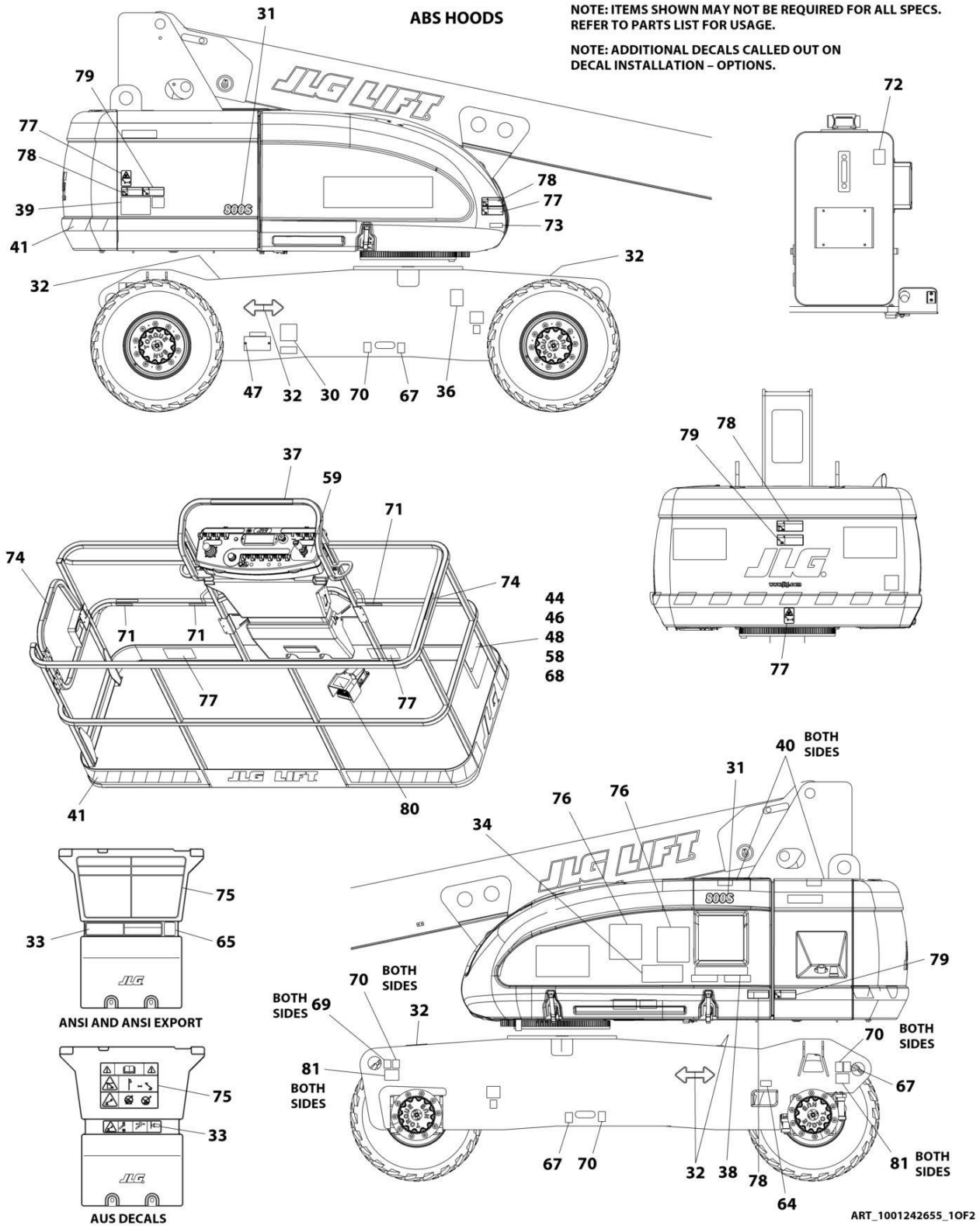
SECTION 9 - DECALS

FIGURE 9-13. DECAL INSTALLATION - (CE & UK CA SPECS) (860SJ)

ITEM	PART NUMBER	QTY	DESCRIPTION	REV
	1001257321	Ref	STANDARD DECAL INSTALLATION	C
30	See Note	NSS	Decal - Bar Code (Note: Not Available for Purchase)	
31	1001267309	2	Decal - 860SJ	
32	1701501	4	Decal- Arrow	
33	1001257259	1	Decal Dual Capacity - 507LBS/230kg & 750LBS/340kg	
34	1001257260	1	Decal Dual Capacity - 507LBS/230kg & 750LBS/340kg	
39	1001284687	1	Decal - Lift Diagram	
40	1701691	4	Decal - No Step	
41	4420051	23.1 ft /7m	Stripes, Warning	
44	0860520	1	Box, Manual Storage	
46	3311405	4	Nut 1/4	
47	3820001	2	Rivet	
48	4751400	8	Washer 1/4	
49	1001159323	2	Decal - JLG (8in Height)	
51	1702773	3	Decal - JLG (5in Height)	
58	0641406	4	Bolt 1/4 x 3/4	
67	1701499	4	Decal - No Lift	
68	1701509	1	Decal - Manual	
69	1703811	4	Decal - Tie Down/Lift	
70	1703814	6	Decal - Tie Down	
71	1704277	4	Decal - Attach Lanyard Here	
72	1704412	1	Decal - Hydraulic Oil Chart	
75	1705921	1	Decal - Tipping/Electric (PLF)	
76	1705822	1	Decal - Electric/Safety Manual	
77	1701518	10	Decal - Warning Crushing	
78	1705961	5	Decal - Danger Electrocution	
80	1705828	1	Decal - Footswitch	
81	1703482	4	Decal - Max Tire Load	

SECTION 9 - DECALS

FIGURE 9-14. DECAL INSTALLATION - (CHINESE SPECS) (860SJ)

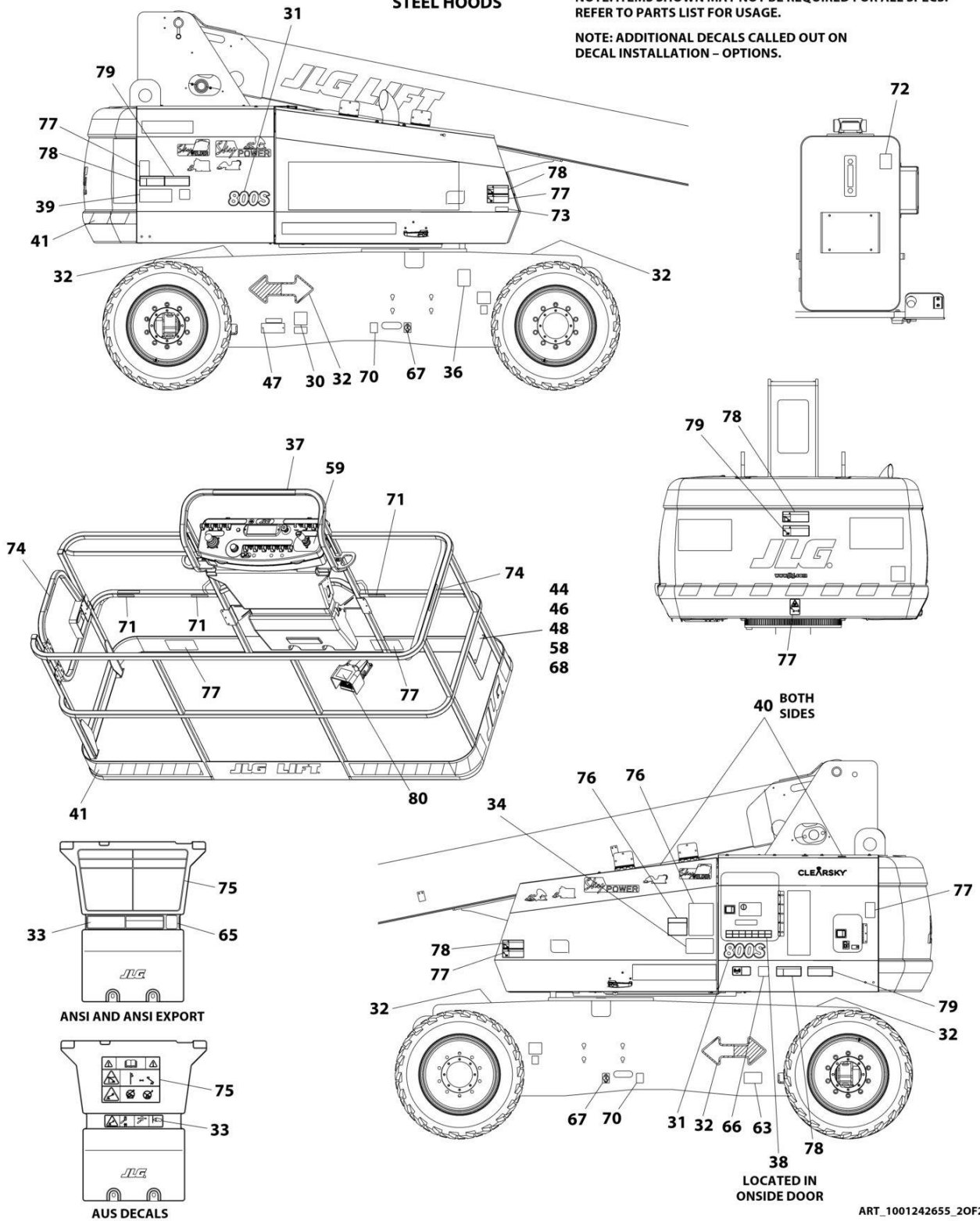


SECTION 9 - DECALS

STEEL HOODS

NOTE: ITEMS SHOWN MAY NOT BE REQUIRED FOR ALL SPECS. REFER TO PARTS LIST FOR USAGE.

NOTE: ADDITIONAL DECALS CALLED OUT ON DECAL INSTALLATION - OPTIONS.



ART_1001242655_20F2

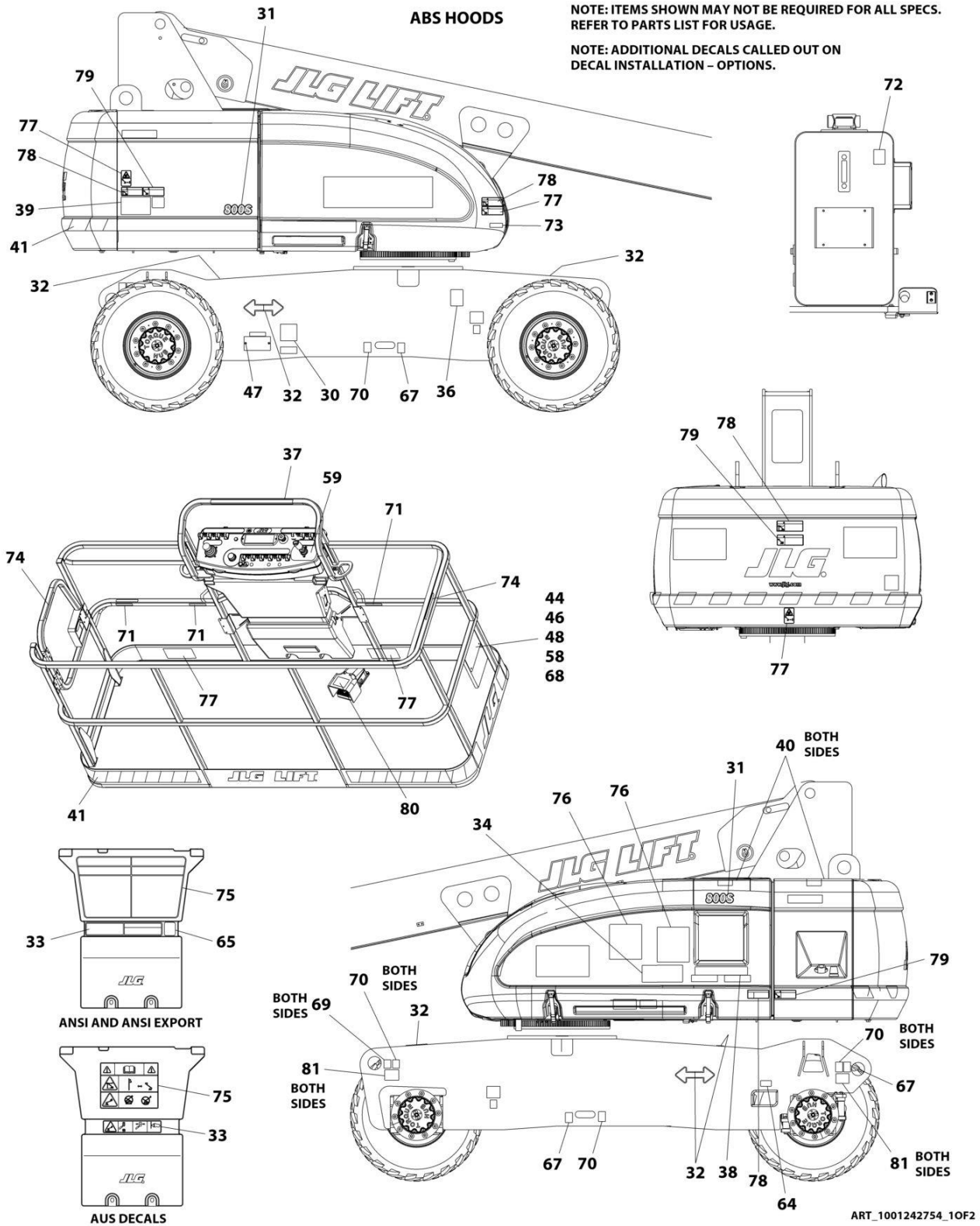
SECTION 9 - DECALS

FIGURE 9-14. DECAL INSTALLATION - (CHINESE SPECS) (860SJ)

ITEM	PART NUMBER	QTY	DESCRIPTION	REV
	1001242655	Ref	STANDARD DECAL INSTALLATION	E
30	See Note	NSS	Decal - Bar Code (Note: Not Available for Purchase)	
31	1001267309	2	Decal - 860SJ	
32	1701501	4	Decal- Arrow	
33	1001257249	1	Decal Capacity - 500LBS Unrestricted Capacity	
34	1001257250	1	Decal Capacity - 500LBS Unrestricted Capacity	
39	1001284687	1	Decal - Lift Diagram	
40	1701691	4	Decal - No Step	
41	4420051	23.1 ft /7m	Stripes, Warning	
44	0860520	1	Box, Manual Storage	
46	3311405	4	Nut 1/4	
47	3820001	2	Rivet	
48	4751400	8	Washer 1/4	
58	0641406	4	Bolt 1/4 x 3/4	
59	1705430	1	Decal - Drive/Steer Instructions	
63	1001224050	1	Decal - Yearly Inspection	
65	1001244301	1	Decal - No Platform to Ground Attachments	
66	1001244298	1	Decal - WeChat	
67	1701499	4	Decal - No Lift	
68	1701509	1	Decal - Manual	
69	1703811	4	Decal - Tie Down/Lift	
70	1703814	6	Decal - Tie Down	
71	1704277	4	Decal - Attach Lanyard Here	
72	1704412	1	Decal - Hydraulic Oil Chart	
73	3251243	1	Nameplate - 120V-60HZ	
74	1001116846	2	Decal - No Hands	
75	1703925	1	Decal - Warning/Danger	
76	1001116849	2	Decal - Warning Inspection (MTB)	
77	1703949	5	Decal - Warning Crushing	
78	1001116851	5	Decal - Danger Electrocution	
79	1703943	7	Decal - Warning Crushing	
80	1703982	1	Decal - Footswitch	
81	1703482	4	Decal - Max Tire Load	

SECTION 9 - DECALS

FIGURE 9-15. DECAL INSTALLATION - (CSA SPECS) (860SJ)

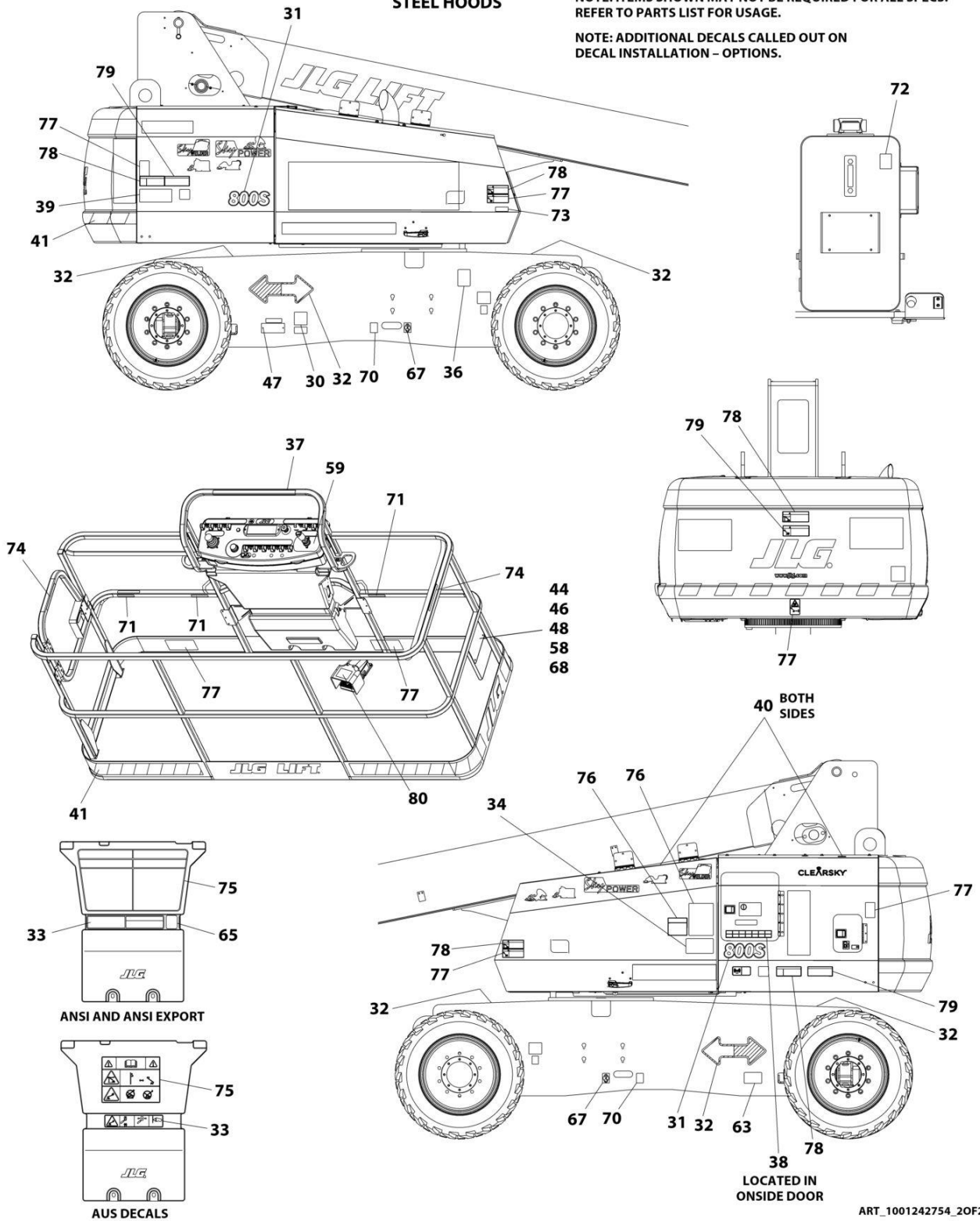


SECTION 9 - DECALS

STEEL HOODS

NOTE: ITEMS SHOWN MAY NOT BE REQUIRED FOR ALL SPECS. REFER TO PARTS LIST FOR USAGE.

NOTE: ADDITIONAL DECALS CALLED OUT ON DECAL INSTALLATION - OPTIONS.



ART_1001242754_20F2

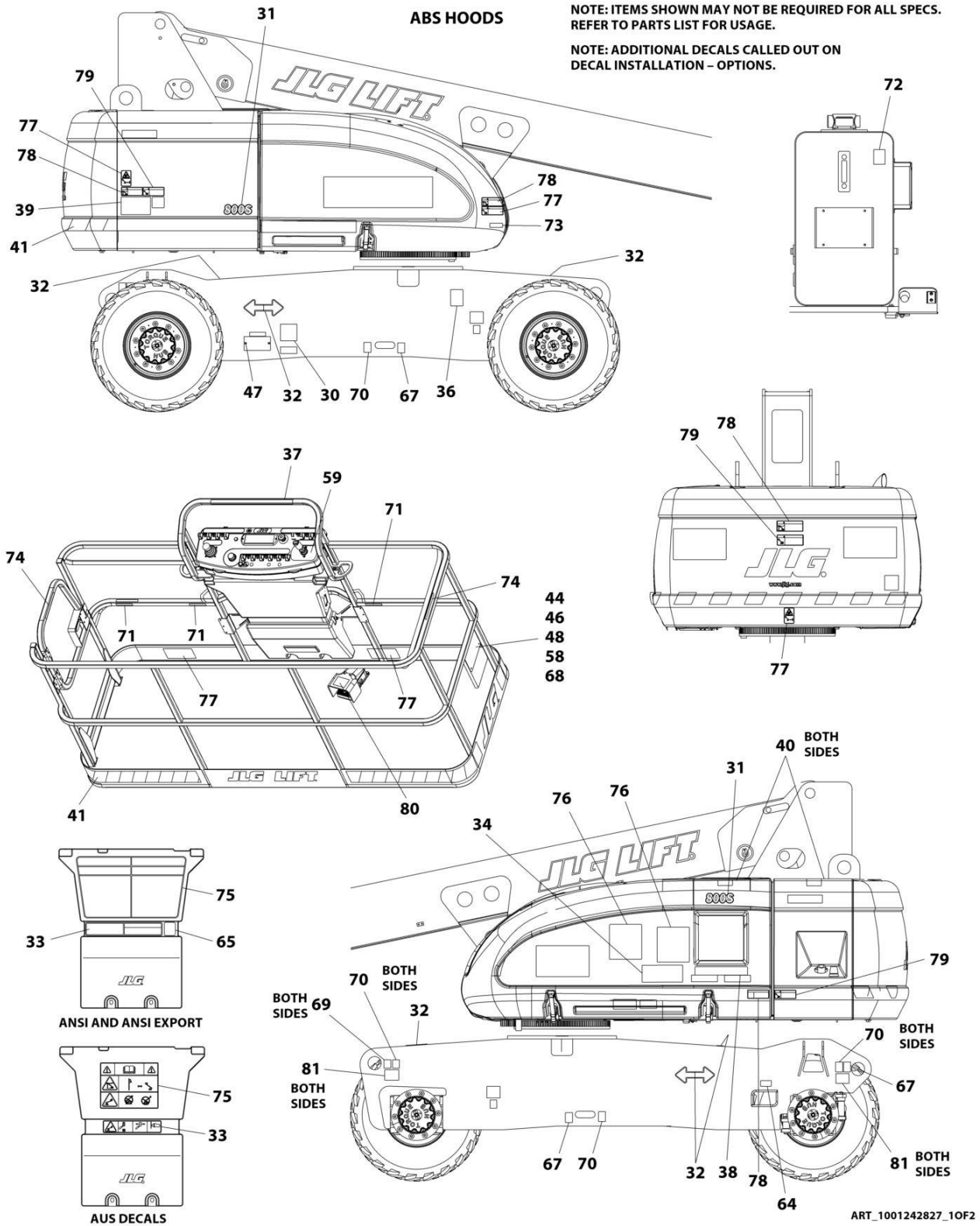
SECTION 9 - DECALS

FIGURE 9-15. DECAL INSTALLATION - (CSA SPECS) (860SJ)

ITEM	PART NUMBER	QTY	DESCRIPTION	REV
	1001242754	Ref	STANDARD DECAL INSTALLATION	E
30	See Note	NSS	Decal - Bar Code (Note: Not Available for Purchase)	
31	1001267309	2	Decal - 860SJ	
32	1701501	4	Decal- Arrow	
33	1001257245	1	Decal Capacity - 500LBS Unrestricted Capacity	
34	1001257246	1	Decal Capacity - 500LBS Unrestricted Capacity	
36	1001131269	1	Decal - Patent	
39	1001284687	1	Decal - Lift Diagram	
40	1701691	4	Decal - No Step	
41	4420051	23.1 ft /7m	Stripes, Warning	
44	0860520	1	Box, Manual Storage	
46	3311405	4	Nut 1/4	
47	3820001	2	Rivet	
48	4751400	8	Washer 1/4	
58	0641406	4	Bolt 1/4 x 3/4	
59	1705429	1	Decal - Drive/Steer Instructions	
63	1001223971	1	Decal - Yearly Inspection	
64	1001223453	1	Decal - ICES	
67	1701499	4	Decal - No Lift	
68	1701509	1	Decal - Manual	
69	1703811	4	Decal - Tie Down/Lift	
70	1703814	6	Decal - Tie Down	
71	1704277	4	Decal - Attach Lanyard Here	
72	1704412	1	Decal - Hydraulic Oil Chart	
74	1704000	2	Decal - No Hands	
75	1703924	1	Decal - Warning/Danger	
76	1705347	1	Decal - Warning Inspection (MTB)	
77	1703848	5	Decal - Warning Crushing	
78	1703936	5	Decal - Danger Electrocution	
79	1703942	7	Decal - Warning Crushing	
80	1703984	1	Decal - Footswitch	
81	1703482	4	Decal - Max Tire Load	

SECTION 9 - DECALS

FIGURE 9-16. DECAL INSTALLATION - (JAPANESE SPECS) (860SJ)

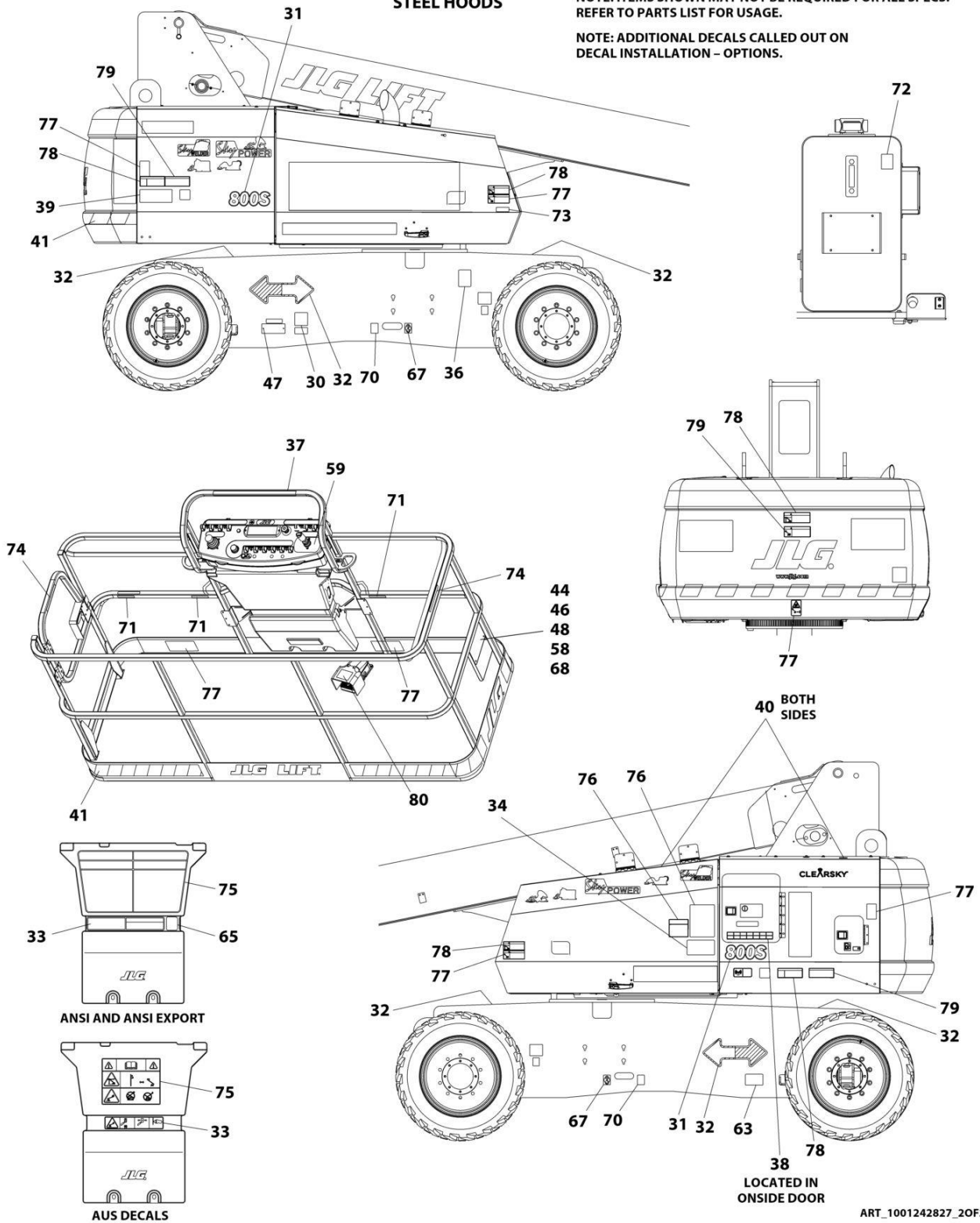


SECTION 9 - DECALS

STEEL HOODS

NOTE: ITEMS SHOWN MAY NOT BE REQUIRED FOR ALL SPECS. REFER TO PARTS LIST FOR USAGE.

NOTE: ADDITIONAL DECALS CALLED OUT ON DECAL INSTALLATION - OPTIONS.



ART_1001242827_20F2

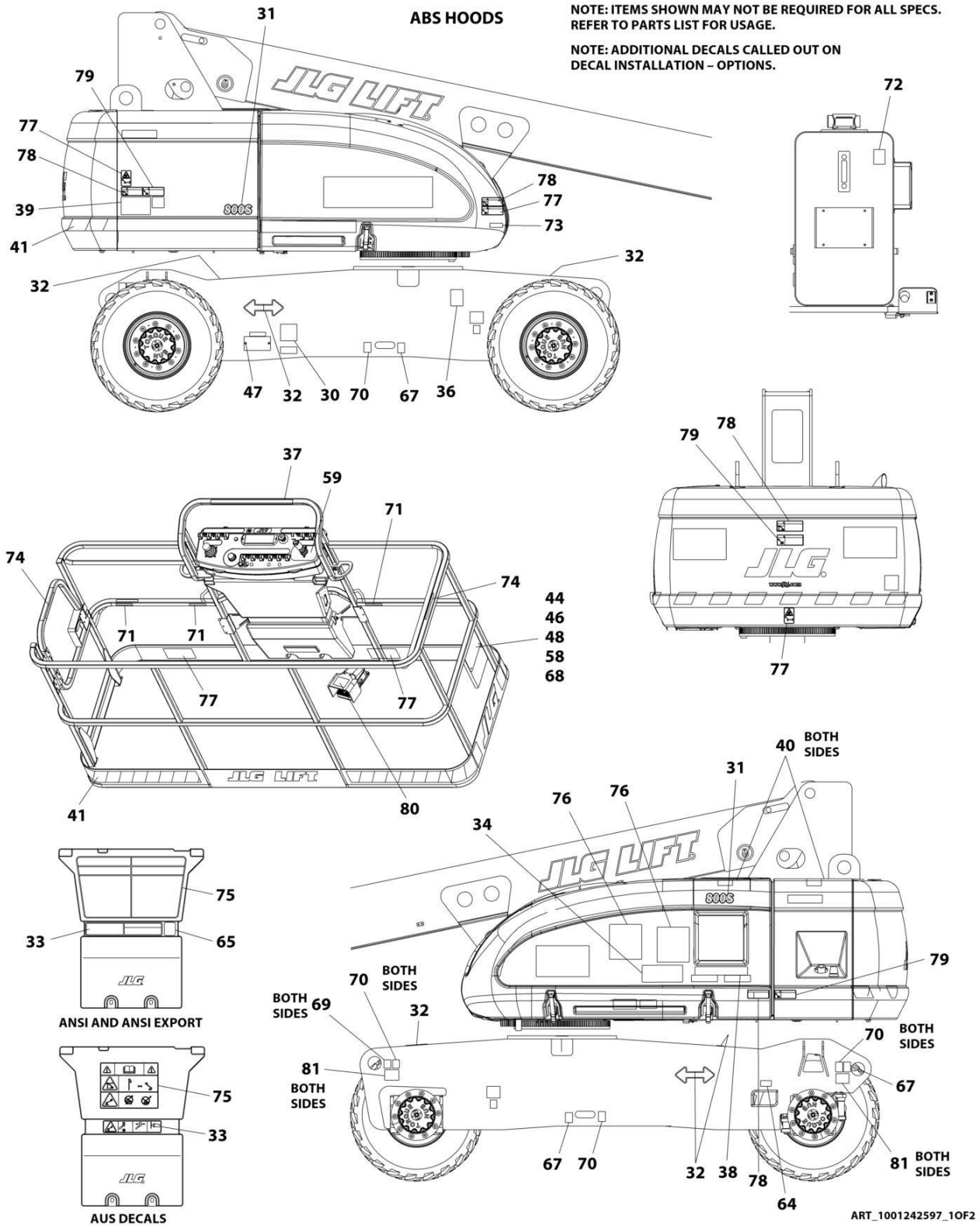
SECTION 9 - DECALS

FIGURE 9-16. DECAL INSTALLATION - (JAPANESE SPECS) (860SJ)

ITEM	PART NUMBER	QTY	DESCRIPTION	REV
	1001242827	Ref	STANDARD DECAL INSTALLATION	E
30	See Note	NSS	Decal - Bar Code (Note: Not Available for Purchase)	
31	1001267309	2	Decal - 860SJ	
32	1701501	4	Decal - Arrow	
33	1001257253	1	Decal Capacity - 500LBS Unrestricted Capacity	
34	1001257254	1	Decal Capacity - 500LBS Unrestricted Capacity	
39	1001284687	1	Decal - Lift Diagram	
40	1701691	4	Decal - No Step	
41	4420051	23.1 ft /7m	Stripes, Warning	
44	0860520	1	Box, Manual Storage	
46	3311405	4	Nut 1/4	
47	3820001	2	Rivet	
48	4751400	8	Washer 1/4	
58	0641406	4	Bolt 1/4 x 3/4	
59	1705426	1	Decal - Drive/Steer Instructions	
63	1001224053	1	Decal - Yearly Inspection	
67	1701499	4	Decal - No Lift	
68	1701509	1	Decal - Manual	
69	1703811	4	Decal - Tie Down/Lift	
70	1703814	6	Decal - Tie Down	
71	1704277	4	Decal - Attach Lanyard Here	
72	1704412	1	Decal - Hydraulic Oil Chart	
73	3251243	1	Nameplate - 120V-60HZ	
75	1703926	1	Decal - Warning/Danger	
76	1705344	1	Decal - Warning Inspection (MTB)	
77	1703950	5	Decal - Warning Crushing	
78	1703938	5	Decal - Danger Electrocuton	
79	1703944	7	Decal - Warning Crushing	
80	1703980	1	Decal - Footswitch	
81	1703482	4	Decal - Max Tire Load	

SECTION 9 - DECALS

FIGURE 9-17. DECAL INSTALLATION - (KOREAN SPECS) (860SJ)

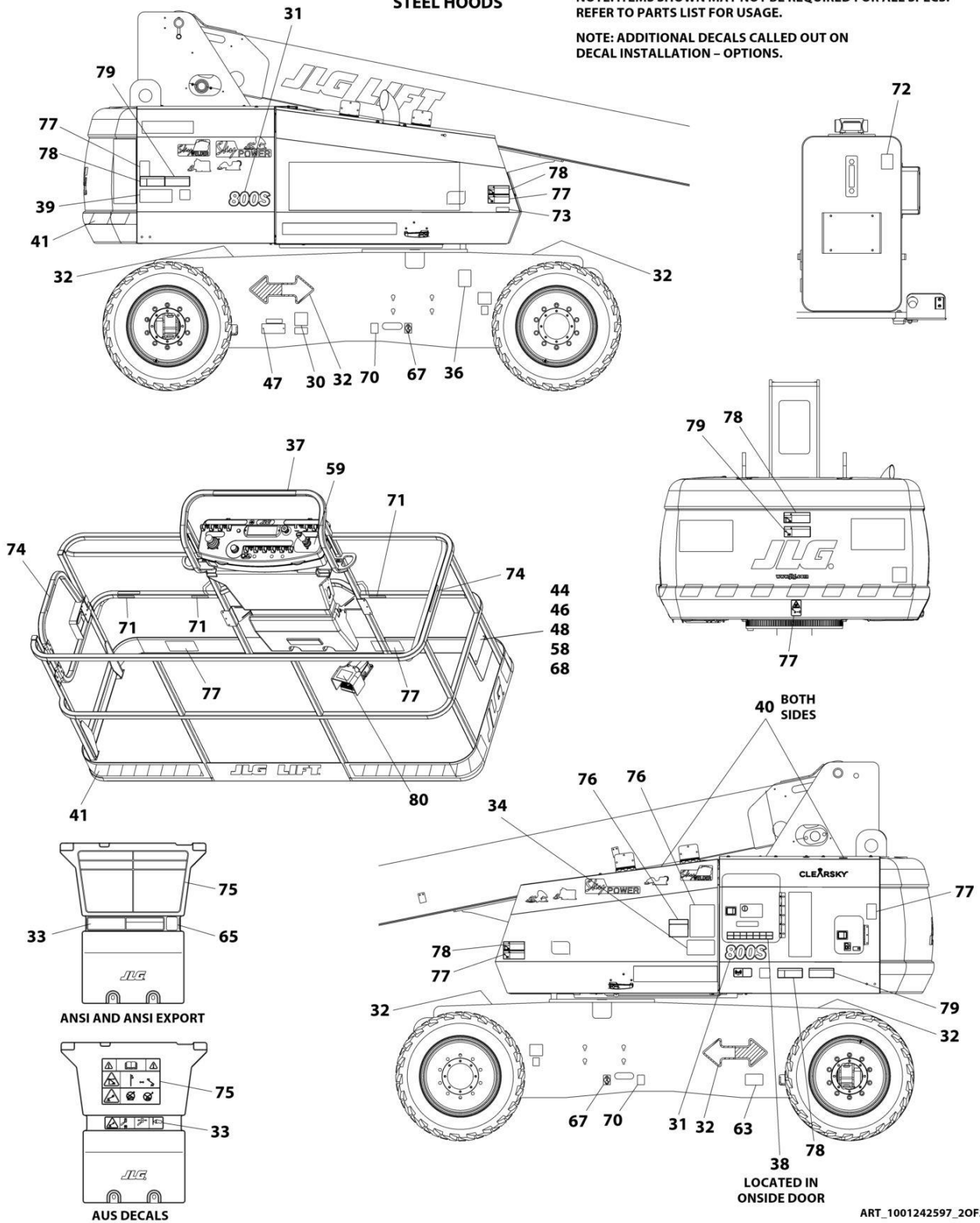


SECTION 9 - DECALS

STEEL HOODS

NOTE: ITEMS SHOWN MAY NOT BE REQUIRED FOR ALL SPECS. REFER TO PARTS LIST FOR USAGE.

NOTE: ADDITIONAL DECALS CALLED OUT ON DECAL INSTALLATION - OPTIONS.



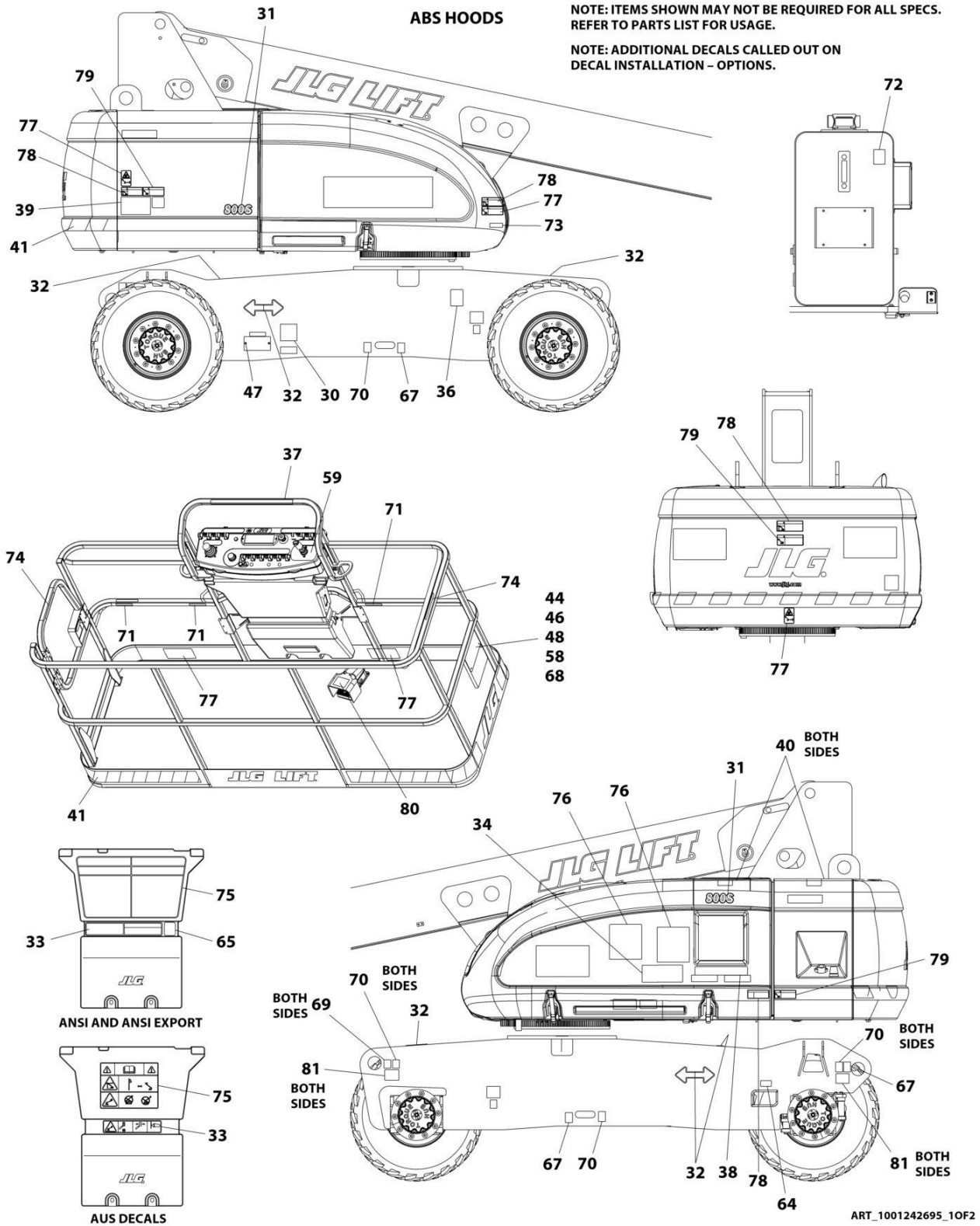
SECTION 9 - DECALS

FIGURE 9-17. DECAL INSTALLATION - (KOREAN SPECS) (860SJ)

ITEM	PART NUMBER	QTY	DESCRIPTION	REV
	1001242597	Ref	STANDARD DECAL INSTALLATION	E
30	See Note	NSS	Decal - Bar Code (Note: Not Available for Purchase)	
31	1001267309	2	Decal - 860SJ	
32	1701501	4	Decal- Arrow	
33	1001257247	1	Decal Capacity - 500LBS Unrestricted Capacity	
34	1001257248	1	Decal Capacity - 500LBS Unrestricted Capacity	
39	1001284687	1	Decal - Lift Diagram	
40	1701691	4	Decal - No Step	
41	4420051	23.1 ft /7m	Stripes, Warning	
44	0860520	1	Box, Manual Storage	
46	3311405	4	Nut 1/4	
47	3820001	2	Rivet	
48	4751400	8	Washer 1/4	
58	0641406	4	Bolt 1/4 x 3/4	
59	1705427	1	Decal - Drive/Steer Instructions	
63	1001224048	1	Decal - Yearly Inspection	
67	1701499	4	Decal - No Lift	
68	1701509	1	Decal - Manual	
69	1703811	4	Decal - Tie Down/Lift	
70	1703814	6	Decal - Tie Down	
71	1704277	4	Decal - Attach Lanyard Here	
72	1704412	1	Decal - Hydraulic Oil Chart	
73	3251243	1	Nameplate - 120V-60HZ	
74	1705969	2	Decal - No Hands	
75	1703927	1	Decal - Warning/Danger	
76	1705345	1	Decal - Warning Inspection (MTB)	
77	1703951	5	Decal - Warning Crushing	
78	1703939	5	Decal - Danger Electrocution	
79	1703945	7	Decal - Warning Crushing	
80	1703981	1	Decal - Footswitch	
81	1703482	4	Decal - Max Tire Load	

SECTION 9 - DECALS

FIGURE 9-18. DECAL INSTALLATION - (LATIN AMERICAN SPECS) (860SJ)

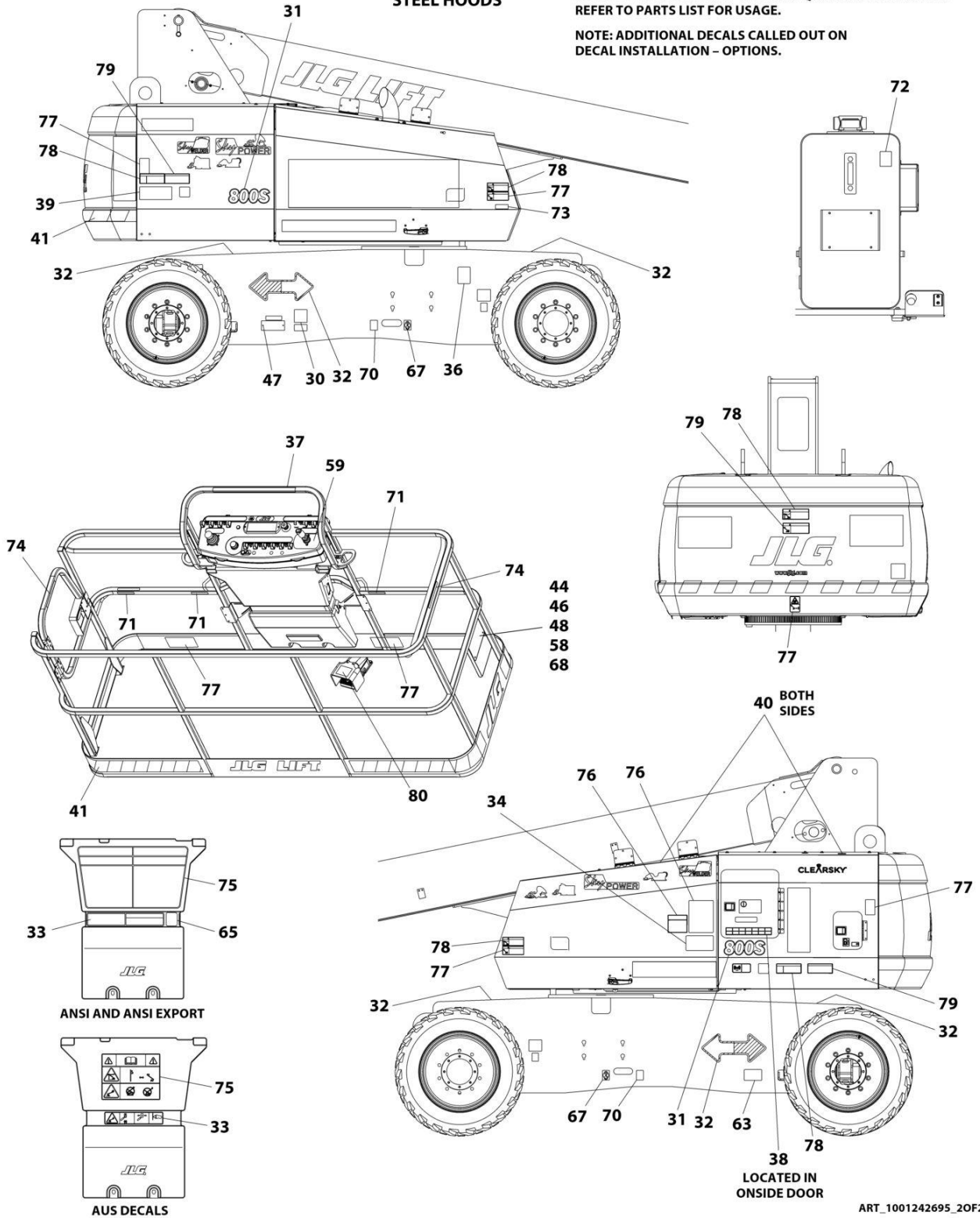


SECTION 9 - DECALS

STEEL HOODS

NOTE: ITEMS SHOWN MAY NOT BE REQUIRED FOR ALL SPECS. REFER TO PARTS LIST FOR USAGE.

NOTE: ADDITIONAL DECALS CALLED OUT ON DECAL INSTALLATION - OPTIONS.



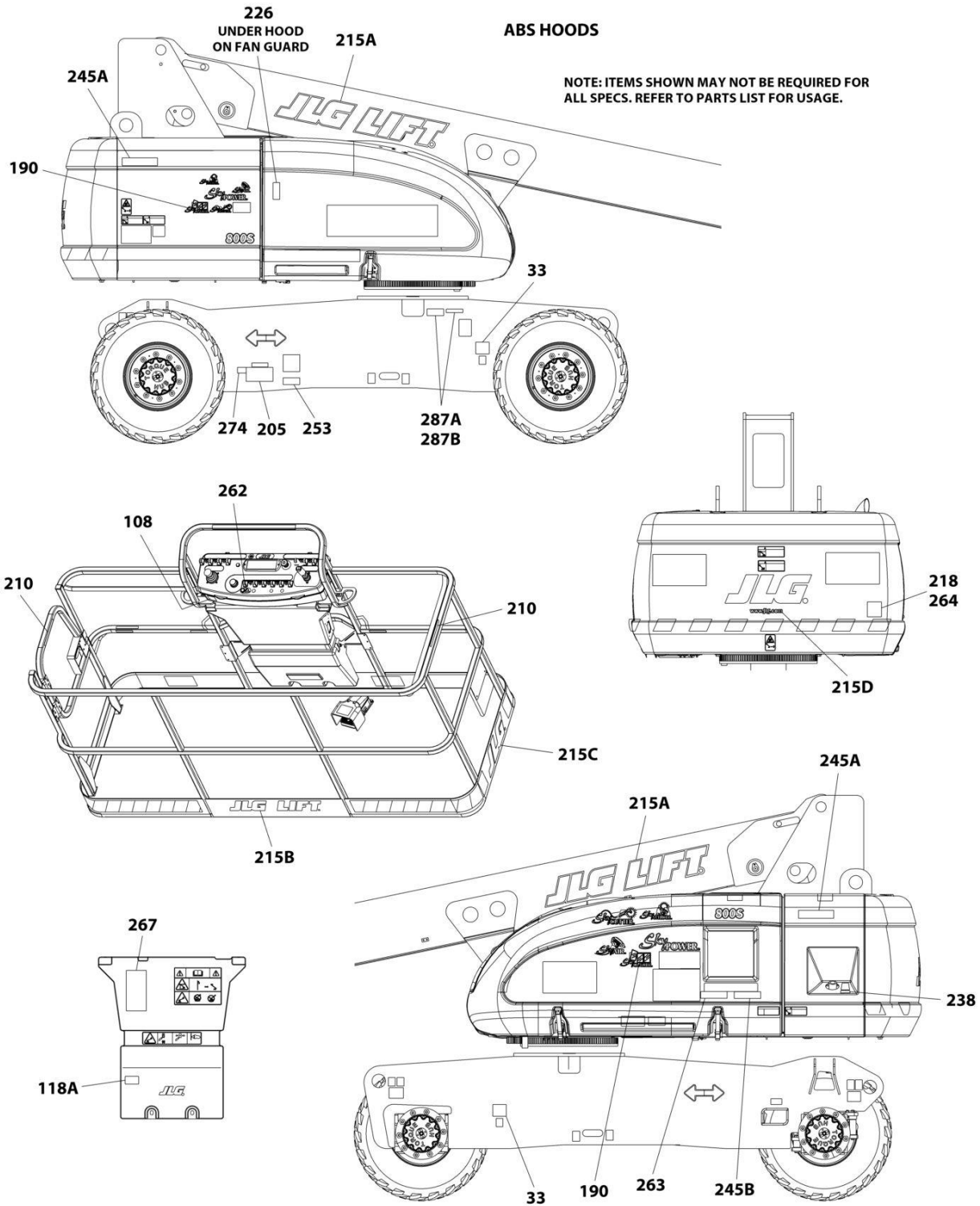
SECTION 9 - DECALS

FIGURE 9-18. DECAL INSTALLATION - (LATIN AMERICAN SPECS) (860SJ)

ITEM	PART NUMBER	QTY	DESCRIPTION	REV
	1001242695	Ref	STANDARD DECAL INSTALLATION	E
30	See Note	NSS	Decal - Bar Code (Note: Not Available for Purchase)	
31	1001267309	2	Decal - 860SJ	
32	1701501	4	Decal - Arrow	
33	1001257251	1	Decal Capacity - 500LBS Unrestricted Capacity	
34	1001257252	1	Decal Capacity - 500LBS Unrestricted Capacity	
39	1001284687	1	Decal - Lift Diagram	
40	1701691	4	Decal - No Step	
41	4420051	23.1 ft /7m	Stripes, Warning	
44	0860520	1	Box, Manual Storage	
46	3311405	4	Nut 1/4	
47	3820001	2	Rivet	
48	4751400	8	Washer 1/4	
58	0641406	4	Bolt 1/4 x 3/4	
59	1705910	1	Decal - Drive/Steer Instructions	
63	1001224049	1	Decal - Yearly Inspection	
67	1701499	4	Decal - No Lift	
68	1701509	1	Decal - Manual	
69	1703811	4	Decal - Tie Down/Lift	
70	1703814	6	Decal - Tie Down	
71	1704277	4	Decal - Attach Lanyard Here	
72	1704412	1	Decal - Hydraulic Oil Chart	
73	3251243	1	Nameplate - 120V-60HZ	
74	1704001	2	Decal - No Hands	
75	1703923	1	Decal - Warning/Danger	
76	1705917	1	Decal - Warning Inspection (MTB)	
77	1703947	5	Decal - Warning Crushing	
78	1703935	5	Decal - Danger Electrocution	
79	1703941	7	Decal - Warning Crushing	
80	1703983	1	Decal - Footswitch	
81	1703482	4	Decal - Max Tire Load	

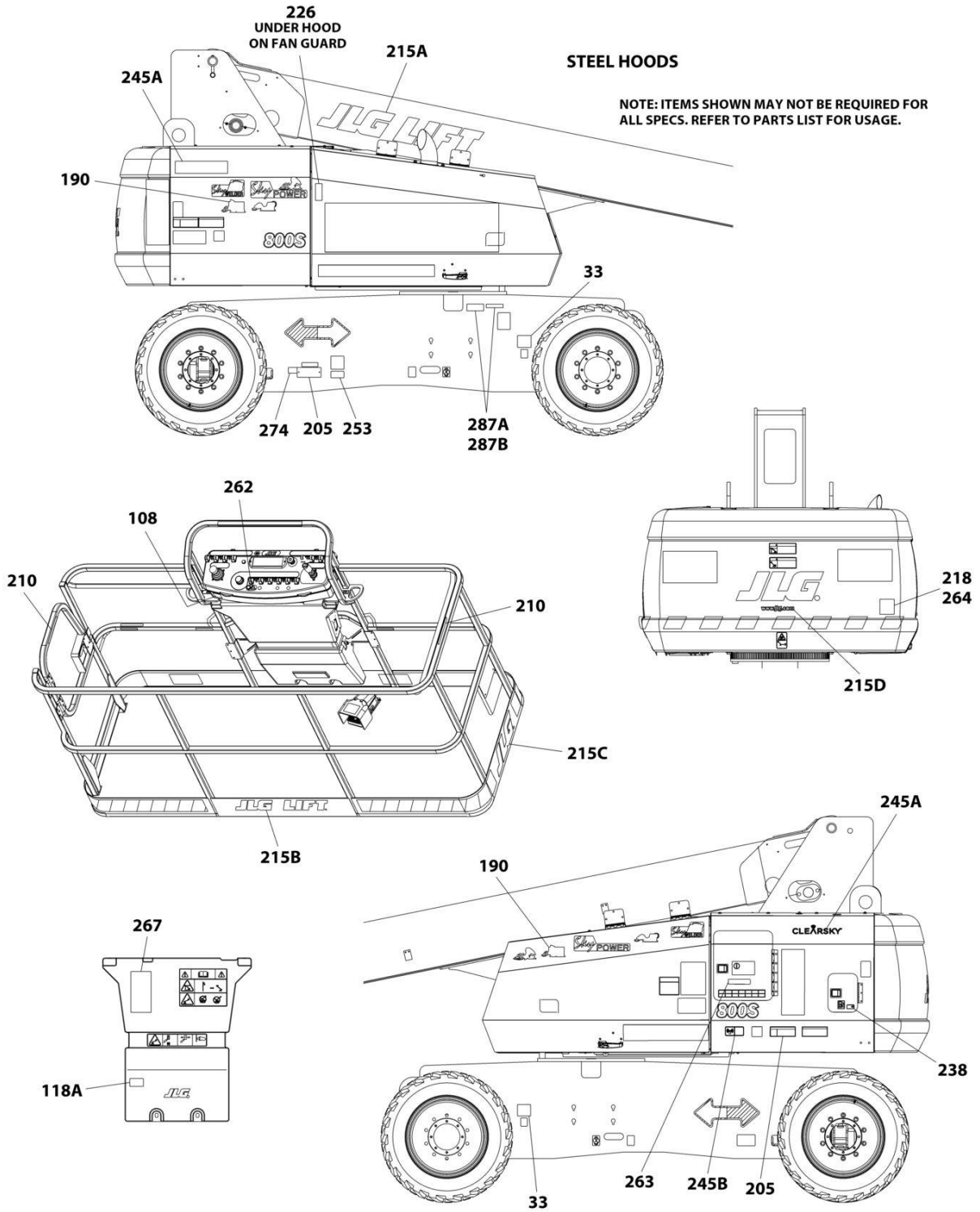
SECTION 9 - DECALS

FIGURE 9-19. DECAL INSTALLATION - OPTIONS



ART_DECAL_OPTIONS_10F2

SECTION 9 - DECALS



ART_DECAL_OPTIONS_20F2

SECTION 9 - DECALS

FIGURE 9-19. DECAL INSTALLATION - OPTIONS

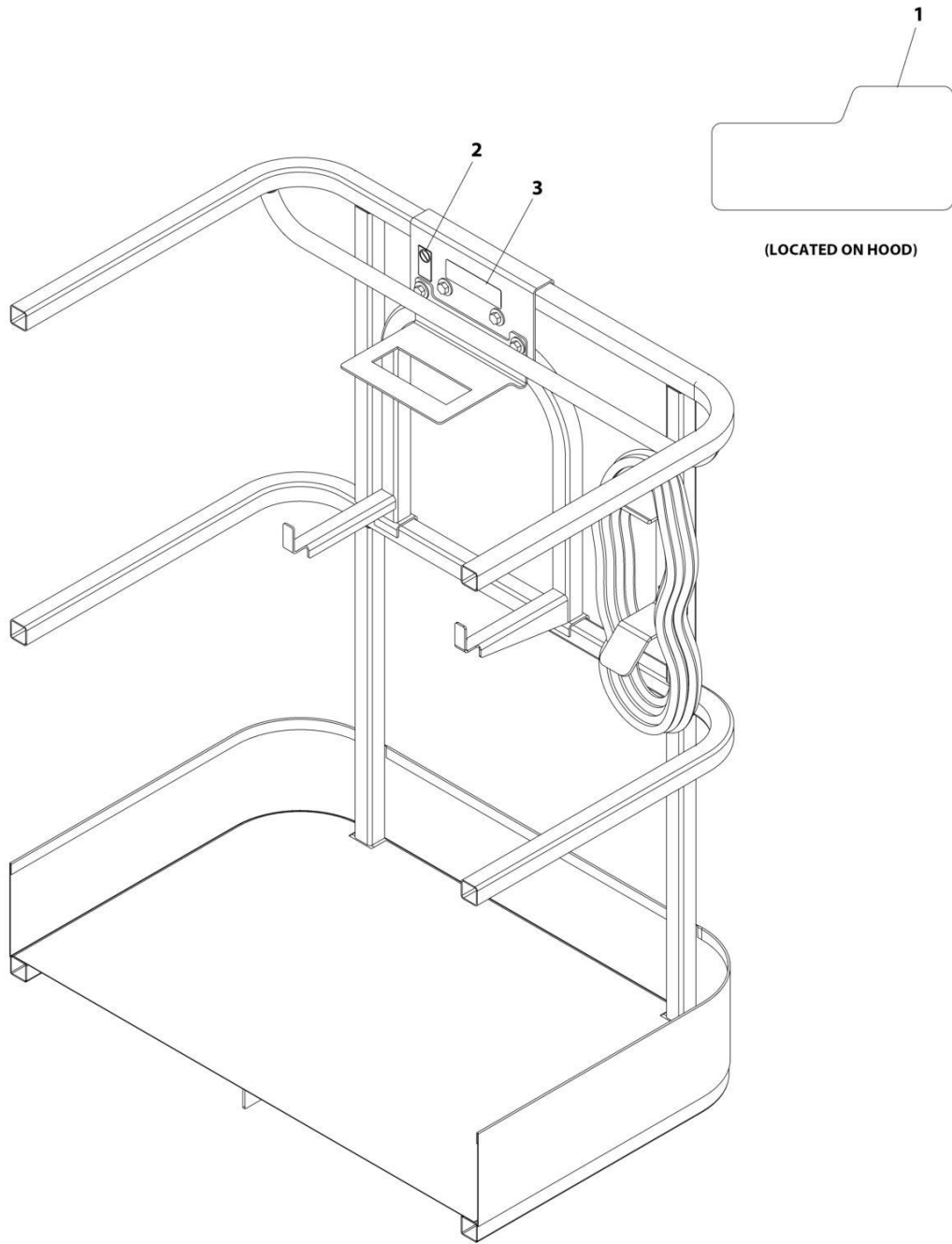
ITEM	PART NUMBER	QTY	DESCRIPTION	REV
		Ref	DECAL INSTALLATION - OPTIONS	
33	1700818	2	Decal - Fuel (LP Gas Machines) (English Language) (ANSI and Australian Specs)	
33	1704271	2	Decal - Fuel (LP Gas Machines) (English/French Languages) (CSA Specs)	
33	1702720	2	Decal - Fuel (LP Gas Machines) (English/Spanish Languages) (ANSI Export Specs)	
108	1001231801	1	Decal - Warning Proposition 65 (ANSI Specs)	
118	0257195	Ref	Decal - Government Warranty Installation (ANSI Spec)	
118A	1703179	1	Decal - Government Warranty	
190	0272418	Ref	Decal - SkyGlazier (Machines with SkyGlazier Option)	
190	1705358	2	Decal - SkyGlazier	
205	See Note	1	Nameplate - Manufacturers Serial Number (Note: Not Available for Purchase)	
210	1702868	2	Decal - No Hands (English Language)	
210	1001218850	2	Decal - No Hands (CE)	
210	1704000	2	Decal - No Hands (English/French Language)	
210	1705969	2	Decal - No Hands (English/Korean Language)	
210	1705967	2	Decal - No Hands (English/Portuguese Language)	
210	1704001	2	Decal - No Hands (English/Spanish Language)	
215	0274518	Ref	Decal - Logo Installation (All Specs Except CE & UK CA Specs)	
215A	1702861	2	Decal - JLG Lift	
215B	1702774	1	Decal - JLG Lift	
215C	1702773	1	Decal - JLG	
215D	1704885	1	Decal - Website	
215	1001291456	Ref	Decal - Logo Installation (CHINESE SPECS ONLY)(MAHINCES WITH SN STARTING WITH B3)	
215A	1001288704	1	Decal - JLG Lift (Chinese)	
215B	1001288705	1	Decal - JLG Lift (Chinese)	
215C	1001290348	1	Decal - JLG (Chinese)	
215D	1704885	1	Decal - Website (Chinese)	
218	3251813	1	Decal - USA	
226	1704972	1	Decal - Warning Explosion/ Fire (English Language) (Diesel Machines) (ANSI Specs)	
226	1706098	1	Decal - Warning Explosion/Fire (English Language) (Diesel Machines) (Australian, CE & UK CA Specs)	
226	1706059	1	Decal - Warning Explosion/Fire (English/Portuguese Language) (Diesel Machines) (Brazil Specs)	
226	1706060	1	Decal - Warning Explosion/Fire (English/Chinese Language) (Diesel Machines) (Chinese Specs)	
226	1706064	1	Decal - Warning Explosion/Fire (English Language) (Diesel Machines) (CSA Specs)	
226	1706062	1	Decal - Warning Explosion/Fire (English/Japanes Language) (Diesel Machines) (Japanese Specs)	
226	1706061	1	Decal - Warning Explosion/Fire (English/Korean Language) (Diesel Machines) (Korean Specs)	
226	1706063	1	Decal - Warning Explosion/Fire - (English/Spanish Language) (Diesel Machines) (Latin American Specs)	
238	1001125387	1	Decal - Ultra Low Sulfur Fuel (Diesel Machines) (ANSI & CSA Specs)	
238	1001139654	1	Decal - Ultra Low Sulfur Fuel (Diesel Machines) (ANSI EXPORT (HRC), Japanese, CE & UK CA Specs)	
245	1001120993	Ref	Decal Installation - ClearSky (Machines with ClearSky Option)	

SECTION 9 - DECALS

ITEM	PART NUMBER	QTY	DESCRIPTION	REV
245A	1001116208	2	Decal - ClearSky	
245B	1001120989	1	Decal - Radio Frequency	
245	1001294861	Ref	Smart Fleet ClearSky Decal Installation	
245A	1001120989	1	Decal - Radio Frequency	
245B	1001294815	1	Decal - ClearSky	
253	1001143852	1	Decal - Emission Compliance (Diesel Machines) (ANSI Export (LRC), Australian, Chinese, CE & UK CA Specs)	
262	1001141300	1	Decal - SkyGuard Override (Machines without Soft Touch Option)	
262	1001141302	1	Decal - SkyGuard Override (Machines with Soft Touch Option)	
263	1001197408	1	Decal - MSSO (CE & UK CA Specs)	
264	1705980	1	Decal - Sound Power (Machines with Deutz D2011 Engines) (Australian, CE & UK CA Specs)	
264	1705368	1	Decal - Sound Power (Machines with Deutz TD2.9L4 and Deutz 2.9L4 (Stage V) Engines with ABS Hoods) (CE & UK CA Specs)	
264	1001200072	1	Decal - Sound Power (Machines with Deutz TD2.9L4 and Deutz 2.9L4 (Stage V) Engines with Steel Hoods) (CE & UK CA Specs)	
264	1001191525	1	Decal - Sound Power (108dB) (Stage V) (CE & UK CA)	
267	1001200131	1	Decal - Quick Start Guide (Danish Language)	
267	1001200129	1	Decal - Quick Start Guide (Dutch Language)	
267	1001181145	1	Decal - Quick Start Guide (English Language)	
267	1001200128	1	Decal - Quick Start Guide (French Language)	
267	1001200130	1	Decal - Quick Start Guide (German Language)	
267	1001200134	1	Decal - Quick Start Guide (Norwegian Language)	
267	1001200132	1	Decal - Quick Start Guide (Swedish Language)	
267	1001200133	1	Decal - Quick Start Guide (Spanish Language)	
274	1001214030	1	Decal Installation - EAC (Russian/CIS Specs)	
287A	1001236400	Ref	Decal - ECO Installation (CHINA IV ENGINES)	
287A	See Note	NSS	Decal - ECO Label	
287A	3820001	8	Rivet	
287A	See Note	NSS	Nameplate - Mein Code (Note: Not Available for Purchase)	
287B	1001292423	Ref	Decal - ECO Installation (CHINA III ENGINES)	
287B	See Note	NSS	Decal - ECO Label (Note: Not Available for Purchase)	
287B	3820001	8	Rivet	
287B	See Note	NSS	Nameplate - Mein Code (Note: Not Available for Purchase)	

SECTION 9 - DECALS

FIGURE 9-20. SKYWELDER DECAL INSTALLATION - 50HZ



ART_0272588

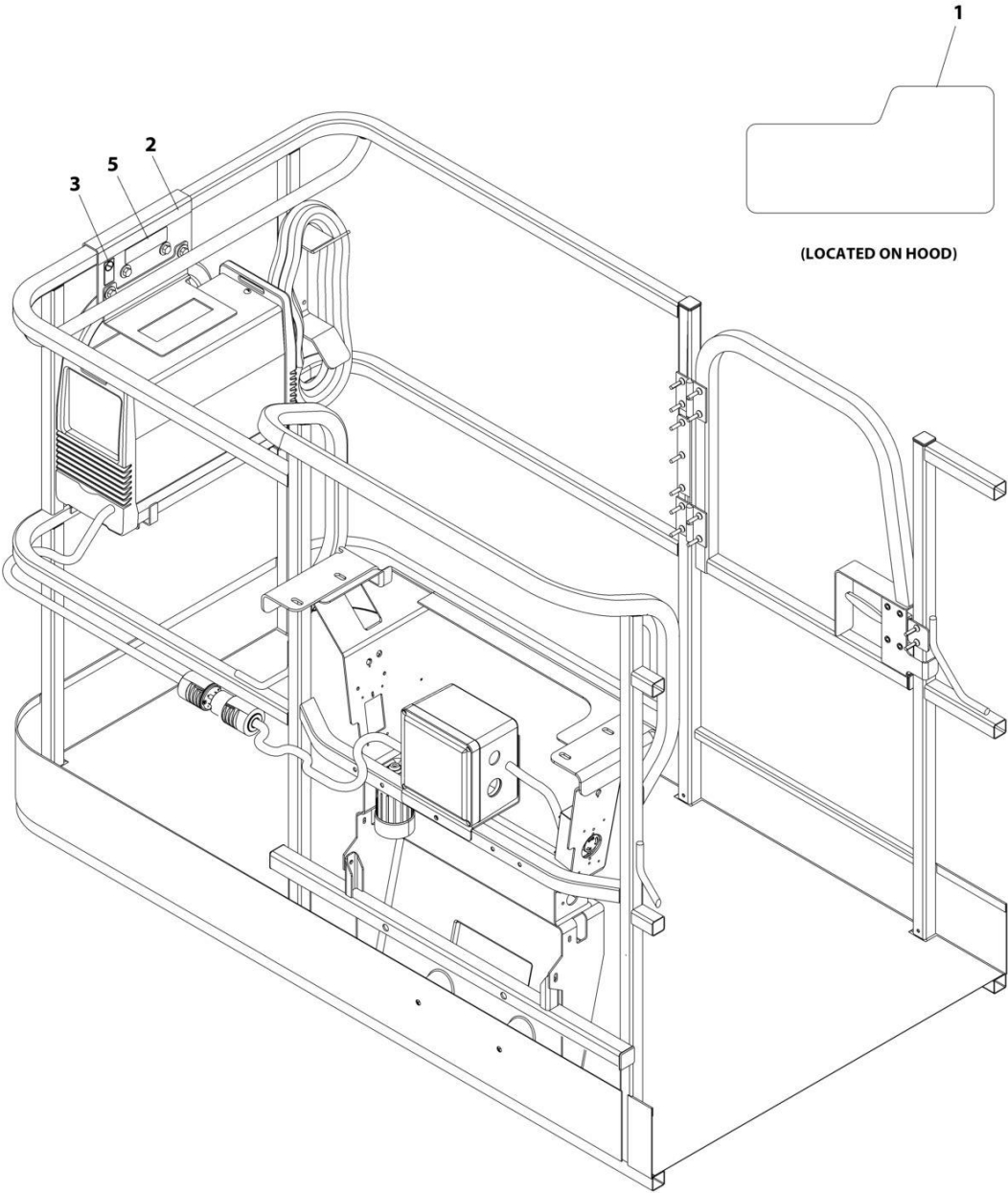
SECTION 9 - DECALS

FIGURE 9-20. SKYWELDER DECAL INSTALLATION - 50HZ

ITEM	PART NUMBER	QTY	DESCRIPTION	REV
	0272588	Ref	SKYWELDER DECAL INSTALLATION - 50Hz	B
1	1705355	2	Decal - SkyWelder	
2	1705305	1	Decal - Weld Lead	
3	1001228988	1	Decal - Weight	

SECTION 9 - DECALS

FIGURE 9-21. SKYWELDER DECAL INSTALLATION - 60HZ



ART_0272448_D

SECTION 9 - DECALS

FIGURE 9-21. SKYWELDER DECAL INSTALLATION - 60HZ

ITEM	PART NUMBER	QTY	DESCRIPTION	REV
	0272448	Ref	SKYWELDER DECAL INSTALLATION - 60Hz	D
1	1705355	2	Decal - SkyWelder	
2	1702868	1	Decal - No Hands	
3	1705305	1	Decal - Weld Lead	
5	1001228988	1	Decal - Weight	

SECTION 10 - RECOMMENDED SERVICE PARTS STOCK

SECTION 10 - RECOMMENDED SERVICE PARTS STOCK

SECTION 10 - RECOMMENDED SERVICE PARTS STOCK

FIGURE 10-1. RECOMMENDED SERVICE PARTS STOCK

ITEM	PART NUMBER	QTY	DESCRIPTION	REV
		Ref	Note: The following list will service one machine (built to current production per date on the front cover) with emergency repair parts which can be installed in the field. Parts from the list should be replaced when inventory is depleted to keep service parts stock supplied. For further information, contact your JLG dealer or the JLG Industries Parts Department.	
	1001181046	1	Breaker, 30mA/10Amp (10Amp Breaker Box)	
	1001181045	1	Breaker, 30mA/16Amp (16Amp Breaker Box)	
	4360542	1	Breaker, Circuit (2500W/110V Generators)	
	70001431	1	Breaker, Circuit (Plasma Cutter)	
	4360070	1	Breaker, Circuit 15Amp (4000W/60HZ & 7500W Generators)	
	7024485	1	Breaker, Circuit 30Amp (7500W Generators with Deutz D2011 and Ford Engines)	
	70006095	1	Breaker, Circuit 30Amp (7500W Generators with Deutz TD2.9L4)	
	1001159118	1	Breaker, GFCI 30Amp 240VAC (240V AC Box At Platform)	
	70005708	1	Breather Assembly (Machines With SN Starting With 03)	
	70007726	1	Breather Kit (Machines With SN Starting With B3)	
	7012944	1	Coil (Control Valves Installation)	
	7012943	1	Coil (Lift Cylinder Assembly)	
	7017451	1	Coil (Lift Cylinder Assembly)	
	70003789	1	Coil (Main Control Valve)	
	70002386	1	Coil (Main Control Valve and Platform Valve)	
	70003788	1	Coil (Main Control Valve and Platform Valve)	
	4360476	1	Contactora (Ground Control Boxes and Platform Console Boxes)	
	7020176	1	Contactora (Ground Control Boxes and Platform Console Boxes)	
	1001275628	1	Controller, Drive/Steer (Platform Console Box Assembly)	
	1001117174	1	Controller, Footswitch Assembly	
	1001275629	1	Controller, Lift/Swing (Platform Console Box Assembly)	
	4360407	1	Controller, Speed (Platform Console Box)	
	3990010	2	Diode, 6 Amp (Ground Control Box Harness)	
		Ref	Engine - Deutz D2011	
	70004020	12	Filter, Air	
	7016328	12	Filter, Fuel	
	7016331	12	Filter, Oil	
	7027795	1	Module, Control	
	3740067	1	Relay	
	3740080	1	Relay	
	70004058	1	Relay	
		Ref	Engine - Deutz TD2.9L4	
	91403102	12	Filter, Air	
	70025161	12	Filter, Fuel (Engine Mounted)	
	70025153	12	Filter, Fuel (Frame Mounted)	
	7016331	12	Filter, Oil	
	1001196634	2	Fuse, 2Amp (Breather Heater Harness)	
	8229242	2	Fuse, 5Amp	
	80983191	2	Fuse, 10Amp	
	70023592	2	Fuse, 20Amp	
	70023593	2	Fuse, 30Amp	
	70025210	1	Module, ECU	
	3740067	1	Relay	

SECTION 10 - RECOMMENDED SERVICE PARTS STOCK

ITEM	PART NUMBER	QTY	DESCRIPTION	REV
	70005648	1	Relay	
	1001117308	1	Relay	
		Ref	Engine - Deutz TD2.9L4 (Stage V)	
	91403102	12	Filter, Air	
	70025161	12	Filter, Fuel (Engine Mounted)	
	70025153	12	Filter, Fuel (Frame Mounted)	
	7016331	12	Filter, Oil	
	1001196634	2	Fuse, 2Amp (Breather Heater Harness)	
	8229242	2	Fuse, 5Amp	
	80983191	2	Fuse, 10Amp	
	70023592	2	Fuse, 20Amp	
	70023593	2	Fuse, 30Amp	
	70025210	1	Module, ECU	
	3740067	1	Relay	
	70005648	1	Relay	
	1001117308	1	Relay	
		Ref	Engine - Deutz TD2.9L4 (China III)	
	91403102	12	Filter, Air	
	1001225432	12	Filter, Fuel (Engine Mounted)	
	1001225430	12	Filter, Fuel (Frame Mounted)	
	7016331	12	Filter, Oil	
	8229242	2	Fuse, 5Amp	
	80983191	2	Fuse, 10Amp	
	70025210	1	Module, ECU	
	3740067	1	Relay	
	70005648	1	Relay	
	1001117308	1	Relay	
		Ref	Engine - Ford	
	70005008	12	Filter, Air - Primary	
	70006460	12	Filter, Air -Secondary	
	70006155	12	Filter, Fuel	
	70006213	12	Filter, Oil	
	70006175	2	Fuse, 20Amp	
	70006176	1	Module, Engine Control Unit	
	3740067	1	Relay	
	70006171	1	Relay	
	70006172	1	Relay	
	70002097	12	Element, Filter (Control Valves Installation)	
	70002231	12	Element, Filter (Control Valves Installation)	
	8229249	2	Fuse, 3 Amp (USB Charger and Platform Console Box Harness)	
	2400064	2	Fuse, 5Amp (7500W Generator to Engine Harness with Deutz D2011 and Ford Engines)	
	8229242	2	Fuse, 5Amp (Ground Control Box Harness)	
	2860030	1	Key Replacement (Ground Control Box Assembly)	
	2940074	1	Latch (Platforms with Gate)	
	1001142683	1	Module, Control (Strobe Light Installations)	
	1001103667	1	Module, Ground Control (All Machines Except High Temp Markets)	
	1001280600	1	Module, Ground Control (High Temp Markets)	
	1001141138	1	Module, Platform	
	3740080	1	Relay (2500W Generators and 7500W Generator with Ford Engine)	
	70006553	1	Relay (4000W Generators)	

SECTION 10 - RECOMMENDED SERVICE PARTS STOCK

ITEM	PART NUMBER	QTY	DESCRIPTION	REV
	3740049	1	Relay (Ground Control Box Assembly)	
	1001186431	1	Relay (SkyGuard)	
	3740086	1	Relay (SkyLine Harness)	
	1001147479	1	Sensor (Level Sensor Installation)	
	1001191022	1	Sensor (Lower Sensor Assembly)	
	1001137673	1	Sensor (SkyGuard)	
	1001228225	1	Sensor, Emitter (SkyEye)	
	1001148607	1	Sensor, Fuel (Gas/Diesel Engines on Machines With SN Starting With B3)	
	1001247468	1	Sensor, Loadcell (Platform Support Installation)	
	4360057	1	Sensor, Limit (Soft Touch Installation)	
	7026638	1	Sensor, Pressure (Air Compressor)	
	4360506	1	Sensor, Proximity (Boom Cables Installation)	
	1001170847	1	Sensor, Proximity (Dual Capacity Installation)	
	1001182570	1	Sensor, Proximity (Dual Capacity Installation)	
	4360517	1	Sensor, Proximity (Rotary Coupling)	
	1001232667	1	Sensor, Proximity (SkyLine)	
	1001311034	1	Sensor, Proximity (SkyLine)	
	1001228224	1	Sensor, Receiver (SkyEye)	
	1001219601	1	Sensor, Tilt (Ground Control Box)	
	1001225346	1	Switch, Battery (Battery Disconnect Installation)	
	4360475	1	Switch, Emergency Stop (Ground Control and Platform Conosole Boxes)	
	4360469	1	Switch, Key (Ground Control Box Assembly)	
	4360387	1	Switch, Push Button (CE & UK CA Ground Control Boxes, Platform Console Boxes, and Soft Touch)	
	4360274	1	Switch, Push Button (Ground Control Boxes with Deutz Stage V Engine)	
	70001432	1	Switch, Rocker (Plasma Cutter)	
	4360336	1	Switch, Toggle (Generator Installations)	
	1001155045	1	Switch, Toggle (Ground Control Box Assembly)	
	4360328	1	Switch, Toggle (Jib Switch Installation)	
	1001159256	1	Switch, Toggle (Platform Console Boxes)	
	1001161709	1	Switch, Toggle (Platform Console Boxes)	
	7024469	1	Switch with Lead (Welder Assembly)	

SECTION 11 - SPECIAL OPTIONS

SECTION 11 - SPECIAL OPTIONS

FIGURE 11-1. SPECIAL OPTIONS/ACCESSORIES/KITS

ITEM	PART NUMBER	QTY	DESCRIPTION	REV
		Ref	Note: This list is to accommodate machines ordered with special equipment. Options may not be applicable to all models. For more specific parts information contact JLG Parts Department.	
		Ref	MISCELLANEOUS SPECIAL OPTIONS/ACCESSORIES/KITS	
	1001116163	Ref	7500W/60Hz Generator Add-on Kit (800S)	
	1001229762	Ref	Air Intake Shut-off Valve (Deutz TD2.9L4 Engines)	
	1340061	Ref	Air Cleaner Precleaner	
		Ref	Air Line at Platform Installations:	
	0271472	Ref	Air Line at Platform Installations (800S)	
	1001091712	Ref	Air Line at Platform Installations (With Arctic Package) (800S)	
	0271473	Ref	Air Line at Platform Installations (860SJ)	
	1001091713	Ref	Air Line at Platform Installations (With Arctic Package) (860SJ)	
	1001249695	Ref	Analyzer and Cable Kit	
	1001249941	Ref	Battery Powered Analyzer Installation Kit	
		Ref	Bellows Installations:	
	0271476	Ref	Bellows Installations - Boom Bellows (800S)	
	0271477	Ref	Bellows Installations - Boom Bellows (860SJ)	
	1001158259	Ref	Frame Bellows	
		Ref	Boom Rope Service Kits:	
	1001111231	Ref	Boom Rope Service Kit (800S)	
	1001197240	Ref	Boom Rope Service Kit (860SJ)	
	2910888	Ref	Boom Wear Pad Kit	
		Ref	Boom Wiper Installations:	
	0271448	Ref	Standard Machines	
	1001122305	Ref	Hostile Environment Machines	
	1001267262	Ref	Machines With SN Starting With B3	
	1001233047	Ref	Breather Heater Kit (Deutz TD2.9L4 Engines)	
	1001172045	Ref	Cable/Ladder Rack Installation	
	1001296681	Ref	CHASSIS LIGHTS KIT (ABS) (800S)	
	1001296683	Ref	CHASSIS LIGHTS KIT (800S)	
		Ref	ClearSky (Telematics) Installations (Dealer Installed):	
	1001242409	Ref	ClearSky (Telematics) Access Control Installation Kit (ANSI, ANSI Export and CSA Specs)	
	1001243183	Ref	ClearSky (Telematics) Add-on Kit (ANSI, ANSI Export and CSA Specs)	
	1001243184	Ref	ClearSky (Telematics) Add-on Kit (CE & UK CA Specs)	
	1001246142	Ref	ClearSky (Telematics) Add-on Kit (Australian Specs)	
	1001276923	Ref	ClearSky (Telematics) Add-on Kit (Contact JLG for Approved Countries)	
		Ref	ClearSky (Telematics) Kits (Dealer Installed):	
	1001119939	Ref	ClearSky (Telematics) Kit (Aftermarket - ANSI)	
	1001119947	Ref	ClearSky (Telematics) Kit (Aftermarket - CSA)	
	1001291870	Ref	Coolant Pump Assembly Service Kit	
		Ref	Cold Weather Start Kits:	
	1001178208	Ref	Deutz D2011 Engine (With 25 GAL Capacity Hydraulic Tank)	
	1001178207	Ref	Deutz TD2.9L4 Engine (With 25 GAL Capacity Hydraulic Tank)	
	1001255807	Ref	Deutz TD2.9L4 (Stage V) (With 25 GAL Capacity Hydraulic Tank)	
	1001282099	Ref	Deutz D2.9L4 (China IV)	
	1001219840	Ref	Ford DF 2.5L Engine Machines (With 25 GAL Capacity Hydraulic Tank)	

SECTION 11 - SPECIAL OPTIONS

ITEM	PART NUMBER	QTY	DESCRIPTION	REV
	1001287837	Ref	Deutz D2011 Engine (With 47.8 GAL Capacity Hydraulic Tank)	
	1001287836	Ref	Deutz TD2.9L4 Engine (With 47.8 GAL Capacity Hydraulic Tank)	
	1001287814	Ref	Deutz TD2.9L4 (Stage V) (With 47.8 GAL Capacity Hydraulic Tank)	
	1001287839	Ref	Ford DF 2.5L Engine Machines (With 47.8 GAL Capacity Hydraulic Tank)	
	1001245137	Ref	Control Valve Lockdown Kit (Used on Valves p/n 1001235900, 1001235901 & 1001244114)	
	1001115918	Ref	Cribbing Switch Installation	
		Ref	Decal Kits Options:	
	1001270518	Ref	Machine (ANSI 9220 Spec)	
	1001108722	Ref	Platform (800S)	
	1001108723	Ref	Platform (860SJ)	
	1001272201	Ref	Platform (ANSI 9220 Spec)	
	1001241345	Ref	Platform Console Box (ANSI Spec)	
	1001272089	Ref	Platform Console Box (ANSI 9220 Spec)	
	1001109257	Ref	Drive Orientation Kit (860SJ)	
	2902394	Ref	Drive/Steer Cutout Kit	
		Ref	Electrical Connector Kits:	
	1001148902	Ref	Amp/Tyco Electrical Connector Kit	
	1001148903	Ref	Deutsch DT Electrical Connector Kit	
	1001148904	Ref	Deutsch HD Electrical Connector Kit	
	1001148905	Ref	Packard Electrical Connector Kit	
	1001148906	Ref	Various Electrical Connectors Kit	
	1001218022	Ref	Engine Block Heater Installation (Ford DF 2.5L Engines)	
	1001237883	Ref	Fall Arrest (Bolt-on) Add-on Kit (6ft/1.82m Platform) (ANSI, ANSI Export, China, CSA & Japanese Specs Only) (Fits Platform p/ns 1001186384, 1001144024 & 1001228376)	
	1001237882	Ref	Fall Arrest (Bolt-on) Add-on Kit (8ft/2.4m Platform) (ANSI, ANSI Export, China, CSA & Japanese Specs Only) (Fits Platform p/ns 1001186383 & 1001144023)	
	1001269630	Ref	Fall Arrest (Bolt-on) Add-on Kit (4ft/1.22m Platform) (All Specs)	
	1001269629	Ref	Fall Arrest (Bolt-on) Add-on Kit (5ft/1.52m Platform) (All Specs)	
	1001269631	Ref	Fall Arrest (Bolt-on) Add-on Kit (6ft/1.82m Platform) (All Specs)	
		Ref	Fan Cover/Grille Options:	
	1001182599	Ref	Fan Cover Installation (Deutz D2011 Engines)	
	1001177694	Ref	Fan Grille Installation (Deutz TD2.9L4 Engines and Deutz TD2.9L4 (Stage V) Engines) (Modine Radiator Only)	
	1001093389	Ref	Fan Cover Installation (Ford DF 2.5L Engines)	
	1001139099	Ref	Fire Extinguisher Installation (20lb) (Platform Mounted)	
	1001227951	Ref	Fire Protection for Platform Valves and Filter (800S)	
	1001239235	Ref	Fire Protection for Platform Valves and Filter (860SJ)	
	1001272888	Ref	Fire Protection for Platform Valves and Filter (Machines With SN Starting With B3)	
		Ref	Filter Kits:	
		Ref	Combined Filter Kit (Hydraulic/Air and Fuel/Engine Oil)	
	1001225623	1	Deutz D2011 Engine Machines	
	1001195537	1	Deutz DT2.9L4 Engine (All Specs)	
	1001286519	1	Deutz DT2.9L4 Engine - Without HYD Filters (China Spec)	
	1001286521	1	Deutz DT2.9L4 Engine - With HYD Filters (China Spec)	
	1001293078	1	Engine Muffler Kit (China III Engine)	
	1001114052	1	Ford DF 2.5L Engine Machines	
	1001265676	Ref	Ford 42 Way Connector Kit	

SECTION 11 - SPECIAL OPTIONS

ITEM	PART NUMBER	QTY	DESCRIPTION	REV
	1001117294	Ref	Footswitch Shield (With Arctic Package)	
	1001202749	Ref	Fuel Cap Cover Installation (Black) (Note: Lock p/n 1001102157 Must be Purchased Separately)	
	1001191395	Ref	Fuel Cap Cover Installation (Green) (Diesel Machines) (Note: Lock p/n 1001102157 Must be Purchased Separately)	
	1001191394	Ref	Fuel Cap Cover Installation (Red) (Gas Machines) (Note: Lock p/n 1001102157 Must be Purchased Separately)	
	1001301123	1	Fuel Tank Kit	
	1001301691	1	Fuel Tank Kit (CE)	
		Ref	Hose Kit Options:	
	1001187509	Ref	Hose Kit - Boom (800S)	
	1001187500	Ref	Hose Kit - Boom (860SJ)	
	1001209634	Ref	Hose Kit - Platform Valve (800S)	
	1001209635	Ref	Hose Kit - Platform Valve (860SJ)	
	1001204929	Ref	Hostile Environment Add-on Kit (Dealer Installed) (800S)	
	1001241416	Ref	Hostile Environment Add-on Kit (Dealer Installed) (860SJ)	
	1001121412	Ref	Hostile (Extreme) Environment Installation (Factory Installed) (800S)	
	1001210977	Ref	Hostile (Extreme) Environment Installation (Factory Installed) (860SJ)	
	1001094475	Ref	Hourmeter for Generator	
	1001229935	Ref	Hydraulic Tank Lock Installation	
	1001268736	Ref	Jib Link Kit	
	1001281466	Ref	Latch Kit - Steel Hood (860SJ)	
		Ref	Light Options:	
	0272057	Ref	Chassis Illumination Lights (ABS Hoods)	
	1001184259	Ref	Chassis Illumination Lights (Steel Hoods)	
	0271552	Ref	Headlights & Taillights Installation (ABS Hoods)	
	1001164786	Ref	Headlights & Taillights Installation (Steel Hoods)	
	0272058	Ref	Platform Flood Lights Installation	
	0273472	Ref	Platform Worklights Installation (800S)	
	0273483	Ref	Platform Worklights Installation (860SJ)	
	1001128153	Ref	Platform Worklights Installation (Worklight 4 Corner)	
	1001152965	Ref	Strobe Light Installation - Platform Mounted (Amber)	
	1001236951	Ref	Low Temperature Cutout Installation (Russian Specs)	
	1001290375	Ref	Oil Drain Kit (Ford Engines)	
		Ref	Oil Cooler Options:	
	1001297083	Ref	Oil Cooler Installations (Deutz D2011 Engines)	
	1001186631	Ref	Oil Cooler Installations (Deutz TD2.9L4 Engines and Deutz TD2.9L4 (Stage V) Engines) (YMER Cooler)	
	1001219633	Ref	Oil Cooler Installations (Ford DF 2.5L Engines)	
	1001200725	Ref	Oil Cooler Replacement Kit (RCP to YMER)	
	1001272166	Ref	Pipe Rack Kit	
	1580013	Ref	Platform Corner Storage Tray	
	1001214984	Ref	Platform Box Decal Protection Installation (GB China Specs)	
		Ref	Platform Box Cover Installations:	
	1001195304	Ref	Plastic Cover	
	1001266290	Ref	Steel Cover	
	1001125229	Ref	Steel Cover (Korean Spec)	
	1001295280	Ref	Steel Cover (Machines with SN Starting with B3) (Chinese Spec Only)	
	1001125230	Ref	Steel Cover (Chinese Specs - Simplified Language)	
	1001270482	Ref	Steel Cover (Dealer Installed)	

SECTION 11 - SPECIAL OPTIONS

ITEM	PART NUMBER	QTY	DESCRIPTION	REV
	1001295844	Ref	PERMINTER LIGHTS KIT (800S)	
	1001296286	Ref	PERMINTER LIGHTS KIT (ABS) (800S)	
	1001110982	Ref	Platform Bumpers	
		Ref	Platform Entry Kits	
	1001142504	Ref	Drop Bar (Replacing Swing Gate with Drop Bar)	
	1001142505	Ref	Swing Gate (Replacing Drop Bar with Swing Gate)	
		Ref	Platform Mesh To Mid Rail Installations (Side Entry Platform):	
	1001272274	Ref	2.5ft x 4ft Platforms (Steel) (ANSI, ANSI Export and Australian Specs)	
	1001266969	Ref	2.5ft x 4ft Platforms (Plastic) (ANSI, ANSI Export and Australian Specs)	
	1001272178	Ref	2.5ft x 5ft Platforms (Steel) (ANSI, ANSI Export and Australian Specs)	
	1001266799	Ref	2.5ft x 5ft Platforms (Plastic) (ANSI, ANSI Export and Australian Specs)	
	1001271760	Ref	3ft x 6ft Platforms (Steel) (ANSI, ANSI Export and Australian Specs)	
	1001266284	Ref	3ft x 6ft Platforms (Plastic) (ANSI, ANSI Export and Australian Specs)	
	1001269389	Ref	3ft x 8ft Platforms (Steel) (ANSI, ANSI Export, Australian and Russia Specs)	
	1001266098	Ref	3ft x 8ft Platforms (Plastic) (ANSI, ANSI Export, Australian and Russia Specs)	
		Ref	Platform Mesh to Mid Rail Add-on Kits:	
	1001281461	Ref	30in x 4ft (76cm x 1.22m) with Gate	
	1001281460	Ref	30in x 5ft (76cm x 1.52m) with Gate	
	1001281458	Ref	36in x 6ft (91.5cm x 1.83m) with Gate	
	1001281457	Ref	36in x 8ft (91.5cm x 2.44m) with Gate	
		Ref	Platform Mesh To Top Rail Installations (Side Entry Platform):	
	1001272182	Ref	2.5ft x 4ft Platforms (Steel) (ANSI, ANSI Export and CSA Specs)	
	1001266807	Ref	2.5ft x 4ft Platforms (Plastic) (ANSI, ANSI Export and CSA Specs)	
	1001271888	Ref	2.5ft x 5ft Platforms (Steel) (ANSI, ANSI Export and CSA Specs)	
	1001266801	Ref	2.5ft x 5ft Platforms (Plastic) (ANSI, ANSI Export and CSA Specs)	
	1001271642	Ref	3ft x 6ft Platforms (Steel) (ANSI, ANSI Export and CSA Specs)	
	1001266489	Ref	3ft x 6ft Platforms (Plastic) (ANSI, ANSI Export and CSA Specs)	
	1001269187	Ref	3ft x 8ft Platforms (Steel) (ANSI, ANSI Export and CSA Specs)	
	1001266056	Ref	3ft x 8ft Platforms (Plastic) (ANSI, ANSI Export and CSA Specs)	
		Ref	Platform Mesh to Top Rail Add-on Kits:	
	1001281456	Ref	30in x 4ft (76cm x 1.22m) with Gate	
	1001281455	Ref	30in x 5ft (76cm x 1.52m) with Gate	
	1001281453	Ref	36in x 6ft (91.5cm x 1.83m) with Gate	
	1001281452	Ref	36in x 8ft (91.5cm x 2.44m) with Gate	
	1001149730	Ref	Platform Mid Rail Repair Kit	
		Ref	Platform Top Rail Extension Installations:	
	0272733	Ref	Platform 6ft (1.83m)	
	0272725	Ref	Platform 8ft (2.44m)	
	1001209059	Ref	Platform Work Surface Installation	
	1001296622	Ref	PLATFORM LIGHTS KIT (800S)	
	1001296701	Ref	PLATFORM SUPPORT LAMP KIT (800S)	
	1001100121	Ref	Programmable Security Lock Installation (China, CE & UK CA Specs Only)	
	1001162546	Ref	Pump Coupling Service Kit (Sauer Danfoss)	

SECTION 11 - SPECIAL OPTIONS

ITEM	PART NUMBER	QTY	DESCRIPTION	REV
	1001199487	Ref	Radiator Replacement Kit (RCP to Modine)	
	1001190889	Ref	Service Tools & Kits	AF
	1001241547	Ref	SkyEye Housing Kit (Left Side)	
	1001241548	Ref	SkyEye Housing Kit (Right Side)	
	1001247073	Ref	SkyEye Retrofit Kit	
	1001282215	1	Platform Worklights	
		Ref	SkyGuard Component Options:	
	1001206477	Ref	SkyGuard Complete Add-On Kit (Blue Beacon)	
	1001210026	Ref	SkyGuard Complete Add-On Kit (Red Beacon)	
	1001137672	Ref	SkyGuard Platform Sensor Kit	
	1001137440	1	SkyGuard Sensor Harness	
	1001186431	2	Relay	
	1001206311	Ref	SkyGuard Strobe Light Kit (Blue Beacon)	
	1001210025	Ref	SkyGuard Strobe Light Kit (Red Beacon)	
	1001250595	Ref	SkyGuard 6-Pin Retrofit Installation Kit	
	1001249052	Ref	SkyGuard Retrofit Kit (Dealer Installed)	
	1001262016	Ref	SkyLine Kit (Dealer Installed)	
	1001289831	Ref	SkySense/Enhanced Detection System (EDS) Level 1 (2-Bar) Installation Kit (Factory Installed)	
	1001289832	Ref	SkySense/Enhanced Detection System (EDS) Level 2 (3-Bar) Installation Kit (Factory Installed)	
	1001289905	Ref	SkySense/Enhanced Detection System (EDS) Level 1 (2-Bar) Installation Kit (Dealer Installed)	
	1001289906	Ref	SkySense/Enhanced Detection System (EDS) Level 2 (3-Bar) Installation Kit (Dealer Installed)	
	1001282461	Ref	SkySense Padding Installation - For 30 x 48 Platforms equipped with SkySense	
	1001275644	Ref	SkySense Padding Installation - For 30 x 60 Platforms equipped with SkySense	
	1001275642	Ref	SkySense Padding Installation - For 36 x 72 Platforms equipped with SkySense	
	1001269655	Ref	SkySense Padding Installation - For 36 x 96 Platforms equipped with SkySense	
	1001303167	1	Skywelder Extension Cord Cable	
	1001263395	Ref	SkyWelder Kit (Dealer Installed)	
	1001231235	Ref	SkyWelder Locking Bracket Installation	
	1001110926	Ref	Soft Touch (Overhead) Installation (Chinese/Korean Specs Only)	
	1001281070	Ref	Strobe Beacon Replacement Kit	
	1001292584	Ref	Strobe Light (Amber) Kit	
	1001293298	Ref	Strobe Light (Amber) Kit (Chinese Spec)	
	1001293877	Ref	Strobe Light (Red) Kit	
	1001294068	Ref	Strobe Light (Blue) Kit	
	1001228583	Ref	Telematics Gateway (Dealer Installed)	
	1001284511	Ref	Telematics Gateway + (Dealer Installed)	
	1001228355	Ref	Turntable Bearing Cover Installation	
		Ref	Tools for Service:	
	2901443	1	Analyzer Kit	
	4460467	1	Extractor - 16-18 Gauge (For Removal of Pin/Sockets from Deutsch Connectors)	
	4460510	1	Extractor - 12-14 Gauge (For Removal of Pin/Sockets from Deutsch Connectors)	
	7002823	1	Pin/Socket Extractor - Universal (To Remove Pins/Sockets from Connectors)	
	7002822	1	Screwdriver, Potentiometer (To Adjust Drive Controllers)	

SECTION 11 - SPECIAL OPTIONS

ITEM	PART NUMBER	QTY	DESCRIPTION	REV
	7016654	1	Screwdriver, Magnetic	
	7004275	1	Seal Installation Tool - 1in	
	7004276	1	Seal Installation Tool - 1-1/2in	
	7002826	1	Seal Installation Tool - 2in	
	1001137005	1	Software Cable Kit	
	70005663	1	Tool, Port Plate for Pump p/n 1001142522	
	7002821	1	Wire Crimper (To install wire ends to wires)	
	7016655	1	Wire Rope Sheave Gauge	
	8896941	1	Wire Stripper	
	2915094	Ref	Turntable Bearing Replacement Kit	
	1001277840	Ref	UGM1 to UGM2 Retrofit ADE1 Kit	
	1001277848	Ref	GM to UGM2 Retrofit ADE1 Kit	
	1001274249	Ref	USB Charger Add-on Kit (Dealer Installed)	
	1001262959	Ref	Voltage Regulator Relocation Kit	
		Ref	Weld Leads at Platform Installations	
	0271487	Ref	Weld Leads at Platform Installations (800S)	
	0271488	Ref	Weld Leads at Platform Installations (860SJ)	
	1001228544	Ref	Wheel Drive Kit (Replaces Hub 2780272)	

PART NUMBER INDEX

SECTION 11 - SPECIAL OPTIONS

0100009.....655, 659	211, 215, 223, 225,	0274518 1100	529, 615, 653, 685,
0100011....21, 23, 25, 27,	227, 442, 515, 529,	0275216 833, 989	869, 871, 1028, 1032,
29, 31, 33, 35, 37, 39,	533, 545, 549	0275217 839, 993	1036, 1040, 1044,
41, 43, 65, 67, 69, 71,	0100062 ... 350, 354, 380,	0275452 845, 997	1048, 1052, 1056,
75, 77, 95, 99, 101,	386, 392, 414, 426,	0275453 851, 1001	1060, 1064, 1068,
103, 105, 107, 109,	450, 537, 542	0275454 857, 1005	1072, 1076, 1080,
111, 113, 115, 117,	0100079 533, 549	0362770 266, 270	1084, 1088, 1092, 1096
125, 127, 129, 131,	0100081 ... 274, 278, 282,	0362910 71	0641407.... 135, 139, 143,
133, 135, 139, 143,	286, 290, 294, 298,	0400075 ... 125, 127, 129,	147, 151, 155, 159,
147, 151, 155, 159,	302, 306, 593, 595,	131, 133	163, 167, 171, 175,
163, 167, 171, 175,	597, 599, 601, 603,	0440244 91	179, 183, 187, 191,
179, 183, 187, 191,	703, 705, 707	0480121 509, 519	195, 199, 203, 207,
195, 199, 203, 207,	0140011 655, 659	0480126 521, 537	211, 215, 343, 345,
211, 215, 223, 225,	0140044 223	0480129 525, 541	347, 350, 354, 445, 499
227, 229, 241, 243,	0181949 63	0561185 ... 567, 571, 575	0641408.... 275, 279, 282,
266, 270, 271, 274,	0200048 ... 709, 711, 713,	0561380 ... 559, 561, 563	286, 290, 294, 298,
275, 278, 279, 282,	715	0561445 ... 567, 571, 575	303, 306, 442, 653,
286, 287, 290, 294,	0200742 509, 519	0561446 ... 567, 571, 575	879, 881, 883, 885,
298, 302, 303, 306,	0256202 829	0561447 ... 567, 571, 575	887, 889, 891, 893,
307, 309, 311, 313,	0257195 1100	0561449 ... 567, 571, 575	895, 897, 899
315, 331, 333, 337,	0258608 677	0561484 ... 889, 893, 895,	0641409.... 331, 333, 337,
341, 343, 345, 347,	0258728 503	899	341
350, 354, 361, 365,	0259147 97	0630407 ... 380, 386, 392,	0641410..... 65, 331, 333,
369, 373, 375, 377,	0270528 67, 69, 71	414, 426	337, 341, 350, 354,
380, 386, 392, 407,	0270886 55	0630462 ... 709, 711, 713,	879, 881, 889, 891
411, 414, 419, 423,	0270888 57	715	0641412.... 361, 365, 369,
426, 433, 437, 442,	0271002 91	0630467 607, 609	407, 419, 442, 879,
445, 448, 453, 455,	0271085 55	0630485 ... 275, 279, 282,	881, 883, 885, 887,
457, 495, 497, 509,	0271086 55	286, 290, 294, 298,	889, 891, 893, 895,
511, 515, 519, 521,	0271090 57	303, 306	897, 899
525, 529, 533, 537,	0271091 57	0630518 ... 219, 221, 673,	0641414.... 655, 659, 681,
541, 545, 549, 553,	0271448 1112	675, 687, 690, 695,	709, 711, 713, 715
559, 561, 563, 567,	0271472 1112	697, 701	0641416.... 833, 835, 837,
571, 575, 579, 581,	0271473 1112	0630534 733	839, 841, 843, 845,
589, 591, 593, 595,	0271476 1112	0630539 ... 599, 601, 603	847, 849, 851, 853,
597, 599, 601, 603,	0271477 1112	0630548 ... 135, 139, 143,	855, 857, 859, 861, 863
605, 607, 609, 615,	0271487 1117	147, 151, 155, 159,	0641418 75, 77, 619, 621,
619, 621, 623, 625,	0271488 1117	163, 167, 171, 175,	625, 627, 629, 631,
631, 641, 643, 645,	0271552 1114	179, 183, 187, 191,	641, 643, 645, 647, 717
647, 681, 683, 690,	0272057 1114	195, 199, 203, 207,	0641420..... 442, 623
695, 697, 701, 709,	0272058 1114	211, 215	0641504.... 559, 561, 563
711, 713, 715, 717, 751	0272081 ... 267, 275, 279,	0630568 656, 660	0641506.... 135, 139, 143,
0100019.... 81, 83, 91, 93,	291, 303	0641403 ... 537, 567, 571,	147, 151, 155, 159,
317, 319, 321, 511,	0272254 697	575	163, 167, 171, 175,
521, 525, 529, 533,	0272259 825	0641404 ... 135, 139, 143,	187, 191, 203, 207,
537, 541, 545, 549, 553	0272260 827	147, 151, 155, 159,	211, 215, 323
0100020..... 63, 101, 103,	0272418 ... 703, 705, 707,	163, 167, 171, 175,	0641507.... 179, 183, 195,
105, 107, 109, 111,	1100	179, 183, 187, 191,	199, 607, 609
113, 115, 117, 319,	0272427 713	195, 199, 203, 207,	0641508 67, 69, 241, 243,
321, 324, 331, 333,	0272435 ... 542, 550, 554	211, 215, 519, 521,	266, 270, 509, 511,
337, 341, 361, 365,	0272448 1105	525, 529, 533, 541,	515, 519
369, 380, 386, 392,	0272521 695	545, 549, 683	0641510..... 350, 354
407, 414, 416, 419,	0272588 1103	0641405 ... 223, 521, 525,	0641511.... 879, 881, 883,
426, 428, 442, 448,	0272589 538, 546	529, 533, 537, 541,	885, 887, 889, 891,
489, 526, 542, 663,	0272725 1115	545, 549, 553, 655,	893, 895, 897, 899
687, 690, 833, 835,	0272733 1115	659, 683	0641512..... 350, 354
837, 839, 841, 843,	0272948 705	0641406 ... 225, 227, 247,	0641516.... 525, 533, 537,
845, 847, 849, 851,	0272951 707	249, 251, 253, 255,	541, 545, 549, 553
853, 855, 857, 859,	0273353 690	257, 259, 261, 266,	0641518.... 380, 386, 392,
861, 863	0273472 1114	270, 274, 278, 282,	414, 426
0100035.... 235, 435, 615,	0273483 1114	286, 290, 294, 298,	0641542..... 39
655, 659, 673, 675	0273596 319	302, 306, 319, 321,	0641560..... 41, 43
0100048.... 135, 139, 143,	0273687 319, 321	323, 361, 365, 369,	0641604.... 241, 243, 579,
147, 151, 155, 159,	0273695 ... 559, 561, 563,	373, 375, 377, 380,	581, 615, 879, 881,
163, 167, 171, 175,	615	386, 392, 407, 411,	883, 885, 887, 889,
179, 183, 187, 191,	0273706 715	414, 419, 423, 426,	891, 893, 895, 897, 899
195, 199, 203, 207,	0273824 709	442, 499, 501, 522,	

SECTION 11 - SPECIAL OPTIONS

0641605 ... 380, 386, 392, 414, 426	0641622 ... 593, 595, 597, 599, 601, 603	0700408.....833, 835, 837, 839, 841, 843, 845, 847, 849, 851, 853, 855, 857, 859, 861, 863	0760815 386, 392, 448
0641606 . 65, 75, 77, 125, 129, 241, 243, 267, 271, 350, 354, 361, 365, 369, 407, 419, 567, 571, 575, 593, 595, 597, 599, 601, 603, 690, 695, 697, 701	0641626 ... 567, 571, 575, 593, 595	0700615.....235, 237, 275, 287	0760817 453, 455
0641607 ... 31, 33, 35, 37, 101, 103, 105, 107, 109, 111, 113, 115, 117, 442, 511, 567, 571, 575, 605, 879, 881, 883, 885, 887, 889, 891, 893, 895, 897, 899	0641630 593, 595	0700617.....275, 279, 303, 307, 315	0761008 ... 365, 369, 407, 419, 442, 605
0641608 ... 247, 249, 251, 253, 255, 257, 259, 261, 263, 266, 267, 270, 271, 274, 278, 282, 286, 290, 294, 298, 302, 306, 309, 311, 313, 315, 321, 331, 333, 337, 341, 361, 365, 369, 380, 386, 392, 407, 414, 419, 426, 491, 559, 567, 571, 575, 579, 581, 593, 595, 597, 599, 601, 603	0641632 593, 595, 597	0700618.....275, 279, 287, 303, 307, 309, 311, 313	0761010 127, 131, 133
0641609 ... 266, 270, 275, 279, 282, 286, 290, 294, 298, 303, 306, 350, 354, 380, 386, 392, 414, 426, 495, 497, 503	0641634 567, 571, 575	0700626....889, 891, 893, 895, 897, 899	0761012 581
0641610 ... 235, 237, 266, 270, 323, 331, 333, 337, 341, 350, 354, 361, 365, 369, 407, 419, 433, 435, 437, 442, 489, 509, 519, 567, 571, 575, 579, 581, 653	0641640 567, 571, 575	0700808.....350, 354	0761014 448, 505, 591
0641611 99, 274, 279, 282, 286, 290, 294, 298, 303, 306	0641644 ... 593, 595, 597, 599, 601, 603	0700810.....448	0761015 ... 380, 386, 392, 414, 426, 448
0641612 ... 380, 386, 392, 414, 426	0641708 ... 380, 386, 392, 414, 426	0700812.....448	0761016 448, 515
064161375, 77, 291, 294, 559, 567, 571, 575	0641772 ... 509, 511, 515, 519	0700814.....380, 414, 426, 448	0761018 553
0641614 ... 101, 103, 105, 107, 109, 111, 113, 115, 117, 267, 270, 522, 530, 869, 871	0641806 380	0700816.....453, 455	0761210 ... 380, 386, 392, 414, 426
0641615 561, 563	0641808 ... 101, 103, 105, 107, 109, 111, 113, 115, 117, 331, 333, 337, 341, 373, 375, 377, 411, 423, 442, 445, 521, 525, 529, 533, 537, 541, 545, 549, 561, 563	0700818.....453, 455	0761212 507
0641616 ... 266, 270, 274, 278, 282, 286, 290, 294, 298, 302, 306, 323, 521, 526, 567, 571, 575	0641812 99, 343, 345, 347, 373, 375, 377, 411, 423, 445, 511, 561, 563	0701014.....453, 455	0761216 589
0641617 63	0641814 ... 361, 365, 369, 407, 419	0701022.....388, 392	0771012 589
0641618 ... 529, 533, 538, 542, 545, 549, 579, 581	0641816 ... 101, 103, 105, 107, 109, 111, 113, 115, 117	0701025.....386, 392	0771014 448
0641620 ... 491, 599, 601, 603	0641818 21, 497, 503, 505	0701026.....457	0771212 ... 361, 365, 369, 386, 392, 407, 414, 419, 426
	0641820 99, 350, 354, 495	0710827.....453, 455	0771414 ... 350, 354, 380, 386, 392, 414, 426
	0642010 71, 331, 333, 337, 341, 361, 365, 369, 407, 419, 442	0711014.....450	0771415 ... 380, 386, 392, 414, 426, 521, 526, 538, 542
	0642012 703, 705, 707	0711020.....448	0791404 245
	0642014 559, 561, 563	0711215....343, 345, 373, 375, 377, 380, 411, 423	0801275 567
	0642212 ... 21, 23, 25, 27, 29, 559, 561, 563, 703, 705, 707	0711216.....453, 455	0801279 559
	0642618 559, 561, 563	0711223.....450	0801282 571
	0681608 ... 21, 23, 25, 27, 29, 331, 333, 337, 341, 361, 388, 392, 407, 414, 419, 426	0711414.....495, 497	0801306 563
	0681620 ... 665, 667, 669, 671	0720804.....63	0801647 571
	0681814 649, 651	0721004.....71	0801649 567
	0681820 ... 380, 386, 392, 414, 426	0721005.....713, 715	0811606 ... 361, 567, 571, 575
	0681822 . 39, 41, 43, 380, 386, 392, 414, 426, 649, 651	0721006....266, 270, 433, 435, 437, 509, 511, 519, 655, 659	0811607 567, 571, 575
	0682016 .. 39, 41, 43, 317	0721008.....267, 271	0811608 567, 571, 575
	0682023 91, 93	0731005.... 101, 103, 105, 107, 109, 111, 113, 115, 117, 709, 711	0811610 ... 275, 279, 282, 286, 290, 294, 298, 303, 306
	0682032 91, 93	0741605....380, 386, 392, 414, 426, 559	0811614 567, 571, 575
	0682216 81, 83	0741606.....241, 243	0811616 567, 571, 575
	0682236 23, 25, 27, 29	0741607.....71, 521, 526, 529, 533, 545, 549, 553	0811812 ... 266, 270, 274, 278, 282, 286, 290, 294, 298, 302, 306
	0682424 ... 665, 667, 669, 671	0741609.....35, 37	0860038 ... 525, 533, 541, 549, 553, 825, 827
		0741612.....567, 571, 575	0860520 1028, 1032, 1036, 1040, 1044, 1048, 1052, 1056, 1060, 1064, 1068, 1072, 1076, 1080, 1084, 1088, 1092, 1096
		0760514.....341	0861538 542, 549, 553
		0760605....380, 386, 392, 414, 426, 453	0861572 538, 545
		0760606.....554	0861642 319, 321
		0760608.....448	0861731 ... 849, 855, 861, 863, 997, 999, 1001, 1003, 1005, 1007
		0760610....448, 453, 455, 515, 553	0861781 ... 837, 843, 989, 991, 993, 995
		0760612.... 136, 140, 144, 148, 152, 156, 160, 164, 167, 172, 176, 180, 184, 188, 192, 196, 200, 204, 208, 212, 216, 448	0861880 913, 915, 917
		0760615.....453, 455	0902219 266, 270
		0760807.....453	0902223 266, 270
		0760810....380, 386, 392, 414, 426, 442, 448	0902412 266, 270
		0760812.....448, 877	0902491 266, 270
		0760814.....386, 392, 448	

SECTION 11 - SPECIAL OPTIONS

0902673.....266, 270, 274, 278, 282, 286, 298, 302, 306	1001091970 839	1001101422 703	1001113047.....274, 278, 282, 286, 290, 294, 298, 302, 306
0902674.....266, 270	1001091973 845	1001101600 331, 333, 337, 341	1001113103..... 113, 115, 117
0902769.....266, 270	1001091974 851	1001101623 267	1001113961.....975, 977
0902888.....525, 533, 537, 541, 545, 549, 553	1001091975 857	1001101673 267	1001114052..... 1113
0903242.....99	1001093382 125, 127, 129, 131, 133	1001102290 937, 939	1001115388.....541
0940049.....274, 278, 282, 286, 290, 294, 298, 302, 306	1001093389 1113	1001102291 937, 939	1001115394.....537
0940070.....350, 354, 380, 386, 392, 414, 426, 450	1001094475 1114	1001102304 937, 939	1001115405.....509
0940071.....266, 270	1001094595 347, 467	1001102858 241, 243	1001115409.....519
0940088.....266, 270, 275, 279, 282, 286, 290, 294, 298, 303, 306	1001094899 81, 83	1001103012 978, 1021	1001115918..... 1113
0940092.....709, 711, 713, 715	1001095307 760, 764, 768, 772, 777, 781, 785, 801, 805, 809, 813, 817	1001103308 135, 139, 151, 155, 171, 175, 179, 183, 187, 191, 203, 207, 211, 215	1001116163..... 1112
0940094.....709, 711, 713, 715	1001095308 760, 768, 772, 777, 781, 785	1001103667 1109	1001116208..... 1101
0940102.....703, 705, 707	1001097051 1011	1001103810 ... 31, 33, 35, 37	1001116280.....274, 278, 282, 286, 290, 294, 298, 302, 306
0940103.....713	1001097150 913, 917	1001104498 1021	1001116290.....275, 279, 287, 303, 307, 309, 311, 313, 315
0940133.....715	1001097244 719	1001106736 135, 139, 143, 147, 151, 155, 159, 163, 167, 171, 175, 179, 183, 187, 191, 195, 199, 203, 207, 211, 215	1001116322.....274, 278, 282, 286, 290, 294, 298, 302, 306
0940134.....709	1001098012 687, 690, 693	1001106957 776, 784, 804, 816	1001116344.....274, 286, 290, 294, 298, 306
0940159.....717	1001098122 663, 985, 987	1001106974 99	1001116358.....274, 278, 282, 286, 290, 294, 298, 302, 306
0940177.....711	1001098149 687	1001107531 99	1001116456.....247, 249, 259
0961845.....619, 621, 623, 625, 627, 629, 631, 641, 643, 645, 647	1001098167 723	1001107854 978, 1021	1001116457.....263
0961893.....733	1001098828 591	1001108256 711	1001116558.....275, 287, 299, 307
0961947.....579, 581, 587, 727	1001099121 267	1001108579 113, 115, 117	1001116620.....275, 279, 283, 287, 299, 303, 307
0961948.....571, 575, 729, 731	1001099366 703, 705, 707	1001109048 113, 115, 117	1001116694.....975, 977
0961951.....567, 571, 575, 583	1001099367 703, 705, 707	1001109257 1113	1001116710.....953
0961986.....350, 354, 380, 386, 392, 414, 426, 448	1001099421 705	1001109648 871, 917	1001116720..... 1017
0962033.....737, 739, 741	1001099422 707	1001109654 869, 913	1001116727.....943, 957, 959
0962051.....503, 505	1001099869 519	1001110059 113, 115, 117	1001116728..... 943
0962102.....21, 23, 25, 27, 29	1001099870 39	1001110166 274, 278, 282, 286, 290, 294, 298, 302, 306	1001116731.....929
0962122.....564	1001100121 1115	1001110425 .. 75, 77, 331, 333, 337, 341, 361, 365, 369, 407, 419	1001116733.....957
0962152.35, 37, 743, 745	1001100231 913	1001110544 245	1001116734.....875
096218135, 37	1001100234 519	1001110872 865, 867	1001116808.....875
0962270.....649, 651	1001100321 519	1001110873 525, 534, 541, 549, 554, 825	1001116812.....947
0962297564, 567, 571, 575	1001100326 835	1001110926 1116	1001116815.....919, 921, 923, 925, 933, 948
0962335.....579, 581	1001100327 841	1001110979 717	1001116846... 1044, 1080
0962336.....733, 735	1001100331 847	1001110980 717	1001116849... 1044, 1080
0962348.....35, 37	1001100333 853	1001110982 717, 1115	1001116851... 1044, 1080
0962449.....519	1001100337 859	1001111231 1112	1001116952.....943, 948
0962520.....521, 526, 529, 533, 538, 542, 545, 549, 553	1001100341 835, 989, 991	1001111346 627, 629	1001116983..... 953
1001001939.....350, 354	1001100342 841, 993, 995	1001111968 788, 793, 796, 821	1001117027.....274, 278, 282, 286, 298, 302, 306
1001004720.....341	1001100345 847, 997, 999	1001112551 .. 1032, 1068	1001117078.....967
1001091460.....47	1001100346 ... 859, 1005, 1007	1001112588 509	1001117106.....943
1001091461.....47	1001100347 ... 853, 1001, 1003	1001112589 509, 519	1001117107.....943, 948
1001091472.....891, 897	1001100825 445, 479	1001112612 875, 975	1001117140.....271
1001091618.....881, 887, 903	1001101191 833, 835, 837, 839, 841, 843, 845, 847, 849, 851, 853, 855, 857, 859, 861, 863, 913, 915, 917	1001112796 875, 929, 933	1001117172.....663
1001091620.....881	1001101196 833, 835, 837, 839, 841, 843		1001117174.....655, 659, 663, 1108
1001091712.....1112	1001101197 845, 847, 849, 851, 853, 855, 857, 859, 861, 863		1001117249.....274, 278, 282, 286, 290, 294, 298, 302
1001091713.....1112	1001101421 703		1001117294..... 1114

SECTION 11 - SPECIAL OPTIONS

1001117307 274, 278, 282, 286, 290, 294, 298, 302, 306	1001133714..... 944, 947, 955	1001140448..... 381, 388, 394, 415, 427	1001144629 633, 635, 637, 639, 641, 645
1001117308 381, 387, 393, 415, 427, 1109	1001133715..... 944, 947, 955	1001140450..... 381, 388, 394, 415, 427	1001145154 381, 388, 394, 415, 427
1001117372 723, 725	1001133956..... 943, 948	1001140454..... 381, 388, 394, 415, 427	1001145405 687, 690
1001117804 559	1001133957..... 943, 948	1001140564..... 416, 428	1001146273 350, 354
1001117805 561, 563	1001134488..... 416, 428, 449	1001141138..... 655, 659, 1109	1001146588 361, 381
1001118384 1015	1001135138..... 381, 387, 415, 427	1001141300..... 1101	1001147264 943, 948
1001118388 .. 1015, 1017	1001135650..... 944, 947, 955	1001141302..... 1101	1001147479 615, 1110
1001119020 875, 933, 975, 977, 985, 987	1001135651..... 944, 947	1001141304..... 381, 387, 393, 415, 427	1001147812 350, 354
1001119619 1009	1001135679..... 415, 427	1001141370..... 381, 387, 393, 415, 427	1001147813 350, 354
1001119620 .. 1011, 1013	1001136104..... 553	1001141419..... 381	1001147820 350, 354
1001119939 1112	1001136400..... 593, 595, 597, 599, 601, 603	1001141585..... 381, 387, 393, 415, 427, 449	1001147823 350, 354, 357
1001119947 1112	1001136834..... 381, 387, 393, 415, 427	1001141586..... 381	1001148138 511
1001119968 546, 551, 967	1001137005..... 1117	1001141718..... 437	1001148563 549
1001120328 681, 683	1001137276..... 381, 387, 393, 415, 427	1001141870..... 433, 435, 437	1001148564 545
1001120471 719	1001137440..... 1116	1001141995..... 381, 387, 393, 415, 427, 449	1001148565 321
1001120477 719	1001137459..... 125, 129	1001142031..... 499, 501	1001148607 101, 103, 105, 107, 109, 111, 1110
1001120484 719	1001137672..... 1116	1001142032..... 499, 501	1001148650 568, 572, 576
1001120989 1101	1001137673..... 681, 1110	1001142501..... 361, 407, 419, 433, 435, 437	1001148651 568, 572, 576
1001120993 1100	1001138110..... 943	1001142504..... 1115	1001148652 568, 572, 576
1001121412 1114	1001138111..... 943	1001142505..... 1115	1001148653 568, 572, 576
1001121669 885, 887, 895, 897	1001138113..... 943	1001142623..... 381	1001148675 865, 867
1001121670 885, 887	1001138173..... 381, 387, 393, 415, 427, 449	1001142643..... 529, 534, 546, 550	1001148841 955
1001121671 895, 897	1001138175..... 381, 388, 394, 415, 427, 449	1001142645..... 529, 545	1001148842 955
1001122305 1112	1001138228..... 381, 387, 393, 415, 427	1001142646..... 534, 550	1001148902 1113
1001125229 1114	1001138248..... 381, 387, 393, 415, 427, 450	1001142683..... 235, 237, 1109	1001148903 1113
1001125230 1114	1001138489..... 381, 388, 393, 415, 427	1001142722..... 235, 237	1001148904 1113
1001125387 1100	1001138491..... 361, 365, 369, 407, 419, 953	1001142736..... 235, 237, 875	1001148905 1113
1001125492 81, 83	1001138494..... 621, 623, 625, 631, 641, 643, 645, 647	1001142938..... 935, 943, 947	1001148906 1113
1001125501 278, 283, 302	1001138514..... 621, 623, 625, 631, 643, 647	1001142940..... 935, 944, 947	1001149160 453
1001125502 279, 283, 303	1001138557..... 381, 387, 393, 415, 427	1001142941..... 935, 944, 947, 948	1001149639 449
1001126008 607, 609	1001138565..... 521	1001143390..... 351, 355, 381, 387, 393, 415, 427	1001149703 495
1001126009 607, 609, 1015	1001138566..... 521, 526, 529, 533	1001143449..... 499, 501	1001149704 350, 354
1001126011 985, 987	1001138795..... 733	1001143483..... 501	1001149705 350, 354
1001126351 943, 948	1001138827..... 416, 428	1001143484..... 499	1001149706 350, 354
1001126352 943	1001139099..... 1113	1001143525..... 499, 501	1001149730 1115
1001126356 943	1001139240..... 394, 415, 427	1001143726..... 387, 943	1001149793 351, 355
1001126357 943	1001139357..... 521, 526	1001143736..... 361, 365, 369, 407, 419	1001149994 233, 237
1001126362 944, 947	1001139409..... 381, 387, 393, 415, 427	1001143797..... 381, 387, 393, 415, 427	1001150260 266, 271, 274, 278, 283, 287, 290, 295, 299, 302, 306
1001126363 944, 947	1001139654..... 1100	1001143852..... 1101	1001150372 ... 31, 33, 35, 37
1001126364 944, 947	1001140312..... 415	1001143860..... 499	1001150539 .. 31, 35, 743
1001126365 944	1001140346..... 533	1001143907..... 381, 387, 393, 415, 427	1001150561 247, 249, 259
1001126384 943	1001140347..... 529	1001144147..... 929, 933	1001150890 497
1001126391 944, 947	1001140429..... 619, 621, 623, 625, 631, 641, 643, 645, 647	1001144433..... 681	1001150915 351, 355
1001126392 944, 947		1001144447..... 321	1001150918 333, 337, 408
1001126485 947		1001144527..... 251, 257, 261	1001150937 ... 31, 33, 35, 37
1001126487 947			1001150998 351, 355
1001126828 267, 271, 274, 278, 283, 287, 290, 295, 299, 302, 306			1001151010 63
1001128153 1114			1001151034 31
1001128527 701			1001151037 21
1001128556 701			1001151070 331, 333, 337, 341
1001128901 449			1001151252 497
1001129858 525			
1001131269 .. 1028, 1048, 1064, 1084			
1001131731 593, 595, 599, 601			

SECTION 11 - SPECIAL OPTIONS

1001151253.....495	1001156426..... 883	1001158007 538, 542, 546, 550, 554	1001167196..... 789, 792, 797, 820
1001151856.....944	1001156427 893	1001158008 538, 542, 546, 550, 554	1001167565.....591
1001151980.....31, 33	1001156439 593, 595, 597, 599, 601, 603	1001158084 317	1001167567.....591
1001152266.....1023	1001156443 593	1001158145 475	1001167632.....947
1001152429..... 538, 543, 965	1001156710 ... 21, 23, 25, 27, 29	1001158187 65	1001167635.....947
1001152457.....525, 534	1001156805 101, 103, 105, 107, 109, 111, 113, 115, 117	1001158188 65	1001168018.....449
1001152459.....351, 355	1001156823 442	1001158203 65	1001168025.....607, 609
1001152489.....381, 387, 393, 415, 427	1001156965 593	1001158259 1112	1001168402.....591
1001152525.....538, 542, 546, 550, 554	1001156966 595	1001158363 525, 534	1001169054..... 381, 387, 393, 416, 428, 449
1001152530.....525, 534	1001157015 39	1001158364 223	1001169138..... 381, 387, 393, 416, 428, 449
1001152532.....521, 526, 530, 534, 961	1001157016 41	1001158436 67	1001169754..... 59
1001152719.....21, 23, 25	1001157021 267, 271	1001159118 865, 867, 1108	1001169755..... 59
1001152965.....1114	1001157025 274, 278, 283, 287, 291, 295, 299, 302, 307	1001159119 865, 867	1001169756..... 59
1001153197.....522, 959	1001157056 101, 103, 105, 107, 109, 111, 113, 115, 117	1001159120 865, 867	1001169757..... 59
1001153259.....530, 963	1001157180 563	1001159121 867	1001169967.....449
1001153260.....525, 534	1001157208 275, 279, 307	1001159186 975, 977	1001170035.....449
1001153282.....351, 355, 381, 387, 393, 415, 427, 463	1001157209 275, 279, 287, 303, 307	1001159256 655, 659, 1110	1001170764.....947
1001153309.....525	1001157284 275, 279, 283, 287, 291, 295, 299, 303, 307	1001159323 .. 1040, 1076	1001170847..... 241, 243, 1110
1001153310.....521	1001157344 274, 278, 283, 287, 291, 295, 299, 302, 307	1001159340 769, 781, 785, 808, 813, 817	1001171127..... 533
1001153396.....343, 350	1001157400 757	1001159854 760, 764, 768, 808	1001171131.....865
1001153414.....351, 355	1001157415 266	1001160077 231	1001171269.....529
1001153779.....345, 347, 354	1001157416 247, 274	1001160559 101, 103, 105	1001171403.....944
1001154126.....723	1001157474 267, 271, 274, 278, 283, 287, 291, 295, 299, 302, 307	1001160567 107, 109, 111	1001172045.....1112
1001154237.....337, 347	1001157475 267, 271, 274, 278, 283, 287, 291, 295, 299, 302, 307	1001160780 67, 69	1001172064.....935
1001154405.....361, 369, 408, 419, 433, 435, 437, 491	1001157520 538, 542, 546, 550, 554	1001161076 95	1001172065.....935
1001154584.....23	1001157521 538, 542, 546, 550, 554	1001161355 ... 31, 33, 35, 37	1001172605.....655, 659
1001154687.....723	1001157525 537, 538, 545, 546	1001161399 ... 31, 33, 35, 37	1001173535.....450
1001154875.....27, 29	1001157528 538, 542, 546, 550, 554	1001161709 655, 659, 1110	1001173580..... 274, 278, 283, 287, 291, 295, 299, 302, 307
1001154931.....35, 37	1001157592 541, 542, 550, 554	1001161711 266, 271, 274, 278, 283, 287, 291, 295, 299, 302, 307	1001173869..... 261
1001155035.....35, 37	1001157612 274, 278, 283, 287, 291, 295, 299, 302, 307	1001161709 655, 659, 1110	1001173870.....261, 302
1001155041.....515	1001157736 267, 271	1001162296 703	1001174040.....589
1001155043.....135, 139, 143, 147, 151, 155, 159, 163, 167, 171, 175, 179, 183, 187, 191, 195, 199, 203, 207, 211, 215	1001157752 247	1001162335 433	1001174101.....303
1001155044.....135, 139, 143, 147, 151, 155, 159, 163, 167, 171, 175, 179, 183, 187, 191, 195, 199, 203, 207, 211, 215, 655, 659	1001157753 249, 278	1001162497 331, 334, 338, 341, 362, 365, 369, 408, 419, 442	1001174282.....279
1001155045.....135, 139, 143, 147, 151, 155, 159, 163, 167, 171, 175, 179, 183, 187, 191, 195, 199, 203, 207, 211, 215, 655, 659, 1110	1001157755 249	1001162546 1115	1001174283.....275, 307
1001155143.....331, 333, 337	1001157769 538, 543	1001162915 303	1001174486.....442
1001155192.....35	1001157770 546, 551	1001163101 251, 253, 255, 257, 261, 295	1001174745.....499, 501
1001155194.....27	1001157837 561, 563	1001163131 703	1001174746.....501
1001155823.....362, 365, 369, 408, 419	1001157851 788, 793, 796, 821	1001163296 705	1001176329.....449
1001156107.....381	1001157866 760, 769, 772, 777, 781, 785	1001163297 707	1001176469..... 143, 147, 159, 163, 180, 184, 195, 199
1001156425.....883, 893	1001157870 317	1001163599 511, 530, 533, 545, 549	1001176636.....895
		1001164786 1114	1001176862.....865
		1001165035 362, 365, 369, 408, 419, 450	1001177226.....788, 793, 796, 821
		1001165368 521, 529, 915	1001177359.....382, 388, 393, 416, 428
		1001165657 ... 31, 33, 35, 37	1001177694.....1113
		1001165842 381	1001177711.....869
		1001167042 381, 387, 393, 416, 427	1001177712.....871
		1001167194 789, 792, 796, 820	1001177844..... 382, 387, 393, 416, 428
			1001177845.....382, 387, 393, 416, 428
			1001177910.....522, 530, 869, 871
			1001178057..... 101, 107, 113, 119
			1001178207.....1112
			1001178208.....1112
			1001178209.....107

SECTION 11 - SPECIAL OPTIONS

1001178210..... 101	1001186502.....291, 295	784, 800, 804, 808,	1001208024 266
1001178211 113	1001186517.....681	812, 816	1001208994 607, 609
1001178215 788	1001186631..... 1114	1001198338.....772, 776,	1001209059 1115
1001178217 796	1001186985..... 382, 388,	780, 784, 800, 804,	1001209432 877
1001178218 760	394, 416, 428	812, 816	1001209474 877
1001178219 772	1001187382.....591	1001198339.....757	1001209634 1114
1001178220 776	1001187383.....591	1001198340.....760, 764,	1001209635 1114
1001178223 382, 388,	1001187500..... 1114	768, 772, 776, 780,	1001209664 681
394, 416, 428	1001187509..... 1114	784, 800, 804, 808,	1001209982 61
1001178797 491	1001187674.....679	812, 816	1001210025 1116
1001178876 416, 428	1001187681..... 1009	1001198341.....773, 780,	1001210026 1116
1001179154 542, 550,	1001187781..... 448	800, 813	1001210448 453, 455,
554	1001188125.....95	1001199395.....760, 764,	459
1001179837 511	1001188622.....591	768, 808	1001210636 719
1001180001 511	1001188844.....591	1001199396.....760, 764,	1001210977 1114
1001180052 512	1001188874..... 136, 140,	768, 772, 776, 780,	1001211336 101, 103,
1001180287 511	152, 156, 171, 175,	784, 800, 804, 808,	105, 115, 117
1001180620 245, 382,	180, 184, 188, 192,	812, 816	1001211588 241, 243
387, 393, 416, 428, 449	203, 207, 211, 215	1001199487 1116	1001211794 453, 455
1001181045 913, 915,	1001188884..... 489	1001200072 1101	1001212223 545, 549
1108	1001188887..... 489	1001200128 1101	1001213447 985, 987
1001181046 917, 1108	1001188972..... 334, 338,	1001200129 1101	1001213584 825, 827,
1001181051 579, 585	408	1001200130 1101	829, 831, 869, 871
1001181060 559, 583	1001189001.....591	1001200131 1101	1001213585 825, 827,
1001181145 1101	1001189002.....591	1001200132 1101	829, 831, 869, 871
1001181235 572, 576	1001189979..... 450	1001200133 1101	1001213810 453
1001181236 572, 576	1001190610..... 382, 388,	1001200134 1101	1001213882 655, 659
1001181243 512	393, 416, 428	1001200491591	1001214030 1101
1001181894 788, 793,	1001190889..... 1116	1001200494591	1001214570 877
796, 821	1001190985.....591	1001200497975, 977	1001214571 877
1001181895 416	1001191022..... 245, 1110	1001200725 1114	1001214827 453, 455
1001181899 387, 393,	1001191394..... 1114	1001201351591	1001214984 1114
416, 428	1001191395..... 1114	1001201602559	1001215016 951
1001182361 948	1001191525..... 1101	1001201885975, 977	1001215091 951
1001182365 948	1001191599..... 403	1001202280489	1001215228 656, 660
1001182570 241, 243,	1001191610..... 449	1001202281489	1001215384 453, 455
1110	1001191620..... 362, 382	1001202368382, 416,	1001215534 951
1001182599 1113	1001193018..... 833, 835,	428	1001215681 449
1001182806 225	837, 839, 841, 843,	1001202749 1114	1001215974 449
1001184259 1114	845, 847, 849, 851,	1001203655649	1001216015 511
1001184618 655, 659	853, 855, 857, 859,	1001203656651	1001216065 453, 455
1001184626 655, 659	861, 863	1001204269776, 784,	1001216071 453, 455
1001184682 227	1001194573..... 563	804, 817	1001216075 449
1001185281 655, 659	1001195304..... 1114	1001204325382, 388,	1001216092 449
1001186251 275, 279,	1001195537..... 1113	394, 416, 428	1001216144 453, 455
283, 287, 291, 295,	1001195967.....499	1001204560...23, 27, 723	1001216201 449
299, 303, 307	1001196221..... 559, 561,	1001204648271	1001216212 951
1001186254 275, 279,	563	1001204667489	1001216213 951
283, 287, 291, 295,	1001196382..... 554	1001204715241, 243	1001216221 475
299, 303, 307	1001196428..... 489	1001204725591	1001216300 457
1001186333 649	1001196634..... 439, 931,	1001204929 1114	1001216390 554
1001186334 651	1108, 1109	1001205958845, 847,	1001216391 516
1001186371 629	1001196768.....275, 279,	849, 851, 853, 855,	1001216531 450
1001186374 627	283, 287, 291, 295,	857, 859, 861	1001216532 445
1001186375 621	299, 303, 307	1001206250849	1001216534 445
1001186377 623	1001197017..... 709, 711,	1001206251855	1001216535 445
1001186379 625	713, 715	1001206252861	1001216568 442
1001186382 631	1001197240..... 1112	1001206253837	1001216619 457
1001186383 639	1001197408..... 1101	1001206254843	1001216630 591
1001186384 637	1001197719..... 947	1001206255863	1001216768 453
1001186386 635	1001198333..... 760, 764,	1001206311 1116	1001216769 453
1001186387 633	773, 776, 800, 804	1001206476877	1001216910 449, 453
1001186426 449	1001198334..... 760, 764,	1001206477 1116	1001216919 449
1001186431 ... 681, 1110,	768, 808	1001206532656, 660	1001217032 449
1116	1001198336..... 757	1001207004237	1001217046 449
1001186432 .. 1015, 1017	1001198337..... 760, 764,	1001207558266	1001217090 449
1001186501 291, 295	768, 772, 776, 780,	1001207969607, 609	1001217170 445

SECTION 11 - SPECIAL OPTIONS

1001217174.....449	1001221219 387, 394	1001228225 679, 1110	1001236505.....877
1001217175.....449	1001221397 479	1001228243 645	1001236552.....683
1001217183.....449	1001221464 445	1001228355 1116	1001236746.....669
1001217185.....449	1001221498 554	1001228375 647	1001236747.....667
1001217186.....449	1001221545 453, 455	1001228376 641	1001236871.....271
1001217191.....445, 448	1001221615 450	1001228377 643	1001236891.....665, 667, 669, 671
1001217317449	1001222033 450	1001228544 1117	1001236895.....665, 667, 669, 671
1001217350.....479	1001222314 607, 609	1001228583 1116	1001236951.....1114
1001217543.....449	1001222641 453, 455	1001228950 919	1001237055.....270
1001217940.....792	1001222817 491, 493	1001228954 919	1001237193.....255
1001217941820	1001223042 449	1001228988 ... 701, 1103, 1105	1001237194.....253, 255, 286
1001218022.....1113	1001223055 .. 1028, 1064	1001229341 679	1001237205.....287
1001218085.....445	1001223453 . 1028, 1048, 1064, 1084	1001229530 975, 977	1001237259.....253
1001218087479	1001223459 944, 947	1001229542 416, 428	1001237261.....255, 295
1001218362.....449	1001223584 448	1001229762 1112	1001237286.....287
1001218449.....449	1001223591 387, 401	1001229810 81, 86	1001237546.....219, 221
1001218547505	1001223923 449	1001229935 1114	1001237667.....975, 977, 985, 987
1001218572.....125, 127, 129, 131, 133	1001223971 .. 1048, 1084	1001230371 581, 735	1001237668.....975, 977, 985, 987
1001218622.....885, 887, 895, 897	1001224048 .. 1056, 1092	1001230372 563, 731	1001237862...1011, 1013
1001218623.....885, 887, 895, 897	1001224049 .. 1060, 1096	1001230373 563, 741	1001237863.....679, 1011
1001218850.....1100	1001224050 .. 1036, 1072	1001230374 .. 25, 29, 725	1001237864.....679, 1013
1001218930.....554	1001224052 .. 1036, 1072	1001230375 .. 33, 37, 745	1001237865.....679, 1009
1001219219....39, 41, 43, 47	1001224053 .. 1052, 1088	1001230635 382, 388, 394, 416, 428	1001237882.....1113
1001219259.....449	1001224486 450	1001230783 33	1001237883.....1113
1001219345.....449	1001224489 450	1001230934 948	1001238138.....241, 243
1001219361.....449	1001224936 388, 394	1001230935 948	1001238263.....665, 667, 669, 671
1001219363.....449	1001224937 388, 394	1001230936 948	1001238268.....382
1001219370.....442	1001224940 388, 394	1001231147 25	1001238319.....679
1001219480.....449	1001225346 877, 1110	1001231235 1116	1001238327.....241, 243
1001219601136, 140, 144, 148, 152, 156, 160, 164, 167, 172, 176, 180, 184, 188, 192, 196, 200, 204, 208, 212, 216, 1110	1001225430 401, 1109	1001231801 1100	1001238399.....589
1001219611449	1001225432 402, 1109	1001231886 225	1001238400.....589
1001219612449	1001225442 449	1001231949 669	1001238418.....683, 1015
1001219613449	1001225510 450	1001231950 667, 671	1001238421.....589
1001219618553	1001225580 681, 1017	1001232010 667, 669, 671	1001238463.....671
1001219619515	1001225623 1113	1001232011 667, 669, 671	1001238472.....683
1001219630.....516	1001225745 347, 445, 465	1001232164 679	1001238495.....681
1001219632.....516	1001226286 491	1001232165 679	1001238559.....683
1001219633.....1114	1001226400 901, 903, 905, 907, 909, 911	1001232539 37	1001238931.....253
1001219634.....442	1001226531 877	1001232540 29	1001239202.....947
1001219636443	1001226541 929, 933	1001232642 683	1001239203.....1113
1001219637443	1001226636 929	1001232667 683, 1110	1001239471.....129
1001219638443	1001226637 929	1001232842 439	1001239472.....125
1001219639443	1001226739 919, 921, 923, 925, 929	1001233047 1112	1001239688.....309, 311, 313
1001219840.....1112	1001226799 919, 921, 925	1001233089 387, 394	1001239689.....309
1001219881505	1001226872 619	1001233479 233	1001239690.....309, 311, 313
1001219979.....75, 607	1001226923 491	1001233763 408, 439	1001239691.....309, 311, 313
1001219980.....77, 609	1001227224 365, 369, 437	1001233959 219, 673	1001239721.....315
1001220002.....307	1001227494 923	1001234800 947	1001239722.....315
1001220067.....307	1001227614 375, 386	1001235900 75, 77, 79	1001239723.....315
1001220142.....479	1001227633 679	1001235901 609, 613	1001239724.....315
1001220283.....69	1001227634 679	1001235949 382, 416, 428, 435	1001241345.....1113
1001220379.....943	1001227666 450	1001236091 219, 221	1001241398.....221, 675
1001220392.....263	1001227667 450	1001236303 129, 131, 133	1001241416.....1114
1001220393.....263, 306	1001227769 453	1001236304 877	1001241547.....1116
1001220404.....457	1001227772 453, 455	1001236334 477	1001241548.....1116
1001221203.....388, 394	1001227951 1113	1001236335 477	1001241689.....653, 655, 659
1001221212.....365, 369, 387, 394, 485, 487	1001227985 679	1001236387 271	1001241694.....605
	1001227987 679	1001236389 271	
	1001227996 .. 1011, 1013	1001236392 271	
	1001228215 619	1001236400 1101	
	1001228224 679, 1110	1001236504 877	

SECTION 11 - SPECIAL OPTIONS

1001241697	605	1001249695.....	1112	1001257229.....	1028	1001265676	1113
1001241698	605	1001249941.....	1112	1001257230.....	1028	1001266056	1115
1001241703	653	1001250294.....	275, 279,	1001257231.....	1048	1001266098	1115
1001241965	683	283, 287, 299, 303, 307		1001257232.....	1048	1001266284	1115
1001242253	235	1001250295.....	274, 278,	1001257233.....	1056	1001266290	1114
1001242254	237	283, 287, 299, 302, 307		1001257234.....	1056	1001266469	135, 139
1001242409	1112	1001250595.....	1116	1001257235.....	1044	1001266470	151, 155
1001242459	1028	1001250737.....	568, 572,	1001257236.....	1044	1001266471	143, 147
1001242586	1064	576		1001257237.....	1060	1001266472	159, 163
1001242595	1056	1001251022.....	561, 729	1001257238.....	1060	1001266473	171, 175
1001242597	1092	1001251027.....	559, 727	1001257239.....	1052	1001266474	187, 191
1001242654	1044	1001251028.....	559, 737	1001257240.....	1052	1001266475	203, 207
1001242655	1080	1001251029.....	561, 739	1001257241.....	1036	1001266476	211, 215
1001242694	1060	1001251081.....	568, 747	1001257242.....	1036	1001266477	179, 183
1001242695	1096	1001251083.....	572, 749	1001257243.....	1064	1001266478	195, 199
1001242700	1036	1001251863.....	717	1001257244.....	1064	1001266479	136, 140,
1001242701	1072	1001252527.....	948	1001257245.....	1084	172, 176, 204, 208	
1001242753	1048	1001252629.....	665, 667,	1001257246.....	1084	1001266480	152, 156,
1001242754	1084	669, 671		1001257247.....	1092	168, 188, 192, 212, 216	
1001242826	1052	1001254009.....	568	1001257248.....	1092	1001266481	144, 148
1001242827	1088	1001254010.....	559, 567	1001257249.....	1080	1001266482	160, 164
1001243183	1112	1001254011.....	559	1001257250.....	1080	1001266483	180, 184
1001243184	1112	1001254016.....	245	1001257251.....	1096	1001266484	196, 200
1001243366	341	1001254017.....	245	1001257252.....	1096	1001266489	1115
1001243414	275, 279,	1001254018.....	245	1001257253.....	1088	1001266499	388, 394
283, 287, 299, 303, 307		1001254019.....	241, 243	1001257254.....	1088	1001266525	387, 394,
1001243561	831	1001254020.....	241, 243,	1001257255.....	1072	416, 428	
1001243682	225, 227,	245		1001257256.....	1072	1001266799	1115
327		1001254021.....	241	1001257257... 1032, 1040		1001266801	1115
1001243895	439	1001254472.....	683	1001257258... 1032, 1040		1001266807	1115
1001243985	309	1001254473.....	683	1001257259... 1068, 1076		1001266969	1115
1001243986	315	1001254657.....	491	1001257260... 1068, 1076		1001267256	388, 394,
1001243992	341	1001255110.....	561	1001257271.....	665	416, 428	
1001244114	607, 611	1001255111.....	561, 571	1001257274.....	665	1001267262	1112
1001244181	656, 985	1001255112.....	572	1001257276.....	483, 485,	1001267287	109
1001244298	1044, 1080	1001255116.....	563	487		1001267288	103
1001244301	1044, 1080	1001255117.....	243	1001257278.....	387, 394	1001267289	115
1001244462	239	1001255133.....	589	1001257283.....	481	1001267308	1028, 1032,
1001244463	283, 291,	1001255356.....	241, 243	1001257320.....	1040	1036, 1040, 1044,	
309		1001255357.....	241, 243	1001257321.....	1076	1048, 1052, 1056, 1060	
1001244465	283, 291,	1001255358.....	241, 243	1001257322.....	1032	1001267309	1064, 1068,
295, 299, 315		1001255359.....	241, 243	1001257323.....	1068	1072, 1076, 1080,	
1001244466	257, 290	1001255807.....	1112	1001257412.....	388, 394	1084, 1088, 1092, 1096	
1001244467	257	1001255901.....	931, 975,	1001257776.....	561	1001267550	575
1001245137	1113	977		1001257972.....	555, 969	1001267551	575
1001245913	382, 955	1001256190.....	879	1001258003.....	559, 561	1001267552	576
1001246142	1112	1001256191.....	889	1001258007.....	561	1001267678	103, 109,
1001246144	921	1001256192.....	881	1001258800.....	382	115, 121	
1001246145	925	1001256193.....	891	1001260412.....	382, 388,	1001268530	564, 575
1001246475	921	1001256194.....	887	394, 416, 428		1001268736	1114
1001246476	925	1001256195.....	897	1001260413.....	382, 388,	1001268820	690, 695,
1001246859	978, 1021	1001256196.....	885	394, 416, 428		697, 699	
1001247011	366, 369,	1001256197.....	895	1001260680.....	889, 891,	1001268883	61
483		1001256198.....	883	893, 895, 897, 899		1001268884	61
1001247055	561, 579	1001256199.....	893	1001261045.....	382	1001269187	1115
1001247073	1116	1001256201.....	899	1001261085.....	382	1001269322	690, 695,
1001247281	225	1001256203.....	313	1001261335.....	665	697, 701	
1001247358	63	1001256244.....	299, 313	1001261338.....	665	1001269389	1115
1001247359	450	1001256247.....	299	1001262016.....	1116	1001269510	751, 753
1001247468	591, 1110	1001256248.....	259, 298	1001262322.....	923	1001269573	690, 695,
1001248012	579, 733	1001256250.....	313	1001262326.....	923	697, 701	
1001248140	665, 667,	1001256251.....	259	1001262959.....	1117	1001269629	1113
669, 671		1001256258.....	283	1001263179.....	227	1001269630	1113
1001248141	665, 667,	1001256259.....	251, 282	1001263395.....	1116	1001269631	1113
669, 671		1001256260.....	251	1001263923.....	937	1001269655	1116
1001249052	1116	1001256506.....	944	1001265163.....	719	1001269959	291, 295
1001249095	975, 977	1001256879.....	362	1001265342.....	719	1001269988	291, 295

SECTION 11 - SPECIAL OPTIONS

1001269989.....291, 295	180, 188, 196, 204,	1001282215 1116	1001288409.....597
1001270068.....757	212, 1021	1001282461 1116	1001288704.....1100
1001270069.....772, 776,	1001276376..... 343, 345,	1001283776 231, 1019	1001288705.....1100
780, 784, 800, 804,	373, 375, 377, 411,	1001284101 507	1001289163.....563, 581
812, 816	423, 473	1001284156 127, 131,	1001289552.....948
1001270070.....780, 812	1001276377 343, 345,	133	1001289553.....948
1001270071.....760, 768,	373, 375, 377, 411,	1001284157 127	1001289593.....362, 370,
772, 776, 780, 784	423, 445, 471	1001284511 1116	408, 420, 935
1001270072.....760, 768,	1001276610 927	1001284582 673, 675	1001289607.....589, 591
772, 777, 781, 785	1001276644 382, 393,	1001284583 673, 675	1001289648.....229
1001270073.....776, 784,	416, 428, 947	1001284687 . 1028, 1032,	1001289831.....1116
804, 816	1001276878 581, 587	1036, 1040, 1044,	1001289832.....1116
1001270075.....788, 792,	1001276923 1112	1048, 1052, 1056,	1001289850.....229
796, 820	1001277592 382, 399	1060, 1064, 1068,	1001289905.....1116
1001270076.....788, 792,	1001277598 373, 380	1072, 1076, 1080,	1001289906.....1116
796, 820	1001277840 1117	1084, 1088, 1092, 1096	1001289964.....393
1001270077.....769, 781,	1001277848 1117	1001284973 135, 139,	1001290252.....449
785, 808, 813, 817	1001278022 43, 53	143, 147, 151, 155,	1001290348.....1100
1001270084.....760, 764,	1001278612 167	159, 163, 167, 171,	1001290375.....1114
768, 808	1001278845 235	175, 179, 183, 187,	1001291056.....229
1001270099.....271	1001278850 235	191, 195, 199, 203,	1001291401.....382, 388,
1001270287.....233	1001280403 136, 140,	207, 211, 215, 1023	394, 416, 428
1001270288.....233	152, 156, 167, 172,	1001285009 43	1001291456.....1100
1001270482.....1114	176, 188, 192, 204,	1001285037 443, 445	1001291566.....599
1001270518.....1113	208, 212, 216	1001285038 442	1001291681.....394, 397
1001270594.....231	1001280600 135, 139,	1001285346 136, 144,	1001291870.....1112
1001270630.....773, 800	143, 147, 151, 155,	152, 160, 168, 172,	1001291944.....595, 597,
1001271074.....291, 295	159, 163, 168, 171,	180, 188, 196, 204,	601, 603
1001271618.....788, 792	175, 179, 183, 187,	212, 975	1001292031.....599
1001271619.....788, 792,	191, 195, 199, 203,	1001285349 507	1001292032.....601
796, 820	207, 211, 215, 1109	1001285379 105, 111,	1001292423.....1101
1001271620.....797, 820	1001280661 229	117, 123	1001292584.....1116
1001271642.....1115	1001281070 1116	1001285515 135, 139,	1001293060.....361
1001271760.....1115	1001281077 593, 595	151, 155, 937	1001293078.....1113
1001271794.....136, 140,	1001281168 593, 595	1001285786 111	1001293138.....985, 987
144, 148, 152, 156,	1001281170 593, 595	1001285800 168, 212,	1001293261.....599, 601,
160, 164, 168, 172,	1001281171 593, 595	216	603
176, 180, 184, 188,	1001281192 382	1001285830 105	1001293298.....1116
192, 196, 200, 204,	1001281298 507	1001285831 117	1001293369.....239
208, 212, 216	1001281301 507	1001286027 143, 147,	1001293877.....1116
1001271888.....1115	1001281304 507	159, 163, 167, 939	1001294068.....1116
1001272089.....1113	1001281305 507	1001286028 204, 208,	1001294100.....603
1001272166.....1114	1001281307 507	211, 216, 951	1001294815.....1101
1001272178.....1115	1001281309 507	1001286519 1113	1001294861.....1101
1001272182.....1115	1001281310 507	1001286521 1113	1001295197.....597
1001272201.....1113	1001281311 507	1001286622 229, 231,	1001295242.....581
1001272274.....1115	1001281359 507	933	1001295280.....1114
1001272305.....291, 295	1001281360 507	1001287464 135, 139,	1001295732.....171, 175,
1001272659.....927	1001281452 1115	143, 147, 151, 155,	179, 183, 187, 191,
1001272681.....235	1001281453 1115	159, 163, 167, 171,	195, 199, 941
1001272888.....1113	1001281455 1115	175, 179, 183, 187,	1001295844.....1115
1001272997.....931	1001281456 1115	191, 195, 199, 203,	1001296286.....1115
1001273012.....927, 931	1001281457 1115	207, 211, 215	1001296316.....331, 341,
1001274249.....1117	1001281458 1115	1001287536 507	343
1001274559.....171, 175,	1001281460 1115	1001287729 93	1001296317.....331
179, 183, 187, 191,	1001281461 1115	1001287730 93	1001296318.....334, 345
195, 199, 655, 659	1001281466 1114	1001287748 768	1001296319.....370, 377
1001275149.....229, 231	1001281609 377, 392	1001287749 780	1001296320.....333
1001275628.....656, 660,	1001281610 405	1001287750 784	1001296323.....341
1108	1001281656 507	1001287814 1113	1001296325.....369
1001275629.....655, 659,	1001281985 394, 416,	1001287834 337	1001296327.....366, 375
1108	428	1001287836 1113	1001296328.....365
1001275642.....1116	1001281986 394, 416,	1001287837 1113	1001296622.....1115
1001275644.....1116	428	1001287839 1113	1001296655.....362, 373
1001276143.....136, 144,	1001282099 1112	1001287884 131, 133	1001296681.....1112
152, 160, 168, 172,	1001282106 219, 221,	1001288113 507	1001296683.....1112
	673, 675	1001288407 597, 603	1001296701.....1115

SECTION 11 - SPECIAL OPTIONS

1001296833 764, 801, 805, 809, 813, 817	1060637 ... 331, 333, 337, 341, 373, 375, 377, 411, 423, 445	1671092.....542, 550, 554	1703811 317, 1028, 1032, 1036, 1040, 1044, 1048, 1052, 1056, 1060, 1064, 1068, 1072, 1076, 1080, 1084, 1088, 1092, 1096
1001296834 764, 801, 805, 809, 813, 817	1060903 ... 709, 711, 713, 715	1671093.....690, 697	1703814 1028, 1032, 1036, 1040, 1044, 1048, 1052, 1056, 1060, 1064, 1068, 1072, 1076, 1080, 1084, 1088, 1092, 1096
1001296835 764, 801, 805, 809, 813, 817	1060908 ... 835, 841, 847, 853, 859, 913, 917	1671201.....266, 270	1703848 1048, 1084
1001296836 764, 801, 805, 809, 813, 817	1060918 663	1671228.....266, 267, 270, 271	1703923 1060, 1096
1001296837 764, 801, 805, 809, 813, 817	1062255 361	1671230.....267	1703924 1048, 1084
1001296838 765, 801, 805, 809, 813, 817	10702077 . 538, 542, 546, 550, 554	1671231.....267, 271	1703925 1044, 1080
1001296846 800	10702082 . 538, 542, 546, 550, 554	1671232.....267, 271	1703926 1052, 1088
1001296847 804	10836804 . 136, 140, 143, 147, 152, 156, 159,	1700818.....1100	1703927 1056, 1092
1001296848 808	163, 167, 171, 175,	1701499..... 1028, 1032, 1036, 1040, 1044, 1048, 1052, 1056, 1060, 1064, 1068, 1072, 1076, 1080, 1084, 1088, 1092, 1096	1703935 1060, 1096
1001296849 812	179, 183, 187, 191, 195, 199, 203, 207, 211, 215	1701501.....1028, 1032, 1036, 1040, 1044, 1048, 1052, 1056, 1060, 1064, 1068, 1072, 1076, 1080, 1084, 1088, 1092, 1096	1703936 1048, 1084
1001296850 816	10837580 79	1701505.....331, 333, 337, 341, 361, 365, 369, 407, 419	1703938 1052, 1088
1001296856 764, 800, 804, 808, 813, 817	1120510 567, 571, 575	1701509....703, 705, 707, 1028, 1032, 1036, 1040, 1044, 1048, 1052, 1056, 1060, 1064, 1068, 1072, 1076, 1080, 1084, 1088, 1092, 1096	1703942 1048, 1084
1001296857 764, 801, 805, 809, 813, 817	1120555 703, 705, 707	1701518..... 1032, 1040, 1068, 1076	1703943 1044, 1080
1001296862 764	1120601 ... 266, 270, 274, 278, 282, 286, 290, 294, 298, 302, 306	1701542.....442	1703944 1052, 1088
1001296987 483	1220078 567, 571, 575	1701543.....442	1703945 1056, 1092
1001297083 1114	1260017 97	1701691..... 1028, 1032, 1036, 1040, 1044, 1048, 1052, 1056, 1060, 1064, 1068, 1072, 1076, 1080, 1084, 1088, 1092, 1096	1703947 1060, 1096
1001297391 144, 148, 160, 164, 180, 184, 195, 199	1320016 350, 354	1702565.....655, 659	1703949 1044, 1080
1001297748 587	1320022 ... 331, 333, 337, 341, 489	1702566.....655, 659	1703950 1052, 1088
1001298869 576, 751	1320041 883, 893	1702567.....655, 659	1703951 1056, 1092
1001299624 597	1320061 ... 361, 365, 369, 407, 419, 879, 881, 883, 885, 887, 889, 891, 893, 895, 897, 899	1702720.....1100	1703953 1028, 1064
1001299648 597	1320110 448	1702773..649, 651, 1040, 1076, 1100	1703980 1052, 1088
1001299649 597	1320127 63	1702774.....1100	1703981 1056, 1092
1001299793 589	1320176 ... 331, 333, 337, 341	1702861.....1100	1703982 1044, 1080
1001301123 1114	1320177 687, 690	1702868 701, 1028, 1064, 1100, 1105	1703983 1060, 1096
1001301337 485	1320202 ... 885, 887, 895, 897	1702941.....333, 337, 407	1703984 1048, 1084
1001301338 487	1320202 ... 885, 887, 895, 897	1702942.....333, 337, 407	1704000 1048, 1084, 1100
1001301691 1114	1320218 63	1702943.....333, 337, 407	1704001 1060, 1096, 1100
1001301717 416, 428, 431	1320220 63	1702944.....333, 337, 407	1704260 655, 659
1001301719 423, 426	1320223 ... 350, 354, 879, 881, 889, 891	1703162.....350, 354, 380, 386, 392, 414, 426, 448	1704271 1100
1001301831 485	1320224 ... 319, 321, 331, 333, 337, 341	1703179.....1100	1704272 69
1001301946 420, 423	1320263 ... 593, 595, 597, 599, 601, 603	1703475..... 1028, 1032, 1036, 1040, 1044, 1048, 1052, 1056, 1060	1704277 1028, 1032, 1036, 1040, 1044, 1048, 1052, 1056, 1060, 1064, 1068, 1072, 1076, 1080, 1084, 1088, 1092, 1096
1001301950 411, 414	1320288 599, 601, 603	1703797..... 1028, 1064	1704412 1028, 1032, 1036, 1040, 1044, 1048, 1052, 1056, 1060, 1064, 1068, 1072, 1076, 1080, 1084, 1088, 1092, 1096
1001302003 408, 411	1320289 ... 593, 595, 597, 599, 601, 603	1703804..... 1028, 1064	1704412 1028, 1032, 1036, 1040, 1044, 1048, 1052, 1056, 1060, 1064, 1068, 1072, 1076, 1080, 1084, 1088, 1092, 1096
1001302087 419	1320294 ... 593, 595, 597, 599, 601, 603	1703805..... 1028, 1064	1704412 1028, 1032, 1036, 1040, 1044, 1048, 1052, 1056, 1060, 1064, 1068, 1072, 1076, 1080, 1084, 1088, 1092, 1096
1001302097 407	1320302 ... 690, 695, 697, 701		1704412 1028, 1032, 1036, 1040, 1044, 1048, 1052, 1056, 1060, 1064, 1068, 1072, 1076, 1080, 1084, 1088, 1092, 1096
1001302221 487	1321283 442		1704412 1028, 1032, 1036, 1040, 1044, 1048, 1052, 1056, 1060, 1064, 1068, 1072, 1076, 1080, 1084, 1088, 1092, 1096
1001302223 487	1321384 267, 271		1704412 1028, 1032, 1036, 1040, 1044, 1048, 1052, 1056, 1060, 1064, 1068, 1072, 1076, 1080, 1084, 1088, 1092, 1096
1001302664 294	1340061 1112		1704412 1028, 1032, 1036, 1040, 1044, 1048, 1052, 1056, 1060, 1064, 1068, 1072, 1076, 1080, 1084, 1088, 1092, 1096
1001302665 295, 311	1380147 503, 505		1704412 1028, 1032, 1036, 1040, 1044, 1048, 1052, 1056, 1060, 1064, 1068, 1072, 1076, 1080, 1084, 1088, 1092, 1096
1001302666 311	1580012 685		1704412 1028, 1032, 1036, 1040, 1044, 1048, 1052, 1056, 1060, 1064, 1068, 1072, 1076, 1080, 1084, 1088, 1092, 1096
1001302667 311	1580013 1114		1704412 1028, 1032, 1036, 1040, 1044, 1048, 1052, 1056, 1060, 1064, 1068, 1072, 1076, 1080, 1084, 1088, 1092, 1096
1001303167 1116	1670603 863		1704412 1028, 1032, 1036, 1040, 1044, 1048, 1052, 1056, 1060, 1064, 1068, 1072, 1076, 1080, 1084, 1088, 1092, 1096
1001303818 450	1671034 ... 889, 891, 893, 895, 897, 899		1704412 1028, 1032, 1036, 1040, 1044, 1048, 1052, 1056, 1060, 1064, 1068, 1072, 1076, 1080, 1084, 1088, 1092, 1096
1001306145 140, 148, 156, 164, 176, 184, 192, 200, 208, 216, 977	1671044 615		1704412 1028, 1032, 1036, 1040, 1044, 1048, 1052, 1056, 1060, 1064, 1068, 1072, 1076, 1080, 1084, 1088, 1092, 1096
1001306803 83, 89			1704412 1028, 1032, 1036, 1040, 1044, 1048, 1052, 1056, 1060, 1064, 1068, 1072, 1076, 1080, 1084, 1088, 1092, 1096
1001309251 660, 987			1704412 1028, 1032, 1036, 1040, 1044, 1048, 1052, 1056, 1060, 1064, 1068, 1072, 1076, 1080, 1084, 1088, 1092, 1096
1001311034 683, 1110			1704412 1028, 1032, 1036, 1040, 1044, 1048, 1052, 1056, 1060, 1064, 1068, 1072, 1076, 1080, 1084, 1088, 1092, 1096
1060341 ... 709, 711, 713, 715			1704412 1028, 1032, 1036, 1040, 1044, 1048, 1052, 1056, 1060, 1064, 1068, 1072, 1076, 1080, 1084, 1088, 1092, 1096
1060343 542, 550, 554			1704412 1028, 1032, 1036, 1040, 1044, 1048, 1052, 1056, 1060, 1064, 1068, 1072, 1076, 1080, 1084, 1088, 1092, 1096
1060545 915			1704412 1028, 1032, 1036, 1040, 1044, 1048, 1052, 1056, 1060, 1064, 1068, 1072, 1076, 1080, 1084, 1088, 1092, 1096
1060584 71			1704412 1028, 1032, 1036, 1040, 1044, 1048, 1052, 1056, 1060, 1064, 1068, 1072, 1076, 1080, 1084, 1088, 1092, 1096
1060626 333, 337, 407			1704412 1028, 1032, 1036, 1040, 1044, 1048, 1052, 1056, 1060, 1064, 1068, 1072, 1076, 1080, 1084, 1088, 1092, 1096

SECTION 11 - SPECIAL OPTIONS

1705351.....1028, 1064	800, 804, 808, 812,	2130808 ... 760, 764, 768,	2220238.... 760, 764, 768,
1705355.....1103, 1105	816, 820	772, 776, 780, 784,	772, 776, 780, 784,
1705358....703, 705, 707,	2110406 ... 760, 764, 768,	800, 804, 808, 812, 816	800, 804, 808, 812, 816
1100	772, 776, 780, 784,	2130810 ... 788, 792, 796,	2220252..... 319, 321
1705368.....1101	800, 804, 808, 812, 816	820	2220261..... 63, 450
1705374....526, 534, 865,	2110408 ... 757, 760, 764,	2131010 ... 764, 788, 792,	2220313.... 331, 333, 337,
867	768, 772, 776, 780,	796, 800, 804, 808,	341, 361, 365, 369,
1705375....542, 551, 554	784, 800, 804, 808,	812, 816, 820	407, 419
1705387....526, 534, 543,	812, 816	2131012 ... 760, 764, 768,	2220315.... 380, 386, 392,
551, 554	2110606 ... 757, 760, 764,	772, 776, 780, 784,	414, 426
1705426..... 1052, 1088	768, 772, 776, 780,	800, 804, 808, 812, 816	2220418..... 63
1705427..... 1056, 1092	784, 788, 792, 796,	2131212 ... 760, 768, 772,	2220451..... 350, 354
1705429..... 1048, 1084	800, 804, 808, 812,	776, 780, 784	2220478.... 788, 792, 796,
1705430..... 1044, 1080	816, 820	2131612 ... 764, 800, 804,	820
1705460....538, 542, 546,	2110608 ... 768, 780, 784,	808, 812, 816	2220737.... 788, 792, 796,
550, 554	788, 792, 796, 808,	2131616 ... 760, 768, 772,	820
1705461.....538, 546	812, 816, 820	776, 780, 784, 800,	2220750..... 319, 321
1705489....521, 529, 538,	2110612 ... 788, 792, 796,	804, 812, 816	2220816..... 489, 491
546	820	2132016 ... 760, 764, 768,	2220883 49, 51, 723, 725,
1705820.....69	2110808 ... 760, 764, 768,	772, 776, 780, 784,	727, 729, 731, 733,
1705822..... 1032, 1040,	772, 776, 780, 784,	800, 804, 808, 812, 816	735, 737, 739, 741
1068, 1076	788, 792, 796, 800,	2150404 ... 788, 792, 796,	2220885.... 723, 725, 733,
1705828..... 1032, 1040,	804, 808, 812, 816, 820	820	735, 737, 739, 741,
1068, 1076	2110810 ... 760, 764, 768,	2150406 ... 760, 764, 768,	747, 749
1705836..... 319, 321	772, 776, 780, 784,	772, 776, 780, 784,	2220886 49, 51, 731, 747,
1705837..... 319, 321	800, 804, 808, 812, 816	800, 804, 808, 812, 816	749
1705886..... 319, 321	2110812 ... 760, 764, 768,	2151616 ... 760, 764, 768,	2220887..... 741
1705895..... 1036, 1072	772, 776, 780, 784,	772, 776, 780, 784,	2220888..... 49, 51, 741
1705896..... 1036, 1072	800, 804, 808, 812, 816	788, 792, 796, 800,	2221024..... 63
1705897..... 1036, 1072	2111008 ... 788, 792, 796,	804, 808, 812, 816, 820	2221086.... 788, 792, 796,
1705898..... 1036, 1072	820	2170204 ... 760, 764, 768,	820
1705902..... 1036, 1072	2111010 ... 788, 792, 796,	772, 776, 780, 784,	2221176.... 331, 333, 337,
1705903..... 1036, 1072	820	800, 804, 808, 812, 816	341, 442
1705905..... 1036, 1072	2111016 ... 760, 768, 772,	2170208 ... 788, 792, 796,	2221197..... 63, 442
1705910..... 1060, 1096	776, 780, 784	820	2300016..... 41
1705917..... 1060, 1096	2111208 ... 788, 792, 796,	2170212 ... 764, 800, 804,	2400060.... 439, 719, 965,
1705921..... 1032, 1040,	820	808, 812, 816	969, 975, 977, 985, 987
1068, 1076	2111212 ... 760, 764, 768,	2170408 ... 772, 776, 780,	2400064.... 965, 969, 1109
1705961..... 1032, 1040,	772, 776, 780, 784,	784, 800, 804, 812, 816	2410014..... 649, 651
1068, 1076	788, 792, 796, 800,	2170504 ... 760, 764, 768,	2420203.... 509, 511, 515
1705967..... 1036, 1072,	804, 808, 812, 816, 820	772, 776, 780, 784,	2460048..... 537, 541
1100	2111616 ... 760, 764, 768,	800, 804, 808, 812, 816	2460051..... 515
1705969..... 1056, 1092,	772, 776, 780, 784,	2170506 ... 768, 780, 784,	2460055..... 509
1100	800, 804, 808, 812, 816	808, 812, 816	2540035..... 266, 270
1705980.....1101	2112020 ... 760, 764, 768,	2170706 ... 768, 780, 784,	2560136..... 655, 659
1706059.....1100	772, 776, 780, 784,	808, 812, 816	2560187.... 275, 279, 287,
1706060.....1100	800, 804, 808, 812, 816	2172112 ... 788, 792, 796,	303, 307, 309, 311,
1706061.....1100	2112424 ... 788, 792, 796,	820	313, 315
1706062.....1100	820	2180348 ... 331, 333, 337,	2580024.... 333, 337, 407
1706063.....1100	2120217 607, 609	341, 442, 450, 489	2580062..... 355
1706064.....1100	2130404 ... 760, 764, 768,	2180387 63	2600209..... 267, 271
1706098.....1100	772, 776, 780, 784,	2180388 63	2600233..... 267, 271
1706385..... 649, 651	788, 792, 796, 800,	2180389 63	2600244..... 266, 270
1706593..... 69	804, 808, 812, 816, 820	2180418 63, 442, 450	2600281.... 633, 635, 637,
2030010.... 687, 690, 695,	2130406 ... 772, 776, 780,	2180467 ... 113, 115, 117,	639, 641, 645
697, 701	784, 796, 800, 804,	448	2680490..... 266, 270
2060025..... 350, 354	812, 816, 820	2180829 796, 820	2717059.... 788, 792, 796,
2080040.... 274, 278, 282,	2130604 ... 772, 776, 780,	2180832 ... 361, 365, 369,	820
286, 290, 294, 298,	784, 800, 804, 812, 816	407, 419, 687, 690	2720015.... 386, 392, 414,
302, 306, 633, 635,	2130606 ... 760, 764, 768,	2200222 ... 101, 103, 105,	426
637, 639, 641, 645	772, 776, 780, 784,	107, 109, 111, 113,	2720058.... 331, 333, 337,
2080072.... 274, 278, 282,	788, 792, 796, 800,	115, 117	341, 450, 489
286, 290, 294, 298,	804, 808, 812, 816, 820	2220237 ... 760, 764, 768,	2720144..... 63
302, 306	2130608 ... 788, 792, 796,	772, 776, 780, 784,	2720160..... 687, 690
2110404.... 757, 760, 764,	820	800, 804, 808, 812, 816	2720340.... 380, 386, 392,
768, 772, 776, 780,	2130612 ... 788, 792, 796,		414, 426
784, 788, 792, 796,	820		2720398..... 350, 354

SECTION 11 - SPECIAL OPTIONS

2750532 ... 331, 333, 337, 341, 361, 365, 407, 419	2753768 ... 760, 768, 772, 777, 781, 785	3020043.....229	3300151 ... 619, 621, 623, 625, 631, 641, 643, 645, 647, 690, 695, 697, 701
2753540 ... 760, 764, 768, 772, 776, 781, 785, 801, 805, 808, 813, 817	2753879 ... 769, 781, 785, 808, 813, 817	3160347.....39, 49	3300205 ... 135, 139, 143, 147, 151, 155, 159, 163, 167, 171, 175, 179, 183, 187, 191, 195, 199, 203, 207, 211, 215
2753542 ... 773, 776, 780, 784, 800, 804, 812, 816	2753970 ... 773, 780, 800, 812	3200401....351, 355, 380, 386, 392, 414, 426, 495, 497	3300240 567, 571, 575
2753545 ... 788, 792, 796, 820	2753971 ... 772, 776, 780, 784, 800, 804, 812, 816	3200406.....350, 354	3300241 567, 571, 575
2753555 ... 760, 768, 772, 777, 781, 785	2754242 764, 768, 808	3200449.....615	3300242 567, 571, 575
2753622 ... 760, 764, 768, 772, 776, 780, 784, 788, 792, 793, 796, 800, 804, 808, 812, 816, 821	2754243 764, 768, 808	3250872.....67	3300353... 135, 139, 143, 147, 151, 155, 159, 163, 167, 171, 175, 179, 183, 187, 191, 195, 199, 203, 207, 211, 215, 655, 659
2753626 ... 772, 776, 780, 784, 800, 804, 812, 816	2754337 ... 760, 764, 768, 772, 776, 780, 784, 800, 804, 808, 812, 816	3251102....509, 511, 515, 519, 521, 525, 529, 533	3300364... 274, 278, 282, 286, 290, 294, 298, 302, 306
2753628 ... 773, 780, 800, 812	2754338 ... 772, 776, 780, 784, 800, 804, 812, 816	3251242....839, 843, 845, 849, 851, 855, 857, 861, 863	3300396... 525, 534, 538, 542, 546, 550, 554
2753634 ... 772, 776, 780, 784, 800, 804, 812, 816	2754512 ... 773, 780, 800, 812	3251243....509, 515, 526, 534, 542, 550, 554, 1028, 1044, 1052, 1056, 1060, 1064, 1080, 1088, 1092, 1096	3300408... 135, 139, 143, 147, 151, 155, 159, 163, 167, 171, 175, 179, 183, 187, 191, 195, 199, 203, 207, 211, 215, 219, 221
2753635 764, 768, 808	2754720 ... 776, 784, 804, 816	3251813.....1100	3300430 681, 717
2753653 ... 788, 792, 796, 820	2754743 ... 776, 784, 804, 816	32523471028, 1064	3310401 ... 386, 392, 414, 426
2753654 ... 788, 792, 796, 821	278022939, 45	3252507....519, 841, 847, 853, 859	3310601 503, 505
2753656 ... 769, 781, 785, 788, 792, 796, 808, 813, 817, 821	2820031 ... 509, 511, 515, 519, 521, 525, 529, 533, 538, 542, 545, 549, 553, 901, 903, 905, 907	3252764....537, 541, 545, 549, 553	3310805 63
2753667 ... 760, 768, 772, 776, 781, 785	2820035439	3271601.....271	3311001... 267, 271, 433, 435, 437, 538, 542, 546, 550, 554
2753670 ... 788, 792, 796, 820	2820078 ... 267, 275, 279, 291, 303	3271605....665, 667, 669, 671	3311005 ... 266, 270, 509, 511, 515, 519, 526, 534, 538, 542, 546, 550, 553, 655, 659, 687, 690, 695, 697, 701
2753671 ... 789, 792, 796, 820	2820118 ... 901, 903, 905, 907	3271801....380, 386, 392, 414, 426	3311401... 709, 711, 713, 715
2753674 ... 788, 792, 797, 820	2820233267	3271805.....99, 649, 651	3311405 ... 135, 139, 143, 147, 151, 155, 159, 163, 167, 171, 175, 179, 183, 187, 191, 195, 199, 203, 207, 211, 215, 225, 227, 247, 249, 251, 253, 255, 257, 259, 261, 266, 270, 274, 278, 282, 286, 290, 294, 298, 302, 306, 319, 321, 323, 331, 333, 337, 341, 343, 345, 347, 350, 354, 361, 365, 369, 373, 375, 377, 380, 386, 392, 407, 411, 414, 419, 423, 426, 442, 445, 499, 501, 521, 525, 529, 534, 537, 541, 545, 550, 627, 629, 653, 683, 717, 833,
2753675 788, 792	2820234267	3272001....567, 571, 575, 665, 667, 669, 671	
2753676 797, 820	2820235267	3272401....567, 571, 575	
2753677 797, 820	2820247 1011, 1013	3290401.....229	
2753678 797, 820	2840016 503, 505	3290405....231, 233, 235, 442, 719, 833, 835, 837, 839, 841, 843, 845, 847, 849, 851, 853, 855, 857, 859, 861, 863	
2753679 788, 792	2860012509	3290501.....341	
2753680 797, 820	2860030 ... 135, 139, 143, 147, 151, 155, 159, 163, 171, 175, 179, 183, 187, 191, 195, 199, 203, 207, 1109	3290505.....442, 519	
2753681 ... 788, 792, 796, 820	290075641, 43	3290601....275, 279, 287, 303, 307, 309, 311, 313, 315, 448, 453, 455, 515, 553	
2753682 ... 789, 792, 796, 820	29014431116	3290605....136, 140, 144, 148, 152, 156, 160, 164, 167, 172, 176, 180, 184, 188, 192, 196, 200, 204, 208, 212, 216, 448, 687, 690	
2753683 ... 788, 792, 796, 820	2902212 703, 705, 707	3290606....621, 623, 625, 631, 643, 647	
2753684 ... 789, 792, 796, 820	2902217 690, 695, 697	3290607....235, 237, 448	
2753685 ... 760, 764, 768, 772, 777, 781, 785, 801, 805, 808, 813, 817	2902394 1113	3290801.....386, 392, 448	
2753686 ... 772, 776, 780, 784, 788, 792, 796, 800, 804, 812, 816, 821	2902443 937, 943, 947	3290805.....448, 877	
2753688 ... 760, 764, 768, 808	2910888 1112	3291001.....448, 591	
2753692 797, 820	2915094 1117	3291005....380, 386, 392, 414, 426, 448, 591	
2753693 788, 792	2940045 ... 274, 278, 282, 286, 290, 294, 298, 302, 306	3291007.....505	
2753699 ... 760, 769, 773, 777, 781, 785	2940074 ... 633, 635, 637, 639, 641, 645, 1109	3291201....448, 516, 553, 591	
2753732 ... 769, 781, 785, 808, 813, 817	2940088 267, 271	3291205.....589	
	2940173 ... 275, 279, 282, 286, 290, 294, 298, 303, 306	3300007.....39, 41, 43	
	2940188 266, 270		
	3020021463		
	3020029 33, 37		
	3020037373		
	3020039 ... 21, 23, 25, 27, 29		

SECTION 11 - SPECIAL OPTIONS

835, 837, 839, 841, 843, 845, 847, 849, 851, 853, 855, 857, 859, 861, 863, 869, 871, 877, 879, 881, 883, 885, 887, 889, 891, 893, 895, 897, 899, 1028, 1032, 1036, 1040, 1044, 1048, 1052, 1056, 1060, 1064, 1068, 1072, 1076, 1080, 1084, 1088, 1092, 1096	419, 445, 495, 497, 503, 505, 561, 563 331200281, 83, 665, 667, 669, 671 3312005 703, 705, 707 3312201 567, 571, 575 3312205 703, 705, 707 3312602 ... 229, 231, 233, 235, 237 3321501 ... 266, 270, 275, 279, 282, 286, 290, 294, 298, 303, 306 3322201 99 3340757 567, 571, 575 3340764 ... 593, 595, 597, 599, 601, 603 3340787 ... 593, 595, 597, 599, 601, 603 3340871 567, 571, 575 3340941 ... 593, 595, 599, 601, 603 3340942 ... 593, 595, 597, 599, 601, 603 3340943 ... 593, 595, 599, 601, 603 3340956 703, 705, 707 3340966 35, 37 3380434 653 3380444 266, 270 3380575 266, 270 3420372 71 3420447 71 3421453 687, 690 3421565 71, 97 3422417 ... 31, 33, 35, 37, 567, 571, 575 3422424 567, 571, 575 3422446 ... 331, 333, 337, 341, 361, 365, 369, 407, 419, 442 3422532 ... 343, 345, 347, 373, 375, 377, 411, 423, 445 3422562 559 3422569 559 3422580 559 3422790 31, 33, 35, 37 3422793 561, 563 3422841 71 3422847 71 3422848 35, 37 3422860 579, 581 3422861 579, 581 3422867 579, 581 3422908 559, 561, 563 3422909 559, 561, 563 3422910 559, 561, 563 3422920 559, 561, 563 3422930 559 3422931 559, 561, 563 3422932 561, 563 3430616 656, 660 3430816 503, 505 3440410 615 3450404 503, 505 3460334 703, 705, 707 3470003 656, 660	3520028 509, 511, 515 3520030 ... 274, 278, 282, 286, 290, 294, 298, 302, 306 3520031 ... 135, 139, 143, 147, 151, 155, 159, 163, 167, 171, 175, 179, 183, 187, 191, 195, 199, 203, 207, 211, 215 3520034 579, 581 3520054 ... 350, 354, 388, 392, 655, 659 3520071 703, 705, 707 3520072 ... 619, 621, 623, 625, 631, 633, 635, 637, 639, 641, 643, 645, 647, 649, 651 3520182 627, 629 3520189 538, 546 3520192 538, 546 3520193 241, 243 3520198 ... 619, 621, 623, 625, 627, 629, 631, 633, 635, 637, 639, 641, 643, 645, 647 3537445 503 3537446 503, 505 3538047 ... 21, 23, 25, 27, 29 3539219 ... 143, 147, 159, 163, 167 3539622 567, 571, 575 3539877 21 3572009 71 3572010 71 3572011 71 3572012 71 3573047 ... 879, 881, 883, 885, 887, 889, 891, 893, 895, 897, 899 3573050 559, 561, 563 3573296 ... 879, 881, 883, 885, 887, 889, 891, 893, 895, 897, 899 3573400 ... 690, 695, 697, 701 3574091 713, 715 3575359 709, 711 3576799 687, 690 3577121 ... 690, 695, 697, 701 3580134 519 3580158 509, 519 3580243 567, 571, 575 3580249 567, 571, 575 3580276 509, 511 3580288 567, 571, 575 3580289 567, 571, 575 3580314 553 3580317 ... 521, 526, 529, 533, 538, 542, 545, 549, 553 3580318 ... 526, 533, 542, 549 3580319 ... 521, 529, 538, 545	3580320.... 414, 426, 521, 526, 538, 542 3580324.....515 3600386..... 319, 321, 323 3641569..... 709, 711 3720021..... 319, 321 3740049.... 135, 139, 143, 147, 151, 155, 159, 163, 167, 171, 175, 179, 183, 187, 191, 195, 199, 203, 207, 211, 215, 1110 3740067.... 350, 354, 361, 365, 369, 407, 419, 442, 1108, 1109 3740080.... 341, 350, 354, 509, 511, 515, 519, 553, 1108, 1109 3740086..... 1015, 1110 3760170..... 71, 97 3790012.... 442, 655, 659, 677 3790044.... 343, 345, 347, 373, 375, 377, 411, 423, 445 3820001.. 67, 1028, 1032, 1036, 1040, 1044, 1048, 1052, 1056, 1060, 1064, 1068, 1072, 1076, 1080, 1084, 1088, 1092, 1096, 1101 3820020.... 633, 635, 637, 639, 641, 645 3841143.... 331, 333, 337, 341, 361, 365, 369, 407, 419, 442, 559, 567, 571, 575, 579, 581, 591 3841203..... 561, 563 3841287.... 21, 23, 25, 27, 29, 559, 561, 563 3841340.... 579, 581, 879, 881, 883, 885, 887, 889, 891, 893, 895, 897, 899 3841356.... 559, 561, 563 3841520.... 31, 33, 35, 37 3890013..... 567 3890014..... 567 3890015..... 567 3890016..... 571, 575 3900054..... 649, 651 3900085..... 237 3900192.... 559, 561, 563 3900210.... 274, 275, 278, 279, 282, 286, 287, 290, 294, 298, 302, 303, 306, 307, 309, 311, 313, 315 3900232..... 267, 271 3900268.... 135, 139, 143, 147, 151, 155, 159, 163, 167, 171, 175, 179, 183, 187, 191, 195, 199, 203, 207, 211, 215
---	---	---	--

SECTION 11 - SPECIAL OPTIONS

3900283 ... 593, 595, 597, 599, 601, 603, 607, 609	4031516 683	659, 690, 695, 697, 709, 711, 713, 715	4420066 703, 705, 707
3900293 81, 83	4031608 519	4240139.... 101, 103, 105, 107, 109, 111	4460007 655, 659
3900316 ... 274, 278, 282, 286, 290, 294, 298, 302, 306, 593, 595, 597, 599, 601, 603, 607, 609	4031711 448	4240149..... 703, 705, 707	4460016 985
3900349 655, 659	4031912 392	4280296..... 65	4460019... 935, 937, 939, 941, 948, 1023
3900363 ... 275, 279, 287, 303, 307, 309, 311, 313, 315	4031914 ... 380, 386, 414, 426	4300157.... 521, 525, 537, 542	4460027 509, 511, 515
3910408 ... 386, 392, 414, 426	4032015 ... 521, 525, 537, 542	4340747..... 319	4460042 943, 947
3910606 ... 525, 533, 541, 549, 553, 865, 867	4060092 827	4360057.... 709, 711, 713, 715, 1110	4460043... 439, 937, 939, 943, 948, 957, 959, 965
3910608 503, 505	4060802 ... 509, 511, 515, 519, 521, 525, 529, 533, 537, 541, 545, 549, 553	4360070.... 525, 534, 538, 542, 546, 550, 554, 1108	4460049 ... 709, 711, 713, 715
3910610 825, 827	4060804 ... 101, 103, 105, 107, 109, 111, 113, 115, 117	4360274.... 179, 183, 195, 199, 1110	4460051 825, 827
3910804 ... 135, 139, 143, 147, 151, 155, 159, 163, 167, 171, 175, 179, 183, 187, 191, 195, 199, 203, 207, 211, 215	4060805 ... 350, 354, 380, 386, 392, 414, 426, 450	4360328..... 677, 1110	4460071 ... 526, 533, 542, 549, 553, 663
3930606 615	4061032 ... 788, 792, 796, 820	4360336.... 442, 509, 511, 515, 519, 521, 525, 529, 533, 537, 541, 545, 549, 553, 1110	4460125 827
3931016 ... 525, 533, 537, 541, 545, 549, 553	4070585 509	4360387.... 143, 147, 159, 163, 179, 183, 195, 199, 655, 659, 1110	4460134 971
3931408 681	4070863 ... 568, 572, 576	4360407... 655, 659, 1108	4460142 ... 937, 939, 975, 977, 985, 987
3931432 ... 380, 386, 392, 414, 426	4070878 ... 21, 23, 25, 27, 29	4360469.... 135, 139, 143, 147, 151, 155, 159, 163, 167, 171, 175, 179, 183, 187, 191, 195, 199, 203, 207, 211, 215, 1110	4460183 985, 987
3931512 ... 380, 386, 392, 414, 426	4070895 568, 572, 576	4360475.... 135, 139, 143, 147, 151, 155, 159, 163, 167, 203, 207, 211, 215, 1110	4460190 509, 511, 515
3931624 559, 561, 563	4070897 568, 572, 576	4360476.... 135, 139, 143, 147, 151, 155, 159, 163, 167, 171, 175, 179, 183, 187, 191, 195, 199, 203, 207, 211, 215, 655, 659, 1108	4460205 825, 971
3931628 414, 426	4070898 568, 572, 576	4360506.... 879, 881, 883, 885, 887, 889, 891, 893, 895, 897, 899, 1110	4460224 529
3931644 448	4070929 568, 572, 576	4360517..... 99, 1110	4460225 961, 985, 987
3951608 568, 571, 575	4070939 ... 568, 572, 576	4360542.... 509, 511, 515, 1108	4460226 ... 663, 709, 711, 713, 715, 873, 937, 939, 941, 951, 981, 983, 985, 987, 1023
3952020 81, 83	4070940 ... 568, 572, 576	4400275..... 63	4460227 ... 873, 975, 977, 985, 987
3960389 ... 266, 270, 274, 278, 282, 286, 290, 294, 298, 302, 306	4070944 21	4420014.... 703, 705, 707	4460233 827, 973
3960407 350, 354	4070945 21	4420037.... 690, 695, 697, 701	4460234 ... 229, 231, 241, 243, 655, 659, 709, 711, 713, 715, 919, 921, 923, 925
3960422 ... 525, 533, 541, 549, 553, 825, 827, 865, 867	4070969 ... 593, 595, 597, 599, 601, 603	4420038.... 101, 103, 105, 107, 109, 111, 113, 115, 117, 275, 279, 282, 286, 290, 294, 298, 303, 306	4460247 943, 948
3960438 267, 271	4070991 ... 135, 139, 143, 147, 151, 155, 159, 163, 167, 171, 175, 179, 183, 187, 191, 195, 199, 203, 207, 211, 215	4420051..... 67, 69, 1028, 1032, 1036, 1040, 1044, 1048, 1052, 1056, 1060, 1064, 1068, 1072, 1076, 1080, 1084, 1088, 1092, 1096	4460256 969
3960462 267, 271	4071020 568, 572, 576	4420055..... 627, 629	4460259 ... 719, 937, 939, 951, 975, 977, 985, 987
3960464 267, 271	4071048 291, 294	4420060..... 519	4460260 ... 719, 937, 939, 951, 975, 977, 985, 987
3960468 ... 350, 354, 373, 375, 377, 411, 423	4071059 35, 37		4460266 985, 987
3960469 ... 350, 354, 373, 375, 377, 411, 423, 445	4100063 361		4460267 .. 981, 983, 1023
3960470 266, 270	4160139 266, 270		4460268 941, 961
3960526 39, 41, 43	4160143 266, 270		4460294 529
3960548 ... 331, 333, 337, 341	4160149 ... 568, 572, 576		4460297 975, 977
3960549 ... 331, 333, 337, 341	4160187 ... 559, 561, 563		4460312 937, 939, 951
3980007 333, 337, 407	4160194 ... 274, 278, 282, 286, 290, 294, 298, 302, 306		4460313... 937, 939, 941, 951, 975, 977, 1023
3990010 .. 975, 977, 1108	4240017 229, 231		4460315 825, 827
4010303 245	4240018 ... 239, 511, 519, 529, 533, 545, 549, 788, 792, 796, 820, 865, 867		4460320 ... 975, 977, 981, 983, 1023
4010608 687, 690	4240032 ... 235, 237, 382, 388, 394, 414, 426, 919, 921, 923, 925, 927		4460321 515
4010618 ... 621, 623, 625, 631, 643, 647	4240033 ... 241, 243, 319, 321, 679, 681, 683		4460346 ... 525, 533, 541, 549, 553, 825
4031505 679	4240099 ... 361, 380, 386, 392, 414, 426, 439, 442, 448, 515, 655,		4460374 937, 939, 957
4031507 229, 233			4460375 937, 939
4031509 231, 235			4460418 ... 975, 977, 985, 987
4031510 245			4460419 ... 975, 977, 985, 987

SECTION 11 - SPECIAL OPTIONS

4460426.....135, 139, 143, 147, 151, 155, 159, 163, 167, 171, 175, 179, 183, 187, 191, 195, 199, 203, 207, 211, 215, 525, 534, 538, 542, 546, 550, 554	163, 167, 171, 175, 179, 183, 187, 191, 195, 199, 203, 207, 211, 215, 655, 659	4460877 975, 977	4461095.....875, 937, 943		
4460428.....319, 655, 659	4460497 ... 135, 139, 143, 147, 151, 155, 159, 163, 167, 171, 175, 179, 183, 187, 191, 195, 199, 203, 207, 211, 215, 655, 659	4460878 975, 977	4461157.....937, 939, 951		
4460434.....975, 977, 985, 987	4460508 ... 679, 901, 903, 905, 907, 975, 977, 985, 987, 1023	4460879 719, 985, 987	4461196.....989, 991		
4460457937, 939, 951, 957, 969	4460509 ... 901, 903, 905, 907, 909, 911	4460880 ... 939, 941, 951, 981, 983	4461197.....991		
4460458....937, 939, 943, 947, 951, 957, 959, 965, 969	4460510 1116	4460884 ... 719, 939, 947, 975, 977, 1017, 1023	4461198.....837, 989, 991		
4460460.....937, 939, 951	4460518 875, 985, 987	4460887 ... 719, 937, 939, 941, 951, 975, 977, 985, 987	4461199.....993, 995		
4460464.....235, 327, 663, 719, 875, 901, 903, 905, 907, 929, 931, 941, 953, 975, 977, 985, 987, 1015, 1017, 1019, 1023	4460526 ... 135, 139, 143, 147, 151, 155, 159, 163, 167, 171, 175, 179, 183, 187, 191, 195, 199, 203, 207, 211, 215	4460888 985, 987	4461200.....995		
4460465....231, 327, 607, 609, 719, 875, 901, 903, 905, 907, 909, 911, 929, 933, 937, 939, 941, 943, 944, 947, 948, 951, 959, 961, 963, 965, 967, 969, 975, 977, 985, 987, 1017, 1023	4460536 ... 327, 975, 977, 985, 987	4460891 ... 231, 327, 607, 609, 875, 933, 941, 944, 953, 1023	4461201.....843, 993, 995		
4460466....679, 719, 875, 901, 903, 905, 907, 909, 911, 929, 933, 939, 941, 943, 947, 948, 975, 977, 985, 987, 1009, 1015, 1017, 1019, 1023	4460539 ... 327, 937, 939, 941, 947, 951, 985, 987, 1023	4460894 ... 929, 933, 943, 947, 975, 977, 985, 987	4461203.....999		
44604671116	4460612 865, 867	4460897 ... 235, 944, 953, 1019	4461205...997, 999, 1001, 1003		
4460470....135, 139, 143, 147, 151, 155, 159, 163, 167, 171, 175, 179, 183, 187, 191, 195, 199, 203, 207, 211, 215, 655, 659, 879, 881, 883, 885, 887, 889, 891, 893, 895, 897, 899	4460618 319, 321	4460899 941, 1009, 1015, 1017	4461206.....1003		
4460471....135, 139, 143, 147, 151, 155, 159, 163, 167, 171, 175, 179, 183, 187, 191, 195, 199, 203, 207, 211, 215, 655, 659, 879, 881, 883, 885, 887, 889, 891, 893, 895, 897, 899	4460670 937, 939, 957	4460905 ... 975, 977, 985, 987, 1021	4461244 849, 997, 999		
4460473....901, 903, 905, 907, 909, 911	4460701 973	4460910 1013	4461245.855, 1001, 1003		
4460488....135, 139, 143, 147, 151, 155, 159, 163, 167, 171, 175, 179, 183, 187, 191, 195, 199, 203, 207, 211, 215, 235, 237	4460703 943, 948	4460911 ... 607, 609, 975, 977, 1009	4461246.861, 1005, 1007		
4460496....135, 139, 143, 147, 151, 155, 159,	4460708 985, 987	4460925 985, 987	4461249.....1005, 1007		
	4460722 439	4460926 607, 609	4461250.....1007		
	4460738 941, 951	4460928 875	4520252.....55		
	4460742 ... 957, 959, 965, 969	4460930 933, 943, 947	4520253.....57		
	4460743 959, 965	4460931 941, 1019	4520256.....61		
	4460746 947	4460932 ... 719, 931, 943, 948, 953	4568133.....71		
	4460748 947	4460933 ... 875, 933, 975, 977, 985, 987	4640261.....67, 69		
	4460761 873, 975, 977	4460941 953, 1009	4640509.....733, 735		
	4460806 ... 845, 847, 849, 851, 853, 855, 975, 977, 985, 987	4460942 ... 679, 943, 947, 953	4640751....380, 386, 392, 414, 426		
	4460807 961	4460943 ... 933, 975, 977, 985, 987, 1009	4640858.....723, 725		
	4460808 961	4460944 ... 937, 939, 941, 943, 947, 948, 951, 985, 987	4640932.....727, 729, 731		
	4460834 113, 115, 117	4460945 948	4641033.....747, 749, 751		
	4460842 113, 115, 117	4460956 913, 915, 917	4641122.....55, 57, 59, 61		
	4460865 ... 901, 903, 905, 907, 909, 911	4460957 913, 915, 917	4641188.....563, 737, 739		
	4460866 ... 879, 881, 883, 885, 887, 889, 891, 893, 895, 897, 899, 975, 977, 987	4460958 867	4641194.....737, 739, 741		
	4460868 975, 977	4460959 883, 893	4641232.....727, 729, 731		
	4460871 ... 327, 937, 939, 941, 951, 975, 977, 985, 987, 1021, 1023	4460960 883, 893	4641234.....563, 737, 739		
	4460872 975, 977	4460962 690, 697	4641303.....41, 43		
	4460873 ... 975, 977, 985, 987	4460963 542, 550, 554	4641317.....75, 77		
	4460874 ... 975, 977, 985, 987	4460967 ... 959, 963, 965, 967, 969	4711000.....99, 433, 435, 437, 511, 538, 542, 546, 550, 554		
	4460875 975, 977	4460968 519	471140075, 77, 135, 139, 151, 155, 171, 175, 179, 183, 187, 191, 203, 207, 211, 215, 223, 225, 227, 319, 321, 331, 333, 337, 341, 350, 354, 361, 365, 369, 380, 386, 392, 407, 414, 419, 426, 442, 499, 501, 522, 529, 533, 549, 553, 619, 621, 623, 625, 631, 641, 643, 645, 647, 681, 683, 717, 833, 835, 837, 839, 841, 843, 845, 847, 849, 851, 853, 855, 857, 859, 861, 863, 869, 871, 879, 881, 883, 885, 887, 889, 891, 893, 895, 897, 899	4460971 687, 690	4711500...39, 41, 43, 241, 243, 275, 279, 287, 303, 307, 309, 311, 313, 315, 380, 386, 393, 414, 426, 537, 545, 549, 553, 607, 609
	4460876 ... 975, 977, 985, 987	4460979 937, 939, 951			
		4461005 937			
		4461006 937			
		4461008 937, 944, 947			
		4461042 933			
		4461052 937			
		4461053 937			
		4461054 937, 947, 953			
		4461060 937			
		4461070 875, 937			
		4461071 943, 947			
		4461073 937, 943, 947			
		4461077 1009, 1015			

SECTION 11 - SPECIAL OPTIONS

4711600 ... 21, 23, 25, 27, 29, 75, 77, 101, 103, 105, 107, 109, 111, 113, 115, 117, 241, 243, 266, 267, 270, 271, 321, 350, 354, 361, 365, 369, 407, 419, 433, 435, 437, 442, 491, 511, 521, 526, 529, 533, 538, 542, 545, 549, 559, 561, 563, 568, 572, 576, 593, 595, 597, 599, 601, 603, 605, 607, 609, 615, 656, 660, 665, 667, 669, 671	509, 515, 519, 526, 533, 538, 542, 545, 549, 553, 655, 659, 687, 690, 695, 697, 701	419, 423, 445, 649, 651, 709, 711, 713, 715	199, 203, 207, 211, 215, 381, 515
4711700 ... 380, 386, 393, 415, 427, 511, 515	4751400 65, 135, 139, 143, 147, 151, 155, 159, 163, 167, 171, 175, 179, 183, 187, 191, 195, 199, 203, 207, 211, 215, 247, 249, 251, 253, 255, 257, 259, 261, 266, 270, 274, 275, 278, 279, 282, 286, 287, 290, 294, 298, 302, 303, 306, 307, 309, 311, 313, 315, 343, 345, 347, 373, 375, 377, 380, 387, 393, 411, 415, 423, 427, 442, 445, 521, 525, 530, 537, 541, 545, 568, 572, 576, 653, 655, 659, 685, 690, 695, 697, 701, 709, 711, 713, 715, 877, 879, 881, 885, 887, 889, 891, 895, 897, 1028, 1032, 1036, 1040, 1044, 1048, 1052, 1056, 1060, 1064, 1068, 1072, 1076, 1080, 1084, 1088, 1092, 1096	4752000.... 331, 333, 337, 341, 361, 365, 369, 407, 419, 442	4891600 99, 275, 279, 282, 287, 303, 307, 503, 568, 572, 576, 589
4711800 ... 101, 103, 105, 107, 109, 111, 113, 115, 117, 380, 503, 505, 521, 526, 537, 542, 561, 563, 649, 651	4751500 67, 69, 125, 127, 129, 131, 133, 267, 270, 274, 278, 282, 286, 290, 294, 298, 302, 306, 380, 387, 393, 415, 427, 509, 511, 519, 525, 533, 541, 709, 711, 713, 715, 879, 881, 883, 885, 887, 889, 891, 893, 895, 897, 899	4760600..... 825, 827	4891800 . 39, 41, 43, 343, 345, 347, 373, 375, 377, 381, 387, 393, 411, 415, 423, 427, 445, 503, 505, 511, 529, 533, 545, 549
4712000 ... 665, 667, 669, 671, 703, 705, 707	4751600 ... 63, 65, 75, 77, 113, 115, 117, 125, 129, 235, 237, 247, 249, 251, 253, 255, 257, 259, 261, 263, 267, 270, 271, 274, 278, 282, 286, 290, 294, 298, 302, 306, 309, 311, 313, 315, 323, 331, 333, 337, 341, 350, 354, 361, 365, 369, 380, 387, 393, 407, 415, 419, 427, 489, 495, 497, 509, 519, 522, 530, 607, 609, 653, 690, 695, 697, 701, 869, 871	4770600..... 503, 505	4892000 ... 39, 41, 43, 91, 93, 317
4712200 703, 705, 707	4751800 99, 319, 321, 331, 333, 337, 341, 361, 365, 369, 373, 375, 377, 407, 411,	4791400.... 350, 354, 521, 525, 529, 533, 537, 541, 545, 549	4892200 23, 25, 27, 29
4740036 71		4811400.... 229, 231, 233, 235, 719, 833, 835, 837, 839, 841, 843, 845, 847, 849, 851, 853, 855, 857, 859, 861, 863	4892600001 589
4740057 81, 83		4811600..... 341, 519	4921829 516
4740076 266, 270		4811700.... 136, 140, 144, 148, 152, 156, 160, 164, 167, 172, 176, 180, 184, 188, 192, 196, 200, 204, 208, 212, 216, 235, 237, 448, 453, 455, 515, 553, 621, 623, 625, 631, 643, 647, 687, 690	4921955 973
4740119 503		4811702.... 380, 387, 393, 415, 427, 453	4922566 ... 879, 883, 885, 901
4740155 35, 37		4811900.... 380, 387, 393, 415, 427, 442, 448, 453, 455, 877	4922567 ... 889, 893, 895, 899, 905
4740256 31, 33, 35, 37		4811902.... 381, 387, 393, 415, 427, 448, 453, 455	4922569 ... 879, 883, 885, 889, 893, 895, 899, 909
4740274 ... 350, 354, 495, 497		4812000.... 365, 369, 381, 387, 393, 407, 415, 419, 427, 442, 448, 453, 455, 505, 515, 591	4922641 ... 509, 512, 516, 519, 538, 543, 546, 551, 555
4740362 653		4812002.... 127, 131, 133, 448, 457	4922660 ... 879, 883, 885, 889, 893, 895, 899, 981
4740397 ... 135, 139, 143, 147, 151, 155, 159, 163, 167, 171, 175, 179, 183, 187, 191, 195, 199, 203, 207, 211, 215, 509, 519		4812100.... 361, 365, 369, 381, 387, 393, 407, 415, 419, 427, 453, 455, 507, 591	4922666 655, 659, 873
4740439 579, 581		4812200.... 350, 354, 381, 387, 393, 415, 427, 495, 497, 515	4922741 971
4740444 ... 135, 139, 143, 147, 151, 155, 159, 163, 167, 171, 175, 179, 183, 187, 191, 195, 199, 203, 207, 211, 215		4831400..... 229	4922874 831
4740463 31, 33, 35, 37		4844816..... 579, 581	4922875 879
4740472 ... 21, 23, 25, 27, 29		4844817..... 579, 581	4922876 879, 889
4740473 31, 33, 35, 37		4844958..... 97	4922877 831
4740492 559, 561		4846295..... 71	4922878 889
4740500 267, 271		4846296..... 71	4922925 ... 538, 542, 545, 549, 553
4740518 ... 135, 139, 143, 147, 151, 155, 159, 163, 167, 171, 175, 179, 183, 187, 191, 195, 199, 203, 207, 211, 215		4846435..... 579, 581	4923379 350, 354
4750400 ... 386, 393, 415, 427		4846553.... 593, 595, 597, 599, 601, 603	4923445 516, 957
4750800 63		4846558.... 593, 595, 597, 599, 601, 603	4923595 891, 897, 907
4751000 71, 101, 103, 105, 107, 109, 111, 113, 115, 117, 237, 266, 267, 270, 271,		4846673..... 713, 715	4923596 ... 881, 887, 891, 897, 911
		4860224..... 55	4923597 ... 881, 887, 891, 897, 983
		4860225..... 57, 59	4923600 891
		4871200..... 245	4923601 881, 891
		4871700..... 554	5240800 381, 415, 427
		4891500.... 135, 139, 151, 155, 171, 175, 179, 183, 187, 191, 195,	5241000 448
			5241200 448, 553, 589
			5250605 453, 455
			5250810 415, 427
			5251008 591
			5251010 381
			5251016 361, 591
			5260600 453, 455
			5261000 361
			5271720 751
			5272010 450
			70000044 357
			70000123 519
			70000342 583, 585
			70000345 358, 403
			70000619 . 538, 542, 545, 549, 553
			70000781 39
			70000795 49
			70000797 51

SECTION 11 - SPECIAL OPTIONS

70000800.....358	7000228.....86	70003935.....41, 43	70004510.....401
70000863..537, 541, 545, 549, 554	7000229.....86	70003936.....41, 43	70004511.....402
70000912.....357	70002291.....546, 550	70003998.....125, 129	70004513.....402
70000913.....357	70002297 . 537, 541, 545, 550, 554	70004020 350, 354, 1108	70004570.....79
70000914.....357	7000230.....86	70004037.....86	70004571.....79
70000915.....357	70002373.....727, 729	70004040.....86	70004572.....79
70000916.....357	70002386... 79, 611, 613, 1108	70004041.....86	70004573.....79
70000917.....357	7000239.....47	70004042.....86	70004574.....79
70000918.....357	70002390.....39	70004043.....86	70004575.....79
70000919.....357	7000240.....47	70004044.....86	70004576.....79
70001002.....357	70002415.....358	70004045.....86	70004577.....79
70001020.....125, 129	70002416.....358	70004047.....86	70004578.....79, 613
70001100..537, 541, 545, 549, 554	70002417.....358	70004056.....357	70004579.....79
70001181.....358	7000246.....86	70004058.....357, 1108	70004580.....79
70001248.....99	70002460 .537, 541, 546, 550, 553	70004060.....357	70004581.....79
70001384..537, 541, 545, 549, 554	7000247.....86	70004092 .521, 525, 529, 533, 546, 550	70004582.....611, 613
70001424.....693	7000248.....86	70004094.....546, 550	70004676..521, 525, 529, 533
70001425.....693	7000253.....86	70004098 .525, 534, 546, 550	70004677.....521
70001427.....693	7000255.....86	70004099 .529, 533, 545, 550	70004678..521, 525, 529, 533
70001428.....693	7000257.....86	70004120.....741	70004679..521, 525, 529, 533
70001429.....693	7000265.....45	70004169 ..537, 541, 554	70004680..521, 525, 529, 533
70001430.....693	70002718.....358, 401	70004171 .521, 525, 537, 541, 554	70004681.....521, 529
70001431.....693, 1108	70002744.....743	70004183.....463	70004682..521, 525, 529, 534
70001432.....693, 1110	70002745.....743	70004199.....119, 121	70004683.....521, 529
70001435.....357	70002748.....743	70004266.....125, 129	70004684.....525
70001499.....607, 609	70002749.....743	70004267.....125, 129	70004685.....525, 534
70001663.....323	70002751.....743	70004272.....357	70004686.....529
70001696..537, 541, 553	70002814.....119	70004276.....403	70004687.....533
70001697.....583, 585	7000283.....47	70004277.....403	70004795.....119, 121
7000180.....402	70002838.....119, 121	70004280.....358, 401	70005008.....450, 1109
70001835.....357	70002839.....119, 121	70004282.....403	70005172.....401
70001836.....357	7000284.....47	70004287.....357	70005173.....401
70001837.....357	70002842.....723, 725	70004289.....358	70005177.....402
70001841.....357	7000289.....47	70004328.....607, 609	70005181.....402
70001844.....358	70002902.....663	70004329.....465	70005184.....402
70001850.....357	70002903.....663	70004331.....465	70005188.....402
70001866.....357	70002904.....663	70004332.....465	70005189.....402
70001868.....357	70002905.....663	70004333.....465	70005191.....403
70001870.....357, 401	70002948.....319, 321	70004336.....465	70005203.....86
70001871.....357	70003022.....79	70004337.....465	70005433.....737, 739
70001872.....358	70003136.....357	70004338.....465	70005458.....465
70001953..537, 541, 554	70003454.....99	70004340.....465	70005459.....465
70001954.....467	70003464.....357	70004342.....465	70005460.....465
70001955.....467	70003465.....357	70004343.....465	70005461.....465
70001956.....467	70003466.....357	70004344.....465	70005462.....465
70001957.....467	70003472.....357	70004345.....465	70005463.....465
70001966..521, 525, 529, 533, 537, 541, 546, 550, 553, 554	70003475.....357	70004346.....465	70005464.....465
70001973..537, 541, 546, 550, 554	70003478.....357	70004347.....465	70005465.....465
70001974..537, 541, 546, 550, 554	70003612.....125, 129	70004348.....465	70005527.....403
70002066.....86	70003631 .537, 541, 545, 550, 553	70004349.....465	70005647.....403
70002085.....86	70003636.....731, 735	70004350.....465	70005648.....403, 1109
70002088..537, 541, 554	70003708 .521, 525, 529, 533, 537, 541, 546, 550, 554	70004351.....465	70005663.....1117
70002097.607, 609, 1109	70003709 .521, 525, 529, 533, 537, 541, 546, 550, 554	70004352.....465	70005708.....119, 1108
70002112.....119, 121	70003784.....655, 659	70004381.....743	70005725.....79
7000213.....86	70003788... 79, 611, 613, 1108	70004382.....743	70005839.....747, 749
7000217.....86	70003789.....79, 1108	70004413.....113	70005871.....727, 729
70002200.....357	70003921.....593, 595	70004414 ..107, 109, 111	70005916.....358
70002231.....75, 77, 1109	70003922.....593, 595	70004501.....402	70005917.....358
70002234.....357		70004505.....401	70005920.....401
7000224.....47		70004506.....401	70005922.....401
		70004507.....401	70005923.....402
		70004508.....401	70005924.....402
		70004509.....401	

SECTION 11 - SPECIAL OPTIONS

70005926	402	70006202	460	70006938	731	70007865	53
70005928	402	70006203	460	70006939	731	70007866	53
70005929	402	70006205	460	70006940	741	70007867	53
70005931	402	70006206	460	70006941	401, 741	70007868	53
70005932	403	70006207	460	70006942	741	70007869	53
70005933	403	70006208	460	70006943	741	70007870	53
70005934	403	70006213	460, 1109	70006944	741	70007871	53
70005938	401	70006215	460	70006945	741	70007872	53
70005942	401	70006217	460	70006947	741	70007873	53
70006093	545, 550	70006219	460	70006948	725	70007874	53
70006094	546, 550	70006221	460	70006949	725	70007875	53
70006095	546, 550, 1108	70006225	460	7000695	358	70007876	53
70006096	546, 550	70006232	460	70006964	745	70007877	53
70006097	546, 550	70006233	459	70006965	745	70007878	53
70006134	453	70006235	460	70006966	745	70007970	729
70006135	453	70006236	460	70006967	745	70007971	727, 729
70006136	453	70006264	401	70006968	745	70007972	727, 729
70006144	401	70006265	401	70006969	745	70007973	729
70006145	459	70006266	401	70007108	460	70007974	729
70006147	459	70006304	86	70007276	739	70007975	749
70006150	459	70006403	491, 493	70007277	739	70007976	749
70006151	459	70006404	491, 493	70007278	737, 739	70007977	747, 749
70006152	459	70006405	491, 493	70007279	739	70007978	749
70006153	459	70006406	491, 493	70007280	739	70007979	749
70006154	459	70006407	491, 493	70007281	739	70007980	747, 749
70006155	459, 1109	70006408	491, 493	70007282	737, 739	70007981	747, 749
70006157	459	70006409	491, 493	70007283	739	70007982	747, 749
70006158	459	70006410	491, 493	70007423	737	70007983	747, 749
70006159	459	70006460	450, 1109	70007725	121	70008080	747
70006160	459	70006461	450	70007726	121, 1108	70008081	747
70006161	459	70006552	521, 526, 529, 533	70007727	121	70008082	747
70006162	459	70006553	521, 526, 529, 533, 1109	70007785	471	70008186	727
70006163	459	70006596	737	70007786	471	70008187	727
70006164	459	70006649	733	70007787	471	70008188	737
70006165	459	70006650	733	70007788	471	70008189	737
70006166	459	70006651	733	70007789	471	70008190	737
70006167	459	70006652	403	70007790	471	70008191	737
70006168	459	70006653	403	70007791	471	70008192	737
70006169	459	70006673	47	70007792	471	70008497	473
70006170	459	70006674	47	70007793	471	70008498	473
70006171	459, 1109	70006675	47	70007794	471	70008500	473
70006172	459, 1109	70006676	47	70007795	471	70008501	473
70006173	459	70006677	47	70007796	471	70008502	473
70006174	459	70006678	47	70007797	471	70008504	473
70006175	459, 1109	70006680	47	70007798	471	70008505	473
70006176	459, 1109	70006684	47	70007799	471	70008511	473
70006177	459	70006685	47	70007800	471	70008600	473
70006178	459	70006690	47	70007801	471	70008601	473
70006179	459	70006691	47	70007802	471	70008602	473
70006180	459	70006734	733	70007847	53	70009020	442
70006181	459	70006735	733	70007848	53	7001928	47
70006182	459	70006736	733	70007849	53	70022563	727, 729
70006183	459	70006832	47	70007850	53	70022564	727, 729, 737, 739
70006184	459	70006833	47	70007851	53	70023379	747, 749
70006185	459	70006893	731	70007852	53	70023380	737
70006186	459	70006899	741	70007853	53	70023592	415, 427, 1108, 1109
70006187	459	70006900	735	70007854	53	70023593	415, 427, 1108, 1109
70006188	459	70006930	735	70007855	53	70024441	121
70006189	459	70006931	735	70007856	53	70024484	403
70006191	459	70006932	735	70007857	53	70024488	401
70006194	459	70006933	735	70007858	53	70024494	401
70006195	459	70006934	735	70007859	53	70024502	402
70006196	460	70006935	731	70007860	53	70024507	403
70006197	460	70006936	731	70007861	53	70024509	403
70006198	460	70006937	731	70007862	53		
70006199	460			70007863	53		
70006200	460			70007864	53		

SECTION 11 - SPECIAL OPTIONS

70024513.....	401	70026210.....	403	7017058.....	45	7022314.....	49, 51, 468
70024517.....	401	70026287.....	737, 739	7017070.....	86	7022318.....	467
70024904.....	401	70026995.....	403	7017072.....	86	7022326.....	49, 51
70024905.....	401	70027750.....	739	7017080.....	86	7022328.....	49, 51
70024906.....	401	70028185.....	401	7017082.....	47	7022368.....	49, 51
70024915.....	403	7002821.....	1117	7017085.....	86	7022371.....	49, 51
70024917.....	403	7002822.....	1116	7017142.....	583, 585	7022372.....	51
70024918.....	403	7002823.....	1116	7017150.....	585	7022397.....	39, 41, 43
70024920.....	402, 403	7002826.....	1117	7017159.....	583, 585	7022399.....	39, 41, 43
70024922.....	403	70028538.....	402, 403	7017162.....	583, 585	7023907.....	51
70024924.....	401	70028802.....	402	7017163.....	583, 585	7023908.....	51
70024925.....	401	70029468.....	739	7017164.....	583, 585	7023910.....	49, 51
70024961.....	401	7004275.....	1117	7017172.....	583, 585	7023917.....	41, 43
70025077.....	403	7004276.....	1117	7017192.....	583, 585	7023919.....	563, 737, 739
70025082.....	357, 358, 401	7004906.....	465	7017195.....	583, 585	7023922.....	611, 613
70025084.....	402	7004907.....	465	7017402.....	79, 611, 613	7023923.....	563, 737, 739
70025101.....	402	7004908.....	465	7017406.....	39	7023925.....	79
70025107.....	402	7007415.....	467, 468	7017422.....	79	7023927.....	737, 739, 741
70025109.....	402	7007437.....	49, 51	7017446.....	611, 613	7023933.....	39, 41, 43
70025111.....	401	7007438.....	49, 51	7017451.....	563, 737, 739,	7023947.....	467
70025112.....	402	7007439.....	49, 51	1108		7023948.....	467
70025115.....	402	7007446.....	49, 51	7017452.....	79, 611, 613	7023949.....	467
70025120.....	403	7007633.....	86	7017492.....	39	7023950.....	467
70025124.....	402	7007974.....	727	7017496.....	79	7023951.....	467
70025130.....	403	7010404.....	45	7019680.....	509, 511, 515	7023952.....	467
70025132.....	403	7010405.....	45	7020043.....	101, 103, 105,	7023956.....	467
70025133.....	402	7010406.....	45	107, 109, 111, 115, 117		7023957.....	467
70025135.....	401	7010492.....	86	7020108.....	509, 511, 515,	7023958.....	467
70025139.....	401	7010543.....	75, 77, 79	519		7023960.....	467
70025140.....	401	7011112.....	727, 729, 731	7020109.....	509, 511, 515,	7023961.....	467
70025142.....	402	70124410.....	358	519		7023962.....	467
70025144.....	401	70124440.....	358	7020110.....	509, 511, 515,	7023964.....	467, 468
70025145.....	401	7012513.....	509, 511, 515,	519		7023965.....	467
70025146.....	401	519		7020111.....	509, 511, 515,	7023966.....	468
70025148.....	402	7012514.....	509, 511, 515,	519		7023967.....	468
70025151.....	402	519		7020175.....	135, 139, 143,	7023982.....	563, 737, 739
70025152.....	401	7012518.....	611, 613	147, 151, 155, 159,		7023984.....	613
70025153.....	1108, 1109	7012558.....	509, 511, 515	163, 167, 203, 207,		7023985.....	79
70025154.....	401	7012903.....	79	211, 215		7024100.....	86
70025155.....	402	7012907.....	79	7020176.....	135, 139, 143,	7024149.....	47
70025158.....	402	7012925.....	563, 737, 739	147, 151, 155, 159,		7024151.....	47
70025161.....	1108, 1109	7012941.....	75, 77	163, 167, 203, 207,		7024154.....	47
70025164.....	403	7012943.....	563, 737, 739,	211, 215, 1108		7024190.....	47
70025175.....	402	1108		7020190.....	509, 511, 515,	7024191.....	47
70025179.....	402, 403	7012944.....	75, 77, 1108	519		7024404.....	99
70025180.....	402	7012953.....	611, 613	7020403.....	357	7024441.....	119
70025181.....	401	7012955.....	611, 613	7020408.....	357	7024469.....	1110
70025182.....	402	7012967.....	611, 613	7020465.....	357, 401	7024471.....	693
70025183.....	402	7012989.....	611, 613	7020468.....	357	7024485.....	537, 541, 553,
70025184.....	402	7012995.....	611, 613	7020471.....	358	1108	
70025185.....	402	7012998.....	79	7020479.....	357	7024488.....	538, 542, 545,
70025192.....	403	7016314.....	113	7020492.....	402	549, 553	
70025200.....	402	7016328.....	357, 1108	7021249.....	49, 51	7024489.....	538, 542, 545,
70025203.....	402	7016331.....	357, 401, 1108,	7021275.....	49, 51, 468	549, 553	
70025210.....	402, 1108,	1109		7021276.....	51	7024508.....	749
1109		7016654.....	1117	7021277.....	49, 51	7024530.....	693
70025212.....	403	7016655.....	1117	7021612.....	79	7024531.....	693
70025231.....	403	7017023.....	86	7021625.....	39, 41, 43	7024532.....	693
70025233.....	403	7017028.....	47, 86	7021639.....	41, 43	7024533.....	693
70025235.....	402	7017047.....	47	7021653.....	79, 613	7024534.....	693
70025239.....	402	7017051.....	45	7022162.....	459	7024535.....	693
70025240.....	402	7017052.....	45	7022302.....	49, 51	7024536.....	693
70025477.....	403	7017053.....	45	7022305.....	49, 51	7024537.....	693
70025660.....	401	7017054.....	45	7022310.....	51	7024579.....	358, 401
70025733.....	403	7017055.....	45	7022311.....	49, 51, 468	7024598.....	503, 505
70025752.....	358	7017056.....	45	7022312.....	51	7024704.....	86
70025753.....	358	7017057.....	45	7022313.....	49	7024762.....	86

SECTION 11 - SPECIAL OPTIONS

7024763	86	7026650	324	7027887....	509, 511, 515,	8405104 ...	381, 387, 393,
7024782	47	7026651	323	519		415, 427, 448	
7024784	86	7026652	323	77143013..	135, 139, 143,	8405203	448
7024844	39	7026653	323	147, 151, 155, 159,		8405204	381
7024854	51	7026654	323	163, 167, 171, 175,		8406102 ...	331, 333, 337,
7024862	49	7026655	323	179, 183, 187, 191,		341, 361, 365, 369,	
7024864	468	7026656	323	195, 199, 203, 207,		387, 393, 407, 415,	
7024866	468	7026658	324	211, 215		419, 427	
7024867	49, 467	7026659	323	77363233.....	961	8406109 ...	381, 387, 393,
7024868	51, 467	7026660	323	80344004.....	47	415, 427, 449	
7024871	49	7026661	323	80484084.....	943, 947	8406110 ...	381, 387, 393,
7024881	39, 41, 43	7027053	331, 333, 338	80934561.....	99	415, 427	
7026188	537, 541, 553	7027084 ...	361, 365, 369,	80983191	943, 948, 1108,	8406201 ...	365, 369, 381,
7026197	99	407, 419, 442		1109		407, 419, 442, 450	
7026199	509, 511, 515	7027085 ...	361, 365, 369,	8220051.....	953	8410001	449
7026503	99	407, 419, 442		8220115.....	943	8410009	450
7026504	99	7027086 ...	361, 365, 369,	8220164.....	935	8410011 ...	381, 387, 393,
7026505	99	407, 419, 442		8229242....	943, 948, 975,	415, 427, 449	
7026506	99	7027087 ...	361, 365, 369,	977, 1108, 1109		8410013 ...	361, 365, 369,
7026507	99	407, 419		8229249....	719, 985, 987,	381, 387, 393, 407,	
7026509	99	7027088 ...	361, 365, 369,	1109		415, 419, 427	
7026597 ...	537, 541, 546,	408, 419, 442		8270147....	331, 333, 338,	85031405	381
550, 553		7027092	331, 333, 337	361, 365, 369, 407,		8580420	65
7026626 ...	537, 541, 546,	7027093	331, 333, 338	419, 442		85941018	442
550, 554		7027094	331, 333, 338	8273291.....	450	88261024	607, 609
7026632	323	7027095	331, 334, 338	8305401.....	448	88411013	877
7026633	323	7027236	357	8307109.....	448	88521205 .	125, 127, 129,
7026634	323	7027276	357	8310070....	275, 279, 282,	131, 133	
7026635	323	7027404	460	286, 290, 294, 298,		88521214 .	665, 667, 669,
7026636	323	7027740	49	303, 306		671	
7026637	323	7027741	49	8310129....	703, 705, 707	88662327 .	788, 792, 796,
7026638	323, 1110	7027781	319, 321	8310548.....	448	820	
7026639	323	7027782	319, 321	83304173.....	119, 121	8896941	1117
7026640	323	7027783	319, 321	8405006....	361, 365, 369,	91164057	79
7026641	324	7027784	319, 321	407, 419, 433, 435,		91164059	79
7026642	324	7027790	357	437, 448, 491		91164079	79
7026643	324	7027791	357	8405007....	381, 387, 393,	91203039	591
7026644	324	7027792	357	415, 427		91401281	125, 127
7026645	324	7027795	358, 1108	8405009....	113, 115, 117,	91403102	388, 393, 1108,
7026646	324	7027796	358	381, 387, 393, 415,		1109	
7026647	324	7027799 ...	537, 541, 546,	427, 448		SEE NOTE	747
7026648	324	550, 553		8405102.....	448		
7026649	324						



**Corporate Office
JLG Industries, Inc.
1 JLG Drive
McConnellsburg, PA 17233-9533 USA
☎ (717) 485-5161 (Corporate)
☎ (877) 554-5438 (Customer Support)
📠 (717) 485-6417**

**Visit our website for JLG Worldwide Locations.
www.jlg.com**



OSHKOSH™