



Illustrated Parts Manual

Model
313

PVC
1001

P/N
3122309100
July 1, 2024 - Rev B



An Oshkosh Corporation Company

EFFECTIVITY PAGE

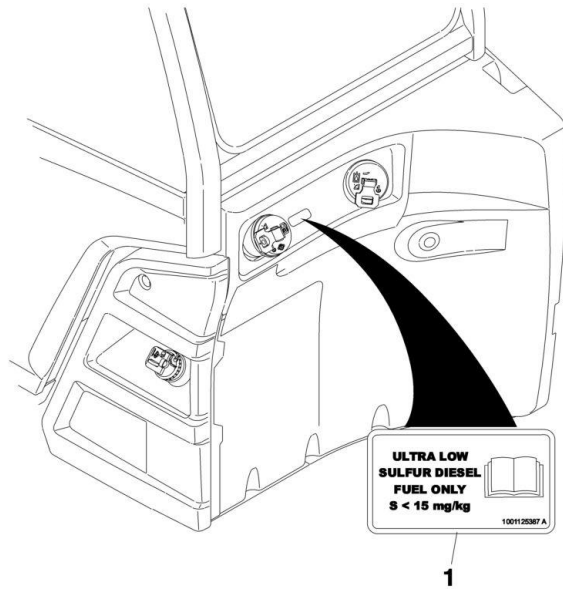
March 1, 2024 - A - Original Issue of Manual (Edited to B/M 1001300313 Revision A)

July 1, 2024 - B - Revised Manual (Edited to B/M 1001300313 Revision B)

Machine Configuration

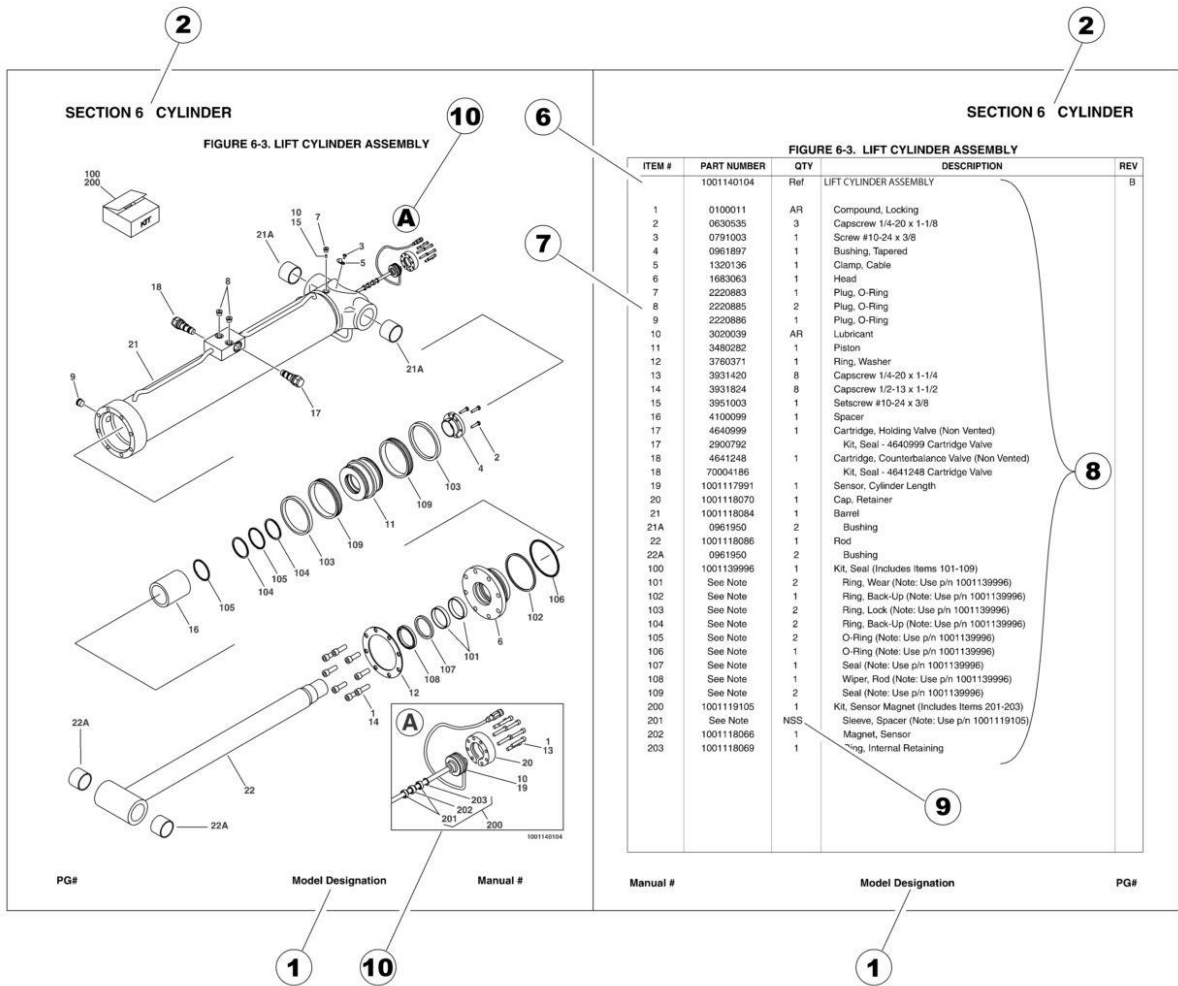
Two configurations of each machine are included in this manual. Determine if machine is equipped with Ultra Sulfur Fuel Decal (1) as indicated below.

- If equipped with the Ultra Low Sulfur decal, all specific references to this machine configuration will be referred to as Ultra Low Sulfur (ULS) from this point forward.
- If not equipped with the Ultra Low Sulfur decal, all specific references to this machine configuration will be referred to as Low Sulfur (LS) from this point forward.



1

GENERAL INFORMATION



1) MACHINE IDENTIFICATION

Machines are identified by model and in some cases a combination of models, serial number (SN) or regional standard (i.e ANSI, CE, CSA). Components may also be identified by SN or manufacturer. Common components that may be identified by these characteristics are engines and hydraulic components.

2) PARTS MANUAL ORGANIZATION

Product information in this manual is organized under section titles. Frame, Cylinder, Hydraulic and Electrical are a few examples. Each section is organized by figure and page number. The information within the Figure is then organized by item number, part number, description and corresponding illustration (s).

3) TABLE OF CONTENTS (NOT SHOWN)

A table of contents is found toward the beginning of the manual. Figure number, description and page number are provided for quick reference to the page containing the related information.

4) RECOMMENDED SPARE PARTS (NOT SHOWN)

The Recommended Spare Parts List, located near the end of the manual, reference most frequently used maintenance parts.

5) PART NUMBER INDEX (NOT SHOWN)

A numerical index listing all part numbers and the corresponding page number(s) appears at the back of the manual.

GENERAL INFORMATION

6) NON-SERVICED PARTS

In some instances, it is necessary to display non-serviced parts, assemblies or installations. In the case of assemblies and installations there will be a Ref in the Qty. column. In case of parts that are not available for service within assemblies or components, there will be a NSS (Not Sold Separately) or NLA (No Longer Available) listed in the Qty. column of the manual.

7) PARTS LIST ITEM NUMBERS

Numbers shown in the item# column correspond to numbers used in the associated illustration (s). Item numbers which are missing from the sequence in the parts list are not used on that page.

8) INDENTED PARTS DESCRIPTION

An indented part description is included in the item under which it is indented.

9) ABBREVIATION AND SYMBOLS

AC.....	Alternating Current	L.....	Liter
ADE.....	Advanced Design Electronics	LB(LBS).....	Pounds
AG.....	Agricultural	LCD.....	Liquid Crystal Display
ANSI.....	American National Standards Institute	LED.....	Light Emitting Diodes
AR.....	As Required	LH.....	Left Hand
ASSY.....	Assembly	LRC.....	Low Rated Countries
AUS.....	Australia	LSS.....	Load Sensing System
AUX.....	Auxiliary	M(m).....	Metric/Meter
AWG.....	American Wire Gauge	MM(mm).....	Milimeter
B/M.....	Bill of Material	mA.....	Miliamps
CAC.....	Charge Air Cooler	NLA.....	No Longer Available
CE.....	European Conformity	NPT.....	National Pipe Threads
CCW.....	Counter Clockwise	NSS.....	Not Sold Separately
CM.....	Centimeter	OD.....	Outside Diameter
CW.....	Clockwise	ORB.....	O-Ring Boss
CSA.....	Canadian Standards Association	ORFS.....	O-Ring Face Seal
CYL.....	Cylinder	OZ (oz).....	Ounces
DIA.....	Diameter	PG.....	Page
DC.....	Direct Current	PN.....	Part Number
DEF.....	Diesel Exhaust Fluid	QT(qt.).....	Quarts
EMS.....	Emergency Stop	QTY.....	Quantity
ENG.....	Engine	REF.....	Reference
FT(ft).....	Feet	REV.....	Revision Level
GA(Ga).....	Gauge	RH.....	Right Hand
HRC.....	High Rated Countries	SAE.....	Society of Automotive Engineers
HVAC.....	Heating, Ventilating, and Air Conditioning	SN.....	Serial Number
HYD.....	Hydraulic	SPEC(S).....	Specifications
Hz.....	Hertz	T/T.....	Turntable
ID.....	Inside Diameter	UGM.....	Universal Ground Module
IN.....	inches	V.....	Volts
ISO.....	International Organization for Standards	W.....	Watts
JIC.....	Joint Industry Council	#.....	Number
KG.....	Kilogram		

10) ILLUSTRATION REFERENCE LETTERS

When necessary, illustrations may contain reference letters that are intended to track information (i. e. hoses, harnesses) from one point to another or to track visual enlargement of components to show details that may be located in another area on the illustration.

Note: Due to continuous product improvements, JLG Industries, Inc. reserves the right to make specification changes without prior notification. Contact JLG Industries, Inc. for updated information.

TABLE OF CONTENTS

SECTION 1 - FRAME AND ATTACHING PARTS.....	11
FIGURE 1-1. FRAME COMPONENTS INSTALLATION	12
FIGURE 1-2. ENCLOSURES INSTALLATION	16
FIGURE 1-3. COUNTERWEIGHTS INSTALLATION	20
FIGURE 1-4. HITCH INSTALLATION.....	22
SECTION 2 - BOOM.....	25
FIGURE 2-1. BOOM INSTALLATION.....	26
FIGURE 2-2. BOOM ASSEMBLY.....	28
FIGURE 2-3. BASE BOOM ASSEMBLY	30
FIGURE 2-4. FLY BOOM ASSEMBLY	32
FIGURE 2-5. BOOM PROP INSTALLATION	34
FIGURE 2-6. COUPLER INSTALLATION - HYDRAULIC	36
FIGURE 2-7. COUPLER ASSEMBLY - HYDRAULIC.....	38
FIGURE 2-8. COUPLER INSTALLATION - MANUAL	40
FIGURE 2-9. COUPLER ASSEMBLY - MANUAL	42
SECTION 3 - ATTACHMENTS	45
FIGURE 3-1. CARRIAGE ASSEMBLY	46
FIGURE 3-2. CARRIAGE BACKREST INSTALLATION.....	48
FIGURE 3-3. CONTROLLER DECAL/HARNESS INSTALLATION (FRAME LOADER)	50
FIGURE 3-4. CONTROLLER DECAL/HARNESS INSTALLATION (NO FRAME LOADER - HYDRAULIC)	52
FIGURE 3-5. CONTROLLER DECAL/HARNESS INSTALLATION (NO FRAME LOADER - MANUAL).....	54
FIGURE 3-6. FORK ASSEMBLY - PALLET (35 X 100 X 1000)	56
FIGURE 3-7. FORK ASSEMBLY - PALLET (35 X 100 X 1200)	58
SECTION 4 - ENGINE AND ATTACHING PARTS	61
FIGURE 4-1. KUBOTA ENGINE INSTALLATION	62
FIGURE 4-2. KUBOTA ENGINE ASSEMBLY	64
FIGURE 4-3. KUBOTA EXHAUST MANIFOLD.....	66
FIGURE 4-4. AIR INTAKE INSTALLATION.....	68
FIGURE 4-5. COOLING PACKAGE INSTALLATION.....	70
FIGURE 4-6. ENGINE MOUNTS INSTALLATION	72
FIGURE 4-7. EXHAUST INSTALLATION.....	74
FIGURE 4-8. FUEL SYSTEM INSTALLATION.....	76
FIGURE 4-9. HYDRAULIC PUMPS INSTALLATION	78
FIGURE 4-10. HYDRAULIC PUMPS INSTALLATION (HIGH FLOW).....	80
SECTION 5 - DRIVE TRAIN	83
FIGURE 5-1. DRIVETRAIN INSTALLATION.....	84
FIGURE 5-2. FRONT AXLE & DIFFERENTIAL ASSEMBLY	86
FIGURE 5-3. FRONT AXLE ASSEMBLY	88
FIGURE 5-4. FRONT DIFFERENTIAL ASSEMBLY	90
FIGURE 5-5. FRONT AXLE REDUCTION GEAR ASSEMBLY	92
FIGURE 5-6. TRANSMISSION INSTALLATION	94
FIGURE 5-7. TRANSMISSION ASSEMBLY	96

TABLE OF CONTENTS

FIGURE 5-8. FUNCTION MOTOR INSTALLATION	98
FIGURE 5-9. FUNCTION MOTOR ASSEMBLY	100
FIGURE 5-10. DRIVE SHAFT INSTALLATION	102
FIGURE 5-11. REAR AXLE STEERING ASSEMBLY	104
FIGURE 5-12. REAR AXLE & DIFFERENTIAL ASSEMBLY	106
FIGURE 5-13. LEFT REAR AXLE SUB-ASSEMBLY	108
FIGURE 5-14. REAR DIFFERENTIAL ASSEMBLY	110
FIGURE 5-15. RIGHT REAR AXLE SUB-ASSEMBLY.....	112
FIGURE 5-16. REAR AXLE ASSEMBLY	114
FIGURE 5-17. REAR AXLE PIVOT ASSEMBLY	116
FIGURE 5-18. REAR AXLE REDUCTION GEAR ASSEMBLY	118
FIGURE 5-19. TIRE INSTALLATION - AIR FILLED.....	120
FIGURE 5-20. TIRE INSTALLATION - FOAM FILLED	122
FIGURE 5-21. TIRE INSTALLATION - TURF	124
SECTION 6 - CAB	127
FIGURE 6-1. ENCLOSED CAB INSTALLATION	128
FIGURE 6-2. ENCLOSED CAB DASH INSTALLATION	130
FIGURE 6-3. ENCLOSED CAB FRAME INSTALLATION.....	132
FIGURE 6-4. ENCLOSED CAB GLASS INSTALLATION	134
FIGURE 6-5. OPEN CAB INSTALLATION.....	136
FIGURE 6-6. OPEN CAB DASH INSTALLATION.....	138
FIGURE 6-7. OPEN CAB FRAME INSTALLATION	140
FIGURE 6-8. OPEN CAB GLASS INSTALLATION.....	142
FIGURE 6-9. BEACON BRACKET INSTALLATION	144
FIGURE 6-10. CLEARSKY INSTALLATION	146
FIGURE 6-11. FRONT CAB GUARD INSTALLATION.....	148
FIGURE 6-12. FUEL TANK INSTALLATION	150
FIGURE 6-13. HEATER INSTALLATION.....	152
FIGURE 6-14. JOYSTICK INSTALLATION (Prior to SN H160000703)	154
FIGURE 6-15. JOYSTICK INSTALLATION (SN H160000703 through H160000796)	156
FIGURE 6-16. JOYSTICK INSTALLATION (SN H160000830 to Present).....	158
FIGURE 6-17. MIRROR INSTALLATION - CAB RIGHT SIDE.....	160
FIGURE 6-18. ROOF & REAR WIPERS INSTALLATION	162
FIGURE 6-19. SEAT INSTALLATION.....	164
FIGURE 6-20. SEAT BELT ASSEMBLY - 3 INCH BELT	166
FIGURE 6-21. WINDSHIELD WIPER INSTALLATION.....	168
SECTION 7 - CONTROLS.....	171
FIGURE 7-1. BRAKE SYSTEM INSTALLATION	172
FIGURE 7-2. STEERING INSTALLATION.....	176
FIGURE 7-3. STEERING INSTALLATION (HIGH FLOW)	178
FIGURE 7-4. THROTTLE PEDAL INSTALLATION.....	180
SECTION 8 - HYDRAULIC CIRCUITS	183
FIGURE 8-1. AUXILIARY HYDRAULICS INSTALLATION - HYDRAULIC COUPLER	184

TABLE OF CONTENTS

FIGURE 8-2. AUXILIARY HYDRAULICS INSTALLATION - HYDRAULIC COUPLER (HIGH FLOW)	186
FIGURE 8-3. AUXILIARY HYDRAULICS INSTALLATION - MANUAL COUPLER.....	188
FIGURE 8-4. AUXILIARY HYDRAULICS INSTALLATION - MANUAL COUPLER (HIGH FLOW).....	190
FIGURE 8-5. BOOM HOSES INSTALLATION	192
FIGURE 8-6. BOOM HOSES INSTALLATION (HIGH FLOW)	194
FIGURE 8-7. BRAKE HOSES INSTALLATION.....	196
FIGURE 8-8. DRIVE PUMP HOSES INSTALLATION.....	198
FIGURE 8-9. DRIVE PUMP HOSES INSTALLATION (HIGH FLOW)	200
FIGURE 8-10. HYDRAULIC MOTOR HOSES INSTALLATION	202
FIGURE 8-11. HYDRAULIC MOTOR HOSES INSTALLATION (HIGH FLOW)	204
FIGURE 8-12. HYDRAULIC TANK HOSES INSTALLATION	206
FIGURE 8-13. JOYSTICK HOSES INSTALLATION.....	208
FIGURE 8-14. OIL COOLER HOSES INSTALLATION	210
FIGURE 8-15. OIL COOLER HOSES INSTALLATION (HIGH FLOW).....	212
FIGURE 8-16. STEERING HOSES INSTALLATION.....	214
FIGURE 8-17. STEERING HOSES INSTALLATION (HIGH FLOW)	216
SECTION 9 - HYDRAULIC COMPONENTS	219
FIGURE 9-1. COUPLER VALVE ASSEMBLY	220
FIGURE 9-2. CYLINDERS INSTALLATION - LIFT & COMPENSATION	222
FIGURE 9-3. COMPENSATION CYLINDER ASSEMBLY.....	224
FIGURE 9-4. DRIVE PUMP INSTALLATION	226
FIGURE 9-5. DRIVE PUMP ASSEMBLY (HIGH FLOW).....	228
FIGURE 9-6. DRIVE PUMP ASSEMBLY	230
FIGURE 9-7. GEAR PUMP INSTALLATION	232
FIGURE 9-8. GEAR PUMP INSTALLATION (HIGH FLOW)	234
FIGURE 9-9. HYDRAULIC FILTER & VALVES INSTALLATION	236
FIGURE 9-10. HYDRAULIC FILTER & VALVES INSTALLATION (HIGH FLOW).....	238
FIGURE 9-11. HYDRAULIC TANK INSTALLATION	240
FIGURE 9-12. HYDRAULIC TANK INSTALLATION (HIGH FLOW).....	242
FIGURE 9-13. LIFT CYLINDER ASSEMBLY	244
FIGURE 9-14. STEER CYLINDER SUB-ASSEMBLY	246
FIGURE 9-15. STEER CYLINDER ASSEMBLY.....	248
FIGURE 9-16. TELESCOPE CYLINDER ASSEMBLY	250
FIGURE 9-17. TILT CYLINDER ASSEMBLY	252
SECTION 10 - ELECTRICAL	255
FIGURE 10-1. BATTERY INSTALLATION	256
FIGURE 10-2. BATTERY HARNESS	258
FIGURE 10-3. BEACON INSTALLATION	260
FIGURE 10-4. CAB ELECTRICAL INSTALLATION	262
FIGURE 10-5. CAB HARNESS	264
FIGURE 10-6. FRAME HARNESS INSTALLATION.....	268
FIGURE 10-7. FRAME HARNESS	270
FIGURE 10-8. LSI SENSORS INSTALLATION.....	272
FIGURE 10-9. ROOF WIPER HARNESS.....	274

TABLE OF CONTENTS

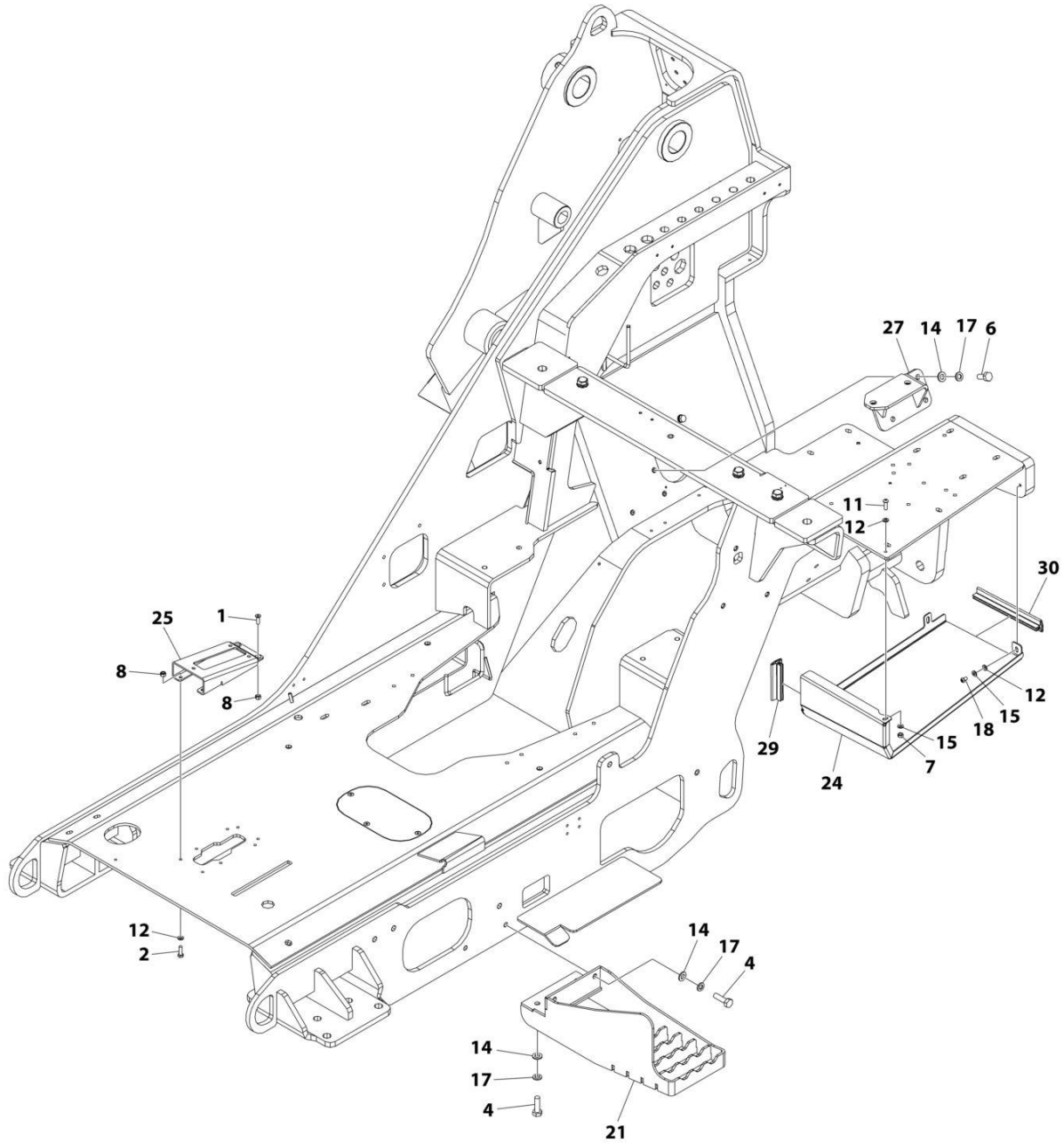
FIGURE 10-10. SEAT JUMPER HARNESS	276
FIGURE 10-11. WORKLIGHTS HARNESS INSTALLATION.....	278
FIGURE 10-12. WORKLIGHTS INSTALLATION.....	280
SECTION 11 - DECALS	283
FIGURE 11-1. BRAND DECALS INSTALLATION - ENCLOSED CAB	284
FIGURE 11-2. BRAND DECALS INSTALLATION - OPEN CAB.....	286
FIGURE 11-3. DECAL INSTALLATION (ANSI)	288
FIGURE 11-4. DECAL INSTALLATION (FRENCH).....	292
FIGURE 11-5. DECAL INSTALLATION (ISO).....	294
FIGURE 11-6. LOAD CHART - ANSI.....	298
FIGURE 11-7. LOAD CHART - METRIC.....	300
SECTION 12 - RECOMMENDED SERVICE PARTS STOCK.....	303
FIGURE 12-1. RECOMMENDED SERVICE PARTS STOCK.....	304
SECTION 13 - SPECIAL OPTIONS/ACCESSORIES/KITS.....	305
FIGURE 13-1. SPECIAL OPTIONS/ACCESSORIES/KITS.....	306
PART NUMBER INDEX.....	307

SECTION 1 - FRAME AND ATTACHING PARTS

SECTION 1 - FRAME AND ATTACHING PARTS

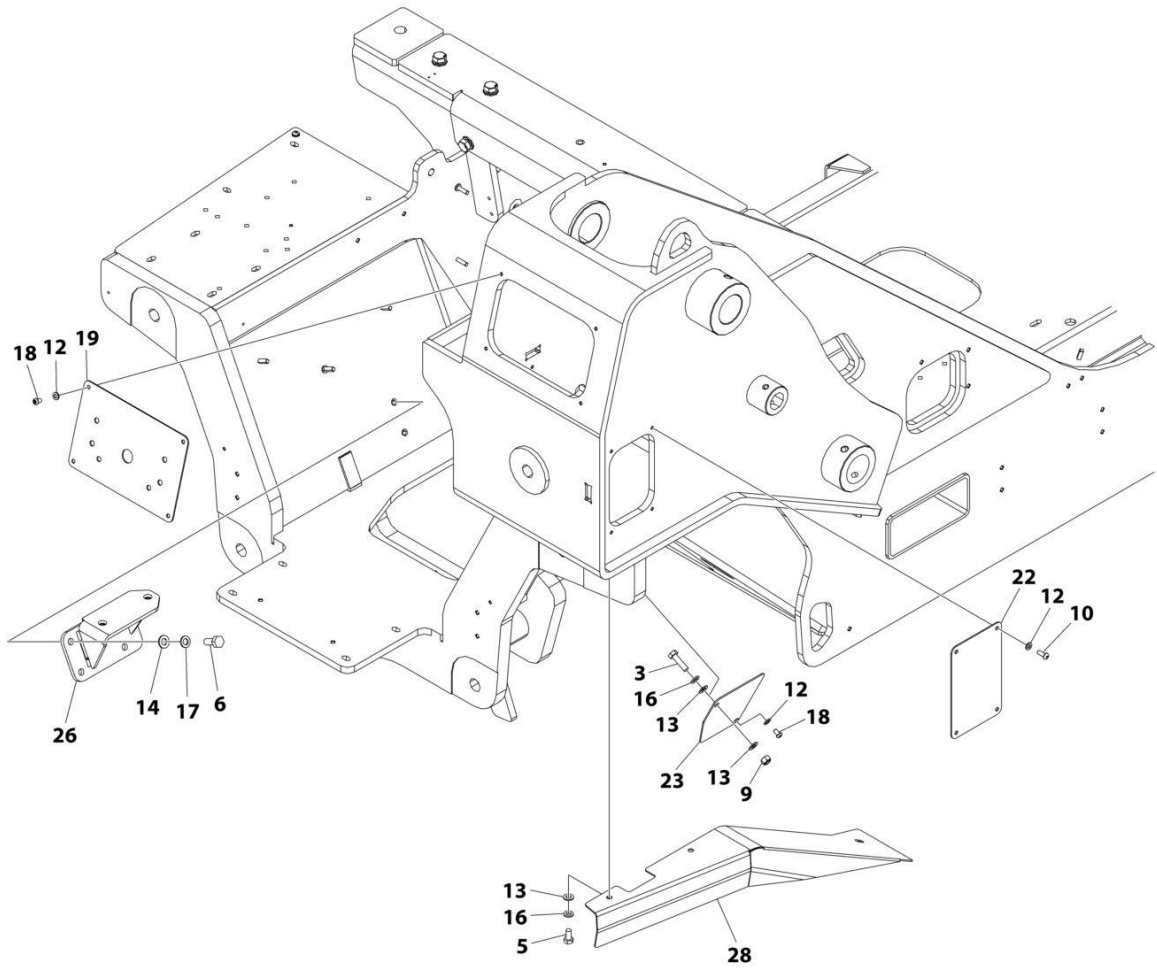
SECTION 1 - FRAME AND ATTACHING PARTS

FIGURE 1-1. FRAME COMPONENTS INSTALLATION



ART_1001301170_1OF2

SECTION 1 - FRAME AND ATTACHING PARTS



ART_1001301170_20F2

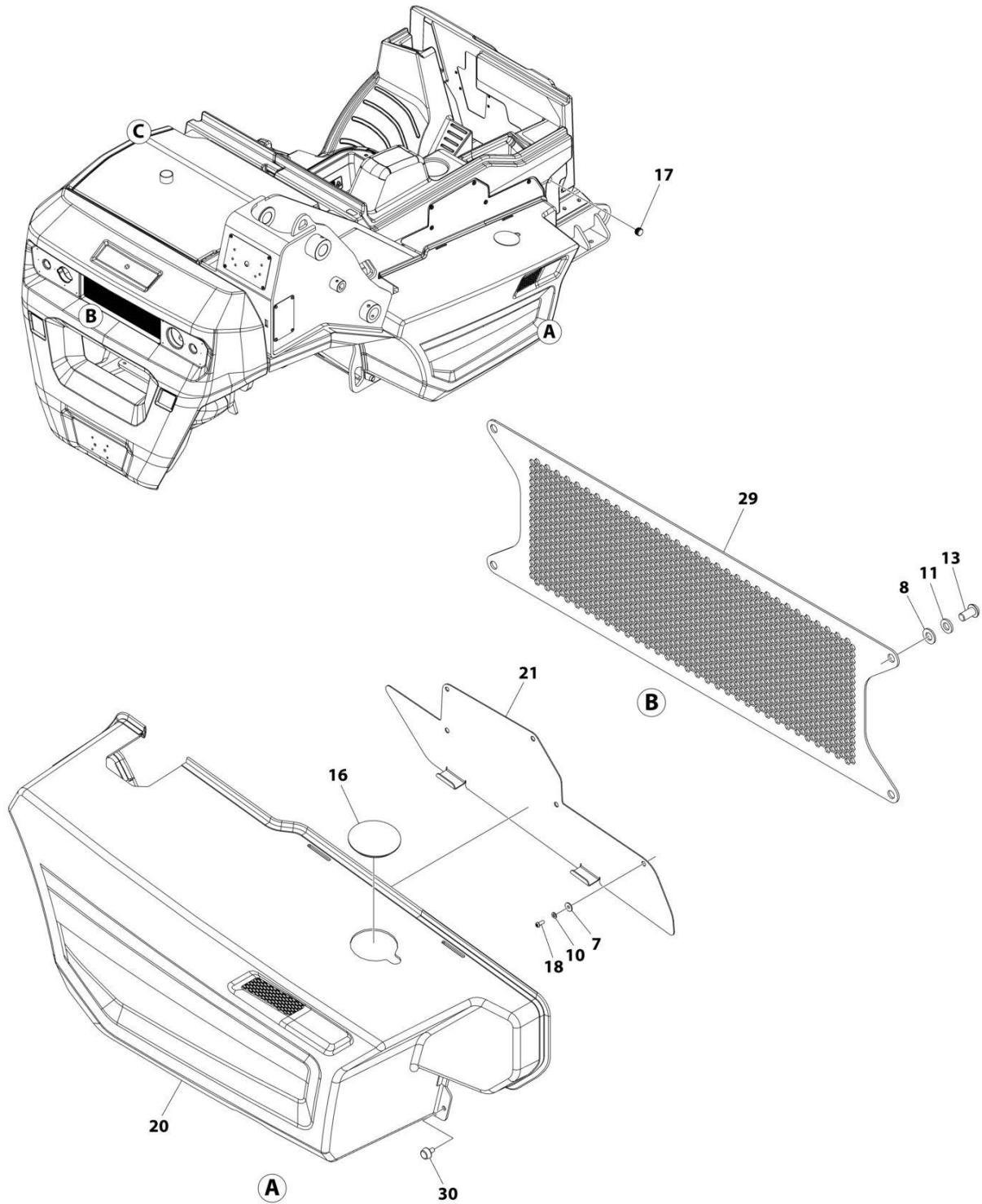
SECTION 1 - FRAME AND ATTACHING PARTS

FIGURE 1-1. FRAME COMPONENTS INSTALLATION

ITEM	PART NUMBER	QTY	DESCRIPTION	REV
	1001301170	Ref	FRAME COMPONENTS INSTALLATION	A
1	0630576	2	Capscrew M6 x 20	
2	0700610	2	Bolt M6 x 20	
3	0700814	1	Bolt M8 x 30	
4	0701015	4	Bolt M10 x 35	
5	0760808	3	Bolt M8 x 16	
6	0761012	6	Bolt M10 x 25	
7	3290601	1	Nut M6	
8	3290605	4	Nut M6	
9	3290805	1	Nut M8	
10	3900357	4	Capscrew M6 x 16	
11	3900364	1	Capscrew M6 x 20 Class 10.9	
12	4811700	15	Washer M6	
13	4811900	5	Washer M8	
14	4812000	10	Washer M10	
15	4831700	4	Washer M6	
16	4831900	4	Washer M8	
17	4832000	10	Washer M10	
18	1001261563	8	Capscrew M6 x 10 Class 10.9	
19	1001261674	1	Panel	
21	1001301174	1	Step	
22	1001301176	1	Panel	
23	1001301177	1	Panel, Filter Access	
24	1001301178	1	Bracket	
25	1001301183	1	Mount, Throttle Pedal	
26	1001301184	1	Mount, Engine Left Side	
27	1001301185	1	Mount, Engine Right Side	
28	1001301186	1	Panel, Fender	
29	1001301188	1	Seal	
30	1001301189	1	Seal	

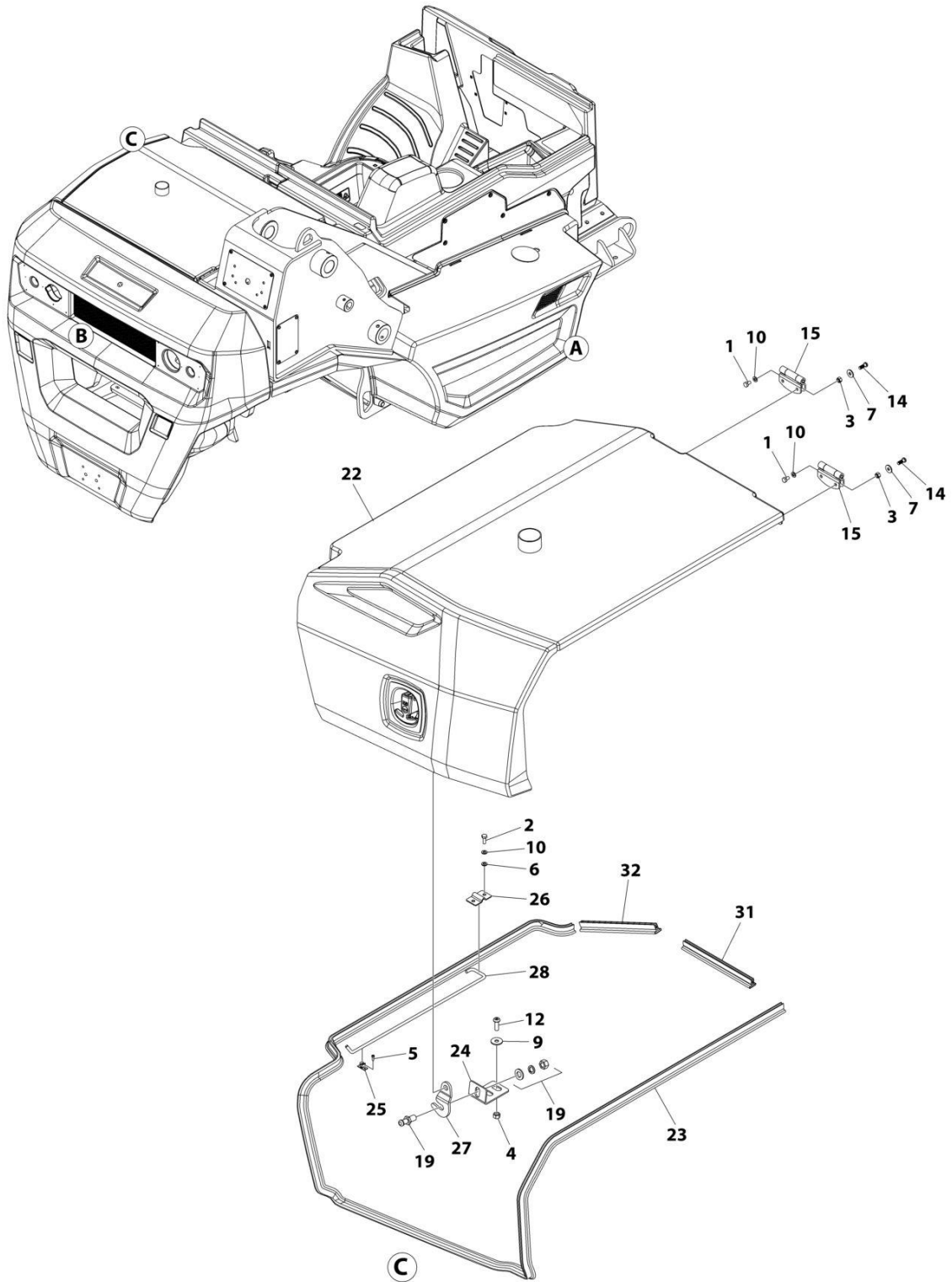
SECTION 1 - FRAME AND ATTACHING PARTS

FIGURE 1-2. ENCLOSURES INSTALLATION



ART_1001304195_1OF2

SECTION 1 - FRAME AND ATTACHING PARTS



ART_1001304195_2OF2

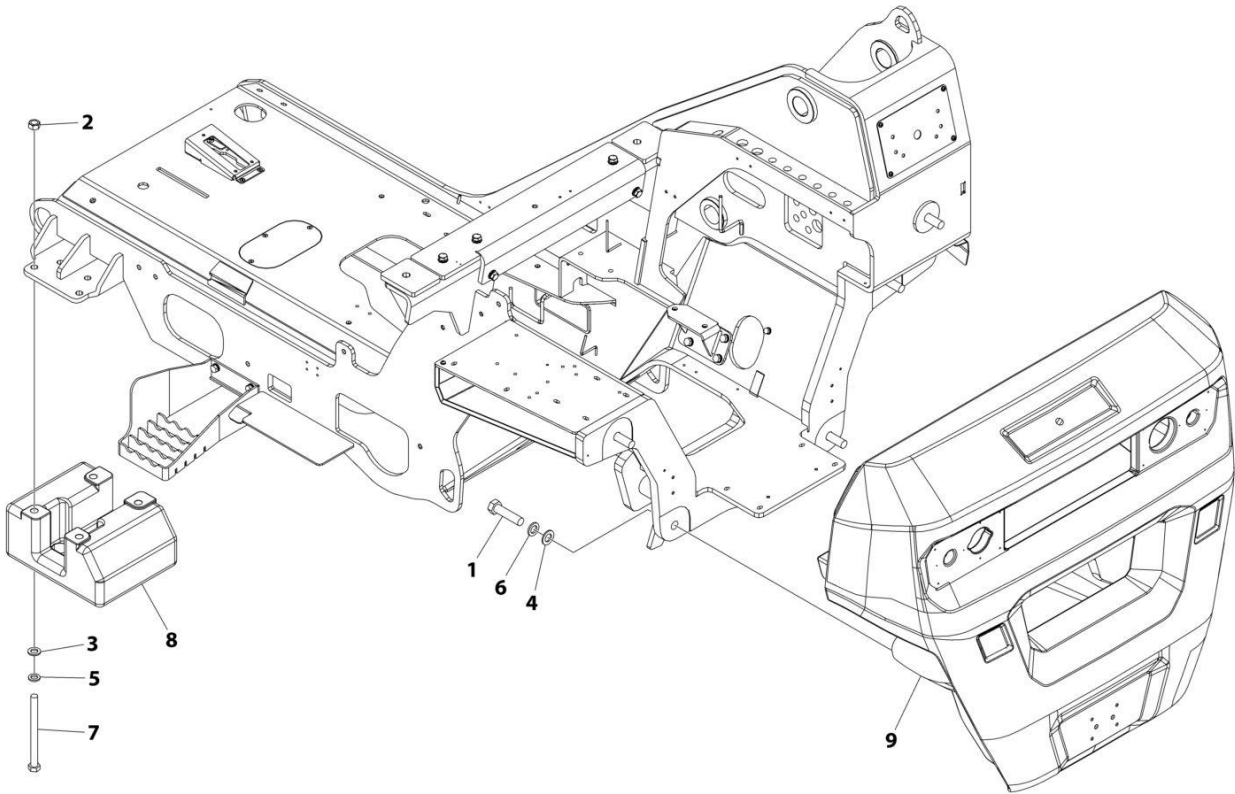
SECTION 1 - FRAME AND ATTACHING PARTS

FIGURE 1-2. ENCLOSURES INSTALLATION

ITEM	PART NUMBER	QTY	DESCRIPTION	REV
	1001304195	Ref	ENCLOSURES INSTALLATION	A
1	0760605	4	Bolt M6 x 10	
2	0760608	2	Bolt M6 x 16	
3	3290605	4	Nut M6	
4	3290805	2	Nut M8	
5	4031205	2	Capscrew M3 x 10	
6	4811700	2	Washer M6	
7	4811702	9	Washer M6	
8	4811900	4	Washer M8	
9	4811902	2	Washer M8	
10	4831700	11	Washer M6	
11	4831900	4	Washer M8	
12	1001261564	2	Capscrew M8 x 25	
13	1001262289	4	Capscrew M8 x 15	
14	1001262607	4	Capscrew M6 x 20 Class 10.9	
15	1001263880	2	Hinge	
16	1001263881	1	Cover	
17	1001264009	1	Plug	
18	1001264021	5	Capscrew M6 x 15 Class 10.9	
19	1001304425	1	Pin, Lock (Includes Hardware)	
20	1001304426	1	Hood, Side	
21	1001304427	1	Bracket, Side Hood	
22	1001304428	1	Hood, Engine	
23	1001304430	1	Seal, Engine Hood Front & Side	
24	1001304431	1	Bracket	
25	1001304432	1	Clip, Hood Prop	
26	1001304433	1	Clamp, Hood Prop	
27	1001304434	1	Hook, Latch	
28	1001304435	1	Prop, Engine Hood	
29	1001304436	1	Panel	
30	1001304465	3	Bumper	
31	1001305987	1	Seal, Engine Hood Rear	
32	1001305989	1	Seal, Engine Hood Rear	

SECTION 1 - FRAME AND ATTACHING PARTS

FIGURE 1-3. COUNTERWEIGHTS INSTALLATION



ART_1001303633

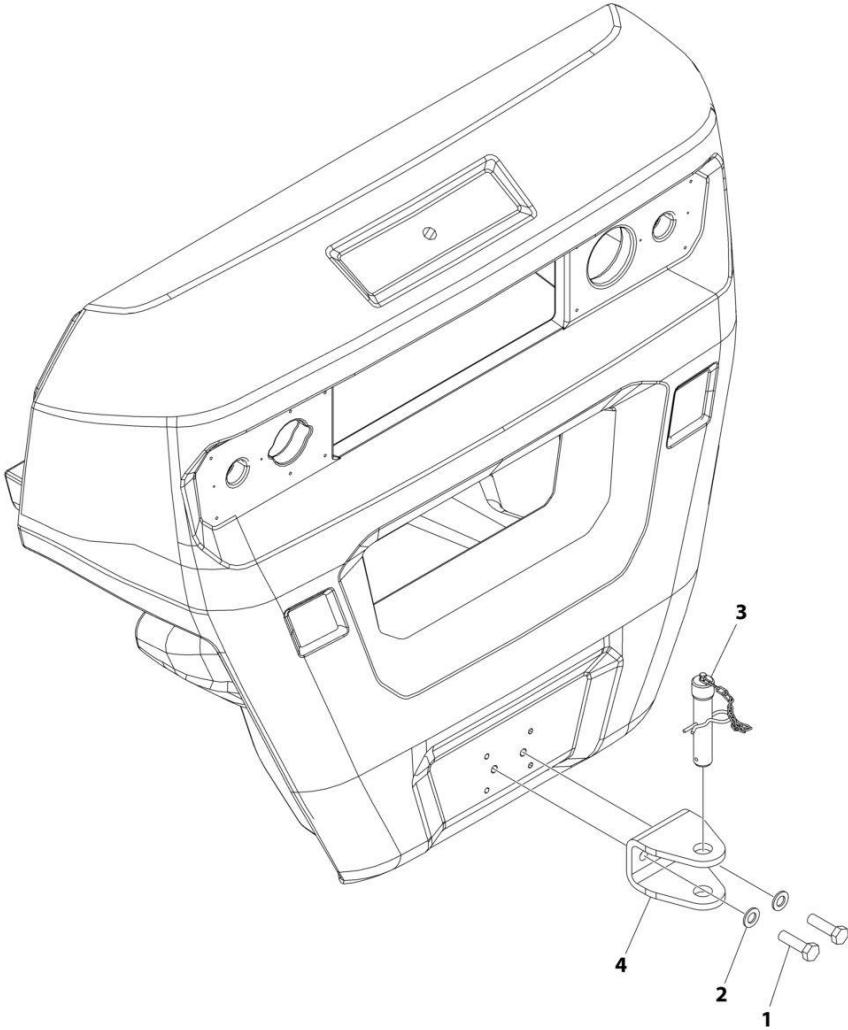
SECTION 1 - FRAME AND ATTACHING PARTS

FIGURE 1-3. COUNTERWEIGHTS INSTALLATION

ITEM	PART NUMBER	QTY	DESCRIPTION	REV
	1001303633	Ref	COUNTERWEIGHTS INSTALLATION	A
1	0712024	5	Bolt M20 x 80 Class 10.9	
2	3331611	4	Nut M16 Class 10	
3	4812300	4	Washer M16	
4	4812500	5	Washer M20	
5	4832300	4	Washer M16	
6	4832500	5	Washer M20	
7	1001091951	4	Bolt M16 x 200 Class 10.9	
8	1001303675	1	Counterweight, Front	
9	1001303676	1	Counterweight, Rear	

SECTION 1 - FRAME AND ATTACHING PARTS

FIGURE 1-4. HITCH INSTALLATION



ART_1001304448

SECTION 1 - FRAME AND ATTACHING PARTS

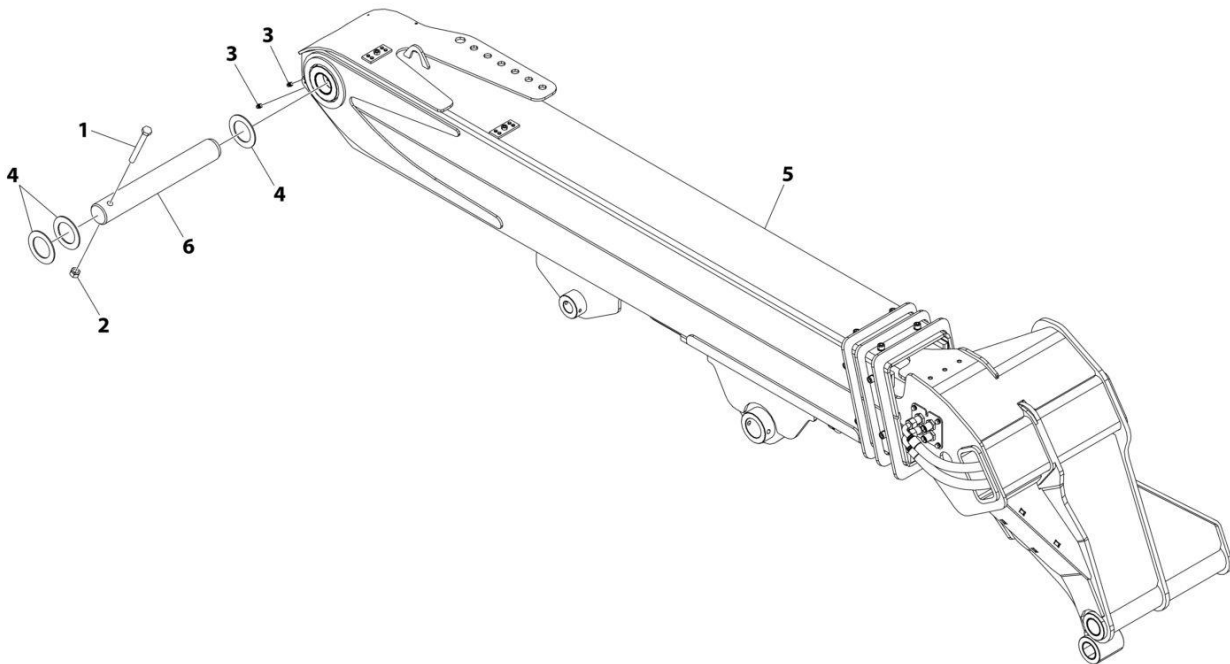
FIGURE 1-4. HITCH INSTALLATION

ITEM	PART NUMBER	QTY	DESCRIPTION	REV
	1001304448	Ref	HITCH INSTALLATION	A
1	0701418	2	Bolt M14 x 50	
2	4812200	2	Washer M14	
3	1001263865	1	Pin, Hitch	
4	1001305615	1	Bracket, Hitch	

SECTION 2 - BOOM

SECTION 2 - BOOM

FIGURE 2-1. BOOM INSTALLATION



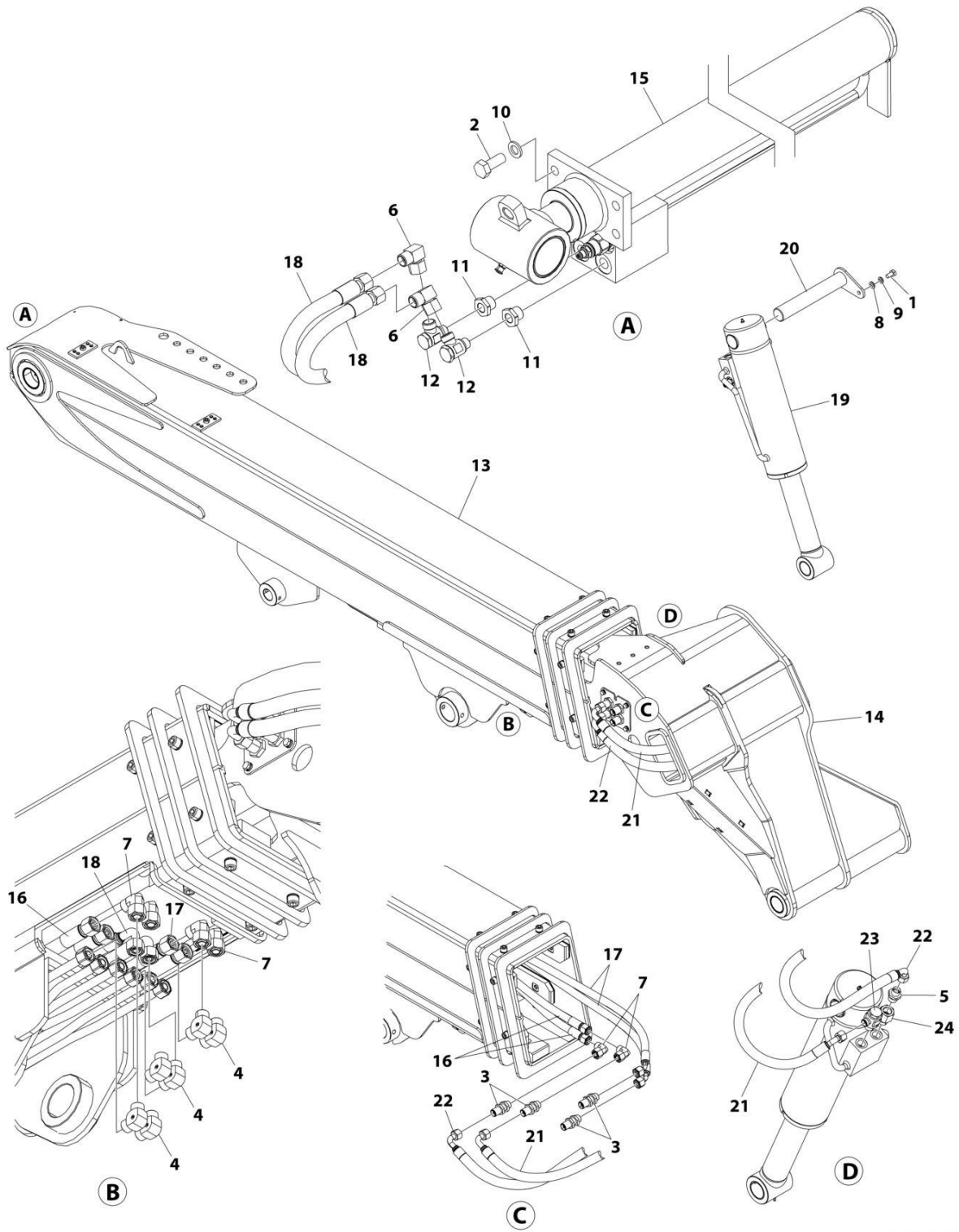
ART_1001301333

FIGURE 2-1. BOOM INSTALLATION

ITEM	PART NUMBER	QTY	DESCRIPTION	REV
	1001301333	Ref	BOOM INSTALLATION	A
1	0761228	1	Bolt M12 x 110	
2	3291207	1	Nut M12	
3	1001261547	2	Fitting, Grease	
4	1001261549	3	Shim	
5	1001301519	1	Boom Assembly (See Separate Breakdown in this Section)	
6	1001301903	1	Pin	

SECTION 2 - BOOM

FIGURE 2-2. BOOM ASSEMBLY



ART_1001301519

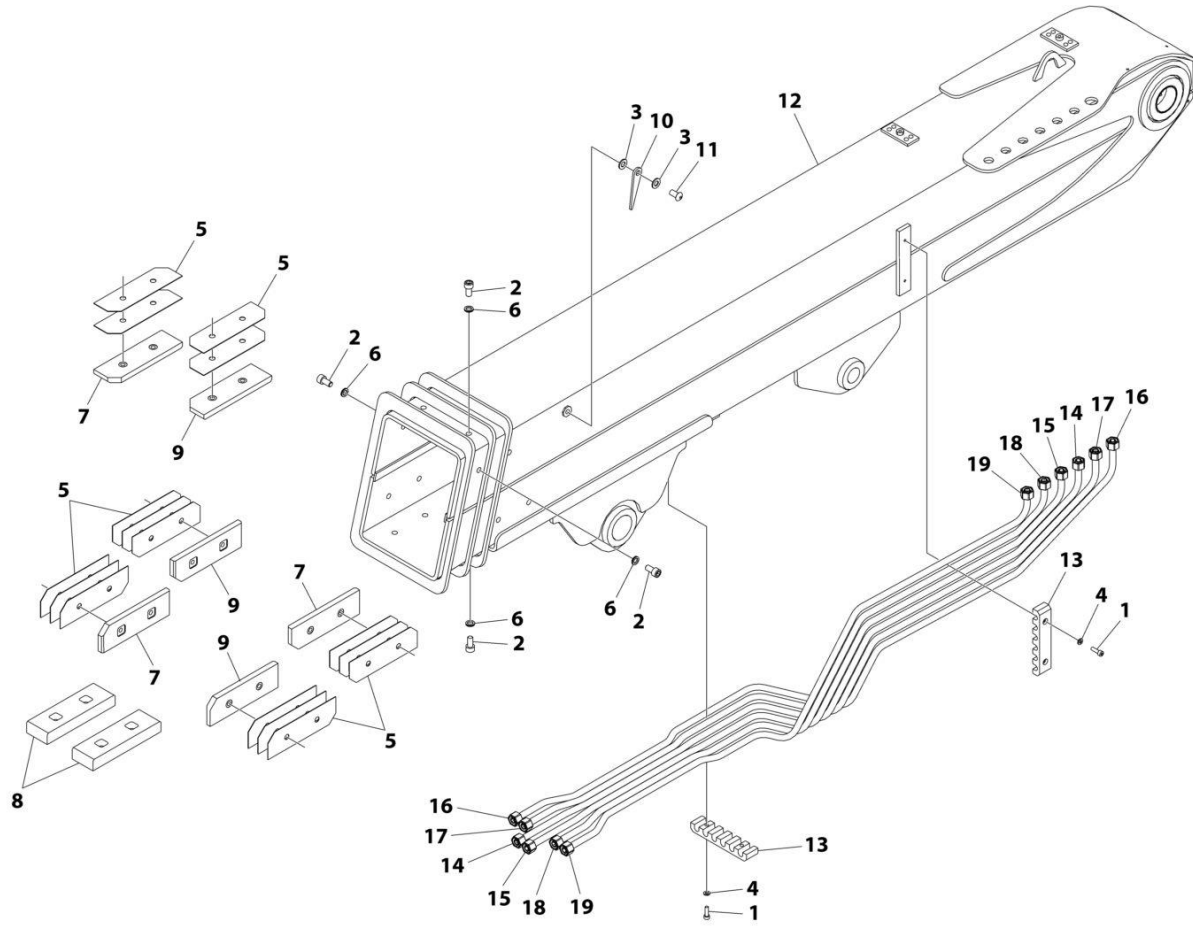
SECTION 2 - BOOM

FIGURE 2-2. BOOM ASSEMBLY

ITEM	PART NUMBER	QTY	DESCRIPTION	REV
	1001301519	Ref	BOOM ASSEMBLY	A
1	0761010	1	Bolt M10 x 20	
2	0761214	4	Bolt M12 x 30	
3	2141504	4	Fitting, Straight	
4	2141809	6	Fitting, 90	
5	2142713	1	Fitting, Straight	
6	2143403	2	Fitting, 90	
7	2143404	6	Fitting, 90	
8	4812000	1	Washer M10	
9	4832000	1	Washer M10	
10	4832100	4	Washer M12	
11	1001263158	2	Fitting, Straight	
12	1001263161	2	Fitting, 90	
13	1001301518	1	Base Boom Assembly (See Separate Breakdown in this Section)	
14	1001301582	1	Fly Boom Assembly (See Separate Breakdown in this Section)	
15	1001301850	1	Telescope Cylinder Assembly (See Separate Breakdown in HYDRAULIC COMPONENTS Section)	
16	1001301926	1	Hose	
17	1001301927	1	Hose	
18	1001301942	1	Hose	
19	1001301975	1	Tilt Cylinder Assembly (See Separate Breakdown in HYDRAULIC COMPONENTS Section)	
20	1001301982	1	Pin	
21	1001301995	1	Hose	
22	1001302074	1	Hose	
23	1001302508	1	Fitting, 90	
24	1001302511	1	Fitting, Straight	

SECTION 2 - BOOM

FIGURE 2-3. BASE BOOM ASSEMBLY



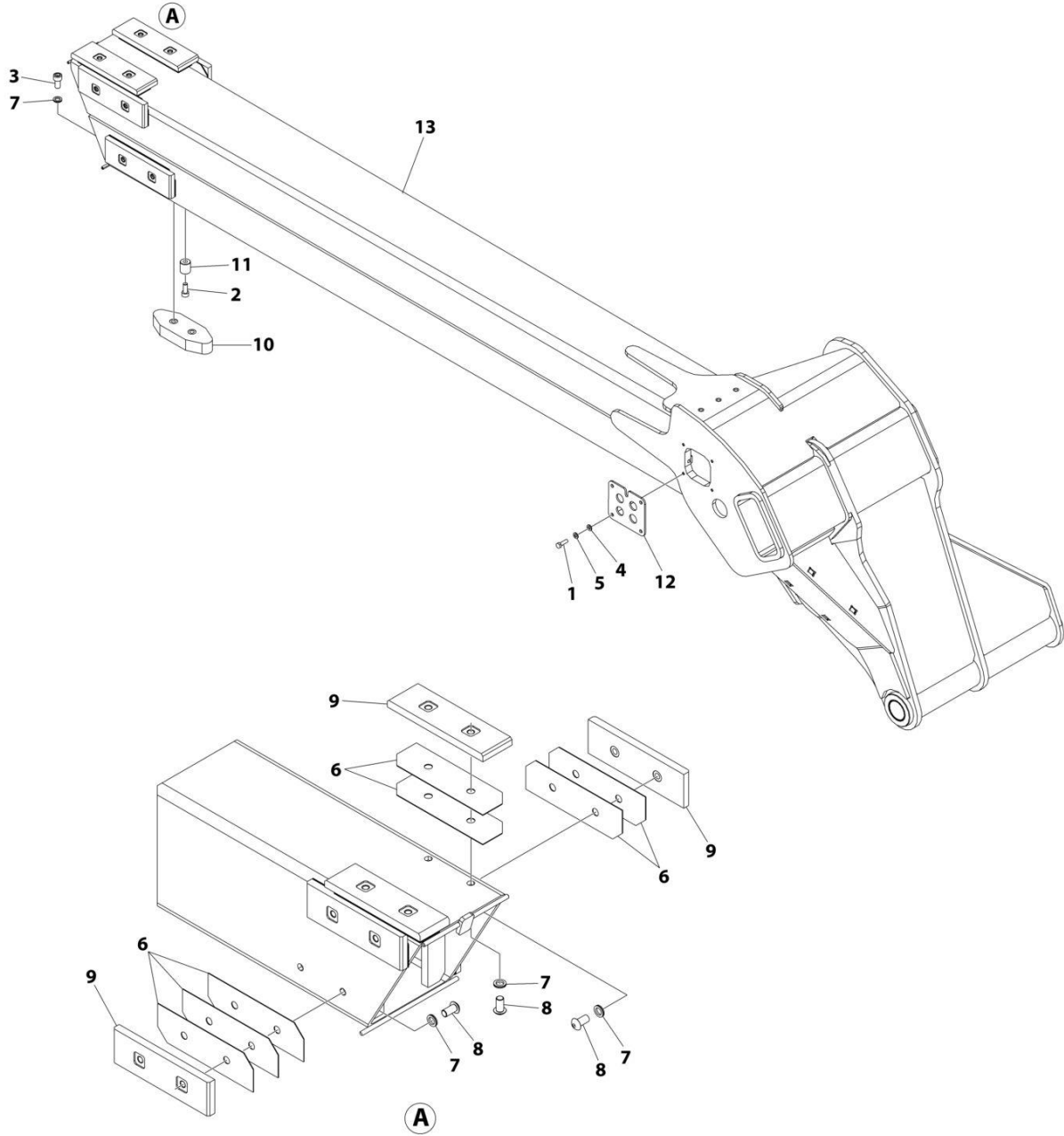
ART_1001301518

FIGURE 2-3. BASE BOOM ASSEMBLY

ITEM	PART NUMBER	QTY	DESCRIPTION	REV
	1001301518	Ref	BASE BOOM ASSEMBLY	A
1	4031708	4	Capscrew M6 x 20	
2	4032008	16	Capscrew M10 x 20	
3	4812000	2	Washer M10	
4	4831700	4	Washer M6	
5	1001261550	16	Shim	
6	1001261551	16	Washer M10	
7	1001261554	3	Pad, Wear	
8	1001261555	2	Pad, Wear	
9	1001261556	3	Pad, Wear	
10	1001261560	1	Indicator, Angle	
11	1001261565	1	Capscrew M10 x 20	
12	1001301516	1	Boom, Base	
13	1001301870	2	Clamp	
14	1001301993	1	Pipe, Telescope Cylinder Extend	
15	1001301994	1	Pipe, Telescope Cylinder Retract	
16	1001301996	1	Pipe, Tilt Cylinder Extend	
17	1001301997	1	Pipe, Tilt Cylinder Retract	
18	1001301998	1	Pipe, Auxiliary Hydraulics	
19	1001301999	1	Pipe, Auxiliary Hydraulics	

SECTION 2 - BOOM

FIGURE 2-4. FLY BOOM ASSEMBLY



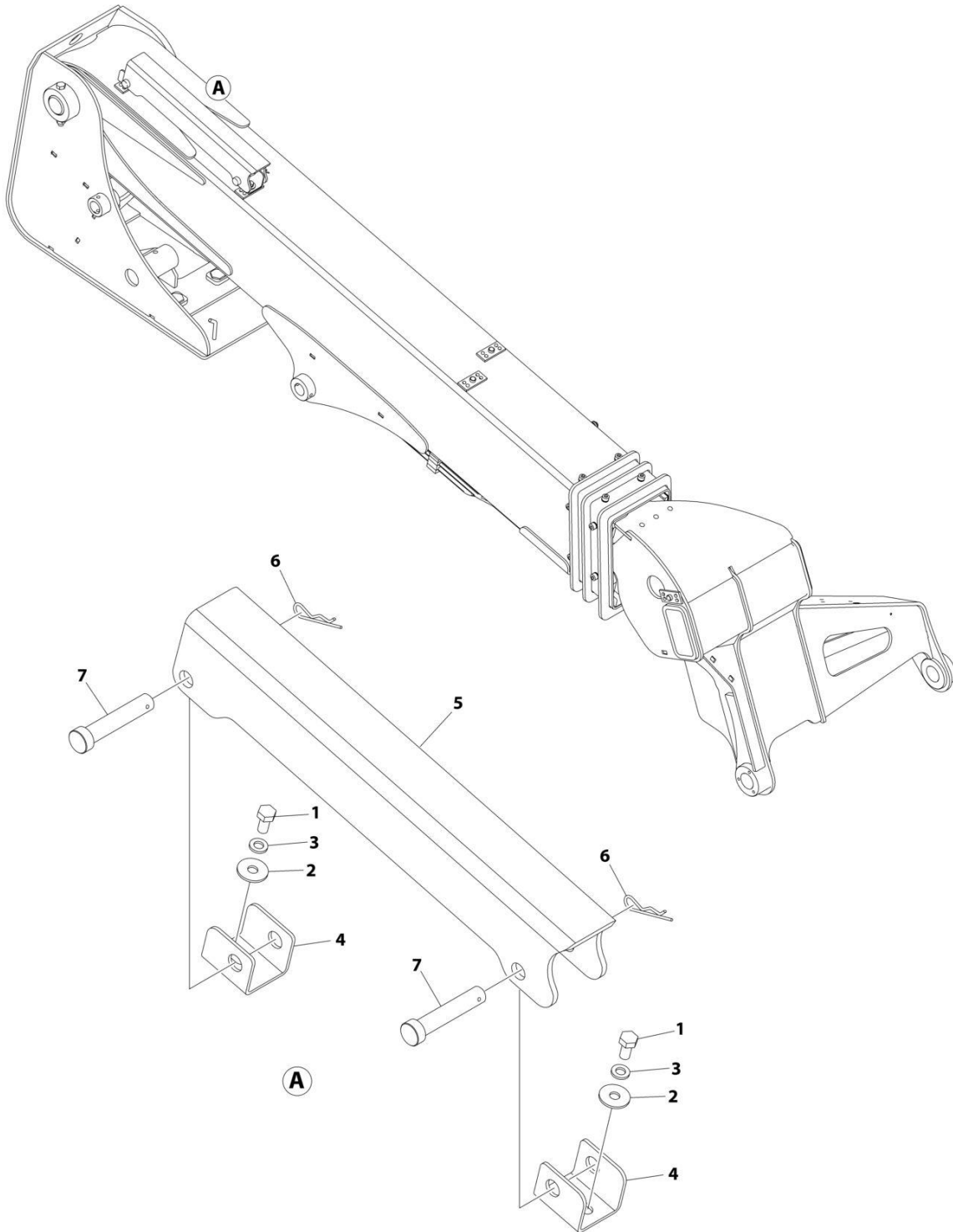
ART_1001301582

FIGURE 2-4. FLY BOOM ASSEMBLY

ITEM	PART NUMBER	QTY	DESCRIPTION	REV
	1001301582	Ref	FLY BOOM ASSEMBLY	A
1	0700610	4	Bolt M6 x 20	
2	4031908	1	Bolt M8 x 20	
3	4032008	2	Capscrew M10 x 20	
4	4811700	4	Washer M6	
5	4831700	4	Washer M6	
6	1001261550	14	Shim	
7	1001261551	14	Washer M10	
8	1001261565	12	Capscrew M10 x 20	
9	1001262033	6	Pad, Wear	
10	1001262034	1	Pad, Wear	
11	1001262036	1	Guide, Hose	
12	1001301899	1	Plate	
13	1001301987	1	Boom, Fly	

SECTION 2 - BOOM

FIGURE 2-5. BOOM PROP INSTALLATION



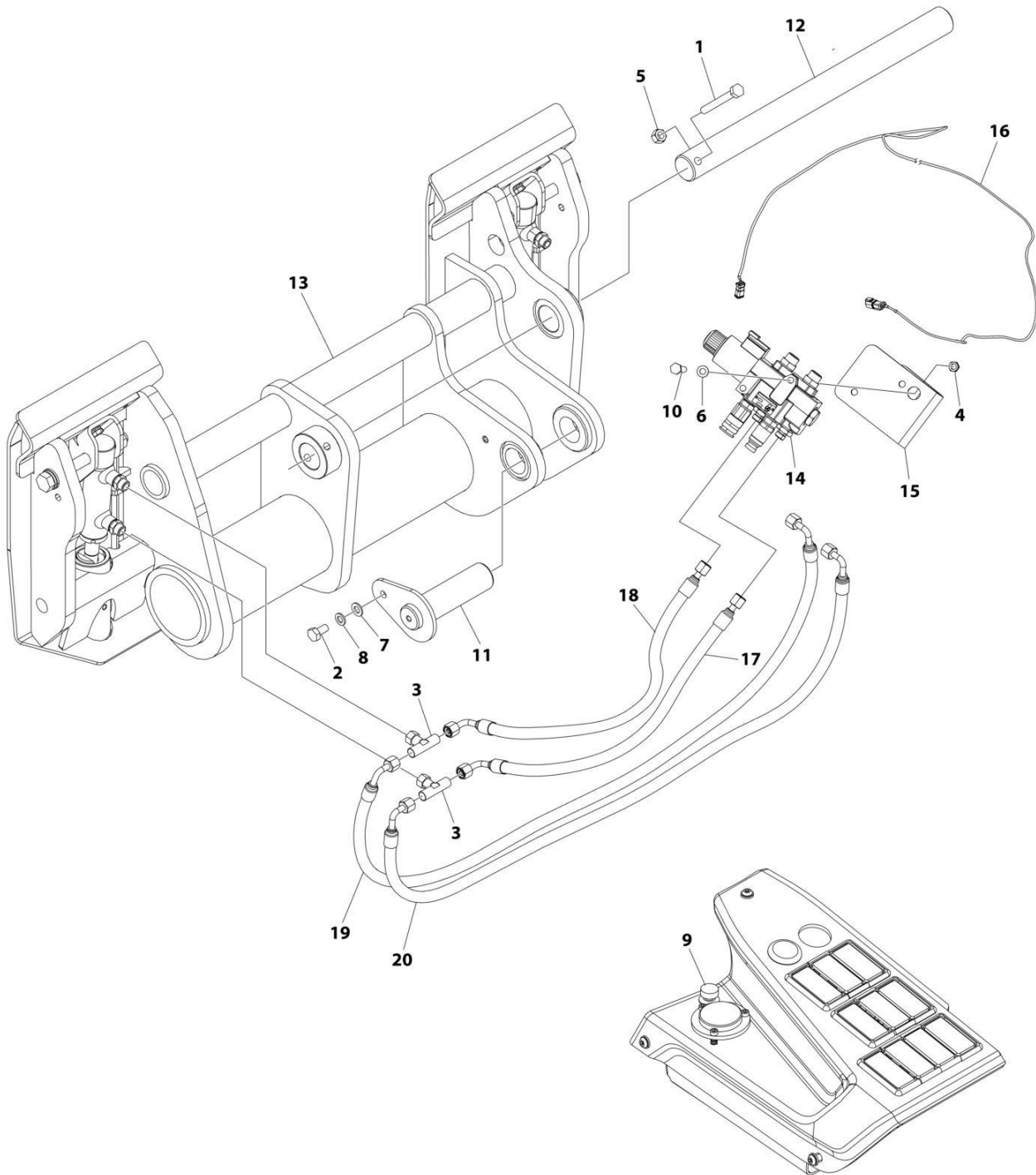
ART_1001263388

FIGURE 2-5. BOOM PROP INSTALLATION

ITEM	PART NUMBER	QTY	DESCRIPTION	REV
	1001263388	Ref	BOOM PROP INSTALLATION	A
1	0760808	2	Bolt M8 x 20	
2	4811902	2	Washer M8	
3	4831900	2	Washer M8	
4	1001266094	2	Bracket	
5	1001266095	1	Prop, Boom	
6	1001266096	2	Pin	
7	1001266097	2	Pin	

SECTION 2 - BOOM

FIGURE 2-6. COUPLER INSTALLATION - HYDRAULIC



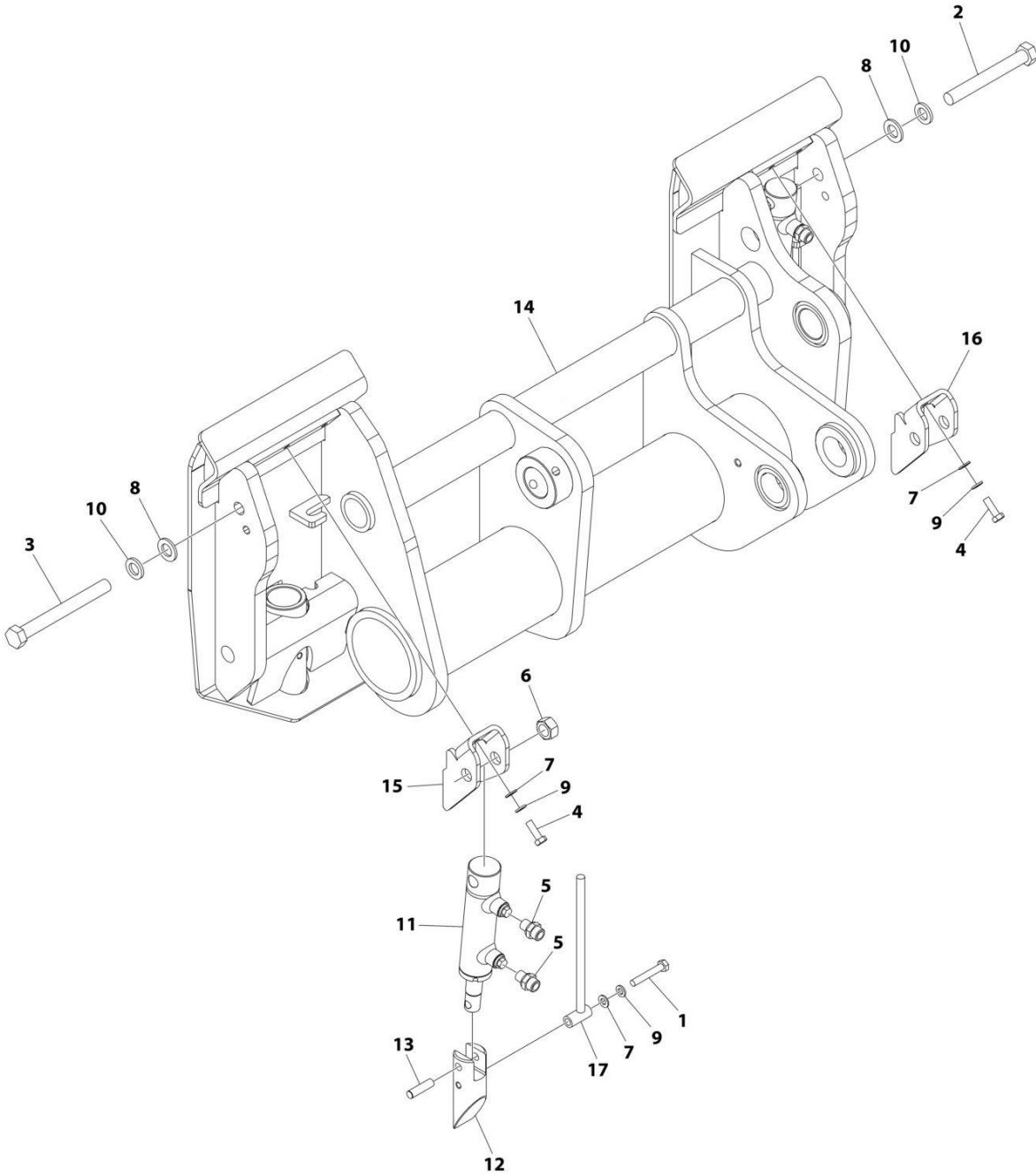
ART_1001304227

FIGURE 2-6. COUPLER INSTALLATION - HYDRAULIC

ITEM	PART NUMBER	QTY	DESCRIPTION	REV
	1001304227	Ref	COUPLER INSTALLATION	A
1	0701026	1	Bolt M10 x 90	
2	0761010	1	Bolt M10 x 20	
3	2142102	2	Fitting, Tee	
4	3290805	2	Nut M8	
5	3291005	1	Nut M10	
6	4811900	2	Washer M8	
7	4812000	1	Washer M10	
8	4832000	1	Washer M10	
9	1001264530	1	Switch, Coupler	
10	1001264533	2	Bolt M8 x 80	
11	1001302197	1	Pin	
12	1001302198	1	Pin	
13	1001304455	1	Coupler Assembly (See Separate Breakdown in this Section)	
14	1001304456	1	Coupler Valve Assembly (See Separate Breakdown in HYDRAULIC COMPONENTS Section)	
15	1001304736	1	Bracket	
16	1001304892	1	Harness, Hydraulic Coupler	
17	1001305628	1	Hose	
18	1001305629	1	Hose	
19	1001305631	1	Hose	
20	1001305632	1	Hose	

SECTION 2 - BOOM

FIGURE 2-7. COUPLER ASSEMBLY - HYDRAULIC



ART_1001304455

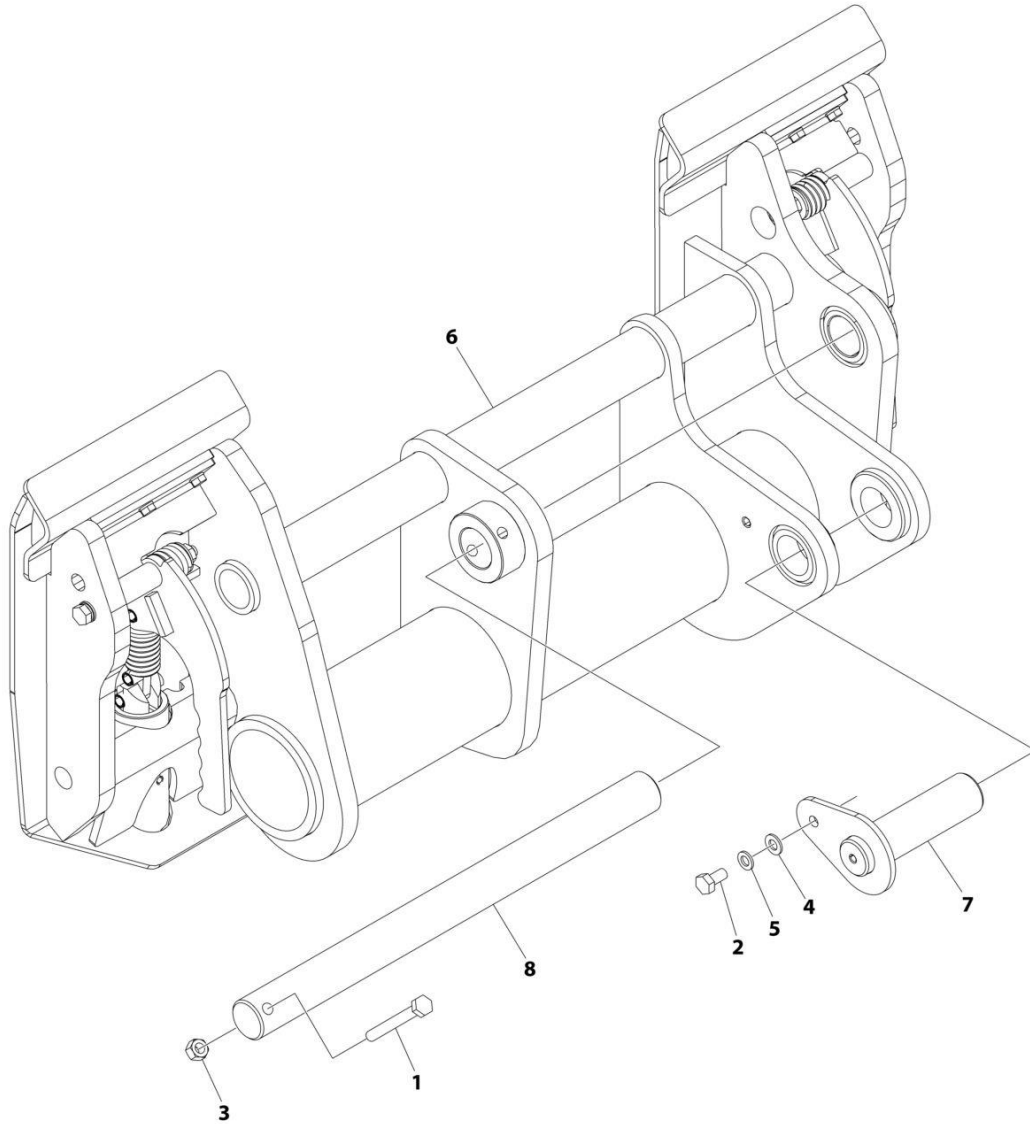
SECTION 2 - BOOM

FIGURE 2-7. COUPLER ASSEMBLY - HYDRAULIC

ITEM	PART NUMBER	QTY	DESCRIPTION	REV
	1001304455	Ref	COUPLER ASSEMBLY	A
1	0700818	2	Bolt M8 x 50	
2	0701630	1	Bolt M16 x 130	
3	0701632	1	Bolt M16 x 150	
4	0770812	2	Bolt M8 x 25	
5	2142706	4	Fitting, Straight	
6	3331611	1	Nut M16	
7	4811900	4	Washer M8	
8	4812300	2	Washer M16	
9	4831900	4	Washer M8	
10	4832300	2	Washer M16	
11	1001264509	2	Cylinder, Coupler	
12	1001264512	2	Pin	
13	1001264516	2	Pin	
14	1001301904	1	Coupler	
15	1001304618	1	Bracket - Left Side	
16	1001304629	1	Bracket - Right Side	
17	1001304631	2	Rod, Hook Positioner	

SECTION 2 - BOOM

FIGURE 2-8. COUPLER INSTALLATION - MANUAL



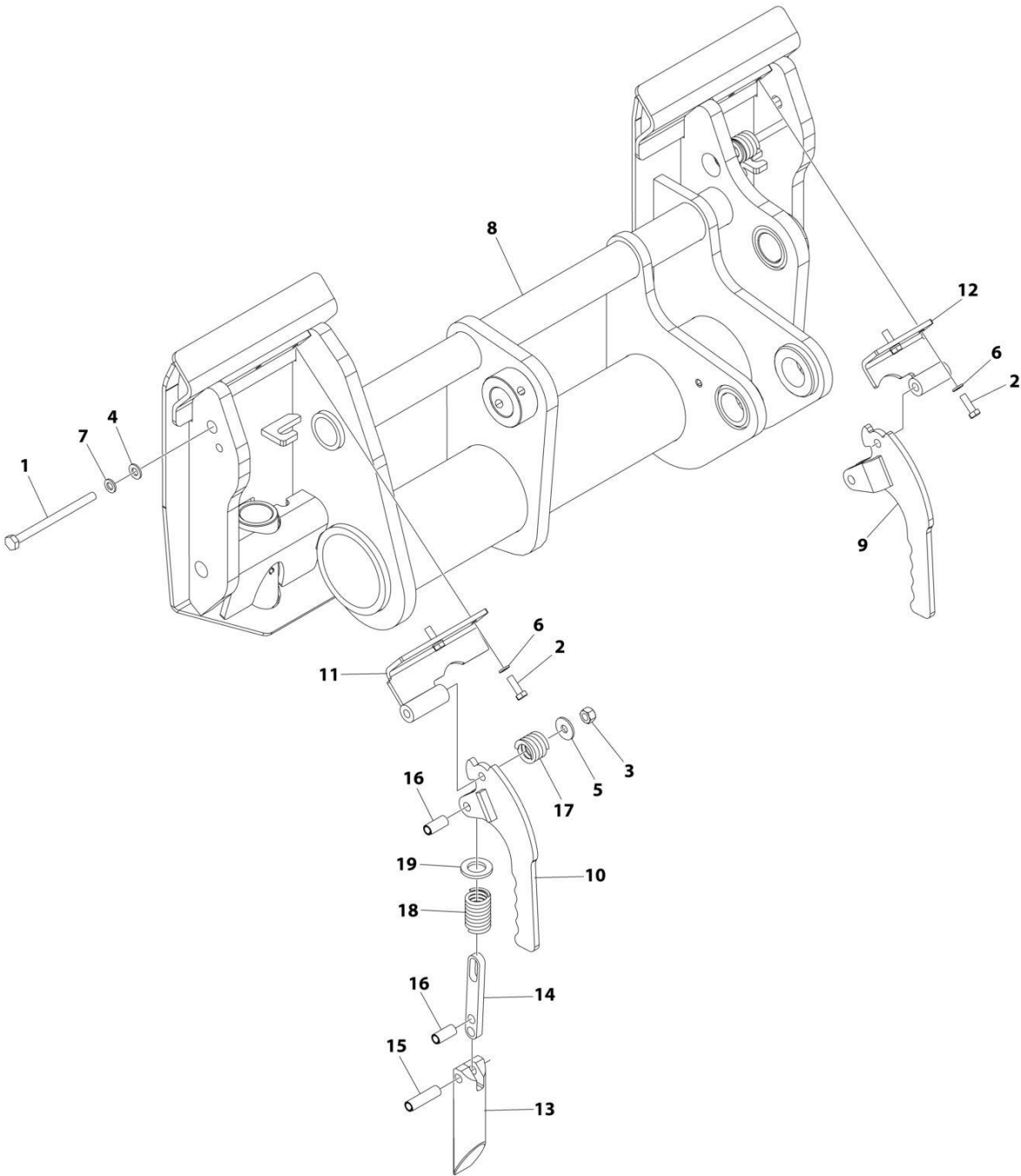
ART_1001301816

FIGURE 2-8. COUPLER INSTALLATION - MANUAL

ITEM	PART NUMBER	QTY	DESCRIPTION	REV
	1001301816	Ref	COUPLER INSTALLATION	A
1	0701026	1	Bolt M10 x 90	
2	0761010	1	Bolt M10 x 20	
3	3291005	1	Nut M10	
4	4812000	1	Washer M10	
5	4832000	1	Washer M10	
6	1001301973	1	Coupler Assembly (See Separate Breakdown in this Section)	
7	1001302197	1	Pin	
8	1001302198	1	Pin	

SECTION 2 - BOOM

FIGURE 2-9. COUPLER ASSEMBLY - MANUAL



ART_1001301973

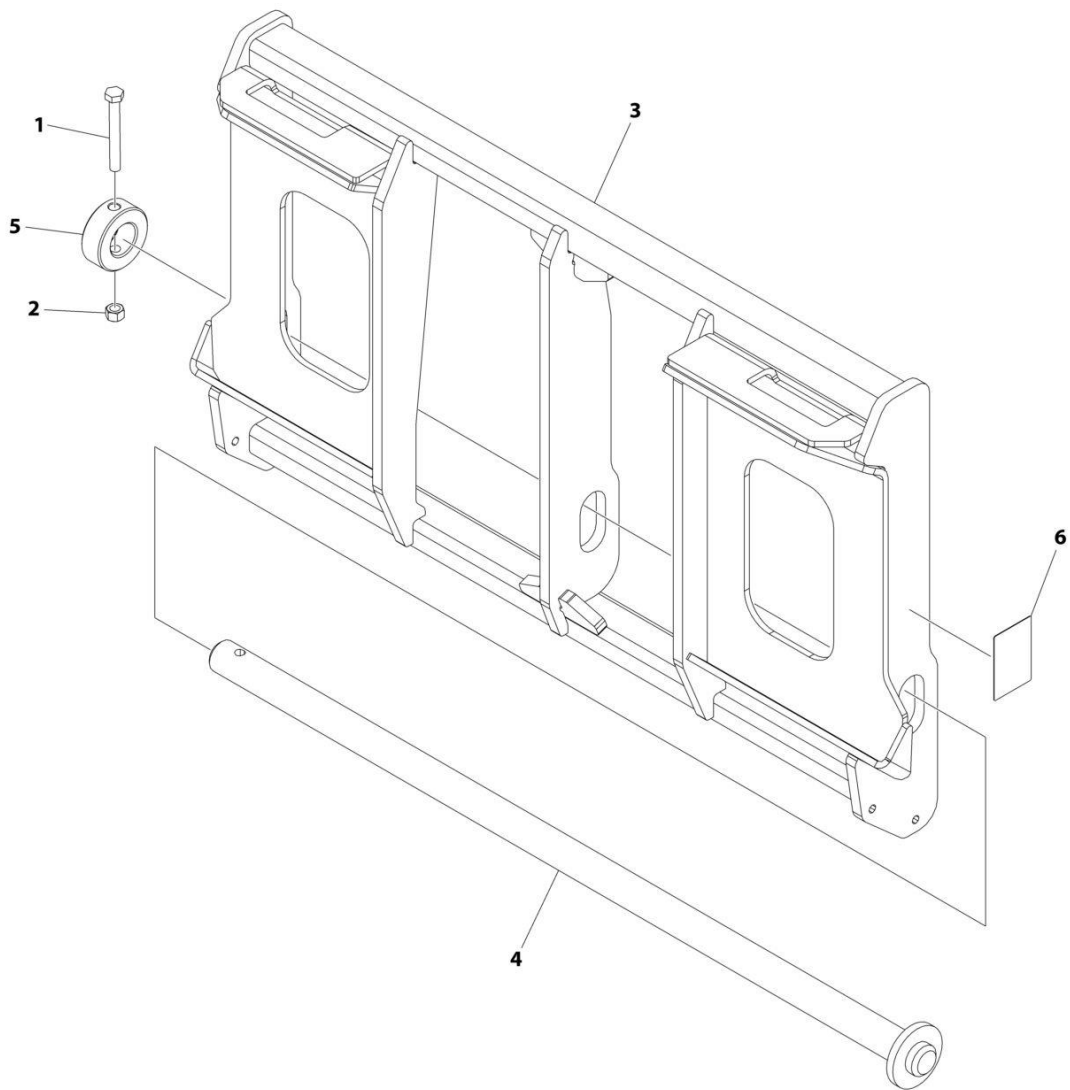
FIGURE 2-9. COUPLER ASSEMBLY - MANUAL

ITEM	PART NUMBER	QTY	DESCRIPTION	REV
	1001301973	Ref	COUPLER ASSEMBLY	A
1	0701031	2	Bolt M10 x 140	
2	0760812	4	Bolt M8 x 25	
3	3291005	2	Nut M10	
4	4812000	2	Washer M10	
5	4812002	2	Washer M10	
6	4831900	4	Washer M8	
7	4832000	2	Washer M10	
8	1001301904	1	Coupler	
9	1001302108	1	Lever, Coupling - Right Side	
10	1001302109	1	Lever, Coupling - Left Side	
11	1001302110	1	Bracket - Left Side	
12	1001302111	1	Bracket - Right Side	
13	1001302158	2	Pin	
14	1001061659	2	Plate	
15	1001302160	2	Pin, Roll	
16	1001061662	4	Pin, Roll	
17	1001062117	2	Spring	
18	1001061660	2	Spring	
19	1001261678	2	Washer M22	

SECTION 3 - ATTACHMENTS

SECTION 3 - ATTACHMENTS

FIGURE 3-1. CARRIAGE ASSEMBLY



ART_1001302251

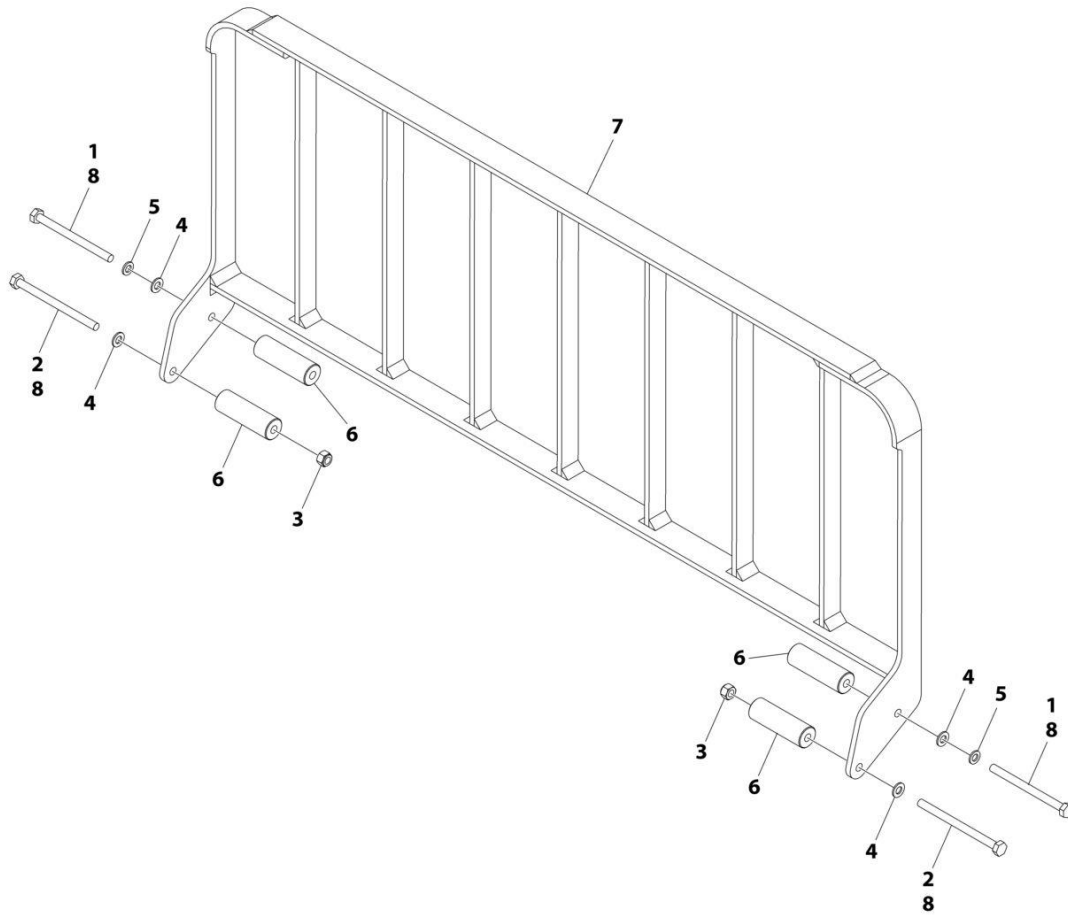
SECTION 3 - ATTACHMENTS

FIGURE 3-1. CARRIAGE ASSEMBLY

ITEM	PART NUMBER	QTY	DESCRIPTION	REV
	1001302251	Ref	CARRIAGE ASSEMBLY	A
1	0701227	1	Bolt M12 x 100	
2	3291205	1	Nut M12	
3	1001302231	1	Carriage	
4	1001302232	1	Pin	
5	1001261544	1	Collar	
6	See Note	NSS	SN Plate (Note: Not Available for Purchase)	

SECTION 3 - ATTACHMENTS

FIGURE 3-2. CARRIAGE BACKREST INSTALLATION



ART_1001262110

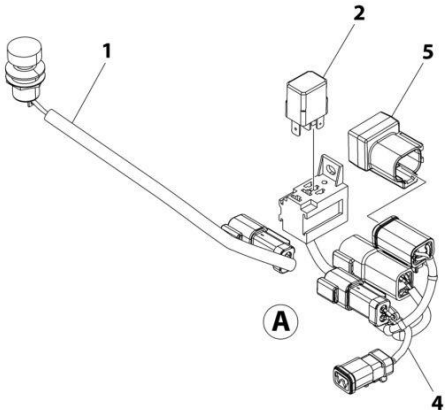
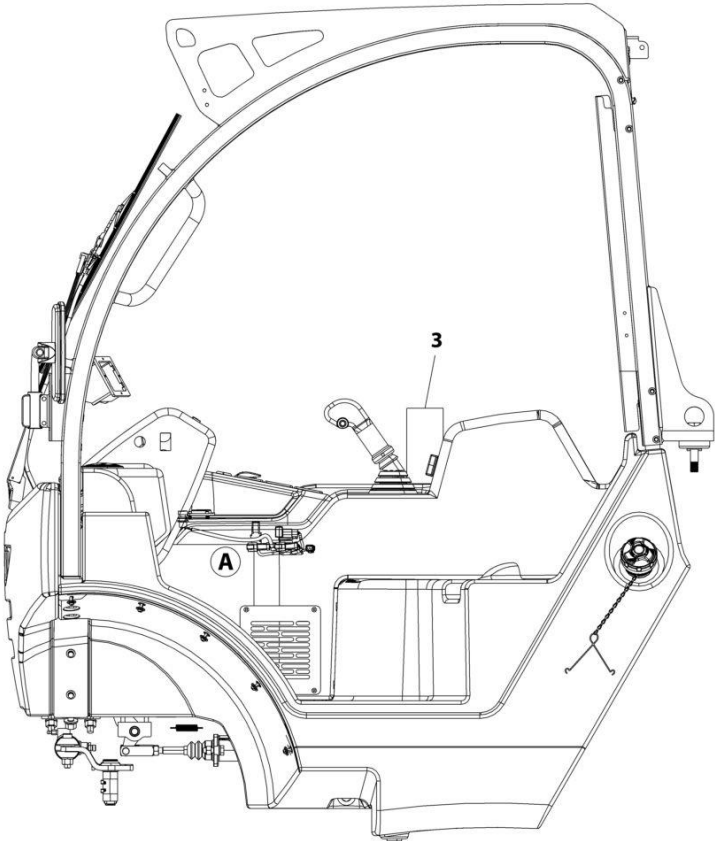
SECTION 3 - ATTACHMENTS

FIGURE 3-2. CARRIAGE BACKREST INSTALLATION

ITEM	PART NUMBER	QTY	DESCRIPTION	REV
	1001262110	Ref	CARRIAGE BACKREST INSTALLATION	B
1	0701030	2	Bolt M10 x 130	
2	0701031	2	Bolt M10 x 140	
3	3291005	2	Nut M10	
4	4812000	4	Washer M10	
5	4832000	2	Washer M10	
6	1001262169	4	Rod	
7	1001262170	1	Brace	
8	0100035	AR	Compound, Locking	

SECTION 3 - ATTACHMENTS

FIGURE 3-3. CONTROLLER DECAL/HARNESS INSTALLATION (FRAME LOADER)



ART_1001312339

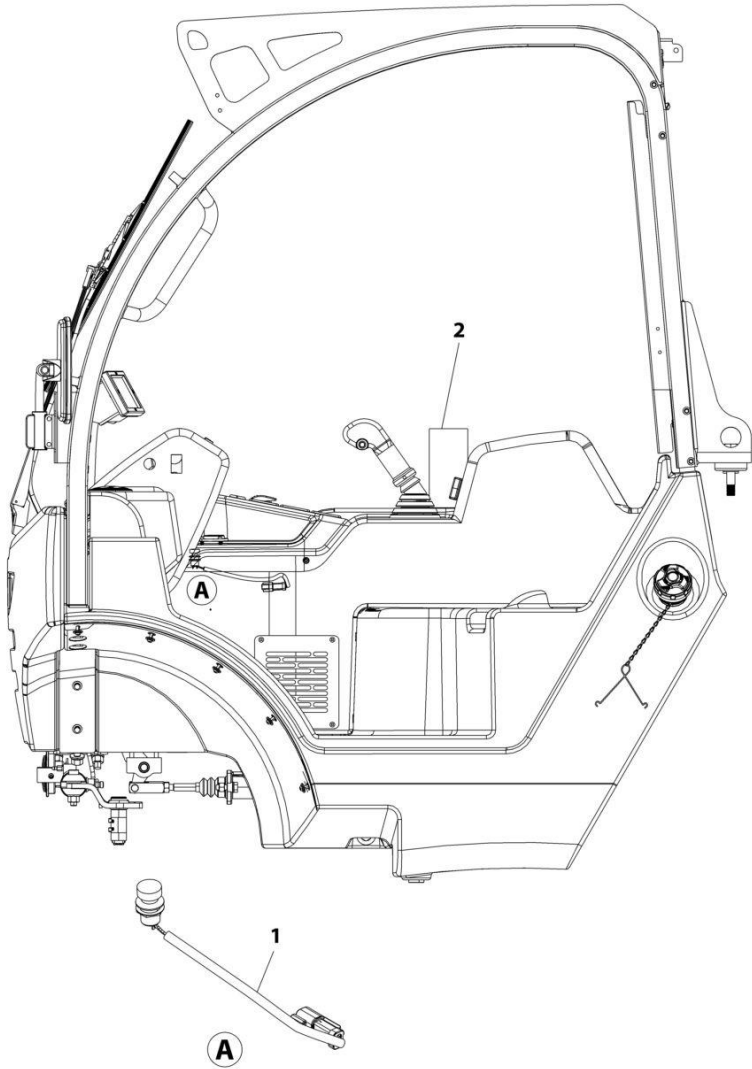
SECTION 3 - ATTACHMENTS

FIGURE 3-3. CONTROLLER DECAL/HARNESS INSTALLATION (FRAME LOADER)

ITEM	PART NUMBER	QTY	DESCRIPTION	REV
	1001312339	Ref	CONTROLLER DECAL/HARNESS INSTALLATION (FRAME LOADER - AG)	A
1	1001264530	1	Harness, Jumper	
2	1001264392	1	Relay	
3	1001312345	1	Decal - Joystick Functions	
4	1001312347	1	Harness, Jumper	
5	1001312348	1	Connector	

SECTION 3 - ATTACHMENTS

FIGURE 3-4. CONTROLLER DECAL/HARNESS INSTALLATION (NO FRAME LOADER - HYDRAULIC)



ART_1001312337

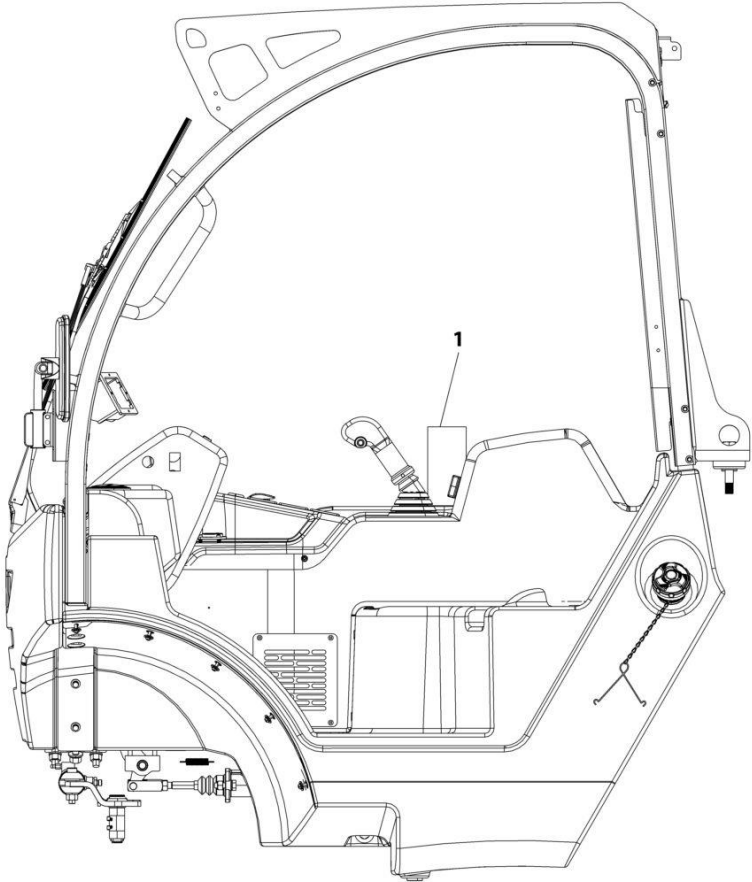
SECTION 3 - ATTACHMENTS

FIGURE 3-4. CONTROLLER DECAL/HARNESS INSTALLATION (NO FRAME LOADER - HYDRAULIC)

ITEM	PART NUMBER	QTY	DESCRIPTION	REV
	1001312337	Ref	CONTROLLER DECAL/HARNESS INSTALLATION (NO FRAME LOADER - HYDRAULIC)	A
1	1001264530	1	Harness, Jumper	
2	1001311459	1	Decal - Joystick Functions	

SECTION 3 - ATTACHMENTS

FIGURE 3-5. CONTROLLER DECAL/HARNESS INSTALLATION (NO FRAME LOADER - MANUAL)



ART_1001312336

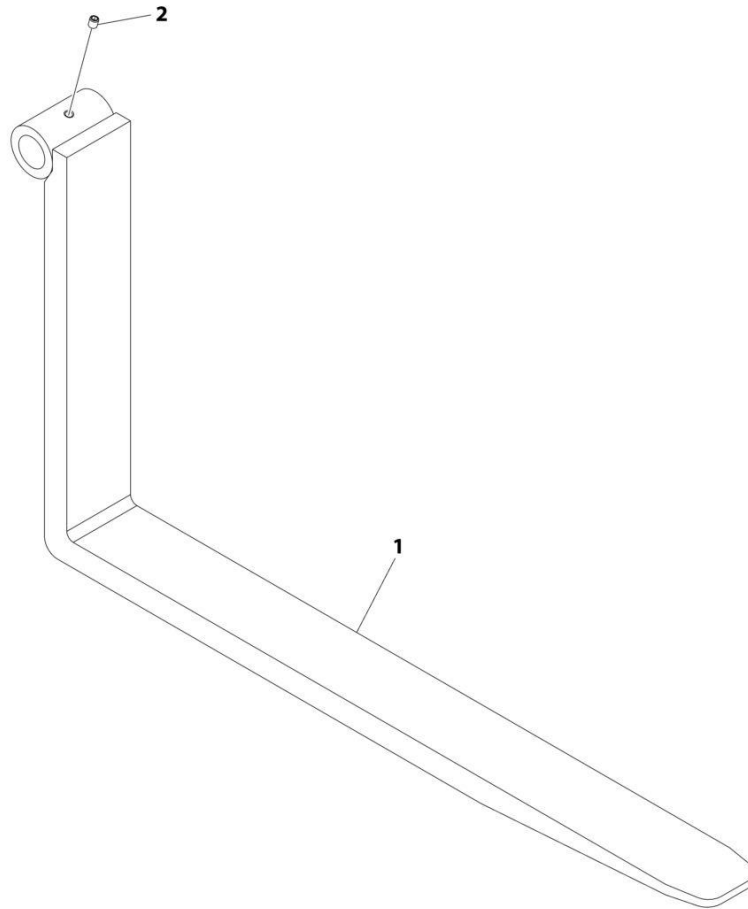
SECTION 3 - ATTACHMENTS

FIGURE 3-5. CONTROLLER DECAL/HARNESS INSTALLATION (NO FRAME LOADER - MANUAL)

ITEM	PART NUMBER	QTY	DESCRIPTION	REV
	1001312336	Ref	CONTROLLER DECAL INSTALLATION (NO FRAME LOADER - MANUAL)	A
1	1001311459	1	Decal - Joystick Functions	

SECTION 3 - ATTACHMENTS

FIGURE 3-6. FORK ASSEMBLY - PALLET (35 X 100 X 1000)



ART_1001262107

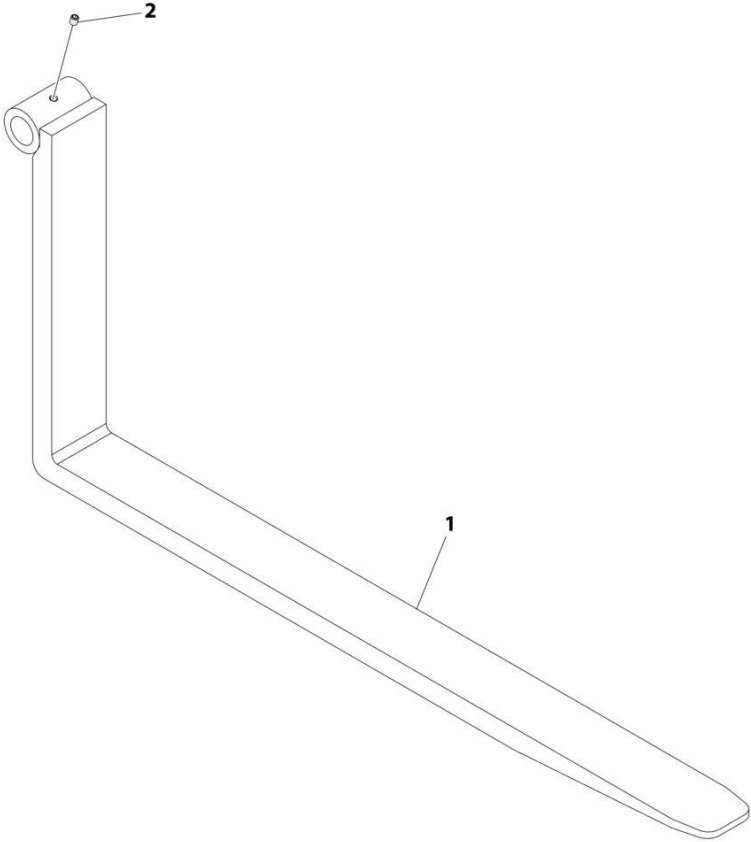
SECTION 3 - ATTACHMENTS

FIGURE 3-6. FORK ASSEMBLY - PALLET (35 X 100 X 1000)

ITEM	PART NUMBER	QTY	DESCRIPTION	REV
1	1001262107 SEE NOTE	Ref 1	FORK ASSEMBLY - 35MM x 100MM x 1000MM Forks rated less than the attachment or machine's capacity decreases capacity of the attachment or machine to that of the forks. Forks rated more than the attachment or machine's capacity do not increase attachment or machine's capacity.	B
	SEE NOTE	1	Please consult jlg parts department to determine the correct forks applicable to your specific carriage assembly and application.	
2	1001262024	1	Setscrew M10 x 12	

SECTION 3 - ATTACHMENTS

FIGURE 3-7. FORK ASSEMBLY - PALLET (35 X 100 X 1200)



ART_1001262108

SECTION 3 - ATTACHMENTS

FIGURE 3-7. FORK ASSEMBLY - PALLET (35 X 100 X 1200)

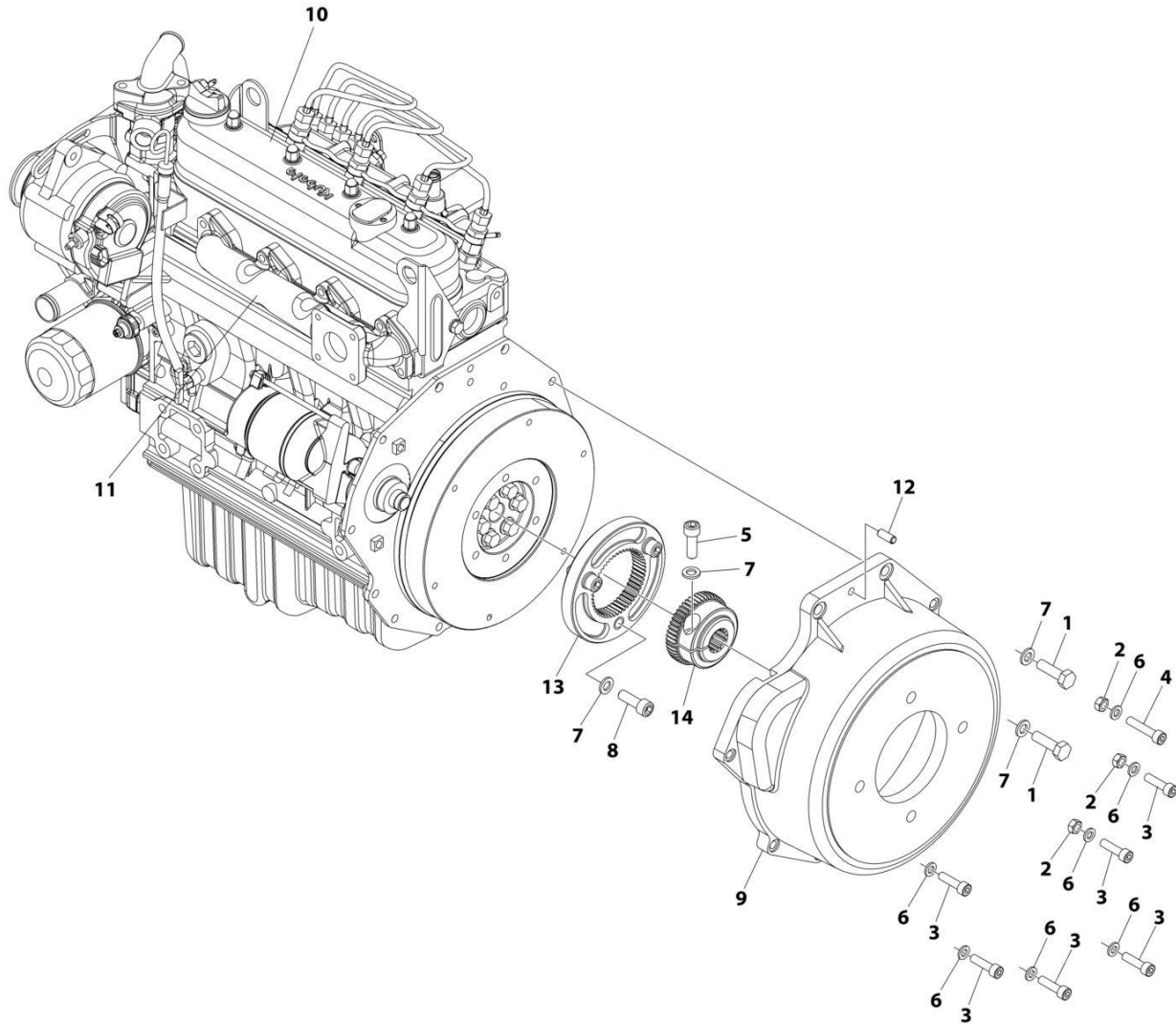
ITEM	PART NUMBER	QTY	DESCRIPTION	REV
1	1001262108 SEE NOTE	Ref 1	FORK ASSEMBLY - 35MM x 100MM x 1200MM Forks rated less than the attachment or machine's capacity decreases capacity of the attachment or machine to that of the forks. Forks rated more than the attachment or machine's capacity do not increase attachment or machine's capacity.	B
	SEE NOTE	1	Please consult jlg parts department to determine the correct forks applicable to your specific carriage assembly and application.	
2	1001262024	1	Setscrew M10 x 12	

SECTION 4 - ENGINE AND ATTACHING PARTS

SECTION 4 - ENGINE AND ATTACHING PARTS

SECTION 4 - ENGINE AND ATTACHING PARTS

FIGURE 4-1. KUBOTA ENGINE INSTALLATION



ART_1001302712

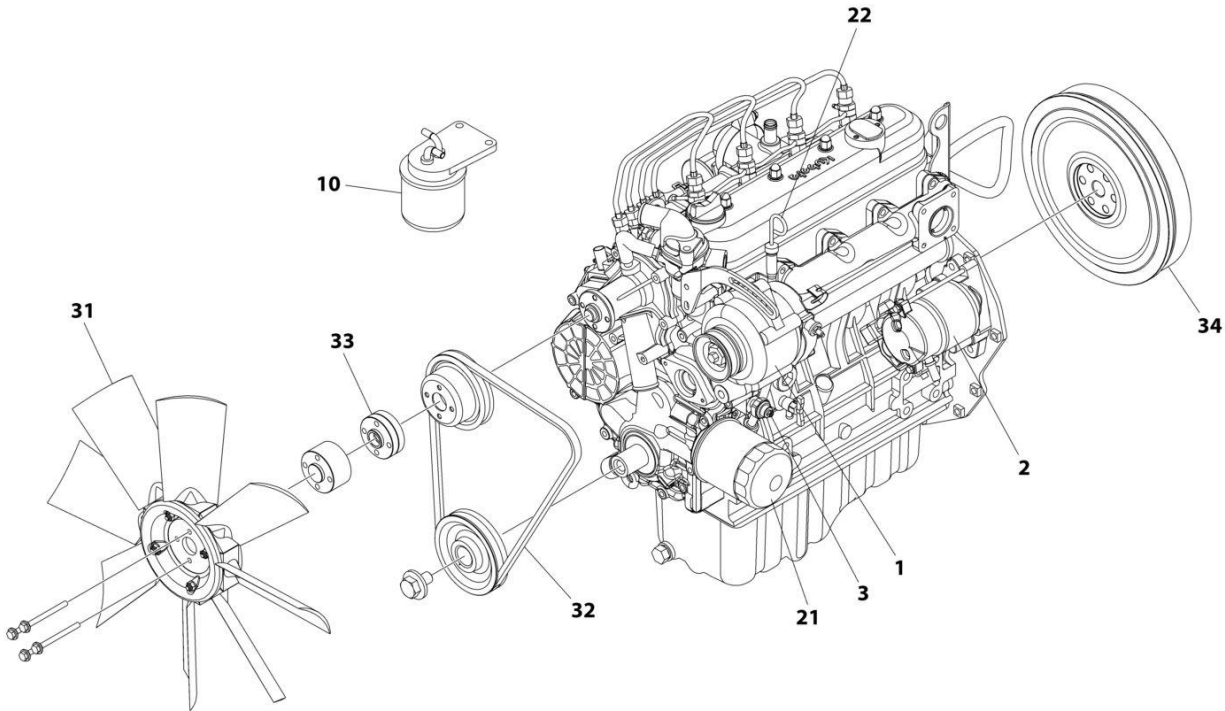
SECTION 4 - ENGINE AND ATTACHING PARTS

FIGURE 4-1. KUBOTA ENGINE INSTALLATION

ITEM	PART NUMBER	QTY	DESCRIPTION	REV
	1001302712	Ref	KUBOTA ENGINE INSTALLATION	A
1	0701015	2	Bolt M10 x 35	
2	3290801	3	Nut M8	
3	4031910	6	Capscrew M8 x 30	
4	4031912	1	Capscrew M8 x 40	
5	4032010	1	Capscrew M10 x 30	
6	4831900	7	Washer M8	
7	4832000	6	Washer M10	
8	4032010000	3	Capscrew M10 x 30	
9	1001262249	1	Coupling	
10	1001262280	1	Kubota Engine Assembly (See Separate Breakdown in this Section)	
11	1001262281	1	Kubota Exhaust Manifold (See Separate Breakdown in this Section)	
12	1001262292	1	Pin	
13	1001262286	1	Coupling, Outer	
14	1001262287	1	Coupling, Inner	

SECTION 4 - ENGINE AND ATTACHING PARTS

FIGURE 4-2. KUBOTA ENGINE ASSEMBLY



ART_1001262280

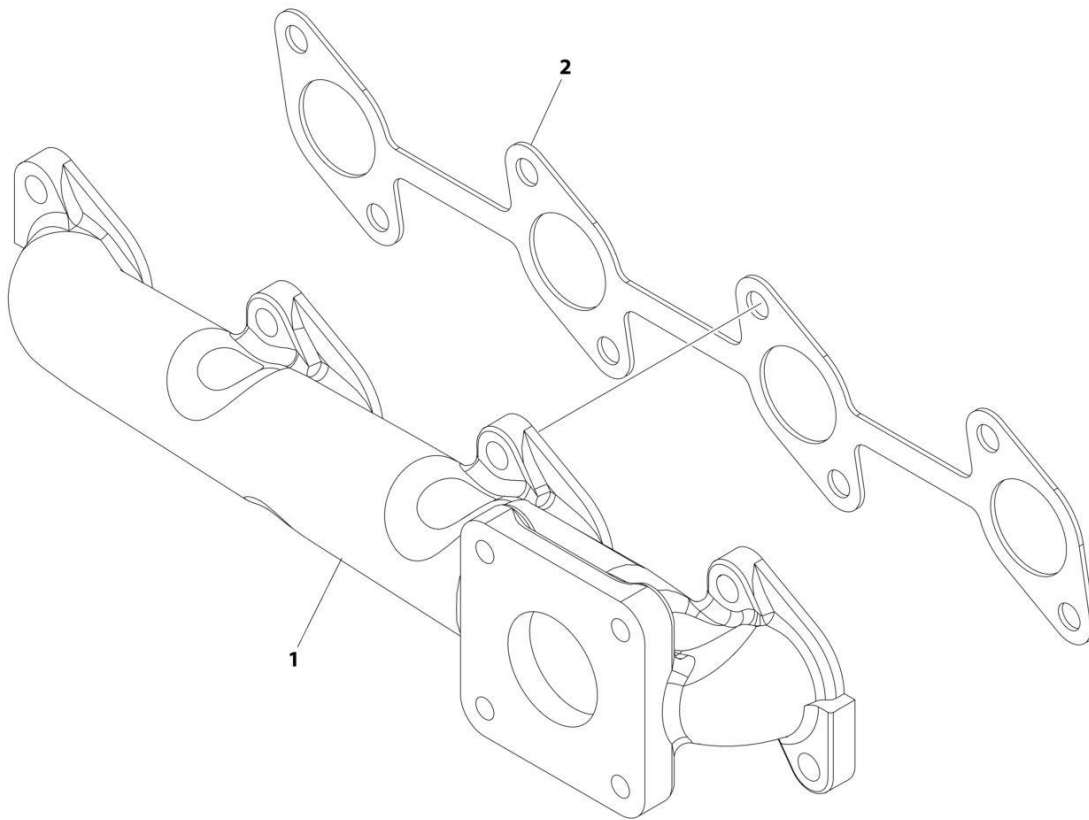
SECTION 4 - ENGINE AND ATTACHING PARTS

FIGURE 4-2. KUBOTA ENGINE ASSEMBLY

ITEM	PART NUMBER	QTY	DESCRIPTION	REV
	1001262280	Ref	KUBOTA ENGINE ASSEMBLY	A
		Ref	Electrical Components	
1	70005741	1	Alternator	
2	7017943	1	Starter	
3	7017901	1	Switch, Oil	
		Ref	Fuel System Components	
10	7017949	1	Assembly, Fuel Filter (Includes - Cover, Fittings, Plug, O-Ring)	
10	1001262409	1	Filter, Fuel	
11	7023139	1	Pump, Fuel (Not Shown - Located on Opposite Side of Engine)	
12	70031353	1	Pump, Injection (Not Shown)	
		Ref	Lubrication System Components	
21	7020942	1	Filter, Engine Oil	
22	7023160	1	Dipstick	
22	70003062	1	Tube, Dipstick	
		Ref	Miscellaneous Components	
31	1001262253	1	Fan	
32	7023141	1	Belt	
33	1001262266	1	Fan Spacer Support	
34	70031354	1	Flywheel	

SECTION 4 - ENGINE AND ATTACHING PARTS

FIGURE 4-3. KUBOTA EXHAUST MANIFOLD



ART_1001262281

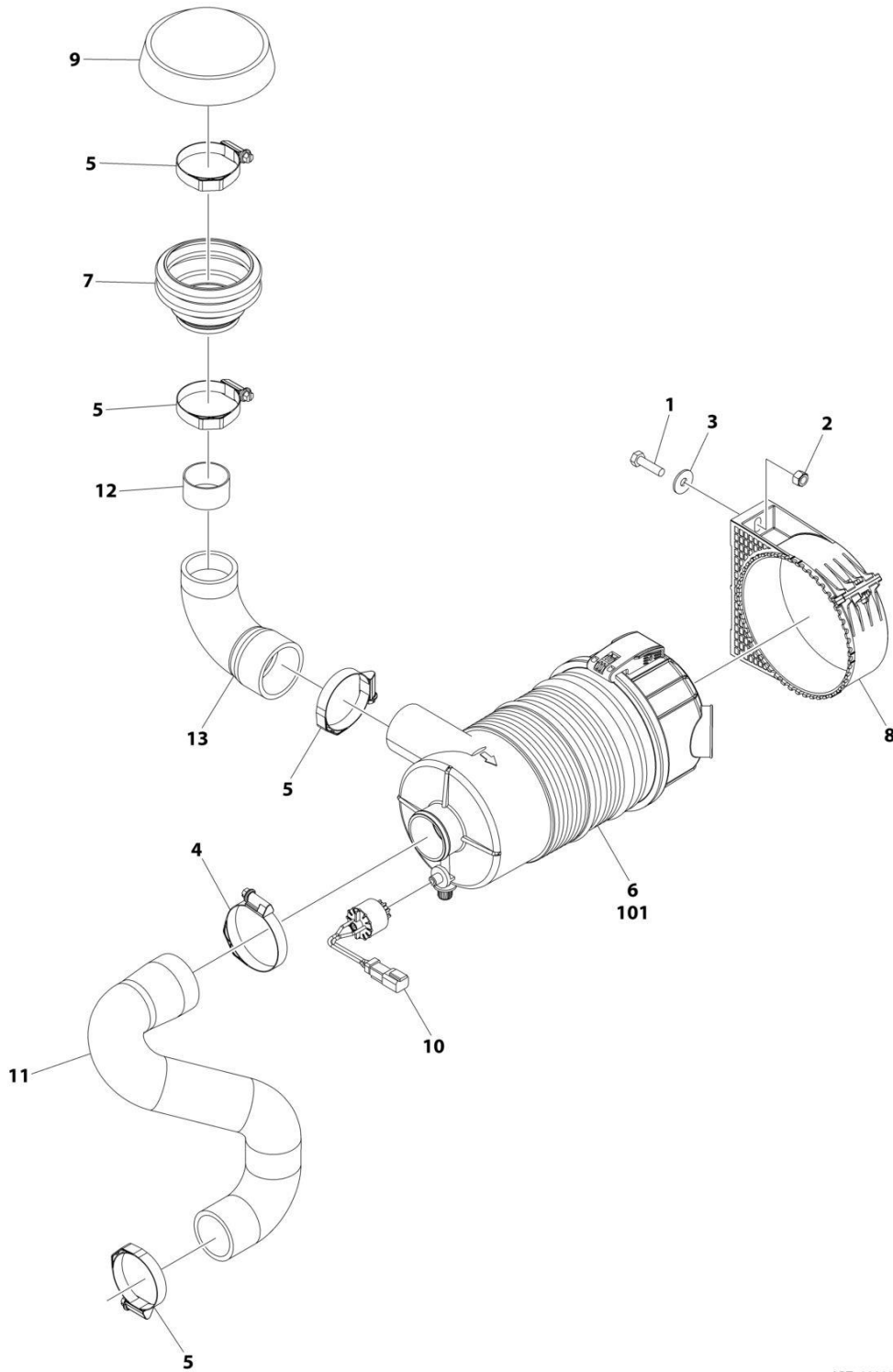
SECTION 4 - ENGINE AND ATTACHING PARTS

FIGURE 4-3. KUBOTA EXHAUST MANIFOLD

ITEM	PART NUMBER	QTY	DESCRIPTION	REV
	1001262281	Ref	KUBOTA EXHAUST MANIFOLD	A
1	1001264274	1	Manifold, Exhaust	
2	1001264275	1	Gasket, Exhaust Manifold	

SECTION 4 - ENGINE AND ATTACHING PARTS

FIGURE 4-4. AIR INTAKE INSTALLATION



ART_1001302714

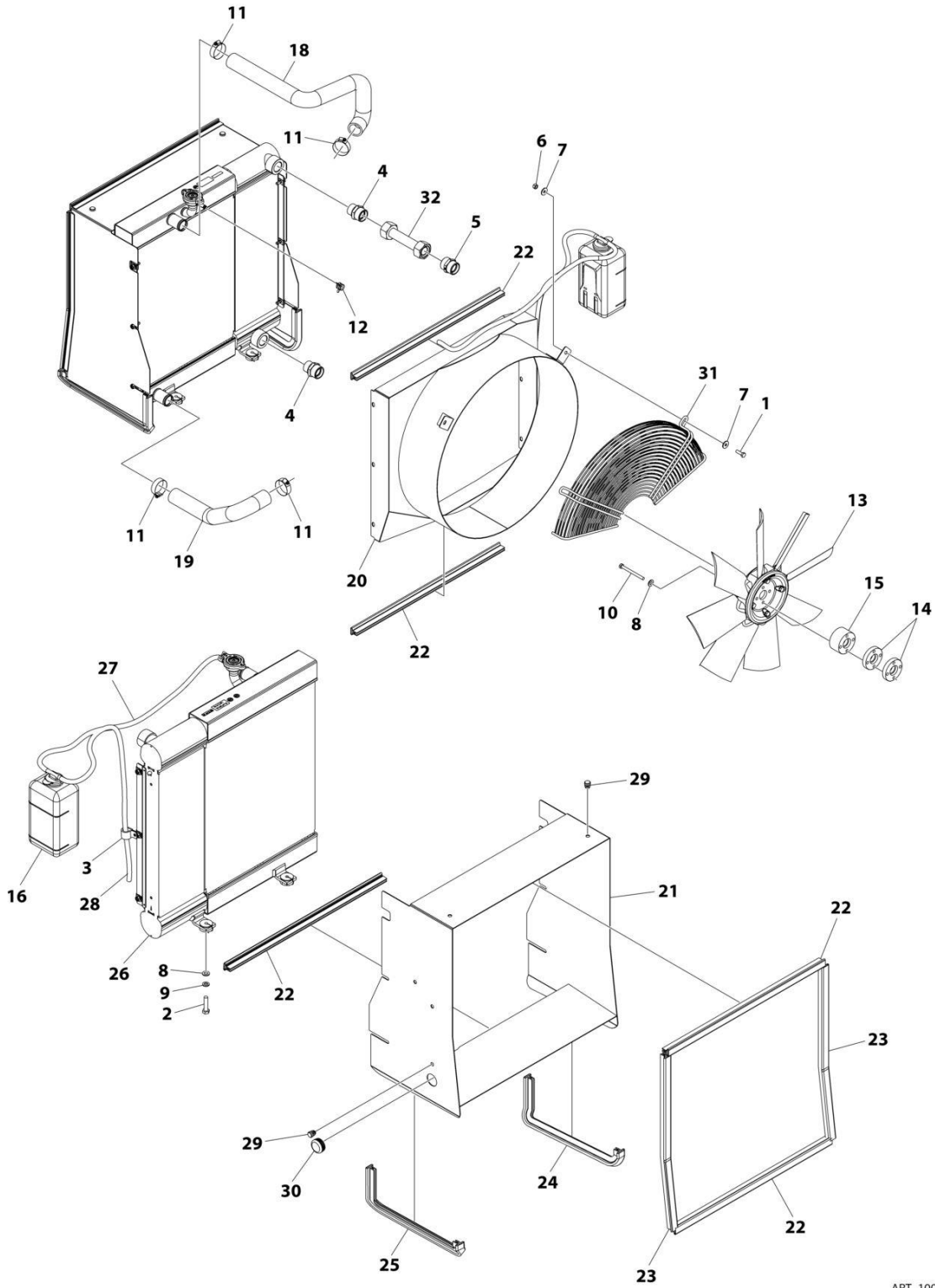
SECTION 4 - ENGINE AND ATTACHING PARTS

FIGURE 4-4. AIR INTAKE INSTALLATION

ITEM	PART NUMBER	QTY	DESCRIPTION	REV
	1001302714	Ref	AIR INTAKE INSTALLATION	A
1	0700814	2	Bolt M8 x 30	
2	3290805	2	Nut M8	
3	4811902	2	Washer M8	
4	1001215023	1	Clamp (50MM - 70MM)	
5	1001215024	4	Clamp (40MM - 60MM)	
6	1001262270	1	Assembly, Air Filter (Includes Item 101)	
7	1001262273	1	Seal	
8	1001262283	1	Mount, Air Filter	
9	1001262284	1	Cap, Rain	
10	1001304074	1	Sensor, Air Intake	
11	1001304075	1	Hose, Filter Output	
12	1001304078	1	Tube, Reinforcement	
13	1001304079	1	Hose, Filter Intake	
101	70031554	1	Element, Air Filter	

SECTION 4 - ENGINE AND ATTACHING PARTS

FIGURE 4-5. COOLING PACKAGE INSTALLATION



ART_1001301785

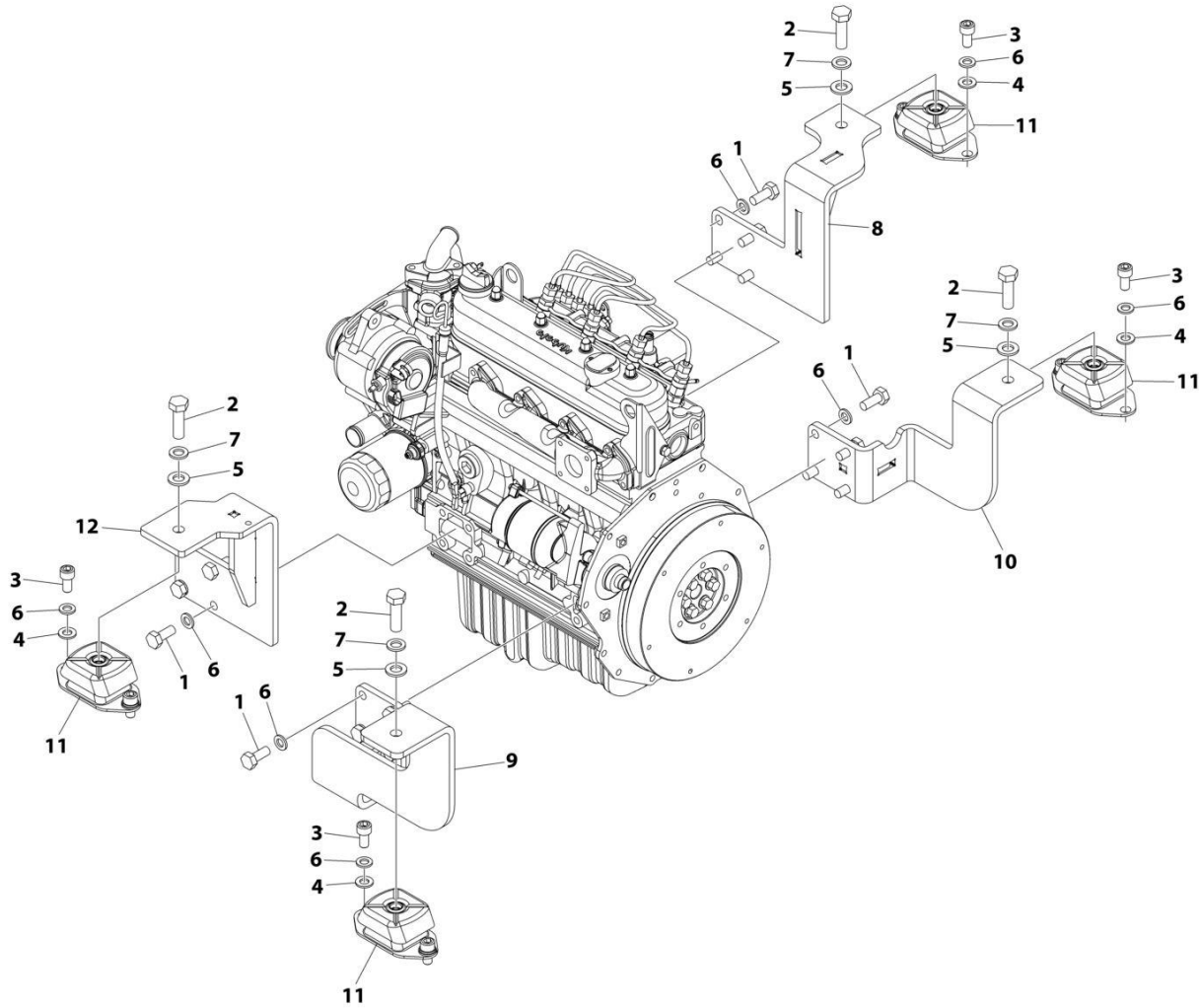
SECTION 4 - ENGINE AND ATTACHING PARTS

FIGURE 4-5. COOLING PACKAGE INSTALLATION

ITEM	PART NUMBER	QTY	DESCRIPTION	REV
	1001301785	Ref	COOLING PACKAGE INSTALLATION	A
1	0700610	2	Bolt M6 x 20	
2	0760815	4	Bolt M8 x 35	
3	1321296	1	Clamp	
4	2142718	2	Fitting, Straight	
5	2141612	1	Fitting, Straight	
6	3290605	2	Nut M6	
7	4811702	4	Washer M6	
8	4811900	8	Washer M8	
9	4831900	4	Washer M8	
10	1001096653	4	Bolt M6 x 70	
11	1001162180	4	Clamp	
12	1001213010	1	Clamp	
13	1001262253	1	Fan	
14	1001262265	2	Coupling	
15	1001262266	1	Coupling	
16	1001262285	1	Tank, Overflow	
17	1001262961	1	Tie-Strap (Not Shown)	
18	1001303102	1	Hose, Upper Radiator	
19	1001303103	1	Hose, Lower Radiator	
20	1001303105	1	Shroud, Fan	
21	1001303106	1	Shroud, Intake	
22	1001303107	5	Seal	
23	1001303108	2	Seal	
24	1001303109	1	Seal	
25	1001303110	1	Seal	
26	1001303111	1	Radiator	
26	70031557	1	Cap, Radiator	
26	70031558	4	Mount, Radiator	
26	70031559	4	Bushing, Rubber Mount	
27	1001303112	1	Hose, Radiator Overflow	
28	1001303113	1	Hose, Overflow Tank	
29	1001303409	5	Plug - 13MM	
30	1001303398	1	Plug - 32MM	
31	1001303100	1	Shield, Fan	
32	1001306180	1	Tube	

SECTION 4 - ENGINE AND ATTACHING PARTS

FIGURE 4-6. ENGINE MOUNTS INSTALLATION



ART_1001302713

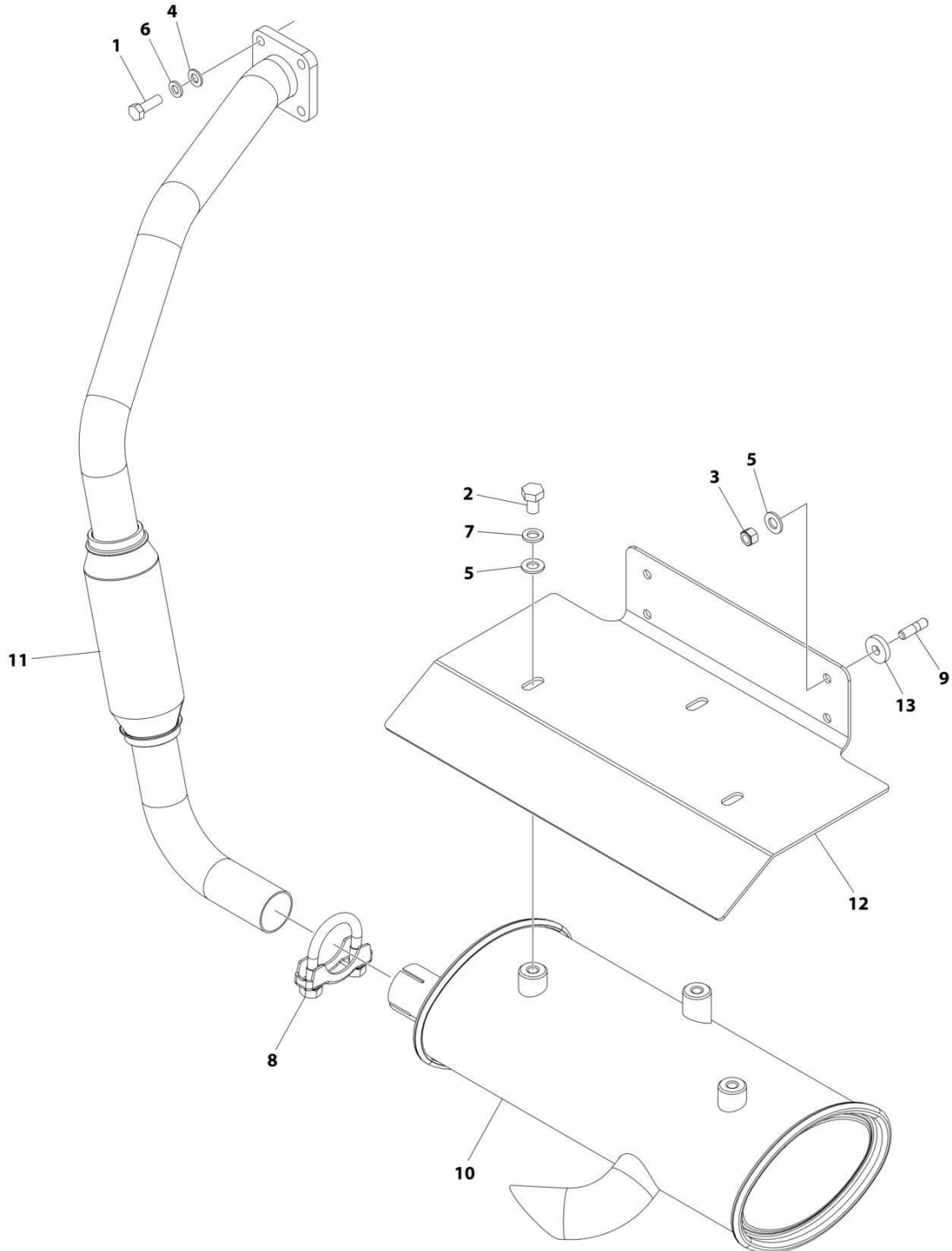
SECTION 4 - ENGINE AND ATTACHING PARTS

FIGURE 4-6. ENGINE MOUNTS INSTALLATION

ITEM	PART NUMBER	QTY	DESCRIPTION	REV
	1001302713	Ref	ENGINE MOUNTS INSTALLATION	A
1	0761012	16	Bolt M10 x 25	
2	0761216	4	Bolt M12 x 40	
3	4032008	8	Capscrew M10 x 20	
4	4812000	8	Washer M10	
5	4812100	4	Washer M12	
6	4832000	24	Washer M10	
7	4832100	4	Washer M12	
8	1001303999	1	Bracket, Left Rear Mounting	
9	1001304000	1	Bracket, Right Front Mounting	
10	1001304001	1	Bracket, Left Front Mounting	
11	1001304002	4	Mount, Isolator	
12	1001304003	1	Bracket, Right Rear Mounting	

SECTION 4 - ENGINE AND ATTACHING PARTS

FIGURE 4-7. EXHAUST INSTALLATION



ART_1001301784

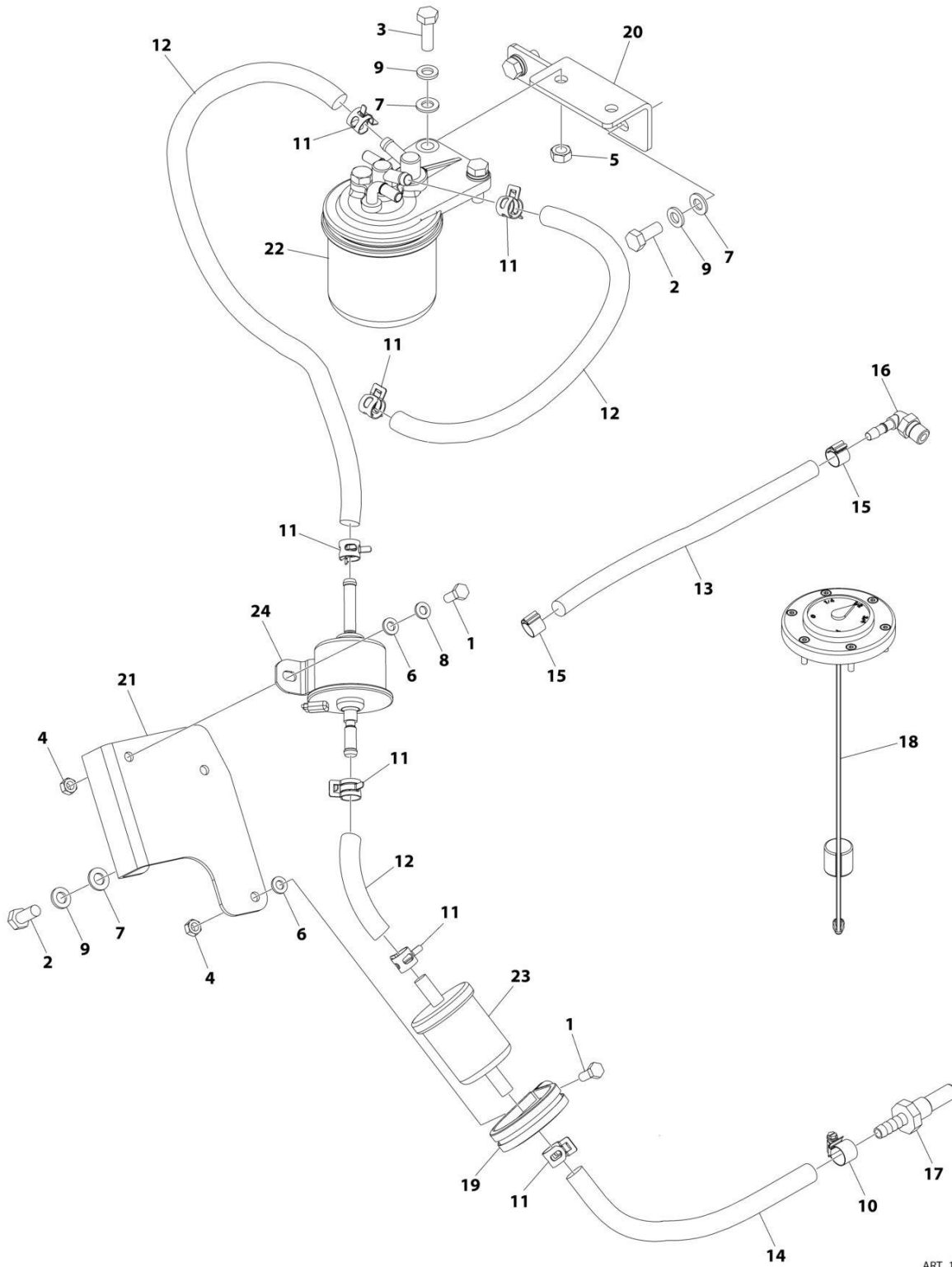
SECTION 4 - ENGINE AND ATTACHING PARTS

FIGURE 4-7. EXHAUST INSTALLATION

ITEM	PART NUMBER	QTY	DESCRIPTION	REV
	1001301784	Ref	EXHAUST INSTALLATION	A
1	0760812	4	Bolt M8 x 25	
2	0761008	3	Bolt M10 x 16	
3	3290805	4	Nut M8	
4	4811900	4	Washer M8	
5	4812000	7	Washer M10	
6	4831900	4	Washer M8	
7	4832000	3	Washer M10	
8	1001262298	1	Clamp, Exhaust	
9	1001262954	4	Stud M8 x 30	
10	1001302799	1	Muffler	
11	1001302801	1	Pipe, Exhaust	
12	1001302803	1	Shield, Muffler	
13	1001302806	4	Spacer	

SECTION 4 - ENGINE AND ATTACHING PARTS

FIGURE 4-8. FUEL SYSTEM INSTALLATION



ART_1001302716

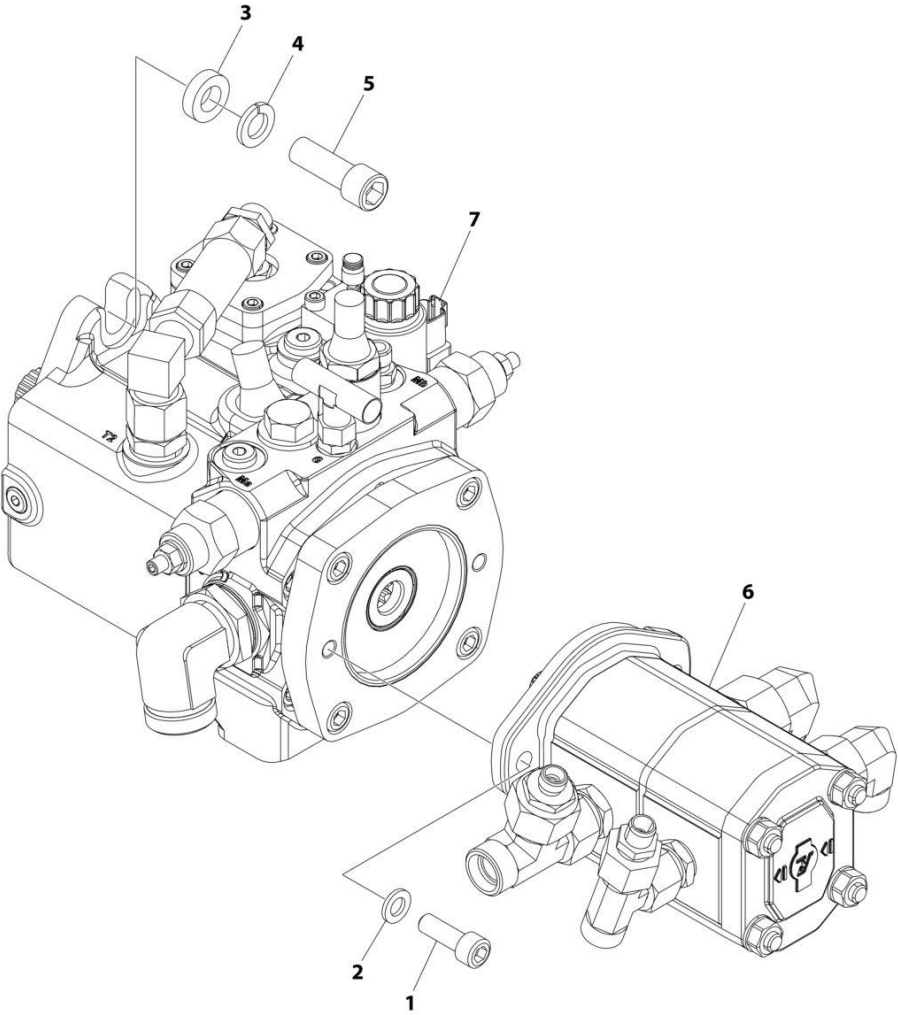
SECTION 4 - ENGINE AND ATTACHING PARTS

FIGURE 4-8. FUEL SYSTEM INSTALLATION

ITEM	PART NUMBER	QTY	DESCRIPTION	REV
	1001302716	Ref	FUEL SYSTEM INSTALLATION	A
1	0760608	3	Bolt M6 x 16	
2	0760810	4	Bolt M8 x 20	
3	0760812	2	Bolt M8 x 25	
4	3290601	3	Nut M6	
5	3290801	2	Nut M8	
6	4811700	3	Washer M6	
7	4811900	6	Washer M8	
8	4831700	2	Washer M6	
9	4831900	6	Washer M8	
10	1001097522	1	Clamp, Gear (8MM - 14MM)	
11	1001213010	7	Clamp, Spring (13MM)	
12	1001262425	AR	Hose	
13	1001262426	1	Hose	
14	1001262427	1	Hose	
15	1001262469	2	Clamp, Spring (9MM)	
16	1001264023	1	Fitting, 90	
17	1001264022	1	Fitting, Straight	
18	1001264300	1	Gauge, Fuel Level	
19	1001304206	1	Clamp, Bolt (50MM)	
20	1001304207	1	Bracket	
21	1001305369	1	Bracket	
22	1001305370	1	Filter, Fuel	
23	1001262424	1	Filter, In-Line Fuel	
24	1001305372	1	Pump, Fuel	

SECTION 4 - ENGINE AND ATTACHING PARTS

FIGURE 4-9. HYDRAULIC PUMPS INSTALLATION



ART_1001302717

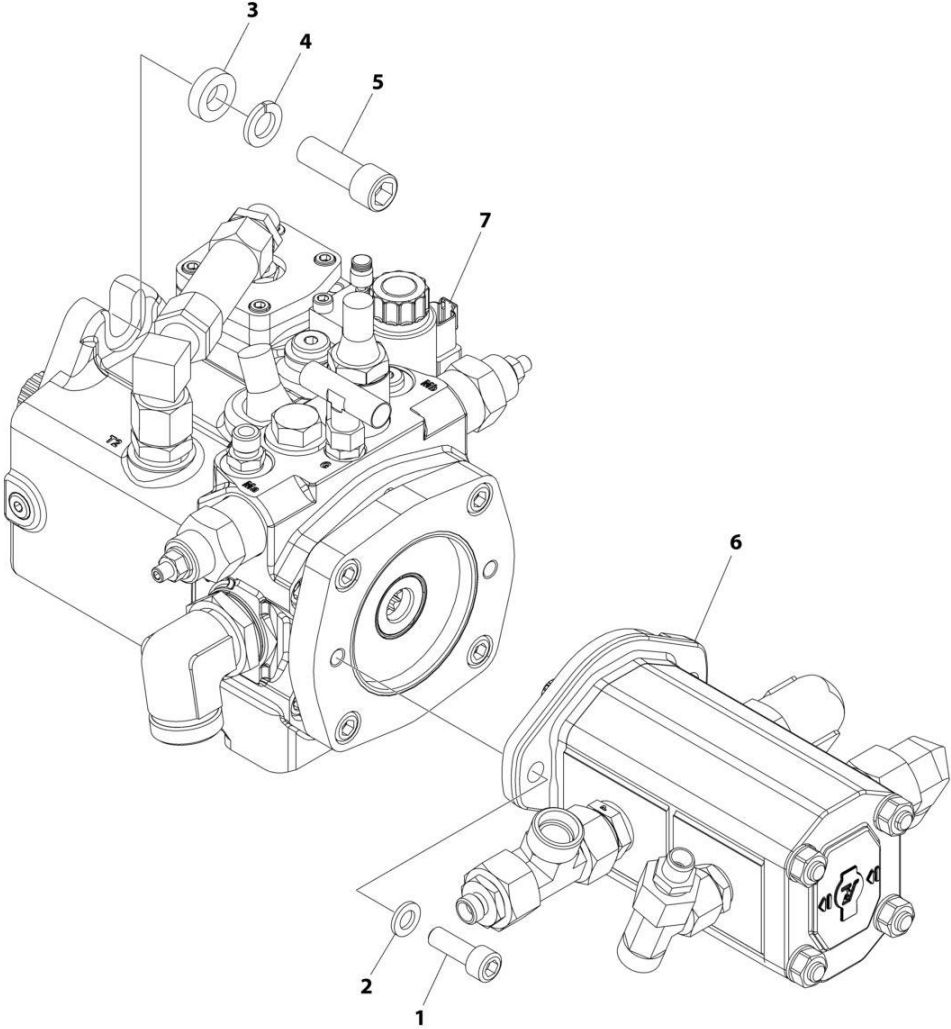
SECTION 4 - ENGINE AND ATTACHING PARTS

FIGURE 4-9. HYDRAULIC PUMPS INSTALLATION

ITEM	PART NUMBER	QTY	DESCRIPTION	REV
	1001302717	Ref	HYDRAULIC PUMPS INSTALLATION	A
1	4032010	2	Capscrew M10 x 30	
2	4832000	2	Washer M10	
3	1001262392	2	Washer M14	
4	1001262435	2	Washer M14	
5	1001262459	2	Capscrew M14 x 40	
6	1001303855	Ref	Gear Pump Installation (See Separate Breakdown in HYDRAULIC COMPONENTS Section)	
7	1001305725	Ref	Drive Pump Installation (See Separate Breakdown in HYDRAULIC COMPONENTS Section)	

SECTION 4 - ENGINE AND ATTACHING PARTS

FIGURE 4-10. HYDRAULIC PUMPS INSTALLATION (HIGH FLOW)



ART_1001311766

SECTION 4 - ENGINE AND ATTACHING PARTS

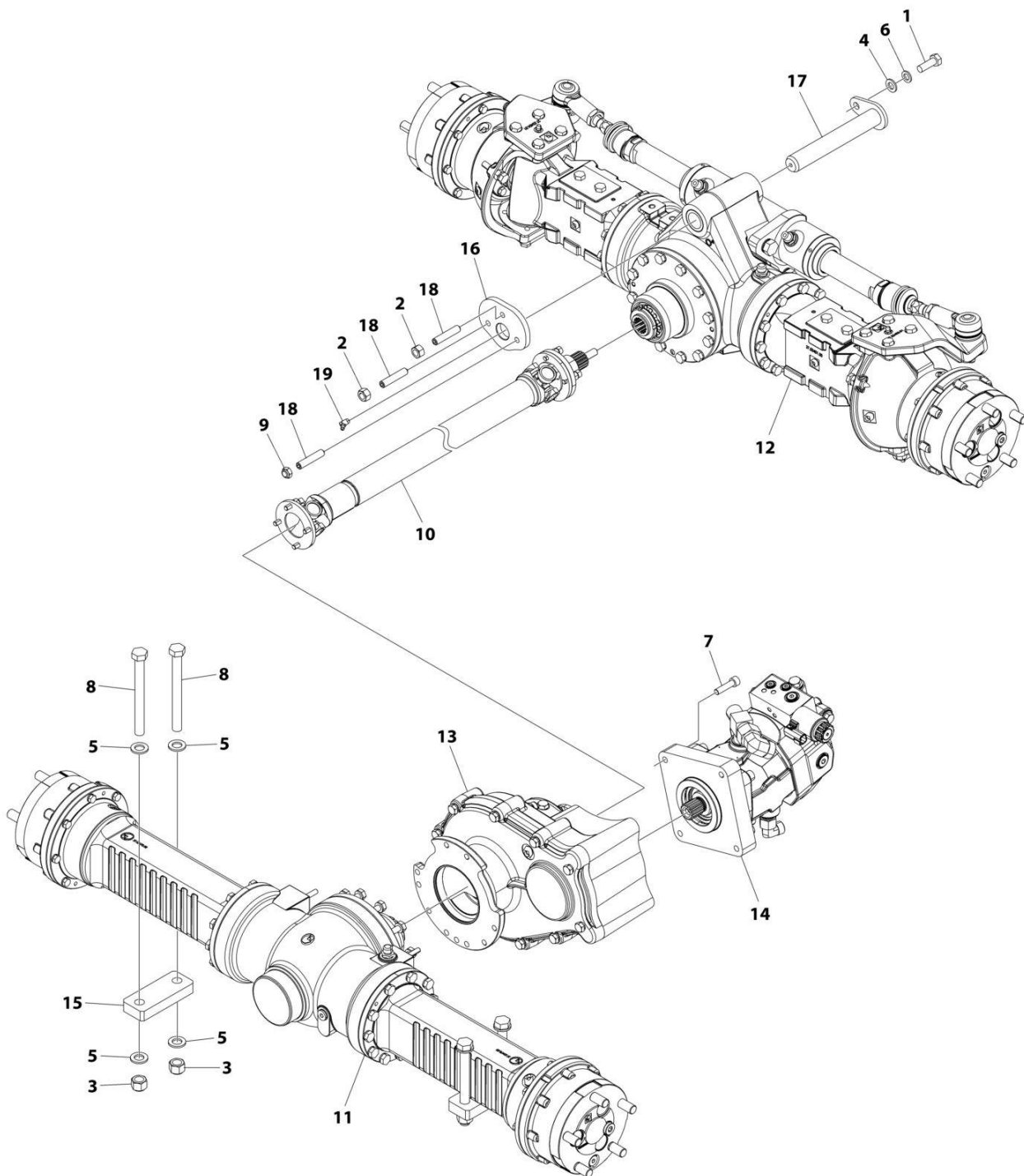
FIGURE 4-10. HYDRAULIC PUMPS INSTALLATION (HIGH FLOW)

ITEM	PART NUMBER	QTY	DESCRIPTION	REV
	1001311766	Ref	HYDRAULIC PUMPS INSTALLATION (HIGH FLOW)	A
1	4032010	2	Capscrew M10 x 30	
2	4832000	2	Washer M10	
3	1001262392	2	Washer M14	
4	1001262435	2	Washer M14	
5	1001262459	2	Capscrew M14 x 40	
6	1001311767	Ref	Gear Pump Installation (See Separate Breakdown in HYDRAULIC COMPONENTS Section)	
7	1001311854	Ref	Drive Pump Installation (See Separate Breakdown in HYDRAULIC COMPONENTS Section)	

SECTION 5 - DRIVE TRAIN

SECTION 5 - DRIVE TRAIN

FIGURE 5-1. DRIVETRAIN INSTALLATION



ART_1001301780

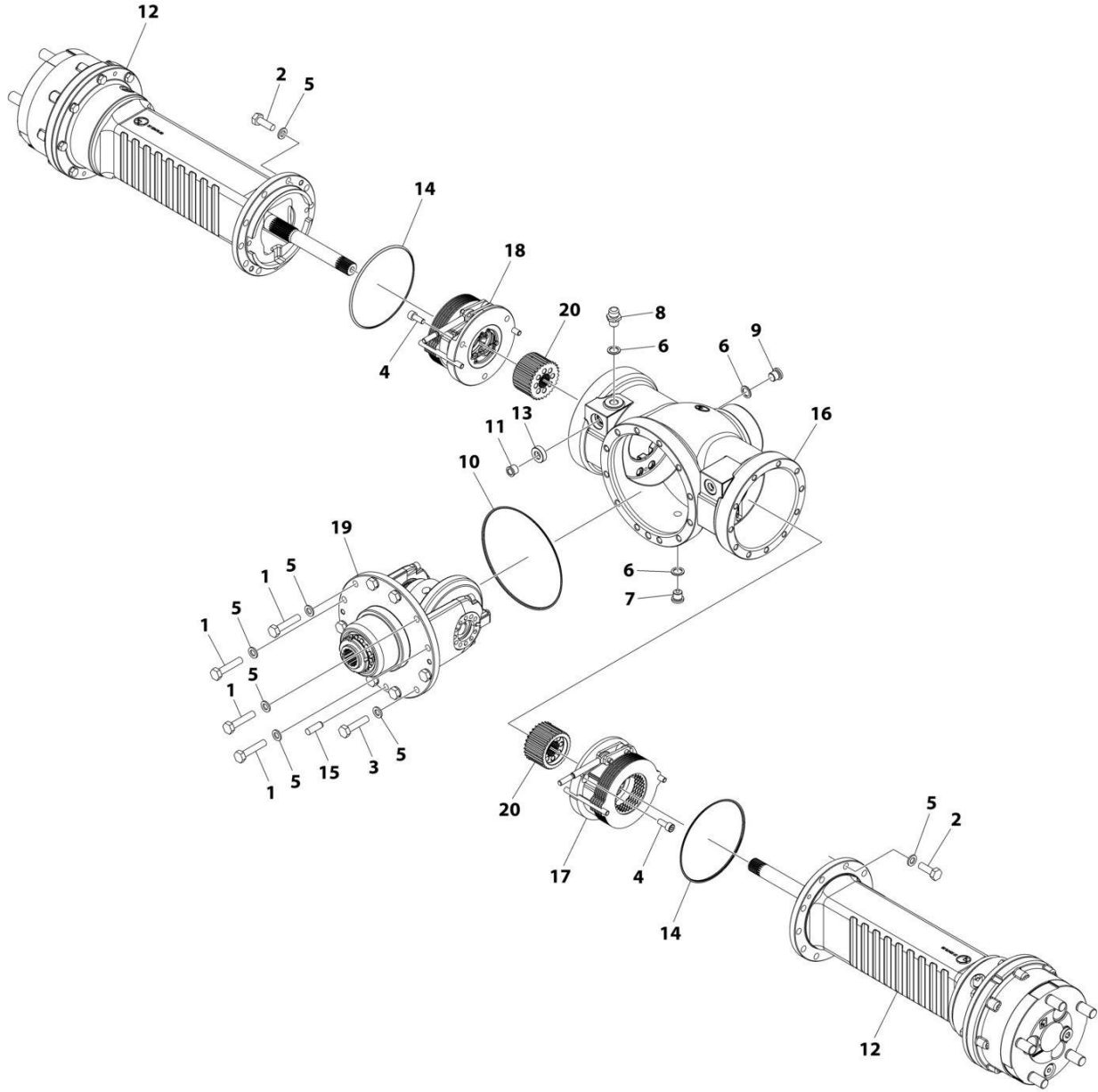
SECTION 5 - DRIVE TRAIN

FIGURE 5-1. DRIVETRAIN INSTALLATION

ITEM	PART NUMBER	QTY	DESCRIPTION	REV
	1001301780	Ref	DRIVETRAIN INSTALLATION	B
1	0761215	1	Bolt M12 x 35	
2	3291207	2	Nut M12	
3	3291605	4	Nut M16	
4	4812100	1	Washer M12	
5	4812300	8	Washer M16	
6	4832100	1	Washer M12	
7	5272012	4	Capscrew M10 x 40 Class 12.9	
8	1001096456	4	Bolt M16 x 160	
9	1001264018	1	Nut M12	
10	1001303629	1	Drive Shaft Installation (See Separate Breakdown in this Section)	
11	1001303630	1	Front Axle & Differential Assembly (See Separate Breakdown in this Section)	
12	1001303631	1	Rear Axle Steering Assembly (See Separate Breakdown in this Section)	
13	1001303632	1	Transmission Installation (See Separate Breakdown in this Section)	
14	1001303856	1	Function Motor Installation (See Separate Breakdown in this Section)	
15	1001303982	2	Support	
16	1001303994	1	Support	
17	1001303997	1	Pin, Axle Support	
18	1001305613	3	Setscrew M12 x 60	
19	1001307239	1	Fitting, Grease	

SECTION 5 - DRIVE TRAIN

FIGURE 5-2. FRONT AXLE & DIFFERENTIAL ASSEMBLY



ART_1001303630

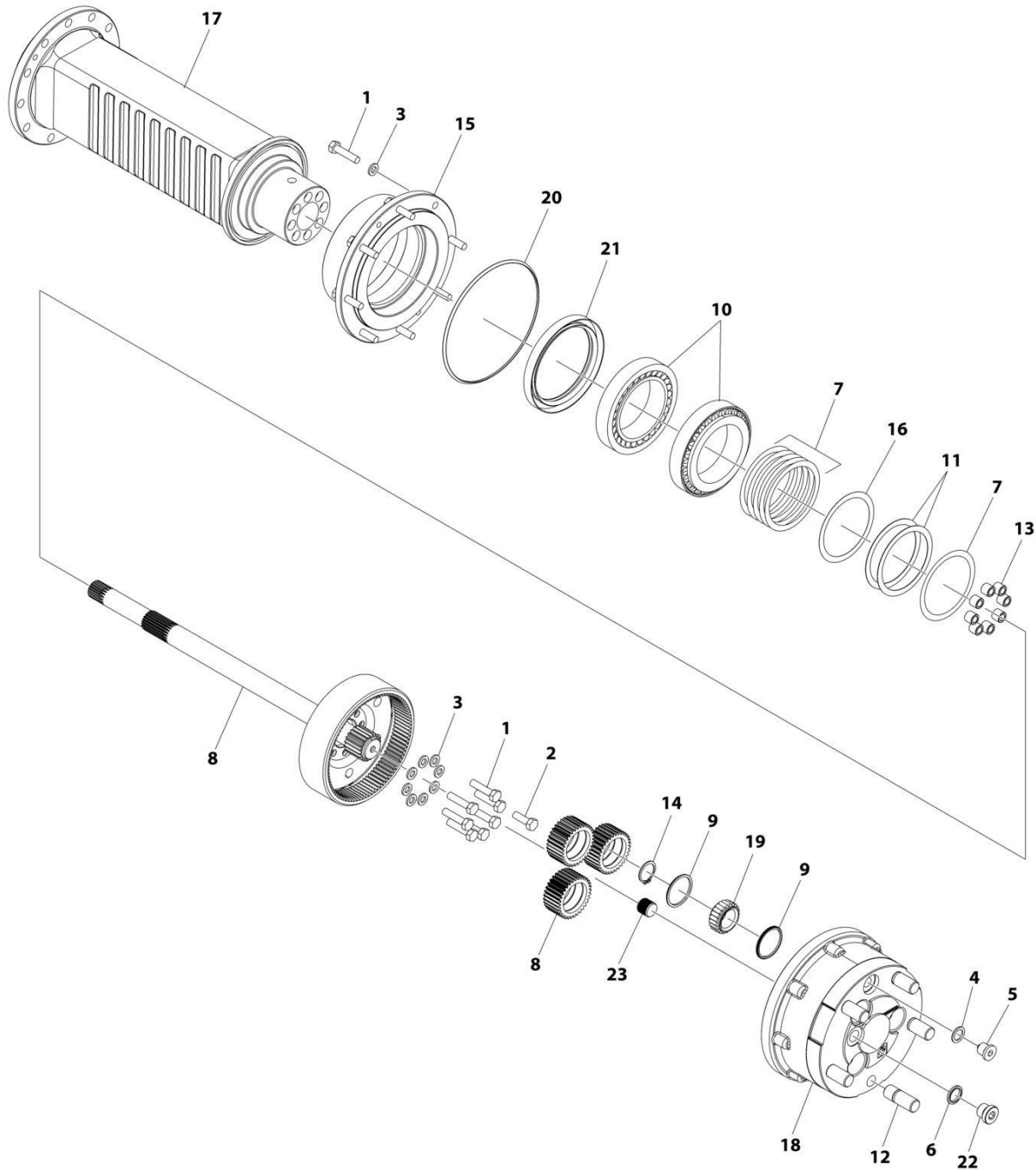
SECTION 5 - DRIVE TRAIN

FIGURE 5-2. FRONT AXLE & DIFFERENTIAL ASSEMBLY

ITEM	PART NUMBER	QTY	DESCRIPTION	REV
	1001303630	Ref	FRONT AXLE & DIFFERENTIAL ASSEMBLY	B
1	0701018	4	Bolt M10 x 50	
2	0761014	22	Bolt M10 x 30	
3	0761017	8	Bolt M10 x 45	
4	4031908	6	Capscrew M8 x 20	
5	4832000	34	Washer M10	
6	1001262360	3	Washer M14	
7	1001262370	1	Plug, Magnetic	
8	1001262371	1	Plug, Pressure Relief	
9	1001262445	1	Plug	
10	1001306162	1	O-Ring (Between Differential & Housing)	
11	1001306163	2	Bearing	
12	1001306166	2	Front Axle Assembly (See Separate Breakdown in this Section)	
13	1001306167	2	Seal	
14	1001306168	2	O-Ring (Between Axle & Housing)	
15	1001306169	1	Pin	
16	1001306170	1	Housing, Differential	
17	1001306171	1	Assembly, Right Brake (No Service Parts Available)	
18	1001306172	1	Assembly, Left Brake (No Service Parts Available)	
19	1001306173	1	Front Differential Assembly (See Separate Breakdown in this Section)	
20	1001306202	2	Coupling, Brake	

SECTION 5 - DRIVE TRAIN

FIGURE 5-3. FRONT AXLE ASSEMBLY



ART_1001306166

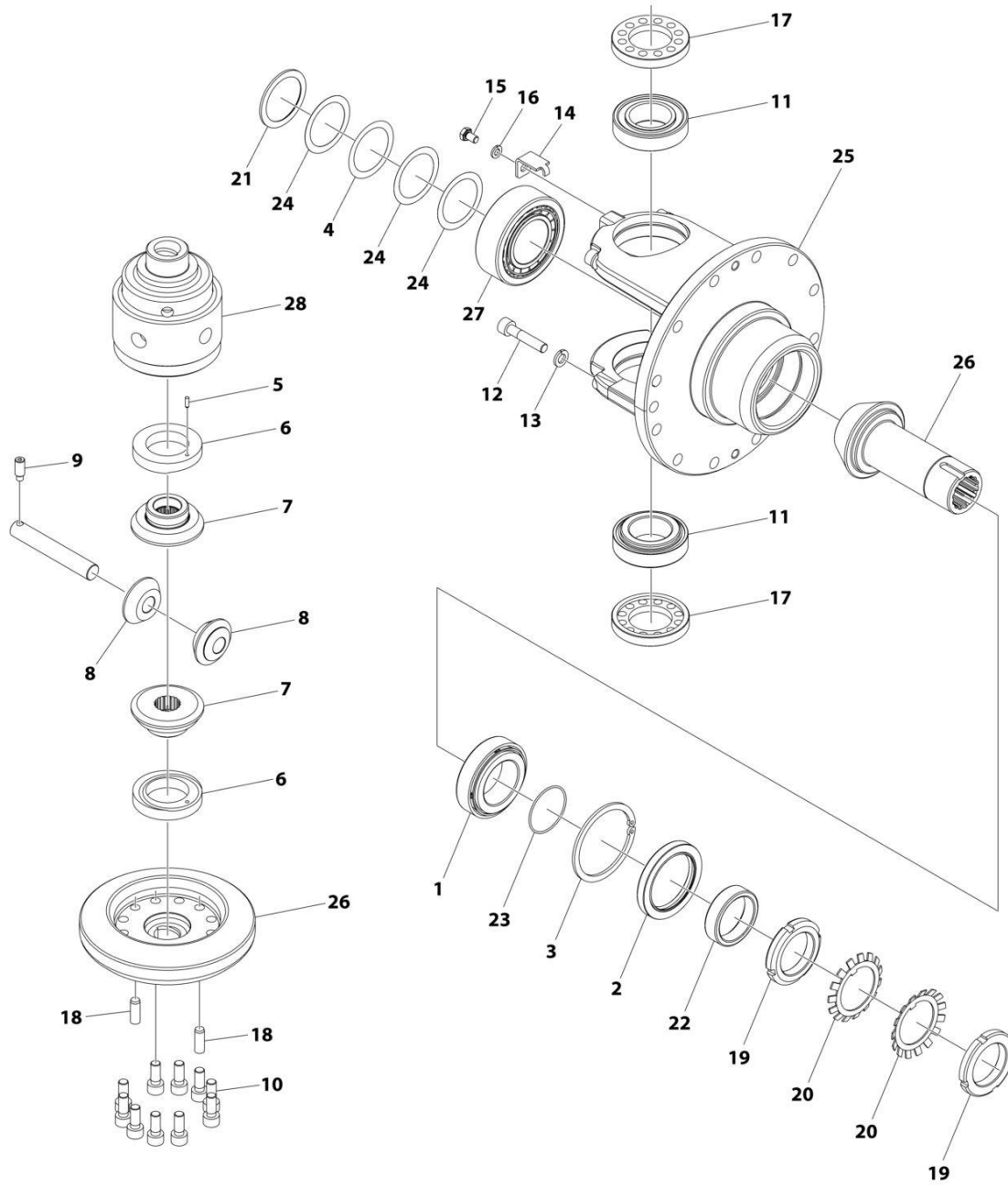
SECTION 5 - DRIVE TRAIN

FIGURE 5-3. FRONT AXLE ASSEMBLY

ITEM	PART NUMBER	QTY	DESCRIPTION	REV
	1001306166	Ref	FRONT AXLE ASSEMBLY	A
1	0700815	15	Bolt M8 x 35	
2	0770812	1	Bolt M8 x 25 Class 10.9	
3	4831900	16	Washer M8	
4	1001262360	1	Washer M14	
5	1001262370	1	Plug, Magnetic	
6	1001263139	1	Seal	
7	1001306231	6	Shim - 0.05MM Thickness	
8	1001306252	1	Front Axle Reduction Gear Assembly (See Separate Breakdown in this Section)	
9	1001306264	6	Ring	
10	1001306265	2	Bearing	
11	1001306266	2	Shim - 0.50MM Thickness	
12	1001306271	5	Stud	
13	1001306280	8	Bushing	
14	1001306281	3	Ring, Retaining	
15	1001306282	1	Hub	
16	1001306288	1	Shim - 0.20MM Thickness	
17	1001306291	1	Housing, Axle	
18	1001306292	1	Housing, Front Axle Reduction Gear	
19	1001306314	3	Bearing	
20	1001306316	1	O-Ring	
21	1001306399	1	Seal	
22	1001306400	1	Plug (With O-Ring)	
23	1001306435	1	Mount, Axle Shaft	

SECTION 5 - DRIVE TRAIN

FIGURE 5-4. FRONT DIFFERENTIAL ASSEMBLY



ART_1001306173

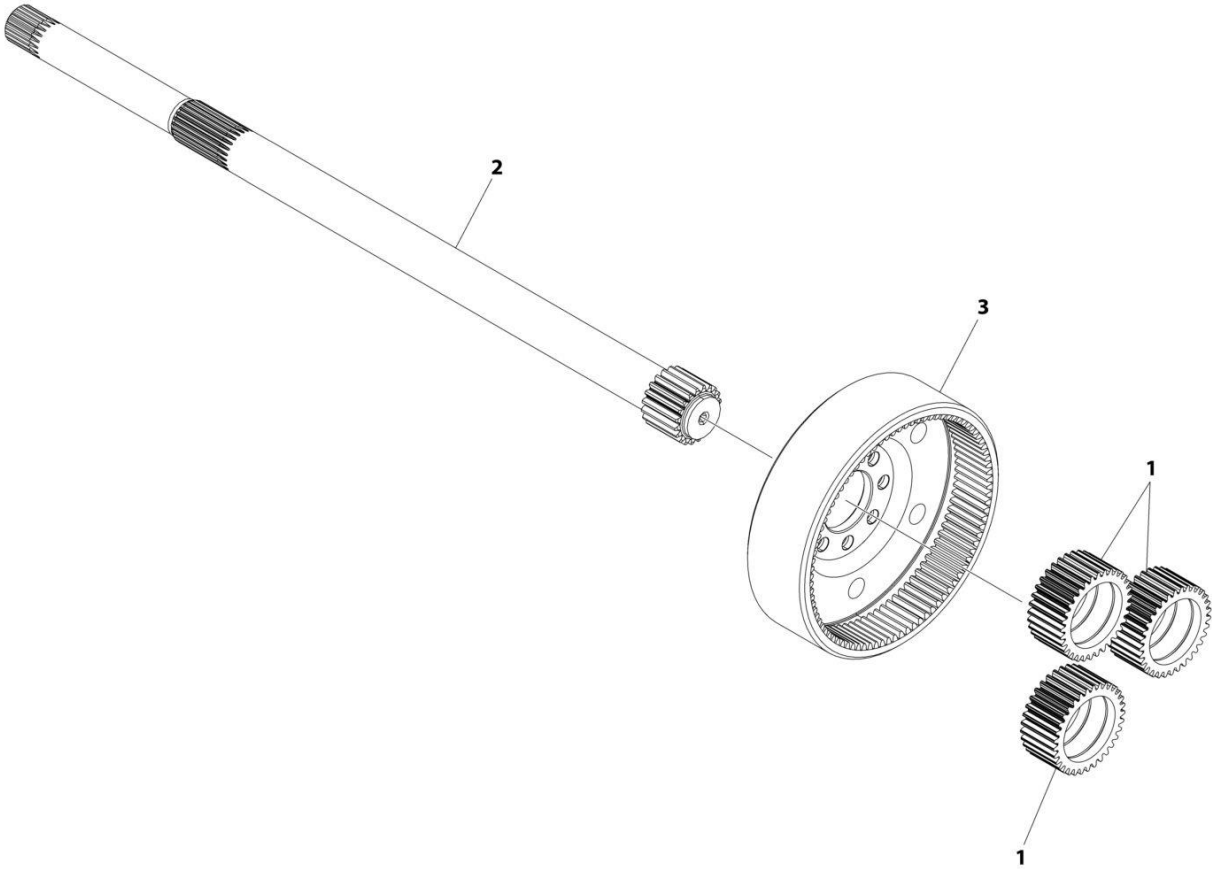
SECTION 5 - DRIVE TRAIN

FIGURE 5-4. FRONT DIFFERENTIAL ASSEMBLY

ITEM	PART NUMBER	QTY	DESCRIPTION	REV
	1001306173	Ref	FRONT DIFFERENTIAL ASSEMBLY	A
1	70031620	1	Bearing	
2	70031621	1	Ring	
3	70031622	1	Ring, Retaining	
4	70031623	1	Ring	
5	70030233	1	Pin	
6	70031626	2	Ring	
7	70031627	2	Gear	
8	70031628	2	Gear	
9	70030234	1	Capscrew M8 x 20	
10	70031632	10	Capscrew M8 x 20	
11	70031633	2	Bearing	
12	70031634	4	Capscrew M8 x 40	
13	70031600	4	Washer M8	
14	70031636	2	Clip	
15	70031637	2	Bolt M6 x 10	
16	70031638	2	Washer M6	
17	70031635	2	Ring, Wear	
18	70031639	2	Pin	
19	70031641	2	Nut	
20	70031640	2	Washer	
21	70031642	1	Ring	
22	70031643	1	Ring	
23	70031644	1	O-Ring	
24	70031645	1	Ring	
25	70031646	1	Housing	
26	70031655	1	Kit, Ring & Pinion Gear	
27	70031648	1	Bearing	
28	70031625	1	Housing	
29	70031656	1	Shaft (Not Shown)	
30	70031657	1	Shaft (Not Shown)	
31	70031658	1	Pin (Not Shown)	

SECTION 5 - DRIVE TRAIN

FIGURE 5-5. FRONT AXLE REDUCTION GEAR ASSEMBLY



ART_1001306252

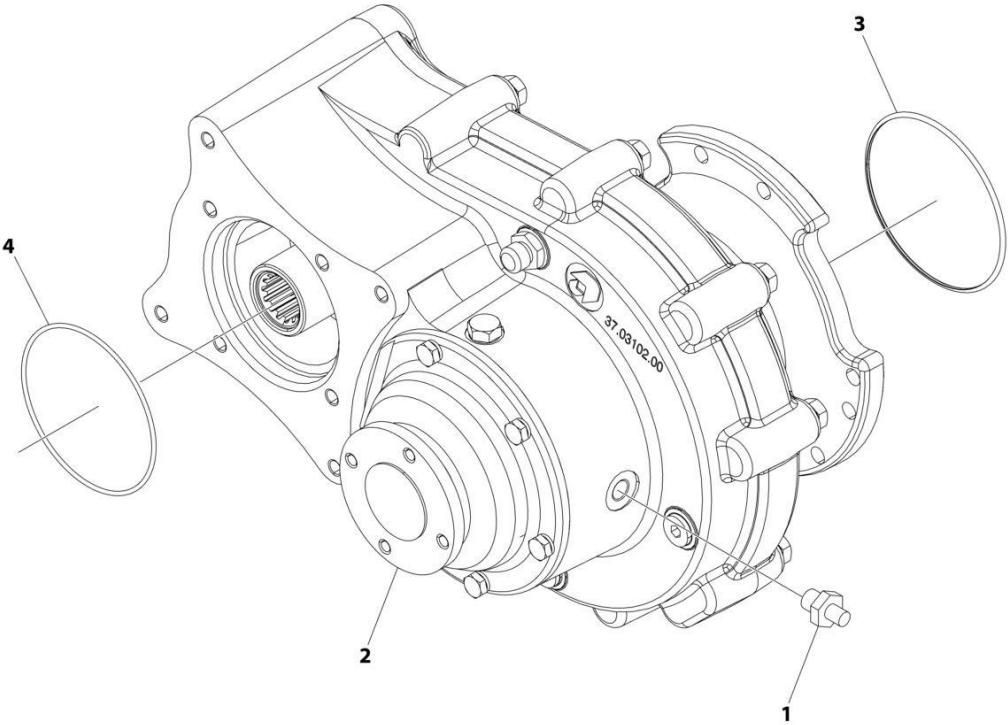
SECTION 5 - DRIVE TRAIN

FIGURE 5-5. FRONT AXLE REDUCTION GEAR ASSEMBLY

ITEM	PART NUMBER	QTY	DESCRIPTION	REV
	1001306252	Ref	FRONT AXLE REDUCTION GEAR ASSEMBLY	A
1	1001306246	3	Gear, Spur	
2	1001306248	1	Shaft	
3	1001306251	1	Gear, Crown	

SECTION 5 - DRIVE TRAIN

FIGURE 5-6. TRANSMISSION INSTALLATION



ART_1001303632

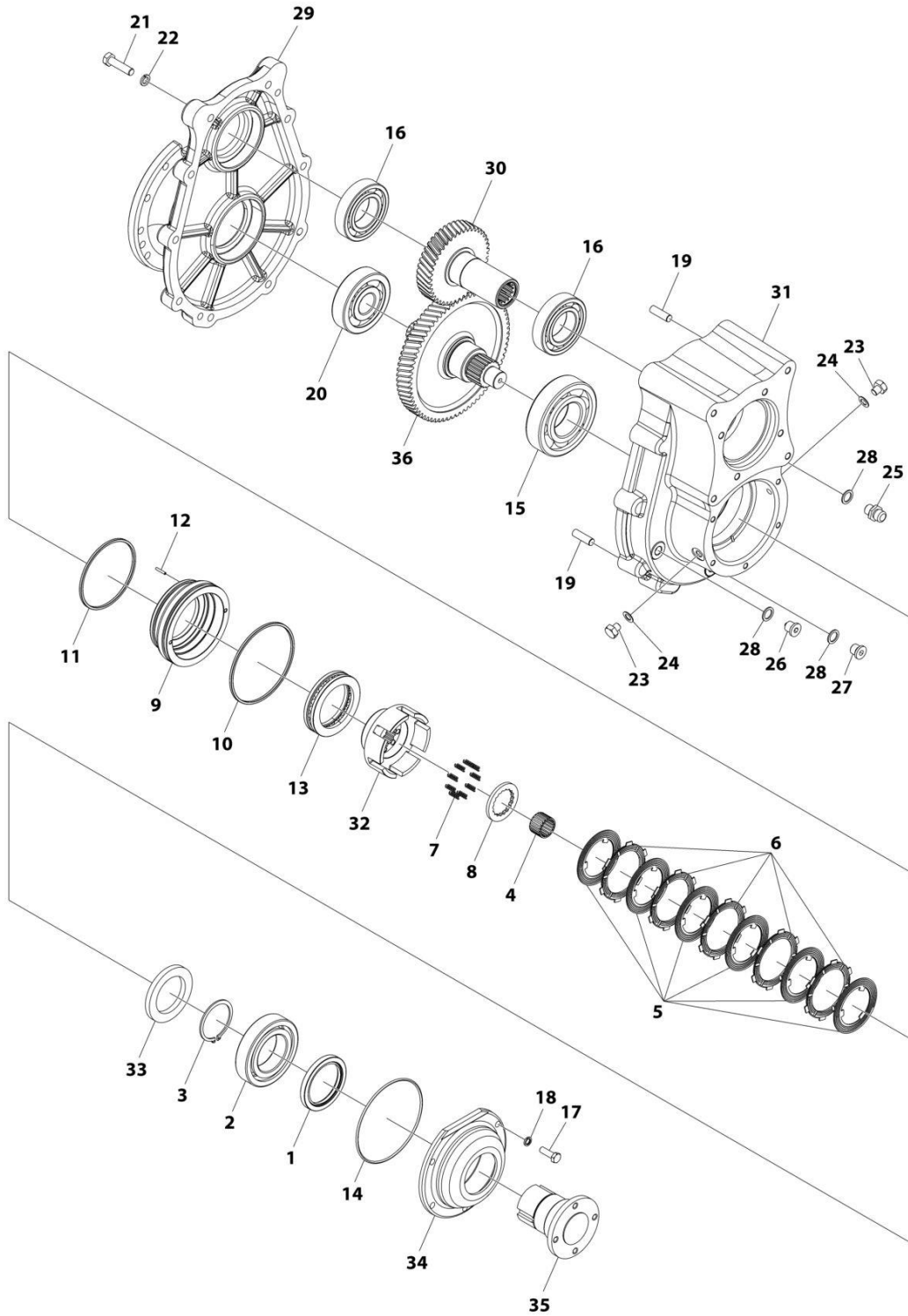
SECTION 5 - DRIVE TRAIN

FIGURE 5-6. TRANSMISSION INSTALLATION

ITEM	PART NUMBER	QTY	DESCRIPTION	REV
	1001303632	Ref	TRANSMISSION INSTALLATION	A
1	2142704	1	Fitting	
2	1001303769	1	Transmission Assembly (See Separate Breakdown in this Section)	
3	1001303772	1	O-Ring (Function Motor Output)	
4	1001303784	1	O-Ring (Front Axle Input)	

SECTION 5 - DRIVE TRAIN

FIGURE 5-7. TRANSMISSION ASSEMBLY



ART_1001303769

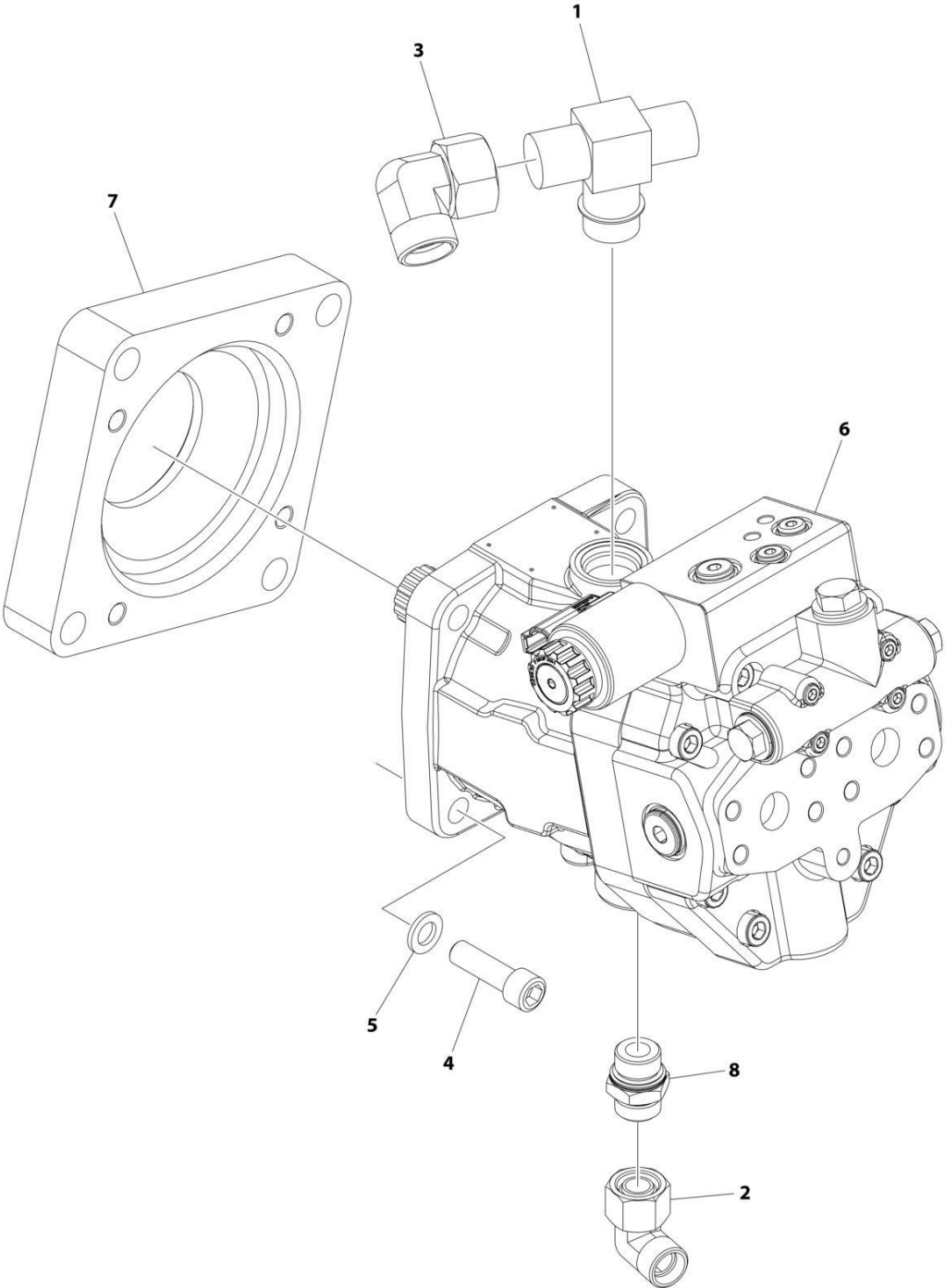
SECTION 5 - DRIVE TRAIN

FIGURE 5-7. TRANSMISSION ASSEMBLY

ITEM	PART NUMBER	QTY	DESCRIPTION	REV
	1001303769	Ref	TRANSMISSION ASSEMBLY	A
1	70031583	1	Seal	
2	70031584	1	Bearing	
3	70031585	1	Ring, Retaining	
4	70031586	1	Bearing	
5	70031587	6	Disc, Clutch	
6	70031588	5	Plate, Friction	
7	70031589	9	Spring	
8	70031590	1	Ring	
9	70031591	1	Housing, Outer Clutch	
10	70031592	1	O-Ring	
11	70031593	1	O-Ring	
12	70031594	1	Pin	
13	70031595	1	Bearing	
14	70031596	1	O-Ring	
15	70031597	1	Bearing	
16	70031598	2	Bearing	
17	70031599	5	Bolt M8 x 25	
18	70031600	5	Washer M8	
19	70031601	2	Pin	
20	70031602	1	Bearing	
21	70031604	10	Bolt M10 x 40	
22	70031605	10	Washer M10	
23	70031606	2	Plug	
24	70031607	2	Washer M10	
25	70031608	1	Breather	
26	70031609	1	Plug	
27	70031610	1	Plug	
28	70031611	3	Washer M14	
29	70031612	1	Cover, Main Housing	
30	70031613	1	Gear	
31	70031614	1	Housing, Main	
32	70031615	1	Housing, Inner Clutch	
33	70031616	1	Disc	
34	70031617	1	Cover	
35	70031618	1	Guide, Clutch	
36	70031619	1	Gear	

SECTION 5 - DRIVE TRAIN

FIGURE 5-8. FUNCTION MOTOR INSTALLATION



ART_1001303856

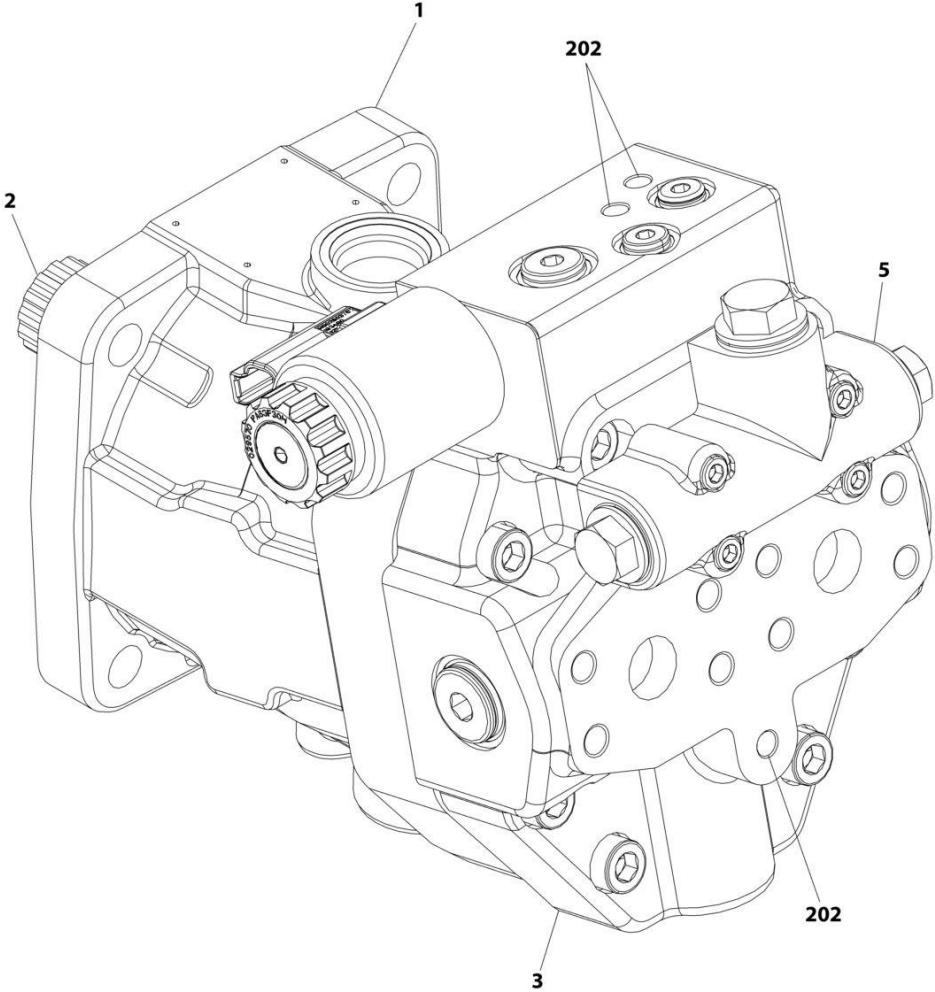
SECTION 5 - DRIVE TRAIN

FIGURE 5-8. FUNCTION MOTOR INSTALLATION

ITEM	PART NUMBER	QTY	DESCRIPTION	REV
	1001303856	Ref	FUNCTION MOTOR INSTALLATION	A
1	2140507	1	Fitting, Tee	
2	2143405	1	Fitting, 90	
3	2143407	1	Fitting, 90	
4	4032112	4	Capscrew M12 x 40	
5	4832100	4	Washer M12	
6	1001303851	1	Function Motor Assembly (See Separate Breakdown in this Section)	
7	1001304006	1	Adapter	
8	1001306122	1	Fitting, Straight	

SECTION 5 - DRIVE TRAIN

FIGURE 5-9. FUNCTION MOTOR ASSEMBLY



ART_1001303851

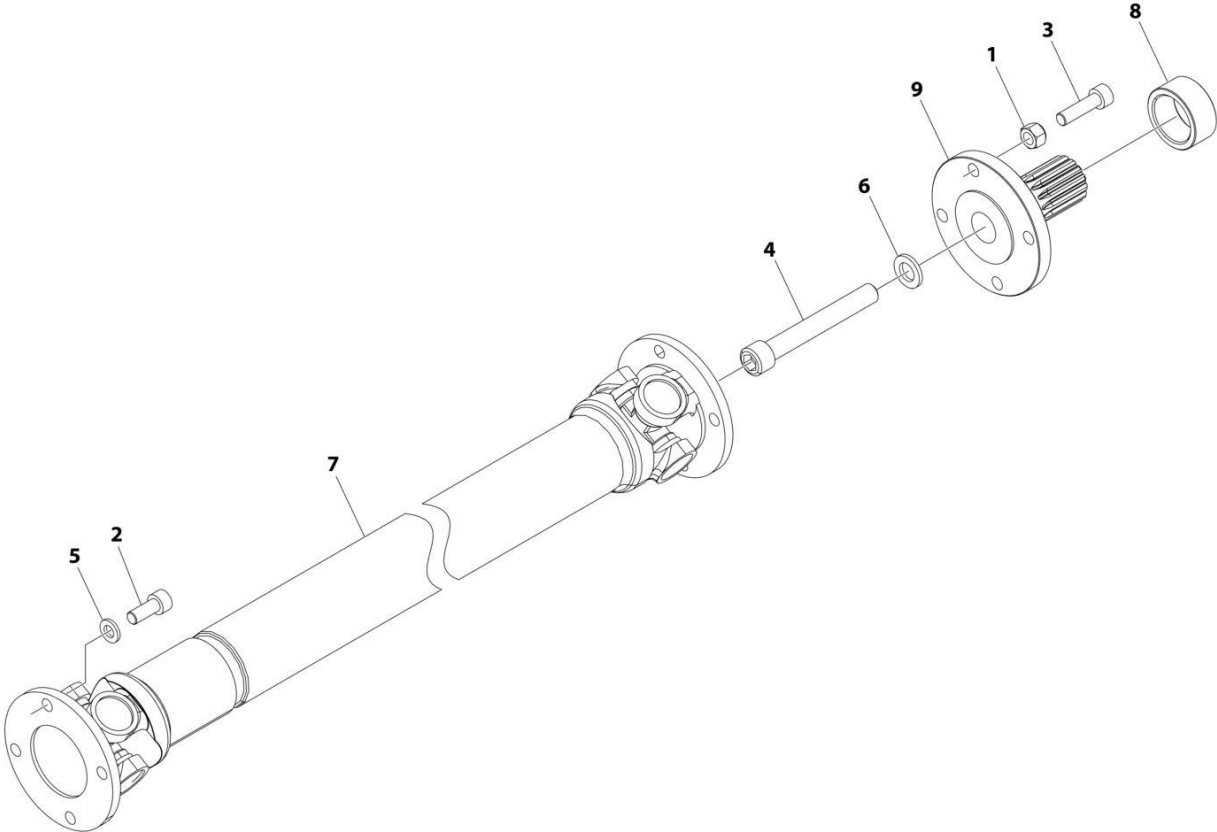
SECTION 5 - DRIVE TRAIN

FIGURE 5-9. FUNCTION MOTOR ASSEMBLY

ITEM	PART NUMBER	QTY	DESCRIPTION	REV
	1001303851	Ref	FUNCTION MOTOR ASSEMBLY	A
1	NPN	1	Housing	
2	70031534	1	Assembly, Rotary Group	
3	70031535	1	Assembly, Cover Plate (Includes Items 108, 109 & 202)	
5	70031536	1	Valve, Flush/Boost	
108	83924123	3	Screw, Throttle (Not Shown)	
109	7028806	3	Screw, Throttle (Not Shown)	
202	70003340	4	Plug	

SECTION 5 - DRIVE TRAIN

FIGURE 5-10. DRIVE SHAFT INSTALLATION



ART_1001303629

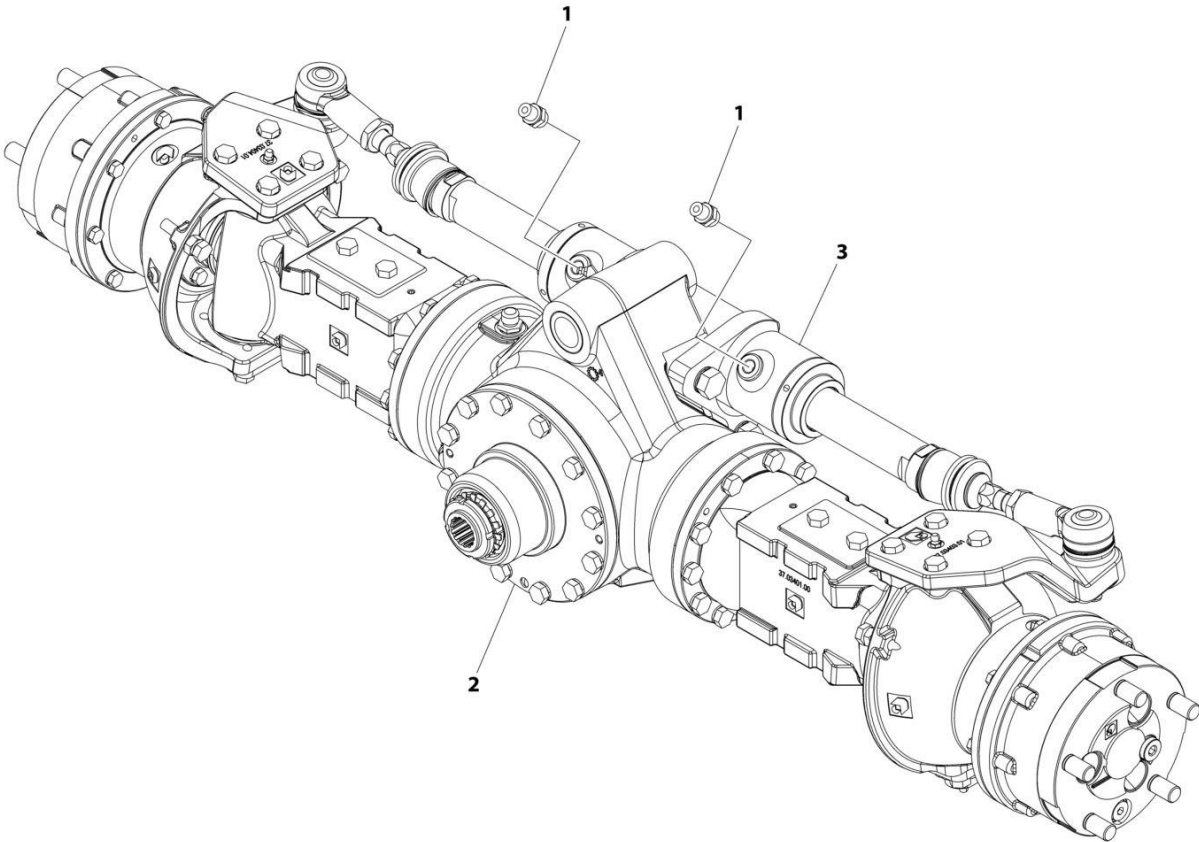
SECTION 5 - DRIVE TRAIN

FIGURE 5-10. DRIVE SHAFT INSTALLATION

ITEM	PART NUMBER	QTY	DESCRIPTION	REV
	1001303629	Ref	DRIVE SHAFT INSTALLATION	A
1	3290805	4	Nut M8	
2	4031908	4	Capscrew M8 x 20	
3	4031910	4	Capscrew M8 x 30	
4	4032122	1	Capscrew M12 x 90	
5	4831900	4	Washer M8	
6	4832100	1	Washer M12	
7	1001303774	1	Assembly, Drive Shaft (No Service Parts Available)	
8	1001303815	1	Sleeve	
9	1001303819	1	Spindle	

SECTION 5 - DRIVE TRAIN

FIGURE 5-11. REAR AXLE STEERING ASSEMBLY



ART_1001303631

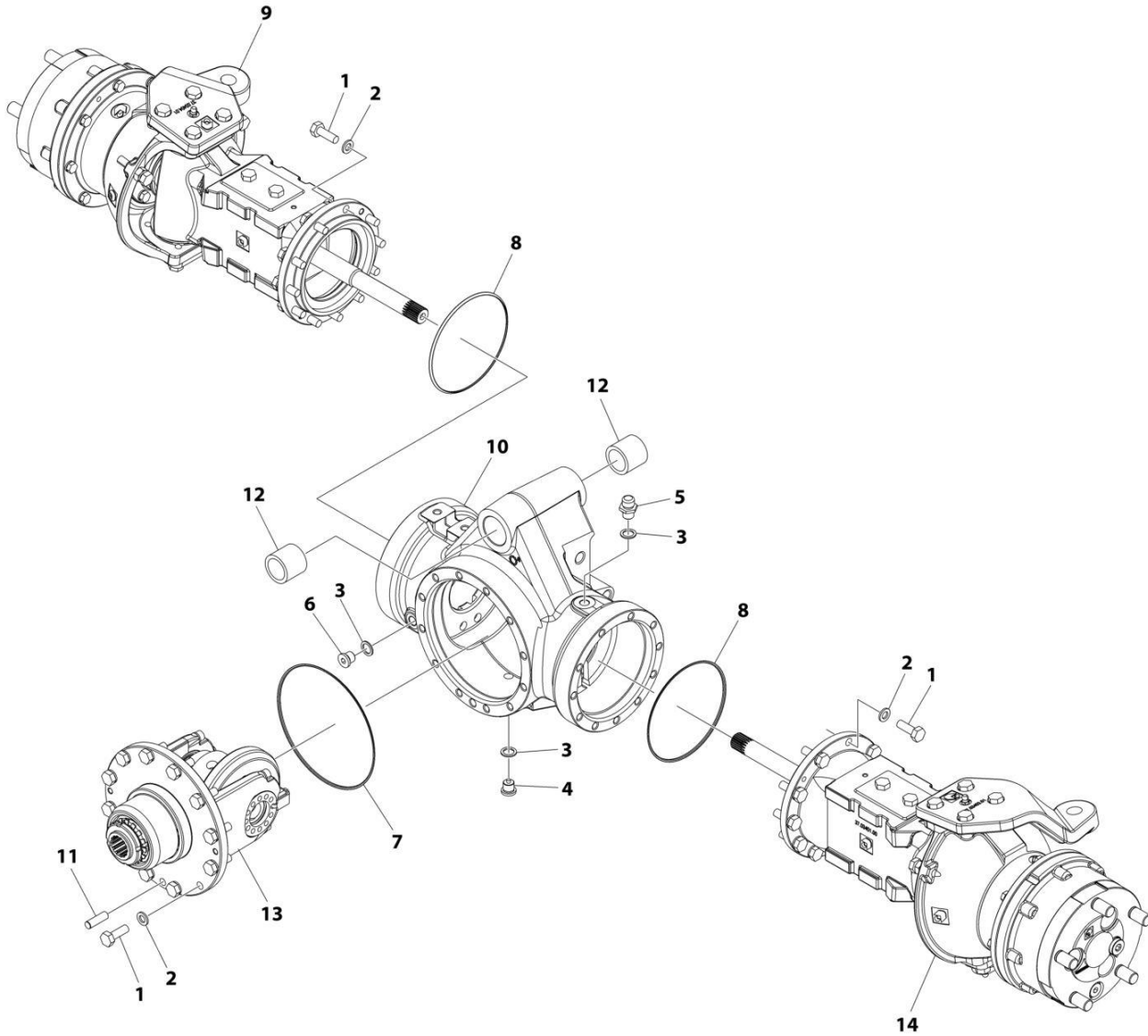
SECTION 5 - DRIVE TRAIN

FIGURE 5-11. REAR AXLE STEERING ASSEMBLY

ITEM	PART NUMBER	QTY	DESCRIPTION	REV
	1001303631	Ref	REAR AXLE STEERING ASSEMBLY	B
1	2142706	2	Fitting, Straight	
2	1001306383	1	Rear Axle & Differential Assembly (See Separate Breakdown in this Section)	
3	1001307027	1	Steer Cylinder Sub-Assembly (See Separate Breakdown in HYDRAULIC COMPONENTS Section)	

SECTION 5 - DRIVE TRAIN

FIGURE 5-12. REAR AXLE & DIFFERENTIAL ASSEMBLY



ART_1001306383

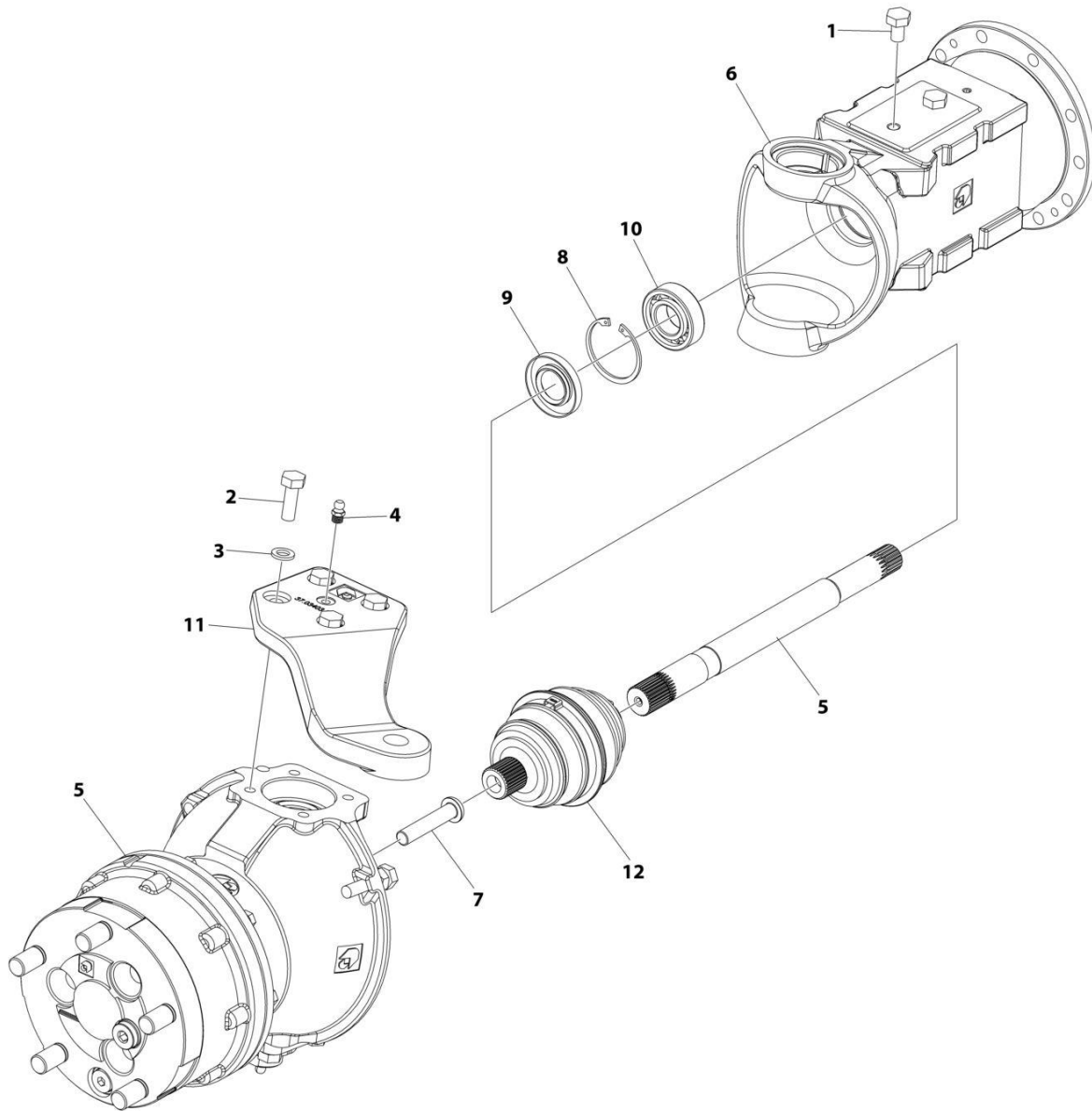
SECTION 5 - DRIVE TRAIN

FIGURE 5-12. REAR AXLE & DIFFERENTIAL ASSEMBLY

ITEM	PART NUMBER	QTY	DESCRIPTION	REV
	1001306383	Ref	REAR AXLE & DIFFERENTIAL ASSEMBLY	B
1	0761014	34	Bolt M10 x 30	
2	4832000	34	Washer M10	
3	1001262360	3	Washer M14	
4	1001262370	1	Plug, Magnetic	
5	1001262371	1	Plug, Pressure Relief	
6	1001262445	1	Plug	
7	1001306162	1	O-Ring (Between Differential & Housing)	
8	1001306168	2	O-Ring (Between Axle & Housing)	
9	1001306384	1	Right Rear Axle Sub-Assembly (See Separate Breakdown in this Section)	
10	1001306406	1	Housing, Differential	
11	1001306800	1	Pin	
12	1001306802	2	Bushing	
13	1001306817	1	Rear Differential Assembly (See Separate Breakdown in this Section)	
14	1001307003	1	Left Rear Axle Sub-Assembly (See Separate Breakdown in this Section)	

SECTION 5 - DRIVE TRAIN

FIGURE 5-13. LEFT REAR AXLE SUB-ASSEMBLY



ART_1001307003

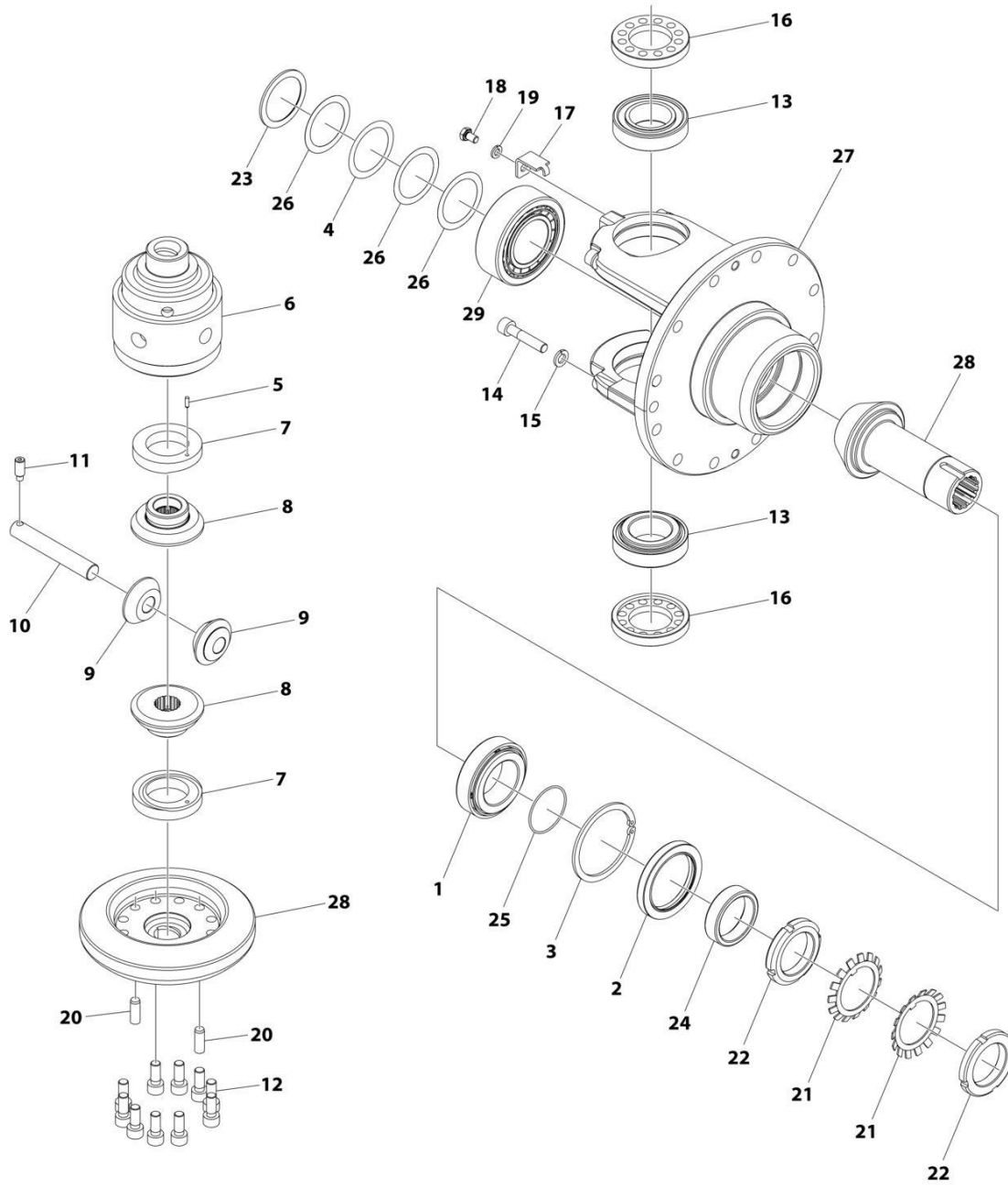
SECTION 5 - DRIVE TRAIN

FIGURE 5-13. LEFT REAR AXLE SUB-ASSEMBLY

ITEM	PART NUMBER	QTY	DESCRIPTION	REV
	1001307003	Ref	LEFT REAR AXLE SUB-ASSEMBLY	A
1	0761008	2	Bolt M10 x 16	
2	0761014	4	Bolt M10 x 30	
3	4832000	4	Washer M10	
4	1001261547	1	Fitting, Grease	
5	1001306385	1	Rear Axle Assembly (See Separate Breakdown in this Section)	
6	1001306404	1	Housing, Axle	
7	1001306727	1	Capscrew M12 x 60	
8	1001306730	1	Ring, Snap	
9	1001306737	1	Seal	
10	1001306818	1	Bearing	
11	1001307004	1	Support, Steer Cylinder	
12	1001307080	1	Joint, Planetary Axle	

SECTION 5 - DRIVE TRAIN

FIGURE 5-14. REAR DIFFERENTIAL ASSEMBLY



ART_1001306817

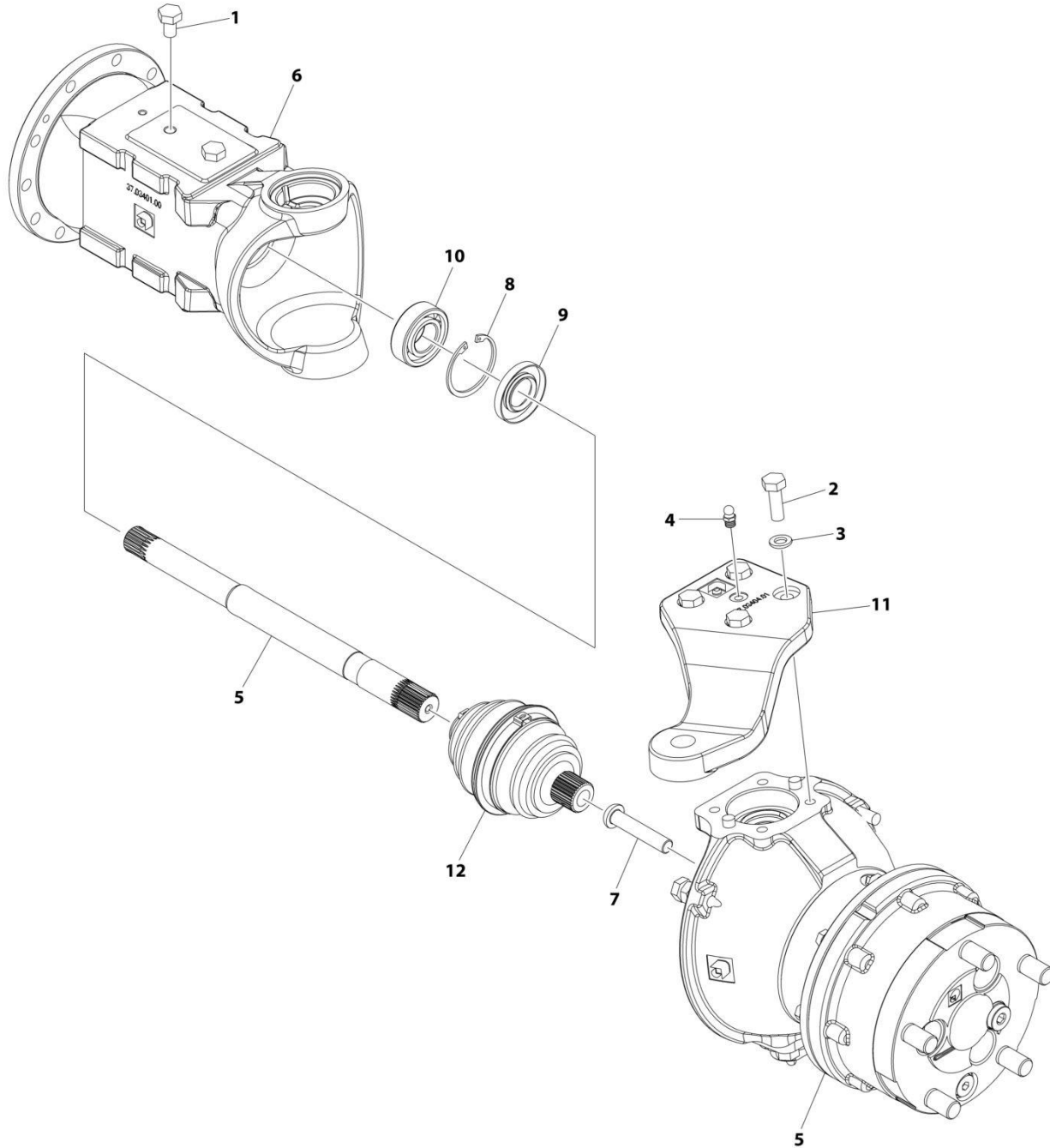
SECTION 5 - DRIVE TRAIN

FIGURE 5-14. REAR DIFFERENTIAL ASSEMBLY

ITEM	PART NUMBER	QTY	DESCRIPTION	REV
	1001306817	Ref	REAR DIFFERENTIAL ASSEMBLY	A
1	70031620	1	Bearing	
2	70031621	1	Ring	
3	70031622	1	Ring, Retaining	
4	70031623	1	Ring	
5	70030233	1	Pin	
6	70031625	1	Housing	
7	70031626	2	Ring	
8	70031627	2	Gear	
9	70031628	2	Gear	
10	70031629	1	Pin	
11	70030234	1	Capscrew M8 x 20	
12	70031632	10	Capscrew M8 x 20	
13	70031633	2	Bearing	
14	70031634	4	Capscrew M8 x 40	
15	70031600	4	Washer M8	
16	70031635	2	Ring, Wear	
17	70031636	2	Clip	
18	70031637	2	Bolt M6 x 10	
19	70031638	2	Washer M6	
20	70031639	2	Pin	
21	70031640	2	Washer	
22	70031641	2	Nut	
23	70031642	1	Ring	
24	70031643	1	Ring	
25	70031644	1	O-Ring	
26	70031645	3	Ring	
27	70031646	1	Housing	
28	70031647	1	Kit, Ring & Pinion Gear	
29	70031648	1	Bearing	

SECTION 5 - DRIVE TRAIN

FIGURE 5-15. RIGHT REAR AXLE SUB-ASSEMBLY



ART_1001306384

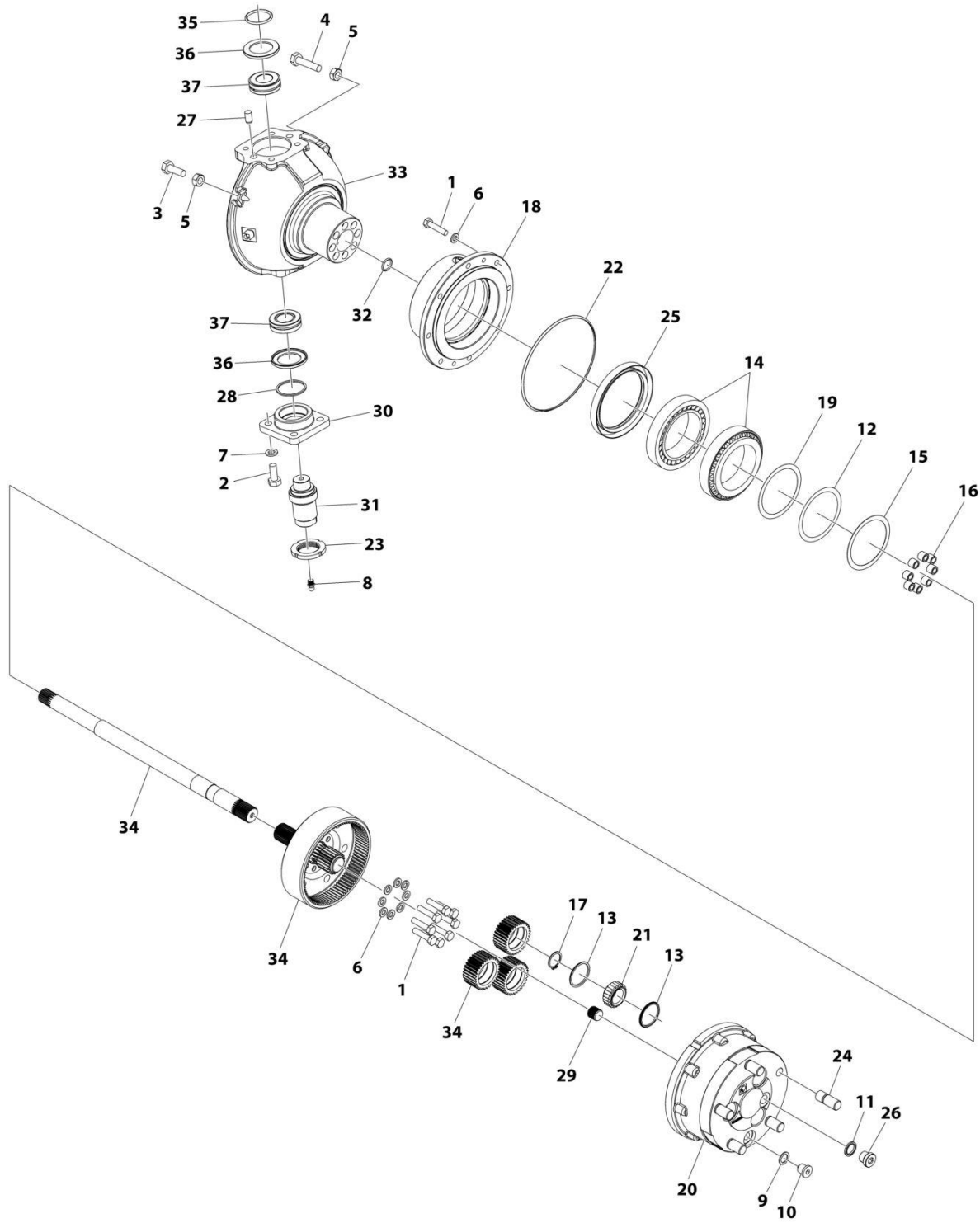
SECTION 5 - DRIVE TRAIN

FIGURE 5-15. RIGHT REAR AXLE SUB-ASSEMBLY

ITEM	PART NUMBER	QTY	DESCRIPTION	REV
	1001306384	Ref	RIGHT REAR AXLE SUB-ASSEMBLY	A
1	0761008	2	Bolt M10 x 16	
2	0761014	4	Bolt M10 x 30	
3	4832000	4	Washer M10	
4	1001261547	1	Fitting, Grease	
5	1001306385	1	Rear Axle Assembly (See Separate Breakdown in this Section)	
6	1001306404	1	Housing, Axle	
7	1001306727	1	Capscrew M12 x 60	
8	1001306730	1	Ring, Snap	
9	1001306737	1	Seal	
10	1001306818	1	Bearing	
11	1001306962	1	Support, Steer Cylinder	
12	1001307080	1	Joint, Planetary Axle	

SECTION 5 - DRIVE TRAIN

FIGURE 5-16. REAR AXLE ASSEMBLY



ART_1001306385

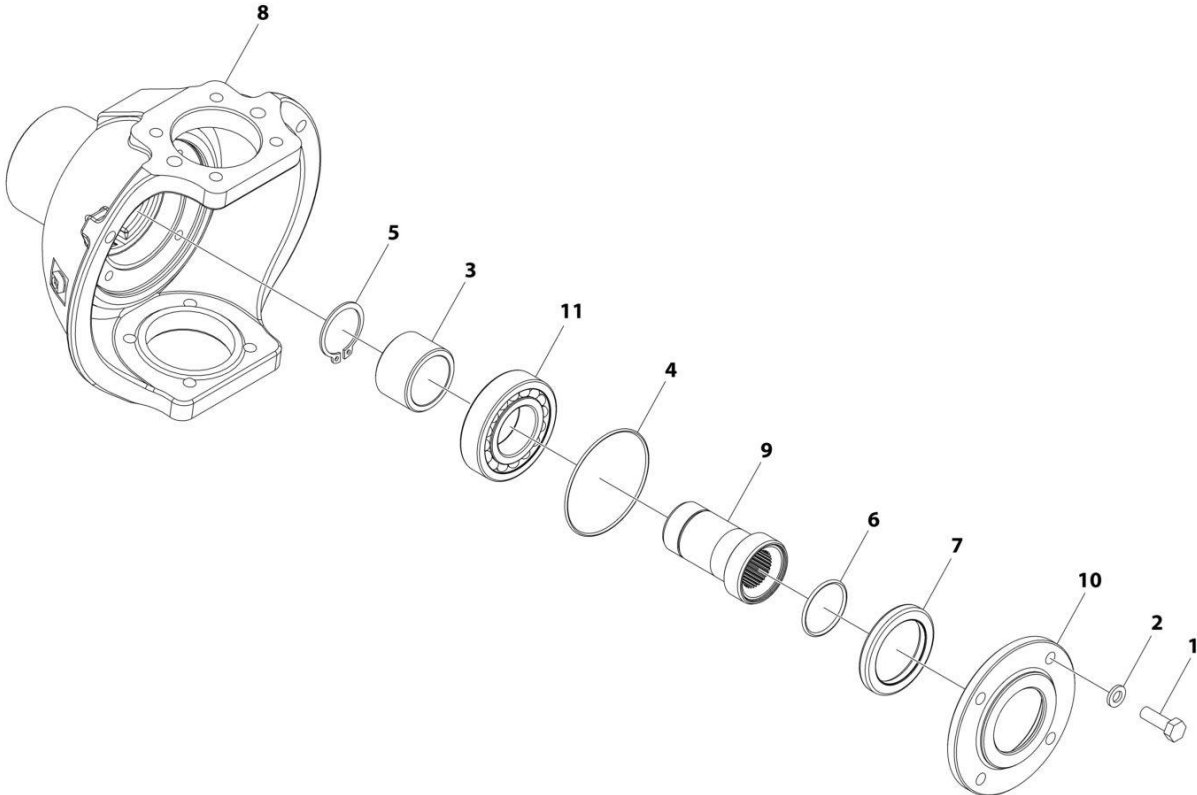
SECTION 5 - DRIVE TRAIN

FIGURE 5-16. REAR AXLE ASSEMBLY

ITEM	PART NUMBER	QTY	DESCRIPTION	REV
	1001306385	Ref	REAR AXLE ASSEMBLY	A
1	0700815	16	Bolt M8 x 35	
2	0761012	4	Bolt M10 x 25	
3	0761014	1	Bolt M10 x 30	
4	0761017	1	Bolt M10 x 45	
5	3291001	2	Nut M10	
6	4831900	16	Washer M8	
7	4832000	4	Washer M10	
8	1001261547	1	Fitting, Grease	
9	1001262360	1	Washer	
10	1001262370	1	Plug, Magnetic	
11	1001263139	1	Seal	
12	1001306231	1	Shim - 0.05MM Thickness	
13	1001306264	6	Ring	
14	1001306265	2	Bearing	
15	1001306266	1	Shim - 0.50MM Thickness	
16	1001306280	8	Bushing	
17	1001306281	3	Ring, Retaining	
18	1001306282	1	Hub	
19	1001306288	1	Shim - 0.20MM Thickness	
20	1001306292	1	Housing, Rear Axle Reduction Gear	
21	1001306314	3	Bearing	
22	1001306316	1	O-Ring - 152MM Diameter	
23	1001306387	1	Nut, Ring Lock	
24	1001306388	5	Stud	
25	1001306399	1	Seal	
26	1001306400	1	Plug (With O-Ring)	
27	1001306408	2	Pin	
28	1001306419	1	O-Ring - 40MM Diameter	
29	1001306435	1	Mount, Axle Shaft	
30	1001306674	1	Mount, Axle Pivot Shaft	
31	1001306675	1	Shaft, Axle Pivot	
32	1001306681	1	O-Ring - 16.3MM Diameter	
33	1001306690	1	Rear Axle Pivot Assembly (See Separate Breakdown in this Section)	
34	1001306705	1	Rear Axle Reduction Gear Assembly (See Separate Breakdown in this Section)	
35	1001306725	1	O-Ring - 34.5MM Diameter	
36	1001306806	2	Cover	
37	1001306859	2	Bearing	

SECTION 5 - DRIVE TRAIN

FIGURE 5-17. REAR AXLE PIVOT ASSEMBLY



ART_1001306690

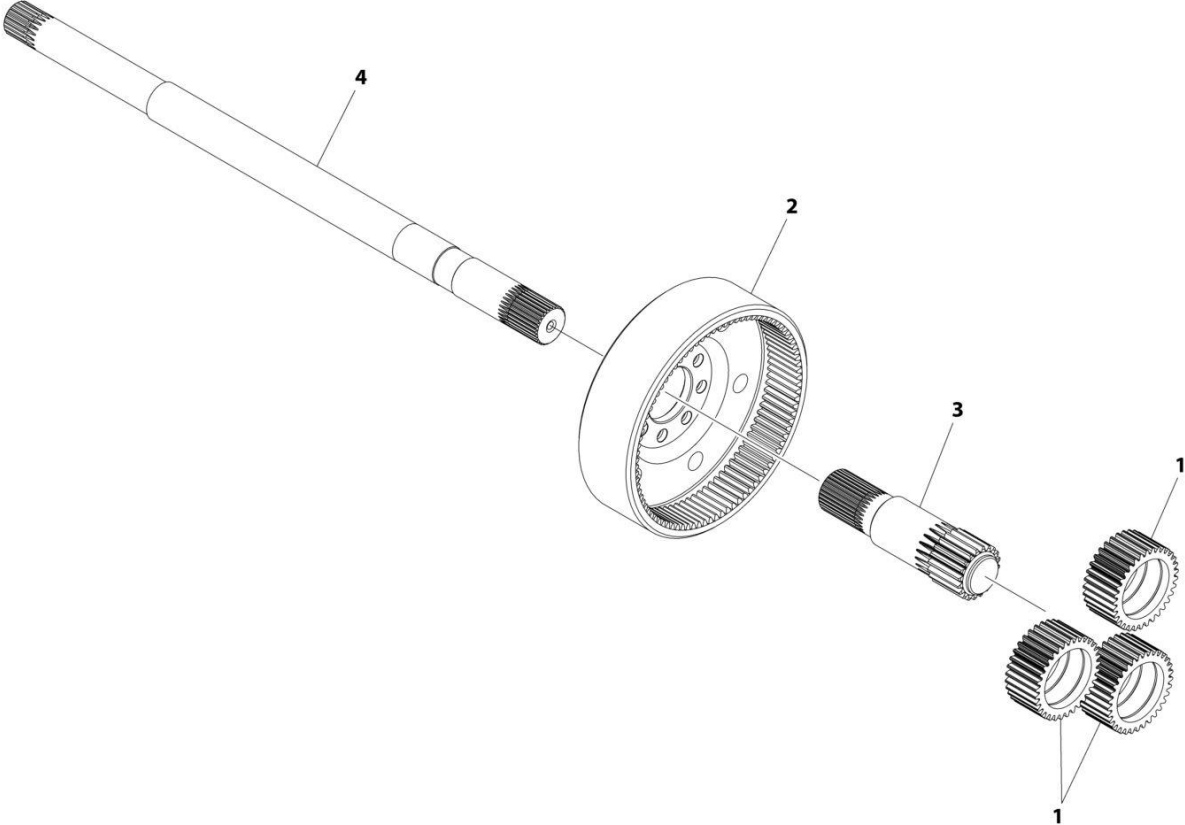
SECTION 5 - DRIVE TRAIN

FIGURE 5-17. REAR AXLE PIVOT ASSEMBLY

ITEM	PART NUMBER	QTY	DESCRIPTION	REV
	1001306690	Ref	REAR AXLE PIVOT ASSEMBLY	A
1	0760812	4	Bolt M8 x 25	
2	4831900	4	Washer M8	
3	1001306687	1	Bushing	
4	1001306693	1	O-Ring - 72MM Diameter	
5	1001306694	1	Ring, Retaining	
6	1001306698	1	O-Ring - 35MM Diameter	
7	1001306700	1	Seal	
8	1001306739	1	Housing	
9	1001306752	1	Shaft	
10	1001306754	1	Support, Axle Flange	
11	1001306856	1	Bearing	

SECTION 5 - DRIVE TRAIN

FIGURE 5-18. REAR AXLE REDUCTION GEAR ASSEMBLY



ART_1001306705

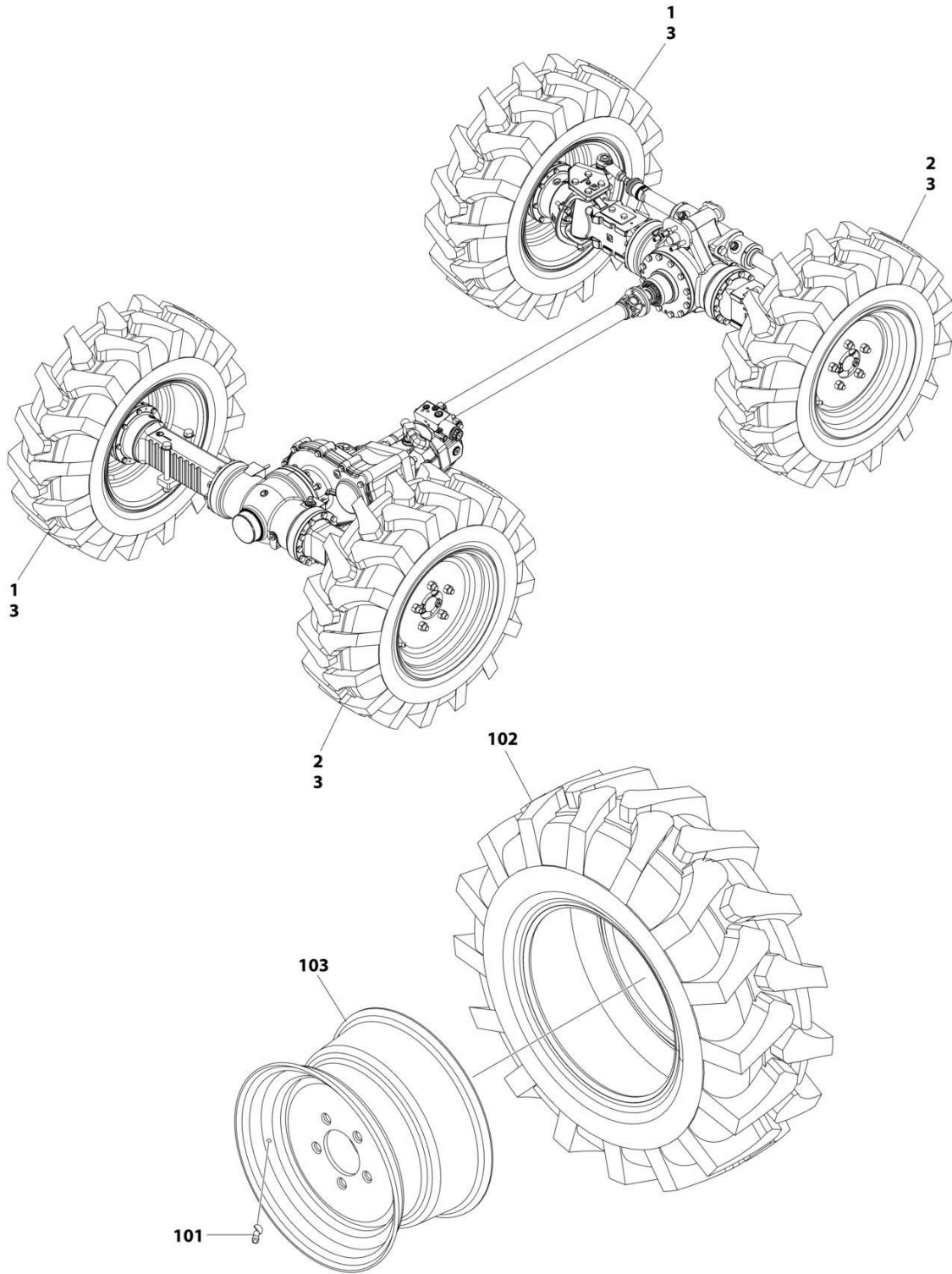
SECTION 5 - DRIVE TRAIN

FIGURE 5-18. REAR AXLE REDUCTION GEAR ASSEMBLY

ITEM	PART NUMBER	QTY	DESCRIPTION	REV
	1001306705	Ref	REAR AXLE REDUCTION GEAR ASSEMBLY	A
1	1001306246	3	Gear, Spur	
2	1001306251	1	Gear, Crown	
3	1001306706	1	Shaft - 124.5MM Length	
4	1001306707	1	Shaft - 25MM Length	

SECTION 5 - DRIVE TRAIN

FIGURE 5-19. TIRE INSTALLATION - AIR FILLED



ART_1001303858

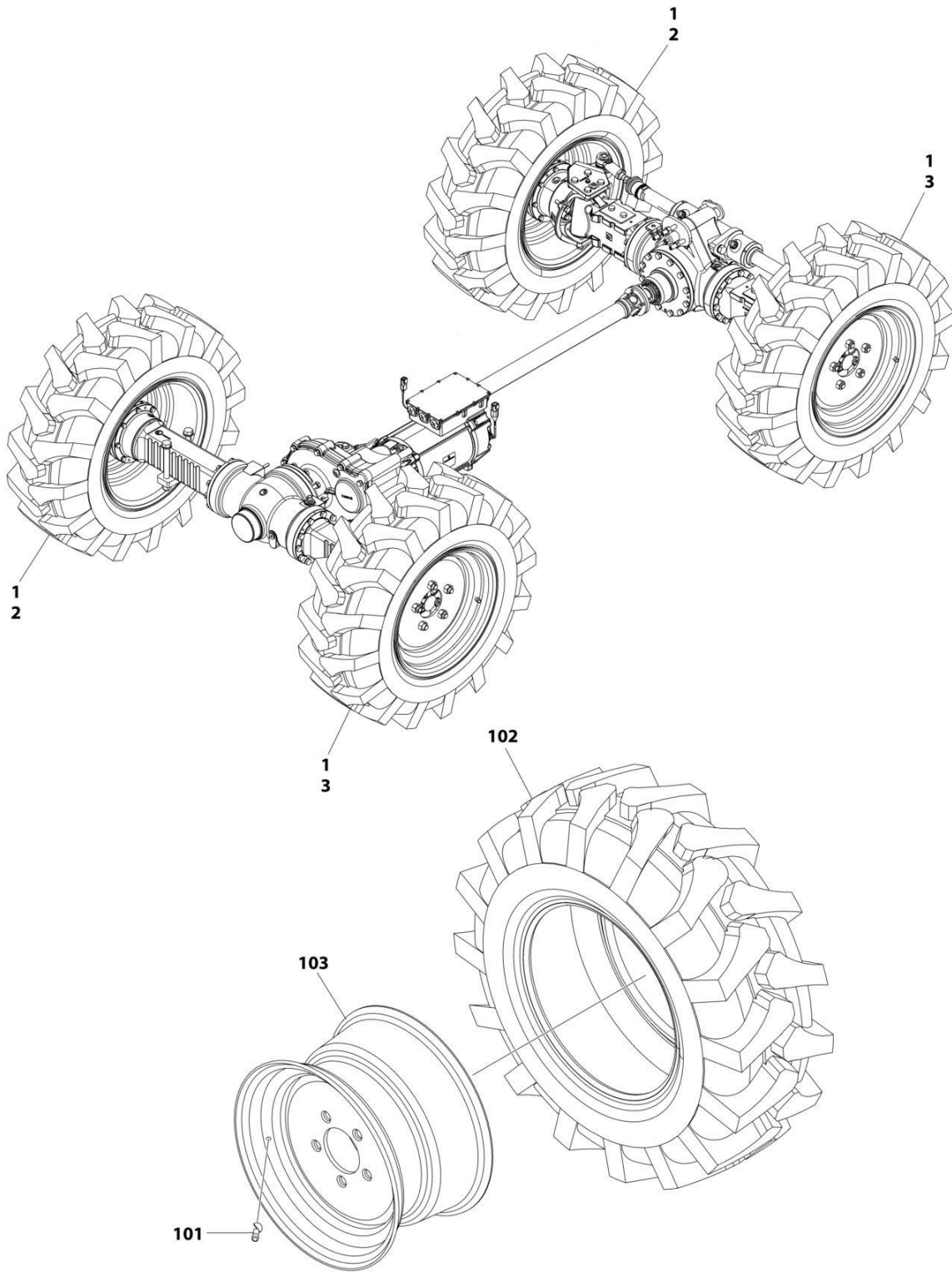
SECTION 5 - DRIVE TRAIN

FIGURE 5-19. TIRE INSTALLATION - AIR FILLED

ITEM	PART NUMBER	QTY	DESCRIPTION	REV
	1001303858	Ref	TIRE INSTALLATION	A
1	1001303860	2	Tire, Right (Includes Items 101-103)	A
2	1001303861	2	Tire, Left (Includes Items 101-103)	A
3	1001304424	20	Nut, Lug M16	
101	1001262612	1	Stem, Valve	
102	1001303862	1	Tire	
103	1001305583	1	Wheel	

SECTION 5 - DRIVE TRAIN

FIGURE 5-20. TIRE INSTALLATION - FOAM FILLED



ART_1001306881

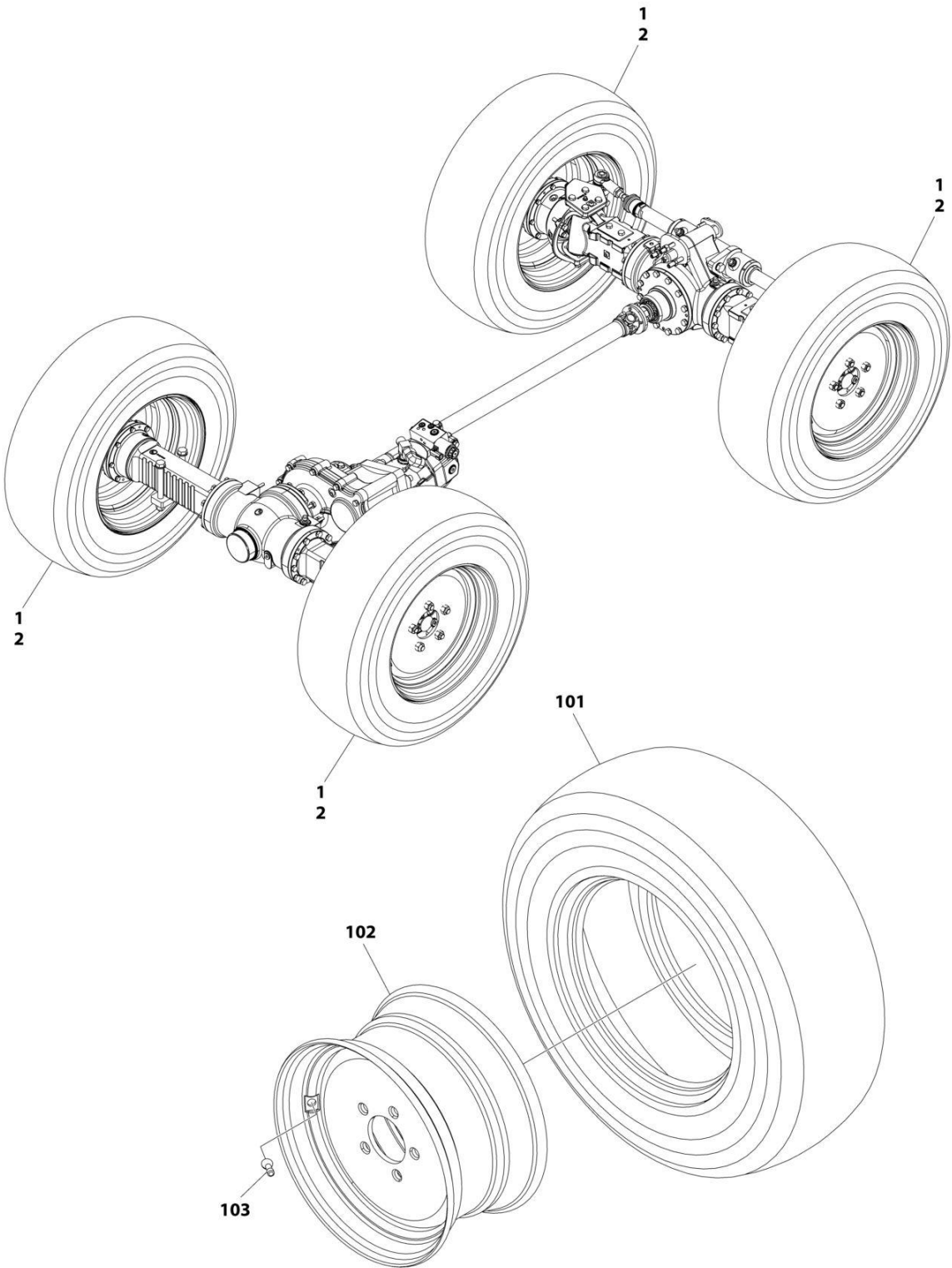
SECTION 5 - DRIVE TRAIN

FIGURE 5-20. TIRE INSTALLATION - FOAM FILLED

ITEM	PART NUMBER	QTY	DESCRIPTION	REV
	1001306881	Ref	TIRE INSTALLATION - FOAM-FILLED	A
		Ref	Note: Assemblies Require Ballast/Foam Filling to Manufacture's Specifications Prior to Installing on Machine. Refer to Operation & Safety or Service & Maintenance Manuals.	
		Ref	Purchase Individual Tire and/or Wheel only if able to Foam Fill Tire & Wheel Assembly, Otherwise Purchase Complete Assembly.	
1	1001304424	20	Nut, Lug M16	
2	1001310817	2	Tire, Right (Includes Items 101-104)	A
3	1001310818	2	Tire, Left (Includes Items 101-104)	A
101	1001262612	1	Valve, Stem	
102	1001303862	1	Tire	
103	1001305583	1	Wheel	
104	8526203	40 kg	Foam Fill (Not Shown)	

SECTION 5 - DRIVE TRAIN

FIGURE 5-21. TIRE INSTALLATION - TURF



ART_1001306883

SECTION 5 - DRIVE TRAIN

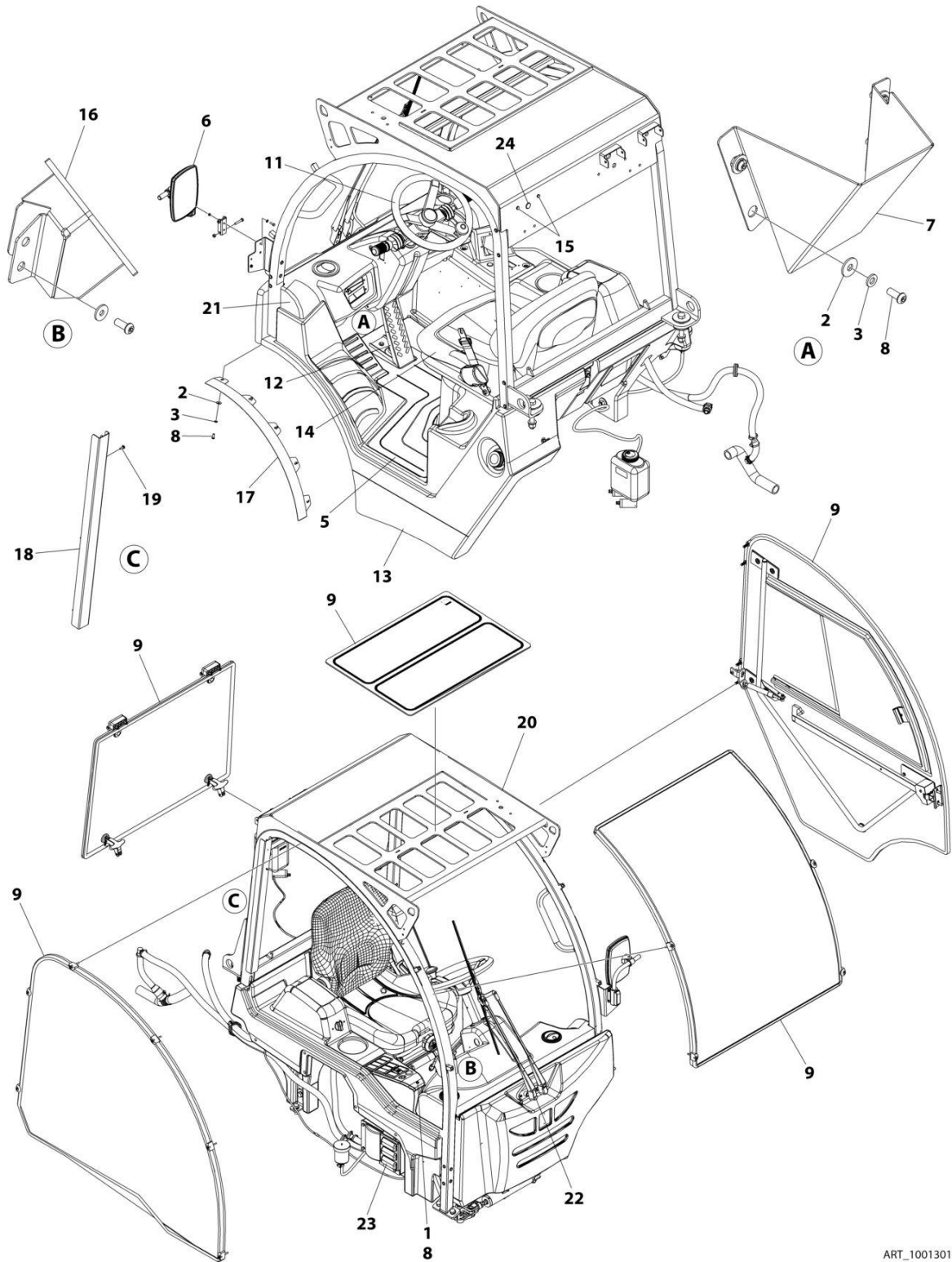
FIGURE 5-21. TIRE INSTALLATION - TURF

ITEM	PART NUMBER	QTY	DESCRIPTION	REV
	1001306883	Ref	TIRE INSTALLATION - TURF	A
1	1001304424	20	Nut, Lug M16	
2	1001312507	4	Tire (Includes Items 101-103)	A
101	1001312504	1	Tire	
102	1001312505	1	Wheel	
103	1001312506	1	Valve, Stem	

SECTION 6 - CAB

SECTION 6 - CAB

FIGURE 6-1. ENCLOSED CAB INSTALLATION



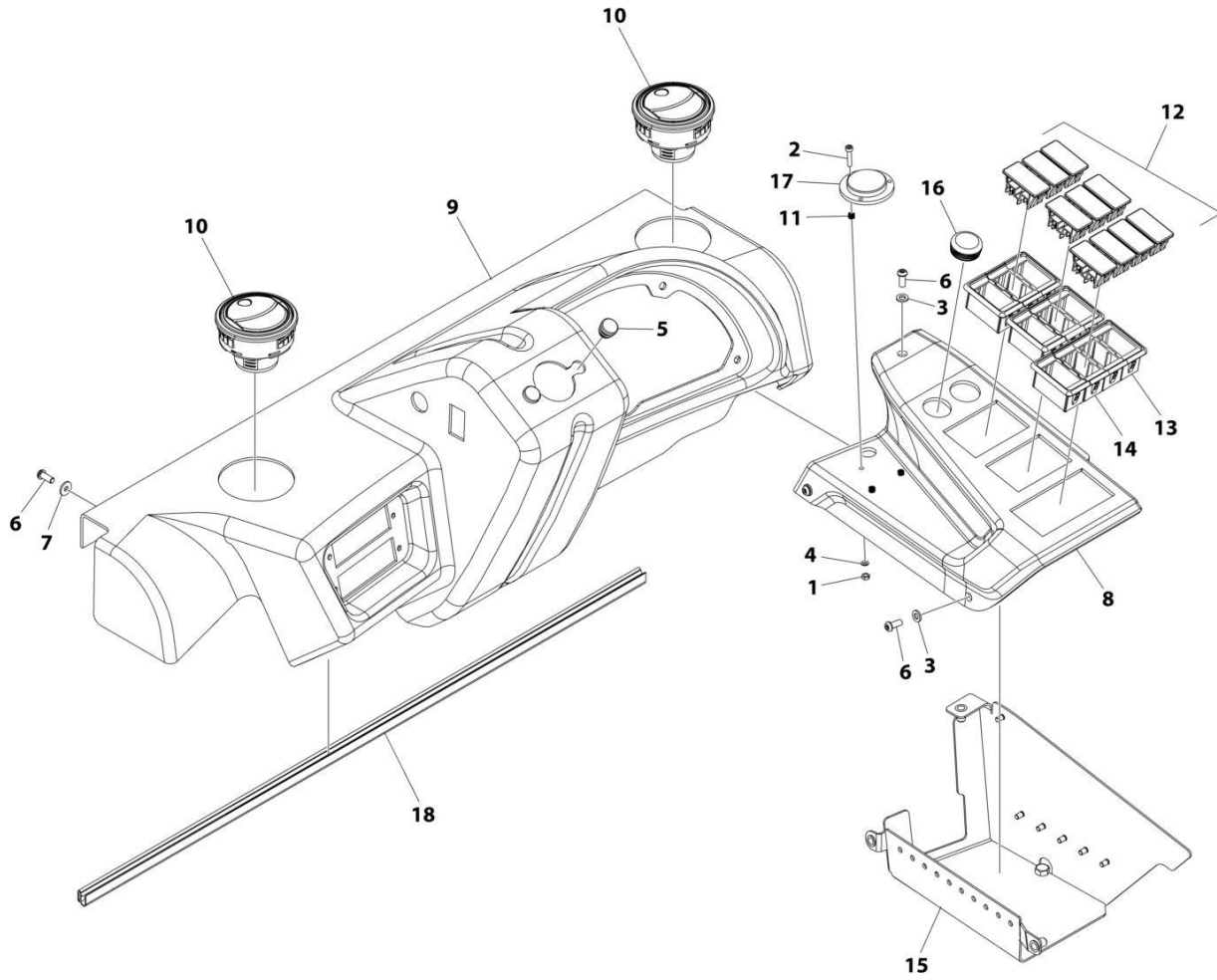
ART_1001301788

FIGURE 6-1. ENCLOSED CAB INSTALLATION

ITEM	PART NUMBER	QTY	DESCRIPTION	REV
	1001301788	Ref	CAB INSTALLATION - ENCLOSED	A
1	4811700	1	Washer M6	
2	4811702	9	Washer M6	
3	4831700	9	Washer M6	
4	1001262961	1	Tie-Strap (Not Shown)	
5	1001263990	1	Mat, Cab Floor	
6	1001263995	1	Mirror	
7	1001264011	1	Bracket	
8	1001264021	10	Capscrew M6 x 15 Class 10.9	
9	1001264351	1	Enclosed Cab Glass Installation (See Separate Breakdown in this Section)	
10	1001264506	1	Headliner (Not Shown)	
11	1001302209	1	Steering Installation (See Separate Breakdown in CONTROLS Section)	
12	1001302715	1	Brake System Installation (See Separate Breakdown in CONTROLS Section)	
13	1001303220	1	Fuel Tank Installation (See Separate Breakdown in this Section)	
14	1001303221	1	Seat Installation (See Separate Breakdown in this Section)	
15	1001303409	2	Plug	
16	1001304005	1	Support, Load Chart	
17	1001304076	1	Bracket, Mudguard Left	
18	1001304080	1	Bracket, Wire	
19	1001304203	3	Screw M4.8 x 16	
20	1001304375	1	Enclosed Cab Frame Installation (See Separate Breakdown in this Section)	
21	1001304376	1	Enclosed Cab Dash Installation (See Separate Breakdown in this Section)	
22	1001304377	1	Windshield Wiper Installation (See Separate Breakdown in this Section)	
23	1001304381	1	Heater Installation (See Separate Breakdown in this Section)	
24	1001305687	1	Plug	

SECTION 6 - CAB

FIGURE 6-2. ENCLOSED CAB DASH INSTALLATION



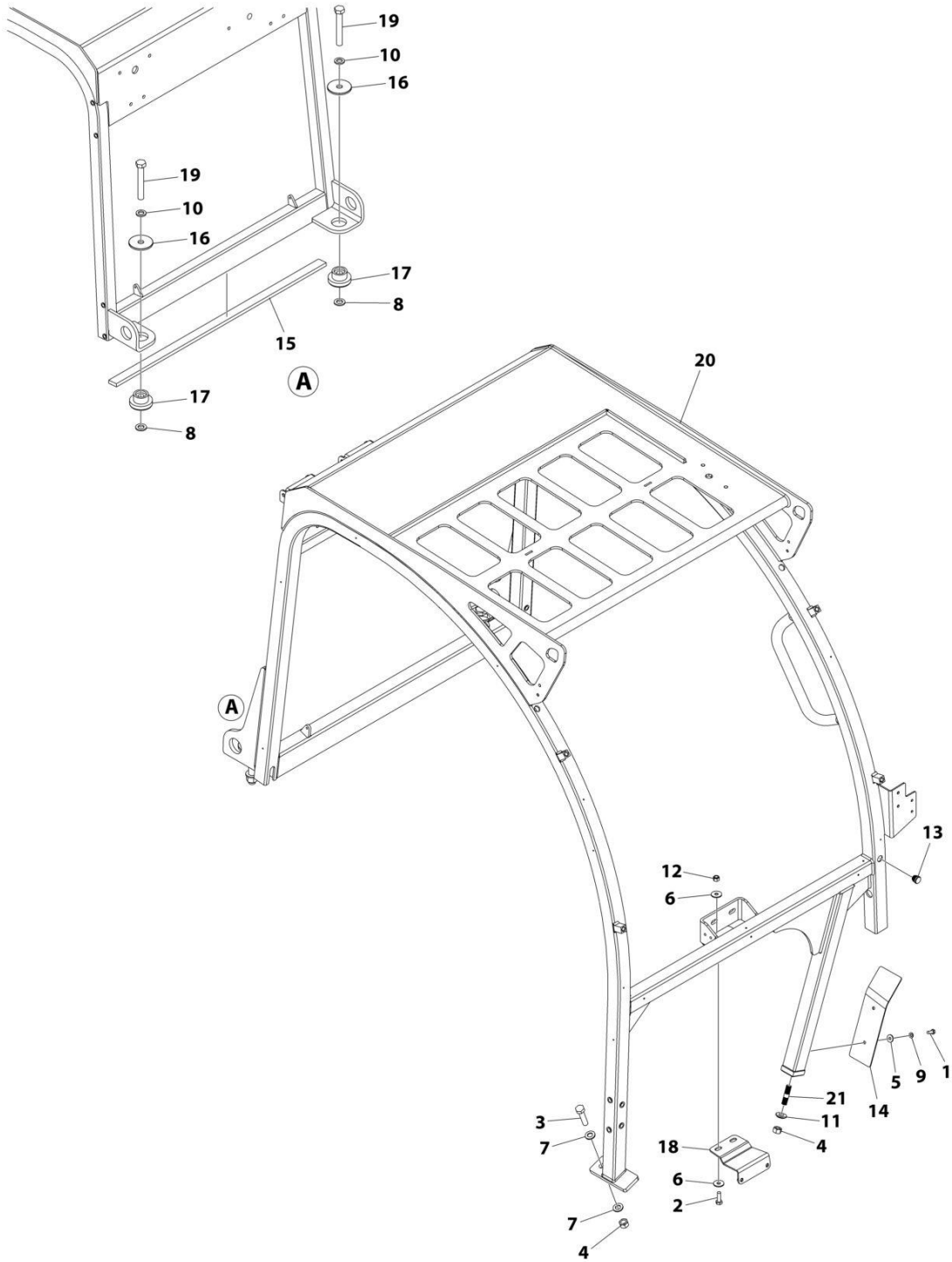
ART_1001304376

FIGURE 6-2. ENCLOSED CAB DASH INSTALLATION

ITEM	PART NUMBER	QTY	DESCRIPTION	REV
	1001304376	Ref	DASH INSTALLATION	A
1	3290401	3	Nut M4	
2	4031508	3	Capscrew M4 x 20	
3	4811700	3	Washer M6	
4	4831400	3	Washer M4	
5	1001264008	2	Plug	
6	1001264021	6	Capscrew M6 x 15 Class 10.9	
7	1001264434	3	Washer M5	
8	1001303415	1	Dash, Side	
9	1001304457	1	Dash, Front	
10	1001305465	2	Vent	
11	1001306197	3	Spring	
12	1001306198	10	Plug	
13	1001306199	6	Bezel, End	
14	1001306200	4	Bezel, Middle	
15	1001306201	1	Bracket	
16	1001303398	1	Plug	
17	1001264377	1	Gauge, Leveling	
18	1001264708	1	Seal	

SECTION 6 - CAB

FIGURE 6-3. ENCLOSED CAB FRAME INSTALLATION



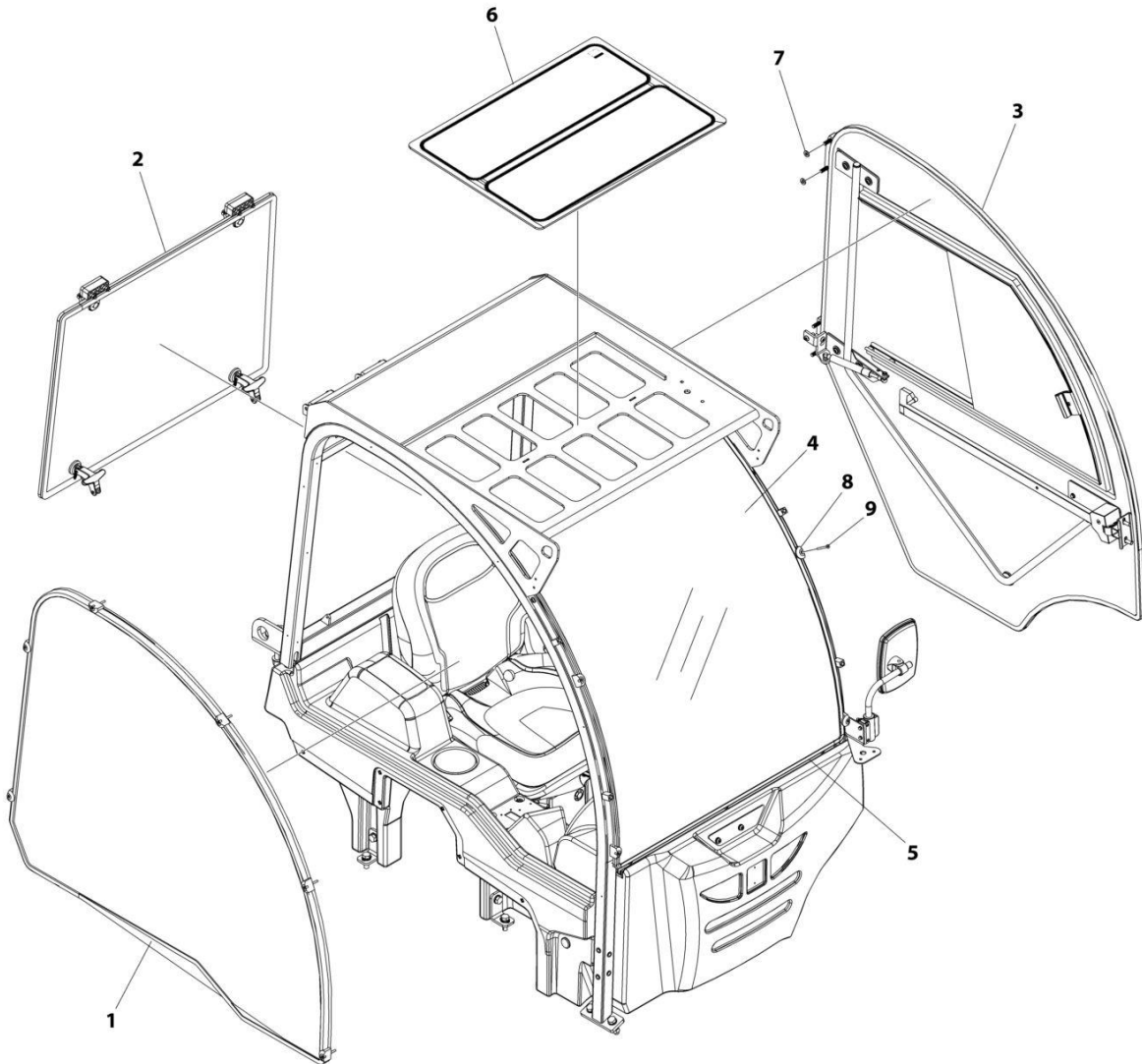
ART_1001304375

FIGURE 6-3. ENCLOSED CAB FRAME INSTALLATION

ITEM	PART NUMBER	QTY	DESCRIPTION	REV
	1001304375	Ref	FRAME INSTALLATION	A
1	0760608	2	Bolt M6 x 16	
2	0760812	2	Bolt M8 x 25	
3	0761218	2	Bolt M12 x 50	
4	3291207	3	Nut M12	
5	4811702	2	Washer M6	
6	4811902	4	Washer M8	
7	4812100	4	Washer M12	
8	4812300	2	Washer M16	
9	4831700	2	Washer M6	
10	4832300	2	Washer M16	
11	1001262274	1	Washer M12	
12	1001263188	2	Nut M8	
13	1001264006	1	Plug	
14	1001264013	1	Panel, Cab Tank	
15	1001264016	1	Seal	
16	1001264019	2	Washer M16	
17	1001264020	2	Mount, Isolator	
18	1001264484	1	Bracket, Wiper Motor	
19	1001264513	2	Bolt M16 x 90	
20	1001303217	1	Frame, Cab	
21	1001303382	1	Stud	

SECTION 6 - CAB

FIGURE 6-4. ENCLOSED CAB GLASS INSTALLATION



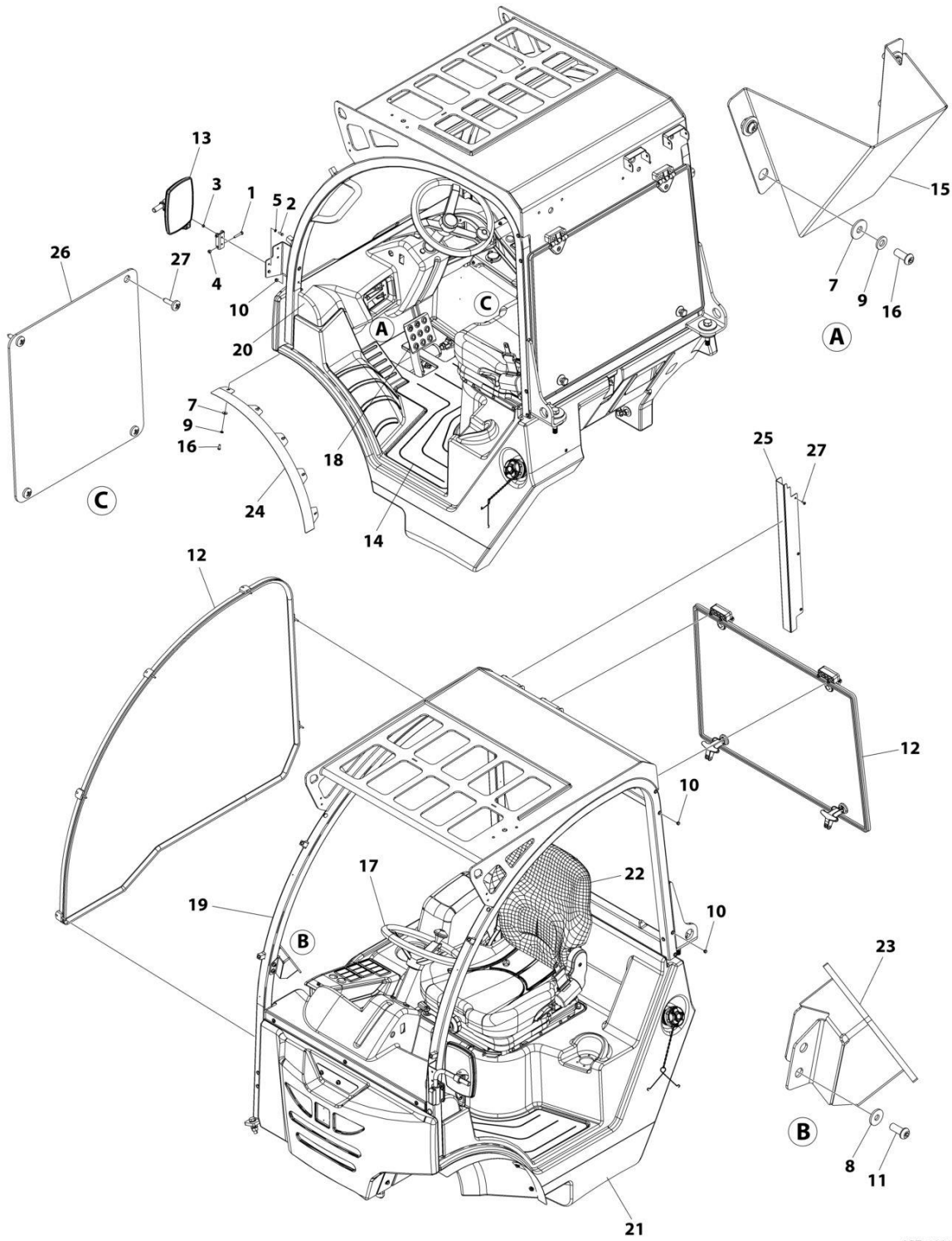
ART_1001264351

FIGURE 6-4. ENCLOSED CAB GLASS INSTALLATION

ITEM	PART NUMBER	QTY	DESCRIPTION	REV
	1001264351	Ref	GLASS INSTALLATION - ENCLOSED CAB	A
1	1001263997	1	Window, Cab Side (RH)	
2	1001263998	1	Window, Cab Rear Exit	
3	1001264477	1	Door, Cab	
3	70030741	1	Key, Door	
3	70031292	1	Shock, Gas	
3	70031363	1	Glass, Window (LH)	
4	1001264478	1	Windshield	
5	1001264479	1	Seal	
6	1001264480	1	Window, Cab Top	
7	1001264481	4	Washer M8	
8	1001264482	4	Support	
9	1001264515	4	Screw M4.8 x 50	

SECTION 6 - CAB

FIGURE 6-5. OPEN CAB INSTALLATION



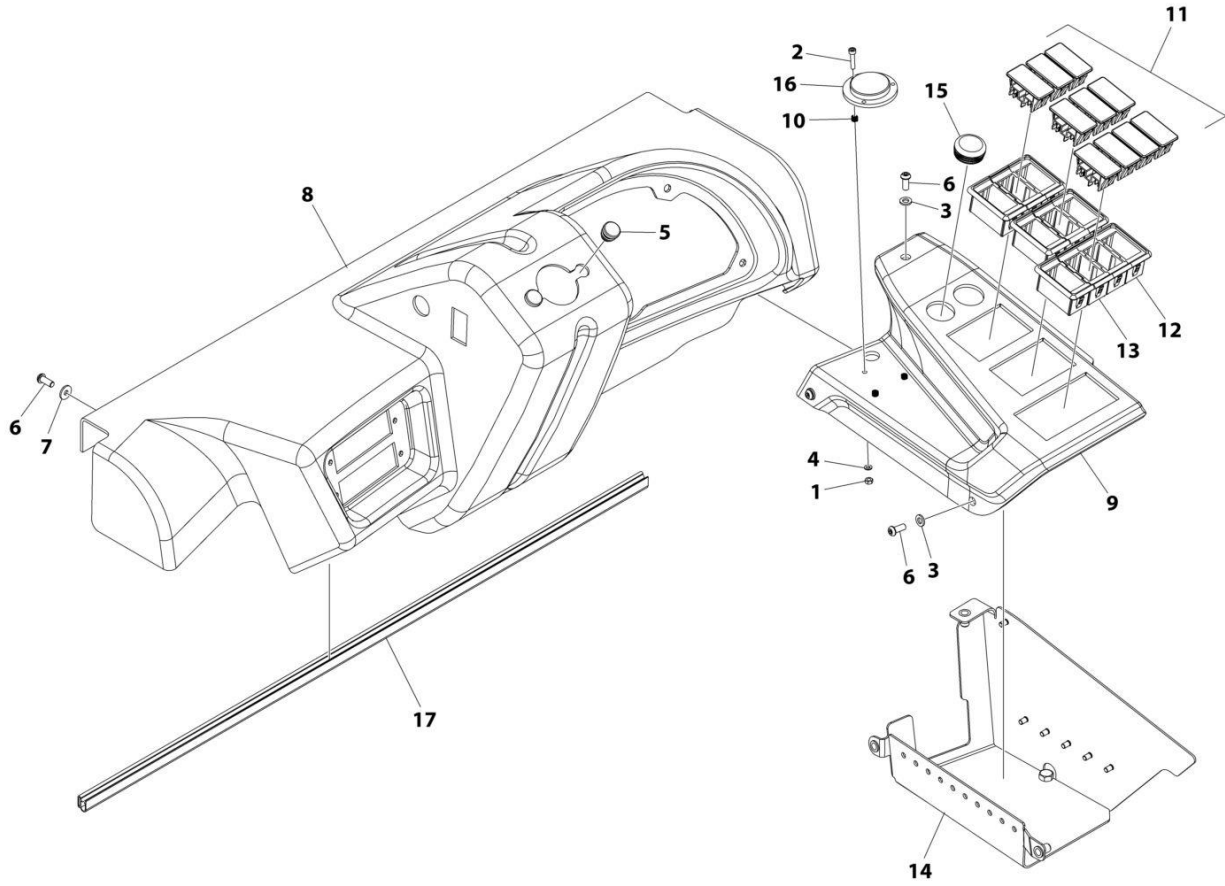
ART_1001303206

FIGURE 6-5. OPEN CAB INSTALLATION

ITEM	PART NUMBER	QTY	DESCRIPTION	REV
	1001303206	Ref	CAB INSTALLATION - OPEN	A
1	0700615	2	Bolt M6 x 35	
2	0760508	2	Bolt M5 x 16	
3	3290505	2	Nut M5	
4	3290605	2	Nut M6	
5	4811600	2	Washer M5	
7	4811702	9	Washer M6	
8	4811900	2	Washer M8	
9	4831700	9	Washer M6	
10	1001261567	6	Plug	
11	1001262664	2	Capscrew M8 x 20	
12	1001263054	1	Open Cab Glass Installation (See Separate Breakdown in this Section)	
13	1001263995	1	Mirror	
14	1001263990	1	Mat, Cab Floor	
15	1001264011	1	Bracket	
16	1001264021	9	Capscrew M6 x 15 Class 10.9	
17	1001302209	1	Steering Installation (See Separate Breakdown in CONTROLS Section)	
18	1001302715	1	Brake System Installation (See Separate Breakdown in CONTROLS Section)	
19	1001303216	1	Open Cab Frame Installation (See Separate Breakdown in this Section)	
20	1001303218	1	Open Cab Dash Installation (See Separate Breakdown in this Section)	
21	1001303220	1	Fuel Tank Installation (See Separate Breakdown in this Section)	
22	1001303221	1	Seat Installation (See Separate Breakdown in this Section)	
23	1001304005	1	Support, Load Chart	
24	1001304076	1	Bracket, Mudguard Left	
25	1001304080	1	Bracket, Wire	
26	1001304081	1	Plate	
27	1001304203	7	Screw M4.8 x 16	

SECTION 6 - CAB

FIGURE 6-6. OPEN CAB DASH INSTALLATION



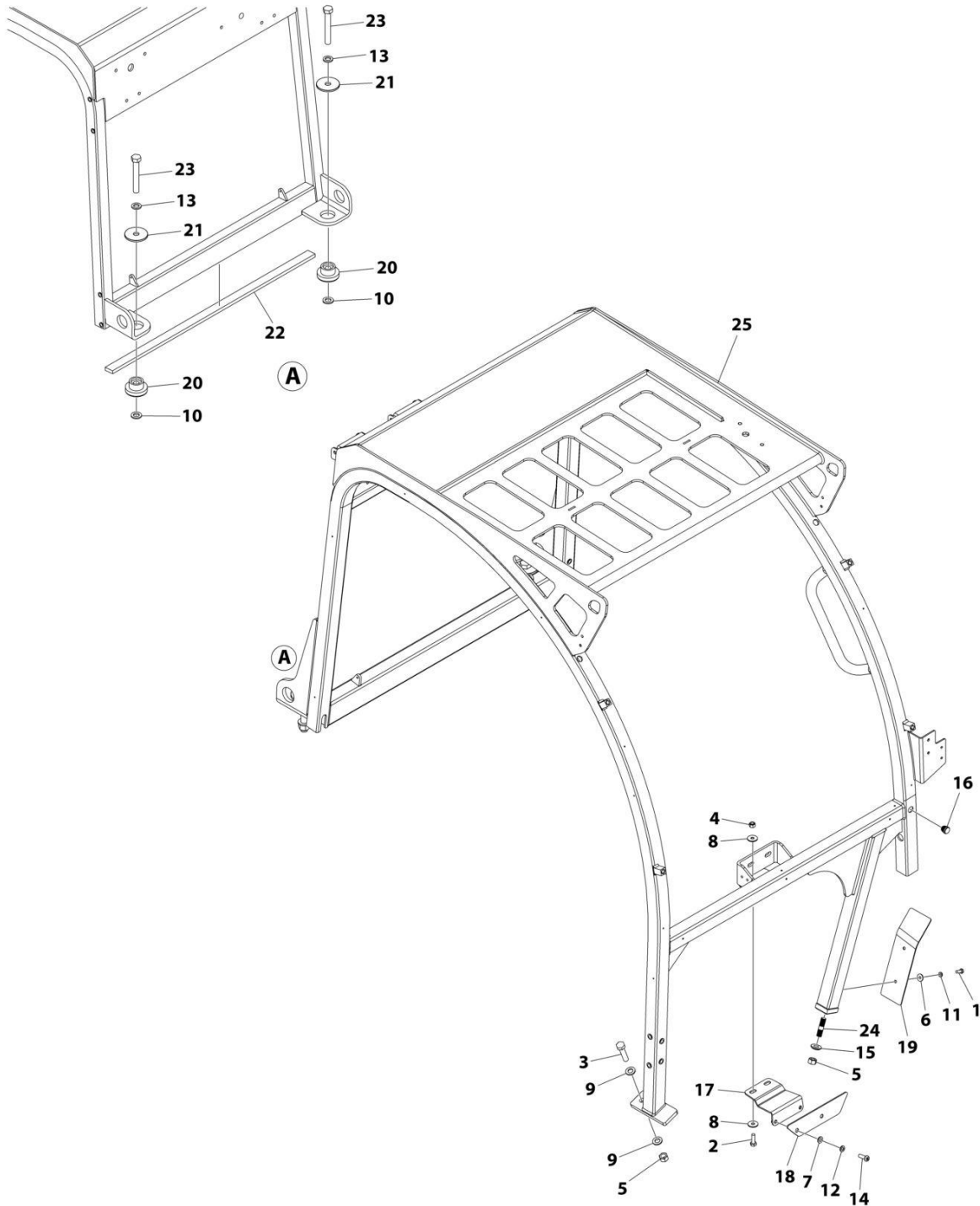
ART_1001303218

FIGURE 6-6. OPEN CAB DASH INSTALLATION

ITEM	PART NUMBER	QTY	DESCRIPTION	REV
	1001303218	Ref	DASH INSTALLATION	A
1	3290401	3	Nut M4	
2	4031508	3	Capscrew M4 x 20	
3	4811700	3	Washer M6	
4	4831400	3	Washer M4	
5	1001264008	2	Plug	
6	1001264021	6	Capscrew M6 x 15 Class 10.9	
7	1001264434	3	Washer M5	
8	1001303411	1	Dash, Front	
9	1001303415	1	Dash, Side	
10	1001306197	3	Spring	
11	1001306198	10	Plug	
12	1001306199	6	Bezel, End	
13	1001306200	4	Bezel, Middle	
14	1001306201	1	Bracket	
15	1001303398	1	Plug	
16	1001264377	1	Gauge, Leveling	
17	1001264708	1	Seal	

SECTION 6 - CAB

FIGURE 6-7. OPEN CAB FRAME INSTALLATION



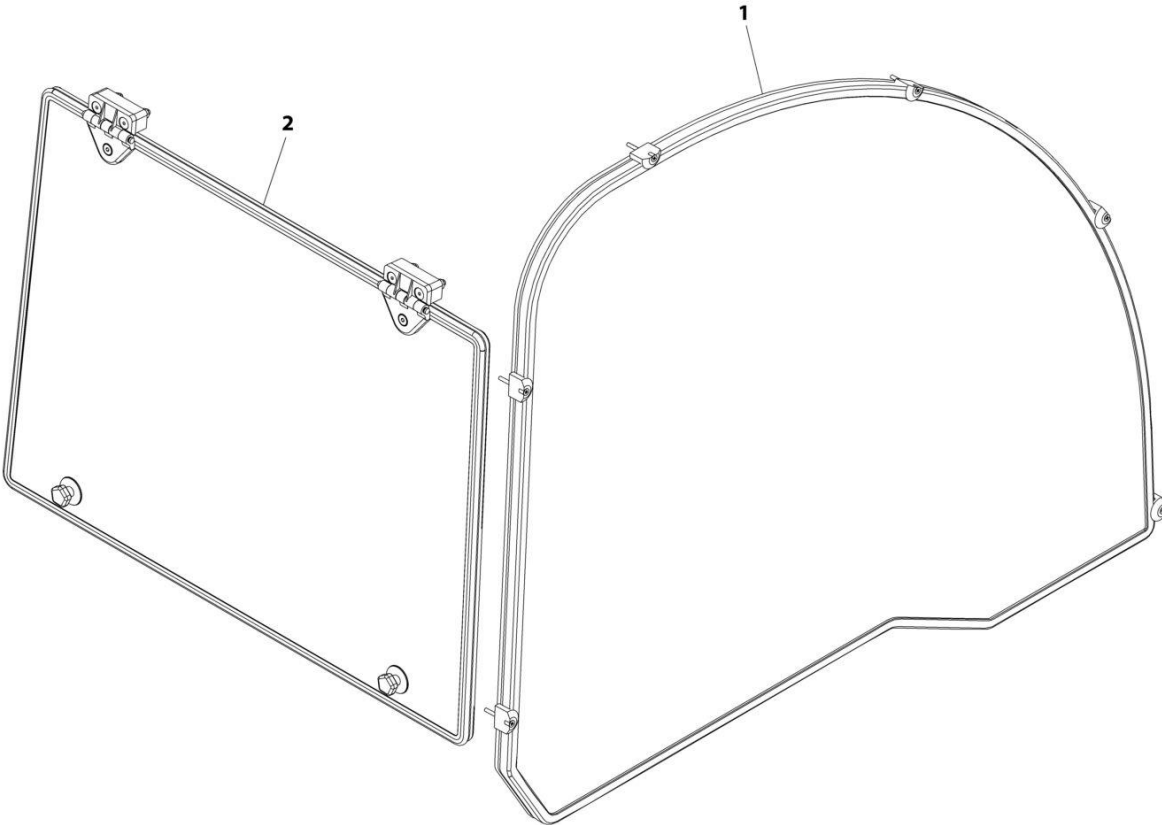
ART_1001303216

FIGURE 6-7. OPEN CAB FRAME INSTALLATION

ITEM	PART NUMBER	QTY	DESCRIPTION	REV
	1001303216	Ref	FRAME INSTALLATION	A
1	0760608	2	Bolt M6 x 16	
2	0760812	2	Bolt M8 x 25	
3	0761218	2	Bolt M12 x 50	
4	3290805	2	Nut M8	
5	3291207	3	Nut M12	
6	4811702	2	Washer M6	
7	4811900	2	Washer M8	
8	4811902	4	Washer M8	
9	4812100	4	Washer M12	
10	4812300	2	Washer M16	
11	4831700	2	Washer M6	
12	4831900	2	Washer M8	
13	4832300	2	Washer M16	
14	1001261564	2	Screw M8 x 25	
15	1001262274	1	Washer M12	
16	1001264006	1	Plug	
17	1001264010	1	Bracket	
18	1001264012	1	Plate, Cab Support	
19	1001264013	1	Panel, Cab Tank	
20	1001264020	2	Mount, Isolator	
21	1001264019	2	Washer M16	
22	1001264016	1	Seal	
23	1001264513	2	Bolt M16 x 90	
24	1001303382	1	Stud	
25	1001303217	1	Frame, Cab	

SECTION 6 - CAB

FIGURE 6-8. OPEN CAB GLASS INSTALLATION



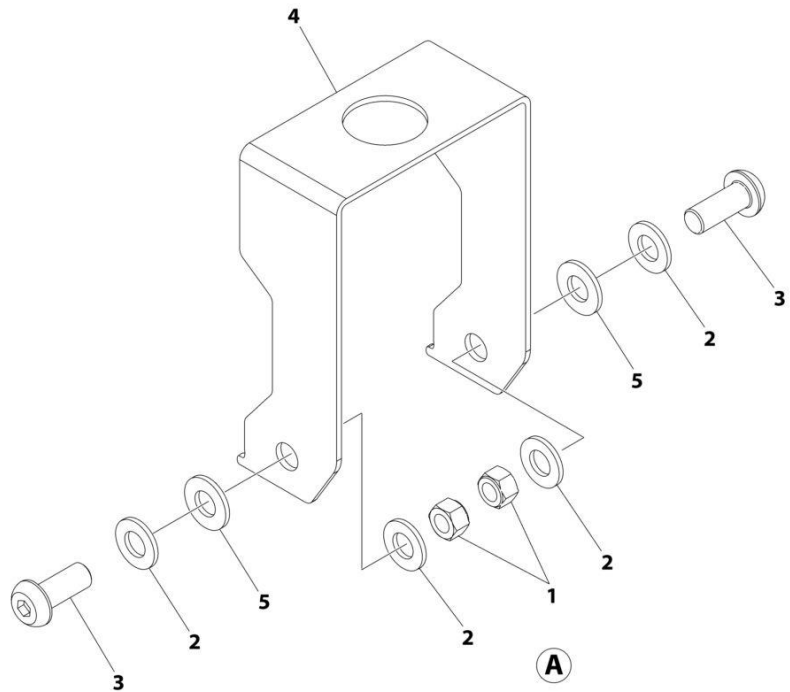
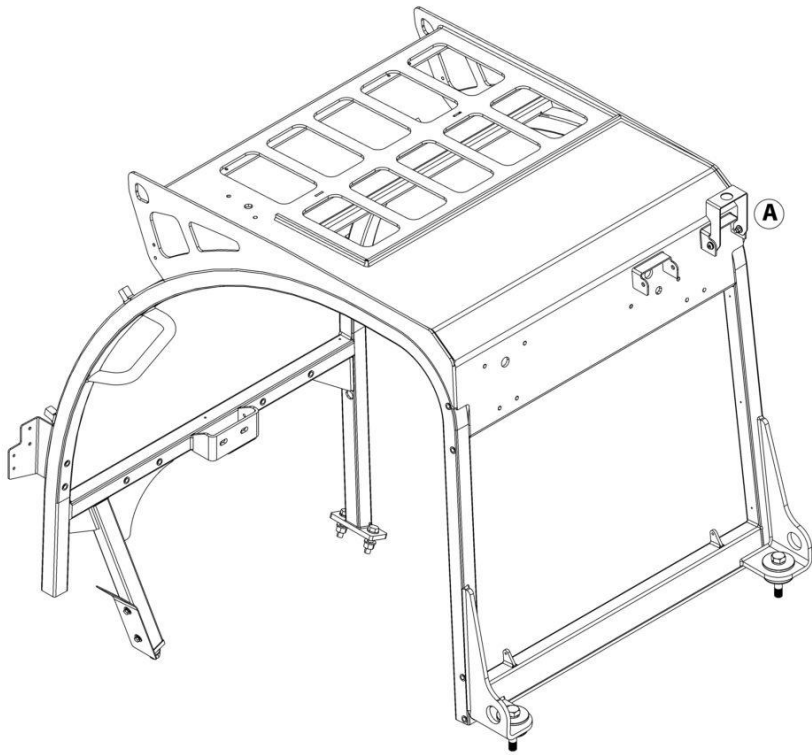
ART_1001263054

FIGURE 6-8. OPEN CAB GLASS INSTALLATION

ITEM	PART NUMBER	QTY	DESCRIPTION	REV
	1001263054	Ref	GLASS INSTALLATION - OPEN CAB	A
1	1001263997	1	Window, Cab Side	
2	1001263998	1	Window, Cab Rear Exit	

SECTION 6 - CAB

FIGURE 6-9. BEACON BRACKET INSTALLATION



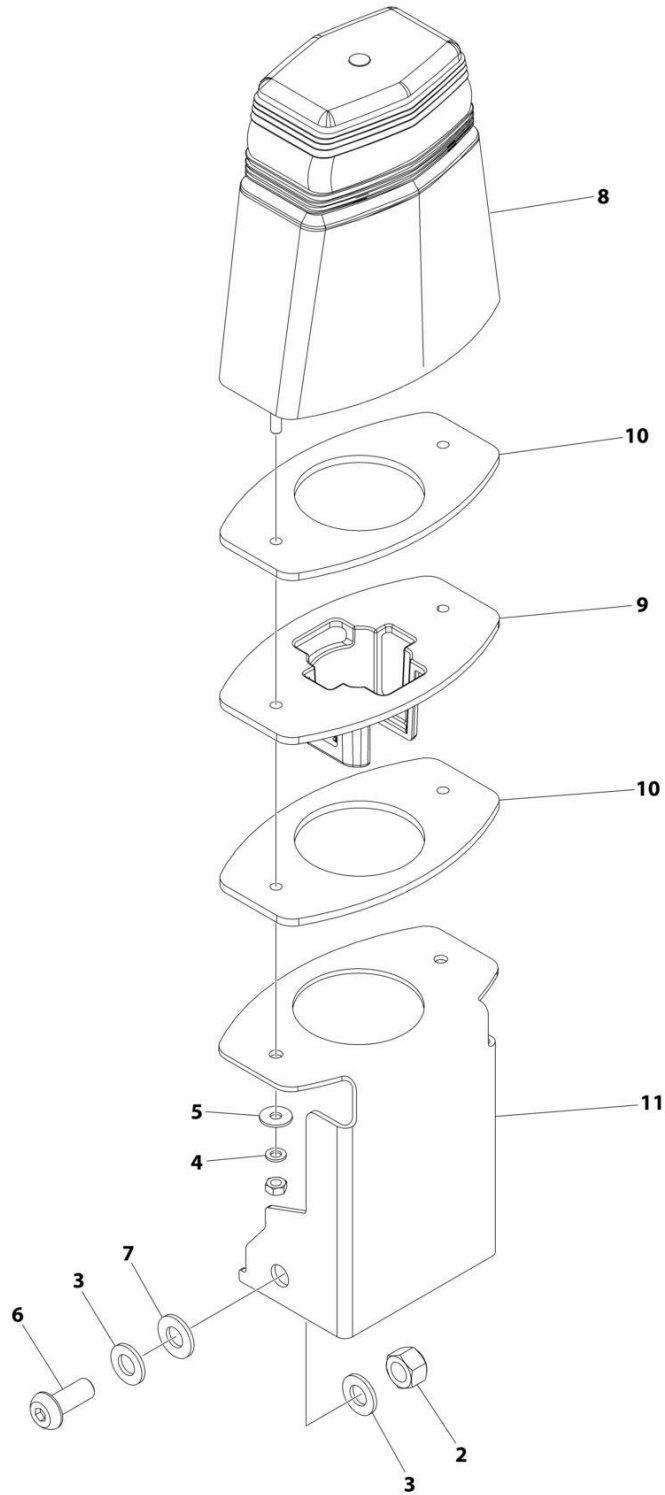
ART_1001309197

FIGURE 6-9. BEACON BRACKET INSTALLATION

ITEM	PART NUMBER	QTY	DESCRIPTION	REV
	1001309197	Ref	BEACON BRACKET INSTALLATION	A
1	3290605	2	Nut M6	
2	4811900	4	Washer M8	
3	1001262664	2	Capscrew M8 x 20 Class 10.9	
4	1001308519	1	Bracket	
5	1001264265	2	Washer, Nylon M8	

SECTION 6 - CAB

FIGURE 6-10. CLEARSKY INSTALLATION



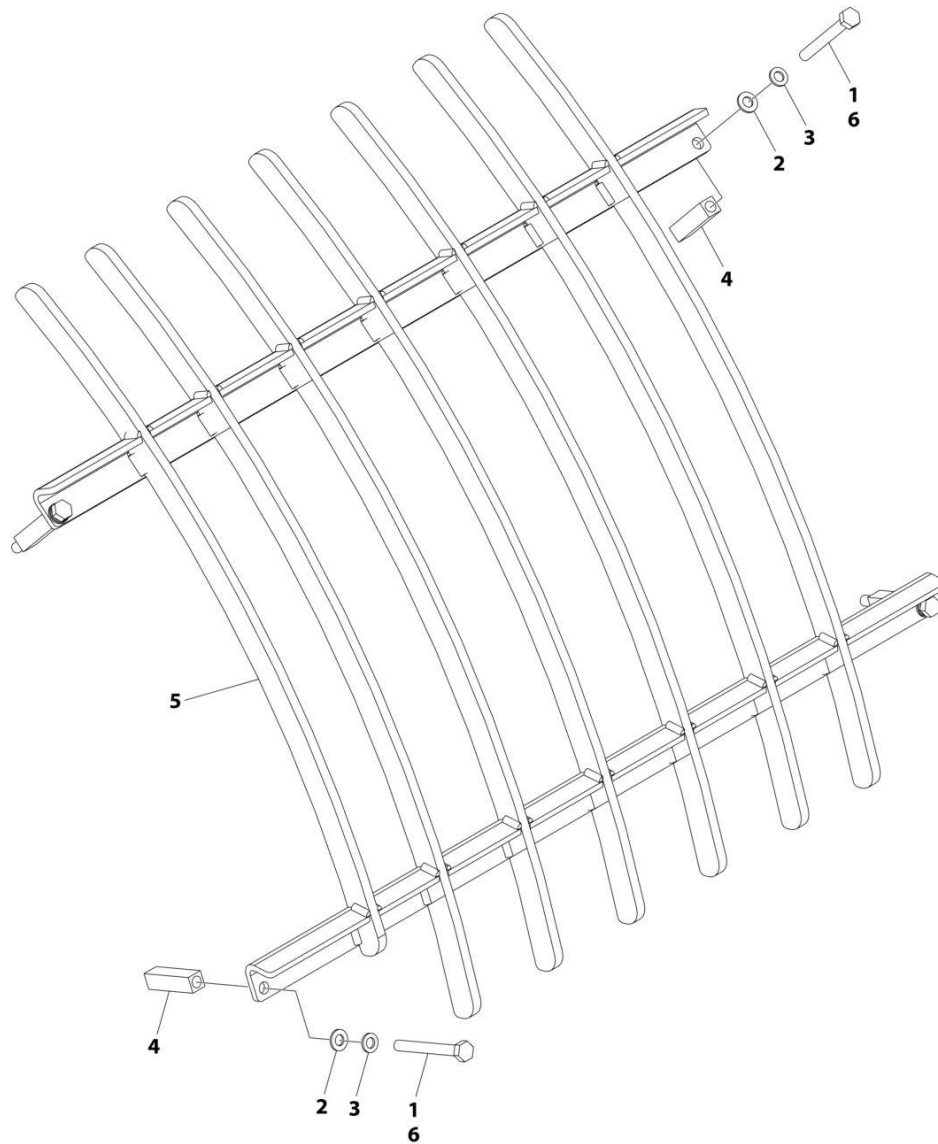
ART_1001306382

FIGURE 6-10. CLEARSKY INSTALLATION

ITEM	PART NUMBER	QTY	DESCRIPTION	REV
	1001306382	Ref	CLEARSKY INSTALLATION	A
2	3290805	2	Nut M8	
3	4811900	4	Washer M8	
4	4831400	2	Washer M4	
5	1001091102	2	Washer M4	
6	1001262664	2	Capscrew M8 x 20 Class 10.9	
7	1001264265	2	Washer, Nylon M8	
8	1001280661	1	Module, ClearSky	
9	1001289648	1	Mount, ClearSky Module	
10	1001291056	2	Gasket	
11	1001306386	1	Bracket	

SECTION 6 - CAB

FIGURE 6-11. FRONT CAB GUARD INSTALLATION



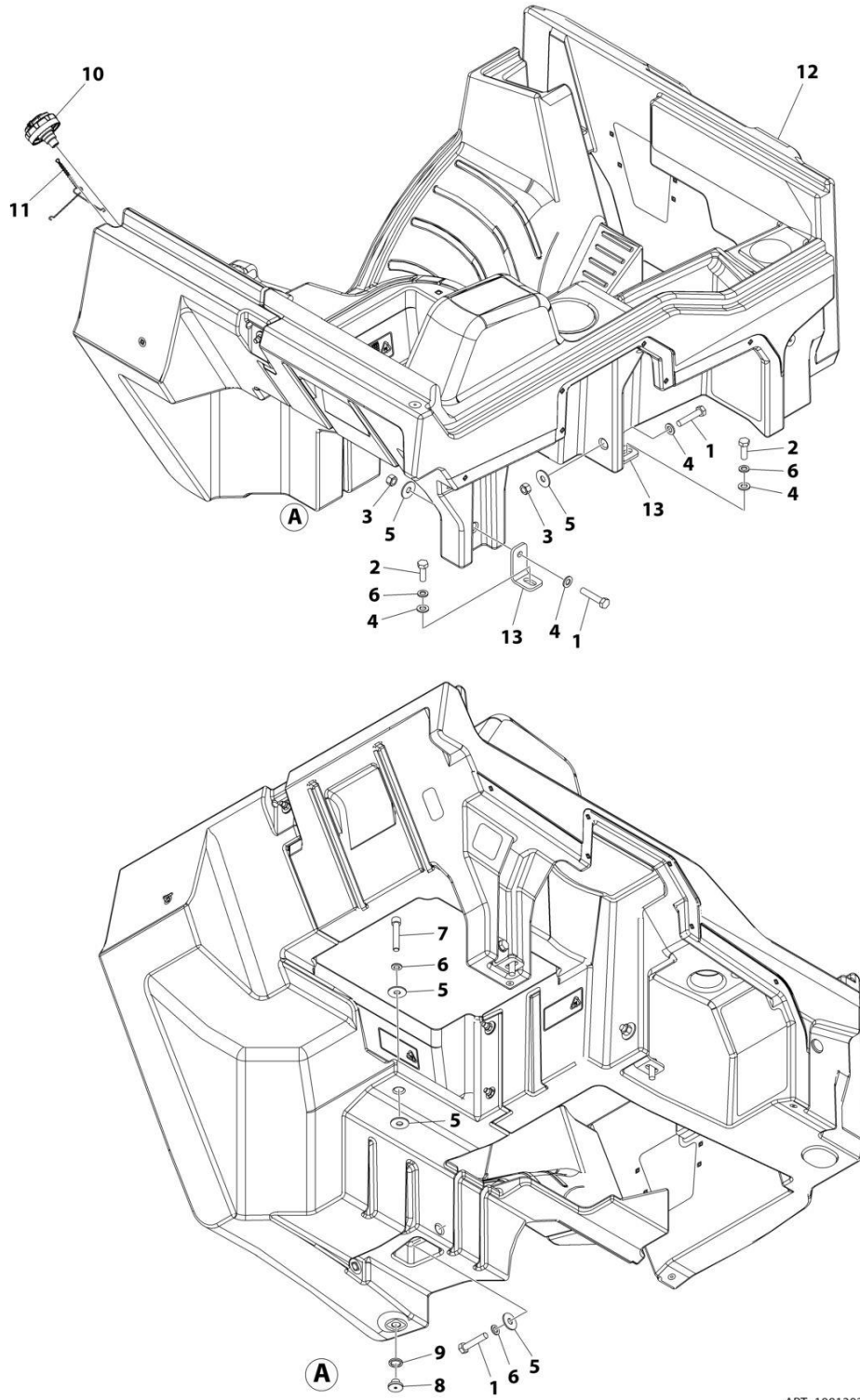
ART_1001262405

FIGURE 6-11. FRONT CAB GUARD INSTALLATION

ITEM	PART NUMBER	QTY	DESCRIPTION	REV
	1001262405	Ref	GUARD INSTALLATION - FRONT CAB	A
1	0701026	4	Bolt M10 x 90	
2	4812000	4	Washer M10	
3	4832000	4	Washer M10	
4	1001262637	4	Shim	
5	1001262638	1	Shield	
6	0100035	AR	Compound Locking	

SECTION 6 - CAB

FIGURE 6-12. FUEL TANK INSTALLATION



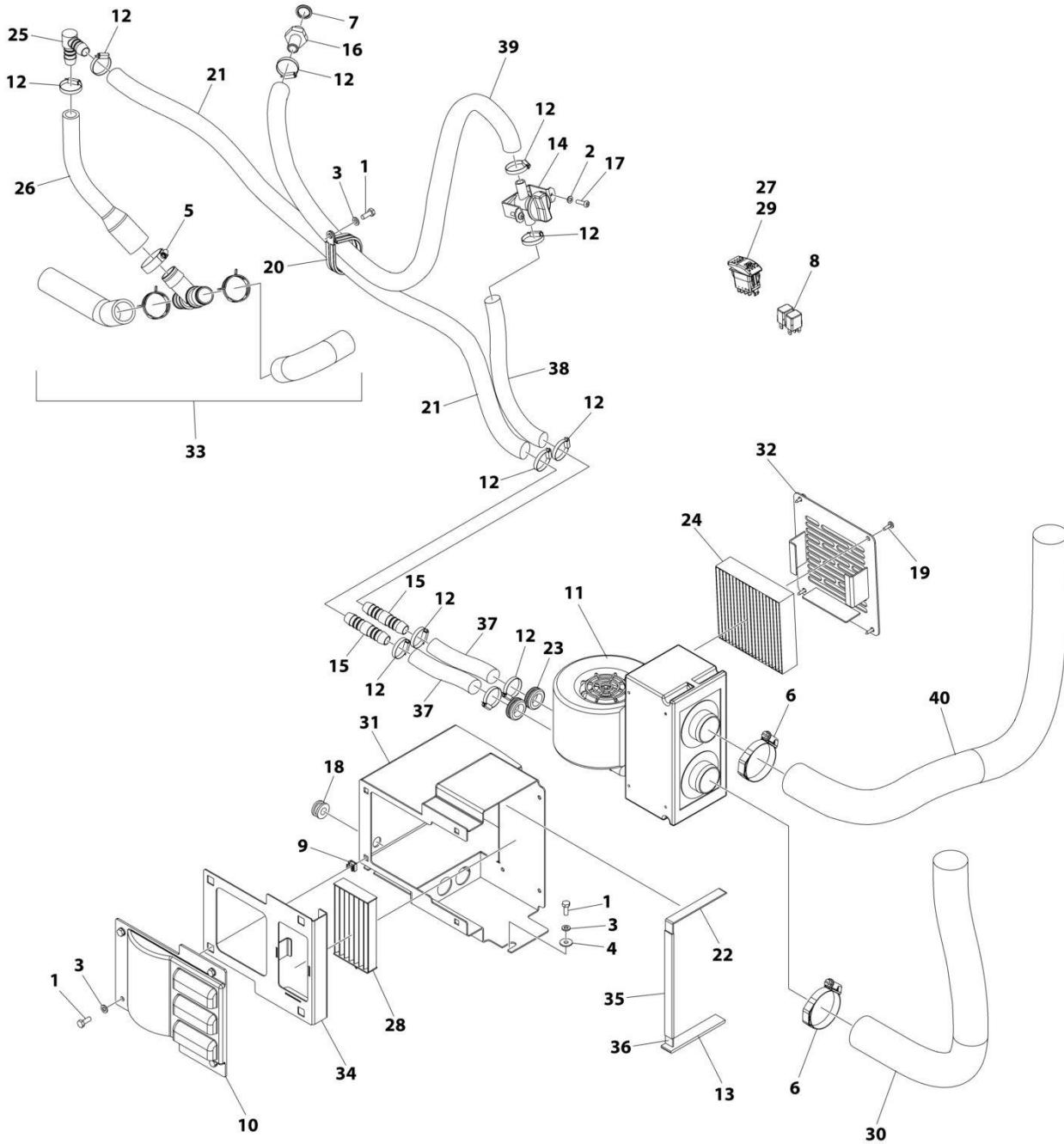
ART_1001303220

FIGURE 6-12. FUEL TANK INSTALLATION

ITEM	PART NUMBER	QTY	DESCRIPTION	REV
	1001303220	Ref	FUEL TANK INSTALLATION	A
1	0711220	3	Bolt M12 x 60 Class 10.9	
2	0761215	2	Bolt M12 x 35	
3	3291207	2	Nut M12	
4	4812100	4	Washer M12	
5	4812102	5	Washer M12	
6	4832100	4	Washer M12	
7	5272117	1	Bolt M12 x 65 Class 12.9	
8	1001262978	1	Plug	
9	1001262987	1	Seal	
10	1001303771	1	Cap, Locking Fuel (Includes Key, No Universal Key Sold Separately)	
11	1001305791	1	Lanyard, Locking Fuel Cap	
12	1001305814	1	Tank, Fuel	
13	1001263996	2	Bracket	

SECTION 6 - CAB

FIGURE 6-13. HEATER INSTALLATION



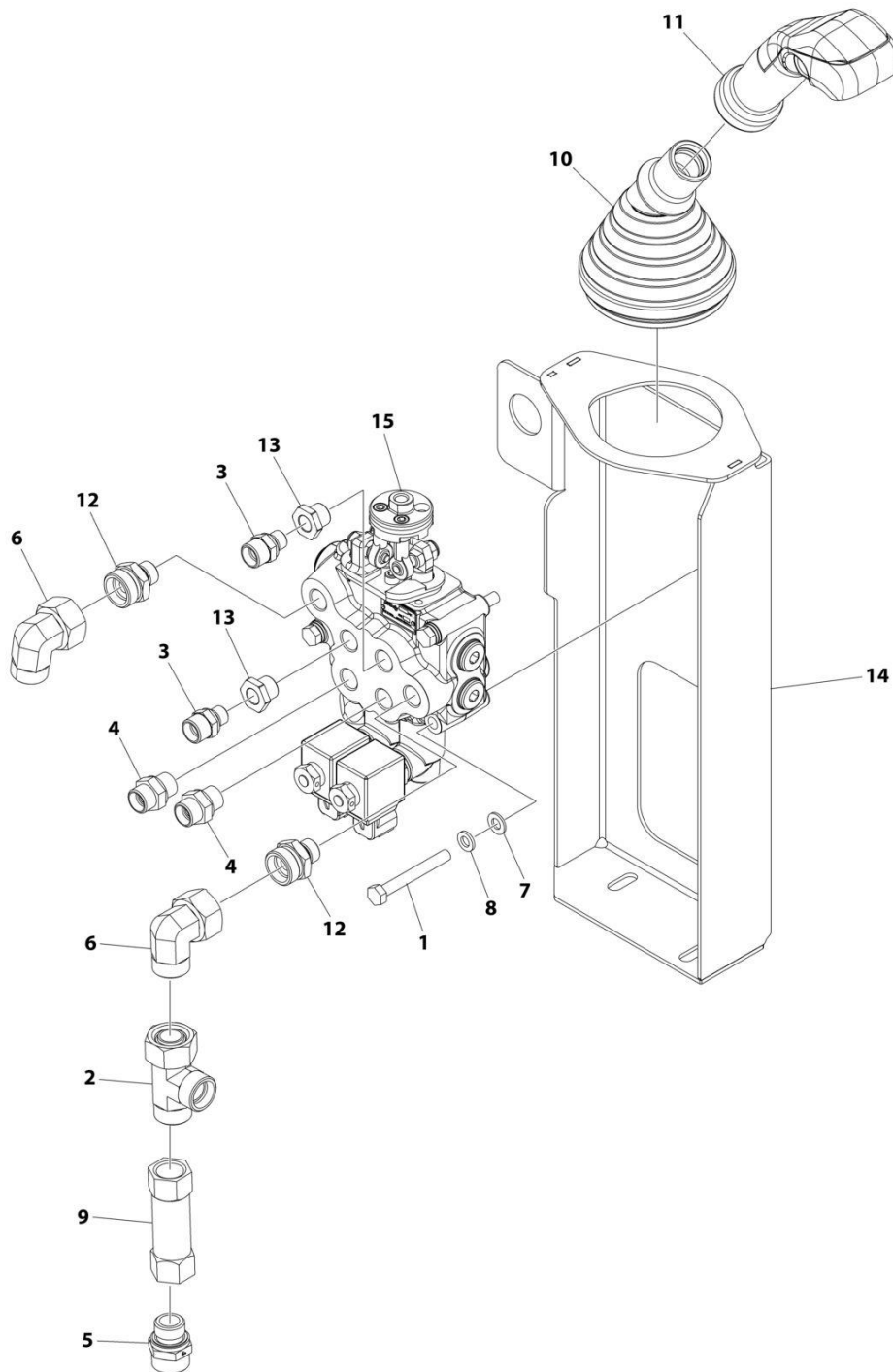
ART_1001304381

FIGURE 6-13. HEATER INSTALLATION

ITEM	PART NUMBER	QTY	DESCRIPTION	REV
	1001304381	Ref	HEATER INSTALLATION	A
1	0760608	7	Bolt M6 x 16	
2	4811600	2	Washer M5	
3	4811700	7	Washer M6	
4	4811702	2	Washer M6	
5	1001162180	1	Clamp, Gear	
6	1001215024	2	Clamp, Gear	
7	1001263139	1	Seal	
8	1001264392	2	Relay (Located in Cab)	
9	1001264416	4	Nut M6	
10	1001264492	1	Cover, Heater	
11	1001264493	1	Heater, Cab	
12	1001264504	11	Clamp, Gear	
13	1001264510	1	Seal	
14	1001264517	1	Valve, Heater	
15	1001264520	2	Fitting, Straight	
16	1001264522	1	Fitting, Straight	
17	1001264523	2	Capscrew M5 x 20	
18	1001264529	1	Grommet	
19	1001304203	4	Screw M4.8 x 16	
20	1001304206	1	Clamp	
21	1001305426	1	Hose	
22	1001305499	1	Seal	
23	1001305506	2	Grommet	
24	1001305507	1	Filter - Cab Side	
25	1001305508	1	Fitting, 90	
26	1001305510	1	Tube	
27	1001305511	1	Rocker, Heater Switch	
28	1001305512	1	Filter - Exterior Side	
29	1001305513	1	Switch, Heater	
30	1001305514	1	Tube	
31	1001305515	1	Housing, Heater	
32	1001305516	1	Grate, Cab Heater	
33	1001305517	1	Assembly, Tube (No Service Parts Available)	
34	1001305567	1	Bracket	
35	1001305568	1	Seal	
36	1001307386	1	Seal	
37	1001307393	2	Hose	
38	1001307395	1	Hose	
39	1001307396	1	Hose	
40	1001307469	1	Tube	

SECTION 6 - CAB

FIGURE 6-14. JOYSTICK INSTALLATION (Prior to SN H160000703)



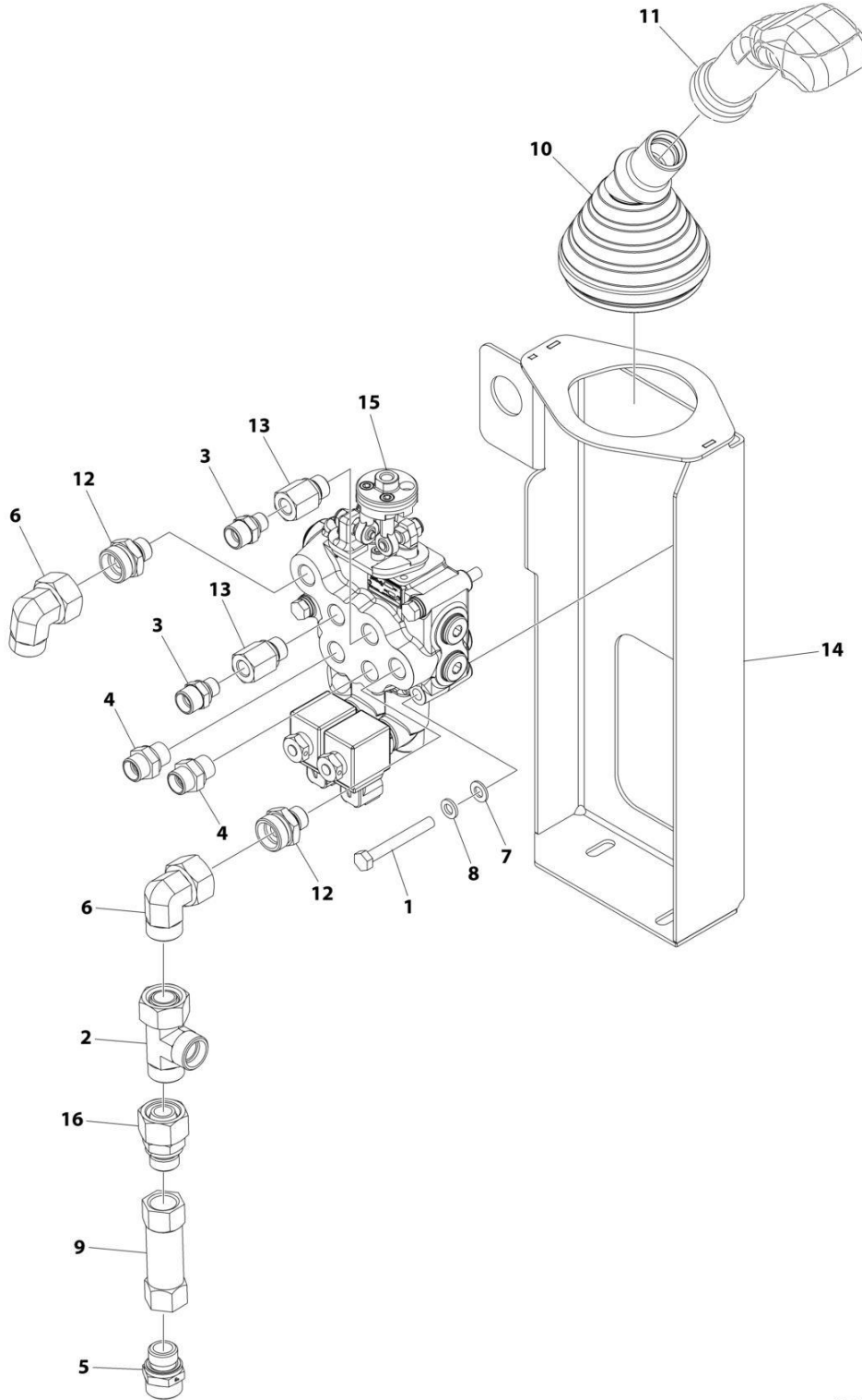
ART_1001301793

FIGURE 6-14. JOYSTICK INSTALLATION (Prior to SN H160000703)

ITEM	PART NUMBER	QTY	DESCRIPTION	REV
	1001301793	Ref	JOYSTICK INSTALLATION	A
1	0700821	3	Bolt M8 x 65	
2	2142206	1	Fitting, Tee	
3	2142711	2	Fitting, Straight	
4	2142712	2	Fitting, Straight	
5	2142716	1	Fitting, Straight	
6	2143406	2	Fitting, 90	
7	4811900	3	Washer M8	
8	4831900	3	Washer M8	
9	1001262957	1	Valve, Check	
10	1001262972	1	Boot, Joystick	
11	1001262976	1	Joystick	
12	1001263143	2	Fitting, Adapter	
13	1001263158	2	Fitting, Adapter	
14	1001302427	1	Mount, Joystick	
15	1001302428	1	Valve, Joystick Control	

SECTION 6 - CAB

FIGURE 6-15. JOYSTICK INSTALLATION (SN H160000703 through H160000796)



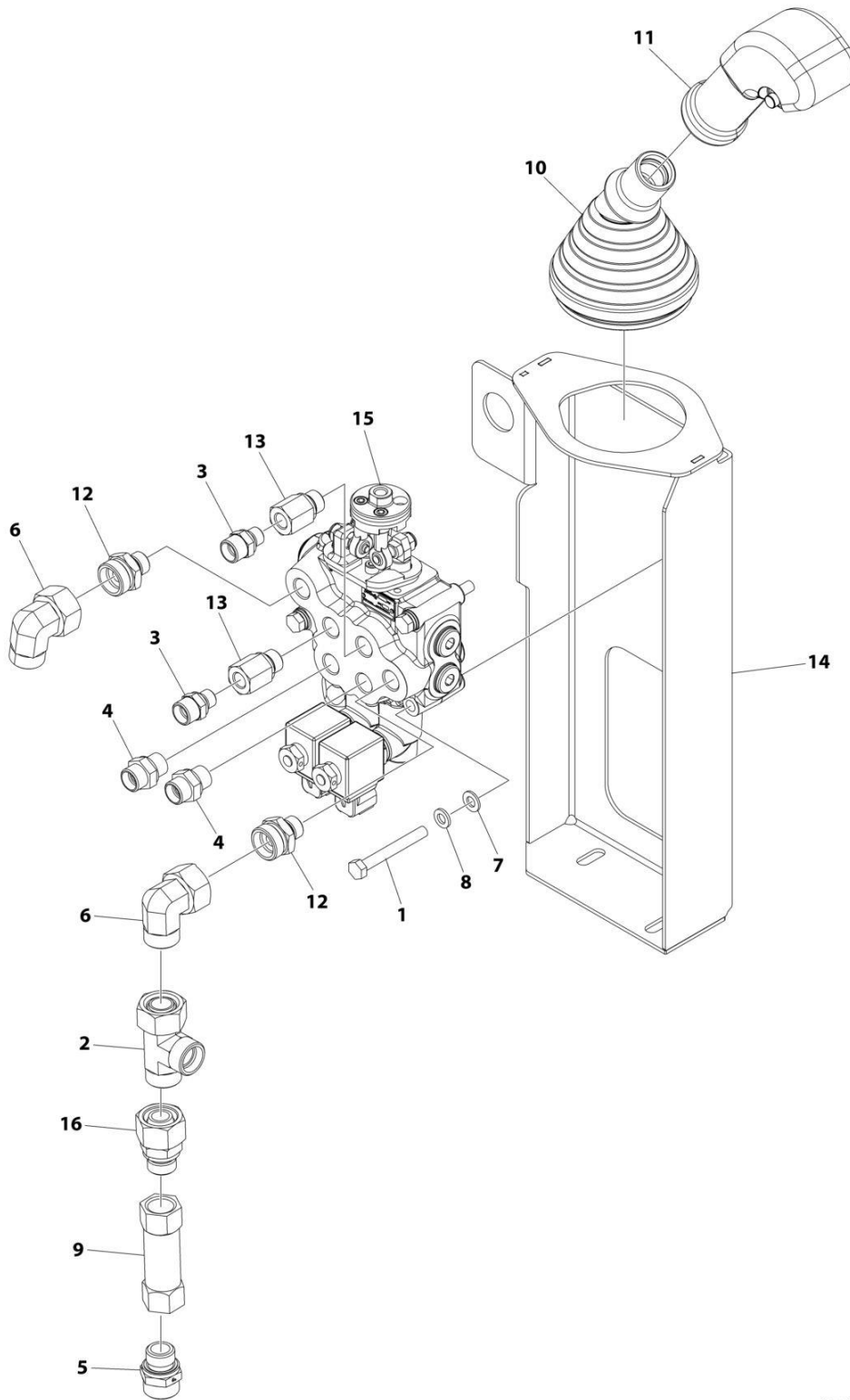
ART_1001301793_B

FIGURE 6-15. JOYSTICK INSTALLATION (SN H160000703 through H160000796)

ITEM	PART NUMBER	QTY	DESCRIPTION	REV
	1001301793	Ref	JOYSTICK INSTALLATION	B
1	0700821	3	Bolt M8 x 65	
2	2142206	1	Fitting, Tee	
3	2142711	2	Fitting, Straight	
4	2142712	2	Fitting, Straight	
5	2142716	1	Fitting, Straight	
6	2143406	2	Fitting, 90	
7	4811900	3	Washer M8	
8	4831900	3	Washer M8	
9	1001262957	1	Valve, Check	
10	1001262972	1	Boot, Joystick	
11	1001262976	1	Joystick	
12	1001263143	2	Fitting, Adapter	
13	1001263572	2	Fitting, Adapter	
14	1001302427	1	Mount, Joystick	
15	1001302428	1	Valve, Joystick Control	
16	1001306164	1	Fitting, Straight	

SECTION 6 - CAB

FIGURE 6-16. JOYSTICK INSTALLATION (SN H16000830 to Present)



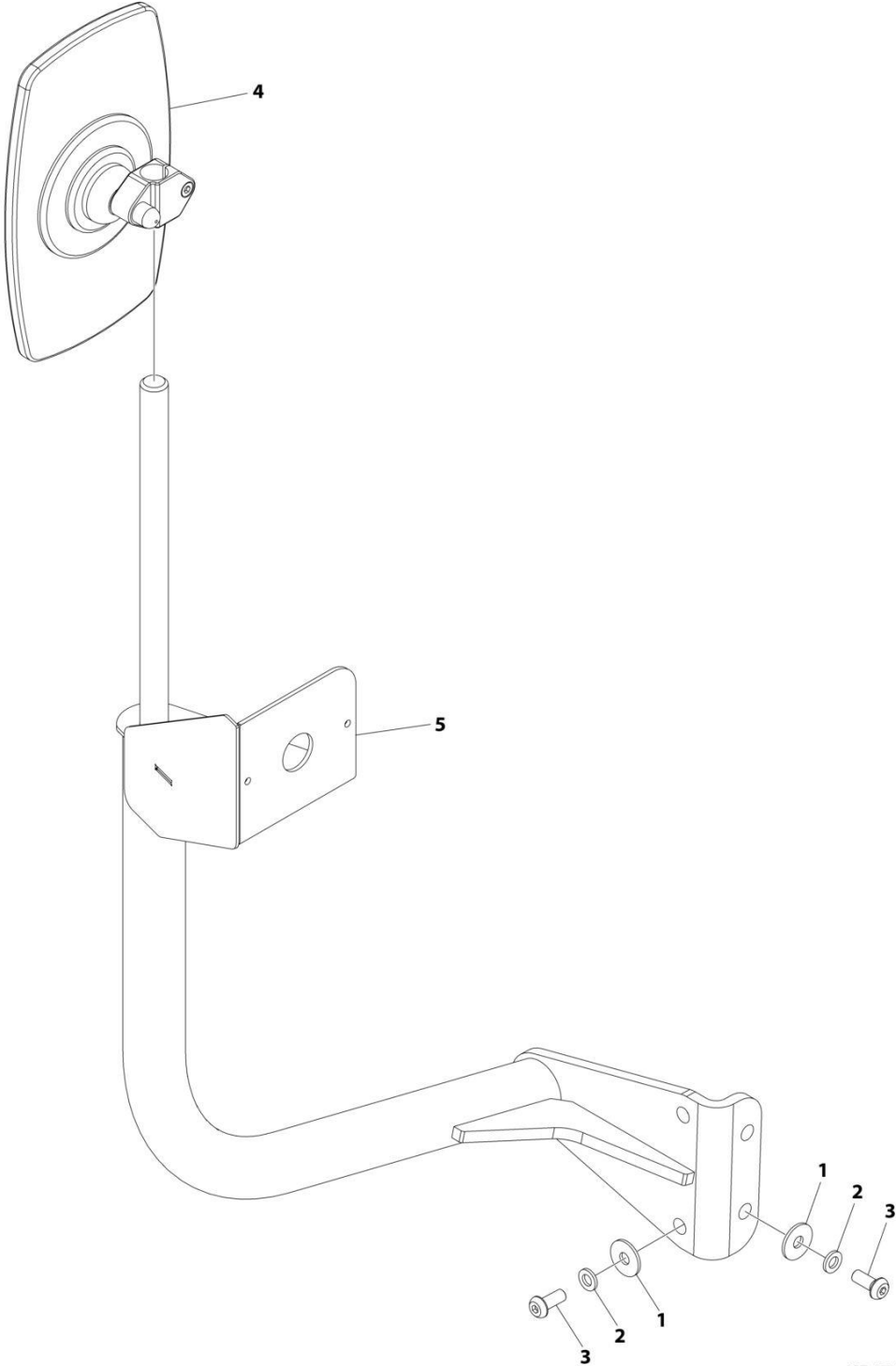
ART_1001301793_C

FIGURE 6-16. JOYSTICK INSTALLATION (SN H160000830 to Present)

ITEM	PART NUMBER	QTY	DESCRIPTION	REV
	1001301793	Ref	JOYSTICK INSTALLATION	C
1	0700821	3	Bolt M8 x 65	
2	2142206	1	Fitting, Tee	
3	2142711	2	Fitting, Straight	
4	2142712	2	Fitting, Straight	
5	2142716	1	Fitting, Straight	
6	2143406	2	Fitting, 90	
7	4811900	3	Washer M8	
8	4831900	3	Washer M8	
9	1001262957	1	Valve, Check	
10	1001262972	1	Boot, Joystick	
11	1001315421	1	Joystick	
12	1001263143	2	Fitting, Adapter	
13	1001263572	2	Fitting, Adapter	
14	1001302427	1	Mount, Joystick	
15	1001302428	1	Valve, Joystick Control	
16	1001306164	1	Fitting, Straight	

SECTION 6 - CAB

FIGURE 6-17. MIRROR INSTALLATION - CAB RIGHT SIDE



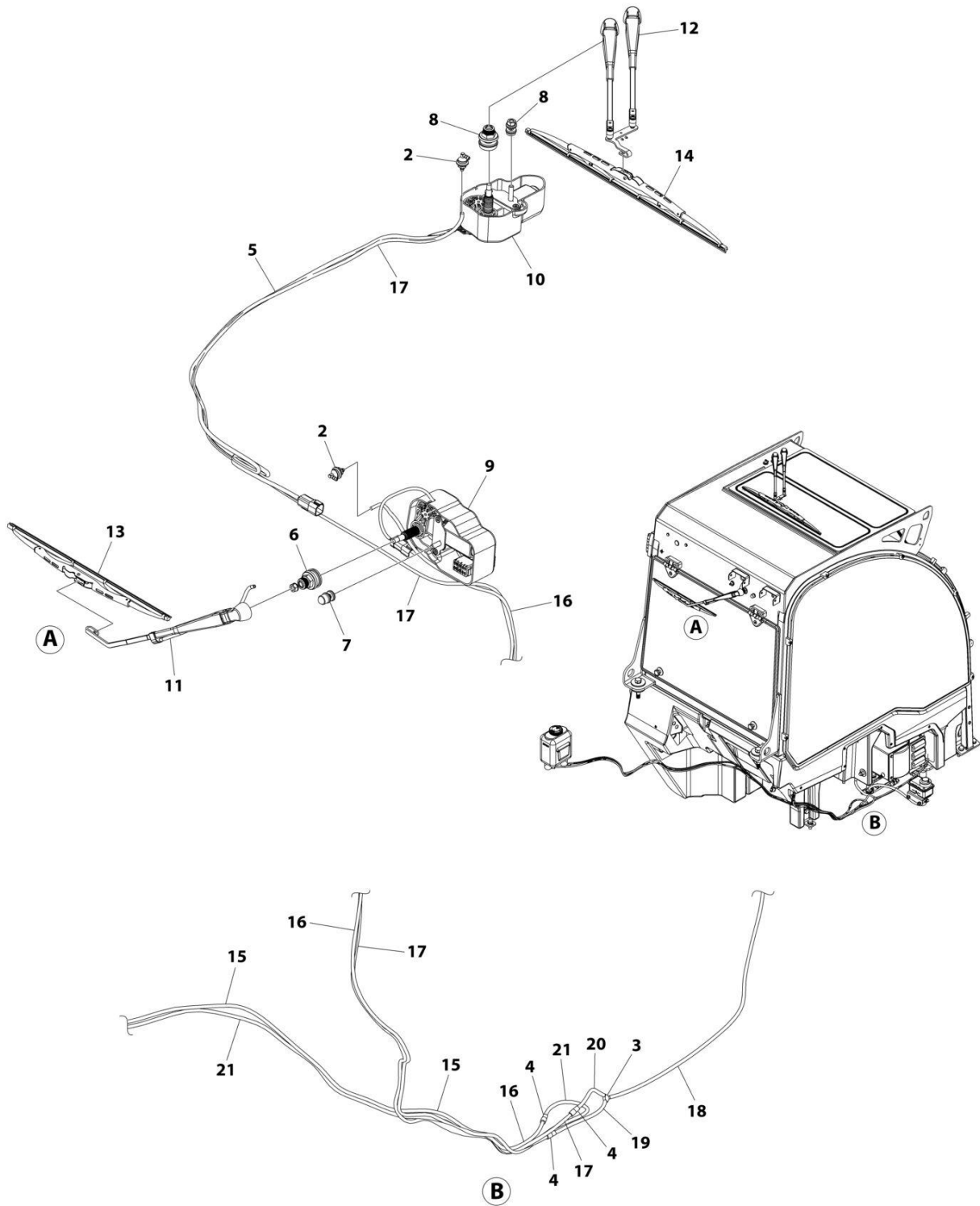
ART_1001304449

FIGURE 6-17. MIRROR INSTALLATION - CAB RIGHT SIDE

ITEM	PART NUMBER	QTY	DESCRIPTION	REV
	1001304449	Ref	MIRROR INSTALLATION	A
1	4811902	4	Washer M8	
2	4831900	4	Washer M8	
3	1001262664	4	Capscrew M8 x 20 Class 10.9	
4	1001262666	1	Mirror, Right Side	
5	1001305673	1	Bracket	

SECTION 6 - CAB

FIGURE 6-18. ROOF & REAR WIPERS INSTALLATION



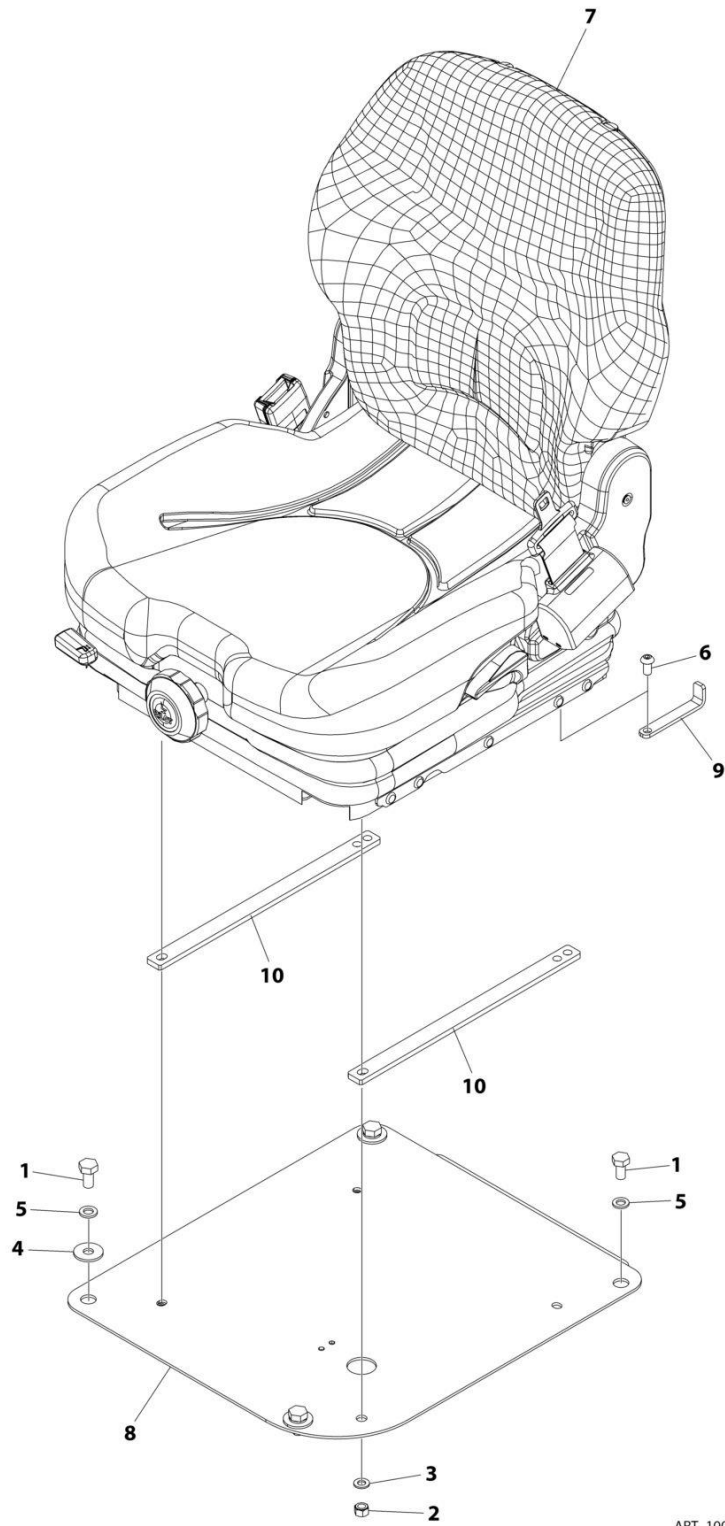
ART_1001307901

FIGURE 6-18. ROOF & REAR WIPERS INSTALLATION

ITEM	PART NUMBER	QTY	DESCRIPTION	REV
	1001307901	Ref	ROOF & REAR WIPERS INSTALLATION	A
1	1001262961	AR	Tie-Strap (Not Shown)	
2	1001265303	2	Fitting, 90	
3	1001265304	1	Fitting, Y	
4	1001265305	3	Valve, Hose Check	
5	1001265306	1	Roof Wiper Harness (See Separate Breakdown in ELECTRICAL Section)	
6	1001309564	1	Kit, Hardware - Rear Wiper Arm (No Service Parts Available)	
7	1001309565	1	Kit, Stud Cap - Rear Wiper Motor (No Service Parts Available)	
8	1001309566	1	Kit, Hardware - Roof Wiper Arm (No Service Parts Available)	
9	1001309567	1	Motor, Rear Wiper	
9		Ref	Connector	
9	1001116693	4	Pin	
10	1001309568	1	Motor, Roof Wiper	
10		Ref	Connector	
10	1001116693	5	Pin	
10	4460466	1	Plug	
11	1001309569	1	Arm, Rear Wiper	
12	1001309570	1	Arm, Roof Wiper	
13	1001309571	1	Blade, Rear Wiper	
14	1001309572	1	Blade, Roof Wiper	
15	1001309730	1	Hose (Washer Fluid Tank to Windshield & Roof Wipers)	
16	1001309731	1	Hose (to Rear Wiper)	
17	1001309732	1	Hose (to Roof Wiper)	
18	1001309733	1	Hose (to Windshield Wiper)	
19	1001309734	1	Hose (to Windshield & Roof Wiper Hose)	
20	1001309735	1	Hose (to Rear Wiper Hose)	
21	1001309736	1	Hose (Washer Fluid Tank to Rear Wiper)	

SECTION 6 - CAB

FIGURE 6-19. SEAT INSTALLATION



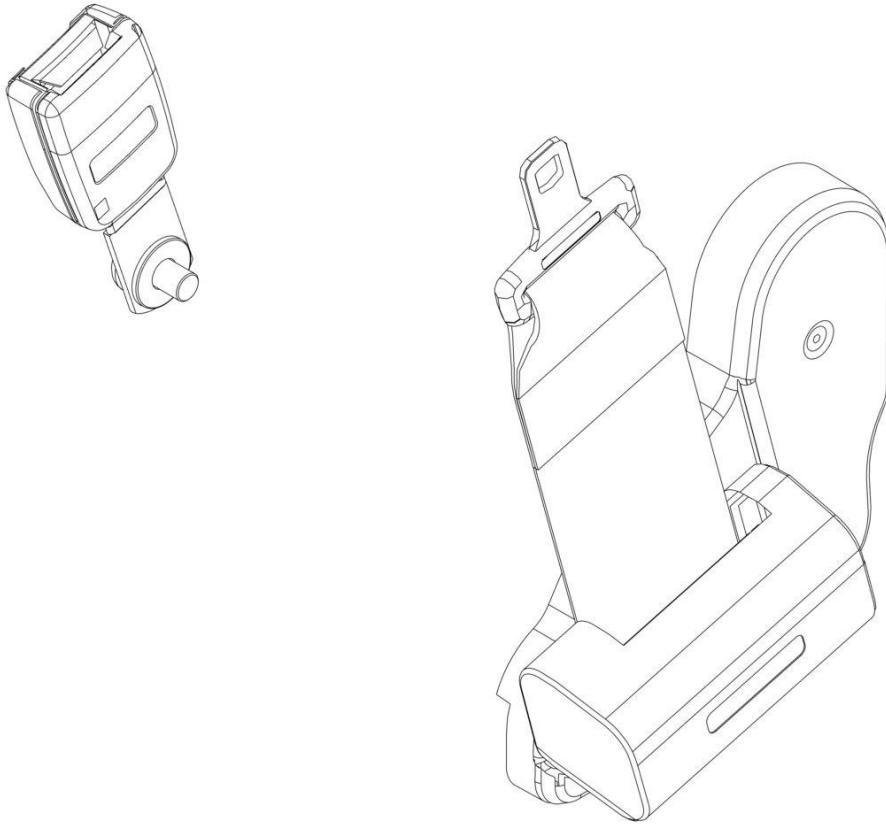
ART_1001303221

FIGURE 6-19. SEAT INSTALLATION

ITEM	PART NUMBER	QTY	DESCRIPTION	REV
	1001303221	Ref	SEAT INSTALLATION	A
1	0761010	4	Bolt M10 x 20	
2	3290805	4	Nut M8	
3	4811900	4	Washer M8	
4	4812002	3	Washer M10	
5	4832000	4	Washer M10	
6	1001262289	1	Capscrew M8 x 15	
7	1001299209	1	Seat (Includes Item 101)	
8	1001299292	1	Plate	
9	1001299295	1	Bracket	
10	1001299300	2	Bar	
101	70031659	1	Belt, Seat - 2 Inch Belt (Includes Sensor)	

SECTION 6 - CAB

FIGURE 6-20. SEAT BELT ASSEMBLY - 3 INCH BELT



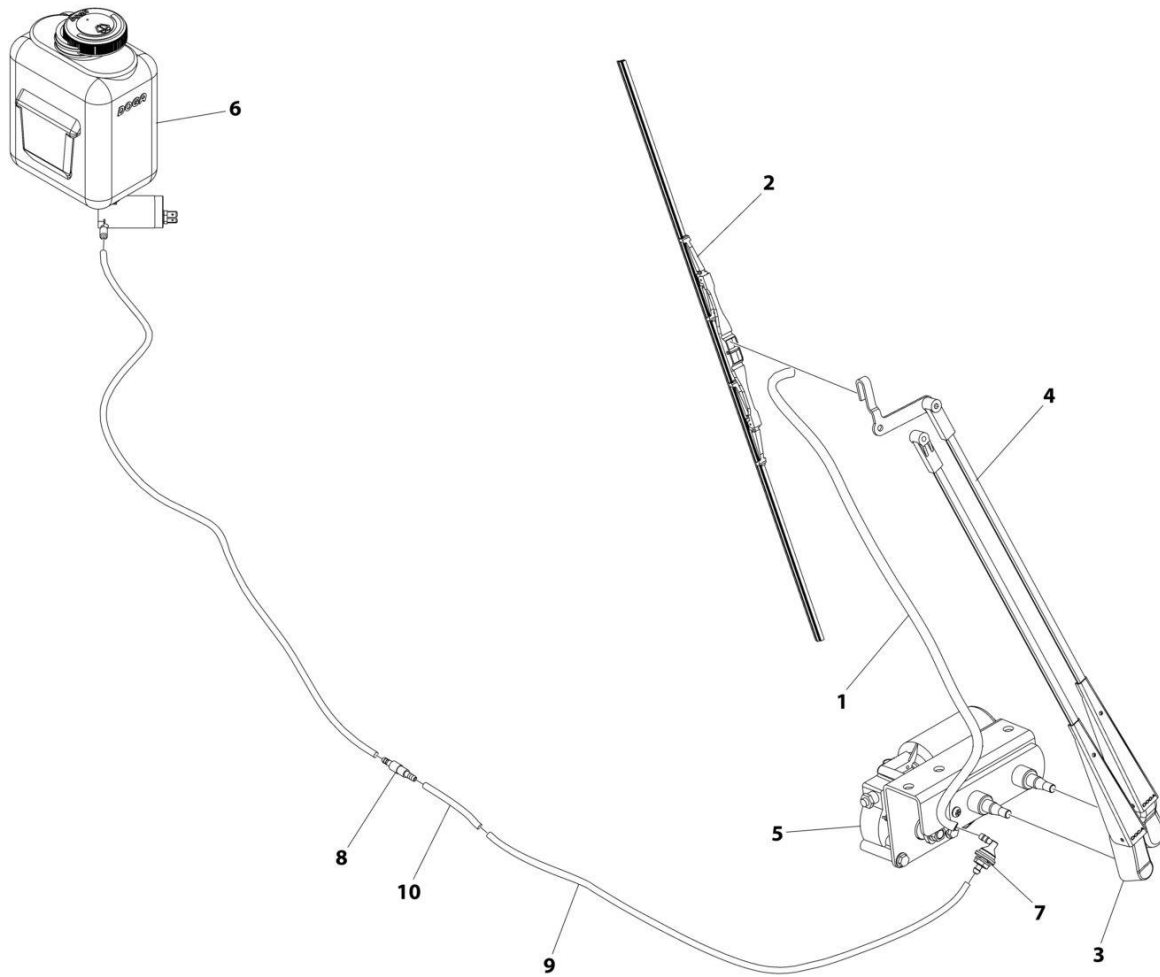
ART_1001310753

FIGURE 6-20. SEAT BELT ASSEMBLY - 3 INCH BELT

ITEM	PART NUMBER	QTY	DESCRIPTION	REV
	1001310753 See Note	Ref Ref	SEAT BELT ASSEMBLY Note: No Service Parts Available, Purchase Complete Assembly	A

SECTION 6 - CAB

FIGURE 6-21. WINDSHIELD WIPER INSTALLATION



ART_1001304377

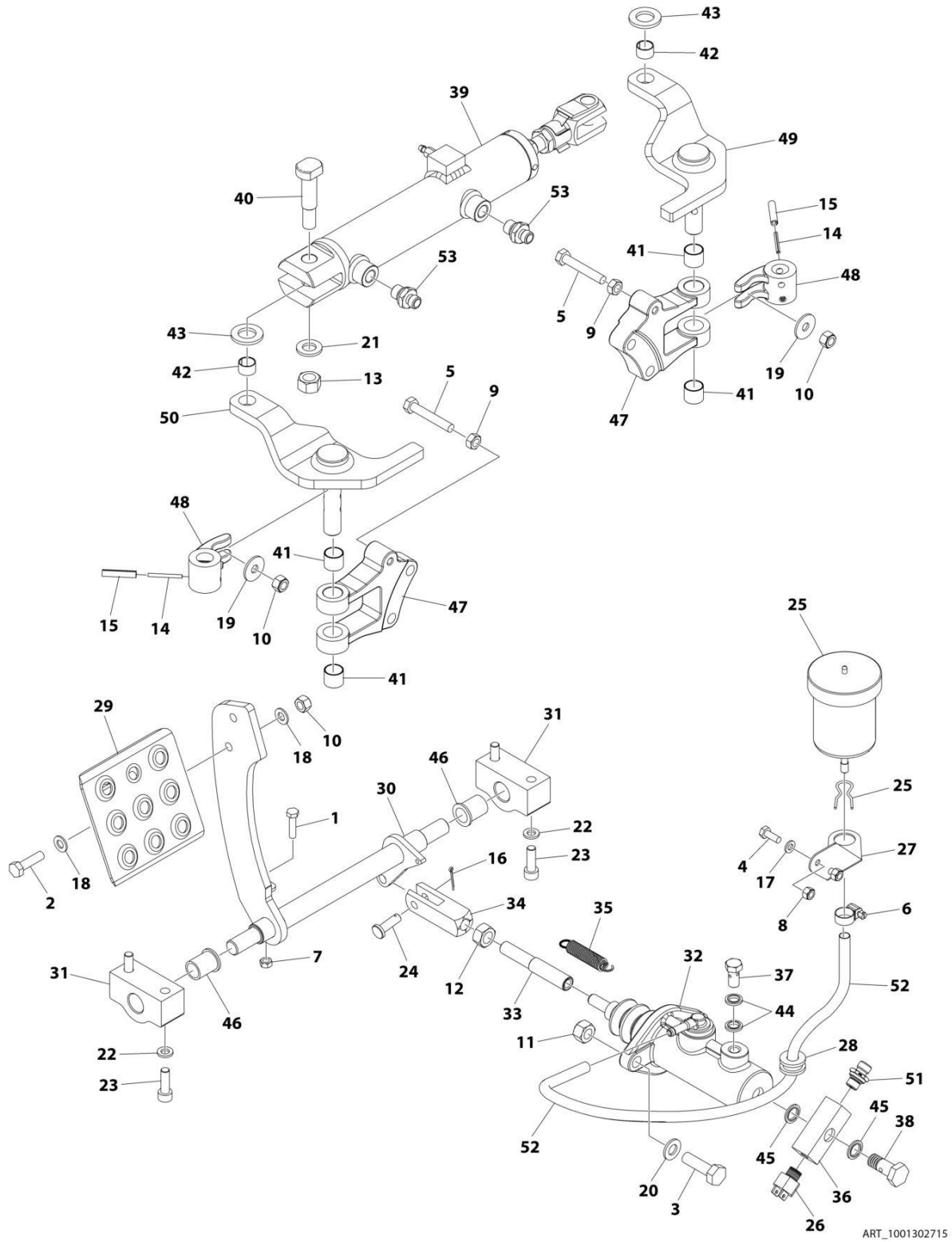
FIGURE 6-21. WINDSHIELD WIPER INSTALLATION

ITEM	PART NUMBER	QTY	DESCRIPTION	REV
	1001304377	Ref	WIPER INSTALLATION	A
1	1001264485	1	Hose	
2	1001264494	1	Blade, Wiper	
3	1001264500	1	Linkage, Right Wiper	
4	1001264501	1	Linkage, Left Wiper	
5	1001264505	1	Motor, Wiper	
6	1001264508	1	Tank, Washer Fluid	
7	1001264521	1	Fitting, 90	
8	1001265305	1	Valve, Check	
9	1001265300	1	Hose	
10	1001265301	1	Hose	

SECTION 7 - CONTROLS

SECTION 7 - CONTROLS

FIGURE 7-1. BRAKE SYSTEM INSTALLATION



SECTION 7 - CONTROLS

FIGURE 7-1. BRAKE SYSTEM INSTALLATION

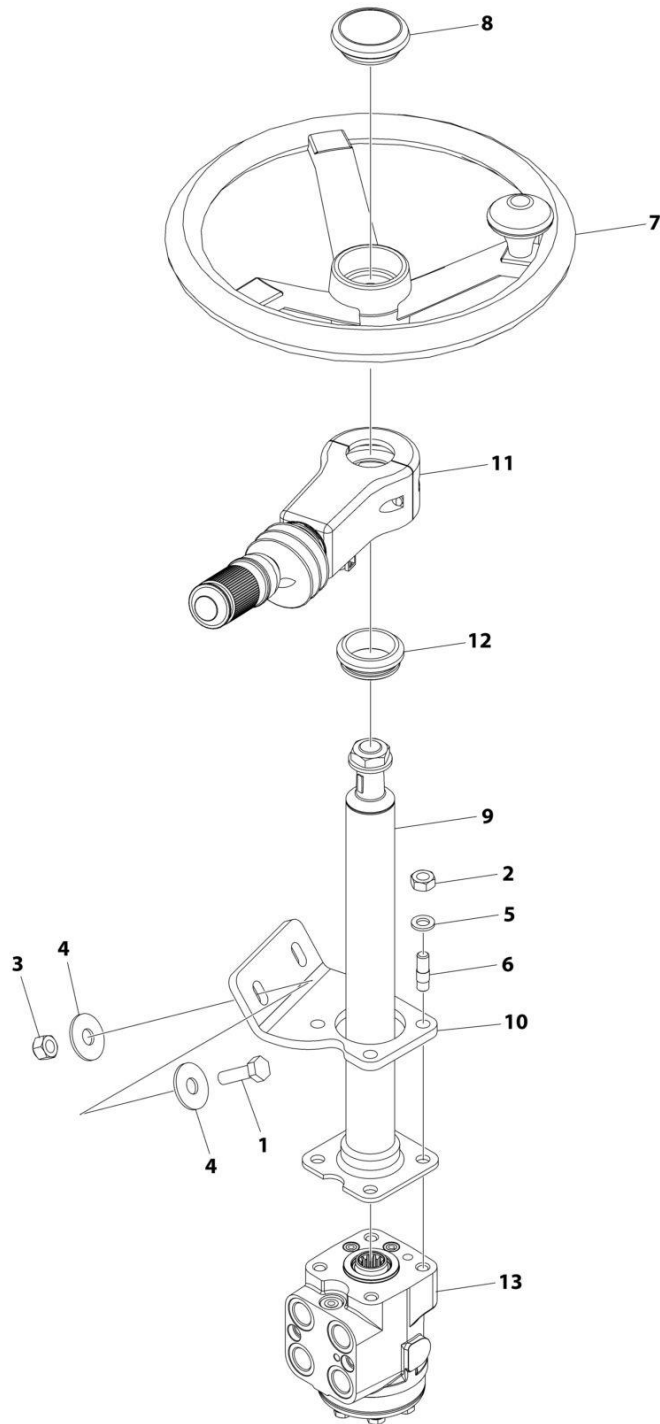
ITEM	PART NUMBER	QTY	DESCRIPTION	REV
	1001302715	Ref	BRAKE SYSTEM INSTALLATION	A
1	0700612	1	Bolt M6 x 25	
2	0700814	2	Bolt M8 x 30	
3	0701015	2	Bolt M10 x 35	
4	0760608	2	Bolt M6 x 16	
5	0760818	2	Bolt M8 x 50	
6	1320022	1	Clamp, Hose	
7	3290601	1	Nut M6	
8	3290605	2	Nut M6	
9	3290801	2	Nut M8	
10	3290805	4	Nut M8	
11	3291005	2	Nut M10	
12	3291201	1	Nut M12	
13	3291207	1	Nut M12	
14	3440420	4	Pin	
15	3440820	4	Pin	
16	3450203	1	Pin, Cotter	
17	4811700	2	Washer M6	
18	4811900	4	Washer M8	
19	4811902	2	Washer M8	
20	4812000	2	Washer M10	
21	4812100	1	Washer M12	
22	4831900	4	Washer M8	
23	5271809	4	Capscrew M8 x 25	
24	1001262675	1	Pin	
25	1001262683	1	Reservoir, Brake Fluid	
26	1001262684	1	Sensor, Brake Pressure	
27	1001262685	1	Bracket	
28	1001264529	1	Grommet	
29	1001303452	1	Pedal, Brake	
30	1001303466	1	Lever, Brake	
31	1001303494	2	Block, Mounting	
32	1001303495	1	Cylinder, Brake Master (No Service Parts Available)	
33	1001303496	1	Rod	
34	1001303514	1	Clevis	
35	1001303521	1	Spring	
36	1001303608	1	Block, Fitting	
37	1001303609	1	Bolt M10 x 1	
38	1001303610	1	Bolt M12 x 1	
39	1001303611	1	Cylinder, Brake	
40	1001303614	1	Bolt M25 x 70	
41	1001303634	4	Bushing	
42	1001303637	2	Bushing	
43	1001305592	2	Washer M17	
44	1001305594	2	Seal M10	
45	1001305595	2	Seal M12	
46	1001305601	2	Bushing	
47	1001305612	2	Support, Brake Arm	
48	1001305660	2	Support, Brake Mount	
49	1001305666	1	Mount, Right Brake	

SECTION 7 - CONTROLS

ITEM	PART NUMBER	QTY	DESCRIPTION	REV
50	1001305674	1	Mount, Left Brake	
51	1001305794	1	Fitting, Straight	
52	1001262688	1	Hose	
53	2142704	2	Fitting, Straight	

SECTION 7 - CONTROLS

FIGURE 7-2. STEERING INSTALLATION



ART_1001302209

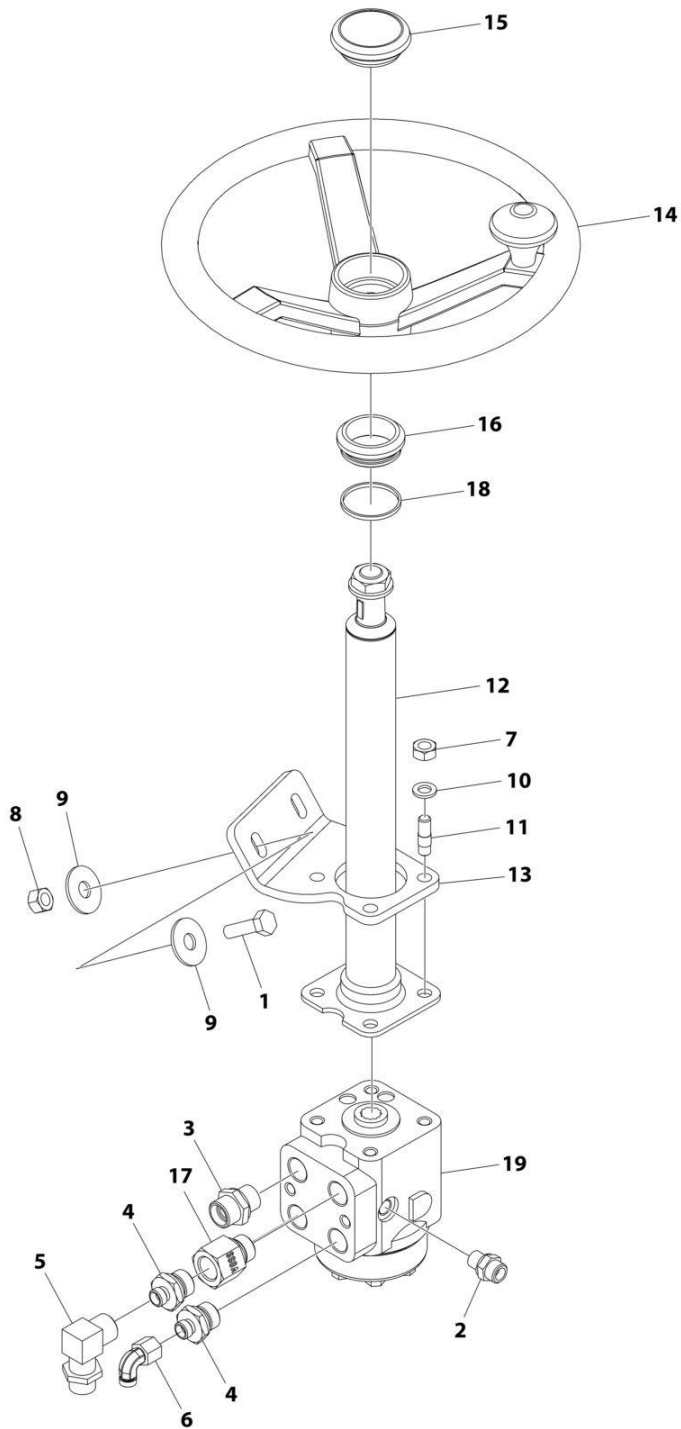
SECTION 7 - CONTROLS

FIGURE 7-2. STEERING INSTALLATION

ITEM	PART NUMBER	QTY	DESCRIPTION	REV
	1001302209	Ref	STEERING INSTALLATION	A
1	0701015	2	Bolt M10 x 35	
2	3291001	4	Nut M10	
3	3291005	2	Nut M10	
4	4812102	4	Washer M12	
5	4832000	4	Washer M10	
6	1001262669	4	Stud	
7	1001262673	1	Wheel, Steering	
7	70031360	1	Knob, Steer	
8	1001262674	1	Button, Horn	
9	1001262670	1	Column, Steering	
10	1001262671	1	Bracket	
11	1001264404	1	Lever, Forward Neutral Reverse	
12	1001302207	1	Grommet	
13	1001302208	1	Valve, Steering	
13	80334588	1	Kit, Seal	

SECTION 7 - CONTROLS

FIGURE 7-3. STEERING INSTALLATION (HIGH FLOW)



ART_1001311715

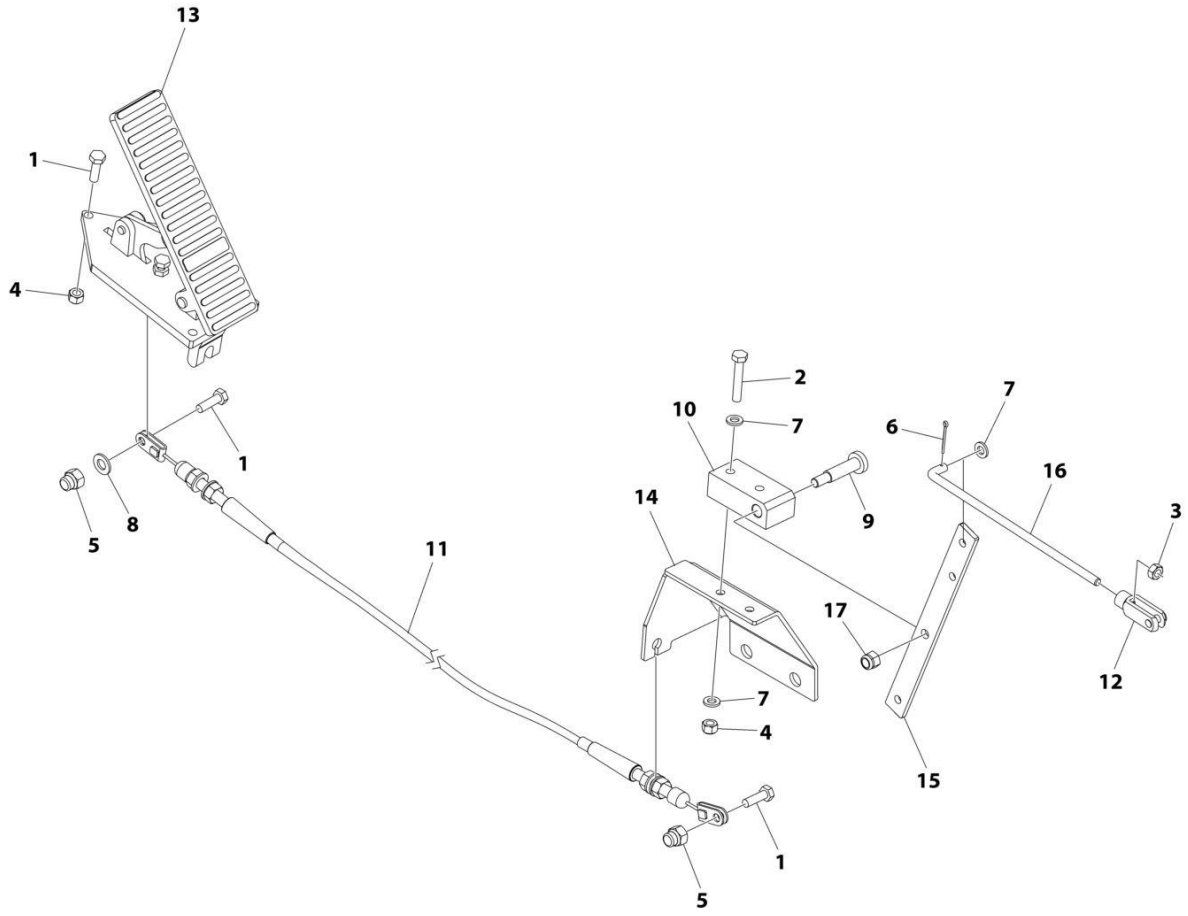
SECTION 7 - CONTROLS

FIGURE 7-3. STEERING INSTALLATION (HIGH FLOW)

ITEM	PART NUMBER	QTY	DESCRIPTION	REV
	1001311715	Ref	STEERING INSTALLATION (HIGH FLOW)	A
1	0701015	2	Bolt M10 x 35	
2	2142706	1	Fitting, Straight	
3	2142715	1	Fitting, Straight	
4	2142743	2	Fitting, Straight	
5	2143007	1	Fitting, 90	
6	2143402	1	Fitting, 90	
7	3291001	4	Nut M10	
8	3291005	2	Nut M10	
9	4812102	4	Washer M12	
10	4832000	4	Washer M10	
11	1001262669	4	Stud	
12	1001262670	1	Column, Steering	
13	1001262671	1	Bracket	
14	1001262673	1	Wheel, Steering	
15	1001262674	1	Button, Horn	
16	1001302207	1	Grommet	
17	1001302511	1	Fitting, Straight	
18	1001304017	1	O-Ring	
19	1001311683	1	Valve, Steering	

SECTION 7 - CONTROLS

FIGURE 7-4. THROTTLE PEDAL INSTALLATION



ART_1001303793

SECTION 7 - CONTROLS

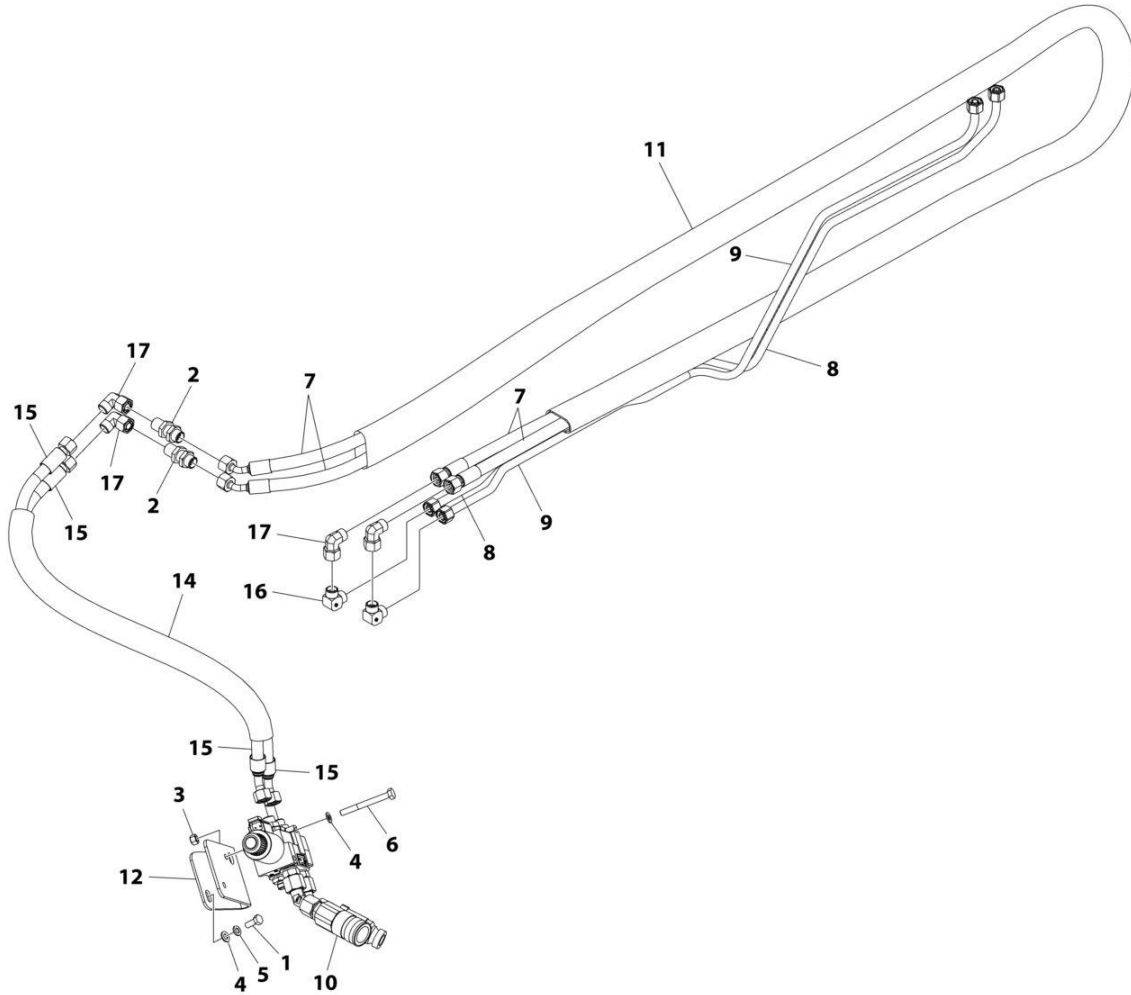
FIGURE 7-4. THROTTLE PEDAL INSTALLATION

ITEM	PART NUMBER	QTY	DESCRIPTION	REV
	1001303793	Ref	THROTTLE PEDAL INSTALLATION	A
1	0700610	5	Bolt M6 x 20	
2	0700615	2	Bolt M6 x 35	
3	3290601	1	Nut M6	
4	3290605	5	Nut M6	
5	3290806	2	Nut M8	
6	3450203	1	Pin, Cotter	
7	4811700	5	Washer M6	
8	4811900	1	Washer M8	
9	1001262417	1	Pin, Throttle Pivot	
10	1001262410	1	Mount, Throttle Coupling	
11	1001262418	1	Cable, Throttle	
12	1001262499	1	Clevis, Throttle	
13	1001262416	1	Pedal, Throttle	
14	1001262411	1	Bracket, Throttle Support	
15	1001262412	1	Coupling, Throttle	
16	1001262414	1	Rod, Throttle	
17	1001262433	1	Nut M7	

SECTION 8 - HYDRAULIC CIRCUITS

SECTION 8 - HYDRAULIC CIRCUITS

FIGURE 8-1. AUXILIARY HYDRAULICS INSTALLATION - HYDRAULIC COUPLER



ART_1001307909

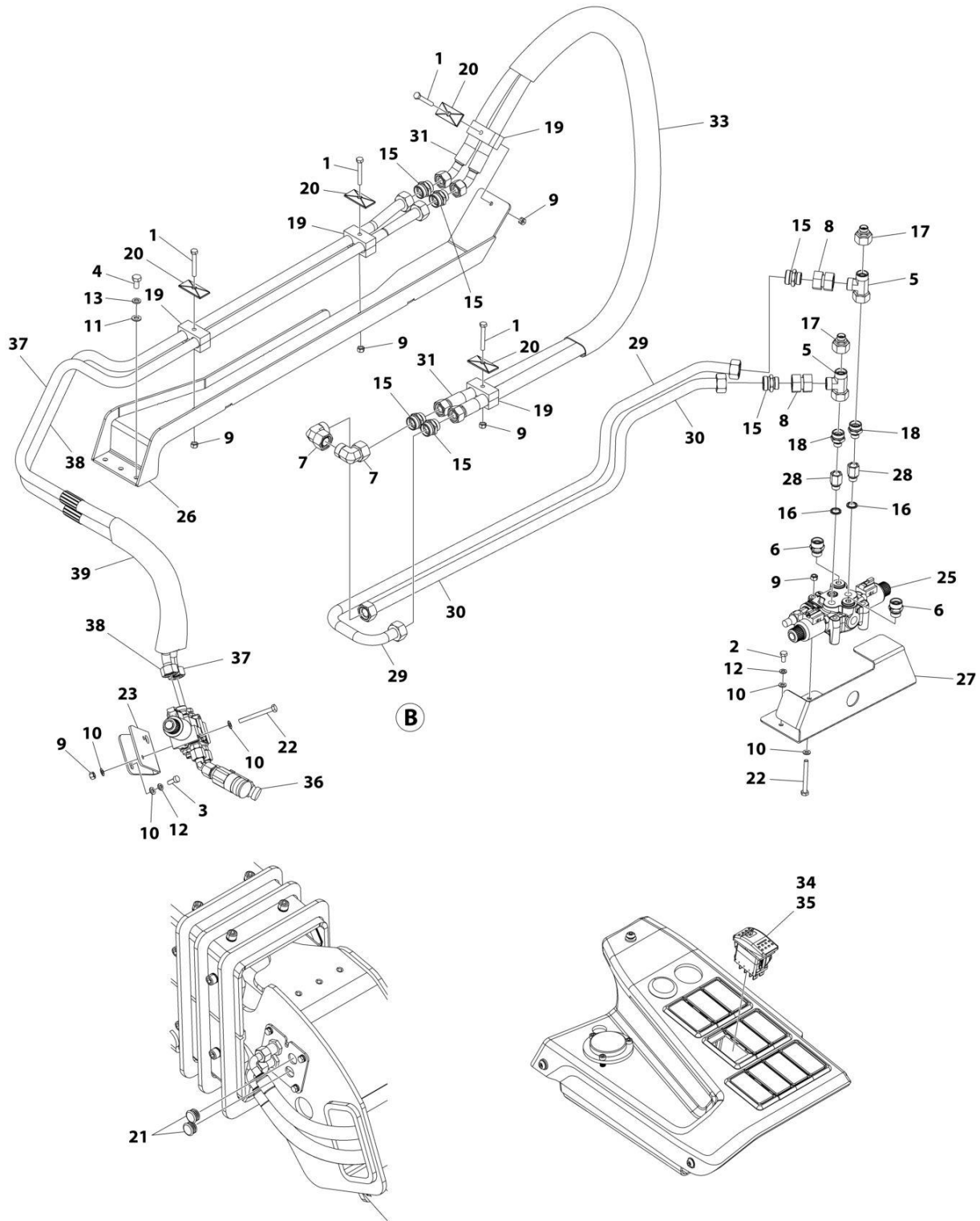
SECTION 8 - HYDRAULIC CIRCUITS

FIGURE 8-1. AUXILIARY HYDRAULICS INSTALLATION - HYDRAULIC COUPLER

ITEM	PART NUMBER	QTY	DESCRIPTION	REV
	1001307909	Ref	AUXILIARY HYDRAULICS INSTALLATION (HYDRAULIC COUPLER)	B
1	0760810	2	Bolt M8 x 20	
2	2141504	2	Fitting, Straight	
3	3290805	2	Nut M8	
4	4811900	4	Washer M8	
5	4831900	2	Washer M8	
6	1001264533	2	Bolt M8 x 80	
7	1001301927	1	Hose	
8	1001301998	1	Pipe, Auxiliary Hydraulics	
9	1001301999	1	Pipe, Auxiliary Hydraulics	
10	1001304456	1	Valve, Hydraulic Coupler	
11	1001304460	1	Sleeve	
12	1001304736	1	Bracket	
13	1001304892	1	Harness, Hydraulic Coupler (Not Shown)	
14	1001311387	1	Sleeve	
15	1001305482	2	Hose	
16	2141809	2	Fitting, 90	
17	2143404	4	Fitting, 90	

SECTION 8 - HYDRAULIC CIRCUITS

FIGURE 8-2. AUXILIARY HYDRAULICS INSTALLATION - HYDRAULIC COUPLER (HIGH FLOW)



ART_1001307908

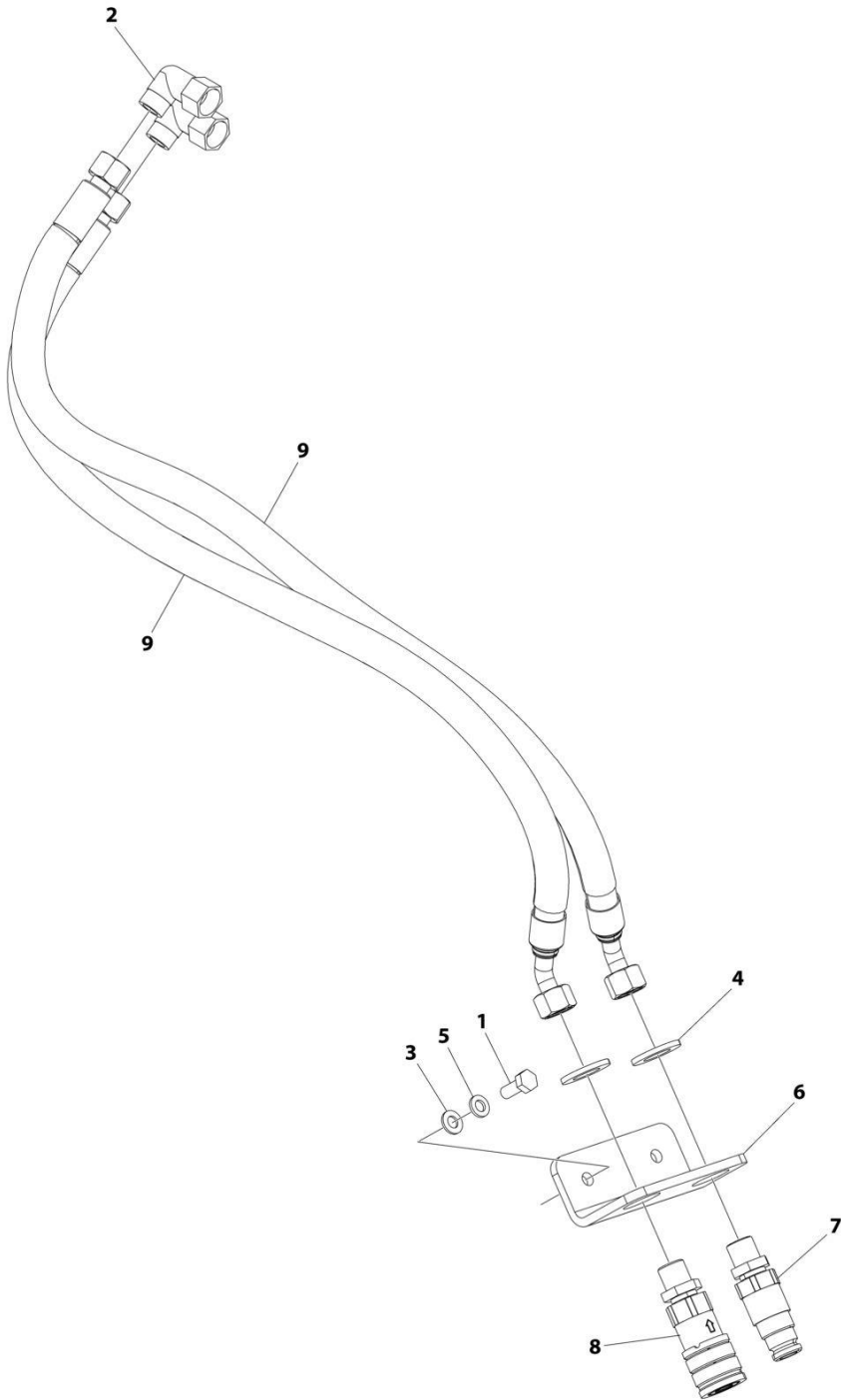
SECTION 8 - HYDRAULIC CIRCUITS

FIGURE 8-2. AUXILIARY HYDRAULICS INSTALLATION - HYDRAULIC COUPLER (HIGH FLOW)

ITEM	PART NUMBER	QTY	DESCRIPTION	REV
	1001307908	Ref	AUXILIARY HYDRAULICS INSTALLATION (HYDRAULIC COUPLER) (HIGH FLOW)	B
1	0700820	4	Bolt M8 x 60	
2	0760808	2	Bolt M8 x 16	
3	0760810	2	Bolt M8 x 20	
4	0761010	3	Bolt M10 x 20	
5	2142206	2	Fitting, Tee	
6	2142716	2	Fitting, Straight	
7	2143407	2	Fitting, 90	
8	2143607	2	Fitting, Straight	
9	3290805	9	Nut M8	
10	4811900	11	Washer M8	
11	4812000	3	Washer M10	
12	4831900	4	Washer M8	
13	4832000	3	Washer M10	
14	1001262961	2	Tie-Strap (Not Shown)	
15	1001263110	6	Fitting, Straight	
16	1001263139	2	Seal	
17	1001263141	2	Fitting, Straight	
18	1001263143	2	Fitting, Straight	
19	1001263184	4	Clamp	
20	1001263185	4	Cap, Clamp	
21	1001264006	2	Plug	
22	1001264533	5	Bolt M8 x 80	
23	1001304736	1	Bracket	
24	1001304892	1	Harness, Hydraulic Coupler (Not Shown)	
25	1001307979	1	Valve, Distributor	
26	1001307980	1	Support	
27	1001308082	1	Bracket	
28	1001308083	2	Fitting, Straight	
29	1001308142	1	Pipe	
30	1001308144	1	Pipe	
31	1001308146	2	Hose	
32	1001308150	1	Harness, Jumper (Not Shown)	
33	1001308151	1	Sleeve	
34	1001311737	1	Switch	
35	1001311738	1	Switch	
36	1001311884	1	Valve, Hydraulic Coupler	
37	1001308140	1	Pipe	
38	1001308141	1	Pipe	
39	1001308152	1	Sleeve	

SECTION 8 - HYDRAULIC CIRCUITS

FIGURE 8-3. AUXILIARY HYDRAULICS INSTALLATION - MANUAL COUPLER



ART_1001301813

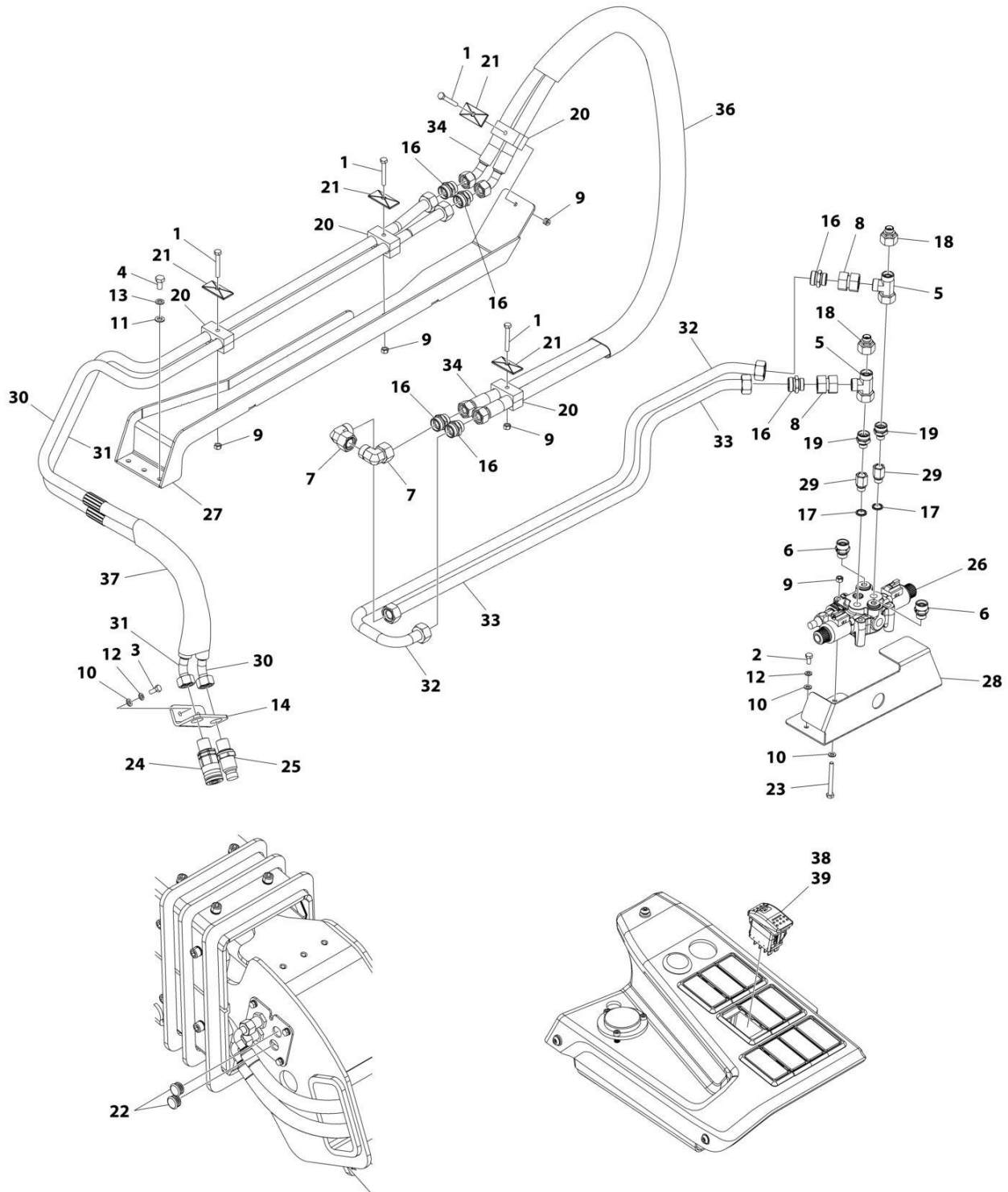
SECTION 8 - HYDRAULIC CIRCUITS

FIGURE 8-3. AUXILIARY HYDRAULICS INSTALLATION - MANUAL COUPLER

ITEM	PART NUMBER	QTY	DESCRIPTION	REV
	1001301813	Ref	AUXILIARY HYDRAULICS INSTALLATION	A
1	0760810	2	Bolt M8 x 20	
2	2143404	2	Fitting, 90	
3	4811900	2	Washer M8	
4	4812400	2	Washer M18	
5	4831900	2	Washer M8	
6	1001262037	1	Bracket	
7	1001263186	1	Coupling, Male Quick Disconnect	
8	1001263187	1	Coupling, Female Quick Disconnect	
9	1001305482	2	Hose	

SECTION 8 - HYDRAULIC CIRCUITS

FIGURE 8-4. AUXILIARY HYDRAULICS INSTALLATION - MANUAL COUPLER (HIGH FLOW)



ART_1001301814

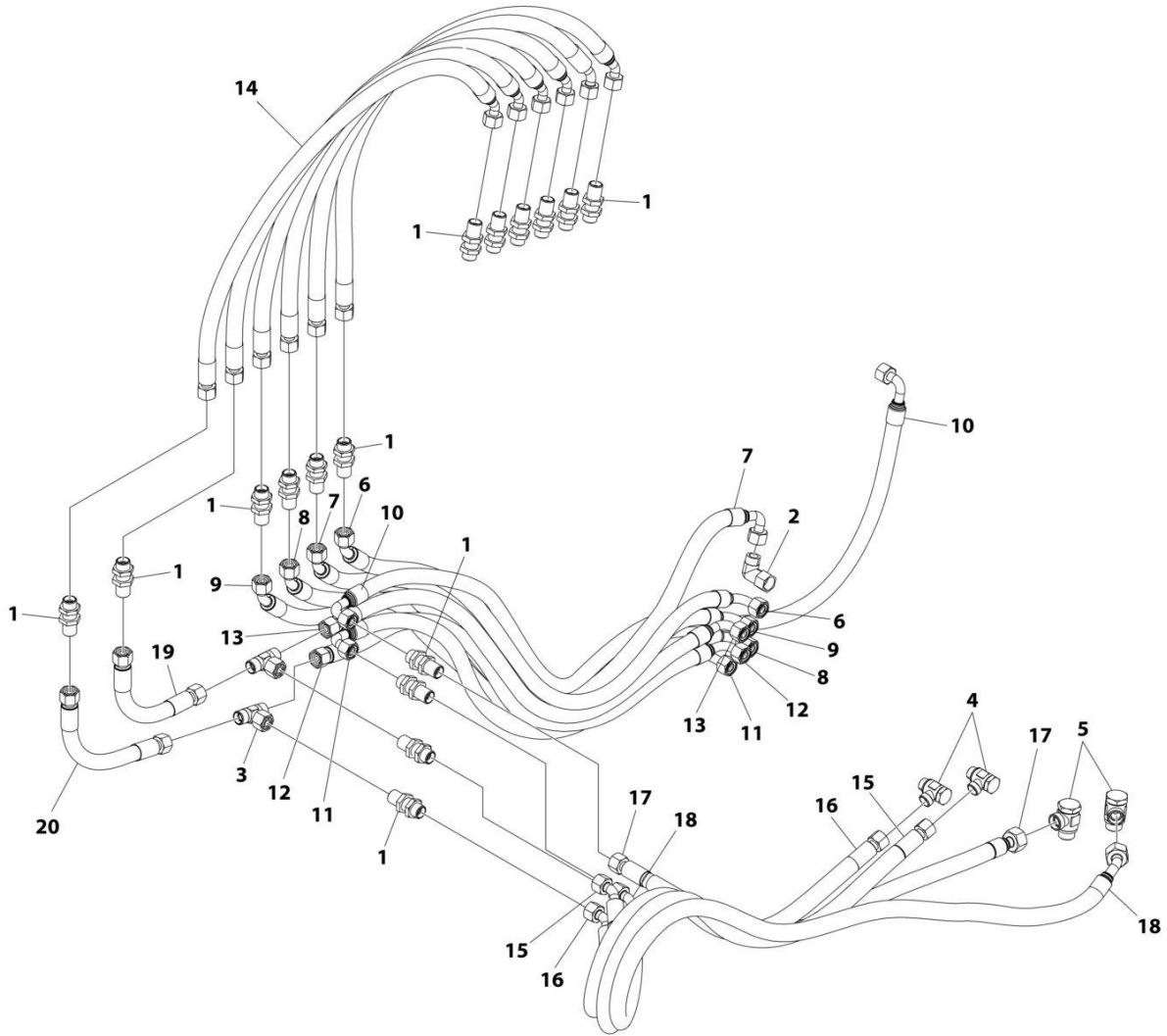
SECTION 8 - HYDRAULIC CIRCUITS

FIGURE 8-4. AUXILIARY HYDRAULICS INSTALLATION - MANUAL COUPLER (HIGH FLOW)

ITEM	PART NUMBER	QTY	DESCRIPTION	REV
	1001301814	Ref	AUXILIARY HYDRAULICS INSTALLATION (MANUAL COUPLER) (HIGH FLOW)	A
1	0700820	4	Bolt M8 x 60	
2	0760808	2	Bolt M8 x 16	
3	0760810	2	Bolt M8 x 20	
4	0761010	3	Bolt M10 x 20	
5	2142206	2	Fitting, Tee	
6	2142716	2	Fitting, Straight	
7	2143407	2	Fitting, 90	
8	2143607	2	Fitting, Straight	
9	3290805	7	Nut M8	
10	4811900	7	Washer M8	
11	4812000	3	Washer M10	
12	4831900	4	Washer M8	
13	4832000	3	Washer M10	
14	1001262037	1	Bracket	
15	1001262961	2	Tie-Strap (Not Shown)	
16	1001263110	6	Fitting, Straight	
17	1001263139	2	Seal	
18	1001263141	2	Fitting, Straight	
19	1001263143	2	Fitting, Straight	
20	1001263184	4	Clamp	
21	1001263185	4	Cap, Clamp	
22	1001264006	2	Plug	
23	1001264533	3	Bolt M8 x 80	
24	1001307977	1	Fitting, Straight	
25	1001307978	1	Fitting, Straight	
26	1001307979	1	Valve, Distributor	
27	1001307980	1	Support	
28	1001308082	1	Bracket	
29	1001308083	2	Fitting, Straight	
30	1001308140	1	Pipe	
31	1001308141	1	Pipe	
32	1001308142	1	Pipe	
33	1001308144	1	Pipe	
34	1001308146	2	Hose	
35	1001308150	1	Harness, Jumper (Not Shown)	
36	1001308151	1	Sleeve	
37	1001308152	1	Sleeve	
38	1001311737	1	Switch	
39	1001311738	1	Switch	

SECTION 8 - HYDRAULIC CIRCUITS

FIGURE 8-5. BOOM HOSES INSTALLATION



ART_1001305837

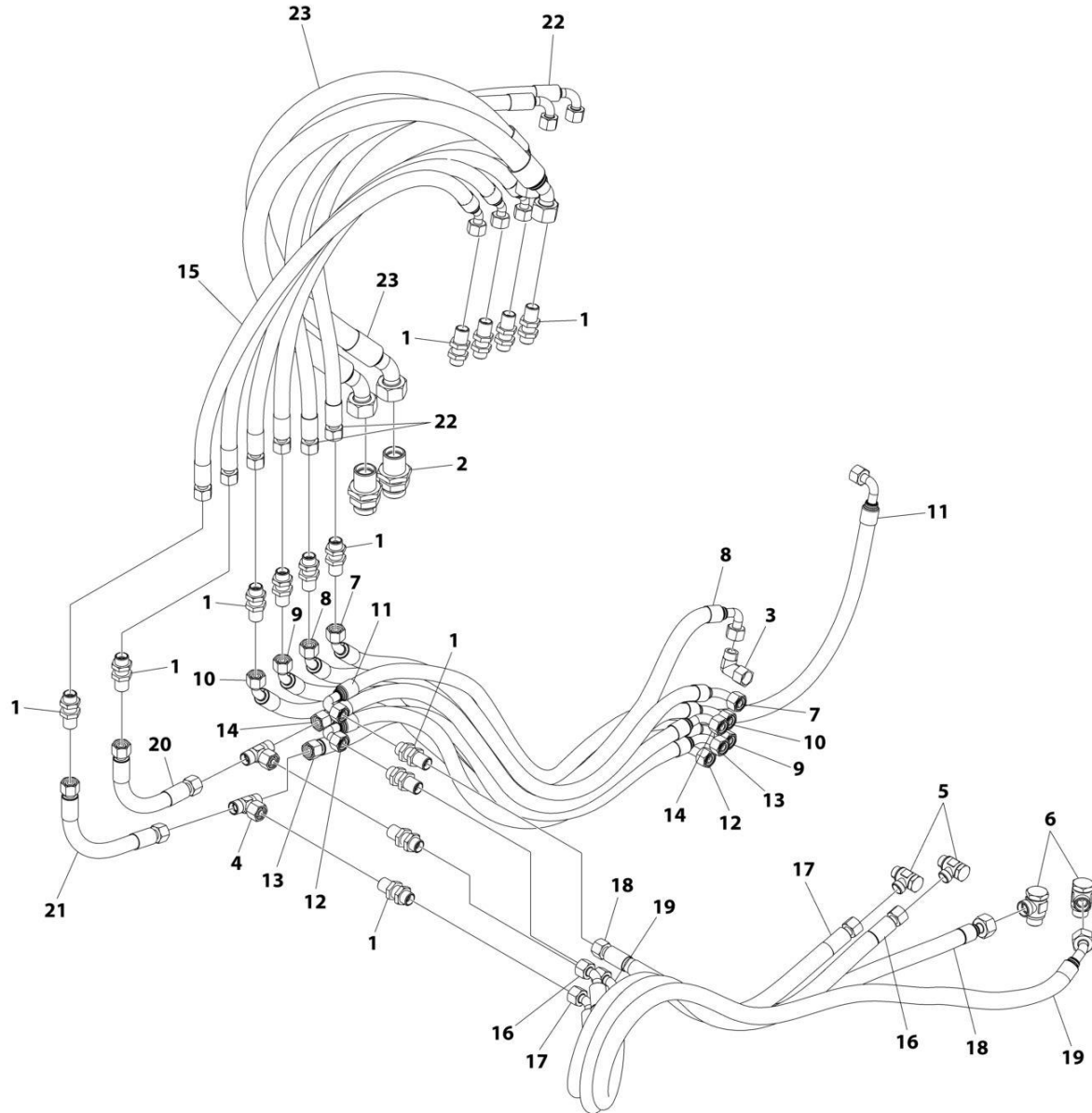
SECTION 8 - HYDRAULIC CIRCUITS

FIGURE 8-5. BOOM HOSES INSTALLATION

ITEM	PART NUMBER	QTY	DESCRIPTION	REV
	1001305837	Ref	BOOM HOSES INSTALLATION	A
1	2141504	16	Fitting, Straight	
2	2143404	1	Fitting, 90	
3	1001263145	2	Fitting, Tee	
4	1001263170	2	Fitting, Tee	
5	1001263181	2	Fitting, Tee	
6	1001302733	1	Hose	
7	1001302734	1	Hose	
8	1001302735	1	Hose	
9	1001302736	1	Hose	
10	1001302737	1	Hose	
11	1001302738	1	Hose	
12	1001302739	1	Hose	
13	1001302740	1	Hose	
14	1001302741	6	Hose	
15	1001302742	1	Hose	
16	1001302743	1	Hose	
17	1001302744	1	Hose	
18	1001302816	1	Hose	
19	1001306269	1	Hose	
20	1001306270	1	Hose	

SECTION 8 - HYDRAULIC CIRCUITS

FIGURE 8-6. BOOM HOSES INSTALLATION (HIGH FLOW)



ART_1001311868

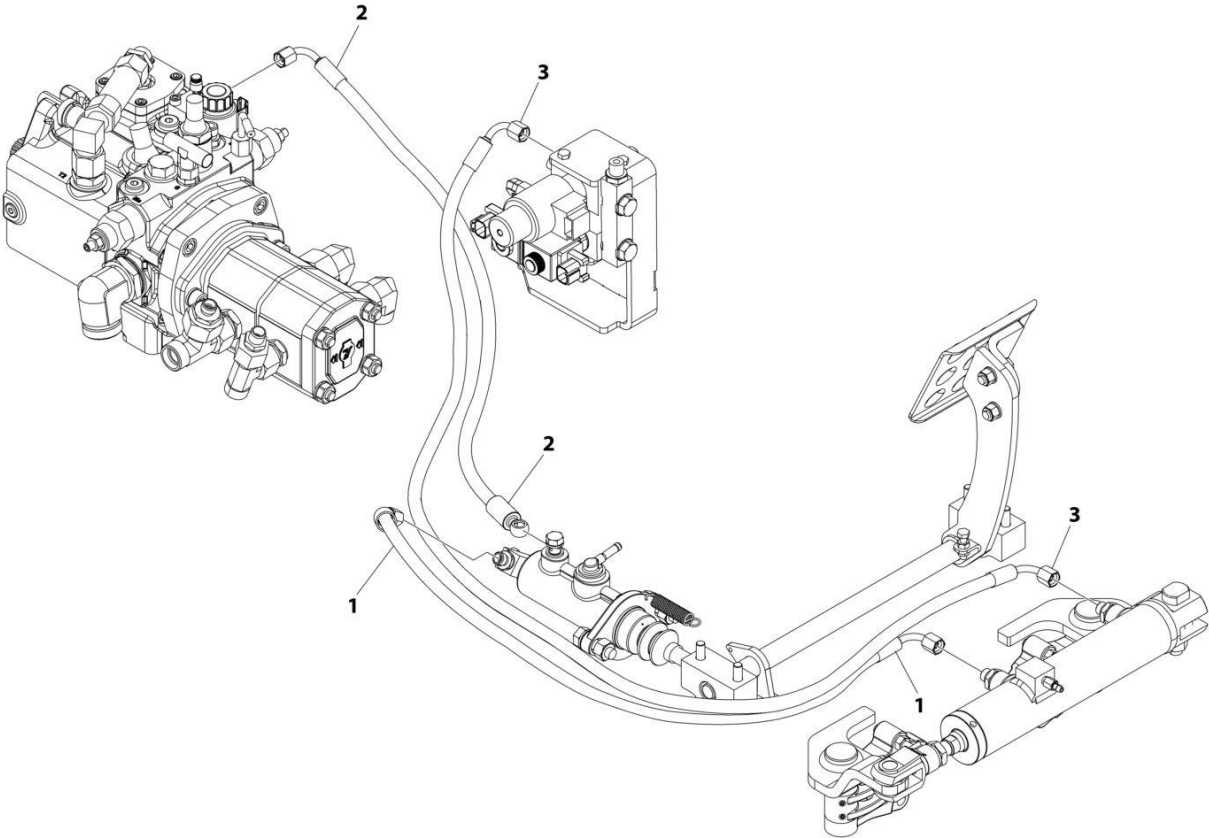
SECTION 8 - HYDRAULIC CIRCUITS

FIGURE 8-6. BOOM HOSES INSTALLATION (HIGH FLOW)

ITEM	PART NUMBER	QTY	DESCRIPTION	REV
	1001311868	Ref	BOOM HOSES INSTALLATION (HIGH FLOW)	A
1	2141504	14	Fitting, Straight	
2	2141507	2	Fitting, Straight	
3	2143404	1	Fitting, 90	
4	1001263145	2	Fitting, Tee	
5	1001263170	2	Fitting, Tee	
6	1001263181	2	Fitting, Tee	
7	1001302733	1	Hose	
8	1001302734	1	Hose	
9	1001302735	1	Hose	
10	1001302736	1	Hose	
11	1001302737	1	Hose	
12	1001302738	1	Hose	
13	1001302739	1	Hose	
14	1001302740	1	Hose	
15	1001302741	4	Hose	
16	1001302742	1	Hose	
17	1001302743	1	Hose	
18	1001302744	1	Hose	
19	1001302816	1	Hose	
20	1001306269	1	Hose	
21	1001306270	1	Hose	
22	1001312056	2	Hose	
23	1001312057	2	Hose	

SECTION 8 - HYDRAULIC CIRCUITS

FIGURE 8-7. BRAKE HOSES INSTALLATION



ART_1001305841

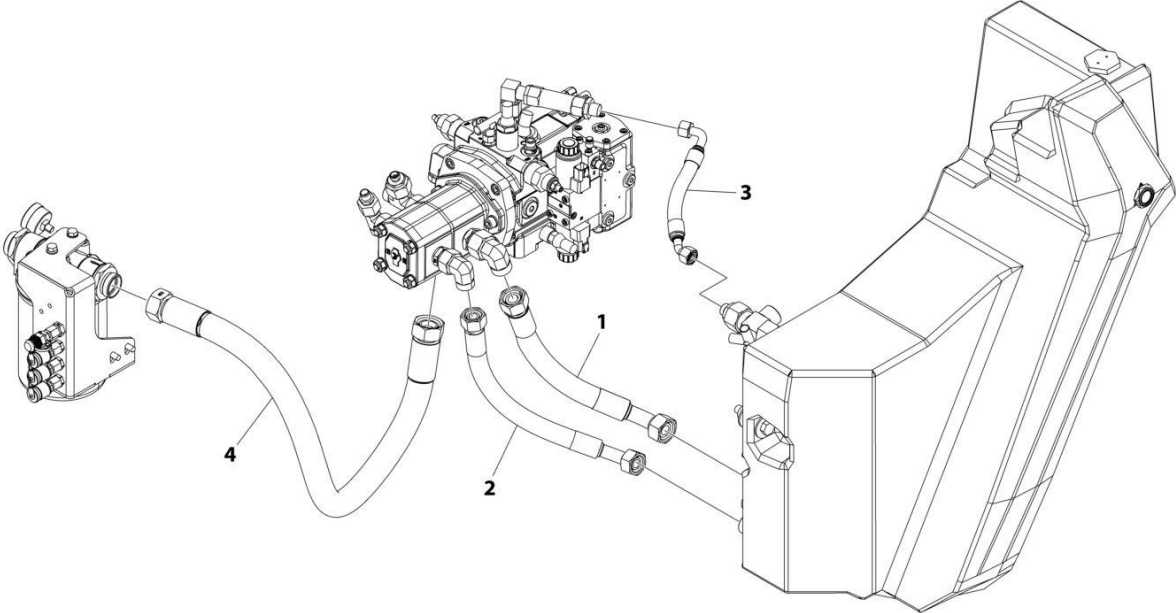
SECTION 8 - HYDRAULIC CIRCUITS

FIGURE 8-7. BRAKE HOSES INSTALLATION

ITEM	PART NUMBER	QTY	DESCRIPTION	REV
	1001305841	Ref	BRAKE HOSES INSTALLATION	A
1	1001306331	1	Hose	
2	1001306332	1	Hose	
3	1001306333	1	Hose	

SECTION 8 - HYDRAULIC CIRCUITS

FIGURE 8-8. DRIVE PUMP HOSES INSTALLATION



ART_1001305840

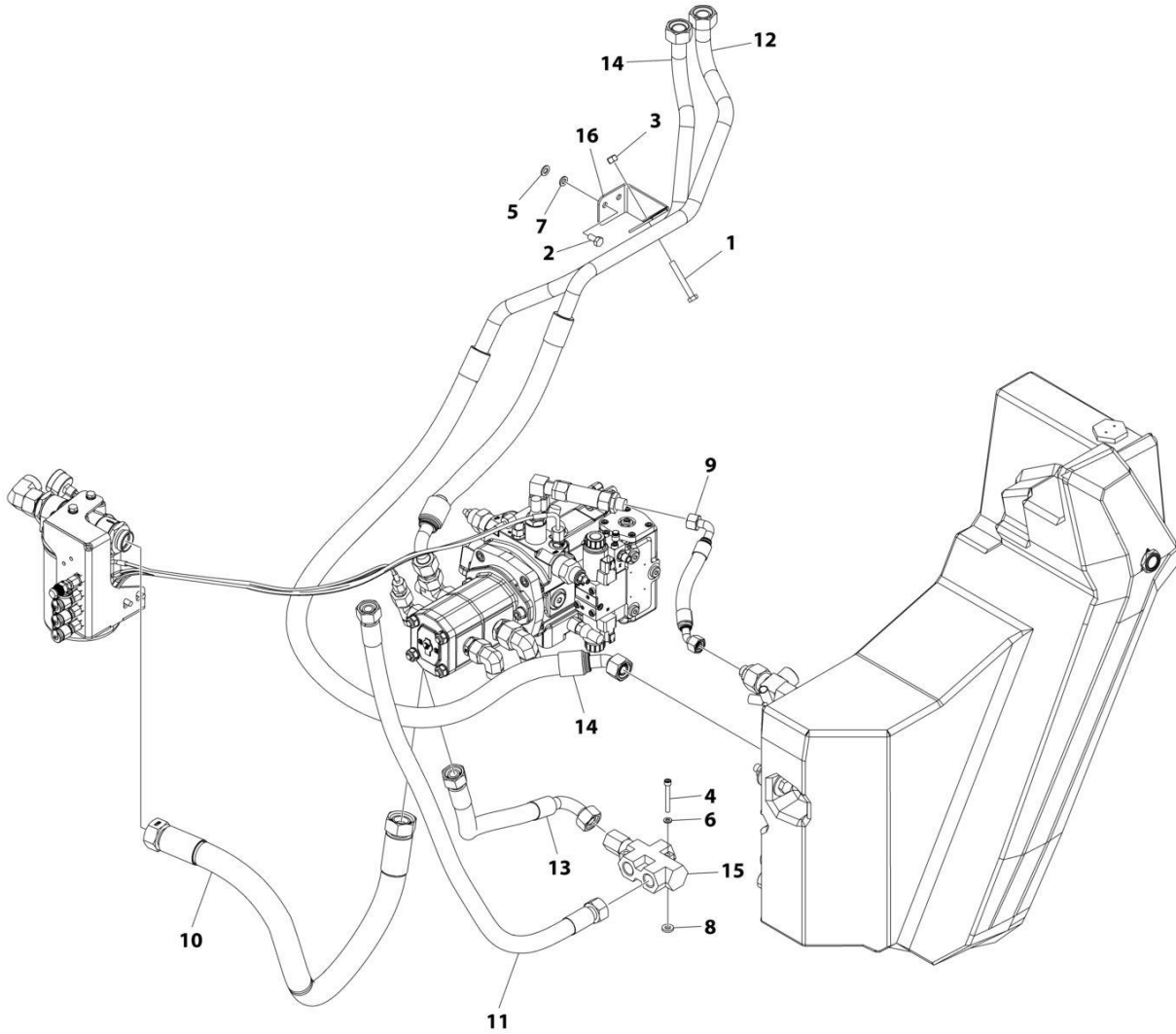
SECTION 8 - HYDRAULIC CIRCUITS

FIGURE 8-8. DRIVE PUMP HOSES INSTALLATION

ITEM	PART NUMBER	QTY	DESCRIPTION	REV
	1001305840	Ref	DRIVE PUMP HOSES INSTALLATION	A
1	1001306327	1	Hose	
2	1001306328	1	Hose	
3	1001306329	1	Hose	
4	1001306330	1	Hose	

SECTION 8 - HYDRAULIC CIRCUITS

FIGURE 8-9. DRIVE PUMP HOSES INSTALLATION (HIGH FLOW)



ART_1001311870

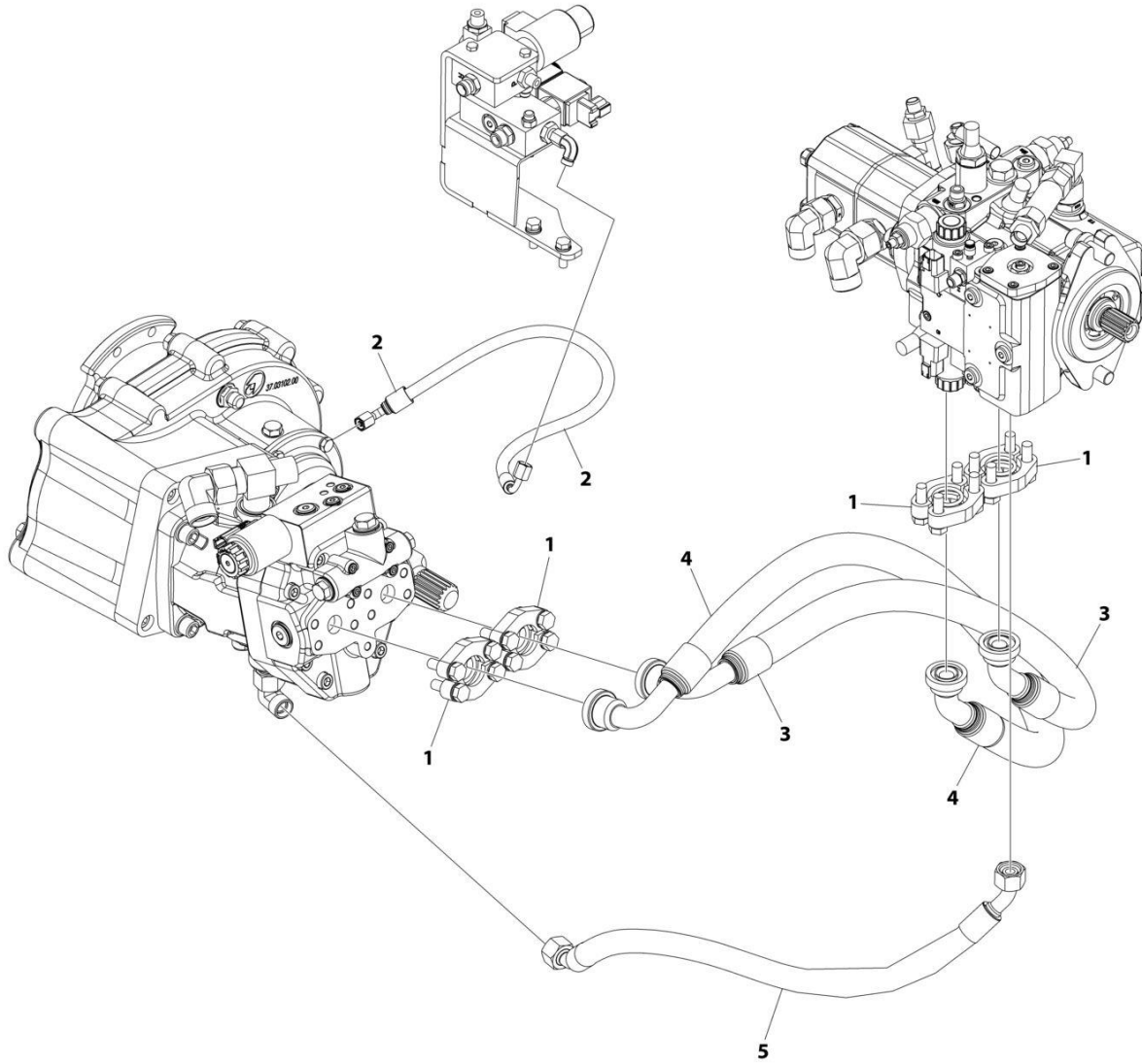
SECTION 8 - HYDRAULIC CIRCUITS

FIGURE 8-9. DRIVE PUMP HOSES INSTALLATION (HIGH FLOW)

ITEM	PART NUMBER	QTY	DESCRIPTION	REV
	1001311870	Ref	DRIVE PUMP HOSES INSTALLATION (HIGH FLOW)	A
1	0700820	1	Bolt M8 x 60	
2	0760808	2	Bolt M8 x 16	
3	3290805	1	Nut M8	
4	4031714	2	Capscrew M6 x 50	
5	4811900	2	Washer M8	
6	4831700	2	Washer M6	
7	4831900	2	Washer M8	
8	1001264481	2	Washer M8	
9	1001306329	1	Hose	
10	1001306330	1	Hose	
11	1001311916	1	Hose	
12	1001312061	1	Hose	
13	1001312062	1	Hose	
14	1001312063	1	Hose	
15	1001312064	1	Valve, Pressure Regulator	
16	1001312065	1	Plate	

SECTION 8 - HYDRAULIC CIRCUITS

FIGURE 8-10. HYDRAULIC MOTOR HOSES INSTALLATION



ART_1001305844

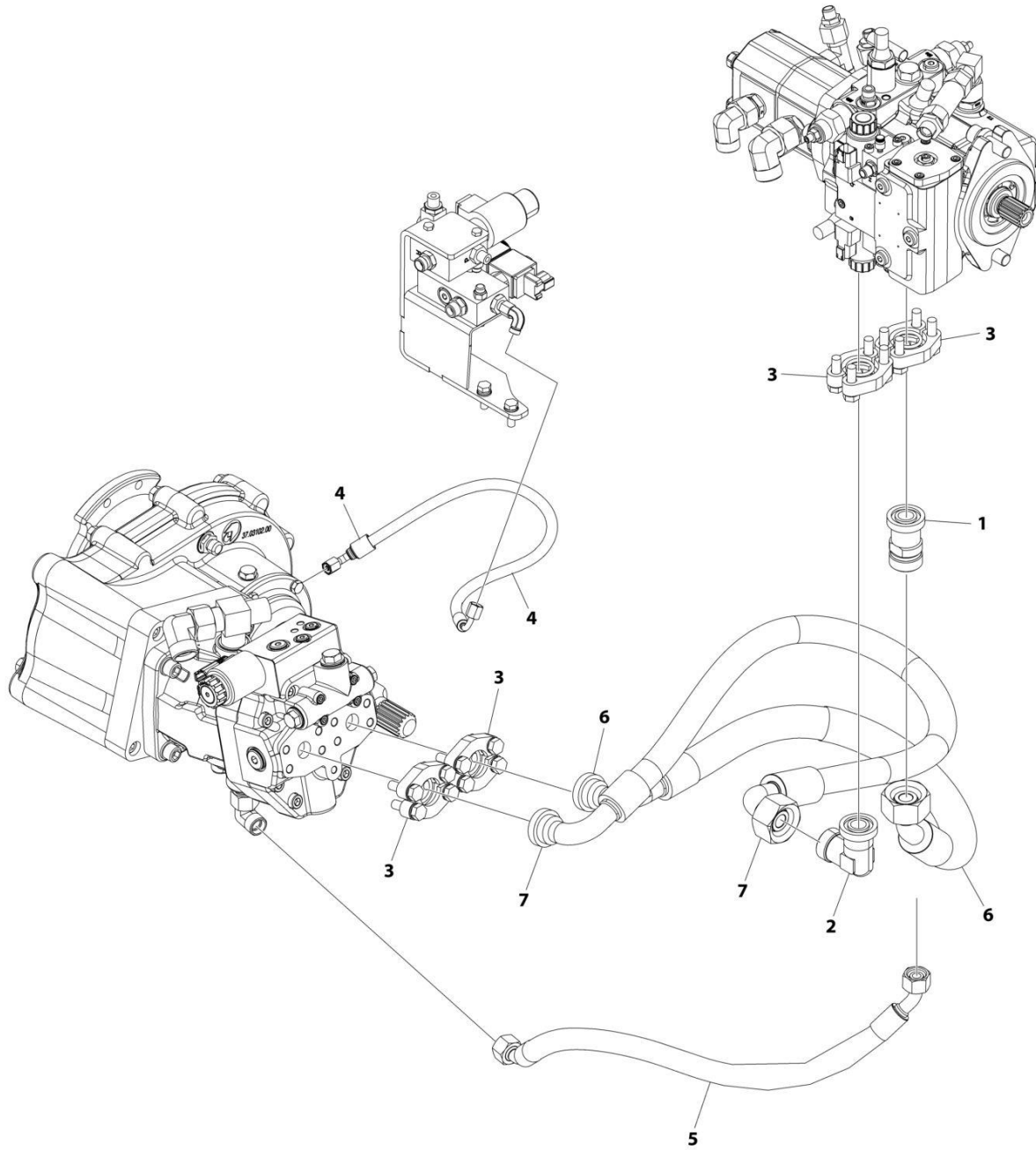
SECTION 8 - HYDRAULIC CIRCUITS

FIGURE 8-10. HYDRAULIC MOTOR HOSES INSTALLATION

ITEM	PART NUMBER	QTY	DESCRIPTION	REV
	1001305844	Ref	HYDRAULIC MOTOR HOSES INSTALLATION	A
1	2171712	4	Flange, Split (Includes Hardware & O-Ring)	
2	1001306241	1	Hose	
3	1001306242	1	Hose	
4	1001306243	1	Hose	
5	1001306244	1	Hose	

SECTION 8 - HYDRAULIC CIRCUITS

FIGURE 8-11. HYDRAULIC MOTOR HOSES INSTALLATION (HIGH FLOW)



ART_1001311872

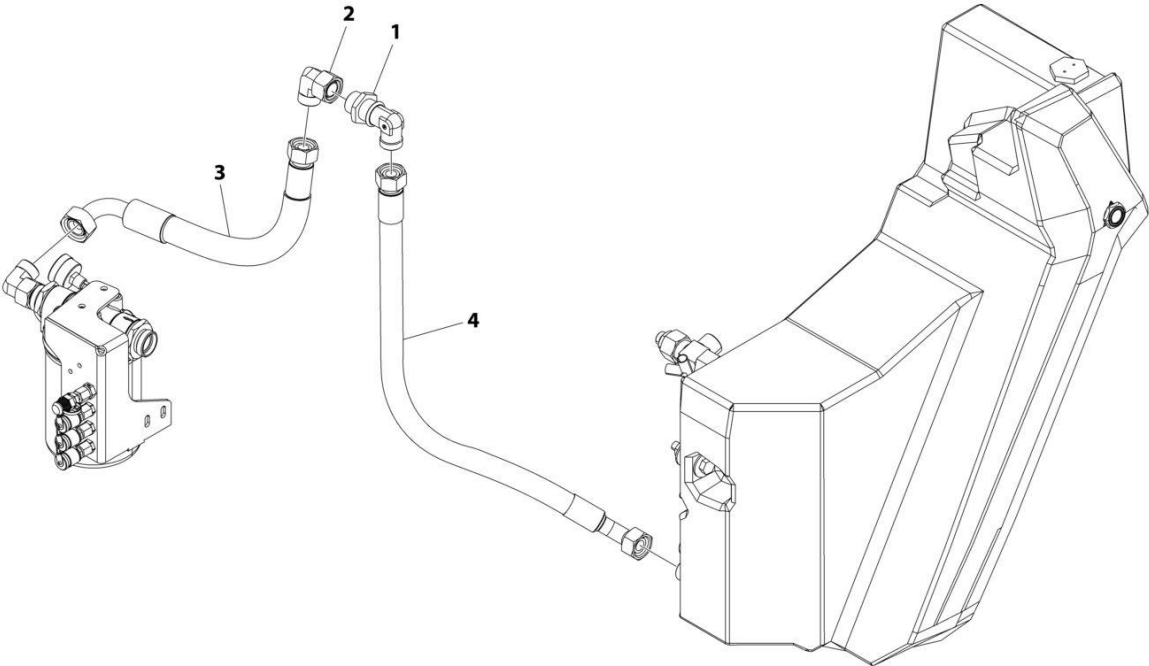
SECTION 8 - HYDRAULIC CIRCUITS

FIGURE 8-11. HYDRAULIC MOTOR HOSES INSTALLATION (HIGH FLOW)

ITEM	PART NUMBER	QTY	DESCRIPTION	REV
	1001311872	Ref	HYDRAULIC MOTOR HOSES INSTALLATION (HIGH FLOW)	A
1	2144209	1	Fitting, Straight	
2	2144515	1	Fitting, 90	
3	2171712	4	Flange, Split (Includes Hardware & O-Ring)	
4	1001306241	1	Hose	
5	1001306244	1	Hose	
6	1001311852	1	Hose	
7	1001311853	1	Hose	

SECTION 8 - HYDRAULIC CIRCUITS

FIGURE 8-12. HYDRAULIC TANK HOSES INSTALLATION



ART_1001305838

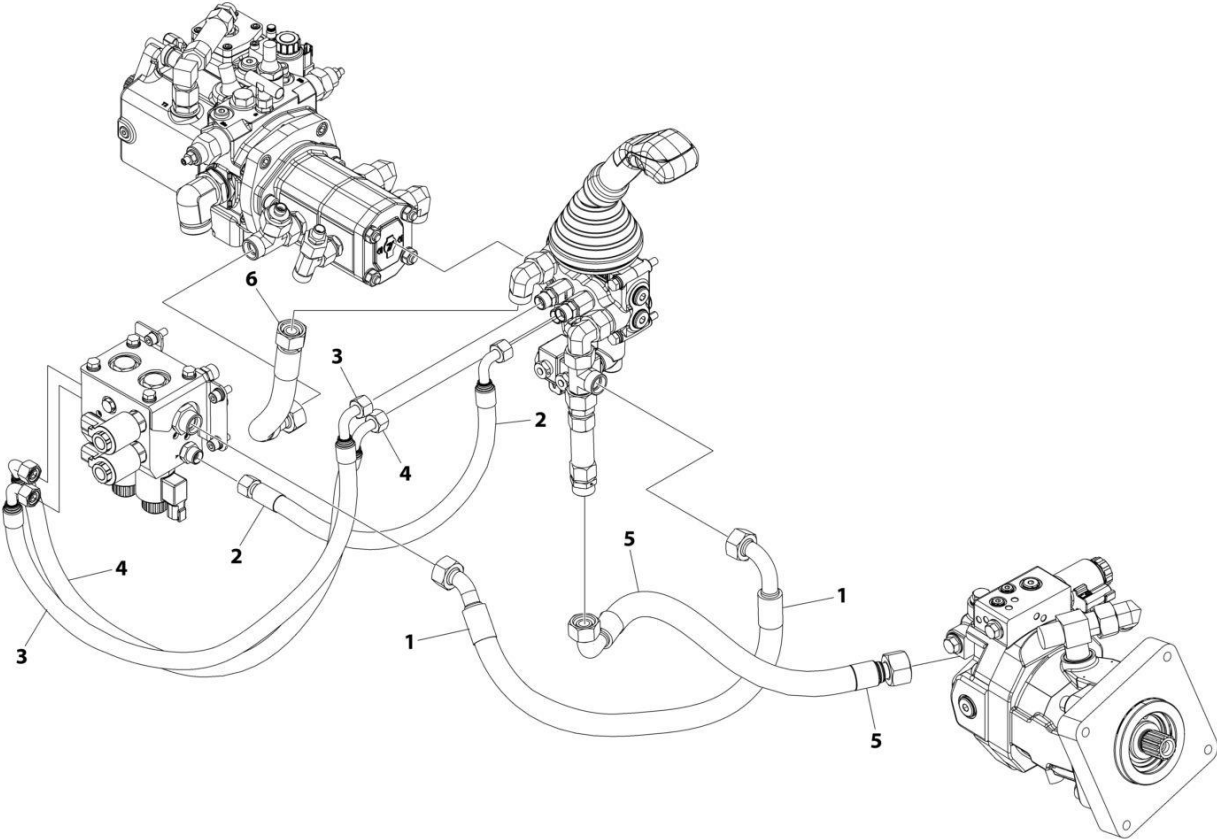
SECTION 8 - HYDRAULIC CIRCUITS

FIGURE 8-12. HYDRAULIC TANK HOSES INSTALLATION

ITEM	PART NUMBER	QTY	DESCRIPTION	REV
	1001305838	Ref	HYDRAULIC TANK HOSES INSTALLATION	A
1	2143307	1	Fitting, Straight	
2	2143407	1	Fitting, 90	
3	1001306249	1	Hose	
4	1001306250	1	Hose	

SECTION 8 - HYDRAULIC CIRCUITS

FIGURE 8-13. JOYSTICK HOSES INSTALLATION



ART_1001305843

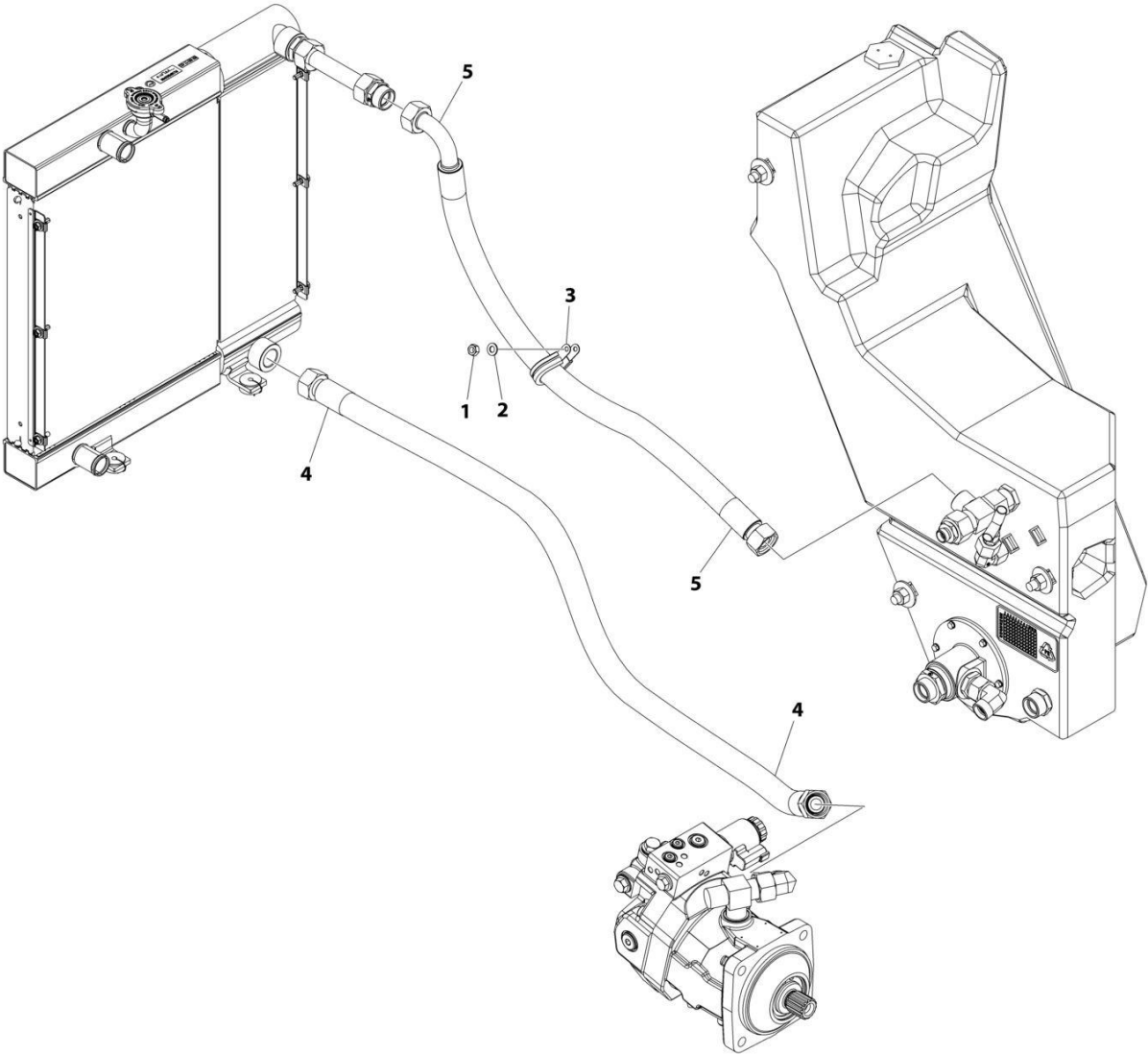
SECTION 8 - HYDRAULIC CIRCUITS

FIGURE 8-13. JOYSTICK HOSES INSTALLATION

ITEM	PART NUMBER	QTY	DESCRIPTION	REV
	1001305843	Ref	JOYSTICK HOSES INSTALLATION	A
1	1001306235	1	Hose	
2	1001306236	1	Hose	
3	1001306237	1	Hose	
4	1001306238	1	Hose	
5	1001306239	1	Hose	
6	1001306240	1	Hose	

SECTION 8 - HYDRAULIC CIRCUITS

FIGURE 8-14. OIL COOLER HOSES INSTALLATION



ART_1001305842

SECTION 8 - HYDRAULIC CIRCUITS

FIGURE 8-14. OIL COOLER HOSES INSTALLATION

ITEM	PART NUMBER	QTY	DESCRIPTION	REV
	1001305842	Ref	OIL COOLER HOSES INSTALLATION	A
1	3290801	1	Nut M8	
2	4811900	1	Washer M8	
3	1001264677	1	Clamp	
4	1001306245	1	Hose	
5	1001306247	1	Hose	

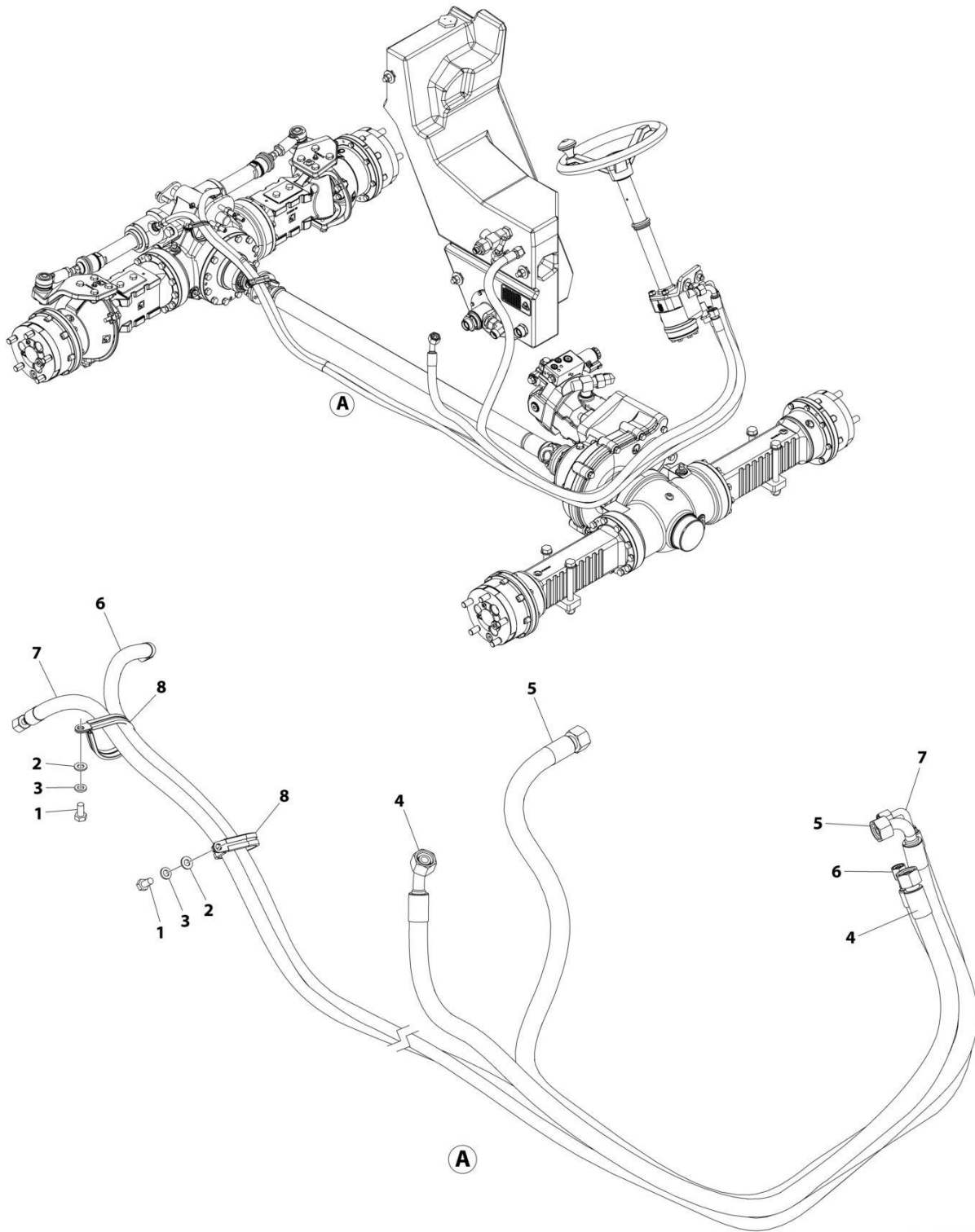
SECTION 8 - HYDRAULIC CIRCUITS

FIGURE 8-15. OIL COOLER HOSES INSTALLATION (HIGH FLOW)

ITEM	PART NUMBER	QTY	DESCRIPTION	REV
	1001311871	Ref	OIL COOLER HOSES INSTALLATION (HIGH FLOW)	A
1	2142706	1	Fitting, Straight	
2	2142715	1	Fitting, Straight	
3	2142716	1	Fitting, Straight	
4	2143008	1	Fitting, 90	
5	3290801	1	Nut M8	
6	4811900	1	Washer M8	
7	1001264677	1	Clamp	
8	1001306245	1	Hose	
9	1001306247	1	Hose	
10	1001312072	1	Hose	
11	1001312073	1	Hose	

SECTION 8 - HYDRAULIC CIRCUITS

FIGURE 8-16. STEERING HOSES INSTALLATION



ART_1001305839

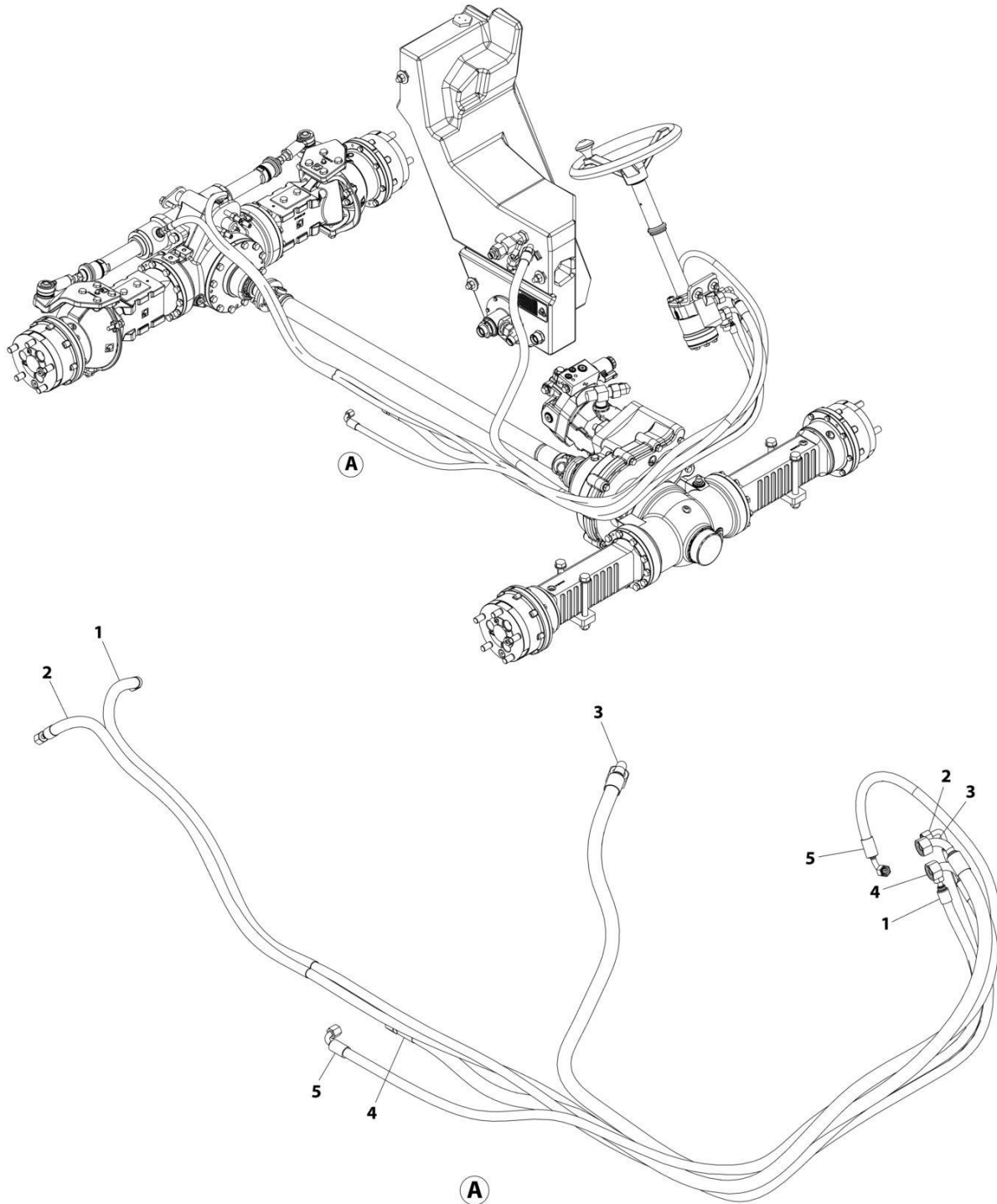
SECTION 8 - HYDRAULIC CIRCUITS

FIGURE 8-16. STEERING HOSES INSTALLATION

ITEM	PART NUMBER	QTY	DESCRIPTION	REV
	1001305839	Ref	STEERING HOSES INSTALLATION	A
1	0760808	2	Bolt M8 x 16	
2	4811900	2	Washer M8	
3	4831900	2	Washer M8	
4	1001302728	1	Hose	
5	1001302730	1	Hose	
6	1001302731	1	Hose	
7	1001302732	1	Hose	
8	1001304559	2	Clamp	

SECTION 8 - HYDRAULIC CIRCUITS

FIGURE 8-17. STEERING HOSES INSTALLATION (HIGH FLOW)



ART_1001311869

SECTION 8 - HYDRAULIC CIRCUITS

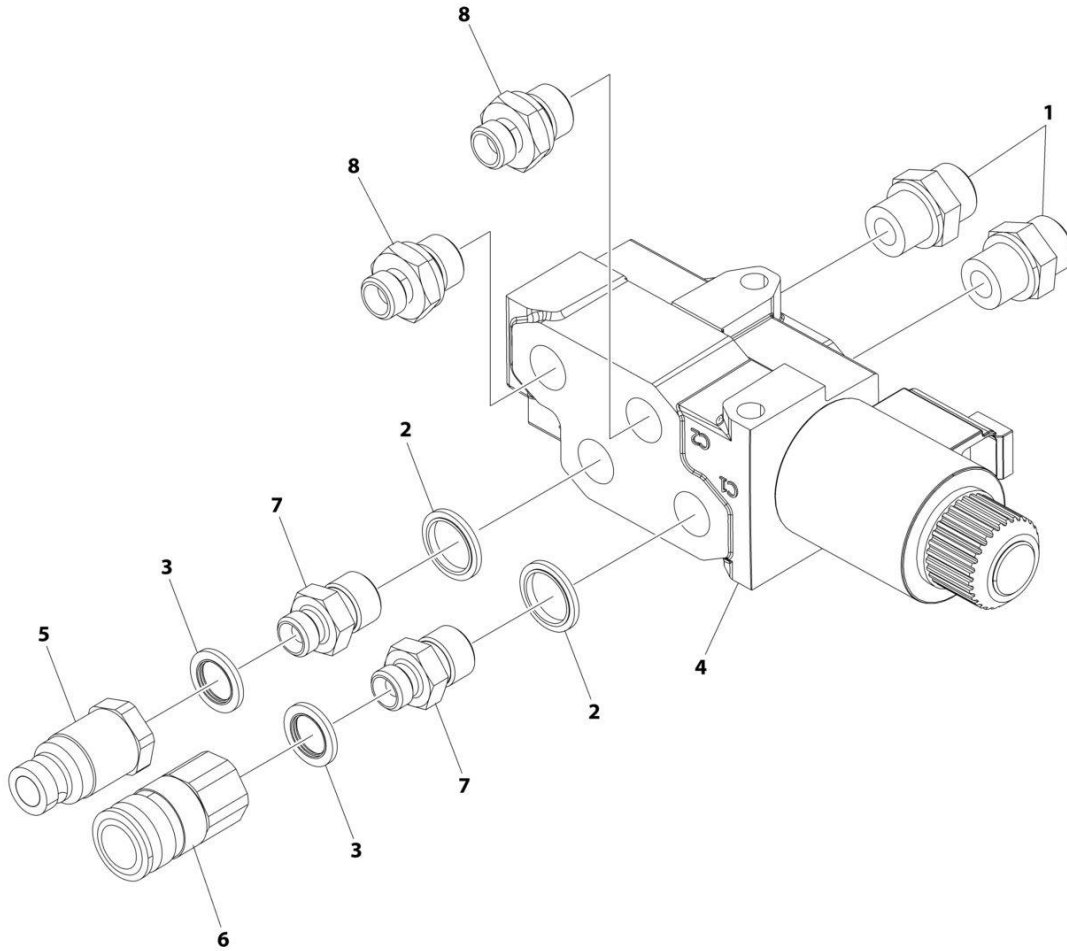
FIGURE 8-17. STEERING HOSES INSTALLATION (HIGH FLOW)

ITEM	PART NUMBER	QTY	DESCRIPTION	REV
	1001311869	Ref	STEER HOSES INSTALLATION (HIGH FLOW)	A
1	1001302731	1	Hose	
2	1001302732	1	Hose	
3	1001312058	1	Hose	
4	1001312059	1	Hose	
5	1001312060	1	Hose	

SECTION 9 - HYDRAULIC COMPONENTS

SECTION 9 - HYDRAULIC COMPONENTS

FIGURE 9-1. COUPLER VALVE ASSEMBLY



ART_1001304456

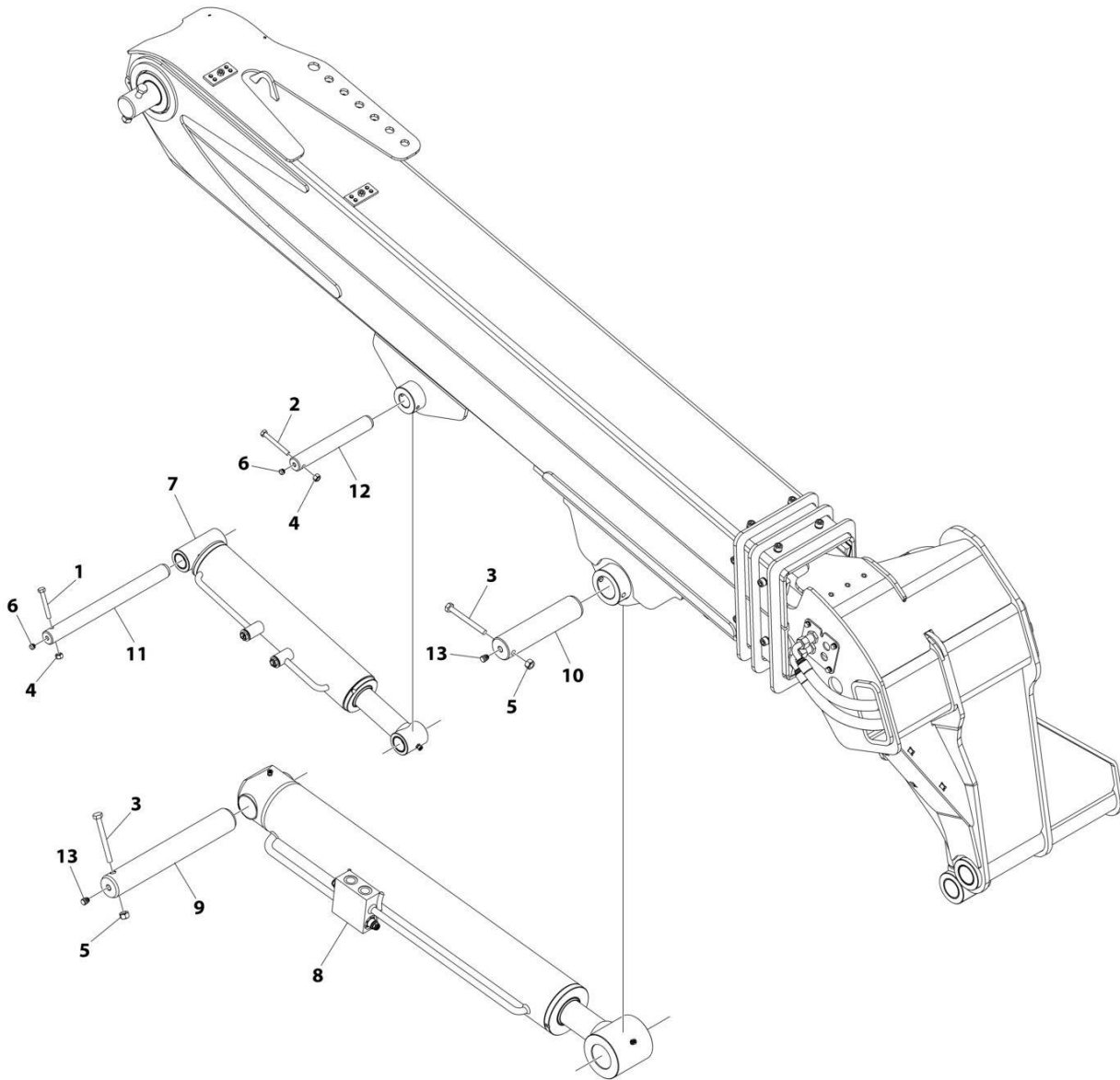
SECTION 9 - HYDRAULIC COMPONENTS

FIGURE 9-1. COUPLER VALVE ASSEMBLY

ITEM	PART NUMBER	QTY	DESCRIPTION	REV
	1001304456	Ref	COUPLER VALVE ASSEMBLY	A
1	2142712	2	Fitting, Straight	
2	1001263139	2	Seal	
3	1001263142	2	Seal	
4	1001264528	1	Valve	
5	1001305034	1	Coupling, Male Quick Disconnect	
6	1001305035	1	Coupling, Female Quick Disconnect	
7	1001306009	2	Fitting, Straight	
8	1001306011	2	Fitting, Straight	

SECTION 9 - HYDRAULIC COMPONENTS

FIGURE 9-2. CYLINDERS INSTALLATION - LIFT & COMPENSATION



ART_1001301795

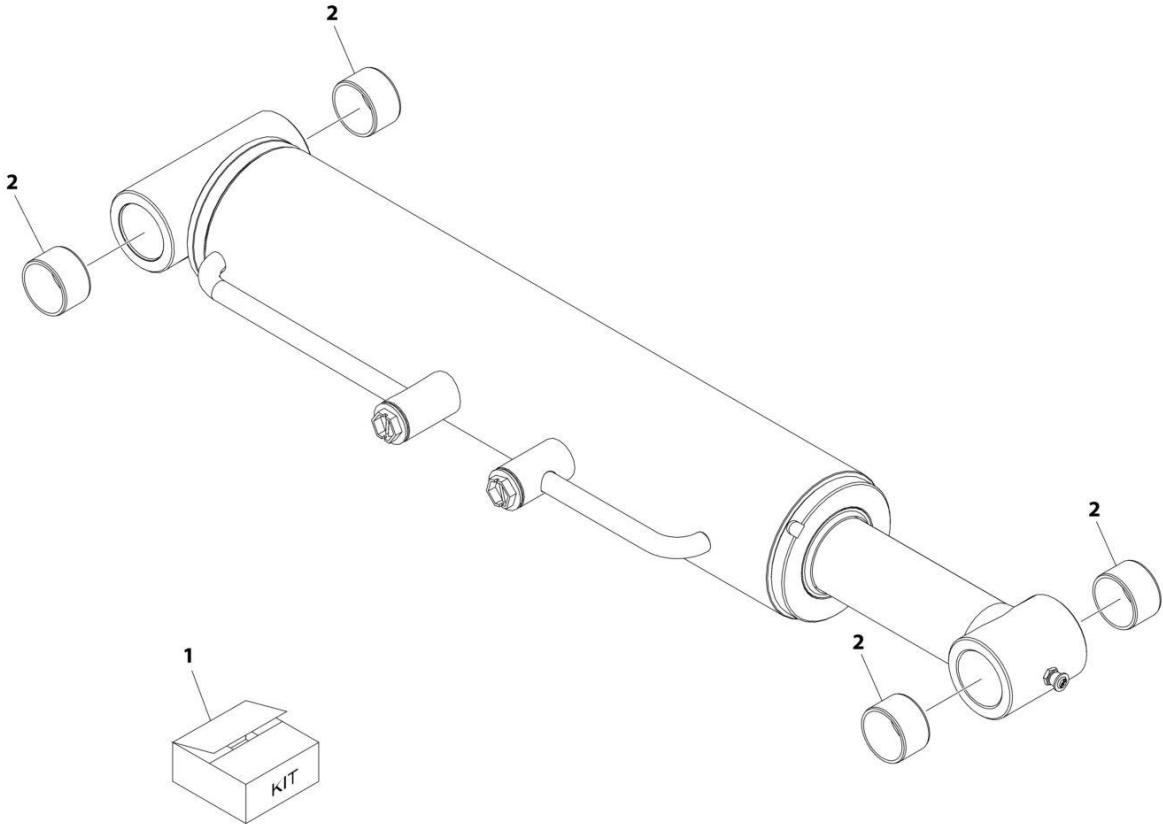
SECTION 9 - HYDRAULIC COMPONENTS

FIGURE 9-2. CYLINDERS INSTALLATION - LIFT & COMPENSATION

ITEM	PART NUMBER	QTY	DESCRIPTION	REV
	1001301795	Ref	CYLINDERS INSTALLATION	A
1	0700820	1	Bolt M8 x 60	
2	0700822	1	Bolt M8 x 70	
3	0701027	2	Bolt M10 x 100	
4	3290805	2	Nut M8	
5	3291005	2	Nut M10	
6	1001261567	2	Plug - 11.5MM	
7	1001303002	1	Compensation Cylinder Assembly (See Separate Breakdown in this Section)	
8	1001303003	1	Lift Cylinder Assembly (See Separate Breakdown in this Section)	
9	1001303043	1	Pin, Lift Cylinder Base	
10	1001303044	1	Pin, Lift Cylinder Rod	
11	1001303045	1	Pin, Compensation Cylinder Base	
12	1001303046	1	Pin, Compensation Cylinder Rod	
13	1001303409	2	Plug - 13MM	

SECTION 9 - HYDRAULIC COMPONENTS

FIGURE 9-3. COMPENSATION CYLINDER ASSEMBLY



ART_1001303002

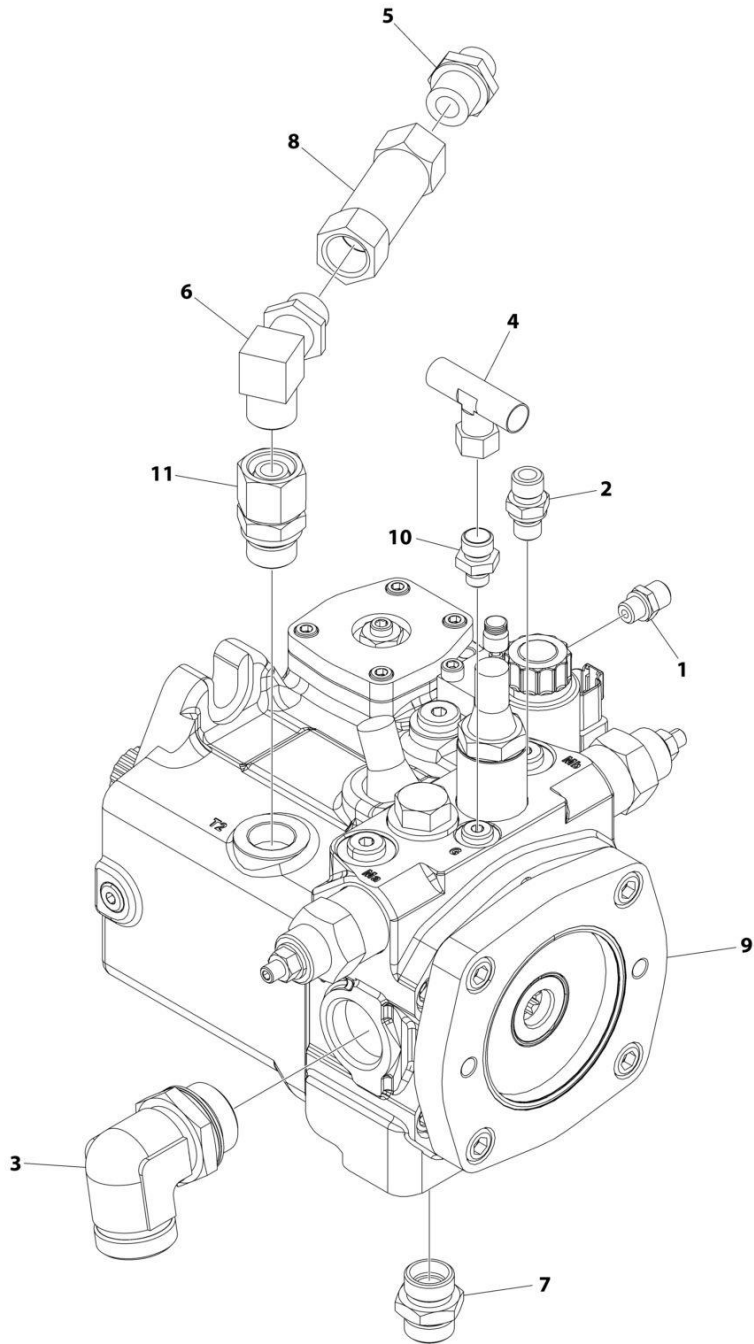
SECTION 9 - HYDRAULIC COMPONENTS

FIGURE 9-3. COMPENSATION CYLINDER ASSEMBLY

ITEM	PART NUMBER	QTY	DESCRIPTION	REV
	1001303002	Ref	COMPENSATION CYLINDER ASSEMBLY	A
	See Note	Ref	Note: Original Cylinder May Have Been Replaced with Service Replacement. Identify PN Stamped on Cylinder Before Ordering Parts.	
	See Note	Ref	Note: No Other Service Parts Available	
1	70031555	1	Kit, Seal	
2	70031556	4	Bushing	

SECTION 9 - HYDRAULIC COMPONENTS

FIGURE 9-4. DRIVE PUMP INSTALLATION



ART_1001305725

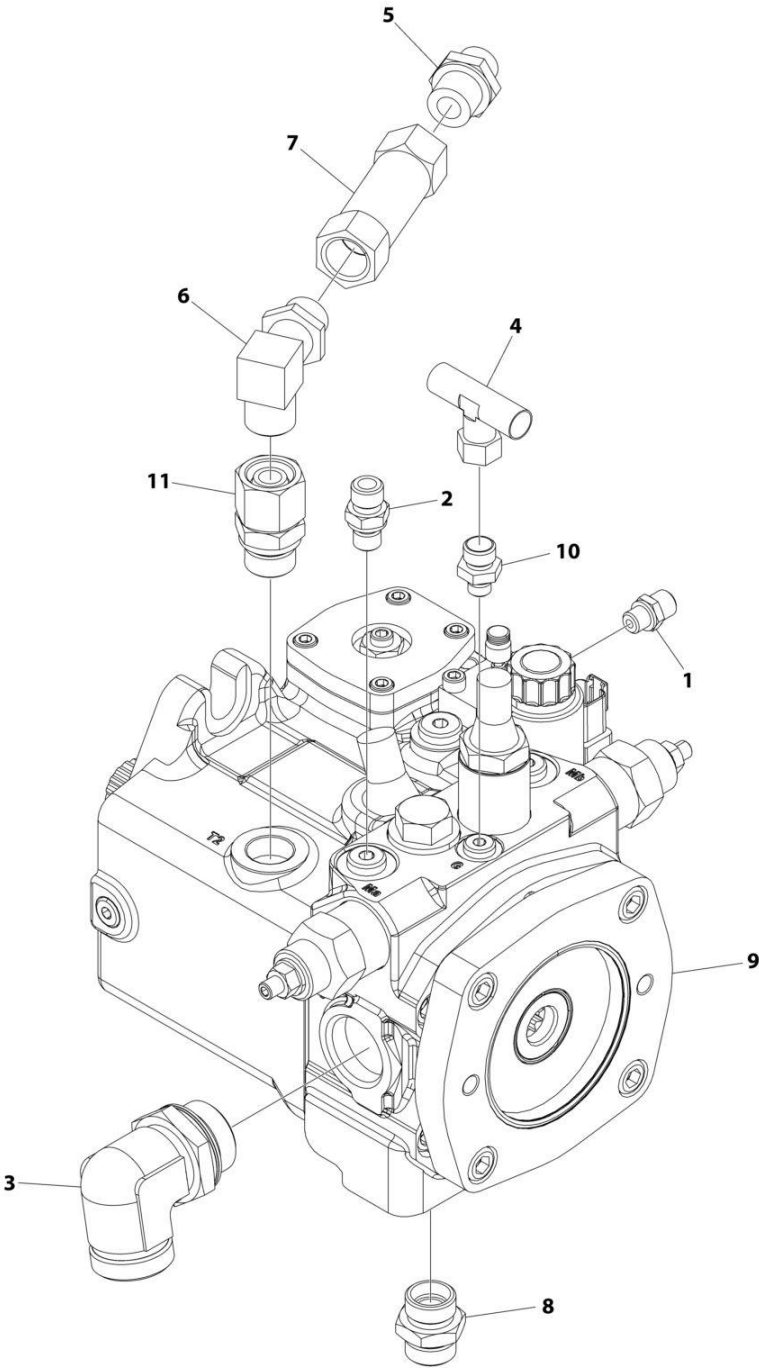
SECTION 9 - HYDRAULIC COMPONENTS

FIGURE 9-4. DRIVE PUMP INSTALLATION

ITEM	PART NUMBER	QTY	DESCRIPTION	REV
	1001305725	Ref	DRIVE PUMP INSTALLATION	A
1	2140801	1	Fitting, Straight	
2	2140814	1	Fitting, Straight MBTL/MORR	
3	2141108	1	Fitting, 90 MBTL/MORR	
4	2142102	1	Fitting, Tee	
5	2142713	1	Fitting, Straight	
6	2143007	1	Fitting, 90	
7	1001263116	1	Fitting, Straight	
8	1001262957	1	Valve, Pressure Check	
9	1001302721	1	Drive Pump Assembly (See Separate Breakdown in this Section)	
10	1001306072	1	Fitting, Straight MBTL/MST	
11	1001306073	1	Fitting, Straight MBTL/MST	

SECTION 9 - HYDRAULIC COMPONENTS

FIGURE 9-5. DRIVE PUMP ASSEMBLY (HIGH FLOW)



ART_1001311854

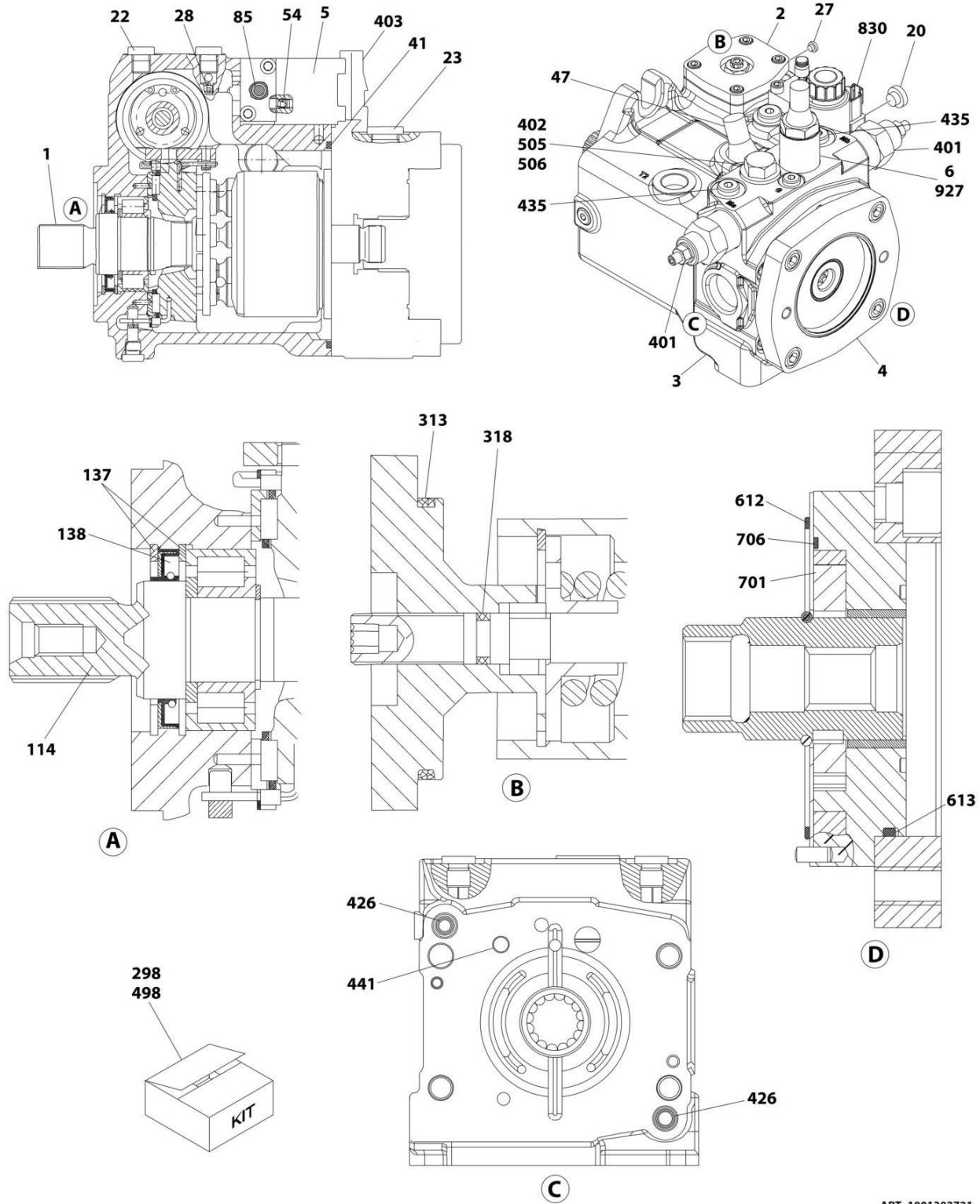
SECTION 9 - HYDRAULIC COMPONENTS

FIGURE 9-5. DRIVE PUMP ASSEMBLY (HIGH FLOW)

ITEM	PART NUMBER	QTY	DESCRIPTION	REV
	1001311854	Ref	PUMP SUB-ASSEMBLY - DRIVE (HIGH FLOW)	A
1	2140801	1	Fitting, Straight	
2	2140814	1	Fitting, Straight MBTL/MORR	
3	2141108	1	Fitting, 90 MBTL/MORR	
4	2142102	1	Fitting, Tee	
5	2142713	1	Fitting, Straight	
6	2143007	1	Fitting, 90	
7	1001262957	1	Valve, Pressure Check	
8	1001263116	1	Fitting, Straight	
9	1001302721	1	Drive Pump Assembly (See Separate Breakdown in this Section)	
10	1001306072	1	Fitting, Straight MBTL/MST	
11	1001306073	1	Fitting, Straight MBTL/MST	

SECTION 9 - HYDRAULIC COMPONENTS

FIGURE 9-6. DRIVE PUMP ASSEMBLY



ART_1001302721

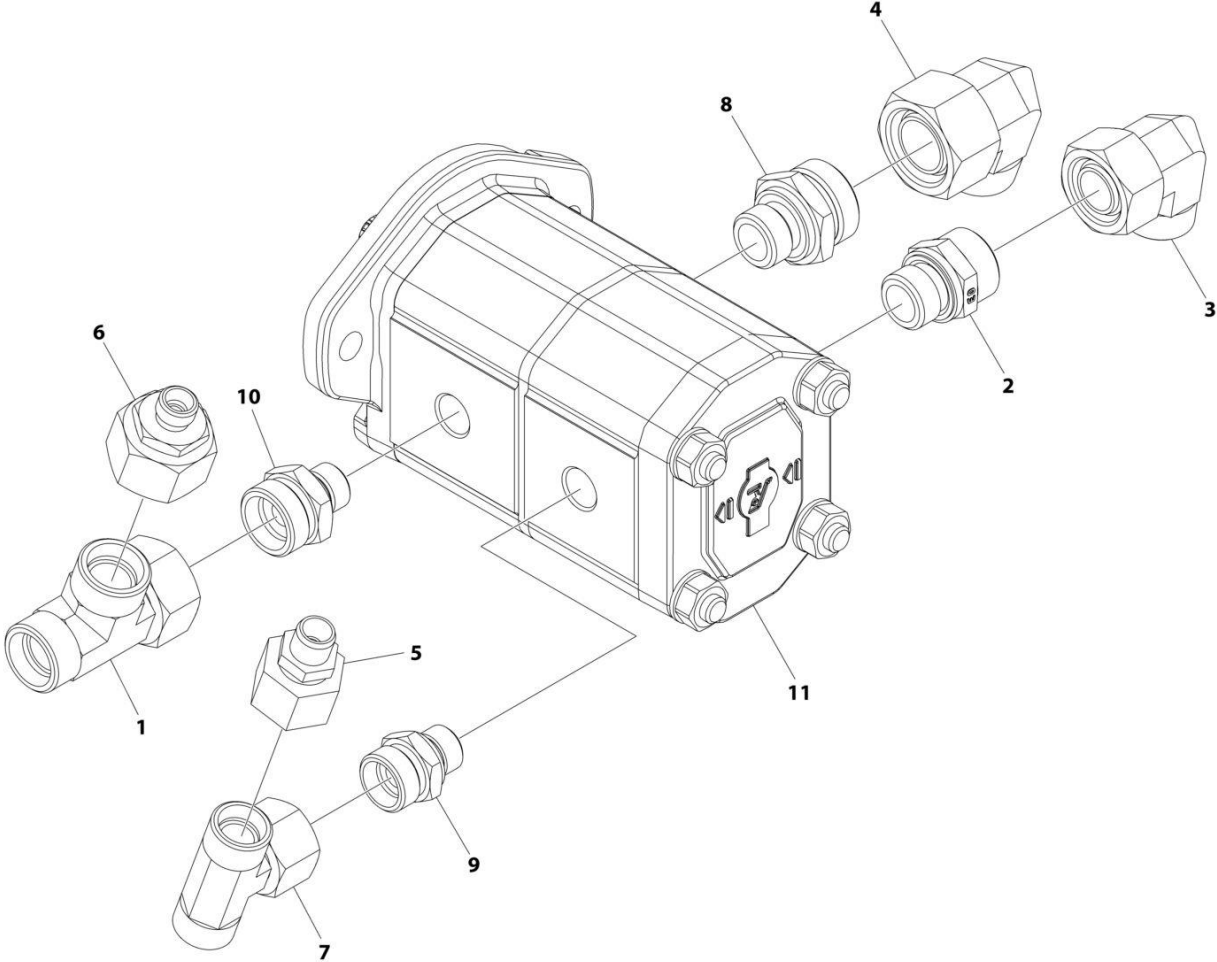
SECTION 9 - HYDRAULIC COMPONENTS

FIGURE 9-6. DRIVE PUMP ASSEMBLY

ITEM	PART NUMBER	QTY	DESCRIPTION	REV
	1001302721	Ref	DRIVE PUMP ASSEMBLY	A
	See Note	Ref	(Note: No Other Service Parts Available)	
1	70031524	1	Assembly, Rotary Group (Includes Items 114 -138)	
2	70031525	1	Assembly, Control (Includes Items 298, 313 & 318)	
3	NPN	1	Assembly, Connection Block (Note: Complete Assembly Not Available for Purchase, See Items 401 - 498)	
4	70031526	1	Assembly, Gear Pump (612, 613, 701 & 706)	
5	70031527	1	Assembly, Inching Valve (Includes Item 830)	
6	70031528	1	Cartridge, Control (Includes Item 927)	
20	91084327	1	Plug	
22	80934091	3	Plug	
23	7018975	1	Plug	
27	70003340	1	Plug	
28	70020324	2	Nozzle	
41	7024069	1	O-Ring	
47	70020323	1	Nut	
49	70031105	1	Nozzle (Not Shown)	
54	70020324	1	Nozzle	
85	70031529	1	Element, Control	
114	7023887	1	Shaft, Drive	
137	70001968	2	Ring, Retaining	
138	70031530	1	Seal	
298	70003168	1	Kit, Seal	
313	7024071	1	O-Ring	
318	7024072	1	O-Ring	
401	70031531	2	Valve, Pressure Relief	
402	70031532	1	Valve, Pressure Relief (Includes Items 505 & 506)	
403	70031533	1	Valve, Pressure Relief	
411	70003340	1	Plug (Not Shown)	
426	7024908	2	O-Ring	
435	80934091	2	Plug	
441	80934598	1	Plug	
498	70003169	1	Kit, Seal	
505	70003172	1	Seal	
506	7024077	1	O-Ring	
612	7024080	1	Seal	
613	7024081	1	O-Ring	
701	7024078	1	Set, Gear	
706	7024080	1	Seal	
830	7028876	2	Solenoid	
927	7024075	1	O-Ring	

SECTION 9 - HYDRAULIC COMPONENTS

FIGURE 9-7. GEAR PUMP INSTALLATION



ART_1001303855

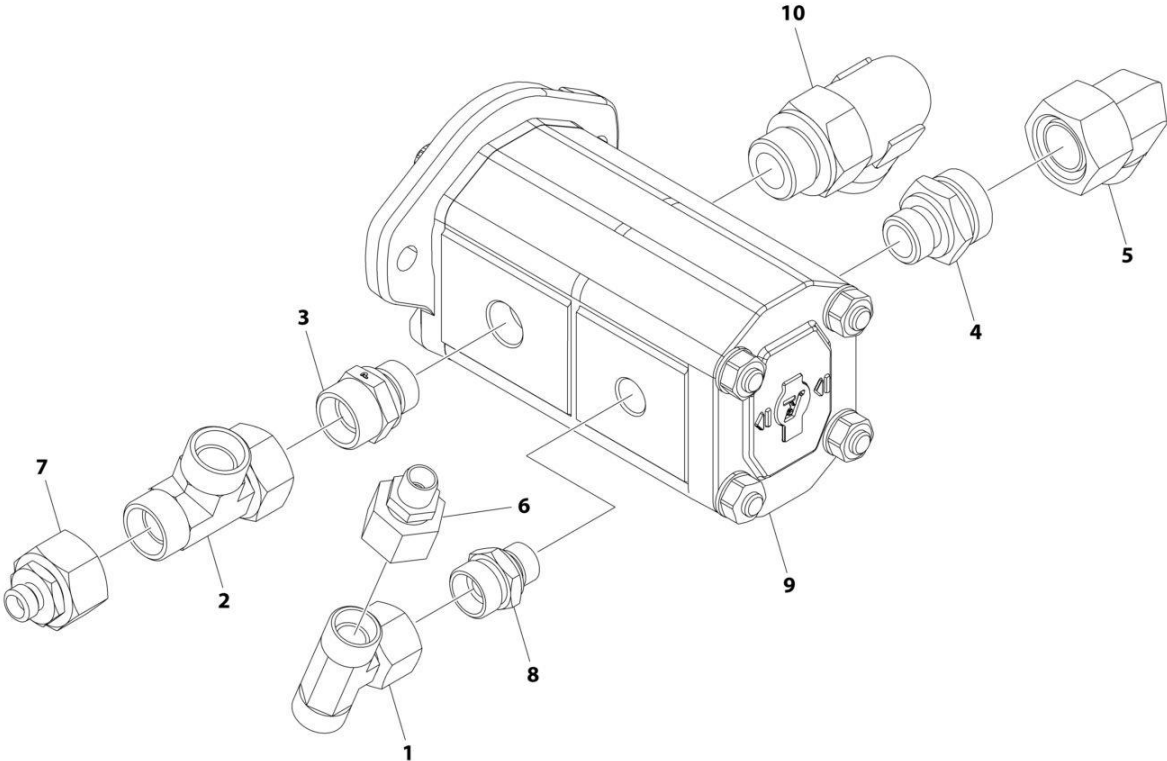
SECTION 9 - HYDRAULIC COMPONENTS

FIGURE 9-7. GEAR PUMP INSTALLATION

ITEM	PART NUMBER	QTY	DESCRIPTION	REV
	1001303855	Ref	GEAR PUMP INSTALLATION	A
1	2142206	1	Fitting, Tee	
2	2142716	1	Fitting, Straight	
3	2143406	1	Fitting, 90	
4	2143407	1	Fitting, 90	
5	2143509	1	Fitting, Straight	
6	2143513	1	Fitting, Straight	
7	2142105	1	Fitting, Tee	
8	2142747	1	Fitting, Straight	
9	1001263126	1	Fitting, Straight	
10	1001263143	1	Fitting, Straight	
11	1001302722	1	Assembly, Gear Pump (No Service Parts Available)	

SECTION 9 - HYDRAULIC COMPONENTS

FIGURE 9-8. GEAR PUMP INSTALLATION (HIGH FLOW)



ART_1001311767

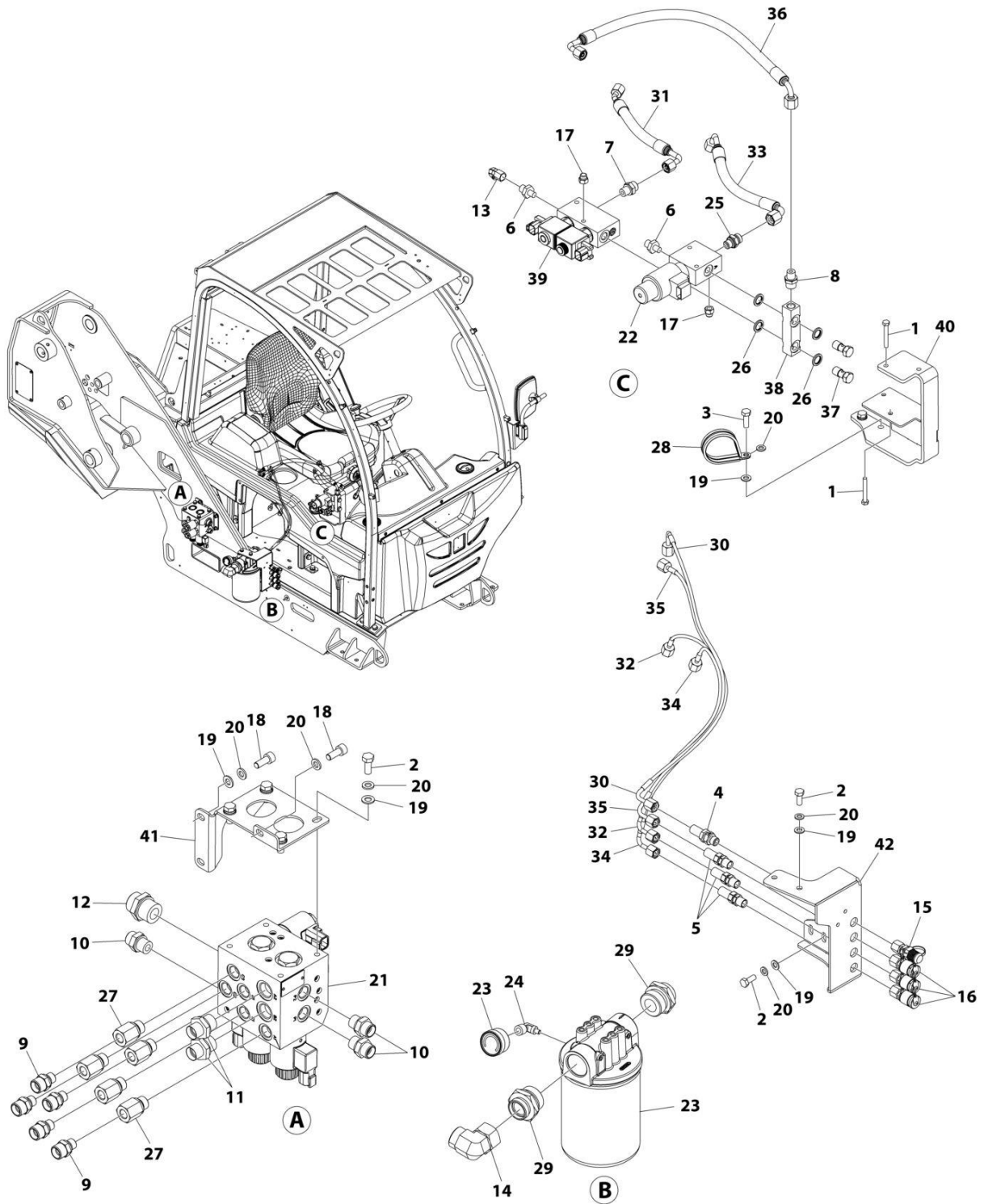
SECTION 9 - HYDRAULIC COMPONENTS

FIGURE 9-8. GEAR PUMP INSTALLATION (HIGH FLOW)

ITEM	PART NUMBER	QTY	DESCRIPTION	REV
	1001311767	Ref	GEAR PUMP SUB-ASSEMBLY (HIGH FLOW)	A
1	2142105	1	Fitting, Tee	
2	2142206	1	Fitting, Tee	
3	2142716	1	Fitting, Straight	
4	2142747	1	Fitting, Straight	
5	2143407	1	Fitting, 90	
6	2143509	1	Fitting, Straight	
7	2143513	1	Fitting, Straight	
8	1001263126	1	Fitting, Straight	
9	1001311801	1	Gear Pump Assembly (No Service Parts Available - Purchase Complete Assembly)	
10	1001311818	1	Fitting, 90	

SECTION 9 - HYDRAULIC COMPONENTS

FIGURE 9-9. HYDRAULIC FILTER & VALVES INSTALLATION



ART_1001305836

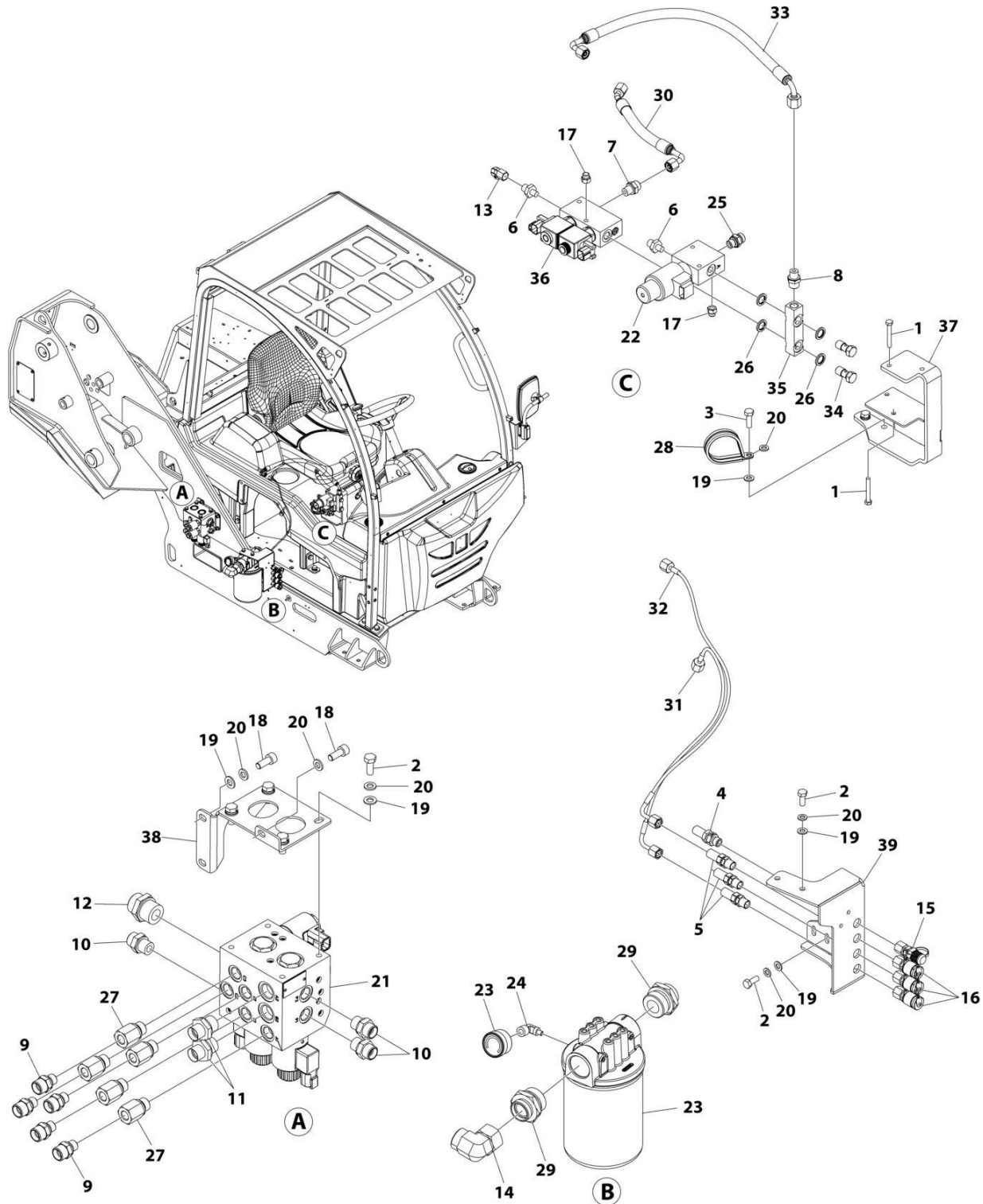
SECTION 9 - HYDRAULIC COMPONENTS

FIGURE 9-9. HYDRAULIC FILTER & VALVES INSTALLATION

ITEM	PART NUMBER	QTY	DESCRIPTION	REV
	1001305836	Ref	HYDRAULIC FILTER & VALVES INSTALLATION	A
1	0700617	4	Bolt M6 x 45	
2	0760810	8	Bolt M8 x 20	
3	0760812	2	Bolt M8 x 25	
4	2141511	1	Fitting, Straight	
5	2141607	3	Fitting, Straight	
6	2142704	2	Fitting, Straight	
7	2142706	1	Fitting, Straight	
8	2142708	1	Fitting, Straight	
9	2142711	5	Fitting, Straight	
10	2142712	3	Fitting, Straight	
11	2142713	2	Fitting, Straight	
12	2142717	1	Fitting, Straight	
13	2143401	1	Fitting, 90	
14	2143408	1	Fitting, 90	
15	2144111	1	Fitting, Diagnostic Tip	
16	2988632	3	Fitting, Test	
17	3290806	4	Nut M8	
18	4031908	3	Capscrew M8 x 20	
19	4811900	12	Washer M8	
20	4831900	13	Washer M8	
21	1001262952	1	Valve, Main Control (No Service Parts Available)	
22	1001262955	1	Valve, 3 Way Selector (No Service Parts Available)	
23	1001262964	1	Filter, Hydraulic	
23	70030136	1	Element, Filter	
23	70030137	1	Gauge	
24	1001262988	1	Fitting, 90	
25	1001263099	1	Fitting, Straight	
26	1001263142	4	Seal	
27	1001263572	5	Fitting, Straight	
28	1001304559	1	Clamp	
29	1001306075	2	Fitting, Straight	
30	1001306318	1	Hose	
31	1001306319	1	Hose	
32	1001306321	1	Hose	
33	1001306322	1	Hose	
34	1001306324	1	Hose	
35	1001306325	1	Hose	
36	1001306326	1	Hose	
37	1001306504	2	Fitting	
38	1001306506	1	Manifold	
39	1001306571	1	Valve, Hydraulic (No Service Parts Available)	
40	1001306574	1	Bracket	
41	1001306575	1	Bracket	
42	1001306576	1	Bracket	

SECTION 9 - HYDRAULIC COMPONENTS

FIGURE 9-10. HYDRAULIC FILTER & VALVES INSTALLATION (HIGH FLOW)



ART_1001311867

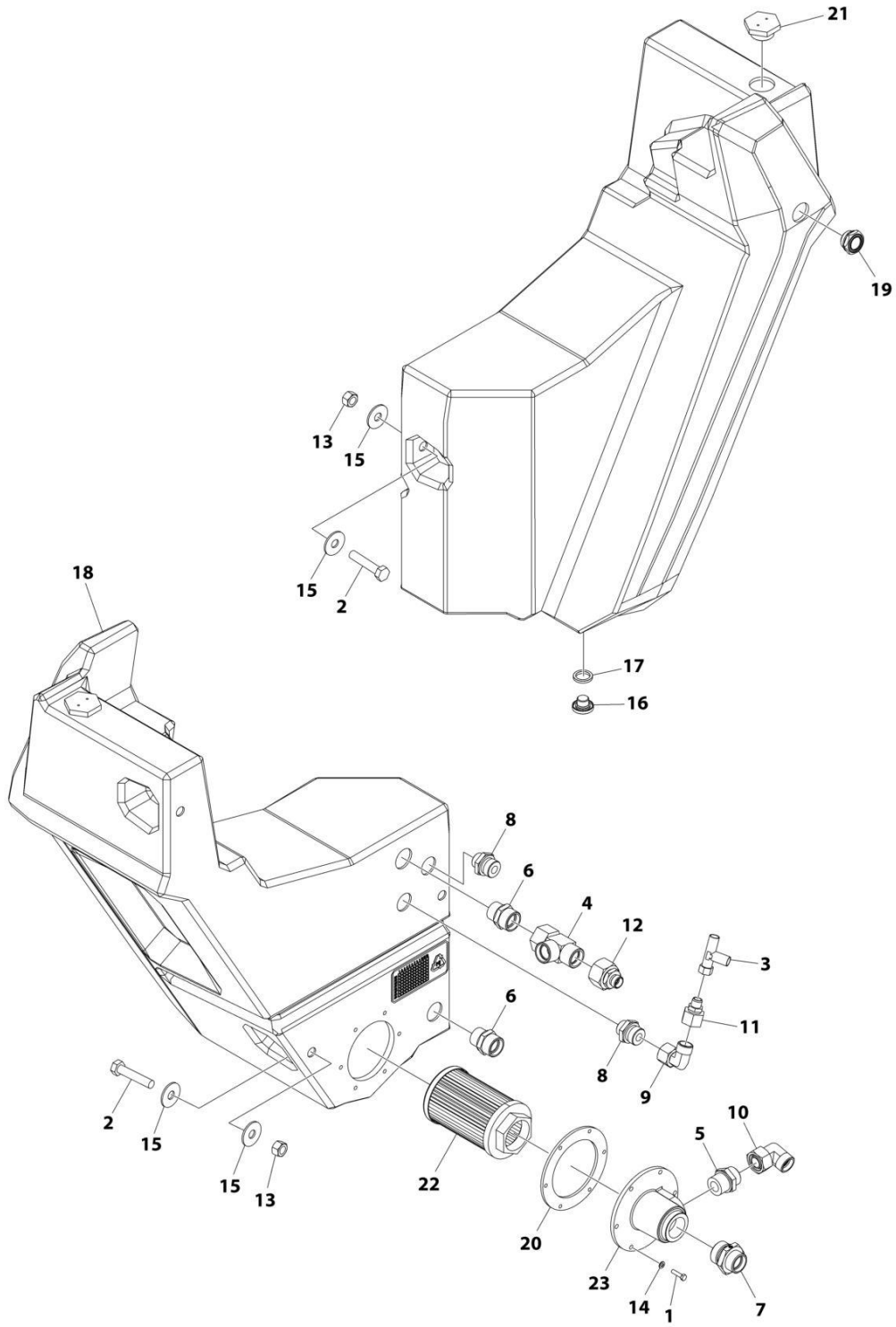
SECTION 9 - HYDRAULIC COMPONENTS

FIGURE 9-10. HYDRAULIC FILTER & VALVES INSTALLATION (HIGH FLOW)

ITEM	PART NUMBER	QTY	DESCRIPTION	REV
	1001311867	Ref	FILTER HOSES INSTALLATION (HIGH FLOW)	A
1	0700617	4	Bolt M6 x 45	
2	0760810	8	Bolt M8 x 20	
3	0760812	2	Bolt M8 x 25	
4	2141511	1	Fitting, Straight	
5	2141607	3	Fitting, Straight	
6	2142704	2	Fitting, Straight	
7	2142706	1	Fitting, Straight	
8	2142708	1	Fitting, Straight	
9	2142711	5	Fitting, Straight	
10	2142712	3	Fitting, Straight	
11	2142713	2	Fitting, Straight	
12	2142717	1	Fitting, Straight	
13	2143401	1	Fitting, 90	
14	2143408	1	Fitting, 90	
15	2144111	1	Fitting, Diagnostic Tip	
16	2988632	3	Fitting, Test	
17	3290806	4	Nut M8	
18	4031908	3	Capscrew M8 x 20	
19	4811900	12	Washer M8	
20	4831900	13	Washer M8	
21	1001262952	1	Valve, Main Control (No Service Parts Available)	
22	1001262955	1	Valve, 3-Way Selector (No Service Parts Available)	
23	1001262964	1	Filter, Hydraulic	
23	70030136	1	Element, Filter	
23	70030137	1	Gauge	
24	1001262988	1	Fitting, 90	
25	1001263099	1	Fitting, Straight	
26	1001263142	4	Seal	
27	1001263572	5	Fitting, Straight	
28	1001304559	1	Clamp	
29	1001306075	2	Fitting, Straight	
30	1001306319	1	Hose	
31	1001306324	1	Hose	
32	1001306325	1	Hose	
33	1001306326	1	Hose	
34	1001306504	2	Fitting	
35	1001306506	1	Manifold	
36	1001306571	1	Valve, Hydraulic (No Service Parts Available)	
37	1001306574	1	Bracket	
38	1001306575	1	Bracket	
39	1001306576	1	Bracket	

SECTION 9 - HYDRAULIC COMPONENTS

FIGURE 9-11. HYDRAULIC TANK INSTALLATION



ART_1001301786

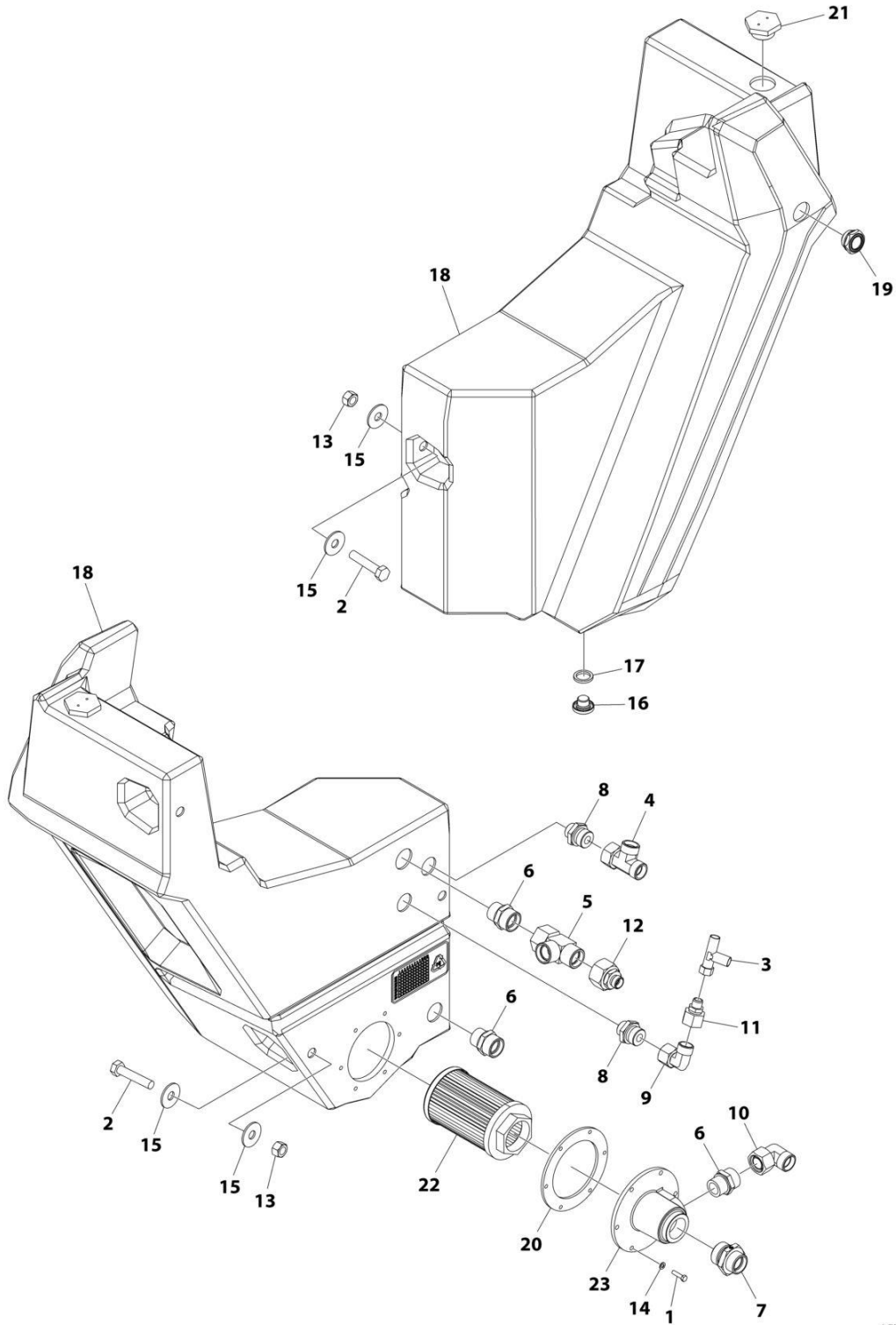
SECTION 9 - HYDRAULIC COMPONENTS

FIGURE 9-11. HYDRAULIC TANK INSTALLATION

ITEM	PART NUMBER	QTY	DESCRIPTION	REV
	1001301786	Ref	HYDRAULIC TANK INSTALLATION	A
1	0700510	6	Bolt M5 x 20	
2	0711220	3	Bolt M12 x 60 Class 10.9	
3	2142202	1	Fitting, Tee	
4	2142207	1	Fitting, Tee	
5	2142717	1	Fitting, Sraight	
6	2142718	2	Fitting, Sraight	
7	2142748	1	Fitting, Sraight	
8	2142757	2	Fitting, Sraight	
9	2143405	1	Fitting, 90	
10	2143406	1	Fitting, 90	
11	2143509	1	Fitting, Sraight	
12	2143520	1	Fitting, Straight	
13	3291207	3	Nut M12	
14	4811600	6	Washer M5	
15	4812102	6	Washer M12	
16	1001262978	1	Plug	
17	1001262987	1	Seal	
18	1001306141	1	Tank, Hydraulic	
19	1001306142	1	Plug, Optical	
20	1001262985	1	Gasket	
21	1001262983	1	Cap, Breather	
22	1001262986	1	Filter, Hydraulic	
23	1001262989	1	Flange	

SECTION 9 - HYDRAULIC COMPONENTS

FIGURE 9-12. HYDRAULIC TANK INSTALLATION (HIGH FLOW)



ART_1001311717

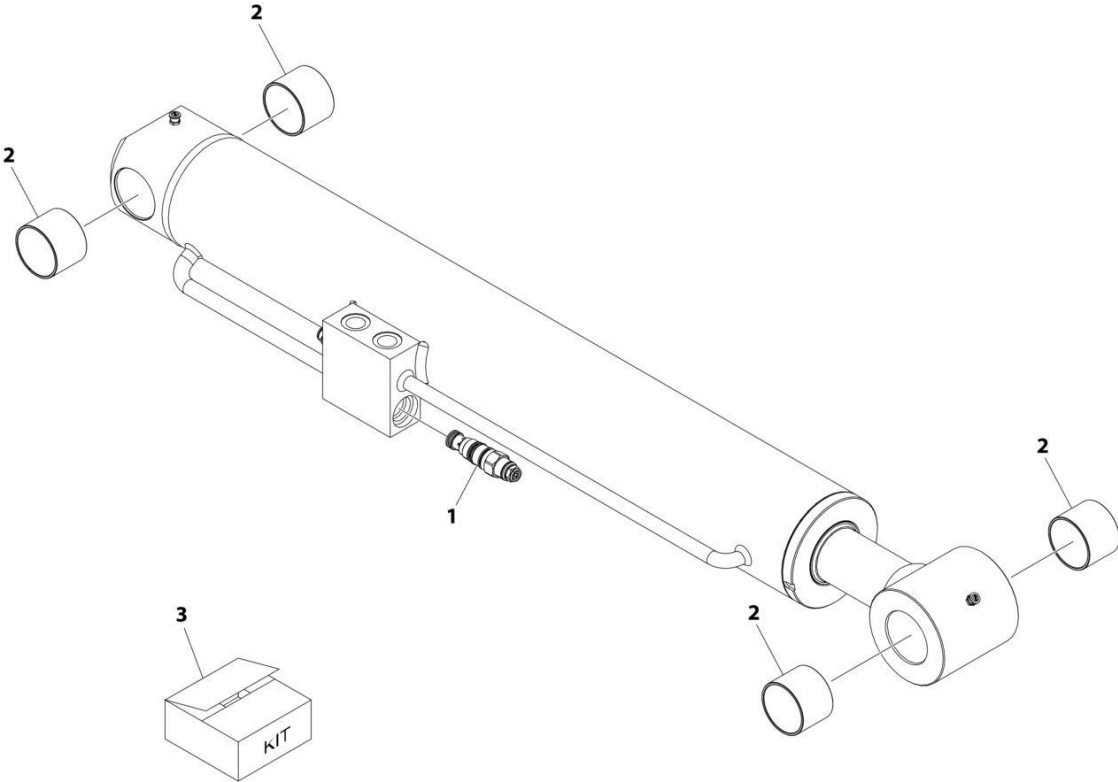
SECTION 9 - HYDRAULIC COMPONENTS

FIGURE 9-12. HYDRAULIC TANK INSTALLATION (HIGH FLOW)

ITEM	PART NUMBER	QTY	DESCRIPTION	REV
	1001311717	Ref	HYDRAULIC TANK INSTALLATION (HIGH FLOW)	A
1	0700510	6	Bolt M5 x 20	
2	0711220	3	Bolt M12 x 60 Class 10.9	
3	2142202	1	Fitting, Tee	
4	2142206	1	Fitting, Tee	
5	2142207	1	Fitting, Tee	
6	2142718	3	Fitting, Sraight	
7	2142748	1	Fitting, Sraight	
8	2142757	2	Fitting, Sraight	
9	2143405	1	Fitting, 90	
10	2143407	1	Fitting, 90	
11	2143509	1	Fitting, Sraight	
12	2143520	1	Fitting, Straight	
13	3291207	3	Nut M12	
14	4811600	6	Washer M5	
15	4812102	6	Washer M12	
16	1001262978	1	Plug	
17	1001262987	1	Seal	
18	1001306141	1	Tank, Hydraulic	
19	1001306142	1	Plug, Optical	
20	1001262985	1	Gasket	
21	1001262983	1	Cap, Breather	
22	1001262986	1	Filter, Hydraulic	
23	1001262989	1	Flange	

SECTION 9 - HYDRAULIC COMPONENTS

FIGURE 9-13. LIFT CYLINDER ASSEMBLY



ART_1001303003

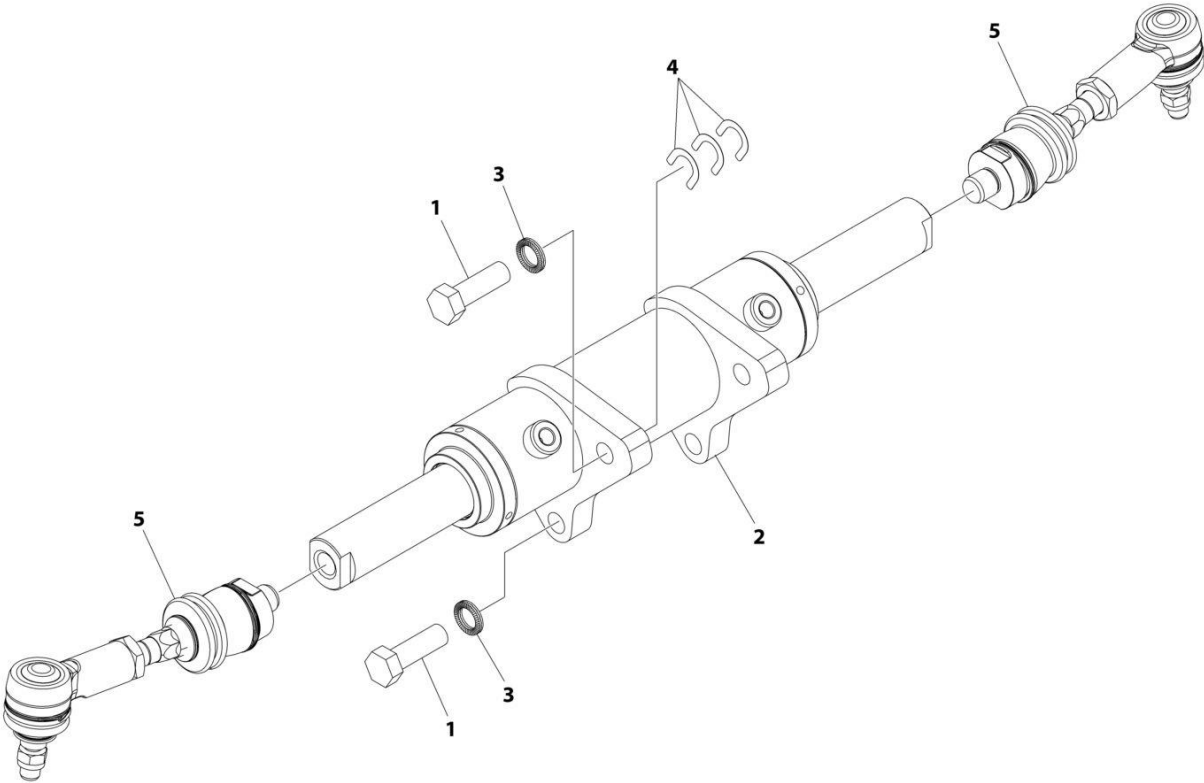
SECTION 9 - HYDRAULIC COMPONENTS

FIGURE 9-13. LIFT CYLINDER ASSEMBLY

ITEM	PART NUMBER	QTY	DESCRIPTION	REV
	1001303003	Ref	LIFT CYLINDER ASSEMBLY	A
	See Note	Ref	Note: Original Cylinder May Have Been Replaced with Service Replacement. Identify PN Stamped on Cylinder Before Ordering Parts.	
	See Note	Ref	Note: No Service Parts Available At Time of Printing	

SECTION 9 - HYDRAULIC COMPONENTS

FIGURE 9-14. STEER CYLINDER SUB-ASSEMBLY



ART_1001307027

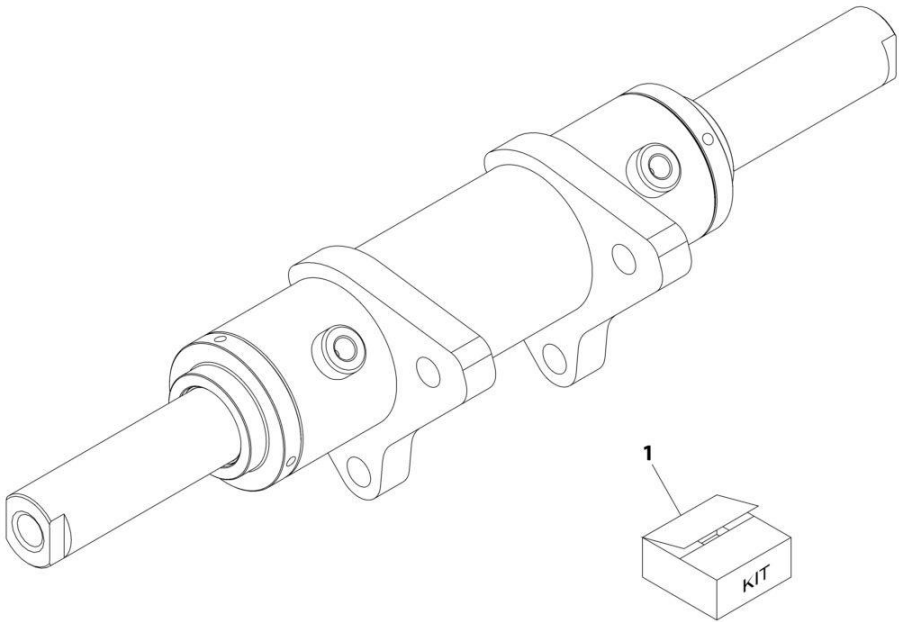
SECTION 9 - HYDRAULIC COMPONENTS

FIGURE 9-14. STEER CYLINDER SUB-ASSEMBLY

ITEM	PART NUMBER	QTY	DESCRIPTION	REV
	1001307027	Ref	STEER CYLINDER SUB-ASSEMBLY	A
1	0701618	4	Bolt M16 x 50	
2	1001307028	1	Steer Cylinder Assembly (See Separate Breakdown in this Section)	
3	1001307031	4	Washer M16	
4	1001307032	6	Shim	
5	1001307033	2	Joint	

SECTION 9 - HYDRAULIC COMPONENTS

FIGURE 9-15. STEER CYLINDER ASSEMBLY



ART_1001307028

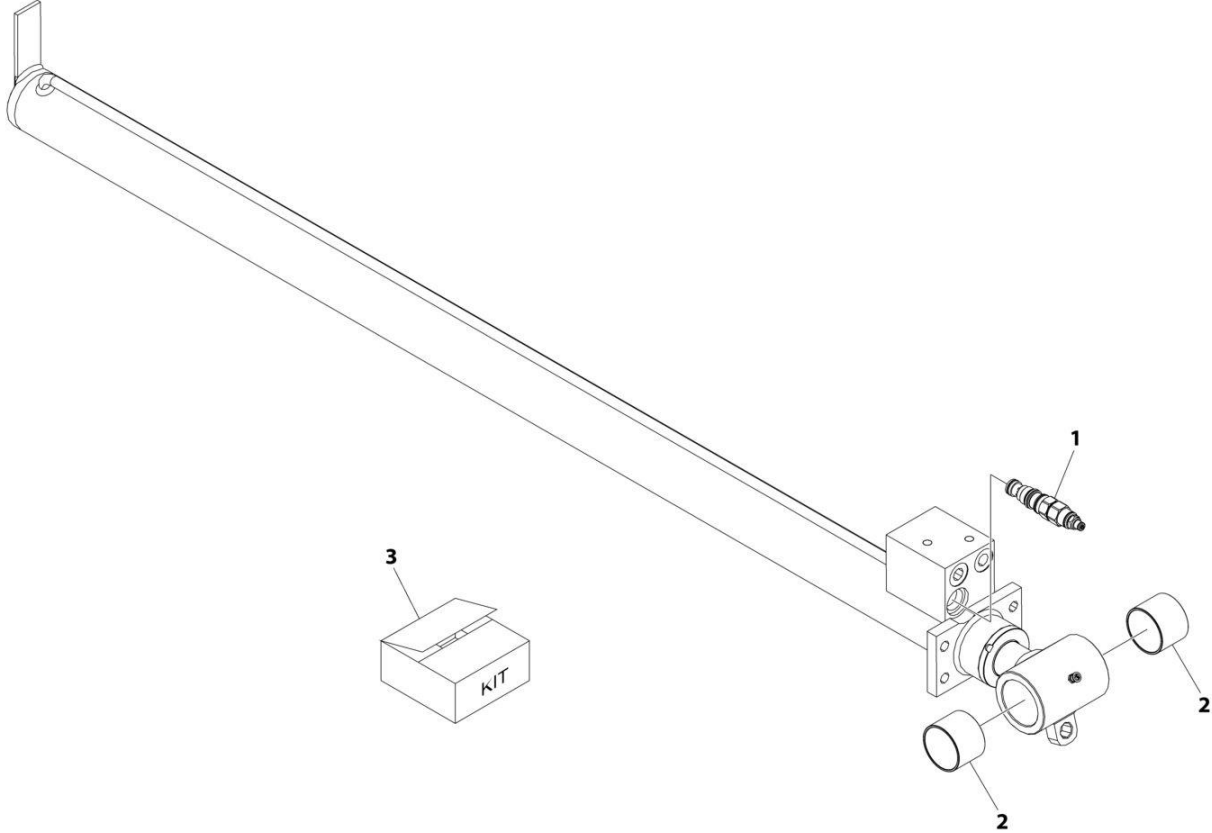
SECTION 9 - HYDRAULIC COMPONENTS

FIGURE 9-15. STEER CYLINDER ASSEMBLY

ITEM	PART NUMBER	QTY	DESCRIPTION	REV
	1001307028	Ref	STEER CYLINDER	A
	See Note	Ref	Note: Original Cylinder May Have Been Replaced with Service Replacement. Identify PN Stamped on Cylinder Before Ordering Parts.	
1	70031819	1	Kit, Seal	

SECTION 9 - HYDRAULIC COMPONENTS

FIGURE 9-16. TELESCOPE CYLINDER ASSEMBLY



ART_1001301850

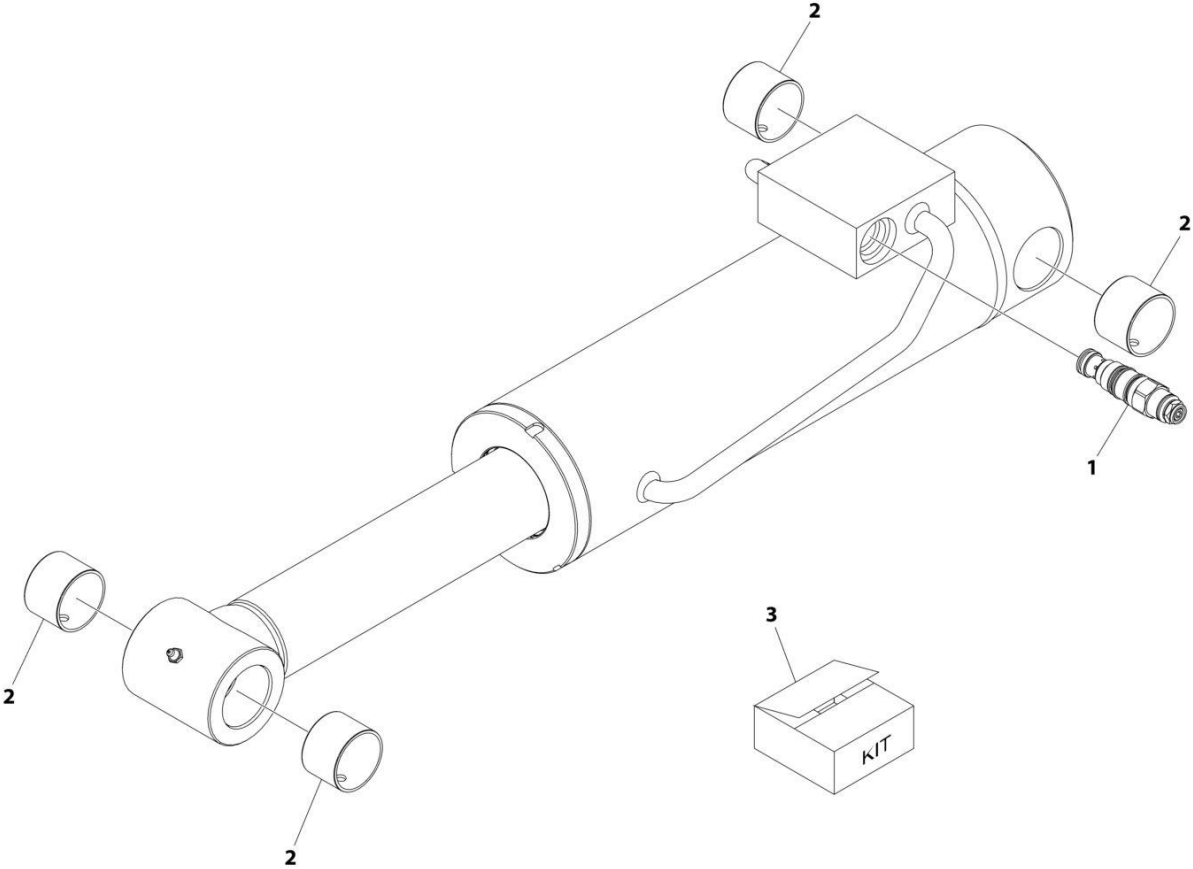
SECTION 9 - HYDRAULIC COMPONENTS

FIGURE 9-16. TELESCOPE CYLINDER ASSEMBLY

ITEM	PART NUMBER	QTY	DESCRIPTION	REV
	1001301850	Ref	TELESCOPE CYLINDER ASSEMBLY	A
	See Note	Ref	Note: Original Cylinder May Have Been Replaced with Service Replacement. Identify PN Stamped on Cylinder Before Ordering Parts.	
1	70031821	1	Cartridge, Valve	
2	70031822	2	Bushing	
3	70031823	1	Kit, Seal	

SECTION 9 - HYDRAULIC COMPONENTS

FIGURE 9-17. TILT CYLINDER ASSEMBLY



ART_1001301975

SECTION 9 - HYDRAULIC COMPONENTS

FIGURE 9-17. TILT CYLINDER ASSEMBLY

ITEM	PART NUMBER	QTY	DESCRIPTION	REV
	1001301975	Ref	TILT CYLINDER ASSEMBLY	A
	See Note	Ref	Note: Original Cylinder May Have Been Replaced with Service Replacement. Identify PN Stamped on Cylinder Before Ordering Parts.	
	See Note	Ref	Note: No Other Service Parts Available	
1	70031560	1	Cartridge	
2	70031561	4	Bushing	
3	70031562	1	Kit, Seal	

SECTION 10 - ELECTRICAL

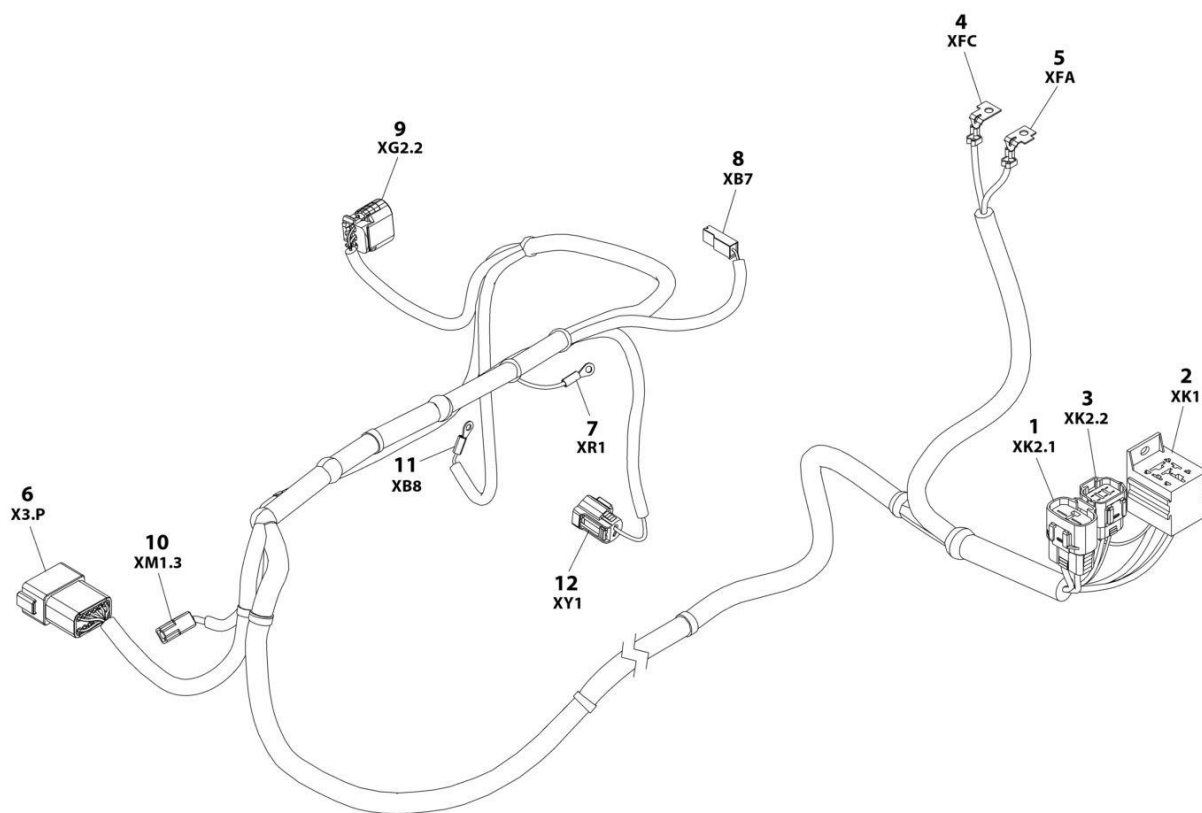
SECTION 10 - ELECTRICAL

FIGURE 10-1. BATTERY INSTALLATION

ITEM	PART NUMBER	QTY	DESCRIPTION	REV
	1001304169	Ref	BATTERY INSTALLATION	A
1	0700610	3	Bolt M6 x 20	
2	0700612	4	Bolt M6 x 25	
3	3290601	1	Nut M6	
4	3290605	6	Nut M6	
5	3290805	4	Nut M8	
6	4031908	2	Capscrew M8 x 20	
7	4811700	4	Washer M6	
8	4831700	2	Washer M6	
9	4831900	2	Washer M8	
10	1001262471	3	Clamp - 18MM	
11	1001264416	1	Nut M6	
12	1001264417	1	Battery	
13	1001264420	3	Capscrew M8 x 20	
14	1001264422	1	Disconnect, Battery	
15	1001264423	1	Cover, Fusebox	
16	1001264425	1	Fuse - 200A	
17	1001264426	1	Fusebox	
18	1001264427	1	Terminal, Battery Disconnect Cable	
19	1001264428	3	Fuse - 50A	
20	1001264429	1	Bracket, Battery Hold Down	
21	1001264674	1	Boot, Terminal - 34MM Head	
22	1001264675	2	Boot, Terminal - 19MM Head	
23	1001304421	2	Bracket	
24	1001304422	1	Tray, Battery	
25	1001304558	1	Clamp - 14MM	
26	1001304559	2	Clamp - 50MM	
27	1001304585	1	Cable, Disconnect	
28	1001304590	1	Battery Harness (See Separate Breakdown in this Section)	
29	1001304594	1	Cable, Starter	
30	1001304595	1	Relay	
31	1001304617	1	Mount, Connector	
32	1001264458	1	Cable, Alternator	
33	1001264465	1	Cable, Ground	
34	1001262288	1	Module, Glow Plug Control (Note: Re-calibration required when replaced)	

SECTION 10 - ELECTRICAL

FIGURE 10-2. BATTERY HARNESS



ART_1001304590

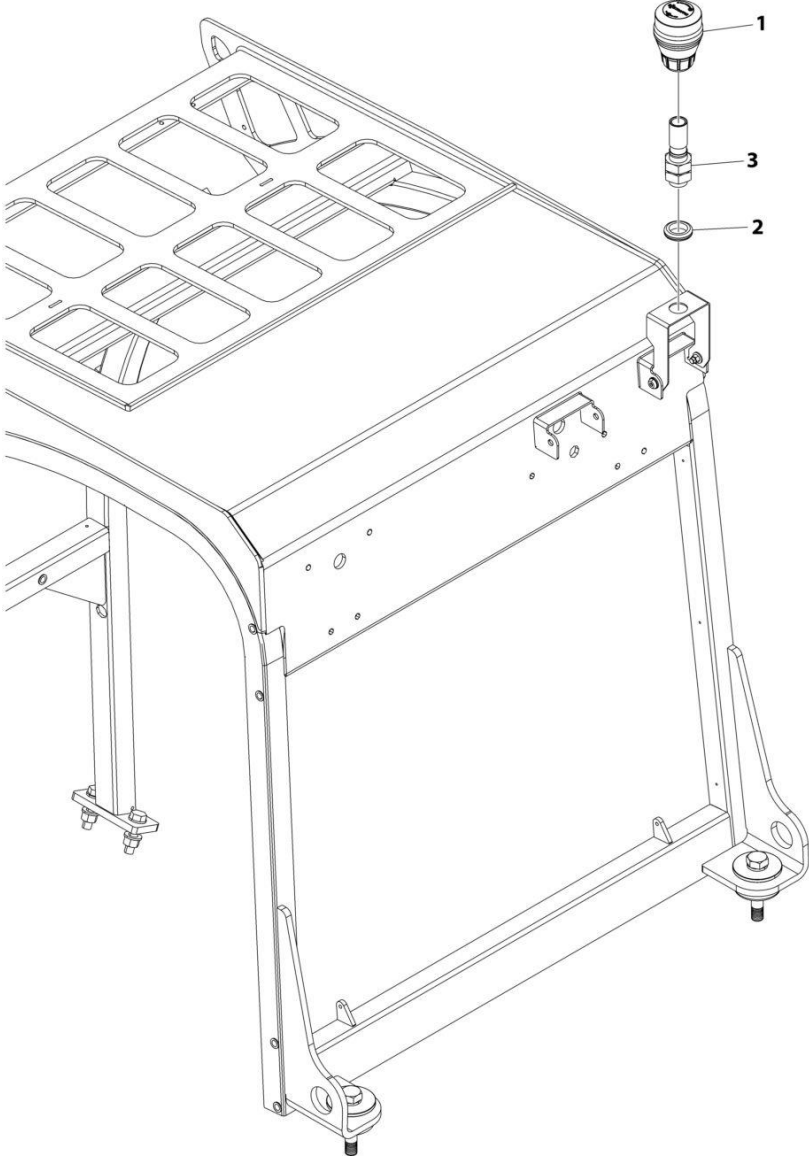
SECTION 10 - ELECTRICAL

FIGURE 10-2. BATTERY HARNESS

ITEM	PART NUMBER	QTY	DESCRIPTION	REV
	1001304590	Ref	BATTERY HARNESS	A
	See Note	Ref	Note: No Other Service Parts Available at Time of Printing	
1	NPN	1	Connector	
2	NPN	1	Connector	
3	NPN	1	Connector	
4	NPN	1	Connector	
5	NPN	1	Connector	
6	4460970	1	Connector	
6	1001116693	6	Socket - Nickel	
6	NPN	2	Socket	
6	4460466	4	Plug	
7	NPN	1	Terminal, Ring - 12AWG	
8	NPN	1	Connector	
9	NPN	1	Connector	
9	1001125773	2	Socket	
9	1001129773	1	Plug	
9	1001248229	2	Seal	
10	NPN	1	Connector	
11	NPN	1	Terminal, Ring - 18AWG	
12	NPN	1	Connector	

SECTION 10 - ELECTRICAL

FIGURE 10-3. BEACON INSTALLATION



ART_1001307828

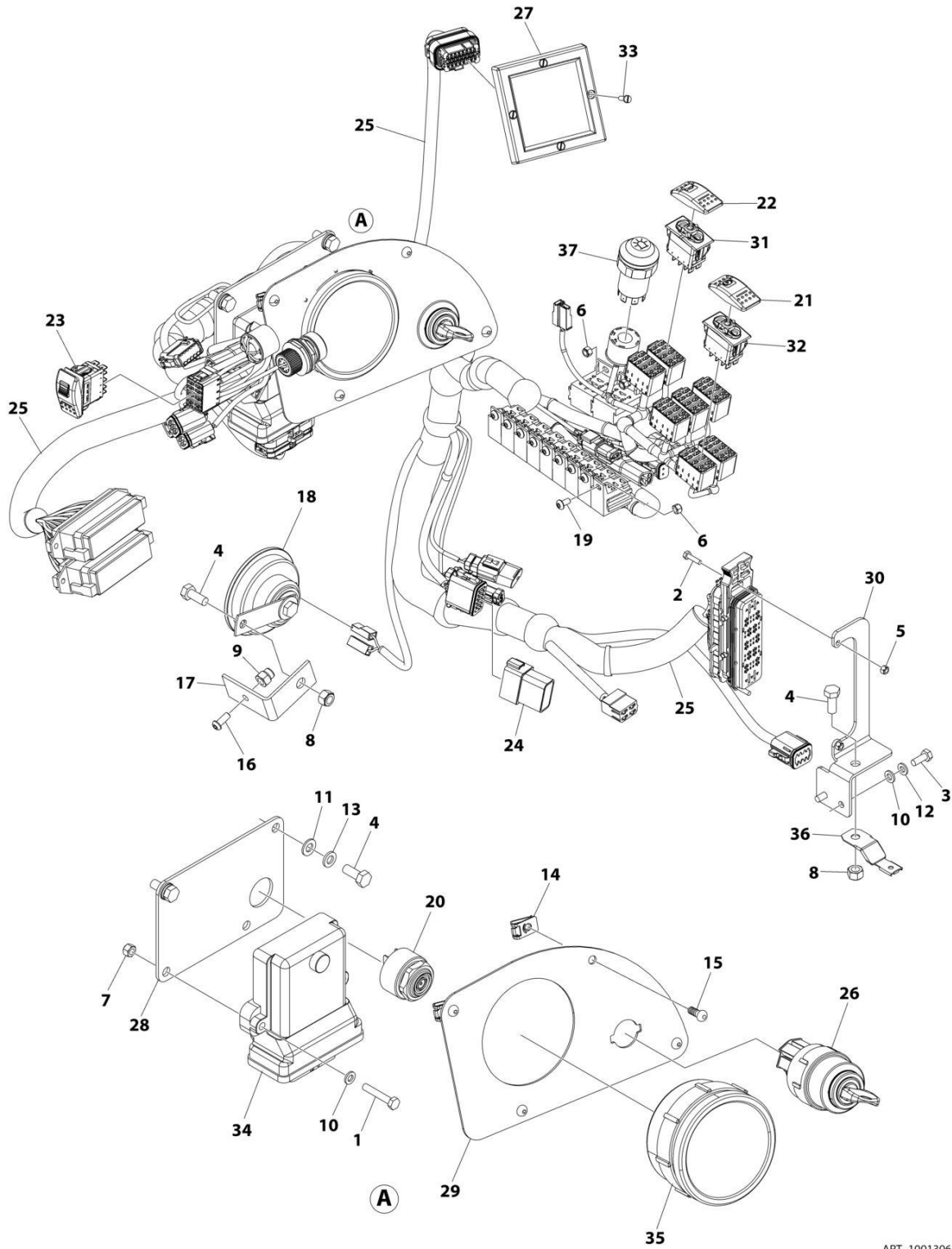
SECTION 10 - ELECTRICAL

FIGURE 10-3. BEACON INSTALLATION

ITEM	PART NUMBER	QTY	DESCRIPTION	REV
	1001307828	Ref	BEACON INSTALLATION	A
1	1001308516	1	Beacon	
2	1001309048	1	Grommet	
3	1001264268	1	Mount, Beacon	

SECTION 10 - ELECTRICAL

FIGURE 10-4. CAB ELECTRICAL INSTALLATION



ART_1001306136

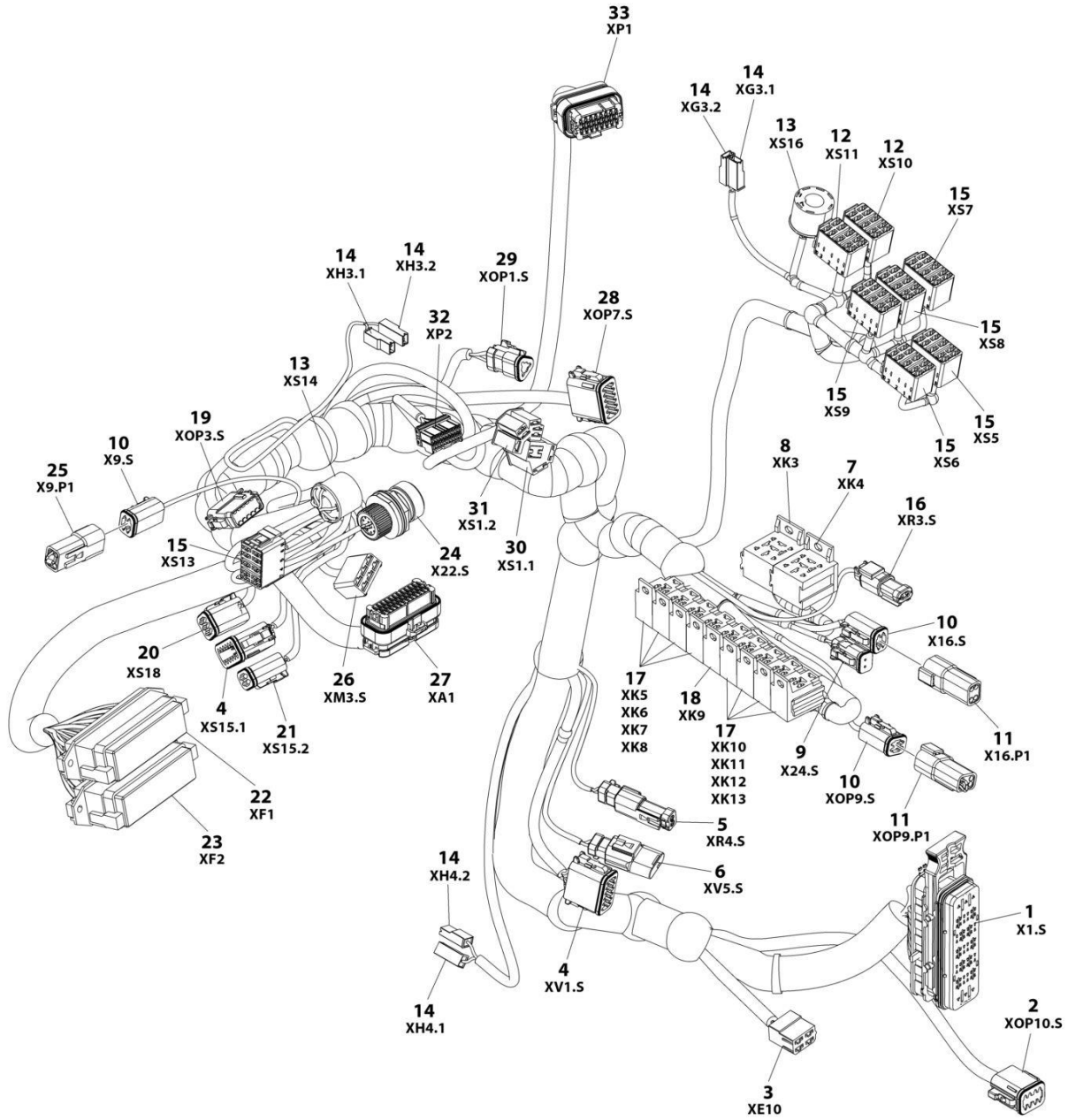
SECTION 10 - ELECTRICAL

FIGURE 10-4. CAB ELECTRICAL INSTALLATION

ITEM	PART NUMBER	QTY	DESCRIPTION	REV
	1001306136	Ref	CAB ELECTRICAL INSTALLATION	A
1	0700615	2	Bolt M6 x 35	
2	0760408	2	Bolt M4 x 16	
3	0760608	2	Bolt M6 x 16	
4	0760810	4	Bolt M8 x 20	
5	3290405	2	Nut M4	
6	3290505	11	Nut M5	
7	3290605	2	Nut M6	
8	3290805	2	Nut M8	
9	3290806	1	Nut M8	
10	4811700	4	Washer M6	
11	4811900	2	Washer M8	
12	4831700	2	Washer M6	
13	4831900	2	Washer M8	
14	8305919	4	Nut, Tinnerman M6	
15	1001262607	4	Capscrew M6 x 20 Class 10.9	
16	1001264021	1	Capscrew M6 x 15 Class 10.9	
17	1001264271	1	Bracket, Horn	
18	1001264273	1	Alarm	
19	1001264388	9	Capscrew M5 x 10 Class 10.9	
20	1001306644	1	Timer, Acoustic	
21	1001306645	1	Rocker, Parking Switch	
22	1001306646	1	Rocker, Horn Switch	
23	1001306647	1	Switch, Lockout	
24	1001306648	1	Connector	
25	1001306649	1	Cab Harness (See Separate Breakdown in this Section)	
26	1001306650	1	Switch, Ignition	
27	1001306651	1	Display, LSI	
28	1001306652	1	Plate	
29	1001306653	1	Panel, Instrument	
30	1001306655	1	Bracket	
31	1001306657	1	Switch, Horn	
32	1001306659	1	Switch, Parking	
33	1001306660	4	Screw M4 x 20	
34	1001306666	1	Module, Control (Note: Re-calibration required when replaced)	
35	1001306668	1	Display, Dash	
36	1001306669	1	Mount	
37	1001306670	1	Switch, Headlight	

SECTION 10 - ELECTRICAL

FIGURE 10-5. CAB HARNESS



ART_1001306649

SECTION 10 - ELECTRICAL

FIGURE 10-5. CAB HARNESS

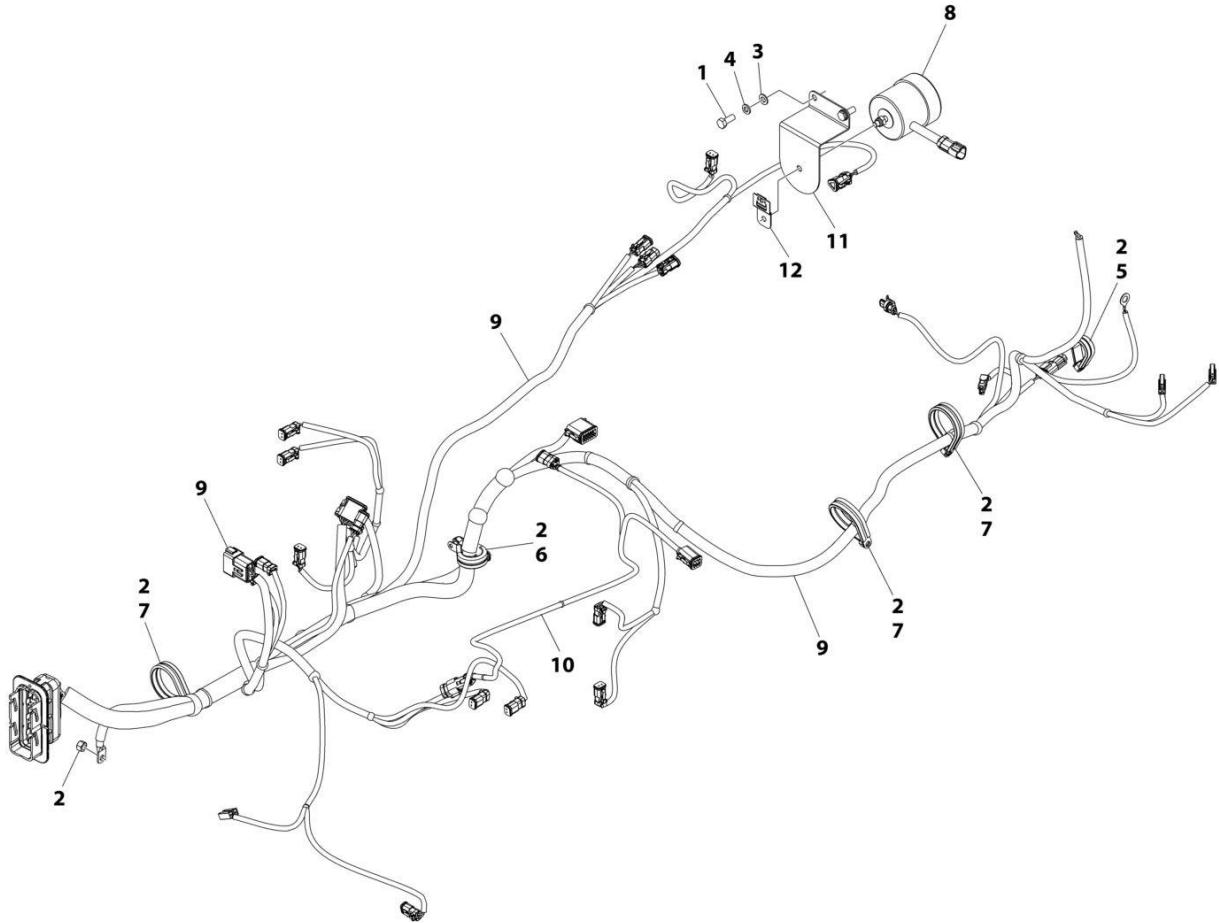
ITEM	PART NUMBER	QTY	DESCRIPTION	REV
	1001306649	Ref	CAB HARNESS	A
	See Note	Ref	Note: No Other Service Parts Available at Time of Printing	
1	NPN	1	Connector	
1	1001163340	10	Plug	
2	4460930	1	Connector	
2	1001116692	1	Socket - 14AWG to 18AWG	
2	NPN	6	Socket - 20AWG	
2	4460466	1	Plug	
3	1001116986	1	Connector	
4	4460933	2	Connector	
4	1001116692	16	Socket - 14AWG to 18AWG	
4	NPN	8	Socket - 20AWG	
5	NPN	1	Connector	
6	NPN	1	Connector	
6	1001116816	1	Connector, Diode	
7	NPN	1	Relay	
8	NPN	1	Relay	
9	NPN	1	Connector	
9	1001116692	2	Socket	
10	1001220379	3	Connector	
11	1001281269	2	Connector	
11	1001116692	4	Socket	
11	4460466	4	Plug	
12	NPN	2	Connector	
12	1001118385	7	Socket - Tin	
12	NPN	12	Socket	
13	NPN	2	Connector	
14	NPN	6	Connector	
15	NPN	6	Connector	
16	4461290	1	Connector	
16	1001116694	2	Socket	
17	NPN	8	Relay	
18	NPN	1	Relay	
18	1001118385	2	Socket - 14AWG to 18AWG Tin	
18	NPN	4	Socket	
19	1001116774	1	Connector	
19	1001116694	12	Socket	
20	4460894	1	Connector	
20	4460466	3	Plug	
21	1001220379	1	Connector	
21	4460466	2	Plug	
22	NPN	1	Block, Fuse	
23	NPN	1	Block, Fuse	
24	1001271968	1	Connector	
24	4461071	2	Socket	
25	1001281269	1	Connector	
25	1001116692	4	Socket	
26	NPN	1	Connector	
27	4460873	1	Connector	
27	4460905	7	Plug	

SECTION 10 - ELECTRICAL

ITEM	PART NUMBER	QTY	DESCRIPTION	REV
28	4460933	1	Connector	
28	1001116692	5	Socket - 14AWG to 18AWG	
28	NPN	4	Socket - 20AWG	
28	4460466	3	Plug	
29	NPN	1	Connector	
29	1001116692	3	Socket	
30	NPN	1	Connector	
31	NPN	1	Connector	
31	1001116716	2	Socket - Tin	
31	NPN	3	Socket	
32	1001116947	1	Connector	
33	1001116994	1	Connector	
33	4460905	10	Plug	

SECTION 10 - ELECTRICAL

FIGURE 10-6. FRAME HARNESS INSTALLATION



ART_1001306134

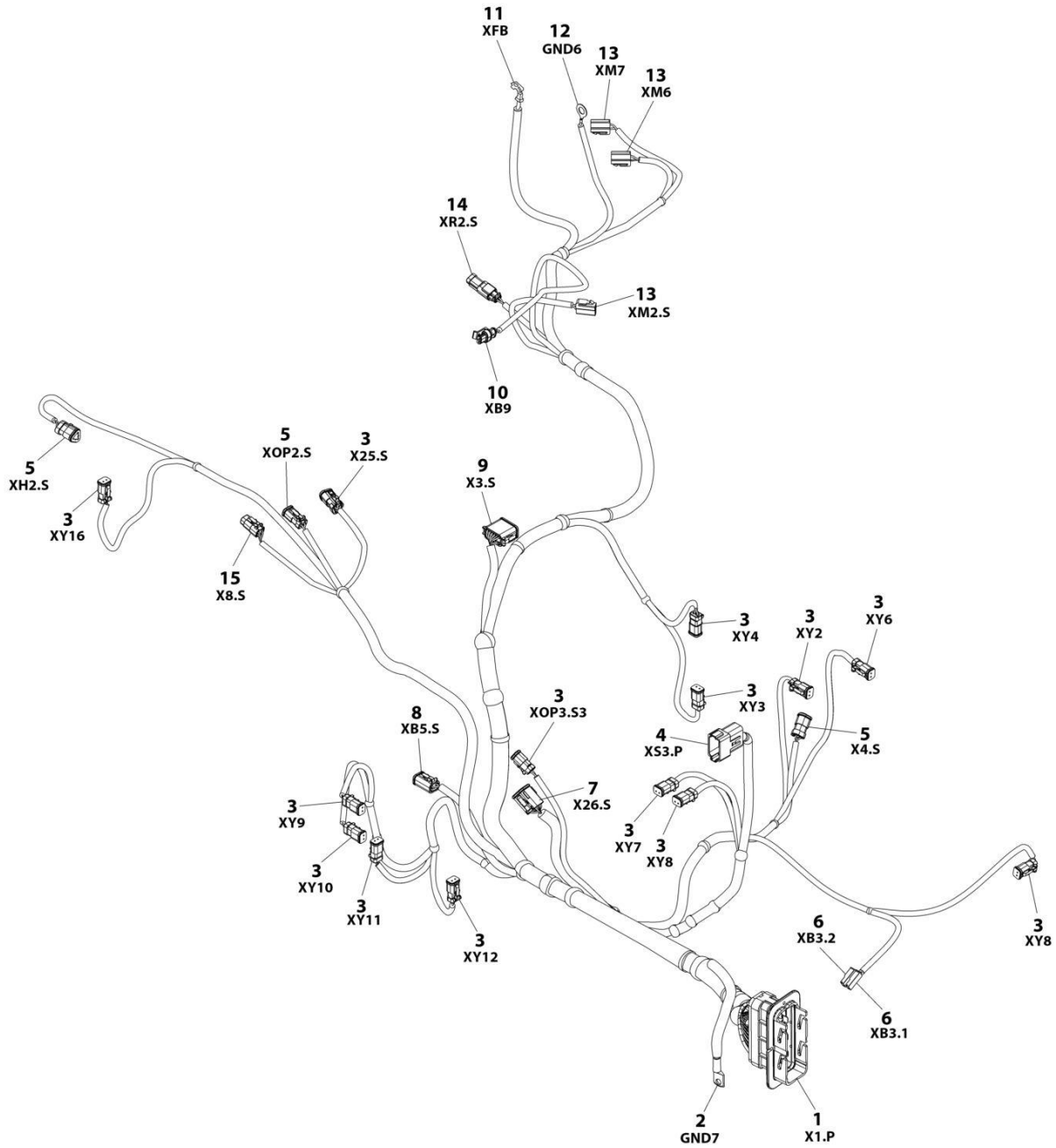
SECTION 10 - ELECTRICAL

FIGURE 10-6. FRAME HARNESS INSTALLATION

ITEM	PART NUMBER	QTY	DESCRIPTION	REV
	1001306134	Ref	FRAME HARNESS INSTALLATION	A
1	0760810	2	Bolt M6 x 20	
2	3290805	6	Nut M8	
3	4811900	2	Washer M8	
4	4831900	2	Washer M8	
5	1001264368	1	Clamp - 25MM	
6	1001264677	1	Clamp - 30MM	
7	1001304559	3	Clamp - 50MM	
8	1001306568	1	Alarm, Backup	
9	1001306570	1	Frame Harness (See Separate Breakdown in this Section)	
10	1001306572	1	Seat Jumper Harness (See Separate Breakdown in this Section)	
11	1001306573	1	Bracket, Alarm	
12	1001306640	1	Clip	

SECTION 10 - ELECTRICAL

FIGURE 10-7. FRAME HARNESS



ART_1001306570

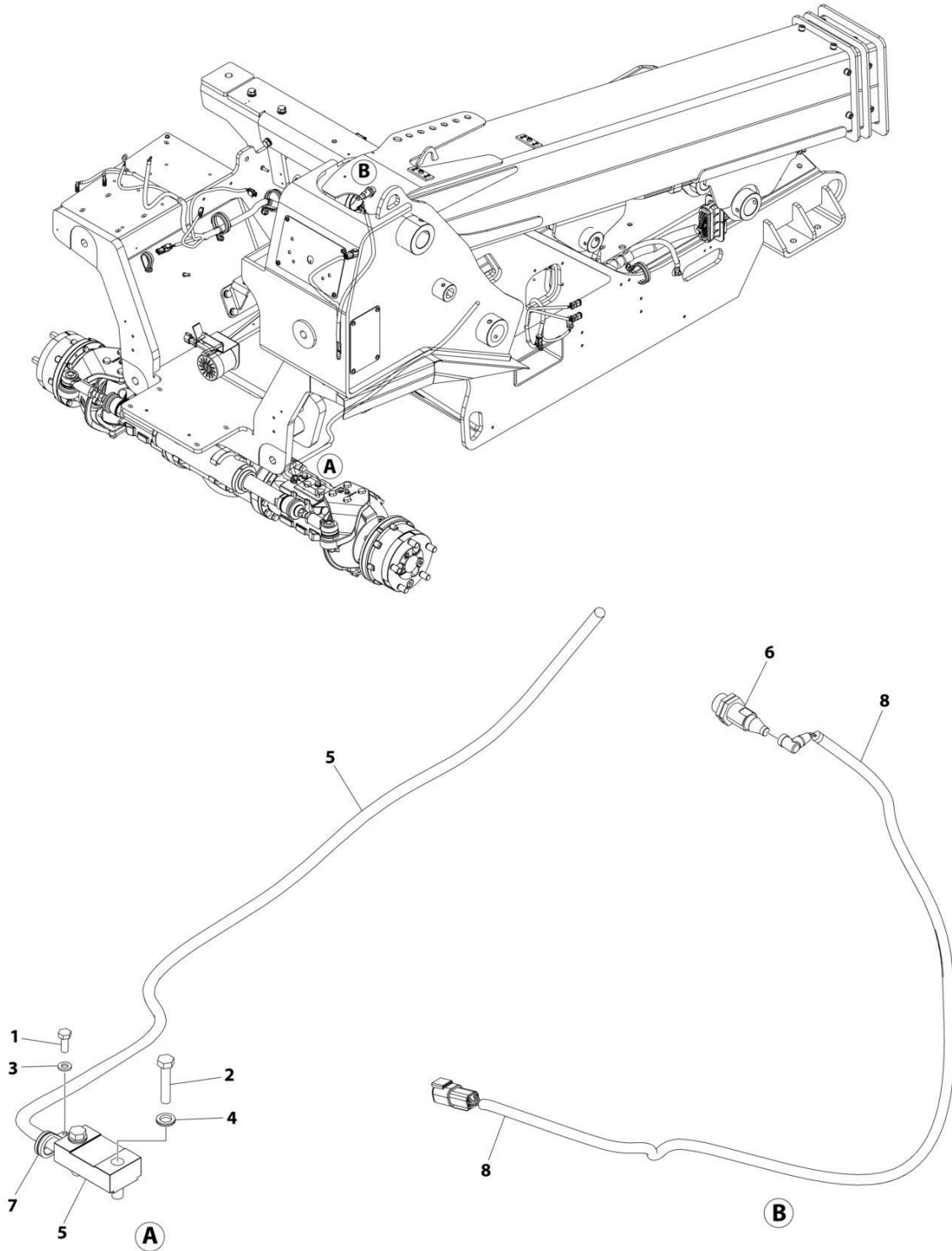
SECTION 10 - ELECTRICAL

FIGURE 10-7. FRAME HARNESS

ITEM	PART NUMBER	QTY	DESCRIPTION	REV
	1001306570	Ref	FRAME HARNESS	A
	See Note	Ref	Note: No Other Service Parts Available at Time of Printing	
1	NPN	1	Connector	
2	NPN	1	Terminal, Ring	
3	NPN	14	Connector	
3	1001116692	28	Socket	
4	4460970	1	Connector	
4	1001116693	3	Pin - 14AWG to 18AWG	
4	NPN	6	Pin - 20AWG	
4	4460466	3	Plug	
5	NPN	3	Connector	
6	NPN	2	Connector	
7	4460933	1	Connector	
7	1001116692	12	Socket	
8	1001220379	1	Connector	
9	4460933	1	Connector	
9	1001116692	6	Socket - 14AWG to 18AWG	
9	NPN	2	Socket- 20AWG	
9	4460466	4	Plug	
10	4461118	1	Connector	
10	1001237212	2	Socket	
10	1001197457	2	Seal	
11	NPN	1	Connector	
12	NPN	1	Terminal, Ring	
13	NPN	3	Connector	
14	4461290	1	Connector	
14	1001116694	2	Socket	
15	4461077	1	Connector	
15	1001116694	4	Socket	

SECTION 10 - ELECTRICAL

FIGURE 10-8. LSI SENSORS INSTALLATION



ART_1001306133

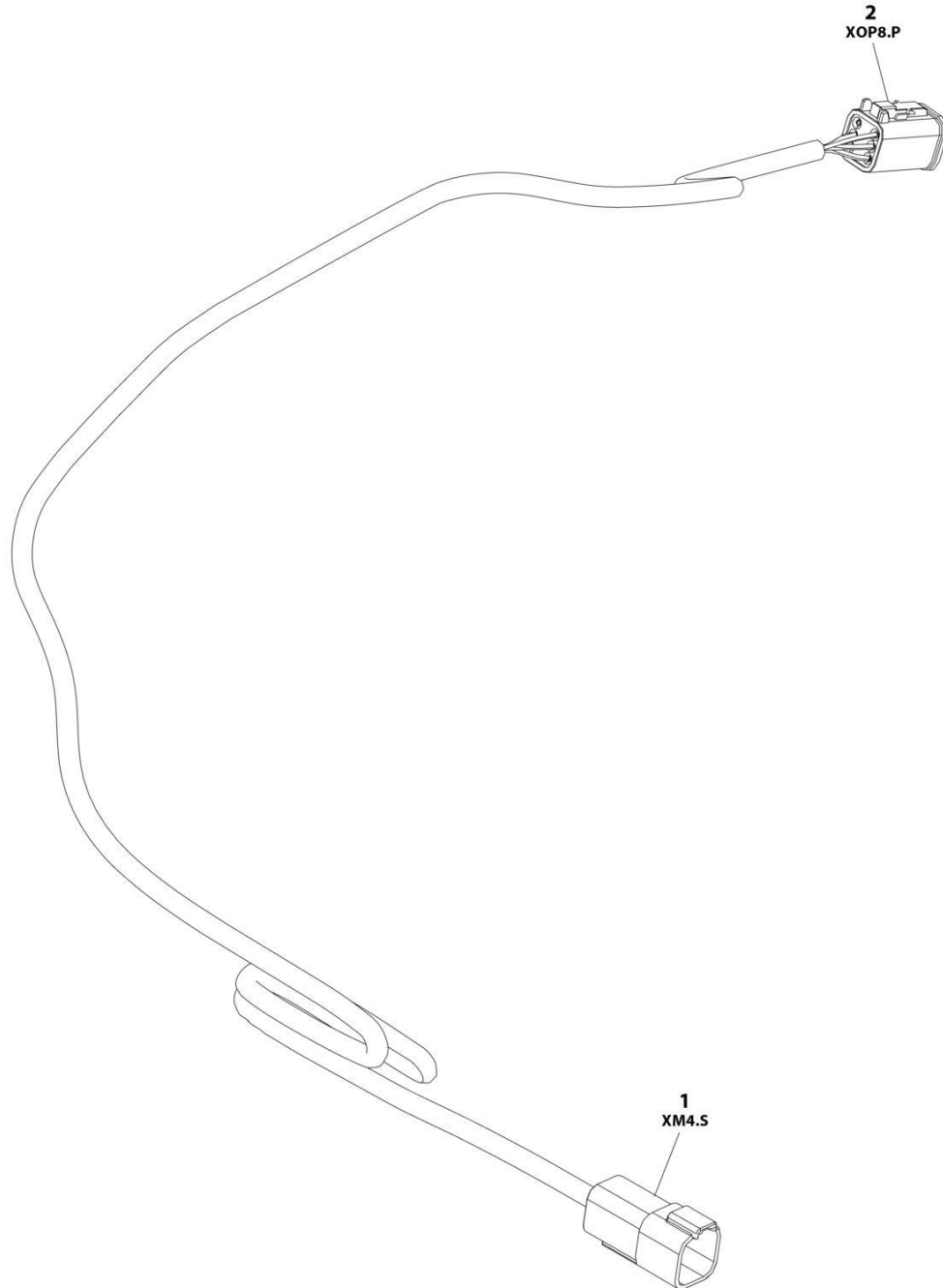
SECTION 10 - ELECTRICAL

FIGURE 10-8. LSI SENSORS INSTALLATION

ITEM	PART NUMBER	QTY	DESCRIPTION	REV
	1001306133	Ref	LSI SENSORS INSTALLATION	A
1	0760608	1	Bolt M6 x 16	
2	0770816	2	Bolt M8 x 40	
3	4831700	1	Washer M6	
4	1001261551	2	Washer M10	
5	1001264369	1	Sensor, LSI Axle	
6	1001264370	1	Sensor, Proximity	
7	1001264372	1	Clamp	
8	1001264452	1	Harness, LSI Jumper	

SECTION 10 - ELECTRICAL

FIGURE 10-9. ROOF WIPER HARNESS



ART_1001265306

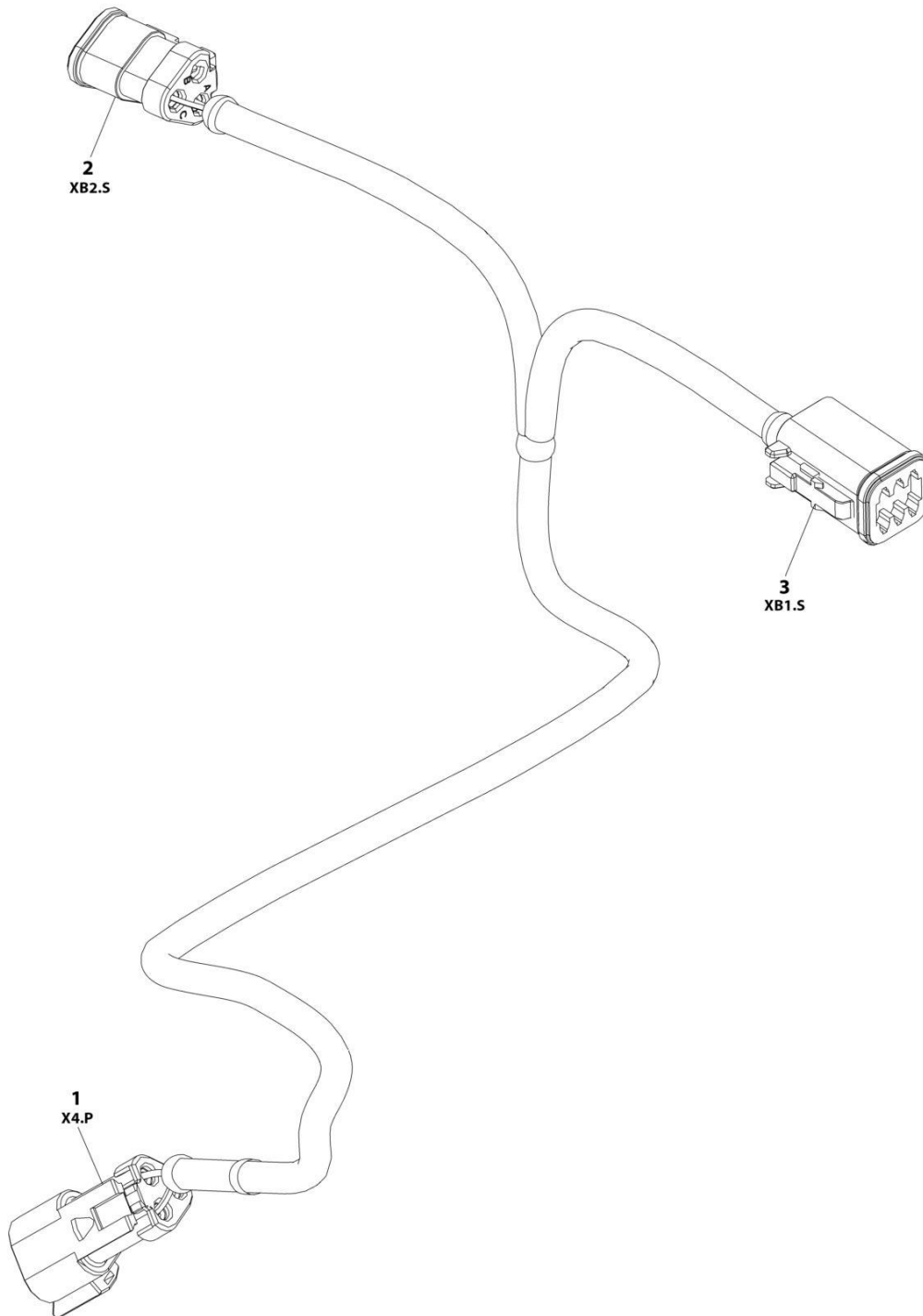
SECTION 10 - ELECTRICAL

FIGURE 10-9. ROOF WIPER HARNESS

ITEM	PART NUMBER	QTY	DESCRIPTION	REV
	1001265306	Ref	ROOF WIPER HARNESS	A
1	4460894	1	Connector	
1	1001116692	4	Socket	
1	4460466	2	Plug	
2	4460899	1	Connector	
2	1001116692	4	Socket	
2	4460466	2	Plug	

SECTION 10 - ELECTRICAL

FIGURE 10-10. SEAT JUMPER HARNESS



ART_1001306572

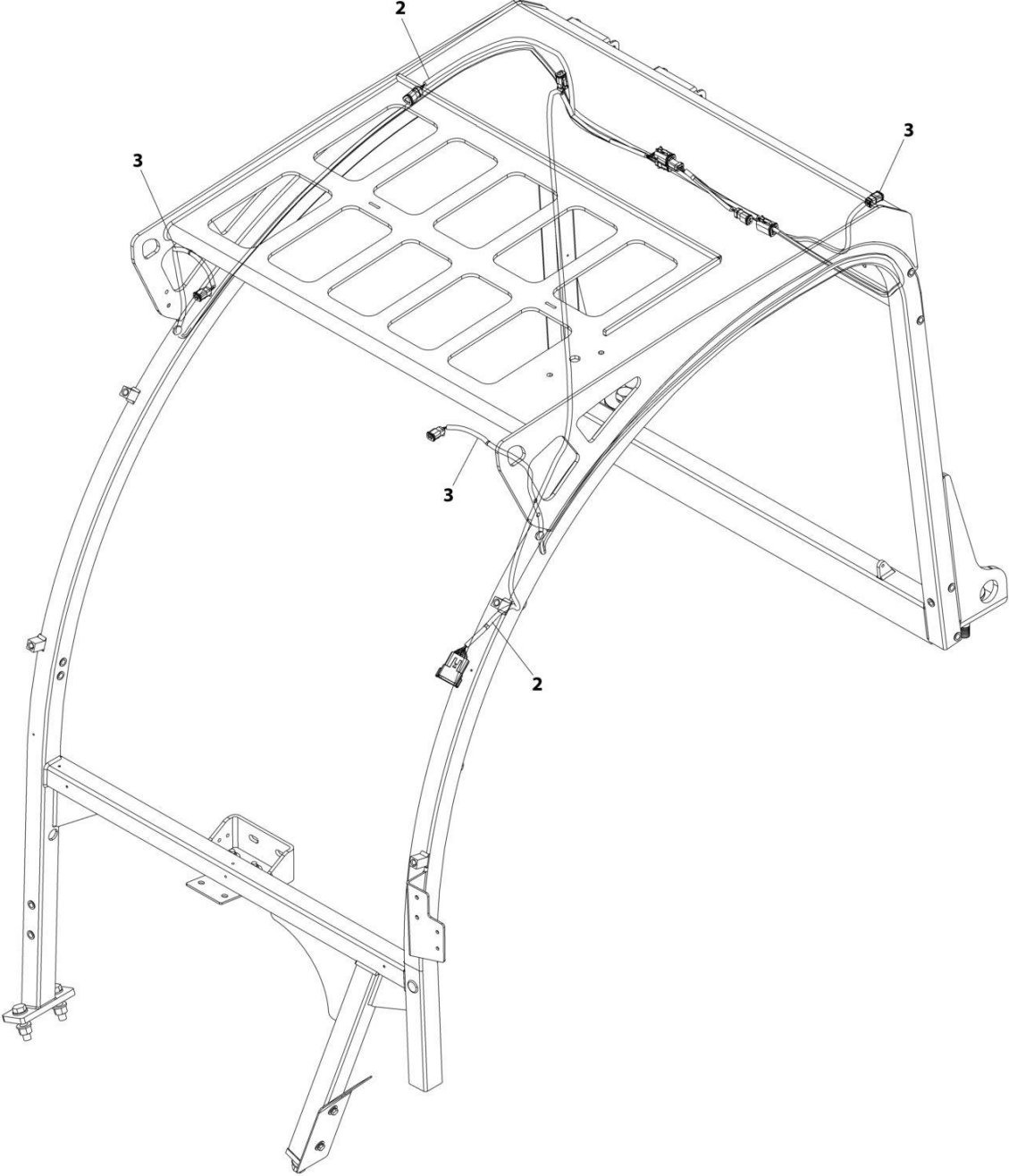
SECTION 10 - ELECTRICAL

FIGURE 10-10. SEAT JUMPER HARNESS

ITEM	PART NUMBER	QTY	DESCRIPTION	REV
	1001306572	Ref	SEAT JUMPER HARNESS	A
	See Note	Ref	Note: No Other Service Parts Available at Time of Printing	
1	NPN	1	Connector	
2	NPN	1	Connector	
2	4460466	1	Plug	
3	4460894	1	Connector	
3	4460466	4	Plug	

SECTION 10 - ELECTRICAL

FIGURE 10-11. WORKLIGHTS HARNESS INSTALLATION



ART_1001306135

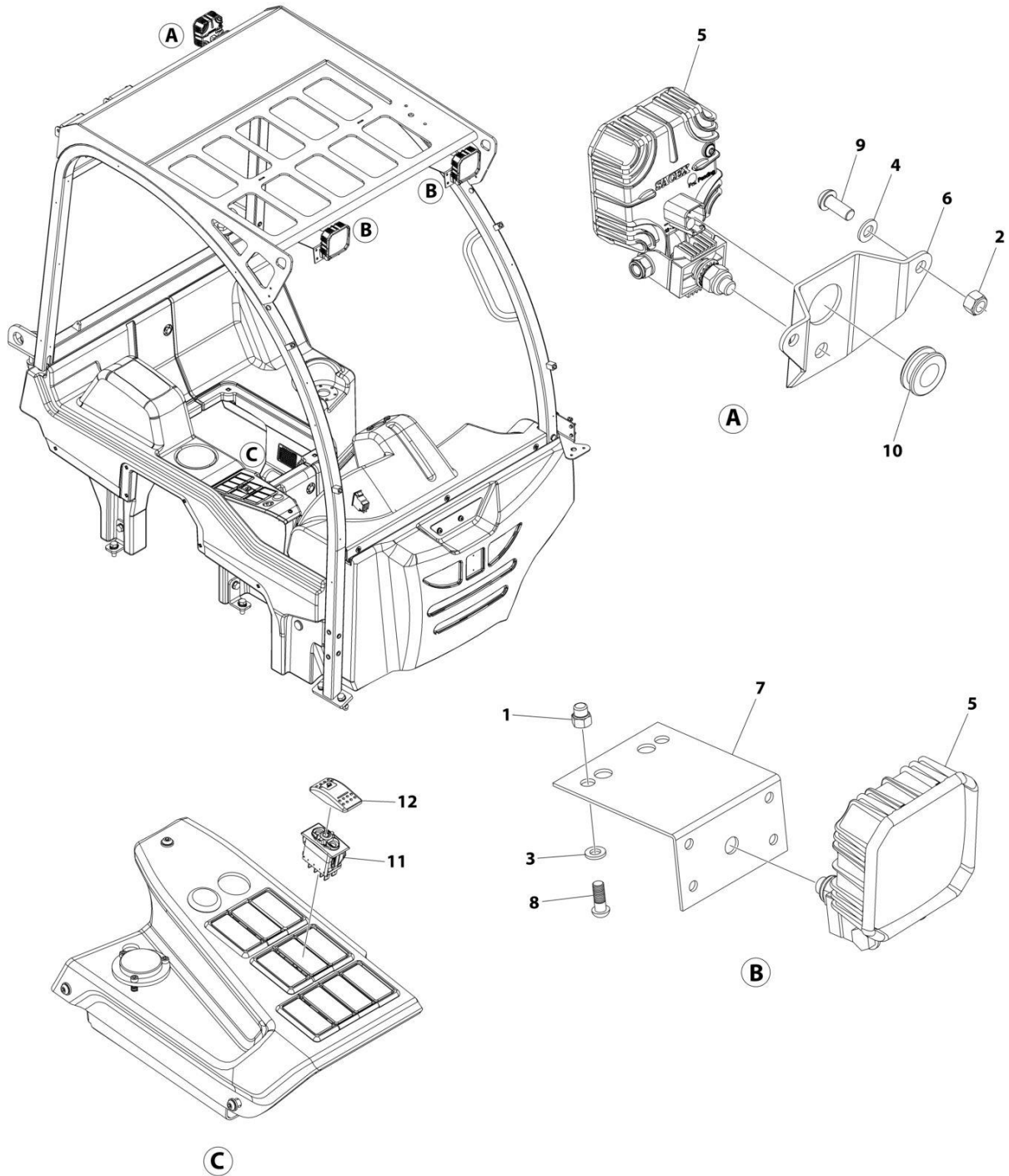
SECTION 10 - ELECTRICAL

FIGURE 10-11. WORKLIGHTS HARNESS INSTALLATION

ITEM	PART NUMBER	QTY	DESCRIPTION	REV
	1001306135	Ref	WORKLIGHTS HARNESS INSTALLATION	A
1	1001002454	3	Tie-Strap (Not Shown)	
2	1001264451	1	Harness, Worklights	
3	1001264456	1	Harness, Worklights Jumper	
4	1001264466	3	Mount, Tie-Strap (Not Shown)	

SECTION 10 - ELECTRICAL

FIGURE 10-12. WORKLIGHTS INSTALLATION



ART_1001304450

SECTION 10 - ELECTRICAL

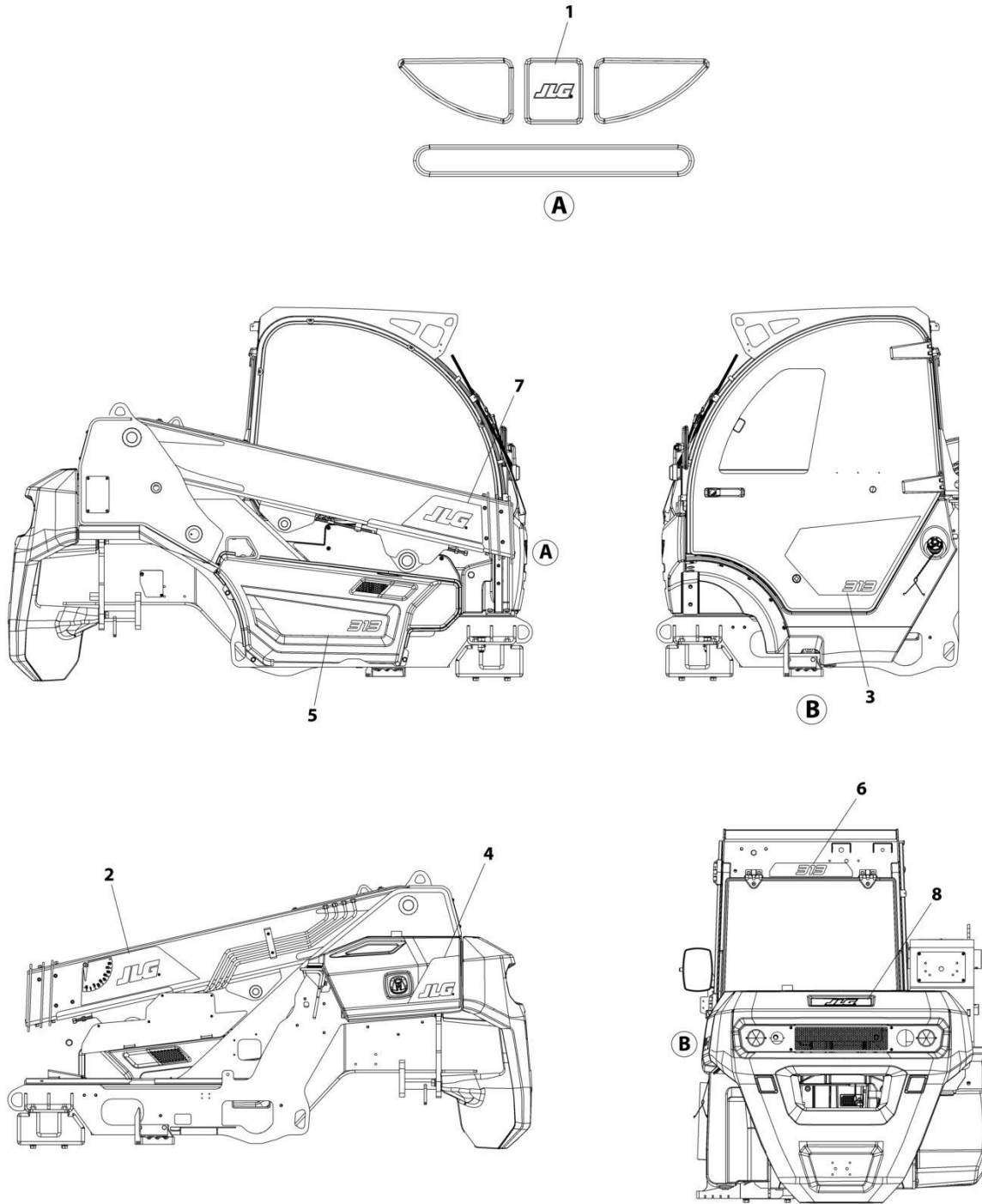
FIGURE 10-12. WORKLIGHTS INSTALLATION

ITEM	PART NUMBER	QTY	DESCRIPTION	REV
	1001304450	Ref	WORKLIGHTS INSTALLATION	A
1	3290605	4	Nut M6	
2	3290805	2	Nut M8	
3	4811700	4	Washer M6	
4	4811900	2	Washer M8	
5	1001262603	3	Lamp	
6	1001262605	1	Bracket, Rear Worklight	
7	1001262606	2	Bracket, Front Worklight	
8	1001262607	4	Capscrew M6 x 20 Class 10.9	
9	1001262664	2	Capscrew M8 x 20 Class 10.9	
10	1001263266	1	Grommet	
11	1001305388	1	Switch, Worklights	
12	1001305395	1	Rocker, Worklights Switch	

SECTION 11 - DECALS

SECTION 11 - DECALS

FIGURE 11-1. BRAND DECALS INSTALLATION - ENCLOSED CAB



ART_1001305412

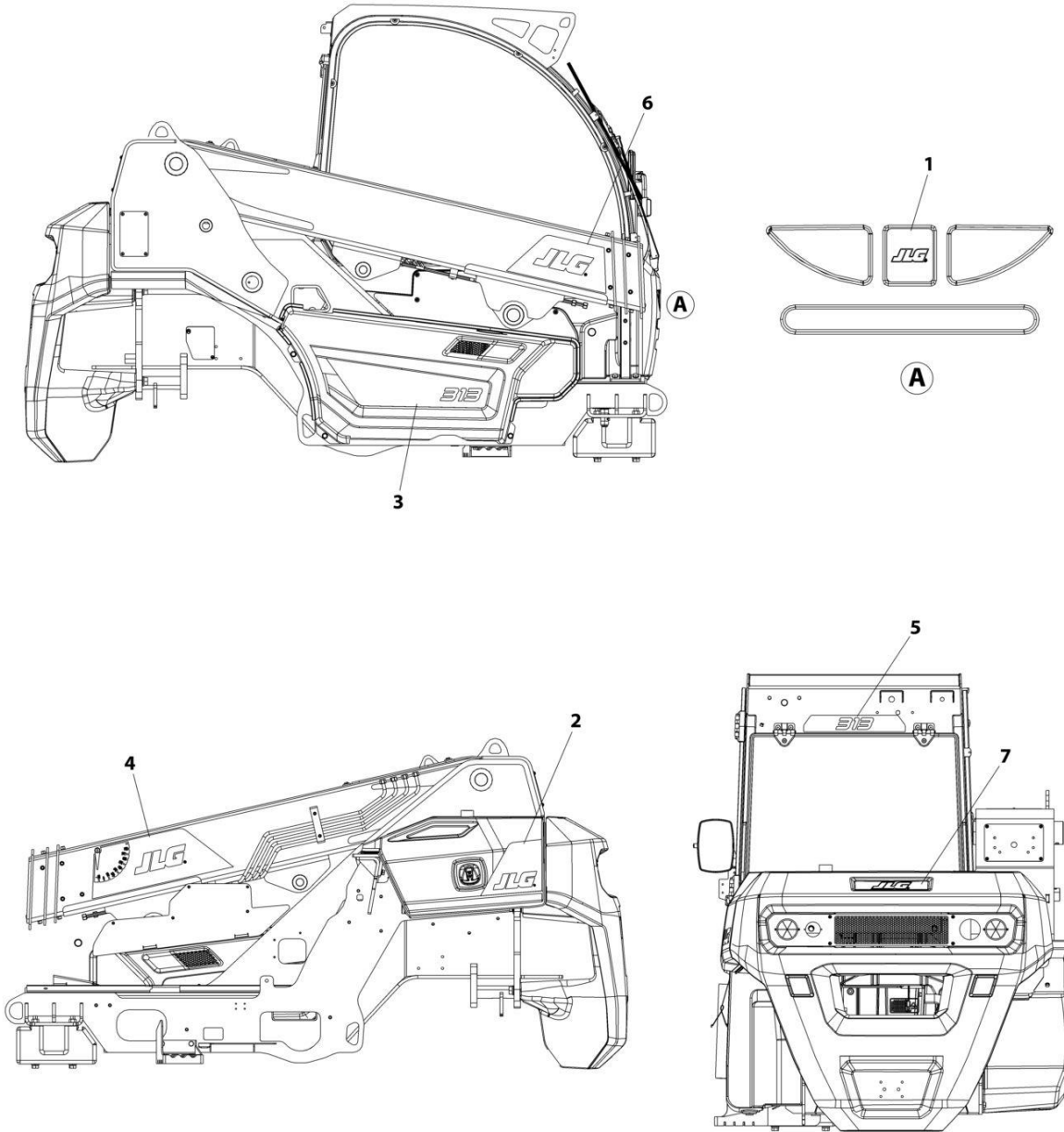
SECTION 11 - DECALS

FIGURE 11-1. BRAND DECALS INSTALLATION - ENCLOSED CAB

ITEM	PART NUMBER	QTY	DESCRIPTION	REV
	1001305412	Ref	BRAND DECALS INSTALLATION	A
1	1001269743	1	Decal - Front JLG	
2	1001302397	1	Decal - Boom Angle	
3	1001302399	1	Decal - Door Model	
4	1001302400	1	Decal - Engine Hood JLG	
5	1001302401	1	Decal - Side Hood Model	
6	1001302402	1	Decal - Cab Rear Model	
7	1001302403	1	Decal - Boom JLG	
8	1001305392	1	Decal - Counterweight JLG	

SECTION 11 - DECALS

FIGURE 11-2. BRAND DECALS INSTALLATION - OPEN CAB



ART_1001301822

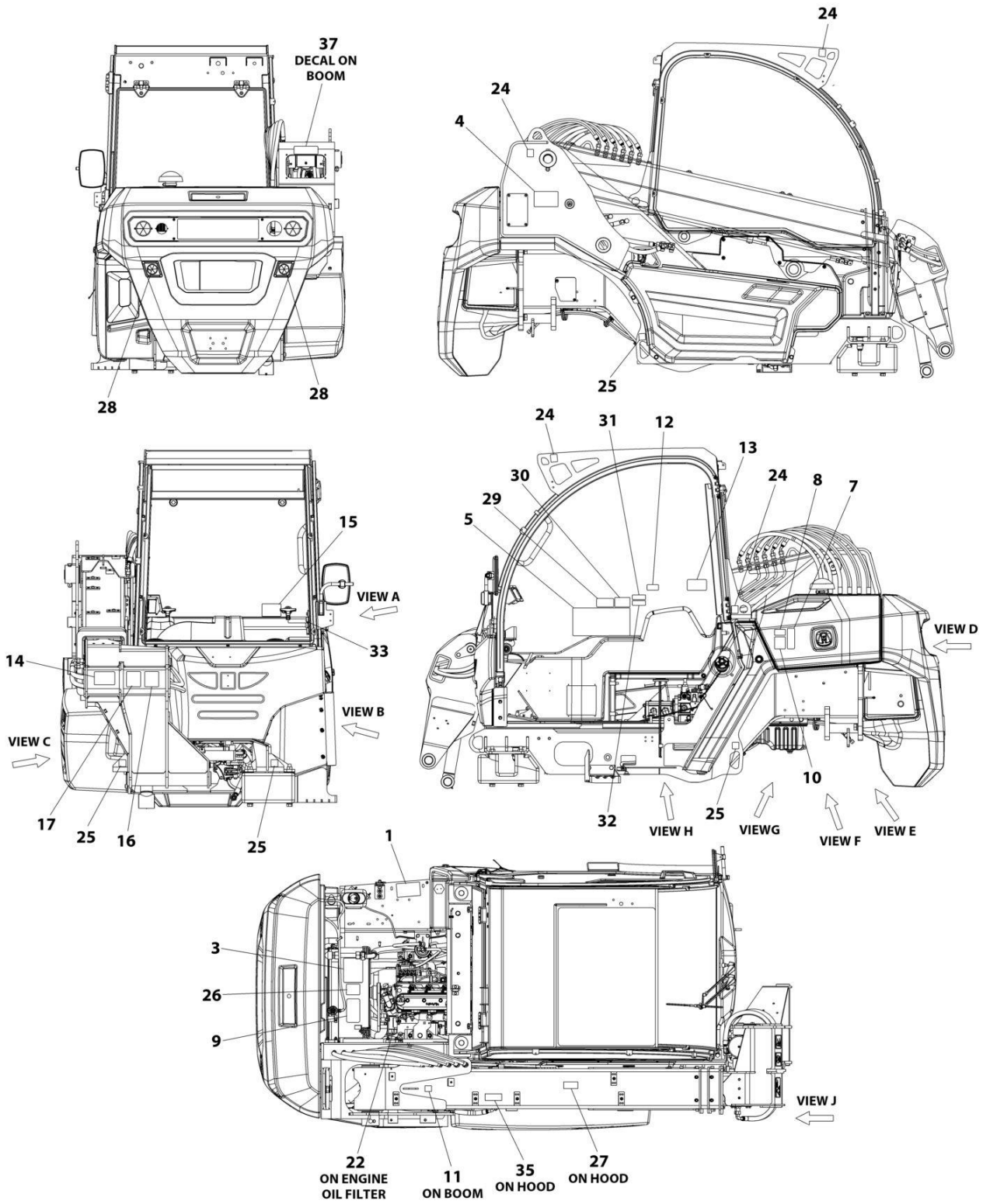
SECTION 11 - DECALS

FIGURE 11-2. BRAND DECALS INSTALLATION - OPEN CAB

ITEM	PART NUMBER	QTY	DESCRIPTION	REV
	1001301822	Ref	BRAND DECALS INSTALLATION	A
1	1001269743	1	Decal - Front JLG	
2	1001302400	1	Decal - Engine Hood JLG	
3	1001302401	1	Decal - Side Hood Model	
4	1001302397	1	Decal - Boom Angle	
5	1001302402	1	Decal - Cab Rear Model	
6	1001302403	1	Decal - Boom JLG	
7	1001305392	1	Decal - Counterweight JLG	

SECTION 11 - DECALS

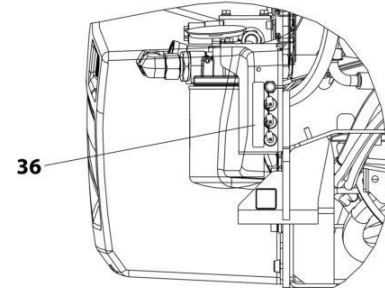
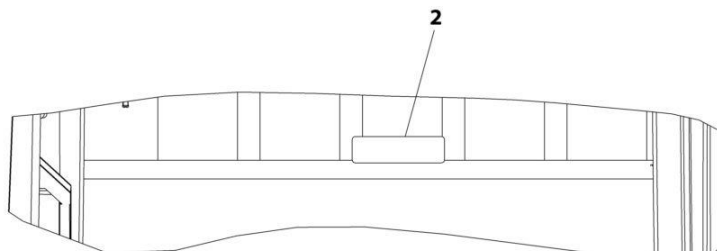
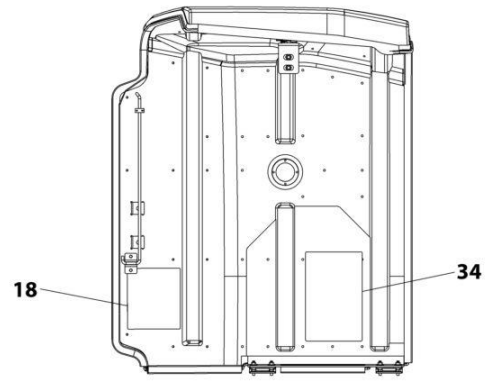
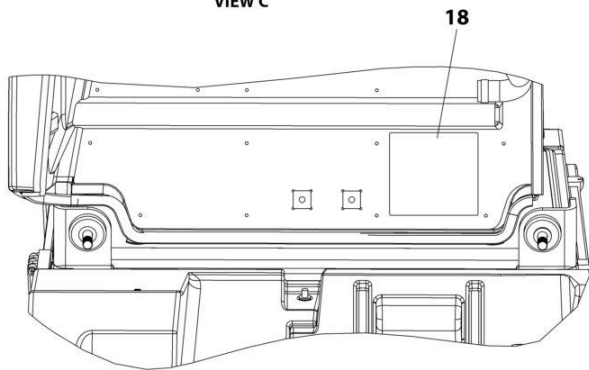
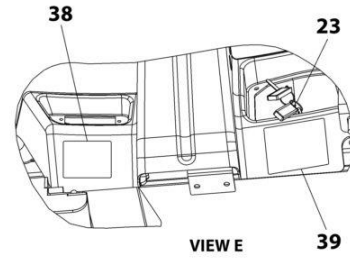
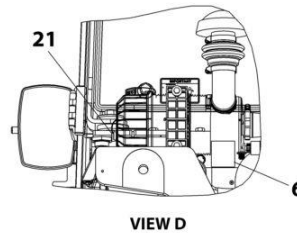
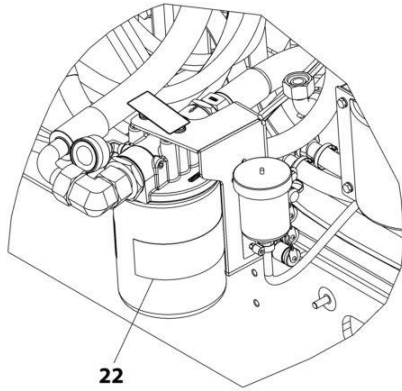
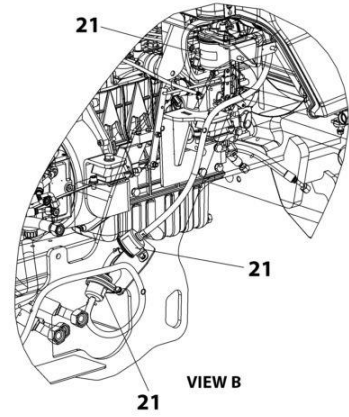
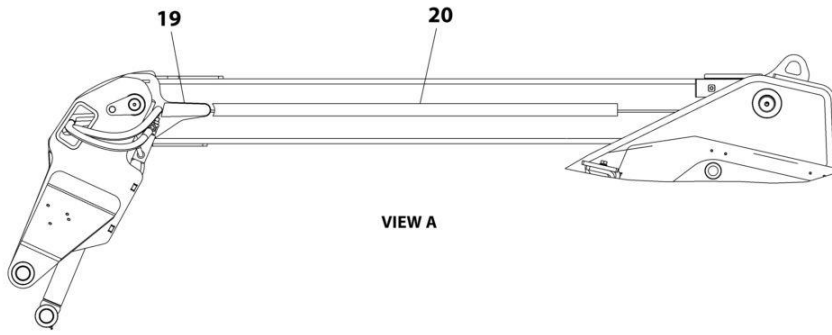
FIGURE 11-3. DECAL INSTALLATION (ANSI)



NOTE: SEE PAGE 20F2 FOR DETAIL VIEWS

ART_1001305801_10F2

SECTION 11 - DECALS



ART_1001305801_20F2

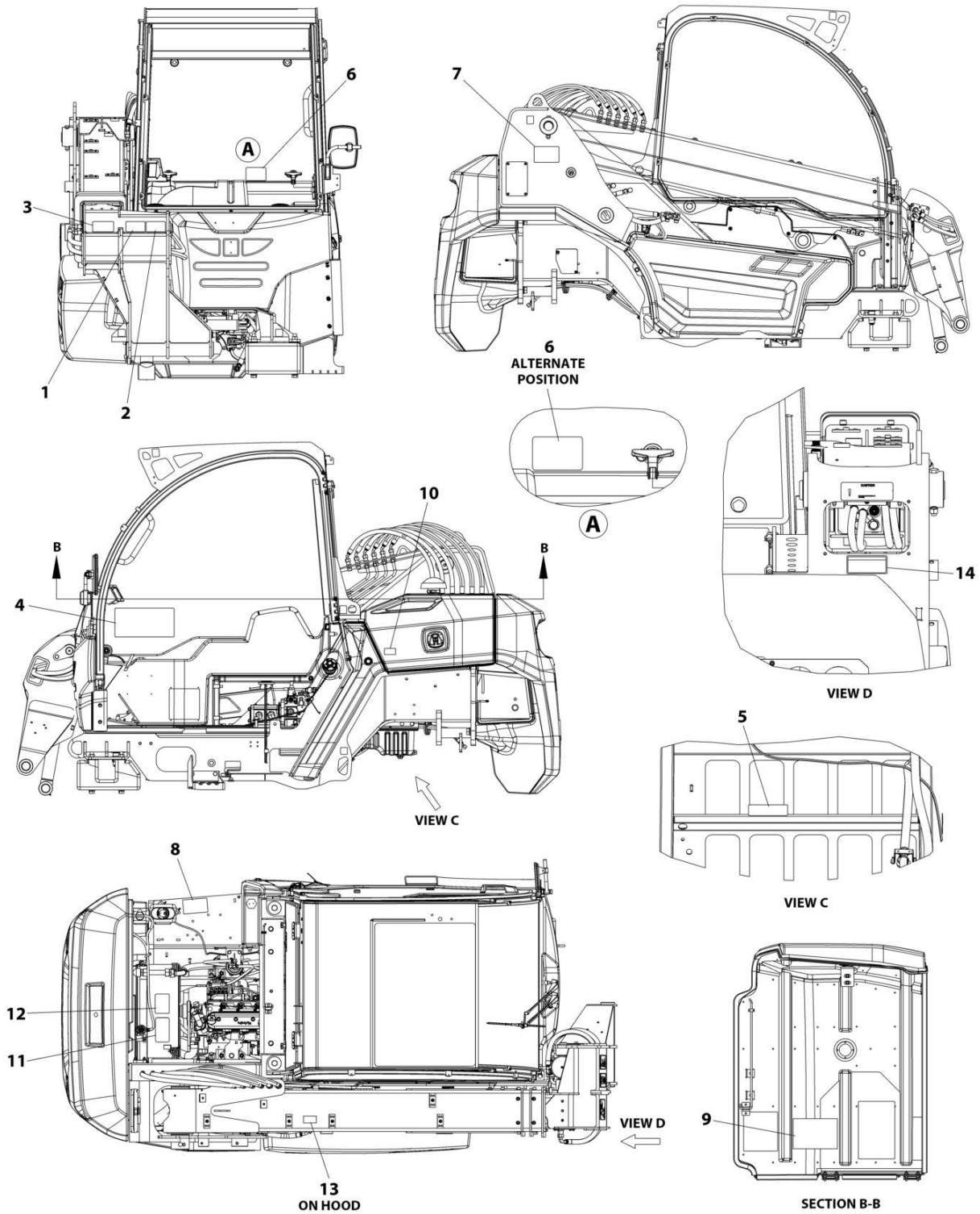
SECTION 11 - DECALS

FIGURE 11-3. DECAL INSTALLATION (ANSI)

ITEM	PART NUMBER	QTY	DESCRIPTION	REV
	1001305801	Ref	DECAL INSTALLATION	A
1	1706296	1	Decal - Battery Warning	
2	1706299	1	Decal - Electrocution Hazard	
3	1706300	1	Decal - Ether Warning	
4	1706302	1	Decal - Pinch Point	
5	1707078	1	Decal - Warning/Danger - Cab	
6	4100181	1	Decal - Hydraulic Oil Fill	
7	4108302	1	Decal - Hydraulic Oil Level	
8	1001125387	1	Decal - Ultra Low Sulfur Diesel	
9	1001139578	1	Decal - Hot Fluid Warning	
10	1001189017	1	Decal - Diesel Fuel Fill	
11	1001212292	1	Decal - No Lifting	
12	1001223453	1	Decal - ICES (CAN)	
13	1001231801	1	Decal - Warning Prop 65	
14	1001260776	1	Decal - Falling Personnel	
15	1001260780	2	Decal - Rear Window Entry/Exit	
16	1001260879	1	Decal - Platform Personnel	
17	1001260880	1	Decal - Do Not Travel	
18	1001263399	1	Decal - Maintenance Hours	
19	1001263410	1	Decal - Boom Letter A	
20	1001263411	1	Decal - Boom Extend Letters	
21	1001263412	4	Decal - Neutral Brand Small	
22	1001263413	3	Decal - Neutral Brand Large	
23	1001264619	1	Ring, Key	
24	1001268712	5	Decal - Tie Down	
25	1001268713	4	Decal - Lift Point	
26	1001300353	1	Decal - Fan/Belt Warning	
27	1001297049	1	Decal - Brake Fluid Spec NA	
28	1001311049	2	Reflector	
29	1001311187	1	Decal - Manual Location	
30	1001311188	1	Decal - Tire Pressure	
31	1001311190	1	Decal - LSI Override	
32	1001311192	1	Decal - Drive Mode	
33	1001311384	NSS	Name Plate, Serial Number (Note: Not Available For Purchase)	
34	1001311460	1	Decal - Grease Points	
35	1001311967	1	Decal - Warning Hot Pipe	
36	1001311994	1	Decal - Test Ports	
37	1001311995	1	Decal - Do Not Spray	
38	1001312125	1	Decal - Fuse Box	
39	1001312126	1	Decal - Fuse Box Cab	

SECTION 11 - DECALS

FIGURE 11-4. DECAL INSTALLATION (FRENCH)



ART_1001305802

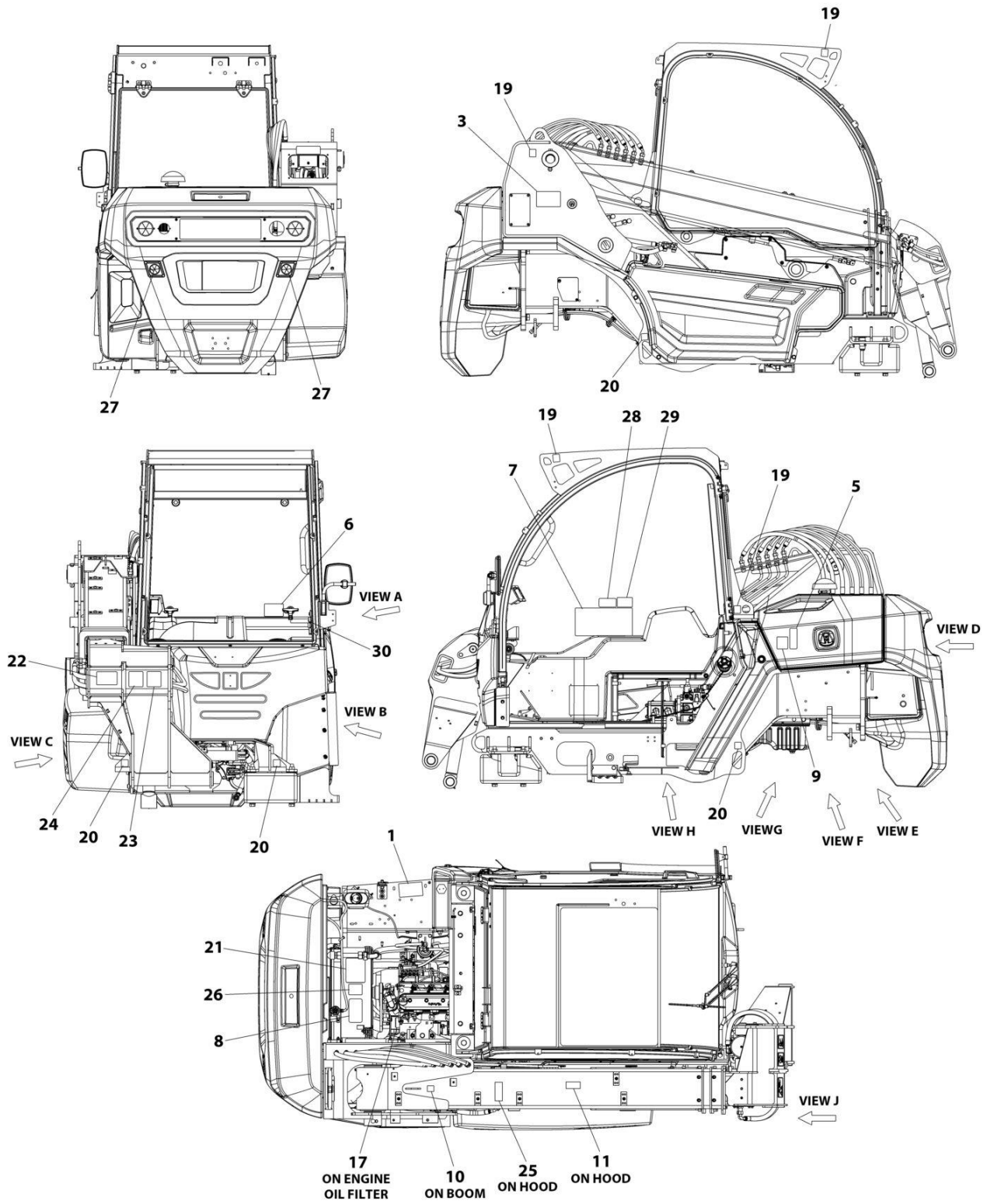
SECTION 11 - DECALS

FIGURE 11-4. DECAL INSTALLATION (FRENCH)

ITEM	PART NUMBER	QTY	DESCRIPTION	REV
	1001305802	Ref	DECAL INSTALLATION	A
1	1001263439	1	Decal - Do Not Travel	
2	1001263440	1	Decal - Platform Personnel	
3	1001263441	1	Decal - Falling Personnel	
4	1001263464	1	Decal - Warning Cab	
5	1001263466	1	Decal - Electrocution Hazard	
6	1001263467	2	Decal - Rear Window Exit	
7	1001263468	1	Decal - Pinch Point	
8	1001263469	1	Decal - Battery Warning	
9	1001263471	1	Decal - Warning No Ether	
10	1001263472	1	Decal - Ultra Low Sulfur Fuel	
11	1001263473	1	Decal - Warning Hot Fluid	
12	1001263475	1	Decal - Warning Fan	
13	1001263481	1	Decal - Warning Hot Exhaust	
14	1001313450	1	Decal - Do Not Spray	

SECTION 11 - DECALS

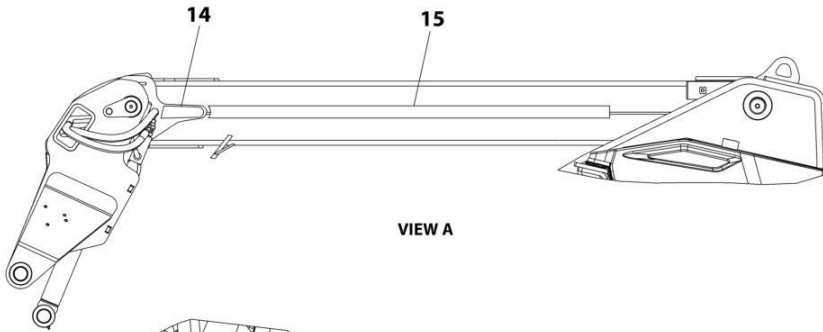
FIGURE 11-5. DECAL INSTALLATION (ISO)



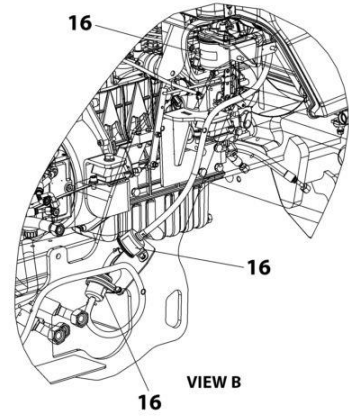
NOTE: SEE PAGE 20F2 FOR DETAIL VIEWS

ART_1001305803_10F2

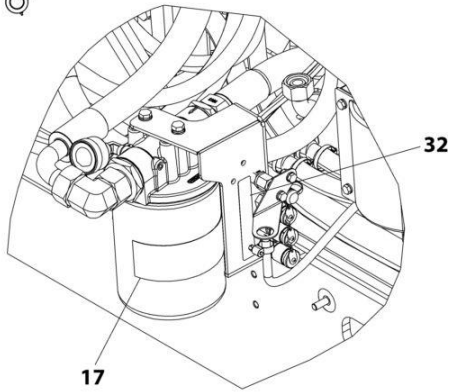
SECTION 11 - DECALS



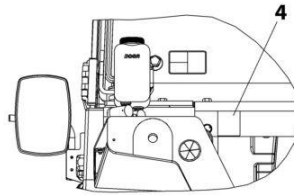
VIEW A



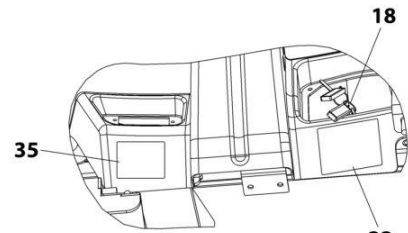
VIEW B



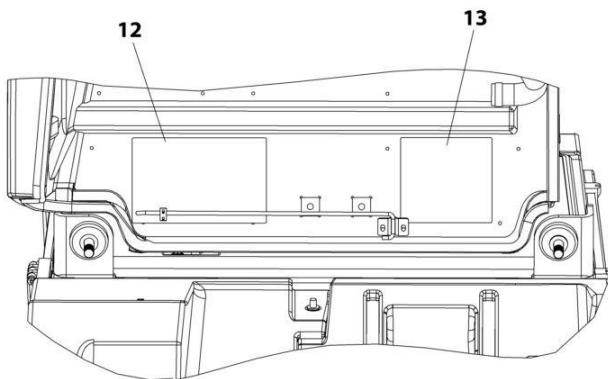
VIEW C



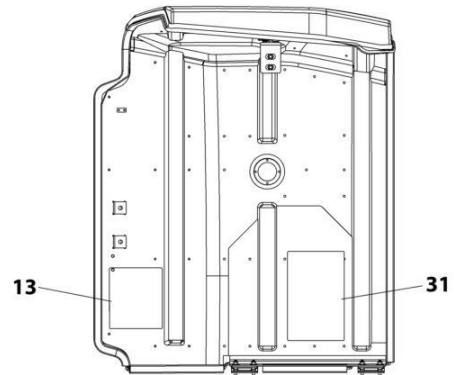
VIEW D



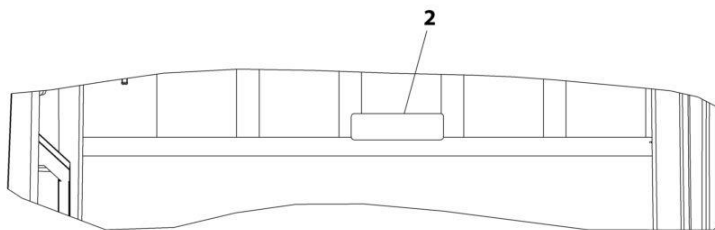
VIEW E



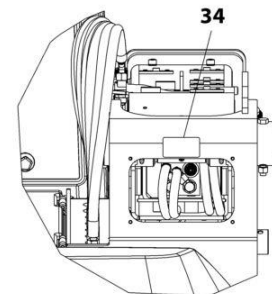
VIEW F



VIEW G



VIEW H



VIEW J

ART_1001305803_2OF2

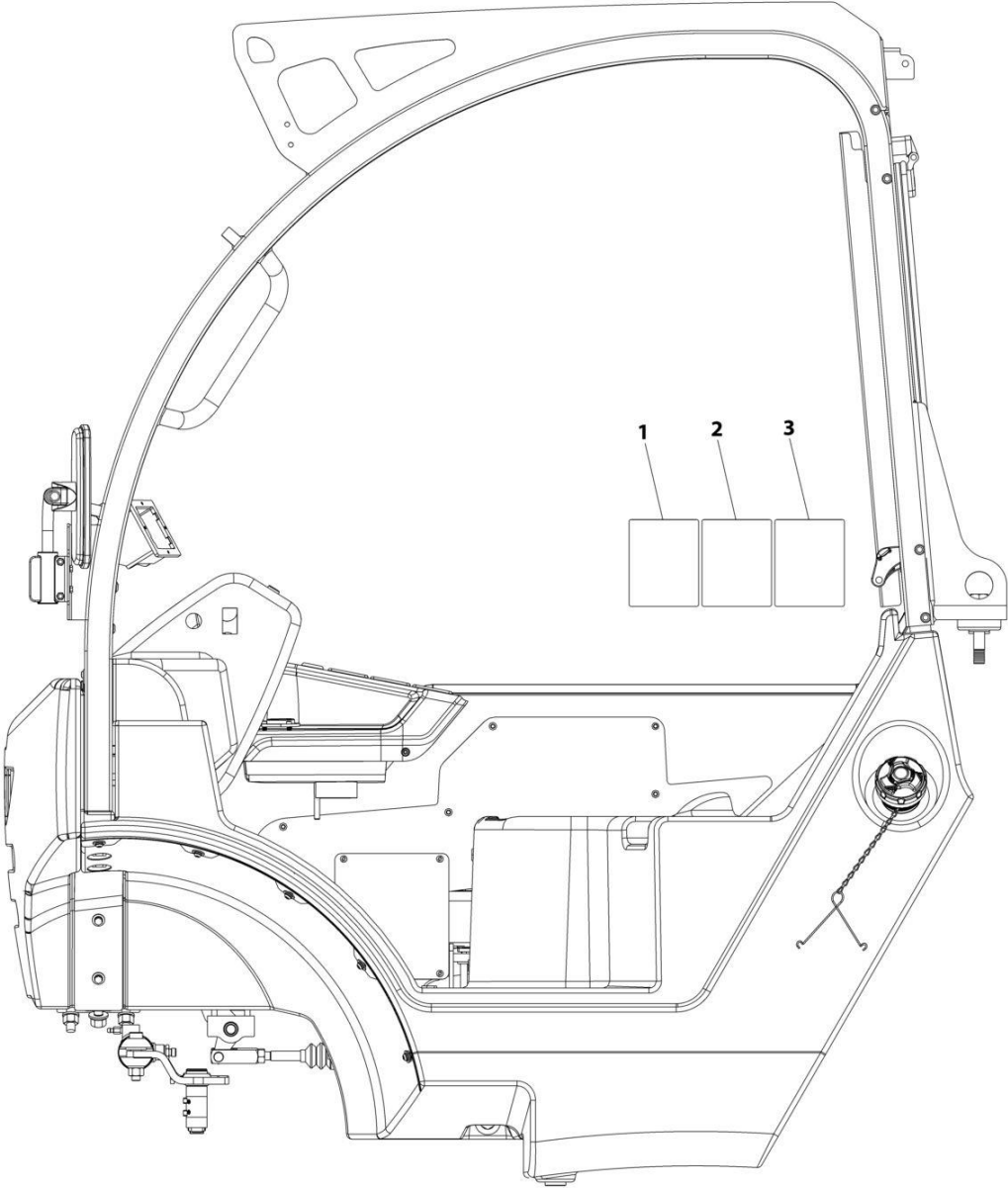
SECTION 11 - DECALS

FIGURE 11-5. DECAL INSTALLATION (ISO)

ITEM	PART NUMBER	QTY	DESCRIPTION	REV
	1001305803	Ref	DECAL INSTALLATION	A
1	1706281	1	Decal - Battery Warning	
2	1706284	1	Decal - Electrocuting Hazard	
3	1706292	1	Decal - Pinch Point	
4	4100181	1	Decal - Hydraulic Oil Fill	
5	4108302	1	Decal - Hydraulic Oil Level	
6	8005870	2	Decal - Emergency Exit	
7	1001101895	1	Decal - Warning Cab	
8	1001139942	1	Decal - Hot Fluid Warning	
9	1001189017	1	Decal - Diesel Fuel Fill	
10	1001212292	1	Decal - No Lifting	
11	1001219211	1	Decal - Brake Fluid Spec	
12	1001263398	1	Decal - Grease Points	
13	1001263399	1	Decal - Maintenance Hours	
14	1001263410	1	Decal - Boom Letter A	
15	1001263411	1	Decal - Boom Extend Letters	
16	1001263412	3	Decal - Neutral Brand Small	
17	1001263413	3	Decal - Neutral Brand Large	
18	1001264619	1	Ring, Key	
19	1001268712	5	Decal - Tie Down	
20	1001268713	4	Decal - Lift Point	
21	1001272167	1	Decal - No Ether	
22	1001272170	1	Decal - Falling Personnel	
23	1001272171	1	Decal - Platform Personnel	
24	1001272172	1	Decal - Do Not Travel	
25	1001272173	1	Decal - Hot Exhaust	
26	1001272174	1	Decal - Fan Warning	
27	1001311049	2	Reflector	
28	1001311187	1	Decal - Manual Location	
29	1001311188	1	Decal - Tire Pressure	
30	1001311384	NSS	Name Plate, Serial Number (Note: Not Available For Purchase)	
31	1001311460	1	Decal - Grease Points	
32	1001311994	1	Decal - Test Ports	
33	1001312126	1	Decal - Fuse Box Cab	
34	1001314403	1	Decal - No Spray	
35	1001312125	1	Decal - Fuse Box	

SECTION 11 - DECALS

FIGURE 11-6. LOAD CHART - ANSI



ART_1001305851

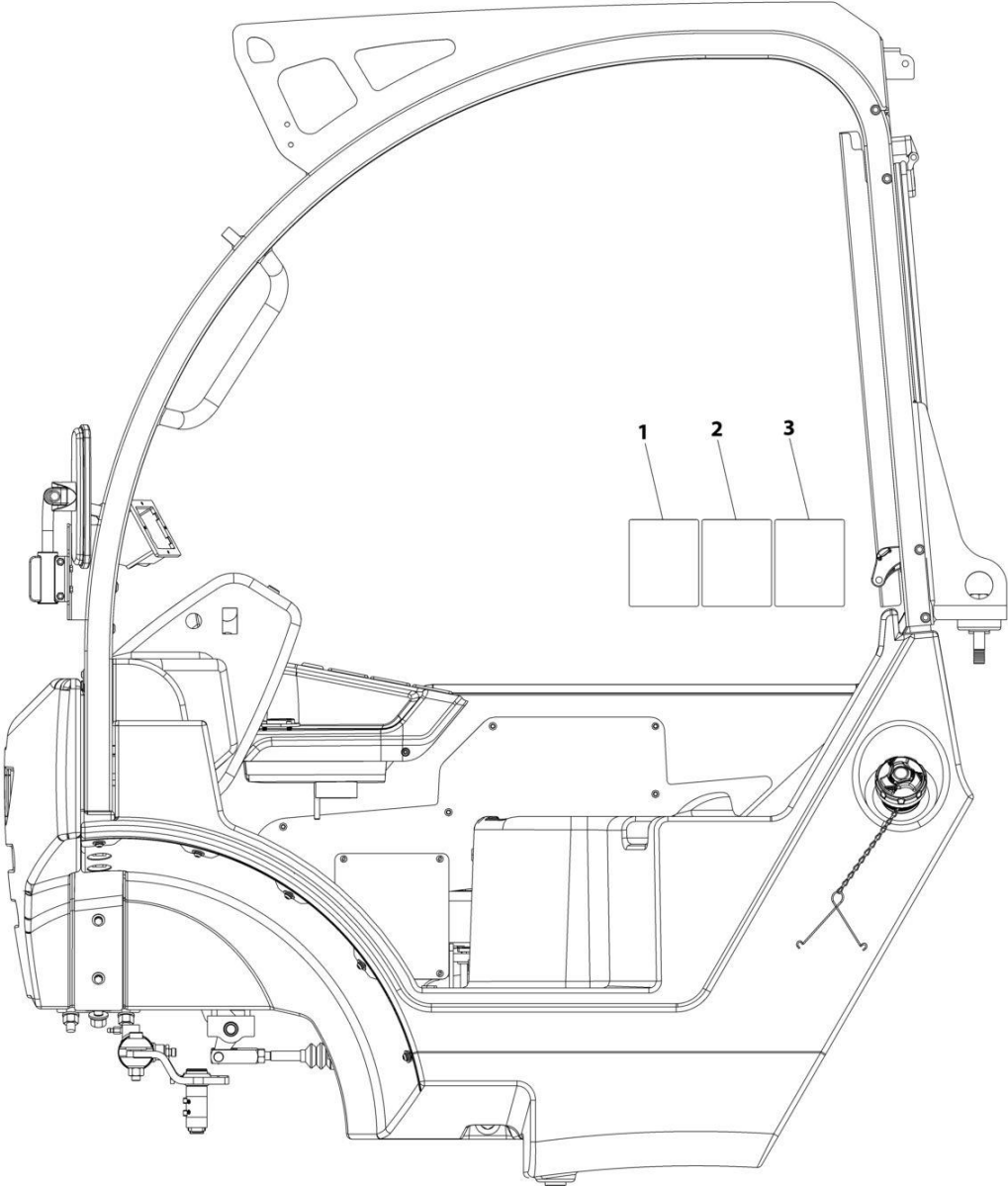
SECTION 11 - DECALS

FIGURE 11-6. LOAD CHART - ANSI

ITEM	PART NUMBER	QTY	DESCRIPTION	REV
	1001305851	Ref	CAPACITY CHART DECALS (ANSI)	A
1	1001310984	1	Decal - Loadchart (Std Carriage)	
2	1001310985	1	Decal - Loadchart (Bucket)	
3	1001310986	1	Decal - Loadchart (Side Shift Carriage)	

SECTION 11 - DECALS

FIGURE 11-7. LOAD CHART - METRIC



ART_1001305852

FIGURE 11-7. LOAD CHART - METRIC

ITEM	PART NUMBER	QTY	DESCRIPTION	REV
	1001305852	Ref	CAPACITY CHART DECALS (METRIC)	A
1	1001312396	1	Decal - Loadchart (Std Carriage)	
2	1001312397	1	Decal - Loadchart (Bucket)	
3	1001312398	1	Decal - Loadchart (Side Shift Carriage)	

SECTION 12 - RECOMMENDED SERVICE PARTS STOCK

SECTION 12 - RECOMMENDED SERVICE PARTS STOCK

SECTION 12 - RECOMMENDED SERVICE PARTS STOCK

FIGURE 12-1. RECOMMENDED SERVICE PARTS STOCK

ITEM	PART NUMBER	QTY	DESCRIPTION	REV
		Ref	Note: The following list will service one machine (built to current production per date on the front cover) with emergency repair parts which can be installed in the field. Parts from the list should be replaced when inventory is depleted to keep service parts stock supplied. For further information, contact your JLG dealer or the JLG Industries Parts Department.	
	1001303452	1	Controller, Brake Pedal	
	1001264404	1	Controller, Forward Neutral Reverse	
	1001262976	1	Controller, Joystick	
	1001262673	1	Controller, Steering Wheel	
	1001262416	1	Controller, Throttle Pedal	
		Ref	Engine - Kubota	
	1001262409	12	Filter, Fuel	
	7020942	12	Filter, Oil	
	70030108	12	Filter, Air Filter (Engine Air Intake)	
	1001305370	12	Filter, Fuel (Fuel System)	
	1001262424	12	Filter, In-Line Fuel (Fuel System)	
	1001305512	12	Filter, Heater (Cab Exterior)	
	1001305507	12	Filter, Heater (Cab Interior)	
	70030136	12	Filter, Hydraulic	
	1001264428	2	Fuse, 50Amp (Battery Installation)	
	1001264425	2	Fuse, 200Amp (Battery Installation)	
	70030741	1	Key, Door (Enclosed Cab)	
	1001280661	1	Module, ClearSky	
	1001306666	1	Module, Control (Cab Electrical)	
	1001304595	1	Relay (Battery Installation)	
	1001264392	1	Relay (Cab Heater)	
	1001304074	1	Sensor, Air Intake	
	1001264369	1	Sensor, Axle (LSI)	
	1001262684	1	Sensor, Brake Pressure	
	1001264370	1	Sensor, Proximity (LSI)	
	1001264422	1	Switch, Battery Disconnect	
	1001306670	1	Switch, Headlight	
	1001305513	1	Switch, Heater	
	1001306657	1	Switch, Horn (Side Dash)	
	1001262674	1	Switch, Horn (Steering Wheel)	
	1001264530	1	Switch, Hydraulic Coupler	
	1001306650	1	Switch, Ignition	
	1001306647	1	Switch, Lockout	
	1001306659	1	Switch, Parking	
	1001305388	1	Switch, Worklights	

SECTION 13 - SPECIAL OPTIONS/ACCESSORIES/KITS

SECTION 13 - SPECIAL OPTIONS/ACCESSORIES/KITS

SECTION 13 - SPECIAL OPTIONS/ACCESSORIES/KITS

FIGURE 13-1. SPECIAL OPTIONS/ACCESSORIES/KITS

ITEM	PART NUMBER	QTY	DESCRIPTION	REV
	See Note	Ref	Note: This list is to accommodate machines ordered with special equipment. Options may not be applicable to all models. For more specific parts information contact JLG Parts Department.	
		Ref	MISCELLANEOUS SPECIAL OPTIONS/ACCESSORIES/KITS	
	1001304451	Ref	Bucket Attachment	
		Ref	Electrical Connector Kits	
	1001148902	Ref	Electrical Connector Kit - Amp/Tyco Electrical Connectors	
	1001148903	Ref	Electrical Connector Kit - Deutsch DT Electrical Connectors	
	1001148904	Ref	Electrical Connector Kit - Deutsch HD Electrical Connectors	
	1001148905	Ref	Electrical Connector Kit - Packard Electrical Connectors	
	1001148906	Ref	Electrical Connector Kit - Various Electrical Connectors	
	1001264363	Ref	Engine Block Heater Installation	
		Ref	Sub-FAPL:	
	1001301798	Ref	Electrical Installation	A
	1001301782	Ref	Engine Package Installation	A
	1001311716	Ref	Engine Package Installation (High Flow)	A
	1001305798	Ref	Forks Installation (35 x 100 x 1000)	A
	1001305800	Ref	Forks Installation (35 x 100 x 1200)	A
	1001301796	Ref	Hydraulics Installation	A
	1001307910	Ref	Hydraulics Installation (High Flow)	A
	1001307888	Ref	Seat Belt Installation	A
		Ref	Tools for Service	
	2901443	Ref	Analyzer Kit	
	1001249695	Ref	Analyzer and Cable Kit	
	1001249941	Ref	Analyzer and Cable Kit (Battery Powered)	
	1001137005	Ref	Cable Kit, Software	
	7002821	Ref	Crimper, Wire	
	7002823	Ref	Pin Extractor - Universal (For Electrical Connectors with Pins and Sockets)	
	4460510	Ref	Pin Extractor - 12-14 Gauge (For Removal of Pin/Sockets from Deutsch Connectors)	
	4460467	Ref	Pin Extractor - 16-18 Gauge (For Removal of Pin/Sockets from Deutsch Connectors)	
	7016654	Ref	Screwdriver, Magnetic	
	7002822	Ref	Screwdriver, potentiometer	
	7004275	Ref	Seal Tool 1in (For Cylinders)	
	7004276	Ref	Seal Tool 1-1/2in (For Cylinders)	
	7002828	Ref	Stripper, Wire	

SECTION 13 - SPECIAL OPTIONS/ACCESSORIES/KITS

PART NUMBER INDEX

SECTION 13 - SPECIAL OPTIONS/ACCESSORIES/KITS

0100035.....49, 149	1001101895 296	1001262110 49	1001262685.....173
0630576.....14	1001116692 265, 266, 271, 275	1001262169 49	1001262688.....174
0700510.....241, 243	1001116693 163, 259, 271	1001262170 49	1001262952.....237, 239
0700610..14, 33, 71, 181, 257	1001116694 265, 271	1001262249 63	1001262954.....75
0700612.....173, 257	1001116716 266	1001262253 65, 71	1001262955.....237, 239
0700615.....137, 181, 263	1001116774 265	1001262265 71	1001262957.....155, 157, 159, 227, 229
0700617237, 239	1001116816 265	1001262266 65, 71	100126296171, 129, 163, 187, 191
0700814.....14, 69, 173	1001116947 266	1001262270 69	1001262964.....237, 239
0700815.....89, 115	1001116986 265	1001262273 69	1001262972.....155, 157, 159
0700818.....39	1001116994 266	1001262274 133, 141	1001262976.....155, 157, 304
0700820....187, 191, 201, 223	1001118385 265	1001262280 63, 65	1001262978.....151, 241, 243
0700821.....155, 157, 159	1001125387 290	1001262281 63, 67	1001262983.....241, 243
0700822.....223	1001125773 259	1001262283 69	1001262985.....241, 243
070101514, 63, 173, 177, 179	1001129773 259	1001262284 69	1001262986.....241, 243
0701018.....87	1001137005 306	1001262285 63	1001262987.....151, 241, 243
0701026.....37, 41, 149	1001139578 290	1001262287 63	1001262988.....237, 239
0701027223	1001139942 296	1001262288 257	1001262989.....241, 243
0701030.....49	1001148902 306	1001262289 18, 165	1001263054.....137, 143
0701031.....43, 49	1001148903 306	1001262292 63	1001263099.....237, 239
0701227.....47	1001148904 306	1001262298 75	1001263110.....187, 191
0701418.....23	1001148905 306	1001262299 75	1001263116.....227, 229
0701618.....247	1001148906 306	1001262360 .87, 89, 107, 115	1001263126.....233, 235
0701630.....39	1001162180 71, 153	1001262370 .87, 89, 107, 115	100126313989, 115, 153, 187, 191, 221
0701632.....39	1001163340 265	1001262371 87, 107	1001263141.....187, 191
0711220.....151, 241, 243	1001189017 290, 296	1001262392 79, 81	1001263142.....221, 237, 239
0712024.....21	1001197457 271	1001262405 149	1001263143.....155, 157, 159, 187, 191, 233
0760408.....263	1001212292 290, 296	1001262409 65, 304	1001263145.....193, 195
0760508.....137	1001213010 71, 77	1001262410 181	1001263158.....29, 155
0760605.....18	1001215023 69	1001262411 181	1001263161.....29
076060818, 77, 133, 141, 153, 173, 263, 273	1001215024 69, 153	1001262412 181	1001263170.....193, 195
076080814, 35, 187, 191, 201, 215	1001219211 296	1001262414 181	1001263181.....193, 195
0760810.....77, 185, 187, 189, 191, 237, 239, 263, 269	1001220379 265, 271	1001262416 181, 304	1001263184.....187, 191
0760812..43, 75, 77, 117, 133, 141, 237, 239	1001223453 290	1001262417 181	1001263185.....187, 191
0760815.....71	1001231801 290	1001262418 181	1001263186.....189
0760818.....173	1001237212 271	1001262424 77, 304	1001263187.....189
0761008.....75, 109, 113	1001248229 259	1001262425 77	1001263188.....133
0761010..29, 37, 41, 165, 187, 191	1001249695 306	1001262426 77	1001263266.....281
0761012.....14, 73, 115	1001249941 306	1001262427 77	1001263388.....35
0761014.....87, 107, 109, 113, 115	1001260776 290	1001262433 181	1001263398.....296
0761017.....87, 115	1001260780 290	1001262435 79, 81	1001263399.....290, 296
0761214.....29	1001260879 290	1001262445 87, 107	1001263410.....290, 296
0761215.....85, 151	1001260880 290	1001262459 79, 81	1001263411.....290, 296
0761216.....73	1001261544 47	1001262469 77	1001263412.....290, 296
0761218.....133, 141	100126154727, 109, 113, 115	1001262471 257	1001263413.....290, 296
0761228.....27	1001261549 27	1001262499 181	1001263439.....293
0770812.....39, 89	1001261550 31, 33	1001262603 281	1001263440.....293
0770816.....273	1001261551 .. 31, 33, 273	1001262605 281	1001263441.....293
1001002454.....279	1001261554 31	1001262606 281	1001263464.....293
1001061659.....43	1001261555 31	1001262607 18, 263, 281	1001263466.....293
1001061660.....43	1001261556 31	1001262612 121, 123	1001263467.....293
1001061662.....43	1001261558 31	1001262637 149	1001263468.....293
1001062117.....43	1001261560 31	1001262638 149	1001263469.....293
1001091102.....147	1001261563 14	1001262664 137, 145, 147, 161, 281	1001263471.....293
1001091951.....21	1001261564 18, 141	1001262666 161	1001263472.....293
1001096456.....85	1001261565 31, 33	1001262669 177, 179	1001263473.....293
1001096653.....71	1001261567 137, 223	1001262670 177, 179	1001263475.....293
1001097522.....77	1001261674 14	1001262671 177, 179	1001263481.....293
	1001262024 57, 59	1001262673 177, 179, 304	
	1001262033 33	1001262674 177, 179, 304	
	1001262034 33	1001262675 173	
	1001262036 33	1001262683 173	
	1001262037 189, 191	1001262684 173, 304	
	1001262107 57		
	1001262108 59		

SECTION 13 - SPECIAL OPTIONS/ACCESSORIES/KITS

1001263572 157, 159, 237, 239	1001264485..... 169	1001301178..... 14	1001302403 285, 287
1001263865 23	1001264492..... 153	1001301183..... 14	1001302427 155, 157, 159
1001263880 18	1001264493..... 153	1001301184..... 14	1001302428 155, 157, 159
1001263881 18	1001264494..... 169	1001301185..... 14	1001302508 29
1001263990 129, 137	1001264500..... 169	1001301186..... 14	1001302511 29, 179
1001263995 129, 137	1001264501..... 169	1001301188..... 14	1001302712 63
1001263996 151	1001264504..... 153	1001301189..... 14	1001302713 73
1001263997 135, 143	1001264505..... 169	1001301333..... 27	1001302714 69
1001263998 135, 143	1001264506..... 129	1001301516..... 31	1001302715 129, 137, 173
1001264006 133, 141, 187, 191	1001264508..... 169	1001301518..... 29, 31	1001302716 77
1001264008 131, 139	1001264509..... 39	1001301519..... 27, 29	1001302717 79
1001264009 18	1001264510..... 153	1001301582..... 29, 33	1001302721 227, 229, 231
1001264010 141	1001264512..... 39	1001301780..... 85	1001302722 233
1001264011 129, 137	1001264513..... 133, 141	1001301782..... 306	1001302728 215
1001264012 141	1001264515..... 135	1001301784..... 75	1001302730 215
1001264013 133, 141	1001264516..... 39	1001301785..... 71	1001302731 215, 217
1001264016 133, 141	1001264517..... 153	1001301786..... 241	1001302732 215, 217
1001264018 85	1001264520..... 153	1001301788..... 129	1001302733 193, 195
1001264019 133, 141	1001264521..... 169	1001301793..... 155, 157, 159	1001302734 193, 195
1001264020 133, 141	1001264522..... 153	1001301795..... 223	1001302735 193, 195
1001264021 18, 129, 131, 137, 139, 263	1001264523..... 153	1001301796..... 306	1001302736 193, 195
1001264022 77	1001264528..... 221	1001301798..... 306	1001302737 193, 195
1001264023 77	1001264529..... 153, 173	1001301813..... 189	1001302738 193, 195
1001264265 145, 147	1001264530..... 37, 51, 53, 304	1001301814..... 191	1001302739 193, 195
1001264268 261	1001264533 37, 185, 187, 191	1001301816..... 41	1001302740 193, 195
1001264271 263	1001264619..... 290, 296	1001301822..... 287	1001302741 193, 195
1001264273 263	1001264674..... 257	1001301850..... 29, 251	1001302742 193, 195
1001264274 67	1001264675..... 257	1001301870..... 31	1001302743 193, 195
1001264275 67	1001264677..... 211, 213, 269	1001301899..... 33	1001302744 193, 195
1001264300 77	1001264677..... 211, 213, 269	1001301903..... 27	1001302799 75
1001264351 129, 135	1001264708..... 131, 139	1001301904..... 39, 43	1001302801 75
1001264363 306	1001265300..... 169	1001301926..... 29	1001302803 75
1001264368 269	1001265301..... 169	1001301927..... 29, 185	1001302806 75
1001264369 273, 304	1001265303..... 163	1001301942..... 29	1001302816 193, 195
1001264370 273, 304	1001265304..... 163	1001301973..... 41, 43	1001303002 223, 225
1001264372 273	1001265305..... 163, 169	1001301975..... 29, 253	1001303003 223, 245
1001264377 131, 139	1001265306..... 163, 275	1001301982..... 29	1001303043 223
1001264388 263	1001266094..... 35	1001301987..... 33	1001303044 223
1001264392 51, 153, 304	1001266095..... 35	1001301993..... 31	1001303045 223
1001264404 177, 304	1001266096..... 35	1001301994..... 31	1001303046 223
1001264416 153, 257	1001266097..... 35	1001301995..... 29	1001303100 71
1001264417 257	10012668712..... 290, 296	1001301996..... 31	1001303102 71
1001264420 257	1001268713..... 290, 296	1001301997..... 31	1001303103 71
1001264422 257, 304	1001269743..... 285, 287	1001301998..... 31, 185	1001303105 71
1001264423 257	1001271968..... 265	1001301999..... 31, 185	1001303106 71
1001264425 257, 304	1001272167..... 296	1001302074..... 29	1001303107 71
1001264426 257	1001272170..... 296	1001302108..... 43	1001303108 71
1001264427 257	1001272171..... 296	1001302109..... 43	1001303109 71
1001264428 257, 304	1001272172..... 296	1001302110..... 43	1001303110 71
1001264429 257	1001272173..... 296	1001302111..... 43	1001303111 71
1001264434 131, 139	1001272174..... 296	1001302158..... 43	1001303112 71
1001264451 279	1001280661..... 147, 304	1001302160..... 43	1001303113 71
1001264452 273	1001281269..... 265	1001302197..... 37, 41	1001303206 137
1001264456 279	1001289648..... 147	1001302198..... 37, 41	1001303216 137, 141
1001264458 257	1001289648..... 147	1001302207..... 177, 179	1001303217 133, 141
1001264465 257	1001291056..... 147	1001302208..... 177	1001303218 137, 139
1001264466 279	1001297049..... 290	1001302209..... 129, 137, 177	1001303220 129, 137, 151
1001264477 135	1001299209..... 165	1001302231..... 47	1001303221 129, 137, 165
1001264478 135	1001299292..... 165	1001302232..... 47	1001303382 133, 141
1001264479 135	1001299295..... 165	1001302251..... 47	1001303398 71, 131, 139
1001264480 135	1001299300..... 165	1001302397..... 285, 287	1001303409 71, 129, 223
1001264481 135, 201	1001300353..... 290	1001302399..... 285	
1001264482 135	1001301170..... 14	1001302400..... 285, 287	
1001264484 133	1001301174..... 14	1001302401..... 285, 287	
	1001301176..... 14	1001302402..... 285, 287	
	1001301177..... 14		

SECTION 13 - SPECIAL OPTIONS/ACCESSORIES/KITS

1001303411.....	139	1001304421.....	257	1001305601.....	173	1001306236.....	209
1001303415.....	131, 139	1001304422.....	257	1001305612.....	173	1001306237.....	209
1001303452.....	173, 304	1001304424.....	121, 123, 125	1001305613.....	85	1001306238.....	209
1001303466.....	173	1001304425.....	18	1001305615.....	23	1001306239.....	209
1001303494.....	173	1001304426.....	18	1001305628.....	37	1001306240.....	209
1001303495.....	173	1001304427.....	18	1001305629.....	37	1001306241.....	203, 205
1001303496.....	173	1001304428.....	18	1001305631.....	37	1001306242.....	203
1001303514.....	173	1001304428.....	18	1001305632.....	37	1001306243.....	203
1001303521.....	173	1001304430.....	18	1001305660.....	173	1001306244.....	203, 205
1001303608.....	173	1001304431.....	18	1001305666.....	173	1001306245.....	211, 213
1001303609.....	173	1001304432.....	18	1001305673.....	161	1001306246.....	93, 119
1001303610.....	173	1001304433.....	18	1001305674.....	174	1001306247.....	211, 213
1001303611.....	173	1001304434.....	18	1001305687.....	129	1001306248.....	93
1001303614.....	173	1001304435.....	18	1001305725.....	79, 227	1001306249.....	207
1001303629.....	85, 103	1001304436.....	18	1001305791.....	151	1001306250.....	207
1001303630.....	85, 87	1001304448.....	23	1001305794.....	174	1001306251.....	93, 119
1001303631.....	85, 105	1001304449.....	161	1001305798.....	306	1001306252.....	89, 93
1001303632.....	85, 95	1001304450.....	281	1001305800.....	306	1001306264.....	89, 115
1001303633.....	21	1001304451.....	306	1001305801.....	290	1001306265.....	89, 115
1001303634.....	173	1001304455.....	37, 39	1001305802.....	293	1001306266.....	89, 115
1001303637.....	173	1001304456.....	37, 185, 221	1001305803.....	296	1001306269.....	193, 195
1001303675.....	21	1001304457.....	131	1001305814.....	151	1001306270.....	193, 195
1001303676.....	21	1001304460.....	185	1001305836.....	237	1001306271.....	89
1001303769.....	95, 97	1001304465.....	18	1001305837.....	193	1001306280.....	89, 115
1001303771.....	151	1001304558.....	257	1001305838.....	207	1001306281.....	89, 115
1001303772.....	95	1001304559.....	215, 237, 239, 257, 269	1001305839.....	215	1001306282.....	89, 115
1001303774.....	103	1001304585.....	257	1001305840.....	199	1001306288.....	89, 115
1001303784.....	95	1001304590.....	257, 259	1001305841.....	197	1001306291.....	89
1001303793.....	181	1001304594.....	257	1001305842.....	211	1001306292.....	89, 115
1001303815.....	103	1001304595.....	257, 304	1001305843.....	209	1001306314.....	89, 115
1001303819.....	103	1001304617.....	257	1001305844.....	203	1001306316.....	89, 115
1001303851.....	99, 101	1001304618.....	39	1001305851.....	299	1001306318.....	237
1001303855.....	79, 233	1001304629.....	39	1001305852.....	301	1001306319.....	237, 239
1001303856.....	85, 99	1001304631.....	39	1001305987.....	18	1001306321.....	237
1001303858.....	121	1001304736.....	37, 185, 187	1001305989.....	18	1001306322.....	237
1001303860.....	121	1001304892.....	37, 185, 187	1001306009.....	221	1001306324.....	237, 239
1001303861.....	121	1001305034.....	221	1001306011.....	221	1001306325.....	237, 239
1001303862.....	121, 123	1001305035.....	221	1001306072.....	227, 229	1001306326.....	237, 239
1001303982.....	85	1001305369.....	77	1001306073.....	227, 229	1001306327.....	199
1001303994.....	85	1001305370.....	77, 304	1001306075.....	237, 239	1001306328.....	199
1001303997.....	85	1001305372.....	77	1001306122.....	99	1001306329.....	199, 201
1001303999.....	73	1001305388.....	281, 304	1001306133.....	273	1001306330.....	199, 201
1001304000.....	73	1001305392.....	285, 287	1001306134.....	269	1001306331.....	197
1001304001.....	73	1001305395.....	281	1001306135.....	279	1001306332.....	197
1001304002.....	73	1001305412.....	285	1001306136.....	263	1001306333.....	197
1001304003.....	73	1001305426.....	153	1001306141.....	241, 243	1001306382.....	147
1001304005.....	129, 137	1001305465.....	131	1001306142.....	241, 243	1001306383.....	105, 107
1001304006.....	99	1001305482.....	185, 189	1001306162.....	87, 107	1001306384.....	107, 113
1001304017.....	179	1001305499.....	153	1001306163.....	87	1001306385.....	109, 113, 115
1001304074.....	69, 304	1001305506.....	153	1001306164.....	157, 159	1001306386.....	147
1001304075.....	69	1001305507.....	153, 304	1001306166.....	87, 89	1001306387.....	115
1001304076.....	129, 137	1001305508.....	153	1001306167.....	87	1001306388.....	115
1001304078.....	69	1001305510.....	153	1001306168.....	87, 107	1001306399.....	89, 115
1001304079.....	69	1001305511.....	153	1001306169.....	87	1001306400.....	89, 115
1001304080.....	129, 137	1001305512.....	153, 304	1001306170.....	87	1001306404.....	109, 113
1001304081.....	137	1001305513.....	153, 304	1001306171.....	87	1001306406.....	107
1001304169.....	257	1001305514.....	153	1001306172.....	87	1001306408.....	115
1001304195.....	18	1001305515.....	153	1001306173.....	87, 91	1001306419.....	115
1001304203.....	129, 137, 153	1001305516.....	153	1001306180.....	71	1001306435.....	89, 115
1001304206.....	77, 153	1001305517.....	153	1001306197.....	131, 139	1001306504.....	237, 239
1001304207.....	77	1001305567.....	153	1001306198.....	131, 139	1001306506.....	237, 239
1001304227.....	37	1001305568.....	153	1001306199.....	131, 139	1001306568.....	269
1001304375.....	129, 133	1001305583.....	121, 123	1001306200.....	131, 139	1001306570.....	269, 271
1001304376.....	129, 131	1001305592.....	173	1001306201.....	131, 139	1001306571.....	237, 239
1001304377.....	129, 169	1001305594.....	173	1001306202.....	87	1001306572.....	269, 277
1001304381.....	129, 153	1001305595.....	173	1001306231.....	89, 115	1001306573.....	269
				1001306235.....	209		

SECTION 13 - SPECIAL OPTIONS/ACCESSORIES/KITS

1001306574 237, 239	1001307901..... 163	1001311868..... 195	2142704 95, 174, 237, 239
1001306575 237, 239	1001307908..... 187	1001311869..... 217	2142706 39, 105, 179, 213, 237, 239
1001306576 237, 239	1001307909..... 185	1001311870..... 201	2142708 237, 239
1001306640 269	1001307910..... 306	1001311871..... 213	2142711 ... 155, 157, 159, 237, 239
1001306644 263	1001307977..... 191	1001311872..... 205	2142712 ... 155, 157, 159, 221, 237, 239
1001306645 263	1001307978..... 191	1001311884..... 187	2142713 29, 227, 229, 237, 239
1001306646 263	1001307979..... 187, 191	1001311916..... 201	2142715 179, 213
1001306647 263, 304	1001307980..... 187, 191	1001311967..... 290	2142716 ... 155, 157, 159, 187, 191, 213, 233, 235
1001306648 263	1001308082..... 187, 191	1001311994..... 290, 296	2142717 237, 239, 241
1001306649 263, 265	1001308083..... 187, 191	1001311995..... 290	2142718 71, 241, 243
1001306650 263, 304	1001308140..... 187, 191	1001312056..... 195	2142743 179
1001306651 263	1001308141..... 187, 191	1001312057..... 195	2142747 233, 235
1001306652 263	1001308142..... 187, 191	1001312058..... 217	2142748 241, 243
1001306653 263	1001308144..... 187, 191	1001312059..... 217	2142757 241, 243
1001306655 263	1001308146..... 187, 191	1001312060..... 217	2143007 179, 227, 229
1001306657 263, 304	1001308150..... 187, 191	1001312061..... 201	2143008 213
1001306659 263, 304	1001308151..... 187, 191	1001312062..... 201	2143307 207
1001306660 263	1001308152..... 187, 191	1001312063..... 201	2143401 237, 239
1001306666 263, 304	1001308516..... 261	1001312064..... 201	2143402 179
1001306668 263	1001308519..... 145	1001312065..... 201	2143403 29
1001306669 263	1001309048..... 261	1001312072..... 213	2143404 29, 185, 189, 193, 195
1001306670 263, 304	1001309197..... 145	1001312073..... 213	2143405 99, 241, 243
1001306674 115	1001309564..... 163	1001312125..... 290, 296	2143406 ... 155, 157, 159, 233, 241
1001306675 115	1001309565..... 163	1001312126..... 290, 296	2143407 99, 187, 191, 207, 233, 235, 243
1001306681 115	1001309566..... 163	1001312336..... 55	2143408 237, 239
1001306687 117	1001309567..... 163	1001312337..... 53	2143509 ... 233, 235, 241, 243
1001306690 115, 117	1001309568..... 163	1001312339..... 51	2143513 233, 235
1001306693 117	1001309569..... 163	1001312345..... 51	2143520 241, 243
1001306694 117	1001309570..... 163	1001312347..... 51	2143607 187, 191
1001306698 117	1001309571..... 163	1001312348..... 51	2144111 237, 239
1001306700 117	1001309572..... 163	1001312396..... 301	2144209 205
1001306705 115, 119	1001309730..... 163	1001312397..... 301	2144515 205
1001306706 119	1001309731..... 163	1001312398..... 301	2171712 203, 205
1001306707 119	1001309732..... 163	1001312504..... 125	2901443 306
1001306725 115	1001309733..... 163	1001312505..... 125	2988632 237, 239
1001306727 109, 113	1001309734..... 163	1001312506..... 125	3290401 131, 139
1001306730 109, 113	1001309735..... 163	1001312507..... 125	3290405 263
1001306737 109, 113	1001309736..... 163	1001313450..... 293	3290505 137, 263
1001306739 117	1001310753..... 167	1001313403..... 296	3290601 14, 77, 173, 181, 257
1001306752 117	1001310817..... 123	1001314403..... 296	3290605. 14, 18, 71, 137, 145, 173, 181, 257, 263, 281
1001306754 117	1001310818..... 123	1001315421..... 159	3290801 63, 77, 173, 211, 213
1001306800 107	1001310818..... 123	1320022..... 173	3290805 ... 14, 18, 37, 69, 75, 103, 141, 147, 165, 173, 185, 187, 191, 201, 223, 257, 263, 269, 281
1001306802 107	1001310984..... 299	1321296..... 71	3290806 ... 181, 237, 239, 263
1001306806 115	1001310985..... 299	1706281 296	3291001 115, 177, 179
1001306817 107, 111	1001310986..... 299	1706284 296	3291005 ... 37, 41, 43, 49, 173, 177, 179, 223
1001306818 109, 113	1001311049..... 290, 296	1706292 296	3291201 173
1001306856 117	1001311187..... 290, 296	1706296 290	3291205 47
1001306859 115	1001311188..... 290, 296	1706299 290	
1001306881 123	1001311190..... 290	1706300 290	
1001306883 125	1001311192..... 290	1706302 290	
1001306962 113	1001311384..... 290, 296	1707078 290	
1001307003 107, 109	1001311387..... 185	2140507 99	
1001307004 109	1001311459..... 53, 55	2140801 227, 229	
1001307027 105, 247	1001311460..... 290, 296	2140814 227, 229	
1001307028 247, 249	1001311683..... 179	2141108 227, 229	
1001307031 247	1001311715..... 179	2141504 29, 185, 193, 195	
1001307032 247	1001311716..... 306	2141507 195	
1001307033 247	1001311717..... 243	2141511 237, 239	
1001307080 109, 113	1001311737..... 187, 191	2141607 237, 239	
1001307239 85	1001311738..... 187, 191	2141612 71	
1001307386 153	1001311766..... 81	2141809 29, 185	
1001307393 153	1001311767..... 81, 235	2142102 37, 227, 229	
1001307395 153	1001311801..... 235	2142105 233, 235	
1001307396 153	1001311818..... 235	2142202 241, 243	
1001307469 153	1001311852..... 205	2142206 ... 155, 157, 159, 187, 191, 233, 235, 243	
1001307828 261	1001311853..... 205	2142207 241, 243	
1001307888 306	1001311854..... 81, 229		
	1001311867..... 239		

SECTION 13 - SPECIAL OPTIONS/ACCESSORIES/KITS

329120727, 85, 133, 141, 151, 173, 241, 243	4812102... 151, 177, 179, 241, 243	70031530 231	70031632.....91, 111
3291605.....85	4812200 23	70031531 231	70031633.....91, 111
3331611.....21, 39	4812300 . 21, 39, 85, 133, 141	70031532 231	70031634.....91, 111
3440420.....173	4812400 189	70031533 231	70031635.....91, 111
3440820.....173	4812500 21	70031534 101	70031636.....91, 111
3450203.....173, 181	4831400 131, 139, 147	70031535 101	70031637.....91, 111
3900357.....14	4831700 ... 14, 18, 31, 33, 77, 129, 133, 137, 141, 201, 257, 263, 273	70031536 101	70031638.....91, 111
3900364.....14	4831900 ... 14, 18, 35, 39, 43, 63, 71, 75, 77, 89, 103, 115, 117, 141, 155, 157, 159, 161, 173, 185, 187, 189, 191, 201, 215, 237, 239, 257, 263, 269	70031554 69	70031639.....91, 111
4031205.....18	4832000 ... 14, 29, 37, 41, 43, 49, 63, 73, 75, 79, 81, 87, 107, 109, 113, 115, 149, 165, 177, 179, 187, 191	70031555 225	70031640.....91, 111
4031508.....131, 139	4832100 ... 29, 73, 85, 99, 103, 151	70031556 225	70031641.....91, 111
4031708.....31	4832300 .21, 39, 133, 141	70031557 71	70031642.....91, 111
4031714.....201	4832500 21	70031558 71	70031643.....91, 111
403190833, 87, 103, 237, 239, 257	5271809 173	70031559 71	70031644.....91, 111
4031910.....63, 103	5272012 85	70031560 253	70031645.....91, 111
4031912.....63	5272117 151	70031561 253	70031646.....91, 111
4032008.....31, 33, 73	70001968 231	70031562 253	70031647.....111
4032010.....63, 79, 81	70003062 65	70031563 97	70031648.....91, 111
4032010000.....63	70003168 231	70031564 97	70031655.....91
4032112.....99	70003169 231	70031565 97	70031656.....91
4032122.....103	70003172 231	70031566 97	70031657.....91
4100181.....290, 296	70003340 101, 231	70031567 97	70031658.....91
4108302.....290, 296	70005741 65	70031568 97	70031659.....165
4460466.... 163, 259, 265, 266, 271, 275, 277	70020323 231	70031587 97	70031819.....249
4460467306	70020324 231	70031588 97	70031821.....251
4460510.....306	7002821 306	70031589 97	70031822.....251
4460873.....265	7002822 306	70031590 97	70031823.....251
4460894.... 265, 275, 277	7002823 306	70031591 97	7004275.....306
4460899.....275	7002828 306	70031592 97	7004276.....306
4460905.....265, 266	70030108 304	70031593 97	7016654.....306
4460930.....265	70030136 .. 237, 239, 304	70031594 97	7017901.....65
4460933.... 265, 266, 271	70030137 237, 239	70031595 97	7017943.....65
4460970.....259, 271	70030233 91, 111	70031596 97	7017949.....65
4461071.....265	70030234 91, 111	70031597 97	7018975.....231
4461077.....271	70030741 135, 304	70031598 97	7020942.....65, 304
4461118.....271	70031105 231	70031599 97	7023139.....65
4461290.....265, 271	70031292 135	70031600 91, 97, 111	7023141.....65
4811600.... 137, 153, 241, 243	70031353 65	70031601 97	7023160.....65
4811700.... 14, 18, 33, 77, 129, 131, 139, 153, 173, 181, 257, 263, 281	70031354 65	70031602 97	7023887.....231
481170218, 71, 129, 133, 137, 141, 153	70031360 177	70031603 97	7024069.....231
4811900.... 14, 18, 37, 39, 71, 75, 77, 137, 141, 145, 147, 155, 157, 159, 165, 173, 181, 185, 187, 189, 191, 201, 211, 213, 215, 237, 239, 263, 269, 281	70031363 135	70031604 97	7024071.....231
4811902..18, 35, 69, 133, 141, 161, 173	70031524 231	70031605 97	7024072.....231
4812000.... 14, 29, 31, 37, 41, 43, 49, 73, 75, 149, 173, 187, 191	70031525 231	70031606 97	7024075.....231
4812002.....43, 165	70031526 231	70031607 97	7024077.....231
481210073, 85, 133, 141, 151, 173	70031527 231	70031608 97	7024078.....231
	70031528 231	70031609 97	7024080.....231
	70031529 231	70031610 97	7024908.....231
		70031611 97	7028806.....101
		70031612 97	7028876.....231
		70031613 97	8005870.....296
		70031614 97	80334588.....177
		70031615 97	80934091.....231
		70031616 97	80934598.....231
		70031617 97	8305919.....263
		70031618 97	83924123.....101
		70031619 97	8526203.....123
		70031620 91, 111	91084327.....231
		70031621 91, 111	
		70031622 91, 111	
		70031623 91, 111	
		70031624 91, 111	
		70031625 91, 111	
		70031626 91, 111	
		70031627 91, 111	
		70031628 91, 111	
		70031629 111	



**Corporate Office
JLG Industries, Inc.
1 JLG Drive
McConnellsburg, PA 17233-9533 USA
☎ (717) 485-5161 (Corporate)
☎ (877) 554-5438 (Customer Support)
📠 (717) 485-6417**

**Visit our website for JLG Worldwide Locations.
www.jlg.com**



OSHKOSH™