



Illustrated Parts Manual

Model
1230P

P/N
31223075

April 1, 2024 - Rev A

ANSI



An Oshkosh Corporation Company

REVISION LOG

April 1, 2024 - A - Original Issue of Manual (Edited to B/M 1001351230 Revision E)

GENERAL INFORMATION



1) MACHINE IDENTIFICATION

Machines are identified by model and in some cases a combination of models, serial number (SN) or regional standard (i.e ANSI, CE, CSA). Components may also be identified by SN or manufacturer. Common components that may be identified by these characteristics are engines and hydraulic components.

2) PARTS MANUAL ORGANIZATION

Product information in this manual is organized under section titles. Frame, Cylinder, Hydraulic and Electrical are a few examples. Each section is organized by figure and page number. The information within the Figure is then organized by item number, part number, description and corresponding illustration (s).

3) TABLE OF CONTENTS (NOT SHOWN)

A table of contents is found toward the beginning of the manual. Figure number, description and page number are provided for quick reference to the page containing the related information.

4) RECOMMENDED SPARE PARTS (NOT SHOWN)

The Recommended Spare Parts List, located near the end of the manual, reference most frequently used maintenance parts.

5) PART NUMBER INDEX (NOT SHOWN)

A numerical index listing all part numbers and the corresponding page number(s) appears at the back of the manual.

GENERAL INFORMATION

6) NON-SERVICED PARTS

In some instances, it is necessary to display non-serviced parts, assemblies or installations. In the case of assemblies and installations there will be a Ref in the Qty. column. In case of parts that are not available for service within assemblies or components, there will be a NSS (Not Sold Separately) or NLA (No Longer Available) listed in the Qty. column of the manual.

7) PARTS LIST ITEM NUMBERS

Numbers shown in the item# column correspond to numbers used in the associated illustration (s). Item numbers which are missing from the sequence in the parts list are not used on that page.

8) INDENTED PARTS DESCRIPTION

An indented part description is included in the item under which it is indented.

9) ABBREVIATION AND SYMBOLS

AC.....	Alternating Current	L.....	Liter
ADE.....	Advanced Design Electronics	LB(LBS).....	Pounds
AG.....	Agricultural	LCD.....	Liquid Crystal Display
ANSI.....	American National Standards Institute	LED.....	Light Emitting Diodes
AR.....	As Required	LH.....	Left Hand
ASSY.....	Assembly	LRC.....	Low Rated Countries
AUS.....	Australia	LSS.....	Load Sensing System
AUX.....	Auxiliary	M(m).....	Metric/Meter
AWG.....	American Wire Gauge	MM(mm).....	Milimeter
B/M.....	Bill of Material	mA.....	Miliamps
CAC.....	Charge Air Cooler	NLA.....	No Longer Available
CE.....	European Conformity	NPT.....	National Pipe Threads
CCW.....	Counter Clockwise	NSS.....	Not Sold Separately
CM.....	Centimeter	OD.....	Outside Diameter
CW.....	Clockwise	ORB.....	O-Ring Boss
CSA.....	Canadian Standards Association	ORFS.....	O-Ring Face Seal
CYL.....	Cylinder	OZ (oz).....	Ounces
DIA.....	Diameter	PG.....	Page
DC.....	Direct Current	PN.....	Part Number
DEF.....	Diesel Exhaust Fluid	QT(qt.).....	Quarts
EMS.....	Emergency Stop	QTY.....	Quantity
ENG.....	Engine	REF.....	Reference
FT(ft).....	Feet	REV.....	Revision Level
GA(Ga).....	Gauge	RH.....	Right Hand
HRC.....	High Rated Countries	SAE.....	Society of Automotive Engineers
HVAC.....	Heating, Ventilating, and Air Conditioning	SN.....	Serial Number
HYD.....	Hydraulic	SPEC(S).....	Specifications
Hz.....	Hertz	T/T.....	Turntable
ID.....	Inside Diameter	UGM.....	Universal Ground Module
IN.....	inches	V.....	Volts
ISO.....	International Organization for Standards	W.....	Watts
JIC.....	Joint Industry Council	#.....	Number
KG.....	Kilogram		

10) ILLUSTRATION REFERENCE LETTERS

When necessary, illustrations may contain reference letters that are intended to track information (i. e. hoses, harnesses) from one point to another or to track visual enlargement of components to show details that may be located in another area on the illustration.

Note: Due to continuous product improvements, JLG Industries, Inc. reserves the right to make specification changes without prior notification. Contact JLG Industries, Inc. for updated information.

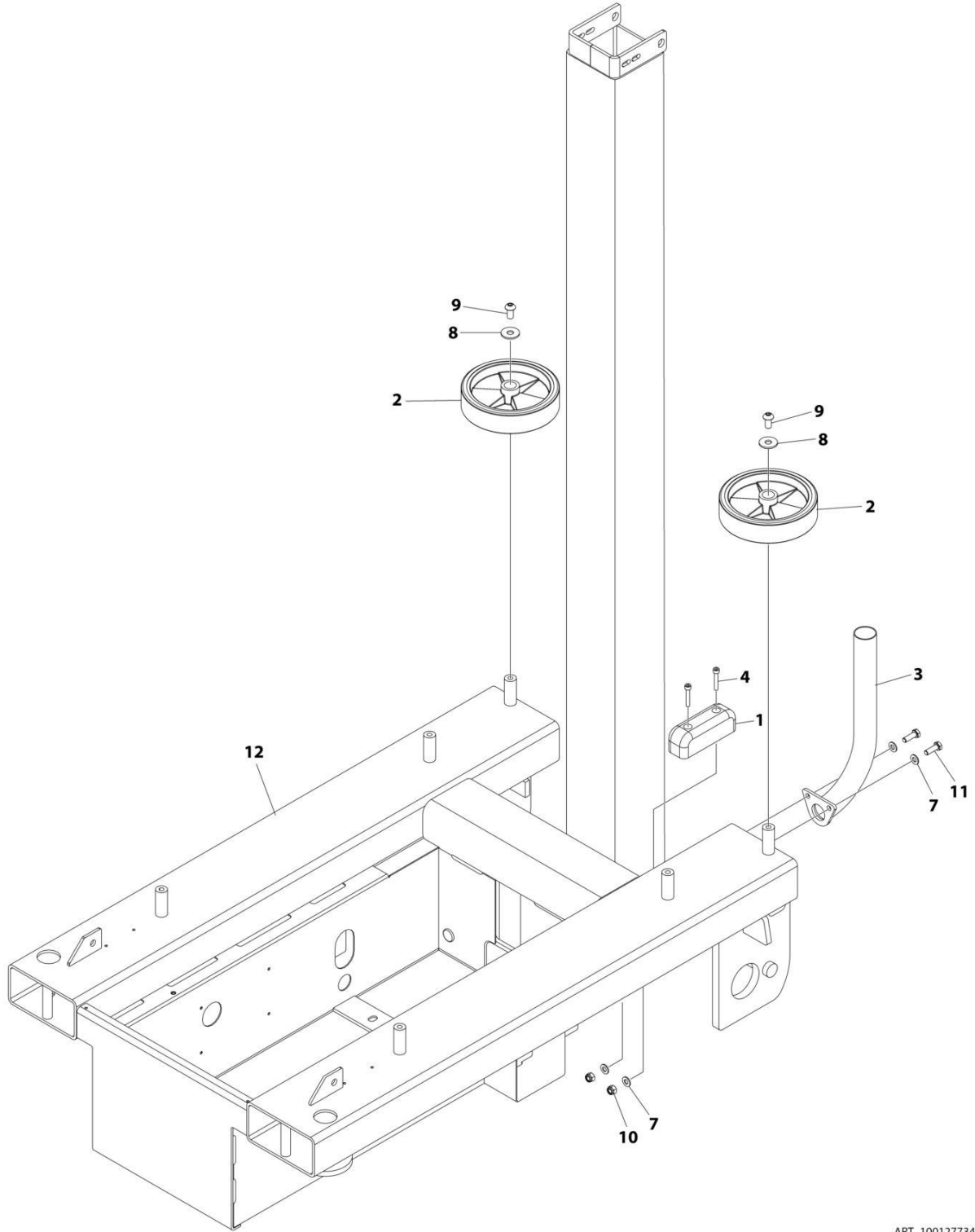
TABLE OF CONTENTS

SECTION 1 - FRAME.....	9
FIGURE 1-1. FRAME INSTALLATION.....	10
FIGURE 1-2. COVERS INSTALLATION.....	12
FIGURE 1-3. STEP INSTALLATION.....	14
FIGURE 1-4. WHEEL INSTALLATION.....	16
SECTION 2 - CONTROLS.....	19
FIGURE 2-1. CONTROLS INSTALLATION.....	20
SECTION 3 - MAST.....	23
FIGURE 3-1. MAST INSTALLATION.....	24
FIGURE 3-2. MAST ASSEMBLY - MIDDLE.....	26
FIGURE 3-3. MAST ASSEMBLY - OUTER.....	28
FIGURE 3-4. TRAY INSTALLATION - PLASTIC.....	30
SECTION 4 - PLATFORM.....	33
FIGURE 4-1. PLATFORM INSTALLATION.....	34
SECTION 5 - HYDRAULIC.....	37
FIGURE 5-1. HYDRAULIC COMPONENTS INSTALLATION.....	38
FIGURE 5-2. MOTOR/PUMP/TANK ASSEMBLY.....	40
SECTION 6 - ELECTRICAL.....	43
FIGURE 6-1. BATTERY INSTALLATION.....	44
FIGURE 6-2. BATTERY CHARGER INSTALLATION.....	46
SECTION 7 - DECALS.....	49
FIGURE 7-1. DECALS INSTALLATION - ANSI.....	50
SECTION 8 - RECOMMENDED SERVICE PARTS STOCK.....	53
FIGURE 8-1. RECOMMENDED SERVICE PARTS STOCK.....	54
SECTION 9 - SPECIAL OPTIONS/ACCESSORIES/KITS.....	55
FIGURE 9-1. SPECIAL OPTIONS/ACCESSORIES/KITS.....	56
PART NUMBER INDEX.....	57

SECTION 1 - FRAME

SECTION 1 - FRAME

FIGURE 1-1. FRAME INSTALLATION



ART_1001277344

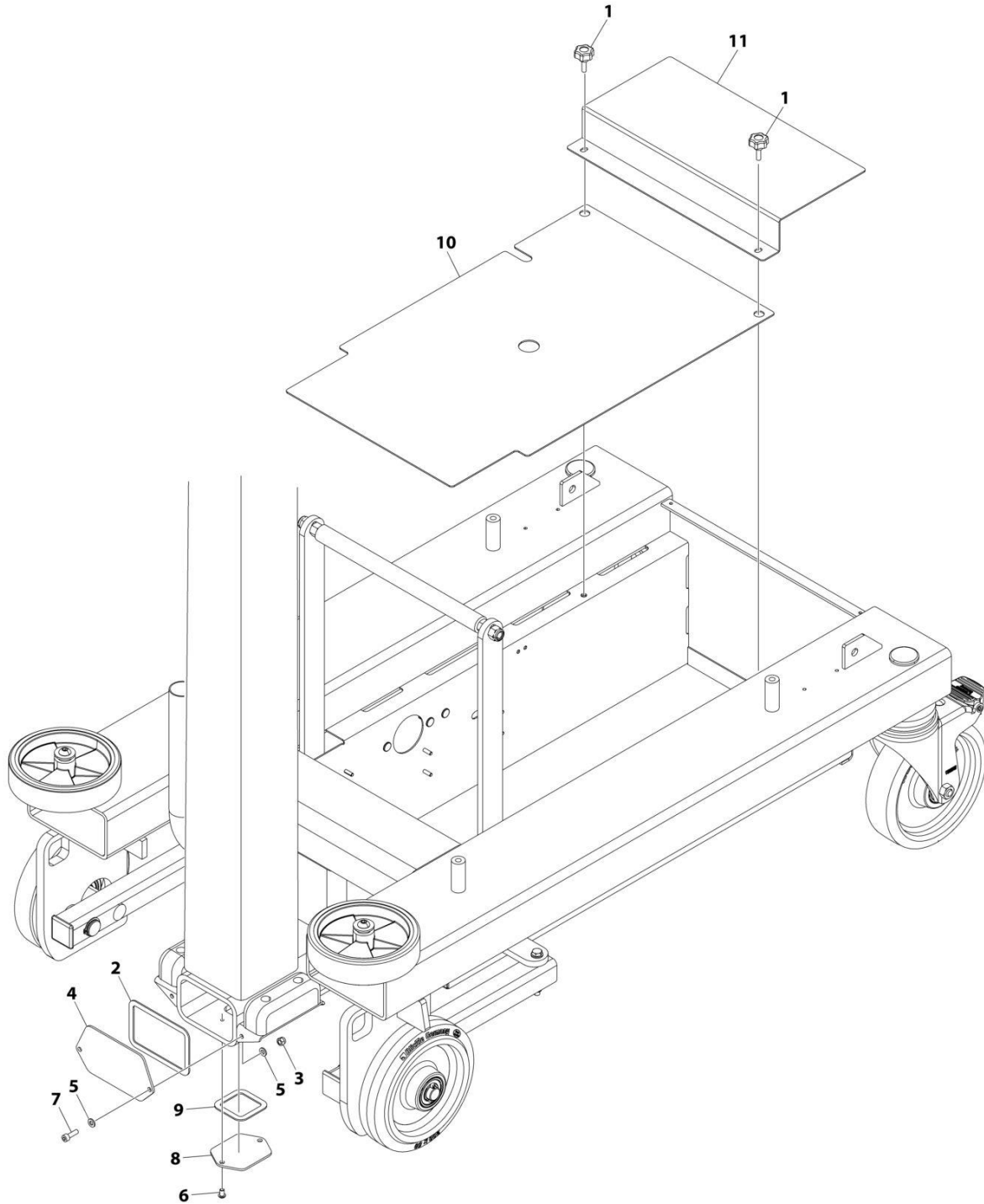
SECTION 1 - FRAME

FIGURE 1-1. FRAME INSTALLATION

ITEM	PART NUMBER	QTY	DESCRIPTION	REV
	1001277344	Ref	FRAME ASSEMBLY	C
1	PTM126	2	Pad, Rest	
2	PTNM302	2	Wheel, Buffer	
3	1001302164	1	Tube, Guide	
4	1001264556	4	Bolt M6 x 35	
7	1001265113	4	Washer M8	
8	1001265116	2	Washer M10	
9	1001265122	2	Capscrew M10 x 20	
10	1001265135	2	Nut M8	
11	1001265203	2	Bolt M8 x 25	
12	See Note	NSS	Frame (Note: Not Available for Purchase)	

SECTION 1 - FRAME

FIGURE 1-2. COVERS INSTALLATION



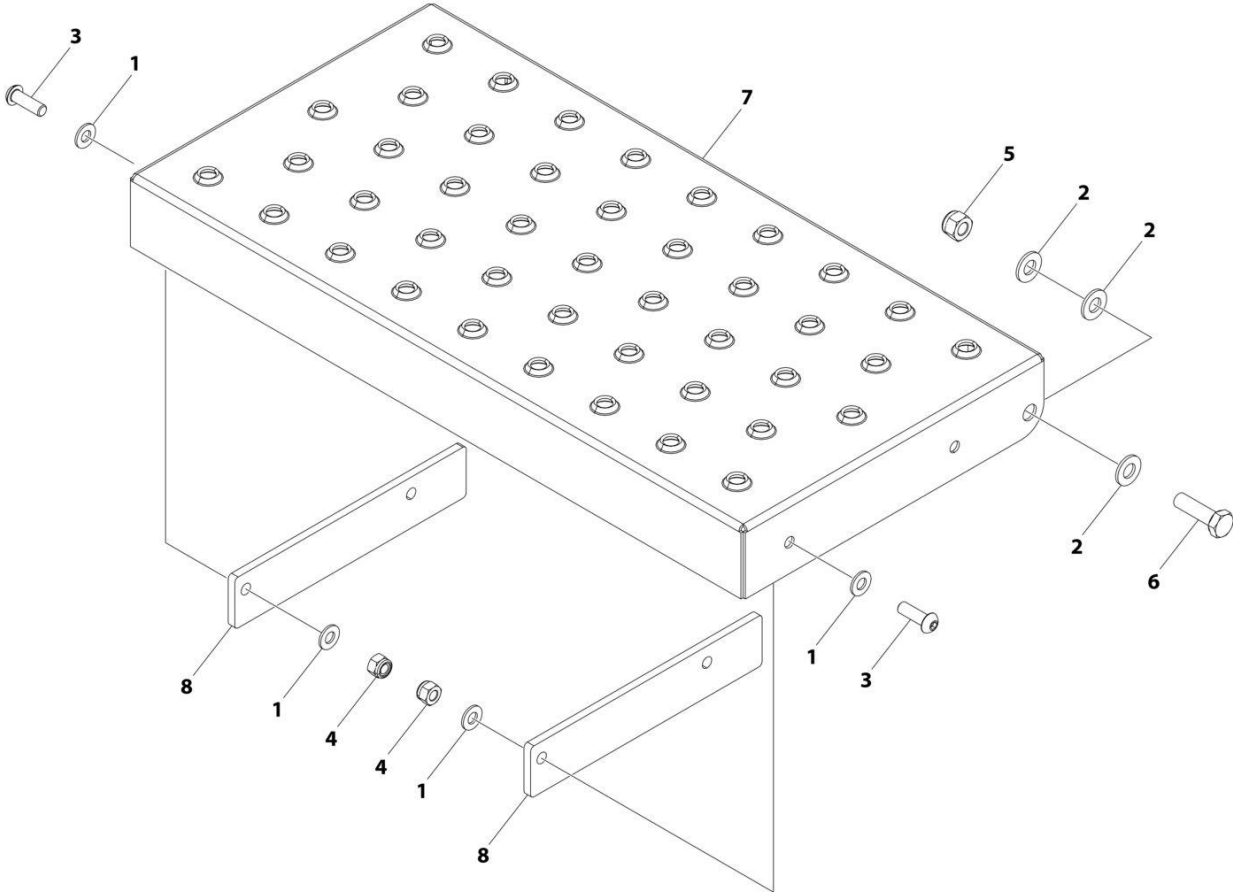
ART_1001277359

FIGURE 1-2. COVERS INSTALLATION

ITEM	PART NUMBER	QTY	DESCRIPTION	REV
	1001277359	Ref	COVERS INSTALLATION	C
1	PTM107	1	Knob	
2	1001302190	1	Gasket, Spine End Cover	
3	1001264557	1	Nut M6	
4	1001302203	1	Cover, Spine End	
5	1001265112	1	Washer M6	
6	1001265119	1	Capscrew M6 x 10	
7	1001265127	1	Capscrew M6 x 20	
8	1001302204	1	Cover, Spine Bottom	
9	1001302210	1	Gasket, Spine Bottom Cover	
10	1001285722	1	Cover, Chassis	
11	1001291148	1	Panel, Chassis Cover	

SECTION 1 - FRAME

FIGURE 1-3. STEP INSTALLATION



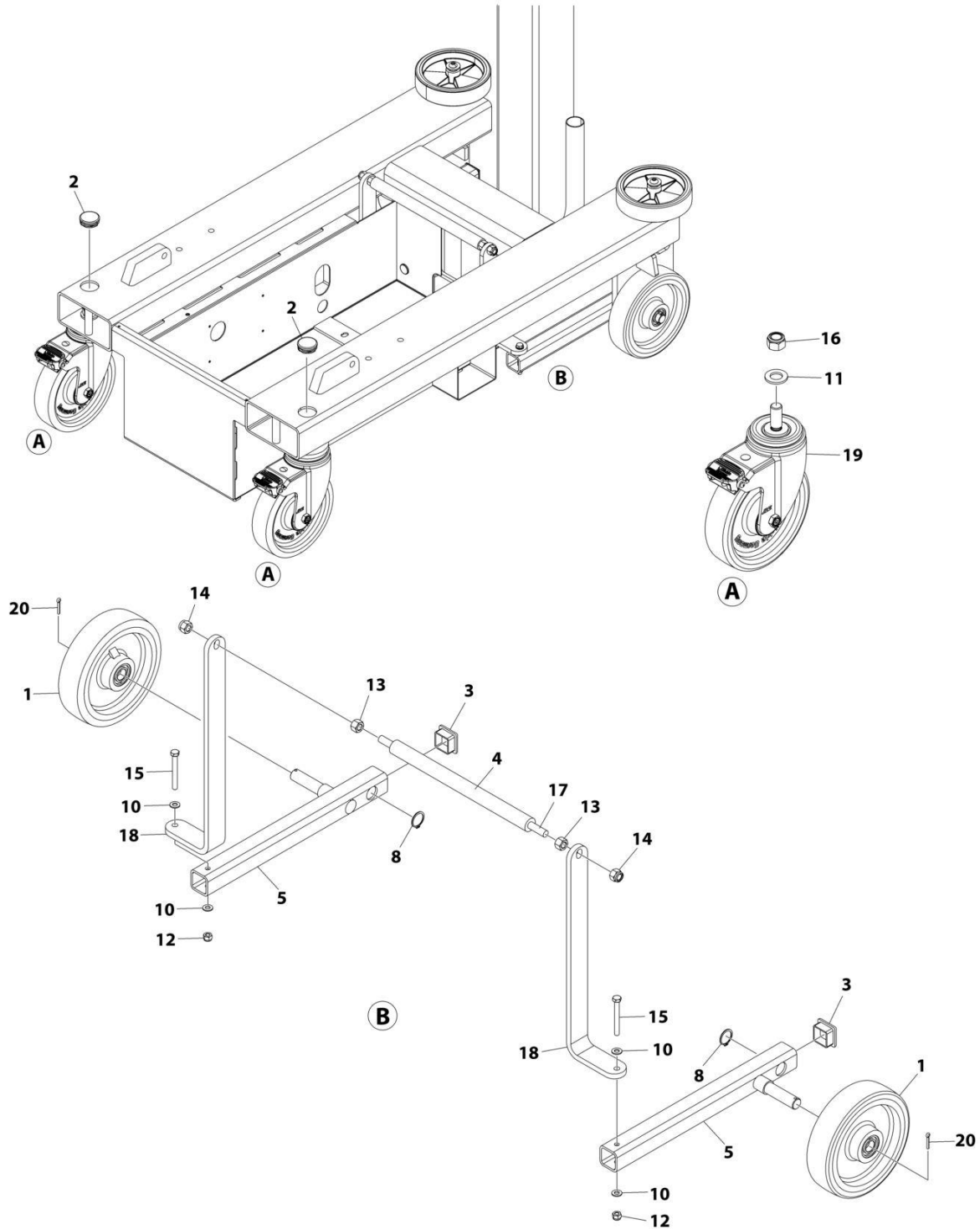
ART_1001277357

FIGURE 1-3. STEP INSTALLATION

ITEM	PART NUMBER	QTY	DESCRIPTION	REV
	1001277357	Ref	STEP INSTALLATION	C
1	1001265113	8	Washer M8	
2	1001265115	6	Washer M10	
3	1001266113	4	Bolt M8 x 25	
4	1001265135	4	Nut M8	
5	1001265136	2	Nut M10	
6	1001265204	2	Bolt M10 x 35	
7	1001277662	1	Plate	
8	1001277665	2	Pad	

SECTION 1 - FRAME

FIGURE 1-4. WHEEL INSTALLATION



ART_1001299937

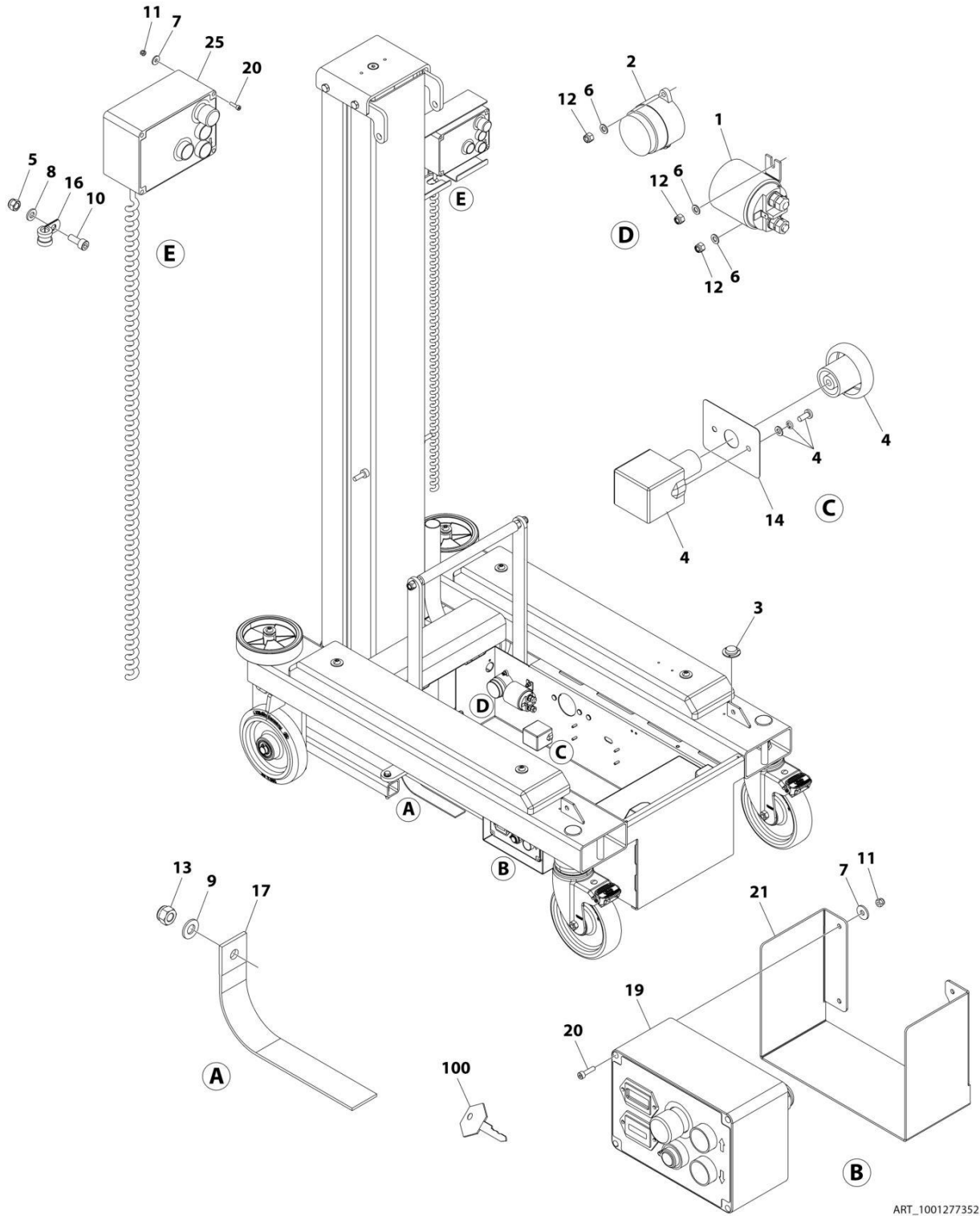
FIGURE 1-4. WHEEL INSTALLATION

ITEM	PART NUMBER	QTY	DESCRIPTION	REV
	1001277350	Ref	WHEEL INSTALLATION	C
1	1001299162	2	Castor, Wheel	
2	PTM163	2	Insert, Chassis	
3	1001302186	2	Cap, End	
4	1001302166	1	Roller, Brake	
5	1001299234	2	Arm, Axle	
8	1001265108	2	Circlip	
10	1001265113	4	Washer M8	
11	1001265118	2	Washer 3/4	
12	1001265135	2	Nut M8	
13	1001265137	2	Nut M12	
14	1001265138	2	Nut M12	
15	1001265141	2	Bolt M8 x 70	
16	1001265147	2	Nut 3/4	
17	1001265148	1	Bar, Threaded M12	
18	1001302211	2	Bracket, Brake	
19	1001277964	2	Castor, Wheel	
20	1001266108	2	Cotterpin	

SECTION 2 - CONTROLS

SECTION 2 - CONTROLS

FIGURE 2-1. CONTROLS INSTALLATION



ART_1001277352

SECTION 2 - CONTROLS

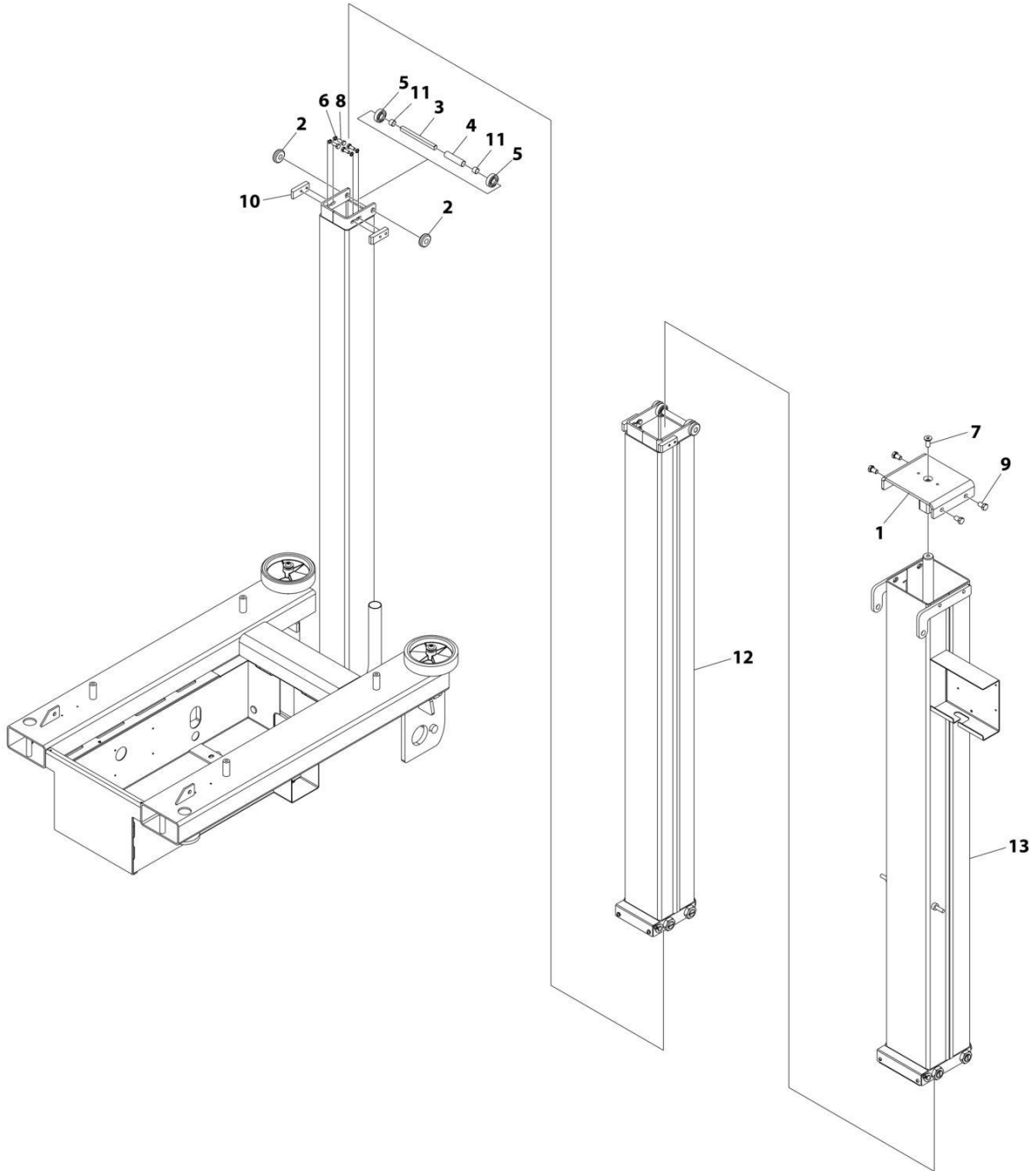
FIGURE 2-1. CONTROLS INSTALLATION

ITEM	PART NUMBER	QTY	DESCRIPTION	REV
	1001277352	Ref	CONTROLS INSTALLATION	A
1	PPE612	1	Relay, Start	
2	PTE215	1	Alarm	
3	PTM106	1	Level	
4	PTNE200	1	Switch, Emergency Stop	
5	1001264557	1	Nut	
6	1001265110	3	Washer M5	
7	1001265111	8	Washer M5	
8	1001265112	1	Washer M6	
9	1001265115	1	Washer M10	
10	1001265126	1	Capscrew M6 x 16	
11	1001265133	8	Nut M4	
12	1001265134	3	Nut M5	
13	1001265136	1	Nut M10	
14	1001265232	1	Decal - Ground Label	
15	1001265521	14	Tie-Strap (Not Shown)	
16	1001265913	1	Clip	
17	1001265952	1	Cable, Ground	
18	1001265956	1	Harness, Chassis (Not Shown)	
18	PTNE208	1	VALVE,SOLENOID 12V	
19	1001265958	1	Controls, Ground	
20	1001265988	8	Cap	
21	1001277657	1	Guard	
22	1001277875	2	Cable, Positive - Isolator to Chassis Mounted Solenoid & Chassis Mounted Solenoid to Powerpack Mounted Solenoid - 230MM (Not Shown)	
23	1001277876	1	Cable, Positive Battery Terminal to Isolator - 910MM (Not Shown)	
24	1001277877	1	Cable, Negative Battery Terminal to Powerpack Stud - 830MM (Not Shown)	
25	1001277925	1	Control, Platform	
26	1001295213	AR	Tape, Hook	
27	1001295214	AR	Tape, Loop	
100	PTM112	1 pr	Key, Replacement	

SECTION 3 - MAST

SECTION 3 - MAST

FIGURE 3-1. MAST INSTALLATION



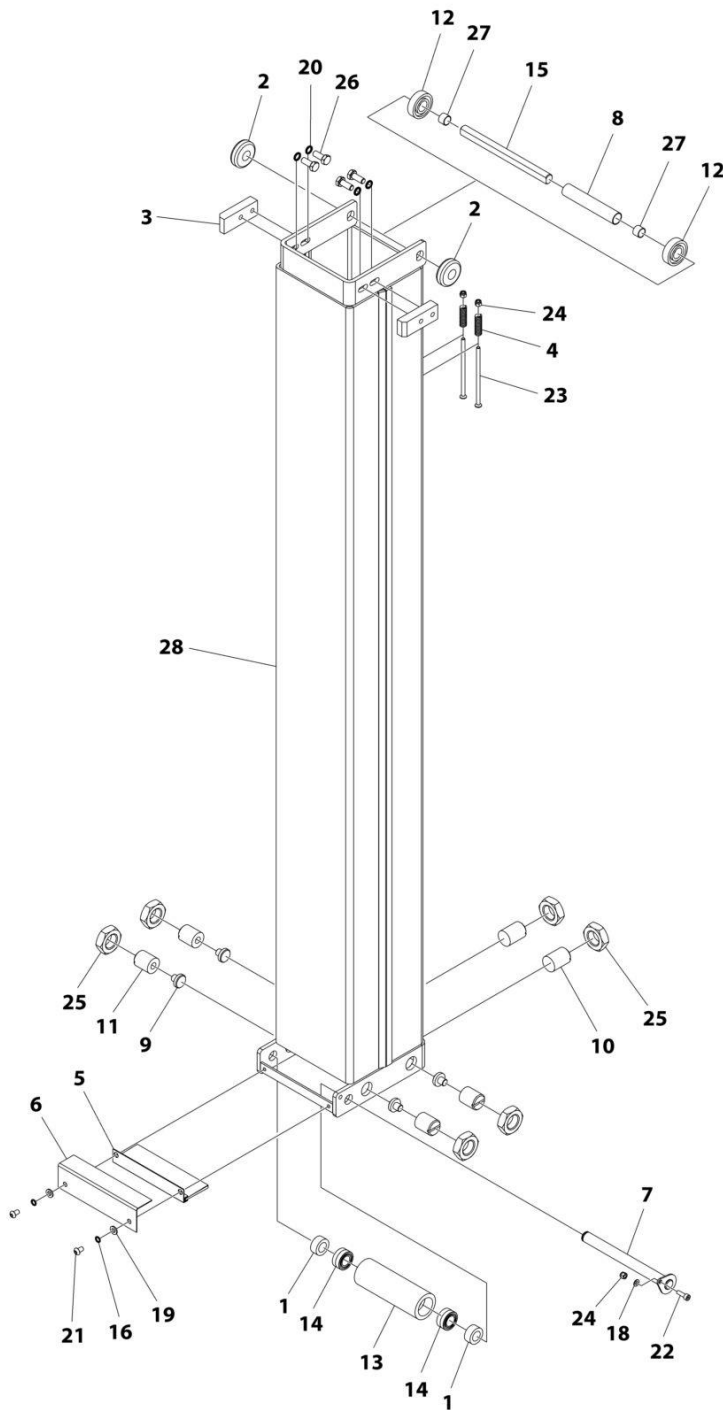
ART_1001277347

FIGURE 3-1. MAST INSTALLATION

ITEM	PART NUMBER	QTY	DESCRIPTION	REV
	1001277347	Ref	MAST INSTALLATION	C
1	1001302175	1	Cap, Mast	
2	1001302182	2	Roller Bearing	
3	1001302168	1	Axle	
4	1001302191	1	Spacer	
5	PTNSPM562	2	Roller, Mast	
6	1001265114	4	Washer M8	
7	1001266547	1	Capscrew M12 x 30	
8	1001265202	4	Bolt M8 x 20	
9	1001265205	4	Bolt M12 x 20	
10	1001302205	2	Pad, Wear	
11	1001266100	2	Inner, Bearing	
12	1001277474	1	Mast Assembly - Middle (See Separate Breakdown in this Section)	
13	1001277476	1	Mast Assembly - Outer (See Separate Breakdown in this Section)	

SECTION 3 - MAST

FIGURE 3-2. MAST ASSEMBLY - MIDDLE.



ART_1001277474

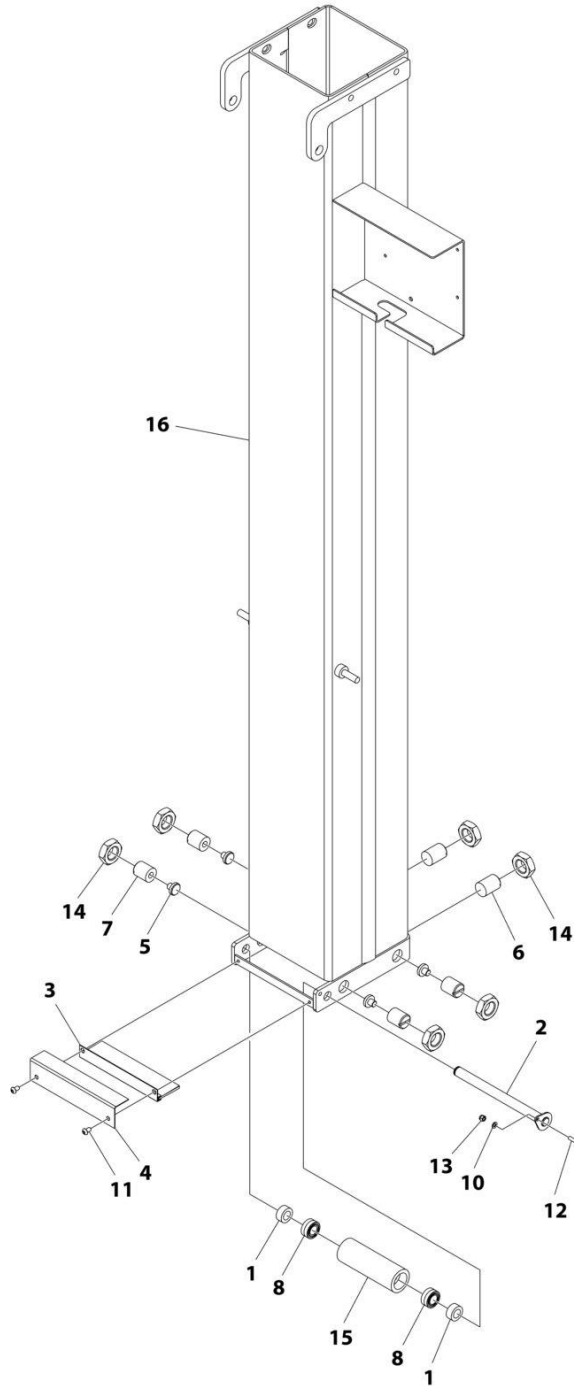
SECTION 3 - MAST

FIGURE 3-2. MAST ASSEMBLY - MIDDLE.

ITEM	PART NUMBER	QTY	DESCRIPTION	REV
	1001277474	Ref	MAST ASSEMBLY	C
1	1001302170	2	Spacer	
2	1001302182	2	Roller, Mast	
3	1001302184	2	Pad, Wear	
4	1001302187	2	Spring	
5	1001302188	1	Brush	
6	1001302200	1	Cover, Roller	
7	1001302169	1	Axle	
8	1001302192	1	Spacer	
9	1001302176	4	Insert, Wear Screw	
10	1001302167	2	Screw, Plastic Wear	
11	1001302193	4	Screw, Stainless Steel Wear	
12	PTNSPM562	2	Roller, Mast	
13	PTNSPM663	1	Roller, Outer Mast	
14	PTNSPM664	2	Roller Bearing	
15	1001302171	1	Axle	
16	1001264555	2	Washer M6	
18	1001265110	1	Washer M5	
19	1001265112	2	Washer M6	
20	1001265114	4	Washer M8	
21	1001265119	2	Capscrew M6 x 10	
22	1001265125	1	Capscrew M5 x 16	
23	1001265130	2	Capscrew M5 x 100	
24	1001265134	3	Nut M5	
25	1001265146	6	Nut M24	
26	1001265202	4	Bolt M8 x 20	
27	1001266100	2	Inner, Bearing	
28	1001302212	1	Mast, Middle	

SECTION 3 - MAST

FIGURE 3-3. MAST ASSEMBLY - OUTER



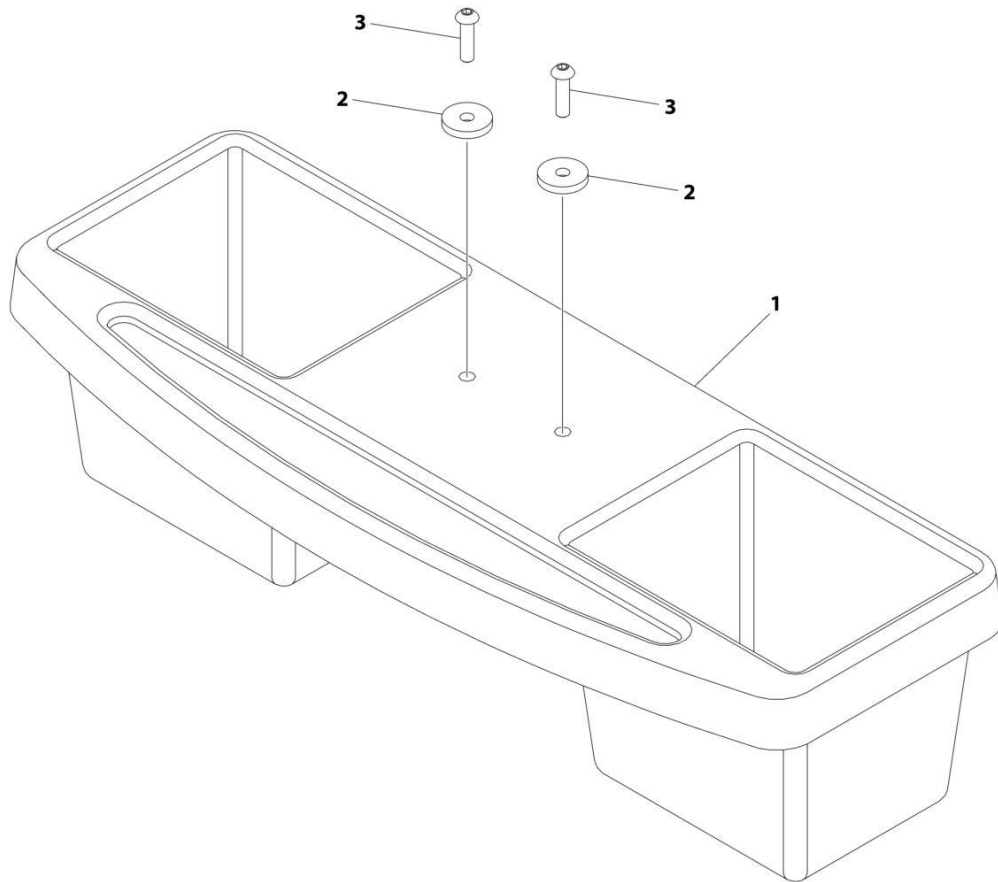
ART_1001277476

FIGURE 3-3. MAST ASSEMBLY - OUTER

ITEM	PART NUMBER	QTY	DESCRIPTION	REV
	1001277476	Ref	MAST ASSEMBLY - OUTER	C
1	1001302170	2	Spacer	
2	1001302172	1	Axle	
3	1001302189	1	Brush	
4	1001302199	1	Cover, Roller	
5	1001302176	4	Insert, Wear Screw	
6	1001302167	2	Screw, Plastic Wear	
7	1001302193	4	Screw, Stainless Steel Wear	
8	PTNSPM664	2	Roller Bearing	
10	1001265110	1	Washer M5	
11	1001265119	2	Capscrew M6 x 10	
12	1001265125	1	Capscrew M5 x 16	
13	1001265134	1	Nut M5	
14	1001265146	6	Nut M24	
15	1001266243	1	Roller, Outer Mast	
16	1001302213	1	Mast, Outer	

SECTION 3 - MAST

FIGURE 3-4. TRAY INSTALLATION - PLASTIC



ART_1001277370

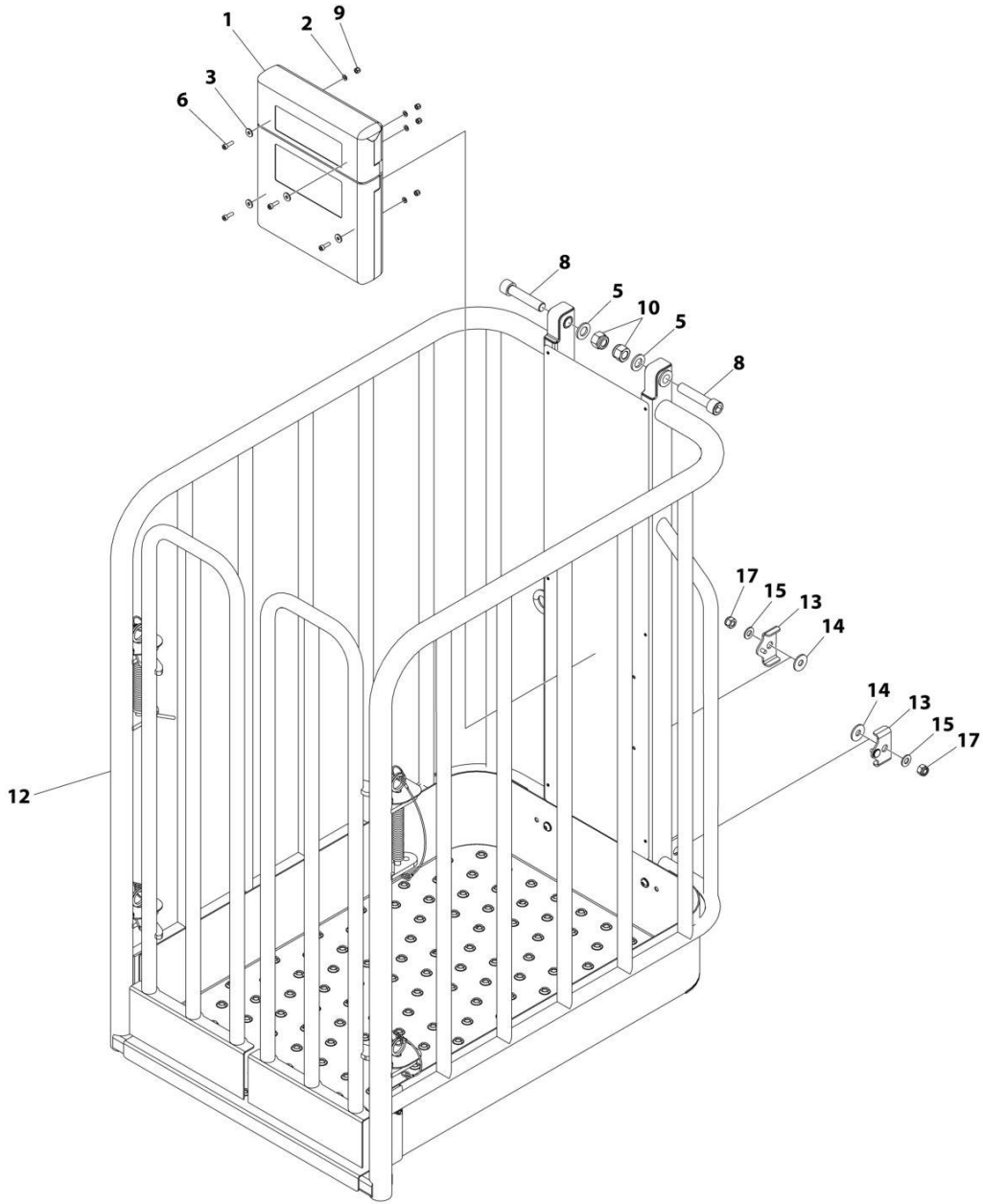
FIGURE 3-4. TRAY INSTALLATION - PLASTIC

ITEM	PART NUMBER	QTY	DESCRIPTION	REV
	1001277370	Ref	TRAY INSTALLATION - PLASTIC	B
1	PELM405	1	Tool Tray	
2	1001264558	2	Washer	
3	1001265121	2	Capscrew M8 x 30	

SECTION 4 - PLATFORM

SECTION 4 - PLATFORM

FIGURE 4-1. PLATFORM INSTALLATION



ART_1001277348

SECTION 4 - PLATFORM

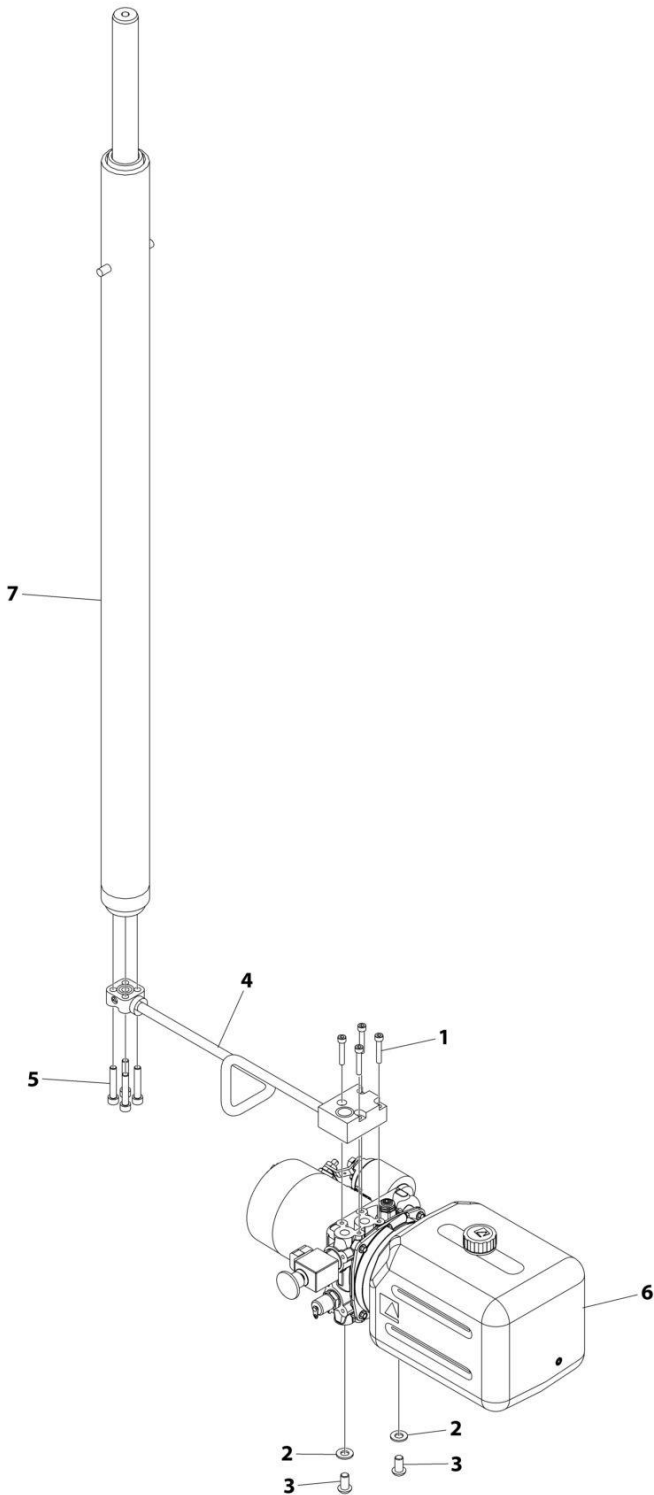
FIGURE 4-1. PLATFORM INSTALLATION

ITEM	PART NUMBER	QTY	DESCRIPTION	REV
	1001277348	Ref	PLATFORM INSTALLATION	C
1	PTNM342	1	Document Holder	
2	1001265110	4	Washer M5	
3	1001265111	4	Washer M5	
5	1001265117	2	Washer M16	
6	1001265125	4	Capscrew M5 x 16	
8	1001265129	2	Capscrew M16 x 75	
9	1001265134	4	Nut M5	
10	1001265139	2	Nut M16	
12	1001288897	1	Platform	
13	1001296483	2	Bracket, Mount	
14	1001265116	2	Washer M10	
15	1001265115	2	Washer M10	
17	1001265136	2	Nut M10	

SECTION 5 - HYDRAULIC

SECTION 5 - HYDRAULIC

FIGURE 5-1. HYDRAULIC COMPONENTS INSTALLATION



ART_1001277346

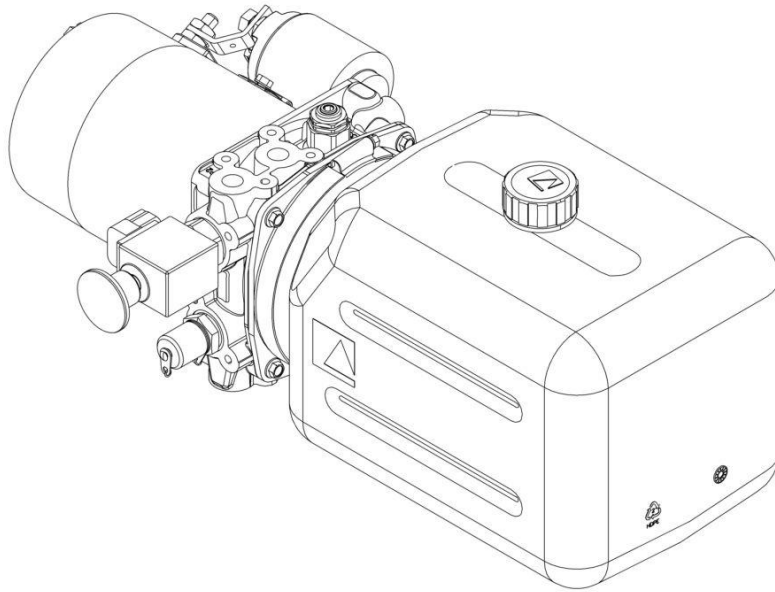
SECTION 5 - HYDRAULIC

FIGURE 5-1. HYDRAULIC COMPONENTS INSTALLATION

ITEM	PART NUMBER	QTY	DESCRIPTION	REV
	1001277346	Ref	HYDRAULIC COMPONENTS INSTALLATION	A
1	1001264556	4	Bolt M6 x 35	
2	1001265115	2	Washer M10	
3	1001265122	2	Capscrew M10 x 20	
4	1001265949	1	Pipe, Hydraulic	
5	1001265960	4	Bolt M8 x 45	
6	1001277869	1	Motor/Pump/Tank Assembly (See Separate Breakdown in this Section)	
7	1001299944	1	Cylinder Assembly - Lift	
7	PTNH277	1	KIT,CYLINDER SEAL	

SECTION 5 - HYDRAULIC

FIGURE 5-2. MOTOR/PUMP/TANK ASSEMBLY



ART_1001277869

SECTION 5 - HYDRAULIC

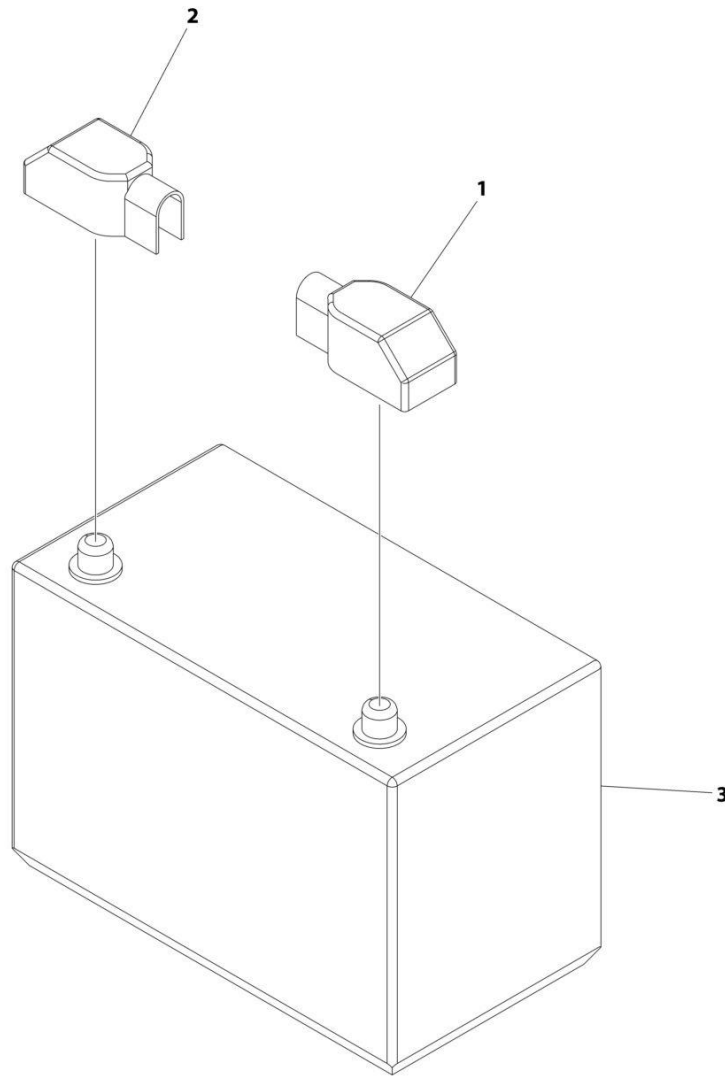
FIGURE 5-2. MOTOR/PUMP/TANK ASSEMBLY

ITEM	PART NUMBER	QTY	DESCRIPTION	REV
	1001277869	Ref	MOTOR/PUMP/TANK ASSEMBLY	B
		Ref	Note: No Other Service Parts Available	
	1001266750	Ref	Solenoid Coil, Powerpack	
	1001266751	Ref	Valve, Powerpack	
	PPE612	Ref	Start Solenoid, Powerpack	

SECTION 6 - ELECTRICAL

SECTION 6 - ELECTRICAL

FIGURE 6-1. BATTERY INSTALLATION



ART_1001277363

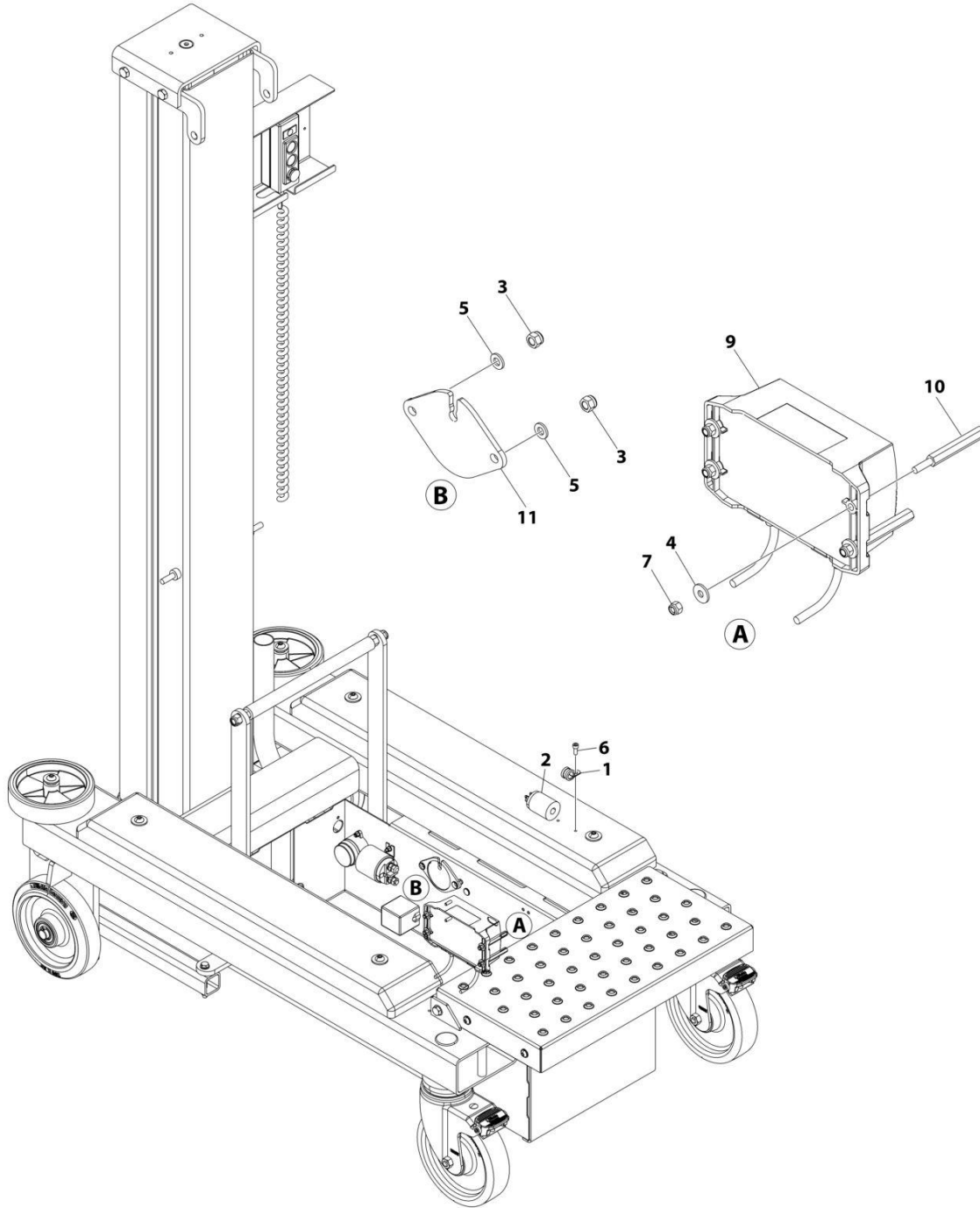
SECTION 6 - ELECTRICAL

FIGURE 6-1. BATTERY INSTALLATION

ITEM	PART NUMBER	QTY	DESCRIPTION	REV
	1001277363	Ref	BATTERY INSTALLATION	C
1	PTNE213	1	Cover, Battery Terminal - Blue/Black	
2	PTNE214	1	Cover, Battery Terminal - Red	
3	1001277683	1	Battery - Standard	

SECTION 6 - ELECTRICAL

FIGURE 6-2. BATTERY CHARGER INSTALLATION



ART_1001277366

SECTION 6 - ELECTRICAL

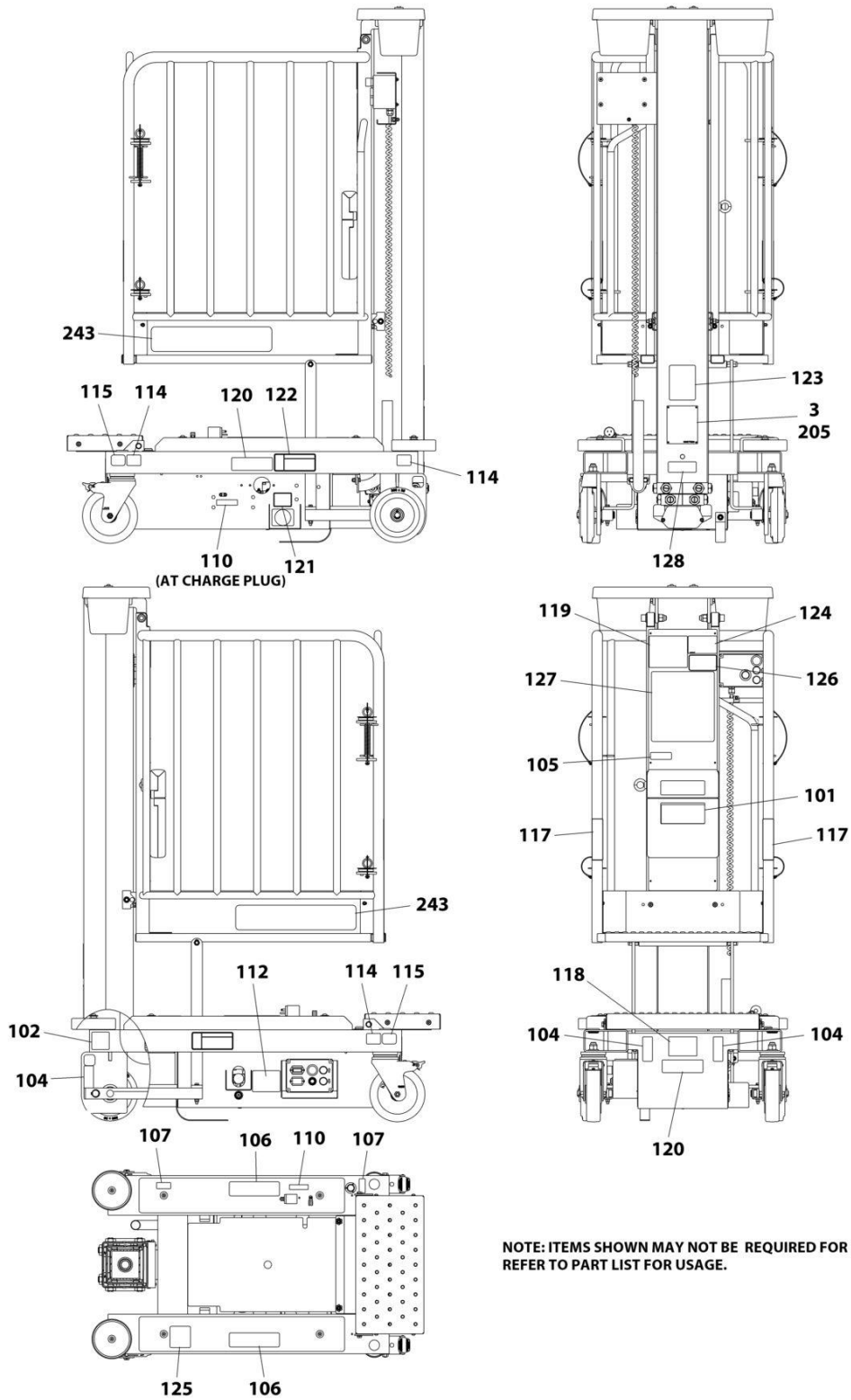
FIGURE 6-2. BATTERY CHARGER INSTALLATION

ITEM	PART NUMBER	QTY	DESCRIPTION	REV
	1001277366	Ref	BATTERY CHARGER INSTALLATION	A
1	PTM172	1	Clip	
2	4460138	1	Plug	
3	1001264557	2	Nut	
4	1001265111	4	Washer M5	
5	1001265112	2	Washer M6	
6	1001265126	1	Capscrew M6 x 16	
7	1001265134	4	Nut M5	
8	1001265235	1	Tie-Strap (Not Shown)	
9	1001276409	1	Charger, Battery	
10	1001299945	4	Stud	
11	1001302206	1	Cover	

SECTION 7 - DECALS

SECTION 7 - DECALS

FIGURE 7-1. DECALS INSTALLATION - ANSI



SECTION 7 - DECALS

FIGURE 7-1. DECALS INSTALLATION - ANSI

ITEM	PART NUMBER	QTY	DESCRIPTION	REV
	1001277355	Ref	DECALS INSTALLATION	A
	1001279647	Ref	DECAL CHART	A
3	1001265149	1	Rivet	
100	1001295807	Ref	Decal - Kit 1230P	A
101	1701509	1	Decal - Manual	
102	1703817	2	Decal - Fork Lift	
104	1001213442	4	Decal - Lifting and Tie Down	
105	1001213582	1	Decal - Lanyard Fall Restraint	
106	1703786	2	Decal - Crushing Hazard	
107	1703789	1	Decal - Level Indicator	
110	3251243	1	Nameplate - 120V/60HZ	
112	1001260980	1	Decal - Emergency Lowering	
114	1001299166	4	Decal - Wheel Load	
115	1001289252	1	Decal - Locking Castor	
117	1001297095	2	Decal - Gate Removal	
118	1702391	1	Decal - Hand Crushing	
119	1703781	1	Decal - Electrical Hazard	
120	1703813	2	Decal - Warning Battery Ventilation	
121	1706740	1	Decal - Battery Disconnect	
122	1706832	2	Decal - Danger Electrocution	
123	1001131270	1	Decal - Patent	
124	1001213488	1	Decal - Capacity	
125	1001223055	1	Decal - Yearly Inspection	
126	1001231801	1	Decal - Warning Prop 65	
127	1001251170	1	Decal - Warning	
205	See Note	NSS	Nameplate - Serial Number (Note: Not Available for Purchase)	
243	1001277927	2	Decal - 1230P/JLG	

SECTION 8 - RECOMMENDED SERVICE PARTS STOCK

SECTION 8 - RECOMMENDED SERVICE PARTS STOCK

SECTION 8 - RECOMMENDED SERVICE PARTS STOCK

FIGURE 8-1. RECOMMENDED SERVICE PARTS STOCK

ITEM	PART NUMBER	QTY	DESCRIPTION	REV
		Ref	Note: The following list will service one machine (built to current production per date on the front cover) with emergency repair parts which can be installed in the field. Parts from the list should be replaced when inventory is depleted to keep service parts stock supplied. For further information, contact your JLG dealer or the JLG Industries Parts Department.	
	PTM112	Ref	Key, Spare	
	PPE612	Ref	RELAY,START SOLENOID PP	
	1001299162	Ref	WHEEL, CASTOR	

SECTION 9 - SPECIAL OPTIONS/ACCESSORIES/KITS

SECTION 9 - SPECIAL OPTIONS/ACCESSORIES/KITS

SECTION 9 - SPECIAL OPTIONS/ACCESSORIES/KITS

FIGURE 9-1. SPECIAL OPTIONS/ACCESSORIES/KITS

ITEM	PART NUMBER	QTY	DESCRIPTION	REV
		Ref	Note: This list is to accomodate machines ordered with special equipment. Options may not be applicable to all models. For more specific parts information contact JLG Parts Department.	
	1001256697	Ref	SPEC,MACHINE KITS/TOOLS	H
	1001288487	Ref	TETHER PLATE ASSEMBLY	

SECTION 9 - SPECIAL OPTIONS/ACCESSORIES/KITS

PART NUMBER INDEX

SECTION 9 - SPECIAL OPTIONS/ACCESSORIES/KITS

1001131270.....51	1001265146 27, 29	1001277683 45	1001302193.....27, 29
1001213442.....51	1001265147 17	1001277869 39, 41	1001302199.....29
1001213488.....51	1001265148 17	1001277875 21	1001302200.....27
1001213582.....51	1001265149 51	1001277876 21	1001302203..... 13
1001223055.....51	1001265202 25, 27	1001277877 21	1001302204..... 13
1001231801.....51	1001265203 11	1001277925 21	1001302205.....25
1001251170.....51	1001265204 15	1001277927 51	1001302206.....47
1001256697.....56	1001265205 25	1001277964 17	1001302210..... 13
1001260980.....51	1001265232 21	1001279647 51	1001302211..... 17
1001264555.....27	1001265235 47	1001285722 13	1001302212.....27
1001264556..... 11, 39	1001265521 21	1001288487 56	1001302213.....29
1001264557..... 13, 21, 47	1001265913 21	1001288897 35	1701509.....51
1001264558.....31	1001265949 39	1001289252 51	1702391.....51
1001265108..... 17	1001265952 21	1001291148 13	1703781.....51
1001265110.....21, 27, 29, 35	1001265956 21	1001295213 21	1703786.....51
1001265111.....21, 35, 47	1001265958 21	1001295214 21	1703789.....51
1001265112..... 13, 21, 27, 47	1001265960 39	1001295807 51	1703813.....51
1001265113..... 11, 15, 17	1001265988 21	1001296483 35	1703817.....51
1001265114.....25, 27	1001266100 25, 27	1001297095 51	1706740.....51
1001265115..... 15, 21, 35, 39	1001266108 17	1001299162 17, 54	1706832.....51
1001265116..... 11, 35	1001266113 15	1001299166 51	3251243.....51
1001265117.....35	1001266243 29	1001299234 17	4460138.....47
1001265118..... 17	1001266547 25	1001299944 39	PELM405.....31
1001265119..... 13, 27, 29	1001266750 41	1001299945 47	PPE612 21, 41, 54
1001265121.....31	1001266751 41	1001302164 11	PTE215.....21
1001265122..... 11, 39	1001276409 47	1001302166 17	PTM106.....21
1001265125.....27, 29, 35	1001277344 11	1001302167 27, 29	PTM107..... 13
1001265126.....21, 47	1001277346 39	1001302168 25	PTM112 21, 54
1001265127 13	1001277347 25	1001302169 27	PTM126..... 11
1001265129.....35	1001277348 35	1001302170 27, 29	PTM163..... 17
1001265130.....27	1001277350 17	1001302171 27	PTM17247
1001265133.....21	1001277352 21	1001302172 29	PTNE20021
1001265134.....21, 27, 29, 35, 47	1001277355 51	1001302175 25	PTNE20821
1001265135..... 11, 15, 17	1001277357 15	1001302176 27, 29	PTNE21345
1001265136..... 15, 21, 35	1001277359 13	1001302182 25, 27	PTNE21445
1001265137 17	1001277363 45	1001302184 27	PTNH27739
1001265138 17	1001277366 47	1001302186 17	PTNM302 11
1001265139.....35	1001277370 31	1001302187 27	PTNM34235
1001265141 17	1001277474 25, 27	1001302188 27	PTNSPM562..... 25, 27
	1001277476 25, 29	1001302189 29	PTNSPM663.....27
	1001277657 21	1001302190 13	PTNSPM664.....27, 29
	1001277662 15	1001302191 25	
	1001277665 15	1001302192 27	



**Corporate Office
JLG Industries, Inc.
1 JLG Drive
McConnellsburg, PA 17233-9533 USA
☎ (717) 485-5161 (Corporate)
☎ (877) 554-5438 (Customer Support)
📠 (717) 485-6417**

**Visit our website for JLG Worldwide Locations.
www.jlg.com**



OSHKOSH™