



# Illustrated Parts Manual

*Model*  
**X540AJ**  
**X18JP**

P/N  
31222482

March 15, 2024- Rev B

**ANSI**  
**CE**  
**UK**  
**CA**



An Oshkosh Corporation Company



## REVISION LOG

December 15, 2023 - A - Original Issue Of Manual

March 15, 2024- B- Revised Manual

# GENERAL INFORMATION



## 1) MACHINE IDENTIFICATION

Machines are identified by model and in some cases a combination of models, serial number (SN) or regional standard (i.e ANSI, CE, CSA). Components may also be identified by SN or manufacturer. Common components that may be identified by these characteristics are engines and hydraulic components.

## 2) PARTS MANUAL ORGANIZATION

Product information in this manual is organized under section titles. Frame, Cylinder, Hydraulic and Electrical are a few examples. Each section is organized by figure and page number. The information within the Figure is then organized by item number, part number, description and corresponding illustration (s).

## 3) TABLE OF CONTENTS (NOT SHOWN)

A table of contents is found toward the beginning of the manual. Figure number, description and page number are provided for quick reference to the page containing the related information.

## 4) RECOMMENDED SPARE PARTS (NOT SHOWN)

The Recommended Spare Parts List, located near the end of the manual, reference most frequently used maintenance parts.

## 5) PART NUMBER INDEX (NOT SHOWN)

A numerical index listing all part numbers and the corresponding page number(s) appears at the back of the manual.

# GENERAL INFORMATION

## 6) NON-SERVICED PARTS

In some instances, it is necessary to display non-serviced parts, assemblies or installations. In the case of assemblies and installations there will be a Ref in the Qty. column. In case of parts that are not available for service within assemblies or components, there will be a NSS (Not Sold Separately) or NLA (No Longer Available) listed in the Qty. column of the manual.

## 7) PARTS LIST ITEM NUMBERS

Numbers shown in the item# column correspond to numbers used in the associated illustration (s). Item numbers which are missing from the sequence in the parts list are not used on that page.

## 8) INDENTED PARTS DESCRIPTION

An indented part description is included in the item under which it is indented.

## 9) ABBREVIATION AND SYMBOLS

AC.....	Alternating Current	L.....	Liter
ADE.....	Advanced Design Electronics	LB(LBS).....	Pounds
AG.....	Agricultural	LCD.....	Liquid Crystal Display
ANSI.....	American National Standards Institute	LED.....	Light Emitting Diodes
AR.....	As Required	LH.....	Left Hand
ASSY.....	Assembly	LRC.....	Low Rated Countries
AUS.....	Australia	LSS.....	Load Sensing System
AUX.....	Auxiliary	M(m).....	Metric/Meter
AWG.....	American Wire Gauge	MM(mm).....	Milimeter
B/M.....	Bill of Material	mA.....	Miliamps
CAC.....	Charge Air Cooler	NLA.....	No Longer Available
CE.....	European Conformity	NPT.....	National Pipe Threads
CCW.....	Counter Clockwise	NSS.....	Not Sold Separately
CM.....	Centimeter	OD.....	Outside Diameter
CW.....	Clockwise	ORB.....	O-Ring Boss
CSA.....	Canadian Standards Association	ORFS.....	O-Ring Face Seal
CYL.....	Cylinder	OZ (oz).....	Ounces
DIA.....	Diameter	PG.....	Page
DC.....	Direct Current	PN.....	Part Number
DEF.....	Diesel Exhaust Fluid	QT(qt.).....	Quarts
EMS.....	Emergency Stop	QTY.....	Quantity
ENG.....	Engine	REF.....	Reference
FT(ft).....	Feet	REV.....	Revision Level
GA(Ga).....	Gauge	RH.....	Right Hand
HRC.....	High Rated Countries	SAE.....	Society of Automotive Engineers
HVAC.....	Heating, Ventilating, and Air Conditioning	SN.....	Serial Number
HYD.....	Hydraulic	SPEC(S).....	Specifications
Hz.....	Hertz	T/T.....	Turntable
ID.....	Inside Diameter	UGM.....	Universal Ground Module
IN.....	inches	V.....	Volts
ISO.....	International Organization for Standards	W.....	Watts
JIC.....	Joint Industry Council	#.....	Number
KG.....	Kilogram		

## 10) ILLUSTRATION REFERENCE LETTERS

When necessary, illustrations may contain reference letters that are intended to track information (i. e. hoses, harnesses) from one point to another or to track visual enlargement of components to show details that may be located in another area on the illustration.

*Note: Due to continuous product improvements, JLG Industries, Inc. reserves the right to make specification changes without prior notification. Contact JLG Industries, Inc. for updated information.*



# TABLE OF CONTENTS

SECTION 1 - FRAME.....	9
FIGURE 1-1. TRACK EXTEND/RETRACT INSTALLATION.....	10
FIGURE 1-2. DRIVE AND TRACK INSTALLATION.....	12
SECTION 2 - TURNTABLE.....	15
FIGURE 2-1. TURNTABLE.....	16
FIGURE 2-2. OIL TANK.....	18
FIGURE 2-3. HOODS INSTALLATION (PADS HOUSING\DIESEL\GASOLINE).....	20
FIGURE 2-4. HOODS INSTALLATION (LITHIUM\ELECTRIC).....	24
SECTION 3 - ENGINE.....	27
FIGURE 3-1. ENGINE COUPLING - GASOLINE PUMP.....	28
FIGURE 3-2. ENGINE SPARE PARTS DIESEL.....	30
FIGURE 3-3. ENGINE SPARE PARTS DIESEL.....	32
SECTION 4 - BOOM.....	35
FIGURE 4-1. BOOM ASSEMBLY (1ST ARM SET).....	36
FIGURE 4-2. BOOM ASSEMBLY (2ND ARM SET).....	38
FIGURE 4-3. BOOM ASSEMBLY (3RD ARM SET).....	40
FIGURE 4-4. BOOM ASSEMBLY (3RD ARM SET).....	42
FIGURE 4-5. JIB & PLATFORM SUPPORT.....	44
SECTION 5 - PLATFORM.....	47
FIGURE 5-1. PLATFORM.....	48
SECTION 6 - CYLINDER.....	51
FIGURE 6-1. JIB CYLINDER ASSEMBLY.....	52
FIGURE 6-2. LEVELING CYLINDER ASSEMBLY - BOOM.....	54
FIGURE 6-3. LEVELING CYLINDER ASSEMBLY - PLATFORM.....	56
FIGURE 6-4. LIFT CYLINDER ASSEMBLY.....	58
FIGURE 6-5. LIFT CYLINDER ASSEMBLY.....	60
FIGURE 6-6. OUTRIGGER STABILIZER CYLINDER ASSEMBLY.....	62
FIGURE 6-7. TELESCOPE CYLINDER ASSEMBLY.....	64
SECTION 7 - HYDRAULIC.....	67
FIGURE 7-1. HYDRAULIC DIAGRAM - BOOM (1ST & 2ND ARM SETS).....	68
FIGURE 7-2. HYDRAULIC DIAGRAM - BOOM (3RD ARM SET).....	70
FIGURE 7-3. HYDRAULIC DIAGRAM - BOOM EXTEND/RETRACT.....	72
FIGURE 7-4. HYDRAULIC DIAGRAM - COMPRESSED AIR.....	74
FIGURE 7-5. HYDRAULIC DIAGRAM - DRIVE.....	76
FIGURE 7-6. HYDRAULIC DIAGRAM - JIB.....	78
FIGURE 7-7. HYDRAULIC DIAGRAM - OUTRIGGER.....	80
FIGURE 7-8. HYDRAULIC DIAGRAM - PLATFORM LEVEL.....	82
FIGURE 7-9. HYDRAULIC DIAGRAM - PLATFORM ROTATION.....	84
FIGURE 7-10. HYDRAULIC DIAGRAM - SUPPLY & DISCHARGE.....	86
FIGURE 7-11. HYDRAULIC DIAGRAM - SWING.....	88

# TABLE OF CONTENTS

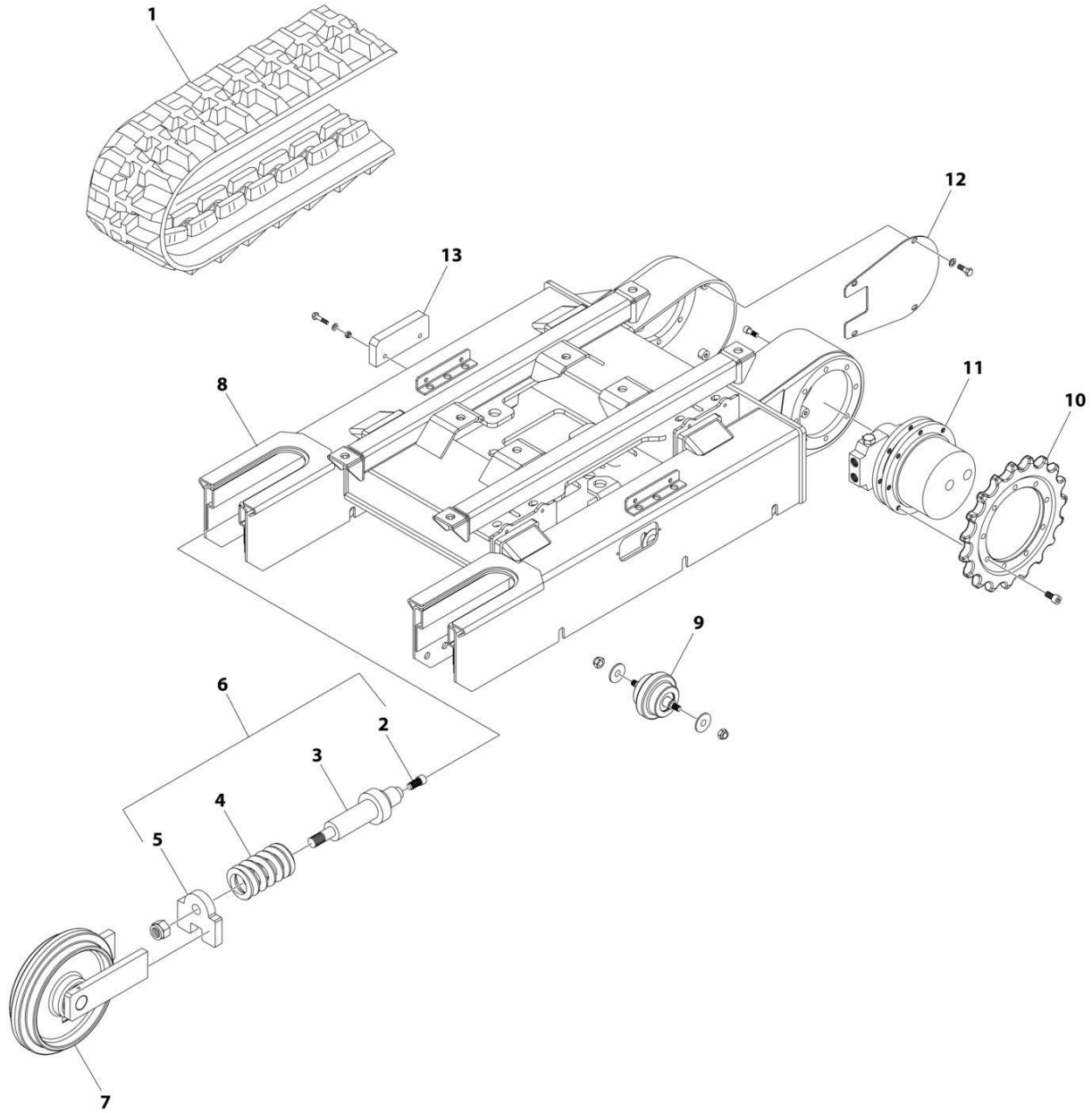
FIGURE 7-12. HYDRAULIC DIAGRAM - UNDERCARRIAGE EXTEND/RETRACT .....	90
FIGURE 7-13. HYDRAULIC TUBES .....	92
FIGURE 7-14. VALVE ASSEMBLIES .....	94
FIGURE 7-15. VALVE SUB-ASSEMBLIES .....	96
SECTION 8 - ELECTRICAL .....	99
FIGURE 8-1. ELECTRICAL SYSTEM COMPONENTS .....	100
FIGURE 8-2. ELECTRICAL SYSTEM COMPONENTS .....	102
FIGURE 8-3. ELECTRICAL SYSTEM COMPONENTS (DIESEL/BIENERGY).....	104
FIGURE 8-4. ELECTRICAL SYSTEM COMPONENTS (DIESEL/BIENERGY).....	108
FIGURE 8-5. ELECTRICAL SYSTEM COMPONENTS - LITHIUM.....	112
FIGURE 8-6. CONNECTORS .....	114
FIGURE 8-7. REMOTE CONTROL.....	118
SECTION 9 - DECALS .....	121
FIGURE 9-1. DECAL INSTALLATION .....	122
SECTION 10 - RECOMMENDED SERVICE PARTS STOCK .....	129
FIGURE 10-1. RECOMMENDED SERVICE PARTS STOCK.....	130
PART NUMBER INDEX.....	131



**SECTION 1 - FRAME**

# SECTION 1 - FRAME

## FIGURE 1-1. TRACK EXTEND/RETRACT INSTALLATION



ART\_01-01-00

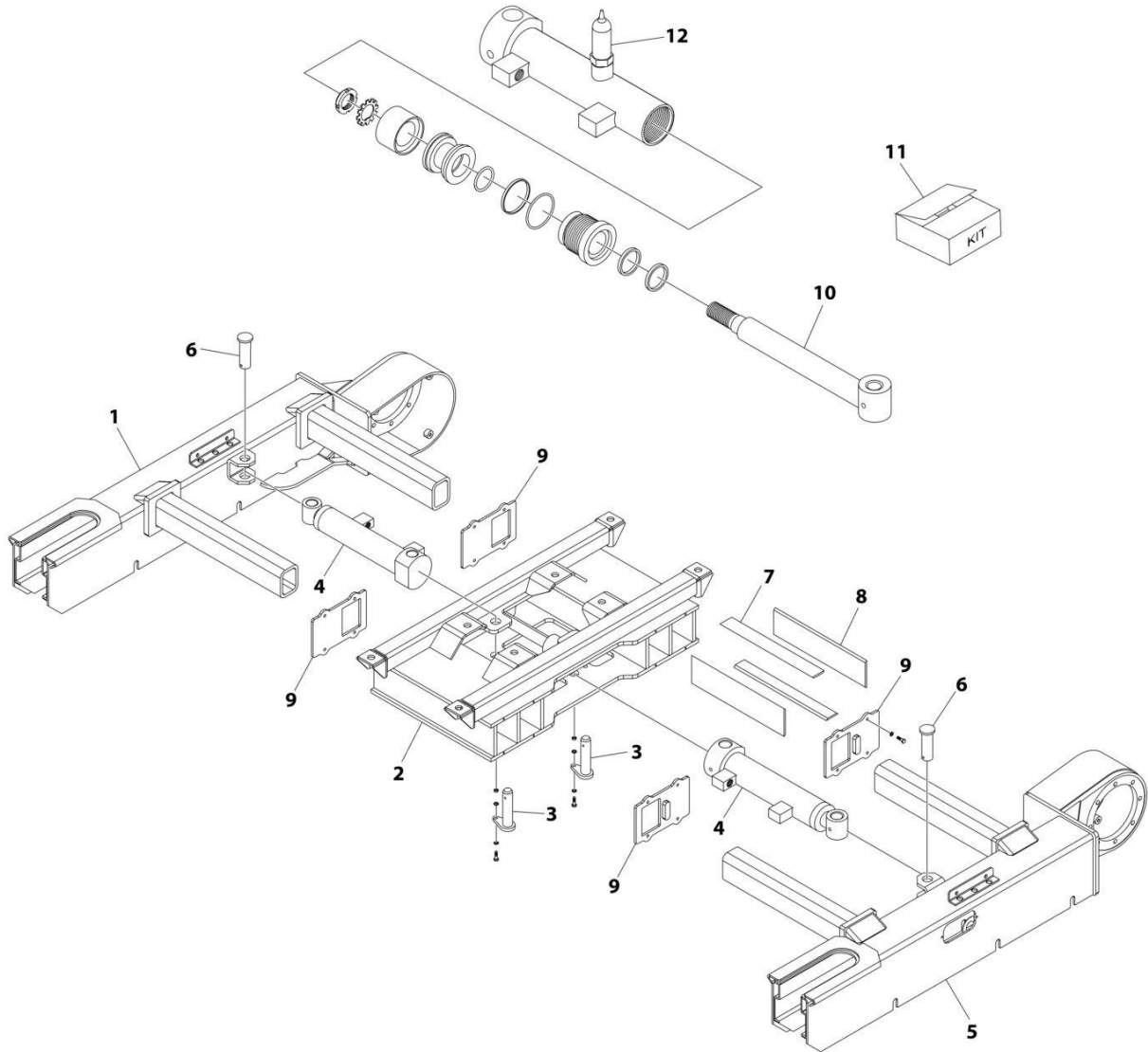
## SECTION 1 - FRAME

**FIGURE 1-1. TRACK EXTEND/RETRACT INSTALLATION**

ITEM	PART NUMBER	QTY	DESCRIPTION	REV
		Ref	TRACKED UNDERCARRIAGE	A
1	257215L0	2	Track	
1	257215LB	2	Track	
2	03149200	1	Valve, Hydraulic	
3	10681670	1	Cylinder	
4	03024801	1	Spring	
5	4635800	1	Plate, Idler Fixing	
6	147306Y1	2	Support, Idler	
7	147309H2	2	Wheel, Idler	
8	172491H2	1	Undercarriage	
9	147310H2	6	Roller, Carrier	
10	257225H2	2	Wheel, Sprocket	
11	273305H2	2	Motor, Drive	
12	073135H2	2	Cover, Track	
13	7313400	2	Rail, Upper Roller	

# SECTION 1 - FRAME

## FIGURE 1-2. DRIVE AND TRACK INSTALLATION



ART\_01-02-00

## SECTION 1 - FRAME

**FIGURE 1-2. DRIVE AND TRACK INSTALLATION**

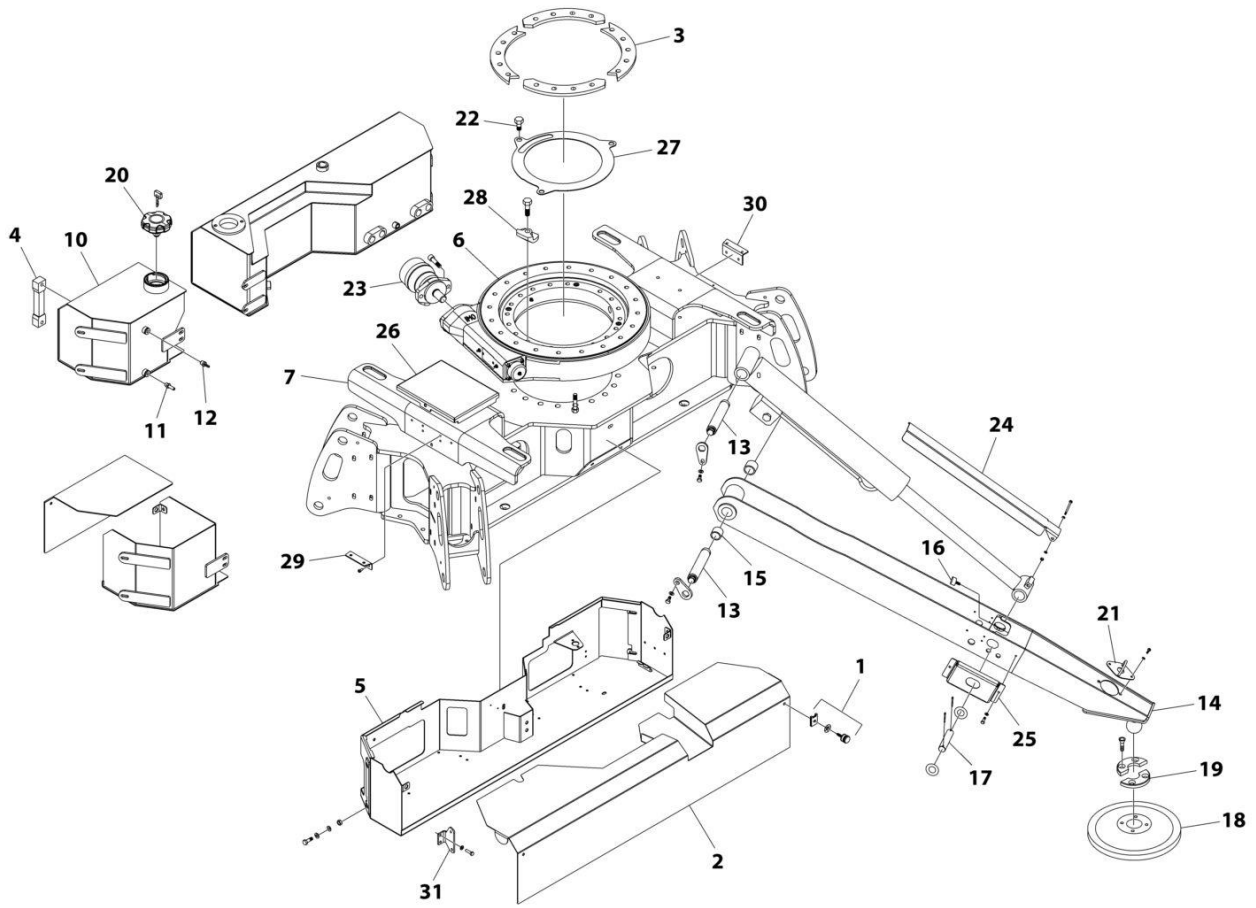
ITEM	PART NUMBER	QTY	DESCRIPTION	REV
		Ref	HYDRAULIC EXTENSION	A
1	372494H2	1	Holder, Track (RH)	
2	372491H2	1	Undercarriage	
3	06023800	2	Plug, Bottom Enlargement	
4	272274H2	2	Cylinder Assembly - Carriage Extend (Note: Includes Items 10-11)	
5	372495H2	1	Holder, Track (LH)	
6	04256300	2	Pin	
7	07278300	8	Guide, Expansion	
8	07278200	8	Guide, Expansion	
9	372768H2	4	Cover, Expansion Guide	
10	2722740001	1	Rod, Cylinder	
11	2722740002	1	Seal Kit - 272274H2 Cylinder	
12	17329500	2	Switch, N/O Contact (Includes Cable & Connector) (Note: Purchase separate when replacing cylinder)	



**SECTION 2 - TURNTABLE**

# SECTION 2 - TURNTABLE

## FIGURE 2-1. TURNTABLE



ART\_02-01-00



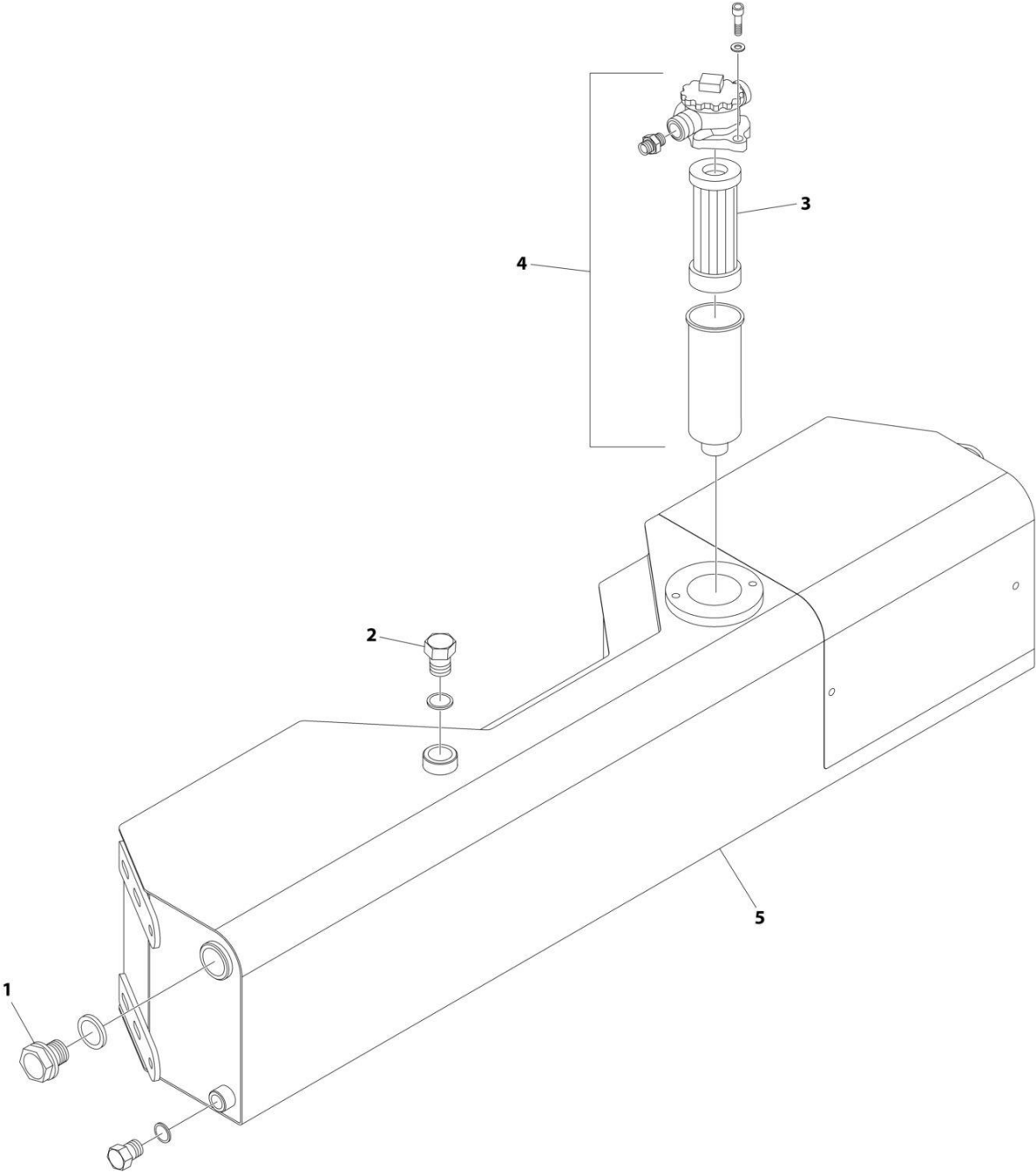
## SECTION 2 - TURNTABLE

**FIGURE 2-1. TURNTABLE**

ITEM	PART NUMBER	QTY	DESCRIPTION	REV
		Ref	TURRET BASE	A
1	07343200	2	Screw	
1	07343300	2	Screw, Clip	
1	07343400	2	Screw, Retainer	
2	384191J2	1	Cover	
3	176090Y1	1	Kit, Bearing Spacer	
4	28362800	1	Sensor, Diesel Level	
5	183964J2	1	Box	
6	26459300	1	Bearing, Turntable	
6	264593H2	1	Fifth Wheel	
7	383860H2	1	Base	
10	083472J2	1	Cover, Diesel Sensor	
10	185506J2	1	Tank, Diesel	
11	RS001500	1	Fitting, Pipe	
12	RS001400	1	Fitting, Straight	
13	07131600	4	Pin	
14	176835J2	4	Stabilizer	
15	06586200	2	Bushing	
16	28185800	4	Bumper, Vibration	
17	07270400	4	Pin	
18	05446300	4	Disk	
19	073147Y1	8	Fitting, Half Flange	
20	28512600	1	Cap, Fuel Tank	
21	376018H2	4	Support	
22	06550100	1	Screw M16 x 20	
23	261308H2	1	Motor, Rotary	
24	072700H2	4	Cover, Protection	
25	072703H2	4	Cover, Protection	
26	173505H2	2	Fork, Bent Shaft Thickness	
27	072786Y1	1	Plate, Shim	
28	065511Y1	1	Plate, Turntable Stop	
29	184413Y1	1	Bracket	
30	084246Y1	1	Bracket	
31	084247Y1	1	Bracket	

**SECTION 2 - TURNTABLE**

**FIGURE 2-2. OIL TANK**



ART\_02-02-00

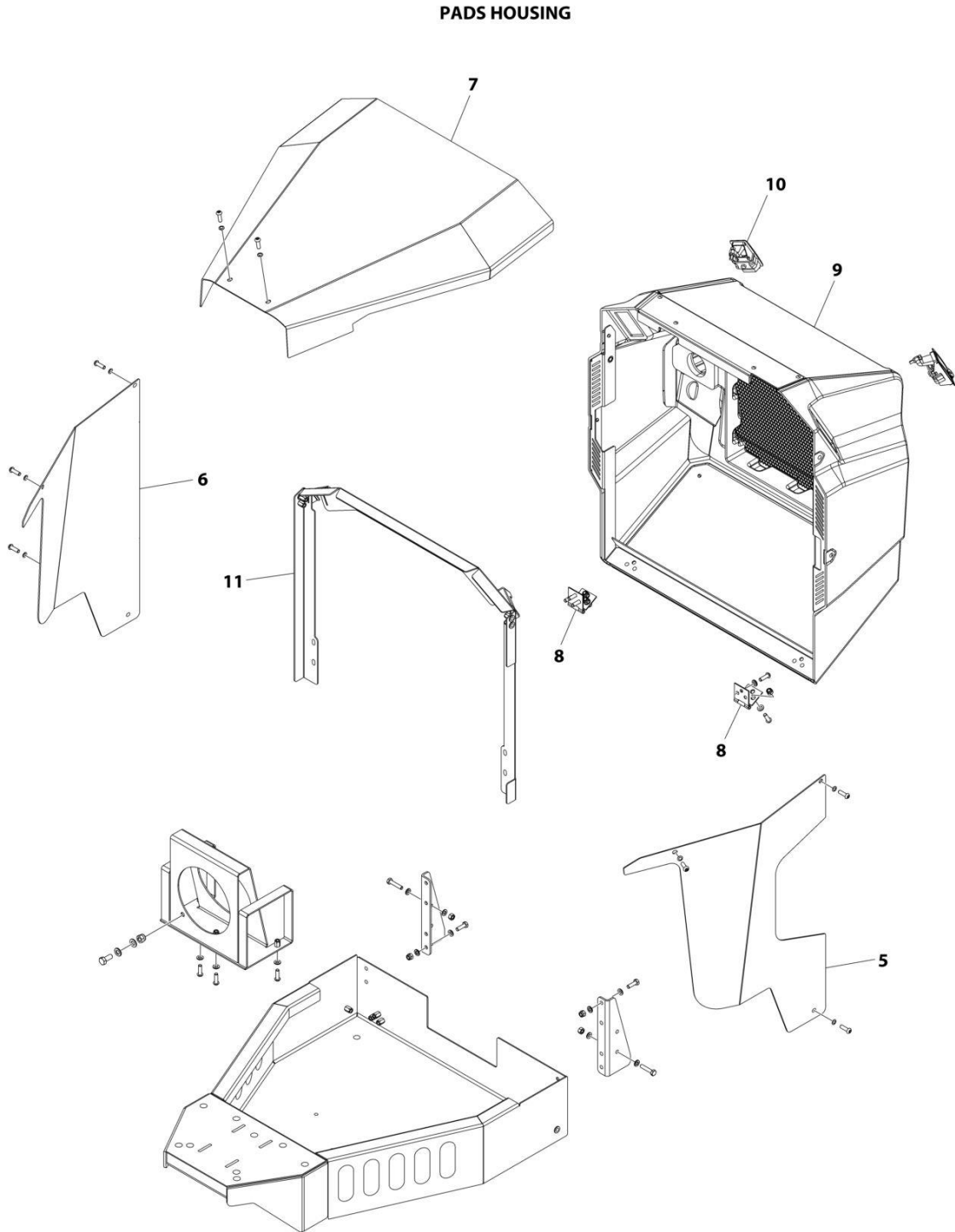
**SECTION 2 - TURNTABLE**

**FIGURE 2-2. OIL TANK**

ITEM	PART NUMBER	QTY	DESCRIPTION	REV
		Ref	OIL TANK	A
1	05061800	1	Gauge, Oil Level	
2	05611800	1	Plug	
3	05120200	1	Element, Hydraulic Filter	
4	15120100	1	Filter, Hydraulic Oil (Includes Item 3)	
5	183959J2	1	Tank, Oil	

# SECTION 2 - TURNTABLE

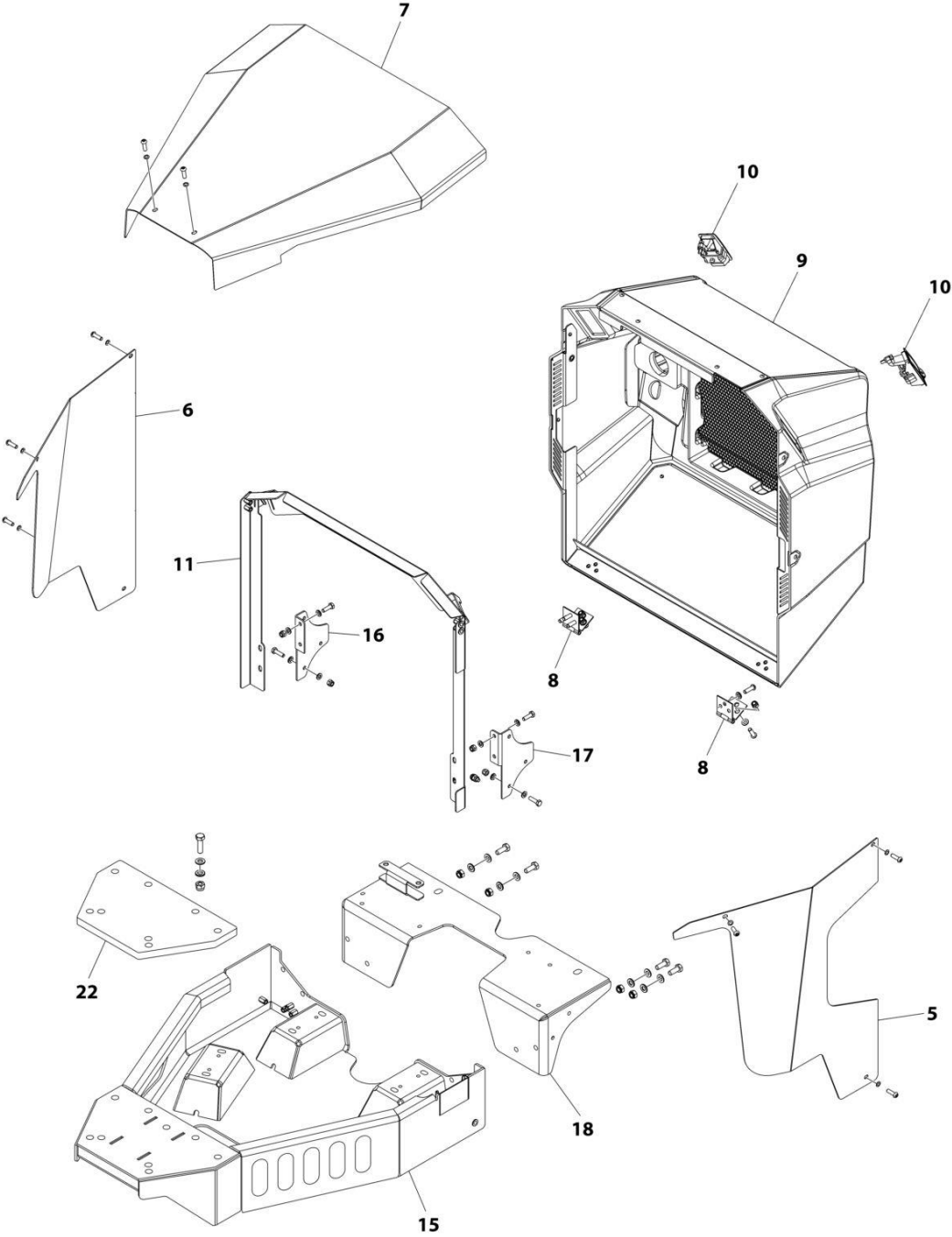
## FIGURE 2-3. HOODS INSTALLATION (PADS HOUSING\DIESEL\GASOLINE)



ART\_02-03-00\_10F3

# SECTION 2 - TURNTABLE

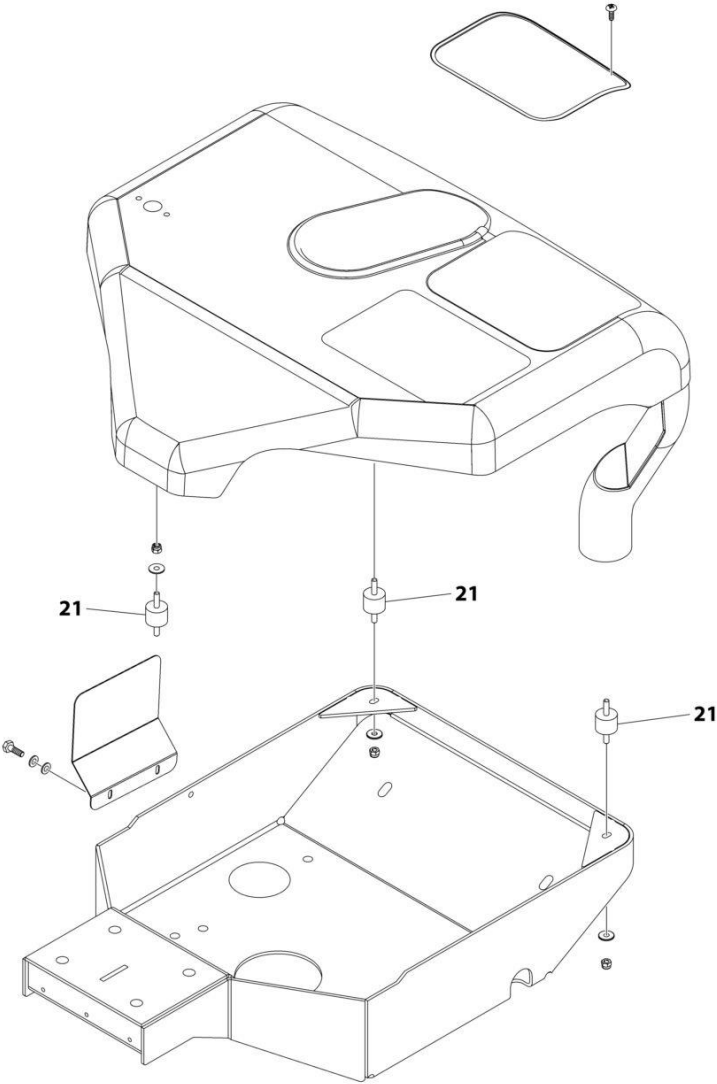
DIESEL



ART\_02-03-00\_20F3

# SECTION 2 - TURNTABLE

GASOLINE



ART\_02-03-00\_30F3

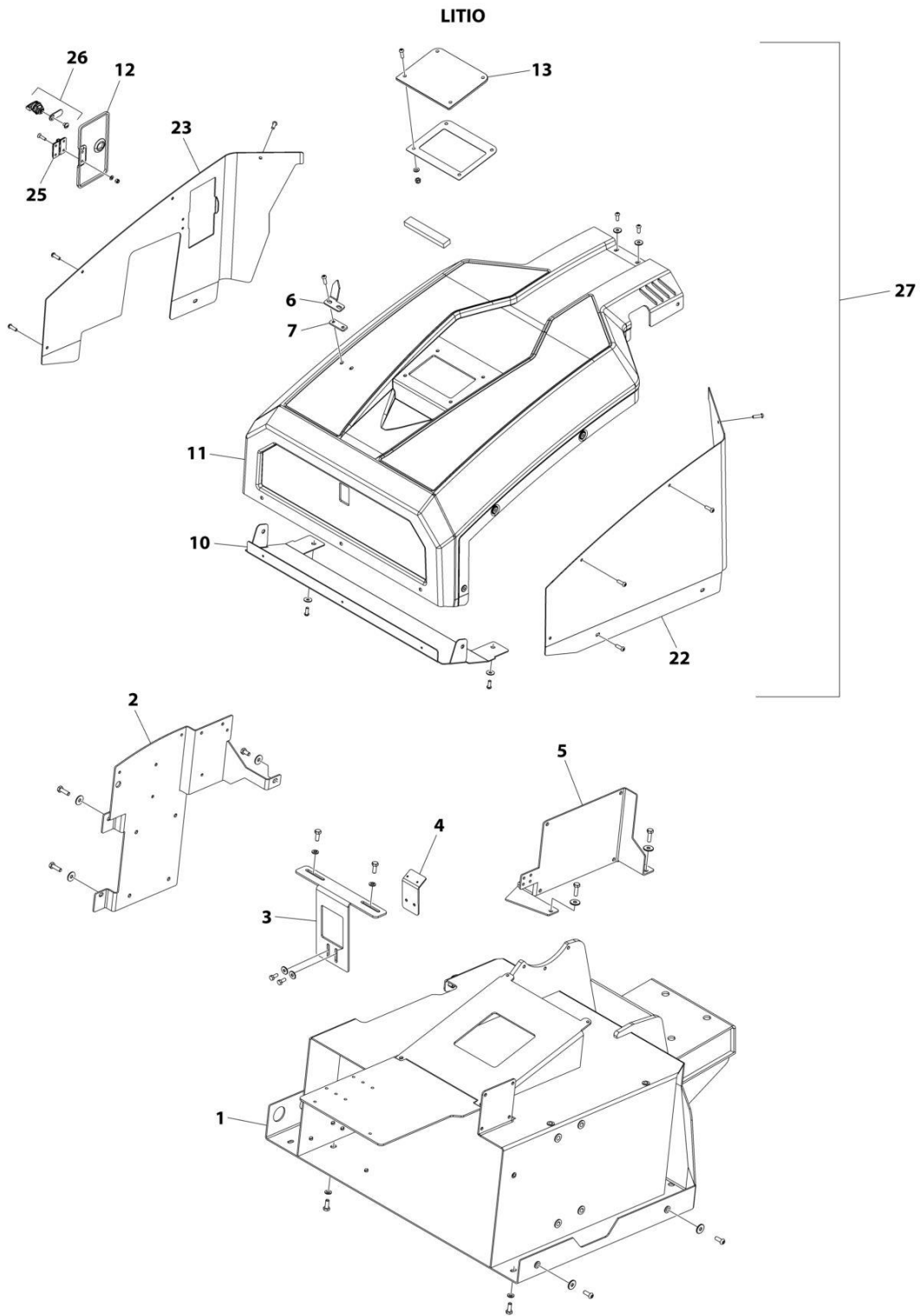
**SECTION 2 - TURNTABLE**

**FIGURE 2-3. HOODS INSTALLATION (PADS HOUSING\DIESEL\GASOLINE)**

ITEM	PART NUMBER	QTY	DESCRIPTION	REV
		Ref	HOODS INSTALLATION	A
5	084209Z3	1	Cover (LH)	
6	084210Z3	1	Cover (RH)	
7	384207Z3	1	Cover	
8	2741690003	1	Hinge, Engine Cover	
9	28378800	1	Hood, Diesel Engine	
10	08353000	1	Profile	
11	184582Y1	1	Frame	
15	183605H2	1	Support, Diesel Engine	
16	083812H2	1	Bracket, Frame Anchor	
17	083813H2	1	Bracket, Frame Anchor	
18	183613H2	1	Support, Heat Exchanger	
21	04152300	4	Support, Spring	
22	083624Y1	1	Bracket, Spacer	

# SECTION 2 - TURNTABLE

## FIGURE 2-4. HOODS INSTALLATION (LITHIUM\ELECTRIC)

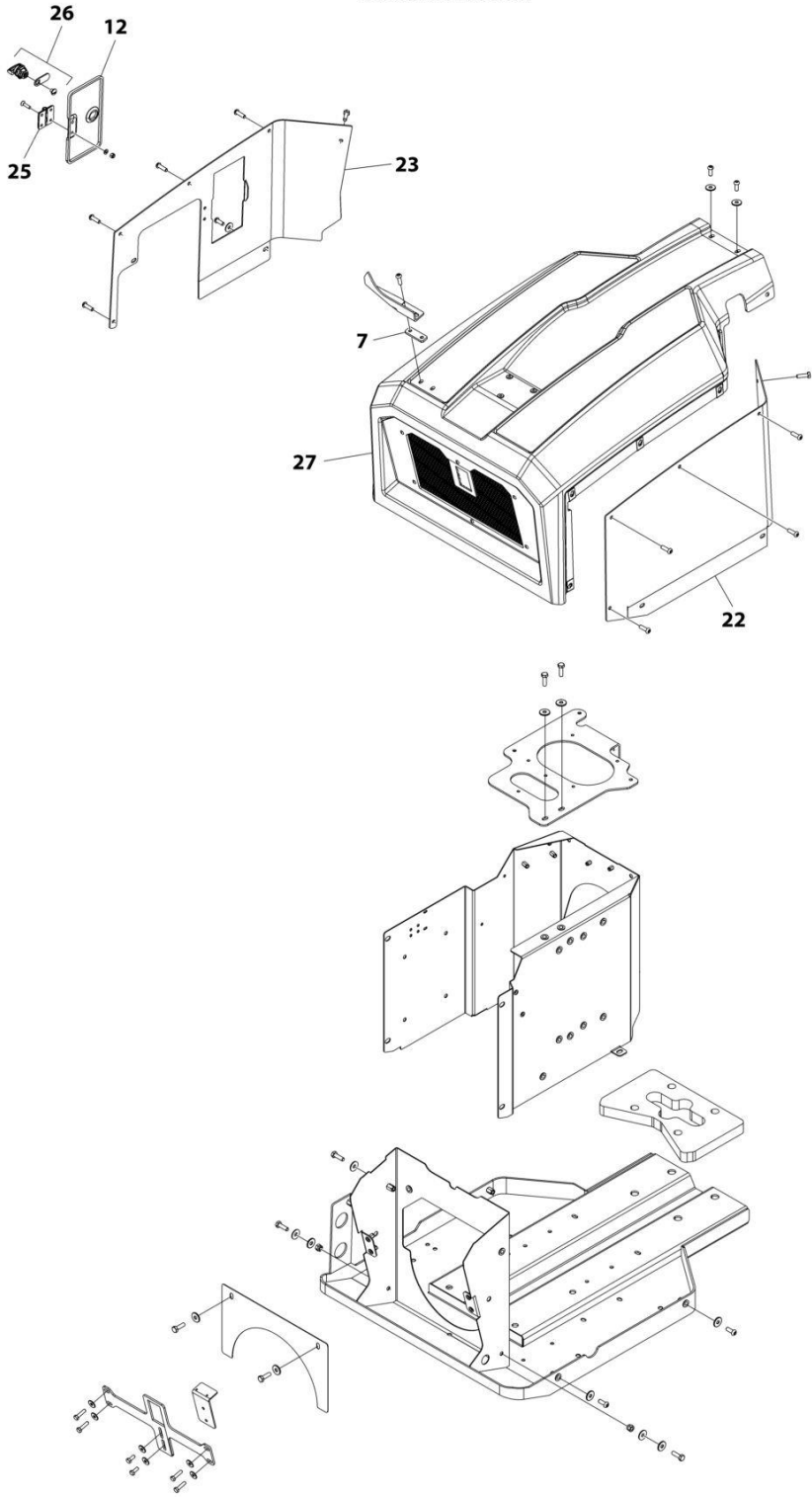


ART\_02-04-00\_10F2



# SECTION 2 - TURNTABLE

## ELECTRIC MOTOR



ART\_02-04-00\_20F2

## SECTION 2 - TURNTABLE

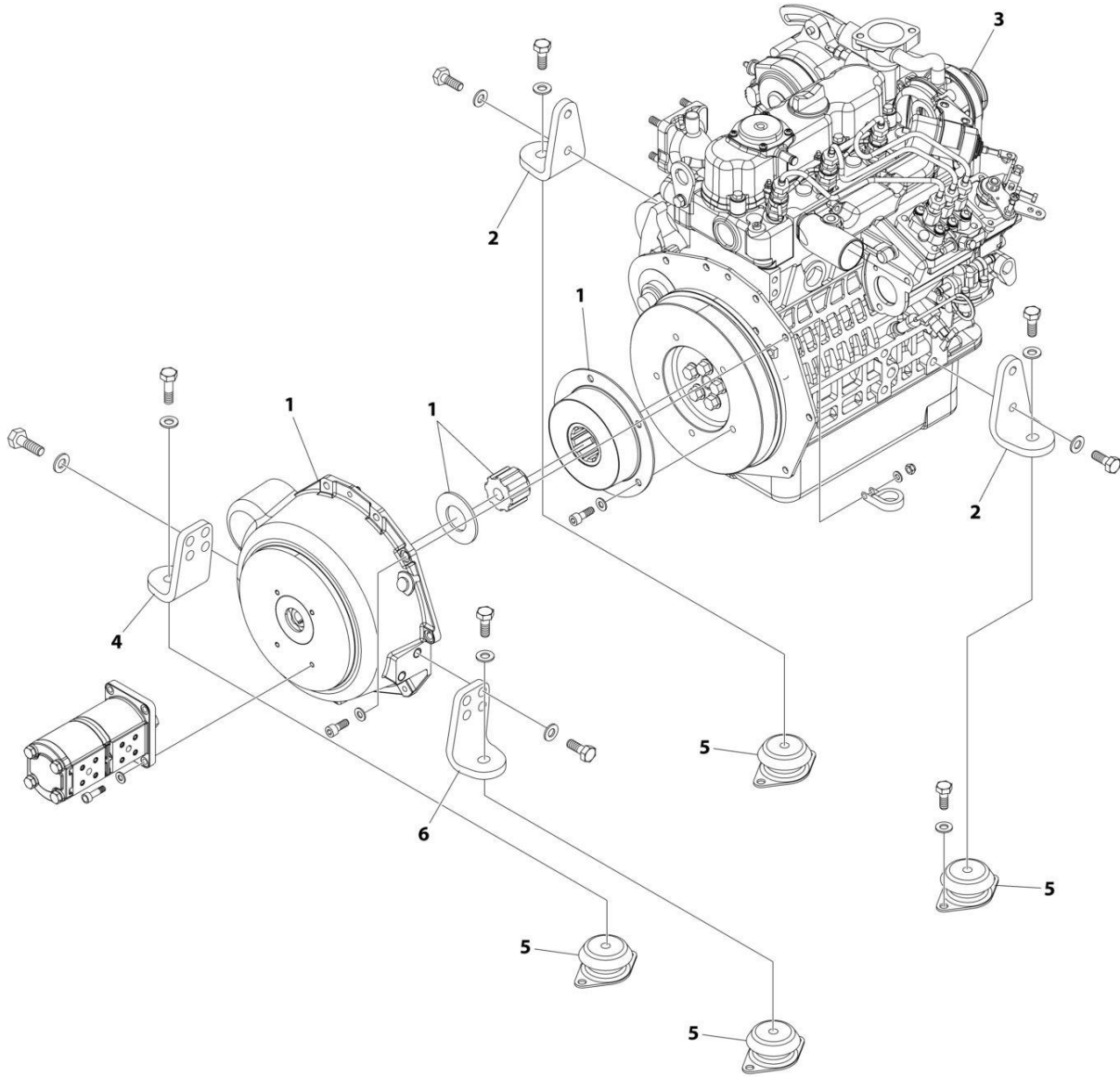
FIGURE 2-4. HOODS INSTALLATION (LITHIUM\ELECTRIC)

ITEM	PART NUMBER	QTY	DESCRIPTION	REV
		Ref	HOODS INSTALLATION	A
1	184200H2	1	Support	
2	084292Y1	1	Support	
3	084351Y1	1	Support	
4	084352Y1	1	Support	
5	084370Y1	1	Support	
6	084412D2	1	Arrow, Alignment	
7	085319Y1	1	Plate	
10	08441100	1	Bracket	
11	18440800	1	Cover	
12	2837840001	1	Plate, Door Cover	
13	08377700	1	Charger, Battery TC22	
22	08441000	1	Bracket (RH)	
23	08440900	1	Bracket (LH)	
25	08519900	1	Hinge	
26	08520000	1	Lock with Wing Driver	
27	28440800	1	Cover	
36	084673Z3	1	Plate (Not Shown)	
37	08280200	1	Rope, Roof Stop (Not Shown)	

**SECTION 3 - ENGINE**

# SECTION 3 - ENGINE

## FIGURE 3-1. ENGINE COUPLING - GASOLINE PUMP



ART\_03-02-00

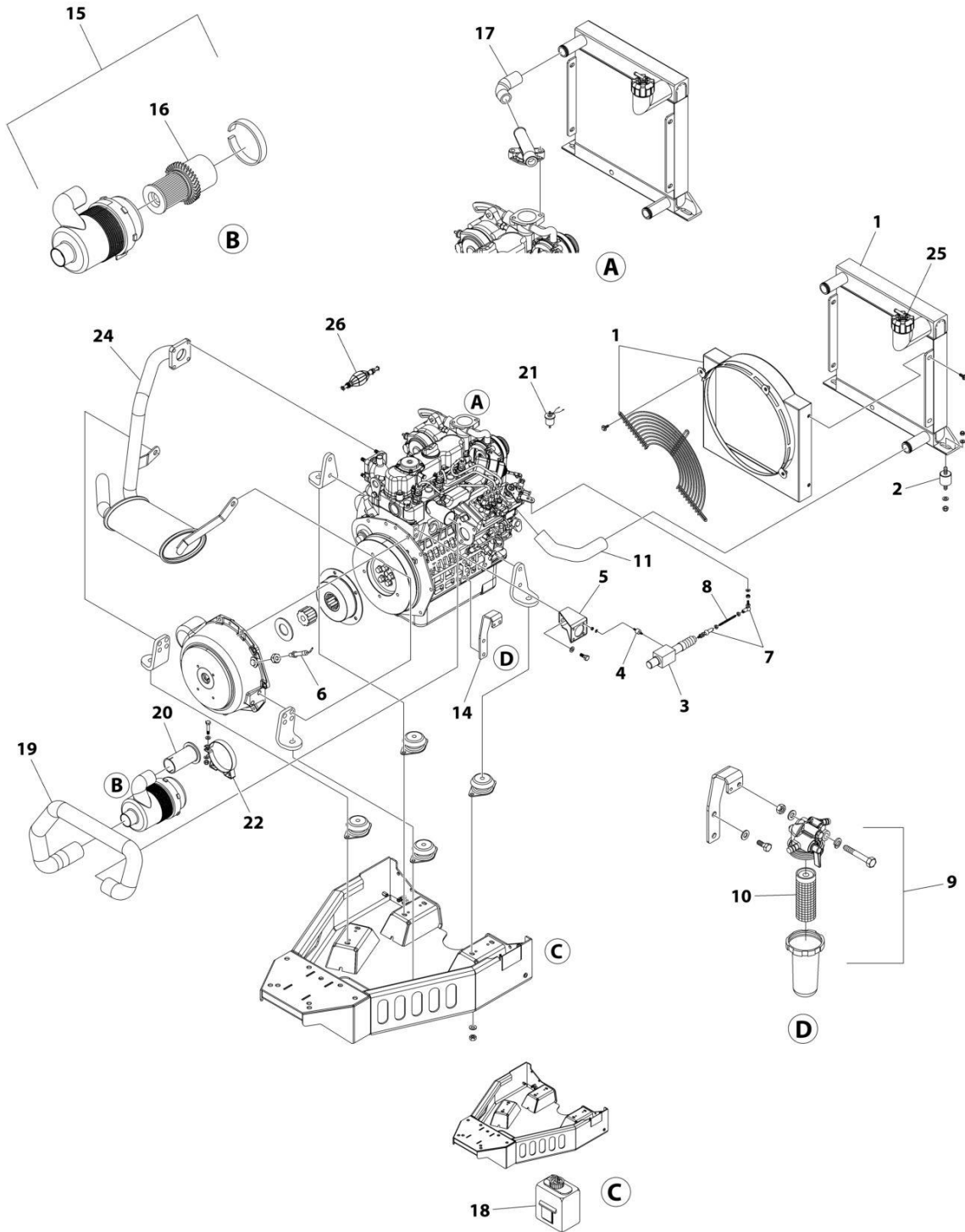
## SECTION 3 - ENGINE

### FIGURE 3-1. ENGINE COUPLING - GASOLINE PUMP

ITEM	PART NUMBER	QTY	DESCRIPTION	REV
		Ref	ENGINE COUPLING - GASOLINE PUMP	A
1	28053100	1	Engine, Diesel	
2	075718Y1	2	Support, Rear	
3	28056700	1	Kit, Kubota Engine	
4	075716Y1	1	Support (RH)	
5	27018000	4	Mount, Anti-Vibration	
6	075717Y1	1	Support (LH)	

# SECTION 3 - ENGINE

## FIGURE 3-2. ENGINE SPARE PARTS DIESEL



ART\_03-02-01

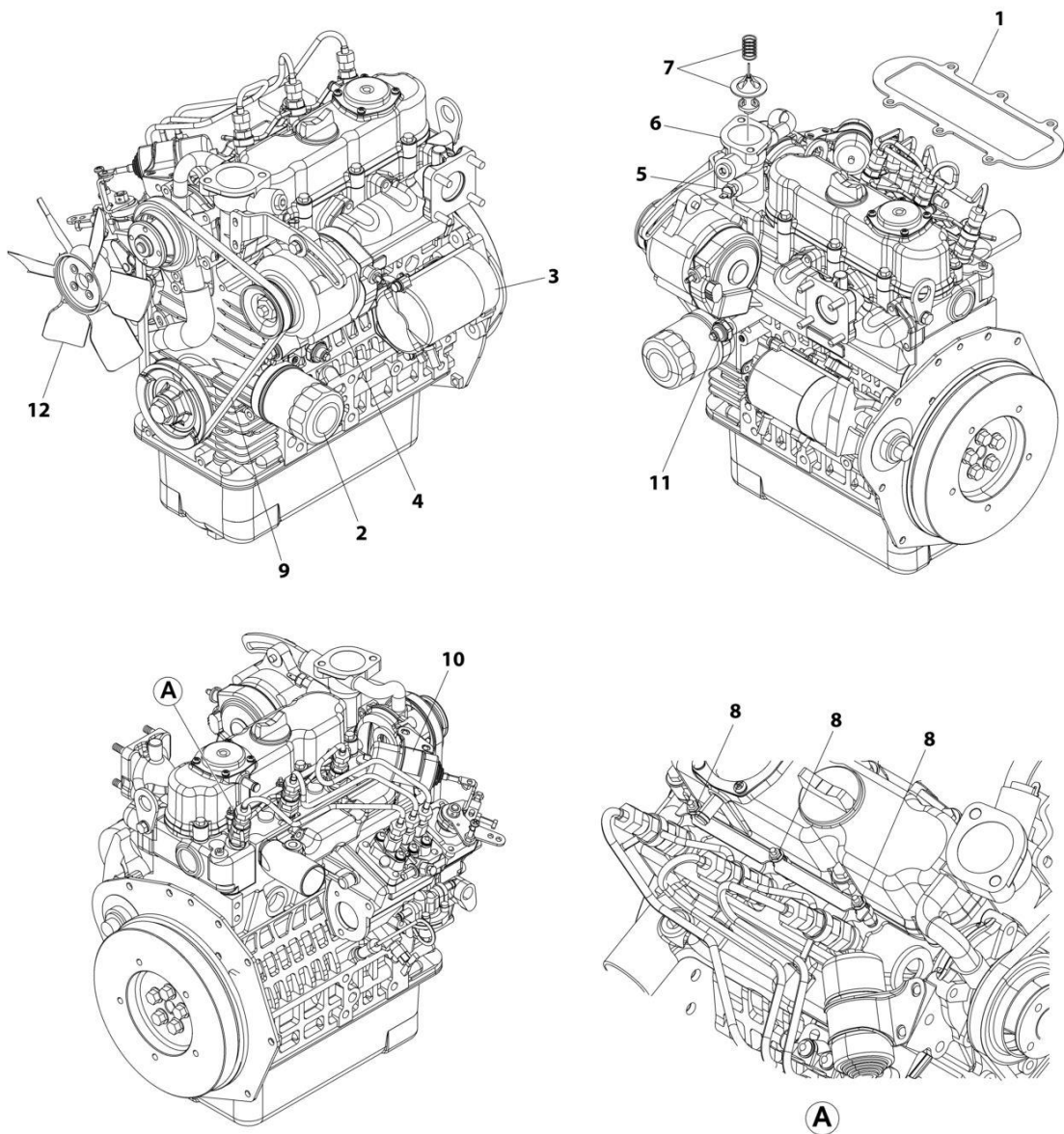
## SECTION 3 - ENGINE

**FIGURE 3-2. ENGINE SPARE PARTS DIESEL**

ITEM	PART NUMBER	QTY	DESCRIPTION	REV
		Ref	ENGINE SPARE PARTS DIESEL	A
1	28052700	1	Radiator	
1	28432200	1	Cooler, Water	
2	06145700	2	Mount, Rubber	
3	26551500	1	Valve, Piston	
4	06551400	4	Mount, Rubber	
5	080523Y1	1	Bracket, Actuator Fixing	
6	27602400	1	Sensor, Speed	
7	07598700	1	Joints, Angle	
8	07598600	1	Tie-Rod	
9	17404200	1	Fuel Filter Assembly (Includes Item 10)	
10	1740420001	1	Element, Filter	
11	08052000	1	Sleeve	
14	380853Y1	1	Bracket, Filter	
15	27345100	1	Air Filter Assembly (Includes Both Item 16's)	
16	2734510001	1	Element, Air Filter (External)	
16	2734510002	1	Element, Air Filter (Internal)	
17	08051900	1	Sleeve	
18	25779900	1	Reservoir, Coolant	
19	08356700	1	Hose, Air Intake	
20	08380800	1	Pipe	
21	2734250006	1	Pump	
22	07343100	1	Bracket	
23	07430200	1	Seal (Not Shown)	
24	08051800	1	Muffler	
25	2805270001	1	Cap, Radiator	
26	07495500	1	Pump, Fuel	

# SECTION 3 - ENGINE

## FIGURE 3-3. ENGINE SPARE PARTS DIESEL



ART\_03-02-02



## SECTION 3 - ENGINE

### FIGURE 3-3. ENGINE SPARE PARTS DIESEL

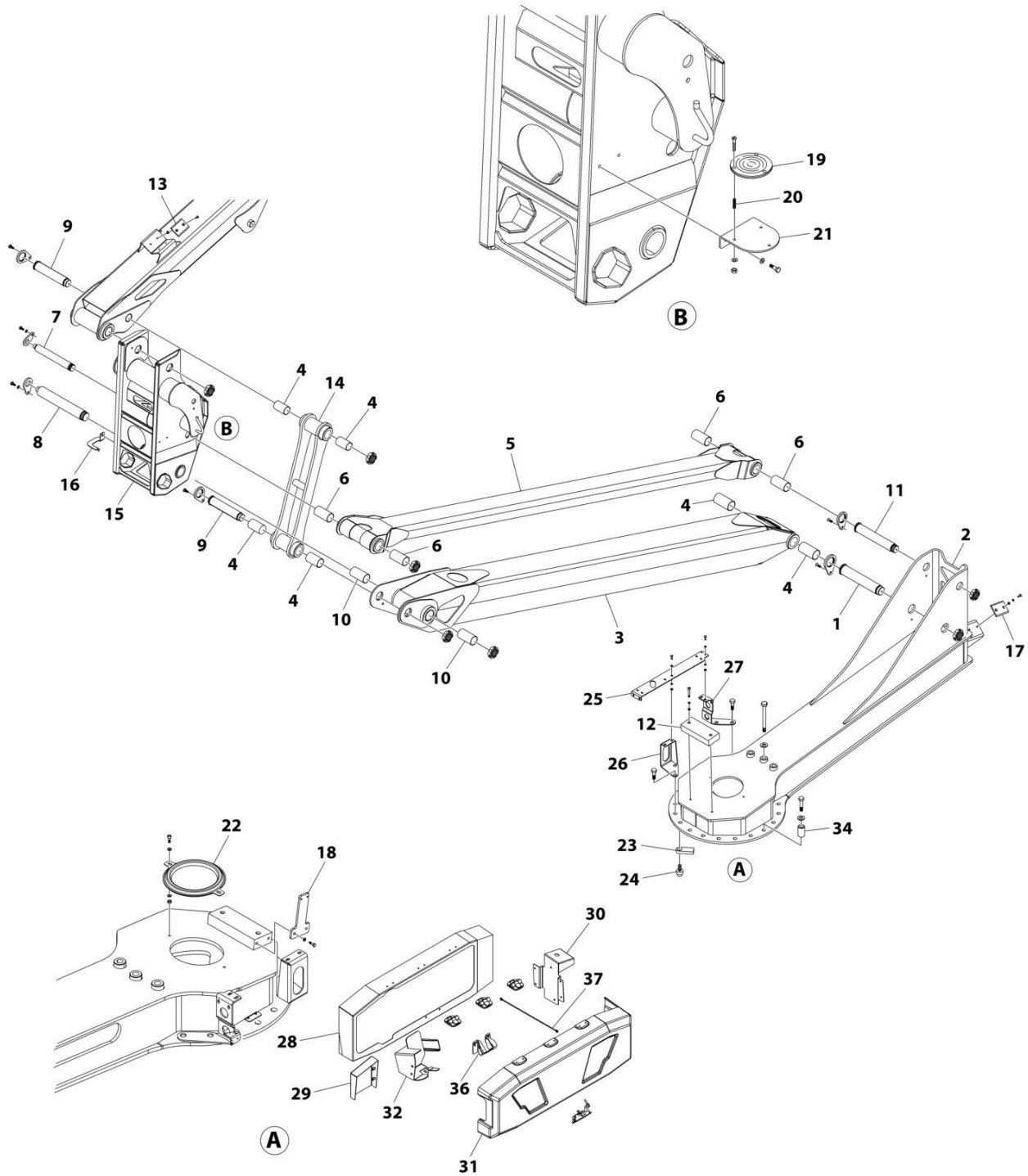
ITEM	PART NUMBER	QTY	DESCRIPTION	REV
		Ref	ENGINE SPARE PARTS DIESEL	A
1	2734250003	1	Gasket, Valve Cover	
2	2734250002	1	Filter, Oil	
3	2805670004	1	Starter	
4	2734250013	1	Alternator	
5	2734250009	1	Sensor, Temperature	
6	2805670003	1	Pump, Water	
7	2734250008	1	Thermostat & Spring	
8	2805670002	1	Plug, Glow	
9	2734250011	1	Belt, Drive	
10	2734250004	1	Solenoid, Stop	
11	2734250007	1	Sensor, Oil Pressure	
12	2734250001	1	Fan	
12	2805670005	1	Fan Blower	



**SECTION 4 - BOOM**

# SECTION 4 - BOOM

## FIGURE 4-1. BOOM ASSEMBLY (1ST ARM SET)



ART\_04-01-00

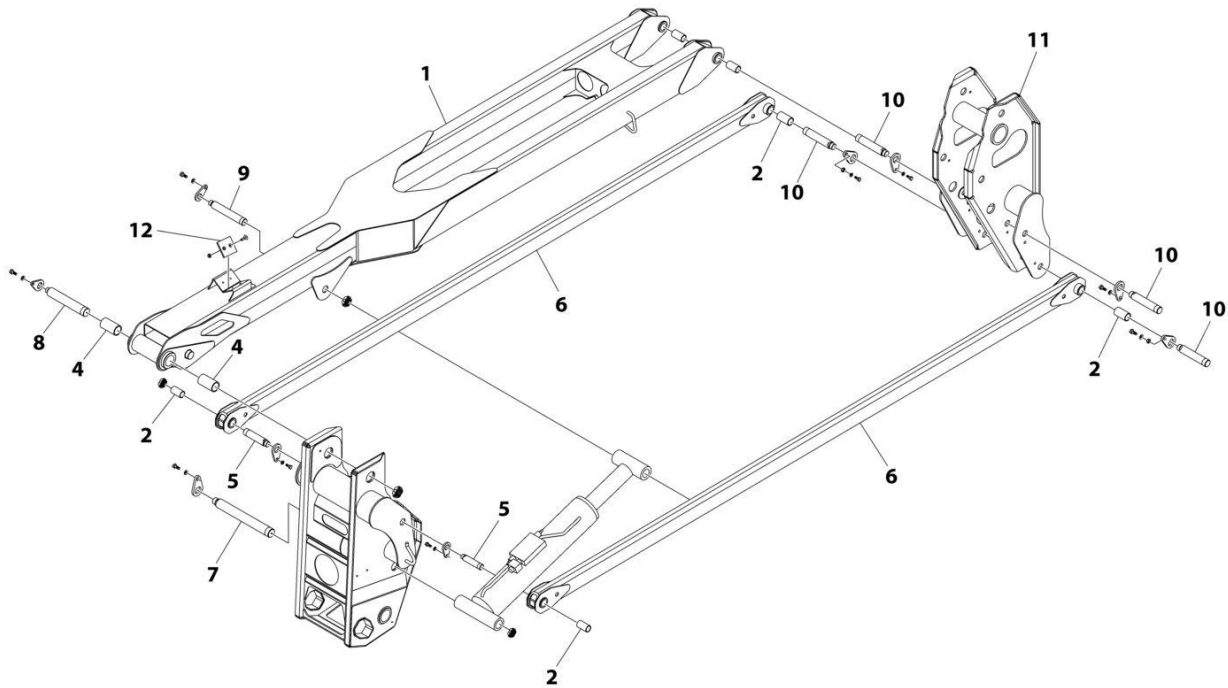
## SECTION 4 - BOOM

**FIGURE 4-1. BOOM ASSEMBLY (1ST ARM SET)**

ITEM	PART NUMBER	QTY	DESCRIPTION	REV
		Ref	MAIN BOOM ASSEMBLY	A
1	07270500	1	Pin	
2	384934J1	1	Support, Arm	
3	172613J1	1	Arm, First	
4	07256800	4	Bushing	
5	172635J1	1	Rod, First Arm	
6	06434200	4	Bushing	
7	07271000	1	Pin	
8	07270900	1	Pin	
9	07271400	1	Pin	
10	07262200	2	Bushing	
11	07270600	1	Pin	
12	07314000	1	Pad, Boom Rest	
13	07314500	2	Block, Slide	
14	172632J1	1	Rod, First- Second Boom	
15	372569J1	1	Upright, Lower Tower Boom	
16	085528D2	1	Indicator, Alignment	
17	05849000	2	Block, Slide	
18	073141H3	1	Bracket, Microswitch	
19	05427200	1	Gauge, Leveling	
20	05444800	3	Spring	
21	058832H3	1	Bracket	
22	069590H3	1	Cover	
23	064422Y1	1	Retainer	
24	064423Y1	1	Pin	
25	072773H3	1	Bracket	
26	077097H3	1	Bracket	
27	077096H3	1	Bracket	
28	184670Z3	1	Support	
29	185320Z3	1	Closing	
30	084672Z3	1	Support	
31	18475400	1	Cover	
32	384671Z3	1	Support	
34	06551600	20	Pliers	
36	084673Z3	1	Plate	
37	08280200	1	Rope, Roof Stop	

# SECTION 4 - BOOM

## FIGURE 4-2. BOOM ASSEMBLY (2ND ARM SET)



ART\_04-02-00

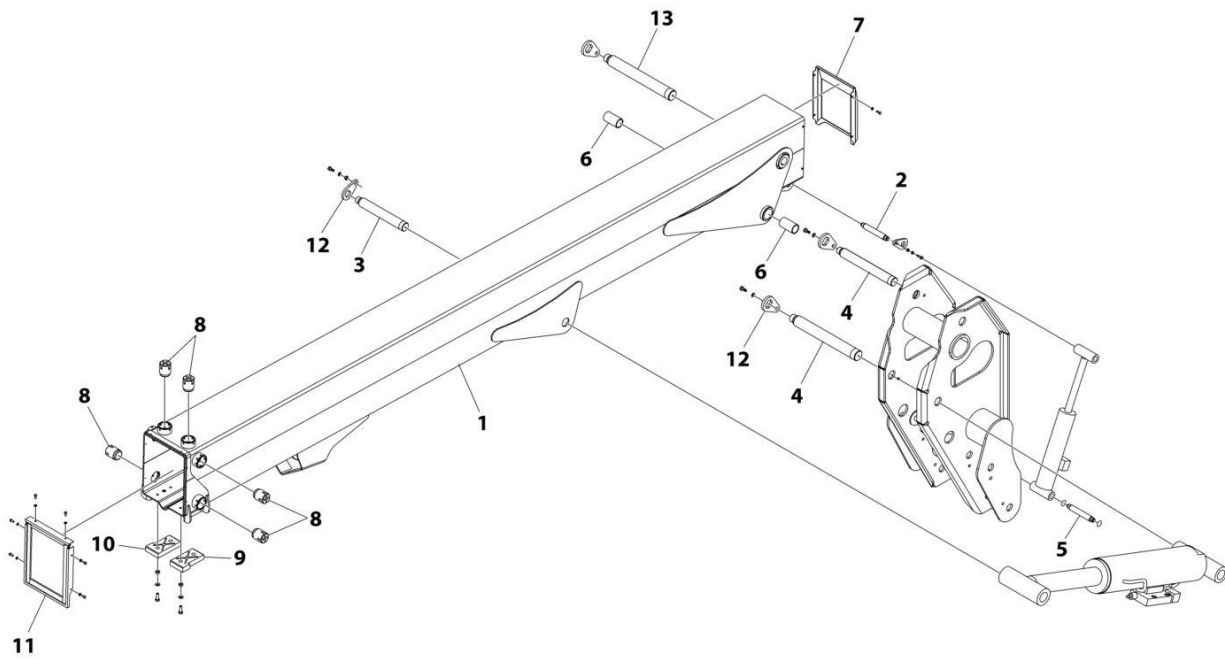
## SECTION 4 - BOOM

### FIGURE 4-2. BOOM ASSEMBLY (2ND ARM SET)

ITEM	PART NUMBER	QTY	DESCRIPTION	REV
		Ref	MAIN BOOM ASSEMBLY	A
1	172545J1	1	Boom, Second	
2	06326300	4	Bushing	
4	06422100	2	Bushing	
5	07271200	2	Pin	
6	172656J1	2	Rod, Second Boom	
7	07271100	1	Pin	
8	07271300	1	Pin	
9	07271500	1	Pin	
10	07271600	4	Pin	
11	372515J1	1	Upright, Upper Tower Boom	
12	07314500	2	Block, Slide	

# SECTION 4 - BOOM

## FIGURE 4-3. BOOM ASSEMBLY (3RD ARM SET)



ART\_04-03-00



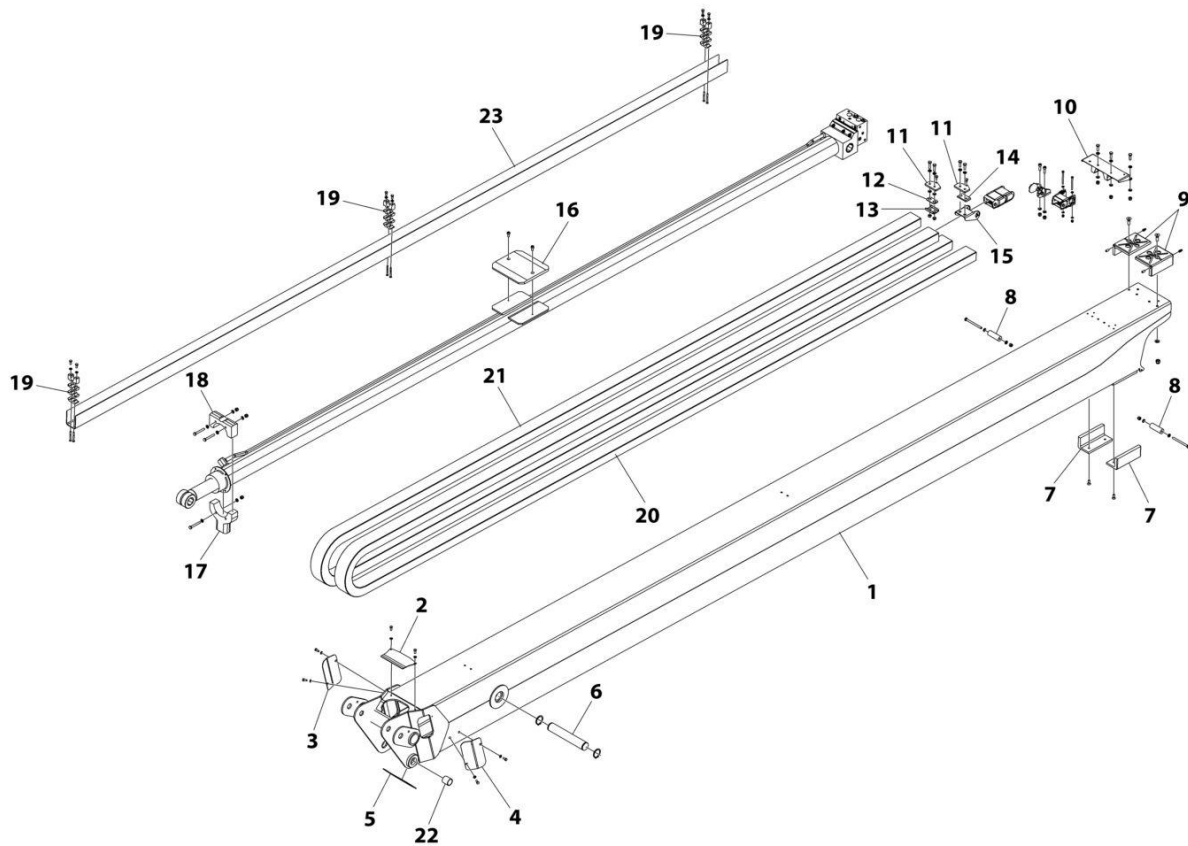
## SECTION 4 - BOOM

**FIGURE 4-3. BOOM ASSEMBLY (3RD ARM SET)**

ITEM	PART NUMBER	QTY	DESCRIPTION	REV
		Ref	MAIN BOOM ASSEMBLY	A
1	184432J1	1	Arm, Third	
2	08461800	1	Pin	
3	07278800	1	Pin	
4	07271700	2	Pin	
5	06867600	1	Pin	
6	06422200	2	Bushing	
7	072481H3	1	Cover, Third Arm	
8	07246000	6	Block, Slide	
9	08447500	1	Block, Slide	
10	08458100	1	Block, Slide	
11	17248800	1	Kit, Brushes	
12	064967Y1	1	Pin Drop	
13	08450700	1	Pin	

# SECTION 4 - BOOM

## FIGURE 4-4. BOOM ASSEMBLY (3RD ARM SET)



ART\_04-04-00

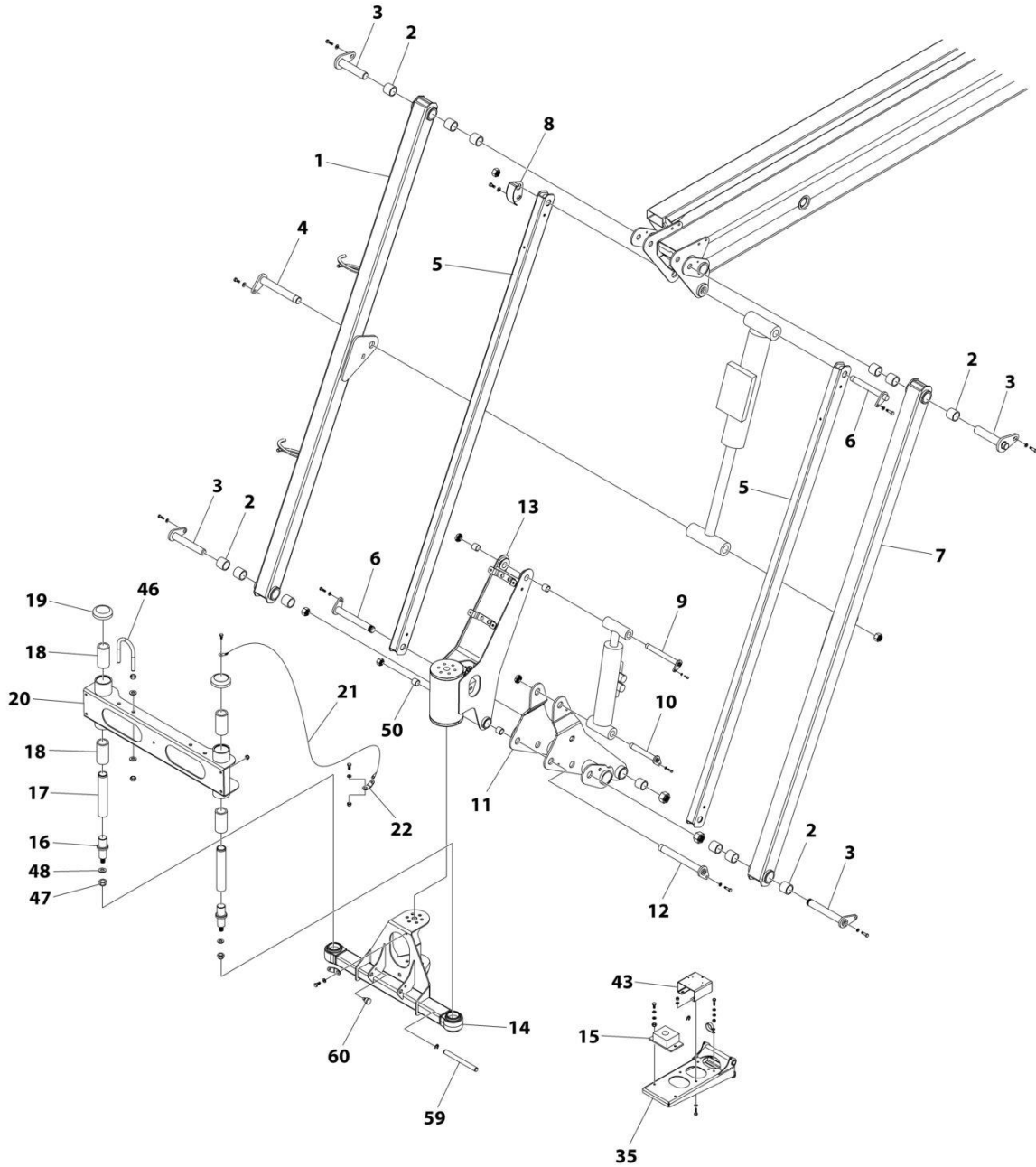
## SECTION 4 - BOOM

**FIGURE 4-4. BOOM ASSEMBLY (3RD ARM SET)**

ITEM	PART NUMBER	QTY	DESCRIPTION	REV
		Ref	MAIN BOOM ASSEMBLY	A
1	184444J2	1	Arm, Extension Assembly	
2	084494H3	1	Cover	
3	085197H3	1	Cover	
4	085196H3	1	Cover	
5	084504H3	1	Cover	
6	08450800	1	Pin	
7	08448400	2	Block, Slide	
8	08448500	2	Roller	
9	08448300	2	Block, Slide	
10	084580Y1	1	Support	
11	08458500	2	Bracket	
12	084845Y1	1	Spacer	
13	084667Y1	1	Bracket	
14	084666Y1	1	Bracket	
15	084569Y1	1	Coupling	
16	08458600	1	Block, Slide	
17	08450100	1	Block, Slide	
18	08450000	1	Block, Slide	
19	08428300	3	Block	
20	28459300	1	Cable, Holder Chain	
21	28459200	1	Cable, Holder Chain	
22	06900700	2	Bushing	
23	084498Y1	1	Cover, Protection	

# SECTION 4 - BOOM

## FIGURE 4-5. JIB & PLATFORM SUPPORT



ART\_04-05-00

FIGURE 4-5. JIB &amp; PLATFORM SUPPORT

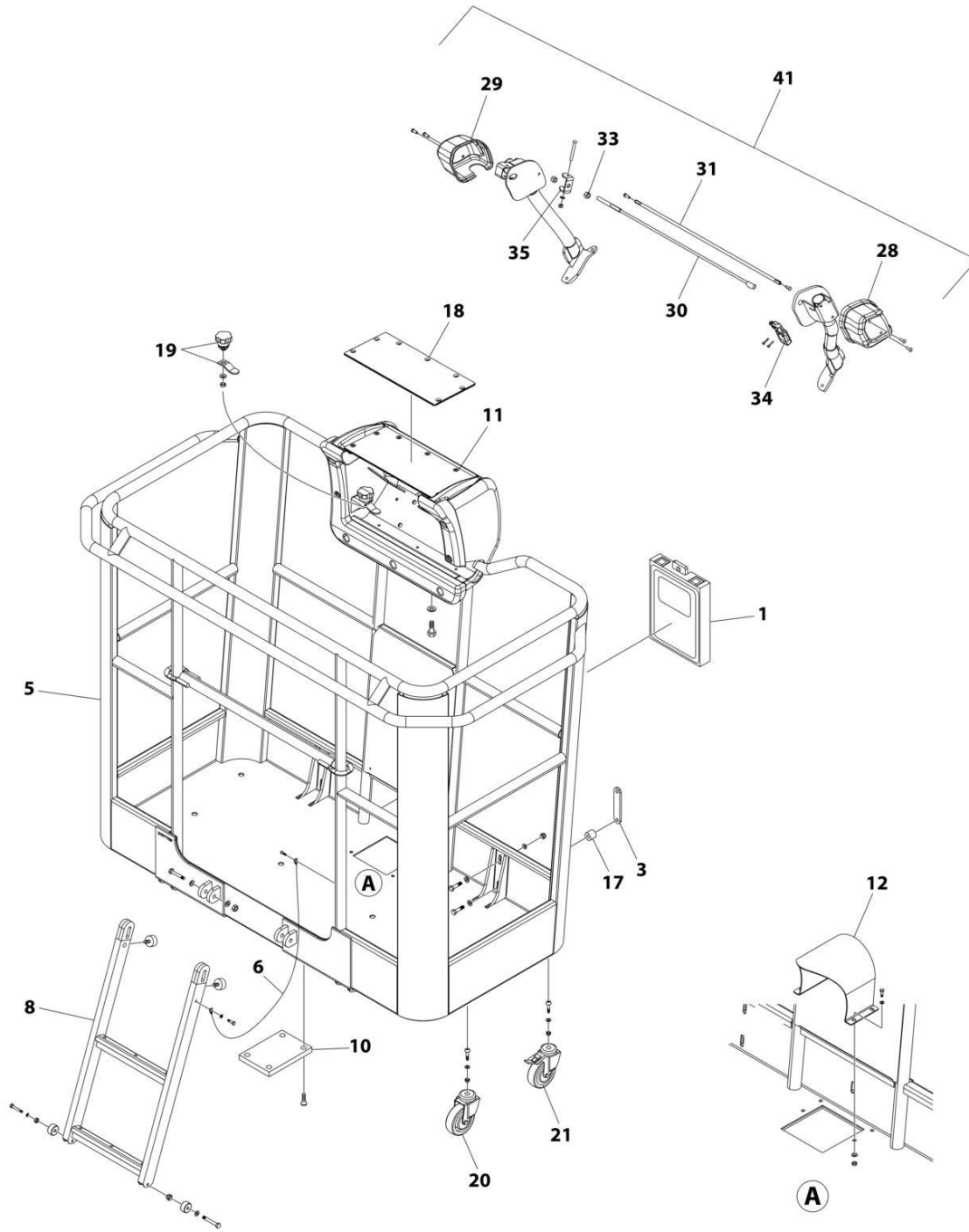
ITEM	PART NUMBER	QTY	DESCRIPTION	REV
		Ref	PLATFORM SUPPORT	A
1	170947J2	1	Link, Jib (RH)	
2	06272600	4	Bushing	
3	07093500	4	Pin	
4	07093800	1	Pin	
5	359447J2	2	Tie-Rod	
6	07093600	2	Pin	
7	183768J2	1	Link, Jib (LH)	
8	372264H3	1	Support, Basket	
9	07093700	1	Pin	
10	06235600	1	Pin	
11	166242J2	1	Upright, Jib	
12	06235700	1	Pin	
13	2648910002	1	Seal Kit	
13	271778H2	1	Rotator Assembly	
14	377660H2	1	Support, Basket	
15	056187H3	1	Box	
16	07190900	2	Bolt M16 x 115 Grade 8.8	
17	07146500	2	Pin	
18	27146200	4	Bearing	
19	07146400	2	Cap	
20	371459H2	1	Support	
21	06665000	2	Cable	
22	07052900	1	Bracket	
35	377661H2	1	Bracket, Load Cell	
35	377661Y1	1	Bracket, Load Cell	
43	072404H3	1	Support, Foot Switch	
46	07031800	2	U-Clamp	
47	07193000	2	Nut M16	
48	07192600	2	Washer	
50	06272700	2	Bushing	
59	07766500	1	Pin	
60	07771500	1	Handle	



**SECTION 5 - PLATFORM**

# SECTION 5 - PLATFORM

## FIGURE 5-1. PLATFORM



ART\_05-01-00



## SECTION 5 - PLATFORM

**FIGURE 5-1. PLATFORM**

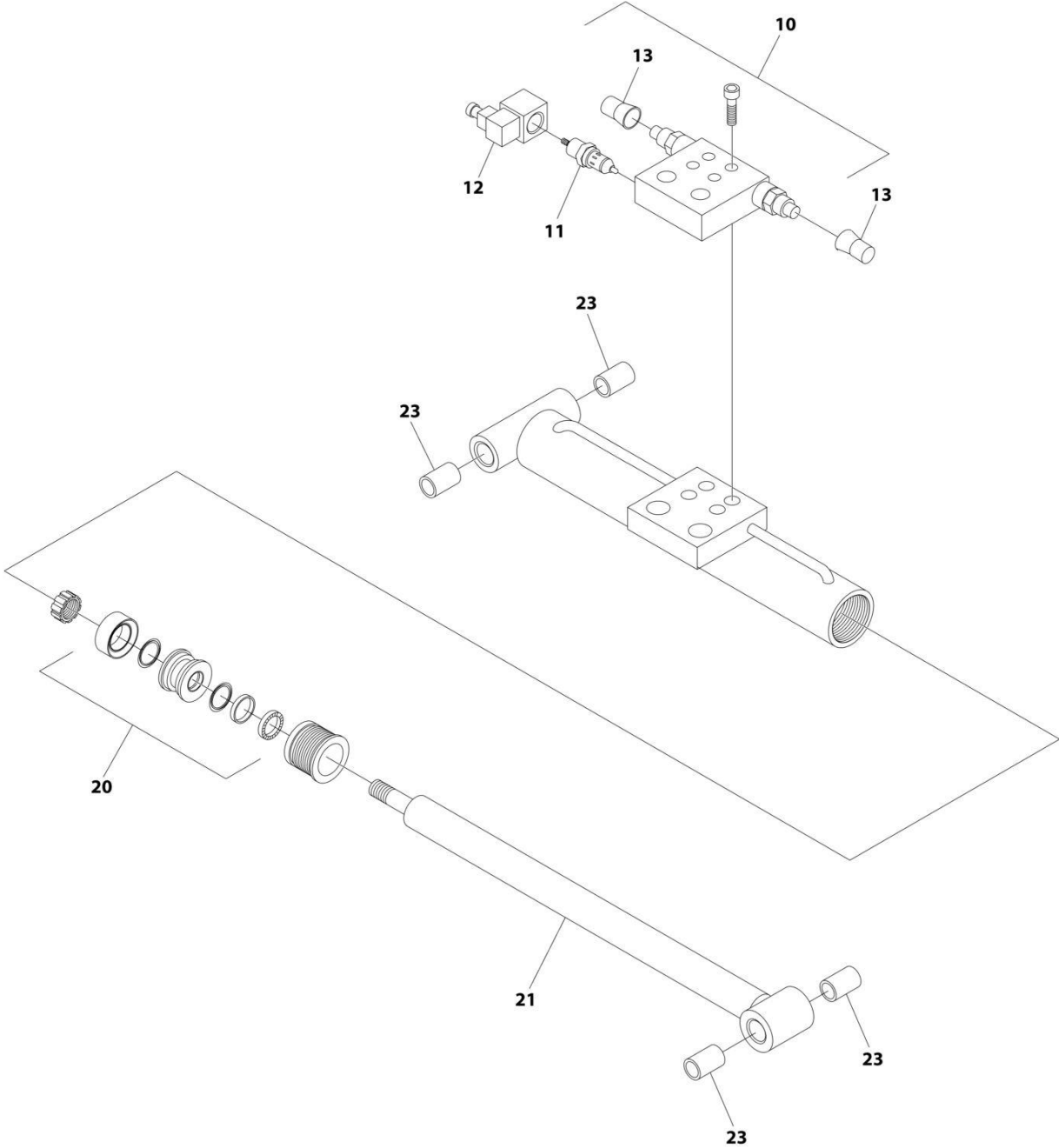
ITEM	PART NUMBER	QTY	DESCRIPTION	REV
		Ref	PLATFORM	A
1	05643600	1	Box, Maunal Storage	
3	072398H3	2	Plate	
5	28250000	1	Basket	
6	06598500	2	Cable	
8	08558100	2	Cap	
8	18478900	2	Ladder	
10	058600H3	1	Plate	
11	17569900	1	Shield	
12	06418600	1	Shield	
17	07239700	2	Spacer	
18	07690700	1	Cover	
19	07192700	1	Fastener and Lever Kit	
20	07687300	2	Wheel	
21	07751100	2	Wheel with Brake	
28	08310700	1	Cover	
29	08310800	1	Cover	
30	08132300	1	Glass Fiber Wand	
31	08309700	1	Spacer	
33	3311601	1	Nut 3/8	
34	18310600	1	Wire	
35	383036Y1	1	Support	
41	18357300	1	Kit, Skyline	



**SECTION 6 - CYLINDER**

**SECTION 6 - CYLINDER**

**FIGURE 6-1. JIB CYLINDER ASSEMBLY**



ART\_06-05-00

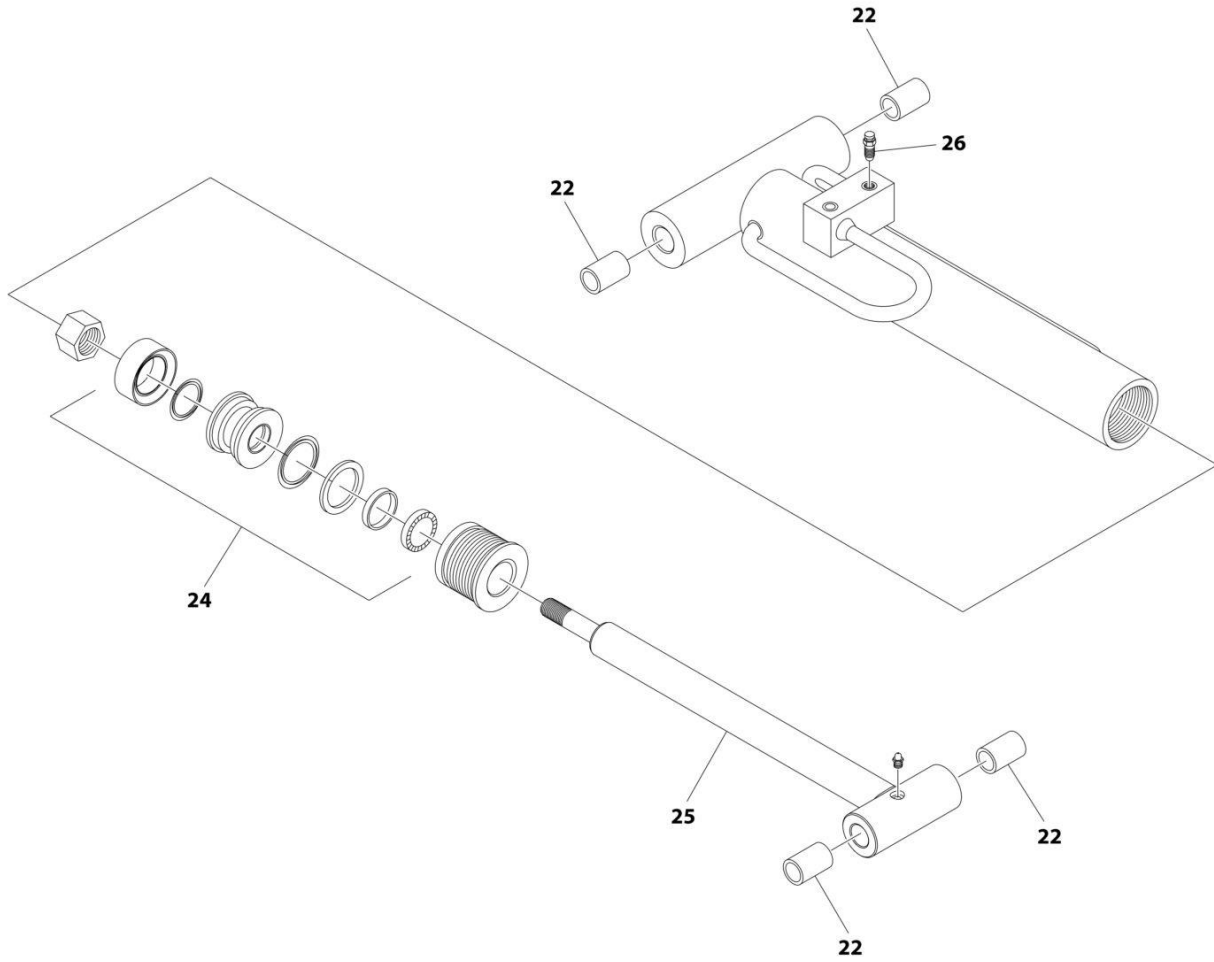
## SECTION 6 - CYLINDER

**FIGURE 6-1. JIB CYLINDER ASSEMBLY**

ITEM	PART NUMBER	QTY	DESCRIPTION	REV
	270695H2	Ref	JIB CYLINDER ASSEMBLY	A
		Ref	Note: Original Cylinder May Have Been Replaced with Service Replacement. Identify PN Stamped on Cylinder Before Ordering Parts.	
10	08402000	1	Valve Assembly	
10	26119300	1	Valve Assembly	
11	0552550001	1	Solenoid Valve	
12	0552550003	1	Coil (Use with PN 26119300 Valve)	
12	0840200001	1	Coil (Use with PN 08402000 Valve)	
13	05576200	2	Cover	
20	2706950001	1	Kit, Seal - 270695H2 Cylinder	
21	2706950002	1	Rod	
23	2627910006	4	Bushing	

# SECTION 6 - CYLINDER

## FIGURE 6-2. LEVELING CYLINDER ASSEMBLY - BOOM



ART\_06-06-00

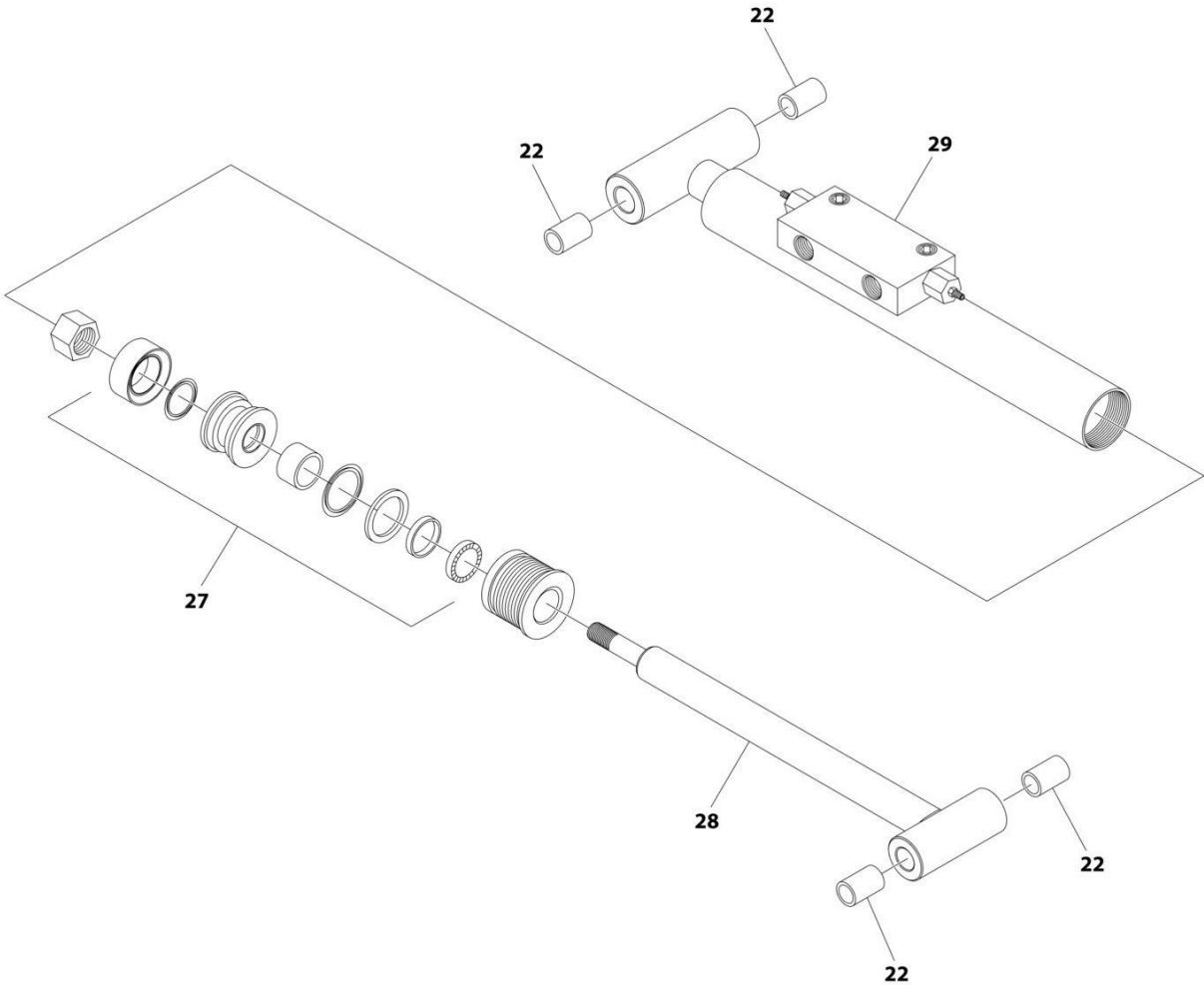
## SECTION 6 - CYLINDER

**FIGURE 6-2. LEVELING CYLINDER ASSEMBLY - BOOM**

ITEM	PART NUMBER	QTY	DESCRIPTION	REV
	270693H2	Ref	LEVEL CYLINDER ASSEMBLY - BOOM	A
		Ref	Note: Original Cylinder May Have Been Replaced with Service Replacement. Identify PN Stamped on Cylinder Before Ordering Parts.	
22	2627890006	4	Bushing	
24	2706930001	1	Kit, Seal - 270693H2 Cylinder	
25	2706930002	1	Rod	
26	2588290008	2	Screw	

**SECTION 6 - CYLINDER**

**FIGURE 6-3. LEVELING CYLINDER ASSEMBLY - PLATFORM**



ART\_06-07-00



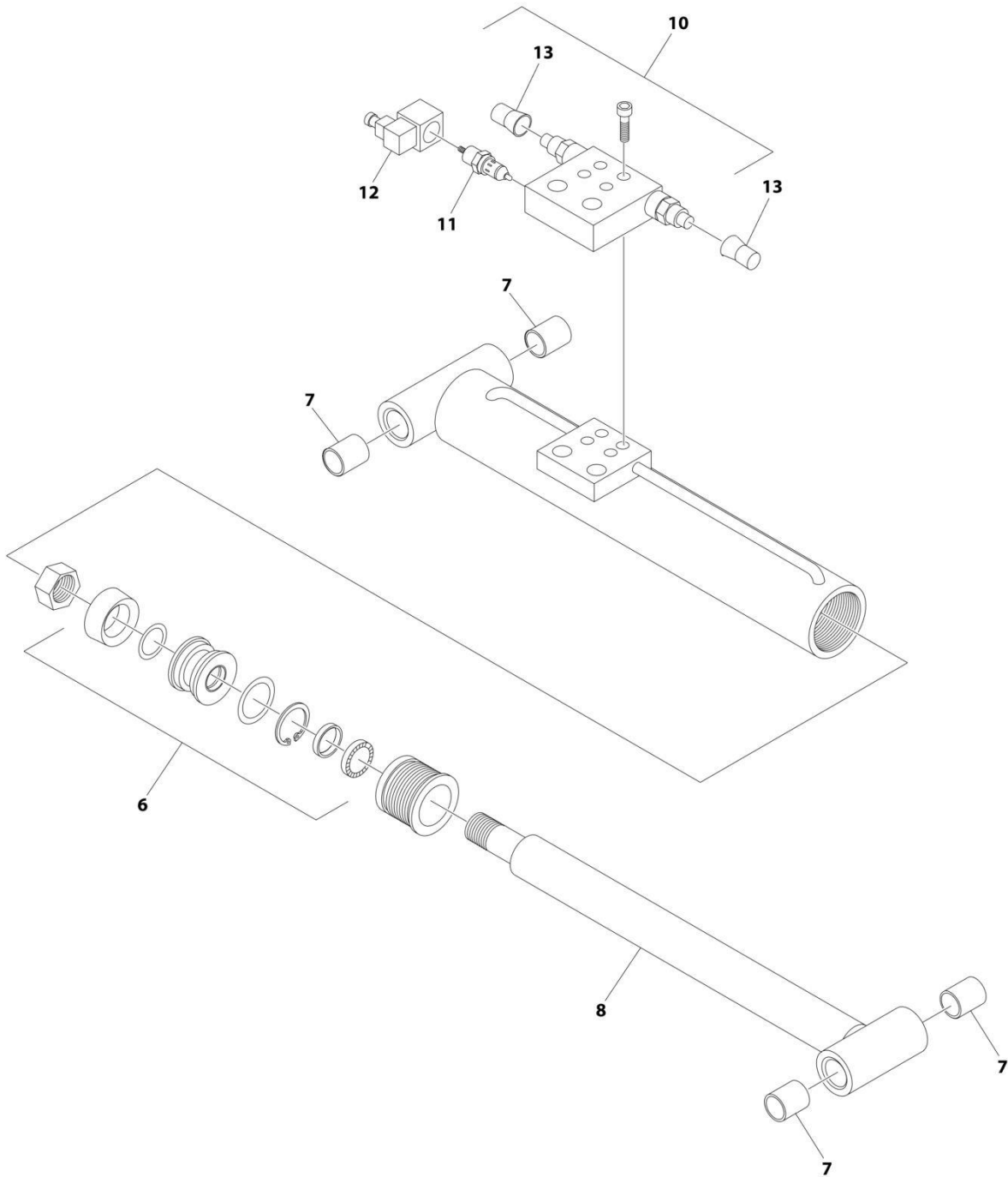
## SECTION 6 - CYLINDER

### FIGURE 6-3. LEVELING CYLINDER ASSEMBLY - PLATFORM

ITEM	PART NUMBER	QTY	DESCRIPTION	REV
	273151H2	Ref	LEVEL CYLINDER ASSEMBLY - PLATFORM	A
		Ref	Note: Original Cylinder May Have Been Replaced with Service Replacement. Identify PN Stamped on Cylinder Before Ordering Parts.	
22	2627890006	4	Bushing	
27	2706940001	1	Kit, Seal - 273151H2 Cylinder	
28	2706940002	1	Rod	
29	2731510003	1	Valve Assembly	

# SECTION 6 - CYLINDER

## FIGURE 6-4. LIFT CYLINDER ASSEMBLY



ART\_06-02-00

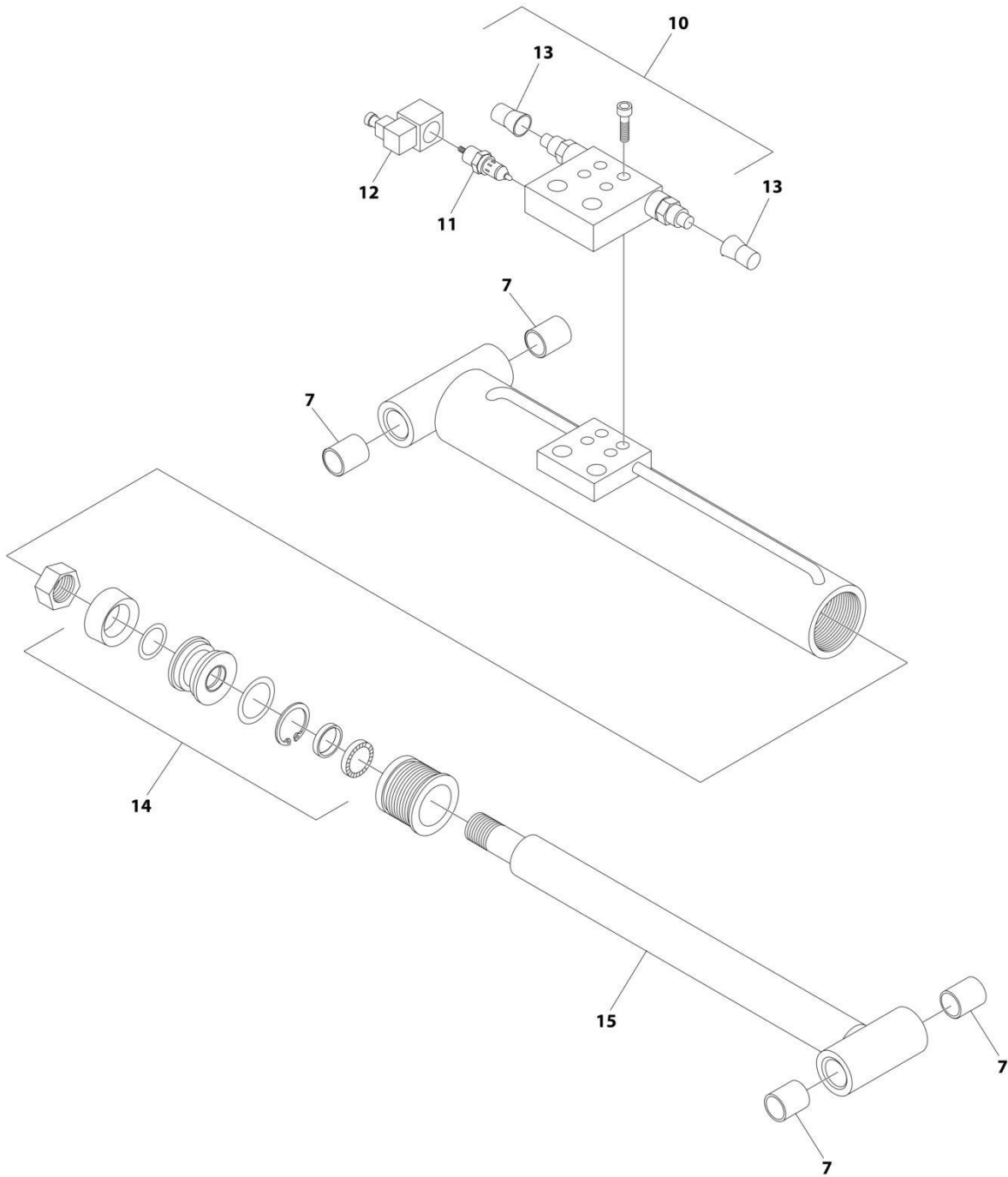
## SECTION 6 - CYLINDER

**FIGURE 6-4. LIFT CYLINDER ASSEMBLY**

ITEM	PART NUMBER	QTY	DESCRIPTION	REV
	272259H2	Ref	LIFT CYLINDER ASSEMBLY	A
		Ref	Note: Original Cylinder May Have Been Replaced with Service Replacement. Identify PN Stamped on Cylinder Before Ordering Parts.	
6	2722590001	1	Kit, Seal - 272259H2 Cylinder	
7	2644250003	4	Bushing	
8	2722590002	1	Rod	
10	08402000	1	Valve Assembly	
10	26119300	1	Valve Assembly	
11	0552550001	1	Solenoid Valve	
12	0552550003	1	Coil	
12	0840200001	1	Coil	
13	05576200	2	Cover	

# SECTION 6 - CYLINDER

## FIGURE 6-5. LIFT CYLINDER ASSEMBLY



ART\_06-03-00

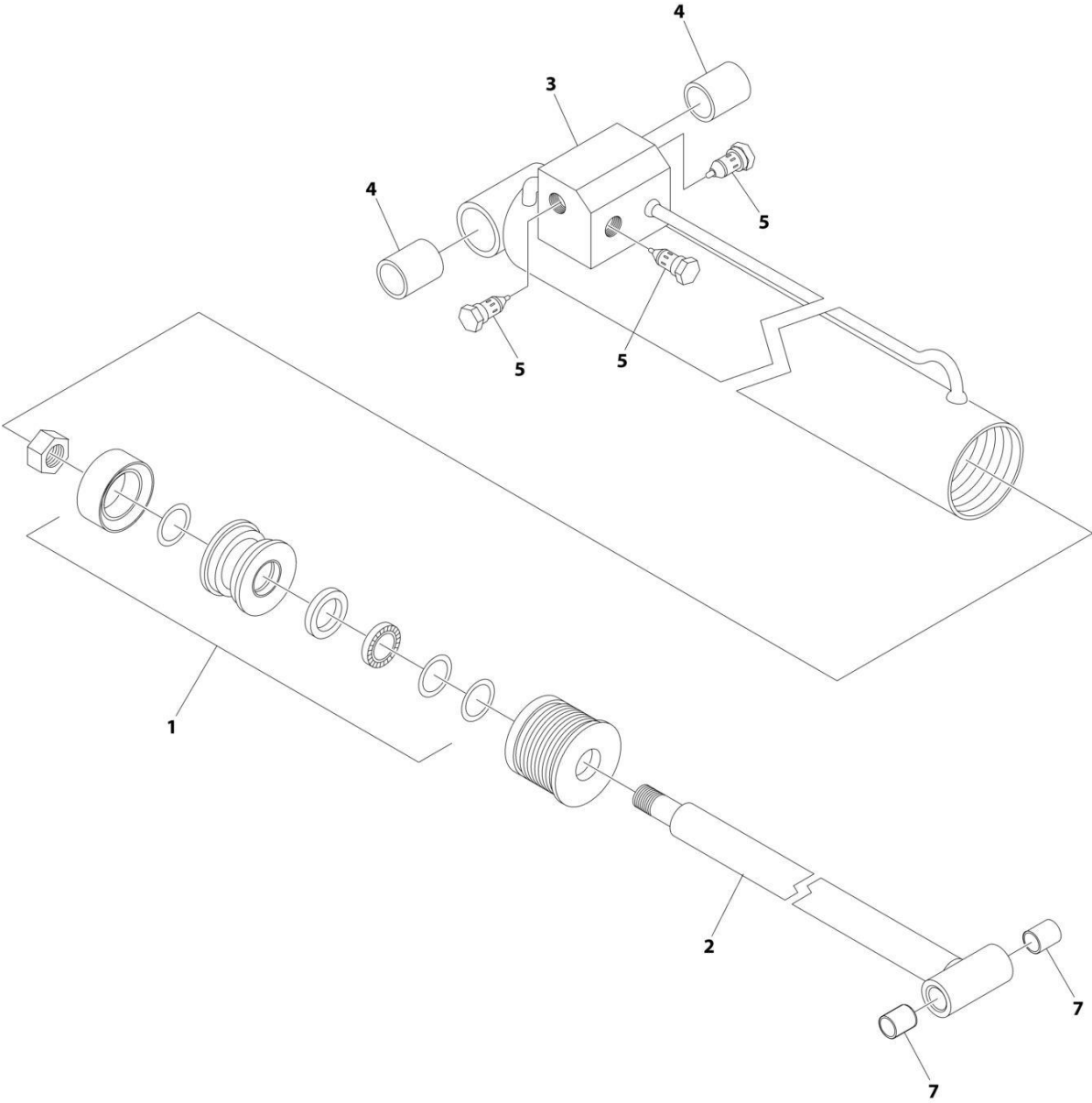
## SECTION 6 - CYLINDER

**FIGURE 6-5. LIFT CYLINDER ASSEMBLY**

ITEM	PART NUMBER	QTY	DESCRIPTION	REV
	272260H2	Ref	LIFT CYLINDER ASSEMBLY	A
		Ref	Note: Original Cylinder May Have Been Replaced with Service Replacement. Identify PN Stamped on Cylinder Before Ordering Parts.	
7	2644250003	4	Bushing	
10	08402000	1	Valve Assembly	
10	26119300	1	Valve Assembly	
11	0552550001	1	Solenoid Valve	
12	0552550003	1	Coil (Use with PN 26119300 Valve)	
12	0840200001	1	Coil (Use with PN 08402000 Valve)	
13	05576200	2	Cover	
14	2722600001	1	Kit, Seal - 272260H2 Cylinder	
15	2722600002	1	Rod, Cylinder	

**SECTION 6 - CYLINDER**

**FIGURE 6-6. OUTRIGGER STABILIZER CYLINDER ASSEMBLY**



ART\_06-01-00

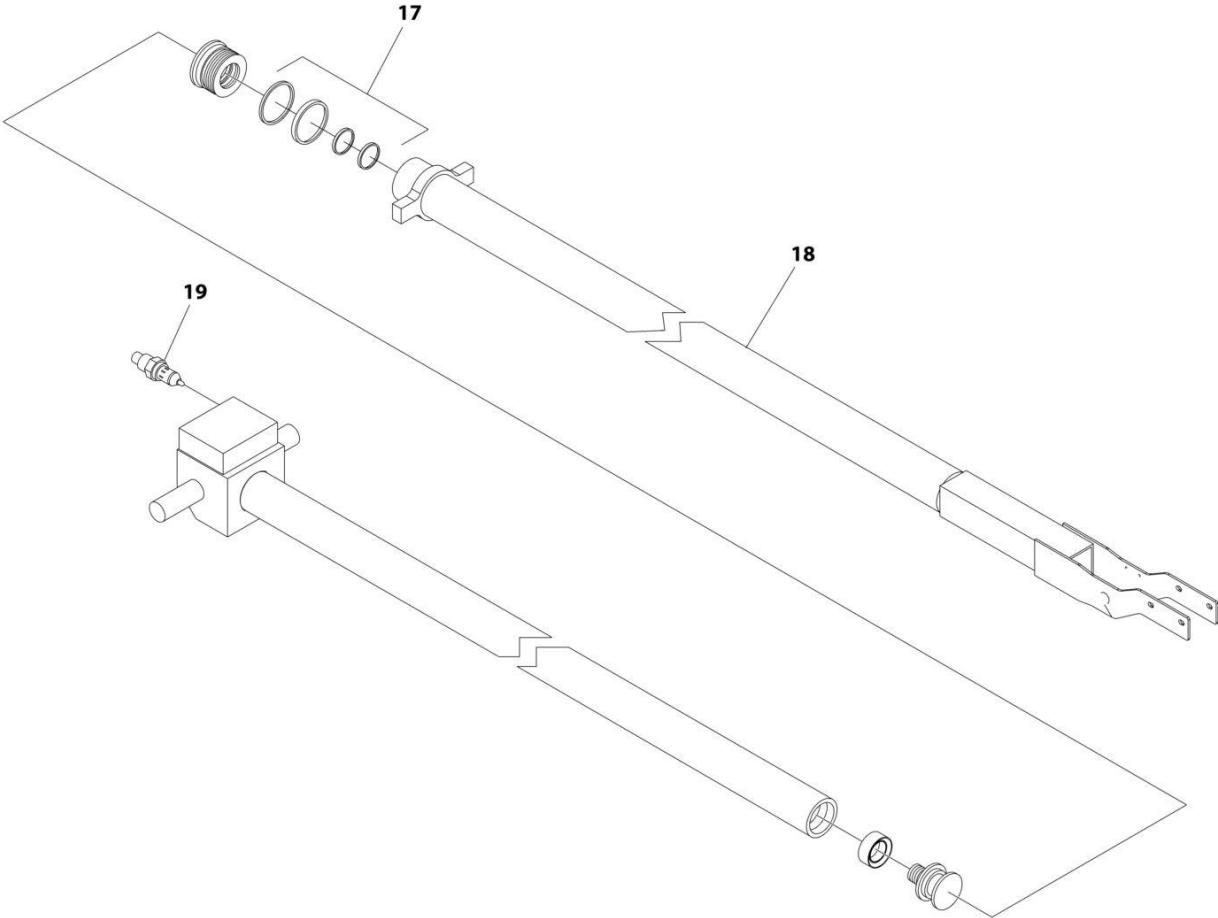
## SECTION 6 - CYLINDER

**FIGURE 6-6. OUTRIGGER STABILIZER CYLINDER ASSEMBLY**

ITEM	PART NUMBER	QTY	DESCRIPTION	REV
	272261H2	Ref	OUTRIGGER STABILIZER CYLINDER ASSEMBLY	A
		Ref	Note: Original Cylinder May Have Been Replaced with Service Replacement. Identify PN Stamped on Cylinder Before Ordering Parts.	
1	2722610001	1	Kit, Seal - 272261H2 Cylinder	
2	2722610002	1	Rod	
3	2705540002	1	Block	
4	2627880005	2	Bushing	
5	1541150011	3	Cartridge, Valve	
7	2644250003	2	Bushing	

**SECTION 6 - CYLINDER**

**FIGURE 6-7. TELESCOPE CYLINDER ASSEMBLY**



ART\_06-04-00



## SECTION 6 - CYLINDER

**FIGURE 6-7. TELESCOPE CYLINDER ASSEMBLY**

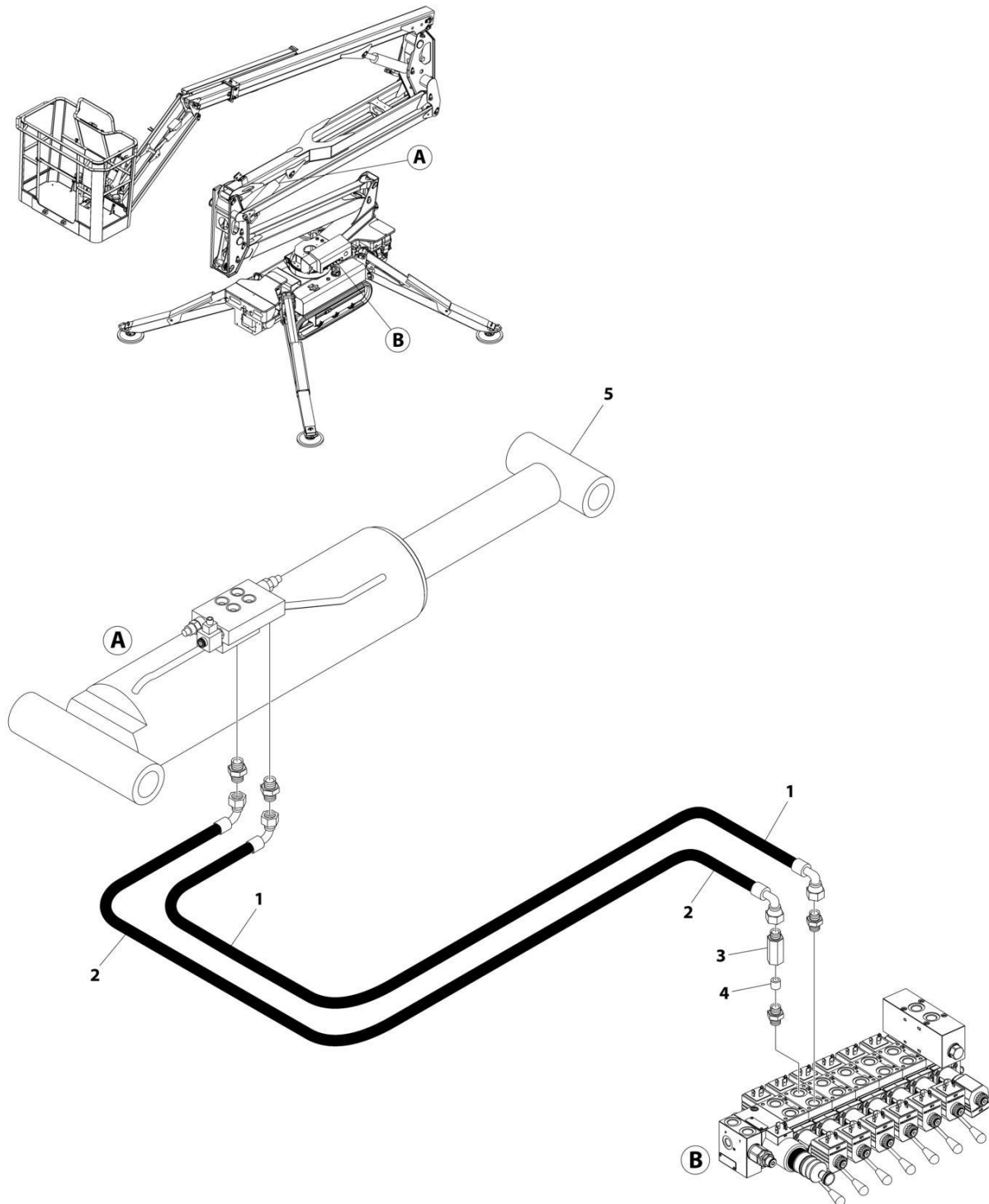
ITEM	PART NUMBER	QTY	DESCRIPTION	REV
	272262H2	Ref	TELESCOPE CYLINDER ASSEMBLY	A
		Ref	Note: Original Cylinder May Have Been Replaced with Service Replacement. Identify PN Stamped on Cylinder Before Ordering Parts.	
17	2722620001	1	Kit, Seal - 272262H2 Cylinder	
18	2722620002	1	Rod	
19	2706900003	1	Cartridge, Valve	



**SECTION 7 - HYDRAULIC**

# SECTION 7 - HYDRAULIC

## FIGURE 7-1. HYDRAULIC DIAGRAM - BOOM (1ST & 2ND ARM SETS)



ART\_07\_07\_00

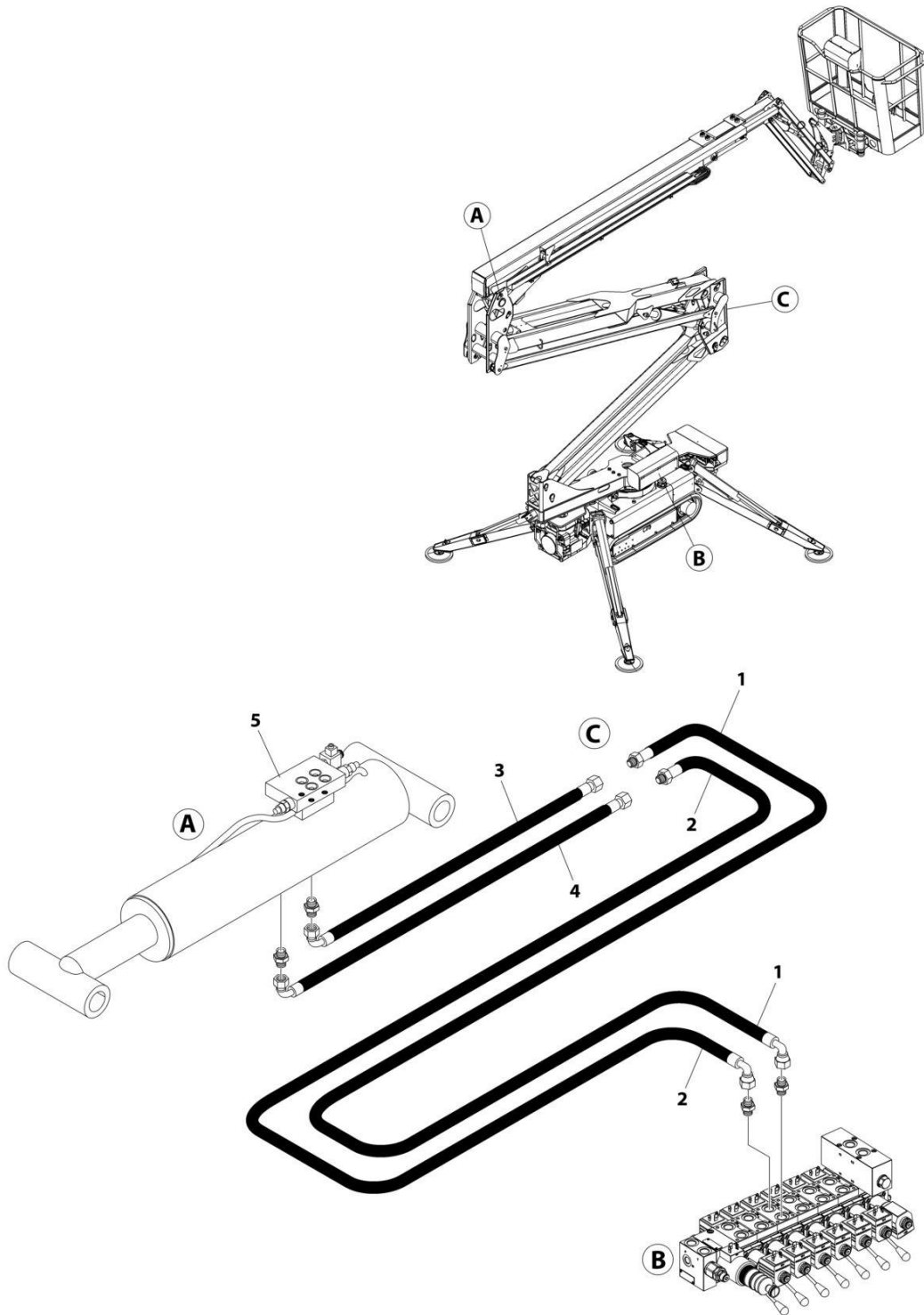
## SECTION 7 - HYDRAULIC

**FIGURE 7-1. HYDRAULIC DIAGRAM - BOOM (1ST & 2ND ARM SETS)**

ITEM	PART NUMBER	QTY	DESCRIPTION	REV
		Ref	HYDRAULIC SYSTEM - 1-2 ARM	A
1	07722300	1	Hose (From C170000893)	
2	07722400	1	Hose (From C170000893)	
3	07688400	1	Fitting	
4	07688500	1	Valve	
5	272259H2	1	Lift Cylinder Assembly (See Separate Breakdown in CYLINDER Section)	

# SECTION 7 - HYDRAULIC

## FIGURE 7-2. HYDRAULIC DIAGRAM - BOOM (3RD ARM SET)



ART\_07-08-00

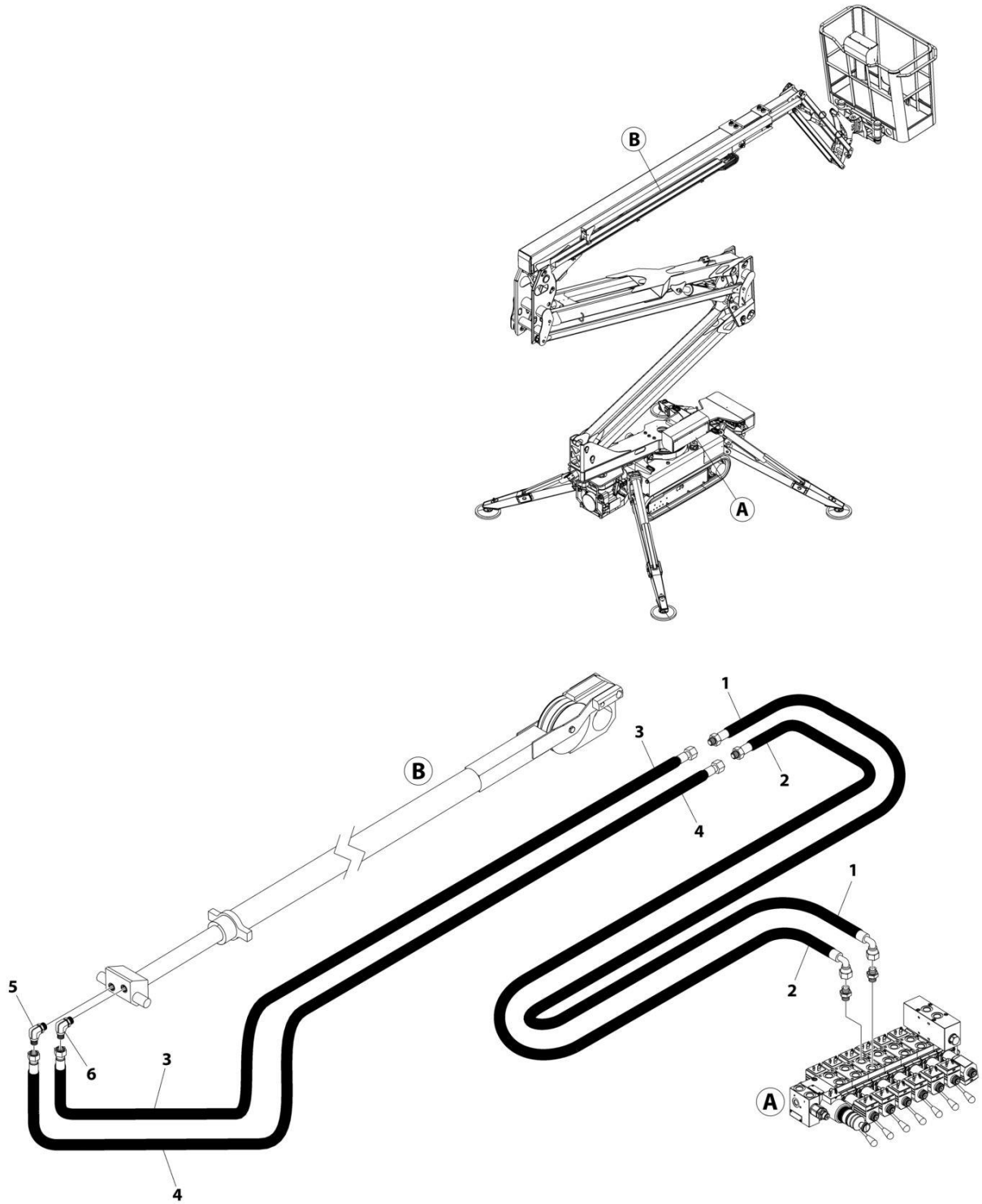
## SECTION 7 - HYDRAULIC

**FIGURE 7-2. HYDRAULIC DIAGRAM - BOOM (3RD ARM SET)**

ITEM	PART NUMBER	QTY	DESCRIPTION	REV
		Ref	HYDRAULIC SYSTEM - 3 ARM	A
1	07721600	1	Hose (From C170000893)	
2	07721500	1	Hose (From C170000893)	
3	07720600	1	Hose (From C170000893)	
4	07720500	1	Hose (From C170000893)	
5	272260H2	1	Lift Cylinder Assembly - Main Boom (See Separate Breakdown in CYLINDER Section)	

# SECTION 7 - HYDRAULIC

## FIGURE 7-3. HYDRAULIC DIAGRAM - BOOM EXTEND/RETRACT



ART\_07-09-00



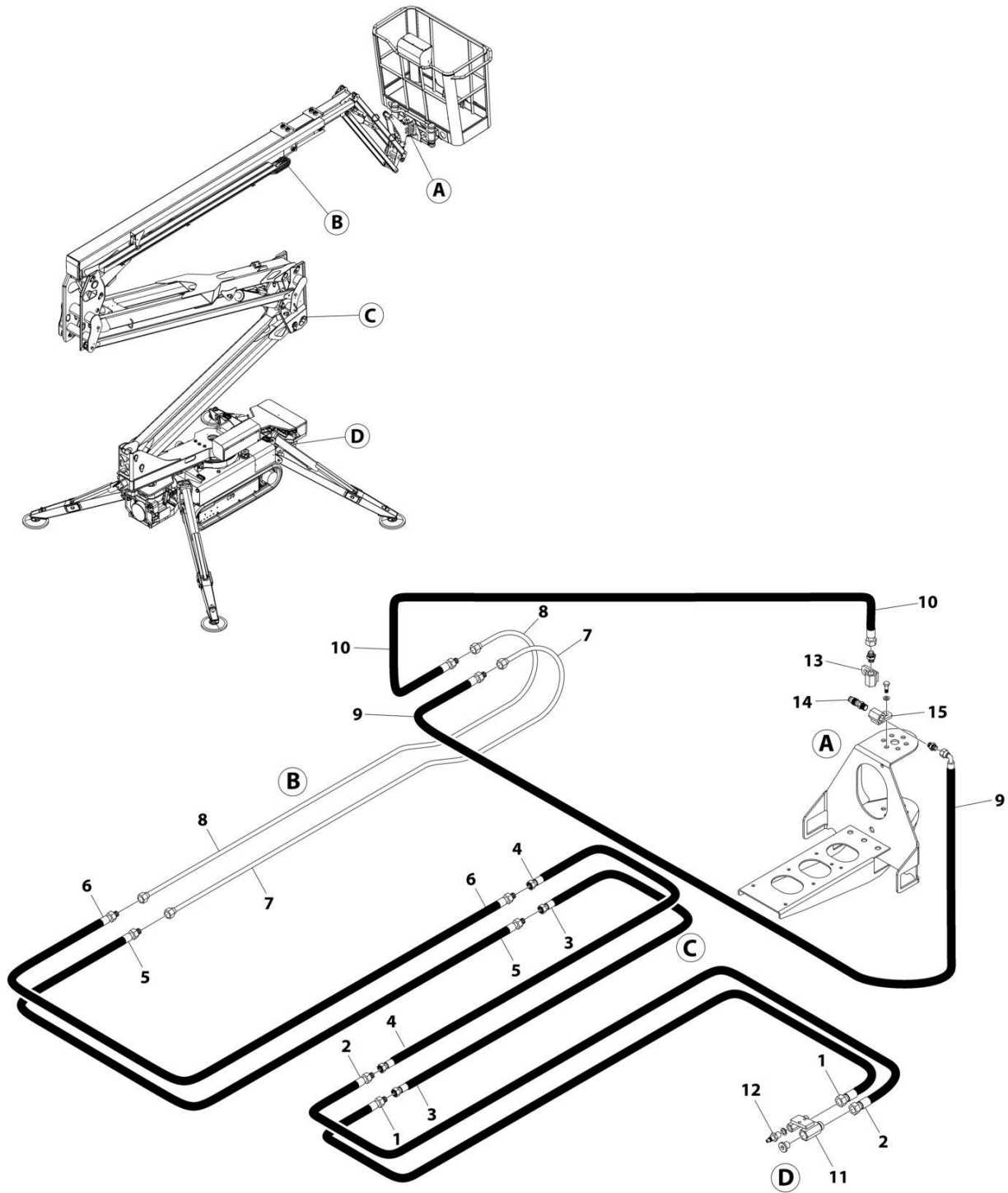
## SECTION 7 - HYDRAULIC

FIGURE 7-3. HYDRAULIC DIAGRAM - BOOM EXTEND/RETRACT

ITEM	PART NUMBER	QTY	DESCRIPTION	REV
		Ref	HYDRAULIC SYSTEM - TELESCOPIC	A
1	07722100	1	Hose	
2	07722200	1	Hose	
3	07721200	1	Hose	
4	07721100	1	Hose	
5	04995000	1	Fitting	
6	05510300	1	Fitting	

# SECTION 7 - HYDRAULIC

## FIGURE 7-4. HYDRAULIC DIAGRAM - COMPRESSED AIR



ART\_07-13-00

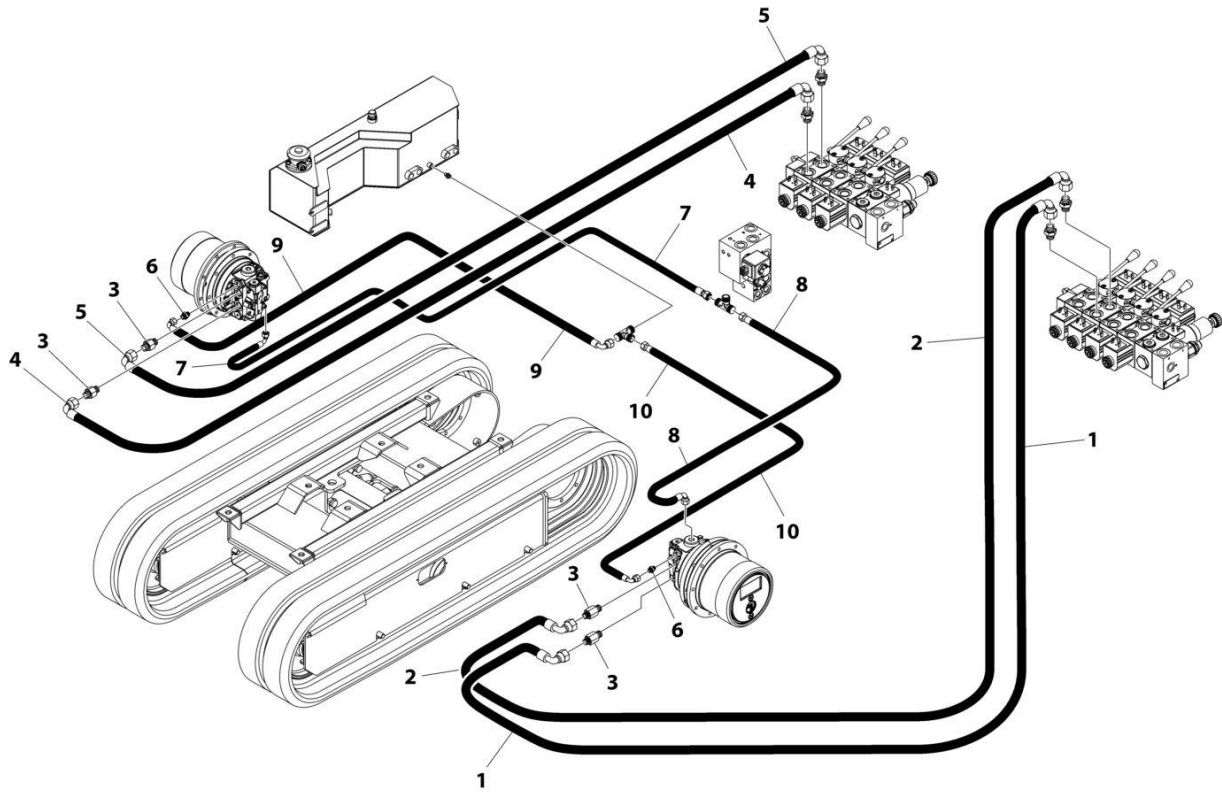
## SECTION 7 - HYDRAULIC

**FIGURE 7-4. HYDRAULIC DIAGRAM - COMPRESSED AIR**

ITEM	PART NUMBER	QTY	DESCRIPTION	REV
		Ref	HYDRAULIC SYSTEM - COMPRESSED AIR	A
1	08484100	1	Hose	
2	08484000	1	Hose	
3	08501100	1	Hose	
4	08500900	1	Hose	
5	08501300	1	Hose	
6	08501400	1	Hose	
7	08448800	1	Pipe	
8	08448600	1	Pipe	
9	08502200	1	Hose	
10	08502300	1	Hose	
11	07611000	1	Fitting	
12	05509900	1	Coupling, Quick	
13	08114900	1	Fitting	
14	05580200	1	Faucet	
15	04845100	1	Support	

# SECTION 7 - HYDRAULIC

## FIGURE 7-5. HYDRAULIC DIAGRAM - DRIVE



ART\_07-04-00

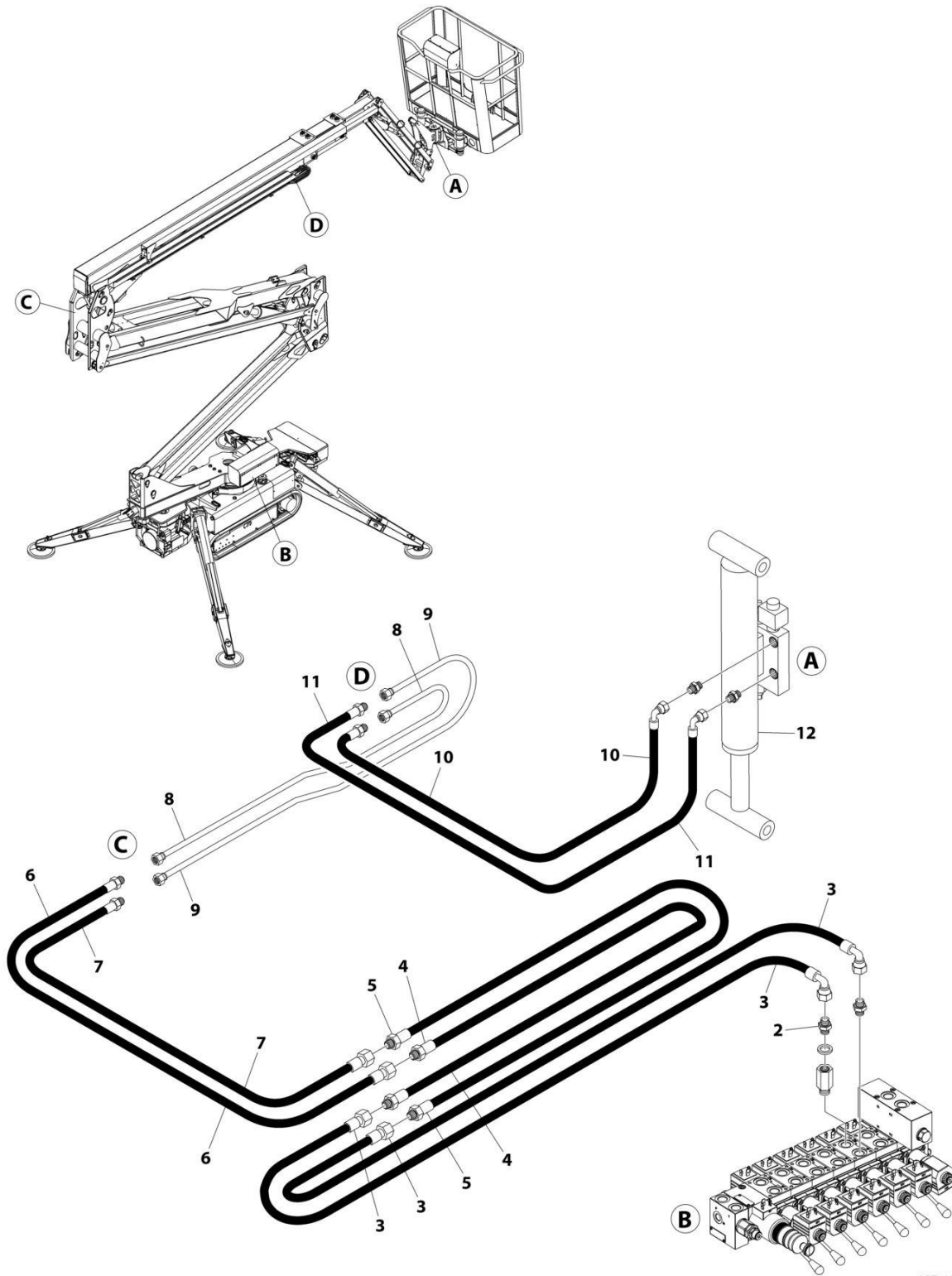
## SECTION 7 - HYDRAULIC

### FIGURE 7-5. HYDRAULIC DIAGRAM - DRIVE

ITEM	PART NUMBER	QTY	DESCRIPTION	REV
		Ref	HYDRAULIC SYSTEM - TRACTION	A
1	08481600	1	Hose	
2	08481500	1	Hose	
3	05093900	4	Fitting, Straight	
4	08482000	1	Hose	
5	08481900	1	Hose	
6	05093800	2	Fitting	
7	08481700	1	Hose	
8	08482200	1	Hose	
9	08482100	1	Hose	
10	08481800	1	Hose	

# SECTION 7 - HYDRAULIC

## FIGURE 7-6. HYDRAULIC DIAGRAM - JIB



ART\_07-10-00

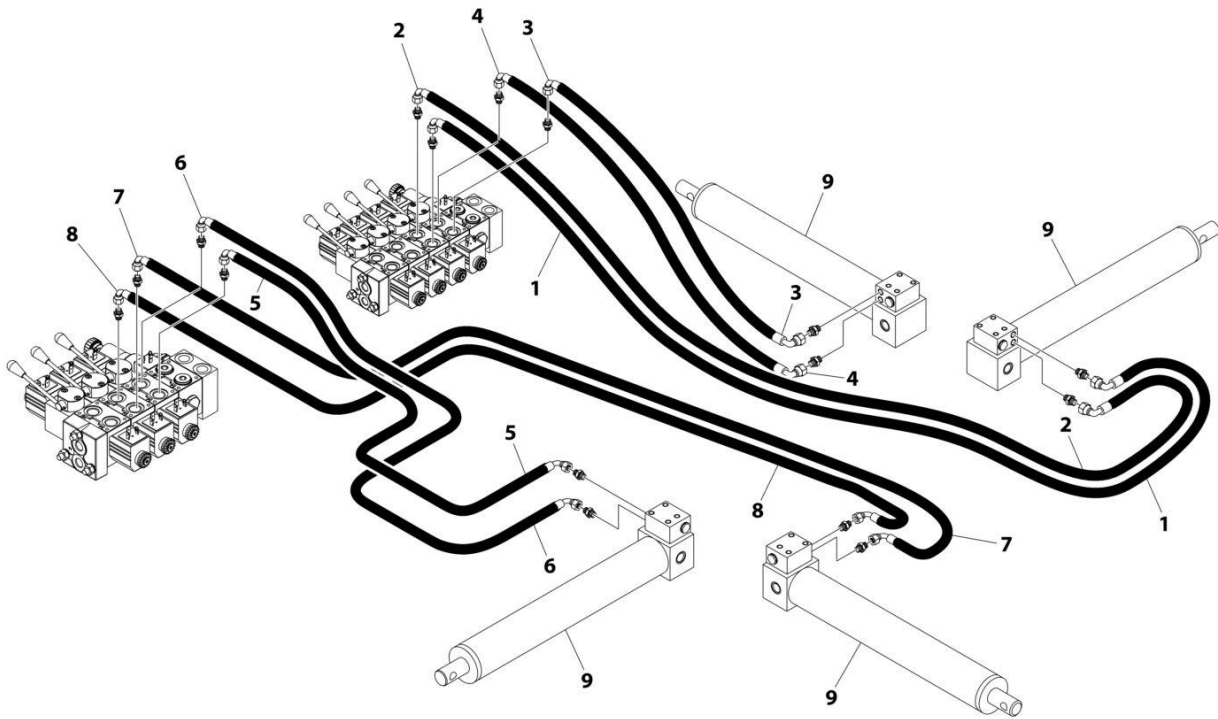
## SECTION 7 - HYDRAULIC

### FIGURE 7-6. HYDRAULIC DIAGRAM - JIB

ITEM	PART NUMBER	QTY	DESCRIPTION	REV
		Ref	HYDRAULIC SYSTEM - JIB	A
2	06786700	1	Fitting	
3	07721700	2	Hose	
4	08500700	1	Hose	
5	08500600	1	Hose	
6	08501900	1	Hose	
7	08501500	1	Hose	
8	08449100	1	Tube	
9	08449300	1	Tube	
10	08502100	1	Hose	
11	08502000	1	Hose	
12	270695H2	1	Jib Cylinder Assembly (See Separate Breakdown in CYLINDER Section)	

# SECTION 7 - HYDRAULIC

## FIGURE 7-7. HYDRAULIC DIAGRAM - OUTRIGGER



ART\_07-06-00



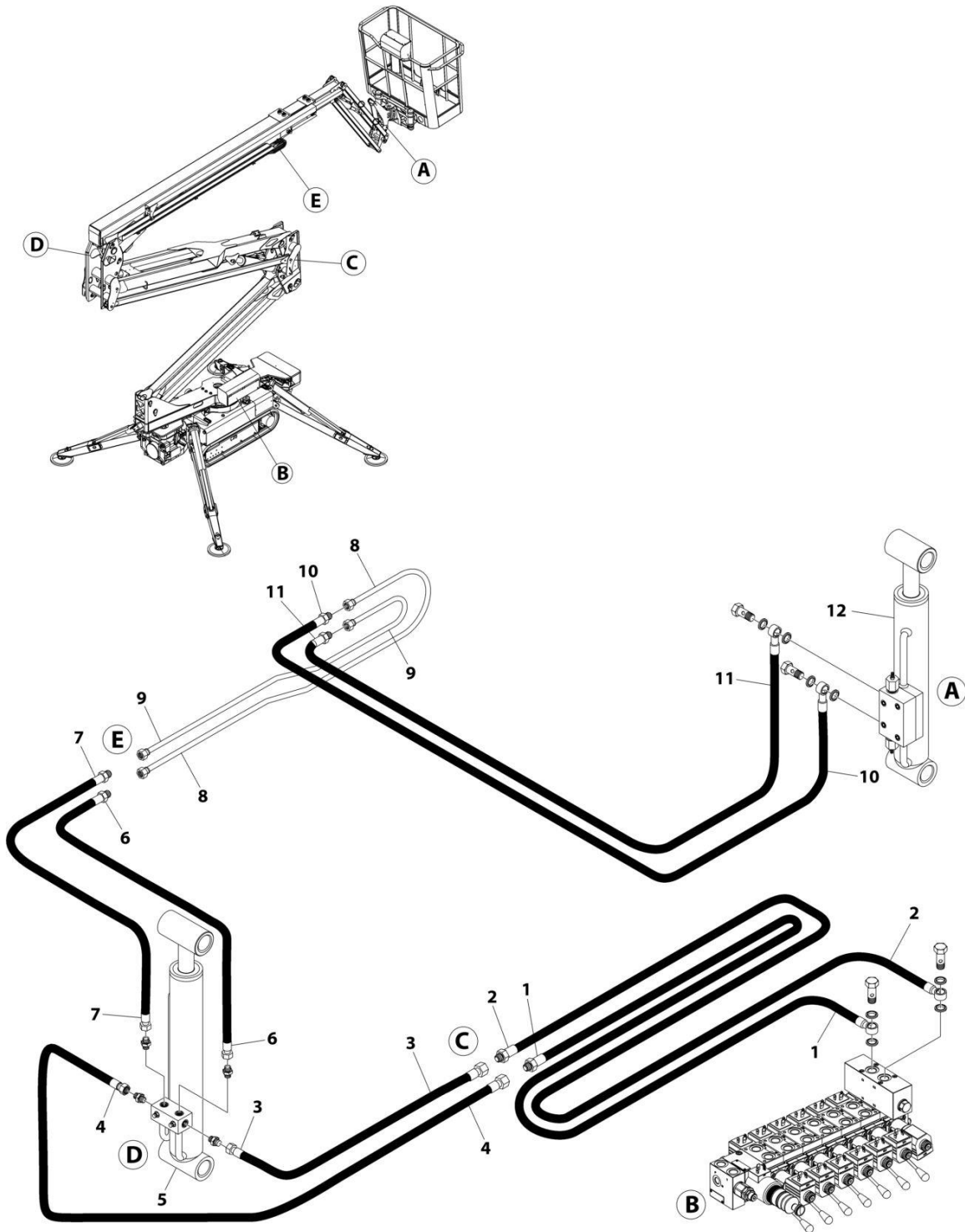
## SECTION 7 - HYDRAULIC

### FIGURE 7-7. HYDRAULIC DIAGRAM - OUTRIGGER

ITEM	PART NUMBER	QTY	DESCRIPTION	REV
		Ref	HYDRAULIC SYSTEM - STABILIZER CYLINDER	A
1	08482800	1	Hose	
2	08482700	1	Hose	
3	08482900	1	Hose	
4	08483000	1	Hose	
5	08483300	1	Hose	
6	08483400	1	Hose	
7	08483100	1	Hose	
8	08483200	1	Hose	
9	272261H2	4	Outrigger Cylinder Assembly (See Separate Breakdown in CYLINDER Section)	

# SECTION 7 - HYDRAULIC

## FIGURE 7-8. HYDRAULIC DIAGRAM - PLATFORM LEVEL



ART\_07-11-00

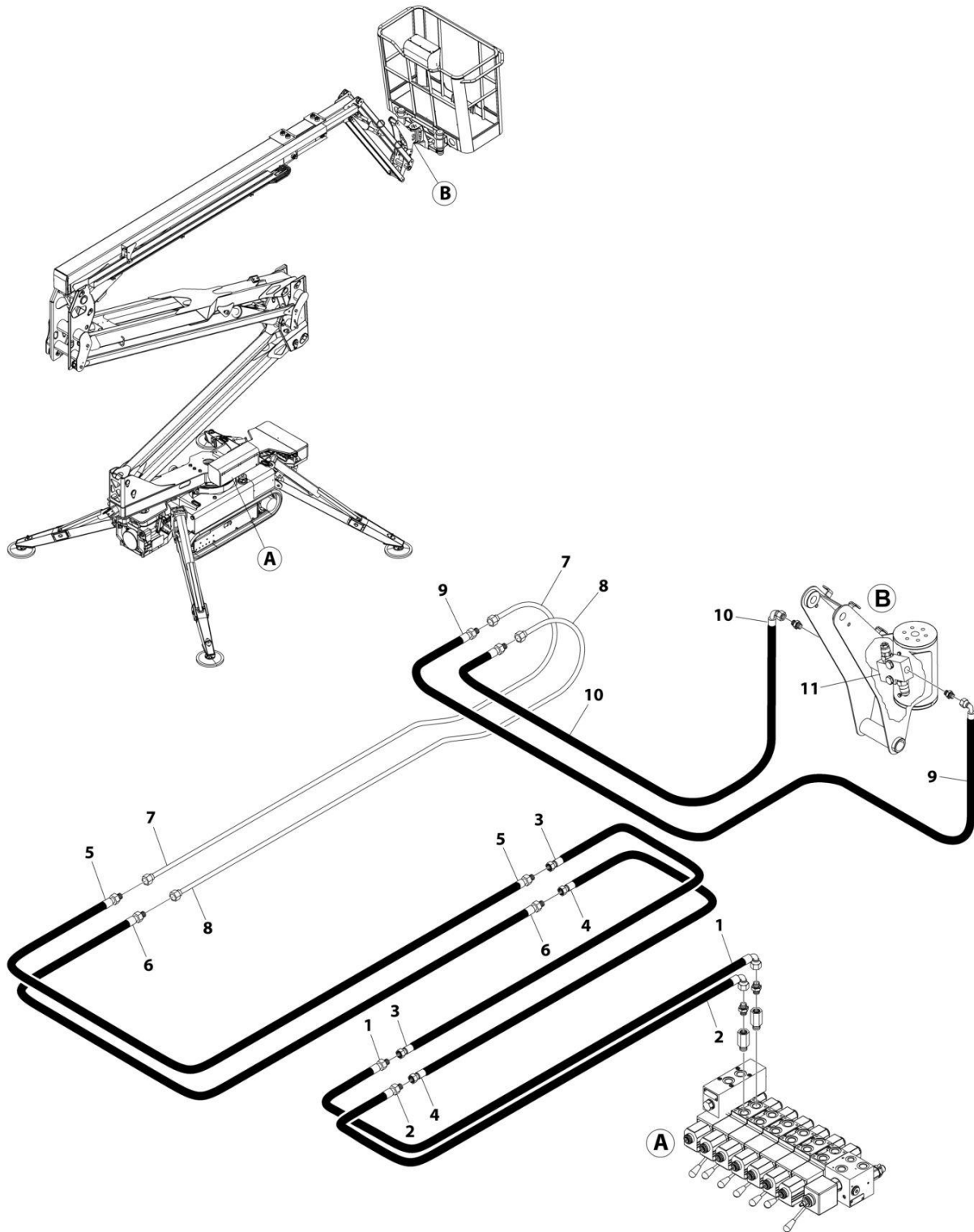
## SECTION 7 - HYDRAULIC

**FIGURE 7-8. HYDRAULIC DIAGRAM - PLATFORM LEVEL**

ITEM	PART NUMBER	QTY	DESCRIPTION	REV
		Ref	HYDRAULIC SYSTEM - LEVELING CYLINDER	A
1	07721400	1	Hose	
2	07721300	1	Hose	
3	08500500	1	Hose	
4	08500400	1	Hose	
5	270693H2	1	Leveling Cylinder Assembly, Main Boom (See Separate Breakdown in CYLINDER Section)	
6	08501200	1	Hose	
7	08501700	1	Hose	
8	08449200	1	Pipe	
9	08449000	1	Pipe	
10	08502700	1	Hose	
11	08502600	1	Hose	
12	273151H2	1	Leveling Cylinder Assembly, Jib (See Separate Breakdown in CYLINDER Section)	

# SECTION 7 - HYDRAULIC

## FIGURE 7-9. HYDRAULIC DIAGRAM - PLATFORM ROTATION



ART\_07-12-00

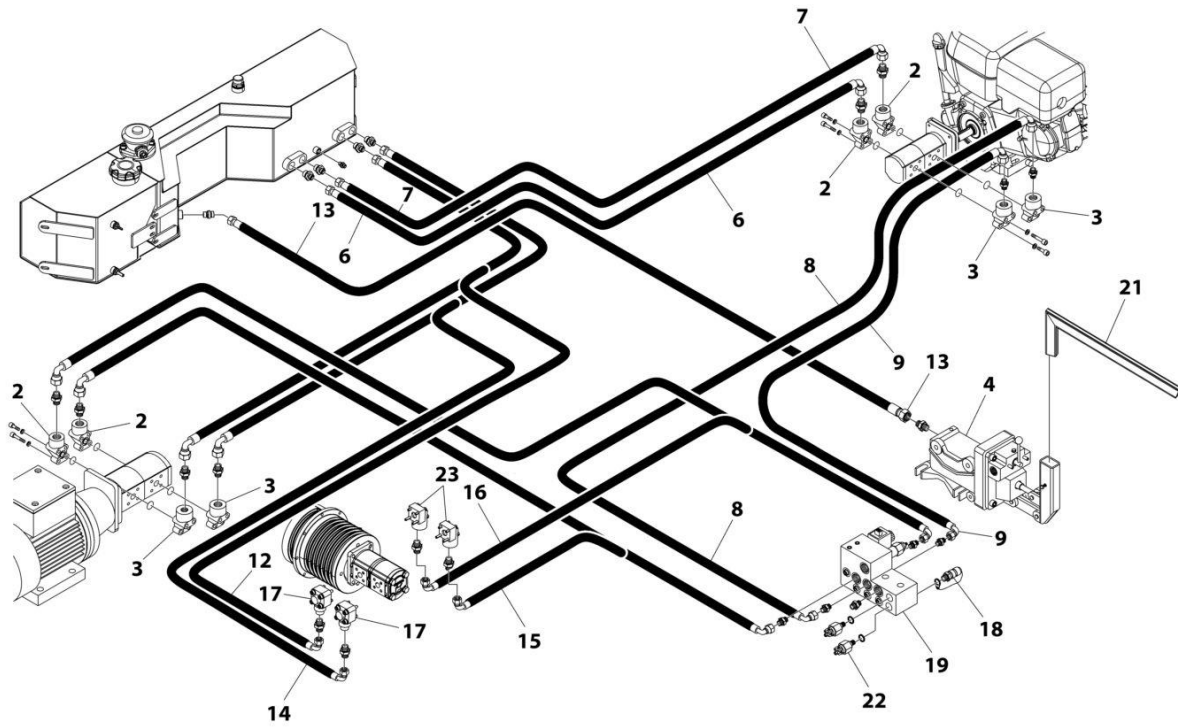
## SECTION 7 - HYDRAULIC

FIGURE 7-9. HYDRAULIC DIAGRAM - PLATFORM ROTATION

ITEM	PART NUMBER	QTY	DESCRIPTION	REV
		Ref	HYDRAULIC SYSTEM - PLATFORM ROTATION	A
1	07721800	1	Hose	
2	07721900	1	Hose	
3	08500800	1	Hose	
4	08501000	1	Hose	
5	08501600	1	Hose	
6	08501800	1	Hose	
7	08448700	1	Pipe	
8	08448900	1	Pipe	
9	08502400	1	Hose	
10	08502500	1	Hose	
11	2648910001	1	Valve	

# SECTION 7 - HYDRAULIC

## FIGURE 7-10. HYDRAULIC DIAGRAM - SUPPLY & DISCHARGE



ART\_07-01-00

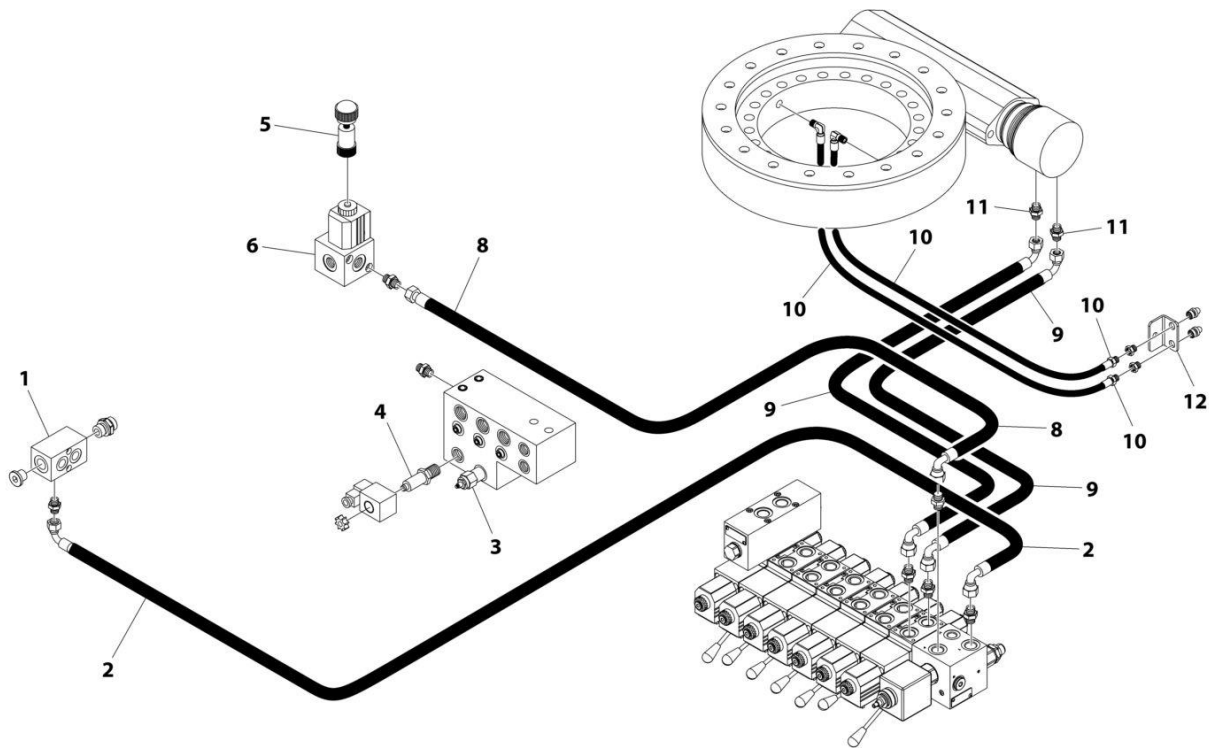
## SECTION 7 - HYDRAULIC

**FIGURE 7-10. HYDRAULIC DIAGRAM - SUPPLY & DISCHARGE**

ITEM	PART NUMBER	QTY	DESCRIPTION	REV
		Ref	HYDRAULIC SYSTEM - SUPPLY AND DISCHARGE	A
2	04845400	2	Fitting	
3	04048100	2	Fitting	
4	26459400	1	Hand Pump	
6	08482600	1	Hose	
7	08482500	1	Hose	
8	08482400	1	Hose	
9	08482300	1	Hose	
12	08483900	1	Hose	
13	08483500	1	Hose	
14	08483800	1	Hose	
15	08483700	1	Hose	
16	08483600	1	Hose	
17	079952Y1	2	Flange 3/4	
18	03014400	3	Valve, Pressure Test	
19	16478200	1	Valve Assembly	
21	16517700	1	Lever	
22	26964400	2	Switch, Pressure	
23	04711500	2	Flow Flange Pump 12L	

# SECTION 7 - HYDRAULIC

## FIGURE 7-11. HYDRAULIC DIAGRAM - SWING



ART\_07-02-00



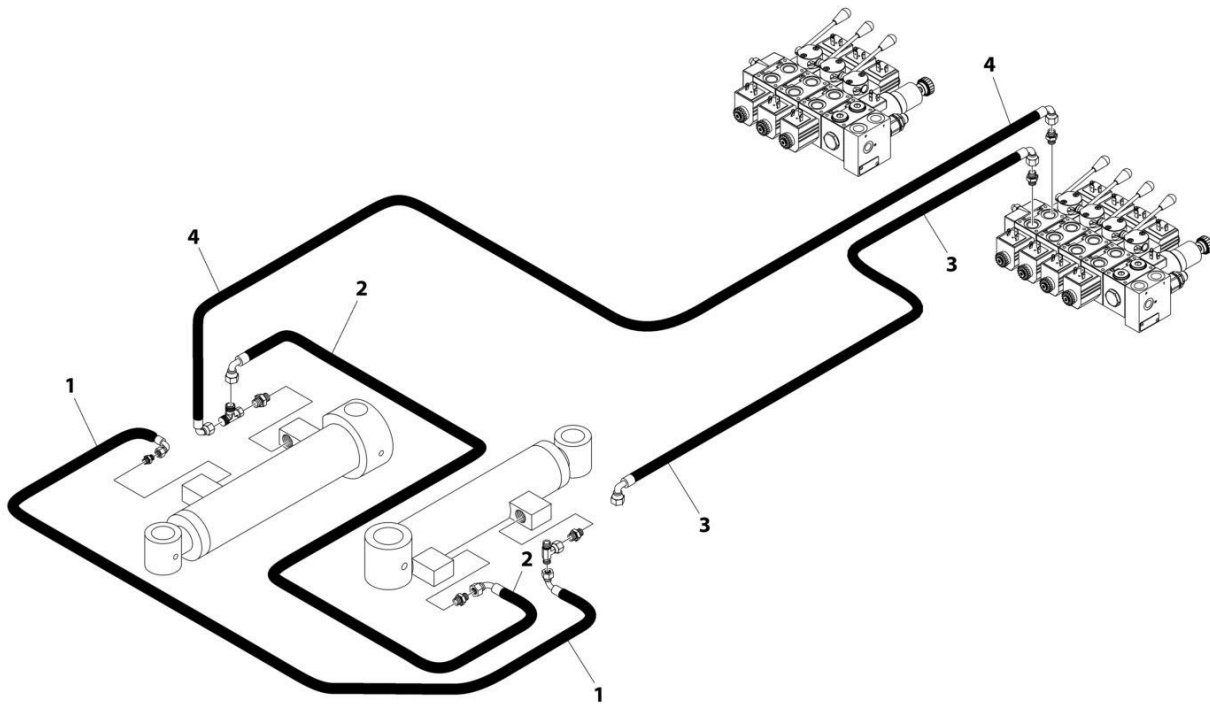
## SECTION 7 - HYDRAULIC

**FIGURE 7-11. HYDRAULIC DIAGRAM - SWING**

ITEM	PART NUMBER	QTY	DESCRIPTION	REV
		Ref	HYDRAULIC SYSTEM - SUPPLY AND DISCHARGE	A
1	08402200	1	Unloading Collector TC22	
2	08484300	1	Hose	
3	1647820001	1	Hydraulic Valve	
4	1647820003	1	Valve, Solenoid	
5	25908400	1	Control	
5	28140600	1	Valve, Hand Control	
6	25732900	1	Diverter	
8	08484200	1	Hose	
9	07302500	2	Hose	
10	07302300	2	Hose	
11	07057000	2	Fitting	
12	085523H3	1	Bracket	

# SECTION 7 - HYDRAULIC

## FIGURE 7-12. HYDRAULIC DIAGRAM - UNDERCARRIAGE EXTEND/RETRACT



ART\_07-05-00

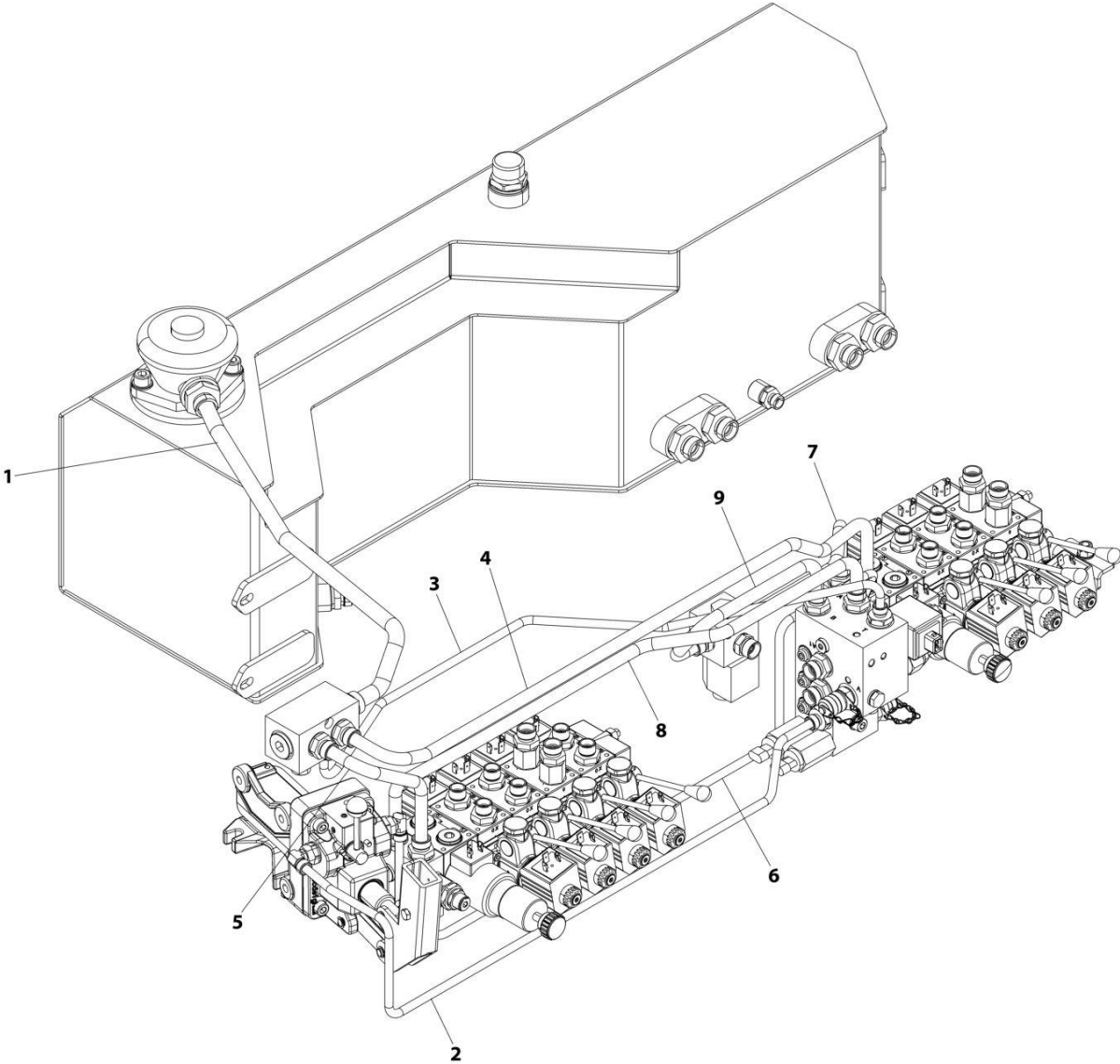
## SECTION 7 - HYDRAULIC

FIGURE 7-12. HYDRAULIC DIAGRAM - UNDERCARRIAGE EXTEND/RETRACT

ITEM	PART NUMBER	QTY	DESCRIPTION	REV
		Ref	HYDRAULIC SYSTEM UNDERCARRIAGE EXPANSION	A
1	08481200	1	Hose	
2	08481100	1	Hose	
3	08481300	1	Hose	
4	08481400	1	Hose	

**SECTION 7 - HYDRAULIC**

**FIGURE 7-13. HYDRAULIC TUBES**



ART\_07-14-00

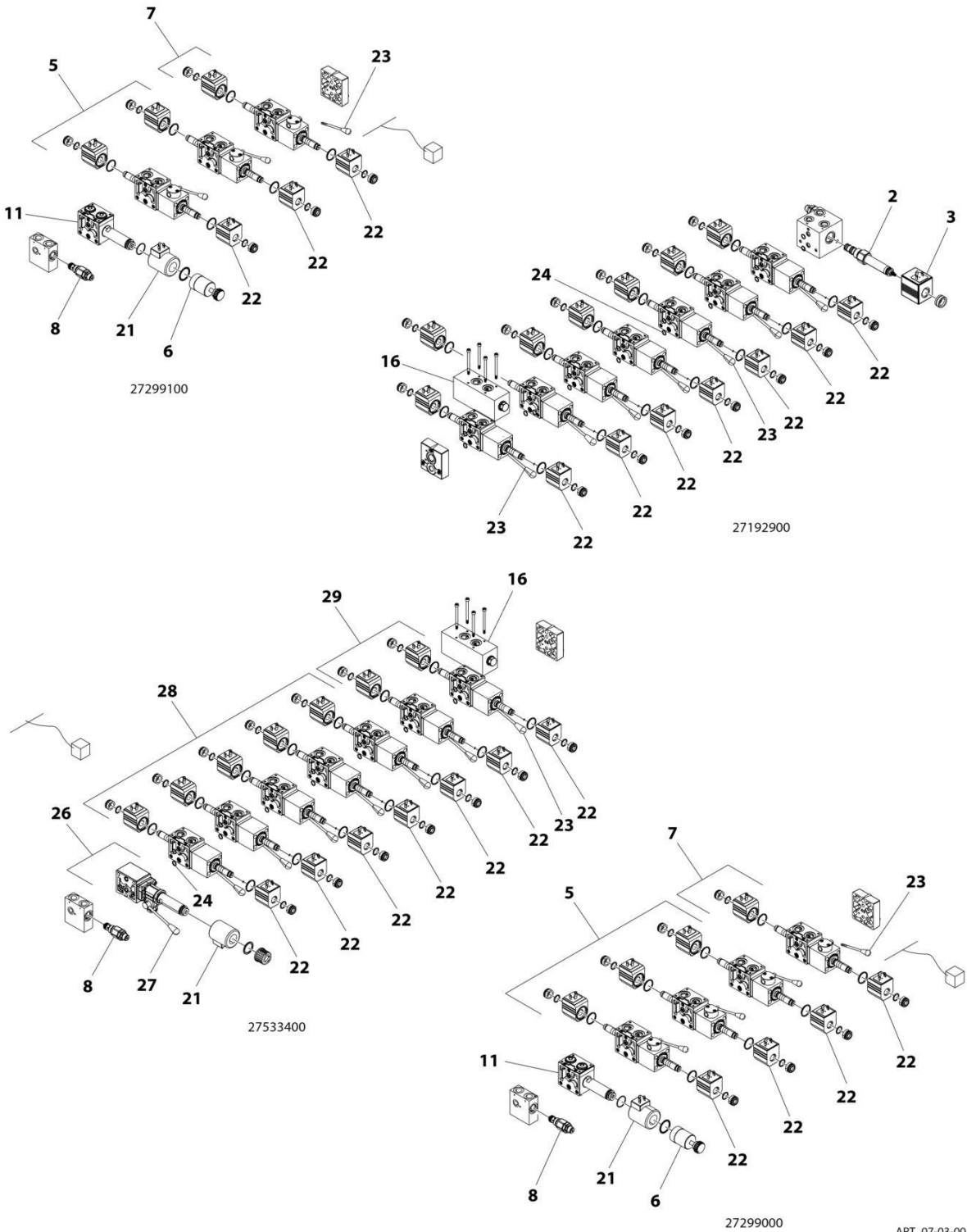
## SECTION 7 - HYDRAULIC

### FIGURE 7-13. HYDRAULIC TUBES

ITEM	PART NUMBER	QTY	DESCRIPTION	REV
		Ref	HOSES	A
1	08423000	1	Tube	
2	08427700	1	Tube	
3	08466900	1	Tube	
4	08421700	1	Tube	
5	08421800	1	Tube	
6	08427600	1	Tube	
7	08421100	1	Tube	
8	08421600	1	Tube	
9	08421200	1	Tube	

# SECTION 7 - HYDRAULIC

## FIGURE 7-14. VALVE ASSEMBLIES



ART\_07-03-00

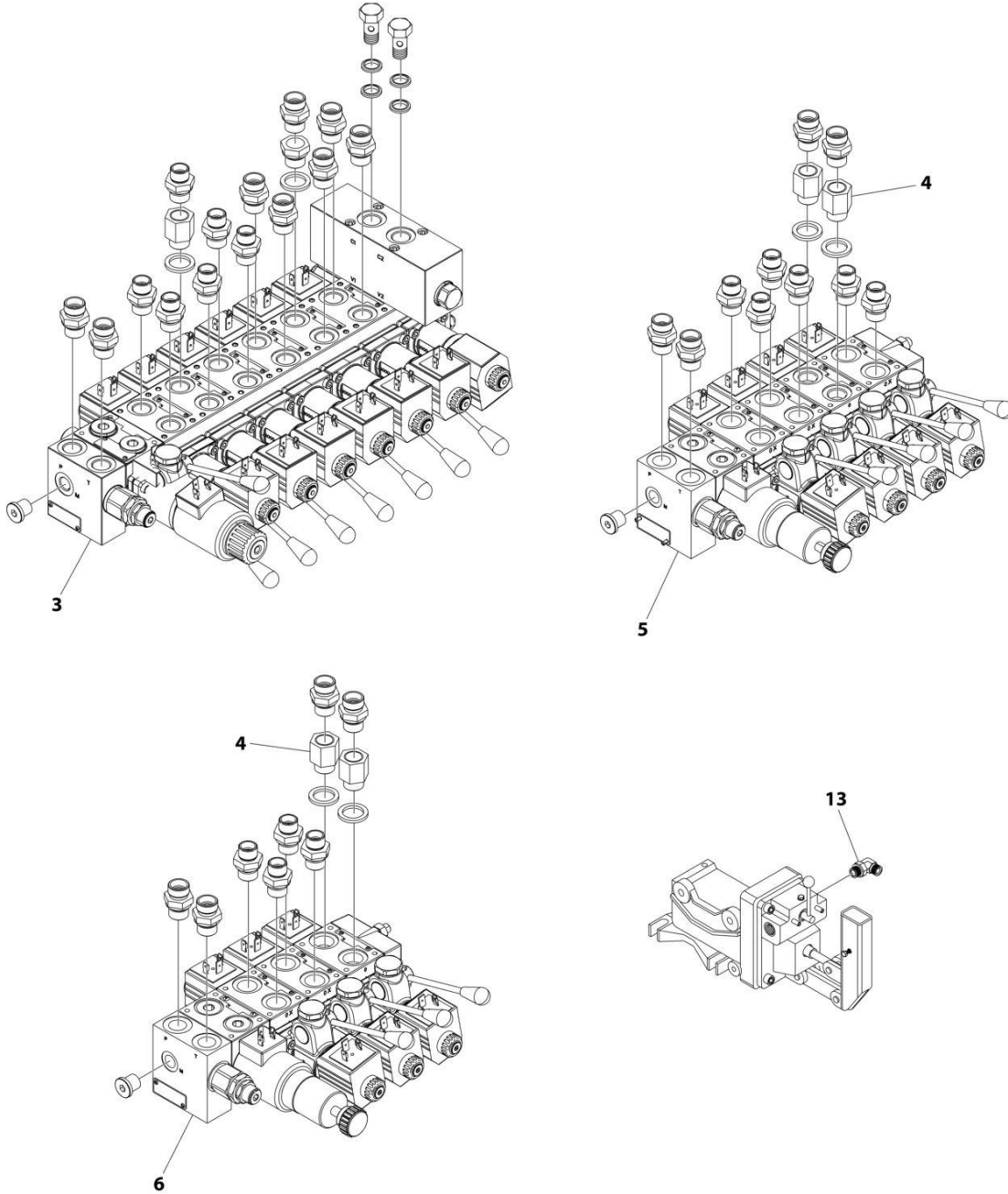
## SECTION 7 - HYDRAULIC

### FIGURE 7-14. VALVE ASSEMBLIES

ITEM	PART NUMBER	QTY	DESCRIPTION	REV
		Ref	HYDRAULIC DISTRIBUTORS	A
2	07325200	1	Valve, Proportional	
3	06037900	1	Valve, Coil Proportional	
5	2645900005	1	Valve, Block Section AB	
6	07324900	1	Control, Emergency	
7	2645900006	1	Valve, Block Section ABT	
8	2645900002	1	Cartridge, Valve	
11	2729900001	1	Valve, Proportional	
16	2585560004	1	Valve, Balancing	
21	06037100	1	Valve, Coil Proportional	
22	05913800	1	Coil	
23	07300200	1	Lever, Black	
24	2585560005	1	O-Ring	
26	2753340004	1	Valve, Block Element	
27	2753340003	1	Lever, Red	
28	2753340001	1	Section Distributor AB	
29	2753340002	1	Section Distributor ABT	

# SECTION 7 - HYDRAULIC

## FIGURE 7-15. VALVE SUB-ASSEMBLIES



ART\_07-15-00



## SECTION 7 - HYDRAULIC

### FIGURE 7-15. VALVE SUB-ASSEMBLIES

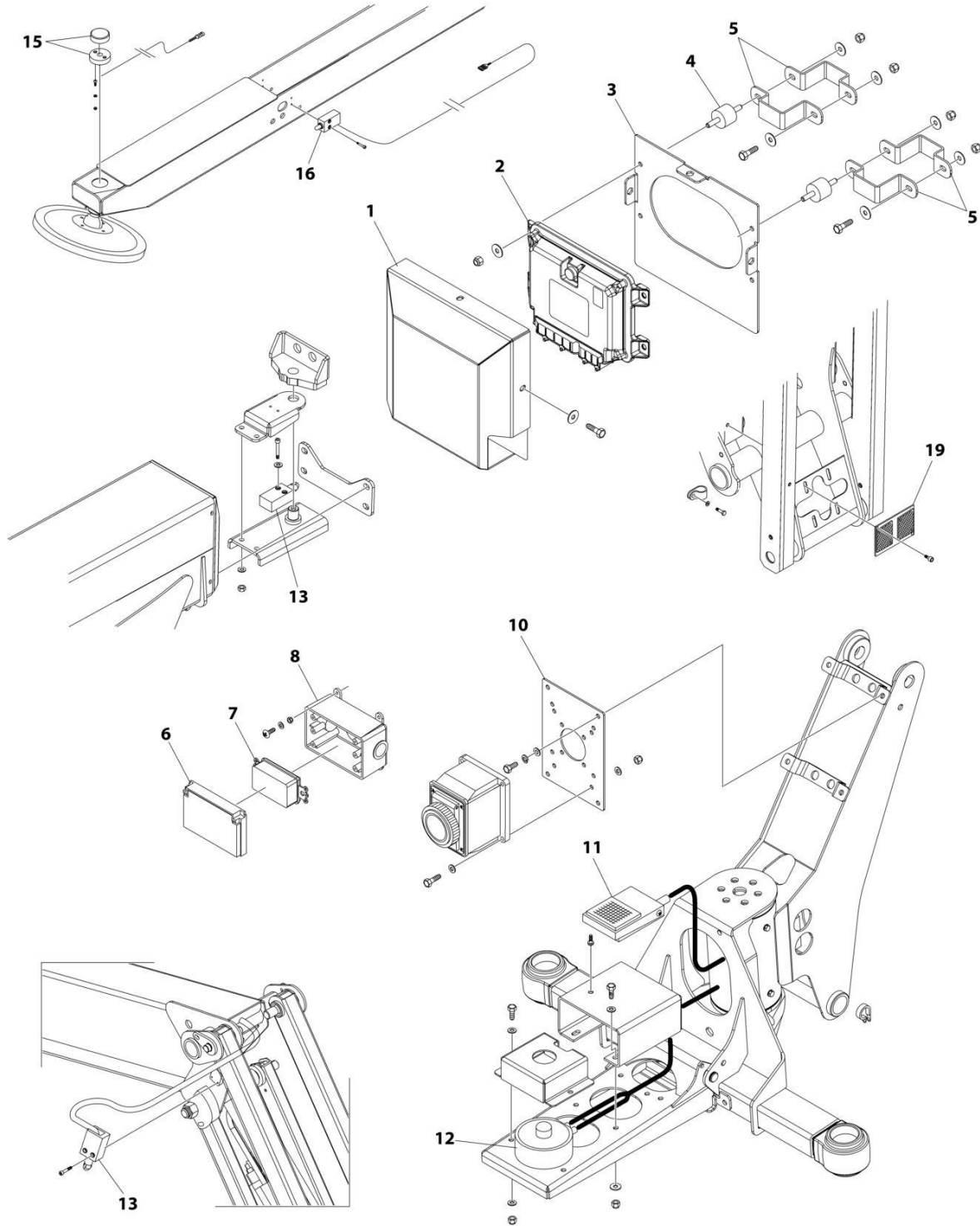
ITEM	PART NUMBER	QTY	DESCRIPTION	REV
		Ref	HYDRAULIC COMPONENTS	A
3	27533400	1	Main Valve Assembly	
4	03149500	4	Fitting, Straight	
5	27299100	1	Stabilizer Valve Assembly - 4 Lever	
6	27299000	1	Stabilizer Valve Assembly - 3 Lever	
13	05407400	2	Fitting	



**SECTION 8 - ELECTRICAL**

# SECTION 8 - ELECTRICAL

## FIGURE 8-1. ELECTRICAL SYSTEM COMPONENTS



ART\_08-01-00

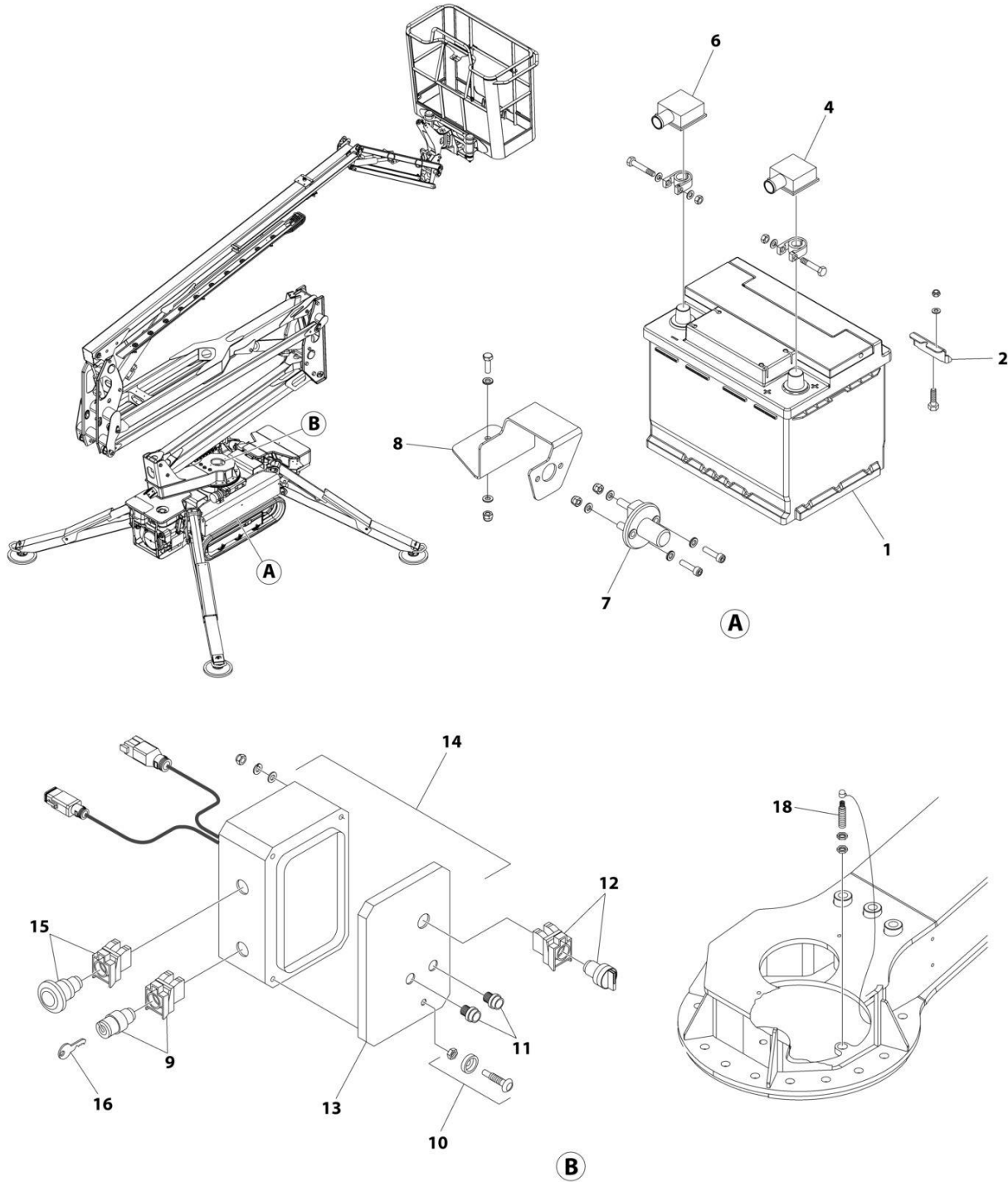
## SECTION 8 - ELECTRICAL

**FIGURE 8-1. ELECTRICAL SYSTEM COMPONENTS**

ITEM	PART NUMBER	QTY	DESCRIPTION	REV
		Ref	ELECTRICAL SYSTEM COMPONENTS	A
1	083772H2	1	Cover, ECM 3	
2	28497300	1	Module, Control (Recalibration Required when Replaced)	
3	183771H2	1	Bracket	
4	04152300	4	Spring Support	
5	083769H2	4	Clamp	
5	083770H2	4	Clamp	
6	27073800	1	Cover, Receptacle (ANSI Specs) (Use PN 1671207)	
7	27073900	1	Receptacle, GFI (ANSI Specs) (Use PN 4460346)	
8	27073700	1	Box, Receptacle (ANSI Specs) (Use PN 0861731)	
10	077089H2	1	Bracket, Platform Receptacle	
11	1772950015	1	Foot Switch Assembly	
11	27031700	1	Switch, Foot	
12	17669800	1	Sensor, Load	
13	1679900012	1	Switch/Sensor	
15	1757250023	1	Lamp, LED	
16	1772950011	1	Cable with Micro Switch	
19	1679890001	1	Reflector	

# SECTION 8 - ELECTRICAL

## FIGURE 8-2. ELECTRICAL SYSTEM COMPONENTS



ART\_08-02-00

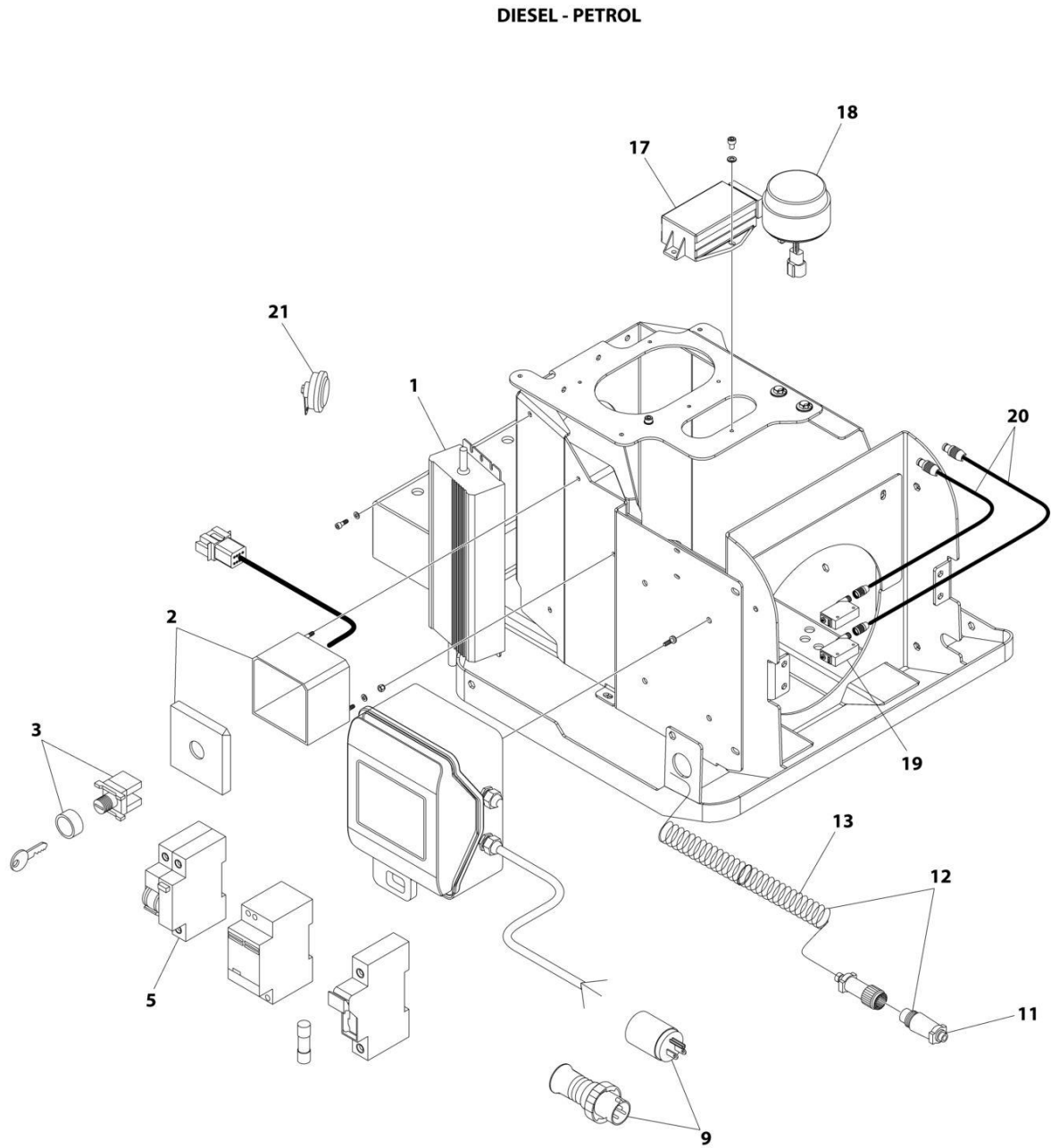
## SECTION 8 - ELECTRICAL

**FIGURE 8-2. ELECTRICAL SYSTEM COMPONENTS**

ITEM	PART NUMBER	QTY	DESCRIPTION	REV
		Ref	ELECTRICAL SYSTEM COMPONENTS	A
1	27668600	1	Battery	
2	051705Y1	1	Plate, Battery	
4	2632920007	1	Cover, Battery Terminal - Red	
6	2632920008	1	Cover, Battery Terminal - Black	
7	04774900	1	Switch, Battery Cut-Out	
8	084695Y1	1	Bracket	
9	1692150001	1	Switch & Block	
10	1730720005	1	Light	
11	1628400005	1	Button	
12	1556350068	1	Switch, 3 Position	
13	175726002401	1	Cover, Box	
13	175727000201	1	Cover, Box	
14	175726002402	1	Box	
14	1770750001	1	Cover, Box	
14	1773980003	1	Box with Wiring	
15	1773980004	1	Switch, Emergency	
16	1651290015	1	Key	
18	1651290010	1	Sensor, Proximity	

# SECTION 8 - ELECTRICAL

## FIGURE 8-3. ELECTRICAL SYSTEM COMPONENTS (DIESEL/BIENERGY)

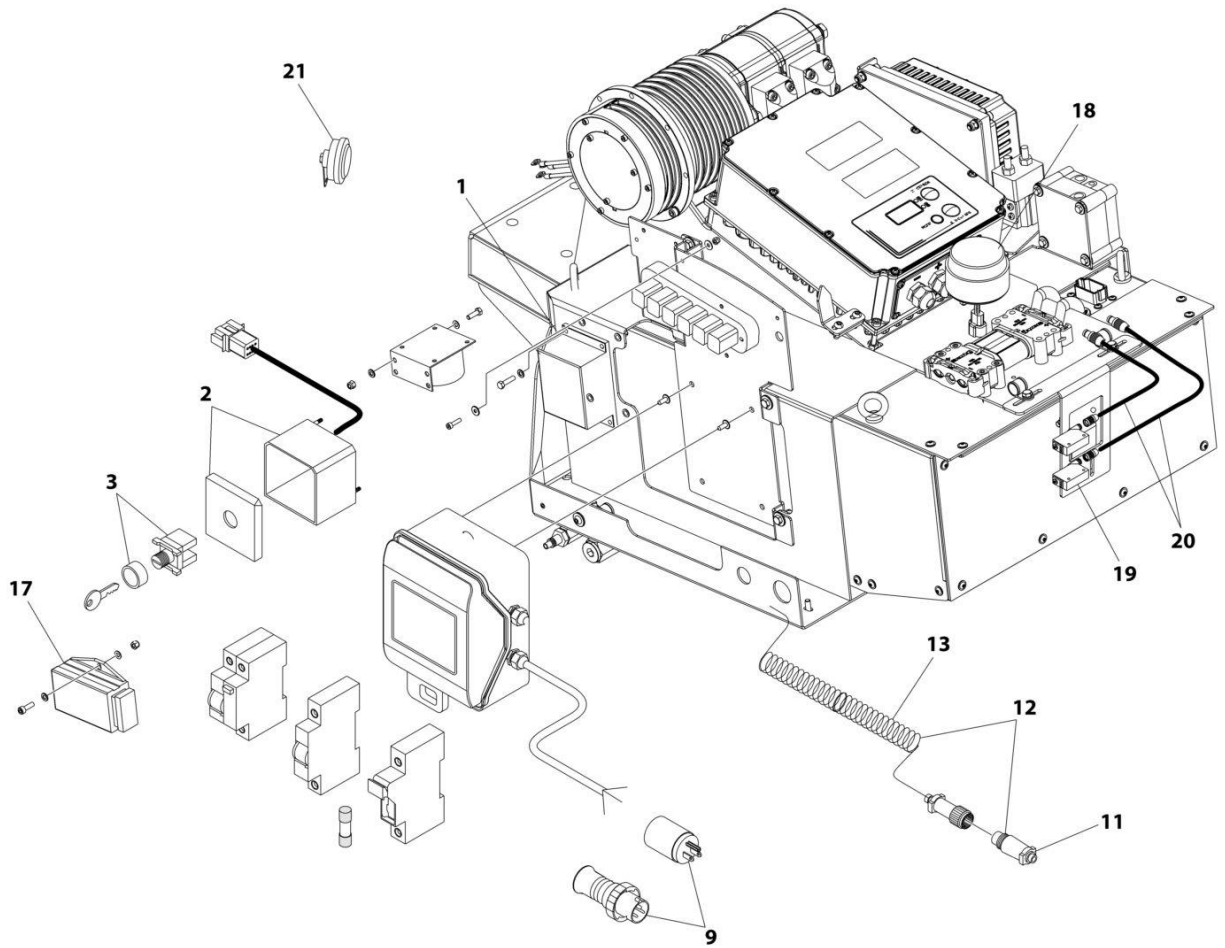


ART\_08-03-00\_10F2



# SECTION 8 - ELECTRICAL

## LITIO - BIENERGY



ART\_08-03-00\_20F2

## SECTION 8 - ELECTRICAL

**FIGURE 8-3. ELECTRICAL SYSTEM COMPONENTS (DIESEL/BIENERGY)**

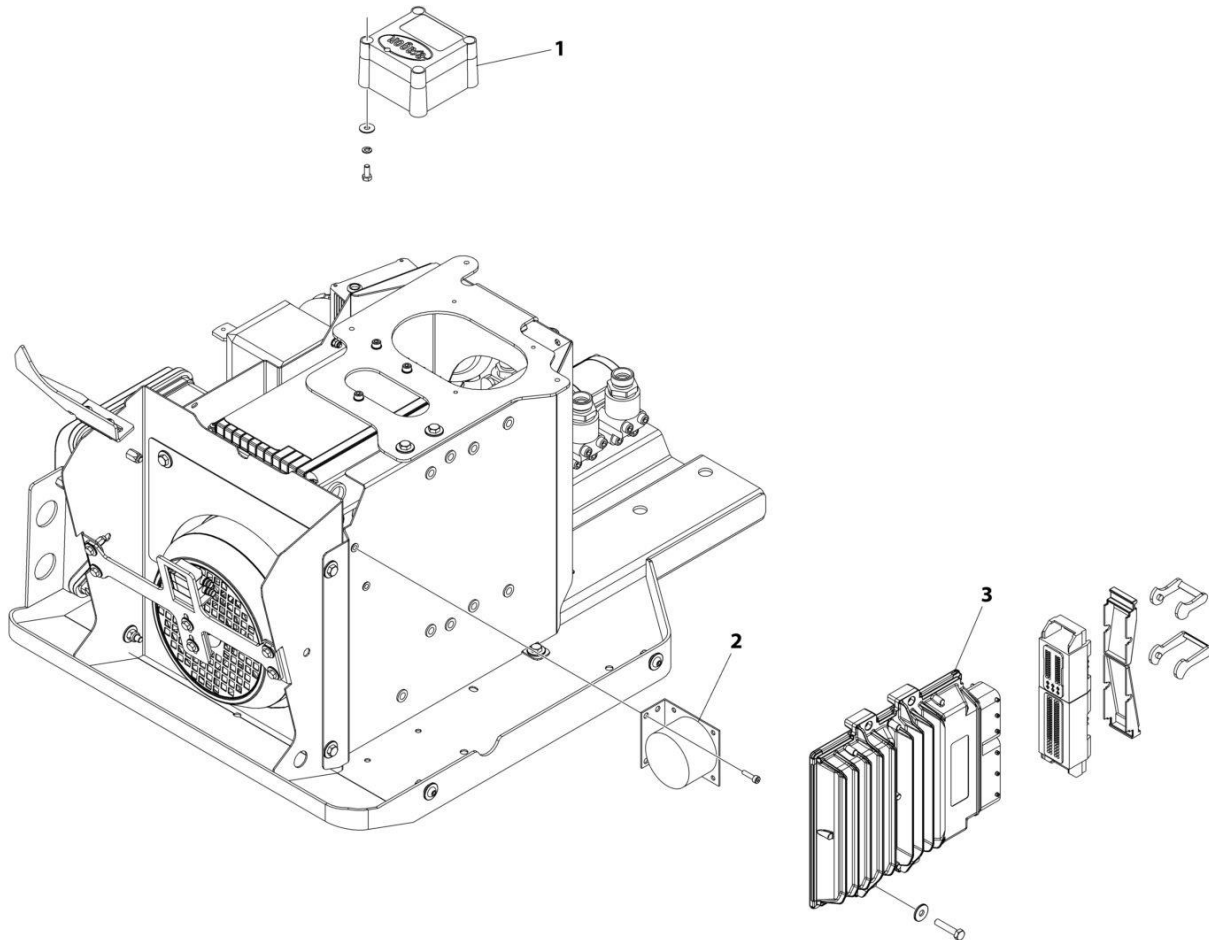
ITEM	PART NUMBER	QTY	DESCRIPTION	REV
		Ref	ELECTRICAL SYSTEM COMPONENTS	A
1	28497100	1	Converter 13.8V DC	
2	1772950019	1	Box, Key Switch	
3	1585570006	1	Selector	
5	1556350063	1	Switch, Thermal	
9	27074000	2	Plug	
11	08295000	1	Connector	
12	18294900	1	Cable, Remote Control	
13	18295100	1	Cable, Remote Control ODU	
17	1772950021	1	Relay	
18	1001181405	1	Lamp, Strobe Beacon	
18	260329	1	Lamp, Strobe Beacon	
19	1591270001	1	Photocell	
20	159127000101	1	Cable	
21	04834500	1	Horn	



# SECTION 8 - ELECTRICAL

## FIGURE 8-4. ELECTRICAL SYSTEM COMPONENTS (DIESEL/BIENERGY)

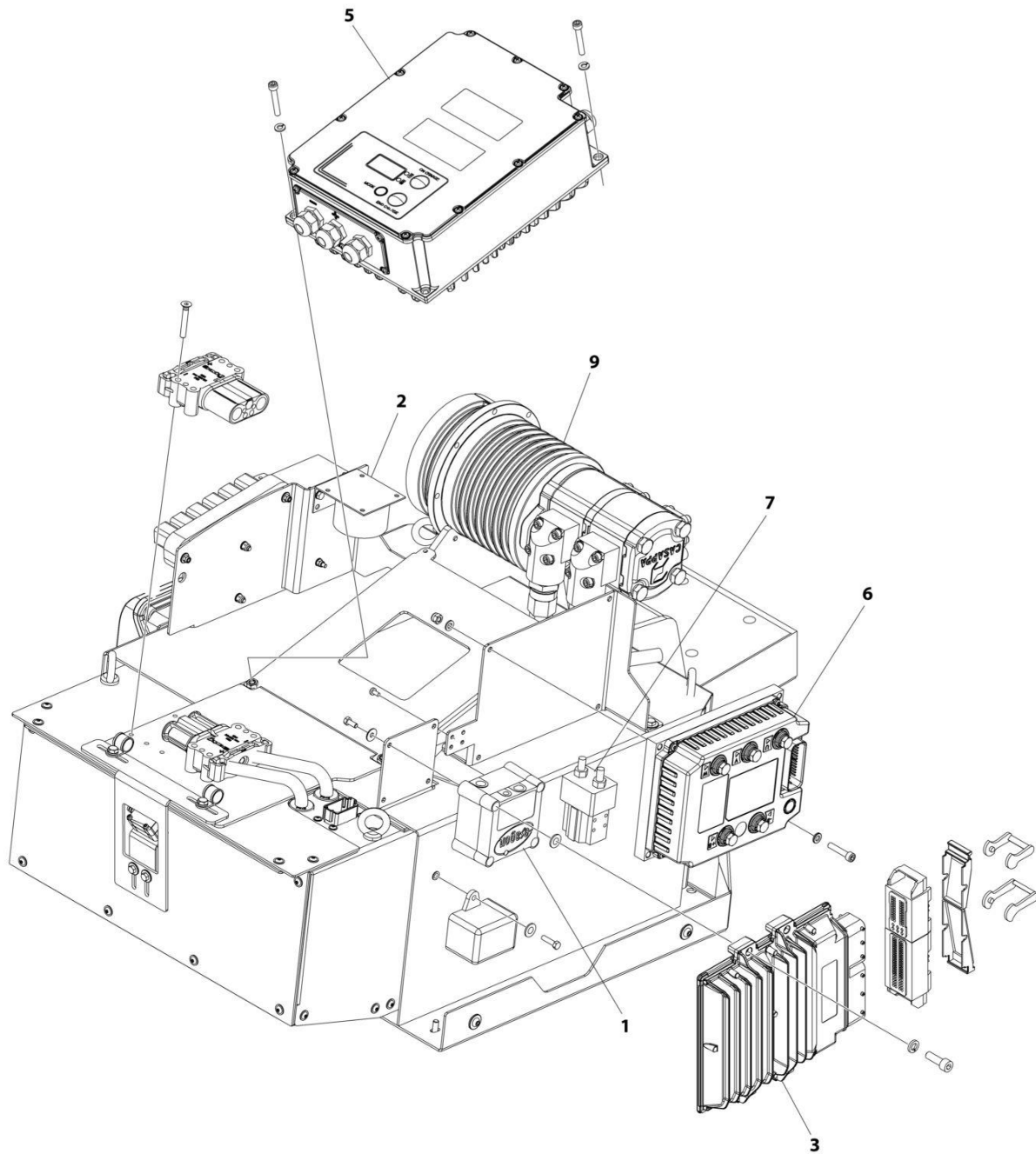
DIESEL - PETROL



ART\_08-04-00\_10F2

# SECTION 8 - ELECTRICAL

## LITIO - BIENERGY



ART\_08-04-00\_2OF2

## SECTION 8 - ELECTRICAL

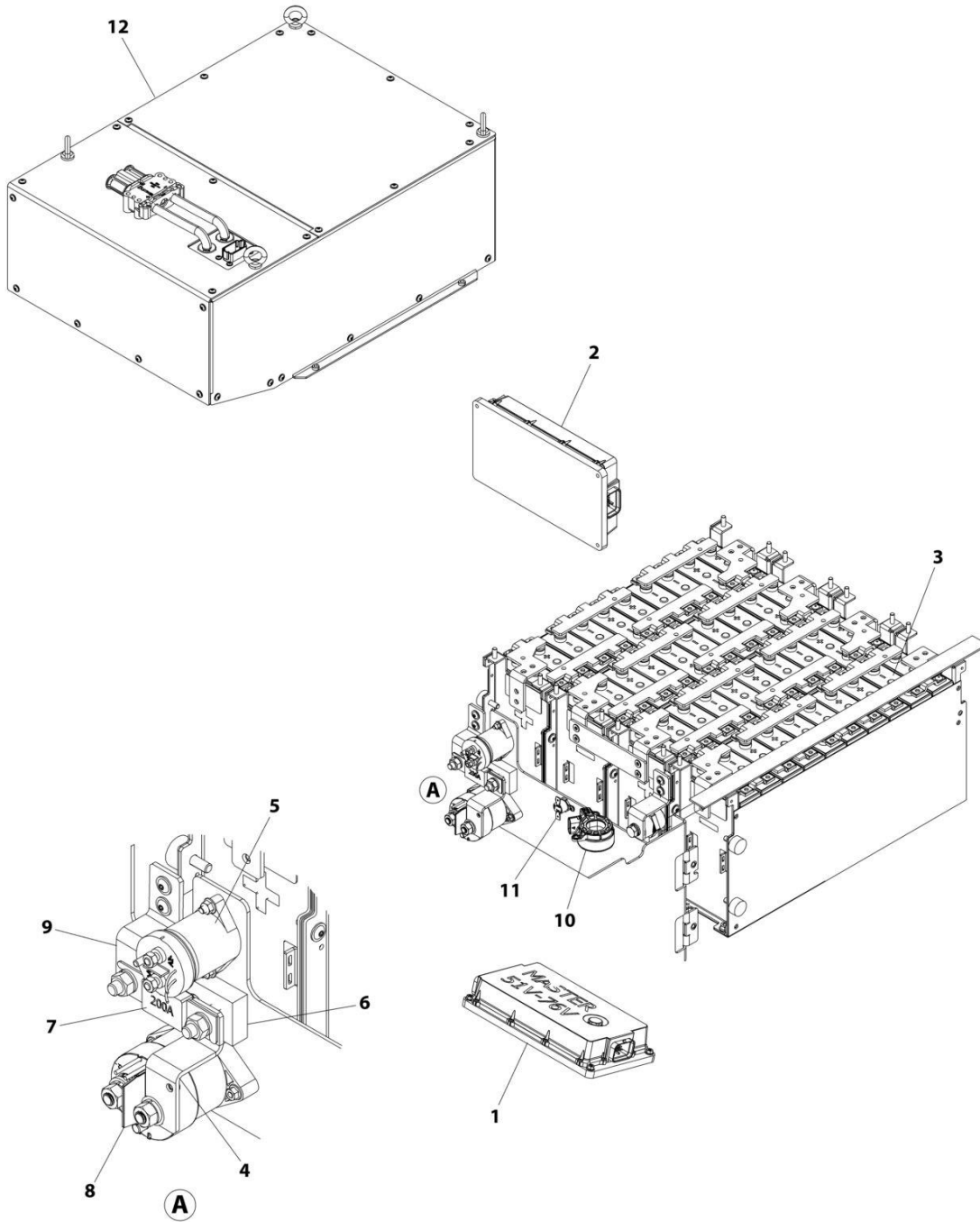
**FIGURE 8-4. ELECTRICAL SYSTEM COMPONENTS (DIESEL/BIENERGY)**

ITEM	PART NUMBER	QTY	DESCRIPTION	REV
		Ref	ELECTRICAL SYSTEM COMPONENTS	A
1	18608300	1	Module, Control (Recalibration Required when Replaced)	
2	06639100	1	Alarm	
3	04152300	4	Spring Support	
3	07844200	1	Connector	
3	08014700	1	Box	
3	17162500	1	Cable	
3	18218600	1	Cable	
3	18223100	1	Kit, Programming	
3	26582800	1	Adapter	
3	28497200	1	Module, Control (Recalibration Required when Replaced)	
5	17604200	1	Charger, 80V-240V	
5	27604200	1	Charger, 80V-240V	
6	28461300	1	Inverter	
7	26429300	1	Switch, Remote Control	
9	28302100	1	Motor	



# SECTION 8 - ELECTRICAL

## FIGURE 8-5. ELECTRICAL SYSTEM COMPONENTS - LITHIUM



ART\_08-06-00



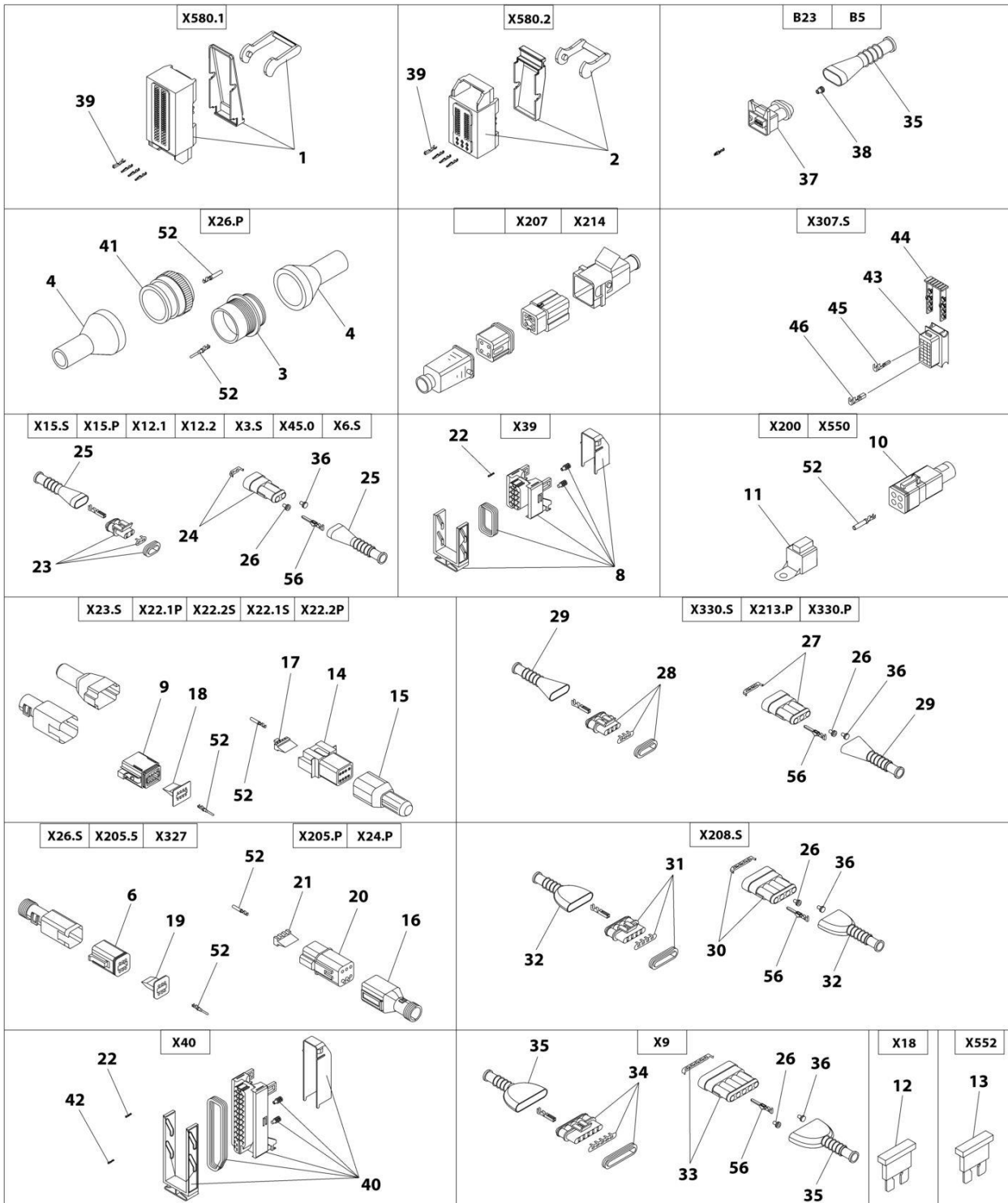
## SECTION 8 - ELECTRICAL

**FIGURE 8-5. ELECTRICAL SYSTEM COMPONENTS - LITHIUM**

ITEM	PART NUMBER	QTY	DESCRIPTION	REV
		Ref	ELECTRICAL SYSTEM COMPONENTS	A
1	1845780001	1	Battery, Lithium Pack	
2	1845780002	1	Battery, Lithium Pack	
3	1845780003	1	Battery, Lithium Pack	
4	1845780006	1	Battery, Lithium Pack	
5	1820960003	1	Relay	
6	1845780005	1	Lithium Pack	
7	1820960004	1	Fuse 200A	
8	1845780004	1	Battery, Lithium Pack	
9	1845780007	1	Battery, Lithium Pack	
10	1820960002	1	Sensor, LEM	
11	1820960005	1	Regulator, Thermostat	
12	18457800	1	Battery, Lithium Pack 64V	

# SECTION 8 - ELECTRICAL

## FIGURE 8-6. CONNECTORS



ART\_08-07-00

# SECTION 8 - ELECTRICAL

## FIGURE 8-6. CONNECTORS

ITEM	PART NUMBER	QTY	DESCRIPTION	REV
		Ref	CONNECTORS	A
1	1757250027	1	Cap	
1	1772950005	1	Connector	
2	1772950006	1	Connector	
3	1730720051	1	Connector	
4	1730720054	1	Cap	
6	1730720037	1	Connector, Male - 6 Position	
8	1772950009	1	Connector	
9	1730720033	1	Connector, Male - 8 Position	
10	1763330001	1	Connector, 4-Way Male	
10	4460897	1	Receptacle, Female - 2 Position	
11	1763330002	1	Cap, 4-Way Male Connector	
12	07700700	1	Fuse 25A	
13	05760700	1	Fuse 5A	
14	1730720029	1	Connector, 8-Way Female	
15	1730720031	1	Protection	
15	1757250026	1	Cap	
16	1730720084	1	Protection	
17	1730720030	1	Plate	
18	1730720034	1	Plate	
19	1730720038	1	Plate	
20	1730720041	1	Connector, 6-Way Female	
21	1730720042	1	Connector	
22	1772950007	1	Ferrule Female	
23	1757250031	1	Connector	
24	1757250032	1	Connector	
25	1757250033	1	Cap	
26	1757250043	3	Rubber Seal	
27	1757250035	1	Connector	
28	1757250034	1	Connector	
29	1757250036	1	Cap	
30	1757250038	1	Connector	
31	1757250037	1	Connector	
32	1757250039	1	Cap	
33	1757250041	1	Connector	
34	1757250040	1	Connector, Female - 5 Position	
35	1757250042	1	Connector, Female - 5 Position	
36	1757250046	1	Seal	
37	1757250044	1	Connector	
38	1757250045	1	Seal	
39	1772950001	1	Ferrule Female	
39	1772950002	1	Ferrule Female	
39	1772950003	1	Ferrule Female	
39	1772950004	1	Ferrule Female	
40	1772950010	1	Connector	
41	1730720059	1	Connector	
42	1772950008	1	Ferrule Female	
43	17473600	1	Connector, 24-Way	
44	17473700	1	Slide for 24-Way Connector	
45	17306300	1	Ferrule Female	

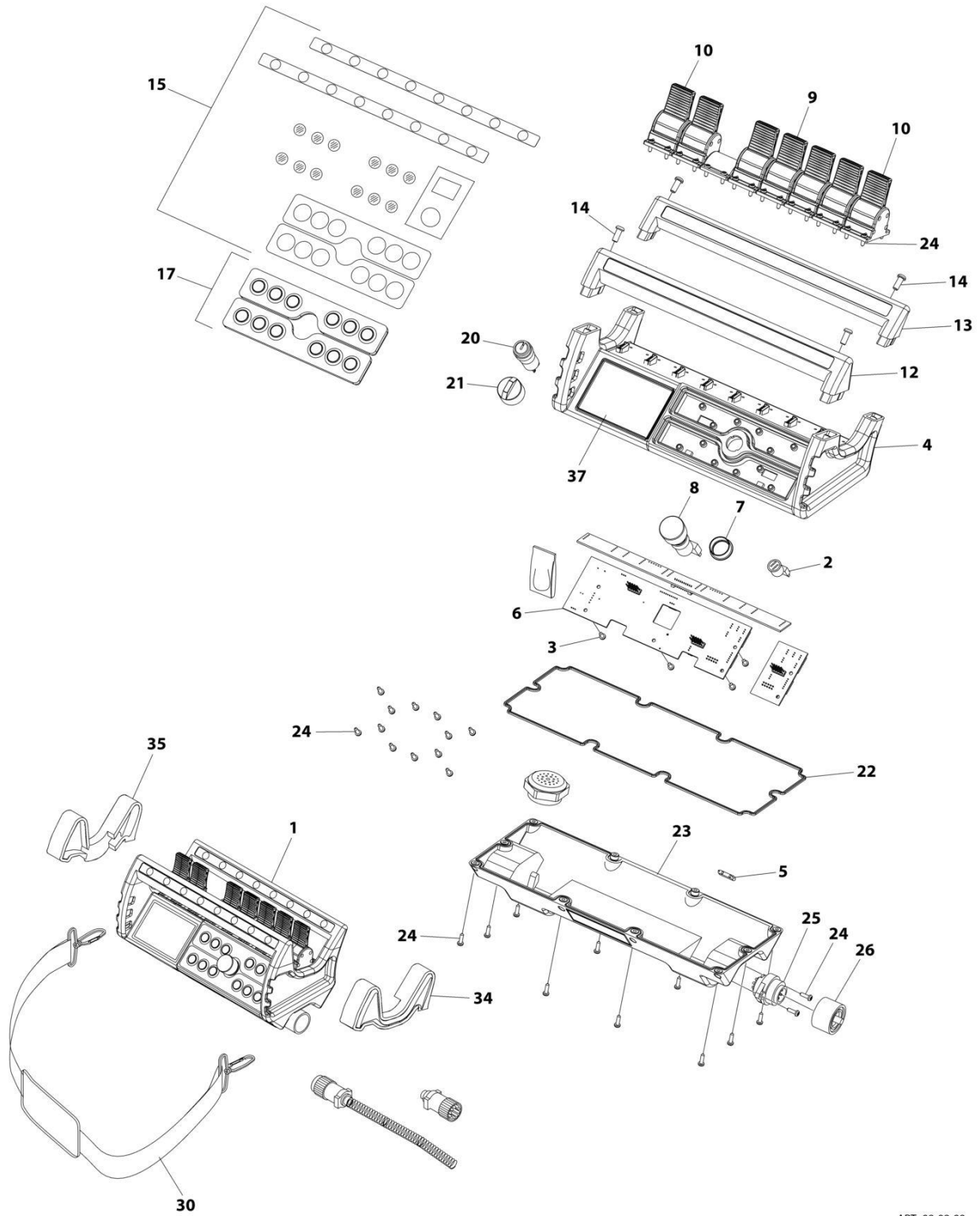
## SECTION 8 - ELECTRICAL

ITEM	PART NUMBER	QTY	DESCRIPTION	REV
46	17473800	1	Ferrule Female	
52	1730720032	1	Terminal Male 0.5-1	
52	1730720036	1	Terminal Female 0.5-1	
52	1730720040	1	Terminal Female	
52	1730720056	1	Cap 12-16	
52	1730720057	1	Cap 16	
52	1730720061	1	Contact Female	
52	1730720068	1	Cap	
56	1757250049	3	Ferrule Male	



# SECTION 8 - ELECTRICAL

## FIGURE 8-7. REMOTE CONTROL



ART\_08-08-00

## SECTION 8 - ELECTRICAL

### FIGURE 8-7. REMOTE CONTROL

ITEM	PART NUMBER	QTY	DESCRIPTION	REV
		Ref	REMOTE CONTROL	A
1	28095300	1	Control, Remote	
2	07359400	1	Switch, Emergency Stop	
3	2646170003	1	Screw	
4	2646170011	1	Cover	
4	2801270001	1	Cover, Control Box Top (Note: Does not Include Switches or Controls)	
5	07359500	1	Reed, Contact	
6	2801270003	1	Module, Control (Recalibration Required when Replaced)	
7	2646170007	1	Ring	
8	2646170008	1	Switch, Emergency Stop	
9	17550700	1	Kit, Black Cover, Joystick	
9	2646170009	1	Lever, Black	
10	17550800	1	Kit, Red Cover, Joystick	
10	2646170010	1	Lever, Red	
12	2646170012	1	Shroud, Upper Grip	
13	2646170013	1	Shroud, Lower Grip	
14	2646170014	1	Screw	
15	27005200	1	Decal Kit	
17	2646170017	1	Buttons, Pad	
20	2683930001	1	Switch, 3S Series	
21	2683930002	1	Key, Ignition	
22	2801270008	1	Gasket	
23	2827500001	1	Bottom, Box	
24	2646170024	1	Screw	
25	2827500002	1	Connector	
26	2827500003	1	Cover, Connector	
30	2646170030	1	Strap	
34	07027100	1	Protection (RH)	
35	07027200	1	Protection (LH)	
37	2801270004	1	Display	

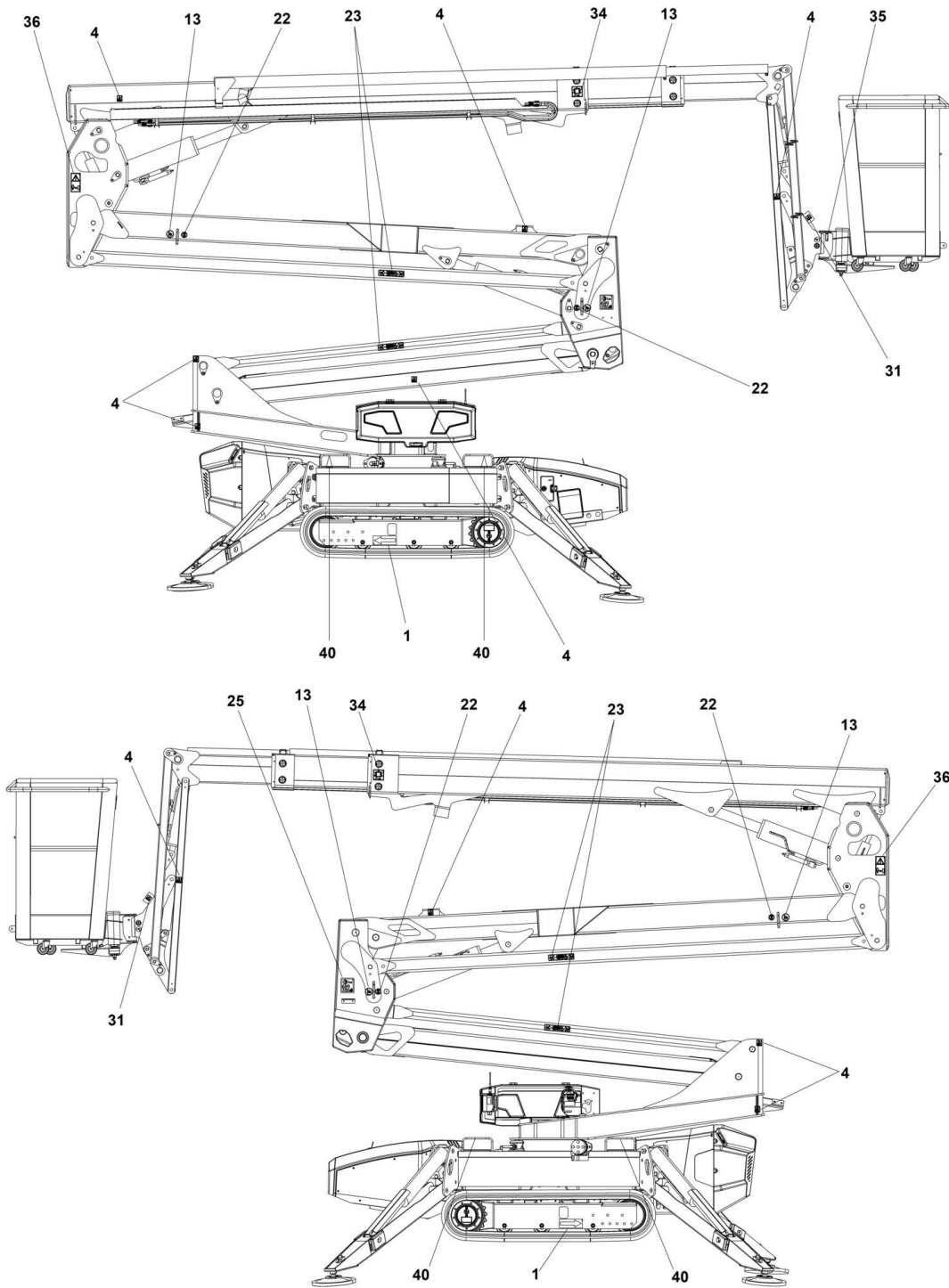




**SECTION 9 - DECALS**

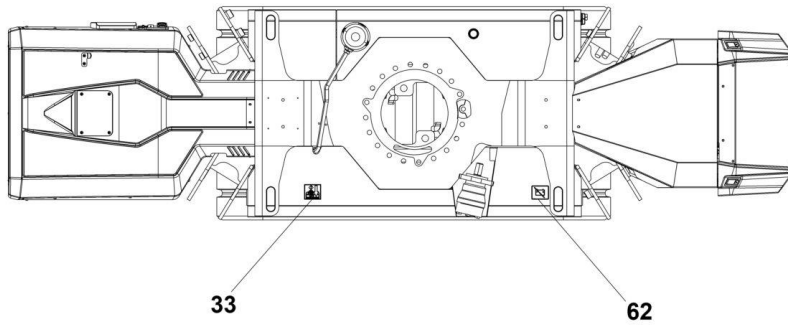
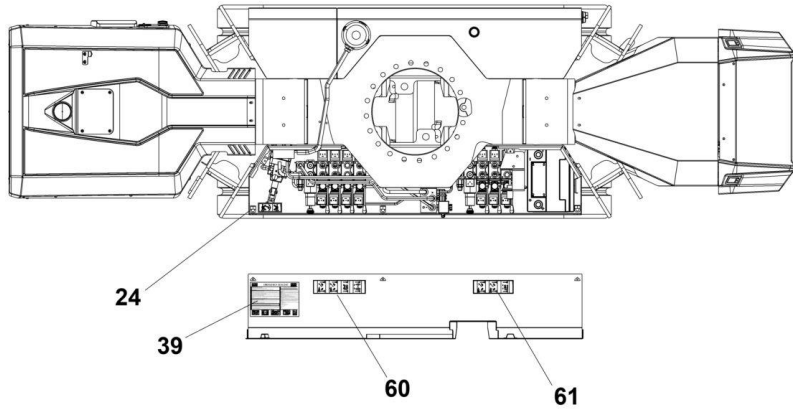
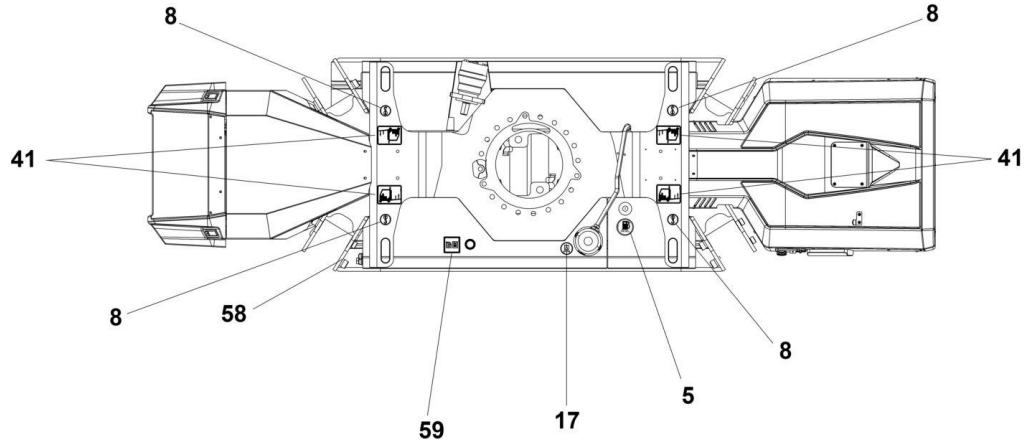
# SECTION 9 - DECALS

## FIGURE 9-1. DECAL INSTALLATION



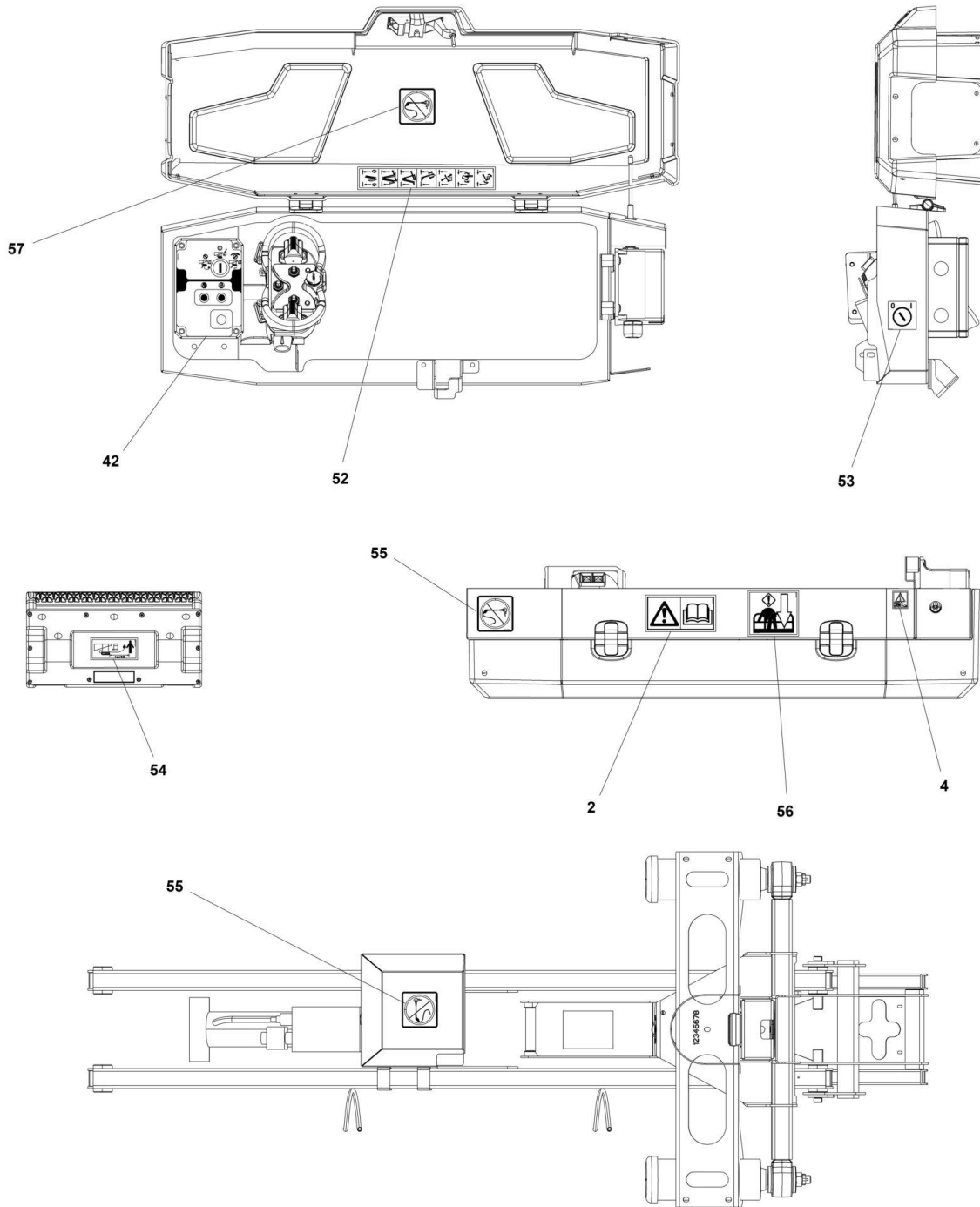
ART\_09-01-00\_X540AJ\_10F5

# SECTION 9 - DECALS



ART\_09-01-00\_X540AJ\_2OF5

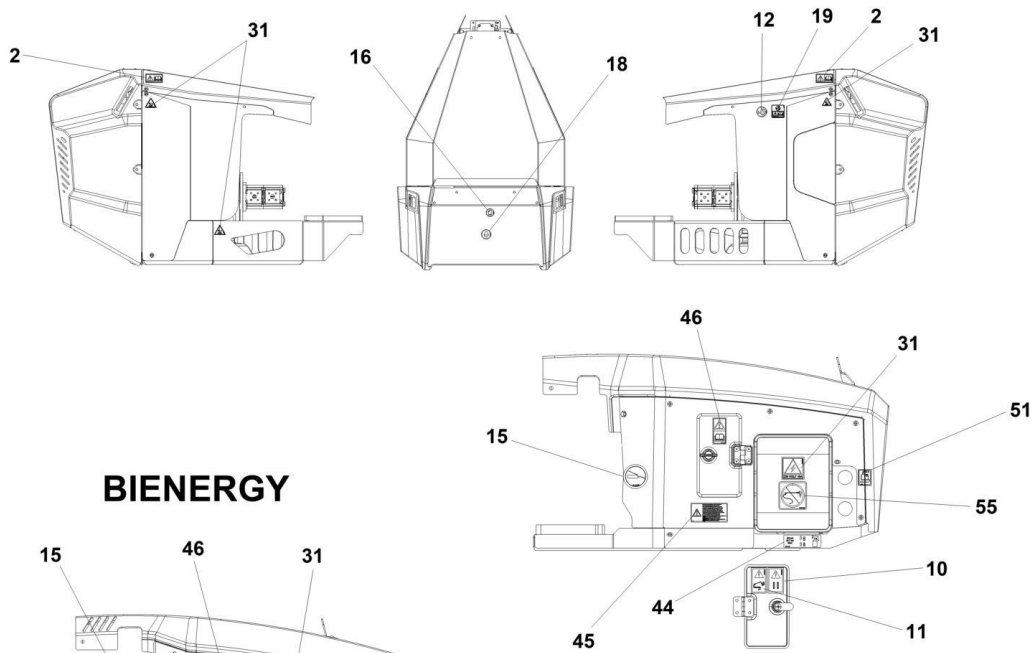
# SECTION 9 - DECALS



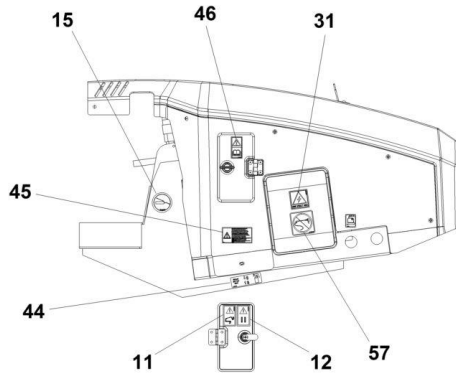
ART\_09-01-00\_X540AJ\_30F5

# SECTION 9 - DECALS

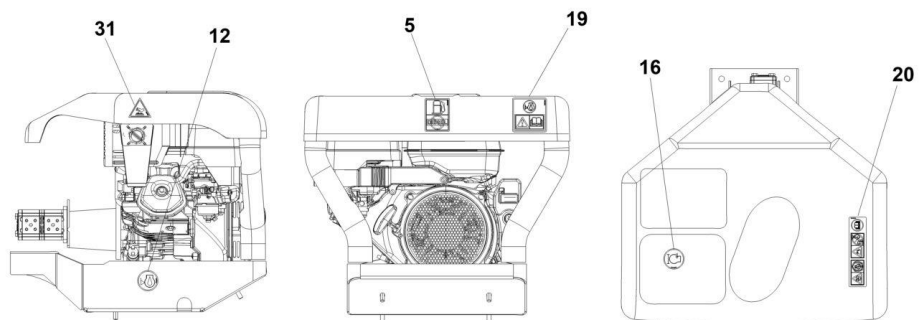
## DIESEL



## BIENERGY

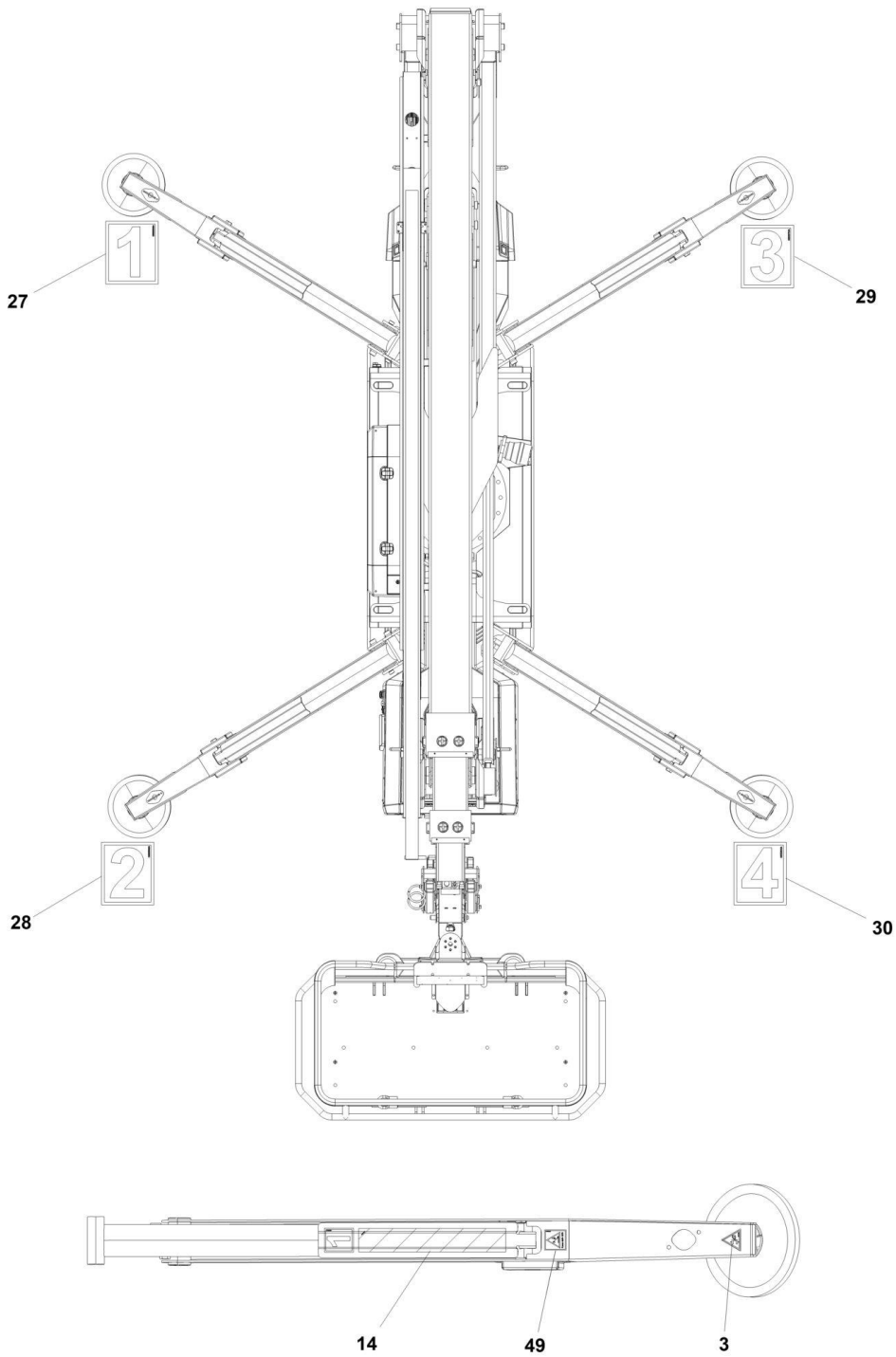


## GASOLINE



ART\_09-01-00\_X540AJ\_40F5

**SECTION 9 - DECALS**



ART\_09-01-00\_X540AJ\_5OF5

# SECTION 9 - DECALS

## FIGURE 9-1. DECAL INSTALLATION

ITEM	PART NUMBER	QTY	DESCRIPTION	REV
		Ref	<b>DECALS</b>	A
1	06040500	2	Decal - Safety	
2	06040900	1	Decal - Safety	
3	06041200	1	Decal - Safety	
4	06041300	11	Decal - Safety	
5	06041600	1	Decal - Warning	
6	06042400	3	Decal - Safety	
7	06043900	1	Decal - Diesel	
8	06044000	4	Decal - Safety	
9	06056300	4	Decal - Safety	
10	06060000	1	Decal - Safety	
11	06085900	1	Decal - Safety	
12	06086000	1	Decal - Safety	
13	06086200	4	Decal -Anchor Ring	
14	06086700	4	Decal	
15	06136900	1	Decal - Safety	
16	0616460099	1	Decal	
17	06164700	1	Decal - Safety	
18	0621420099	1	Decal	
19	06227200	1	Decal - Oil Level	
20	06232100	1	Decal - Warning	
21	06257300	3	Decal - Danger	
22	06311200	4	Decal - No Lift	
23	06396200	4	Decal	
24	06481500	1	Decal	
25	06520600	2	Decal - Noise	
26	06555300	1	Decal - Warning	
27	06555500	1	Decal - Safety	
28	06555600	1	Decal - Safety	
29	06555700	1	Decal - Safety	
30	06555800	1	Decal - Safety	
31	06561200	3	Decal - Safety	
32	06562600	1	Decal - Warning	
33	06665700	1	Decal	
34	06704400	2	Decal	
35	06706500	1	Decal - Safety	
36	07058800	2	Decal - Safety	
37	07137300	1	Decal - Platform Use (Swedish)	
38	07138100	1	Decal - Platform Use (Danish)	
39	07162000	1	Decal - Platform Use (Norwegian)	
40	07268300	4	Decal	
41	07350300	4	Decal - Safety	
42	07668300	1	Decal - Safety	
43	07802200	2	Decal	
44	08061600	1	Decal	
45	08263300	1	Decal	
46	0843500099	1	Decal	
47	08555300	1	Decal	
48	08555400	1	Decal	
49	08587200	4	Decal	

## SECTION 9 - DECALS

ITEM	PART NUMBER	QTY	DESCRIPTION	REV
50	08587300	4	Decal	
51	1701644	1	Decal	
52	08554900	1	Decal	
53	08554800	1	Decal	
54	07240300	1	Decal - Safety	
55	1001125483	1	Decal - Pressure Wash	
56	08555000	1	Decal	
57	100112548399	1	Decal	
58	06165000	1	Decal - Safety	
59	06226900	1	Decal	
60	1608710001	1	Decal - Safety	
61	1608710002	1	Decal - Safety	
62	1702155	1	Decal - Battery Disconnect	



## **SECTION 10 - RECOMMENDED SERVICE PARTS STOCK**

## **SECTION 10 - RECOMMENDED SERVICE PARTS STOCK**

# SECTION 10 - RECOMMENDED SERVICE PARTS STOCK

FIGURE 10-1. RECOMMENDED SERVICE PARTS STOCK

ITEM	PART NUMBER	QTY	DESCRIPTION	REV
		Ref	Note: The following list will service one machine (built to current production per date on the front cover) with emergency repair parts which can be installed in the field. Parts from the list should be replaced when inventory is depleted to keep service parts stock supplied. For further information, contact your JLG dealer or the JLG Industries Parts Department.	
	0552550003	1	Coil (Jib & Lift Cylinder)	
	0840200001	1	Coil (Jib & Lift Cylinder)	
	05913800	1	Coil (Valve)	
	06037100	1	Coil (Valve)	
	2734510001	12	Element, Air Filter (External) (Diesel Engine)	
	2734510002	12	Element, Air Filter (Internal) (Diesel Engine)	
	1740420001	12	Element, Fuel Filter (Diesel Engine)	
	05120200	12	Element, Hydraulic Filter (Hydraulic Filter)	
	2734250002	12	Element, Oil Filter (Diesel Engine)	
	05760700	2	Fuse 5Amp	
	07700700	2	Fuse 25Amp	
	1820960004	2	Fuse 200Amp	
	1651290015	1	Key (Ground Control)	
	2683930002	1	Key (Ignition)	
	2646170009	1	Lever, Black (Platform Controls)	
	2646170010	1	Lever, Red (Platform Controls)	
	1772950011	1	Microswitch (Outrigger)	
	28497300	1	Module, Control (Boom Fly)	
	2801270003	1	Module, Control (Platform)	
	18608300	1	Module, Control (Turntable)	
	28497200	1	Module, Control (Turntable)	
	1820960003	1	Relay	
	1772950021	1	Relay	
	1820960002	1	Sensor (Battery)	
	1679900012	1	Sensor (Jib)	
	17669800	1	Sensor (Platform Load)	
	1651290010	1	Sensor (Turntable)	
	1692150001	1	Switch (Ground Control)	
	1556350068	1	Switch, 3 Position (Ground Control)	
	04774900	1	Switch, Battery Cut-Out	
	1773980004	1	Switch, Emergency Stop (Ground Control)	
	07359400	1	Switch, Emergency Stop (Platform Controls)	
	2646170008	1	Switch, Emergency Stop (Platform Controls)	
	1772950015	1	Switch, Foot (Platform)	
	2683930001	1	Switch, Ignition (Platform Controls)	
	26429300	1	Switch, Remote Control	
	1585570006	1	Switch, Selector (Ground Controls)	
	1556350063	1	Switch, Thermal (Engine/Battery Area)	

## **PART NUMBER INDEX**

03014400.....	87	06326300.....	39	07271100.....	39	08051900.....	31
03024801.....	11	06396200.....	127	07271200.....	39	08052000.....	31
03149200.....	11	06418600.....	49	07271300.....	39	080523Y1.....	31
03149500.....	97	06422100.....	39	07271400.....	37	08061600.....	127
04048100.....	87	06422200.....	41	07271500.....	39	08114900.....	75
04152300.....	23, 101, 110	06434200.....	37	07271600.....	39	08132300.....	49
04256300.....	13	064422Y1.....	37	07271700.....	41	08263300.....	127
04711500.....	87	064423Y1.....	37	072773H3.....	37	08280200.....	26, 37
04774900.....	103, 130	06481500.....	127	07278200.....	13	08295000.....	106
04834500.....	106	064967Y1.....	41	07278300.....	13	08309700.....	49
04845100.....	75	06520600.....	127	072786Y1.....	17	08310700.....	49
04845400.....	87	06550100.....	17	07278800.....	41	08310800.....	49
04995000.....	73	065511Y1.....	17	07300200.....	95	083472J2.....	17
05061800.....	19	06551400.....	31	07302300.....	89	08353000.....	23
05093800.....	77	06551600.....	37	07302500.....	89	08356700.....	31
05093900.....	77	06555300.....	127	073135H2.....	11	083624Y1.....	23
05120200.....	19, 130	06555500.....	127	07314000.....	37	083769H2.....	101
051705Y1.....	103	06555600.....	127	073141H3.....	37	083770H2.....	101
05407400.....	97	06555700.....	127	07314500.....	37, 39	083772H2.....	101
05427200.....	37	06555800.....	127	073147Y1.....	17	08377700.....	26
05444800.....	37	06561200.....	127	07324900.....	95	08380800.....	31
05446300.....	17	06562600.....	127	07325200.....	95	083812H2.....	23
05509900.....	75	06586200.....	17	07343100.....	31	083813H2.....	23
05510300.....	73	06598500.....	49	07343200.....	17	08402000.....	53, 59, 61
0552550001.....	53, 59, 61	06639100.....	110	07343300.....	17	0840200001.....	53, 59, 61, 130
0552550003.....	53, 59, 61, 130	06665000.....	45	07343400.....	17	08402200.....	89
05576200.....	53, 59, 61	06665700.....	127	07350300.....	127	084209Z3.....	23
05580200.....	75	06704400.....	127	07359400.....	119, 130	084210Z3.....	23
05611800.....	19	06706500.....	127	07359500.....	119	08421100.....	93
056187H3.....	45	06786700.....	79	07430200.....	31	08421200.....	93
05643600.....	49	06867600.....	41	07495500.....	31	08421600.....	93
05760700.....	115, 130	06900700.....	43	075716Y1.....	29	08421700.....	93
05849000.....	37	069590H3.....	37	075717Y1.....	29	08421800.....	93
058600H3.....	49	07027100.....	119	075718Y1.....	29	08421800.....	93
058832H3.....	37	07027200.....	119	07598600.....	31	08423000.....	93
05913800.....	95, 130	07031800.....	45	07598700.....	31	084246Y1.....	17
06023800.....	13	07052900.....	45	07611000.....	75	084247Y1.....	17
06037100.....	95, 130	07057000.....	89	07668300.....	127	08427600.....	93
06037900.....	95	07058800.....	127	07687300.....	49	08427700.....	93
06040500.....	127	07093500.....	45	07688400.....	69	08428300.....	43
06040900.....	127	07093600.....	45	07688500.....	69	084292Y1.....	26
06041200.....	127	07093700.....	45	07690700.....	49	0843500099.....	127
06041300.....	127	07093800.....	45	07700700.....	115, 130	084351Y1.....	26
06041600.....	127	07131600.....	17	077089H2.....	101	084352Y1.....	26
06042400.....	127	07137300.....	127	077096H3.....	37	084370Y1.....	26
06043900.....	127	07138100.....	127	077097H3.....	37	08440900.....	26
06044000.....	127	07146400.....	45	07720500.....	71	08441000.....	26
06056300.....	127	07146500.....	45	07720600.....	71	08441100.....	26
06060000.....	127	07162000.....	127	07721100.....	73	084412D2.....	26
06060000.....	127	07190900.....	45	07721200.....	73	08447500.....	41
06085900.....	127	07192600.....	45	07721300.....	83	08448300.....	43
06086000.....	127	07192700.....	49	07721400.....	83	08448400.....	43
06086200.....	127	07193000.....	45	07721500.....	71	08448500.....	43
06086700.....	127	07239700.....	49	07721600.....	71	08448600.....	75
06136900.....	127	072398H3.....	49	07721700.....	79	08448700.....	85
06145700.....	31	07240300.....	128	07721800.....	85	08448800.....	75
0616460099.....	127	072404H3.....	45	07721900.....	85	08448900.....	85
06164700.....	127	07246000.....	41	07722100.....	73	08449000.....	83
06165000.....	128	072481H3.....	41	07722200.....	73	08449100.....	79
0621420099.....	127	07256800.....	37	07722300.....	69	08449200.....	83
06226900.....	128	07262200.....	37	07722400.....	69	08449300.....	79
06227200.....	127	07268300.....	127	07751100.....	49	084494H3.....	43
06232100.....	127	072700H2.....	17	07766500.....	45	084498Y1.....	43
06235600.....	45	072703H2.....	17	07771500.....	45	08450000.....	43
06235700.....	45	07270400.....	17	07802200.....	127	08450100.....	43
06257300.....	127	07270500.....	37	07844200.....	110	084504H3.....	43
06272600.....	45	07270600.....	37	079952Y1.....	87	08450700.....	41
06272700.....	45	07270900.....	37	08014700.....	110	08450800.....	43
06311200.....	127	07271000.....	37	08051800.....	31	084569Y1.....	43

084580Y1.....	43	085196H3.....	43	1730720056.....	116	18295100.....	106
08458100.....	41	085197H3.....	43	1730720057.....	116	18310600.....	49
08458500.....	43	08519900.....	26	1730720059.....	115	18357300.....	49
08458600.....	43	08520000.....	26	1730720061.....	116	183605H2.....	23
08461800.....	41	085319Y1.....	26	1730720068.....	116	183613H2.....	23
084666Y1.....	43	085523H3.....	89	1730720084.....	115	183768J2.....	45
084667Y1.....	43	085528D2.....	37	17329500.....	13	183771H2.....	101
08466900.....	93	08554800.....	128	173505H2.....	17	183959J2.....	19
084672Z3.....	37	08554900.....	128	17404200.....	31	183964J2.....	17
084673Z3.....	26, 37	08555000.....	128	1740420001.....	31, 130	184200H2.....	26
084695Y1.....	103	08555300.....	127	17473600.....	115	18440800.....	26
08481100.....	91	08555400.....	127	17473700.....	115	184413Y1.....	17
08481200.....	91	08558100.....	49	17473800.....	116	184432J1.....	41
08481300.....	91	08587200.....	127	17550700.....	119	184444J2.....	43
08481400.....	91	08587300.....	128	17550800.....	119	18457800.....	113
08481500.....	77	1001125483.....	128	17569900.....	49	1845780001.....	113
08481600.....	77	100112548399.....	128	1757250023.....	101	1845780002.....	113
08481700.....	77	1001181405.....	106	1757250026.....	115	1845780003.....	113
08481800.....	77	10681670.....	11	1757250027.....	115	1845780004.....	113
08481900.....	77	147306Y1.....	11	1757250031.....	115	1845780005.....	113
08482000.....	77	147309H2.....	11	1757250032.....	115	1845780006.....	113
08482100.....	77	147310H2.....	11	1757250033.....	115	1845780007.....	113
08482200.....	77	15120100.....	19	1757250034.....	115	184582Y1.....	23
08482300.....	87	1541150011.....	63	1757250035.....	115	184670Z3.....	37
08482400.....	87	1556350063.....	106, 130	1757250036.....	115	18475400.....	37
08482500.....	87	1556350068.....	103, 130	1757250037.....	115	18478900.....	49
08482600.....	87	1585570006.....	106, 130	1757250038.....	115	185320Z3.....	37
08482700.....	81	1591270001.....	106	1757250039.....	115	185506J2.....	17
08482800.....	81	159127000101.....	106	1757250040.....	115	18608300.....	110, 130
08482900.....	81	1608710001.....	128	1757250041.....	115	257215L0.....	11
08483000.....	81	1608710002.....	128	1757250042.....	115	257215LB.....	11
08483100.....	81	1628400005.....	103	1757250043.....	115	257225H2.....	11
08483200.....	81	16478200.....	87	1757250044.....	115	25732900.....	89
08483300.....	81	1647820001.....	89	1757250045.....	115	25779900.....	31
08483400.....	81	1647820003.....	89	1757250046.....	115	2585560004.....	95
08483500.....	87	1651290010.....	103, 130	1757250049.....	116	2585560005.....	95
08483600.....	87	1651290015.....	103, 130	175726002401.....	103	2588290008.....	55
08483700.....	87	16517700.....	87	175726002402.....	103	25908400.....	89
08483800.....	87	166242J2.....	45	175727000201.....	103	260329.....	106
08483900.....	87	1679890001.....	101	17604200.....	110	26119300.....	53, 59, 61
08484000.....	75	1679900012.....	101, 130	176090Y1.....	17	261308H2.....	17
08484100.....	75	1692150001.....	103, 130	1763330001.....	115	2627880005.....	63
08484200.....	89	1701644.....	128	1763330002.....	115	2627890006.....	55, 57
08484300.....	89	1702155.....	128	17669800.....	101, 130	2627910006.....	53
084845Y1.....	43	170947J2.....	45	176835J2.....	17	2632920007.....	103
08500400.....	83	17162500.....	110	1770750001.....	103	2632920008.....	103
08500500.....	83	17248800.....	41	1772950001.....	115	26429300.....	110, 130
08500600.....	79	172491H2.....	11	1772950002.....	115	2644250003.....	59, 61, 63
08500700.....	79	172545J1.....	39	1772950003.....	115	2645900002.....	95
08500800.....	85	172613J1.....	37	1772950004.....	115	2645900005.....	95
08500900.....	75	172632J1.....	37	1772950005.....	115	2645900006.....	95
08501000.....	85	172635J1.....	37	1772950006.....	115	26459300.....	17
08501100.....	75	172656J1.....	39	1772950007.....	115	264593H2.....	17
08501200.....	83	17306300.....	115	1772950008.....	115	26459400.....	87
08501300.....	75	1730720005.....	103	1772950009.....	115	2646170003.....	119
08501400.....	75	1730720029.....	115	1772950010.....	115	2646170007.....	119
08501500.....	79	1730720030.....	115	1772950011.....	101, 130	2646170008.....	119, 130
08501600.....	85	1730720031.....	115	1772950015.....	101, 130	2646170009.....	119, 130
08501700.....	83	1730720032.....	116	1772950019.....	106	2646170010.....	119, 130
08501800.....	85	1730720033.....	115	1772950021.....	106, 130	2646170011.....	119
08501900.....	79	1730720034.....	115	1773980003.....	103	2646170012.....	119
08502000.....	79	1730720036.....	116	1773980004.....	103, 130	2646170013.....	119
08502100.....	79	1730720037.....	115	1820960002.....	113, 130	2646170014.....	119
08502200.....	75	1730720038.....	115	1820960003.....	113, 130	2646170017.....	119
08502300.....	75	1730720040.....	116	1820960004.....	113, 130	2646170024.....	119
08502400.....	85	1730720041.....	115	1820960005.....	113	2646170030.....	119
08502500.....	85	1730720042.....	115	18218600.....	110	2648910001.....	85
08502600.....	83	1730720051.....	115	18223100.....	110	2648910002.....	45
08502700.....	83	1730720054.....	115	18294900.....	106	26551500.....	31

26582800.....	110	272261H2 .....	63, 81	2753340004 .....	95	28461300.....	110
2683930001 .....	119, 130	2722620001 .....	65	27602400 .....	31	28497100.....	106
2683930002 .....	119, 130	2722620002 .....	65	27604200 .....	110	28497200.....	110, 130
26964400.....	87	272262H2 .....	65	27668600 .....	103	28497300.....	101, 130
27005200.....	119	2722740001 .....	13	2801270001 .....	119	28512600.....	17
27018000.....	29	2722740002 .....	13	2801270003 .....	119, 130	3311601.....	49
27031700.....	101	272274H2 .....	13	2801270004 .....	119	359447J2.....	45
2705540002 .....	63	27299000 .....	97	2801270008 .....	119	371459H2 .....	45
2706900003 .....	65	2729900001 .....	95	28052700 .....	31	372264H3 .....	45
2706930001 .....	55	27299100 .....	97	2805270001 .....	31	372491H2 .....	13
2706930002 .....	55	2731510003 .....	57	28053100 .....	29	372494H2 .....	13
270693H2 .....	55, 83	273151H2 .....	57, 83	28056700 .....	29	372495H2 .....	13
2706940001 .....	57	273305H2 .....	11	2805670002 .....	33	372515J1 .....	39
2706940002 .....	57	2734250001 .....	33	2805670003 .....	33	372569J1 .....	37
2706950001 .....	53	2734250002 .....	33, 130	2805670004 .....	33	372768H2 .....	13
2706950002 .....	53	2734250003 .....	33	2805670005 .....	33	376018H2 .....	17
270695H2 .....	53, 79	2734250004 .....	33	28095300 .....	119	377660H2 .....	45
27073700.....	101	2734250006 .....	31	28140600 .....	89	377661H2 .....	45
27073800.....	101	2734250007 .....	33	28185800 .....	17	377661Y1 .....	45
27073900.....	101	2734250008 .....	33	28250000 .....	49	380853Y1 .....	31
27074000.....	106	2734250009 .....	33	2827500001 .....	119	383036Y1 .....	49
27146200.....	45	2734250011 .....	33	2827500002 .....	119	383860H2 .....	17
271778H2 .....	45	2734250013 .....	33	2827500003 .....	119	384191J2 .....	17
2722590001 .....	59	27345100 .....	31	28302100 .....	110	384207Z3 .....	23
2722590002 .....	59	2734510001 .....	31, 130	28362800 .....	17	384671Z3 .....	37
272259H2 .....	59, 69	2734510002 .....	31, 130	2837840001 .....	26	384934J1 .....	37
2722600001 .....	61	2741690003 .....	23	28378800 .....	23	4460897.....	115
2722600002 .....	61	27533400 .....	97	28432200 .....	31	4635800.....	11
272260H2 .....	61, 71	2753340001 .....	95	28440800 .....	26	7313400.....	11
2722610001 .....	63	2753340002 .....	95	28459200 .....	43	RS001400.....	17
2722610002 .....	63	2753340003 .....	95	28459300 .....	43	RS001500.....	17





**Corporate Office  
JLG Industries, Inc.  
1 JLG Drive  
McConnellsburg, PA 17233-9533 USA  
☎ (717) 485-5161 (Corporate)  
☎ (877) 554-5438 (Customer Support)  
📠 (717) 485-6417**

**Visit our website for JLG Worldwide Locations.  
[www.jlg.com](http://www.jlg.com)**



**OSHKOSH™**