



# *Illustrated Parts Manual*

***Models***  
***1644***  
***7013H***

**PVC**  
**2405**

**P/N**  
**3122311300**  
**May 1, 2024 - Rev A**



An Oshkosh Corporation Company





## **EFFECTIVITY PAGE**

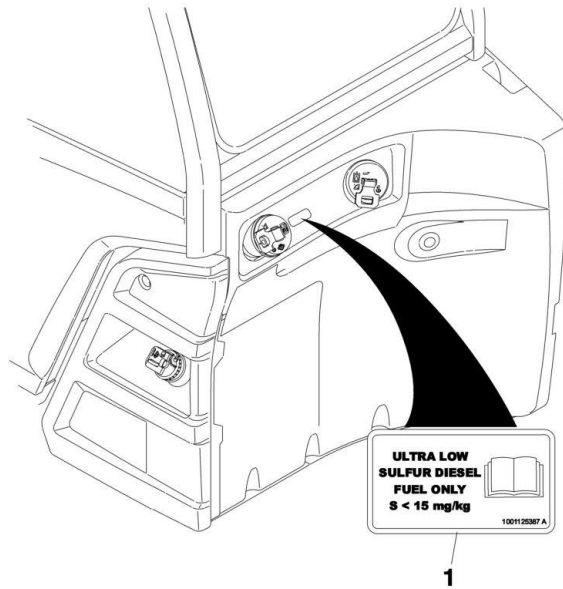
May 1, 2024 - A - Original Issue of Manual (Edited to B/M 1001195000 Revision AP)

## Machine Configuration

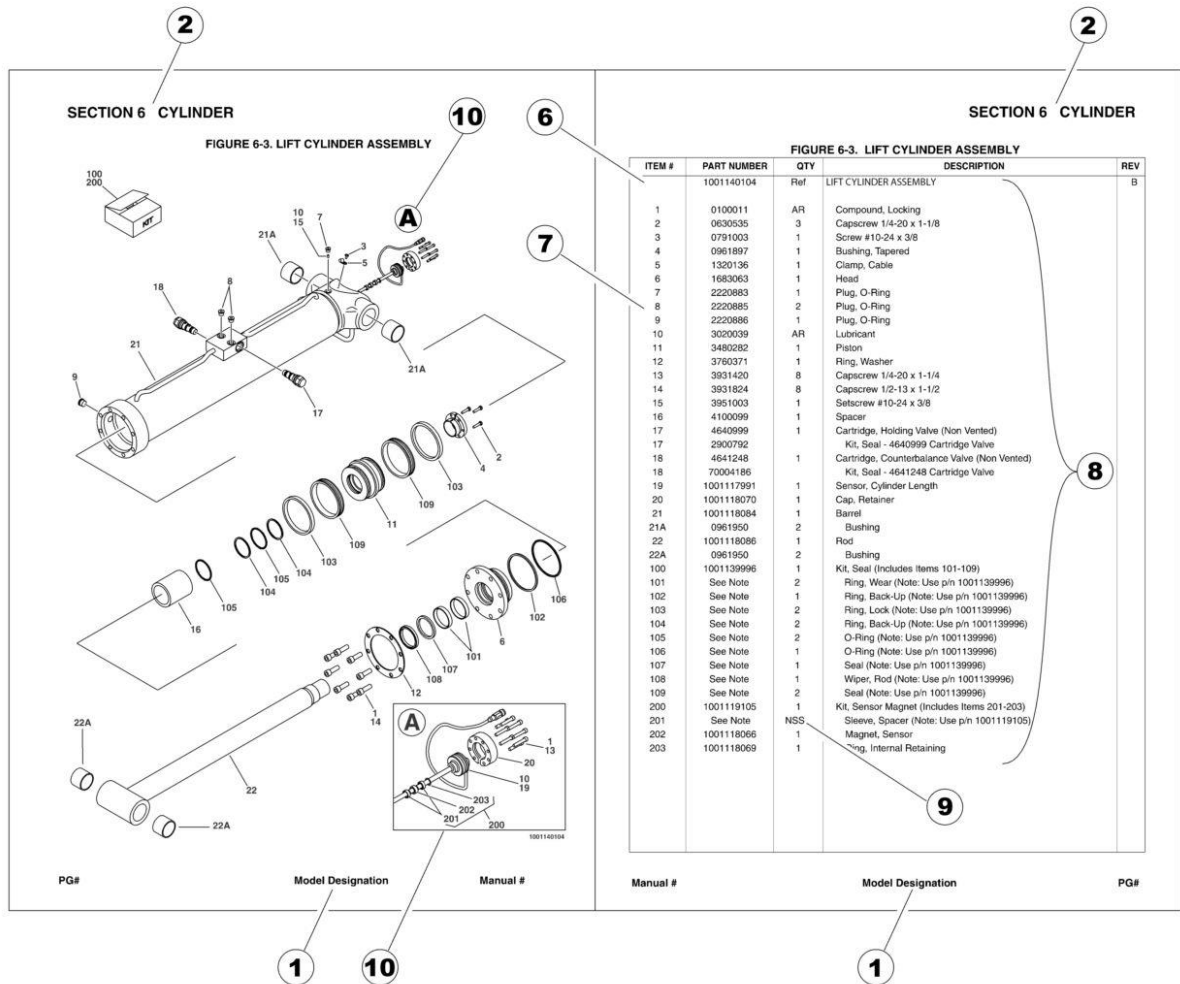
---

Two configurations of each machine are included in this manual. Determine if machine is equipped with Ultra Sulfur Fuel Decal (1) as indicated below.

- If equipped with the Ultra Low Sulfur decal, all specific references to this machine configuration will be referred to as Ultra Low Sulfur (ULS) from this point forward.
- If not equipped with the Ultra Low Sulfur decal, all specific references to this machine configuration will be referred to as Low Sulfur (LS) from this point forward.



# GENERAL INFORMATION



## 1) MACHINE IDENTIFICATION

Machines are identified by model and in some cases a combination of models, serial number (SN) or regional standard (i.e ANSI, CE, CSA). Components may also be identified by SN or manufacturer. Common components that may be identified by these characteristics are engines and hydraulic components.

## 2) PARTS MANUAL ORGANIZATION

Product information in this manual is organized under section titles. Frame, Cylinder, Hydraulic and Electrical are a few examples. Each section is organized by figure and page number. The information within the Figure is then organized by item number, part number, description and corresponding illustration (s).

## 3) TABLE OF CONTENTS (NOT SHOWN)

A table of contents is found toward the beginning of the manual. Figure number, description and page number are provided for quick reference to the page containing the related information.

## 4) RECOMMENDED SPARE PARTS (NOT SHOWN)

The Recommended Spare Parts List, located near the end of the manual, reference most frequently used maintenance parts.

## 5) PART NUMBER INDEX (NOT SHOWN)

A numerical index listing all part numbers and the corresponding page number(s) appears at the back of the manual.

## GENERAL INFORMATION

### 6) NON-SERVICED PARTS

In some instances, it is necessary to display non-serviced parts, assemblies or installations. In the case of assemblies and installations there will be a Ref in the Qty. column. In case of parts that are not available for service within assemblies or components, there will be a NSS (Not Sold Separately) or NLA (No Longer Available) listed in the Qty. column of the manual.

### 7) PARTS LIST ITEM NUMBERS

Numbers shown in the item# column correspond to numbers used in the associated illustration (s). Item numbers which are missing from the sequence in the parts list are not used on that page.

### 8) INDENTED PARTS DESCRIPTION

An indented part description is included in the item under which it is indented.

### 9) ABBREVIATION AND SYMBOLS

AC.....	Alternating Current	L.....	Liter
ADE.....	Advanced Design Electronics	LB(LBS).....	Pounds
AG.....	Agricultural	LCD.....	Liquid Crystal Display
ANSI.....	American National Standards Institute	LED.....	Light Emitting Diodes
AR.....	As Required	LH.....	Left Hand
ASSY.....	Assembly	LRC.....	Low Rated Countries
AUS.....	Australia	LSS.....	Load Sensing System
AUX.....	Auxiliary	M(m).....	Metric/Meter
AWG.....	American Wire Gauge	MM(mm).....	Milimeter
B/M.....	Bill of Material	mA.....	Miliamps
CAC.....	Charge Air Cooler	NLA.....	No Longer Available
CE.....	European Conformity	NPT.....	National Pipe Threads
CCW.....	Counter Clockwise	NSS.....	Not Sold Separately
CM.....	Centimeter	OD.....	Outside Diameter
CW.....	Clockwise	ORB.....	O-Ring Boss
CSA.....	Canadian Standards Association	ORFS.....	O-Ring Face Seal
CYL.....	Cylinder	OZ (oz).....	Ounces
DIA.....	Diameter	PG.....	Page
DC.....	Direct Current	PN.....	Part Number
DEF.....	Diesel Exhaust Fluid	QT(qt.).....	Quarts
EMS.....	Emergency Stop	QTY.....	Quantity
ENG.....	Engine	REF.....	Reference
FT(ft).....	Feet	REV.....	Revision Level
GA(Ga).....	Gauge	RH.....	Right Hand
HRC.....	High Rated Countries	SAE.....	Society of Automotive Engineers
HVAC.....	Heating, Ventilating, and Air Conditioning	SN.....	Serial Number
HYD.....	Hydraulic	SPEC(S).....	Specifications
Hz.....	Hertz	T/T.....	Turntable
ID.....	Inside Diameter	UGM.....	Universal Ground Module
IN.....	inches	V.....	Volts
ISO.....	International Organization for Standards	W.....	Watts
JIC.....	Joint Industry Council	#.....	Number
KG.....	Kilogram		

### 10) ILLUSTRATION REFERENCE LETTERS

When necessary, illustrations may contain reference letters that are intended to track information (i. e. hoses, harnesses) from one point to another or to track visual enlargement of components to show details that may be located in another area on the illustration.

*Note: Due to continuous product improvements, JLG Industries, Inc. reserves the right to make specification changes without prior notification. Contact JLG Industries, Inc. for updated information.*

# TABLE OF CONTENTS

SECTION 1 - FRAME AND ATTACHING PARTS.....	19
FIGURE 1-1. GROMMETS INSTALLATION .....	20
FIGURE 1-2. TANKS INSTALLATION.....	22
FIGURE 1-3. HYDRAULIC TANK INSTALLATION .....	24
FIGURE 1-4. HYDRAULIC TANK ASSEMBLY.....	26
FIGURE 1-5. FUEL TANK INSTALLATION.....	28
FIGURE 1-6. FUEL TANK ASSEMBLY .....	30
FIGURE 1-7. TANK SUPPORT INSTALLATION.....	32
FIGURE 1-8. LOCKING FUEL CAP .....	34
FIGURE 1-9. PAD LOCK.....	36
FIGURE 1-10. ENGINE ENCLOSURE & HOOD INSTALLATION (1644) .....	38
FIGURE 1-11. ENGINE ENCLOSURE & HOOD INSTALLATION (7013) .....	40
FIGURE 1-12. ENGINE HOOD ASSEMBLY (1644).....	42
FIGURE 1-13. ENGINE HOOD ASSEMBLY (7013).....	44
FIGURE 1-14. ENGINE HOOD INSULATION INSTALLATION.....	46
FIGURE 1-15. ENGINE ENCLOSURE ASSEMBLY .....	48
FIGURE 1-16. COVER INSTALLATION (ULS).....	50
FIGURE 1-17. COVER INSTALLATION (LS) .....	52
FIGURE 1-18. FRAME COVER INSTALLATION .....	54
FIGURE 1-19. FRONT LOWER COVER INSTALLATION .....	56
FIGURE 1-20. MIRRORS INSTALLATION (1644) .....	58
FIGURE 1-21. MIRRORS INSTALLATION (7013) .....	60
FIGURE 1-22. REFLECTORS INSTALLATION .....	62
FIGURE 1-23. WHEEL CHOCKS INSTALLATION.....	64
SECTION 2 - BOOM .....	67
FIGURE 2-1. BOOM INSTALLATION.....	68
FIGURE 2-2. BOOM ASSEMBLY .....	70
FIGURE 2-3. FIRST BOOM SECTION ASSEMBLY.....	72
FIGURE 2-4. SECOND BOOM SECTION ASSEMBLY.....	74
FIGURE 2-5. THIRD BOOM SECTION ASSEMBLY .....	76
FIGURE 2-6. COUPLER INSTALLATION (MANUAL).....	78
FIGURE 2-7. COUPLER INSTALLATION (HYDRAULIC) .....	80
FIGURE 2-8. COUPLING LOCKING VALVE & CYLINDER ASSEMBLY .....	82
FIGURE 2-9. MANUAL COUPLER PIN HOLDER INSTALLATION.....	84
FIGURE 2-10. BOOM PROP INSTALLATION .....	86
FIGURE 2-11. BOOM PROP BRACKET ASSEMBLY .....	88
FIGURE 2-12. BOOM BRUSHES INSTALLATION .....	90
FIGURE 2-13. BOOM ANGLE INDICATOR INSTALLATION.....	92
SECTION 3 - ATTACHMENTS .....	95
FIGURE 3-1. ATTACHMENT RECOGNITION INSTALLATION - COMPLETE .....	96
FIGURE 3-2. ATTACHMENT RECOGNITION INSTALLATION.....	98
FIGURE 3-3. ATTACHMENT RECOGNITION RECEIVER (FCC) .....	100
FIGURE 3-4. ATTACHMENT RECOGNITION RECEIVER (EU).....	102

# TABLE OF CONTENTS

FIGURE 3-5. ATTACHMENT RECOGNITION ANTENNA (FCC) .....	104
FIGURE 3-6. ATTACHMENT RECOGNITION ANTENNA (EU) .....	106
FIGURE 3-7. BALE HANDLER (ROUND BALES) .....	108
FIGURE 3-8. BALE HANDLER (SQUARE BALES) .....	112
FIGURE 3-9. BASKET, PERSONNEL (1.2MX2.4M) (DOMESTIC) .....	114
FIGURE 3-10. BASKET, PERSONNEL (1.2MX2.4M) (FRENCH LANGUAGE).....	116
FIGURE 3-11. BASKET, PERSONNEL (1.2MX2.4M) (ISO) .....	118
FIGURE 3-12. BASKET ASSEMBLY - FORK MOUNTED .....	120
FIGURE 3-13. BASKET DOCKING STATION .....	122
FIGURE 3-14. BOOM - TRUSS (3.6TON FORK MOUNTED) .....	124
FIGURE 3-15. BOOM - TRUSS (7.6 TON) .....	126
FIGURE 3-16. BUCKET (2.6 YD <sup>3</sup> /2.0M <sup>3</sup> ) .....	128
FIGURE 3-17. BUCKET (5.23 YD <sup>3</sup> ).....	130
FIGURE 3-18. BUCKET - 4 IN 1 (1.3 YD <sup>3</sup> /1.0M <sup>3</sup> ).....	132
FIGURE 3-19. BUCKET - GRAPPLE (1.7 YD <sup>3</sup> /1.3M <sup>3</sup> ) .....	134
FIGURE 3-20. BUCKET - FORK MOUNTED (1.0M <sup>3</sup> ) .....	136
FIGURE 3-21. CARRIAGE ASSEMBLY (60IN/1524MM).....	138
FIGURE 3-22. CARRIAGE ASSEMBLY (72IN/1829MM).....	140
FIGURE 3-23. CARRIAGE ASSEMBLY (87IN/2290MM).....	142
FIGURE 3-24. CARRIAGE ASSEMBLY - DUAL FORK POSITIONING CARRIAGE (72IN/1829MM) .....	144
FIGURE 3-25. CARRIAGE ASSEMBLY - DUAL FORK POSITIONING SIDE SHIFT CARRIAGE (75IN/1899MM) .....	146
FIGURE 3-26. CARRIAGE ASSEMBLY - LOG HANDLER CARRIAGE .....	148
FIGURE 3-27. CARRIAGE ASSEMBLY - PIPE HANDLER CARRIAGE.....	152
FIGURE 3-28. CARRIAGE ASSEMBLY - STEEL COIL HANDLER CARRIAGE .....	156
FIGURE 3-29. FORK - PALLET (2.25X6X48).....	158
FIGURE 3-30. FORK - PALLET (2.25X6X60).....	160
FIGURE 3-31. FORK - PALLET (2.25X6X72).....	162
FIGURE 3-32. FORK - PALLET (2.25X6X96).....	164
FIGURE 3-33. FORK RETENTION INSTALLATION.....	166
FIGURE 3-34. HOOK - CRANK (7.6 TON) .....	168
FIGURE 3-35. HOOK - FORK MOUNTED.....	170
FIGURE 3-36. LIFTING HOOK (22K).....	172
FIGURE 3-37. HOPPER - TRASH .....	174
FIGURE 3-38. TELESCOPE PIVOT ADJUSTABLE JIB (10K) .....	176
FIGURE 3-39. PLATFORM (FORK MOUNTED) (4X9.8).....	178
FIGURE 3-40. PLATFORM (FORK MOUNTED (4X8 WITH DOORS) .....	180
FIGURE 3-41. WINCH - COUPLER MOUNTED.....	182
<b>SECTION 4 - ENGINE AND ATTACHING PARTS.....</b>	<b>185</b>
FIGURE 4-1. ENGINE POD COMPONENT INSTALLATION (ULS) .....	186
FIGURE 4-2. ENGINE POD COMPONENT INSTALLATION (LS).....	188
FIGURE 4-3. ENGINE POD COMPONENT INSTALLATION (LS HIGH AMBIENT).....	190
FIGURE 4-4. ENGINE POD COMPONENT INSTALLATION (MINING) (ULS).....	192
FIGURE 4-5. ENGINE POD COMPONENT INSTALLATION (MINING) (LS) .....	194
FIGURE 4-6. ENGINE POD COMPONENT INSTALLATION (MINING) (LS HIGH AMBIENT).....	196
FIGURE 4-7. ENGINE INSTALLATION (ULS).....	198

# TABLE OF CONTENTS

FIGURE 4-8. ENGINE ASSEMBLY (ULS).....	200
FIGURE 4-9. ENGINE ASSEMBLY (LS) .....	202
FIGURE 4-10. ENGINE MOUNT INSTALLATION.....	204
FIGURE 4-11. AIR INTAKE INSTALLATION (ULS) .....	206
FIGURE 4-12. AIR INTAKE INSTALLATION (LS).....	208
FIGURE 4-13. AIR CLEANER INSTALLATION.....	210
FIGURE 4-14. AIR CLEANER ASSEMBLY .....	212
FIGURE 4-15. AIR INTAKE DUCT INSTALLATION.....	214
FIGURE 4-16. PRIMARY FUEL FILTER INSTALLATION (ULS) .....	216
FIGURE 4-17. PRIMARY FUEL FILTER INSTALLATION (LS) .....	218
FIGURE 4-18. REMOTE FUEL PUMP INSTALLATION.....	220
FIGURE 4-19. FUEL LINES INSTALLATION (ULS).....	222
FIGURE 4-20. FUEL LINES INSTALLATION (LS) .....	224
FIGURE 4-21. FUEL LINES INSTALLATION (LS HIGH AMBIENT).....	226
FIGURE 4-22. HYDROSTATIC ADAPTOR INSTALLATION.....	228
FIGURE 4-23. DUAL DRIVE SUPPORT ASSEMBLY .....	230
FIGURE 4-24. HYDROSTATIC DRIVE PUMP INSTALLATION.....	232
FIGURE 4-25. HYDROSTATIC DRIVE PUMP ASSEMBLY .....	234
FIGURE 4-26. IMPLEMENT PUMP INSTALLATION .....	236
FIGURE 4-27. IMPLEMENT PUMP ASSEMBLY.....	238
FIGURE 4-28. DEF COOLANT LINES INSTALLATION (ULS) .....	240
FIGURE 4-29. COOLING PACKAGE INSTALLATION (NO HIGH AMBIENT) .....	242
FIGURE 4-30. COOLING PACKAGE INSTALLATION (HIGH AMBIENT).....	244
FIGURE 4-31. COOLING PACKAGE INSTALLATION (ASOV) .....	246
FIGURE 4-32. RADIATOR - COOLING PACKAGE.....	250
FIGURE 4-33. RADIATOR LINES INSTALLATION (ALL EXCEPT ASOV).....	252
FIGURE 4-34. RADIATOR LINES INSTALLATION (ASOV) .....	254
FIGURE 4-35. COOLANT LINES INSTALLATION .....	256
FIGURE 4-36. SURGE TANK INSTALLATION .....	258
FIGURE 4-37. TRANSMISION OIL COOLER LINES INSTALLATION.....	260
FIGURE 4-38. FAN GUARD INSTALLATION .....	262
FIGURE 4-39. FAN GUARD (REVERSING) INSTALLATION .....	264
FIGURE 4-40. COOLING FAN INSTALLATION .....	266
FIGURE 4-41. COOLING FAN INSTALLATION (HIGH AMBIENT).....	268
FIGURE 4-42. COOLING FAN (REVERSING) INSTALLATION .....	270
FIGURE 4-43. COOLING FAN COVER (REVERSING) INSTALLATION.....	272
FIGURE 4-44. EXHAUST INSTALLATION (LS).....	274
FIGURE 4-45. MUFFLER INSTALLATION (LS).....	276
FIGURE 4-46. EXHAUST INSTALLATION (ULS) .....	278
FIGURE 4-47. DEF TANK INSTALLATION.....	280
FIGURE 4-48. DEF TANK ASSEMBLY (LS) .....	282
FIGURE 4-49. DEF TANK ASSEMBLY (ULS).....	284
FIGURE 4-50. DEF LINES INSTALLATION .....	286
FIGURE 4-51. DEF CONTROL MODULE INSTALLATION.....	288
FIGURE 4-52. HEATER LINES INSTALLATION (ULS) .....	290

# TABLE OF CONTENTS

FIGURE 4-53. HEATER LINES INSTALLATION (LS).....	292
FIGURE 4-54. A/C PUMP INSTALLATION.....	294
FIGURE 4-55. A/C LINES INSTALLATION.....	296
FIGURE 4-56. BLOCK HEATER INSTALLATION (115V) (ULS) .....	298
FIGURE 4-57. BLOCK HEATER INSTALLATION (115V) (LS).....	300
FIGURE 4-58. BLOCK HEATER INSTALLATION (240V) (LS).....	302
FIGURE 4-59. HEATED BREATHER TUBE INSTALLATION.....	304
FIGURE 4-60. QUICK DRAIN OIL VALVE INSTALLATION .....	306
SECTION 5 - RIVE TRAIN.....	309
FIGURE 5-1. DRIVETRAIN INSTALLATION .....	310
FIGURE 5-2. HYDROSTATIC MOTOR INSTALLATION .....	312
FIGURE 5-3. HYDROSTATIC MOTOR ASSEMBLY .....	314
FIGURE 5-4. GEARBOX INSTALLATION .....	316
FIGURE 5-5. GEAR BOX.....	318
FIGURE 5-6. DRIVE SHAFT INSTALLATION .....	322
FIGURE 5-7. FRONT AXLE INSTALLATION.....	324
FIGURE 5-8. FRONT AXLE MOUNTING INSTALLATION .....	326
FIGURE 5-9. FRONT AXLE.....	328
FIGURE 5-10. FRONT AXLE, CENTRAL HOUSING.....	330
FIGURE 5-11. FRONT AXLE, DIFFERENTIAL.....	332
FIGURE 5-12. DIFFERENTIAL KIT.....	334
FIGURE 5-13. FRONT AXLE, HUB REDUCTION .....	336
FIGURE 5-14. FRONT AXLE, BRAKES.....	338
FIGURE 5-15. FRONT AXLE, STEERING.....	340
FIGURE 5-16. FRONT AXLE, TRUNION.....	342
FIGURE 5-17. FRONT AXLE LINES INSTALLATION .....	344
FIGURE 5-18. REAR AXLE INSTALLATION.....	346
FIGURE 5-19. REAR AXLE MOUNTING INSTALLATION.....	348
FIGURE 5-20. REAR AXLE, BRAKES.....	350
FIGURE 5-21. REAR AXLE, STEERING .....	352
FIGURE 5-22. REAR AXLE .....	354
FIGURE 5-23. REAR AXLE, CENTRAL HOUSING .....	356
FIGURE 5-24. REAR AXLE, DIFFERENTIAL .....	358
FIGURE 5-25. DIFFERENTIAL KIT.....	360
FIGURE 5-26. REAR AXLE, HUB REDUCTION.....	362
FIGURE 5-27. TEERING CASE KIT (LF, RR).....	364
FIGURE 5-28. STEERING CASE KIT (RF, LR) .....	366
FIGURE 5-29. REAR AXLE, TRUNION .....	368
FIGURE 5-30. TRUNION KIT.....	370
FIGURE 5-31. RING GEAR SUPPORT KIT.....	372
FIGURE 5-32. REDUCTION BUSHING KIT .....	374
FIGURE 5-33. PLANET GEAR CARRIER KIT.....	376
FIGURE 5-34. REAR AXLE LINES INSTALLATION.....	378
FIGURE 5-35. TIRE/WHEEL SET (AIR 17.5-25 - 20 PLY) .....	380
FIGURE 5-36. TIRE/WHEEL SET (FOAM 17.5-25 - 20 PLY).....	382



# TABLE OF CONTENTS

FIGURE 5-37. TIRE/WHEEL SET (AIR 17.5-25 - 22 PLY).....	384
FIGURE 5-38. TIRE/WHEEL SET (AIR 17.5 R25 - RADIAL) .....	386
FIGURE 5-39. FENDER INSTALLATION.....	388
FIGURE 5-40. RH FENDER ASSEMBLY .....	390
FIGURE 5-41. LH FENDER ASSEMBLY .....	392
SECTION 6 - CAB.....	395
FIGURE 6-1. CAB MOUNTING INSTALLATION.....	396
FIGURE 6-2. FRONT CAB MOUNT BRACKET INSTALLATION.....	398
FIGURE 6-3. CAB MOUNTS INSTALLATION.....	400
FIGURE 6-4. CAB COMPONENTS INSTALLATION.....	402
FIGURE 6-5. CAB INSTALLATION .....	404
FIGURE 6-6. CAB ASSEMBLY .....	406
FIGURE 6-7. DOOR INSTALLATION.....	408
FIGURE 6-8. DOOR ASSEMBLY .....	410
FIGURE 6-9. CAB DOOR.....	412
FIGURE 6-10. DOOR UPPER GLASS ASSEMBLY.....	414
FIGURE 6-11. CAB LATCH ASSEMBLY.....	416
FIGURE 6-12. CAB DOOR TRIGGER ASSEMBLY .....	418
FIGURE 6-13. DOOR STRAP INSTALLATION.....	420
FIGURE 6-14. CAB PLUG GROUP.....	422
FIGURE 6-15. REAR WINDOW INSTALLATION.....	424
FIGURE 6-16. REAR WINDOW GROUP .....	426
FIGURE 6-17. BASIC MIRROR INSTALLATION .....	428
FIGURE 6-18. FRONT COVER INSTALLATION .....	430
FIGURE 6-19. FRONT DUCT COVER.....	432
FIGURE 6-20. FILTER TRAY PANEL .....	434
FIGURE 6-21. FRONT WIPER INSTALLATION.....	436
FIGURE 6-22. LEVEL INDICATOR INSTALLATION.....	438
FIGURE 6-23. REAR WINDOW EXIT DECAL INSTALLATION.....	440
FIGURE 6-24. REAR WIPER INSTALLATION.....	442
FIGURE 6-25. WASHER TANK INSTALLATION .....	444
FIGURE 6-26. WASHER BOTTLE .....	446
FIGURE 6-27. A/C RECEIVER DRIER.....	448
FIGURE 6-28. CONDENSER .....	450
FIGURE 6-29. CAB GUARD INSTALLATION (FRONT).....	452
FIGURE 6-30. CAB GUARD INSTALLATION (TOP AND FRONT).....	454
FIGURE 6-31. CAB GUARD INSTALLATION (TOP).....	456
FIGURE 6-32. CAB TRIM INSTALLATION .....	458
FIGURE 6-33. ADJUSTABLE ARMREST INSTALLTION .....	462
FIGURE 6-34. ARMREST .....	464
FIGURE 6-35. FIXED ARMREST BRACKET .....	466
FIGURE 6-36. MOVING ARMREST BRACKET .....	468
FIGURE 6-37. DASH COVER ASSEMBLY .....	470
FIGURE 6-38. REAR PANEL COVER ASSEMBLY .....	472
FIGURE 6-39. ENCLOSED CAB FRONT COVER INSTALLATION.....	474

# TABLE OF CONTENTS

FIGURE 6-40. FLOOR MAT INSTALLATION .....	476
FIGURE 6-41. HEADLINER INSTALLATION.....	478
FIGURE 6-42. HEADLINER/RADIO READY PACKAGE INSTALLATION.....	480
FIGURE 6-43. HEATER AND A/C INSTALLATION (CAB PARTS).....	482
FIGURE 6-44. CAB CONDENSER ASSEMBLY .....	486
FIGURE 6-45. HEATER AND A/C ASSEMBLY .....	488
FIGURE 6-46. HEATER AND A/C ASSEMBLY .....	490
FIGURE 6-47. HEATER INSTALLATION.....	492
FIGURE 6-48. HEATER ASSEMBLY .....	494
FIGURE 6-49. CAB HEATER ASSEMBLY .....	496
FIGURE 6-50. INTERNAL MIRROR INSTALLATION.....	498
FIGURE 6-51. INTERNAL MIRROR ASSEMBLY .....	500
FIGURE 6-52. MULTIFUNCTION DISPLAY INSTALLATION.....	502
FIGURE 6-53. REAR WINDOW RELEASE INSTALLATION (ANSI - ENGLISH) .....	504
FIGURE 6-54. REAR WINDOW RELEASE INSTALLATION (ENGLISH/FREMCH).....	506
FIGURE 6-55. REAR WINDOW RELEASE INSTALLATION (ISO) .....	508
FIGURE 6-56. RETRACTABLE SUNSCREEN INSTALLATION.....	510
FIGURE 6-57. ROOF CAP INSTALLATION (A/C).....	512
FIGURE 6-58. ROOF CAP INSTALLATION (NO A/C).....	514
FIGURE 6-59. ROOF WIPER INSTALLATION .....	516
FIGURE 6-60. SEAT INSTALLATION (CLOTH) .....	518
FIGURE 6-61. SEAT ASSEMBLY .....	520
FIGURE 6-62. SEAT INSTALLATION (AIR SUSPENSION - STANDARD) .....	522
FIGURE 6-63. SEAT ASSEMBLY (AIR SUSPENSION - STANDARD) .....	524
FIGURE 6-64. UPPER SEAT ASSEMBLY.....	526
FIGURE 6-65. SUSPENSION KIT .....	528
FIGURE 6-66. SEAT INSTALLATION (AIR SUSPENSION - PREMIUM).....	530
FIGURE 6-67. SEAT INSTALLATION (CLOTH) (SEAOP).....	532
FIGURE 6-68. SEAT ASSEMBLY (AIR SUSPENSION - PREMIUM) .....	534
FIGURE 6-69. SEAT BELT INSTALLATION (2IN).....	536
FIGURE 6-70. SEAT BELT INSTALLATION (3IN).....	538
SECTION 7 - CONTROLS.....	541
FIGURE 7-1. ACCELERATOR PEDAL INSTALLATION.....	542
FIGURE 7-2. ACCELERATOR PEDAL .....	544
FIGURE 7-3. BRAKE PEDAL INSTALLATION .....	546
FIGURE 7-4. BRAKE PEDAL ASSEMBLY .....	548
FIGURE 7-5. BRAKE SENSOR INSTALLATION.....	550
FIGURE 7-6. SWITCH PLATE ASSEMBLY .....	552
FIGURE 7-7. PARK BRAKE INSTALLATION .....	554
FIGURE 7-8. TILT STEERING COLUMN INSTALLATION .....	556
FIGURE 7-9. TILT STEERING COLUMN .....	558
FIGURE 7-10. COLUMN SHIFT INSTALLATION (2 SPEED).....	560
FIGURE 7-11. COLUMN SHIFT INSTALLATION (0 SPEED).....	562
FIGURE 7-12. STEERING WHEEL INSTALLATION .....	564
FIGURE 7-13. STEERING WHEEL.....	566

# TABLE OF CONTENTS

FIGURE 7-14. HORN BUTTON INSTALLATION .....	568
FIGURE 7-15. JOYSTICK INSTALLATION (2 SPEED).....	570
FIGURE 7-16. JOYSTICK INSTALLATION.....	572
FIGURE 7-17. WIPER-TURN SWITCH INSTALLATION.....	574
SECTION 8 - HYDRAULIC CIRCUITS.....	577
FIGURE 8-1. MAIN HYDRAULIC INSTALLATION.....	578
FIGURE 8-2. BOOM HYDRAULIC LINES INSTALLATION.....	580
FIGURE 8-3. BOOM HYDRAULIC INSTALLATION.....	582
FIGURE 8-4. BOOM AUX HYDRAULIC INSTALLATION (MANUAL - SINGLE).....	584
FIGURE 8-5. BOOM AUX HYDRAULIC INSTALLATION (MANUAL - TWIN).....	586
FIGURE 8-6. BOOM AUX DIVERTER VALVE/FITINGS ASSEMBLY (MANUAL - TWIN).....	588
FIGURE 8-7. BOOM AUX HYDRAULIC INSTALLATION (HYDRAULIC - SINGLE).....	590
FIGURE 8-8. BOOM AUX DIVERTER VALVE/FITINGS ASSEMBLY (HYDRAULIC - SINGLE).....	592
FIGURE 8-9. BOOM AUX HYDRAULIC INSTALLATION (HYDRAULIC - TWIN).....	594
FIGURE 8-10. BOOM AUX DIVERTER VALVE/FITINGS ASSEMBLY (HYDRAULIC - TWIN).....	596
FIGURE 8-11. BOOM RAISE HOSE INSTALLATION (NO RIDE CONTROL).....	598
FIGURE 8-12. BOOM RAISE COUNTERBALANCE VALVE/FITTINGS ASSEMBLY (NO RIDE CONTROL).....	600
FIGURE 8-13. BOOM RAISE HOSE INSTALLATION (RIDE CONTROL).....	602
FIGURE 8-14. BOOM RAISE RIDE & FLOAT VALVE/FITTING ASSEMBLY (RIDE CONTROL).....	604
FIGURE 8-15. CAB HYDRUALIC INSTALLATION.....	606
FIGURE 8-16. CAB HYDRUALICS CHECK VALVE INSTALLATION.....	608
FIGURE 8-17. CAB HYDRAULICS SOLENOID INSTALLATION.....	610
FIGURE 8-18. CAB HYDRAULICS SOLENOID FITTINGS INSTALLATION.....	612
FIGURE 8-19. CHARGE FILTER LINES INSTALLATION.....	614
FIGURE 8-20. CHARGE FILTER INSTALLATION.....	616
FIGURE 8-21. CHARGE FILTER ASSEMBLY.....	618
FIGURE 8-22. ENGINE BAY HYDRAULIC INSTALLATION.....	620
FIGURE 8-23. ENGINE BAY INCHING VALVE INSTALLATION.....	622
FIGURE 8-24. ENGINE BAY INCHING VALVE/FITINGS ASSEMBLY.....	624
FIGURE 8-25. FRAME HYDRAULIC INSTALLATION.....	626
FIGURE 8-26. FRAME MANIFOLD INSTALLATION.....	628
FIGURE 8-27. FRAME MANIFOLD/FITTINGS ASSEMBLY.....	630
FIGURE 8-28. FRAME LEVEL INSTALLATION.....	632
FIGURE 8-29. FRAME LEVEL CYLINDER INSTALLATION.....	634
FIGURE 8-30. FRAME LEVEL COUNTERBALANCE VALVE/FITTINGS ASSEMBLY.....	636
FIGURE 8-31. FRAME LEVEL CONTROL VALVE INSTALLATION.....	638
FIGURE 8-32. FRAME LEVEL CONTROL VALVE/FITTINGS ASSEMBLY.....	640
FIGURE 8-33. MAIN CONTROL VALVE INSTALLATION.....	642
FIGURE 8-34. MAIN CONTROL VALVE/FITTINGS ASSEMBLY.....	644
FIGURE 8-35. MANUAL PUMP (LIFT/TELE) INSTALLATION - REMOTE CONTROL EMERGENCY LOWERING.....	646
FIGURE 8-36. MANUAL LIFT/TELE VALVE & FITTING ASSEMBLY.....	648
FIGURE 8-37. MANUAL LIFT/TELEVALVE ASSEMBLY.....	650
FIGURE 8-38. PRIORITY VALVE INSTALLATION.....	652
FIGURE 8-39. PRIORITY VALVE/FITTINGS ASSEMBLY.....	654
FIGURE 8-40. REMOTE GREASE INSTALLATION.....	656

# TABLE OF CONTENTS

FIGURE 8-41. SPEED CONTROL VALVE INSTALLATION .....	658
FIGURE 8-42. SPEED CONTROL VALVE/FITTINGS ASSEMBLY .....	660
FIGURE 8-43. STEERING SELECT VALVE INSTALLATION .....	662
FIGURE 8-44. STEERING SELECT VALVE/FITTINGS ASSEMBLY .....	664
SECTION 9 - HYDRAULIC COMPONENTS .....	667
FIGURE 9-1. CYLINDER INSTALLATION - BOOM LIFT & COMPENSATION CYLINDER .....	668
FIGURE 9-2. CYLINDER INSTALLATION - BOOM LIFT.....	670
FIGURE 9-3. CYLINDER ASSEMBLY - BOOM LIFT.....	672
FIGURE 9-4. CYLINDER INSTALLATION - BOOM COMPENSATION .....	674
FIGURE 9-5. CYLINDER ASSEMBLY - BOOM COMPENSATION .....	676
FIGURE 9-6. CYLINDER INSTALLATION - BOOM EXTEND/RETRACT CYLINDER.....	678
FIGURE 9-7. CYLINDER ASSEMBLY - BOOM EXTEND/RETRACT CYLINDER.....	680
FIGURE 9-8. CYLINDER ASSEMBLY - BOOM TILT.....	684
FIGURE 9-9. CYLINDER ASSEMBLY - BUCKET (4 IN 1 BUCKET) .....	686
FIGURE 9-10. CYLINDER ASSEMBLY - BUCKET (GRAPPLE BUCKET).....	688
FIGURE 9-11. CYLINDER ASSEMBLY - CARRIAGE (LOG HANDLER CYLINDER) .....	690
FIGURE 9-12. CYLINDER ASSEMBLY - COUPLER LOCKING.....	692
FIGURE 9-13. CYLINDER ASSEMBLY - FORK POSITIONING.....	694
FIGURE 9-14. CYLINDER INSTALLATION - FORK POSITIONING SIDE SHIFT .....	696
FIGURE 9-15. CYLINDER ASSEMBLY - FRAME LEVEL .....	698
FIGURE 9-16. CYLINDER ASSEMBLY - PIPE HANDLER CARRIAGE (UPPER) .....	700
FIGURE 9-17. CYLINDER ASSEMBLY - PIPE HANDLER CARRIAGE (LOWER).....	702
FIGURE 9-18. MOTOR ASSEMBLY - HYDROSTATIC .....	704
FIGURE 9-19. PUMP ASSEMBLY - HYDROSTATIC .....	706
FIGURE 9-20. PUMP ASSEMBLY - IMPLEMENT .....	708
FIGURE 9-21. VALVE ASSEMBLY - BOOM AUX DIVERTER VALVE (HYDRAULIC - SINGLE & TWIN).....	710
FIGURE 9-22. VALVE ASSEMBLY - BOOM AUX DIVERTER VALVE (MANUAL & HYDRAULIC -TWIN) .....	712
FIGURE 9-23. VALVE ASSEMBLY - BOOM RAISE COUNTERBALANCE VALVE (NO RIDE CONTROL) .....	714
FIGURE 9-24. VALVE ASSEMBLY - BOOM RAISE RIDE & FLOAT VALVE (RIDE CONTROL).....	716
FIGURE 9-25. VALVE ASSEMBLY - BUCKET (5.23 YD <sup>3</sup> /4.0M <sup>3</sup> ) .....	718
FIGURE 9-26. VALVE ASSEMBLY - CAB HYDRAULICS CHECK VALVE .....	720
FIGURE 9-27. VALVE ASSEMBLY - CAB HYDRAULICS SOLENOID VALVE .....	722
FIGURE 9-28. VALVE ASSEMBLY - ENGINE BAY INCHING VALVE .....	724
FIGURE 9-29. VALVE ASSEMBLY - FRAME LEVEL CONTROL .....	726
FIGURE 9-30. VALVE ASSEMBLY - FRAME LEVEL COUNTERBALANCE.....	728
FIGURE 9-31. VALVE ASSEMBLY - MAIN CONTROL .....	730
FIGURE 9-32. VALVE ASSEMBLY - PRIORITY VALVE .....	732
FIGURE 9-33. VALVE ASSEMBLY - RADIATOR HOSE SHUT-OFF VALVE .....	734
FIGURE 9-34. VALVE ASSEMBLY - RADIATOR HOSE ASO VALVE .....	736
FIGURE 9-35. VALVE ASSEMBLY - SPEED CONTROL .....	738
FIGURE 9-36. VALVE ASSEMBLY - STEER.....	740
FIGURE 9-37. VALVE ASSEMBLY - STEERING SELECT VALVE .....	742
SECTION 10 - ELECTRICAL.....	745
FIGURE 10-1. MAIN ELECTRICAL INSTALLATION (ULS).....	746

# TABLE OF CONTENTS

FIGURE 10-2. MAIN ELECTRICAL INSTALLATION (LS).....	748
FIGURE 10-3. MAIN ELECTRICAL INSTALLATION, MINING (ULS) .....	750
FIGURE 10-4. MAIN ELECTRICAL INSTALLATION, MINING (LS).....	752
FIGURE 10-5. ALARM INSTALLATION - BACK UP .....	754
FIGURE 10-6. ALARM INSTALLATION (BACK UP - WHITE NOISE) .....	756
FIGURE 10-7. BATTERY INSTALLATION.....	758
FIGURE 10-8. BATTERY (DUAL) INSTALLATION .....	760
FIGURE 10-9. BATTERY (ARCTIC) PACKAGE INSTALLATION (115V) .....	762
FIGURE 10-10. BATTERY (ARCTIC) PACKAGE INSTALLATION (230V) .....	764
FIGURE 10-11. BATTERIES (ARCTIC) INSTALLATION (115V) .....	766
FIGURE 10-12. BATTERY (ARCTIC) INSTALLATION (230V).....	768
FIGURE 10-13. BOOM HARNESS INSTALLATION .....	770
FIGURE 10-14. BOOM HARNESS.....	772
FIGURE 10-15. BOOM HARNESS INSTALLATION .....	774
FIGURE 10-16. BOOM HARNESS.....	776
FIGURE 10-17. BOOM ANGLE SENSOR INSTALLATION (NO LMIS) .....	778
FIGURE 10-18. BOOM AUX HARNESS INSTALLATION .....	780
FIGURE 10-19. BOOM AUX HARNESS .....	782
FIGURE 10-20. BOOM RETRACT SENSOR INSTALLATION.....	784
FIGURE 10-21. BOOM RETRACT PROXIMITY SENSOR HARNESS .....	786
FIGURE 10-22. CAB ELECTRICAL INSTALLATION .....	788
FIGURE 10-23. CAB HARNESS .....	790
FIGURE 10-24. CAB - STANDARD ELECTRICAL BOARD ASSEMBLY.....	798
FIGURE 10-25. CAB - OPTION 1 ELECTRICAL BOARD ASSEMBLY.....	800
FIGURE 10-26. CAB - OPTION 2 ELECTRICAL BOARD ASSEMBLY.....	802
FIGURE 10-27. CAB OPTION HARNESS.....	804
FIGURE 10-28. CAB - A/C OPTION HARNESS .....	806
FIGURE 10-29. CAB - DASH ELECTRICAL INSTALLATION (1644).....	808
FIGURE 10-30. CAB - DASH ELECTRICAL INSTALLATION (7013) (ULS) .....	810
FIGURE 10-31. CAB - DASH ELECTRICAL INSTALLATION (7013) (LS).....	812
FIGURE 10-32. CAB - IGNITION SWITCH HARNESS .....	814
FIGURE 10-33. CAB - LIGHT SWITCH INSTALLATION .....	816
FIGURE 10-34. CAB - SEAT ADAPTOR HARNESS.....	818
FIGURE 10-35. CAB - EXTERNAL EMERGENCY STOP INSTALLATION .....	820
FIGURE 10-36. CAB SEAT BELT ALARM HARNESS.....	822
FIGURE 10-37. CLEARSKY INSTALLATION .....	824
FIGURE 10-38. CLEARSKY HARNESS.....	826
FIGURE 10-39. ENGINE - ENGINE BAY ELECTRICAL INSTALLATION (ULS) .....	828
FIGURE 10-40. ENGINE - ENGINE BAY ELECTRICAL INSTALLATION (LS).....	830
FIGURE 10-41. ENGINE - ENGINE POD ELECTRICAL INSTALLATION (ULS).....	832
FIGURE 10-42. ENGINE - ENGINE POD ELECTRICAL INSTALLATION (LS) .....	834
FIGURE 10-43. ENGINE - DEF PURGE LIGHT HARNESS .....	836
FIGURE 10-44. ENGINE - FAN (REVERSE COOLING) INSTALLATION.....	838
FIGURE 10-45. ENGINE - FAN (REVERSE COOLING) HARNESS.....	840
FIGURE 10-46. ENGINE WIRING INSTALLATION (ULS) .....	842

# TABLE OF CONTENTS

FIGURE 10-47. ENGINE WIRING INSTALLATION (LS) .....	844
FIGURE 10-48. ENGINE WIRING INSTALLATION (MINING) (ULS).....	846
FIGURE 10-49. ENGINE WIRING INSTALLATION (MINING) (LS) .....	848
FIGURE 10-50. ENGINE HARNESS.....	850
FIGURE 10-51. ENGINE HARNESS (MINING) .....	854
FIGURE 10-52. ENGINE - FUEL PUMP HARNESS .....	858
FIGURE 10-53. ENGINE - FUEL PUMP HARNESS (MINING) (ULS) .....	860
FIGURE 10-54. ENGINE - GLOW PLUG RELAY HARNESS .....	862
FIGURE 10-55. ENGINE - GLOW PLUG RELAY HARNESS (MINING) (ULS) .....	864
FIGURE 10-56. ENGINE ECU INSTALLATION.....	866
FIGURE 10-57. ENGINE - AIR SHUTOFF VALVE HARNESS .....	868
FIGURE 10-58. ENGINE - AIR SHUT OFF VALVE HARNESS (ENGINE) .....	870
FIGURE 10-59. FRAME ELECTRICAL INSTALLATION.....	874
FIGURE 10-60. FRAME - POWER DISTRIBUTION ELECTRICAL BOX.....	876
FIGURE 10-61. FRAME - REAR FRAME MODULE INSTALLATION.....	878
FIGURE 10-62. FRAME WIRING INSTALLATION .....	880
FIGURE 10-63. FRAME WIRING INSTALLATION, MINING (ULS) .....	882
FIGURE 10-64. FRAME - FRONT FRAME HARNESS.....	884
FIGURE 10-65. FRAME - FRONT FRAME HARNESS, MINING .....	890
FIGURE 10-66. FRAME - REAR FRAME HARNESS .....	896
FIGURE 10-67. FRAME - REAR FRAME HARNESS, MINING .....	900
FIGURE 10-68. HVAC ACTUATOR HARNESS.....	904
FIGURE 10-69. LICENSE LIGHT HARNESS .....	906
FIGURE 10-70. LIGHTS - BOOM WORK LIGHTS (LED) .....	908
FIGURE 10-71. LIGHTS - BOOM WORK LIGHT INSTALLATION (LED) .....	910
FIGURE 10-72. LIGHTS - BOOM WORKLIGHTS HARNESS .....	912
FIGURE 10-73. LIGHTS - CAB WORKLIGHTS INSTALLATION (NO A/C - LED).....	914
FIGURE 10-74. LIGHTS - CAB WORKLIGHTS INSTALLATION (A/C - LED) .....	916
FIGURE 10-75. LIGHTS - DRIVING LIGHT INSTALLATION (RH DIP) .....	918
FIGURE 10-76. LIGHTS - DRIVING LIGHT BRACKET ASSEMBLY (RH DIP) .....	920
FIGURE 10-77. LIGHTS - DRIVING HEADLIGHT HARNESS.....	922
FIGURE 10-78. LIGHTS - DRIVING LIGHT INSTALLATION (LED) (RH DIP) (1644).....	924
FIGURE 10-79. LIGHTS - DRIVING LIGHT INSTALLATION (LED) (LH DIP) (7013) .....	926
FIGURE 10-80. LIGHTS - LICENSE PLATE LIGHT INSTALLATION (7013).....	928
FIGURE 10-81. LMIS CONTROL PACKAGE INSTALLATION .....	930
FIGURE 10-82. LMIS TILT SENSOR INSTALLATION .....	932
FIGURE 10-83. LMIS - PLATFORM READY HARNESS .....	934
FIGURE 10-84. LMIS WIRING INSTALLATION .....	936
FIGURE 10-85. LMIS CHASSIS OPTION HARNESS.....	938
FIGURE 10-86. LMIS BOOM HARNESS .....	942
FIGURE 10-87. LMIS CONTROLLER INSTALLATION .....	944
FIGURE 10-88. LMIS CABLE REEL INSTALLATION.....	946
FIGURE 10-89. LMIS INSTALLATION (HIGH END DISPLAY).....	948
FIGURE 10-90. LMIS BOOM ANGLE SENSOR INSTALLATION.....	950
FIGURE 10-91. LMIS BEACON LIGHT INSTALLATION .....	952

# TABLE OF CONTENTS

FIGURE 10-92. LMIS BEACON OPTION HARNESS.....	954
FIGURE 10-93. LSI INSTALLATION .....	956
FIGURE 10-94. LSI DISPLAY INSTALLATION .....	958
FIGURE 10-95. LSI SENSOR INSTALLATION .....	960
FIGURE 10-96. RALP PLATFORM HARNESS.....	962
FIGURE 10-97. REMOTE CONTROL (BOOM).....	964
FIGURE 10-98. REMOTE CONTROL EMERGENCY STOP SWITCH INSTALLATION.....	966
FIGURE 10-99. REMOTE CONTROL KEY HARNESS.....	968
FIGURE 10-100. REMOTE CONTROL POWER HARNESS .....	970
FIGURE 10-101. REMOTE CONTROL EMERGENCY LOWERING HARNESS .....	972
FIGURE 10-102. REVERSE CAMERA INSTALLATION .....	974
FIGURE 10-103. MULTI VIEW CAMERA INSTALLATION .....	976
FIGURE 10-104. REVERSE SENSOR INSTALLATION .....	978
FIGURE 10-105. REVERSE SENSOR HARNESS.....	980
FIGURE 10-106. RIDE CONTROL WIRING INSTALLATION .....	982
FIGURE 10-107. RIDE CONTROL HARNESS (BOOM) .....	984
FIGURE 10-108. SPEED HARNESS (VEHICLE SPEED).....	986
FIGURE 10-109. TANK HEATER INSTALLATION - HYDRAULIC TANK (115V) .....	988
FIGURE 10-110. TANK HEATER INSTALLATION - HYDRAULIC TANK (230V) .....	990
FIGURE 10-111. TELEMATICS GATEWAY INSTALLATION .....	992
FIGURE 10-112. TELEMATICS GATEWAY PLUS .....	994
FIGURE 10-113. TELEMATICS GATEWAY HARNESS .....	996
FIGURE 10-114. TELEMATICS READY INSTALLATION.....	998
FIGURE 10-115. TELEMATICS READY HARNESS.....	1000
SECTION 11 - DECALS.....	1003
FIGURE 11-1. DECAL INSTALLATION (1644) .....	1004
FIGURE 11-2. DECAL INSTALLATION (7013) .....	1006
FIGURE 11-3. DECAL INSTALLATION (ENGLISH).....	1008
FIGURE 11-4. DECAL INSTALLATION (ENGLISH/FRENCH).....	1012
FIGURE 11-5. DECAL INSTALLATION (ISO) (ULS).....	1016
FIGURE 11-6. DECAL INSTALLATION (ISO) (LS) .....	1020
FIGURE 11-7. DECAL INSTALLATION (AUSTRALIAN).....	1024
FIGURE 11-8. DECAL INSTALLATION (RUSSIAN CIS) .....	1028
FIGURE 11-9. CAPACITY LOADCHARTS (1644) .....	1032
FIGURE 11-10. CAPACITY LOADCHARTS (7013) .....	1034
FIGURE 11-11. CAPACITY LOADCHARTS - REMOTE BOOM CHART (1644).....	1036
FIGURE 11-12. CAPACITY LOADCHARTS - REMOTE BOOM CHART (7013).....	1038
FIGURE 11-13. CAPACITY CHART HOLDER INSTALLATION .....	1040
FIGURE 11-14. CLEARSKY DECAL INSTALLATION.....	1042
FIGURE 11-15. REVERSE SENSOR SYSTEM DECAL (ENGLISH) .....	1044
FIGURE 11-16. REVERSE SENSING SYSTEM DECAL (ENGLISH/FRENCH) .....	1046
FIGURE 11-17. REVERSE SENSOR SYSTEM DECAL (ISO).....	1048
SECTION 12 - RECOMMENDED SERVICE PARTS STOCK .....	1051
FIGURE 12-1. RECOMMENDED SERVICE PARTS STOCK .....	1052

# TABLE OF CONTENTS

SECTION 13 - SPECIAL OPTIONS/ACCESSORIES/KITS.....	1055
FIGURE 13-1. SPECIAL OPTIONS/ACCESSORIES/KITS.....	1056
PART NUMBER INDEX.....	1059

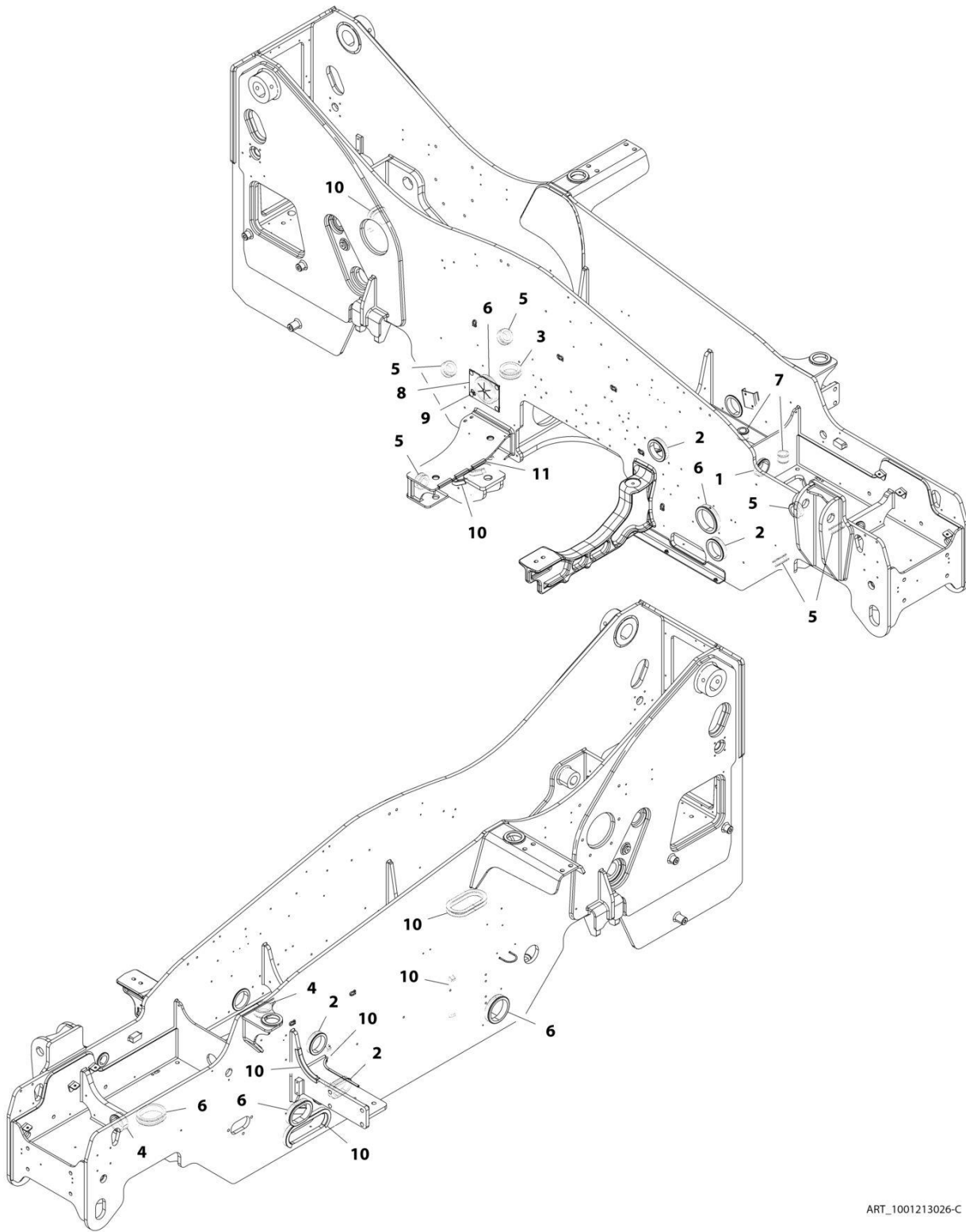


# SECTION 1 - FRAME AND ATTACHING PARTS

## SECTION 1 - FRAME AND ATTACHING PARTS

# SECTION 1 - FRAME AND ATTACHING PARTS

## FIGURE 1-1. GROMMETS INSTALLATION



ART\_1001213026-C

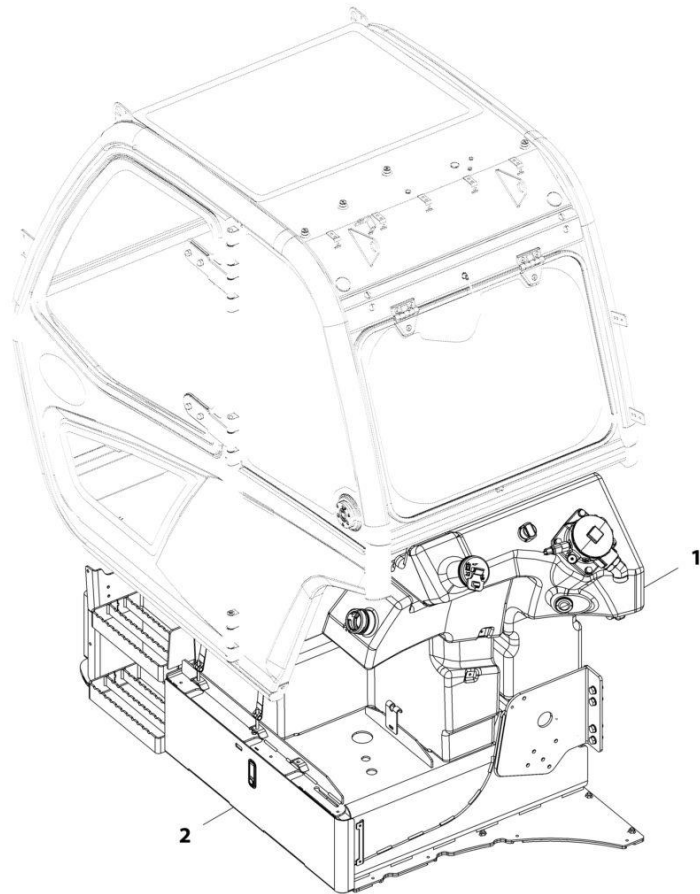
# SECTION 1 - FRAME AND ATTACHING PARTS

## FIGURE 1-1. GROMMETS INSTALLATION

ITEM	PART NUMBER	QTY	DESCRIPTION	REV
	1001213026	Ref	Grommets Installation	C
1	1001009018	1	Grommet	
2	1001028264	4	Grommet	
3	1001028291	1	Grommet	
4	1001028306	2	Grommet	
5	1001028308	6	Grommet	
6	1001028377	5	Grommet	
7	1001028400	2	Grommet	
8	1001175347	1	Grommet	
9	1001180306	4	Screw	
10	4060919	2030 mm	Trim,Hose Protection	
11	90206202	270 mm	Trim Lock	

# SECTION 1 - FRAME AND ATTACHING PARTS

## FIGURE 1-2. TANKS INSTALLATION



ART\_1001185927-C

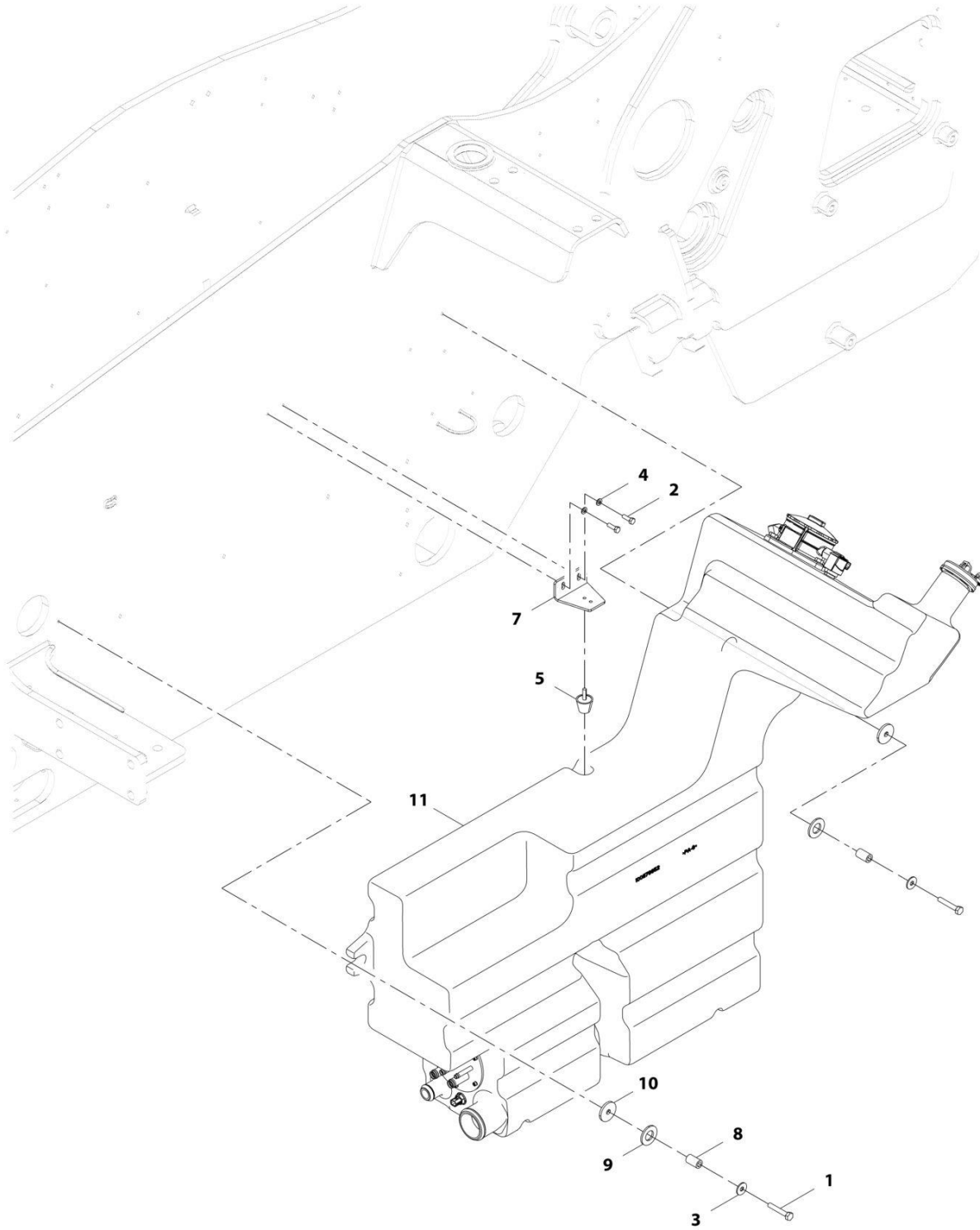
# SECTION 1 - FRAME AND ATTACHING PARTS

## FIGURE 1-2. TANKS INSTALLATION

ITEM	PART NUMBER	QTY	DESCRIPTION	REV
1	1001185927	Ref	Tank Installation	C
	1001179850	Ref	Installation, Hydraulic Tank (See Separate Breakdown in this Section)	
2	1001185929	Ref	Installation, Fuel Tank (See Separate Breakdown in this Section)	

# SECTION 1 - FRAME AND ATTACHING PARTS

## FIGURE 1-3. HYDRAULIC TANK INSTALLATION



ART\_1001179850-C

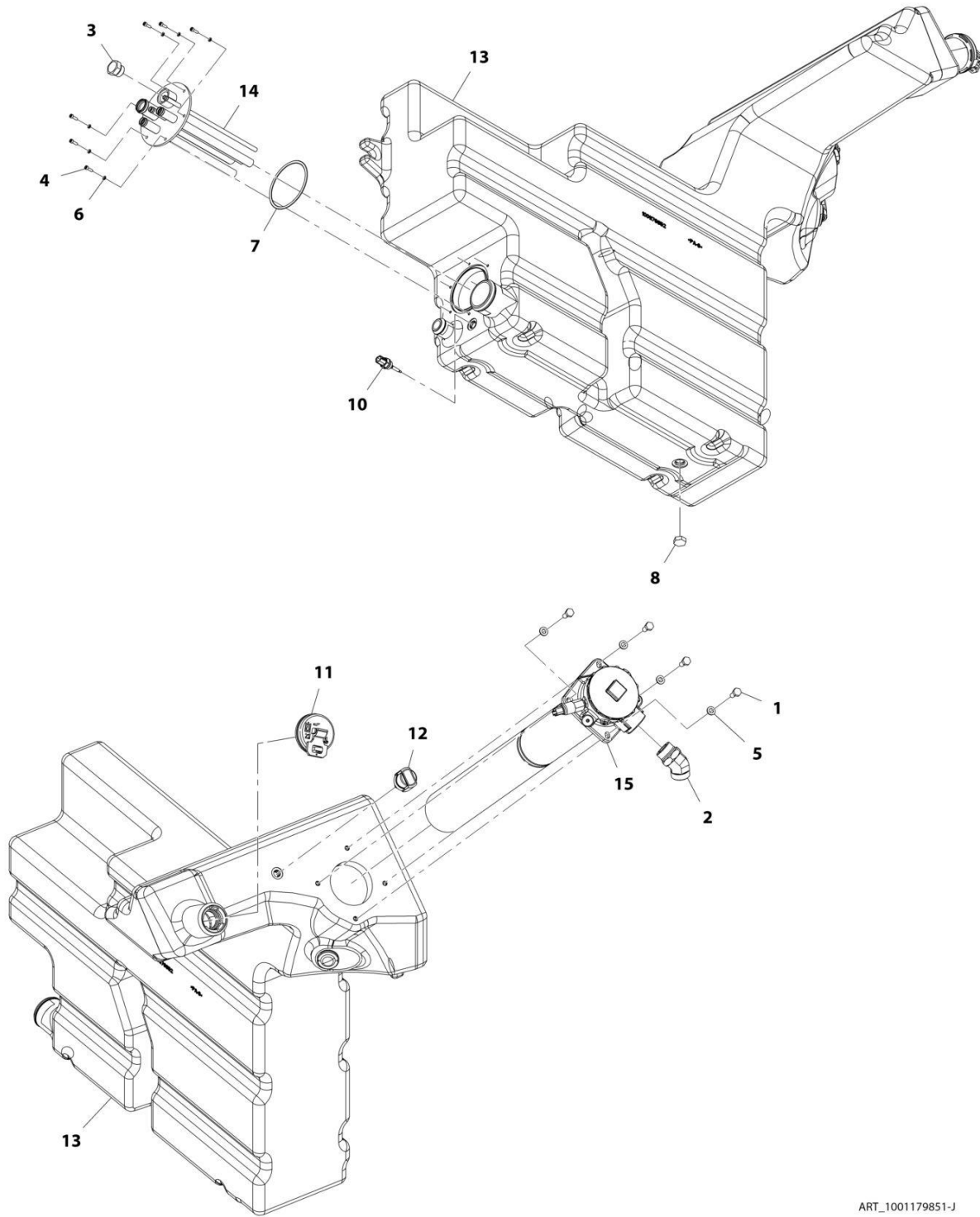
# SECTION 1 - FRAME AND ATTACHING PARTS

## FIGURE 1-3. HYDRAULIC TANK INSTALLATION

ITEM	PART NUMBER	QTY	DESCRIPTION	REV
	1001179850	Ref	Hydraulic Tank Installation	C
1	0701020	2	Bolt, M10X60	
2	0760812	2	Bolt, M8X25	
3	4812002	2	Washer, M10	
4	4811900	2	Washer, M8	
5	1001008575	1	Bumper, Conical	
7	1001177082	1	Bracket	
8	1001171179	2	Spacer	
9	1001172146	2	Washer, Rubber	
10	1001172147	2	Washer, M10	
11	1001179851	1	Assembly, Hydraulic Tank (See Separate Breakdown in this Section)	

# SECTION 1 - FRAME AND ATTACHING PARTS

## FIGURE 1-4. HYDRAULIC TANK ASSEMBLY



ART\_1001179851-J



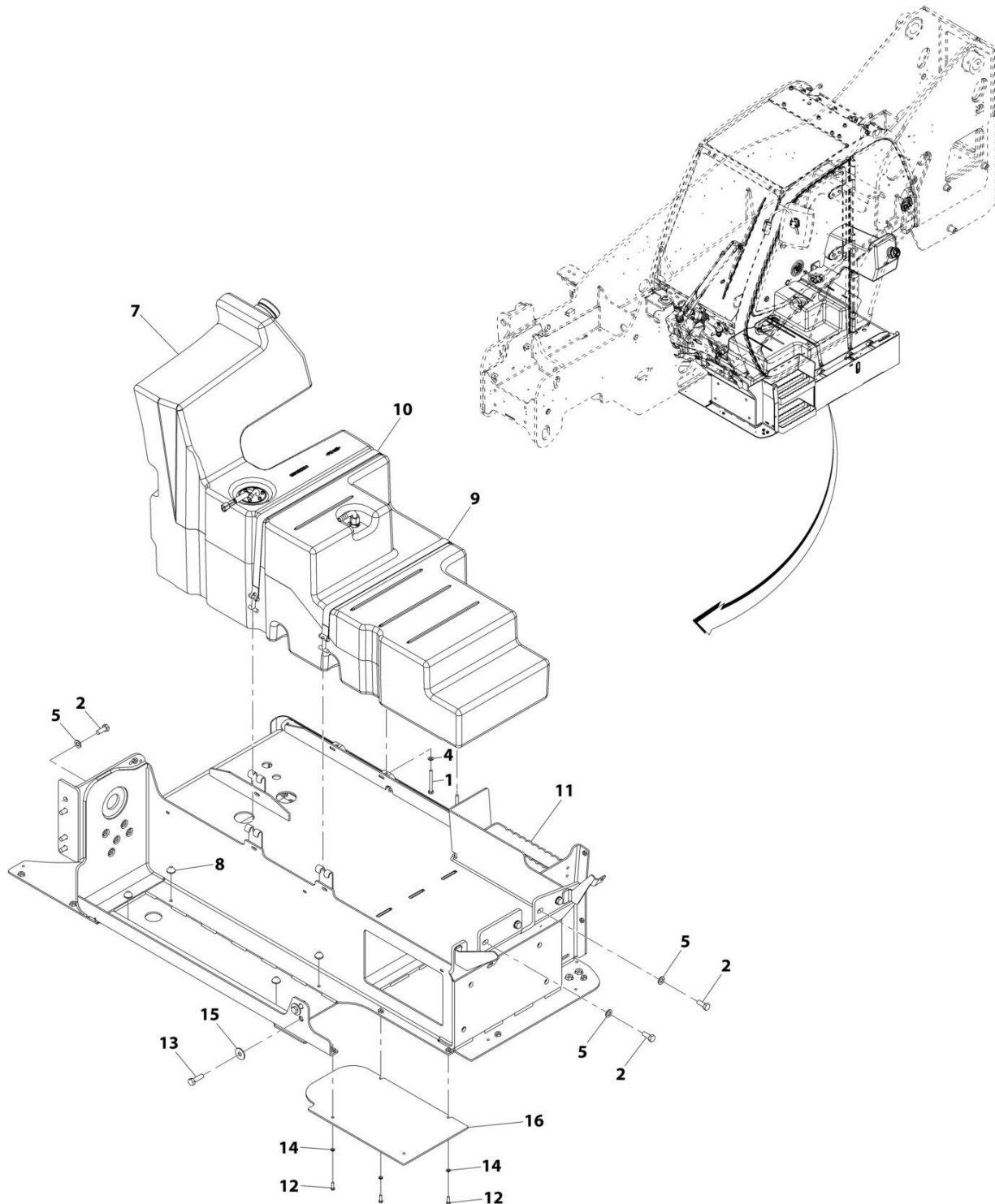
# SECTION 1 - FRAME AND ATTACHING PARTS

## FIGURE 1-4. HYDRAULIC TANK ASSEMBLY

ITEM	PART NUMBER	QTY	DESCRIPTION	REV
	1001179851	Ref	Hydraulic Tank Assembly	J
1	0761012	4	Bolt, M10X25	
2	2152020	1	Fitting, 45 ORFS	
3	2220240	1	Fitting, Straight	
4	4031607	6	Bolt, M5-.8X16	
5	4812000	4	Washer, M10	
6	4831600	6	Washer, Lock M5	
7	1001003301	1	Seal O-Ring	
8	2220239	1	Plug	
10	1001128478	1	Sensor	
11	1001194981	1	Cap, Hydraulic	
12	1001162662	1	Filter, Breather	
13	1001179852	1	Tank, Hydraulic	
14	1001191157	1	Manifold, Hydraulic Return	
15	1001191163	1	Filter	
15	1001191685	1	Element, Filter	

# SECTION 1 - FRAME AND ATTACHING PARTS

## FIGURE 1-5. FUEL TANK INSTALLATION



ART\_1001185929-G

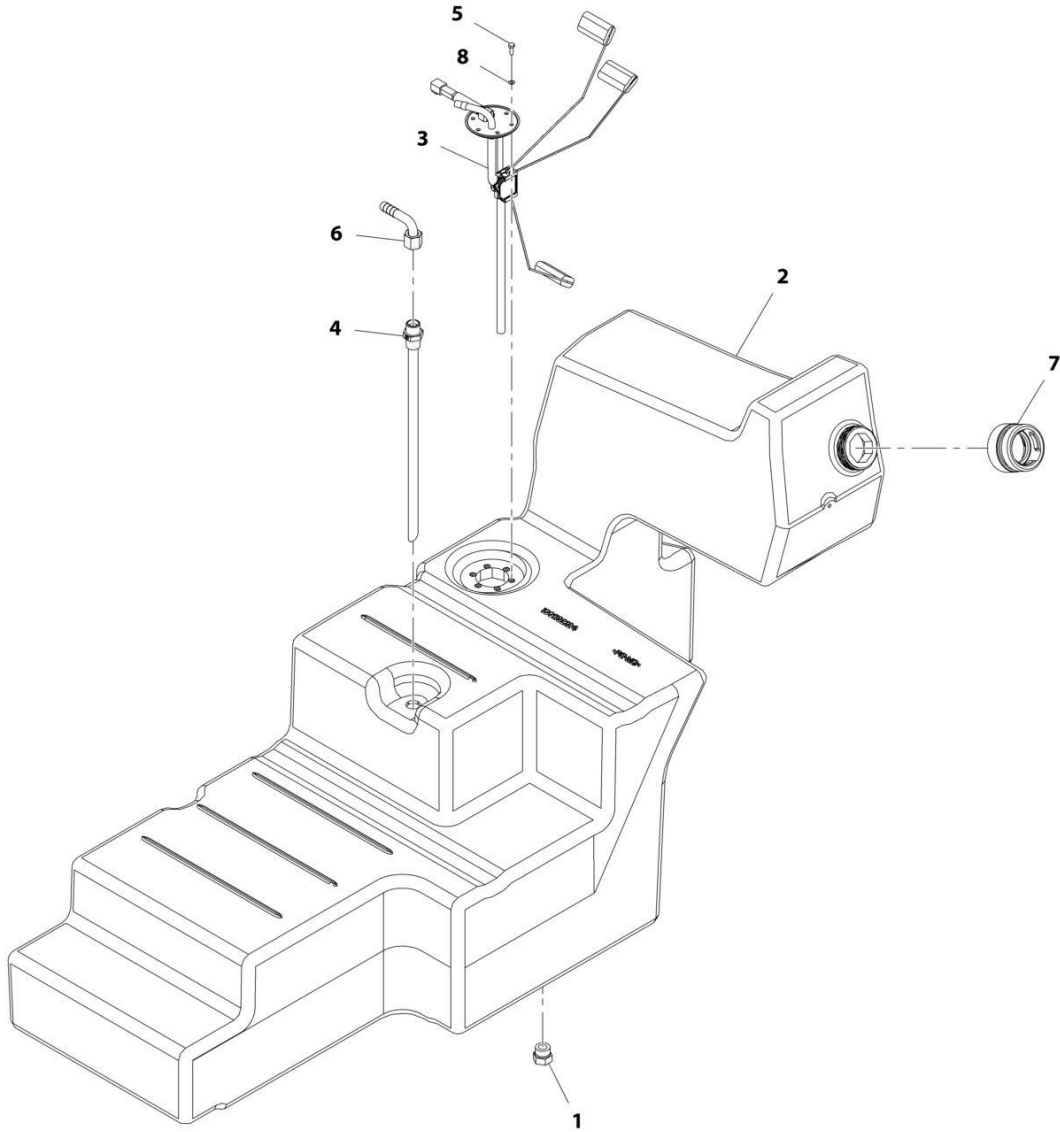
# SECTION 1 - FRAME AND ATTACHING PARTS

## FIGURE 1-5. FUEL TANK INSTALLATION

ITEM	PART NUMBER	QTY	DESCRIPTION	REV
	1001185929	Ref	Fuel Tank Installation	G
1	0760823	2	Bolt, M8X75	
2	0761214	8	Bolt, M12X30	
4	4811900	2	Washer, M8	
5	4812100	8	Washer, M12	
7	1001192125	1	Assembly, Fuel Tank (See Separate Breakdown in this Section)	
8	1001169454	4	Buffer	
9	1001178474	1	Strap	
10	1001178693	1	Strap	
11	1001185930	1	Installation, Tank Support (See Separate Breakdown in this Section)	
12	0700610	3	Bolt, M6X20	
13	0701216	2	Bolt, M12X40	
14	4811700	3	Washer, M6	
15	4812102	2	Washer, M12	
16	1001197480	1	Plate	

# SECTION 1 - FRAME AND ATTACHING PARTS

## FIGURE 1-6. FUEL TANK ASSEMBLY



ART\_1001192125-C

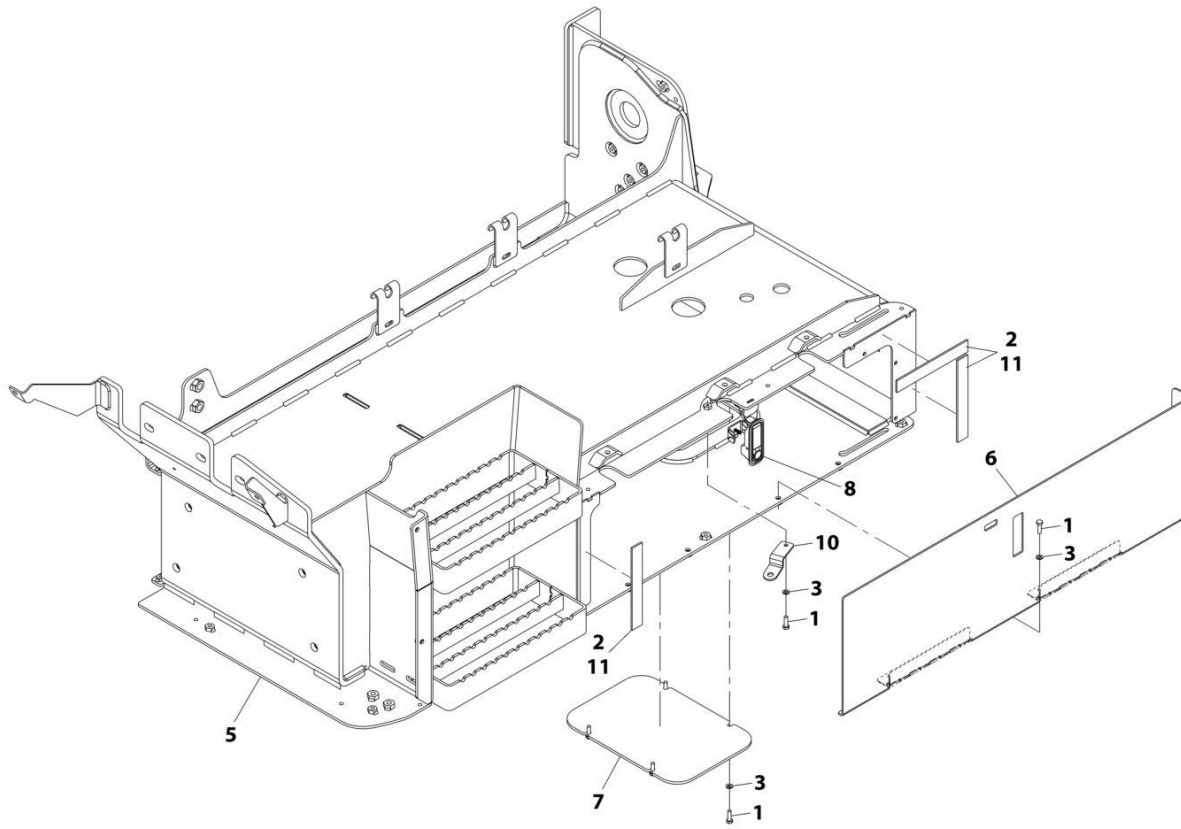
# SECTION 1 - FRAME AND ATTACHING PARTS

## FIGURE 1-6. FUEL TANK ASSEMBLY

ITEM	PART NUMBER	QTY	DESCRIPTION	REV
	1001192125	Ref	FUEL TANK ASSEMBLY	C
1	1001003427	1	Plug	
2	1001192124	1	Tank, Fuel	
3	1001222188	1	Pump, Fuel	
4	1001170106	1	Pipe, Fuel Supply	
5	4031607	6	Bolt, M5X16	
6	1001172693	1	Fitting, 90	
7	1001192392	1	Adapter	
8	1001222190	6	Washer	

# SECTION 1 - FRAME AND ATTACHING PARTS

## FIGURE 1-7. TANK SUPPORT INSTALLATION



ART\_1001185930-K

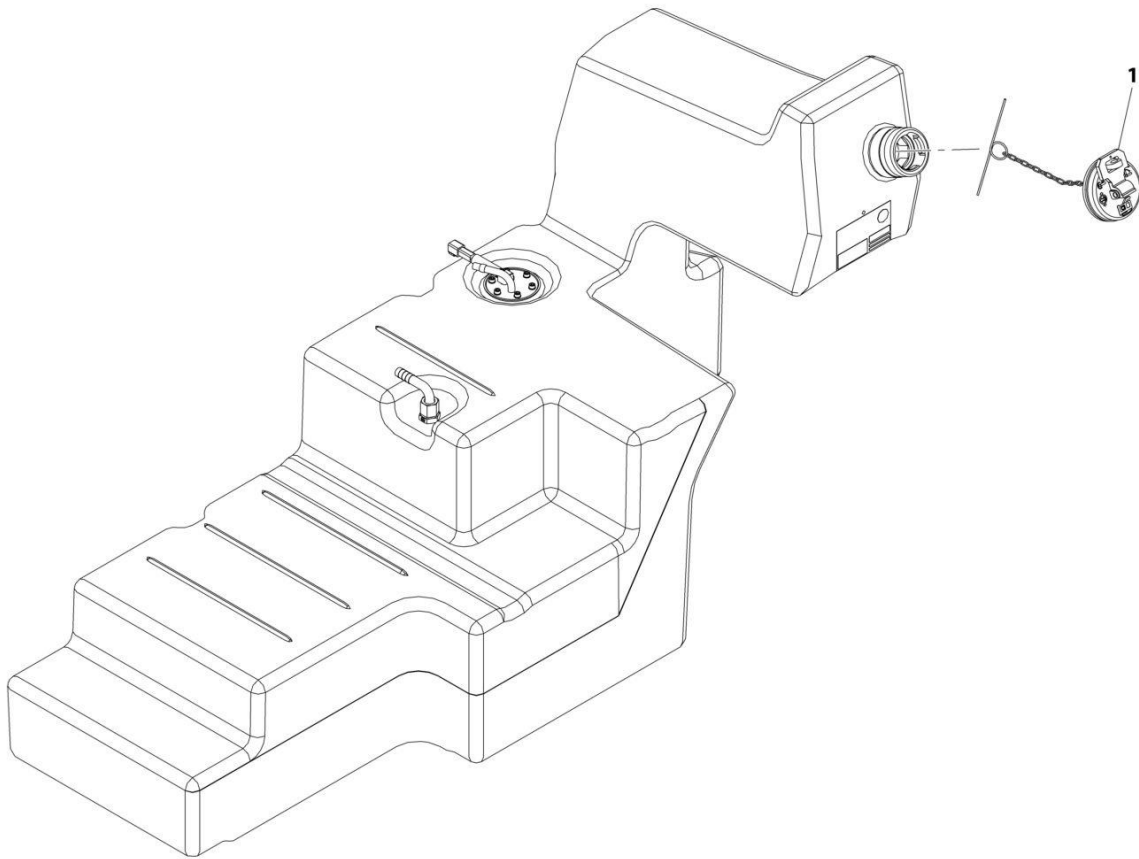
# SECTION 1 - FRAME AND ATTACHING PARTS

## FIGURE 1-7. TANK SUPPORT INSTALLATION

ITEM	PART NUMBER	QTY	DESCRIPTION	REV
	1001185930	Ref	Tank Support Installation	K
1	0700610	9	Bolt, M6X20	
2	4280307	3	Strip	
3	4811700	9	Washer, M6	
5	1001185931	1	Plate, Support	
6	1001185933	1	Cover	
7	1001185935	1	Cover	
8	1001189246	1	Latch, Locking	
10	1001197481	1	Plate	
11	0100081	AR	Compound, Locking	

# SECTION 1 - FRAME AND ATTACHING PARTS

## FIGURE 1-8. LOCKING FUEL CAP



ART\_1001194980



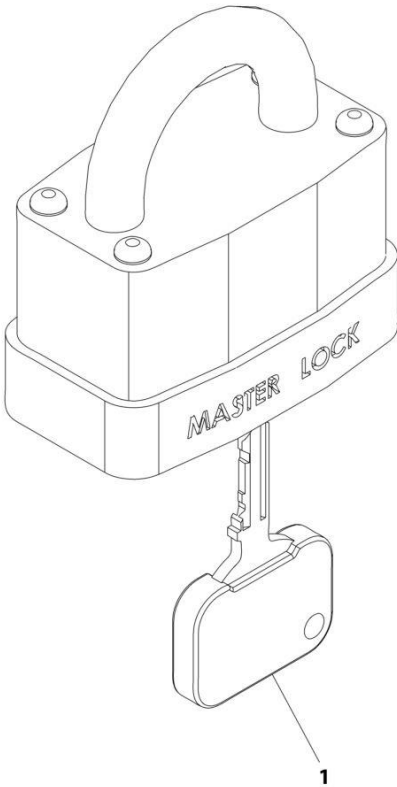
# SECTION 1 - FRAME AND ATTACHING PARTS

## FIGURE 1-8. LOCKING FUEL CAP

ITEM	PART NUMBER	QTY	DESCRIPTION	REV
1	1001194980	Ref	Locking Fuel Cap	A

**SECTION 1 - FRAME AND ATTACHING PARTS**

**FIGURE 1-9. PAD LOCK**



ART\_1001102157-A

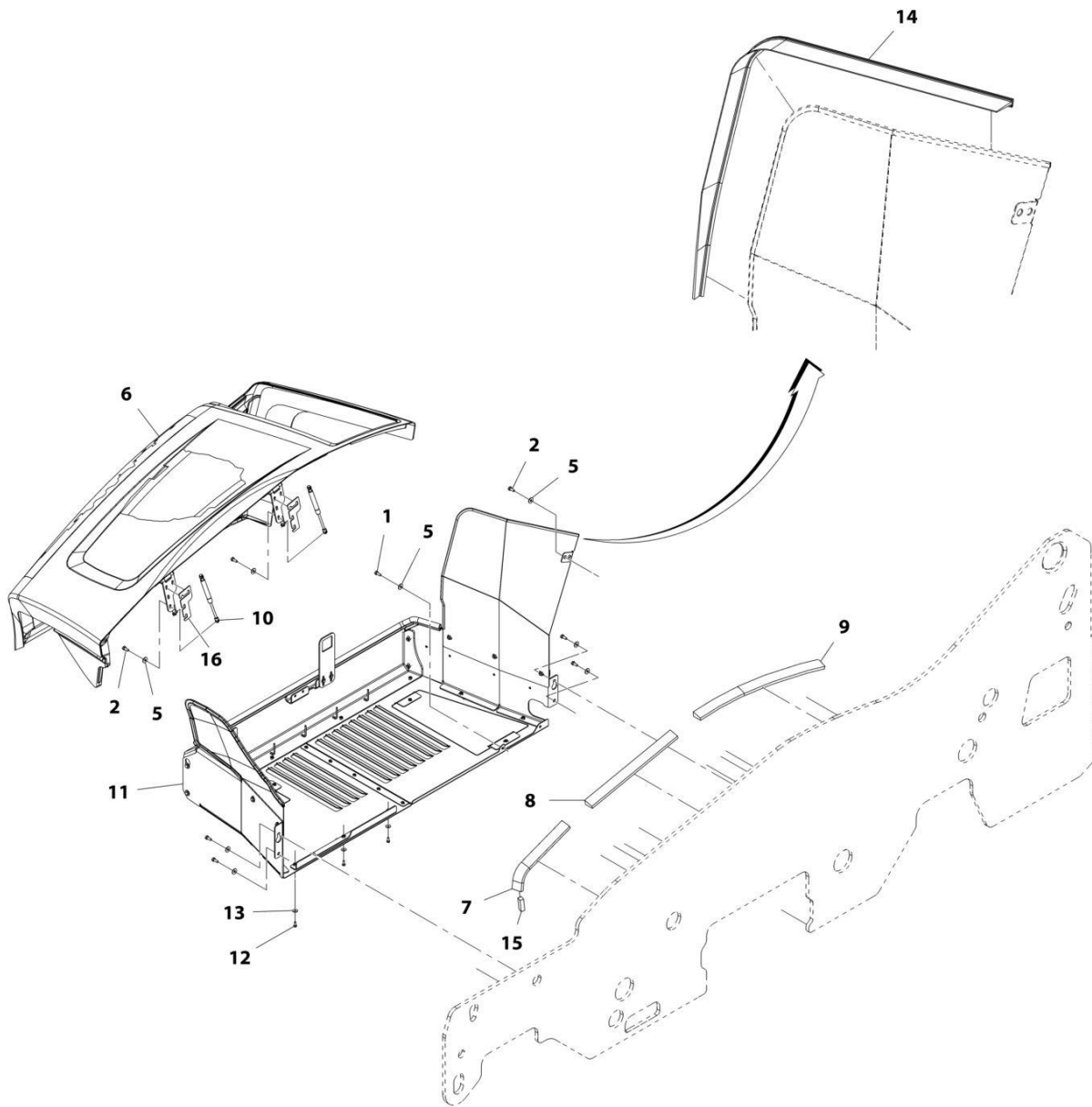
# SECTION 1 - FRAME AND ATTACHING PARTS

## FIGURE 1-9. PAD LOCK

ITEM	PART NUMBER	QTY	DESCRIPTION	REV
1	1001102157 8342813	Ref 1	Pad Lock Key	A

# SECTION 1 - FRAME AND ATTACHING PARTS

FIGURE 1-10. ENGINE ENCLOSURE & HOOD INSTALLATION (1644)



ART\_1001192320-J

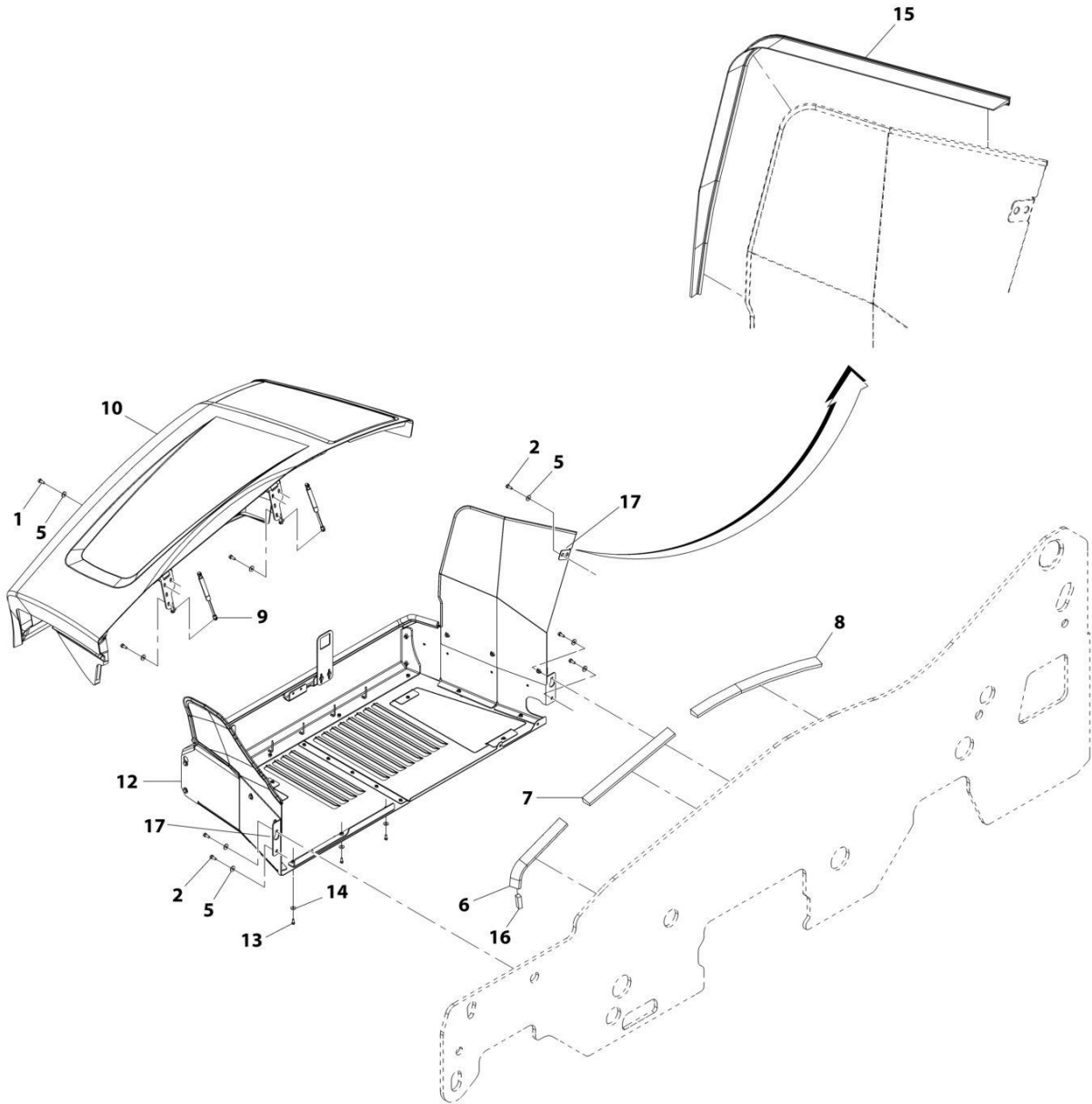
## SECTION 1 - FRAME AND ATTACHING PARTS

**FIGURE 1-10. ENGINE ENCLOSURE & HOOD INSTALLATION (1644)**

ITEM	PART NUMBER	QTY	DESCRIPTION	REV
	1001192320	Ref	Engine Enclosure Installation	J
1	0761010	1	Bolt, M10X20	
2	0761012	11	Bolt, M10X25	
5	4812002	12	Washer, M10	
6	1001235963	1	Assembly, Hood (See Separate Breakdown in this Section)	
7	1001203932	1	Seal	
8	1001203933	1	Seal	
9	1001203934	1	Seal	
10	1001171885	2	Spring, Gas	
11	1001192622	1	Assembly, Engine Enclosure (See Separate Breakdown in this Section)	
12	0760810	3	Bolt, M8X20	
13	4811902	3	Washer, M8	
14	1001197339	1	Seal	
15	1001229609	1	Seal, Foam Gasket	
16	1001241836	AR	Shim	

# SECTION 1 - FRAME AND ATTACHING PARTS

## FIGURE 1-11. ENGINE ENCLOSURE & HOOD INSTALLATION (7013)



ART\_1001192318-K

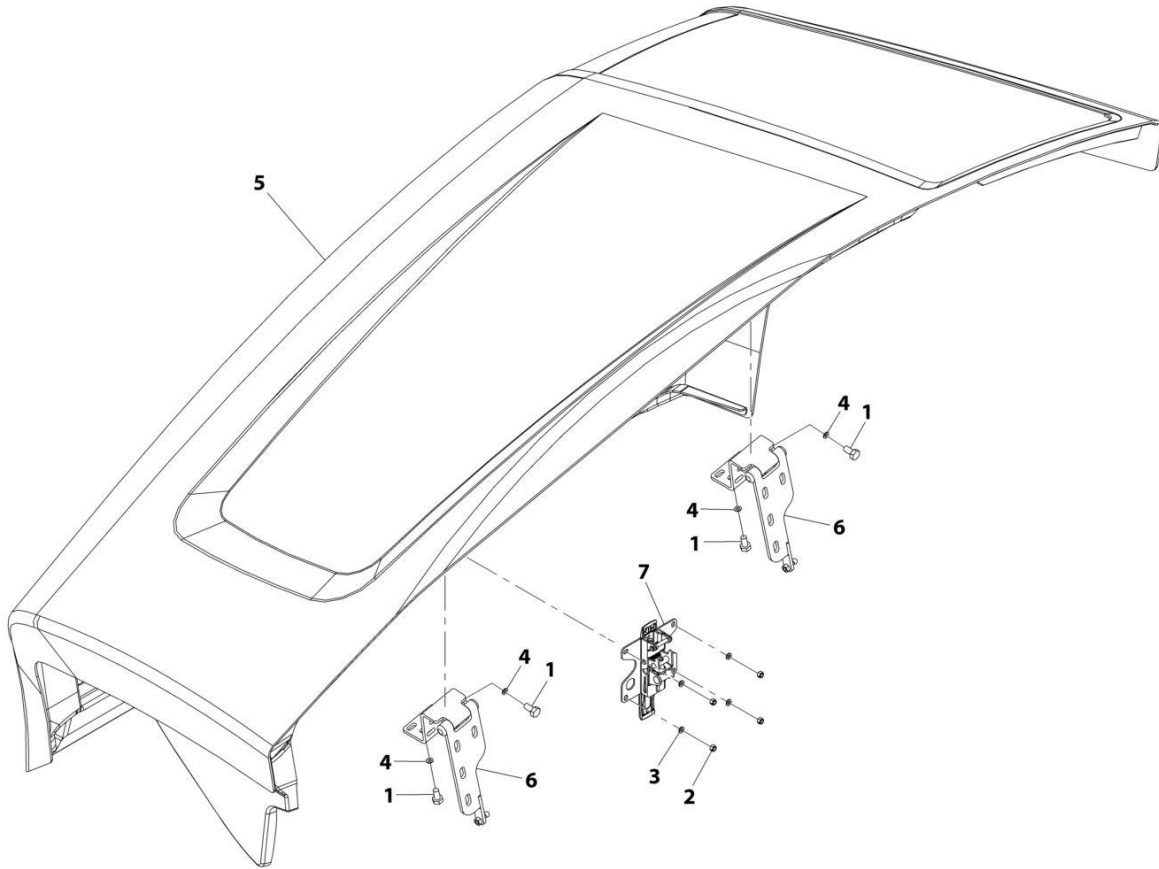
## SECTION 1 - FRAME AND ATTACHING PARTS

**FIGURE 1-11. ENGINE ENCLOSURE & HOOD INSTALLATION (7013)**

ITEM	PART NUMBER	QTY	DESCRIPTION	REV
	1001192318	Ref	Engine Enclosure Installation	K
1	0761010	1	Bolt, M10X20	
2	0761012	11	Bolt, M10X25	
5	4812002	12	Washer, M10	
6	1001203932	1	Seal	
7	1001203933	1	Seal	
8	1001203934	1	Seal	
9	1001171885	2	Spring, Gas	
10	1001235965	1	Assembly, Engine Hood (See Separate Breakdown in this Section)	
12	1001192622	1	Assembly, Engine Enclosure (See Separate Breakdown in this Section)	
13	0760810	3	Bolt, M8X20	
14	4811902	3	Washer, M8	
15	1001197339	1	Seal	
16	1001229609	1	Seal, Foam Gasket	
17	1001241836	AR	Shim	

# SECTION 1 - FRAME AND ATTACHING PARTS

FIGURE 1-12. ENGINE HOOD ASSEMBLY (1644)



ART\_1001235963-B



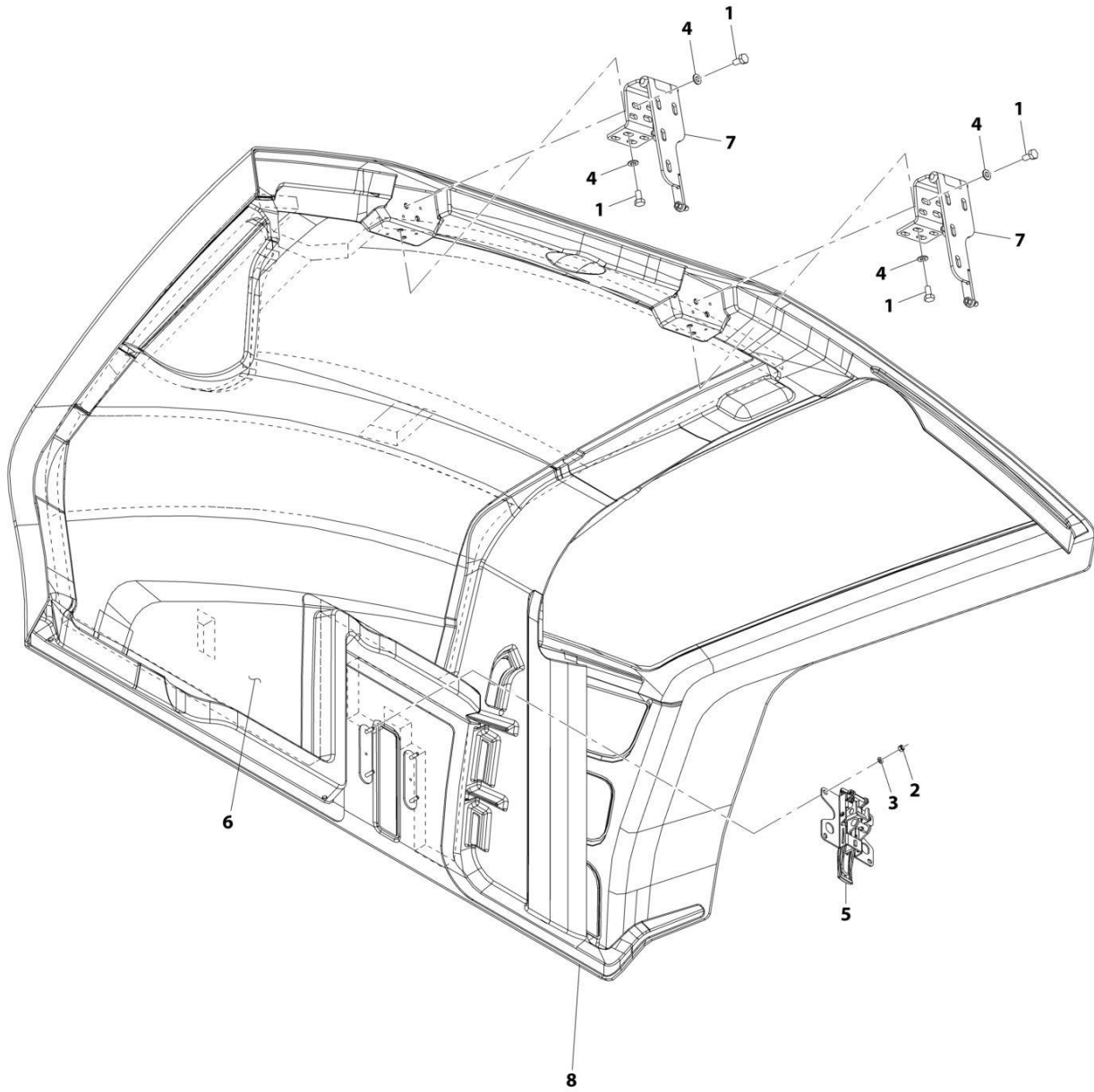
# SECTION 1 - FRAME AND ATTACHING PARTS

## FIGURE 1-12. ENGINE HOOD ASSEMBLY (1644)

ITEM	PART NUMBER	QTY	DESCRIPTION	REV
	1001235963	Ref	Hood Assembly	B
1	0761010	8	Bolt, M10X20	
2	3290605	4	Nut, Lock M6X1	
3	4811700	4	Washer, M6	
4	4812000	8	Washer, M10	
5	1001234455	1	Hood	
6	1001209387	2	Hinge, Hood	
7	1001132168	1	Latch, Hood	

# SECTION 1 - FRAME AND ATTACHING PARTS

FIGURE 1-13. ENGINE HOOD ASSEMBLY (7013)



ART\_1001235965-A

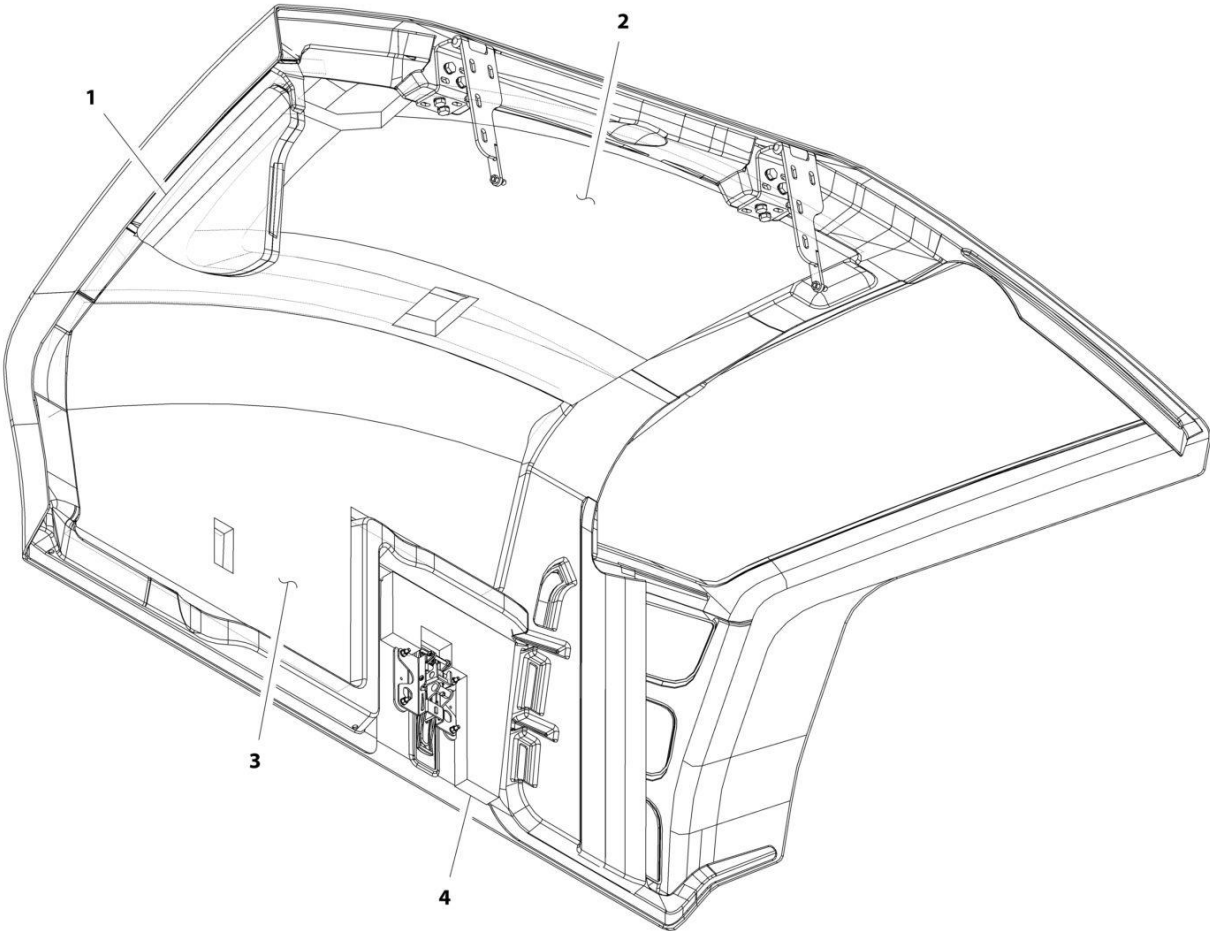
# SECTION 1 - FRAME AND ATTACHING PARTS

## FIGURE 1-13. ENGINE HOOD ASSEMBLY (7013)

ITEM	PART NUMBER	QTY	DESCRIPTION	REV
	1001235965	Ref	Engine Hood Assembly	A
1	0761010	8	Bolt, M10X20	
2	3290605	4	Nut, Lock M6X1	
3	4811700	4	Washer, M6	
4	4812000	8	Washer, M10	
5	1001132168	1	Latch, Hood	
6	1001172110	1	Installation, Engine Hood Insulation (See Separate Breakdown in this Section)	
7	1001209387	2	Hinge	
8	1001234455	1	Hood	

# SECTION 1 - FRAME AND ATTACHING PARTS

FIGURE 1-14. ENGINE HOOD INSULATION INSTALLATION



ART\_1001172110-G

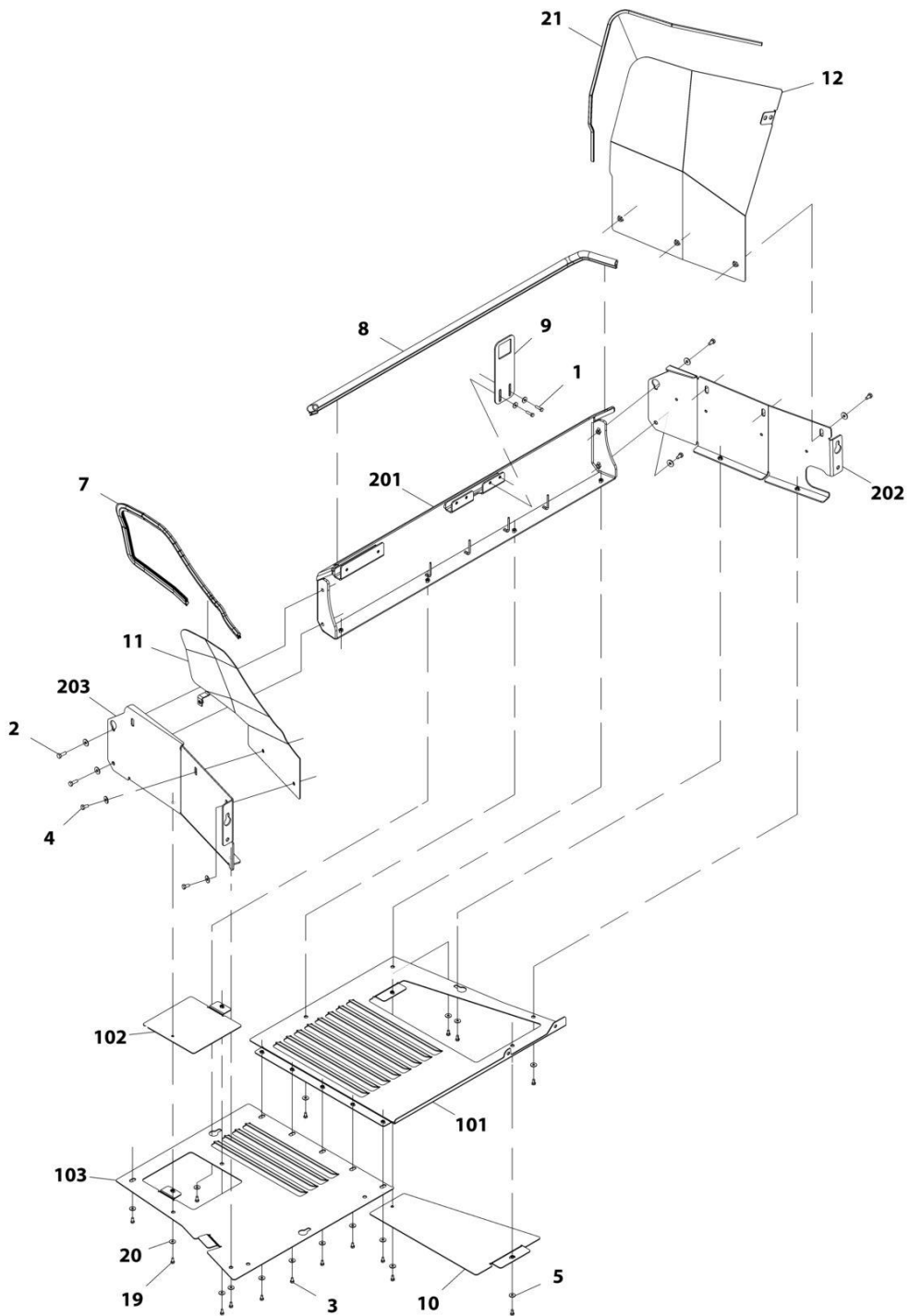
# SECTION 1 - FRAME AND ATTACHING PARTS

## FIGURE 1-14. ENGINE HOOD INSULATION INSTALLATION

ITEM	PART NUMBER	QTY	DESCRIPTION	REV
	1001172110	Ref	Engine Hood Insulation Installation	G
1	1001172112	1	Insulation, Front	
2	1001172113	1	Insulation, Top	
3	1001172114	1	Insulation, Side	
4	1001172115	1	Insulation, Hood Latch	

# SECTION 1 - FRAME AND ATTACHING PARTS

## FIGURE 1-15. ENGINE ENCLOSURE ASSEMBLY



ART\_1001192622-I

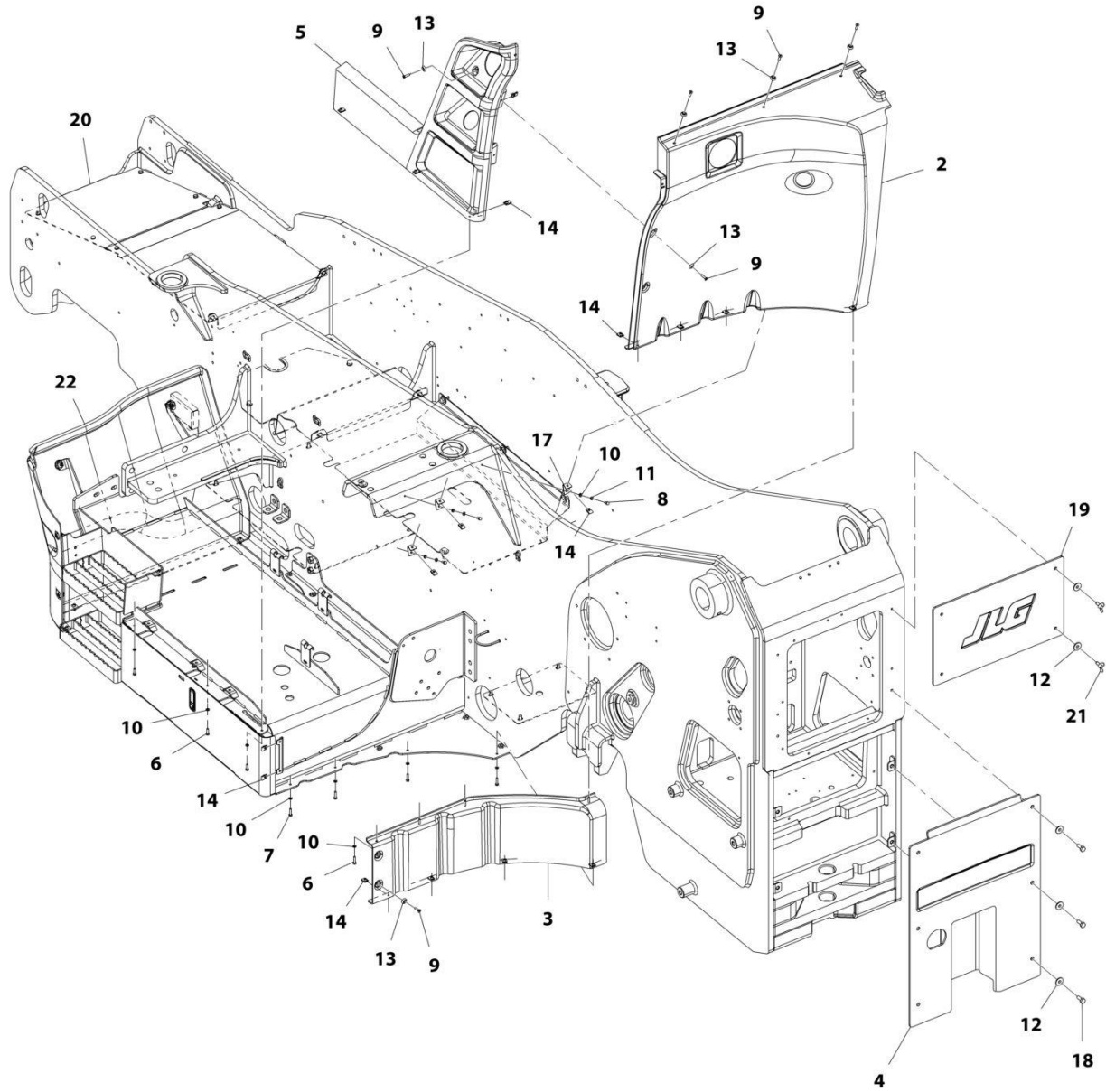
# SECTION 1 - FRAME AND ATTACHING PARTS

## FIGURE 1-15. ENGINE ENCLOSURE ASSEMBLY

ITEM	PART NUMBER	QTY	DESCRIPTION	REV
	1001192622	Ref	Engine Enclosure Assembly	I
1	0700814	2	Bolt, M8X30	
2	0701014	4	Bolt, M10X30	
3	0760807	5	Bolt, M8X14	
4	0761010	6	Bolt, M10X20	
5	4811902	19	Washer, M8	
7	1001003227	1573 mm	Seal	
8	1001204486	1785 mm	Seal	
9	1001209388	1	Latch, Hood	
10	1001169265	1	Plate, Access Panel	
11	1001219115	1	Panel, Front Wheel	
12	1001192627	1	Panel, Rear Cover	
19	0760808	12	Bolt, M8X16	
20	4812002	10	Washer, M10	
21	1001008999	1381 mm	Trim, Edge	
101	1001192631	1	Panel, Bottom Cover	
102	1001194969	1	Panel, Access	
103	1001219250	1	Panel, Bottom Front Cover	
201	1001192623J	1	Panel, Side Skirt	
202	1001224450J	1	Panel, Rear Skirt	
203	1001219113J	1	Panel, Front Skirt	

# SECTION 1 - FRAME AND ATTACHING PARTS

## FIGURE 1-16. COVER INSTALLATION (ULS)



ART\_1001184869-J



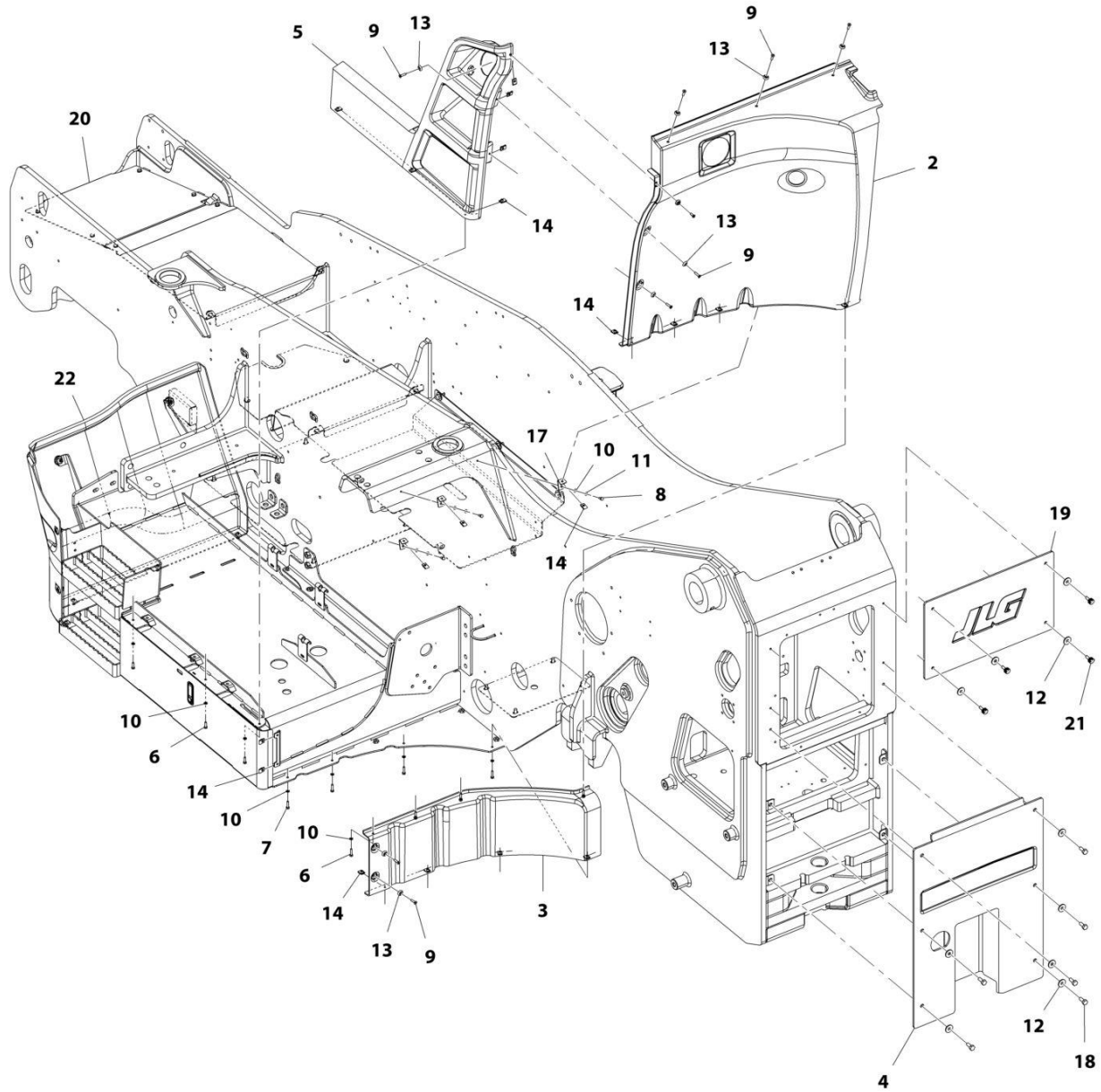
## SECTION 1 - FRAME AND ATTACHING PARTS

**FIGURE 1-16. COVER INSTALLATION (ULS)**

ITEM	PART NUMBER	QTY	DESCRIPTION	REV
	1001184869	Ref	Cover Installation (ULS)	J
2	1001184872	1	Cover, Rear Tank	
3	1001184874	1	Cover, Lower Rear Tank	
4	1001213834	1	Cover, Rear Frame	
5	1001168758	1	Cover, Side Tank	
6	0700610	7	Bolt, M6X20	
7	0700612	4	Bolt, M6X25	
8	0760607	3	Bolt, M6X14	
9	0630576	9	Screw, M6X20	
10	4811700	14	Washer, M6	
11	4831700	3	Washer, Lock M6	
12	4812002	10	Washer, M10	
13	1001097540	9	Washer, M6	
14	1001130220	19	Nut, M6	
17	1001231385	3	Plate, Angle Mount	
18	0761012	6	Bolt, M10X25	
19	1001213833	1	Cover, Rear Frame	
20	1001198307	1	Installation, Frame Cover (See Separate Breakdown in this Section)	
21	1001250708	4	Bolt, M8X20	
22	1001201848	1	Installation, Front Lower Cover (See Separate Breakdown in this Section)	

# SECTION 1 - FRAME AND ATTACHING PARTS

## FIGURE 1-17. COVER INSTALLATION (LS)



ART\_1001184870-I

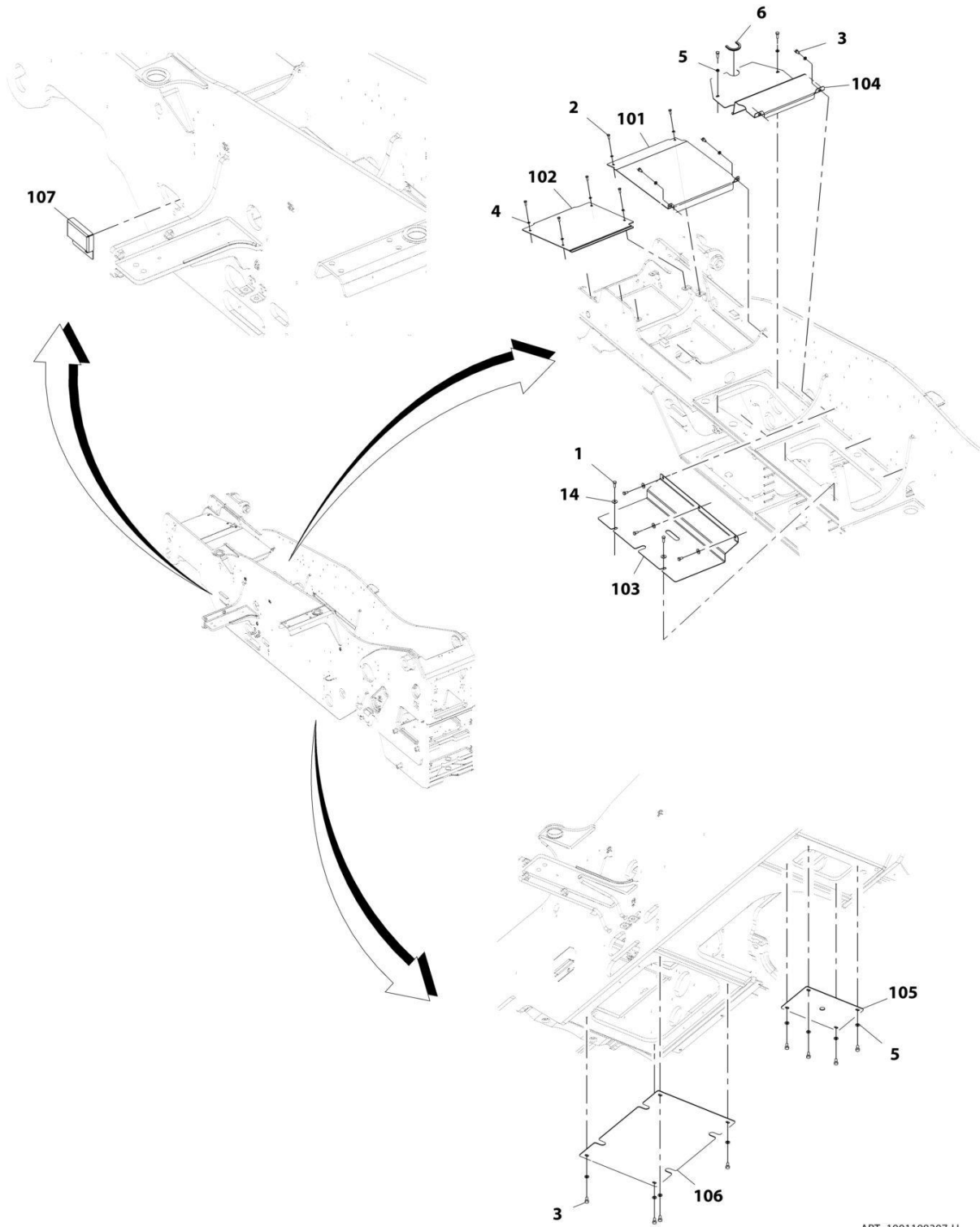
# SECTION 1 - FRAME AND ATTACHING PARTS

## FIGURE 1-17. COVER INSTALLATION (LS)

ITEM	PART NUMBER	QTY	DESCRIPTION	REV
	1001184870	Ref	Cover Installation (LS)	J
2	1001184872	1	Cover, Rear Tank	
3	1001184874	1	Cover, Lower Rear Tank	
4	1001213834	1	Cover, Rear Frame	
5	1001172829	1	Cover, Side Tank	
6	0700610	7	Bolt, M6X20	
7	0700612	4	Bolt, M6X25	
8	0760607	3	Bolt, M6X14	
9	0630576	9	Screw, M6X20	
10	4811700	14	Washer, M6	
11	4831700	3	Washer, Lock M6	
12	4812002	10	Washer, M10	
13	1001097540	9	Washer, M6	
14	1001130220	19	Nut, M6	
17	1001231385	3	Plate, Angle Mount	
18	0761012	6	Bolt, M10X25	
19	1001213833	1	Cover, Rear Frame	
20	1001198307	Ref	Installation, Frame Cover (See Separate Breakdown in this Section)	
21	1001250708	4	Bolt M8 x 20	
22	1001201848	Ref	Installation, Front Lower Cover (See Separate Breakdown in this Section)	

# SECTION 1 - FRAME AND ATTACHING PARTS

## FIGURE 1-18. FRAME COVER INSTALLATION



ART\_1001198307-H

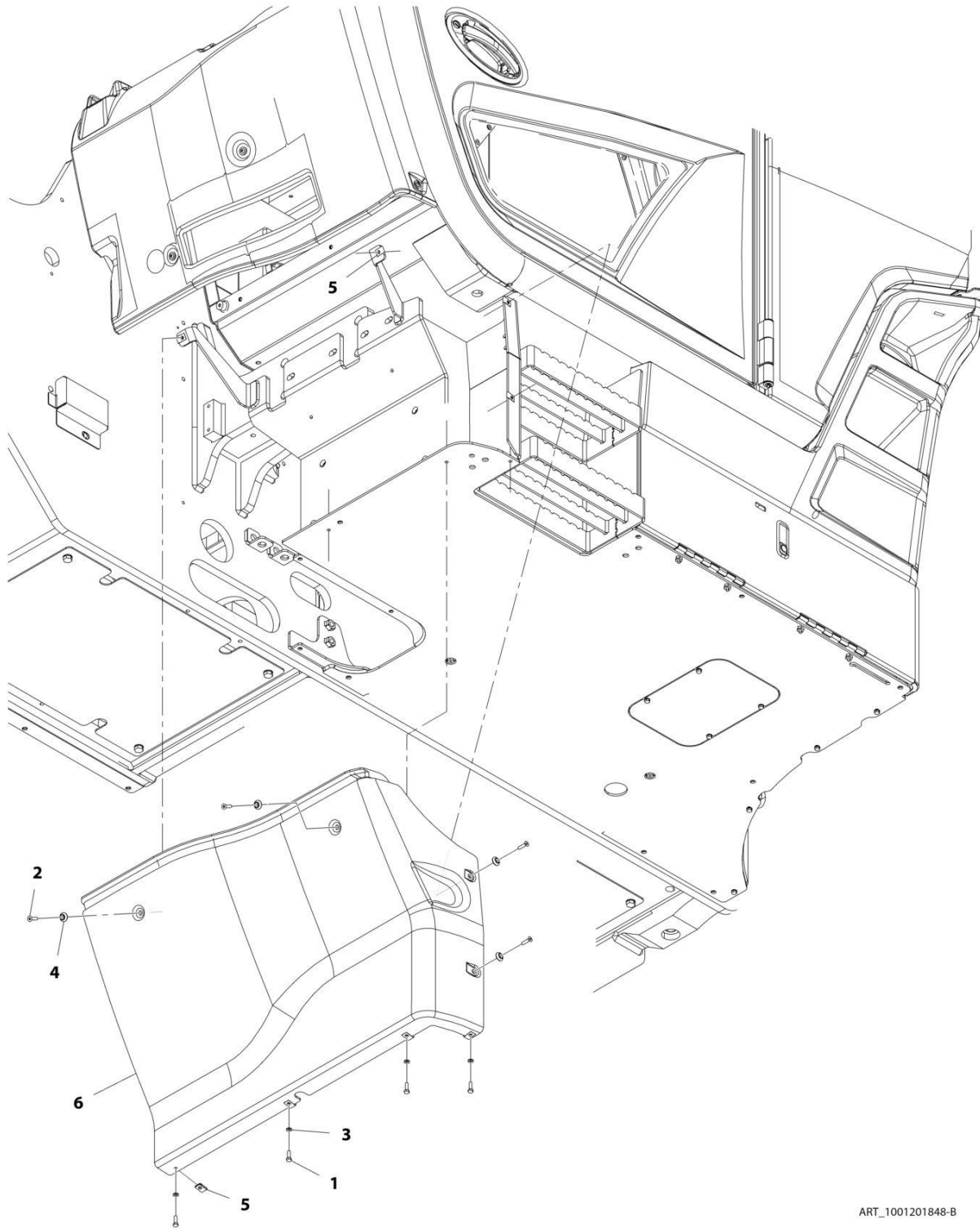
# SECTION 1 - FRAME AND ATTACHING PARTS

## FIGURE 1-18. FRAME COVER INSTALLATION

ITEM	PART NUMBER	QTY	DESCRIPTION	REV
	1001198307	Ref	Frame Cover Installation	H
1	0701014	4	Bolt, M10X30	
2	0760810	6	Bolt, M8X20	
3	0761010	15	Bolt, M10X20	
4	4811900	6	Washer, M8	
5	4812000	14	Washer, M10	
6	90206196	0.15 m	Gasket	
14	4812002	5	Washer, M10	
101	1001197056	1	Cover, Battery	
102	1001197057	1	Plate, Valve Cover	
103	1001197733	1	Plate, Frame Cover	
104	1001197734	1	Plate, Frame Cover	
105	1001211899	1	Plate, Frame Cover	
106	1001211900	1	Plate, Frame Cover	
107	1001218694	1	Cover	

# SECTION 1 - FRAME AND ATTACHING PARTS

## FIGURE 1-19. FRONT LOWER COVER INSTALLATION



ART\_1001201848-B

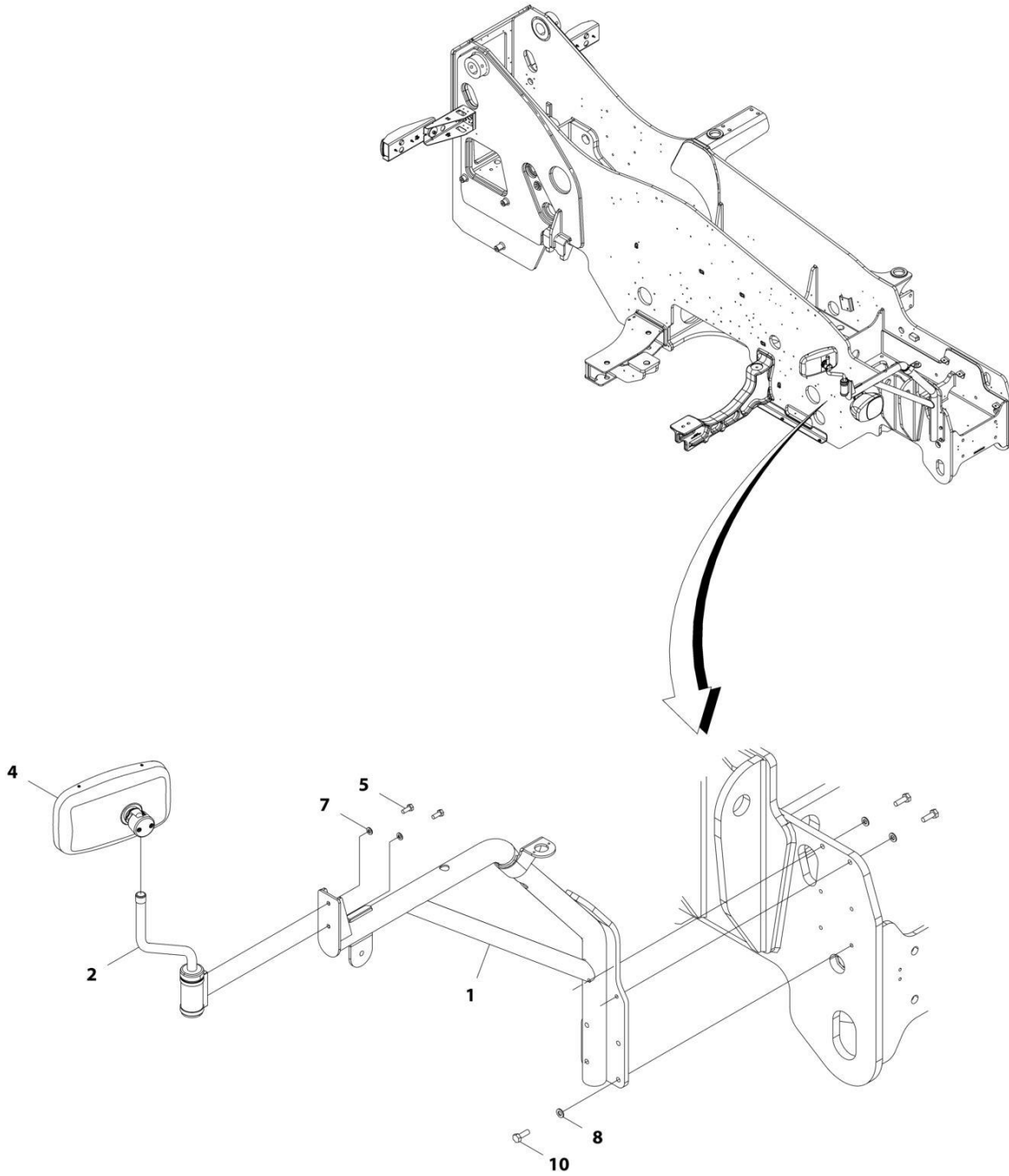
# SECTION 1 - FRAME AND ATTACHING PARTS

## FIGURE 1-19. FRONT LOWER COVER INSTALLATION

ITEM	PART NUMBER	QTY	DESCRIPTION	REV
	1001201848	Ref	Front Lower Cover Installation	B
1	0700610	4	Bolt, M6X20	
2	3900379	4	Screw, M6-1.00X25	
3	4811700	4	Washer, M6	
4	1001097540	4	Washer, M6	
5	1001130220	6	Nut, M6	
6	1001184871	1	Cover, Front Lower	

# SECTION 1 - FRAME AND ATTACHING PARTS

FIGURE 1-20. MIRRORS INSTALLATION (1644)



ART\_1001192324\_F



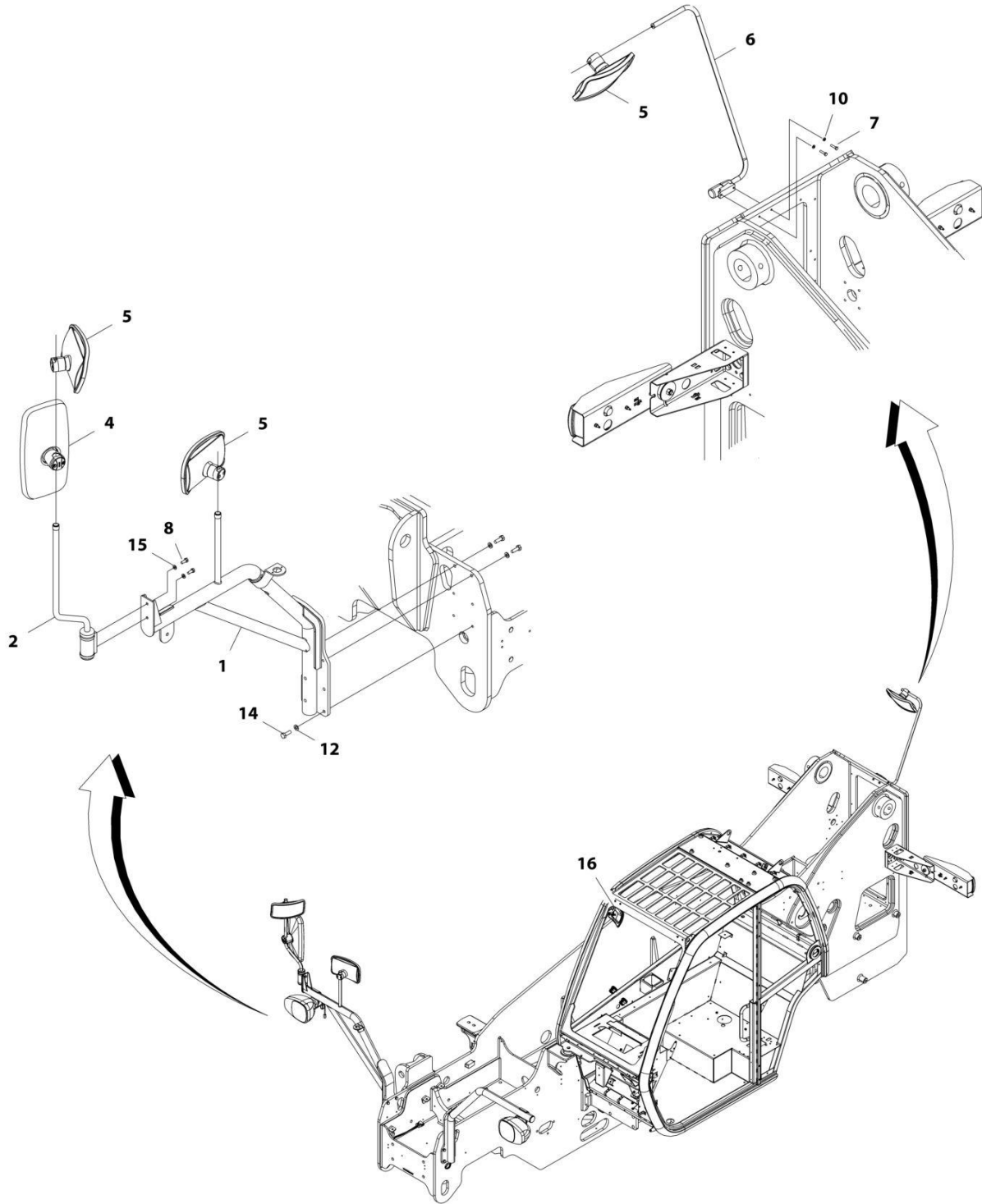
# SECTION 1 - FRAME AND ATTACHING PARTS

## FIGURE 1-20. MIRRORS INSTALLATION (1644)

ITEM	PART NUMBER	QTY	DESCRIPTION	REV
	1001192324	Ref	Mirror Installation	F
1	1001265344	1	Bracket	
2	1001209346	1	Bracket	
4	1001191635	1	Mirror, Convex	
5	0760810	2	Bolt, M8X20	
7	4811900	2	Bolt, M8X20	
8	4812000	6	Washer, M10	
10	0701014	6	Bolt, M10X30	

# SECTION 1 - FRAME AND ATTACHING PARTS

FIGURE 1-21. MIRRORS INSTALLATION (7013)



ART\_1001186881\_G

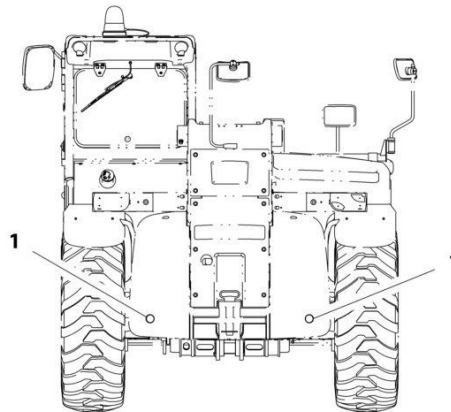
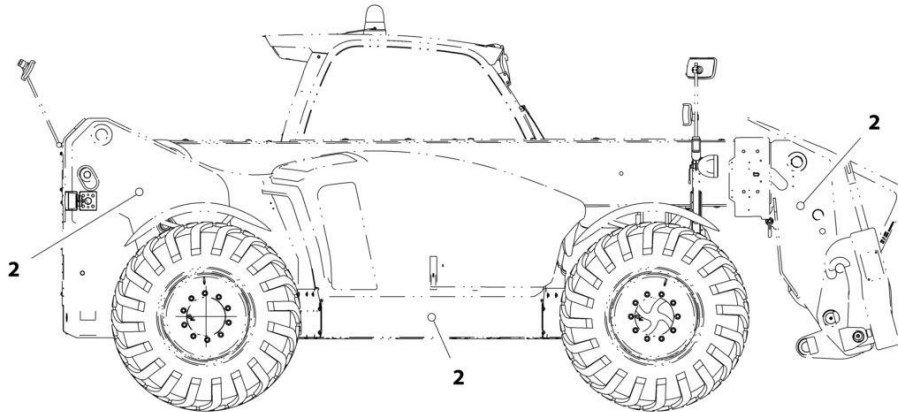
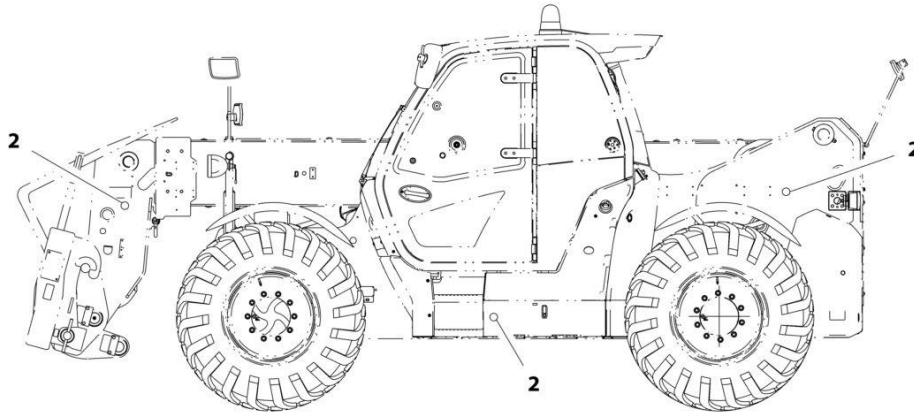
# SECTION 1 - FRAME AND ATTACHING PARTS

## FIGURE 1-21. MIRRORS INSTALLATION (7013)

ITEM	PART NUMBER	QTY	DESCRIPTION	REV
	1001186881	Ref	Mirror Installation	G
1	1001265346	1	Bracket	
2	1001209345	1	Bracket	
4	1001175812	1	Mirror, Dual Lens	
5	1001142724	3	Mirror, Convex	
6	1001168429	1	Support, Arm	
7	0700612	2	Bolt, M6X25	
8	0760810	2	Bolt, M8X20	
10	4811700	2	Washer, M6	
12	4812000	6	Washer, M10	
14	0701014	6	Bolt, M10X30	
15	4811900	2	Washer, M8	
16	1001166192	1	Installation, Internal Mirror (See Separate Breakdown in CAB Section)	

# SECTION 1 - FRAME AND ATTACHING PARTS

## FIGURE 1-22. REFLECTORS INSTALLATION



ART\_1001200344-D

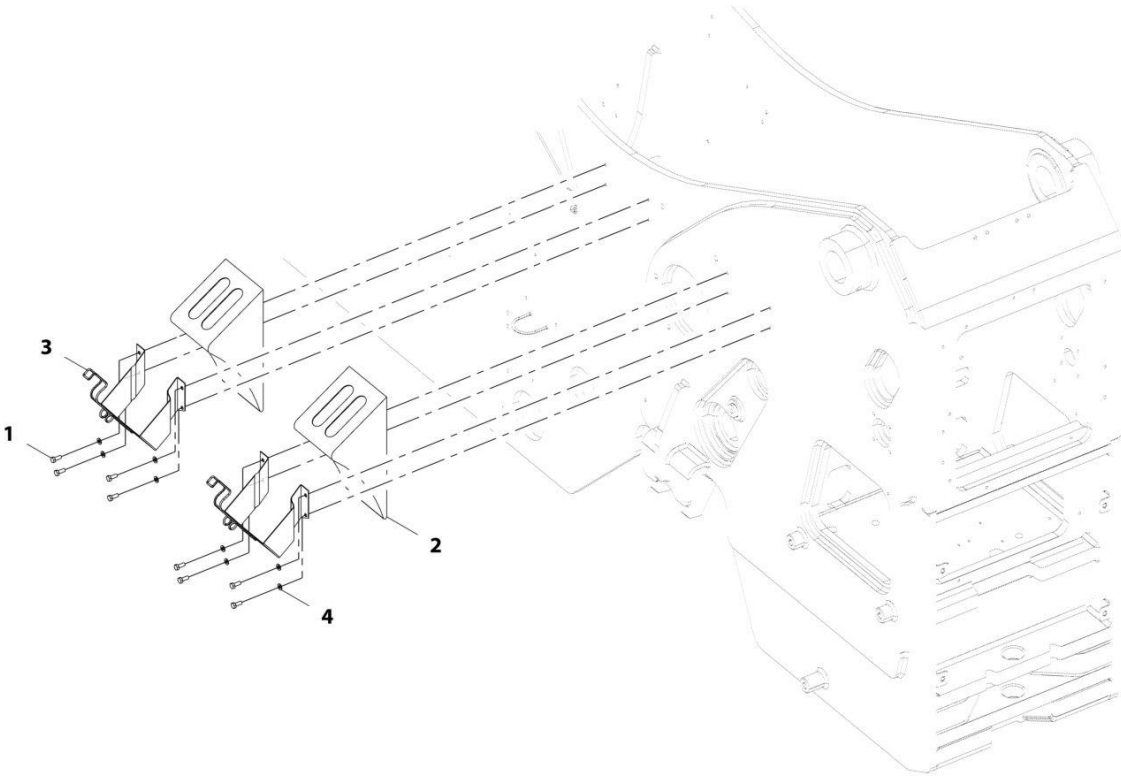
# SECTION 1 - FRAME AND ATTACHING PARTS

## FIGURE 1-22. REFLECTORS INSTALLATION

ITEM	PART NUMBER	QTY	DESCRIPTION	REV
	1001200344	Ref	Reflectors Installation	D
1	3700015	2	Reflector, Rear	
2	3700016	6	Reflector, Side	

# SECTION 1 - FRAME AND ATTACHING PARTS

## FIGURE 1-23. WHEEL CHOCKS INSTALLATION



ART\_1001192336-B

# SECTION 1 - FRAME AND ATTACHING PARTS

## FIGURE 1-23. WHEEL CHOCKS INSTALLATION

ITEM	PART NUMBER	QTY	DESCRIPTION	REV
	1001192336	Ref	Wheel Chock Installation	B
1	0760810	8	Bolt, M8X20	
2	806253	2	Wedge	
3	806264	2	Holder, Wedge	
4	4811900	8	Washer, M8	

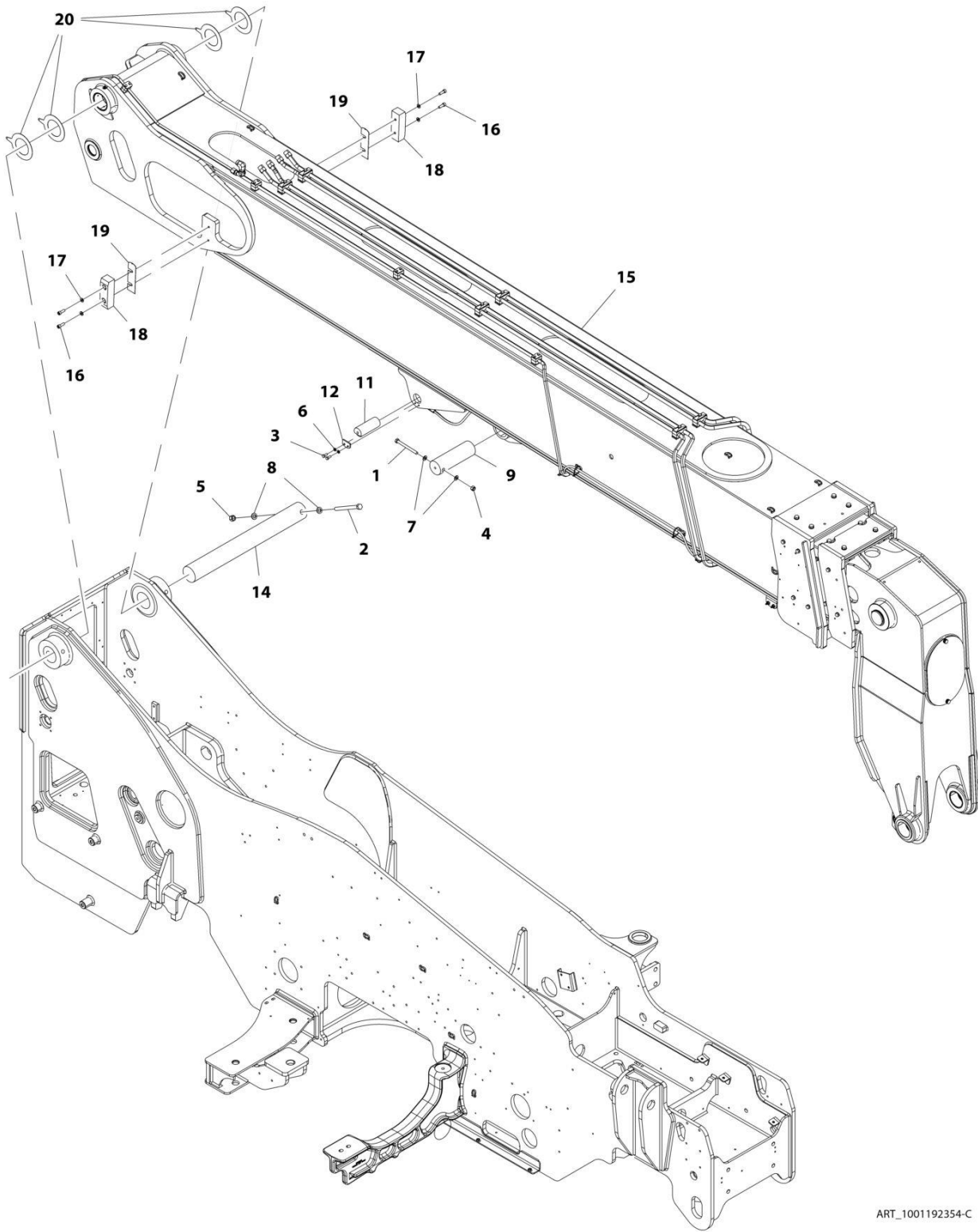




**SECTION 2 - BOOM**

# SECTION 2 - BOOM

## FIGURE 2-1. BOOM INSTALLATION



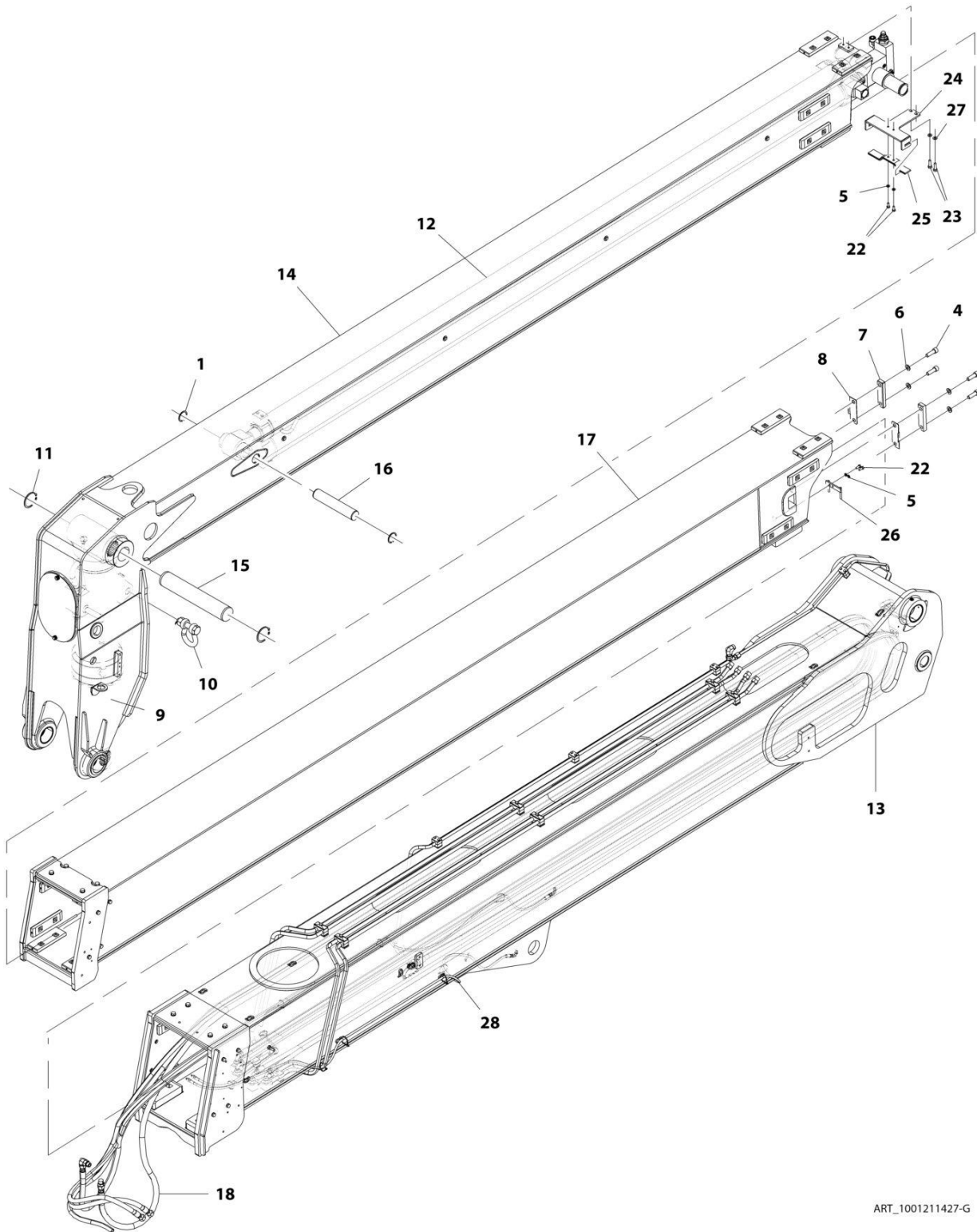
ART\_1001192354-C

FIGURE 2-1. BOOM INSTALLATION

ITEM	PART NUMBER	QTY	DESCRIPTION	REV
	1001192354	Ref	Boom Installation	C
1	0711230	1	Bolt, M12X130	
2	0711635	1	Bolt, M16X180	
3	0760810	2	Bolt, M8X20	
4	3291205	1	Nut, Lock M12X1.75	
5	3291605	1	Nut, Lock M16X2	
6	4811900	2	Washer, M8	
7	4812100	2	Washer, M12	
8	4812300	2	Washer, M16	
9	1001190254	1	Pin, Lift Cylinder	
11	1001190256	1	Pin, Compensation Cylinder	
12	1001190257	1	Plate, Pin Retainer	
14	1001190260	1	Pin, Boom Pivot	
15	1001211427	1	Assembly, Boom (See Separate Breakdown in this Section)	
16	4032010	4	Bolt, M10X30	
17	4812000	4	Washer, M10	
18	1001195655	2	Pad, M44X50X160	
19	1001219905	AR	Shim, M50X169X1	
20	1001219953	AR	Shim, Boom Pivot	

# SECTION 2 - BOOM

## FIGURE 2-2. BOOM ASSEMBLY



ART\_1001211427-G

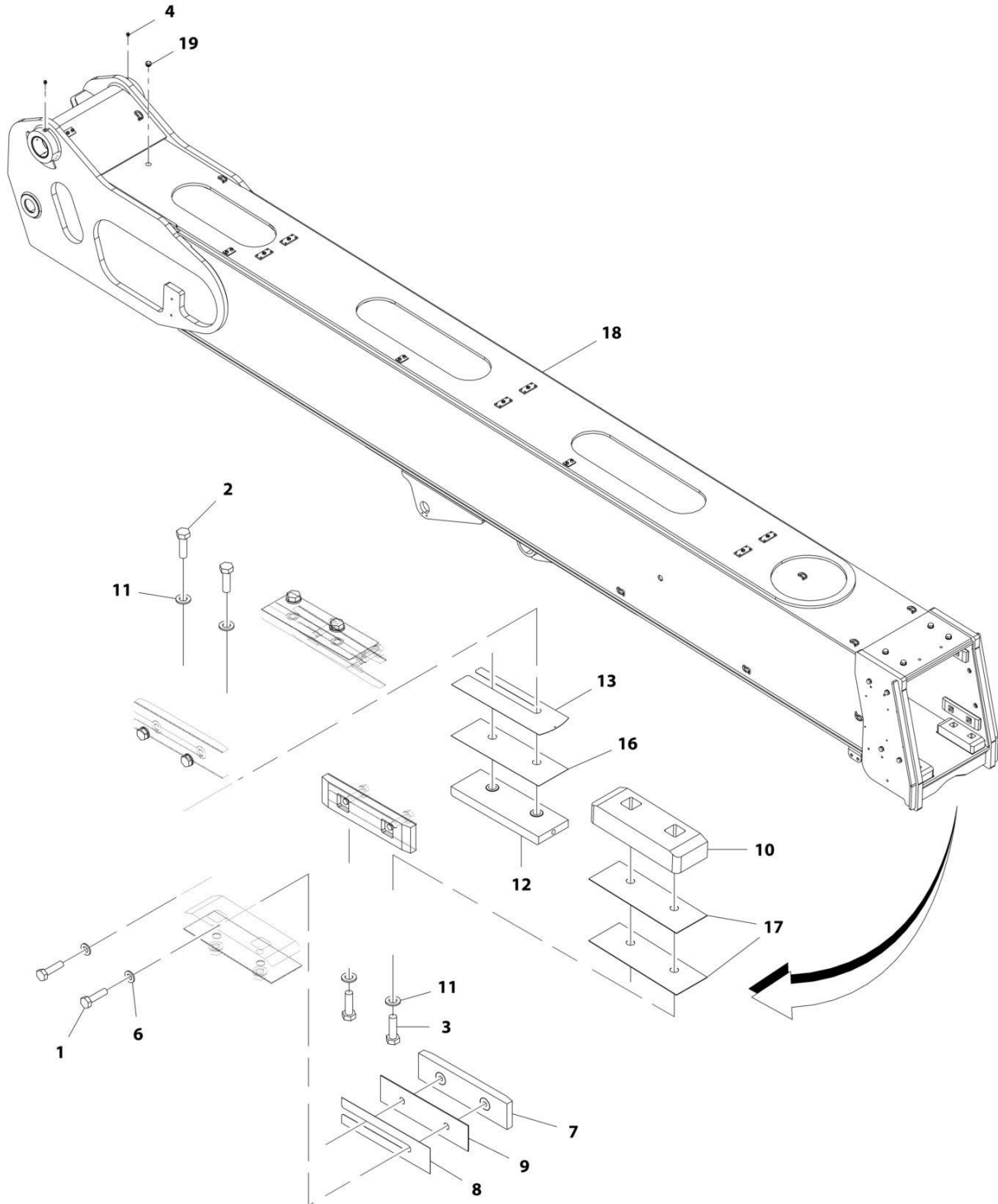
## SECTION 2 - BOOM

### FIGURE 2-2. BOOM ASSEMBLY

ITEM	PART NUMBER	QTY	DESCRIPTION	REV
	1001211427	Ref	Boom Assembly	G
1	314689	2	Ring, Retaining M50	
4	4032314	4	Bolt, M16X50	
5	4811900	4	Washer, M8	
6	4812300	4	Washer, M16	
7	1001213959	2	Plate, Clamp	
8	1001213961	2	Plate, Trunion Block Guide	
9	1001174812	1	Cylinder, Tilt (See Separate Breakdown in Hydraulic Components Section)	
10	1001191110	1	Shackle	
11	1001197262	2	Ring, Snap M75	
12	1001199325	Ref	Installation, Extend/Retract Cylinder (See Separate Breakdown in Hydraulic Components Section)	
13	1001201266	1	Assembly, First Boom Section (See Separate Breakdown in this Section)	
14	1001203985	1	Assembly, Third Boom Section (See Separate Breakdown in this Section)	
15	1001203989	1	Pin, Tilt	
16	1001203990	1	Pin, Extend/Retract	
17	1001204177	1	Assembly, Second Boom Section (See Separate Breakdown in this Section)	
18	1001205375	Ref	Installation, Boom Hydraulic (See Separate Breakdown in Hydraulic Circuit Section)	
22	0760810	4	Bolt, M8X20	
23	0711015	2	Bolt, M10X35	
24	1001230986	1	Support, Hose	
25	1001230967	1	Plate, Support	
26	1001213462	1	Support, Hose	
27	4812000	2	Washer, M10	
28	1001217353	Ref	Installation, Remote Grease (See Separate Breakdown in Hydraulic Circuit Section)	

# SECTION 2 - BOOM

## FIGURE 2-3. FIRST BOOM SECTION ASSEMBLY



ART\_1001201266-G

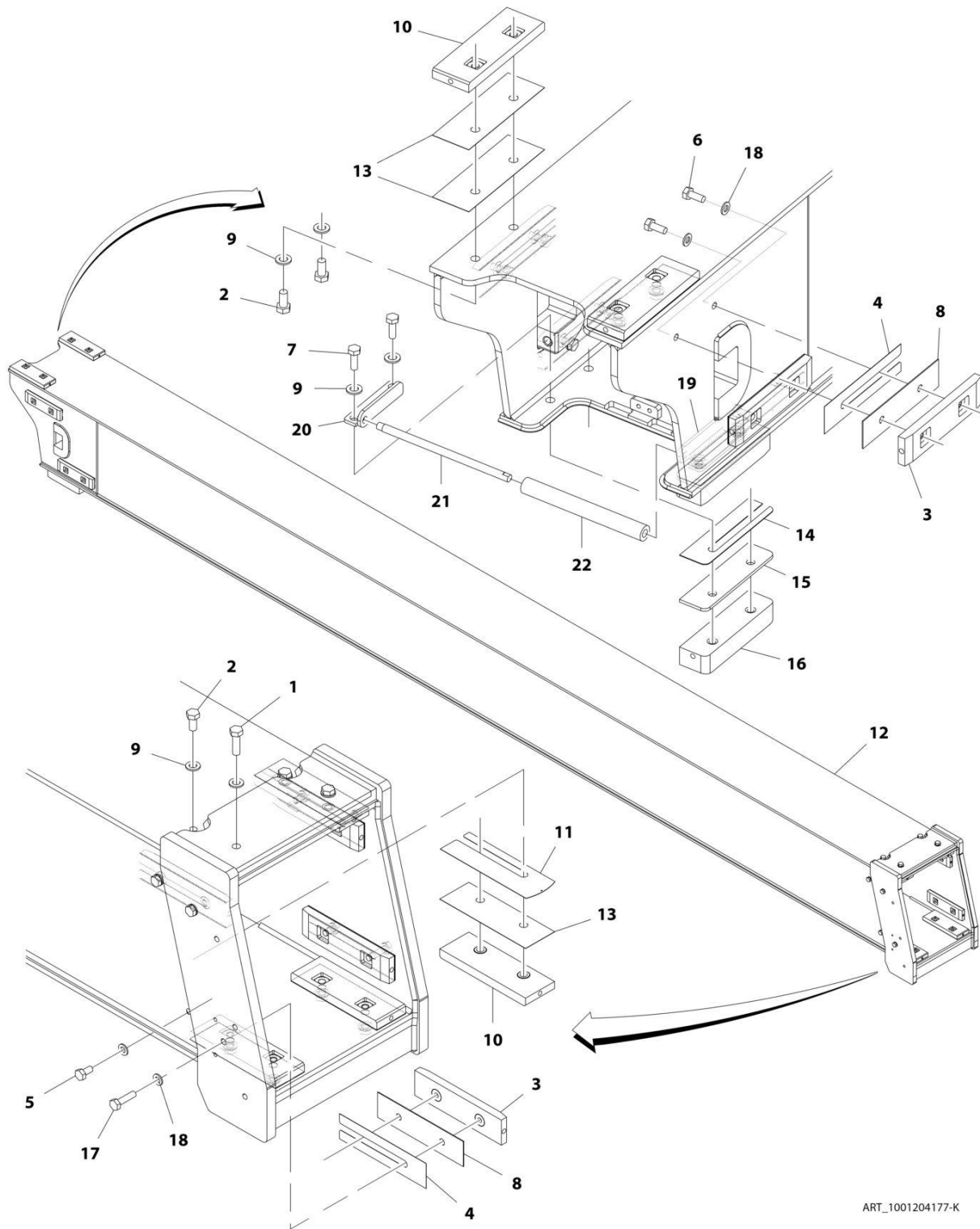
## SECTION 2 - BOOM

**FIGURE 2-3. FIRST BOOM SECTION ASSEMBLY**

ITEM	PART NUMBER	QTY	DESCRIPTION	REV
	1001201266	Ref	First Boom Section Assembly	G
1	0711017	8	Bolt, M10X45	
2	0711216	4	Bolt, M12X40	
3	0711217	4	Bolt, M12X45	
4	2160016	2	Fitting, Grease	
6	4812000	AR	Washer, M10	
7	8002200	4	Pad, M15X50X200	
8	8008640	AR	Shim, M50X200X0.5	
9	1001003031	4	Shim, M50X198X1.5	
10	1001227337	2	Pad, M70X200X39	
11	1001125117	AR	Washer, M12	
12	1001227334	2	Pad, Wear	
13	1001195194	AR	Shim, M67X204X0.5	
16	1001195737	2	Shim	
17	1001201269	AR	Shim, M70X200X1	
18	1001201267J	1	Weldment, Boom	
19	3520193	1	Plug	

# SECTION 2 - BOOM

## FIGURE 2-4. SECOND BOOM SECTION ASSEMBLY



ART\_1001204177-K



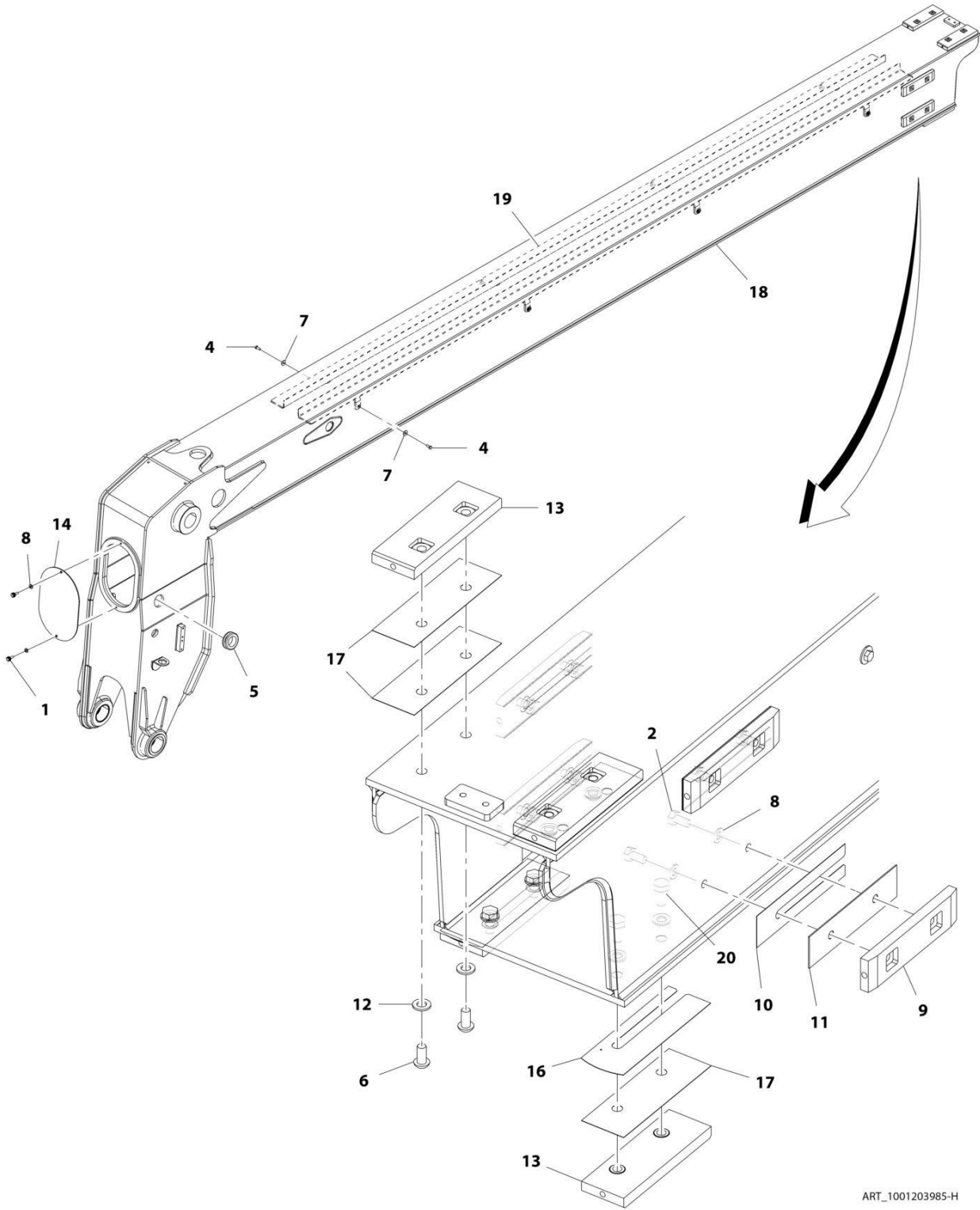
## SECTION 2 - BOOM

### FIGURE 2-4. SECOND BOOM SECTION ASSEMBLY

ITEM	PART NUMBER	QTY	DESCRIPTION	REV
	1001204177	Ref	Second Boom Section Assembly	K
1	0711216	4	Bolt, M12X40 Grade 10.9	
2	0771212	8	Bolt, M12X25 Grade 10.9	
3	8002200	8	Pad, M15X50X200	
4	8008640	AR	Shim, M50X200X0.5	
5	0771010	4	Bolt, M10X20 Grade 10.9	
6	0771012	8	Bolt, M10X25 Grade 10.9	
7	0711215	4	Bolt, M12X35 Grade 10.9	
8	1001003031	8	Shim, M50X198X1.5	
9	1001125117	AR	Washer, M12	
10	1001227334	6	Pad, M34X54X165	
11	1001195194	AR	Shim, M0.5X67X204	
12	1001204178	1	Boom, Second	
13	1001195737	AR	Shim	
14	1001204198	AR	Shim, M1X49X181	
15	1001204199	2	Shim, M49X181X5	
16	1001204200	2	Pad, M35X49X181	
17	0711016	4	Bolt, M10X40 Grade 10.9	
18	4812000	AR	Washer, M10	
19	1001223902	1	Bracket, RH	
20	1001223920	1	Bracket, LH	
21	1001223948	1	Pin	
22	1001223983	1	Roller	

# SECTION 2 - BOOM

## FIGURE 2-5. THIRD BOOM SECTION ASSEMBLY



ART\_1001203985-H

## SECTION 2 - BOOM

**FIGURE 2-5. THIRD BOOM SECTION ASSEMBLY**

ITEM	PART NUMBER	QTY	DESCRIPTION	REV
	1001203985	Ref	Third Boom Section Assembly	1
1	1001250708	1	Bolt M8 x 20	
2	0771010	8	Bolt, M10X20 Grade 10.9	
4	0760810	8	Bolt, M8X20	
5	1001188971	1	Grommet	
6	1001229057	4	Screw, M12X25	
7	4811902	8	Washer, M8	
8	4812000	AR	Washer, M10	
9	8002200	4	Pad, M15X50X200	
10	8008640	AR	Shim, M50X200X0.5	
11	1001003031	4	Shim, M50X198X1.5	
12	1001125117	AR	Washer, M12	
13	1001227334	4	Pad	
14	1001191789	1	Plate, Boom Front Cover	
16	1001195194	AR	Shim, M0.5X67X204	
17	1001195737	AR	Shim	
18	1001203986	1	Weldment, Third Boom Section	
19	1001203987	2	Bracket, Hose Support Tray	
20	0771212	4	Bolt, M12X25	

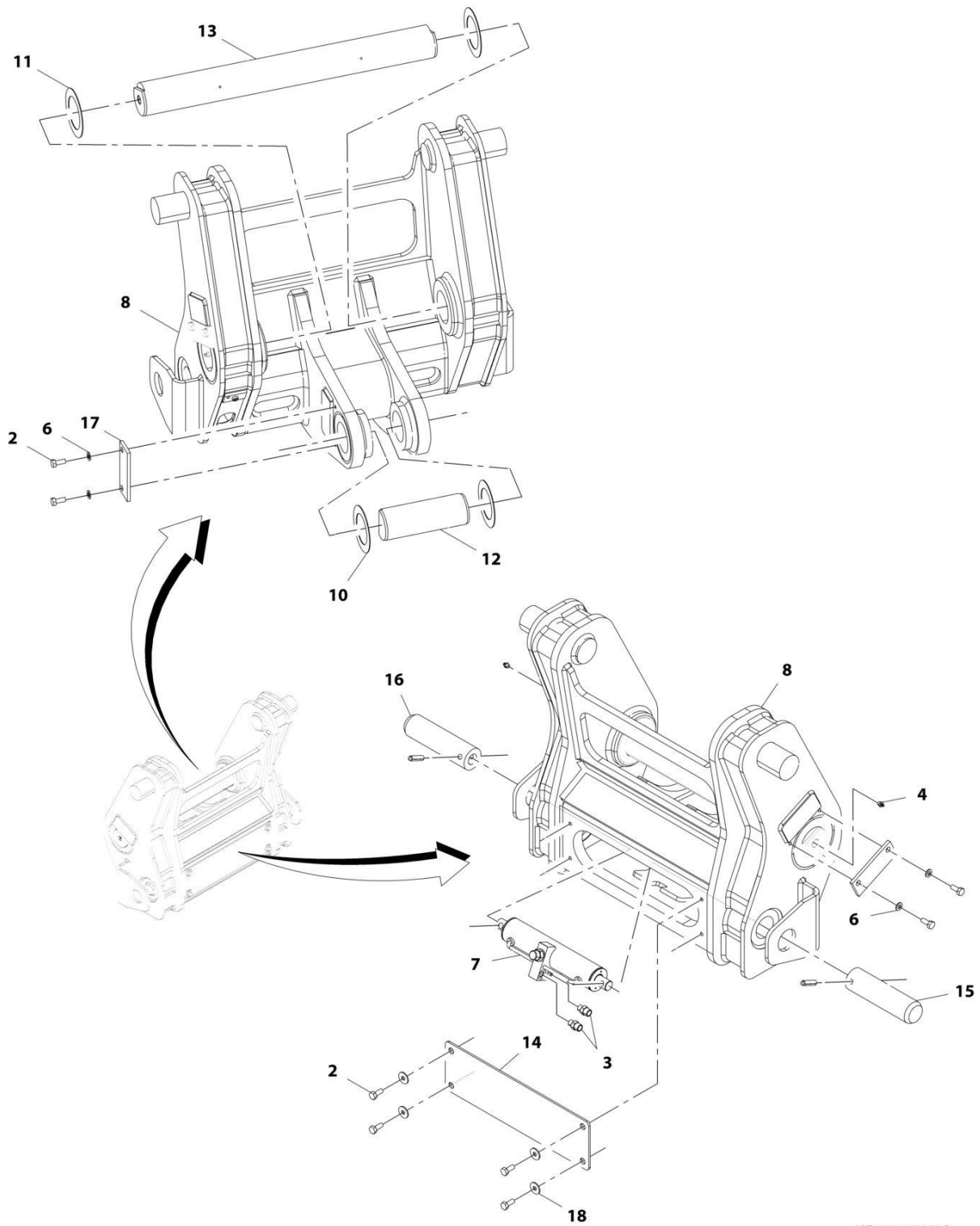


FIGURE 2-6. COUPLER INSTALLATION (MANUAL)

ITEM	PART NUMBER	QTY	DESCRIPTION	REV
	1001174104	Ref	Coupler Installation (Manual)	G
2	2160016	2	Fitting, Grease	
5	1001187820	1	Coupling, Manual	
6	1001187821	1	Pin	
8	1001187847	AR	Shim	
9	1001187848	AR	Shim	
10	1001190250	1	Pin, Tilt	
11	1001190264	1	Pin	
12	0761012	8	Bolt, M10X25	
13	4812000	4	Washer, M10	
14	1001200393	1	Plate, Front Cover	
15	1001210326	2	Plate	
16	1001003803	1	Pin	
17	4812002	4	Washer, M10	

# SECTION 2 - BOOM

## FIGURE 2-7. COUPLER INSTALLATION (HYDRAULIC)



ART\_1001192358-D

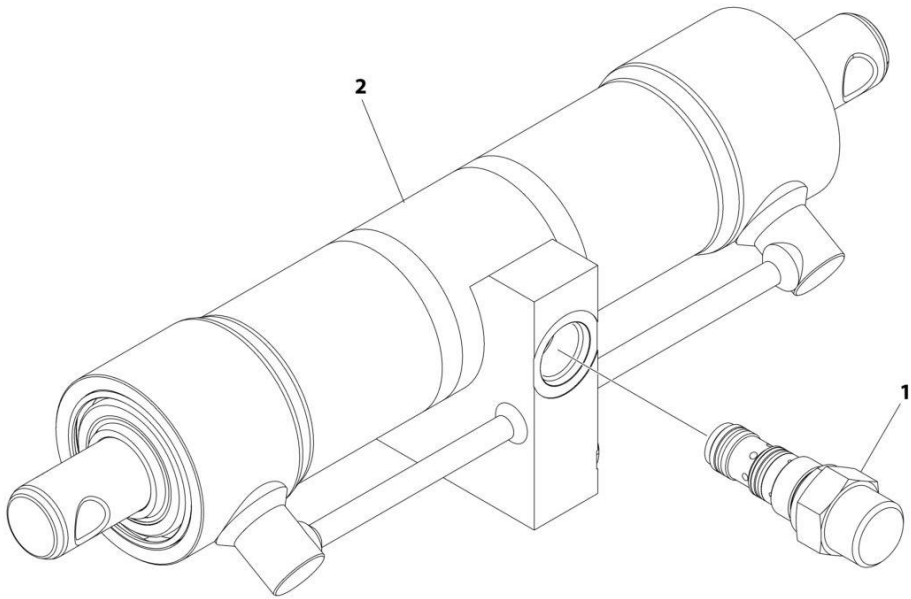
## SECTION 2 - BOOM

**FIGURE 2-7. COUPLER INSTALLATION (HYDRAULIC)**

ITEM	PART NUMBER	QTY	DESCRIPTION	REV
	1001192358	Ref	Coupler Installation (Hydraulic)	D
2	0761012	8	Bolt, M10X25	
3	2110606	2	Fitting, Straight ORFS	
4	2160016	2	Fitting, Grease	
6	4812000	4	Washer, M10	
7	1001145391	1	Assembly, Coupler Locking Cylinder (See Separate Breakdown in this Section)	
8	1001187820	1	Carriage	
10	1001187847	AR	Shim, M76X115X1.5	
11	1001187848	AR	Shim, M81X120X1.5	
12	1001190250	1	Pin, Tilt	
13	1001190264	1	Pin, Coupler	
14	1001200393	1	Plate, Front Cover	
15	1001200395	2	Pin	
16	1001184610	2	Pin	
17	1001210326	2	Plate, Pin Retention	
18	4812002	4	Washer, M10	

**SECTION 2 - BOOM**

**FIGURE 2-8. COUPLING LOCKING VALVE & CYLINDER ASSEMBLY**



ART\_1001145391\_B

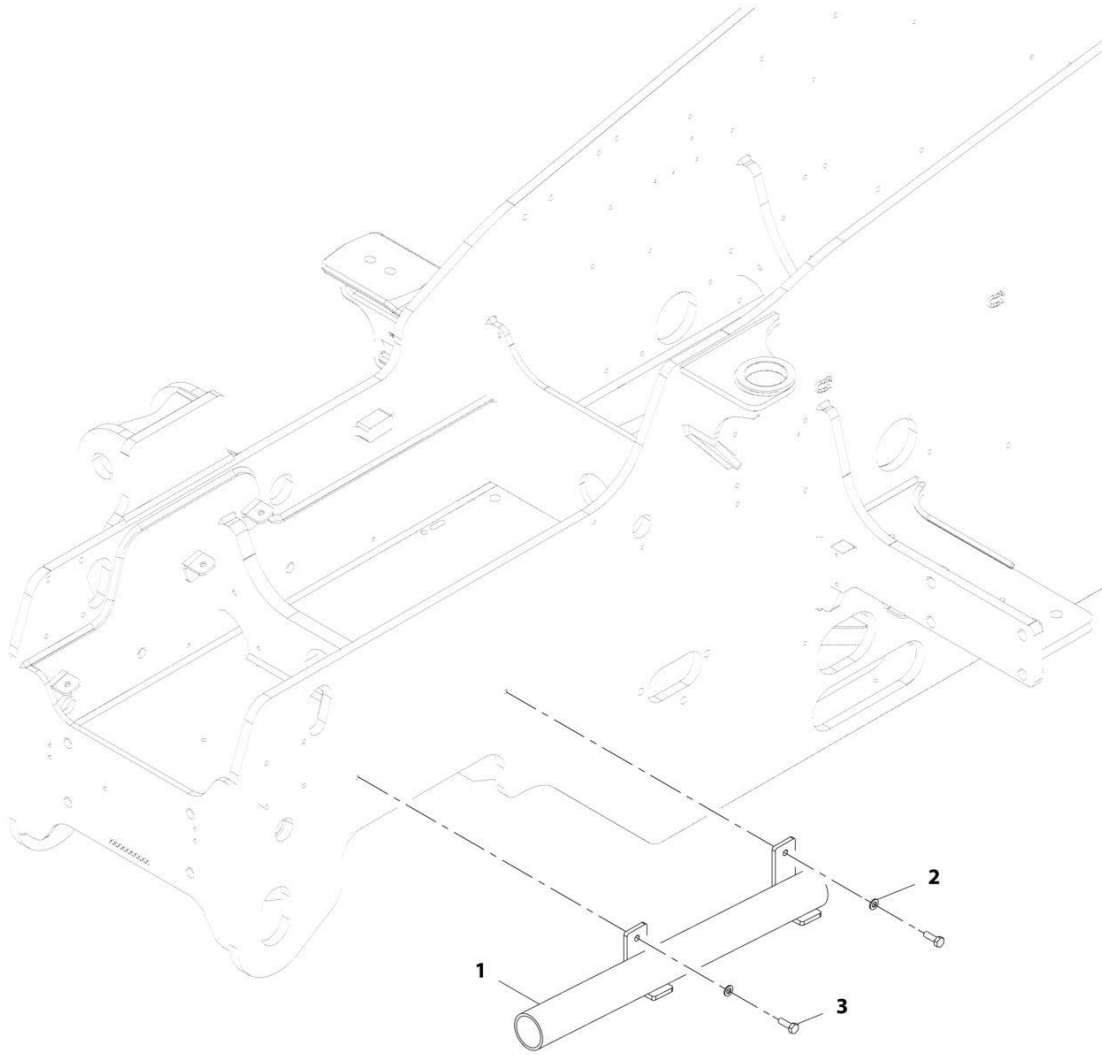


**FIGURE 2-8. COUPLING LOCKING VALVE & CYLINDER ASSEMBLY**

ITEM	PART NUMBER	QTY	DESCRIPTION	REV
	1001145391	Ref	FRAME LEVEL CYLINDER INSTALLATION	B
1	1001007056	1	Valve, Check	
2	1001267977	1	Cylinder, Coupler Locking (See Separate Breakdown in HYDRAULIC COMPONENTS Section)	

# SECTION 2 - BOOM

## FIGURE 2-9. MANUAL COUPLER PIN HOLDER INSTALLATION



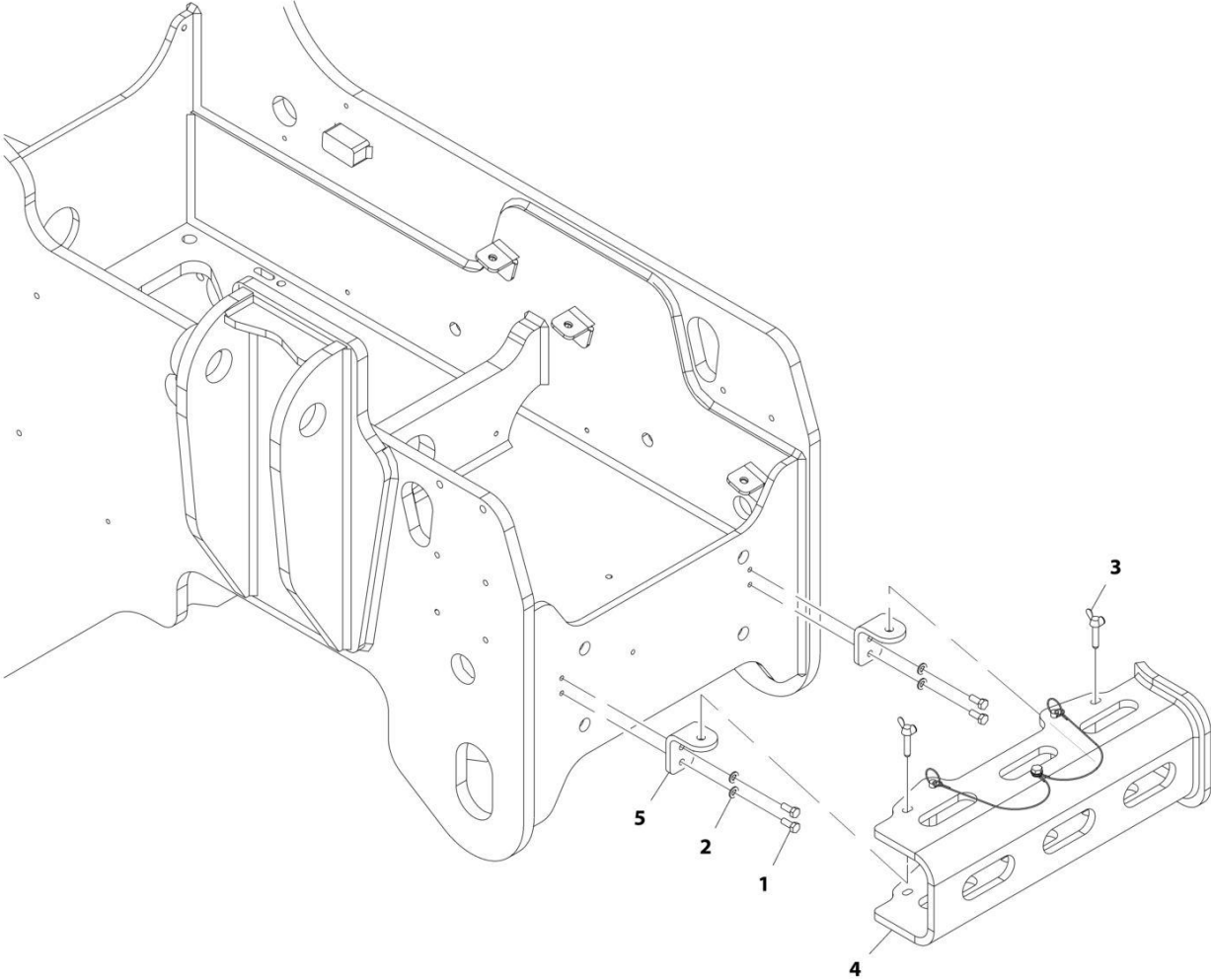
ART\_1001220641-A

FIGURE 2-9. MANUAL COUPLER PIN HOLDER INSTALLATION

ITEM	PART NUMBER	QTY	DESCRIPTION	REV
	1001220641	Ref	Manual Coupler Pin Holder Installation	A
1	1001220248	1	Bracket, Pin Holder	
2	4812000	2	Washer, M10	
3	0701014	2	Bolt, M10X30	

**SECTION 2 - BOOM**

**FIGURE 2-10. BOOM PROP INSTALLATION**



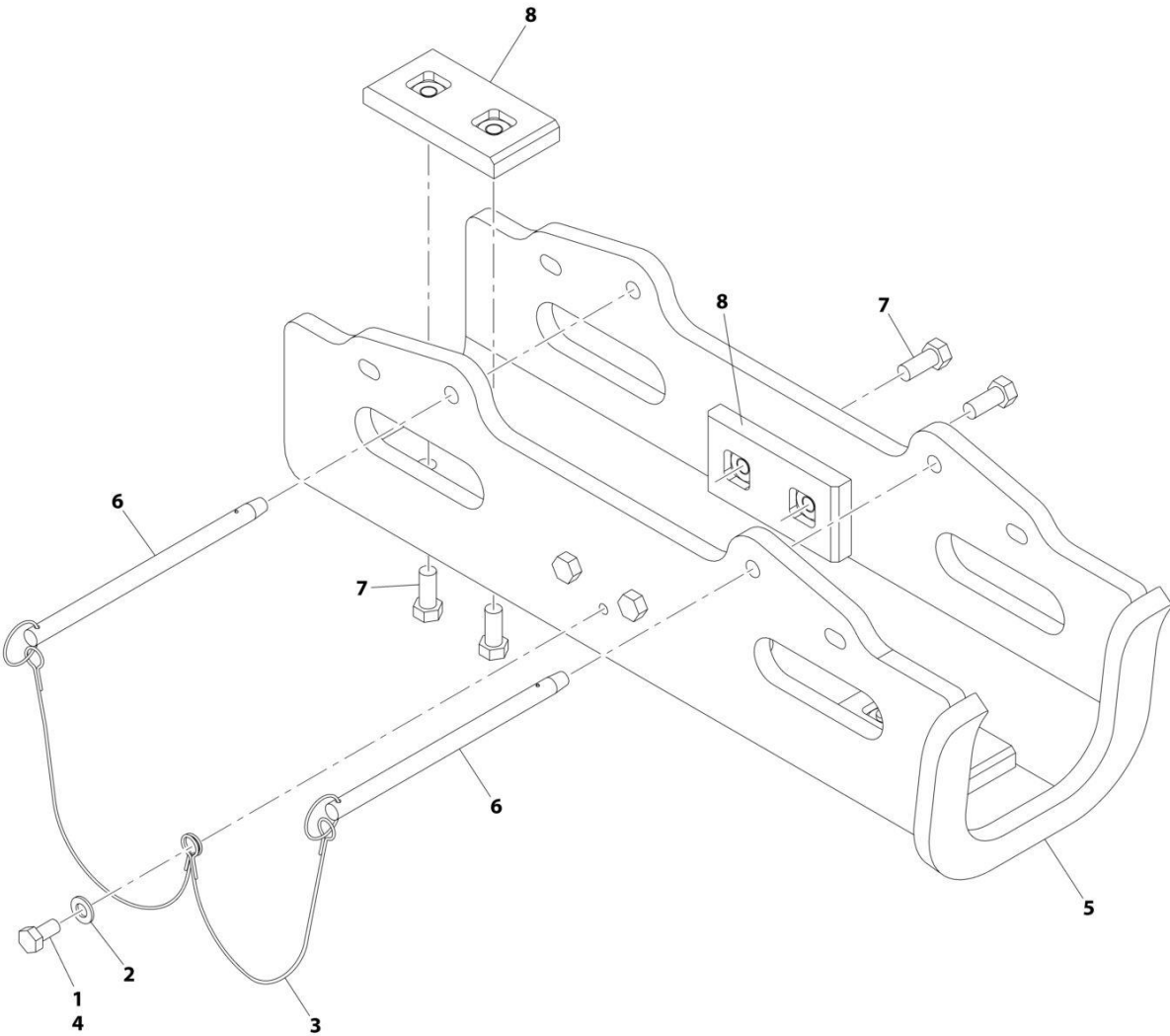
ART\_1001174419-C

FIGURE 2-10. BOOM PROP INSTALLATION

ITEM	PART NUMBER	QTY	DESCRIPTION	REV
	1001174419	Ref	Boom Prop Installation	C
1	0760810	4	Bolt, M8X20	
2	4811900	4	Washer, M8	
3	1001228860	2	Bolt, Wing M8X30	
4	1001191035	1	Bracket, Boom Prop (See Separate Breakdown in this Section)	
5	1001193887	2	Bracket	

**SECTION 2 - BOOM**

**FIGURE 2-11. BOOM PROP BRACKET ASSEMBLY**



ART\_1001191035-B

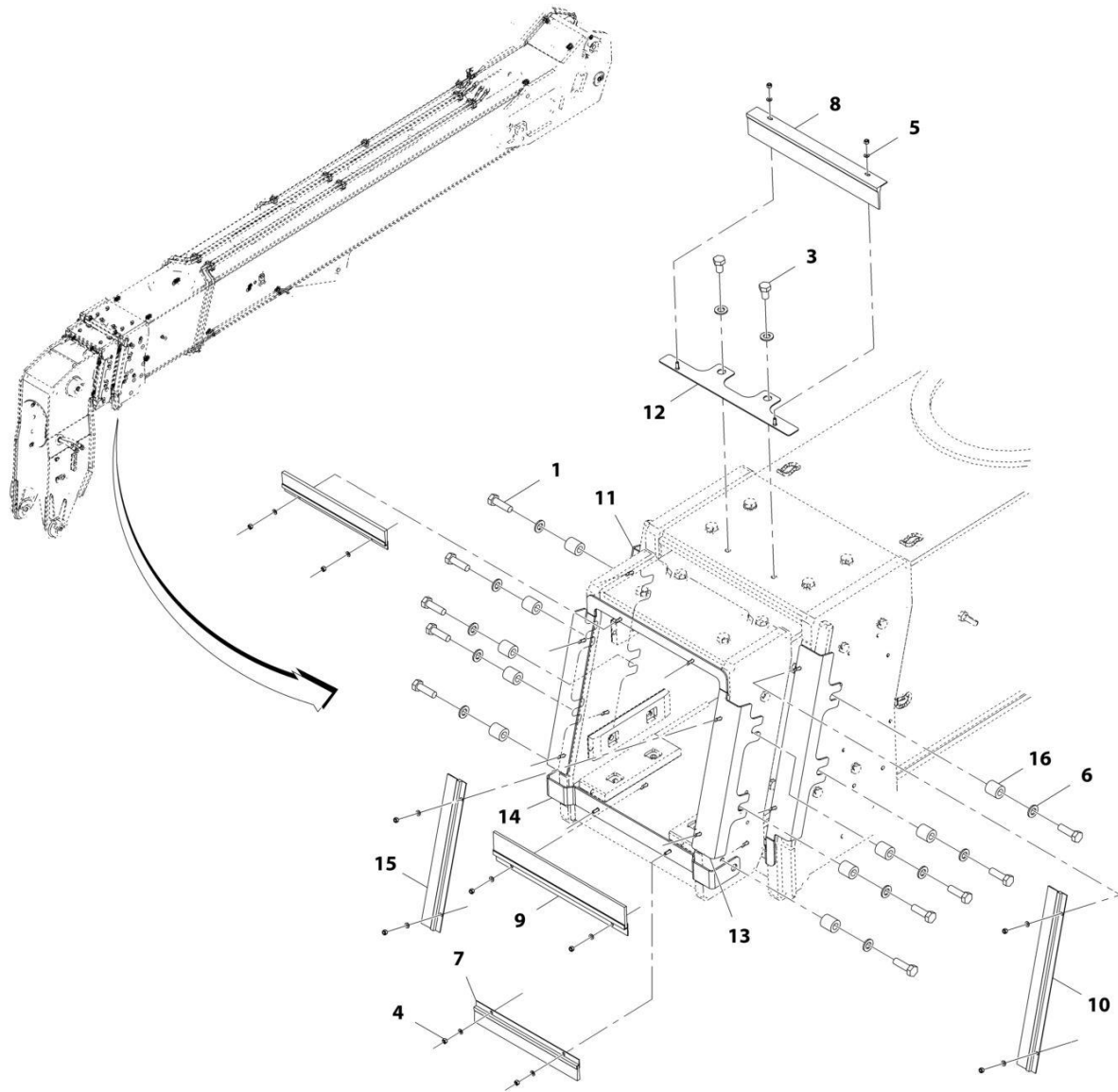
## SECTION 2 - BOOM

### FIGURE 2-11. BOOM PROP BRACKET ASSEMBLY

ITEM	PART NUMBER	QTY	DESCRIPTION	REV
	1001191035	Ref	Boom Prop Bracket Assembly	B
1	0760808	1	Bolt, M8X16	
2	4811900	1	Washer, M8	
3	1001164183	2	Lanyard, Boom Prop	
4	1001095650	AR	Adhesive, Loctite	
5	1001191036	1	Support, Boom Prop	
6	1001191039	2	Pin	
7	0651607	8	Bolt, 3/8-24 X 7/8	
8	91403530	4	Bearing	

# SECTION 2 - BOOM

## FIGURE 2-12. BOOM BRUSHES INSTALLATION



ART\_1001201432-C

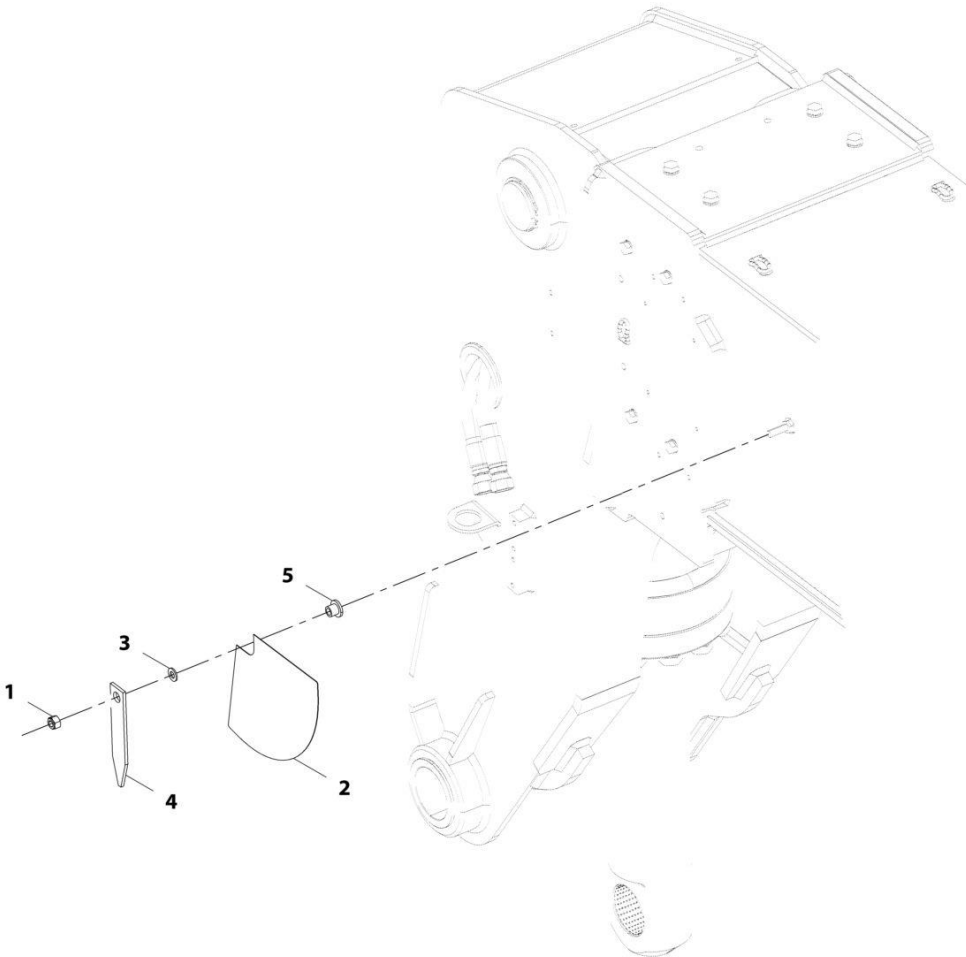


FIGURE 2-12. BOOM BRUSHES INSTALLATION

ITEM	PART NUMBER	QTY	DESCRIPTION	REV
	1001201432	Ref	Boom Brushes Installation	C
1	0701216	10	Bolt, M12X40	
3	0761210	2	Bolt, M12X20	
4	3290505	16	Nut, Lock M5X0.8	
5	4811600	16	Washer, M5	
6	1001125117	12	Washer, M12	
7	1001172995	2	Brush, Boom	
8	1001172999	1	Brush, Boom	
9	1001173679	1	Brush, Boom	
10	1001173739	2	Brush, Boom	
11	1001205619	1	Bracket, Boom Brush	
12	1001196879	1	Bracket, Boom Brush	
13	1001205621	1	Bracket, Boom Brush	
14	1001205622	1	Bracket, Boom Brush	
15	1001205627	2	Brush, Boom	
16	1001220286	10	Spacer	

**SECTION 2 - BOOM**

**FIGURE 2-13. BOOM ANGLE INDICATOR INSTALLATION**



ART\_1001192364-A

FIGURE 2-13. BOOM ANGLE INDICATOR INSTALLATION

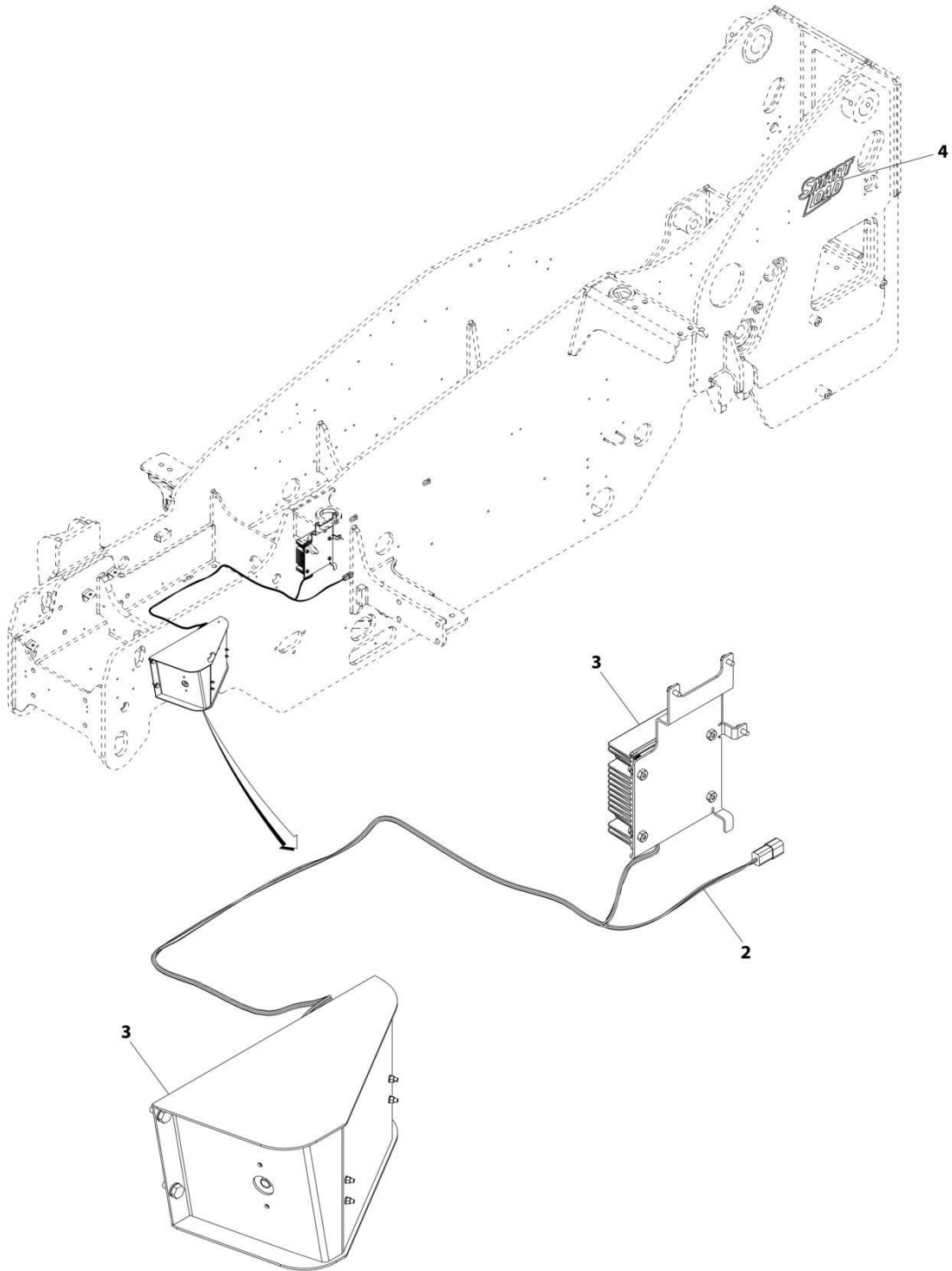
ITEM	PART NUMBER	QTY	DESCRIPTION	REV
	1001192364	Ref	Boom Angle Indicator Installation	A
1	3291005	1	Nut, Lock M10X1.5	
2	4105262	1	Decal, Boom Angle Indicator	
3	4812000	1	Washer, M10	
4	1001098769	1	Plate, Boom Angle Indicator	
5	1001171808	1	Spacer	



**SECTION 3 - ATTACHMENTS**

# SECTION 3 - ATTACHMENTS

## FIGURE 3-1. ATTACHMENT RECOGNITION INSTALLATION - COMPLETE



ART\_1001195881

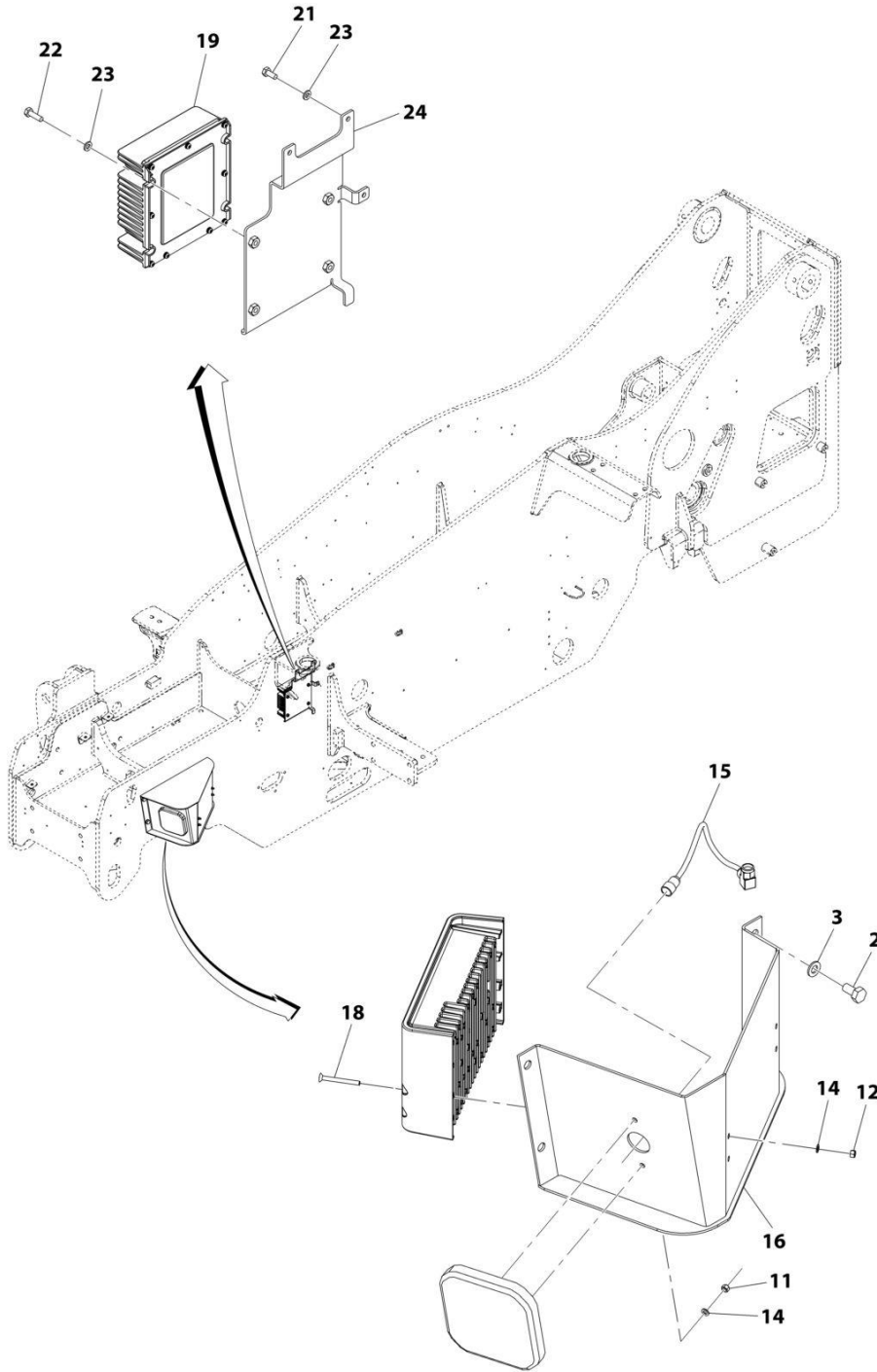
## SECTION 3 - ATTACHMENTS

**FIGURE 3-1. ATTACHMENT RECOGNITION INSTALLATION - COMPLETE**

ITEM	PART NUMBER	QTY	DESCRIPTION	REV
	1001195881	Ref	Attachment Recognition Installation	F
2	1001249251	1	Cable	
3	1001207866	1	Installation, Components Attachment Recognition (See Separate Breakdown in this Section)	
4	1001250276	2	Decal, Smart Load	

# SECTION 3 - ATTACHMENTS

## FIGURE 3-2. ATTACHMENT RECOGNITION INSTALLATION



ART\_1001207866\_G



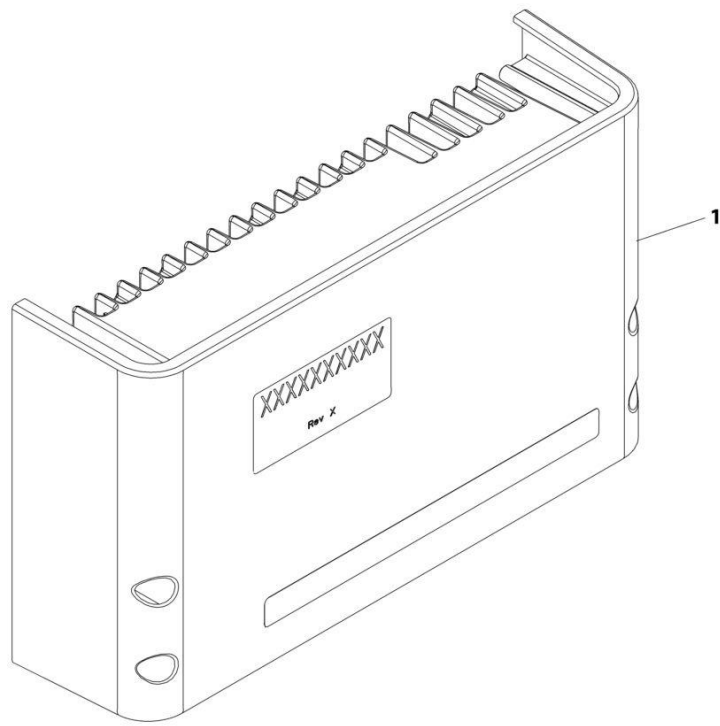
## SECTION 3 - ATTACHMENTS

**FIGURE 3-2. ATTACHMENT RECOGNITION INSTALLATION**

ITEM	PART NUMBER	QTY	DESCRIPTION	REV
	1001207866	Ref	Components Attachment Recognition Installation	G
2	0761010	4	Bolt, M10X20	
3	4812000	4	Washer, M10	
11	3290505	2	Nut, Lock M5X0.8 Grade 8	
12	3290507	4	Nut, Lock M5X0.8	
14	4811600	6	Washer, M5	
15	1001206725	1	Cable	
16	1001232988	1	Bracket, Attachment Recognition	
18	1001234395	4	Screw, M5X50	
19	1001249078	1	Control, Voltage	
21	0760607	3	Bolt, M6X14	
22	0700610	4	Bolt, M6X20	
23	4811700	7	Washer M6	
24	1001249249	1	Bracket, Converter Support	

# SECTION 3 - ATTACHMENTS

FIGURE 3-3. ATTACHMENT RECOGNITION RECEIVER (FCC)



ART\_1001250475-B

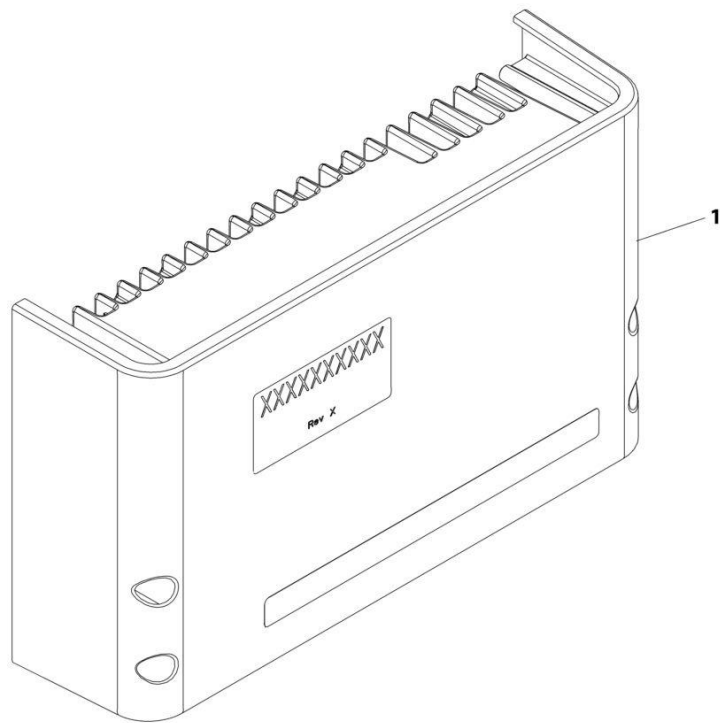
## SECTION 3 - ATTACHMENTS

**FIGURE 3-3. ATTACHMENT RECOGNITION RECEIVER (FCC)**

ITEM	PART NUMBER	QTY	DESCRIPTION	REV
	1001250475	1 Ref	ATTACHMENT RECOGNITION RECEIVER (FCC) <b>No Serviceable Parts. Purchase complete assembly</b>	B

# SECTION 3 - ATTACHMENTS

## FIGURE 3-4. ATTACHMENT RECOGNITION RECEIVER (EU)



ART\_1001250476-B

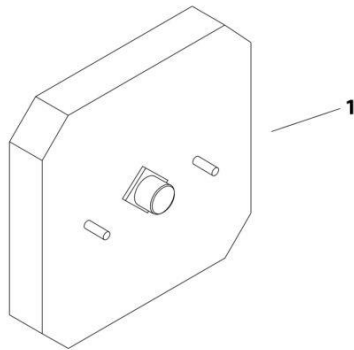
## SECTION 3 - ATTACHMENTS

**FIGURE 3-4. ATTACHMENT RECOGNITION RECEIVER (EU)**

ITEM	PART NUMBER	QTY	DESCRIPTION	REV
	1001250476	1 Ref	ATTACHMENT RECOGNITION RECEIVER (EU) <b>No Serviceable Parts. Purchase complete assembly</b>	B

## SECTION 3 - ATTACHMENTS

FIGURE 3-5. ATTACHMENT RECOGNITION ANTENNA (FCC)



ART\_1001202730

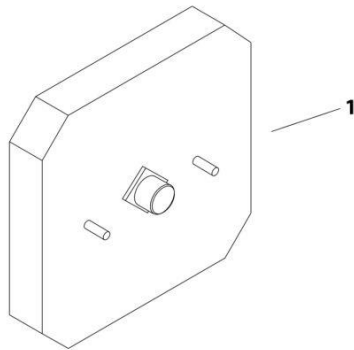
## SECTION 3 - ATTACHMENTS

**FIGURE 3-5. ATTACHMENT RECOGNITION ANTENNA (FCC)**

ITEM	PART NUMBER	QTY	DESCRIPTION	REV
	1001202730	1	ATTACHMENT RECOGNITION ANTENNA (FCC)	

## SECTION 3 - ATTACHMENTS

FIGURE 3-6. ATTACHMENT RECOGNITION ANTENNA (EU)



ART\_1001237738



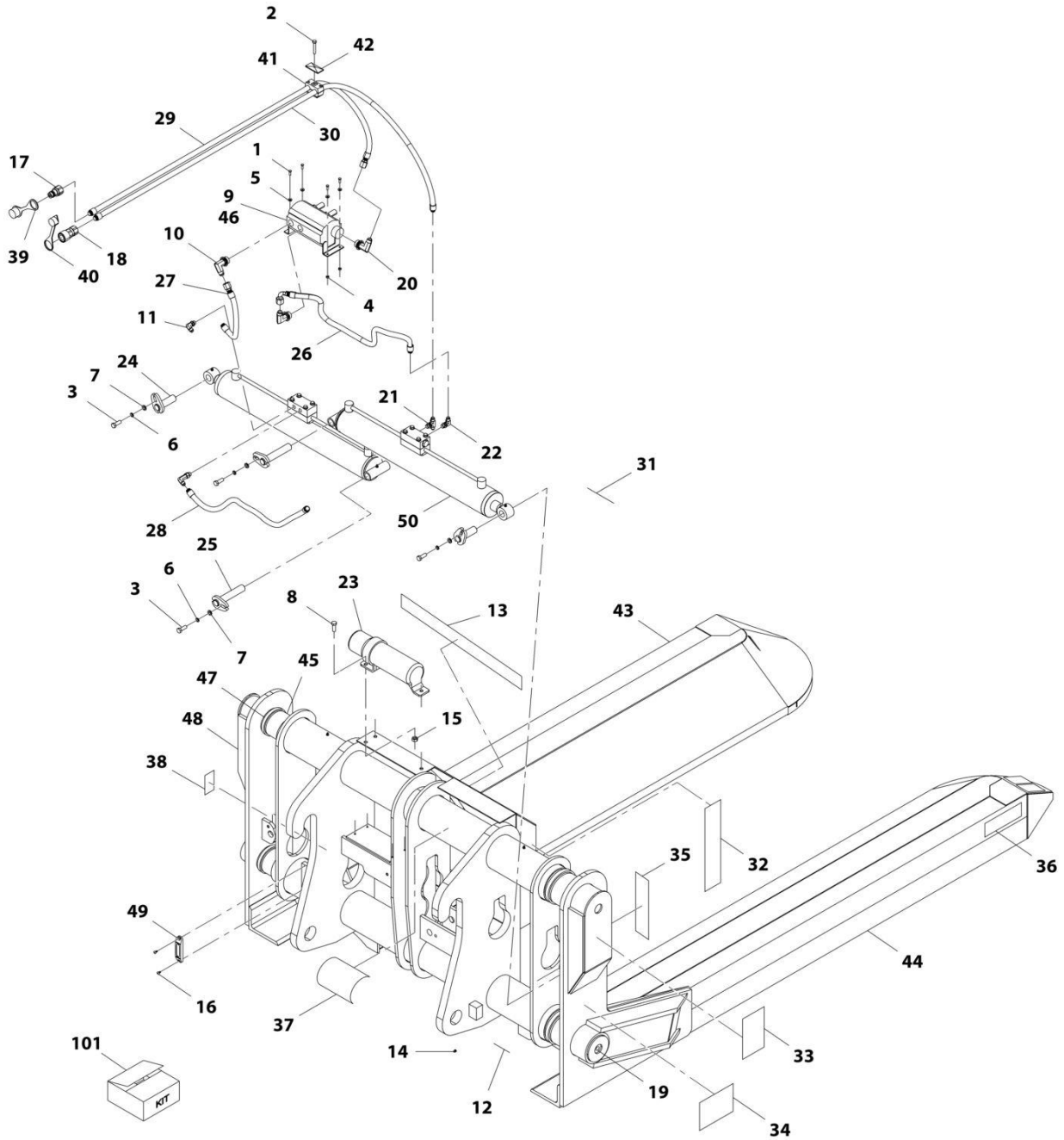
## SECTION 3 - ATTACHMENTS

**FIGURE 3-6. ATTACHMENT RECOGNITION ANTENNA (EU)**

ITEM	PART NUMBER	QTY	DESCRIPTION	REV
	1001202730	1	ATTACHMENT RECOGNITION ANTENNA (FCC)	

# SECTION 3 - ATTACHMENTS

## FIGURE 3-7. BALE HANDLER (ROUND BALES)



ART\_1001192649-D

## SECTION 3 - ATTACHMENTS

### FIGURE 3-7. BALE HANDLER (ROUND BALES)

ITEM	PART NUMBER	QTY	DESCRIPTION	REV
	1001192649	Ref	Bale Handler (round)	E
1	70027773	4	Bolt	
2	70028485	1	Screw	
3	70021349	4	Bolt, 3/8X1	
4	90554066	4	Nut	
5	90554067	4	Washer, Lock	
6	90554042	4	Washer, Lock	
7	70021350	4	Washer	
8	70028635	3	Bolt	
9	70028636	1	Plug w/O-Ring	
10	70028637	2	Fitting, 90	
11	90554065	1	Fitting, 90	
12	7029712	4	Decal, Grease	
13	70028638	1	Decal, Stand Clear Warning	
14	90554045	4	Fitting, Grease	
15	70028615	3	Nut	
16	70028554	2	Screw	
17	1001101041	1	Adapter, Male Quick Disconnect	
18	70028616	1	Fitting, Straight	
19	70028617	4	Plug	
20	70028618	1	Fitting, 90	
21	70028619	1	Fitting, Tee	
22	70028620	1	Fitting, 90	
23	1001101042	1	Adapter, Female Quick Disconnect	
24	70028489	2	Pin	
25	70028490	2	Pin	
26	70028621	1	Hose	
27	70028622	1	Hose	
28	70028623	1	Hose	
29	70028624	1	Hose	
30	7029709	1	Hose	
31	7029711	1	Decal, High Pressure Warning	
32	70028625	2	Decal, Pinch Point	
33	70028626	1	Decal, Transport Warning	
34	70028627	1	Decal, Safety Warning	
35	70028628	6	Decal, Red Reflexite	
36	70028629	6	Decal, Amber Reflexite	
37	70028630	1	Decal, Module Staging	
38	N.S.S.	1	Plate, Serial Number	
39	8420053	1	Cap, Dust	
40	8420055	1	Cap, Dust	
41	70028495	1	Clamp	
42	70028496	1	Plate, Clamp	
43	N.S.S.	1	Arm, RH	
44	N.S.S.	1	Arm, LH	
45	70028631	4	Wrap	
46	70028632	1	Valve, Flow Divider	
47	70028633	8	Clamp	
48	N.S.S.	1	Weldment	
49	1001227670	1	Tag, RFID	

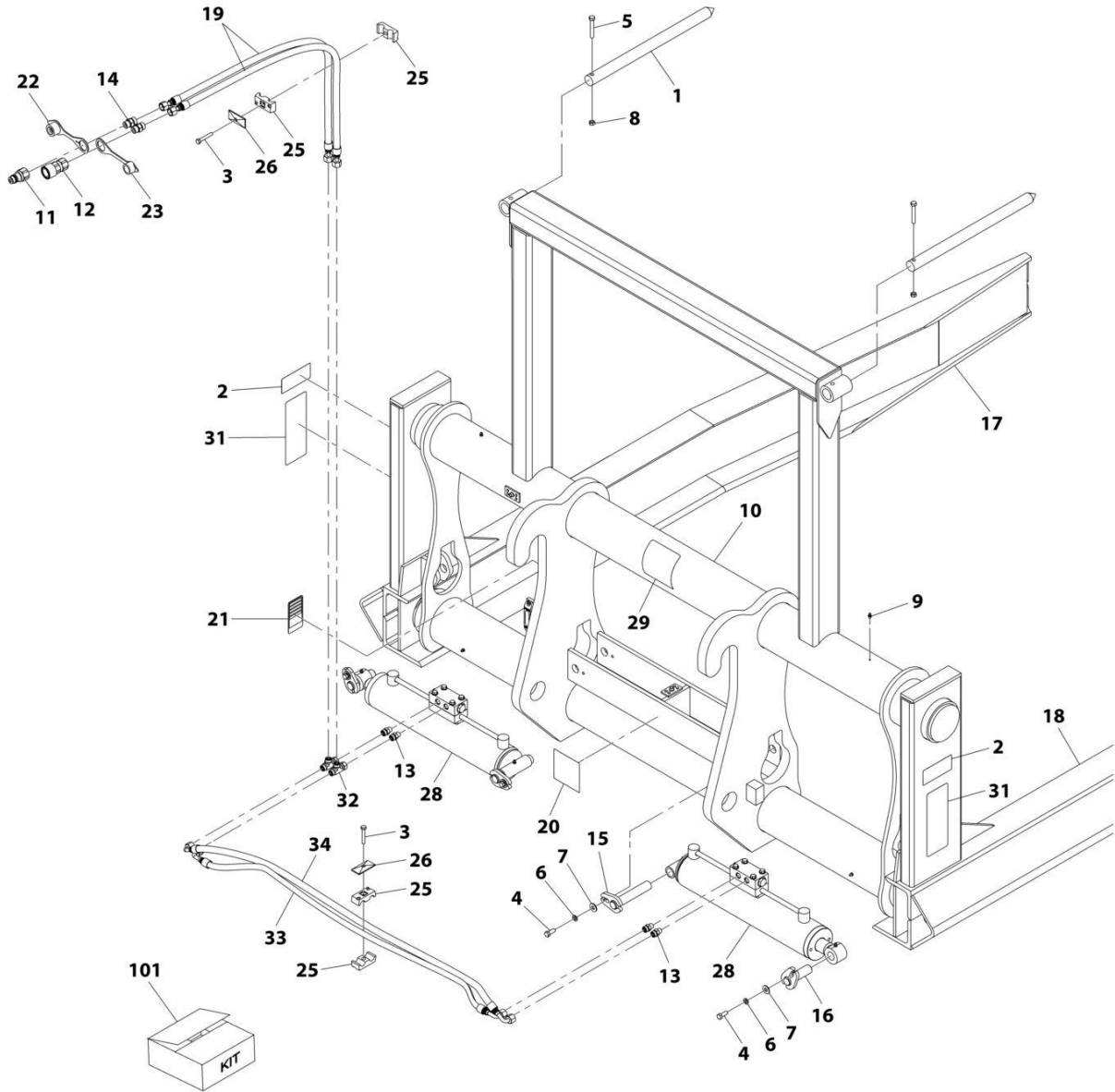
### SECTION 3 - ATTACHMENTS

ITEM	PART NUMBER	QTY	DESCRIPTION	REV
50	70028634	2	Assembly, Cylinder	
101	Kit	1	Kit, Seal	



# SECTION 3 - ATTACHMENTS

## FIGURE 3-8. BALE HANDLER (SQUARE BALES)



ART\_1001192650-E

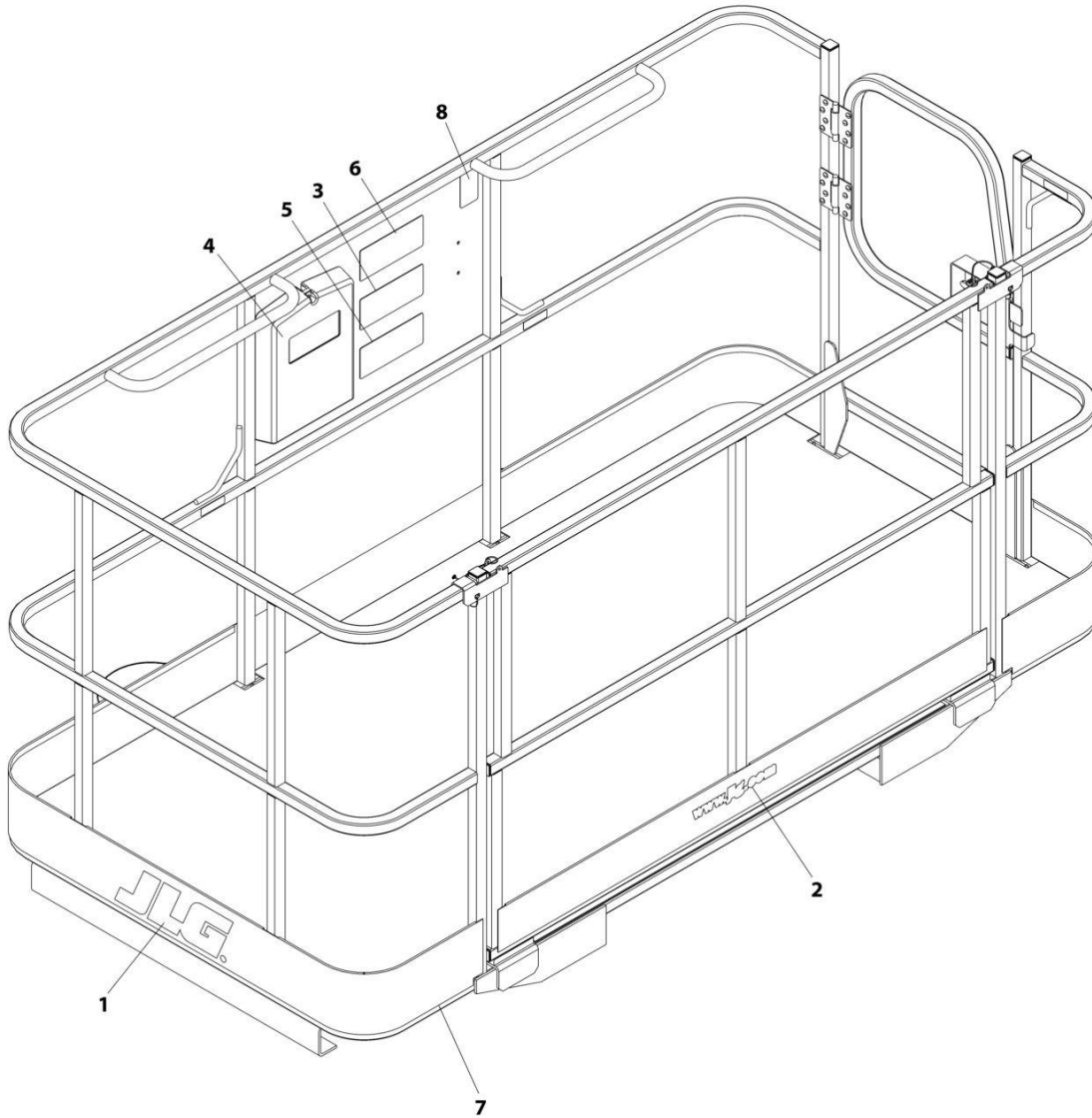
## SECTION 3 - ATTACHMENTS

### FIGURE 3-8. BALE HANDLER (SQUARE BALES)

ITEM	PART NUMBER	QTY	DESCRIPTION	REV
	1001192650	Ref	Bale Handler (square)	F
1	70028499	2	Spear	
2	70028500	2	Decal, Pinch Point	
3	70028485	2	Screw	
4	70021349	4	Bolt, 3/8X1	
5	70021422	2	Screw	
6	90554042	4	Washer, Lock 3/8	
7	70021350	4	Washer, Flat	
8	70021367	2	Nut, Lock 3/8	
9	90554045	4	Fitting, Grease	
10	N.S.S.	1	Weldment, Main Frame	
11	1001101041	1	Coupler, Male Hydraulic	
12	1001101042	1	Coupler, Female Hydraulic	
13	70028486	4	Fitting	
14	70028488	2	Fitting	
15	70028489	2	Pin	
16	70028490	2	Pin	
17	N.S.S.	1	Weldment, Left Bale Arm	
18	N.S.S.	1	Weldment, Right Bale Arm	
19	70028491	2	Hose	
20	7029711	1	Decal, High Pressure Warning	
21	N.S.S.	1	Plate, Serial Number	
22	8420053	1	Cap, Dust	
23	8420055	1	Cap, Dust	
25	70028495	2	Clamp	
26	70028496	2	Plate, Clamp	
28	70028497	2	Assembly, Cylinder	
29	70028498	1	Decal, Read Manual	
31	70028501	2	Decal, Falling Load	
32	70028487	2	Fitting, Tee	
33	70028492	1	Hose	
34	70028493	1	Hose	
101	70028494	1	Kit, Seal	

# SECTION 3 - ATTACHMENTS

FIGURE 3-9. BASKET, PERSONNEL (1.2MX2.4M) (DOMESTIC)



ART\_1001238653-A



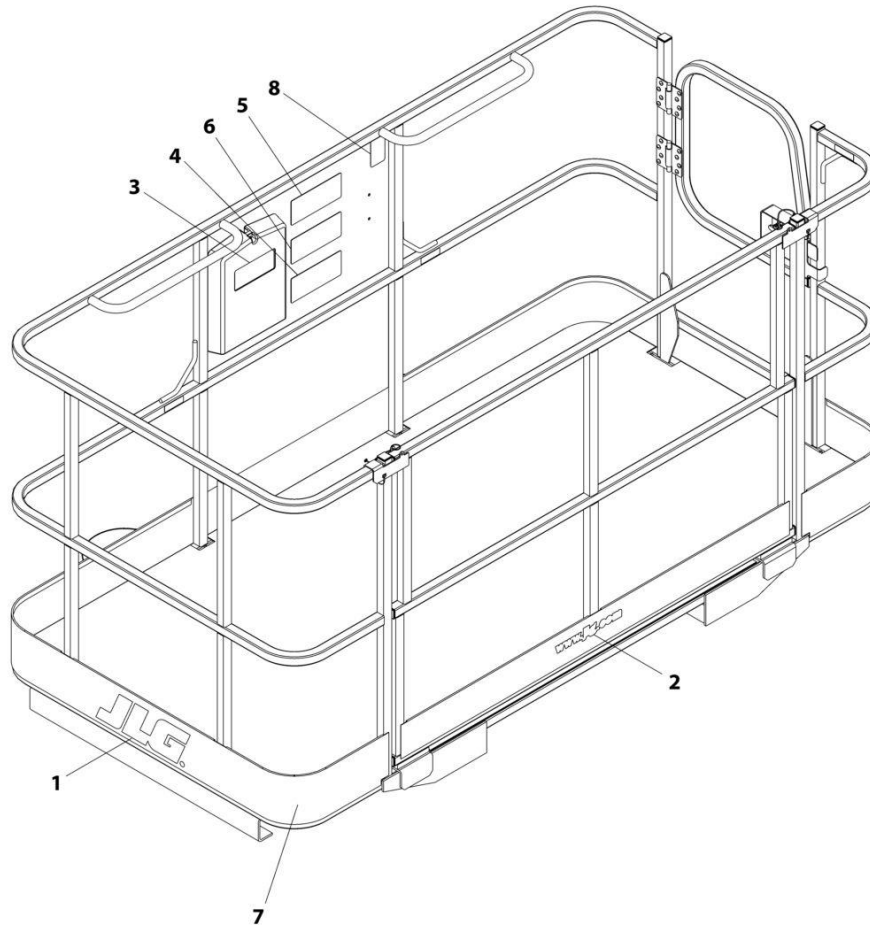
## SECTION 3 - ATTACHMENTS

**FIGURE 3-9. BASKET, PERSONNEL (1.2MX2.4M) (DOMESTIC)**

ITEM	PART NUMBER	QTY	DESCRIPTION	REV
	1001238653	Ref	FORK MOUNTED PLATFORM	B
1	1702773	2	Decal, JLG	
2	1704885	1	Decal, Website	
3	1706892	1	Decal, Platform Warning	
4	31200160	1	Manual, Personnel Work Platform Operation and Safety	
5	1001092481	1	Decal, Warning Attachment	
6	1001092482	1	Decal, Platform Capacity	
7	1001238565	1	Platform, Fork Mounted (See Separate Breakdown in this Section)	
8	See Note	NSS	SN Plate (Note: Stamped Part - Not Available for Purchase)	

## SECTION 3 - ATTACHMENTS

FIGURE 3-10. BASKET, PERSONNEL (1.2MX2.4M) (FRENCH LANGUAGE)



ART\_1001238655-A

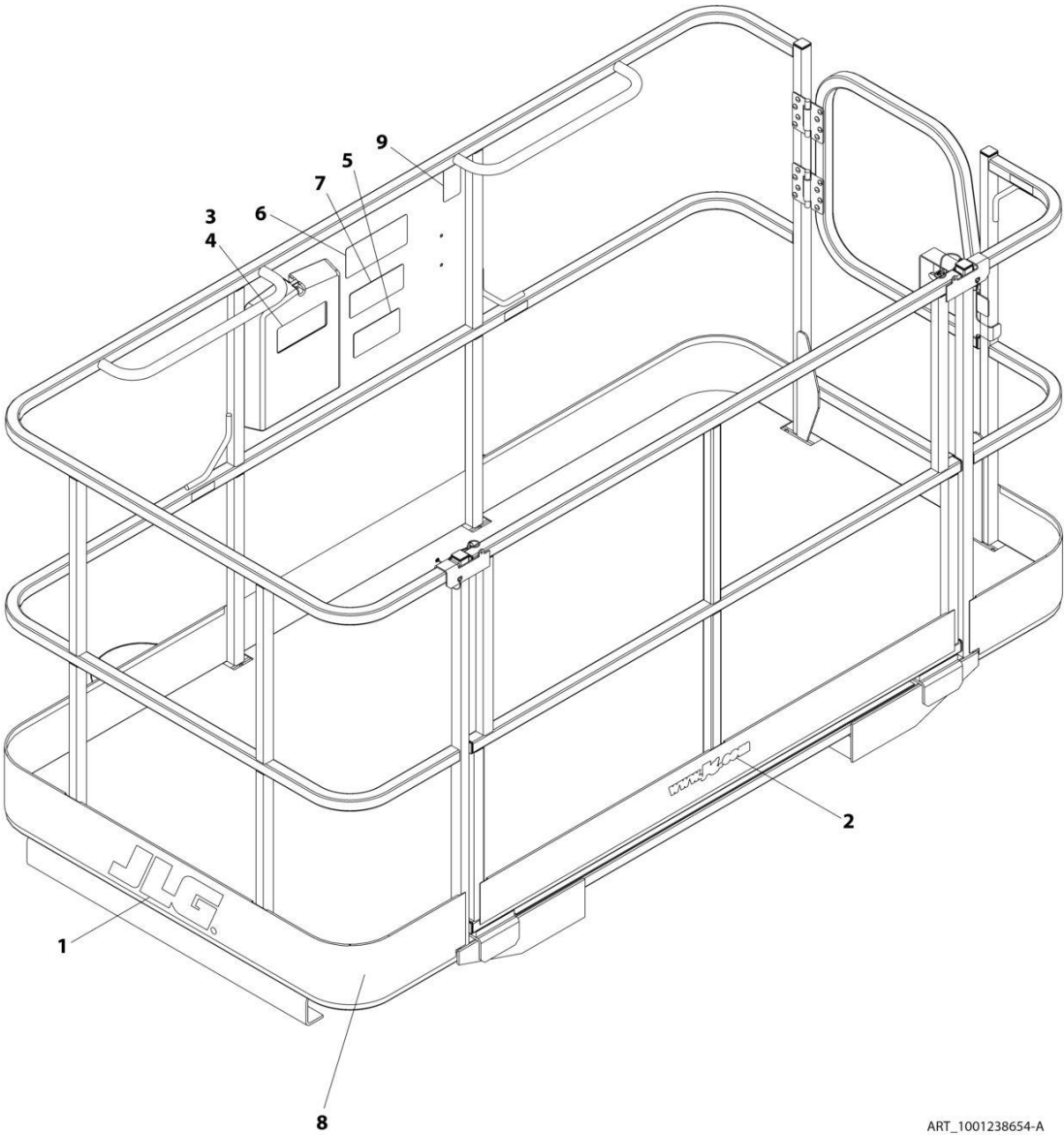
## SECTION 3 - ATTACHMENTS

**FIGURE 3-10. BASKET, PERSONNEL (1.2MX2.4M) (FRENCH LANGUAGE)**

ITEM	PART NUMBER	QTY	DESCRIPTION	REV
	1001238655	Ref	BASKET, PERSONNEL	B
1	1702773	2	Decal, JLG	
2	1704885	1	Decal, Website	
3	31200386	1	Manual, Operation and Safety (French)	
4	1001096019	1	Decal, Warning Attachment (French)	
5	1001096020	1	Decal, Platform Capacity (French)	
6	1001096024	1	Decal, Platform Warning (French)	
7	1001238565	1	Platform, Fork Mounted (ANSI) (See Separate Breakdown in this Section)	
8	See Note	NSS	SN Plate (Note: Stamped Part - Not Available for Purchase)	

**SECTION 3 - ATTACHMENTS**

**FIGURE 3-11. BASKET, PERSONNEL (1.2MX2.4M) (ISO)**



ART\_1001238654-A

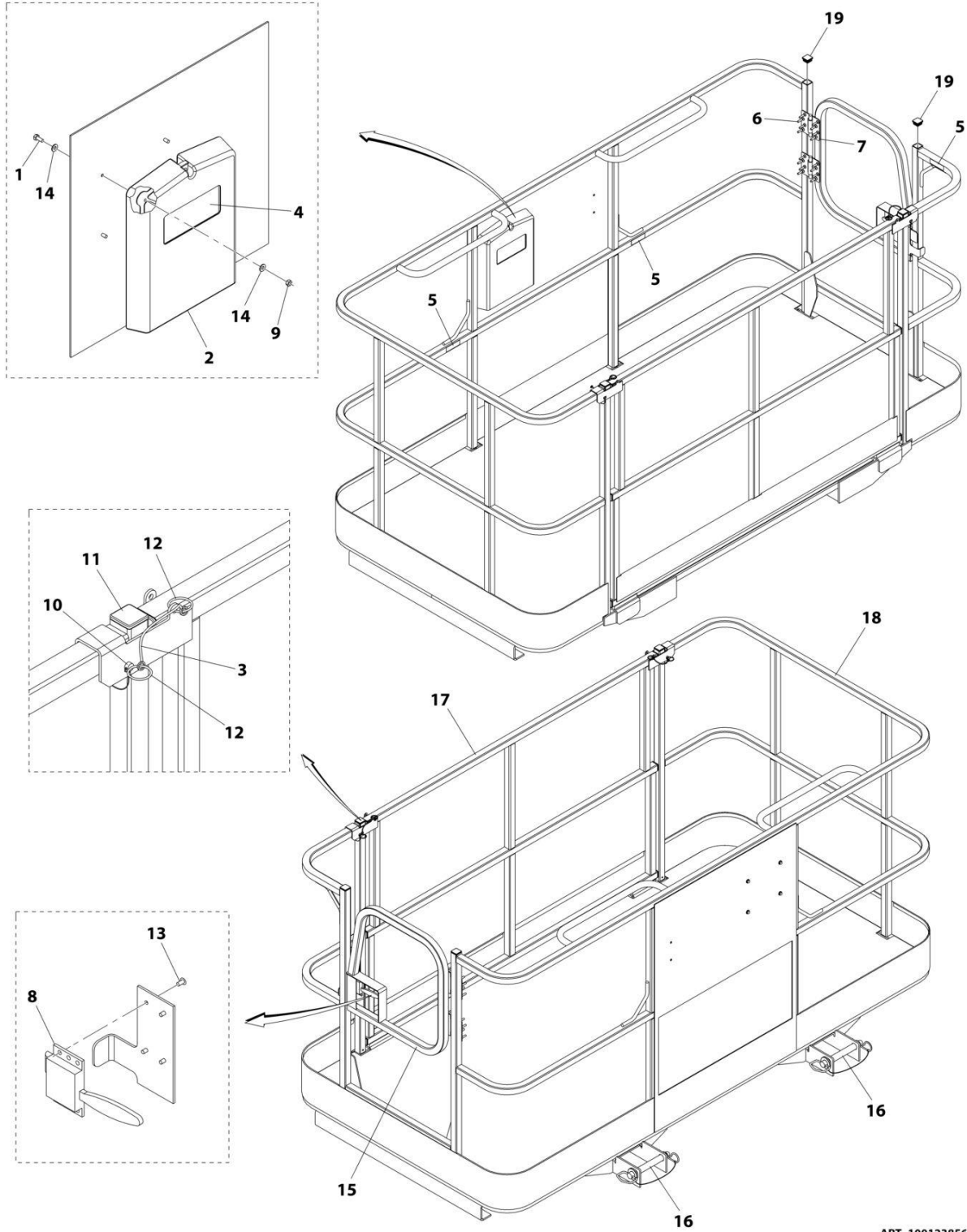
## SECTION 3 - ATTACHMENTS

**FIGURE 3-11. BASKET, PERSONNEL (1.2MX2.4M) (ISO)**

ITEM	PART NUMBER	QTY	DESCRIPTION	REV
	1001238654	Ref	BASKET, PERSONNEL	B
1	1702773	2	Decal, JLG	
2	1704885	1	Decal, Website	
3	31200387	1	Manual, Operation and Safety, Spanish	
4	31200388	1	Manual, Operation and Safety, Portuguese	
5	1001096021	1	Decal, Warning Attachment	
6	1001096023	1	Decal, Platform Capacity	
7	1001096025	1	Decal, Platform Warning	
8	1001238565	1	Platform, Fork Mounted (ANSI) (See Separate Breakdown in this Section)	
9	See Note	NSS	SN Plate (Note: Stamped Part - Not Available for Purchase)	

# SECTION 3 - ATTACHMENTS

## FIGURE 3-12. BASKET ASSEMBLY - FORK MOUNTED



ART\_1001238565

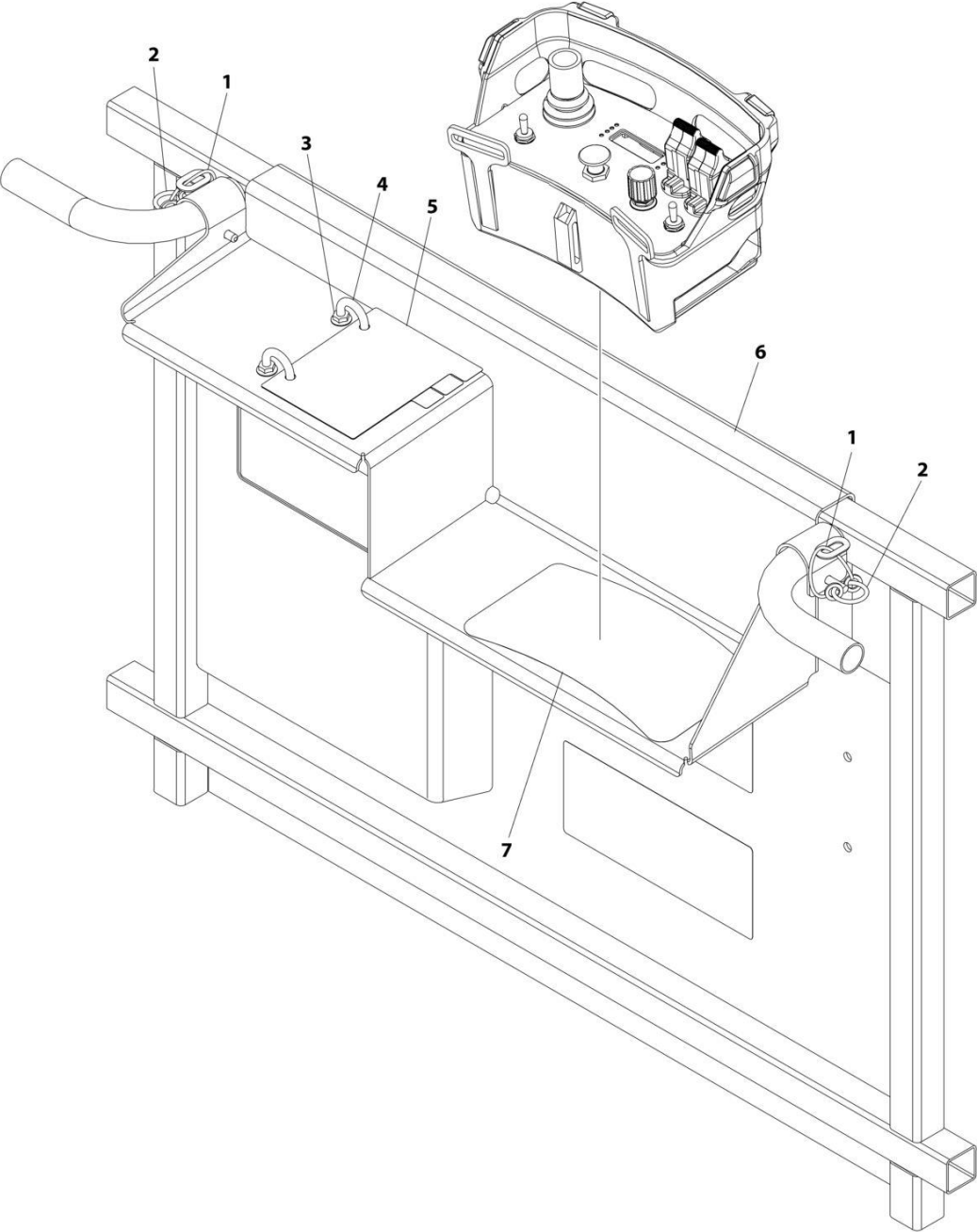
## SECTION 3 - ATTACHMENTS

**FIGURE 3-12. BASKET ASSEMBLY - FORK MOUNTED**

ITEM	PART NUMBER	QTY	DESCRIPTION	REV
	1001238565	Ref	FORK MOUNTED PLATFORM ASSEMBLY	F
1	0641405	4	Bolt 1/4 x 5/8	
2	0860520	1	Box, Manual Storage	
3	1060379	2	Cable, Lanyard	
4	1701509	1	Decal, Manual	
5	1704277	3	Decal, Lanyard Attach	
6	2080040	16	Fastener	
7	2600281	2	Hinge	
8	2940074	1	Latch	
9	3311405	4	Nut 1/4	
10	3421453	2	Pin	
11	3520072	7	Plug	
12	3760170	4	Ring	
13	3820020	4	Rivet	
14	4711400	8	Washer 1/4	
15	1001144629J	1	Gate	
16	1001238560	2	Pin, Hitch	
17	1001095810	1	Gate	
18	See Note	NSS	Platform, Fork Mounted	
19	3520198	4	Plug	

**SECTION 3 - ATTACHMENTS**

**FIGURE 3-13. BASKET DOCKING STATION**



ART\_1001258664



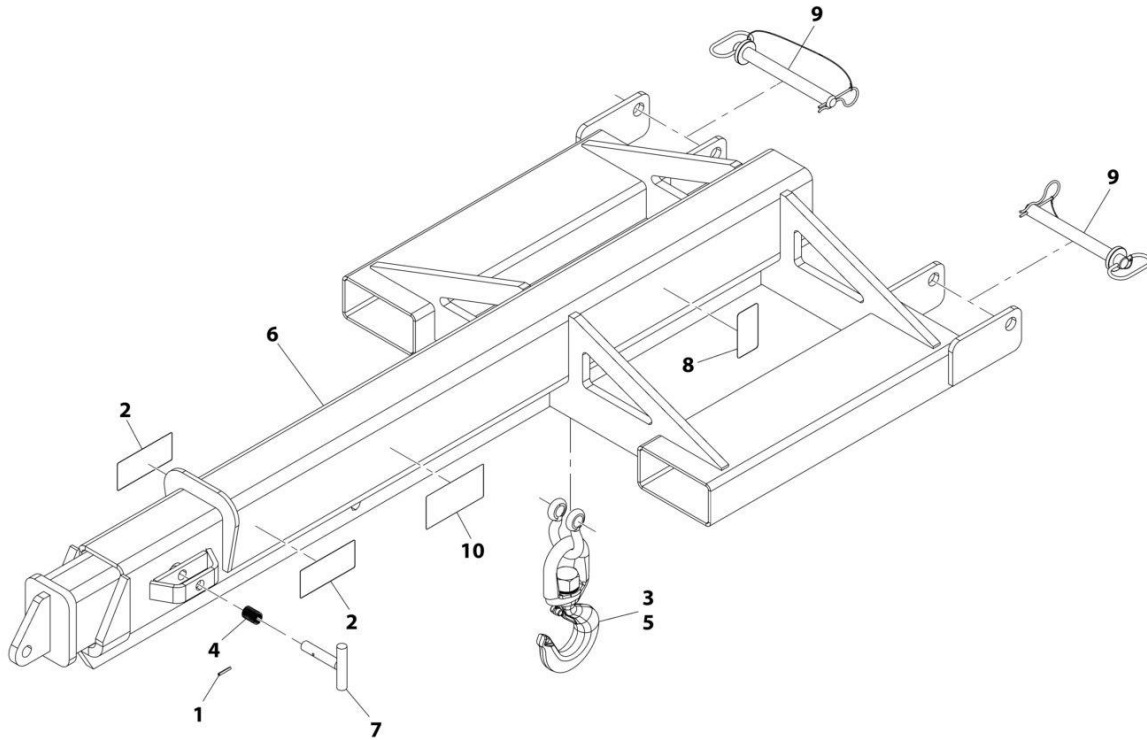
# SECTION 3 - ATTACHMENTS

## FIGURE 3-13. BASKET DOCKING STATION

ITEM	PART NUMBER	QTY	DESCRIPTION	REV
	1001258664	Ref	Basket Docking Station	A
1	1060379	2	Cable, Lanyard	
2	3422661	2	Pin, Quick Release	
3	8310382	8	Nut 1/4	
4	1001102844	2	U-Bolt 1/4X1-1/4	
5	1001258512	1	Load, Booklet Fork Platform	
6	1001259214	1	Bracket, Control Mount Weld	
7	1001259225	1	Decal, Remote Control	

# SECTION 3 - ATTACHMENTS

## FIGURE 3-14. BOOM - TRUSS (3.6TON FORK MOUNTED)



ART\_1001230241-H

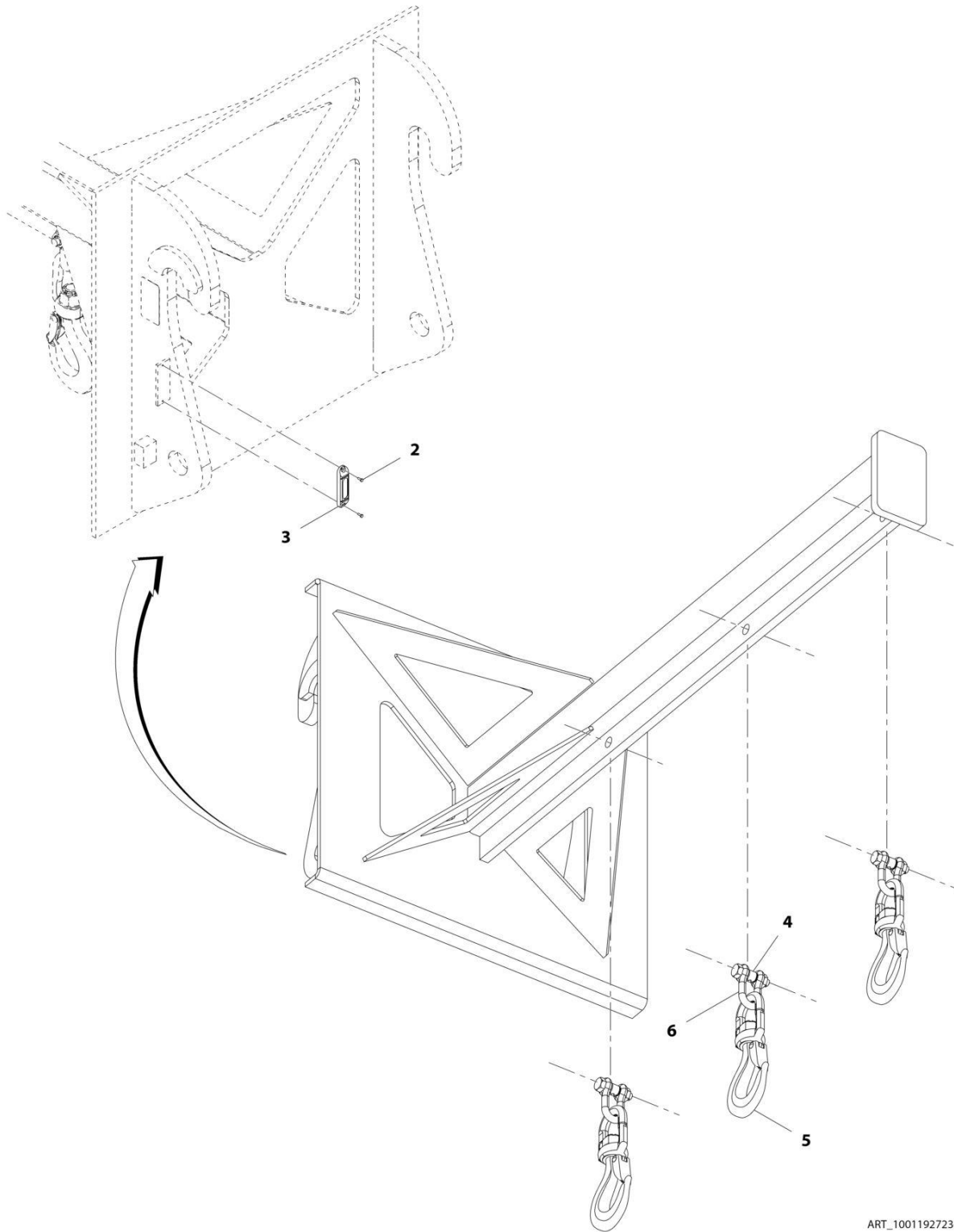
## SECTION 3 - ATTACHMENTS

**FIGURE 3-14. BOOM - TRUSS (3.6TON FORK MOUNTED)**

ITEM	PART NUMBER	QTY	DESCRIPTION	REV
	1001230241	Ref	Adjustable Truss Boom Installation (Fork Mounted)	J
1	3440620	1	Pin	
2	4110422	2	Decal, Danger Swinging Loads	
3	91403448	1	Hook, Swivel	
4	1001128890	1	Spring	
5	1001146160	1	Shackle	
6	See Note	NSS	Boom, Truss - Adjustable (Note: Purchase Complete Assembly)	
7	1001230239	1	Pin	
8	See Note	NSS	SN Plate (Note:Stamped Part - Not Available for Purchase)	
9	1001231692	2	Pin	
10	1001232500	1	Decal, Load Capacities	

# SECTION 3 - ATTACHMENTS

## FIGURE 3-15. BOOM - TRUSS (7.6 TON)



ART\_1001192723-F

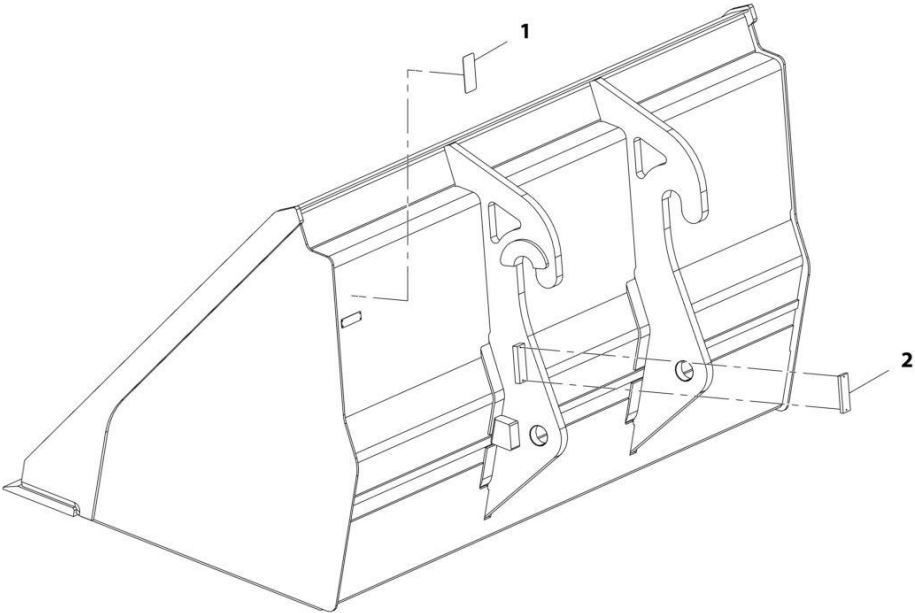
## SECTION 3 - ATTACHMENTS

### FIGURE 3-15. BOOM - TRUSS (7.6 TON)

ITEM	PART NUMBER	QTY	DESCRIPTION	REV
	1001192723	1	Truss Boom (7.6 ton)	G
2	70028554	2	Screw	
3	1001227670	1	Tag, RFID	
4	70020555	3	Bushing	
5	70026745	3	Hook	
6	70026746	3	Shackle, Chain	

**SECTION 3 - ATTACHMENTS**

**FIGURE 3-16. BUCKET (2.6 YD<sup>3</sup>/2.0M<sup>3</sup>)**



ART\_1001192615-F

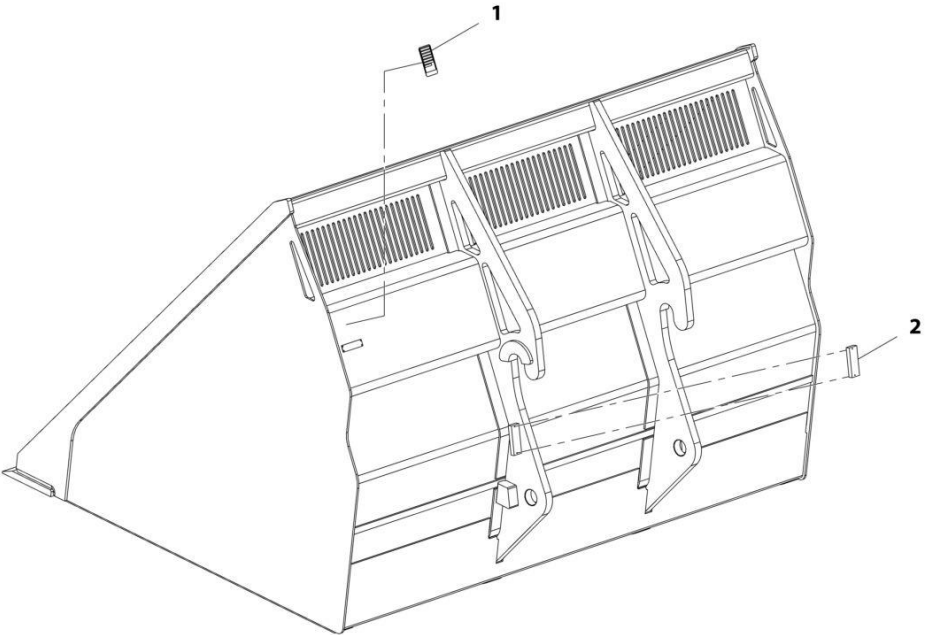
## SECTION 3 - ATTACHMENTS

**FIGURE 3-16. BUCKET (2.6 YD<sup>3</sup>/2.0M<sup>3</sup>)**

ITEM	PART NUMBER	QTY	DESCRIPTION	REV
	1001192615	Ref	Bucket (2.6 yd <sup>3</sup> /2.0m <sup>3</sup> )	G
1	N.S.S.	1	S/N Plate	
2	1001227670	1	Tag, RFID	

**SECTION 3 - ATTACHMENTS**

**FIGURE 3-17. BUCKET (5.23 YD<sup>3</sup>)**



ART\_1001192616-E



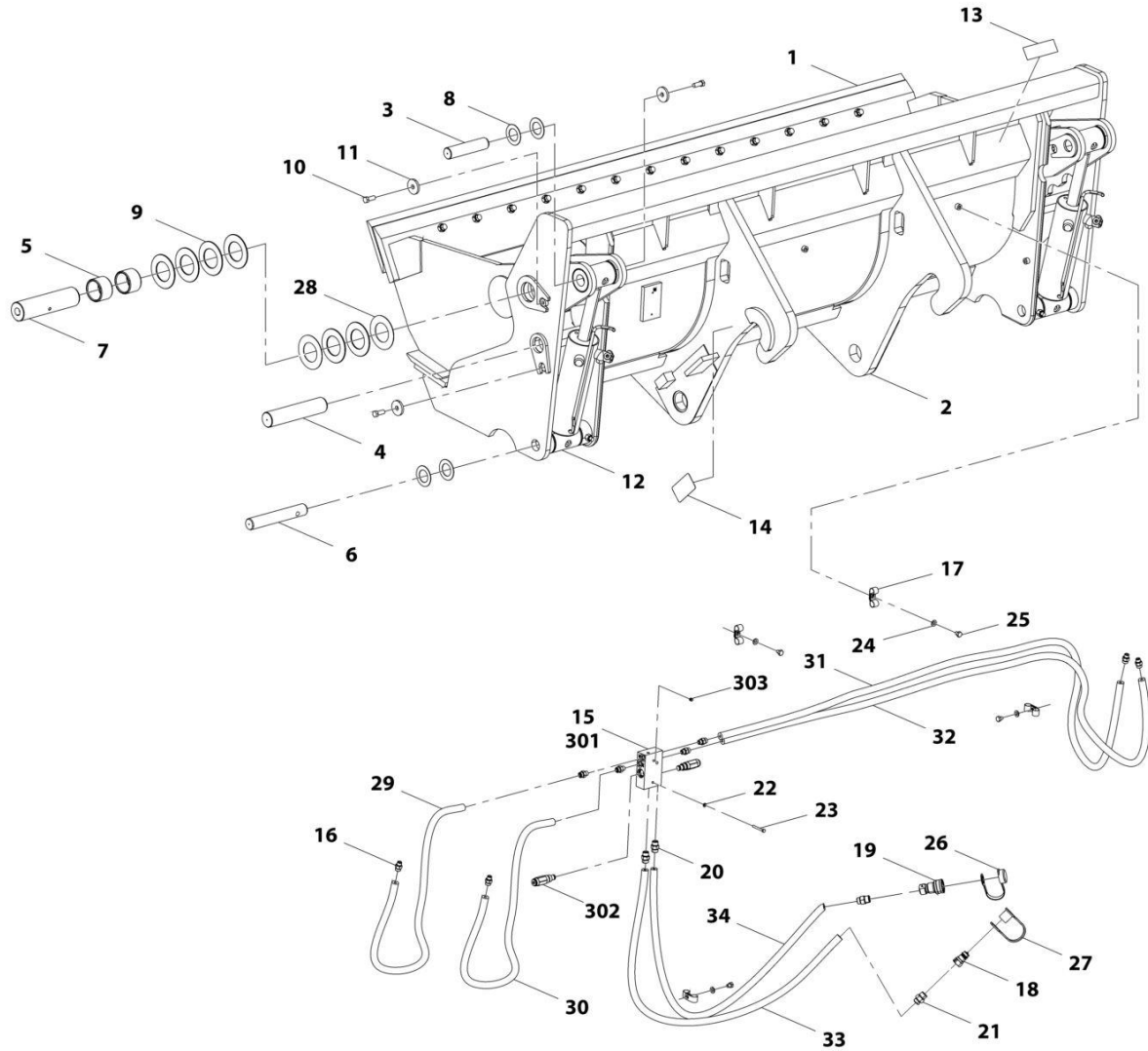
## SECTION 3 - ATTACHMENTS

**FIGURE 3-17. BUCKET (5.23 YD<sup>3</sup>)**

ITEM	PART NUMBER	QTY	DESCRIPTION	REV
	1001192616	Ref	Bucket (5.23 yd <sup>3</sup> /4.0m <sup>3</sup> )	F
1	N.S.S.	1	S/N Plate	
2	1001227670	1	Tag, RFID	

# SECTION 3 - ATTACHMENTS

## FIGURE 3-18. BUCKET - 4 IN 1 (1.3 YD<sup>3</sup>/1.0M<sup>3</sup>)



ART\_1001228427-B

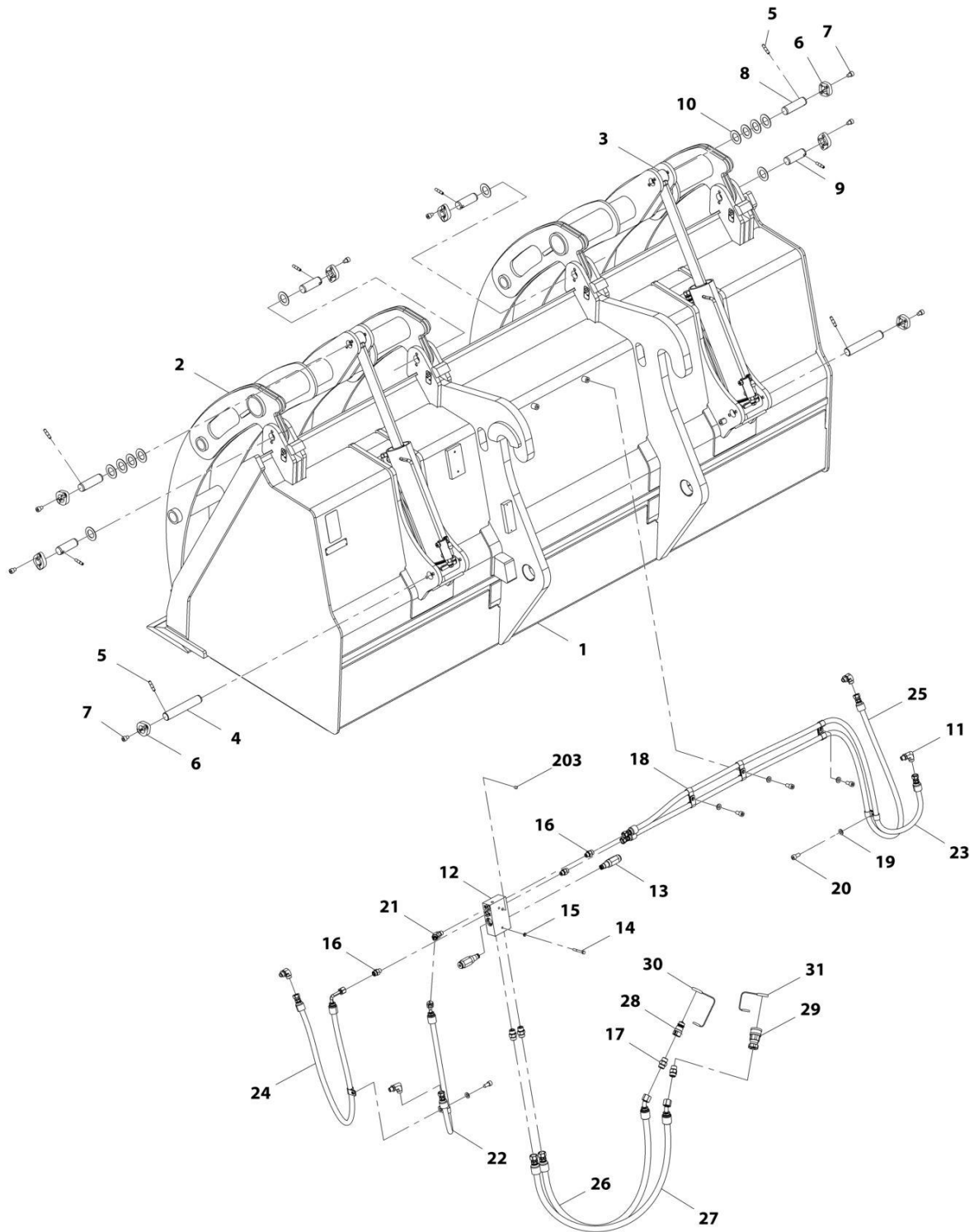
## SECTION 3 - ATTACHMENTS

**FIGURE 3-18. BUCKET - 4 IN 1 (1.3 YD<sup>3</sup>/1.0M<sup>3</sup>)**

ITEM	PART NUMBER	QTY	DESCRIPTION	REV
	1001228427	Ref	4 in 1 Bucket (1.3 yd <sup>3</sup> /1.0m <sup>3</sup> )	C
1	N.S.S.	1	Assembly, Front Bucket	
2	N.S.S.	1	Assembly, Back Bucket	
3	70028563	2	Pin	
4	70028564	2	Pin	
5	70028565	4	Bushing	
6	70028566	2	Pin	
7	70028567	2	Pin	
8	70028568	8	Shim	
9	70028569	6	Shim	
10	70028570	6	Capscrew	
11	70028571	6	Washer	
12	70028572	2	Assembly, 4 In 1 Bucket Cylinder (5.23 yd <sup>3</sup> /4.0m <sup>3</sup> ) (See Separate Breakdown in HYDRAULIC COMPONENTS Section)	
13	N.S.S.	1	Plate, Name	
14	N.S.S.	1	Plate, Serial Number	
15	70028573	1	Assembly, 4 In 1 Bucket Valve (5.23 yd <sup>3</sup> /4.0m <sup>3</sup> )	
16	70024130	8	Fitting, Straight	
17	70026481	8	Clamp, Hose	
18	1001101041	1	Adapter, Male Quick Disconnect	
19	1001101042	1	Adapter, Female Quick Disconnect	
20	70022938	2	Fitting, Straight	
21	70028263	2	Fitting, Straight	
22	70026480	2	Washer, M6	
23	70026479	2	Bolt, M6X50	
24	70026482	4	Washer, M10	
25	70026483	4	Bolt, M10X16	
26	8420055	1	Plug, Dust	
27	8420053	1	Plug, Cap	
28	70028574	12	Shim	
29	70028575	1	Hose	
30	70028576	1	Hose	
31	70028577	1	Hose	
32	70028578	1	Hose	
33	70028579	1	Hose	
34	70028580	1	Hose	
301	70026477	1	Manifold	
302	70028589	2	Cartridge, Relief	
303	70026614	2	Plug	

# SECTION 3 - ATTACHMENTS

## FIGURE 3-19. BUCKET - GRAPPLE (1.7 YD<sup>3</sup>/1.3M<sup>3</sup>)



ART\_1001223435-C

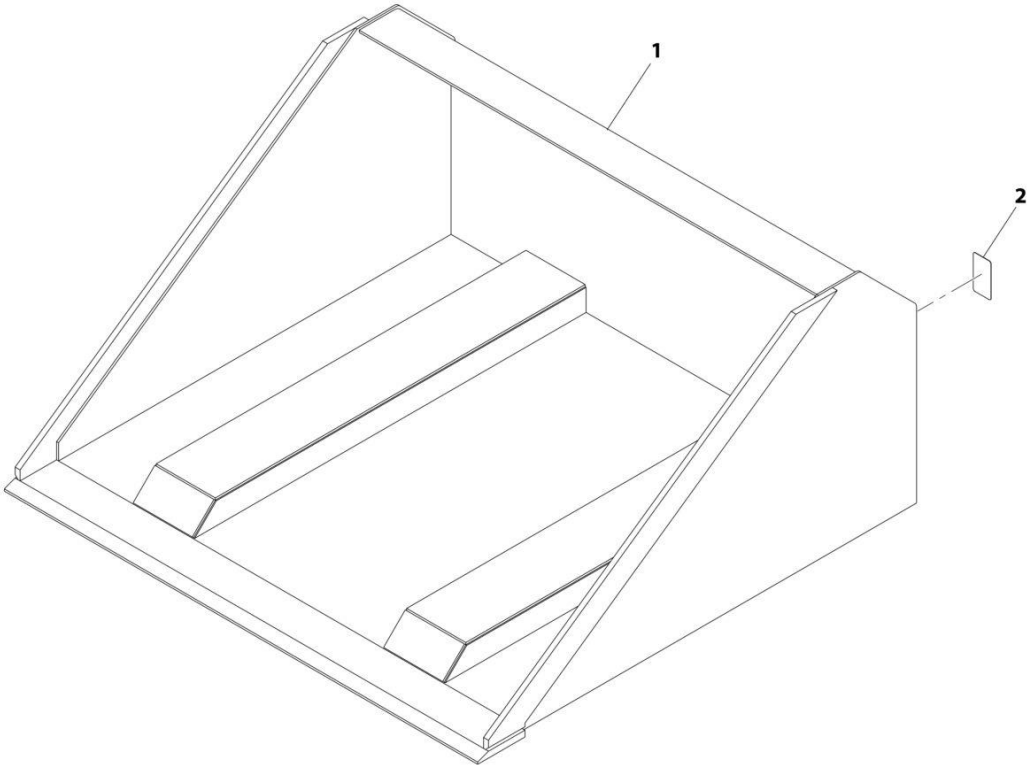
## SECTION 3 - ATTACHMENTS

**FIGURE 3-19. BUCKET - GRAPPLE (1.7 YD<sup>3</sup>/1.3M<sup>3</sup>)**

ITEM	PART NUMBER	QTY	DESCRIPTION	REV
	1001223435	Ref	Grapple Bucket (1.7 yd <sup>3</sup> /1.3m <sup>3</sup> )	D
1	N.S.S.	1	Bucket	
2	N.S.S.	1	Grapple	
3	70026469	2	Assembly, Cylinder, (See Separate Breakdown in HYDRAULIC COMPONENTS Section)	
4	70026470	2	Pin	
5	70026471	8	Pin Drive - Lock	
6	70026472	8	Retainer	
7	70026473	16	Capscrew, M10X12	
8	70026474	2	Pin	
9	70026475	4	Pin	
10	70026476	32	Shim	
11	70024123	4	Fitting, 90	
12	70026477	1	Manifold	
13	70026478	2	Cartridge, Relief Valve	
14	70026479	2	Bolt, M6X50	
15	70026480	2	Washer, M6	
16	70024130	3	Fitting, Straight	
17	70022938	4	Fitting, Straight	
18	70026481	10	Clamp, Hose	
19	70026482	5	Washer, M10	
20	70028672	5	Bolt, M10X20	
21	70026616	1	Fitting, 45	
22	70028749	1	Hose	
23	70028750	1	Hose	
24	70028751	1	Hose	
25	70028752	1	Hose	
26	70028753	1	Hose	
27	70028697	1	Hose	
28	1001101041	1	Adapter, Male Quick Disconnect	
29	1001101042	1	Adapter, Female Quick Disconnect	
30	8420053	1	Cap, Dust	
31	8420055	1	Plug, Dust	
203	70026614	2	Plug	

**SECTION 3 - ATTACHMENTS**

**FIGURE 3-20. BUCKET - FORK MOUNTED (1.0M<sup>3</sup>)**



ART\_1001195970-D

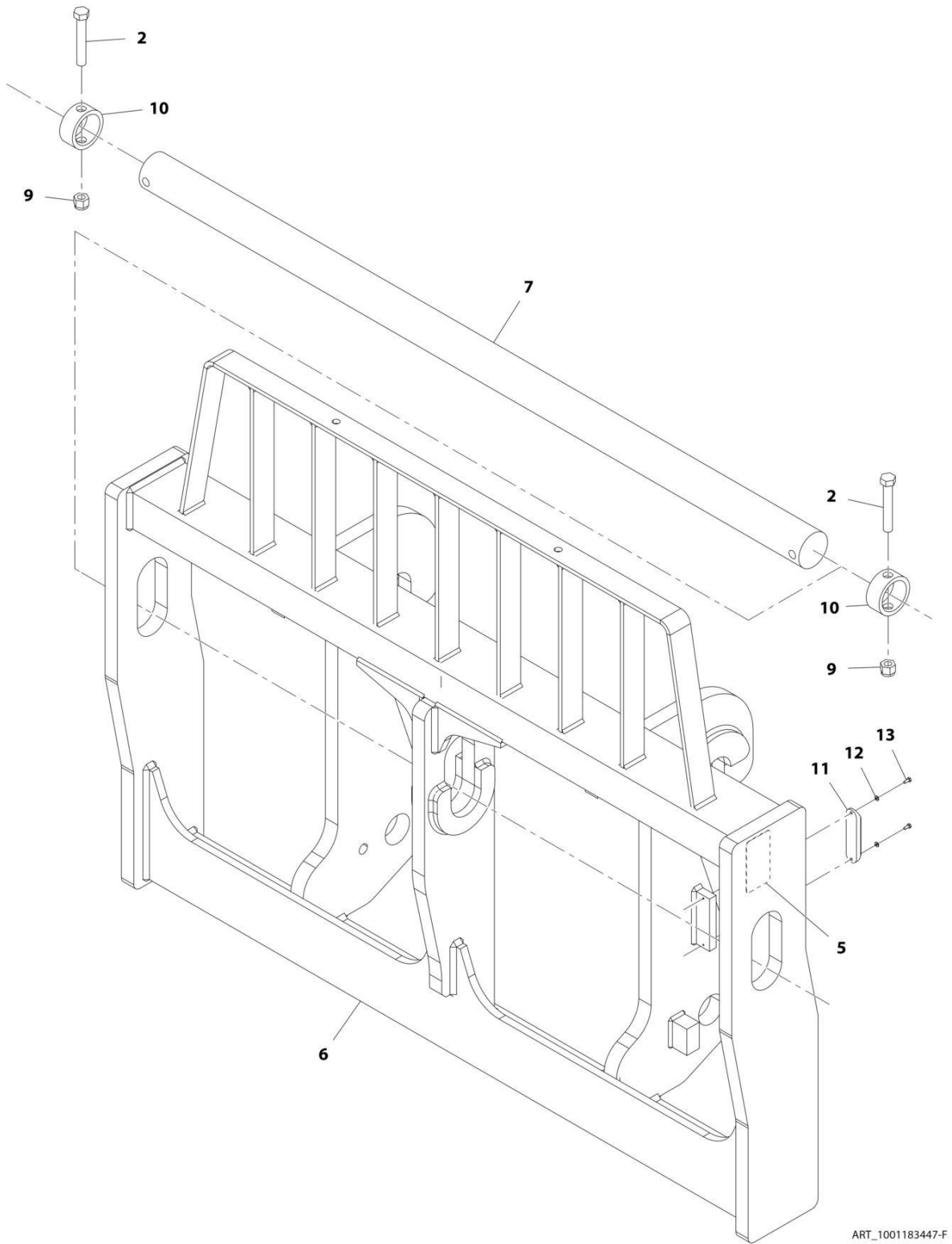
## SECTION 3 - ATTACHMENTS

**FIGURE 3-20. BUCKET - FORK MOUNTED (1.0M<sup>3</sup>)**

ITEM	PART NUMBER	QTY	DESCRIPTION	REV
1	1001195970	Ref	Bucket 1.0 m <sup>3</sup> (Fork Mounted)	E
2	See Note	NSS	S/N Plate (Note: Stamped Part - Not Available for Purchase)	

# SECTION 3 - ATTACHMENTS

## FIGURE 3-21. CARRIAGE ASSEMBLY (60IN/1524MM)



ART\_1001183447-F



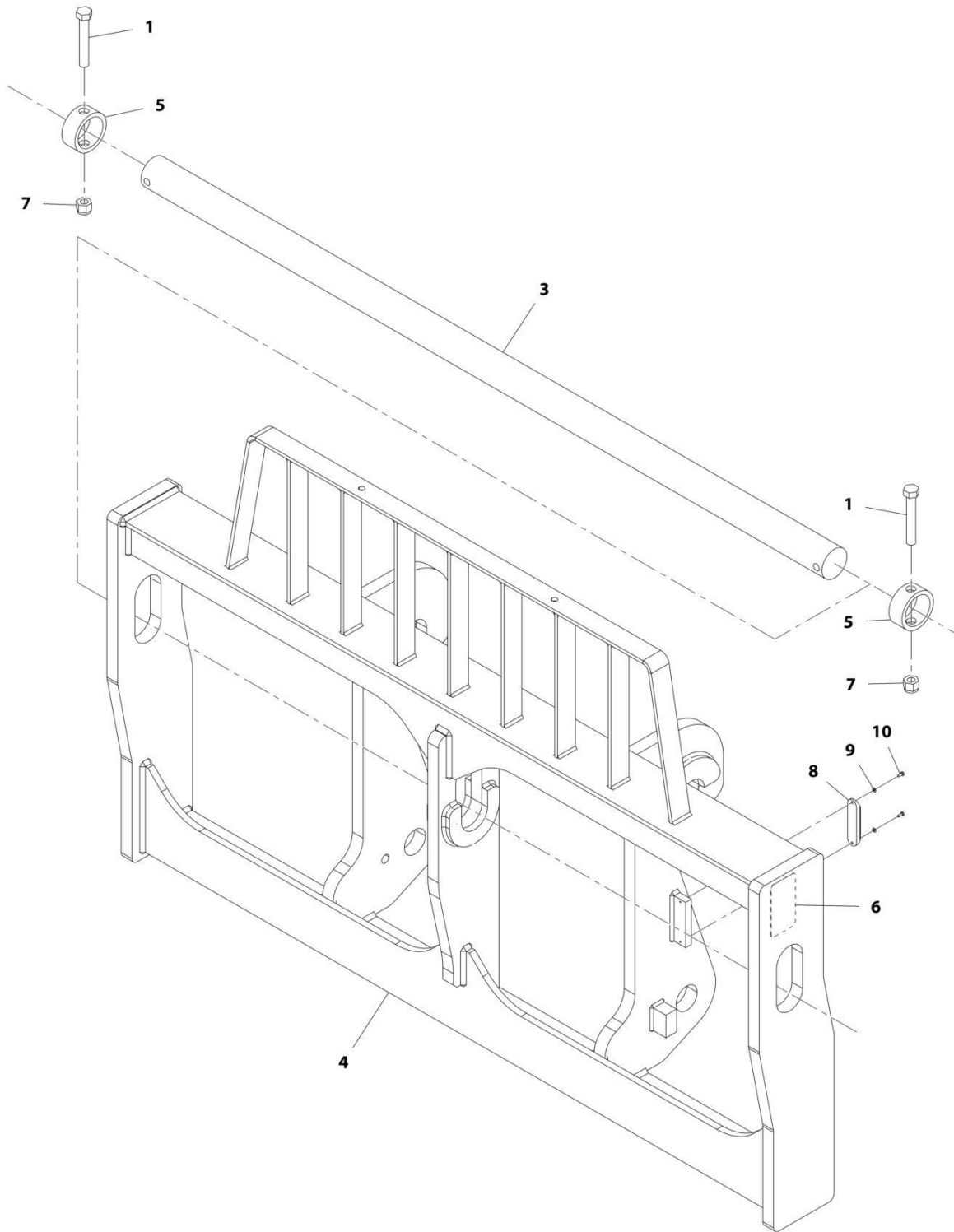
## SECTION 3 - ATTACHMENTS

**FIGURE 3-21. CARRIAGE ASSEMBLY (60IN/1524MM)**

ITEM	PART NUMBER	QTY	DESCRIPTION	REV
	1001183447	1	Carriage Assembly (60in/1524mm)	F
2	0701628	2	Bolt, M16X110	
5	N.S.S.	1	S/N Plate	
6	N.S.S.	1	Weldment, Carriage	
7	1001191108	1	Pin	
9	3291605	2	Nut, Lock M16X2 Grade 8	
10	1001218755	2	Collar, Shaft	
11	1001227670	1	Tag, RFID	
12	4811400	2	Washer, M4	
13	0760405	2	Bolt, M4X10	

# SECTION 3 - ATTACHMENTS

## FIGURE 3-22. CARRIAGE ASSEMBLY (72IN/1829MM)



ART\_1001214415-E

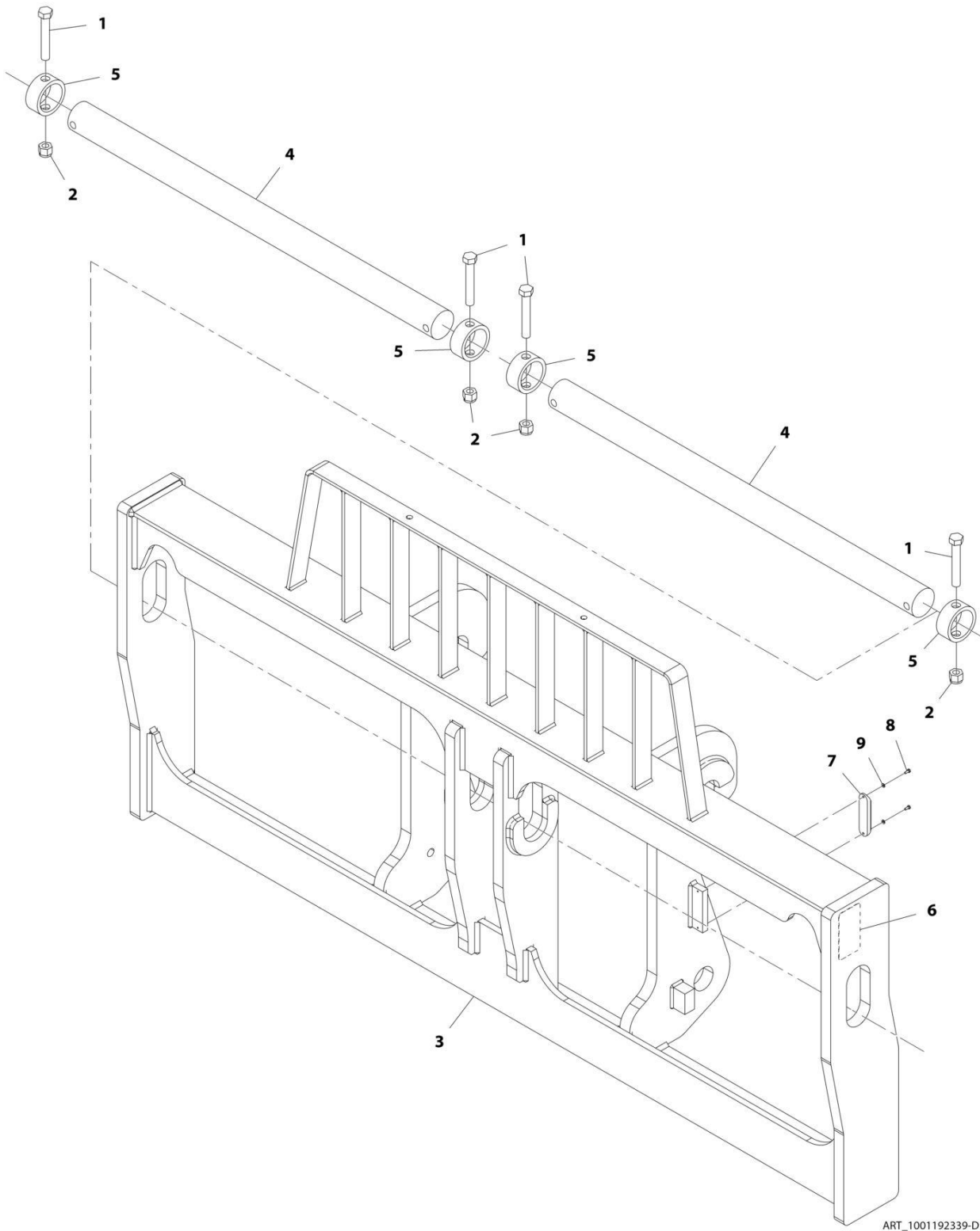
## SECTION 3 - ATTACHMENTS

### FIGURE 3-22. CARRIAGE ASSEMBLY (72IN/1829MM)

ITEM	PART NUMBER	QTY	DESCRIPTION	REV
	1001214415	Ref	Carriage Assembly (72in/1829mm)	E
1	0701628	2	Bolt, M16X110	
3	1001214254	1	Pin	
4	N.S.S.	1	Weldment, Carriage	
5	1001218755	2	Collar, Shaft	
6	N.S.S.	1	Plate, Serial Number	
7	3291605	2	Nut, Lock M16X2 Grade 8	
8	1001227670	1	Tag, RFID	
9	4811400	2	Washer, M4	
10	0760405	2	Bolt, M4X10	

# SECTION 3 - ATTACHMENTS

## FIGURE 3-23. CARRIAGE ASSEMBLY (87IN/2290MM)



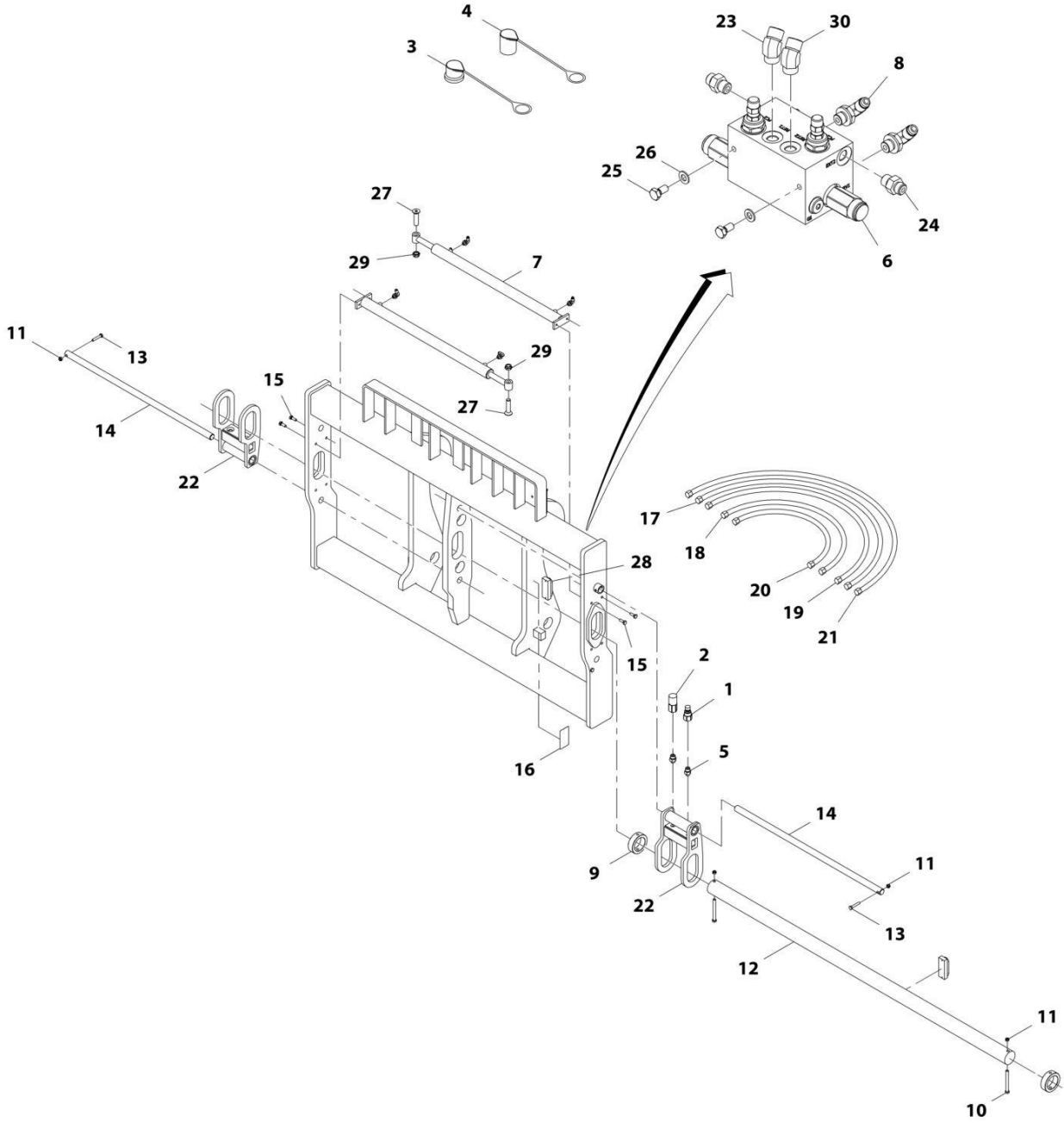
## SECTION 3 - ATTACHMENTS

### FIGURE 3-23. CARRIAGE ASSEMBLY (87IN/2290MM)

ITEM	PART NUMBER	QTY	DESCRIPTION	REV
	1001192339	1	Carriage Assembly (87in/2290mm)	D
1	0701628	4	Bolt, M16X110	
2	3291605	4	Nut, Lock M16X2 Grade 8	
3	N.S.S.	1	Weldment, Carriage	
4	1001218754	2	Pin	
5	1001218755	4	Collar, Shaft	
6	N.S.S.	1	Plate, Serial Number	
7	1001227670	1	Tag, RFID	
8	0760405	2	Bolt, M4X10	
9	4811400	2	Washer, M4	

# SECTION 3 - ATTACHMENTS

## FIGURE 3-24. CARRIAGE ASSEMBLY - DUAL FORK POSITIONING CARRIAGE (72IN/1829MM)



ART\_1001192342-E

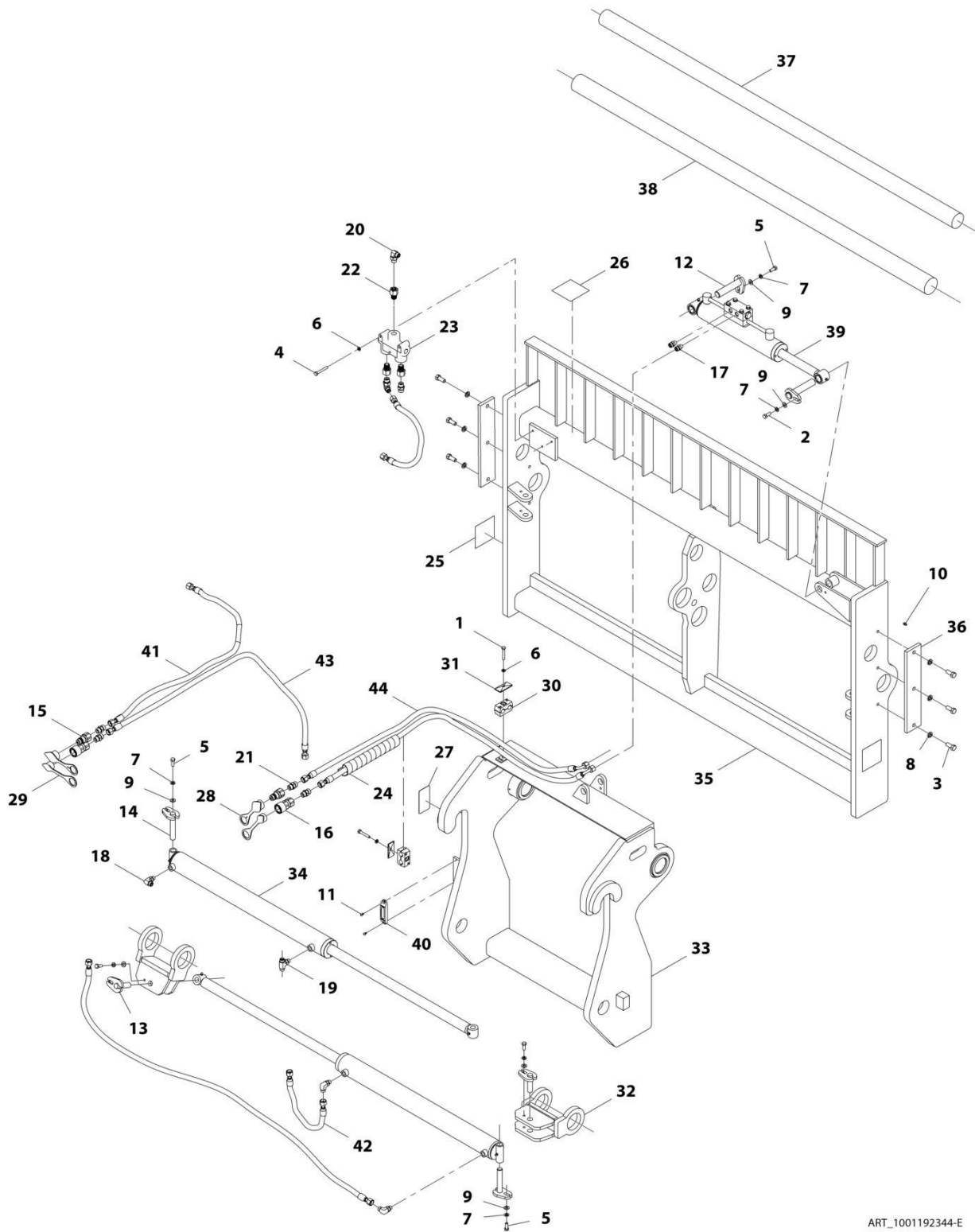
## SECTION 3 - ATTACHMENTS

**FIGURE 3-24. CARRIAGE ASSEMBLY - DUAL FORK POSITIONING CARRIAGE (72IN/1829MM)**

ITEM	PART NUMBER	QTY	DESCRIPTION	REV
	1001192342	1	Dual Fork Positioning Carriage (72in/1829mm)	E
1	1001101041	1	Coupler, Male Hydraulic	
2	1001101042	1	Coupler, Female Hydraulic	
3	8420053	1	Cap	
4	8420055	1	Cap	
5	1001008834	2	Fitting, Straight	
6	70027896	1	Valve	
7	70028505	2	Cylinder, Forkpositioner	
8	2150606	4	Fitting, 45 ORFS	
9	70028506	2	Collar	
10	70027889	2	Bolt, M10x120	
11	70027890	4	Nut M10	
12	70028507	1	Shaft, Floating	
13	70027881	2	Bolt, M10x55	
14	70028508	2	Shaft, Forkpositioner	
15	70027880	4	Bolt, M10x30	
16	N.S.S.	1	S/N Plate	
17	70028509	1	Hose	
18	70028510	1	Hose	
19	70028511	1	Hose	
20	70028512	1	Hose	
21	70027899	2	Hose	
22	70028513	2	Cage, Fork	
23	2150606	1	Fitting, 45 ORFS	
24	2110606	2	Fitting, Straight ORFS	
25	70027882	2	Bolt, M8X16	
26	70027879	2	Washer	
27	70027888	3	Screw, Countersunk M20x80	
28	1001227670	1	Tag, RFID	
29	70027887	2	Nut, M20	
30	2170206	1	Fitting, 90 ORFS	

# SECTION 3 - ATTACHMENTS

## FIGURE 3-25. CARRIAGE ASSEMBLY - DUAL FORK POSITIONING SIDE SHIFT CARRIAGE (75IN/1899MM)



ART\_1001192344-E



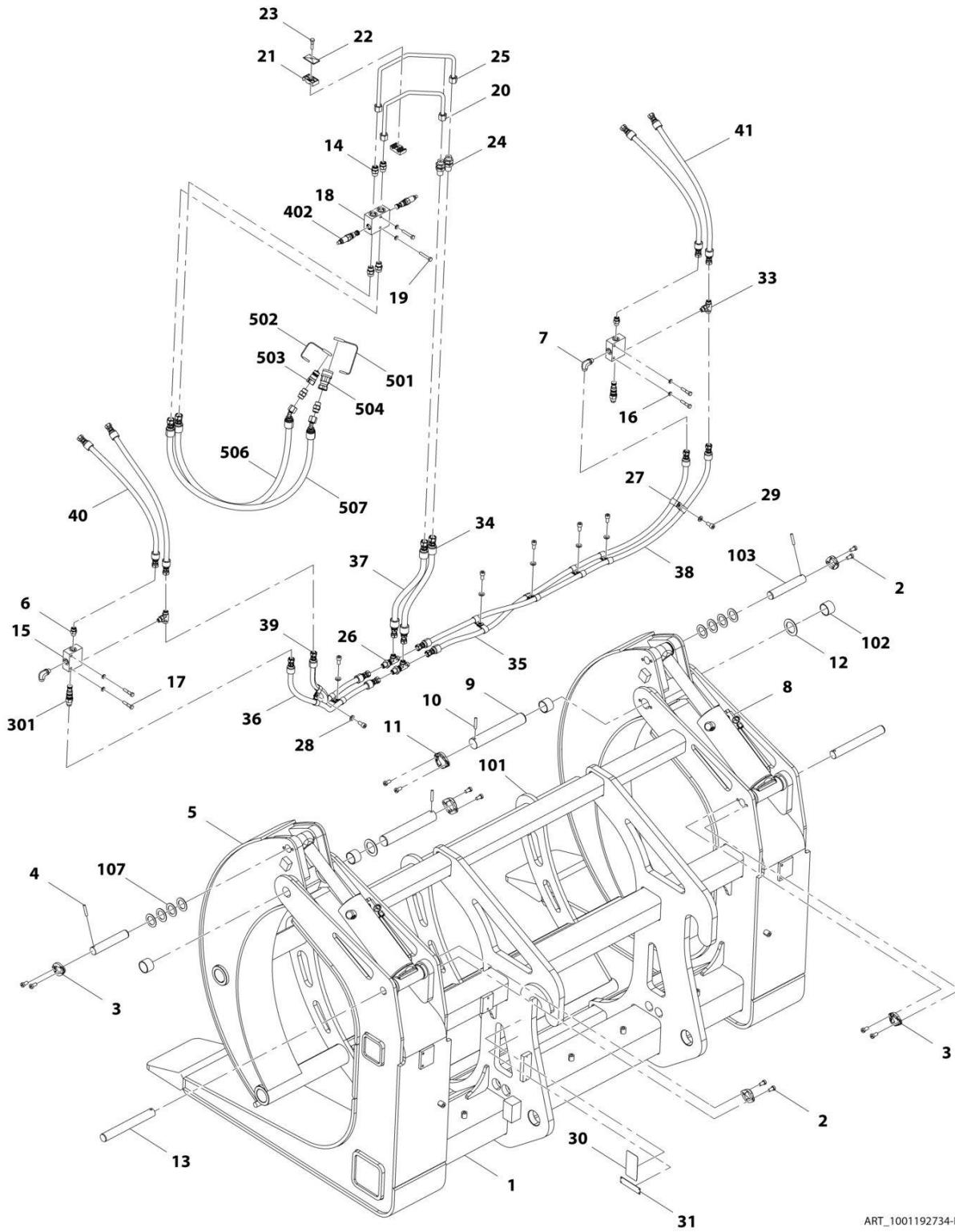
## SECTION 3 - ATTACHMENTS

**FIGURE 3-25. CARRIAGE ASSEMBLY - DUAL FORK POSITIONING SIDE SHIFT CARRIAGE  
(75IN/1899MM)**

ITEM	PART NUMBER	QTY	DESCRIPTION	REV
	1001192344	1	Dual Fork Positioning Side Shift Carriage (75in/1899mm)	F
1	70028485	2	Bolt	
2	70021349	1	Bolt, 3/8X1	
3	70027989	6	Bolt	
4	70028591	3	Bolt	
5	7029704	5	Bolt, 3/8-24X1	
6	90554067	5	Washer, Lock 5/16	
7	90554042	6	Washer, Lock 3/8	
8	90554020	6	Washer, Lock 1/2	
9	7029703	6	Washer, Flat	
10	90554045	1	Zerk, Grease	
11	70028554	2	Screw	
12	7029702	2	Pin	
13	70028592	2	Pin	
14	70028593	2	Pin	
15	1001101041	2	Adapter, Male Quick Disconnect	
16	1001101042	2	Adapter, Female Quick Disconnect	
17	70028486	2	Fitting	
18	70028525	3	Elbow, 90	
19	70028594	1	Fitting	
20	70028526	2	Elbow, 90	
21	70028488	5	Fitting	
22	70028595	3	Fitting	
23	70028596	1	Valve	
24	70028597	1	Protector, Hose	
25	90554017	2	Decal, Danger Pinch Point	
26	7029711	1	Decal, High Pressure	
27	N.S.S.	1	S/N Plate	
28	8420053	2	Plug, Dust	
29	8420055	2	Plug, Dust	
30	70028495	2	Clamp	
31	70028496	2	Plate, Clamp	
32	70028598	2	Clevis	
33	N.S.S.	1	Weldment	
34	70028599	2	Assembly, Fork Positioning Cylinder (See Separate Breakdown in HYDRAULIC COMPONENTS Section)	
35	N.S.S.	1	Weldment	
36	70028600	2	Pin	
37	70028601	1	Pin	
38	70028602	1	Pin	
39	70028603	1	Assembly, Side Shift Cylinder (See Separate Breakdown in HYDRAULIC COMPONENTS Section)	
40	1001227670	1	Tag, RFID	
41	70028604	2	Hose	
42	70028605	2	Hose	
43	70028606	1	Hose	
44	70028607	2	Hose	

# SECTION 3 - ATTACHMENTS

## FIGURE 3-26. CARRIAGE ASSEMBLY - LOG HANDLER CARRIAGE



ART\_1001192734-D

## SECTION 3 - ATTACHMENTS

**FIGURE 3-26. CARRIAGE ASSEMBLY - LOG HANDLER CARRIAGE**

ITEM	PART NUMBER	QTY	DESCRIPTION	REV
	1001192734	Ref	Log Handler Carriage	E
1	N.S.S.	1	Frame	
2	70028701	8	Capscrew, M10X20	
3	70028702	2	Retainer	
4	70028703	4	Pin	
5	N.S.S.	1	Grapple	
6	70024130	2	Fitting, Straight	
7	70024123	2	Fitting, 90	
8	70028704	2	Assembly, Log Handler Carriage Cylinder (See Separate Breakdown in HYDRAULIC COMPONENTS Section)	
9	70028705	2	Pin	
10	70028706	2	Pin	
11	70028707	2	Retainer	
12	70028708	2	Shim	
13	70028709	2	Pin	
14	70022938	4	Fitting, Straight	
15	N.S.S.	2	Valve	
16	70024721	6	Washer, M8	
17	70028710	4	Capscrew	
18	N.S.S.	1	Valve, Relief	
19	70028711	2	Capscrew	
20	70028712	1	Pipe	
21	70028687	1	Clamp	
22	70028688	1	Plate, Cover	
23	70028689	1	Bolt, M8X35	
24	70028713	2	Fitting, Straight	
25	70028714	1	Pipe	
26	70028267	2	Fitting, Tee	
27	70026481	14	Clamp, Hose	
28	70026482	7	Washer, M10	
29	70028672	7	Bolt, M10X20	
30	N.S.S.	1	Plate, Serial Number	
31	N.S.S.	1	Plate, Name	
33	70028715	2	Fitting, Tee	
34	70028716	1	Hose	
35	70028717	1	Hose	
36	70028718	1	Hose	
37	70028719	1	Hose	
38	70028720	1	Hose	
39	70028721	1	Hose	
40	70028722	2	Hose	
41	70028723	2	Hose	
101	70028724	1	Arm	
102	70028725	4	Bearing	
103	70028726	2	Pin	
107	70028727	8	Shim	
301	70026504	2	Valve, Counterbalance	
402	70024772	2	Valve, Relief	
501	8420055	1	Plug, Dust	
502	8420053	1	Plug, Cap	

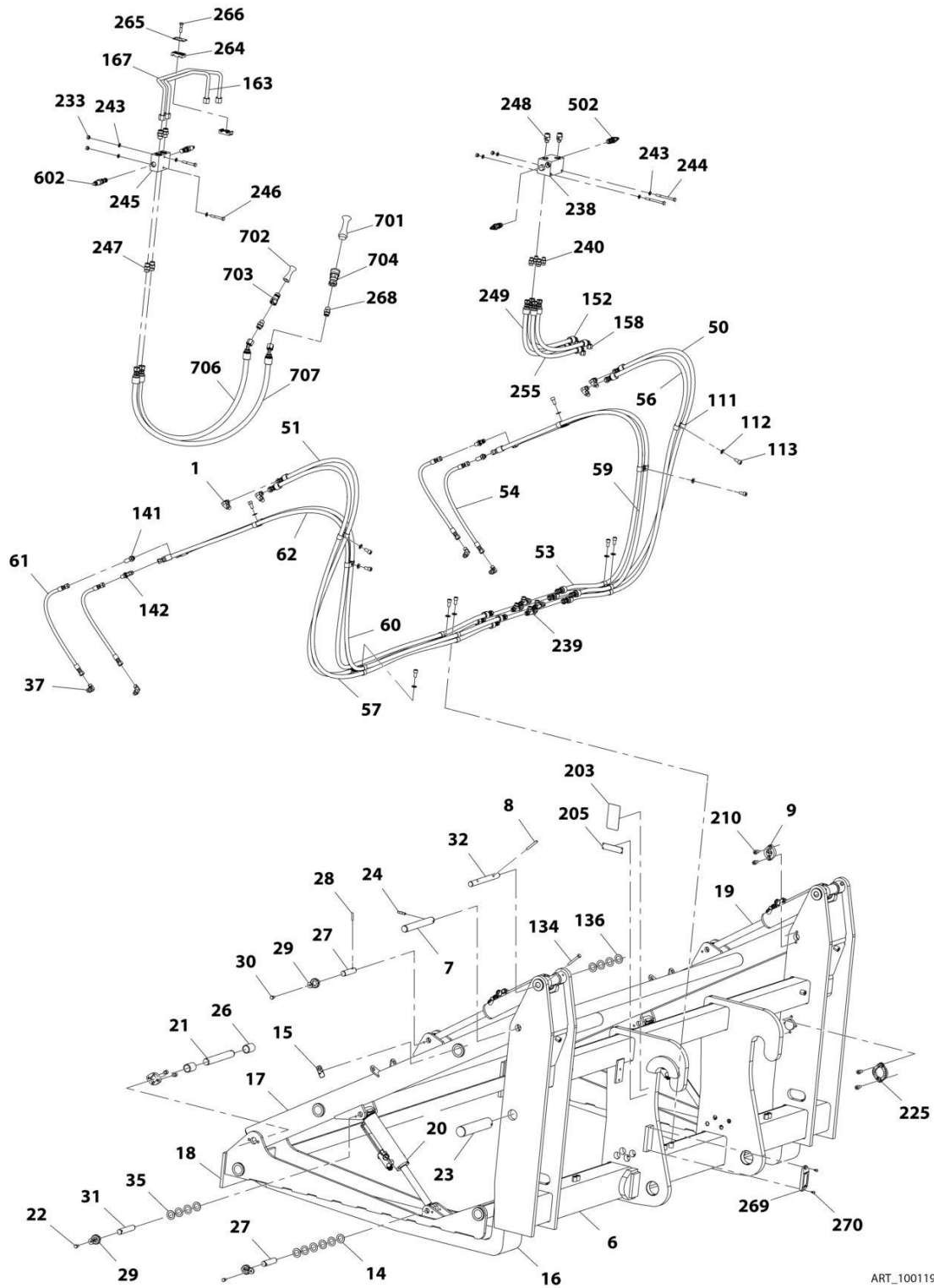
### SECTION 3 - ATTACHMENTS

ITEM	PART NUMBER	QTY	DESCRIPTION	REV
503	1001101041	1	Adapter, Male Quick Disconnect	
504	1001101042	1	Adapter, Female Quick Disconnect	
506	70028734	1	Hose	
507	70028697	1	Hose	



# SECTION 3 - ATTACHMENTS

## FIGURE 3-27. CARRIAGE ASSEMBLY - PIPE HANDLER CARRIAGE



## SECTION 3 - ATTACHMENTS

**FIGURE 3-27. CARRIAGE ASSEMBLY - PIPE HANDLER CARRIAGE**

ITEM	PART NUMBER	QTY	DESCRIPTION	REV
	1001192722	Ref	Pipe Handler Carriage	F
1	70024123	4	Adapter, 90 (includes o-ring)	
6	N.S.S.	1	Carriage	
7	70028648	2	Pin	
8	70026471	4	Pin	
9	70026472	4	Retainer	
14	70026476	12	Shim	
15	70024538	2	Decal, Pinch Point	
16	70028649	2	Fork	
17	70028650	1	Arm	
18	70028651	1	Pad, Contact	
19	70028652	1	Assembly, Upper Cylinder (See Separate Breakdown in HYDRAULIC COMPONENTS Section)	
20	70028653	1	Assembly, Lower Cylinder (See Separate Breakdown in HYDRAULIC COMPONENTS Section)	
21	70028654	2	Pin	
22	70026473	4	Capscrew, M10X12	
23	70028655	2	Pin	
24	70028405	2	Pin	
26	70026501	8	Bushing	
27	70028656	4	Pin	
28	70028253	6	Pin	
29	70028262	6	Retainer	
30	70028657	6	Bolt, M8X16	
31	70028658	2	Pin	
32	70028659	2	Pin	
35	70028660	8	Shim	
37	70028661	4	Fittin, 90	
50	70028662	1	Hose	
51	70028663	1	Hose	
53	70028664	1	Hose	
54	70028665	2	Hose	
56	70028666	1	Hose	
57	70028667	1	Hose	
59	70028668	1	Hose	
60	70028669	1	Hose	
61	70028670	2	Hose	
62	70028671	1	Hose	
111	70026481	24	Clamp, Hose	
112	70026482	12	Washer	
113	70028672	12	Bolt, M10X20	
134	70028406	2	Capscrew	
136	70028767	4	Shim	
141	70028768	2	Fitting, Straight	
142	70028673	2	Fitting, 45	
152	70028674	1	Hose	
158	70028675	1	Hose	
163	70028676	1	Pipe	
167	70028677	1	Pipe	
203	N.S.S.	1	Plate, Serial Number	

## SECTION 3 - ATTACHMENTS

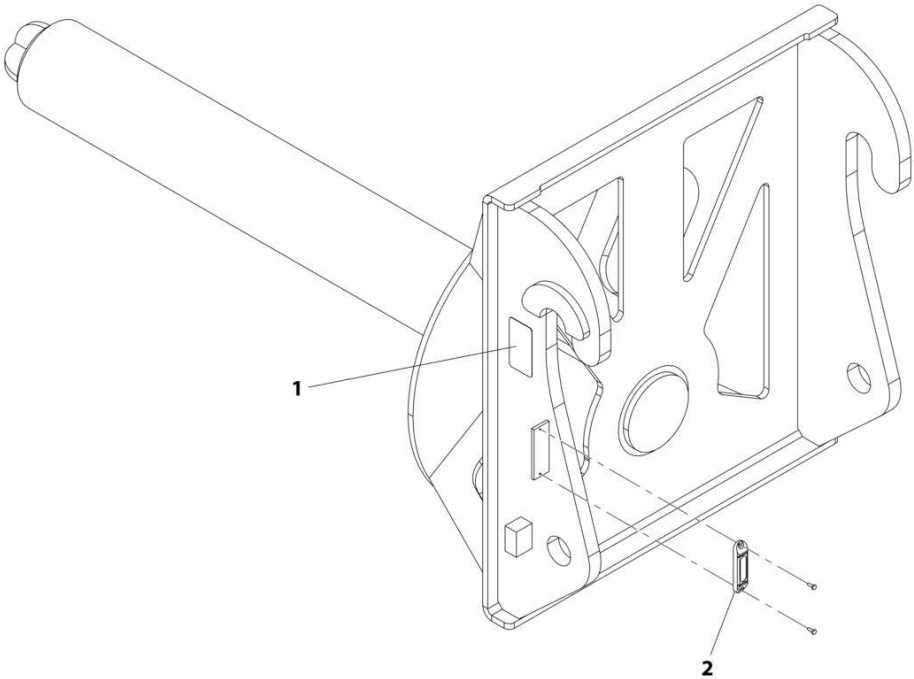
ITEM	PART NUMBER	QTY	DESCRIPTION	REV
205	N.S.S.	1	Plate, Name	
210	70028678	8	Bolt	
225	70028679	2	Retainer	
233	70028680	6	Nut, M8	
238	N.S.S.	1	Valve	
239	70028267	4	Fitting, Straight	
240	70024130	4	Fitting, Straight	
243	70024721	8	Washer, M8	
244	70028681	2	Bolt, M8X90	
245	N.S.S.	1	Valve, Relief	
246	70028682	2	Bolt, M8X60	
247	70028683	2	Fitting, Straight	
248	70028684	2	Fitting, Straight	
249	70028685	1	Hose	
255	70028686	1	Hose	
264	70028687	1	Clamp	
265	70028688	1	Cover	
266	70028689	1	Bolt, M8X35	
268	70022938	4	Fitting, Straight	
269	1001227670	1	Tag, RFID	
270	70028690	2	Bolt, M4X16	
501	N.S.S.	1	Valve, Relief	
502	70024772	2	Valve, Cartridge	
601	N.S.S.	1	Valve, Sequence	
602	70028695	2	Valve, Cartridge	
701	8420055	1	Plug, Dust	
702	8420053	1	Plug, Cap	
703	1001101041	1	Adapter, Male Quick Disconnect	
704	1001101042	1	Adapter, Female Quick Disconnect	
706	70028696	1	Hose	
707	70028697	1	Hose	





**SECTION 3 - ATTACHMENTS**

**FIGURE 3-28. CARRIAGE ASSEMBLY - STEEL COIL HANDLER CARRIAGE**



ART\_1001192735-F

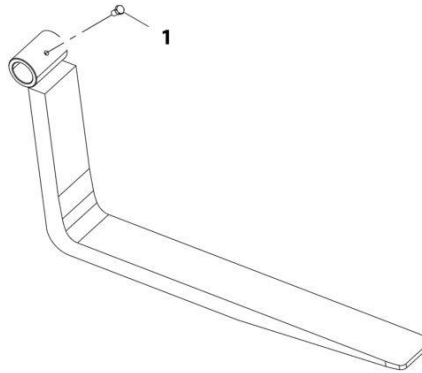
## SECTION 3 - ATTACHMENTS

**FIGURE 3-28. CARRIAGE ASSEMBLY - STEEL COIL HANDLER CARRIAGE**

ITEM	PART NUMBER	QTY	DESCRIPTION	REV
	1001192735	1	Steel Coil Handler Carriage	G
1	N.S.S.	1	Plate, Serial Number	
2	1001227670	1	Tag, RFID	

# SECTION 3 - ATTACHMENTS

FIGURE 3-29. FORK - PALLET (2.25X6X48)



ART\_1001196952-B

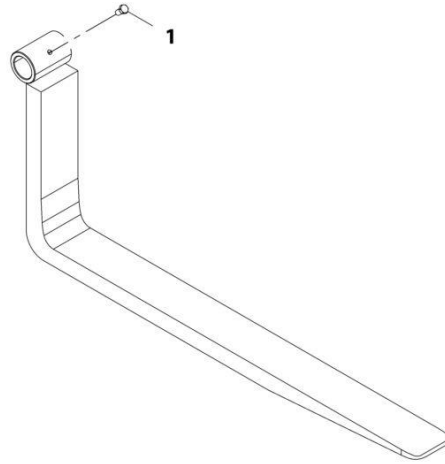
## SECTION 3 - ATTACHMENTS

**FIGURE 3-29. FORK - PALLET (2.25X6X48)**

ITEM	PART NUMBER	QTY	DESCRIPTION	REV
1	1001196952	1	Pallet Fork (2.25X6X48)	B
	70027180	1	Screw, M16X30	
	Note	Ref	<p>FORKS RATED LESS THAN THE ATTACHMENT OR MACHINE'S CAPACITY DECREASES CAPACITY OF THE ATTACHMENT OR MACHINE TO THAT OF THE FORKS. FORKS RATED MORE THAN THE ATTACHMENT OR MACHINE'S CAPACITY DO NOT INCREASE ATTACHMENT OR MACHINE'S CAPACITY.</p>	
	Note	Ref	<p>PLEASE CONSULT JLG PARTS DEPARTMENT TO DETERMINE THE CORRECT FORKS APPLICABLE TO YOUR SPECIFIC CARRIAGE ASSEMBLY AND APPLICATION.</p>	

# SECTION 3 - ATTACHMENTS

FIGURE 3-30. FORK - PALLET (2.25X6X60)



ART\_1001196951-B

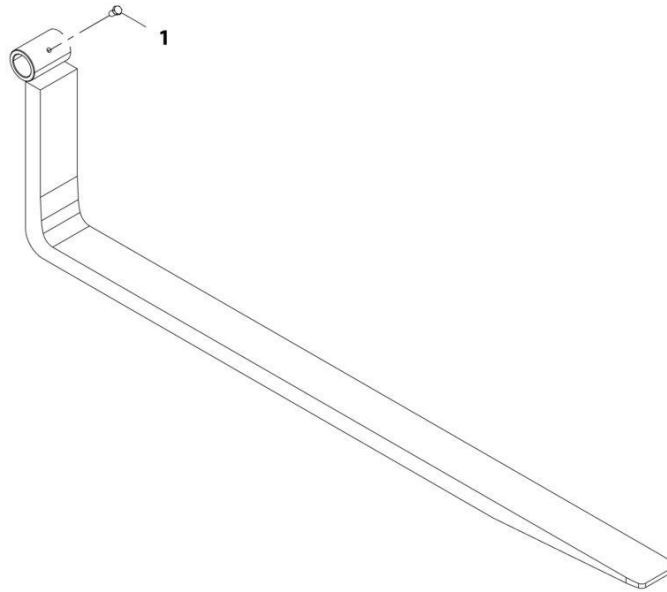
## SECTION 3 - ATTACHMENTS

**FIGURE 3-30. FORK - PALLET (2.25X6X60)**

ITEM	PART NUMBER	QTY	DESCRIPTION	REV
1	1001196951	1	Pallet Fork (2.25X6X60)	B
	70027180	1	Screw, M16X30	
	Note	Ref	<p>FORKS RATED LESS THAN THE ATTACHMENT OR MACHINE'S CAPACITY DECREASES CAPACITY OF THE ATTACHMENT OR MACHINE TO THAT OF THE FORKS. FORKS RATED MORE THAN THE ATTACHMENT OR MACHINE'S CAPACITY DO NOT INCREASE ATTACHMENT OR MACHINE'S CAPACITY.</p>	
	Note	Ref	<p>PLEASE CONSULT JLG PARTS DEPARTMENT TO DETERMINE THE CORRECT FORKS APPLICABLE TO YOUR SPECIFIC CARRIAGE ASSEMBLY AND APPLICATION.</p>	

# SECTION 3 - ATTACHMENTS

FIGURE 3-31. FORK - PALLET (2.25X6X72)



ART\_1001196950-B



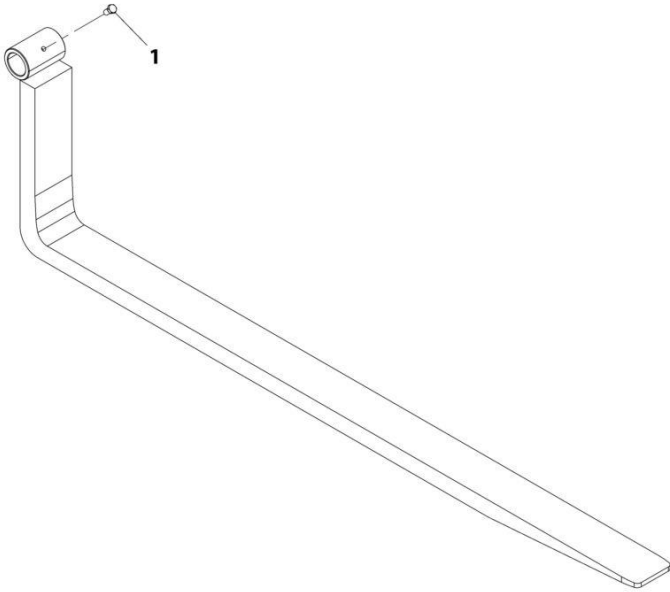
## SECTION 3 - ATTACHMENTS

**FIGURE 3-31. FORK - PALLET (2.25X6X72)**

ITEM	PART NUMBER	QTY	DESCRIPTION	REV
1	1001196950	1	Pallet Fork (2.25X6X72)	B
	70027180	1 2	Screw, M16X30	
	Note	Ref	<p>FORKS RATED LESS THAN THE ATTACHMENT OR MACHINE'S CAPACITY DECREASES CAPACITY OF THE ATTACHMENT OR MACHINE TO THAT OF THE FORKS. FORKS RATED MORE THAN THE ATTACHMENT OR MACHINE'S CAPACITY DO NOT INCREASE ATTACHMENT OR MACHINE'S CAPACITY.</p>	
	Note	Ref	<p>PLEASE CONSULT JLG PARTS DEPARTMENT TO DETERMINE THE CORRECT FORKS APPLICABLE TO YOUR SPECIFIC CARRIAGE ASSEMBLY AND APPLICATION.</p>	

**SECTION 3 - ATTACHMENTS**

**FIGURE 3-32. FORK - PALLET (2.25X6X96)**



ART\_1001196949-B

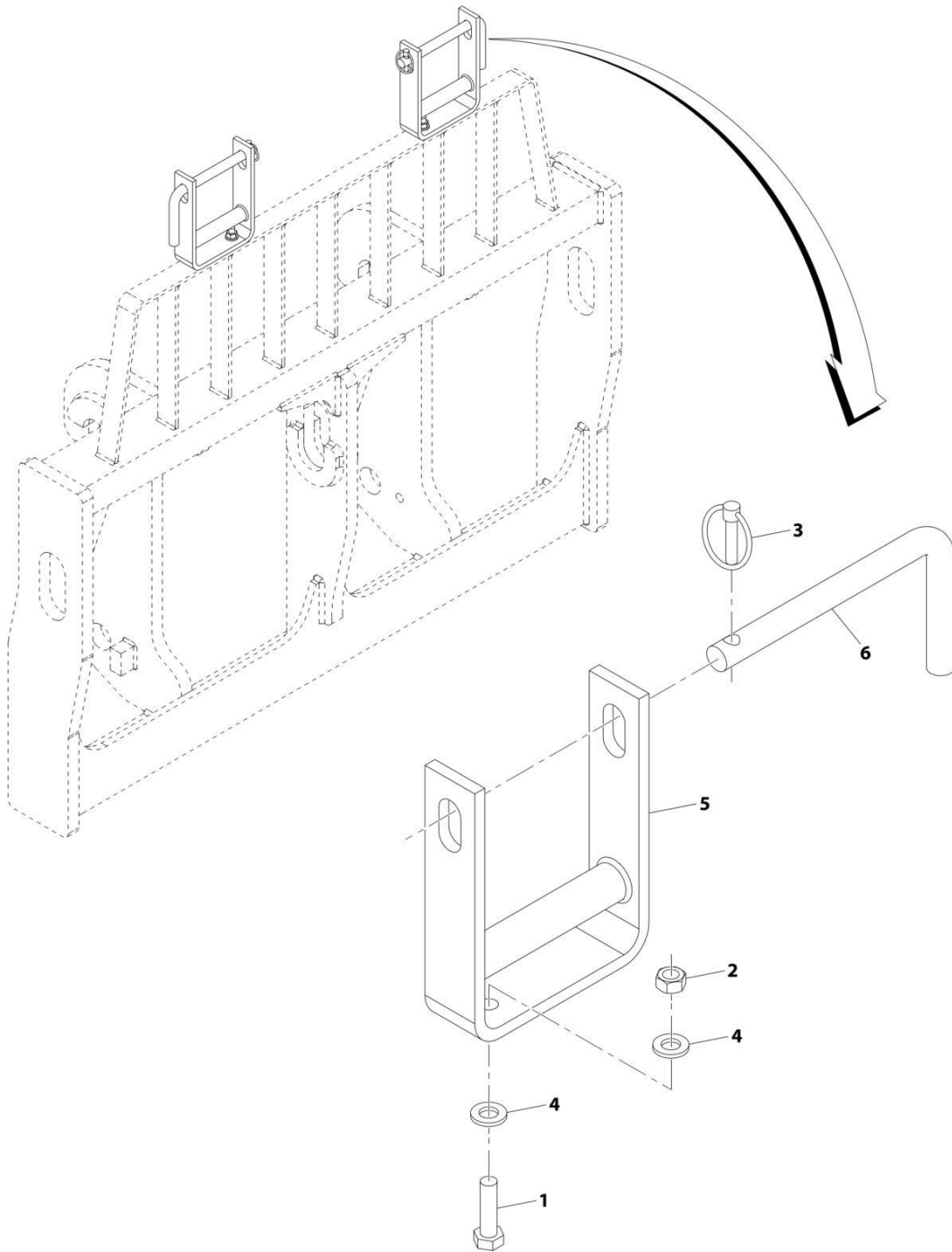
## SECTION 3 - ATTACHMENTS

**FIGURE 3-32. FORK - PALLET (2.25X6X96)**

ITEM	PART NUMBER	QTY	DESCRIPTION	REV
1	1001196949	1	Pallet Fork (2.25X6X96)	B
	70027180	1 2	Screw, M16X30	
	Note	Ref	<p>FORKS RATED LESS THAN THE ATTACHMENT OR MACHINE'S CAPACITY DECREASES CAPACITY OF THE ATTACHMENT OR MACHINE TO THAT OF THE FORKS. FORKS RATED MORE THAN THE ATTACHMENT OR MACHINE'S CAPACITY DO NOT INCREASE ATTACHMENT OR MACHINE'S CAPACITY.</p>	
	Note	Ref	<p>PLEASE CONSULT JLG PARTS DEPARTMENT TO DETERMINE THE CORRECT FORKS APPLICABLE TO YOUR SPECIFIC CARRIAGE ASSEMBLY AND APPLICATION.</p>	

# SECTION 3 - ATTACHMENTS

## FIGURE 3-33. FORK RETENTION INSTALLATION



ART\_1001196778-C

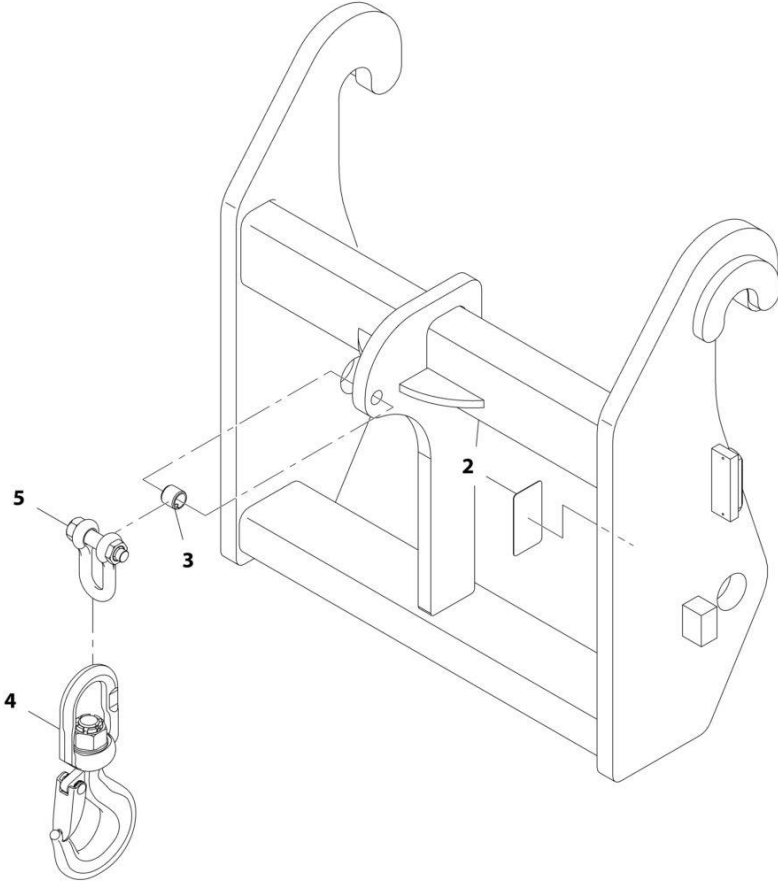
## SECTION 3 - ATTACHMENTS

### FIGURE 3-33. FORK RETENTION INSTALLATION

ITEM	PART NUMBER	QTY	DESCRIPTION	REV
	1001196778	Ref	Fork Retention Installation	C
1	0761217	1	Bolt, M12X45	
2	3291201	1	Nut, M12X1.75	
3	1001109387	1	Pin, Linch	
4	5241200	2	Washer, M12	
5	1001196779	1	Bracket, Fork Retention	
6	1001196782	1	Pin, Fork Retention	

**SECTION 3 - ATTACHMENTS**

**FIGURE 3-34. HOOK - CRANK (7.6 TON)**



ART\_1001192700-E

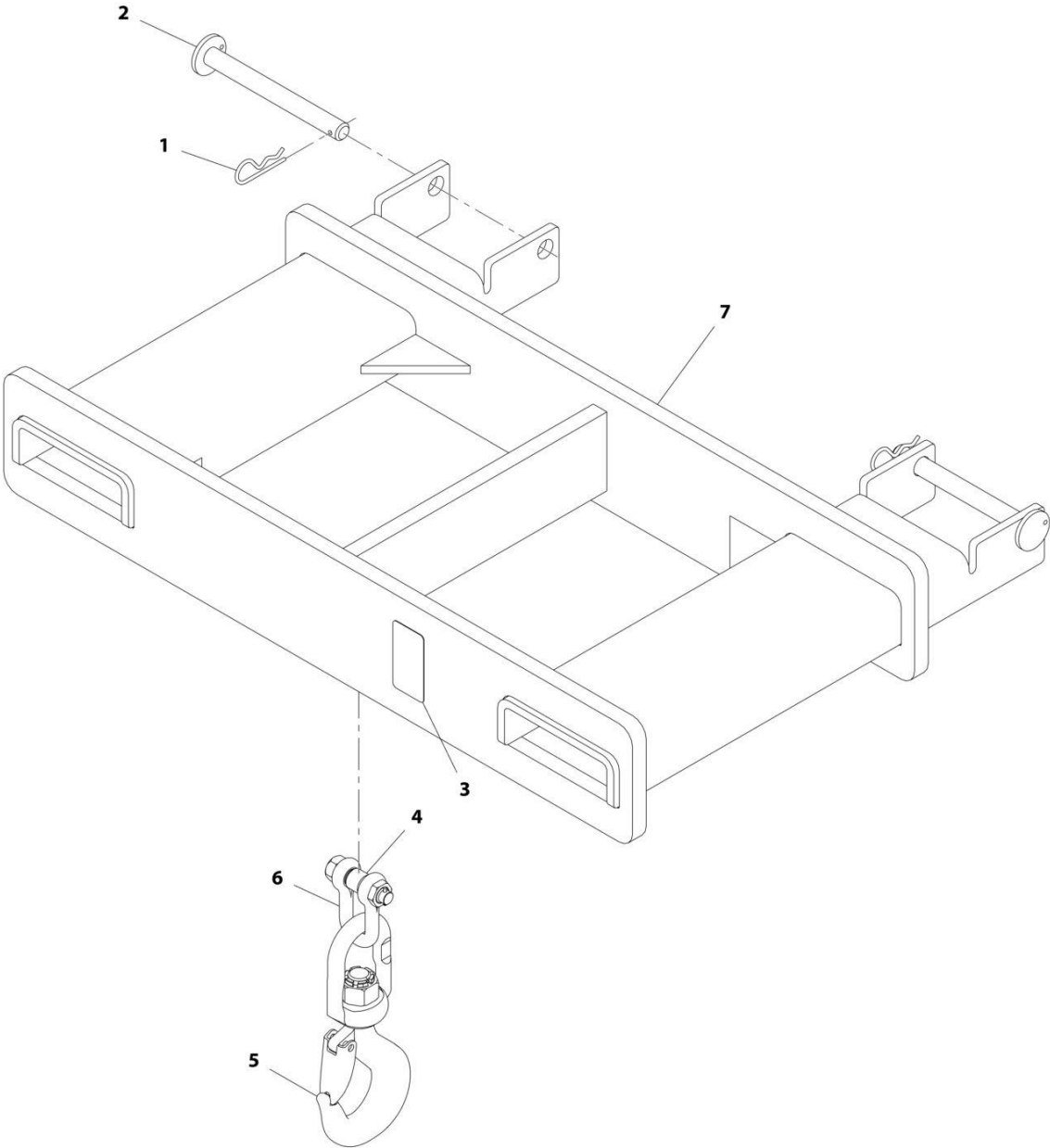
## SECTION 3 - ATTACHMENTS

**FIGURE 3-34. HOOK - CRANK (7.6 TON)**

ITEM	PART NUMBER	QTY	DESCRIPTION	REV
	1001192700	1	Crane Hook (7.6 ton)	F
2	90554016	1	Decal, Made in USA	
3	70020555	1	Bushing	
4	70026745	1	Hook, Swivel	
5	70026746	1	Shackle, Chain	

**SECTION 3 - ATTACHMENTS**

**FIGURE 3-35. HOOK - FORK MOUNTED**



ART\_1001193803-C



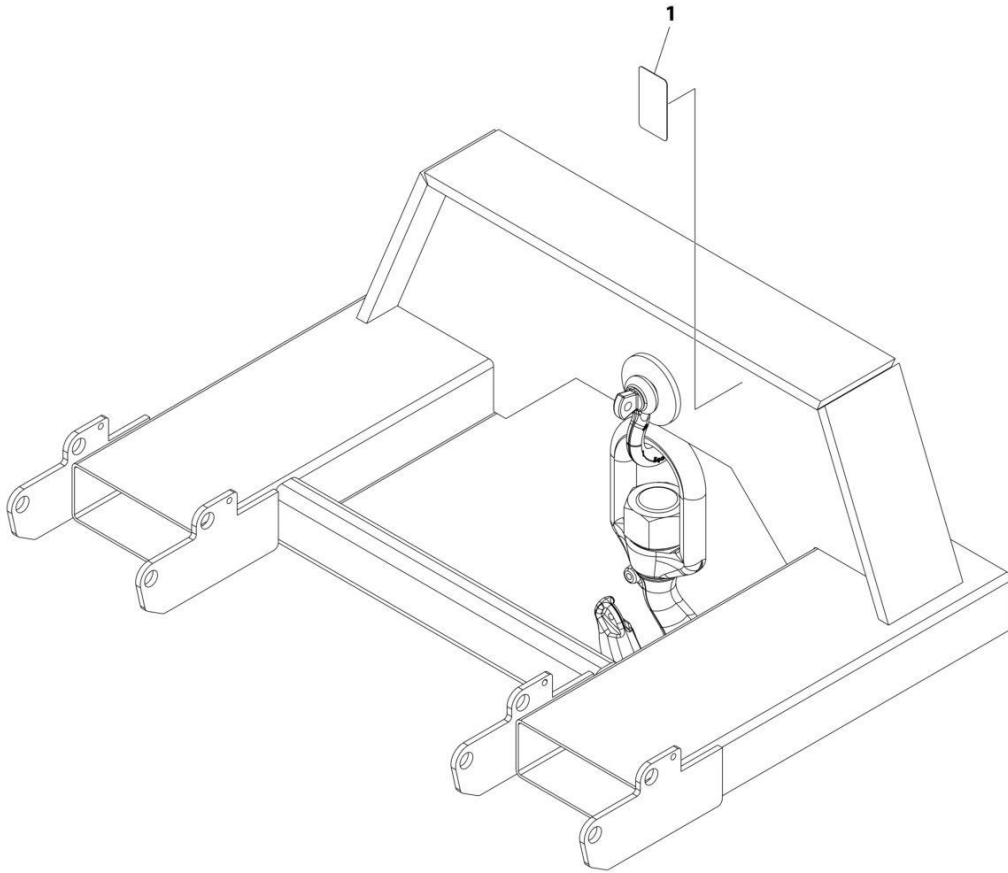
## SECTION 3 - ATTACHMENTS

### FIGURE 3-35. HOOK - FORK MOUNTED

ITEM	PART NUMBER	QTY	DESCRIPTION	REV
	1001193803	Ref	Hook Attach, Fork Mounted	D
1	7029520	2	Pin, Cotter	
2	1001093171	2	Pin	
3	N.S.S.	1	S/N Plate	
4	70020555	1	Bushing	
5	70026745	1	Hook	
6	70026746	1	Shackle, Chain	
7	N.S.S.	1	Weldment, Crane Hook	

## SECTION 3 - ATTACHMENTS

FIGURE 3-36. LIFTING HOOK (22K)



ART\_1001305478

## SECTION 3 - ATTACHMENTS

### FIGURE 3-36. LIFTING HOOK (22K)

ITEM	PART NUMBER	QTY	DESCRIPTION	REV
1	1001305478 See Note	Ref NSS	LIFTING HOOK (22K) SN Plate (Note: Not Available for Purchase)	A



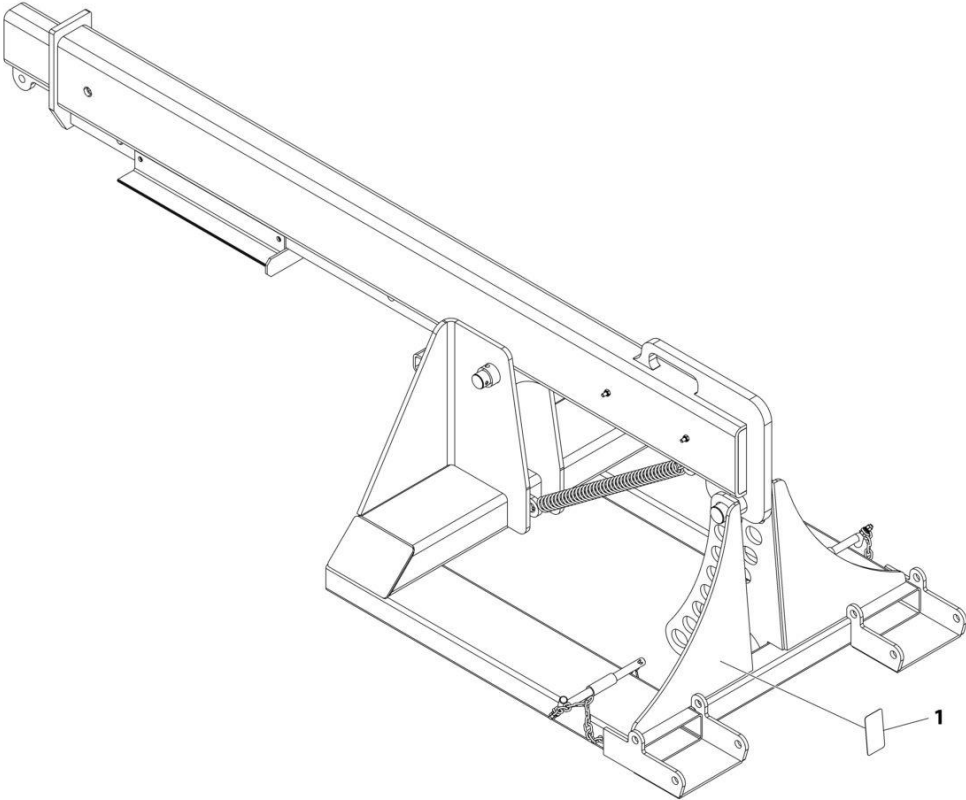
## SECTION 3 - ATTACHMENTS

### FIGURE 3-37. HOPPER - TRASH

ITEM	PART NUMBER	QTY	DESCRIPTION	REV
	1001238566	Ref	FORK MOUNTED TRASH HOPPER	C
1	0700614	4	Bolt M6 x 30	
2	3290601	4	Nut M6 x 1	
3	3391410	6	Pin	
4	4811700	8	Washer M6	
5	5242400	4	Washer M24	
6	1706302	2	Decal, Pinch Point	
7	0641510	2	Bolt 5/16 x 1-1/4	
8	3311502	2	Nut 5/16	
9	1001192711	1	Door Assembly	
10	1001192720	1	Hook Assembly	
11	See Note	NSS	Hopper, Trash (Note: Purchase Complete Assembly)	
12	1001192875	1	Tray Assembly	
13	1001192876	2	Arm, Swing	
14	1001192877	1	Rod, Swing	
15	1001238570	1	Bar	
16	1001193540	2	Pin	
17	1001193729	2	Plate	
18	1001198355	2	Spacer	
19	1001238560	2	Pin	
20	See Note	NSS	SN Plate (Note: Stamped Part - Not Available for Purchase)	
21	1001203503	1	Decal, Trash Hopper Operation	

**SECTION 3 - ATTACHMENTS**

**FIGURE 3-38. TELESCOPE PIVOT ADJUSTABLE JIB (10K)**



ART\_1001301527

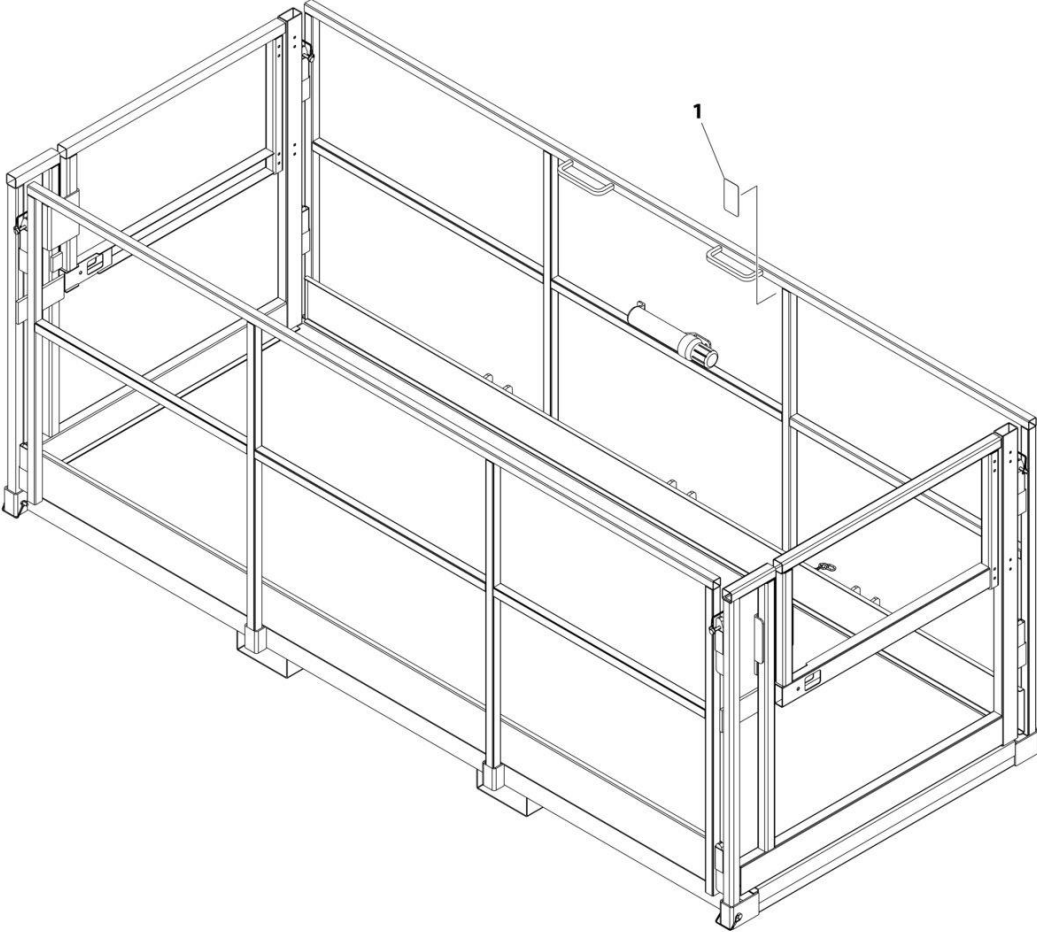
## SECTION 3 - ATTACHMENTS

**FIGURE 3-38. TELESCOPE PIVOT ADJUSTABLE JIB (10K)**

ITEM	PART NUMBER	QTY	DESCRIPTION	REV
1	1001301527 See Note	Ref NSS	TELESCOPE PIVOT ADJUSTABLE JIB SN Plate (Note: Not Available for Purchase)	A

**SECTION 3 - ATTACHMENTS**

**FIGURE 3-39. PLATFORM (FORK MOUNTED) (4X9.8)**



ART\_1001301393



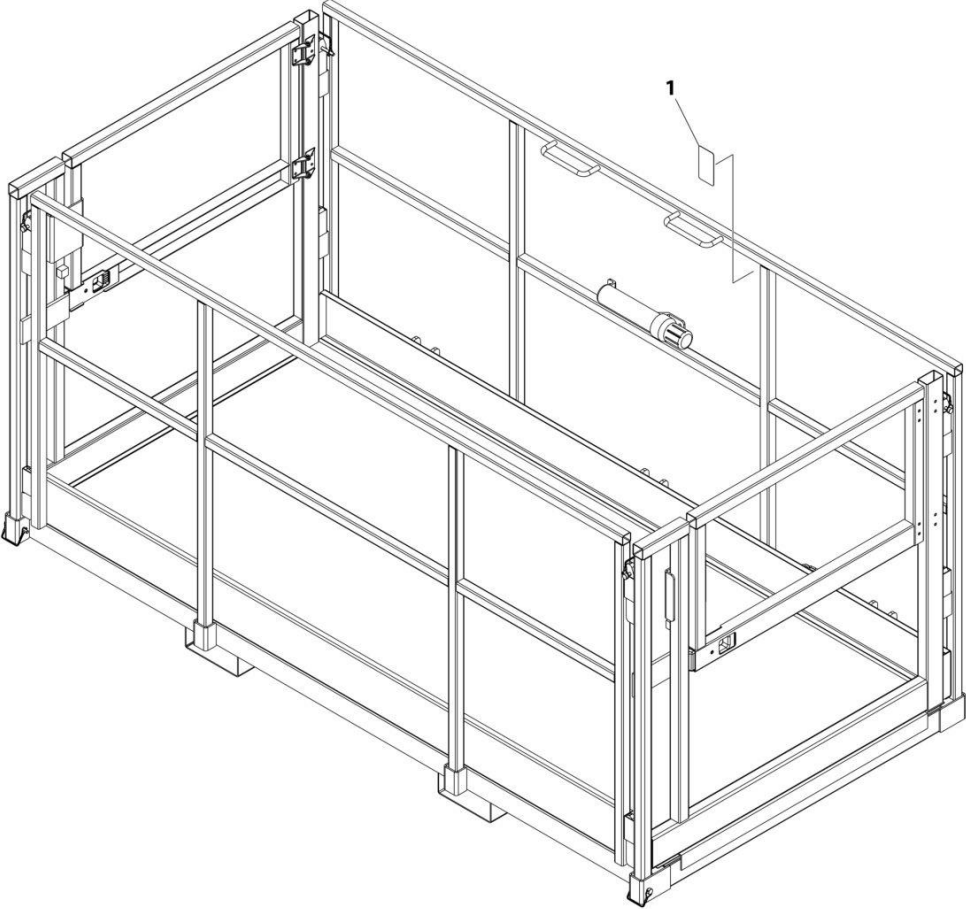
## SECTION 3 - ATTACHMENTS

**FIGURE 3-39. PLATFORM (FORK MOUNTED) (4X9.8)**

ITEM	PART NUMBER	QTY	DESCRIPTION	REV
1	1001301393 See Note	Ref NSS	PLATFORM (FORK MOUNTED) (4X9.8) SN Plate (Note: Not Available for Purchase)	A

**SECTION 3 - ATTACHMENTS**

**FIGURE 3-40. PLATFORM (FORK MOUNTED (4X8 WITH DOORS))**



ART\_1001303246

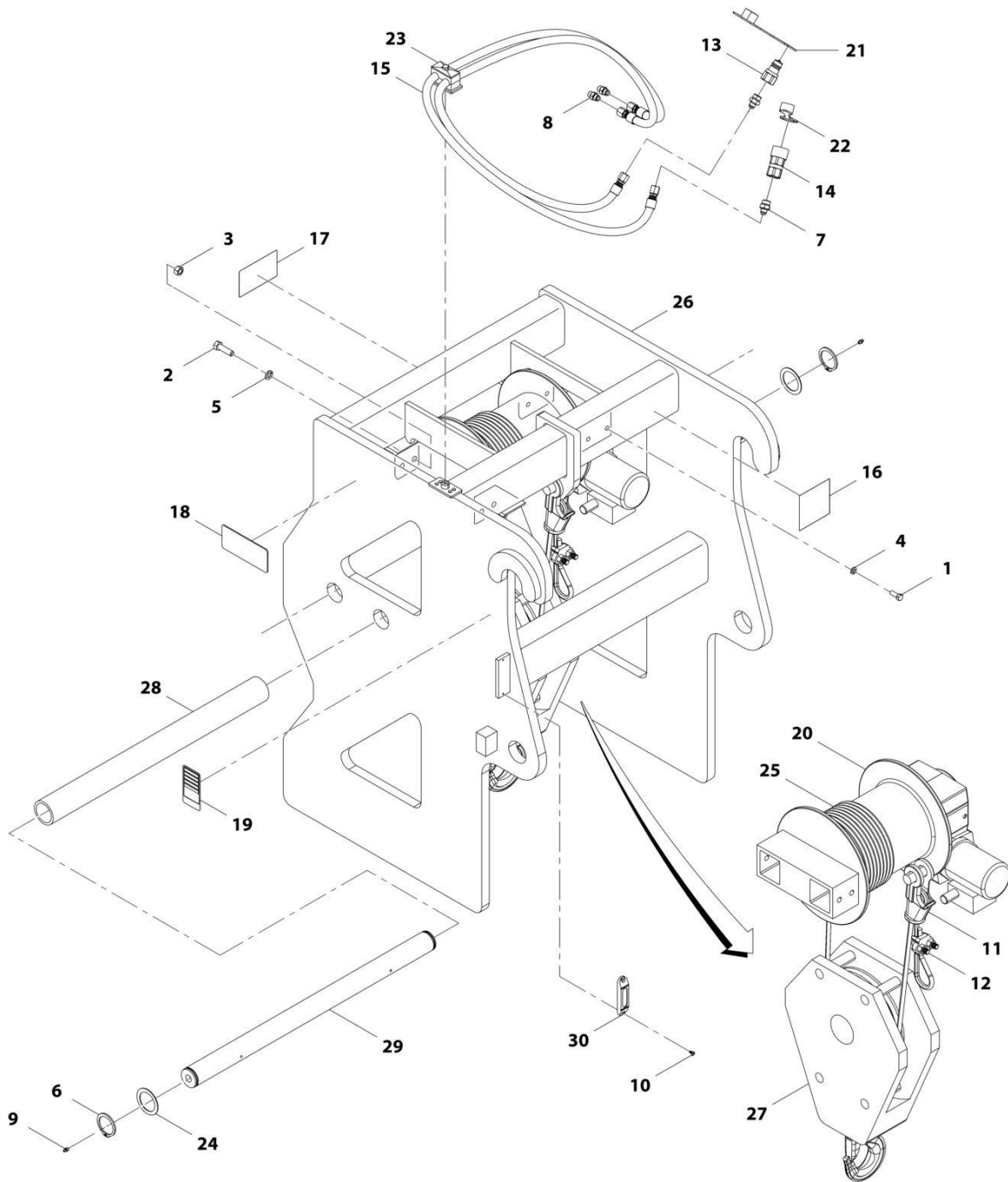
## SECTION 3 - ATTACHMENTS

**FIGURE 3-40. PLATFORM (FORK MOUNTED (4X8 WITH DOORS))**

ITEM	PART NUMBER	QTY	DESCRIPTION	REV
1	1001303246 See Note	Ref NSS	PLATFORM (FORK MOUNTED) (4X8 WITH DOORS) SN Plate (Note: Not Available for Purchase)	A

# SECTION 3 - ATTACHMENTS

## FIGURE 3-41. WINCH - COUPLER MOUNTED



ART\_1001192702-C

## SECTION 3 - ATTACHMENTS

### FIGURE 3-41. WINCH - COUPLER MOUNTED

ITEM	PART NUMBER	QTY	DESCRIPTION	REV
	1001192702	Ref	Coupler Mounted Winch	D
1	70021349	4	Bolt, 3/8X1	
2	70024059	4	Bolt, 1/2X1-3/4	
3	90554054	4	Nut, 1/2	
4	90554042	4	Washer, Lock 3/8	
5	90554020	4	Washer, Lock 1/2	
6	70028860	4	Ring, Snap	
7	70021397	2	Fitting, Straight	
8	70021415	2	Fitting, Straight	
9	90554045	4	Grease, Fitting	
10	70028554	2	Screw	
11	70021979	1	Assembly, Socket (includes pin and cotter pin)	
12	70022528	1	Clamp	
13	91403414	1	Adapter, Male Quick Disconnect	
14	91403413	1	Adapter, Female Quick Disconnect	
15	70028861	2	Hose	
16	7029711	1	Decal, High Pressure	
17	70024064	1	Decal, Do Not Tow	
18	4110422	2	Decal, Warning Swinging Loads	
19	N.S.S.	1	Plate, Serial Number	
20	70028862	1	Winch	
21	8420053	1	Cap, Dust	
22	8420055	1	Cap, Dust	
23	70021387	1	Clamp, Hose	
24	70028863	4	Washer	
25	70028864	1	Cable	
26	N.S.S.	1	Weldment, Frame	
27	70028865	1	Hook	
28	70028866	2	Roller Tube, Winch	
29	70028867	2	Roller Bar, Winch	
30	1001227670	1	Tag, RFID	

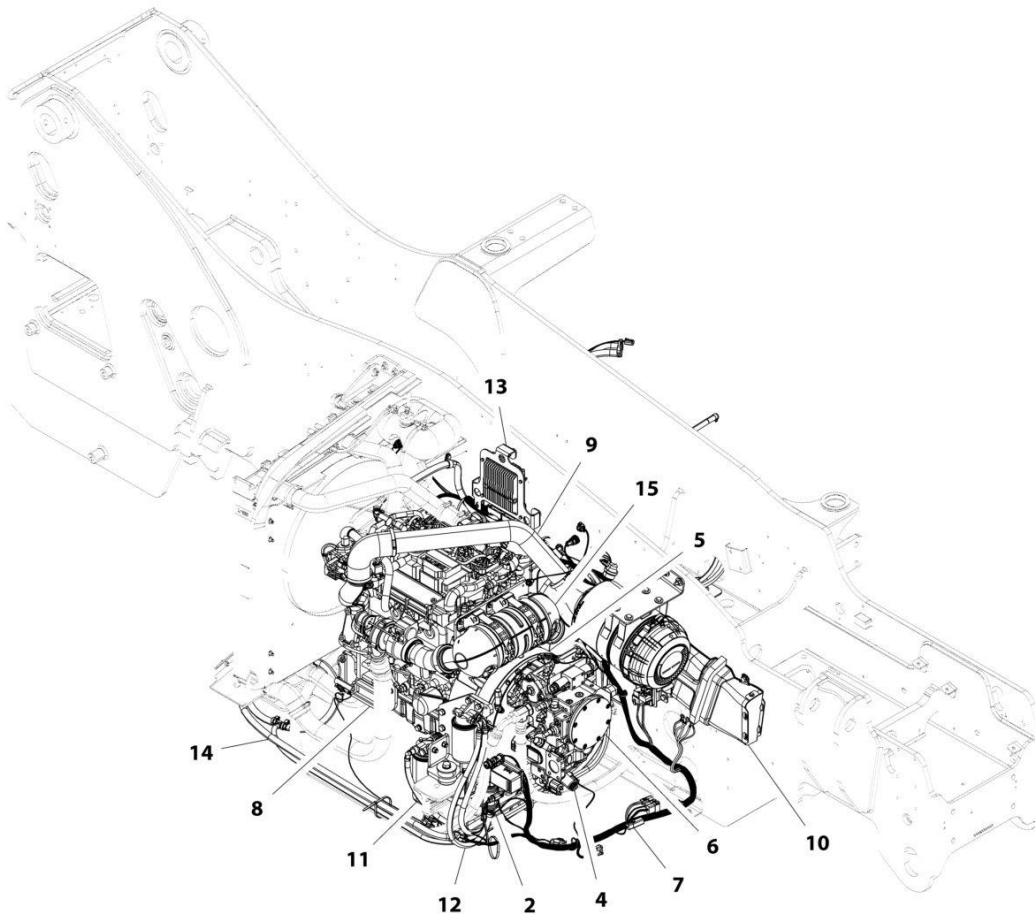


## **SECTION 4 - ENGINE AND ATTACHING PARTS**

## **SECTION 4 - ENGINE AND ATTACHING PARTS**

# SECTION 4 - ENGINE AND ATTACHING PARTS

FIGURE 4-1. ENGINE POD COMPONENT INSTALLATION (ULS)



ART\_1001200443-D



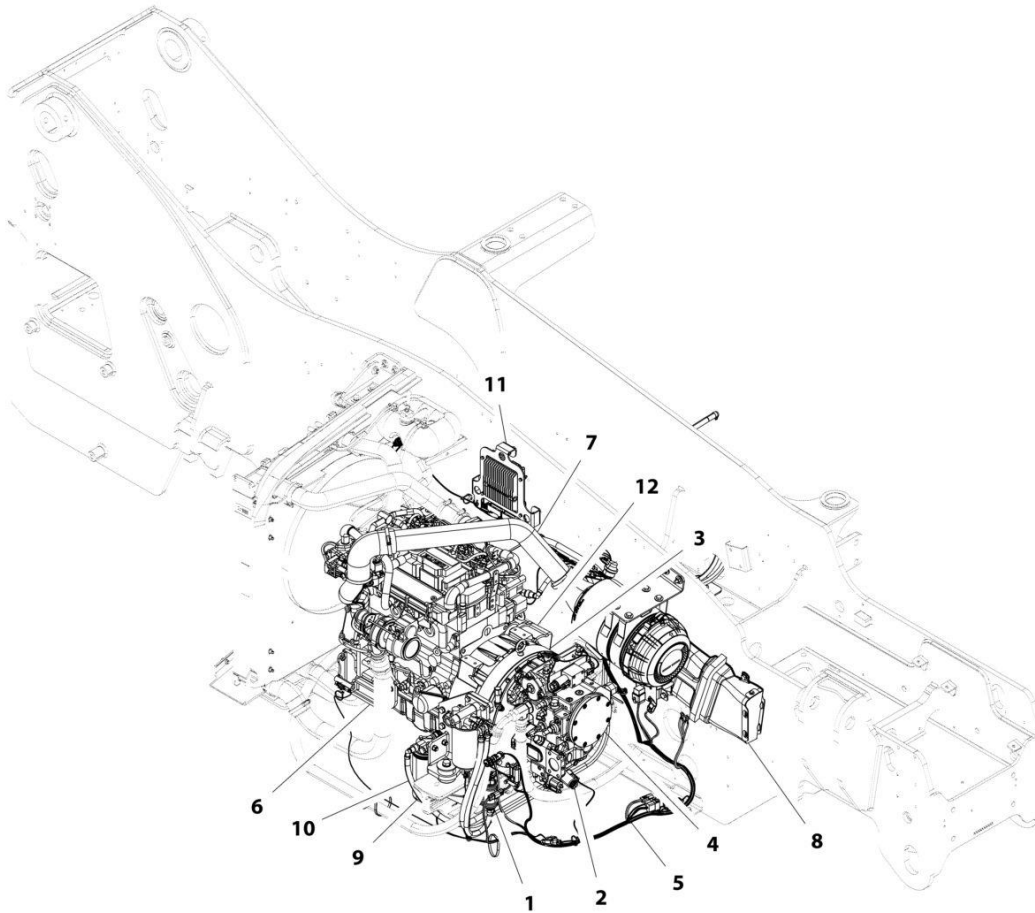
## SECTION 4 - ENGINE AND ATTACHING PARTS

**FIGURE 4-1. ENGINE POD COMPONENT INSTALLATION (ULS)**

ITEM	PART NUMBER	QTY	DESCRIPTION	REV
	1001200443	Ref	Engine Pod Component Installation (ULS)	E
2	1001221041	1	Installation, Remote Fuel Pump (See Separate Breakdown in this Section)	
4	1001193393	1	Installation, Implement Pump (See Separate Breakdown in this Section)	
5	1001193703	1	Installation, Hydrostatic Adaptor (See Separate Breakdown in this Section)	
6	1001193704	1	Installation, Hydrostatic Drive Pump (See Separate Breakdown in this Section)	
7	1001200106	1	Installation, Engine Wiring (See Separate Breakdown in ELECTRICAL Section)	
8	1001200862	1	Installation, Engine Mount (See Separate Breakdown in this Section)	
9	1001200863	1	Installation, Air Intake (See Separate Breakdown in this Section)	
10	1001200864	1	Installation, Air Cleaner (See Separate Breakdown in this Section)	
11	1001200865	1	Installation, Primary Fuel Filter (See Separate Breakdown in this Section)	
12	1001200866	1	Installation, Fuel Lines (See Separate Breakdown in this Section)	
13	1001284538	1	Installation, Engine ECU (See Separate Breakdown in ELECTRICAL Section)	
14	1001293070	1	Installation, DEF Coolant Lines (See Separate Breakdown in this Section)	
15	1001201425	1	Installation, Engine (See Separate Breakdown in this Section)	

# SECTION 4 - ENGINE AND ATTACHING PARTS

## FIGURE 4-2. ENGINE POD COMPONENT INSTALLATION (LS)



ART\_1001200444-A

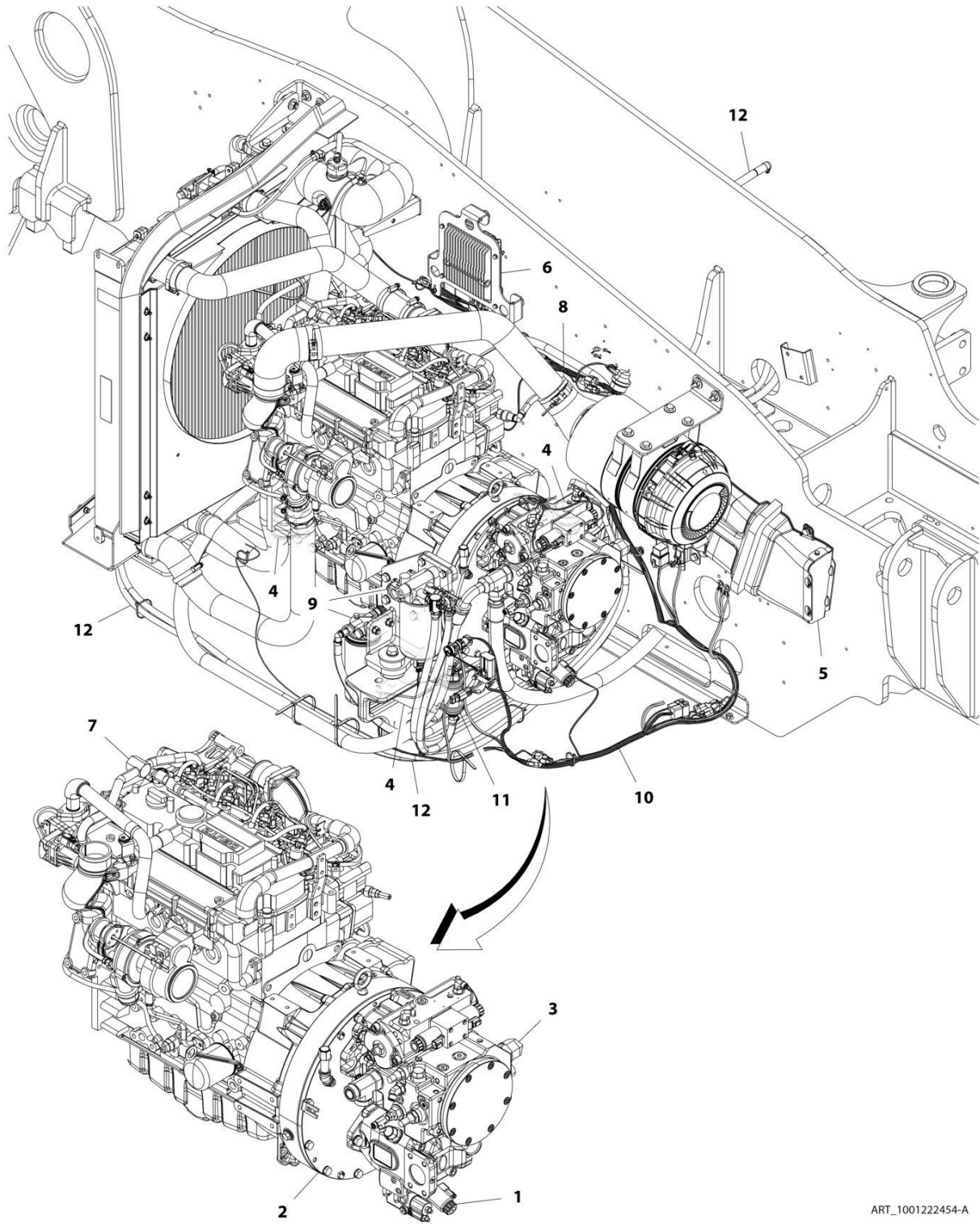
## SECTION 4 - ENGINE AND ATTACHING PARTS

**FIGURE 4-2. ENGINE POD COMPONENT INSTALLATION (LS)**

ITEM	PART NUMBER	QTY	DESCRIPTION	REV
	1001200444	Ref	Engine Pod Component Installation (LS - no High Ambient)	B
1	1001221041	1	Installation, Remote Fuel Pump (See Separate Breakdown in this Section)	
2	1001193393	1	Installation, Implement Pump (See Separate Breakdown in this Section)	
3	1001193703	1	Installation, Hydrostatic Adaptor (See Separate Breakdown in this Section)	
4	1001193704	1	Installation, Hydrostatic Drive Pump (See Separate Breakdown in this Section)	
5	1001217752	1	Installation, Engine Wiring (See Separate Breakdown in Electrical Section)	
6	1001200862	1	Installation, Engine Mount (See Separate Breakdown in this Section)	
7	1001210600	1	Installation, Air Intake (See Separate Breakdown in this Section)	
8	1001200864	1	Installation, Air Cleaner (See Separate Breakdown in this Section)	
9	1001210602	1	Installation, Primary Fuel Filter (See Separate Breakdown in this Section)	
10	1001210601	1	Installation, Fuel Lines (See Separate Breakdown in this Section)	
11	1001284538	1	Installation, Engine ECU (See Separate Breakdown in Electrical Section)	
12	1001284532	1	Installation, Engine (See Separate Breakdown in this Section)	

# SECTION 4 - ENGINE AND ATTACHING PARTS

## FIGURE 4-3. ENGINE POD COMPONENT INSTALLATION (LS HIGH AMBIENT)



ART\_1001222454-A

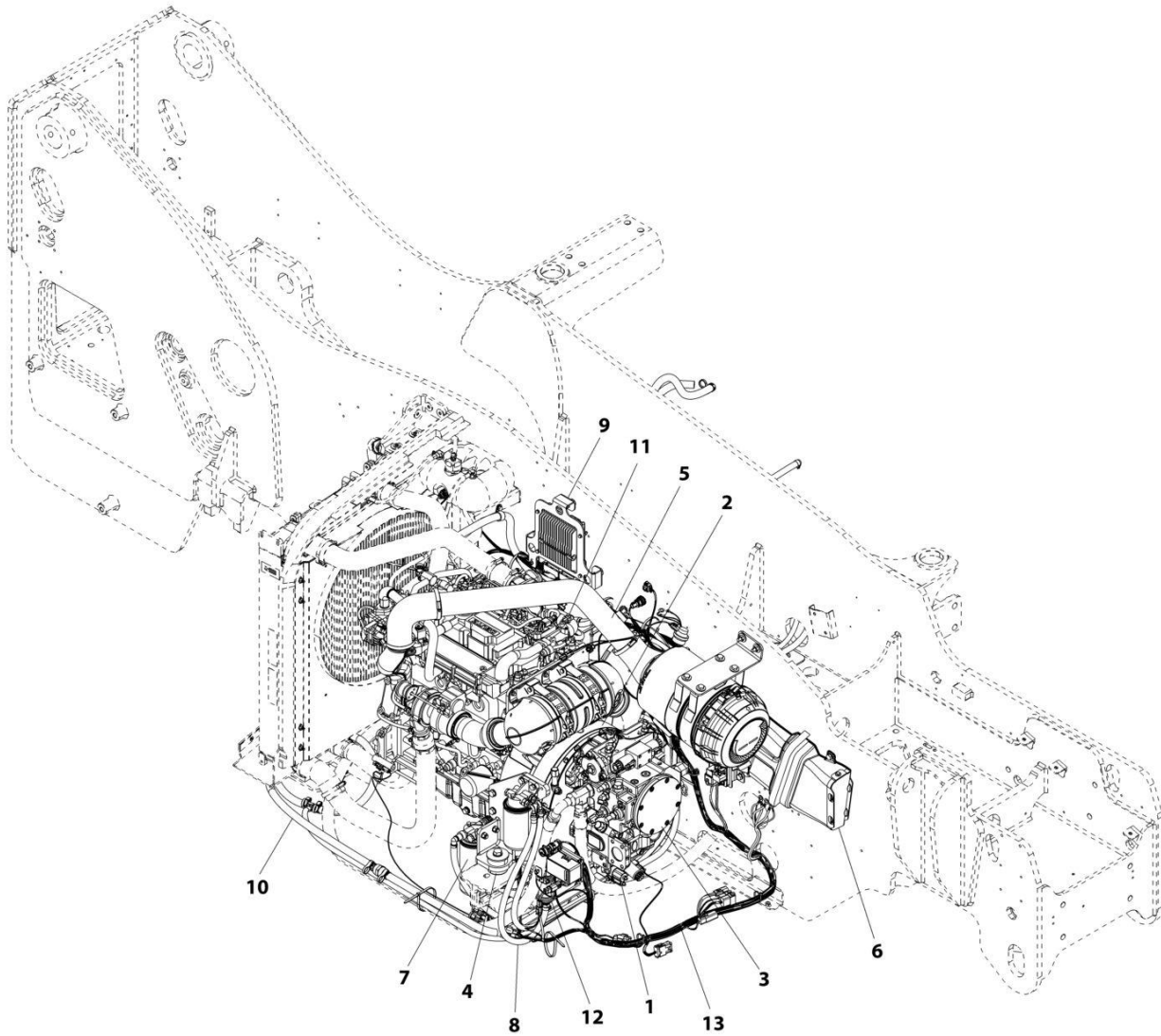
## SECTION 4 - ENGINE AND ATTACHING PARTS

**FIGURE 4-3. ENGINE POD COMPONENT INSTALLATION (LS HIGH AMBIENT)**

ITEM	PART NUMBER	QTY	DESCRIPTION	REV
1	1001222454	Ref	Engine Installation (LS)	B
	1001193393	Ref	Installation, Main Hydraulic Pump (See Separate Breakdown in Hydraulic Circuits Section)	
2	1001193703	Ref	Installation, Transmission Hydrostatic Adapter (See Separate Breakdown in this Section)	
3	1001193704	Ref	Installation, Transmission Hydrostatic Drive Pump (See Separate Breakdown in this Section)	
4	1001200862	Ref	Installation, Engine Mounting (See Separate Breakdown in this Section)	
5	1001200864	Ref	Installation, Air Cleaner (See Separate Breakdown in this Section)	
6	1001284538	Ref	Installation, Engine ECU (See Separate Breakdown in Electrical Section)	
7	1001284532	Ref	Engine (LS) (See Separate Breakdown in this Section)	
8	1001210600	Ref	Installation, Air Intake Lines (LS) (See Separate Breakdown in this Section)	
9	1001210602	Ref	Installation, Primary Fuel Filter (LS) (See Separate Breakdown in this Section)	
10	1001217752	Ref	Installation, Engine Wiring (LS) (See Separate Breakdown in Electrical Section)	
11	1001221041	Ref	Installation, Remote Fuel Pump (See Separate Breakdown in this Section)	
12	1001222163	Ref	Installation, Fuel Lines (See Separate Breakdown in this Section)	

# SECTION 4 - ENGINE AND ATTACHING PARTS

FIGURE 4-4. ENGINE POD COMPONENT INSTALLATION (MINING) (ULS)



ART\_1001228727-A

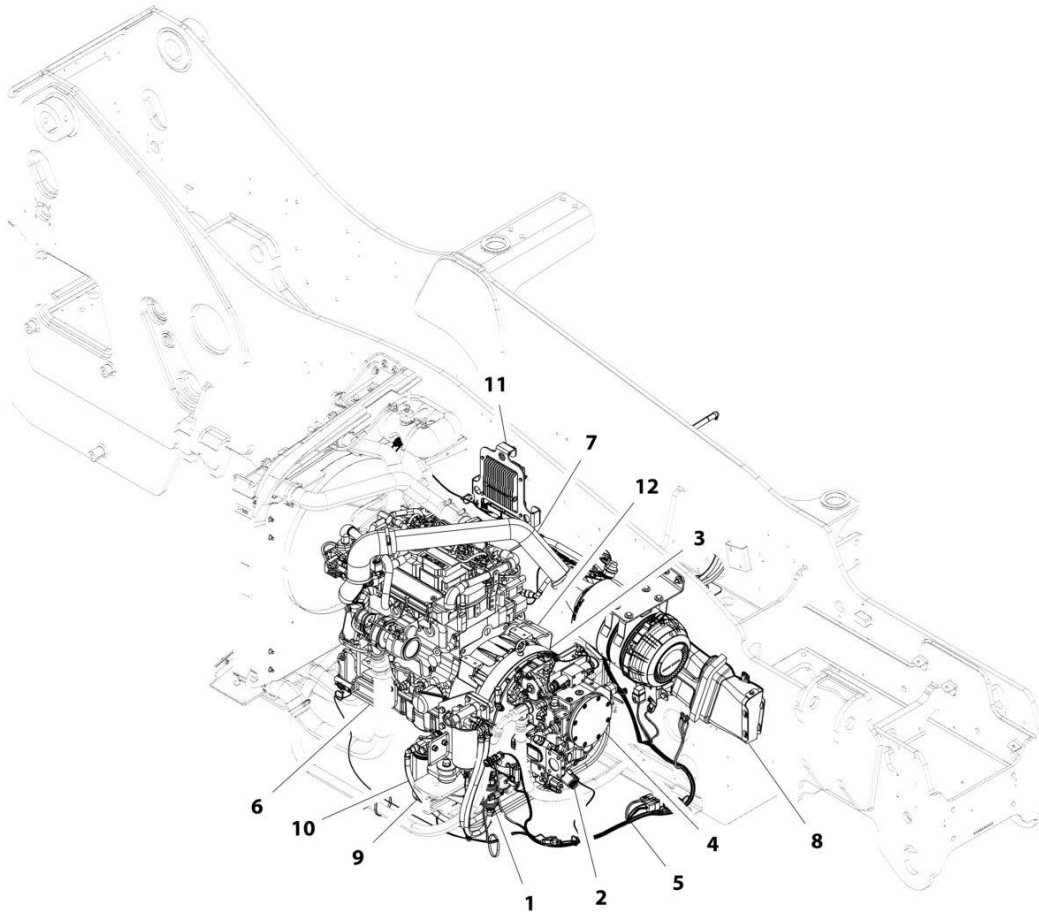
## SECTION 4 - ENGINE AND ATTACHING PARTS

**FIGURE 4-4. ENGINE POD COMPONENT INSTALLATION (MINING) (ULS)**

ITEM	PART NUMBER	QTY	DESCRIPTION	REV
	1001228727	Ref	Engine Pod Component Installation (Mining) (ULS)	B
1	1001193393	1	Installation, Implement Pump (See Separate Breakdown in this Section)	
2	1001193703	1	Installation, Hydrostatic Adaptor (See Separate Breakdown in this Section)	
3	1001193704	1	Installation, Hydrostatic Drive Pump (See Separate Breakdown in this Section)	
4	1001200862	1	Installation, Engine Mount (See Separate Breakdown in this Section)	
5	1001200863	1	Installation, Air Intake (See Separate Breakdown in this Section)	
6	1001200864	1	Installation, Air Cleaner (See Separate Breakdown in this Section)	
7	1001200865	1	Installation, Primary Fuel Filter (See Separate Breakdown in this Section)	
8	1001200866	1	Installation, Fuel Lines (See Separate Breakdown in this Section)	
9	1001284538	1	Installation, Engine ECU (See Separate Breakdown in ELECTRICAL Section)	
10	1001293070	1	Installation, DEF Coolant Lines (See Separate Breakdown in this Section)	
11	1001201425	1	Installation, Engine (See Separate Breakdown in this Section)	
12	1001221041	1	Installation, Remote Fuel Pump (See Separate Breakdown in this Section)	
13	1001228728	1	Installation, Engine Wiring (See Separate Breakdown in ELECTRICAL Section)	

# SECTION 4 - ENGINE AND ATTACHING PARTS

FIGURE 4-5. ENGINE POD COMPONENT INSTALLATION (MINING) (LS)



ART\_1001228734-A



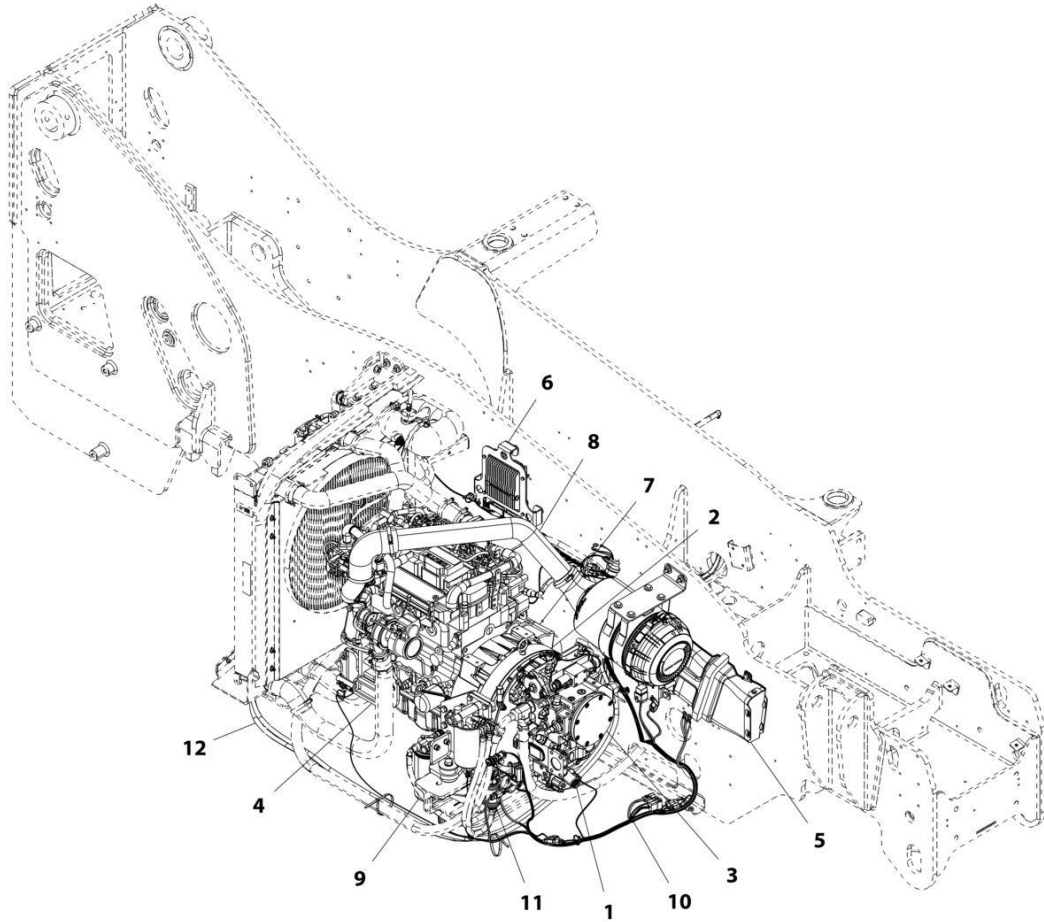
## SECTION 4 - ENGINE AND ATTACHING PARTS

**FIGURE 4-5. ENGINE POD COMPONENT INSTALLATION (MINING) (LS)**

ITEM	PART NUMBER	QTY	DESCRIPTION	REV
	1001228734	Ref	Engine Pod Component Installation (Mining) (LS)	B
1	1001221041	1	Installation, Remote Fuel Pump (See Separate Breakdown in this Section)	
2	1001193393	1	Installation, Implement Pump (See Separate Breakdown in this Section)	
3	1001193703	1	Installation, Hydrostatic Adaptor (See Separate Breakdown in this Section)	
4	1001193704	1	Installation, Hydrostatic Drive Pump (See Separate Breakdown in this Section)	
5	1001228735	1	Installation, Engine Wiring (See Separate Breakdown in Electrical Section)	
6	1001200862	1	Installation, Engine Mount (See Separate Breakdown in this Section)	
7	1001210600	1	Installation, Air Intake (See Separate Breakdown in this Section)	
8	1001200864	1	Installation, Air Cleaner (See Separate Breakdown in this Section)	
9	1001210602	1	Installation, Primary Fuel Filter (See Separate Breakdown in this Section)	
10	1001210601	1	Installation, Fuel Lines (See Separate Breakdown in this Section)	
11	1001284538	1	Installation, Engine ECU (See Separate Breakdown in Electrical Section)	
12	1001284532	1	Installation, Engine (See Separate Breakdown in this Section)	

# SECTION 4 - ENGINE AND ATTACHING PARTS

FIGURE 4-6. ENGINE POD COMPONENT INSTALLATION (MINING) (LS HIGH AMBIENT)



ART\_1001228737-A

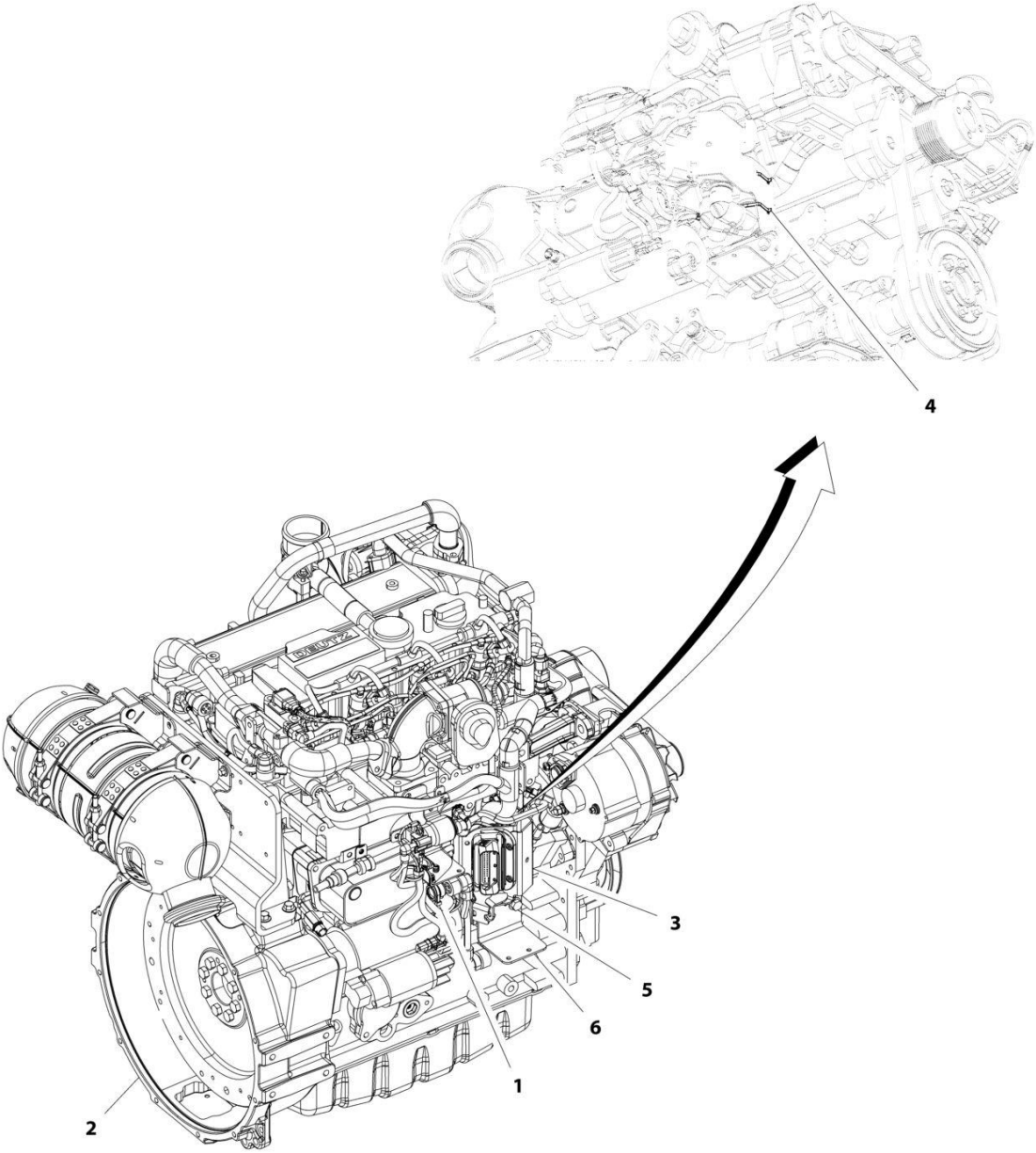
## SECTION 4 - ENGINE AND ATTACHING PARTS

**FIGURE 4-6. ENGINE POD COMPONENT INSTALLATION (MINING) (LS HIGH AMBIENT)**

ITEM	PART NUMBER	QTY	DESCRIPTION	REV
	1001228737	Ref	Engine Pod Component Installation (LS - High Ambient)	B
1	1001193393	1	Installation, Implement Pump (See Separate Breakdown in this Section)	
2	1001193703	1	Installation, Hydrostatic Adaptor (See Separate Breakdown in this Section)	
3	1001193704	1	Installation, Hydrostatic Drive Pump (See Separate Breakdown in this Section)	
4	1001200862	1	Installation, Engine Mount (See Separate Breakdown in this Section)	
5	1001200864	1	Installation, Air Cleaner (See Separate Breakdown in this Section)	
6	1001284538	1	Installation, Engine ECU (See Separate Breakdown in Electrical Section)	
7	1001284532	1	Installation, Engine (See Separate Breakdown in this Section)	
8	1001210600	1	Installation, Air Intake (See Separate Breakdown in this Section)	
9	1001210602	1	Installation, Primary Fuel Filter (See Separate Breakdown in this Section)	
10	1001228735	1	Installation, Engine Wiring (See Separate Breakdown in Electrical Section)	
11	1001221041	1	Installation, Remote Fuel Pump (See Separate Breakdown in this Section)	
12	1001222163	1	Installation, Fuel Lines (See Separate Breakdown in this Section)	

**SECTION 4 - ENGINE AND ATTACHING PARTS**

**FIGURE 4-7. ENGINE INSTALLATION (ULS)**



ART\_1001201425-D

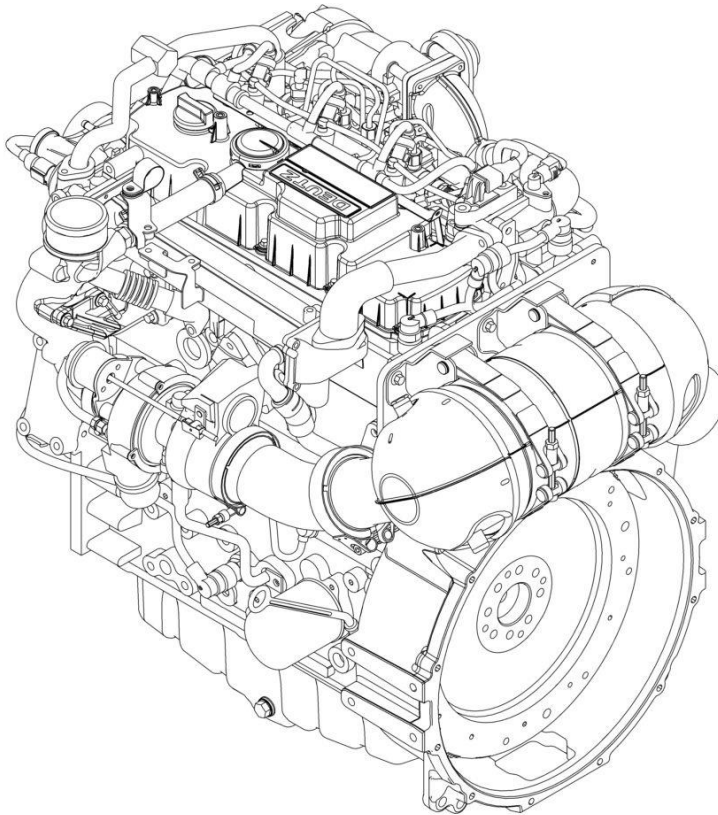
## SECTION 4 - ENGINE AND ATTACHING PARTS

FIGURE 4-7. ENGINE INSTALLATION (ULS)

ITEM	PART NUMBER	QTY	DESCRIPTION	REV
	1001201425	Ref	Engine Installation (ULS)	F
1	1001004720	4	Strap, Cable	
2	1001284531	1	Engine (See Separate breakdown in this Section)	
3	1001202901	1	Bracket, ECU Connector	
4	1001008559	2	Strap, Cable	
5	5251012	2	Bolt, M10X25	
6	1001222460	1	Bracket, Fuel Supply	

## SECTION 4 - ENGINE AND ATTACHING PARTS

FIGURE 4-8. ENGINE ASSEMBLY (ULS)



ART\_1001284531

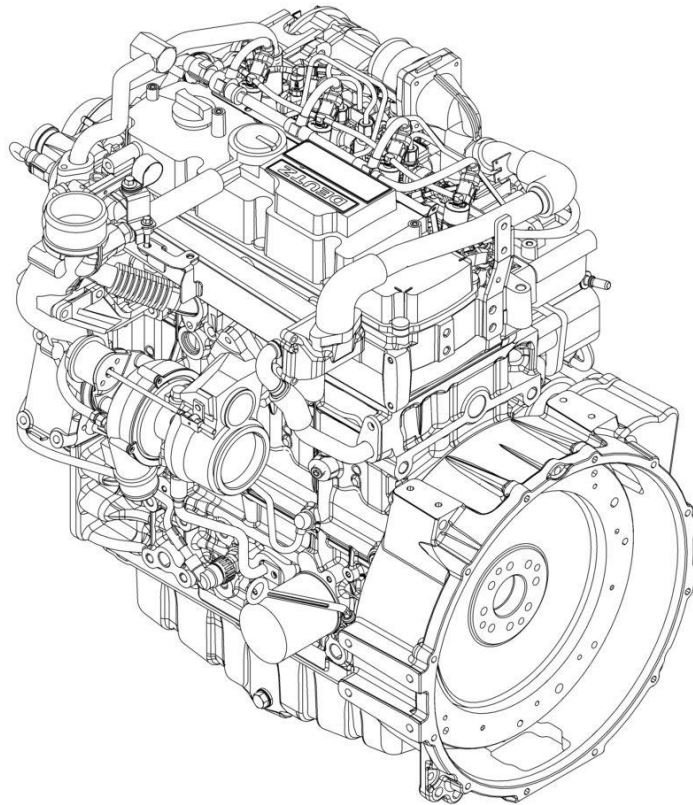
## SECTION 4 - ENGINE AND ATTACHING PARTS

FIGURE 4-8. ENGINE ASSEMBLY (ULS)

ITEM	PART NUMBER	QTY	DESCRIPTION	REV
	1001284531	Ref Ref	ENGINE (100KW - ULS) Note: No Service Parts Available at Time of Printing	C

## SECTION 4 - ENGINE AND ATTACHING PARTS

FIGURE 4-9. ENGINE ASSEMBLY (LS)



ART\_1001284532



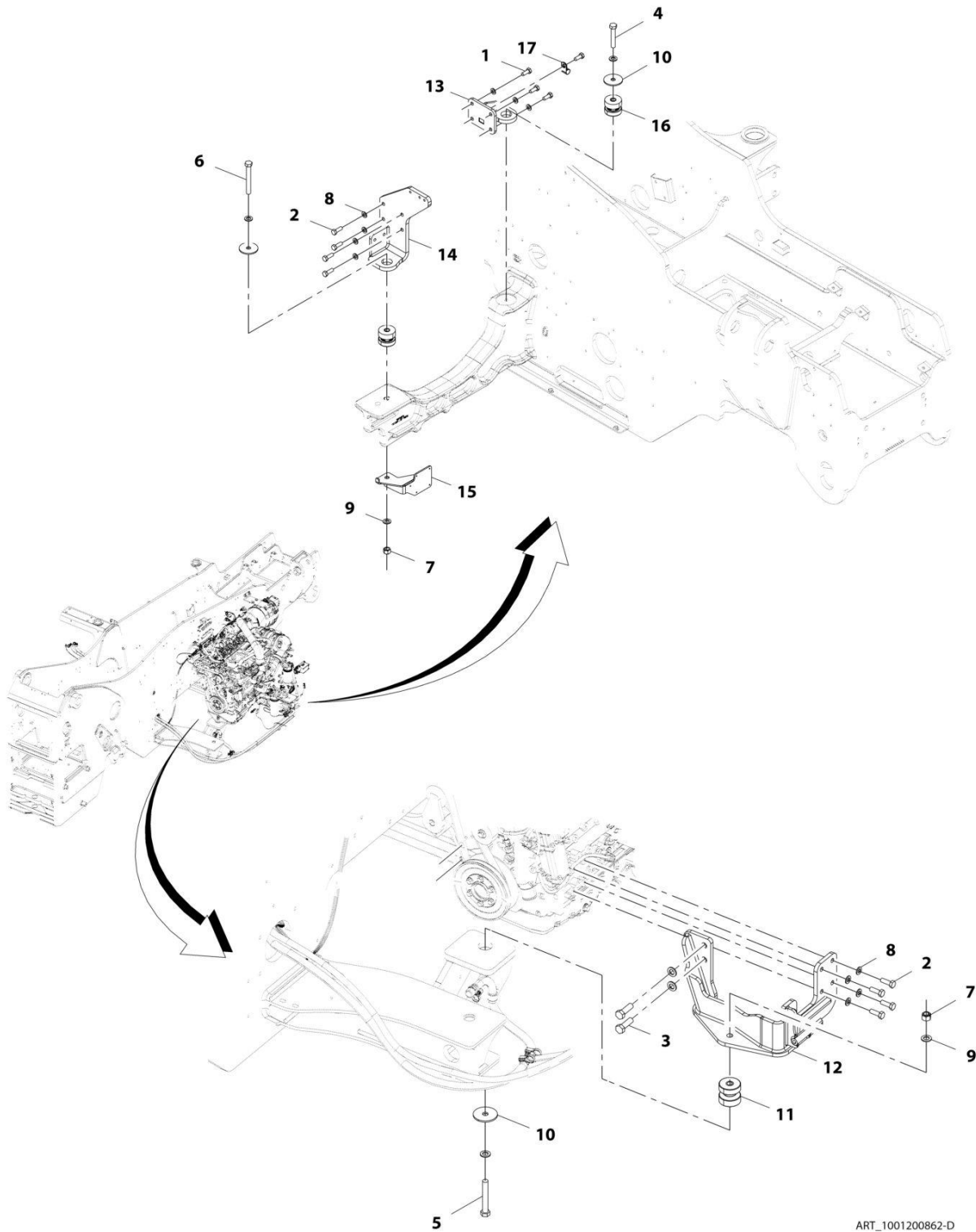
## SECTION 4 - ENGINE AND ATTACHING PARTS

FIGURE 4-9. ENGINE ASSEMBLY (LS)

ITEM	PART NUMBER	QTY	DESCRIPTION	REV
	1001284532	Ref Ref	ENGINE (100KW - LS) Note: No Service Parts Available at Time of Printing	A

# SECTION 4 - ENGINE AND ATTACHING PARTS

## FIGURE 4-10. ENGINE MOUNT INSTALLATION



ART\_1001200862-D

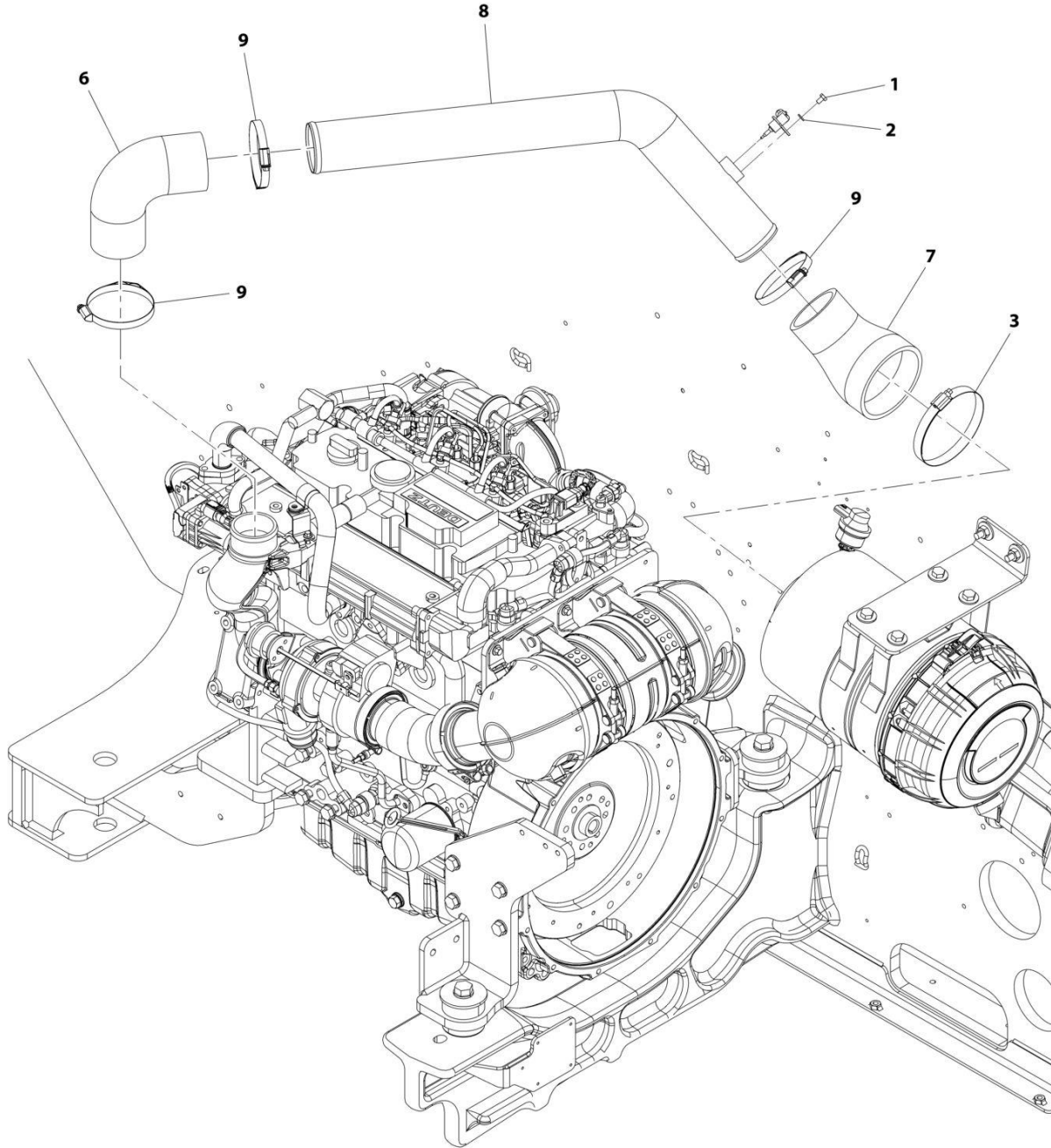
## SECTION 4 - ENGINE AND ATTACHING PARTS

### FIGURE 4-10. ENGINE MOUNT INSTALLATION

ITEM	PART NUMBER	QTY	DESCRIPTION	REV
	1001200862	Ref	Engine Mount Installation	D
1	0761214	4	Bolt, M12X30	
2	0761215	8	Bolt, M12X35	
3	0701618	2	Bolt M16 X 50	
4	0701626	1	Bolt, M16X90	
5	0701628	1	Bolt, M16X110	
6	0701630	1	Bolt, M16X130	
7	3291605	2	Nut, Lock M16X2	
8	4812100	11	Washer, M12	
9	4812300	7	Washer, M16	
10	7300435	3	Washer	
11	1001188757	1	Mount, Engine	
12	1001200871	1	Bracket, Engine Mount	
13	1001200872	1	Bracket, Engine Mount	
14	1001200873	1	Bracket, Engine Mount	
15	1001200874	1	Bracket, Fuel Pump	
16	1001197072	2	Mount, Engine	
17	8406105	1	Clip, Tube	

# SECTION 4 - ENGINE AND ATTACHING PARTS

## FIGURE 4-11. AIR INTAKE INSTALLATION (ULS)



ART\_1001200863-B

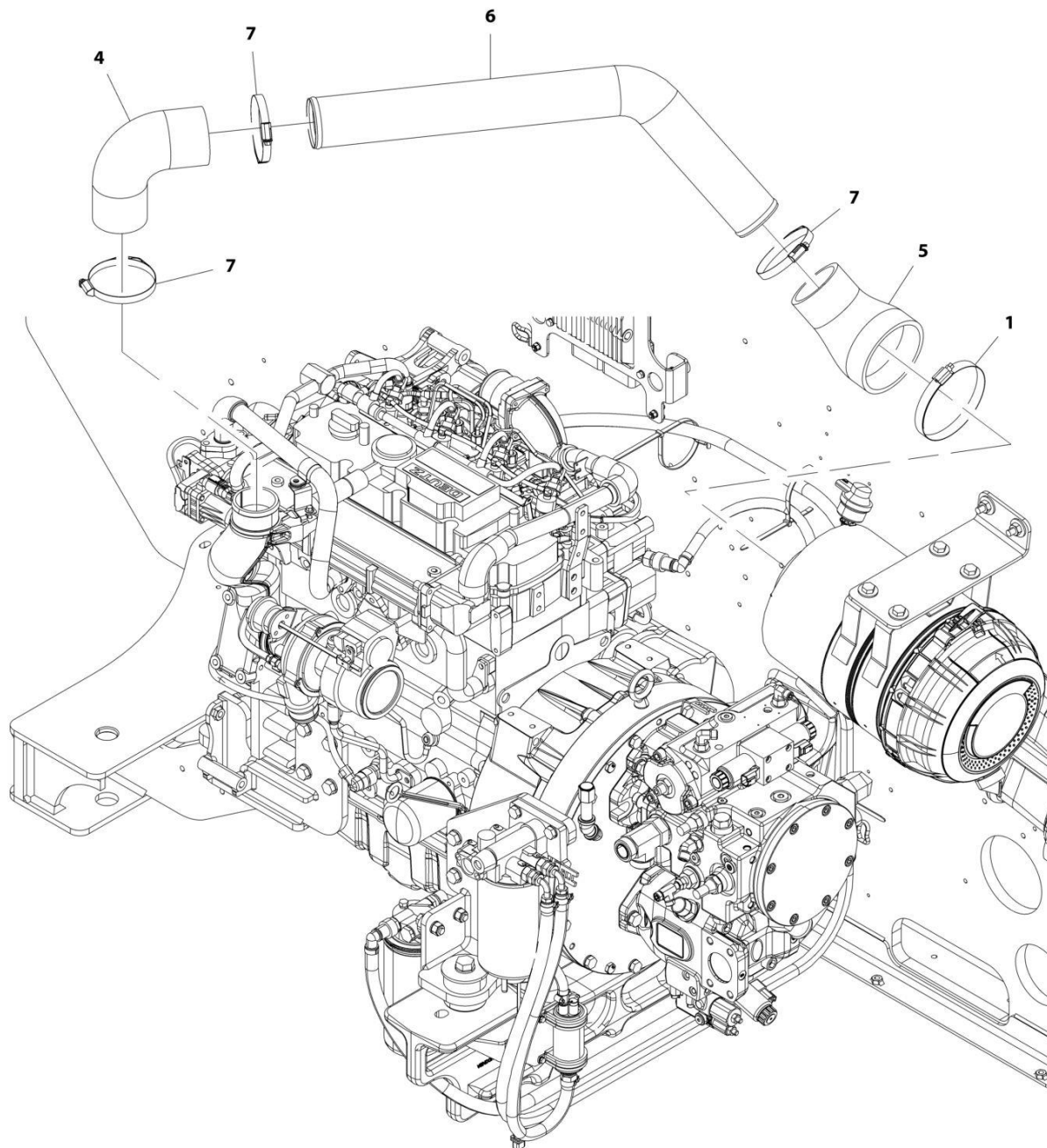
## SECTION 4 - ENGINE AND ATTACHING PARTS

FIGURE 4-11. AIR INTAKE INSTALLATION (ULS)

ITEM	PART NUMBER	QTY	DESCRIPTION	REV
	1001200863	Ref	Air Intake Installation (ULS)	B
1	0760605	1	Bolt, M6X10	
2	4811700	1	Washer, M6	
3	8405402	1	Clamp	
6	1001182881	1	Hose	
7	1001200885	1	Hose	
8	1001200886	1	Tube	
9	1001226523	3	Clamp	

# SECTION 4 - ENGINE AND ATTACHING PARTS

## FIGURE 4-12. AIR INTAKE INSTALLATION (LS)



ART\_1001210600-B

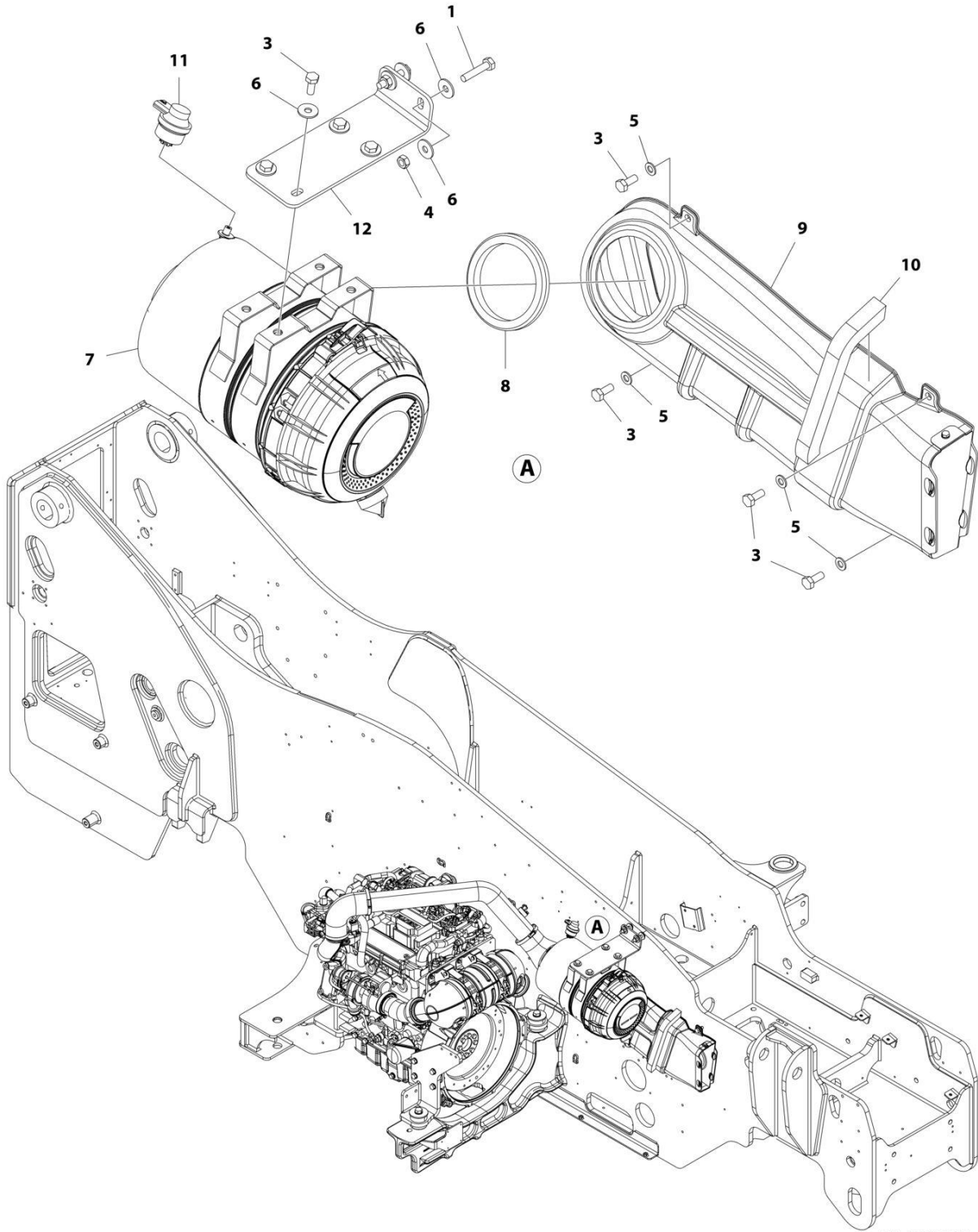
## SECTION 4 - ENGINE AND ATTACHING PARTS

FIGURE 4-12. AIR INTAKE INSTALLATION (LS)

ITEM	PART NUMBER	QTY	DESCRIPTION	REV
	1001210600	Ref	Air Intake Installation (LS)	B
1	8405402	1	Clamp	
4	1001182881	1	Hose	
5	1001200885	1	Hose	
6	1001210603	1	Pipe	
7	1001226523	3	Clamp	

# SECTION 4 - ENGINE AND ATTACHING PARTS

## FIGURE 4-13. AIR CLEANER INSTALLATION



ART\_1001200864



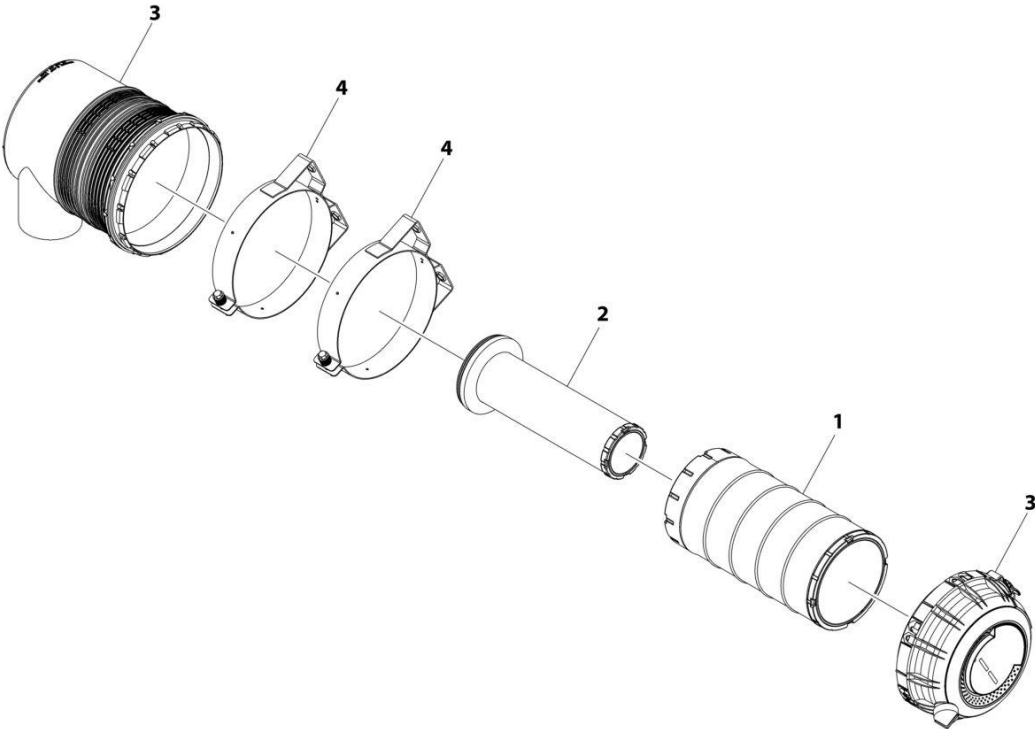
## SECTION 4 - ENGINE AND ATTACHING PARTS

### FIGURE 4-13. AIR CLEANER INSTALLATION

ITEM	PART NUMBER	QTY	DESCRIPTION	REV
	1001200864	Ref	AIR CLEANER INSTALLATION	D
1	0701018	2	Bolt M10 x 50	
3	0761012	8	Bolt M10 x 25	
4	3291001	2	Nut M10 x 1.5	
5	4812000	4	Washer M10	
6	4812002	8	Washer M10	
7	1001166565	1	Filter, Air Cleaner (See Separate Breakdown in this Section)	
8	1001183831	1	Grommet	
9	1001183835	1	Air Intake Duct Installation (See Separate Breakdown in this Section)	
10	1001186898	1	Seal	
11	1001166715	1	Indicator	
12	1001194534	1	Bracket, Air Cleaner Mount	

**SECTION 4 - ENGINE AND ATTACHING PARTS**

**FIGURE 4-14. AIR CLEANER ASSEMBLY**



ART\_1001166565

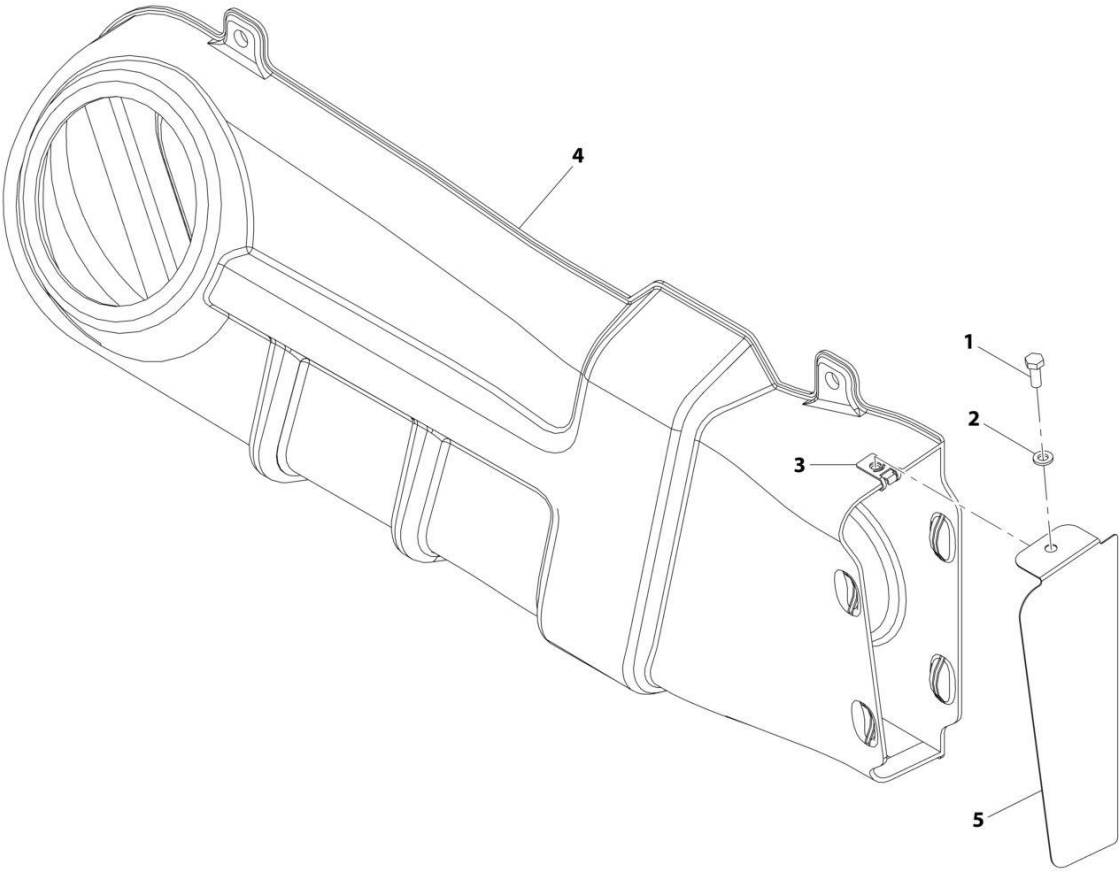
## SECTION 4 - ENGINE AND ATTACHING PARTS

### FIGURE 4-14. AIR CLEANER ASSEMBLY

ITEM	PART NUMBER	QTY	DESCRIPTION	REV
	1001166565	Ref	AIR FILTER ASSEMBLY (90/100KW)	F
1	70025850	1	Filter, Cylindrical Air Primary	
2	70025851	1	Filter, Cylindrical Air Secondary	
3	70026395	1	Cover	
4	70026396	2	Bracket	

**SECTION 4 - ENGINE AND ATTACHING PARTS**

**FIGURE 4-15. AIR INTAKE DUCT INSTALLATION**



ART\_1001183835-C

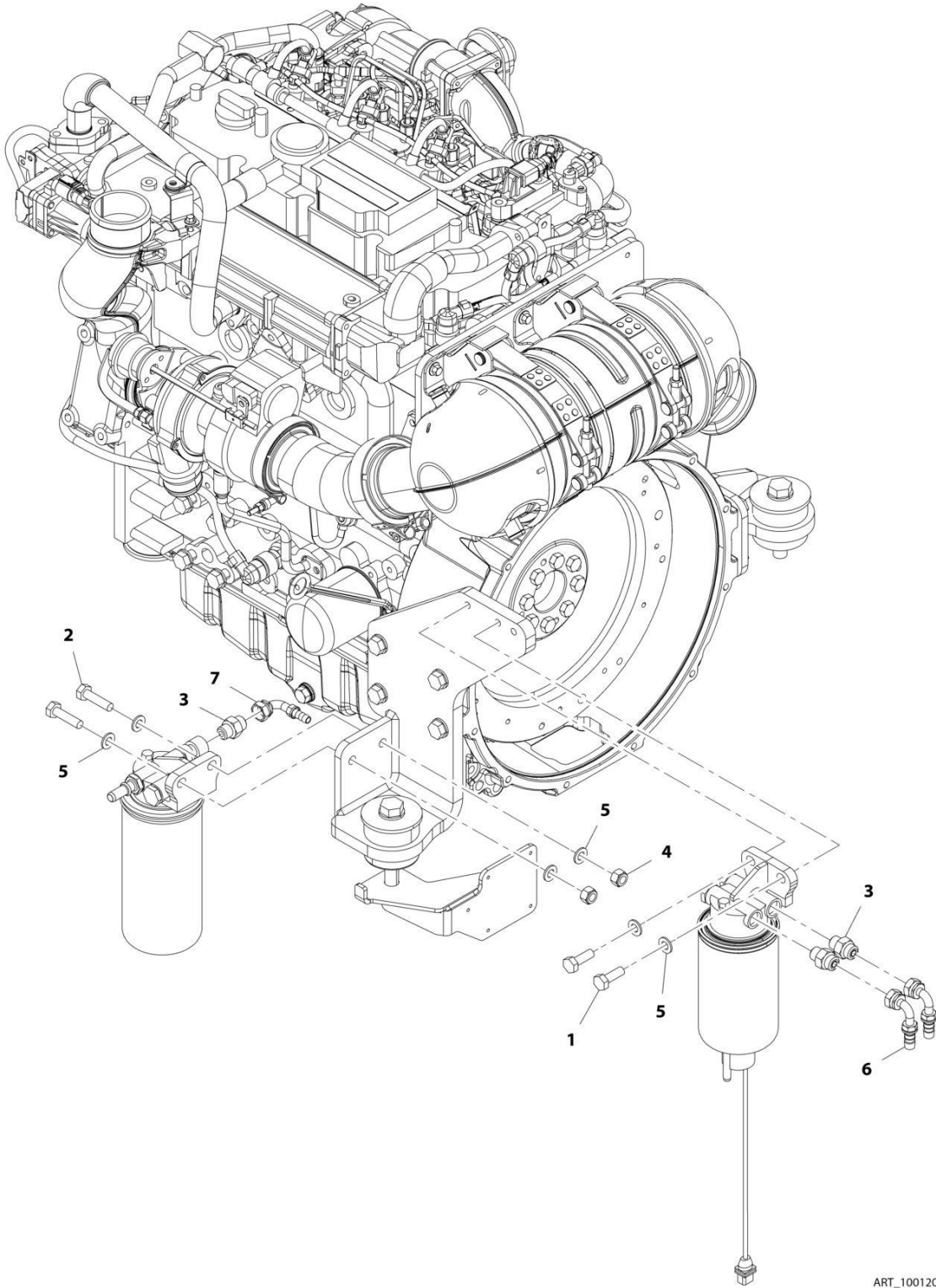
## SECTION 4 - ENGINE AND ATTACHING PARTS

FIGURE 4-15. AIR INTAKE DUCT INSTALLATION

ITEM	PART NUMBER	QTY	DESCRIPTION	REV
	1001183835	Ref	Air Intake Duct Installation	C
1	0760608	1	Bolt, M6X16	
2	4811702	1	Washer, M6	
3	8305919	1	Nut	
4	1001183827	1	Duct	
5	1001183829	1	Plate	

# SECTION 4 - ENGINE AND ATTACHING PARTS

## FIGURE 4-16. PRIMARY FUEL FILTER INSTALLATION (ULS)



ART\_1001200865-C

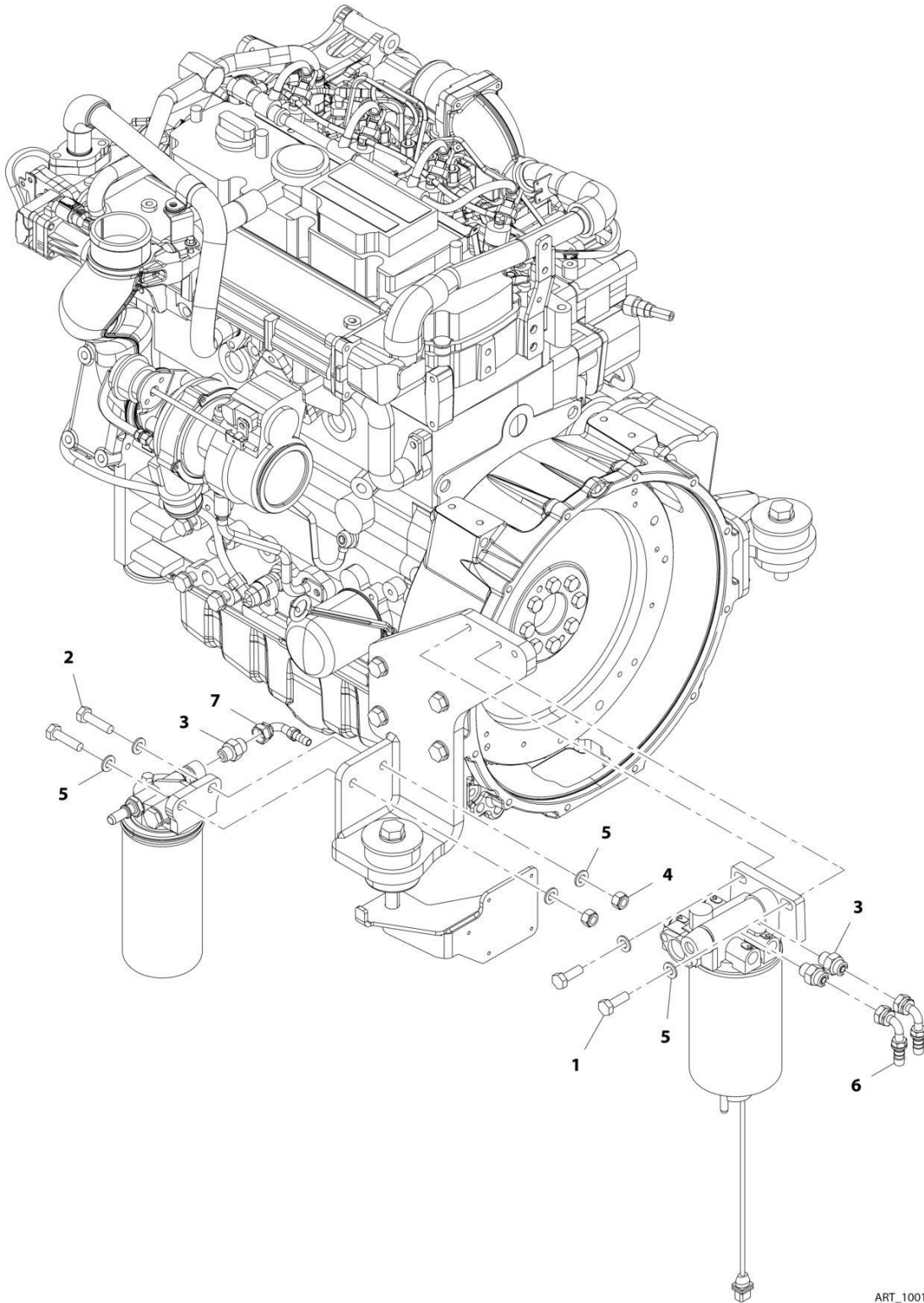
## SECTION 4 - ENGINE AND ATTACHING PARTS

FIGURE 4-16. PRIMARY FUEL FILTER INSTALLATION (ULS)

ITEM	PART NUMBER	QTY	DESCRIPTION	REV
	1001200865	Ref	Primary Fuel Filter Installation	C
1	0701014	2	Bolt, M10X30	
2	0701016	2	Bolt, M10X40	
3	2144606	3	Fitting, Straight ORFS	
4	3291005	2	Nut, Lock M10X1.5	
5	4812000	6	Washer, M10	
6	1001095301	2	Fitting, 90 ORFS	
7	1001133793	1	Fitting, 90 ORFS	

# SECTION 4 - ENGINE AND ATTACHING PARTS

## FIGURE 4-17. PRIMARY FUEL FILTER INSTALLATION (LS)



ART\_1001210602-B



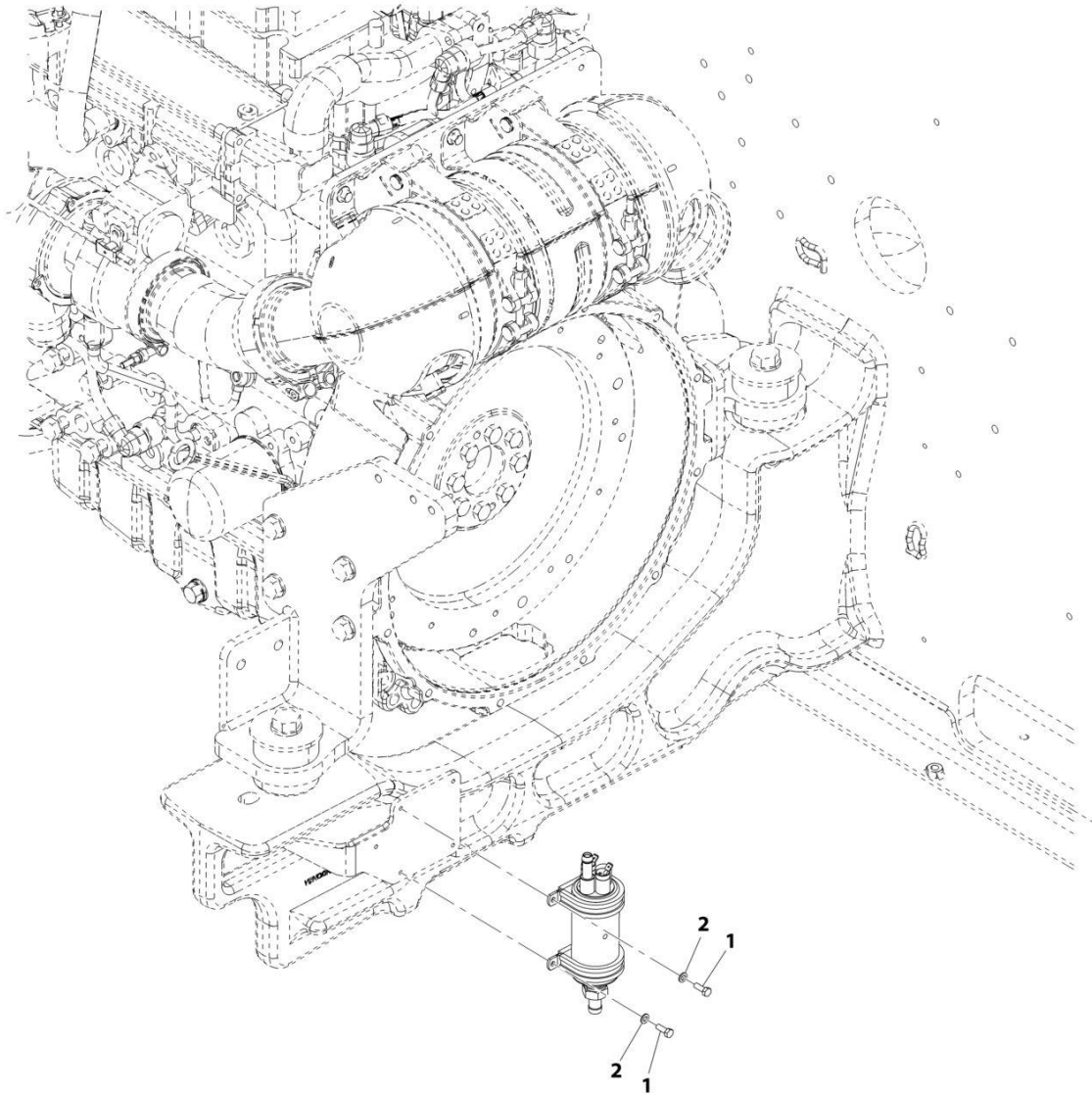
## SECTION 4 - ENGINE AND ATTACHING PARTS

FIGURE 4-17. PRIMARY FUEL FILTER INSTALLATION (LS)

ITEM	PART NUMBER	QTY	DESCRIPTION	REV
	1001210602	Ref	Primary Fuel Filter Installation (LS)	B
1	0701014	2	Bolt, M10X30	
2	0701016	2	Bolt, M10X40	
3	2144606	3	Fitting, 90 ORFS	
4	3291005	2	Nut, Lock M10X1.5	
5	4812000	6	Washer, M10	
6	1001095301	2	Fitting, 90 ORFS	
7	1001133793	1	Fitting, 90 ORFS	

# SECTION 4 - ENGINE AND ATTACHING PARTS

## FIGURE 4-18. REMOTE FUEL PUMP INSTALLATION



ART\_1001221041-B

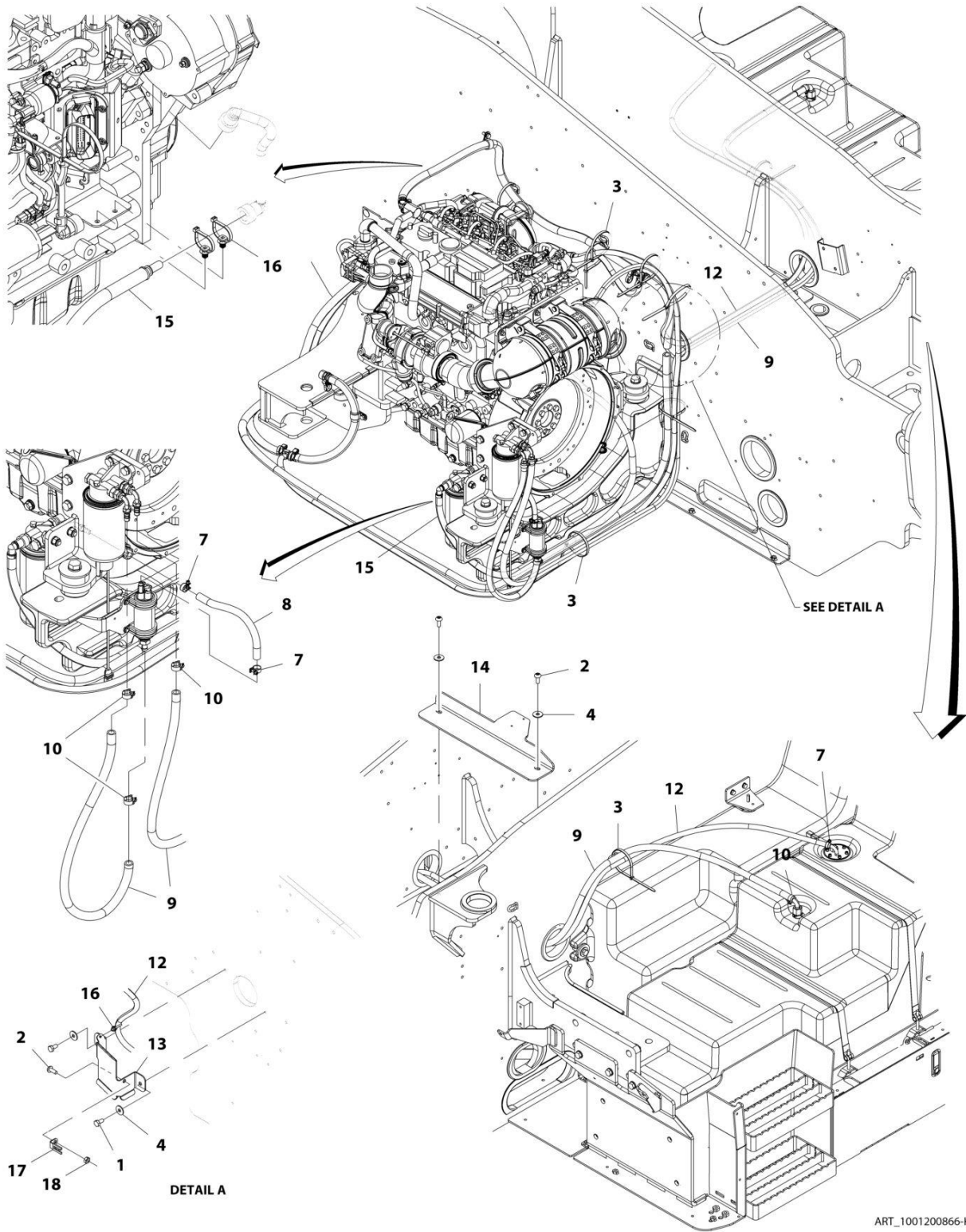
## SECTION 4 - ENGINE AND ATTACHING PARTS

FIGURE 4-18. REMOTE FUEL PUMP INSTALLATION

ITEM	PART NUMBER	QTY	DESCRIPTION	REV
	1001221041	Ref	Remote Fuel Pump Installation	B
1	0760507	4	Bolt, M5X14	
2	4811600	4	Washer, M5	

# SECTION 4 - ENGINE AND ATTACHING PARTS

## FIGURE 4-19. FUEL LINES INSTALLATION (ULS)



ART\_1001200866-K

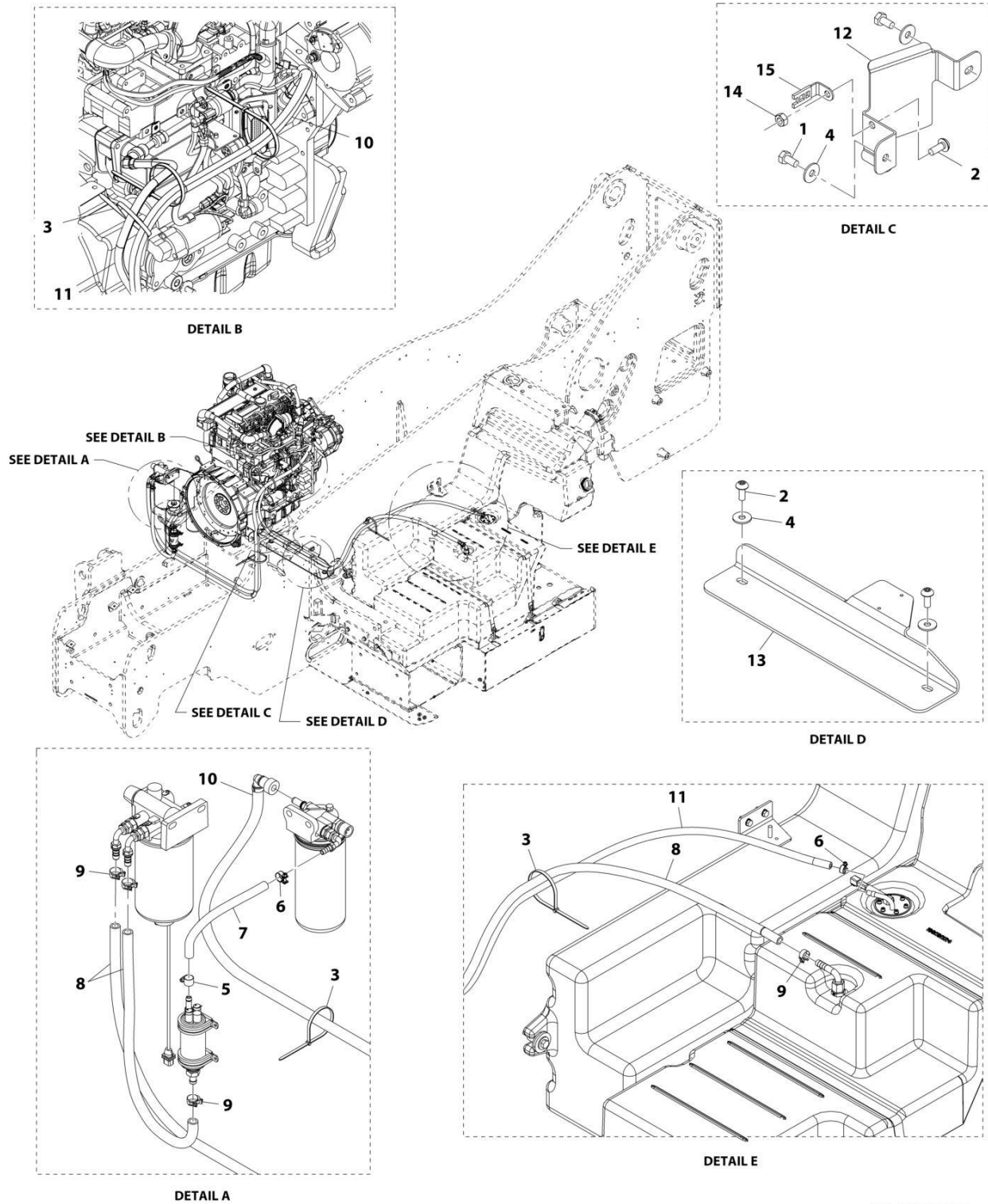
## SECTION 4 - ENGINE AND ATTACHING PARTS

**FIGURE 4-19. FUEL LINES INSTALLATION (ULS)**

ITEM	PART NUMBER	QTY	DESCRIPTION	REV
	1001200866	Ref	Fuel Lines Installation	K
1	0761010	2	Bolt, M10X20	
2	1001009325	3	Screw	
3	1062255	6	Strap, Tie	
4	4812002	4	Washer, M10	
7	1001136975	3	Clamp	
8	1001165035	260 mm	Hose	
9	1001172755	4060 mm	Hose	
10	1001175568	4	Clip	
12	1001228248	1	Hose	
13	1001210870	1	Plate	
14	1001221868	1	Channel, Frame	
15	1001232850	1	Hose	
16	1001146588	3	Strap, Tie	
17	1001003305	1	Clip	
18	3291001	1	Nut, M10X1.5 Grade 8	

# SECTION 4 - ENGINE AND ATTACHING PARTS

## FIGURE 4-20. FUEL LINES INSTALLATION (LS)



ART\_1001210601-C

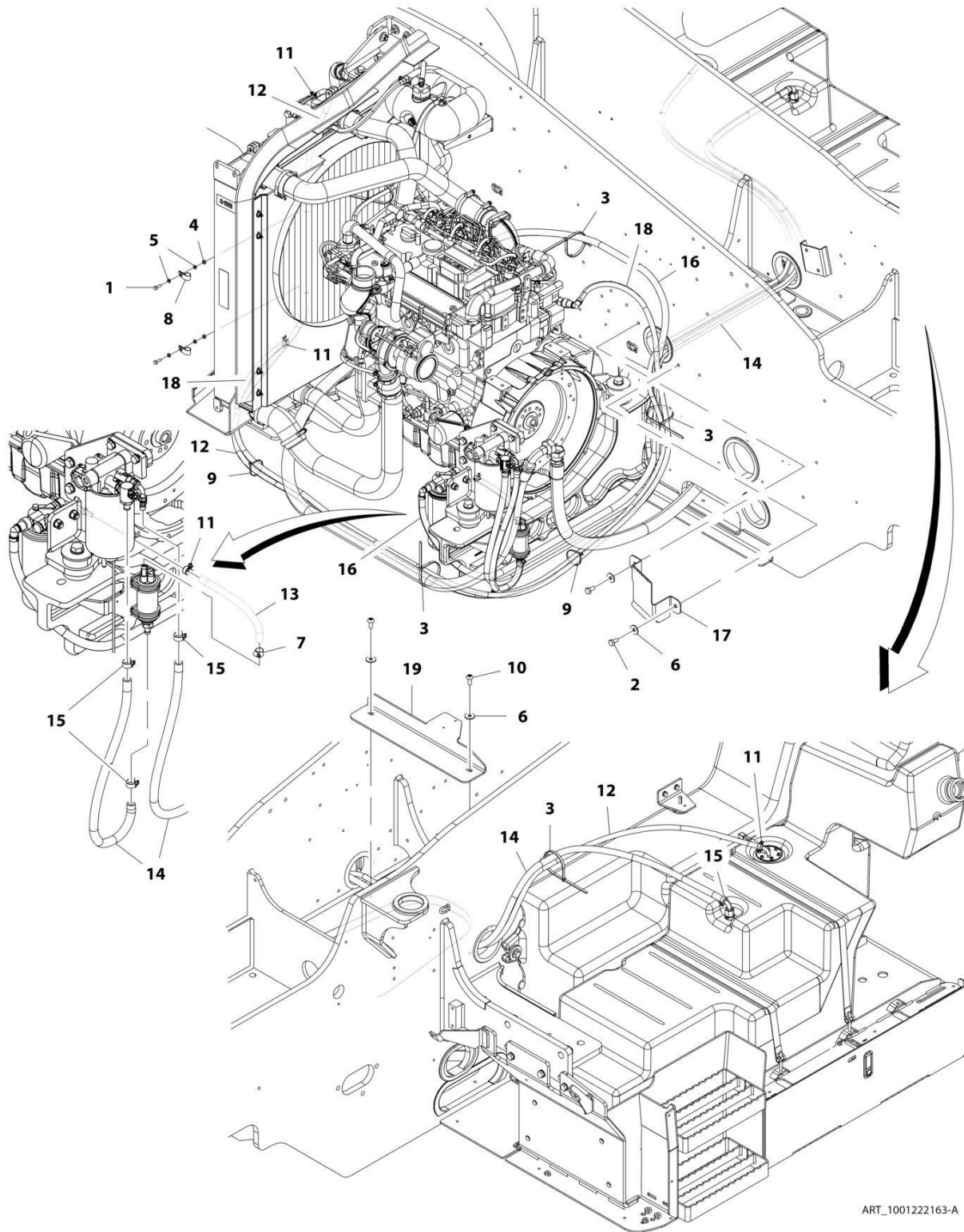
## SECTION 4 - ENGINE AND ATTACHING PARTS

**FIGURE 4-20. FUEL LINES INSTALLATION (LS)**

ITEM	PART NUMBER	QTY	DESCRIPTION	REV
	1001210601	Ref	Fuel Line Installation	C
1	0761010	2	Bolt, M10X20	
2	1001009325	3	Screw, Torx Hd	
3	1062255	5	Strap, Tie	
4	4812002	4	Washer, M10	
5	8405006	1	Clamp	
6	1001136975	2	Clamp	
7	1001165035	235 mm	Hose	
8	1001172755	3946 mm	Hose	
9	1001175568	4	Clip	
10	1001200887	1	Hose	
11	1001228248	1	Hose	
12	1001210870	1	Plate	
13	1001221868	1	Channel, Hose	
14	3291001	1	Nut, M10X1.5 Grade 8	
15	1001003305	1	Clip	

# SECTION 4 - ENGINE AND ATTACHING PARTS

## FIGURE 4-21. FUEL LINES INSTALLATION (LS HIGH AMBIENT)



ART\_1001222163-A



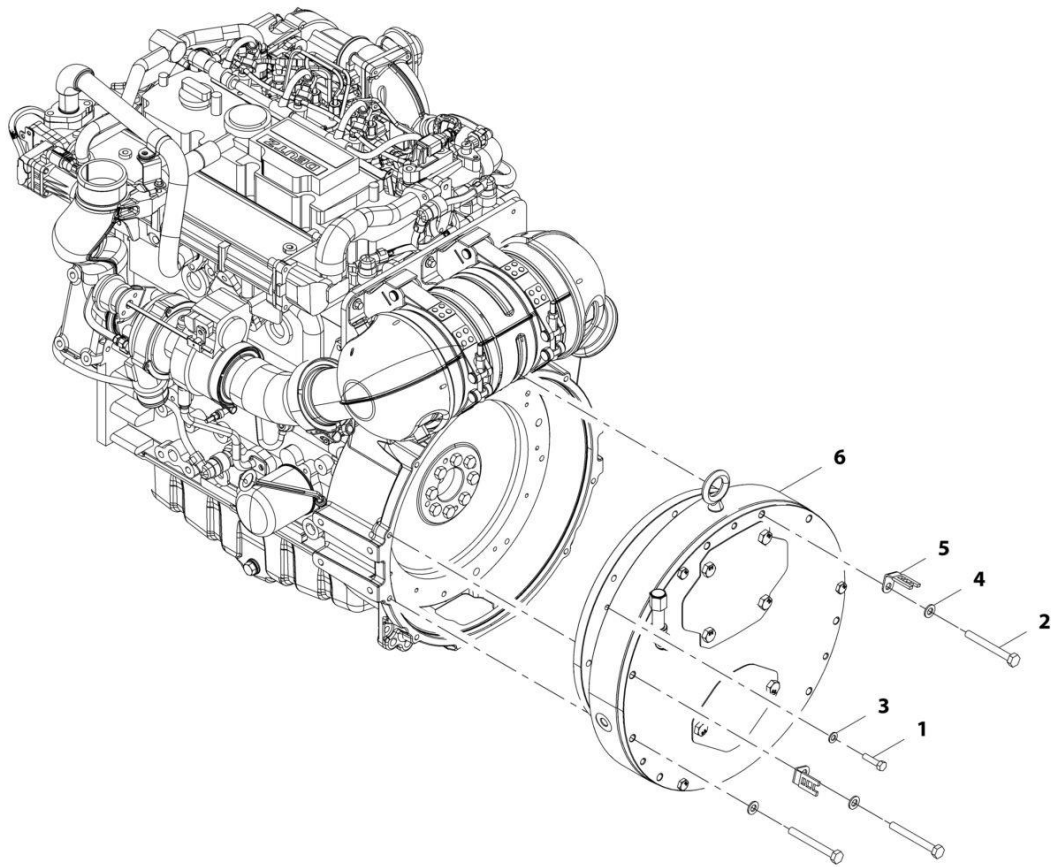
## SECTION 4 - ENGINE AND ATTACHING PARTS

**FIGURE 4-21. FUEL LINES INSTALLATION (LS HIGH AMBIENT)**

ITEM	PART NUMBER	QTY	DESCRIPTION	REV
	1001222163	Ref	Fuel Lines Installation	A
1	0700610	2	Bolt, M6X20	
2	0761010	2	Bolt, M10X20	
3	1062255	4	Strap, Tie	
4	3290601	2	Nut, M6X1 Grade 8	
5	4811700	4	Washer, M6	
6	4812002	4	Washer, M10	
7	8405006	1	Clamp, Gear	
8	8406112	2	Clip, Tube	
9	1001008559	2	Strap, Cable	
10	1001009325	2	Screw	
11	1001136975	4	Clamp	
12	1001141400	5376 mm	Hose	
13	1001165035	235 mm	Hose	
14	1001172755	3946 mm	Hose	
15	1001175568	4	Clip	
16	1001200887	1	Hose	
17	1001210870	1	Plate, Hose Shield	
18	1001221702	1	Hose	
19	1001221868	1	Channel, Engine Lines	

# SECTION 4 - ENGINE AND ATTACHING PARTS

## FIGURE 4-22. HYDROSTATIC ADAPTOR INSTALLATION



ART\_1001193703-D

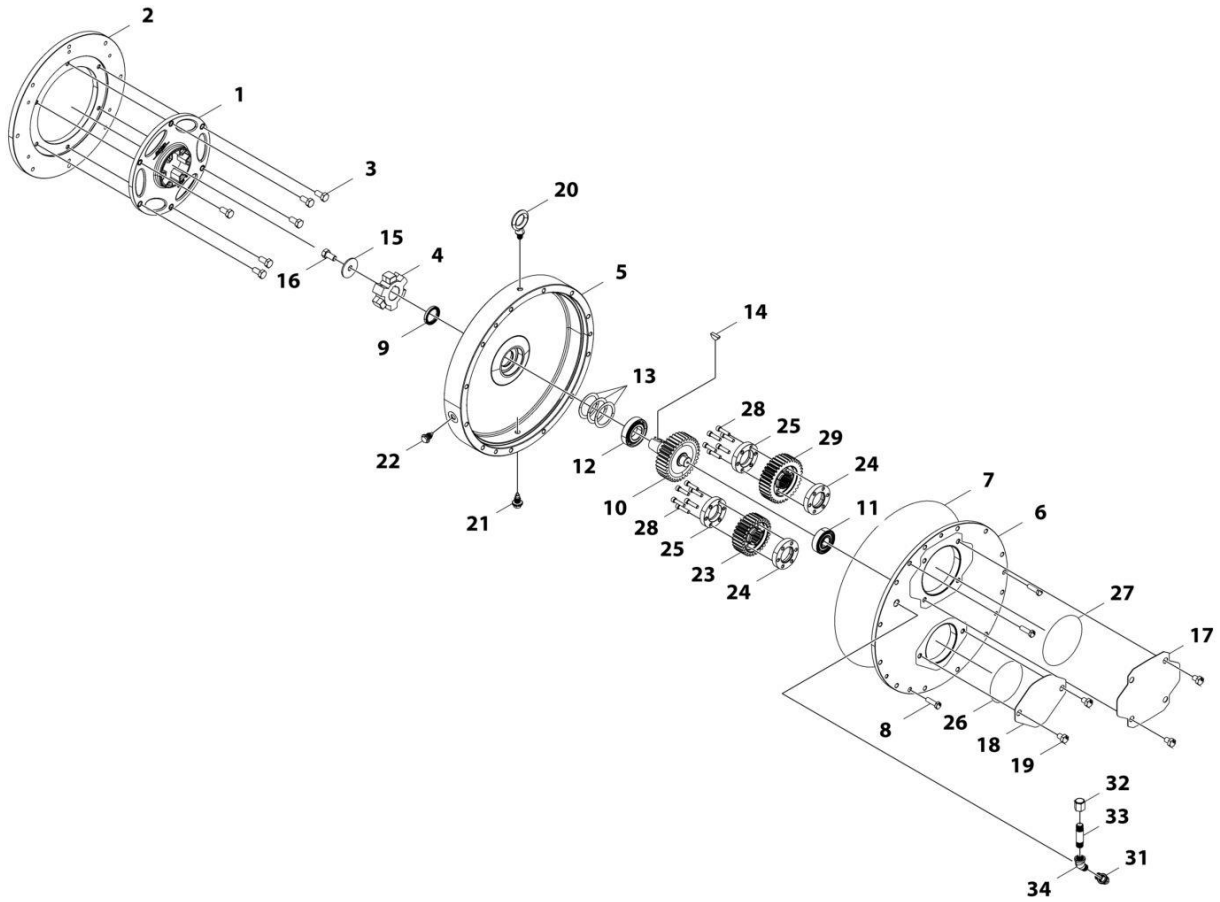
## SECTION 4 - ENGINE AND ATTACHING PARTS

FIGURE 4-22. HYDROSTATIC ADAPTOR INSTALLATION

ITEM	PART NUMBER	QTY	DESCRIPTION	REV
	1001193703	Ref	Hydrostatic Adaptor Installation	D
1	0641510	6	Bolt, 5/16-18X1.25	
2	0701026	12	Bolt, M10X90	
3	4811900	6	Washer, M8	
4	4812000	10	Washer, M10	
5	1001003305	2	Clip	
6	1001193705	1	Assembly, Dual Drive Support (See Separate Breakdown in this Section)	

# SECTION 4 - ENGINE AND ATTACHING PARTS

## FIGURE 4-23. DUAL DRIVE SUPPORT ASSEMBLY



ART\_1001193705

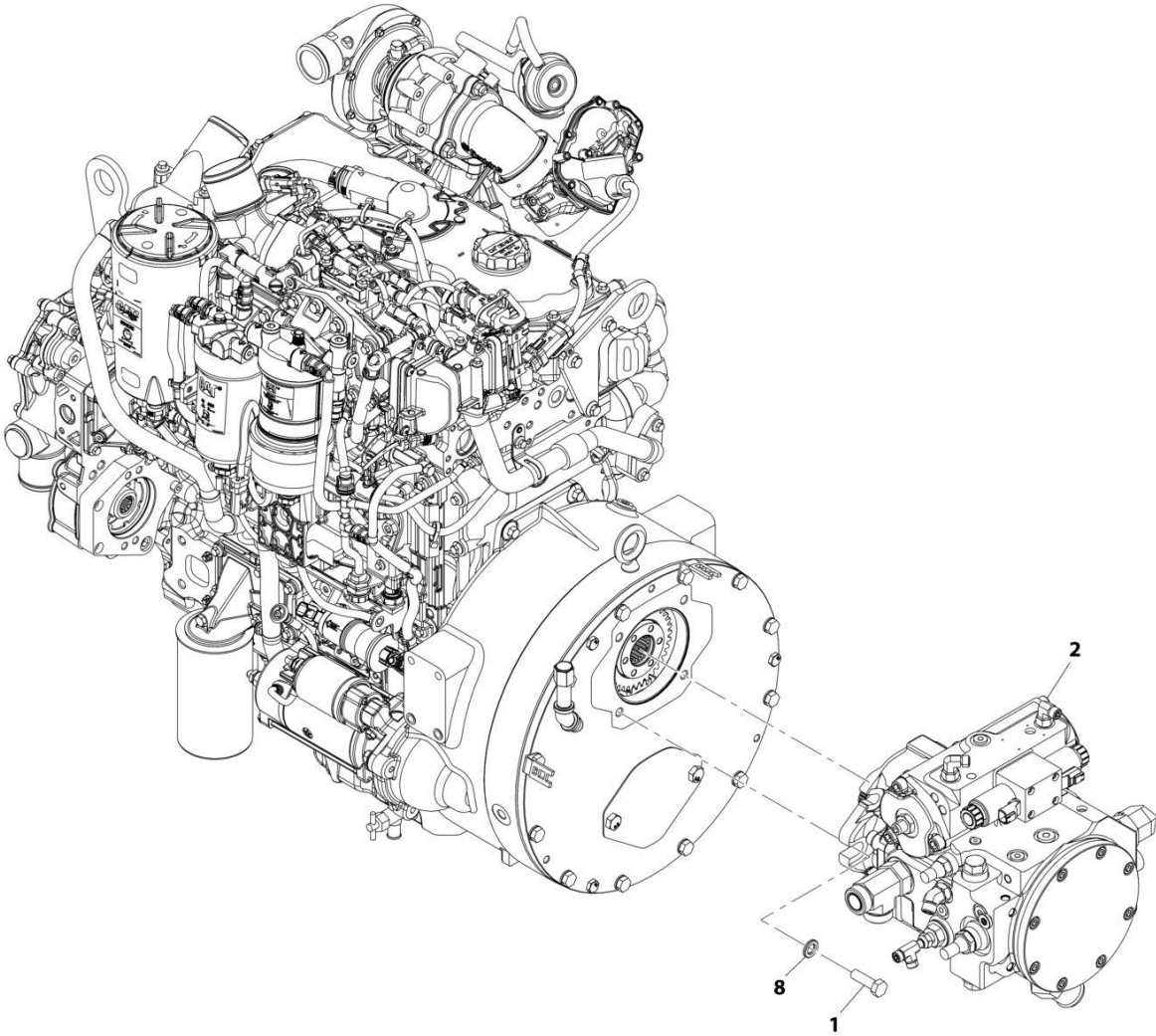
## SECTION 4 - ENGINE AND ATTACHING PARTS

**FIGURE 4-23. DUAL DRIVE SUPPORT ASSEMBLY**

ITEM	PART NUMBER	QTY	DESCRIPTION	REV
	1001193705	Ref	Dual Drive Support Assembly	E
1	70028327	1	Plate, Flex	
2	70028328	1	Plate, Flywheel Adapter	
3	70028329	6	Bolt	
4	70028330	1	Hub, Flex	
5	70028331	1	Gear Box Half, Input Side	
6	70028332	1	Gear Box Half, Output Side	
7	70028333	1	O-Ring	
8	70028334	3	Bolt	
9	70028335	1	Seal, Shaft	
10	70028336	1	Gear, Input Shaft	
11	70028337	1	Bearing, Angular Contact	
12	70028338	1	Bearing, Angular Contact	
13	70028339	3	Washer	
14	70028340	1	Key	
15	70028341	1	Washer	
16	70028342	1	Bolt	
17	70028343	1	Cover, Pump Mount Implement	
18	70028344	1	Cover, Pump Mount Hydrastat	
19	70028345	6	Bolt	
20	70028346	1	Eyebolt, Modified	
21	70028347	1	Plug	
22	70028348	1	Plug	
23	70028349	1	Pump, Gear,30 Tooth	
24	70028350	2	Locking Ring, Tapered	
25	70028351	2	Locking Ring, Tapered	
26	70028352	1	O-Ring	
27	70028353	1	O-Ring	
28	70028354	12	Bolt	
29	70028355	1	Pump, Gear, 35 Tooth	
31	70028357	1	Adapter, 90	
32	70028358	1	Breather	
33	70028359	1	Nipple	
34	70028360	1	Adapter, 45	

# SECTION 4 - ENGINE AND ATTACHING PARTS

## FIGURE 4-24. HYDROSTATIC DRIVE PUMP INSTALLATION



ART-1001193704-D

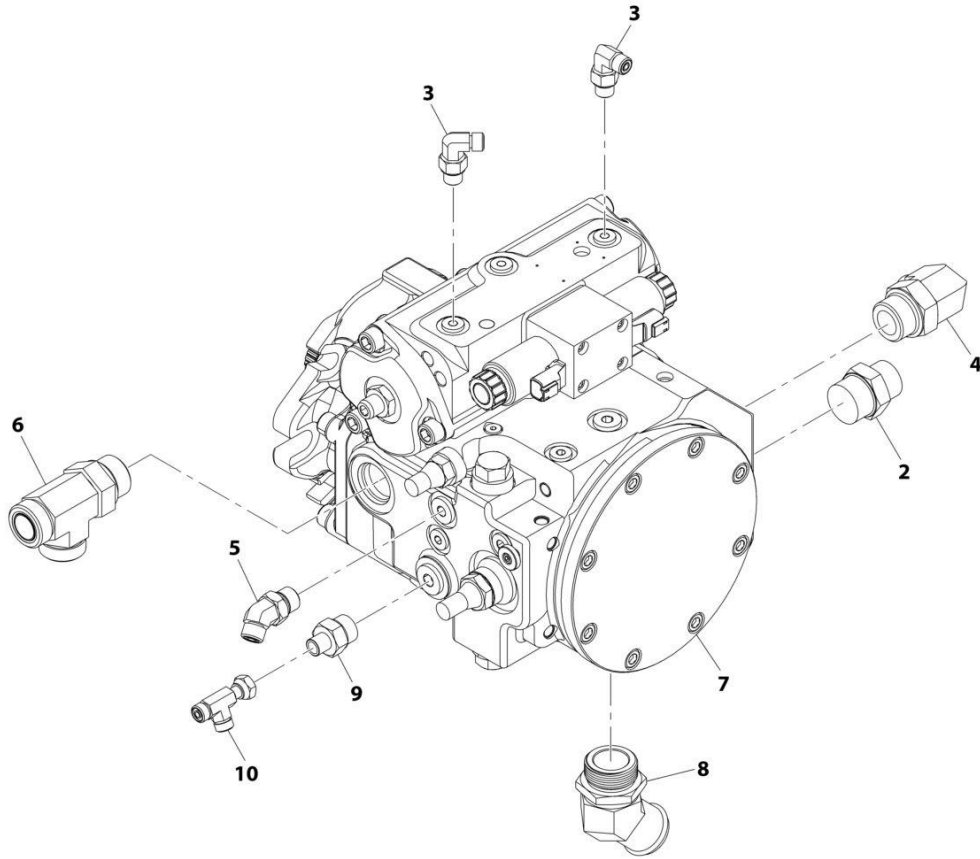
## SECTION 4 - ENGINE AND ATTACHING PARTS

FIGURE 4-24. HYDROSTATIC DRIVE PUMP INSTALLATION

ITEM	PART NUMBER	QTY	DESCRIPTION	REV
	1001193704	Ref	Hydrostatic Drive Pump Installation	D
1	0711216	4	Bolt, M12X40	
2	1001210771	1	Assembly, Hydrostatic Drive Pump (See Separate Breakdown in this Section)	
8	4740532	4	Washer, M12	

# SECTION 4 - ENGINE AND ATTACHING PARTS

## FIGURE 4-25. HYDROSTATIC DRIVE PUMP ASSEMBLY



ART\_1001210771-C



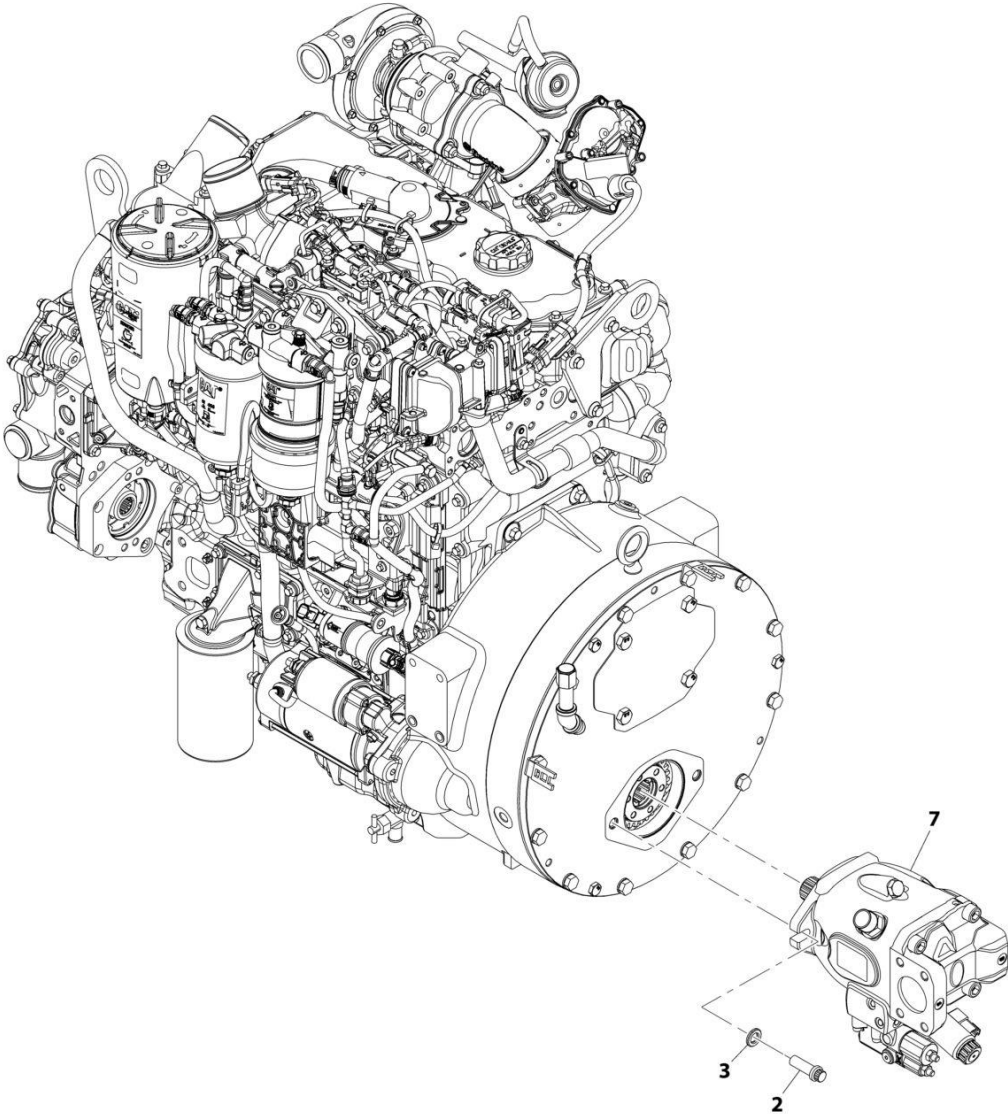
## SECTION 4 - ENGINE AND ATTACHING PARTS

FIGURE 4-25. HYDROSTATIC DRIVE PUMP ASSEMBLY

ITEM	PART NUMBER	QTY	DESCRIPTION	REV
	1001210771	Ref	Hydrostatic Drive Pump Assembly	C
2	2111216	1	Fitting, Straight ORFS	
3	2130406	2	Fitting, 90 ORFS	
4	2131216	1	Fitting, 90 ORFS	
5	2150608	1	Fitting, 45 ORFS	
6	2170316	1	Fitting, TEE ORFS	
7	1001193307	1	Pump, Hydrostatic Drive (See Separate Breakdown in HYDRAULIC COMPONENTS Section)	
8	1001196664	1	Fitting, 45	
9	2110410	1	Fitting, Straight ORFS	
10	2170704	1	Fitting, Tee ORFS	

**SECTION 4 - ENGINE AND ATTACHING PARTS**

**FIGURE 4-26. IMPLEMENT PUMP INSTALLATION**



ART\_1001193393-E

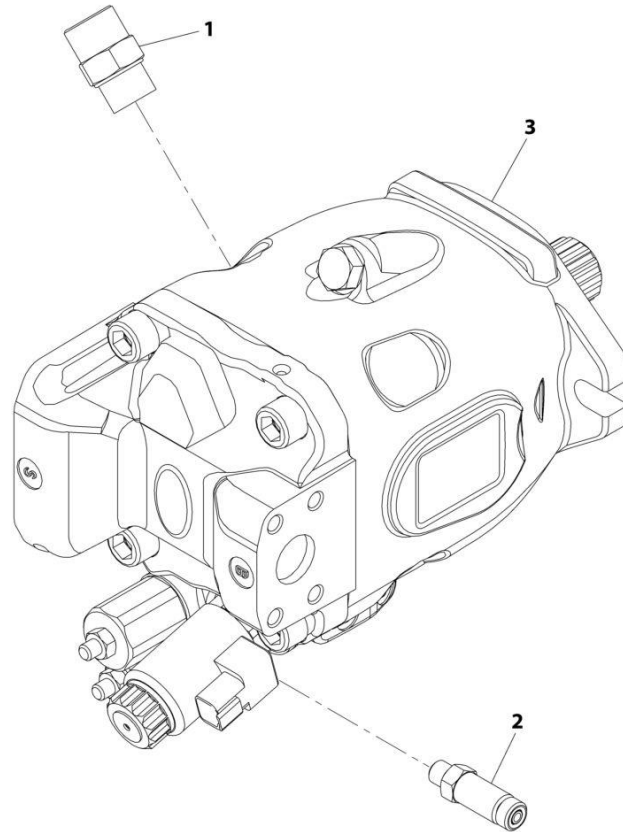
## SECTION 4 - ENGINE AND ATTACHING PARTS

FIGURE 4-26. IMPLEMENT PUMP INSTALLATION

ITEM	PART NUMBER	QTY	DESCRIPTION	REV
	1001193393	Ref	Implement Pump Installation	E
2	1001238781	2	Screw Flange	
3	4740532	2	Washer	
7	1001212739	1	Assembly, Implement Pump (See Separate Breakdown in this Section)	

## SECTION 4 - ENGINE AND ATTACHING PARTS

FIGURE 4-27. IMPLEMENT PUMP ASSEMBLY



ART\_1001212739-A

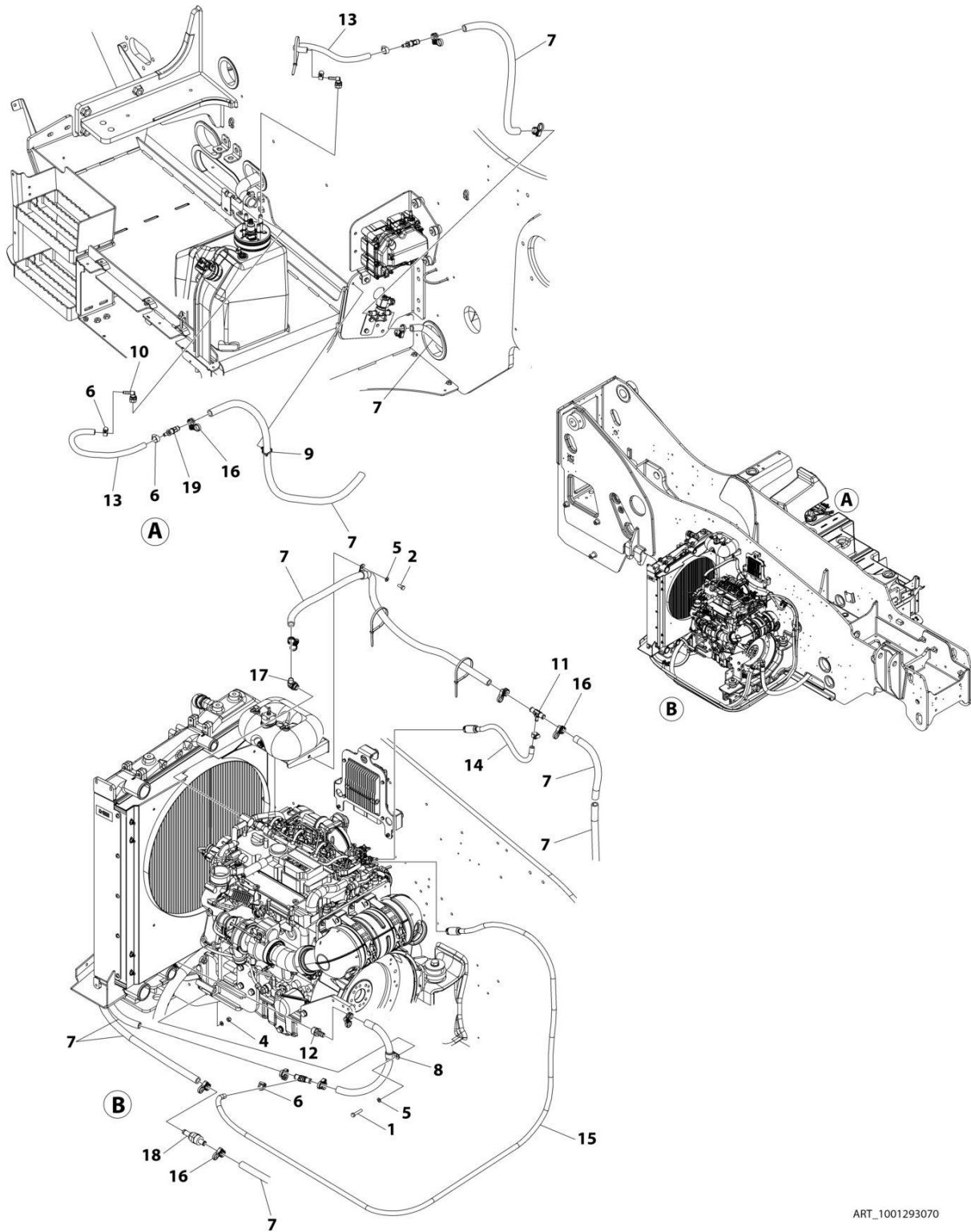
## SECTION 4 - ENGINE AND ATTACHING PARTS

FIGURE 4-27. IMPLEMENT PUMP ASSEMBLY

ITEM	PART NUMBER	QTY	DESCRIPTION	REV
	1001212739	Ref	Implement Pump Assembly	A
1	2111010	1	Fitting, Straight ORFS	
2	2170104	1	Fitting, Straight ORFS	
3	1001180070	1	Pump, Implement (See Separate Breakdown in HYDRAULIC COMPONENTS Section)	

# SECTION 4 - ENGINE AND ATTACHING PARTS

## FIGURE 4-28. DEF COOLANT LINES INSTALLATION (ULS)



ART\_1001293070

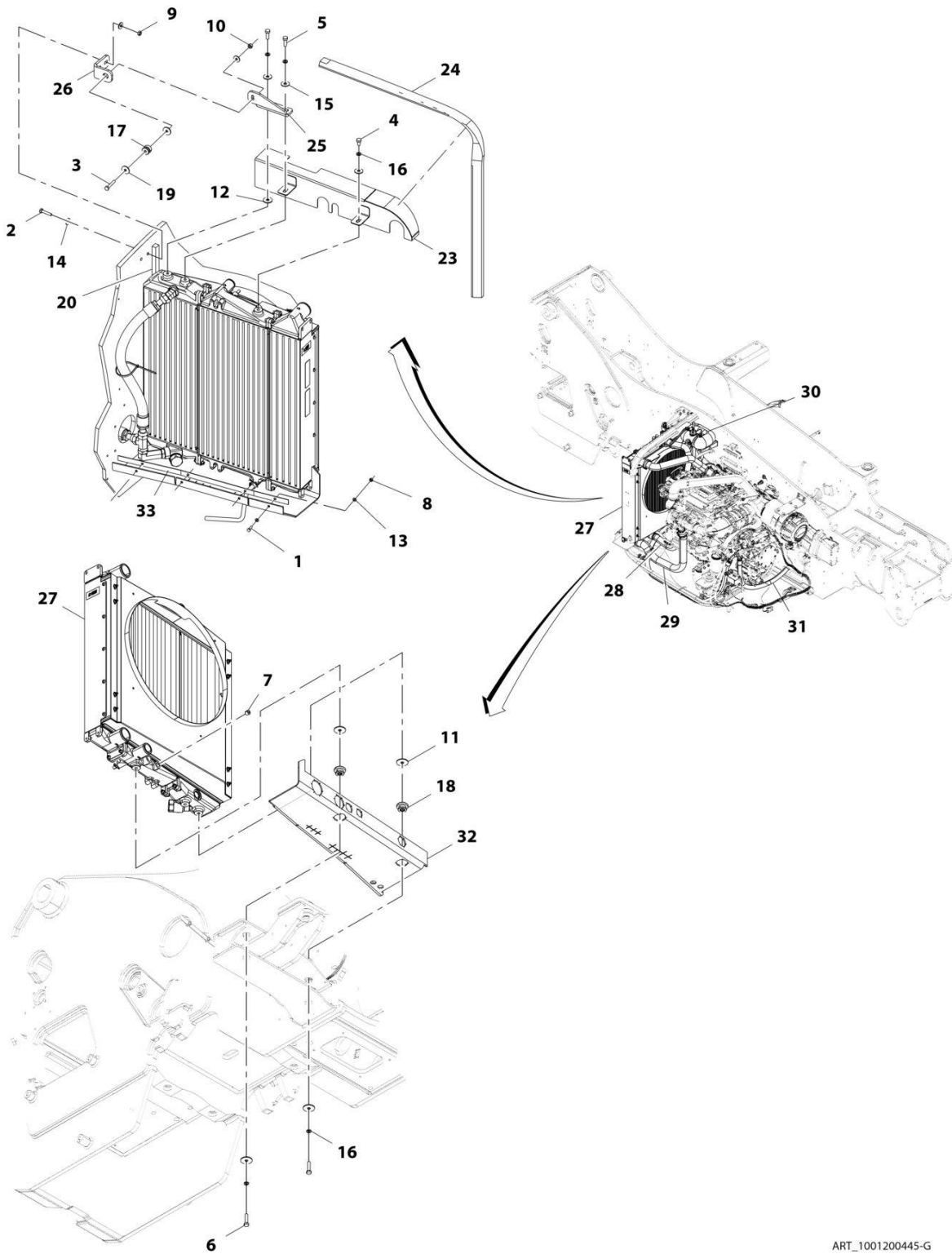
## SECTION 4 - ENGINE AND ATTACHING PARTS

**FIGURE 4-28. DEF COOLANT LINES INSTALLATION (ULS)**

ITEM	PART NUMBER	QTY	DESCRIPTION	REV
	1001293070	Ref	DEF COOLANT LINES INSTALLATION (ULS)	A
1	0700816	1	Bolt M8 x 40	
2	0760810	1	Bolt M8 x 20	
3	1062255	AR	Tie-Strap (Not Shown)	
4	3290805	1	Nut M8	
5	4811900	3	Washer M8	
6	8410013	6	Clamp	
7	82033995	31 ft /10 m	Hose	
8	1001100319	2	Clip	
9	1001146588	1	Tie-Strap, Fir Tree	
10	1001155823	2	Coupling	
11	1001162212	2	Pipe	
12	1001167409	1	Pipe	
13	1001181625	35 in /87 cm	Hose	
14	1001201299	1	Hose	
15	1001201300	1	Hose	
16	1001202526	12	Clamp	
17	1001203005	1	Fitting, 45	
18	1001228872	1	Filter	
19	1001238470	2	Adapter	

# SECTION 4 - ENGINE AND ATTACHING PARTS

## FIGURE 4-29. COOLING PACKAGE INSTALLATION (NO HIGH AMBIENT)



ART\_1001200445-G



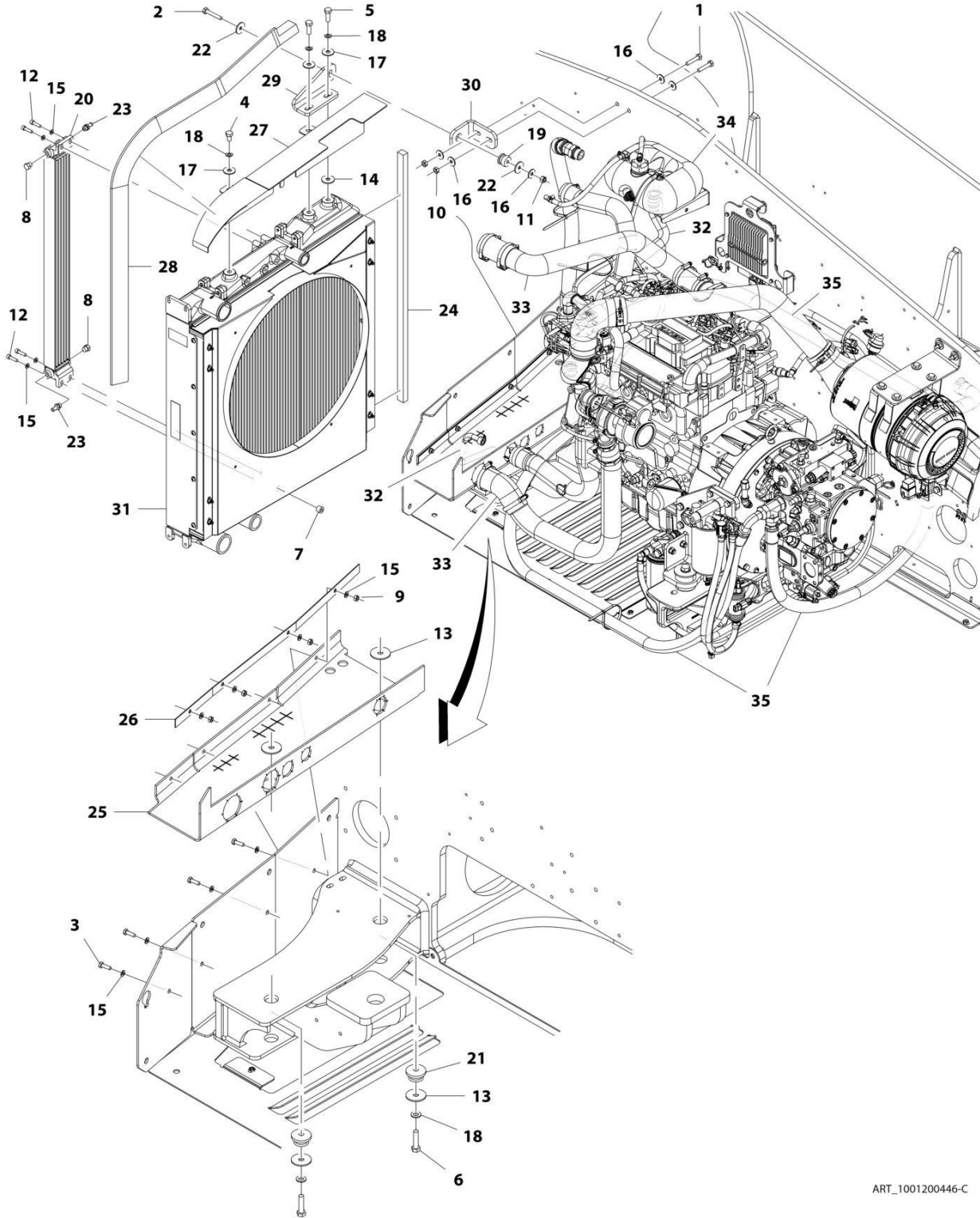
## SECTION 4 - ENGINE AND ATTACHING PARTS

**FIGURE 4-29. COOLING PACKAGE INSTALLATION (NO HIGH AMBIENT)**

ITEM	PART NUMBER	QTY	DESCRIPTION	REV
	1001200445	Ref	Cooling Package Installation	G
1	0760812	4	Bolt,M8X25	
2	0701018	2	Bolt, M10X50	
3	0701020	1	Bolt, M10X60	
4	0761210	1	Bolt, M12X20	
5	0761215	2	Bolt, M12X35	
6	0761218	2	Bolt, M12X50	
7	2200223	1	Plug	
8	3290801	4	Nut, M8X1.25	
9	3291001	2	Nut, M10X1.5	
10	3291005	1	Nut, Lock M10X1.5	
11	4740274	4	Washer	
12	4740550	1	Washer, M12	
13	4811900	8	Washer, M8	
14	4812002	5	Washer, M10	
15	4812102	3	Washer, M12	
16	4832100	5	Washer, Lock M12	
17	8278020	1	Mount	
18	1001114803	2	Mount	
19	1001155540	2	Washer	
20	1001173457	1	Seal	
23	1001196191	1	Bracket, Air Baffle	
24	1001173452	1	Seal	
25	1001200498	1	Bracket, Radiator	
26	1001200499	1	Bracket, Frame	
27	1001201301	1	Radiator, (See Separate Breakdown in this Section)	
28	1001201302	Ref	Installation, Coolant Lines (See Separate Breakdown in this Section)	
29	1001201303	Ref	Installation, Radiator Lines (See Separate Breakdown in this Section)	
30	1001201304	Ref	Installation, Surge Tank (See Separate Breakdown in this Section)	
31	1001201305	Ref	Installation, Transmission Oil Cooler Lines (See Separate Breakdown in this Section)	
32	1001203947	1	Panel, Air Dam	
33	1001203948	1	Plate, Air Dam	

# SECTION 4 - ENGINE AND ATTACHING PARTS

## FIGURE 4-30. COOLING PACKAGE INSTALLATION (HIGH AMBIENT)



ART\_1001200446-C

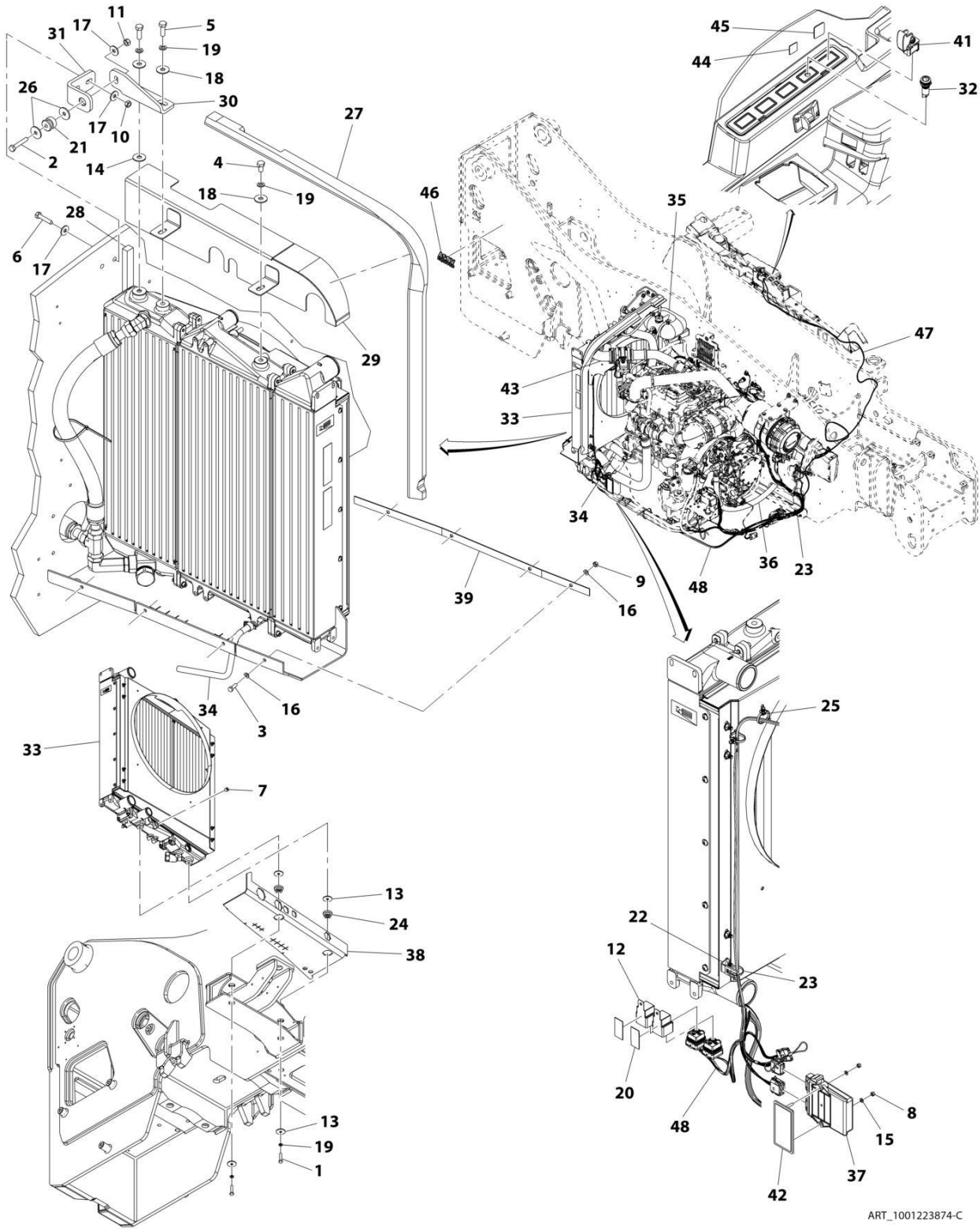
## SECTION 4 - ENGINE AND ATTACHING PARTS

**FIGURE 4-30. COOLING PACKAGE INSTALLATION (HIGH AMBIENT)**

ITEM	PART NUMBER	QTY	DESCRIPTION	REV
	1001200446	Ref	Cooling Package Installation (LS)	C
1	0701018	2	Bolt, M8X50	
2	0701020	1	Bolt, M10X60	
3	0760812	4	Bolt, M8X25	
4	0761210	1	Bolt, M12X20	
5	0761215	2	Bolt, M12X35	
6	0761218	2	Bolt, M12X50	
7	2200223	1	Plug	
8	2220237	2	Plug	
9	3290801	4	Nut, M8X1.25 Grade 8	
10	3291001	2	Nut, M10X1.5 Grade 8	
11	3291005	1	Nut, Lock M0X1.5 Grade 8	
12	4031910	4	Bolt, M8X30	
13	4740274	4	Washer	
14	4740550	1	Washer, M12	
15	4811900	12	Washer, M8	
16	4812002	5	Washer, M10	
17	4812102	3	Washer, M12	
18	4832100	5	Washer, Lock M12	
19	8278020	1	Mount	
20	1001220337	1	Radiator, Fuel Cooler	
21	1001114803	2	Mount, Isolator	
22	1001155540	2	Washer	
23	1001168030	2	Barb, Hose	
24	1001173457	1	Seal, Foam Gasket	
25	1001203947	1	Panel	
26	1001203948	1	Plate	
27	1001196191	1	Bracket	
28	1001196193	1	Seal, Foam Gasket	
29	1001200498	1	Bracket	
30	1001200499	1	Bracket	
31	1001201301	1	Radiator, Cooling Package (See Separate Breakdown in this Section)	
32	1001201302	1	Installation, Coolant Lines (ULS) (See Separate Breakdown in this Section)	
33	1001201303	1	Installation, CAC Lines (See Separate Breakdown in this Section)	
34	1001201304	1	Installation, Surge Tank (See Separate Breakdown in this Section)	
35	1001201305	1	Installation, TOC Lines (See Separate Breakdown in this Section)	

# SECTION 4 - ENGINE AND ATTACHING PARTS

## FIGURE 4-31. COOLING PACKAGE INSTALLATION (ASOV)



## SECTION 4 - ENGINE AND ATTACHING PARTS

### FIGURE 4-31. COOLING PACKAGE INSTALLATION (ASOV)

ITEM	PART NUMBER	QTY	DESCRIPTION	REV
	1001223874	Ref	Cooling Package Installation	C
1	0701018	2	Bolt, M10X50	
2	0701020	1	Bolt, M10X60	
3	0760812	4	Bolt, M8X25	
4	0761210	1	Bolt, M12X20	
5	0761215	2	Bolt, M12X35	
6	0761218	2	Bolt, M12X50	
7	2200223	1	Plug	
8	3290505	2	Nut, M5X0.8	
9	3290801	4	Nut, M8X1.25	
10	3291001	2	Nut, M10X1.5	
11	3291005	1	Nut, Lock M10X1.5	
12	3740080	2	Relay	
13	4740274	4	Washer	
14	4740550	1	Washer, M12	
15	4811600	2	Washer, M5	
16	4811900	8	Washer, M8	
17	4812002	5	Washer, M10	
18	4812102	3	Washer, M12	
19	4832100	5	Washer, Lock M12	
20	7169541	AR	Tape	
21	8278020	1	Mount	
22	1001003305	1	Clip	
23	1001008559	4	Strap, Cable	
24	1001114803	2	Mount	
25	1001146588	2	Strap, Cable	
26	1001155540	2	Washer	
27	1001173452	1	Seal, Foam Gasket	
28	1001173457	1	Seal	
29	1001196191	1	Bracket, Air Baffle	
30	1001200498	1	Bracket, Radiator	
31	1001200499	1	Bracket, Frame	
32	1001200631	1	Lamp, LED Indicator	
33	1001201301	1	Radiator, (See Separate Breakdown in this Section)	
34	1001201302	Ref	Installation, Coolant Lines (See Separate Breakdown in this Section)	
35	1001201304	Ref	Installation, Surge Tank (See Separate Breakdown in this Section)	
36	1001201305	Ref	Installation, Transmission Oil Cooler Lines (See Separate Breakdown in this Section)	
37	1001203181	1	Accessory, Control	
38	1001203947	1	Panel, Air Dam	
39	1001203948	1	Plate, Air Dam	
41	1001215941	1	Switch	
42	1001219082	1	Bracket	
43	1001223869	1	Installation, Radiator Lines (See Separate Breakdown in this Section)	
44	1001227077	1	Decal, Air Shut Off	
45	1001227964	1	Decal, ASOV Test	
46	1001228643	1	Decal, ASOV Equipped	

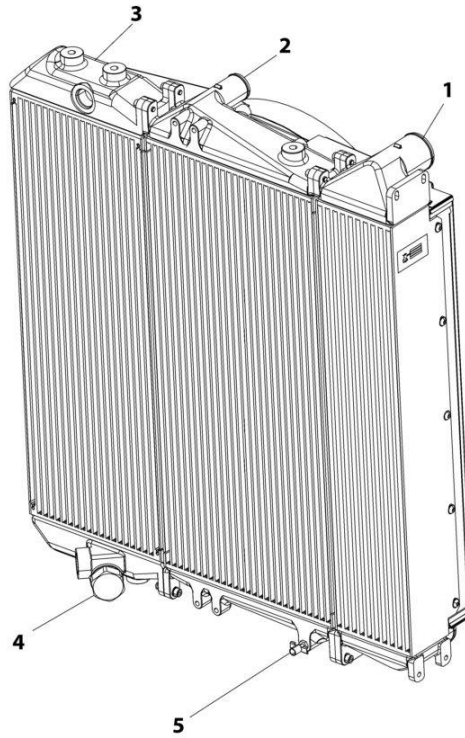
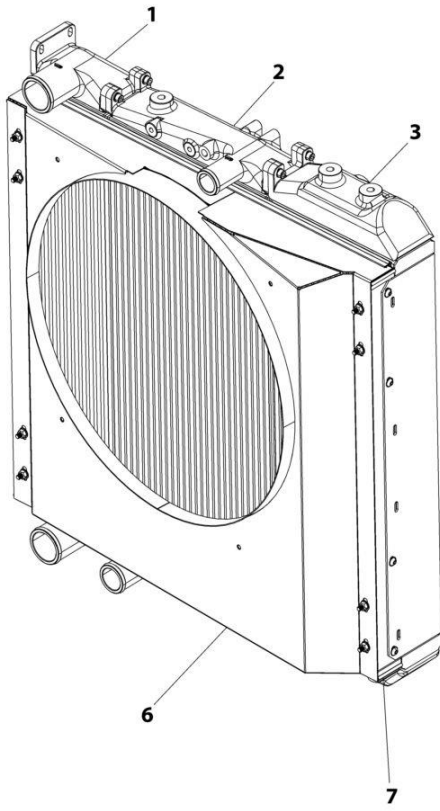
## SECTION 4 - ENGINE AND ATTACHING PARTS

ITEM	PART NUMBER	QTY	DESCRIPTION	REV
47	1001231407	1	Harness, POSI Air Shutoff (See Separate Breakdown in Electrical Section)	
48	1001231483	1	Harness, POSI Air Shutoff (See Separate Breakdown in Electrical Section)	



# SECTION 4 - ENGINE AND ATTACHING PARTS

## FIGURE 4-32. RADIATOR - COOLING PACKAGE



ART\_1001201301



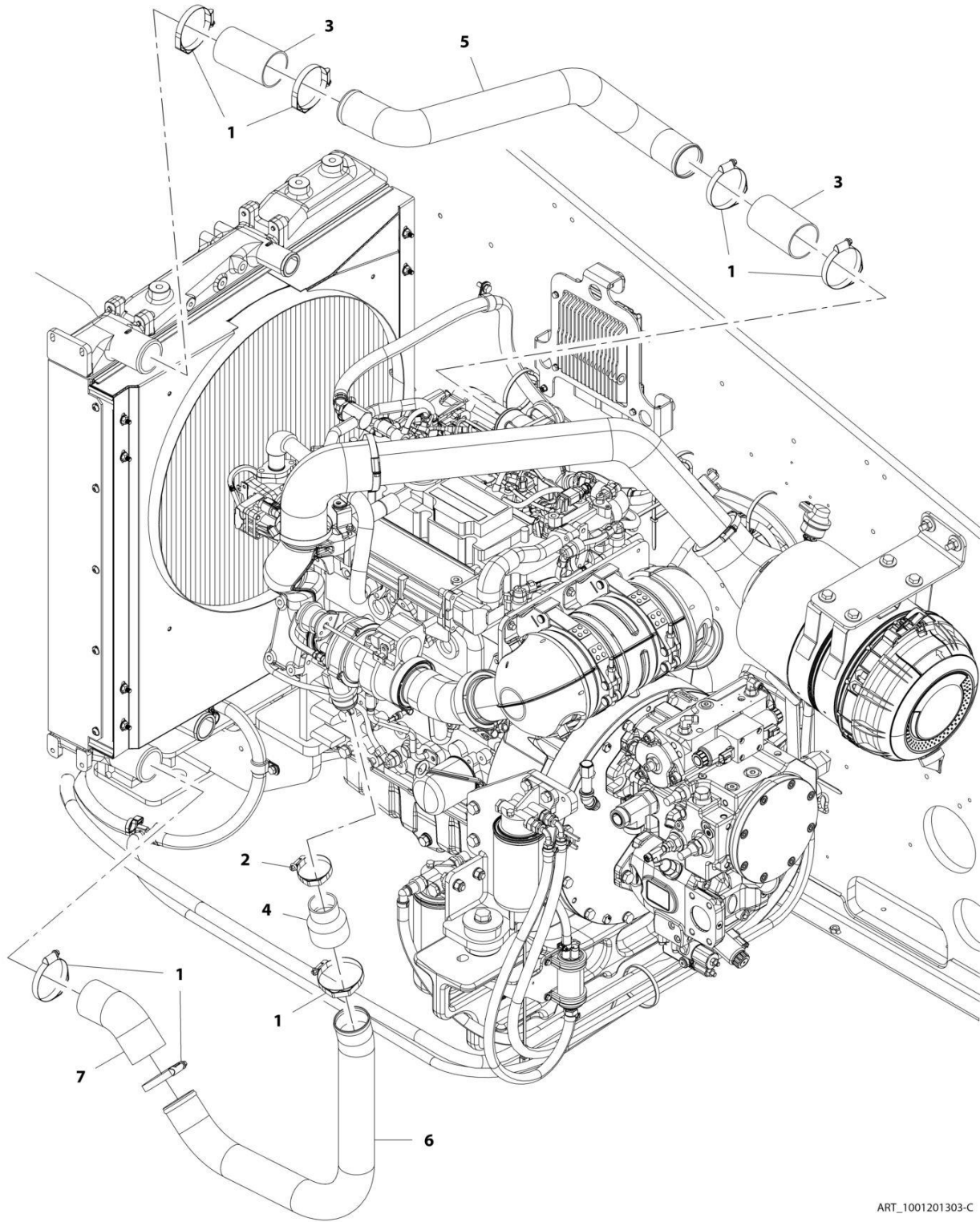
## SECTION 4 - ENGINE AND ATTACHING PARTS

### FIGURE 4-32. RADIATOR - COOLING PACKAGE

ITEM	PART NUMBER	QTY	DESCRIPTION	REV
	1001201301	Ref	RADIATOR COOLLING PACKAGE	D
1	70026353	1	Cooler, Air Charge	
2	70026354	1	Radiator	
3	70028550	1	Cooler, Hydraulic Oil	
4	70028548	1	Valve, Bypass	
5	70026081	1	Petcock	
6	70028549	1	Shroud	
7	70026359	2	Bracket, Shroud Mounting	

# SECTION 4 - ENGINE AND ATTACHING PARTS

FIGURE 4-33. RADIATOR LINES INSTALLATION (ALL EXCEPT ASOV)



ART\_1001201303-C

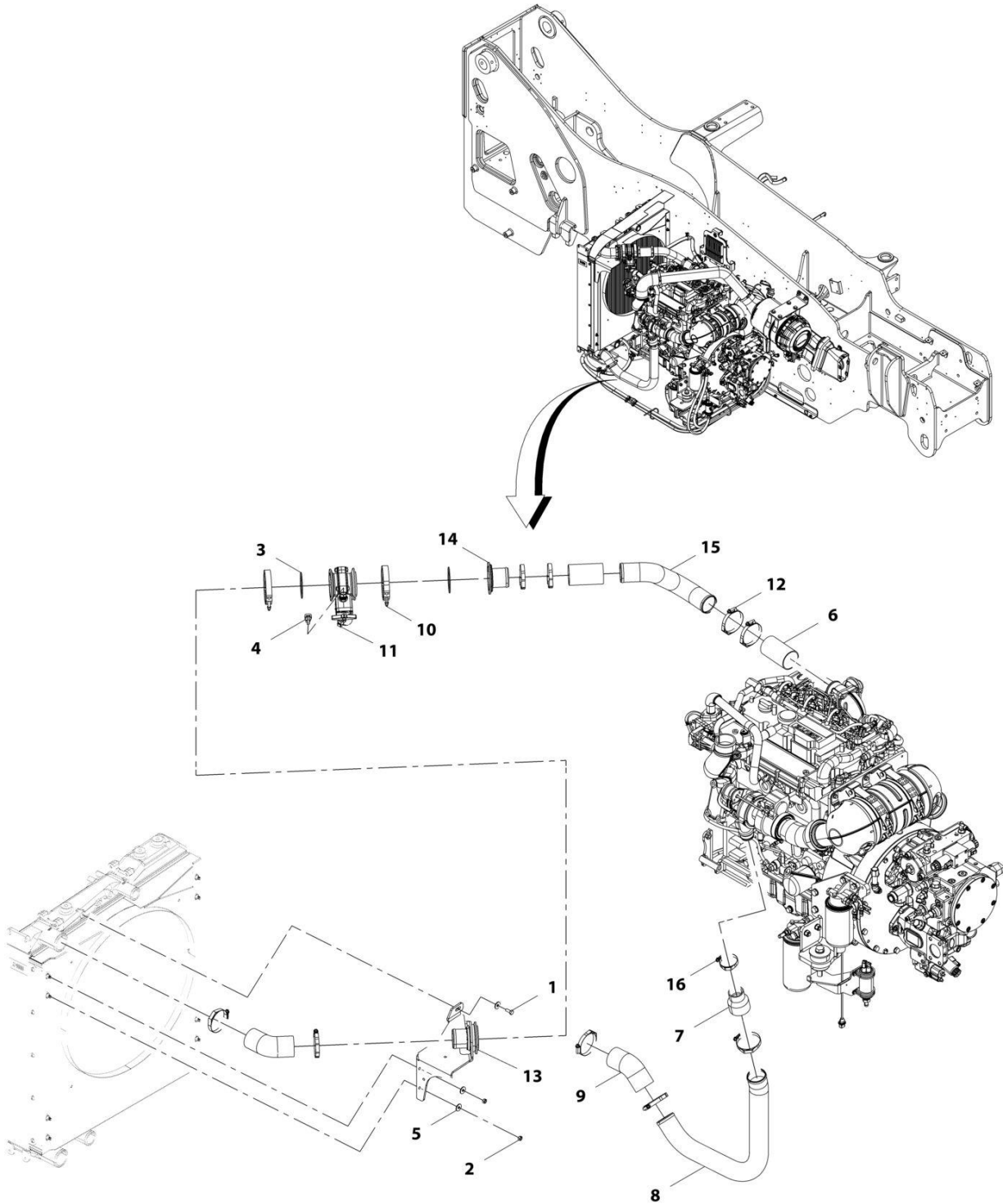
## SECTION 4 - ENGINE AND ATTACHING PARTS

FIGURE 4-33. RADIATOR LINES INSTALLATION (ALL EXCEPT ASOV)

ITEM	PART NUMBER	QTY	DESCRIPTION	REV
	1001201303	Ref	Radiator Lines Installation	C
1	1001215022	7	Clamp	
2	1001215024	1	Clamp	
3	1001114495	2	Hose	
4	1001173528	1	Coupling, Reducer	
5	1001201314	1	Pipe	
6	1001201315	1	Pipe	
7	1001201316	1	Elbow, 45	

# SECTION 4 - ENGINE AND ATTACHING PARTS

## FIGURE 4-34. RADIATOR LINES INSTALLATION (ASOV)



ART\_1001223869-B

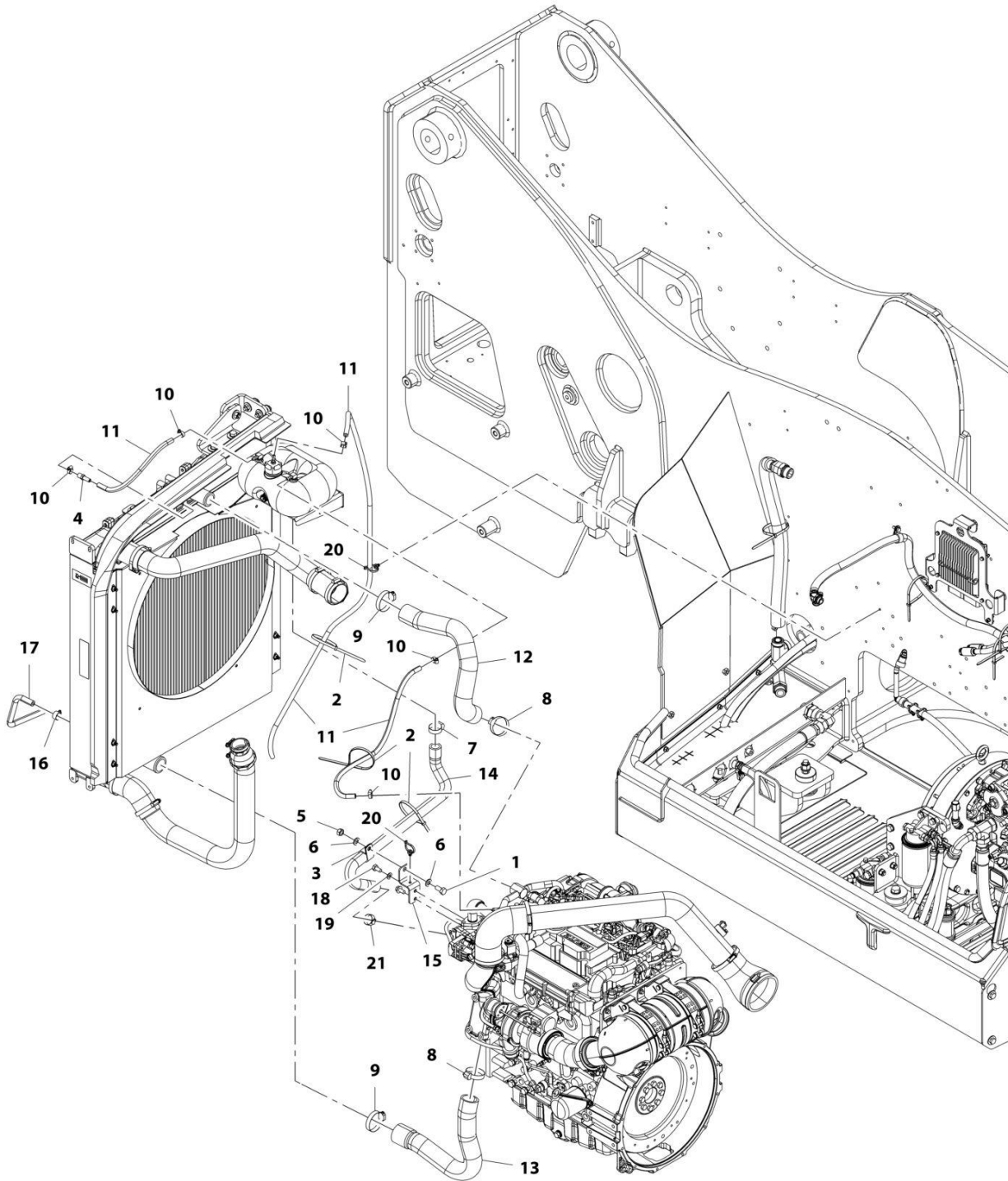
## SECTION 4 - ENGINE AND ATTACHING PARTS

**FIGURE 4-34. RADIATOR LINES INSTALLATION (ASOV)**

ITEM	PART NUMBER	QTY	DESCRIPTION	REV
	1001223869	Ref	CAC Lines Installation	B
1	0760810	1	Bolt, M8X20	
2	3290801	2	Nut, M8X1.25	
3	3790152	2	Ring	
4	4460742	1	Connector	
5	4811902	3	Washer, M8	
6	1001114495	2	Hose	
7	1001173528	1	Fitting, Straight	
8	1001201315	1	Pipe	
9	1001201316	2	Hose	
10	1001202247	2	Clamp	
11	1001204032	1	Valve, Shut Off (See Separate Breakdown in HYDRAULIC COMPONENTS Section)	
12	1001215022	9	Clamp	
13	1001223618	1	Valve, ASO (See Separate Breakdown in HYDRAULIC COMPONENTS Section)	
14	1001223628	1	Valve, ASO	
15	1001223645	1	Pipe	
16	1001215024	1	Clamp	

# SECTION 4 - ENGINE AND ATTACHING PARTS

## FIGURE 4-35. COOLANT LINES INSTALLATION



ART\_1001201302-E

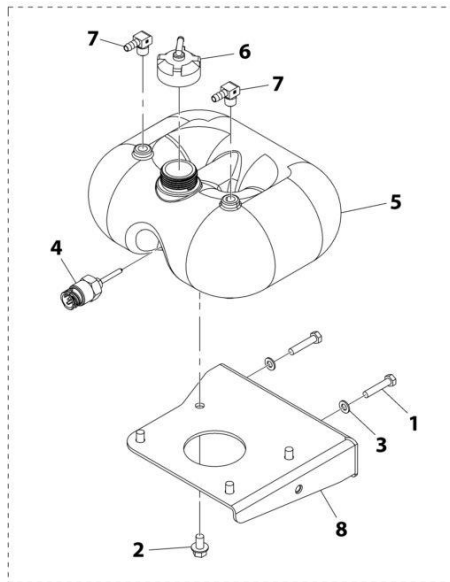
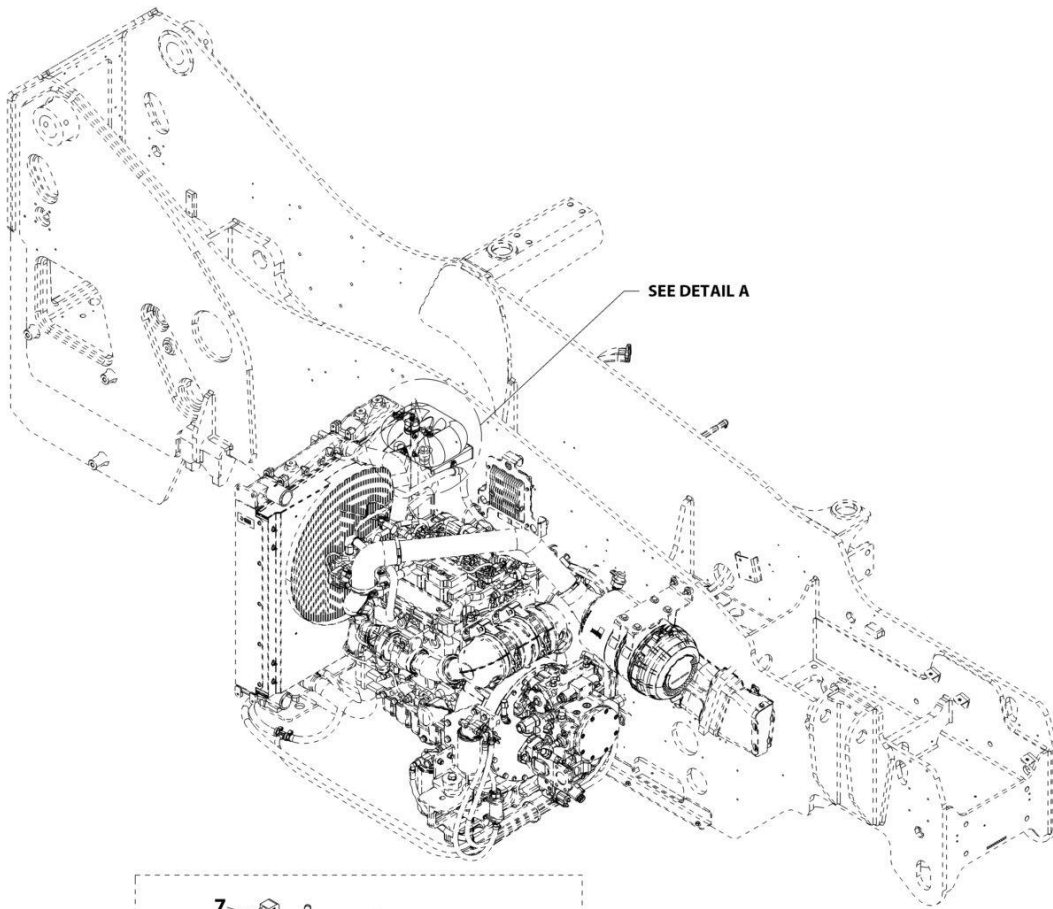
## SECTION 4 - ENGINE AND ATTACHING PARTS

**FIGURE 4-35. COOLANT LINES INSTALLATION**

ITEM	PART NUMBER	QTY	DESCRIPTION	REV
	1001201302	Ref	Coolant Lines Installation	E
1	0761212	1	Bolt, M12X25	
2	1062255	3	Strap, Tie	
3	1320060	1	Clamp, Hose	
4	2220767	1	Fitting	
5	3291201	1	Nut, M12	
6	4812100	2	Washer, M12	
7	8405101	1	Clamp, Gear	
8	8405104	2	Clamp, Gear	
9	8405201	2	Clamp, Gear	
10	8405009	5	Clamp, Gear	
11	1001180542	2465 mm	Hose	
12	1001217762	1	Hose	
13	1001201309	1	Hose	
14	1001217763	1	Hose	
15	1001217761	1	Bracket	
16	8405006	1	Clamp, Gear	
17	1001180553	370 mm	Hose	
18	0761010	1	Bolt, M12X20	
19	4812000	1	Washer, M10	
20	1001146588	2	Strap, Tie	
21	8405007	1	Clamp, Gear	

# SECTION 4 - ENGINE AND ATTACHING PARTS

## FIGURE 4-36. SURGE TANK INSTALLATION



DETAIL A

ART\_1001201304-B



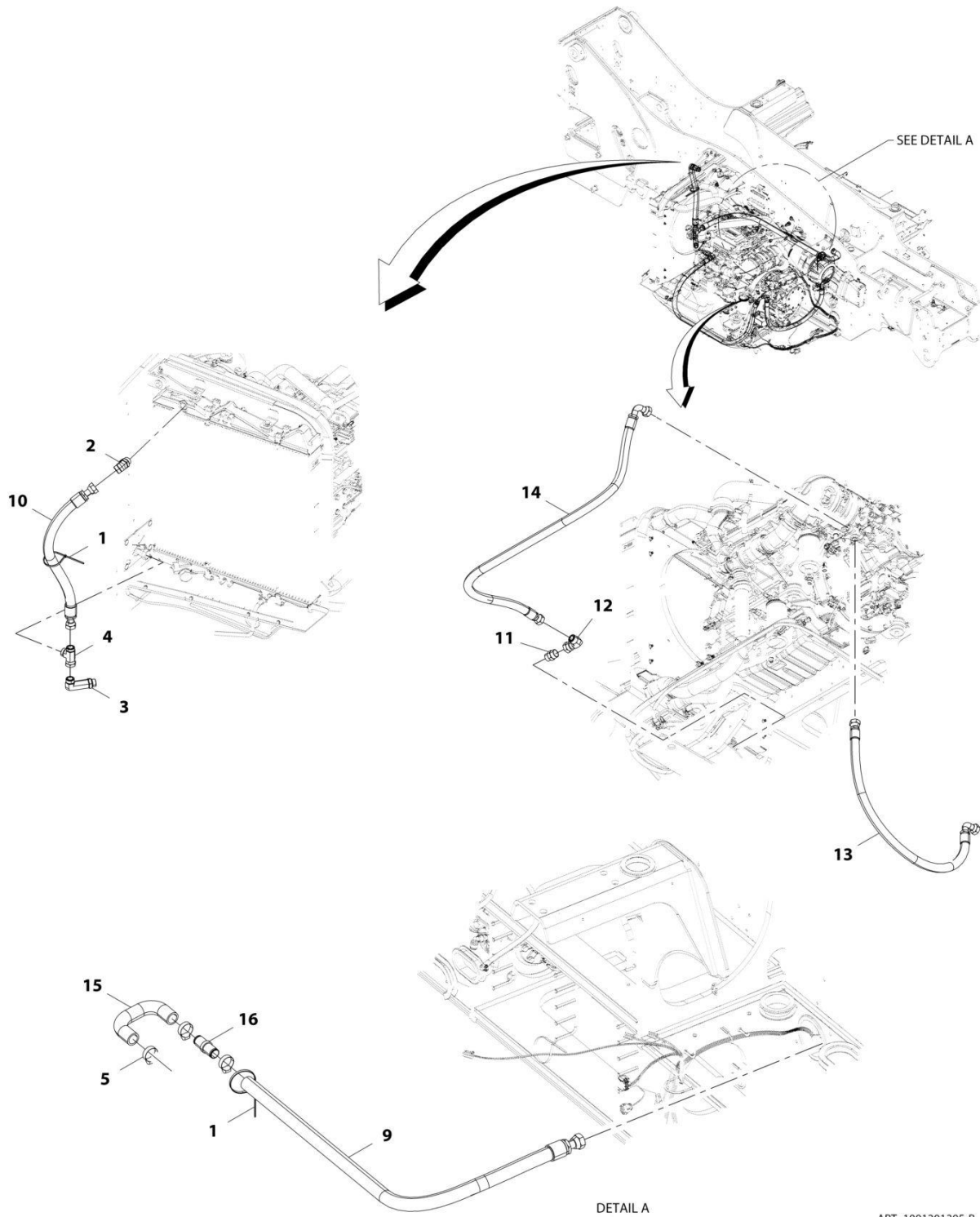
## SECTION 4 - ENGINE AND ATTACHING PARTS

FIGURE 4-36. SURGE TANK INSTALLATION

ITEM	PART NUMBER	QTY	DESCRIPTION	REV
	1001201304	Ref	Surge Tank Installation	B
1	0700816	2	Bolt, M8X40	
2	0791605	4	Screw	
3	4811900	2	Washer, M8	
4	1001138827	1	Sensor, Coolant Level	
5	1001128144	1	Tank, Coolant	
6	1001128341	1	Cap	
7	1001169368	2	Fitting, Hose Barb	
8	1001201317	1	Bracket, Coolant Tank	

# SECTION 4 - ENGINE AND ATTACHING PARTS

## FIGURE 4-37. TRANSMISION OIL COOLER LINES INSTALLATION



DETAIL A

ART\_1001201305-B

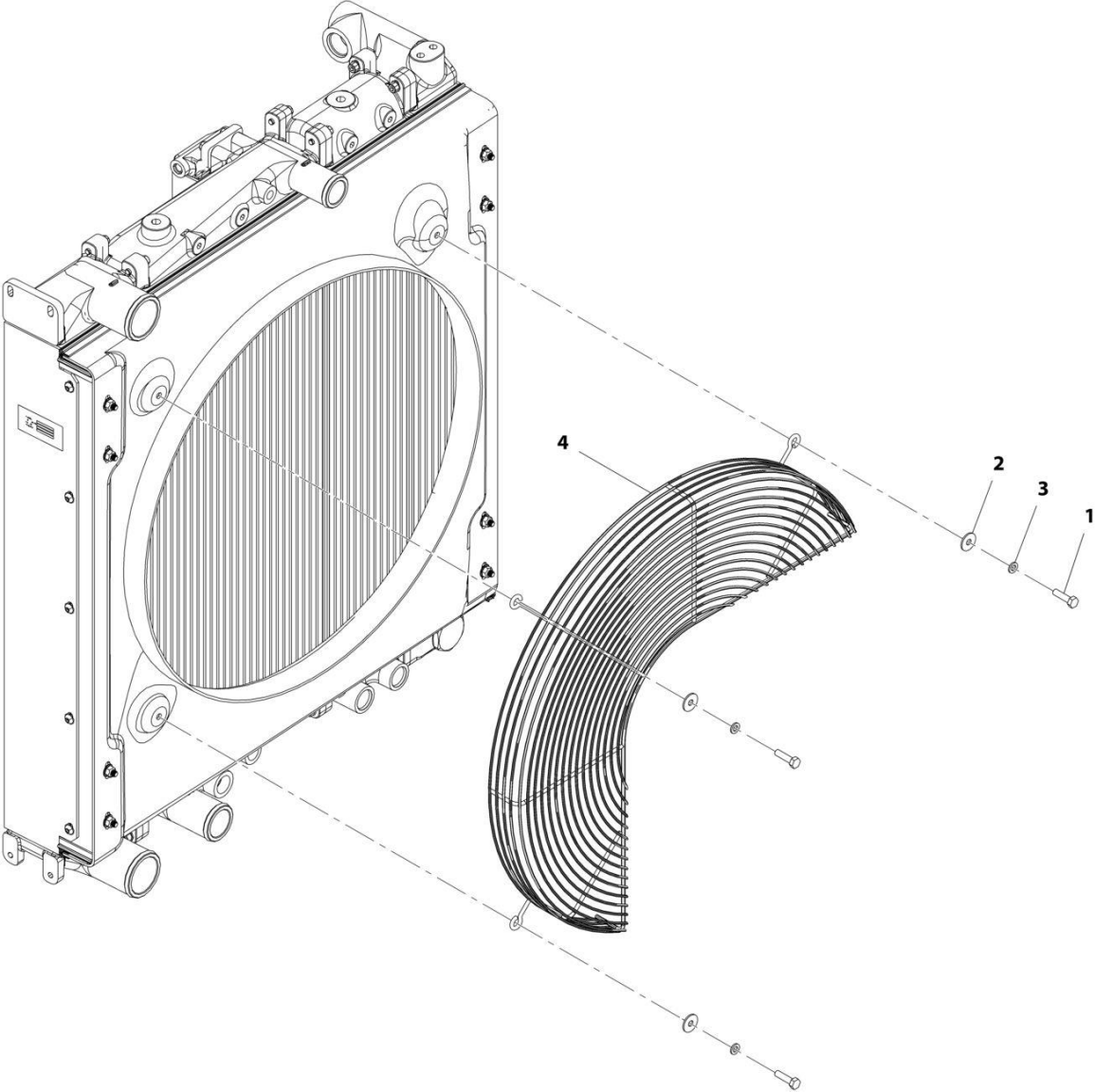
## SECTION 4 - ENGINE AND ATTACHING PARTS

FIGURE 4-37. TRANSMISION OIL COOLER LINES INSTALLATION

ITEM	PART NUMBER	QTY	DESCRIPTION	REV
	1001201305	Ref	Transmission Oil Cooler Lines Installation	B
1	1062255	AR	Strap, Tie	
2	2151616	1	Fitting, 45 ORFS	
3	2170216	1	Fitting, 90 ORFS	
4	2170716	1	Fitting, Tee ORFS	
5	8405102	3	Clamp, Gear	
9	1001205564	1	Hose	
10	1001205565	1	Hose	
11	2111616	1	Fitting, Straight ORFS	
12	2172116	1	Fitting, 90 ORFS	
13	1001211616	1	Hose	
14	1001211617	1	Hose	
15	1001212920	1	Hose	
16	1001212921	1	Fitting, Straight	

**SECTION 4 - ENGINE AND ATTACHING PARTS**

**FIGURE 4-38. FAN GUARD INSTALLATION**



ART\_1001160420-D

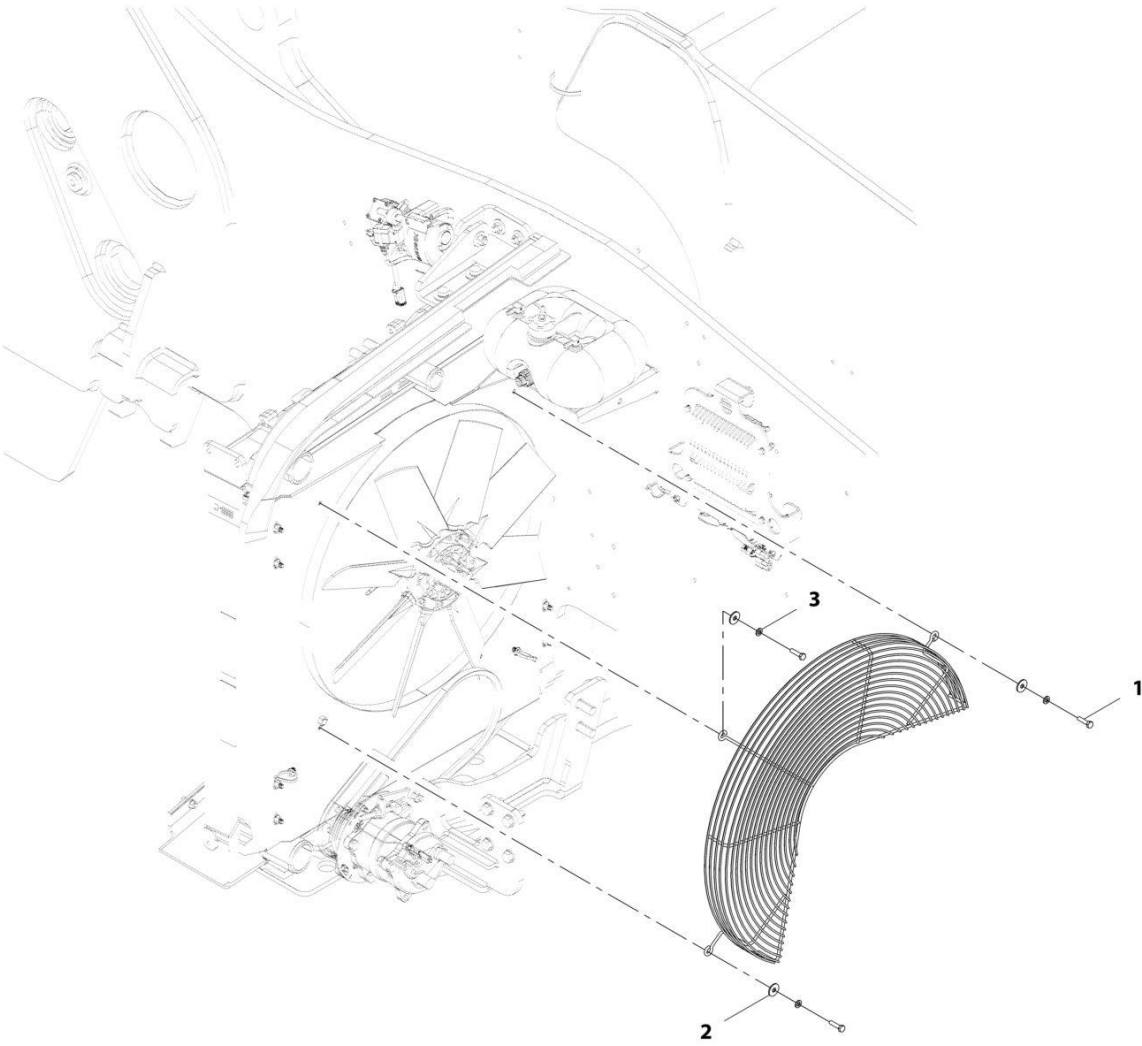
## SECTION 4 - ENGINE AND ATTACHING PARTS

FIGURE 4-38. FAN GUARD INSTALLATION

ITEM	PART NUMBER	QTY	DESCRIPTION	REV
	1001160420	Ref	Fan Guard Installation	D
1	0700814	3	Bolt, M8X30	
2	4811902	3	Washer, M8	
3	4831900	3	Washer, Lock M8	
4	1001167186	1	Grill	

**SECTION 4 - ENGINE AND ATTACHING PARTS**

**FIGURE 4-39. FAN GUARD (REVERSING) INSTALLATION**



ART\_1001217754-B

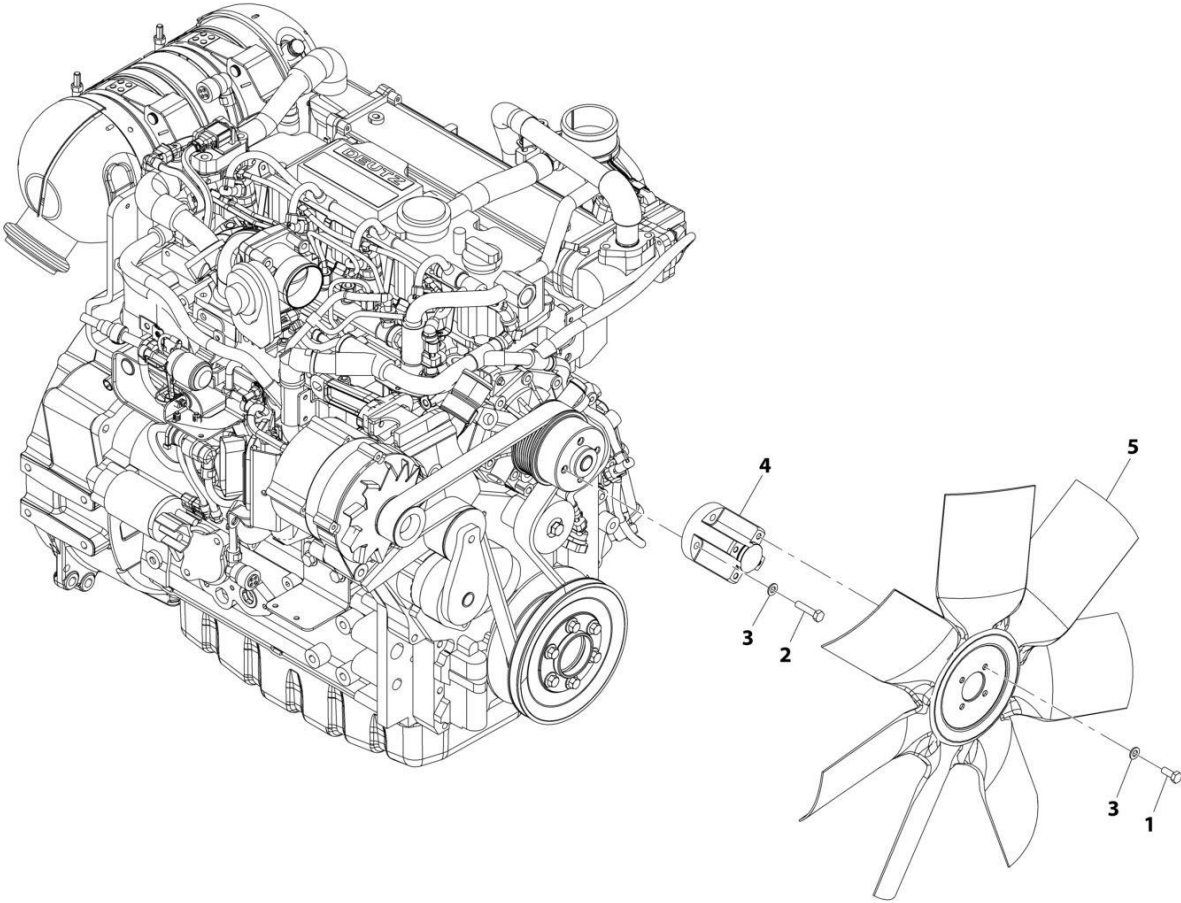
## SECTION 4 - ENGINE AND ATTACHING PARTS

FIGURE 4-39. FAN GUARD (REVERSING) INSTALLATION

ITEM	PART NUMBER	QTY	DESCRIPTION	REV
	1001217754	1	Fan Guard (Reversing) Installation	B
1	0700814	3	Bolt, M8X30	
2	4811902	3	Washer, M8	
3	4831900	3	Washer, Lock M8	
4	1001217755	1	Grill	

# SECTION 4 - ENGINE AND ATTACHING PARTS

## FIGURE 4-40. COOLING FAN INSTALLATION



ART\_1001214123-A



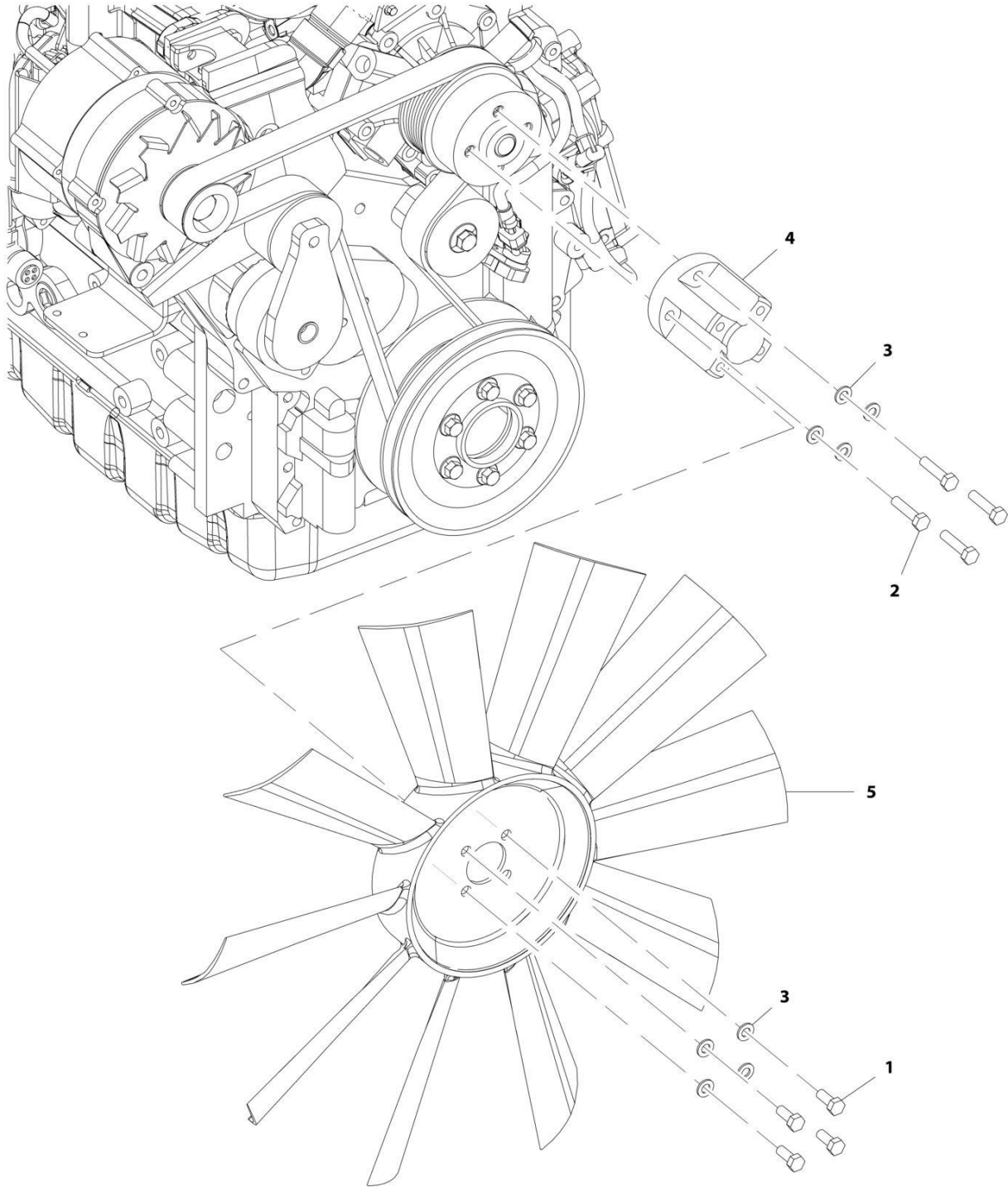
## SECTION 4 - ENGINE AND ATTACHING PARTS

### FIGURE 4-40. COOLING FAN INSTALLATION

ITEM	PART NUMBER	QTY	DESCRIPTION	REV
	1001214123	Ref	Cooling Fan Installation	A
1	0760810	4	Bolt, M8X20	
2	0770815	4	Bolt, M8X35 Grade 10.9	
3	4811900	8	Washer, M8	
4	1001170311	1	Adapter, Fan	
5	1001185026	1	Fan	

# SECTION 4 - ENGINE AND ATTACHING PARTS

## FIGURE 4-41. COOLING FAN INSTALLATION (HIGH AMBIENT)



ART\_1001221918-A

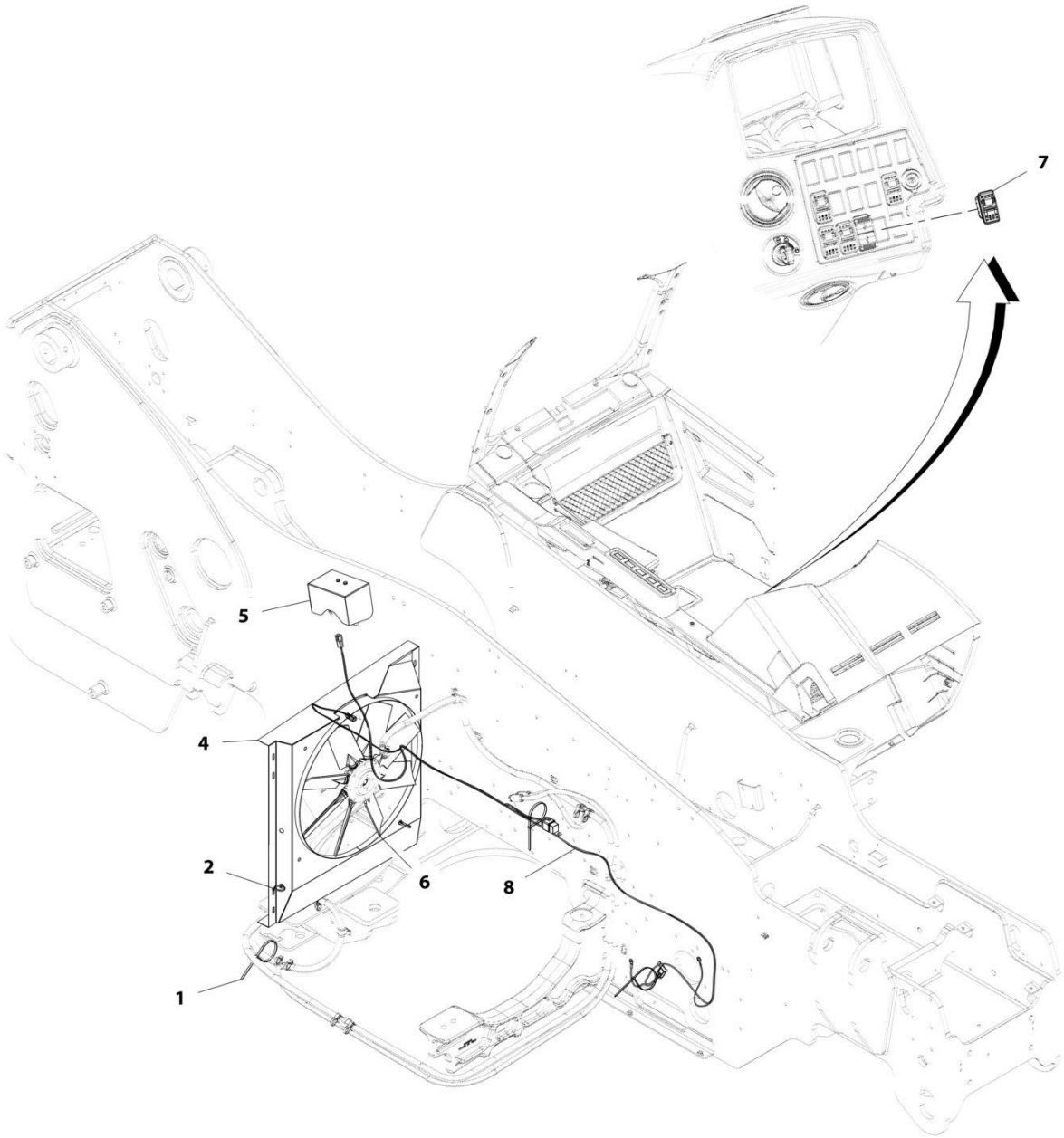
## SECTION 4 - ENGINE AND ATTACHING PARTS

FIGURE 4-41. COOLING FAN INSTALLATION (HIGH AMBIENT)

ITEM	PART NUMBER	QTY	DESCRIPTION	REV
	1001221918	Ref	Cooling Fan Installation	A
1	0760810	4	Bolt, M8X20	
2	0770815	4	Bolt, M8X35 Grade 10.9	
3	4811900	8	Washer, M8	
4	1001170311	1	Adapter, Fan Hub	
5	1001148307	1	Fan, 23IN	

# SECTION 4 - ENGINE AND ATTACHING PARTS

## FIGURE 4-42. COOLING FAN (REVERSING) INSTALLATION



ART\_1001217753-C

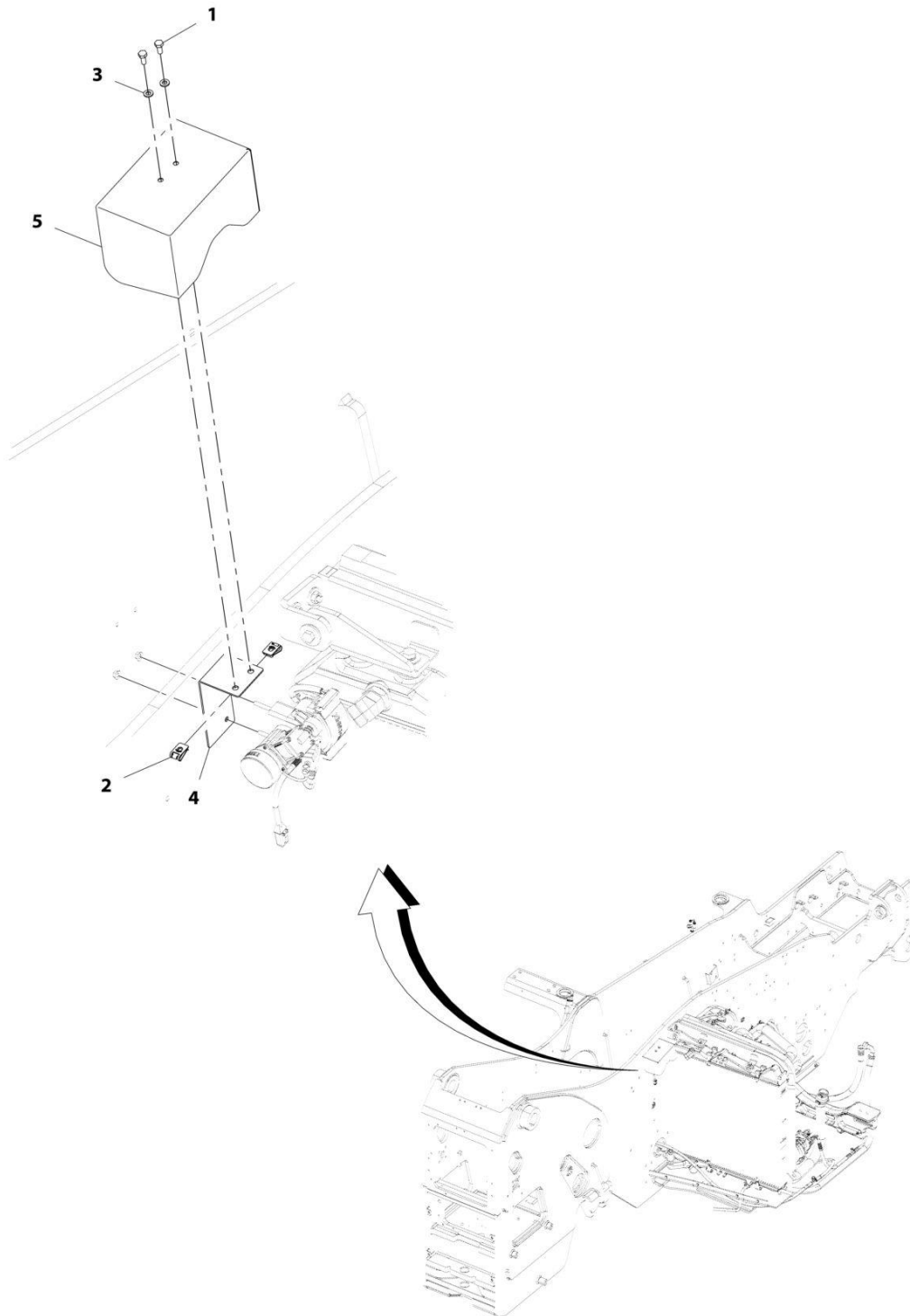
## SECTION 4 - ENGINE AND ATTACHING PARTS

### FIGURE 4-42. COOLING FAN (REVERSING) INSTALLATION

ITEM	PART NUMBER	QTY	DESCRIPTION	REV
	1001217753	Ref	Reverse Cooling Fan Installation	C
1	1062255	3	Strap, Tie	
2	1001146588	2	Strap, Fir Tree Cable Tie	
4	1001217756	1	Shroud	
5	1001217757	1	Installation, Cover (See Separate Breakdown in this Section)	
6	1001217760	1	Kit, Reversing Fan	
6	70030353	1	Pneumatic Line	
6	70030355	1	Fan, Reverse	
6	70030356	1	Compressor	
7	1001145204	1	Switch	
8	1001221493	1	Harness, Reversing Fan (See Separate Breakdown in ELECTRICAL Section)	

# SECTION 4 - ENGINE AND ATTACHING PARTS

## FIGURE 4-43. COOLING FAN COVER (REVERSING) INSTALLATION



ART\_1001217757-A

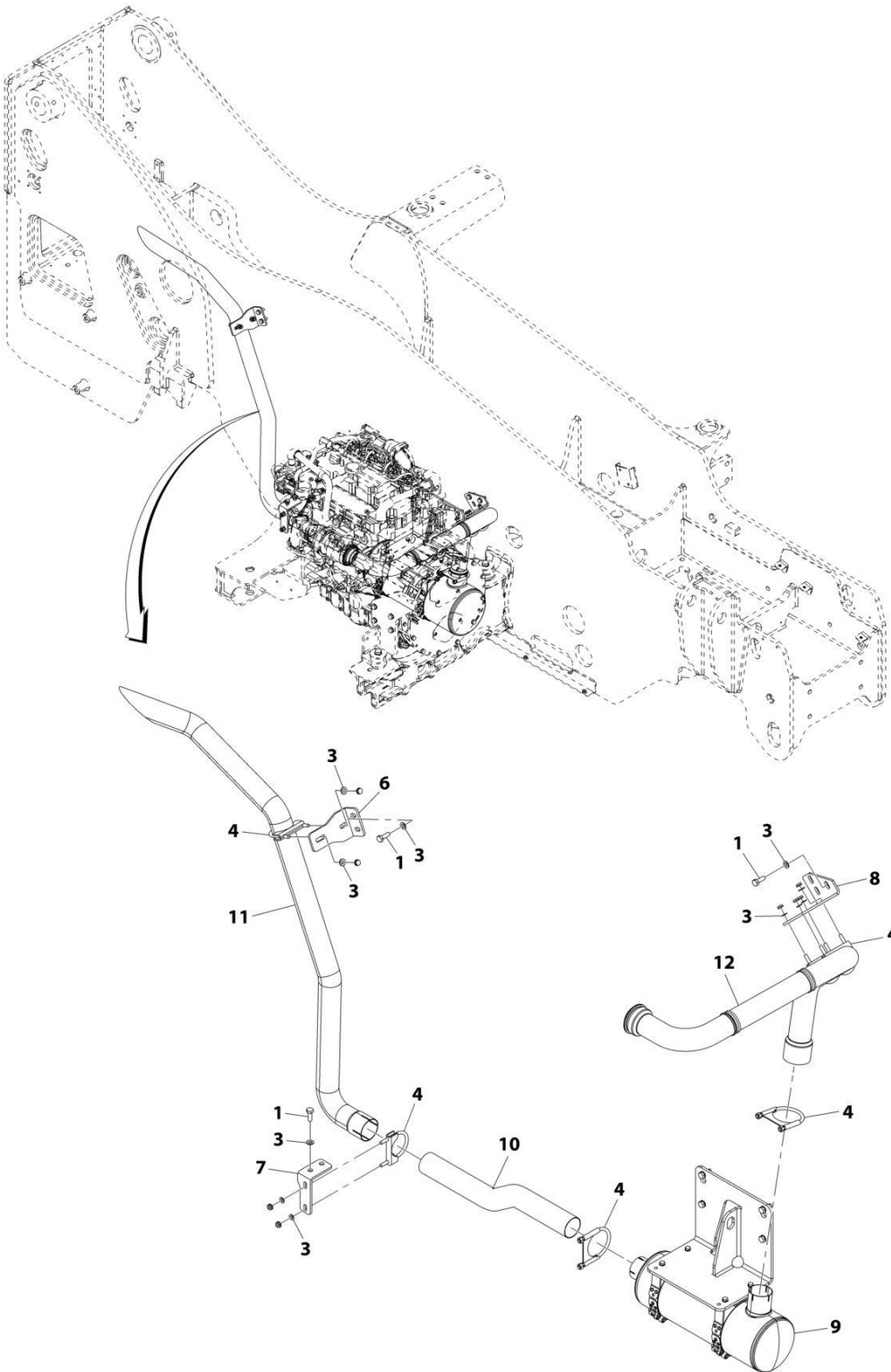
## SECTION 4 - ENGINE AND ATTACHING PARTS

**FIGURE 4-43. COOLING FAN COVER (REVERSING) INSTALLATION**

ITEM	PART NUMBER	QTY	DESCRIPTION	REV
	1001217757	Ref	Compressor Cover Installation	A
1	0760607	2	Bolt, M6X14	
2	8305919	2	Nut, M6	
3	8307219	2	Washer, M6	
4	1001217758	1	Bracket	
5	1001217759	1	Cover	

# SECTION 4 - ENGINE AND ATTACHING PARTS

## FIGURE 4-44. EXHAUST INSTALLATION (LS)



ART\_1001200448-E



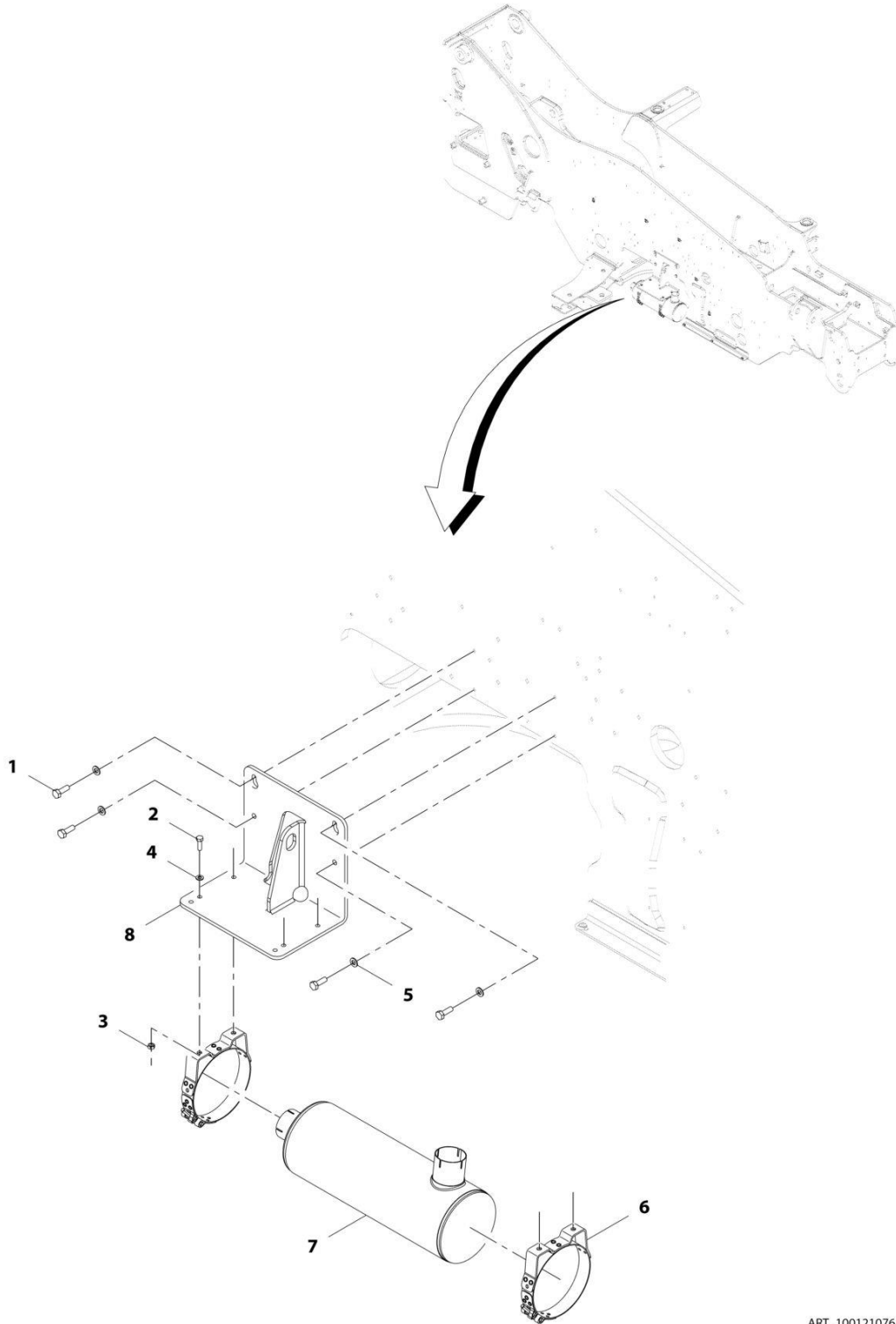
## SECTION 4 - ENGINE AND ATTACHING PARTS

FIGURE 4-44. EXHAUST INSTALLATION (LS)

ITEM	PART NUMBER	QTY	DESCRIPTION	REV
	1001200448	Ref	Exhaust Installation (LS)	E
1	0701014	6	Bolt, M10X30	
3	4812000	14	Washer, M10	
4	8275212	4	Clamp	
6	1001182824	1	Bracket	
7	1001194155	1	Bracket	
8	1001214439	1	Bracket	
9	1001210761	1	Installation, Muffler (See Separate Breakdown in this Section)	
10	1001214441	1	Pipe	
11	1001228174	1	Pipe, Tail	
12	1001214440	1	Pipe	

# SECTION 4 - ENGINE AND ATTACHING PARTS

## FIGURE 4-45. MUFFLER INSTALLATION (LS)



ART\_1001210761-A

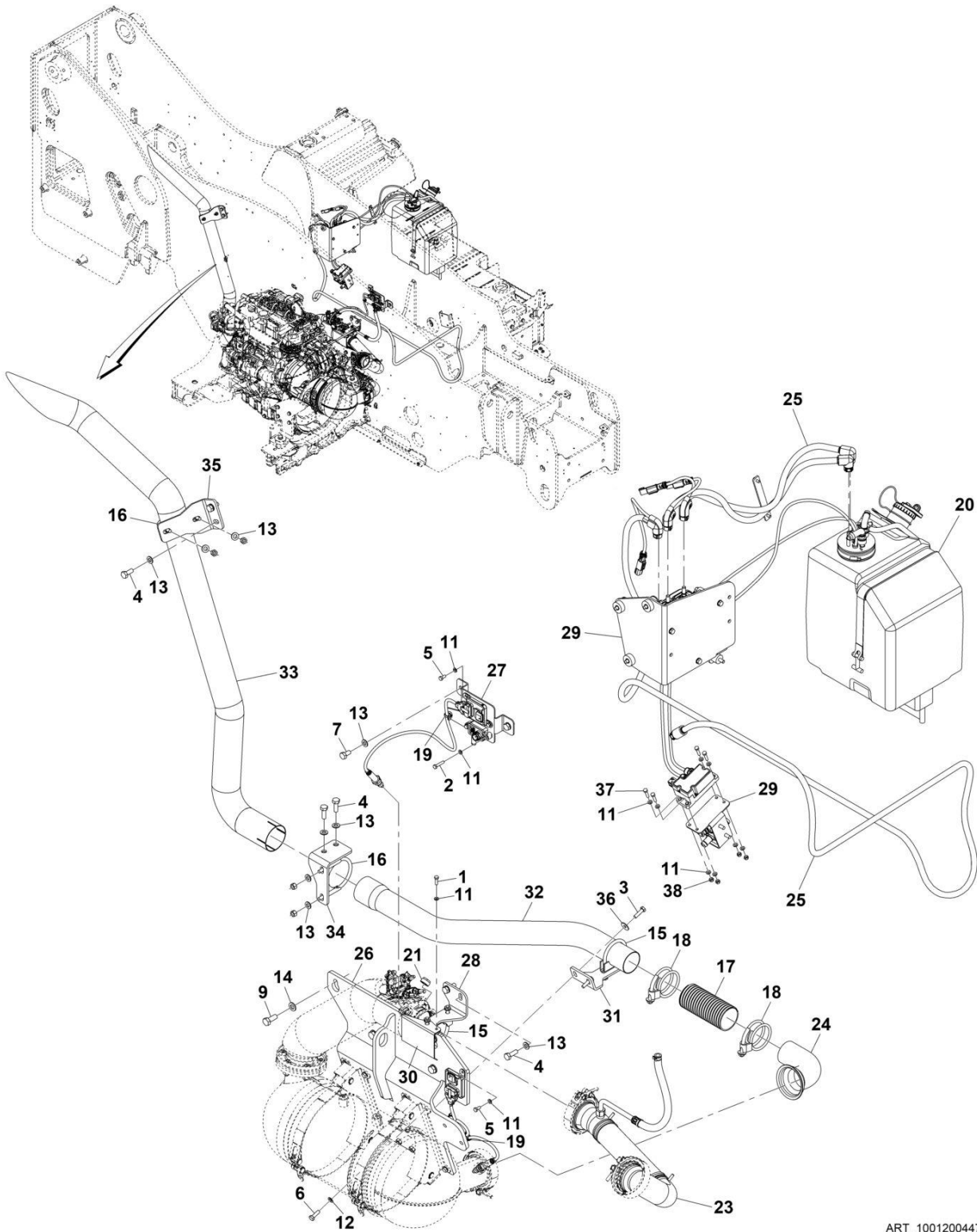
## SECTION 4 - ENGINE AND ATTACHING PARTS

FIGURE 4-45. MUFFLER INSTALLATION (LS)

ITEM	PART NUMBER	QTY	DESCRIPTION	REV
	1001210761	Ref	Muffler Installation (LS)	A
1	0701014	4	Bolt, M10X30	
2	0760812	4	Bolt, M8X25	
3	3290801	4	Nut, M8X1.25 Grade 8	
4	4811900	8	Washer, M8	
5	4812000	4	Washer, M10	
6	1001119727	2	Clamp	
7	1001140671	1	Muffler	
8	1001214438	1	Bracket	

# SECTION 4 - ENGINE AND ATTACHING PARTS

## FIGURE 4-46. EXHAUST INSTALLATION (ULS)



ART\_1001200447-I

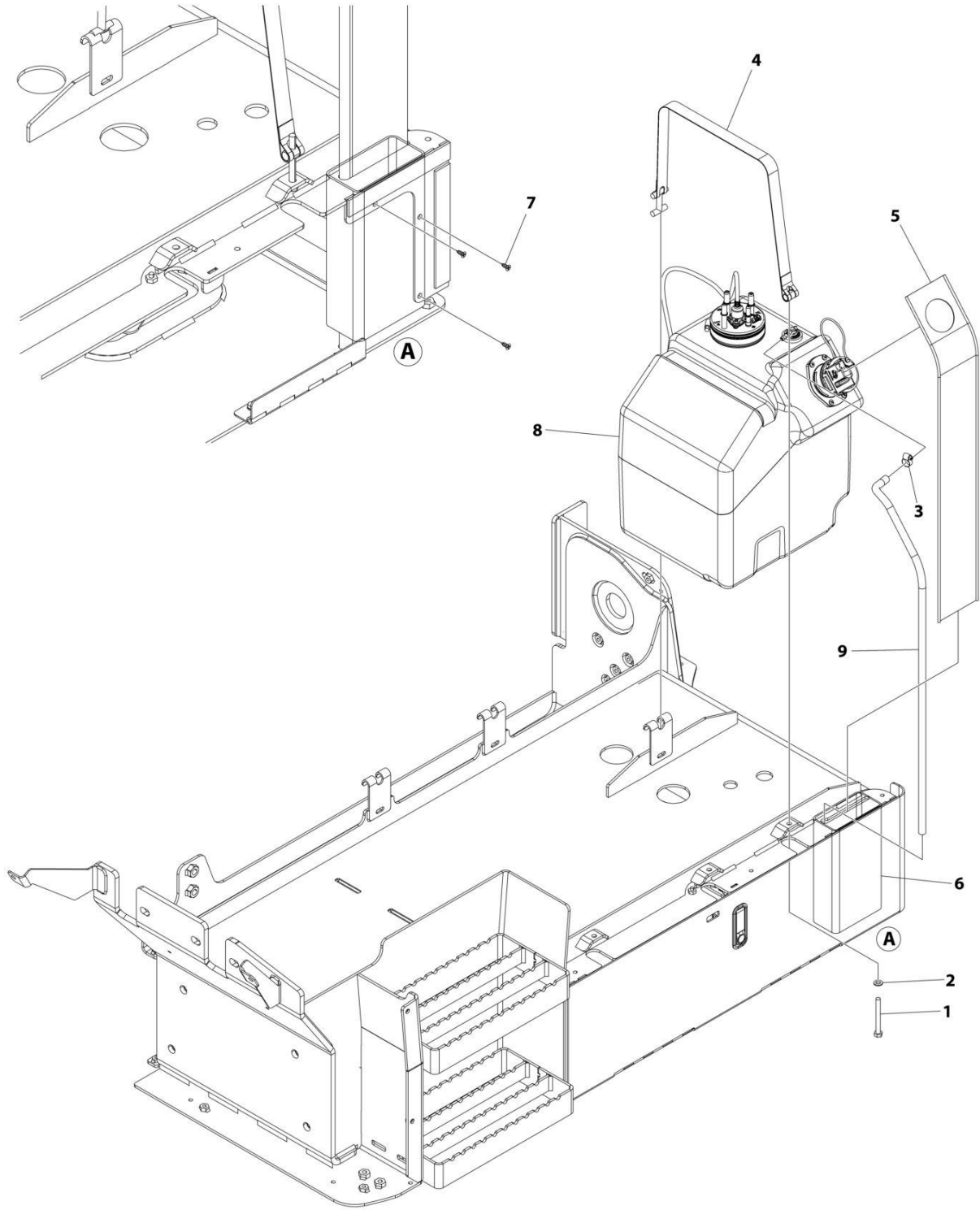
## SECTION 4 - ENGINE AND ATTACHING PARTS

**FIGURE 4-46. EXHAUST INSTALLATION (ULS)**

ITEM	PART NUMBER	QTY	DESCRIPTION	REV
	1001200447	Ref	EXHAUST INSTALLATION (ULS)	K
1	0700610	1	Bolt M6 x 20	
2	0700614	1	Bolt M6 x 30	
3	0700814	2	Bolt M8 x 30	
4	0701014	6	Bolt M10 x 30	
5	0760607	4	Bolt M6 x 14	
6	0760812	8	Bolt M8 x 25	
7	0761010	2	Bolt M10 x 20	
9	0761214	4	Bolt M12 x 30	
11	4811700	6	Washer M6	
12	4811900	8	Washer M8	
13	4812000	12	Washer M10	
14	4812100	4	Washer M12	
15	8275212	2	Clamp	
16	24921332	2	Clamp	
17	77213042	1	Tube, Flexible	
18	91163268	2	Clamp	
19	1001146588	3	Tie-Strap	
20	1001293067	Ref	Installation, DEF Tank (See Separate Breakdown in this Section)	
23	1001199902	1	Pipe	
24	1001200249	1	Pipe	
25	1001293068	Ref	Installation, DEF Lines (See Separate Breakdown in this Section)	
26	1001201856	1	Bracket	
27	1001284536	1	Bracket	
28	1001201858	1	Support	
29	1001202018	Ref	Installation, DEF Control Module (See Separate Breakdown in this Section)	
30	1001202021	1	Plate	
31	1001202899	1	Bracket	
32	1001204411	1	Pipe	
33	1001226797	1	Pipe, Tail	
34	1001204413	1	Bracket	
35	1001204414	1	Bracket	
36	4811902	2	Washer M8	
39	1001004720	AR	Tie-Strap	

# SECTION 4 - ENGINE AND ATTACHING PARTS

## FIGURE 4-47. DEF TANK INSTALLATION



ART\_1001293067

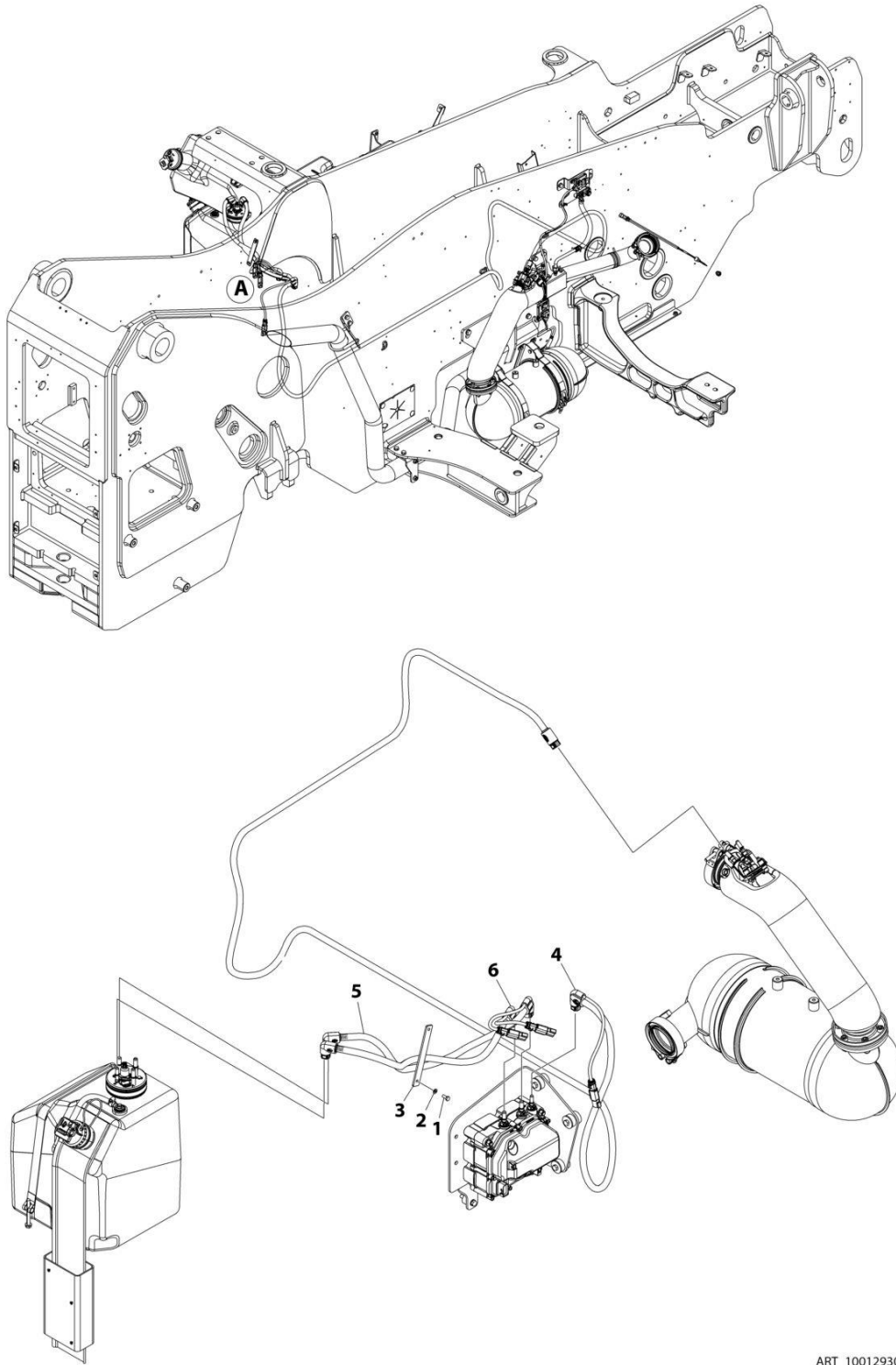
## SECTION 4 - ENGINE AND ATTACHING PARTS

### FIGURE 4-47. DEF TANK INSTALLATION

ITEM	PART NUMBER	QTY	DESCRIPTION	REV
	1001293067	Ref	DEF TANK INSTALLATION	A
1	0760823	1	Bolt M8 x 75	
2	4811900	1	Washer M8	
3	8405009	1	Clamp	
4	1001178791	1	Strap, Tank	
5	1001212924	1	Guard, Spill	
6	1001212925	1	Tube, Drain	
7	1001226681	3	Screw	
8	1001289563	1	Assembly, DEF Tank (See Separate Breakdown in this Section)	
9	1001175201	32 in /82 cm	Hose	

# SECTION 4 - ENGINE AND ATTACHING PARTS

## FIGURE 4-48. DEF TANK ASSEMBLY (LS)



ART\_1001293068



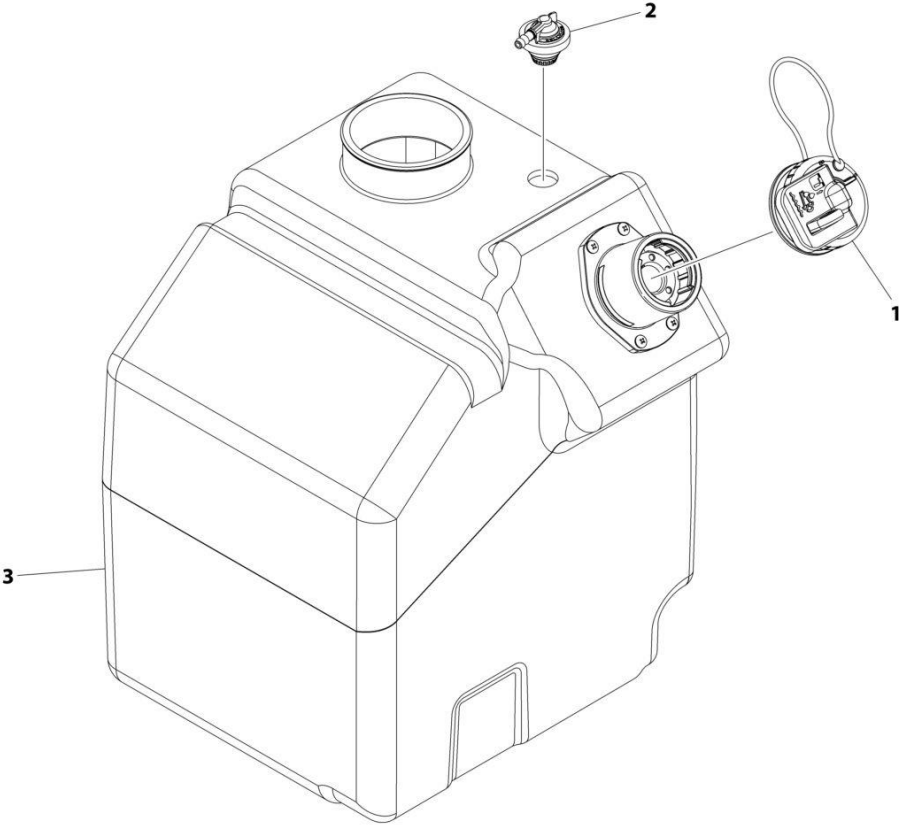
## SECTION 4 - ENGINE AND ATTACHING PARTS

FIGURE 4-48. DEF TANK ASSEMBLY (LS)

ITEM	PART NUMBER	QTY	DESCRIPTION	REV
	1001293068	Ref	DEF LINES INSTALLATION	A
1	0760607	2	Bolt M6 x 14	
2	4831700	2	Washer M6	
3	1001173873	1	Plate	
4	1001180437	1	Hose	
5	1001239878	1	Hose	
6	1001239879	1	Hose	

**SECTION 4 - ENGINE AND ATTACHING PARTS**

**FIGURE 4-49. DEF TANK ASSEMBLY (ULS)**



ART\_1001289563

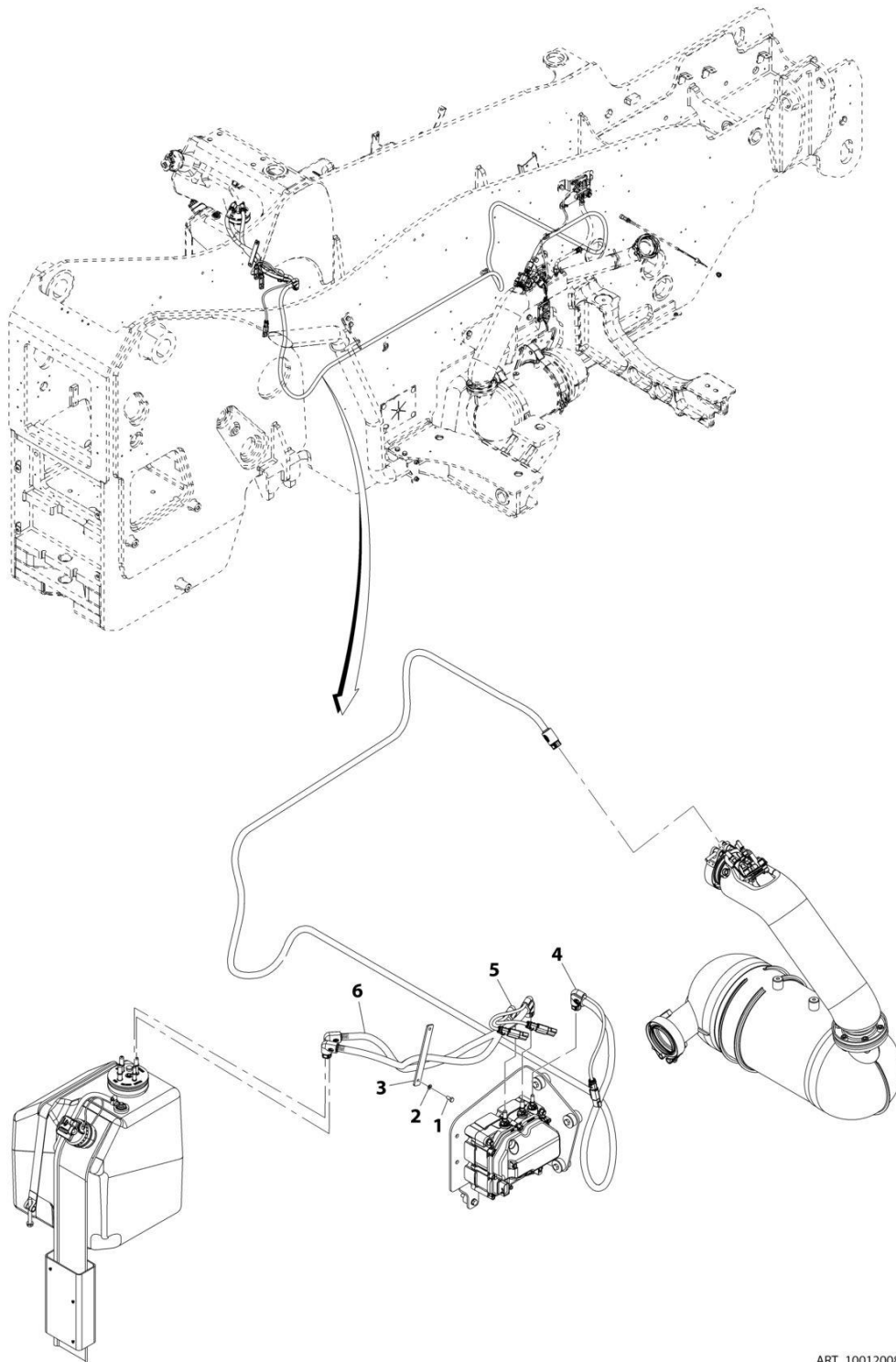
## SECTION 4 - ENGINE AND ATTACHING PARTS

FIGURE 4-49. DEF TANK ASSEMBLY (ULS)

ITEM	PART NUMBER	QTY	DESCRIPTION	REV
	1001289563	Ref	DEF TANK ASSEMBLY	A
1	1001174795	1	Reutter Cap Assembly	
2	1001215319	1	DEF Breather Valve	
3	1001289562	1	DEF Tank	

# SECTION 4 - ENGINE AND ATTACHING PARTS

## FIGURE 4-50. DEF LINES INSTALLATION



ART\_1001200867-E

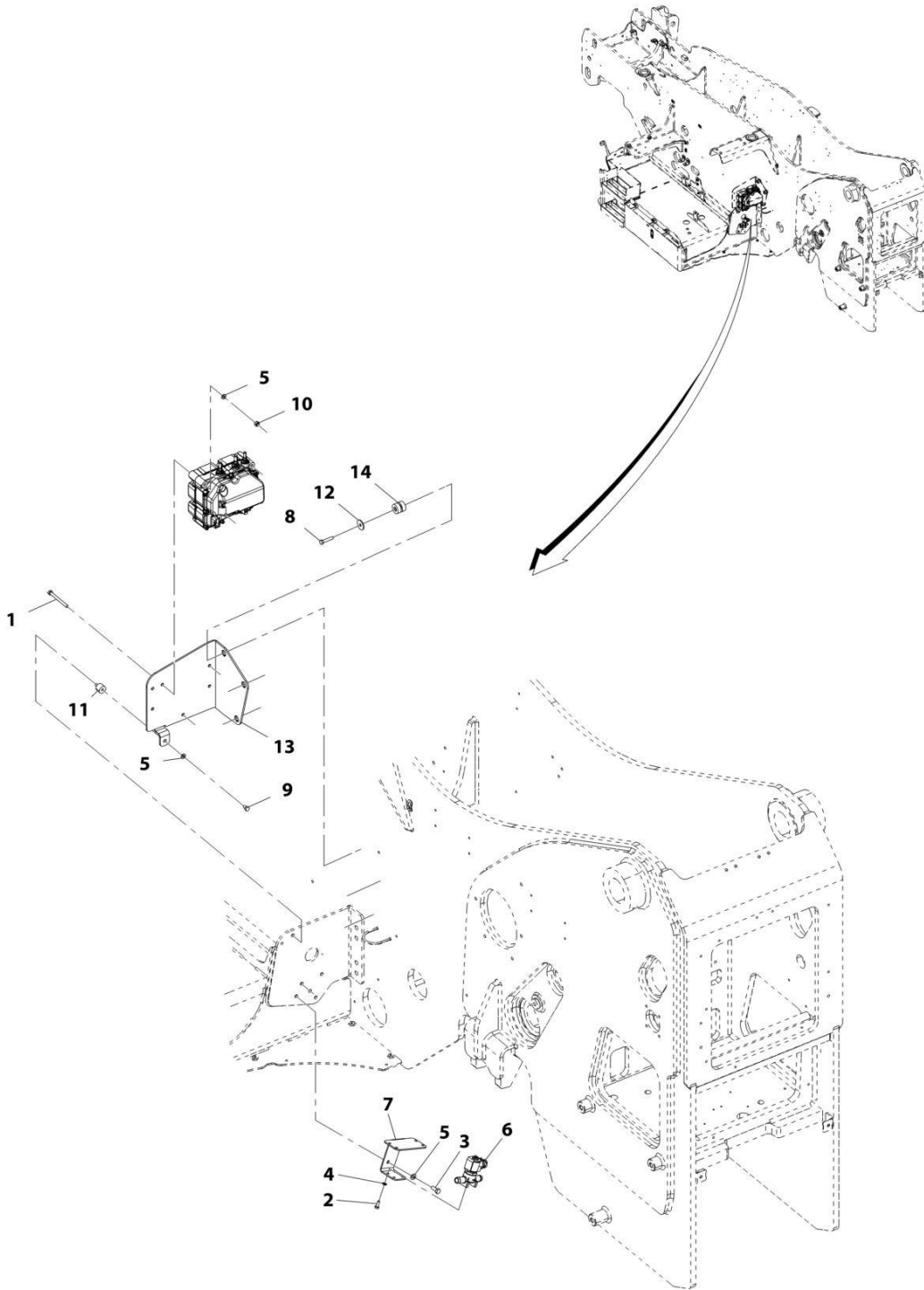
## SECTION 4 - ENGINE AND ATTACHING PARTS

FIGURE 4-50. DEF LINES INSTALLATION

ITEM	PART NUMBER	QTY	DESCRIPTION	REV
	1001200867	Ref	DEF Lines Installation	E
1	0760607	2	Bolt, M6X14	
2	4831700	2	Washer, Lock M6	
3	1001173873	1	Plate	
4	1001180437	1	Hose	
5	1001239879	1	Hose	
6	1001239878	1	Hose	

# SECTION 4 - ENGINE AND ATTACHING PARTS

## FIGURE 4-51. DEF CONTROL MODULE INSTALLATION



ART\_1001202018-F

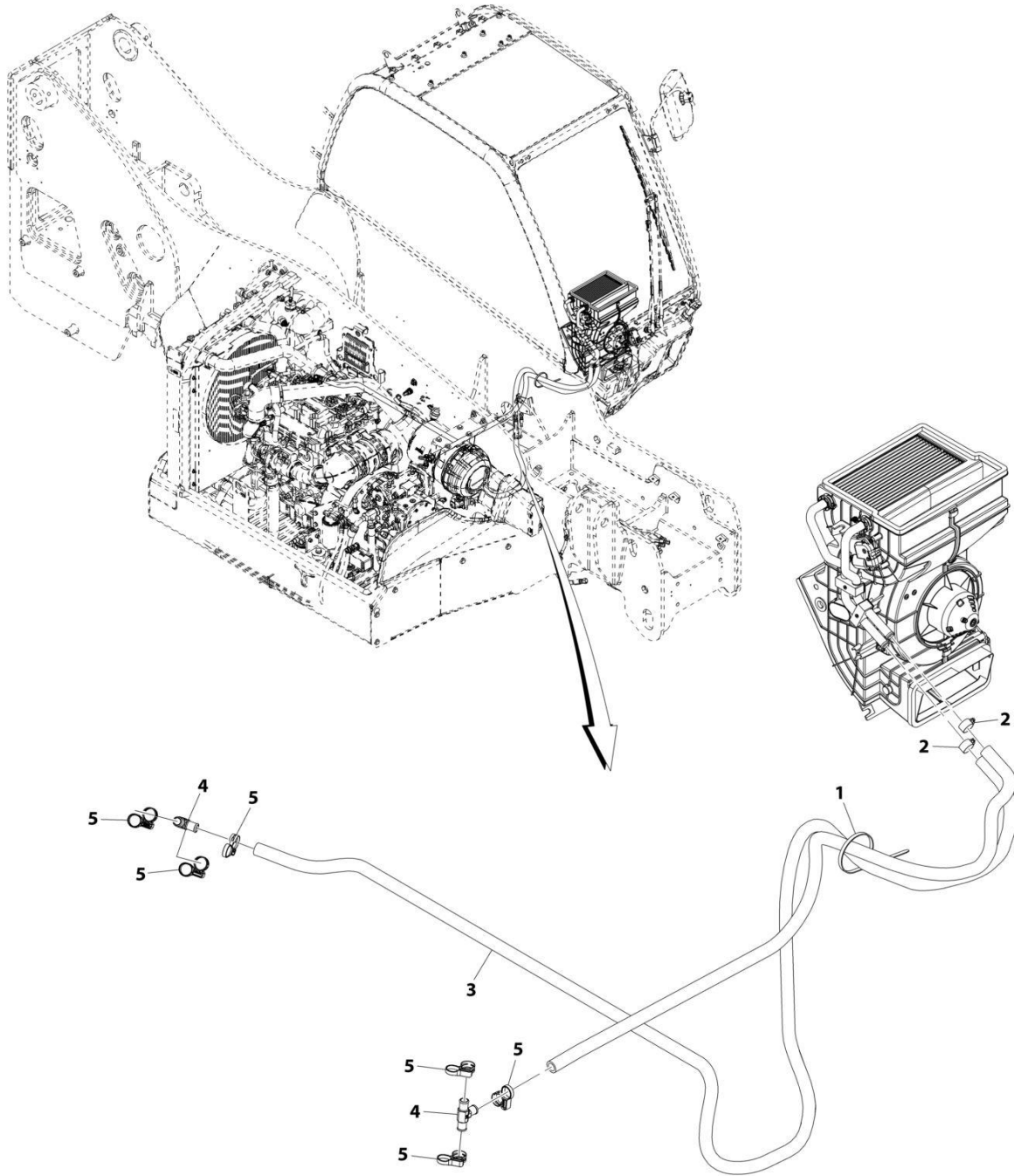
## SECTION 4 - ENGINE AND ATTACHING PARTS

**FIGURE 4-51. DEF CONTROL MODULE INSTALLATION**

ITEM	PART NUMBER	QTY	DESCRIPTION	REV
	1001202018	Ref	DEF Control Module Installation	F
1	0700826	3	Bolt, M8X90	
2	0760608	4	Bolt, M6X16	
3	0760810	2	Bolt, M8X20	
4	4811700	4	Washer, M6	
5	4811900	9	Washer, M8	
6	1001199670	1	Valve, DEF Tank Coolant Flow	
7	1001247184	1	Bracket	
8	0700816	3	Bolt, M8X40	
9	0760806	1	Bolt, M8X12	
10	3290805	3	Nut, Lock M8X1.25 Grade 8	
11	1001179907	1	Mount, Isolator	
12	1001195089	3	Washer	
13	1001221349	1	Bracket	
14	1001221383	3	Mount, Isolator	

# SECTION 4 - ENGINE AND ATTACHING PARTS

## FIGURE 4-52. HEATER LINES INSTALLATION (ULS)



ART\_1001200451-D



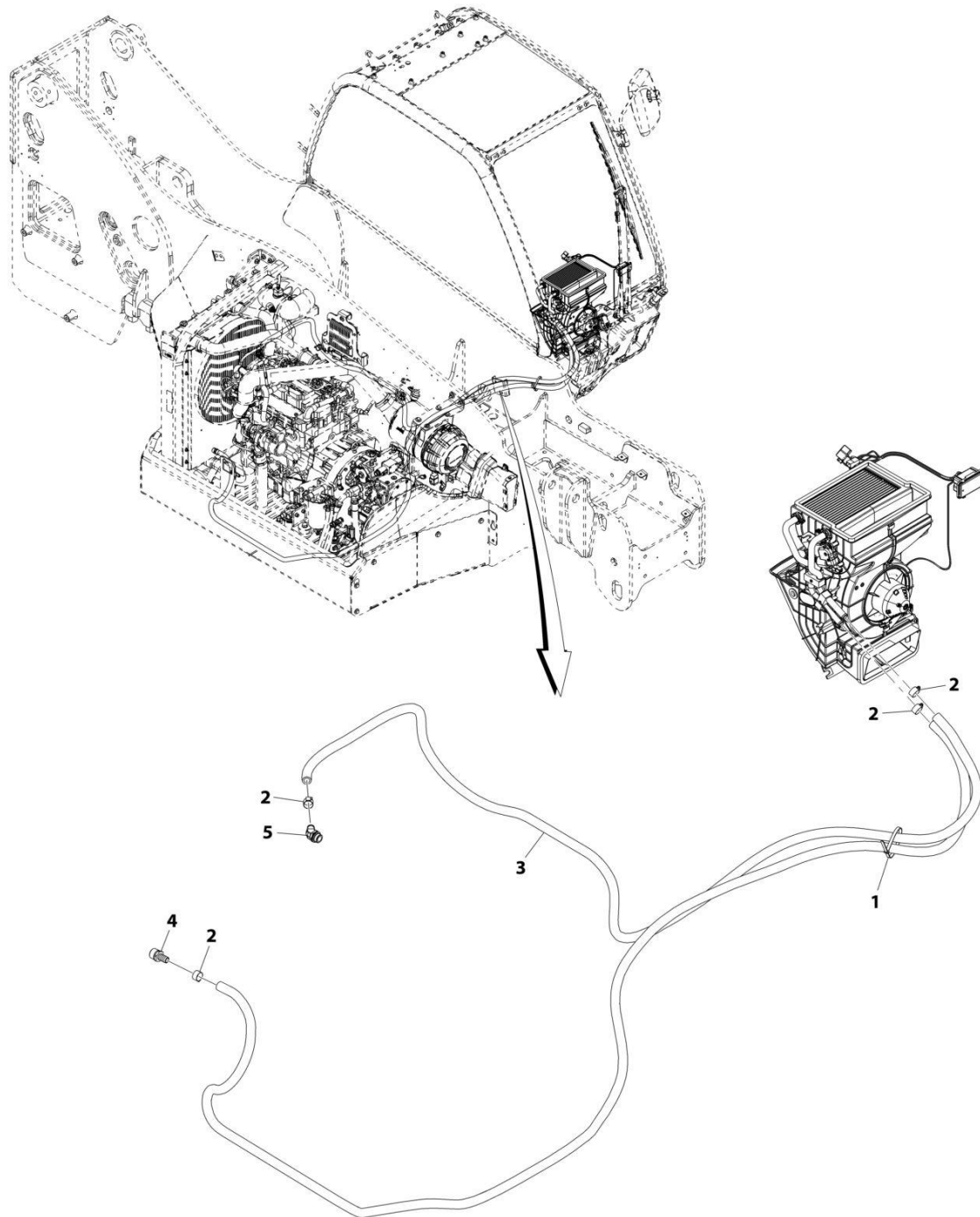
## SECTION 4 - ENGINE AND ATTACHING PARTS

FIGURE 4-52. HEATER LINES INSTALLATION (ULS)

ITEM	PART NUMBER	QTY	DESCRIPTION	REV
	1001200451	Ref	Heater Lines Installation (ULS)	D
1	1062255	AR	Strap, Tie	
2	8410009	2	Clamp	
3	82033995	4620 mm	Hose	
4	1001170432	2	Fitting, Tee	
5	1001202526	6	Clamp	

# SECTION 4 - ENGINE AND ATTACHING PARTS

## FIGURE 4-53. HEATER LINES INSTALLATION (LS)



ART\_1001200452-A

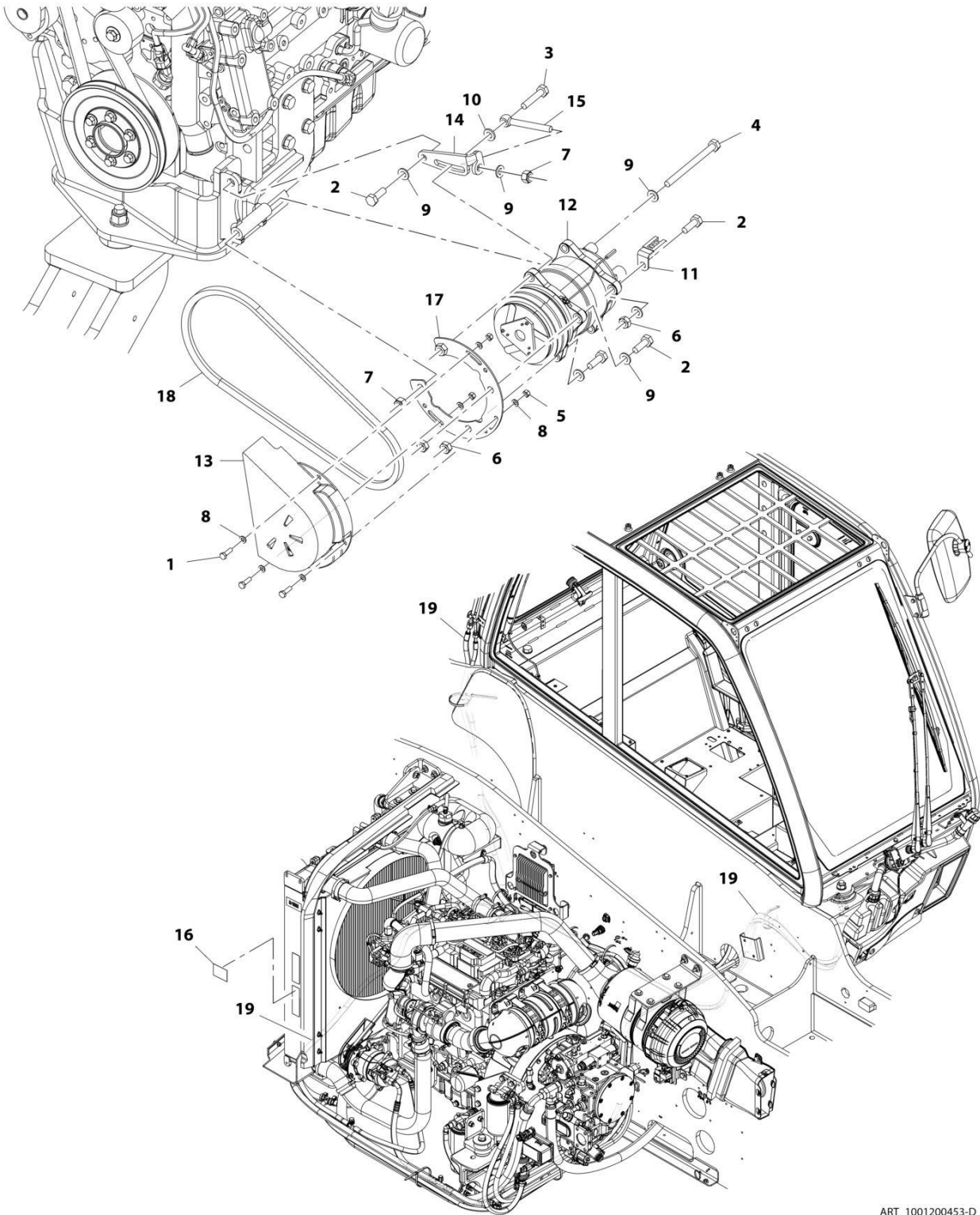
## SECTION 4 - ENGINE AND ATTACHING PARTS

FIGURE 4-53. HEATER LINES INSTALLATION (LS)

ITEM	PART NUMBER	QTY	DESCRIPTION	REV
	1001200452	Ref	Heater Lines Installation (LS)	A
1	1062255	1	Strap, Tie	
2	8410009	4	Clamp	
3	82033995	6897 mm	Hose	
4	1001167409	1	Fitting, Straight	
5	1001203005	1	Fitting, 45	

# SECTION 4 - ENGINE AND ATTACHING PARTS

## FIGURE 4-54. A/C PUMP INSTALLATION



ART\_1001200453-D

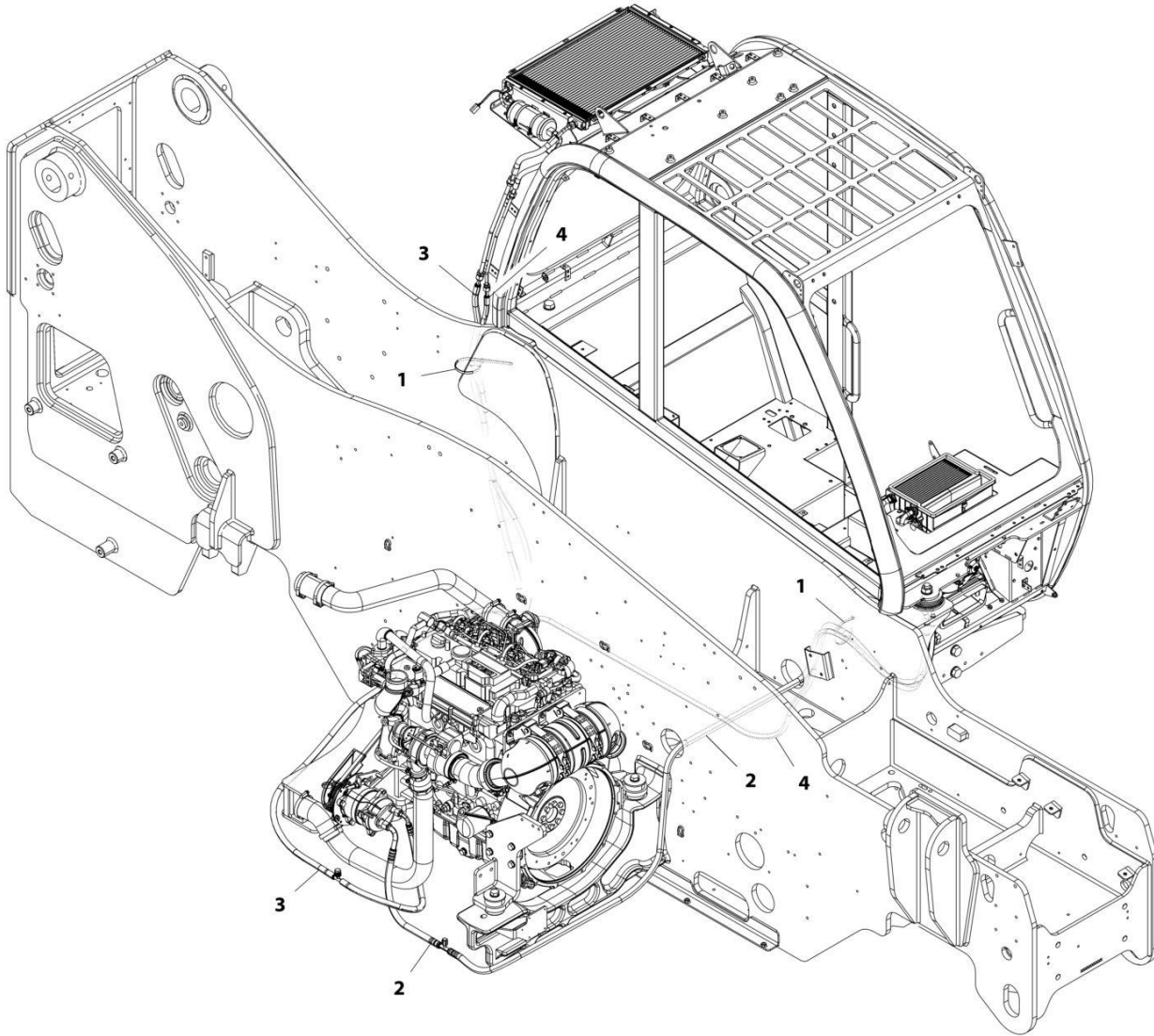
## SECTION 4 - ENGINE AND ATTACHING PARTS

### FIGURE 4-54. A/C PUMP INSTALLATION

ITEM	PART NUMBER	QTY	DESCRIPTION	REV
	1001200453	Ref	A/C Pump Installation	D
1	0700610	3	Bolt, M6X20	
2	0701014	4	Bolt, M10X30	
3	0701018	1	Bolt, M10X50	
4	0711030	1	Bolt, M10X130 Grade 10.9	
5	3290605	3	Nut, Lock M6X1	
6	3291001	3	Nut, M10X1.5	
7	3291005	2	Nut, lock M10X1.5	
8	4811700	6	Washer, M6	
9	4812000	6	Washer, M10	
10	5241000	1	Washer, M10	
11	1001003305	1	Clip	
12	1001107339	1	Compressor, A/C Clutch	
13	1001138945	1	Cover, Compressor	
14	1001188855	1	Plate, A/C Belt Tensioner	
15	1001188856	1	Rod, Tensioner	
16	1001227090	1	Decal, A/C Installation	
17	1001193797	1	Support, Cover	
18	1001200701	1	Belt, Drive	
19	1001202321	1	A/C Lines Installation (See Separate Breakdown in this Section)	

# SECTION 4 - ENGINE AND ATTACHING PARTS

## FIGURE 4-55. A/C LINES INSTALLATION



ART\_1001202321-D

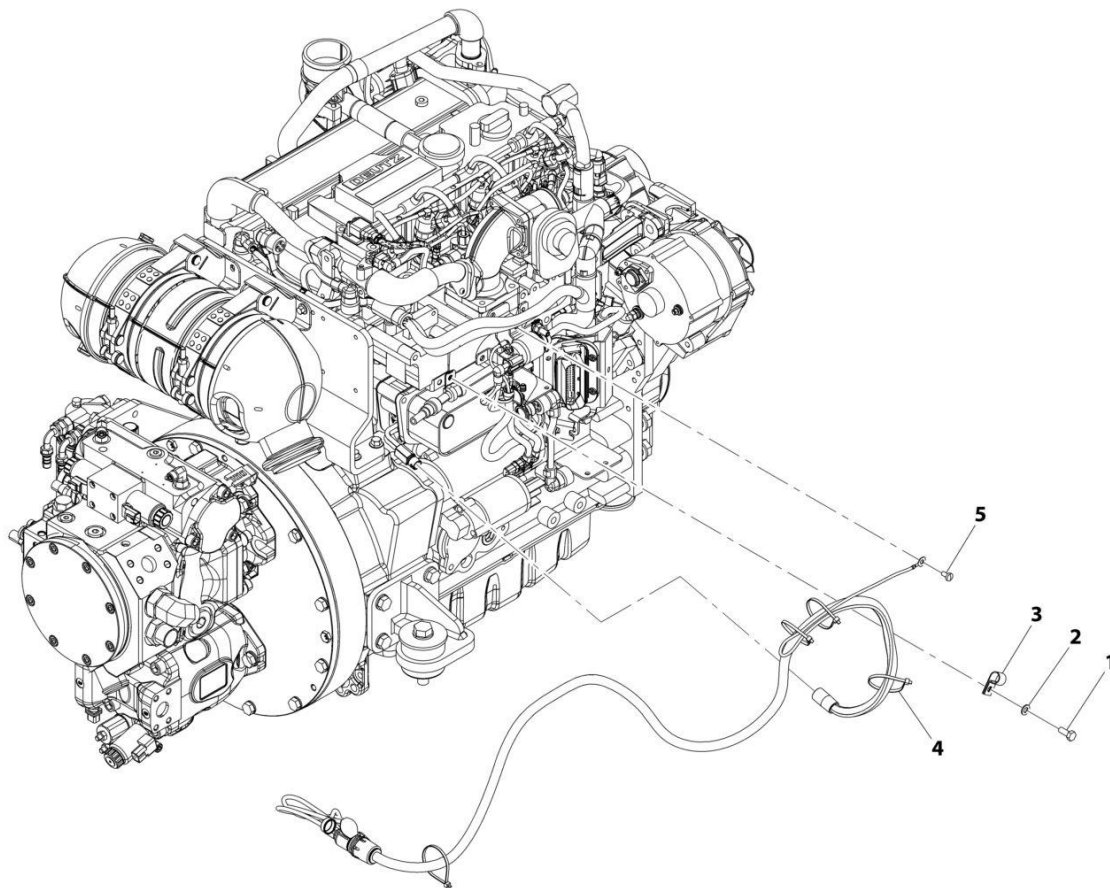
## SECTION 4 - ENGINE AND ATTACHING PARTS

### FIGURE 4-55. A/C LINES INSTALLATION

ITEM	PART NUMBER	QTY	DESCRIPTION	REV
	1001202321	Ref	A/C Lines Installation	D
1	1062255	2	Strap, Tie	
2	1001216798	1	Hose	
3	1001216799	1	Hose	
4	1001202325	1	Hose	

# SECTION 4 - ENGINE AND ATTACHING PARTS

## FIGURE 4-56. BLOCK HEATER INSTALLATION (115V) (ULS)



ART\_1001214349-C



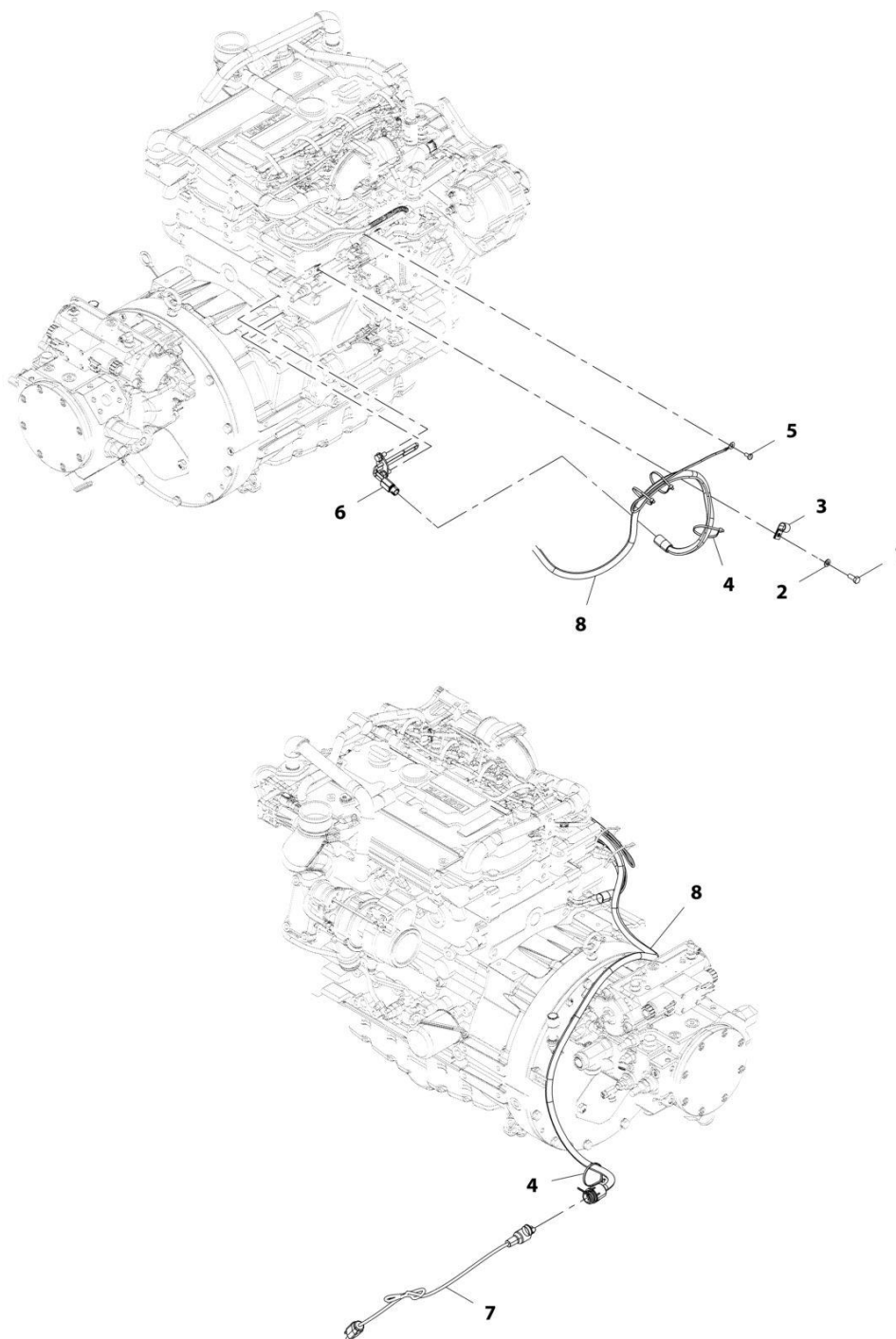
## SECTION 4 - ENGINE AND ATTACHING PARTS

FIGURE 4-56. BLOCK HEATER INSTALLATION (115V) (ULS)

ITEM	PART NUMBER	QTY	DESCRIPTION	REV
	1001214349	Ref	Block Heater Installation (115V) (ULS)	C
1	0760810	1	Bolt, M8X20	
2	4811900	1	Washer, M8	
3	8406112	1	Clip	
4	1001008559	4	Strap, Cable	
5	1001099566	1	Screw, M6-1X12	

# SECTION 4 - ENGINE AND ATTACHING PARTS

## FIGURE 4-57. BLOCK HEATER INSTALLATION (115V) (LS)



ART\_1001201428-B

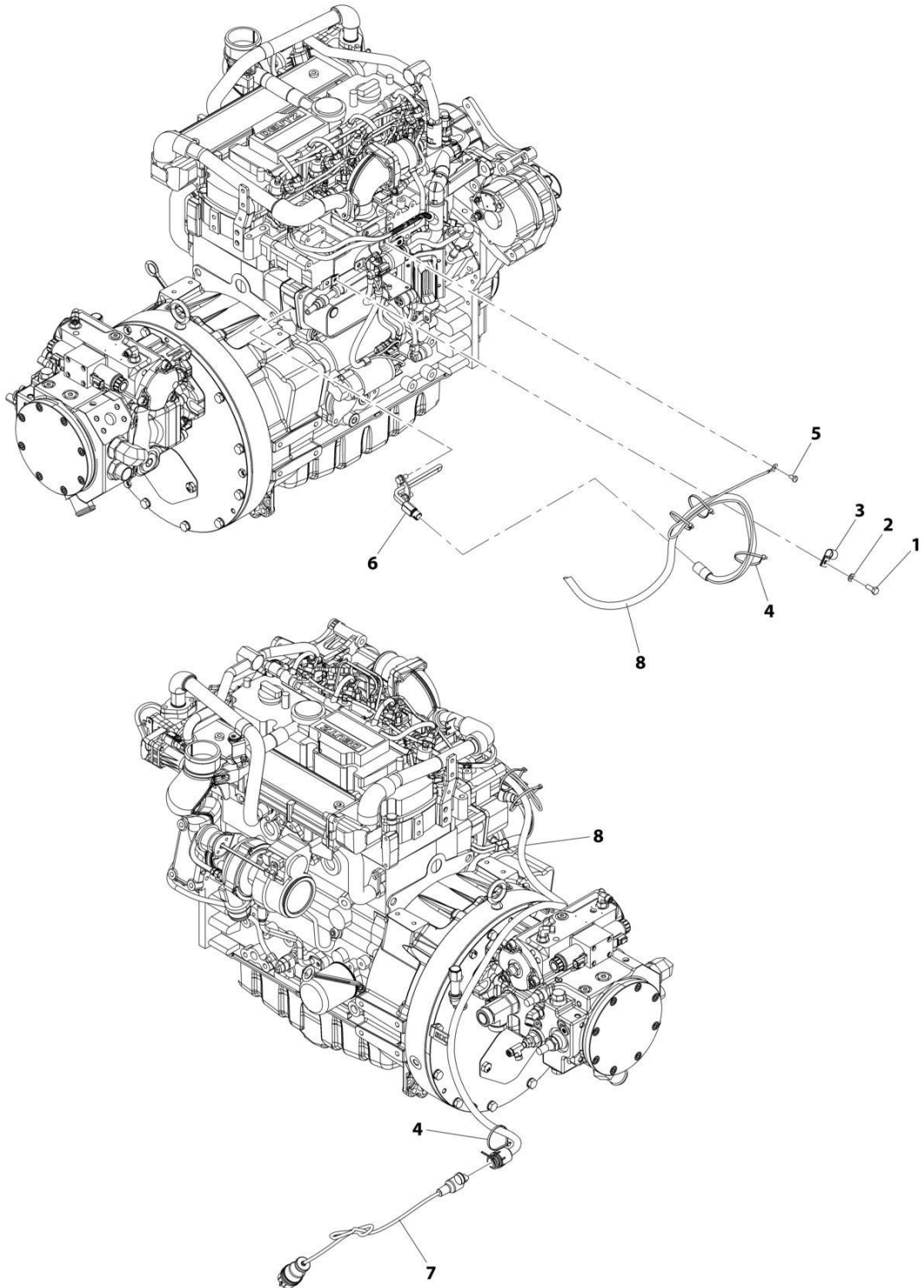
## SECTION 4 - ENGINE AND ATTACHING PARTS

FIGURE 4-57. BLOCK HEATER INSTALLATION (115V) (LS)

ITEM	PART NUMBER	QTY	DESCRIPTION	REV
	1001201428	Ref	Block Heater Installation (115V) (LS)	B
1	0760810	1	Bolt, M8X20	
2	4811900	1	Washer, M8	
3	8406112	1	Clip	
4	1001008559	4	Cable, Strap	
5	1001099566	1	Screw, M6-1X12	
6	1001211570	1	Heater, Engine (115V)	
7	1001212013	1	Cord, Heater	
8	1001212054	1	Cord, Heater	

# SECTION 4 - ENGINE AND ATTACHING PARTS

## FIGURE 4-58. BLOCK HEATER INSTALLATION (240V) (LS)



ART\_1001201427-B

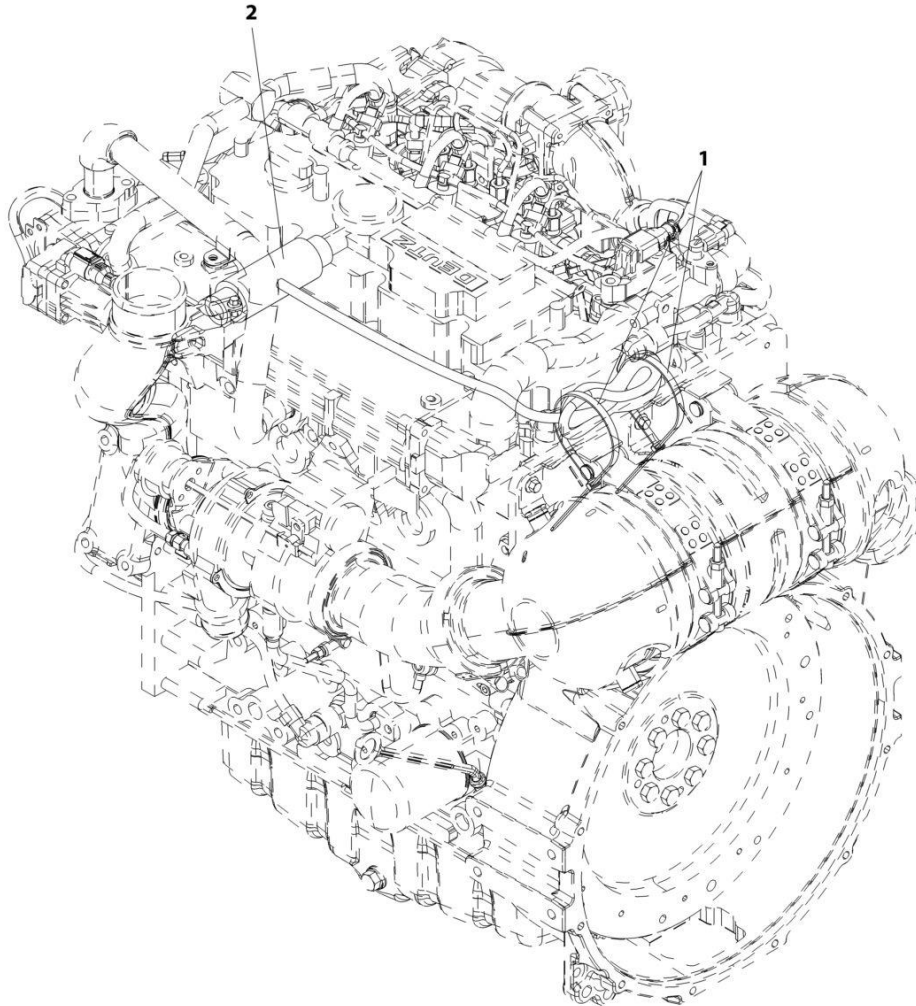
## SECTION 4 - ENGINE AND ATTACHING PARTS

**FIGURE 4-58. BLOCK HEATER INSTALLATION (240V) (LS)**

ITEM	PART NUMBER	QTY	DESCRIPTION	REV
	1001201427	Ref	Block Heater Installation (230V) (LS)	B
1	0760810	1	Bolt, M8X20	
2	4811900	1	Washer, M8	
3	8406112	1	Clip	
4	1001008559	4	Strap, Cable	
5	1001099566	1	Screw, M6-1X12	
6	1001211571	1	Heater, Engine (230V)	
7	1001212014	1	Cord, Heater	
8	1001212055	1	Cord, Heater	

## SECTION 4 - ENGINE AND ATTACHING PARTS

FIGURE 4-59. HEATED BREATHER TUBE INSTALLATION



ART\_1001233024-A

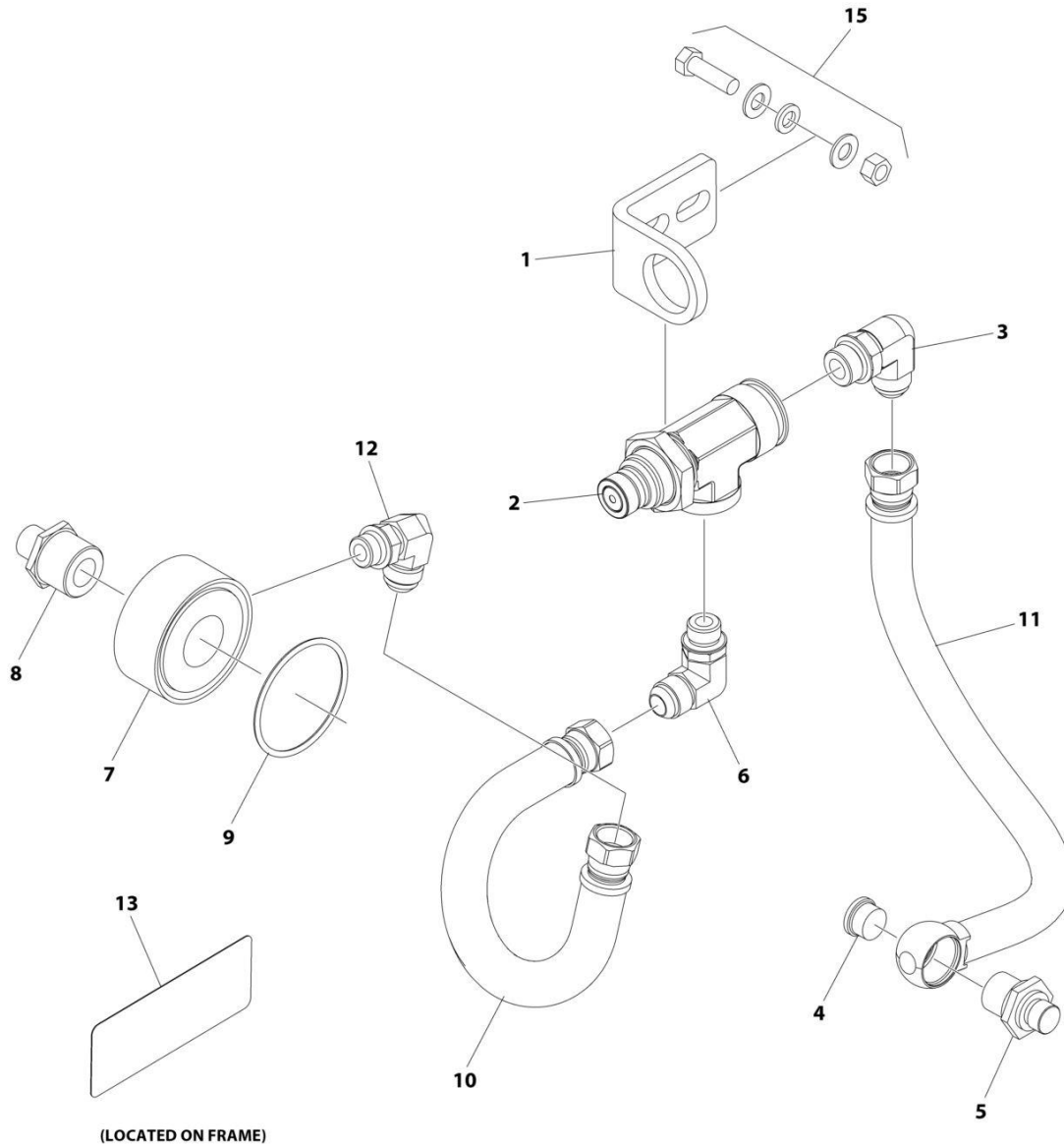
## SECTION 4 - ENGINE AND ATTACHING PARTS

FIGURE 4-59. HEATED BREATHER TUBE INSTALLATION

ITEM	PART NUMBER	QTY	DESCRIPTION	REV
	1001233024	Ref	Heated Breather Tube Installation	A
1	1062255	2	Strap, Tie	
2	1001232509	1	Hose	

# SECTION 4 - ENGINE AND ATTACHING PARTS

## FIGURE 4-60. QUICK DRAIN OIL VALVE INSTALLATION



ART\_1001281473



## SECTION 4 - ENGINE AND ATTACHING PARTS

FIGURE 4-60. QUICK DRAIN OIL VALVE INSTALLATION

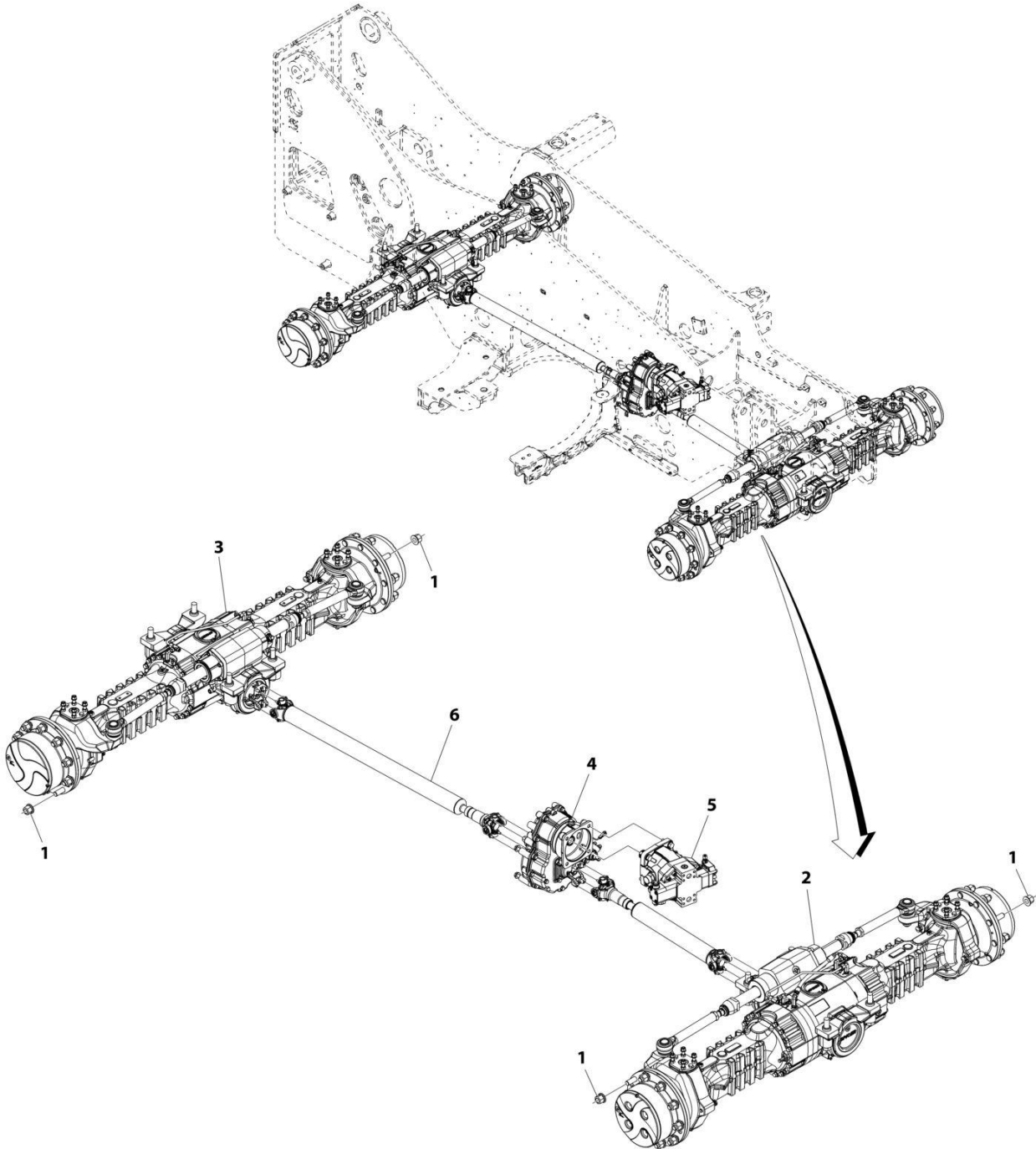
ITEM	PART NUMBER	QTY	DESCRIPTION	REV
	1001281473	Ref	QUICK DRAIN OIL VALVE INSTALLATION	A
1	1001281297	1	Bracket	
2	1001281298	1	Valve, Small Quickfit	
3	1001281301	1	Fitting, 90	
4	1001281304	1	Plug, Quickfit	
5	1001281305	1	Fitting, Straight Quickfit	
6	1001281307	1	Fitting, 90	
7	1001281309	1	Filter, Ring	
8	1001281310	1	Fitting, Straight	
9	1001281311	1	O-Ring	
10	1001283991	1	Hose	
11	1001283992	1	Hose	
12	1001281359	1	Fitting, 90	
13	1001281360	1	Decal - RPM Quickfit	
14	1001281656	1	Tie-Strap (Not Shown)	
15	1001281888	2	Bolt 3/8-16 x 1-1/4	



**SECTION 5 - RIVE TRAIN**

# SECTION 5 - RIVE TRAIN

## FIGURE 5-1. DRIVETRAIN INSTALLATION



ART\_1001184976-B

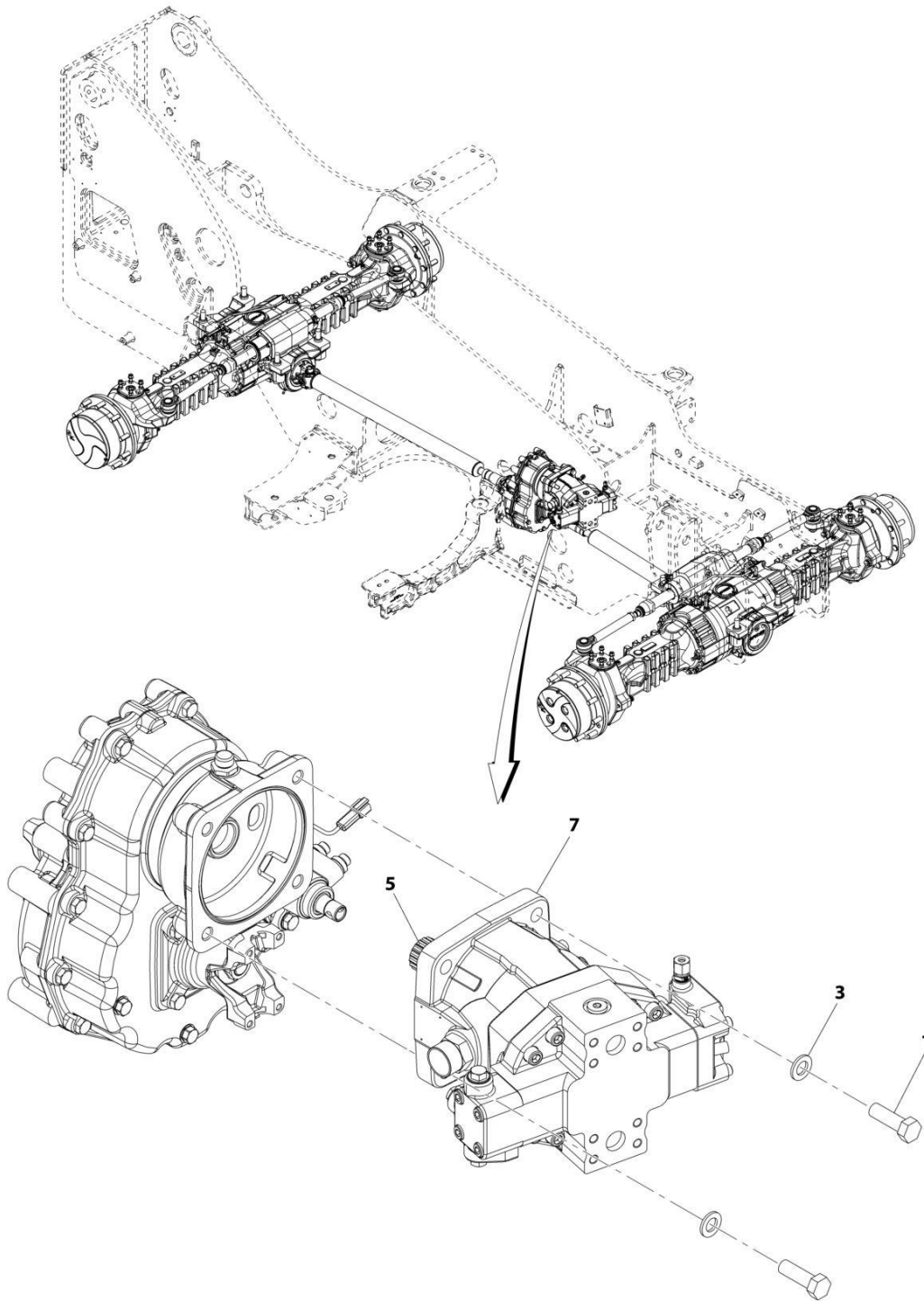
**SECTION 5 - RIVE TRAIN**

**FIGURE 5-1. DRIVETRAIN INSTALLATION**

<b>ITEM</b>	<b>PART NUMBER</b>	<b>QTY</b>	<b>DESCRIPTION</b>	<b>REV</b>
	1001184976	Ref	Drivetrain Installation	B
1	91403193	40	Nut, Lug M22X1.5	
2	1001184977	Ref	Installation, Front Axle (See Separate Breakdown in this Section)	
3	1001184978	Ref	Installation, Rear Axle (See Separate Breakdown in this Section)	
4	1001184979	Ref	Installation, Gearbox (See Separate Breakdown in this Section)	
5	1001184980	Ref	Installation, Hydrostatic Motor (See Separate Breakdown in this Section)	
6	1001184981	Ref	Installation, Drive Shaft (See Separate Breakdown in this Section)	

# SECTION 5 - RIVE TRAIN

## FIGURE 5-2. HYDROSTATIC MOTOR INSTALLATION



ART\_1001184980-D

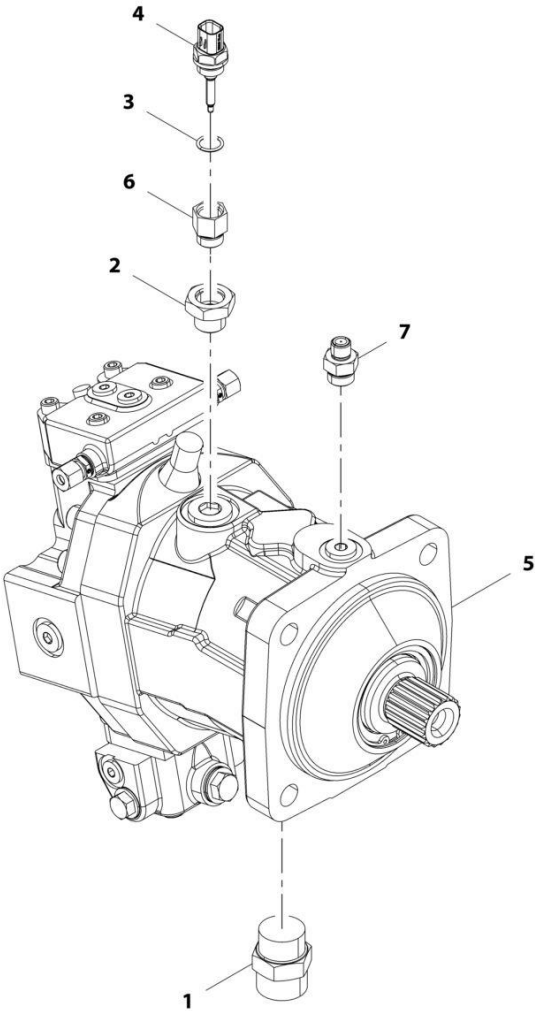
**SECTION 5 - RIVE TRAIN**

**FIGURE 5-2. HYDROSTATIC MOTOR INSTALLATION**

<b>ITEM</b>	<b>PART NUMBER</b>	<b>QTY</b>	<b>DESCRIPTION</b>	<b>REV</b>
	1001184980	Ref	Hydrostatic Motor Installation	D
1	0771618	4	Bolt, M16X50	
3	4812300	4	Washer, M16	
5	3020037	AR	Lube, Grease	
7	1001217620	1	Assembly, Hydrostatic Drive Motor (See Separate Breakdown in this Section)	

**SECTION 5 - RIVE TRAIN**

**FIGURE 5-3. HYDROSTATIC MOTOR ASSEMBLY**



ART\_1001217620-B



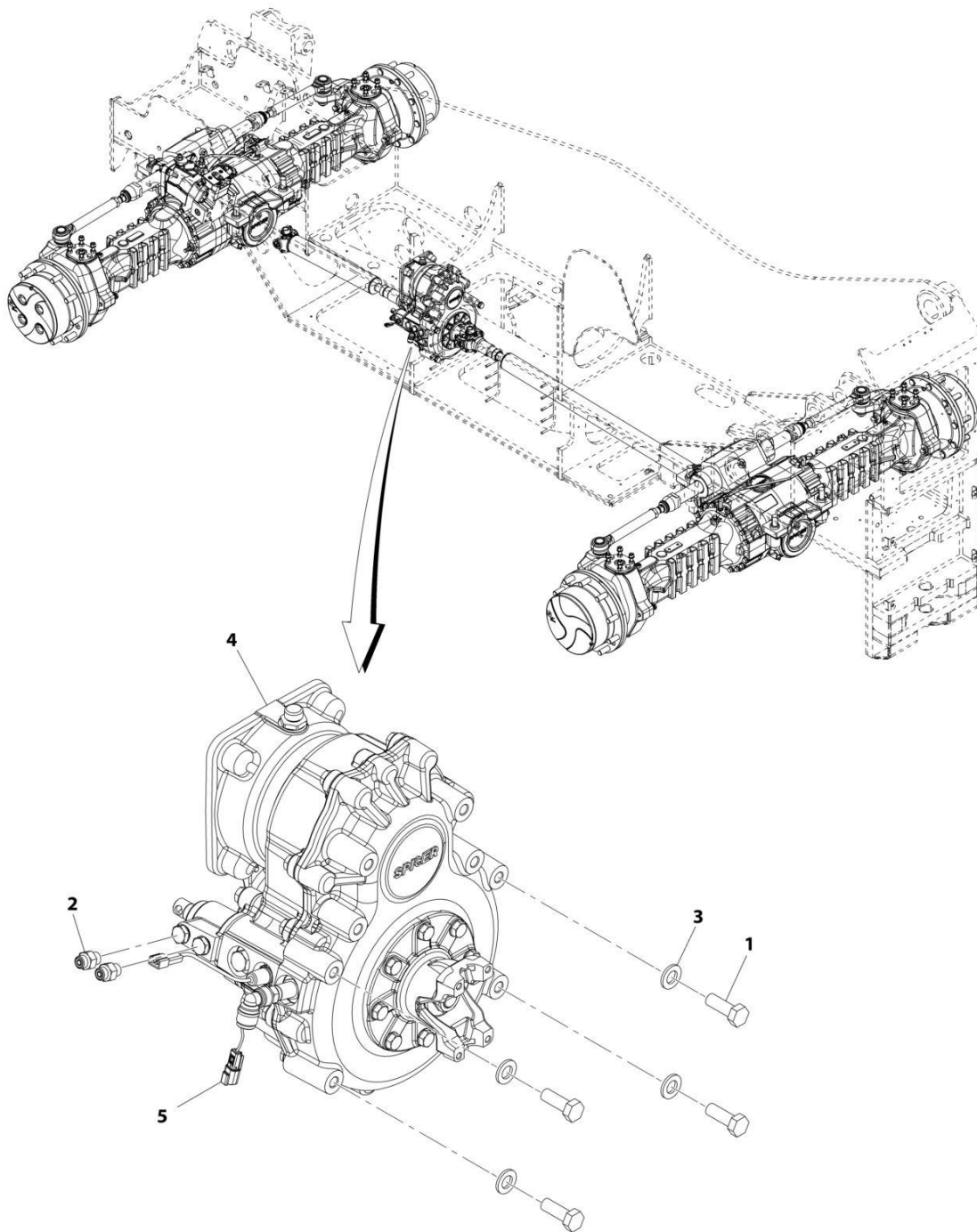
**SECTION 5 - RIVE TRAIN**

**FIGURE 5-3. HYDROSTATIC MOTOR ASSEMBLY**

<b>ITEM</b>	<b>PART NUMBER</b>	<b>QTY</b>	<b>DESCRIPTION</b>	<b>REV</b>
	1001217620	Ref	Hydrostatic Motor Assembly	B
1	2111616	1	Fitting, Straight ORFS	
2	2220811	1	Fitting, Straight	
3	1001009163	1	O-Ring	
4	1001128478	1	Sensor	
5	1001193308	1	Motor, Hydrostatic (See Separate Breakdown in HYDRAULIC COMPONENTS Section)	
6	1001220760	1	Fitting, Straight	
7	1001217669	1	Fitting, Straight	

# SECTION 5 - RIVE TRAIN

## FIGURE 5-4. GEARBOX INSTALLATION



ART\_1001184979-E

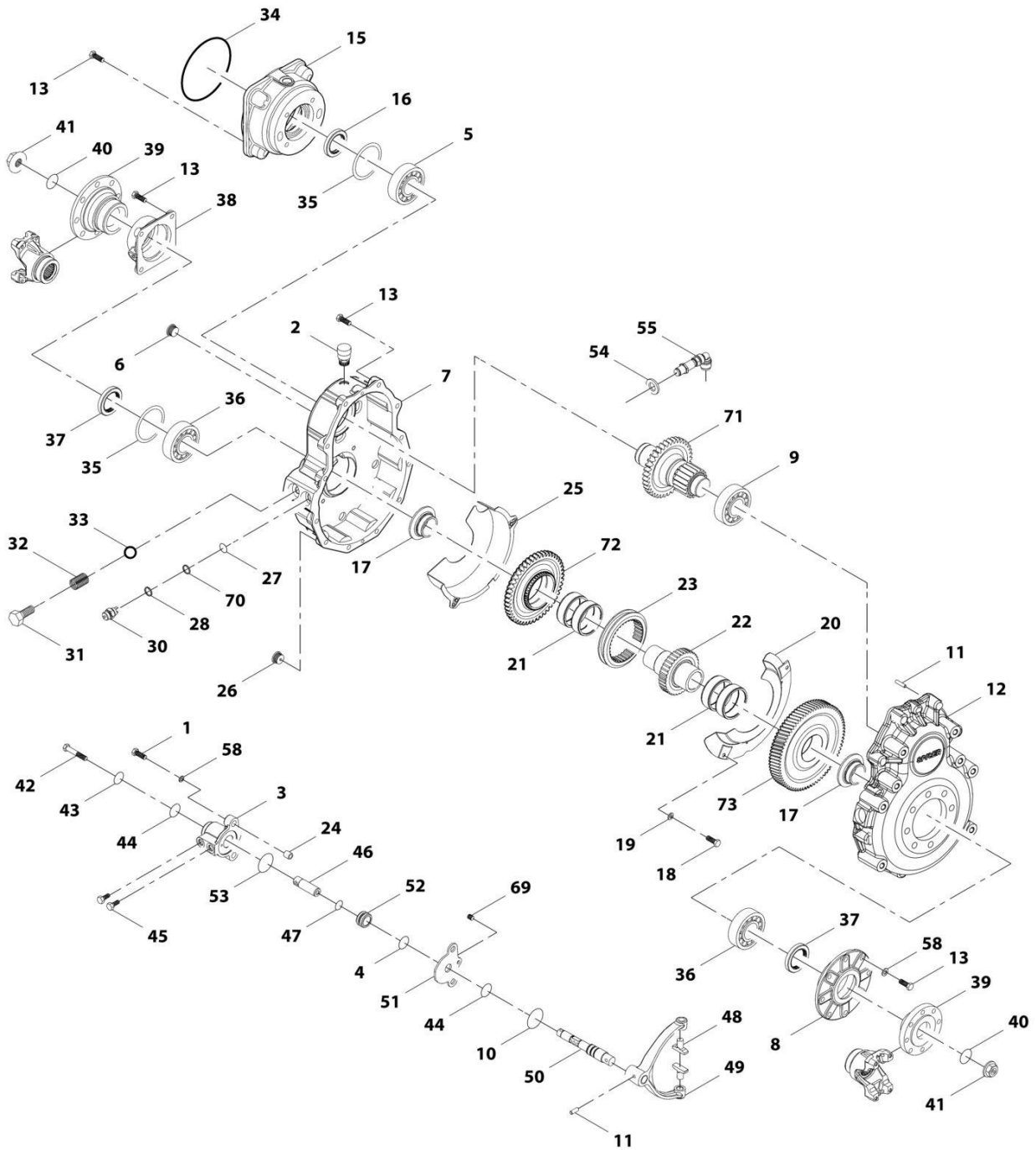
**SECTION 5 - RIVE TRAIN**

**FIGURE 5-4. GEARBOX INSTALLATION**

<b>ITEM</b>	<b>PART NUMBER</b>	<b>QTY</b>	<b>DESCRIPTION</b>	<b>REV</b>
	1001184979	Ref	Gearbox Installation	E
1	0771416	4	Bolt, M14-2X40 Grade 10.9	
2	2144603	1	Fitting, Straight ORFS	
3	5241400	4	Washer, M14	
4	1001184986	1	Gearbox (See Separate Breakdown in this Section)	
5	1001229981	1	Harness, Vehicle Speed Pigtail (See Separate Breakdown in ELECTRICAL Section)	

# SECTION 5 - RIVE TRAIN

## FIGURE 5-5. GEAR BOX



ART\_1001184986-D

# SECTION 5 - RIVE TRAIN

## FIGURE 5-5. GEAR BOX

ITEM	PART NUMBER	QTY	DESCRIPTION	REV
	1001184986	Ref	Gear box	D
1	70028817	2	Bolt	
2	70028818	1	Plug	
3	70028819	1	Cylinder	
4	70028820	1	O-Ring	
5	91514146	1	Bearing, Ball	
6	80204016	1	Plug	
7	70028821	1	Housing	
8	70028822	1	Cover	
9	70026904	1	Bearing, Ball	
10	3986405	1	O-Ring	
11	70026892	3	Dowel	
12	70028823	1	Housing	
13	70026911	28	Bolt	
15	70026897	1	Cover	
16	70026896	1	Seal	
17	70028824	2	Spacer	
18	70026909	2	Bolt	
19	70027110	2	Washer, Lock	
20	70028825	1	Plate, Cover	
21	70028826	4	Bearing	
22	70028827	1	Shaft	
23	70028828	1	Sleeve	
24	70028829	2	Pin	
25	70026908	1	Sheet	
26	80204007	1	Plug	
27	1001081085	1	O-Ring	
28	80203020	1	Washer	
30	70028830	1	Switch	
31	70028831	1	Bolt	
32	80203021	1	Spring	
33	70020276	1	Ball, Detend	
34	80204176	1	O-Ring	
35	70027862	2	Kit, Shim	
36	91474364	2	Bearing, Ball	
37	70026901	2	Seal	
38	70028832	1	Cover	
39	70026898	2	Flange	
40	80204215	2	O-Ring	
41	70026631	2	Nut	
42	70028833	1	Bolt	
43	70028834	1	O-Ring	
44	70028835	2	Sleeve	
45	91514154	2	Bolt	
46	70028836	1	Bar	
47	70027109	1	O-Ring	
48	70028837	2	Pin	
49	70028838	1	Fork, Selector	
50	70028839	1	Shaft	
51	70028840	1	Plate, Cover	

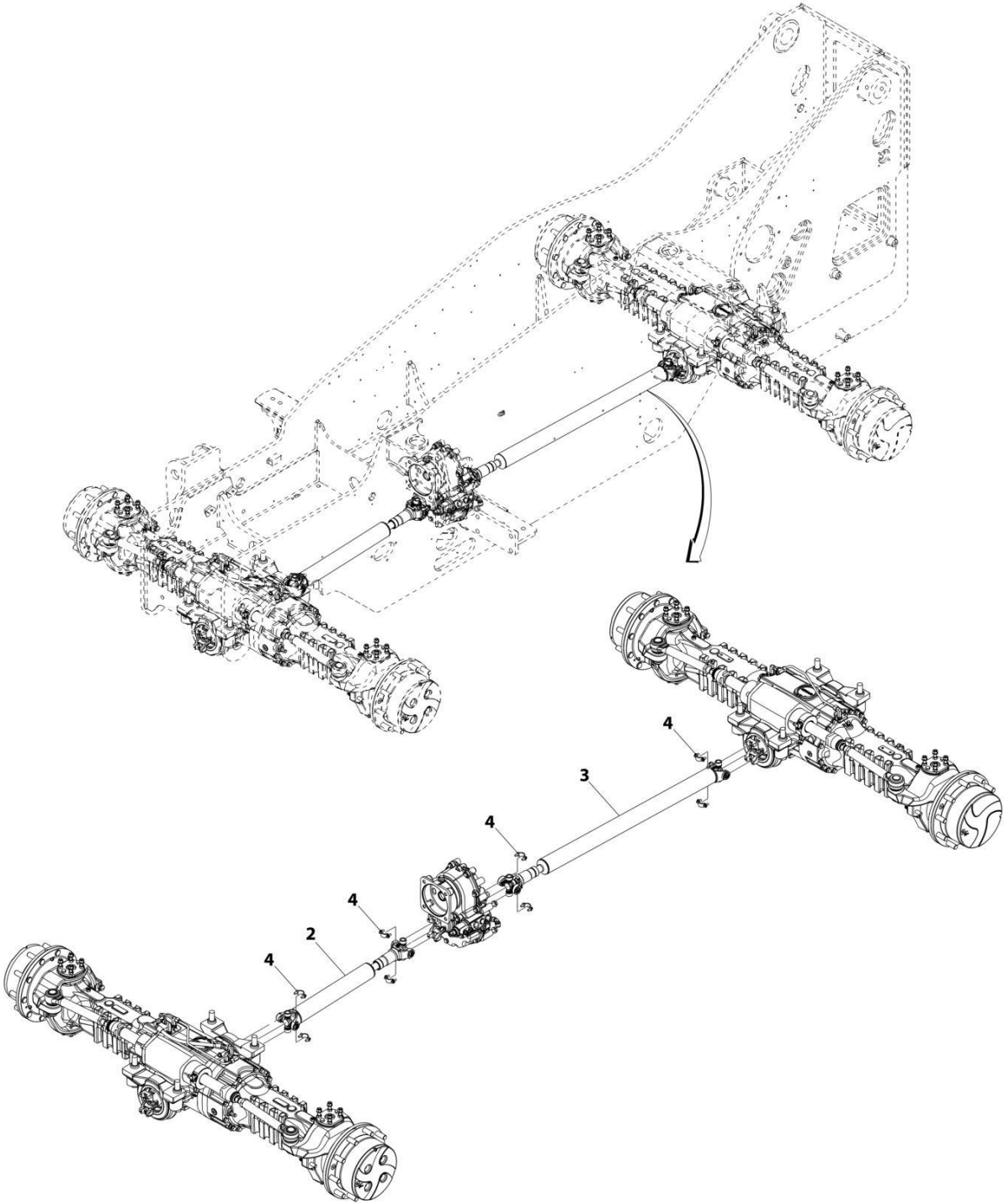
## SECTION 5 - RIVE TRAIN

ITEM	PART NUMBER	QTY	DESCRIPTION	REV
52	70028841	1	Piston	
53	70028842	1	O-Ring	
54	70028844	1	Washer	
55	70028801	1	Sensor, Speed	
58	70028843	10	Washer	
69	70028845	1	Bolt	
70	70026927	1	Washer, Seal	
71	70028846	1	Shaft, Input	
72	70028847	1	Gear	
73	70028848	1	Gear	



**SECTION 5 - RIVE TRAIN**

**FIGURE 5-6. DRIVE SHAFT INSTALLATION**



ART\_1001184981-B



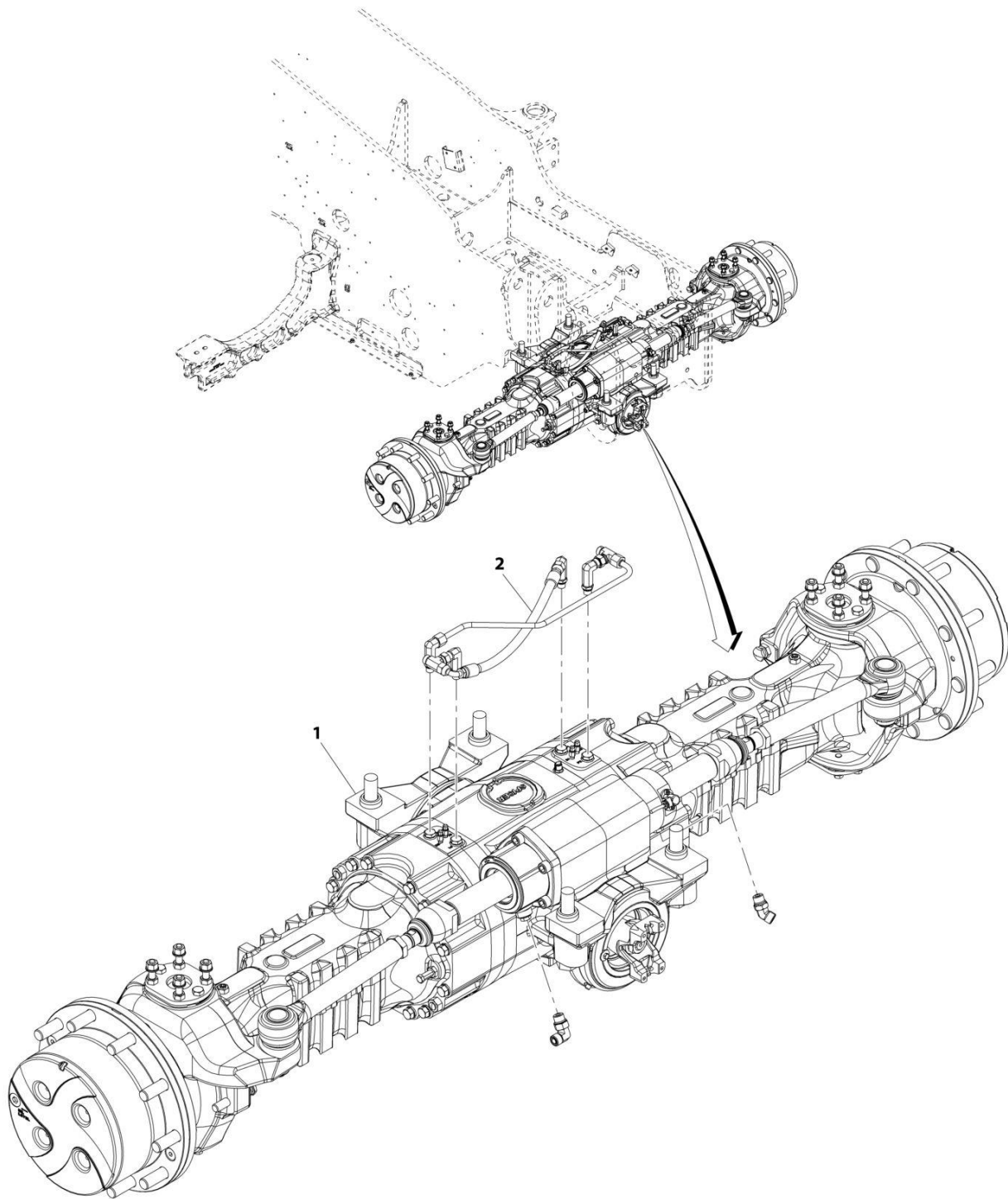
**SECTION 5 - RIVE TRAIN**

**FIGURE 5-6. DRIVE SHAFT INSTALLATION**

<b>ITEM</b>	<b>PART NUMBER</b>	<b>QTY</b>	<b>DESCRIPTION</b>	<b>REV</b>
	1001184981	Ref	Drive Shaft Installation	B
2	1001184987	1	Assembly, Drive Shaft	
3	1001184988	1	Assembly, Drive Shaft	
4	8880219-OM	4	Kit, Strap	

# SECTION 5 - RIVE TRAIN

## FIGURE 5-7. FRONT AXLE INSTALLATION



ART\_1001184977-B

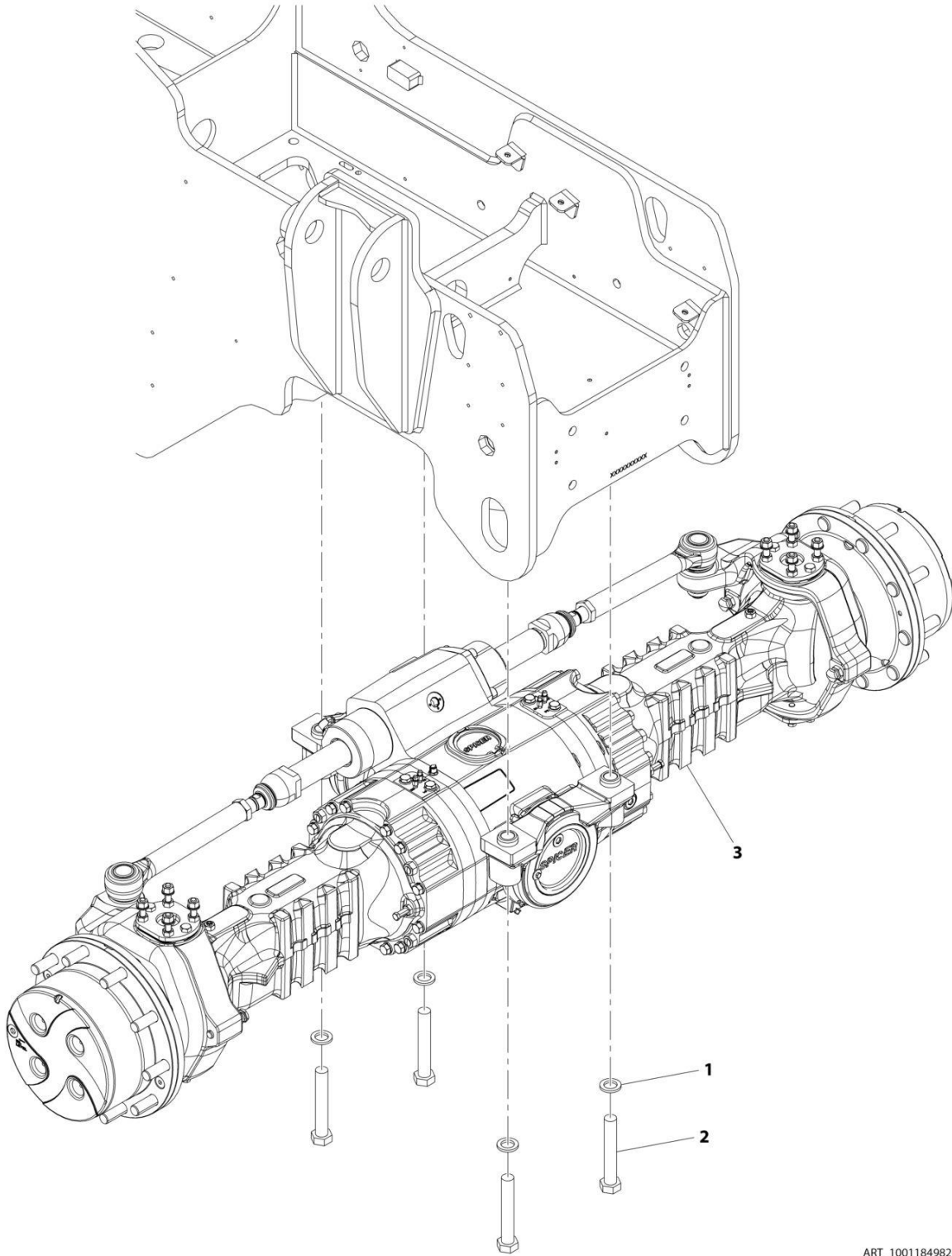
**SECTION 5 - RIVE TRAIN**

**FIGURE 5-7. FRONT AXLE INSTALLATION**

<b>ITEM</b>	<b>PART NUMBER</b>	<b>QTY</b>	<b>DESCRIPTION</b>	<b>REV</b>
1	1001184977	Ref	Front Axle Installation	B
	1001184982	Ref	Installation, Front Axle Mounting (See Separate Breakdown in this Section)	
2	1001207898	Ref	Installation, Front Axle Lines (See Separate Breakdown in this Section)	

# SECTION 5 - RIVE TRAIN

## FIGURE 5-8. FRONT AXLE MOUNTING INSTALLATION



ART\_1001184982-B

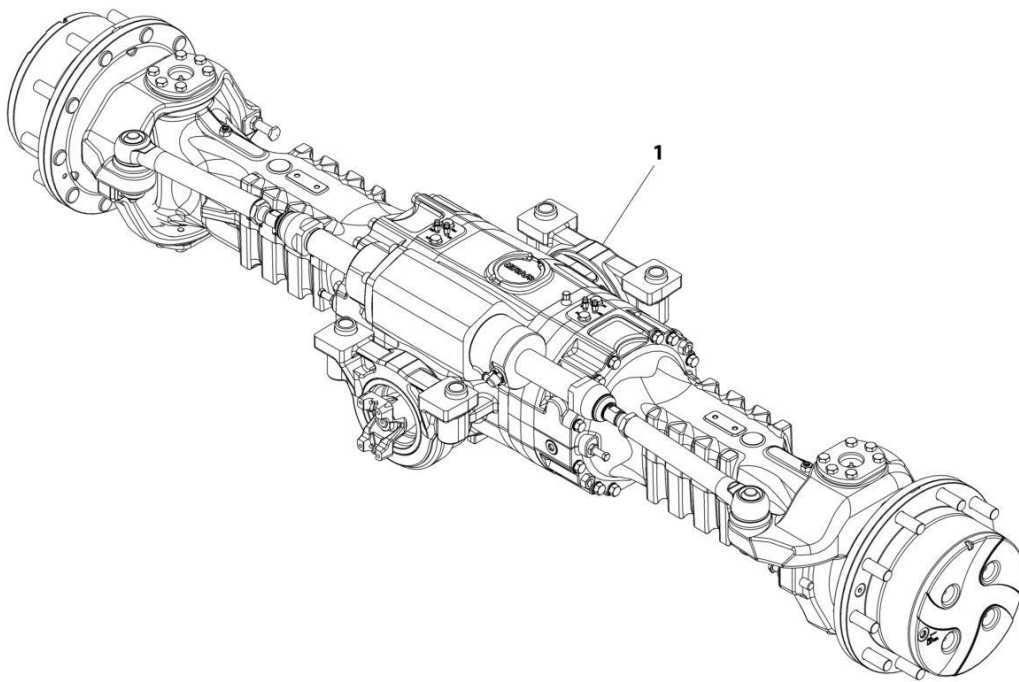
**SECTION 5 - RIVE TRAIN**

**FIGURE 5-8. FRONT AXLE MOUNTING INSTALLATION**

<b>ITEM</b>	<b>PART NUMBER</b>	<b>QTY</b>	<b>DESCRIPTION</b>	<b>REV</b>
	1001184982	Ref	Front Axle Mounting Installation	B
1	4892600	4	Washer	
2	1001097587	4	Bolt, M24-3X150 Grade 10.9	
3	1001184984	1	Axle, Front (See Separate Breakdown in this Section)	

# SECTION 5 - RIVE TRAIN

## FIGURE 5-9. FRONT AXLE



ART\_1001184984-F

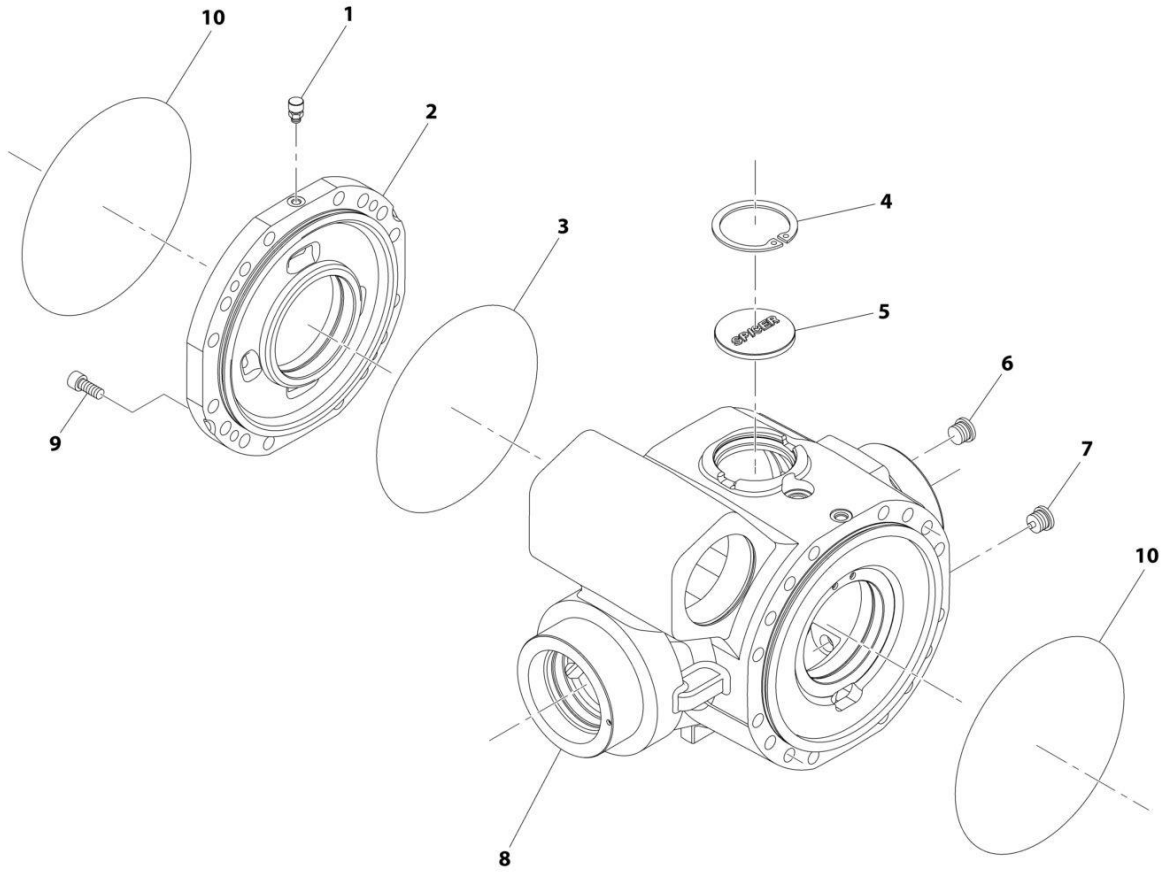
**SECTION 5 - RIVE TRAIN**

**FIGURE 5-9. FRONT AXLE**

ITEM	PART NUMBER	QTY	DESCRIPTION	REV
	1001184984	Ref	Front Axle	F
		Ref	Front Axle, Central Housing (See Separate Breakdown in this Section)	
		Ref	Front Axle, Differential (See Separate Breakdown in this Section)	
		Ref	Front Axle, Hub Reduction (See Separate Breakdown in this Section)	
		Ref	Front Axle, Brakes (See Separate Breakdown in this Section)	
		Ref	Front Axle, Steering (See Separate Breakdown in this Section)	
		Ref	Front Axle, Trunnion (See Separate Breakdown in this Section)	

# SECTION 5 - RIVE TRAIN

## FIGURE 5-10. FRONT AXLE, CENTRAL HOUSING



ART\_1001184984\_1-F



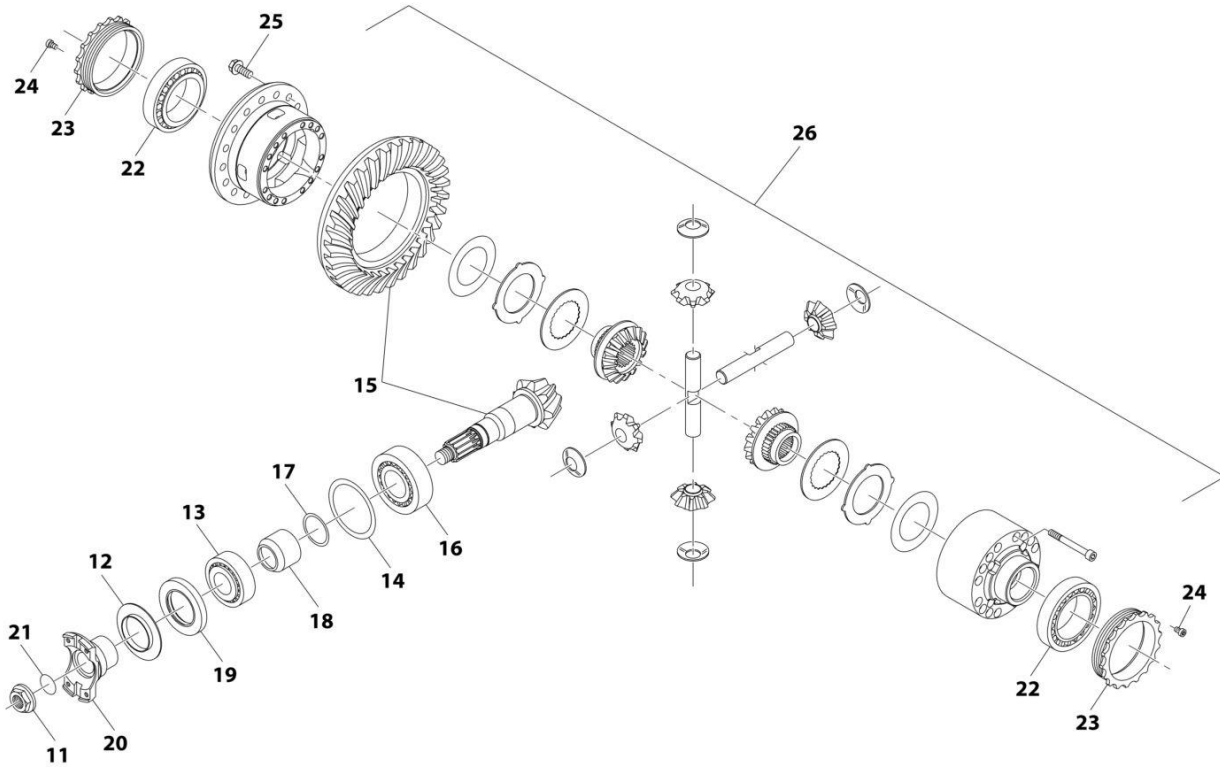
**SECTION 5 - RIVE TRAIN**

**FIGURE 5-10. FRONT AXLE, CENTRAL HOUSING**

<b>ITEM</b>	<b>PART NUMBER</b>	<b>QTY</b>	<b>DESCRIPTION</b>	<b>REV</b>
	1001184984	Ref	Front Axle, Central Housing	F
1	91474512	1	Vent	
2	7029288	1	Cover, Intermediate	
3	80204002	1	O-Ring	
4	80204005	1	Circlip	
5	91514098	1	Plug	
6	70028389	1	Plug	
7	70028388	1	Plug	
8	70025335	1	Housing	
9	91514101	4	Bolt	
10	91514089	2	O-Ring	

# SECTION 5 - RIVE TRAIN

## FIGURE 5-11. FRONT AXLE, DIFFERENTIAL



ART\_1001184984\_2-F

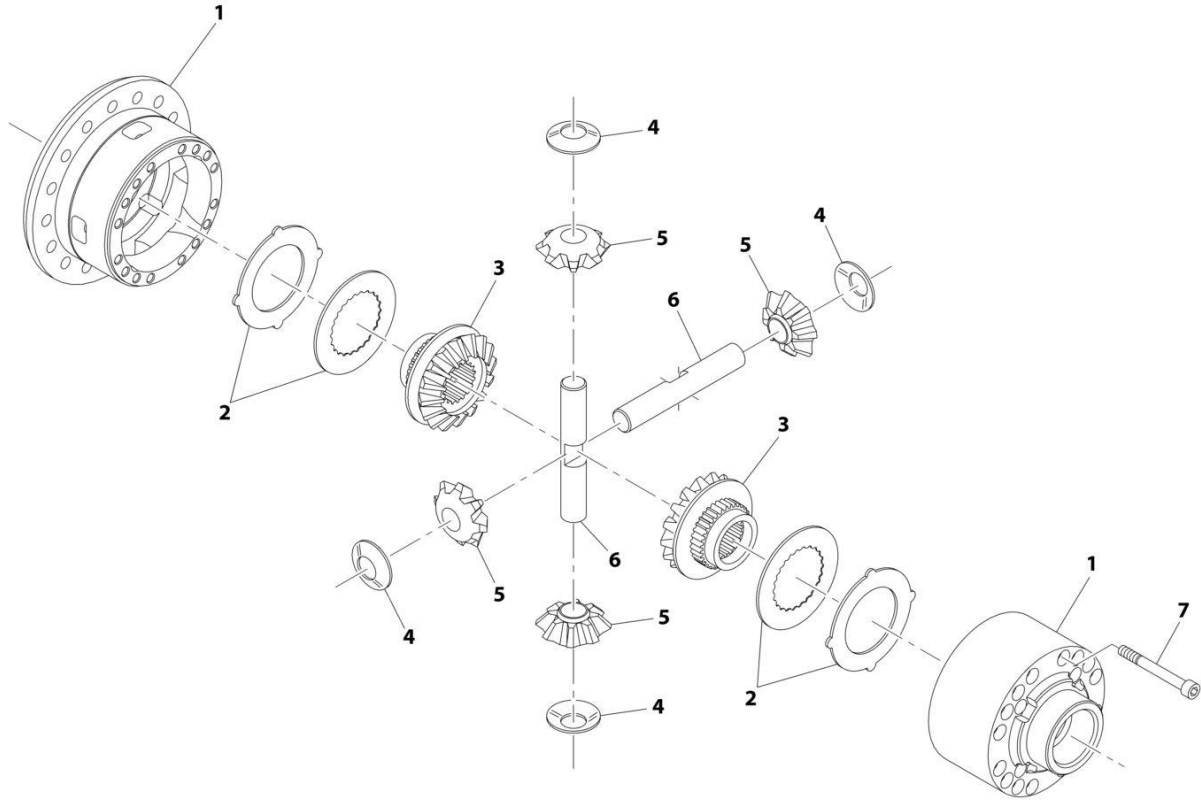
**SECTION 5 - RIVE TRAIN**

**FIGURE 5-11. FRONT AXLE, DIFFERENTIAL**

ITEM	PART NUMBER	QTY	DESCRIPTION	REV
	1001184984	Ref	Front Axle, Differential	F
11	80204043	1	Nut	
12	91514130	1	Plate, Cover	
13	80204048	1	Bearing, Tape Roller	
14	70023469	1	Shim	
15	70028391	1	Gear, Bevel Set	
16	80204035	1	Bearing, Tape Roller	
17	70023494	1	Ring	
18	70022140	1	Spacer	
19	70025887	1	Seal	
20	70028401	1	Flange	
21	10725554	1	O-Ring	
22	80204033	2	Bearing, Tape Roller	
23	91514133	2	Nut, Ring	
24	91514134	2	Bolt	
25	91514123	16	Bolt	
26	70028390	1	Kit, Differential (See Separate Breakdown in this Section)	

# SECTION 5 - RIVE TRAIN

## FIGURE 5-12. DIFFERENTIAL KIT



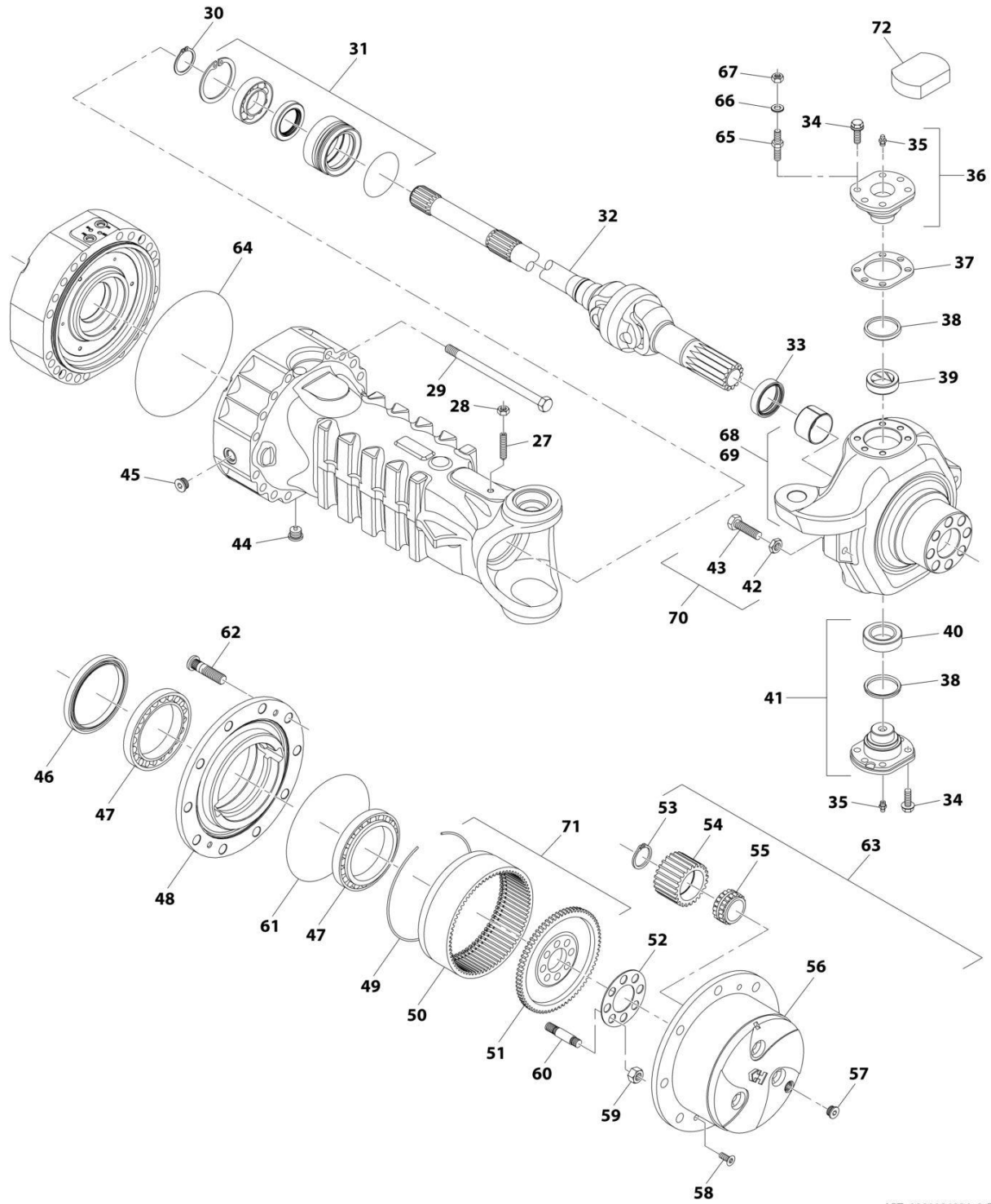
ART\_70028390

**FIGURE 5-12. DIFFERENTIAL KIT**

<b>ITEM</b>	<b>PART NUMBER</b>	<b>QTY</b>	<b>DESCRIPTION</b>	<b>REV</b>
	70028390	Ref	Differential Kit	
1	70024004	2	Carrier, Differential	
2	70026750	2	Disc, Clutch	
3	70025856	2	Gear, Differential Side	
4	70027105	4	Washer, Friction	
5	70025339	4	Pinion, Differential	
6	70023490	2	Shaft, Differential	
7	91514143	15	Bolt	

# SECTION 5 - RIVE TRAIN

## FIGURE 5-13. FRONT AXLE, HUB REDUCTION



ART\_1001184984\_3-F

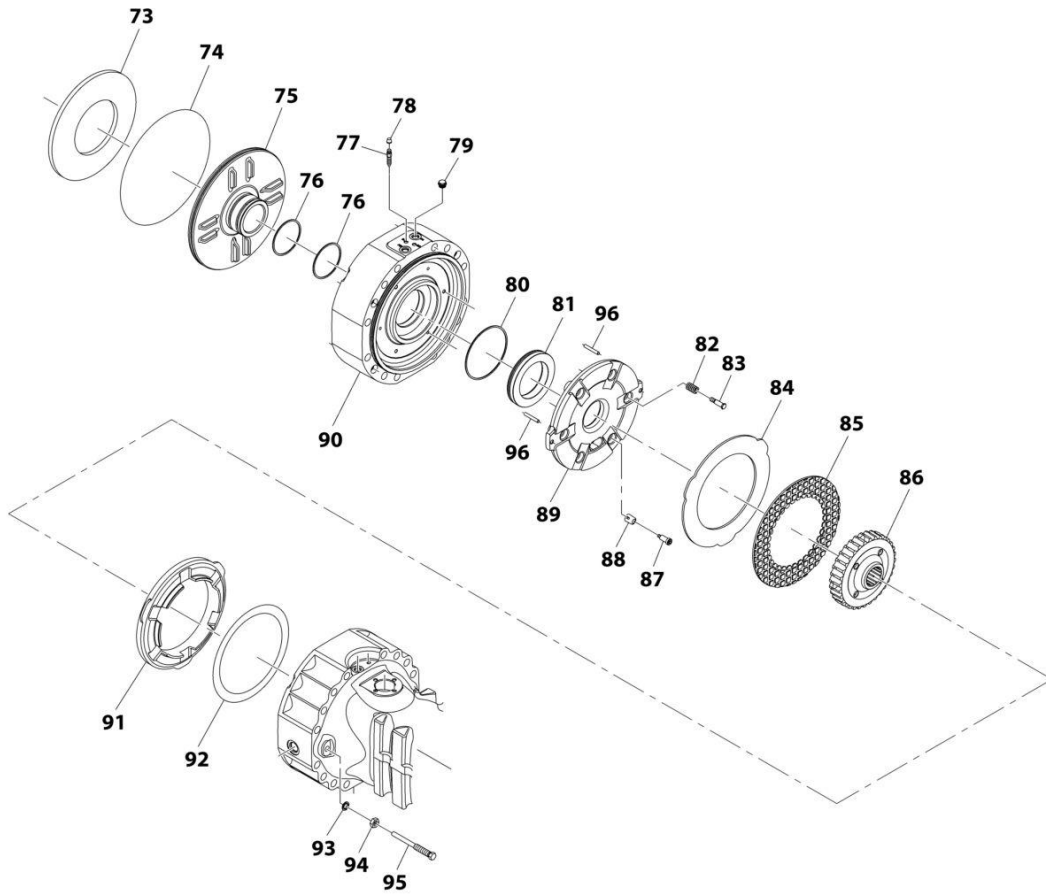
## SECTION 5 - RIVE TRAIN

**FIGURE 5-13. FRONT AXLE, HUB REDUCTION**

ITEM	PART NUMBER	QTY	DESCRIPTION	REV
	1001184984	Ref	Front Axle, Hub Reduction	F
27	91514081	2	Bolt	
28	91514082	2	Nut	
29	70025012	24	Bolt	
30	80204071	2	Circlip	
31	91514149	2	Kit, Reduction Bushing (See Separate Breakdown in this Section)	
32	70028396	2	Joint, Double Universal	
33	70026238	2	Seal	
34	70025562	20	Bolt	
35	70024881	2	Fitting, Grease	
36	91514112	2	Pin	
37	70025561	1	Shim	
38	7028716	2	Seal, Dust	
39	7028714	2	Bushing	
40	91514095	2	Bearing	
41	7028715	2	Pin	
42	80204065	4	Nut	
43	91514117	4	Bolt	
44	70028388	2	Plug	
45	70028389	2	Plug	
46	70026002	2	Seal	
47	80204076	4	Bearing, Taper Roller	
48	91514174	2	Hub, Wheel	
49	91514175	2	Circlip	
50	70024147	2	Gear, Ring	
51	91514177	2	Support, Ring Gear	
52	91514178	2	Plate	
53	91514184	8	Circlip	
54	91514185	8	Gear, Planet	
55	91514186	8	Bearing	
56	7029317	2	Carrier, Planet Gear	
57	70028387	2	Plug	
58	91514189	4	Bolt, Countersunk	
59	91514179	16	Nut	
60	91514180	16	Stud	
61	91514181	2	O-Ring	
62	80214120	20	Stud	
63	7029743	2	Kit, Planet Gear Carrier	
64	91514089	2	O-Ring	
65	70025014	8	Stud	
66	91514084	8	Washer	
67	91514083	8	Nut	
68	70026260	1	Kit, Steering Case (left) (See Separate Breakdown in this Section)	
69	70026261	1	Kit, Steering Case (right) (See Separate Breakdown in this Section)	
70	7028733	4	Bolt, Steering Adjust	
71	70024146	2	Kit, Ring Gear Support (See Separate Breakdown in this Section)	
72	70028392	2	Cover	

# SECTION 5 - RIVE TRAIN

## FIGURE 5-14. FRONT AXLE, BRAKES



ART\_1001184984\_4-F



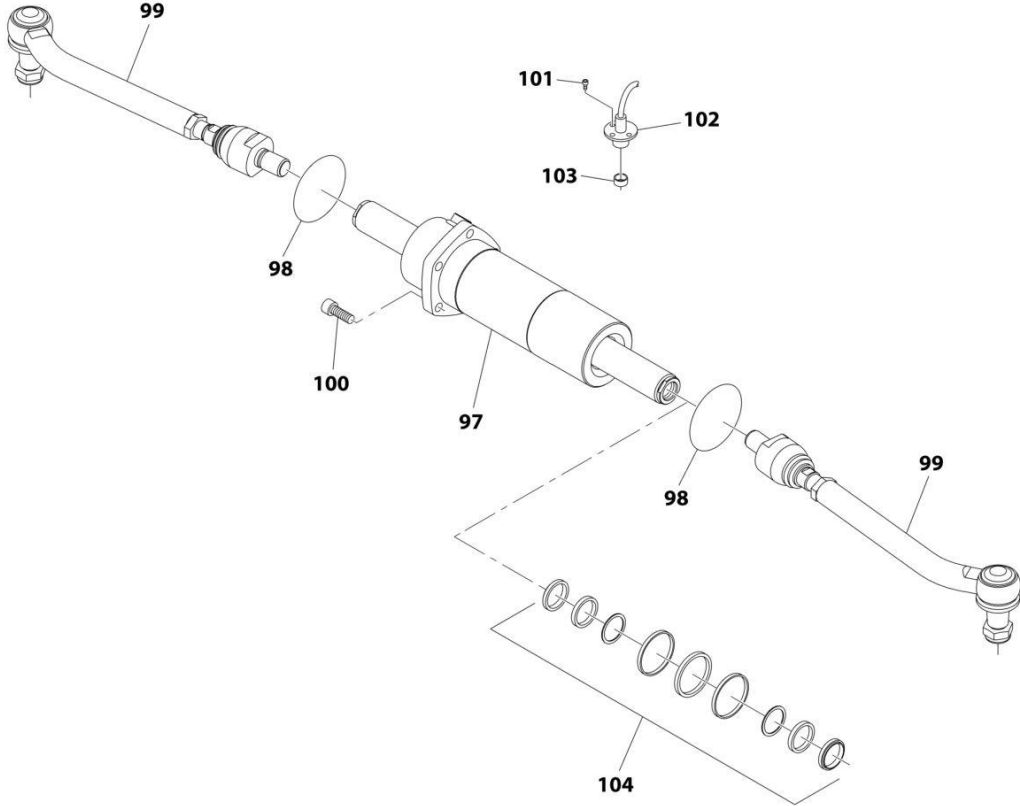
## SECTION 5 - RIVE TRAIN

### FIGURE 5-14. FRONT AXLE, BRAKES

ITEM	PART NUMBER	QTY	DESCRIPTION	REV
	1001184984	Ref	Front Axle, Brakes	F
73	91514151	2	Washer	
74	91514089	2	O-Ring	
75	70027092	2	Piston	
76	70026262	4	Seal	
77	80204281	4	Bolt, Bleeding	
78	80204117	4	Plug	
79	91514154	4	Plug	
80	70026263	2	Seal	
81	70027796	2	Piston	
82	91514159	6	Spring	
83	70024210	6	Bolt, Adjusting	
84	70027022	6	Disc, Intermediate Brake	
85	7029735	6	Disc, Brake	
86	7029734	2	Bushing, Reduction	
87	7029787	6	Bolt, Adjusting	
88	70027317	6	Spring	
89	70024849	2	Disc, Intermediate Brake	
90	70024848	2	Cover	
91	70026264	2	Spacer	
92	70025970	1	Shim	
93	80204108	4	Washer, Lock	
94	80204060	4	Nut	
95	70024213	4	Bolt	
96	70024215	4	Dowel	

**SECTION 5 - RIVE TRAIN**

**FIGURE 5-15. FRONT AXLE, STEERING**



ART\_1001184984\_5-F

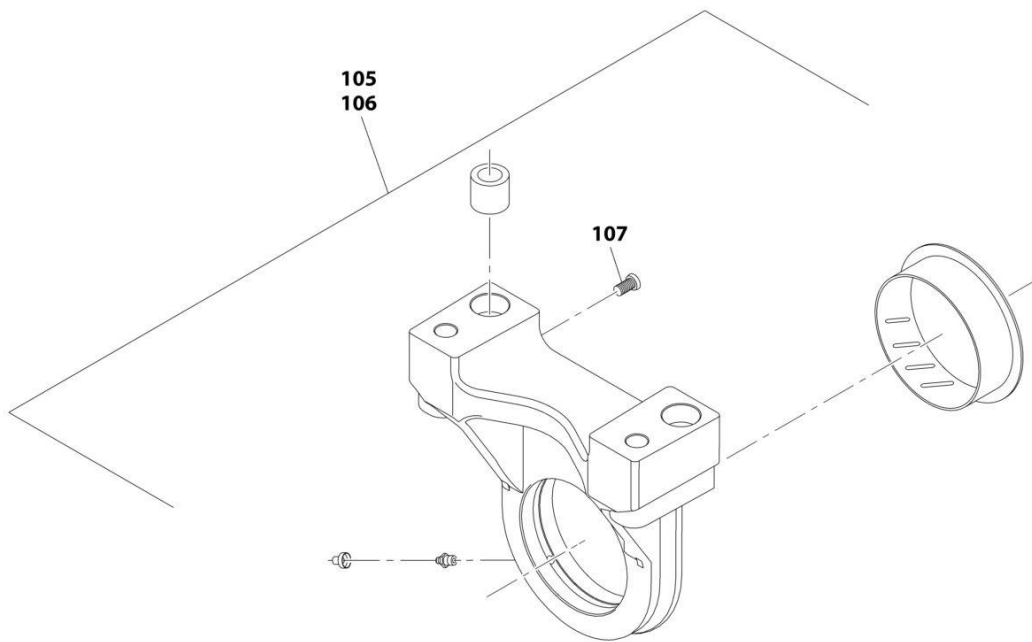
**SECTION 5 - RIVE TRAIN**

**FIGURE 5-15. FRONT AXLE, STEERING**

<b>ITEM</b>	<b>PART NUMBER</b>	<b>QTY</b>	<b>DESCRIPTION</b>	<b>REV</b>
	1001184984	Ref	Front Axle, Steering	F
97	70028393	1	Cylinder	
98	80204143	2	O-Ring	
99	70028394	2	Rod, Articulated Tie	
99	70022773	2	Nut	
100	80204144	5	Bolt	
101	8008175	2	Bolt	
102	70027986	1	Optical Sensor	
103	7029307	1	Plug	
104	7029127	1	Kit, Seal	

# SECTION 5 - RIVE TRAIN

## FIGURE 5-16. FRONT AXLE, TRUNION



ART\_1001184984\_6-F

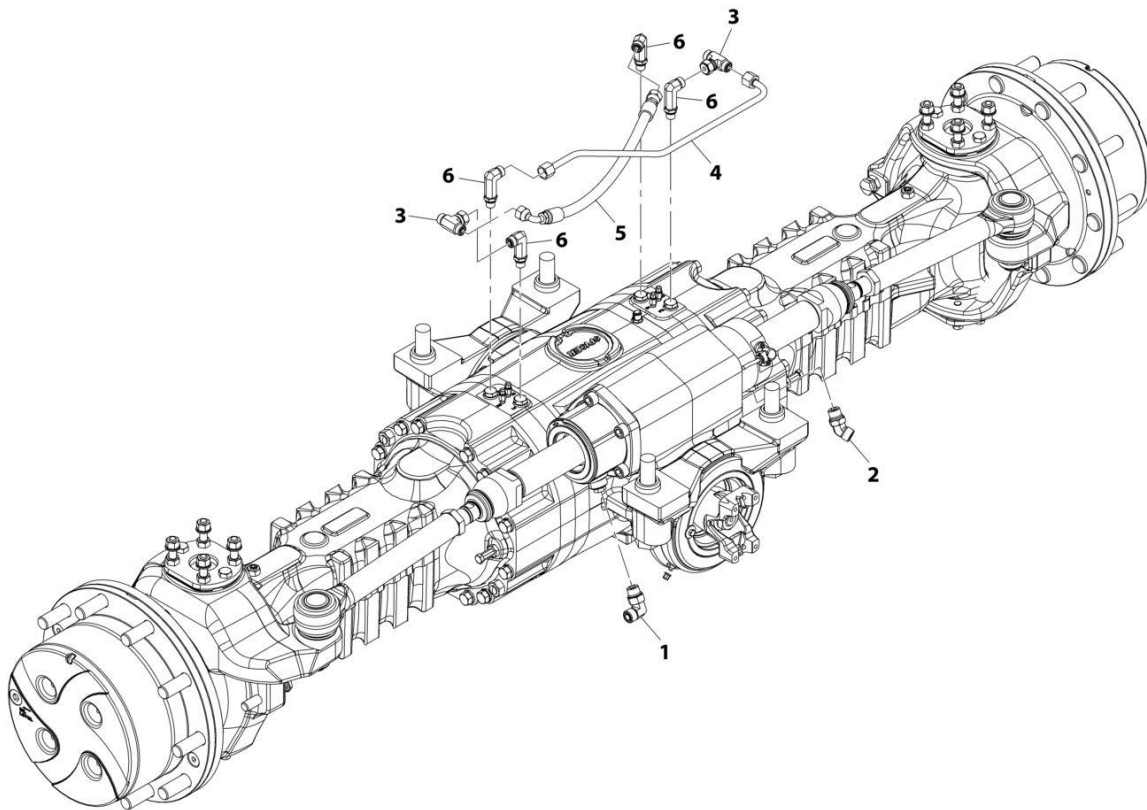
**SECTION 5 - RIVE TRAIN**

**FIGURE 5-16. FRONT AXLE, TRUNION**

<b>ITEM</b>	<b>PART NUMBER</b>	<b>QTY</b>	<b>DESCRIPTION</b>	<b>REV</b>
	1001184984	Ref	Front Axle, Trunion	F
105	70026266	1	Kit, Trunion (See Separate Breakdown in this Section)	
106	70026265	1	Support	
107	70025884	1	Bolt	

# SECTION 5 - RIVE TRAIN

## FIGURE 5-17. FRONT AXLE LINES INSTALLATION



ART\_1001207898-C

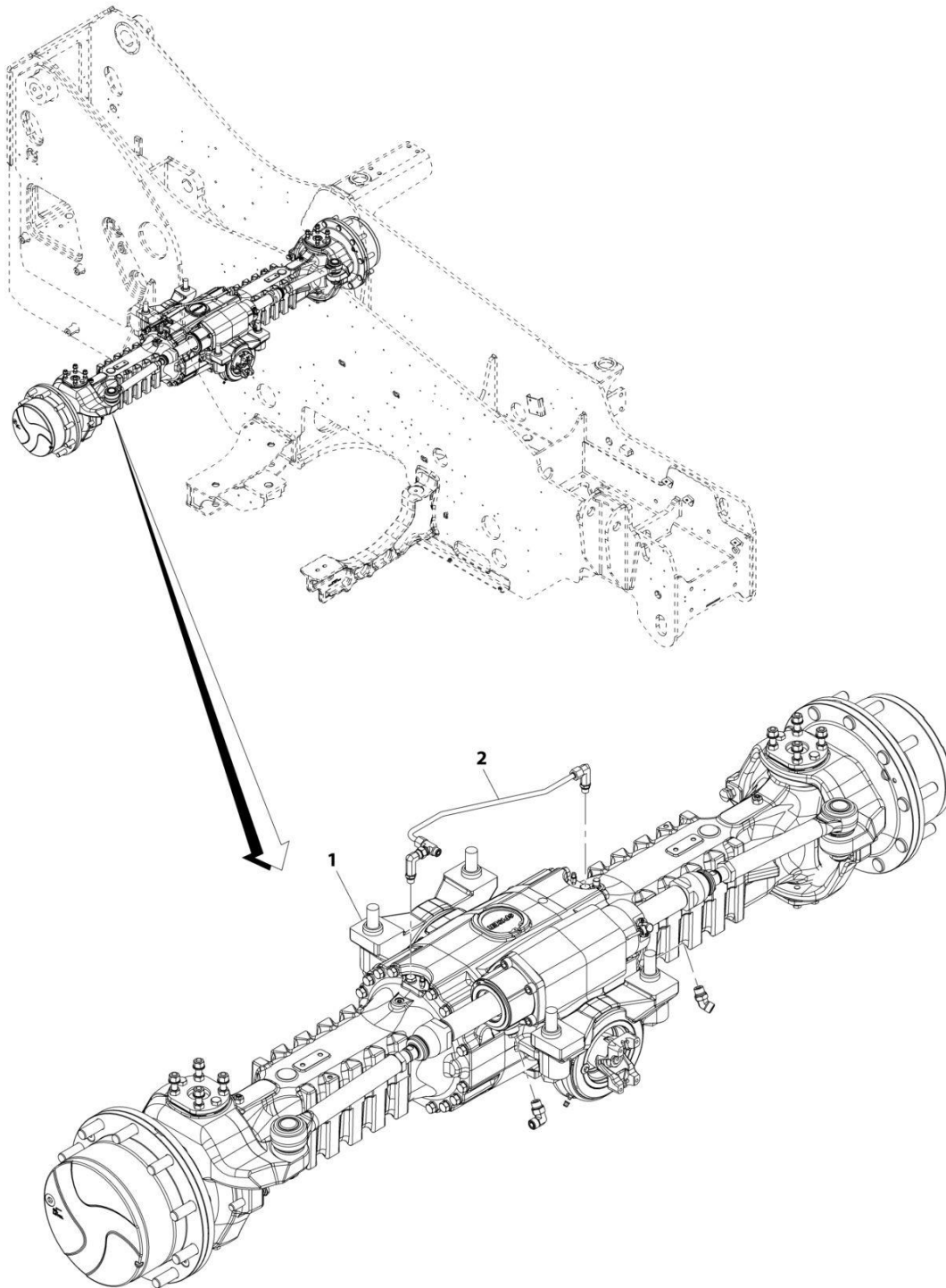
**SECTION 5 - RIVE TRAIN**

**FIGURE 5-17. FRONT AXLE LINES INSTALLATION**

<b>ITEM</b>	<b>PART NUMBER</b>	<b>QTY</b>	<b>DESCRIPTION</b>	<b>REV</b>
	1001207898	Ref	Front Axle Lines Installation	C
1	2130808	1	Fitting, 90 ORFS	
2	2150808	1	Fitting, 45 ORFS	
3	2170806	2	Fitting, Tee ORFS	
4	1001224598	1	Tube	
5	1001210281	1	Hose	
6	1001210769	4	Fitting, 90 ORFS	

# SECTION 5 - RIVE TRAIN

## FIGURE 5-18. REAR AXLE INSTALLATION



ART\_1001184978-B



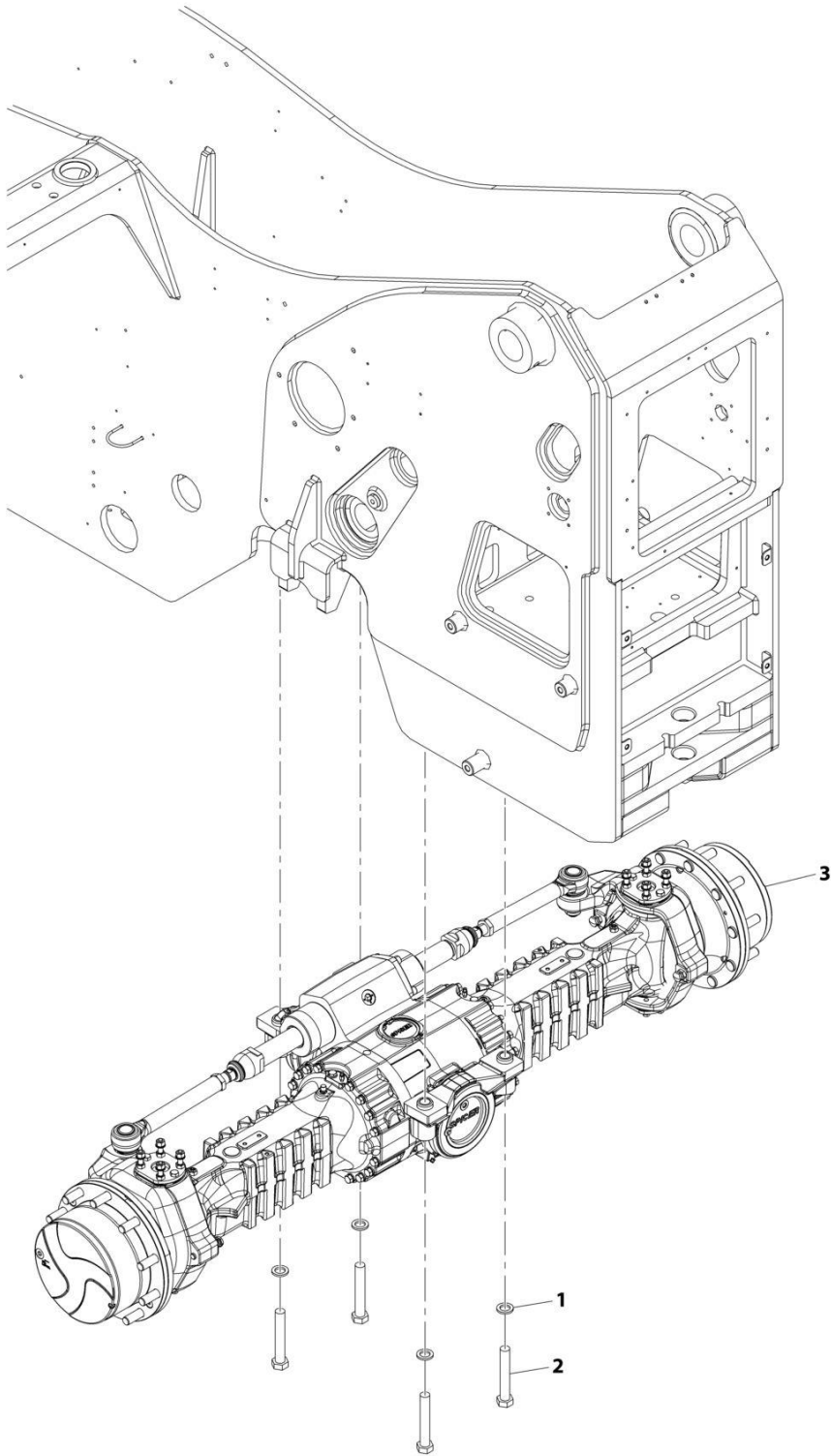
**SECTION 5 - RIVE TRAIN**

**FIGURE 5-18. REAR AXLE INSTALLATION**

ITEM	PART NUMBER	QTY	DESCRIPTION	REV
1	1001184978 1001184983	Ref Ref	Rear Axle Installation Installation, Rear Axle Mounting (See Separate Breakdown in this Section)	B
2	1001207899	Ref	Installation, Rear Axle Lines (See Separate Breakdown in this Section)	

**SECTION 5 - RIVE TRAIN**

**FIGURE 5-19. REAR AXLE MOUNTING INSTALLATION**



ART\_1001184983-B

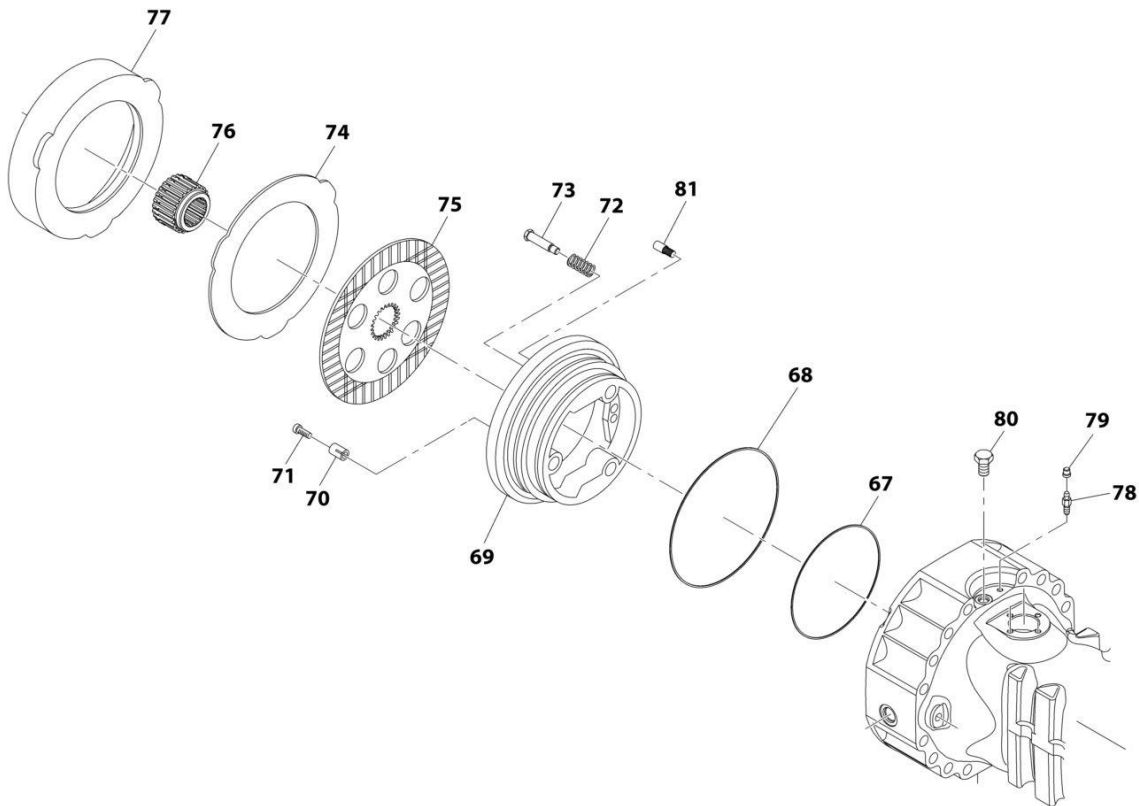
**SECTION 5 - RIVE TRAIN**

**FIGURE 5-19. REAR AXLE MOUNTING INSTALLATION**

<b>ITEM</b>	<b>PART NUMBER</b>	<b>QTY</b>	<b>DESCRIPTION</b>	<b>REV</b>
	1001184983	Ref	Rear Axle Mounting Installation	B
1	4892600	4	Washer	
2	1001097587	4	Bolt, M24-3X150 Grade 10.9	
3	1001184985	Ref	Axle, Rear (See Separate Breakdown in this Section)	

# SECTION 5 - RIVE TRAIN

## FIGURE 5-20. REAR AXLE, BRAKES



ART\_1001184985\_4-F

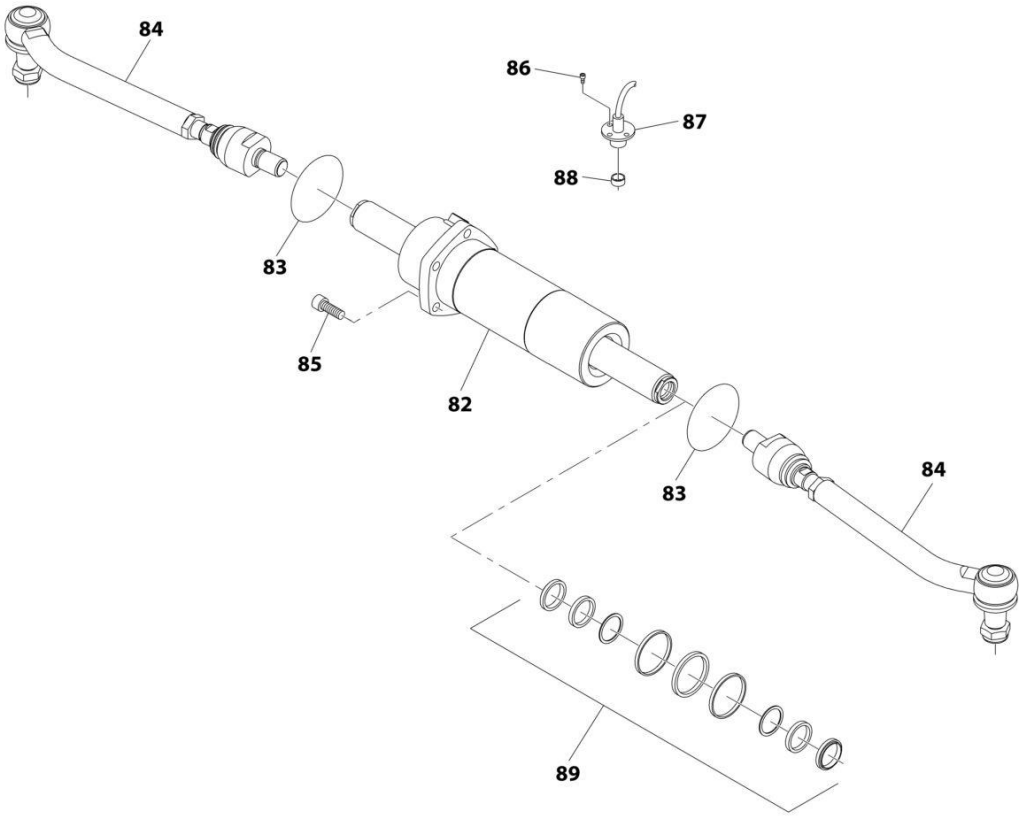
## SECTION 5 - RIVE TRAIN

### FIGURE 5-20. REAR AXLE, BRAKES

ITEM	PART NUMBER	QTY	DESCRIPTION	REV
	1001184985	Ref	Rear Axle, Brakes	F
67	70026747	2	Seal	
68	70026748	2	Seal	
69	70024216	2	Piston	
70	70027317	6	Spring	
71	7029785	6	Bolt, Adjusting	
72	91514159	6	Spring	
73	70024210	6	Bolt, Adjusting	
74	70027022	6	Disc, Intermediate Brake	
75	7029735	6	Disc, Brake	
76	7029734	2	Bushing, Reduction	
77	70021606	2	Spacer	
78	80204281	2	Bolt, Bleeding	
79	80204117	2	Plug	
80	91514154	2	Bolt	
81	70021613	2	Bolt, Pilot	

**SECTION 5 - RIVE TRAIN**

**FIGURE 5-21. REAR AXLE, STEERING**



ART\_1001184985\_5-F

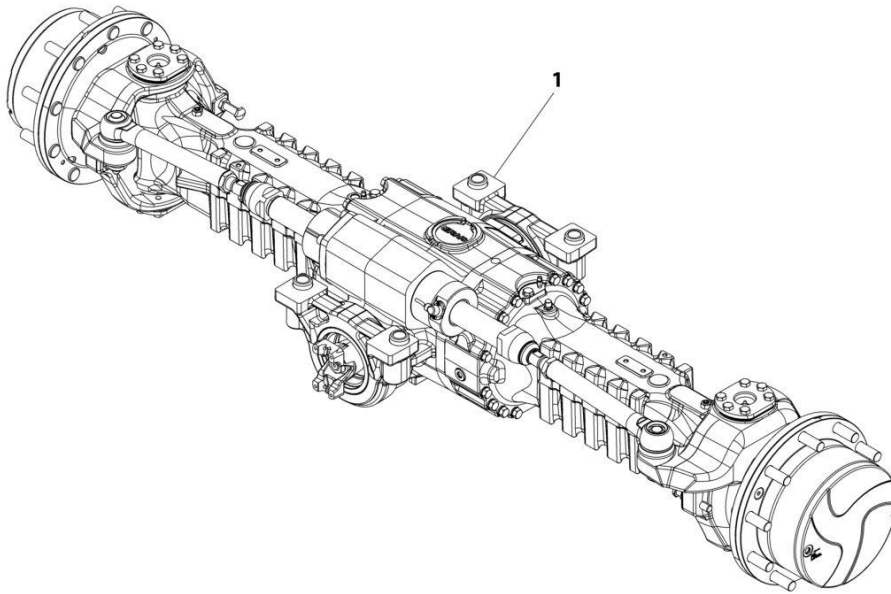
**SECTION 5 - RIVE TRAIN**

**FIGURE 5-21. REAR AXLE, STEERING**

ITEM	PART NUMBER	QTY	DESCRIPTION	REV
	1001184985	Ref	Rear Axle, Steering	F
82	70028393	1	Cylinder	
83	80204143	2	O-Ring	
84	70028394	2	Rod, Articulated Tie	
84	70022773	2	Nut	
85	80204144	5	Bolt	
86	8008175	2	Bolt	
87	70027986	1	Sensor, Optical	
88	7029307	1	Plug	
89	7029127	1	Kit, Seal	

# SECTION 5 - RIVE TRAIN

## FIGURE 5-22. REAR AXLE



ART\_1001184985-F



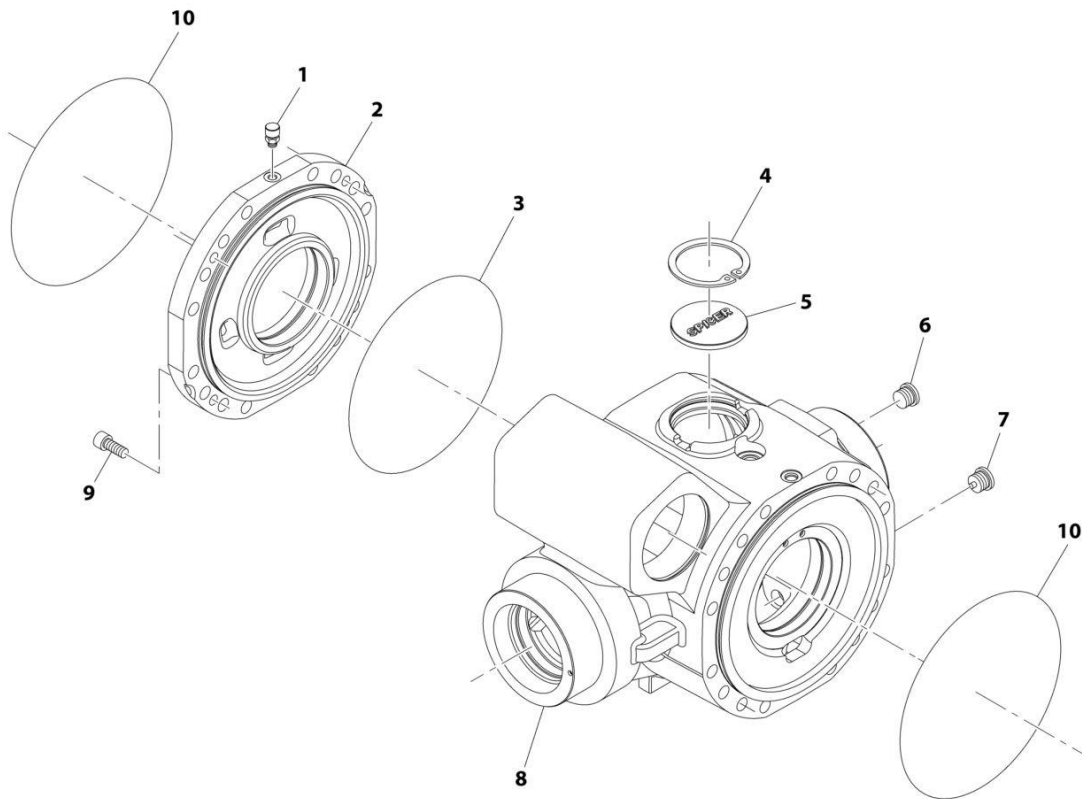
**SECTION 5 - RIVE TRAIN**

**FIGURE 5-22. REAR AXLE**

ITEM	PART NUMBER	QTY	DESCRIPTION	REV
1	1001184985	Ref	Rear Axle	F
		Ref	Rear Axle, Central Housing (See Separate Breakdown in this Section)	
		Ref	Rear Axle, Differential (See Separate Breakdown in this Section)	
		Ref	Rear Axle, Hub Reduction (See Separate Breakdown in this Section)	
		Ref	Rear Axle, Brakes (See Separate Breakdown in this Section)	
		Ref	Rear Axle, Steering (See Separate Breakdown in this Section)	
		Ref	Rear Axle, Trunnion (See Separate Breakdown in this Section)	

# SECTION 5 - RIVE TRAIN

## FIGURE 5-23. REAR AXLE, CENTRAL HOUSING



ART\_1001184985\_1-F

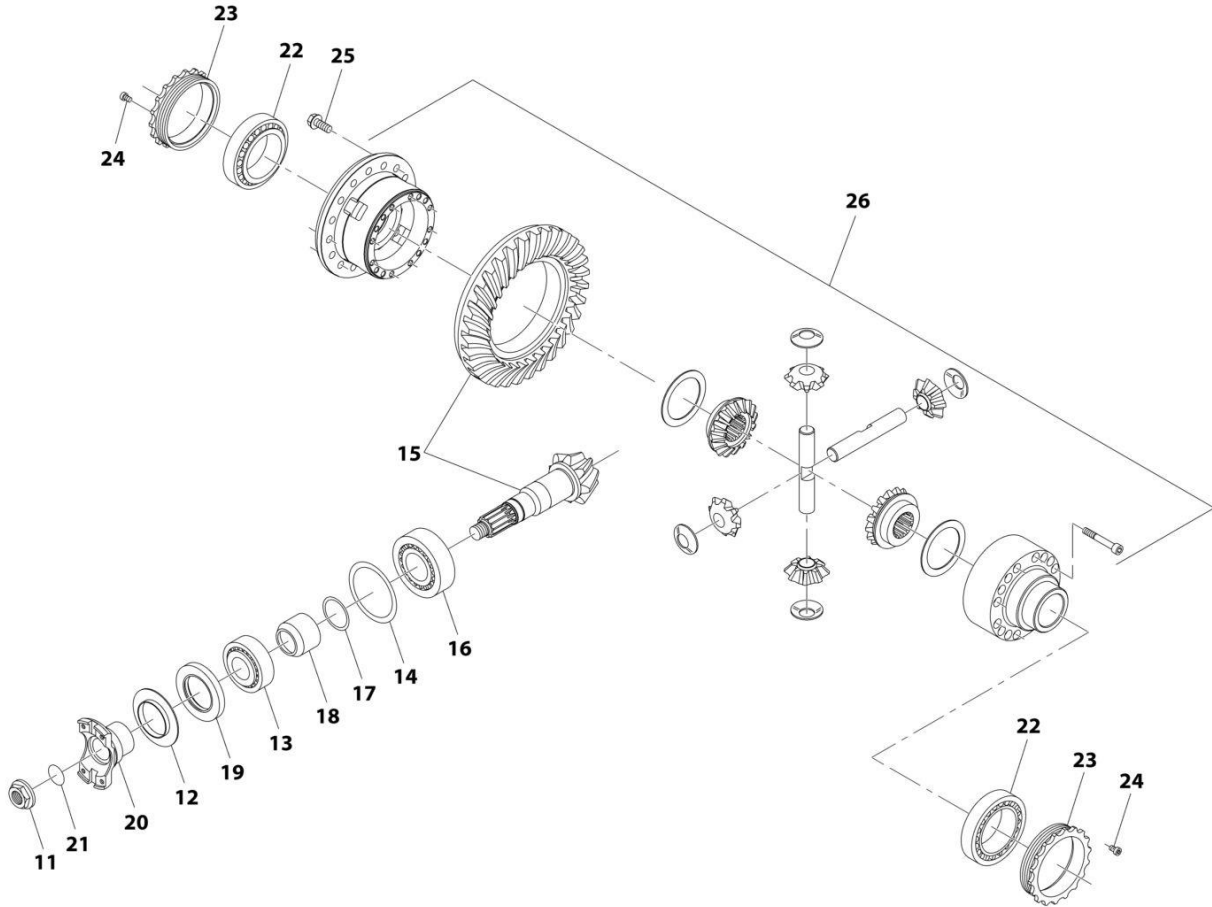
**SECTION 5 - RIVE TRAIN**

**FIGURE 5-23. REAR AXLE, CENTRAL HOUSING**

<b>ITEM</b>	<b>PART NUMBER</b>	<b>QTY</b>	<b>DESCRIPTION</b>	<b>REV</b>
	1001184985	Ref	Rear Axle, Central Housing	F
1	91474512	1	Vent	
2	7029288	1	Cover, Intermediate	
3	80204002	1	O-Ring	
4	80204005	1	Circlip	
5	91514098	1	Plug	
6	70028389	1	Plug	
7	70028388	1	Plug	
8	70025335	1	Housing	
9	91514101	4	Bolt	
10	91514089	2	O-Ring	

# SECTION 5 - RIVE TRAIN

## FIGURE 5-24. REAR AXLE, DIFFERENTIAL



ART\_1001184985\_2-F

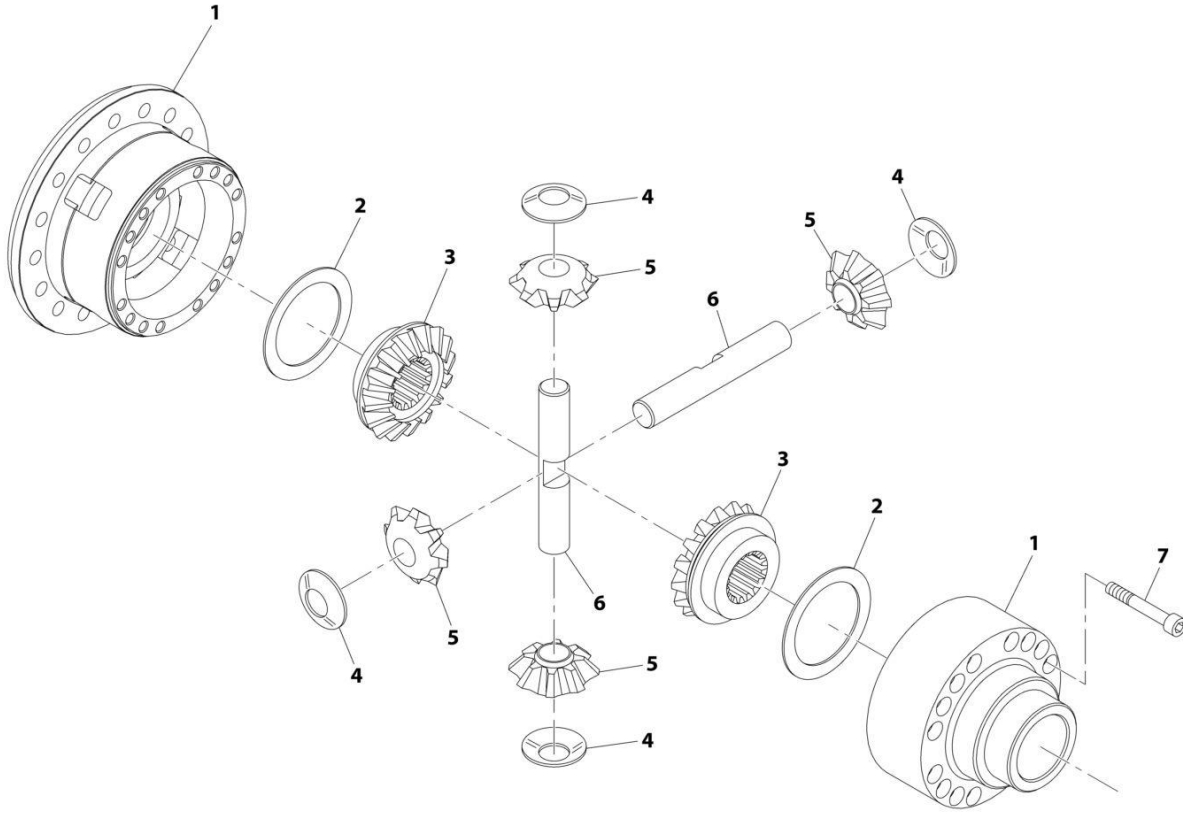
**SECTION 5 - RIVE TRAIN**

**FIGURE 5-24. REAR AXLE, DIFFERENTIAL**

ITEM	PART NUMBER	QTY	DESCRIPTION	REV
	1001184985	Ref	Rear Axle, Differential	F
11	80204043	1	Nut	
12	91514130	1	Plate, Cover	
13	80204048	1	Bearing, Taper Roller	
14	70023469	1	Shim	
15	70028399	1	Gear, Bevel Set	
16	80204035	1	Bearing, Taper Roller	
17	70023494	1	Ring	
18	70022140	1	Spacer	
19	70025887	1	Seal	
20	70028401	1	Flange	
21	10725554	1	O-Ring	
22	80204033	2	Bearing, Taper Roller	
23	91514133	2	Nut, Ring	
24	91514134	2	Bolt	
25	39844923	16	Bolt	
26	70028398	1	Kit, Differential (See Separate Breakdown in this Section)	

# SECTION 5 - RIVE TRAIN

## FIGURE 5-25. DIFFERENTIAL KIT



ART\_70028398

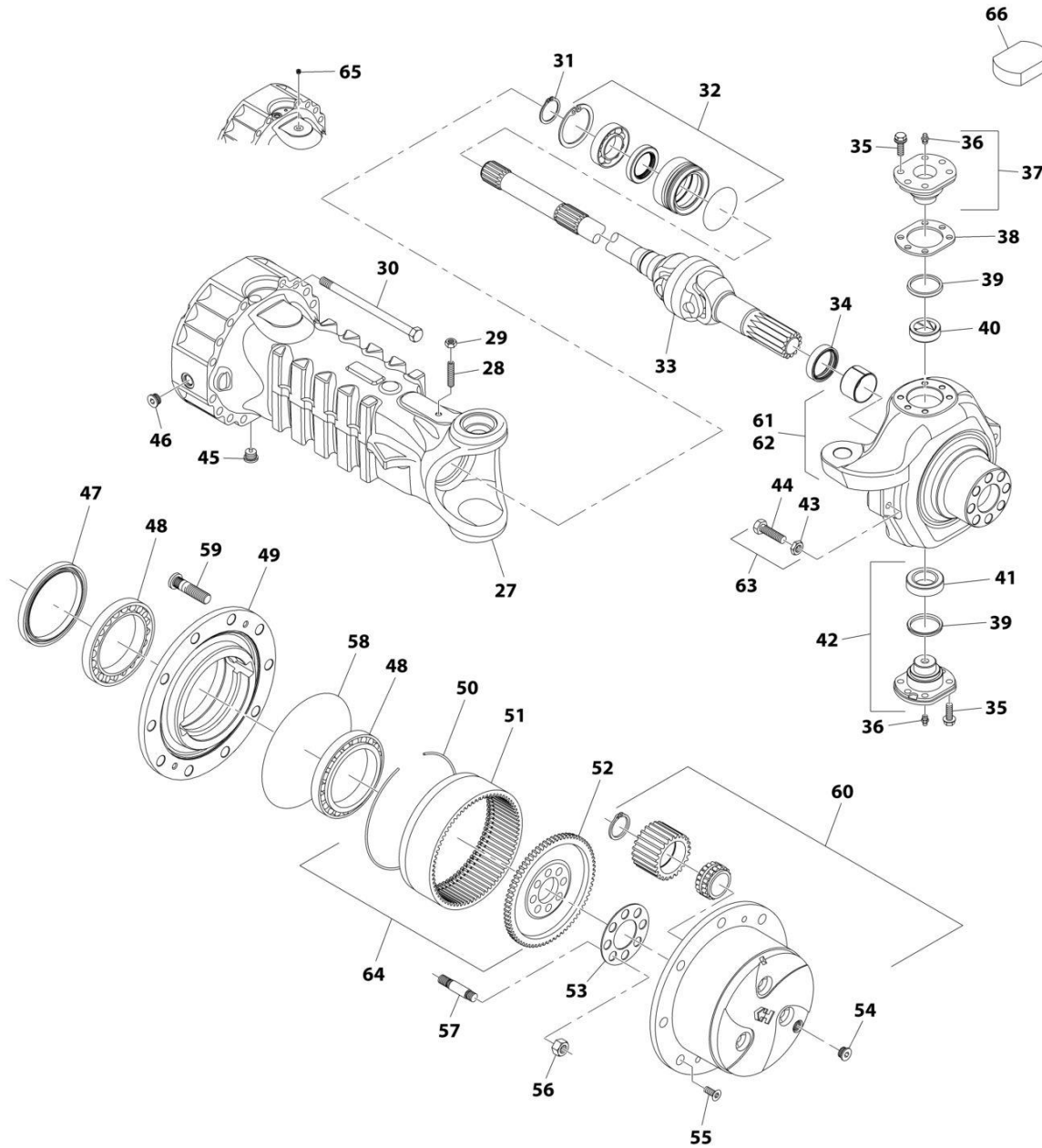
**SECTION 5 - RIVE TRAIN**

**FIGURE 5-25. DIFFERENTIAL KIT**

<b>ITEM</b>	<b>PART NUMBER</b>	<b>QTY</b>	<b>DESCRIPTION</b>	<b>REV</b>
	70028398	Ref	Differential Kit	
1	70025337	1	Carrier, Differential	
2	70023493	2	Washer, Friction	
3	70025338	2	Gear, Differential Side	
4	70027105	4	Washer, Friction	
5	70025339	4	Pinion, Differential	
6	70023490	2	Shaft, Differential	
7	70023489	15	Bolt	

# SECTION 5 - RIVE TRAIN

## FIGURE 5-26. REAR AXLE, HUB REDUCTION



ART\_1001184985\_3-F



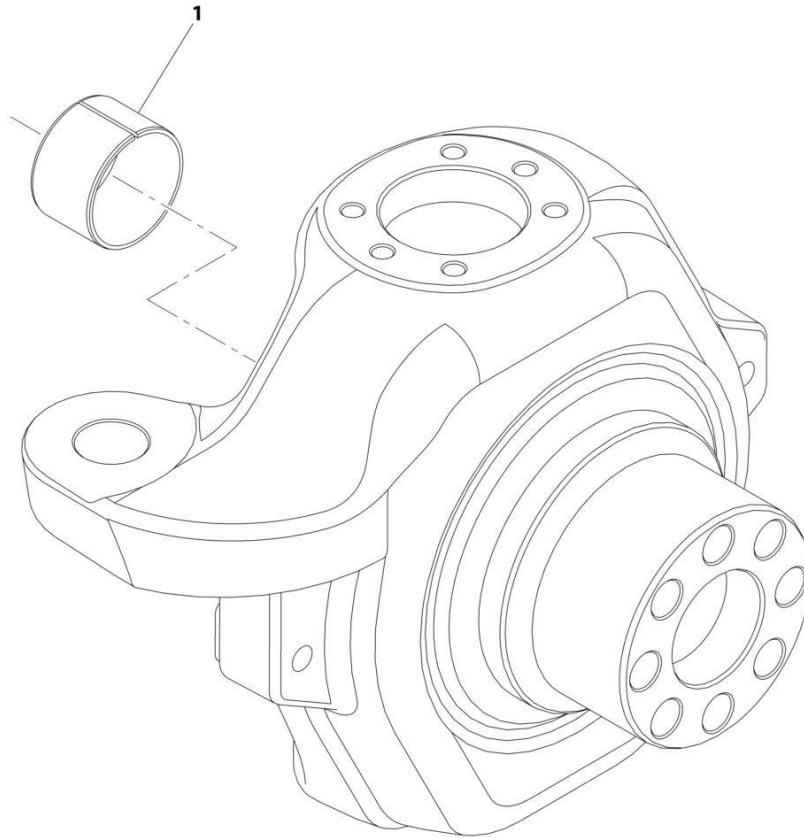
## SECTION 5 - RIVE TRAIN

**FIGURE 5-26. REAR AXLE, HUB REDUCTION**

ITEM	PART NUMBER	QTY	DESCRIPTION	REV
	1001184985	Ref	Rear Axle, Hub Reduction	F
27	70028400	2	Case, Axle	
28	91514081	2	Bolt	
29	91514082	2	Nut	
30	70028397	32	Bolt	
31	80204071	2	Circlip	
32	91514149	2	Kit, Reduction Bushing (See Separate Breakdown in this Section)	
33	70028396	2	Joint, Double Universal	
34	70026238	2	Seal	
35	70025562	20	Bolt	
36	70024881	2	Fitting, Grease	
37	91514112	2	Pin	
38	70025561	1	Shim	
39	7028716	2	Seal, Dust	
40	7028714	2	Bushing	
41	91514095	2	Bearing	
42	7028715	2	Pin	
43	80204065	4	Nut	
44	91514117	4	Bolt	
45	70028388	2	Plug	
46	70028387	2	Plug	
47	70026002	2	Seal	
48	80204076	4	Bearing, Taper Roller	
49	91514174	2	Hub, Wheel	
50	91514175	2	Circlip	
51	70024147	2	Gear, Ring	
52	91514177	2	Gear, Ring Support	
53	91514178	2	Plate, Locking	
54	70028389	2	Plug	
55	91514189	4	Bolt, Countersunk	
56	91514179	16	Nut	
57	91514180	16	Stud	
58	91514181	2	O-Ring	
59	80214120	20	Stud	
60	7029733	2	Kit, Planet Gear Carrier (See Separate Breakdown in this Section)	
61	70026260	1	Kit, Steering Case (Left) (See Separate Breakdown in this Section)	
62	70026261	1	Kit, Steering Case (Right) (See Separate Breakdown in this Section)	
63	7028733	4	Bolt, Steering Adjust	
64	70024146	2	Kit, Ring Gear Support (See Separate Breakdown in this Section)	
65	80204012	2	Plug	
66	70028392	2	Cover	

# SECTION 5 - RIVE TRAIN

## FIGURE 5-27. TEERING CASE KIT (LF, RR)



ART\_70026260

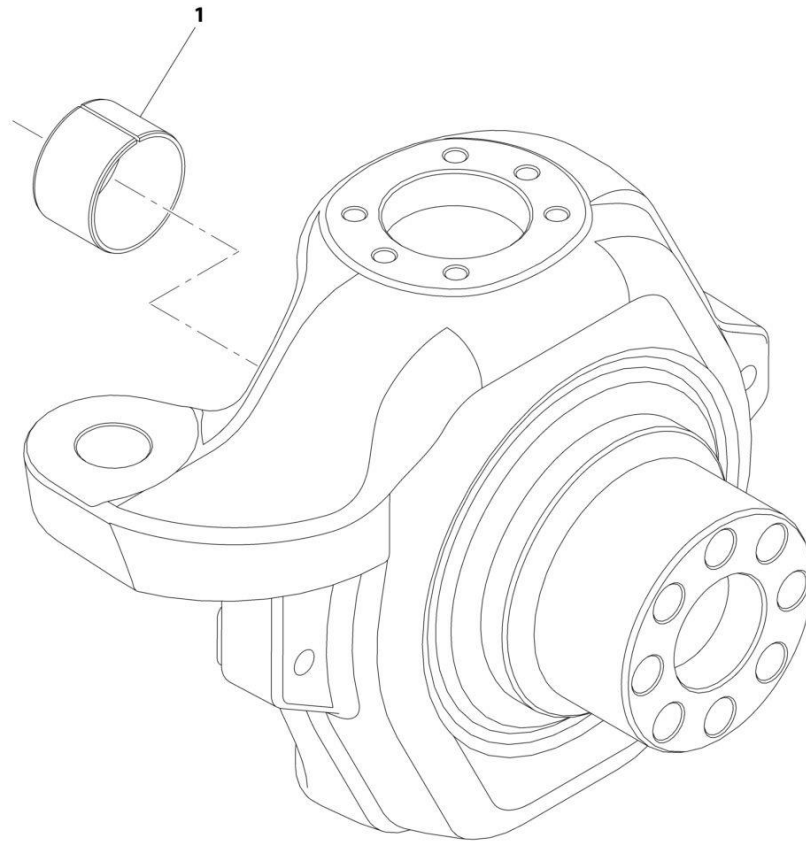
**SECTION 5 - RIVE TRAIN**

**FIGURE 5-27. TEERING CASE KIT (LF, RR)**

ITEM	PART NUMBER	QTY	DESCRIPTION	REV
1	70026260 91514111	Ref 1	Steering Case Kit (LF, RR) Bushing, Thrust	

# SECTION 5 - RIVE TRAIN

## FIGURE 5-28. STEERING CASE KIT (RF, LR)



ART\_70026261

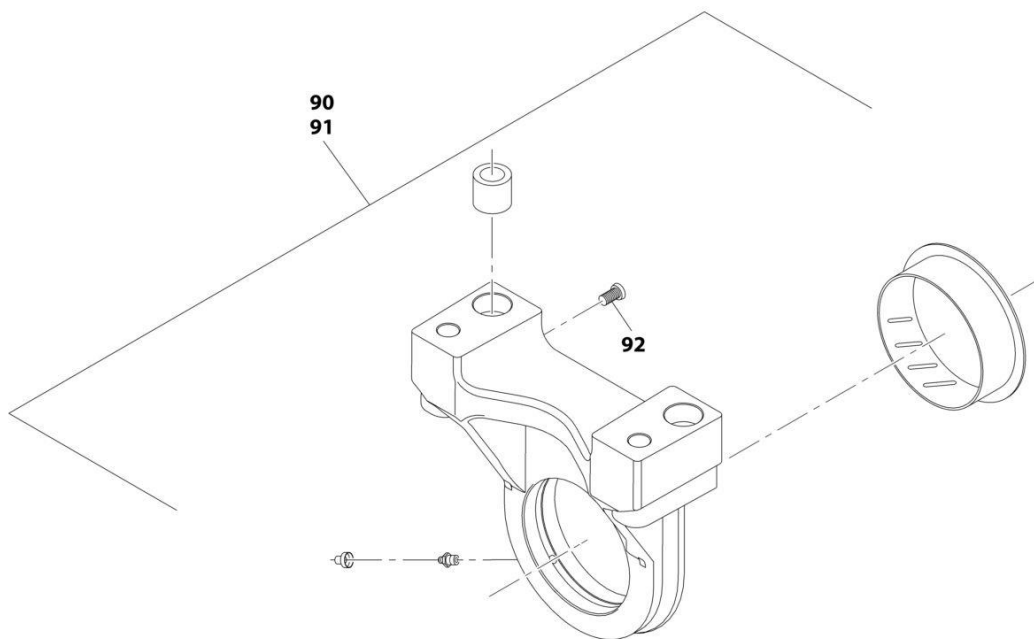
**SECTION 5 - RIVE TRAIN**

**FIGURE 5-28. STEERING CASE KIT (RF, LR)**

ITEM	PART NUMBER	QTY	DESCRIPTION	REV
1	70026261 91514111	Ref 1	Steering Case Kit (RF, LR) Bushing, Thrust	

# SECTION 5 - RIVE TRAIN

## FIGURE 5-29. REAR AXLE, TRUNION



ART\_1001184985\_6-F

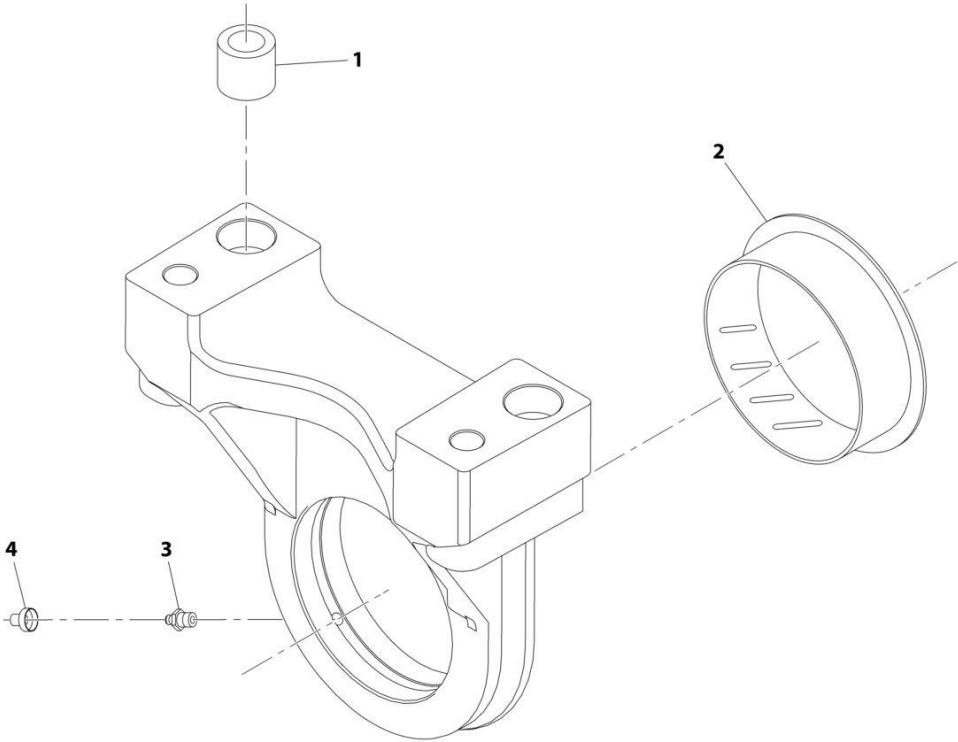
**SECTION 5 - RIVE TRAIN**

**FIGURE 5-29. REAR AXLE, TRUNION**

<b>ITEM</b>	<b>PART NUMBER</b>	<b>QTY</b>	<b>DESCRIPTION</b>	<b>REV</b>
	1001184985	Ref	Rear Axle, Trunion	F
90	70026266	1	Kit, Trunion (See Separate Breakdown in this Section)	
91	70026265	1	Support	
92	70025884	1	Bolt	

**SECTION 5 - RIVE TRAIN**

**FIGURE 5-30. TRUNION KIT**



ART\_70026266

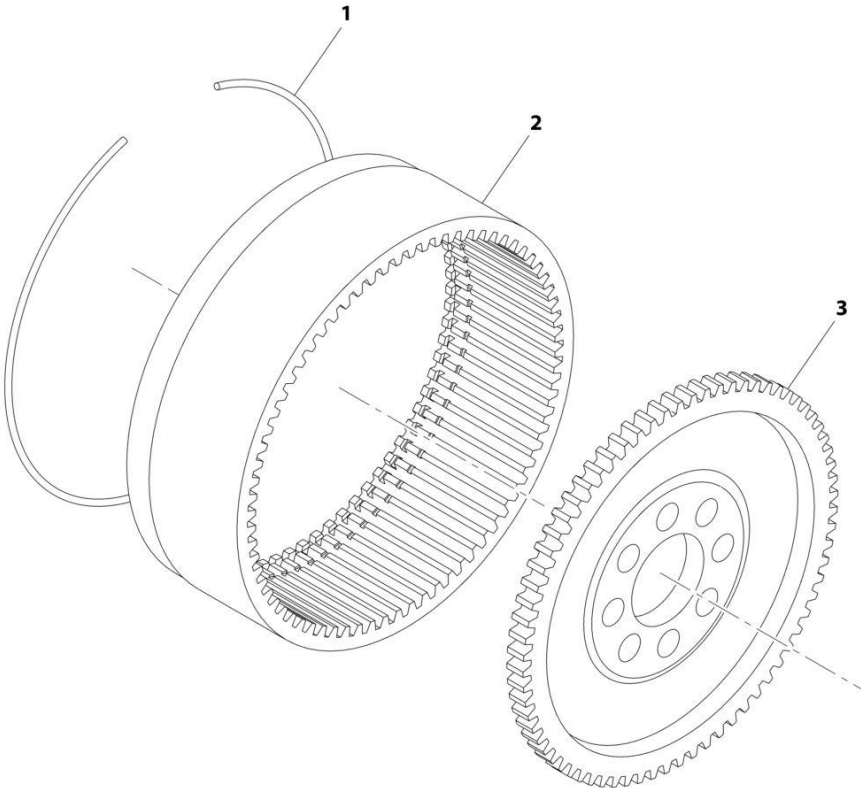


**FIGURE 5-30. TRUNION KIT**

<b>ITEM</b>	<b>PART NUMBER</b>	<b>QTY</b>	<b>DESCRIPTION</b>	<b>REV</b>
	70026266	Ref	Trunion Kit	
1	7029290	2	Bushing, Reduction	
2	91514090	1	Bushing, Thrust	
3	70024881	1	Fitting, Grease	
4	80204117	1	Plug	

**SECTION 5 - RIVE TRAIN**

**FIGURE 5-31. RING GEAR SUPPORT KIT**



ART\_70024146

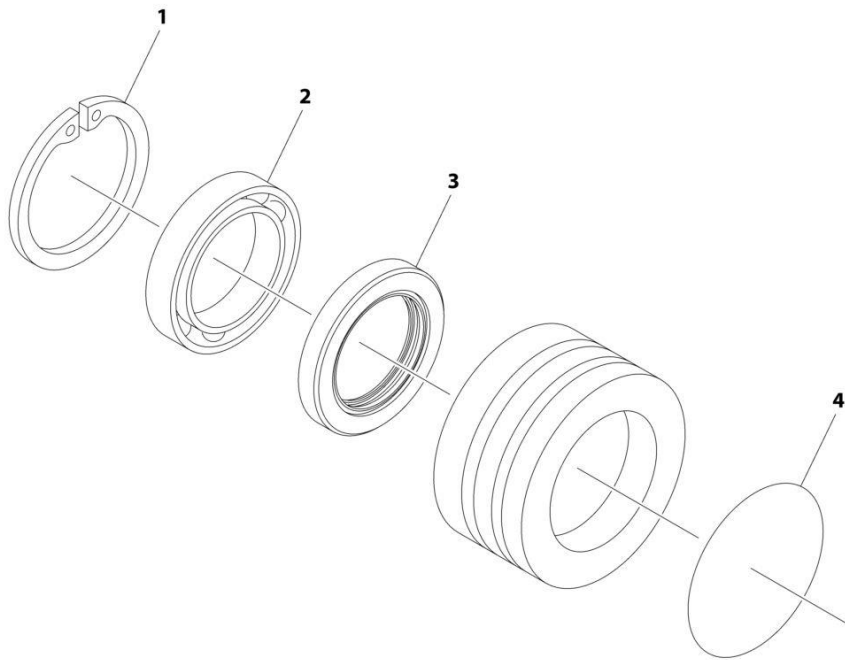
**SECTION 5 - RIVE TRAIN**

**FIGURE 5-31. RING GEAR SUPPORT KIT**

<b>ITEM</b>	<b>PART NUMBER</b>	<b>QTY</b>	<b>DESCRIPTION</b>	<b>REV</b>
	70024146	Ref	Ring Gear Support Kit	
1	91514175	1	Circlip	
2	70024147	1	Gear, Ring	
3	91514177	1	Gear, Ring Support	

# SECTION 5 - RIVE TRAIN

## FIGURE 5-32. REDUCTION BUSHING KIT



ART\_91514149

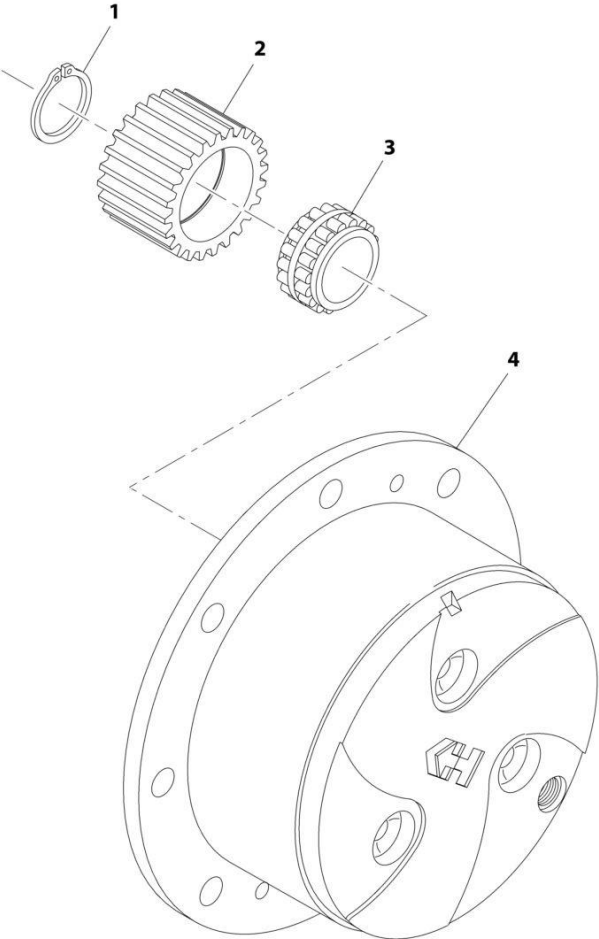
**SECTION 5 - RIVE TRAIN**

**FIGURE 5-32. REDUCTION BUSHING KIT**

<b>ITEM</b>	<b>PART NUMBER</b>	<b>QTY</b>	<b>DESCRIPTION</b>	<b>REV</b>
	91514149	Ref	Reduction Bushing Kit	
1	80204005	2	Circlip	
2	91514146	2	Bearing, Ball	
3	91514147	2	Seal	
4	91514148	2	O-Ring	

**SECTION 5 - RIVE TRAIN**

**FIGURE 5-33. PLANET GEAR CARRIER KIT**



ART\_7029733

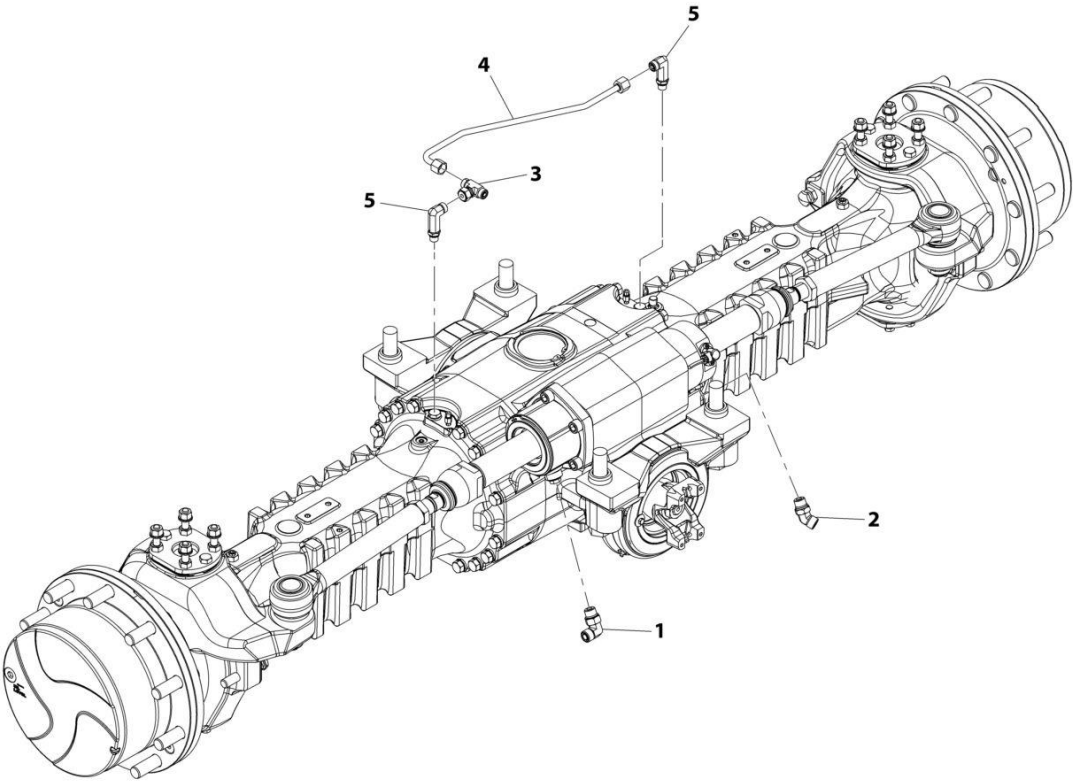
**SECTION 5 - RIVE TRAIN**

**FIGURE 5-33. PLANET GEAR CARRIER KIT**

<b>ITEM</b>	<b>PART NUMBER</b>	<b>QTY</b>	<b>DESCRIPTION</b>	<b>REV</b>
	7029733	Ref	Planet Gear Carrier Kit	
1	91514184	3	Circlip	
2	91514185	6	Gear, Planet	
3	91514186	6	Bearing	
4	7026731	1	Carrier, Planet Gear	

**SECTION 5 - RIVE TRAIN**

**FIGURE 5-34. REAR AXLE LINES INSTALLATION**



ART\_1001207899-C

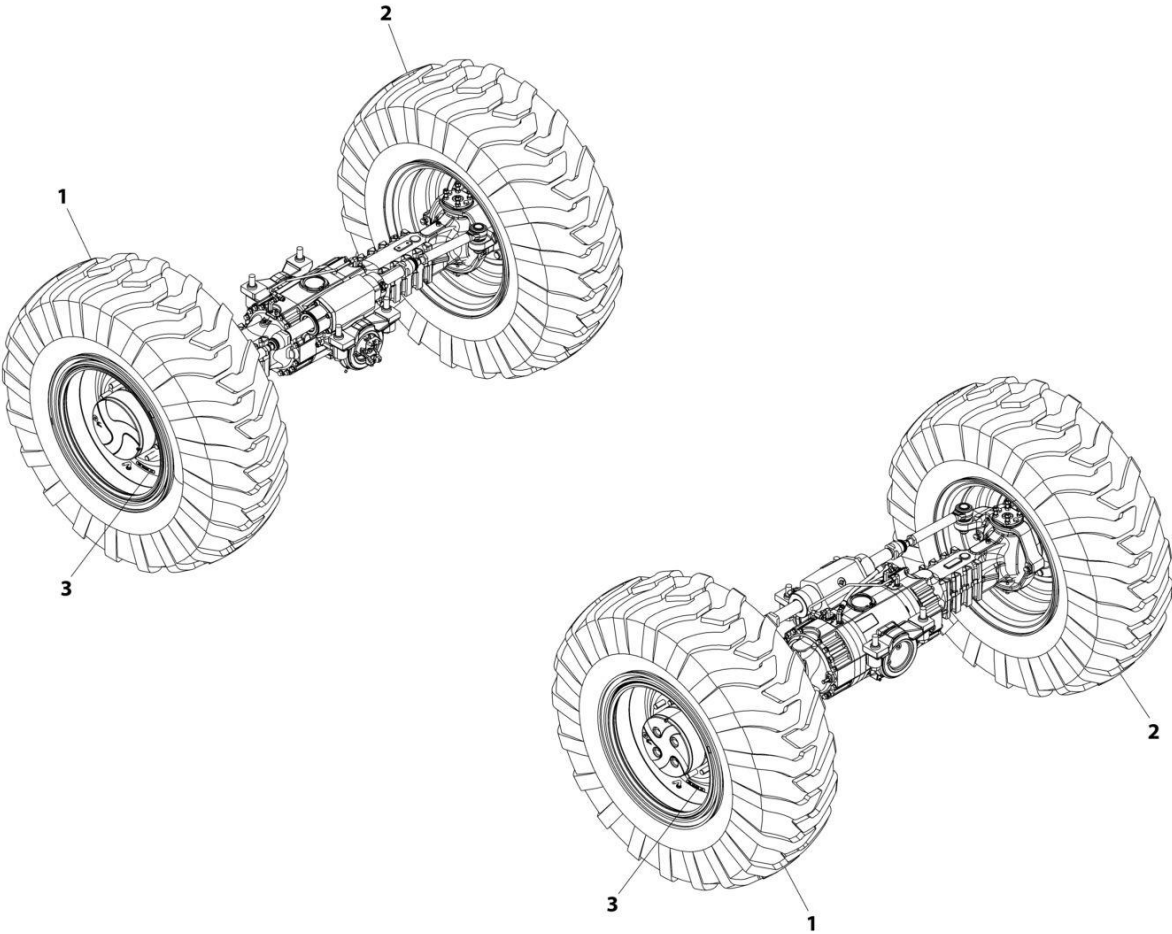


**FIGURE 5-34. REAR AXLE LINES INSTALLATION**

<b>ITEM</b>	<b>PART NUMBER</b>	<b>QTY</b>	<b>DESCRIPTION</b>	<b>REV</b>
	1001207899	Ref	Rear Axle Lines Installation	C
1	2130808	1	Fitting, 90 ORFS	
2	2150808	1	Fitting, 45 ORFS	
3	2170806	1	Fitting, Tee ORFS	
4	1001224938	1	Tube	
5	1001210769	2	Fitting, 90 ORFS	

**SECTION 5 - RIVE TRAIN**

**FIGURE 5-35. TIRE/WHEEL SET (AIR 17.5-25 - 20 PLY)**



ART\_1001192168-C

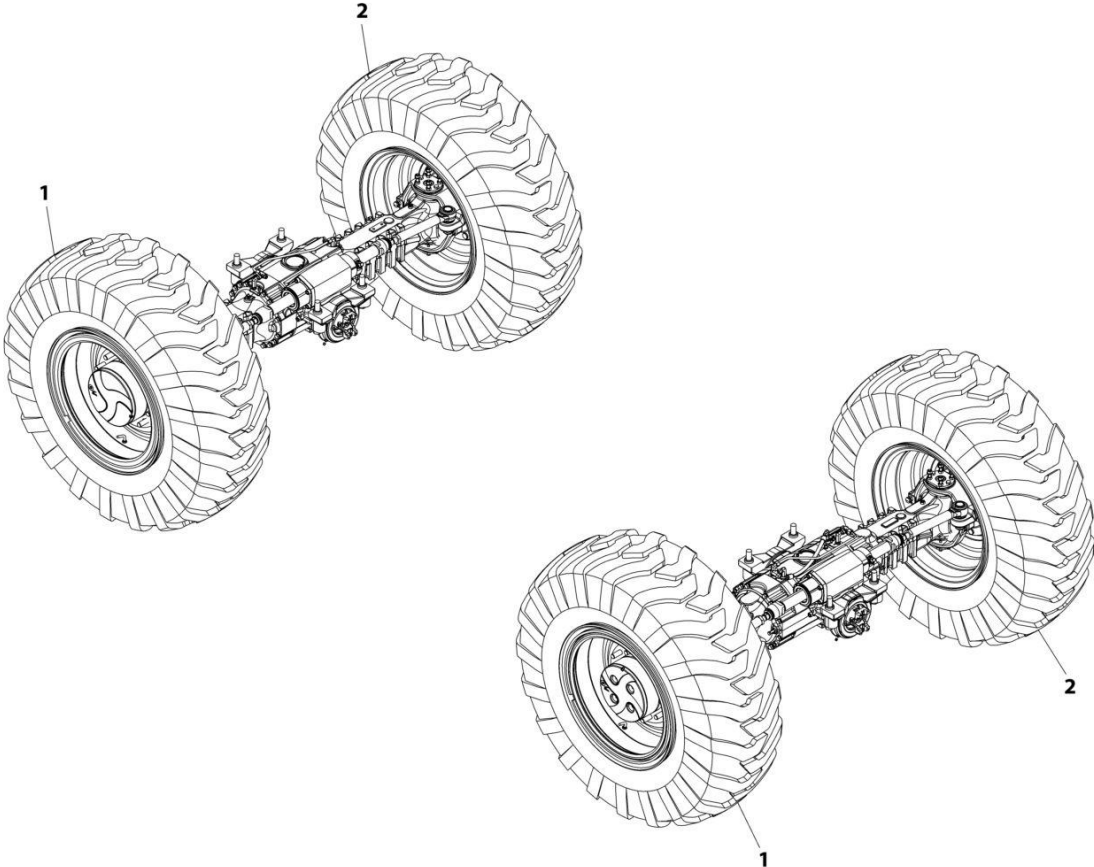
**SECTION 5 - RIVE TRAIN**

**FIGURE 5-35. TIRE/WHEEL SET (AIR 17.5-25 - 20 PLY)**

<b>ITEM</b>	<b>PART NUMBER</b>	<b>QTY</b>	<b>DESCRIPTION</b>	<b>REV</b>
	1001192168	1	Tire/Wheel Set (Air 17.5-25 - 20 PLY)	C
1	1001192177	2	Assembly, Right Tire/Wheel (Air 17.5-25 - 20 PLY)	
1	8786549	1	Valve, Stem	
1	1001187423	1	Tire, 17.5-25 20 PLY	
1	1001189288J	1	Wheel, 25X14.0 DTU 10 Hole	
2	1001192178	2	Assembly, Left Tire/Wheel (Air 17.5-25 - 20 PLY)	
2	8786549	1	Valve, Stem	
2	1001187423	1	Tire, 17.5-25 20 PLY	
2	1001189288J	1	Wheel, 25X14.0 DTU 10 Hole	
3	1001229201	4	Decal	

**SECTION 5 - RIVE TRAIN**

**FIGURE 5-36. TIRE/WHEEL SET (FOAM 17.5-25 - 20 PLY)**



ART\_1001192170-A

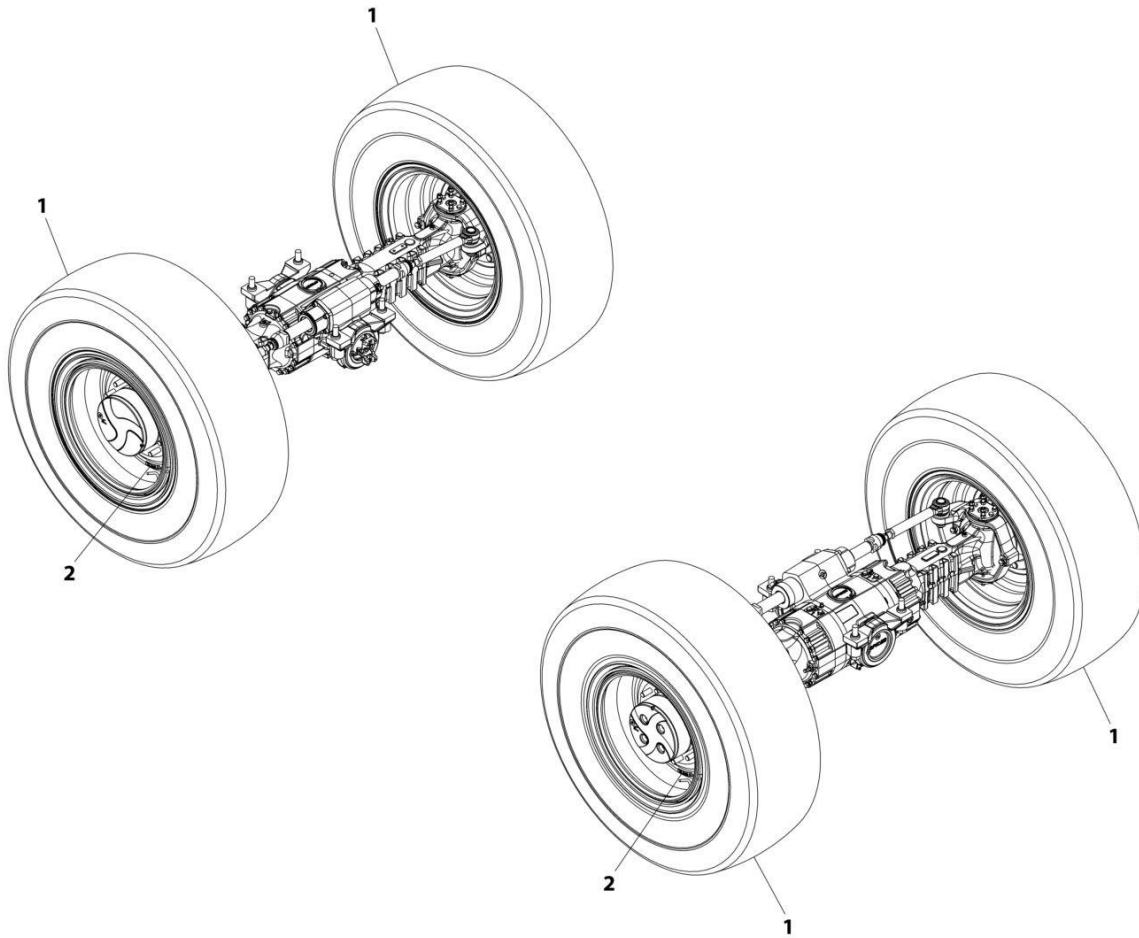
**SECTION 5 - RIVE TRAIN**

**FIGURE 5-36. TIRE/WHEEL SET (FOAM 17.5-25 - 20 PLY)**

ITEM	PART NUMBER	QTY	DESCRIPTION	REV
	1001192170	1	Tire/Wheel Set (Foam 17.5-25 - 20 PLY)	A
		Ref	<b>Note: Requires ballast/foam filling to manufacturer's specifications prior to installing on a machine. Refer to Service and Maintenance Manuals. Purchase individual tire and/or rim only if able to foam fill tire and wheel assembly, otherwise, purchase complete.</b>	
1	1001192180	2	Assembly, Right Tire/Wheel (Foam 17.5-25 - 20 PLY)	
1	8786549	1	Valve, Stem	
1	1001187423	1	Tire, 17.5-25 20 PLY	
1	1001189288J	1	Wheel, 25X14.0 DTU 10 Hole	
2	1001192181	2	Assembly, Left Tire/Wheel (Foam 17.5-25 - 20 PLY)	
2	8786549	1	Valve, Stem	
2	1001187423	1	Tire, 17.5-25 20 PLY	
2	1001189288J	1	Wheel, 25X14.0 DTU 10 Hole	

# SECTION 5 - RIVE TRAIN

FIGURE 5-37. TIRE/WHEEL SET (AIR 17.5-25 - 22 PLY)



ART\_1001221695-B

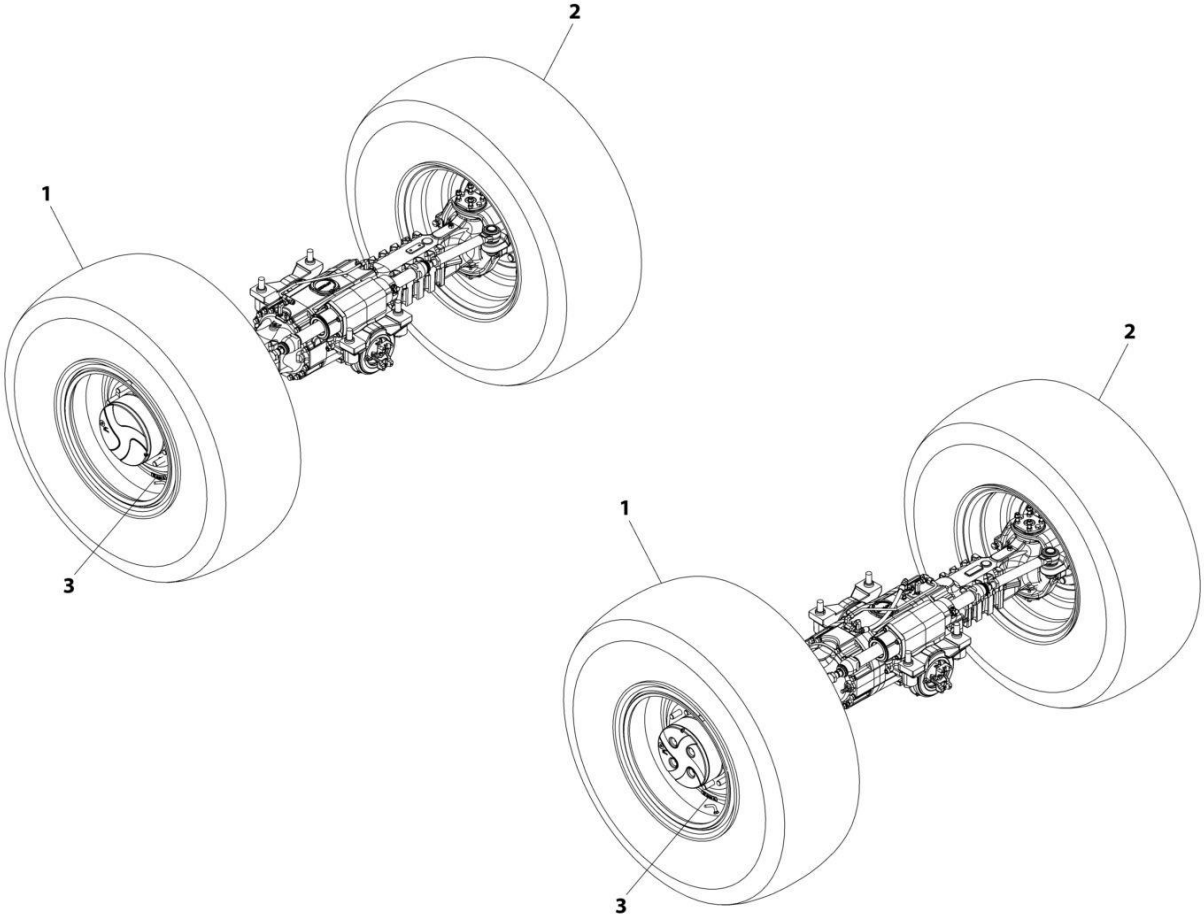
**SECTION 5 - RIVE TRAIN**

**FIGURE 5-37. TIRE/WHEEL SET (AIR 17.5-25 - 22 PLY)**

<b>ITEM</b>	<b>PART NUMBER</b>	<b>QTY</b>	<b>DESCRIPTION</b>	<b>REV</b>
	1001221695	Ref	Tire/Wheel Set (Air 17.5-25 - 22 PLY)	B
1	1001221554	4	Assembly, Tire/Wheel (Air 17.5-25 - 22 PLY)	
1	8786549	1	Valve, Stem	
1	1001221553	1	Tire, 17.5-25 EM60 22 PLY	
1	1001189288J	1	Wheel, 25X14.0 DTU 10 Hole	
2	1001229201	4	Decal	

**SECTION 5 - RIVE TRAIN**

**FIGURE 5-38. TIRE/WHEEL SET (AIR 17.5 R25 - RADIAL)**



ART\_1001221270-A



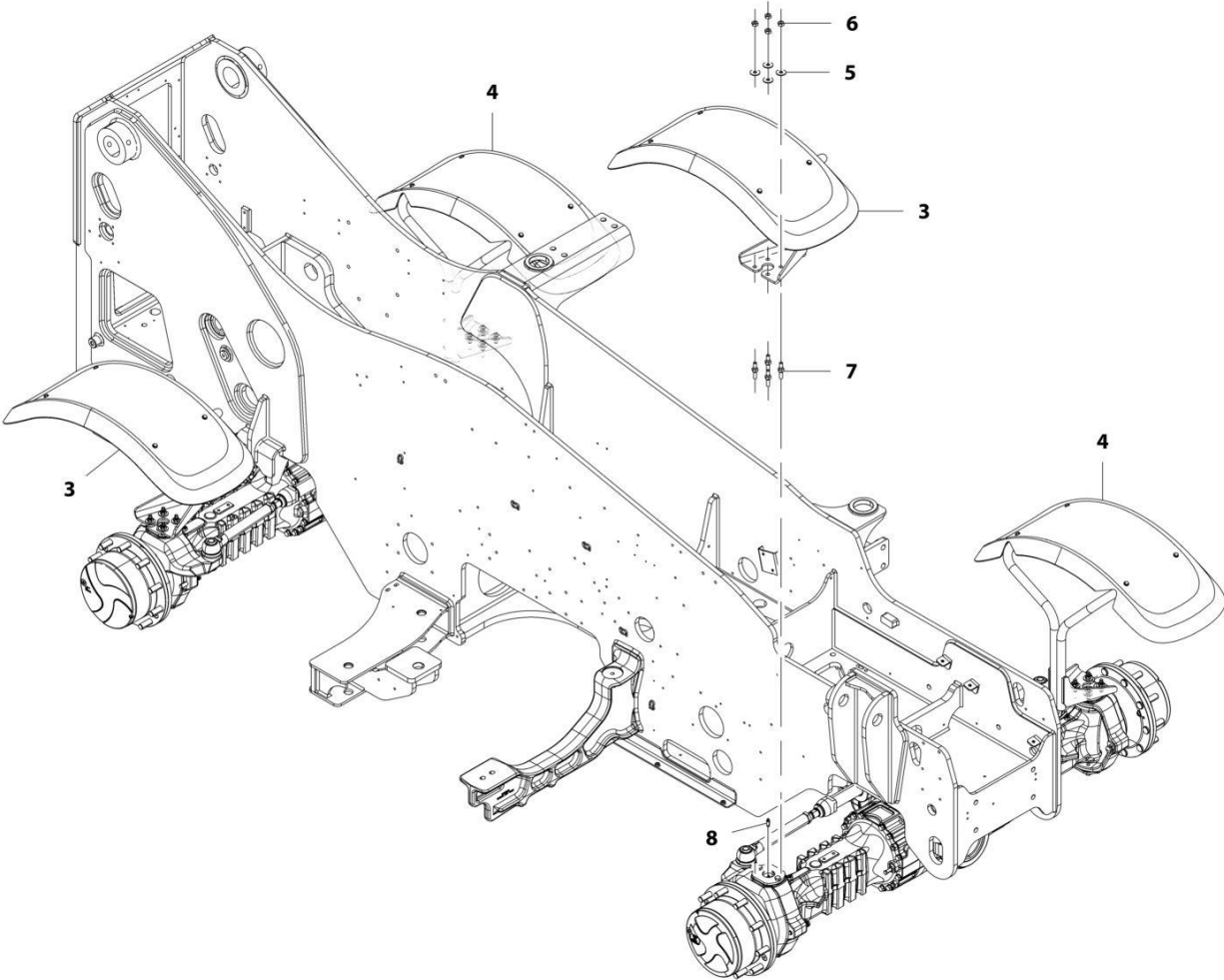
**SECTION 5 - RIVE TRAIN**

**FIGURE 5-38. TIRE/WHEEL SET (AIR 17.5 R25 - RADIAL)**

ITEM	PART NUMBER	QTY	DESCRIPTION	REV
	1001221270	1	Tire/Wheel Set (Air 17.5 R25 - Radial)	A
1	1001221157	2	Assembly, Right Tire/Wheel (Air 17.5 R25 - Radial)	
1	8786549	1	Valve, Stem	
1	1001221087	1	Tire, 17.5 R25 Radial	
1	1001189288J	1	Wheel, 25X14.0 DTU 10 Hole	
2	1001221321	2	Assembly, Left Tire/Wheel (Air 17.5 R25 - Radial)	
2	8786549	1	Valve, Stem	
2	1001221087	1	Tire, 17.5 R25 Radial	
2	1001189288J	1	Wheel, 25X14.0 DTU 10 Hole	
3	1001221734	4	Decal	

**SECTION 5 - RIVE TRAIN**

**FIGURE 5-39. FENDER INSTALLATION**



ART\_1001174129-E

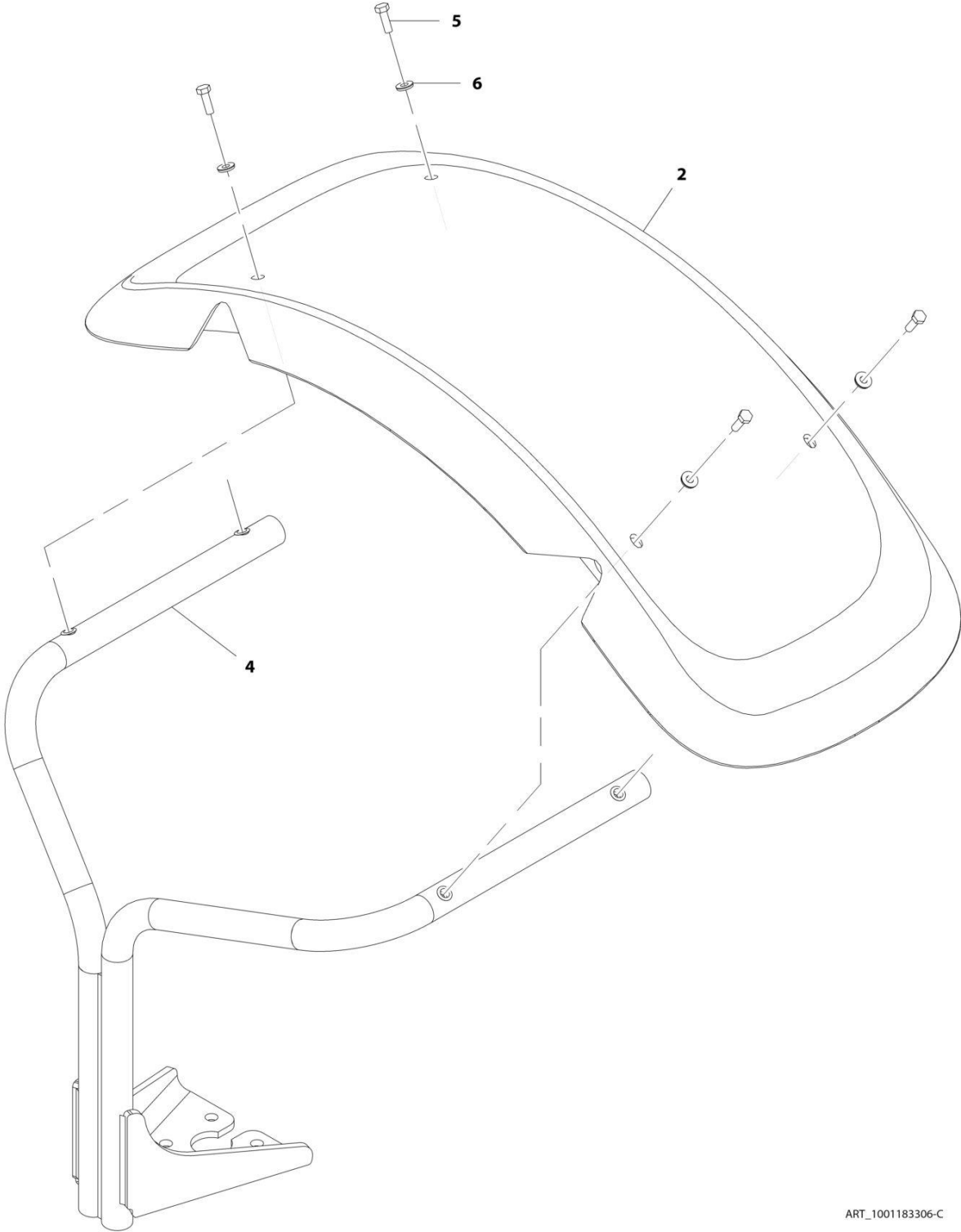
**SECTION 5 - RIVE TRAIN**

**FIGURE 5-39. FENDER INSTALLATION**

<b>ITEM</b>	<b>PART NUMBER</b>	<b>QTY</b>	<b>DESCRIPTION</b>	<b>REV</b>
	1001174129	Ref	Fender Installation	E
3	1001183306	2	Assembly, RH Fender (See Separate Breakdown in this Section)	
4	1001183307	2	Assembly, LH Fender (See Separate Breakdown in this Section)	
5	4812102	16	Washer, M12	
6	91513266	16	Nut, M12X1.25	
7	91514118	16	Stud, Fender	
8	1001225317	4	Fitting, Grease	

**SECTION 5 - RIVE TRAIN**

**FIGURE 5-40. RH FENDER ASSEMBLY**



ART\_1001183306-C

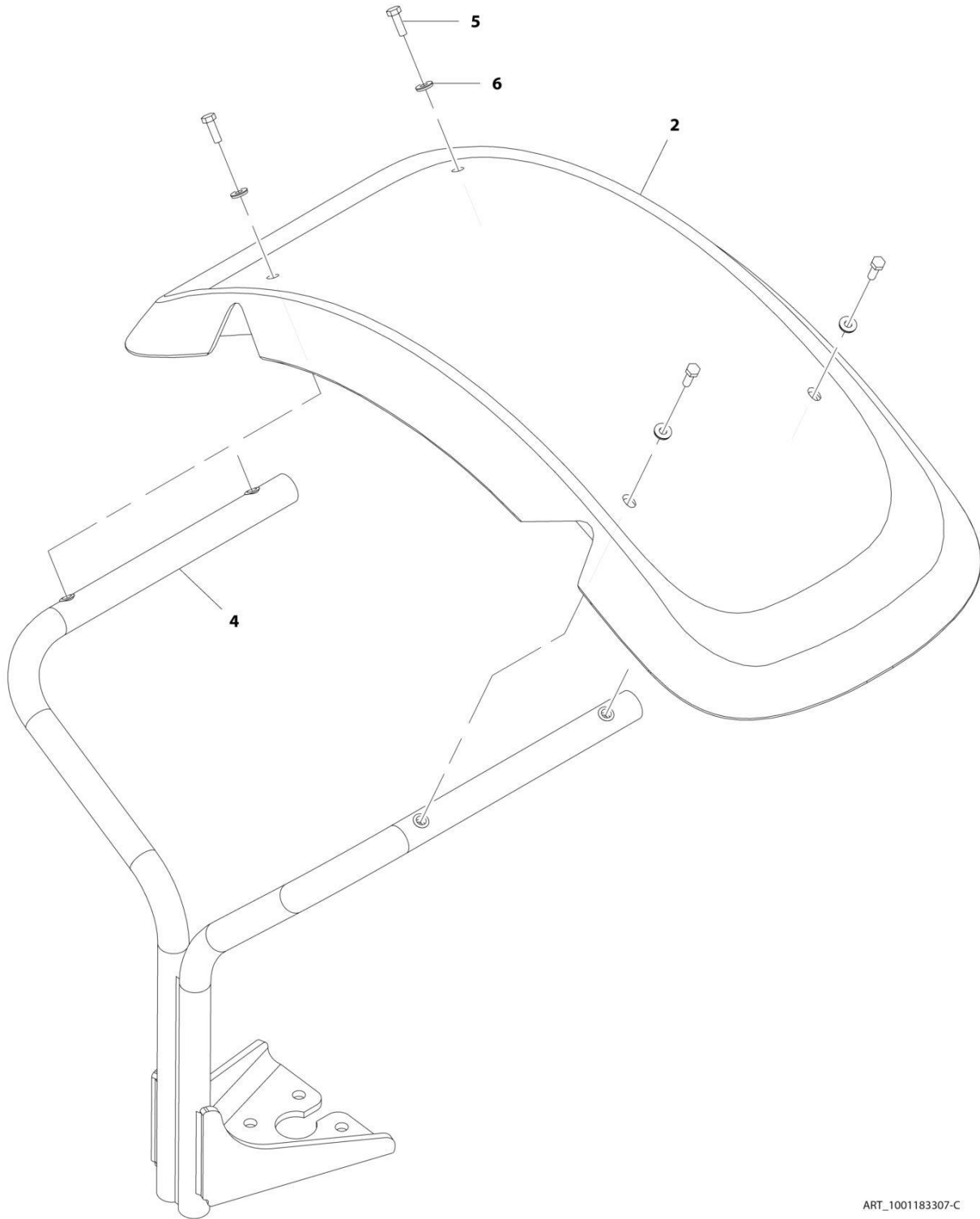
**SECTION 5 - RIVE TRAIN**

**FIGURE 5-40. RH FENDER ASSEMBLY**

<b>ITEM</b>	<b>PART NUMBER</b>	<b>QTY</b>	<b>DESCRIPTION</b>	<b>REV</b>
	1001183306	Ref	RH Fender Assembly	C
2	1001168264	1	Fender	
4	1001183308	1	Bracket	
5	0760812	4	Bolt, M8X25	
6	1001202786	4	Washer	

# SECTION 5 - RIVE TRAIN

## FIGURE 5-41. LH FENDER ASSEMBLY



ART\_1001183307-C

**SECTION 5 - RIVE TRAIN**

**FIGURE 5-41. LH FENDER ASSEMBLY**

<b>ITEM</b>	<b>PART NUMBER</b>	<b>QTY</b>	<b>DESCRIPTION</b>	<b>REV</b>
	1001183307	Ref	LH Fender Assembly	C
2	1001168264	1	Fender	
4	1001183309	1	Bracket	
5	0760812	4	Bolt, M8X25	
6	1001202786	4	Washer	

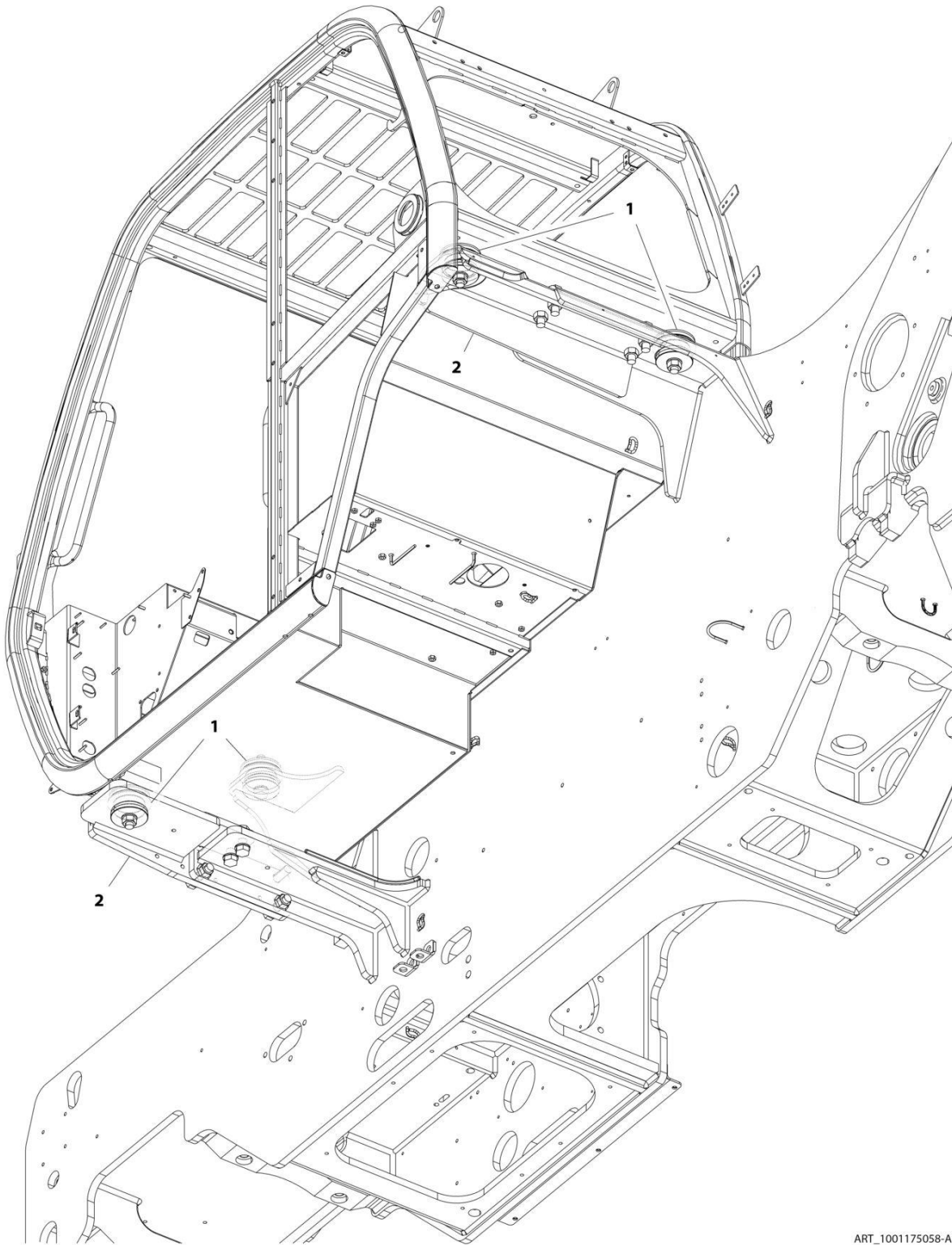




**SECTION 6 - CAB**

# SECTION 6 - CAB

## FIGURE 6-1. CAB MOUNTING INSTALLATION



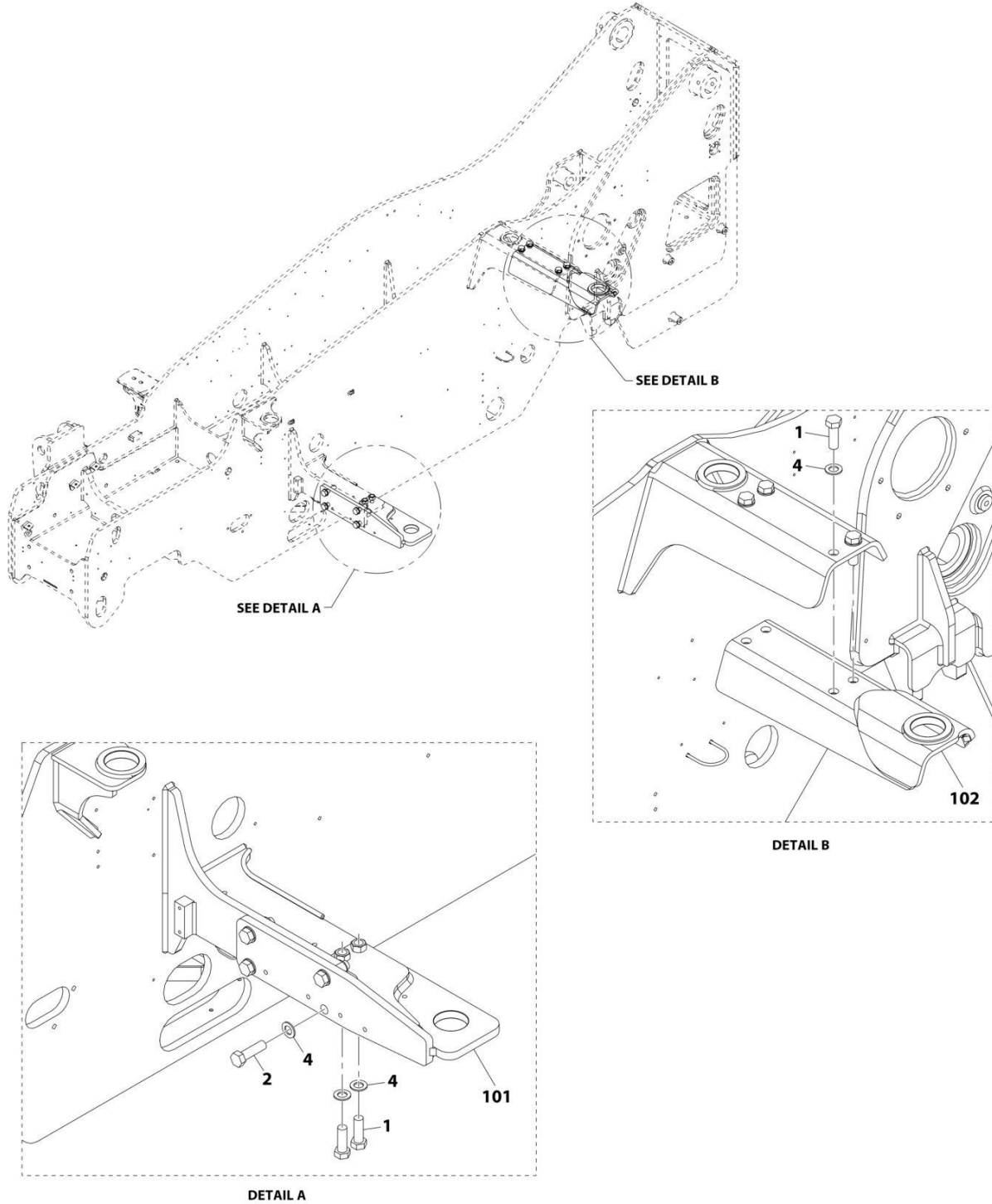
ART\_1001175058-A

**FIGURE 6-1. CAB MOUNTING INSTALLATION**

<b>ITEM</b>	<b>PART NUMBER</b>	<b>QTY</b>	<b>DESCRIPTION</b>	<b>REV</b>
1	1001175058	Ref	Cab Mounting Installation	A
	1001155446	Ref	Installation, Cab Mount (See Separate Breakdown in this Section)	
	1001191255	Ref	Installation, Front Cab Mount Bracket (See Separate Breakdown in this Section)	

# SECTION 6 - CAB

## FIGURE 6-2. FRONT CAB MOUNT BRACKET INSTALLATION



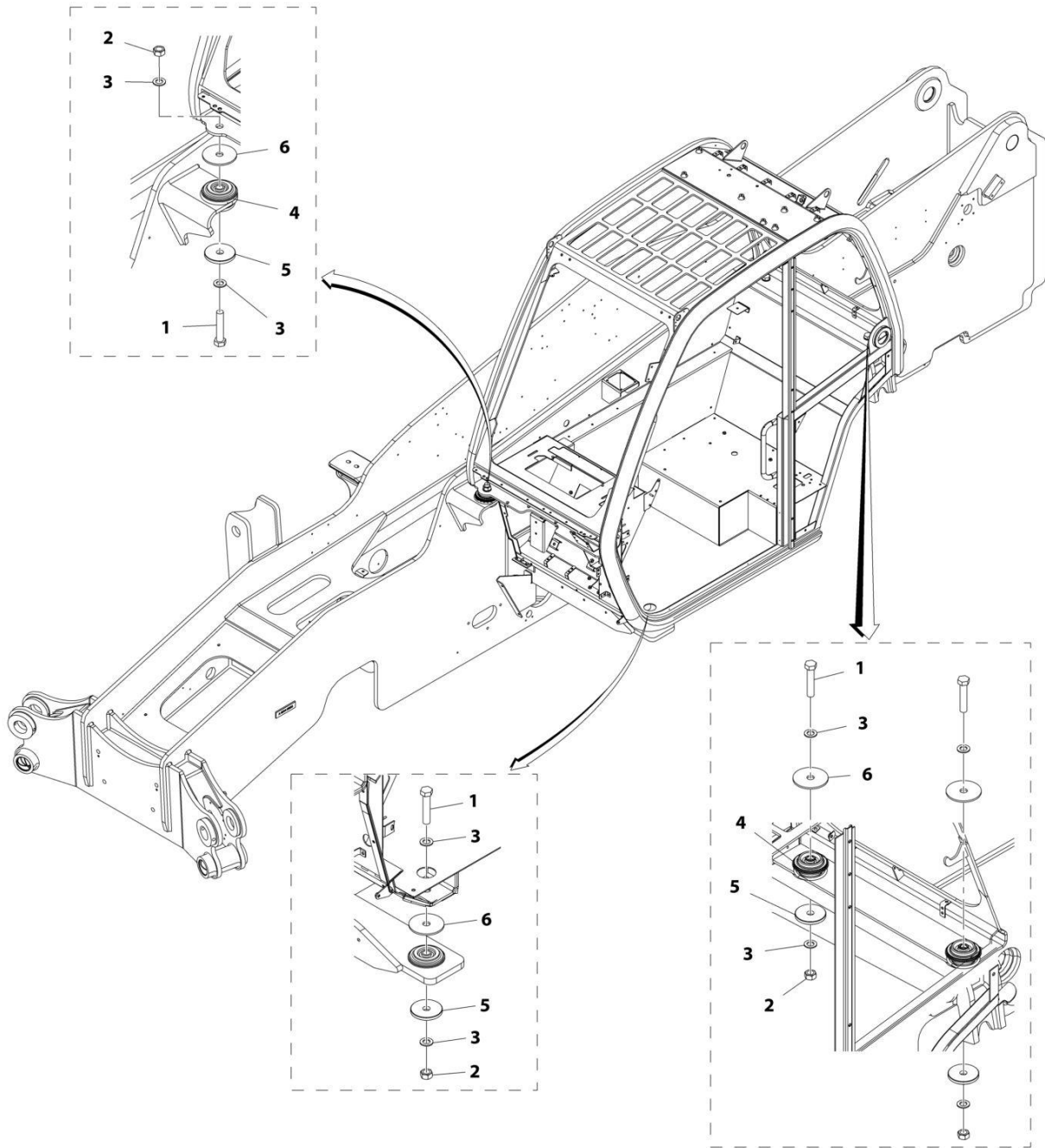
ART\_1001191255-E

**FIGURE 6-2. FRONT CAB MOUNT BRACKET INSTALLATION**

ITEM	PART NUMBER	QTY	DESCRIPTION	REV
	1001191255	Ref	Front Cab Mount Bracket Installation	E
1	0712020	6	Bolt, M20X60	
2	0712022	4	Bolt, M20X70	
4	4812500	10	Washer, M20	
101	1001191256	1	Bracket	
102	1001191257	1	Bracket	

# SECTION 6 - CAB

## FIGURE 6-3. CAB MOUNTS INSTALLATION



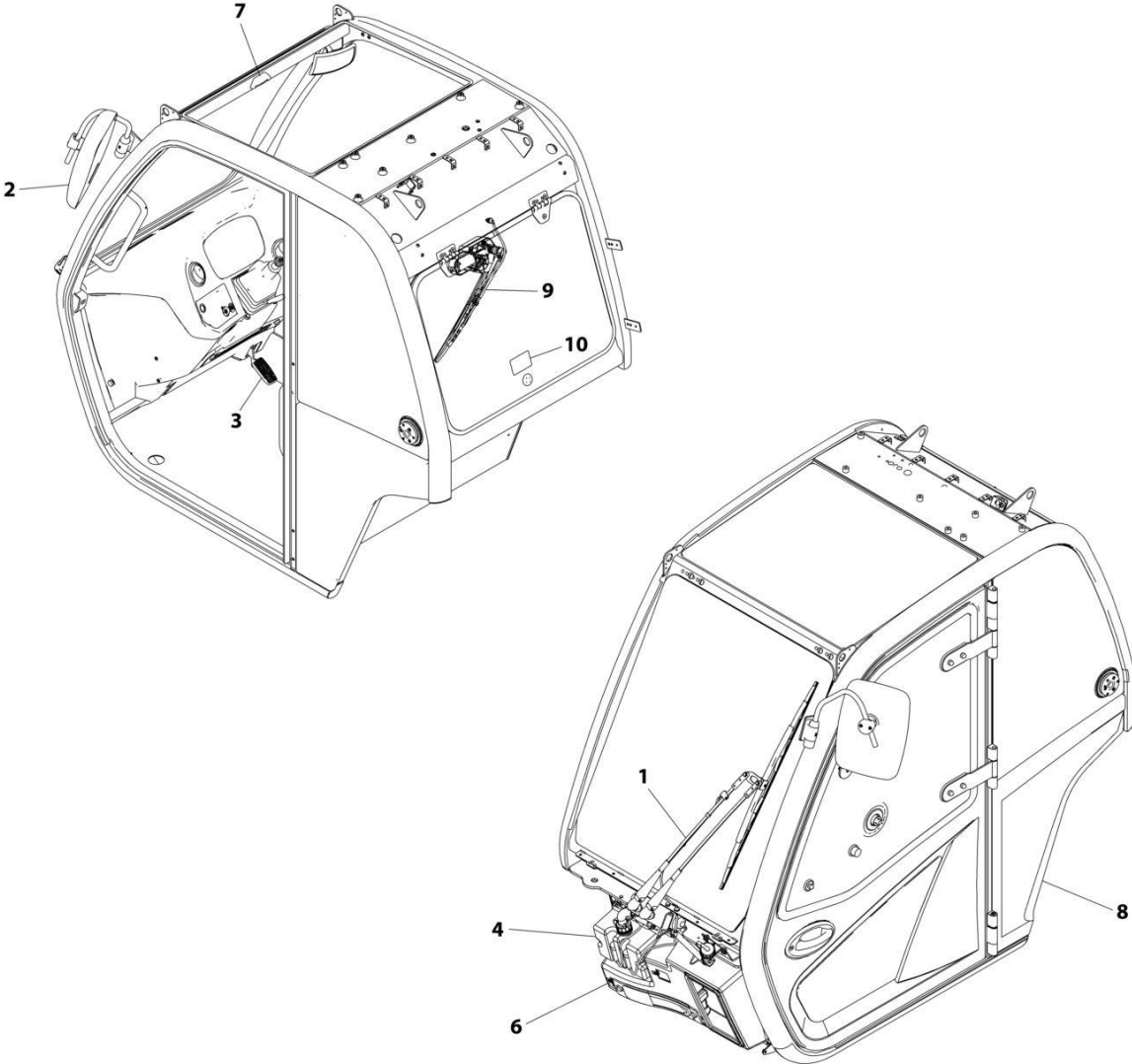
ART\_1001155446-E

FIGURE 6-3. CAB MOUNTS INSTALLATION

ITEM	PART NUMBER	QTY	DESCRIPTION	REV
	1001155446	Ref	Cab Mounts Installation	E
1	0712027	4	Bolt, M20X100	
2	3332011	4	Nut, M20X2.5	
3	4812500	8	Washer, M20	
4	1001166754	4	Mount, Cab Isolation	
5	1001166755	4	Washer, Cab Rebound	
6	1001220540	4	Washer, Cab Mount	

**SECTION 6 - CAB**

**FIGURE 6-4. CAB COMPONENTS INSTALLATION**



ART\_1001194698\_H

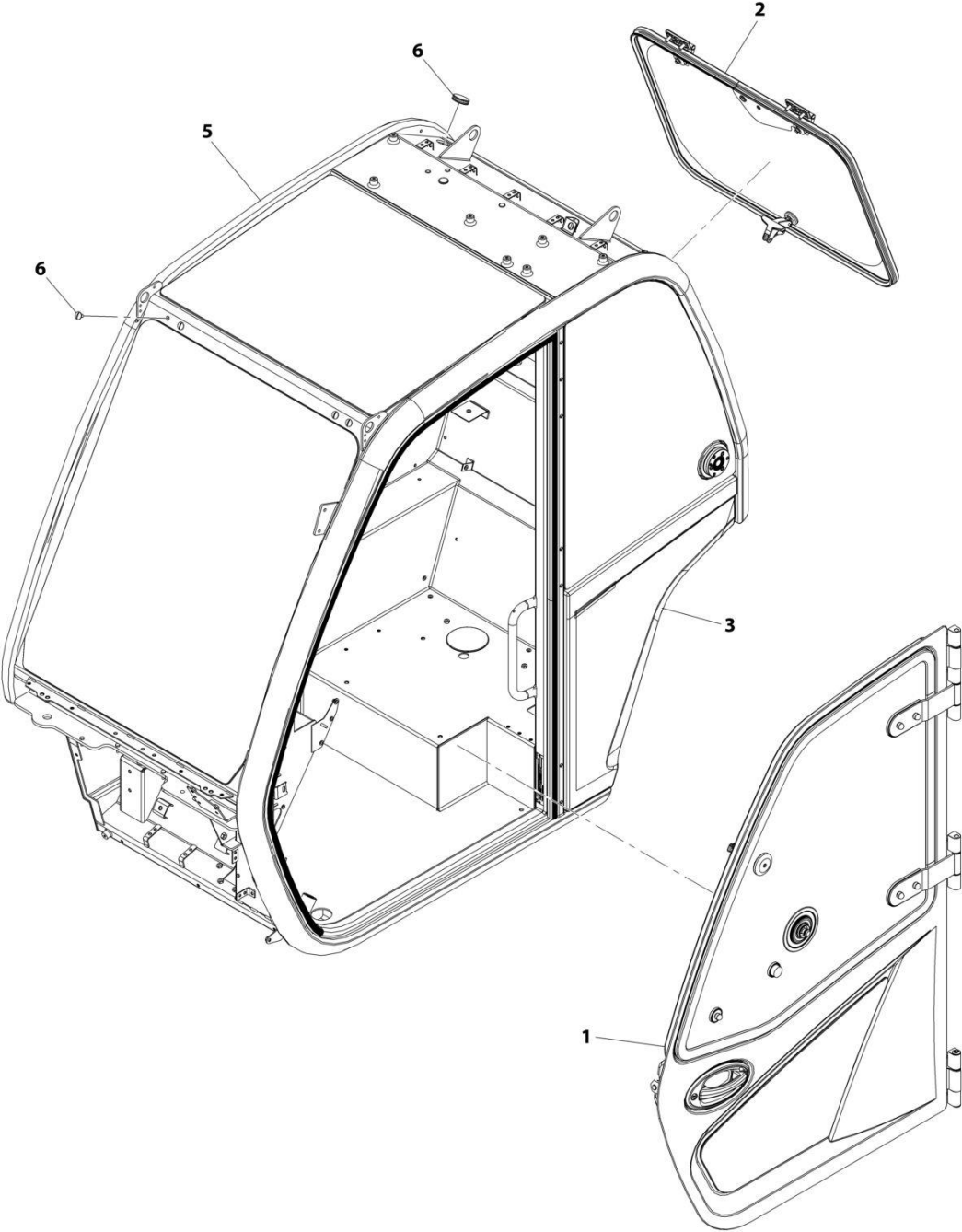


FIGURE 6-4. CAB COMPONENTS INSTALLATION

ITEM	PART NUMBER	QTY	DESCRIPTION	REV
	1001194698	Ref	CAB COMPONENTS INSTALLATION	H
1	1001155447	Ref	Installation, Front Wiper (See Separate Breakdown in this Section)	
2	1001160508	Ref	Installation, Basic Mirror (See Separate Breakdown in this Section)	
3	1001161499	Ref	Installation, Accelerator Pedal (See Separate Breakdown in CONTROLS Section)	
4	1001162789	Ref	Installation, Washer Tank (See Separate Breakdown in this Section)	
6	1001170366	Ref	Installation, Front Cover (See Separate Breakdown in this Section)	
7	1001172401	Ref	Installation, Level Indicator (See Separate Breakdown in this Section)	
8	1001194699	Ref	Installation, Cab (See Separate Breakdown in this Section)	
9	1001220329	Ref	Installation, Rear Wiper (See Separate Breakdown in this Section)	
10	1001204598	Ref	Installation, Rear Window Exit Decal (See Separate Breakdown in this Section)	

**SECTION 6 - CAB**

**FIGURE 6-5. CAB INSTALLATION**



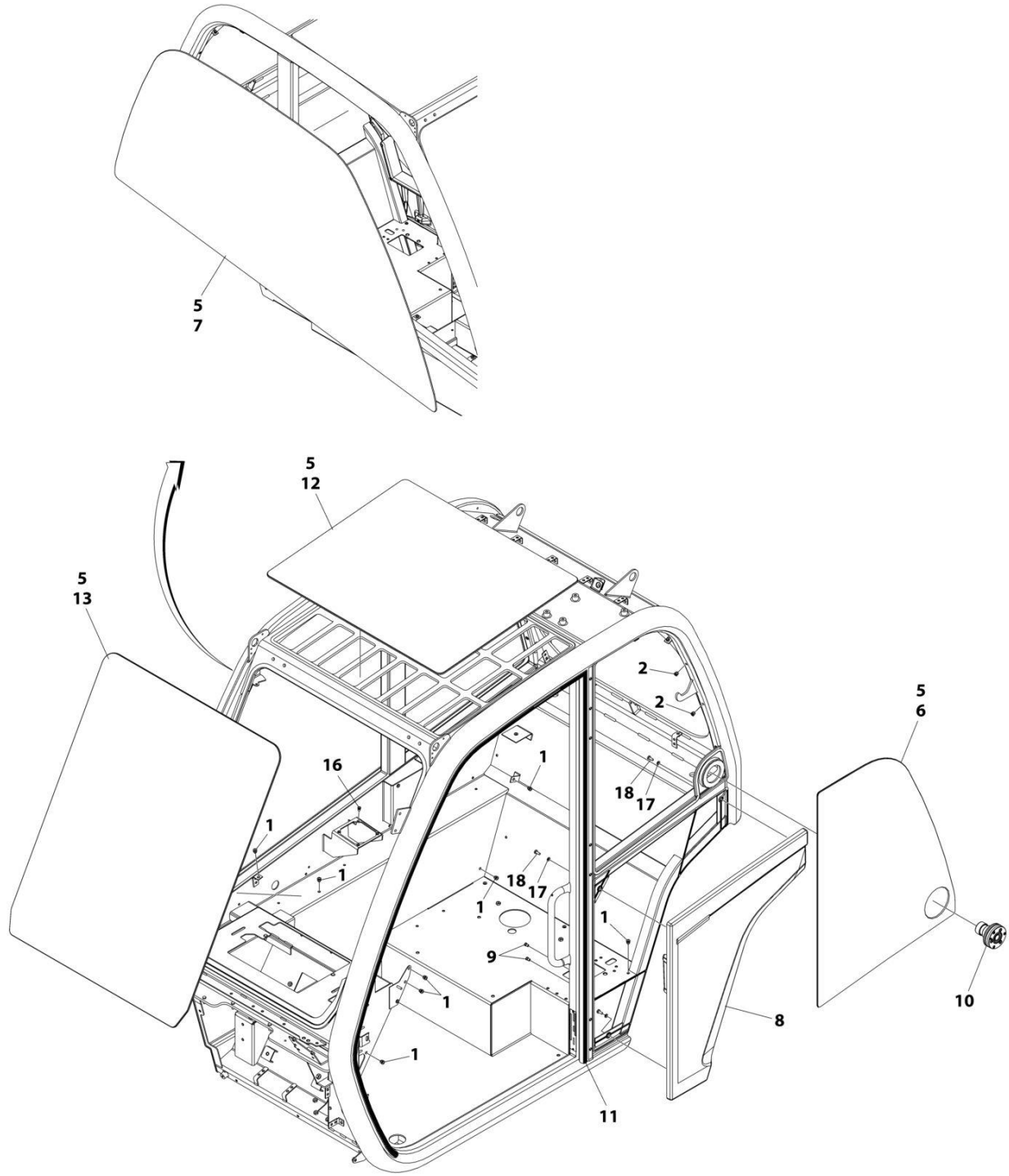
ART\_1001194699

FIGURE 6-5. CAB INSTALLATION

ITEM	PART NUMBER	QTY	DESCRIPTION	REV
	1001194699	Ref	Cab Installation	L
1	1001155228	1	Installation, Cab Door (See Separate Breakdown in this Section)	
2	1001220339	1	Installation, Rear Window (See Separate Breakdown in this Section)	
3	1001194700	1	Assembly, Cab Group (See Separate Breakdown in this Section)	
5	N.S.S.	1	Weldment, Cab	
6	1001195814	1	Group, Cab Plug (See Separate Breakdown in this Section)	

# SECTION 6 - CAB

## FIGURE 6-6. CAB ASSEMBLY



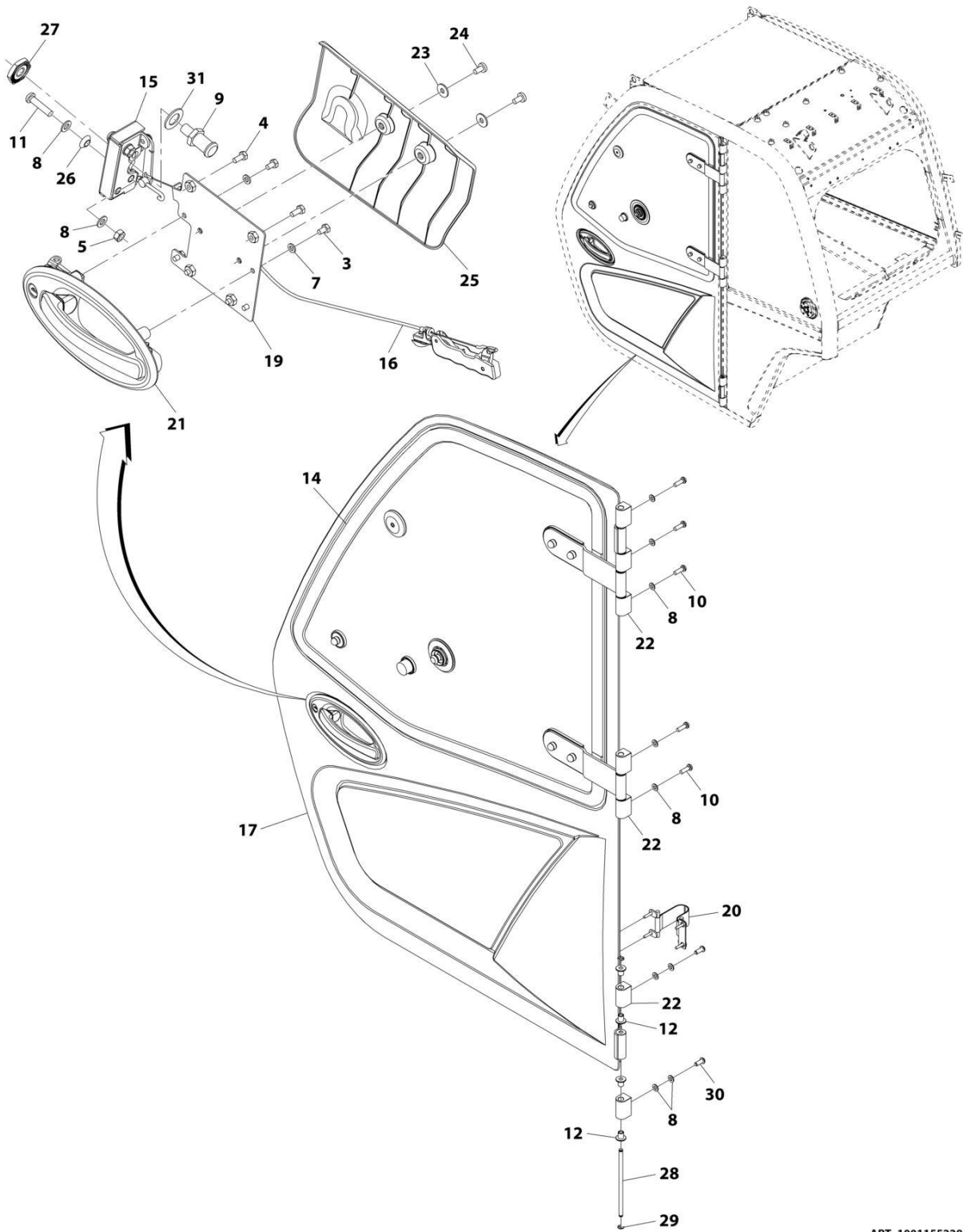
ART\_1001194700\_G

FIGURE 6-6. CAB ASSEMBLY

ITEM	PART NUMBER	QTY	DESCRIPTION	REV
	1001194700	Ref	Cab Assembly	G
1	2080086	25	Rivnut M6 x 1	
2	2080087	16	Rivnut M8 x 1.25	
5	1001111317	AR	Compound, Locking	
6	1001152915	1	Glass, LH Screen	
7	1001152947	1	Glass, RH Screen	
8	1001256073	1	Panel, Cab Quarter	
9	1001172193	2	Rivnut M5 x 0.8	
10	1001174320	1	Latch, Top Window	
11	1001227186	1	Seal, Cab Door	
12	1001178159	1	Glass, Roof Laminated	
13	1001178160	1	Glass, Front Laminated	
16	1001195878	4	Rivnut M5 x 0.8	
17	4811700	3	Washer M6	
18	4010608002	3	Screw M6 x 16	

# SECTION 6 - CAB

## FIGURE 6-7. DOOR INSTALLATION



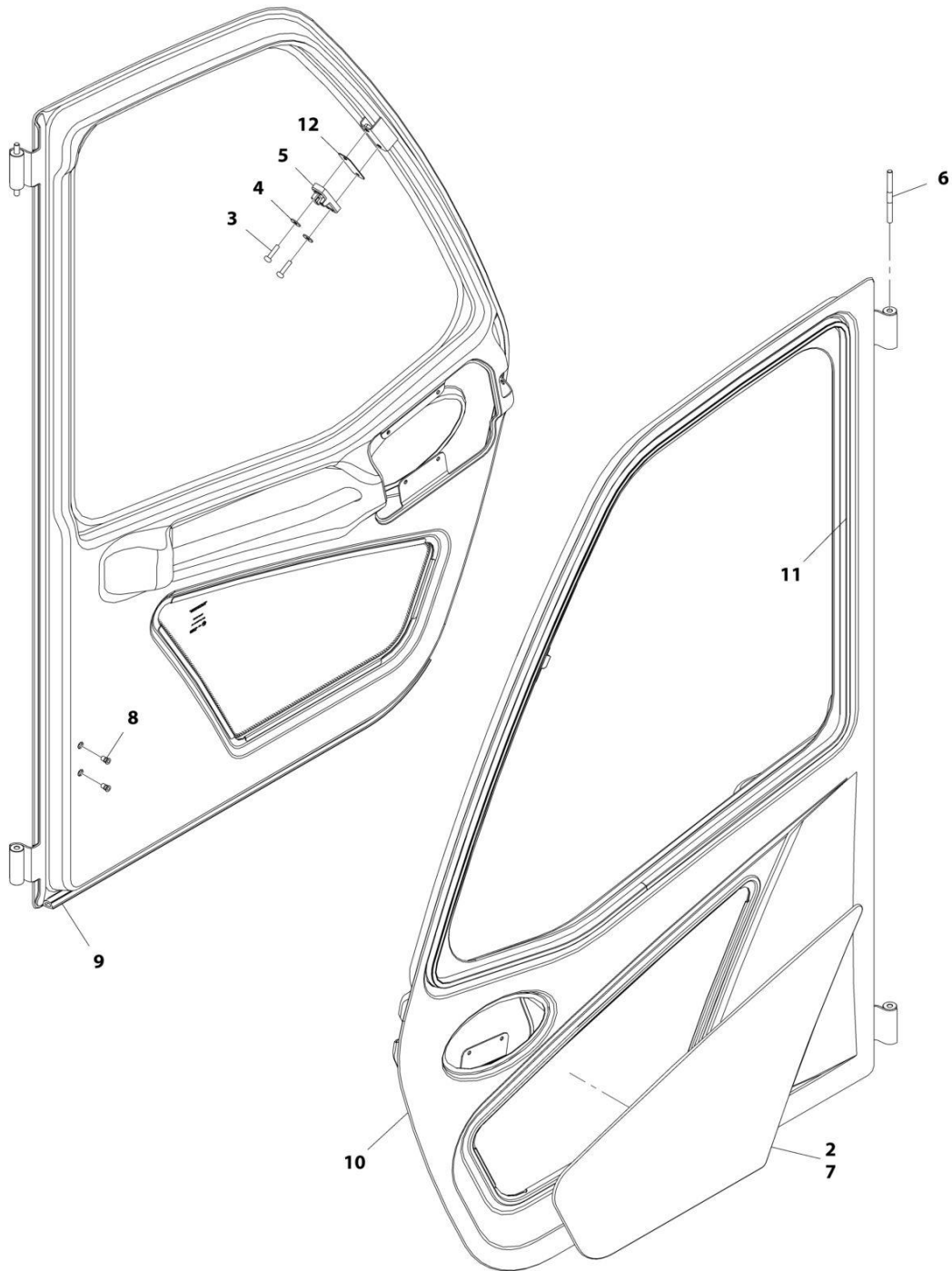
ART\_1001155228

FIGURE 6-7. DOOR INSTALLATION

ITEM	PART NUMBER	QTY	DESCRIPTION	REV
	1001155228	Ref	Door Installation	Q
3	0760605	4	Bolt, M6X10	
4	0760607	4	Bolt, M6X14	
5	3290801	2	Nut, M8X1.25 Grade 8	
7	4811700	4	Washer, M6	
8	4811900	13	Washer, M8	
9	8000803	1	Pin, Door Striker	
10	1001008988	5	Screw M8X25	
11	1001047062	2	Screw, M8X35	
12	1001107192	10	Sleeve, Hinge	
14	1001205532	1	Assembly, Door Upper Glass (See Separate Breakdown in this Section)	
15	1001192766	1	Assembly, Cab Latch (See Separate Breakdown in this Section)	
16	1001167958	1	Assembly, Cab Door Trigger (See Separate Breakdown in this Section)	
17	1001170114	1	Assembly, Door (See Separate Breakdown in this Section)	
19	1001173298	1	Bracket	
20	1001174295	1	Installation, Door Strap (See Separate Breakdown in this Section)	
21	1001192646	1	Handle, Exterior Door	
22	1001229543	7	Block, Hinge (Rounded Top/Bottom Edge)	
22	1001170601J	7	Block, Hinge (Square Top/Bottom Edge)	
23	4811702001	2	Washer, M6	
24	4010608002	2	Screw, Posi-Drive, M6X16	
25	1001175477	1	Cover, Cab Door Interior	
26	1001184439	2	Bushing	
27	1001192309	1	Nut, M12X1	
28	1001213791	1	Pin	
29	0498748	2	Washer, Lock M7	
30	1001164726	2	Bolt, M8X20	
31	1001227802	1	Washer	

**SECTION 6 - CAB**

**FIGURE 6-8. DOOR ASSEMBLY**



ART\_1001170114

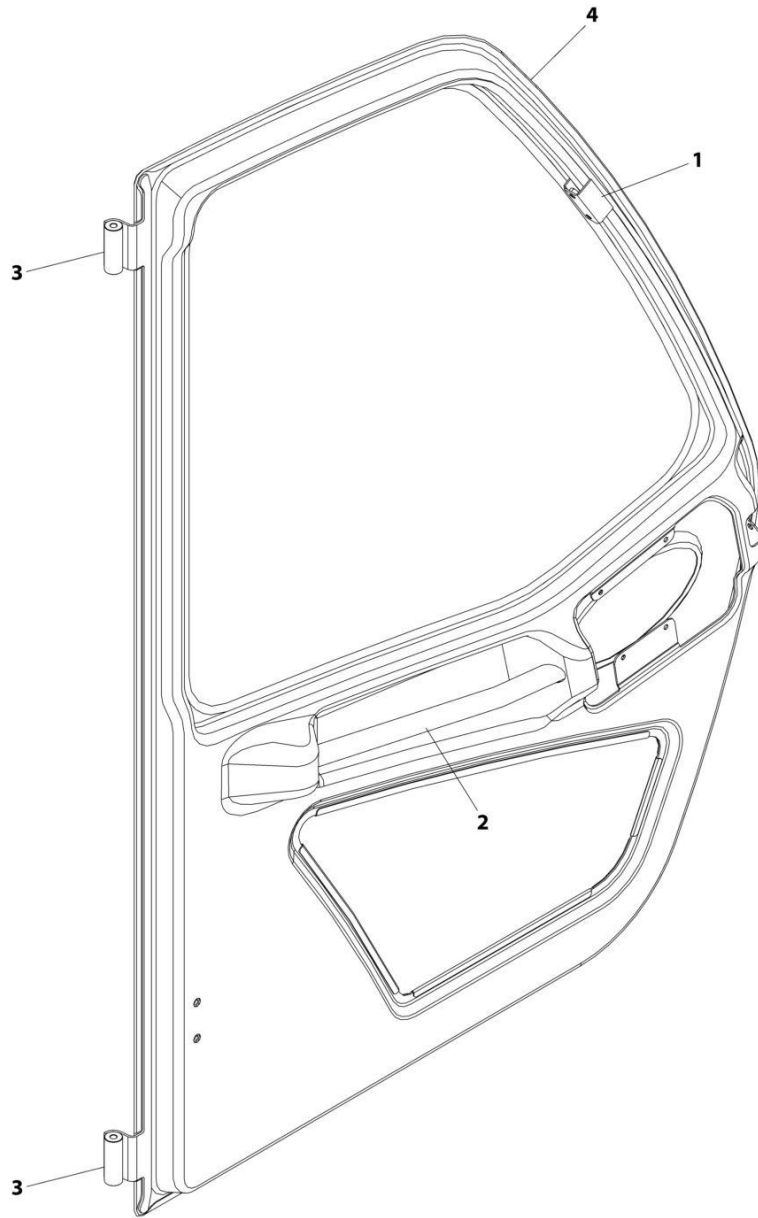


FIGURE 6-8. DOOR ASSEMBLY

ITEM	PART NUMBER	QTY	DESCRIPTION	REV
	1001170114	Ref	Door Assembly	K
2	1001111317	AR	Compound, Locking	
3	4010612002	2	Screw, M6X25	
4	4811702001	2	Washer, M6	
5	1001165276	1	Plate, Window Latch Striker	
6	1001166634	1	Pin, Hinge	
7	1001169880	1	Window, Lower Glass	
8	1001172193	2	Rivnut, M5X0.8	
9	1001227188	1	Seal, Cab Door	
10	1001170113J	1	Door, Cab (See Separate Breakdown in this Section)	
11	1001227187	1	Seal, Cab Door Window	
12	1001193210	AR	Shim, Window Latch	

# SECTION 6 - CAB

## FIGURE 6-9. CAB DOOR



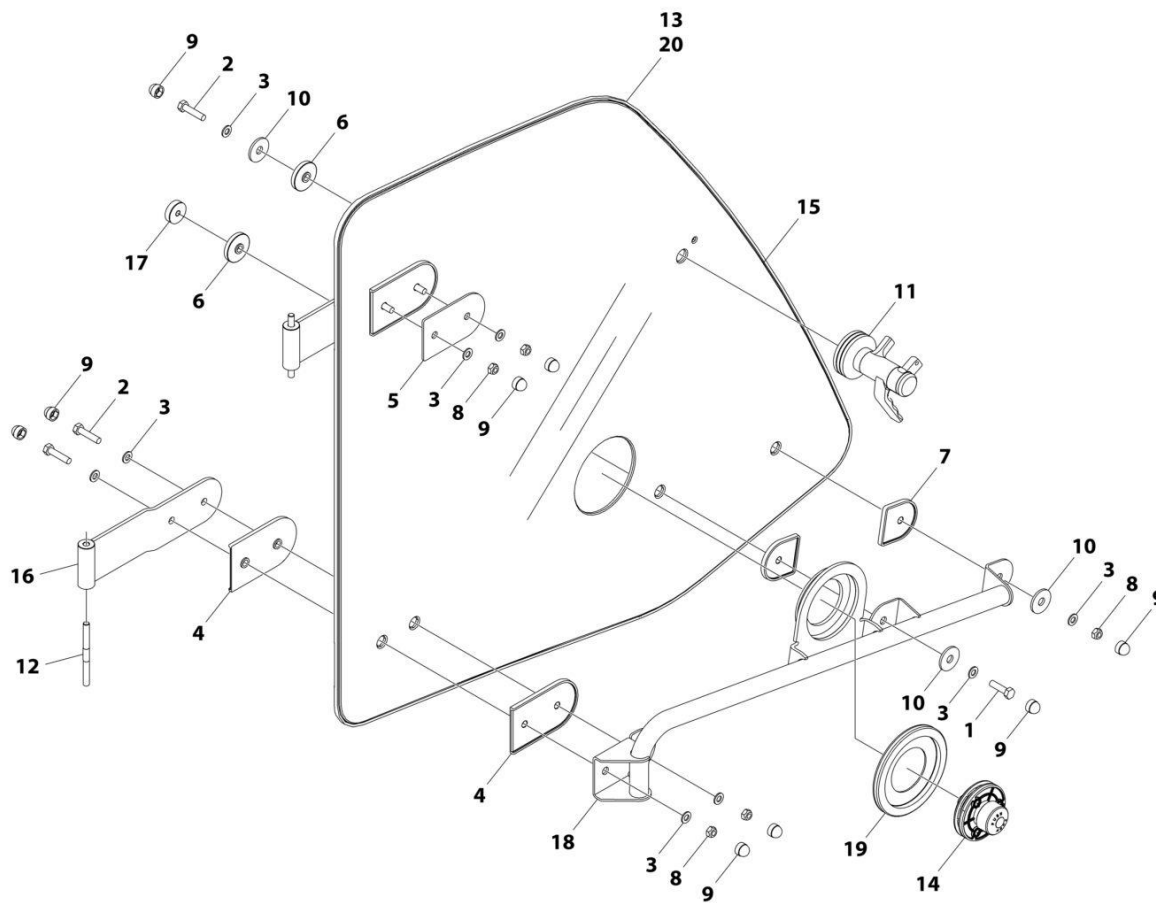
ART\_1001170113J-E

FIGURE 6-9. CAB DOOR

ITEM	PART NUMBER	QTY	DESCRIPTION	REV
	1001170113J	Ref	Cab Door	E
1	1001169883	1	Bracket, Window Latch	
2	1001169885	1	Handle, Interior Door	
3	1001171037	1	Plate, Hinge	
4	1001171635	1	Frame, Door	

# SECTION 6 - CAB

## FIGURE 6-10. DOOR UPPER GLASS ASSEMBLY



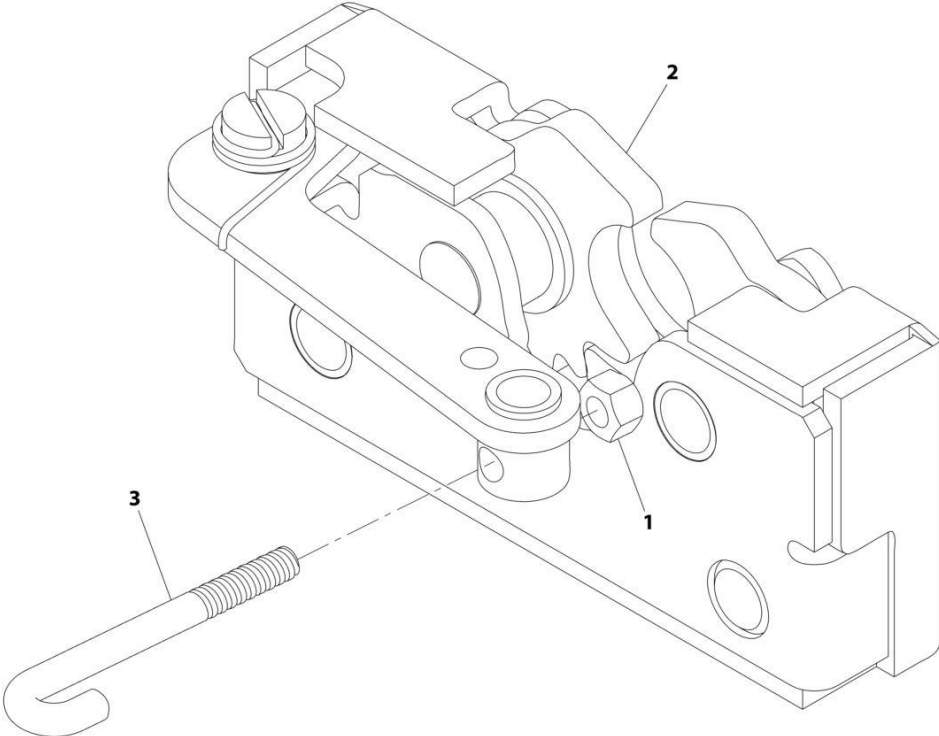
ART\_1001205532

FIGURE 6-10. DOOR UPPER GLASS ASSEMBLY

ITEM	PART NUMBER	QTY	DESCRIPTION	REV
	1001205532	Ref	Door Upper Glass Assembly	G
1	0760812	1	Bolt, M8X25	
2	0760815	5	Bolt, M8X35	
3	4811900	11	Washer, 8MM	
4	1001002946	4	Mount, Hinge	
5	1001002947	1	Mount, Hinge	
6	1001002953	2	Mount, Rubber	
7	1001002957	2	Mount, Latch	
8	1001008857	5	Nut, Lock	
9	1001096365	11	Cap, M8	
10	1001141246	3	Mount, Rubber	
11	1001165275	1	Latch, Window	
12	1001166634	2	Pin, Hinge	
13	1001170944	1	Panel, Window Surround	
14	1001174321	1	Striker, Top Window	
15	1001204066	1	Glass, Window	
16	1001204115	2	Hinge	
17	1001222741	1	Buffer, Cab	
18	1001204120	1	Handle	
19	1001213331	1	Gasket	
20	1001215531	AR	Adhesive	

**SECTION 6 - CAB**

**FIGURE 6-11. CAB LATCH ASSEMBLY**



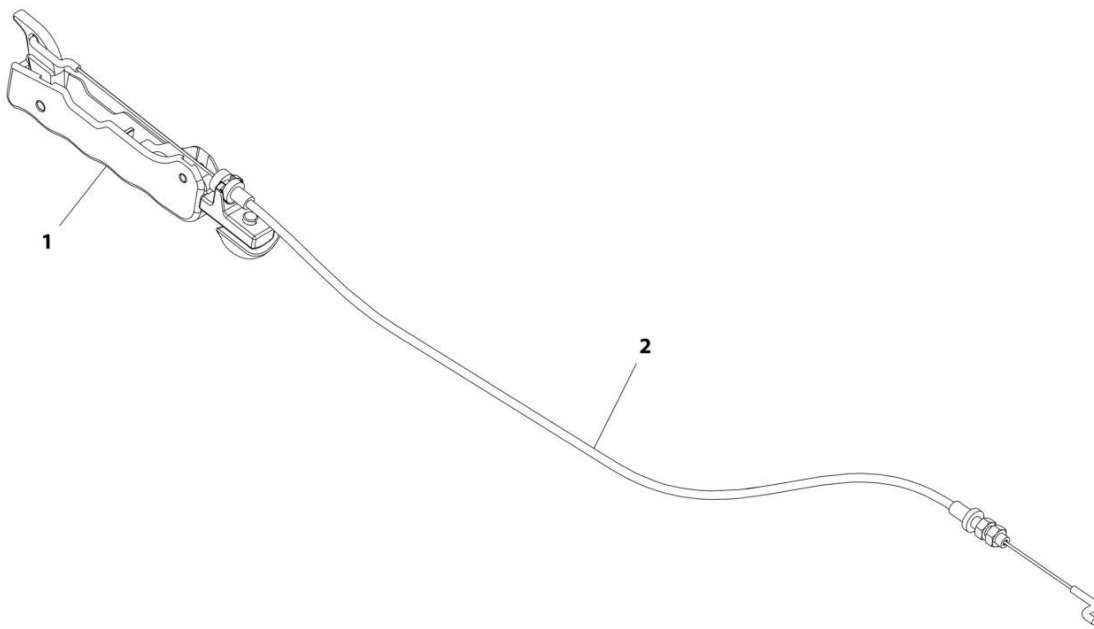
ART\_1001192766\_C

FIGURE 6-11. CAB LATCH ASSEMBLY

ITEM	PART NUMBER	QTY	DESCRIPTION	REV
	1001192766	Ref	Cab Latch Assembly	C
1	3290405	1	Nut, M4X0.7 Grade 8	
2	1001192643	1	Latch	
3	1001241308	1	Link, Door Handle	

# SECTION 6 - CAB

## FIGURE 6-12. CAB DOOR TRIGGER ASSEMBLY



ART\_1001167958-E

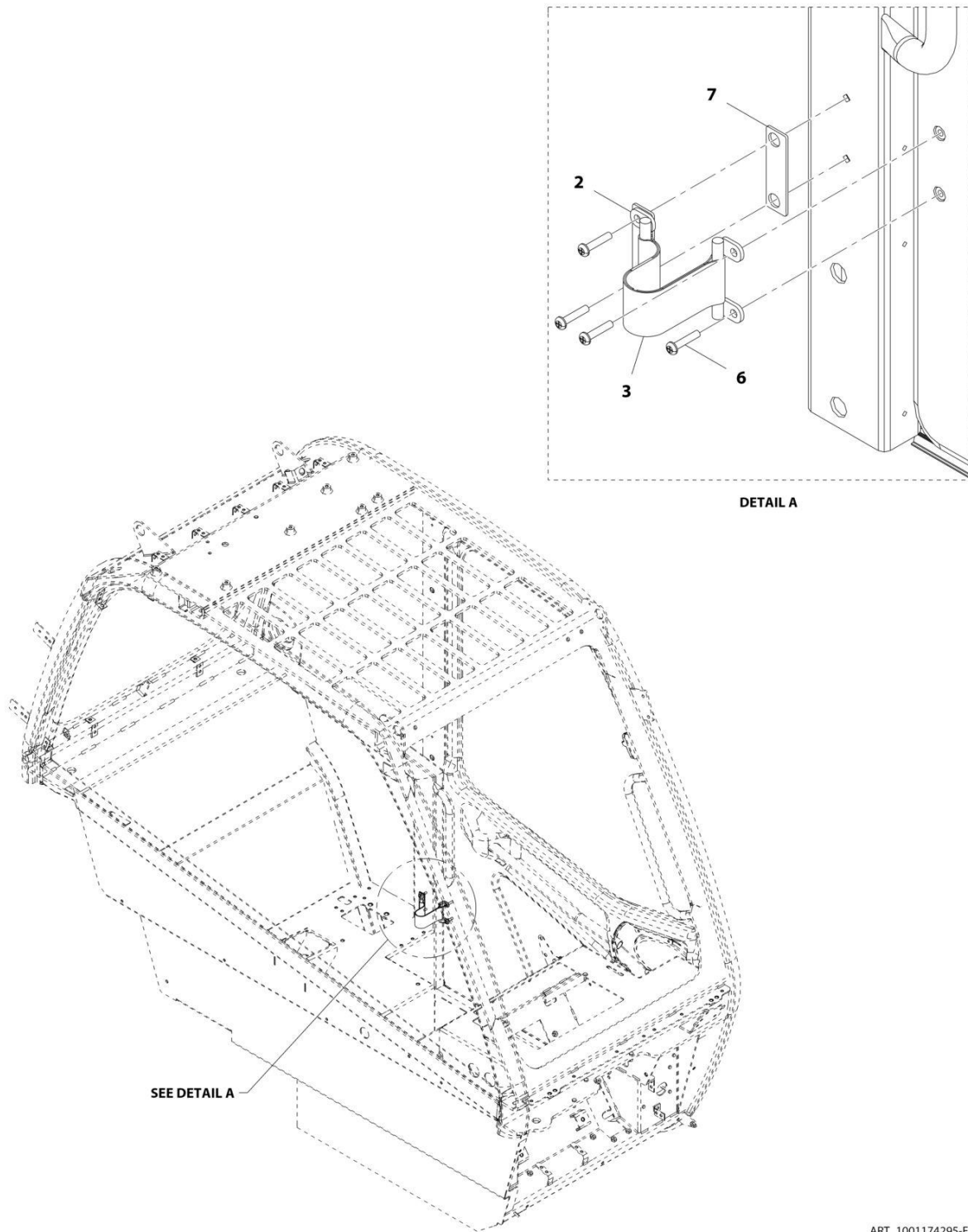


**FIGURE 6-12. CAB DOOR TRIGGER ASSEMBLY**

<b>ITEM</b>	<b>PART NUMBER</b>	<b>QTY</b>	<b>DESCRIPTION</b>	<b>REV</b>
	1001167958	Ref	Cab Door Trigger Assembly	E
1	1001167937	1	Trigger, Cab Interior Release	
2	1001192644	1	Cable, Cab Latch Release	

# SECTION 6 - CAB

## FIGURE 6-13. DOOR STRAP INSTALLATION



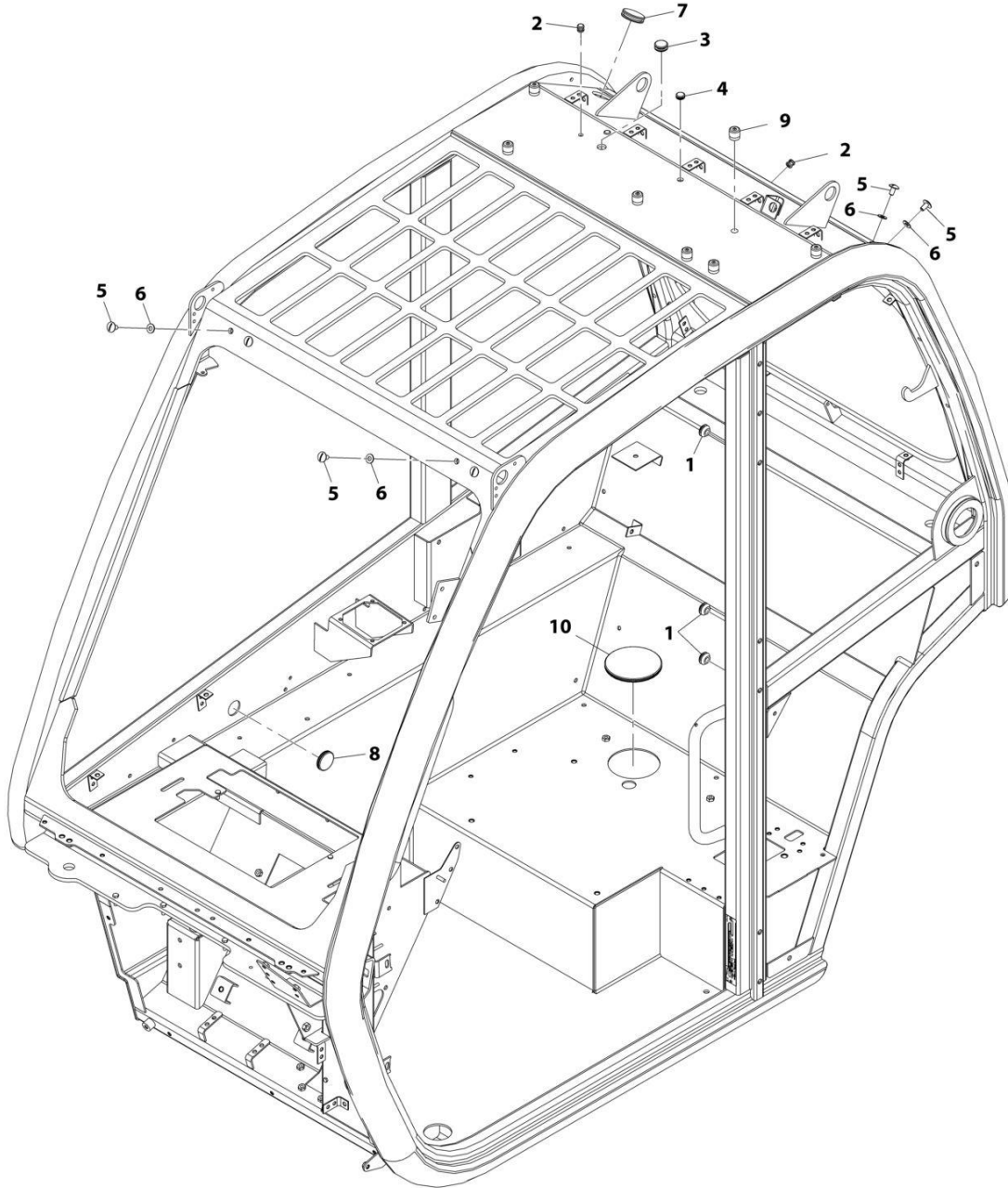
ART\_1001174295-F

**FIGURE 6-13. DOOR STRAP INSTALLATION**

<b>ITEM</b>	<b>PART NUMBER</b>	<b>QTY</b>	<b>DESCRIPTION</b>	<b>REV</b>
	1001174295	Ref	Door Strap Installation	F
2	1001230163	2	Bracket, Strap Holder	
3	1001212011	1	Strap, Door Hold Open	
6	8310559	4	Screw	
7	1001191091	1	Plate, Cab Door Strap	

# SECTION 6 - CAB

## FIGURE 6-14. CAB PLUG GROUP



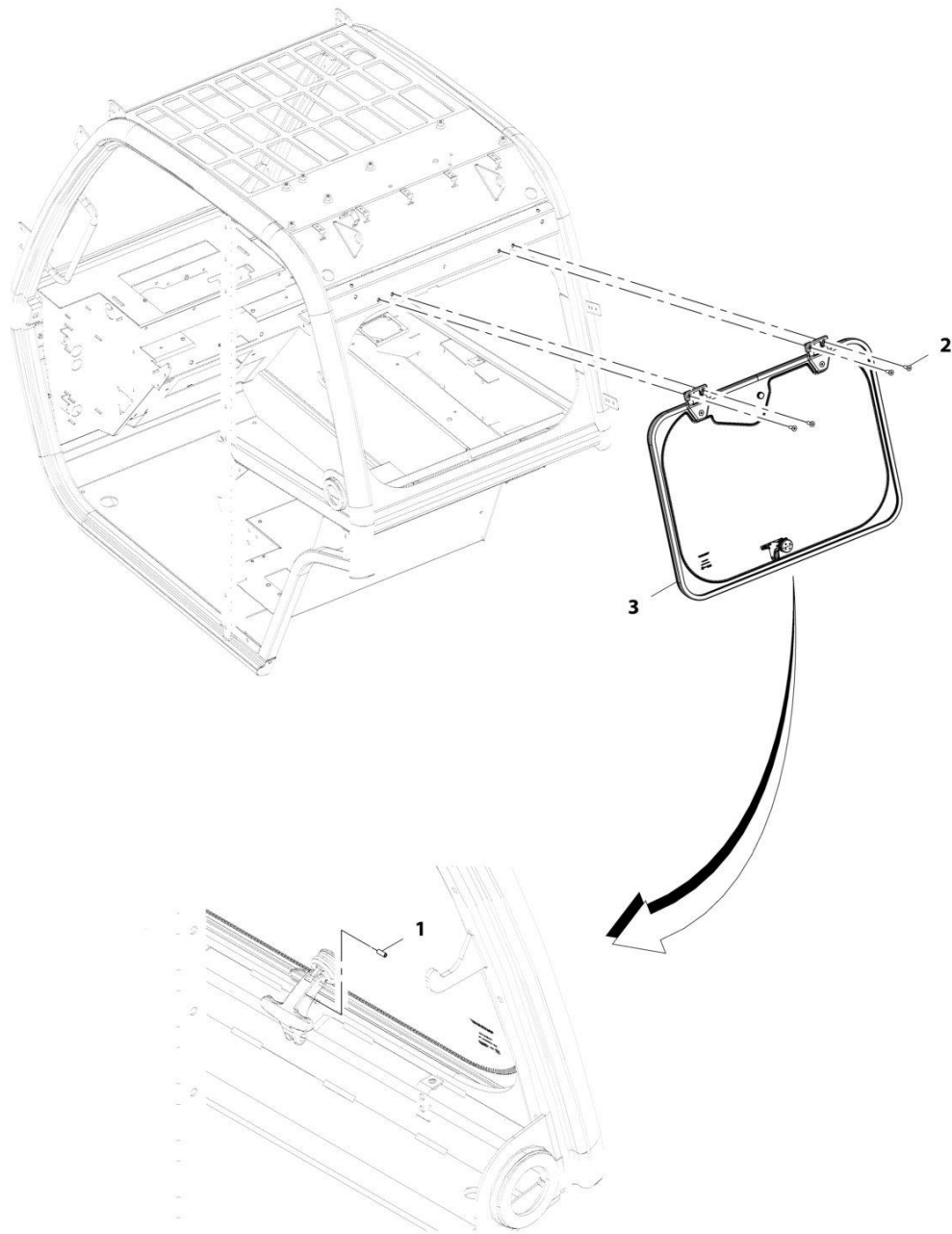
ART\_1001195814-C

FIGURE 6-14. CAB PLUG GROUP

ITEM	PART NUMBER	QTY	DESCRIPTION	REV
	1001195814	Ref	Cab Plug Group	C
1	1001143200	7	Plug	
2	1001176272	3	Plug	
3	1001176273	1	Plug	
4	1001176626	1	Plug	
5	1001181920	8	Screw, Nylon M8X16	
6	1001181921	8	Washer, Rubber M8	
7	1001182123	2	Plug	
8	1001182139	1	Plug	
9	1001219220	7	Plug	
10	1001209899	1	Plug	

# SECTION 6 - CAB

## FIGURE 6-15. REAR WINDOW INSTALLATION



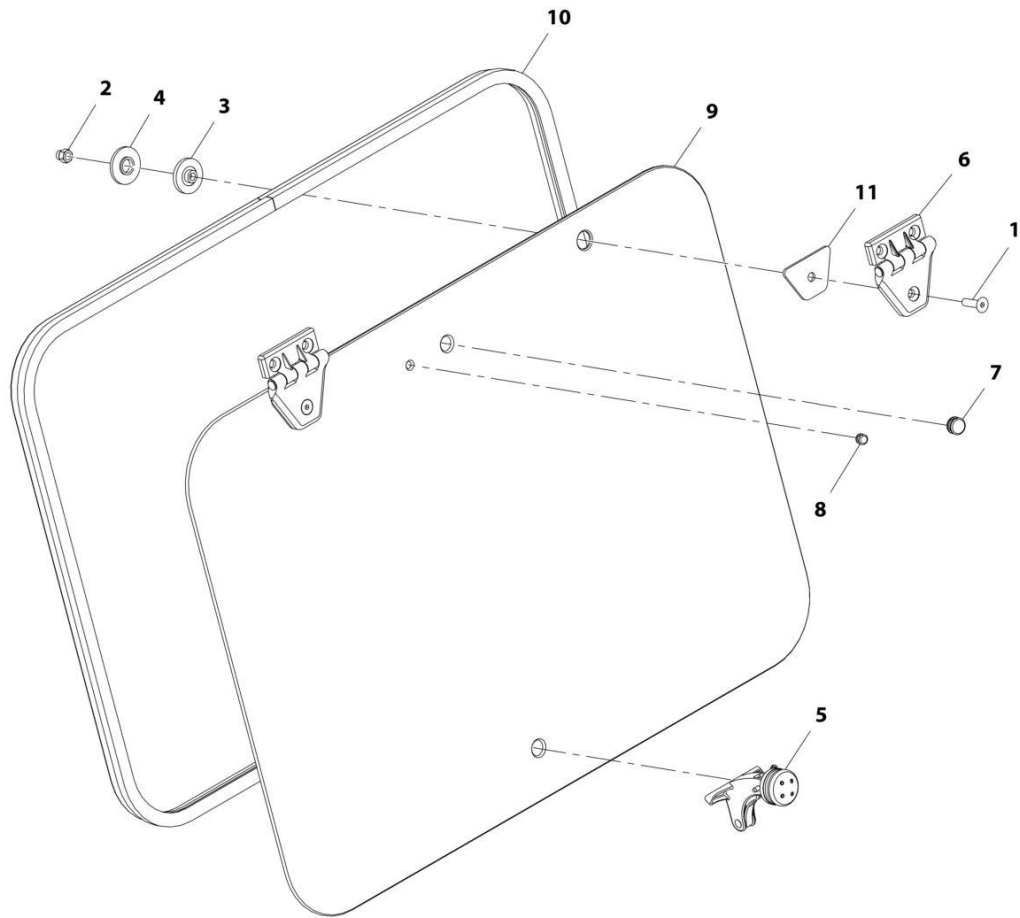
ART\_1001220339-A

FIGURE 6-15. REAR WINDOW INSTALLATION

ITEM	PART NUMBER	QTY	DESCRIPTION	REV
	1001220339	Ref	Rear Window Installation	A
1	1001003043	1	Pin, Spring	
2	1001097586	4	Screw, M8X1.25	
3	1001220338	1	Assembly, Rear Window (See Separate Breakdown in this Section)	

# SECTION 6 - CAB

## FIGURE 6-16. REAR WINDOW GROUP



ART\_1001220338-A

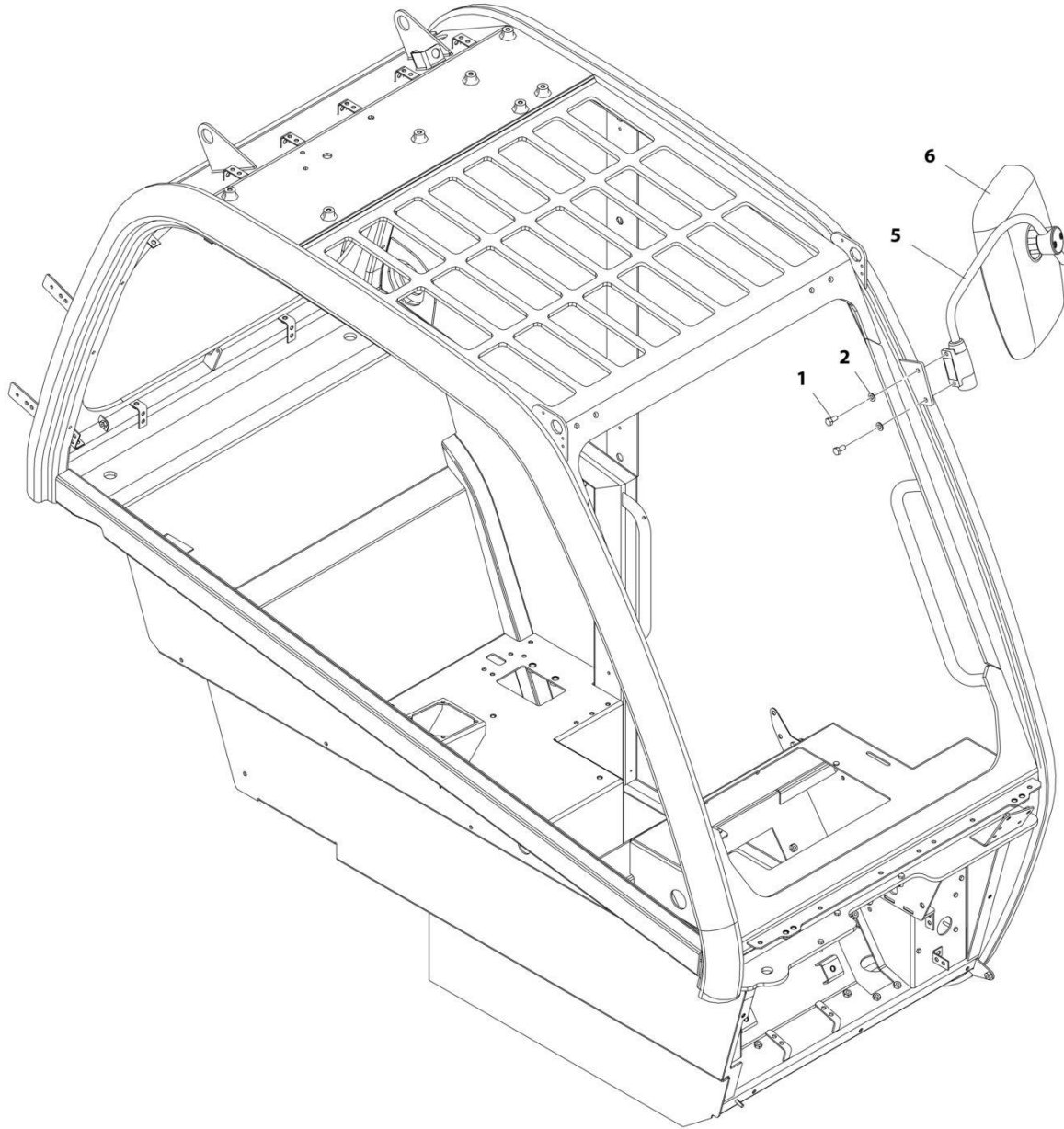


FIGURE 6-16. REAR WINDOW GROUP

ITEM	PART NUMBER	QTY	DESCRIPTION	REV
	1001220338	Ref	Rear Window Group	A
1	2080078	2	Fastener, M8X30	
2	3290806	2	Nut, M8X1.25 Grade 8	
3	8000759	2	Spacer	
4	8004398	2	Spacer	
5	1001005368	1	Latch, Window	
6	1001139568	2	Hinge	
7	1001171182	1	Grommet	
8	1001171183	1	Grommet	
9	1001178680	1	Glass, Rear Window	
10	1001178681	1	Seal	
11	1001181411	2	Gasket, Rear Window Hinge	

# SECTION 6 - CAB

## FIGURE 6-17. BASIC MIRROR INSTALLATION



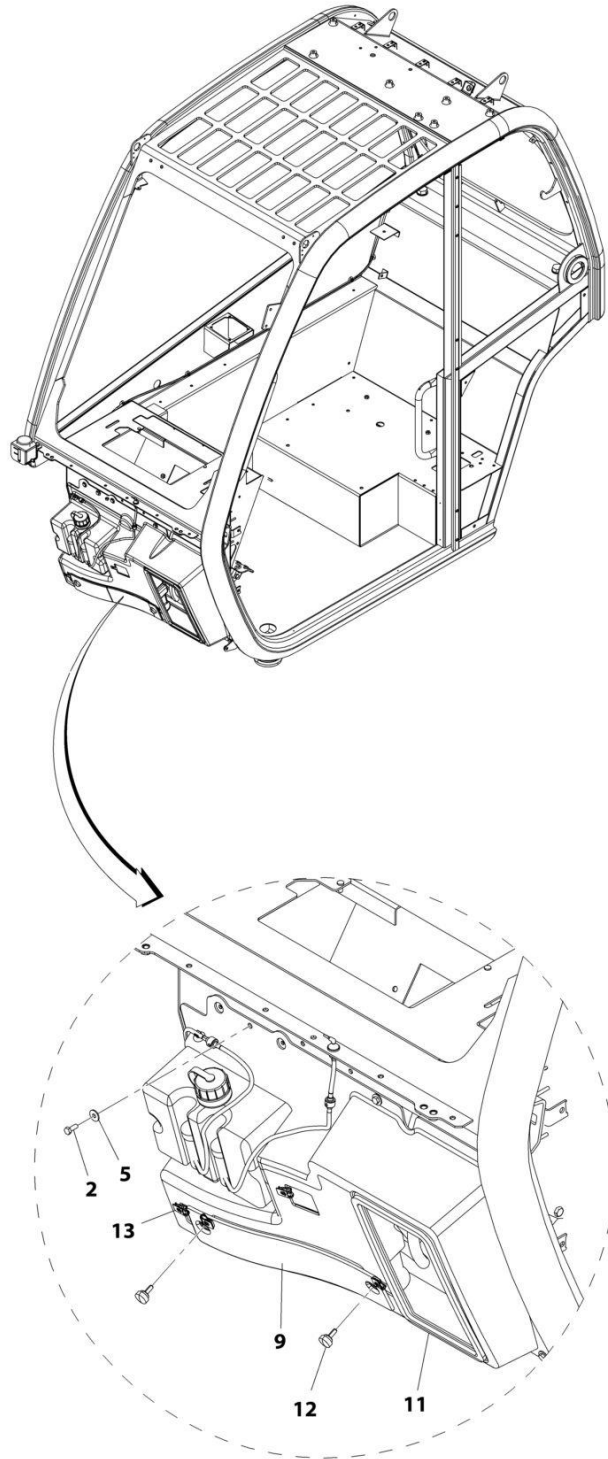
ART\_1001160508-E

FIGURE 6-17. BASIC MIRROR INSTALLATION

ITEM	PART NUMBER	QTY	DESCRIPTION	REV
	1001160508	Ref	Basic Mirror Installation	E
1	0760808	2	Bolt, M8X16	
2	4811900	2	Washer, M8	
5	1001164655	1	Bracket	
6	80363195	1	Mirror	

# SECTION 6 - CAB

## FIGURE 6-18. FRONT COVER INSTALLATION



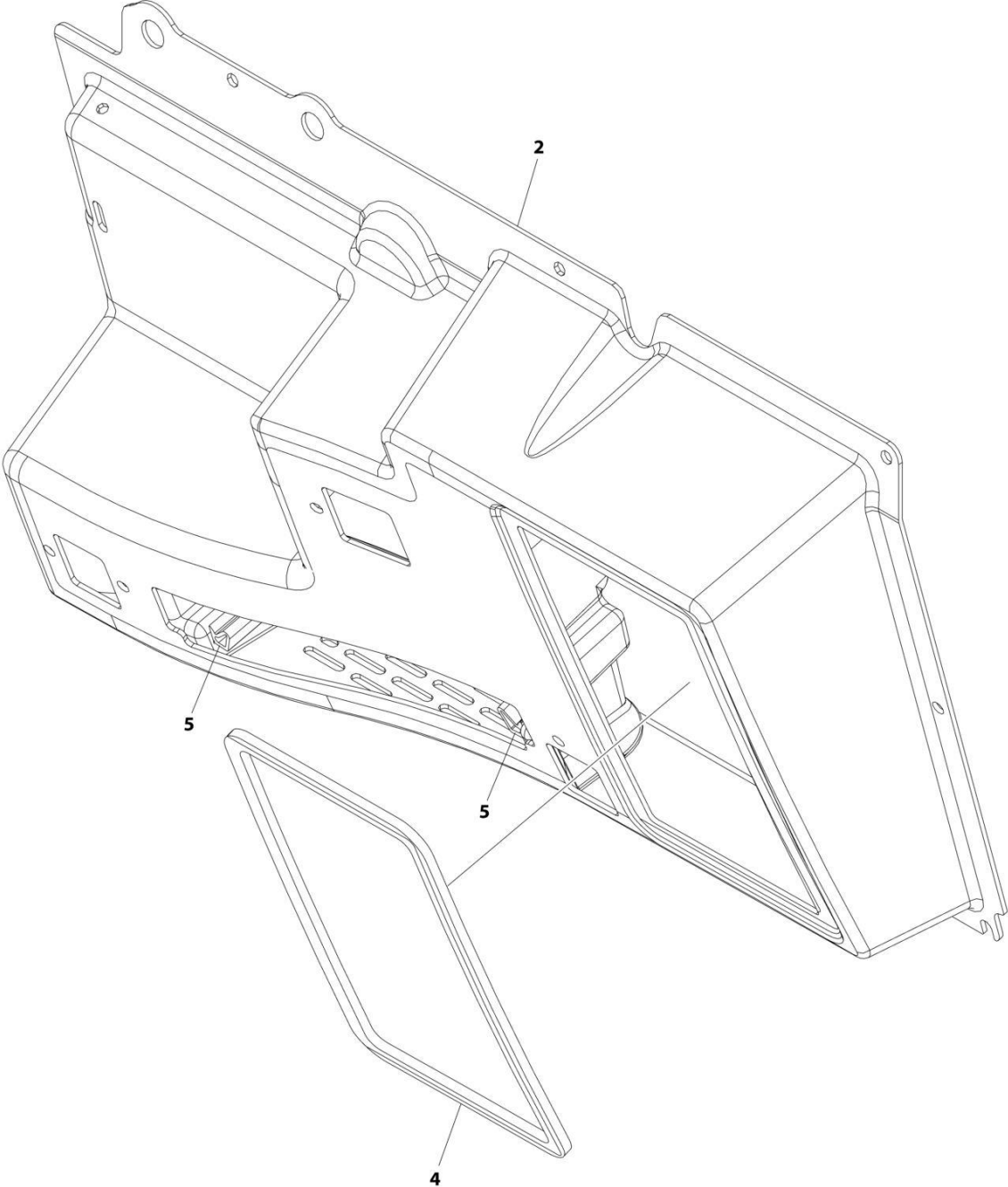
ART\_1001170366-G

FIGURE 6-18. FRONT COVER INSTALLATION

ITEM	PART NUMBER	QTY	DESCRIPTION	REV
	1001170366	Ref	Front Cover Installation	G
2	0760608	7	Bolt, M6X16	
5	4811702	7	Washer, M6	
9	1001175471	1	Panel, Filter Tray (See Separate Breakdown in this Section)	
11	1001176121	1	Cover, Front Duct (See Separate Breakdown in this Section)	
12	2080092	2	Thumb Screw, M6X16	
13	8305919	4	Nut, M6	

**SECTION 6 - CAB**

**FIGURE 6-19. FRONT DUCT COVER**



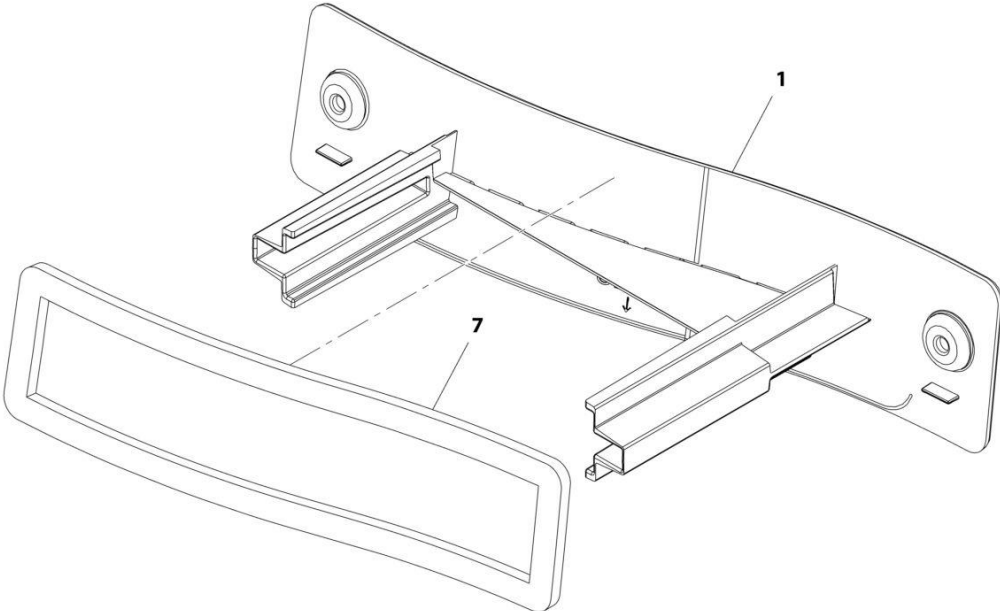
ART\_1001176121

**FIGURE 6-19. FRONT DUCT COVER**

<b>ITEM</b>	<b>PART NUMBER</b>	<b>QTY</b>	<b>DESCRIPTION</b>	<b>REV</b>
	1001176121	Ref	FRONT DUCT COVER	H
2	1001170326	1	Cover, Front	
4	1001175470	1	Seal, Front Cab Panel	
5	1001270117	AR	Seal, Bulb	

**SECTION 6 - CAB**

**FIGURE 6-20. FILTER TRAY PANEL**



ART\_1001175471-D

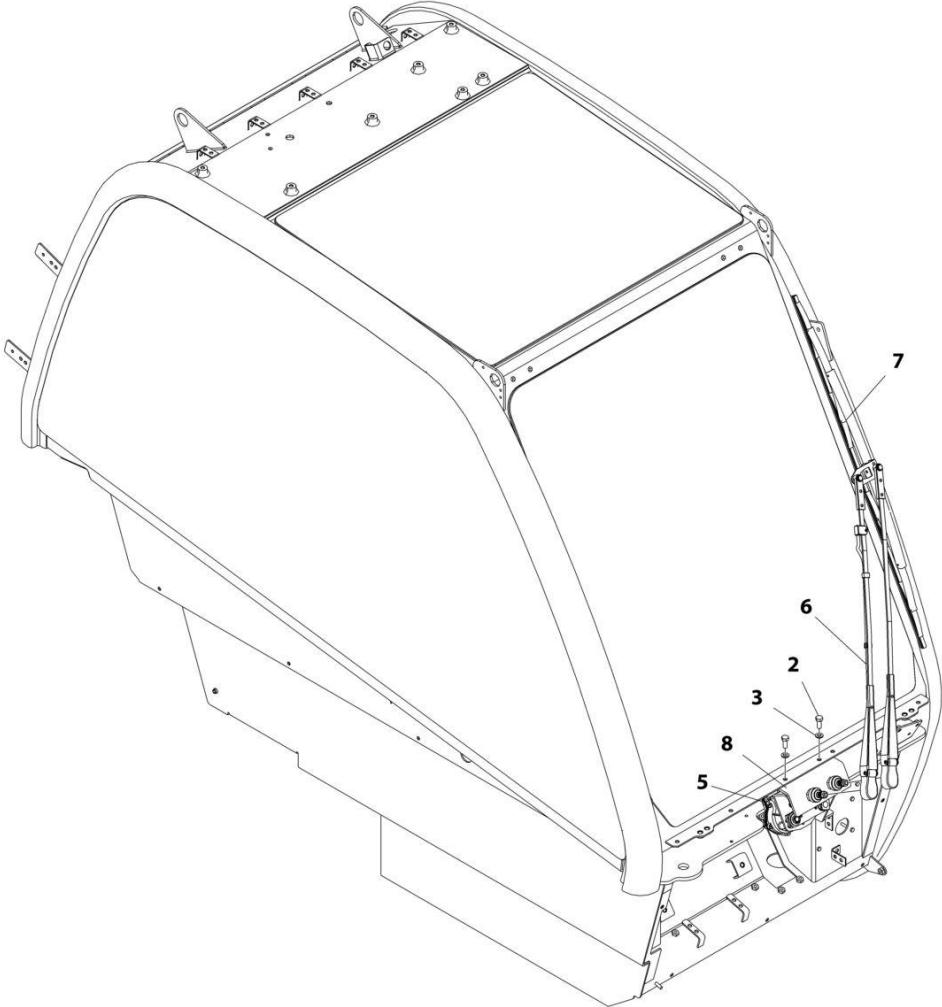


**FIGURE 6-20. FILTER TRAY PANEL**

<b>ITEM</b>	<b>PART NUMBER</b>	<b>QTY</b>	<b>DESCRIPTION</b>	<b>REV</b>
	1001175471	Ref	Filter Tray Panel	D
1	1001170993	1	Panel, Front Inlet	
7	1001171767	1	Cab, Front Panel Seal	

**SECTION 6 - CAB**

**FIGURE 6-21. FRONT WIPER INSTALLATION**



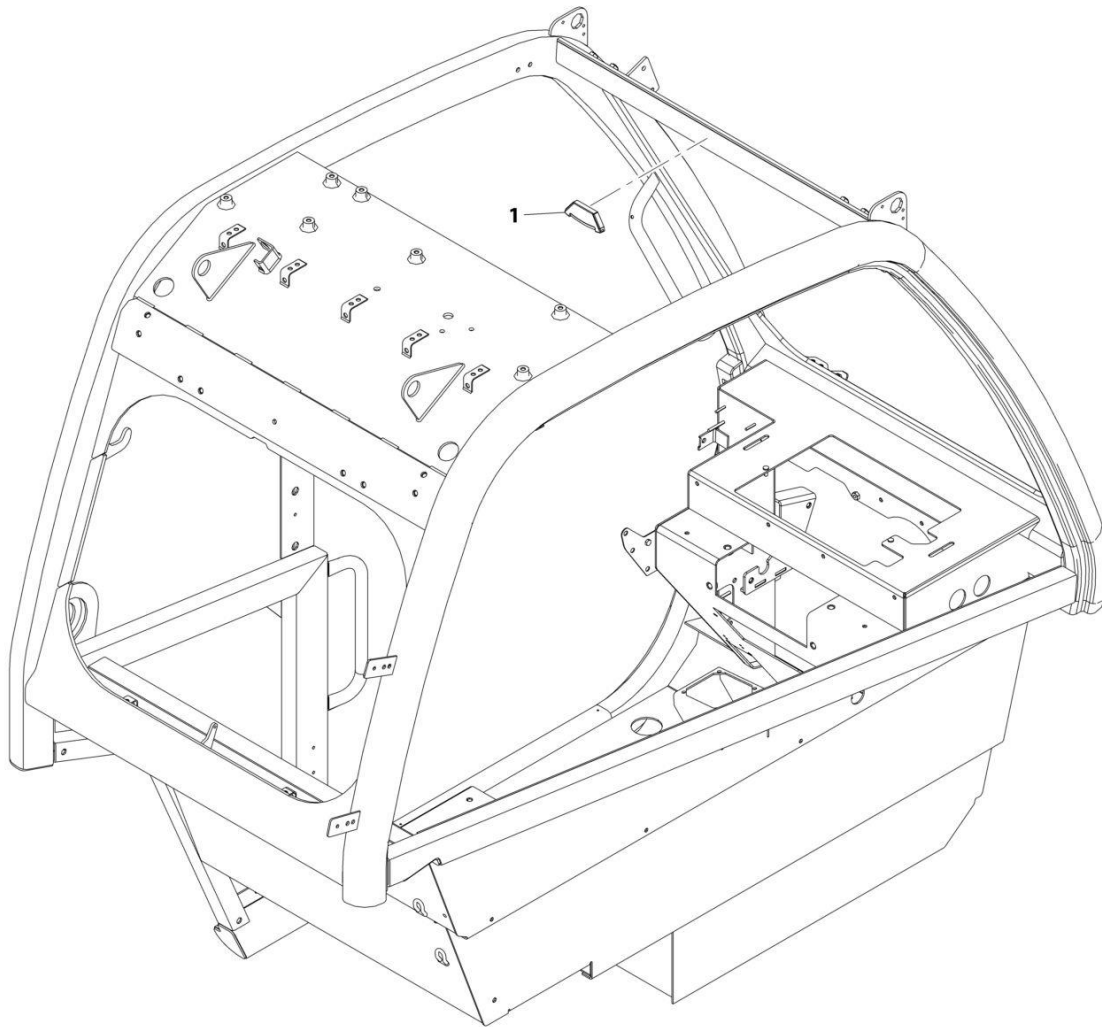
ART\_1001155447-G

FIGURE 6-21. FRONT WIPER INSTALLATION

ITEM	PART NUMBER	QTY	DESCRIPTION	REV
	1001155447	Ref	Front Wiper Installation	G
2	0760810	2	Bolt, M8X20	
3	4811900	2	Washer, M8	
5	1001214092	1	Motor, Front Wiper	
6	1001212369	1	Arm, Front Wiper	
7	1001141281	1	Blade, Wiper	
8	1001165637	1	Bracket	

# SECTION 6 - CAB

## FIGURE 6-22. LEVEL INDICATOR INSTALLATION



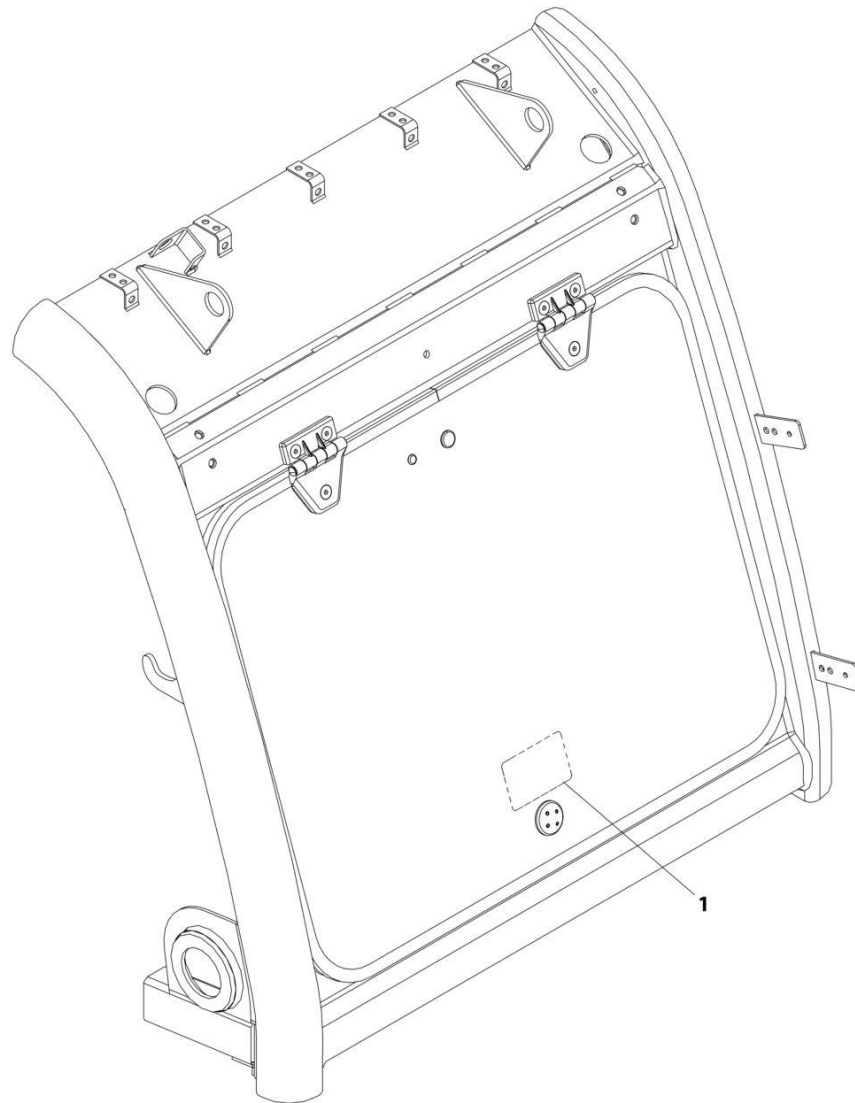
ART\_1001172401-C

**FIGURE 6-22. LEVEL INDICATOR INSTALLATION**

<b>ITEM</b>	<b>PART NUMBER</b>	<b>QTY</b>	<b>DESCRIPTION</b>	<b>REV</b>
1	1001172401 8466306	Ref 1	Level Indicator Installation Gauge, Tilt Angle	C

# SECTION 6 - CAB

## FIGURE 6-23. REAR WINDOW EXIT DECAL INSTALLATION



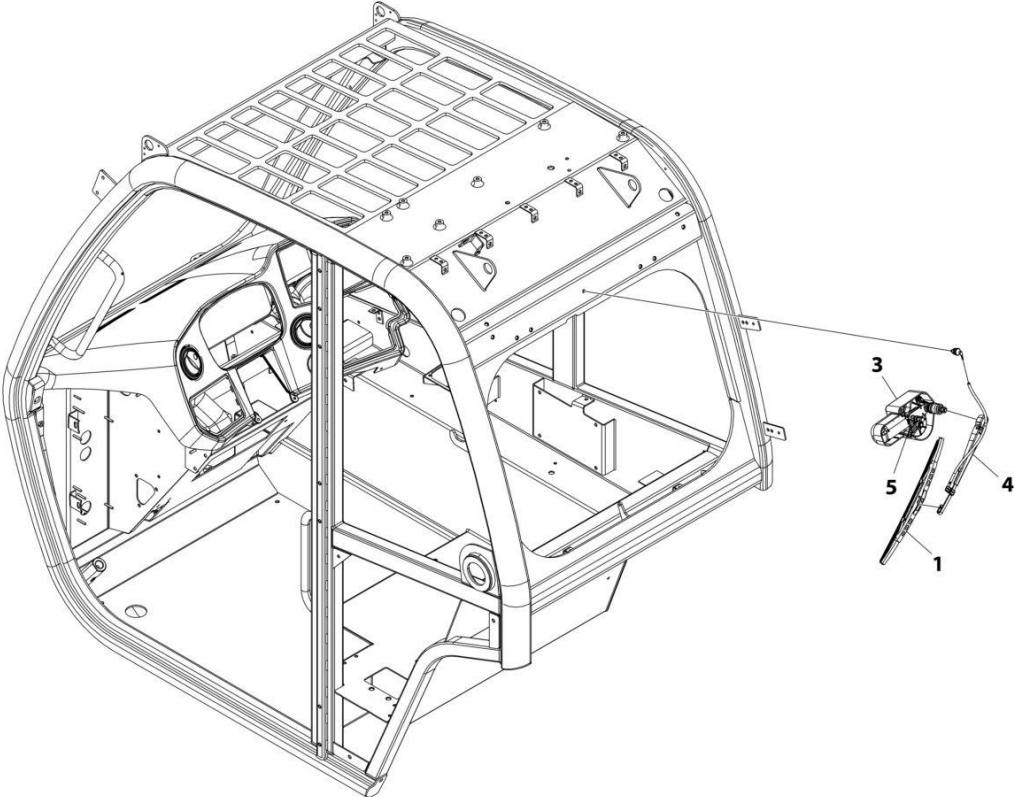
ART\_1001204598

**FIGURE 6-23. REAR WINDOW EXIT DECAL INSTALLATION**

<b>ITEM</b>	<b>PART NUMBER</b>	<b>QTY</b>	<b>DESCRIPTION</b>	<b>REV</b>
1	1001204598 8005870	Ref 1	Rear Window Exit Decal Installation Decal, Emergency Exit	B

**SECTION 6 - CAB**

**FIGURE 6-24. REAR WIPER INSTALLATION**



ART\_1001220329\_B

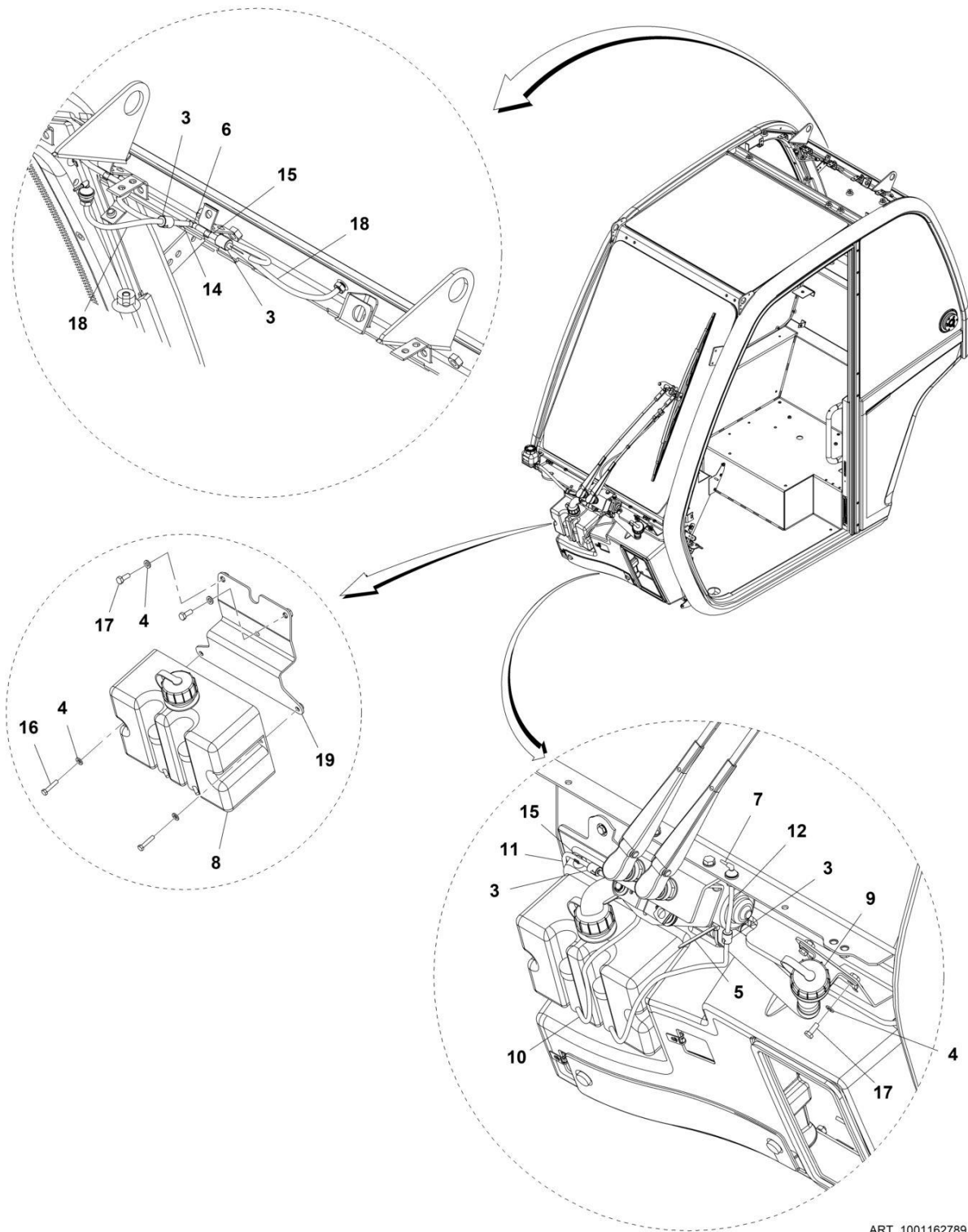


FIGURE 6-24. REAR WIPER INSTALLATION

ITEM	PART NUMBER	QTY	DESCRIPTION	REV
	1001220329	Ref	REAR WIPER INSTALLATION	B
1	4807718	1	Wiper Blade, Oslv Italia	
3	1001139552	1	Motor, Wiper, Rear Window	
4	1001141312	1	Blade, Arm, Rear Window	
5	3290801	1	Nut M8	

# SECTION 6 - CAB

## FIGURE 6-25. WASHER TANK INSTALLATION



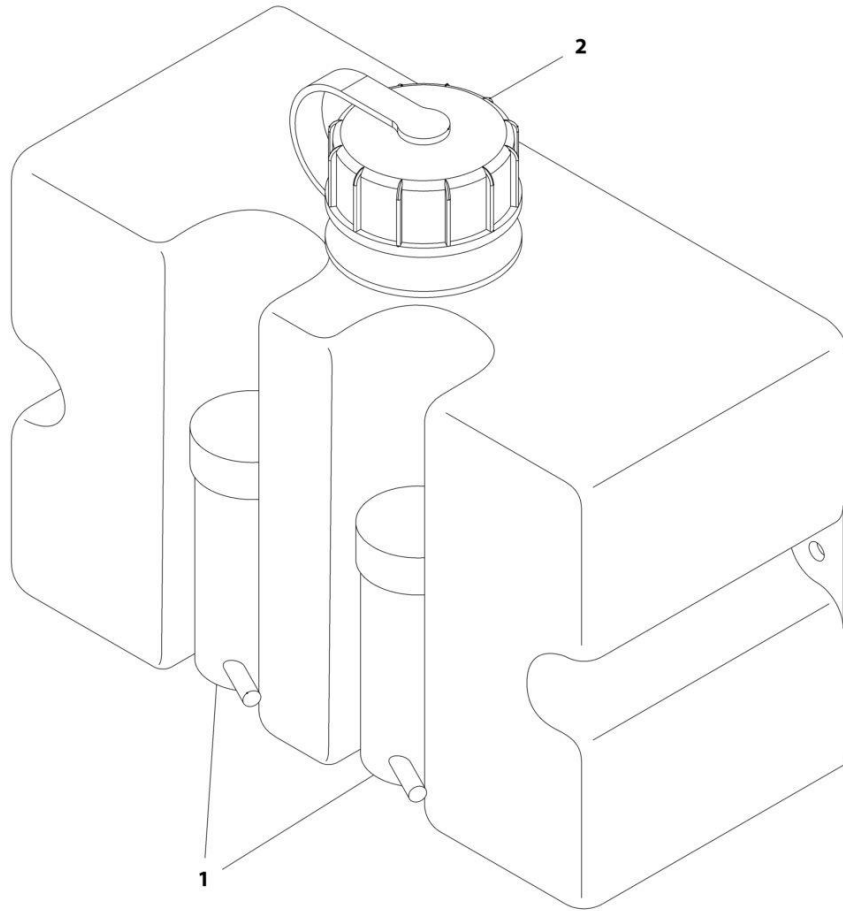
ART\_1001162789

FIGURE 6-25. WASHER TANK INSTALLATION

ITEM	PART NUMBER	QTY	DESCRIPTION	REV
	1001162789	Ref	Washer Tank Installation	M
3	1001201331	4	Valve, Check	
4	4811700	6	Washer, M6	
5	471678	2	Strap, Tie	
6	1001008742	1	Coupling, Tee	
8	1001165269	1	Bottle, Washer (See Separate Breakdown in this Section)	
9	1001165270	1	Hose, Washer Filler	
10	1001165351	2	Hose	
11	1001165407	1	Hose	
12	1001165416	1	Hose	
14	1001165455	2	Hose	
15	1001165458	16	Hose	
16	0760512	2	Bolt M5X25	
17	0760608	4	Bolt, M6X16	
18	1001178123	2	Hose	
19	1001171756	1	Bracket	

**SECTION 6 - CAB**

**FIGURE 6-26. WASHER BOTTLE**



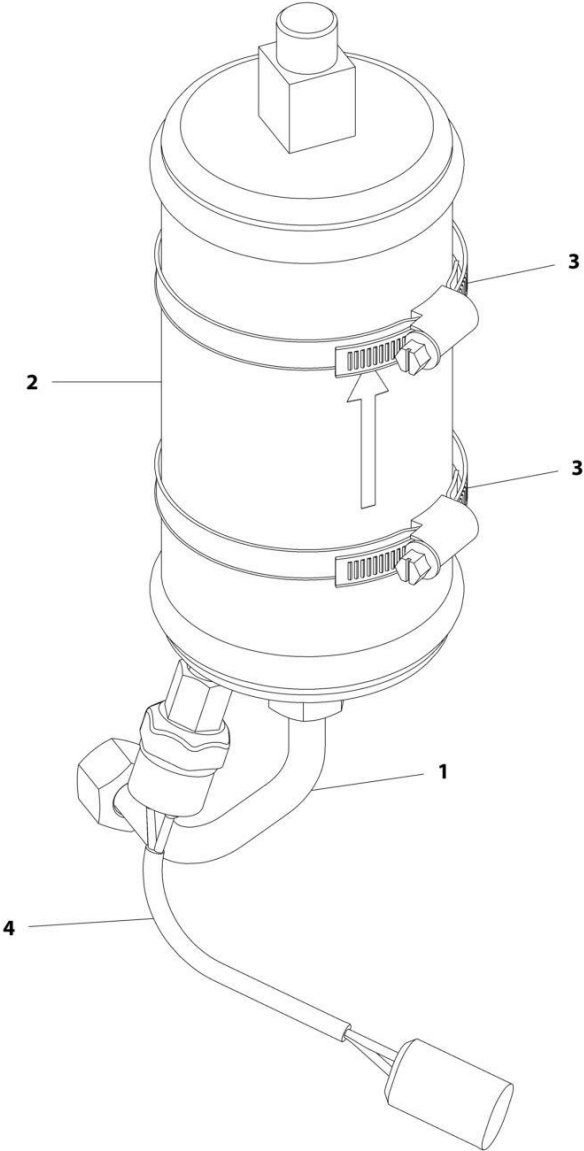
ART\_1001165269-B

**FIGURE 6-26. WASHER BOTTLE**

<b>ITEM</b>	<b>PART NUMBER</b>	<b>QTY</b>	<b>DESCRIPTION</b>	<b>REV</b>
	1001165269	Ref	Washer Bottle	B
1	1001165327	2	Pump, Washer	
2	1001165273	1	Cap, Washer	

**SECTION 6 - CAB**

**FIGURE 6-27. A/C RECEIVER DRIER**



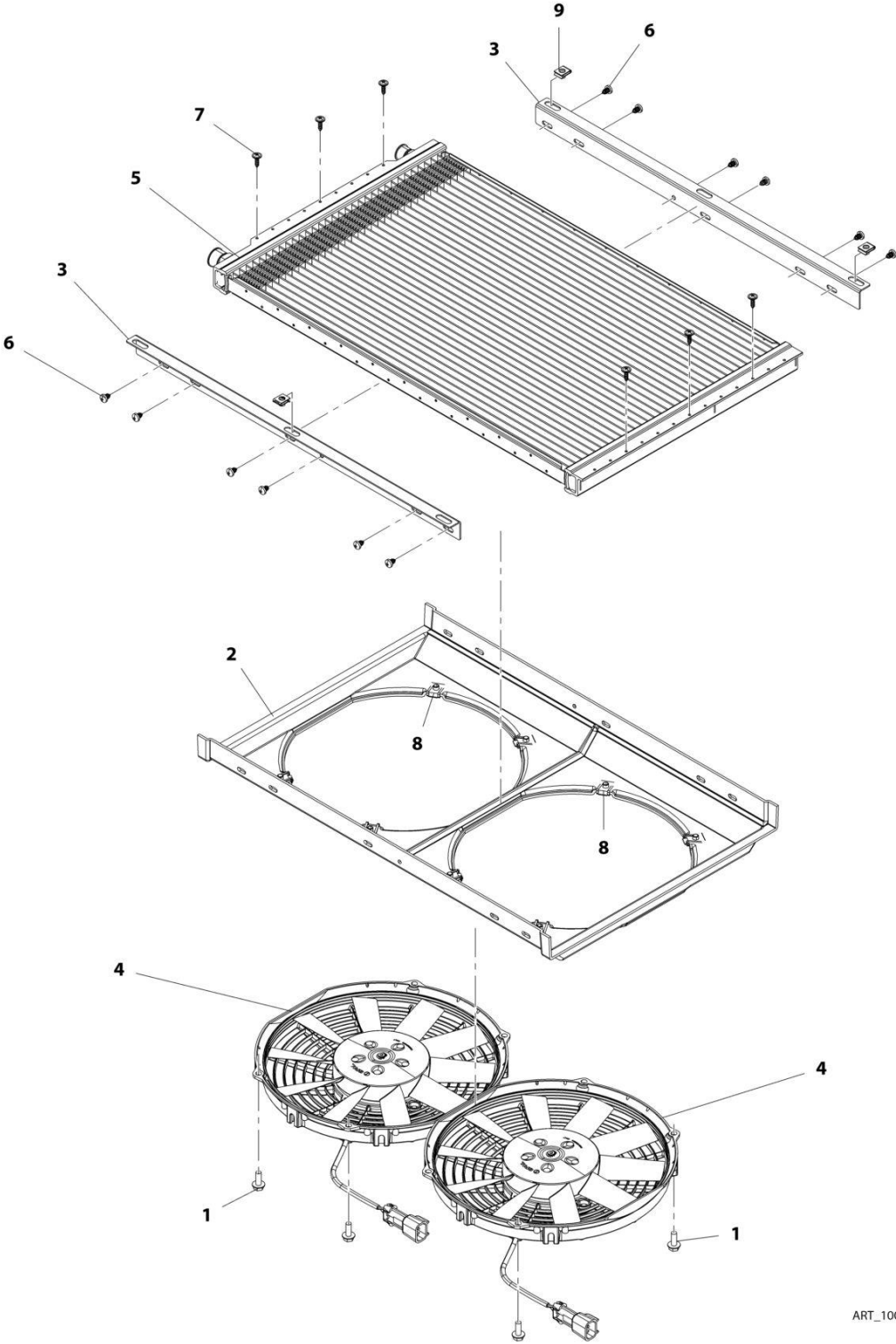
ART\_1001179130-B

FIGURE 6-27. A/C RECEIVER DRIER

ITEM	PART NUMBER	QTY	DESCRIPTION	REV
	1001179130	Ref	A/C Receiver Drier	B
1	1001184403	1	Tube, Heater	
2	1001184404	1	Receiver, Heater Drier	
3	1001184405	2	Clamp	
4	1001184406	1	Connector, Heater	

SECTION 6 - CAB

FIGURE 6-28. CONDENSER



ART\_1001167266-C

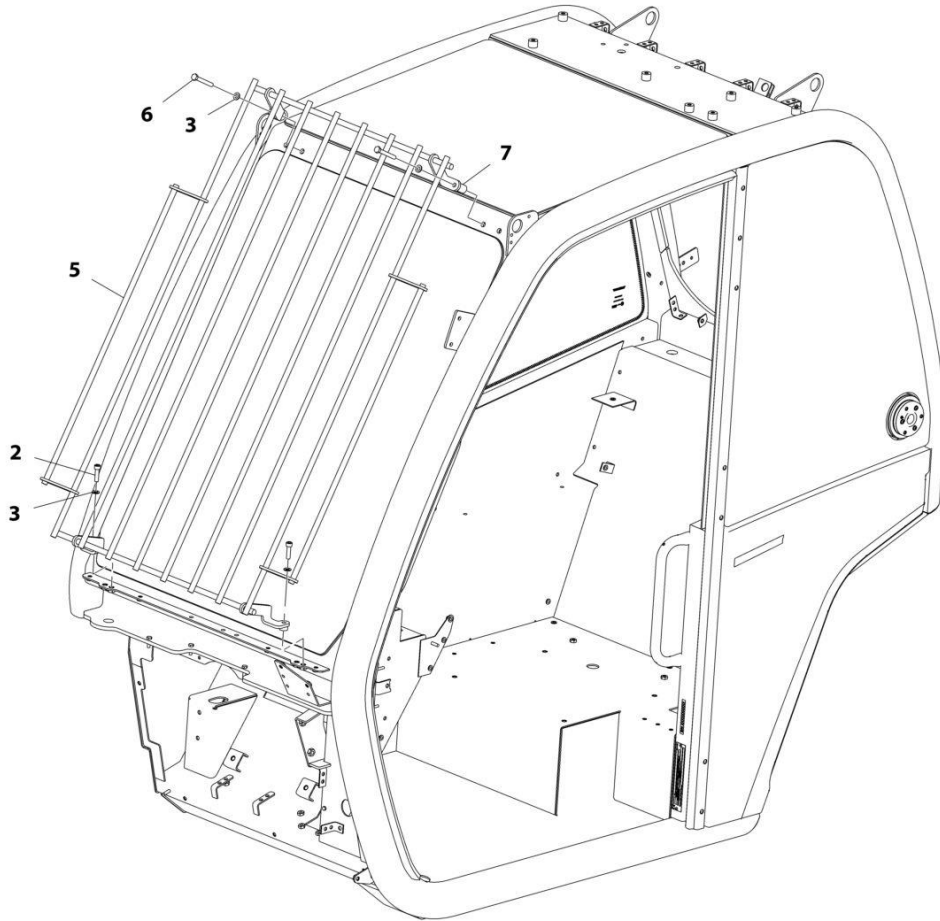


FIGURE 6-28. CONDENSER

ITEM	PART NUMBER	QTY	DESCRIPTION	REV
	1001167266	Ref	Condenser	C
1	5250608	8	Bolt, M6X16	
2	1001195342	1	Bracket, Condenser Fan Mount	
3	1001195343	2	Support, Condenser	
4	1001195345	2	Fan, Condenser	
5	1001195346	1	Condenser	
6	1001195385	12	Screw, M3.9X9.5	
7	1001195386	6	Screw, M4.2X16	
8	1001195437	8	Clip, M6X1	
9	1001195438	3	Clip, M6X1	

# SECTION 6 - CAB

## FIGURE 6-29. CAB GUARD INSTALLATION (FRONT)



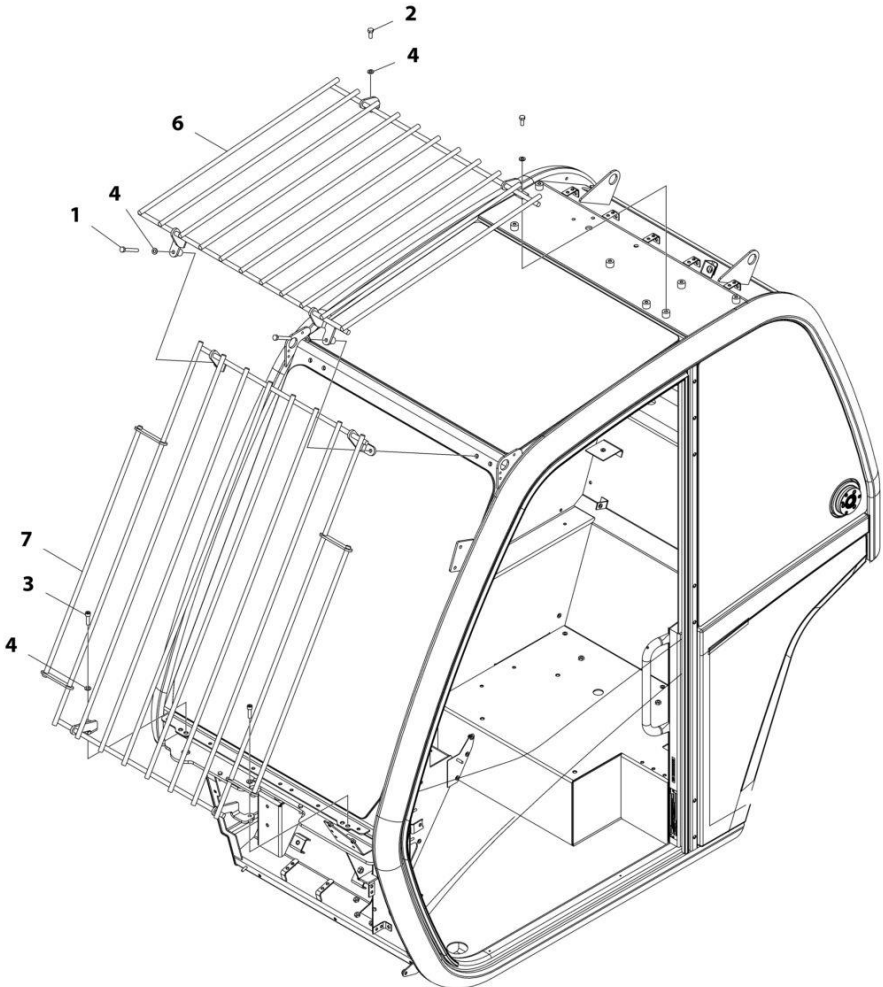
ART\_1001160506-G

FIGURE 6-29. CAB GUARD INSTALLATION (FRONT)

ITEM	PART NUMBER	QTY	DESCRIPTION	REV
	1001160506	Ref	Cab Guard Installation (Front)	G
2	4031910	2	Bolt, M8X30	
3	4811900	4	Washer, M8	
5	1001180263	1	Guard, Front Screen	
6	0700820	2	Bolt, M8X60	
7	1001173257	2	Spacer	

**SECTION 6 - CAB**

**FIGURE 6-30. CAB GUARD INSTALLATION (TOP AND FRONT)**



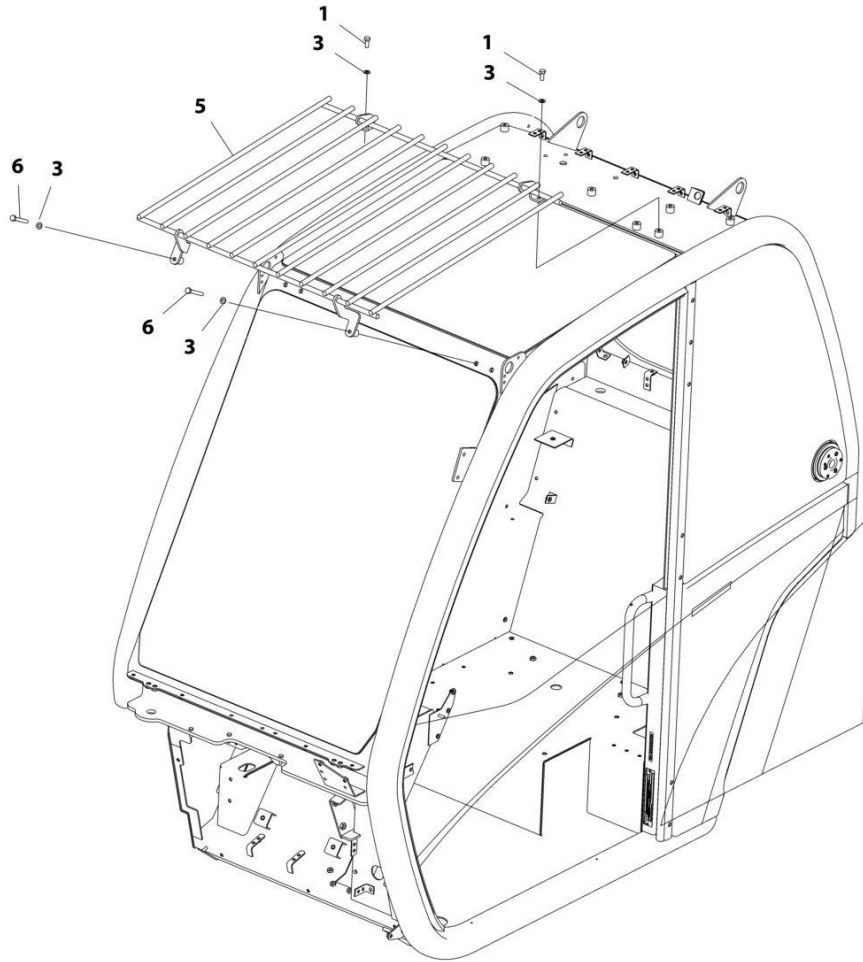
ART\_1001172774

**FIGURE 6-30. CAB GUARD INSTALLATION (TOP AND FRONT)**

ITEM	PART NUMBER	QTY	DESCRIPTION	REV
	1001172774	Ref	CAB GUARD INSTALLATION (TOP AND FRONT)	G
1	0700820	2	Bolt M8 x 60	
2	0760810	2	Bolt M8 x 20	
3	4031910	2	Bolt M8 x 30	
4	4811900	6	Washer M8	
6	1001160503	1	Guard, Top Screen	
7	1001180263	1	Guard, Front Screen	

# SECTION 6 - CAB

## FIGURE 6-31. CAB GUARD INSTALLATION (TOP)



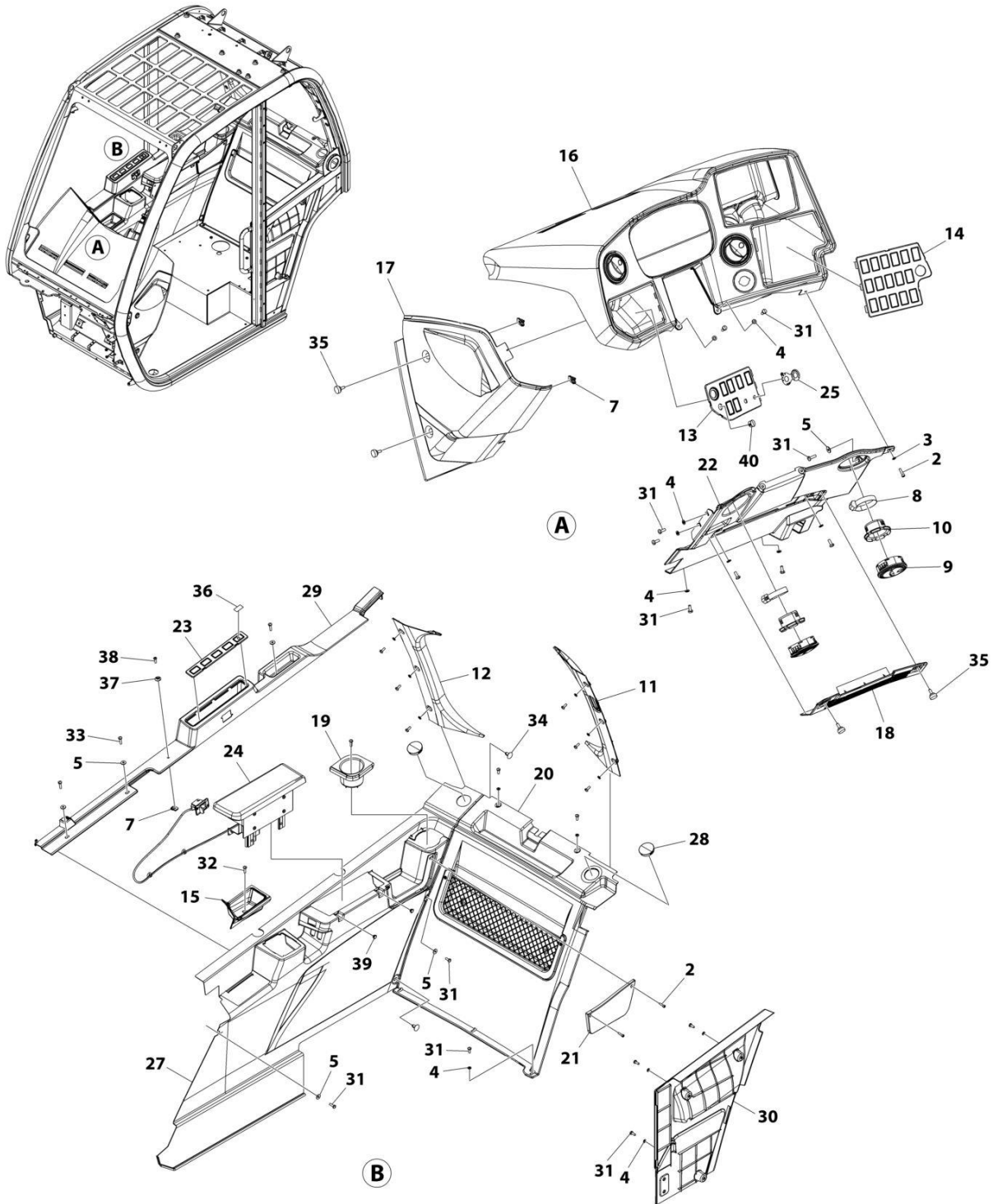
ART\_1001160496

FIGURE 6-31. CAB GUARD INSTALLATION (TOP)

ITEM	PART NUMBER	QTY	DESCRIPTION	REV
	1001160496	Ref	Cab Guard Installation (Top)	G
1	0760810	2	Bolt, M8X20	
3	4811900	4	Washer, M8	
5	1001160503	1	Guard, Top Screen	
6	0700820	2	Bolt, M8X60	

# SECTION 6 - CAB

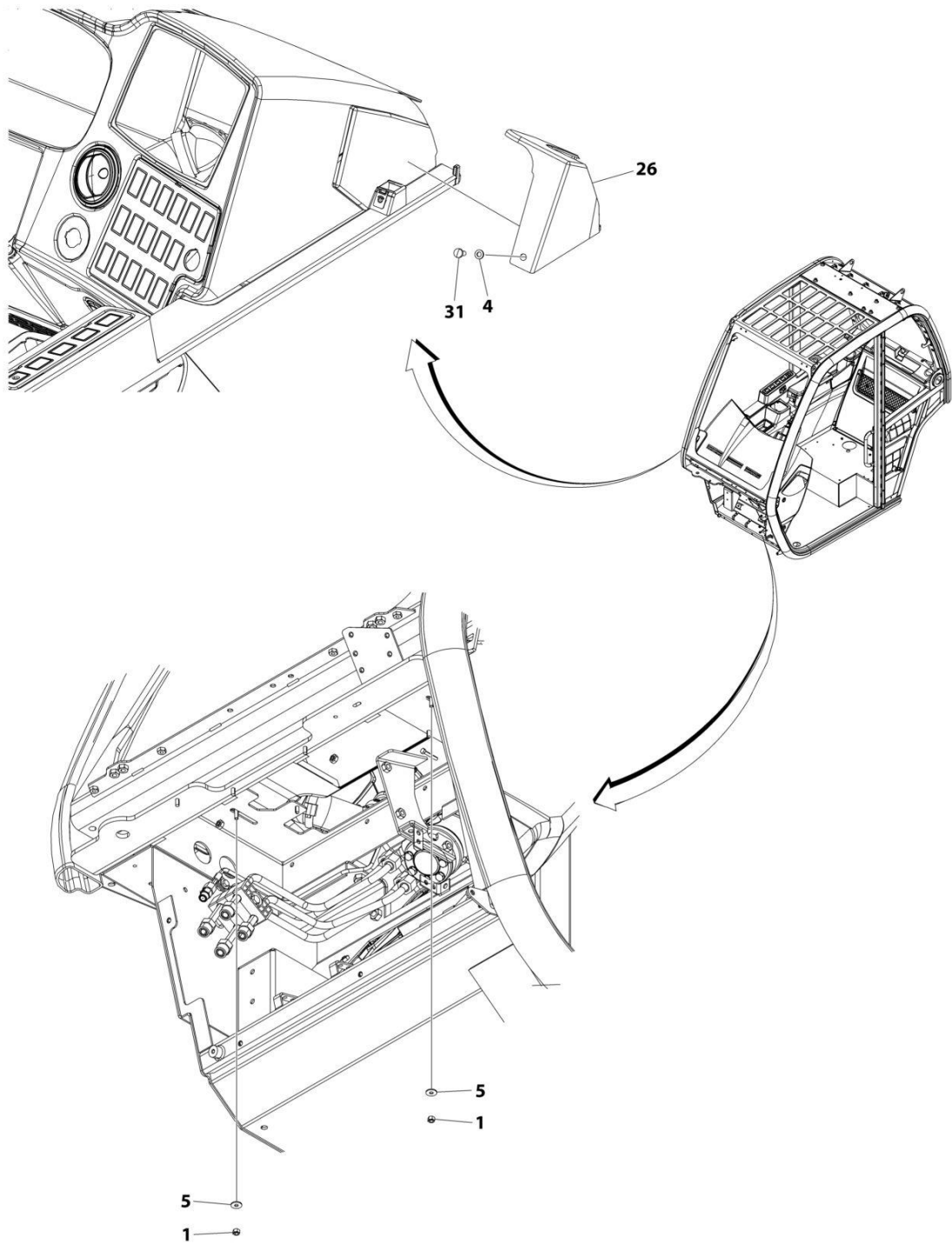
## FIGURE 6-32. CAB TRIM INSTALLATION



ART\_1001195816\_J\_10F2



# SECTION 6 - CAB



ART\_1001195816\_J\_2OF2

## SECTION 6 - CAB

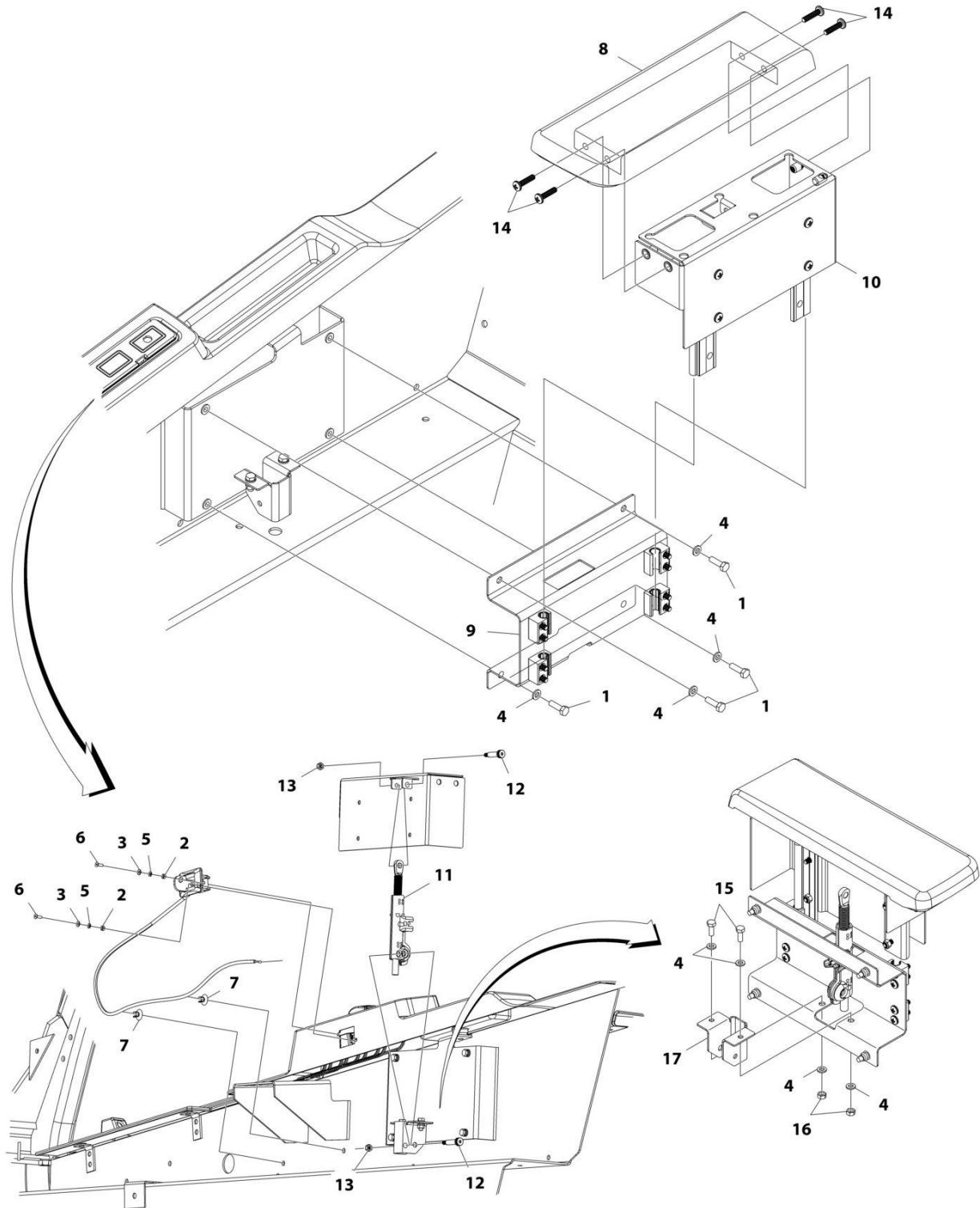
### FIGURE 6-32. CAB TRIM INSTALLATION

ITEM	PART NUMBER	QTY	DESCRIPTION	REV
	1001195816	Ref	CAB TRIM INSTALLATION	J
1	3290605	2	Nut, Lock M6 x 1	
2	4031608001	3	Screw M5 x 20	
3	4811600	1	Washer M5	
4	4811700001	23	Washer M6	
5	4811702001	7	Washer M6	
7	8305919	2	Nut M6	
8	8405201	2	Clamp	
9	1001147449	2	Vent	
10	1001149278	2	Connector, Vent	
11	1001161252	1	Cover, LH C-Post	
12	1001161253	1	Cover, RH C-Post	
13	1001268846	1	Plate, Switch	
14	1001219865	1	Plate, Switch	
15	1001169603	1	Tray	
16	1001169604	1	Assembly, Dash Cover (See Separate Breakdown in this Section)	
17	1001161855	1	Cover, Side Dash	
18	1001170504	1	Cover, Recirculation Grille	
19	1001170518	1	Holder, Cup	
20	1001170519	1	Assembly, Rear Panel Cover (See Separate Breakdown in this Section)	
21	1001173965	1	Bezel, Net	
22	1001175903	1	Cover, Lower Dash	
23	1001219863	1	Plate, Switch	
24	1001181726	1	Installation, Armrest (See Separate Breakdown in this Section)	
25	1001184975	1	Decal, HVAC	
26	1001185870	1	Cover, Lower A-Post	
27	1001189182	1	Cover, RH Side	
28	1001223265	2	Grommet	
29	1001195817	1	Cover, RH Extension	
30	1001195818	1	Panel, LH Side	
31	4010608002	26	Screw M6 x 16	
32	4010610002	1	Screw M6 x 20	
33	4010612002	3	Screw M6 x 25	
34	1001211907	2	Screw	
35	1001208308	4	Thumb Screw M6 x 15	
36	1001226481	1	Decal, Blank	
37	1001098150	1	Washer M6	
38	1001132564	1	Screw M6 x 20	
39	1001227133	2	Grommet	
40	1001207963	1	Plug	



# SECTION 6 - CAB

## FIGURE 6-33. ADJUSTABLE ARMREST INSTALLTION



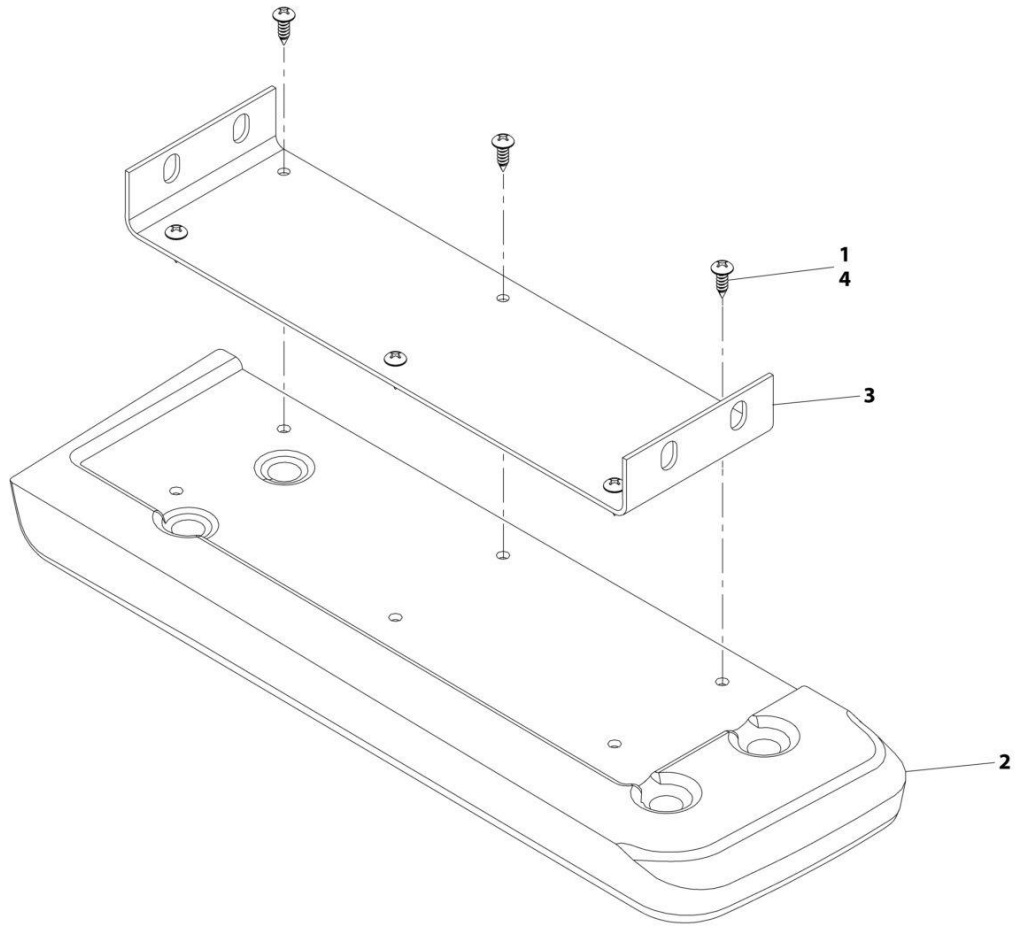
ART\_1001181726\_G

FIGURE 6-33. ADJUSTABLE ARMREST INSTALLTION

ITEM	PART NUMBER	QTY	DESCRIPTION	REV
	1001181726	Ref	ADJUSTABLE ARMREST INSTALLTION	G
1	0700610	4	Bolt, M6X20	
2	3290401	2	Nut, M4X0.7	
3	4811400	2	Washer, M4	
4	4811700	8	Washer, M6	
5	4831400	2	Washer, Lock M4	
6	1001097244	2	Screw, M4X12	
7	1001165458	2	Hose	
8	1001191281	1	Armrest (See Separate Breakdown in this Section)	
9	1001191283	1	Bracket, Fixed Armrest (See Separate Breakdown in this Section)	
10	1001191284	1	Bracket, Moving Armrest (See Separate Breakdown in this Section)	
11	1001283175	1	Spring	
12	1001191370	2	Screw, M6	
13	3290605	2	Nut, M6X1 Grade 8	
14	4010612002	4	Screw, M6X25	
15	0760608	2	Bolt, M6X16	
16	3290601	2	Nut, M6X1	
17	1001212468	1	Bracket, Locking Spring Mount	

# SECTION 6 - CAB

## FIGURE 6-34. ARMREST



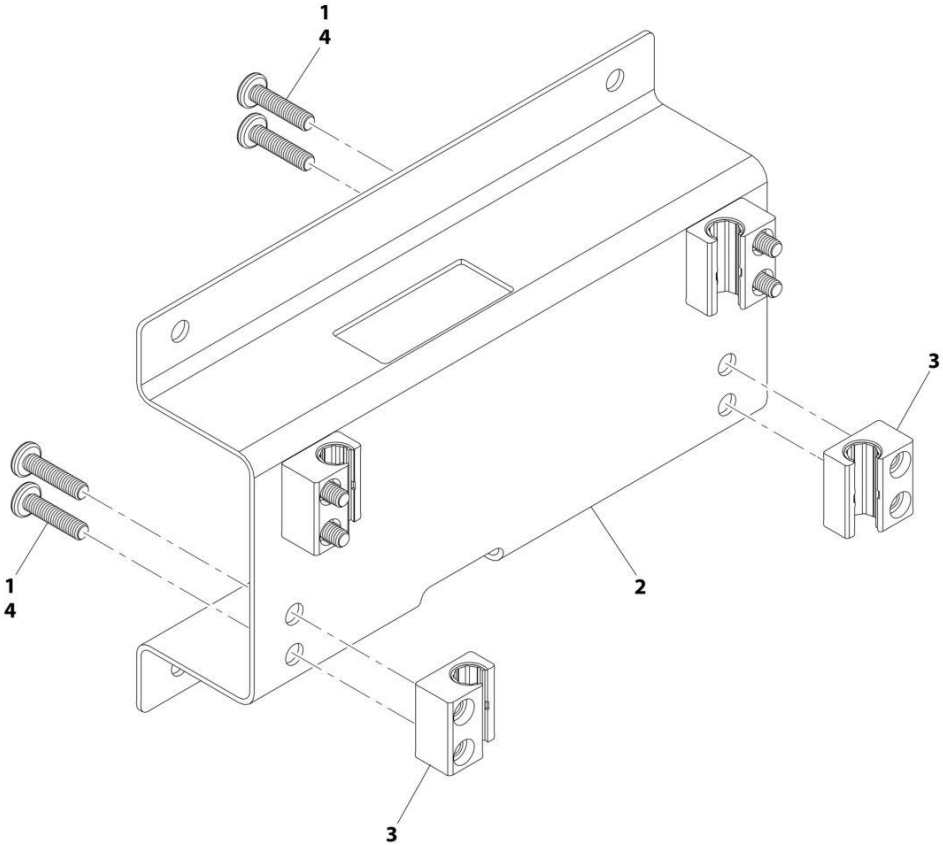
ART\_1001191281

FIGURE 6-34. ARMREST

ITEM	PART NUMBER	QTY	DESCRIPTION	REV
	1001191281	Ref	Armrest	E
1	1001095650	AR	Adhesive	
2	1001179484	1	Armrest, Cab	
3	1001191282	1	Bracket, Armrest Pad	
4	1001192240	6	Screw	

**SECTION 6 - CAB**

**FIGURE 6-35. FIXED ARMREST BRACKET**



ART\_1001191283-B

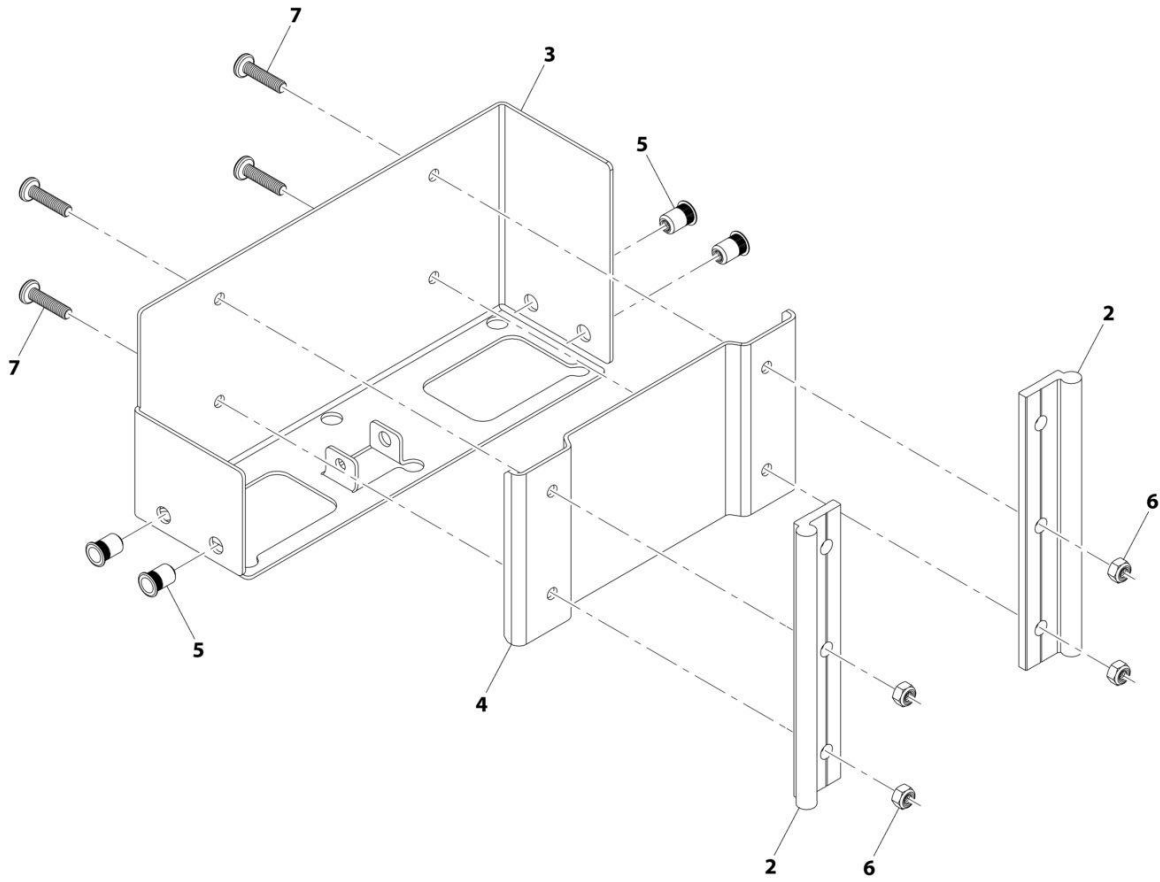


FIGURE 6-35. FIXED ARMREST BRACKET

ITEM	PART NUMBER	QTY	DESCRIPTION	REV
	1001191283	Ref	Fixed Armrest Bracket	B
1	1001095650	AR	Adhesive	
2	1001183597	1	Armrest Bracket	
3	1001191310	4	Slide Block	
4	4010612002	8	Screw	

# SECTION 6 - CAB

## FIGURE 6-36. MOVING ARMREST BRACKET



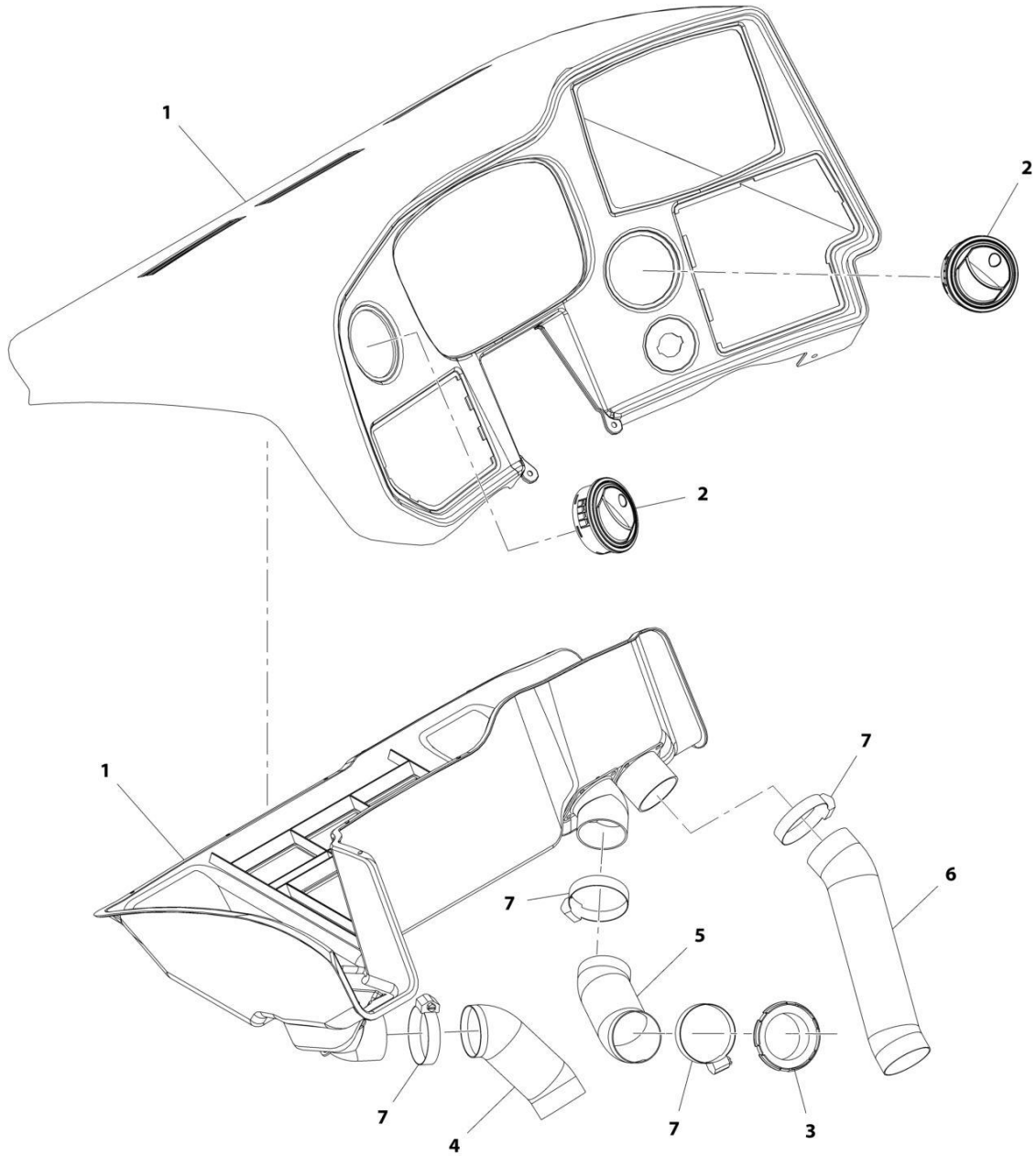
ART\_1001191284-B

FIGURE 6-36. MOVING ARMREST BRACKET

ITEM	PART NUMBER	QTY	DESCRIPTION	REV
	1001191284	Ref	Moving Armrest Bracket	B
2	1001191311	2	Side Rail	
3	1001191312	1	Armrest Mount Bracket	
4	1001191313	1	Spacer Block Plate	
5	1001191959	4	Rivenut M6 X 1	
6	3290605	4	Nut, Lock M6X1	
7	4010612002	4	Screw, M6X25	

# SECTION 6 - CAB

## FIGURE 6-37. DASH COVER ASSEMBLY



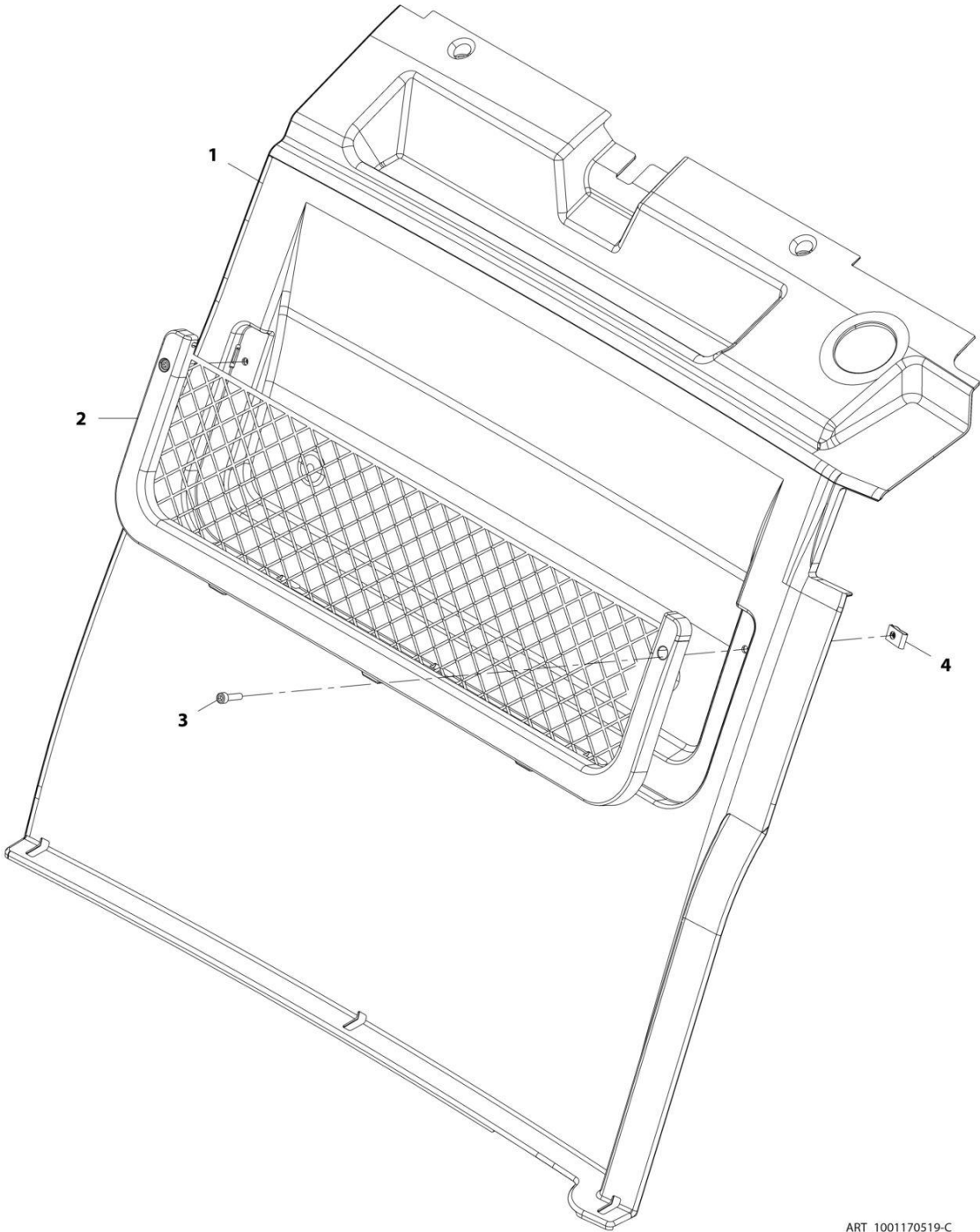
ART\_1001169604-B

FIGURE 6-37. DASH COVER ASSEMBLY

ITEM	PART NUMBER	QTY	DESCRIPTION	REV
	1001169604	Ref	Dash Cover Assembly (Construction)	B
1	1001161851	1	Panel, Top Dash	
2	1001147449	2	Vent, Air	
3	1001149278	1	Vent, Connector	
4	1001174652	1	Hose	
5	1001174653	1	Hose	
6	1001174655	1	Hose	
7	8405201	4	Clamp, Gear	

**SECTION 6 - CAB**

**FIGURE 6-38. REAR PANEL COVER ASSEMBLY**



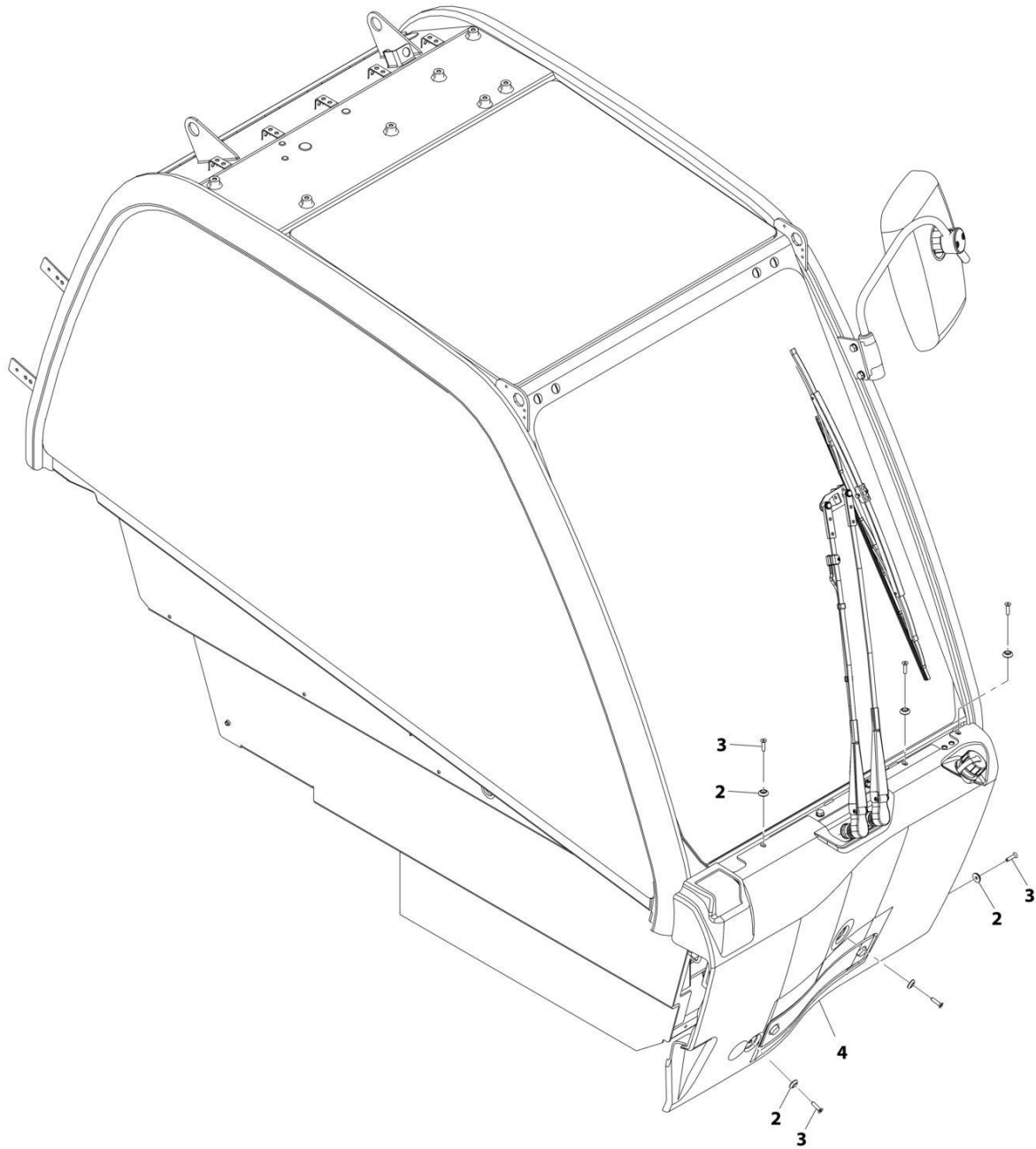
ART\_1001170519-C

FIGURE 6-38. REAR PANEL COVER ASSEMBLY

ITEM	PART NUMBER	QTY	DESCRIPTION	REV
	1001170519	Ref	Rear Panel Cover Assembly	C
1	1001161067	1	Panel, Rear	
2	1001170514	1	Storage Net, Rear Panel	
3	4031608	2	Bolt, M5X20	
4	1001183550	2	Nut, Cage M5	

# SECTION 6 - CAB

## FIGURE 6-39. ENCLOSED CAB FRONT COVER INSTALLATION



ART\_1001179592-G

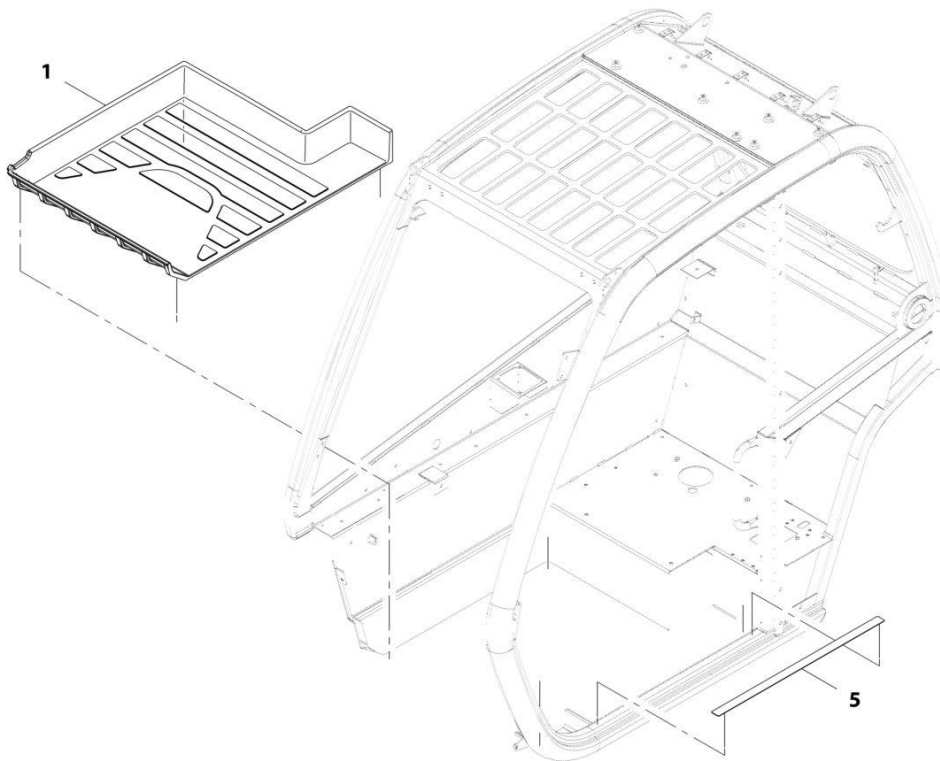


**FIGURE 6-39. ENCLOSED CAB FRONT COVER INSTALLATION**

<b>ITEM</b>	<b>PART NUMBER</b>	<b>QTY</b>	<b>DESCRIPTION</b>	<b>REV</b>
	1001179592	Ref	Enclosed Cab Front Cover Installation	G
2	1001097540	6	Washer, M6	
3	3900379	6	Screw, M6-1X25 Grade 10.9	
4	1001170325	1	Cover, Front	

# SECTION 6 - CAB

## FIGURE 6-40. FLOOR MAT INSTALLATION



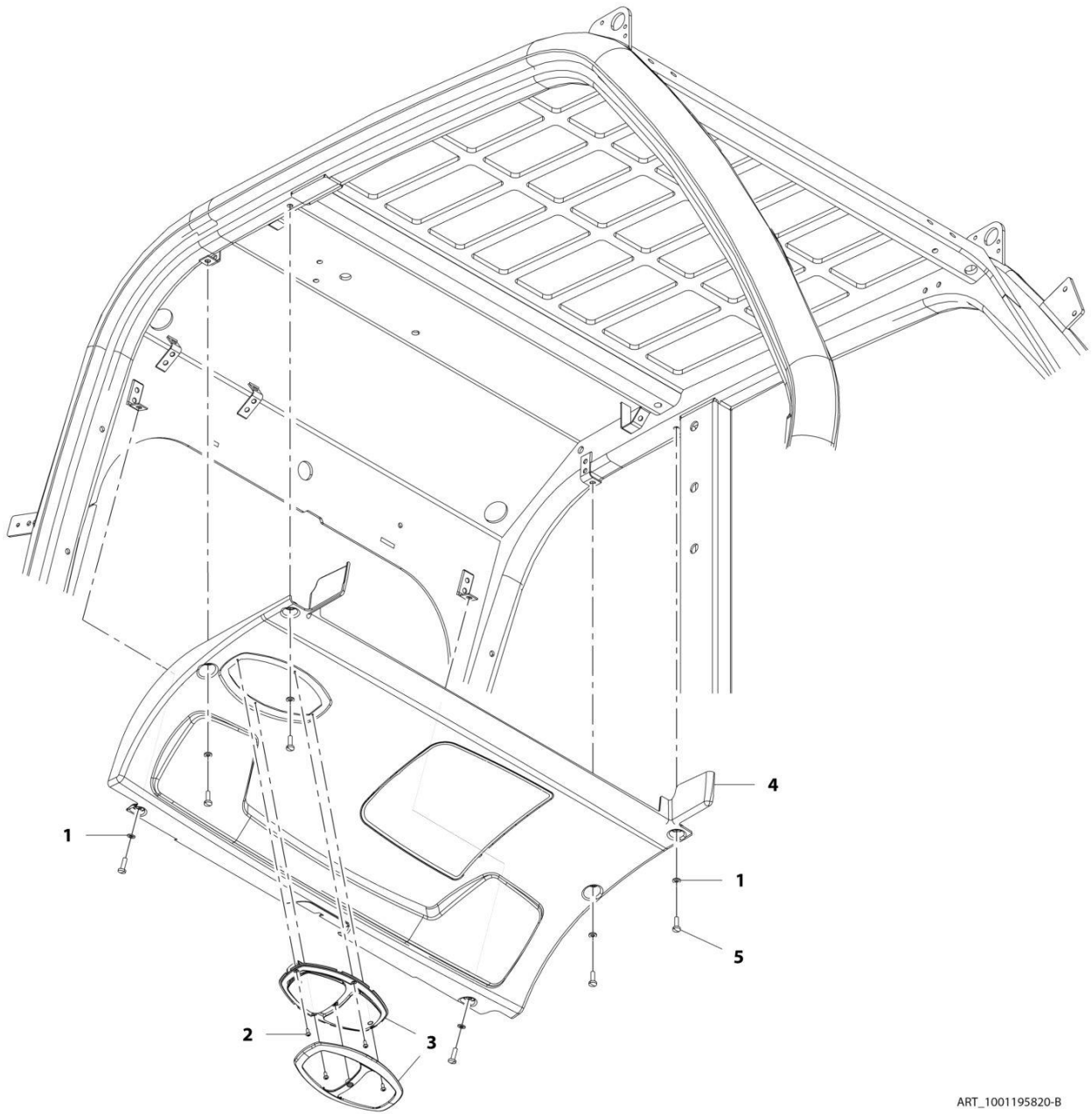
ART\_1001161080-E

FIGURE 6-40. FLOOR MAT INSTALLATION

ITEM	PART NUMBER	QTY	DESCRIPTION	REV
	1001161080	Ref	Floor Mat Installation	E
1	1001161078	1	Cab, Floor Mat	
5	1001197259	1	Tape, Frame Non Skid	

# SECTION 6 - CAB

## FIGURE 6-41. HEADLINER INSTALLATION



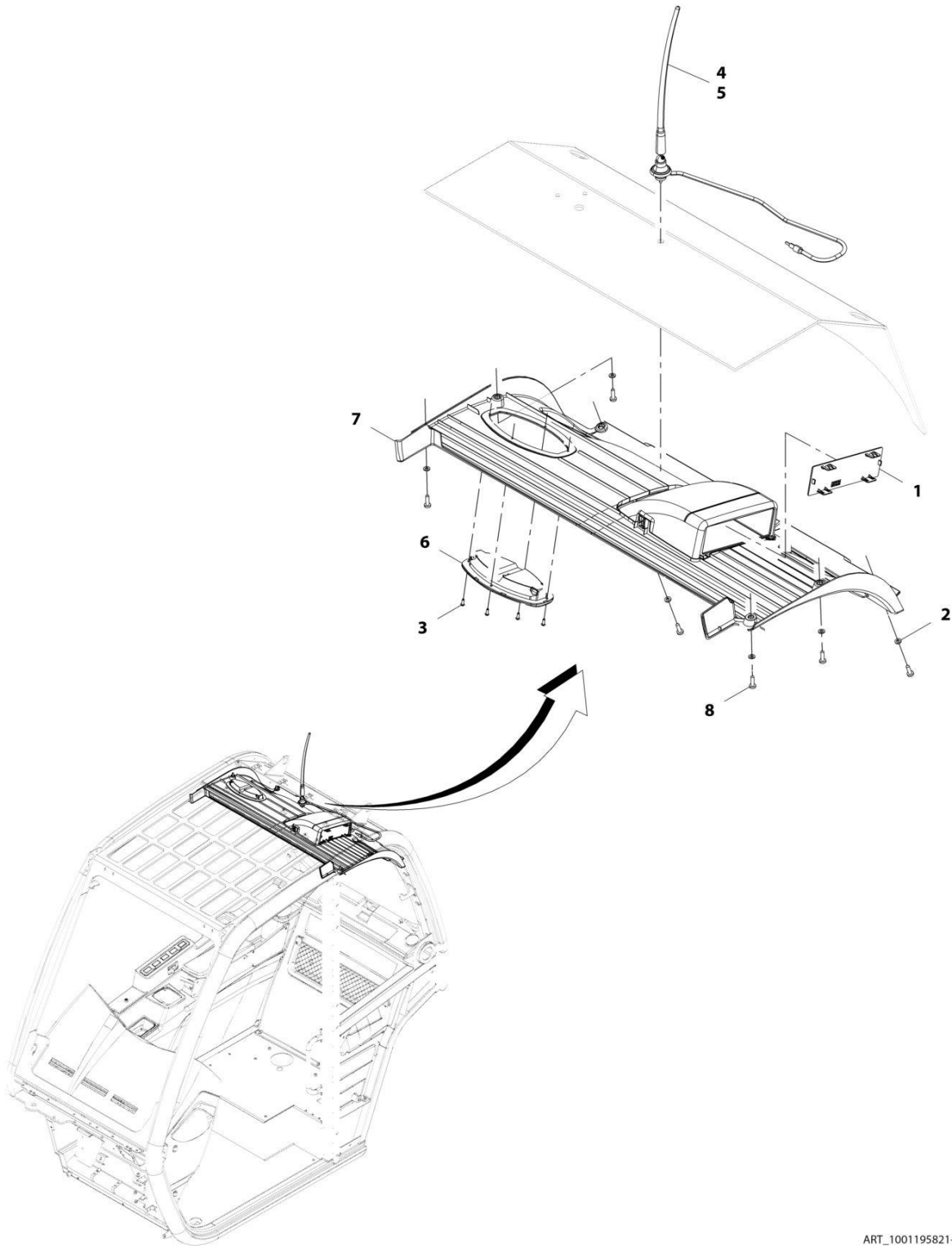
ART\_1001195820-B

FIGURE 6-41. HEADLINER INSTALLATION

ITEM	PART NUMBER	QTY	DESCRIPTION	REV
	1001195820	Ref	Headliner Installation	C
1	4811700	6	Washer, M6	
2	7029486	4	Screw	
3	1001167015	1	Lamp, Dome	
4	1001195822	1	Panel, Headliner	
5	4031708001	1	Cap Screw M6 x 20	

# SECTION 6 - CAB

## FIGURE 6-42. HEADLINER/RADIO READY PACKAGE INSTALLATION



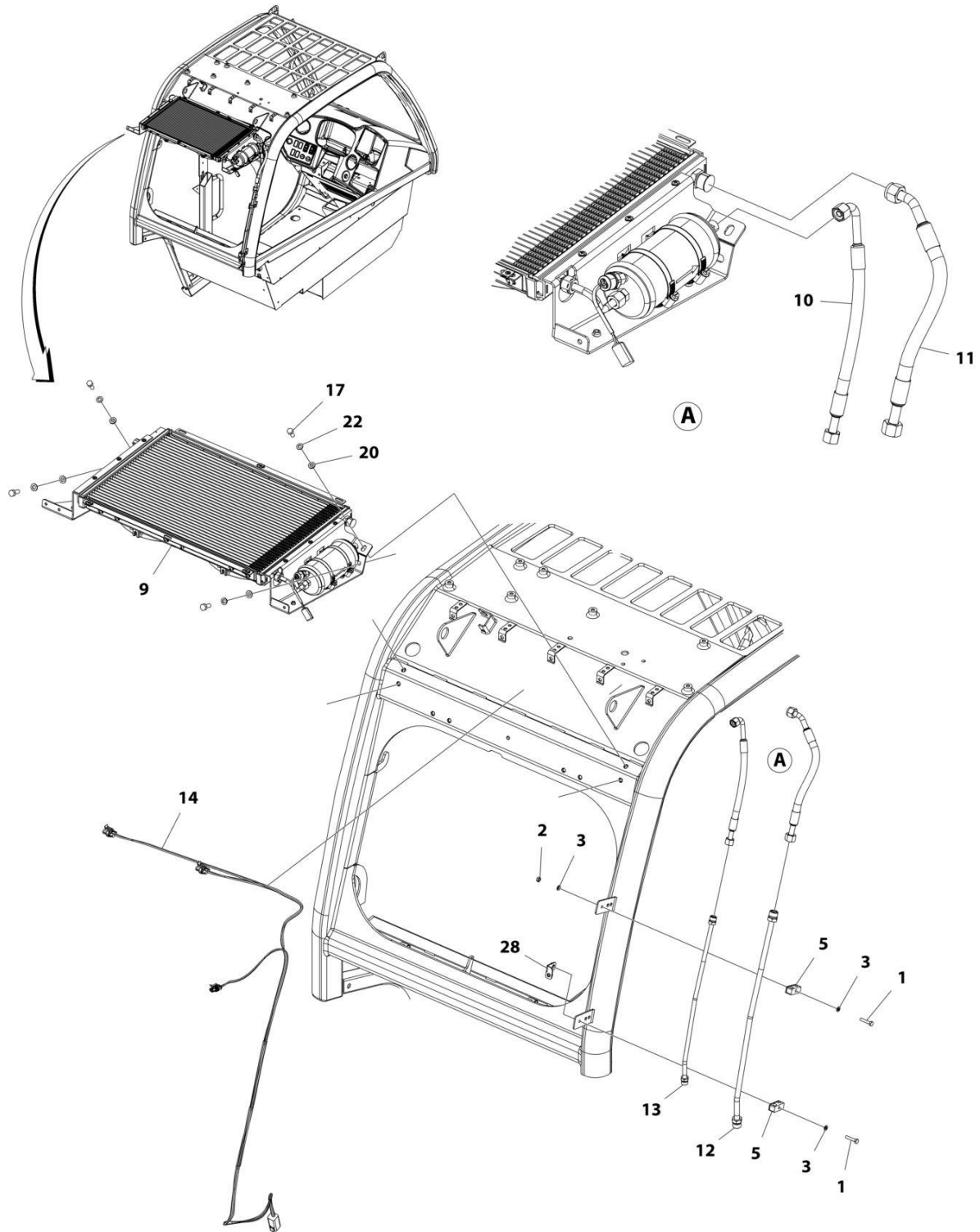
ART\_1001195821-B

FIGURE 6-42. HEADLINER/RADIO READY PACKAGE INSTALLATION

ITEM	PART NUMBER	QTY	DESCRIPTION	REV
	1001195821	Ref	Headliner/Radio Ready Package Installation	B
1	1001200968	1	Plate	
2	4811700	6	Washer, 6M	
3	7029486	4	Screw	
4	8005901	1	Antenna	
5	1001116128	AR	Sealant, Polysiloxane	
6	1001167015	1	Lamp	
7	1001195823	1	Cover, Headliner	
8	4010610002	6	Screw, M6X20	

# SECTION 6 - CAB

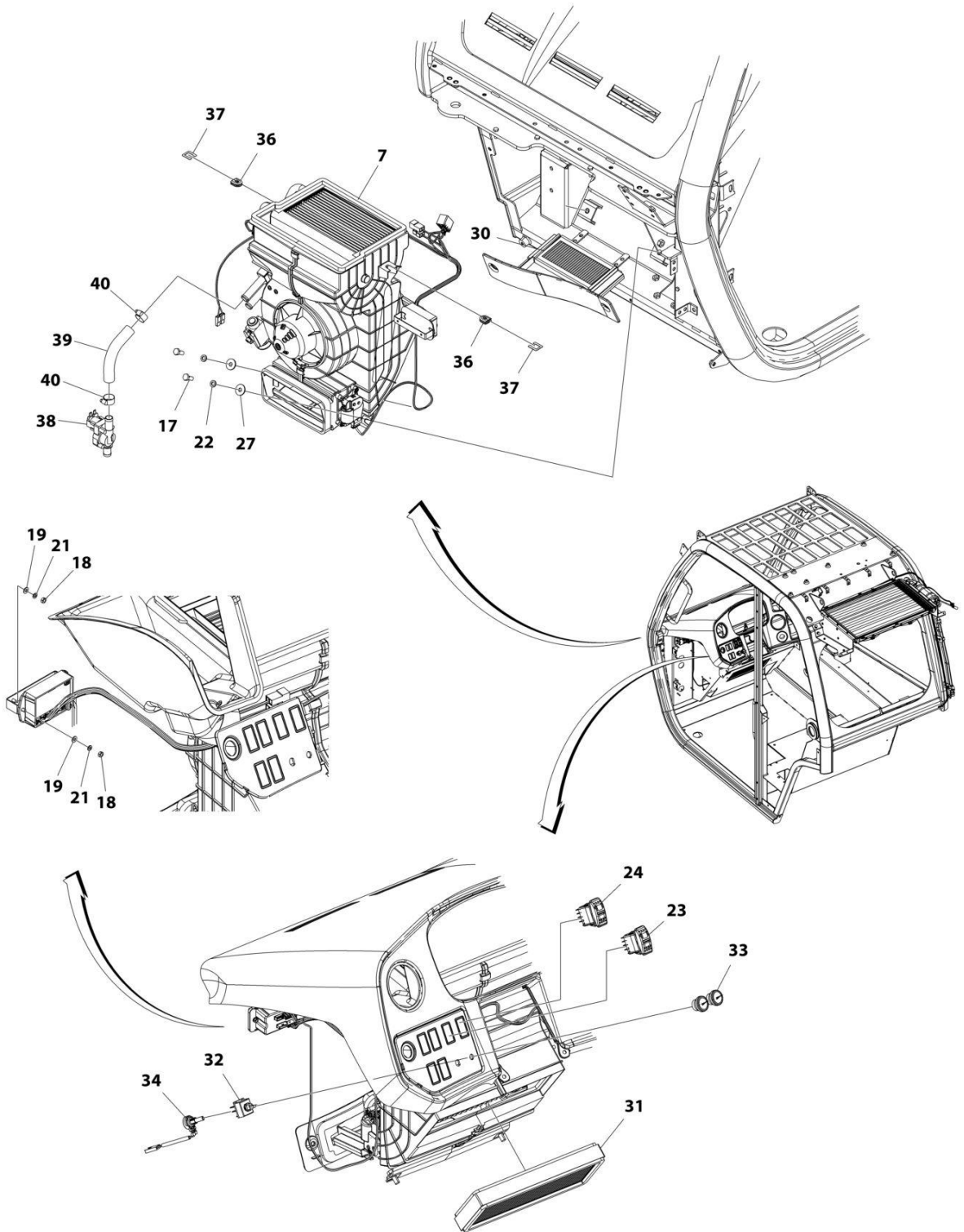
## FIGURE 6-43. HEATER AND A/C INSTALLATION (CAB PARTS)



ART\_1001160042\_O\_10F2



# SECTION 6 - CAB



ART\_1001160042\_O\_20F2

## SECTION 6 - CAB

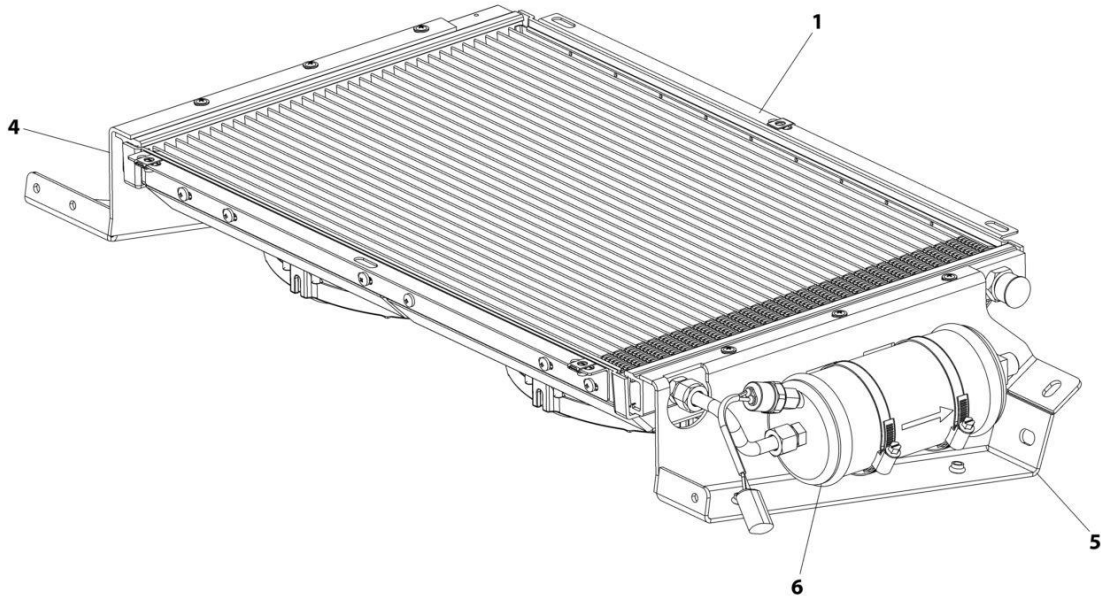
**FIGURE 6-43. HEATER AND A/C INSTALLATION (CAB PARTS)**

ITEM	PART NUMBER	QTY	DESCRIPTION	REV
	1001160042	Ref	HEATER AND A/C INSTALLATION (CAB PARTS)	O
1	0700614	2	Bolt M6 x 30	
2	3290601	1	Nut M6	
3	4811700	3	Washer M6	
5	1001145539	2	Support, Pipe	
7	1001268831	1	Assembly, Heater and A/C (See Separate Breakdown in this Section)	
9	1001162953	1	Assembly, Cab Condenser (See Separate Breakdown in this Section)	
10	1001168327	1	Hose	
11	1001168330	1	Hose	
12	1001168331	1	Tube	
13	1001168456	1	Tube	
14	1001169151	1	Harness, A/C Option (See Separate Breakdown in ELECTRICAL Section)	
17	0760810	6	Bolt M8 x 20 GR8.8	
18	3290401	4	Nut M4	
19	4811400	4	Washer M4	
20	4811900	4	Washer M8	
21	4831400	4	Washer M4	
22	4831900	6	Washer M8	
23	1001159925	1	Switch, HVAC Recycle	
24	1001160326	1	Switch, HVAC On/Off	
27	4811902	2	Washer M8	
28	1001178170	1	Bracket	
30	1001218996	1	Filter, HVAC Fresh Air	
31	1001172553	1	Filter, HVAC Air Recirculation	
32	1001172547	1	Switch, HVAC Rotary 3 Speed	
33	1001172550	2	Knob, HVAC Control	
34	1001270976	1	Cable, HVAC	
35	1320022	1	Clamp	
36	1001188590	2	Grommet	
37	1001218542	2	Shim	
38	1001221059	1	Valve, Water	
39	1001221295	1	Hose	
40	8410009	2	Clamp	



# SECTION 6 - CAB

## FIGURE 6-44. CAB CONDENSER ASSEMBLY



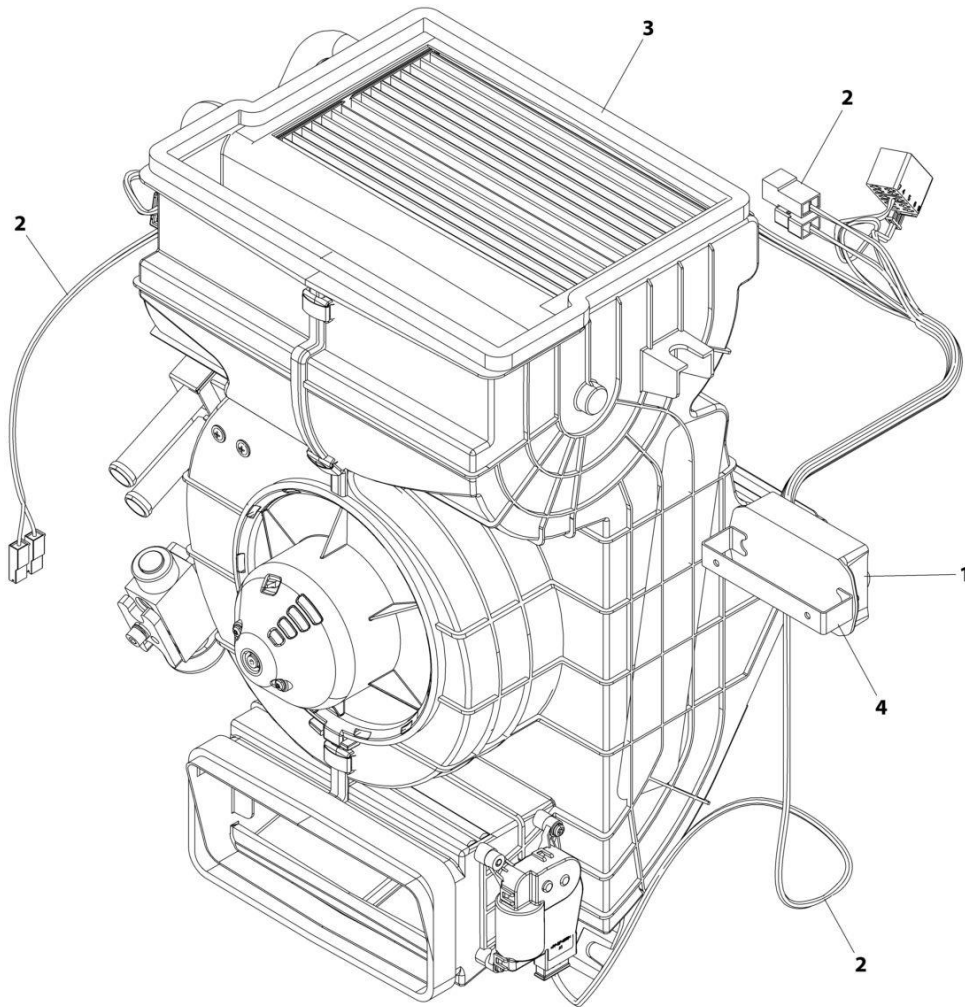
ART\_1001162953

FIGURE 6-44. CAB CONDENSER ASSEMBLY

ITEM	PART NUMBER	QTY	DESCRIPTION	REV
	1001162953	Ref	Cab Condenser Assembly	G
1	1001167266	1	Condenser (See Separate Breakdown in this Section)	
4	1001179080	1	Bracket	
5	1001179081	1	Bracket	
6	1001179130	1	Drier, A/C Receiver (See Separate Breakdown in this Section)	

# SECTION 6 - CAB

## FIGURE 6-45. HEATER AND A/C ASSEMBLY



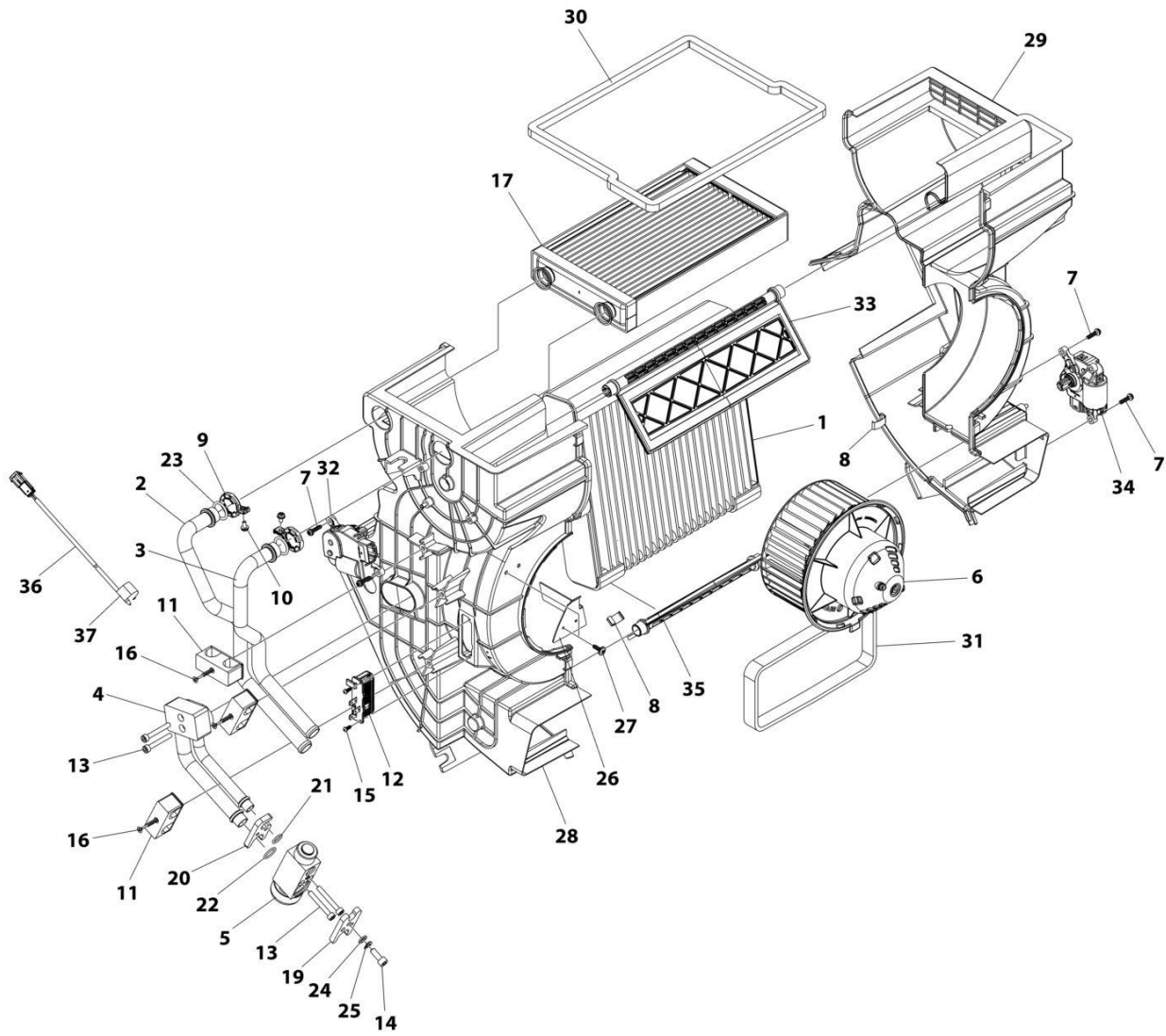
ART\_1001268831

FIGURE 6-45. HEATER AND A/C ASSEMBLY

ITEM	PART NUMBER	QTY	DESCRIPTION	REV
	1001268831	Ref	HEATER AND A/C ASSEMBLY	B
1	1001268829	1	Actuator, HVAC Cab	
2	1001268830	1	Harness, HVAC Actuator (See Separate Breakdown in this Section)	
3	1001268832	1	Heater and A/C (See Separate Breakdown in this Section)	
4	1001264976	1	Bracket	

# SECTION 6 - CAB

## FIGURE 6-46. HEATER AND A/C ASSEMBLY



ART\_1001268832

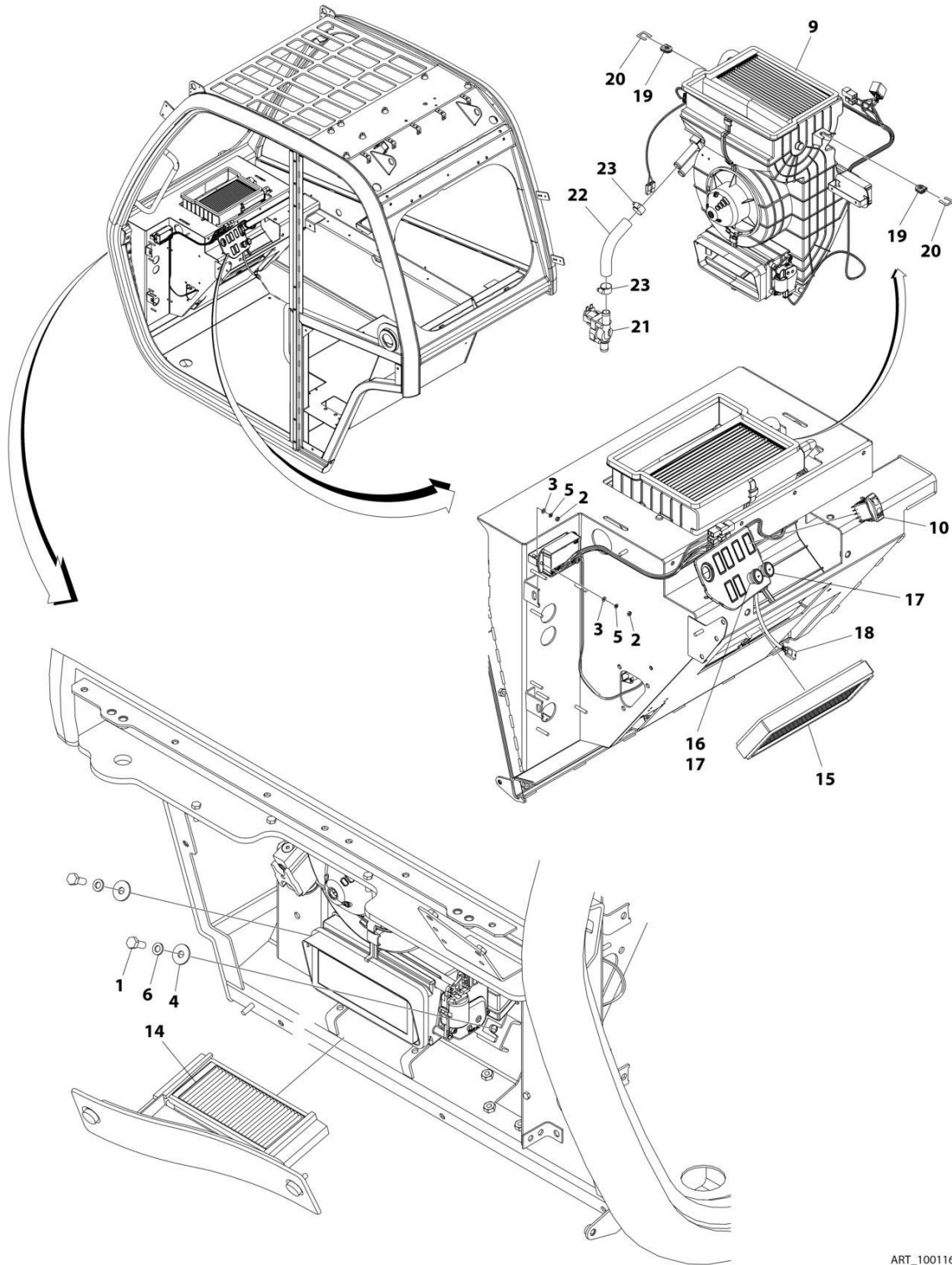


FIGURE 6-46. HEATER AND A/C ASSEMBLY

ITEM	PART NUMBER	QTY	DESCRIPTION	REV
	1001268832	Ref	HEATER AND A/C	B
1	1001184280	1	Evaporator, Heater	
2	1001184296	1	Pipe, Heater Water	
3	1001184297	1	Pipe, Heater Water	
4	1001184427	1	Pipe, Heater	
5	1001188592	1	Valve, HVAC Expansion	
6	1001188594	1	Fan, HVAC Centrifugal 12V	
7	1001188602	4	Screw M4	
8	1001188603	9	Clamp, HVAC Case	
9	1001188604	2	Clamp, HVAC Pipe	
10	1001188610	2	Screw M4	
11	1001188612	3	Clamp, Pipe	
12	1001188614	1	Resistor	
13	1001188618	4	Screw M5	
14	1001188619	1	Screw M6	
15	1001188720	2	Screw M2.9 x 9.5	
16	1001188725	3	Screw M4 x 35	
17	1001188729	1	Radiator, Heater Core	
19	1001188817	1	Clamp, Hose	
20	1001188818	1	Clamp, HVAC EVAP/Valve	
21	1001189023	1	O-Ring	
22	1001189024	1	O-Ring	
23	1001189025	2	O-Ring	
24	1001189048	1	Washer	
25	1001189054	1	Washer, Spring	
26	1001221057	1	Plate	
27	1001221058	2	Screw	
28	1001269555	1	Housing, HVAC RH	
29	1001269556	1	Housing, HVAC LH	
30	1001269558	1	Seal, Heater Outlet Foam	
31	1001269559	1	Seal, Air Inlet Foam	
32	1001269560	1	Actuator, Hot/Cold Mixing	
33	1001269561	1	Foam, Heater Mixing Flap	
34	1001269563	1	Actuator, Fresh/Recirculation Air	
35	1001269564	1	Foam, Heater Mixing Flap	
36	1001269578	1	Temperature Sensor	
37	1001269579	1	Clamp, Temperature Sensor	

# SECTION 6 - CAB

## FIGURE 6-47. HEATER INSTALLATION



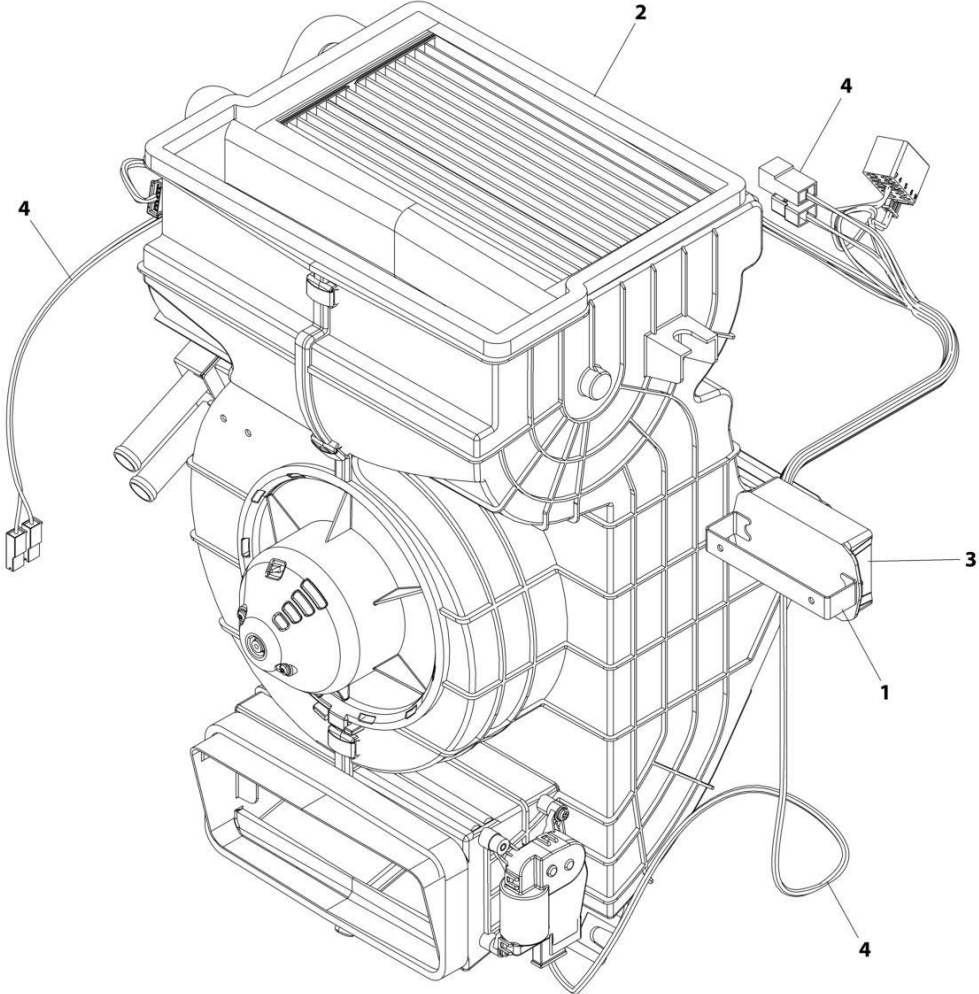
ART\_1001160043-L

FIGURE 6-47. HEATER INSTALLATION

ITEM	PART NUMBER	QTY	DESCRIPTION	REV
	1001160043	Ref	HEATER INSTALLATION	L
1	0760810	2	Bolt M8 x 20	
2	3290401	4	Nut M4	
3	4811400	4	Washer M4	
4	4811902	2	Washer M8	
5	4831400	4	Washer M4	
6	4831900	2	Washer M8	
9	1001268827	1	Assembly, Heater (See Separate Breakdown in this Section)	
10	1001159925	1	Switch, HVAC Recycle	
14	1001218996	1	Filter, HVAC Air	
15	1001172553	1	Filter, HVAC Recirculation Air	
16	1001172547	1	Switch, HVAC Rotary 3 Speed	
17	1001172550	2	Knob, HVAC Control	
18	1001270976	1	Cable, HVAC	
19	1001188590	2	Grommet	
20	1001218542	2	Shim	
21	1001221059	1	Valve, Water	
22	1001221295	1	House	
23	8410009	2	Clamp	

**SECTION 6 - CAB**

**FIGURE 6-48. HEATER ASSEMBLY**



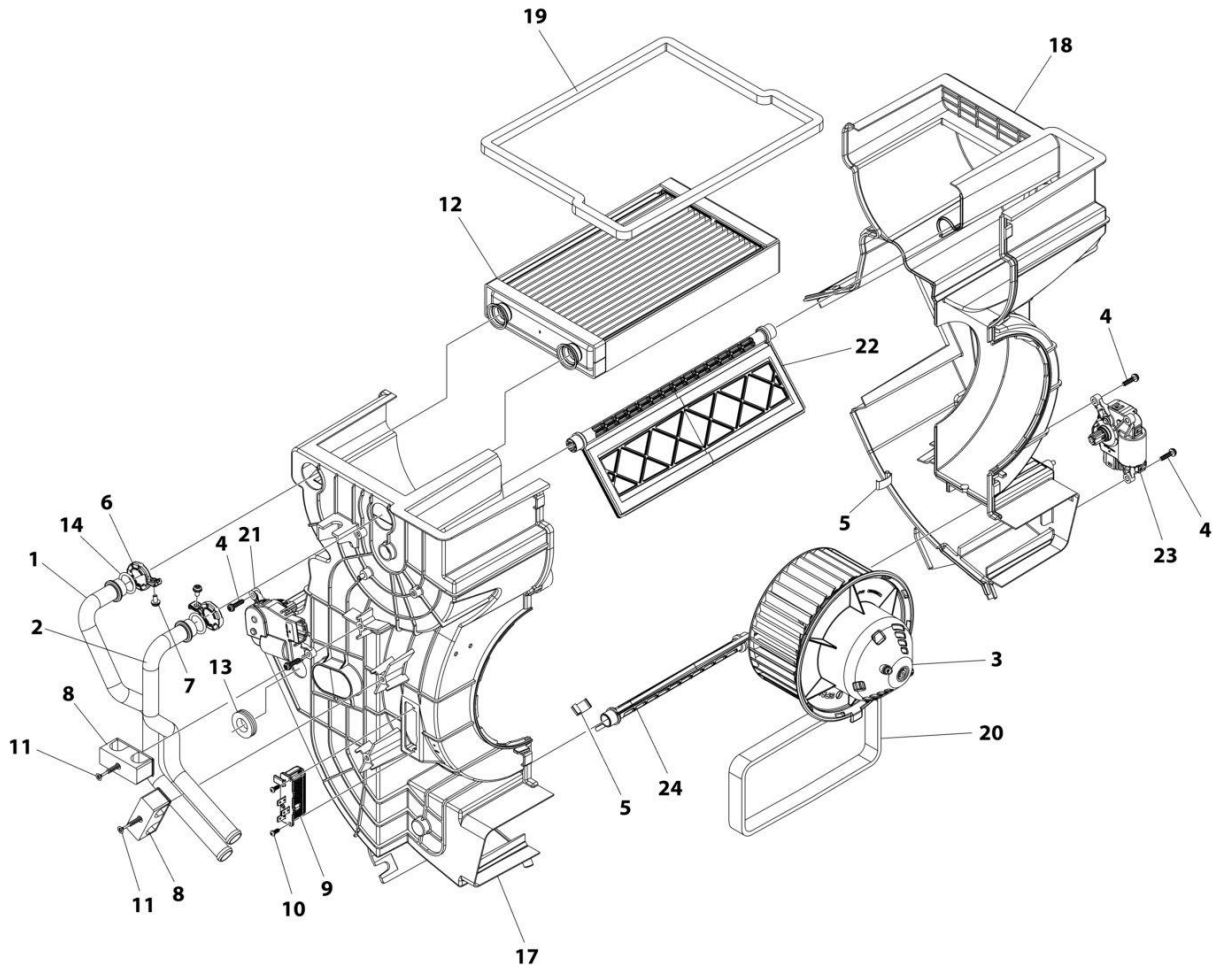
ART\_1001268827

FIGURE 6-48. HEATER ASSEMBLY

ITEM	PART NUMBER	QTY	DESCRIPTION	REV
	1001268827	Ref	HEATER ASSEMBLY	B
1	1001264976	1	Bracket	
2	1001268828	1	Heater, Cab (See Separate Breakdown in this Section)	
3	1001268829	1	Actuator, HVAC Cab	
4	1001268830	1	Harness, HVAC Actuator (See Separate Breakdown in ELECTRICAL Section)	

# SECTION 6 - CAB

## FIGURE 6-49. CAB HEATER ASSEMBLY



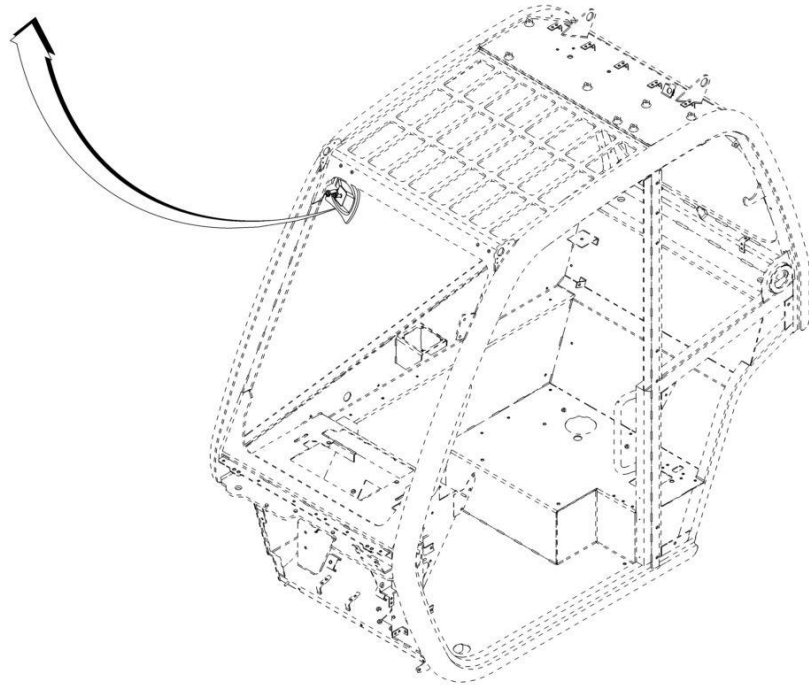
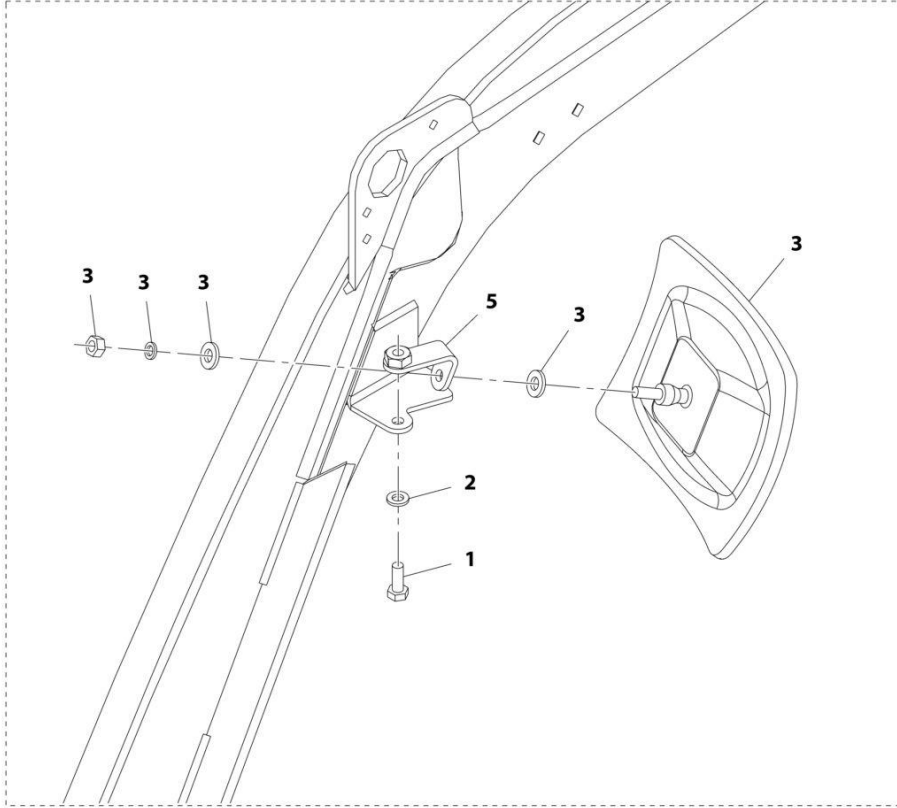
ART\_1001268828

FIGURE 6-49. CAB HEATER ASSEMBLY

ITEM	PART NUMBER	QTY	DESCRIPTION	REV
	1001268828	Ref	HEATER	B
1	1001184296	1	Pipe, Water	
2	1001184297	1	Pipe, Water	
3	1001188594	1	Fan, 12V	
4	1001188602	4	Screw	
5	1001188603	9	Clamp	
6	1001188604	2	Clamp	
7	1001188610	2	Screw	
8	1001188612	2	Clamp	
9	1001188614	1	Resistor	
10	1001188720	2	Screw	
11	1001188725	2	Screw	
12	1001188729	1	Radiator, Heater Core	
13	1001188733	1	Grommet	
14	1001189025	2	O-Ring	
17	1001269555	1	Housing, RH	
18	1001269556	1	Housing, LH	
19	1001269558	1	Foam, Air Outlet	
20	1001269559	1	Foam, Air Inlet	
21	1001269560	1	Actuator, Fresh/Recirculation Air	
22	1001269561	1	Flap, Mixing	
23	1001269563	1	Actuator, Fresh/Recirculation Air	
24	1001269564	1	Flap, HVAC Fresh	

# SECTION 6 - CAB

## FIGURE 6-50. INTERNAL MIRROR INSTALLATION



ART\_1001166192-C

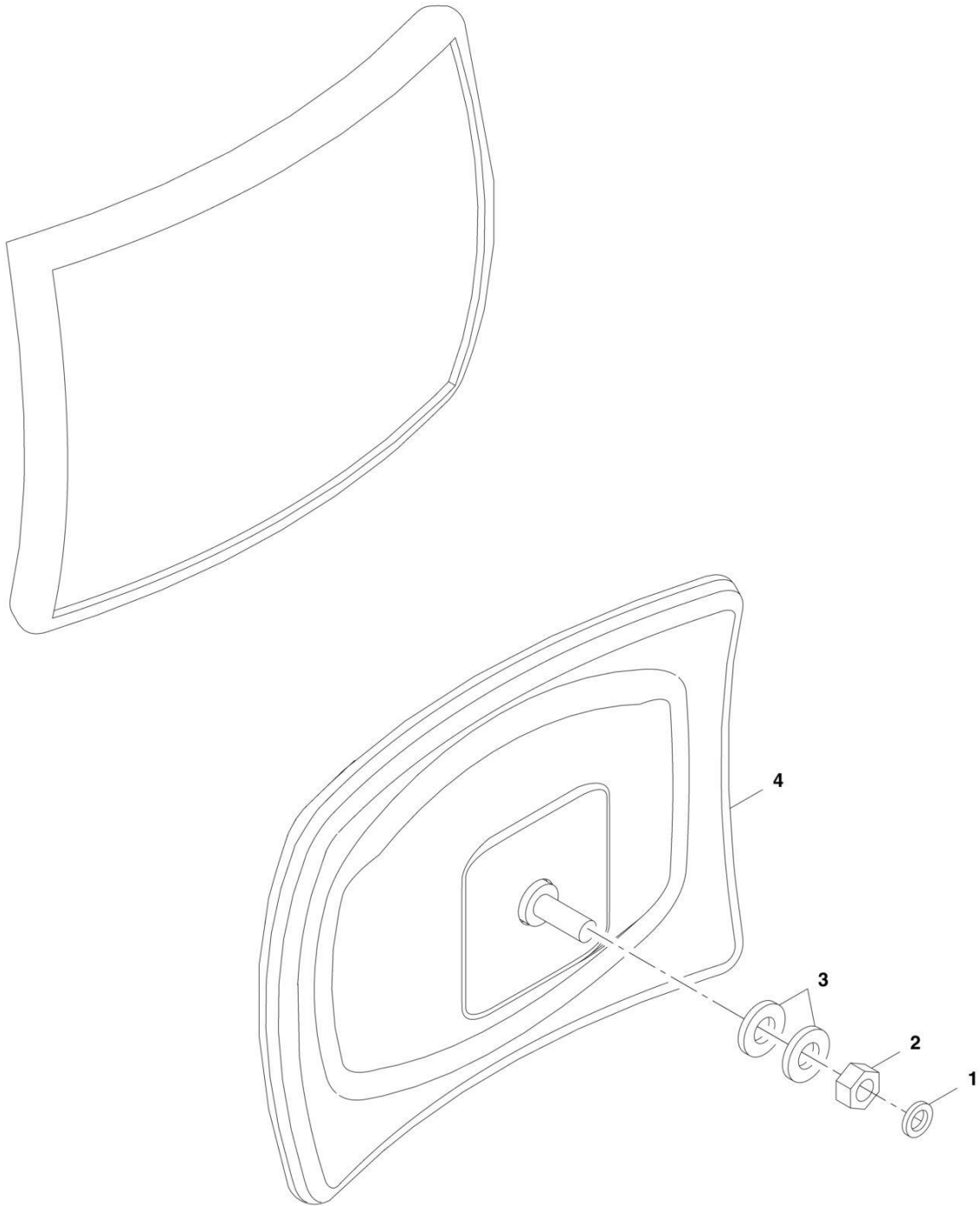


FIGURE 6-50. INTERNAL MIRROR INSTALLATION

ITEM	PART NUMBER	QTY	DESCRIPTION	REV
	1001166192	Ref	Interior Mirror Installation	C
1	0760608	1	Bolt, M6X16	
2	4811700	1	Washer, M6	
3	1001007641	1	Mirror, Interior (See Separate Breakdown in this Section)	
5	1001166191	1	Bracket	

# SECTION 6 - CAB

## FIGURE 6-51. INTERNAL MIRROR ASSEMBLY



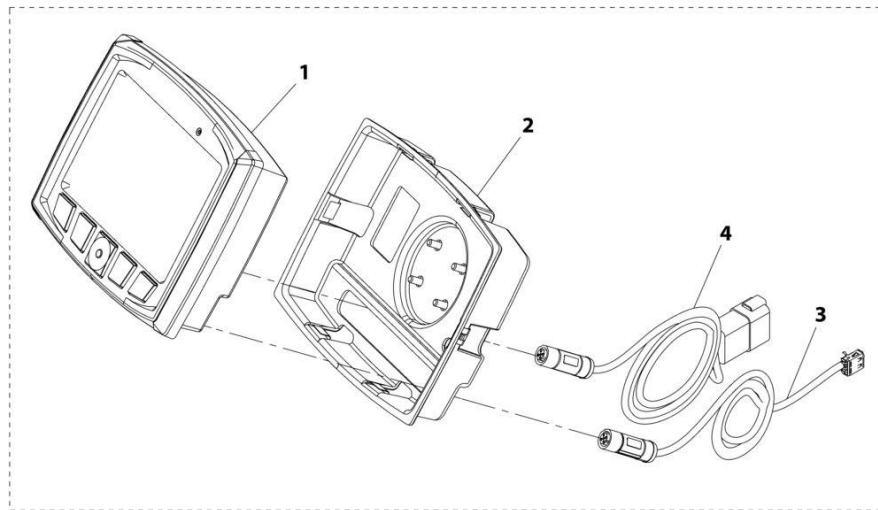
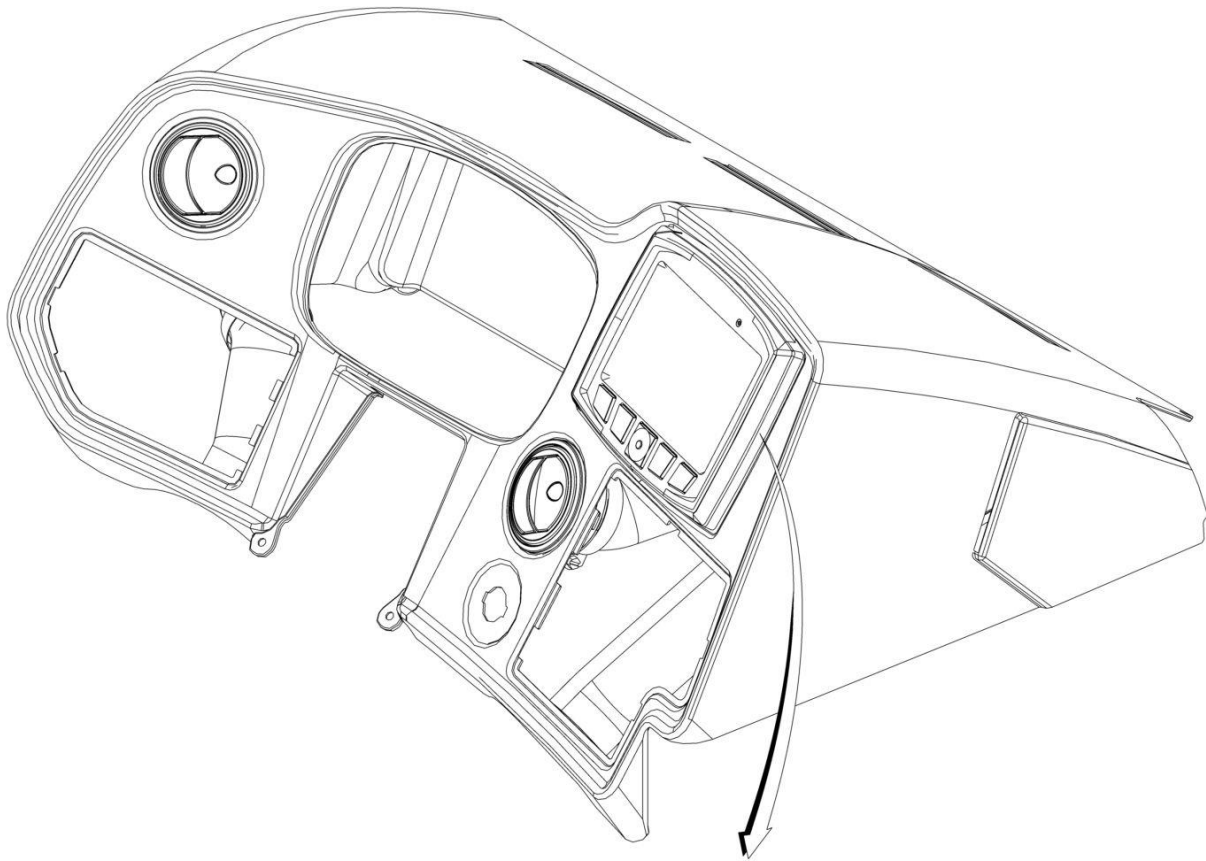
ART\_1001007641-B

FIGURE 6-51. INTERNAL MIRROR ASSEMBLY

ITEM	PART NUMBER	QTY	DESCRIPTION	REV
	1001007641	Ref	Mirror, Interior	B
1	1001008475	1	Washer, Lock 12	
2	1001008604	1	Nut	
3	1001009124	2	Washer	
4	1001010839	1	MIRROR	

# SECTION 6 - CAB

## FIGURE 6-52. MULTIFUNCTION DISPLAY INSTALLATION



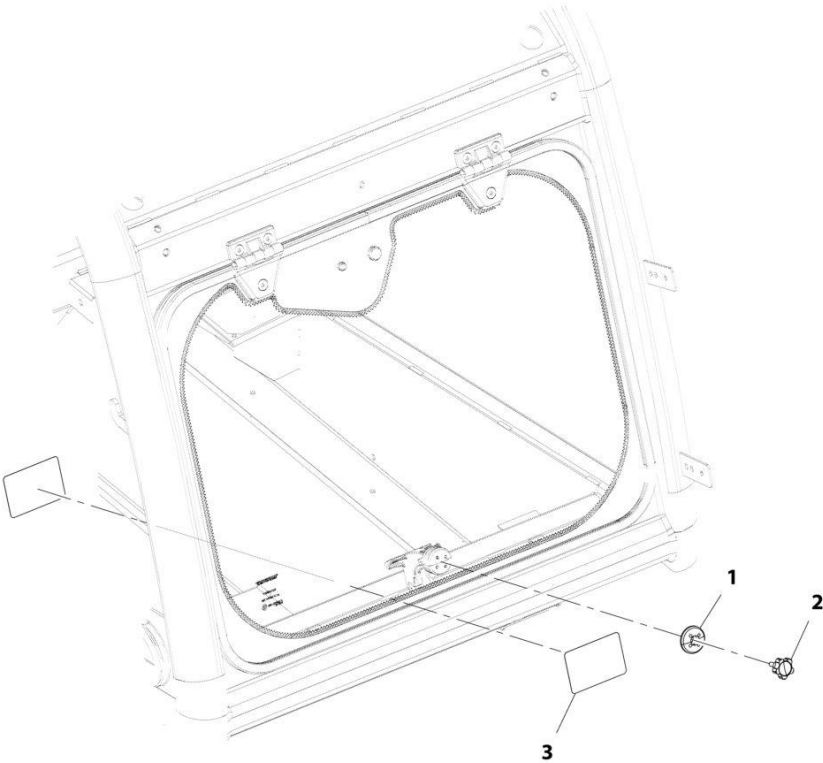
ART\_1001176338-C

FIGURE 6-52. MULTIFUNCTION DISPLAY INSTALLATION

ITEM	PART NUMBER	QTY	DESCRIPTION	REV
	1001176338	Ref	Multifunction Display Installation	C
1	1001250161	1	Display	
2	1001178783	1	Bezel	
3	1001180682	1	Cable	
4	1001180683	1	Cable, Video	

**SECTION 6 - CAB**

**FIGURE 6-53. REAR WINDOW RELEASE INSTALLATION (ANSI - ENGLISH)**



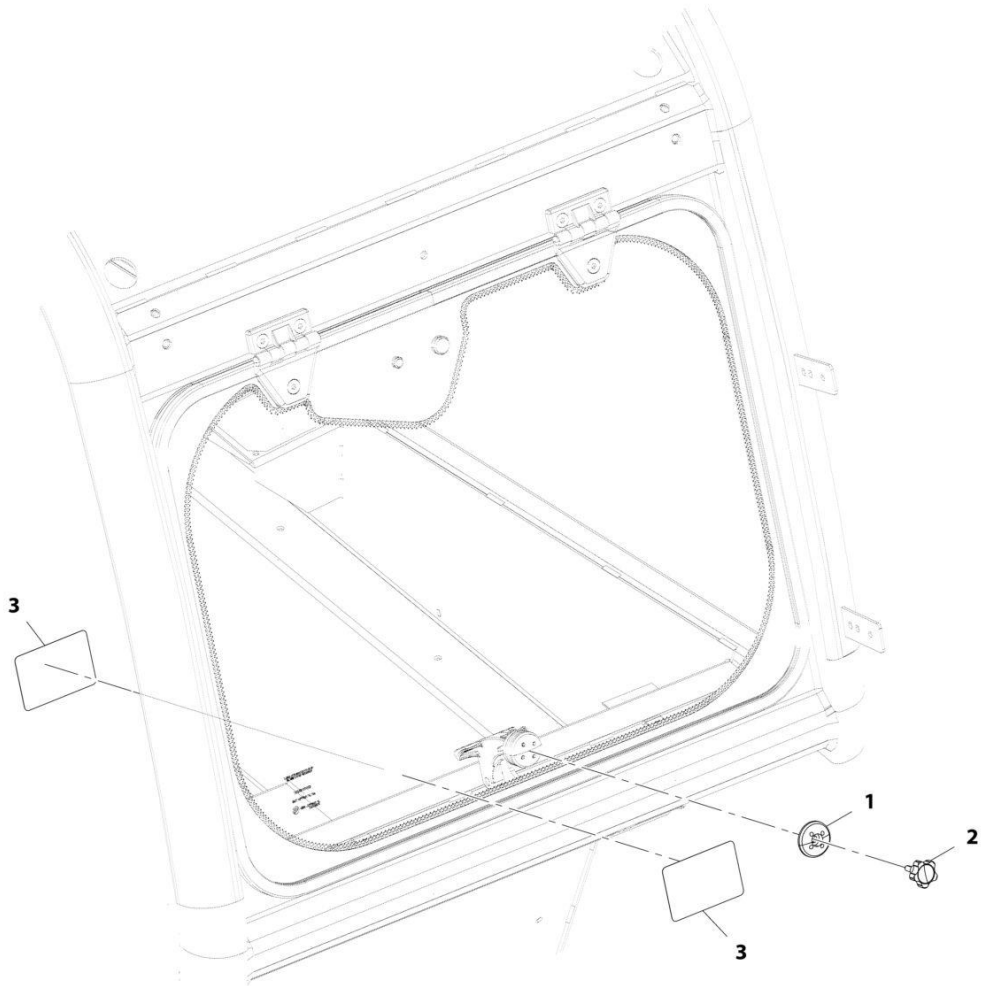
ART\_1001212047-A

**FIGURE 6-53. REAR WINDOW RELEASE INSTALLATION (ANSI - ENGLISH)**

<b>ITEM</b>	<b>PART NUMBER</b>	<b>QTY</b>	<b>DESCRIPTION</b>	<b>REV</b>
	1001212047	Ref	External Window Release Installation (ANSI)	A
1	1001179008	1	Cap, Latch Window	
2	1001179009	1	Cap, Knob M6	
3	1001212049	2	Decal, Emergency Exit	

# SECTION 6 - CAB

## FIGURE 6-54. REAR WINDOW RELEASE INSTALLATION (ENGLISH/FRENCH)



ART\_1001178826-C

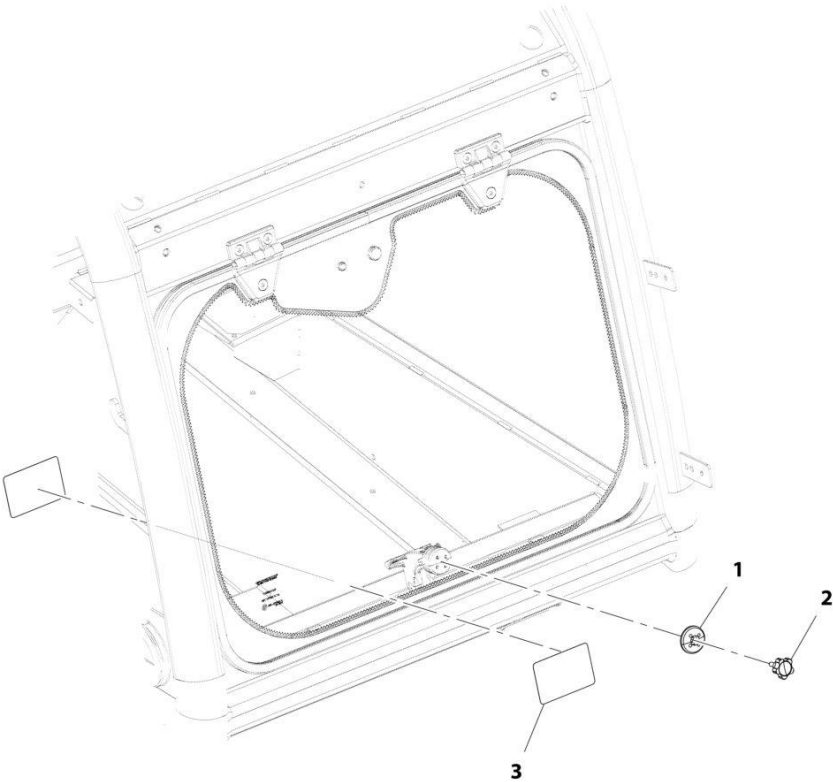


FIGURE 6-54. REAR WINDOW RELEASE INSTALLATION (ENGLISH/FRENCH)

ITEM	PART NUMBER	QTY	DESCRIPTION	REV
	1001178826	Ref	External Window Release Installation (English/French)	C
1	1001179008	1	Cap, Latch Window	
2	1001179009	1	Knob	
3	1001204709	2	Decal, Emergency Exit (English/French)	

**SECTION 6 - CAB**

**FIGURE 6-55. REAR WINDOW RELEASE INSTALLATION (ISO)**



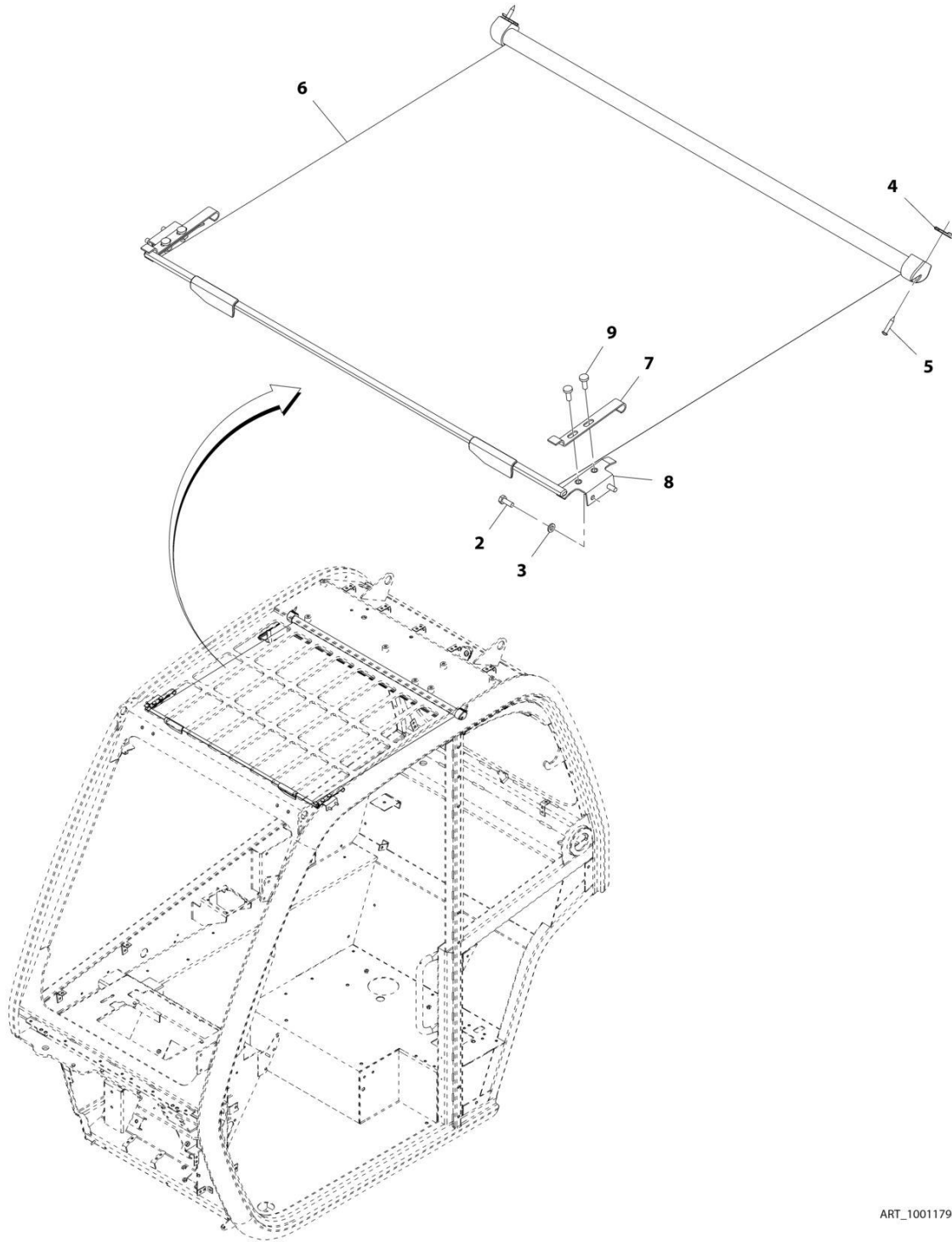
ART\_1001212048-A

**FIGURE 6-55. REAR WINDOW RELEASE INSTALLATION (ISO)**

<b>ITEM</b>	<b>PART NUMBER</b>	<b>QTY</b>	<b>DESCRIPTION</b>	<b>REV</b>
	1001212048	Ref	Rear Window Installation (WO/Wiper) (ISO)	A
1	1001179008	1	Cap, Latch Window	
2	1001179009	1	Cap, Knob M6	
3	1001212050	2	Decal, Emergency Exit	

# SECTION 6 - CAB

## FIGURE 6-56. RETRACTABLE SUNSCREEN INSTALLATION



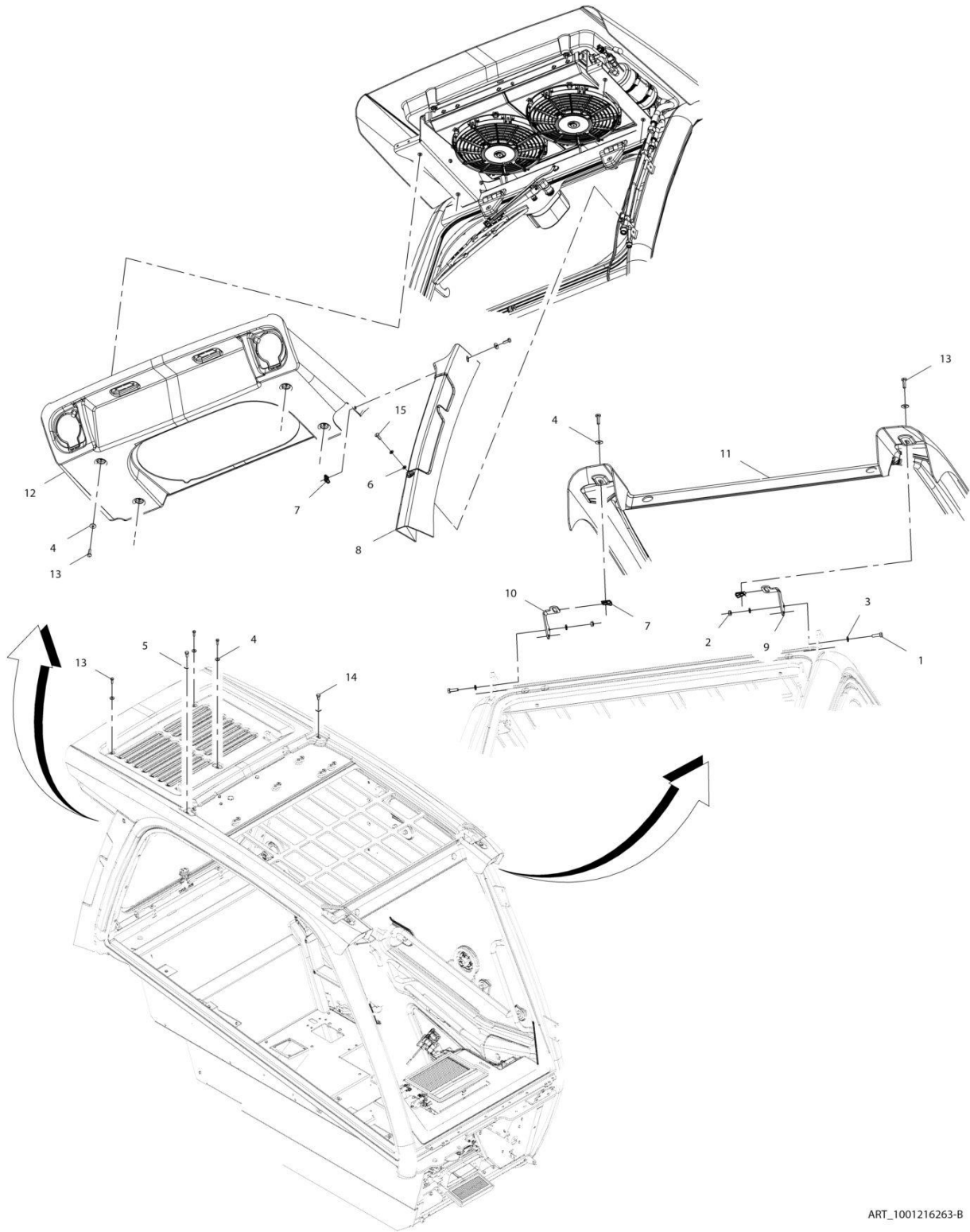
ART\_1001179482-D

FIGURE 6-56. RETRACTABLE SUNSCREEN INSTALLATION

ITEM	PART NUMBER	QTY	DESCRIPTION	REV
	1001179482	Ref	Retractable Sunscreen Installation	D
2	0760608	4	Bolt, M6X16	
3	4811700	4	Washer, M6	
4	1001111076	2	Nut, Spire	
5	1001111147	2	Screw, Self Tapping	
6	1001179483	1	Cab, Sun Blind	
7	1001209463	2	Bracket	
8	1001166385	2	Bracket	
9	4010608002	4	Screw, Posi-Drive M6X16	

# SECTION 6 - CAB

## FIGURE 6-57. ROOF CAP INSTALLATION (A/C)



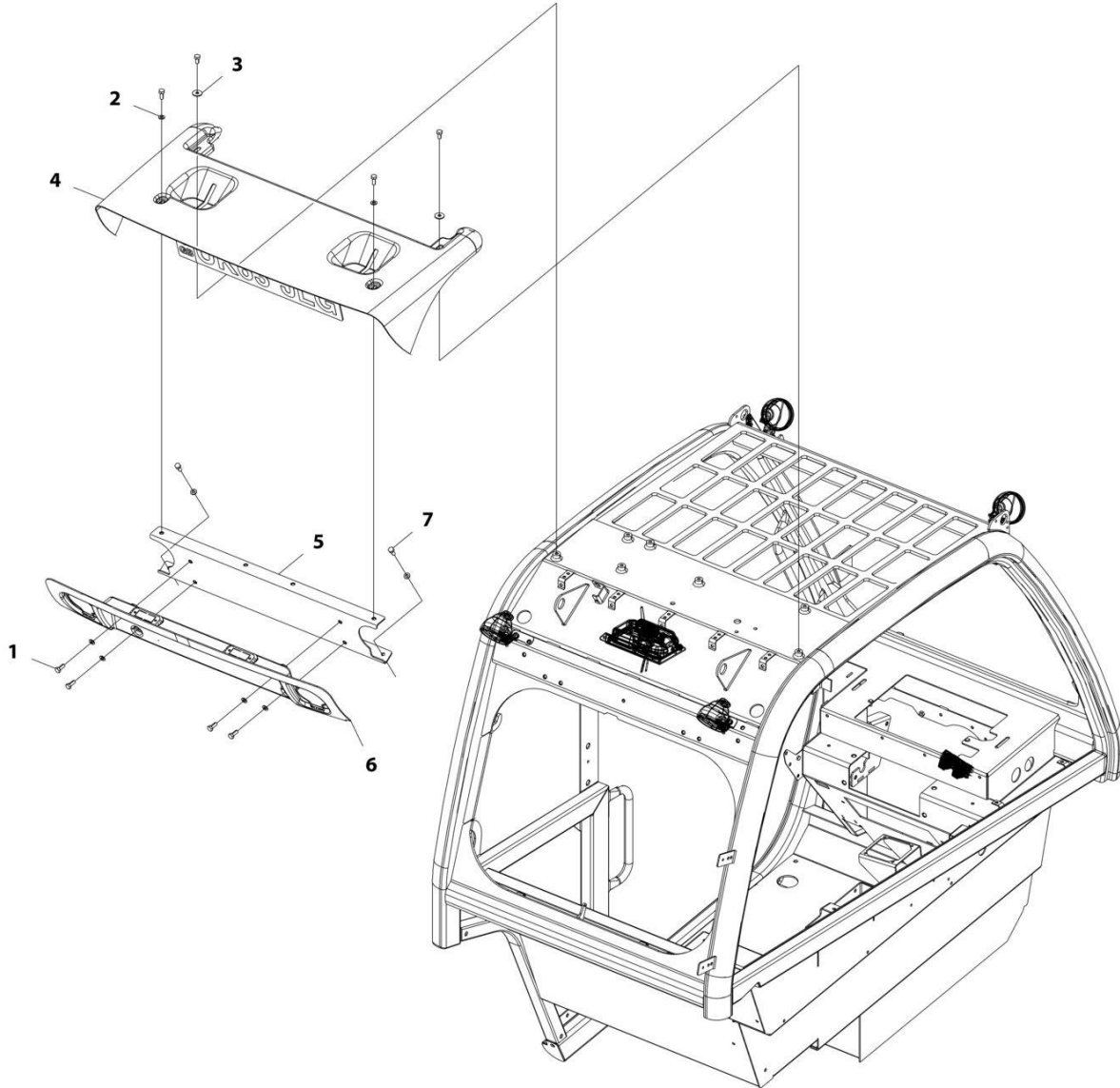
ART\_1001216263-B

FIGURE 6-57. ROOF CAP INSTALLATION (A/C)

ITEM	PART NUMBER	QTY	DESCRIPTION	REV
	1001216263	Ref	Roof Cap (A/C) Installation	B
1	0700610	4	Bolt, M6X20	
2	3290601	4	Nut, M6X1	
3	4811700	9	Washer, M6	
4	4811702	10	Washer, M6	
5	4811902	2	Washer, M8	
6	4831700	1	Washer, Lock M6	
7	8305919	3	Nut, M6	
8	1001174741	1	Cover	
9	1001174800	1	Bracket	
10	1001174801	1	Bracket	
11	1001216267	1	Cover, Upper Roof Cap	
12	1001216269	1	Cover, Lower Roof Cap	
13	4010610002	10	Screw, Posi-Drive M6X20	
14	0760808	2	Bolt, M8X16	
15	4010608002	1	Screw, M6X16	

# SECTION 6 - CAB

## FIGURE 6-58. ROOF CAP INSTALLATION (NO A/C)



ART\_1001216265

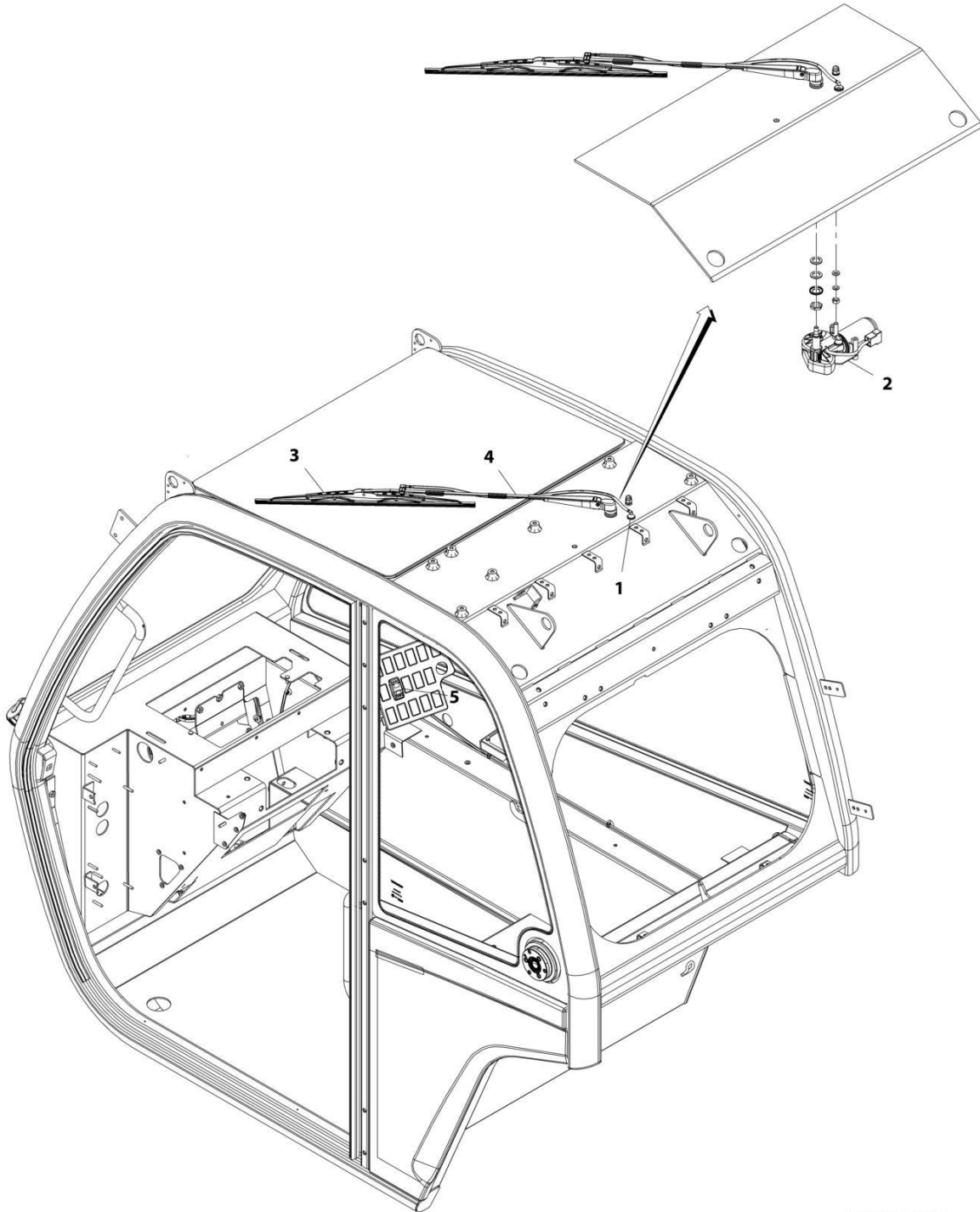


FIGURE 6-58. ROOF CAP INSTALLATION (NO A/C)

ITEM	PART NUMBER	QTY	DESCRIPTION	REV
	1001216265	Ref	Roof Cap Installation (No A/C)	B
1	0760810	8	Bolt, M8X20	
2	4811900	8	Washer, M8	
3	4811902	2	Washer, M8	
4	1001182330	1	Cover, Short Upper Roof Cap	
5	1001185633	1	Bracket, Roof Cap Mount	
6	1001216270	1	Cover, Short Lower Roof Cap	
7	0760808	2	Bolt, M8X16	

# SECTION 6 - CAB

## FIGURE 6-59. ROOF WIPER INSTALLATION



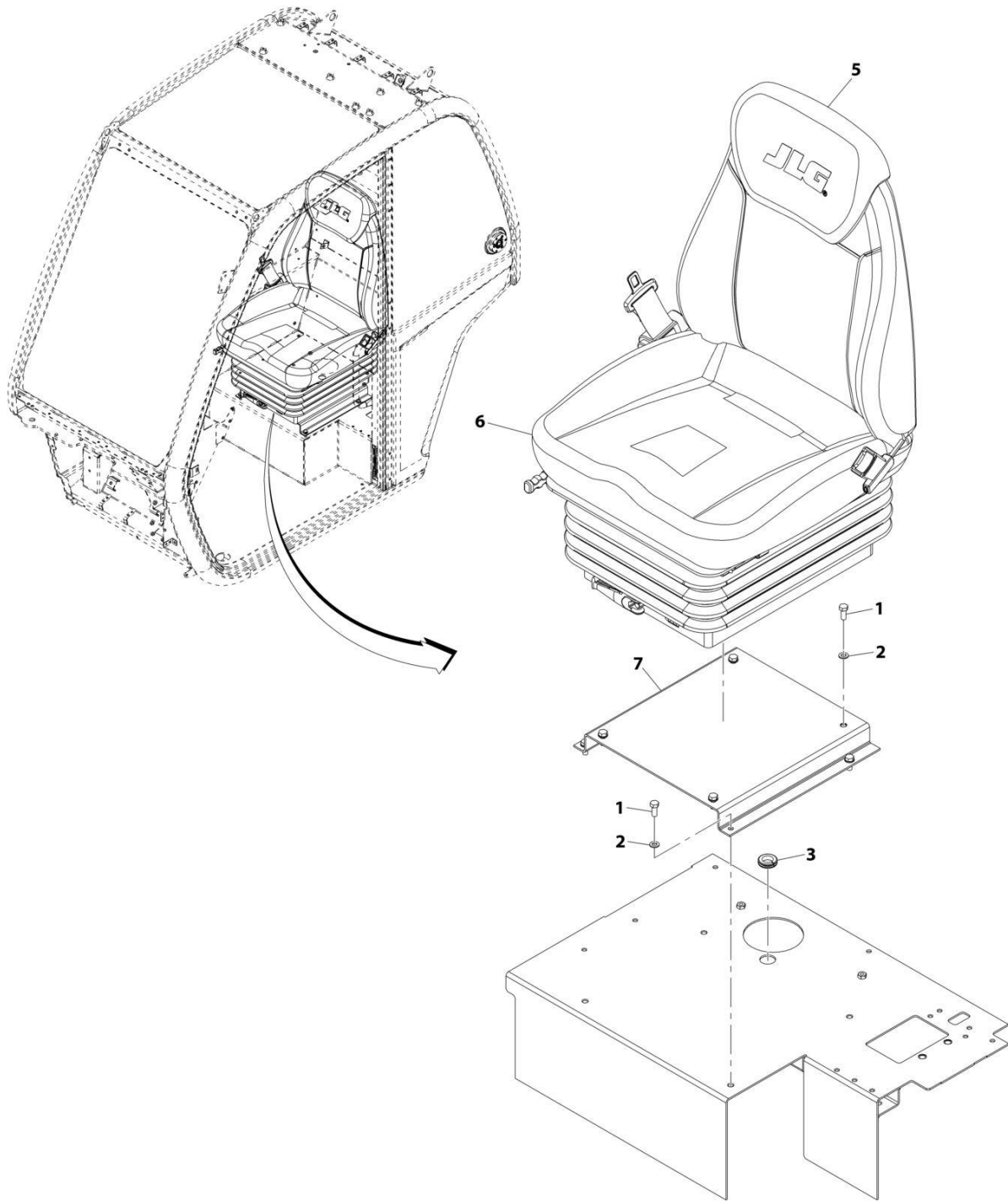
ART\_1001155486-B

FIGURE 6-59. ROOF WIPER INSTALLATION

ITEM	PART NUMBER	QTY	DESCRIPTION	REV
	1001155486	Ref	Roof Wiper Installation	B
1	1001090343	1	Connector	
2	1001139551	1	Motor, Roof Wiper	
3	1001141313	1	Blade, Roof Wiper	
4	1001141311	1	Arm, Roof Wiper Blade	
5	1001159736	1	Switch, Roof Wiper	

# SECTION 6 - CAB

## FIGURE 6-60. SEAT INSTALLATION (CLOTH)



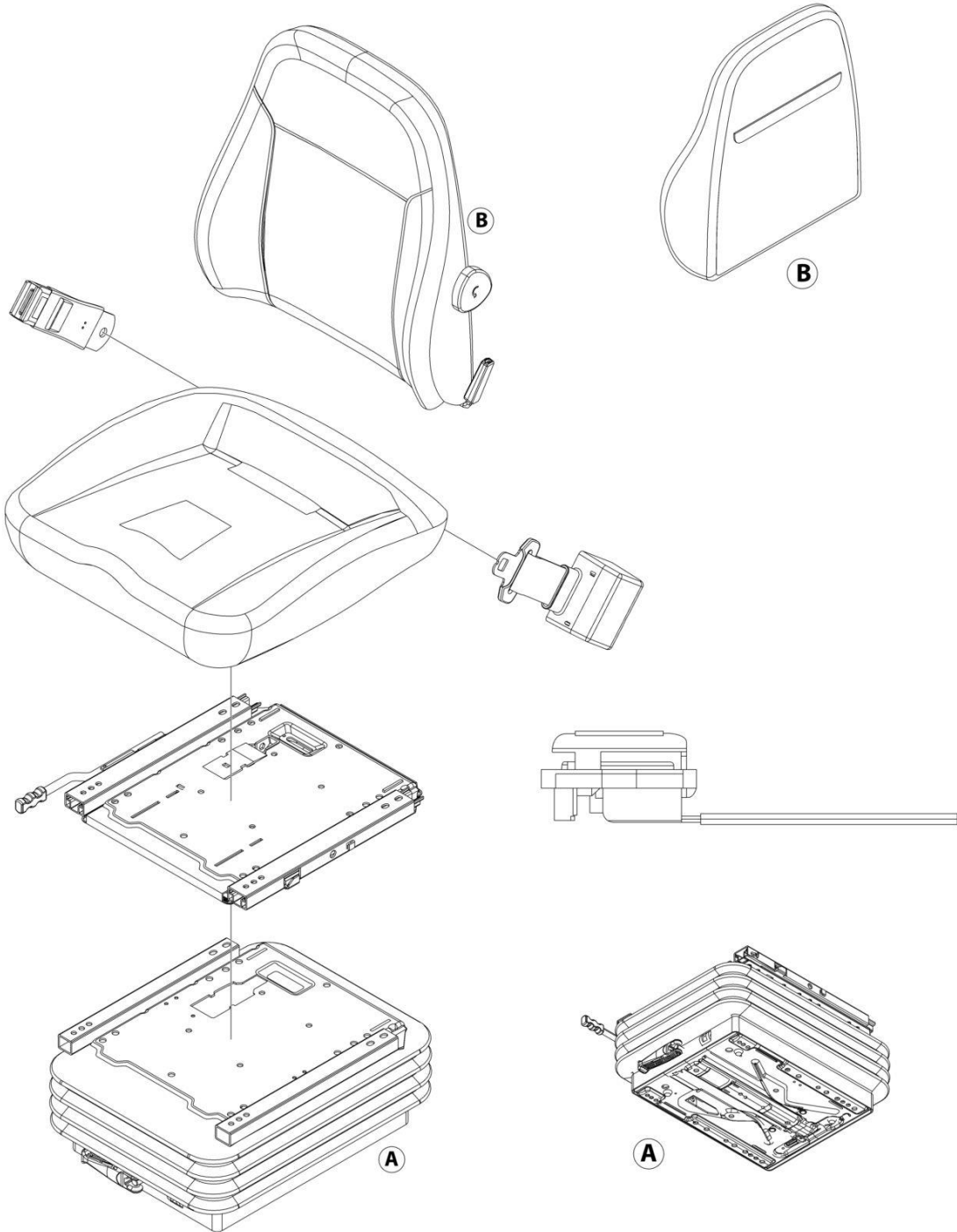
ART\_1001158601-D

FIGURE 6-60. SEAT INSTALLATION (CLOTH)

ITEM	PART NUMBER	QTY	DESCRIPTION	REV
	1001158601	Ref	Seat Installation (Cloth)	E
1	0760810	8	Bolt, M8X20	
2	4811900	8	Washer, M8	
3	1001216974	1	Grommet	
5	1001119467	1	Headrest, Cloth	
6	1001288070	1	Assembly, Seat (See Separate Breakdown in this Section)	
7	1001158738C	1	Plinth, Seat	

**SECTION 6 - CAB**

**FIGURE 6-61. SEAT ASSEMBLY**



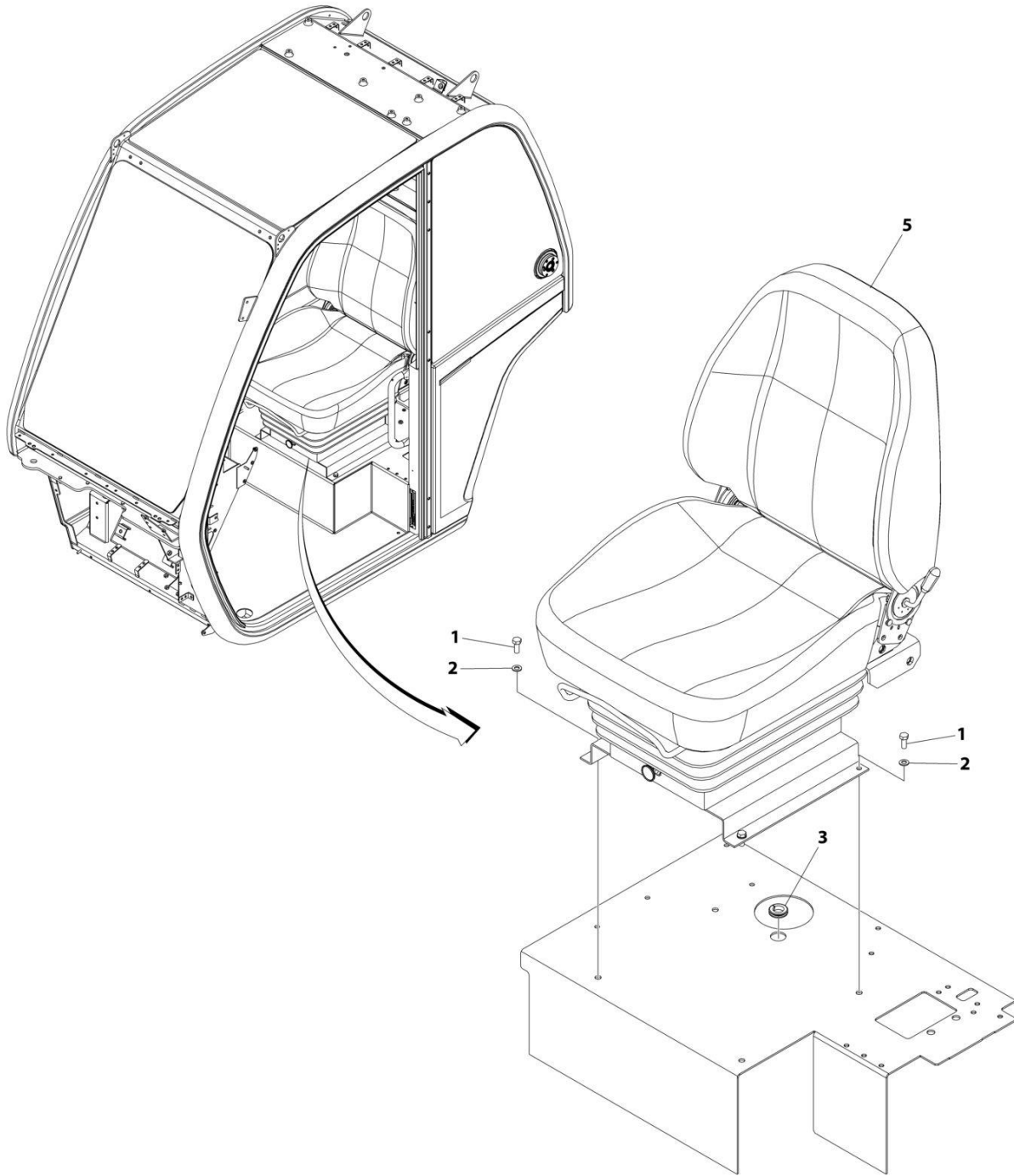
ART\_1001288070

**FIGURE 6-61. SEAT ASSEMBLY**

ITEM	PART NUMBER	QTY	DESCRIPTION	REV
	1001288070 See Note	Ref NSS	SEAT ASSEMBLY Note: No Available Parts at time of Printing	B

# SECTION 6 - CAB

## FIGURE 6-62. SEAT INSTALLATION (AIR SUSPENSION - STANDARD)



ART\_1001158596\_E

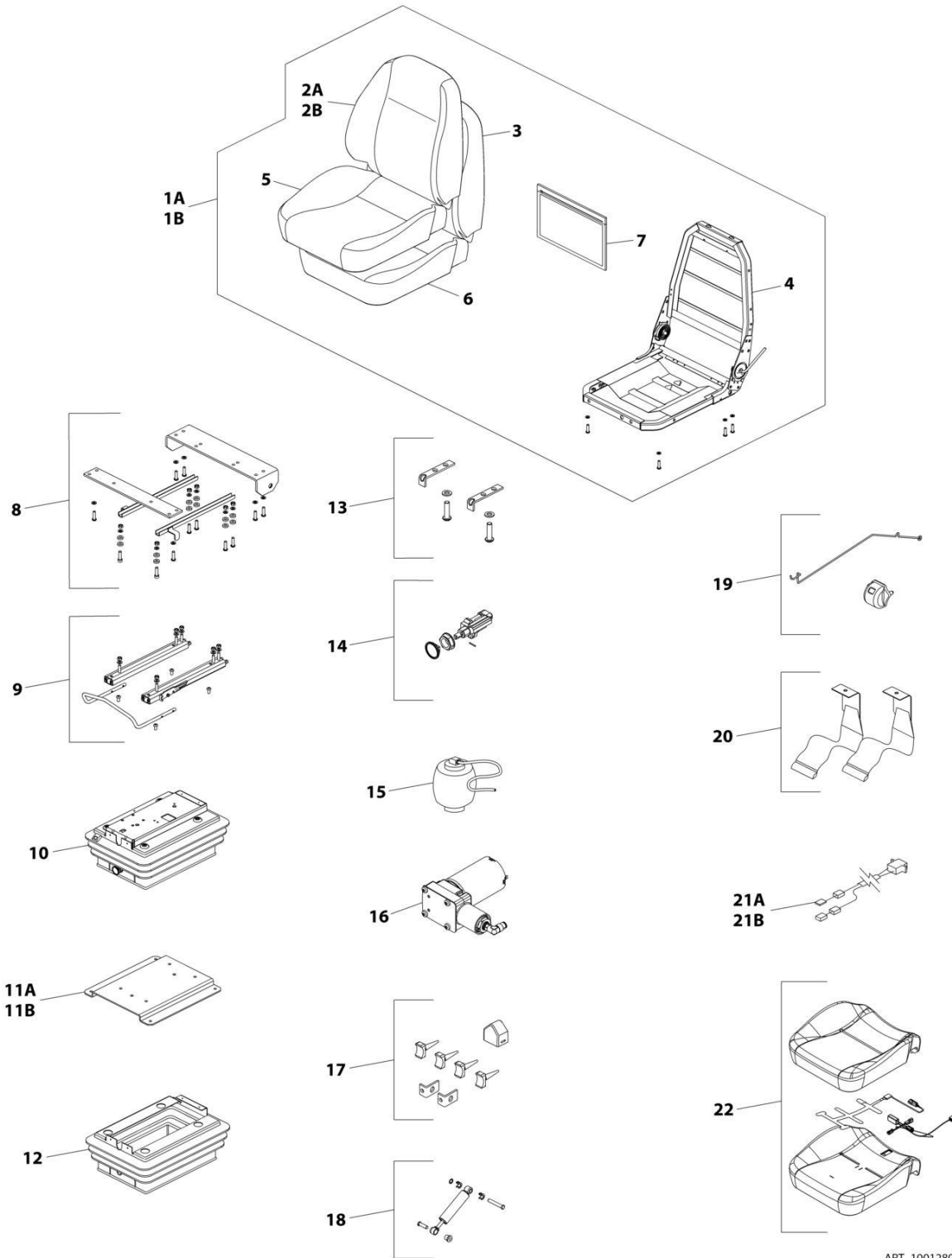


**FIGURE 6-62. SEAT INSTALLATION (AIR SUSPENSION - STANDARD)**

<b>ITEM</b>	<b>PART NUMBER</b>	<b>QTY</b>	<b>DESCRIPTION</b>	<b>REV</b>
	1001158596	Ref	SEAT INSTALLATION (AIR SUSPENSION - STANDARD)	E
1	0760810	4	Bolt, M8X20	
2	4811900	4	Washer, M8	
3	1001216974	1	Grommet	
5	1001280471	1	Seat Assembly (See Separate Breakdown in this Section)	

# SECTION 6 - CAB

## FIGURE 6-63. SEAT ASSEMBLY (AIR SUSPENSION - STANDARD)



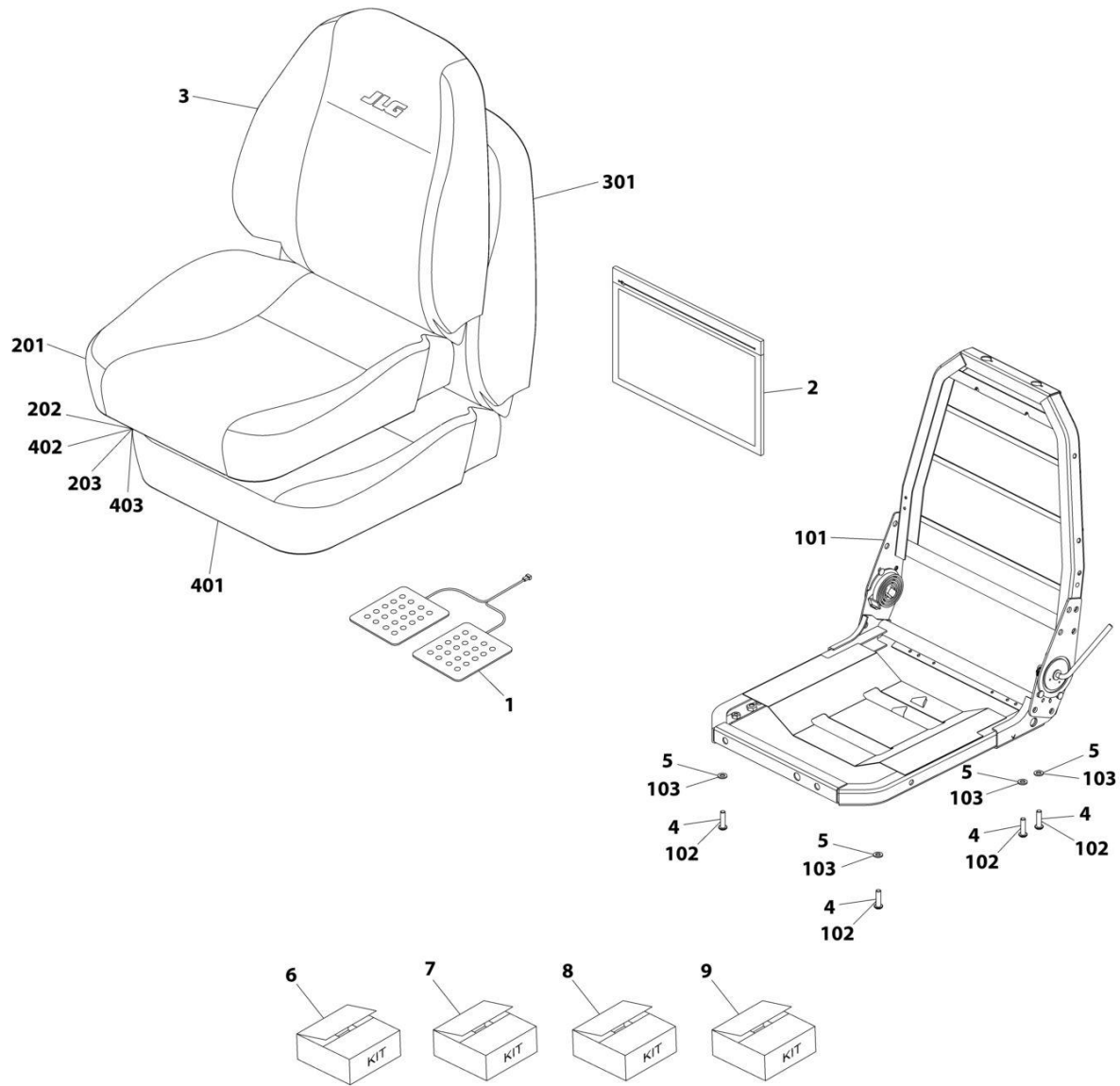
ART\_1001280471

FIGURE 6-63. SEAT ASSEMBLY (AIR SUSPENSION - STANDARD)

ITEM	PART NUMBER	QTY	DESCRIPTION	REV
	1001280471	Ref	SEAT ASSEMBLY (AIR SUSPENSION - STANDARD)	A
1A	70031050	1	Cushion and Frame Assembly (Without Sensor) (Includes Items 2-7)	
1B	70031051	1	Cushion and Frame Assembly (With Sensor) (Includes Items 2-7)	
2A	70027399	1	Fabric, Seat Back (Without Sensor)	
2B	70031052	1	Fabric, Seat Back (With Sensor)	
3	80264002	1	Foam, Seat Back	
4	70021314	1	Frame, Seat Bottom and Back	
5	70027394	1	Fabric, Seat Bottom	
6	80264004	1	Foam, Seat Bottom	
7	70021316	1	Document Bag Kit	
8	70021317	1	Frame Mount Kit	
9	70021318	1	Fore/Aft Side Adjustment Kit	
10	70021319	1	Suspension Kit	
11A	70021320	1	Mounting Plate Kit (16.5mm Height)	
11B	70027395	1	Mounting Plate Kit (44.5mm Height)	
12	70021321	1	Cover, Suspension	
13	70021322	1	Side Rail Stop Kit	
14	70021323	1	Air Valve Kit	
15	70021324	1	Air Spring Kit	
16	70021325	1	Compressor Kit	
17	70021326	1	Limit Switches Kit	
18	70021327	1	Damper Kit	
19	70021328	1	Ride Indicator Kit	
20	70021329	1	Seatbelts Kit	
21A	70021330	1	Seat Adapter Harness (Without Sensor)	
21B	70031053	1	Seat Adapter Harness (With Sensor)	
22	70031054	1	Cover/Foam/Sensor Kit (Includes Items 5 & 6)	

# SECTION 6 - CAB

## FIGURE 6-64. UPPER SEAT ASSEMBLY



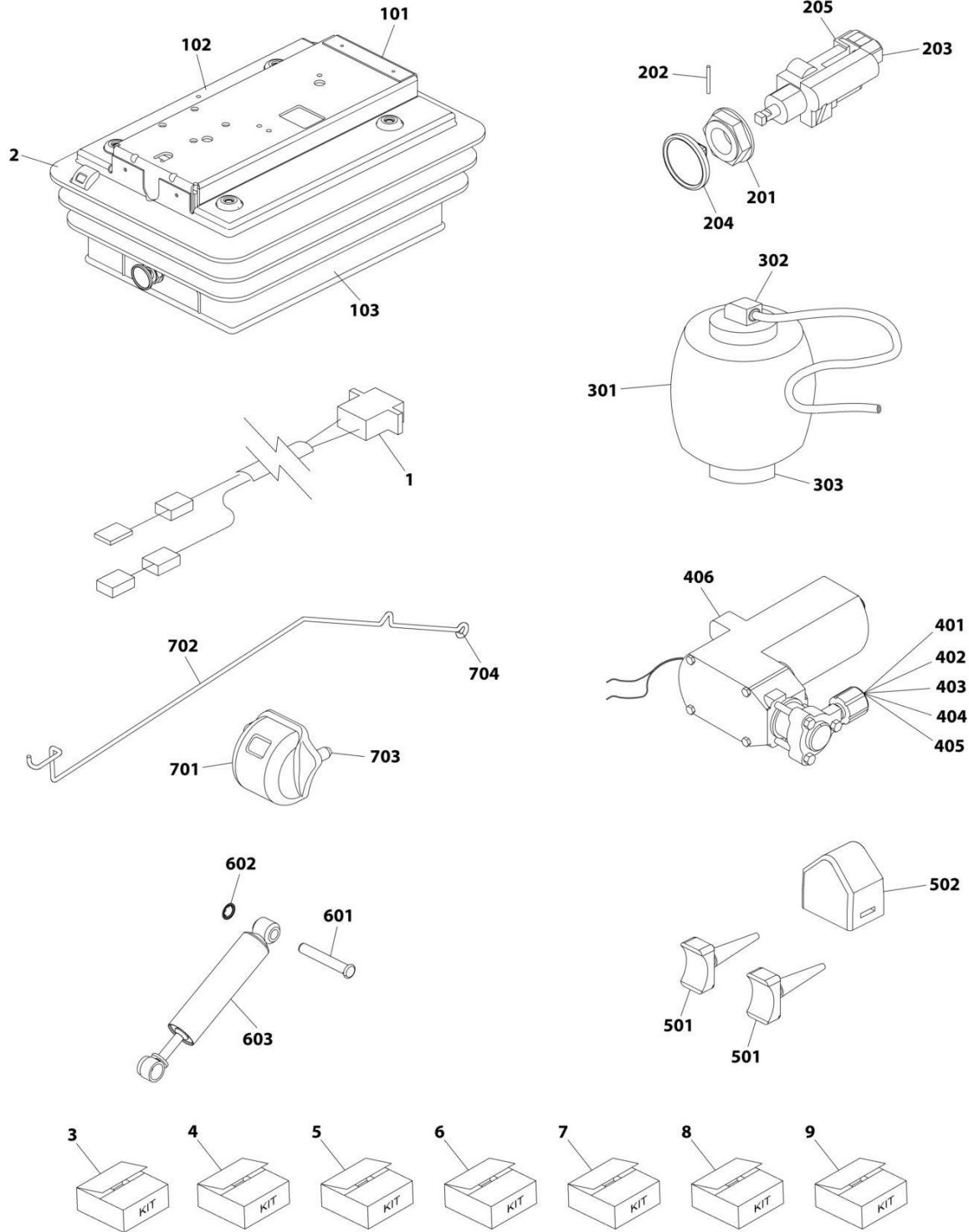
ART\_70027392

FIGURE 6-64. UPPER SEAT ASSEMBLY

ITEM	PART NUMBER	QTY	DESCRIPTION	REV
	70027392	Ref	Upper Seat Assembly	
1	70025539	1	Pad, Sensor	
2	70021316	1	Bag	
3	70027393	1	Cover, Back	
4	N.S.S.	4	Bolt, M8X25	
5	N.S.S.	4	Washer	
6	70021314	1	Kit, Frame (includes items 101 thru 103)	
7	70027394	1	Kit, Bottom Seat Cover (includes items 201 thru 203)	
8	80264002	1	Kit, Back Foam (includes items 301 thru 303)	
9	80264004	1	Kit, Seat Foam (includes items 401 thru 403)	
101	N.S.S.	1	Frame, Seat	
102	N.S.S.	4	Bolt, M8X25	
103	N.S.S.	4	Washer	
201	N.S.S.	1	Cover, Seat	
202	N.S.S.	2	Clip	
203	N.S.S.	17	Clip	
301	N.S.S.	1	Foam, Back	
302	N.S.S.	3	Bar, Trim	
303	N.S.S.	4	Ring	
401	N.S.S.	1	Foam, Seat	
402	N.S.S.	2	Clip	
403	N.S.S.	17	Clip	

# SECTION 6 - CAB

## FIGURE 6-65. SUSPENSION KIT



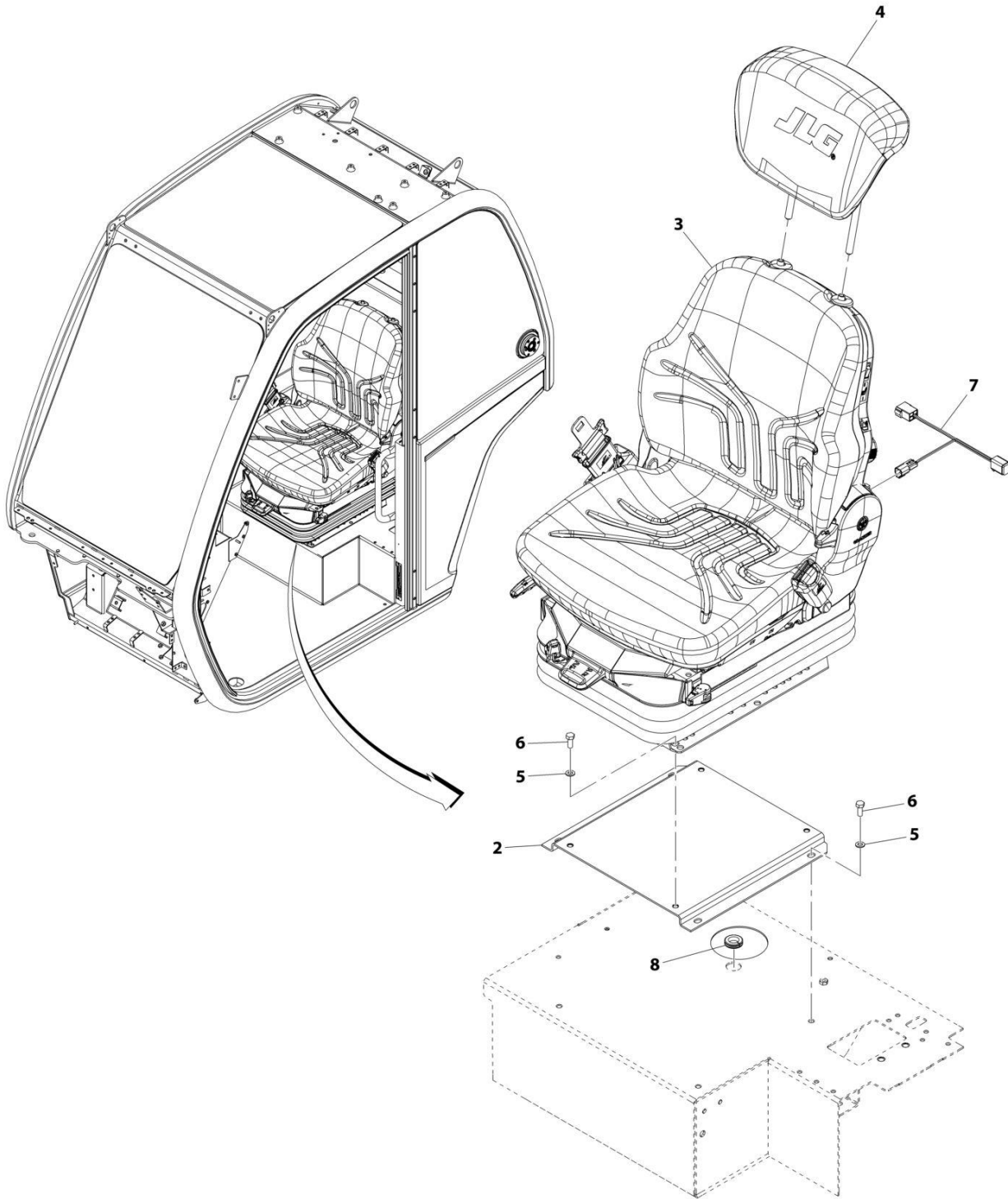
ART\_70021319

FIGURE 6-65. SUSPENSION KIT

ITEM	PART NUMBER	QTY	DESCRIPTION	REV
	70021319	Ref	Suspension Kit	
1	70021330	1	Lead, Fly	
2	N.S.S.	1	Suspension	
3	70021321	1	Kit, Suspension Cover (includes items 101 thru 103)	
4	70021323	1	Kit, Air Valve (includes items 201 thru 205)	
5	70021324	1	Kit, Air Spring (includes items 301 thru 303)	
6	70021325	1	Kit, Compressor (includes items 401 thru 406)	
7	70021326	1	Kit, Upstop/Bumpstop (includes items 501 & 502)	
8	70021327	1	Kit, Damper (includes items 601 thru 603)	
9	70021328	1	Kit, Ride Indicator (includes items 701 thru 704)	
101	N.S.S.	6	Clip, Cover	
102	N.S.S.	1	Cover, Suspension	
103	N.S.S.	5	Clip, Cover	
201	N.S.S.	1	Nut, Air Valve	
202	N.S.S.	1	Pin, Retaining	
203	N.S.S.	1	Valve, Combination	
204	N.S.S.	1	Knob	
205	N.S.S.	2	Tie, Plastic	
301	N.S.S.	1	Spring, Air	
302	N.S.S.	1	Clip	
303	N.S.S.	1	Screw, Countersunk Self Tapping	
401	N.S.S.	1	Clip	
402	N.S.S.	1	Pad	
403	N.S.S.	1	Loom	
404	N.S.S.	2	Tie, Cable	
405	N.S.S.	3	Tie, Plastic	
406	N.S.S.	1	Compressor (with Elbow)	
501	N.S.S.	2	Upstop	
502	N.S.S.	1	Bumpstop	
601	N.S.S.	2	Pin	
602	N.S.S.	2	Washer, Starlock	
603	N.S.S.	1	Damper	
701	N.S.S.	1	Indicator, Ride	
702	N.S.S.	1	Wire, Ride Indicator	
703	N.S.S.	2	Washer, Starlock	
704	N.S.S.	1	Washer, Grip M4	

# SECTION 6 - CAB

## FIGURE 6-66. SEAT INSTALLATION (AIR SUSPENSION - PREMIUM)



ART\_1001182530-F

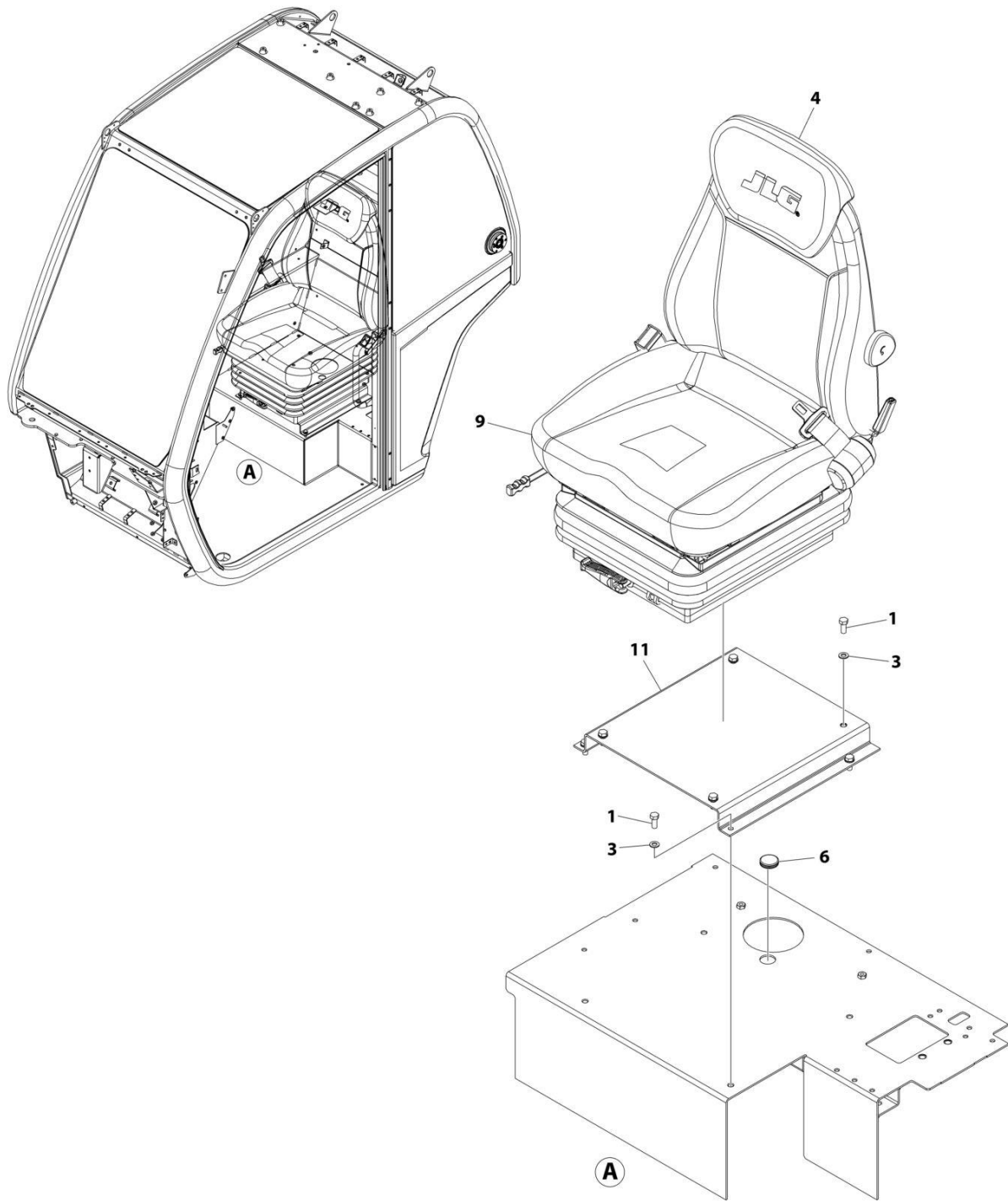


FIGURE 6-66. SEAT INSTALLATION (AIR SUSPENSION - PREMIUM)

ITEM	PART NUMBER	QTY	DESCRIPTION	REV
	1001182530	Ref	Seat Installation (Air Suspension - Premium)	F
2	1001158736C	1	Plinth, Seat	
3	1001169135	1	Assembly, Seat (See Separate Breakdown in this Section)	
4	1001182529	1	Headrest	
5	4811900	8	Washer, M8	
6	0760810	8	Bolt, M8X20	
7	1001168531	1	Harness, Seat Adaptor (See Separate Breakdown in ELECTRICAL Section)	
8	1001216974	1	Grommet	

# SECTION 6 - CAB

## FIGURE 6-67. SEAT INSTALLATION (CLOTH) (SEAOP)



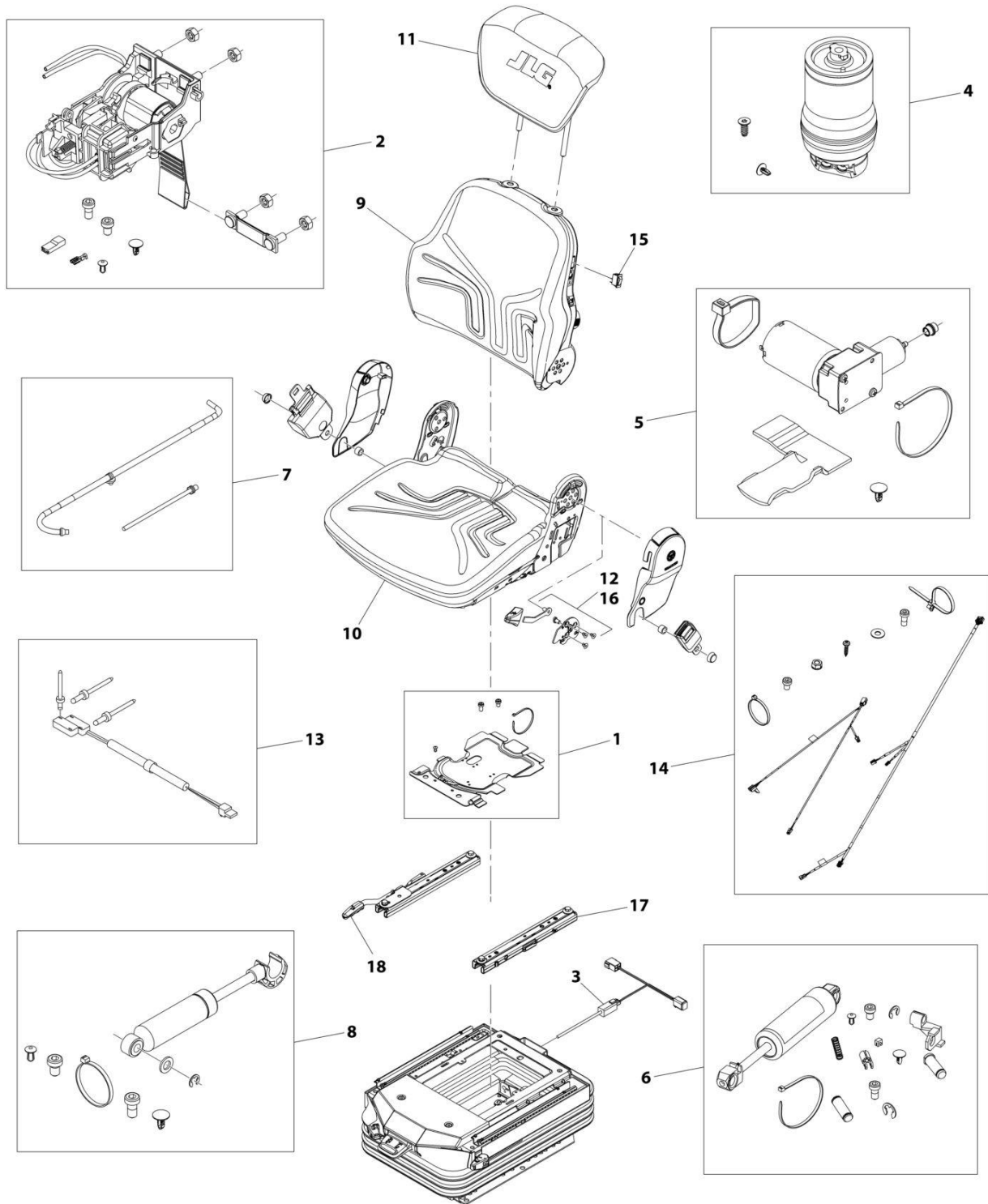
ART\_1001288098

FIGURE 6-67. SEAT INSTALLATION (CLOTH) (SEAOP)

ITEM	PART NUMBER	QTY	DESCRIPTION	REV
	1001288098	Ref	SEAT INSTALLATION (CLOTH) (SEAOP)	A
1	0760810	8	Bolt M8 x 20	
3	4811900	8	Washer M8	
4	1001119467	1	Headrest, Cloth	
6	1001196076	1	Cap	
7	1001266488	1	Lamp, LED (Red) (Not Shown)	
8	1001268744	1	Seat Belt Alarm Harness (See Separate Breakdown in ELECTRICAL Section) (Not Shown)	
9	1001288070	1	Seat Assembly (See Separate Breakdown in this Section)	
11	1001158738C	1	Plinth, Seat	

# SECTION 6 - CAB

## FIGURE 6-68. SEAT ASSEMBLY (AIR SUSPENSION - PREMIUM)



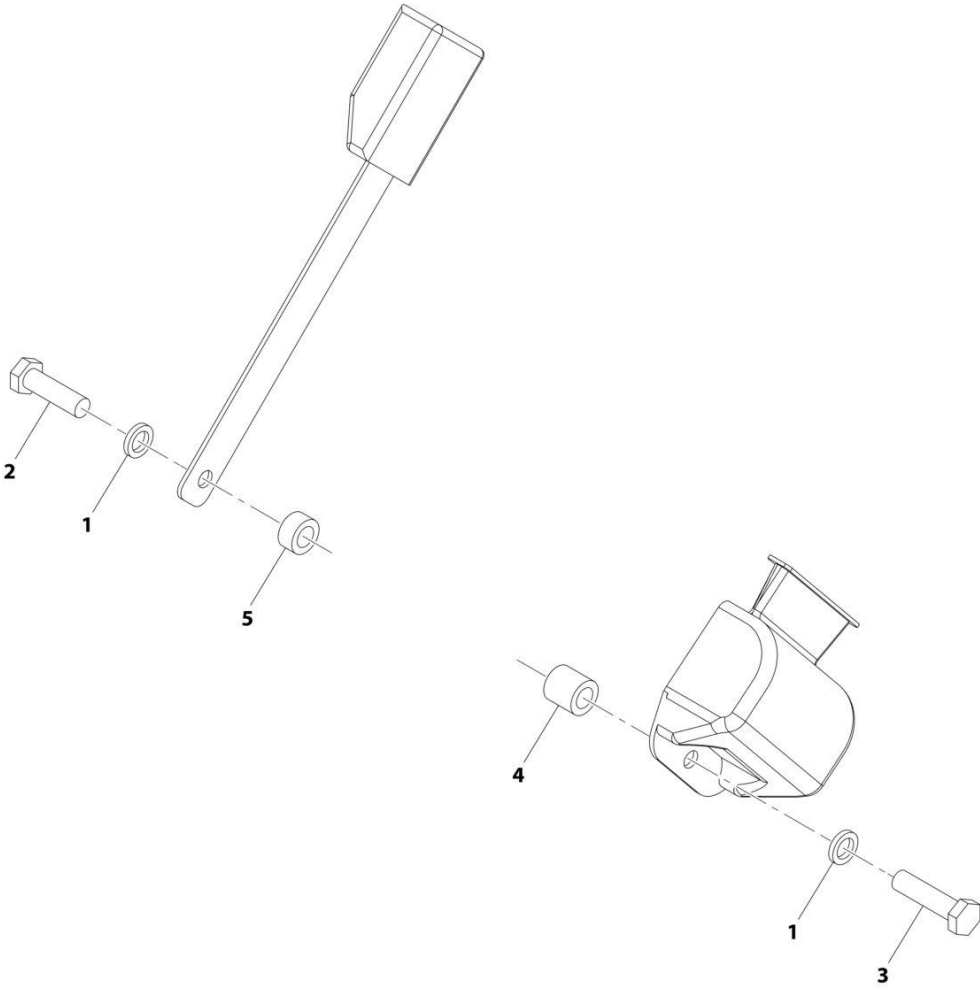
ART\_1001169135-B

FIGURE 6-68. SEAT ASSEMBLY (AIR SUSPENSION - PREMIUM)

ITEM	PART NUMBER	QTY	DESCRIPTION	REV
	1001169135	Ref	Seat Assembly (Air Suspension - Premium)	B
1	70024856	1	Cover	
2	70023182	1	Control Level Kit	
3	70023186	1	Wiring Harness, Air/Safeswitch	
4	70023184	1	Air Spring Kit	
5	70024857	1	Compressor, 12V	
6	70023181	1	Shock Absorber Kit	
7	70024459	1	Air Tubes Kit	
8	70023189	2	Shock Absorber Kit	
9	70023179	1	Back Cushion Kit	
10	70024858	1	Seat Cushion Kit	
11	1001182529	1	Headrest, Cloth	
12	70024859	1	Backrest Actuator	
13	70028326	1	Switch	
14	70024861	1	Wiring Harness	
15	70024107	1	Switch, Heater	
16	7028621	1	Handle, Backrest Angle Adjust	
17	3986643	1	Adjust Slide Kit	
18	3986610	1	Handle	

**SECTION 6 - CAB**

**FIGURE 6-69. SEAT BELT INSTALLATION (2IN)**



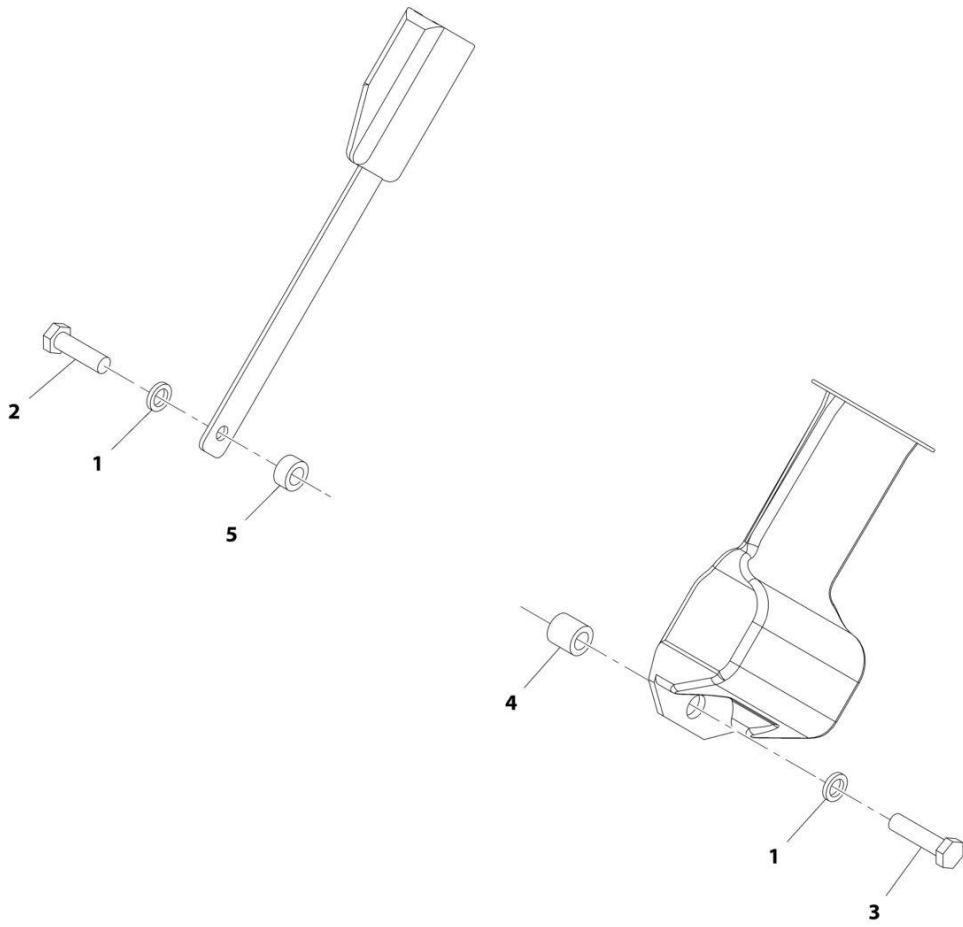
ART\_1001006730

FIGURE 6-69. SEAT BELT INSTALLATION (2IN)

ITEM	PART NUMBER	QTY	DESCRIPTION	REV
	1001006730	Ref	Seat Belt Installation (2IN)	H
1	1001010646	2	Washer	
2	1001010647	1	Bolt	
3	1001010648	1	Bolt	
4	1001010649	1	Spacer, Shim	
5	1001010650	1	Spacer, Shim	

# SECTION 6 - CAB

## FIGURE 6-70. SEAT BELT INSTALLATION (3IN)



ART\_1001006731-B



FIGURE 6-70. SEAT BELT INSTALLATION (3IN)

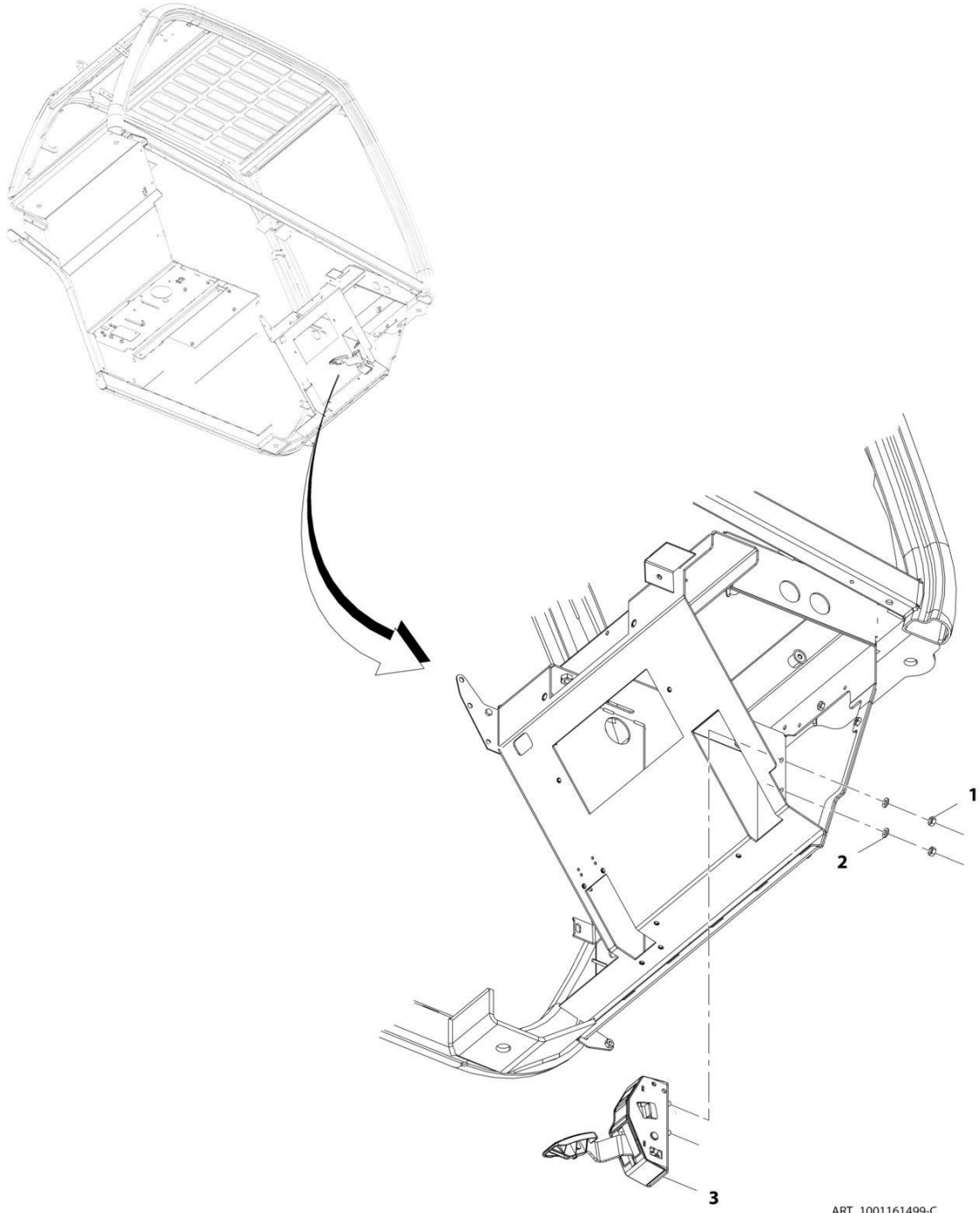
ITEM	PART NUMBER	QTY	DESCRIPTION	REV
	1001006731	Ref	Seat Belt Installation (3IN)	B
1	1001010646	2	Washer	
2	1001010647	1	Bolt	
3	1001010648	1	Bolt	
4	1001010649	1	Spacer	
5	1001010650	1	Spacer	



**SECTION 7 - CONTROLS**

# SECTION 7 - CONTROLS

## FIGURE 7-1. ACCELERATOR PEDAL INSTALLATION



ART\_1001161499-C

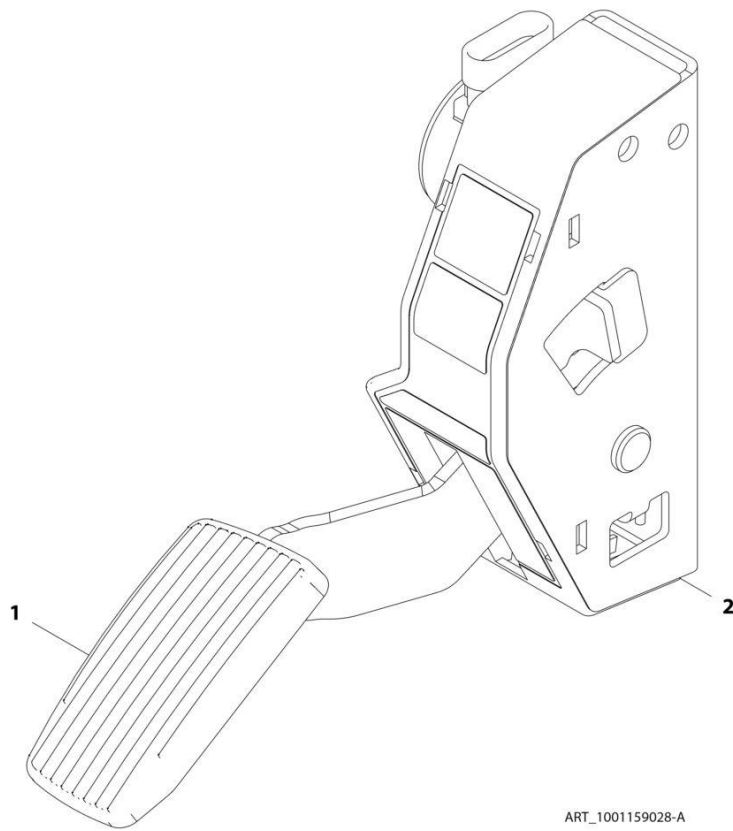
## SECTION 7 - CONTROLS

**FIGURE 7-1. ACCELERATOR PEDAL INSTALLATION**

ITEM	PART NUMBER	QTY	DESCRIPTION	REV
	1001161499	Ref	Accelerator Pedal Installation	C
1	3290801	2	Nut, M8X1.25	
2	4811900	2	Washer, M8	
3	1001159028	1	Pedal, Accelerator (See Separate Breakdown in this Section)	

# SECTION 7 - CONTROLS

## FIGURE 7-2. ACCELERATOR PEDAL



ART\_1001159028-A

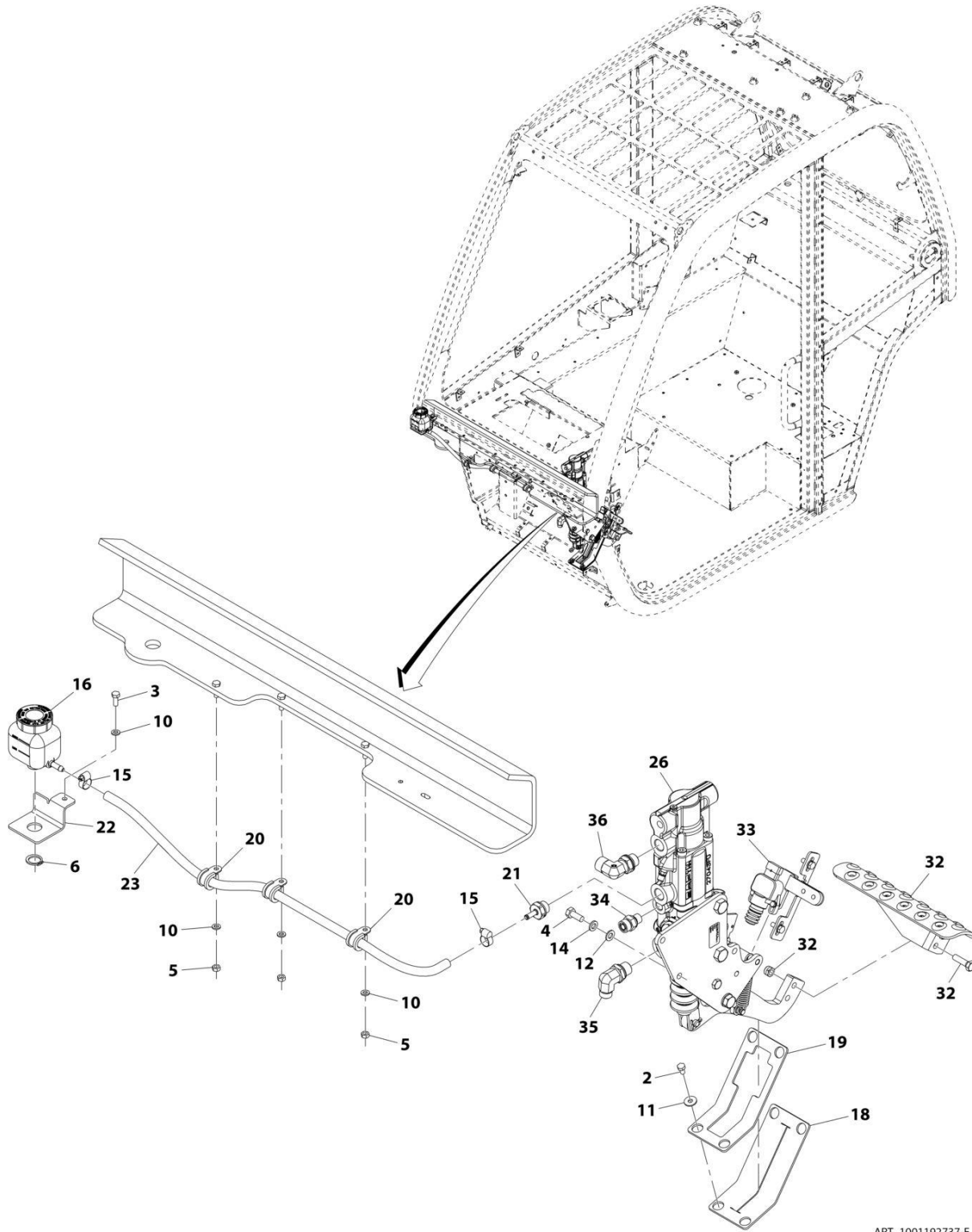
## SECTION 7 - CONTROLS

### FIGURE 7-2. ACCELERATOR PEDAL

ITEM	PART NUMBER	QTY	DESCRIPTION	REV
	1001159028	Ref	Accelerator Pedal	A
1	70025816	1	Pad, Rubber	
2	70025817	1	Cover, Rubber	

# SECTION 7 - CONTROLS

## FIGURE 7-3. BRAKE PEDAL INSTALLATION



ART\_1001192737-E



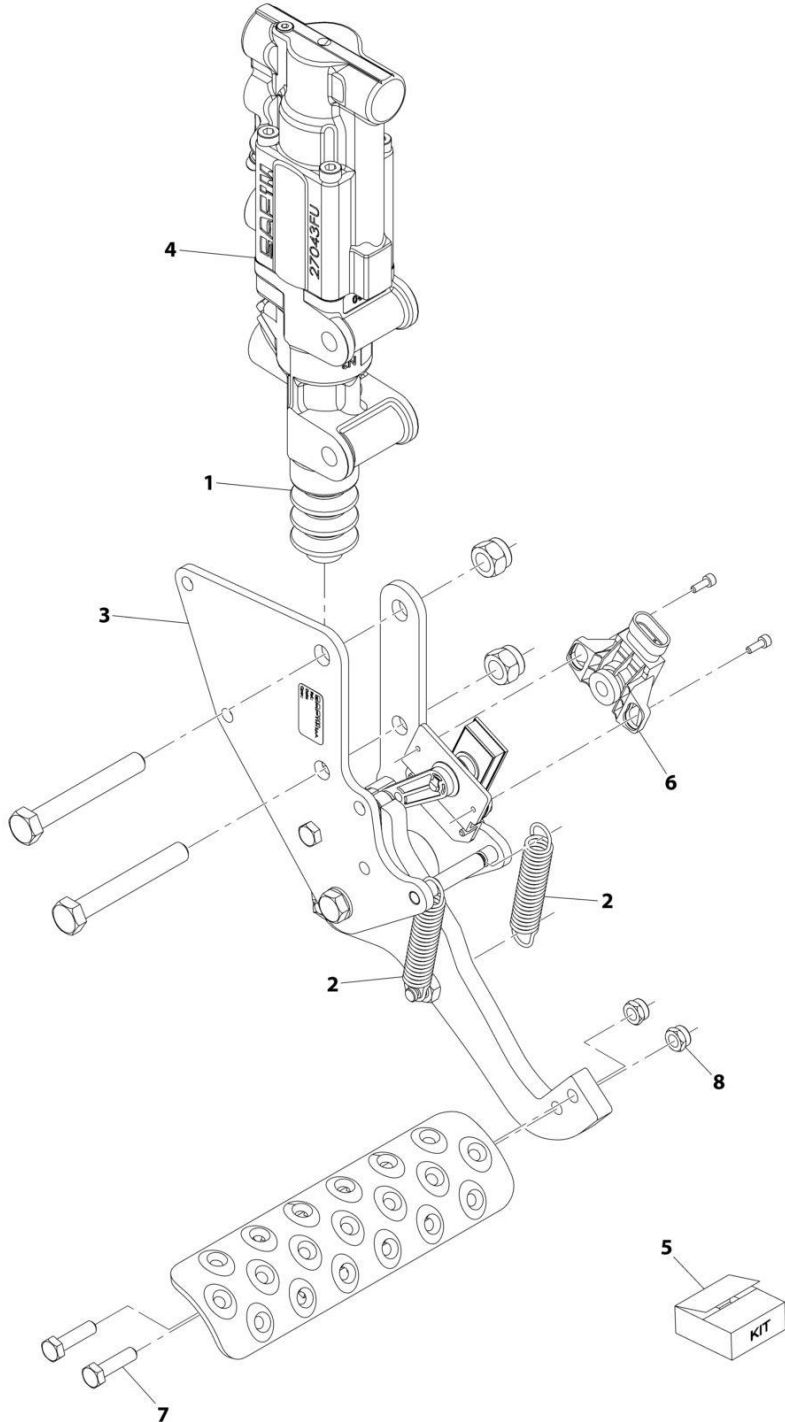
## SECTION 7 - CONTROLS

### FIGURE 7-3. BRAKE PEDAL INSTALLATION

ITEM	PART NUMBER	QTY	DESCRIPTION	REV
	1001192737	Ref	Brake Pedal Installation	E
2	0760605	4	Bolt, M6X10	
3	0760608	1	Bolt, M6X16	
4	0760810	3	Bolt, M8X20	
5	3290601	3	Nut, M6X1	
6	3760348	1	Ring, Retaining	
10	4811700	4	Washer, M6	
11	4811702	4	Washer, M6	
12	4811900	3	Washer, M8	
14	4831900	3	Washer, Lock M8	
15	8405009	2	Clamp	
16	1001214220	1	Reservoir, Brake	
18	1001162920	1	Seal	
19	1001162922	1	Plate	
20	1001170231	3	Clip	
21	1001171874	1	Fitting, Straight	
22	1001172088	1	Bracket	
23	1001172094	1	Hose	
26	1001213265	1	Assembly, Brake Pedal (See Separate Breakdown in this Section)	
32	1001197139	1	Plate, Brake Pedal	
33	1001205061	Ref	Installation, Brake Sensor (See Separate Breakdown in this Section)	
34	80233218	1	Fitting, Straight ORFS	
35	80333151	1	Fitting, 90 ORFS	
36	1001168054	1	Fitting, 90 ORFS	

# SECTION 7 - CONTROLS

## FIGURE 7-4. BRAKE PEDAL ASSEMBLY



ART\_1001213265-A

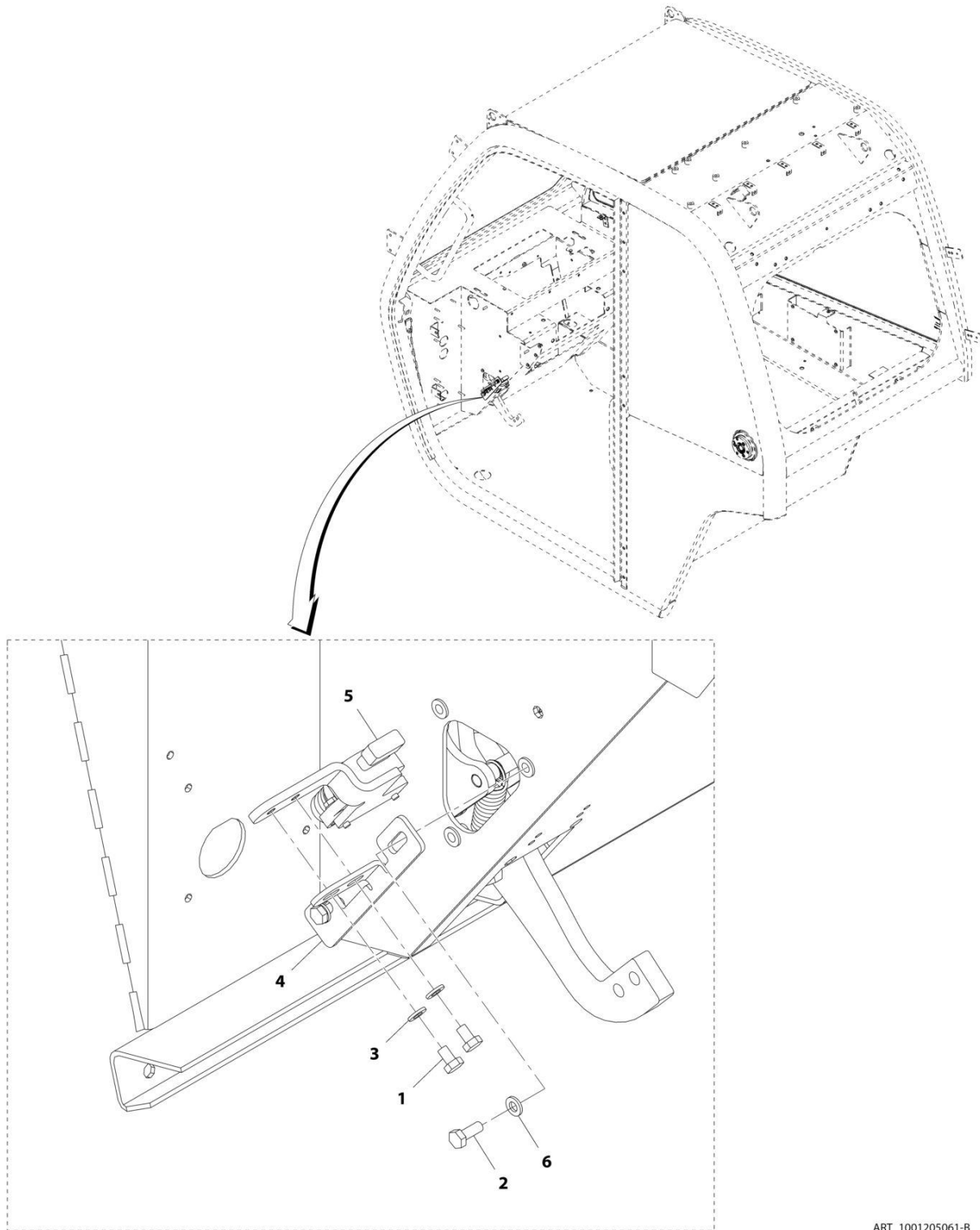
## SECTION 7 - CONTROLS

### FIGURE 7-4. BRAKE PEDAL ASSEMBLY

ITEM	PART NUMBER	QTY	DESCRIPTION	REV
	1001213265	Ref	Brake Pedal Assembly	A
1	70025859	1	Cover, Dust	
2	70025860	2	Spring, Return	
3	70028381	1	Support, Pedal	
4	70028382	1	Cylinder, Master	
5	70026434	1	Kit, Seal	
6	70028383	1	Sensor, Angle	
7	0770814	2	Bolt, M8X30 Grade 10.9	
8	3290805	2	Nut, Lock M8X1.25 Grade 8	

# SECTION 7 - CONTROLS

## FIGURE 7-5. BRAKE SENSOR INSTALLATION



ART\_1001205061-B

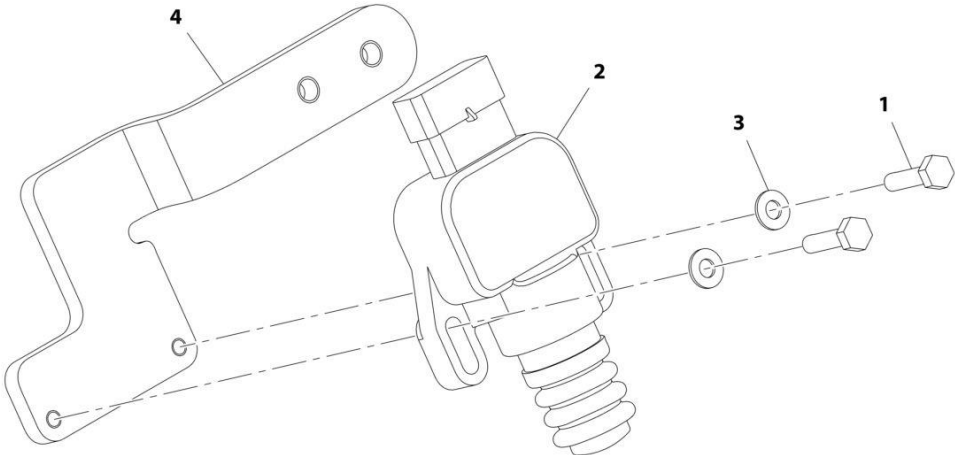
## SECTION 7 - CONTROLS

### FIGURE 7-5. BRAKE SENSOR INSTALLATION

ITEM	PART NUMBER	QTY	DESCRIPTION	REV
	1001205061	Ref	Brake Sensor Installation	B
1	0760605	2	Bolt, M6X10	
2	0760608	2	Bolt, M6X16	
3	4811700	2	Washer, M6	
4	1001201499	1	Plate, Switch Adjustment	
5	1001201501	1	Assembly, Switch Plate (See Separate Breakdown in this Section)	
6	4811702	2	Washer, M6	

**SECTION 7 - CONTROLS**

**FIGURE 7-6. SWITCH PLATE ASSEMBLY**



ART\_1001201501-A

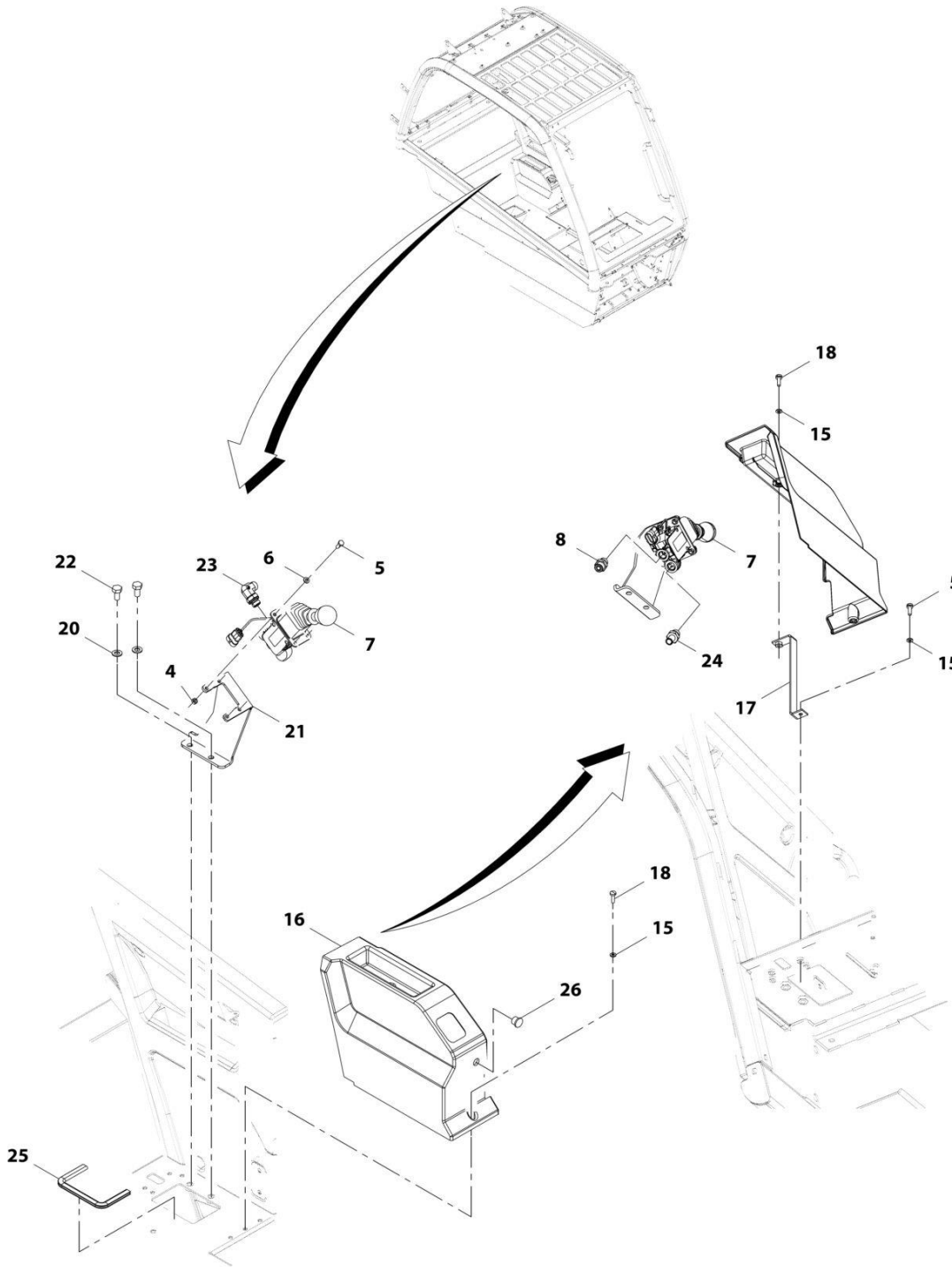
## SECTION 7 - CONTROLS

**FIGURE 7-6. SWITCH PLATE ASSEMBLY**

ITEM	PART NUMBER	QTY	DESCRIPTION	REV
	1001201501	Ref	Switch Plate Assembly	A
1	0700408	2	Bolt, M4X16	
2	4360658	1	Sensor, Brake	
3	4811400	2	Washer, M4	
4	1001201500	1	Plate	

# SECTION 7 - CONTROLS

## FIGURE 7-7. PARK BRAKE INSTALLATION



ART\_1001162062-M



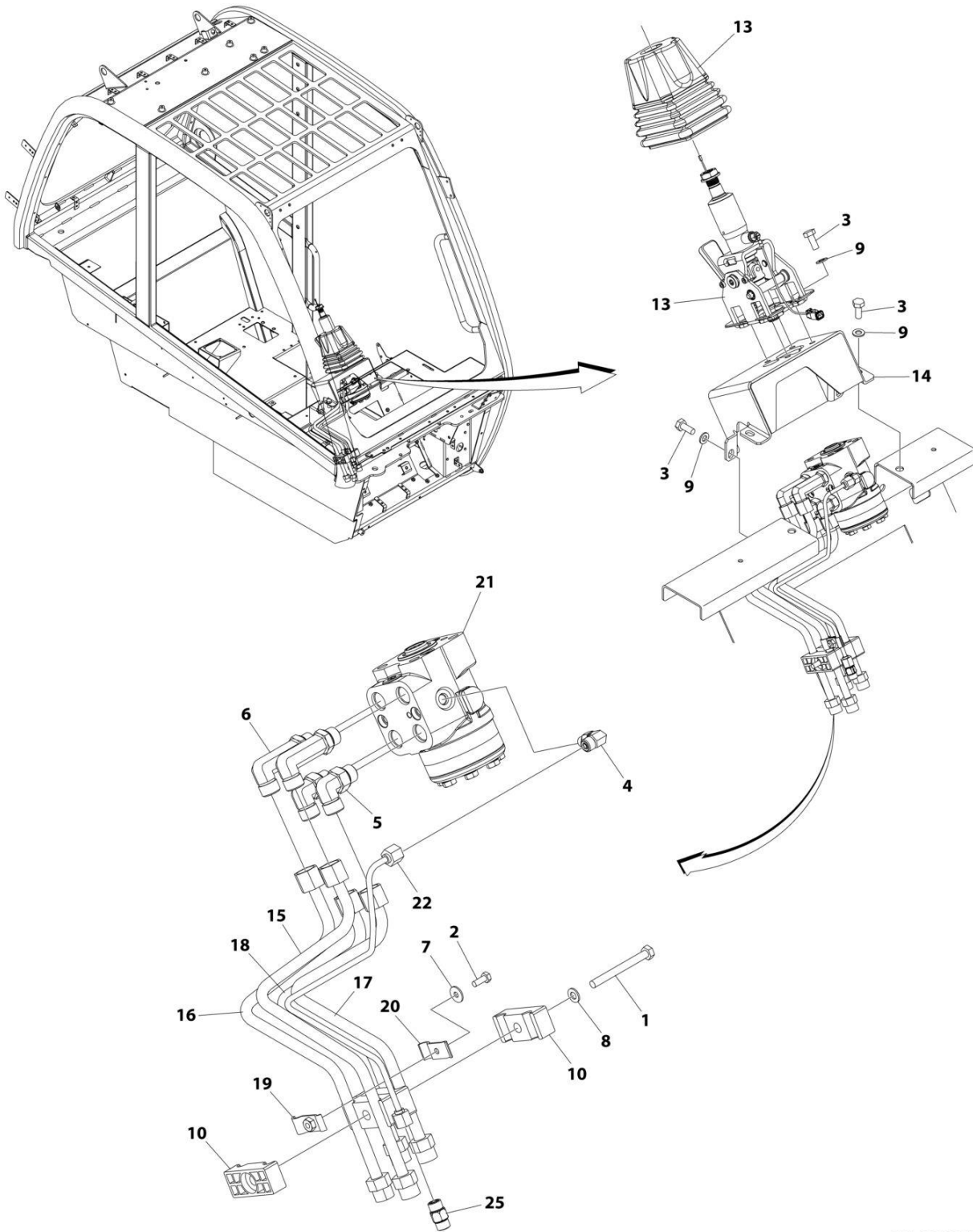
## SECTION 7 - CONTROLS

**FIGURE 7-7. PARK BRAKE INSTALLATION**

ITEM	PART NUMBER	QTY	DESCRIPTION	REV
	1001162062	Ref	Park Brake Installation	M
4	3290601	4	Nut, M6X1	
5	0760608	5	Bolt, M6X16	
6	4831700	4	Washer, Lock M6	
7	1001207956	1	Hydraulic Hand Brake	
7	70020922	1	Kit, Seal	
8	1001101702	1	Fitting, Straight ORFS	
15	4811700	3	Washer, M6	
16	1001193474	1	Panel	
17	1001195254	1	Bracket	
18	4010610002	2	Screw, M6X20	
20	4812000	2	Washer, M10	
21	1001191915	1	Bracket	
22	0761010	2	Bolt, M10X20	
23	1001125222	1	Fitting, 90 ORFS	
24	1001206744	1	Fitting, Grease	
25	1001208037	1	Seal	
26	3520028	1	Plug	

# SECTION 7 - CONTROLS

## FIGURE 7-8. TILT STEERING COLUMN INSTALLATION



ART\_1001192410\_I

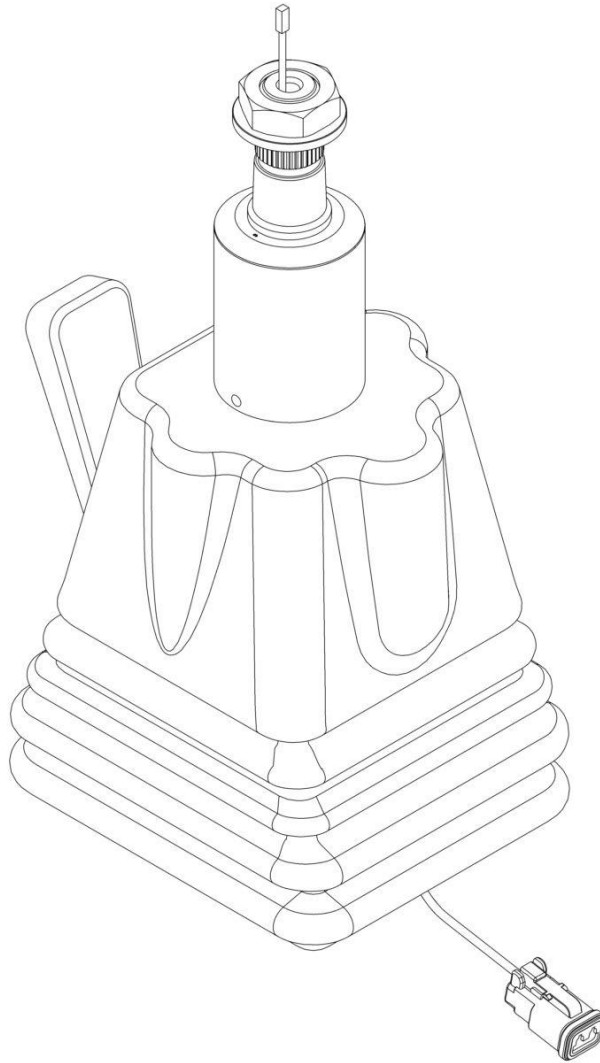
## SECTION 7 - CONTROLS

**FIGURE 7-8. TILT STEERING COLUMN INSTALLATION**

ITEM	PART NUMBER	QTY	DESCRIPTION	REV
	1001192410	Ref	Tilt Steering Column Installation	I
1	0700824	1	Bolt M8 x 80	
2	0760608	1	Bolt M6 x 16	
3	0761012	8	Bolt M10 x 25	
4	2130404	1	Fitting, 90 ORFS	
5	2130808	2	Fitting, 90 ORFS	
6	2170208	2	Fitting, 90 ORFS	
7	4811702	1	Washer M6	
8	4811900	1	Washer M8	
9	4812000	8	Washer M10	
10	1001004640	4	Clamp	
11	1001095650	AR	Adhesive (Not Shown)	
13	1001257330	1	Column, Tilt Steering (See Separate Breakdown in this Section)	
14	1001156265	1	Bracket, Support	
15	1001161672	1	Pipe	
16	1001161896	1	Pipe	
17	1001161897	1	Pipe	
18	1001161898	1	Pipe	
19	1001168142	1	Bracket	
20	1001168151	1	Bracket	
21	1001178670	1	Valve, Steer (See Separate Breakdown in HYDRAULICS COMPONENTS Section)	
22	1001194282	1	Pipe	
25	1001227945	1	Valve, Check	

## SECTION 7 - CONTROLS

FIGURE 7-9. TILT STEERING COLUMN



ART\_1001257330

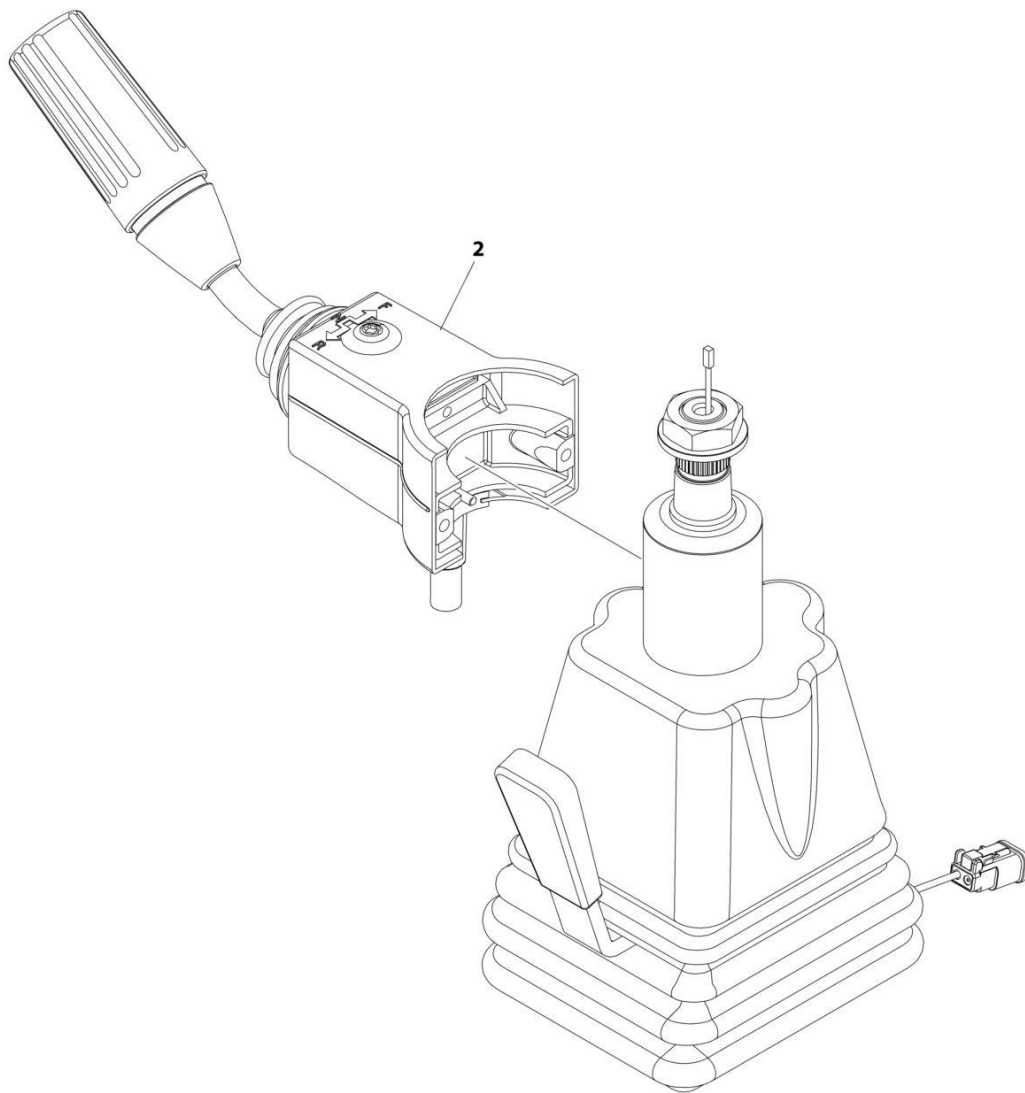
## SECTION 7 - CONTROLS

**FIGURE 7-9. TILT STEERING COLUMN**

ITEM	PART NUMBER	QTY	DESCRIPTION	REV
	1001257330	Ref Ref	TILT STEERING COLUMN Note: No Service Parts Available - Purchase Complete Assembly	A

## SECTION 7 - CONTROLS

FIGURE 7-10. COLUMN SHIFT INSTALLATION (2 SPEED)



ART\_1001220507\_B

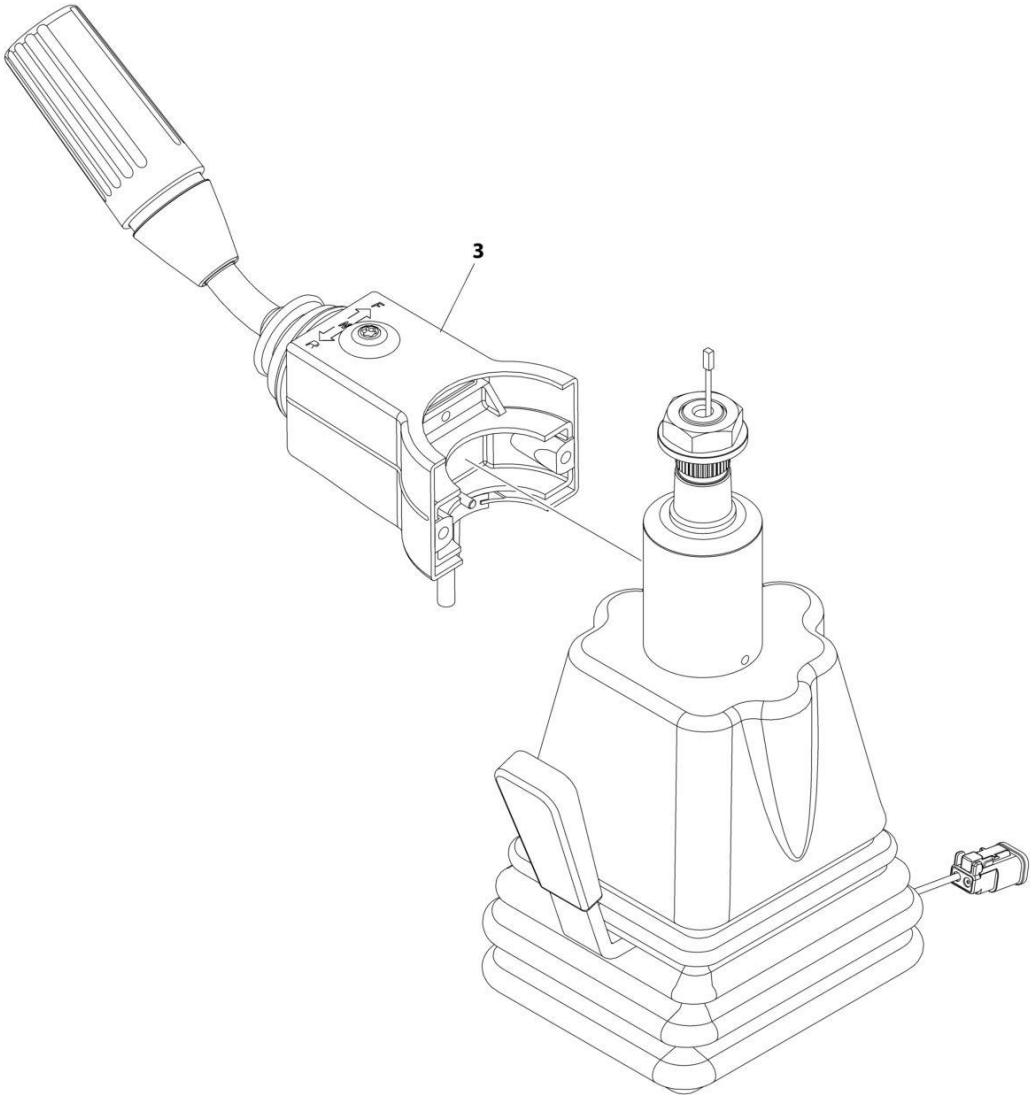
## SECTION 7 - CONTROLS

**FIGURE 7-10. COLUMN SHIFT INSTALLATION (2 SPEED)**

ITEM	PART NUMBER	QTY	DESCRIPTION	REV
2	1001220507 1001257088	Ref 1	Column Shift Installation (2 Speed) Lever, FNR (2 Speed)	B

**SECTION 7 - CONTROLS**

**FIGURE 7-11. COLUMN SHIFT INSTALLATION (0 SPEED)**



ART\_1001179931\_D



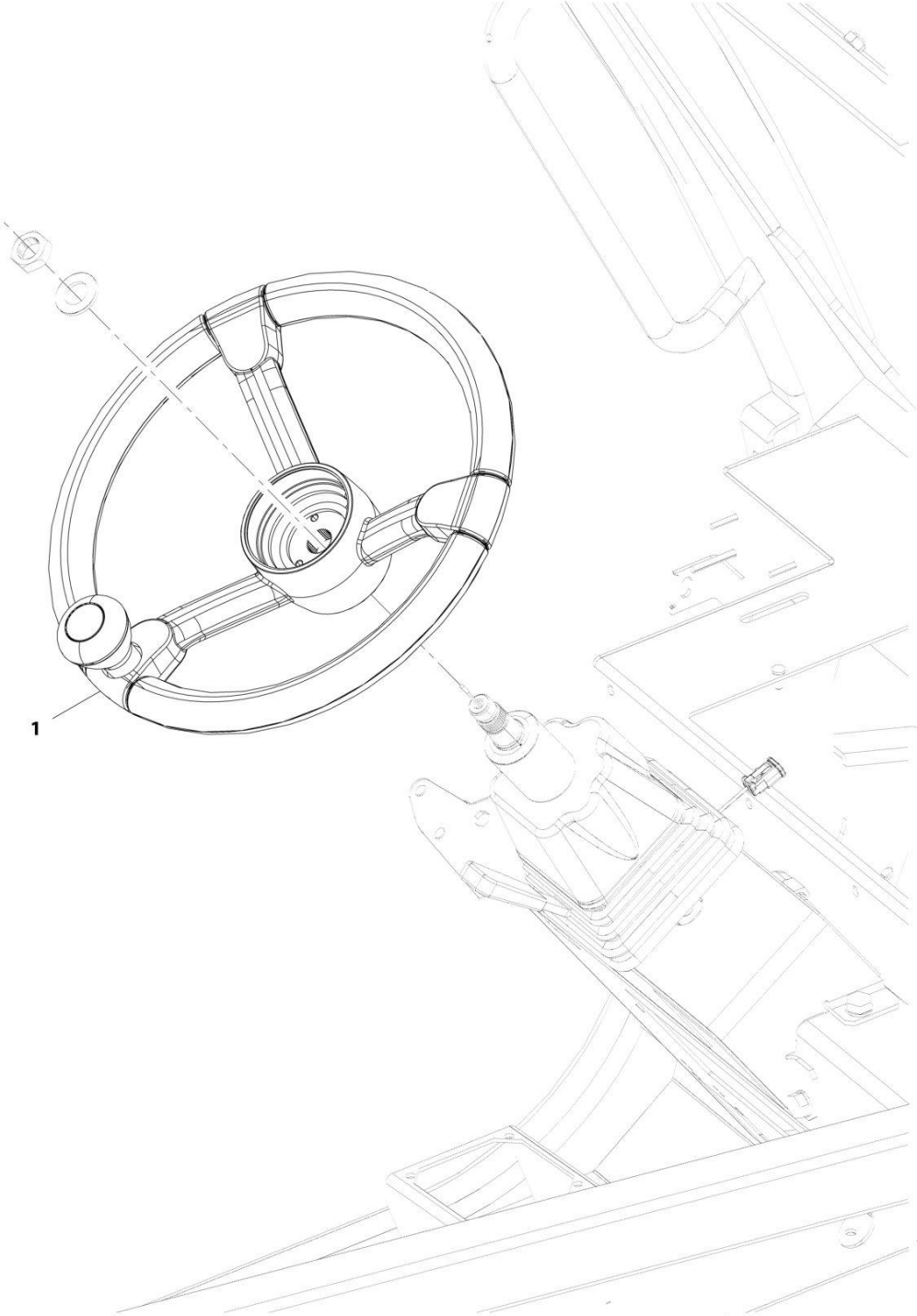
## SECTION 7 - CONTROLS

**FIGURE 7-11. COLUMN SHIFT INSTALLATION (0 SPEED)**

ITEM	PART NUMBER	QTY	DESCRIPTION	REV
3	1001179931 1001257348	Ref 1	Column Shift Installation (0 Speed) Lever, FNR (0 Speed)	D

**SECTION 7 - CONTROLS**

**FIGURE 7-12. STEERING WHEEL INSTALLATION**



ART\_1001169751-C

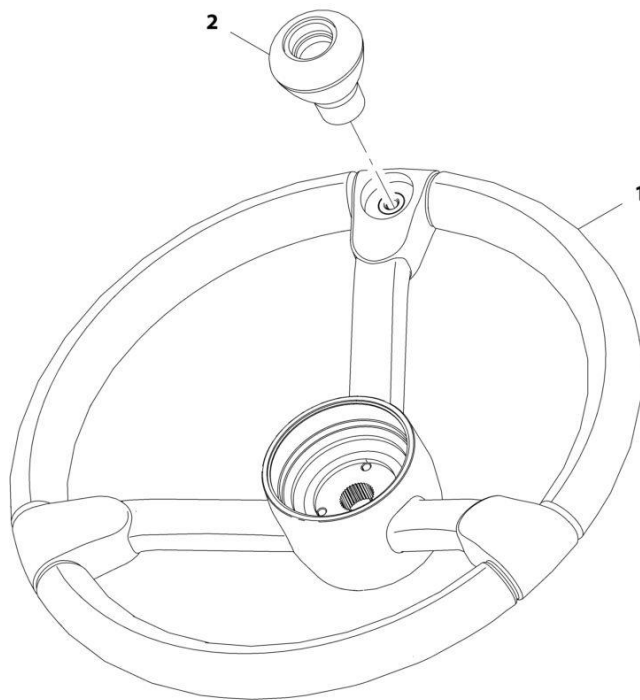
## SECTION 7 - CONTROLS

**FIGURE 7-12. STEERING WHEEL INSTALLATION**

ITEM	PART NUMBER	QTY	DESCRIPTION	REV
1	1001169751 1001169354	Ref 1	Steering Wheel Installation Wheel, Steering (See Separate Breakdown in this Section)	C

# SECTION 7 - CONTROLS

## FIGURE 7-13. STEERING WHEEL



ART\_1001169354-D

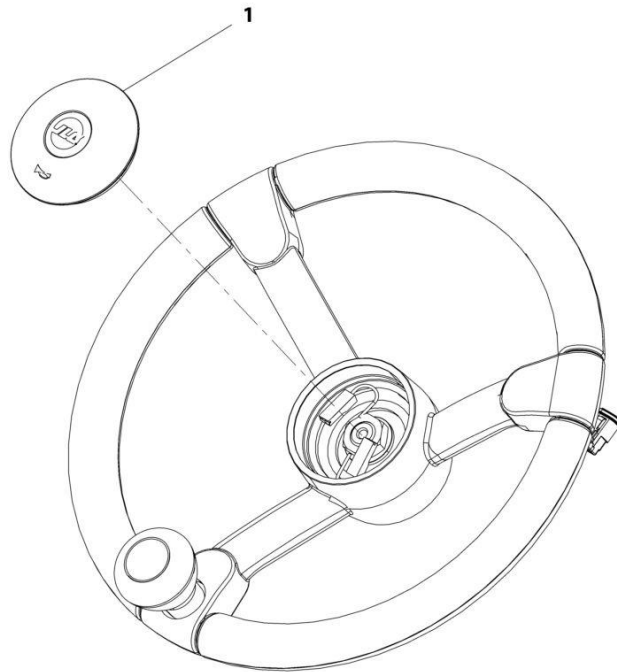
## SECTION 7 - CONTROLS

**FIGURE 7-13. STEERING WHEEL**

ITEM	PART NUMBER	QTY	DESCRIPTION	REV
	1001169354	Ref	Steering Wheel	D
1	1001169367	1	Wheel, Steering	
2	1001169355	1	Handle, Steer Spinner	

# SECTION 7 - CONTROLS

## FIGURE 7-14. HORN BUTTON INSTALLATION



ART\_1001169763-A

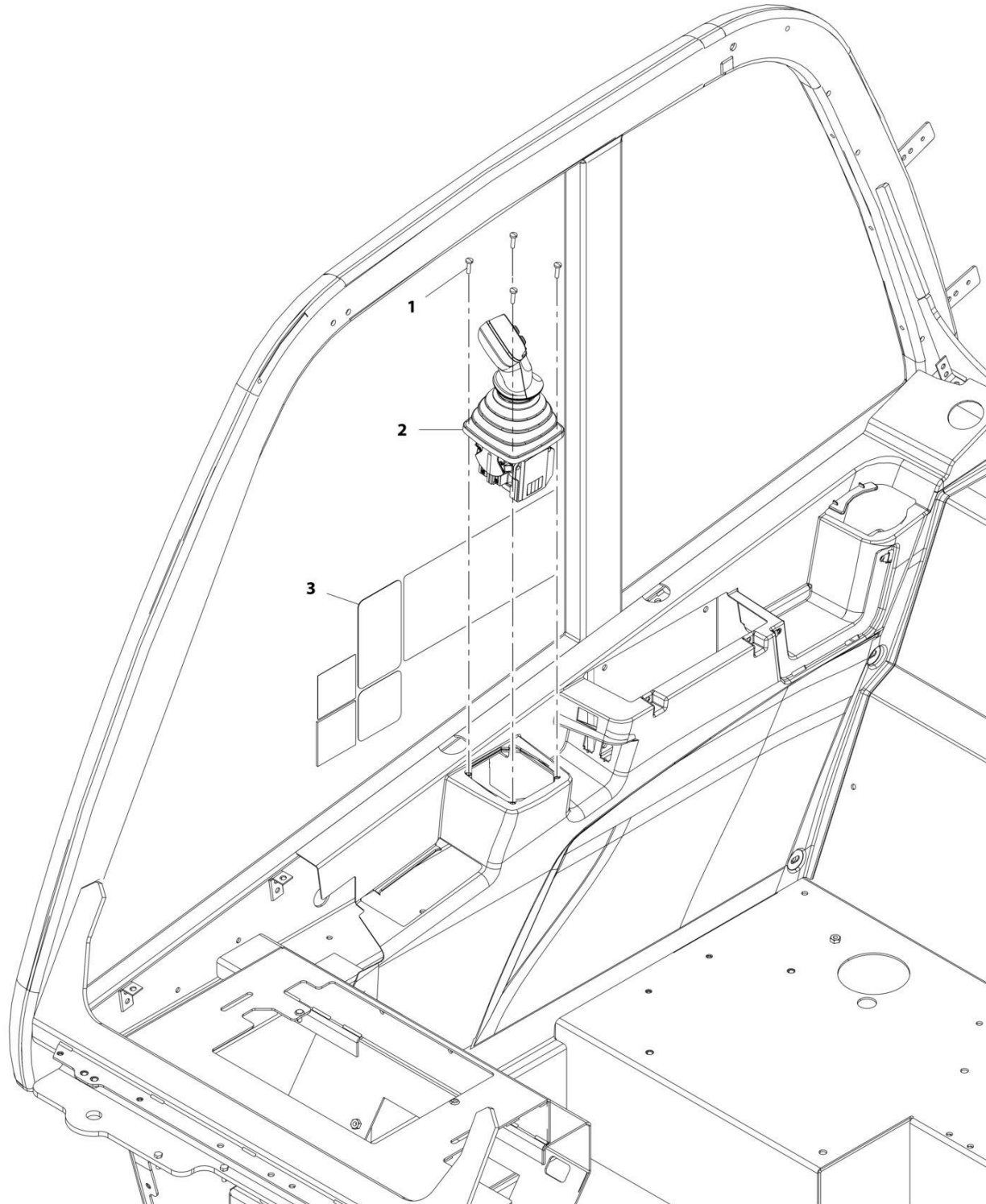
## SECTION 7 - CONTROLS

**FIGURE 7-14. HORN BUTTON INSTALLATION**

ITEM	PART NUMBER	QTY	DESCRIPTION	REV
1	1001169763 1001169268	Ref 1	Horn Button Installation Button, Horn	A

# SECTION 7 - CONTROLS

## FIGURE 7-15. JOYSTICK INSTALLATION (2 SPEED)



ART\_1001216757-B



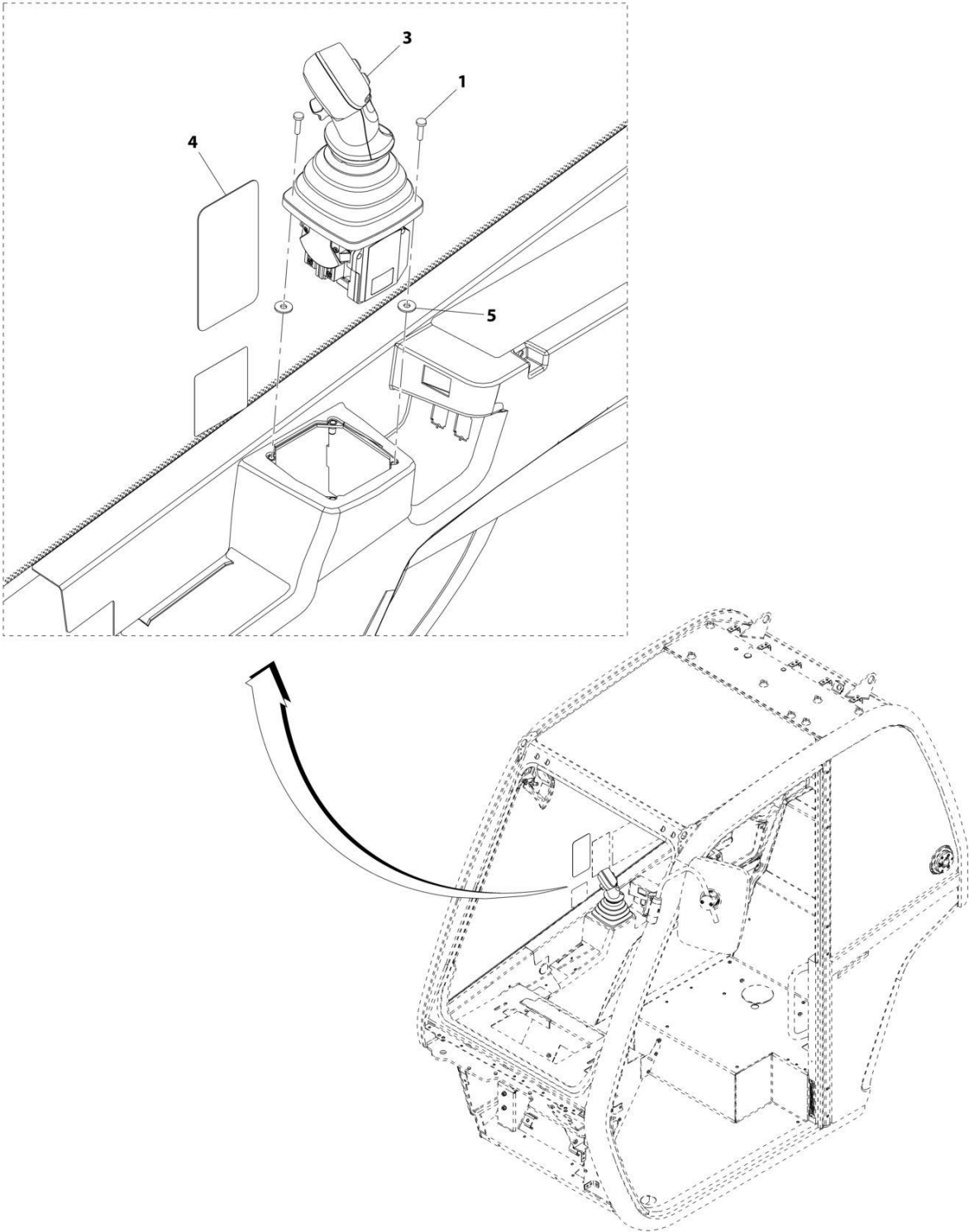
## SECTION 7 - CONTROLS

**FIGURE 7-15. JOYSTICK INSTALLATION (2 SPEED)**

ITEM	PART NUMBER	QTY	DESCRIPTION	REV
	1001216757	Ref	Joystick Installation (2 Speed)	C
1	4010510	4	Screw, M5X20	
2	1001222606	1	Joystick, 2R2B	
3	1001216803	1	Decal	

**SECTION 7 - CONTROLS**

**FIGURE 7-16. JOYSTICK INSTALLATION**



ART\_1001167004-G

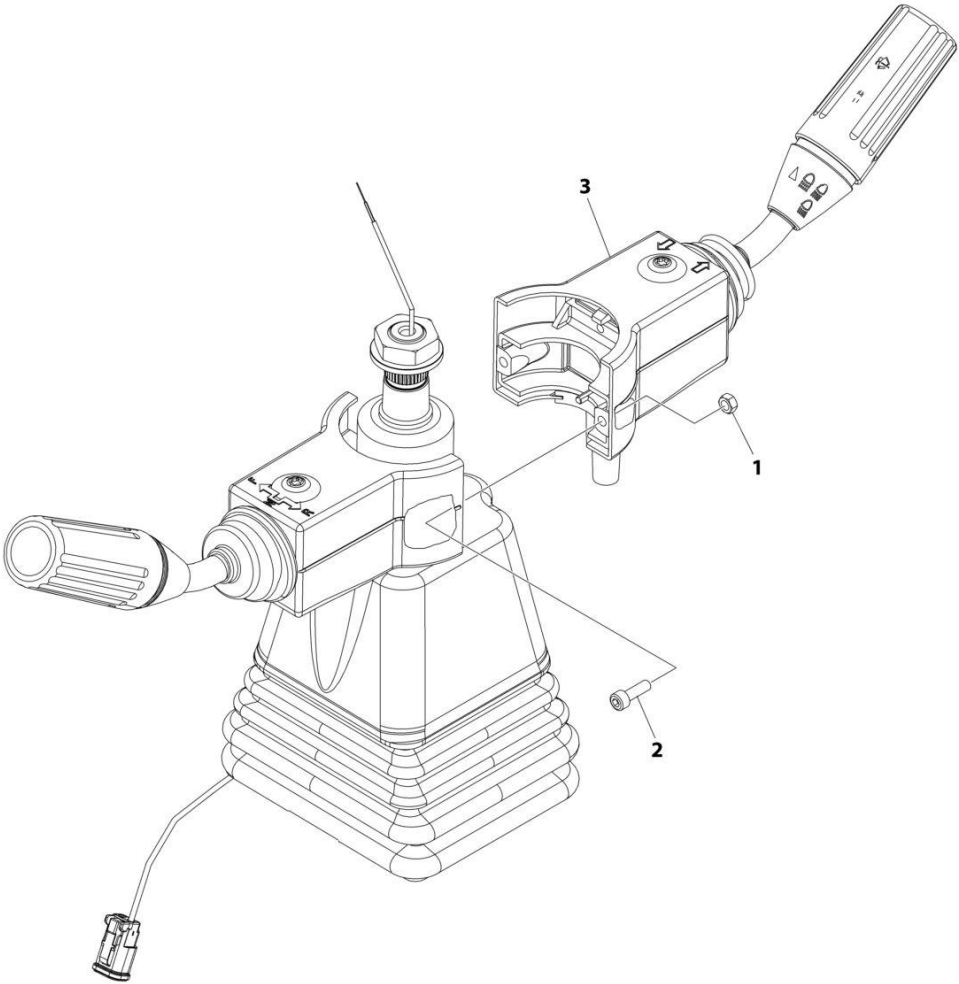
## SECTION 7 - CONTROLS

### FIGURE 7-16. JOYSTICK INSTALLATION

ITEM	PART NUMBER	QTY	DESCRIPTION	REV
	1001167004	Ref	Joystick Installation	G
1	4010510	4	Screw, M5X20	
3	1001222603	1	Joystick	
4	1001241950	1	Decal, Joystick	
5	4811702001	AR	Washer, M6	

**SECTION 7 - CONTROLS**

**FIGURE 7-17. WIPER-TURN SWITCH INSTALLATION**



ART\_1001257071

## SECTION 7 - CONTROLS

### FIGURE 7-17. WIPER-TURN SWITCH INSTALLATION

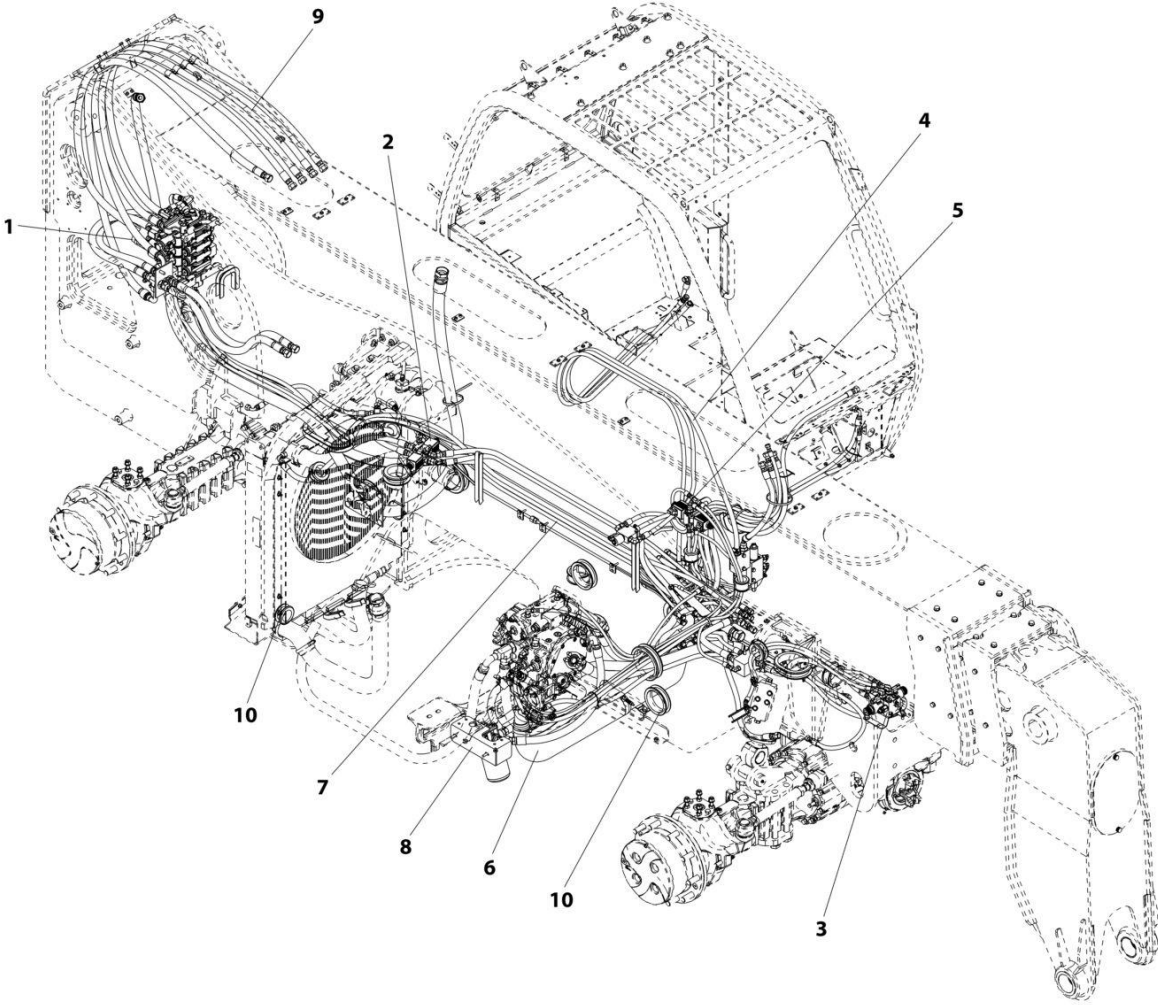
ITEM	PART NUMBER	QTY	DESCRIPTION	REV
	1001257071	Ref	Wiper-Turn Switch Installation	B
1	3290505	2	Nut, Lock M5	
2	4031607	2	Capscrew M5 x 16	
3	1001256974	1	Switch, Turn-Wiper	



**SECTION 8 - HYDRAULIC CIRCUITS**

# SECTION 8 - HYDRAULIC CIRCUITS

## FIGURE 8-1. MAIN HYDRAULIC INSTALLATION



ART\_1001202645-D



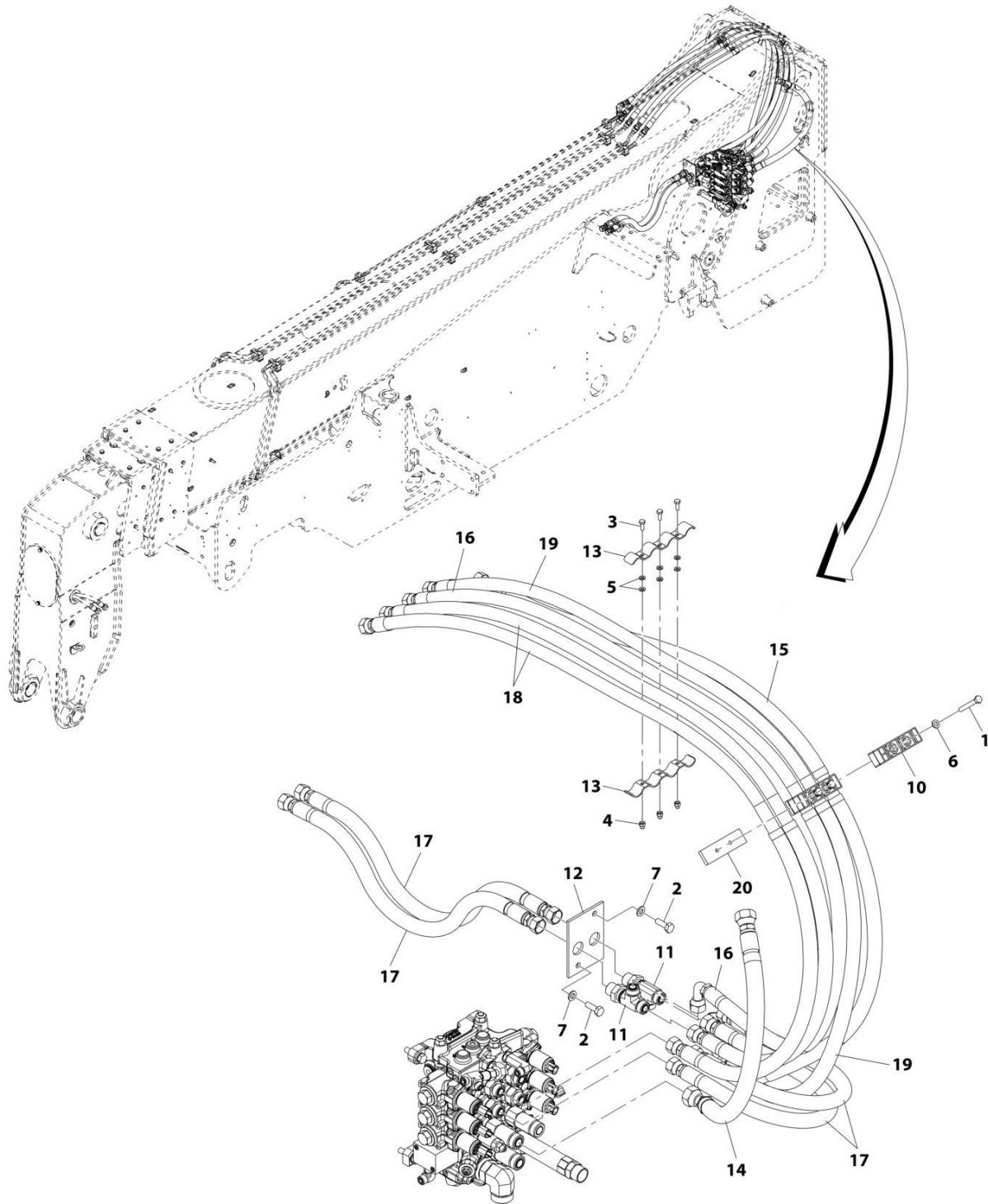
## SECTION 8 - HYDRAULIC CIRCUITS

**FIGURE 8-1. MAIN HYDRAULIC INSTALLATION**

ITEM	PART NUMBER	QTY	DESCRIPTION	REV
1	1001202645	Ref	Main Hydraulic Installation	D
	1001220457	Ref	Installation, Main Control Valve (See Separate Breakdown in this Section)	
2	1001193516	Ref	Installation, Steering Select Valve (See Separate Breakdown in this Section)	
3	1001193517	Ref	Installation, Frame Level Valve (See Separate Breakdown in this Section)	
4	1001193709	Ref	Installation, Cab Hydraulics (See Separate Breakdown in this Section)	
5	1001197196	Ref	Installation, Speed Control Valve (See Separate Breakdown in this Section)	
6	1001202024	Ref	Installation, Engine Bay Hydraulic (See Separate Breakdown in this Section)	
7	1001202025	Ref	Installation, Frame Hydraulics (See Separate Breakdown in this Section)	
8	1001202026	Ref	Installation, Charge Filter Lines (See Separate Breakdown in this Section)	
9	1001210522	Ref	Installation, Boom Lines (See Separate Breakdown in this Section)	
10	1001213026	Ref	Installation, Grommets (See Separate Breakdown in Frame and Attaching Parts Section)	

# SECTION 8 - HYDRAULIC CIRCUITS

## FIGURE 8-2. BOOM HYDRAULIC LINES INSTALLATION



ART\_1001210522-F

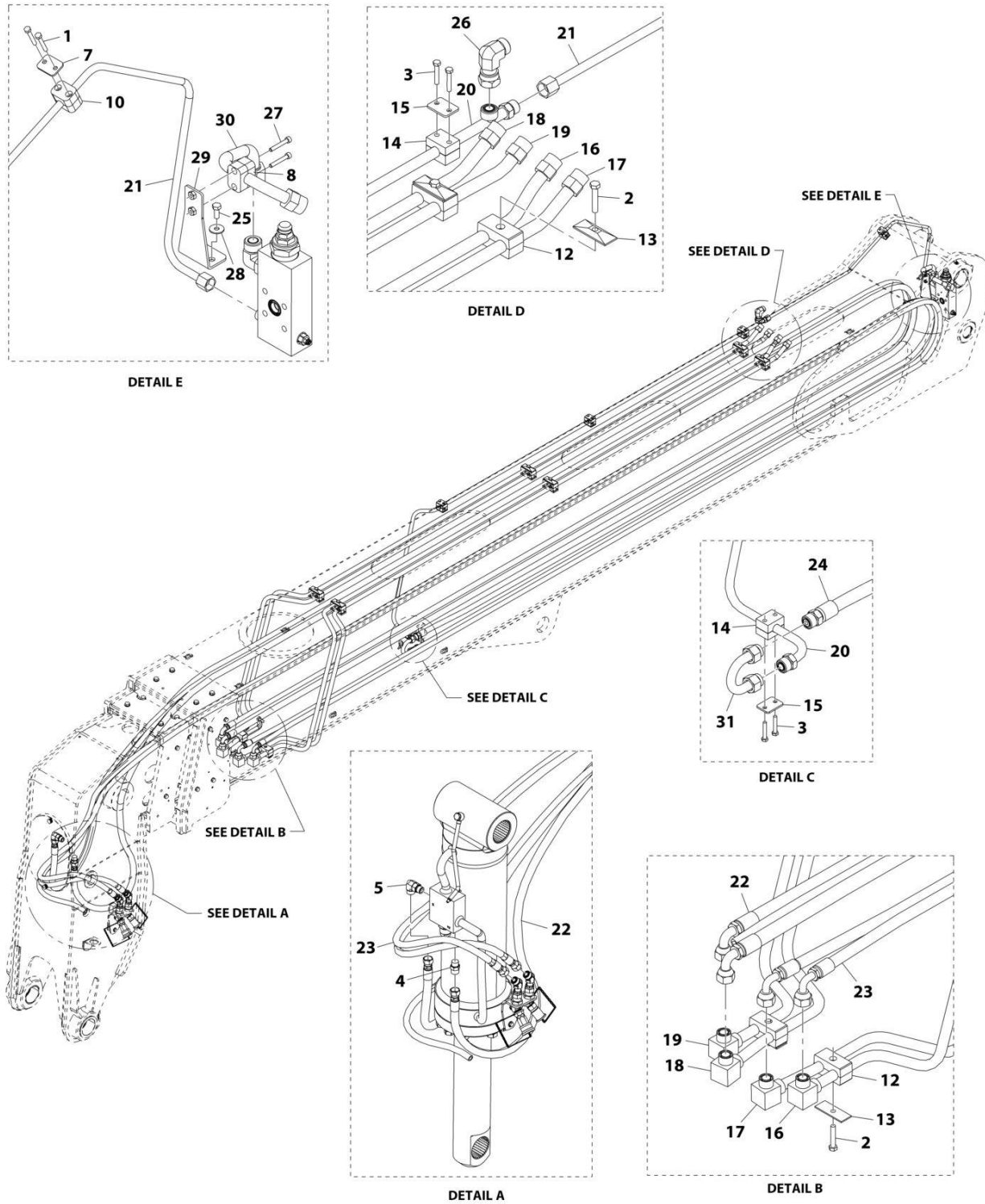
## SECTION 8 - HYDRAULIC CIRCUITS

### FIGURE 8-2. BOOM HYDRAULIC LINES INSTALLATION

ITEM	PART NUMBER	QTY	DESCRIPTION	REV
	1001210522	Ref	Boom Hydraulic Lines Installation	F
1	0700821	4	Bolt, M8X65	
2	0701014	2	Bolt, M10X30	
3	0760608	3	Bolt, M6X16	
4	3290606	3	Nut, M6X1	
5	4811700	6	Washer, M6	
6	4811900	4	Washer, M8	
7	4812000	2	Washer, M10	
10	1001098128	2	Clamp	
11	1001192096	2	Fitting, Tee ORFS	
12	1001197011	1	Plate	
13	1001205618	2	Clamp	
14	1001210271	1	Hose	
15	1001210523	1	Hose	
16	1001210524	1	Hose	
17	1001210525	4	Hose	
18	1001210526	2	Hose	
19	1001218997	1	Hose	
20	1001226557	2	Plate	

# SECTION 8 - HYDRAULIC CIRCUITS

## FIGURE 8-3. BOOM HYDRAULIC INSTALLATION



ART\_1001205375-F

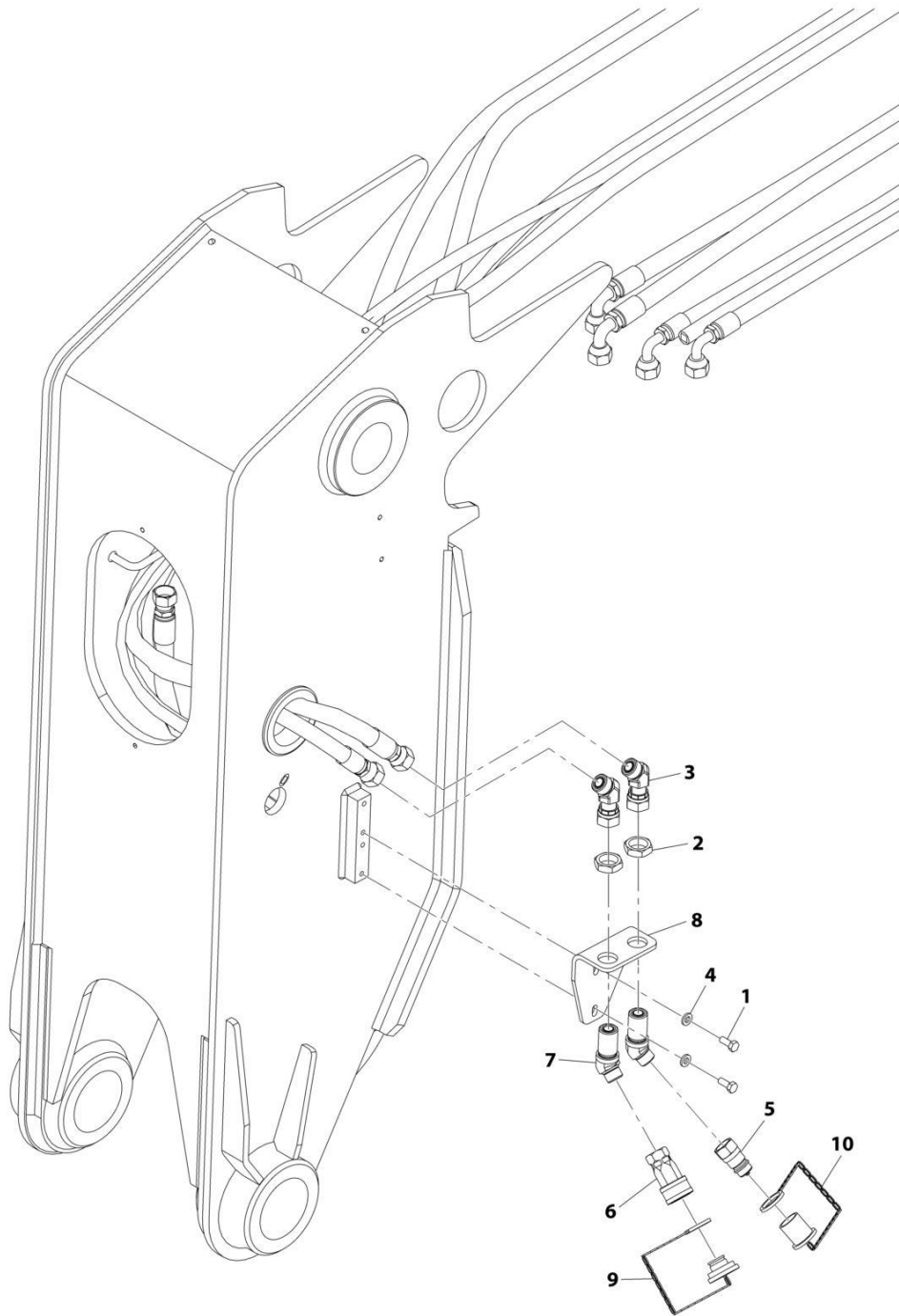
## SECTION 8 - HYDRAULIC CIRCUITS

**FIGURE 8-3. BOOM HYDRAULIC INSTALLATION**

ITEM	PART NUMBER	QTY	DESCRIPTION	REV
	1001205375	Ref	Boom Hydraulic Installation	F
1	0700616	2	Bolt, M6X40	
2	0700817	8	Bolt, M8X45	
3	0760615	8	Bolt, M6X35	
4	2111010	1	Fitting, Straight ORFS	
5	2131010	1	Fitting, 90 ORFS	
7	8769146	1	Plate, Cover	
8	8769152	1	Clamp	
10	8769199	1	Clamp	
12	77133136	8	Clamp	
13	77133137	8	Plate, Cover	
14	77133497	4	Clamp	
15	1001105093	4	Plate, Cover	
16	1001209201	1	Pipe	
17	1001209200	1	Pipe	
18	1001209202	1	Pipe	
19	1001209203	1	Pipe	
20	1001205380	1	Pipe	
21	1001205381	1	Tube	
22	1001210568	1	Hose	
23	1001210569	1	Hose	
24	1001229422	1	Hose	
25	0760810	2	Bolt, M8X20	
26	2172110	1	Fitting, 90 ORFS	
27	4031712	2	Bolt, M6X40	
28	4811902	2	Washer, M8	
29	1001209972	1	Bracket	
30	1001210270	1	Tube	
31	1001220942	1	Pipe	

# SECTION 8 - HYDRAULIC CIRCUITS

## FIGURE 8-4. BOOM AUX HYDRAULIC INSTALLATION (MANUAL - SINGLE)



ART\_1001192363-D

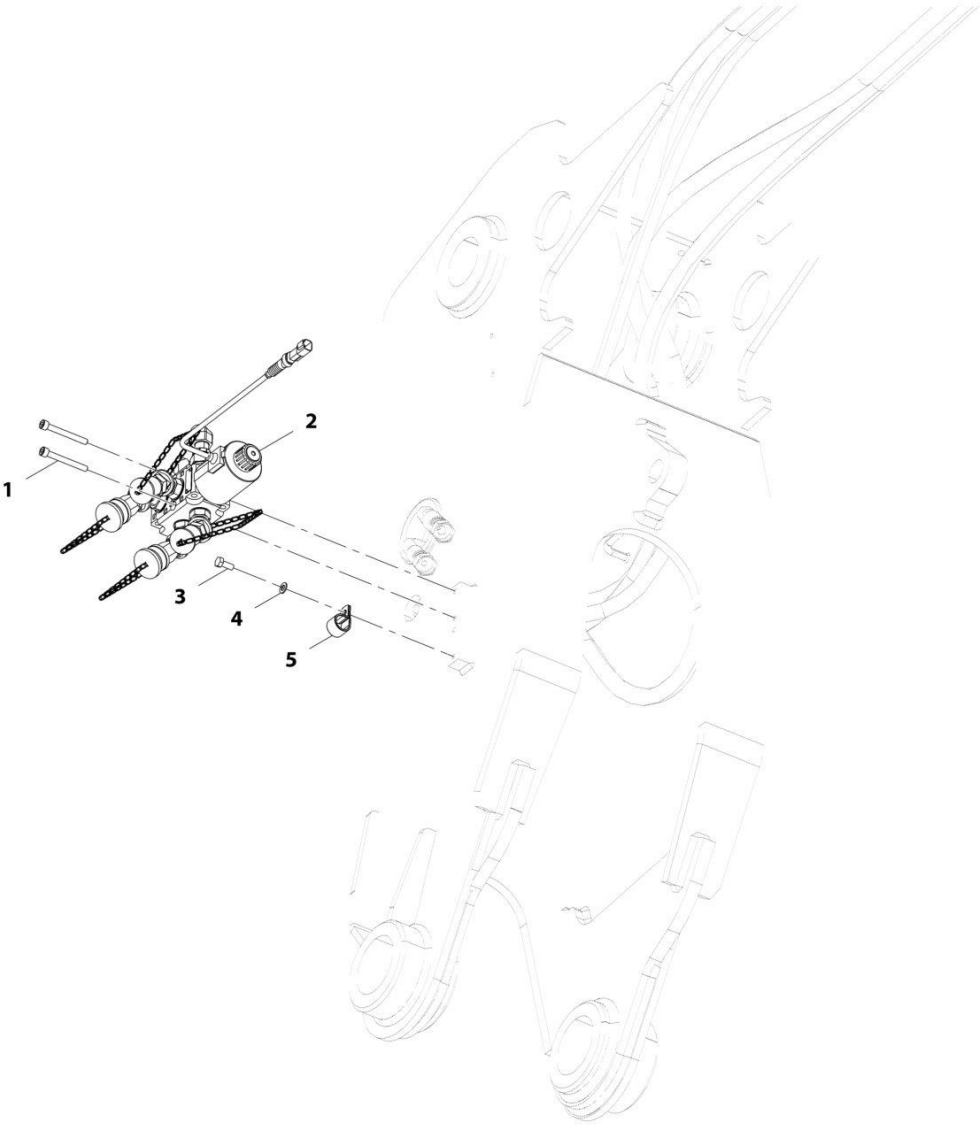
## SECTION 8 - HYDRAULIC CIRCUITS

**FIGURE 8-4. BOOM AUX HYDRAULIC INSTALLATION (MANUAL - SINGLE)**

ITEM	PART NUMBER	QTY	DESCRIPTION	REV
	1001192363	Ref	Boom Aux Hydraulic Installation (Manual - Single)	D
1	0760810	2	Bolt, M8X20	
2	8770075	2	Fitting, ORFS	
3	1001147416	2	Fitting, 45 ORFS	
4	5240800	2	Washer, M8	
5	1001101041	1	Coupling, Male Quick Disconnect	
6	1001101042	1	Coupling, Female Quick Disconnect	
7	1001217553	2	Fitting, 45 ORFS	
8	1001217552	1	Bracket	
9	91043125	1	Plug	
10	91043126	1	Cap, Dust	

# SECTION 8 - HYDRAULIC CIRCUITS

FIGURE 8-5. BOOM AUX HYDRAULIC INSTALLATION (MANUAL - TWIN)



ART\_1001192366-C



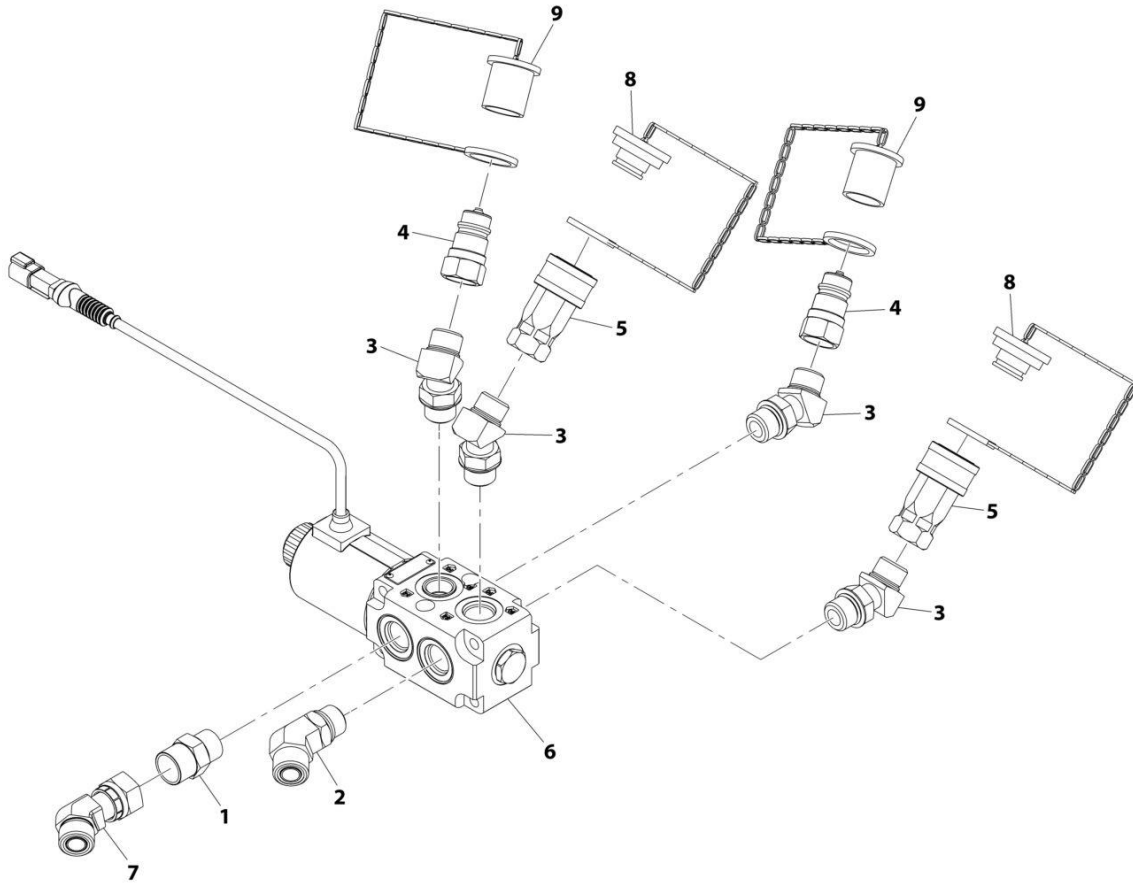
## SECTION 8 - HYDRAULIC CIRCUITS

**FIGURE 8-5. BOOM AUX HYDRAULIC INSTALLATION (MANUAL - TWIN)**

ITEM	PART NUMBER	QTY	DESCRIPTION	REV
	1001192366	Ref	Boom Aux Hydraulic Installation (Manual - Twin)	C
1	4031918	2	Bolt, M8X70	
2	1001213318	1	Assembly, Diverter Valve (manual - twin) (See Separate Breakdown in this Section)	
3	0760810	1	Bolt, M8X20	
4	4811900	1	Washer, M8	
5	8406202	1	CLIP,TUBE 7/8"	

# SECTION 8 - HYDRAULIC CIRCUITS

FIGURE 8-6. BOOM AUX DIVERTER VALVE/FITINGS ASSEMBLY (MANUAL - TWIN)



ART\_1001213318-B

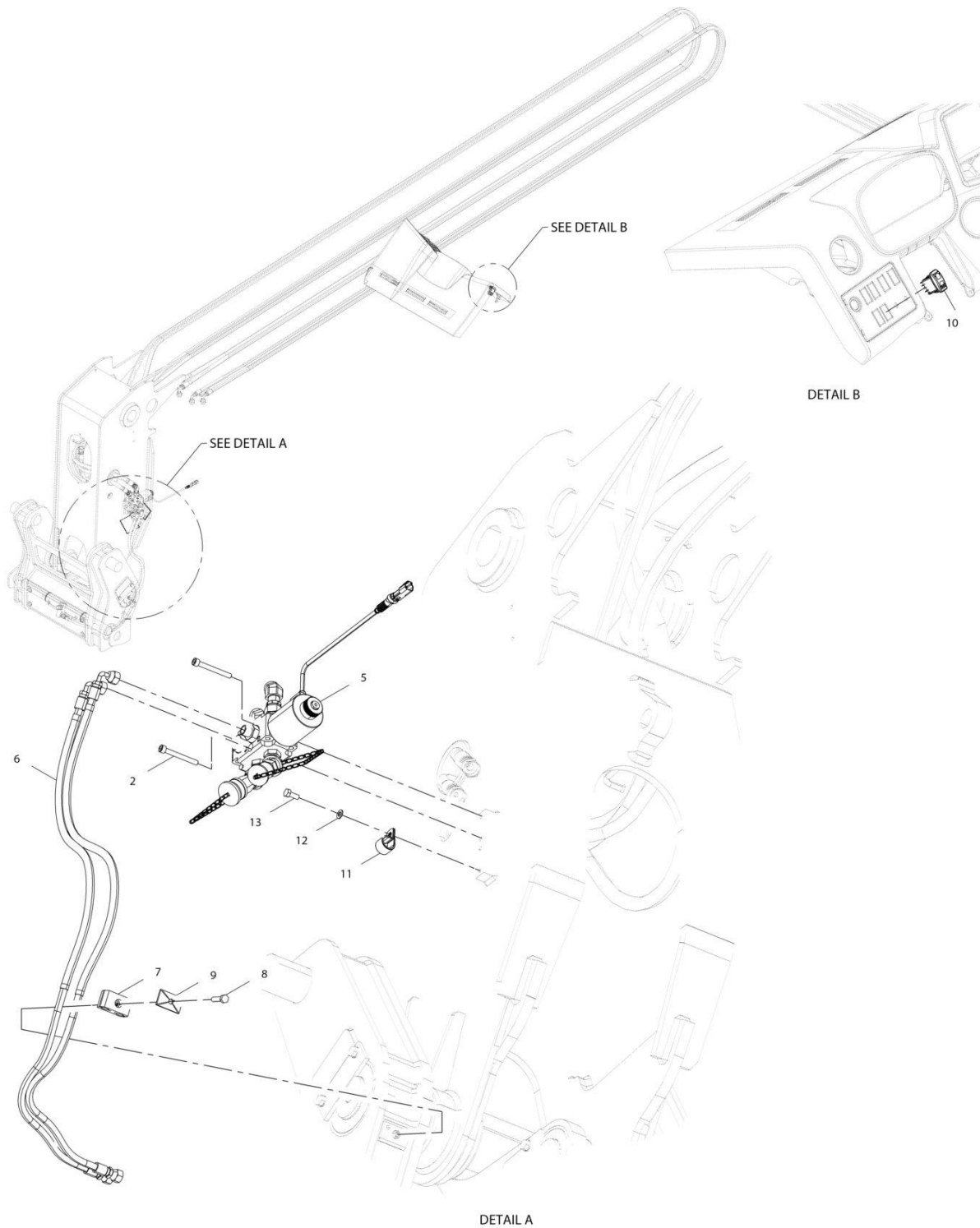
## SECTION 8 - HYDRAULIC CIRCUITS

**FIGURE 8-6. BOOM AUX DIVERTER VALVE/FITINGS ASSEMBLY (MANUAL - TWIN)**

ITEM	PART NUMBER	QTY	DESCRIPTION	REV
	1001213318	Ref	Diverter Valve Assembly	B
1	2111010	1	Fitting, Straight ORFS	
2	2151010	1	Fitting, 45 ORFS	
3	1001005904	4	Fitting, 45	
4	1001101041	2	Adapter, Male Quick Disconnect	
5	1001101042	2	Adapter, Female Quick Disconnect	
6	1001110023	1	Valve, Diverter (See Separate Breakdown in HYDRAULIC COMPONENTS Section)	
7	1001147416	1	Fitting, 45 ORFS	
8	91043125	2	Plug	
9	91043126	2	Cap	

# SECTION 8 - HYDRAULIC CIRCUITS

## FIGURE 8-7. BOOM AUX HYDRAULIC INSTALLATION (HYDRAULIC - SINGLE)



ART\_1001192365-E

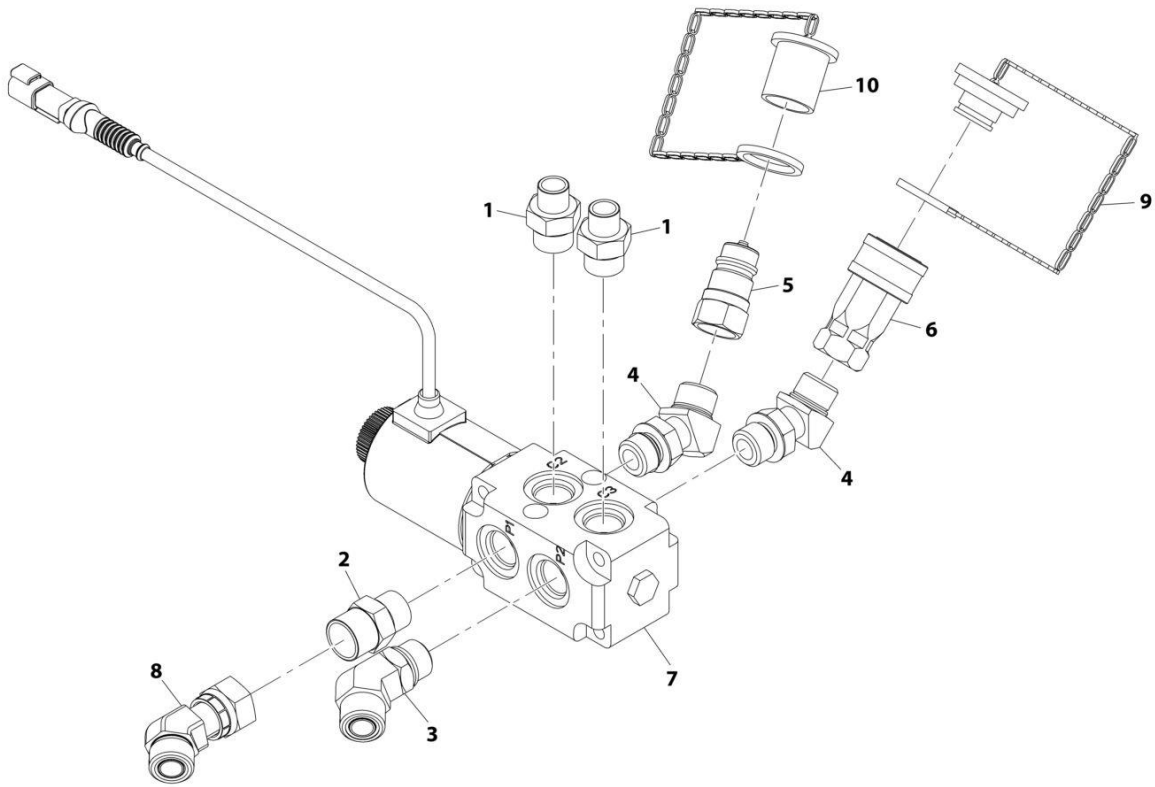
## SECTION 8 - HYDRAULIC CIRCUITS

**FIGURE 8-7. BOOM AUX HYDRAULIC INSTALLATION (HYDRAULIC - SINGLE)**

ITEM	PART NUMBER	QTY	DESCRIPTION	REV
	1001192365	Ref	Boom Aux Hydraulic Installation (Hydraulic - Single)	E
2	4031918	2	Bolt, M8X70	
5	1001213317	1	Assembly, Diverter Valve (Hydraulic - Single) (See Separate Breakdown in this Section)	
6	1001193111	2	Hose	
7	8769126	1	Clamp	
8	0760815	1	Bolt, M8X35	
9	8769123	1	Plate, Cover	
10	1001080375	1	Switch	
11	8406202	1	CLIP,TUBE 7/8"	
12	4811900	1	Washer, M8	
13	0760810	1	Bolt, M8X20	

# SECTION 8 - HYDRAULIC CIRCUITS

FIGURE 8-8. BOOM AUX DIVERTER VALVE/FITINGS ASSEMBLY (HYDRAULIC - SINGLE)



ART\_1001213317-B

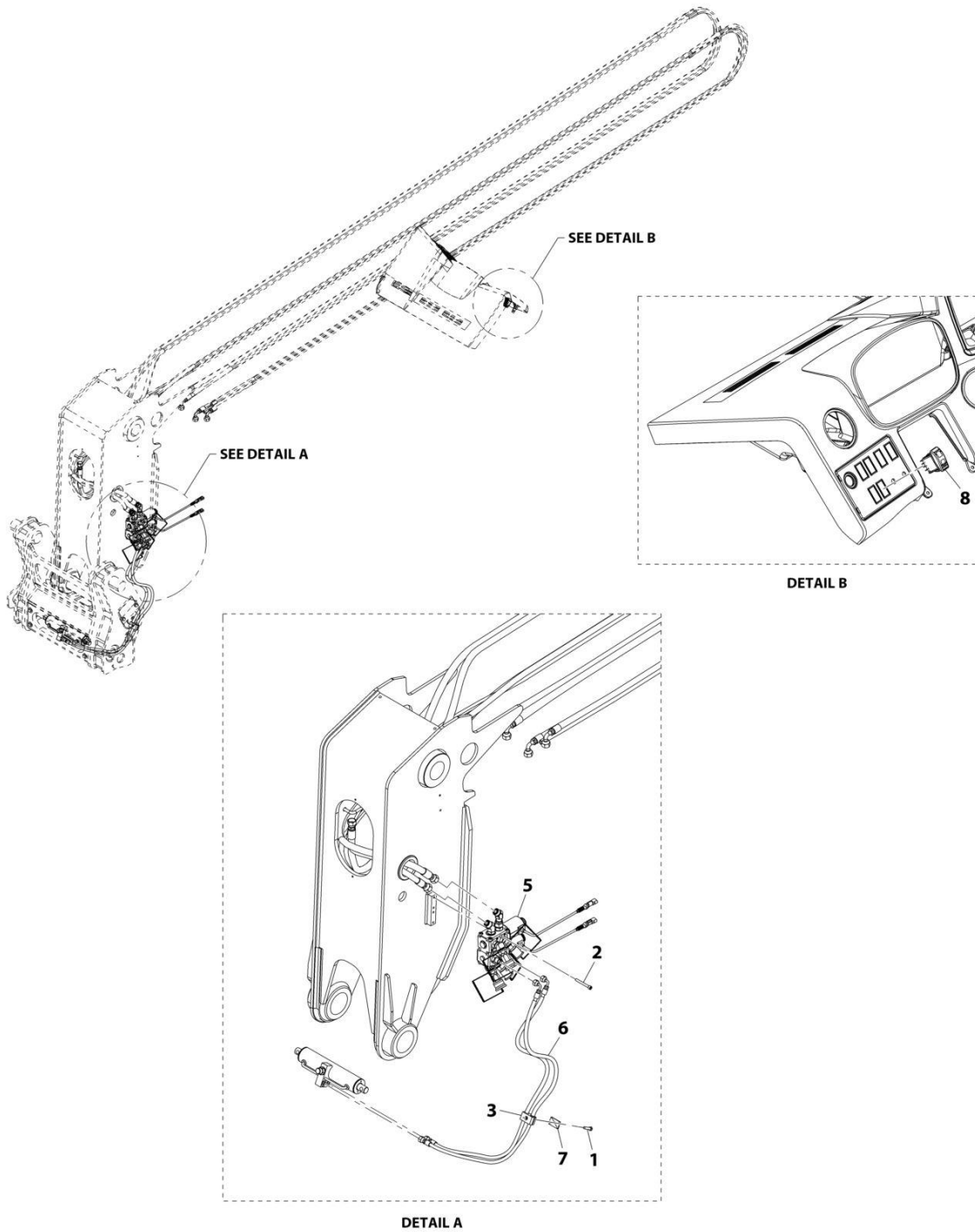
## SECTION 8 - HYDRAULIC CIRCUITS

**FIGURE 8-8. BOOM AUX DIVERTER VALVE/FITINGS ASSEMBLY (HYDRAULIC - SINGLE)**

ITEM	PART NUMBER	QTY	DESCRIPTION	REV
	1001213317	Ref	Diverter Valve Assembly	B
1	2110610	2	Fitting, Straight ORFS	
2	2111010	1	Fitting, Straight ORFS	
3	2151010	1	Fitting, 45 ORFS	
4	1001005904	2	Fitting, 45	
5	1001101041	1	Fitting, Male Quick Disconnect	
6	1001101042	1	Fitting, Female Quick Disconnect	
7	1001104477	1	Valve, Divertor (See Separate Breakdown in HYDRAULIC COMPONENTS Section)	
8	1001147416	1	Fitting, 45 ORFS	
9	91043125	1	Plug	
10	91043126	1	Cap, Dust	

# SECTION 8 - HYDRAULIC CIRCUITS

## FIGURE 8-9. BOOM AUX HYDRAULIC INSTALLATION (HYDRAULIC - TWIN)



ART\_1001192367-C



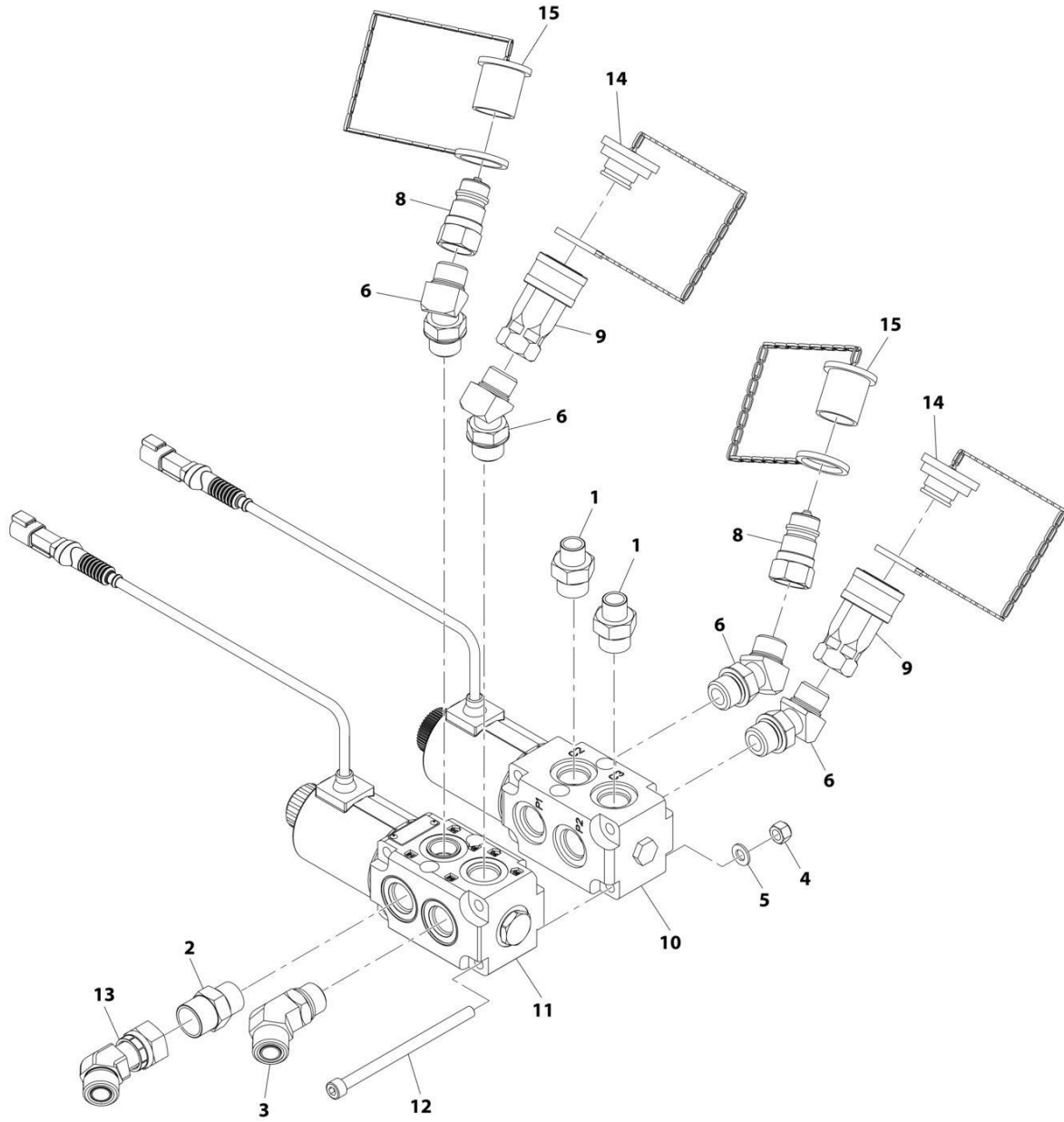
## SECTION 8 - HYDRAULIC CIRCUITS

**FIGURE 8-9. BOOM AUX HYDRAULIC INSTALLATION (HYDRAULIC - TWIN)**

ITEM	PART NUMBER	QTY	DESCRIPTION	REV
	1001192367	Ref	Boom Aux Hydraulic Installation (Hydraulic - Twin)	C
1	0760815	1	Bolt, M8X35	
2	4031918	3	Bolt, M8X70	
3	8769126	1	Clamp	
5	1001213319	1	Assembly, Diverter Valve (Hydraulic - Twin) (See Separate Breakdown in this Section)	
6	1001193111	2	Hose	
7	8769123	1	Plate, Cover	
8	1001080375	1	Switch	

# SECTION 8 - HYDRAULIC CIRCUITS

## FIGURE 8-10. BOOM AUX DIVERTER VALVE/FITINGS ASSEMBLY (HYDRAULIC - TWIN)



ART\_1001213319-C

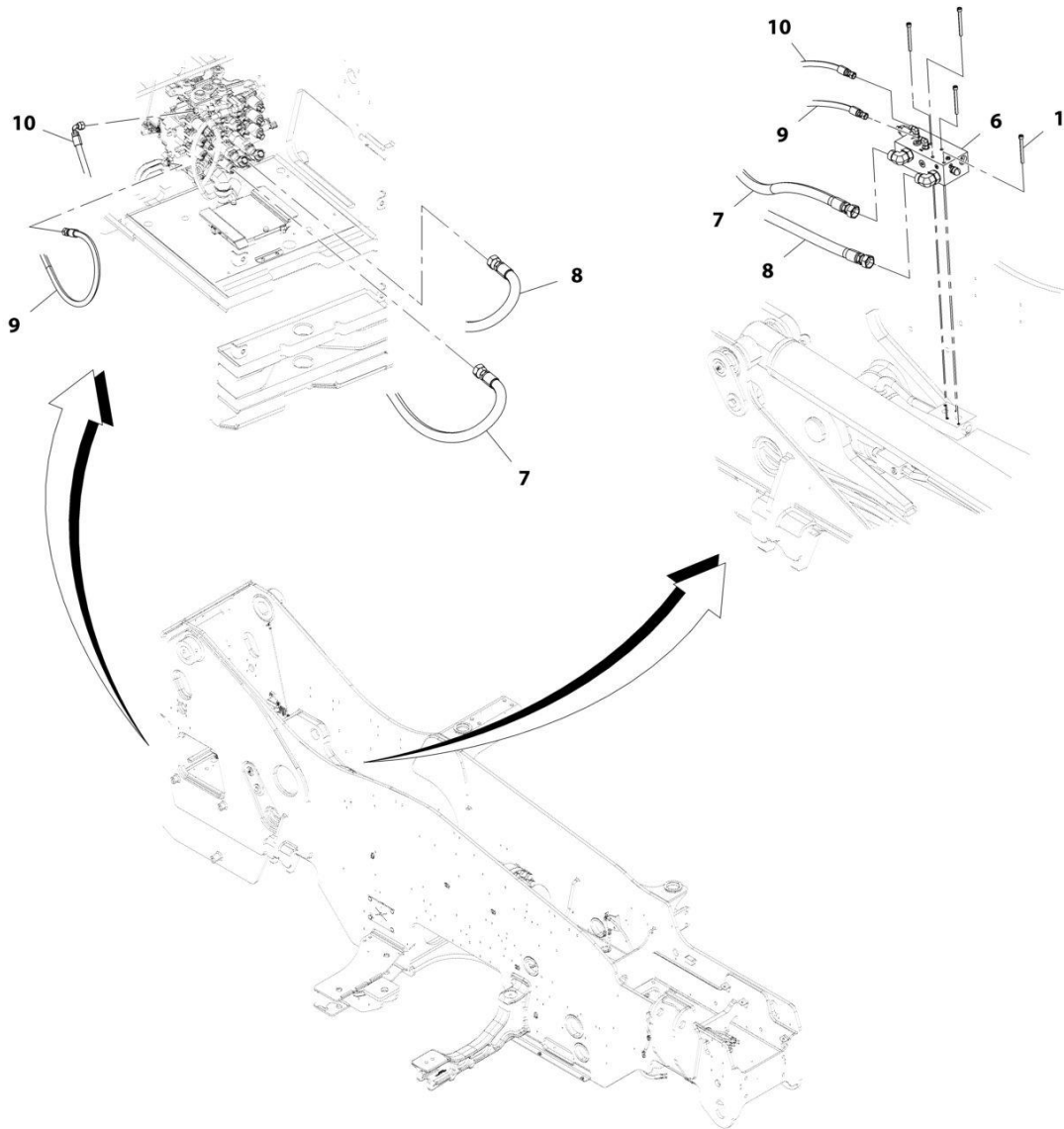
## SECTION 8 - HYDRAULIC CIRCUITS

**FIGURE 8-10. BOOM AUX DIVERTER VALVE/FITINGS ASSEMBLY (HYDRAULIC - TWIN)**

ITEM	PART NUMBER	QTY	DESCRIPTION	REV
	1001213319	Ref	Diverter Valve Assembly	C
1	2110610	2	Fitting, Straight ORFS	
2	2111010	1	Fitting, Straight ORFS	
3	2151010	1	Fitting, 45 ORFS	
4	3290805	4	Nut, Lock M8X1.25	
5	4811900	4	Washer, M8	
6	1001005904	4	Fitting, 45	
8	1001101041	2	Fitting, Male Quick Disconnect	
9	1001101042	2	Fitting, Female Quick Disconnect	
10	1001104477	1	Valve, Divertor (See Separate Breakdown in HYDRAULIC COMPONENTS Section)	
11	1001110023	1	Valve, Divertor (See Separate Breakdown in HYDRAULIC COMPONENTS Section)	
12	1001110115	4	Bolt, M8X100	
13	1001147416	1	Fitting, 45 ORFS	
14	91043125	2	Plug	
15	91043126	2	Cap	

# SECTION 8 - HYDRAULIC CIRCUITS

## FIGURE 8-11. BOOM RAISE HOSE INSTALLATION (NO RIDE CONTROL)



ART\_1001194702-F

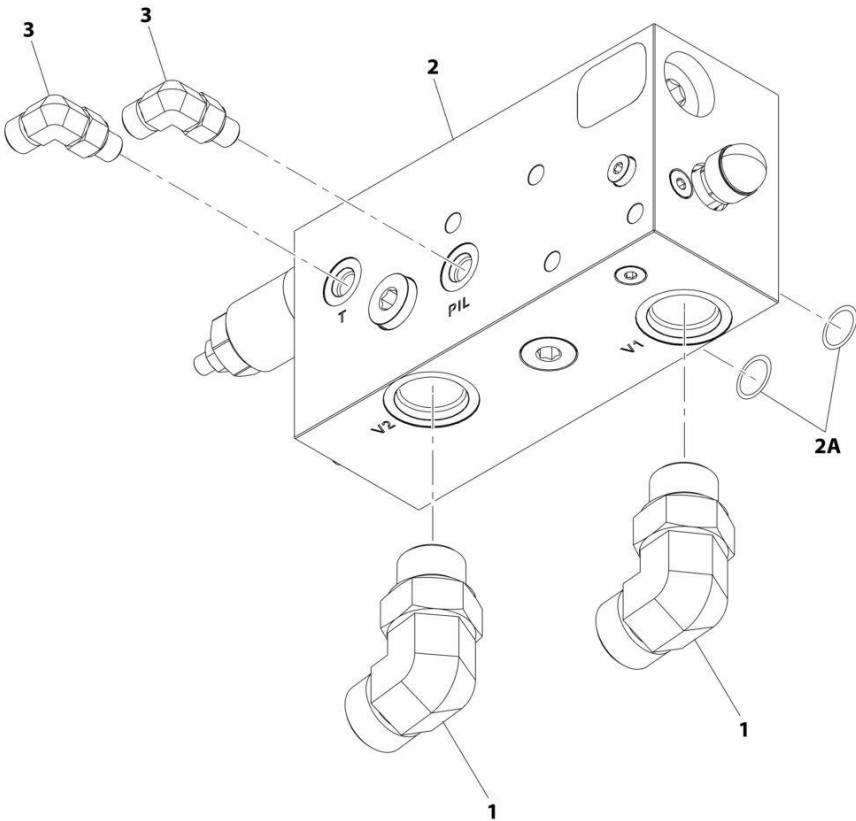
## SECTION 8 - HYDRAULIC CIRCUITS

**FIGURE 8-11. BOOM RAISE HOSE INSTALLATION (NO RIDE CONTROL)**

ITEM	PART NUMBER	QTY	DESCRIPTION	REV
	1001194702	Ref	Boom Raise Hose Installation (no Ride Control)	F
1	4031921	4	Bolt, M8X85	
6	1001219764	1	Valve, Boom Raise Counterbalance (no Ride Control) (See Separate Breakdown in this Section)	
7	1001225392	1	Hose, ORFS	
8	1001225393	1	Hose, ORFS	
9	1001226828	1	Hose, ORFS	
10	1001226829	1	Hose, ORFS	

**SECTION 8 - HYDRAULIC CIRCUITS**

**FIGURE 8-12. BOOM RAISE COUNTERBALANCE VALVE/FITTINGS ASSEMBLY (NO RIDE CONTROL)**



ART\_1001219764-C

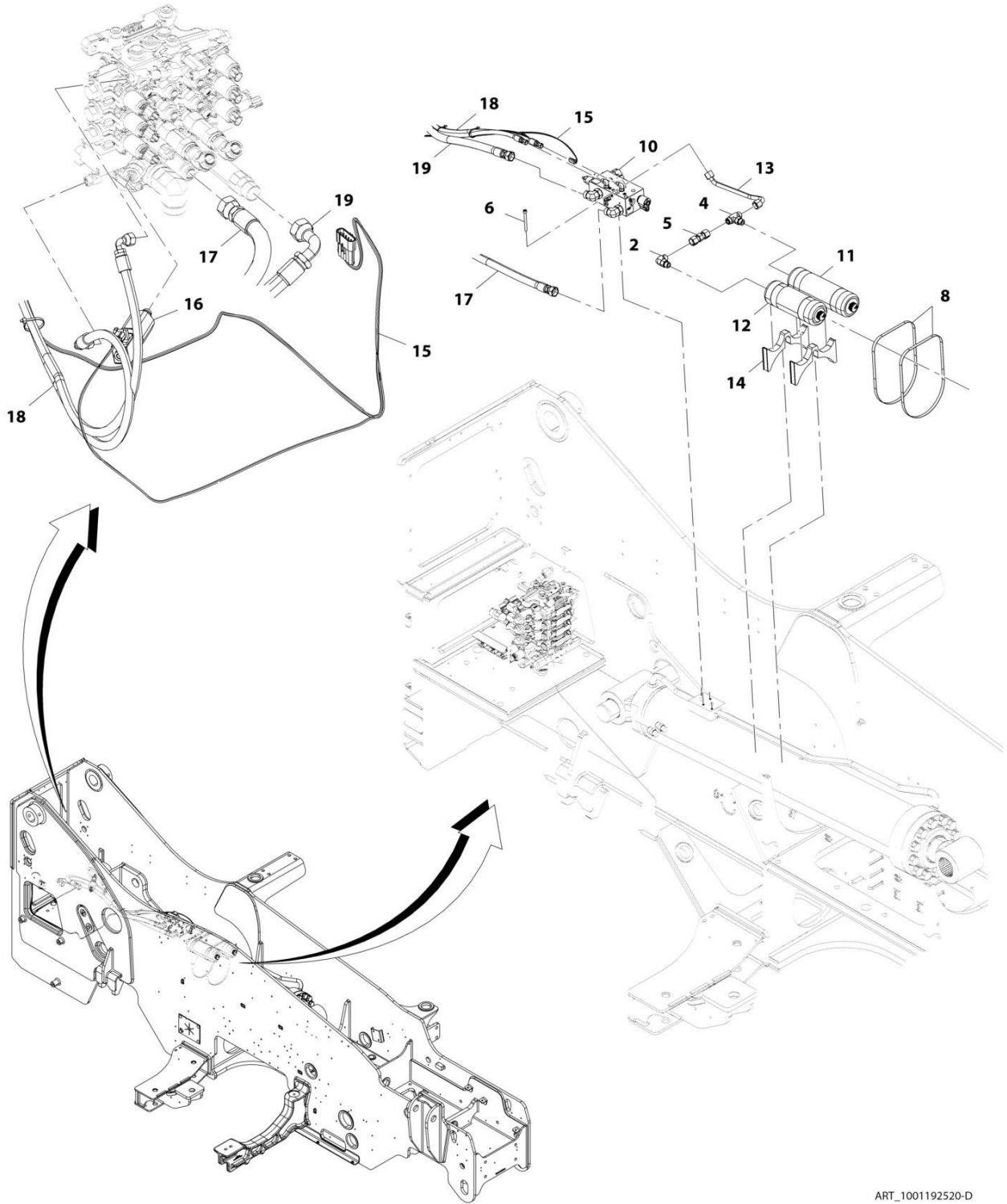
## SECTION 8 - HYDRAULIC CIRCUITS

**FIGURE 8-12. BOOM RAISE COUNTERBALANCE VALVE/FITTINGS ASSEMBLY (NO RIDE CONTROL)**

ITEM	PART NUMBER	QTY	DESCRIPTION	REV
	1001219764	Ref	Boom Raise Counterbalance Valve (no Ride Control)	C
1	2131212	2	Fitting, 90 ORFS	
2	1001224944	1	Valve, GLS	
2A	70028282	2	O-ring	
3	2130404	2	Fitting, 90 ORFS	

# SECTION 8 - HYDRAULIC CIRCUITS

## FIGURE 8-13. BOOM RAISE HOSE INSTALLATION (RIDE CONTROL)



ART\_1001192520-D



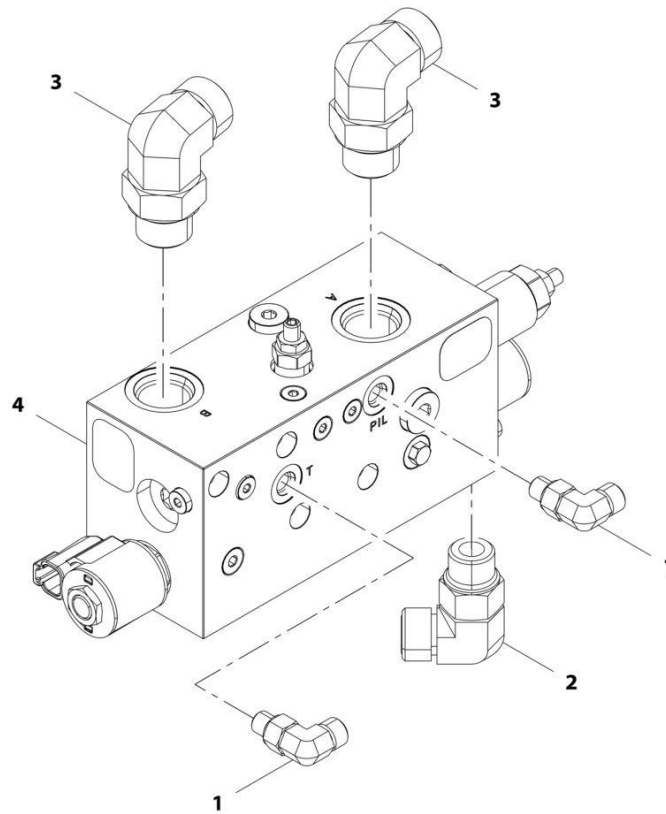
## SECTION 8 - HYDRAULIC CIRCUITS

**FIGURE 8-13. BOOM RAISE HOSE INSTALLATION (RIDE CONTROL)**

ITEM	PART NUMBER	QTY	DESCRIPTION	REV
	1001192520	Ref	Boom Raise Hose Installation (Ride Control)	D
2	2131010	1	Fitting, 90 ORFS	
4	2170410	1	Fitting, Tee ORFS	
5	2172410	1	Fitting, Straight ORFS	
6	4031921	4	Bolt, M8X85	
8	1001214829	2	Clamp	
10	1001219765	1	Assembly, Ride and Float Valve (See Separate Breakdown in this Section)	
11	1001192771	1	Cylinder, Piston	
12	1001192772	1	Cylinder, Piston	
13	1001225390	1	Pipe	
14	1001196402	2	Bumper	
15	1001200105	1	Installation, Ride Control Wiring (See Separate Breakdown in ELECTRICAL Section)	
16	1001202020	1	Valve, MCV Tank Cartridge	
17	1001225393	1	Hose	
18	1001226829	2	Hose	
19	1001227440	1	Hose	

# SECTION 8 - HYDRAULIC CIRCUITS

FIGURE 8-14. BOOM RAISE RIDE & FLOAT VALVE/FITTING ASSEMBLY (RIDE CONTROL)



ART\_1001219765-B

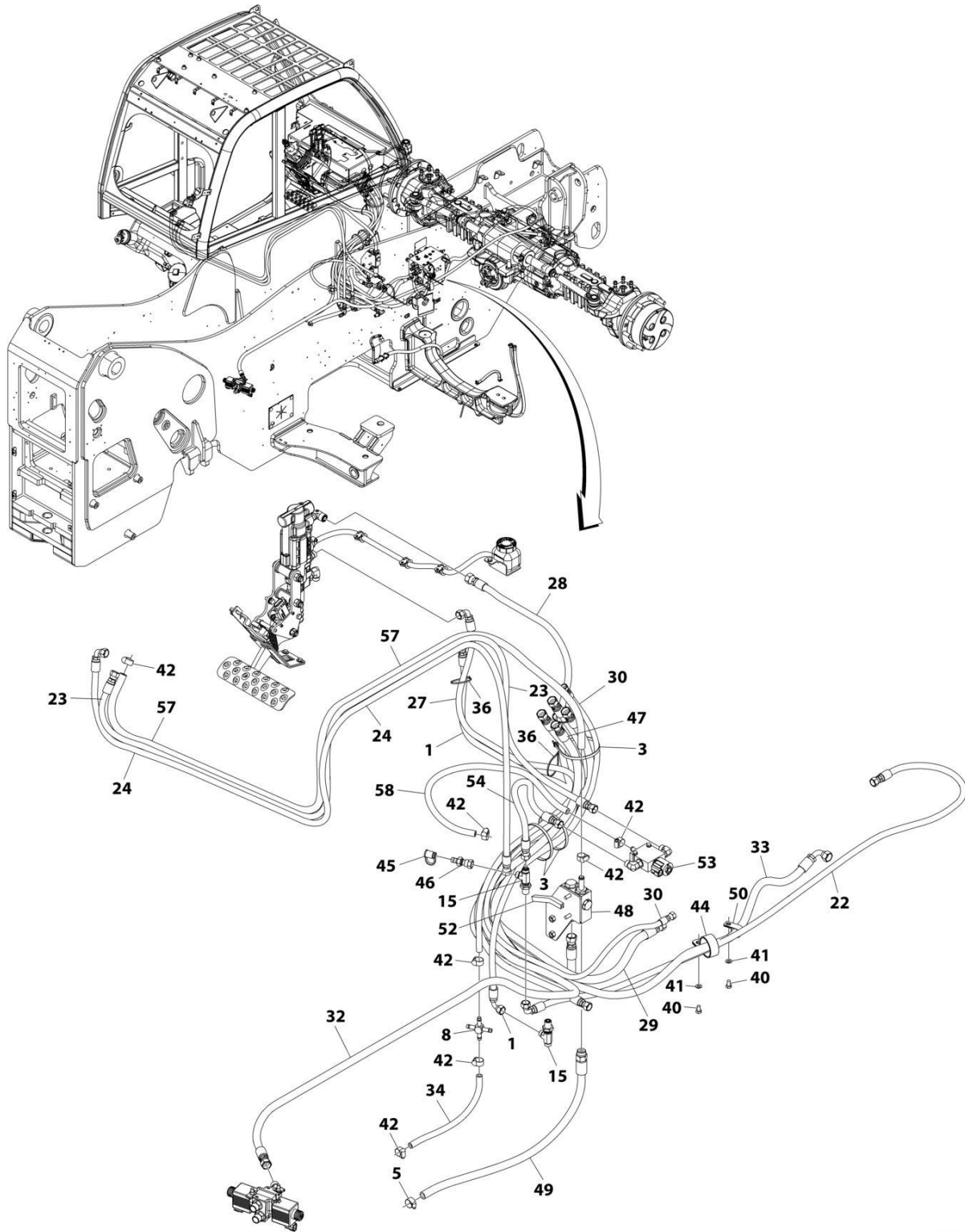
## SECTION 8 - HYDRAULIC CIRCUITS

**FIGURE 8-14. BOOM RAISE RIDE & FLOAT VALVE/FITTING ASSEMBLY (RIDE CONTROL)**

ITEM	PART NUMBER	QTY	DESCRIPTION	REV
	1001219765	Ref	Ride and Float Valve Assembly	B
1	2130404	2	Fitting, 90 ORFS	
2	2131010	1	Fitting, 90 ORFS	
3	2131212	2	Fitting, 90 ORFS	
4	1001224945	1	Valve, Boom Raise (See Separate Breakdown in HYDRAULIC COMPONENTS Section)	

# SECTION 8 - HYDRAULIC CIRCUITS

## FIGURE 8-15. CAB HYDRUALIC INSTALLATION



ART\_1001193709

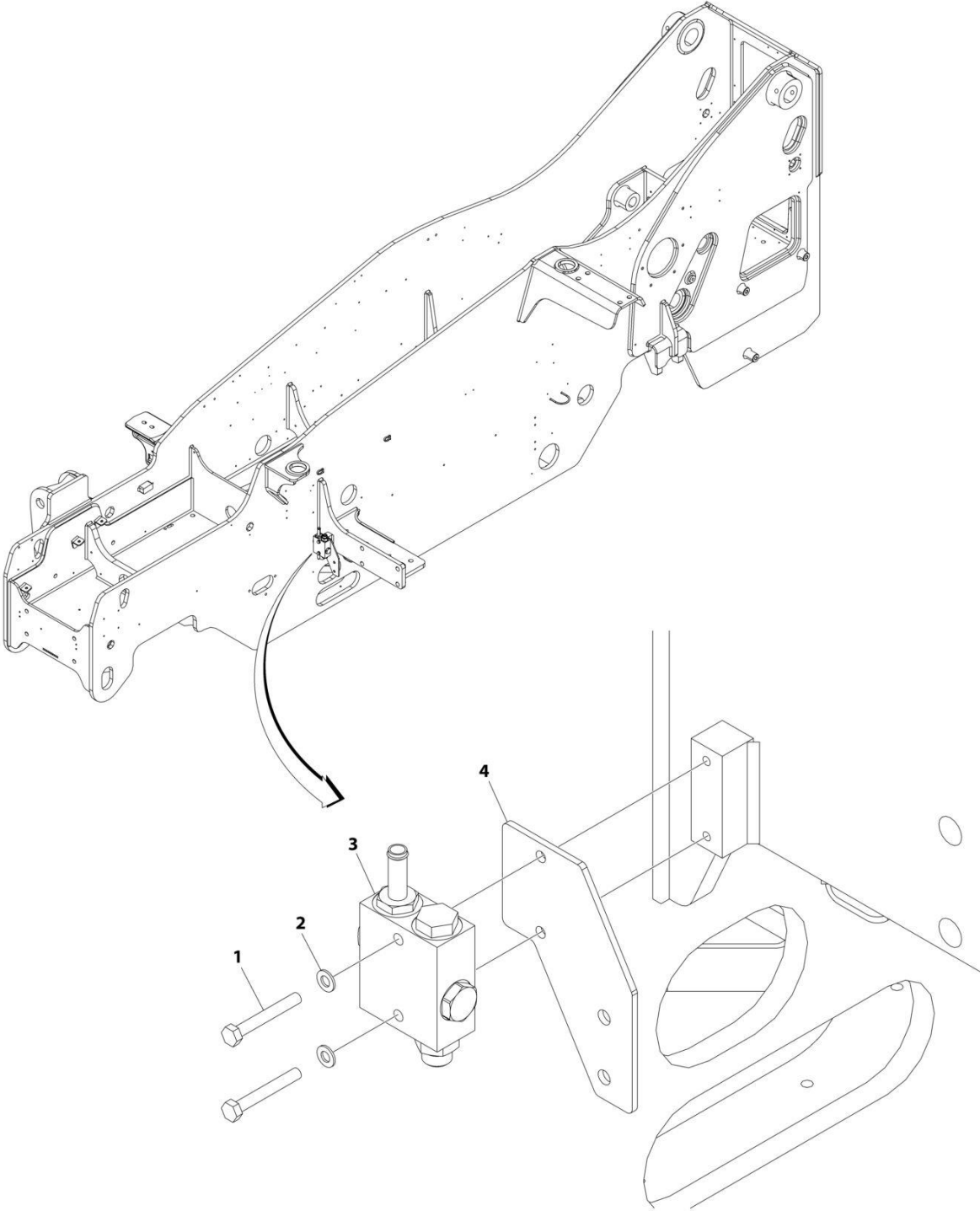
## SECTION 8 - HYDRAULIC CIRCUITS

### FIGURE 8-15. CAB HYDRUALIC INSTALLATION

ITEM	PART NUMBER	QTY	DESCRIPTION	REV
	1001193709	Ref	CAB HYDRUALIC INSTALLATION	J
1	1001196989	1	Hose	
3	4240018	3	Strap, Cable	
5	8405006	1	Clamp	
8	1001215256	1	Fitting, Cross Barb	
15	88662434	2	Fitting, Tee ORFS	
22	1001210800	1	Hose	
23	1001221989	1	Hose	
24	1001210327	1	Hose	
27	1001206709	1	Hose	
28	1001210282	1	Hose	
29	1001196992	1	Hose	
30	1001196993	1	Hose	
32	1001196995	1	Hose	
33	1001196996	1	Hose	
34	1001196997	1	Hose	
36	4240099	3	Tie, Wire	
40	0760807	2	Bolt M8 x 14	
41	4811900	2	Washer M8	
42	8410013	7	Clamp	
44	85941018	1	Clamp	
45	8430032	1	Plug	
46	8430081	1	Fitting, Straight ORFS	
47	1001204152	1	Hose	
48	1001212788	Ref	Installation, Check Valve (See Separate Breakdown in this Section)	
49	1001212880	1	Hose	
50	8406201	1	Clip	
52	90206198	186 mm	Compound, Locking	
53	1001221987	Ref	Installation, Solenoid Valve (See Separate Breakdown in this Section)	
54	1001221988	1	Hose	
57	2720160	2290 mm	Hose	
58	1001008654	750 mm	Hose	

# SECTION 8 - HYDRAULIC CIRCUITS

## FIGURE 8-16. CAB HYDRUALICS CHECK VALVE INSTALLATION



ART\_1001212788

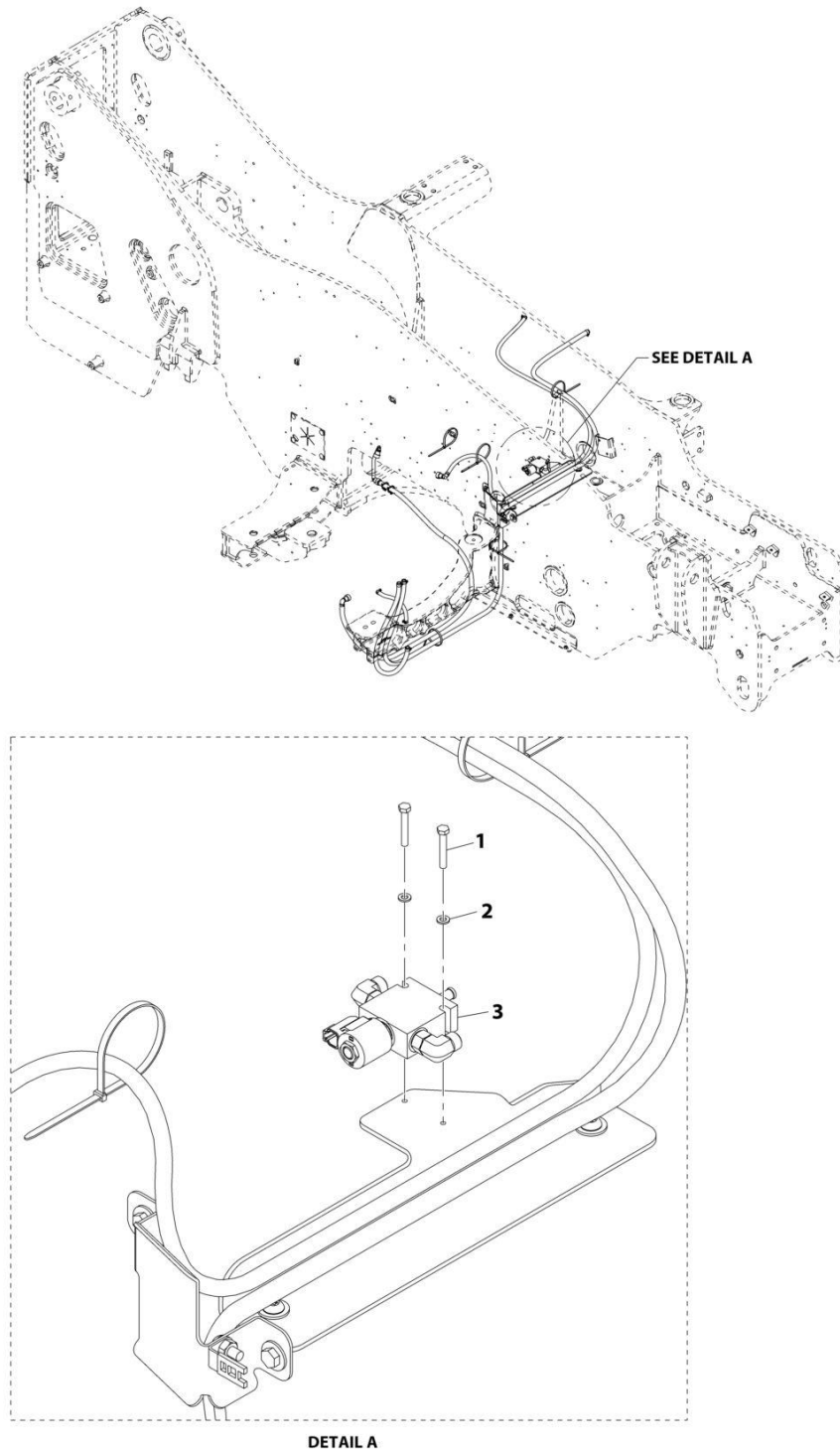
## SECTION 8 - HYDRAULIC CIRCUITS

**FIGURE 8-16. CAB HYDRUALICS CHECK VALVE INSTALLATION**

ITEM	PART NUMBER	QTY	DESCRIPTION	REV
	1001212788	Ref	CAB HYDRUALICS CHECK VALVE INSTALLATION	B
1	0700820	2	Bolt M8 x 60	
2	4811900	2	Washer M8	
3	1001212789	1	Assembly, Check Valve (See Separate Breakdown in HYDRAULIC COMPONENTS Section)	
4	1001219659	1	Plate	

# SECTION 8 - HYDRAULIC CIRCUITS

## FIGURE 8-17. CAB HYDRAULICS SOLENOID INSTALLATION



ART\_1001221987-A



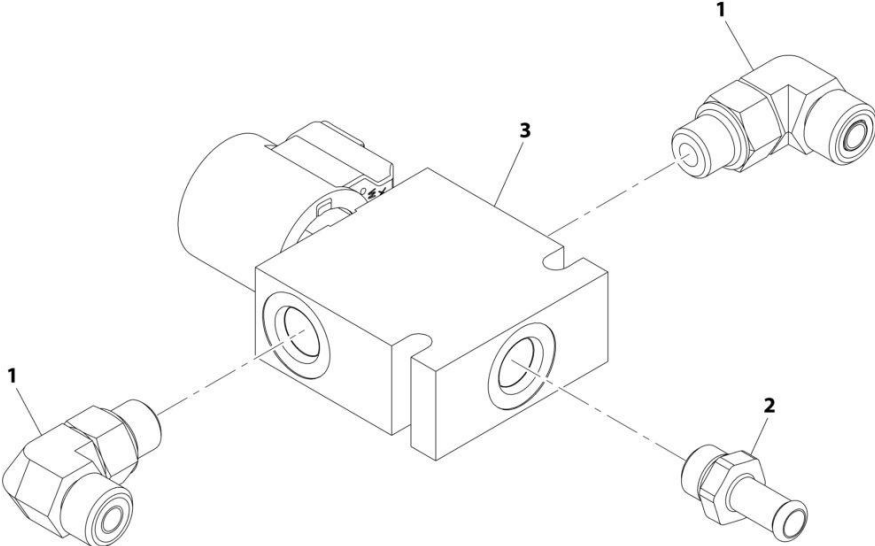
## SECTION 8 - HYDRAULIC CIRCUITS

FIGURE 8-17. CAB HYDRAULICS SOLENOID INSTALLATION

ITEM	PART NUMBER	QTY	DESCRIPTION	REV
	1001221987	Ref	Solenoid Valve Installation	A
1	0700616	2	Bolt, M6X40	
2	4811700	2	Washer, M6	
3	1001221986	1	Assembly, Solenoid Valve (See Separate Breakdown in this Section)	

**SECTION 8 - HYDRAULIC CIRCUITS**

**FIGURE 8-18. CAB HYDRAULICS SOLENOID FITTINGS INSTALLATION**



ART\_1001221986-A

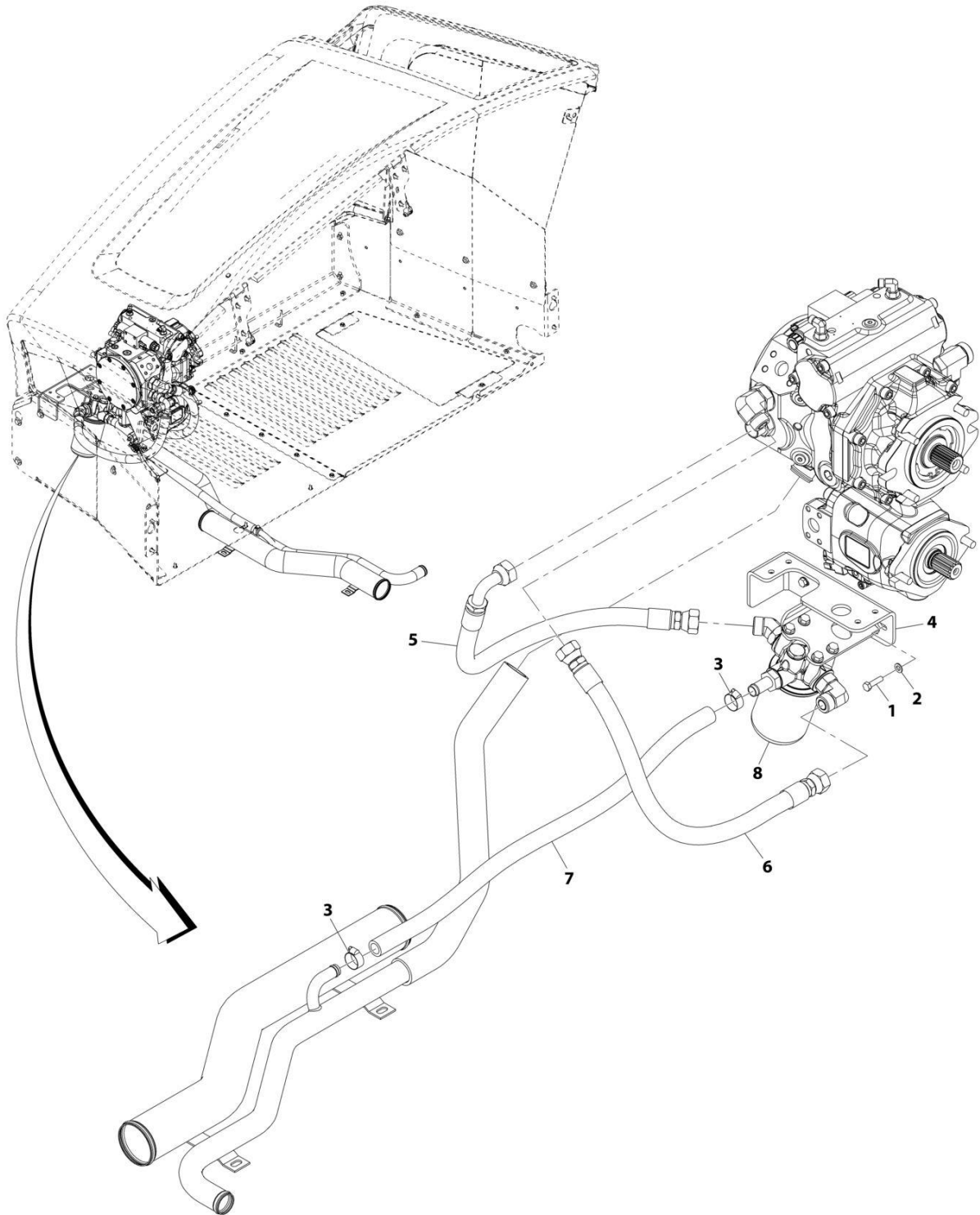
## SECTION 8 - HYDRAULIC CIRCUITS

**FIGURE 8-18. CAB HYDRAULICS SOLENOID FITTINGS INSTALLATION**

ITEM	PART NUMBER	QTY	DESCRIPTION	REV
	1001221986	Ref	Solenoid Valve/Fittings Assembly	A
1	2130606	2	Fitting, 90 ORFS	
2	1001168030	1	Fitting, Hose Barb	
3	1001221928	1	Valve, Solenoid (See Separate Breakdown in HYDRAULIC COMPONENTS Section)	

# SECTION 8 - HYDRAULIC CIRCUITS

## FIGURE 8-19. CHARGE FILTER LINES INSTALLATION



ART\_1001202026-B

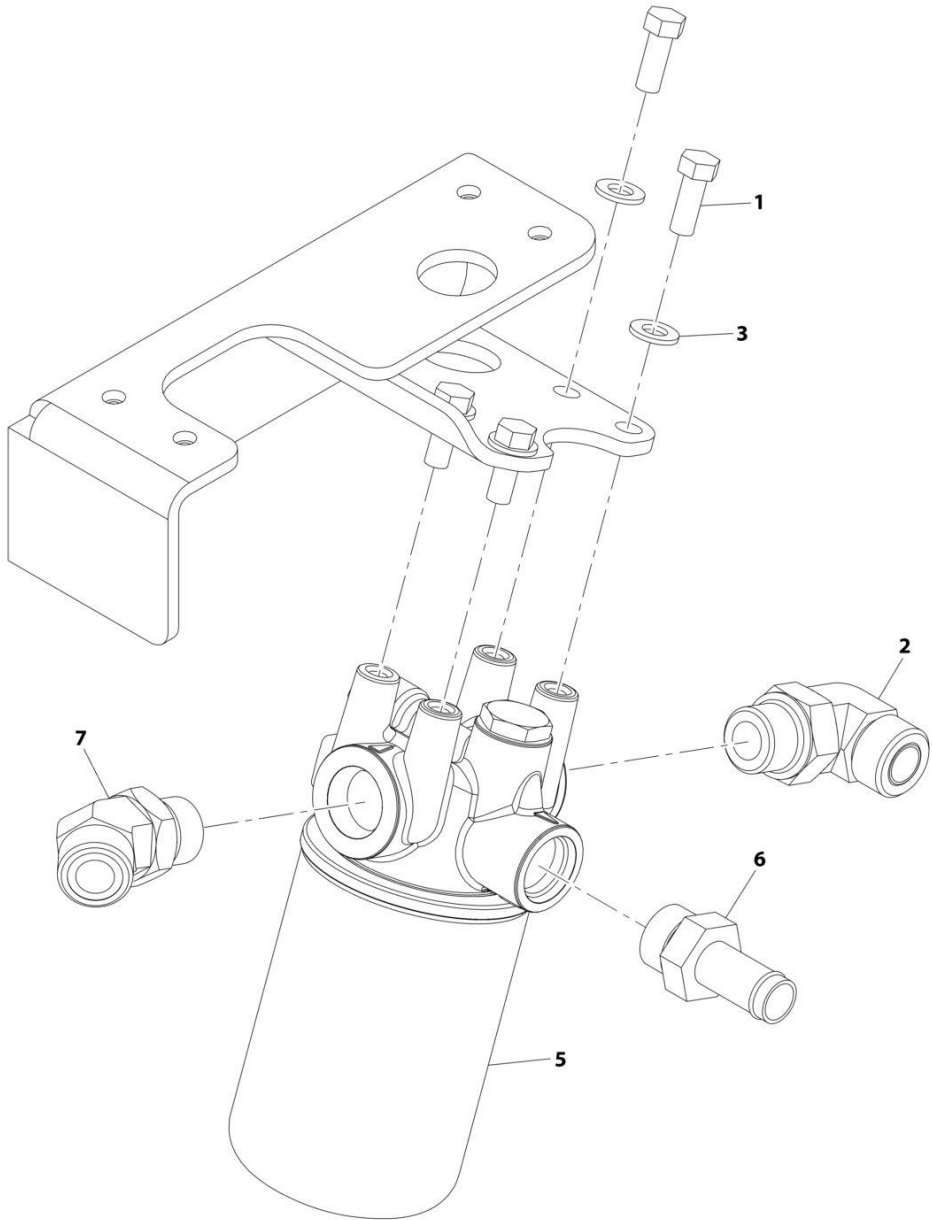
## SECTION 8 - HYDRAULIC CIRCUITS

### FIGURE 8-19. CHARGE FILTER LINES INSTALLATION

ITEM	PART NUMBER	QTY	DESCRIPTION	REV
	1001202026	Ref	Charge Filter Lines Installation	B
1	0700814	2	Bolt, M8X30	
2	4811900	2	Washer, M8	
3	8405007	2	Clamp	
4	1001212184	1	Bracket	
5	1001195433	1	Hose	
6	1001195434	1	Hose	
7	1001195435	1	Hose	
8	1001195430	Ref	Installation, Charge Filter (See Separate Breakdown in this Section)	

# SECTION 8 - HYDRAULIC CIRCUITS

## FIGURE 8-20. CHARGE FILTER INSTALLATION



ART\_1001195430-C

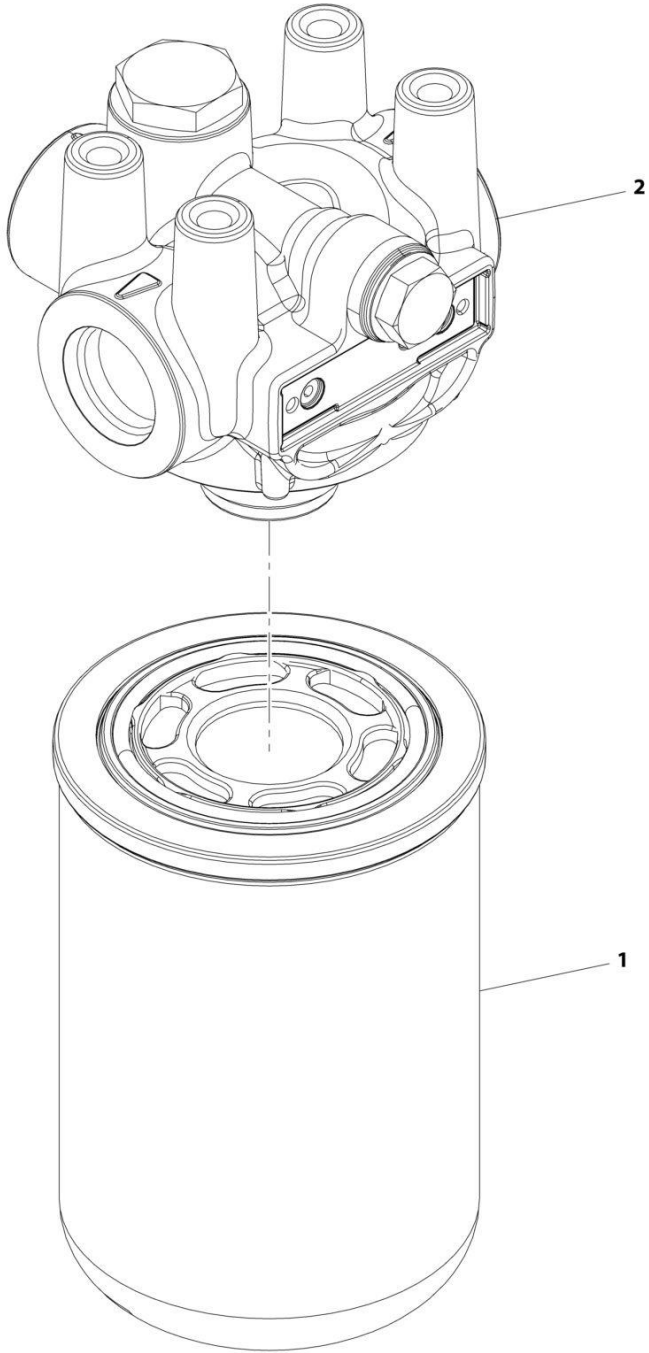
## SECTION 8 - HYDRAULIC CIRCUITS

### FIGURE 8-20. CHARGE FILTER INSTALLATION

ITEM	PART NUMBER	QTY	DESCRIPTION	REV
	1001195430	Ref	Charge Filter Installation	C
1	0641608	4	Bolt, 3/8-16X1	
2	2131212	1	Fitting, 90 ORFS	
3	4812000	4	Washer, M10	
5	1001141976	1	Assembly, Charge Filter (See Separate Breakdown in this Section)	
6	1001183700	1	Fitting, Barb	
7	2151212	1	Fitting, 45 ORFS	

**SECTION 8 - HYDRAULIC CIRCUITS**

**FIGURE 8-21. CHARGE FILTER ASSEMBLY**



ART\_1001141976-A



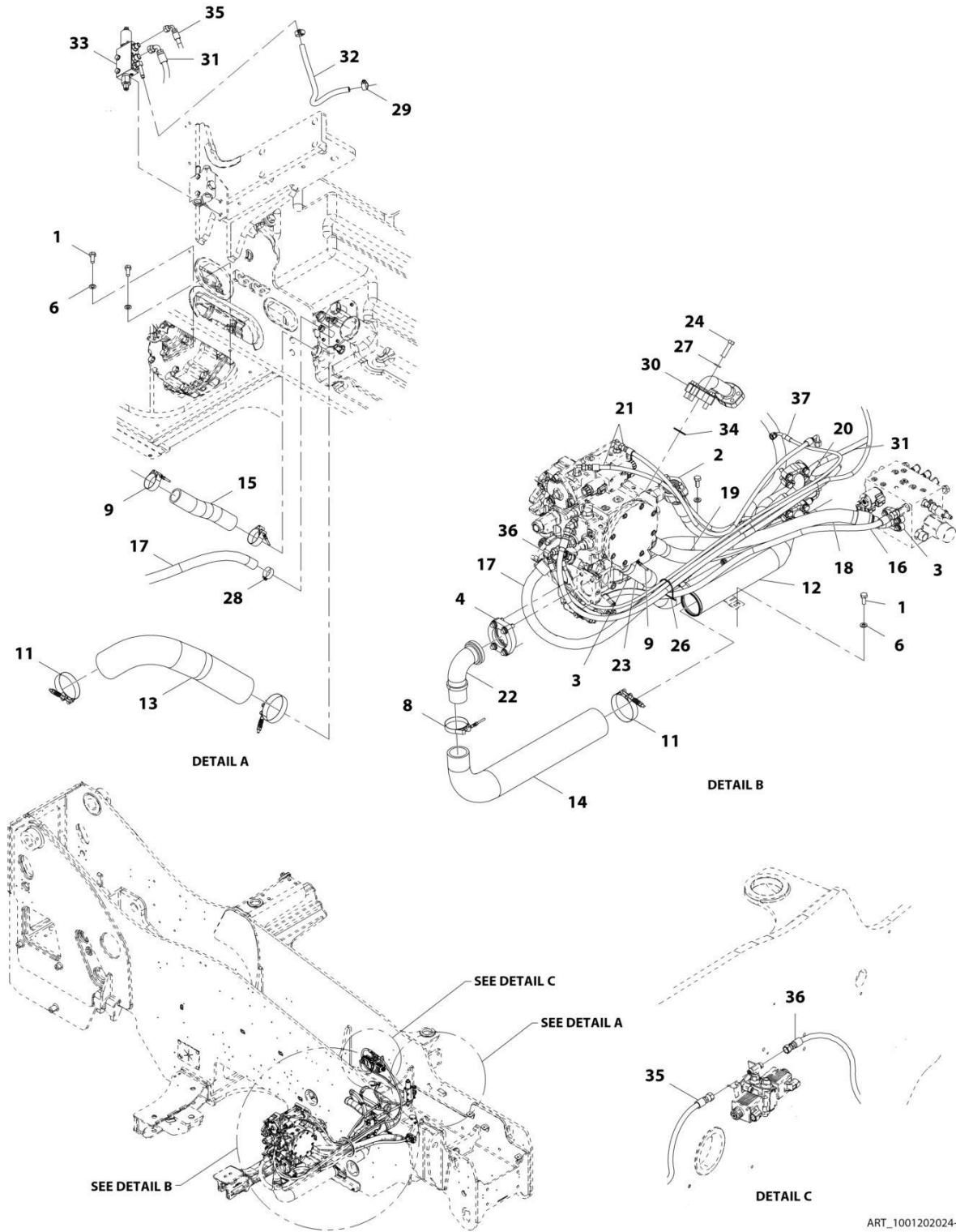
## SECTION 8 - HYDRAULIC CIRCUITS

FIGURE 8-21. CHARGE FILTER ASSEMBLY

ITEM	PART NUMBER	QTY	DESCRIPTION	REV
	1001141976	Ref	Implement Pump Filter Assembly	A
1	1001141461	1	Filter	
2	1001141462	1	Pump, Filter	

# SECTION 8 - HYDRAULIC CIRCUITS

## FIGURE 8-22. ENGINE BAY HYDRAULIC INSTALLATION



ART\_1001202024-G

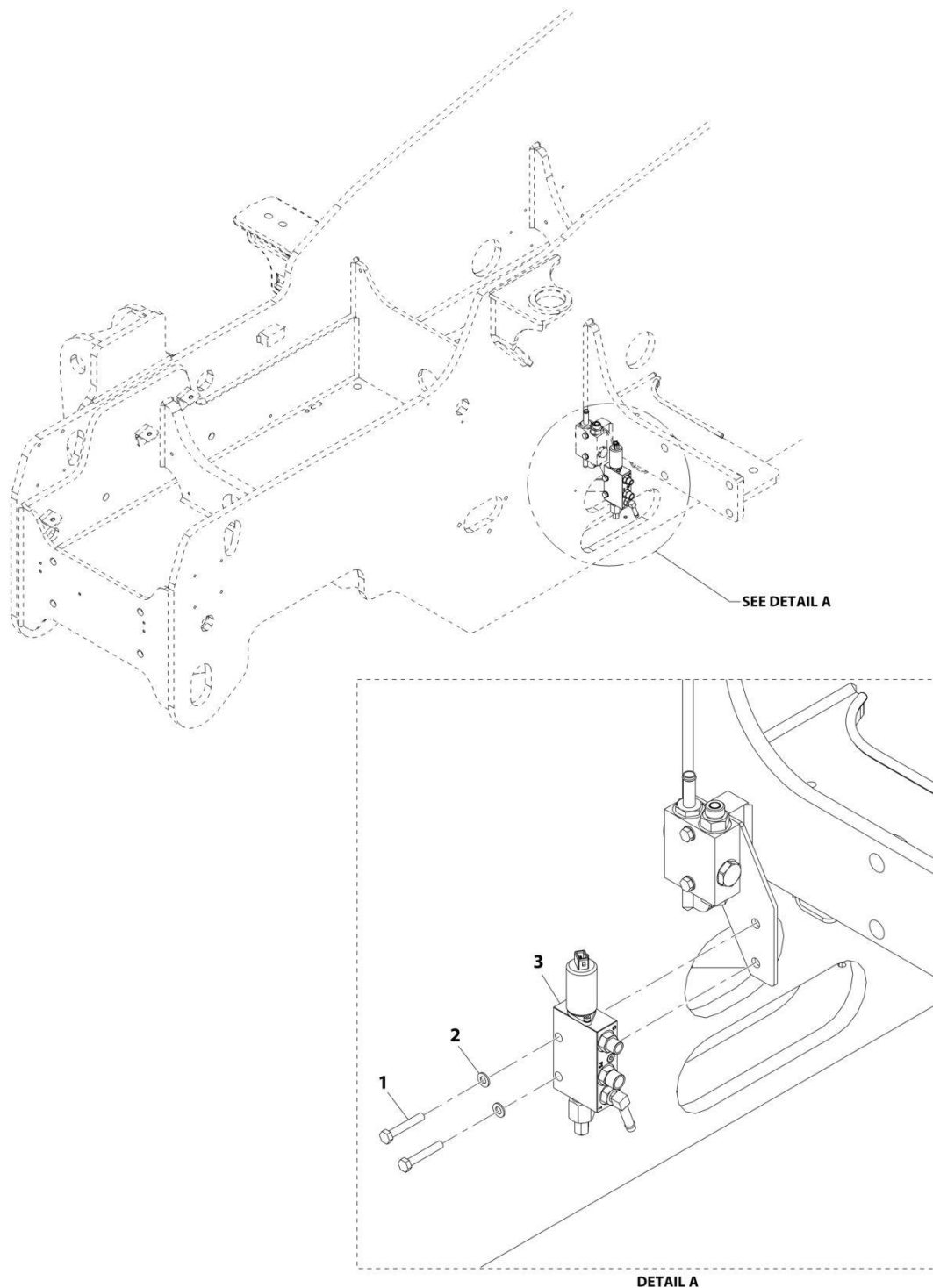
## SECTION 8 - HYDRAULIC CIRCUITS

### FIGURE 8-22. ENGINE BAY HYDRAULIC INSTALLATION

ITEM	PART NUMBER	QTY	DESCRIPTION	REV
	1001202024	Ref	Engine Bay Installation	G
1	0761012	4	Bolt, M10X25	
2	1001217948	4	Kit, Flange (includes mounting hardware and o-ring)	
3	2171816	2	Kit, Flange (includes mounting hardware and o-ring)	
4	2171832	1	Kit, Flange (includes mounting hardware and o-ring)	
6	4812000	4	Washer, M10	
8	1001005438	1	Clamp	
9	1001014231	4	Clamp	
11	1001186843	3	Clamp	
12	1001187272	1	Pipe	
13	1001187273	1	Hose	
14	1001187275	1	Hose	
15	1001193461	1	Hose	
16	1001196959	1	Hose	
17	1001215802	1	Hose	
18	1001214431	1	Hose	
19	1001214430	1	Hose	
20	1001214429	1	Hose	
21	1001215539	2	Hose	
22	8424233	1	Fitting, 90	
23	1001202027	1	Hose	
24	0681714	4	Bolt, 7/16-14X1 3/4 Grade 8	
26	4240099	AR	Tie, Wire	
27	4761700	4	Washer, Lock 7/16	
28	8405007	1	Clamp	
29	8410013	2	Clamp	
30	1001200870	1	Fitting, 90	
31	1001213306	1	Hose	
32	1001213307	1	Hose	
33	1001213308	1	Installation, Inching Valve (See Separate Breakdown in this Section)	
34	91083106	1	O-Ring	
35	1001215093	1	Hose	
36	1001215212	1	Hose	
37	1001223109	1	Hose	

# SECTION 8 - HYDRAULIC CIRCUITS

## FIGURE 8-23. ENGINE BAY INCHING VALVE INSTALLATION



ART\_1001213308-A

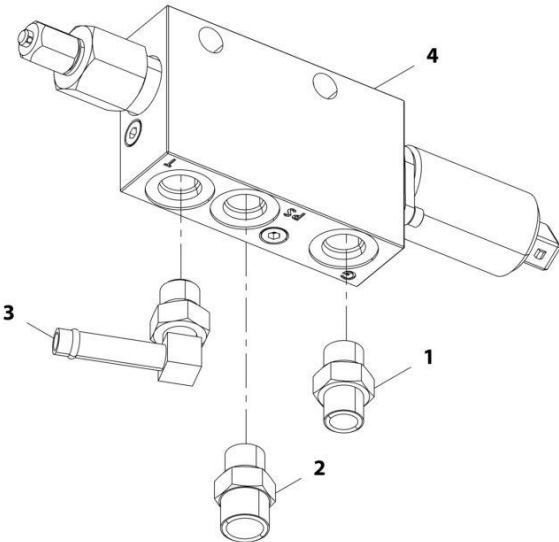
## SECTION 8 - HYDRAULIC CIRCUITS

FIGURE 8-23. ENGINE BAY INCHING VALVE INSTALLATION

ITEM	PART NUMBER	QTY	DESCRIPTION	REV
	1001213308	Ref	Inching Valve Installation	A
1	0700818	2	Bolt, M8X50	
2	4811900	2	Washer, M8	
3	1001213309	1	Assembly, Inching Valve (See Separate Breakdown in this Section)	

**SECTION 8 - HYDRAULIC CIRCUITS**

**FIGURE 8-24. ENGINE BAY INCHING VALVE/FITINGS ASSEMBLY**



ART\_1001213309-B

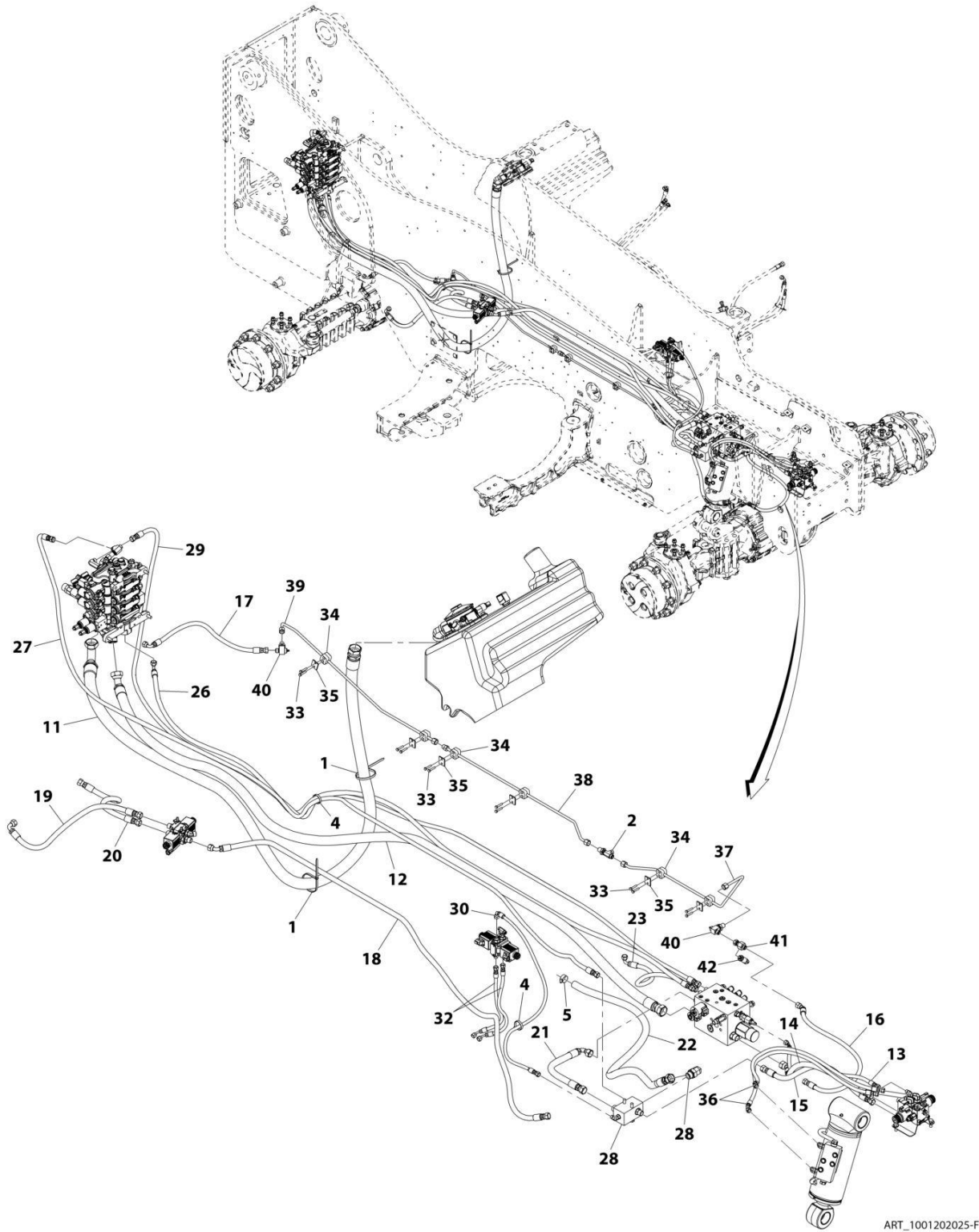
## SECTION 8 - HYDRAULIC CIRCUITS

FIGURE 8-24. ENGINE BAY INCHING VALVE/FITINGS ASSEMBLY

ITEM	PART NUMBER	QTY	DESCRIPTION	REV
	1001213309	Ref	Inching Valve Assembly	B
1	2110406	1	Fitting, Straight ORFS	
2	2110606	1	Fitting, Straight ORFS	
3	8430034	1	Elbow, 90	
4	1001213311	1	Valve, Inching (See Separate Breakdown in HYDRAULIC COMPONENTS Section)	

# SECTION 8 - HYDRAULIC CIRCUITS

## FIGURE 8-25. FRAME HYDRAULIC INSTALLATION



ART\_1001202025-F



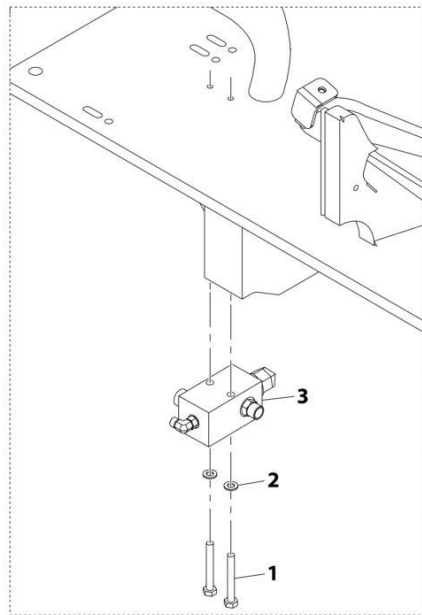
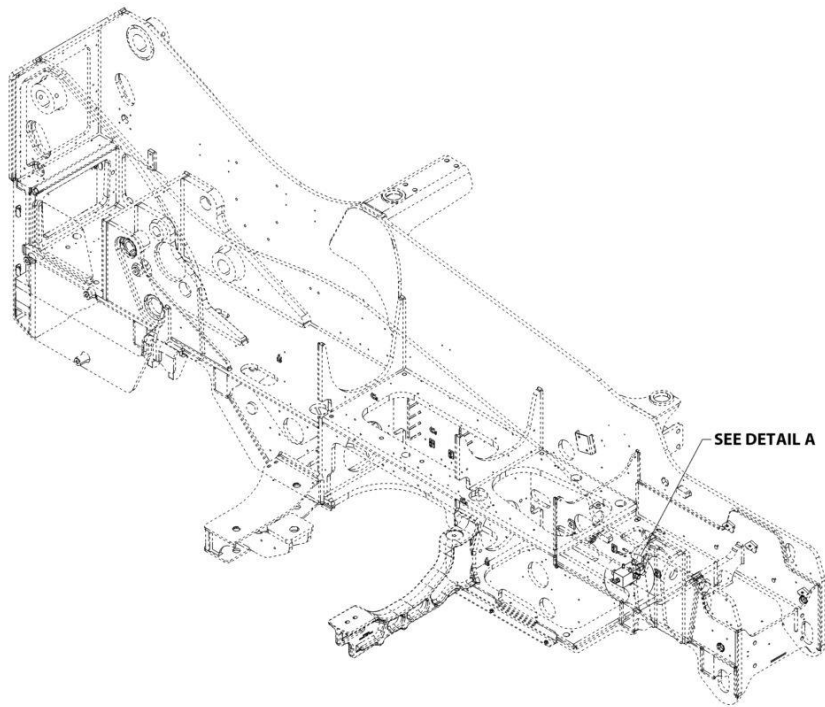
## SECTION 8 - HYDRAULIC CIRCUITS

**FIGURE 8-25. FRAME HYDRAULIC INSTALLATION**

ITEM	PART NUMBER	QTY	DESCRIPTION	REV
	1001202025	Ref	Frame Hydraulic Installation	F
1	1062255	2	Strap, Tie	
2	88662434	1	Fitting, Tee ORFS	
4	4240018	2	Strap, Tie	
5	8405007	1	Clamp	
11	1001196964	1	Hose	
12	1001196967	1	Hose	
13	1001210635	1	Hose	
14	1001196969	1	Hose	
15	1001196970	1	Hose	
16	1001208532	1	Hose	
17	1001208534	1	Hose	
18	1001196973	1	Hose	
19	1001196974	1	Hose	
20	1001196975	1	Hose	
21	1001196976	1	Hose	
22	1001196977	1	Hose	
23	1001196978	1	Hose	
26	1001196981	1	Hose	
27	1001196982	1	Hose	
28	1001197197	Ref	Installation, Manifold (See Separate Breakdown in this Section)	
29	1001197199	1	Hose	
30	1001197200	1	Hose	
32	1001211020	2	Hose	
33	0700614	12	Bolt, M6X30	
34	9106-3040	6	Clamp	
35	9106-3039	6	Plate, Cover	
36	1001205573	2	Hose	
37	1001207788	1	Pipe	
38	1001207789	1	Pipe	
39	1001207790	1	Pipe	
40	1001210797	2	Bleeder, Brake	
41	1001111140	1	Fitting, ORFS	
42	1001147340	1	Sensor, Pressure	

# SECTION 8 - HYDRAULIC CIRCUITS

## FIGURE 8-26. FRAME MANIFOLD INSTALLATION



DETAIL A

ART\_1001197197-B

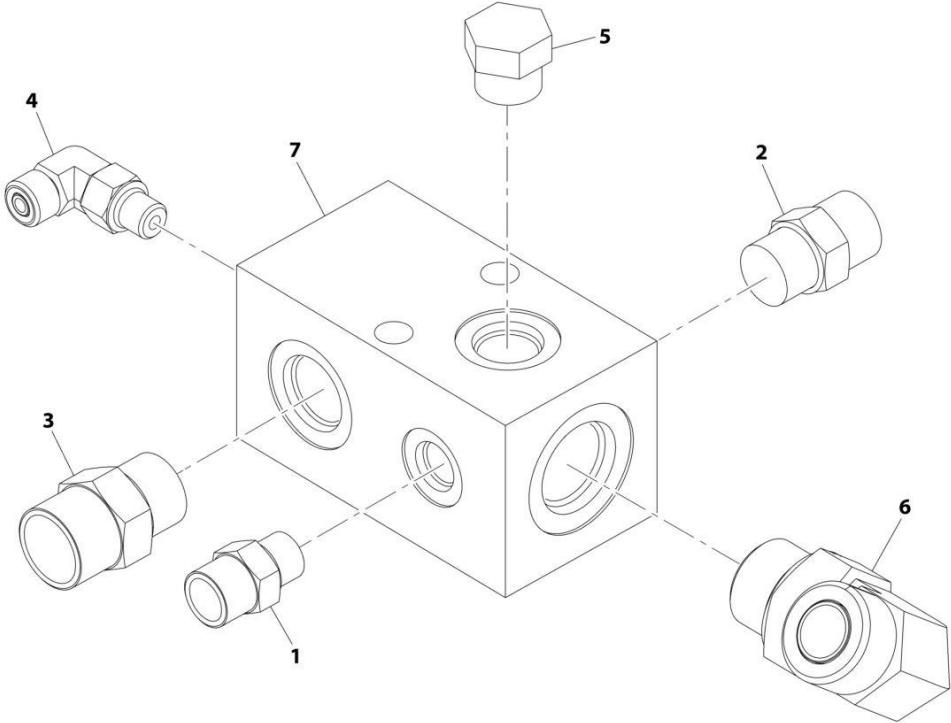
## SECTION 8 - HYDRAULIC CIRCUITS

**FIGURE 8-26. FRAME MANIFOLD INSTALLATION**

ITEM	PART NUMBER	QTY	DESCRIPTION	REV
	1001197197	Ref	Manifold Installation	B
1	0701024	2	Bolt, M10X80	
2	4812000	2	Washer, M10	
3	1001197198	1	Assembly, Manifold (See Separate Breakdown in this Section)	

# SECTION 8 - HYDRAULIC CIRCUITS

FIGURE 8-27. FRAME MANIFOLD/FITTINGS ASSEMBLY



ART\_1001197198-D

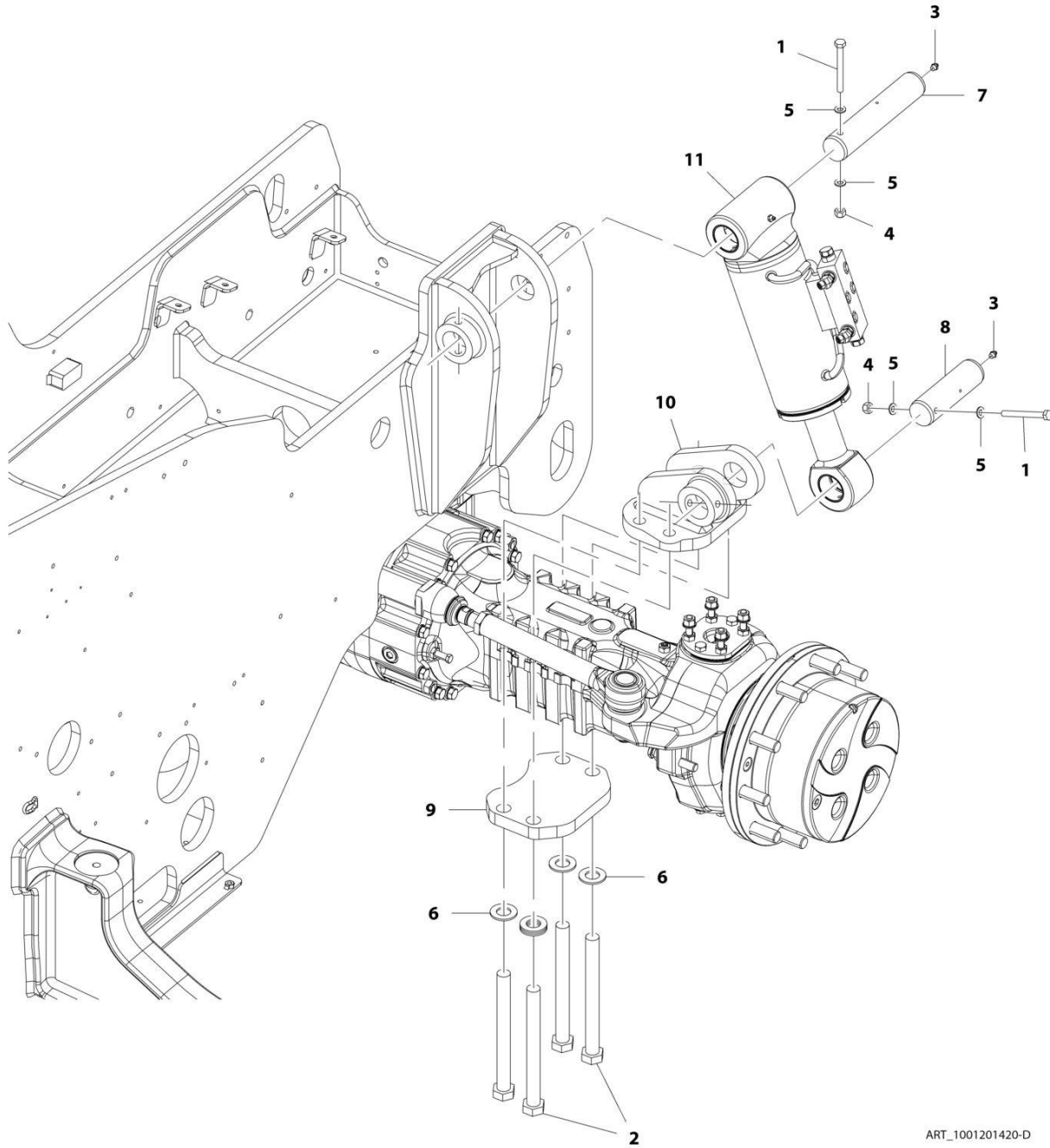
## SECTION 8 - HYDRAULIC CIRCUITS

### FIGURE 8-27. FRAME MANIFOLD/FITTINGS ASSEMBLY

ITEM	PART NUMBER	QTY	DESCRIPTION	REV
	1001197198	Ref	Manifold Assembly	D
1	2110606	1	Fitting, Straight ORFS	
2	2110808	1	Fitting, Straight ORFS	
3	2111010	1	Fitting, Straight ORFS	
4	2130404	1	Fitting, 90 ORFS	
5	2220238	1	Plug	
6	2131212	1	Fitting, 90 ORFS	
7	1001228504	1	Manifold	

# SECTION 8 - HYDRAULIC CIRCUITS

## FIGURE 8-28. FRAME LEVEL INSTALLATION



ART\_1001201420-D

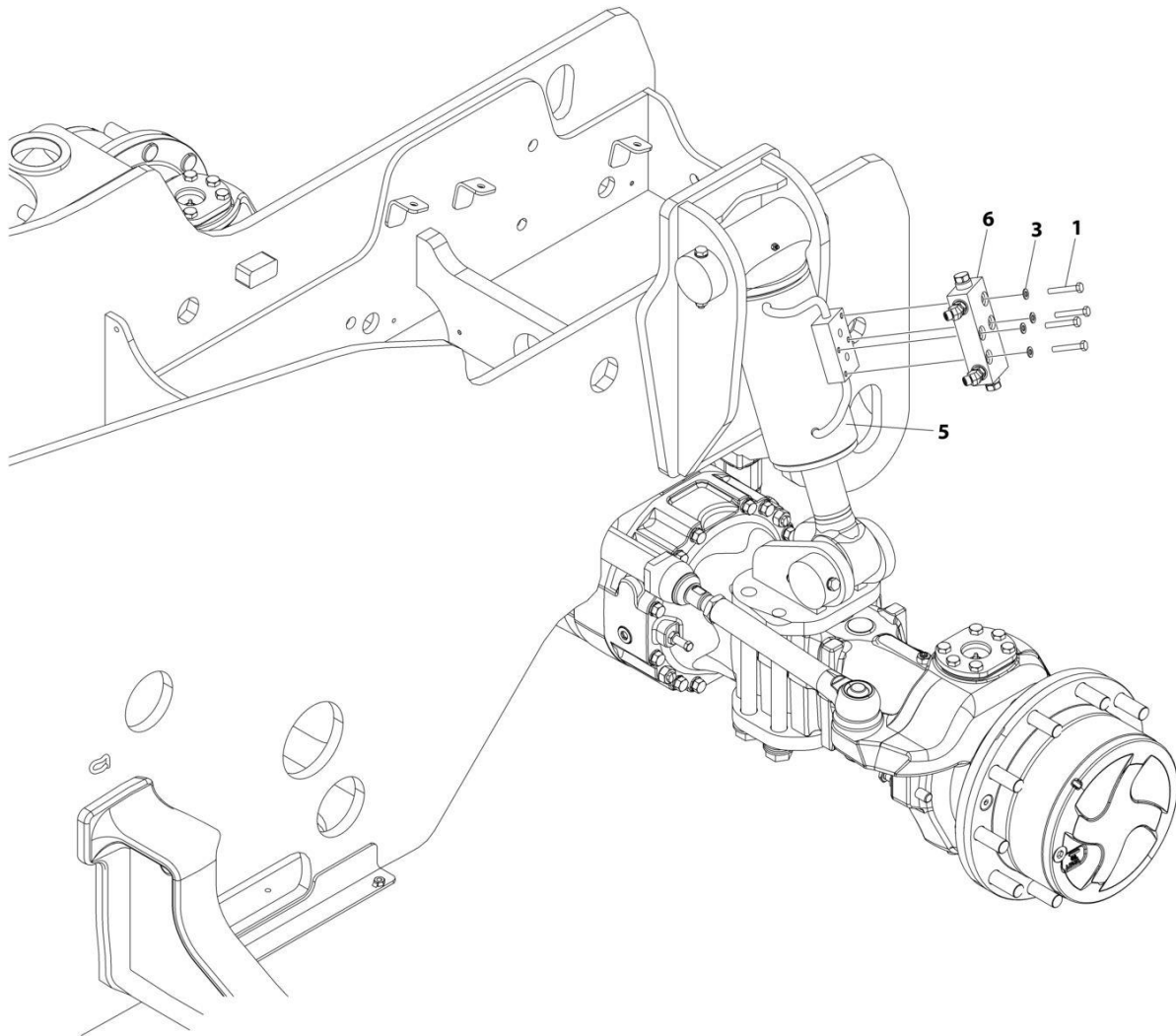
## SECTION 8 - HYDRAULIC CIRCUITS

### FIGURE 8-28. FRAME LEVEL INSTALLATION

ITEM	PART NUMBER	QTY	DESCRIPTION	REV
	1001201420	Ref	Frame Level Installation	D
1	0701027	2	Bolt, M10X100	
2	0712442	4	Bolt, M24X250 Grade 10.9	
3	2160016	2	Fitting, Grease	
4	3291005	2	Nut, Lock M0X1.5 Grade 8	
5	4812000	4	Washer, M10	
6	5242400	6	Washer, M24	
7	1001164971	1	Pin	
8	1001164972	1	Pin	
9	1001207325	1	Plate, Sway Bottom	
10	1001200226	1	Bracket, Axle Sway	
11	1001201074	Ref	Installation, Frame Level Cylinder (See Separate Breakdown in this Section)	

# SECTION 8 - HYDRAULIC CIRCUITS

## FIGURE 8-29. FRAME LEVEL CYLINDER INSTALLATION



ART\_1001201074\_C



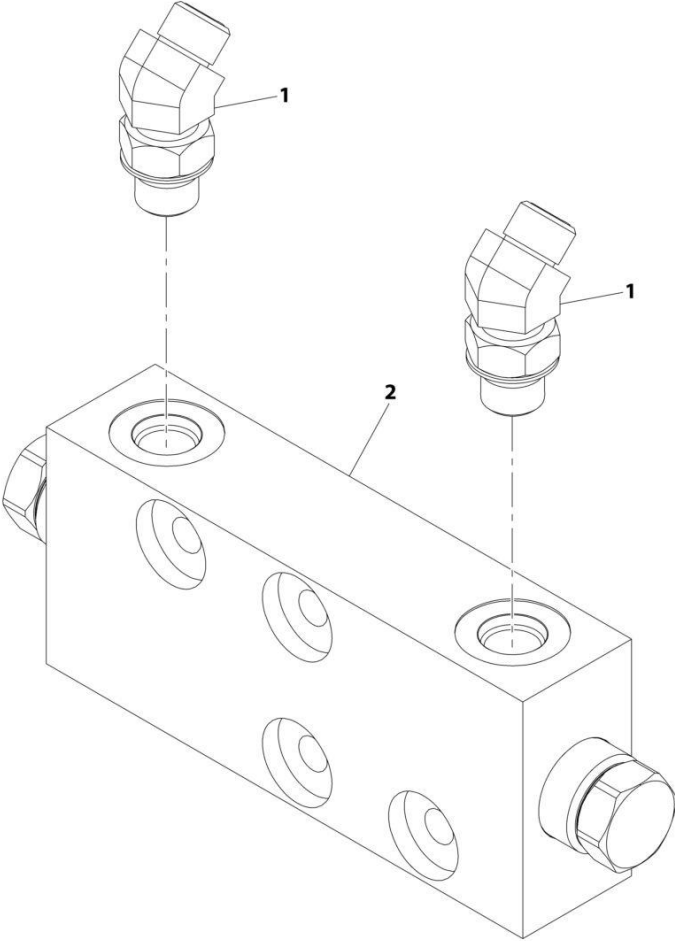
## SECTION 8 - HYDRAULIC CIRCUITS

**FIGURE 8-29. FRAME LEVEL CYLINDER INSTALLATION**

ITEM	PART NUMBER	QTY	DESCRIPTION	REV
	1001201074	Ref	FRAME LEVEL CYLINDER INSTALLATION	C
1	0700818	4	Bolt M8 x 50	
3	4811900	4	Washer M8	
5	1001267973	1	Cylinder, Frame Level (See Separate Breakdown in HYDRAULIC COMPONENTS Section)	
6	1001217482	1	Assembly, Frame Level Valve (See Separate Breakdown in this Section)	

**SECTION 8 - HYDRAULIC CIRCUITS**

**FIGURE 8-30. FRAME LEVEL COUNTERBALANCE VALVE/FITTINGS ASSEMBLY**



ART\_1001217482-A

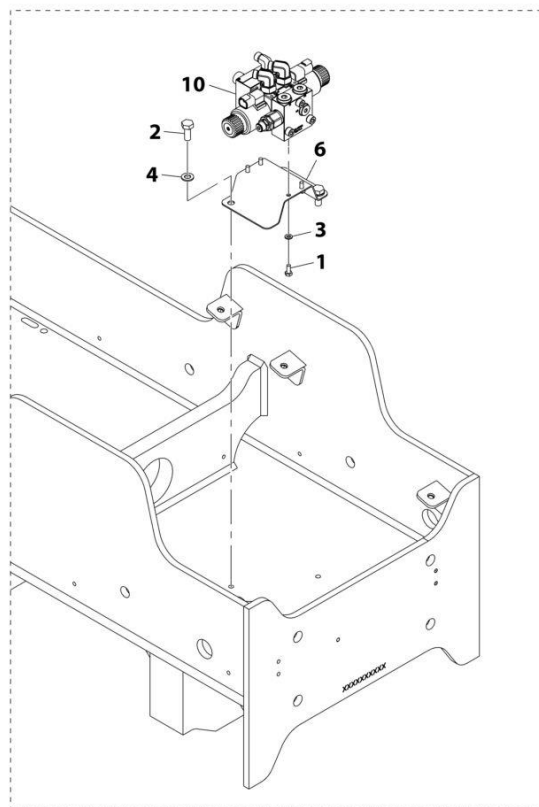
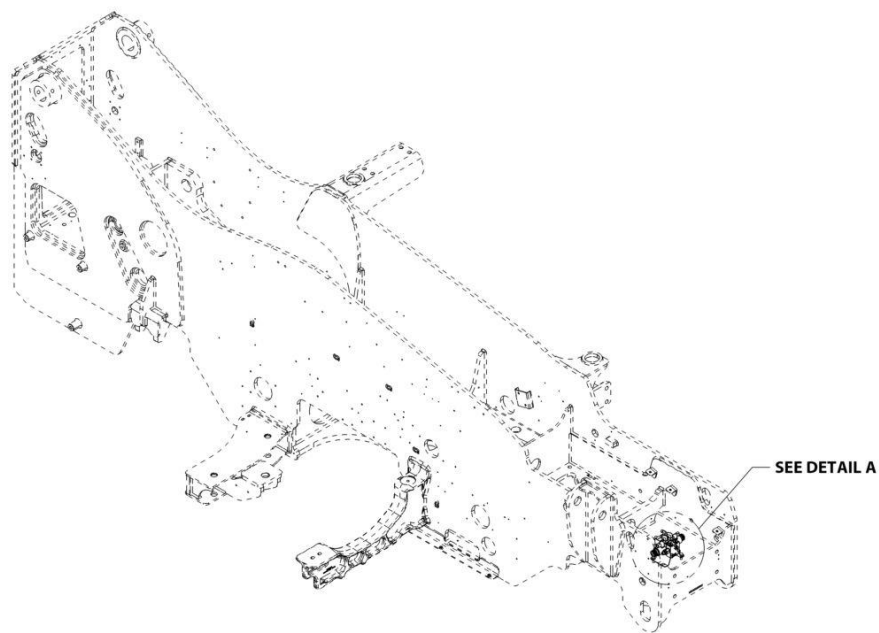
## SECTION 8 - HYDRAULIC CIRCUITS

**FIGURE 8-30. FRAME LEVEL COUNTERBALANCE VALVE/FITTINGS ASSEMBLY**

ITEM	PART NUMBER	QTY	DESCRIPTION	REV
1	1001217482	Ref	Frame Level Valve Assembly	A
2	2150406	2	Fitting, 45 ORFS	
2	1001168599	1	Valve, Counterbalance (See Separate Breakdown in the HYDRAULIC COMPONENTS Section)	

# SECTION 8 - HYDRAULIC CIRCUITS

## FIGURE 8-31. FRAME LEVEL CONTROL VALVE INSTALLATION



DETAIL A

ART\_1001193517-D

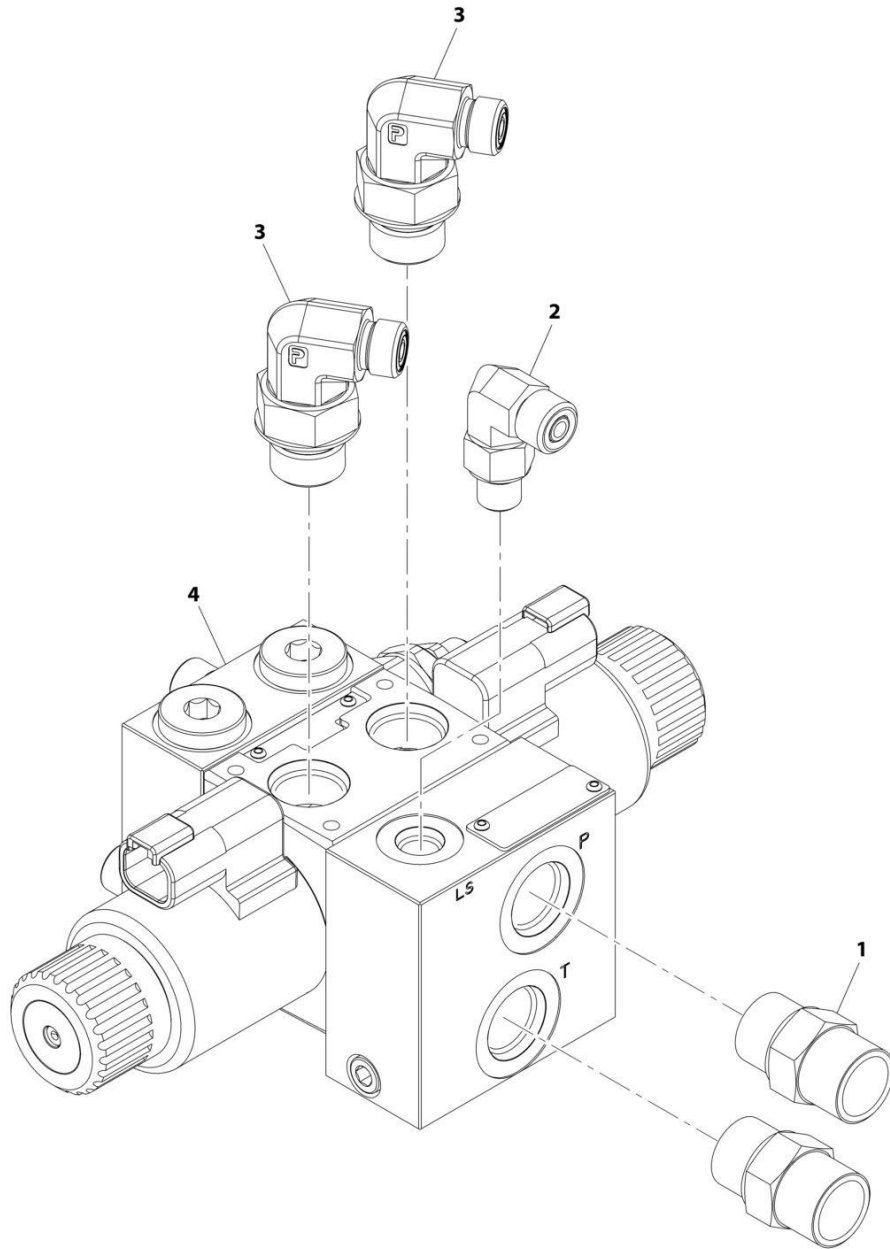
## SECTION 8 - HYDRAULIC CIRCUITS

### FIGURE 8-31. FRAME LEVEL CONTROL VALVE INSTALLATION

ITEM	PART NUMBER	QTY	DESCRIPTION	REV
	1001193517	Ref	Frame Level Valve Installation	D
1	0760607	4	Bolt, M6X14	
2	0761012	2	Bolt, M10X25	
3	4811700	4	Washer, M6	
4	4812000	2	Washer, M10	
6	1001195733	1	Bracket	
10	1001215341	1	Assembly, Frame Level Valve (See Separate Breakdown in this Section)	

# SECTION 8 - HYDRAULIC CIRCUITS

FIGURE 8-32. FRAME LEVEL CONTROL VALVE/FITTINGS ASSEMBLY



ART\_1001215341-B

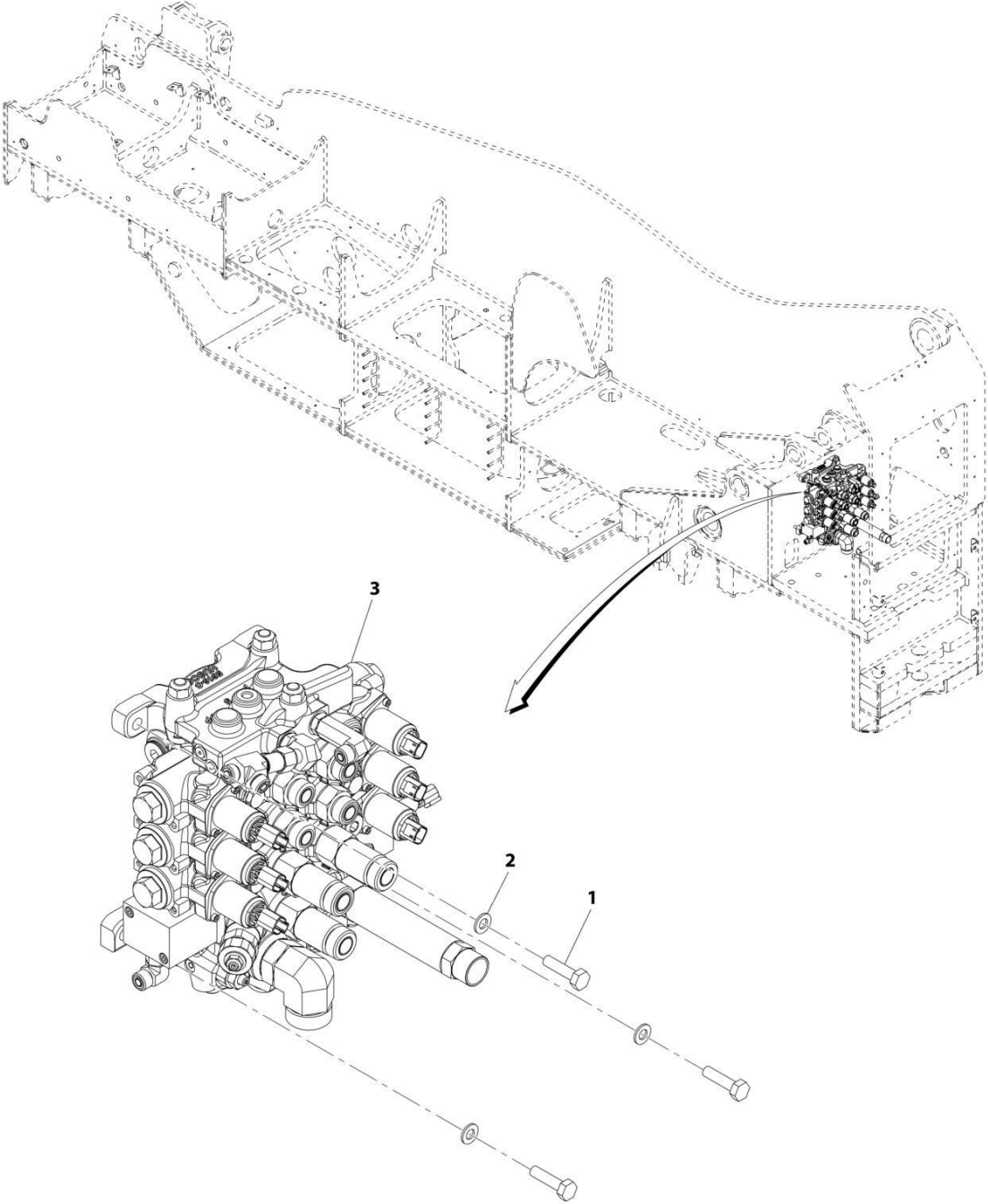
## SECTION 8 - HYDRAULIC CIRCUITS

FIGURE 8-32. FRAME LEVEL CONTROL VALVE/FITTINGS ASSEMBLY

ITEM	PART NUMBER	QTY	DESCRIPTION	REV
	1001215341	Ref	Frame Level Valve Assembly	B
1	2110808	2	Fitting, Straight ORFS	
2	2130404	1	Fitting, 90 ORFS	
3	2130408	2	Fitting, 90 ORFS	
4	1001219615	1	Valve, Frame Level (See Separate Breakdown in HYDRAULIC COMPONENTS Section)	

# SECTION 8 - HYDRAULIC CIRCUITS

## FIGURE 8-33. MAIN CONTROL VALVE INSTALLATION



ART\_1001220457-A



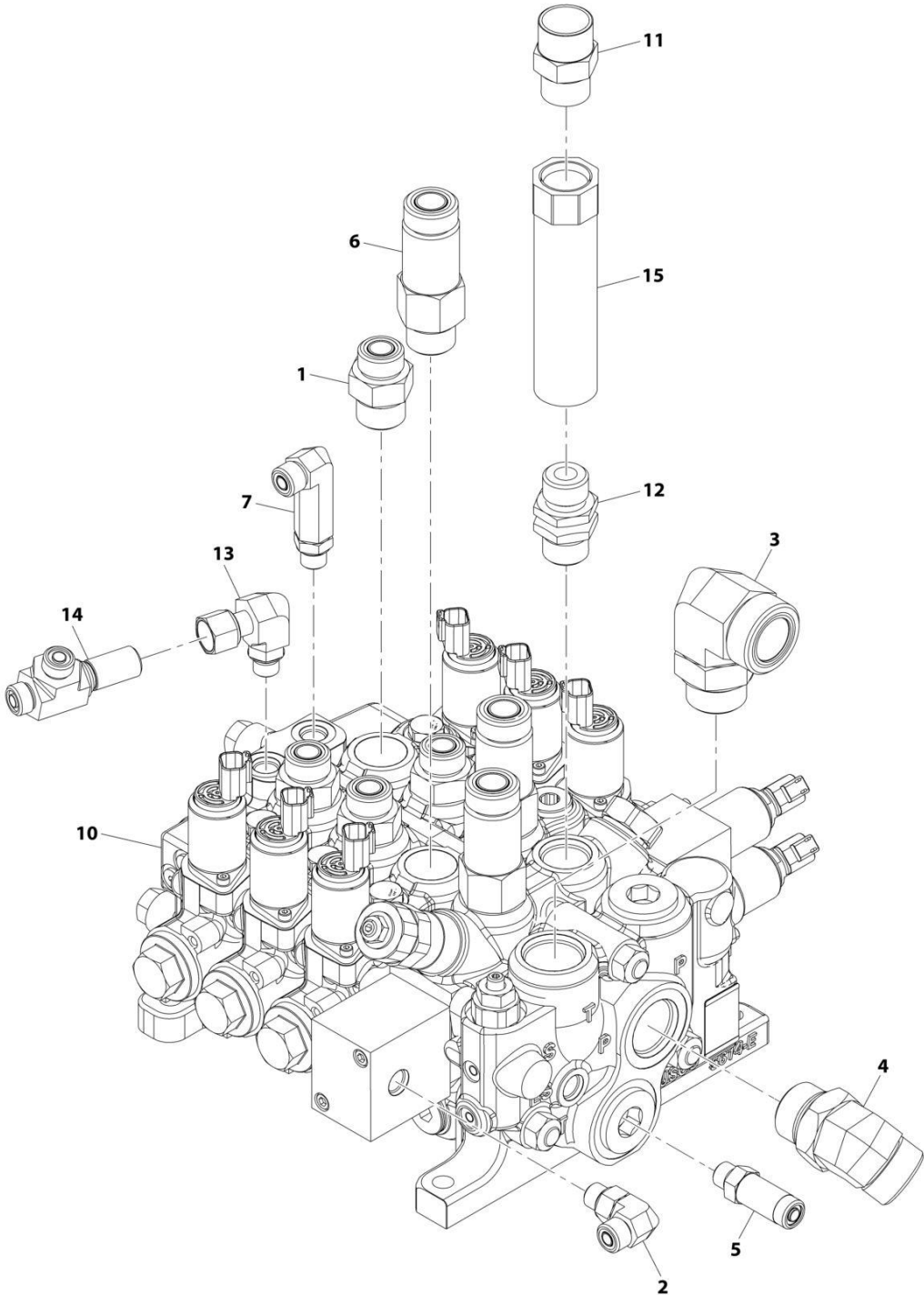
## SECTION 8 - HYDRAULIC CIRCUITS

**FIGURE 8-33. MAIN CONTROL VALVE INSTALLATION**

ITEM	PART NUMBER	QTY	DESCRIPTION	REV
	1001220457	Ref	Main Control Valve Installation	A
1	0701016	3	Bolt, M10X40	
2	4812000	3	Washer, M10	
3	1001220456	1	Assembly, Main Control Valve (See Separate Breakdown in this Section)	

# SECTION 8 - HYDRAULIC CIRCUITS

## FIGURE 8-34. MAIN CONTROL VALVE/FITTINGS ASSEMBLY



ART\_1001220456\_C

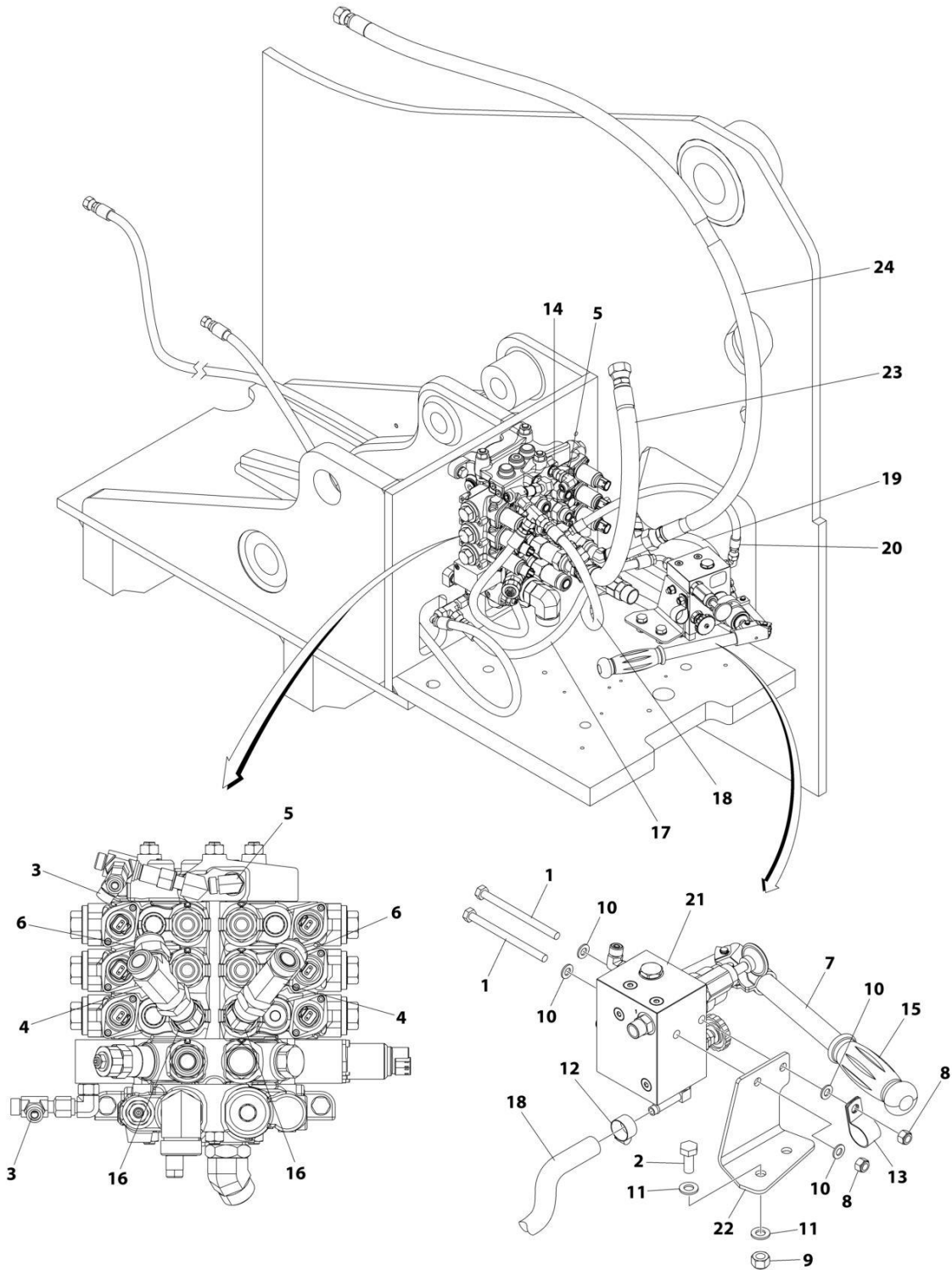
## SECTION 8 - HYDRAULIC CIRCUITS

**FIGURE 8-34. MAIN CONTROL VALVE/FITTINGS ASSEMBLY**

ITEM	PART NUMBER	QTY	DESCRIPTION	REV
	1001220456	Ref	Main Control Valve Assembly	C
1	2111012	4	Fitting, Straight ORFS	
2	2130606	1	Fitting, 90 ORFS	
3	2132016	1	Fitting, 90 ORFS	
4	2151616	1	Fitting, 45 ORFS	
5	2170106	1	Fitting, Straight ORFS	
6	2170112	3	Fitting, Straight ORFS	
7	2170206	1	Fitting, 90 ORFS	
10	1001241881	1	Valve, Main Control (See Separate Breakdown in Hydraulic Components Section)	
11	2111212	1	Fitting, Straight ORFS	
12	8770030	1	Fitting, Straight ORFS	
13	8770104	1	Fitting, 90 ORFS	
14	8770286	1	Fitting, 90 ORFS	
15	1001224946	1	Valve, Check	

# SECTION 8 - HYDRAULIC CIRCUITS

## FIGURE 8-35. MANUAL PUMP (LIFT/TELE) INSTALLATION - REMOTE CONTROL EMERGENCY LOWERING



ART\_1001259258-A

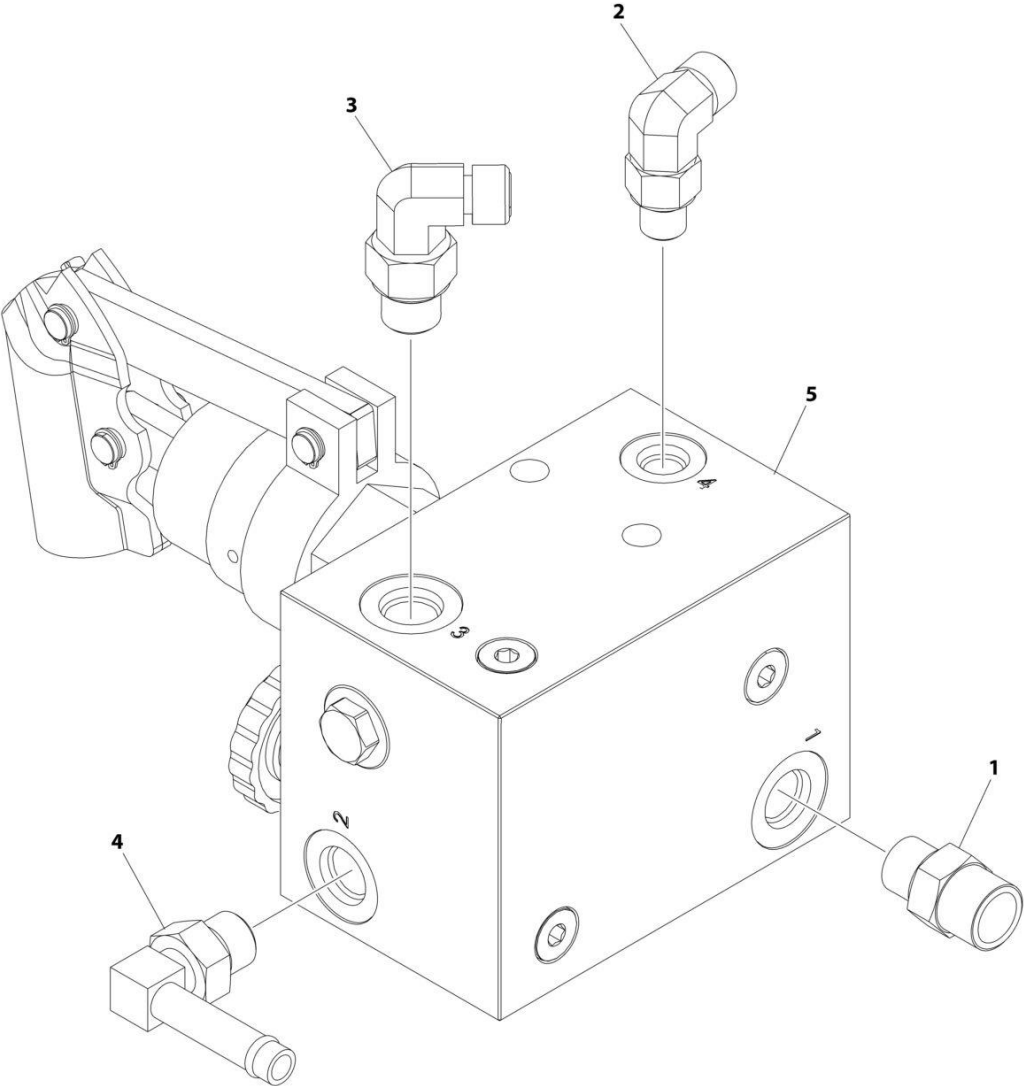
## SECTION 8 - HYDRAULIC CIRCUITS

**FIGURE 8-35. MANUAL PUMP (LIFT/TELE) INSTALLATION - REMOTE CONTROL EMERGENCY LOWERING**

ITEM	PART NUMBER	QTY	DESCRIPTION	REV
	1001259258	Ref	Manual Pump (Lift/Tele) Installation	A
1	0700828	2	Bolt M8 x 110	
2	0761012	2	Bolt M10 x 25	
3	2170706	2	Fitting, Tee ORFS/FSORFS/ORFS	
4	2170712	2	Fitting, Tee ORFS/FSORFS/ORFS	
5	2172106	1	Fitting, 90 ORFS/FSORFS	
6	2221221	2	Fitting, Straight ORFS/FSORFS	
7	2560122	1	Handle	
8	3290805	2	Nut M8	
9	3291005	2	Nut M10	
10	4811900	4	Washer M8	
11	4812000	4	Washer M10	
12	8405006	1	Clamp	
13	8406201	1	Clip	
14	80333184	1	Fitting, Check	
15	1001114761	1	Grip, Handle	
16	1001151238	2	Fitting, 45 ORFS/FSORFS	
17	1001255519	1	Hose	
18	1001255520	1	Hose	
19	1001255521	1	Hose	
20	1001255522	1	Hose	
21	1001255536	1	Valve and Fittings Assembly (Manual Lift/Tele) (See Separate Breakdown in this Section)	
22	1001255568	1	Plate	
23	1001259241	1	Hose	
24	1001259242	1	Hose	

**SECTION 8 - HYDRAULIC CIRCUITS**

**FIGURE 8-36. MANUAL LIFT/TELE VALVE & FITTING ASSEMBLY**



ART\_1001255536

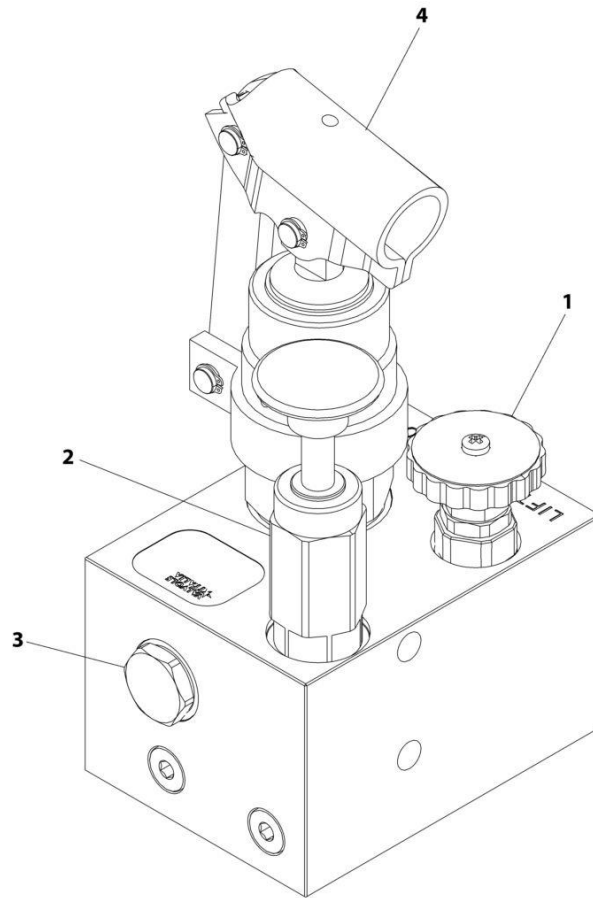
## SECTION 8 - HYDRAULIC CIRCUITS

**FIGURE 8-36. MANUAL LIFT/TELE VALVE & FITTING ASSEMBLY**

ITEM	PART NUMBER	QTY	DESCRIPTION	REV
	1001255536	Ref	Valve & Fitting Assembly - Manual Lift/Tele	A
1	2110606	1	Fitting, Straight ORFS/ORB	
2	2130404	1	Fitting, 90 ORFS/ORB	
3	2130406	1	Fitting, 90 ORFS/ORB	
4	8430034	1	Fitting, 90	
5	1001253661	1	Valve Assembly - Lift/Tele (See Separate Breakdown in this Section)	

# SECTION 8 - HYDRAULIC CIRCUITS

FIGURE 8-37. MANUAL LIFT/TELEVALVE ASSEMBLY



ART\_1001253661



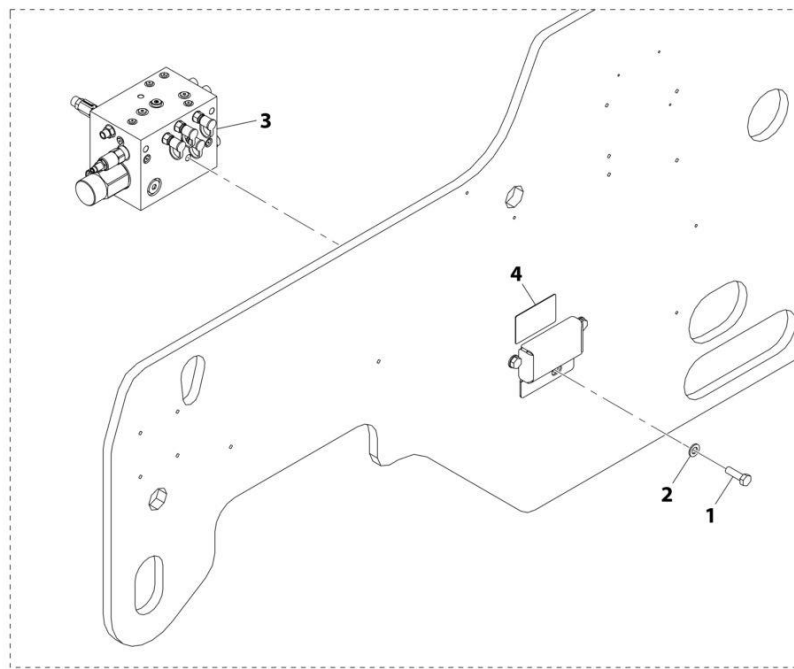
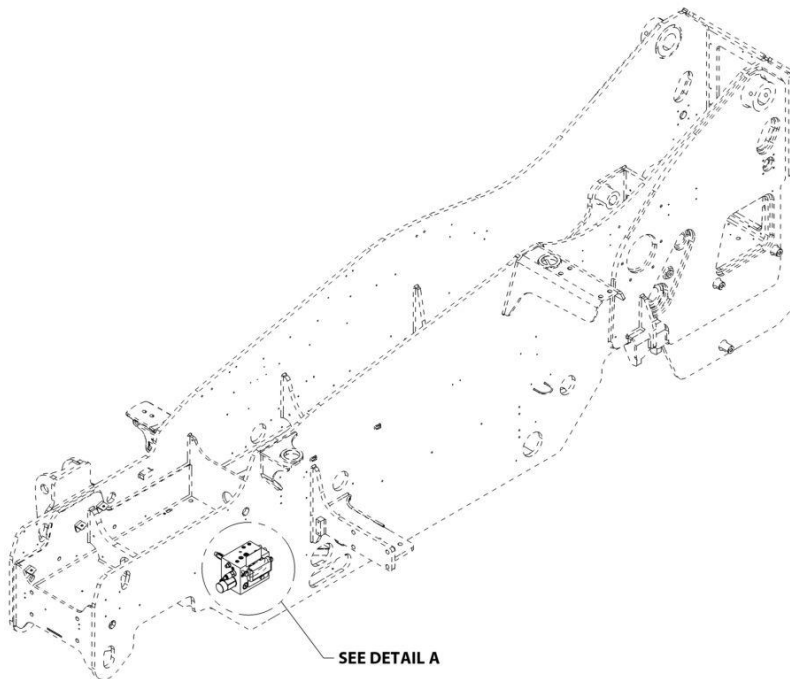
## SECTION 8 - HYDRAULIC CIRCUITS

### FIGURE 8-37. MANUAL LIFT/TELEVALVE ASSEMBLY

ITEM	PART NUMBER	QTY	DESCRIPTION	REV
	1001253661	Ref	VALVE ASSEMBLY - MANUAL LIFT/TELE	A
1	70030102	1	Valve, Poppet	
2	70030104	1	Cartridge, Hand Pump	
3	70030103	1	Valve, Check	
4	70005440	1	Cartridge, Hand Pump	

# SECTION 8 - HYDRAULIC CIRCUITS

## FIGURE 8-38. PRIORITY VALVE INSTALLATION



ART\_1001192885-B

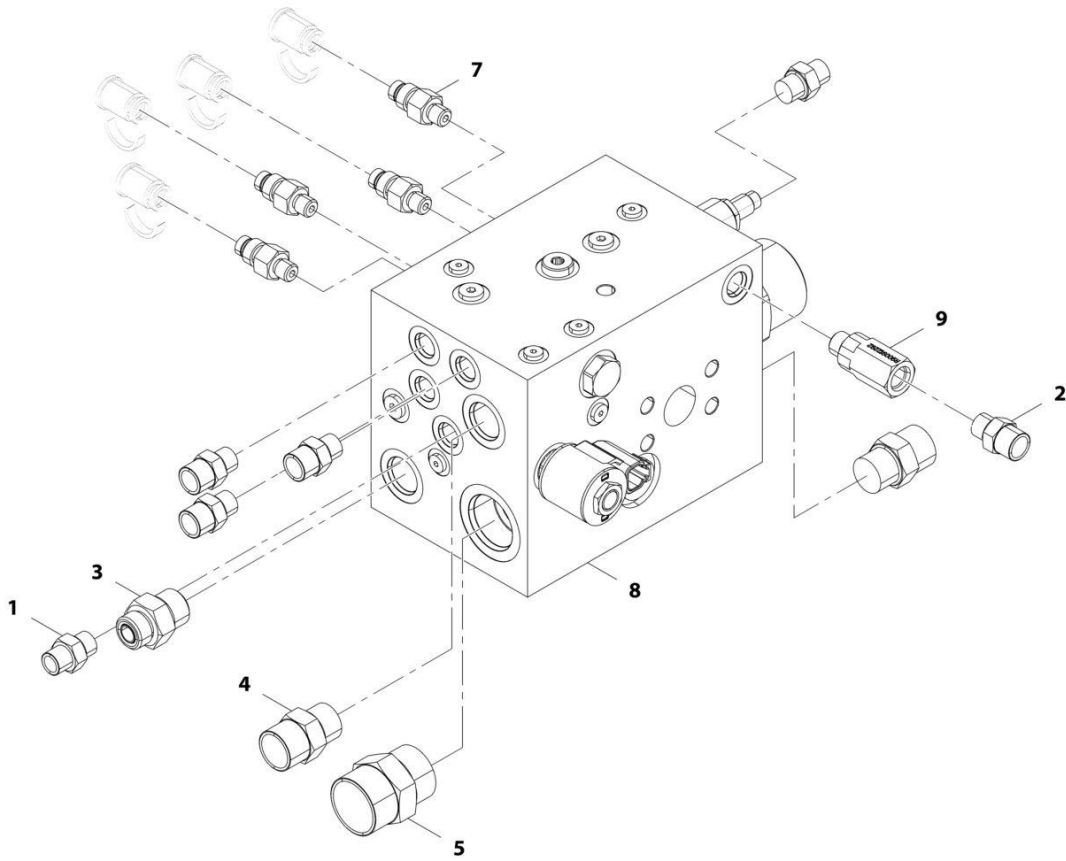
## SECTION 8 - HYDRAULIC CIRCUITS

**FIGURE 8-38. PRIORITY VALVE INSTALLATION**

ITEM	PART NUMBER	QTY	DESCRIPTION	REV
	1001192885	Ref	Priority Manifold Installation	B
1	0701216	3	Bolt, M12X40	
2	4812100	3	Washer, M12	
3	1001192886	1	Assembly, Priority Valve (See Separate Breakdown in this Section)	
4	1001192887	1	Decal	

# SECTION 8 - HYDRAULIC CIRCUITS

## FIGURE 8-39. PRIORITY VALVE/FITTINGS ASSEMBLY



ART\_1001192886-D

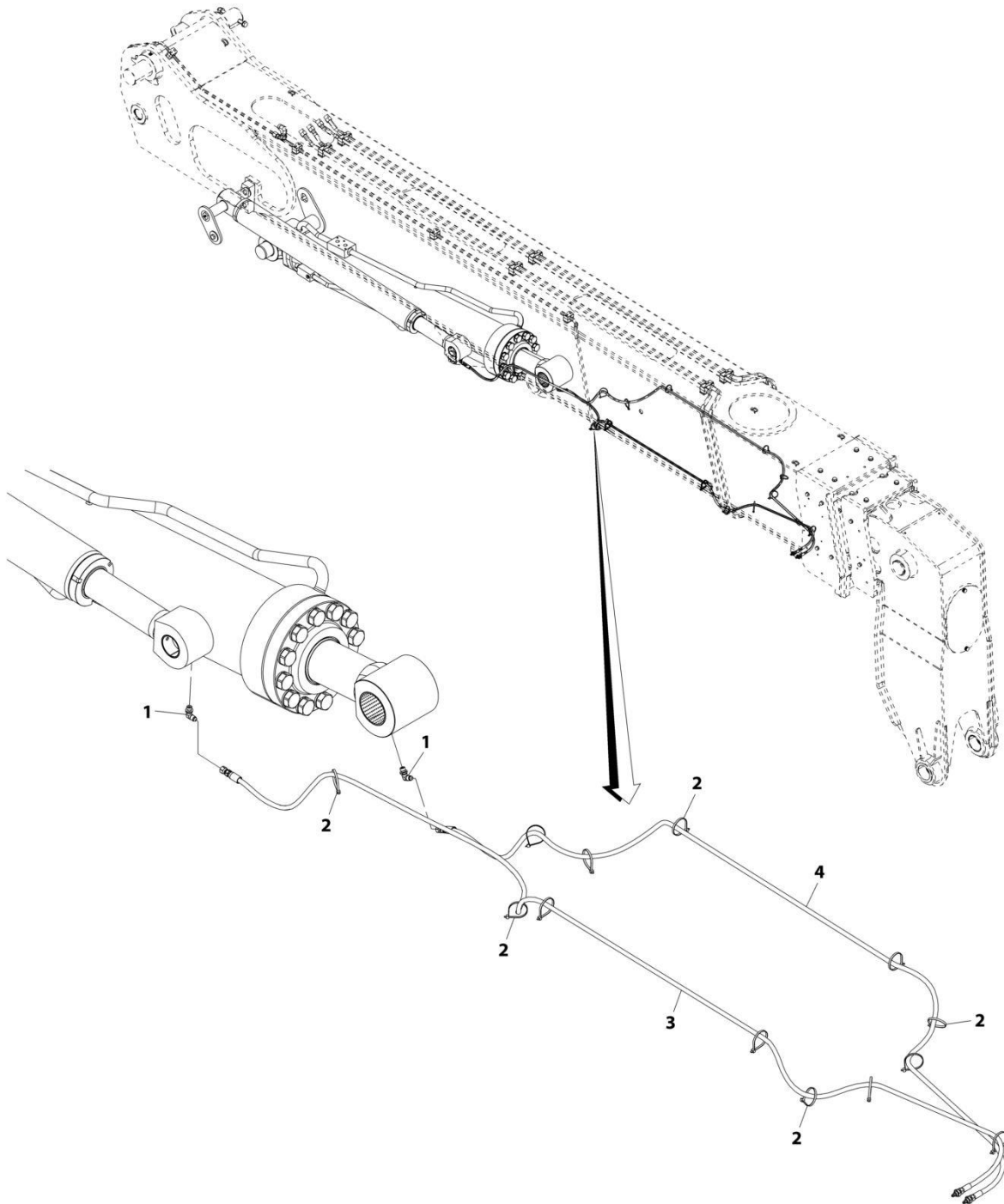
## SECTION 8 - HYDRAULIC CIRCUITS

**FIGURE 8-39. PRIORITY VALVE/FITTINGS ASSEMBLY**

ITEM	PART NUMBER	QTY	DESCRIPTION	REV
	1001192886	Ref	Priority Valve Assembly	D
1	2110406	2	Fitting, Straight ORFS	
2	2110606	4	Fitting, Straight ORFS	
3	2110810	1	Fitting, Straight ORFS	
4	2111010	2	Fitting, Straight ORFS	
5	2111616	1	Fitting, Straight ORFS	
7	8430033	4	Fitting, Straight	
8	1001192888	1	Assembly, Priority Valve (See Separate Breakdown in HYDRAULIC COMPONENTS Section)	
9	1001187355	1	Valve, Check	

# SECTION 8 - HYDRAULIC CIRCUITS

## FIGURE 8-40. REMOTE GREASE INSTALLATION



ART\_1001217353-B

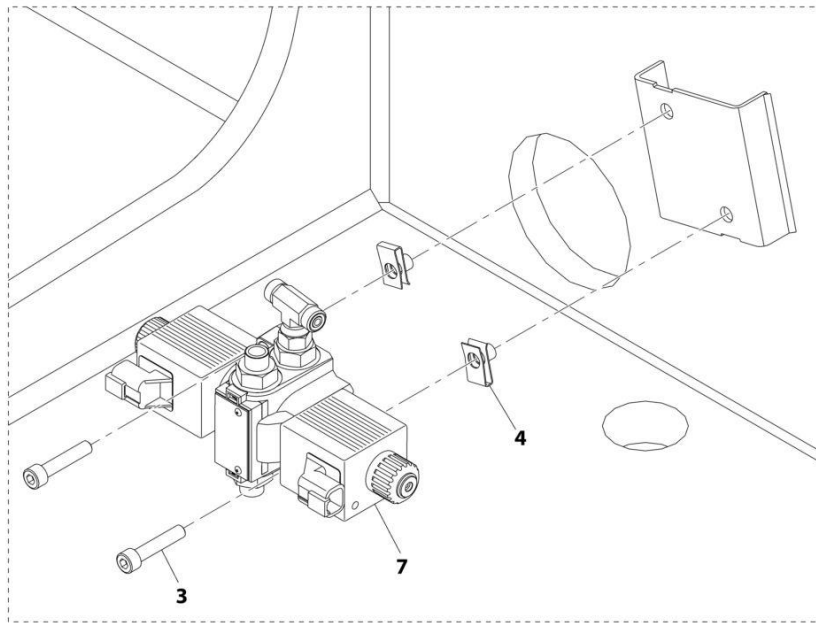
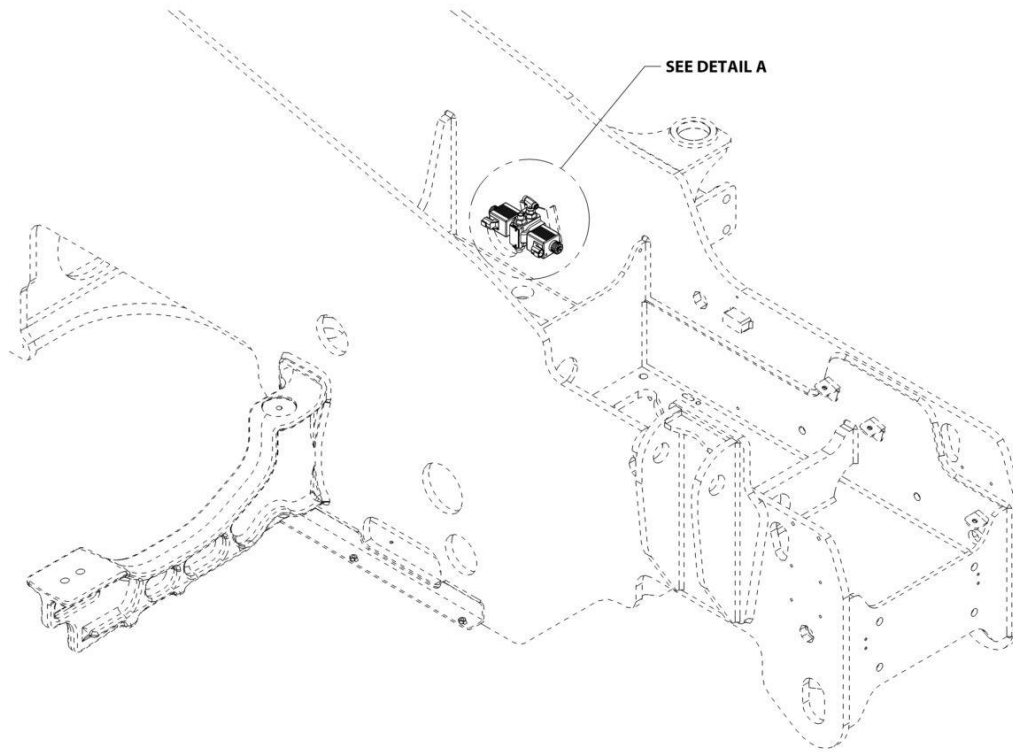
## SECTION 8 - HYDRAULIC CIRCUITS

### FIGURE 8-40. REMOTE GREASE INSTALLATION

ITEM	PART NUMBER	QTY	DESCRIPTION	REV
	1001217353	Ref	Remote Grease Installation	B
1	8770215	2	Fitting, 90 ORFS	
2	1001008559	13	Strap, Cable	
3	1001217355	1	Hose	
4	1001217354	1	Hose	

# SECTION 8 - HYDRAULIC CIRCUITS

## FIGURE 8-41. SPEED CONTROL VALVE INSTALLATION



DETAIL A

ART\_1001197196-B



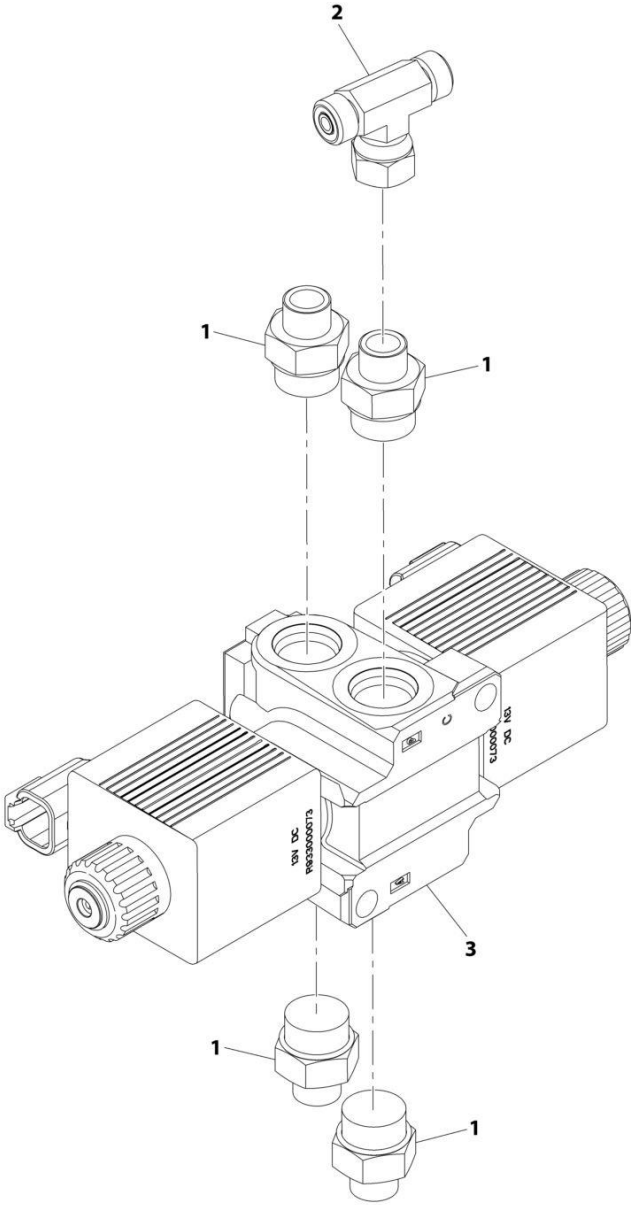
## SECTION 8 - HYDRAULIC CIRCUITS

**FIGURE 8-41. SPEED CONTROL VALVE INSTALLATION**

ITEM	PART NUMBER	QTY	DESCRIPTION	REV
	1001197196	Ref	Speed Control Valve Installation	B
3	4031912	2	Bolt, M8X40	
4	8310686	2	Nut, M8X12.5	
7	1001220643	1	Assembly, Speed Control Valve (See Separate Breakdown in this Section)	

# SECTION 8 - HYDRAULIC CIRCUITS

FIGURE 8-42. SPEED CONTROL VALVE/FITTINGS ASSEMBLY



ART\_1001220643-A

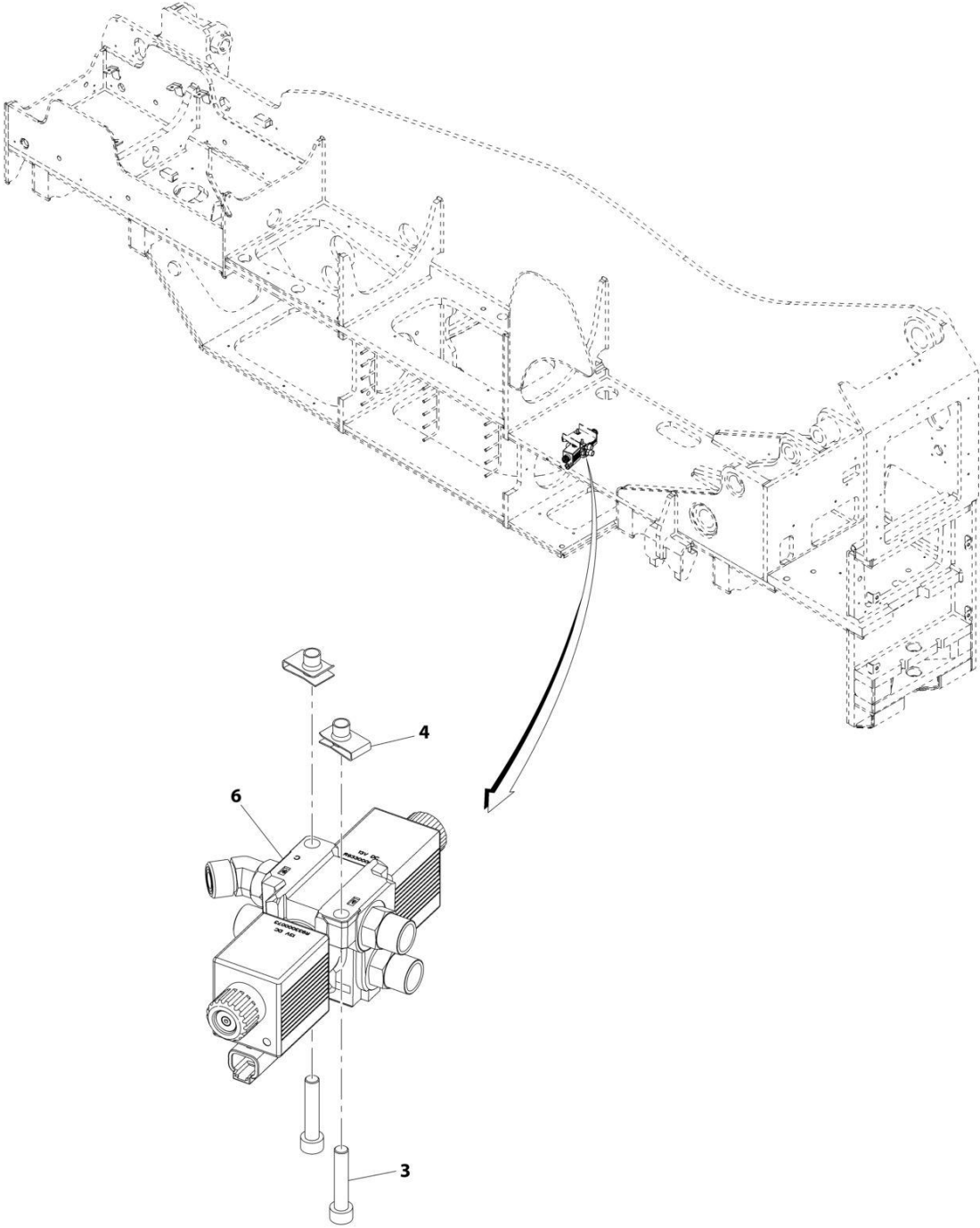
## SECTION 8 - HYDRAULIC CIRCUITS

FIGURE 8-42. SPEED CONTROL VALVE/FITTINGS ASSEMBLY

ITEM	PART NUMBER	QTY	DESCRIPTION	REV
	1001220643	Ref	Speed Control Valve Assembly	A
1	2110408	4	Fitting, Straight ORFS	
2	2170804	1	Fitting, Tee	
3	4641520	1	Valve, Speed Control (See Separate Breakdown in HYDRAULIC COMPONENTS Section)	

**SECTION 8 - HYDRAULIC CIRCUITS**

**FIGURE 8-43. STEERING SELECT VALVE INSTALLATION**



ART\_1001193516-B

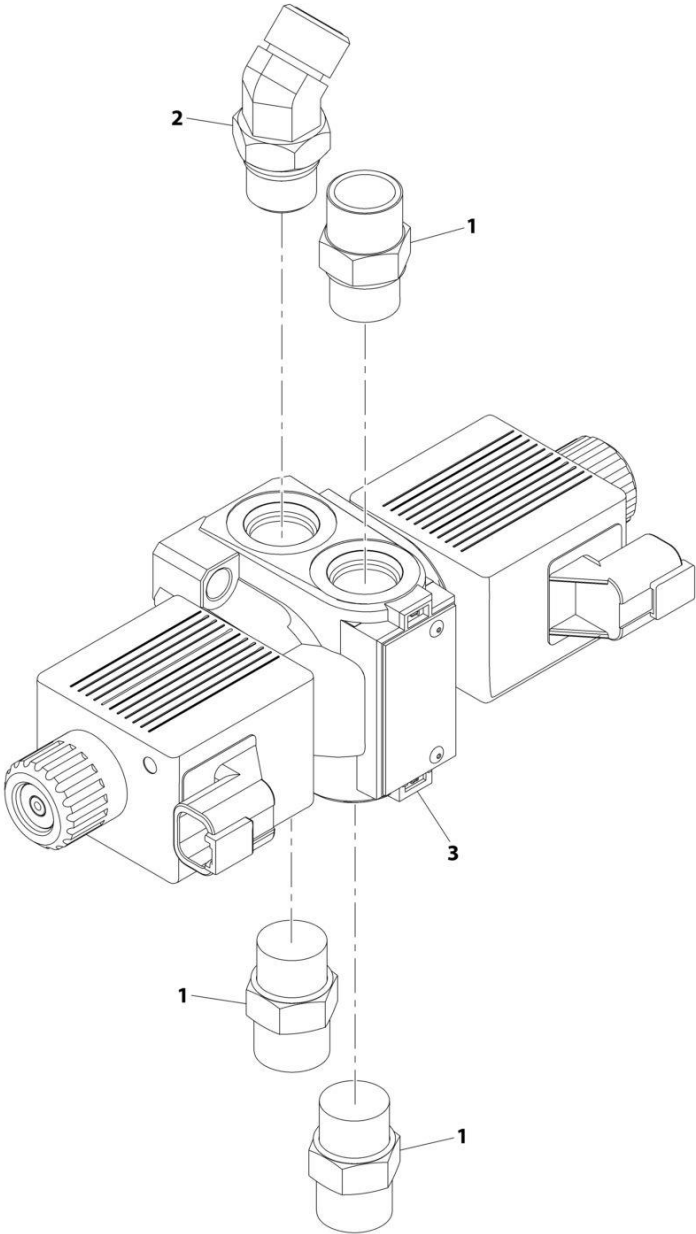
## SECTION 8 - HYDRAULIC CIRCUITS

**FIGURE 8-43. STEERING SELECT VALVE INSTALLATION**

ITEM	PART NUMBER	QTY	DESCRIPTION	REV
	1001193516	Ref	Steering Select Valve Installation	B
3	4031912	2	Bolt, M8X40	
4	8310686	2	Nut, M8X12.5	
6	1001212418	1	Assembly, Steering Select Valve (See Separate Breakdown in this Section)	

**SECTION 8 - HYDRAULIC CIRCUITS**

**FIGURE 8-44. STEERING SELECT VALVE/FITTINGS ASSEMBLY**



ART\_1001212418-A

## SECTION 8 - HYDRAULIC CIRCUITS

**FIGURE 8-44. STEERING SELECT VALVE/FITTINGS ASSEMBLY**

ITEM	PART NUMBER	QTY	DESCRIPTION	REV
	1001212418	Ref	Steering Select Valve Assembly	A
1	2110808	3	Fitting, Straight ORFS	
2	2150808	1	Fitting, 45 ORFS	
3	1001153748	1	Valve, Steering Select (See Separate Breakdown in HYDRAULIC COMPONENTS Section)	

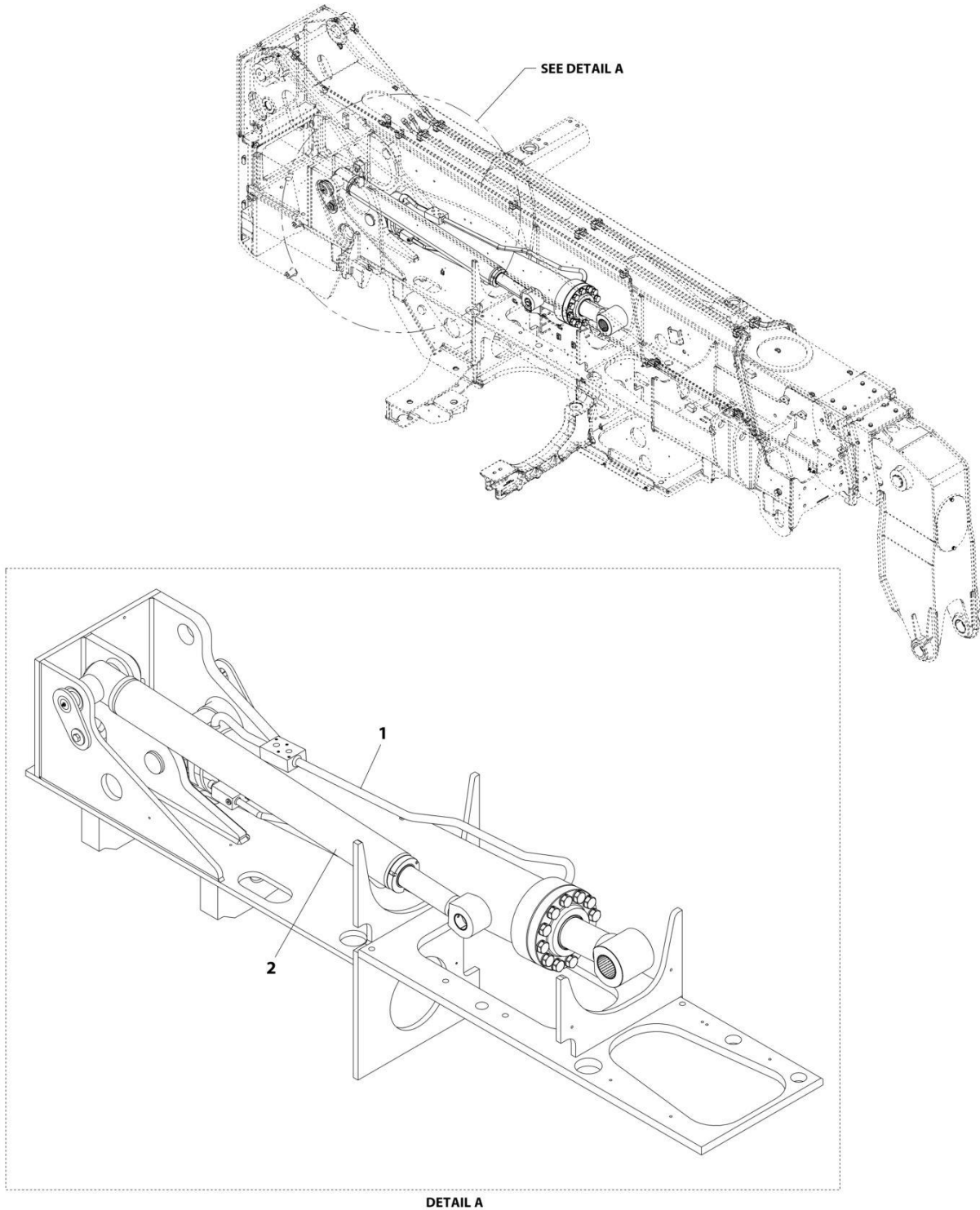




**SECTION 9 - HYDRAULIC COMPONENTS**

# SECTION 9 - HYDRAULIC COMPONENTS

FIGURE 9-1. CYLINDER INSTALLATION - BOOM LIFT & COMPENSATION CYLINDER



ART\_1001192427-B

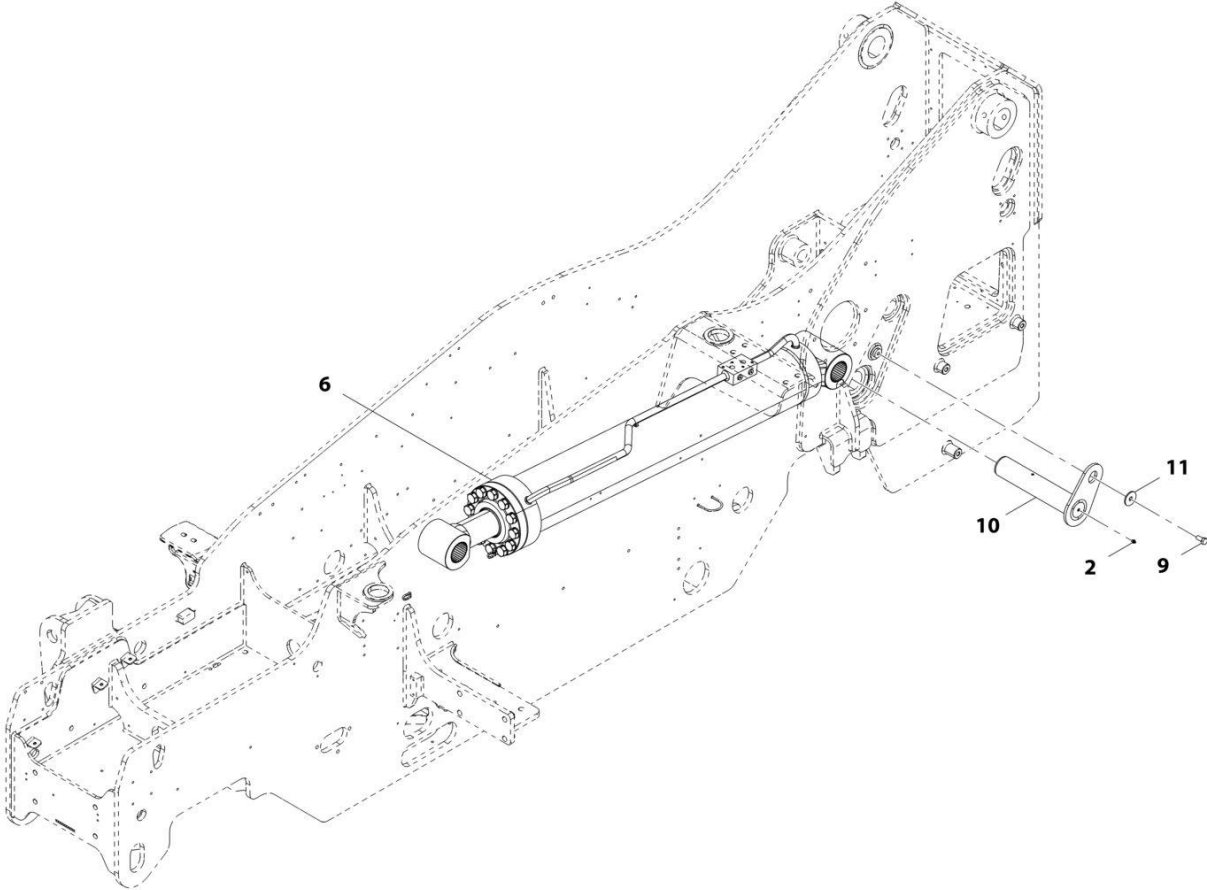
## SECTION 9 - HYDRAULIC COMPONENTS

**FIGURE 9-1. CYLINDER INSTALLATION - BOOM LIFT & COMPENSATION CYLINDER**

ITEM	PART NUMBER	QTY	DESCRIPTION	REV
1	1001192427	Ref	Cylinder Group Installation	B
	1001198577	Ref	Installation, Lift Cylinder (See Separate Breakdown in this Section)	
	1001198578	ref	Installation, Compensation Cylinder (See Separate Breakdown in this Section)	

**SECTION 9 - HYDRAULIC COMPONENTS**

**FIGURE 9-2. CYLINDER INSTALLATION - BOOM LIFT**



ART\_1001198577-C

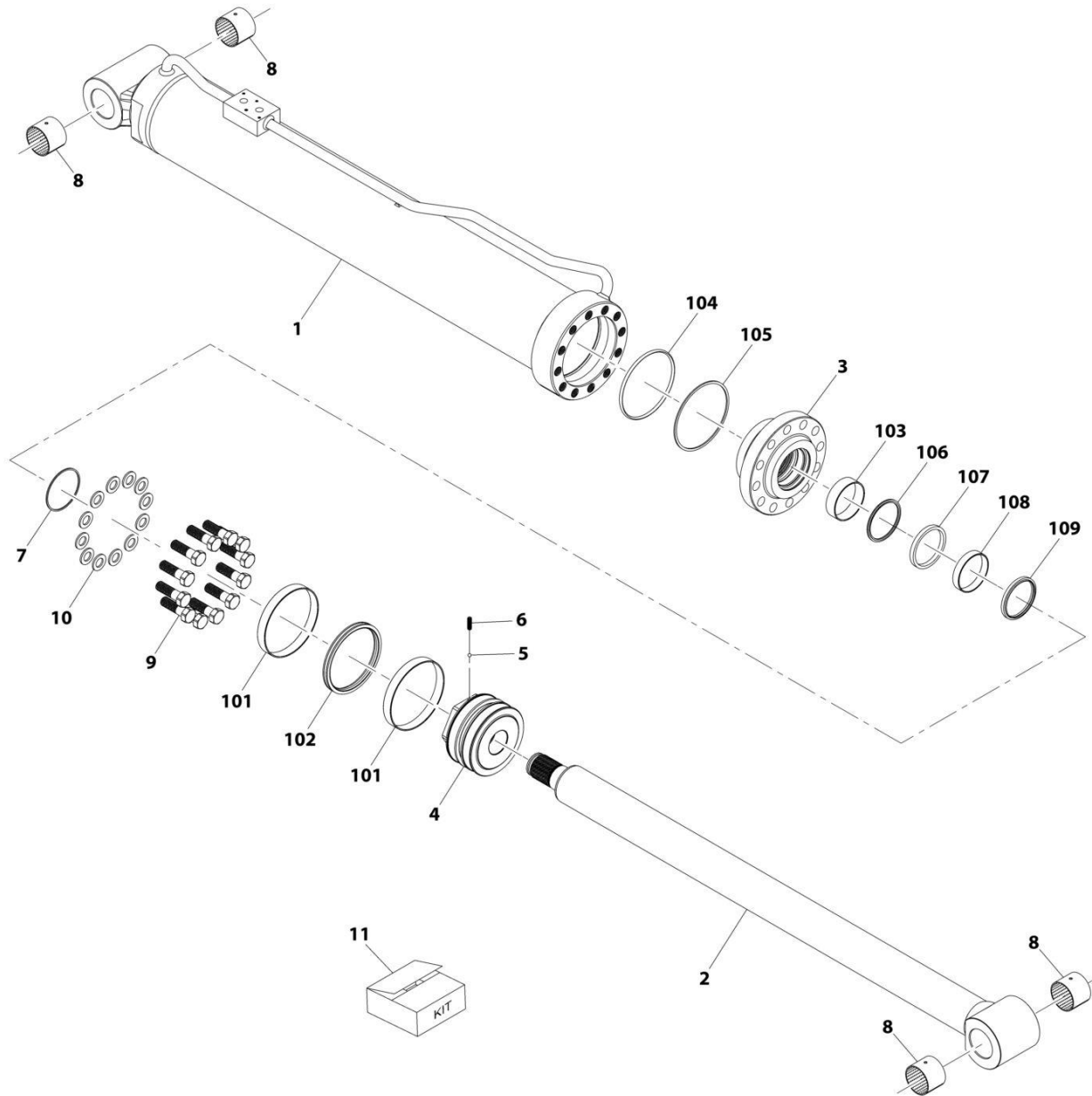
## SECTION 9 - HYDRAULIC COMPONENTS

FIGURE 9-2. CYLINDER INSTALLATION - BOOM LIFT

ITEM	PART NUMBER	QTY	DESCRIPTION	REV
	1001198577	Ref	Lift Cylinder Installation	C
2	2160016	1	Fitting, Grease	
6	1001198715	1	Cylinder, Lift (See Separate Breakdown in this Section)	
9	0771414	1	Bolt, M14X30	
10	1001216331	1	Pin	
11	1001217226	1	Washer	

# SECTION 9 - HYDRAULIC COMPONENTS

## FIGURE 9-3. CYLINDER ASSEMBLY - BOOM LIFT



ART\_1001198715-G

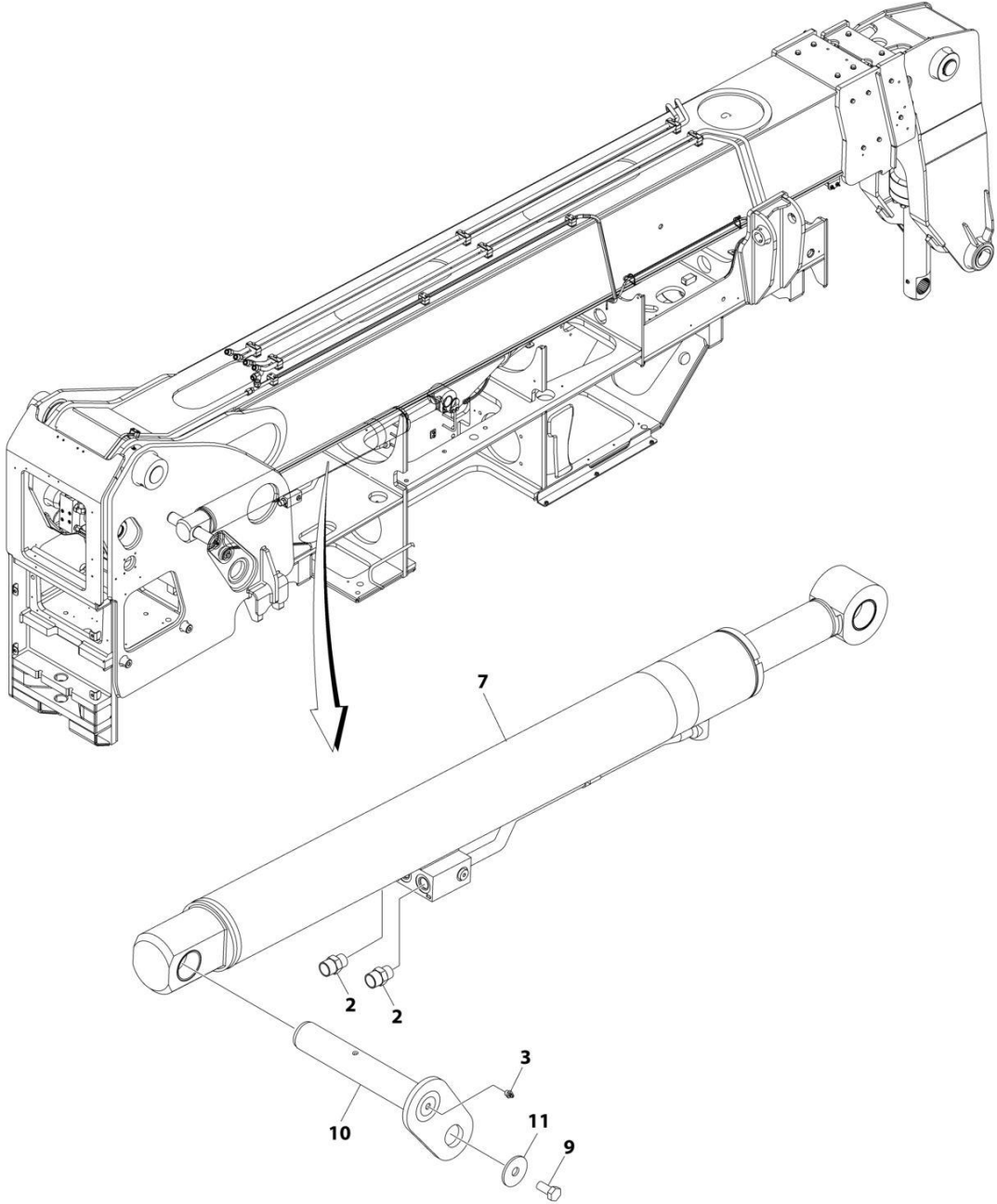
## SECTION 9 - HYDRAULIC COMPONENTS

### FIGURE 9-3. CYLINDER ASSEMBLY - BOOM LIFT

ITEM	PART NUMBER	QTY	DESCRIPTION	REV
	1001198715	Ref	Lift Cylinder	G
		Ref	Note: Original Cylinder May Have Been Replaced with Service Replacement. Identify PN Stamped on Cylinder Before Ordering Parts.	
1	N.S.S.	1	Barrel	
2	70028325	1	Rod	
3	70028307	1	Guide, Rod	
4	70028308	1	Piston	
5	70025614	1	Bearing	
6	70028309	1	Screw, Locking	
7	70025590	1	Ring, Snap	
8	70028310	4	Bushing	
9	70028311	12	Bolt	
10	70028312	12	Washer	
11	70028324	1	Kit, Seal (includes items 101 thru 109)	
101	Kit	2	Ring, Piston	
102	Kit	1	Seal	
103	Kit	1	Wiper, Rod	
104	Kit	1	O-Ring	
105	Kit	1	Ring, Backup	
106	Kit	1	Seal	
107	Kit	1	Seal	
108	Kit	1	Wiper, Rod	
109	Kit	1	Seal	

**SECTION 9 - HYDRAULIC COMPONENTS**

**FIGURE 9-4. CYLINDER INSTALLATION - BOOM COMPENSATION**



ART\_1001198578\_D



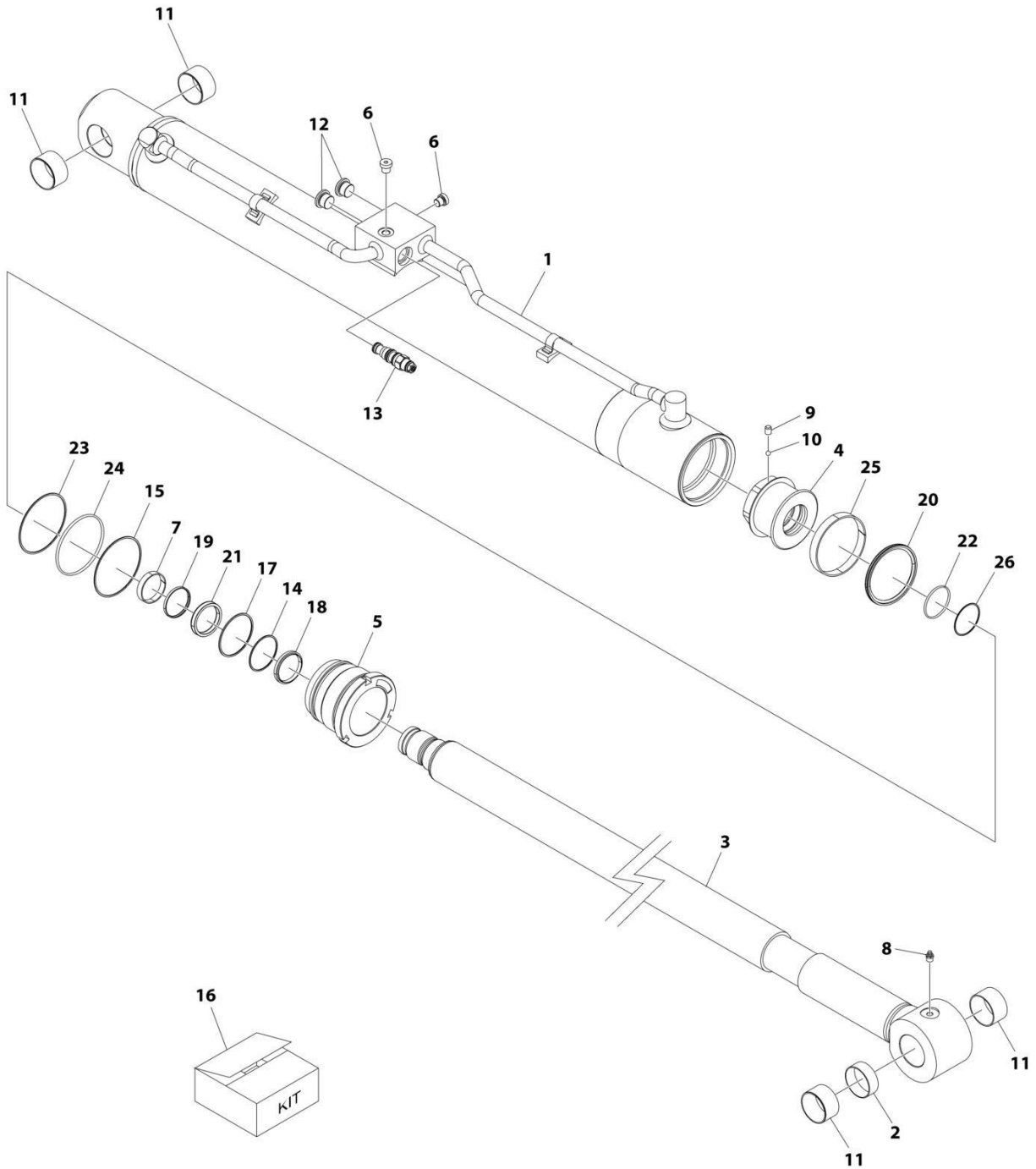
## SECTION 9 - HYDRAULIC COMPONENTS

### FIGURE 9-4. CYLINDER INSTALLATION - BOOM COMPENSATION

ITEM	PART NUMBER	QTY	DESCRIPTION	REV
	1001198578	Ref	CYLINDER INSTALLATION - COMPENSATION CYLINDER	D
2	2111010	2	Fitting, Straight ORFS	
3	2160016	1	Fitting, Grease	
7	1001267979	1	Cylinder, Compensation (See Separate Breakdown in this Section)	
9	0771414	1	Bolt M14 x 30	
10	1001216333	1	Pin	
11	1001217226	1	Washer	

# SECTION 9 - HYDRAULIC COMPONENTS

## FIGURE 9-5. CYLINDER ASSEMBLY - BOOM COMPENSATION



ART\_1001267979

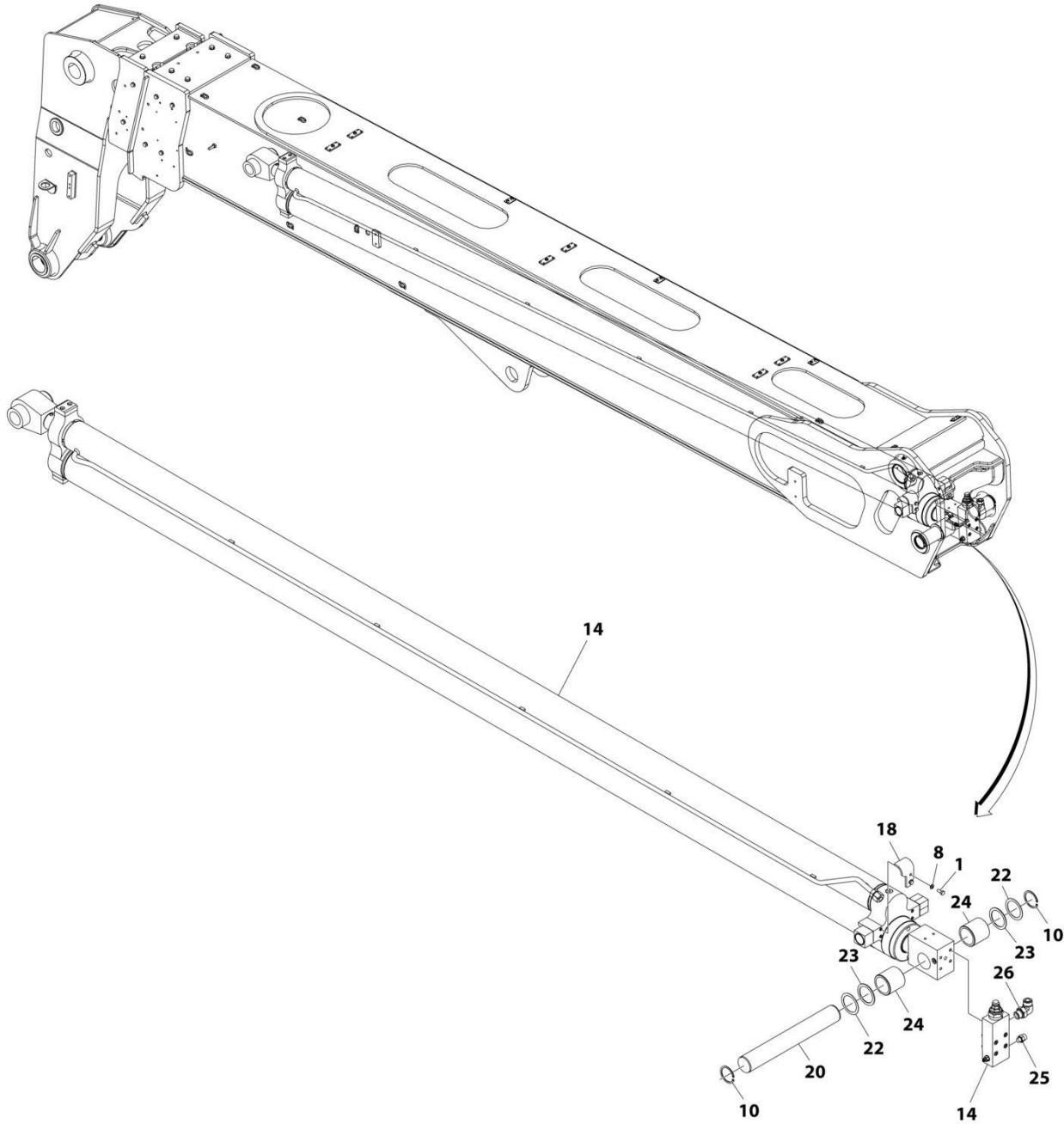
## SECTION 9 - HYDRAULIC COMPONENTS

**FIGURE 9-5. CYLINDER ASSEMBLY - BOOM COMPENSATION**

ITEM	PART NUMBER	QTY	DESCRIPTION	REV
	1001267979	Ref	COMPENSATION CYLINDER	A
		Ref	Note: Original Cylinder May Have Been Replaced with Service Replacement. Identify PN Stamped on Cylinder Before Ordering Parts.	
1	See Note	NSS	Barrel (Note: No Service Parts Available)	
2	70031298	1	Bushing	
3	70031299	1	Rod	
4	70031300	1	Piston	
5	70031301	1	Guide Bushing	
6	70031302	2	Plug	
7	70031303	1	Sliding Bushing	
8	70031304	1	Grease Fitting	
9	70031305	1	Set Screw	
10	70031306	1	Steel Ball	
11	70031307	4	Bushing	
12	2220887	2	Plug	
13	70028384	1	Balance Valve	
14	70031308	1	Ring	
15	70031309	1	Ring, Snap	
16	70031310	1	Seal Kit (Includes Items #17-26)	
17	See Note	NSS	Ring, Back-Up (Note: Use Item 16)	
18	See Note	NSS	Ring, Wiper (Note: Use Item 16)	
19	See Note	NSS	Ring, Buffer (Note: Use Item 16)	
20	See Note	NSS	Seal, Piston (Note: Use Item 16)	
21	See Note	NSS	Seal, Rod (Note: Use Item 16)	
22	See Note	NSS	O-Ring (Note: Use Item 16)	
23	See Note	NSS	O-Ring (Note: Use Item 16)	
24	See Note	NSS	Ring, Wear (Note: Use Item 16)	
25	See Note	NSS	Ring, Back-Up (Note: Use Item 16)	

# SECTION 9 - HYDRAULIC COMPONENTS

## FIGURE 9-6. CYLINDER INSTALLATION - BOOM EXTEND/RETRACT CYLINDER



ART\_1001199325\_J

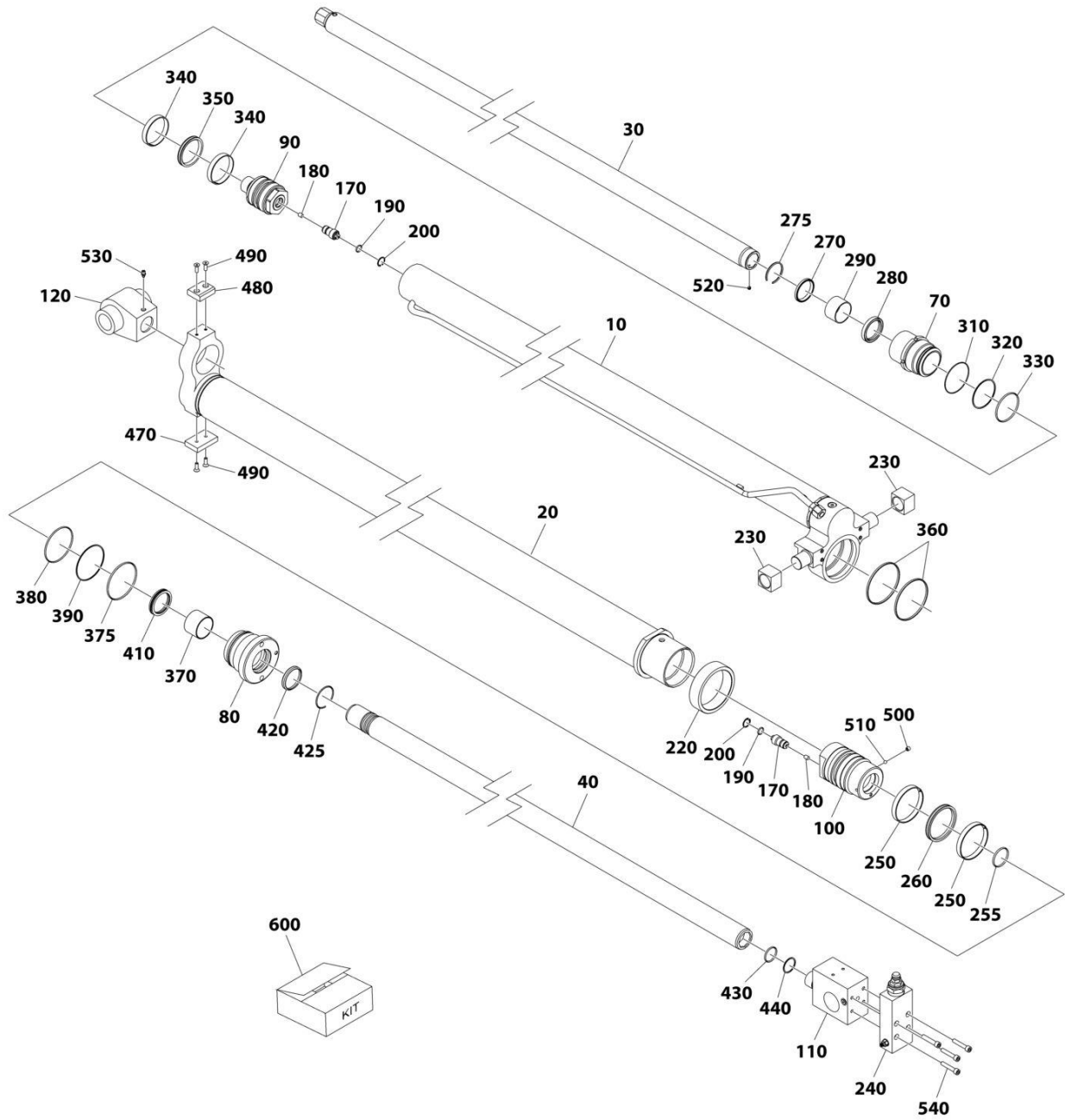
## SECTION 9 - HYDRAULIC COMPONENTS

**FIGURE 9-6. CYLINDER INSTALLATION - BOOM EXTEND/RETRACT CYLINDER**

ITEM	PART NUMBER	QTY	DESCRIPTION	REV
	1001199325	Ref	Extend/Retract Cylinder Installation	1
1	0760810	2	Bolt, M8X20	
8	4811900	2	Washer, M8	
10	8006258	2	Ring, Retaining	
14	1001267975	1	Cylinder, Extend/Retract (See Separate Breakdown in this Section)	
18	1001213562	1	Plate	
20	1001205528	1	Pin	
22	1001100166	2	Shim	
23	1001100169	2	Shim	
24	1001208451	2	Spacer, M70X5X72	
25	2110806	1	Fitting, Straight ORFS	
26	2131212	1	Fitting, 90 ORFS	

# SECTION 9 - HYDRAULIC COMPONENTS

## FIGURE 9-7. CYLINDER ASSEMBLY - BOOM EXTEND/RETRACT CYLINDER



ART\_1001267975

## SECTION 9 - HYDRAULIC COMPONENTS

**FIGURE 9-7. CYLINDER ASSEMBLY - BOOM EXTEND/RETRACT CYLINDER**

ITEM	PART NUMBER	QTY	DESCRIPTION	REV
	1001267975	Ref	CYLINDER ASSEMBLY - TELESCOPE	A
		Ref	Note: Original Cylinder May Have Been Replaced with Service Replacement. Identify PN Stamped on Cylinder Before Ordering Parts.	
10	See Note	NSS	Barrel (Note: Use PN 1001267975)	
20	See Note	NSS	Barrel (Note: Use PN 1001267975)	
30	See Note	NSS	Rod (Note: Use PN 1001267975)	
40	See Note	NSS	Rod (Note: Use PN 1001267975)	
70	70031058	1	Head	
80	70031059	1	Head	
90	70031060	1	Piston	
100	70031061	1	Piston	
110	See Note	NSS	Block, Valve (Note: Use PN 1001267975)	
120	70031062	1	End, Rod	
170	70027087	2	Valve, Check	
180	70031063	2	Filter	
190	70031064	2	Washer	
200	70027074	2	Circlip	
220	70031065	1	Spacer	
230	70031066	2	Bushing	
240	1001200111	1	Valve Assembly (Note: No Service Parts Available. Purchase Complete Assembly)	
250	See Note	NSS	Ring, Piston (Note: Use Item 600)	
255	See Note	NSS	Seal (Note: Use Item 600)	
260	See Note	NSS	Seal, Piston (Note: Use Item 600)	
270	See Note	NSS	Wiper (Note: Use Item 600)	
275	70002222	1	Ring, Retaining	
280	See Note	NSS	Seal, Head (Note: Use Item 600)	
290	70031067	1	Bushing	
310	See Note	NSS	O-Ring (Note: Use Item 600)	
320	See Note	NSS	Ring, Back-up (Note: Use Item 600)	
330	See Note	NSS	O-Ring (Note: Use Item 600)	
340	See Note	NSS	Ring, Piston (Note: Use Item 600)	
350	See Note	NSS	Seal, Piston (Note: Use Item 600)	
360	See Note	NSS	Seal (Note: Use Item 600)	
370	70031068	1	Bushing	
375	See Note	NSS	O-Ring (Note: Use Item 600)	
380	See Note	NSS	O-Ring (Note: Use Item 600)	
390	See Note	NSS	Ring, Back-up (Note: Use Item 600)	
410	See Note	NSS	Seal, Head (Note: Use Item 600)	
420	See Note	NSS	Wiper (Note: Use Item 600)	
425	70002222	1	Ring, Retaining	
430	See Note	NSS	O-Ring (Note: Use Item 600)	
440	See Note	NSS	Ring, Back-up (Note: Use Item 600)	
470	70031017	1	Guide	
480	70031069	1	Guide	
490	70031018	4	Screw M8 x 25	
500	70031070	1	Setscrew M10 x 14	
510	70025614	1	Ball 8mm	
520	70022702	1	Setscrew M8 x 8	

## SECTION 9 - HYDRAULIC COMPONENTS

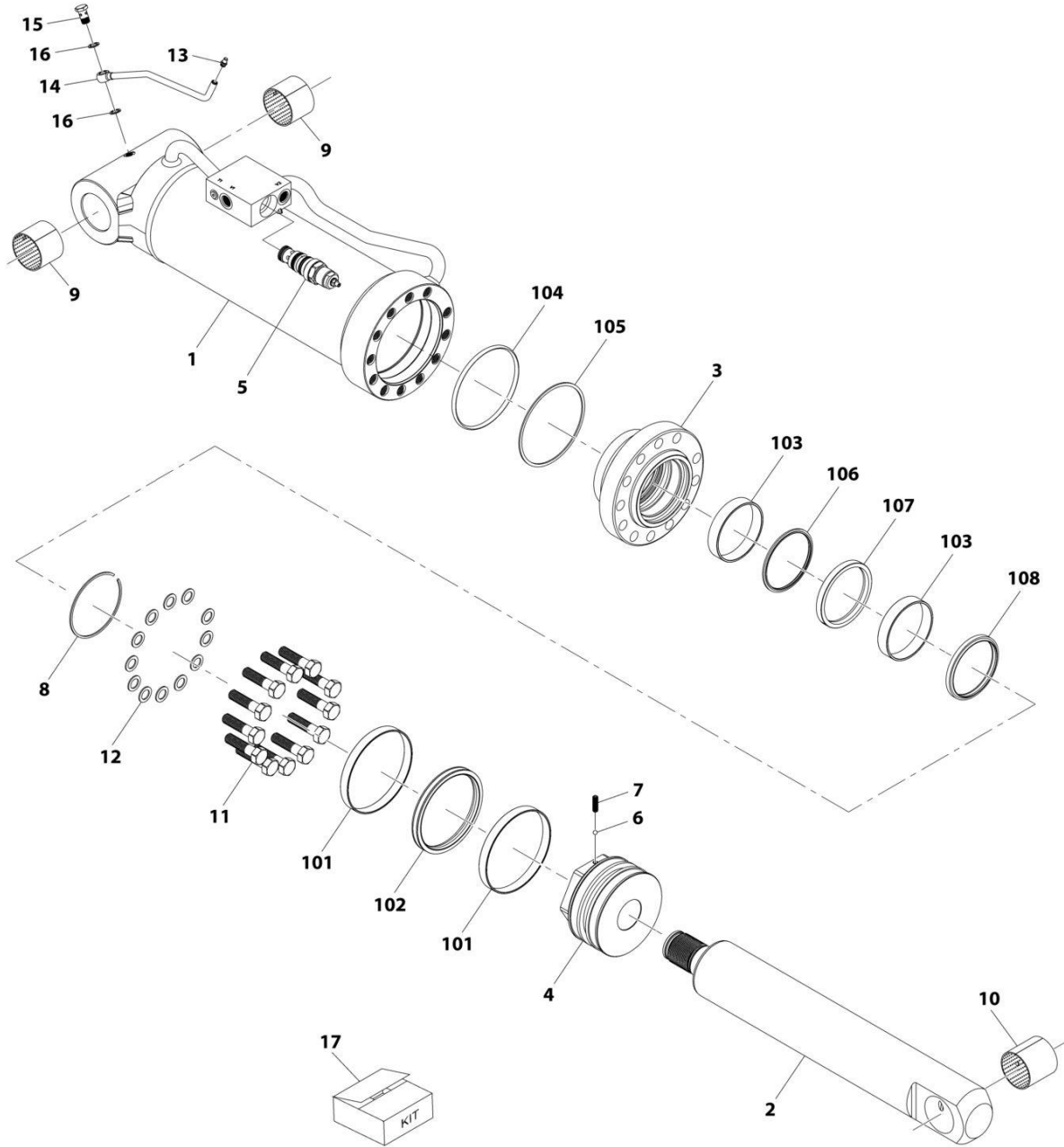
ITEM	PART NUMBER	QTY	DESCRIPTION	REV
530	70031071	1	Setscrew M8 x 18	
540	70031072	4	Capscrew M10 x 55	
600	70031073	1	Seal Kit - 1001267975 Cylinder (Includes Items 250-270, 280, 310-360, 375-420, 430 & 440)	





# SECTION 9 - HYDRAULIC COMPONENTS

## FIGURE 9-8. CYLINDER ASSEMBLY - BOOM TILT



ART\_1001174812-F

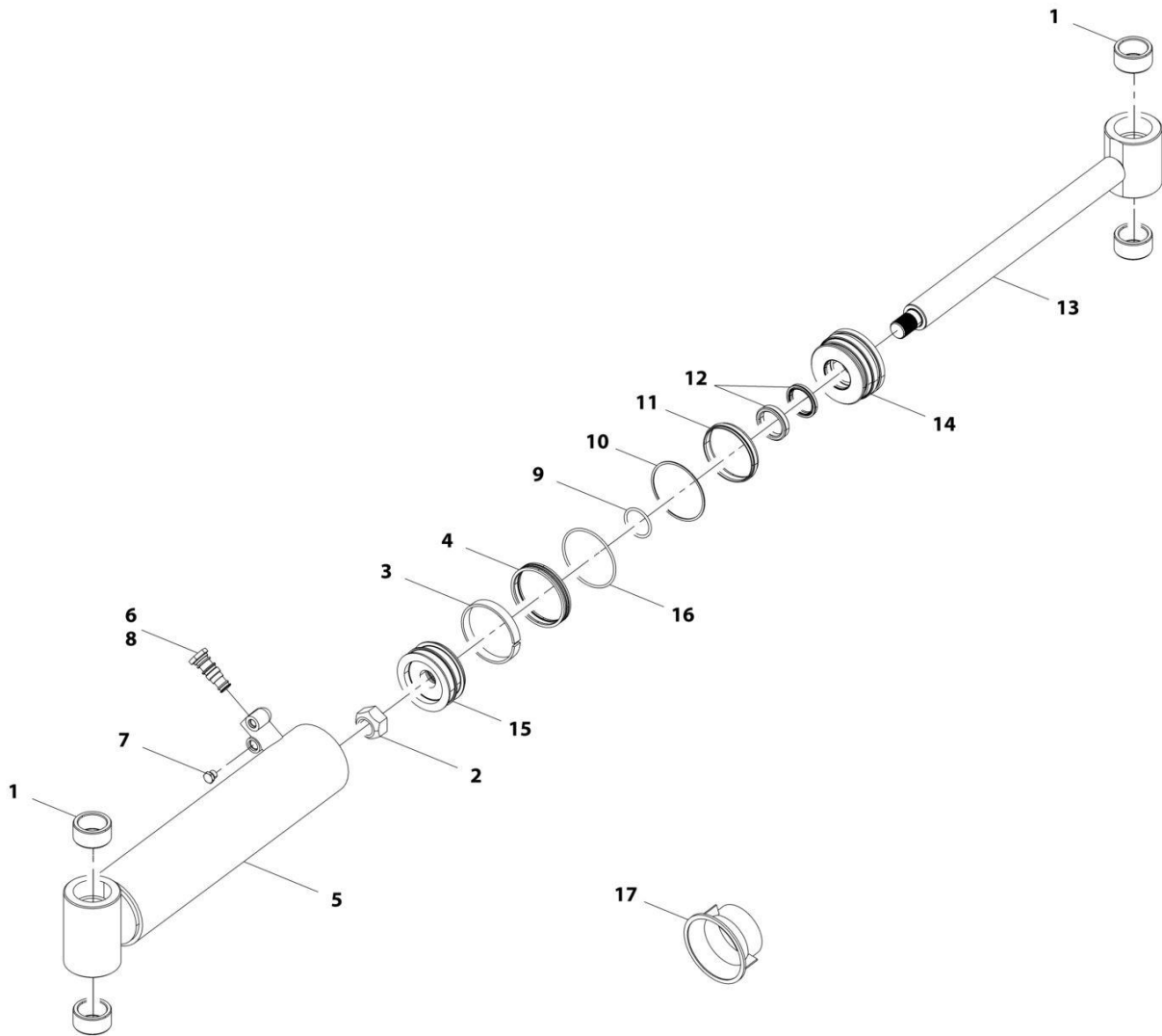
## SECTION 9 - HYDRAULIC COMPONENTS

**FIGURE 9-8. CYLINDER ASSEMBLY - BOOM TILT**

ITEM	PART NUMBER	QTY	DESCRIPTION	REV
	1001174812	Ref	Tilt Cylinder	F
		Ref	Note: Original Cylinder May Have Been Replaced with Service Replacement. Identify PN Stamped on Cylinder Before Ordering Parts.	
1	N.S.S.	1	Barrel	
2	70028314	1	Rod	
3	70028315	1	Piston	
4	70028316	1	Head	
5	70028317	1	Valve, Counterbalance	
6	70025614	1	Bearing	
7	70028309	1	Screw, Locking	
8	70028318	1	Ring, Snap	
9	70028310	2	Bushing	
10	70028319	1	Bushing	
11	70028320	12	Bolt	
12	70028321	12	Washer	
13	70029941	2	Fitting, Grease	
14	70028322	1	Pipe	
15	70024035	1	Screw	
16	70028323	2	Washer	
17	70028324	1	Kit, Seal (includes items 101 thru 108)	
101	Kit	2	Ring, Piston	
102	Kit	1	Seal, Piston	
103	Kit	2	Ring, Rod	
104	Kit	1	"O" Ring	
105	Kit	1	Ring, Back-Up	
106	Kit	1	Seal, Rod	
107	Kit	1	Seal, Rod	
108	Kit	1	Wiper	

# SECTION 9 - HYDRAULIC COMPONENTS

## FIGURE 9-9. CYLINDER ASSEMBLY - BUCKET (4 IN 1 BUCKET)



ART\_70028572-D

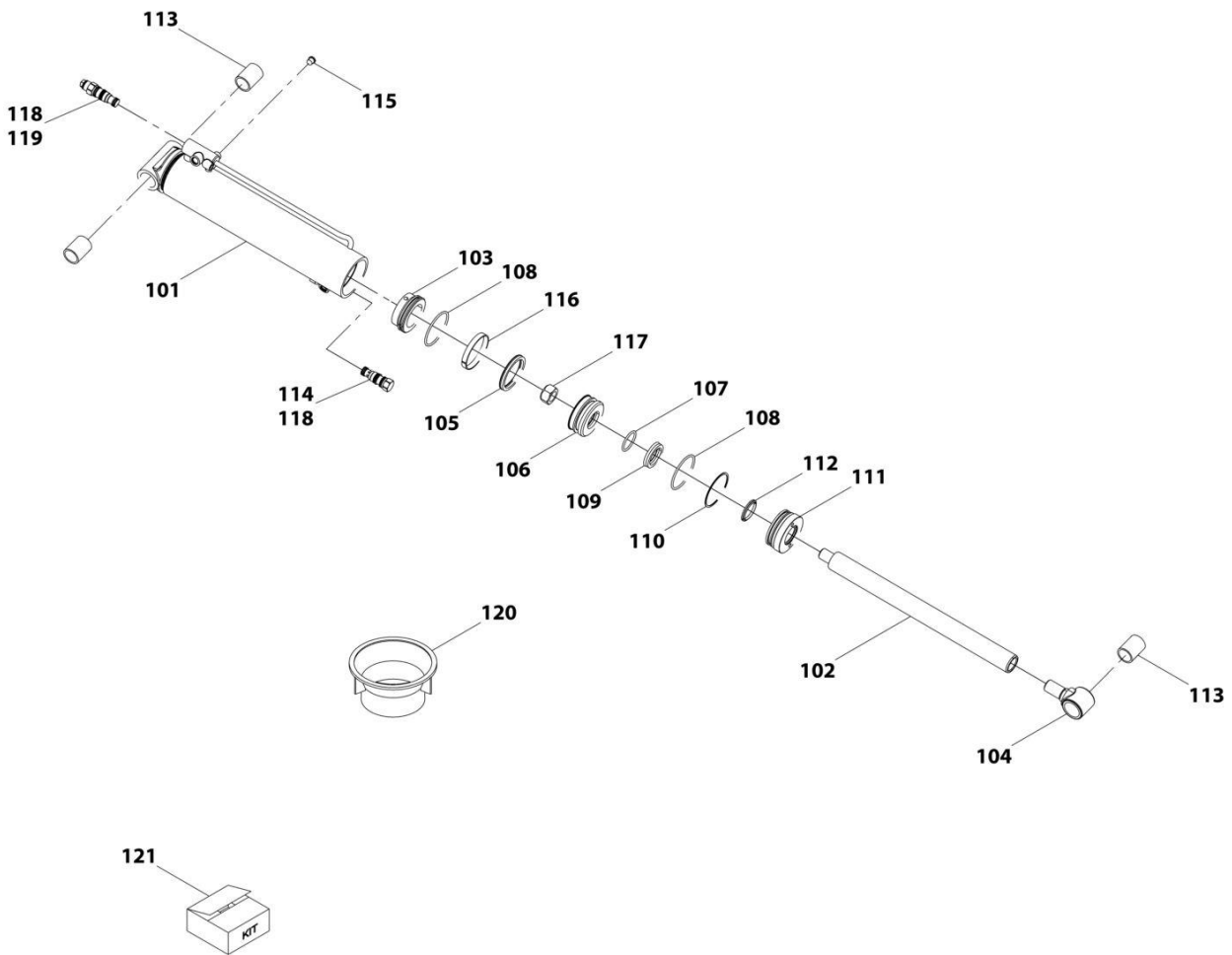
## SECTION 9 - HYDRAULIC COMPONENTS

**FIGURE 9-9. CYLINDER ASSEMBLY - BUCKET (4 IN 1 BUCKET)**

ITEM	PART NUMBER	QTY	DESCRIPTION	REV
	70028572	Ref	Cylinder Assembly	D
		Ref	<b>Note: Original Cylinder May Have Been Replaced with Service Replacement. Identify PN Stamped on Cylinder Before Ordering Parts.</b>	
1	70028581	4	Bearing	
2	70028582	1	Nut	
3	N.S.S.	1	Ring, Wear	
4	N.S.S.	1	Seal	
5	N.S.S.	1	Assembly, Barrel	
6	Kit	1	Kit, Check Valve	
7	70028583	1	Fitting, Straight	
8	70028584	1	Valve, Check	
9	N.S.S.	1	O-Ring	
10	N.S.S.	1	Ring, Back-up	
11	N.S.S.	1	Seal	
12	N.S.S.	2	Wiper	
13	70028585	1	Rod	
14	70028586	1	Retainer	
15	70028587	1	Piston	
16	N.S.S.	1	O-Ring	
17	70028588	1	Tool, Seal Loader	

# SECTION 9 - HYDRAULIC COMPONENTS

## FIGURE 9-10. CYLINDER ASSEMBLY - BUCKET (GRAPPLE BUCKET)



ART\_70026469-C

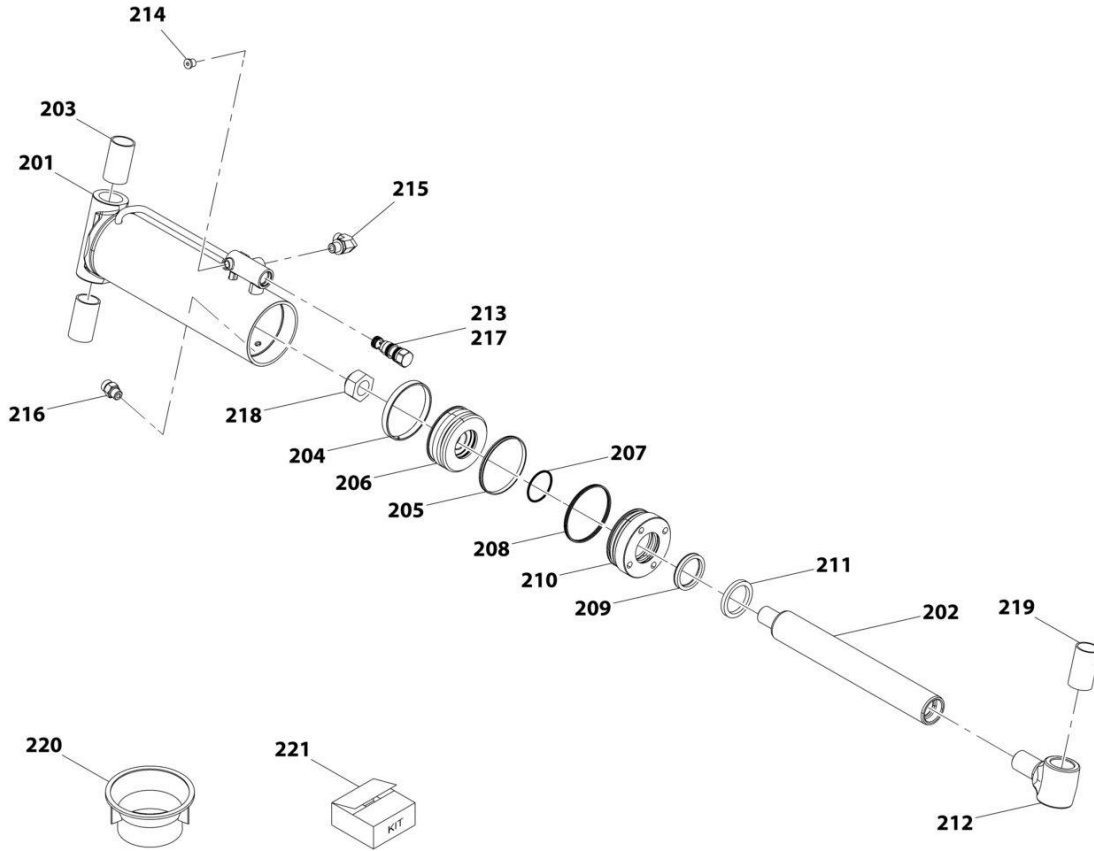
## SECTION 9 - HYDRAULIC COMPONENTS

**FIGURE 9-10. CYLINDER ASSEMBLY - BUCKET (GRAPPLE BUCKET)**

ITEM	PART NUMBER	QTY	DESCRIPTION	REV
	70026469	Ref	Cylinder Assembly	C
		Ref	<b>Note: Original Cylinder May Have Been Replaced with Service Replacement. Identify PN Stamped on Cylinder Before Ordering Parts.</b>	
101	N.S.S.	1	Barrel	
102	70026496	1	Rod	
103	70026497	1	Spacer	
104	70026498	1	End, Rod	
105	Kit	1	Seal	
106	70026499	1	Piston	
107	Kit	1	O-Ring	
108	Kit	2	O-Ring	
109	Kit	1	Ring, Backup	
110	Kit	1	Seal	
111	70026500	1	Retainer	
112	Kit	1	Wiper	
113	70026501	3	Bushing	
114	70026502	1	Valve, Check	
115	70024129	4	Plug	
116	Kit	1	Ring, Wear	
117	70026503	1	Nut	
118	70024734	2	Kit, Check Valve Service	
119	70026504	1	Valve, Counterbalance	
120	70026505	1	Tool, Seal Loader	
121	70026506	1	Kit, Service	

# SECTION 9 - HYDRAULIC COMPONENTS

## FIGURE 9-11. CYLINDER ASSEMBLY - CARRIAGE (LOG HANDLER CYLINDER)



ART\_70028704-C



## SECTION 9 - HYDRAULIC COMPONENTS

**FIGURE 9-11. CYLINDER ASSEMBLY - CARRIAGE (LOG HANDLER CYLINDER)**

ITEM	PART NUMBER	QTY	DESCRIPTION	REV
	70028704	Ref	Log Handler Carriage Cylinder Assembly	C
		Ref	<b>Note: Original Cylinder May Have Been Replaced with Service Replacement. Identify PN Stamped on Cylinder Before Ordering Parts.</b>	
201	N.S.S.	1	Barrel	
202	70028728	1	Rod	
203	70028729	2	Bushing	
204	N.S.S.	1	Ring, Wear	
205	N.S.S.	1	Seal	
206	70028730	1	Piston	
207	N.S.S.	1	O-Ring	
208	N.S.S.	1	Seal	
209	N.S.S.	1	Seal	
210	70028731	1	Retainer	
211	N.S.S.	1	Wiper	
212	N.S.S.	1	End, Rod (included with item 202)	
213	70024733	1	Valve, Check	
214	70024129	2	Plug	
215	70024123	1	Fitting, 90	
216	70024130	1	Fitting, Straight	
217	70024734	1	Kit, Check Valve	
218	70028732	1	Nut	
219	70028729	1	Bushing (included with item 202)	
220	70028588	1	Tool, Seal Loader	
221	70028733	1	Kit, Seal (includes items 204, 205, 207, 208, 208, 211, 220)	



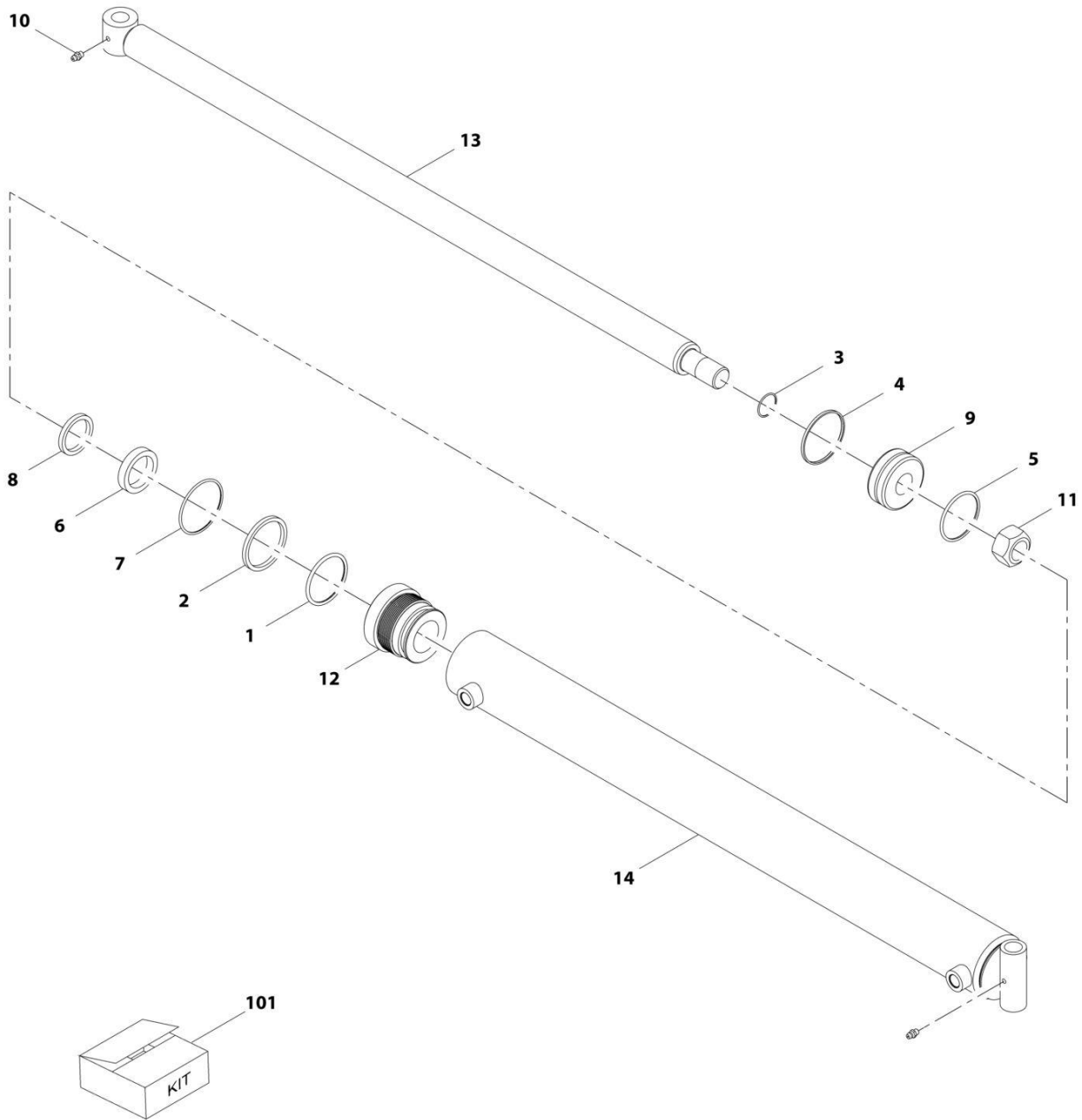
## SECTION 9 - HYDRAULIC COMPONENTS

**FIGURE 9-12. CYLINDER ASSEMBLY - COUPLER LOCKING**

ITEM	PART NUMBER	QTY	DESCRIPTION	REV
	1001267977	Ref	COUPLER LOCKING CYLINDER	B
		Ref	Note: Original Cylinder May Have Been Replaced with Service Replacement. Identify PN Stamped on Cylinder Before Ordering Parts.	
1	70031293	2	Rod	
2	70031294	2	Bushing	
3	70031295	2	Ring, Snap	
4	See Note	NSS	Barrel (Note: Not Sold Separately, Purchase 1001267977)	
5	70031296	1	Plug	
6	2220885	2	Plug	
7	70031297	1	Seal Kit (Includes Items 8-12)	
8	See Note	2	Seal, Piston (Note: Use Item 7)	
9	See Note	2	Seal, Rod (Note: Use Item 7)	
10	See Note	2	Ring, Wiper (Note: Use Item 7)	
11	See Note	2	O-Ring (Note: Use Item 7)	
12	See Note	2	Ring, Backup (Note: Use Item 7)	

# SECTION 9 - HYDRAULIC COMPONENTS

## FIGURE 9-13. CYLINDER ASSEMBLY - FORK POSITIONING



ART\_70028599-C

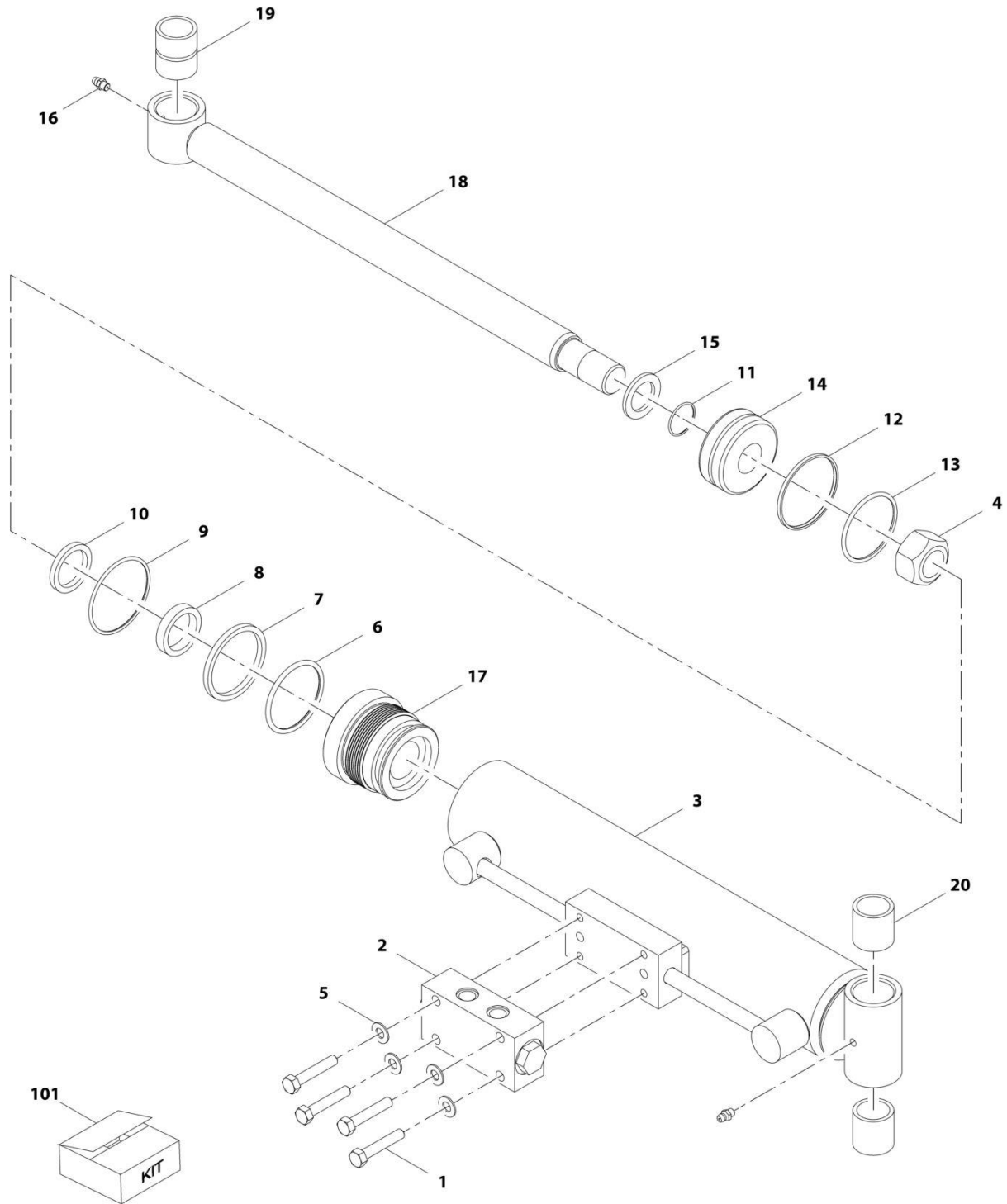
## SECTION 9 - HYDRAULIC COMPONENTS

**FIGURE 9-13. CYLINDER ASSEMBLY - FORK POSITIONING**

ITEM	PART NUMBER	QTY	DESCRIPTION	REV
	70028599	Ref	Fork Positioning Cylinder Assembly	C
		Ref	<b>Note: Original Cylinder May Have Been Replaced with Service Replacement. Identify PN Stamped on Cylinder Before Ordering Parts.</b>	
1	Kit	1	O-Ring	
2	Kit	1	O-Ring	
3	Kit	1	O-Ring	
4	Kit	1	Seal	
5	Kit	1	O-Ring	
6	Kit	1	Seal	
7	Kit	1	O-Ring	
8	Kit	1	Seal	
9	70028609	1	Piston, Cylinder	
10	90554045	2	Fitting, Grease	
11	70021440	1	Nut	
12	70028610	1	Gland, Cylinder	
13	70028611	1	Rod	
14	N.S.S.	1	Tube	
101	Kit	1	Kit, Seal	

# SECTION 9 - HYDRAULIC COMPONENTS

## FIGURE 9-14. CYLINDER INSTALLATION - FORK POSITIONING SIDE SHIFT



ART\_70028603-C

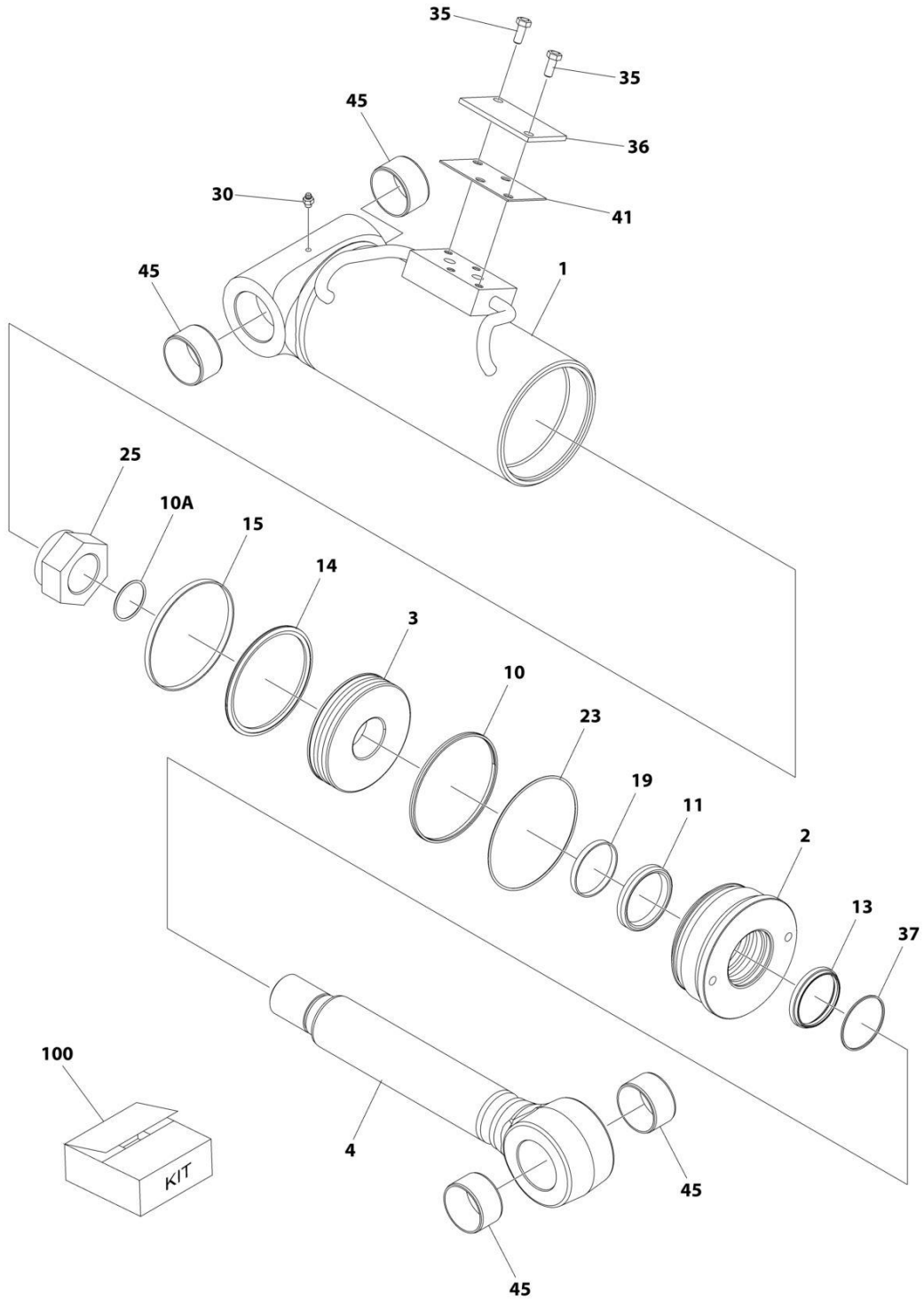
## SECTION 9 - HYDRAULIC COMPONENTS

**FIGURE 9-14. CYLINDER INSTALLATION - FORK POSITIONING SIDE SHIFT**

ITEM	PART NUMBER	QTY	DESCRIPTION	REV
	70028603	Ref	Side Shift Cylinder Assembly	C
		Ref	<b>Note: Original Cylinder May Have Been Replaced with Service Replacement. Identify PN Stamped on Cylinder Before Ordering Parts.</b>	
1	70028612	4	Bolt	
2	70028613	1	Valve	
3	N.S.S.	1	Tube	
4	70021440	1	Nut	
5	70028614	4	Washer, Flat	
6	Kit	1	O-Ring	
7	Kit	1	O-Ring	
8	Kit	1	Seal	
9	Kit	1	O-Ring	
10	Kit	1	Seal	
11	Kit	1	O-Ring	
12	Kit	1	Seal	
13	Kit	1	O-Ring	
14	70021451	1	Piston	
15	70021444	1	Spacer	
16	90554045	2	Fitting, Grease	
17	70021446	1	Gland, Cylinder	
18	70021445	1	Rod	
19	70021447	1	Bushing	
20	70021448	2	Bushing	
101	70021452	1	Kit, Seal (includes items 6 thru 13)	

# SECTION 9 - HYDRAULIC COMPONENTS

## FIGURE 9-15. CYLINDER ASSEMBLY - FRAME LEVEL



ART\_1001267973



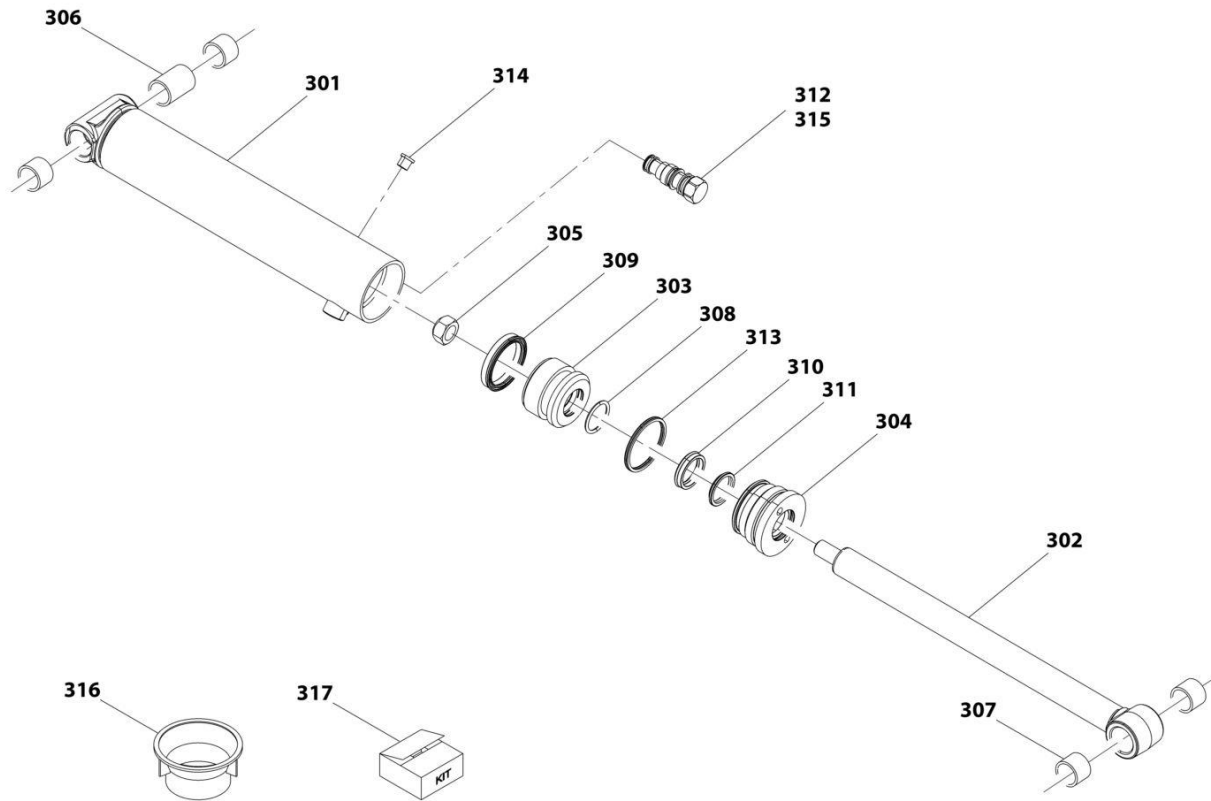
## SECTION 9 - HYDRAULIC COMPONENTS

### FIGURE 9-15. CYLINDER ASSEMBLY - FRAME LEVEL

ITEM	PART NUMBER	QTY	DESCRIPTION	REV
	1001267973	Ref	CYLINDER ASSEMBLY	B
		Ref	Note: Original Cylinder May Have Been Replaced with Service Replacement. Identify PN Stamped on Cylinder Before Ordering Parts.	
1	See Note	NSS	Barrel (Note: Use PN 1001267973)	
2	70030388	1	Head	
3	70030389	1	Piston	
4	70030403	1	Rod	
10	See Note	NSS	Seal, Dual (Note: Use Item 100)	
10A	See Note	NSS	O-Ring (Note: Use Item 100)	
11	See Note	NSS	Seal, Rod (Note: Use Item 100)	
13	See Note	NSS	Wiper (Note: Use Item 100)	
14	See Note	NSS	Seal, Piston (Note: Use Item 100)	
15	See Note	NSS	Ring, Wear (Note: Use Item 100)	
19	See Note	NSS	Ring, Wear (Note: Use Item 100)	
23	See Note	NSS	Seal, Environmental (Note: Use Item 100)	
25	70030391	1	Nut 1-3/4	
30	70030404	1	Fitting, Grease	
35		Ref	Bolt M8 x 1-1/4	
36		Ref	Plate, Shipping	
37	70030392	1	Mask, Wiper	
41		Ref	Gasket, Shipping	
45	70030393	4	Bushing	
100	70030394	1	Seal Kit (Includes Items 10, 10A, 11, 13, 14, 15, 19 & 23)	

# SECTION 9 - HYDRAULIC COMPONENTS

## FIGURE 9-16. CYLINDER ASSEMBLY - PIPE HANDLER CARRIAGE (UPPER)



ART\_70028652-D

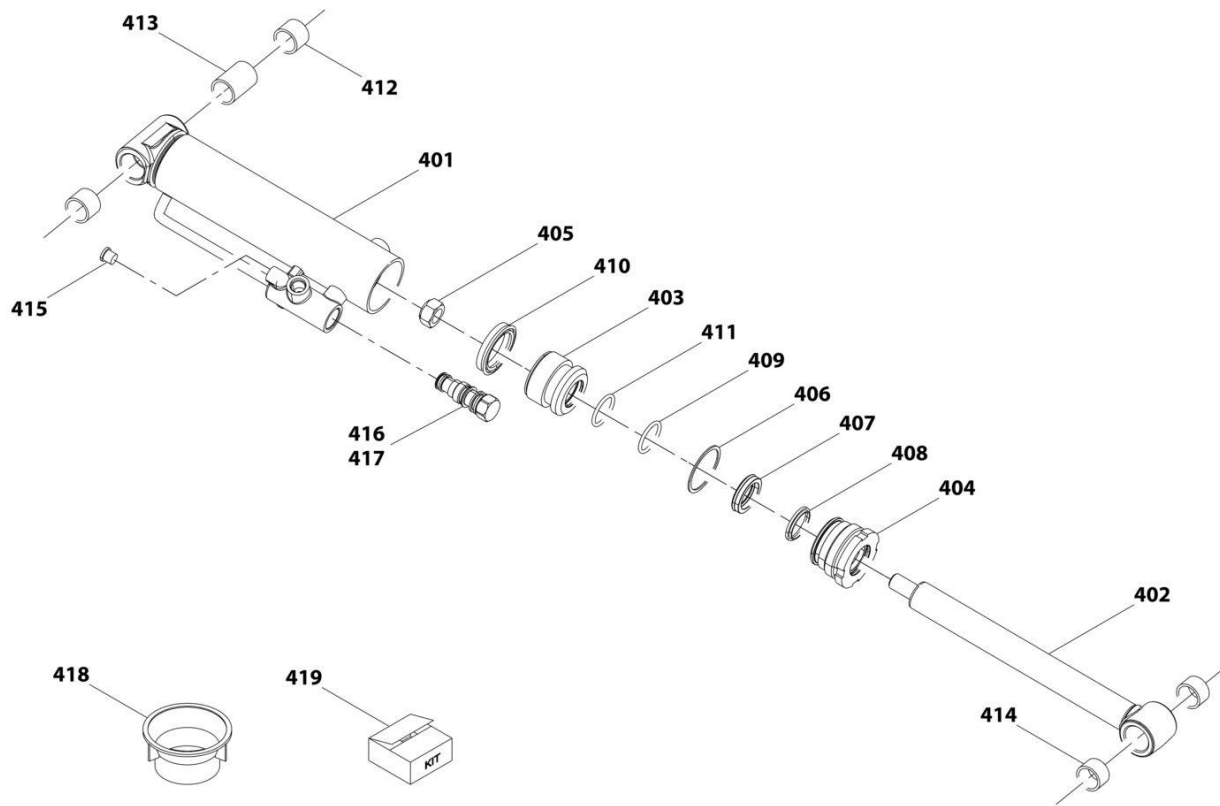
## SECTION 9 - HYDRAULIC COMPONENTS

**FIGURE 9-16. CYLINDER ASSEMBLY - PIPE HANDLER CARRIAGE (UPPER)**

ITEM	PART NUMBER	QTY	DESCRIPTION	REV
	70028652	Ref	Upper Cylinder Assembly	D
		Ref	<b>Note: Original Cylinder May Have Been Replaced with Service Replacement. Identify PN Stamped on Cylinder Before Ordering Parts.</b>	
301	N.S.S.	1	Barrel	
302	70028270	1	Rod	
303	70028254	1	Piston	
304	70028255	1	Retainer	
305	70028258	1	Nut	
306	70028257	1	Spacer	
307	70028256	4	Bushing	
308	N.S.S.	1	O-Ring	
309	N.S.S.	1	Seal	
310	N.S.S.	1	Seal	
311	N.S.S.	1	Wiper	
312	70026502	1	Valve, Check	
313	N.S.S.	1	Seal	
314	70024129	2	Plug	
315	70024734	1	Kit, Check Valve	
316	70028691	1	Tool, Seal Loader	
317	70028770	1	Kit, Seal	

# SECTION 9 - HYDRAULIC COMPONENTS

## FIGURE 9-17. CYLINDER ASSEMBLY - PIPE HANDLER CARRIAGE (LOWER)



ART\_70028653-D

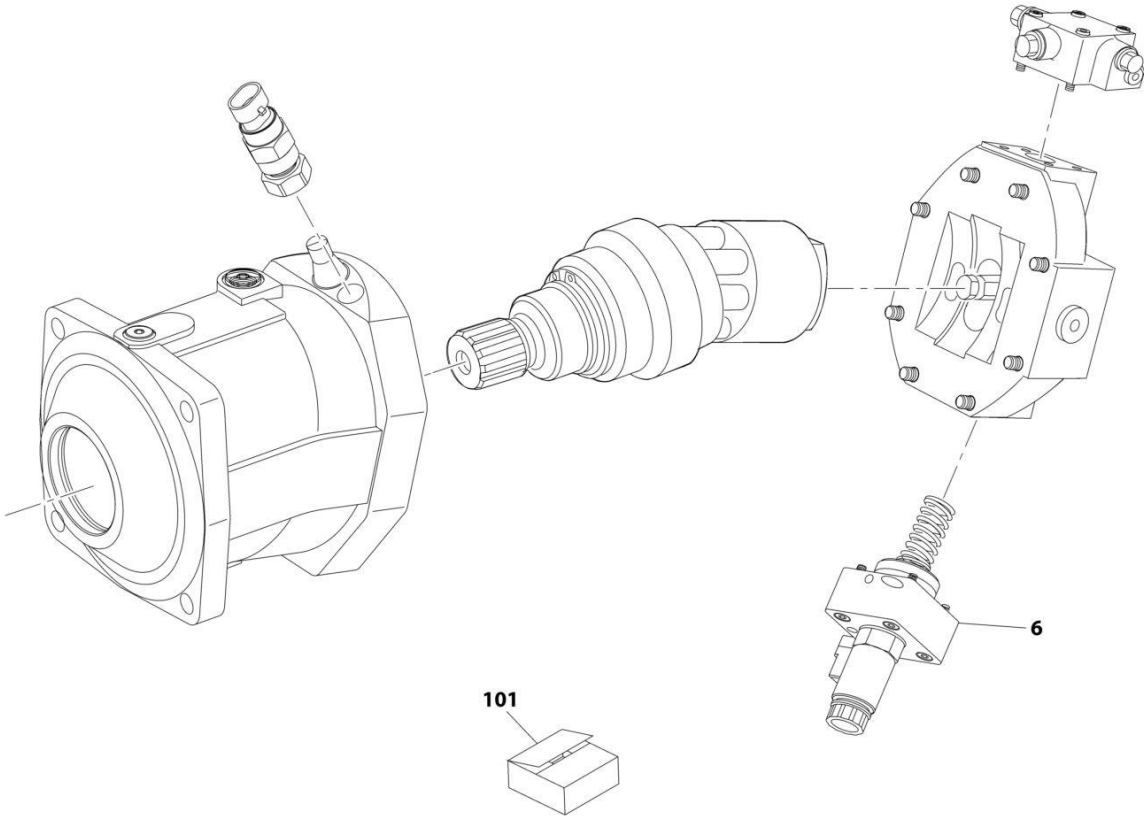
## SECTION 9 - HYDRAULIC COMPONENTS

**FIGURE 9-17. CYLINDER ASSEMBLY - PIPE HANDLER CARRIAGE (LOWER)**

ITEM	PART NUMBER	QTY	DESCRIPTION	REV
	70028653	Ref	Lower Cylinder Assembly	D
		Ref	<b>Note: Original Cylinder May Have Been Replaced with Service Replacement. Identify PN Stamped on Cylinder Before Ordering Parts.</b>	
401	N.S.S.	1	Barrel	
402	70028692	1	Rod	
403	70024142	1	Piston	
404	70028693	1	Retainer	
405	70028258	1	Nut	
406	N.S.S.	1	Ring, Backup	
407	N.S.S.	1	Seal	
408	N.S.S.	1	Wiper	
409	N.S.S.	1	O-Ring	
410	N.S.S.	1	Seal	
411	N.S.S.	1	O-Ring	
412	70028256	2	Bushing	
413	70028257	1	Spacer	
414	70028694	2	Bushing	
415	70024129	2	Plug	
416	70026502	1	Valve, Check	
417	70024734	1	Kit, Check Valve	
418	70028691	1	Tool, Seal Loader	
419	70028771	1	Kit, Seal	

# SECTION 9 - HYDRAULIC COMPONENTS

## FIGURE 9-18. MOTOR ASSEMBLY - HYDROSTATIC

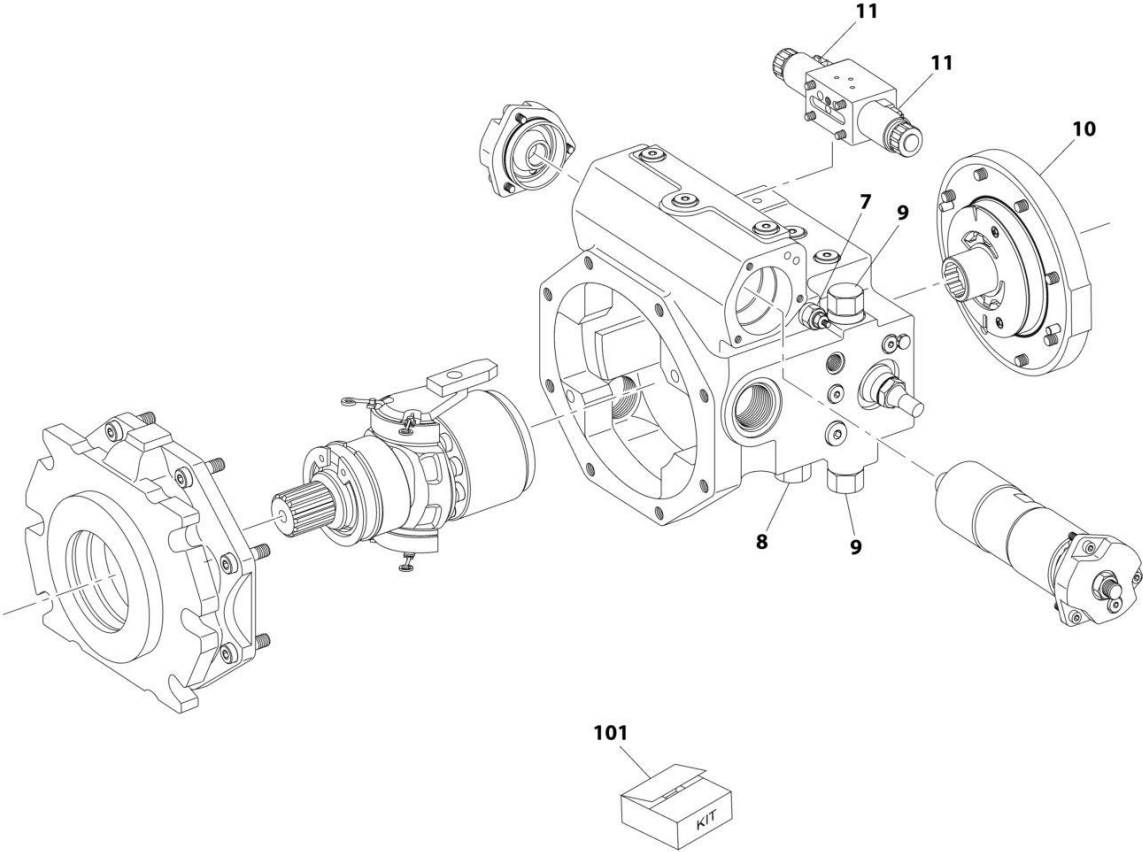


ART\_1001193308-C



**SECTION 9 - HYDRAULIC COMPONENTS**

**FIGURE 9-19. PUMP ASSEMBLY - HYDROSTATIC**



ART\_1001193307-D



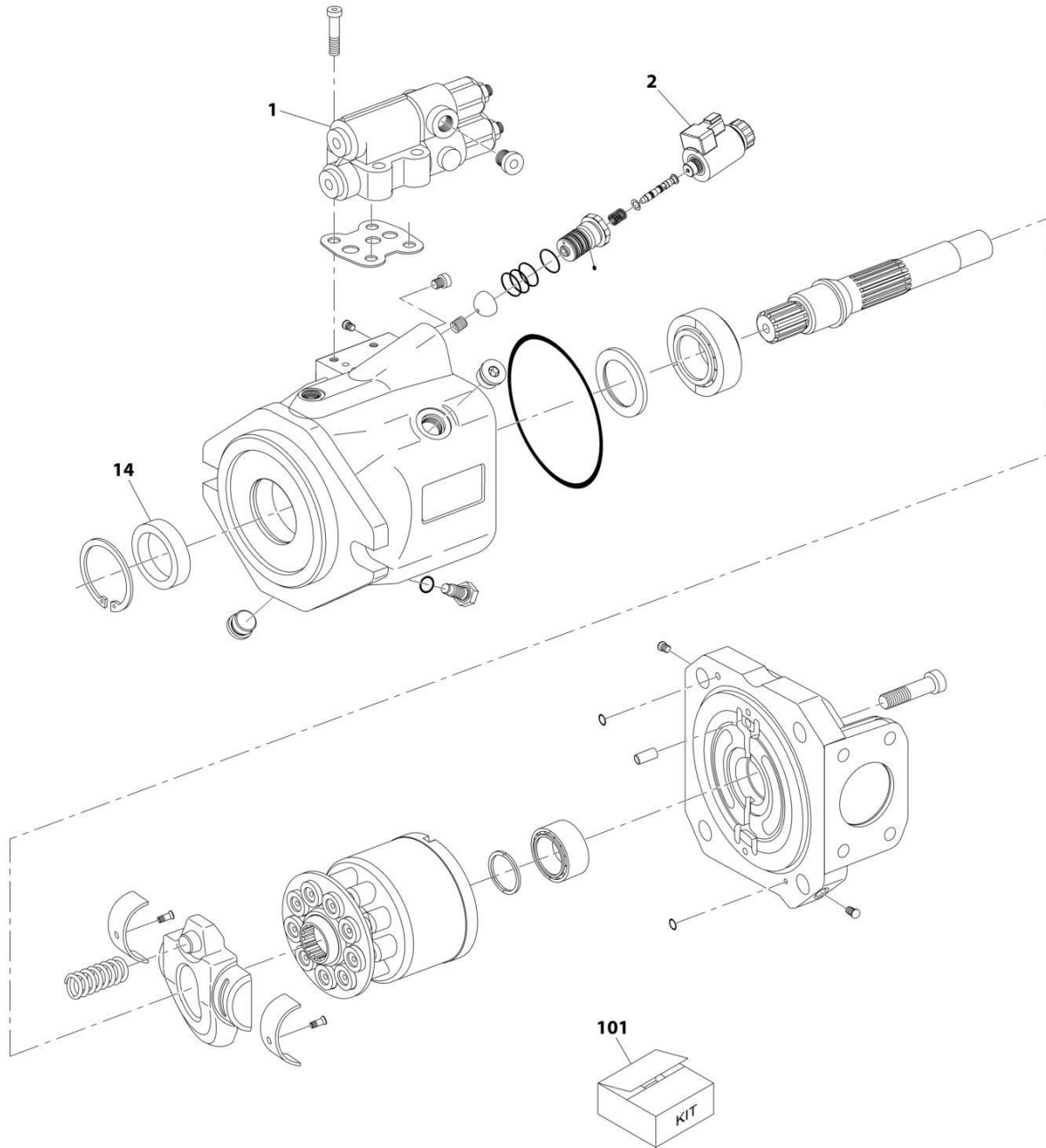
## SECTION 9 - HYDRAULIC COMPONENTS

### FIGURE 9-19. PUMP ASSEMBLY - HYDROSTATIC

ITEM	PART NUMBER	QTY	DESCRIPTION	REV
	1001193307	Ref	Hydrostatic Pump	D
7	70024946	1	Valve, Relief	
8	70027598	1	Valve, Pressure Override	
9	70024945	2	Valve, Relief	
10	70028411	1	Pump, Charge	
11	70022726	2	Solenoid	
101	70028410	1	Kit, Seal	
	Kit	1	Seal, Shaft	
	Kit	2	Retaining Ring	
	Kit	2	O-Ring	
	Kit	1	O-Ring	
	Kit	2	Seal, Rod	
	Kit	1	Nut, Sealing	
	Kit	3	O-Ring	
	Kit	2	O-Ring	
	Kit	1	O-Ring	
	Kit	2	Nut, Sealing	
	Kit	1	O-Ring	
	Kit	1	O-Ring	
	Kit	1	O-Ring	
	Kit	1	O-Ring	
	Kit	1	O-Ring	
	Kit	1	O-Ring	
	Kit	1	O-Ring	
	Kit	1	O-Ring	
	Kit	1	O-Ring	
	Kit	1	O-Ring	
	Kit	1	O-Ring	
	Kit	1	Kit, Seal	
	Kit	1	O-Ring	
	Kit	1	O-Ring	
	Kit	1	O-Ring	
	Kit	1	O-Ring	
	Kit	1	O-Ring	
	Kit	1	O-Ring	
	Kit	1	O-Ring	
	Kit	1	Seal	
	Kit	1	Seal	
	Kit	1	O-Ring	
	Kit	2	O-Ring	
	Kit	2	O-Ring	
	Kit	2	O-Ring	
	Kit	2	O-Ring	

# SECTION 9 - HYDRAULIC COMPONENTS

## FIGURE 9-20. PUMP ASSEMBLY - IMPLEMENT



ART\_1001180070-F

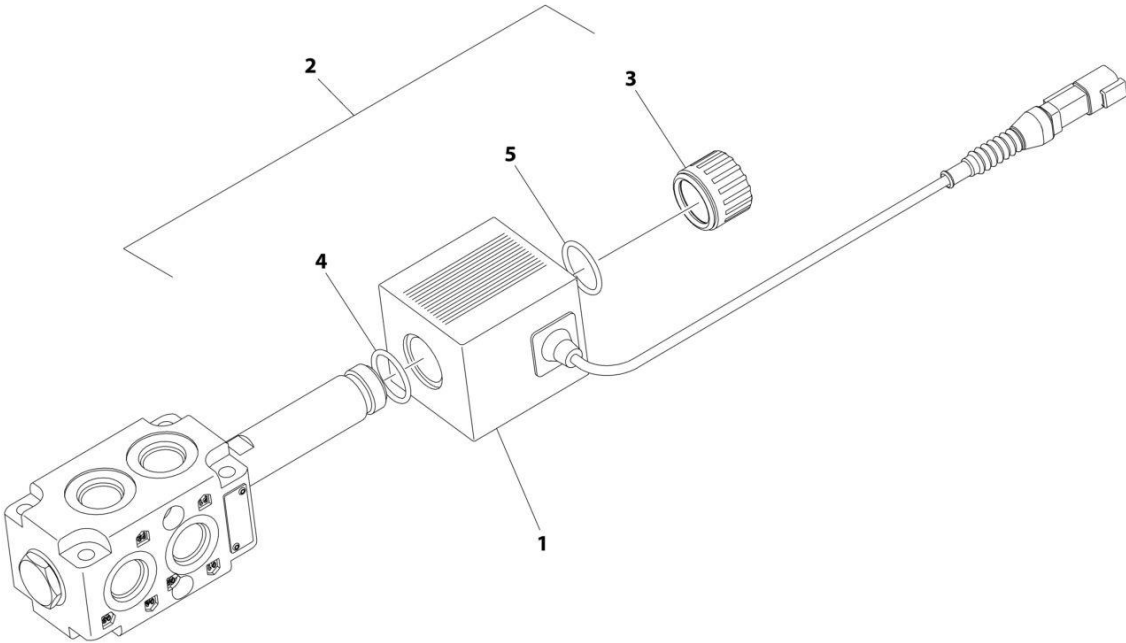
## SECTION 9 - HYDRAULIC COMPONENTS

FIGURE 9-20. PUMP ASSEMBLY - IMPLEMENT

ITEM	PART NUMBER	QTY	DESCRIPTION	REV
	1001180070	1	Implement Pump	F
1	70027595	1	Controller, DSR	
2	70028412	1	Controller, EK	
14	7024947	1	Seal, Shaft	
101	70028413	1	Kit, Seal	
	Kit	1	Seal	
	Kit	1	Plug	
	Kit	2	Plug	
	Kit	2	O-Ring	
	Kit	1	O-Ring	

# SECTION 9 - HYDRAULIC COMPONENTS

FIGURE 9-21. VALVE ASSEMBLY - BOOM AUX DIVERTER VALVE (HYDRAULIC - SINGLE & TWIN)



ART\_1001104477

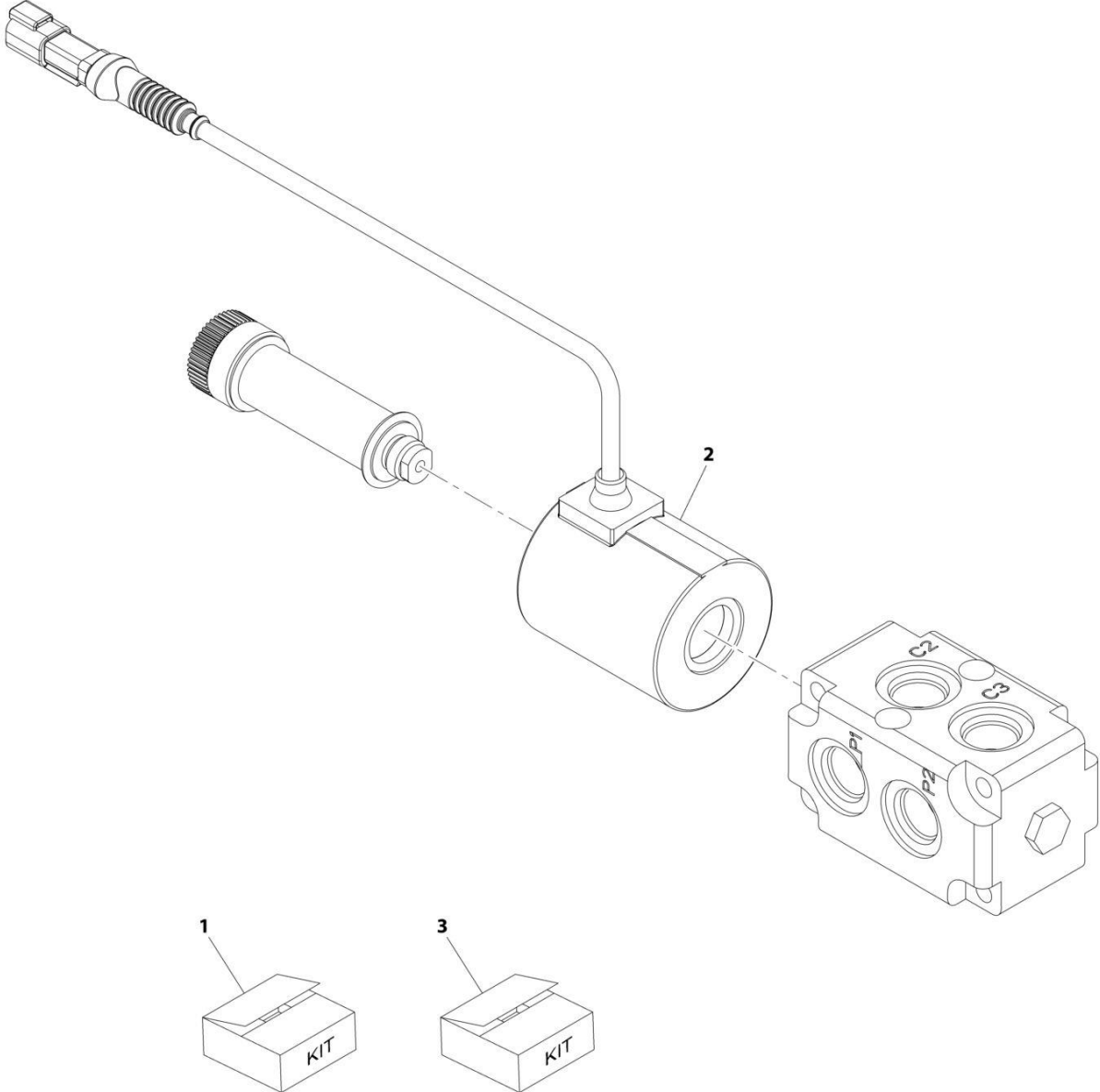
## SECTION 9 - HYDRAULIC COMPONENTS

FIGURE 9-21. VALVE ASSEMBLY - BOOM AUX DIVERTER VALVE (HYDRAULIC - SINGLE & TWIN)

ITEM	PART NUMBER	QTY	DESCRIPTION	REV
	1001104477	Ref	DIVERTOR VALVE	D
1	70020764	1	Coil	
2	70021531	1	Retainer Kit (Includes Items 3-5)	
3	Kit	1	Nut	
4	Kit	1	O-Ring	
5	Kit	1	O-Ring	

# SECTION 9 - HYDRAULIC COMPONENTS

FIGURE 9-22. VALVE ASSEMBLY - BOOM AUX DIVERTER VALVE (MANUAL & HYDRAULIC -TWIN)



ART\_100110023-B

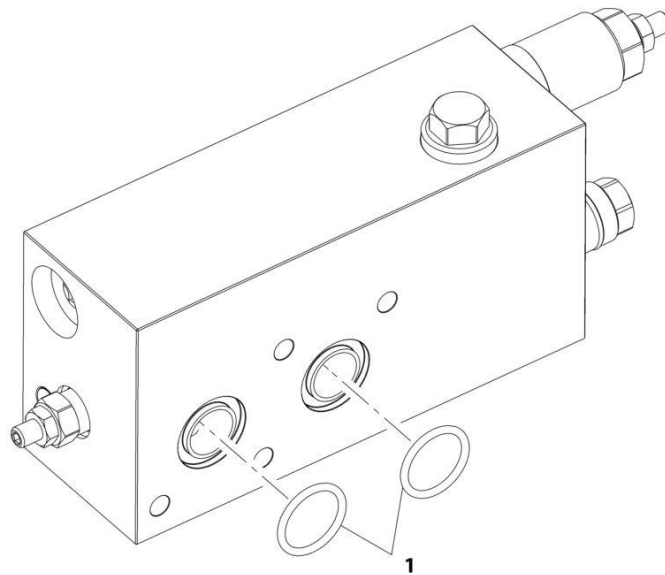
## SECTION 9 - HYDRAULIC COMPONENTS

**FIGURE 9-22. VALVE ASSEMBLY - BOOM AUX DIVERTER VALVE (MANUAL & HYDRAULIC -TWIN)**

ITEM	PART NUMBER	QTY	DESCRIPTION	REV
	1001110023	Ref	Divertor Valve	B
1	70027596	1	Kit, Seal	
	Kit	2	O-Ring	
2	70020764	1	Coil	
3	70021531	1	Kit, Coil Nut	
	N.S.S.	1	O-Ring	
	N.S.S.	1	O-Ring	
	N.S.S.	1	Nut	

## SECTION 9 - HYDRAULIC COMPONENTS

FIGURE 9-23. VALVE ASSEMBLY - BOOM RAISE COUNTERBALANCE VALVE (NO RIDE CONTROL)



ART\_1001224944-C



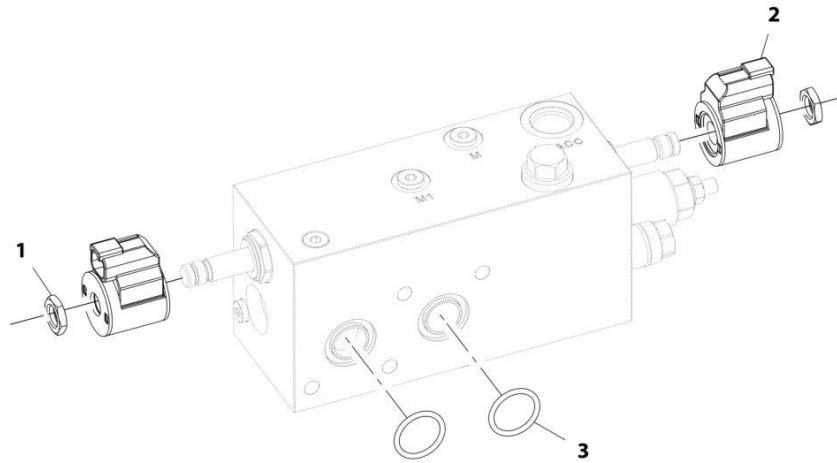
## SECTION 9 - HYDRAULIC COMPONENTS

**FIGURE 9-23. VALVE ASSEMBLY - BOOM RAISE COUNTERBALANCE VALVE (NO RIDE CONTROL)**

ITEM	PART NUMBER	QTY	DESCRIPTION	REV
1	1001224944 70028282	Ref 1	Counterbalance Valve O-Ring	C

## SECTION 9 - HYDRAULIC COMPONENTS

FIGURE 9-24. VALVE ASSEMBLY - BOOM RAISE RIDE & FLOAT VALVE (RIDE CONTROL)



ART\_1001224945-C

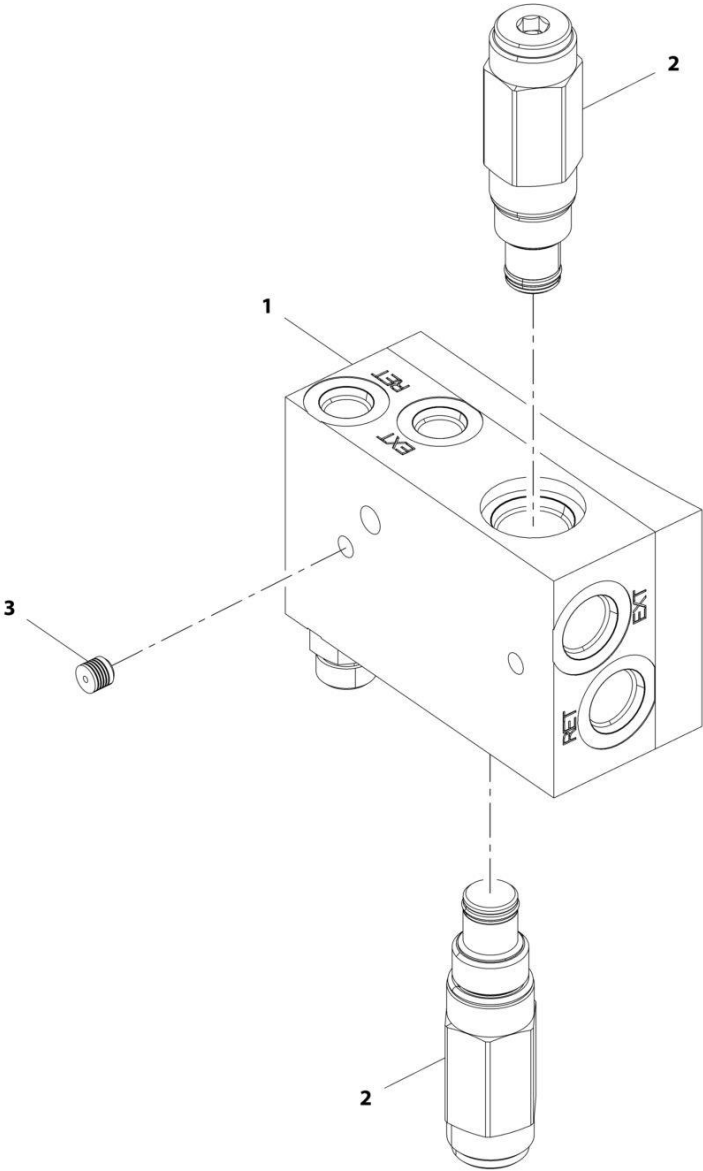
## SECTION 9 - HYDRAULIC COMPONENTS

**FIGURE 9-24. VALVE ASSEMBLY - BOOM RAISE RIDE & FLOAT VALVE (RIDE CONTROL)**

ITEM	PART NUMBER	QTY	DESCRIPTION	REV
	1001224945	Ref	Boom Raise Valve (Ride Control)	C
1	7022390	2	Nut	
2	70028281	2	Coil	
3	70028282	2	O-Ring	

**SECTION 9 - HYDRAULIC COMPONENTS**

**FIGURE 9-25. VALVE ASSEMBLY - BUCKET (5.23 YD<sup>3</sup>/4.0M<sup>3</sup>)**



ART\_70028573-D

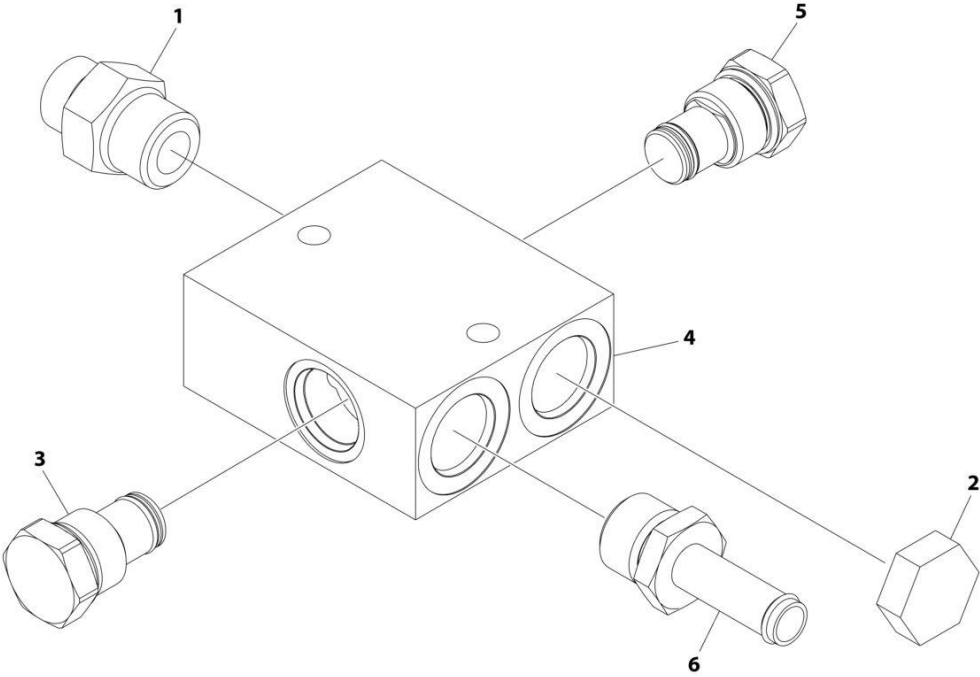
## SECTION 9 - HYDRAULIC COMPONENTS

FIGURE 9-25. VALVE ASSEMBLY - BUCKET (5.23 YD<sup>3</sup>/4.0M<sup>3</sup>)

ITEM	PART NUMBER	QTY	DESCRIPTION	REV
	70028573	Ref	Valve Assembly, Bucket (5.23 YD <sup>3</sup> /4.0M <sup>3</sup> )	D
1	70026477	1	Manifold	
2	70028589	2	Cartridge, Relief	
3	70026614	2	Plug	

# SECTION 9 - HYDRAULIC COMPONENTS

FIGURE 9-26. VALVE ASSEMBLY - CAB HYDRAULICS CHECK VALVE



ART\_1001212789

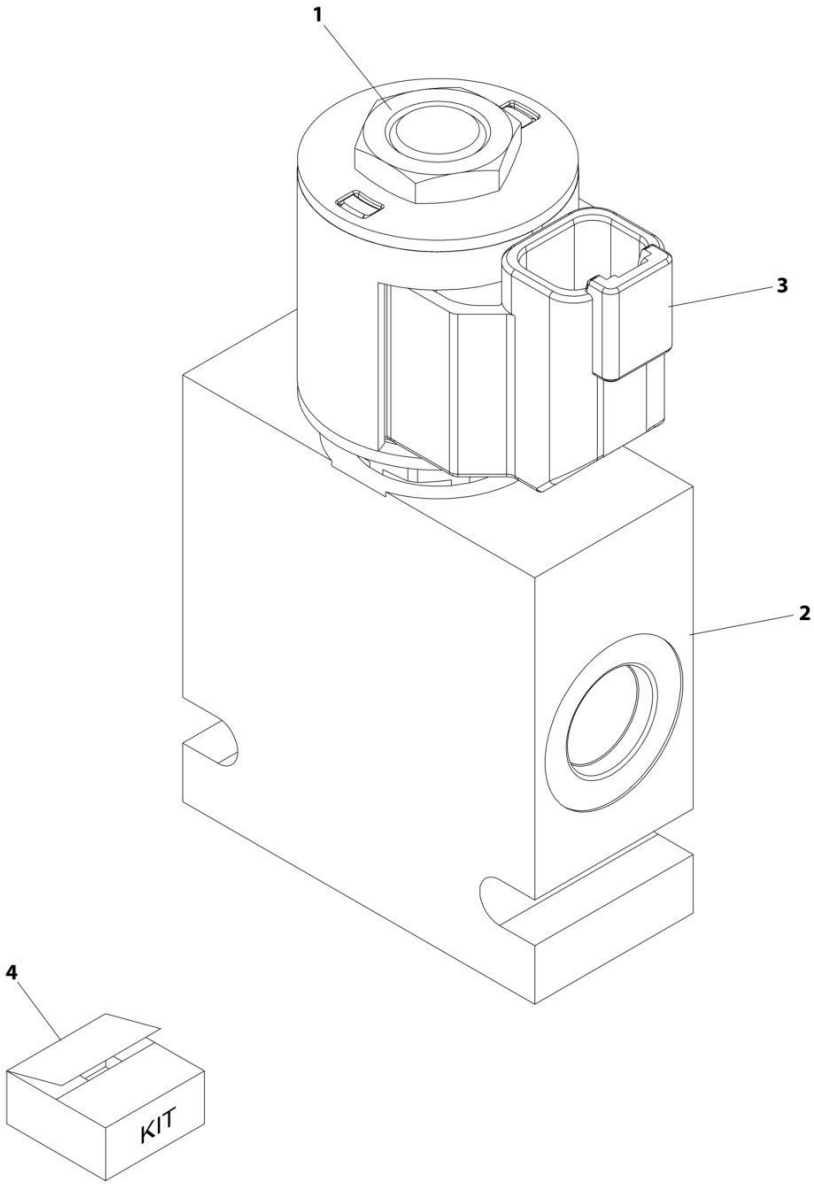
## SECTION 9 - HYDRAULIC COMPONENTS

FIGURE 9-26. VALVE ASSEMBLY - CAB HYDRAULICS CHECK VALVE

ITEM	PART NUMBER	QTY	DESCRIPTION	REV
	1001212789	Ref	VALVE ASSEMBLY - CAB HYDRAULICS CHECK VALVE	E
1	2110810	1	Fitting, Straight ORFS	
2	2220239	1	Plug	
3	1001231393	1	Valve, Check	
4	1001210780	1	Manifold, Dual Check Valve	
5	1001210801	1	Valve, Check	
6	1001225656	1	Fitting, Barb	

# SECTION 9 - HYDRAULIC COMPONENTS

FIGURE 9-27. VALVE ASSEMBLY - CAB HYDRAULICS SOLENOID VALVE



ART\_1001221928-A



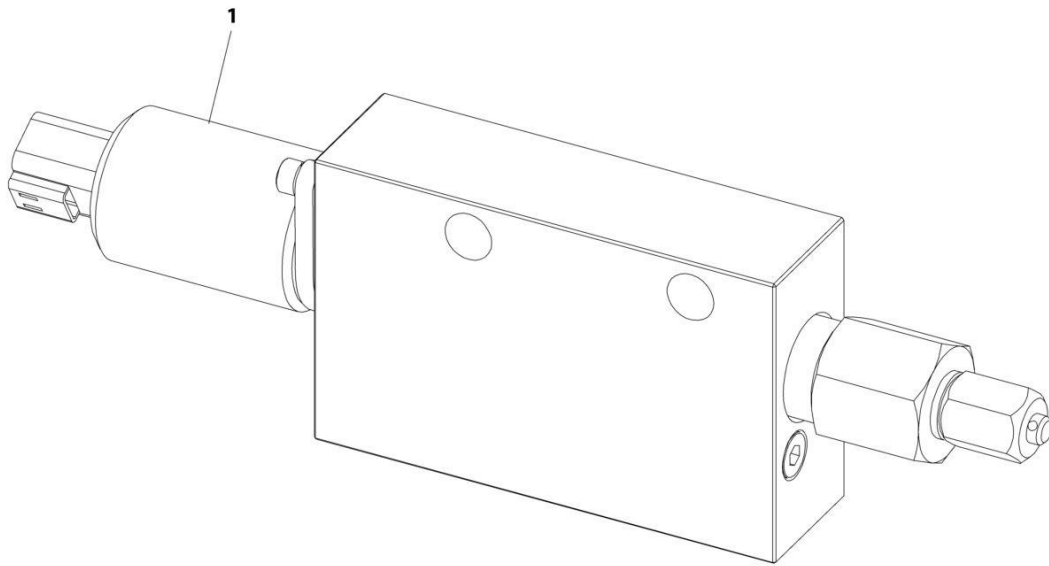
## SECTION 9 - HYDRAULIC COMPONENTS

FIGURE 9-27. VALVE ASSEMBLY - CAB HYDRAULICS SOLENOID VALVE

ITEM	PART NUMBER	QTY	DESCRIPTION	REV
	1001221928	Ref	Solenoid Valve	A
1	70004387	1	Cartridge	
2	N.S.S.	Ref	Body	
3	70002963	1	Coil	
4	7010543	1	Kit, Seal	

## SECTION 9 - HYDRAULIC COMPONENTS

FIGURE 9-28. VALVE ASSEMBLY - ENGINE BAY INCHING VALVE



ART\_1001213311-B

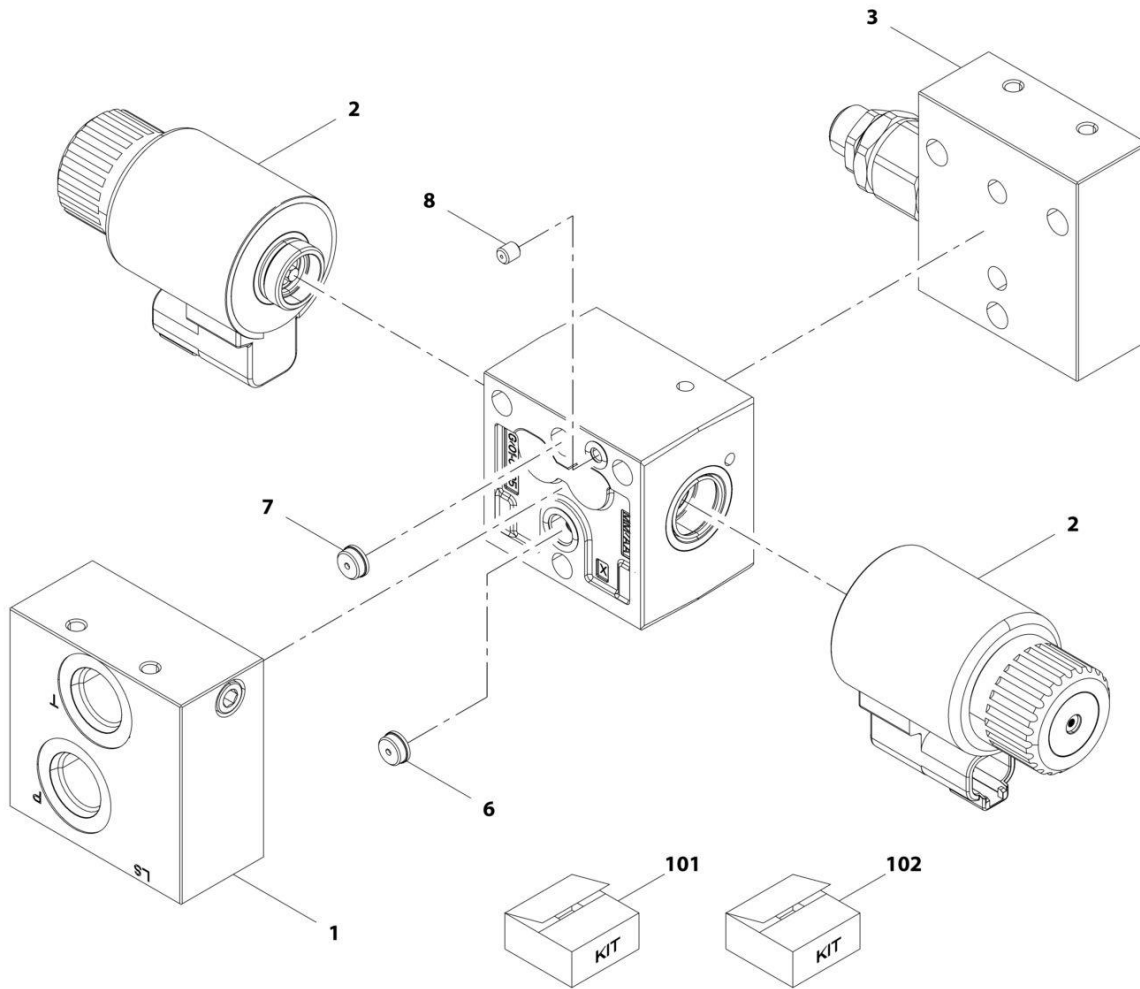
## SECTION 9 - HYDRAULIC COMPONENTS

FIGURE 9-28. VALVE ASSEMBLY - ENGINE BAY INCHING VALVE

ITEM	PART NUMBER	QTY	DESCRIPTION	REV
1	1001213311 70028361	Ref 1	Inching Valve Valve, Proportional	B

# SECTION 9 - HYDRAULIC COMPONENTS

## FIGURE 9-29. VALVE ASSEMBLY - FRAME LEVEL CONTROL



ART\_1001219615-D

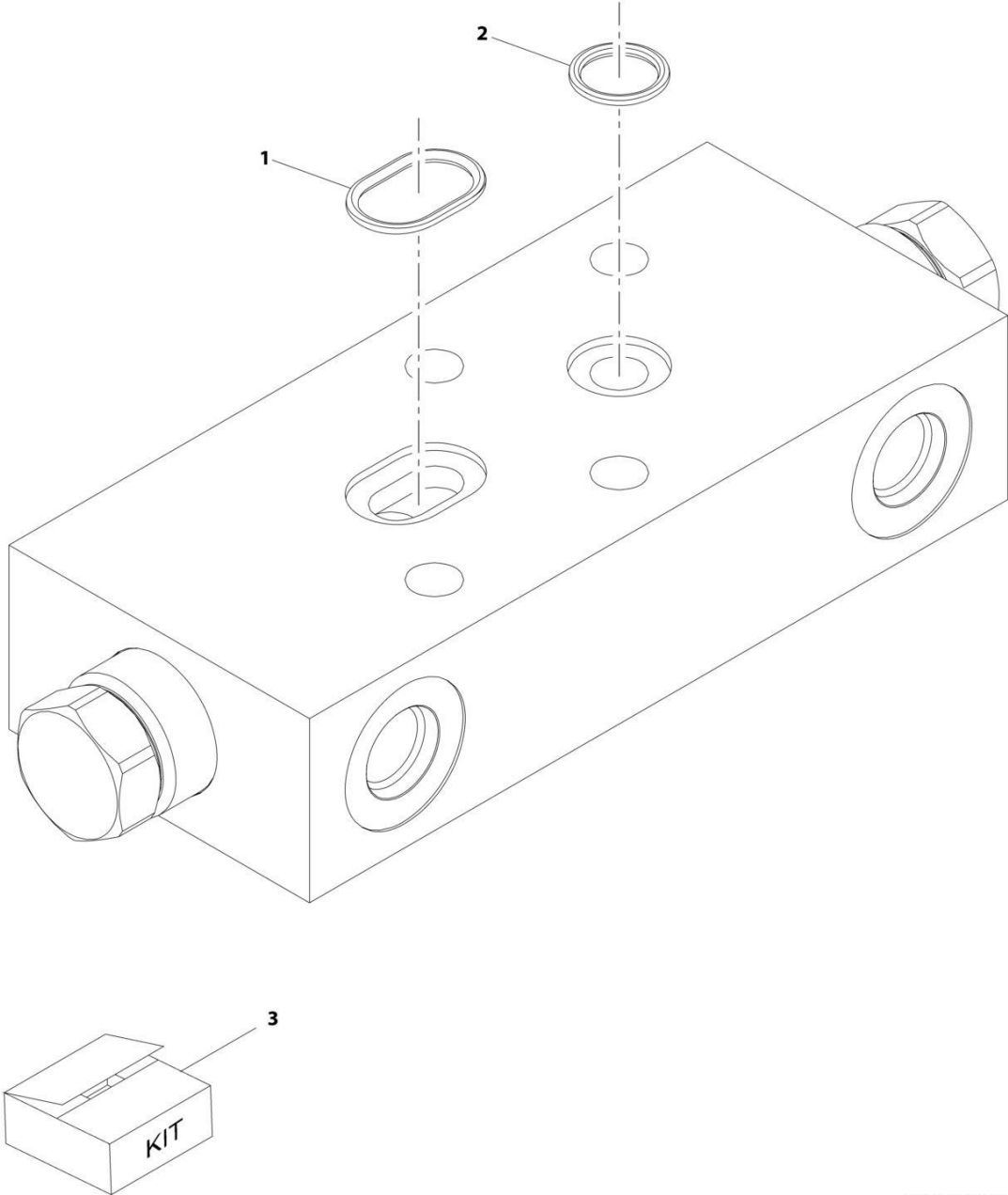
## SECTION 9 - HYDRAULIC COMPONENTS

**FIGURE 9-29. VALVE ASSEMBLY - FRAME LEVEL CONTROL**

ITEM	PART NUMBER	QTY	DESCRIPTION	REV
	1001219615	Ref	Frame Level Valve	D
1	70028414	1	Valve, Section	
2	70004595	2	Coil	
3	70028504	1	Plate	
6	70028415	1	Screw	
7	70028243	1	Screw	
8	70028416	1	Screw	
101	70028502	2	Kit, Coil Nut	
	Kit	1	Nut	
	Kit	1	O-Ring	
102	70028503	1	Kit, Bolt and Seal	
	Kit	3	Bolt	
	Kit	3	Washer	
	Kit	2	O-Ring	
	Kit	4	O-Ring	
	Kit	2	O-Ring	

**SECTION 9 - HYDRAULIC COMPONENTS**

**FIGURE 9-30. VALVE ASSEMBLY - FRAME LEVEL COUNTERBALANCE**



ART\_1001168599-C

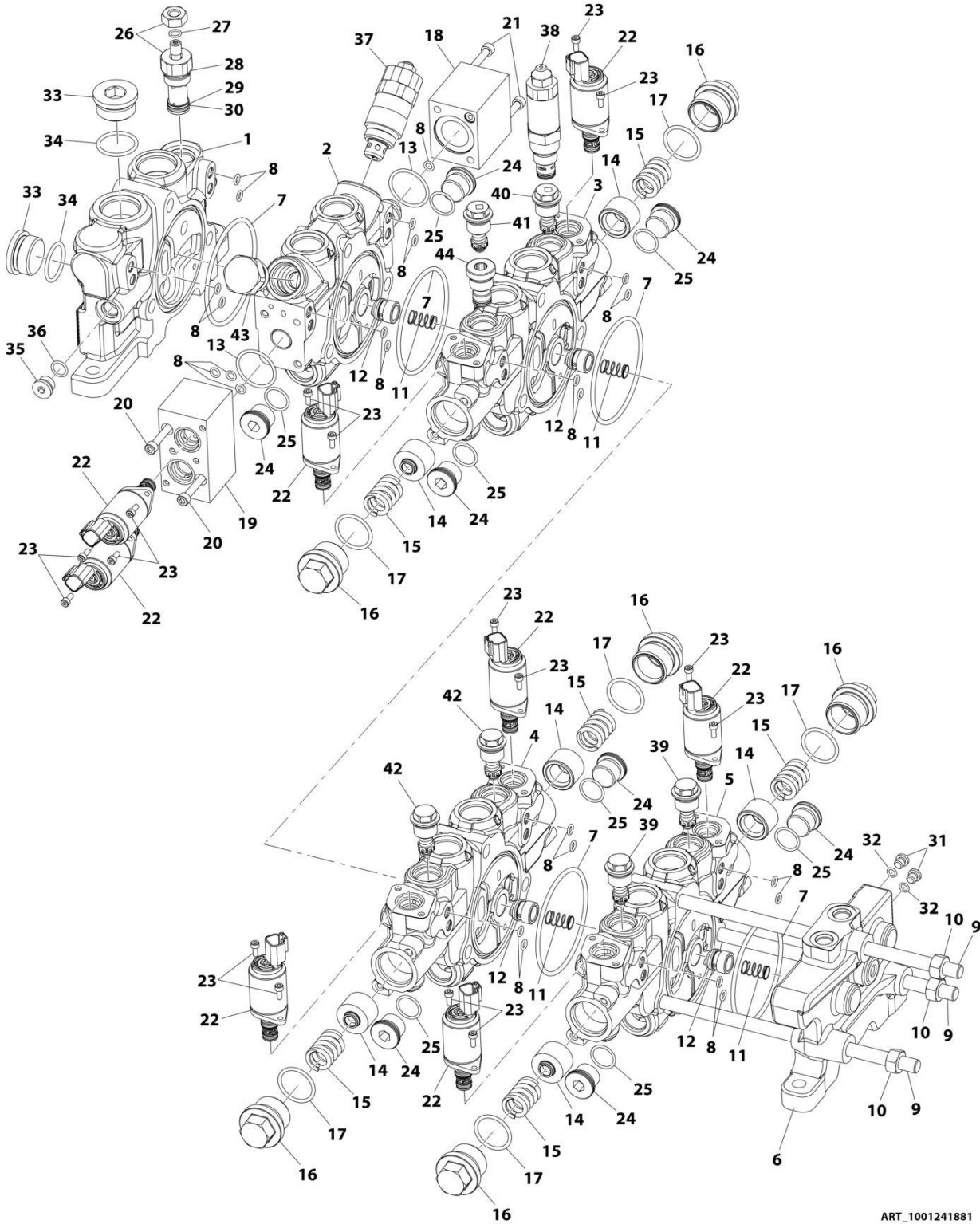
## SECTION 9 - HYDRAULIC COMPONENTS

**FIGURE 9-30. VALVE ASSEMBLY - FRAME LEVEL COUNTERBALANCE**

ITEM	PART NUMBER	QTY	DESCRIPTION	REV
	1001168599	Ref	Counterbalance Valve	C
1	Kit	1	O-Ring	
2	Kit	1	O-Ring	
3	70028421	1	Kit, Seal (includes items 1 thru 2)	

# SECTION 9 - HYDRAULIC COMPONENTS

## FIGURE 9-31. VALVE ASSEMBLY - MAIN CONTROL



ART\_1001241881



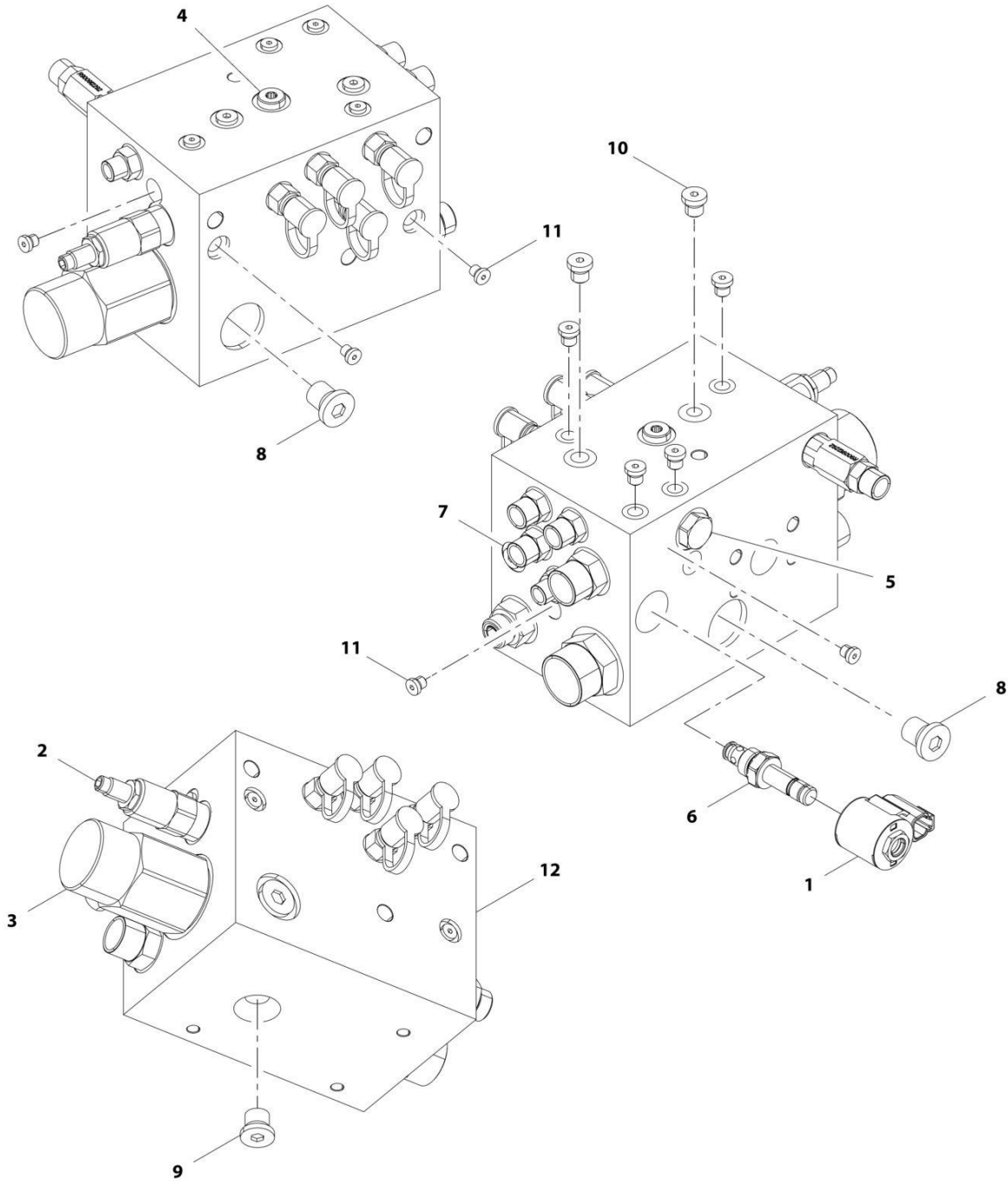
## SECTION 9 - HYDRAULIC COMPONENTS

**FIGURE 9-31. VALVE ASSEMBLY - MAIN CONTROL**

ITEM	PART NUMBER	QTY	DESCRIPTION	REV
	1001241881	Ref	MAIN CONTROL VALVE ASSEMBLY	A
1	70028300	1	Inlet Section Assembly	
2	70029868	1	Lift Section Assembly	
3	70029870	1	Extend/Retract Section Assembly	
4	70029871	1	Tilt Section Assembly	
5	70029872	1	Aux Section Assembly	
6	70022007	1	Outlet Section Assembly	
7	8034697	5	O-Ring	
8	70026369	24	O-Ring	
9	70028299	3	Tie Rod	
10	70022019	6	Nut-Metric	
11	70025854	4	Spring	
12	70028287	4	Poppet, CV	
13	70026784	2	O-Ring	
14	70026781	6	Spring Seat	
15	70026783	6	Spring	
16	70026778	6	Plug Assembly, Special	
17	70026779	6	O-Ring	
18	70029873	1	End Cap	
19	70028295	1	End Cap Assembly, Solenoid	
20	70028298	2	Screw	
21	70026383	8	Screw	
22	70029874	8	Solenoid-Cartridge Valve	
23	70022014	16	Screw	
24	70024847	8	Plug Assembly	
25	70026777	8	O-Ring	
26	70028286	1	Drain Regulator Assembly	
27	70026373	1	O-Ring	
28	70026370	1	O-Ring	
29	70026376	1	Back-Up Ring	
30	70026370	1	O-Ring	
31	70026379	2	Plug	
32	70026372	2	O-Ring	
33	70050473	2	Plug Assembly	
34	10732931	2	O-Ring	
35	70050475	1	Plug	
36	70024201	1	O-Ring	
37	70028288	1	Relief Valve Assembly	
38	70028289	1	Relief Valve Assembly (Note: General Drawing - This part does ot to this valve)	
39	70028296	2	Relief Valve Assembly	
40	70027134	1	Relief Valve Assembly	
41	70028297	1	Relief Valve Assembly (Note: General Drawing - This part does ot to this valve)	
42	70022010	2	Relief Valve Assembly	
43	10837953	1	Shut-Off Plug Assembly	
44	70022008	1	Shut-Off Plug Assembly	

# SECTION 9 - HYDRAULIC COMPONENTS

## FIGURE 9-32. VALVE ASSEMBLY - PRIORITY VALVE



ART\_1001192888-E

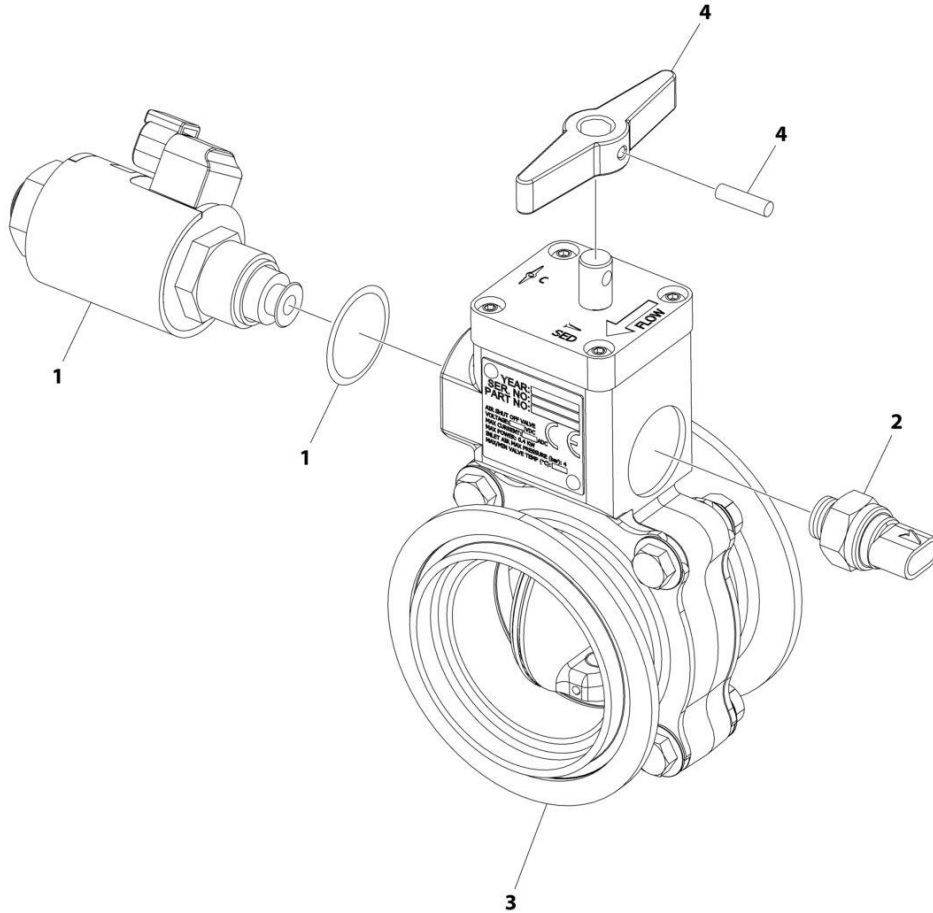
## SECTION 9 - HYDRAULIC COMPONENTS

**FIGURE 9-32. VALVE ASSEMBLY - PRIORITY VALVE**

ITEM	PART NUMBER	QTY	DESCRIPTION	REV
	1001192888	Ref	Priority Valve Assembly	E
1	70028905	1	Cartridge	
2	70028904	1	Cartridge	
3	70028903	1	Cartridge	
4	70026312	1	Cartridge	
5	70028902	1	Cartridge	
6	70002963	1	Coil	
7	70006427	1	Orifice	
8	70026314	2	Plug	
9	2220886	1	Plug	
10	2220883	3	Plug	
11	70026315	9	Plug	
12	N.S.S.	1	Block	

# SECTION 9 - HYDRAULIC COMPONENTS

FIGURE 9-33. VALVE ASSEMBLY - RADIATOR HOSE SHUT-OFF VALVE



ART\_1001204032\_C

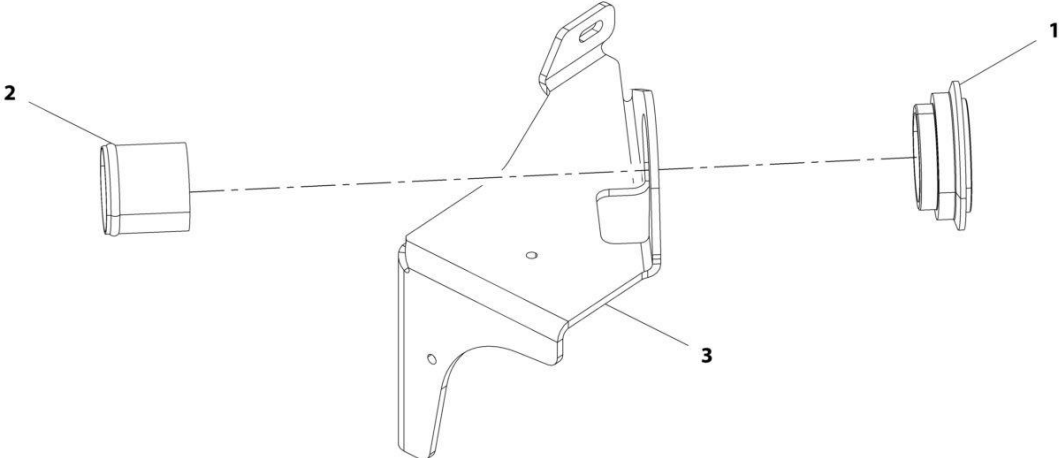
## SECTION 9 - HYDRAULIC COMPONENTS

FIGURE 9-33. VALVE ASSEMBLY - RADIATOR HOSE SHUT-OFF VALVE

ITEM	PART NUMBER	QTY	DESCRIPTION	REV
	1001204032	Ref	Air Shut Off Valve	C
1	70028514	1	Kit, Solenoid 12V (Includes Solenoid, Coil, O-Ring)	
2	70028515	1	Kit, Switch (Includes Ball Switch & O-Ring)	
3	70028516	1	Kit, Flange and Hardware (Includes Flanges (Male & Female) & Mounting Hardware)	
4	70028517	1	Kit, Handle (Includes Handle & Pin)	

**SECTION 9 - HYDRAULIC COMPONENTS**

**FIGURE 9-34. VALVE ASSEMBLY - RADIATOR HOSE ASO VALVE**



ART\_1001223618-A

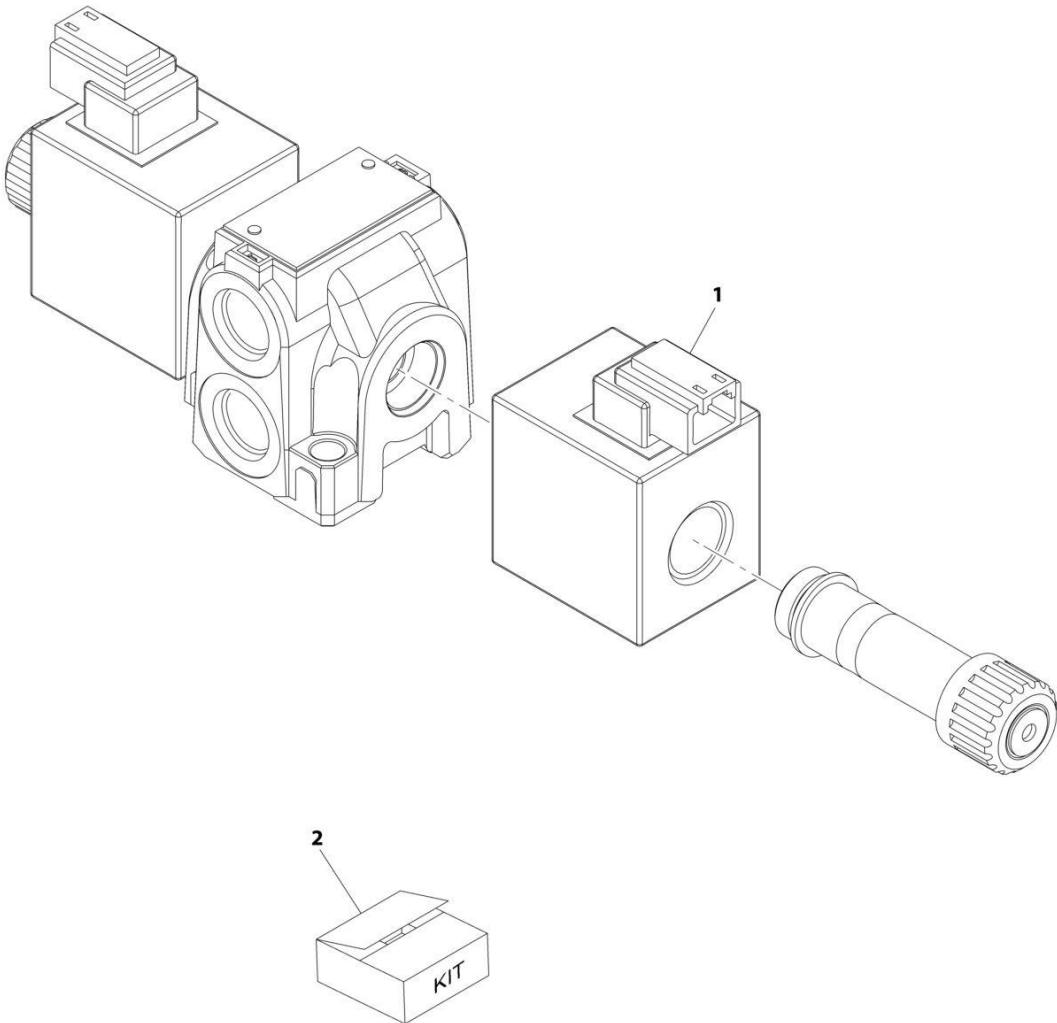
## SECTION 9 - HYDRAULIC COMPONENTS

FIGURE 9-34. VALVE ASSEMBLY - RADIATOR HOSE ASO VALVE

ITEM	PART NUMBER	QTY	DESCRIPTION	REV
	1001223618	Ref	ASO Valve	A
1	1001204057	1	Plate	
2	1001206954	1	Tube	
3	1001223622	1	Bracket	

# SECTION 9 - HYDRAULIC COMPONENTS

FIGURE 9-35. VALVE ASSEMBLY - SPEED CONTROL



ART\_4641520-B



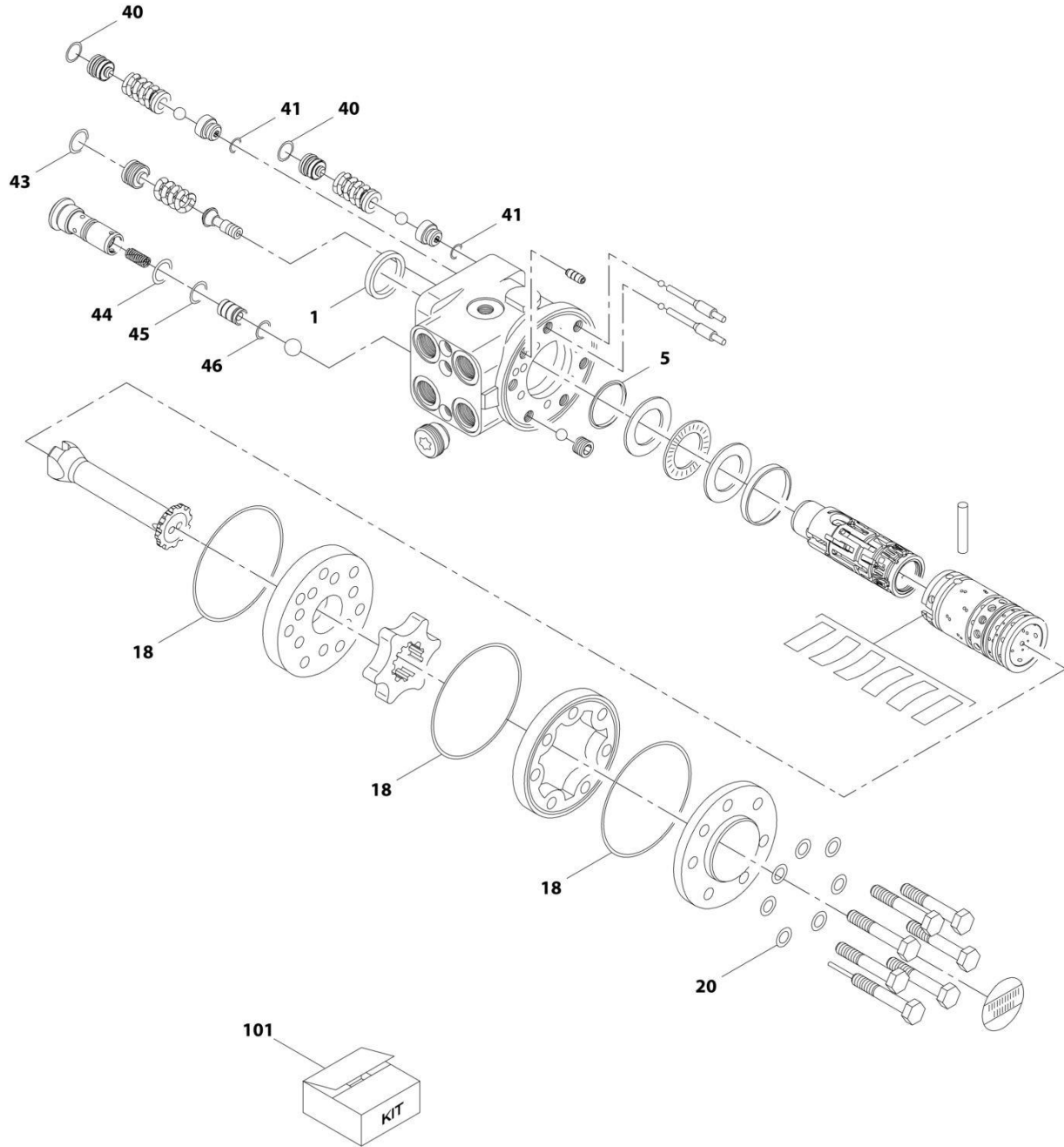
## SECTION 9 - HYDRAULIC COMPONENTS

### FIGURE 9-35. VALVE ASSEMBLY - SPEED CONTROL

ITEM	PART NUMBER	QTY	DESCRIPTION	REV
	4641520	Ref	Speed Control Valve	B
1	70026582	1	SOLENOID	
2	70020867	1	Kit, Coil Nut	
	N.S.S.	1	Seal	
	N.S.S.	1	Seal	
	N.S.S.	1	Nut, Coil	

# SECTION 9 - HYDRAULIC COMPONENTS

## FIGURE 9-36. VALVE ASSEMBLY - STEER



ART\_1001178670-B

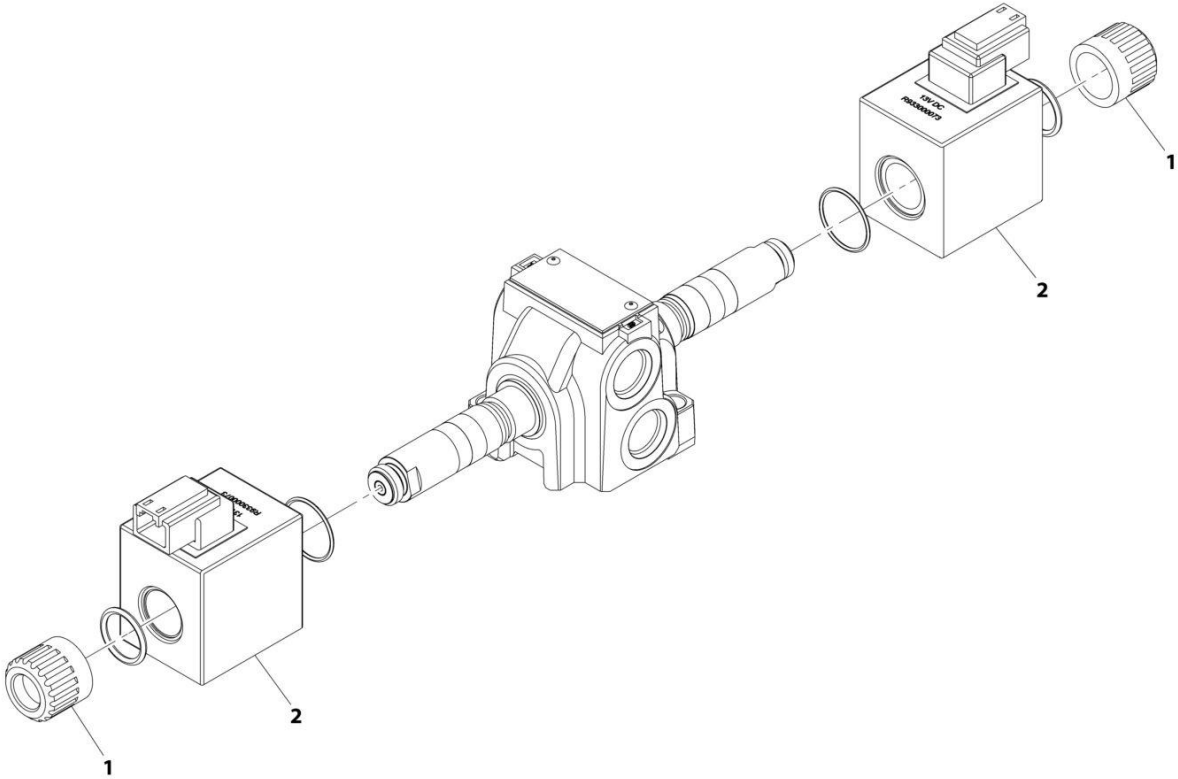
## SECTION 9 - HYDRAULIC COMPONENTS

**FIGURE 9-36. VALVE ASSEMBLY - STEER**

ITEM	PART NUMBER	QTY	DESCRIPTION	REV
	1001178670	Ref	Steer Unit Valve	B
1	Kit	2	Ring, Dust Seal	
5	Kit	2	Seal, Shaft	
18	Kit	2	O-Ring	
20	Kit	2	Washer	
40	Kit	2	O-Ring	
41	Kit	2	O-Ring	
43	Kit	2	O-Ring	
44	Kit	2	O-Ring	
45	Kit	2	O-Ring	
46	Kit	2	O-Ring	
101	70028285	1	Kit, Seal (includes items 1, 5, 18, 20, 40, 41 and 43 thru 46)	

# SECTION 9 - HYDRAULIC COMPONENTS

FIGURE 9-37. VALVE ASSEMBLY - STEERING SELECT VALVE



ART\_1001153748-C

## SECTION 9 - HYDRAULIC COMPONENTS

FIGURE 9-37. VALVE ASSEMBLY - STEERING SELECT VALVE

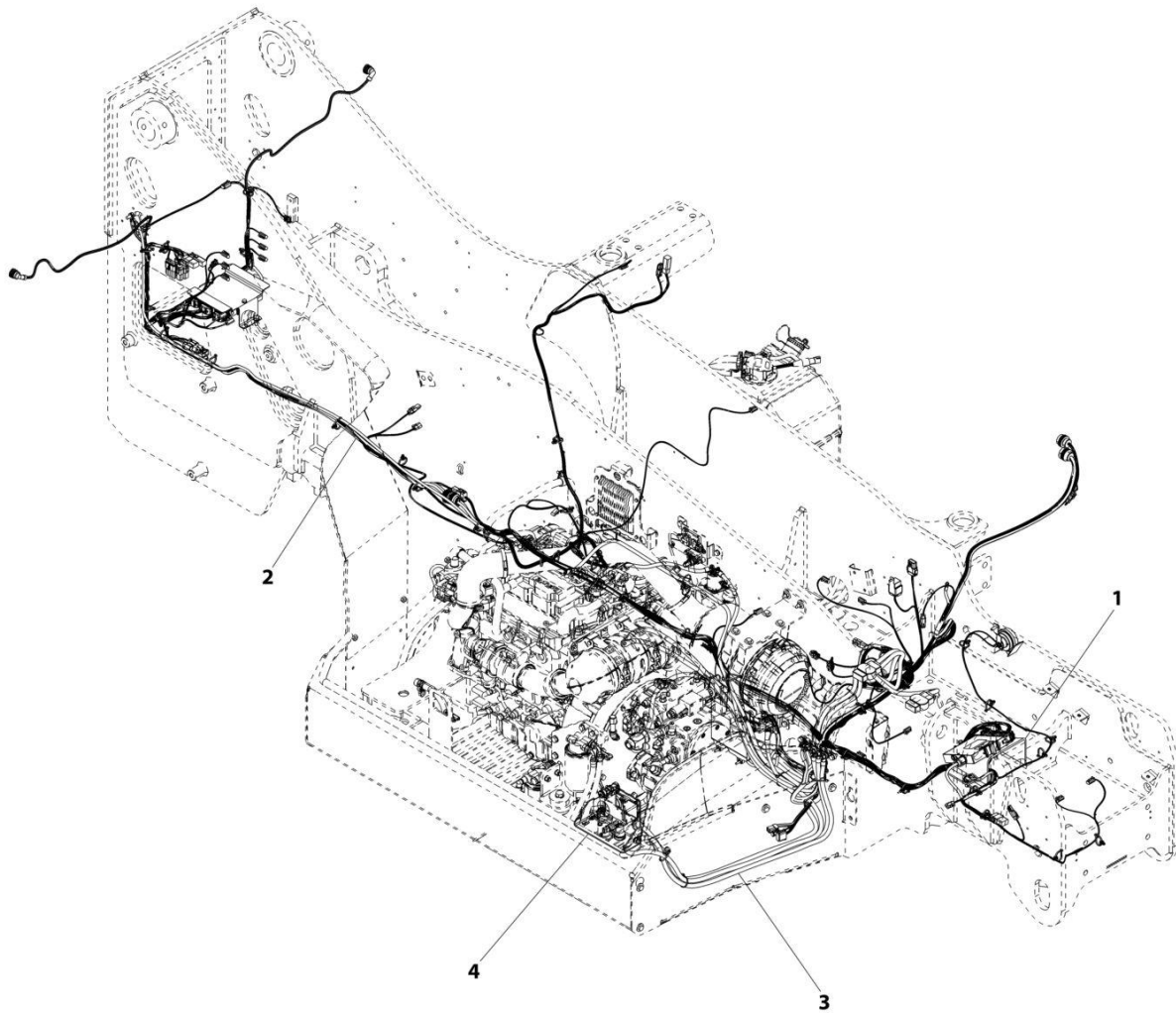
ITEM	PART NUMBER	QTY	DESCRIPTION	REV
	1001153748	Ref	Steering Select Valve	C
1	70020867	2	Nut, Coil	
2	70026582	2	Coil	



**SECTION 10 - ELECTRICAL**

# SECTION 10 - ELECTRICAL

## FIGURE 10-1. MAIN ELECTRICAL INSTALLATION (ULS)



ART\_1001192537-B



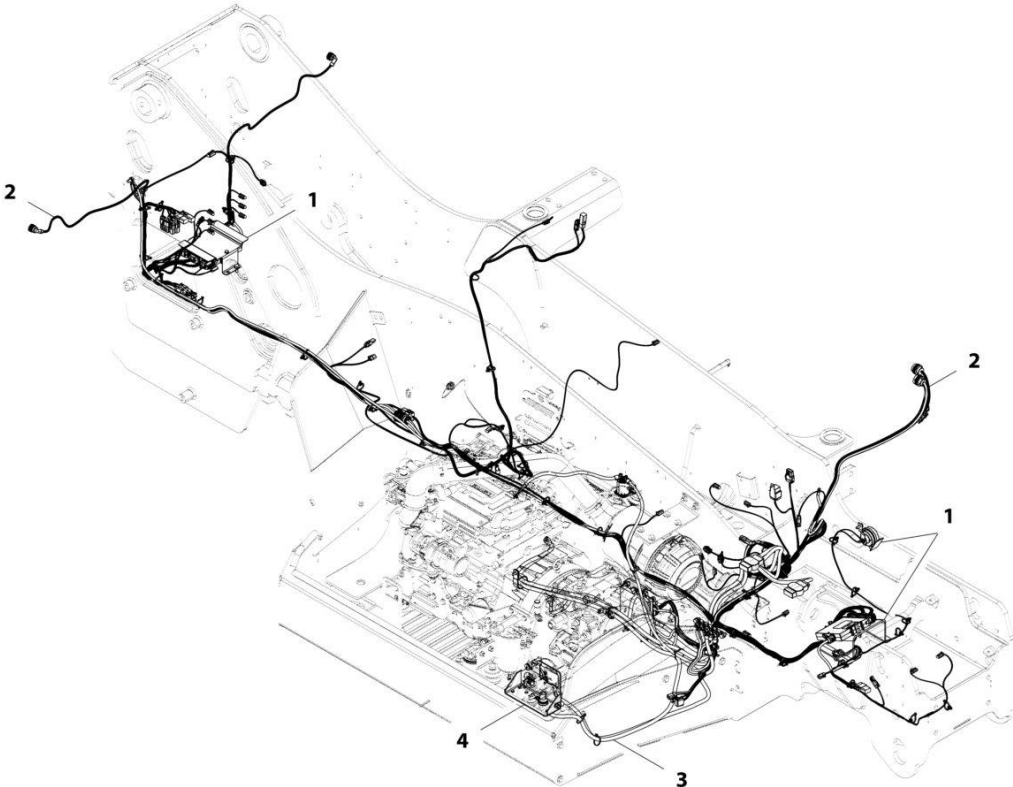
## SECTION 10 - ELECTRICAL

**FIGURE 10-1. MAIN ELECTRICAL INSTALLATION (ULS)**

ITEM	PART NUMBER	QTY	DESCRIPTION	REV
1	1001192537	Ref	Main Electrical Installation (ULS)	B
	1001183272	Ref	Installation, Frame Electrical (See Separate Breakdown in this Section)	
2	1001200159	Ref	Installation, Frame Wiring (See Separate Breakdown in this Section)	
3	1001200160	Ref	Installation, Engine Bay Electrical	
4	1001202172	Ref	Installation, Engine Pod Electrical (ULS) (See Separate Breakdown in this Section)	

**SECTION 10 - ELECTRICAL**

**FIGURE 10-2. MAIN ELECTRICAL INSTALLATION (LS)**



ART\_1001192538-C

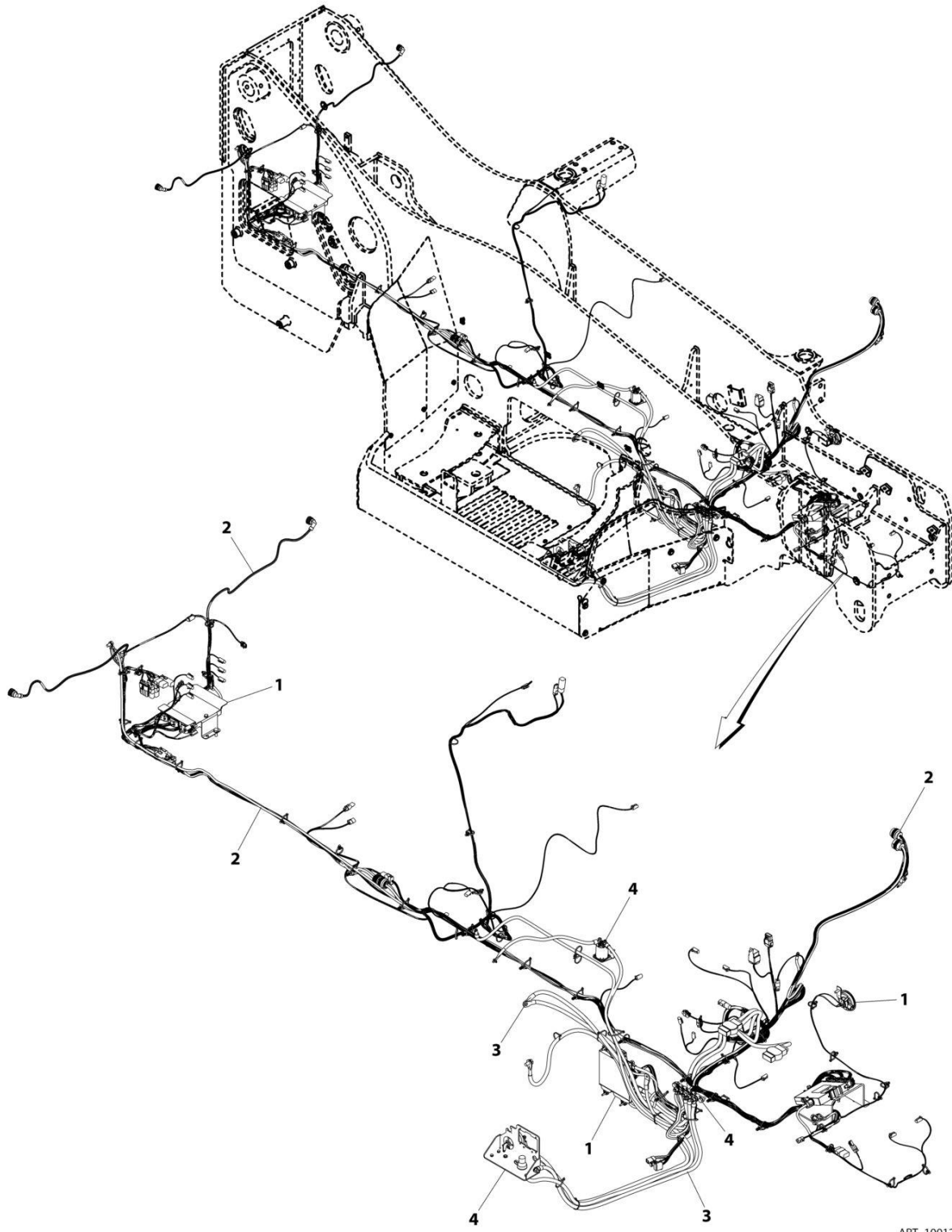
## SECTION 10 - ELECTRICAL

**FIGURE 10-2. MAIN ELECTRICAL INSTALLATION (LS)**

ITEM	PART NUMBER	QTY	DESCRIPTION	REV
1	1001192538	Ref	Main Electrical Installation (LS)	C
	1001183272	Ref	Installation, Frame Electrical (See Separate Breakdown in this Section)	
2	1001200159	Ref	Installation, Frame Electrical (See Separate Breakdown in this Section)	
3	1001227469	Ref	Installation, Engine Bay Electrical (See Separate Breakdown in this Section)	
4	1001223066	Ref	Installation, Engine Pod Electrical (LS) (See Separate Breakdown in this Section)	

# SECTION 10 - ELECTRICAL

## FIGURE 10-3. MAIN ELECTRICAL INSTALLATION, MINING (ULS)



ART\_1001228738-A

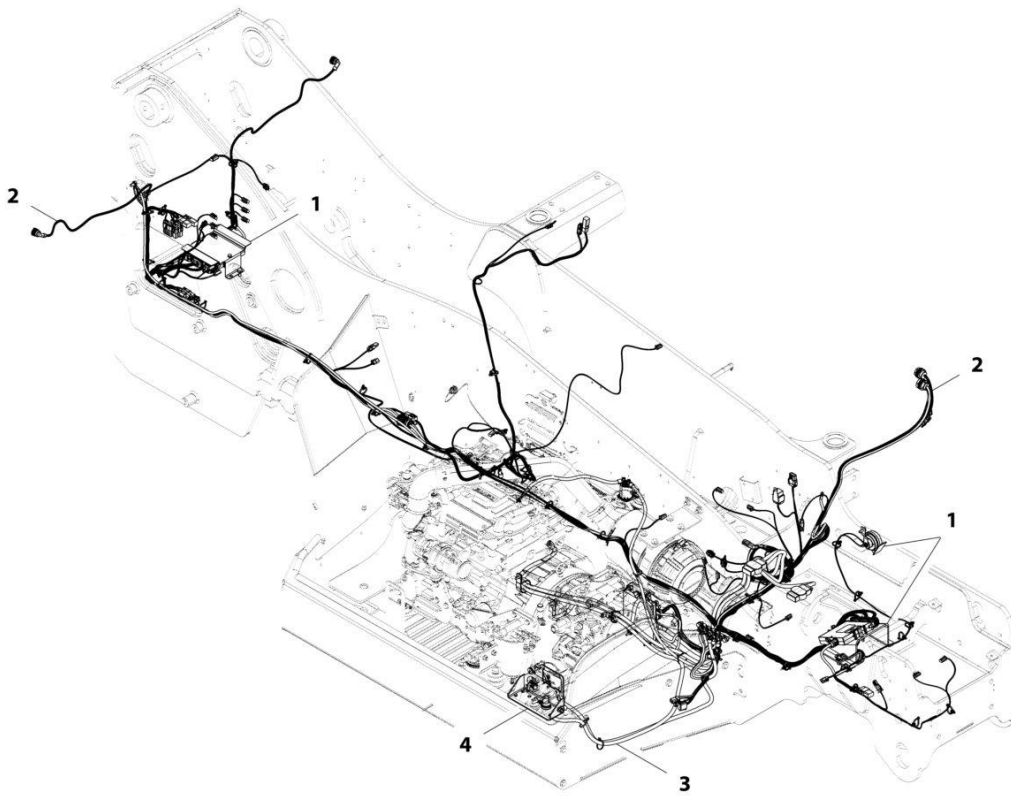
## SECTION 10 - ELECTRICAL

**FIGURE 10-3. MAIN ELECTRICAL INSTALLATION, MINING (ULS)**

ITEM	PART NUMBER	QTY	DESCRIPTION	REV
1	1001228738	Ref	Main Electrical Installation, Mining (ULS)	A
	1001183272	Ref	Installation, Frame Electrical (See Separate Breakdown in this Section)	
2	1001228739	Ref	Installation, Frame Wiring (See Separate Breakdown in this Section)	
3	1001200160	Ref	Installation, Engine Bay Electrical	
4	1001202172	Ref	Installation, Engine Pod Electrical (ULS) (See Separate Breakdown in this Section)	

# SECTION 10 - ELECTRICAL

FIGURE 10-4. MAIN ELECTRICAL INSTALLATION, MINING (LS)



ART\_1001228742-A

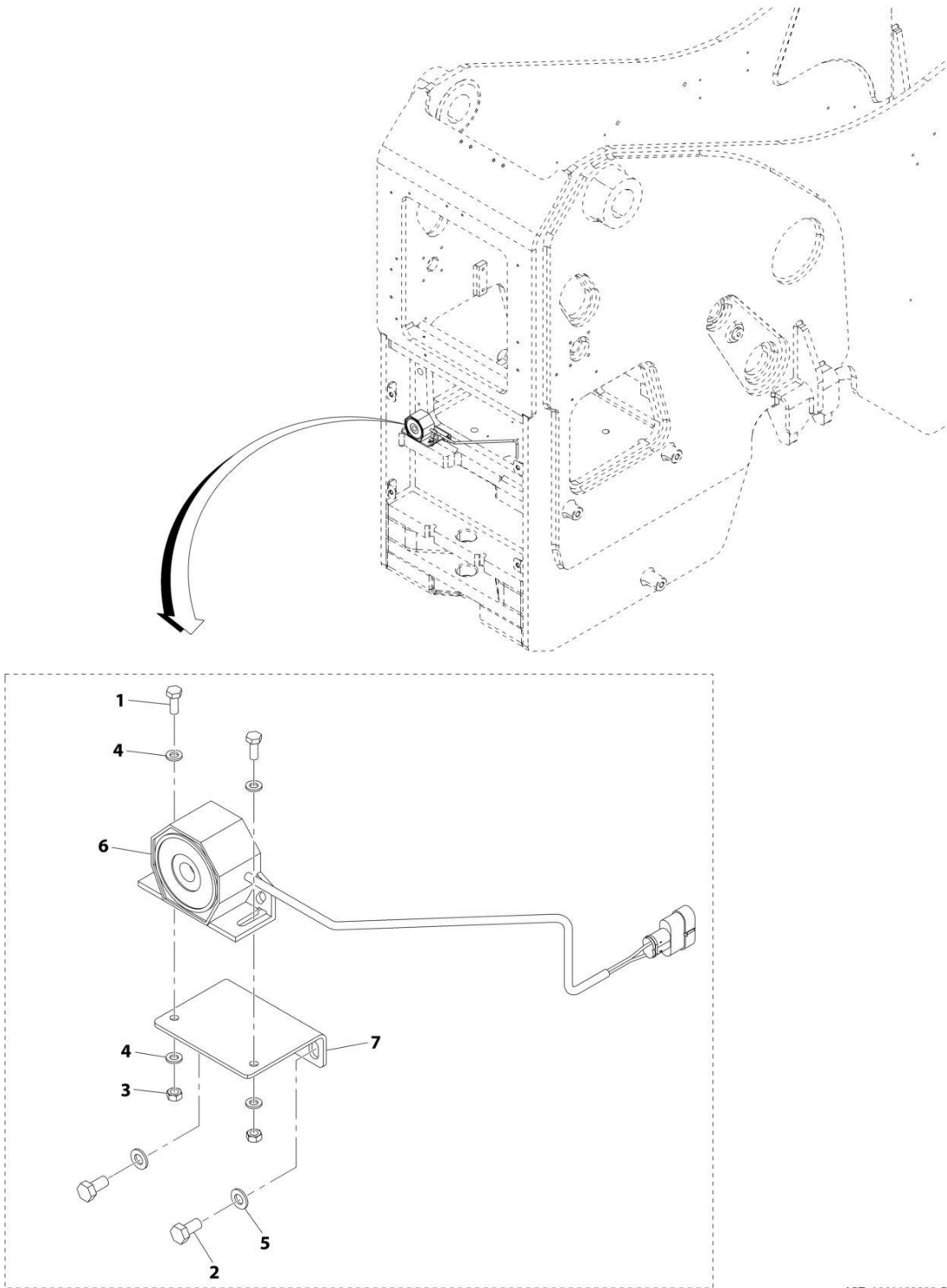
## SECTION 10 - ELECTRICAL

**FIGURE 10-4. MAIN ELECTRICAL INSTALLATION, MINING (LS)**

ITEM	PART NUMBER	QTY	DESCRIPTION	REV
1	1001228742	Ref	Main Electrical Installation (LS) (Mining)	A
	1001183272	Ref	Installation, Frame Electrical (See Separate Breakdown in this Section)	
2	1001228739	Ref	Installation, Frame Electrical (See Separate Breakdown in this Section)	
3	1001227469	Ref	Installation, Engine Bay Electrical (See Separate Breakdown in this Section)	
4	1001223066	Ref	Installation, Engine Pod Electrical (LS) (See Separate Breakdown in this Section)	

# SECTION 10 - ELECTRICAL

## FIGURE 10-5. ALARM INSTALLATION - BACK UP



ART\_1001192323-D



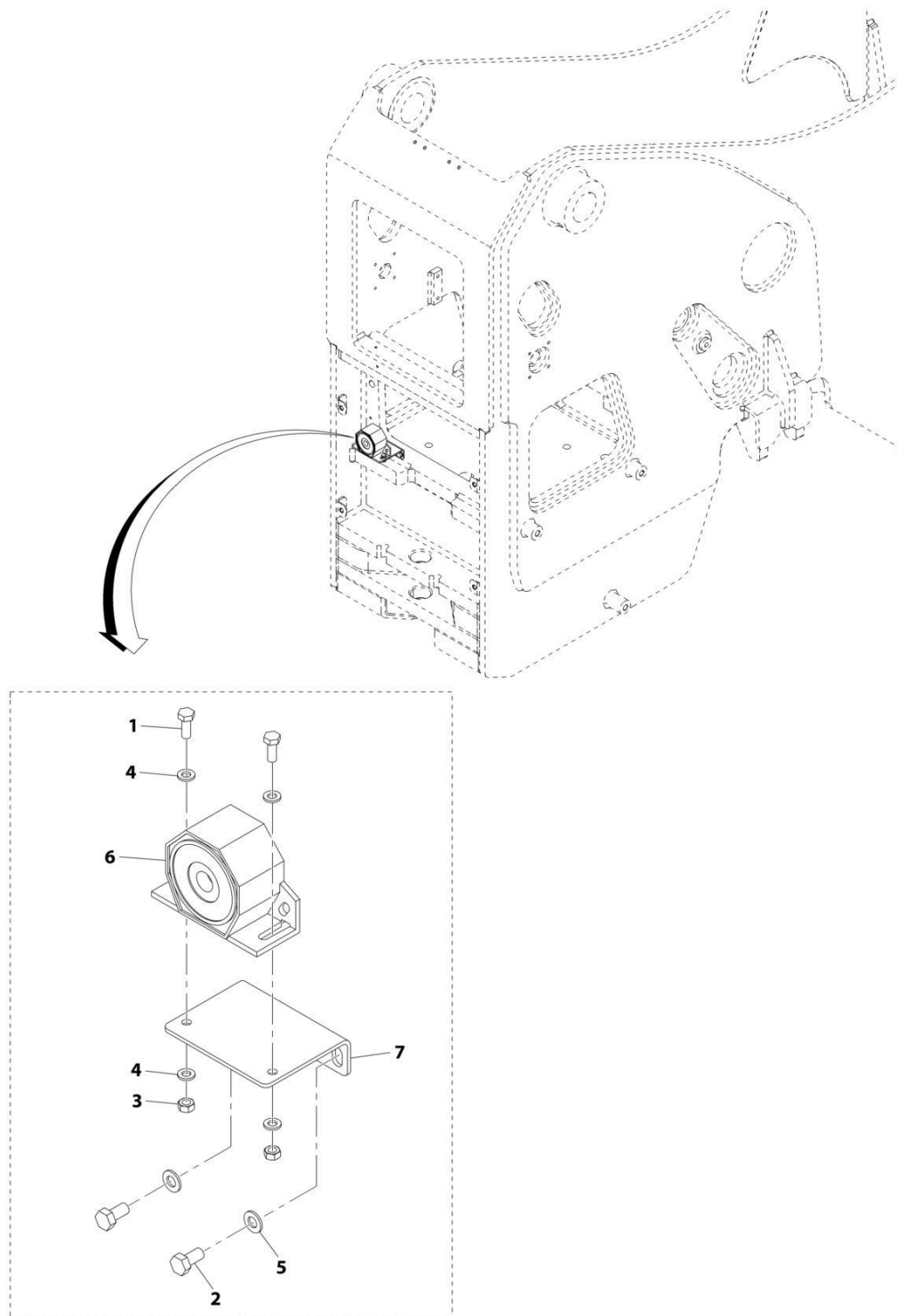
## SECTION 10 - ELECTRICAL

### FIGURE 10-5. ALARM INSTALLATION - BACK UP

ITEM	PART NUMBER	QTY	DESCRIPTION	REV
	1001192323	Ref	Backup Alarm Installation	D
1	0760608	2	Bolt, M6X16	
2	0760808	2	Bolt, M8X16	
3	3290601	2	Nut, M6X1	
4	4811700	4	Washer, M6	
5	4811900	2	Washer, M8	
6	1001101808	1	Alarm, Backup	
7	1001193698	1	Bracket	

# SECTION 10 - ELECTRICAL

## FIGURE 10-6. ALARM INSTALLATION (BACK UP - WHITE NOISE)



ART\_1001195263-B

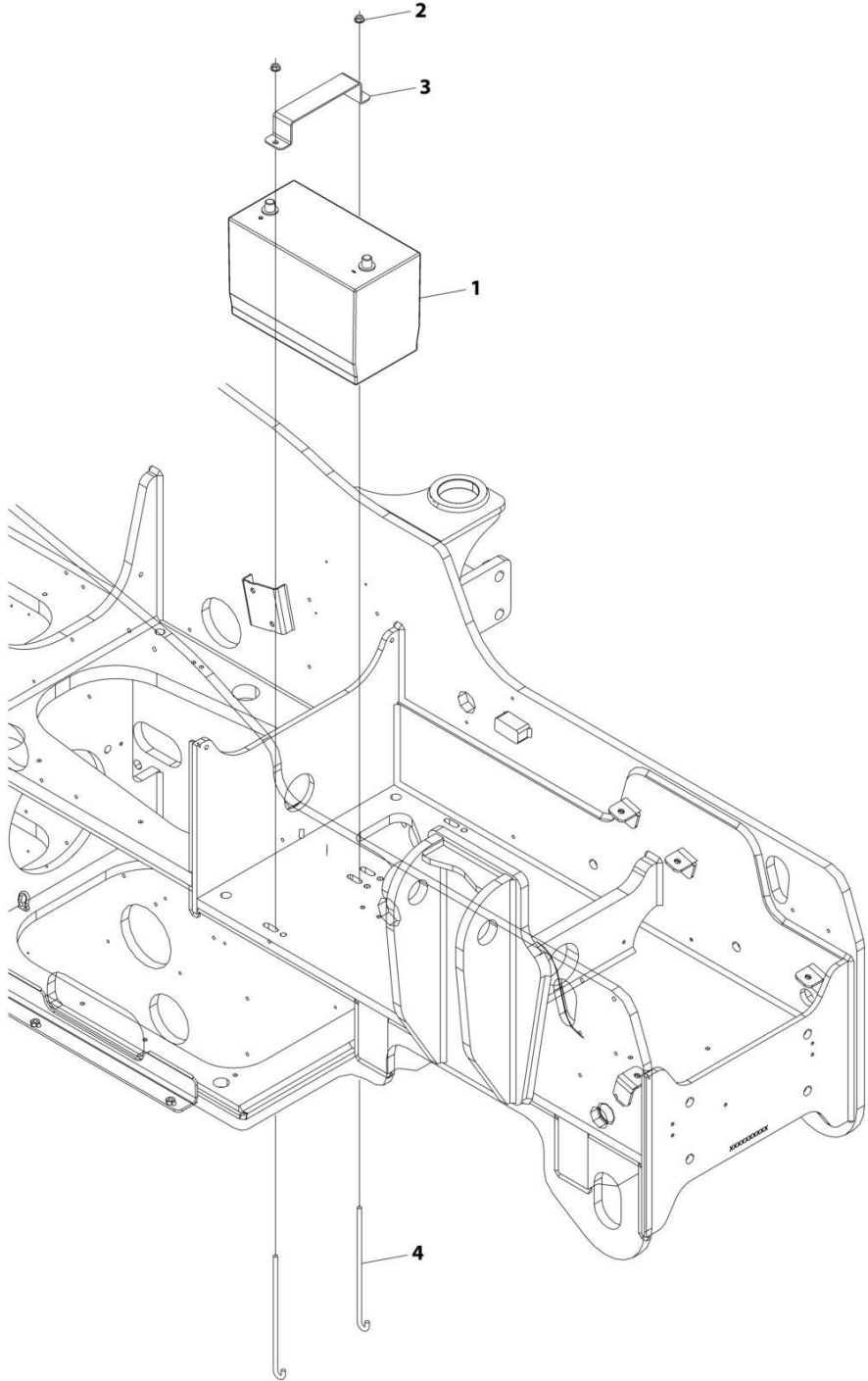
## SECTION 10 - ELECTRICAL

**FIGURE 10-6. ALARM INSTALLATION (BACK UP - WHITE NOISE)**

ITEM	PART NUMBER	QTY	DESCRIPTION	REV
	1001195263	Ref	Backup Alarm Installation (White Noise)	B
1	0760608	2	Bolt, M6X16	
2	0760808	2	Bolt, M8X16	
3	3290601	2	Nut, M6X1	
4	4811700	4	Washer, M6	
5	4811900	2	Washer, M8	
6	1001165827	1	Alarm, Backup (White Noise)	
7	1001193698	1	Bracket	

**SECTION 10 - ELECTRICAL**

**FIGURE 10-7. BATTERY INSTALLATION**



ART\_1001186855

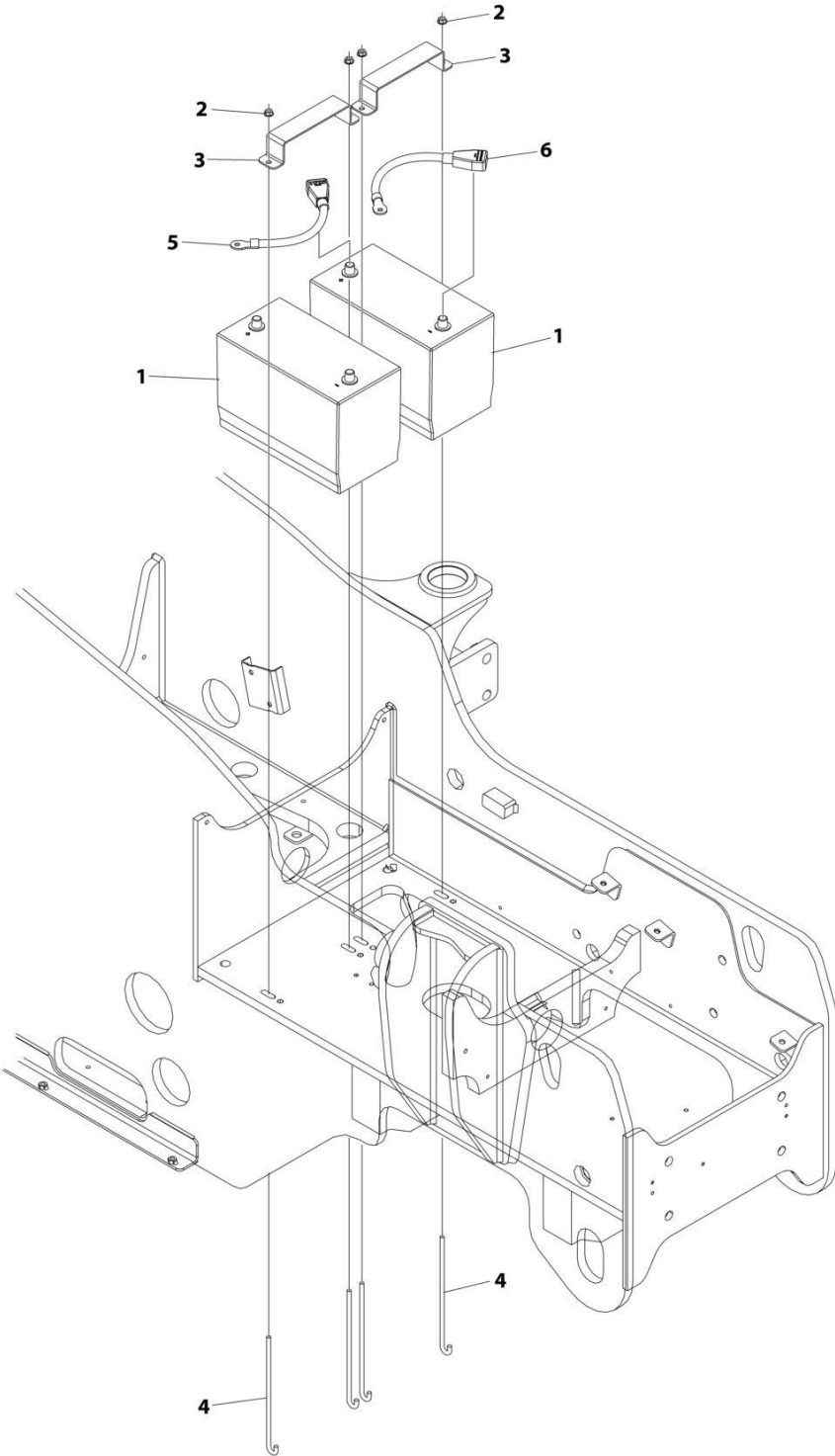
## SECTION 10 - ELECTRICAL

### FIGURE 10-7. BATTERY INSTALLATION

ITEM	PART NUMBER	QTY	DESCRIPTION	REV
	1001186855	Ref	Battery Installation	B
1	0400075	1	Battery, 12V	
2	5220800	2	Nut, Ripp M8	
3	1001160927	1	Plate	
4	1001160928	2	J-Bolt (270mm Length)	
4	1001181961	2	J-Bolt (220mm Length)	

**SECTION 10 - ELECTRICAL**

**FIGURE 10-8. BATTERY (DUAL) INSTALLATION**



ART\_1001211445\_D

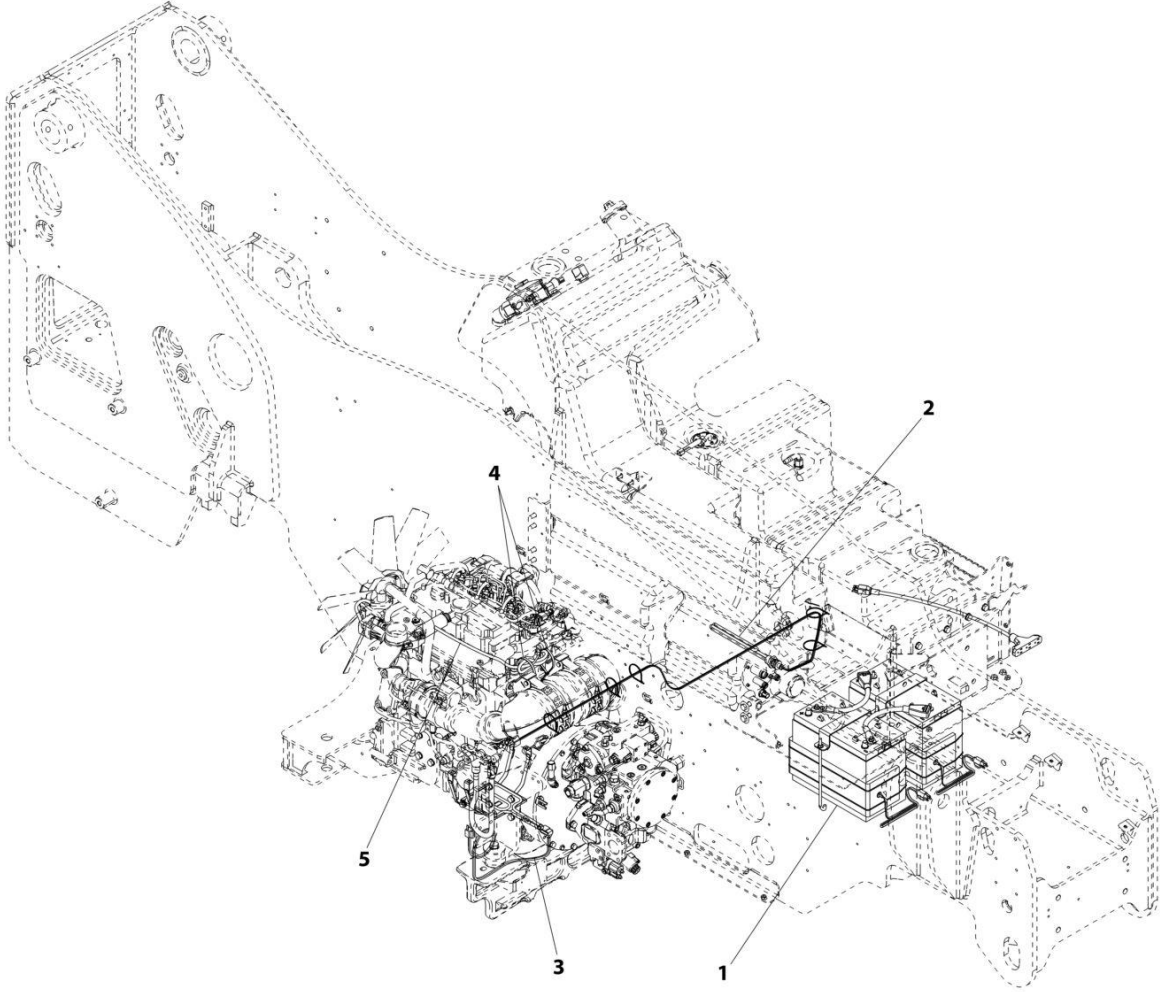
## SECTION 10 - ELECTRICAL

### FIGURE 10-8. BATTERY (DUAL) INSTALLATION

ITEM	PART NUMBER	QTY	DESCRIPTION	REV
	1001211445	Ref	Dual Battery Installation	D
1	0400075	2	Battery, 12V	
2	5220800	4	Nut Ripp M8	
3	1001160927	2	Plate	
4	1001160928	4	J-Bolt (270mm Length)	
4	1001181961	4	J-Bolt (220mm Length)	
5	1001203557	1	Cable, Positive Battery	
6	1001203558	1	Cable, Negative Battery	

**SECTION 10 - ELECTRICAL**

**FIGURE 10-9. BATTERY (ARCTIC) PACKAGE INSTALLATION (115V)**



ART\_1001186856-D



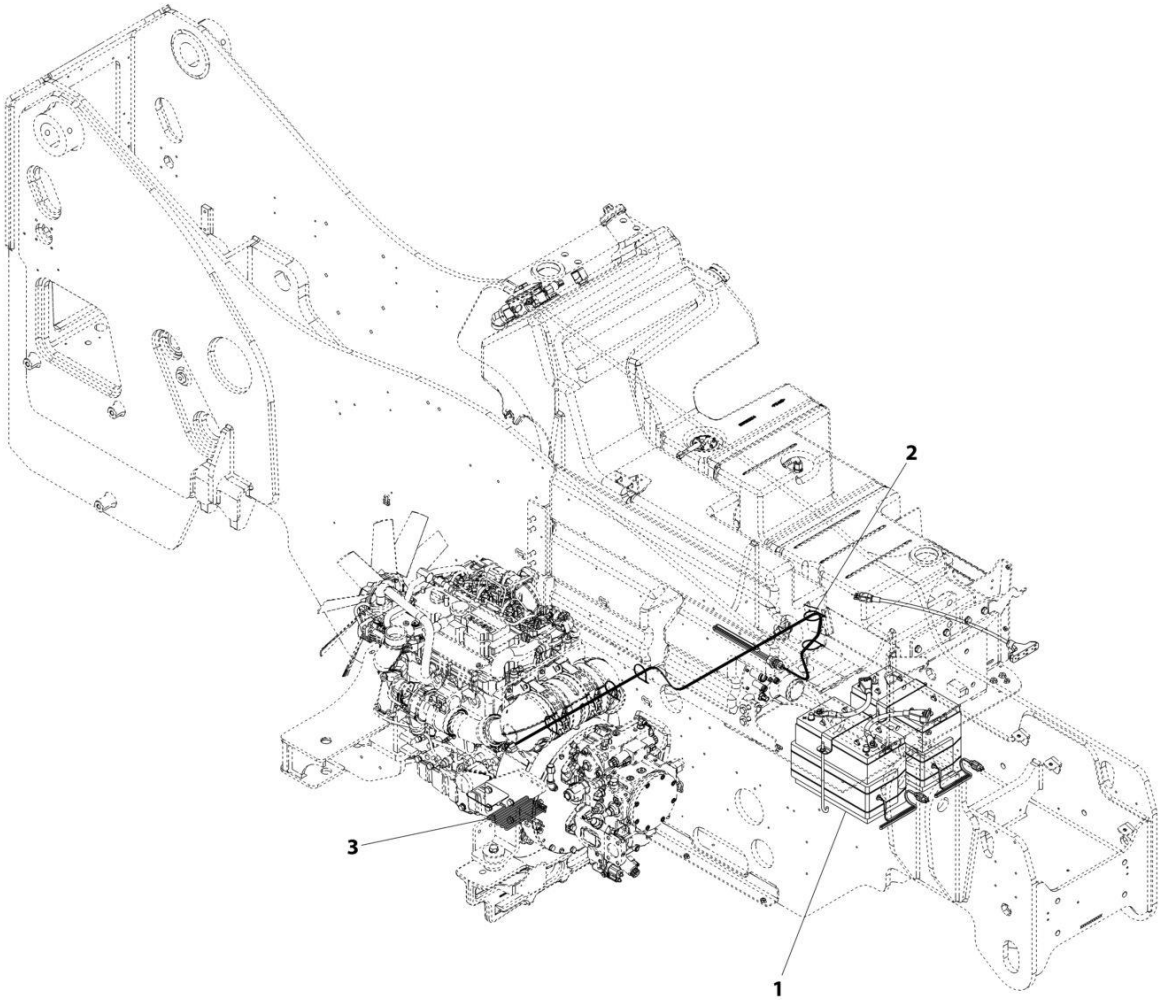
## SECTION 10 - ELECTRICAL

### FIGURE 10-9. BATTERY (ARCTIC) PACKAGE INSTALLATION (115V)

ITEM	PART NUMBER	QTY	DESCRIPTION	REV
	1001186856	Ref	Arctic Battery Package Installation (115V)	D
1	1001195582	1	Installation, Arctic Battery Package (115V) (See Separate Breakdown in this Section)	
2	1001195593	1	Installation, Hydraulic Tank Heater (115V) (See Separate Breakdown in this Section)	
3	2580040	1	Heater, Engine Oil Pan	
4	1062255	2	Tie, Strap	
5	1001232509	1	Tube, Heated Breather	

**SECTION 10 - ELECTRICAL**

**FIGURE 10-10. BATTERY (ARCTIC) PACKAGE INSTALLATION (230V)**



ART\_1001204544-C

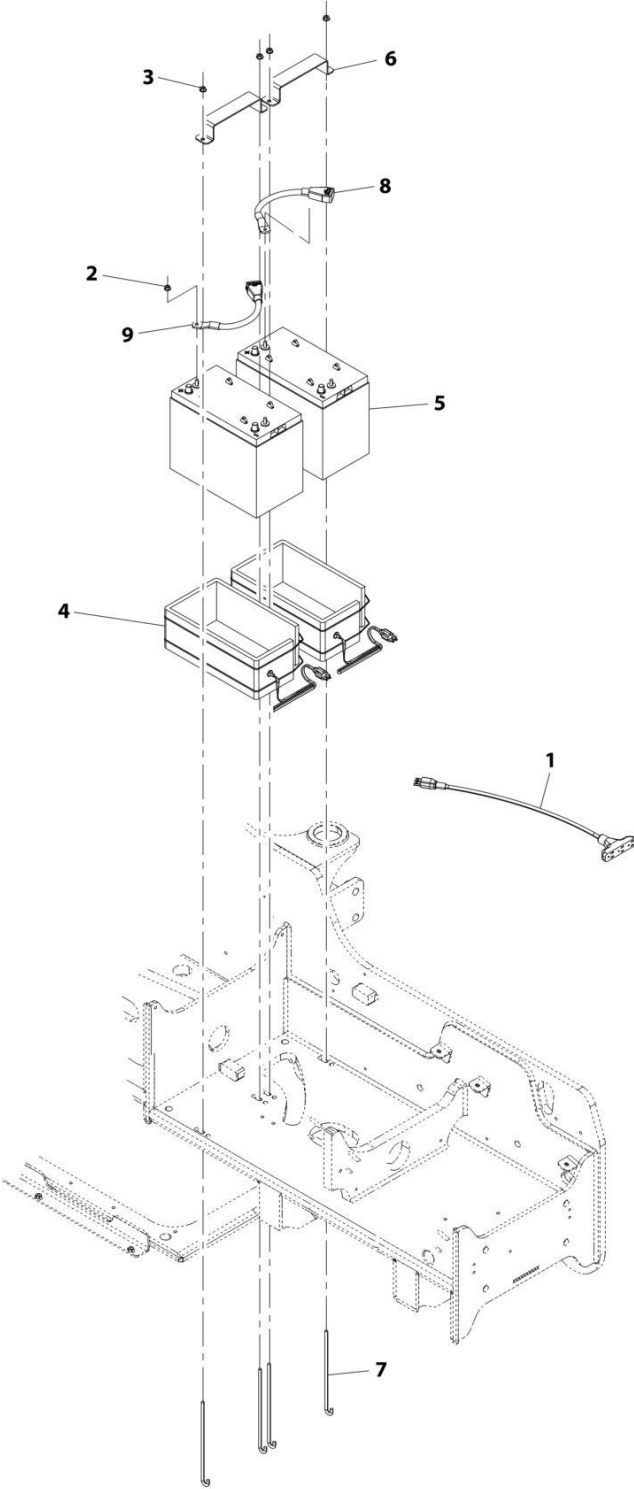
## SECTION 10 - ELECTRICAL

**FIGURE 10-10. BATTERY (ARCTIC) PACKAGE INSTALLATION (230V)**

ITEM	PART NUMBER	QTY	DESCRIPTION	REV
1	1001204544	Ref	Arctic Package Installation (240V)	C
	1001204548	Ref	Installation, Arctic Battery, (240V) (See Separate Breakdown in this Section)	
2	1001204549	Ref	Installation, Hydraulic Tank Heater (240V) (See Separate Breakdown in this Section)	
3	1001196332	1	Heater, Oil Pan	

**SECTION 10 - ELECTRICAL**

**FIGURE 10-11. BATTERIES (ARCTIC) INSTALLATION (115V)**



ART\_1001195582-B

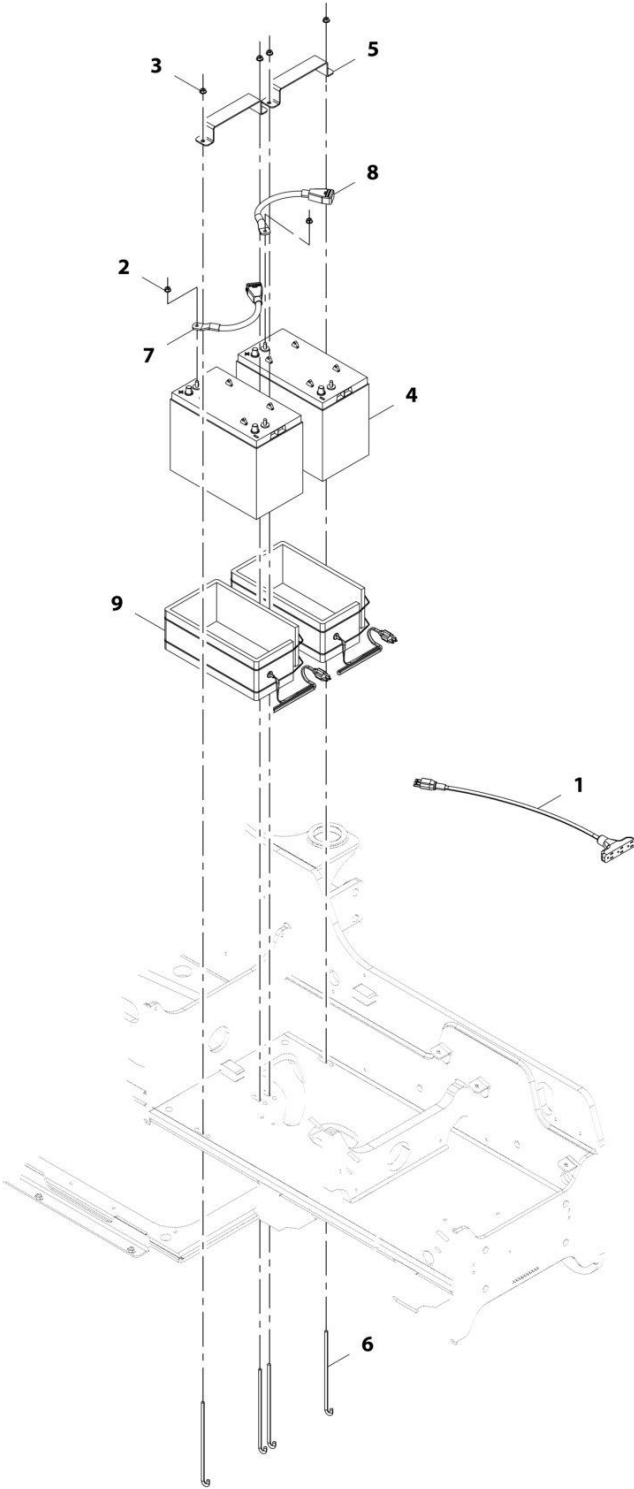
## SECTION 10 - ELECTRICAL

### FIGURE 10-11. BATTERIES (ARCTIC) INSTALLATION (115V)

ITEM	PART NUMBER	QTY	DESCRIPTION	REV
	1001195582	Ref	Arctic Batteries Installation (115V)	B
1	1060626	1	Cord, 3-Way Extension	
2	3311508	2	Nut 5/16	
3	5220800	4	Nut M8	
4	1001093564	2	Heater, Battery	
5	1001098762	2	Battery 12V	
6	1001160927	2	Plate, Battery Hold Down	
7	1001160928	4	J-Bolt	
8	1001172495	1	Cable, Positive Battery	
9	1001172496	1	Cable, Negative Battery	

**SECTION 10 - ELECTRICAL**

**FIGURE 10-12. BATTERY (ARCTIC) INSTALLATION (230V)**



ART\_1001204548-A

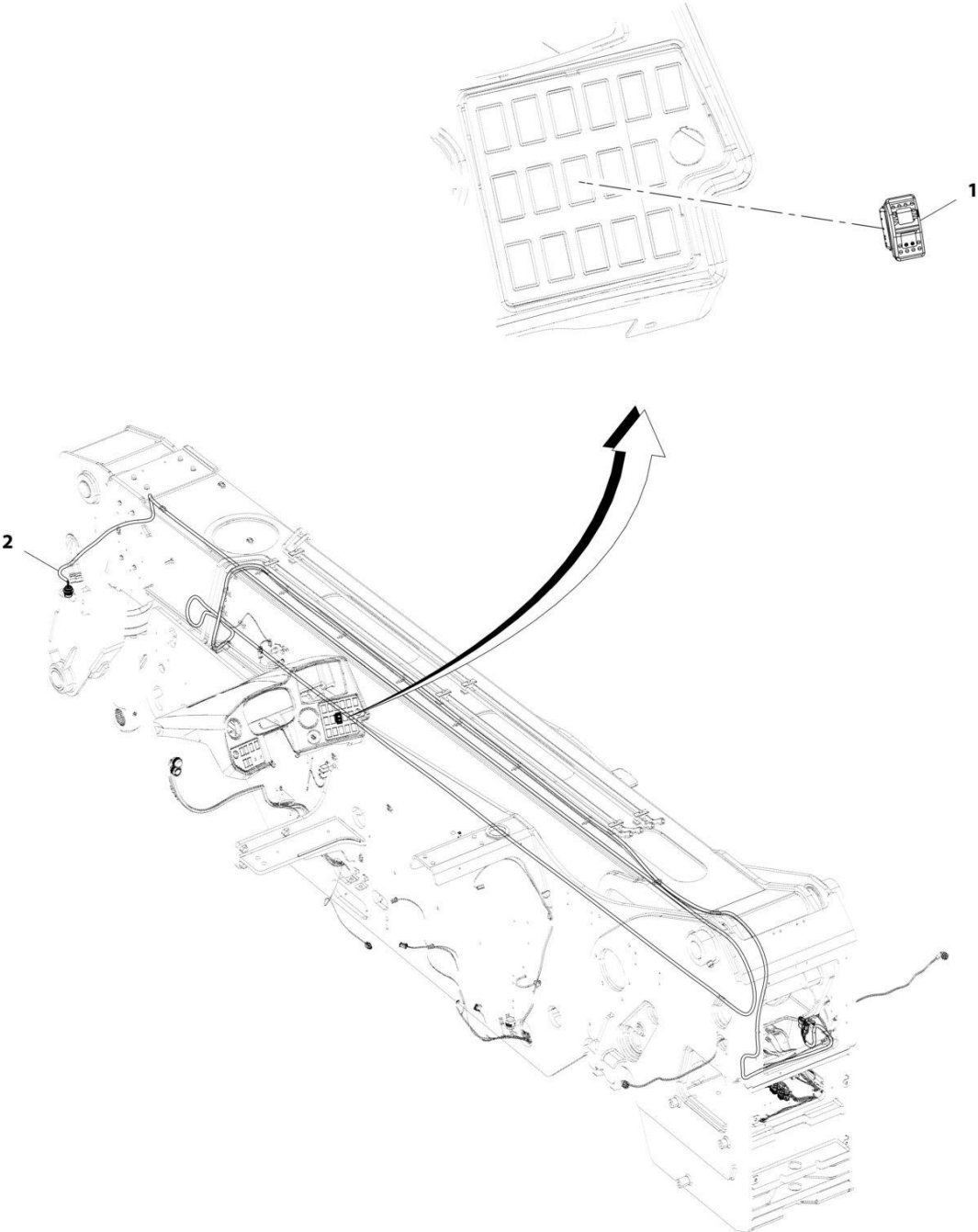
## SECTION 10 - ELECTRICAL

### FIGURE 10-12. BATTERY (ARCTIC) INSTALLATION (230V)

ITEM	PART NUMBER	QTY	DESCRIPTION	REV
	1001204548	Ref	Artic Battery Package Installation (240V)	A
1	1060626	1	Cord, 3-Way Extension	
2	3311508	2	Nut, 5/16-18	
3	5220800	4	Nut, M8	
4	1001098762	2	Battery, 12V	
5	1001160927	2	Plate, Battery Hold Down	
6	1001160928	4	J-Bolt	
7	1001172495	1	Cable, Positive Battery	
8	1001172496	1	Cable, Negative Battery	
9	1001195469	2	Heater, Battery	

**SECTION 10 - ELECTRICAL**

**FIGURE 10-13. BOOM HARNESS INSTALLATION**



ART\_1001192575-B



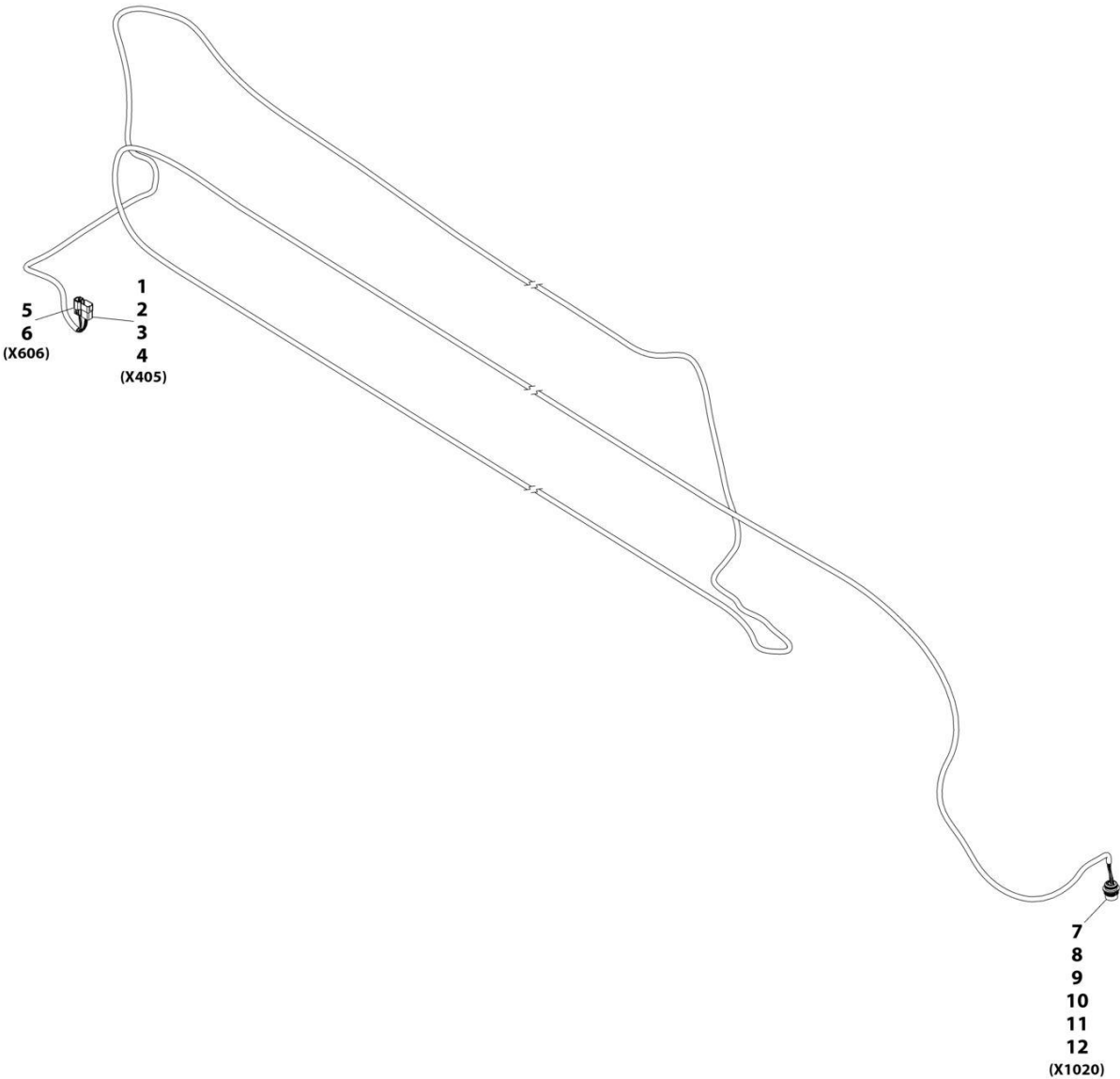
# SECTION 10 - ELECTRICAL

## FIGURE 10-13. BOOM HARNESS INSTALLATION

ITEM	PART NUMBER	QTY	DESCRIPTION	REV
	1001192575	Ref	Boom Harness Installation	B
1	1001159746	1	Switch, Aux Electric	
2	1001201124	1	Harness, Boom (See Separate Breakdown in this Section)	

**SECTION 10 - ELECTRICAL**

**FIGURE 10-14. BOOM HARNESS**



ART\_1001201124-B

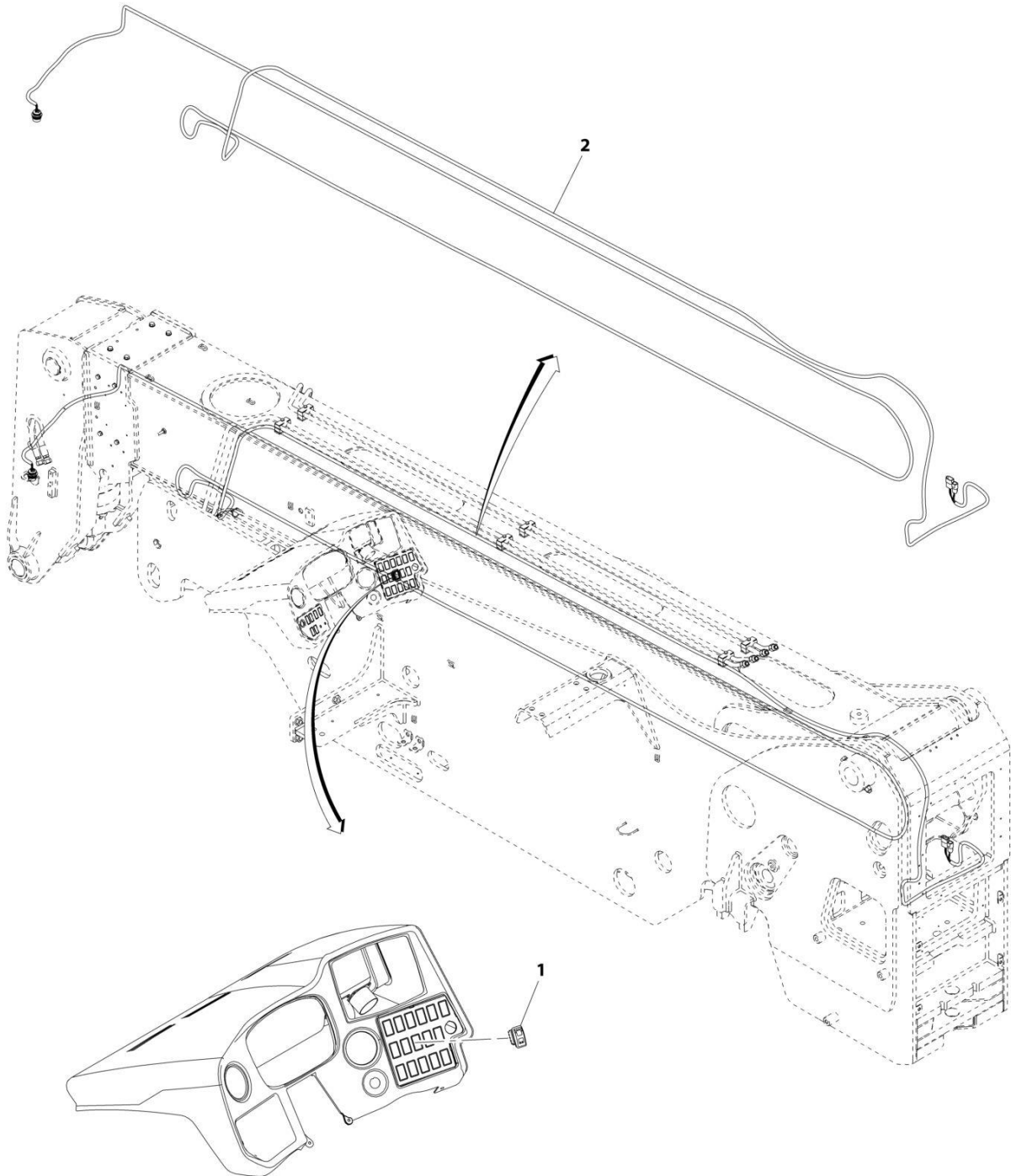
# SECTION 10 - ELECTRICAL

## FIGURE 10-14. BOOM HARNESS

ITEM	PART NUMBER	QTY	DESCRIPTION	REV
	1001201124	Ref	Boom Harness	B
1	4460931	1	Connector	
2	4460943	2	Terminal	
3	4460464	4	Terminal	
4	4460466	2	Plug	
5	4461017	1	Connector	
6	4460508	2	Terminal	
7	1001112612	1	Connector	
8	1001183221	1	Boot	
9	1001157891	2	Terminal	
10	4460464	4	Terminal	
11	4460943	2	Terminal	
12	4460466	1	Plug	

# SECTION 10 - ELECTRICAL

## FIGURE 10-15. BOOM HARNESS INSTALLATION



ART\_1001228743-A

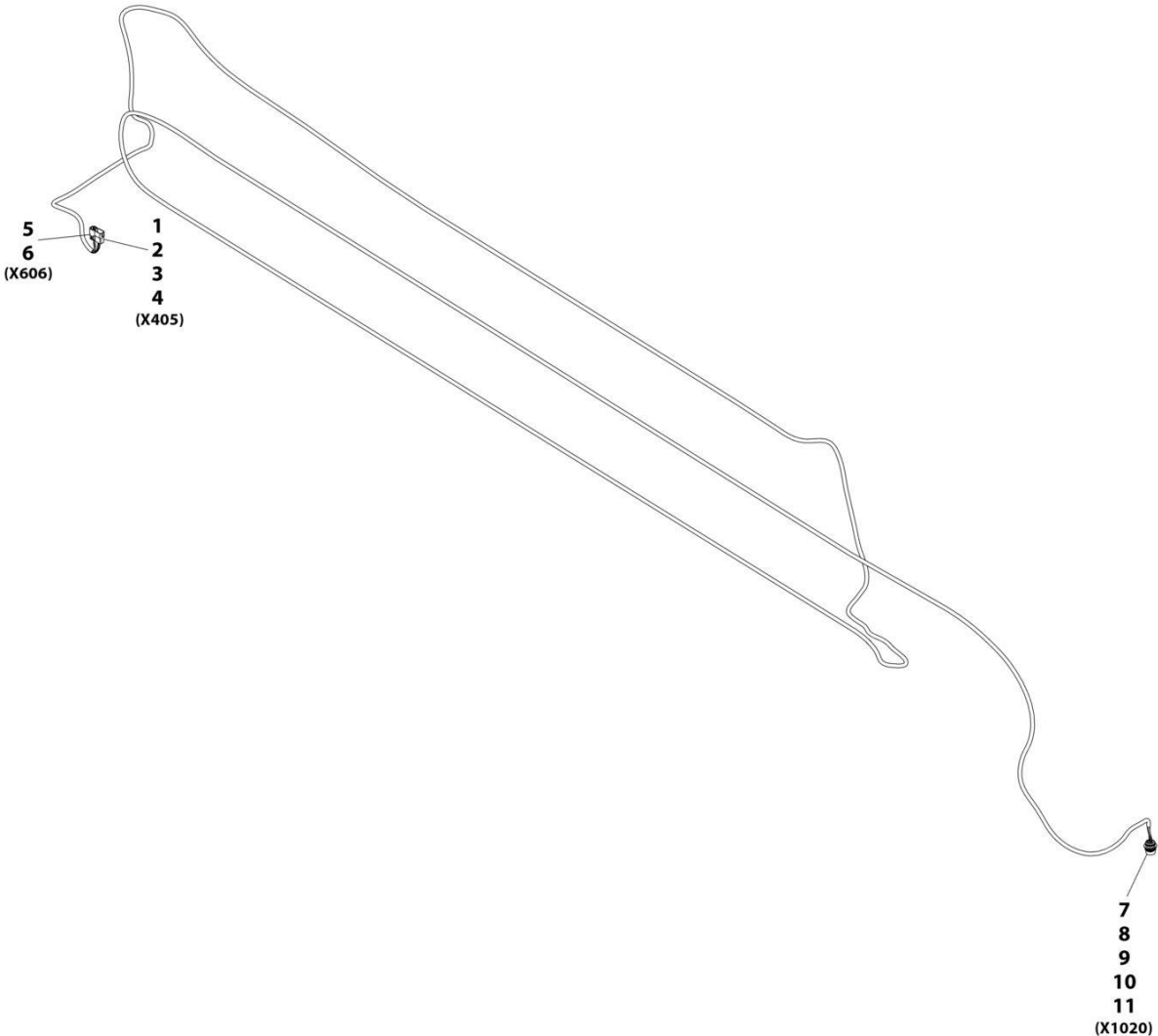
## SECTION 10 - ELECTRICAL

### FIGURE 10-15. BOOM HARNESS INSTALLATION

ITEM	PART NUMBER	QTY	DESCRIPTION	REV
	1001228743	Ref	Boom Harness Installation	A
1	1001159746	1	Switch, Aux Electric	
2	1001228744	1	Harness, Boom (See Separate Breakdown in this Section)	

**SECTION 10 - ELECTRICAL**

**FIGURE 10-16. BOOM HARNESS**



ART\_1001228744-A

# SECTION 10 - ELECTRICAL

## FIGURE 10-16. BOOM HARNESS

ITEM	PART NUMBER	QTY	DESCRIPTION	REV
	1001228744	Ref	Boom Harness	A
1	4460931	1	Connector	
2	4460943	2	Terminal	
3	4460464	4	Terminal	
4	4460466	2	Plug	
5	4461017	1	Connector	
6	4460508	2	Terminal	
7	1001112612	1	Connector	
8	1001157891	2	Terminal	
9	4460464	4	Terminal	
10	4460943	2	Terminal	
11	4460466	1	Plug	





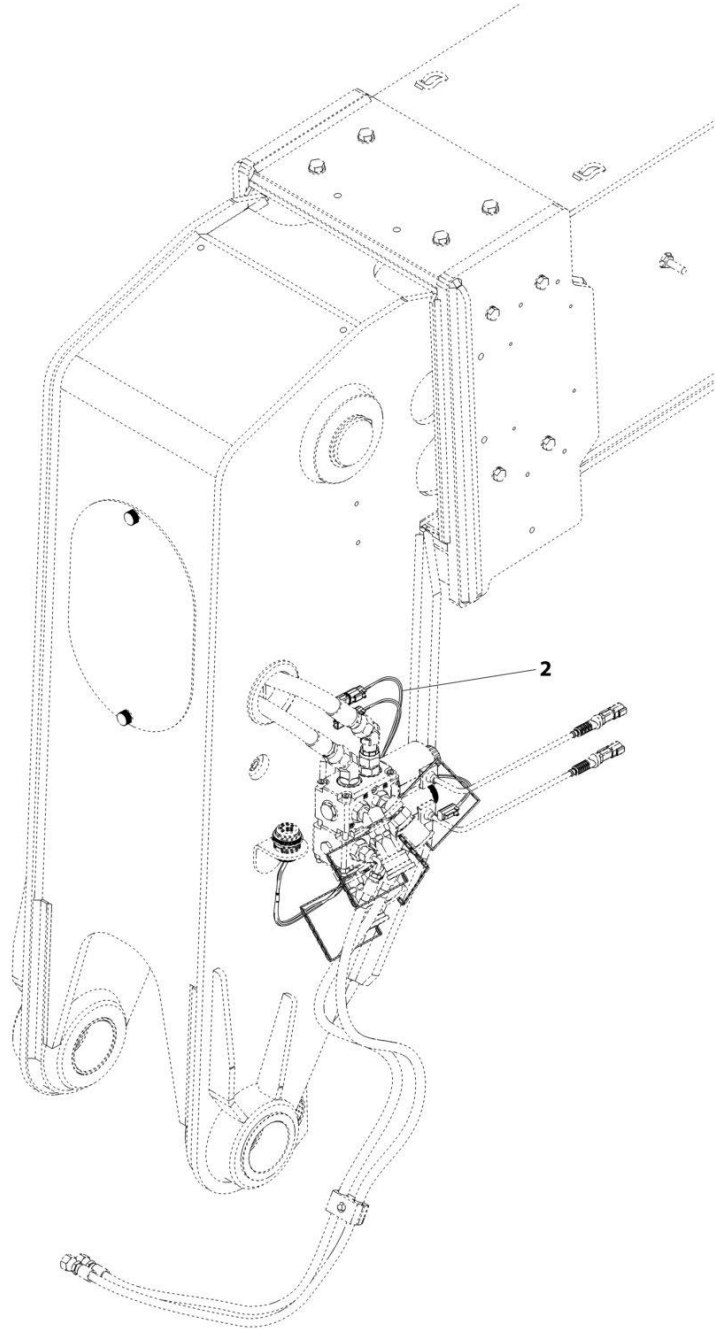
## SECTION 10 - ELECTRICAL

**FIGURE 10-17. BOOM ANGLE SENSOR INSTALLATION (NO LMIS)**

ITEM	PART NUMBER	QTY	DESCRIPTION	REV
	1001192430	Ref	BOOM ANGLE SENSOR INSTALLATION (NO LMIS)	E
1	0761008	2	Bolt M10X16	
2	3290405	2	Nut, Lock M4	
3	3290601	2	Nut M6	
4	1001278028	1	Sensor, Angle	
5	4010610	1	Screw M6X20	
6	4811400	2	Washer M4	
7	4812000	2	Washer M10	
8	1001103156	1	Pin	
9	1001103300	1	Fitting, Ball Joint	
10	1001126837	2	Screw M4X16	
11	1001134274	1	Clevis	
12	1001213775	1	Bracket	
13	1001195731	1	Link	
14	1001195732	1	Rod	
15	3290605	1	Nut, Lock M6	
16	4811700	1	Washer M6	

# SECTION 10 - ELECTRICAL

## FIGURE 10-18. BOOM AUX HARNESS INSTALLATION



ART\_1001192370-C

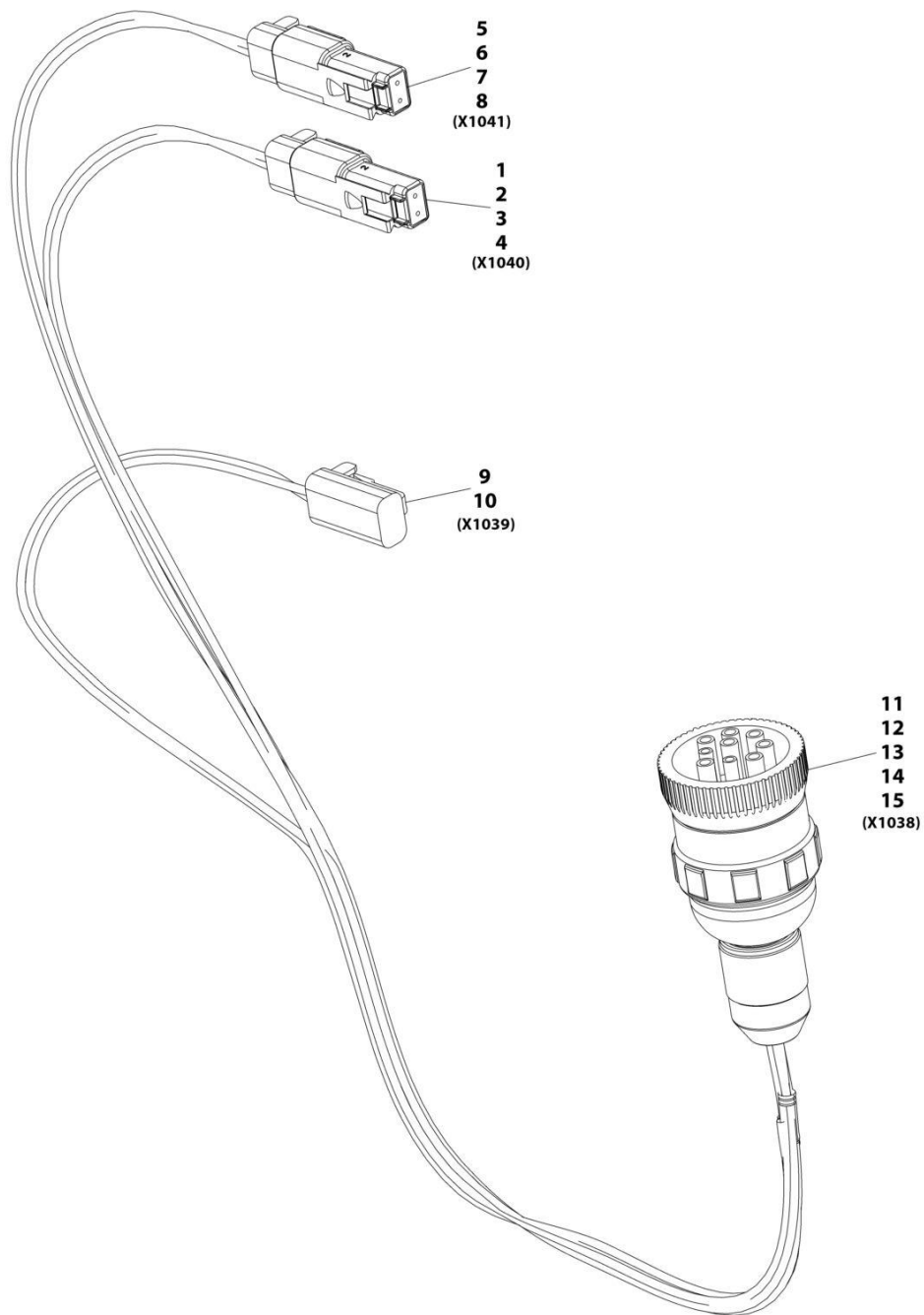
## SECTION 10 - ELECTRICAL

**FIGURE 10-18. BOOM AUX HARNESS INSTALLATION**

ITEM	PART NUMBER	QTY	DESCRIPTION	REV
2	1001192370	Ref	Boom Aux Harness Installation	C
	1001206633	1	Harness, Boom AUX (See Separate Breakdown in this Section)	

# SECTION 10 - ELECTRICAL

## FIGURE 10-19. BOOM AUX HARNESS



ART\_1001206633-C

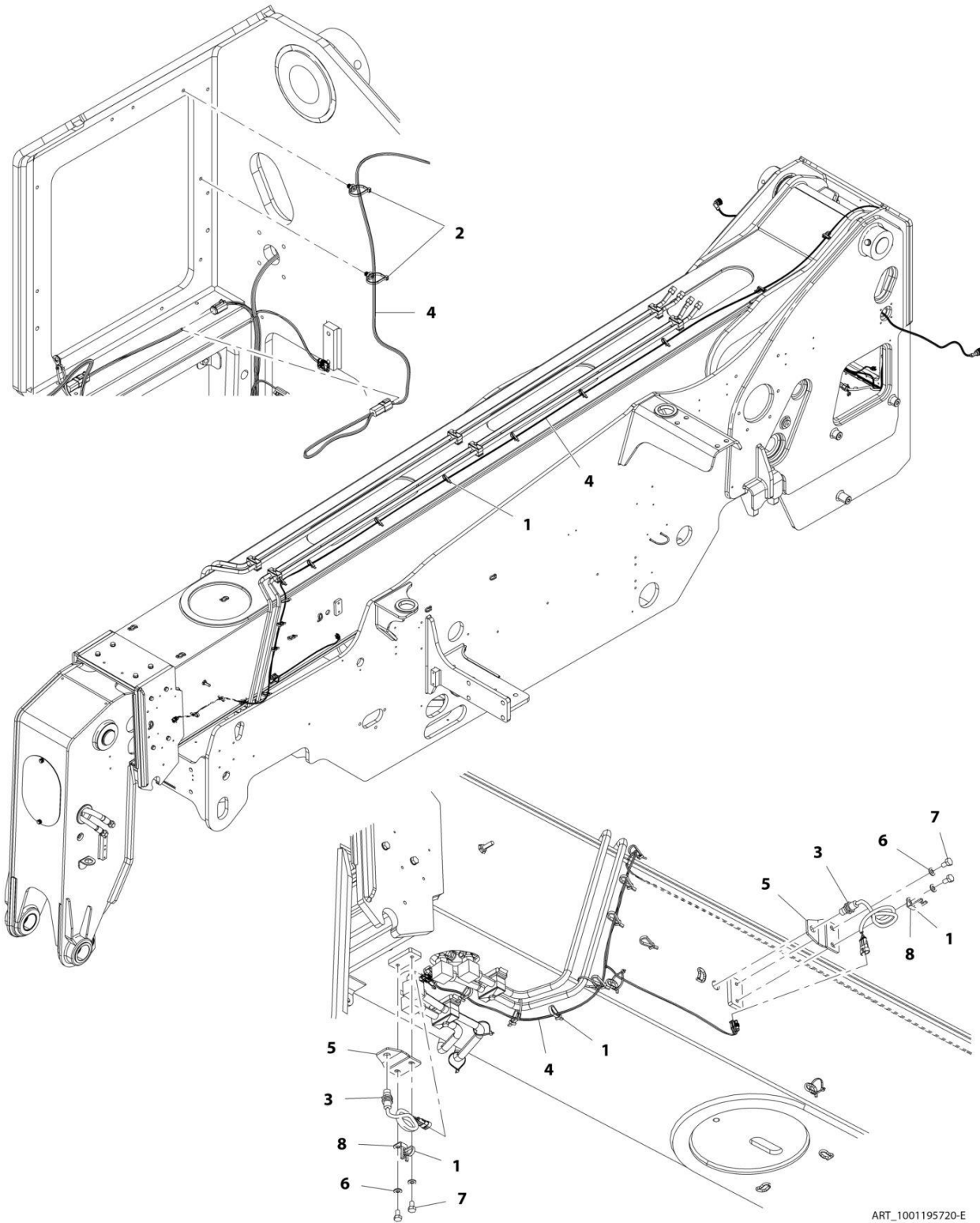
## SECTION 10 - ELECTRICAL

### FIGURE 10-19. BOOM AUX HARNESS

ITEM	PART NUMBER	QTY	DESCRIPTION	REV
	1001206633	Ref	Boom Aux Harness	C
1	4460891	1	Connector	
2	4460897	1	Mating Connector	
3	4460466	1	Plug	
4	4460465	2	Terminal	
5	4460891	1	Connector	
6	4460897	1	Mating Connector	
7	4460466	1	Terminal	
8	4460465	2	Terminal	
9	4460891	1	Connector	
10	4460465	2	Terminal	
11	1001112796	1	Connector	
12	4460465	4	Terminal	
13	4460466	5	Plug	
14	1001241590	1	Backshell	
15	1001241591	1	Nut	

# SECTION 10 - ELECTRICAL

## FIGURE 10-20. BOOM RETRACT SENSOR INSTALLATION



ART\_1001195720-E

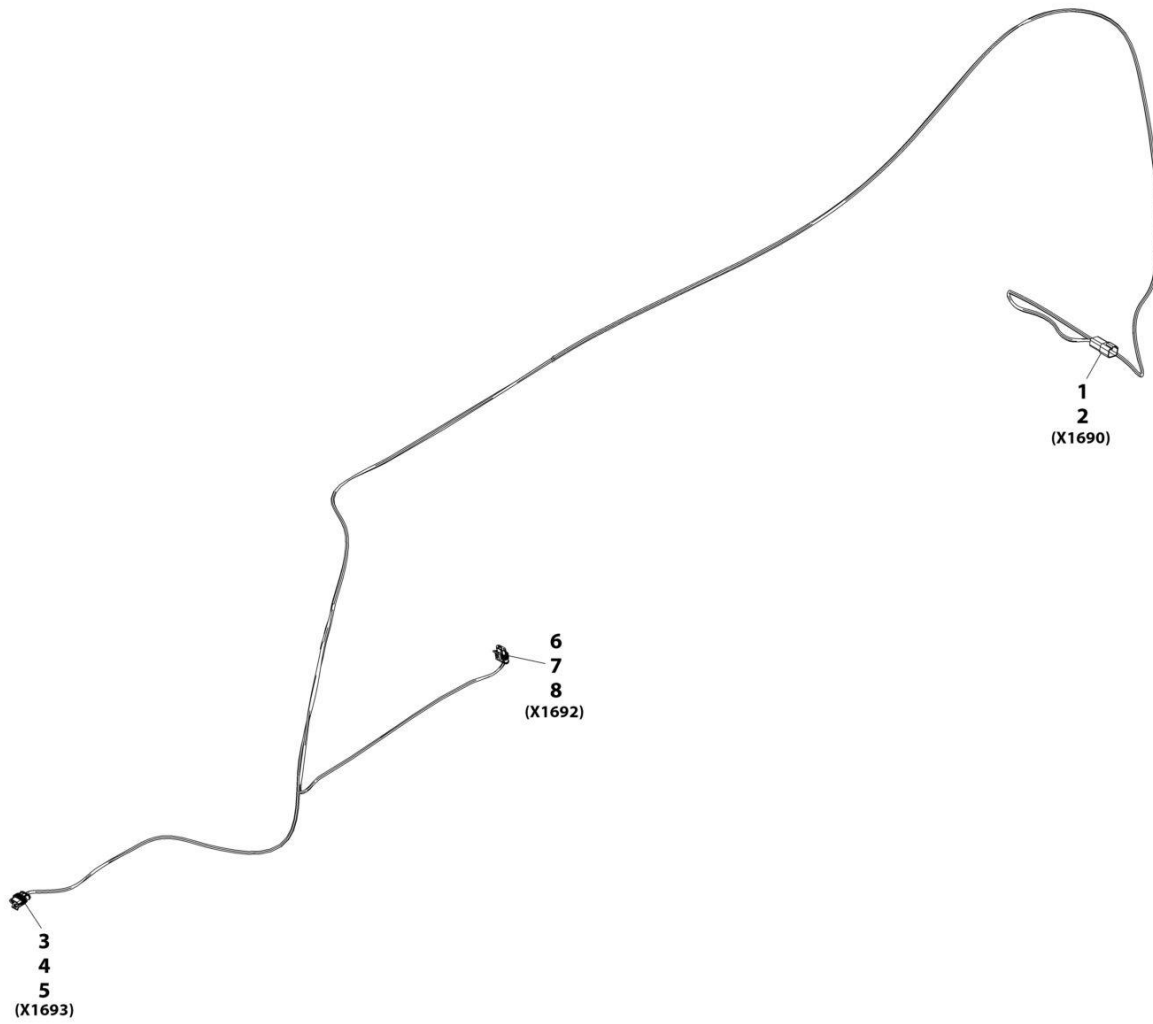
## SECTION 10 - ELECTRICAL

### FIGURE 10-20. BOOM RETRACT SENSOR INSTALLATION

ITEM	PART NUMBER	QTY	DESCRIPTION	REV
	1001195720	Ref	Boom Retract Sensor Installation	E
1	1001008923	19	Strap, Cable	
2	1001146588	2	Strap, Fir Tree Cable Tie	
3	1001183024	2	Sensor	
4	1001195953	1	Harness, Proximity Sensor	
5	1001210567	2	Bracket	
6	4812000	4	Washer, M10	
7	0761009	4	Bolt	
8	1001003305	2	Clip	

# SECTION 10 - ELECTRICAL

## FIGURE 10-21. BOOM RETRACT PROXIMITY SENSOR HARNESS



ART\_1001195953-G



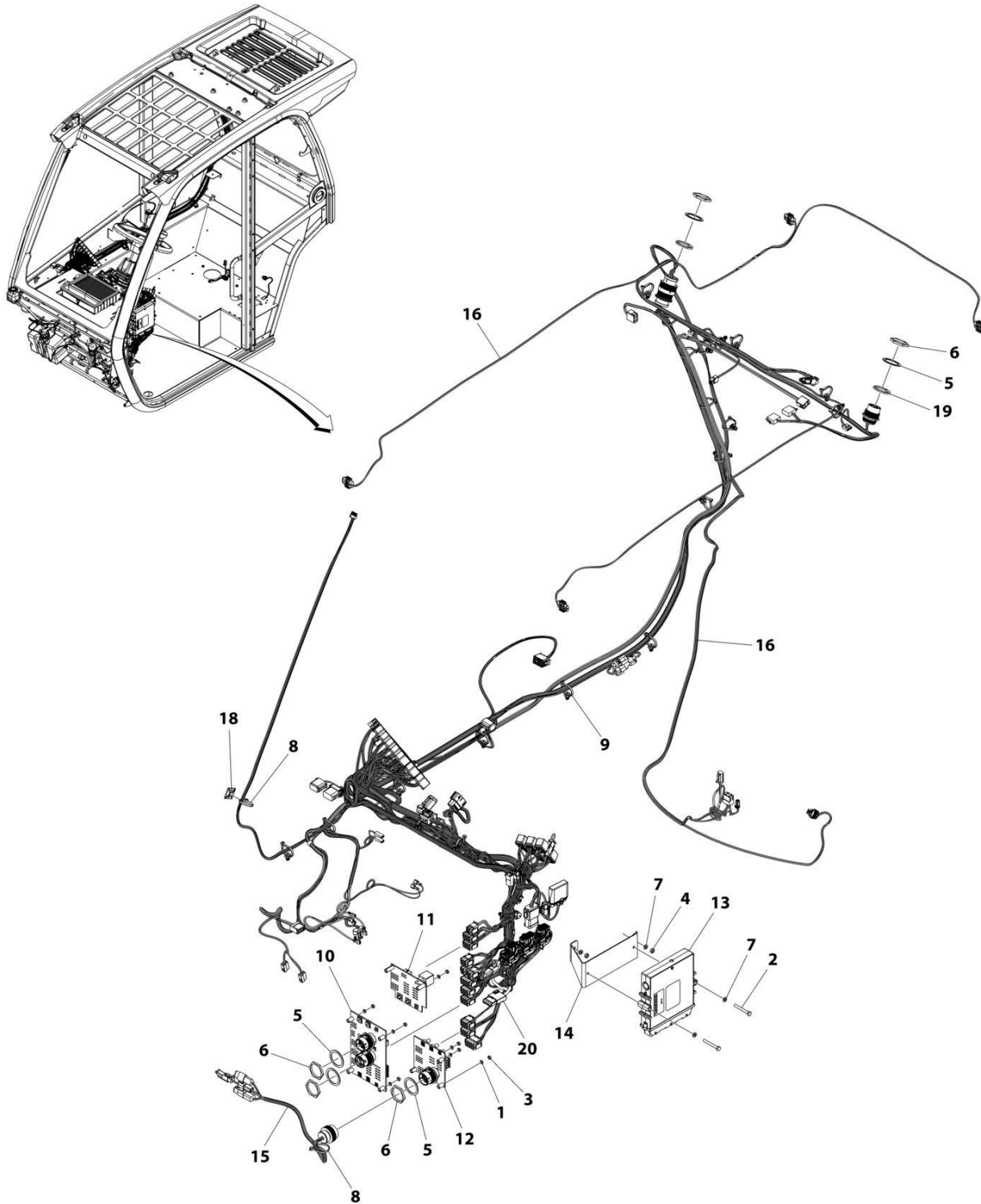
## SECTION 10 - ELECTRICAL

### FIGURE 10-21. BOOM RETRACT PROXIMITY SENSOR HARNESS

ITEM	PART NUMBER	QTY	DESCRIPTION	REV
	1001195953	Ref	Proximity Sensor Harness	G
1	4460932	1	Connector	
2	4460464	4	Terminal	
3	4461262	1	Connector	
4	1001107854	3	Terminal	
5	1001104498	3	Terminal Seal	
6	4461262	1	Connector	
7	1001107854	3	Terminal	
8	1001104498	3	Terminal Seal	

# SECTION 10 - ELECTRICAL

## FIGURE 10-22. CAB ELECTRICAL INSTALLATION



ART\_1001192558\_M

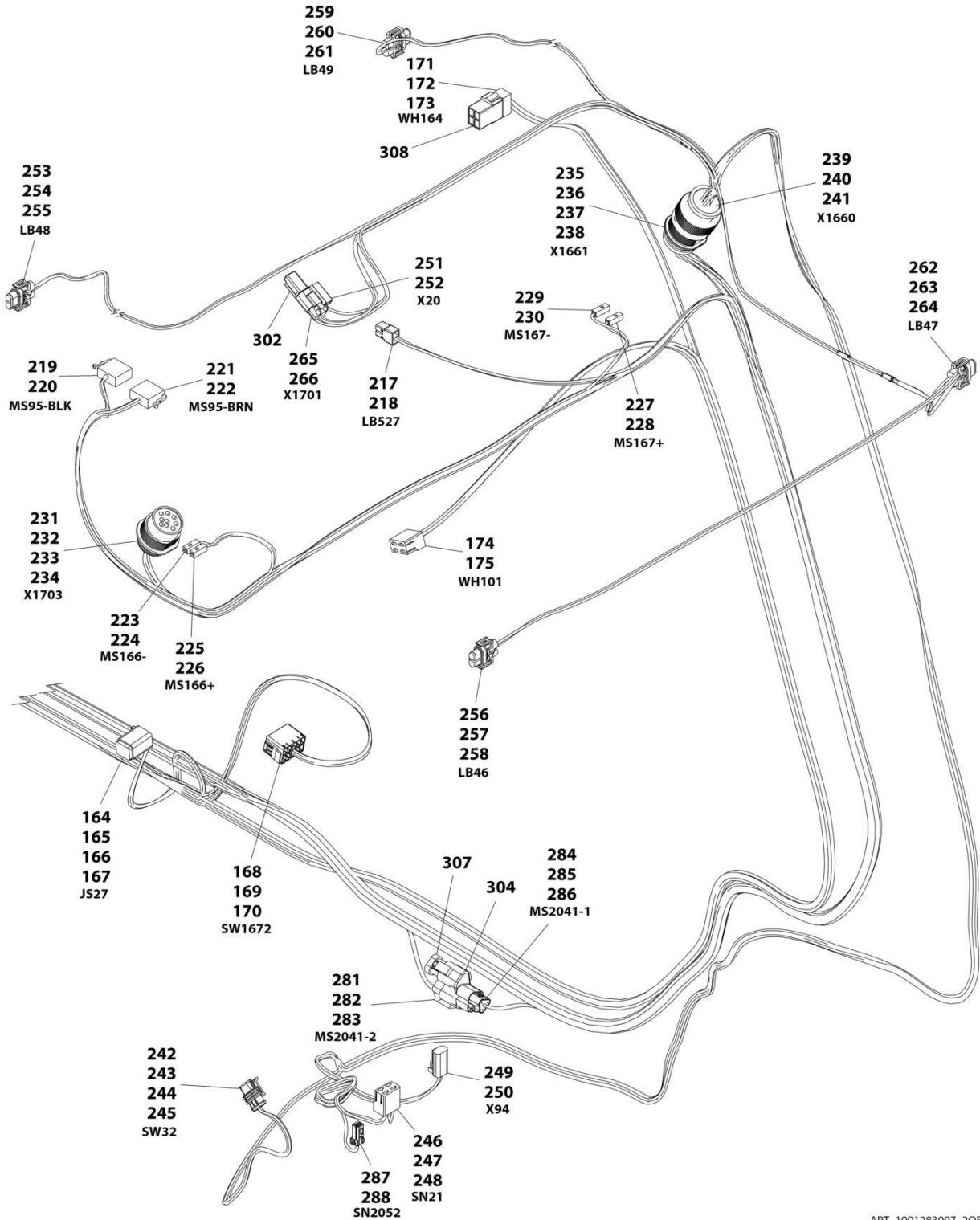
## SECTION 10 - ELECTRICAL

**FIGURE 10-22. CAB ELECTRICAL INSTALLATION**

ITEM	PART NUMBER	QTY	DESCRIPTION	REV
	1001192558	Ref	CAB ELECTRICAL INSTALLATION	M
1	120034	7	Washer, Plastic	
2	0700618	2	Bolt M6 x 50	
3	3290501	7	Nut M5	
4	3290601	2	Nut M6	
5	4460496	5	Washer, Terminal Lock	
6	4460497	5	Nut, Terminal	
7	4811700	4	Washer M6	
8	1001008559	2	Strap, Cable Tie	
9	1001146588	24	Strap, Cable Tie	
10	1001161769	1	Assembly, Standard Electrical Board (See Separate Breakdown in this Section)	
11	1001161770	1	Assembly, Option 1 Electrical Board (See Separate Breakdown in this Section)	
12	1001161771	1	Assembly, Option 2 Electrical Board (See Separate Breakdown in this Section)	
13	1001270466	1	Module, Cab Control	
14	1001178933	1	Bracket	
15	1001258712	1	Harness, Cab Option LBP (See Separate Breakdown in this Section)	
16	1001283097	1	Harness, Cab (See Separate Breakdown in this Section)	
18	4460234	1	Terminal, Mount Cable Tie	
19	1001211693	2	Seal	
20	1001213988	1	Cable, Communication Analyzer	



# SECTION 10 - ELECTRICAL



ART\_1001283097\_20F2

# SECTION 10 - ELECTRICAL

## FIGURE 10-23. CAB HARNESS

ITEM	PART NUMBER	QTY	DESCRIPTION	REV
	1001283097	Ref	CAB HARNESS	B
1	4460343	1	Connector	
2	4460267	5	Terminal	
3	4460434	1	Connector	
4	4460268	10	Terminal	
5	4460343	1	Connector	
6	4460268	8	Terminal	
7	10011223457	1	Terminal	
8	4460434	1	Connector	
9	4460268	15	Terminal	
10	4460343	1	Connector	
11	4460267	9	Terminal	
12	1001223456	1	Terminal	
13	4460265	1	Connector	
14	1001223457	3	Terminal	
15	4460268	6	Terminal	
16	4460225	1	Connector	
17	4460267	7	Terminal	
18	4460225	1	Connector	
19	4460268	5	Terminal	
20	4460343	1	Connector	
21	4460268	8	Terminal	
22	1001161959	1	Connector	
23	943191201	1	Cover	
24	1001161100	9	Plug	
25	1001161097	15	Terminal	
26	1001161098	1	Terminal	
27	1001161101	7	Plug	
28	1001160502	1	Connector	
29	643201301	1	Cover	
30	1001161097	21	Terminal	
31	1001161100	19	Plug	
32	1001161098	6	Terminal	
33	1001161099	2	Terminal	
34	1001161101	2	Plug	
35	1001103012	1	Connector	
36	1001116698	2	Plug	
37	1001116697	2	Terminal	
38	1001104498	2	Terminal Seal	
39	4461262	1	Connector	
40	1001107854	3	Terminal	
41	1001104498	3	Terminal Seal	
42	1001160498	1	Connector	
43	643191201	1	Cover	
44	1001161097	19	Terminal	
45	1001161100	5	Plug	
46	1001161098	5	Terminal	
47	1001161101	2	Plug	
48	1001161099	1	Terminal	
49	1001162886	1	Connector	

## SECTION 10 - ELECTRICAL

ITEM	PART NUMBER	QTY	DESCRIPTION	REV
50	1001163340	13	Plug	
51	1001162887	7	Terminal	
52	1001117081	1	Connector	
53	1001116723	6	Terminal	
54	1001222455	1	Terminal	
55	1001117081	1	Connector	
56	1001116723	6	Terminal	
57	1001223455	1	Terminal	
58	1001173411	1	Connector	
59	1001116716	3	Terminal	
60	1001104519	3	Terminal	
61	1001116999	1	Connector	
62	1001116700	4	Terminal	
63	4460343	1	Connector	
64	4460267	7	Terminal	
65	1001116991	1	Connector	
66	1001116723	2	Terminal	
67	4460933	1	Connector	
68	4460466	5	Plug	
69	4460465	7	Terminal	
70	1001117081	1	Connector	
71	1001116723	6	Terminal	
72	1001223455	1	Terminal	
73	1001117081	1	Connector	
74	1001116723	4	Terminal	
75	1001118384	2	Terminal	
76	4460343	1	Connector	
77	4460268	8	Terminal	
78	4460906	1	Terminal	
79	1001223457	1	Terminal	
80	1001117081	1	Connector	
81	1001116723	6	Terminal	
82	1001223455	1	Terminal	
83	4460225	1	Connector	
84	4460267	5	Terminal	
85	4460705	1	Terminal	
86	4460836	1	Connector	
87	4460942	4	Terminal	
88	4460465	8	Terminal	
89	4460894	1	Connector	
90	4460465	4	Terminal	
91	4460466	2	Plug	
92	4460933	1	Connector	
93	1001125677	1	Mating Connector	
94	4460465	12	Terminal	
95	1001116812	1	Connector	
96	1001144296	1	Cap	
97	4460944	2	Terminal	
98	4460466	1	Plug	
99	4460320	1	Connector	
100	4460267	2	Terminal	

## SECTION 10 - ELECTRICAL

ITEM	PART NUMBER	QTY	DESCRIPTION	REV
101	4460424	1	Connector	
102	4460268	2	Terminal	
103	4460897	1	Connector	
104	4460464	1	Terminal	
105	4460466	1	Plug	
106	4460744	1	Connector	
107	8220375	1	Cap	
108	4460746	6	Terminal	
109	4460458	6	Seal	
110	1001117081	1	Connector	
111	1001116723	6	Terminal	
112	1001223455	1	Terminal	
113	1001117081	1	Connector	
114	1001116723	6	Terminal	
115	1001118384	4	Terminal	
116	1001117081	1	Connector	
117	1001116723	6	Terminal	
118	1001118384	2	Terminal	
119	1001223455	2	Terminal	
120	1001117081	1	Connector	
121	1001116723	6	Terminal	
122	1001223455	1	Terminal	
123	1001194421	1	Terminal	
124	1001194421	1	Terminal	
125	1001117081	1	Connector	
126	1001116723	6	Terminal	
127	1001223455	3	Terminal	
128	1001118384	2	Terminal	
129	1001118684	1	Connector	
130	1001116754	2	Terminal	
131	1001117081	1	Connector	
132	1001116723	4	Terminal	
133	1001118384	3	Terminal	
134	1001117081	1	Connector	
135	1001116723	6	Terminal	
136	1001223455	1	Terminal	
137	1001117081	1	Connector	
138	1001116723	6	Terminal	
139	1001118384	1	Terminal	
140	1001117081	1	Connector	
141	1001116723	6	Terminal	
142	1001223455	1	Terminal	
143	4460994	1	Connector	
144	1001118384	2	Terminal	
145	8220051	1	Terminal	
146	4460994	1	Connector	
147	1001118384	1	Terminal	
148	1001116723	2	Terminal	
149	1001194421	1	Terminal	
150	1001194421	1	Terminal	
151	1001116997	1	Connector	



## SECTION 10 - ELECTRICAL

ITEM	PART NUMBER	QTY	DESCRIPTION	REV
152	1001118384	4	Terminal	
153	1001116723	1	Terminal	
154	8220051	1	Terminal	
155	8220051	1	Terminal	
156	8220051	1	Terminal	
157	8220051	1	Terminal	
158	1001116812	1	Connector	
159	4460944	2	Terminal	
160	4460466	1	Plug	
161	4460539	1	Connector	
162	4460944	2	Terminal	
163	4460466	1	Plug	
164	4460894	1	Connector	
165	4460465	3	Terminal	
166	4460466	1	Plug	
167	4460944	2	Terminal	
168	1001117081	1	Connector	
169	1001116723	2	Terminal	
170	1001223455	4	Terminal	
171	1001116986	1	Connector	
172	1001117011	1	Mating Connector	
173	1001118384	4	Terminal	
174	1001116986	1	Connector	
175	1001118384	4	Terminal	
176	1001116995	1	Connector	
177	1001118379	1	Terminal	
178	1001116995	1	Connector	
179	1001118379	1	Terminal	
180	1001230931	1	Connector	
181	1001116748	6	Terminal	
182	1001117081	1	Connector	
183	1001116723	7	Terminal	
184	1001118384	1	Terminal	
185	1001117081	1	Connector	
186	1001116723	4	Terminal	
187	1001118384	2	Terminal	
188	1001117081	1	Connector	
189	1001116723	4	Terminal	
190	1001118384	2	Terminal	
191	1001117081	1	Connector	
192	1001116723	4	Terminal	
193	1001118384	2	Terminal	
194	1001150735	1	Connector	
195	1001150737	7	Terminal	
196	1001117079	1	Connector	
197	1001223455	2	Terminal	
198	1001116723	5	Terminal	
199	1001117081	1	Connector	
200	1001116723	6	Terminal	
201	1001118384	1	Terminal	
202	1001223455	1	Terminal	

## SECTION 10 - ELECTRICAL

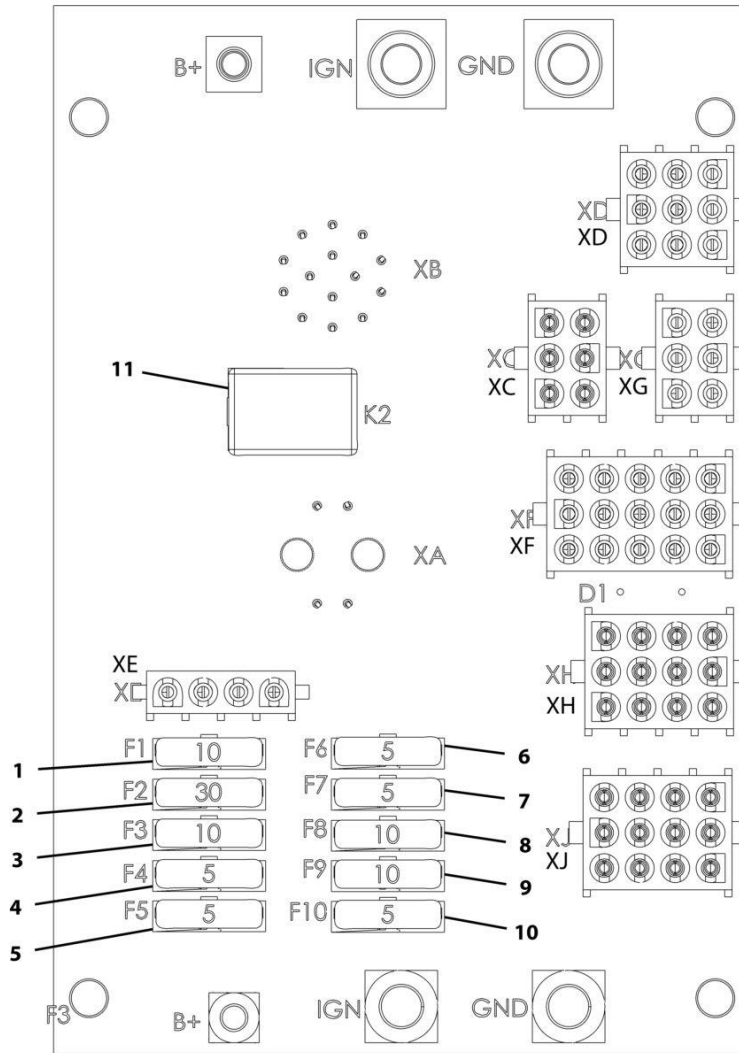
ITEM	PART NUMBER	QTY	DESCRIPTION	REV
203	1001176333	1	Connector	
204	4460466	11	Plug	
205	4460465	3	Terminal	
206	4460944	4	Terminal	
207	1001116812	1	Connector	
208	4460944	2	Terminal	
209	4460466	1	Plug	
210	4460539	1	Connector	
211	4460944	2	Terminal	
212	4460466	1	Plug	
213	4460930	1	Connector	
214	4460931	1	Mating Connector	
215	4460466	6	Plug	
216	4460465	2	Terminal	
217	1001116991	1	Connector	
218	1001118384	2	Terminal	
219	1001116985	1	Connector	
220	1001118386	3	Terminal	
221	1001116984	1	Connector	
222	1001118386	4	Terminal	
223	1001116998	1	Connector	
224	1001118387	1	Terminal	
225	1001116998	1	Connector	
226	1001118387	1	Terminal	
227	1001116998	1	Connector	
228	1001118387	1	Terminal	
229	1001116998	1	Connector	
230	1001118387	1	Terminal	
231	1001112612	1	Connector	
232	4460464	4	Terminal	
233	4460943	4	Terminal	
234	4460466	1	Plug	
235	1001137000	1	Connector	
236	4460928	3	Terminal	
237	1001126008	13	Terminal	
238	4460518	5	Plug	
239	1001136999	1	Connector	
240	1001126011	16	Terminal	
241	4460518	5	Plug	
242	4461262	1	Connector	
243	1001107854	2	Terminal	
244	1001104499	1	Terminal	
245	1001104498	2	Terminal Seal	
246	1001116986	1	Connector	
247	1001118384	3	Terminal	
248	1001116723	1	Terminal	
249	4460891	1	Connector	
250	4460465	2	Terminal	
251	4460944	1	Connector	
252	1001118384	2	Terminal	
253	4461115	1	Connector	

## SECTION 10 - ELECTRICAL

ITEM	PART NUMBER	QTY	DESCRIPTION	REV
254	4460746	2	Terminal	
255	4460458	2	Terminal Seal	
256	4461115	1	Connector	
257	4460746	2	Terminal	
258	4460458	2	Terminal Seal	
259	4461115	1	Connector	
260	4460746	2	Terminal	
261	4460458	2	Terminal Seal	
262	4461115	1	Connector	
263	4460746	2	Terminal	
264	4460458	2	Terminal Seal	
265	4460891	1	Connector	
266	4460465	2	Terminal	
267	4460539	1	Connector	
268	4460465	3	Terminal	
269	4460536	1	Connector	
270	4460464	2	Terminal	
271	4460466	1	Plug	
272	4460536	1	Connector	
273	4460464	2	Terminal	
274	4460466	1	Plug	
275	4460539	1	Connector	
276	4460465	3	Terminal	
277	4460539	1	Connector	
278	4460931	1	Matting Connector	
279	4460466	1	Plug	
280	4460465	3	Terminal	
281	4460539	1	Connector	
282	4460944	2	Terminal	
283	4460466	1	Plug	
284	1001116812	1	Connector	
285	4460944	2	Terminal	
286	4460466	1	Plug	
287	1001264844	1	Connector	
288	1001264861	2	Terminal	
301	4460466	8	Plug	
302	4460897	2	Connector	
303	4460931	1	Connector	
304	4460945	3	Terminal	
305	8220375	1	Cap	
306	1001008559	3	Tie-Strap (Not Shown)	
307	1001116815	3	Connector	
308	1001117011	1	Connector	
309	1001119020	1	Connector	
310	1001144296	1	Cap	
311	1001177597	3	Diode Module	

# SECTION 10 - ELECTRICAL

FIGURE 10-24. CAB - STANDARD ELECTRICAL BOARD ASSEMBLY



ART\_1001161769-C

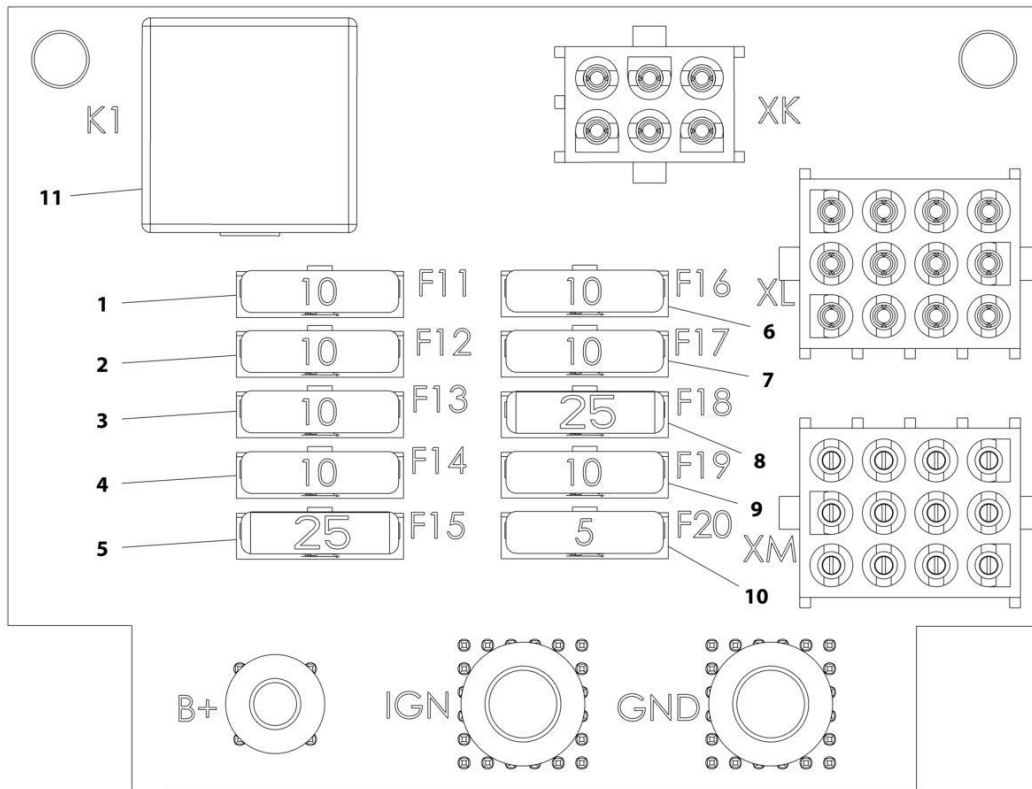
## SECTION 10 - ELECTRICAL

### FIGURE 10-24. CAB - STANDARD ELECTRICAL BOARD ASSEMBLY

ITEM	PART NUMBER	QTY	DESCRIPTION	REV
	1001161769	Ref	Standard Electrical Board Assembly	C
1	80983191	1	Fuse, 10AMP	
2	8229245	1	Fuse, 30AMP	
3	80983191	1	Fuse, 10AMP	
4	8229242	1	Fuse, 5AMP	
5	8229242	1	Fuse, 5AMP	
6	8229242	1	Fuse, 5AMP	
7	8229242	1	Fuse, 5AMP	
8	80983191	1	Fuse, 10AMP	
9	80983191	1	Fuse, 10AMP	
10	8229242	1	Fuse, 5AMP	
11	70026292	1	Fuse, 35AMP	

# SECTION 10 - ELECTRICAL

## FIGURE 10-25. CAB - OPTION 1 ELECTRICAL BOARD ASSEMBLY



ART\_1001161770-C

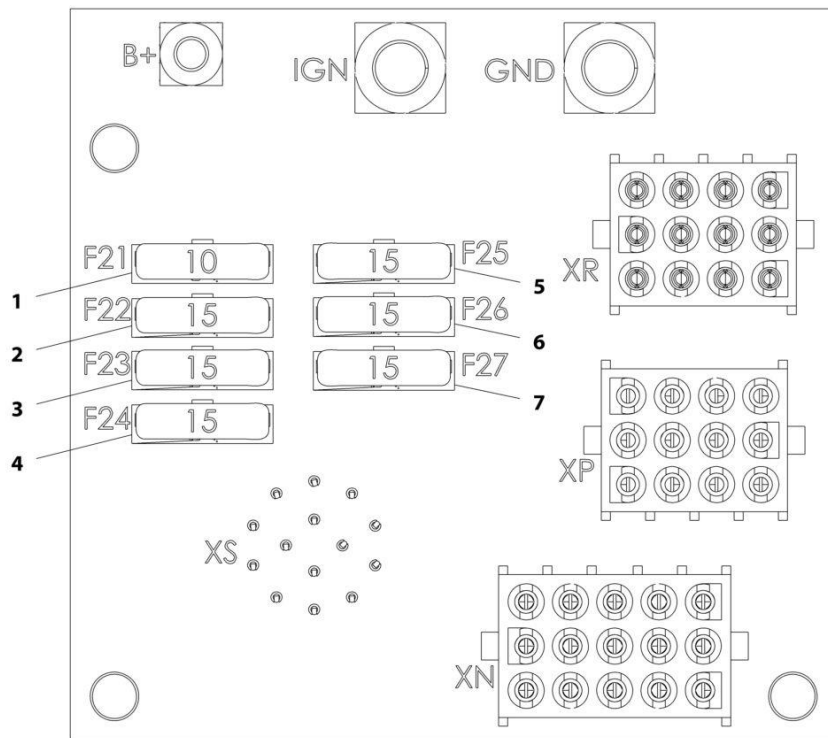
## SECTION 10 - ELECTRICAL

### FIGURE 10-25. CAB - OPTION 1 ELECTRICAL BOARD ASSEMBLY

ITEM	PART NUMBER	QTY	DESCRIPTION	REV
	1001161770	Ref	Option 1 Electrical Board Assembly	C
1	80983191	1	Fuse, 10AMP	
2	80983191	1	Fuse, 10AMP	
3	80983191	1	Fuse, 10AMP	
4	80983191	1	Fuse, 10AMP	
5	8229247	1	Fuse, 25AMP	
6	80983191	1	Fuse, 10AMP	
7	80983191	1	Fuse, 10AMP	
8	8229247	1	Fuse, 25AMP	
9	80983191	1	Fuse, 10AMP	
10	8229242	1	Fuse, 5AMP	
11	70026293	1	Fuse, 50AMP	

# SECTION 10 - ELECTRICAL

## FIGURE 10-26. CAB - OPTION 2 ELECTRICAL BOARD ASSEMBLY



ART\_1001161771-B



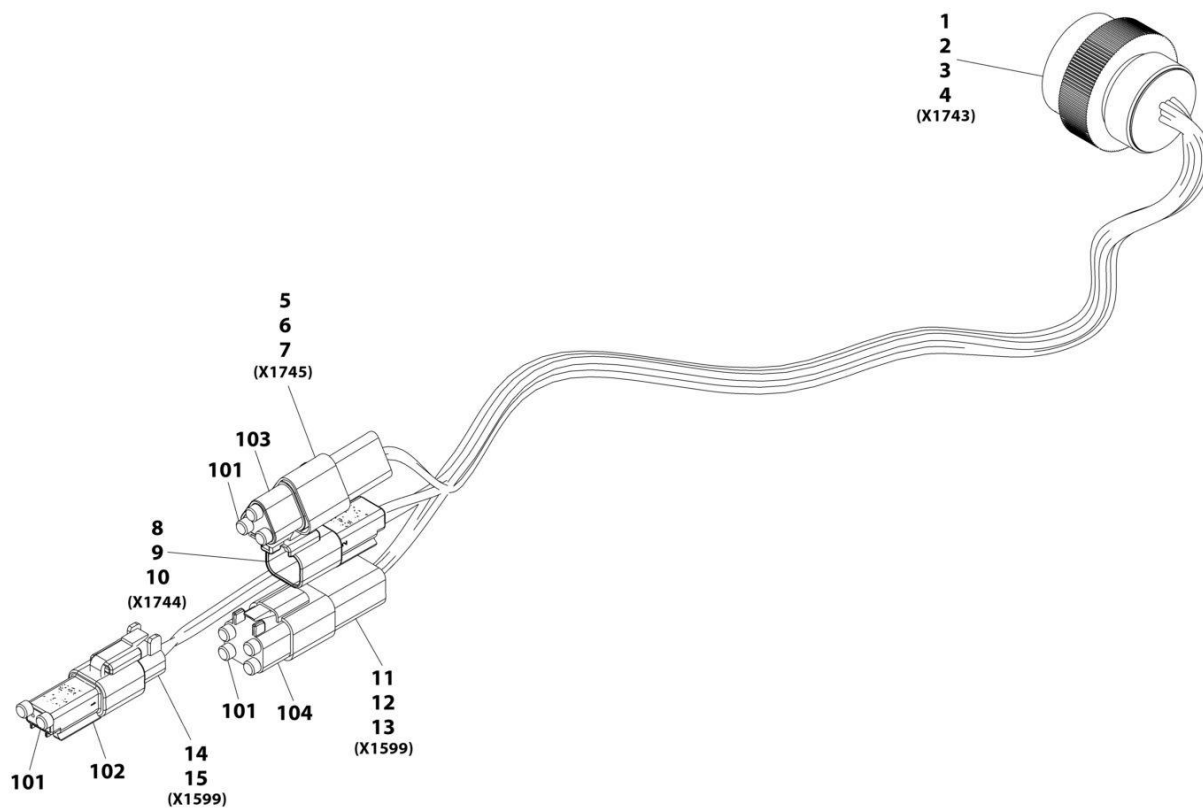
## SECTION 10 - ELECTRICAL

### FIGURE 10-26. CAB - OPTION 2 ELECTRICAL BOARD ASSEMBLY

ITEM	PART NUMBER	QTY	DESCRIPTION	REV
	1001161771	Ref	Option 2 Electrical Board Assembly	B
1	80983191	1	Fuse, 10AMP	
2	8229244	1	Fuse, 15AMP	
3	8229244	1	Fuse, 15AMP	
4	8229244	1	Fuse, 15AMP	
5	8229244	1	Fuse, 15AMP	
6	8229244	1	Fuse, 15AMP	
7	8229244	1	Fuse, 15AMP	

# SECTION 10 - ELECTRICAL

## FIGURE 10-27. CAB OPTION HARNESS



ART\_1001258712

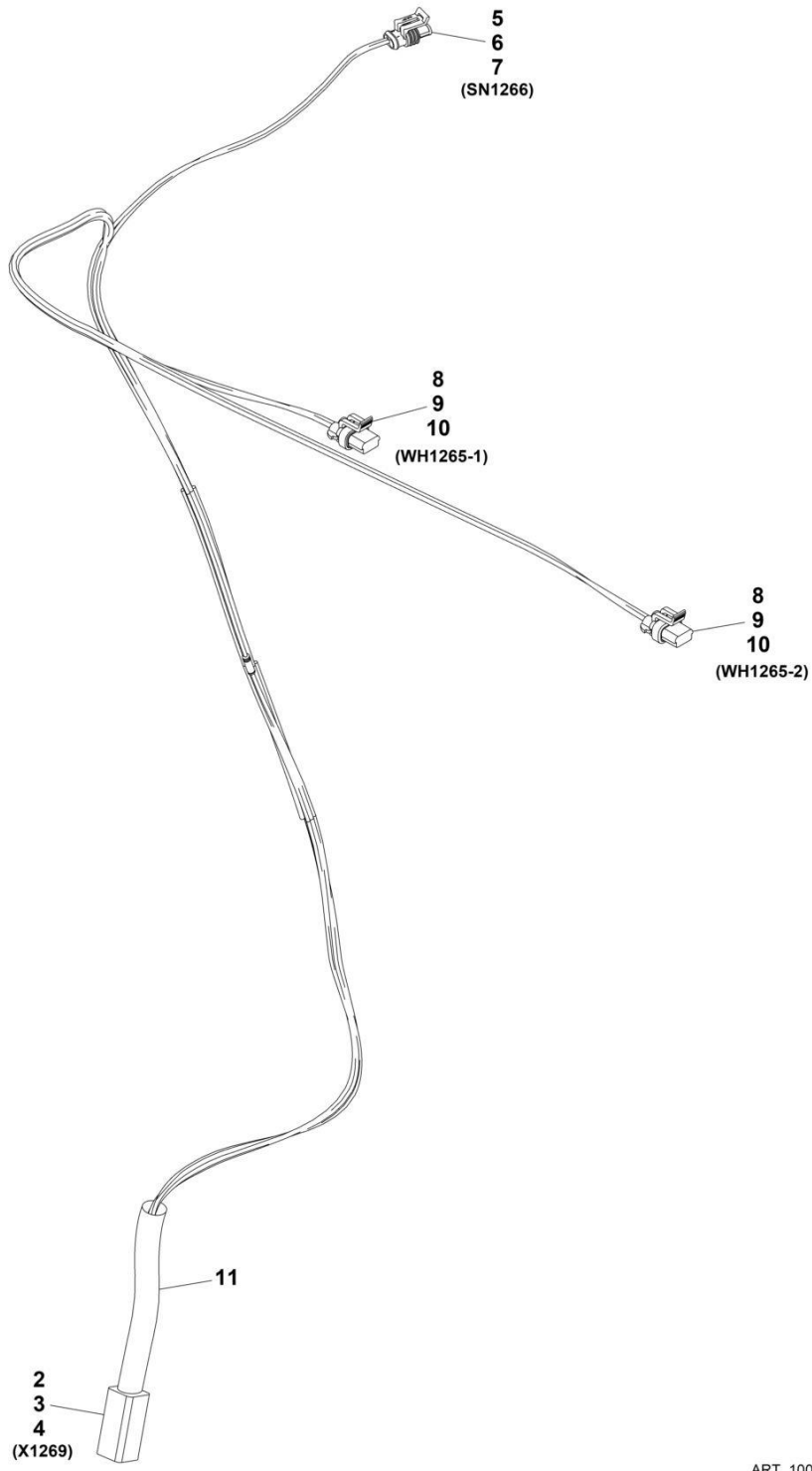
## SECTION 10 - ELECTRICAL

### FIGURE 10-27. CAB OPTION HARNESS

ITEM	PART NUMBER	QTY	DESCRIPTION	REV
	1001258712	Ref	Cab Option Harness	A
1	4461015	1	Connector	
2	4460465	5	Terminal	
3	4460466	6	Plug	
4	4460942	1	Terminal	
5	1001144147	1	Connector	
6	4460943	2	Terminal	
7	4460466	1	Plug	
8	4460897	1	Connector	
9	4460941	1	Terminal	
10	4460466	1	Plug	
11	4460932	1	Connector	
12	4460464	3	Terminal	
13	4460466	1	Plug	
14	4460891	1	Plug, Male	
15	4460465	2	Socket, Female	
101	4460466	9	Plug, Terminal	
102	4460884	1	Plug, Male - 4 Position	
103	1001116812	1	Plug, Male - 3 Position	
104	4460897	2	Plug, Male - 2 Position	

# SECTION 10 - ELECTRICAL

## FIGURE 10-28. CAB - A/C OPTION HARNESS



ART\_1001169151

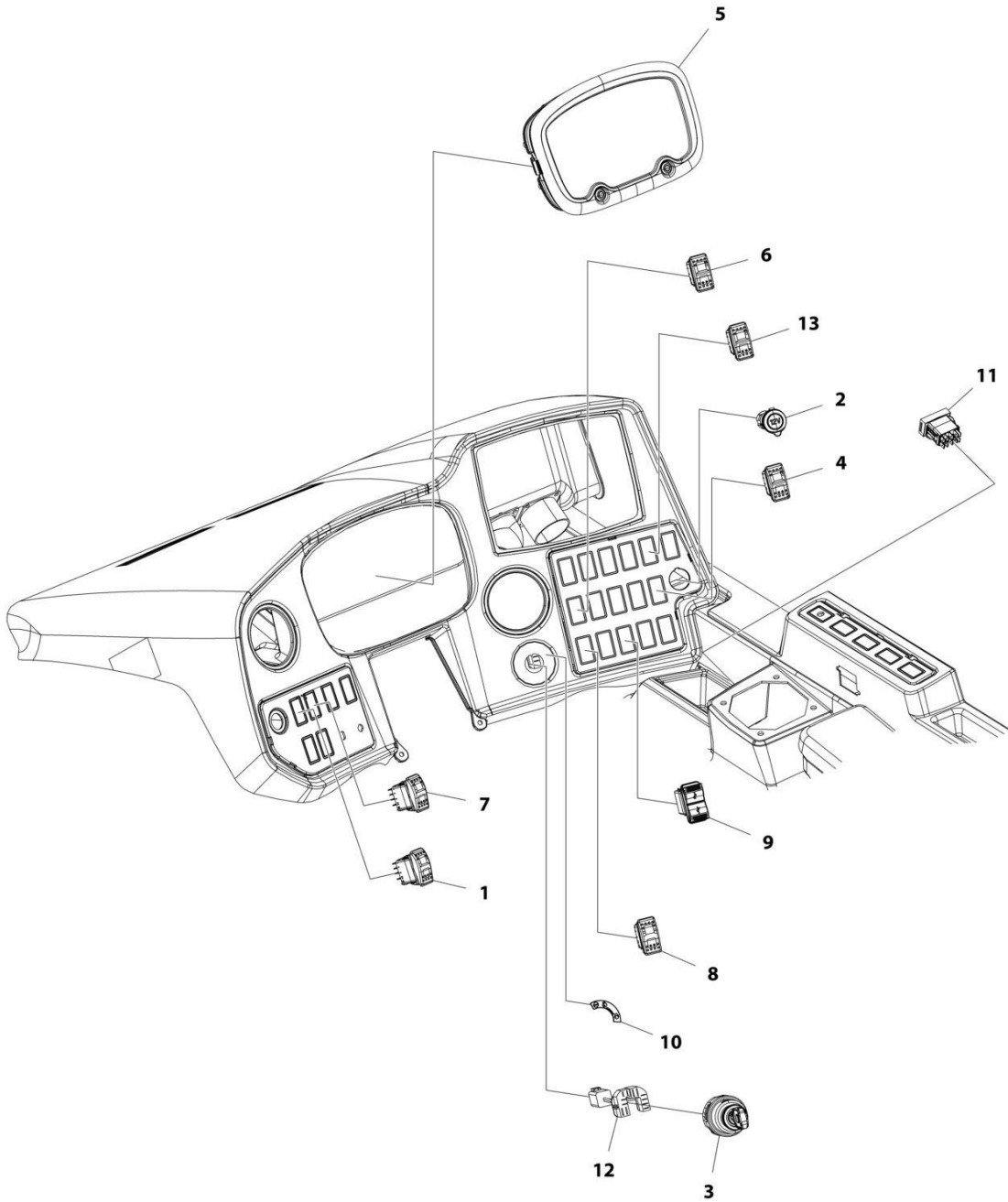
## SECTION 10 - ELECTRICAL

### FIGURE 10-28. CAB - A/C OPTION HARNESS

ITEM	PART NUMBER	QTY	DESCRIPTION	REV
	1001169151	Ref	A/C Option Harness	G
2	4460899	1	Connector	
3	4460941	4	Terminal	
4	4460464	2	Terminal	
5	4461118	1	Connector	
6	1001107854	2	Terminal	
7	1001116763	2	Seal	
8	1001117021	2	Connector	
9	1001116747	4	Terminal	
10	4460789	4	Seal	
11	70028546	1	Backshell	

# SECTION 10 - ELECTRICAL

## FIGURE 10-29. CAB - DASH ELECTRICAL INSTALLATION (1644)



ART\_1001220717\_D

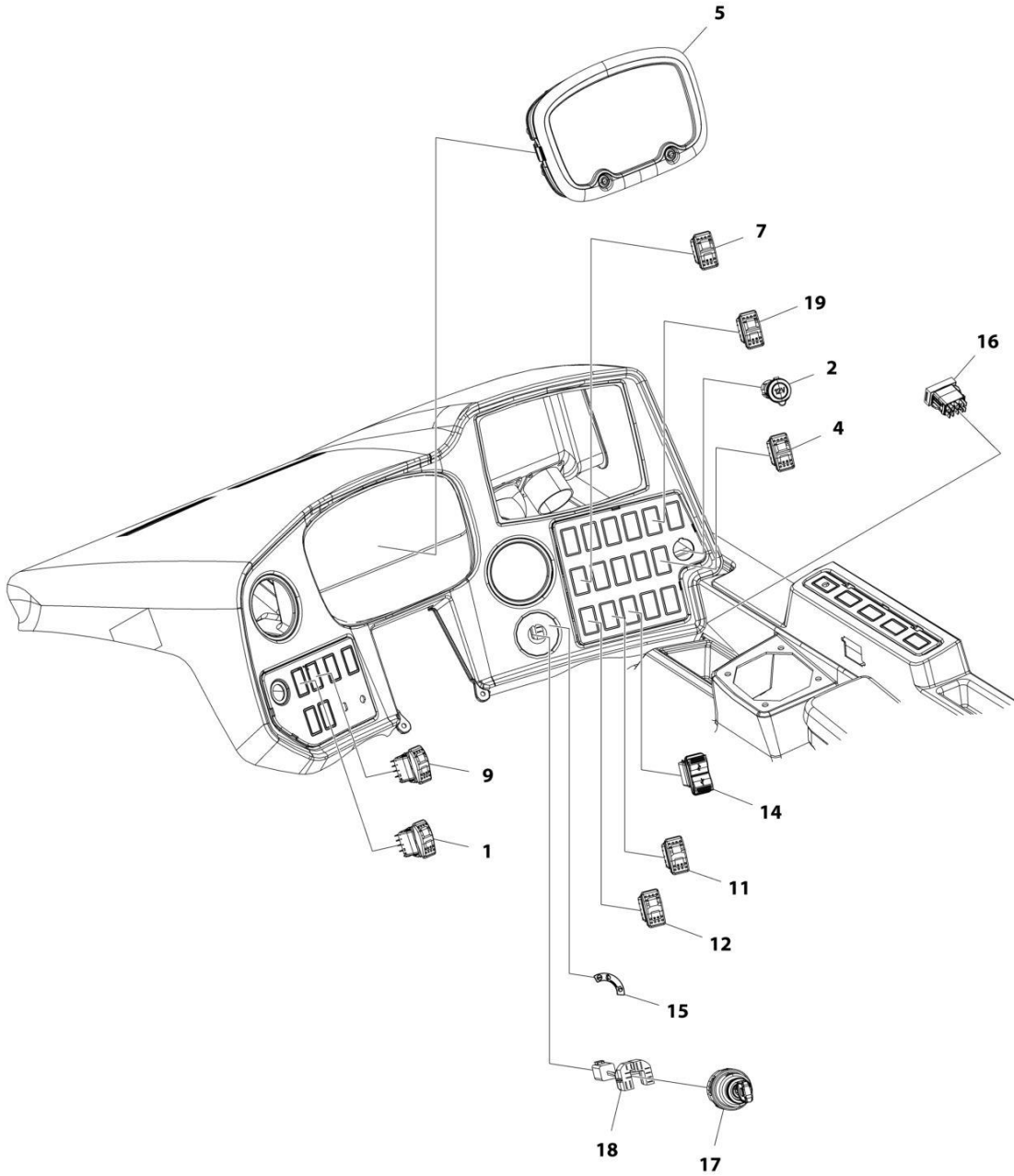
## SECTION 10 - ELECTRICAL

**FIGURE 10-29. CAB - DASH ELECTRICAL INSTALLATION (1644)**

ITEM	PART NUMBER	QTY	DESCRIPTION	REV
	1001220717	Ref	DASH ELECTRICAL INSTALLATION	D
1	1001080978	1	Switch, Lift/Loader	
2	1001095804	1	Connector, 12V Power Socket	
3	1001102502	1	Switch, 4 Position Key	
3	70022765	1	Key, Ignition (set of 2)	
4	1001104654	1	Switch, AUX Decomp	
5	1001158146	1	Cluster, Electrical Gauge	
6	1001159735	1	Switch, Rear Wiper	
7	1001159741	1	Switch, Constant AUX	
8	1001159849	1	Switch, Steer Mode	
9	1001174712	1	Charger, USB	
10	1001181531	1	Decal, Ignition Switch	
11	1001212470	1	Switch, Frame Level	
12	1001223968	1	Harness, Ignition Switch (See Separate Breakdown in this Section)	
13	1001285715	1	Switch, Beacon	

# SECTION 10 - ELECTRICAL

## FIGURE 10-30. CAB - DASH ELECTRICAL INSTALLATION (7013) (ULS)



ART\_1001192560\_G



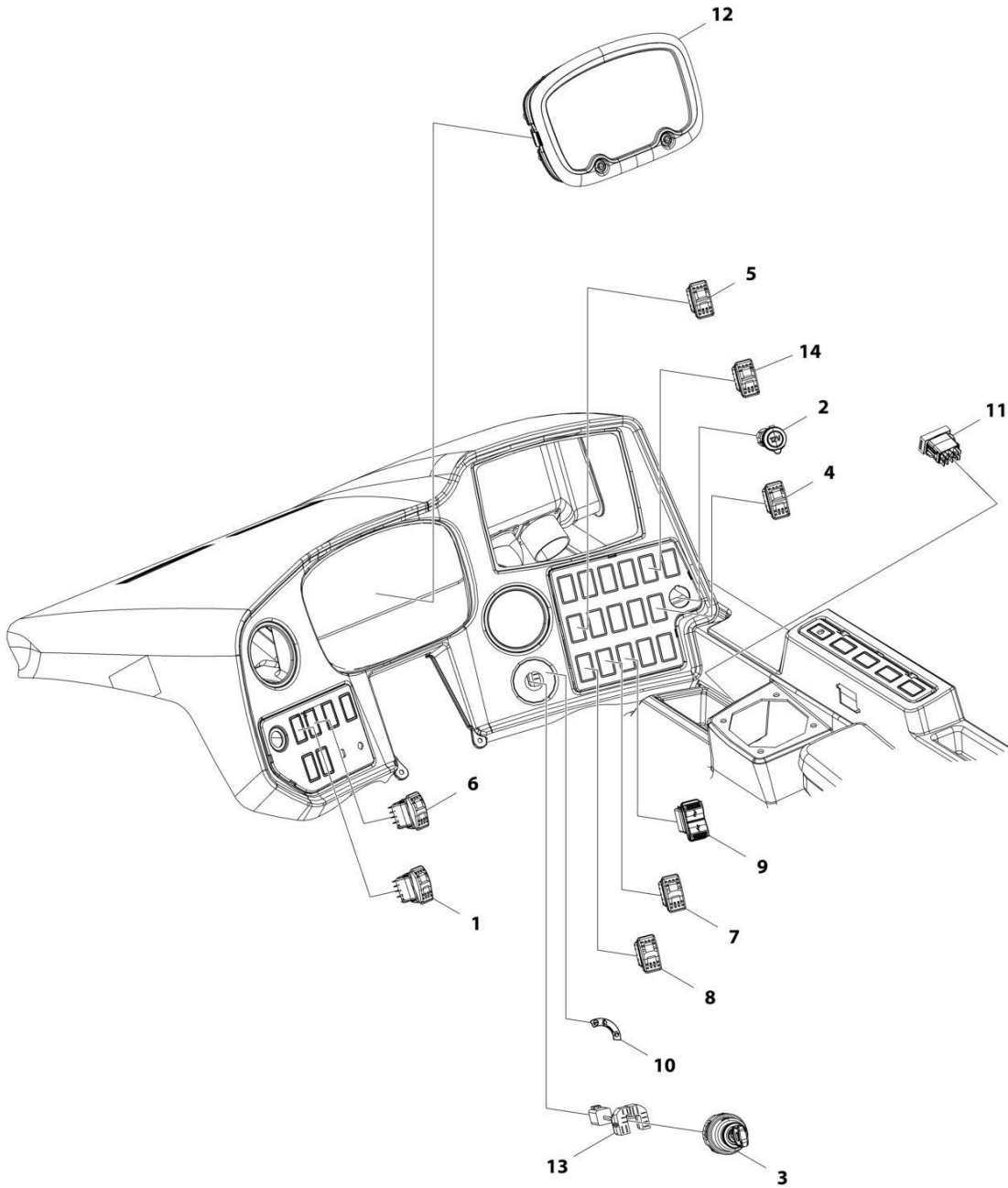
## SECTION 10 - ELECTRICAL

**FIGURE 10-30. CAB - DASH ELECTRICAL INSTALLATION (7013) (ULS)**

ITEM	PART NUMBER	QTY	DESCRIPTION	REV
	1001192560	Ref	DASH ELECTRICAL INSTALLATION	G
1	1001080978	1	Switch, Lift/Loader	
2	1001095804	1	Connector, 12V Power Socket	
4	1001104654	1	Switch, Aux Decomp	
5	1001158146	1	Cluster, Electrical Gauge	
7	1001159735	1	Switch, Rear Wiper	
9	1001159741	1	Switch, Constant AUX	
11	1001159743	1	Switch, Road Use	
12	1001159849	1	Switch, Steer Mode	
14	1001174712	1	Charger, USB	
15	1001181531	1	Decal, Ignition Switch	
16	1001212470	1	Switch, Frame Level	
17	1001102502	1	Switch, 4 Position Key	
17	70022765	1	Key, Ignition (set of 2)	
18	1001223968	1	Harness, Ignition Switch (See Separate Breakdown in this Section)	
19	1001285715	1	Switch, Beacon	

# SECTION 10 - ELECTRICAL

## FIGURE 10-31. CAB - DASH ELECTRICAL INSTALLATION (7013) (LS)



ART\_1001229153\_B

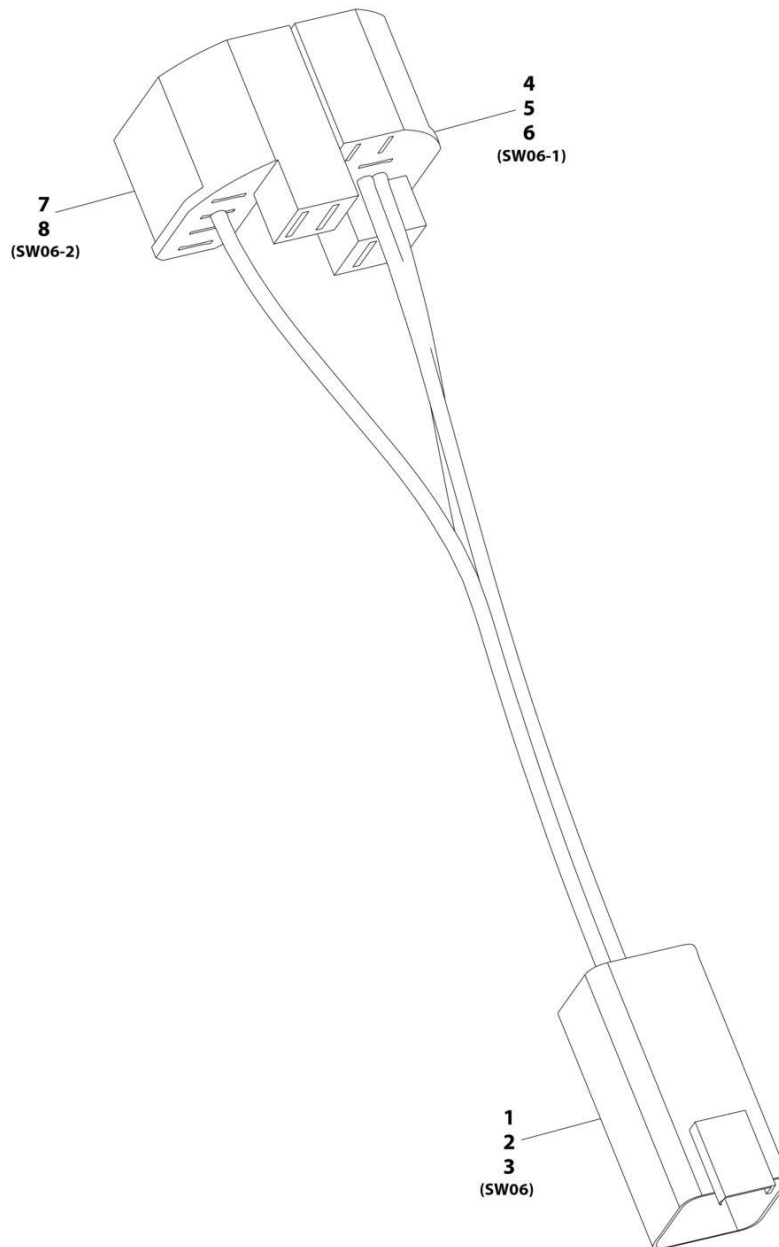
## SECTION 10 - ELECTRICAL

**FIGURE 10-31. CAB - DASH ELECTRICAL INSTALLATION (7013) (LS)**

ITEM	PART NUMBER	QTY	DESCRIPTION	REV
	1001229153	Ref	DASH ELECTRICAL INSTALLATION (LRC)	B
1	1001080978	1	Switch, Lift/Loader	
2	1001095804	1	Connector, 12V Power Socket	
3	1001102502	1	Switch, 4 Position Key	
4	1001104654	1	Switch, AUX Decomp	
5	1001159735	1	Switch, Rear Wiper	
6	1001159741	1	Switch, Constant AUX	
7	1001159743	1	Switch, Road Use	
8	1001159849	1	Switch, Steer Mode	
9	1001174712	1	Charger, USB	
10	1001181531	1	Decal, Ignition Switch	
11	1001189876	1	Switch, Frame Level	
12	1001202454	1	Cluster, Electrical Gauge	
13	1001223968	1	Harness, Ignition Switch (See Separate Breakdown in this Section)	
14	1001285715	1	Switch, Beacon	

# SECTION 10 - ELECTRICAL

## FIGURE 10-32. CAB - IGNITION SWITCH HARNESS



ART\_1001223968-A

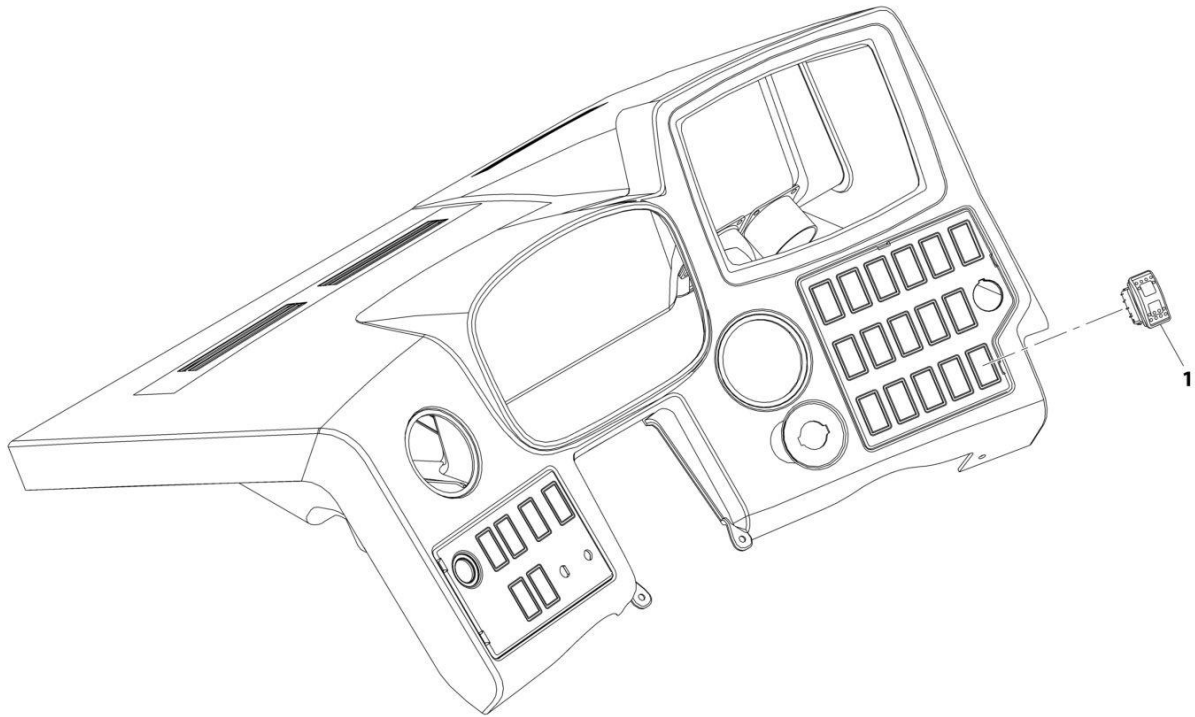
## SECTION 10 - ELECTRICAL

### FIGURE 10-32. CAB - IGNITION SWITCH HARNESS

ITEM	PART NUMBER	QTY	DESCRIPTION	REV
	1001223968	Ref	Ignition Switch Harness	A
1	4460899	1	Connector	
2	4460464	3	Terminal	
3	4460466	3	Plug	
4	1001118685	1	Connector	
5	1001104519	1	Terminal	
6	1001118383	1	Terminal	
7	1001117121	1	Connector	
8	1001104519	1	Terminal	

# SECTION 10 - ELECTRICAL

## FIGURE 10-33. CAB - LIGHT SWITCH INSTALLATION



ART\_1001215121-A

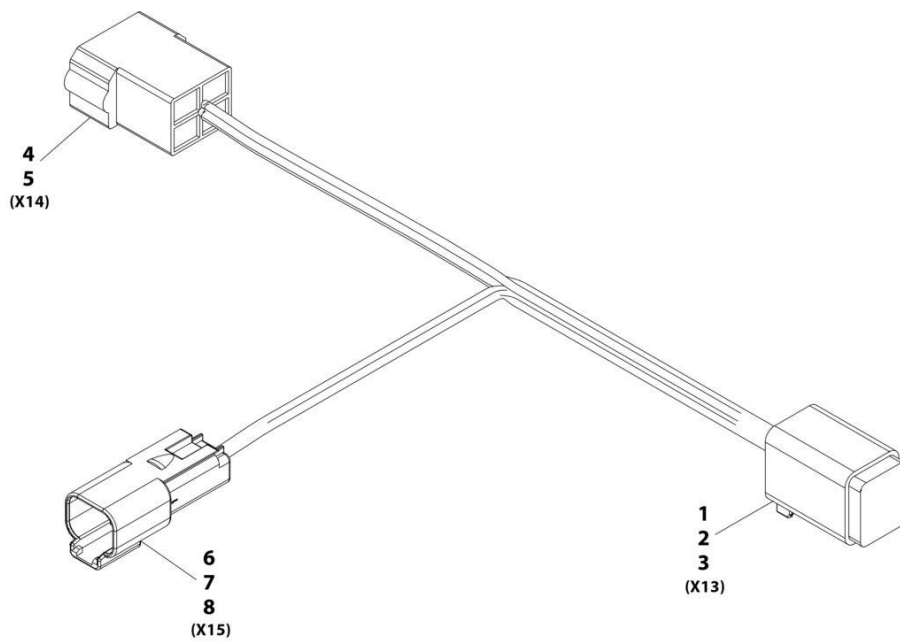
## SECTION 10 - ELECTRICAL

### FIGURE 10-33. CAB - LIGHT SWITCH INSTALLATION

ITEM	PART NUMBER	QTY	DESCRIPTION	REV
1	1001215121 1001163639	Ref 1	Light Switch Installation Switch, Light	A

# SECTION 10 - ELECTRICAL

## FIGURE 10-34. CAB - SEAT ADAPTOR HARNESS



ART\_1001168531-A



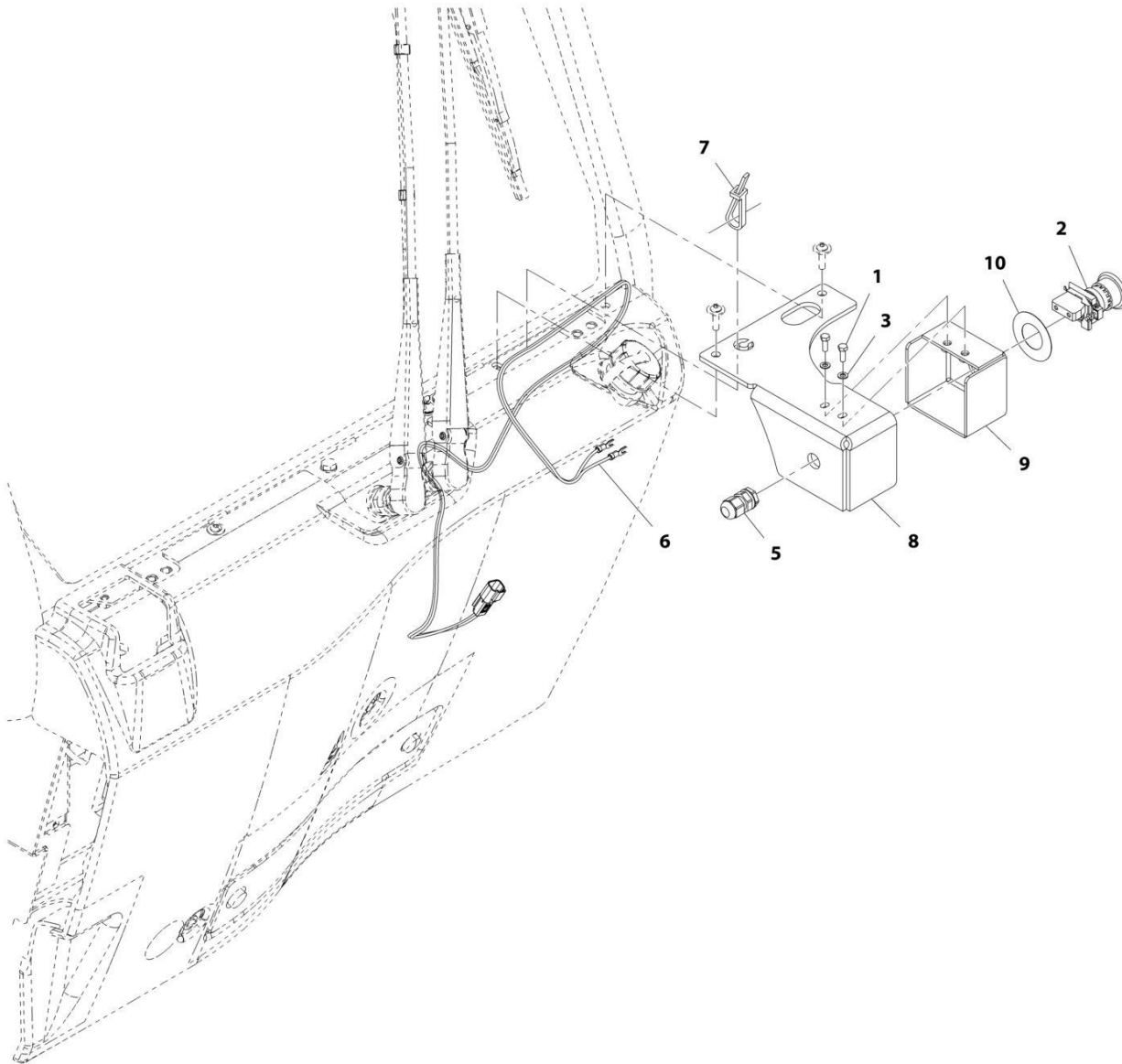
## SECTION 10 - ELECTRICAL

### FIGURE 10-34. CAB - SEAT ADAPTOR HARNESS

ITEM	PART NUMBER	QTY	DESCRIPTION	REV
	1001168531	Ref	Seat Adaptor Harness	A
1	4460894	1	Connector	
2	91504107	1	Lock, Connector	
3	4460465	6	Terminal	
4	1001117011	1	Connector	
5	1001116700	3	Terminal	
6	4460897	1	Connector	
7	80604017	1	Lock, Connector	
8	4460943	2	Terminal	

# SECTION 10 - ELECTRICAL

## FIGURE 10-35. CAB - EXTERNAL EMERGENCY STOP INSTALLATION



ART\_1001195721-C

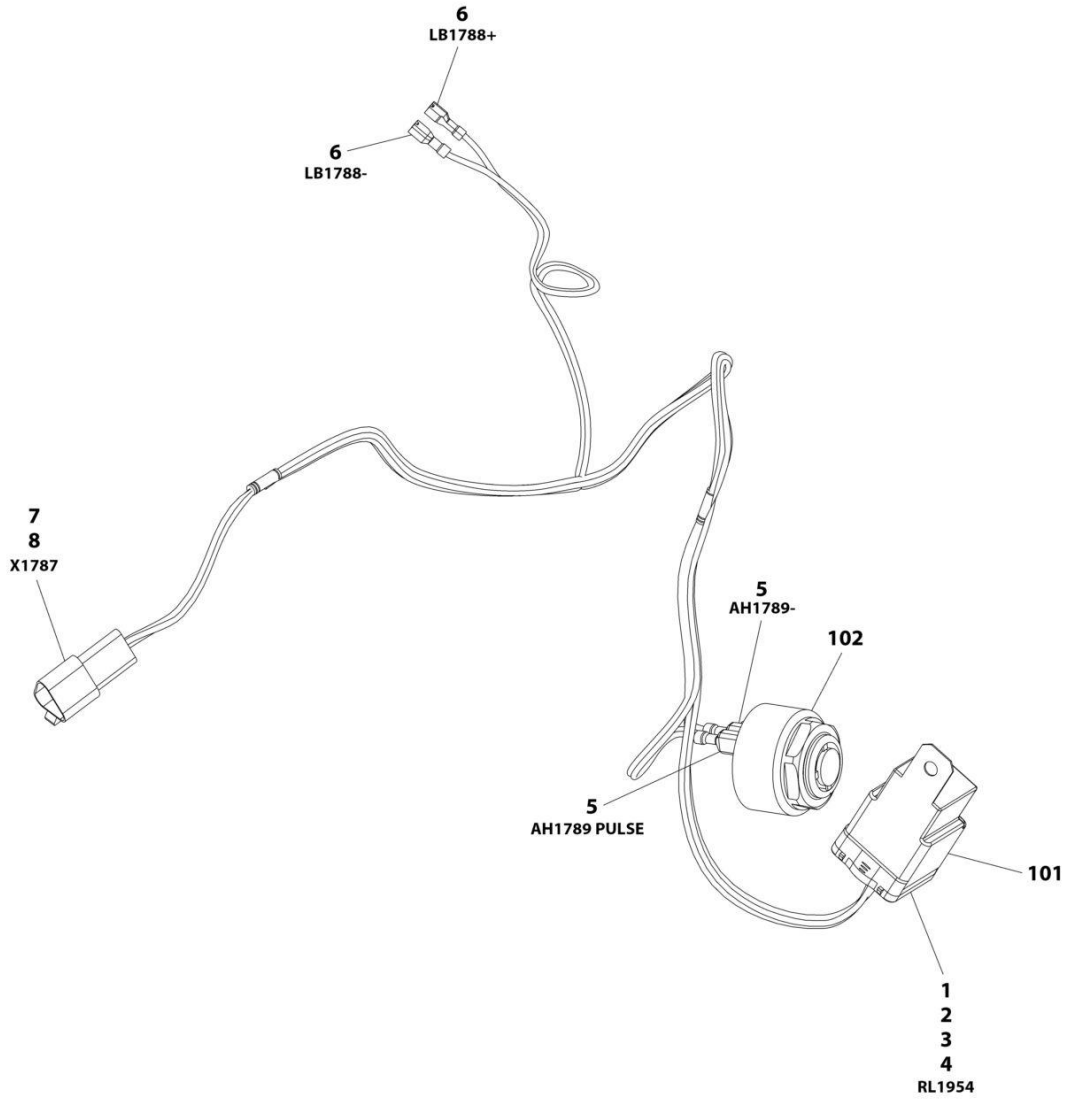
## SECTION 10 - ELECTRICAL

### FIGURE 10-35. CAB - EXTERNAL EMERGENCY STOP INSTALLATION

ITEM	PART NUMBER	QTY	DESCRIPTION	REV
	1001195721	Ref	Emergency Stop External Installation	C
1	0760507	2	Bolt, M5X14	
2	4360475	1	Switch, E-Stop	
3	4811600	2	Washer, M5	
5	4461000	1	Connector	
6	1001217320	1	Harness, External EMS	
7	1001008559	1	Strap, Tie	
8	1001220859	1	Bracket	
9	1001220861	1	Shield	
10	1704260	1	Decal, EMS	

# SECTION 10 - ELECTRICAL

## FIGURE 10-36. CAB SEAT BELT ALARM HARNESS



ART\_1001268744

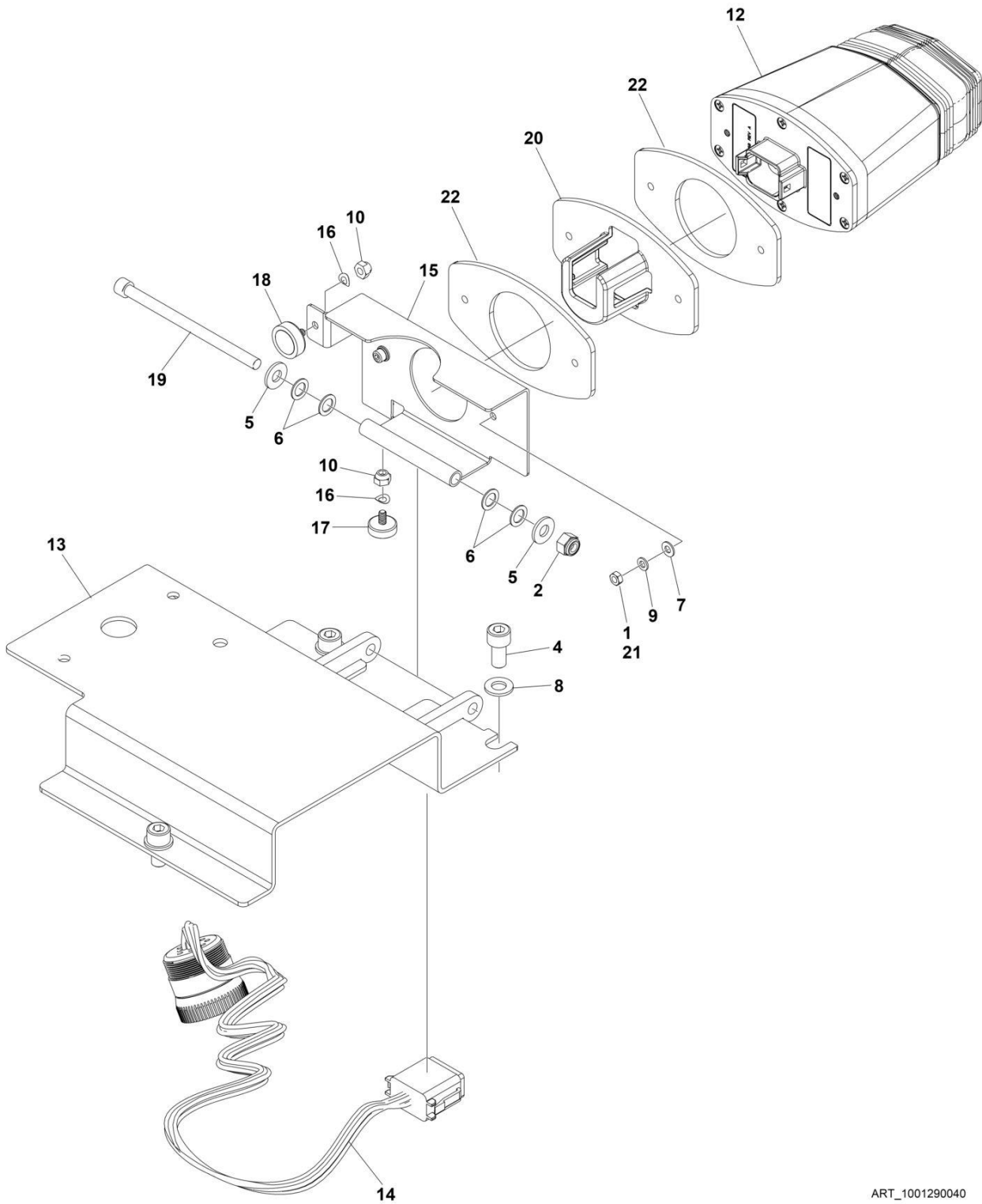
## SECTION 10 - ELECTRICAL

### FIGURE 10-36. CAB SEAT BELT ALARM HARNESS

ITEM	PART NUMBER	QTY	DESCRIPTION	REV
	1001268744	Ref	SEAT BELT ALARAM HARNESS	B
1	1001231398	1	Connector	
2	1001231400	4	Terminal	
3	1001231406	1	Terminal	
4	1001231404	4	Plug	
5	1001194421	2	Terminal	
6	1001201885	2	Terminal	
7	4460536	1	Connector	
8	4460464	3	Terminal	
101	3740080	1	Relay, Weather Proof	
102	1001091751	1	Buzzer Alarm	

# SECTION 10 - ELECTRICAL

## FIGURE 10-37. CLEARSKY INSTALLATION



ART\_1001290040

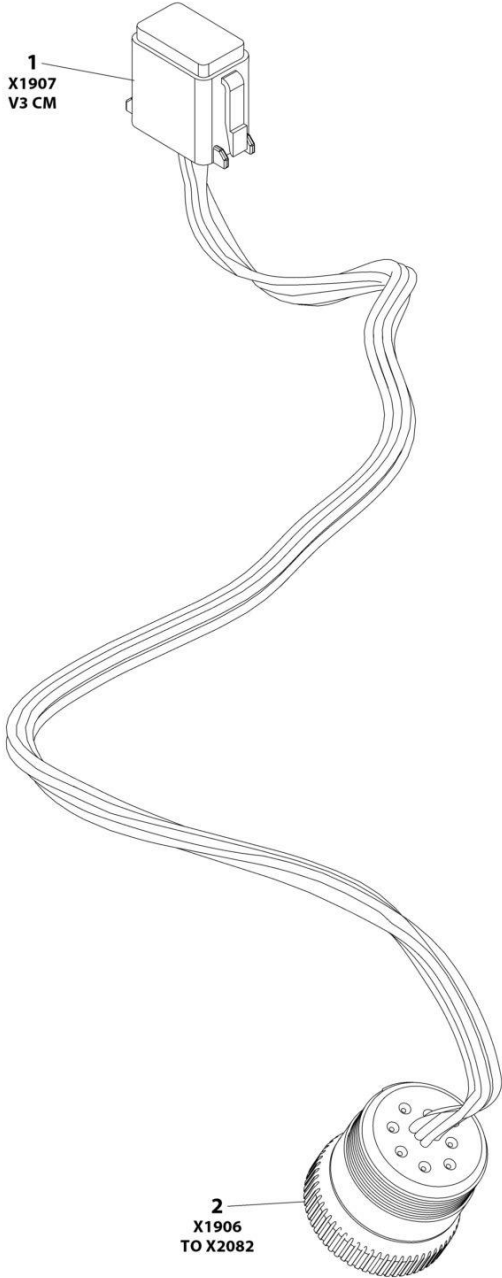
## SECTION 10 - ELECTRICAL

**FIGURE 10-37. CLEARSKY INSTALLATION**

ITEM	PART NUMBER	QTY	DESCRIPTION	REV
	1001290040	Ref	CLEARSKY INSTALLATION	B
1	0100011	AR	Compound, Locking	
2	3300449	1	Nut 1/4	
4	4031907	3	Capscrew M8 x 16	
5	4711400	2	Washer 1/4	
6	4740428	4	Washer 5/16	
7	4811400	2	Washer M4	
8	4811900	3	Washer M8	
9	4831400	2	Washer, M4	
10	8310410	2	Nut #8	
11	1001146588	AR	Tie-Strap (Not Shown)	
12	1001280661	1	Module, ClearSky	
13	1001286599	1	Bracket, ClearSky Mounting	
14	1001286941	1	Harness, ClearSky (See Separate Breakdown in this Section)	
15	1001289060	1	Mount, ClearSky Pivot	
16	1001289299	2	Washer #8	
17	1001289300	1	Magnet, Studded (16mm Diameter)	
18	1001289301	1	Magnet, Studded (20mm Diameter)	
19	1001289647	1	Capscrew 1/4 x 4	
20	1001289648	1	Plate, Anti-Tamper	
21	3290401	2	Nut, M4	
22	1001291056	2	Gasket, ClearSky CS550	

**SECTION 10 - ELECTRICAL**

**FIGURE 10-38. CLEARSKY HARNESS**



ART\_1001286941



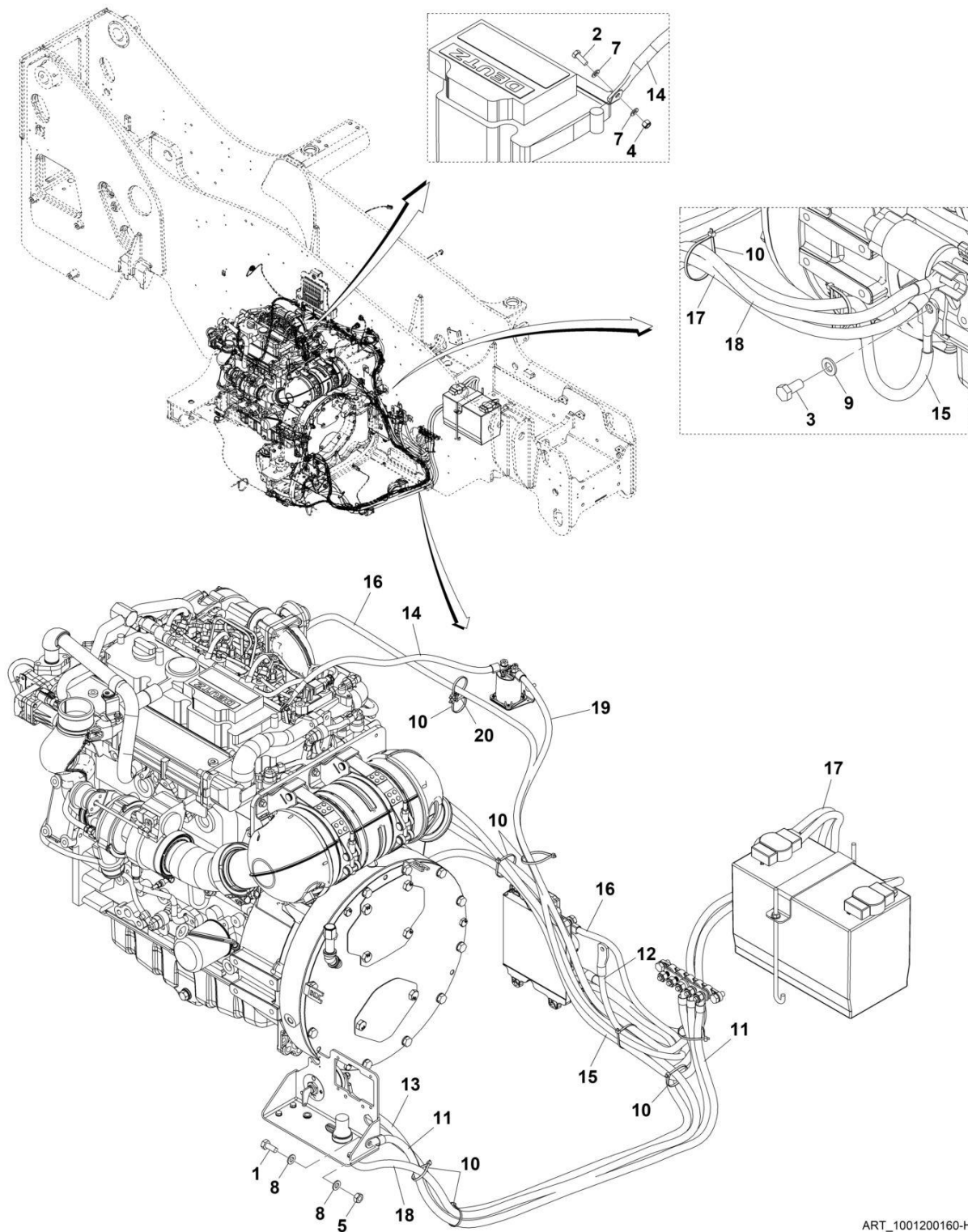
# SECTION 10 - ELECTRICAL

## FIGURE 10-38. CLEARSKY HARNESS

ITEM	PART NUMBER	QTY	DESCRIPTION	REV
	1001286941	Ref	CLEARSKY HARNESS	A
1	4460930	1	Connector	
1	4460465	8	Socket	
2	1001112796	1	Connector	
2	4460465	8	Socket	
2	4460466	1	Plug	

# SECTION 10 - ELECTRICAL

## FIGURE 10-39. ENGINE - ENGINE BAY ELECTRICAL INSTALLATION (ULS)



ART\_1001200160-H

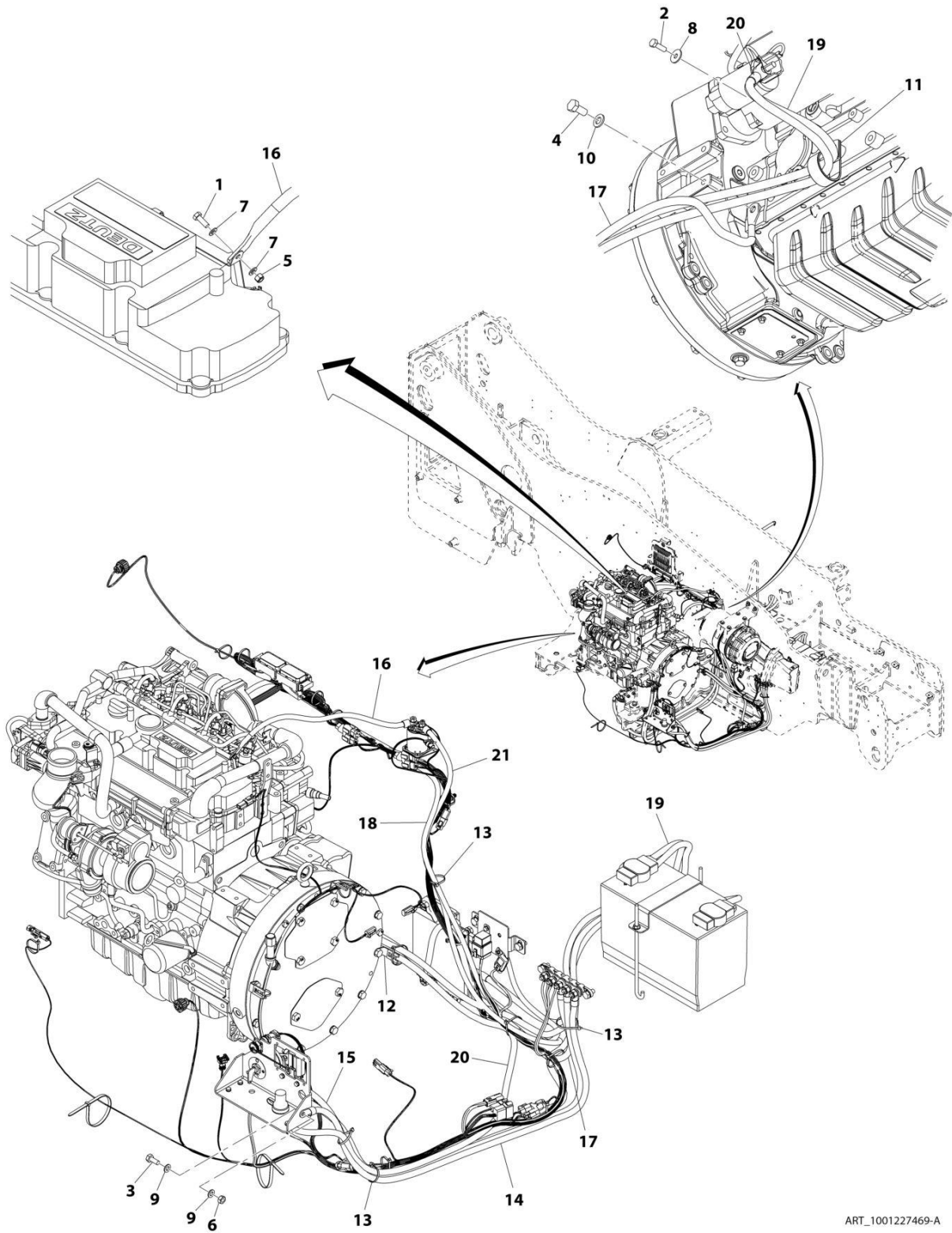
## SECTION 10 - ELECTRICAL

**FIGURE 10-39. ENGINE - ENGINE BAY ELECTRICAL INSTALLATION (ULS)**

ITEM	PART NUMBER	QTY	DESCRIPTION	REV
	1001200160	Ref	Engine Bay Electrical Installation	I
1	0761012	1	Bolt, M10X25	
2	0760507	1	Bolt, M5X14	
3	0761212	1	Bolt, M12X25	
4	3290505	1	Nut, Lock M5X0.8	
5	3291001	1	Nut, M10X1.5	
7	4811600	2	Washer, M5	
8	4812000	2	Washer, M10	
9	4812100	1	Washer, M12	
10	1001008559	10	Tie, Strap	
11	1001194103	1	Cable	
12	1001194244	1	Cable	
13	1001196502	1	Cable	
14	1001200161	1	Cable	
15	1001200162	1	Cable	
16	1001200164	1	Cable	
17	1001200165	1	Cable	
18	1001200166	1	Cable	
19	1001200167	1	Cable	
20	1001004723	1	Saddle	
21	1001293972	1	Cable, ECM Power (Not Shown)	

# SECTION 10 - ELECTRICAL

## FIGURE 10-40. ENGINE - ENGINE BAY ELECTRICAL INSTALLATION (LS)



ART\_1001227469-A

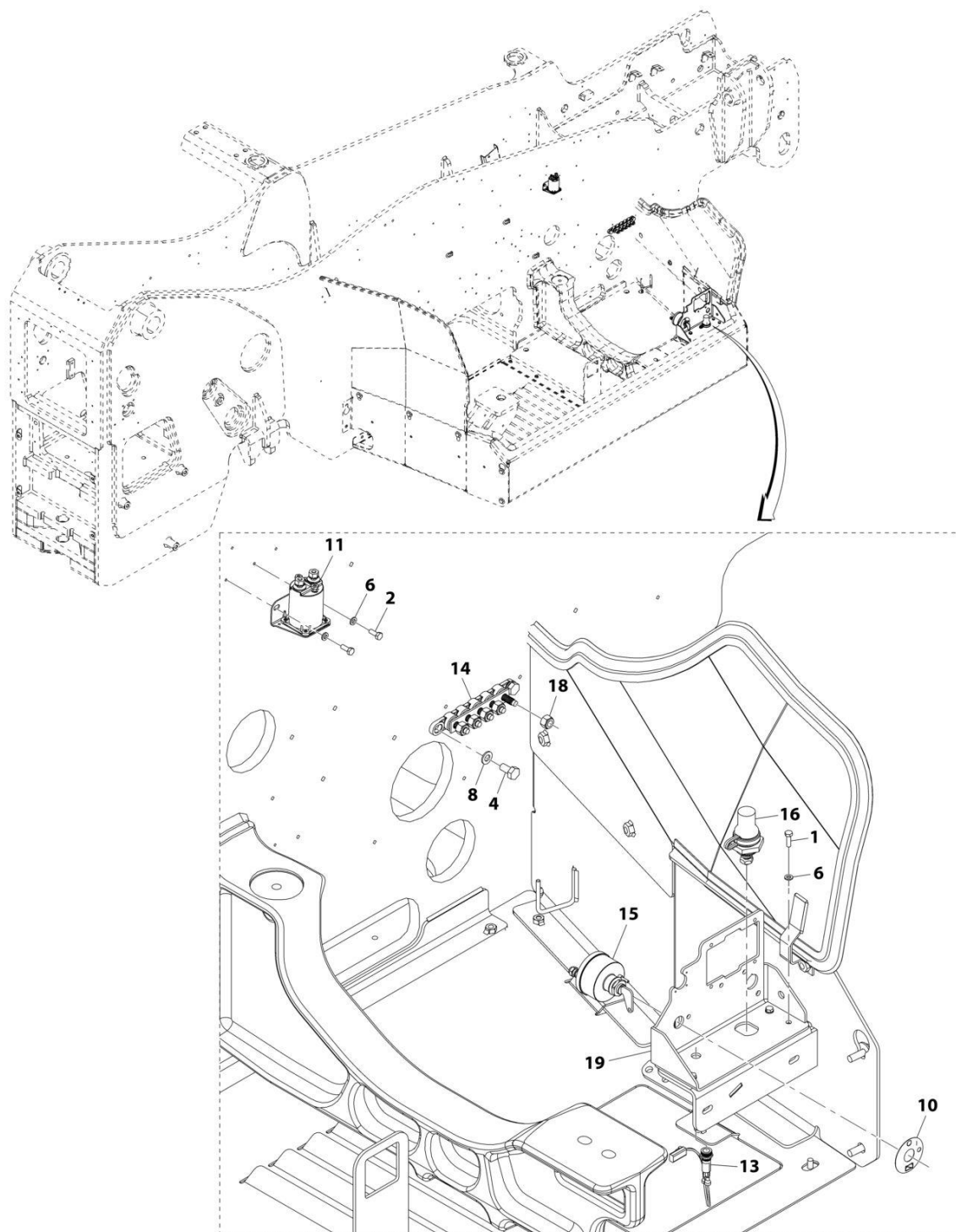
## SECTION 10 - ELECTRICAL

**FIGURE 10-40. ENGINE - ENGINE BAY ELECTRICAL INSTALLATION (LS)**

ITEM	PART NUMBER	QTY	DESCRIPTION	REV
	1001227469	Ref	Engine Bay Electrical Installation	B
1	0760507	1	Bolt, M5X14	
2	0760812	1	Bolt, M8X25	
3	0761012	1	Bolt, M10X25	
4	0761212	1	Bolt, M12X25	
5	3290505	1	Nut, Lock M5X0.8 Grade 8	
6	3291001	1	Nut, M10X1.5 Grade 8	
7	4811600	2	Washer, M5	
8	4811902	1	Washer, M8	
9	4812000	2	Washer, M10	
10	4812100	1	Washer, M12	
11	85941018	1	Clamp	
12	1001003305	1	Clip	
13	1001008559	7	Tie, Strap	
14	1001194103	1	Cable	
15	1001196502	1	Cable	
16	1001200161	1	Cable	
17	1001200162	1	Cable	
18	1001200164	1	Cable	
19	1001200165	1	Cable	
20	1001200166	1	Cable	
21	1001200167	1	Cable	
22	1001293972	1	Cable, ECM Power (Not Shown)	

# SECTION 10 - ELECTRICAL

## FIGURE 10-41. ENGINE - ENGINE POD ELECTRICAL INSTALLATION (ULS)



ART\_1001202172-C

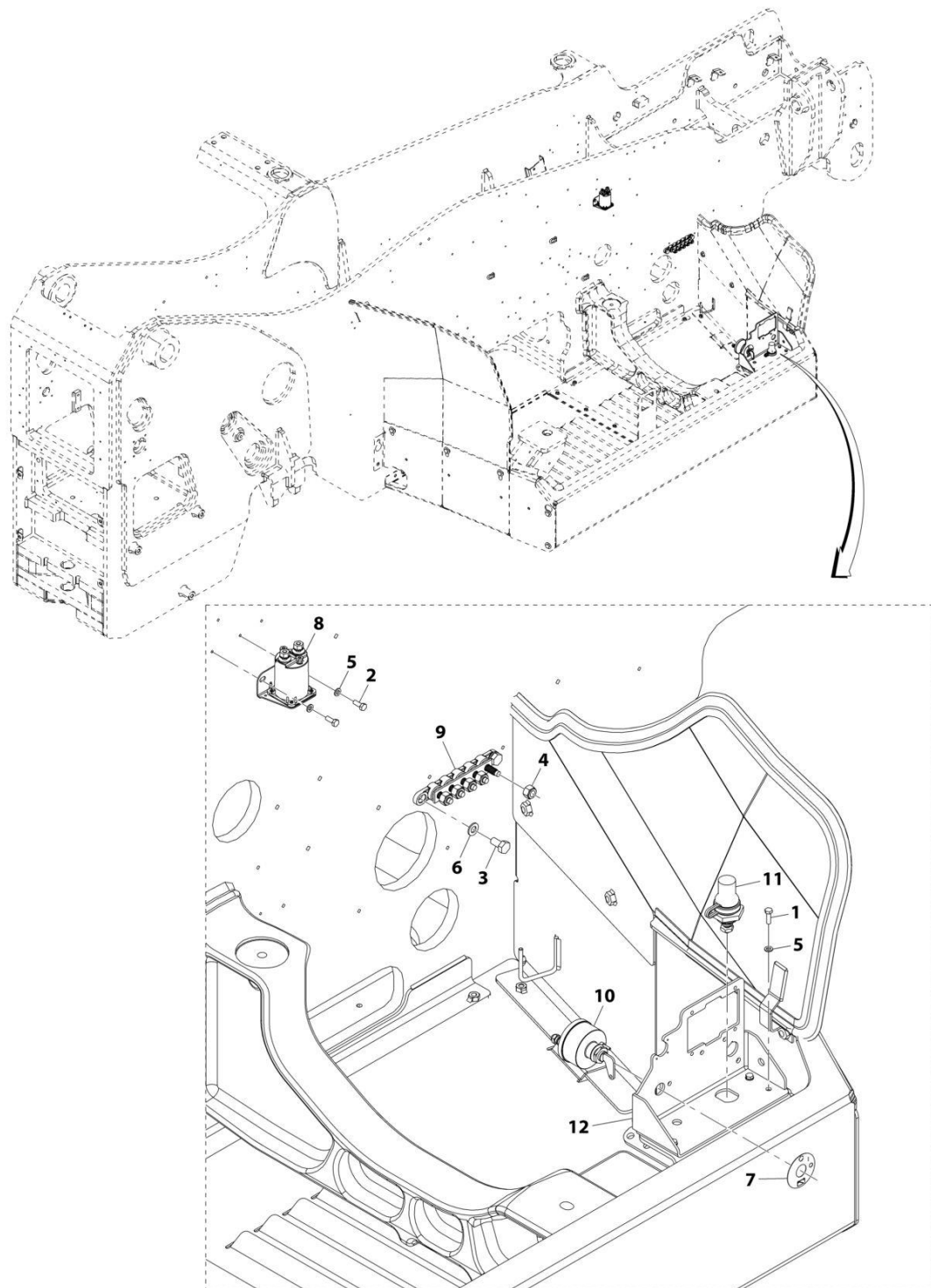
## SECTION 10 - ELECTRICAL

**FIGURE 10-41. ENGINE - ENGINE POD ELECTRICAL INSTALLATION (ULS)**

ITEM	PART NUMBER	QTY	DESCRIPTION	REV
	1001202172	Ref	Engine Pod Electrical Installation (ULS)	C
1	0700610	4	Bolt, M6X20	
2	0760608	2	Bolt, M6X16	
4	0761010	2	Bolt, M10X20	
6	4811700	6	Washer, M6	
8	4812000	2	Washer, M10	
10	1001008540	1	Plate	
11	1001117308	1	Relay	
13	1001232288	1	Harness, DEF Purge Light (See Separate Breakdown in this Section)	
14	1001181128	1	Bussbar	
15	1001192142	1	Switch, Disconnect	
16	1001193993	1	Terminal, Battery	
18	3291005	5	Nut, Lock M10X1.5	
19	1001212886	1	Bracket	

# SECTION 10 - ELECTRICAL

## FIGURE 10-42. ENGINE - ENGINE POD ELECTRICAL INSTALLATION (LS)



ART\_1001223066-A



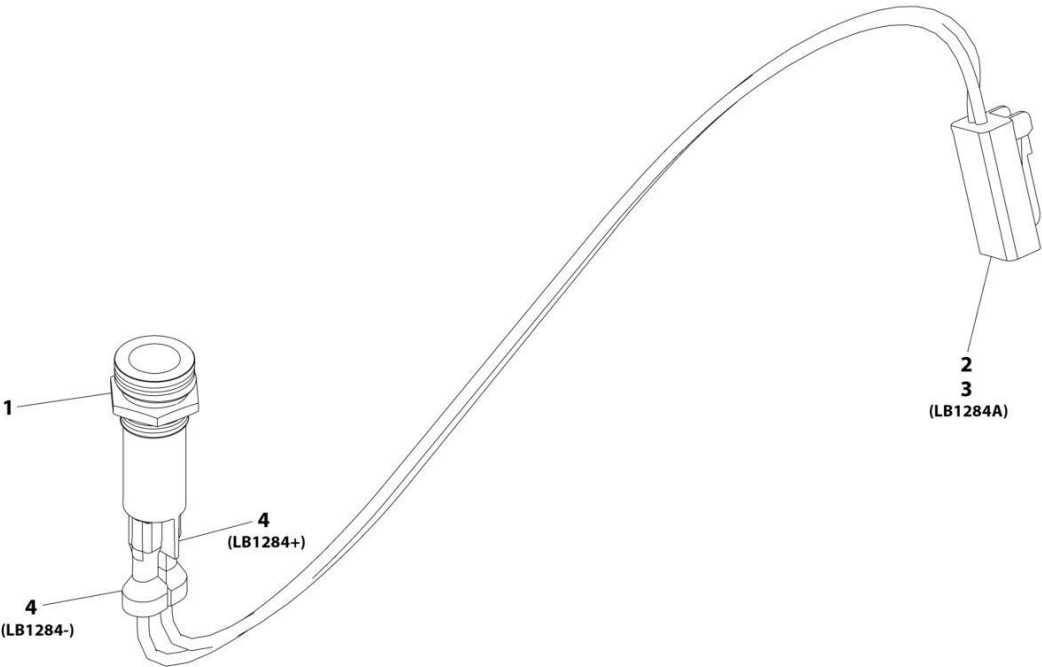
## SECTION 10 - ELECTRICAL

**FIGURE 10-42. ENGINE - ENGINE POD ELECTRICAL INSTALLATION (LS)**

ITEM	PART NUMBER	QTY	DESCRIPTION	REV
	1001223066	Ref	Engine Pod Electrical Installation (LS)	A
1	0700610	4	Bolt, M6X20	
2	0760608	2	Bolt, M6X16	
3	0761010	2	Bolt, M10X20	
4	3291005	5	Nut, Lock M10X1.5	
5	4811700	6	Washer, M6	
6	4812000	2	Washer, M10	
7	1001008540	1	Plate	
8	1001117308	1	Relay	
9	1001181128	1	Bussbar	
10	1001192142	1	Switch, Disconnect	
11	1001193993	1	Stud, Terminal	
12	1001212886	1	Bracket	

**SECTION 10 - ELECTRICAL**

**FIGURE 10-43. ENGINE - DEF PURGE LIGHT HARNESS**



ART\_1001232288-A

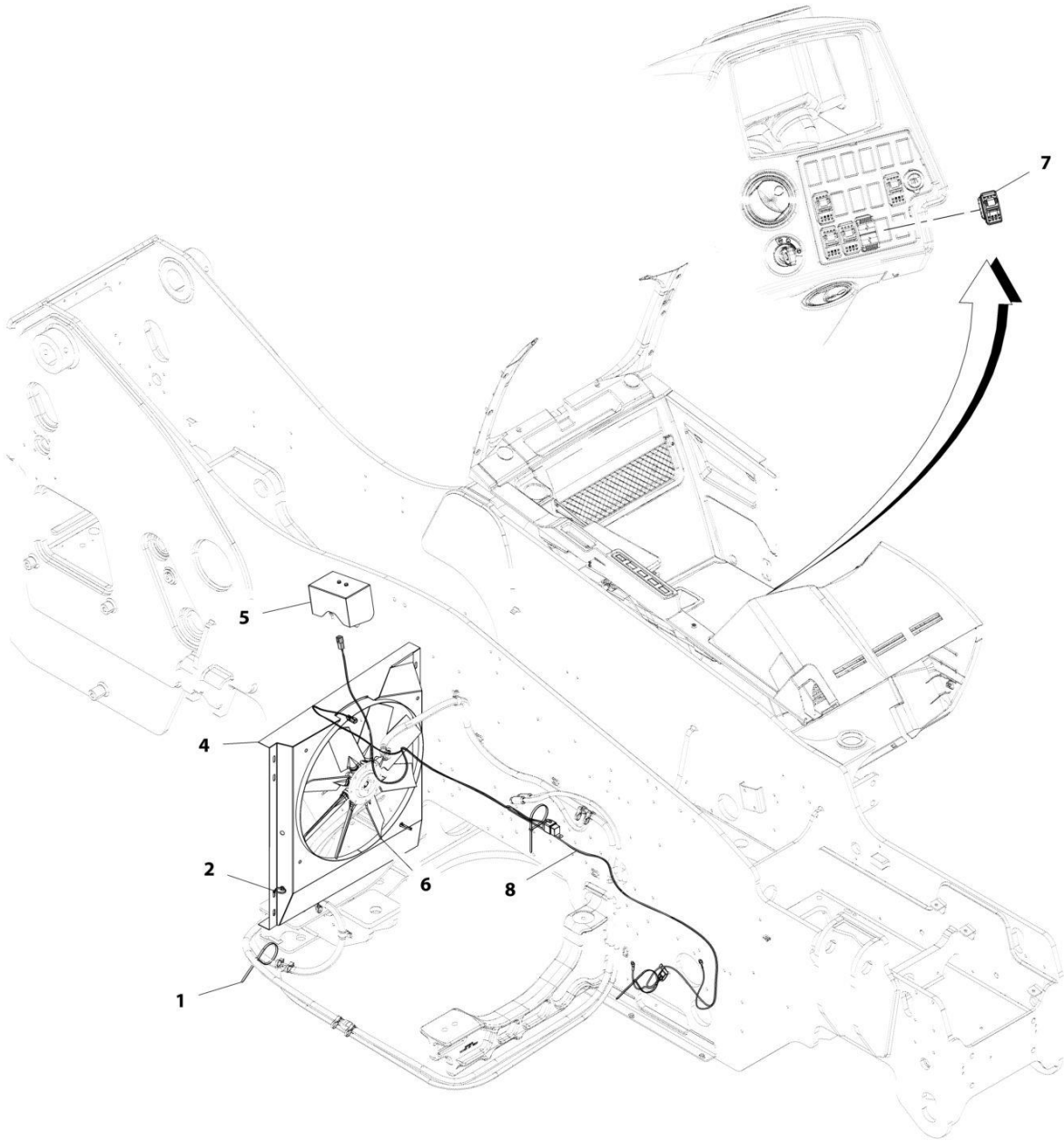
## SECTION 10 - ELECTRICAL

### FIGURE 10-43. ENGINE - DEF PURGE LIGHT HARNESS

ITEM	PART NUMBER	QTY	DESCRIPTION	REV
	1001232288	Ref	DEF Purge Light Harness	A
1	1001169825	1	LED Lamp 12V	
2	4461290	1	Connector	
3	1001126008	2	Terminal	
4	8220108	2	Connector	

# SECTION 10 - ELECTRICAL

## FIGURE 10-44. ENGINE - FAN (REVERSE COOLING) INSTALLATION



ART\_1001217753-C

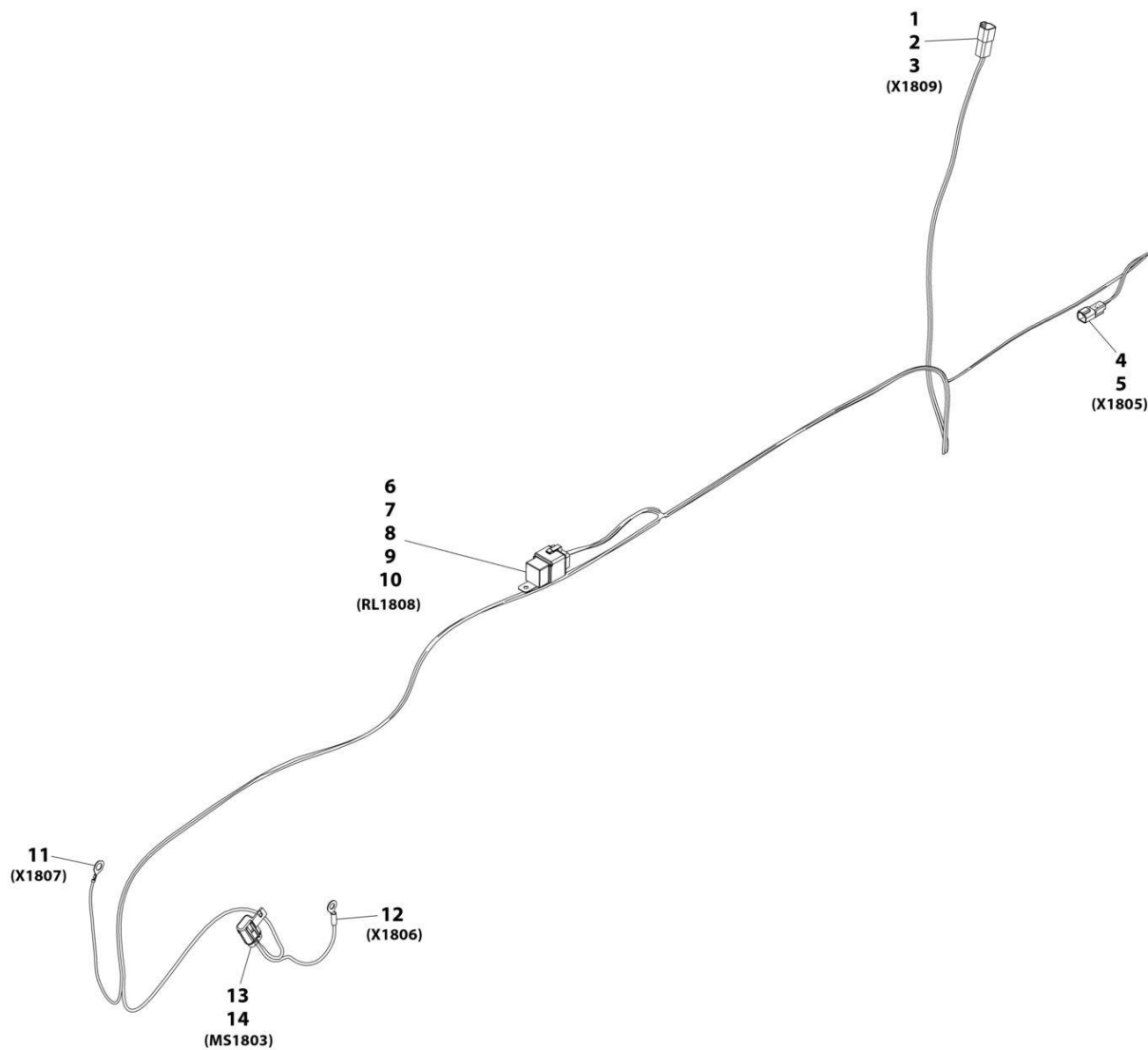
## SECTION 10 - ELECTRICAL

### FIGURE 10-44. ENGINE - FAN (REVERSE COOLING) INSTALLATION

ITEM	PART NUMBER	QTY	DESCRIPTION	REV
	1001217753	Ref	Reverse Cooling Fan Installation	C
1	1062255	3	Strap, Tie	
2	1001146588	2	Strap, Fir Tree Cable Tie	
4	1001217756	1	Shroud	
5	1001217757	1	Installation, Cover (See Separate Breakdown in this Section)	
6	1001217760	1	Kit, Reversing Fan	
6	70030353	1	Pneumatic Line	
6	70030355	1	Fan, Reverse	
6	70030356	1	Compressor	
7	1001145204	1	Switch	
8	1001221493	1	Harness, Reversing Fan (See Separate Breakdown in ELECTRICAL Section)	

# SECTION 10 - ELECTRICAL

## FIGURE 10-45. ENGINE - FAN (REVERSE COOLING) HARNESS



ART\_1001221493-B

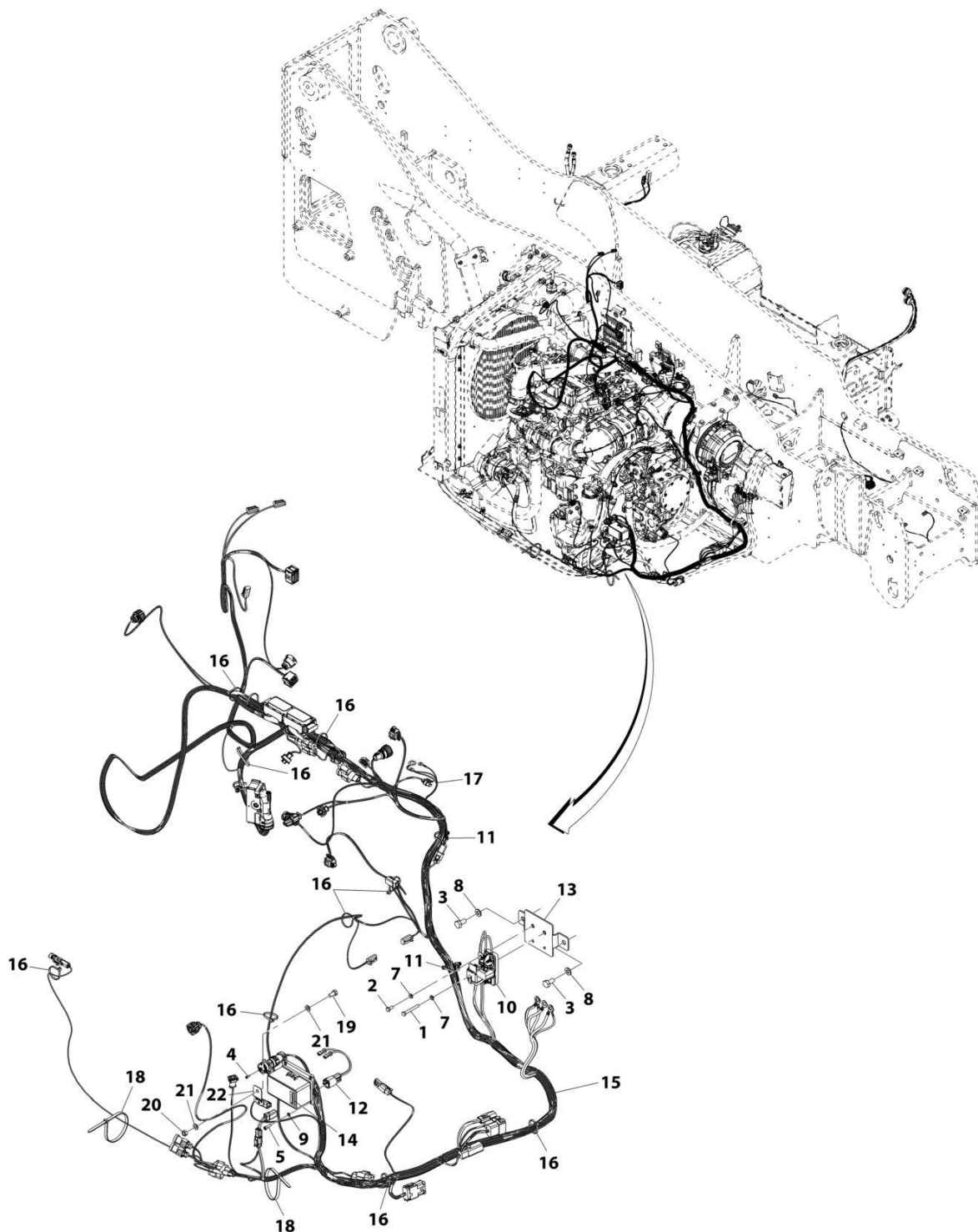
## SECTION 10 - ELECTRICAL

**FIGURE 10-45. ENGINE - FAN (REVERSE COOLING) HARNESS**

ITEM	PART NUMBER	QTY	DESCRIPTION	REV
	1001221493	Ref	Reversing Fan Harness	B
1	4460932	1	Connector	
2	4460941	2	Terminal	
3	4460466	2	Plug	
4	4460897	1	Connector	
5	4460464	2	Terminal	
6	1001118282	1	Connector	
7	1001116734	1	Terminal	
8	1001116732	2	Terminal	
9	1001128128	1	Plug	
10	1001116733	1	Terminal	
11	1001187078	1	Ring Terminal	
12	8220045	1	Ring Terminal	
13	1001117024	1	Connector	
14	1001116734	2	Terminal	

# SECTION 10 - ELECTRICAL

## FIGURE 10-46. ENGINE WIRING INSTALLATION (ULS)



ART\_1001200106-H



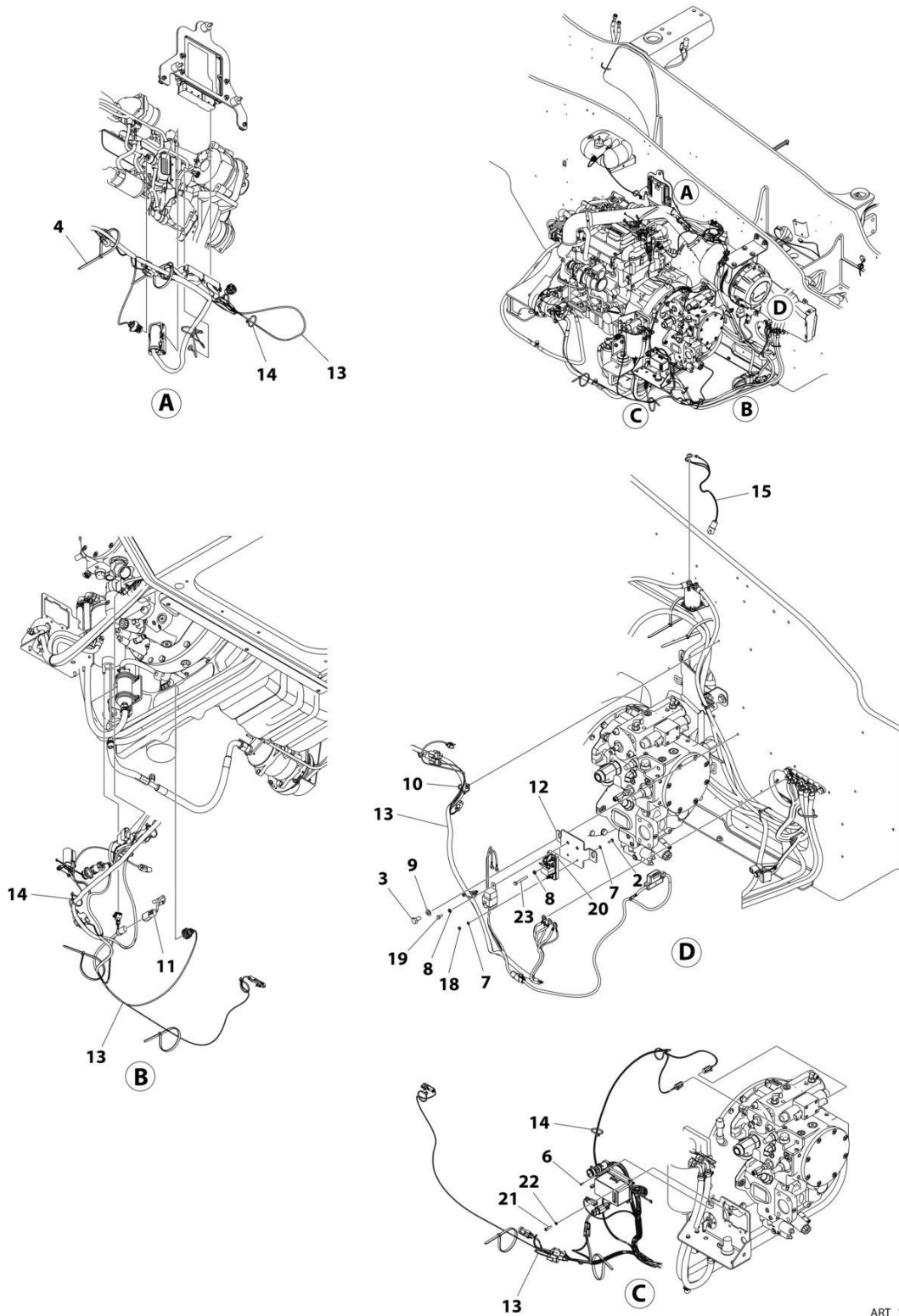
## SECTION 10 - ELECTRICAL

**FIGURE 10-46. ENGINE WIRING INSTALLATION (ULS)**

ITEM	PART NUMBER	QTY	DESCRIPTION	REV
	1001200106	Ref	Engine Wiring Installation (ULS)	1
1	0700618	1	Bolt, M6X50	
2	0760607	1	Bolt, M6X14	
3	0761010	2	Bolt M10X20	
4	4031205	3	Bolt, M3X10	
5	4031607	4	Bolt, M5-0.8X16	
7	4811700	2	Washer, M6	
8	4812000	2	Washer, M10	
9	4831600	4	Washer, Lock M5	
10	1001131177	1	Fuse	
11	1001146588	3	Strap, Cable Tie	
12	1001182929	1	Harness, Fuel Pump (See Separate Breakdown in this Section)	
13	1001189046	1	Bracket	
14	1001191546	1	Decal, Fuse	
15	1001285934	1	Harness, Engine (See Separate Breakdown in this Section)	
16	1001008559	11	Strap, Cable	
17	1001182930	1	Harness, Glow Plug Relay (See Separate Breakdown in this Section)	
18	1062255	2	Strap, Tie	
19	0700808	1	Bolt, M8X16	
20	3290801	1	Nut, M8X1.25	
21	4811900	2	Washer, M8	
22	1001153749	1	Clip	
23	1001293972	1	Cable, ECM Power (Not Shown)	

# SECTION 10 - ELECTRICAL

## FIGURE 10-47. ENGINE WIRING INSTALLATION (LS)



ART\_1001217752

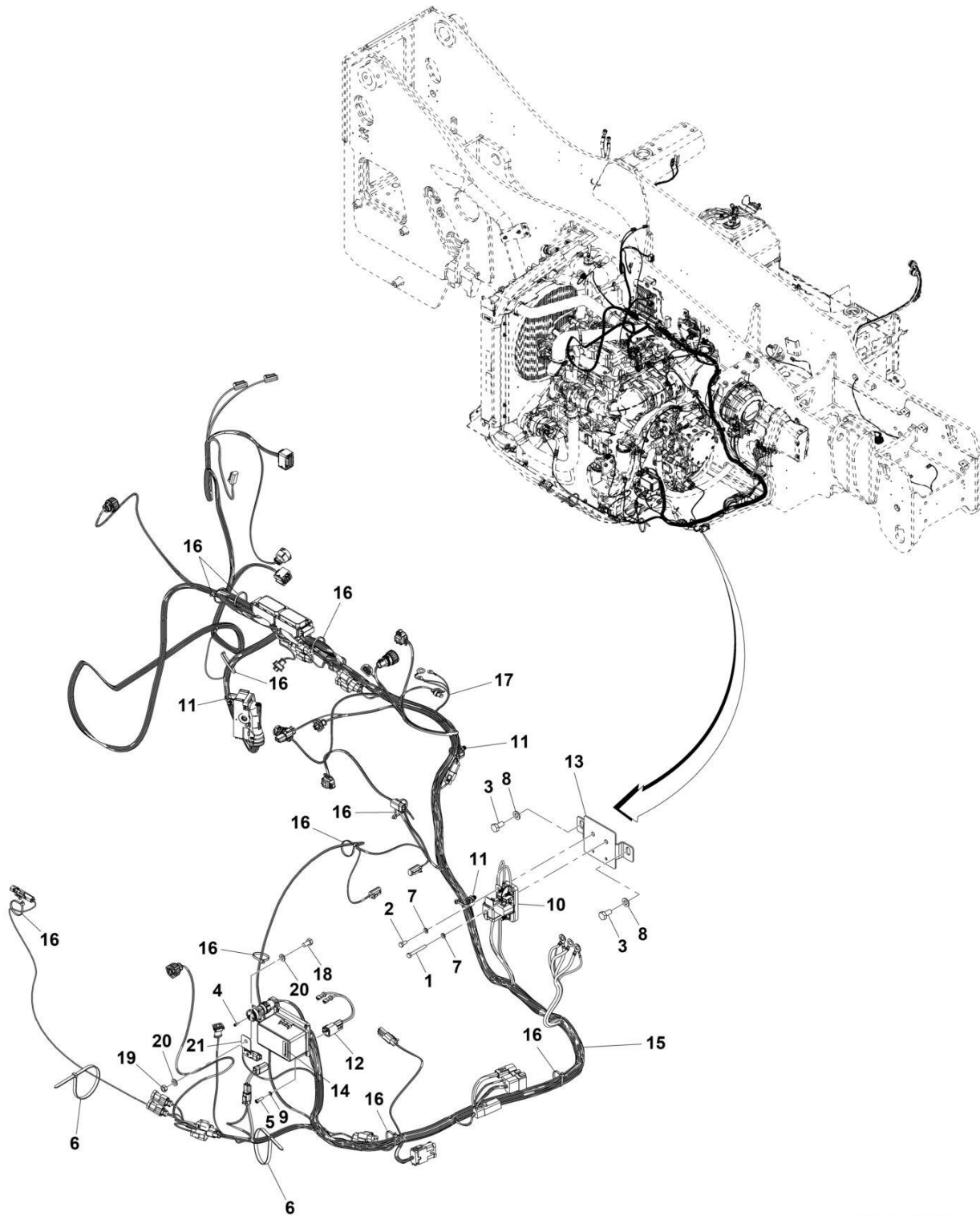
## SECTION 10 - ELECTRICAL

**FIGURE 10-47. ENGINE WIRING INSTALLATION (LS)**

ITEM	PART NUMBER	QTY	DESCRIPTION	REV
	1001217752	Ref	ENGINE WIRING INSTALLATION	D
2	0760507	1	Bolt M5 x 14	
3	0761010	2	Bolt M10 x 20	
4	1062255	2	Strap, Tie	
6	4031205	3	Bolt M3 x 10	
7	4811600	2	Washer M5	
8	4811700	2	Washer M6	
9	4812000	2	Washer M10	
10	1001146588	2	Strap, Cable Tie	
11	1001182929	1	Harness, Fuel Pump (See Separate Breakdown in this Section)	
12	1001189046	1	Bracket	
13	1001285934	1	Harness, Engine (LS) (See Separate Breakdown in this Section)	
14	1001008559	10	Strap, Cable	
15	1001182930	1	Harness, Glow Plug Relay (See Separate Breakdown in this Section)	
18	3290501	1	Nut M5	
19	0760607	1	Bolt M6 x 14	
20	1001131177	1	Fuse	
21	4031608	4	Bolt M5 x 20	
22	4831600	4	Washer M5	
23	0700618	1	Bolt M6 x 50	
24	1001293972	1	Cable, ECM Power (Not Shown)	

# SECTION 10 - ELECTRICAL

## FIGURE 10-48. ENGINE WIRING INSTALLATION (MINING) (ULS)



ART\_1001228728\_C

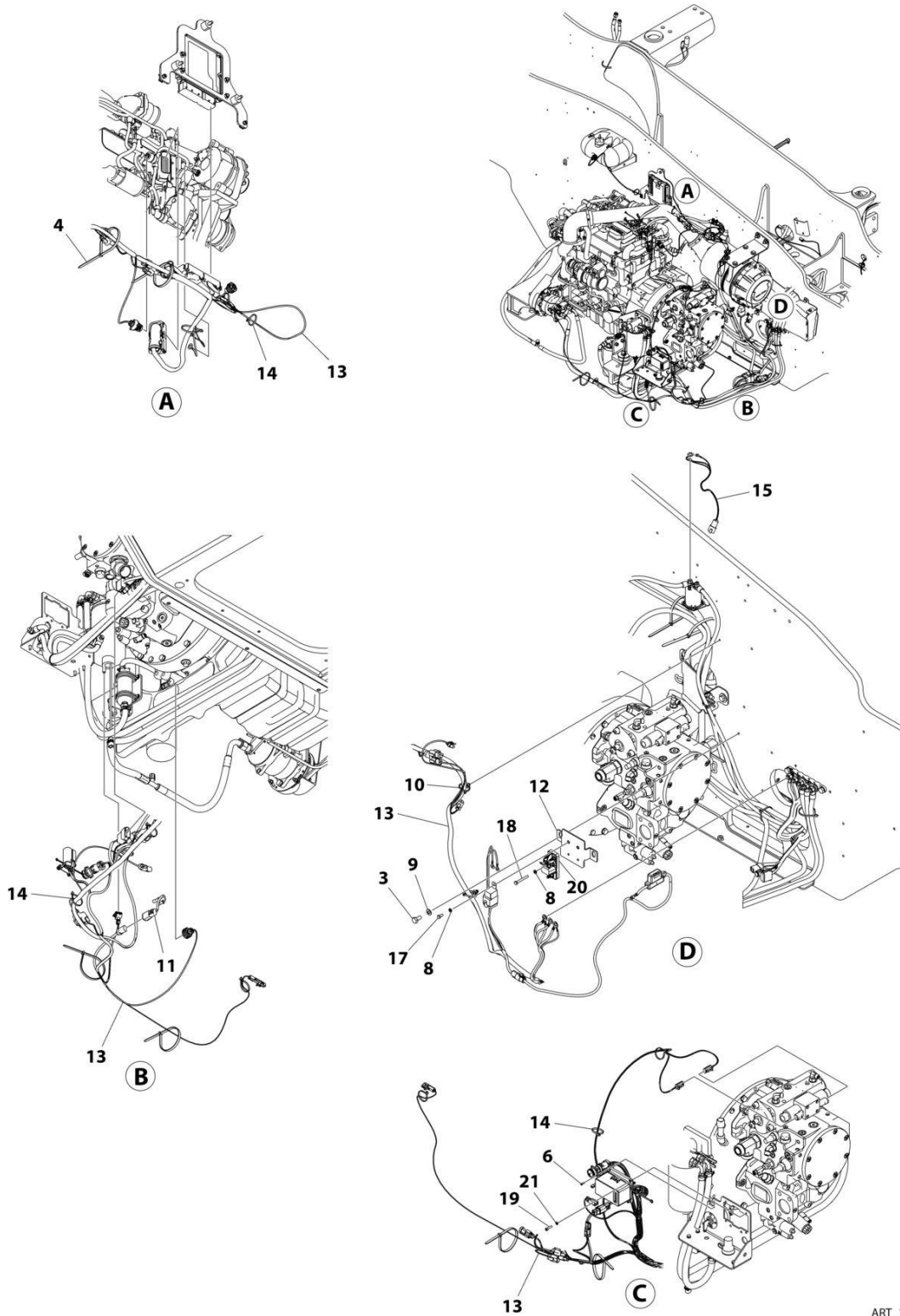
## SECTION 10 - ELECTRICAL

**FIGURE 10-48. ENGINE WIRING INSTALLATION (MINING) (ULS)**

ITEM	PART NUMBER	QTY	DESCRIPTION	REV
	1001228728	Ref	Engine Wiring Installation (Mining) (ULS)	C
1	0700618	1	Bolt, M6X50	
2	0760607	1	Bolt, M6X14	
3	0761010	2	Bolt, M10X20	
4	4031205	3	Bolt, M3X10	
5	4031607	4	Bolt, M5X16	
6	1062255	2	Strap, Tie	
7	4811700	2	Washer, M6	
8	4812000	2	Washer, M10	
9	4831600	4	Washer, Lock M5	
10	1001131177	1	Fuse	
11	1001146588	3	Strap, Cable Tie	
12	1001228733	1	Harness, Fuel Pump (See Separate Breakdown in this Section)	
13	1001189046	1	Bracket	
14	1001191546	1	Decal, Fuse	
15	1001286174	1	Harness, Engine (Mining) (ULS) (See Separate Breakdown in this Section)	
16	1001008559	11	Strap, Cable	
17	1001228732	1	Harness, Glow Plug Relay (See Separate Breakdown in this Section)	
18	0700808	1	Bolt, M8X16	
19	3290801	1	Nut, M8X1.25	
20	4811900	2	Washer, M8	
21	1001153749	1	Clip	
22	1001293972	1	Cable, ECM Power (Not Shown)	

# SECTION 10 - ELECTRICAL

## FIGURE 10-49. ENGINE WIRING INSTALLATION (MINING) (LS)



ART\_1001228735

## SECTION 10 - ELECTRICAL

**FIGURE 10-49. ENGINE WIRING INSTALLATION (MINING) (LS)**

ITEM	PART NUMBER	QTY	DESCRIPTION	REV
	1001228735	Ref	Engine Wiring Installation Mining (LS)	B
3	0761010	2	Bolt M10 x 20	
4	1062255	2	Strap, Tie	
6	4031205	3	Bolt M3 x 10	
8	4811700	2	Washer M6	
9	4812000	2	Washer M10	
10	1001146588	2	Strap, Cable Tie	
11	1001228733	1	Harness, Fuel Pump (See Separate Breakdown in this Section)	
12	1001189046	1	Bracket	
13	1001286174	1	Harness, Engine (Mining) (ULS) (See Separate Breakdown in this Section)	
14	1001008559	10	Strap, Cable	
15	1001228732	1	Harness, Glow Plug Relay (See Separate Breakdown in this Section)	
17	0760607	1	Bolt M6 x 14	
18	0700618	1	Bolt M6 x 50	
19	4031608	4	Bolt M5 x 20	
20	1001131177	1	Fuse	
21	4831600	4	Washer M5	
22	1001293972	1	Cable, ECM Power (Not Shown)	





# SECTION 10 - ELECTRICAL

## FIGURE 10-50. ENGINE HARNESS

ITEM	PART NUMBER	QTY	DESCRIPTION	REV
	1001285934	Ref	ENGINE HARNESS	B
1	1001126349	1	Connector	
1	1001126352	6	Socket (14-16AWG)	
1	1001126351	3	Socket (16-18AWG)	
1	1001126384	45	Socket (18-20AWG)	
1	1001126357	1	Plug	
1	1001126356	39	Plug	
1	1001126353	6	Seal	
2	1001116812	4	Connector	
2	4460944	8	Socket	
2	4460466	4	Plug	
3	1001126487	1	Connector	
3	1001167635	2	Socket	
3	1001126485	2	Seal	
4	4460539	3	Connector	
4	4460944	6	Socket	
4	4460466	3	Plug	
5	1001126360	1	Connector	
5	1001126351	13	Socket (15-18AWG)	
5	1001126384	27	Socket (18-20AWG)	
5	1001126357	11	Plug	
5	1001126356	9	Plug	
6	1001126362	1	Connector	
6	1001166556	36	Socket (18-22AWG)	
6	1001166774	14	Socket (14-18AWG)	
6	1001166543	2	Socket (10-14AWG)	
6	1001126391	8	Seal	
6	1001126393	48	Seal	
6	4461054	2	Seal	
6	4461008	4	Plug	
7	1001187070	1	Terminal, Ring	
8	1001148842	1	Connector	
8	1001148841	3	Pin	
8	1001135650	3	Seal	
8	1001135651	1	Plug	
9	1001167631	1	Connector	
9	1001167630	4	Socket	
9	1001126485	4	Seal	
10	1001126487	2	Connector	
10	1001167634	4	Socket	
10	1001126485	4	Seal	
11	4460891	5	Connector	
11	4460465	10	Socket	
12	1001247948	1	Connector	
12	1001247955	3	Socket	
12	1001247969	3	Seal	
13	1001209097	1	Connector	
13	12052634	1	Lock Packard	
13	8220124	2	Socket	
13	4460608	2	Seal	

## SECTION 10 - ELECTRICAL

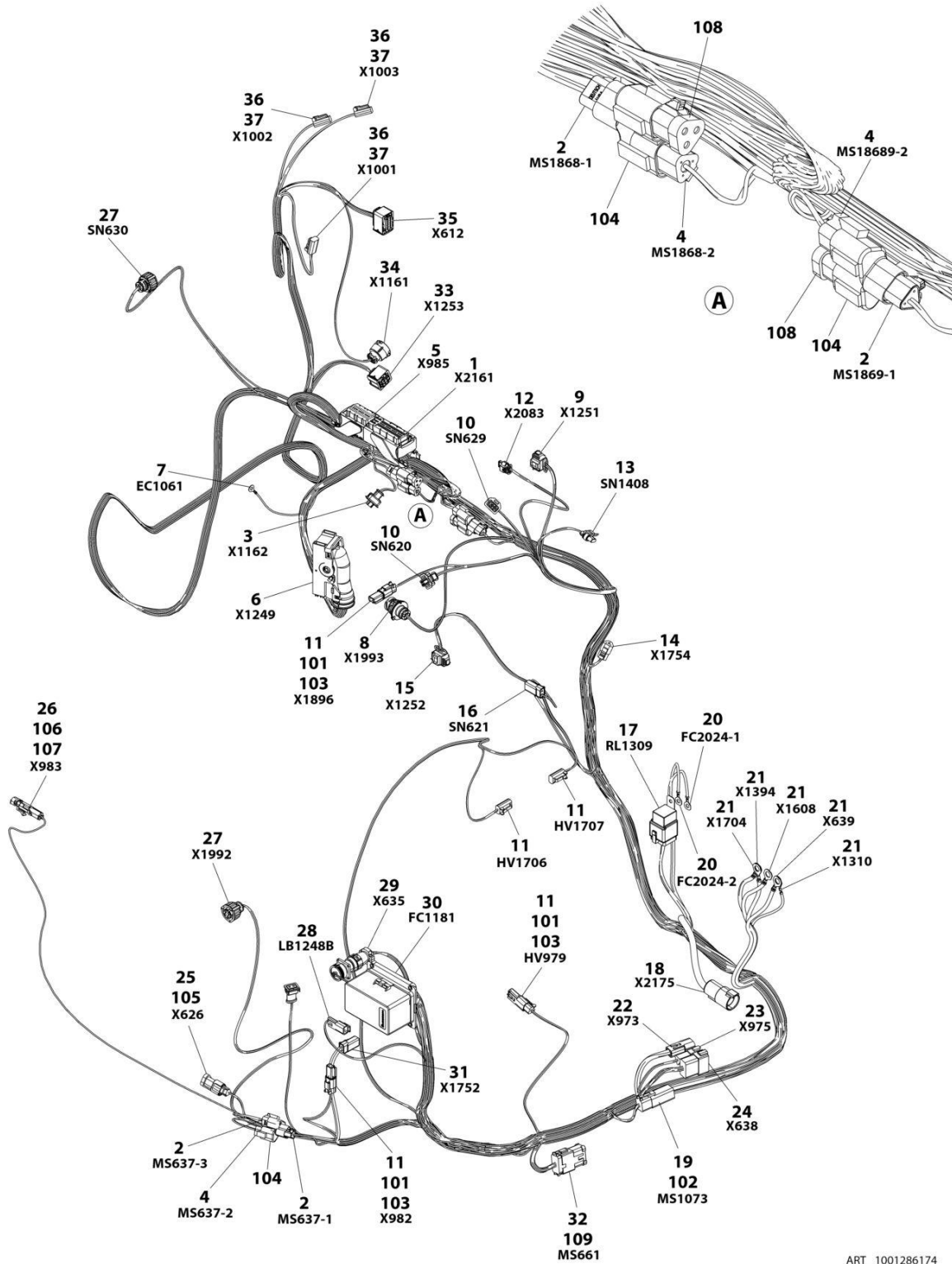
ITEM	PART NUMBER	QTY	DESCRIPTION	REV
14	4460539	1	Connector	
14	4460465	3	Socket	
15	1001167629	1	Connector	
15	1001167630	4	Socket	
15	1001126485	4	Seal	
16	1001126245	1	Connector	
16	1001126008	2	Pin	
17	1001118282	1	Connector	
17	1001116734	4	Socket	
17	1001128128	1	Plug	
18	1001293903	1	Connector	
18	91013191	1	Pin	
19	4460894	1	Connector	
19	4460465	6	Socket	
20	1001207171	2	Terminal, Ring	
21	1001187080	5	Terminal, Ring	
22	1001116811	1	Connector	
22	4460508	1	Pin	
22	4460466	3	Plug	
23	1001144147	1	Connector	
23	4460464	2	Pin	
23	4460466	1	Plug	
24	4460970	1	Connector	
24	4460464	9	Pin	
24	4460466	3	Plug	
25	4461095	1	Connector	
25	4460944	2	Socket	
25	4460466	1	Plug	
26	80963056	1	Connector	
26	4460979	1	Pin	
26	1001175265	1	Seal	
27	1001133714	2	Connector	
27	1001133715	6	Socket	
27	1001135650	6	Seal	
27	1001135851	2	Plug	
28	1001153612	1	Connector	
28	1001126011	2	Pin	
29	2902443	1	Connector	
29	4461071	6	Socket	
30	1001167616	1	Connector	
30	1001190921	1	Seal	
30	8220097	25	Socket (18AWG)	
30	8220098	11	Socket (14AWG)	
30	1001116725	6	Socket (10-12AWG)	
30	1001175265	21	Seal	
30	1001190037	5	Seal	
30	4460458	15	Seal	
31	4461018	1	Connector	
31	4460509	2	Socket	
32	4460933	1	Connector	
32	4460465	12	Socket	

## SECTION 10 - ELECTRICAL

ITEM	PART NUMBER	QTY	DESCRIPTION	REV
33	1001167528	1	Connector	
33	1001166704	4	Socket	
33	1001137578	4	Seal	
34	1001167620	1	Connector	
34	1001176004	2	Socket	
34	1001176002	2	Seal	
34	1001167624	2	Plug	
35	1001165194	1	Connector	
35	1001166556	8	Socket (18-22AWG)	
35	1001166774	2	Socket (14-18AWG)	
35	1001126393	10	Seal	
35	1001126391	2	Plug	
36	4460891	3	Connector	
37	4460942	6	Pin	
101	4460466	6	Plug	
102	4460892	1	Cap	
103	4460897	3	Cap	
104	4460945	3	3-Way Plug	
105	4461070	1	Connector	
106	80963056	1	Connector	
107	1001116727	1	Plug	
108	1001116815	2	Connector	
109	1001125677	1	Cap	

# SECTION 10 - ELECTRICAL

## FIGURE 10-51. ENGINE HARNESS (MINING)



ART\_1001286174

## SECTION 10 - ELECTRICAL

### FIGURE 10-51. ENGINE HARNESS (MINING)

ITEM	PART NUMBER	QTY	DESCRIPTION	REV
	1001286174	Ref	ENGINE HARNESS MINING	A
1	1001126349	1	Connector	
1	1001126352	6	Socket (Tin) (13-17AWG)	
1	1001126351	3	Socket (Tin) (15-18AWG)	
1	1001126384	45	Socket (Tin) (18-20AWG)	
1	1001126357	1	Plug	
1	1001126356	39	Plug	
1	1001126353	6	Seal	
2	1001116812	4	Connector	
2	4460944	8	Socket	
2	4460466	4	Plug	
3	1001126487	1	Connector	
3	1001167635	2	Socket	
3	1001126485	2	Seal	
4	4460539	3	Connector	
4	4460944	6	Socket	
4	4460466	3	Plug	
5	1001126360	1	Connector	
5	1001126351	13	Socket (15-18AWG)	
5	1001126384	27	Socket (18-20AWG)	
5	1001126357	11	Plug	
5	1001126356	9	Plug	
6	1001126362	1	Connector	
6	1001166556	36	Socket (18-22AWG)	
6	1001166774	14	Socket (14-18AWG)	
6	1001166543	2	Socket (10-14AWG)	
6	1001126391	8	Seal	
6	1001126393	48	Seal	
6	4461054	2	Seal	
6	4461008	4	Plug	
7	1001187070	1	Terminal, Ring	
8	1001148842	1	Connector	
8	1001148841	3	Pin	
8	1001135650	3	Seal	
8	1001135651	1	Plug	
9	1001167631	1	Connector	
9	1001167630	4	Socket	
9	1001126485	4	Seal	
10	1001126487	2	Connector	
10	1001167634	4	Socket	
10	1001126485	4	Seal	
11	4460891	5	Connector	
11	4460465	10	Socket	
12	1001247948	1	Connector	
12	1001247955	3	Socket	
12	1001247969	3	Seal	
13	1001209097	1	Connector	
13	12052634	1	Lock Packard	
13	8220124	2	Socket	
13	4460608	2	Seal	

## SECTION 10 - ELECTRICAL

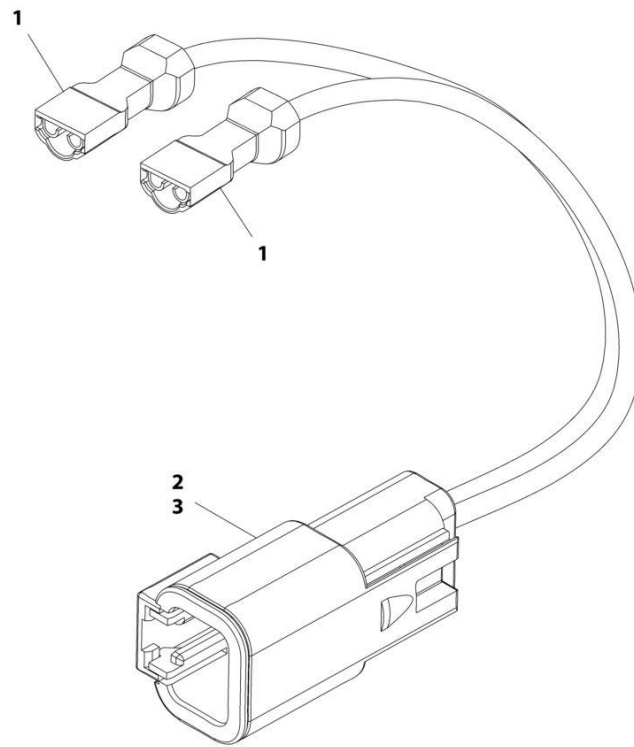
ITEM	PART NUMBER	QTY	DESCRIPTION	REV
14	4460539	1	Connector	
14	4460465	3	Socket	
15	1001167629	1	Connector	
15	1001167630	4	Socket	
15	1001126485	4	Seal	
16	1001126245	1	Connector	
16	1001126008	2	Pin	
17	1001118282	1	Connector	
17	1001116734	4	Socket	
17	1001128128	1	Plug	
18	1001293903	1	Connector	
18	91013191	1	Pin	
19	4460894	1	Connector	
19	4460465	6	Socket	
20	1001207171	2	Terminal, Ring	
21	1001187080	5	Terminal, Ring	
22	1001116811	1	Connector	
22	4460508	1	Pin	
22	4460466	3	Plug	
23	1001144147	1	Connector	
23	4460464	2	Pin	
23	4460466	1	Plug	
24	4460970	1	Connector	
24	4460464	9	Pin	
24	4460466	3	Plug	
25	4461095	1	Connector	
25	4460944	2	Socket	
25	4460466	1	Plug	
26	80963056	1	Connector	
26	4460979	1	Pin	
26	1001175265	1	Seal	
27	1001133714	2	Connector	
27	1001133715	6	Socket	
27	1001135650	6	Seal	
27	1001135851	2	Plug	
28	1001153612	1	Connector	
28	1001126011	2	Pin	
29	2902443	1	Connector	
29	4461071	6	Socket	
30	1001167616	1	Connector	
30	1001190921	1	Seal	
30	8220097	26	Socket (18AWG)	
30	8220098	11	Socket (14AWG)	
30	1001116725	7	Socket (10-12AWG)	
30	1001175265	22	Seal	
30	1001190037	6	Seal	
30	4460458	15	Seal	
31	4461018	1	Connector	
31	4460509	2	Socket	
32	4460933	1	Connector	
32	4460465	12	Socket	

## SECTION 10 - ELECTRICAL

ITEM	PART NUMBER	QTY	DESCRIPTION	REV
33	1001167528	1	Connector	
33	1001166704	4	Socket	
33	1001137578	4	Seal	
34	1001167620	1	Connector	
34	1001176004	2	Socket	
34	1001176002	2	Seal	
34	1001167624	2	Plug	
35	1001165194	1	Connector	
35	1001166556	8	Socket (18-22AWG)	
35	1001166774	2	Socket (14-18AWG)	
35	1001126393	10	Seal	
35	1001126391	2	Plug	
36	4460891	3	Connector	
37	4460942	6	Pin	
101	4460466	6	Plug	
102	4460892	1	Cap	
103	4460897	3	Cap	
104	4460945	3	3-Way Plug	
105	4461070	1	Connector	
106	80963056	1	Connector	
107	1001116727	1	Plug	
108	1001116815	2	Connector	
109	1001125677	1	Cap	

# SECTION 10 - ELECTRICAL

## FIGURE 10-52. ENGINE - FUEL PUMP HARNESS



ART\_1001182929-E



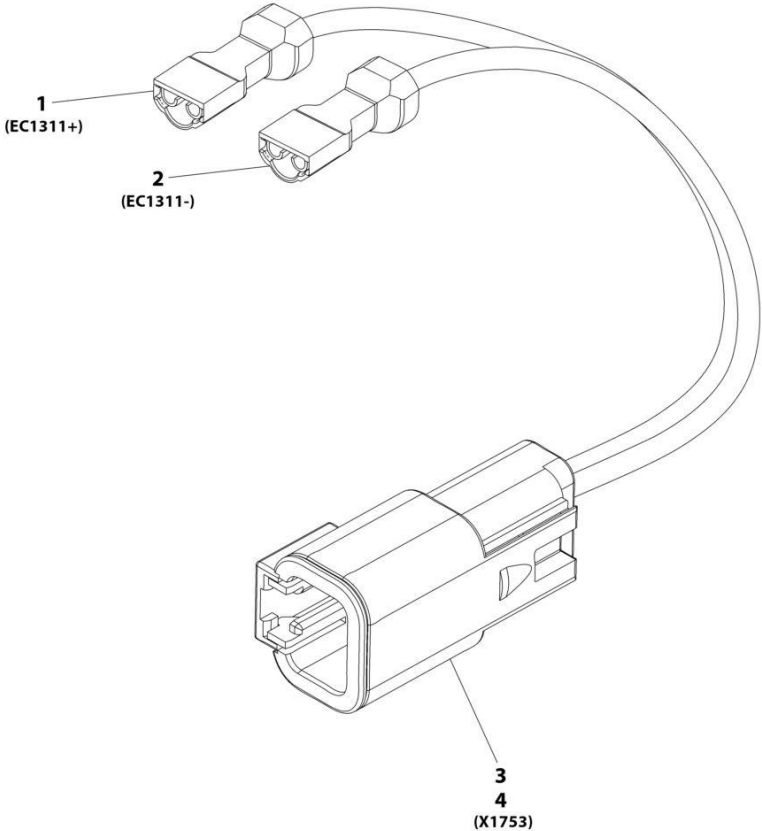
## SECTION 10 - ELECTRICAL

### FIGURE 10-52. ENGINE - FUEL PUMP HARNESS

ITEM	PART NUMBER	QTY	DESCRIPTION	REV
	1001182929	Ref	Fuel Pump Harness	E
1	8220043	2	Connector	
2	4461017	1	Connector	
3	4460508	2	Terminal	

**SECTION 10 - ELECTRICAL**

**FIGURE 10-53. ENGINE - FUEL PUMP HARNESS (MINING) (ULS)**



ART\_1001228733-A

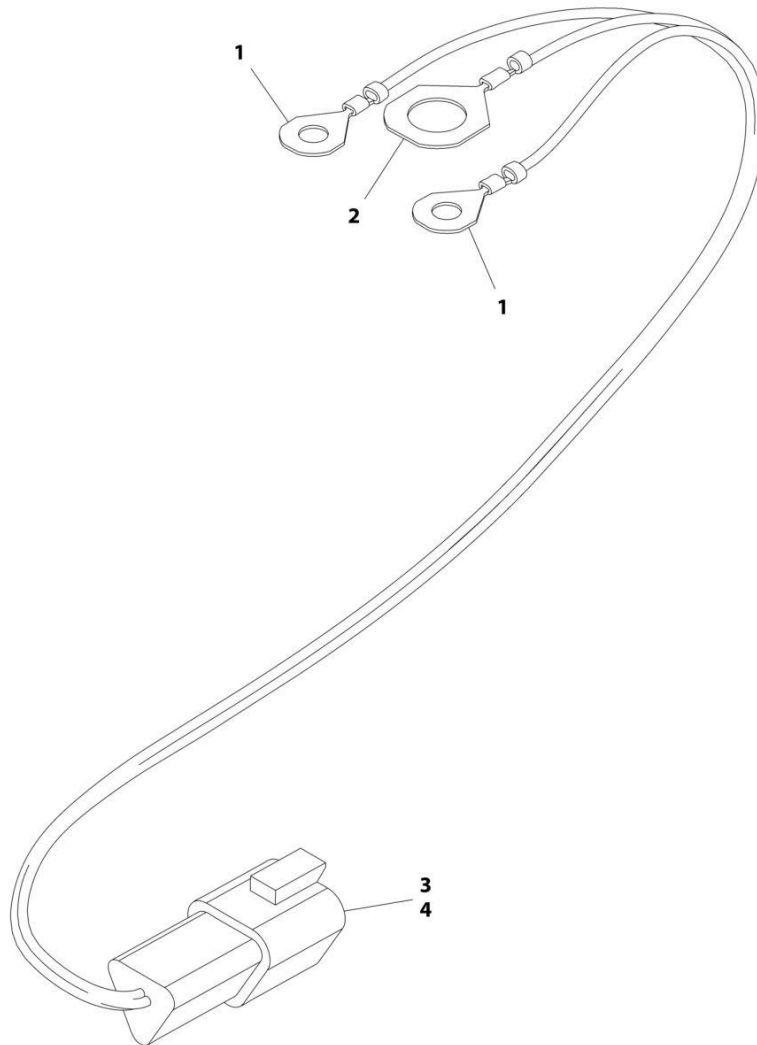
## SECTION 10 - ELECTRICAL

**FIGURE 10-53. ENGINE - FUEL PUMP HARNESS (MINING) (ULS)**

ITEM	PART NUMBER	QTY	DESCRIPTION	REV
	1001228733	Ref	Fuel Pump Harness (Mining) (ULS)	A
1	8220043	1	Connector	
2	8220043	1	Connector	
3	4461017	1	Connector	
4	4460508	2	Terminal	

# SECTION 10 - ELECTRICAL

## FIGURE 10-54. ENGINE - GLOW PLUG RELAY HARNESS



ART\_1001182930-C

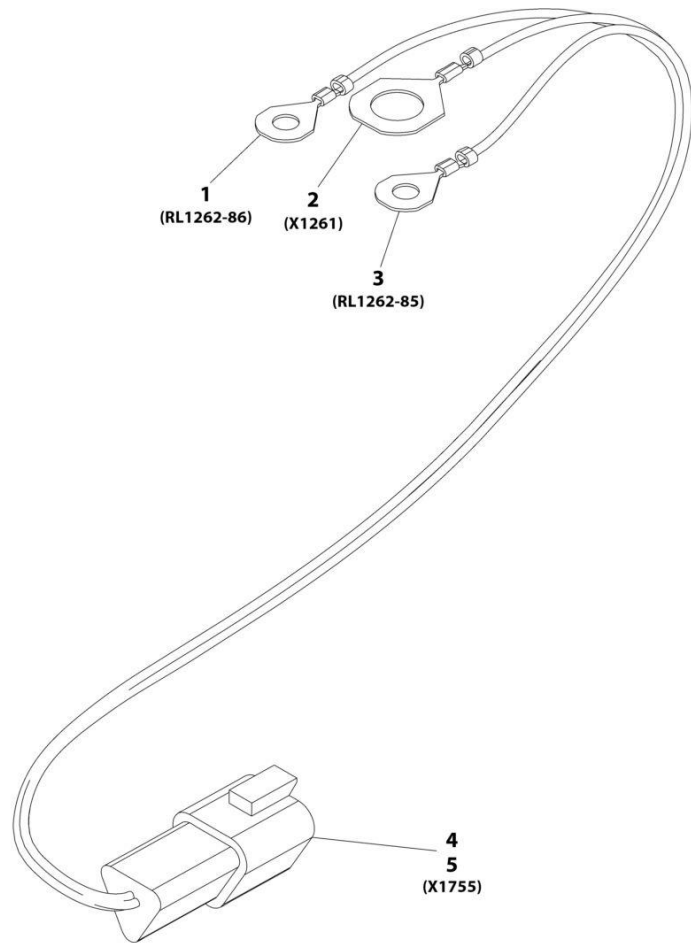
## SECTION 10 - ELECTRICAL

### FIGURE 10-54. ENGINE - GLOW PLUG RELAY HARNESS

ITEM	PART NUMBER	QTY	DESCRIPTION	REV
	1001182930	Ref	Glow Plug Relay Harness	C
1	1001187070	2	Ring, Terminal	
2	1001187077	1	Ring, Terminal	
3	4460536	1	Connector	
4	4460464	3	Terminal	

# SECTION 10 - ELECTRICAL

## FIGURE 10-55. ENGINE - GLOW PLUG RELAY HARNESS (MINING) (ULS)



ART\_1001228732-A

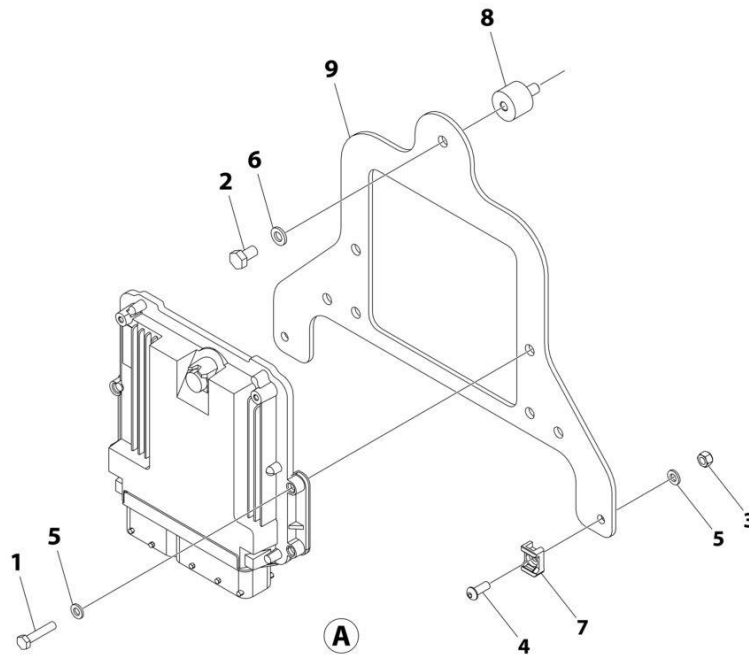
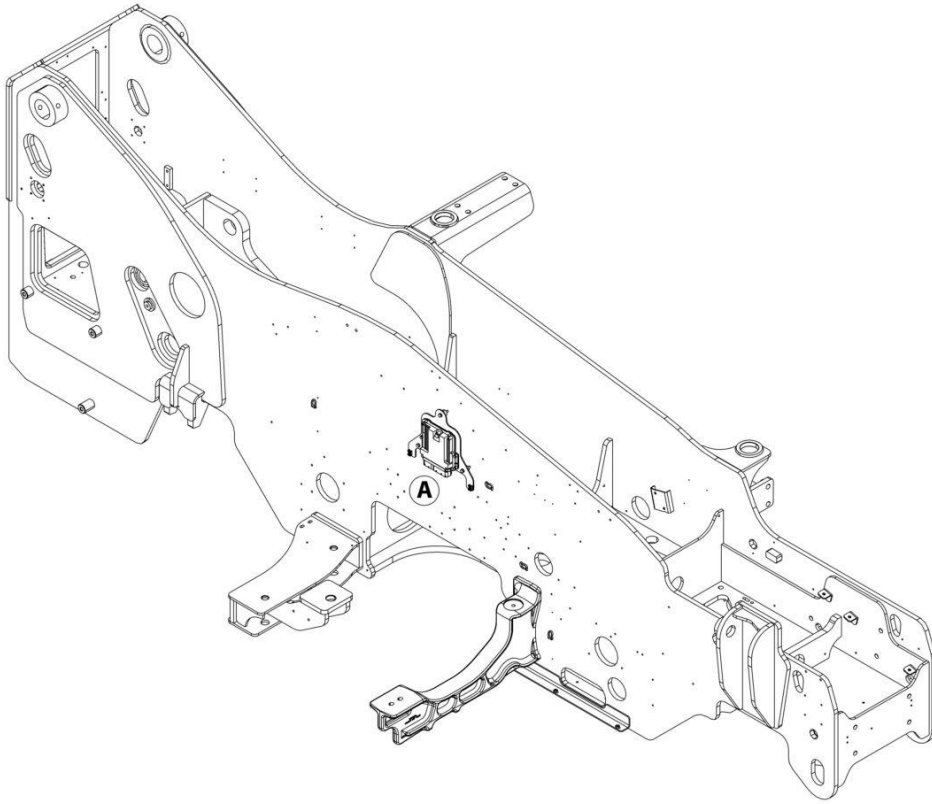
## SECTION 10 - ELECTRICAL

**FIGURE 10-55. ENGINE - GLOW PLUG RELAY HARNESS (MINING) (ULS)**

ITEM	PART NUMBER	QTY	DESCRIPTION	REV
	1001228732	Ref	Glow Plug Relay Harness (Mining) (ULS)	A
1	1001187070	1	Ring, Terminal	
2	1001187077	1	Ring, Terminal	
3	1001187070	1	Ring, Terminal	
4	4460536	1	Connector	
5	4460464	3	Terminal	

# SECTION 10 - ELECTRICAL

## FIGURE 10-56. ENGINE ECU INSTALLATION



ART\_1001284530



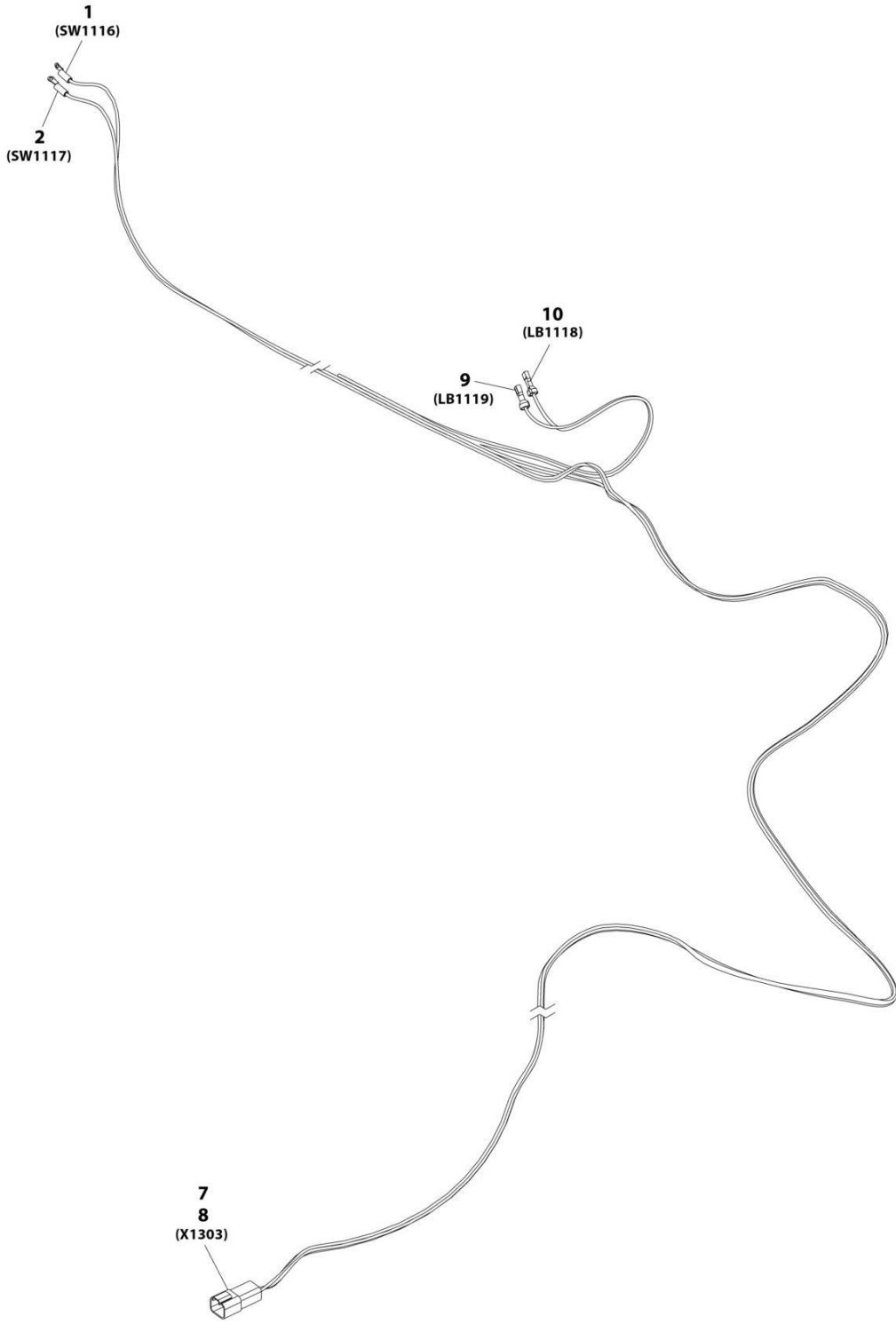
## SECTION 10 - ELECTRICAL

### FIGURE 10-56. ENGINE ECU INSTALLATION

ITEM	PART NUMBER	QTY	DESCRIPTION	REV
	1001284538	Ref	ENGINE ECU INSTALLATION	A
1	0700614	4	Bolt M6 x 30	
2	0760807	3	Bolt M8 x 14	
3	3290605	2	Nut M6	
4	3900357	2	Capscrew M6 x 16	
5	4811700	6	Washer M6	
6	4831900	3	Washer M8	
7	1001138645	2	Mount, Cable Tie	
8	1001179907	3	Mount, Isolator	
9	1001284534	1	Bracket	

# SECTION 10 - ELECTRICAL

## FIGURE 10-57. ENGINE - AIR SHUTOFF VALVE HARNESS



ART\_1001231407-C

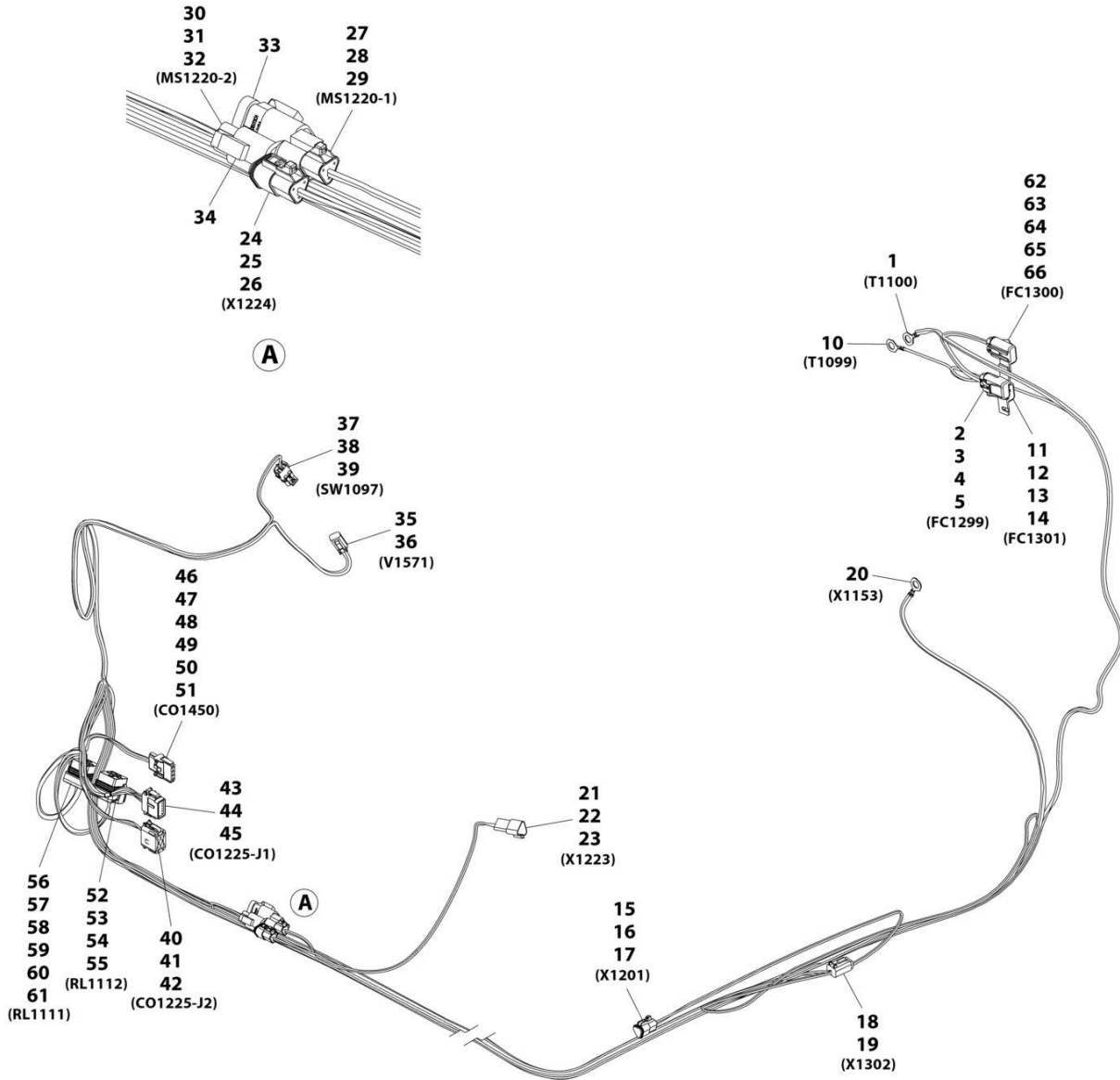
## SECTION 10 - ELECTRICAL

### FIGURE 10-57. ENGINE - AIR SHUTOFF VALVE HARNESS

ITEM	PART NUMBER	QTY	DESCRIPTION	REV
	1001231407	1	Air Shutoff Valve Harness	C
1	8220035	1	Terminal, Ring	
2	8220035	1	Terminal, Ring	
7	4460932	1	Connector	
8	4460464	4	Pin	
9	8220108	1	Connector, Female	
10	8220108	1	Connector, Female	

# SECTION 10 - ELECTRICAL

## FIGURE 10-58. ENGINE - AIR SHUT OFF VALVE HARNESS (ENGINE)



ART\_1001231483\_D

## SECTION 10 - ELECTRICAL

**FIGURE 10-58. ENGINE - AIR SHUT OFF VALVE HARNESS (ENGINE)**

ITEM	PART NUMBER	QTY	DESCRIPTION	REV
	1001231483	Ref	Air Shut Off Valve Harness (Engine)	D
1	1001187079	1	Terminal, Ring	
2	1001231397	1	Connector	
3	8229235	1	Fuse, 20amp	
4	1001231401	2	Terminal	
5	1001230402	2	Seal	
10	1001187078	1	Terminal, Ring	
11	1001231397	1	Connector	
12	8229261	1	Fuse, 5amp	
13	1001231400	2	Terminal	
14	1001230403	2	Seal	
15	1001116812	1	Connector	
16	4460465	2	Terminal	
17	4460466	1	Plug	
18	4460884	1	Connector	
19	4460465	4	Terminal	
20	1001187079	1	Terminal, Ring	
21	1001144147	1	Connector	
22	4460464	2	Terminal	
23	4460466	1	Plug	
24	1001116812	1	Connector	
25	4460465	2	Terminal	
26	4460466	1	Plug	
27	1001116812	1	Connector	
28	4460465	2	Terminal	
29	4460466	1	Plug	
30	4460539	1	Connector	
31	4460465	2	Terminal	
32	4460466	1	Plug	
33	1001116815	1	Connector, 3 Pin	
34	4460945	1	Terminal, 3 Way "T" Receptacle	
35	4460891	1	Connector	
36	1001157890	2	Terminal	
37	4460742	1	Connector	
38	4460475	2	Terminal	
39	4460458	2	Plug	
40	1001116774	1	Connector	
41	4460518	8	Plug	
42	1001126008	4	Terminal	
43	1001116808	1	Connector	
44	1001126008	9	Terminal	
45	4460518	3	Plug	
46	4460761	1	Connector	
47	4460321	1	Terminal	
48	1001118378	4	Terminal	
49	4460809	4	Plug	
50	1001143551	1	Seal	
51	1001218358	1	Lanyard Rope	
52	1001231398	1	Connector	
53	1001231400	4	Terminal	

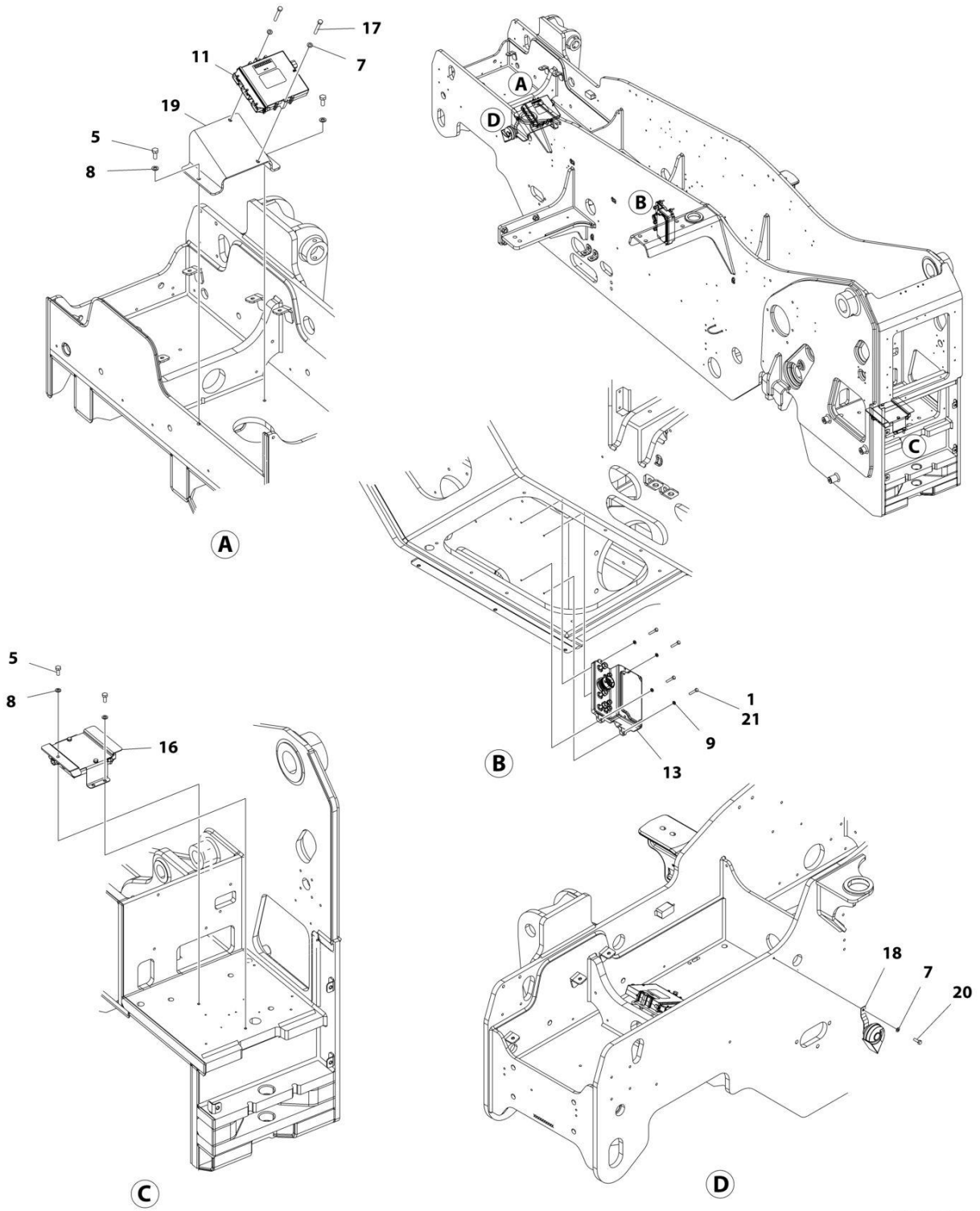
## SECTION 10 - ELECTRICAL

ITEM	PART NUMBER	QTY	DESCRIPTION	REV
54	1001231404	4	Seal	
55	1001231406	1	Plug	
56	1001231398	1	Connector	
57	1001231401	2	Terminal	
58	1001231402	2	Seal	
59	1001231400	2	Terminal	
60	1001231404	2	Seal	
61	1001231406	1	Plug	
62	1001231397	1	Connector	
63	8229234	1	Fuse, 10amp	
64	1001231400	2	Terminal	
65	1001230403	1	Seal	
66	1001230404	1	Seal	



# SECTION 10 - ELECTRICAL

## FIGURE 10-59. FRAME ELECTRICAL INSTALLATION



ART\_1001183272\_I



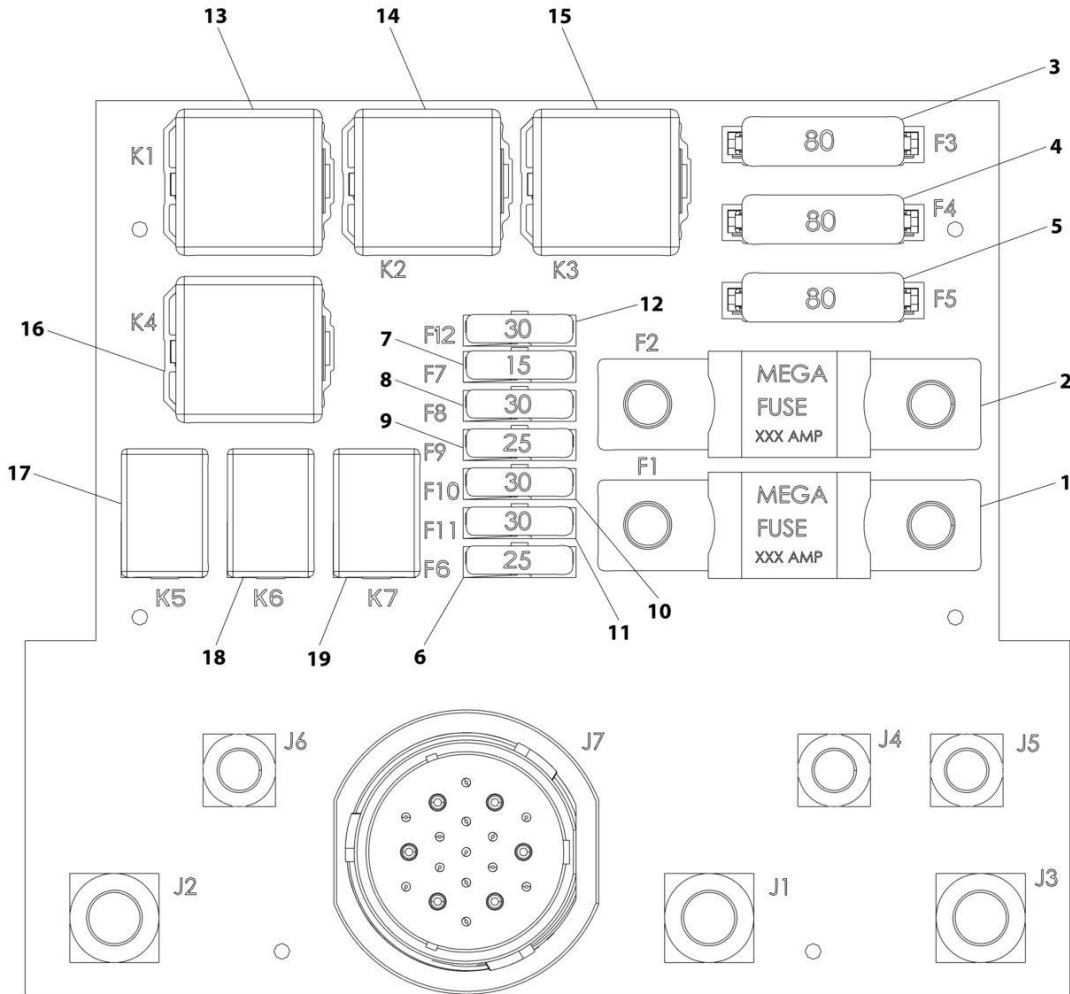
## SECTION 10 - ELECTRICAL

**FIGURE 10-59. FRAME ELECTRICAL INSTALLATION**

ITEM	PART NUMBER	QTY	DESCRIPTION	REV
	1001183272	Ref	FRAME ELECTRICAL INSTALLATION	I
1	0700614	4	Bolt M6 x 30	
5	0761012	4	Bolt M10 x 25	
7	4811900	3	Washer M8	
8	4812000	4	Washer M10	
9	4831700	4	Washer M6	
11	1001270467	1	Control, Front Frame Module	
13	1001164402	1	Box, Power Distribution Electrical (See Separate Breakdown in this Section)	
16	1001210770	1	Installation, Rear Frame Module (See Separate Breakdown in this Section)	
17	0700820	2	Bolt M8 x 60	
18	10713707	1	Horn	
19	1001215208	1	Bracket	
20	0760812	1	Bolt M8 x 25	
21	1001180620	AR	Adhesive, Loctite	

# SECTION 10 - ELECTRICAL

## FIGURE 10-60. FRAME - POWER DISTRIBUTION ELECTRICAL BOX



ART\_1001164402-G

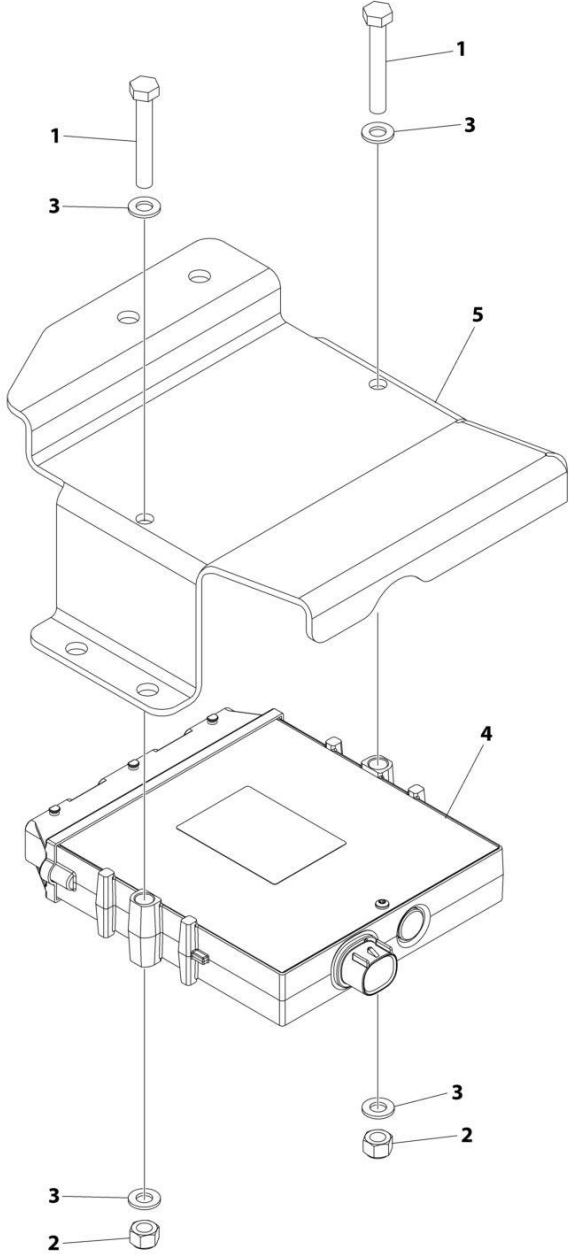
## SECTION 10 - ELECTRICAL

**FIGURE 10-60. FRAME - POWER DISTRIBUTION ELECTRICAL BOX**

ITEM	PART NUMBER	QTY	DESCRIPTION	REV
	1001164402	Ref	Power Distribution Electrical Box	G
1	1001095336	1	Fuse, 150AMP	
2	70026296	1	Fuse, 200AMP	
3	70026297	1	Fuse, 80AMP	
4	70026297	1	Fuse, 80AMP	
5	70026297	1	Fuse, 80AMP	
6	8229247	1	Fuse, 25AMP	
7	8229244	1	Fuse, 15AMP	
8	8229245	1	Fuse, 30AMP	
9	8229247	1	Fuse, 25AMP	
10	8229245	1	Fuse, 30AMP	
11	8229245	1	Fuse, 30AMP	
12	8229245	1	Fuse, 30AMP	
13	70026294	1	Fuse, 70AMP	
14	70026294	1	Fuse, 70AMP	
15	70026294	1	Fuse, 70AMP	
16	70026294	1	Fuse, 70AMP	
17	70026295	1	Fuse, 35AMP	
18	70026295	1	Fuse, 35AMP	
19	70026295	1	Fuse, 35AMP	

**SECTION 10 - ELECTRICAL**

**FIGURE 10-61. FRAME - REAR FRAME MODULE INSTALLATION**



ART\_1001210770\_E

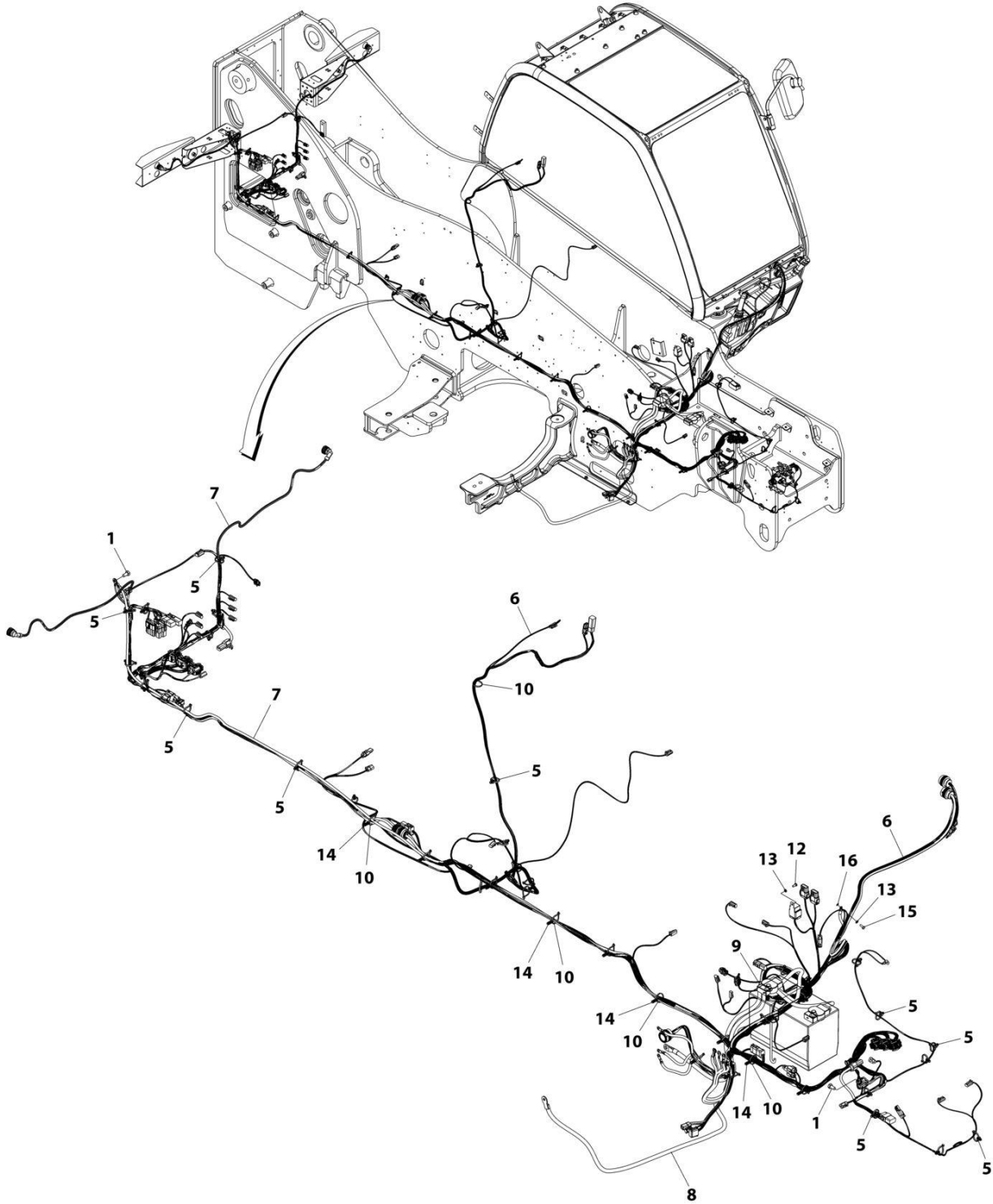
## SECTION 10 - ELECTRICAL

### FIGURE 10-61. FRAME - REAR FRAME MODULE INSTALLATION

ITEM	PART NUMBER	QTY	DESCRIPTION	REV
	1001210770	Ref	REAR FRAME MODULE INSTALLATION	E
1	0700819	2	Bolt M8 x 55	
2	3290805	2	Nut M8 x 1.25	
3	4811900	4	Washer M8	
4	1001270468	1	Control, Rear Frame Module	
5	1001255581	1	Bracket	

# SECTION 10 - ELECTRICAL

## FIGURE 10-62. FRAME WIRING INSTALLATION



ART\_1001200159\_I

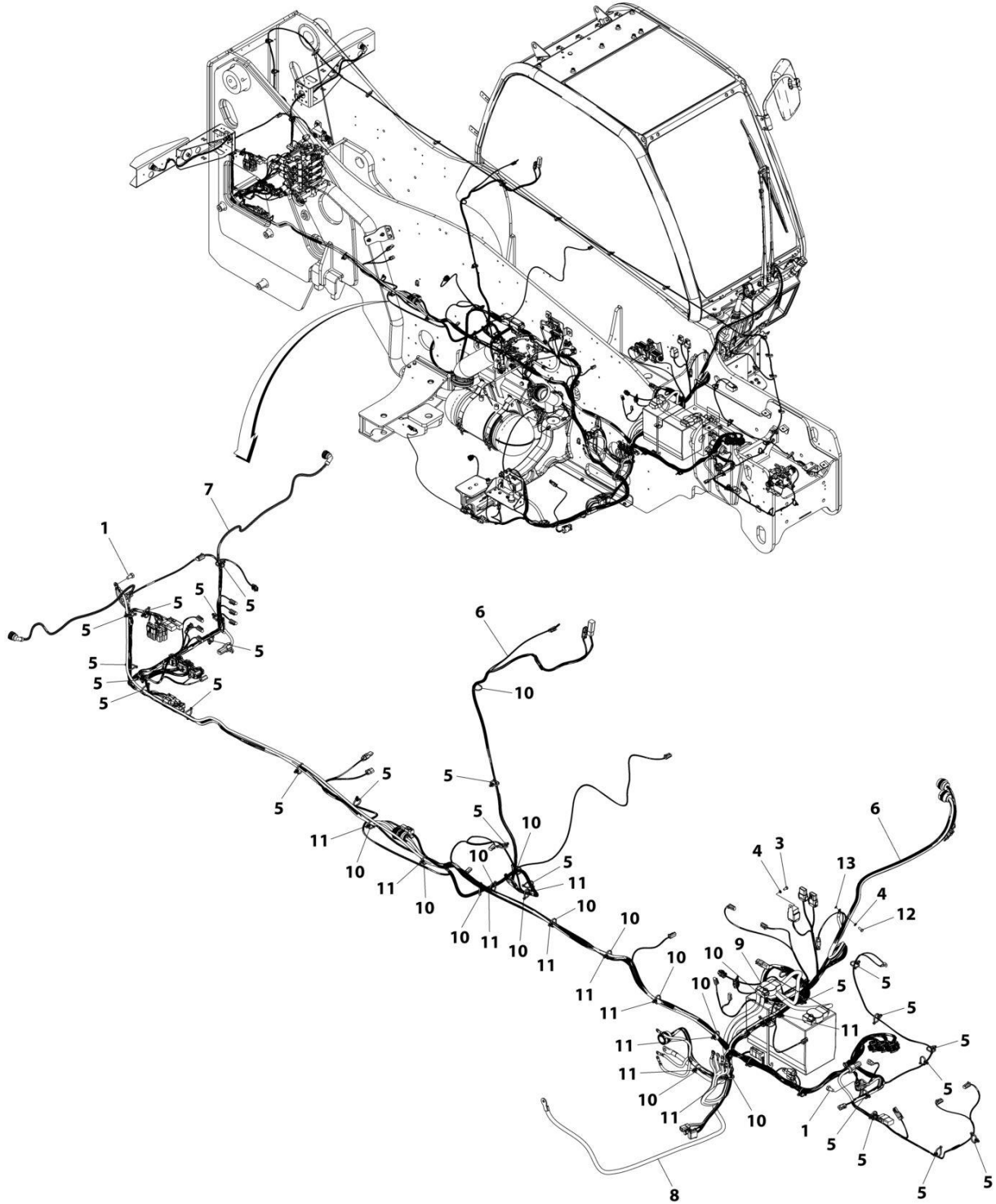
## SECTION 10 - ELECTRICAL

### FIGURE 10-62. FRAME WIRING INSTALLATION

ITEM	PART NUMBER	QTY	DESCRIPTION	REV
	1001200159	Ref	FRAME WIRING INSTALLATION	I
1	0761010	2	Bolt M10 x 20	
5	1001146588	25	Tie, Cable	
6	1001281607	1	Harness, Front Frame (See Separate Breakdown in this Section)	
7	1001184397	1	Harness, Rear Frame (See Separate Breakdown in this Section)	
8	1001200168	1	Cable, Negative Battery	
9	1001200169	1	Cable, Positive Battery	
10	1001008559	16	Strap, Cable	
12	0760607	1	Bolt M6 x 14	
13	4811700	2	Washer M6	
14	1001202986	13	Strap Push Mount	
15	0760608	1	Bolt M6 x 16	
16	4871700	1	Washer M6	

# SECTION 10 - ELECTRICAL

## FIGURE 10-63. FRAME WIRING INSTALLATION, MINING (ULS)



ART\_1001228739\_D



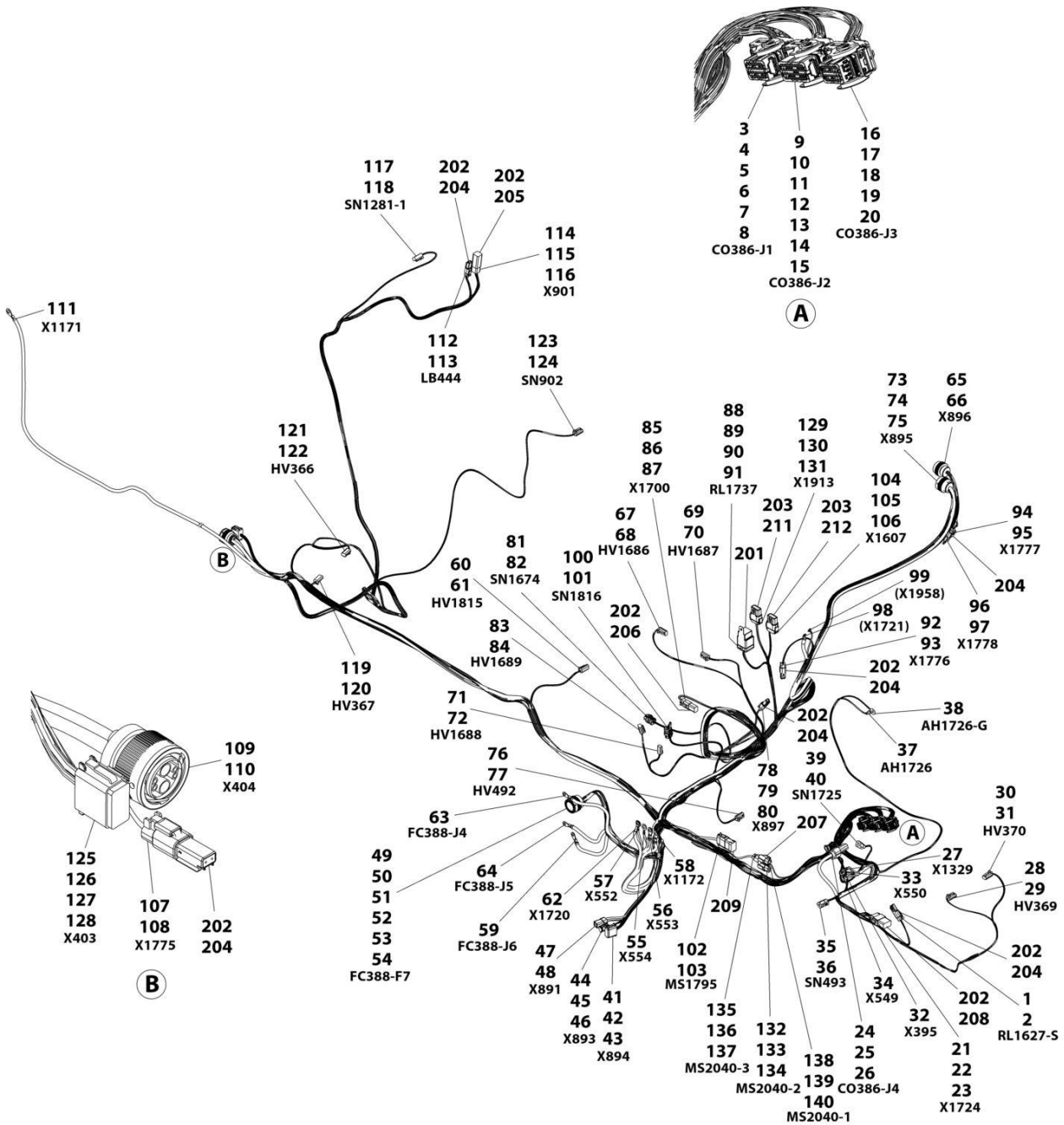
## SECTION 10 - ELECTRICAL

**FIGURE 10-63. FRAME WIRING INSTALLATION, MINING (ULS)**

ITEM	PART NUMBER	QTY	DESCRIPTION	REV
	1001228739	Ref	FRAME WIRING INSTALLATION, MINING (ULS)	D
1	0761010	2	Bolt M10 x 20	
3	0760607	1	Bolt M6 x 14	
4	4811700	2	Washer M6	
5	1001146588	25	Tie, Cable	
6	1001281752	1	Harness, Front Frame (See Separate Breakdown in this Section)	
7	1001228741	1	Harness, Rear Frame (See Separate Breakdown in this Section)	
8	1001200168	1	Cable, Negative Battery	
9	1001200169	1	Cable, Positive Battery	
10	1001008559	16	Strap, Cable	
11	1001202986	13	Push Mount, Strap	
12	0760608	1	Bolt M6 x 16	
13	4871700	1	Washer M6	

# SECTION 10 - ELECTRICAL

## FIGURE 10-64. FRAME - FRONT FRAME HARNESS



ART\_1001281607

## SECTION 10 - ELECTRICAL

### FIGURE 10-64. FRAME - FRONT FRAME HARNESS

ITEM	PART NUMBER	QTY	DESCRIPTION	REV
	1001281607	Ref	FRONT FRAME HARNESS	A
1	4460891	1	Connector	
2	4460465	2	Terminal	
3	1001161957	1	Connector	
4	643191201	1	Cover	
5	1001161100	12	Plug	
6	1001161097	12	Terminal	
7	1001161101	5	Plug	
8	1001161098	3	Terminal	
9	1001161963	1	Connector	
10	643201301	1	Cover	
11	1001161097	19	Terminal	
12	1001161100	21	Plug	
13	1001161099	6	Terminal	
14	1001161098	1	Terminal	
15	1001161101	1	Plug	
16	1001160500	1	Connector	
17	643191201	1	Cover	
18	1001161097	10	Terminal	
19	1001161100	15	Plug	
20	1001161099	7	Terminal	
21	4460933	1	Connector	
22	4460942	10	Terminal	
23	4460466	2	Plug	
24	1001160509	1	Connector	
25	1001160510	1	Terminal	
26	1001175267	1	Seal	
27	1001187080	1	Ring Terminal	
28	4460891	1	Connector	
29	4460465	2	Terminal	
30	4460891	1	Connector	
31	4460465	2	Terminal	
32	1001187080	1	Ring Terminal	
33	1001187079	1	Ring Terminal	
34	1001187079	1	Ring Terminal	
35	4460539	1	Connector	
36	4460465	3	Terminal	
37	8220051	1	Ring Terminal	
38	1001187073	1	Ring Terminal	
39	4460539	1	Connector	
40	4460465	3	Terminal	
41	4460933	1	Connector	
42	4460465	11	Terminal	
43	4460466	1	Plug	
44	1001116812	1	Connector	
45	4460465	2	Terminal	
46	4460466	1	Plug	
47	1001116810	1	Connector	
48	1001150611	4	Terminal	
49	1001165309	1	Connector	

## SECTION 10 - ELECTRICAL

ITEM	PART NUMBER	QTY	DESCRIPTION	REV
50	4460466	2	Plug	
51	4460465	9	Terminal	
52	4460942	2	Terminal	
53	4460509	3	Terminal	
54	1001150611	3	Terminal	
55	1001187079	1	Ring Terminal	
56	1001187076	1	Ring Terminal	
57	1001187079	1	Ring Terminal	
58	1001187076	1	Ring Terminal	
59	1001187075	1	Ring Terminal	
60	4460891	1	Connector	
61	4460465	2	Terminal	
62	1001117109	1	Ring Terminal	
63	1001187075	1	Ring Terminal	
64	1001187075	1	Ring Terminal	
65	4461015	1	Connector	
66	4460465	14	Terminal	
67	4460891	1	Connector	
68	4460465	2	Terminal	
69	4460891	1	Connector	
70	4460465	2	Terminal	
71	4461290	1	Connector	
72	4460928	2	Terminal	
73	1001118323	1	Connector	
74	4460942	4	Terminal	
75	91013192	2	Terminal	
76	4460891	1	Connector	
77	4460465	2	Terminal	
78	4460891	1	Connector	
79	4460942	1	Terminal	
80	4460466	1	Plug	
81	1001116950	1	Connector	
82	4460465	2	Terminal	
83	4460891	1	Connector	
84	4460465	2	Terminal	
85	4460884	1	Connector	
86	4460465	3	Terminal	
87	4460942	1	Terminal	
88	1001231398	1	Connector	
89	1001231400	4	Terminal	
90	1001231406	1	Terminal	
91	1001231404	4	Plug	
92	4460891	1	Connector	
93	4460465	2	Terminal	
94	4460891	1	Connector	
95	4460465	2	Terminal	
96	4460897	1	Connector	
97	4460464	2	Terminal	
98	8220116	1	Ring Terminal	
99	1001207173	1	Ring Terminal	
100	1001116950	1	Connector	

## SECTION 10 - ELECTRICAL

ITEM	PART NUMBER	QTY	DESCRIPTION	REV
101	4460465	2	Terminal	
102	4460930	1	Connector	
103	4460465	8	Terminal	
104	1001116774	1	Connector	
105	4460518	10	Plug	
106	1001126008	2	Terminal	
107	4460891	1	Connector	
108	4460465	2	Terminal	
109	1001165310	1	Connector	
110	91013192	2	Terminal	
111	1001187076	1	Ring Terminal	
112	4460891	1	Connector	
113	4460942	2	Terminal	
114	4460894	1	Connector	
115	4460465	2	Terminal	
116	4460942	4	Terminal	
117	4460891	1	Connector	
118	4460465	2	Terminal	
119	4460891	1	Connector	
120	4460465	2	Terminal	
121	4460891	1	Connector	
122	4460465	2	Terminal	
123	4460891	1	Connector	
124	4460465	2	Terminal	
125	4460933	1	Connector	
126	4460465	6	Terminal	
127	4460942	1	Terminal	
128	4460466	5	Plug	
129	1001116808	1	Connector	
130	4460518	9	Plug	
131	1001126008	3	Terminal	
132	4460539	1	Connector	
133	4460944	2	Terminal	
134	4460466	1	Plug	
135	1001116812	1	Connector	
136	4460944	2	Terminal	
137	4460466	1	Plug	
138	1001116812	1	Connector	
139	4460944	2	Terminal	
140	4460466	1	Plug	
201	3740080	1	Relay	
202	4460466	32	Plug	
203	4460518	24	Plug	
204	4460897	6	Connector	
205	4460899	1	Terminal	
206	4460932	1	Connector	
207	4460945	1	Terminal	
208	4460970	1	Connector	
209	4460984	1	Plug	
210	1001008559	3	Cable-Tie (Not Shown)	
211	1001132170	1	Connector	

## SECTION 10 - ELECTRICAL

ITEM	PART NUMBER	QTY	DESCRIPTION	REV
212	1001132169	1	Connector	







## SECTION 10 - ELECTRICAL

**FIGURE 10-65. FRAME - FRONT FRAME HARNESS, MINING**

ITEM	PART NUMBER	QTY	DESCRIPTION	REV
	1001281752	Ref	FRONT FRAME HARNESS	A
1	4460891	1	Connector	
2	4460465	2	Terminal	
3	1001161957	1	Connector	
4	643191201	1	Cover	
5	1001161100	12	Plug	
6	1001161097	12	Terminal	
7	1001161101	5	Plug	
8	1001161098	3	Terminal	
9	1001161963	1	Connector	
10	643201301	1	Cover	
11	1001161097	19	Terminal	
12	1001161100	21	Plug	
13	1001161099	6	Terminal	
14	1001161098	1	Terminal	
15	1001161101	1	Plug	
16	1001160500	1	Connector	
17	643191201	1	Cover	
18	1001161097	10	Terminal	
19	1001161100	15	Plug	
20	1001161099	7	Terminal	
21	4460933	1	Connector	
22	4460942	10	Terminal	
23	4460466	2	Plug	
24	1001160509	1	Connector	
25	1001160510	1	Terminal	
26	1001175267	1	Seal	
27	1001187080	1	Ring Terminal	
28	4460891	1	Connector	
29	4460465	2	Terminal	
30	4460891	1	Connector	
31	4460465	2	Terminal	
32	1001187080	1	Ring Terminal	
33	1001187079	1	Ring Terminal	
34	1001187079	1	Ring Terminal	
35	4460539	1	Connector	
36	4460465	3	Terminal	
37	8220051	1	Ring Terminal	
38	1001187073	1	Ring Terminal	
39	4460539	1	Connector	
40	4460465	3	Terminal	
41	4460933	1	Connector	
42	4460465	11	Terminal	
43	4460466	1	Plug	
44	1001116812	1	Connector	
45	4460465	2	Terminal	
46	4460466	1	Plug	
47	1001116810	1	Connector	
48	1001150611	4	Terminal	
49	1001165309	1	Connector	

## SECTION 10 - ELECTRICAL

ITEM	PART NUMBER	QTY	DESCRIPTION	REV
50	4460466	2	Plug	
51	4460465	9	Terminal	
52	4460942	2	Terminal	
53	4460509	3	Terminal	
54	1001150611	3	Terminal	
55	1001187079	1	Ring Terminal	
56	1001187076	1	Ring Terminal	
57	1001187079	1	Ring Terminal	
58	1001187076	1	Ring Terminal	
59	1001187075	1	Ring Terminal	
60	4460891	1	Connector	
61	4460465	2	Terminal	
62	1001117109	1	Ring Terminal	
63	1001187075	1	Ring Terminal	
64	1001187075	1	Ring Terminal	
65	4461015	1	Connector	
66	4460465	14	Terminal	
67	4460891	1	Connector	
68	4460465	2	Terminal	
69	4460891	1	Connector	
70	4460465	2	Terminal	
71	4461290	1	Connector	
72	4460928	2	Terminal	
73	1001118323	1	Connector	
74	4460942	4	Terminal	
75	91013192	2	Terminal	
76	4460891	1	Connector	
77	4460465	2	Terminal	
78	4460891	1	Connector	
79	4460942	1	Terminal	
80	4460466	1	Plug	
81	1001116950	1	Connector	
82	4460465	2	Terminal	
83	4460891	1	Connector	
84	4460465	2	Terminal	
85	4460884	1	Connector	
86	4460465	3	Terminal	
87	4460942	1	Terminal	
88	1001231398	1	Connector	
89	1001231400	4	Terminal	
90	1001231406	1	Terminal	
91	1001231404	4	Plug	
92	4460891	1	Connector	
93	4460465	2	Terminal	
94	4460891	1	Connector	
95	4460465	2	Terminal	
96	4460897	1	Connector	
97	4460464	2	Terminal	
98	8220116	1	Ring Terminal	
99	1001207173	1	Ring Terminal	
100	1001116950	1	Connector	

## SECTION 10 - ELECTRICAL

ITEM	PART NUMBER	QTY	DESCRIPTION	REV
101	4460465	2	Terminal	
102	4460930	1	Connector	
103	4460465	8	Terminal	
104	1001116774	1	Connector	
105	4460518	10	Plug	
106	1001126008	2	Terminal	
107	4460891	1	Connector	
108	4460465	2	Terminal	
109	1001165310	1	Connector	
110	91013192	2	Terminal	
111	1001187076	1	Ring Terminal	
112	4460891	1	Connector	
113	4460942	2	Terminal	
114	4460894	1	Connector	
115	4460465	2	Terminal	
116	4460942	4	Terminal	
117	4460891	1	Connector	
118	4460465	2	Terminal	
119	4460891	1	Connector	
120	4460465	2	Terminal	
121	4460891	1	Connector	
122	4460465	2	Terminal	
123	4460891	1	Connector	
124	4460465	2	Terminal	
125	4460933	1	Connector	
126	4460465	6	Terminal	
127	4460942	1	Terminal	
128	4460466	5	Plug	
129	1001116808	1	Connector	
130	4460518	9	Plug	
131	1001126008	3	Terminal	
132	4460539	1	Connector	
133	4460944	2	Terminal	
134	4460466	1	Plug	
135	1001116812	1	Connector	
136	4460944	2	Terminal	
137	4460466	1	Plug	
138	1001116812	1	Connector	
139	4460944	2	Terminal	
140	4460466	1	Plug	
201	3740080	1	Relay	
202	4460466	32	Plug	
203	4460518	24	Plug	
204	4460897	6	Connector	
205	4460899	1	Terminal	
206	4460932	1	Connector	
207	4460945	1	Terminal	
208	4460970	1	Connector	
209	4460984	1	Plug	
210	1001008559	3	Cable-Tie (Not Shown)	
211	1001132169	1	Connector	

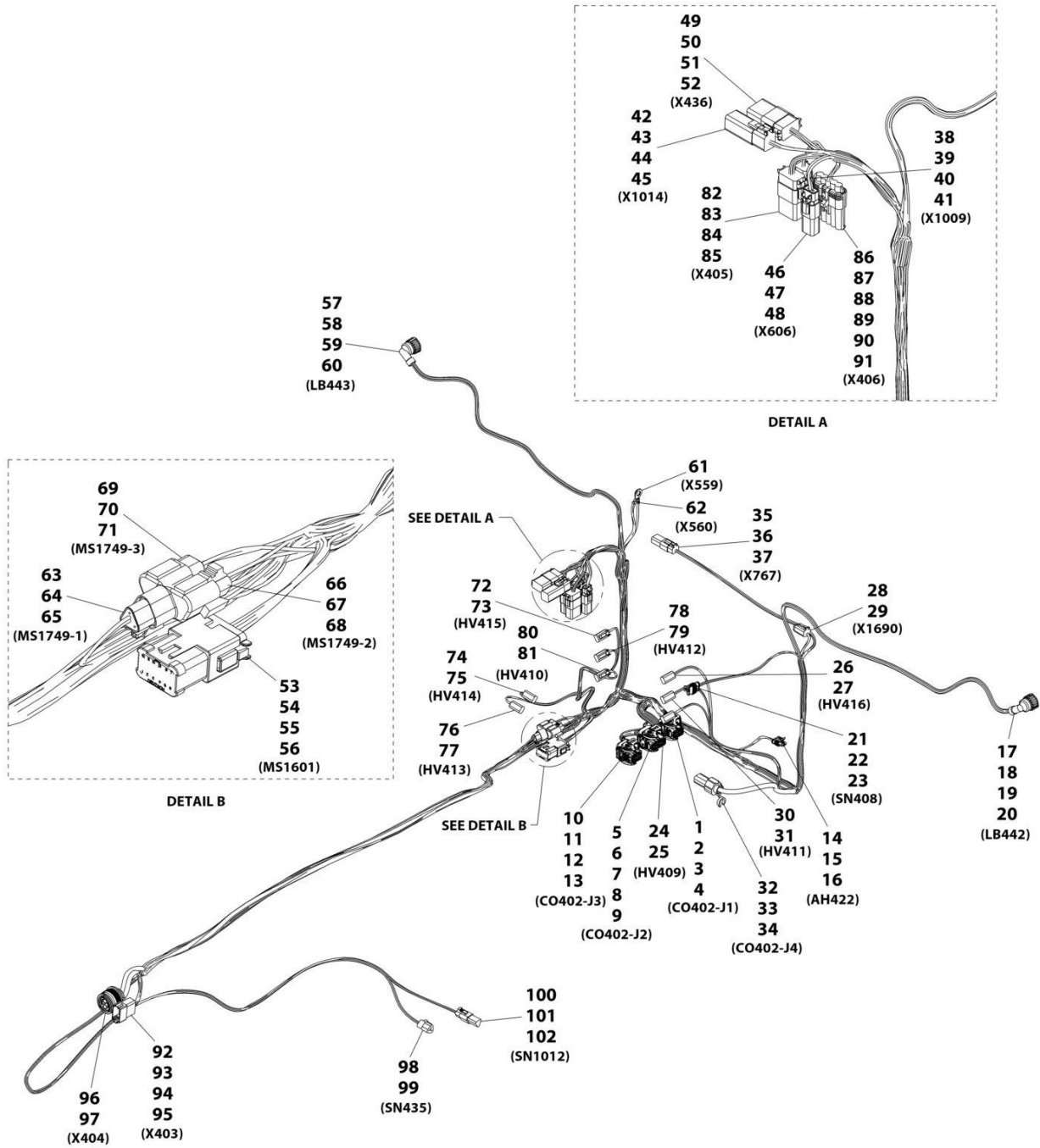
## SECTION 10 - ELECTRICAL

ITEM	PART NUMBER	QTY	DESCRIPTION	REV
212	1001132170	1	Connector	



# SECTION 10 - ELECTRICAL

## FIGURE 10-66. FRAME - REAR FRAME HARNESS



ART\_1001184397-1

## SECTION 10 - ELECTRICAL

### FIGURE 10-66. FRAME - REAR FRAME HARNESS

ITEM	PART NUMBER	QTY	DESCRIPTION	REV
	1001184397	Ref	Rear Frame Harness	I
1	1001161957	1	Connector	
2	1001161097	6	Terminal	
3	1001161100	18	Plug	
4	1001161101	8	Plug	
5	1001161963	1	Connector	
6	1001161097	26	Terminal	
7	1001161100	14	Plug	
8	1001161099	6	Terminal	
9	1001161101	2	Plug	
10	1001160500	1	Connector	
11	1001161100	18	Plug	
12	1001161097	6	Terminal	
13	1001161099	8	Terminal	
14	4461118	1	Connector	
15	1001107854	2	Terminal	
16	1001116763	2	Terminal Seal	
17	1001116996	1	Connector	
18	1001118392	6	Terminal	
19	1001116696	1	Plug	
20	4461054	6	Terminal Seal	
21	4461262	1	Connector	
22	1001107854	3	Terminal	
23	1001104498	3	Terminal Seal	
24	4460891	1	Connector	
25	4460465	2	Terminal	
26	4460891	1	Connector	
27	4460465	2	Terminal	
28	4460884	1	Connector	
29	4460465	4	Terminal	
30	4460891	1	Connector	
31	4460465	2	Terminal	
32	1001160509	1	Connector	
33	1001160510	1	Terminal	
34	1001175267	1	Terminal Seal	
35	4460884	1	Connector	
36	4460932	1	Mating Connector	
37	4460465	4	Terminal	
38	4460884	1	Connector	
39	4460932	1	Mating Connector	
40	4460466	2	Plug	
41	4460465	2	Terminal	
42	4460894	1	Connector	
43	4460899	1	Mating Connector	
44	4460466	3	Plug	
45	4460465	3	Terminal	
46	4461018	1	Connector	
47	4461017	1	Mating Connector	
48	4460509	2	Terminal	
49	4460930	1	Connector	

## SECTION 10 - ELECTRICAL

ITEM	PART NUMBER	QTY	DESCRIPTION	REV
50	4460931	1	Mating Connector	
51	4460466	2	Plug	
52	4460465	6	Terminal	
53	4460933	1	Connector	
54	1001125677	1	Bussbar Connector	
55	4460465	10	Terminal	
56	4460466	2	Plug	
57	1001116996	1	Connector	
58	1001118392	6	Terminal	
59	1001116696	1	Plug	
60	4461054	6	Terminal Seal	
61	1001187080	1	Ring Terminal	
62	1001187079	1	Ring Terminal	
63	1001116812	1	Connector	
64	4460944	2	Terminal	
65	4460466	1	Plug	
66	4460539	1	Connector	
67	4460944	2	Terminal	
68	4460466	1	Plug	
69	1001116812	1	Connector	
70	4460944	2	Terminal	
71	4460466	1	Plug	
72	4460891	1	Connector	
73	4460465	2	Terminal	
74	4460891	1	Connector	
75	4460465	2	Terminal	
76	4460891	1	Connector	
77	4460465	2	Terminal	
78	4460891	1	Connector	
79	4460465	2	Terminal	
80	4460891	1	Connector	
81	4460465	2	Terminal	
82	4460930	1	Connector	
83	4460931	1	Mating Connector	
84	4460466	2	Plug	
85	4460465	6	Terminal	
86	1001121726	1	Connector	
87	1001121727	1	Mating Connector	
88	1001116728	4	Terminal	
89	4460748	1	Plug	
90	1001175265	3	Terminal Seal	
91	4460458	1	Terminal Seal	
92	4460970	1	Connector	
93	4460464	6	Terminal	
94	4460941	1	Terminal	
95	4460466	5	Plug	
96	1001165311	1	Connector	
97	91013191	2	Terminal	
98	4460539	1	Connector	
99	4460944	3	Terminal	
100	4460539	1	Connector	

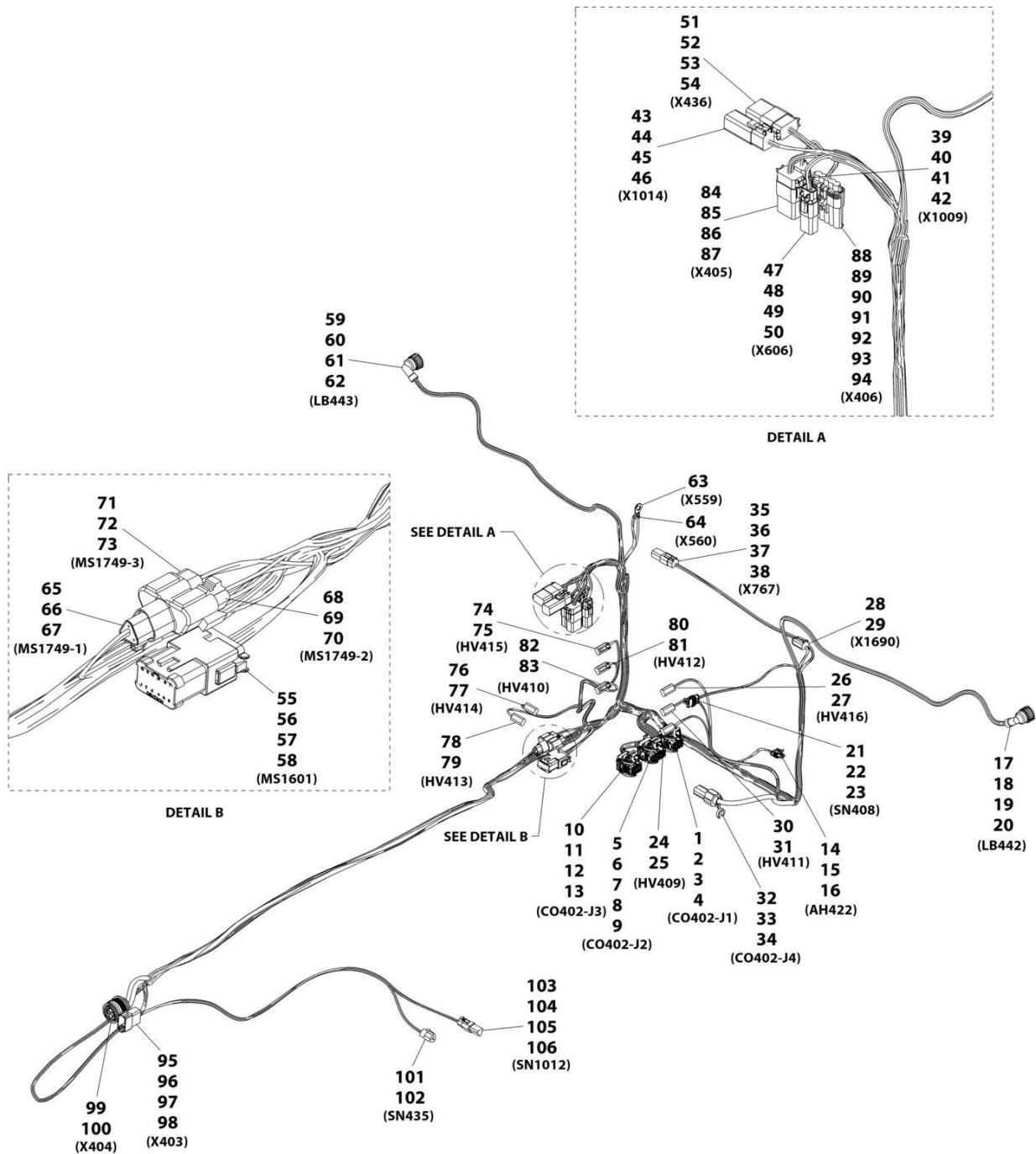


## SECTION 10 - ELECTRICAL

ITEM	PART NUMBER	QTY	DESCRIPTION	REV
101	4460536	1	Mating Connector	
102	4460465	3	Terminal	

# SECTION 10 - ELECTRICAL

## FIGURE 10-67. FRAME - REAR FRAME HARNESS, MINING



ART\_1001228741-A

## SECTION 10 - ELECTRICAL

### FIGURE 10-67. FRAME - REAR FRAME HARNESS, MINING

ITEM	PART NUMBER	QTY	DESCRIPTION	REV
	1001228741	Ref	Front Frame Harness, Mining	A
1	1001161957	1	Connector	
2	1001161097	6	Terminal	
3	1001161100	18	Plug	
4	1001161101	8	Plug	
5	1001161963	1	Connector	
6	1001161097	26	Terminal	
7	1001161100	14	Plug	
8	1001161099	6	Terminal	
9	1001161101	2	Plug	
10	1001160500	1	Connector	
11	1001161100	18	Plug	
12	1001161097	6	Terminal	
13	1001161099	8	Terminal	
14	4461118	1	Connector	
15	1001107854	2	Terminal	
16	1001116763	2	Terminal Seal	
17	1001116996	1	Connector	
18	1001118392	6	Terminal	
19	1001116696	1	Plug	
20	4461054	6	Terminal Seal	
21	4461262	1	Connector	
22	1001107854	3	Terminal	
23	1001104498	3	Terminal Seal	
24	4460891	1	Connector	
25	4460465	2	Terminal	
26	4460891	1	Connector	
27	4460465	2	Terminal	
28	4460884	1	Connector	
29	4460465	4	Terminal	
30	4460891	1	Connector	
31	4460465	2	Terminal	
32	1001160509	1	Connector	
33	1001160510	1	Terminal	
34	1001175267	1	Terminal Seal	
35	4460884	1	Connector	
36	4460932	1	Mating Connector	
37	4460465	4	Terminal	
38	4460466	1	Plug	
39	4460884	1	Connector	
40	4460932	1	Mating Connector	
41	4460466	2	Plug	
42	4460465	2	Terminal	
43	4460894	1	Connector	
44	4460899	1	Mating Connector	
45	4460466	3	Plug	
46	4460465	3	Terminal	
47	4461018	1	Connector	
48	4461017	1	Mating Connector	
49	4460509	2	Terminal	

## SECTION 10 - ELECTRICAL

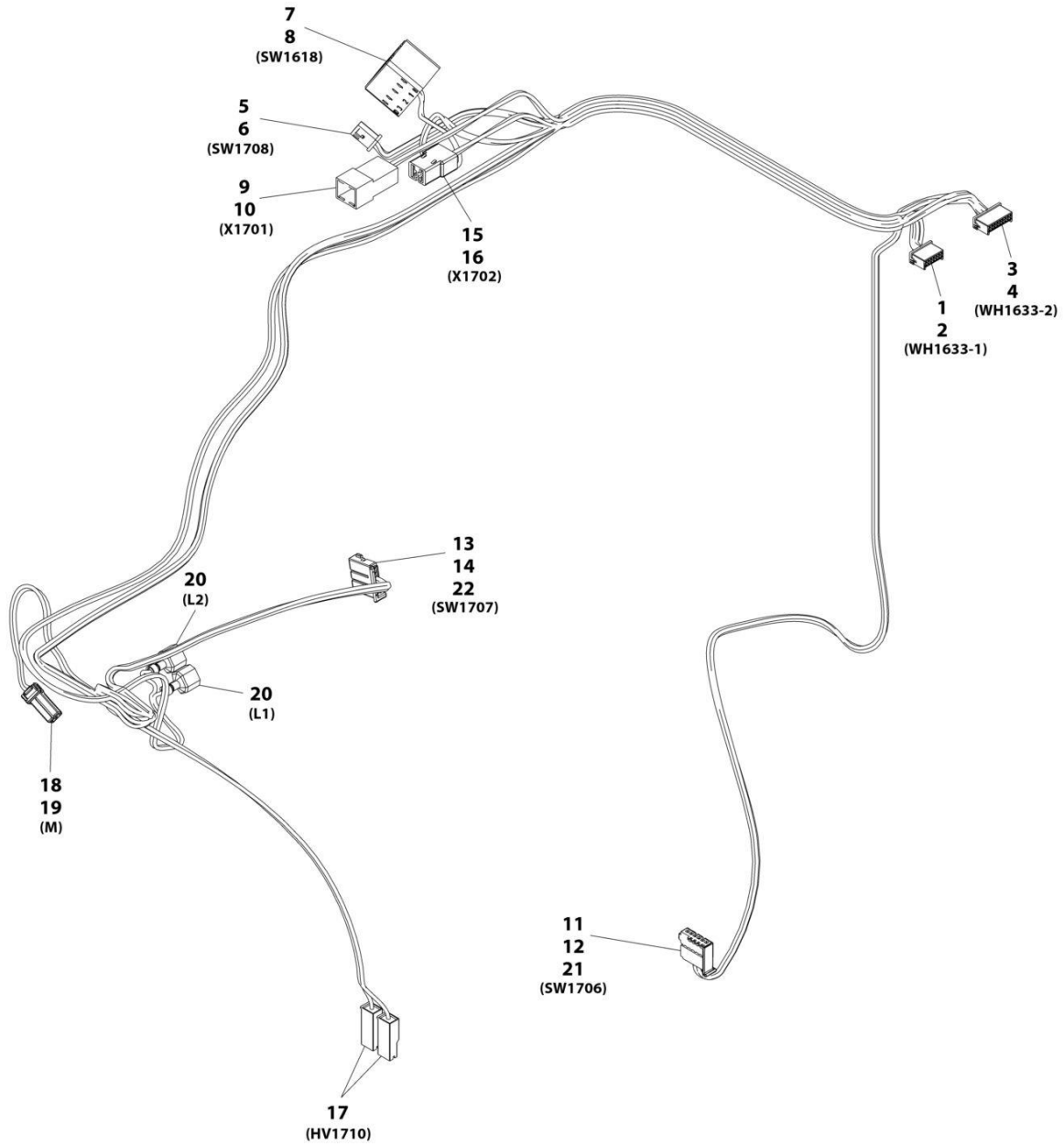
ITEM	PART NUMBER	QTY	DESCRIPTION	REV
51	4460930	1	Connector	
52	4460931	1	Mating Connector	
53	4460466	2	Plug	
54	4460465	6	Terminal	
55	4460933	1	Connector	
56	1001125677	1	Bussbar Connector	
57	4460465	10	Terminal	
58	4460466	2	Plug	
59	1001116996	1	Connector	
60	1001118392	6	Terminal	
61	1001116696	1	Plug	
62	4461054	6	Terminal Seal	
63	1001187080	1	Ring Terminal	
64	1001187079	1	Ring Terminal	
65	1001116812	1	Connector	
66	4460944	2	Terminal	
67	4460466	1	Plug	
68	4460539	1	Connector	
69	4460944	2	Terminal	
70	4460466	1	Plug	
71	1001116812	1	Connector	
72	4460944	2	Terminal	
73	4460466	1	Plug	
74	4460891	1	Connector	
75	4460465	2	Terminal	
76	4460891	1	Connector	
77	4460465	2	Terminal	
78	4460891	1	Connector	
79	4460465	2	Terminal	
80	4460891	1	Connector	
81	4460465	2	Terminal	
82	4460891	1	Connector	
83	4460465	2	Terminal	
84	4460930	1	Connector	
85	4460931	1	Mating Connector	
86	4460466	2	Plug	
87	4460465	6	Terminal	
88	1001121726	1	Connector	
89	1001121727	1	Mating Connector	
90	1001116728	4	Terminal	
91	1001116727	1	Plug	
92	4460748	1	Plug	
93	1001175265	3	Terminal Seal	
94	4460458	1	Terminal Seal	
95	4460970	1	Connector	
96	4460464	6	Terminal	
97	4460941	1	Terminal	
98	4460466	5	Plug	
99	1001165311	1	Connector	
100	91013191	2	Terminal	
101	4460539	1	Connector	

## SECTION 10 - ELECTRICAL

ITEM	PART NUMBER	QTY	DESCRIPTION	REV
102	4460944	3	Terminal	
103	4460539	1	Connector	
104	4460536	1	Mating Connector	
105	4460466	1	Plug	
106	4460465	3	Terminal	

# SECTION 10 - ELECTRICAL

## FIGURE 10-68. HVAC ACTUATOR HARNESS



ART\_1001268830

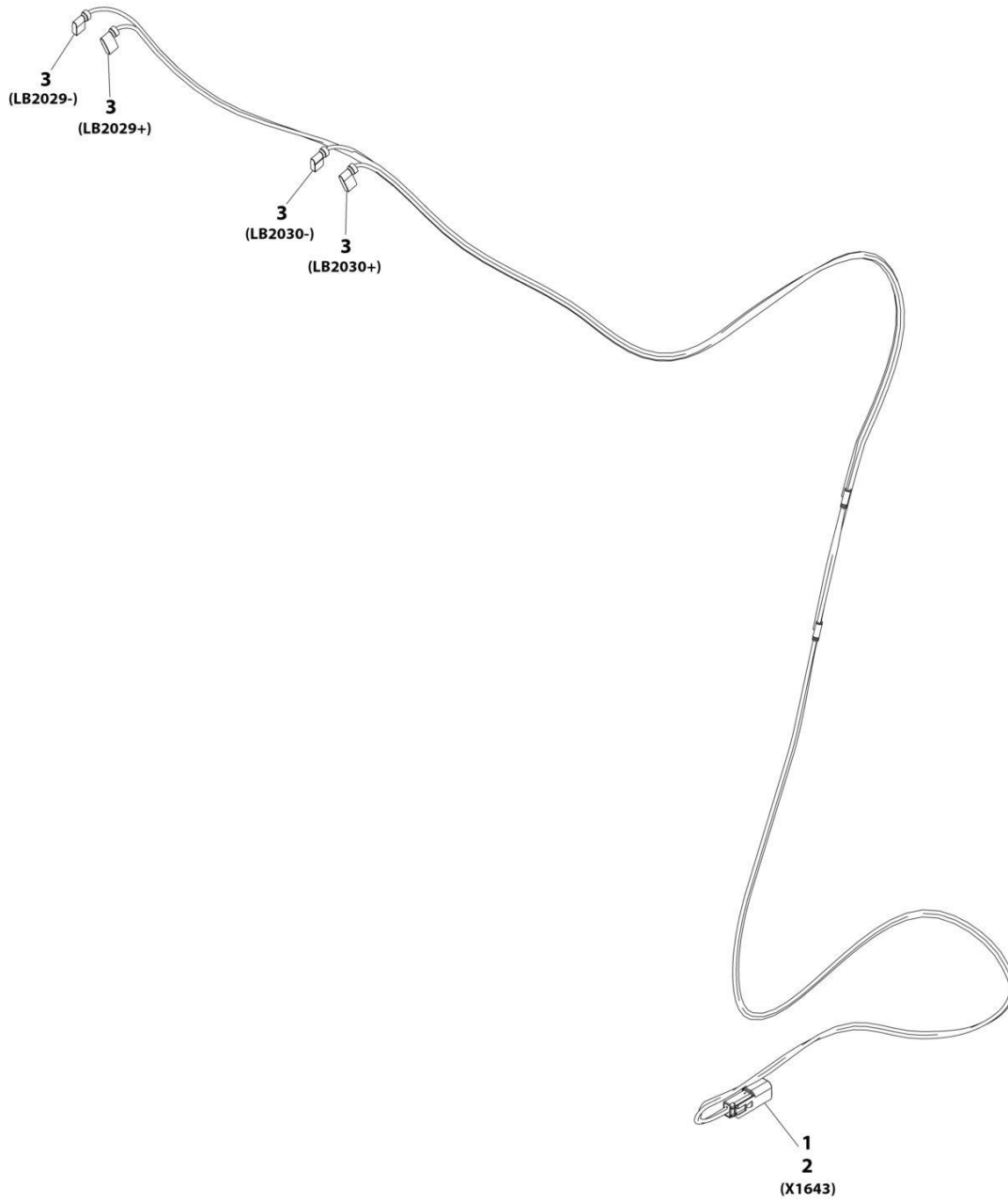
## SECTION 10 - ELECTRICAL

### FIGURE 10-68. HVAC ACTUATOR HARNESS

ITEM	PART NUMBER	QTY	DESCRIPTION	REV
	1001268830	Ref	CAB HVAC ACTUATOR HARNESS	B
1	1001274536	1	Connector	
2	1001274543	10	Terminal	
3	1001274537	1	Connector	
4	1001274543	8	Terminal	
5	1001184473	1	Connector	
6	1001184479	3	Terminal	
7	1001274533	1	Connector	
8	1001274539	4	Terminal	
9	1001116999	1	Connector	
10	1001274540	2	Terminal	
11	1001274534	1	Connector	
12	1001274541	2	Terminal	
13	1001274534	1	Connector	
14	1001274541	5	Terminal	
15	1001116991	1	Connector	
16	1001116720	2	Terminal	
17	1001274535	2	Connector	
18	1001274538	1	Connector	
19	1001274544	2	Terminal	
20	8220050	2	Terminal	
21	1001274553	1	Retainer	
22	1001274553	1	Retainer	

# SECTION 10 - ELECTRICAL

## FIGURE 10-69. LICENSE LIGHT HARNESS



ART\_1001178053-C



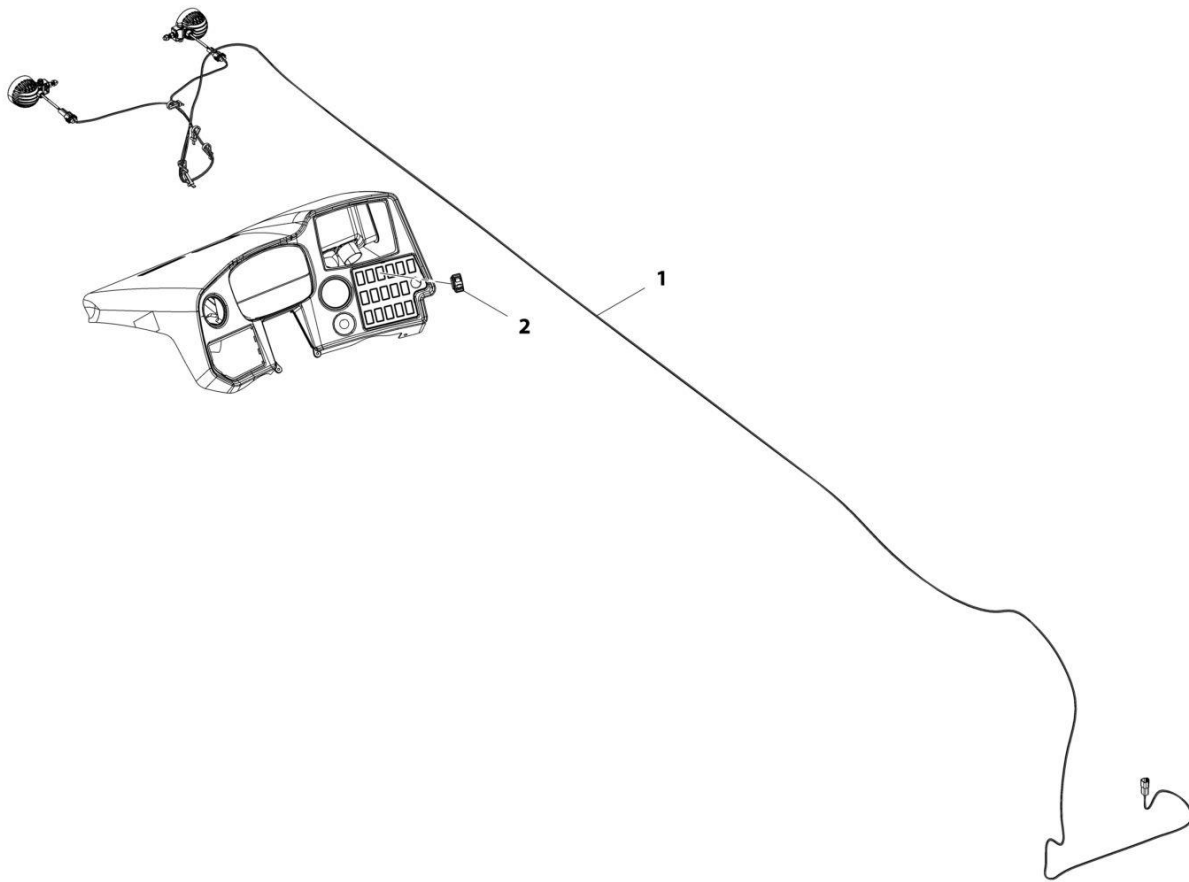
## SECTION 10 - ELECTRICAL

### FIGURE 10-69. LICENSE LIGHT HARNESS

ITEM	PART NUMBER	QTY	DESCRIPTION	REV
	1001178053	Ref	License Light Harness	C
1	4460897	1	Connector	
2	4460941	2	Terminal	
3	1001190396	4	Connector	

# SECTION 10 - ELECTRICAL

## FIGURE 10-70. LIGHTS - BOOM WORK LIGHTS (LED)



ART\_1001209427-B

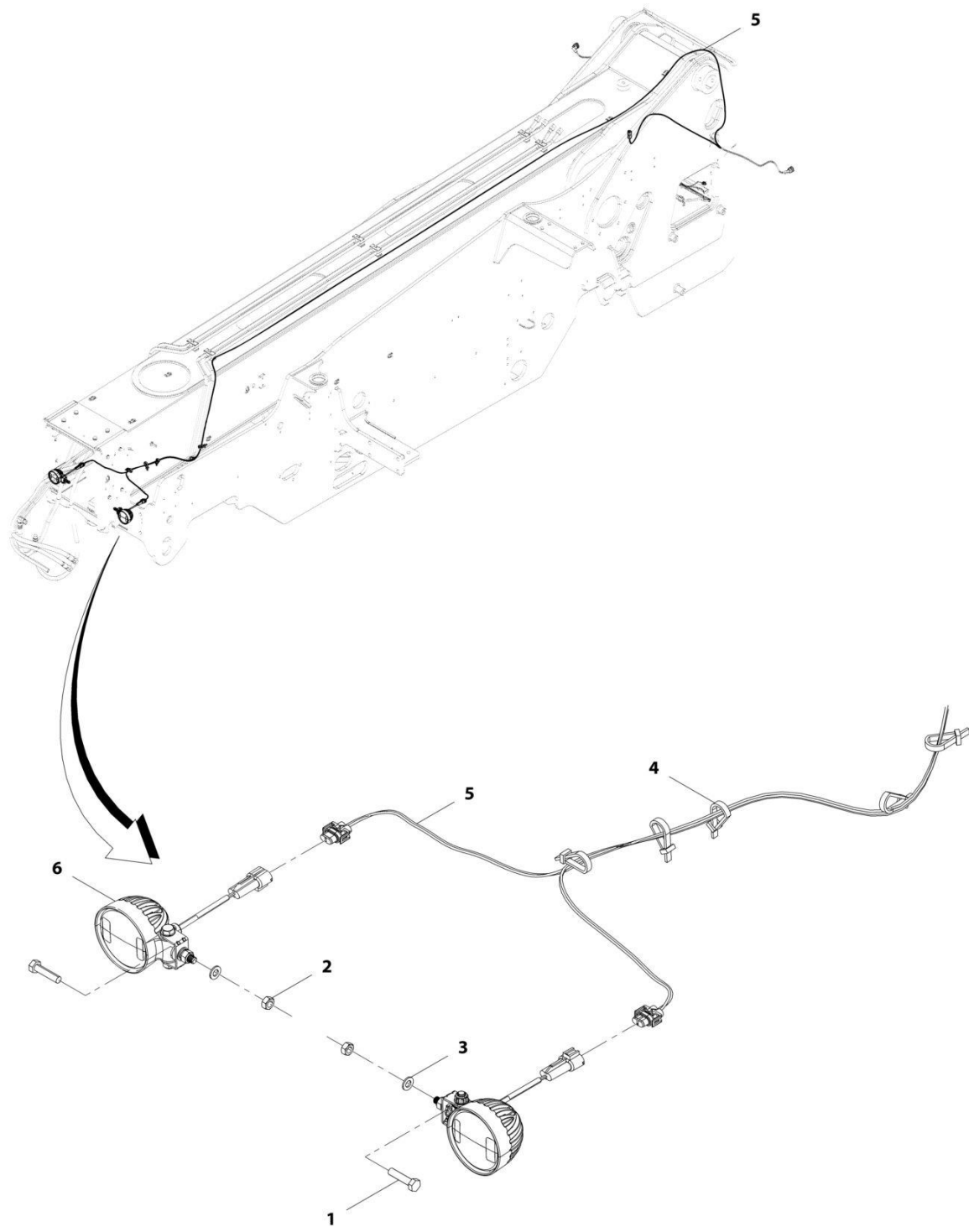
## SECTION 10 - ELECTRICAL

### FIGURE 10-70. LIGHTS - BOOM WORK LIGHTS (LED)

ITEM	PART NUMBER	QTY	DESCRIPTION	REV
	1001209427	Ref	Boom Work Lights (LED)	B
1	1001159739	1	Switch, Boom Worklights	
2	1001209456	1	Installation, LED Boom Work lights (See Separate Breakdown in this Section)	

# SECTION 10 - ELECTRICAL

## FIGURE 10-71. LIGHTS - BOOM WORK LIGHT INSTALLATION (LED)



ART\_1001209456-C

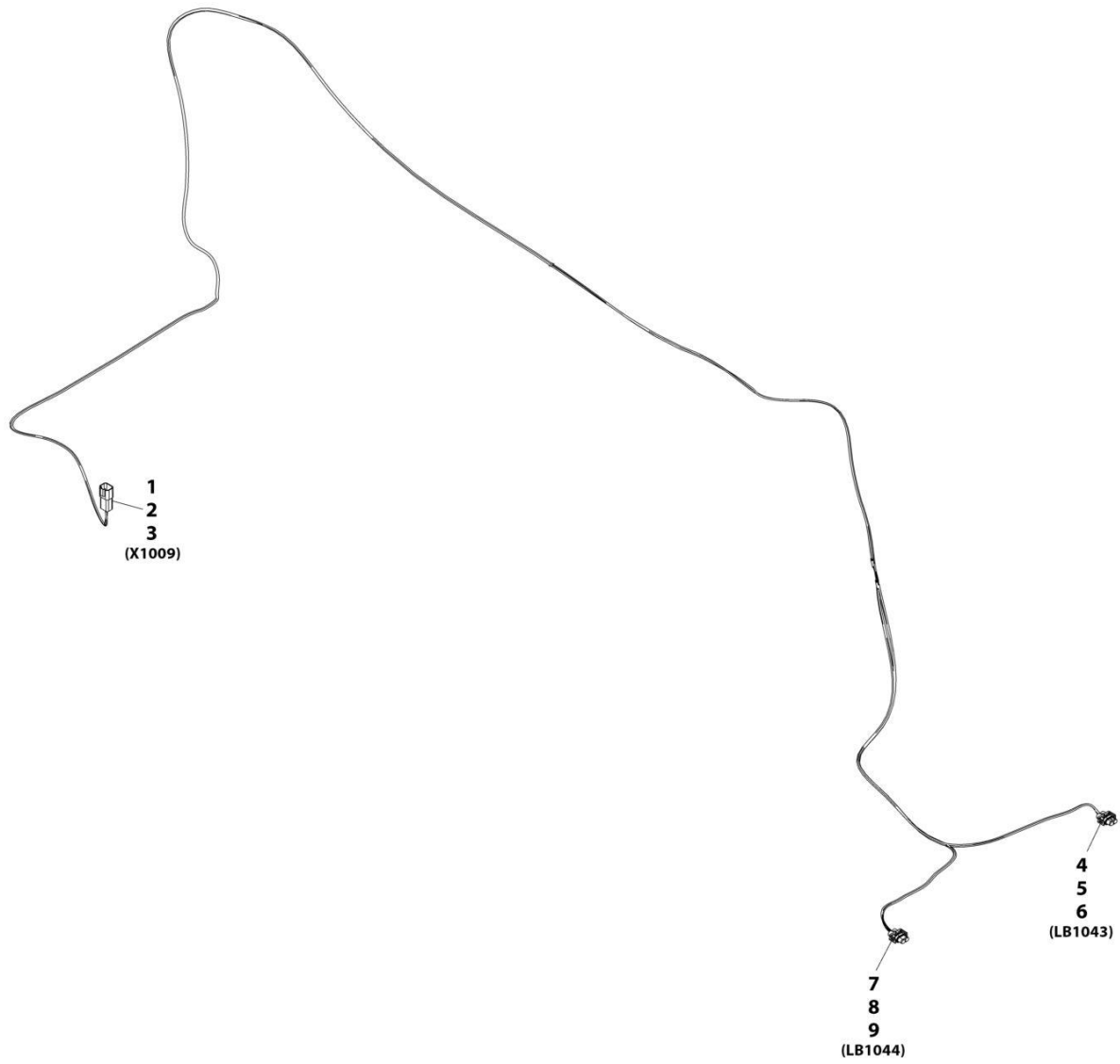
## SECTION 10 - ELECTRICAL

### FIGURE 10-71. LIGHTS - BOOM WORK LIGHT INSTALLATION (LED)

ITEM	PART NUMBER	QTY	DESCRIPTION	REV
	1001209456	Ref	Boom Work Light Installation (LED)	C
1	0700815	2	Bolt, M8X35	
2	3290801	2	Nut, M8X1.25	
3	4811900	2	Washer, M8	
4	1001008923	5	Strap, Cable	
5	1001184796	1	Harness, Boom Work Lights (See Separate Breakdown in this Section)	
6	1001203640	2	Lamp, LED Worklight	

# SECTION 10 - ELECTRICAL

## FIGURE 10-72. LIGHTS - BOOM WORKLIGHTS HARNESS



ART\_1001184796-E

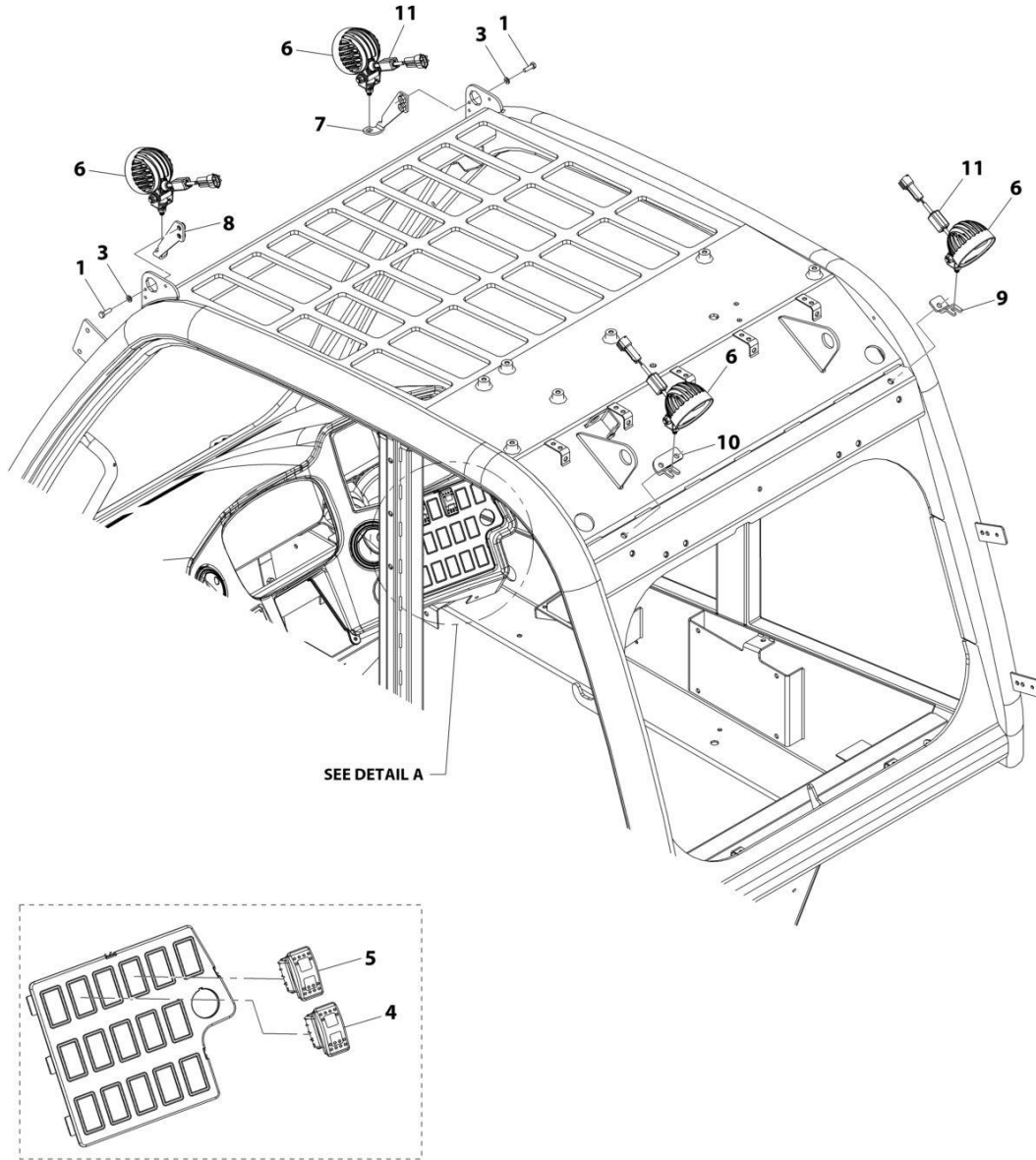
## SECTION 10 - ELECTRICAL

### FIGURE 10-72. LIGHTS - BOOM WORKLIGHTS HARNESS

ITEM	PART NUMBER	QTY	DESCRIPTION	REV
	1001184796	Ref	Boom Worklights Harness	E
1	4460932	1	Connector	
2	4460464	2	Terminal	
3	4460466	2	Plug	
4	4461115	1	Connector	
5	1001116728	2	Terminal	
6	4460458	2	Terminal Seal	
7	4461115	1	Connector	
8	1001116728	2	Terminal	
9	4460458	2	Terminal Seal	

# SECTION 10 - ELECTRICAL

## FIGURE 10-73. LIGHTS - CAB WORKLIGHTS INSTALLATION (NO A/C - LED)



ART\_1001200538-D



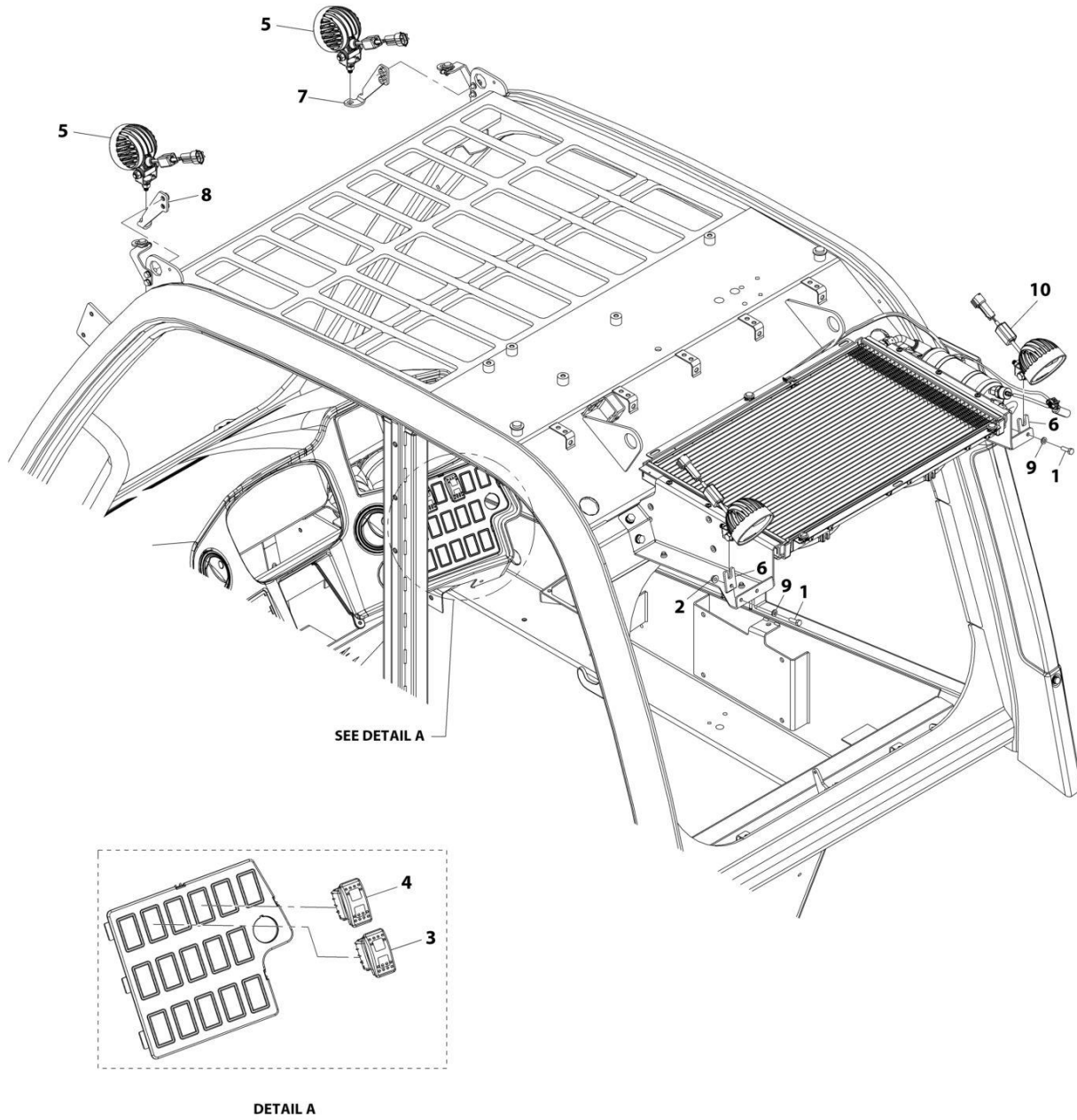
## SECTION 10 - ELECTRICAL

**FIGURE 10-73. LIGHTS - CAB WORKLIGHTS INSTALLATION (NO A/C - LED)**

ITEM	PART NUMBER	QTY	DESCRIPTION	REV
	1001200538	Ref	Cab Worklights Installation (No A/C - LED)	D
1	0700610	4	Bolt, M6X20	
3	4811700	4	Washer, M6	
4	1001159845	1	Switch, Front Worklights	
5	1001159846	1	Switch, Rear Worklights	
6	1001203640	4	Lamp, LED Work Light	
7	1001244193	1	Support, LED Work Light RH	
8	1001244192	1	Support, LED Work Light LH	
9	1001204528	1	Support, LED Work Light RH	
10	1001204530	1	Support, LED Work Light LH	
11	1001228989	4	Harness, Ferrite	

# SECTION 10 - ELECTRICAL

## FIGURE 10-74. LIGHTS - CAB WORKLIGHTS INSTALLATION (A/C - LED)



ART\_1001200539-D

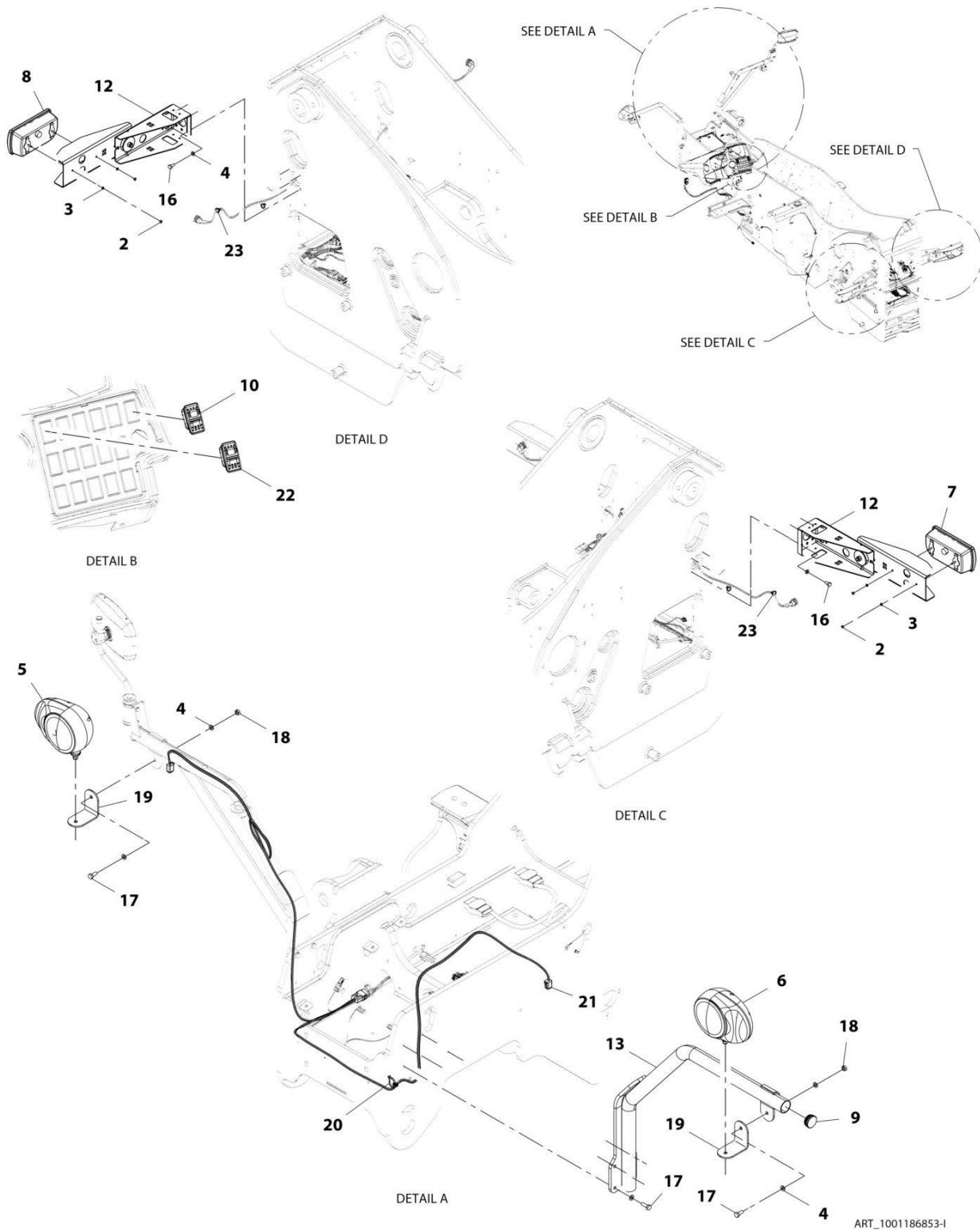
## SECTION 10 - ELECTRICAL

**FIGURE 10-74. LIGHTS - CAB WORKLIGHTS INSTALLATION (A/C - LED)**

ITEM	PART NUMBER	QTY	DESCRIPTION	REV
	1001200539	Ref	Cab Worklights Installation (A/C - LED)	D
1	0700610	2	Bolt, M6X20	
2	5220600	2	Nut, M6	
3	1001159845	1	Switch, Front Worklights	
4	1001159846	1	Switch, Rear Worklights	
5	1001203640	4	Lamp, LED Work Light	
6	1001204060	2	Bracket	
7	1001244193	1	Support, LED Work Light RH	
8	1001244192	1	Support, LED Work Light LH	
9	4811700	2	Washer, M6	
10	1001228989	4	Harness, Ferrite	

# SECTION 10 - ELECTRICAL

## FIGURE 10-75. LIGHTS - DRIVING LIGHT INSTALLATION (RH DIP)



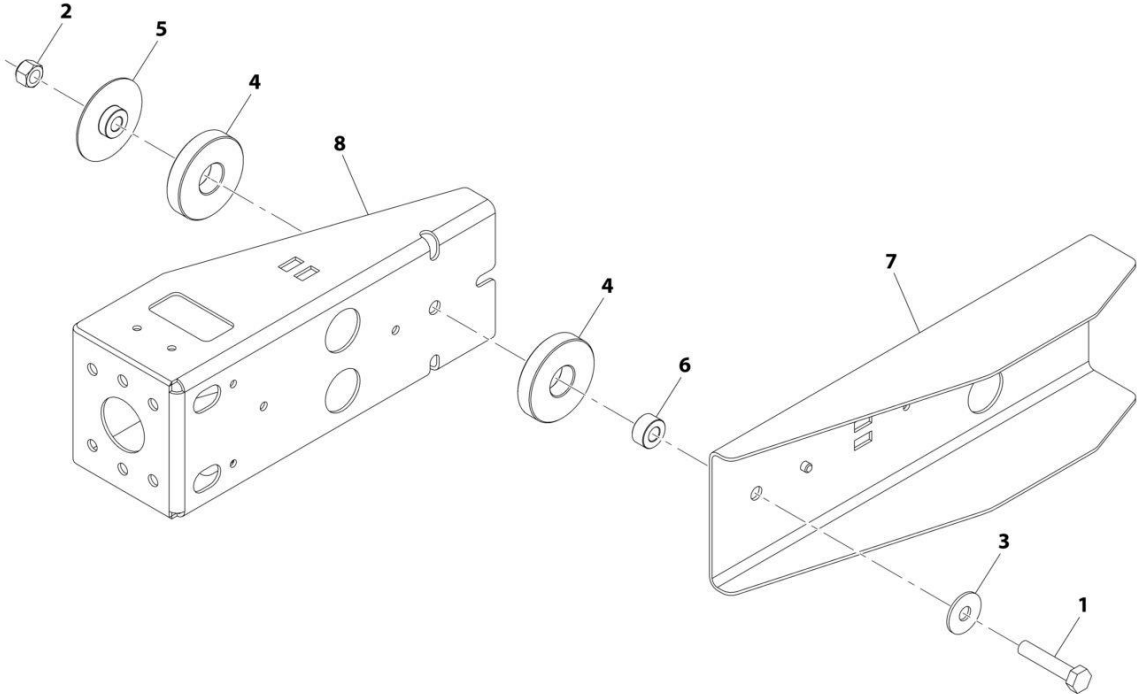
## SECTION 10 - ELECTRICAL

**FIGURE 10-75. LIGHTS - DRIVING LIGHT INSTALLATION (RH DIP)**

ITEM	PART NUMBER	QTY	DESCRIPTION	REV
	1001186853	Ref	Driving Light Installation (RH Dip)	1
2	3290607	4	Nut, Lock M6X1	
3	4811700	4	Washer, M6	
4	4812000	16	Washer, M10	
5	2920208	1	Light, Driving (RH) (RH Dip)	
	7029969	1	Bulb, 4W	
	7029970	1	Bulb, 55W	
	7029971	1	Bulb, 21W	
6	2920207	1	Light, Driving (LH) (RH Dip)	
	7029969	1	Bulb, 4W	
	7029970	1	Bulb, 55W	
	7029971	1	Bulb, 21W	
7	1001091715	1	Light, Rear (LH)	
	70021341	1	Bulb, 5W	
	70021340	1	Bulb, 21W	
	7029971	1	Bulb, 21W	
8	1001091716	1	Light, Rear (RH)	
	70021341	1	Bulb, 5W	
	70021340	1	Bulb, 21W	
	7029971	1	Bulb, 21W	
9	1001209697	1	Cap	
10	1001159734	1	Switch, Hazard	
12	1001183112	2	Assembly, Rear Light Bracket (See Separate Breakdown in this Section)	
13	1001206100	1	Bracket	
16	0761010	8	Bolt, M10X20	
17	0701014	6	Bolt, M10X30	
18	3291001	2	Nut, M10X1.5	
19	1001203368	2	Bracket	
20	1001146588	1	Strap, Tie	
21	1001215693	1	Harness, Headlight (See Separate Breakdown in this Section)	
22	1001159737	1	Switch, Fog Lights	
23	1001008559	4	Strap, Cable	

**SECTION 10 - ELECTRICAL**

**FIGURE 10-76. LIGHTS - DRIVING LIGHT BRACKET ASSEMBLY (RH DIP)**



ART\_1001183112-C

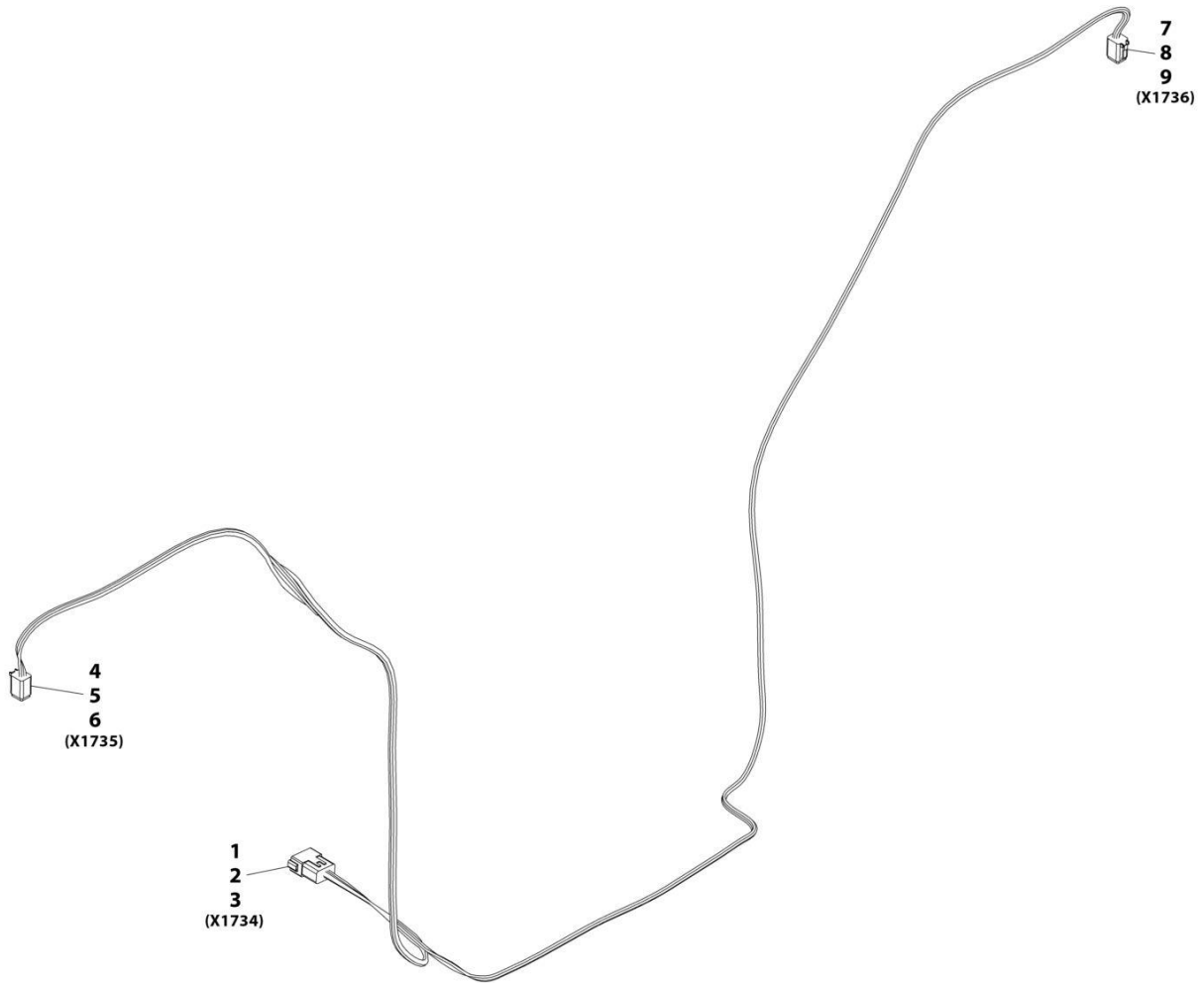
## SECTION 10 - ELECTRICAL

**FIGURE 10-76. LIGHTS - DRIVING LIGHT BRACKET ASSEMBLY (RH DIP)**

ITEM	PART NUMBER	QTY	DESCRIPTION	REV
	1001183112	Ref	Rear Light Bracket Assembly	C
1	0701220	1	Bolt, M12X60	
2	3291205	1	Nut, Lock M12X1.75	
3	4812102	1	Washer, M12	
4	8000565	2	Washer, Rubber	
5	1001182490	1	Washer, Top Hat	
6	1001182495	1	Washer	
7	1001196217	1	Bracket	
8	1001196100	1	Bracket	

# SECTION 10 - ELECTRICAL

## FIGURE 10-77. LIGHTS - DRIVING HEADLIGHT HARNESS



ART\_1001215693-C



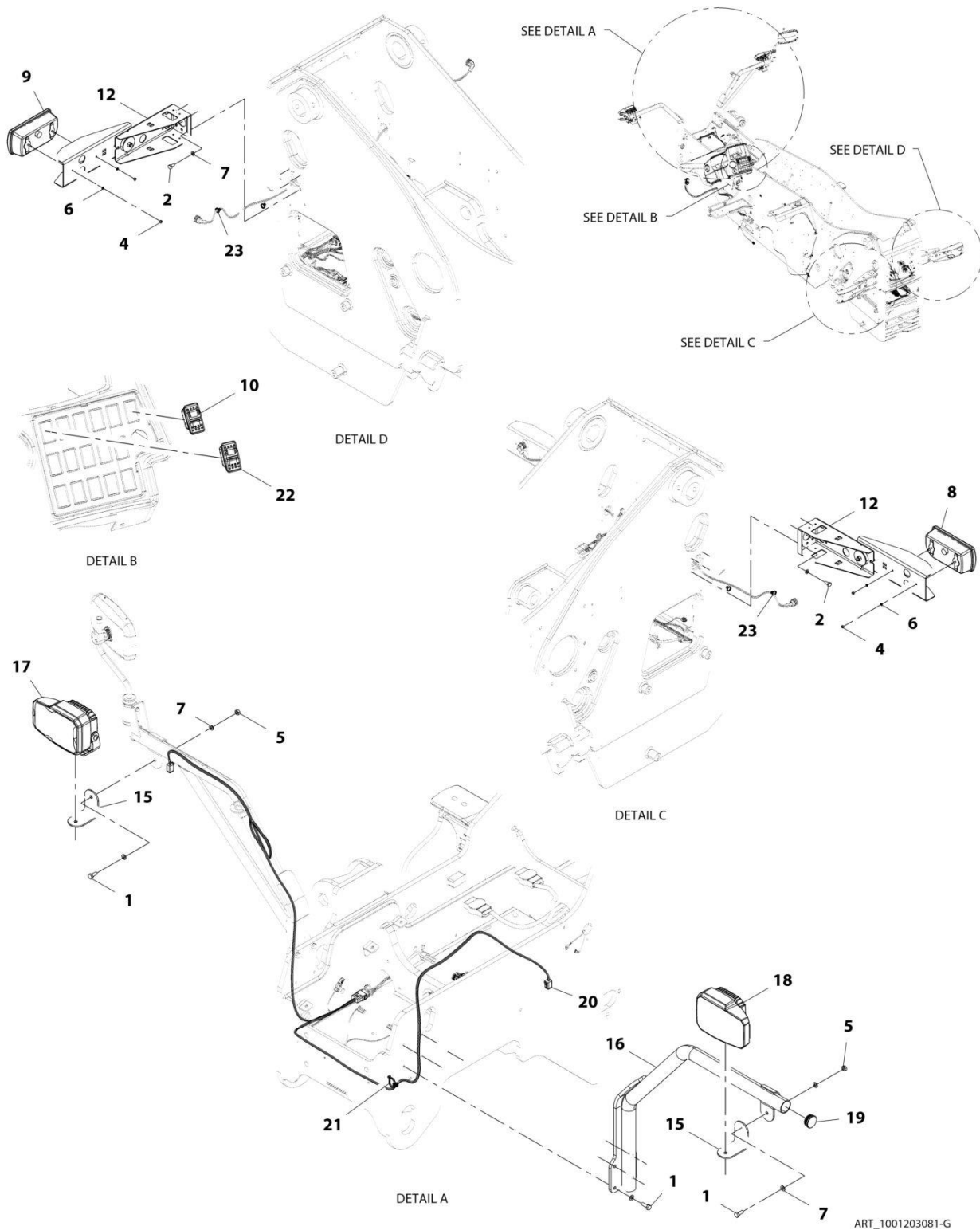
## SECTION 10 - ELECTRICAL

### FIGURE 10-77. LIGHTS - DRIVING HEADLIGHT HARNESS

ITEM	PART NUMBER	QTY	DESCRIPTION	REV
	1001215693	Ref	Headlight Harness	C
1	4460970	1	Connector	
2	4460941	10	Terminal	
3	4460466	2	Plug	
4	4460894	1	Connector	
5	4460942	5	Terminal	
6	4460466	1	Plug	
7	4460894	1	Connector	
8	4460942	5	Terminal	
9	4460466	1	Plug	

# SECTION 10 - ELECTRICAL

## FIGURE 10-78. LIGHTS - DRIVING LIGHT INSTALLATION (LED) (RH DIP) (1644)



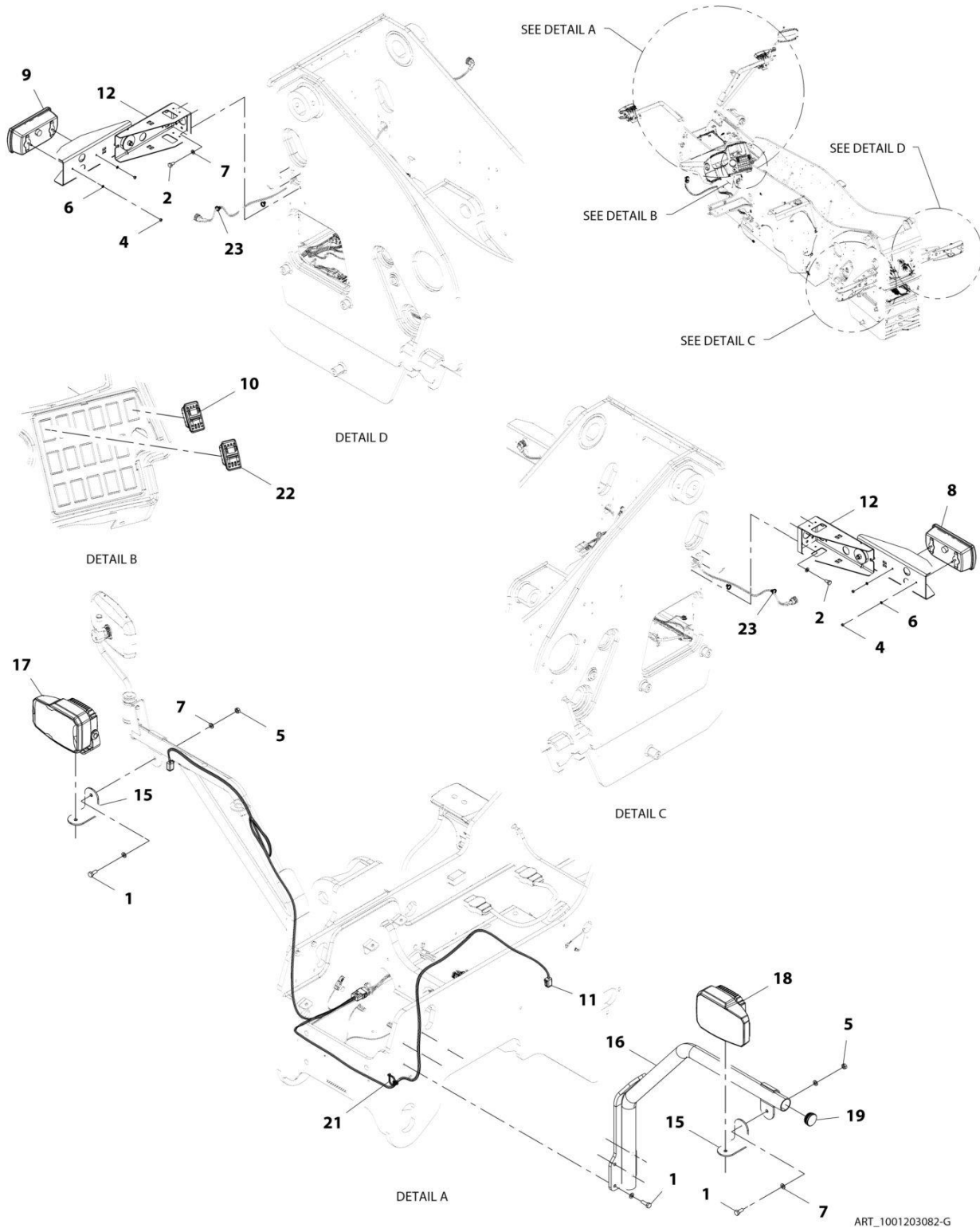
## SECTION 10 - ELECTRICAL

**FIGURE 10-78. LIGHTS - DRIVING LIGHT INSTALLATION (LED) (RH DIP) (1644)**

ITEM	PART NUMBER	QTY	DESCRIPTION	REV
	1001203081	Ref	Driving Light Installation (LED) (RH Dip)	G
1	0701014	6	Bolt, M10X30	
2	0761010	8	Bolt, M10X20	
4	3290607	4	Bolt, M6X1	
5	3291001	2	Nut, M10X1.5	
6	4811700	4	Washer, M6	
7	4812000	16	Washer, M10	
8	1001091715	1	Light, Rear (LH)	
	70021341	1	Bulb, 5W	
	70021340	1	Bulb, 21W	
	7029971	1	Bulb, 21W	
9	1001091716	1	Light, Rear (RH)	
	70021341	1	REPLACEMENT BULB, 12V-5W	
	70021340	1	Bulb, 21W	
	7029971	1	Bulb, 21W	
10	1001159734	1	Switch, Hazard	
12	1001183112	2	Assembly, Rear Light Bracket (See Separate Breakdown in this Section)	
15	1001203368	2	Bracket	
16	1001206100	1	Bracket	
17	1001209690	1	Light, Driving (RH - LED) (RH Dip)	
18	1001209691	1	Light, Driving (LH - LED) (LH Dip)	
19	1001209697	1	Cap	
20	1001215693	1	Harness, Headlights (See Separate Breakdown in this Section)	
21	1001146588	1	Strap, Cable Tie	
22	1001159737	1	Switch, Fog Lights	
23	1001008559	4	Strap, Cable Tie	

# SECTION 10 - ELECTRICAL

## FIGURE 10-79. LIGHTS - DRIVING LIGHT INSTALLATION (LED) (LH DIP) (7013)



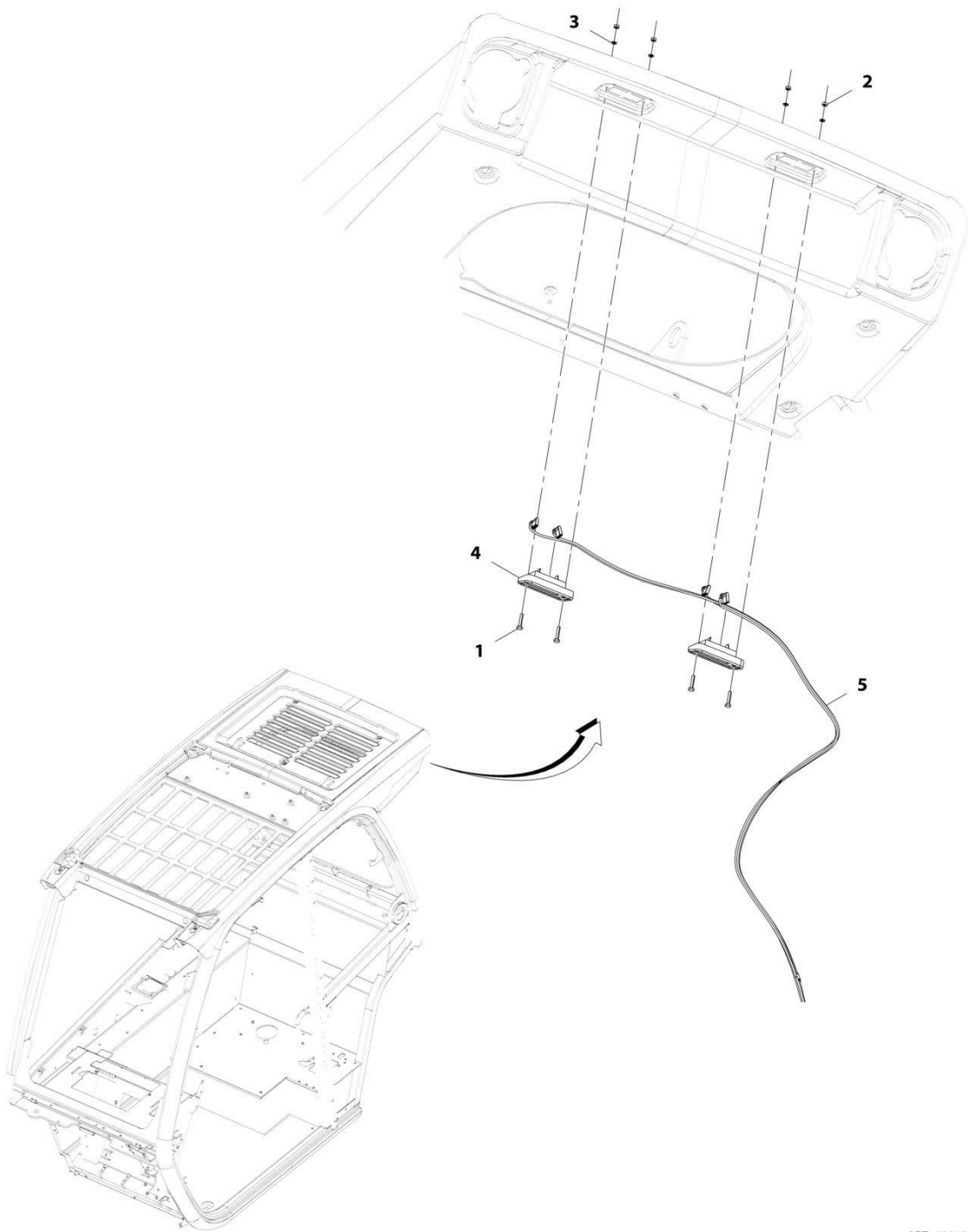
## SECTION 10 - ELECTRICAL

**FIGURE 10-79. LIGHTS - DRIVING LIGHT INSTALLATION (LED) (LH DIP) (7013)**

ITEM	PART NUMBER	QTY	DESCRIPTION	REV
	1001203082	Ref	Driving Light Installation (LED) (LH Dip)	G
1	0701014	6	Bolt, M10X30	
2	0761010	8	Bolt, M10X20	
4	3290607	4	Nut, Lock M6X1	
5	3291001	2	Nut, M10X1.5	
6	4811700	4	Washer, M6	
7	4812000	16	Washer, M10	
8	1001091715	1	Lamp, Rear (LH)	
	70021341	1	Bulb, 5W	
	70021340	1	Bulb, 21W	
	7029971	1	Bulb, 21W	
9	1001091716	1	Lamp, Rear (RH)	
	70021341	1	Bulb, 5W	
	70021340	1	Bulb, 21W	
	7029971	1	Bulb, 21W	
10	1001159734	1	Switch, Hazard	
11	1001215693	1	Harness, Headlights (See Separate Breakdown in this Section)	
12	1001183112	2	Assembly, Rear Light Bracket (See Separate Breakdown in this Section)	
15	1001203368	2	Bracket	
16	1001206100	1	Bracket	
17	1001209692	1	Light, Driving, (RH - LED) (LH Dip)	
18	1001209693	1	Light, Driving, (LH - LED) (LH Dip)	
19	1001209697	1	Cap	
21	1001146588	1	Strap, Cable Tie	
22	1001159737	1	Switch, Fog Lights	
23	1001008559	4	Strap, Cable	

**SECTION 10 - ELECTRICAL**

**FIGURE 10-80. LIGHTS - LICENSE PLATE LIGHT INSTALLATION (7013)**



ART\_1001200383-B

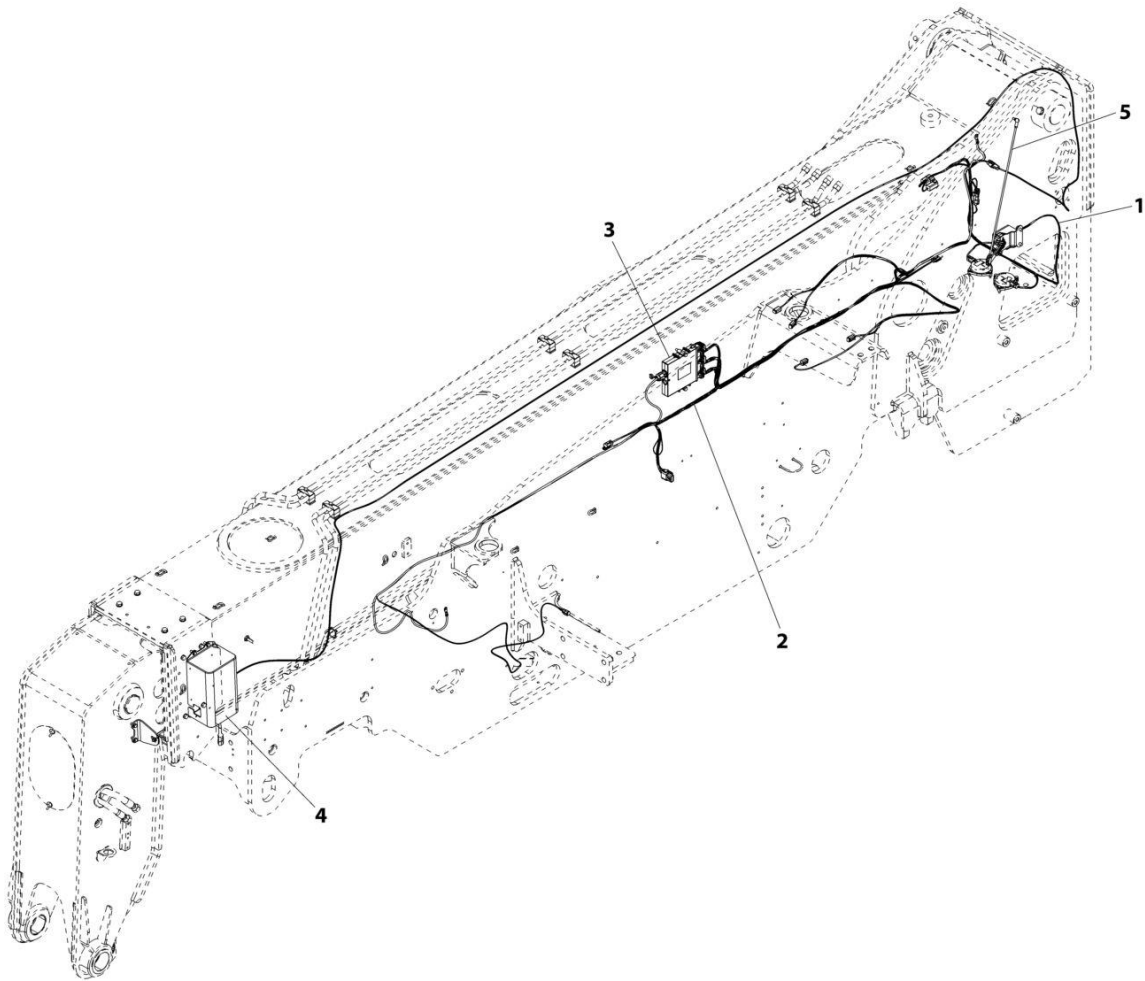
## SECTION 10 - ELECTRICAL

**FIGURE 10-80. LIGHTS - LICENSE PLATE LIGHT INSTALLATION (7013)**

ITEM	PART NUMBER	QTY	DESCRIPTION	REV
	1001200383	Ref	License Plate Lamp Installation	B
1	0760410	4	Bolt, M4X20	
2	3290401	4	Nut, M4X0.7 Grade 8	
3	4831400	4	Washer, Lock M4	
4	1001173829	2	Lamp, License Plate	
5	1001178053	1	Harness, License Light (See Separate Breakdown in Electrical Section)	

# SECTION 10 - ELECTRICAL

## FIGURE 10-81. LMIS CONTROL PACKAGE INSTALLATION



ART\_1001192431



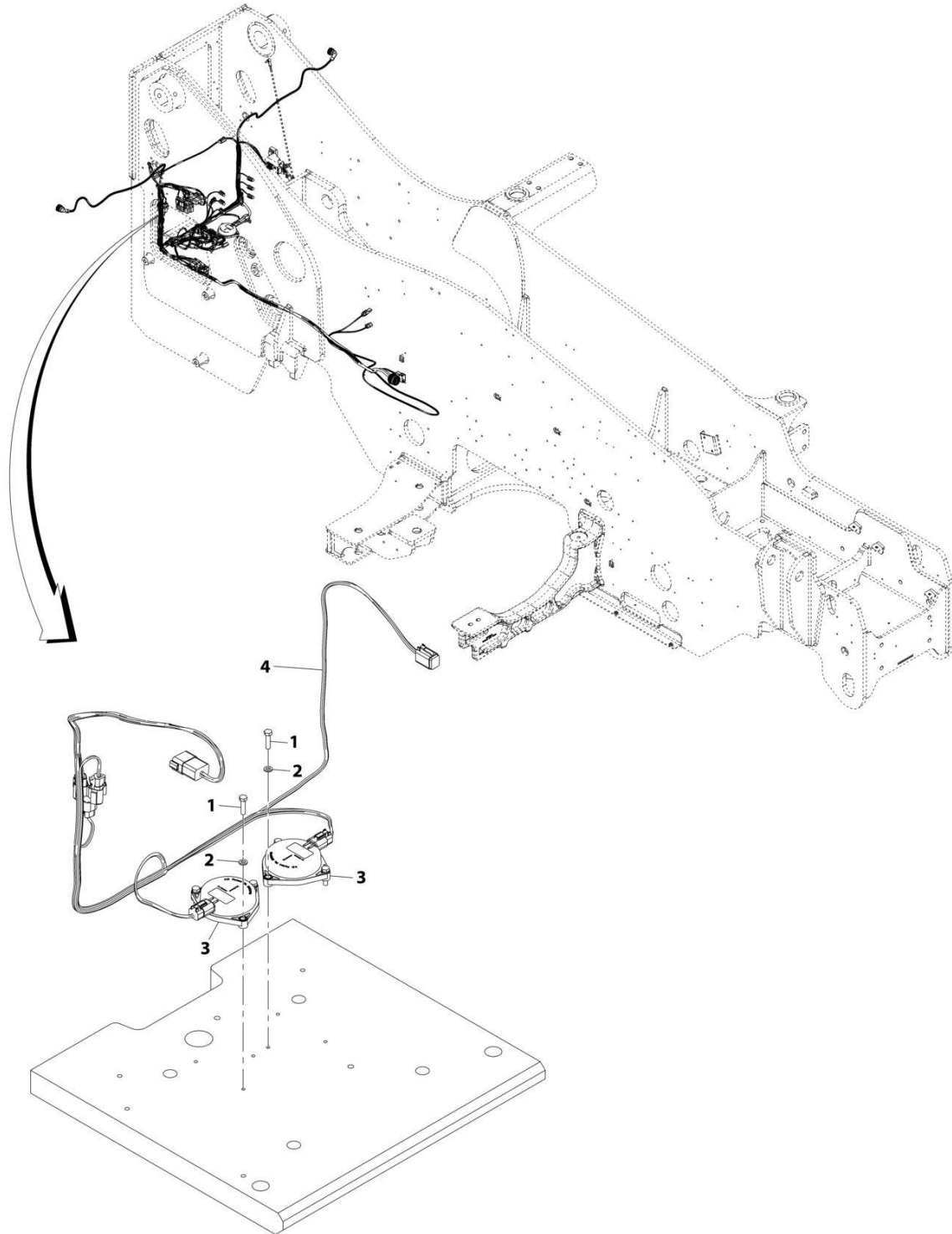
## SECTION 10 - ELECTRICAL

### FIGURE 10-81. LMIS CONTROL PACKAGE INSTALLATION

ITEM	PART NUMBER	QTY	DESCRIPTION	REV
	1001192431	Ref	LMIS Control Package Installation	E
1	1001195200	1	Installation, Tilt Sensor (See Separate Breakdown in this Section)	
2	1001195201	1	Installation, LMIS Wiring (See Separate Breakdown in this Section)	
3	1001195471	1	Installation, LMIS Controller (See Separate Breakdown in this Section)	
4	1001195473	1	Installation, LMIS Cable Reel (See Separate Breakdown in this Section)	
5	1001195590	1	Installation, Boom Angle Sensor (LMIS) (See Separate Breakdown in this Section)	

# SECTION 10 - ELECTRICAL

## FIGURE 10-82. LMIS TILT SENSOR INSTALLATION



ART\_1001195200-B

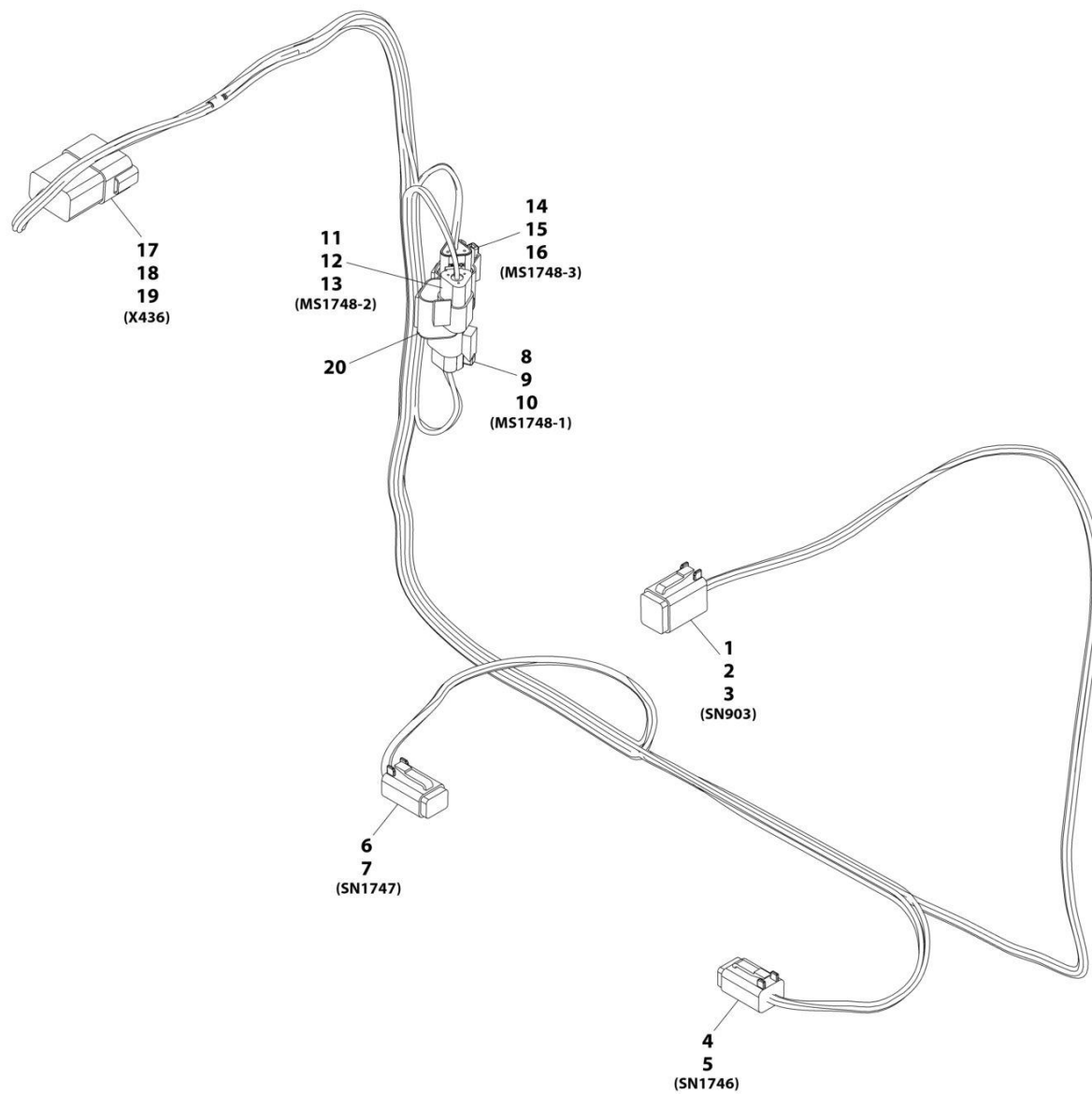
## SECTION 10 - ELECTRICAL

### FIGURE 10-82. LMIS TILT SENSOR INSTALLATION

ITEM	PART NUMBER	QTY	DESCRIPTION	REV
	1001195200	Ref	Tilt Sensor Installation	B
1	0700612	6	Bolt, M6X25	
2	4811700	6	Washer, M6	
3	1001163095	2	Sensor, Tilt	
4	1001195202	1	Harness, Platform Ready (See Separate Breakdown in this Section)	

# SECTION 10 - ELECTRICAL

## FIGURE 10-83. LMIS - PLATFORM READY HARNESS



ART\_1001195202-A

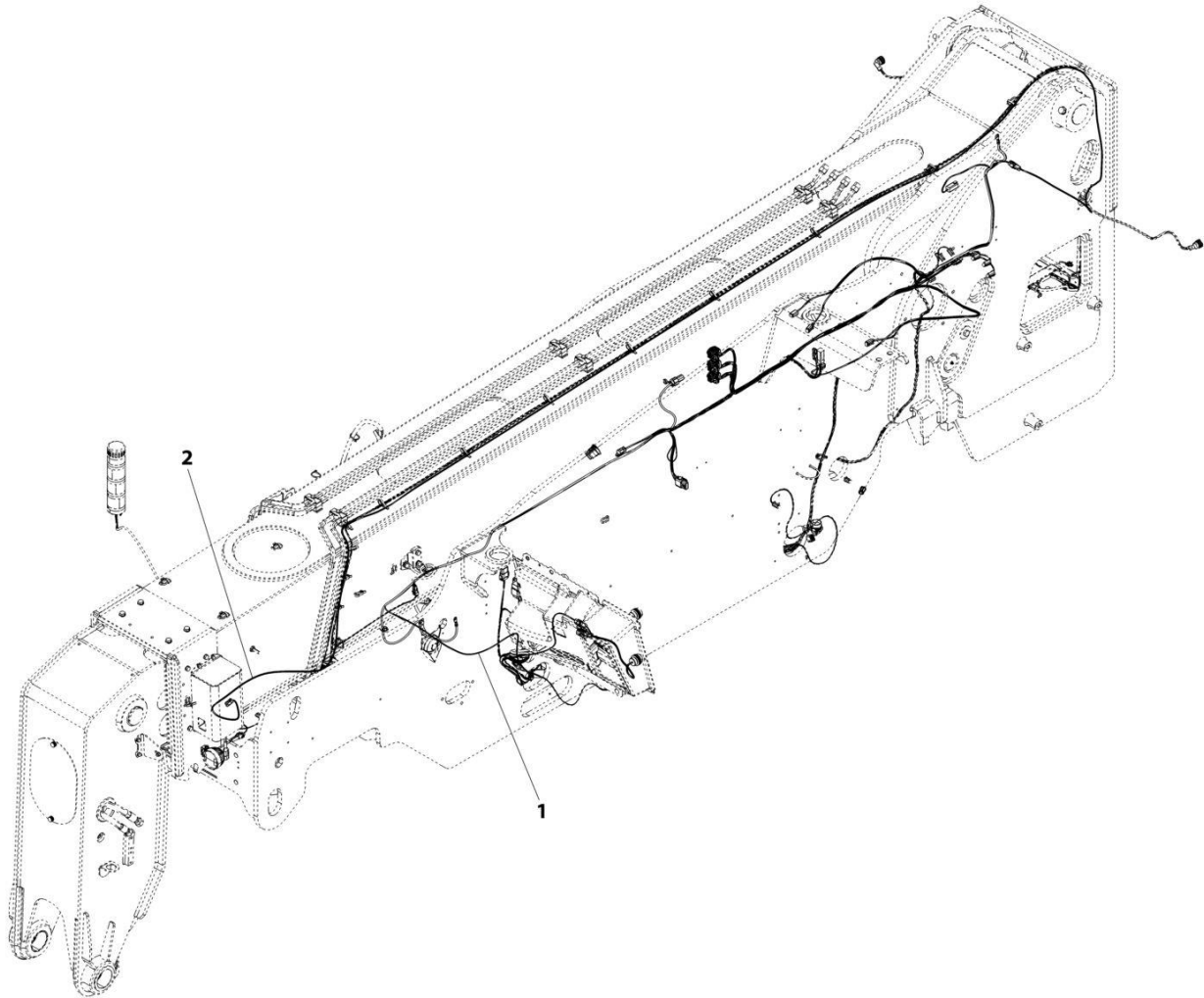
## SECTION 10 - ELECTRICAL

**FIGURE 10-83. LMIS - PLATFORM READY HARNESS**

ITEM	PART NUMBER	QTY	DESCRIPTION	REV
	1001195202	Ref	Platform Ready Harness	A
1	4460894	1	Connector	
2	4460465	4	Terminal	
3	4460466	2	Plug	
4	4460884	1	Connector	
5	4460944	4	Terminal	
6	4460884	1	Connector	
7	4460944	4	Terminal	
8	1001116812	1	Connector	
9	4460944	2	Terminal	
10	4460466	1	Plug	
11	4460539	1	Connector	
12	4460944	2	Terminal	
13	4460466	1	Plug	
14	1001116812	1	Connector	
15	4460944	2	Terminal	
16	4460466	1	Plug	
17	4460931	1	Connector	
18	4460464	6	Terminal	
19	4460466	2	Plug	
20	4460945	1	Connector, 3 Way	

# SECTION 10 - ELECTRICAL

## FIGURE 10-84. LMIS WIRING INSTALLATION



ART\_1001195201-F

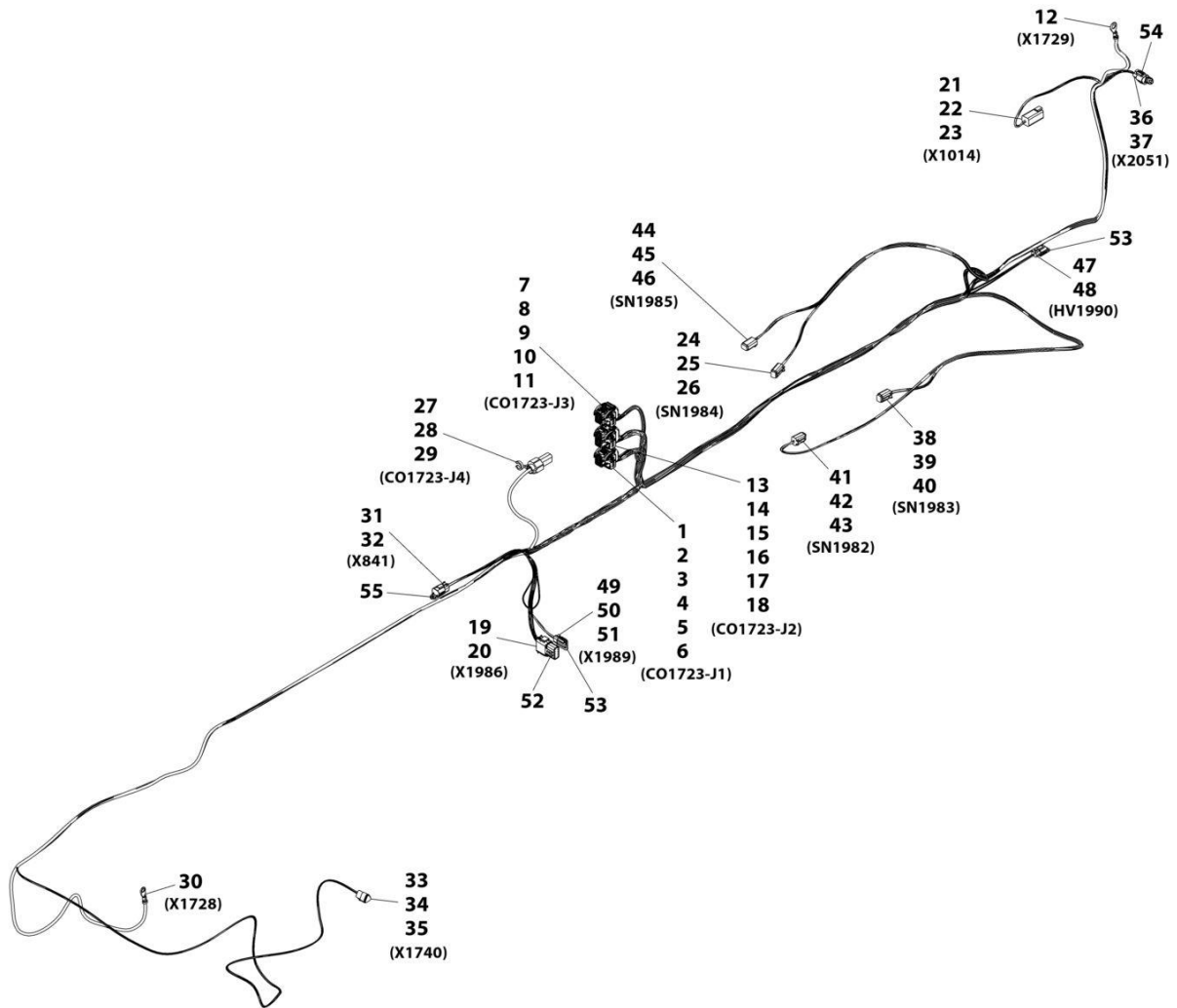
## SECTION 10 - ELECTRICAL

### FIGURE 10-84. LMIS WIRING INSTALLATION

ITEM	PART NUMBER	QTY	DESCRIPTION	REV
1	1001195201	Ref	LMIS Wiring Installation	F
	1001184795	1	Harness, Chassis Option (See Separate Breakdown in this Section)	
2	1001192619	1	Harness, LMIS Boom (See Separate Breakdown in this Section)	

# SECTION 10 - ELECTRICAL

## FIGURE 10-85. LMIS CHASSIS OPTION HARNESS



ART\_1001184795-G



## SECTION 10 - ELECTRICAL

### FIGURE 10-85. LMIS CHASSIS OPTION HARNESS

ITEM	PART NUMBER	QTY	DESCRIPTION	REV
	1001184795	Ref	LMIS Chassis Option Harness	G
1	1001161957	1	Connector	
2	1001161097	17	Terminal	
3	1001161100	7	Plug	
4	1001161101	2	Plug	
5	1001161098	2	Terminal	
6	1001161099	4	Terminal	
7	1001160500	1	Connector	
8	1001161100	16	Plug	
9	1001161097	8	Terminal	
10	1001161101	7	Plug	
11	1001161098	1	Terminal	
12	1001187076	1	Ring Terminal	
13	1001161963	1	Connector	
14	1001161097	24	Terminal	
15	1001161100	16	Plug	
16	1001161095	1	Terminal	
17	1001161099	3	Terminal	
18	1001161101	4	Plug	
19	1001116774	1	Connector	
20	4460928	12	Terminal	
21	4460899	1	Connector	
22	4460464	3	Terminal	
23	4460466	3	Plug	
24	4460884	1	Connector	
25	4460942	1	Terminal	
26	4460465	3	Terminal	
27	1001160509	1	Connector	
28	1001160510	1	Terminal	
29	1001175266	1	Terminal Seal	
30	1001187075	1	Ring Terminal	
31	4460884	1	Connector	
32	4460465	4	Terminal	
33	1001116812	1	Connector	
34	4460944	2	Terminal	
35	4460466	1	Plug	
36	4460539	1	Connector	
37	4460465	3	Terminal	
38	4460884	1	Connector	
39	4460942	1	Terminal	
40	4460465	3	Terminal	
41	4460884	1	Connector	
42	4460942	1	Terminal	
43	4460465	3	Terminal	
44	4460884	1	Connector	
45	4460942	1	Terminal	
46	4460465	3	Terminal	
47	4460891	1	Connector	
48	4460465	2	Terminal	
49	4460891	1	Connector	

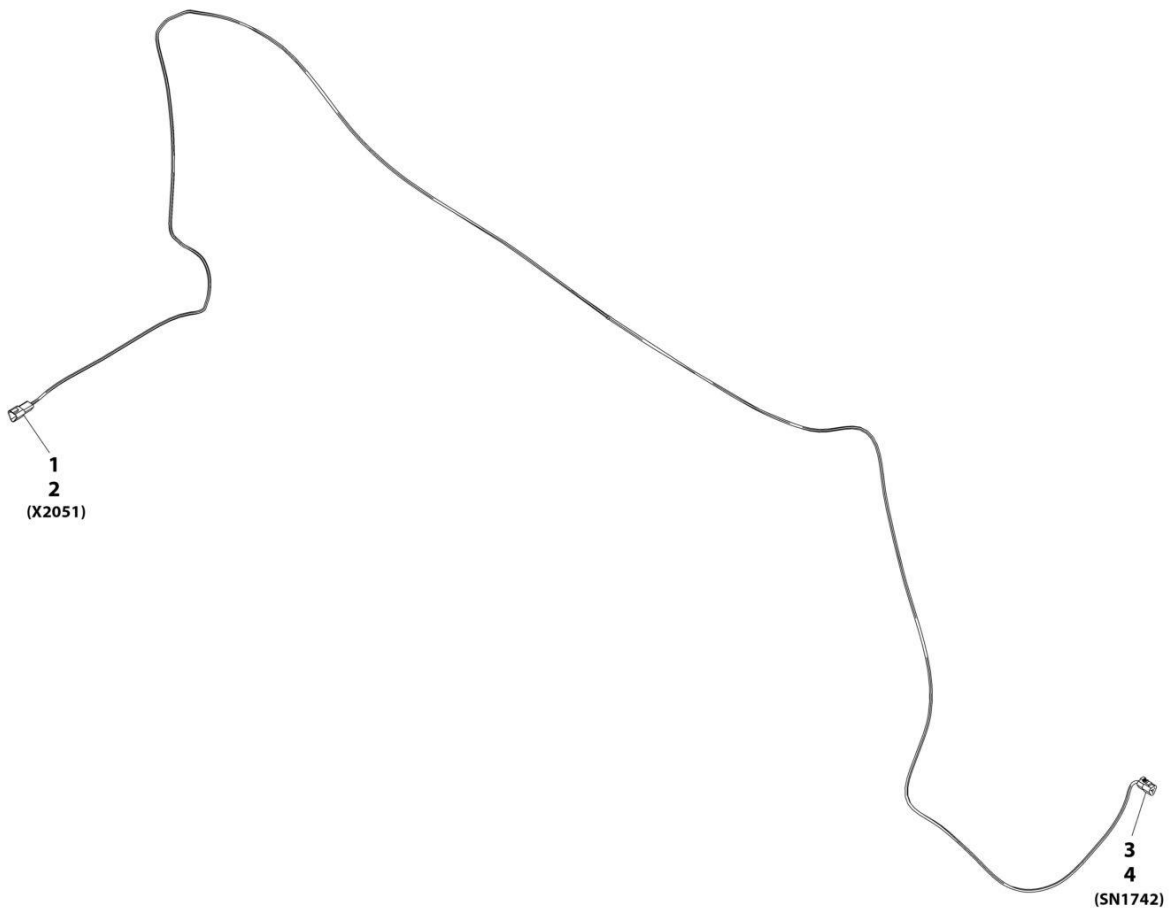
## SECTION 10 - ELECTRICAL

ITEM	PART NUMBER	QTY	DESCRIPTION	REV
50	4460465	1	Terminal	
51	4460942	1	Terminal	



# SECTION 10 - ELECTRICAL

## FIGURE 10-86. LMIS BOOM HARNESS



ART\_1001192619-D

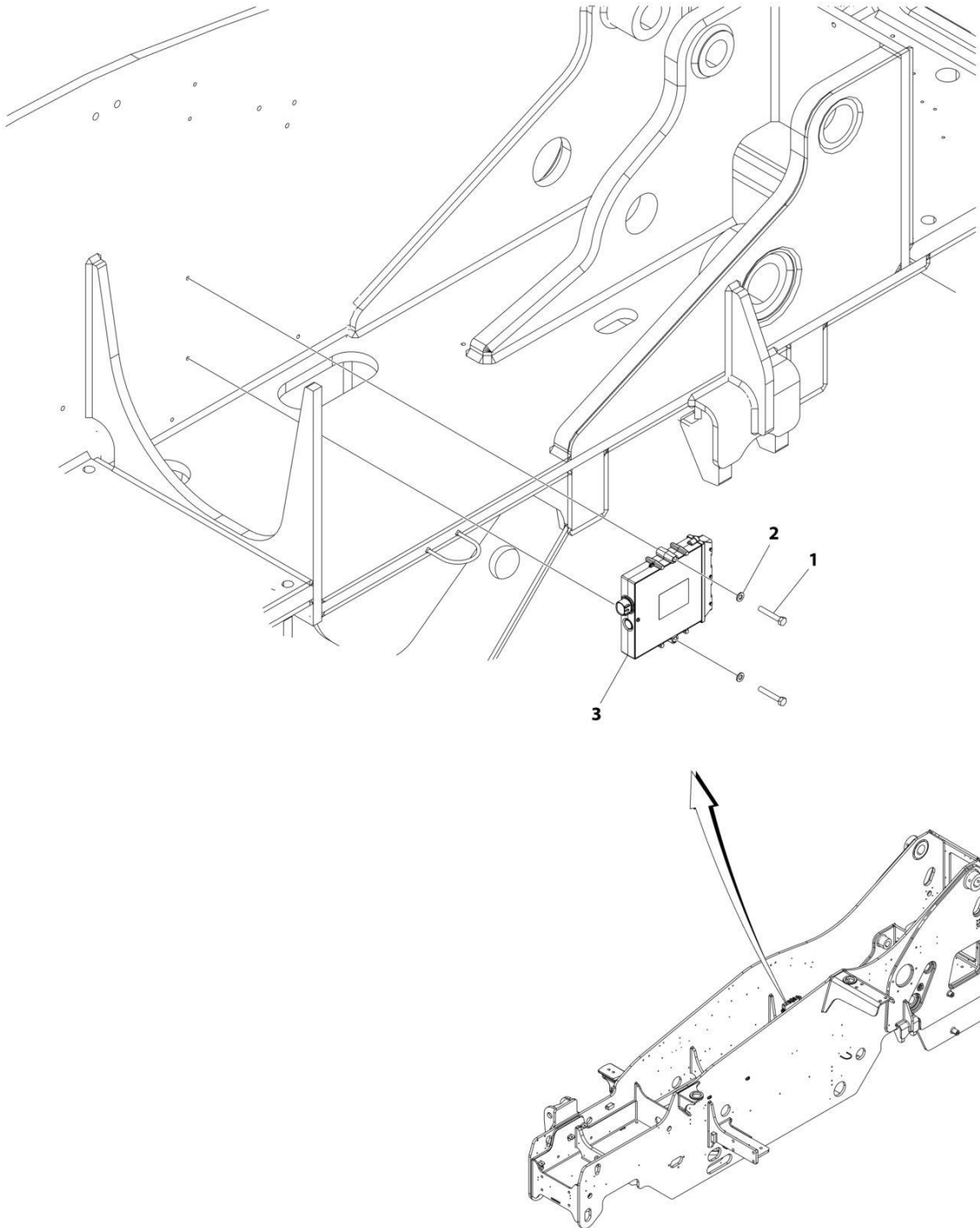
# SECTION 10 - ELECTRICAL

## FIGURE 10-86. LMIS BOOM HARNESS

ITEM	PART NUMBER	QTY	DESCRIPTION	REV
	1001192619	Ref	LMIS Boom Harness	D
1	4460536	1	Connector	
2	4460464	3	Terminal	
3	4460539	1	Connector	
4	4460465	3	Terminal	

# SECTION 10 - ELECTRICAL

## FIGURE 10-87. LMIS CONTROLLER INSTALLATION



ART\_1001195471\_C

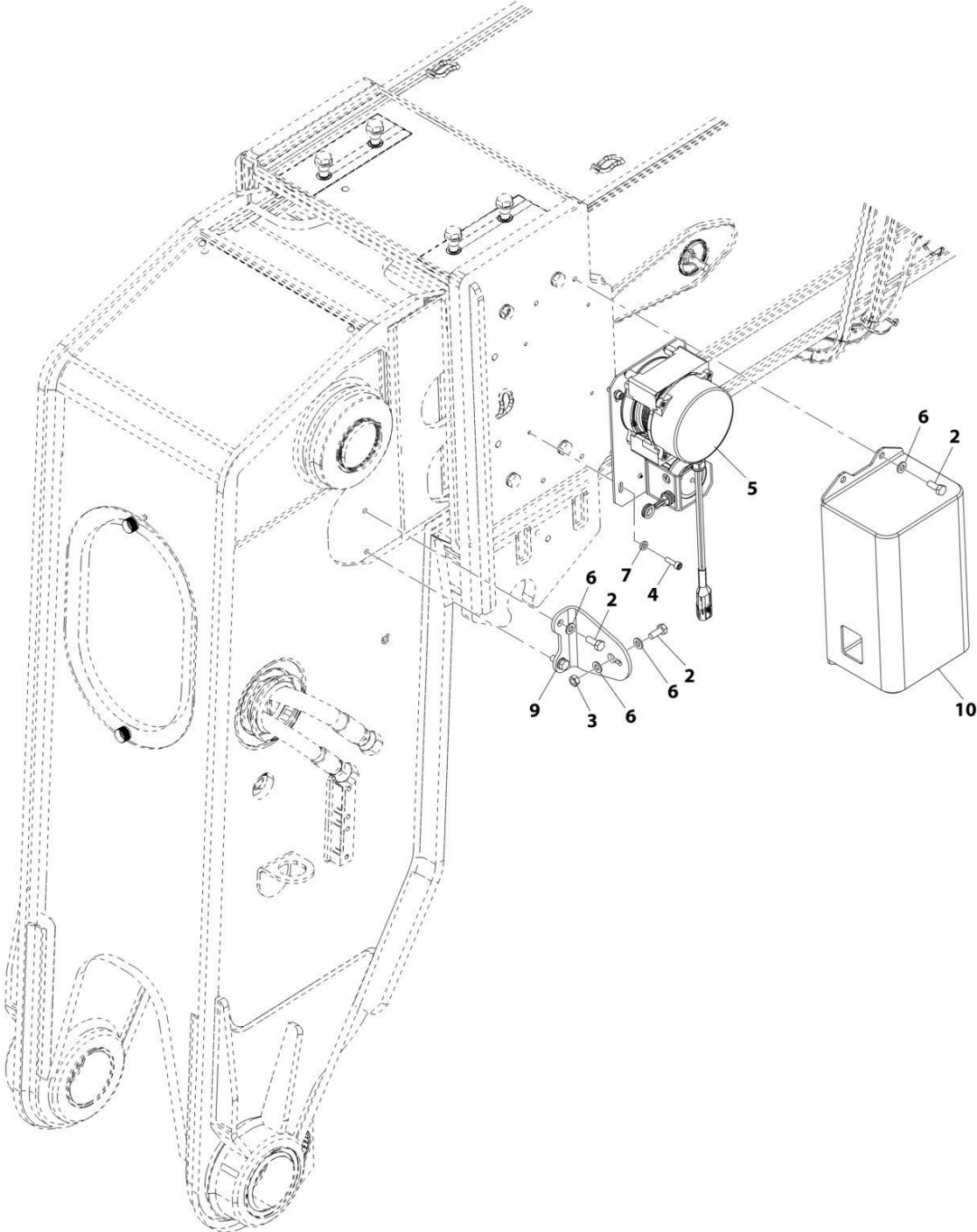
## SECTION 10 - ELECTRICAL

### FIGURE 10-87. LMIS CONTROLLER INSTALLATION

ITEM	PART NUMBER	QTY	DESCRIPTION	REV
	1001195471	Ref	LMIS CONTROLLER INSTALLATION	C
1	0700818	2	Bolt M8 x 50	
2	4811900	2	Washer M8	
3	1001270485	1	Module, LMIS Control	

**SECTION 10 - ELECTRICAL**

**FIGURE 10-88. LMIS CABLE REEL INSTALLATION**



ART\_1001195473



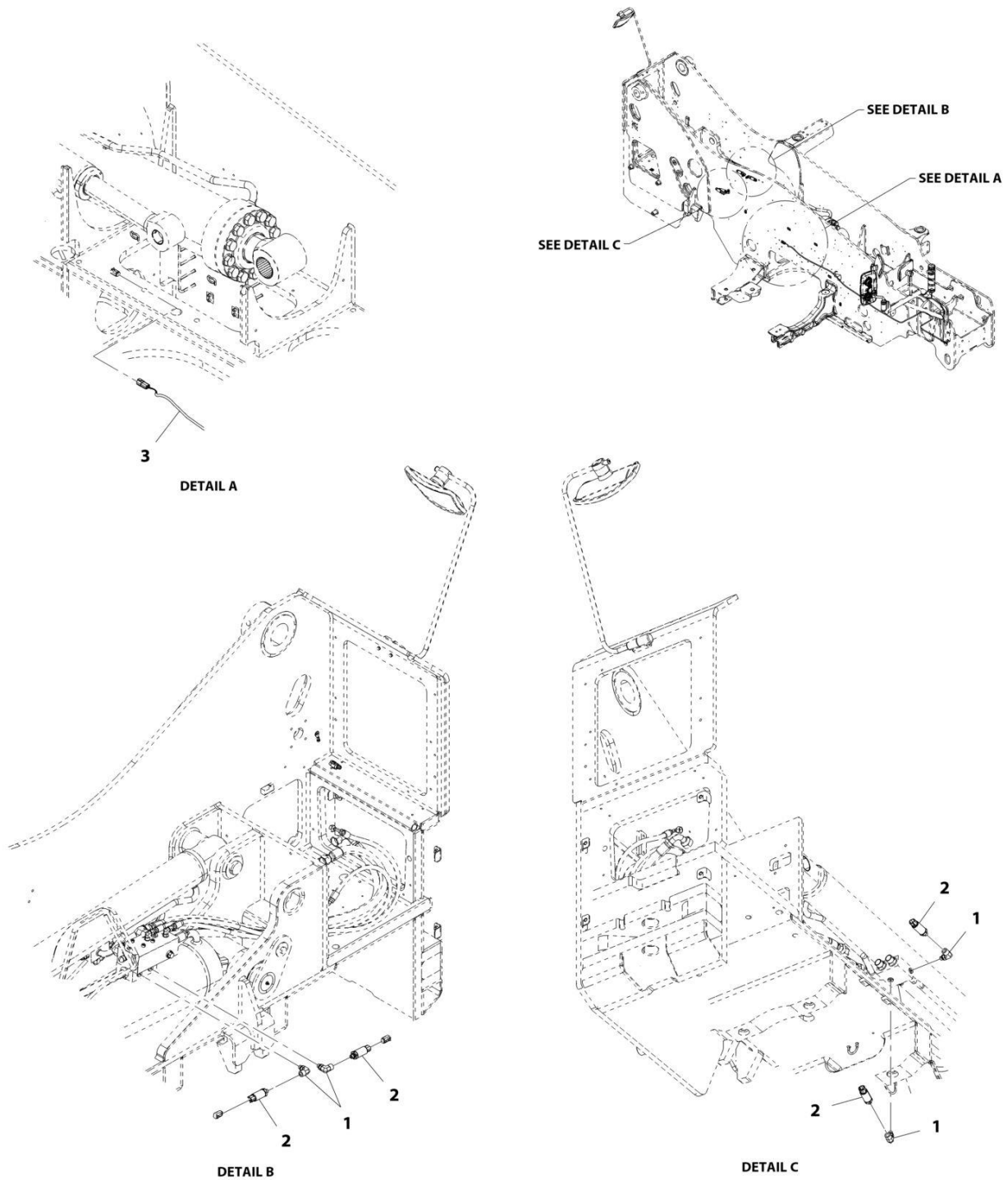
# SECTION 10 - ELECTRICAL

## FIGURE 10-88. LMIS CABLE REEL INSTALLATION

ITEM	PART NUMBER	QTY	DESCRIPTION	REV
	1001195473	Ref	LMIS Cable Reel Installation	E
2	0760810	7	Bolt, M8X20	
3	3290801	1	Nut, M8X1.25	
4	4031708	4	Screw, M6X20	
5	1001223903	1	Sensor, Boom Length	
6	4811900	8	Washer, M8	
7	5240600	4	Washer, M6	
9	1001224127	1	Bracket	
10	1001224128	1	Panel	

# SECTION 10 - ELECTRICAL

## FIGURE 10-89. LMIS INSTALLATION (HIGH END DISPLAY)



ART\_1001183549-C

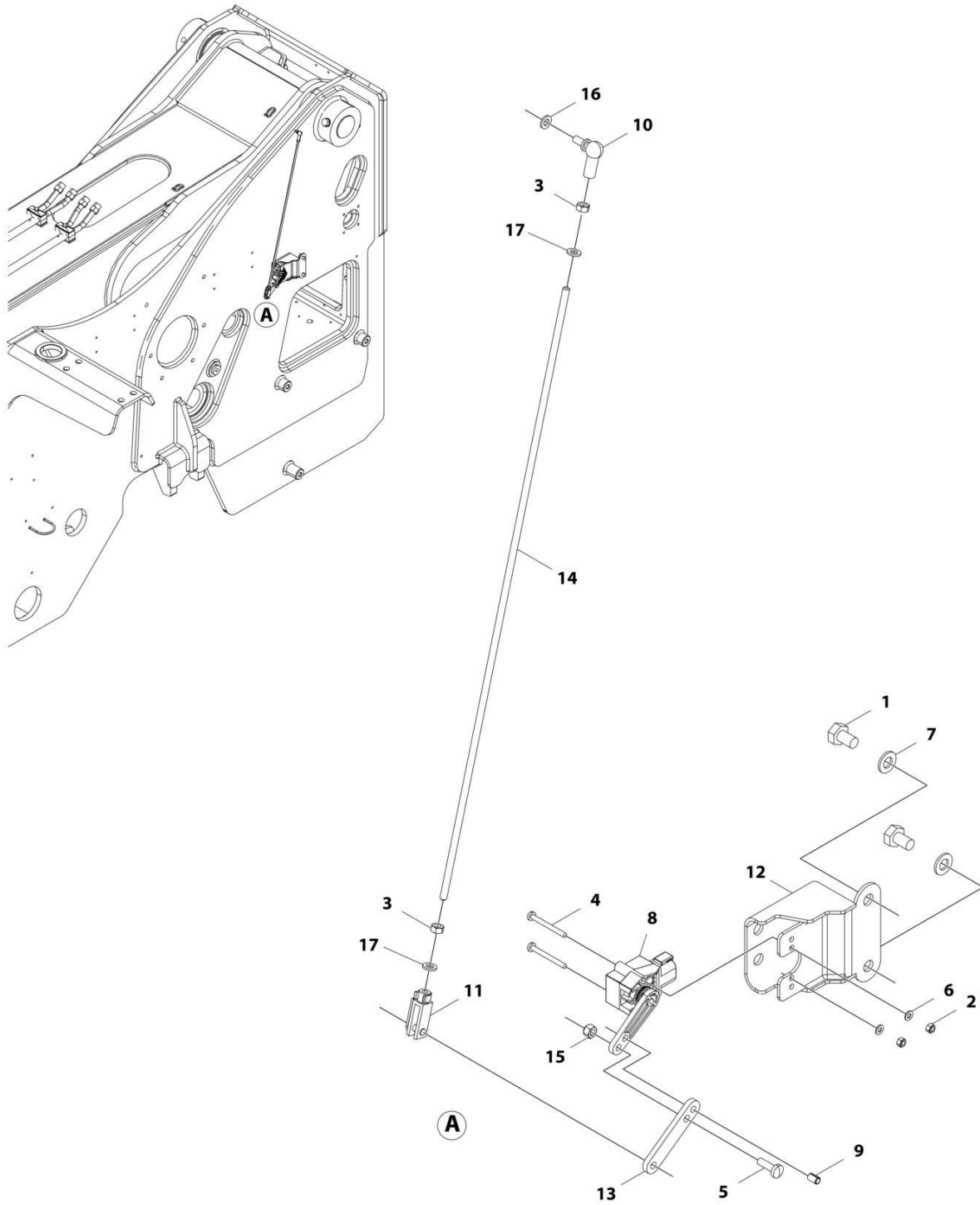
## SECTION 10 - ELECTRICAL

**FIGURE 10-89. LMIS INSTALLATION (HIGH END DISPLAY)**

ITEM	PART NUMBER	QTY	DESCRIPTION	REV
	1001183549	Ref	LMIS Installation (High End Display)	C
1	1001101855	4	Fitting, 90	
2	1001162885	4	Sensor, LMIS	
3	1001195591	1	Installation, LMIS Beacon Light (See Separate Breakdown in this Section)	

# SECTION 10 - ELECTRICAL

## FIGURE 10-90. LMIS BOOM ANGLE SENSOR INSTALLATION



ART\_1001195590

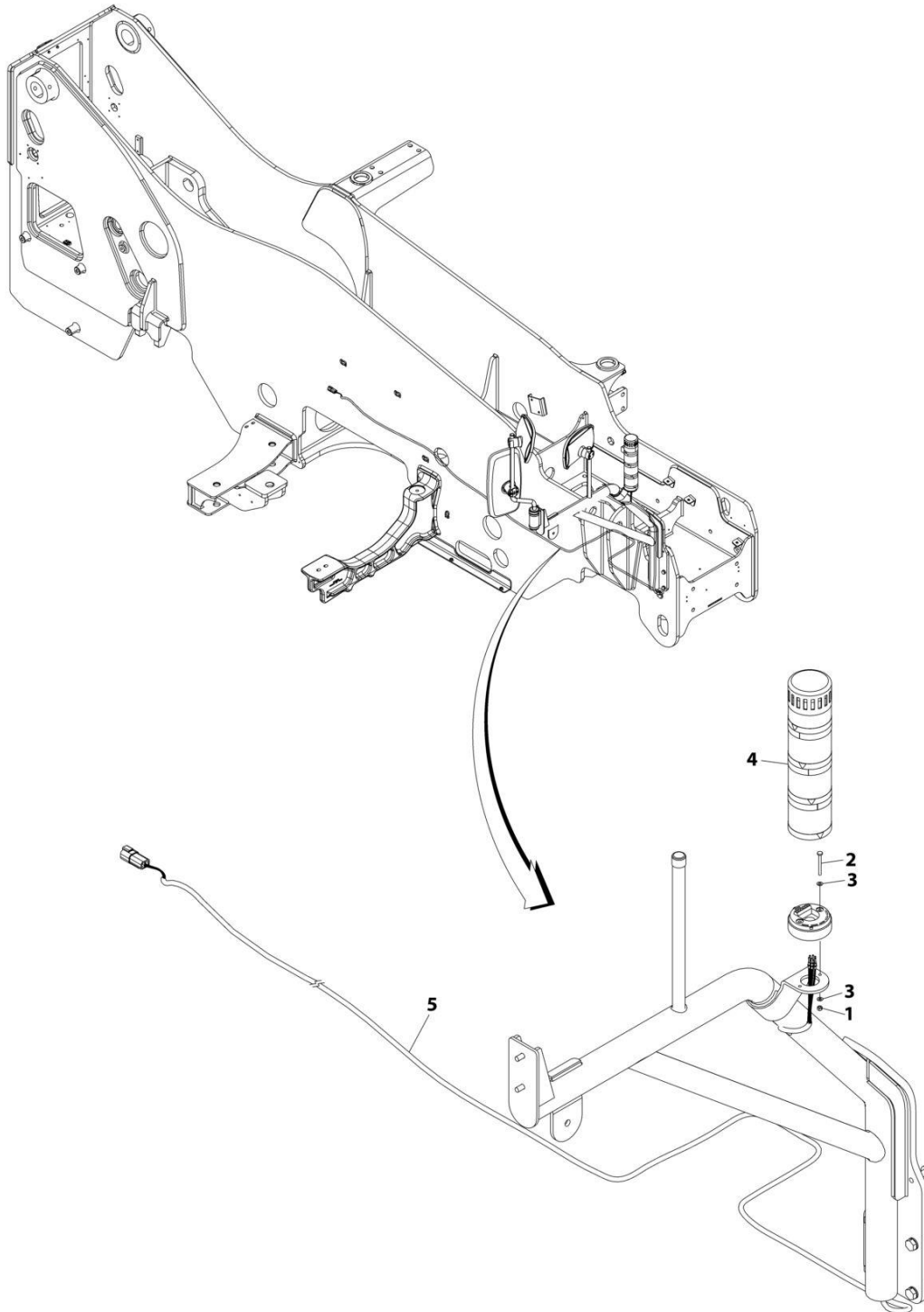
## SECTION 10 - ELECTRICAL

**FIGURE 10-90. LMIS BOOM ANGLE SENSOR INSTALLATION**

ITEM	PART NUMBER	QTY	DESCRIPTION	REV
	1001195590	Ref	BOOM ANGLE SENSOR INSTALLATION (LMIS)	E
1	0761008	2	Bolt M10 x 16	
2	3290405	2	Nut M4	
3	3290601	2	Nut M6 x 1	
4	4010416	2	Screw M4 x 40	
5	4010610	1	Screw M6 x 20	
6	4811400	2	Washer M4	
7	4812000	2	Washer M10	
8	1001099717	1	Sensor, Boom Angle	
9	1001103156	1	Pin	
10	1001103300	1	Fitting, Ball Joint	
11	1001134274	1	Clevis	
12	1001213775	1	Bracket	
13	1001195731	1	Link, Boom Angle Sensor	
14	1001195732	1	Rod	
15	3290605	1	Nut M6 x 1	
16	4811700	1	Washer M6	
17	4761400	2	Washer 1/4	

# SECTION 10 - ELECTRICAL

## FIGURE 10-91. LMIS BEACON LIGHT INSTALLATION



ART\_1001195591\_E

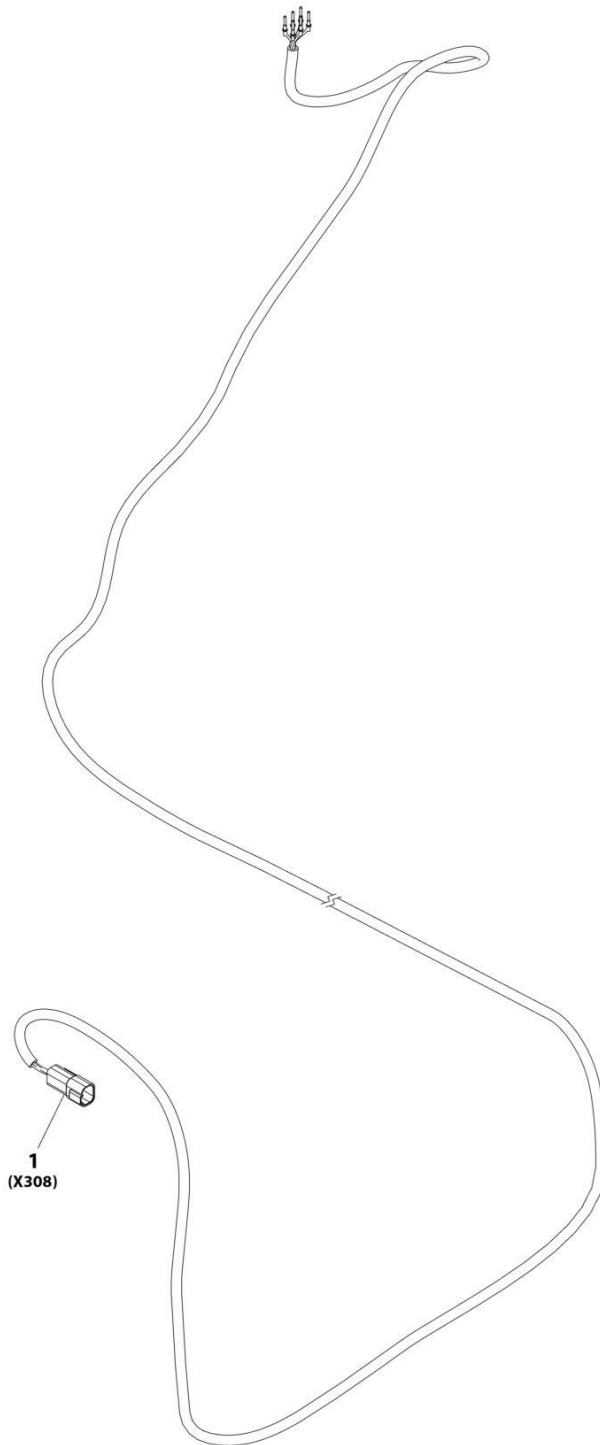
## SECTION 10 - ELECTRICAL

### FIGURE 10-91. LMIS BEACON LIGHT INSTALLATION

ITEM	PART NUMBER	QTY	DESCRIPTION	REV
	1001195591	Ref	LMIS Beacon Light Installation	E
1	3290405	2	Nut M4	
2	4010416	2	Screw, M4X40	
3	4811400	4	Washer, M4	
	1001265343	1	Light, LMIS Beacon	
5	1001117247	1	Harness, LMIS Beacon Option (See Separate Breakdown in this Section)	
7	1001146588	1	Tie-Strap (Not Shown)	

# SECTION 10 - ELECTRICAL

## FIGURE 10-92. LMIS BEACON OPTION HARNESS



ART\_1001117247



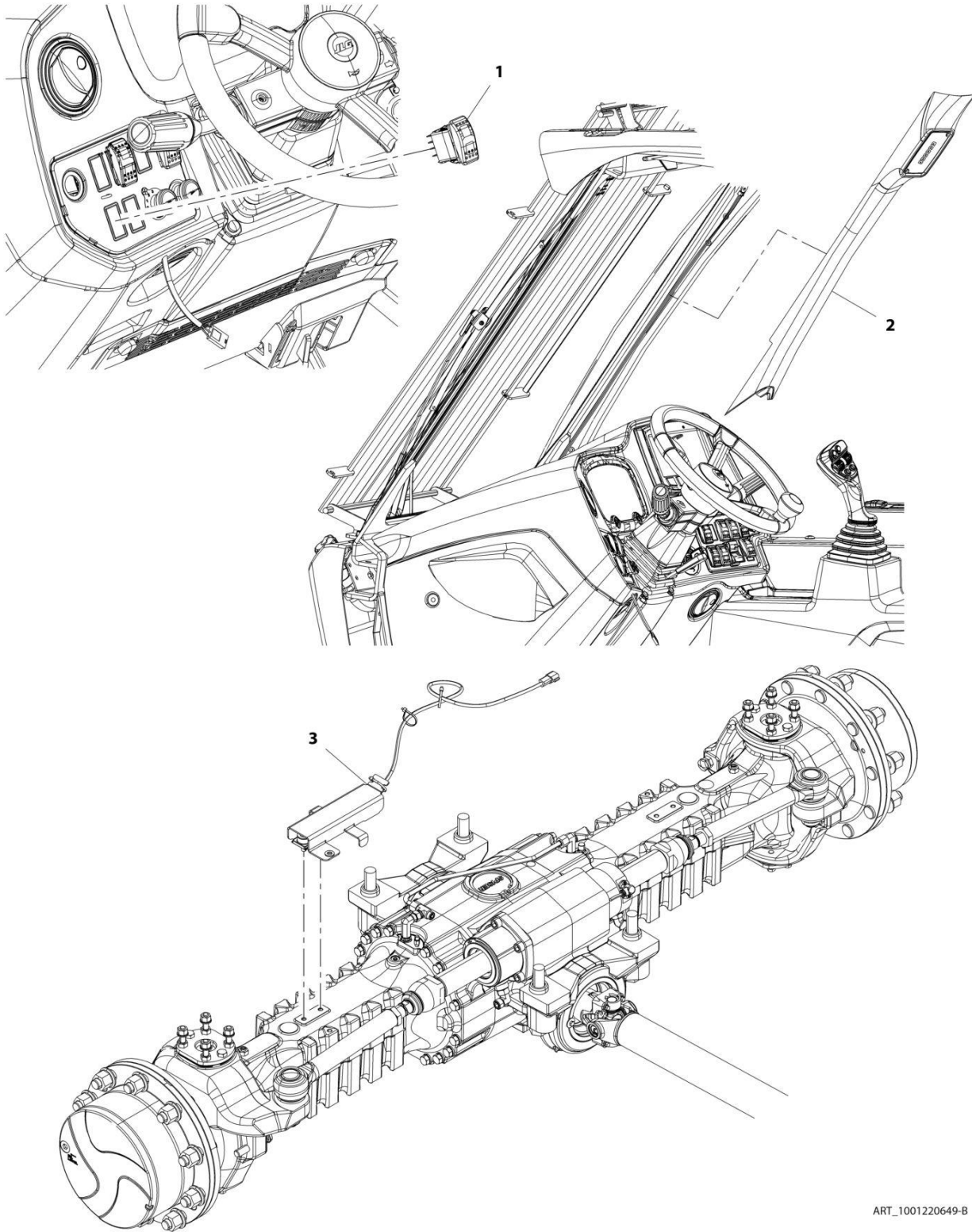
## SECTION 10 - ELECTRICAL

### FIGURE 10-92. LMIS BEACON OPTION HARNESS

ITEM	PART NUMBER	QTY	DESCRIPTION	REV
1	1001117247 4460932	Ref 1	LMIS Beacon Option Harness Connector	D

# SECTION 10 - ELECTRICAL

## FIGURE 10-93. LSI INSTALLATION



ART\_1001220649-B

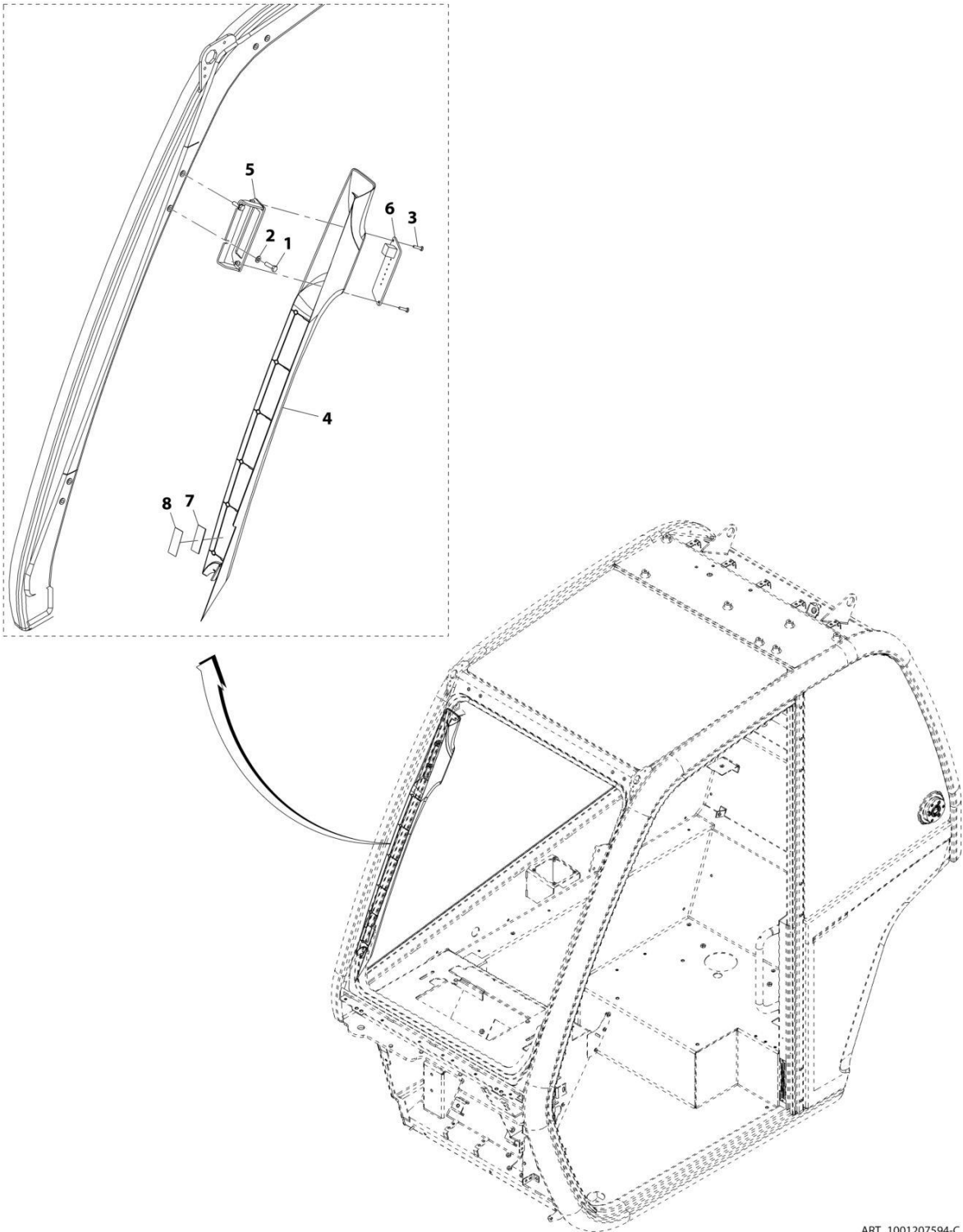
## SECTION 10 - ELECTRICAL

### FIGURE 10-93. LSI INSTALLATION

ITEM	PART NUMBER	QTY	DESCRIPTION	REV
	1001220649	Ref	LSI Installation	B
1	1001159742	1	Switch, LSI Override	
2	1001207594	Ref	Installation, LSI Display (See Separate Breakdown in this Section)	
3	1001220650	Ref	Installation, LSI Sensor (See Separate breakdown in this Section)	

**SECTION 10 - ELECTRICAL**

**FIGURE 10-94. LSI DISPLAY INSTALLATION**



ART\_1001207594-C

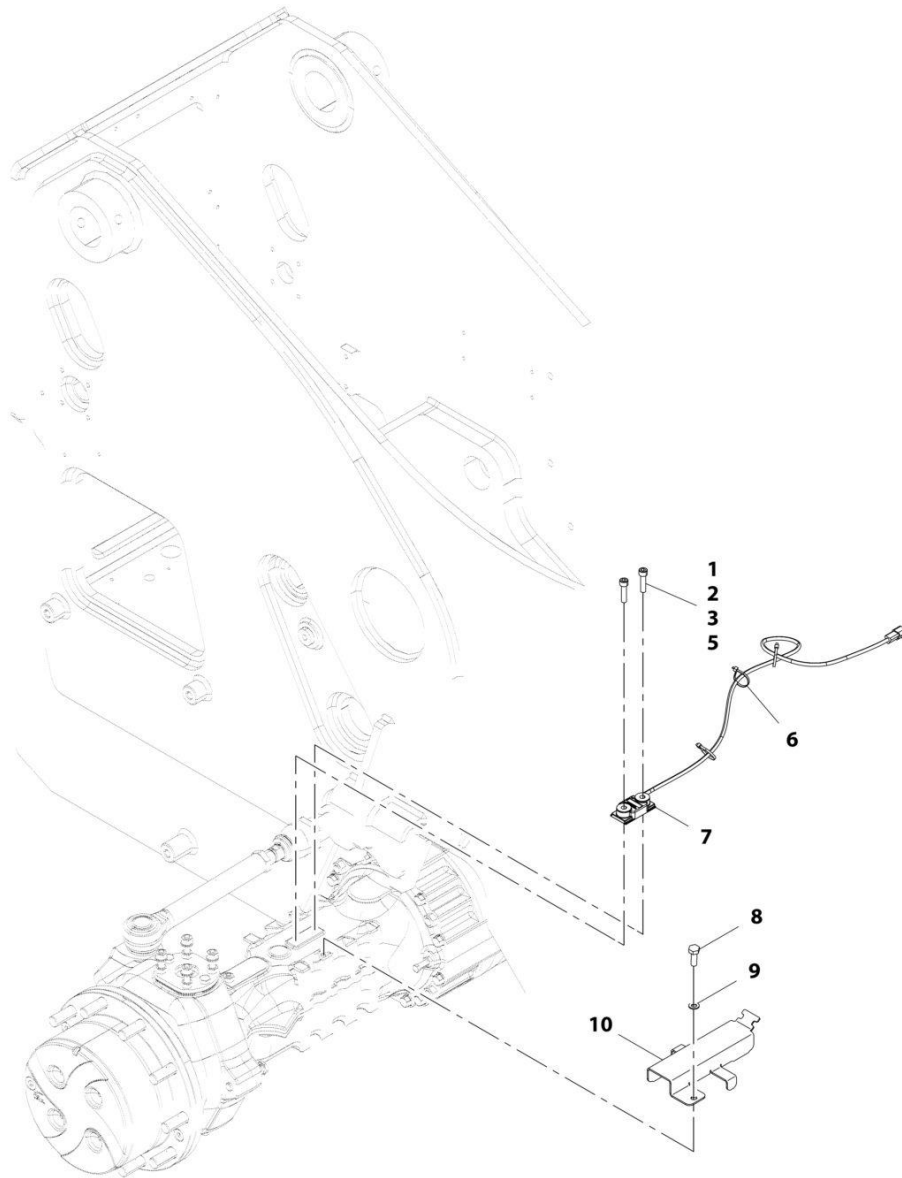
## SECTION 10 - ELECTRICAL

### FIGURE 10-94. LSI DISPLAY INSTALLATION

ITEM	PART NUMBER	QTY	DESCRIPTION	REV
	1001207594	Ref	LSI Display Installation	C
1	0760610	2	Bolt, M6X20	
2	4811700	2	Washer, M6	
3	1001126837	2	Screw, M4X16	
4	1001182839	1	Cover	
5	1001214401	1	Bracket	
6	1001213752	1	Display, LSI	
7	1001221318	1	Tape, Hook Fastener	
8	1001221319	1	Tape, Hook Fastener	

# SECTION 10 - ELECTRICAL

## FIGURE 10-95. LSI SENSOR INSTALLATION



ART\_1001220650-B

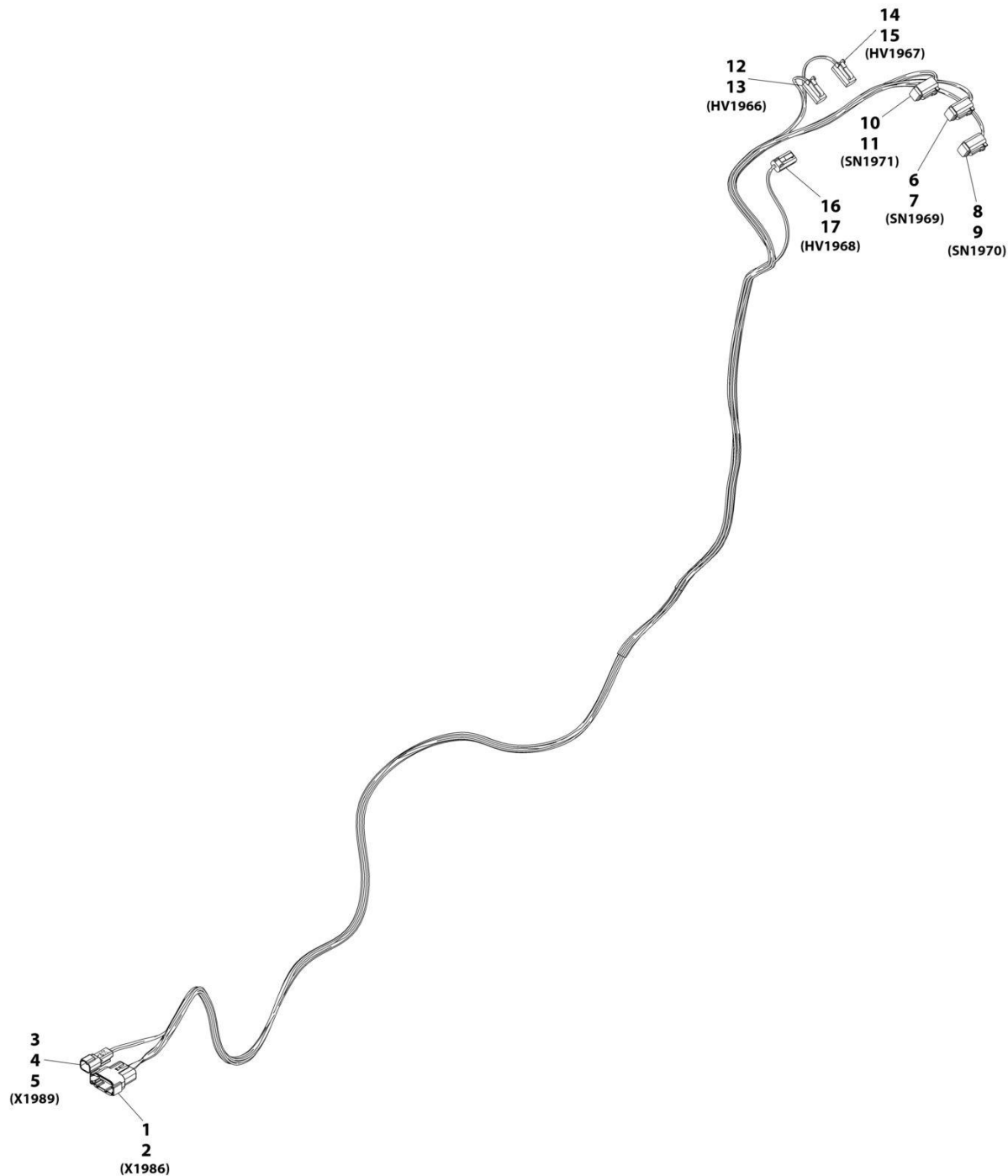
## SECTION 10 - ELECTRICAL

### FIGURE 10-95. LSI SENSOR INSTALLATION

ITEM	PART NUMBER	QTY	DESCRIPTION	REV
	1001220650	Ref	LSI Sensor Installation	B
1	5272012	2	Bolt, M10X40	
2	1001116128	AR	Sealant	
3	1001125465	AR	Compound, Locking	
5	1001129425	AR	Compound, Locking	
6	1001008559	3	Strap, Cable	
7	1001160730	1	Sensor, LSI	
8	0761010	1	Bolt, M10X20	
9	4812000	1	Washer, M10	
10	1001230850	1	Bracket, LSI Cover	

# SECTION 10 - ELECTRICAL

## FIGURE 10-96. RALP PLATFORM HARNESS



ART\_1001193566-C



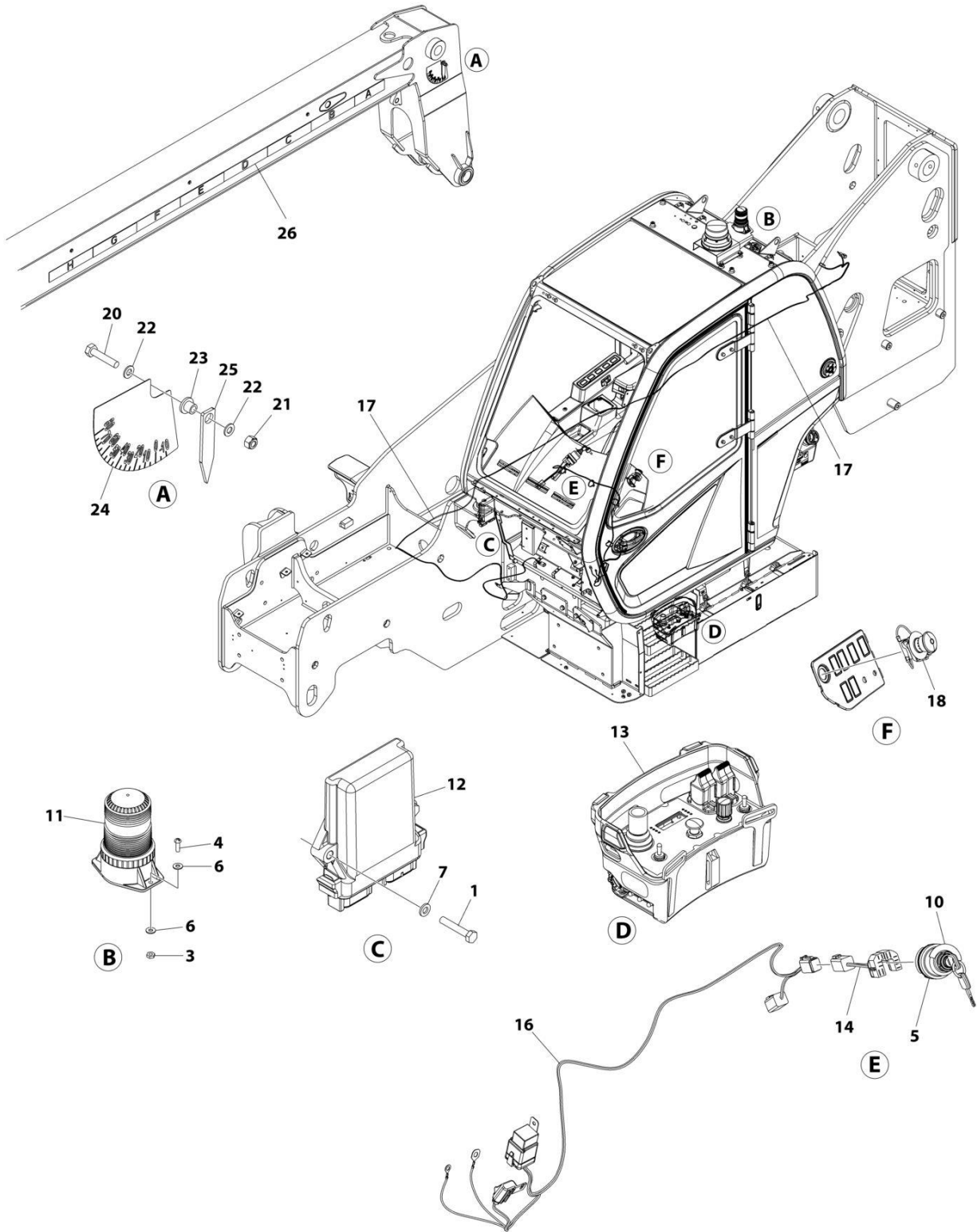
## SECTION 10 - ELECTRICAL

### FIGURE 10-96. RALP PLATFORM HARNESS

ITEM	PART NUMBER	QTY	DESCRIPTION	REV
	1001193566	Ref	Platform Harness (RALP)	C
1	1001132169	1	Connector	
2	4460929	12	Terminal	
3	4460897	1	Connector	
4	4460464	1	Terminal	
5	4460941	1	Terminal	
6	4460884	1	Connector	
7	4460465	4	Terminal	
8	4460884	1	Connector	
9	4460465	4	Terminal	
10	4460884	1	Connector	
11	4460465	4	Terminal	
12	4460891	1	Connector	
13	4460465	2	Terminal	
14	4460891	1	Connector	
15	4460465	2	Terminal	
16	4460891	1	Connector	
17	4460465	2	Terminal	

# SECTION 10 - ELECTRICAL

## FIGURE 10-97. REMOTE CONTROL (BOOM)



ART\_1001259256\_D

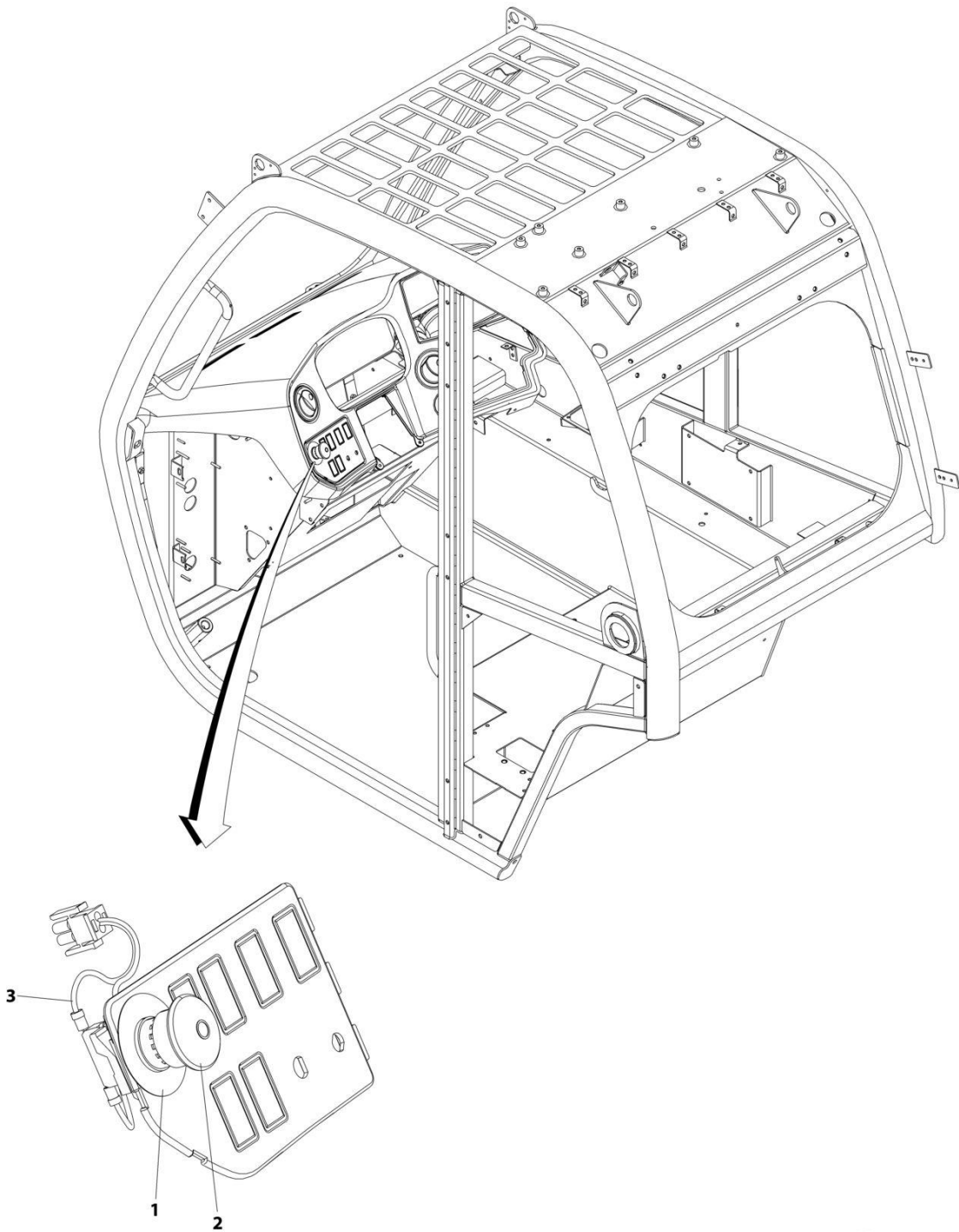
## SECTION 10 - ELECTRICAL

### FIGURE 10-97. REMOTE CONTROL (BOOM)

ITEM	PART NUMBER	QTY	DESCRIPTION	REV
	1001259256	Ref	REMOTE CONTROL (BOOM)	D
1	0760615	2	Bolt M6 x 35	
3	3311005	2	Nut #10	
4	3911010	2	Screw #10 x 5/8	
5	4360657	1	Switch, Ignition	
6	4711000	4	Washer #10	
7	4811700	2	Washer M6	
9	1001008559	4	Strap, As-Cable (Not Shown)	
10	1001268354	1	Decal - Platform Ignition Switch	
11	1001200910	1	Light, Beacon (Blue)	
12	1001206112	1	Control, Remote Controller	
13	1001209194	1	Control, Remote	
14	1001241610	1	Harness, Key (See Separate Breakdown in this Section)	
16	1001259205	1	Harness, Remote Control Power (See Separate Breakdown in this Section)	
17	1001259231	1	Installation, Harness (Emergency Lowering - Frame)	
17	1001008559	1	Strap, As-Cable (Not Shown)	
17	1001258719	1	Harness, Emergency Lowering - Frame (See Separate Breakdown in this Section)	
18	1001259246	1	Installation, Emergency Stop Switch (See Separate Breakdown in this Section)	
19	1001259258	1	Installation, Manual Pump (Lift/Tele) (Not Shown) (See Separate Breakdown in HYDRAULIC Section)	
20	0701018	1	Bolt M10 x 50	
21	3291005	1	Nut M10	
22	4812000	2	Washer M10	
23	1001171808	1	Spacer	
24	1001269176	1	Decal - Boom Angle Indicator	
25	1001269177	1	Plate - Boom Angle Indicator	
26	1001275624	1	Decal - Boom Extend Remote	

# SECTION 10 - ELECTRICAL

## FIGURE 10-98. REMOTE CONTROL EMERGENCY STOP SWITCH INSTALLATION



ART\_1001259246

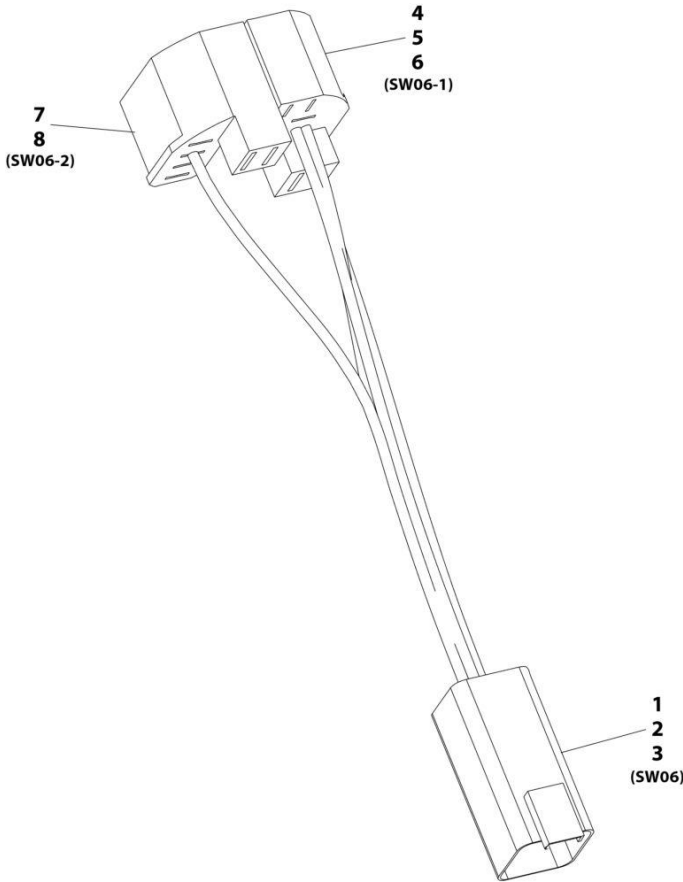
## SECTION 10 - ELECTRICAL

**FIGURE 10-98. REMOTE CONTROL EMERGENCY STOP SWITCH INSTALLATION**

ITEM	PART NUMBER	QTY	DESCRIPTION	REV
	1001259246	Ref	Remote Control Emergency Stop Switch Installation	A
1	1704260	1	Decal - Emergency Stop	
2	4360475	1	Switch, Emergency Stop	
3	1001259224	1	Harness, EMS Switch	
3	4460320	1	Connector	
3	4460183	2	Terminal	

**SECTION 10 - ELECTRICAL**

**FIGURE 10-99. REMOTE CONTROL KEY HARNESS**



ART\_1001241610-A

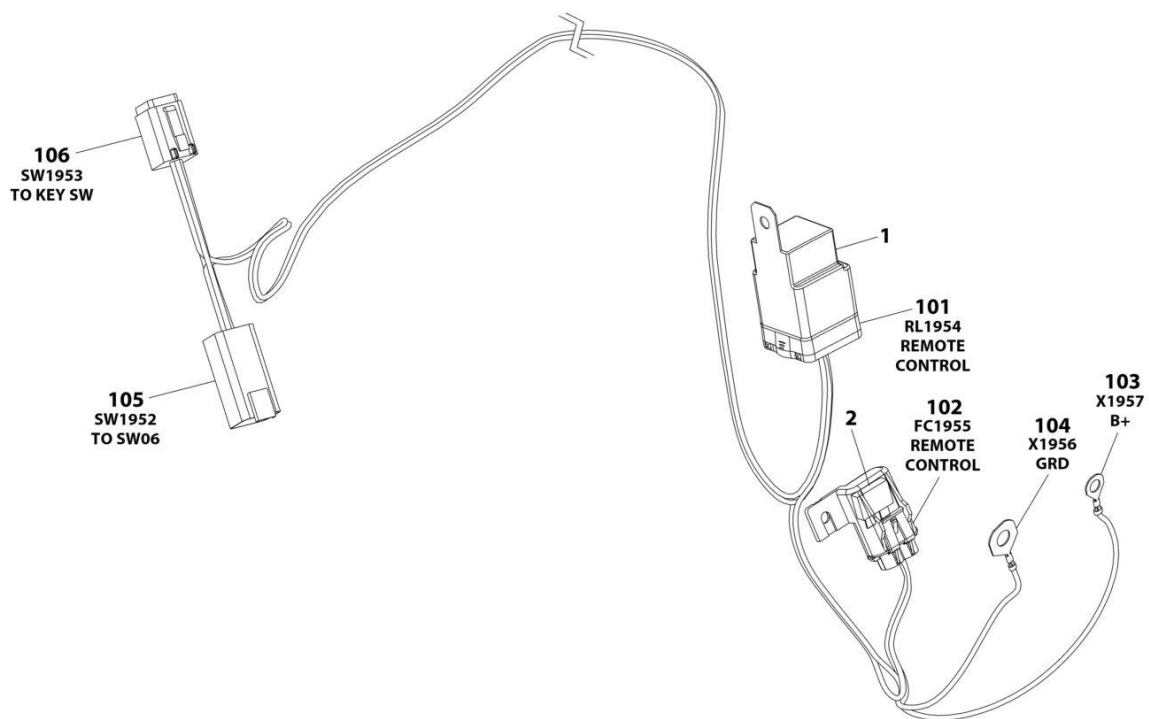
## SECTION 10 - ELECTRICAL

### FIGURE 10-99. REMOTE CONTROL KEY HARNESS

ITEM	PART NUMBER	QTY	DESCRIPTION	REV
	1001241610	Ref	Key Harness	A
1	4460899	1	Connector	
2	4460464	4	Terminal	
3	4460466	2	Plug	
4	1001118685	1	Connector	
5	1001104519	2	Terminal	
6	1001118383	1	Terminal	
7	1001117121	1	Connector	
8	1001104519	1	Terminal	

# SECTION 10 - ELECTRICAL

## FIGURE 10-100. REMOTE CONTROL POWER HARNESS



ART\_1001259205



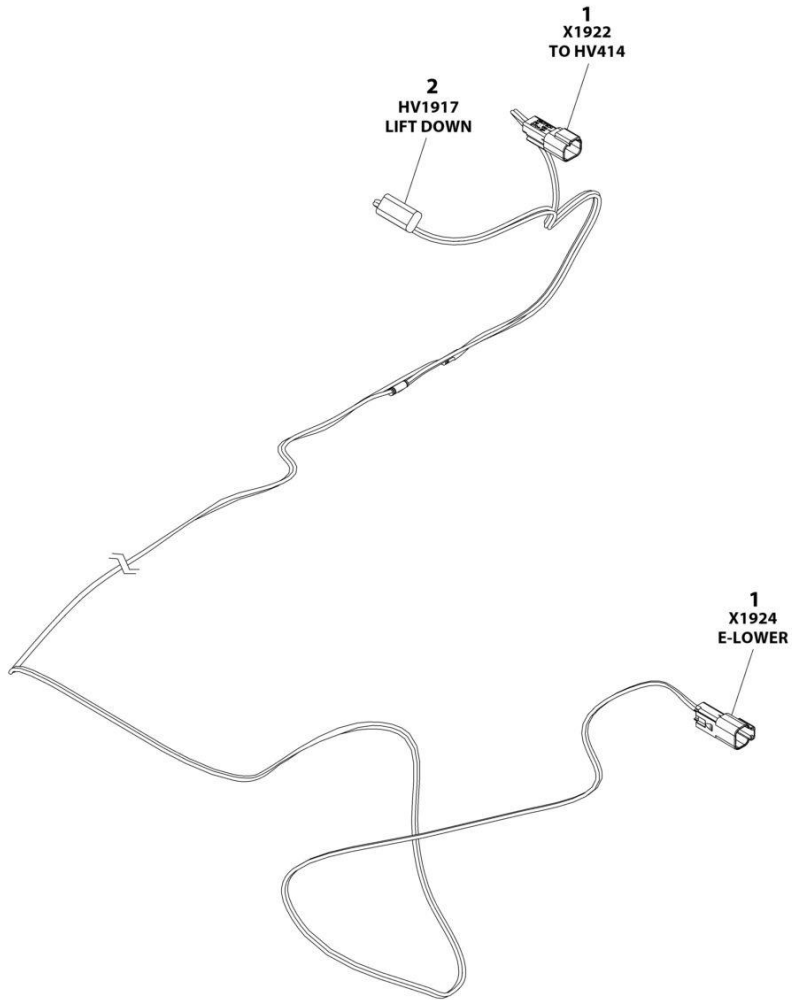
## SECTION 10 - ELECTRICAL

**FIGURE 10-100. REMOTE CONTROL POWER HARNESS**

ITEM	PART NUMBER	QTY	DESCRIPTION	REV
	1001259205	Ref	Remote Control Power Harness	A
1	3740080	1	Relay	
2	8229234	1	Fuse, 10Amp	
101	1001231398	1	Connector, Relay	
101	1001231400	4	Terminal	
101	1001231404	4	Seal, Terminal	
101	1001231406	1	Plug, Terminal	
102	1001231397	1	Connector - 2 Position	
102	1001231400	2	Terminal	
102	1001231404	2	Seal, Terminal	
103	1001207173	1	Terminal, Ring	
104	1001211775	1	Terminal, Ring	
105	4460899	1	Receptacle, Female - 6 Position	
105	4460464	4	Pin, Male	
105	4460466	2	Plug, Terminal	
106	4460894	1	Plug, Male - 6 Position	
106	4460465	4	Socket, Female	
106	4460466	2	Plug, Terminal	

# SECTION 10 - ELECTRICAL

## FIGURE 10-101. REMOTE CONTROL EMERGENCY LOWERING HARNESS



ART\_1001258719

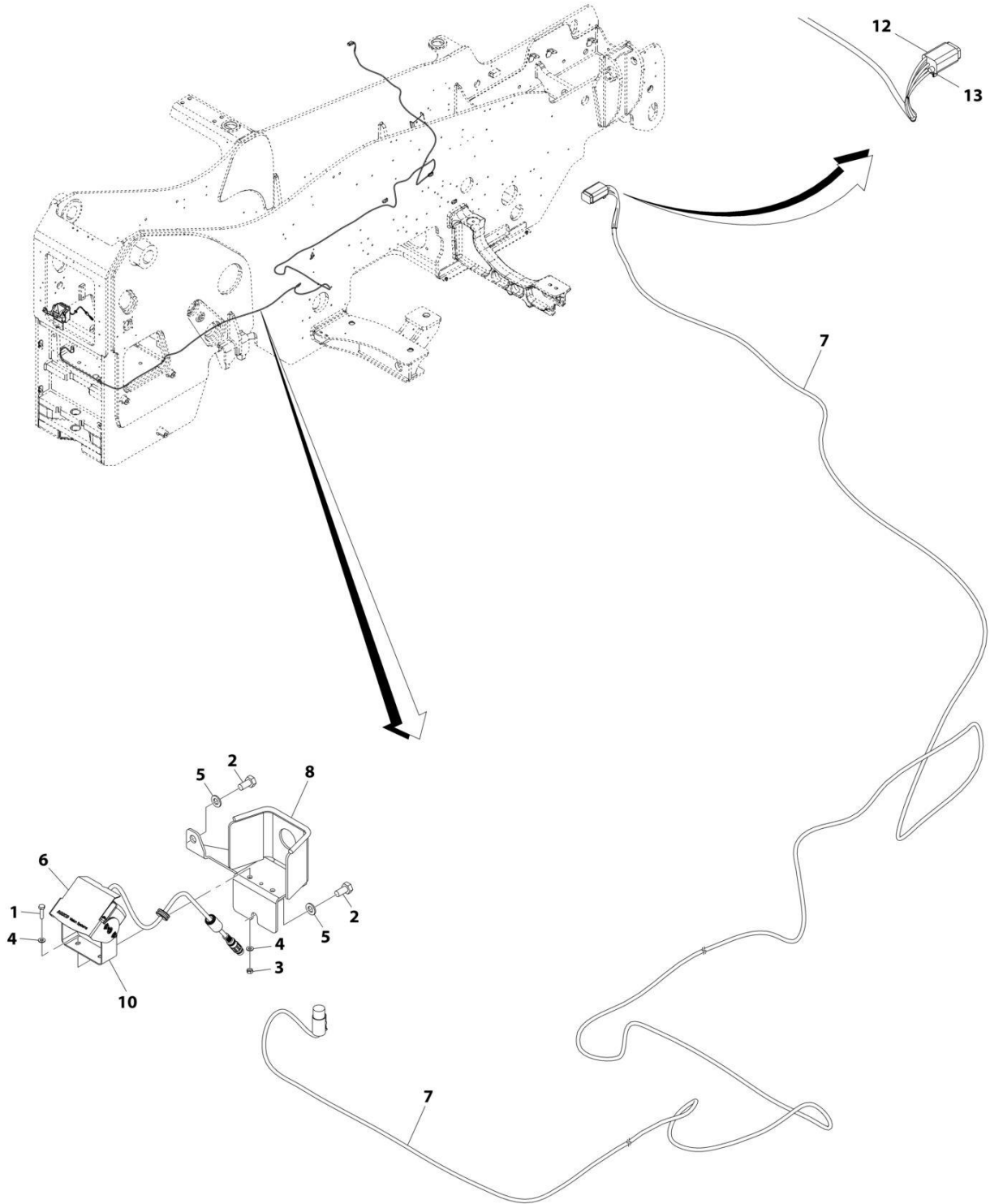
## SECTION 10 - ELECTRICAL

### FIGURE 10-101. REMOTE CONTROL EMERGENCY LOWERING HARNESS

ITEM	PART NUMBER	QTY	DESCRIPTION	REV
	1001258719	Ref	Remote Control Emergency Lowering Harness	A
1	4460897	2	Receptacle, Female - 2 Position	
1	4460464	4	Pin, Male	
2	4460891	1	Plug, Male - 2 Position	
2	4460465	2	Socket, Male	

# SECTION 10 - ELECTRICAL

## FIGURE 10-102. REVERSE CAMERA INSTALLATION



ART\_1001192321-G

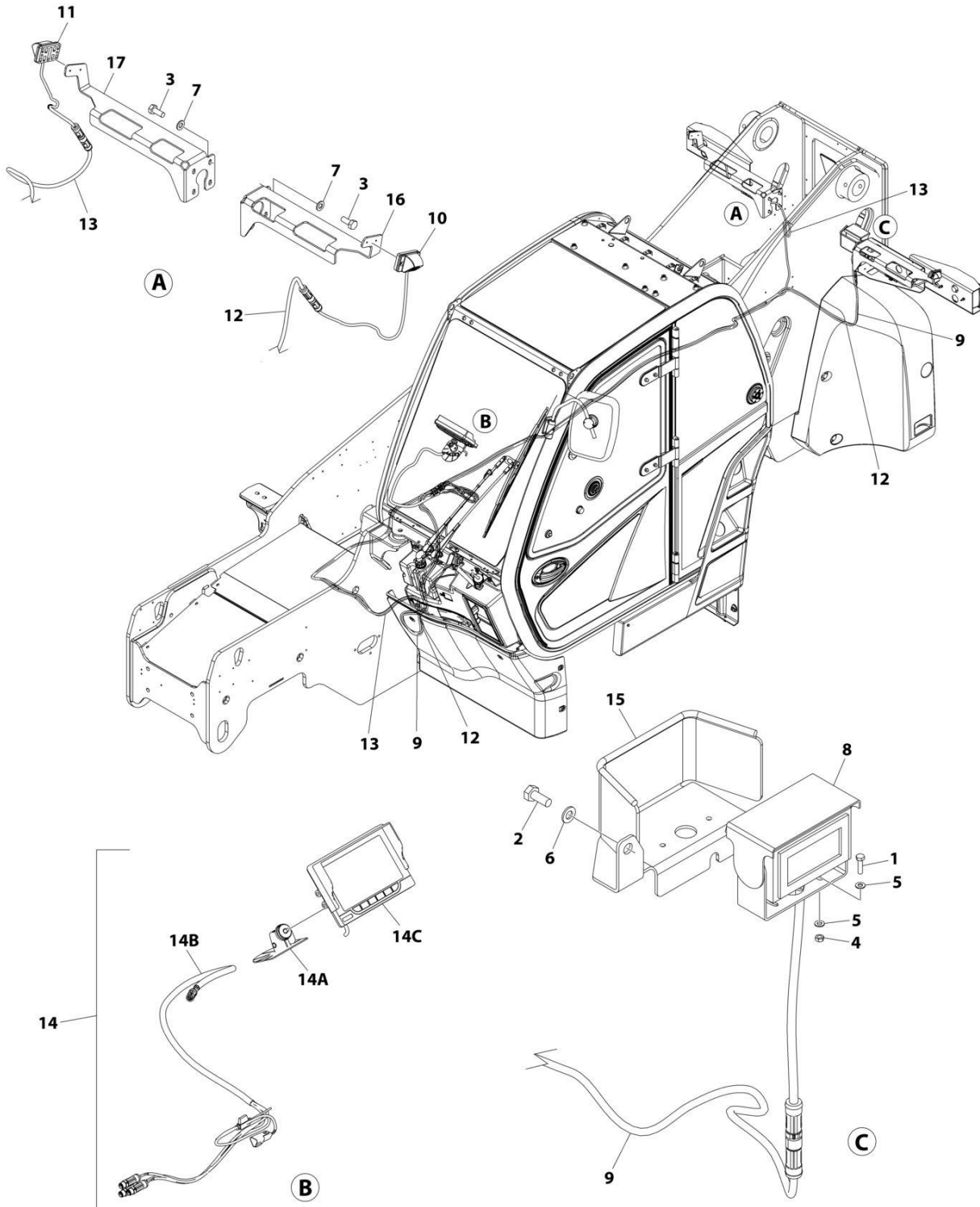
## SECTION 10 - ELECTRICAL

### FIGURE 10-102. REVERSE CAMERA INSTALLATION

ITEM	PART NUMBER	QTY	DESCRIPTION	REV
	1001192321	Ref	Reverse Camera Installation	G
1	0700408	2	Bolt, M4X16	
2	0760808	2	Bolt, M8X16	
3	3290401	2	Nut, M4X0.7	
4	4811400	4	Washer, M4	
5	4811900	2	Washer, M8	
6	1001167017	1	Camera, Reverse	
7	1001171962	1	Cable, Camera	
8	1001205307	1	Bracket	
10	1001202621	1	Bracket	
12	4460884	1	Connector	
13	4460466	1	Terminal	

# SECTION 10 - ELECTRICAL

## FIGURE 10-103. MULTI VIEW CAMERA INSTALLATION



ART\_1001297791

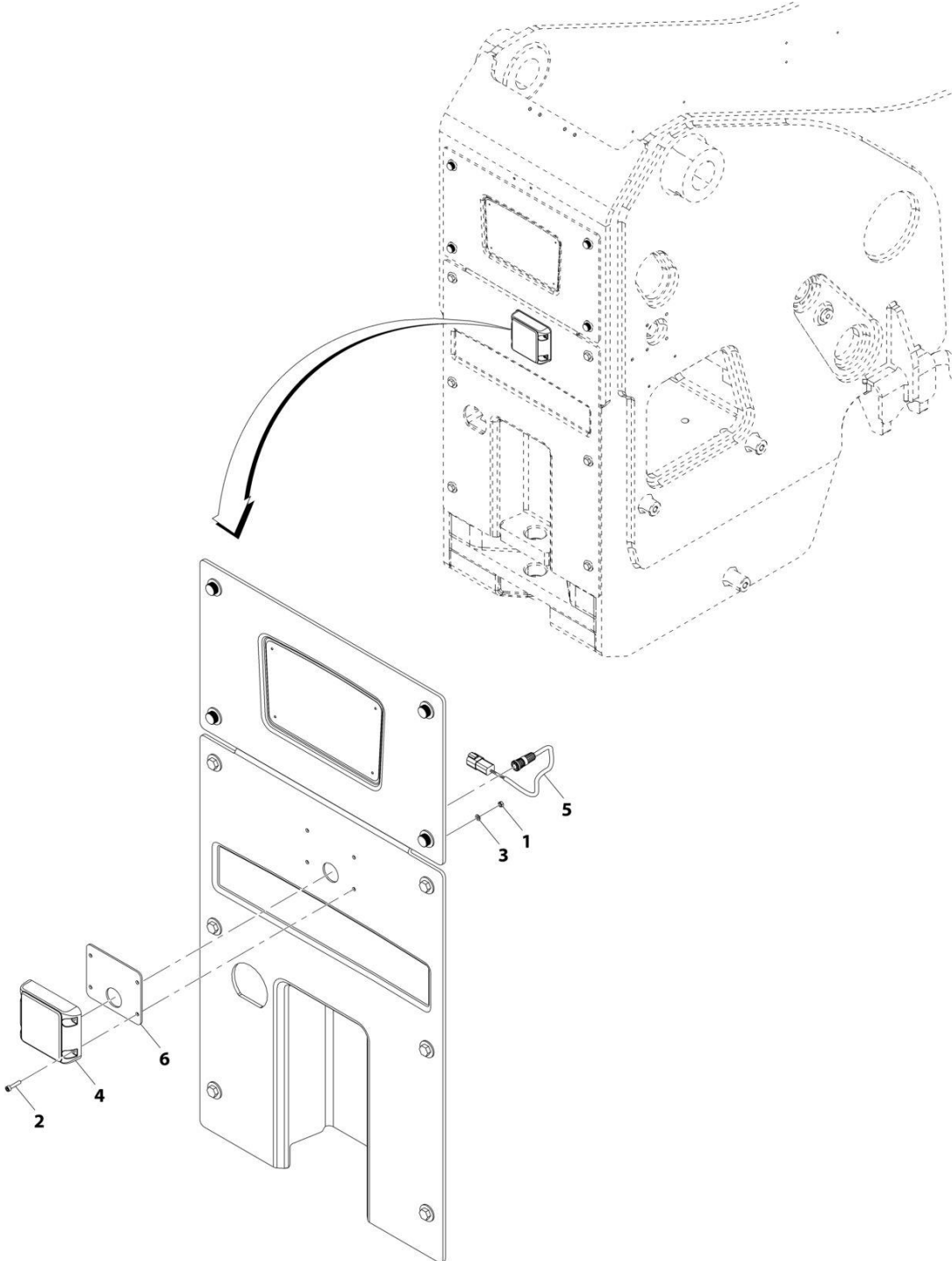
## SECTION 10 - ELECTRICAL

### FIGURE 10-103. MULTI VIEW CAMERA INSTALLATION

ITEM	PART NUMBER	QTY	DESCRIPTION	REV
	1001297791	Ref	MULTI VIEW CAMERA INSTALLATION	A
1	0700408	2	Bolt M4 x 16	
2	0760810	2	Bolt M8 x 20	
3	0761012	8	Bolt M10 x 25	
4	3290401	2	Nut M4	
5	4811400	4	Washer M4	
6	4811900	2	Washer M8	
7	4812000	8	Washer M10	
8	1001233174	1	Camera, Rear View	
9	1001233434	1	Extension Cable Camera Harness	
10	1001264534	1	Camera, Side View (LH)	
11	1001264536	1	Camera, Side View (RH)	
12	1001265979	1	Extension Cable Camera Harness (LH)	
13	1001265980	1	Extension Cable Camera Harness (RH)	
14	1001289479	1	Quad View Monitor Assembly	C
14A	1001233217	1	Bracket	
14B	1001294608	1	Quad View Monitor Harness	
14C	1001302410	1	Monitor LED Display	
15	1001294994	1	Bracket, Rear	
16	1001295267	1	Bracket, Side (LH)	
17	1001295268	1	Bracket, Side (RH)	

**SECTION 10 - ELECTRICAL**

**FIGURE 10-104. REVERSE SENSOR INSTALLATION**



ART\_1001192322-F



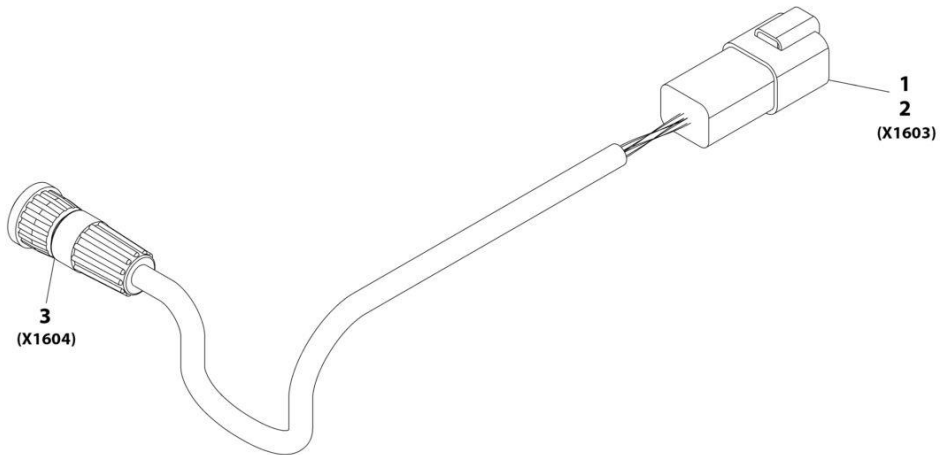
## SECTION 10 - ELECTRICAL

### FIGURE 10-104. REVERSE SENSOR INSTALLATION

ITEM	PART NUMBER	QTY	DESCRIPTION	REV
	1001192322	Ref	Reverse Sensor Installation	F
1	3290501	4	Nut, M5X0.8	
2	5271609	4	Screw, M5X25	
3	4811600	4	Washer, M5	
4	1001247421	1	Sensor, Reverse	
5	1001175776	1	Harness, Reverse Sensor (See Separate Breakdown in this Section)	
6	1001251518	1	Plate	

# SECTION 10 - ELECTRICAL

## FIGURE 10-105. REVERSE SENSOR HARNESS



ART\_1001175776-C

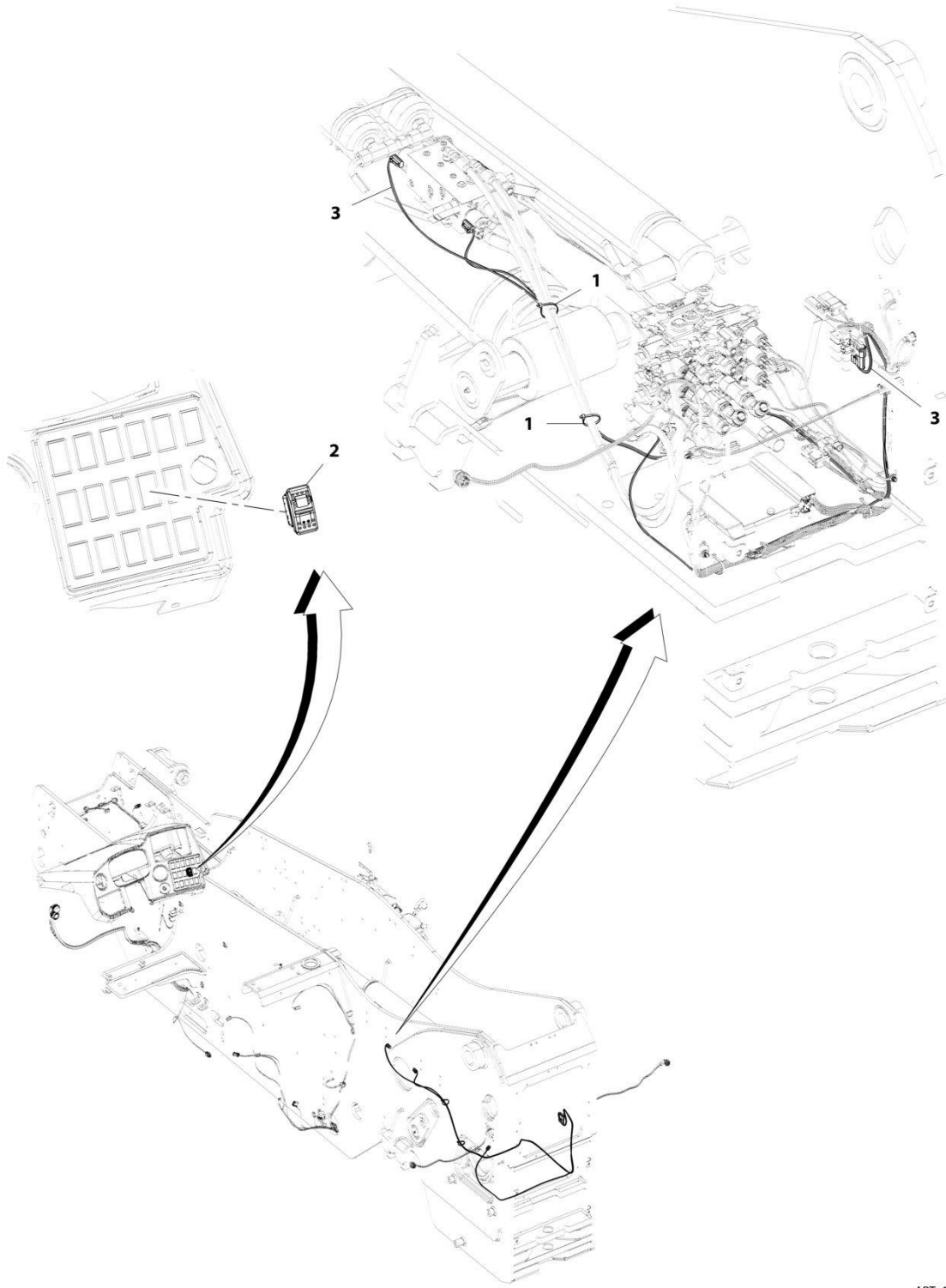
## SECTION 10 - ELECTRICAL

### FIGURE 10-105. REVERSE SENSOR HARNESS

ITEM	PART NUMBER	QTY	DESCRIPTION	REV
	1001175776	Ref	Reverse Sensor Harness	C
1	4460932	1	Connector	
2	4460464	4	Terminal	
3	1001175733	1	Connector	

# SECTION 10 - ELECTRICAL

## FIGURE 10-106. RIDE CONTROL WIRING INSTALLATION



ART\_1001200105-B

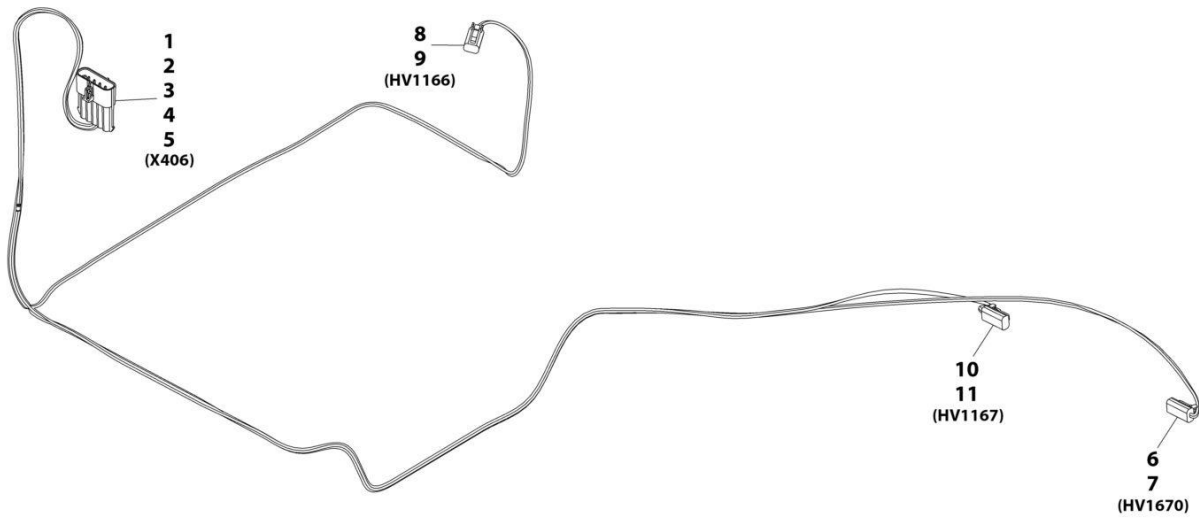
## SECTION 10 - ELECTRICAL

### FIGURE 10-106. RIDE CONTROL WIRING INSTALLATION

ITEM	PART NUMBER	QTY	DESCRIPTION	REV
	1001200105	Ref	Ride Control Wiring Installation	B
1	1001008559	2	Strap, Cable Tie	
2	1001159745	1	Switch, Boom Ride	
3	1001197668	1	Harness, Boom Ride Float (See Separate Breakdown in this Section)	

# SECTION 10 - ELECTRICAL

## FIGURE 10-107. RIDE CONTROL HARNESS (BOOM)



ART\_1001197668-D

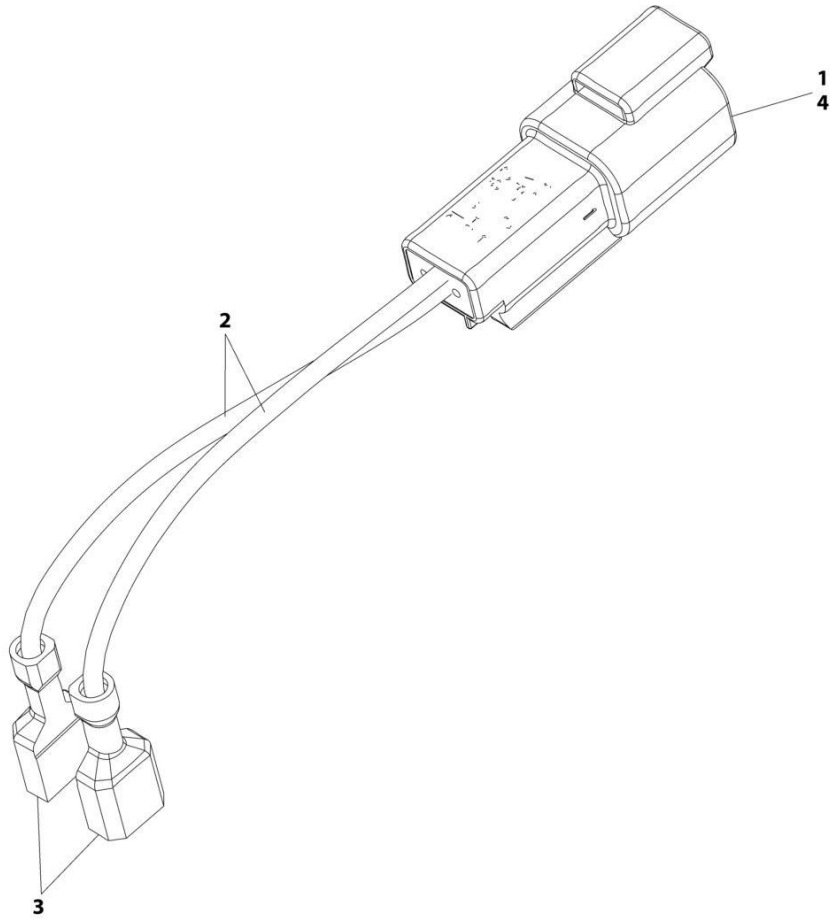
## SECTION 10 - ELECTRICAL

### FIGURE 10-107. RIDE CONTROL HARNESS (BOOM)

ITEM	PART NUMBER	QTY	DESCRIPTION	REV
	1001197668	Ref	Boom Ride Control Harness	D
1	1001121727	1	Connector	
2	1001116745	3	Terminal	
3	1001116729	1	Terminal	
4	4460458	4	Terminal Seal	
5	1001116727	1	Plug	
6	4460891	1	Connector	
7	4460465	2	Terminal	
8	4460891	1	Connector	
9	4460465	2	Terminal	
10	4460891	1	Connector	
11	4460465	2	Terminal	

# SECTION 10 - ELECTRICAL

FIGURE 10-108. SPEED HARNESS (VEHICLE SPEED)



ART\_1001229981-A



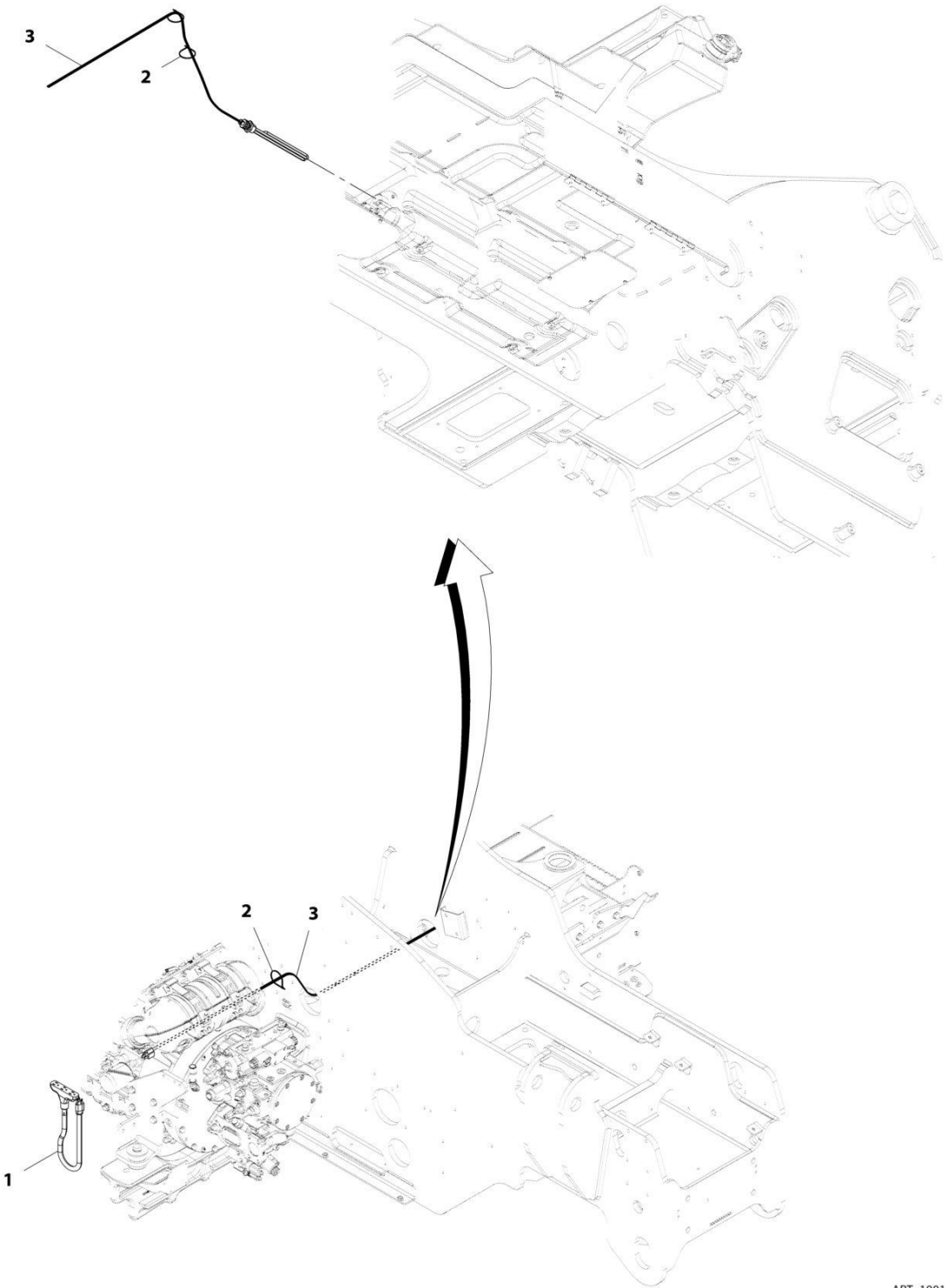
## SECTION 10 - ELECTRICAL

### FIGURE 10-108. SPEED HARNESS (VEHICLE SPEED)

ITEM	PART NUMBER	QTY	DESCRIPTION	REV
	1001229981	Ref	Vehicle Speed Pigtail Harness	A
1	4460464	2	Terminal	
2	4921614	200 mm	Wire, 18GA White	
3	1001194421	2	Terminal	
4	4460897	1	Connector	

**SECTION 10 - ELECTRICAL**

**FIGURE 10-109. TANK HEATER INSTALLATION - HYDRAULIC TANK (115V)**



ART\_1001195593-B

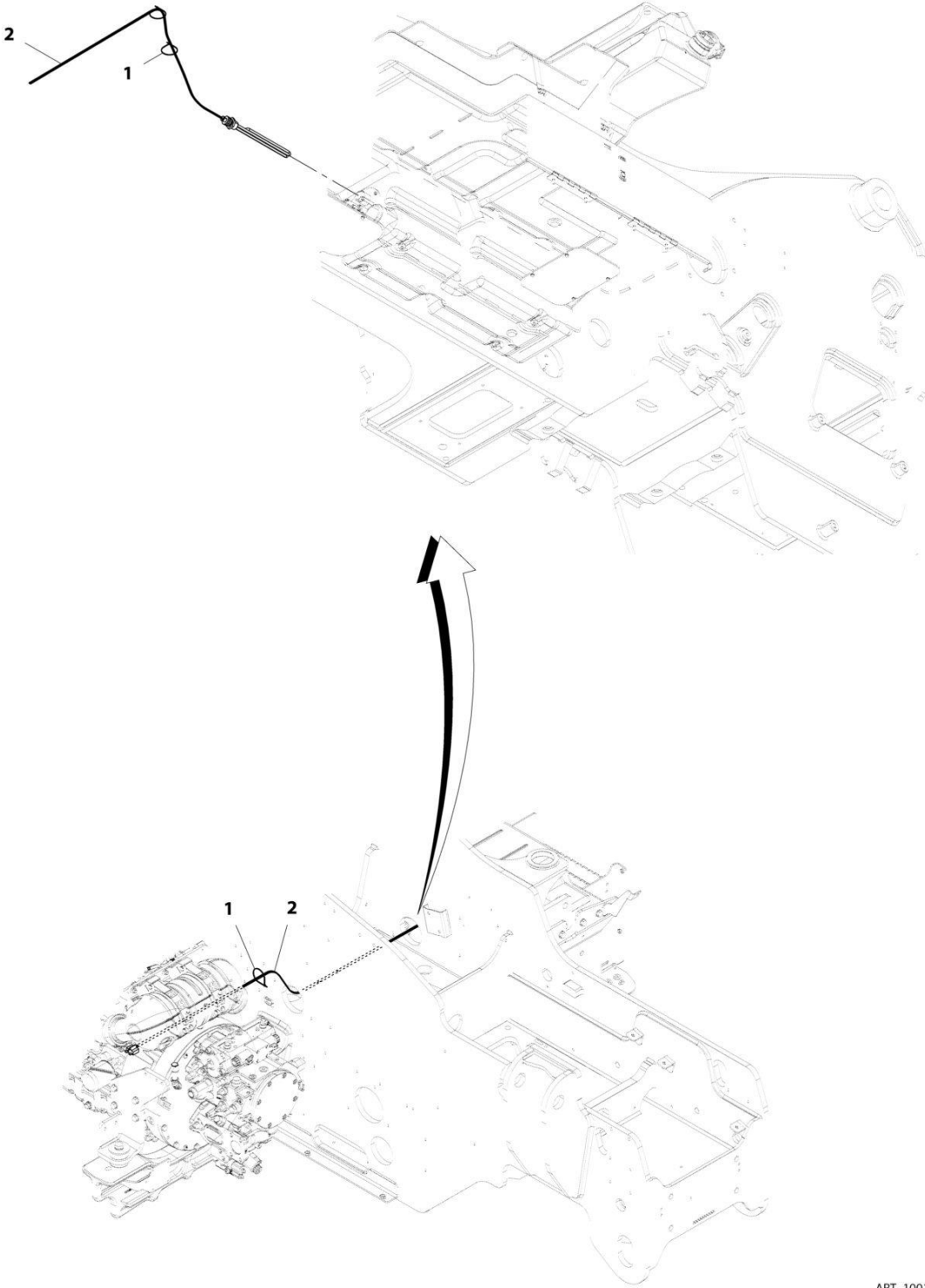
## SECTION 10 - ELECTRICAL

**FIGURE 10-109. TANK HEATER INSTALLATION - HYDRAULIC TANK (115V)**

ITEM	PART NUMBER	QTY	DESCRIPTION	REV
	1001195593	Ref	Hydraulic Tank Heater Installation (115V)	B
1	1060626	1	Cord, 3-Way Extension	
2	4240099	AR	Tie, Wire	
3	1001105886	1	Heater, Immersion	

**SECTION 10 - ELECTRICAL**

**FIGURE 10-110. TANK HEATER INSTALLATION - HYDRAULIC TANK (230V)**



ART\_1001204549-B

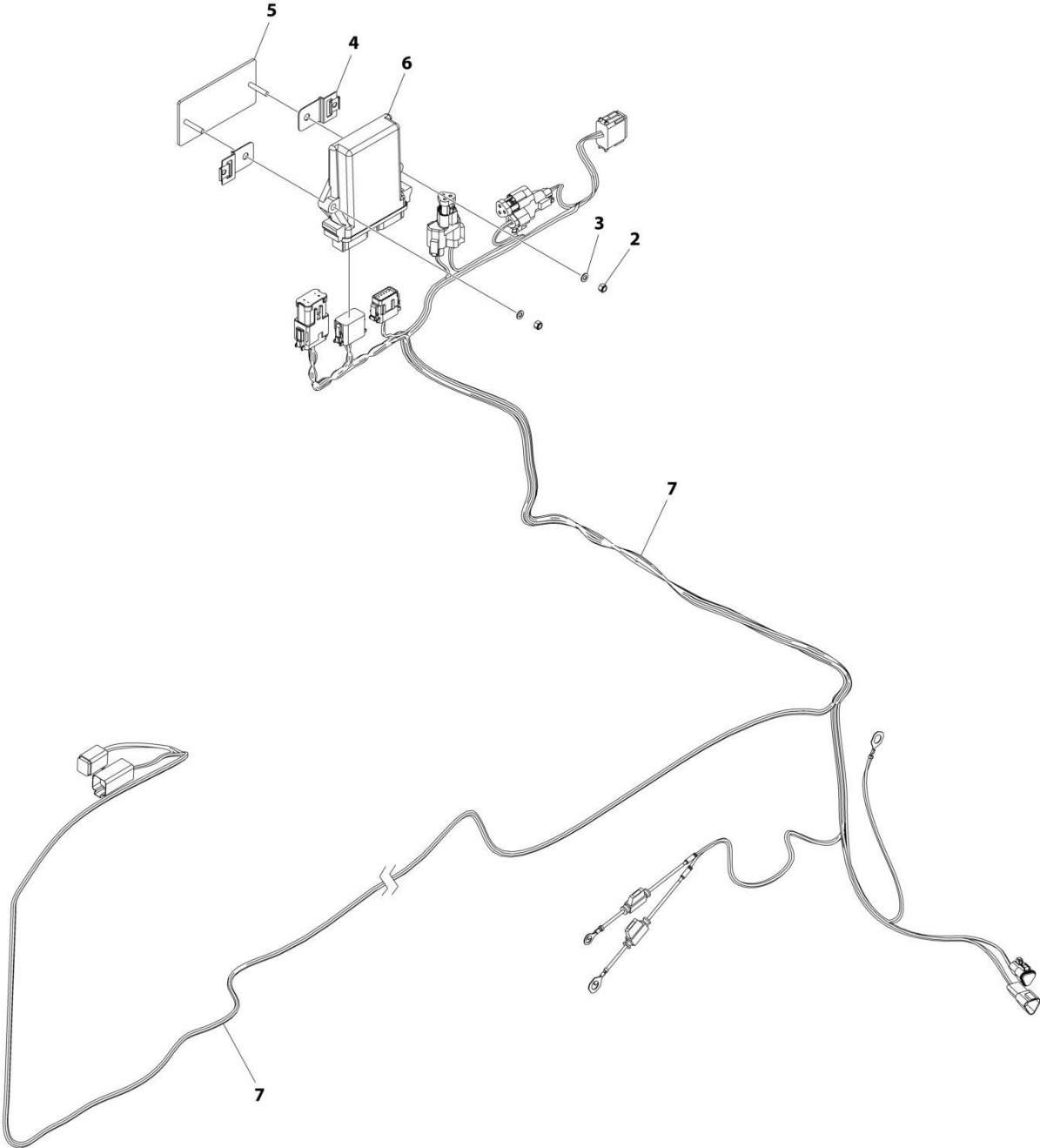
## SECTION 10 - ELECTRICAL

**FIGURE 10-110. TANK HEATER INSTALLATION - HYDRAULIC TANK (230V)**

ITEM	PART NUMBER	QTY	DESCRIPTION	REV
1	1001204549	Ref	Hydraulic Tank Heater Installation (240V)	B
	4240099	AR	Tie, Wire	
2	1001195439	1	Heater, Immersion	

**SECTION 10 - ELECTRICAL**

**FIGURE 10-111. TELEMATICS GATEWAY INSTALLATION**



ART\_1001275277

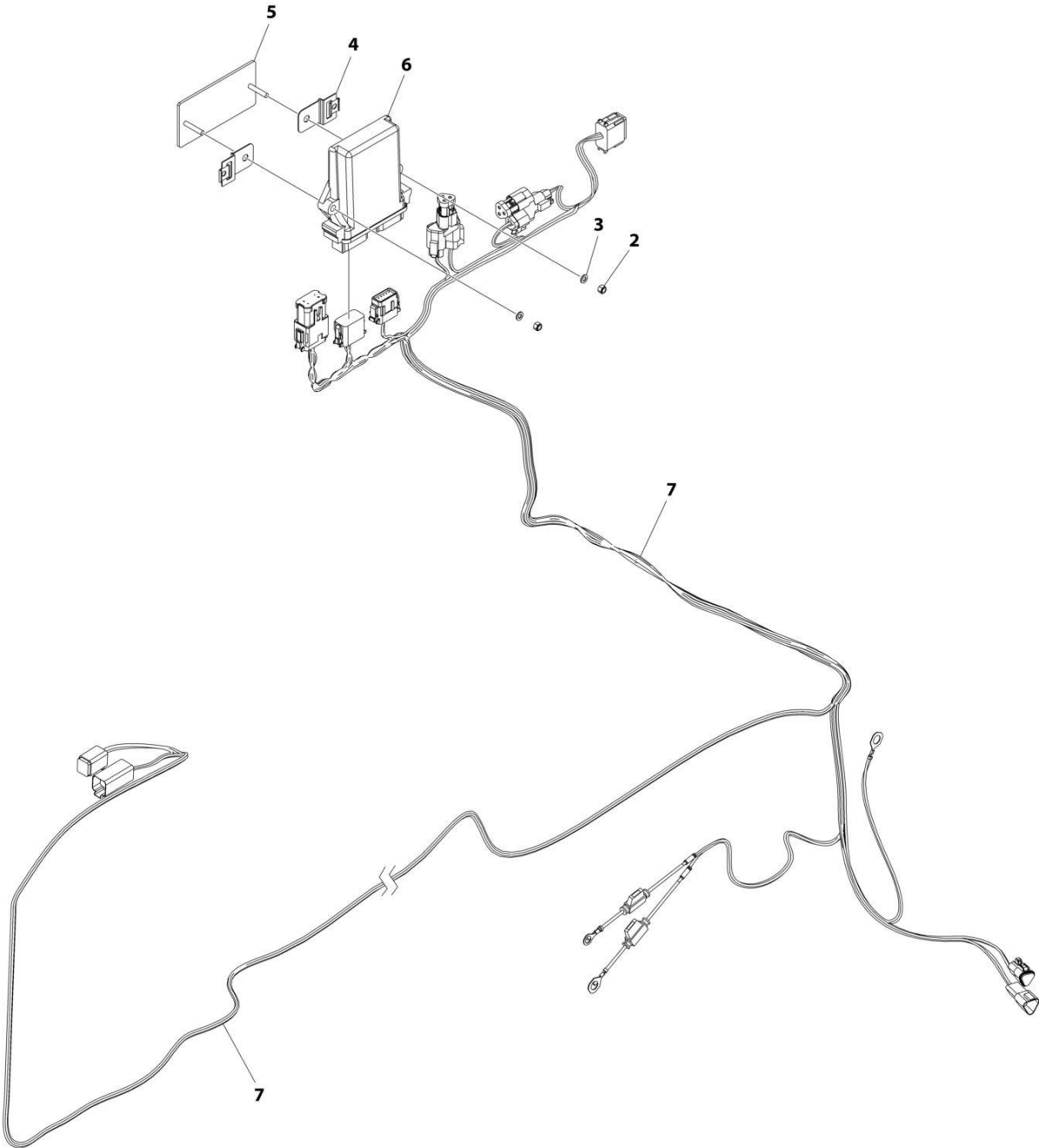
## SECTION 10 - ELECTRICAL

### FIGURE 10-111. TELEMATICS GATEWAY INSTALLATION

ITEM	PART NUMBER	QTY	DESCRIPTION	REV
	1001275277	Ref	TELEMATICS GATEWAY INSTALLATION	A
1	1062255	AR	Tie-Strap (Not Shown)	
2	3290505	2	Nut M5	
3	4811600	2	Washer M5	
4	1001153749	2	Clip	
5	1001219082	1	Bracket	
6	1001229458	1	Controller, Gateway	
7	1001275276	1	Harness, Telematics Gateway (See Separate Breakdown in this Section)	

**SECTION 10 - ELECTRICAL**

**FIGURE 10-112. TELEMATICS GATEWAY PLUS**



ART\_1001287805



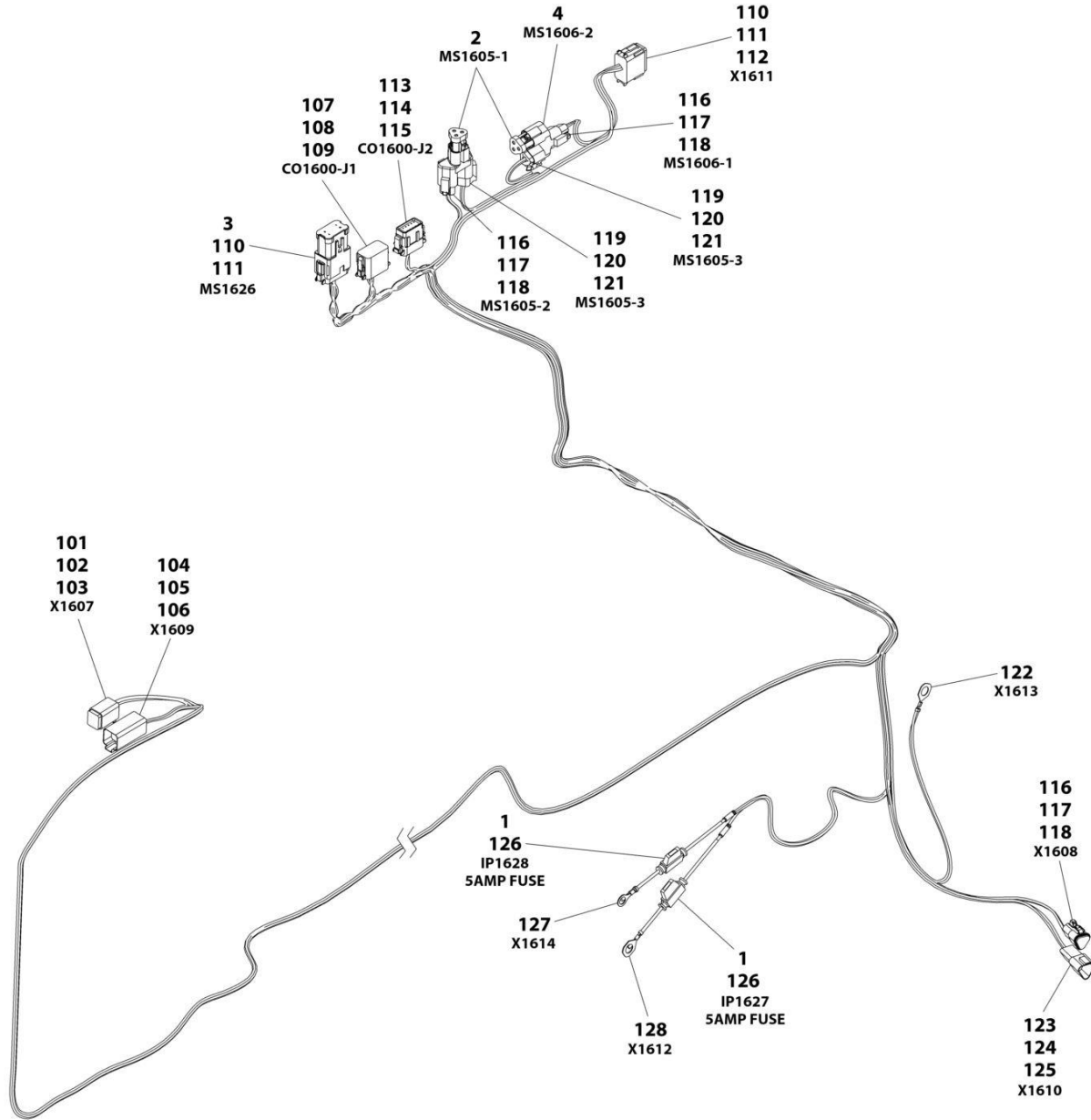
## SECTION 10 - ELECTRICAL

### FIGURE 10-112. TELEMATICS GATEWAY PLUS

ITEM	PART NUMBER	QTY	DESCRIPTION	REV
	1001287805	Ref	TELEMATICS GATEWAY PLUS	A
1	1062255	AR	Tie-Strap (Not Shown)	
2	3290505	2	Nut M5	
3	4811600	2	Washer M5	
4	1001153749	2	Clip	
5	1001219082	1	Bracket	
6	1001282260	1	Control, Gateway Plus	
7	1001275276	1	Harness, Telematics Gateway (See Separate Breakdown in this Section)	

# SECTION 10 - ELECTRICAL

## FIGURE 10-113. TELEMATICS GATEWAY HARNESS



ART\_1001275276

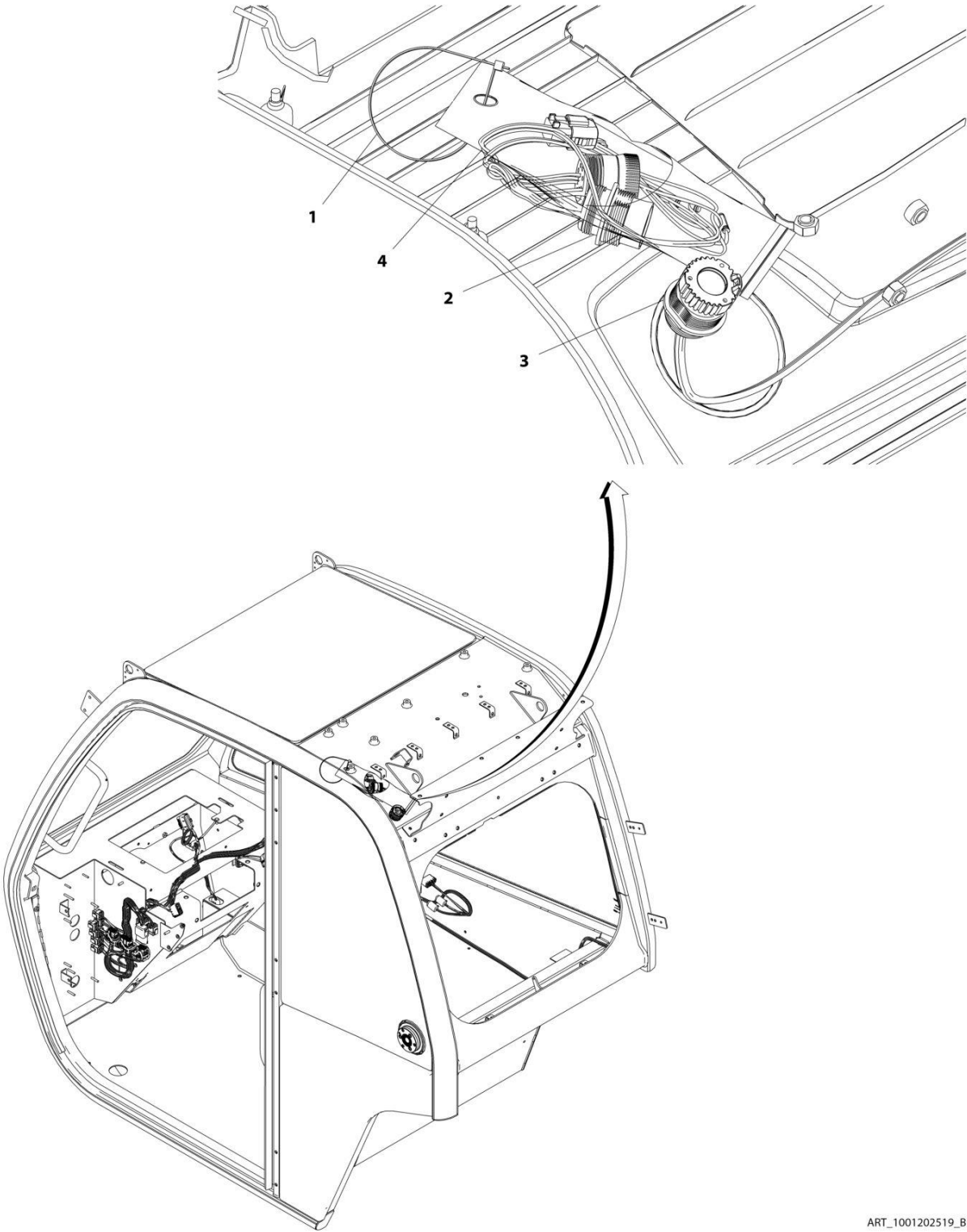
## SECTION 10 - ELECTRICAL

### FIGURE 10-113. TELEMATICS GATEWAY HARNESS

ITEM	PART NUMBER	QTY	DESCRIPTION	REV
	1001275276	Ref	TELEMATICS GATEWAY HARNESS	A
1	8229242	2	Fuse, 5AMP	
2	1001116815	2	Connector, Plug - 3 Position	
3	1001200206	1	Connector, Buss - 12 Position	
4	4460945	2	Receptacle, 3 - Way	
101	4460894	1	Plug, Male - 6 Position	
102	4460465	3	Socket, Female	
103	4460466	3	Plug, Terminal	
104	4460899	1	Receptacle, Female - 6 Position	
105	4460464	3	Pin, Male	
106	4460466	3	Plug, Terminal	
107	1001116774	1	Connector - 12 Position	
108	1001126008	6	Terminal	
109	4460518	6	Plug, Terminal	
110	4460933	2	Connector - 12 Position	
111	4460465	17	Socket, Female	
112	4460466	7	Plug, Terminal	
113	1001116808	1	Connector - 12 Position	
114	1001126008	2	Terminal	
115	4460518	10	Plug, Terminal	
116	1001116812	3	Plug, Male - 3 Position	
117	4460465	6	Socket, Female	
118	4460466	3	Plug, Terminal	
119	4460539	2	Plug, Male - 3 Position	
120	4460465	4	Socket, Female	
121	4460466	2	Plug, Terminal	
122	1001187081	1	Terminal, Ring	
123	1001144147	1	Receptacle, Female - 3 Position	
124	4460464	2	Pin, Male	
125	4460466	1	Plug, Terminal	
126	2400060	2	Fuseholder with Cover	
127	4460670	1	Terminal, Ring	
128	1001187078	1	Terminal, Ring	

**SECTION 10 - ELECTRICAL**

**FIGURE 10-114. TELEMATICS READY INSTALLATION**



ART\_1001202519\_B

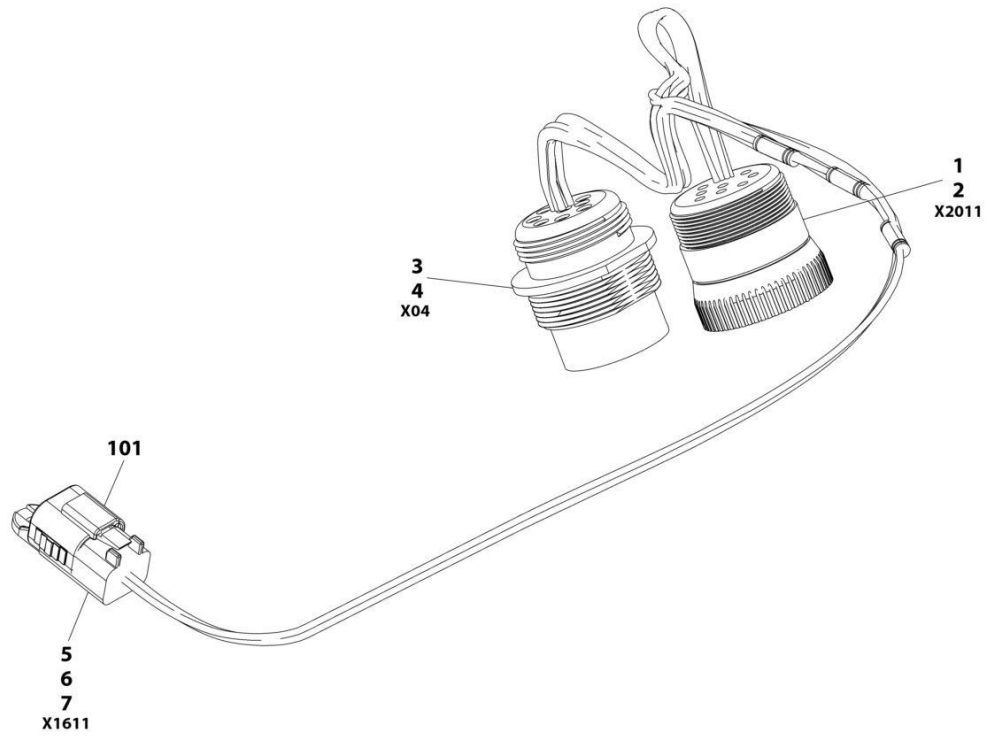
## SECTION 10 - ELECTRICAL

### FIGURE 10-114. TELEMATICS READY INSTALLATION

ITEM	PART NUMBER	QTY	DESCRIPTION	REV
	1001202519	Ref	TELEMATICS READY INSTALLATION	B
1	8584003	1	Strap, Tie	
2	1001291182	1	Harness, Telematics Ready (See Separate Breakdown in ELECTRICAL Section)	
3	1001201162	1	Cap	
4	1001202617	1	Bag	

# SECTION 10 - ELECTRICAL

## FIGURE 10-115. TELEMATICS READY HARNESS



ART\_1001291182

# SECTION 10 - ELECTRICAL

## FIGURE 10-115. TELEMATICS READY HARNESS

ITEM	PART NUMBER	QTY	DESCRIPTION	REV
	1001291182	Ref	TELEMATICS READY HARNESS	A
1	1001112796	1	Connector	
2	4460465	9	Terminal	
3	1001112612	1	Connector	
4	4460464	9	Terminal	
5	4460884	1	Connector	
6	4460465	3	Terminal	
7	4460466	1	Plug	
101	1001192401	1	Dust Cap	

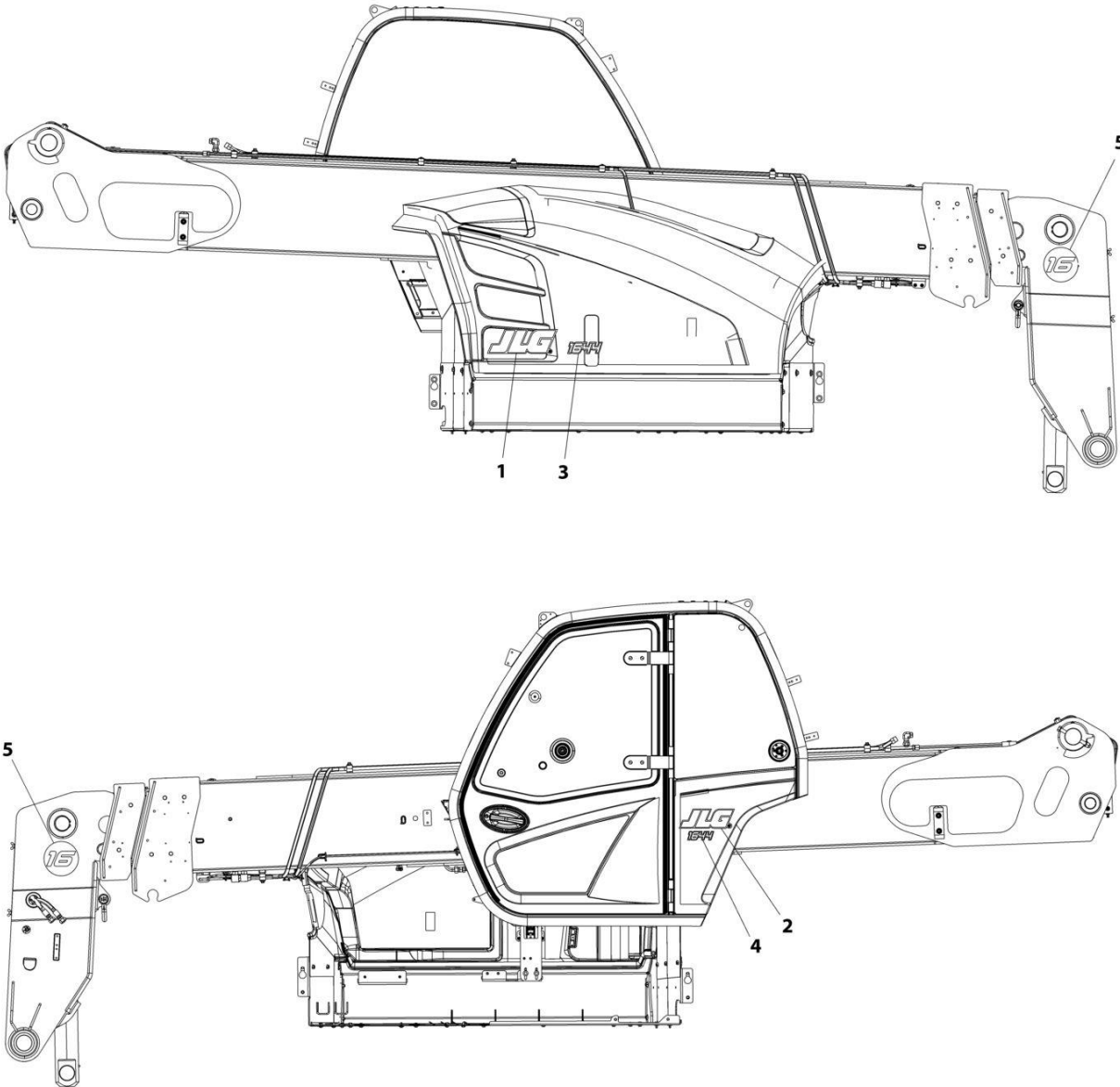




**SECTION 11 - DECALS**

**SECTION 11 - DECALS**

**FIGURE 11-1. DECAL INSTALLATION (1644)**



ART\_1001226533\_C

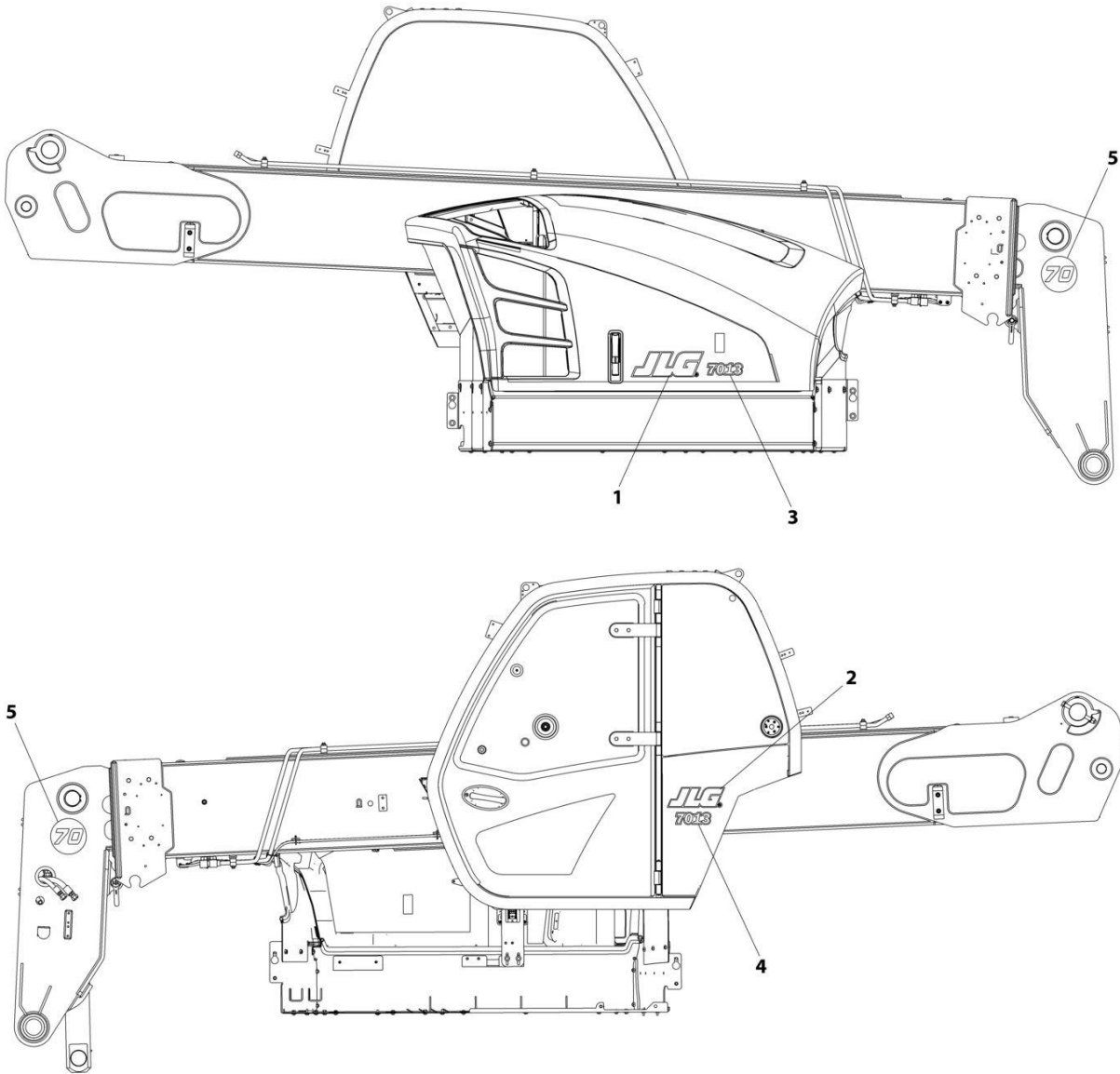
## SECTION 11 - DECALS

**FIGURE 11-1. DECAL INSTALLATION (1644)**

ITEM	PART NUMBER	QTY	DESCRIPTION	REV
	1001226533	Ref	DECAL INSTALLATION (1644)	C
1	1001160775	1	Decal, JLG 5 Black	
2	1001169674	1	Decal, JLG M100 x 285	
3	1001276768	1	Decal, JLG 1644 Hood	
4	1001276769	1	Decal, JLG 1644 Cab	
5	1001279169	2	Decal, Boom Head 16K	

**SECTION 11 - DECALS**

**FIGURE 11-2. DECAL INSTALLATION (7013)**



ART\_1001195298\_D

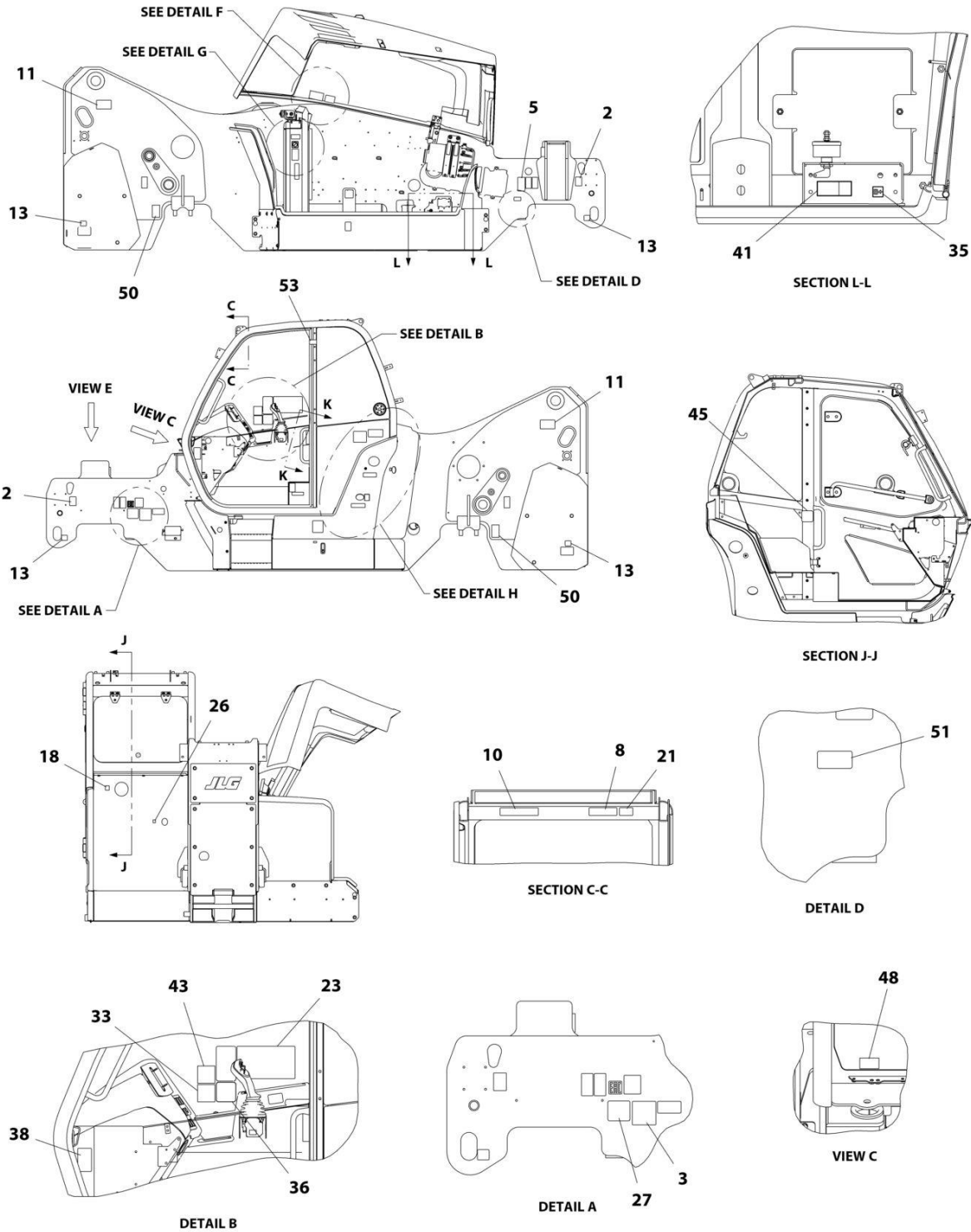
## SECTION 11 - DECALS

### FIGURE 11-2. DECAL INSTALLATION (7013)

ITEM	PART NUMBER	QTY	DESCRIPTION	REV
	1001195298	Ref	DECAL INSTALLATION (7013)	D
1	1001160775	1	Decal, JLG 5 Black	
2	1001169674	1	Decal, JLG M100 x 285	
3	1001276774	1	Decal, JLG 7013 Hood	
4	1001276775	1	Decal, JLG 7013 Cab	
5	1001279173	2	Decal, Boom Head 70	

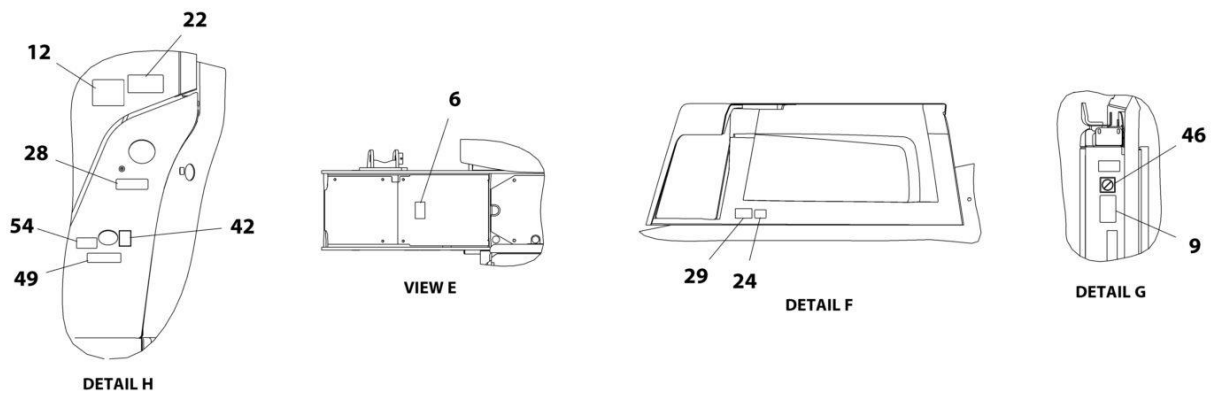
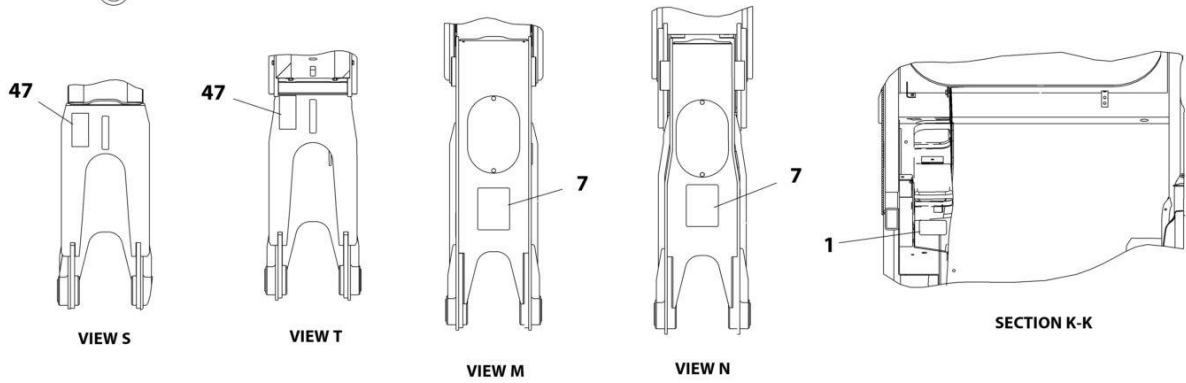
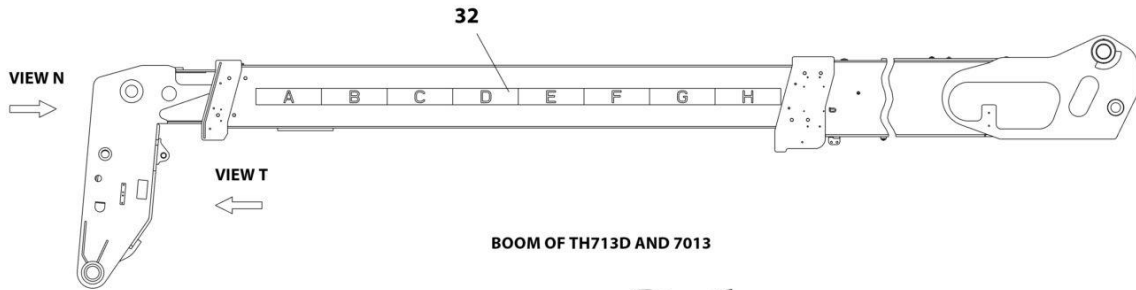
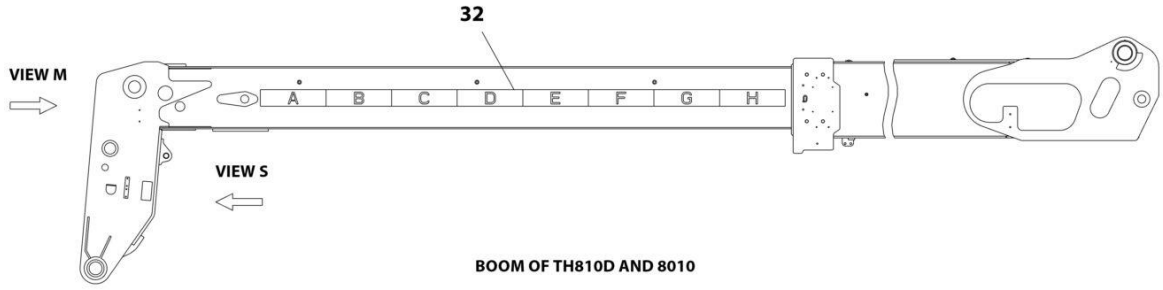
# SECTION 11 - DECALS

## FIGURE 11-3. DECAL INSTALLATION (ENGLISH)



ART\_1001192745\_1-K

# SECTION 11 - DECALS



ART\_1001192745\_2-K

# SECTION 11 - DECALS

**FIGURE 11-3. DECAL INSTALLATION (ENGLISH)**

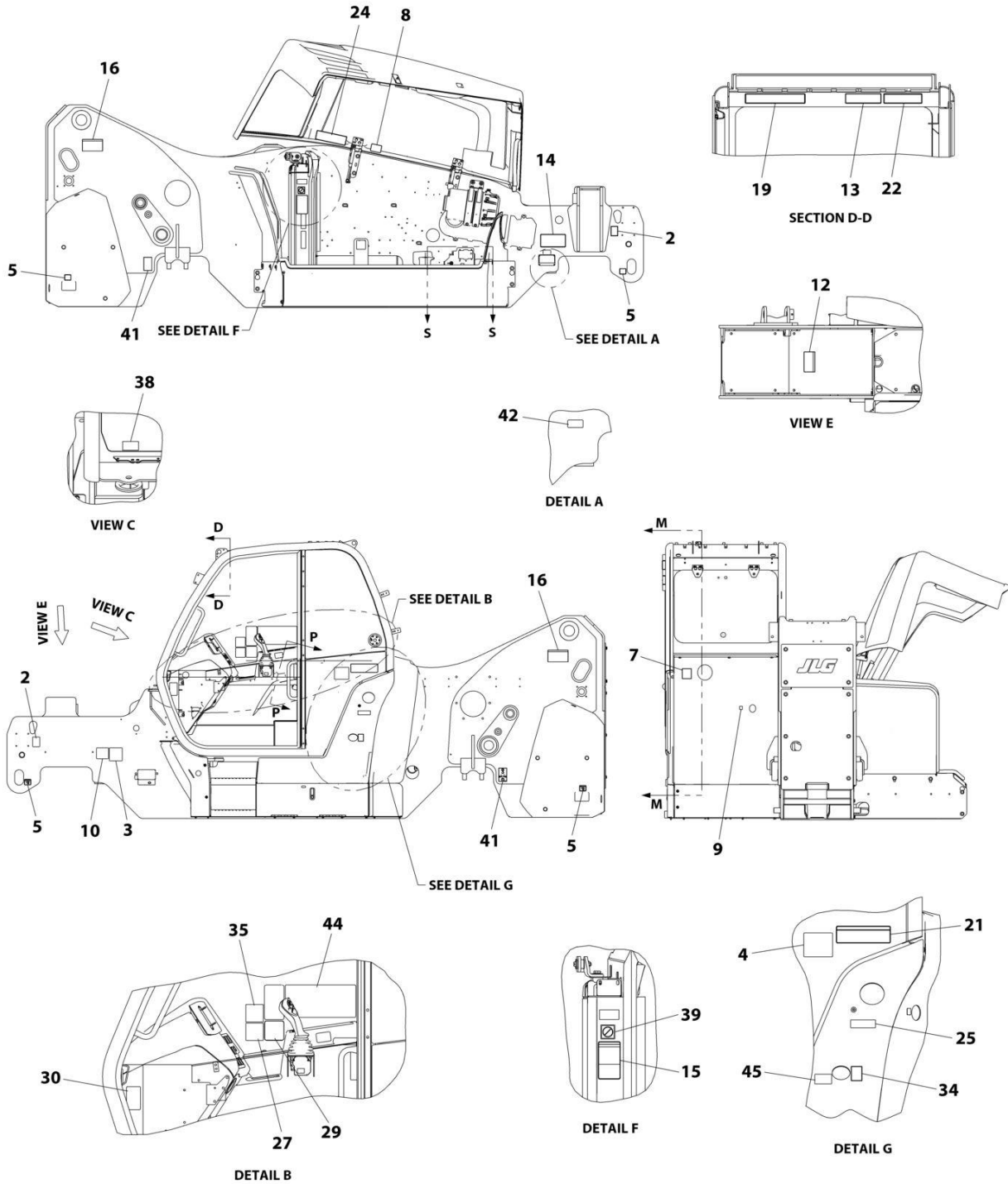
ITEM	PART NUMBER	QTY	DESCRIPTION	REV
	1001192745	Ref	Decal Installation (English)	K
1	1670836	1	Cover, Boom	
2	1701500	2	Decal, Lift	
3	See Note	NSS	Decal, Bar Code (Note: Not Available for Purchase)	
5	1706300	1	Decal, Ether Warning	
6	1706296	1	Decal, Battery Warning	
7	1001195849	1	Decal, Carry Personnel	
8	1706299	1	Decal, Contacting Power Lines Warning	
9	1706301	1	Decal, Keep Clear Of Rotating Parts Warning	
10	1706306	1	Decal, Tip Over Warning	
11	1706302	2	Decal, Pinch Point Boom Holes	
12	3251813	1	Decal, USA	
13	4109801	4	Decal, Tie Down Point	
18	1001094708	1	Decal, Hydraulic Oil	
21	1706850	1	Decal, Crush Hazard Warning	
22	1706768	1	Decal, Vehicle Roll Away	
23	1707078	1	Decal, Warning/Danger	
24	1001109053	1	Decal, Coolant Fill	
26	1001130323	1	Decal, Oil Level	
27	1001131271	1	Decal, Patent	
28	1001218704	1	Decal, Ultra Low Sulfur Diesel	
29	1001139578	1	Decal, Hot Fluid Warning	
32	1001171277	1	Decal, Boom Extend	
33	1001172035	1	Decal, No Weld or Drill	
35	1001184632	1	Decal, Battery Positive	
36	1001188372	1	Decal, Sway	
38	1001191229	1	Decal, Fuse Panel	
41	1001195855	1	Decal, Battery Disconnect	
42	1001196806	1	Decal, Diesel Exhaust Fluid	
43	1001227287	1	Decal, Manual	
45	1001214206	1	Decal, Park Brake	
46	AU2105	1	Decal, No Karcher	
47	1001207217	1	Decal, Danger Swinging Loads	
48	1001218659	1	Decal, Brake Fluid	
49	1001219212	1	Decal, DEF Fluid	
50	1001222650	2	Decal, Axle Lift	
51	1001223453	1	DECAL,ICES (CAN)	
53	1001231801	1	Decal, Warning Prop 65	
54	1001247646	1	Decal, DEF Min. Refill Volume	





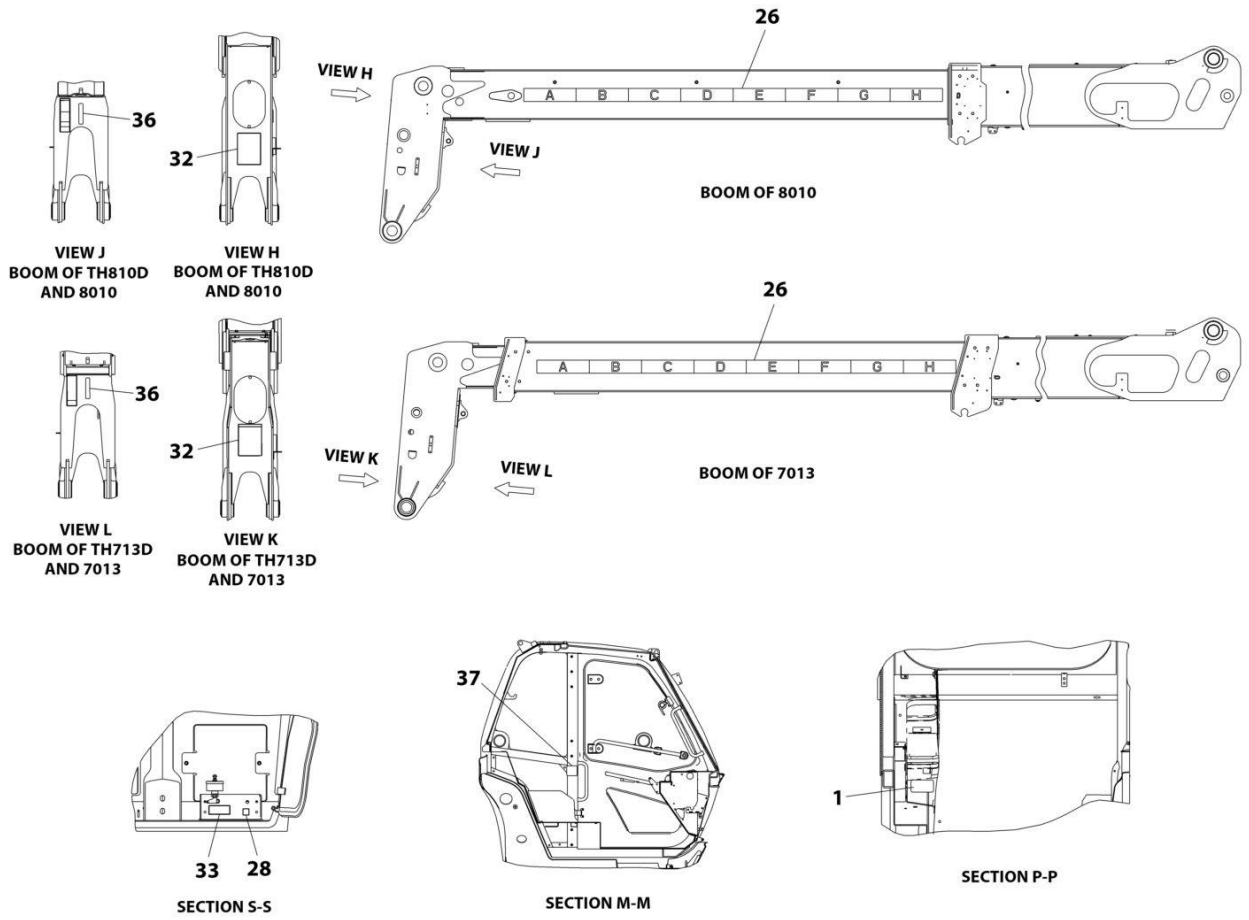
# SECTION 11 - DECALS

## FIGURE 11-4. DECAL INSTALLATION (ENGLISH/FRENCH)



ART\_1001220230\_1-J

# SECTION 11 - DECALS



ART\_1001220230\_2-J

# SECTION 11 - DECALS

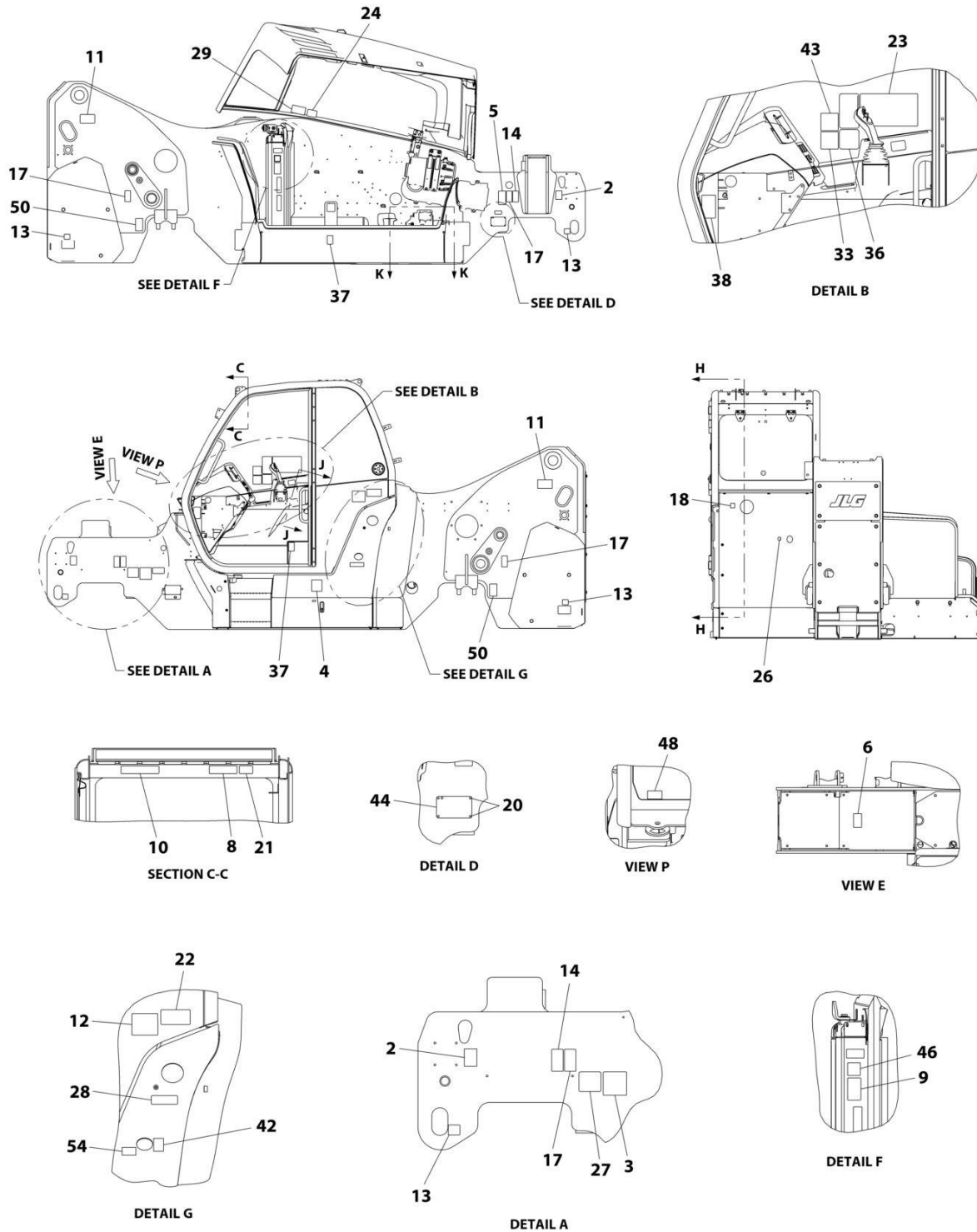
FIGURE 11-4. DECAL INSTALLATION (ENGLISH/FRENCH)

ITEM	PART NUMBER	QTY	DESCRIPTION	REV
	1001220230	Ref	Decal Installation (English/French)	J
1	1670836	1	Cover, Boom	
2	1701500	2	Decal, Lift	
3	See Note	NSS	Decal, Bar Code (Note: Not Available for Purchase)	
4	3251813	1	Decal, USA	
5	4109801	4	Decal, Tie Down Point	
7	1001094708	1	Decal, Hydraulic Oil	
8	1001109053	1	Decal, Coolant Fill	
9	1001130323	1	Decal, Oil Level	
10	1001131271	1	Decal, Patent Telehandlers USA/Canada	
12	1001163174	1	Decal, Battery Warning	
13	1001163210	1	Decal, Electrocution Hazard	
14	1001163212	1	Decal, Warning No Either	
15	1001163222	1	Decal, Moving Parts	
16	1001163223	2	Decal, Pinch Point	
19	1001163285	1	Decal, Warning Tip Over	
21	1001163300	1	Decal, No Riders	
22	1001163304	1	Decal, Warning Crushing Hazard	
24	1001163323	1	Decal, Warning Hot Fluid	
25	1001163355	1	Decal, Ultra Low Sulfur Diesel	
26	1001171277	1	Decal, Boom Extend	
27	1001172035	1	Decal, No Weld or Drill	
28	1001184632	1	Decal, Battery Positive	
29	1001188372	1	Decal, Sway	
30	1001191229	1	Decal, Fuse Panel	
32	1001195851	1	Decal, Carry Personnel	
33	1001195855	1	Decal, Battery Disconnect	
34	1001196806	1	Decal, Diesel Exhaust Fluid	
35	1001227287	1	Decal, Manual	
36	1001209625	1	Decal, Danger Swinging Loads	
37	1001214206	1	Decal, Park Brake	
38	1001219211	1	Decal, Brake Fluid	
39	AU2105	1	Decal, No Karcher	
41	1001222650	2	Decal, Axle Lift	
42	1001223453	1	Decal, ICES	
44	1001233558	1	Decal, Warning/Danger - Cab	
45	1001247646	1	Decal, DEF Min. Refill Volume	



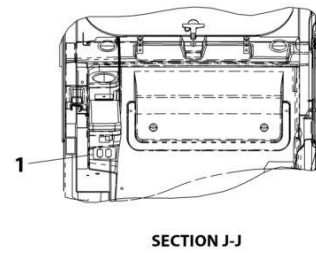
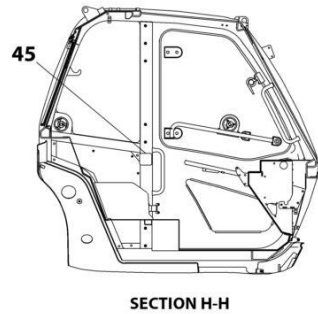
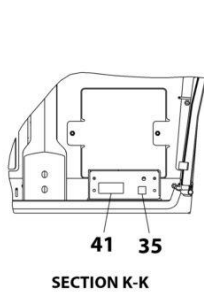
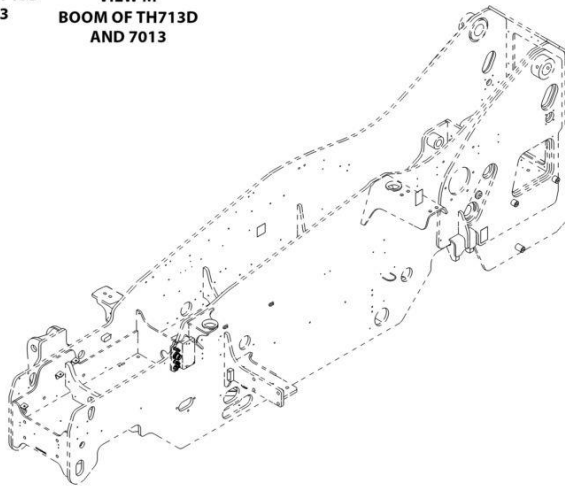
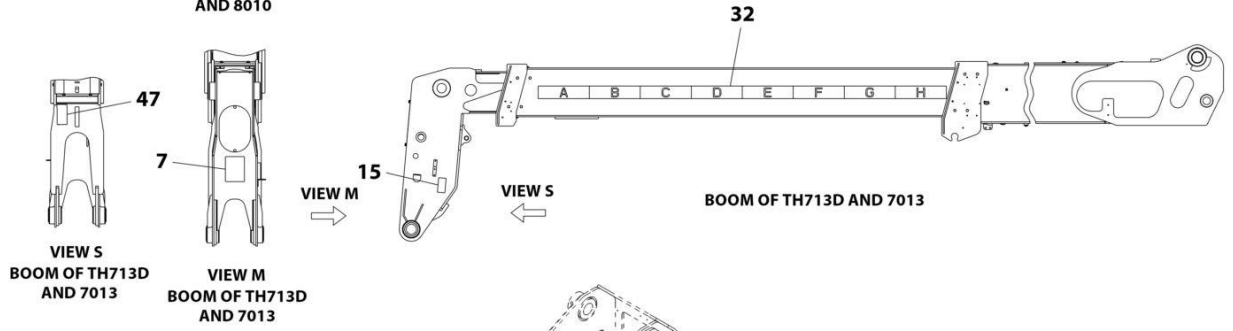
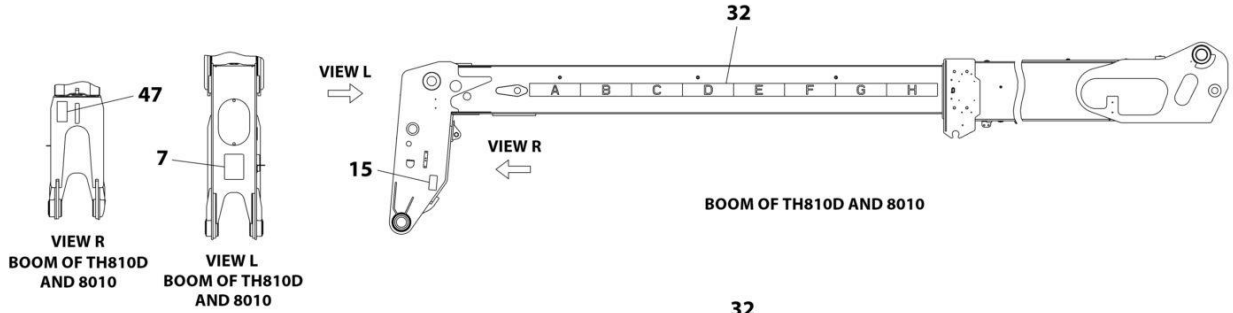
# SECTION 11 - DECALS

## FIGURE 11-5. DECAL INSTALLATION (ISO) (ULS)



ART\_1001192741\_F\_1

# SECTION 11 - DECALS



ART\_1001192741\_F\_2

## SECTION 11 - DECALS

FIGURE 11-5. DECAL INSTALLATION (ISO) (ULS)

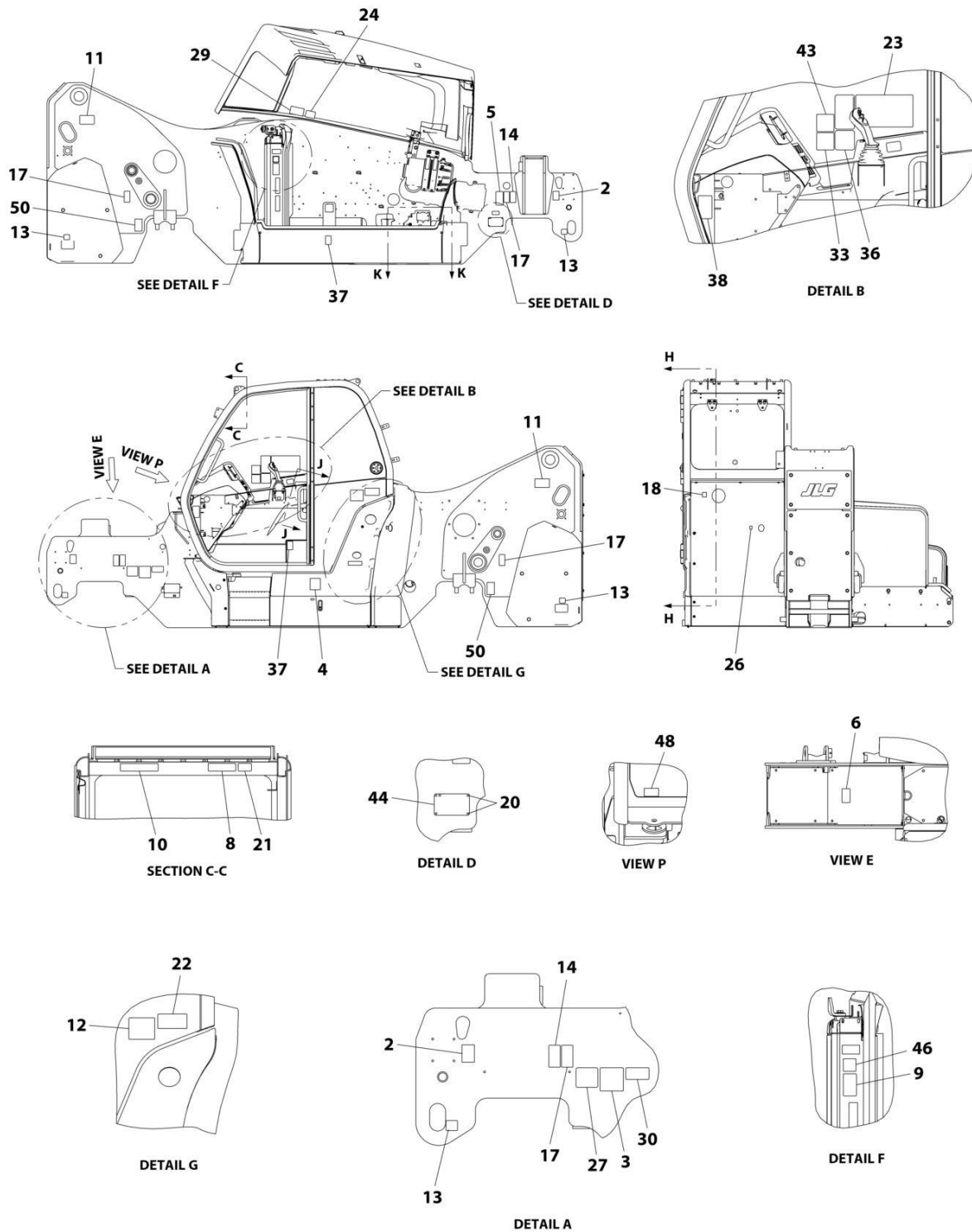
ITEM	PART NUMBER	QTY	DESCRIPTION	REV
	1001192741	Ref	Decal Installation (ULS)	F
1	1670836	1	Cover, Boom	
2	1701500	2	Decal-Lift	
3	See Note	NSS	Decal, Bar Code (Note: Not Available for Purchase)	
4	1705980	1	Decal, Acoustic Power 106db	
5	1706098	1	Decal, Warning Ether Start	
6	1706281	1	Decal, Battery Warning (ISO)	
7	1706282	1	Decal, Carry Personnel (ISO)	
8	1706284	1	Decal, Electrocutation Hazard (ISO)	
9	1706285	1	Decal, Moving Parts (ISO)	
10	1706288	1	Decal, Tip Over Warning	
11	1706292	2	Decal, Pinch Point Boom Holes	
12	3251813	1	Decal, USA	
13	4109801	4	Decal, Tie Down Point	
14	8005671	2	Decal, Cylinder Lock Warning	
15	8005675	2	Decal, Watch for Raised Boom Warning	
17	8008657	4	Decal, Set Brake Lever Warning	
18	1001094708	1	Decal, Hydraulic Oil	
20	1001009178	4	Tack, Metal	
21	1001092877	1	Decal, Crush Hazard Warning	
22	1001092878	1	Decal, No Riders	
23	1001101895	1	Decal, Cab Warning	
24	1001109053	1	Decal, Coolant Fill	
26	1001130323	1	Decal, Oil Level	
27	1001131271	1	Decal, Patent Telehandlers USA/Canada	
28	1001218704	1	Decal, Ultra Low Sulfur Diesel	
29	1001139942	1	Decal, Hot Fluid Warning	
32	1001171277	1	Decal, Boom Extend	
33	1001172035	1	Decal, No Weld or Drill	
35	1001184632	1	Decal, Battery Positive	
36	1001188372	1	Decal, Sway	
37	1001189154	2	Decal, Read Operators Manual	
38	1001191229	1	Decal, Fuse Panel	
41	1001195855	1	Decal, Battery Disconnect	
42	1001196806	1	Decal, Diesel Exhaust Fluid	
43	1001227287	1	Decal, Manual	
44	See Note	NSS	SN Plate (Note: Stamped Part - Not Available for Purchase0	
45	1001214206	1	Decal, Park Brake	
46	AU2105	1	Decal, No Karcher	
47	1001207218	1	Decal, Danger Swinging Load	
48	1001219211	1	Decal, Brake Fluid	
50	1001222650	2	Decal, Axle Lift	
54	1001247646	1	Decal, DEF Minimum Refill Volume	





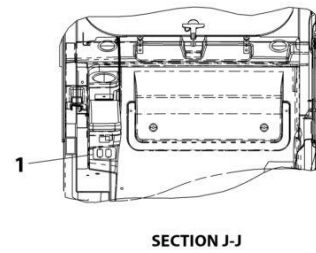
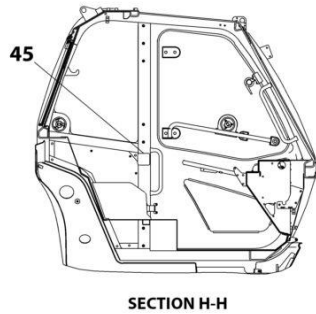
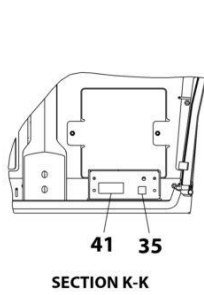
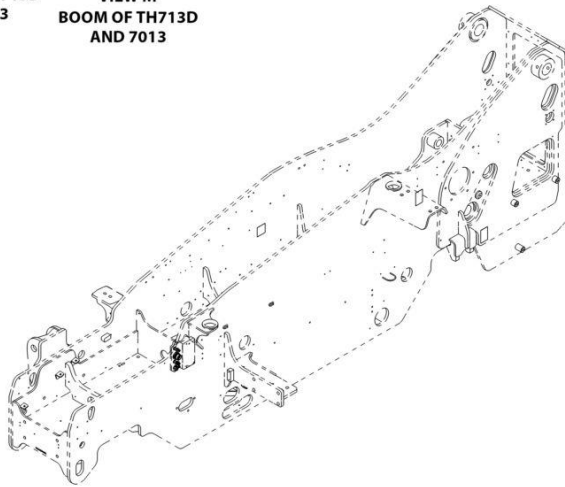
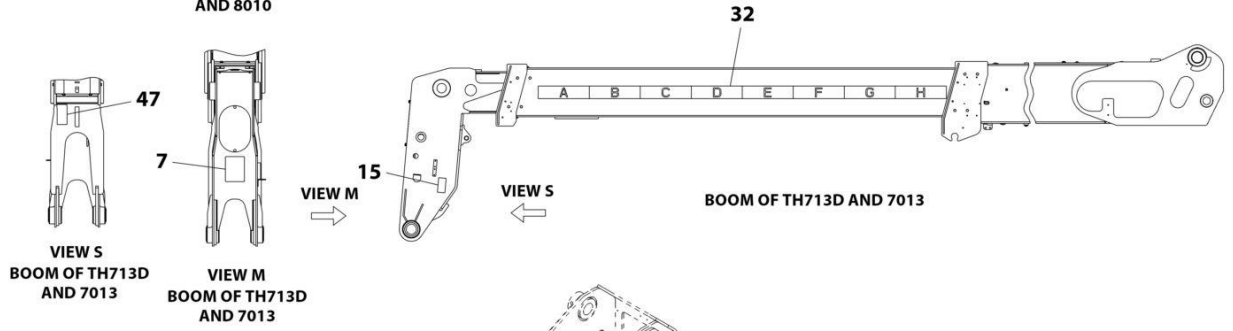
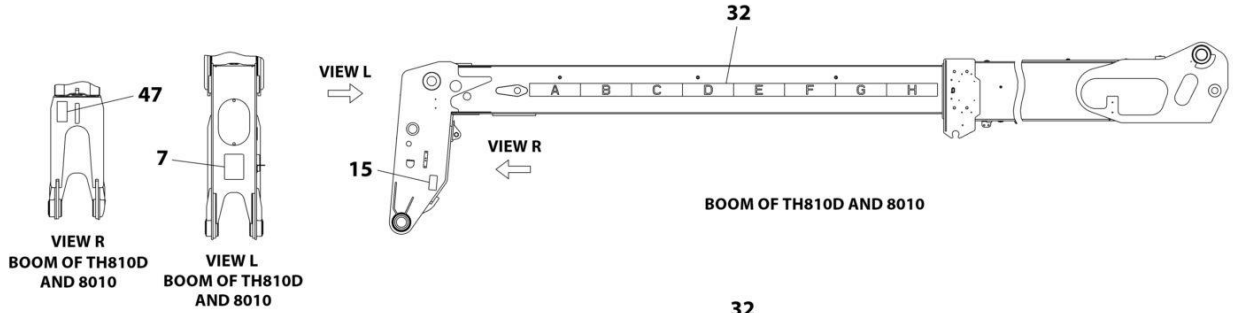
# SECTION 11 - DECALS

## FIGURE 11-6. DECAL INSTALLATION (ISO) (LS)



ART\_1001220707\_D\_1

# SECTION 11 - DECALS



ART\_1001220707\_D\_2

## SECTION 11 - DECALS

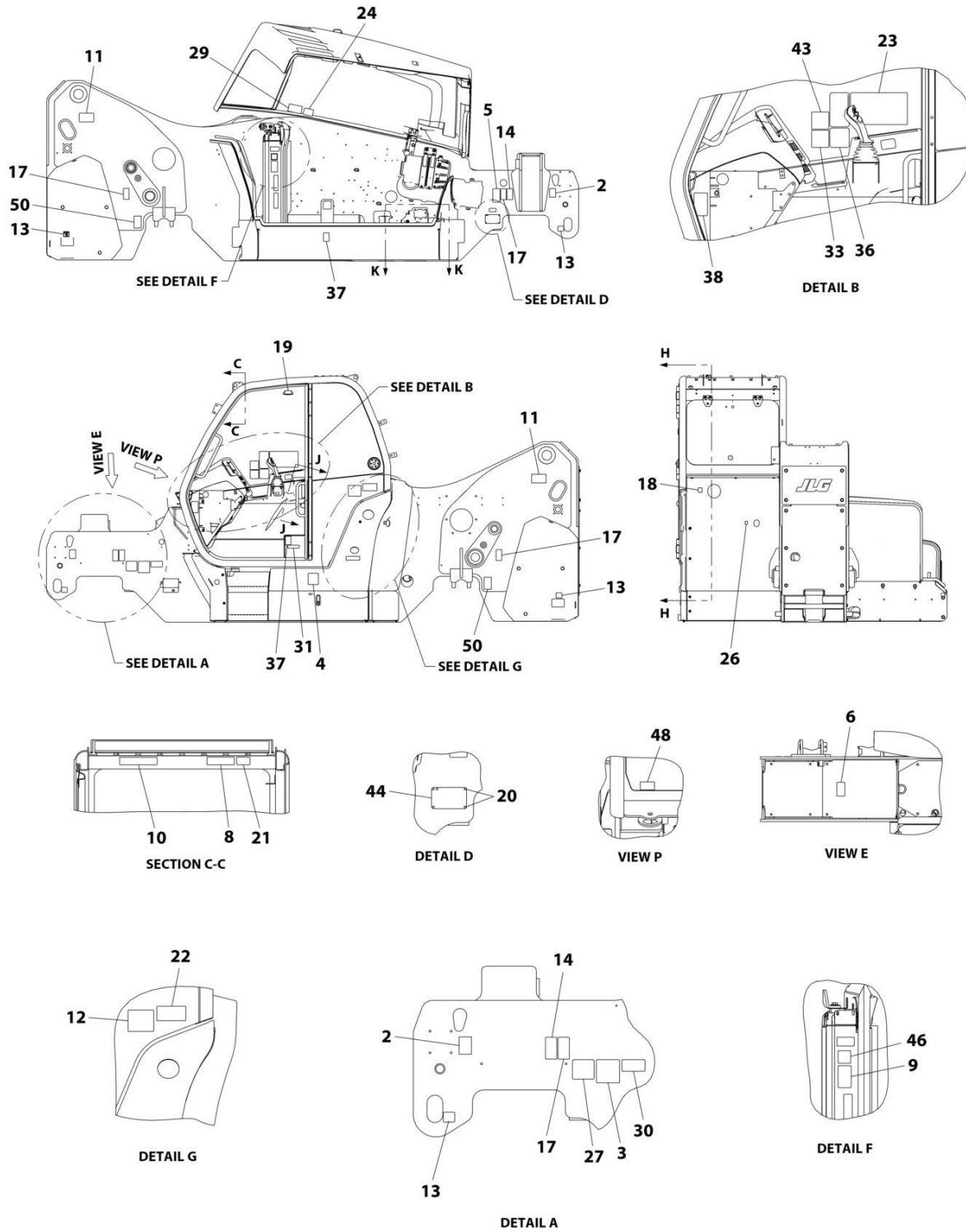
**FIGURE 11-6. DECAL INSTALLATION (ISO) (LS)**

ITEM	PART NUMBER	QTY	DESCRIPTION	REV
	1001220707	Ref	Decal Installation (LS)	D
1	1670836	1	Cover, Boom	
2	1701500	2	Decal, Lift	
3	See Note	NSS	Decal, Bar Code (Note: Not Available for Purchase)	
4	1705980	1	Decal, Acoustic Power 106db	
5	1706098	1	Decal, Warning Ether Start	
6	1706281	1	Decal, Battery Warning (ISO)	
7	1706282	1	Decal, Carry Personnel (ISO)	
8	1706284	1	Decal, Electrocutation Hazard (ISO)	
9	1706285	1	Decal, Moving Parts (ISO)	
10	1706288	1	Decal, Tip Over Warning	
11	1706292	2	Decal, Pinch Point Boom Holes	
12	3251813	1	Decal, USA	
13	4109801	4	Decal, Tie Down Point	
14	8005671	2	Decal, Cylinder Lock Warning	
15	8005675	2	Decal, Watch for Raised Boom Warning	
17	8008657	4	Decal, Set Brake Lever Warning	
18	1001094708	1	Decal, Hydraulic Oil	
20	1001009178	4	Tack, Metal	
21	1001092877	1	Decal, Crush Hazard Warning	
22	1001092878	1	Decal, No Riders	
23	1001101895	1	Decal, Cab Warning	
24	1001109053	1	Decal, Coolant Fill	
26	1001130323	1	Decal, Oil Level	
27	1001131271	1	Decal, Patent Telehandlers USA/Canada	
29	1001139942	1	Decal, Hot Fluid Warning	
30	1001143852	1	Decal, LRC EPA	
32	1001171277	1	Decal, Boom Extend	
33	1001172035	1	Decal, No Weld or Drill	
35	1001184632	1	Decal, Battery Positive	
36	1001188372	1	Decal, Sway	
37	1001189154	2	Decal, Read Operators Manual	
38	1001191229	1	Decal, Fuse Panel	
41	1001195855	1	Decal, Battery Disconnect	
43	1001227287	1	Decal, Manual	
44	See Note	NSS	SN Plate (Note: Stamped Part - Not Available for Purchase0	
45	1001214206	1	Decal, Park Brake	
46	AU2105	1	Decal, No Karcher	
47	1001207218	1	Decal, Danger Swinging Load	
48	1001219211	1	Decal, Brake Fluid	
50	1001222650	2	Decal, Axle Lift	



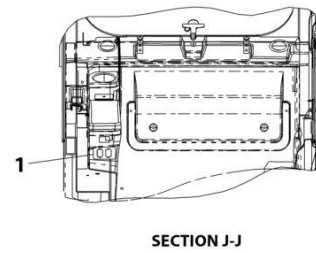
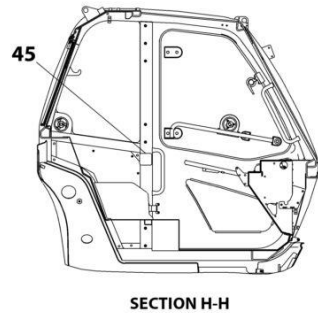
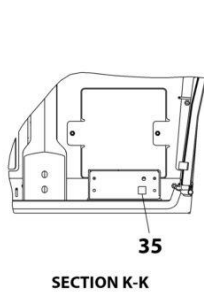
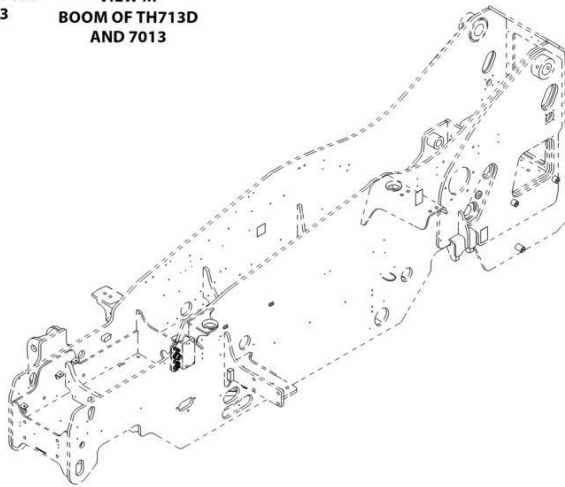
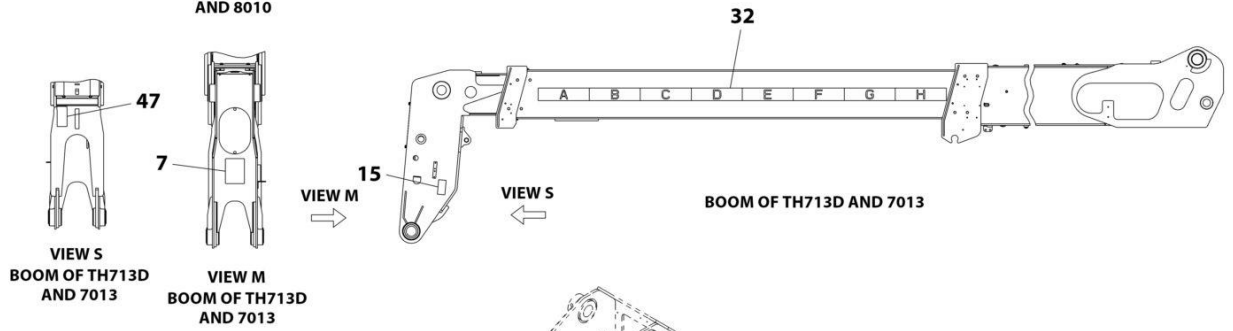
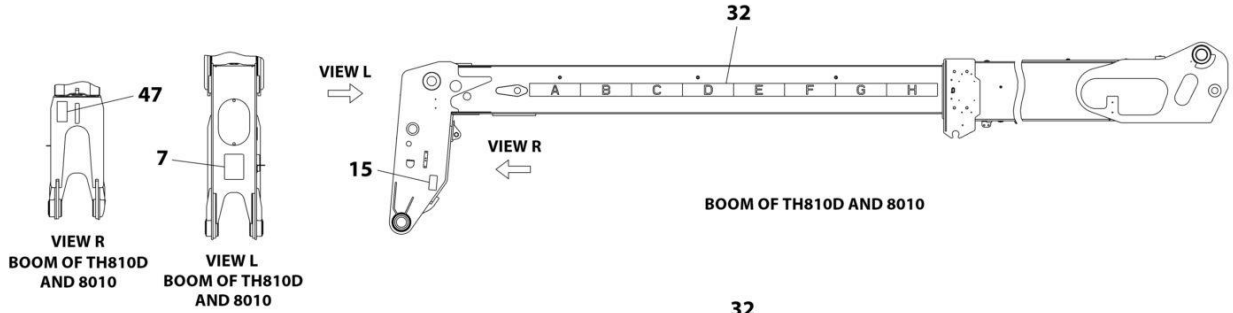
# SECTION 11 - DECALS

## FIGURE 11-7. DECAL INSTALLATION (AUSTRALIAN)



ART\_1001192743\_E\_1

# SECTION 11 - DECALS



ART\_1001192743\_E\_2

## SECTION 11 - DECALS

FIGURE 11-7. DECAL INSTALLATION (AUSTRALIAN)

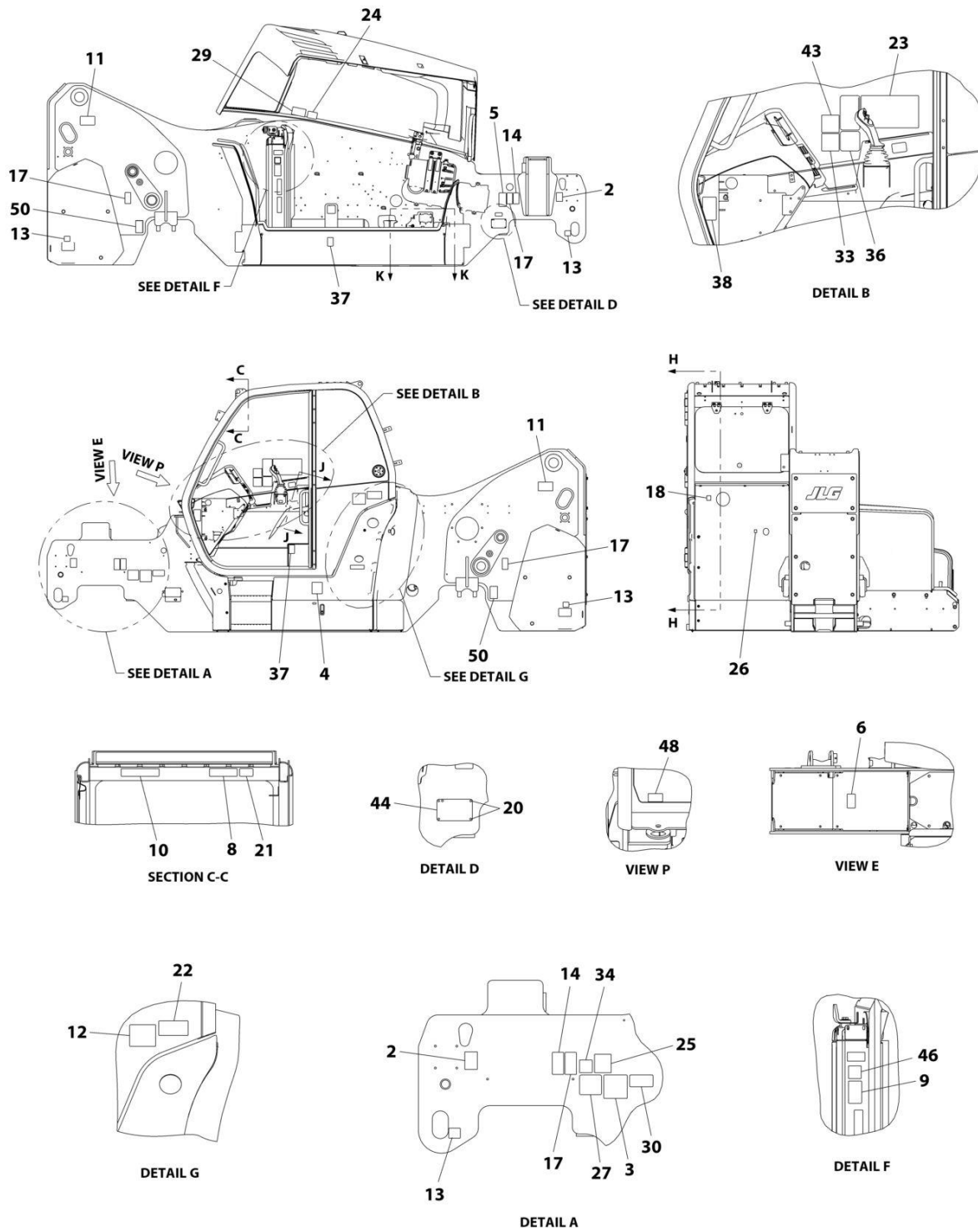
ITEM	PART NUMBER	QTY	DESCRIPTION	REV
	1001192743	Ref	Decal Installation (AUS)	E
1	1670836	1	Cover, Boom	
2	1701500	2	Decal, Lift	
3	See Note	NSS	Decal, Bar Code (Note: Not Available for Purchase)	
4	1705980	1	Decal, Acoustic Power 106db	
5	1706098	1	Decal, Warning Ether Start	
6	1706281	1	Decal, Battery Warning (ISO)	
7	1706282	1	Decal, Carry Personnel (ISO)	
8	1706284	1	Decal, Electrocutation Hazard (ISO)	
9	1706285	1	Decal, Moving Parts (ISO)	
10	1706288	1	Decal, Tip Over Warning	
11	1706292	2	Decal, Pinch Point Boom Holes	
12	3251813	1	Decal, USA	
13	4109801	4	Decal, Tie Down Point	
14	8005671	2	Decal, Cylinder Lock Warning	
15	8005675	2	Decal, Watch for Raised Boom Warning	
17	8008657	3	Decal, Set Brake Lever Warning	
18	1001094708	1	Decal, Hydraulic Oil	
19	8466306	1	Gauge, Tilt Angle	
20	1001009178	4	Tack, Metal	
21	1001092877	1	Decal, Crush Hazard Warning	
22	1001092878	1	Decal, No Riders	
23	1001101895	1	Decal, Cab Warning	
24	1001109053	1	Decal, Coolant Fill	
26	1001130323	1	Decal, Oil Level	
27	1001131271	1	Decal, Patent	
29	1001139942	1	Decal, Hot Fluid Warning	
30	1001143852	1	Decal, LRC EPA	
31	1001155230	1	Decal, Cab AUS Safety	
32	1001171277	1	Decal, Boom Extend	
33	1001172035	1	Decal, No Weld or Drill	
35	1001184632	1	Decal, Battery Positive	
36	1001188372	1	Decal, Sway	
37	1001189154	2	Decal, Read Operators Manual	
38	1001191229	1	Decal, Fuse Panel	
43	1001227287	1	Decal, Manual	
44	See Note	NSS	SN Plate (Note: Stamped Part - Not Available for Purchase0	
45	1001214206	1	Decal, Park Brake	
46	AU2105	1	Decal, No Karcher	
47	1001207218	1	Decal, Danger Swinging Load	
48	1001219211	1	Decal, Brake Fluid	
50	1001222650	2	Decal, Axle Lift	





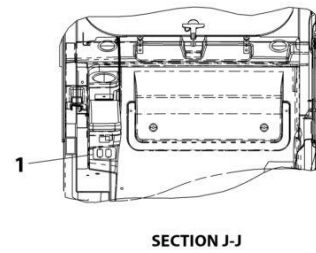
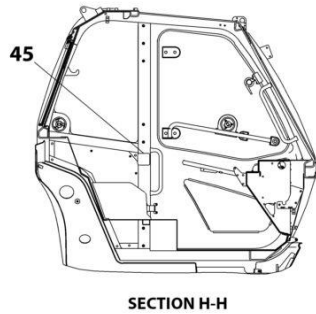
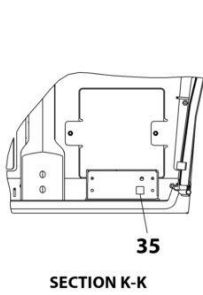
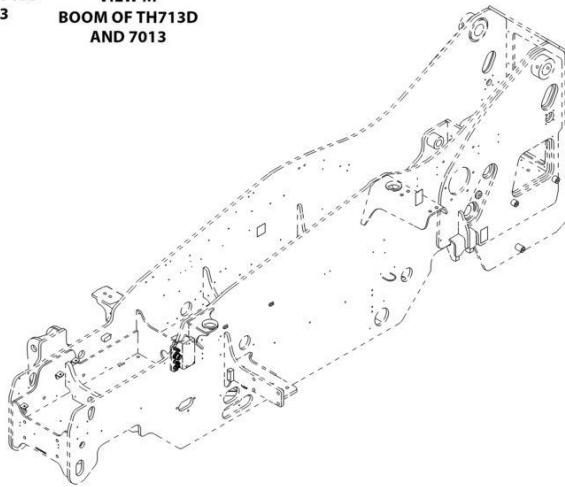
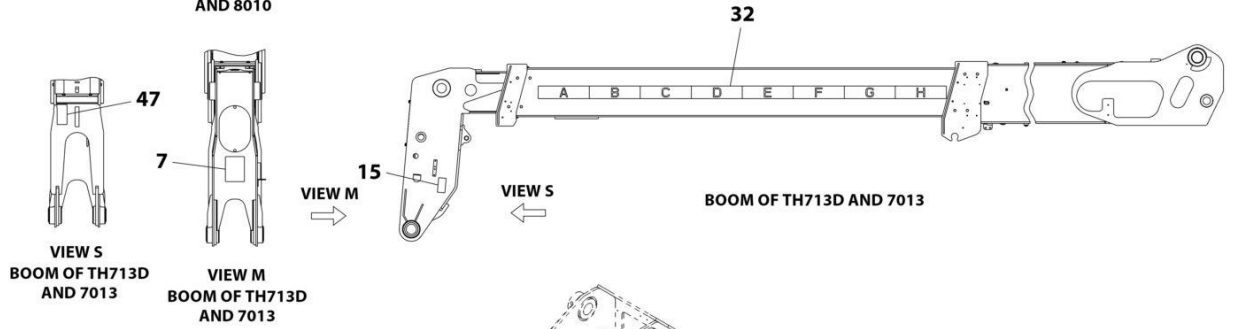
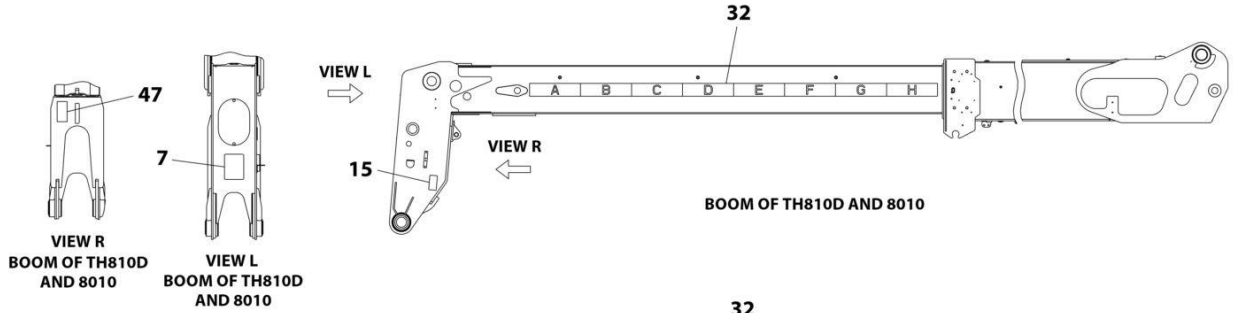
# SECTION 11 - DECALS

## FIGURE 11-8. DECAL INSTALLATION (RUSSIAN CIS)



ART\_1001195313\_E\_1

# SECTION 11 - DECALS



ART\_1001195313\_E\_2

## SECTION 11 - DECALS

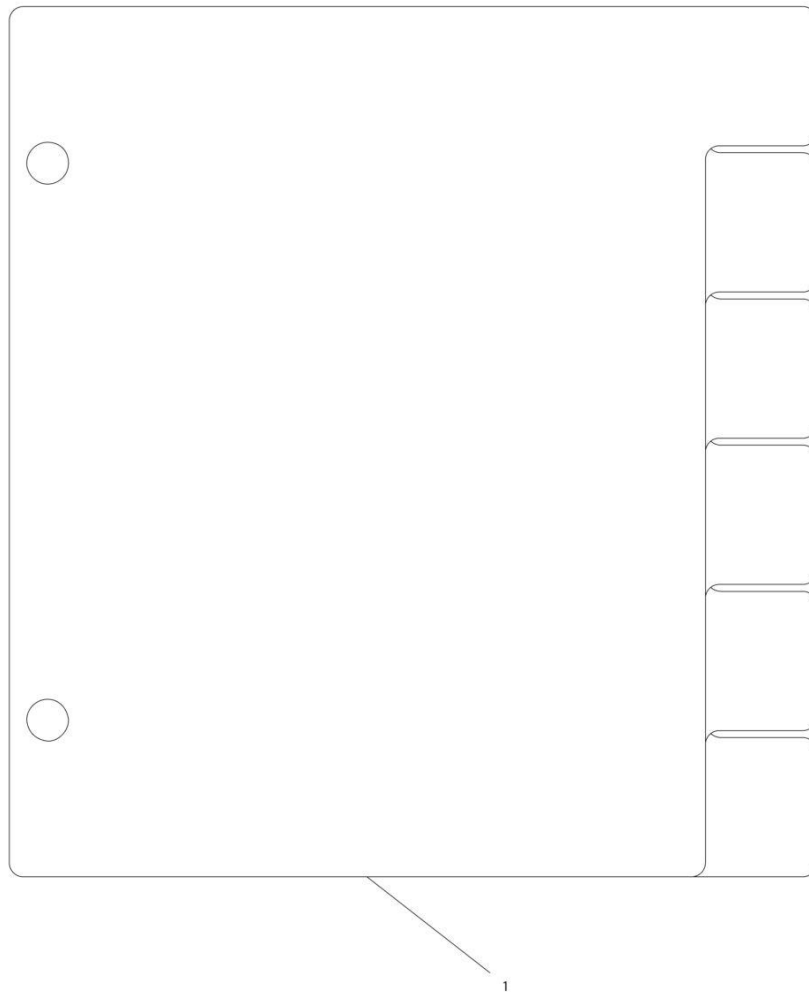
FIGURE 11-8. DECAL INSTALLATION (RUSSIAN CIS)

ITEM	PART NUMBER	QTY	DESCRIPTION	REV
	1001195313	Ref	Decal Installation (CIS)	E
1	1670836	1	Cover, Boom	
2	1701500	2	Decal, Lift	
3	See Note	NSS	Decal, Bar Code (Note: Not Available for Purchase)	
4	1705980	1	Decal, Acoustic Power 106db	
5	1706098	1	Decal, Warning Ether Start	
6	1706281	1	Decal, Battery Warning (ISO)	
7	1706282	1	Decal, Carry Personnel (ISO)	
8	1706284	1	Decal, Electrocutation Hazard (ISO)	
9	1706285	1	Decal, Moving Parts (ISO)	
10	1706288	1	Decal, Tip Over Warning	
11	1706292	2	Decal, Pinch Point Boom Holes	
12	3251813	1	Decal, USA	
13	4109801	4	Decal, Tie Down Point	
14	8005671	2	Decal, Cylinder Lock Warning	
15	8005675	2	Decal, Watch for Raised Boom Warning	
17	8008657	4	Decal, Set Brake Lever Warning	
18	1001094708	1	Decal, Hydraulic Oil	
20	1001009178	4	Tack, Metal	
21	1001092877	1	Decal, Crush Hazard Warning	
22	1001092878	1	Decal, No Riders	
23	1001101895	1	Decal, Cab Warning	
24	1001109053	1	Decal, Coolant Fill	
25	1001121555	1	Decal, PCT Russia	
26	1001130323	1	Decal, Oil Level	
27	1001131271	1	Decal, Patent	
29	1001139942	1	Decal, Hot Fluid Warning	
30	1001143852	1	Decal, LRC EPA	
32	1001171277	1	Decal, Boom Extend	
33	1001172035	1	Decal, No Weld or Drill	
34	1001173703	1	Decal, EAC	
35	1001184632	1	Decal, Battery Positive	
36	1001188372	1	Decal, Sway	
37	1001189154	2	Decal, Read Operators Manual	
38	1001191229	1	Decal, Fuse Panel	
43	1001227287	1	Decal, Manual	
44	See Note	NSS	SN Plate (Note: Stamped Part - Not Available for Purchase0	
45	1001214206	1	Decal, Park Brake	
46	AU2105	1	Decal, No Karcher	
47	1001207218	1	Decal, Danger Swinging Load	
48	1001219211	1	Decal, Brake Fluid	
50	1001222650	2	Decal, Axle Lift	



# SECTION 11 - DECALS

## FIGURE 11-9. CAPACITY LOADCHARTS (1644)



ART\_1001233430-B

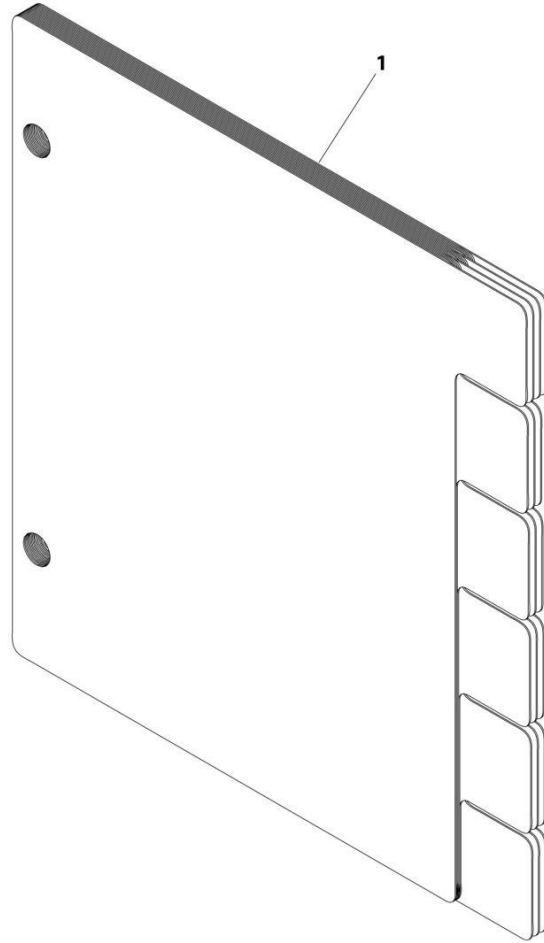
## SECTION 11 - DECALS

**FIGURE 11-9. CAPACITY LOADCHARTS (1644)**

ITEM	PART NUMBER	QTY	DESCRIPTION	REV
1	1001233430	1	CAPACITY CHART	G

# SECTION 11 - DECALS

FIGURE 11-10. CAPACITY LOADCHARTS (7013)



ART\_1001239445-A



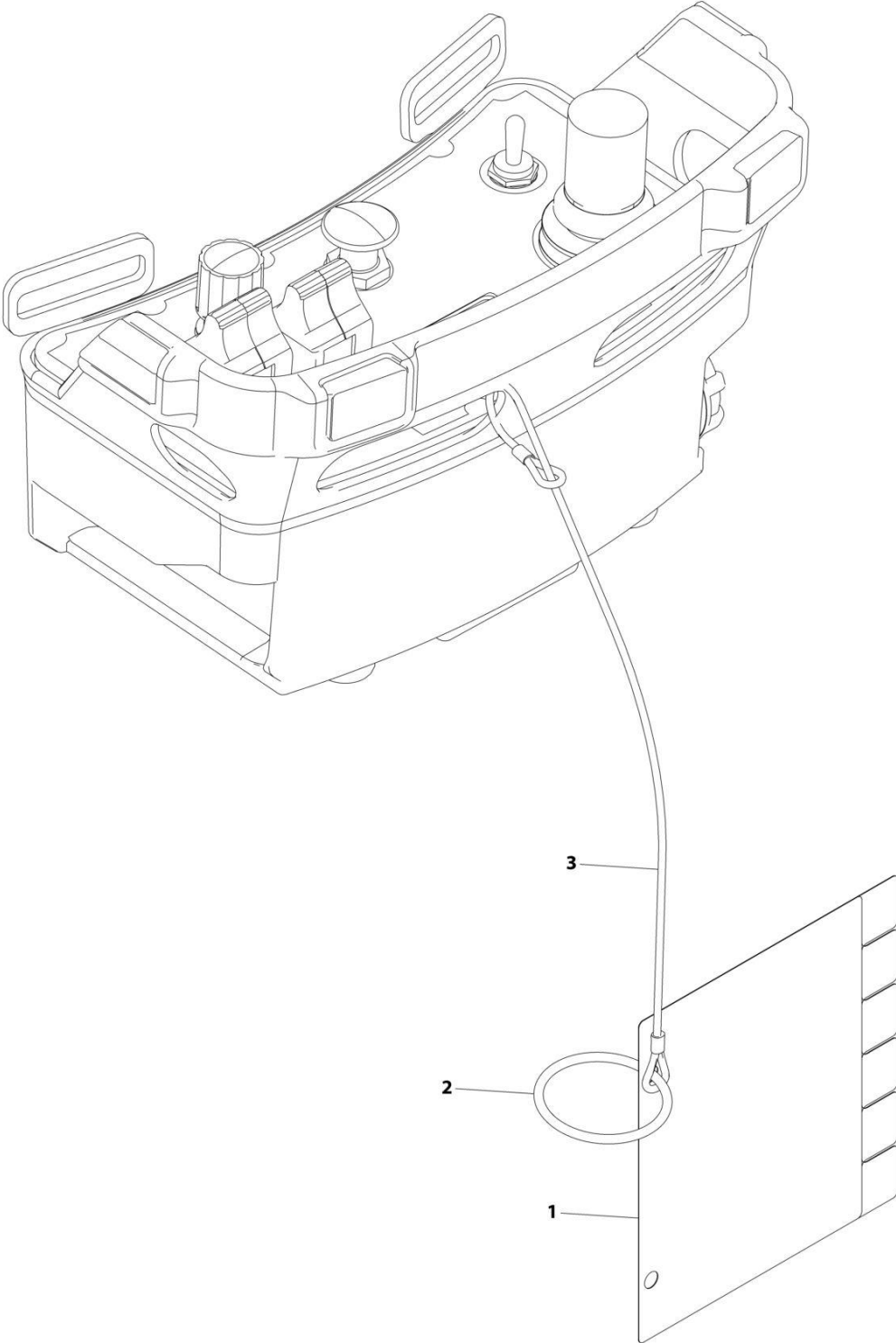
## SECTION 11 - DECALS

**FIGURE 11-10. CAPACITY LOADCHARTS (7013)**

ITEM	PART NUMBER	QTY	DESCRIPTION	REV
1	1001239445	Ref	Load Chart (ISO)	

**SECTION 11 - DECALS**

**FIGURE 11-11. CAPACITY LOADCHARTS - REMOTE BOOM CHART (1644)**



ART\_1001275904

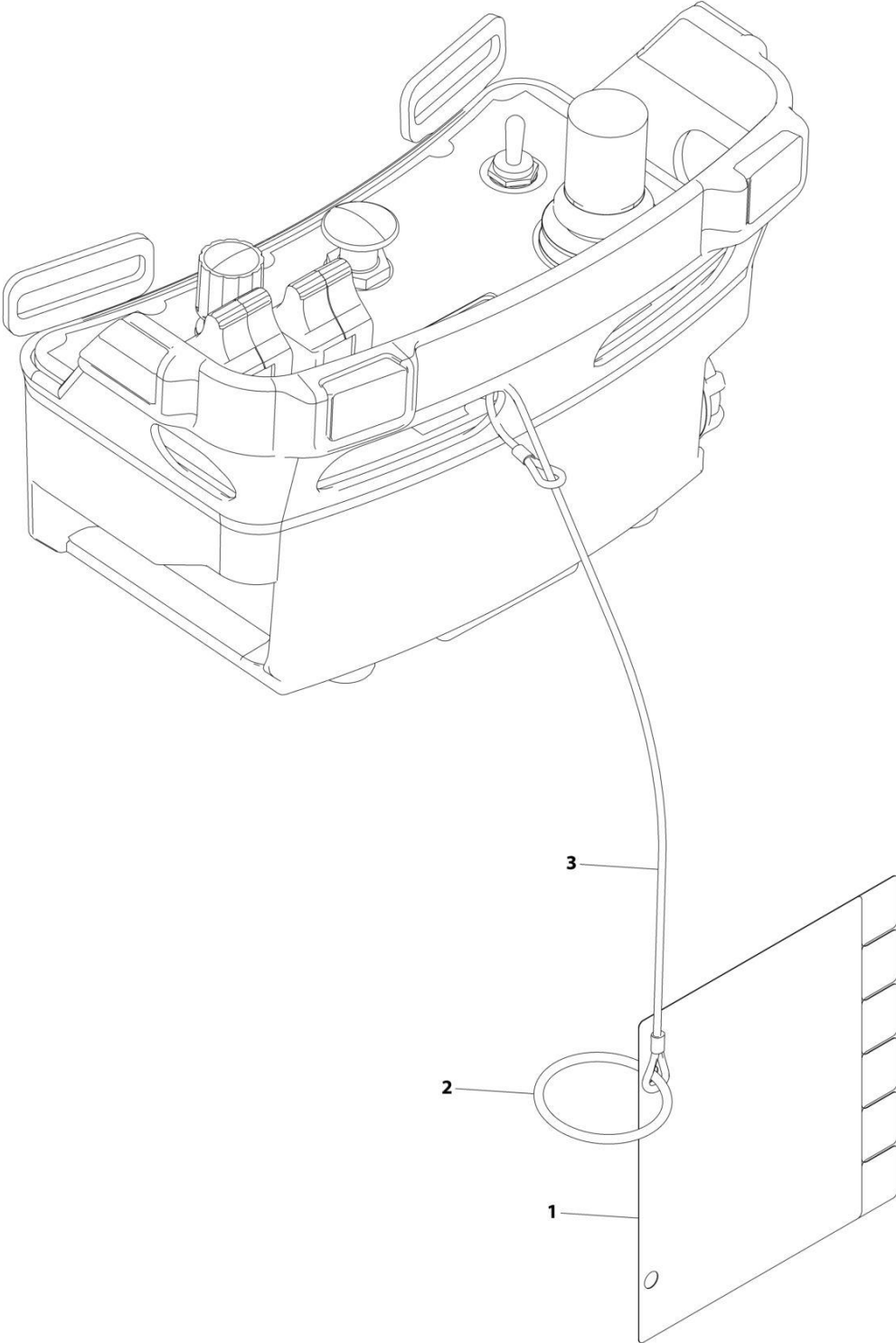
## SECTION 11 - DECALS

**FIGURE 11-11. CAPACITY LOADCHARTS - REMOTE BOOM CHART (1644)**

ITEM	PART NUMBER	QTY	DESCRIPTION	REV
	1001275904	Ref	CAPACITY CHART - REMOTE BOOM CONTROL	A
1	1001275725	1	Capacity Chart	
2	1001271061	1	Clip	
3	1060799	1	Cable, Lanyard	

**SECTION 11 - DECALS**

**FIGURE 11-12. CAPACITY LOADCHARTS - REMOTE BOOM CHART (7013)**



ART\_1001275906

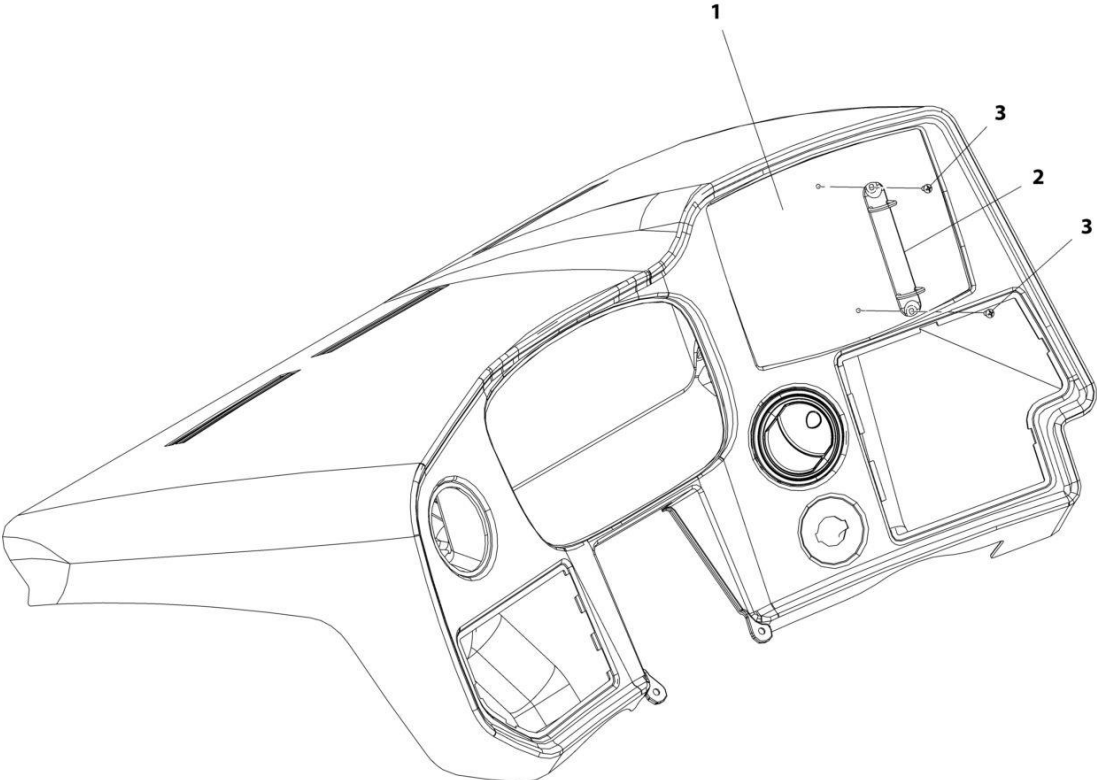
## SECTION 11 - DECALS

**FIGURE 11-12. CAPACITY LOADCHARTS - REMOTE BOOM CHART (7013)**

ITEM	PART NUMBER	QTY	DESCRIPTION	REV
	1001275906	Ref	CAPACITY CHART - REMOTE BOOM CONTROL	A
1	1001275726	1	Capacity Chart	
2	1001271061	1	Clip	
3	1060799	1	Cable, Lanyard	

**SECTION 11 - DECALS**

**FIGURE 11-13. CAPACITY CHART HOLDER INSTALLATION**



ART\_1001178706-A

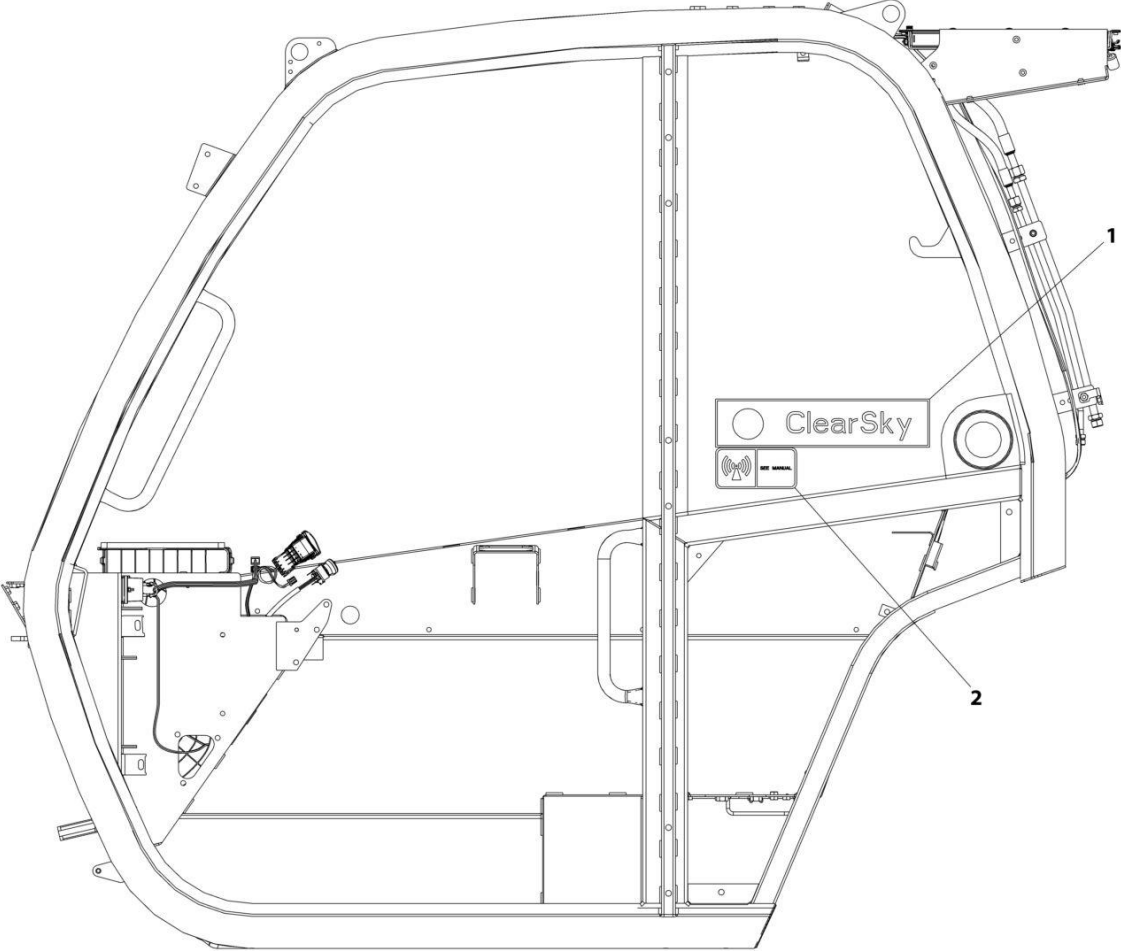
## SECTION 11 - DECALS

**FIGURE 11-13. CAPACITY CHART HOLDER INSTALLATION**

ITEM	PART NUMBER	QTY	DESCRIPTION	REV
	1001178706	Ref	Capacity Chart Holder Installation	A
1	1001179297	1	Load Chart, Bezel	
2	1001005960	1	Holder	
3	7029486	2	Screw	

**SECTION 11 - DECALS**

**FIGURE 11-14. CLEARSKY DECAL INSTALLATION**



ART\_1001229707



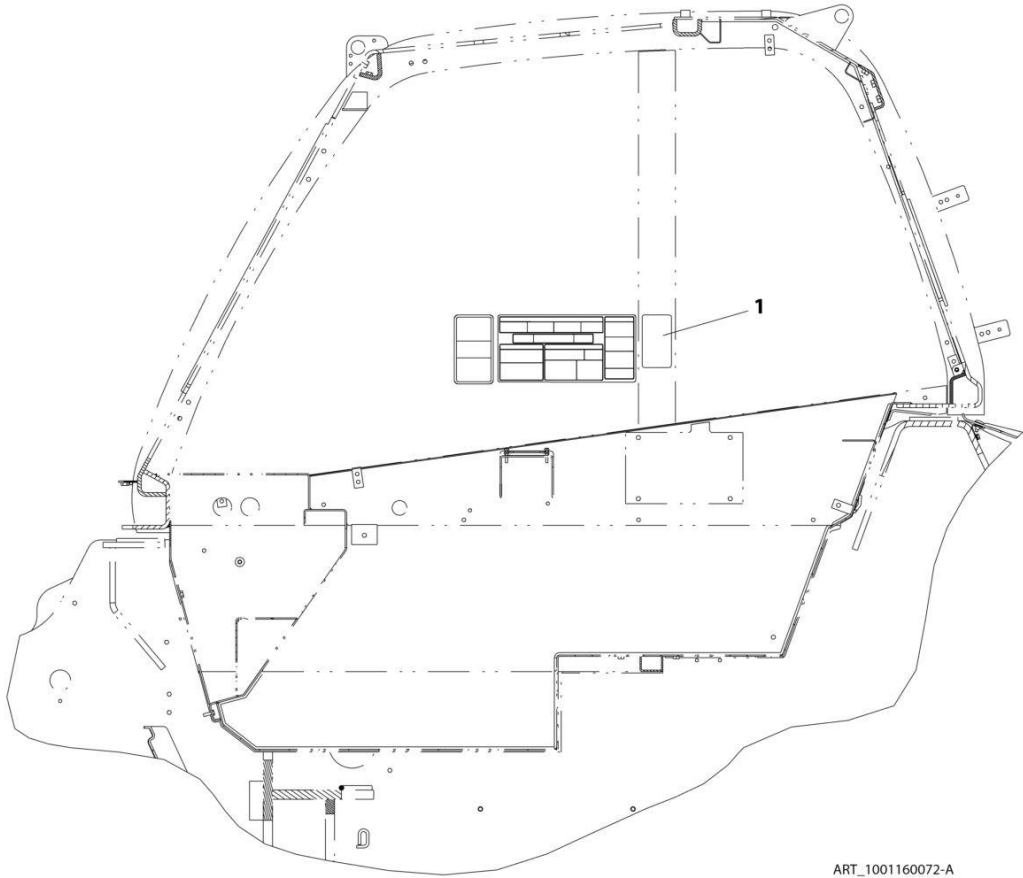
## SECTION 11 - DECALS

### FIGURE 11-14. CLEARSKY DECAL INSTALLATION

ITEM	PART NUMBER	QTY	DESCRIPTION	REV
	1001229707	Ref	Clearsky Decal Installation	C
1	1001294815	1	Decal - ClearSky	
2	1001120989	1	Radio Frequency Decal	

**SECTION 11 - DECALS**

**FIGURE 11-15. REVERSE SENSOR SYSTEM DECAL (ENGLISH)**



ART\_1001160072-A

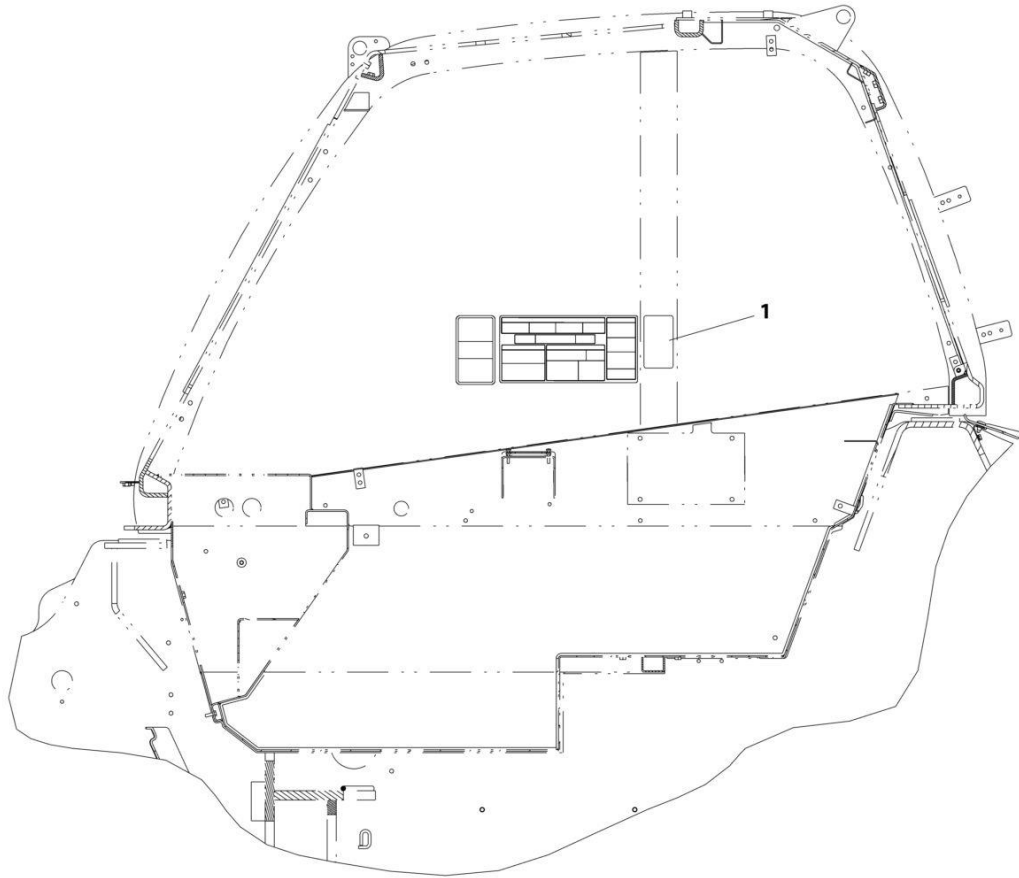
## SECTION 11 - DECALS

**FIGURE 11-15. REVERSE SENSOR SYSTEM DECAL (ENGLISH)**

ITEM	PART NUMBER	QTY	DESCRIPTION	REV
1	1001160072	1	Reverse Sensor System Decal (English)	A

# SECTION 11 - DECALS

## FIGURE 11-16. REVERSE SENSING SYSTEM DECAL (ENGLISH/FRENCH)



ART\_1001160945-A

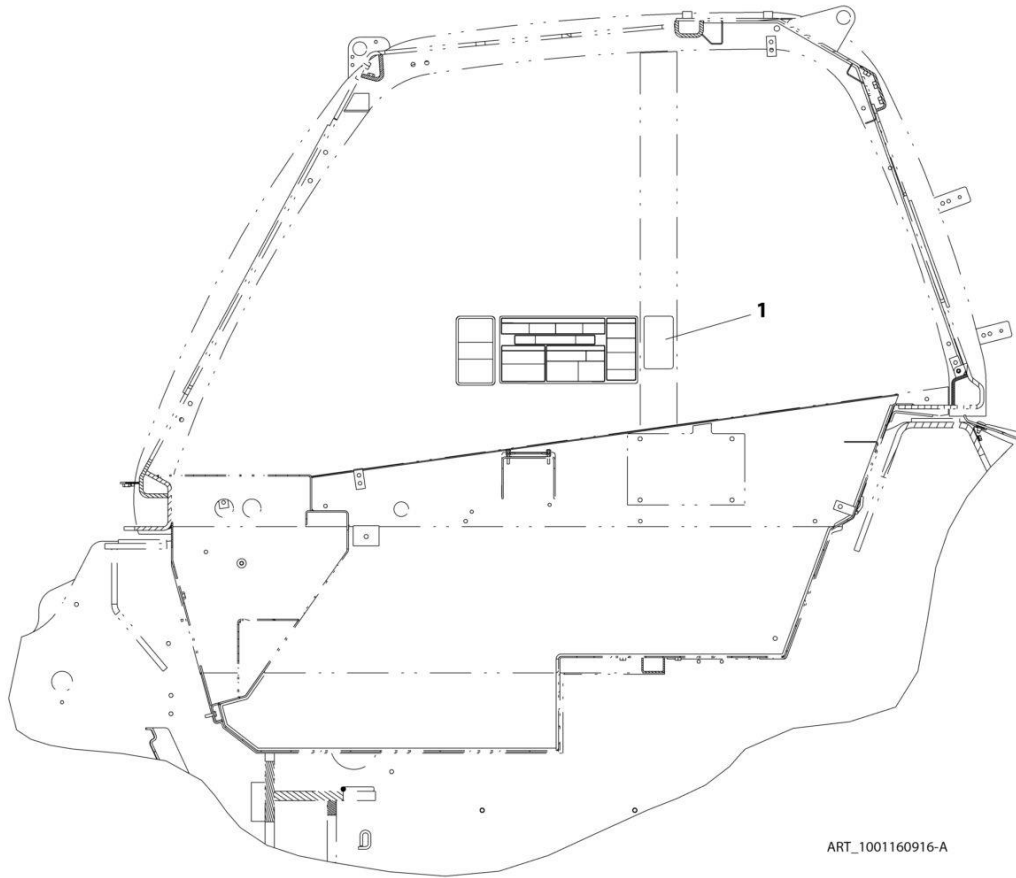
## SECTION 11 - DECALS

**FIGURE 11-16. REVERSE SENSING SYSTEM DECAL (ENGLISH/FRENCH)**

ITEM	PART NUMBER	QTY	DESCRIPTION	REV
1	1001160945	1	Reverse Sensor System Decal (ENGLISH/FRENCH)	A

# SECTION 11 - DECALS

## FIGURE 11-17. REVERSE SENSOR SYSTEM DECAL (ISO)



## SECTION 11 - DECALS

FIGURE 11-17. REVERSE SENSOR SYSTEM DECAL (ISO)

ITEM	PART NUMBER	QTY	DESCRIPTION	REV
1	1001160916	1	Reverse Sensor System Decal (ISO)	A





## **SECTION 12 - RECOMMENDED SERVICE PARTS STOCK**

## **SECTION 12 - RECOMMENDED SERVICE PARTS STOCK**

## SECTION 12 - RECOMMENDED SERVICE PARTS STOCK

FIGURE 12-1. RECOMMENDED SERVICE PARTS STOCK

ITEM	PART NUMBER	QTY	DESCRIPTION	REV
		Ref	Note: The following list will service one machine (built to current production per date on the front cover) with emergency repair parts which can be installed in the field. Parts from the list should be replaced when inventory is depleted to keep service parts stock supplied. For further information, contact your JLG dealer or the JLG Industries Parts Department.	
	70020764	1	Coil (Boom Aux Diverter Valve)	
	70028281	1	Coil (Boom Raise Ride & Float Valve)	
	70002963	1	Coil (Cab Hydraulics & Priority Valve)	
	70004595	1	Coil (Frame Level Control)	
	70026582	1	Coil (Speed Control / Steering Select Valve)	
	1001206112	1	Control, Remote Controller (Boom)	
	1001249078	1	Control, Voltage (Attachment Recognition Installation)	
	1001159028	1	Controller, Accelerator Pedal	
	1001213265	1	Controller, Brake Pedal	
	1001257348	1	Controller, FNR (0 Speed)	
	1001257088	1	Controller, FNR (2 Speed)	
	1001222603	1	Controller, Joystick	
	1001222606	1	Controller, Joystick, 2R2B (2 Speed)	
	1001209194	1	Controller, Remote (Boom)	
	1001191685	12	Element, Hydraulic Filter (Hydraulic Tank)	
	70025153	12	Element, Fuel Filter (Primary) (Engine Assembly)	
	70004512	12	Element, Fuel Filter (Secondary) (Engine Assembly)	
	1001162662	12	Filter, Breather (Hydraulic Tank)	
	1001141461	12	Filter, Charge (Charge Filter Assembly)	
	70025850	12	Filter, Cylindrical Air Primary (Air Cleaner)	
	70025851	12	Filter, Cylindrical Air Secondary (Air Cleaner)	
	7016331	12	Filter, Oil (Engine Assembly)	
	8229242	2	Fuse, 5A (Standard Electrical Board Assembly, Option 1 Board & Clearsky 2 Harness))	
	8229261	2	Fuse, 5A (ASOV Harness)	
	80983191	2	Fuse, 10A (Standard Electrical Board Assembly, Option 1 Board & Option 2 Board))	
	8229234	2	Fuse, 10A (Remote Control Power Harness)	
	8229244	2	Fuse, 15A (Option 2 Board & Frame Power Distribution Box)	
	8229235	2	Fuse, 20A (ASOV Harness)	
	8229247	2	Fuse, 25A (Option 1 Board & Frame Power Distribution Box)	
	8229245	2	Fuse, 30A (Standard Electrical Board Assembly & Frame Power Distribution Box)	
	70026297	2	Fuse, 80A (Frame Power Distribution Box)	
	1001095336	2	Fuse, 150A (Frame Power Distribution Box)	
	70026296	2	Fuse, 200A (Frame Power Distribution Box)	
	1001131177	2	Fuse, Power Module (Engine Wiring Installation)	
	70022765	1	Key, Ignition (set of 2) (Dash Electrical Installation)	
	2940074	1	Latch (Fork Mounted Basket)	
	1001203181	1	Module, Accessory Control (Cooling Package)	
	1001250475	1	Module, Attachment Recognition Receiver (FCC)	
	1001270466	1	Module, Cab Control (Cab Electrical)	
	1001229955	1	Module, Dual CAN TCU (ClearSky CANBUS)	
	70027426	1	Module, EGR (Engine Assembly)	

## SECTION 12 - RECOMMENDED SERVICE PARTS STOCK

ITEM	PART NUMBER	QTY	DESCRIPTION	REV
	70005495	1	Module, Engine Control (Engine Assembly)	
	1001270467	1	Module, Front Frame Control	
	1001270485	1	Module, LMIS Control	
	1001270468	1	Module, Rear Frame Control	
	1001226328	1	Module, 3W TCU (ClearSky 3-Wire)	
	70025780	1	Relay (Engine Assembly)	
	3740080	1	Relay (Cooling Package & Remote Control Power Harness)	
	1001117308	1	Relay (Engine Pod Electrical Installation)	
	70026292	1	Relay, 35A (Standard Electrical Board Assembly)	
	70026295	1	Relay, 35A (Frame Power Distribution Box)	
	70026293	1	Relay, 50A (Option 1 Board)	
	70026294	1	Relay, 70A (Frame Power Distribution Box)	
	70028383	1	Sensor, Angle (Brake)	
	4000015	1	Sensor, Boom Angle (No LMIS) (Boom Angle Sensor Installation)	
	1001099717	1	Sensor, Boom Angle (LMIS) (LMIS Boom Angle Sensor Installation)	
	1001223903	1	Sensor, Boom Length (LMIS Cable Reel Installation)	
	1001138827	1	Sensor, Coolant Level (Surge Tank)	
	70025539	1	Sensor, Dual Pad (Seat)	
	1001162885	1	Sensor, LMIS (LMIS Installation) (High End Display)	
	1001160730	1	Sensor, LSI (LSI Sensor Installation)	
	1001147340	1	Sensor, Pressure (Frame Hydraulic)	
	1001183024	1	Sensor, Proximity (Boom Retract)	
	1001247421	1	Sensor, Reverse	
	1001128478	1	Sensor, Temperature (Hydraulic Tank)	
	1001163095	1	Sensor, Tilt (LMIS Tilt Sensor Installation)	
	1001104654	1	Switch, Aux Decomp	
	1001159746	1	Switch, Aux Electric	
	1001159738	1	Switch, Beacon	
	1001159745	1	Switch, Boom Ride	
	1001159739	1	Switch, Boom Worklights	
	4360658	1	Switch, Brake Light	
	1001159741	1	Switch, Constant AUX	
	70025486	1	Switch, Contact (Standard Seat)	
	1001192142	1	Switch, Disconnect (Engine Pod Electrical Installation)	
	70028326	1	Switch, Driver Presence (Premium Air Suspension Seat)	
	4360475	1	Switch, E-Stop (External Emergency Stop Installation)	
	1001159737	1	Switch, Fog Lights	
	1001212470	1	Switch, Frame Level	
	1001159845	1	Switch, Front Worklights	
	1001159734	1	Switch, Hazard	
	70024107	1	Switch, Heater (Premium Air Suspension Seat)	
	1001169268	1	Switch, Horn Button	
	1001160326	1	Switch, HVAC On/Off (Heater and A/C)	
	1001159925	1	Switch, HVAC Recycle (Heater and A/C)	
	1001172547	1	Switch, HVAC Rotary 3 Speed (Heater and A/C)	
	4360657	1	Switch, Ignition (Remote Control Boom)	
	1001080978	1	Switch, Lift/Loader	
	1001163639	1	Switch, Light (Cab Light Switch)	
	1001159742	1	Switch, LSI Override	
	1001080375	1	Switch, Quick Coupler	
	1001159735	1	Switch, Rear Wiper	

## SECTION 12 - RECOMMENDED SERVICE PARTS STOCK

ITEM	PART NUMBER	QTY	DESCRIPTION	REV
	1001159846	1	Switch, Rear Worklights	
	1001145204	1	Switch, Reversing Fan (Reversing Cooling Fan)	
	1001159736	1	Switch, Roof Wiper	
	1001159849	1	Switch, Steer Mode	
	1001215941	1	Switch, Toggle SPST (ASOV)	
	1001256974	1	Switch, Turn-Wiper	
	1001102502	1	Switch, 4 Position Key	

**SECTION 13 - SPECIAL OPTIONS/ACCESSORIES/KITS**

**SECTION 13 - SPECIAL OPTIONS/ACCESSORIES/KITS**

# SECTION 13 - SPECIAL OPTIONS/ACCESSORIES/KITS

## FIGURE 13-1. SPECIAL OPTIONS/ACCESSORIES/KITS

ITEM	PART NUMBER	QTY	DESCRIPTION	REV
		Ref	Note: This list is to accommodate machines ordered with special equipment. Options may not be applicable to all models. For more specific parts information contact JLG Parts Department.	
		Ref	SPECIAL OPTIONS/ACCESSORIES/KITS	
	1001233189	Ref	Air Shutoff Valve (ASOV) Kit	
	1001229073	Ref	Boom Kit - 1644/7013	
	1001229212	Ref	Boom Brushes Kit - 1644/7013	
	1001231057	Ref	Boom Prop Kit	
	1001229075	Ref	Boom Wear Pad Kit - 1644/7013	
	1001213286	Ref	Cab Display Kit	
	1001199382	Ref	Cab Guard Kit - Roof/Front Combo	
	1001212845	Ref	Cab Guard Kit - Front	
	1001199380	Ref	Cab Guard Kit - Roof	
	1001268341	Ref	Camera (Rear View) Add-on Kit(Dealer Installed)	
	1001229811	Ref	Camera Kit - Reverse Camera	
	1001276923	Ref	ClearSky Telematics Add-on Kit (Contact JLG for Approved Countries)	
	1001291382	1	ClearSky Prep Installation	
	1001229532	Ref	Cold Weather Kit - 115V	
	1001229813	Ref	Cold Weather Kit - 230V	
	1001231341	Ref	Decal Kit - 1644	
	1001245694	Ref	DEF Tank/Heater Service Kit	
	1001148902	Ref	Electrical Connector Kit - Amp/Tyco Electrical Connectors	
	1001148903	Ref	Electrical Connector Kit - Deutsch DT Electrical Connectors	
	1001148904	Ref	Electrical Connector Kit - Deutsch HD Electrical Connectors	
	1001148905	Ref	Electrical Connector Kit - Packard Electrical Connectors	
	1001148906	Ref	Electrical Connector Kit - Various Electrical Connectors	
	1001230409	Ref	Emergency Stop Switch Kit - External	
	1001229812	Ref	Engine Block Heater Kit - 115V	
	1001230125	Ref	Engine Block Heater Kit - 230V	
	70027806	Ref	Extend/Retract Cylinder Seal Kit	
	1001229576	Ref	Fender Kit	
	1001258099	Ref	Fire Extinguisher Installation	
	1001239961	Ref	Fire Extinguisher Kit	
	1001230126	Ref	Heat to Heat/AC Upgrade Kit	
	1001274891	Ref	Joystick Kit - 2 Speed FNR with Clamp	
	1001274892	Ref	Joystick Kit - 0 Speed FNR with Lights	
	1001230188	Ref	Light Kit - Beacon/Strobe (LED)	
	1001199376	Ref	Light Kit - Beacon/Strobe	
	1001231110	Ref	Light Kit - Drive/Road Lights (RH)	
	1001231138	Ref	Light Kit - Drive/Road Lights (LED) (RH)	
	1001229104	Ref	Light Kit - Work Lights	
	1001230699	Ref	Radio Ready Kit	
	1001199364	Ref	Reversing Sensing Kit (PVC1911)	
	1001252304	Ref	Reversing Sensing Kit (PVC2005)	
	1001199328	Ref	Roof Wiper Kit	
	1001228993	Ref	Service Kits	I
	1001265372	Ref	Telematics Harness Kit (NA)	
	1001229216	Ref	Telematics Kit (Long Roof) (NA)	

## SECTION 13 - SPECIAL OPTIONS/ACCESSORIES/KITS

ITEM	PART NUMBER	QTY	DESCRIPTION	REV
	1001229324	Ref	Telematics Kit (Short Roof) (NA)	
	1001254389	Ref	Telematics Kit - Canbus (NA)	
	1001254390	Ref	Telematics Kit - Canbus (CE)	
	1001254400	Ref	Telematics Kit - Canbus Extension	
		Ref	Tools:	
	1001249695	Ref	Analyzer and Cable Kit	
	1001249941	Ref	Analyzer and Cable Kit (Battery Powered)	
	7002821	Ref	Crimper (For Wire to Pin/Socket Connections)	
	7002823	Ref	Extractor (For Removal of Pin/Socket from Connectors)	
	8896941	Ref	Wire Stripper	
	7004275	Ref	Seal Tool 1" (For Cylinders)	
	7004276	Ref	Seal Tool 1 1/2" (For Cylinders)	
	7002826	Ref	Seal Tool 2" (For Cylinders)	
	1001262959	Ref	Voltage Regulator for ClearSky/Telematics Add-on Kit (Dealer Installed)	
	1001214167	Ref	Window (Rear) Release Kit	





## SECTION 13 - SPECIAL OPTIONS/ACCESSORIES/KITS

### PART NUMBER INDEX

## SECTION 13 - SPECIAL OPTIONS/ACCESSORIES/KITS

0100011.....825	0760405 .... 139, 141, 143	1001002947 ..... 415	1001090343.....517
0100081.....33	0760410 ..... 929	1001002953 ..... 415	1001091715.....919, 925, 927
0400075.....759, 761	0760507 ... 221, 821, 829, 831, 845	1001002957 ..... 415	1001091716.....919, 925, 927
0498748.....409	0760512 ..... 445	1001003031 ... 73, 75, 77	1001091751.....823
0630576.....51, 53	0760605 ... 207, 409, 547, 551	1001003043 ..... 425	1001092481.....115
0641405.....121	0760607 . 51, 53, 99, 273, 279, 283, 287, 409, 639, 843, 845, 847, 849, 881, 883	1001003227 ..... 49	1001092482.....115
0641510.....175, 229	0760608 ... 215, 289, 431, 445, 463, 499, 511, 547, 551, 555, 557, 581, 755, 757, 833, 835, 881, 883	1001003301 ..... 27	1001092877.. 1018, 1022, 1026, 1030
0641608.....617	0760610 ..... 959	1001003305 .... 223, 225, 229, 247, 295, 785, 831	1001092878.. 1018, 1022, 1026, 1030
0651607.....89	0760615 ..... 583, 965	1001003427 ..... 31	1001093171.....171
0681714.....621	0760806 ..... 289	1001003803 ..... 79	1001093564.....767
0700408.....553, 975, 977	0760807 ..... 49, 607, 867	1001004640 ..... 557	1001094708.. 1010, 1014, 1018, 1022, 1026, 1030
0700610....29, 33, 51, 53, 57, 99, 227, 279, 295, 463, 513, 833, 835, 915, 917	0760808 49, 89, 429, 513, 515, 755, 757, 975	1001004720 ..... 199, 279	1001095301.....217, 219
0700612...51, 53, 61, 933	0760810 ... 39, 41, 55, 59, 61, 65, 69, 71, 77, 87, 241, 255, 267, 269, 289, 299, 301, 303, 437, 455, 457, 484, 493, 515, 519, 523, 531, 533, 547, 583, 585, 587, 591, 679, 947, 977	1001004723 ..... 829	1001095336.....877, 1052
0700614....175, 279, 484, 627, 867, 875	0760812 .... 25, 243, 245, 247, 277, 279, 391, 393, 415, 831, 875	1001005368 ..... 427	1001095650 89, 465, 467, 557
0700616.....583, 611	0760815 .... 415, 591, 595	1001005438 ..... 621	1001095804.....809, 811, 813
0700618....789, 843, 845, 847, 849	0760823 ..... 29, 281	1001005904 .... 589, 593, 597	1001095810.....121
0700808.....843, 847	0761008 ..... 779, 951	1001005960 ..... 1041	1001096019.....117
0700814....49, 263, 265, 279, 615	0761009 ..... 785	1001006730 ..... 537	1001096020.....117
0700815.....911	0761010 ... 39, 41, 43, 45, 49, 55, 99, 223, 225, 227, 257, 279, 555, 833, 835, 843, 845, 847, 849, 881, 883, 919, 925, 927, 961	1001006731 ..... 539	1001096021.....119
0700816....241, 259, 289	0761012 ... 27, 39, 41, 51, 53, 79, 81, 211, 557, 621, 639, 647, 829, 831, 875, 977	1001007056 ..... 83	1001096023.....119
0700817.....583	0761210 .... 91, 243, 245, 247	1001007641 ..... 499, 501	1001096024.....117
0700818....623, 635, 945	0761212 ... 257, 829, 831	1001008475 ..... 501	1001096025.....119
0700819.....879	0761214 ..... 29, 205, 279	1001008540 ..... 833, 835	1001096365.....415
0700820....453, 455, 457, 609, 875	0761215 ... 205, 243, 245, 247	1001008559 .... 199, 227, 247, 299, 301, 303, 657, 789, 797, 821, 829, 831, 843, 845, 847, 849, 881, 883, 887, 893, 919, 925, 927, 961, 965, 983	1001097244.....463
0700821.....581	0761217 ..... 167	1001008575 ..... 25	1001097540....51, 53, 57, 475
0700824.....557	0761218 ... 243, 245, 247	1001008604 ..... 501	1001097586.....425
0700826.....289	0770814 ..... 549	1001008654 ..... 607	1001097587.....327, 349
0700828.....647	0770815 ..... 267, 269	1001008742 ..... 445	1001098128.....581
0701014....49, 55, 59, 61, 85, 217, 219, 275, 277, 279, 295, 581, 919, 925, 927	0771010 ..... 75, 77	1001008834 ..... 145	1001098150.....460
0701016....217, 219, 643	0771012 ..... 75	1001008857 ..... 415	1001098762.....767, 769
0701018....211, 243, 245, 247, 295, 965	0771212 ..... 75, 77	1001008923 ..... 785, 911	1001098769.....93
0701020....25, 243, 245, 247	0771414 ..... 671, 675	1001008988 ..... 409	1001099566.....299, 301, 303
0701024.....629	0771416 ..... 317	1001008999 ..... 49	1001099717....951, 1053
0701026.....229	0771618 ..... 313	1001009018 ..... 21	1001100166.....679
0701027.....633	0791605 ..... 259	1001009124 ..... 501	1001100169.....679
0701216.....29, 91, 653	0860520 ..... 121	1001009163 ..... 315	1001100319.....241
0701220.....921	1001002946 ..... 415	1001009178 . 1018, 1022, 1026, 1030	1001101041.....109, 113, 133, 135, 145, 147, 150, 154, 585, 589, 593, 597
0701618.....205		1001009325 .... 223, 225, 227	1001101042.....109, 113, 133, 135, 145, 147, 150, 154, 585, 589, 593, 597
0701626.....205		1001010646 ..... 537, 539	1001101702.....555
0701628....139, 141, 143, 205		1001010647 ..... 537, 539	1001101808.....755
0701630.....205		1001010648 ..... 537, 539	1001101855.....949
0711015.....71		1001010649 ..... 537, 539	1001101895.. 1018, 1022, 1026, 1030
0711016.....75		1001010650 ..... 537, 539	1001102157.....37
0711017.....73		1001010839 ..... 501	1001102502.....809, 811, 813, 1054
0711030.....295		1001014231 ..... 621	1001102844.....123
0711215.....75		1001028264 ..... 21	1001103012.....792
0711216.....73, 75, 233		1001028291 ..... 21	1001103156.....779, 951
0711217.....73		1001028306 ..... 21	1001103300.....779, 951
0711230.....69		1001028308 ..... 21	1001104477.....593, 597, 711
0711635.....69		1001028377 ..... 21	
0712020.....399		1001028400 ..... 21	
0712022.....399		1001047062 ..... 409	
0712027.....401		1001080375 .... 591, 595, 1053	
0712442.....633		1001080978 .... 809, 811, 813, 1053	
		1001081085 ..... 319	

## SECTION 13 - SPECIAL OPTIONS/ACCESSORIES/KITS

1001104498 ..... 787, 792, 796, 897, 901	891, 893, 898, 902, 935, 939, 997	1001126356 ..... 851, 855	1001143551 ..... 871
1001104499 ..... 796	1001116815 ..... 797, 853, 857, 871, 997	1001126357 ..... 851, 855	1001143852 . 1022, 1026, 1030
1001104519 ..... 793, 815, 969	1001116950 ..... 886, 892	1001126360 ..... 851, 855	1001144147 ..... 805, 852, 856, 871, 997
1001104654 ..... 809, 811, 813, 1053	1001116984 ..... 796	1001126362 ..... 851, 855	1001144296 ..... 793, 797
1001105093 ..... 583	1001116985 ..... 796	1001126384 ..... 851, 855	1001144629J ..... 121
1001105886 ..... 989	1001116986 ..... 795, 796	1001126391 ..... 851, 853, 855, 857	1001145204 ..... 271, 839, 1054
1001107192 ..... 409	1001116991 ..... 793, 796, 905	1001126393 ..... 851, 853, 855, 857	1001145391 ..... 81, 83
1001107339 ..... 295	1001116995 ..... 795	1001126485 ..... 851, 852, 855, 856	1001145539 ..... 484
1001107854 ..... 787, 792, 796, 807, 897, 901	1001116996 ..... 897, 898, 901, 902	1001126487 ..... 851, 855	1001146160 ..... 125
1001109053 . 1010, 1014, 1018, 1022, 1026, 1030	1001116997 ..... 794	1001126837 ..... 779, 959	1001146588 ..... 223, 241, 247, 257, 271, 279, 785, 789, 825, 839, 843, 845, 847, 849, 881, 883, 919, 925, 927, 953
1001109387 ..... 167	1001116998 ..... 796	1001128128 ..... 841, 852, 856	1001147340 .... 627, 1053
1001110023 ..... 589, 597, 713	1001116999 ..... 793, 905	1001128144 ..... 259	1001147416 ..... 585, 589, 593, 597
1001110115 ..... 597	1001117011 ..... 795, 797, 819	1001128341 ..... 259	1001147449 ..... 460, 471
1001111076 ..... 511	1001117021 ..... 807	1001128478 ..... 27, 315, 1053	1001148307 ..... 269
1001111140 ..... 627	1001117024 ..... 841	1001128890 ..... 125	1001148841 ..... 851, 855
1001111147 ..... 511	1001117079 ..... 795	1001129425 ..... 961	1001148842 ..... 851, 855
1001111317 ..... 407, 411	1001117081 ..... 793, 794, 795	1001130220 ..... 51, 53, 57	1001148902 ..... 1056
1001112612 ..... 773, 777, 796, 1001	1001117109 ..... 886, 892	1001130323 . 1010, 1014, 1018, 1022, 1026, 1030	1001148903 ..... 1056
1001112796 ..... 783, 827, 1001	1001117121 ..... 815, 969	1001131177 ..... 843, 845, 847, 849, 1052	1001148904 ..... 1056
1001114495 ..... 253, 255	1001117247 ..... 953, 955	1001131271 . 1010, 1014, 1018, 1022, 1026, 1030	1001148905 ..... 1056
1001114761 ..... 647	1001117308 ..... 833, 835, 1053	1001132168 ..... 43, 45	1001148906 ..... 1056
1001114803 ..... 243, 245, 247	1001118282 ..... 841, 852, 856	1001132169 ..... 888, 893, 963	1001149278 ..... 460, 471
1001116128 ..... 481, 961	1001118323 ..... 886, 892	1001132170 ..... 887, 894	1001150611 ..... 885, 886, 891, 892
1001116696 ..... 897, 898, 901, 902	1001118378 ..... 871	1001132564 ..... 460	1001150735 ..... 795
1001116697 ..... 792	1001118379 ..... 795	1001133714 ..... 852, 856	1001150737 ..... 795
1001116698 ..... 792	1001118383 ..... 815, 969	1001133715 ..... 852, 856	1001151238 ..... 647
1001116700 ..... 793, 819	1001118384 ..... 793, 794, 795, 796	1001133793 ..... 217, 219	1001152915 ..... 407
1001116716 ..... 793	1001118386 ..... 796	1001134274 ..... 779, 951	1001152947 ..... 407
1001116720 ..... 905	1001118387 ..... 796	1001135650 ..... 851, 852, 855, 856	1001153612 ..... 852, 856
1001116723 ..... 793, 794, 795, 796	1001118392 ..... 897, 898, 901, 902	1001135651 ..... 851, 855	1001153748 ..... 665, 743
1001116725 ..... 852, 856	1001118684 ..... 794	1001135851 ..... 852, 856	1001153749 ..... 843, 847, 993, 995
1001116727 ..... 853, 857, 902, 985	1001118685 ..... 815, 969	1001136975 ..... 223, 225, 227	1001155228 ..... 405, 409
1001116728 ..... 898, 902, 913	1001119020 ..... 797	1001136999 ..... 796	1001155230 ..... 1026
1001116729 ..... 985	1001119467 ..... 519, 533	1001137000 ..... 796	1001155446 ..... 397, 401
1001116732 ..... 841	1001119727 ..... 277	1001137578 ..... 853, 857	1001155447 ..... 403, 437
1001116733 ..... 841	1001120989 ..... 1043	1001138645 ..... 867	1001155486 ..... 517
1001116734 ..... 841, 852, 856	1001121555 ..... 1030	1001138827 ..... 259, 1053	1001155540 ..... 243, 245, 247
1001116745 ..... 985	1001121726 ..... 898, 902	1001138945 ..... 295	1001155823 ..... 241
1001116747 ..... 807	1001121727 ..... 898, 902, 985	1001139551 ..... 517	1001156265 ..... 557
1001116748 ..... 795	10011223457 ..... 792	1001139552 ..... 443	1001157890 ..... 871
1001116754 ..... 794	1001125117 ..... 73, 75, 77, 91	1001139568 ..... 427	1001157891 ..... 773, 777
1001116763 ..... 807, 897, 901	1001125222 ..... 555	1001139578 ..... 1010	1001158146 ..... 809, 811
1001116774 ..... 871, 887, 893, 939, 997	1001125465 ..... 961	1001139942 . 1018, 1022, 1026, 1030	1001158596 ..... 523
1001116808 ..... 871, 887, 893, 997	1001125677 ..... 793, 853, 857, 898, 902	1001140671 ..... 277	1001158601 ..... 519
1001116810 ..... 885, 891	1001126008 ..... 796, 837, 852, 856, 871, 887, 893, 997	1001141246 ..... 415	1001158736C ..... 531
1001116811 ..... 852, 856	1001126011 ..... 796, 852, 856	1001141281 ..... 437	1001158738C ..... 519, 533
1001116812 ..... 793, 795, 796, 797, 805, 851, 855, 871, 885, 887,	1001126245 ..... 852, 856	1001141311 ..... 517	1001159028 ..... 543, 545, 1052
	1001126349 ..... 851, 855	1001141312 ..... 443	1001159734 ..... 919, 925, 927, 1053
	1001126351 ..... 851, 855	1001141313 ..... 517	1001159735 ..... 809, 811, 813, 1053
	1001126352 ..... 851, 855	1001141400 ..... 227	1001159736 .... 517, 1054
	1001126353 ..... 851, 855	1001141461 ..... 619, 1052	1001159737 ..... 919, 925, 927, 1053
		1001141462 ..... 619	
		1001141976 ..... 617, 619	
		1001142724 ..... 61	
		1001143200 ..... 423	

## SECTION 13 - SPECIAL OPTIONS/ACCESSORIES/KITS

1001159738.....1053	1001161898..... 557	1001166774 ..... 851, 853, 855, 857	1001171037.....413
1001159739.....909, 1053	1001161957..... 885, 891, 897, 901, 939	1001167004 ..... 573	1001171179.....25
1001159741.....809, 811, 813, 1053	1001161959..... 792	1001167015 ..... 479, 481	1001171182.....427
1001159742.....957, 1053	1001161963..... 885, 891, 897, 901, 939	1001167017 ..... 975	1001171183.....427
1001159743.....811, 813	1001162062..... 555	1001167186 ..... 263	1001171277.. 1010, 1014, 1018, 1022, 1026, 1030
1001159745.....983, 1053	1001162212..... 241	1001167266 ..... 451, 487	1001171635.....413
1001159746.....771, 775, 1053	1001162662..... 27, 1052	1001167409 ..... 241, 293	1001171756.....445
1001159845.....915, 917, 1053	1001162789..... 403, 445	1001167528 ..... 853, 857	1001171767.....435
1001159846.....915, 917, 1054	1001162885... 949, 1053	1001167616 ..... 852, 856	1001171808..... 93, 965
1001159849.....809, 811, 813, 1054	1001162886..... 792	1001167620 ..... 853, 857	1001171874.....547
1001159925.....484, 493, 1053	1001162887 ..... 793	1001167624 ..... 853, 857	1001171885.....39, 41
1001160042.....484	1001162920..... 547	1001167629 ..... 852, 856	1001171962.....975
1001160043.....493	1001162922..... 547	1001167630 ..... 851, 852, 855, 856	1001172035.. 1010, 1014, 1018, 1022, 1026, 1030
1001160072.....1045	1001162953..... 484, 487	1001167631 ..... 851, 855	1001172088.....547
1001160326.....484, 1053	1001163095... 933, 1053	1001167634 ..... 851, 855	1001172094.....547
1001160420.....263	1001163174 ..... 1014	1001167635 ..... 851, 855	1001172110.....45, 47
1001160496.....457	1001163210 ..... 1014	1001167937 ..... 419	1001172112.....47
1001160498.....792	1001163212 ..... 1014	1001167958 ..... 409, 419	1001172113.....47
1001160500.....885, 891, 897, 901, 939	1001163222 ..... 1014	1001168030 ..... 245, 613	1001172114.....47
1001160502.....792	1001163223 ..... 1014	1001168054 ..... 547	1001172115.....47
1001160503.....455, 457	1001163285 ..... 1014	1001168142 ..... 557	1001172146.....25
1001160506.....453	1001163300 ..... 1014	1001168151 ..... 557	1001172147.....25
1001160508.....403, 429	1001163304 ..... 1014	1001168264 ..... 391, 393	1001172193.....407, 411
1001160509.....885, 891, 897, 901, 939	1001163323 ..... 1014	1001168327 ..... 484	1001172401.....403, 439
1001160510.....885, 891, 897, 901, 939	1001163340 ..... 793	1001168330 ..... 484	1001172495.....767, 769
1001160730.....961, 1053	1001163355 ..... 1014	1001168331 ..... 484	1001172496.....767, 769
1001160775...1005, 1007	1001163639... 817, 1053	1001168429 ..... 61	1001172547.....484, 493, 1053
1001160916 .....1049	1001164183 ..... 89	1001168456 ..... 484	
1001160927.....759, 761, 767, 769	1001164402..... 875, 877	1001168531 ..... 531, 819	1001172550.....484, 493
1001160928.....759, 761, 767, 769	1001164655 ..... 429	1001168599 ..... 637, 729	1001172553.....484, 493
1001160945 .....1047	1001164726 ..... 409	1001168758 ..... 51	1001172693.....31
1001161067 .....473	1001164971 ..... 633	1001169135 ..... 531, 535	1001172755.....223, 225, 227
1001161078 .....477	1001164972 ..... 633	1001169151 ..... 484, 807	1001172774.....455
1001161080 .....477	1001165035 ..... 223, 225, 227	1001169265 ..... 49	1001172829.....53
1001161095.....939	1001165194 ..... 853, 857	1001169268 ..... 569, 1053	1001172995.....91
1001161097.....792, 885, 891, 897, 901, 939	1001165269 ..... 445, 447	1001169354 ..... 565, 567	1001172999.....91
1001161098.....792, 885, 891, 939	1001165270 ..... 445	1001169355 ..... 567	1001173257.....453
1001161099.....792, 885, 891, 897, 901, 939	1001165273 ..... 447	1001169367 ..... 567	1001173298.....409
1001161100.....792, 885, 891, 897, 901, 939	1001165275 ..... 415	1001169368 ..... 259	1001173411.....793
1001161101.....792, 885, 891, 897, 901, 939	1001165276 ..... 411	1001169454 ..... 29	1001173452.....243, 247
1001161252.....460	1001165309 ..... 885, 891	1001169603 ..... 460	1001173457.....243, 245, 247
1001161253.....460	1001165310 ..... 887, 893	1001169604 ..... 460, 471	
1001161499.....403, 543	1001165311 ..... 898, 902	1001169674 .. 1005, 1007	1001173528.....253, 255
1001161672.....557	1001165327 ..... 447	1001169751 ..... 565	1001173679.....91
1001161679.....789, 799	1001165327 ..... 447	1001169763 ..... 569	1001173703.....1030
1001161770.....789, 801	1001165351 ..... 445	1001169825 ..... 837	1001173739.....91
1001161771.....789, 803	1001165407 ..... 445	1001169880 ..... 411	1001173829.....929
1001161851.....471	1001165416 ..... 445	1001169883 ..... 413	1001173873.....283, 287
1001161855.....460	1001165455 ..... 445	1001169885 ..... 413	1001173965.....460
1001161896.....557	1001165458 ..... 445, 463	1001170106 ..... 31	1001174104.....79
1001161897.....557	1001165637 ..... 437	1001170113J..... 411, 413	1001174129.....389
	1001165827 ..... 757	1001170114 ..... 409, 411	1001174295.....409, 421
	1001166191 ..... 499	1001170231 ..... 547	1001174320.....407
	1001166192 ..... 61, 499	1001170311 ..... 267, 269	1001174321.....415
	1001166385 ..... 511	1001170325 ..... 475	1001174419.....87
	1001166543 ..... 851, 855	1001170326 ..... 433	1001174652.....471
	1001166556 ..... 851, 853, 855, 857	1001170366 ..... 403, 431	1001174653.....471
	1001166565 ..... 211, 213	1001170432 ..... 291	1001174655.....471
	1001166634 ..... 411, 415	1001170504 ..... 460	1001174712.....809, 811, 813
	1001166634 ..... 411, 415	1001170514 ..... 473	1001174741.....513
	1001166704 ..... 853, 857	1001170518 ..... 460	1001174795.....285
	1001166715 ..... 211	1001170519 ..... 460, 473	1001174800.....513
	1001166754 ..... 401	1001170601J..... 409	1001174801.....513
	1001166755 ..... 401	1001170944 ..... 415	
		1001170993 ..... 435	

## SECTION 13 - SPECIAL OPTIONS/ACCESSORIES/KITS

1001174812..... 71, 685	1001180682..... 503	1001184976..... 311	1001188618..... 491
1001175058..... 397	1001180683..... 503	1001184977..... 311, 325	1001188619..... 491
1001175201..... 281	1001181128..... 833, 835	1001184978..... 311, 347	1001188720..... 491, 497
1001175265..... 852, 856, 898, 902	1001181411..... 427	1001184979..... 311, 317	1001188725..... 491, 497
1001175266..... 939	1001181531..... 809, 811, 813	1001184980..... 311, 313	1001188729..... 491, 497
1001175267..... 885, 891, 897, 901	1001181625..... 241	1001184981..... 311, 323	1001188733..... 497
1001175347..... 21	1001181726..... 460, 463	1001184982..... 325, 327	1001188757..... 205
1001175470..... 433	1001181920..... 423	1001184983..... 347, 349	1001188817..... 491
1001175471..... 431, 435	1001181921..... 423	1001184984..... 327, 329, 331, 333, 337, 339, 341, 343	1001188818..... 491
1001175477..... 409	1001181961..... 759, 761	1001184985..... 349, 351, 353, 355, 357, 359, 363, 369	1001188855..... 295
1001175568..... 223, 225, 227	1001182123..... 423	1001184986..... 317, 319	1001188856..... 295
1001175733..... 981	1001182139..... 423	1001184987..... 323	1001188971..... 77
1001175776..... 979, 981	1001182330..... 515	1001184988..... 323	1001189023..... 491
1001175812..... 61	1001182490..... 921	1001185026..... 267	1001189024..... 491
1001175903..... 460	1001182495..... 921	1001185633..... 515	1001189025..... 491, 497
1001176002..... 853, 857	1001182529..... 531, 535	1001185870..... 460	1001189046..... 843, 845, 847, 849
1001176004..... 853, 857	1001182530..... 531	1001185927..... 23	1001189048..... 491
1001176121..... 431, 433	1001182824..... 275	1001185929..... 23, 29	1001189054..... 491
1001176272..... 423	1001182839..... 959	1001185930..... 29, 33	1001189154.. 1018, 1022, 1026, 1030
1001176273..... 423	1001182881..... 207, 209	1001185931..... 33	1001189182..... 460
1001176333..... 796	1001182929..... 843, 845, 859	1001185933..... 33	1001189246..... 33
1001176338..... 503	1001182930..... 843, 845, 863	1001185935..... 33	1001189288J ... 381, 383, 385, 387
1001176626..... 423	1001183024..... 785, 1053	1001186843..... 621	1001189876..... 813
1001177082..... 25	1001183112..... 919, 921, 925, 927	1001186853..... 919	1001190037..... 852, 856
1001177597..... 797	1001183221..... 773	1001186855..... 759	1001190250..... 79, 81
1001178053..... 907, 929	1001183272..... 747, 749, 751, 753, 875	1001186856..... 763	1001190254..... 69
1001178123..... 445	1001183306..... 389, 391	1001186881..... 61	1001190257..... 69
1001178159..... 407	1001183307..... 389, 393	1001186898..... 211	1001190260..... 69
1001178160..... 407	1001183308..... 391	1001187070..... 851, 855, 863, 865	1001190264..... 79, 81
1001178170..... 484	1001183309..... 393	1001187073..... 885, 891	1001190396..... 907
1001178474..... 29	1001183447..... 139	1001187075..... 886, 892, 939	1001190921..... 852, 856
1001178670..... 557, 741	1001183549..... 949	1001187076..... 886, 887, 892, 893, 939	1001191035..... 87, 89
1001178680..... 427	1001183550..... 473	1001187077..... 863, 865	1001191036..... 89
1001178681..... 427	1001183597..... 467	1001187078..... 841, 871, 997	1001191039..... 89
1001178693..... 29	1001183700..... 617	1001187079..... 871, 885, 886, 891, 892, 898, 902	1001191091..... 421
1001178706..... 1041	1001183827..... 215	1001187080..... 852, 856, 885, 891, 898, 902	1001191108..... 139
1001178783..... 503	1001183829..... 215	1001187081..... 997	1001191110..... 71
1001178791..... 281	1001183831..... 211	1001187272..... 621	1001191157..... 27
1001178826..... 507	1001183835..... 211, 215	1001187273..... 621	1001191163..... 27
1001178933..... 789	1001184280..... 491	1001187275..... 621	1001191229.. 1010, 1014, 1018, 1022, 1026, 1030
1001179008..... 505, 507, 509	1001184296..... 491, 497	1001187355..... 655	1001191255..... 397, 399
1001179009..... 505, 507, 509	1001184297..... 491, 497	1001187423..... 381, 383	1001191256..... 399
1001179080..... 487	1001184397..... 881, 897	1001187820..... 79, 81	1001191257..... 399
1001179081..... 487	1001184399..... 881, 897	1001187821..... 79	1001191281..... 463, 465
1001179130..... 449, 487	1001184403..... 449	1001187822..... 79	1001191282..... 465
1001179297..... 1041	1001184404..... 449	1001187847..... 79, 81	1001191283..... 463, 467
1001179482..... 511	1001184405..... 449	1001187848..... 79, 81	1001191284..... 463, 469
1001179483..... 511	1001184406..... 449	1001188372.. 1010, 1014, 1018, 1022, 1026, 1030	1001191310..... 467
1001179484..... 465	1001184427..... 491	1001188590..... 484, 493	1001191311..... 469
1001179592..... 475	1001184439..... 409	1001188592..... 491	1001191312..... 469
1001179850..... 23, 25	1001184473..... 905	1001188594..... 491, 497	1001191313..... 469
1001179851..... 25, 27	1001184479..... 905	1001188602..... 491, 497	1001191370..... 463
1001179852..... 27	1001184610..... 81	1001188603..... 491, 497	1001191546..... 843, 847
1001179907..... 289, 867	1001184632.. 1010, 1014, 1018, 1022, 1026, 1030	1001188604..... 491, 497	1001191635..... 59
1001179931..... 563	1001184795..... 937, 939	1001188610..... 491, 497	1001191685..... 27, 1052
1001180070..... 239, 709	1001184796..... 911, 913	1001188612..... 491, 497	1001191789..... 77
1001180263..... 453, 455	1001184869..... 51	1001188614..... 491, 497	1001191915..... 555
1001180306..... 21	1001184870..... 53		1001191959..... 469
1001180437..... 283, 287	1001184871..... 57		1001192096..... 581
1001180542..... 257	1001184872..... 51, 53		1001192124..... 31
1001180553..... 257	1001184874..... 51, 53		1001192125..... 29, 31
1001180620..... 875	1001184975..... 460		

## SECTION 13 - SPECIAL OPTIONS/ACCESSORIES/KITS

1001192142.....833, 835, 1053	1001192875..... 175	1001195469..... 769	1001196996..... 607
1001192168.....381	1001192876..... 175	1001195471..... 931, 945	1001196997..... 607
1001192170.....383	1001192877..... 175	1001195473..... 931, 947	1001197011.....581
1001192177.....381	1001192885..... 653	1001195582..... 763, 767	1001197056..... 55
1001192178.....381	1001192886..... 653, 655	1001195590..... 931, 951	1001197057..... 55
1001192180.....383	1001192887..... 653	1001195591..... 949, 953	1001197072.....205
1001192181.....383	1001192888..... 655, 733	1001195593..... 763, 989	1001197139.....547
1001192240.....465	1001193111..... 591, 595	1001195655..... 69	1001197196.....579, 659
1001192309.....409	1001193210..... 411	1001195720..... 785	1001197197.....627, 629
1001192318..... 41	1001193307..... 235, 707	1001195721..... 821	1001197198.....629, 631
1001192320.....39	1001193308..... 315, 705	1001195731..... 779, 951	1001197199.....627
1001192321.....975	1001193393..... 187, 189, 191, 193, 195, 197, 237	1001195732..... 779, 951	1001197200.....627
1001192322.....979	1001193461..... 621	1001195733..... 639	1001197259.....477
1001192323.....755	1001193474..... 555	1001195737..... 73, 75, 77	1001197262.....71
1001192324.....59	1001193516..... 579, 663	1001195814..... 405, 423	1001197339.....39, 41
1001192336.....65	1001193517..... 579, 639	1001195816..... 460	1001197480.....29
1001192339.....143	1001193540..... 175	1001195817..... 460	1001197481.....33
1001192342.....145	1001193566..... 963	1001195818..... 460	1001197668.....983, 985
1001192344.....147	1001193698..... 755, 757	1001195820..... 479	1001197733..... 55
1001192354.....69	1001193703..... 187, 189, 191, 193, 195, 197, 229	1001195821..... 481	1001197734..... 55
1001192358.....81	1001193704..... 187, 189, 191, 193, 195, 197, 233	1001195822..... 479	1001198307.....51, 53, 55
1001192363.....585	1001193705..... 229, 231	1001195823..... 481	1001198355.....175
1001192364.....93	1001193709..... 579, 607	1001195849..... 1010	1001198577.....669, 671
1001192365.....591	1001193729..... 175	1001195851..... 1014	1001198578.....669, 675
1001192366.....587	1001193797..... 295	1001195855..... 1010, 1014, 1018, 1022	1001198715.....671, 673
1001192367.....595	1001193803..... 171	1001195878..... 407	1001199325.....71, 679
1001192370.....781	1001193887..... 87	1001195881..... 97	1001199328.....1056
1001192392.....31	1001193993..... 833, 835	1001195953..... 785, 787	1001199364.....1056
1001192401.....1001	1001194103..... 829, 831	1001195970..... 137	1001199376.....1056
1001192410.....557	1001194155..... 275	1001196076..... 533	1001199382.....1056
1001192427.....669	1001194244..... 829	1001196100..... 921	1001199670.....289
1001192430.....779	1001194282..... 557	1001196191..... 243, 245, 247	1001199902.....279
1001192431.....931	1001194421..... 794, 823, 987	1001196193..... 245	1001200105.....603, 983
1001192520.....603	1001194534..... 211	1001196217..... 921	1001200106.....187, 843
1001192537.....747	1001194698..... 403	1001196332..... 765	1001200111.....681
1001192538.....749	1001194699..... 403, 405	1001196402..... 603	1001200159.....747, 749, 881
1001192558.....789	1001194700..... 405, 407	1001196502..... 829, 831	1001200160.....747, 751, 829
1001192560.....811	1001194702..... 599	1001196664..... 235	1001200161.....829, 831
1001192575.....771	1001194969..... 49	1001196778..... 167	1001200162.....829, 831
1001192615.....129	1001194980..... 35	1001196779..... 167	1001200164.....829, 831
1001192616.....131	1001194981..... 27	1001196782..... 167	1001200165.....829, 831
1001192619.....937, 943	1001195089..... 289	1001196806..... 1010, 1014, 1018	1001200166.....829, 831
1001192622.....39, 41, 49	1001195194..... 73, 75, 77	1001196879..... 91	1001200167.....829, 831
1001192623J.....49	1001195200..... 931, 933	1001196949..... 165	1001200168.....881, 883
1001192627.....49	1001195201..... 931, 937	1001196950..... 163	1001200169.....881, 883
1001192631.....49	1001195202..... 933, 935	1001196951..... 161	1001200206.....997
1001192643.....417	1001195254..... 555	1001196952..... 159	1001200226.....633
1001192644.....419	1001195263..... 757	1001196959..... 621	1001200249.....279
1001192646.....409	1001195298..... 1007	1001196964..... 627	1001200344.....63
1001192649.....109	1001195313..... 1030	1001196967..... 627	1001200383.....929
1001192650.....113	1001195342..... 451	1001196969..... 627	1001200393.....79, 81
1001192700.....169	1001195343..... 451	1001196970..... 627	1001200395.....81
1001192702.....183	1001195344..... 451	1001196973..... 627	1001200443.....187
1001192711.....175	1001195345..... 451	1001196974..... 627	1001200444.....189
1001192720.....175	1001195346..... 451	1001196975..... 627	1001200445.....243
1001192722.....153	1001195385..... 451	1001196976..... 627	1001200446.....245
1001192723.....127	1001195386..... 451	1001196977..... 627	1001200447.....279
1001192734.....149	1001195430..... 615, 617	1001196978..... 627	1001200448.....275
1001192735.....157	1001195433..... 615	1001196981..... 627	1001200451.....291
1001192737.....547	1001195434..... 615	1001196982..... 627	1001200452.....293
1001192741.....1018	1001195435..... 615	1001196989..... 607	1001200453.....295
1001192743.....1026	1001195437..... 451	1001196992..... 607	1001200498.....243, 245, 247
1001192745.....1010	1001195438..... 451	1001196993..... 607	
1001192766.....409, 417	1001195439..... 991	1001196995..... 607	
1001192771.....603			
1001192772.....603			

## SECTION 13 - SPECIAL OPTIONS/ACCESSORIES/KITS

1001200499 ..... 243, 245, 247	1001202024..... 579, 621	1001205307..... 975	1001210281 ..... 345
1001200538 ..... 915	1001202025..... 579, 627	1001205375..... 71, 583	1001210282 ..... 607
1001200539 ..... 917	1001202026..... 579, 615	1001205380..... 583	1001210326 ..... 79, 81
1001200631 ..... 247	1001202027..... 621	1001205381..... 583	1001210327 ..... 607
1001200701 ..... 295	1001202172..... 747, 751, 833	1001205528..... 679	1001210522 ..... 579, 581
1001200862 ..... 187, 189, 191, 193, 195, 197, 205	1001202247..... 255	1001205532..... 409, 415	1001210523 ..... 581
1001200863 ..... 187, 193, 207	1001202321..... 295, 297	1001205564..... 261	1001210524 ..... 581
1001200864 ..... 187, 189, 191, 193, 195, 197, 211	1001202325..... 297	1001205565..... 261	1001210525 ..... 581
1001200865 ..... 187, 193, 217	1001202454..... 813	1001205573..... 627	1001210526 ..... 581
1001200866 ..... 187, 193, 223	1001202519..... 999	1001205618..... 581	1001210567 ..... 785
1001200867 ..... 287	1001202526..... 241, 291	1001205619..... 91	1001210568 ..... 583
1001200870 ..... 621	1001202526..... 241, 291	1001205621..... 91	1001210569 ..... 583
1001200871 ..... 205	1001202617..... 999	1001205622..... 91	1001210600 ..... 189, 191, 195, 197, 209
1001200872 ..... 205	1001202621..... 975	1001205627..... 91	1001210601 ..... 189, 195, 225
1001200873 ..... 205	1001202645..... 579	1001206100..... 919, 925, 927	1001210602 ..... 189, 191, 195, 197, 219
1001200874 ..... 205	1001202730..... 105, 107	1001206112..... 965, 1052	1001210603 ..... 209
1001200885 ..... 207, 209	1001202786..... 391, 393	1001206633..... 781, 783	1001210635 ..... 627
1001200886 ..... 207	1001202899..... 279	1001206709..... 607	1001210761 ..... 275, 277
1001200887 ..... 225, 227	1001202901..... 199	1001206725..... 99	1001210769 ..... 345, 379
1001200910 ..... 965	1001202986..... 881, 883	1001206744..... 555	1001210770 ..... 875, 879
1001200968 ..... 481	1001203005..... 241, 293	1001206954..... 737	1001210771 ..... 233, 235
1001201074 ..... 633, 635	1001203081..... 925	1001207171 ..... 852, 856	1001210780 ..... 721
1001201124 ..... 771, 773	1001203082..... 927	1001207173 ..... 886, 892, 971	1001210797 ..... 627
1001201162 ..... 999	1001203181..... 247, 1052	1001207217 ..... 1010	1001210800 ..... 607
1001201266 ..... 71, 73	1001203368..... 919, 925, 927	1001207218.. 1018, 1022, 1026, 1030	1001210801 ..... 721
1001201267J ..... 73	1001203503..... 175	1001207325..... 633	1001210870 ..... 223, 225, 227
1001201269 ..... 73	1001203557..... 761	1001207594..... 957, 959	1001211020 ..... 627
1001201299 ..... 241	1001203558..... 761	1001207788..... 627	1001211427 ..... 69, 71
1001201300 ..... 241	1001203640..... 911, 915, 917	1001207789..... 627	1001211445 ..... 761
1001201301 ..... 243, 245, 247, 251	1001203932..... 39, 41	1001207790..... 627	1001211570 ..... 301
1001201302 ..... 243, 245, 247, 257	1001203933..... 39, 41	1001207866..... 97, 99	1001211571 ..... 303
1001201303 ..... 243, 245, 253	1001203934..... 39, 41	1001207898..... 325, 345	1001211616 ..... 261
1001201304 ..... 243, 245, 247, 259	1001203947..... 243, 245, 247	1001207899..... 347, 379	1001211617 ..... 261
1001201305 ..... 243, 245, 247, 261	1001203948..... 243, 245, 247	1001207956..... 555	1001211693 ..... 789
1001201309 ..... 257	1001203985..... 71, 77	1001207963..... 460	1001211775 ..... 971
1001201314 ..... 253	1001203986..... 77	1001208037..... 555	1001211899 ..... 55
1001201315 ..... 253, 255	1001203987..... 77	1001208308..... 460	1001211900 ..... 55
1001201316 ..... 253, 255	1001203989..... 71	1001208451..... 679	1001211907 ..... 460
1001201317 ..... 259	1001203990..... 71	1001208532..... 627	1001211909 ..... 421
1001201331 ..... 445	1001204032..... 255, 735	1001208534..... 627	1001212011 ..... 421
1001201420 ..... 633	1001204057..... 737	1001209097..... 851, 855	1001212013 ..... 301
1001201425 ..... 187, 193, 199	1001204060..... 917	1001209194..... 965, 1052	1001212014 ..... 303
1001201427 ..... 303	1001204066..... 415	1001209200..... 583	1001212047 ..... 505
1001201428 ..... 301	1001204066..... 415	1001209201..... 583	1001212048 ..... 509
1001201432 ..... 91	1001204115..... 415	1001209202..... 583	1001212049 ..... 505
1001201499 ..... 551	1001204120..... 415	1001209203..... 583	1001212050 ..... 509
1001201500 ..... 553	1001204152..... 607	1001209345..... 61	1001212054 ..... 301
1001201501 ..... 551, 553	1001204177..... 71, 75	1001209346..... 59	1001212055 ..... 303
1001201848 ..... 51, 53, 57	1001204178..... 75	1001209387..... 43, 45	1001212184 ..... 615
1001201856 ..... 279	1001204198..... 75	1001209388..... 49	1001212369 ..... 437
1001201858 ..... 279	1001204199..... 75	1001209427..... 909	1001212418 ..... 663, 665
1001201885 ..... 823	1001204200..... 75	1001209456..... 909, 911	1001212468 ..... 463
1001202018 ..... 279, 289	1001204411..... 279	1001209463..... 511	1001212470 ..... 809, 811, 1053
1001202020 ..... 603	1001204413..... 279	1001209625..... 1014	1001212739 ..... 237, 239
1001202021 ..... 279	1001204414..... 279	1001209690..... 925	1001212788 ..... 607, 609
	1001204486..... 49	1001209691..... 925	1001212789 ..... 609, 721
	1001204528..... 915	1001209692..... 927	1001212845 ..... 1056
	1001204530..... 915	1001209693..... 927	1001212880 ..... 607
	1001204544..... 765	1001209697..... 919, 925, 927	1001212886 ..... 833, 835
	1001204548..... 765, 769	1001209899..... 423	1001212920 ..... 261
	1001204549..... 765, 991	1001209972..... 583	1001212921 ..... 261
	1001204598..... 403, 441	1001210270..... 583	1001212924 ..... 281
	1001204709..... 507	1001210271 ..... 581	1001212925 ..... 281
	1001205061..... 547, 551		

## SECTION 13 - SPECIAL OPTIONS/ACCESSORIES/KITS

1001213026.....21, 579	1001216974 ..... 519, 523, 531	1001220649 ..... 957	1001223920.....75
1001213265.....547, 549, 1052	1001217226 ..... 671, 675	1001220650 ..... 957, 961	1001223948.....75
1001213286.....1056	1001217320 ..... 821	1001220707 ..... 1022	1001223968.....809, 811, 813, 815
1001213306.....621	1001217353 ..... 71, 657	1001220717 ..... 809	1001223983.....75
1001213307.....621	1001217354 ..... 657	1001220760 ..... 315	1001224127.....947
1001213308.....621, 623	1001217355 ..... 657	1001220859 ..... 821	1001224128.....947
1001213309.....623, 625	1001217482 ..... 635, 637	1001220861 ..... 821	1001224450J.....49
1001213311.....625, 725	1001217552 ..... 585	1001220942 ..... 583	1001224598.....345
1001213317.....591, 593	1001217553 ..... 585	1001221041 ..... 187, 189, 191, 193, 195, 197, 221	1001224938.....379
1001213318.....587, 589	1001217620 ..... 313, 315	1001221057 ..... 491	1001224944.....601, 715
1001213319.....595, 597	1001217669 ..... 315	1001221058 ..... 491	1001224945.....605, 717
1001213331.....415	1001217752 ..... 189, 191, 845	1001221059 ..... 484, 493	1001224946.....645
1001213462.....71	1001217753 ..... 271, 839	1001221087 ..... 387	1001225317.....389
1001213562.....679	1001217754 ..... 265	1001221157 ..... 387	1001225390.....603
1001213752.....959	1001217755 ..... 265	1001221270 ..... 387	1001225392.....599
1001213775.....779, 951	1001217756 ..... 271, 839	1001221295 ..... 484, 493	1001225393.....599, 603
1001213791.....409	1001217757 ..... 271, 273, 839	1001221318 ..... 959	1001225656.....721
1001213833.....51, 53	1001217758 ..... 273	1001221319 ..... 959	1001226328.....1053
1001213834.....51, 53	1001217759 ..... 273	1001221321 ..... 387	1001226481.....460
1001213959.....71	1001217760 ..... 271, 839	1001221349 ..... 289	1001226523.....207, 209
1001213961.....71	1001217761 ..... 257	1001221383 ..... 289	1001226533.....1005
1001213988.....789	1001217762 ..... 257	1001221493 ..... 271, 839, 841	1001226557.....581
1001214092.....437	1001217763 ..... 257	1001221553 ..... 385	1001226681.....281
1001214123.....267	1001217766 ..... 257	1001221554 ..... 385	1001226797.....279
1001214167.....1057	1001217948 ..... 621	1001221695 ..... 385	1001226828.....599
1001214206..1010, 1014, 1018, 1022, 1026, 1030	1001218358 ..... 871	1001221702 ..... 227	1001226829.....599, 603
1001214220.....547	1001218542 ..... 484, 493	1001221734 ..... 387	1001227077.....247
1001214254.....141	1001218659 ..... 1010	1001221868 ..... 223, 225, 227	1001227090.....295
1001214349.....299	1001218694 ..... 55	1001221918 ..... 269	1001227133.....460
1001214401.....959	1001218704.. 1010, 1018	1001221928 ..... 613, 723	1001227186.....407
1001214415.....141	1001218754 ..... 143	1001221986 ..... 611, 613	1001227187.....411
1001214429.....621	1001218755 ..... 139, 141, 143	1001221987 ..... 607, 611	1001227188.....411
1001214430.....621	1001218996 ..... 484, 493	1001221988 ..... 607	1001227287.. 1010, 1014, 1018, 1022, 1026, 1030
1001214431.....621	1001218997 ..... 581	1001221989 ..... 607	1001227334.....73, 75, 77
1001214438.....277	1001219082 ..... 247, 993, 995	1001222163 ..... 191, 197, 227	1001227337.....73
1001214439.....275	1001219113J.....49	1001222188 ..... 31	1001227440.....603
1001214440.....275	1001219115 ..... 49	1001222190 ..... 31	1001227469.....749, 753, 831
1001214441.....275	1001219211. 1014, 1018, 1022, 1026, 1030	1001222454 ..... 191	1001227670.....109, 127, 129, 131, 139, 141, 143, 145, 147, 154, 157, 183
1001214829.....603	1001219212 ..... 1010	1001222455 ..... 793	1001227802.....409
1001215022.....253, 255	1001219220 ..... 423	1001222460 ..... 199	1001227945.....557
1001215024.....253, 255	1001219250 ..... 49	1001222603 ..... 573, 1052	1001227946.....247
1001215093.....621	1001219615 ..... 641, 727	1001222606 ..... 571, 1052	1001227964.....247
1001215121.....817	1001219659 ..... 609	1001222650 . 1010, 1014, 1018, 1022, 1026, 1030	1001228174.....275
1001215208.....875	1001219764 ..... 599, 601	1001222741 ..... 415	1001228248.....223, 225
1001215212.....621	1001219765 ..... 603, 605	1001223066 ..... 749, 753, 835	1001228427.....133
1001215256.....607	1001219863 ..... 460	1001223109 ..... 621	1001228504.....631
1001215319.....285	1001219865 ..... 460	1001223265 ..... 460	1001228643.....247
1001215341 ..... 639, 641	1001219905 ..... 69	1001223435 ..... 135	1001228727.....193
1001215531 ..... 415	1001219953 ..... 69	1001223453 .. 1010, 1014	1001228728.....193, 847
1001215539 ..... 621	1001220230 ..... 1014	1001223455 ..... 793, 794, 795	1001228732.....847, 849, 865
1001215693.....919, 923, 925, 927	1001220248 ..... 85	1001223456 ..... 792	1001228733.....847, 849, 861
1001215802.....621	1001220286 ..... 91	1001223457 ..... 792, 793	1001228734.....195
1001215941 ..... 247, 1054	1001220329 ..... 403, 443	1001223618 ..... 255, 737	1001228735.....195, 197, 849
1001216263.....513	1001220337 ..... 245	1001223622 ..... 737	1001228737.....197
1001216265.....515	1001220338 ..... 425, 427	1001223628 ..... 255	1001228738.....751
1001216267 ..... 513	1001220339 ..... 405, 425	1001223645 ..... 255	1001228739.....751, 753, 883
1001216269 ..... 513	1001220456 ..... 643, 645	1001223869 ..... 247, 255	1001228741.....883, 901
1001216270.....515	1001220457 ..... 579, 643	1001223874 ..... 247	1001228742.....753
1001216331 ..... 671	1001220507 ..... 561	1001223902 ..... 75	
1001216333 ..... 675	1001220540 ..... 401	1001223903 ..... 947, 1053	
1001216757 ..... 571	1001220641 ..... 85		
1001216798 ..... 297	1001220643 ..... 659, 661		
1001216799 ..... 297			
1001216803 ..... 571			



## SECTION 13 - SPECIAL OPTIONS/ACCESSORIES/KITS

1001228743..... 775	1001232850.....223	1001256073.....407	1001271061 .. 1037, 1039
1001228744 ..... 775, 777	1001232988..... 99	1001256974.....575, 1054	1001274533 ..... 905
1001228860 ..... 87	1001233024..... 305	1001257071 .....575	1001274534 ..... 905
1001228872 ..... 241	1001233174..... 977	1001257088.....561, 1052	1001274535 ..... 905
1001228989 ..... 915, 917	1001233189..... 1056	1001257330.....557, 559	1001274536 ..... 905
1001228993 ..... 1056	1001233217..... 977	1001257348.....563, 1052	1001274537 ..... 905
1001229057 ..... 77	1001233430..... 1033	1001258099..... 1056	1001274538 ..... 905
1001229073 ..... 1056	1001233434..... 977	1001258512..... 123	1001274539 ..... 905
1001229075 ..... 1056	1001233558..... 1014	1001258664..... 123	1001274540 ..... 905
1001229104 ..... 1056	1001234395..... 99	1001258712.....789, 805	1001274541 ..... 905
1001229153 ..... 813	1001234455..... 43, 45	1001258719.....965, 973	1001274543 ..... 905
1001229201 ..... 381, 385	1001235963..... 39, 43	1001259205.....965, 971	1001274544 ..... 905
1001229212 ..... 1056	1001235965..... 41, 45	1001259214 ..... 123	1001274553 ..... 905
1001229216 ..... 1056	1001238470..... 241	1001259224..... 967	1001274891 ..... 1056
1001229324 ..... 1057	1001238560..... 121, 175	1001259225 ..... 123	1001274892 ..... 1056
1001229422 ..... 583	1001238565..... 115, 117, 119, 121	1001259231.....965	1001275276 ..... 993, 995, 997
1001229458 ..... 993	1001238566..... 175	1001259241.....647	1001275277 ..... 993
1001229532 ..... 1056	1001238570..... 175	1001259242.....647	1001275624 ..... 965
1001229543 ..... 409	1001238570..... 175	1001259246.....965, 967	1001275624 ..... 965
1001229576 ..... 1056	1001238653..... 115	1001259256.....965	1001275725 ..... 1037
1001229609 ..... 39, 41	1001238654..... 119	1001259258..... 647, 965	1001275726 ..... 1039
1001229707 ..... 1043	1001238655..... 117	1001262959..... 1057	1001275904 ..... 1037
1001229811 ..... 1056	1001238781..... 237	1001264534..... 977	1001275906 ..... 1039
1001229812 ..... 1056	1001239445..... 1035	1001264536..... 977	1001276768 ..... 1005
1001229813 ..... 1056	1001239878..... 283, 287	1001264844..... 797	1001276769 ..... 1005
1001229955 ..... 1052	1001239879..... 283, 287	1001264861..... 797	1001276774 ..... 1007
1001229981 ..... 317, 987	1001239961..... 1056	1001264976..... 489, 495	1001276775 ..... 1007
1001230125 ..... 1056	1001241308..... 417	1001265343..... 953	1001276923 ..... 1056
1001230126 ..... 1056	1001241590..... 783	1001265344..... 59	1001278028 ..... 779
1001230163 ..... 421	1001241591..... 783	1001265346..... 61	1001279169 ..... 1005
1001230188 ..... 1056	1001241610..... 965, 969	1001265372..... 1056	1001279173 ..... 1007
1001230239 ..... 125	1001241836..... 39, 41	1001265979..... 977	1001280471 ..... 523, 525
1001230241 ..... 125	1001241881..... 645, 731	1001265980..... 977	1001280661 ..... 825
1001230402 ..... 871	1001241950..... 573	1001266488..... 533	1001281297 ..... 307
1001230403 ..... 871, 872	1001244192..... 915, 917	1001267973..... 635, 699	1001281298 ..... 307
1001230404 ..... 872	1001244193..... 915, 917	1001267975..... 679, 681	1001281301 ..... 307
1001230409 ..... 1056	1001245694..... 1056	1001267977..... 83, 693	1001281304 ..... 307
1001230699 ..... 1056	1001247184..... 289	1001267979..... 675, 677	1001281305 ..... 307
1001230850 ..... 961	1001247421..... 979, 1053	1001268341..... 1056	1001281307 ..... 307
1001230931 ..... 795	1001247646.. 1010, 1014, 1018	1001268354..... 965	1001281309 ..... 307
1001230967 ..... 71	1001247948..... 851, 855	1001268744..... 533, 823	1001281310 ..... 307
1001230986 ..... 71	1001247955..... 851, 855	1001268827..... 493, 495	1001281311 ..... 307
1001231057 ..... 1056	1001247969..... 851, 855	1001268828..... 495, 497	1001281359 ..... 307
1001231110 ..... 1056	1001249078..... 99, 1052	1001268829..... 489, 495	1001281360 ..... 307
1001231138 ..... 1056	1001249249..... 99	1001268830..... 489, 495, 905	1001281473 ..... 307
1001231341 ..... 1056	1001249251..... 97	1001268831..... 484, 489	1001281607 ..... 881, 885
1001231385 ..... 51, 53	1001249695..... 1057	1001268832..... 489, 491	1001281656 ..... 307
1001231393 ..... 721	1001249941..... 1057	1001268846..... 460	1001281752 ..... 883, 891
1001231397 ..... 871, 872, 971	1001250161..... 503	1001269176..... 965	1001281888 ..... 307
1001231398 ..... 823, 871, 872, 886, 892, 971	1001250276..... 97	1001269177..... 965	1001282260 ..... 995
1001231400 ..... 823, 871, 872, 886, 892, 971	1001250475..... 101, 1052	1001269555..... 491, 497	1001283097 ..... 789, 792
1001231401 ..... 871, 872	1001250476..... 103	1001269556..... 491, 497	1001283175 ..... 463
1001231402 ..... 872	1001250708..... 51, 53, 77	1001269558..... 491, 497	1001283991 ..... 307
1001231404 ..... 823, 872, 886, 892, 971	1001251518..... 979	1001269559..... 491, 497	1001283992 ..... 307
1001231406 ..... 823, 872, 886, 892, 971	1001252304..... 1056	1001269560..... 491, 497	1001284531 ..... 199, 201
1001231407 ..... 248, 869	1001253661..... 649, 651	1001269561..... 491, 497	1001284532 ..... 189, 191, 195, 197, 203
1001231483 ..... 248, 871	1001254389..... 1057	1001269563..... 491, 497	1001284534 ..... 867
1001231692 ..... 125	1001254390..... 1057	1001269564..... 491, 497	1001284536 ..... 279
1001231801 ..... 1010	1001254400..... 1057	1001269578..... 491	1001284538 ..... 187, 189, 191, 193, 195, 197, 867
1001232288 ..... 833, 837	1001255519..... 647	1001269579..... 491	1001285715 ..... 809, 811, 813
1001232500 ..... 125	1001255520..... 647	1001270117..... 433	1001285934 ..... 843, 845, 851
1001232509 ..... 305, 763	1001255521..... 647	1001270466..... 789, 1052	1001286174 ..... 847, 849, 855
	1001255522..... 647	1001270467..... 875, 1053	
	1001255536..... 647, 649	1001270468..... 879, 1053	
	1001255568..... 647	1001270485..... 945, 1053	
	1001255581..... 879	1001270976..... 484, 493	

## SECTION 13 - SPECIAL OPTIONS/ACCESSORIES/KITS

1001286599.....825	1706281..... 1018, 1022, 1026, 1030	2170112..... 645	3290805....241, 289, 549, 597, 647, 879
1001286941.....825, 827	1706282..... 1018, 1022, 1026, 1030	2170206..... 145, 645	3290806.....427
1001287805.....995	1706284..... 1018, 1022, 1026, 1030	2170208..... 557	3291001....211, 223, 225, 243, 245, 247, 295, 829, 831, 919, 925, 927
1001288070.....519, 521, 533	1706285..... 1018, 1022, 1026, 1030	2170216..... 261	3291005.....93, 217, 219, 243, 245, 247, 295, 633, 647, 833, 835, 965
1001288098.....533	1706288..... 1018, 1022, 1026, 1030	2170316..... 235	3291201..... 167, 257
1001289060.....825	1706292..... 1018, 1022, 1026, 1030	2170410..... 603	3291205.....69, 921
1001289299.....825	1706296..... 1010	2170704..... 235	3291605.....69, 139, 141, 143, 205
1001289300.....825	1706299..... 1010	2170706..... 647	3300449.....825
1001289301.....825	1706300..... 1010	2170712..... 647	3311005.....965
1001289479.....977	1706301..... 1010	2170716..... 261	3311405.....121
1001289562.....285	1706302..... 175, 1010	2170804..... 661	3311502.....175
1001289563.....281, 285	1706306..... 1010	2170806..... 345, 379	3311508.....767, 769
1001289647.....825	1706768..... 1010	2171816..... 621	3332011.....401
1001289648.....825	1706850..... 1010	2171832..... 621	3391410.....175
1001290040.....825	1706882..... 115	2172106..... 647	3421453.....121
1001291056.....825	1707078..... 1010	2172110..... 583	3422661.....123
1001291182....999, 1001	2080040..... 121	2172116..... 261	3440620.....125
1001291382.....1056	2080078..... 427	2172410..... 603	3520028.....555
1001293067.....279, 281	2080086..... 407	2200223 ... 243, 245, 247	3520072.....121
1001293068.....279, 283	2080087..... 407	2220237..... 245	3520193.....73
1001293070.....187, 193, 241	2080092..... 431	2220238..... 631	3520198.....121
1001293903.....852, 856	2110406..... 625, 655	2220239..... 27, 721	3700015.....63
1001293972.....829, 831, 843, 845, 847, 849	2110408..... 661	2220240..... 27	3700016.....63
1001294608.....977	2110410..... 235	2220267..... 257	3740080....247, 823, 887, 893, 971, 1053
1001294815.....1043	2110606.... 81, 145, 625, 631, 649, 655	2220811..... 315	3760170.....121
1001294994.....977	2110610..... 593, 597	2220883..... 733	3760348.....547
1001295267.....977	2110806..... 679	2220885..... 693	3790152.....255
1001295268.....977	2110808.... 631, 641, 665	2220886..... 733	3820020.....121
1001297791.....977	2110810..... 655, 721	2220887..... 677	3900357.....867
1001301393.....179	2111010 ... 239, 583, 589, 593, 597, 631, 655, 675	2221221..... 647	3900379.....57, 475
1001301527.....177	2111012..... 645	2400060..... 997	3911010.....965
1001302410.....977	2111212..... 645	24921332..... 279	39844923.....359
1001303246.....181	2111216..... 235	2560122..... 647	3986405.....319
1001305478.....173	2111616.... 261, 315, 655	2580040..... 763	3986610.....535
1060379..... 121, 123	2130404 ... 557, 601, 605, 631, 641, 649	2600281..... 121	3986643.....535
1060626....767, 769, 989	2130406..... 235, 649	2720160..... 607	4000015.....1053
1060799..... 1037, 1039	2130408..... 641	2902443..... 852, 856	4010416.....951, 953
1062255....223, 225, 227, 241, 257, 261, 271, 291, 293, 297, 305, 627, 763, 839, 843, 845, 847, 849, 993, 995	2130606..... 613, 645	2920207..... 919	4010510.....571, 573
10713707.....875	2130808 ... 345, 379, 557	2920208..... 919	4010608002....407, 409, 460, 511, 513
10725554.....333, 359	2131010 ... 583, 603, 605	2940074..... 121, 1052	4010610.....779, 951
10732931.....731	2131212 ... 601, 605, 617, 631, 679	3020037..... 313	4010610002....460, 481, 513, 555
10837953.....731	2131216..... 235	31200160..... 115	4010612002....411, 460, 463, 467, 469
120034.....789	2132016..... 645	31200386..... 117	4031205....843, 845, 847, 849
12052634.....851, 855	2144603..... 317	31200387..... 119	4031607 27, 31, 575, 843, 847
1320022.....484	2144606..... 217, 219	31200388..... 119	4031608....473, 845, 849
1320060.....257	2150406..... 637	314689..... 71	4031608001.....460
1670836..... 1010, 1014, 1018, 1022, 1026, 1030	2150606..... 145	3251813..... 1010, 1014, 1018, 1022, 1026, 1030	4031708.....947
1701500..... 1010, 1014, 1018, 1022, 1026, 1030	2150608..... 235	3290401 ... 463, 484, 493, 825, 929, 975, 977	4031708001.....479
1701509.....121	2150808 ... 345, 379, 665	3290405 ... 417, 779, 951, 953	4031712.....583
1702773....115, 117, 119	2151010 ... 589, 593, 597	3290501 .... 789, 845, 979	4031907.....825
1704260.....821, 967	2151212..... 617	3290505 91, 99, 247, 575, 829, 831, 993, 995	4031910....245, 453, 455
1704277.....121	2151616..... 261, 645	3290507..... 99	4031912.....659, 663
1704885....115, 117, 119	2152020..... 27	3290601 ... 175, 227, 463, 484, 513, 547, 555, 755, 757, 779, 789, 951	4031918....587, 591, 595
1705980..... 1018, 1022, 1026, 1030	2160016. 73, 79, 81, 633, 671, 675	3290605 43, 45, 295, 460, 463, 469, 779, 867, 951	4031921.....599, 603
1706098..... 1018, 1022, 1026, 1030	2170104..... 239	3290606..... 581	4032010.....69
	2170106..... 645	3290607 .... 919, 925, 927	
		3290801 ... 243, 245, 247, 255, 277, 409, 443, 543, 843, 847, 911, 947	

## SECTION 13 - SPECIAL OPTIONS/ACCESSORIES/KITS

4032314 .....	71	4460539 ...	795, 796, 797, 851, 852, 855, 856, 871, 885, 887, 891, 893, 898, 902, 903, 935, 939, 943, 997	4460979.....	852, 856	609, 615, 623, 635,
4060919 .....	21	4460608 .....	851, 855	4460984.....	887, 893	647, 679, 755, 757,
4105262 .....	93	4460670 .....	997	4460994.....	794	825, 843, 847, 875,
4109801 .....	1010, 1014, 1018, 1022, 1026, 1030	4460705 .....	793	4461000.....	821	879, 911, 945, 947,
4110422 .....	125, 183	4460742 .....	255, 871	4461008.....	851, 855	975, 977
4240018 .....	607, 627	4460744 .....	794	4461015.....	805, 886, 892	4811902 ... 39, 41, 49, 77,
4240099 ...	607, 621, 989, 991	4460746 .....	794, 797	4461017....	773, 777, 859, 861, 897, 901	255, 263, 265, 279,
4280307 .....	33	4460748 .....	898, 902	4461018....	852, 856, 897, 901	484, 493, 513, 515,
4360475 ..	821, 967, 1053	4460761 .....	871	4461054....	851, 855, 897, 898, 901, 902	583, 831
4360657 .....	965, 1053	4460789 .....	807	4461070.....	853, 857	4812000 ... 27, 43, 45, 55,
4360658 .....	553, 1053	4460809 .....	871	4461071.....	852, 856	59, 61, 69, 71, 73, 75,
4460183 .....	967	4460836 .....	793	4461095.....	852, 856	77, 79, 81, 85, 93, 99,
4460225 .....	792, 793	4460884 ...	805, 871, 886, 892, 897, 901, 935, 939, 963, 975, 1001	4461115....	796, 797, 913	211, 217, 219, 229,
4460234 .....	789	4460891 ...	783, 796, 797, 805, 851, 853, 855, 857, 871, 885, 886, 887, 891, 892, 893, 897, 898, 901, 902, 939, 963, 973, 985	4461118....	807, 897, 901	257, 275, 277, 279,
4460265 .....	792	4460892 .....	853, 857	4461262....	787, 792, 796, 897, 901	295, 555, 557, 581,
4460267 .....	792, 793	4460894 ...	793, 795, 819, 852, 856, 887, 893, 897, 901, 923, 935, 971, 997	4461290.....	837, 886, 892	617, 621, 629, 633,
4460268 ....	792, 793, 794	4460906 .....	793	4641520.....	661, 739	639, 643, 647, 779,
4460320 .....	793, 967	4460928 ...	796, 886, 892, 939	4711000.....	965	785, 829, 831, 833,
4460321 .....	871	4460929 .....	963	4711400.....	121, 825	835, 843, 845, 847,
4460343 .....	792, 793	4460930 ...	796, 827, 887, 893, 897, 898, 902	471678.....	445	849, 875, 919, 925,
4460424 .....	794	4460931 ...	773, 777, 796, 797, 898, 902, 935	4740274.....	243, 245, 247	927, 951, 961, 965, 977
4460434 .....	792	4460932 ...	787, 805, 841, 869, 887, 893, 897, 901, 913, 955, 981	4740428.....	825	4812002 ... 25, 39, 41, 49,
4460458 ...	794, 797, 852, 856, 871, 898, 902, 913, 985	4460933 ...	793, 852, 856, 885, 887, 891, 893, 898, 902, 997	4740532.....	233, 237	51, 53, 55, 79, 81, 211,
4460464 ...	773, 777, 787, 794, 796, 797, 805, 807, 815, 823, 841, 852, 856, 863, 865, 869, 871, 886, 892, 898, 902, 913, 935, 939, 943, 963, 969, 971, 973, 981, 987, 997, 1001	4460941 ...	805, 807, 841, 898, 902, 907, 923, 963	4740550.....	243, 245, 247	223, 225, 227, 243,
4460465 ...	783, 793, 795, 796, 797, 805, 819, 827, 851, 852, 855, 856, 871, 885, 886, 887, 891, 892, 893, 897, 898, 899, 901, 902, 903, 935, 939, 940, 943, 963, 971, 973, 985, 997, 1001	4460942 ...	793, 805, 853, 857, 885, 886, 887, 891, 892, 893, 923, 939, 940	4761400.....	951	245, 247
4460466 ...	773, 777, 783, 793, 794, 795, 796, 797, 805, 815, 827, 841, 851, 852, 853, 855, 856, 857, 871, 885, 886, 887, 891, 892, 893, 897, 898, 899, 901, 902, 903, 913, 923, 935, 939, 969, 971, 975, 997, 1001	4460943 ...	773, 777, 796, 805, 819	4761700.....	621	4812100 29, 69, 205, 257,
4460475 .....	871	4460944 ...	793, 795, 796, 797, 851, 852, 855, 856, 887, 893, 898, 902, 903, 935, 939	4807718.....	443	279, 653, 829, 831
4460496 .....	789	4460945 ...	797, 853, 857, 871, 887, 893, 935, 997	4811400....	139, 141, 143, 463, 484, 493, 553, 779, 825, 951, 953, 975, 977	4812102 .... 29, 243, 245,
4460497 .....	789	4460970 ...	852, 856, 887, 893, 897, 901, 923, 935, 969, 971, 997	481160091, 99,	221, 247, 460, 821, 829, 831, 845, 979, 993, 995	247, 389, 921
4460508 ...	773, 777, 852, 856, 859, 861	4460979 ...	852, 856, 887, 893, 897, 901, 935, 969, 971, 997	4812300.69, 71,	205, 313	4812300.69, 71, 205, 313
4460509 ...	852, 856, 886, 892, 897, 901	4460984 .....	887, 893	4812500 .....	399, 401	4812500 .....
4460518 ...	796, 871, 887, 893, 997	4460994.....	794	4831400 ...	463, 484, 493, 825, 929	4831400 ... 463, 484, 493,
4460536 ...	797, 823, 863, 865, 899, 903, 943	4461000.....	821	4831600 .....	27, 843, 845, 847, 849	825, 929
		4461008.....	851, 855	483170051, 53,	283, 287, 513, 555, 875	4831600 .....
		4461015.....	805, 886, 892	4831900 ...	263, 265, 484, 493, 547, 867	4831900 ... 263, 265, 484,
		4461017....	773, 777, 859, 861, 897, 901	4832100 ....	243, 245, 247	493, 547, 867
		4461018....	852, 856, 897, 901	4871700 .....	881, 883	4832100 .... 243, 245, 247
		4461054....	851, 855, 897, 898, 901, 902	4892600 .....	327, 349	4871700 .....
		4461070.....	853, 857	4921614 .....	987	4892600 .....
		4461071.....	852, 856	5220600 .....	917	4921614 .....
		4461095.....	852, 856	5220800 ...	759, 761, 767, 769	5220600 .....
		4461115....	796, 797, 913	5240600 .....	947	5220800 ... 759, 761, 767,
		4461118....	807, 897, 901	5240800 .....	585	769
		4461262....	787, 792, 796, 897, 901	5241000 .....	295	5240800 .....
		4461290.....	837, 886, 892	5241200 .....	167	5241000 .....
		4641520.....	661, 739	5241400 .....	317	5241200 .....
		4711000.....	965	5242400 .....	175, 633	5241400 .....
		4711400.....	121, 825	5250608 .....	451	5242400 .....
		471678.....	445	5251012 .....	199	5250608 .....
		4740274.....	243, 245, 247	5271609 .....	979	5251012 .....
		4740428.....	825	5272012 .....	961	5271609 .....
		4740532.....	233, 237	643191201	792, 885, 891	5272012 .....
		4740550.....	243, 245, 247	643201301	792, 885, 891	643191201
		4761400.....	951	7000222 .....	681	643201301
		4761700.....	621	70002963	723, 733, 1052	7000222 .....
		4807718.....	443	70004387 .....	723	70002963
		4811400....	139, 141, 143, 463, 484, 493, 553, 779, 825, 951, 953, 975, 977	70004512 .....	1052	70004387 .....
		481160091, 99,	221, 247, 460, 821, 829, 831, 845, 979, 993, 995	70004595 .....	727, 1052	70004512 .....
		4811702....	215, 431, 513, 547, 551, 557	70005440 .....	651	70004595 .....
		4811702001.....	460	70005495 .....	1053	70005440 .....
		4811702.....	215, 431, 513, 547, 551, 557	70006427 .....	733	70005495 .....
		4811702001.....	409, 411, 460, 573	70020276 .....	319	70006427 .....
		4811900....	25, 29, 55, 59, 61, 65, 69, 71, 87, 89, 229, 241, 243, 245, 247, 259, 267, 269, 277, 279, 281, 289, 299, 301, 303, 409, 415, 429, 437, 453, 455, 457, 484, 515, 519, 523, 531, 533, 543, 547, 557, 581, 587, 591, 597, 607,			70020276 .....

## SECTION 13 - SPECIAL OPTIONS/ACCESSORIES/KITS

70020555... 127, 169, 171	70024035..... 685	70026263..... 339	70026783..... 731
70020764.711, 713, 1052	70024059..... 183	70026264..... 339	70026784..... 731
70020867..... 739, 743	70024064..... 183	70026265..... 343, 369	70026892..... 319
70020922..... 555	70024107..... 535, 1053	70026266.. 343, 369, 371	70026896..... 319
70021314..... 525, 527	70024123. 135, 149, 153,	70026292..... 799, 1053	70026897..... 319
70021316..... 525, 527	691	70026293..... 801, 1053	70026898..... 319
70021317..... 525	70024129. 689, 691, 701,	70026294..... 877, 1053	70026901..... 319
70021318..... 525	703	70026295..... 877, 1053	70026904..... 319
70021319..... 525, 529	70024130. 133, 135, 149,	70026296..... 877, 1052	70026908..... 319
70021320..... 525	154, 691	70026297..... 877, 1052	70026909..... 319
70021321..... 525, 529	70024142..... 703	70026312..... 733	70026911..... 319
70021322..... 525	70024146.. 337, 363, 373	70026314..... 733	70026927..... 320
70021323..... 525, 529	70024147.. 337, 363, 373	70026315..... 733	70027022..... 339, 351
70021324..... 525, 529	70024201..... 731	70026353..... 251	70027074..... 681
70021325..... 525, 529	70024210..... 339, 351	70026354..... 251	70027087..... 681
70021326..... 525, 529	70024213..... 339	70026359..... 251	70027092..... 339
70021327..... 525, 529	70024215..... 339	70026369..... 731	70027105..... 335, 361
70021328..... 525, 529	70024216..... 351	70026370..... 731	70027109..... 319
70021329..... 525	70024459..... 535	70026372..... 731	70027110..... 319
70021330..... 525, 529	70024538..... 153	70026373..... 731	70027134..... 731
70021340... 919, 925, 927	70024721..... 149, 154	70026376..... 731	70027180.. 159, 161, 163,
70021341... 919, 925, 927	70024733..... 691	70026379..... 731	165
70021349.. 109, 113, 147,	70024734. 689, 691, 701,	70026383..... 731	70027317..... 339, 351
183	703	70026395..... 213	70027392..... 527
70021350..... 109, 113	70024772..... 149, 154	70026396..... 213	70027393..... 527
70021367..... 113	70024847..... 731	70026434..... 549	70027394..... 525, 527
70021387..... 183	70024848..... 339	70026469..... 135, 689	70027395..... 525
70021397..... 183	70024849..... 339	70026470..... 135	70027399..... 525
70021415..... 183	70024856..... 535	70026471..... 135, 153	70027426..... 1052
70021422..... 113	70024857..... 535	70026472..... 135, 153	70027595..... 709
70021440..... 695, 697	70024858..... 535	70026473..... 135, 153	70027596..... 713
70021444..... 697	70024859..... 535	70026474..... 135	70027598..... 707
70021445..... 697	70024861..... 535	70026475..... 135	70027601..... 705
70021446..... 697	70024881.. 337, 363, 371	70026476..... 135, 153	70027773..... 109
70021447..... 697	70024945..... 707	70026477.. 133, 135, 719	70027796..... 339
70021448..... 697	70024946..... 707	70026478..... 135	70027806..... 1056
70021451..... 697	70025012..... 337	70026479..... 133, 135	70027862..... 319
70021452..... 697	70025014..... 337	70026480..... 133, 135	70027879..... 145
70021531..... 711, 713	70025153..... 1052	70026481. 133, 135, 149,	70027880..... 145
70021606..... 351	70025335..... 331, 357	153	70027881..... 145
70021613..... 351	70025337..... 361	70026482. 133, 135, 149,	70027882..... 145
70021979..... 183	70025338..... 361	153	70027887..... 145
70022007..... 731	70025339..... 335, 361	70026483..... 133	70027888..... 145
70022008..... 731	70025486..... 1053	70026496..... 689	70027889..... 145
70022010..... 731	70025539..... 527, 1053	70026497..... 689	70027890..... 145
70022014..... 731	70025561..... 337, 363	70026498..... 689	70027896..... 145
70022019..... 731	70025562..... 337, 363	70026499..... 689	70027899..... 145
70022140..... 333, 359	70025590..... 673	70026500..... 689	70027986..... 341, 353
70022528..... 183	70025614.. 673, 681, 685	70026501..... 153, 689	70027989..... 147
70022702..... 681	70025780..... 1053	70026502.. 689, 701, 703	7002821..... 1057
70022726..... 707	70025816..... 545	70026503..... 689	7002823..... 1057
70022765.809, 811, 1052	70025817..... 545	70026504..... 149, 689	70028243..... 727
70022773..... 341, 353	70025850..... 213, 1052	70026505..... 689	70028253..... 153
70022938.. 133, 135, 149,	70025851..... 213, 1052	70026506..... 689	70028254..... 701
154	70025854..... 731	70026582 739, 743, 1052	70028255..... 701
70023179..... 535	70025856..... 335	70026614.. 133, 135, 719	70028256..... 701, 703
70023181..... 535	70025859..... 549	70026616..... 135	70028257..... 701, 703
70023182..... 535	70025860..... 549	70026631..... 319	70028258..... 701, 703
70023184..... 535	70025884..... 343, 369	70026745.. 127, 169, 171	7002826..... 1057
70023186..... 535	70025887..... 333, 359	70026746.. 127, 169, 171	70028262..... 153
70023189..... 535	70025970..... 339	70026747..... 351	70028263..... 133
70023469..... 333, 359	70026002..... 337, 363	70026748..... 351	70028267..... 149, 154
70023489..... 361	70026081..... 251	70026750..... 335	70028270..... 701
70023490..... 335, 361	70026238..... 337, 363	70026777..... 731	70028281..... 717, 1052
70023493..... 361	70026260.. 337, 363, 365	70026778..... 731	70028282... 601, 715, 717
70023494..... 333, 359	70026261.. 337, 363, 367	70026779..... 731	70028285..... 741
70024004..... 335	70026262..... 339	70026781..... 731	70028286..... 731

## SECTION 13 - SPECIAL OPTIONS/ACCESSORIES/KITS

70028287 ..... 731	70028388 . 331, 337, 357, 363	70028563.....133	70028632..... 109
70028288 ..... 731		70028564.....133	70028633..... 109
70028289 ..... 731	70028389 . 331, 337, 357, 363	70028565.....133	70028634..... 110
70028295 ..... 731		70028566.....133	70028635..... 109
70028296 ..... 731	70028390 ..... 333, 335	70028567.....133	70028636..... 109
70028297 ..... 731	70028391 ..... 333	70028568.....133	70028637..... 109
70028298 ..... 731	70028392 ..... 337, 363	70028569.....133	70028638..... 109
70028299 ..... 731	70028393 ..... 341, 353	70028570.....133	70028648..... 153
70028300 ..... 731	70028394 ..... 341, 353	70028571.....133	70028649..... 153
70028307 ..... 673	70028396 ..... 337, 363	70028572.....133, 687	70028650..... 153
70028308 ..... 673	70028397 ..... 363	70028573.....133, 719	70028651..... 153
70028309 ..... 673, 685	70028398 ..... 359, 361	70028574.....133	70028652..... 153, 701
70028310 ..... 673, 685	70028399 ..... 359	70028575.....133	70028653..... 153, 703
70028311 ..... 673	70028400 ..... 363	70028576.....133	70028654..... 153
70028312 ..... 673	70028401 ..... 333, 359	70028577.....133	70028655..... 153
70028314 ..... 685	70028405 ..... 153	70028578.....133	70028656..... 153
70028315 ..... 685	70028406 ..... 153	70028579.....133	70028657..... 153
70028316 ..... 685	70028410 ..... 707	70028580.....133	70028658..... 153
70028317 ..... 685	70028411 ..... 707	70028581.....687	70028659..... 153
70028318 ..... 685	70028412 ..... 709	70028582.....687	70028660..... 153
70028319 ..... 685	70028413 ..... 709	70028583.....687	70028661..... 153
70028320 ..... 685	70028414 ..... 727	70028584.....687	70028662..... 153
70028321 ..... 685	70028415 ..... 727	70028585.....687	70028663..... 153
70028322 ..... 685	70028416 ..... 727	70028586.....687	70028664..... 153
70028323 ..... 685	70028420 ..... 705	70028587.....687	70028665..... 153
70028324 ..... 673, 685	70028421 ..... 729	70028588.....687, 691	70028666..... 153
70028325 ..... 673	70028485 .. 109, 113, 147	70028589.....133, 719	70028667..... 153
70028326 ..... 535, 1053	70028486 ..... 113, 147	70028591.....147	70028668..... 153
70028327 ..... 231	70028487 ..... 113	70028592.....147	70028669..... 153
70028328 ..... 231	70028488 ..... 113, 147	70028593.....147	70028670..... 153
70028329 ..... 231	70028489 ..... 109, 113	70028594.....147	70028671..... 153
70028330 ..... 231	70028490 ..... 109, 113	70028595.....147	70028672 .. 135, 149, 153
70028331 ..... 231	70028491 ..... 113	70028596.....147	70028673..... 153
70028332 ..... 231	70028492 ..... 113	70028597.....147	70028674..... 153
70028333 ..... 231	70028493 ..... 113	70028598.....147	70028675..... 153
70028334 ..... 231	70028494 ..... 113	70028599.....147, 695	70028676..... 153
70028335 ..... 231	70028495 .. 109, 113, 147	70028600.....147	70028677..... 153
70028336 ..... 231	70028496 .. 109, 113, 147	70028601.....147	70028678..... 154
70028337 ..... 231	70028497 ..... 113	70028602.....147	70028679..... 154
70028338 ..... 231	70028498 ..... 113	70028603.....147, 697	70028680..... 154
70028339 ..... 231	70028499 ..... 113	70028604.....147	70028681..... 154
70028340 ..... 231	70028500 ..... 113	70028605.....147	70028682..... 154
70028341 ..... 231	70028501 ..... 113	70028606.....147	70028683..... 154
70028342 ..... 231	70028502 ..... 727	70028607.....147	70028684..... 154
70028343 ..... 231	70028503 ..... 727	70028609.....695	70028685..... 154
70028344 ..... 231	70028504 ..... 727	70028610.....695	70028686..... 154
70028345 ..... 231	70028505 ..... 145	70028611.....695	70028687..... 149, 154
70028346 ..... 231	70028506 ..... 145	70028612.....697	70028688..... 149, 154
70028347 ..... 231	70028507 ..... 145	70028613.....697	70028689..... 149, 154
70028348 ..... 231	70028508 ..... 145	70028614.....697	70028690..... 154
70028349 ..... 231	70028509 ..... 145	70028615.....109	70028691..... 701, 703
70028350 ..... 231	70028510 ..... 145	70028616.....109	70028692..... 703
70028351 ..... 231	70028511 ..... 145	70028617.....109	70028693..... 703
70028352 ..... 231	70028512 ..... 145	70028618.....109	70028694..... 703
70028353 ..... 231	70028513 ..... 145	70028619.....109	70028695..... 154
70028354 ..... 231	70028514 ..... 735	70028620.....109	70028696..... 154
70028355 ..... 231	70028515 ..... 735	70028621.....109	70028697 .. 135, 150, 154
70028357 ..... 231	70028516 ..... 735	70028622.....109	70028701..... 149
70028358 ..... 231	70028517 ..... 735	70028623.....109	70028702..... 149
70028359 ..... 231	70028525 ..... 147	70028624.....109	70028703..... 149
70028360 ..... 231	70028526 ..... 147	70028625.....109	70028704..... 149, 691
70028361 ..... 725	70028546 ..... 807	70028626.....109	70028705..... 149
70028381 ..... 549	70028548 ..... 251	70028627.....109	70028706..... 149
70028382 ..... 549	70028549 ..... 251	70028628.....109	70028707..... 149
70028383 ..... 549, 1053	70028550 ..... 251	70028629.....109	70028708..... 149
70028384 ..... 677	70028554 . 109, 127, 147, 183	70028630.....109	70028709..... 149
70028387 ..... 337, 363		70028631.....109	70028710..... 149

## SECTION 13 - SPECIAL OPTIONS/ACCESSORIES/KITS

70028711.....	149	70028861.....	183	70031305.....	677	80204002.....	331, 357
70028712.....	149	70028862.....	183	70031306.....	677	80204005...	331, 357, 375
70028713.....	149	70028863.....	183	70031307.....	677	80204007.....	319
70028714.....	149	70028864.....	183	70031308.....	677	80204012.....	363
70028715.....	149	70028865.....	183	70031309.....	677	80204016.....	319
70028716.....	149	70028866.....	183	70031310.....	677	80204033.....	333, 359
70028717.....	149	70028867.....	183	7004275.....	1057	80204035.....	333, 359
70028718.....	149	70028902.....	733	7004276.....	1057	80204043.....	333, 359
70028719.....	149	70028903.....	733	70050473.....	731	80204048.....	333, 359
70028720.....	149	70028904.....	733	70050475.....	731	80204060.....	339
70028721.....	149	70028905.....	733	7010543.....	723	80204065.....	337, 363
70028722.....	149	70029868.....	731	7016331.....	1052	80204071.....	337, 363
70028723.....	149	70029870.....	731	7022390.....	717	80204076.....	337, 363
70028724.....	149	70029871.....	731	7024947.....	709	80204108.....	339
70028725.....	149	70029872.....	731	7026731.....	377	80204117... 339, 351, 371	
70028726.....	149	70029873.....	731	7028621.....	535	80204143.....	341, 353
70028727.....	149	70029874.....	731	7028714.....	337, 363	80204144.....	341, 353
70028728.....	691	70029941.....	685	7028715.....	337, 363	80204176.....	319
70028729.....	691	70030102.....	651	7028716.....	337, 363	80204215.....	319
70028730.....	691	70030103.....	651	7028733.....	337, 363	80204281.....	339, 351
70028731.....	691	70030104.....	651	7029127.....	341, 353	80214120.....	337, 363
70028732.....	691	70030353.....	271, 839	7029288.....	331, 357	80233218.....	547
70028733.....	691	70030355.....	271, 839	7029290.....	371	80264002.....	525, 527
70028734.....	150	70030356.....	271, 839	7029307.....	341, 353	80264004.....	525, 527
70028749.....	135	70030388.....	699	7029317.....	337	80333151.....	547
70028750.....	135	70030389.....	699	7029486 ..	479, 481, 1041	80333184.....	647
70028751.....	135	70030391.....	699	7029520.....	171	8034697.....	731
70028752.....	135	70030392.....	699	7029702.....	147	80363195.....	429
70028753.....	135	70030393.....	699	7029703.....	147	80604017.....	819
70028767.....	153	70030394.....	699	7029704.....	147	806253.....	65
70028768.....	153	70030403.....	699	7029709.....	109	806264.....	65
70028770.....	701	70030404.....	699	7029711 ...	109, 113, 147,	80963056..	852, 853, 856,
70028771.....	703	70031017.....	681		183		857
70028801.....	320	70031018.....	681	7029712.....	109	80983191..	799, 801, 803,
70028817.....	319	70031050.....	525	7029733.....	363, 377		1052
70028818.....	319	70031051.....	525	7029734.....	339, 351	82033995...	241, 291, 293
70028819.....	319	70031052.....	525	7029735.....	339, 351	8220035.....	869
70028820.....	319	70031053.....	525	7029743.....	337	8220043.....	859, 861
70028821.....	319	70031054.....	525	7029785.....	351	8220045.....	841
70028822.....	319	70031058.....	681	7029787.....	339	8220050.....	905
70028823.....	319	70031059.....	681	7029969.....	919	8220051....	794, 795, 885,
70028824.....	319	70031060.....	681	7029970.....	919		891
70028825.....	319	70031061.....	681	7029971 ....	919, 925, 927	8220097.....	852, 856
70028826.....	319	70031062.....	681	7169541.....	247	8220098.....	852, 856
70028827.....	319	70031063.....	681	7300435.....	205	8220108.....	837, 869
70028828.....	319	70031064.....	681	77133136.....	583	8220116.....	886, 892
70028829.....	319	70031065.....	681	77133137.....	583	8220124.....	851, 855
70028830.....	319	70031066.....	681	77133497.....	583	8220375.....	794, 797
70028831.....	319	70031067.....	681	77213042.....	279	8229234... 872, 971, 1052	
70028832.....	319	70031068.....	681	8000565.....	921	8229235.....	871, 1052
70028833.....	319	70031069.....	681	8000759.....	427	8229242....	799, 801, 997,
70028834.....	319	70031070.....	681	8000803.....	409		1052
70028835.....	319	70031071.....	682	8002200.....	73, 75, 77	8229244... 803, 877, 1052	
70028836.....	319	70031072.....	682	8004398.....	427	8229245... 799, 877, 1052	
70028837.....	319	70031073.....	682	8005671.....	1018, 1022,	8229247... 801, 877, 1052	
70028838.....	319	70031293.....	693		1026, 1030	8229261.....	871, 1052
70028839.....	319	70031294.....	693	8005675.....	1018, 1022,	8275212.....	275, 279
70028840.....	319	70031295.....	693		1026, 1030	8278020....	243, 245, 247
70028841.....	320	70031296.....	693	8005870.....	441	8305919....	215, 273, 431,
70028842.....	320	70031297.....	693	8005901.....	481		460, 513
70028843.....	320	70031298.....	677	8006258.....	679	8307219.....	273
70028844.....	320	70031299.....	677	8008175.....	341, 353	8310382.....	123
70028845.....	320	70031300.....	677	8008640.....	73, 75, 77	8310410.....	825
70028846.....	320	70031301.....	677	8008657.....	1018, 1022,	8310559.....	421
70028847.....	320	70031302.....	677		1026, 1030	8310686.....	659, 663
70028848.....	320	70031303.....	677	80203020.....	319	8342813.....	37
70028860.....	183	70031304.....	677	80203021.....	319		

## SECTION 13 - SPECIAL OPTIONS/ACCESSORIES/KITS

8405006 ... 225, 227, 257, 607, 647	85941018 ..... 607, 831	91013191 .. 852, 856, 898, 902	91514111 ..... 365, 367
8405007 ... 257, 615, 621, 627	8769123 ..... 591, 595	91013192 .. 886, 887, 892, 893	91514112 ..... 337, 363
8405009 .... 257, 281, 547	8769146 ..... 583	91043125 .. 585, 589, 593, 597	91514117 ..... 337, 363
8405101 ..... 257	8769152 ..... 583	91043126 .. 585, 589, 593, 597	91514118 ..... 389
8405102 ..... 261	8769199 ..... 583	9106-3039 ..... 627	91514123 ..... 333
8405104 ..... 257	8770030 ..... 645	9106-3040 ..... 627	91514130 ..... 333, 359
8405201 .... 257, 460, 471	8770075 ..... 585	91083106 ..... 621	91514133 ..... 333, 359
8405402 ..... 207, 209	8770104 ..... 645	91163268 ..... 279	91514134 ..... 333, 359
8406105 ..... 205	8770215 ..... 657	91403193 ..... 311	91514143 ..... 335
8406112 ... 227, 299, 301, 303	8770286 ..... 645	91403413 ..... 183	91514146 ..... 319, 375
8406201 ..... 607, 647	8786549 ... 381, 383, 385, 387	91403414 ..... 183	91514147 ..... 375
8406202 ..... 587, 591	88662434 ..... 607, 627	91403448 ..... 125	91514148 ..... 375
8410009 ... 291, 293, 484, 493	8880219-OM ..... 323	91403530 ..... 89	91514149 .. 337, 363, 375
8410013 .... 241, 607, 621	8896941 ..... 1057	91474364 ..... 319	91514151 ..... 339
8420053 ... 109, 113, 133, 135, 145, 147, 149, 154, 183	90206196 ..... 55	91474512 ..... 331, 357	91514154 .. 319, 339, 351
8420055 ... 109, 113, 133, 135, 145, 147, 149, 154, 183	90206198 ..... 607	91504107 ..... 819	91514159 ..... 339, 351
8424233 ..... 621	90206202 ..... 21	91513266 ..... 389	91514174 ..... 337, 363
8430032 ..... 607	90554016 ..... 169	91514081 ..... 337, 363	91514175 .. 337, 363, 373
8430033 ..... 655	90554017 ..... 147	91514082 ..... 337, 363	91514177 .. 337, 363, 373
8430034 ..... 625, 649	90554020 ..... 147, 183	91514083 ..... 337	91514178 ..... 337, 363
8430081 ..... 607	90554042 . 109, 113, 147, 183	91514084 ..... 337	91514179 ..... 337, 363
8466306 ..... 439, 1026	90554045 . 109, 113, 147, 183, 695, 697	91514089 .. 331, 337, 339, 357	91514180 ..... 337, 363
8584003 ..... 999	90554054 ..... 183	91514090 ..... 371	91514181 ..... 337, 363
	90554065 ..... 109	91514095 ..... 337, 363	91514184 ..... 337, 377
	90554066 ..... 109	91514098 ..... 331, 357	91514185 ..... 337, 377
	90554067 ..... 109, 147	91514101 ..... 331, 357	91514186 ..... 337, 377
			91514189 ..... 337, 363
			943191201 ..... 792
			AU2105 ..... 1010, 1014, 1018, 1022, 1026, 1030
			N.S.S.. 139, 141, 143, 723



**Corporate Office  
JLG Industries, Inc.  
1 JLG Drive  
McConnellsburg, PA 17233-9533 USA  
☎ (717) 485-5161 (Corporate)  
☎ (877) 554-5438 (Customer Support)  
📠 (717) 485-6417**

**Visit our website for JLG Worldwide Locations.  
[www.jlg.com](http://www.jlg.com)**



**OSHKOSH™**