



Illustrated Parts Manual

Models

1075

4523

**PVC
2405**

**P/N
3122312200
May 1, 2024 - Rev A**



An Oshkosh Corporation Company

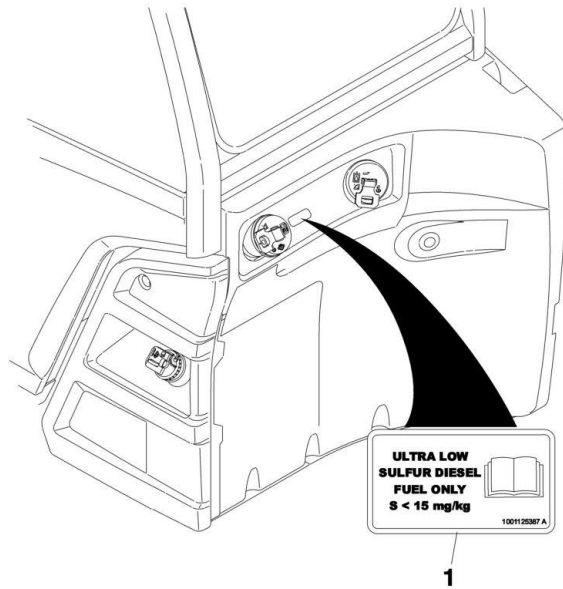
EFFECTIVITY PAGE

May 1, 2024 - A - Original Issue of Manual (Edited to B/M 1001236000 Revision AB)

Machine Configuration

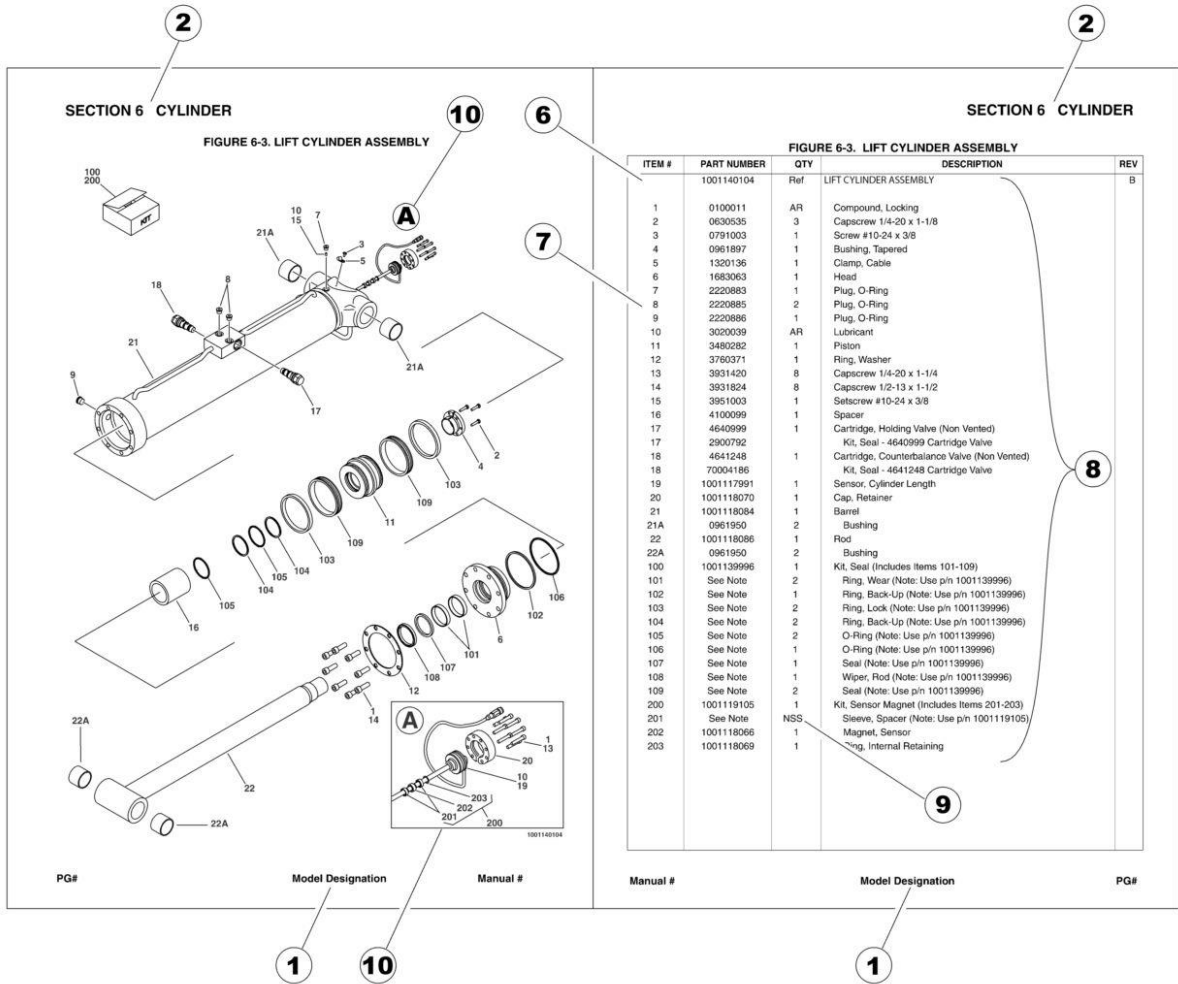
Two configurations of each machine are included in this manual. Determine if machine is equipped with Ultra Sulfur Fuel Decal (1) as indicated below.

- If equipped with the Ultra Low Sulfur decal, all specific references to this machine configuration will be referred to as Ultra Low Sulfur (ULS) from this point forward.
- If not equipped with the Ultra Low Sulfur decal, all specific references to this machine configuration will be referred to as Low Sulfur (LS) from this point forward.



1

GENERAL INFORMATION



1) MACHINE IDENTIFICATION

Machines are identified by model and in some cases a combination of models, serial number (SN) or regional standard (i.e ANSI, CE, CSA). Components may also be identified by SN or manufacturer. Common components that may be identified by these characteristics are engines and hydraulic components.

2) PARTS MANUAL ORGANIZATION

Product information in this manual is organized under section titles. Frame, Cylinder, Hydraulic and Electrical are a few examples. Each section is organized by figure and page number. The information within the Figure is then organized by item number, part number, description and corresponding illustration (s).

3) TABLE OF CONTENTS (NOT SHOWN)

A table of contents is found toward the beginning of the manual. Figure number, description and page number are provided for quick reference to the page containing the related information.

4) RECOMMENDED SPARE PARTS (NOT SHOWN)

The Recommended Spare Parts List, located near the end of the manual, reference most frequently used maintenance parts.

5) PART NUMBER INDEX (NOT SHOWN)

A numerical index listing all part numbers and the corresponding page number(s) appears at the back of the manual.

GENERAL INFORMATION

6) NON-SERVICED PARTS

In some instances, it is necessary to display non-serviced parts, assemblies or installations. In the case of assemblies and installations there will be a Ref in the Qty. column. In case of parts that are not available for service within assemblies or components, there will be a NSS (Not Sold Separately) or NLA (No Longer Available) listed in the Qty. column of the manual.

7) PARTS LIST ITEM NUMBERS

Numbers shown in the item# column correspond to numbers used in the associated illustration (s). Item numbers which are missing from the sequence in the parts list are not used on that page.

8) INDENTED PARTS DESCRIPTION

An indented part description is included in the item under which it is indented.

9) ABBREVIATION AND SYMBOLS

AC.....	Alternating Current	L.....	Liter
ADE.....	Advanced Design Electronics	LB(LBS).....	Pounds
AG.....	Agricultural	LCD.....	Liquid Crystal Display
ANSI.....	American National Standards Institute	LED.....	Light Emitting Diodes
AR.....	As Required	LH.....	Left Hand
ASSY.....	Assembly	LRC.....	Low Rated Countries
AUS.....	Australia	LSS.....	Load Sensing System
AUX.....	Auxiliary	M(m).....	Metric/Meter
AWG.....	American Wire Gauge	MM(mm).....	Milimeter
B/M.....	Bill of Material	mA.....	Miliamps
CAC.....	Charge Air Cooler	NLA.....	No Longer Available
CE.....	European Conformity	NPT.....	National Pipe Threads
CCW.....	Counter Clockwise	NSS.....	Not Sold Separately
CM.....	Centimeter	OD.....	Outside Diameter
CW.....	Clockwise	ORB.....	O-Ring Boss
CSA.....	Canadian Standards Association	ORFS.....	O-Ring Face Seal
CYL.....	Cylinder	OZ (oz).....	Ounces
DIA.....	Diameter	PG.....	Page
DC.....	Direct Current	PN.....	Part Number
DEF.....	Diesel Exhaust Fluid	QT(qt.).....	Quarts
EMS.....	Emergency Stop	QTY.....	Quantity
ENG.....	Engine	REF.....	Reference
FT(ft).....	Feet	REV.....	Revision Level
GA(Ga).....	Gauge	RH.....	Right Hand
HRC.....	High Rated Countries	SAE.....	Society of Automotive Engineers
HVAC.....	Heating, Ventilating, and Air Conditioning	SN.....	Serial Number
HYD.....	Hydraulic	SPEC(S).....	Specifications
Hz.....	Hertz	T/T.....	Turntable
ID.....	Inside Diameter	UGM.....	Universal Ground Module
IN.....	inches	V.....	Volts
ISO.....	International Organization for Standards	W.....	Watts
JIC.....	Joint Industry Council	#.....	Number
KG.....	Kilogram		

10) ILLUSTRATION REFERENCE LETTERS

When necessary, illustrations may contain reference letters that are intended to track information (i. e. hoses, harnesses) from one point to another or to track visual enlargement of components to show details that may be located in another area on the illustration.

Note: Due to continuous product improvements, JLG Industries, Inc. reserves the right to make specification changes without prior notification. Contact JLG Industries, Inc. for updated information.

TABLE OF CONTENTS

SECTION 1 - FRAME AND ATTACHING PARTS.....	19
FIGURE 1-1. COUNTERWEIGHT INSTALLATION.....	20
FIGURE 1-2. ENGINE ENCLOSURE INSTALLATION.....	22
FIGURE 1-3. ENCLOSURE SKIRT INSTALLATION.....	24
FIGURE 1-4. HOOD INSTALLATION.....	26
FIGURE 1-5. CLOSURE INSTALLATION (1075).....	28
FIGURE 1-6. CLOSURE INSTALLATION (4523).....	30
FIGURE 1-7. FRAME COVER INSTALLATION.....	32
FIGURE 1-8. TANKS INSTALLATION.....	34
FIGURE 1-9. HYDRAULIC TANK INSTALLATION.....	36
FIGURE 1-10. HYDRAULIC TANK ASSEMBLY.....	38
FIGURE 1-11. FUEL TANK INSTALLATION.....	40
FIGURE 1-12. FUEL TANK ASSEMBLY.....	42
FIGURE 1-13. REMOTE FILL INSTALLATION.....	44
FIGURE 1-14. WHEEL CHOCK INSTALLATION.....	46
FIGURE 1-15. PAD LOCK.....	48
FIGURE 1-16. OUTRIGGERS INSTALLATION.....	50
FIGURE 1-17. BOOM PROP INSTALLATION.....	52
FIGURE 1-18. GROMMETS INSTALLATION.....	54
SECTION 2 - BOOM.....	57
FIGURE 2-1. BOOM INSTALLATION.....	58
FIGURE 2-2. BOOM ASSEMBLY.....	60
FIGURE 2-3. BASE BOOM SECTION ASSEMBLY.....	64
FIGURE 2-4. SECOND BOOM SECTION ASSEMBLY.....	66
FIGURE 2-5. THIRD BOOM SECTION ASSEMBLY.....	68
FIGURE 2-6. FOURTH BOOM SECTION ASSEMBLY.....	70
FIGURE 2-7. FLY BOOM SECTION ASSEMBLY.....	72
FIGURE 2-8. RETRACT CHAIN INSTALLATION.....	74
FIGURE 2-9. RETRACT CHAIN INSTALLATION.....	76
FIGURE 2-10. RETRACT CHAIN INSTALLATION.....	78
FIGURE 2-11. EXTEND CHAIN INSTALLATION.....	80
FIGURE 2-12. EXTEND CHAIN INSTALLATION.....	82
FIGURE 2-13. EXTEND CHAIN INSTALLATION.....	84
FIGURE 2-14. ATTACH COUPLER INSTALLATION (MANUAL).....	86
FIGURE 2-15. ATTACH COUPLER INSTALLATION (HYDRAULIC).....	88
FIGURE 2-16. HYDRAULIC QUICK SWITCH INSTALLATION.....	90
FIGURE 2-17. QUICK COUPLER ASSEMBLY.....	92
FIGURE 2-18. BOOM PIN INSTALLATION.....	94
FIGURE 2-19. TILT CYLINDER PIN INSTALLATION.....	96
FIGURE 2-20. BOOM ANGLE INDICATOR INSTALLATION.....	98
FIGURE 2-21. BOOM BRUSHES INSTALLATION.....	100
SECTION 3 - ATTACHMENTS.....	103
FIGURE 3-1. ATTACHMENT RECOGNITION INSTALLATION (1075).....	104

TABLE OF CONTENTS

FIGURE 3-2. BASKET, PERSONNEL (1.2MX2.4M) (ENGLISH).....	106
FIGURE 3-3. BASKET PERSONNEL (1.2MX2.4M) (ENGLISH/FRENCH).....	108
FIGURE 3-4. BASKET PERSONNEL (1.2MX2.4M) (ISO).....	110
FIGURE 3-5. BASKET PERSONNEL (FORK MOUNTED).....	112
FIGURE 3-6. BUCKET (1 M³) (FORK MOUNTED).....	114
FIGURE 3-7. BUCKET 1.0 YD³ (ANSI - JLG).....	116
FIGURE 3-8. BUCKET (1.15 M³).....	118
FIGURE 3-9. CARRIAGE ASSEMBLY (50 INCH).....	120
FIGURE 3-10. CARRIAGE ASSEMBLY (60 INCH).....	122
FIGURE 3-11. CARRIAGE ASSEMBLY (72 INCH).....	124
FIGURE 3-12. CARRIAGE ASSEMBLY - SIDE SHIFT (48 INCH).....	126
FIGURE 3-13. CARRIAGE ASSEMBLY - SIDE TILT (50 INCH).....	128
FIGURE 3-14. CARRIAGE ASSEMBLY - SIDE TILT (60 INCH).....	130
FIGURE 3-15. CARRIAGE ASSEMBLY - SIDE TILT (72 INCH).....	132
FIGURE 3-16. CARRIAGE ASSEMBLY - SWING (72 INCH) (Prior to SN 0160130010).....	134
FIGURE 3-17. CARRIAGE ASSEMBLY - SWING (72 INCH) (SN 0160130448 to Present).....	136
FIGURE 3-18. CARRIAGE ASSEMBLY - SWING (180).....	138
FIGURE 3-19. CARRIAGE INSTALLATION - DRYWALL SWING.....	144
FIGURE 3-20. CARRIAGE ASSEMBLY - DRYWALL SWING.....	146
FIGURE 3-21. CARRIAGE ASSEMBLY - DRYWALL SWING (BOARD HANDLER).....	148
FIGURE 3-22. CARRIAGE ASSEMBLY - DRYWALL SWING (PIVOT FRAME GROUP).....	150
FIGURE 3-23. CARRIAGE ASSEMBLY - DRYWALL SWING (CYLINDER).....	152
FIGURE 3-24. CARRIAGE ASSEMBLY - DRYWALL SWING (HYDRAULIC GROUP).....	154
FIGURE 3-25. CARRIAGE ASSEMBLY - DRYWALL SWING (VALVE ASSEMBLY).....	156
FIGURE 3-26. CARRIAGE ASSEMBLY - DRYWALL SWING (CYLINDER).....	158
FIGURE 3-27. CARRIAGE ASSEMBLY - DRYWALL SWING FORK GROUP.....	160
FIGURE 3-28. CARRIAGE - FORK POSITIONING (4.5 TON).....	162
FIGURE 3-29. CARRIAGE - FORK POSITIONING VALVE ASSEMBLY.....	164
FIGURE 3-30. VALVE - CARRIAGE DUAL FORK FLOW DIVIDER.....	166
FIGURE 3-31. COUPLER MOUNTED HOOK.....	168
FIGURE 3-32. HOOK - 4 TON (FORK MOUNTED).....	170
FIGURE 3-33. FORK - CUBING (2.00X2X48).....	172
FIGURE 3-34. FORK - DUAL TAPER (2.00X6X72).....	174
FIGURE 3-35. FORK - FULL TAPER (50X150X1220MM).....	176
FIGURE 3-36. LIFTING HOOK (10K).....	178
FIGURE 3-37. FORK - LUMBER (1.5X6X60).....	180
FIGURE 3-38. FORK - LUMBER (2.00X7X60).....	182
FIGURE 3-39. FORK - PALLET (2.36X4X48).....	184
FIGURE 3-40. FORK - PALLET (2.36X5X48).....	186
FIGURE 3-41. FORK - PALLET (2.36X4X48).....	188
FIGURE 3-42. FORK - PALLET (2.36X4X60).....	190
FIGURE 3-43. FORK - PALLET (2.36X5X72).....	192
FIGURE 3-44. FORK - PALLET (2.36X5X60).....	194
FIGURE 3-45. FORK - PALLET (2.36X6X60).....	196
FIGURE 3-46. FORK CLAMPS INSTALLATION.....	198

TABLE OF CONTENTS

FIGURE 3-47. FORK EXTENSIONS (62X163X2286).....	200
FIGURE 3-48. PLATFORM (FORK MOUNTED)(4X9.8)	202
FIGURE 3-49. PLATFORM (FORK MOUNTED)(4X8 WITH DOORS)	204
FIGURE 3-50. TELESCOPE PIVOT ADJUSTABLE JIB (10K).....	206
FIGURE 3-51. TRASH HOPPER INSTALLATION	208
FIGURE 3-52. TRUSS BOOM - 3 FOOT WITH WINCH.....	210
FIGURE 3-53. TRUSS BOOM - 12 FOOT WITH WINCH.....	212
FIGURE 3-54. TRUSS BOOM - 12 FOOT WITHOUT WINCH	214
FIGURE 3-55. TRUSS BOOM - 15 FOOT WITHOUT WINCH	216
FIGURE 3-56. TRUSS BOOM - ADJUSTABLE.....	218
FIGURE 3-57. TRUSS BOOM - ADJUSTABLE (FORK MOUNTED)	220
SECTION 4 - ENGINE AND ATTACHING PARTS	223
FIGURE 4-1. ENGINE POD COMPONENT INSTALLATION (1075).....	224
FIGURE 4-2. ENGINE POD COMPONENT INSTALLATION (4523).....	226
FIGURE 4-3. ENGINE MOUNT INSTALLATION.....	228
FIGURE 4-4. CUMMINS ENGINE - 4.5L (1075).....	230
FIGURE 4-5. CUMMINS ENGINE - 4.5L (4523).....	232
FIGURE 4-6. AIR CLEANER LINES INSTALLATION (1075)	234
FIGURE 4-7. AIR CLEANER INSTALLATION (1075)	236
FIGURE 4-8. AIR CLEANER INSTALLATION (4523)	238
FIGURE 4-9. AIR CLEANER FILTER ASSEMBLY (90/100KW) (1075)	240
FIGURE 4-10. AIR CLEANER FILTER ASSEMBLY (4523)	242
FIGURE 4-11. AIR FILTER, RAIN CAP INSTALLATION	244
FIGURE 4-12. PRIMARY FUEL FILTER INSTALLATION (1075)	246
FIGURE 4-13. FUEL FILTER INSTALLATION (4523).....	248
FIGURE 4-14. FUEL FILTER & FITTINGS ASSEMBLY (4523)	250
FIGURE 4-15. FUEL LINES INSTALLATION (1075).....	252
FIGURE 4-16. FUEL INTAKE LINES INSTALLATION (4523).....	256
FIGURE 4-17. HYDROSTATIC DRIVE PUMP INSTALLATION.....	260
FIGURE 4-18. AIR INTAKE LINES INSTALLATION (4523)	262
FIGURE 4-19. HYDROSTATIC PUMP ASSEMBLY	264
FIGURE 4-20. HYDRAULIC PUMP INSTALLATION.....	266
FIGURE 4-21. IMPLEMENT PUMP ASSEMBLY.....	268
FIGURE 4-22. DEF COOLANT LINES INSTALLATION.....	270
FIGURE 4-23. DEF TANK INSTALLATION.....	272
FIGURE 4-24. DEF TANK ASSEMBLY	274
FIGURE 4-25. DEF BREATHER VALVE.....	276
FIGURE 4-26. COOLING PACKAGE INSTALLATION (CUMMINS 4.5L) (1075)	278
FIGURE 4-27. COOLING PACKAGE INSTALLATION (CUMMINS 4.5L) (4523)	280
FIGURE 4-28. COOLING PACKAGE INSTALLATION (ASOV) (1075)	282
FIGURE 4-29. COOLING PACKAGE INSTALLATION (ASOV) (4523)	286
FIGURE 4-30. RADIATOR ASSEMBLY (1075).....	288
FIGURE 4-31. RADIATOR ASSEMBLY (4523).....	290
FIGURE 4-32. SURGE TANK INSTALLATION	292
FIGURE 4-33. COOLANT LINES INSTALLATION (1075).....	294

TABLE OF CONTENTS

FIGURE 4-34. COOLING LINES INSTALLATION (4523)	296
FIGURE 4-35. CAC LINES INSTALLATION (WITHOUT ASOV) (1075)	298
FIGURE 4-36. CAC LINES INSTALLATION (WITHOUT ASOV) (4523)	300
FIGURE 4-37. CAC LINES INSTALLATION (WITH ASOV) (1075)	302
FIGURE 4-38. CAC LINES INSTALLATION (WITH ASOV) (4523)	304
FIGURE 4-39. ASOV LINES INSTALLATION (1075 ONLY)	306
FIGURE 4-40. FAN GUARD INSTALLATION	308
FIGURE 4-41. COOLING FAN INSTALLATION	310
FIGURE 4-42. EXHAUST INSTALLATION (CUMMINS 4.5L)	312
FIGURE 4-43. EXHAUST INSTALLATION (4523)	314
FIGURE 4-44. CAB HEATER LINES INSTALLATION (1075)	316
FIGURE 4-45. CAB HEATER LINES INSTALLATION (4523)	318
FIGURE 4-46. ATTACHMENT RECOGNITION INSTALLATION (4523)	320
FIGURE 4-47. DEF PUMP AND CONTROL INSTALLATION	322
FIGURE 4-48. DEF LINES INSTALLATION	324
FIGURE 4-49. DOC INSTALLATION	326
FIGURE 4-50. SCR INSTALLATION	328
FIGURE 4-51. A/C PUMP INSTALLATION (CUMMINS 4.5L)	330
FIGURE 4-52. A/C LINES INSTALLATION	332
FIGURE 4-53. BREATHER TUBE HEATER INSTALLATION	334
FIGURE 4-54. TRANSMISSION HYDROSTATIC ADAPTER INSTALLATION	336
FIGURE 4-55. REMOTE OIL FILTER INSTALLATION (1075)	338
FIGURE 4-56. REMOTE OIL FILTER INSTALLATION (4523)	340
FIGURE 4-57. OIL DRAIN HOSE INSTALLATION	342
FIGURE 4-58. QUICK DRAIN OIL VALVE INSTALLATION	344
SECTION 5 - DRIVE TRAIN	347
FIGURE 5-1. DRIVETRAIN INSTALLATION	348
FIGURE 5-2. GEARBOX INSTALLATION	350
FIGURE 5-3. GEARBOX ASSEMBLY	352
FIGURE 5-4. DRIVE SHAFT INSTALLATION	354
FIGURE 5-5. FRONT DRIVESHAFT INSTALLATION	356
FIGURE 5-6. REAR DRIVESHAFT INSTALLATION	358
FIGURE 5-7. FRONT AXLE INSTALLATION	360
FIGURE 5-8. FRONT AXLE LINES INSTALLATION	362
FIGURE 5-9. FRONT AXLE MOUNTING INSTALLATION	364
FIGURE 5-10. FRONT AXLE	366
FIGURE 5-11. FRONT AXLE, CENTRAL HOUSING	368
FIGURE 5-12. FRONT AXLE, DIFFERENTIAL	370
FIGURE 5-13. FRONT AXLE, HUB REDUCTION	372
FIGURE 5-14. FRONT AXLE, BRAKES	376
FIGURE 5-15. FRONT AXLE, STEERING	378
FIGURE 5-16. FRONT AXLE, TRUNION	380
FIGURE 5-17. REAR AXLE INSTALLATION	382
FIGURE 5-18. REAR AXLE LINES INSTALLATION	384
FIGURE 5-19. REAR AXLE MOUNTING INSTALLATION	386

TABLE OF CONTENTS

FIGURE 5-20. REAR AXLE	388
FIGURE 5-21. REAR AXLE, CENTRAL HOUSING.....	390
FIGURE 5-22. REAR AXLE, DIFFERENTIAL	392
FIGURE 5-23. REAR AXLE, HUB REDUCTION	394
FIGURE 5-24. REAR AXLE, BRAKES	398
FIGURE 5-25. REAR AXLE, STEERING.....	400
FIGURE 5-26. REAR AXLE, TRUNION.....	402
FIGURE 5-27. HYDRAULIC MOTOR INSTALLATION.....	404
FIGURE 5-28. TIRE/WHEEL SET (FOAM 17.5-25 - 20 PLY)	406
FIGURE 5-29. CAB FENDER INSTALLATION	408
FIGURE 5-30. FENDER INSTALLATION.....	410
FIGURE 5-31. RH FENDER ASSEMBLY	412
FIGURE 5-32. LH FENDER ASSEMBLY	414
SECTION 6 - CAB.....	417
FIGURE 6-1. CAB MOUNTING	418
FIGURE 6-2. CAB COMPONENTS INSTALLATION.....	420
FIGURE 6-3. CAB INSTALLATION	422
FIGURE 6-4. CAB ASSEMBLY	424
FIGURE 6-5. DOOR INSTALLATION.....	426
FIGURE 6-6. DOOR ASSEMBLY (AG)	428
FIGURE 6-7. CAB DOOR.....	430
FIGURE 6-8. DOOR UPPER GLASS ASSEMBLY	432
FIGURE 6-9. CAB LATCH ASSEMBLY.....	434
FIGURE 6-10. CAB DOOR TRIGGER ASSEMBLY	436
FIGURE 6-11. DOOR STRAP INSTALLATION.....	438
FIGURE 6-12. REAR WINDOW INSTALLATION.....	440
FIGURE 6-13. REAR WINDOW GROUP	442
FIGURE 6-14. REAR WINDOW EXIT DECAL INSTALLATION	444
FIGURE 6-15. CAB PLUG GROUP.....	446
FIGURE 6-16. BASIC MIRROR INSTALLATION	448
FIGURE 6-17. FRONT WIPER INSTALLATION.....	450
FIGURE 6-18. WASHER TANK INSTALLATION	452
FIGURE 6-19. WASHER BOTTLE	454
FIGURE 6-20. FRONT COVER INSTALLATION	456
FIGURE 6-21. FIRE EXTINGUISHER INSTALLATION.....	458
FIGURE 6-22. FRONT DUCT COVER.....	460
FIGURE 6-23. FILTER TRAY PANEL	462
FIGURE 6-24. LEVEL INDICATOR INSTALLATION.....	464
FIGURE 6-25. CAB STORAGE TRAY INSTALLATION	466
FIGURE 6-26. GRAB HANDLE INSTALLATION.....	468
FIGURE 6-27. REAR WIPER INSTALLATION.....	470
FIGURE 6-28. MULTIFUNCTION DISPLAY INSTALLATION	472
FIGURE 6-29. SEAT INSTALLATION	474
FIGURE 6-30. SUSPENSION SEAT ASSEMBLY (ORANGE SEAT BELT).....	476
FIGURE 6-31. SEAT INSTALLATION (CLOTH).....	478

TABLE OF CONTENTS

FIGURE 6-32. SEAT ASSEMBLY	480
FIGURE 6-33. SEAT INSTALLATION (AIR SUSPENSION - STANDARD)	482
FIGURE 6-34. SEAT ASSEMBLY (AIR SUSPENSION - STANDARD)	484
FIGURE 6-35. UPPER SEAT ASSEMBLY.....	486
FIGURE 6-36. SUSPENSION KIT	488
FIGURE 6-37. SEAT INSTALLATION (AIR SUSPENSION - PREMIUM).....	490
FIGURE 6-38. SEAT INSTALLATION (CLOTH) (SEAOP).....	492
FIGURE 6-39. SEAT ASSEMBLY (AIR SUSPENSION - PREMIUM).....	494
FIGURE 6-40. HEATER INSTALLATION.....	496
FIGURE 6-41. HEATER AND A/C INSTALLATION (CAB PARTS).....	498
FIGURE 6-42. CAB CONDENSER ASSEMBLY	502
FIGURE 6-43. CONDENSER.....	504
FIGURE 6-44. A/C RECEIVER DRIER	506
FIGURE 6-45. HEATER ASSEMBLY.....	508
FIGURE 6-46. HEATER ASSEMBLY.....	510
FIGURE 6-47. HEATER AND A/C ASSEMBLY	512
FIGURE 6-48. HEATER AND A/C ASSEMBLY	514
FIGURE 6-49. ROOF WIPER INSTALLATION.....	516
FIGURE 6-50. HEADLINER INSTALLATION.....	518
FIGURE 6-51. HEADLINER/RADIO READY PACKAGE INSTALLATION.....	520
FIGURE 6-52. CAB TRIM INSTALLATION	522
FIGURE 6-53. DASH COVER ASSEMBLY.....	526
FIGURE 6-54. REAR PANEL COVER ASSEMBLY.....	528
FIGURE 6-55. ADJUSTABLE ARMREST INSTALLATION.....	530
FIGURE 6-56. ROOF CAP INSTALLATION (NO A/C).....	532
FIGURE 6-57. ROOF CAP INSTALLATION (A/C).....	534
FIGURE 6-58. NO SUNSCREEN INSTALLATION	536
FIGURE 6-59. RETRACTABLE SUNSCREEN INSTALLATION.....	538
FIGURE 6-60. NON SKID TAPE INSTALLATION.....	540
FIGURE 6-61. FLOOR MAT INSTALLATION	542
FIGURE 6-62. SEAT BELT INSTALLATION (3IN).....	544
FIGURE 6-63. SEAT BELT INSTALLATION (2IN).....	546
FIGURE 6-64. SEAT BELT INSTALLATION (3 INCH).....	548
FIGURE 6-65. ENCLOSED CAB FRONT COVER INSTALLATION	550
FIGURE 6-66. CAB GUARD INSTALLATION (TOP)	552
FIGURE 6-67. CAB GUARD INSTALLATION (FRONT)	554
FIGURE 6-68. CAB GUARD INSTALLATION (TOP AND FRONT)	556
FIGURE 6-69. EXTERNAL WINDOW RELEASE INSTALLATION (CAN & ISO).....	558
FIGURE 6-70. ARMREST	560
FIGURE 6-71. FIXED ARMREST BRACKET.....	562
FIGURE 6-72. MOVING ARMREST BRACKET.....	564
SECTION 7 - CONTROLS.....	567
FIGURE 7-1. ACCELERATOR PEDAL INSTALLATION.....	568
FIGURE 7-2. ACCELERATOR PEDAL.....	570
FIGURE 7-3. BRAKE PEDAL INSTALLATION	572

TABLE OF CONTENTS

FIGURE 7-4. BRAKE PEDAL ASSEMBLY	574
FIGURE 7-5. BRAKE SENSOR INSTALLATION	576
FIGURE 7-6. SWITCH PLATE ASSEMBLY	578
FIGURE 7-7. TILT STEERING COLUMN INSTALLATION	580
FIGURE 7-8. TILT STEERING COLUMN.....	582
FIGURE 7-9. COLUMN SHIFT INSTALLATION (2 SPEED)	584
FIGURE 7-10. STEERING WHEEL INSTALLATION.....	586
FIGURE 7-11. STEERING WHEEL	588
FIGURE 7-12. HORN BUTTON INSTALLATION	590
FIGURE 7-13. JOYSTICK INSTALLATION (2 SPEED).....	592
FIGURE 7-14. WIPER-TURN SWITCH	594
FIGURE 7-15. COLUMN CLAMP INSTALLATION.....	596
SECTION 8 - HYDRAULIC CIRCUITS.....	599
FIGURE 8-1. MAIN HYDRAULIC INSTALLATION	600
FIGURE 8-2. BOOM HYDRAULICS INSTALLATION.....	602
FIGURE 8-3. BOOM HYDRAULIC LINES INSTALLATION.....	604
FIGURE 8-4. BOOM HOSE AND CHAIN INSTALLATION.....	606
FIGURE 8-5. BOOM AUXILIARY HYDRAULICS INSTALLATION	608
FIGURE 8-6. BOOM AUXILIARY HYDRAULICS (HYDRAULIC COUPLER)	610
FIGURE 8-7. BOOM RAISE HOSE INSTALLATION (RIDE CONTROL)	612
FIGURE 8-8. CAB HYDRAULICS INSTALLATION	614
FIGURE 8-9. CAB CHECK VALVE & FITTING ASSEMBLY	616
FIGURE 8-10. CHARGE FILTER HOSE INSTALLATION.....	618
FIGURE 8-11. CHARGE FILTER INSTALLATION	620
FIGURE 8-12. EMERGENCY LOWERING INSTALLATION	622
FIGURE 8-13. EMERGENCY LOWERING AUXILIARY VALVE & FITTING ASSEMBLY	624
FIGURE 8-14. EMERGENCY LOWERING AUXILIARY PUMP & FITTING ASSEMBLY	626
FIGURE 8-15. ENGINE BAY HYDRAULIC INSTALLATION	628
FIGURE 8-16. FRAME HYDRAULICS INSTALLATION	630
FIGURE 8-17. FRAME SWAY INSTALLATION	632
FIGURE 8-18. FRAME SWAY CYLINDER INSTALLATION	634
FIGURE 8-19. FRAME SWAY CONTROL VALVE INSTALLATION.....	636
FIGURE 8-20. FRAME SWAY CONTROL VALVE & FITTING ASEMBLY	638
FIGURE 8-21. IMPLEMENT PUMP FILTER ASSEMBLY	640
FIGURE 8-22. MAIN CONTROL VALVE INSTALLATION.....	642
FIGURE 8-23. MAIN CONTROL VALVE & FITTINGS ASSEMBLY	644
FIGURE 8-24. OUTRIGGER HYDRAULICS INSTALLATION.....	646
FIGURE 8-25. OUTRIGGER EXHAUST VALVE ASSEMBLY.....	648
FIGURE 8-26. PRIORITY VALVE INSTALLATION	650
FIGURE 8-27. PRIORITY VALVE & FITTING ASSEMBLY	652
FIGURE 8-28. QUICK COUPLER VALVE & FITTING ASSEMBLY	654
FIGURE 8-29. REAR AXLE STABILIZER INSTALLATION	656
FIGURE 8-30. REAR AXLE STABILIZER VARIABLE REDUCING VALVE INSTALLATION	658
FIGURE 8-31. REAR AXLE STABILIZER VARIABLE REDUCING VALVE & FITTING ASSEMBLY	660
FIGURE 8-32. RIDE AND FLOAT VALVE ASSEMBLY.....	662

TABLE OF CONTENTS

FIGURE 8-33. SAHR VALVE INSTALLATION.....	664
FIGURE 8-34. SAHR BRAKE VALVE & FITTING ASSEMBLY	666
FIGURE 8-35. SPEED CONTROL VALVE INSTALLATION	668
FIGURE 8-36. STEERING SELECT VALVE INSTALLATION	670
FIGURE 8-37. STEERING SELECT VALVE & FITTING ASSEMBLY	672
SECTION 9 - HYDRAULIC COMPONENTS	675
FIGURE 9-1. CYLINDER INSTALLATION - EXTEND/RETRACT.....	676
FIGURE 9-2. CYLINDER INSTALLATION - EXTEND/RETRACT.....	678
FIGURE 9-3. CYLINDER ASSEMBLY - FORK POSITIONING.....	680
FIGURE 9-4. CYLINDER ASSEMBLY - FRAME LEVEL	682
FIGURE 9-5. CYLINDER INSTALLATION - LIFT.....	684
FIGURE 9-6. CYLINDER ASSEMBLY - LIFT.....	686
FIGURE 9-7. CYLINDER INSTALLATION - OUTRIGGER	688
FIGURE 9-8. CYLINDER ASSEMBLY - OUTRIGGER	690
FIGURE 9-9. CYLINDER ASSEMBLY - QUICK COUPLER	692
FIGURE 9-10. CYLINDER ASSEMBLY - QUICK SWITCH.....	694
FIGURE 9-11. CYLINDER INSTALLATION - REAR AXLE STABILIZER	696
FIGURE 9-12. CYLINDER ASSEMBLY - REAR AXLE STABILIZER.....	698
FIGURE 9-13. CYLINDER ASSEMBLY - SIDE SHIFT CARRIAGE.....	700
FIGURE 9-14. CYLINDER ASSEMBLY - SIDE TILT	702
FIGURE 9-15. CYLINDER ASSEMBLY - SWING CARRIAGE	704
FIGURE 9-16. CYLINDER & FITTING ASSEMBLY - TILT	706
FIGURE 9-17. CYLINDER ASSEMBLY - TILT.....	708
FIGURE 9-18. MOTOR ASSEMBLY - HYDRAULIC	710
FIGURE 9-19. MOTOR ASSEMBLY - HYDRAULIC	712
FIGURE 9-20. PUMP ASSEMBLY - CHARGE	714
FIGURE 9-21. PUMP ASSEMBLY - DEF MODULE	716
FIGURE 9-22. PUMP ASSEMBLY - DRIVE	718
FIGURE 9-23. PUMP/MOTOR ASSEMBLY - EMERGENCY LOWERING AUXILIARY	720
FIGURE 9-24. PUMP ASSEMBLY - PISTON	722
FIGURE 9-25. VALVE ASSEMBLY - BOOM RAISE VALVE	724
FIGURE 9-26. VALVE ASSEMBLY - CHARGE FLOW CONTROL VALVE ASSEMBLY.....	726
FIGURE 9-27. VALVE ASSEMBLY - DIVERTOR VALVE.....	728
FIGURE 9-28. VALVE ASSEMBLY - LEVEL AND STABILIZATION VALVE	730
FIGURE 9-29. VALVE ASSEMBLY - MAIN CONTROL VALVE.....	732
FIGURE 9-30. VALVE ASSEMBLY - PRIORITY VALVE	734
FIGURE 9-31. VALVE ASSEMBLY - SAHR BRAKE VALVE	736
FIGURE 9-32. VALVE ASSEMBLY - STEER.....	738
FIGURE 9-33. VALVE ASSEMBLY - STEERING SELECT	740
SECTION 10 - ELECTRICAL.....	743
FIGURE 10-1. ELECTRICAL LAYOUT	744
FIGURE 10-2. MAIN ELECTRICAL INSTALLATION (1075).....	754
FIGURE 10-3. MAIN ELECTRICAL INSTALLATION (4523).....	756
FIGURE 10-4. ALARM INSTALLATION - BACKUP.....	758

TABLE OF CONTENTS

FIGURE 10-5. ALARM INSTALLATION - BACKUP (WHITE NOISE)	760
FIGURE 10-6. ATTACHMENT RECOGNITION HARNESS	762
FIGURE 10-7. BATTERY INSTALLATION - DUAL	764
FIGURE 10-8. BATTERY INSTALLATION - DUAL (WITH BREATHER TUBE HEATER)	766
FIGURE 10-9. BATTERIES INSTALLATION - ARCTIC (115V)	768
FIGURE 10-10. BOOM TO FRAME HARNESS	770
FIGURE 10-11. BOOM ANGLE SENSOR INSTALLATION (STD).....	772
FIGURE 10-12. BOOM DAMPING INSTALLATION	774
FIGURE 10-13. BOOM HARNESS.....	776
FIGURE 10-14. BOOM RETRACT SENSOR INSTALLATION.....	778
FIGURE 10-15. BOOM RETRACT SOFT STOP HARNESS.....	780
FIGURE 10-16. BOOM RIDE/FLOAT HARNESS.....	782
FIGURE 10-17. CAB ELECTRICAL INSTALLATION	784
FIGURE 10-18. CAB HARNESS	786
FIGURE 10-19. CAB - STANDARD ELECTRICAL BOARD ASSEMBLY.....	794
FIGURE 10-20. CAB - OPTION 1 ELECTRICAL BOARD ASSEMBLY.....	796
FIGURE 10-21. CAB - OPTION 2 ELECTRICAL BOARD ASSEMBLY.....	798
FIGURE 10-22. CAB - A/C OPTION HARNESS	800
FIGURE 10-23. CAB - DASH ELECTRICAL INSTALLATION	802
FIGURE 10-24. CAB - IGNITION SWITCH HARNESS	804
FIGURE 10-25. CAB - LIGHT SWITCH INSTALLATION	806
FIGURE 10-26. CAB KEY HARNESS (REMOTE CONTROL BOOM)	808
FIGURE 10-27. CAB OPTION HARNESS.....	810
FIGURE 10-28. CAB - OUTRIGGER SWITCHES INSTALLATION.....	812
FIGURE 10-29. CAB - SEAT ADAPTOR HARNESS.....	814
FIGURE 10-30. CAB SEAT BELT ALARM HARNESS.....	816
FIGURE 10-31. CAMERA INSTALLATION - REVERSE	818
FIGURE 10-32. CAMERA (REVERSE) SENSOR INSTALLATION.....	820
FIGURE 10-33. CAMERA (REVERSE) SENSOR HARNESS.....	822
FIGURE 10-34. CAMERA INSTALLATION - RIGHT SIDE.....	824
FIGURE 10-35. MULTI VIEW CAMERA INSTALLATION	826
FIGURE 10-36. CLEARSKY INSTALLATION	828
FIGURE 10-37. CLEARSKY NOT INSTALLED.....	830
FIGURE 10-38. CLEARSKY HARNESS.....	832
FIGURE 10-39. COLD WEATHER PACKAGE INSTALLATION (ARCTIC) (1075)	834
FIGURE 10-40. COLD WEATHER PACKAGE INSTALLATION (ARCTIC) (4523)	836
FIGURE 10-41. COUPLER ANGLE SENSOR INSTALLATION	838
FIGURE 10-42. COUPLER ANGLE SENSOR INSTALLATION (MANUAL COUPLER).....	840
FIGURE 10-43. COUPLER - TILT SENSOR JUMPER HARNESS	842
FIGURE 10-44. EMERGENCY STOP EXTERNAL INSTALLATION	844
FIGURE 10-45. ENGINE - AIR SHUT OFF VALVE HARNESS (ASOV)	846
FIGURE 10-46. ENGINE BAY ELECTRICAL INSTALLATION (1075)	848
FIGURE 10-47. ENGINE BAY ELECTRICAL INSTALLATION (4523)	850
FIGURE 10-48. ENGINE BAY WIRING INSTALLATION (1075)	852
FIGURE 10-49. ENGINE BAY WIRING INSTALLATION (4523)	854

TABLE OF CONTENTS

FIGURE 10-50. ENGINE - ENGINE HARNESS (CUMMINS) (1075 ONLY)	856
FIGURE 10-51. ENGINE - ENGINE HARNESS (CUMMINS) (1075).....	858
FIGURE 10-52. ENGINE HARNESS (CUMMINS) (4523).....	862
FIGURE 10-53. ENGINE - DEF PURGE LIGHT HARNESS (1075).....	866
FIGURE 10-54. ENGINE WIRING INSTALLATION (1075).....	868
FIGURE 10-55. ENGINE WIRING INSTALLATION (4523).....	870
FIGURE 10-56. FRAME ELECTRICAL INSTALLATION.....	872
FIGURE 10-57. FRAME - ELECTRICAL POWER DISTRIBUTION BOX.....	874
FIGURE 10-58. FRAME WIRING INSTALLATION (1075).....	876
FIGURE 10-59. FRAME WIRING INSTALLATION (4523).....	878
FIGURE 10-60. FRAME - FRONT FRAME HARNESS.....	880
FIGURE 10-61. FRAME - FRONT FRAME POWER HARNESS	884
FIGURE 10-62. FRAME - REAR FRAME HARNESS	886
FIGURE 10-63. FRAME - REAR FRAME MODULE INSTALLATION.....	890
FIGURE 10-64. FRAME - REAR AXLE STABILIZER HARNESS (RAS)	892
FIGURE 10-65. FRAME - RIDE CONTROL WIRING INSTALLATION	894
FIGURE 10-66. HEATER INSTALLATION - FUEL FILTER	896
FIGURE 10-67. HEATER INSTALLATION - HYDRAULIC TANK	898
FIGURE 10-68. HEATER INSTALLATION - OIL PAN	900
FIGURE 10-69. HVAC ACTUATOR HARNESS.....	902
FIGURE 10-70. LIGHTS - BOOM WORKLIGHTS INSTALLATION	904
FIGURE 10-71. LIGHTS - BOOM WORKLIGHTS HARNESS	906
FIGURE 10-72. LIGHTS - CAB WORKLIGHTS INSTALLATION (NO A/C - LED).....	908
FIGURE 10-73. LIGHTS - CAB WORKLIGHTS INSTALLATION (A/C - LED)	910
FIGURE 10-74. LIGHTS - HEADLIGHT HARNESS.....	912
FIGURE 10-75. LIGHTS - ROAD LIGHTS INSTALLATION.....	914
FIGURE 10-76. LIGHTS - TAILLIGHT HARNESS.....	916
FIGURE 10-77. LMIS COMPONENT INSTALLATION.....	918
FIGURE 10-78. LMIS BEACON LIGHT INSTALLATION	920
FIGURE 10-79. LMIS BEACON OPTION HARNESS	922
FIGURE 10-80. LMIS BOOM HARNESS	924
FIGURE 10-81. LMIS CABLE REEL INSTALLATION.....	926
FIGURE 10-82. LMIS CHASSIS OPTION HARNESS.....	928
FIGURE 10-83. LMIS TILT SENSOR INSTALLATION	930
FIGURE 10-84. LMIS WIRING INSTALLATION	932
FIGURE 10-85. LSI INSTALLATION.....	934
FIGURE 10-86. LSI DISPLAY INSTALLATION.....	936
FIGURE 10-87. LSI SENSOR INSTALLATION.....	938
FIGURE 10-88. OUTRIGGER HARNESS.....	940
FIGURE 10-89. PLATFORM HARNESS.....	942
FIGURE 10-90. PLATFORM READY HARNESS	944
FIGURE 10-91. REMOTE CONTROL BOOM INSTALLATION	946
FIGURE 10-92. REMOTE CONTROL EMERGENCY STOP SWITCH INSTALLATION.....	948
FIGURE 10-93. REMOTE CONTROL POWER HARNESS	950
FIGURE 10-94. TBAP HARNESS (1075).....	952

TABLE OF CONTENTS

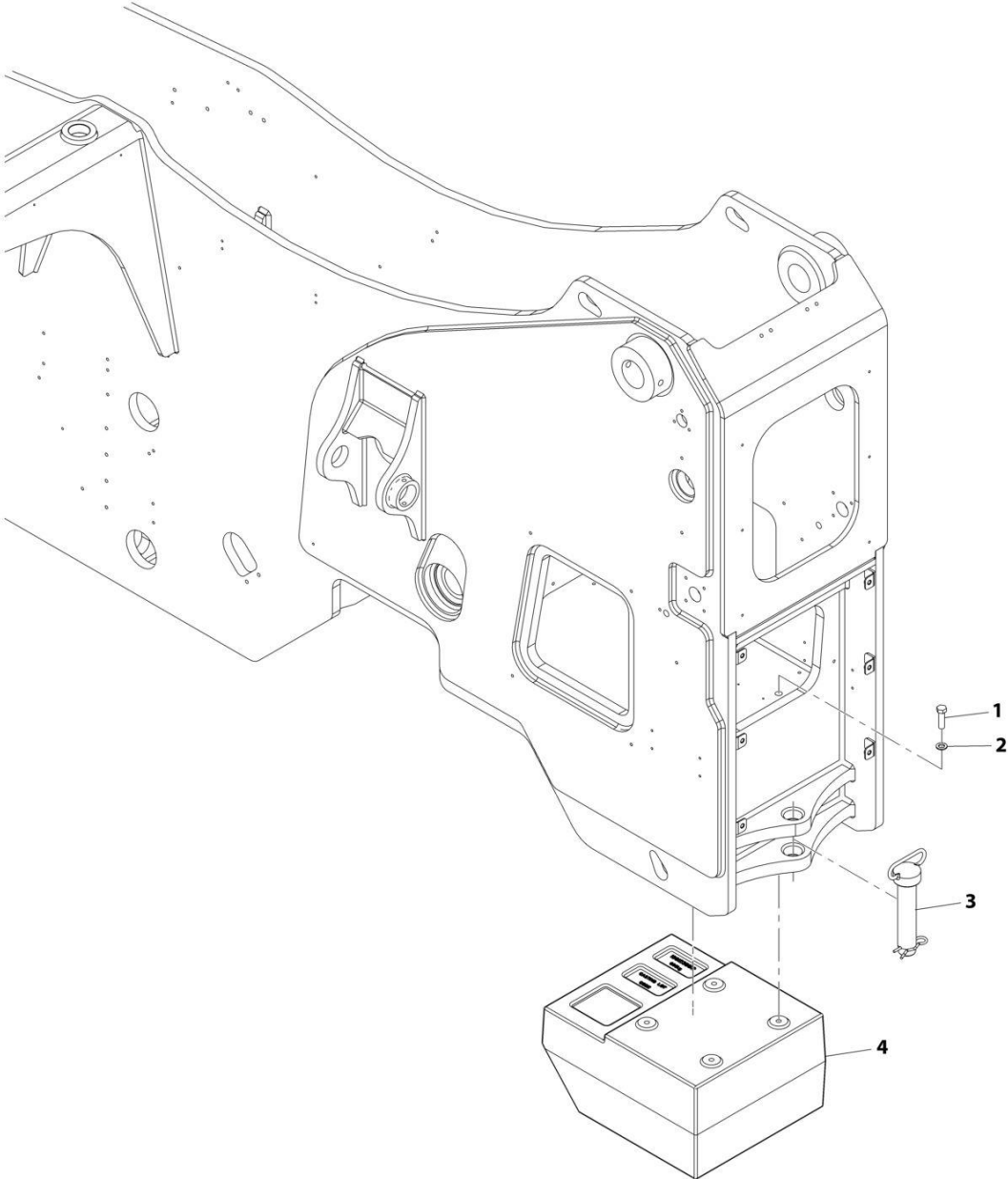
FIGURE 10-95. TELEMATICS GATEWAY INSTALLATION	954
FIGURE 10-96. TELEMATICS GATEWAY PLUS	956
FIGURE 10-97. TELEMATICS GATEWAY HARNESS	958
FIGURE 10-98. TELEMATICS READY INSTALLATION.....	960
FIGURE 10-99. TELEMATICS READY HARNESS.....	962
SECTION 11 - DECALS.....	965
FIGURE 11-1. BRANDING DECAL INSTALLATION (1075)	966
FIGURE 11-2. BRANDING DECAL INSTALLATION (4523)	968
FIGURE 11-3. DECAL INSTALLATION (ANSI).....	970
FIGURE 11-4. DECAL INSTALLATION (CSA ENGLISH/FRENCH)	974
FIGURE 11-5. DECAL INSTALLATION (ISO).....	978
FIGURE 11-6. DECAL INSTALLATION (RUSSIAN/CIS)	982
FIGURE 11-7. LOADCHARTS (ANSI SAE).....	986
FIGURE 11-8. LOADCHARTS (ANSI METRIC).....	988
FIGURE 11-9. LOADCHARTS - REMOTE CONTROL BOOM (ANSI)	990
FIGURE 11-10. LOADCHARTS - REMOTE CONTROL BOOM WITH LMIS (ANSI SAE)	992
FIGURE 11-11. LOADCHARTS - REMOTE CONTROL BOOM WITH LMIS/NON (ANSI METRIC)	994
FIGURE 11-12. CAPACITY CHART HOLDER INSTALLATION	996
FIGURE 11-13. REVERSE SENSOR SYSTEM DECAL (ENGLISH)	998
FIGURE 11-14. REVERSE SENSING SYSTEM DECAL, (ENGLISH/FRENCH)	1000
FIGURE 11-15. REVERSE SENSING SYSTEM DECAL (ISO).....	1002
FIGURE 11-16. CLEARSKY DECAL INSTALLATION.....	1004
SECTION 12 - RECOMMENDED SERVICE PARTS STOCK	1007
FIGURE 12-1. RECOMMENDED SERVICE PARTS STOCK	1008
SECTION 13 - SPECIAL OPTIONS/ACCESSORIES/KITS	1011
FIGURE 13-1. SPECIAL OPTIONS/ACCESSORIES/KITS	1012
PART NUMBER INDEX	1013

SECTION 1 - FRAME AND ATTACHING PARTS

SECTION 1 - FRAME AND ATTACHING PARTS

SECTION 1 - FRAME AND ATTACHING PARTS

FIGURE 1-1. COUNTERWEIGHT INSTALLATION



ART_1001258259-B

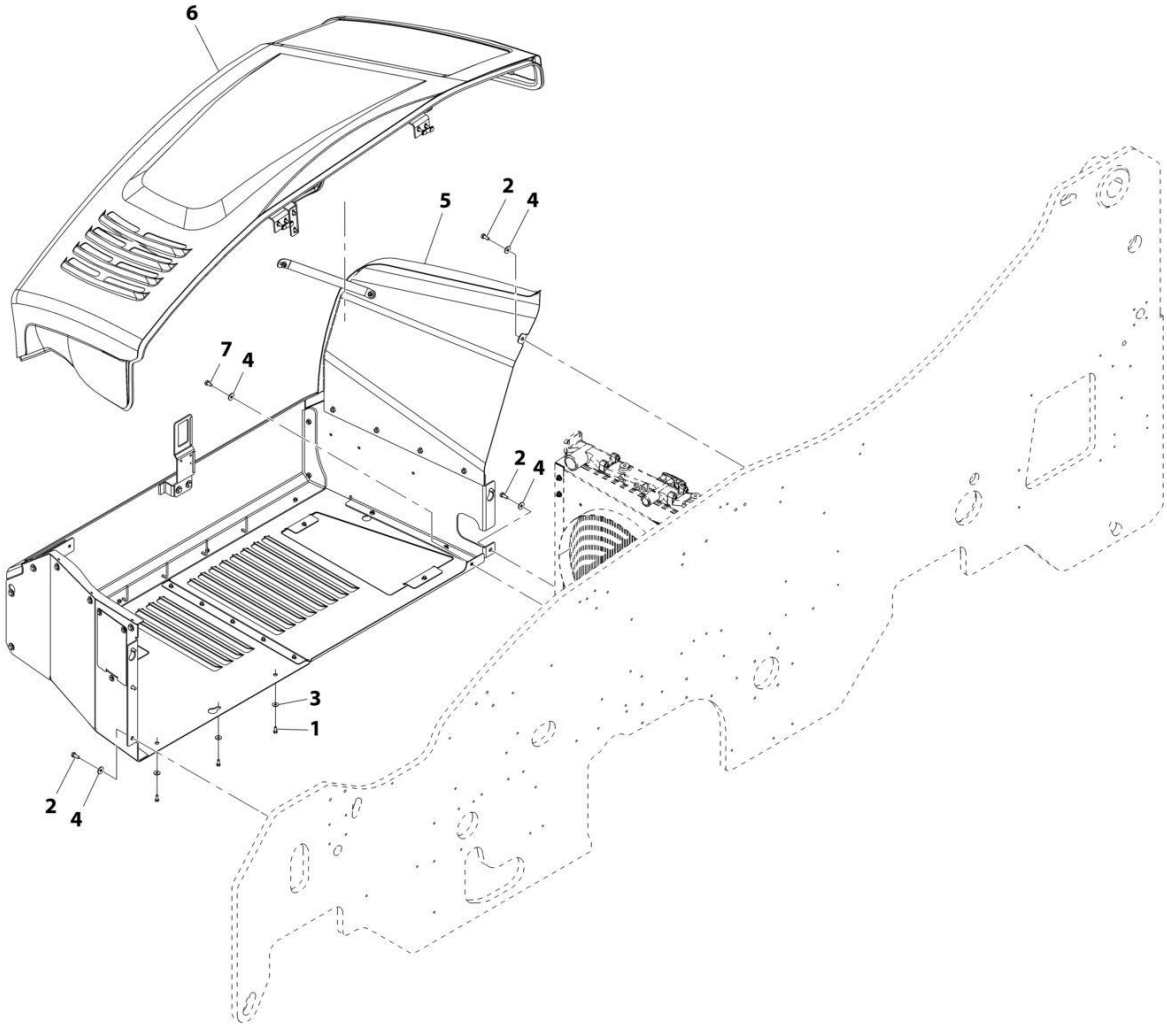
SECTION 1 - FRAME AND ATTACHING PARTS

FIGURE 1-1. COUNTERWEIGHT INSTALLATION

ITEM	PART NUMBER	QTY	DESCRIPTION	REV
	1001258259	Ref	Counterweight Installation	B
1	0771619	NSS	Bolt, M16X55	
2	4812300	NSS	Washer, M16	
3	1001197955	1	Pin, Hitch	
4	1001238912	NSS	Counterweight	

SECTION 1 - FRAME AND ATTACHING PARTS

FIGURE 1-2. ENGINE ENCLOSURE INSTALLATION



ART_1001242689-B

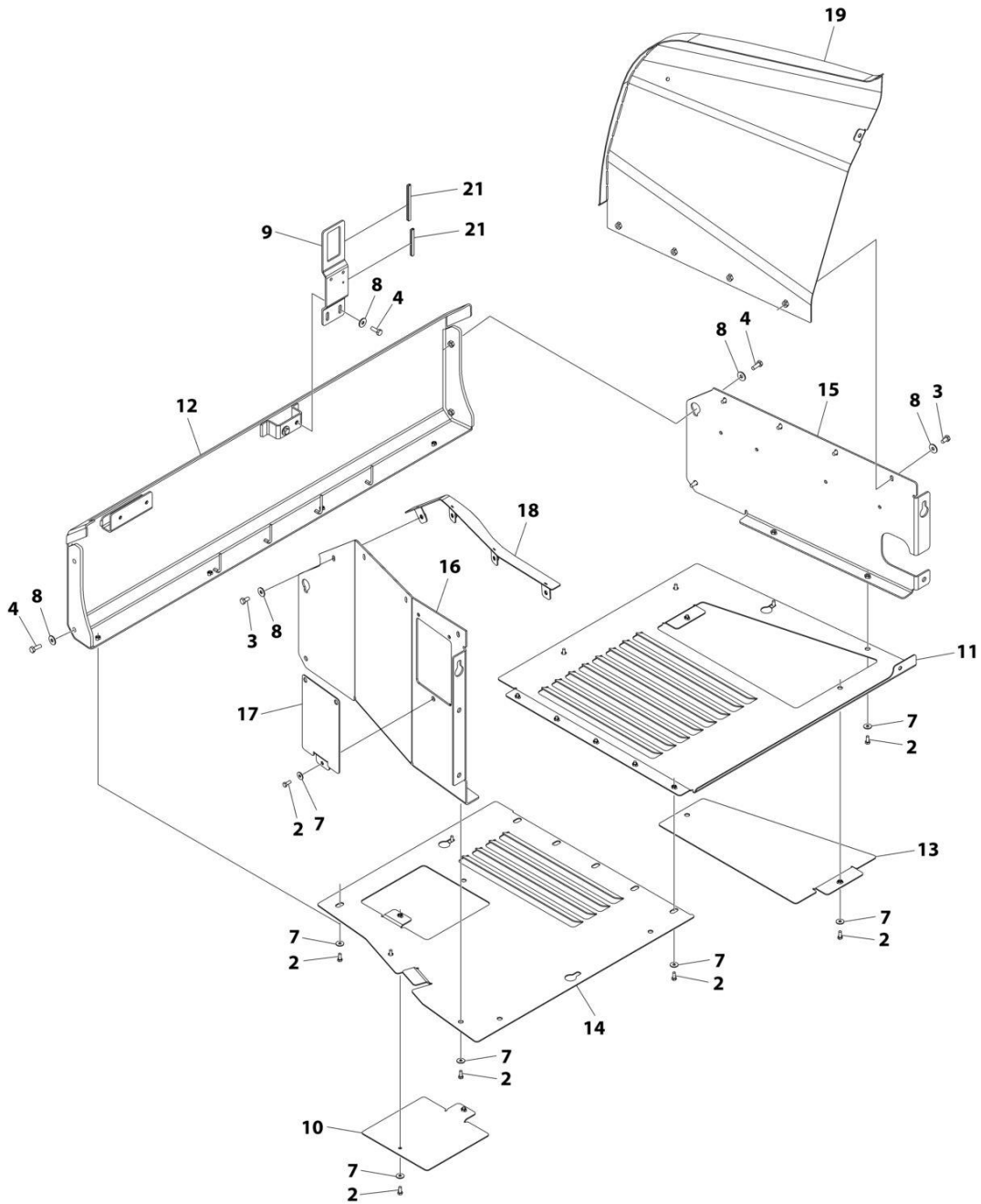
SECTION 1 - FRAME AND ATTACHING PARTS

FIGURE 1-2. ENGINE ENCLOSURE INSTALLATION

ITEM	PART NUMBER	QTY	DESCRIPTION	REV
	1001242689	Ref	Engine Enclosure Installation	B
1	0760810	3	Bolt, M8X20	
2	0761012	6	Bolt, M10X25	
3	4811902	3	Washer, M8	
4	4812002	7	Washer, M10	
5	1001236131	1	Installation, Enclosure Skirt (See Separate Breakdown in this Section)	
6	1001239257	1	Installation, Hood (See Separate Breakdown in this Section)	
7	0761010	1	Bolt, M10X20	

SECTION 1 - FRAME AND ATTACHING PARTS

FIGURE 1-3. ENCLOSURE SKIRT INSTALLATION



ART_1001236131

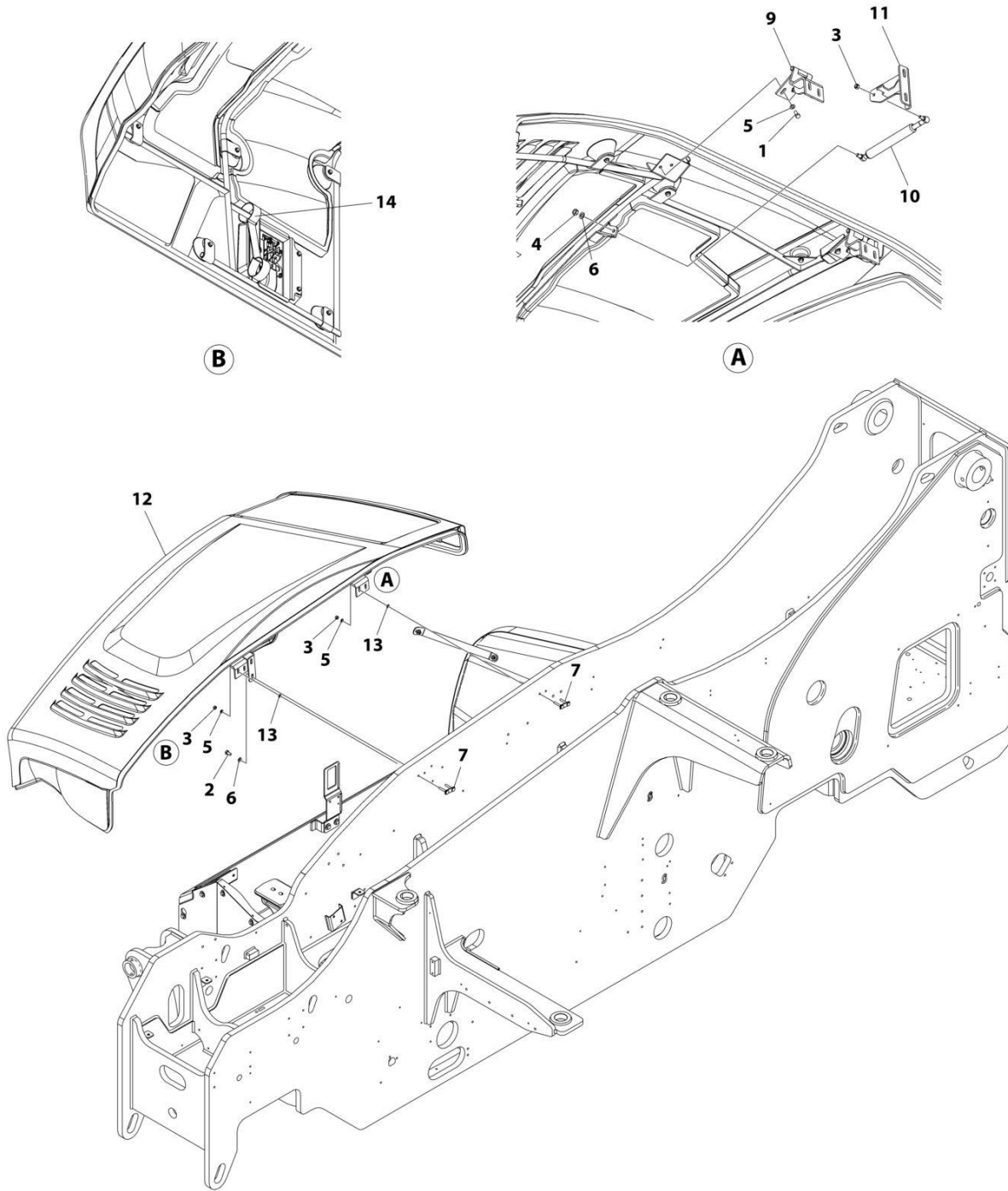
SECTION 1 - FRAME AND ATTACHING PARTS

FIGURE 1-3. ENCLOSURE SKIRT INSTALLATION

ITEM	PART NUMBER	QTY	DESCRIPTION	REV
	1001236131	Ref	ENCLOSURE SKIRT INSTALLATION	C
2	0760810	20	Bolt M8 x 20	
3	0761010	8	Bolt M10 x 20	
4	0761014	6	Bolt M10 x 30	
7	4811902	20	Washer M8	
8	4812002	14	Washer M10	
9	1001154688	1	Plate, Latch	
10	1001194969	1	Plate, Access Panel	
11	1001242690	1	Panel, Bottom Cover Assembly	
12	1001242692	1	Panel, Side Skirt Assembly	
13	1001242719	1	Plate, Access Panel	
14	1001242721	1	Panel Bottom Cover Front	
15	1001242723	1	Panel, Rear Skirt	
16	1001242725	1	Panel, Front Skirt	
17	1001246770	1	Plate, Access Panel	
18	1001246771	1	Mount	
19	1001246801	1	Panel, Rear Cover	
21	4060804	235 mm	Shield	

SECTION 1 - FRAME AND ATTACHING PARTS

FIGURE 1-4. HOOD INSTALLATION



ART_1001239257

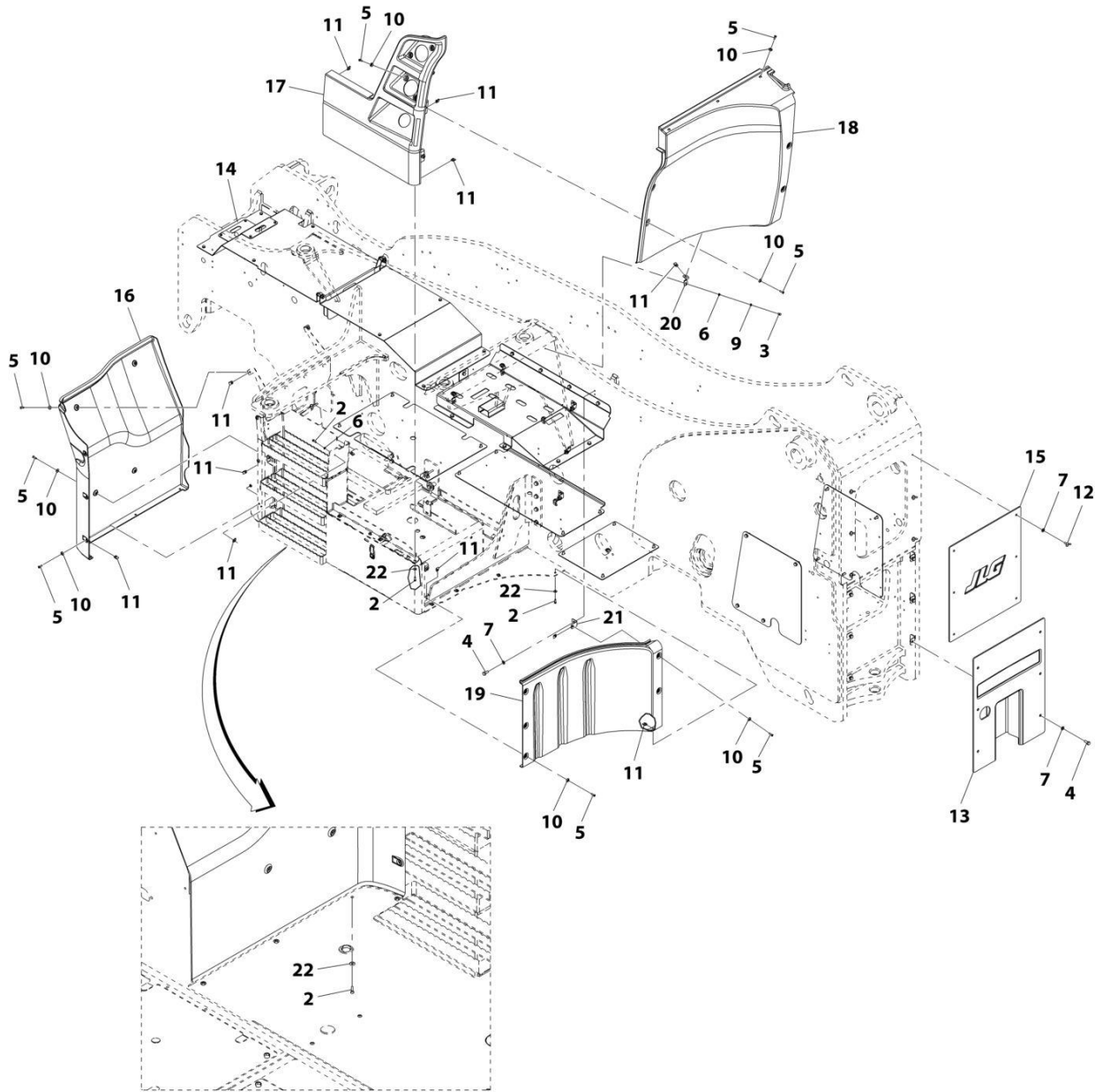
SECTION 1 - FRAME AND ATTACHING PARTS

FIGURE 1-4. HOOD INSTALLATION

ITEM	PART NUMBER	QTY	DESCRIPTION	REV
	1001239257	Ref	HOOD INSTALLATION	C
1	0760810	4	Bolt M8 x 20	
2	0761010	2	Bolt M10 x 20	
3	3290805	5	Nut M8 x 1.25	
4	3291001	1	Nut M10 x 1.5	
5	4811900	8	Washer M8	
6	4812000	3	Washer M10	
7	1001195587	2	Brace, Hood Hinge	
9	1001205080	2	Hinge, Hood	
10	1001257090	1	Spring	
11	1001239256	1	Bracket	
12	1001246800	1	Hood Assembly	
13	1001256264	4	Washer M8	
14	1001265032	1	Strap, Hand Pull	

SECTION 1 - FRAME AND ATTACHING PARTS

FIGURE 1-5. CLOSURE INSTALLATION (1075)



ART_1001246734-D

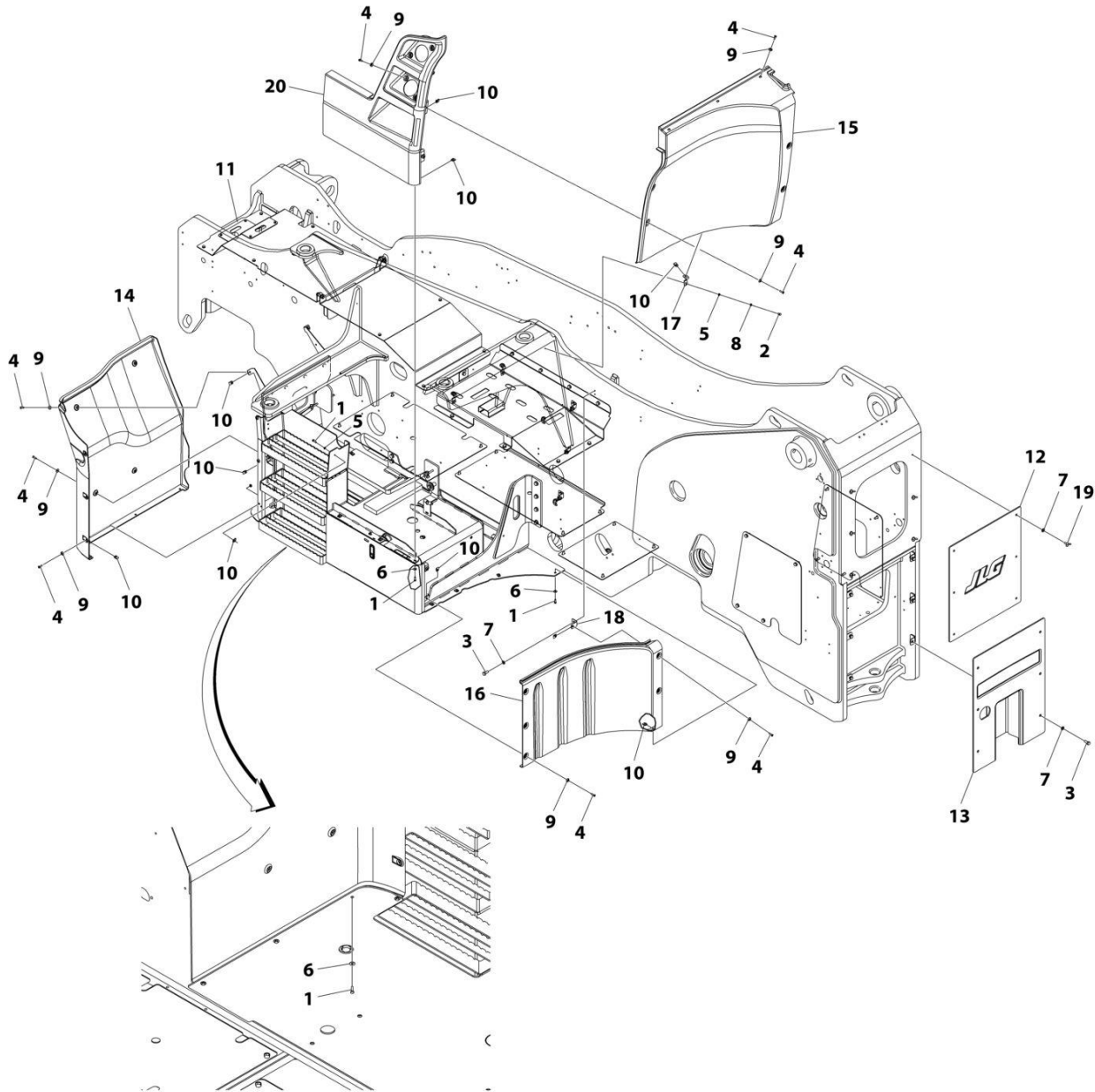
SECTION 1 - FRAME AND ATTACHING PARTS

FIGURE 1-5. CLOSURE INSTALLATION (1075)

ITEM	PART NUMBER	QTY	DESCRIPTION	REV
	1001246734	Ref	Closures Installation	D
2	0700610	12	Bolt, M6X20	
3	0760607	3	Bolt, M6X14	
4	0761012	10	Bolt, M10X25	
5	3900379	23	Screw, M6-1X25	
6	4811700	4	Washer, M6	
7	4812000	16	Washer, M10	
9	4831700	3	Washer, Lock M6	
10	1001097540	23	Washer, M6	
11	1001130220	28	Nut, M6	
12	1001250708	6	Bolt, M8X20	
13	1001246376	1	Cover, Rear Frame	
14	1001239507	1	Installation, Frame Covers (See Separate Breakdown in this Section)	
15	1001246375	1	Cover, Rear Frame	
16	1001247056	1	Cover, Lower Front	
17	1001247103	1	Cover, Side Tank	
18	1001247148	1	Cover, Rear Tank	
19	1001247199	1	Cover, Lower Rear Tank	
20	1001247384	3	Bracket	
21	1001247414	4	Bracket	
22	4811702	11	Washer, M6	

SECTION 1 - FRAME AND ATTACHING PARTS

FIGURE 1-6. CLOSURE INSTALLATION (4523)



ART_1001268597

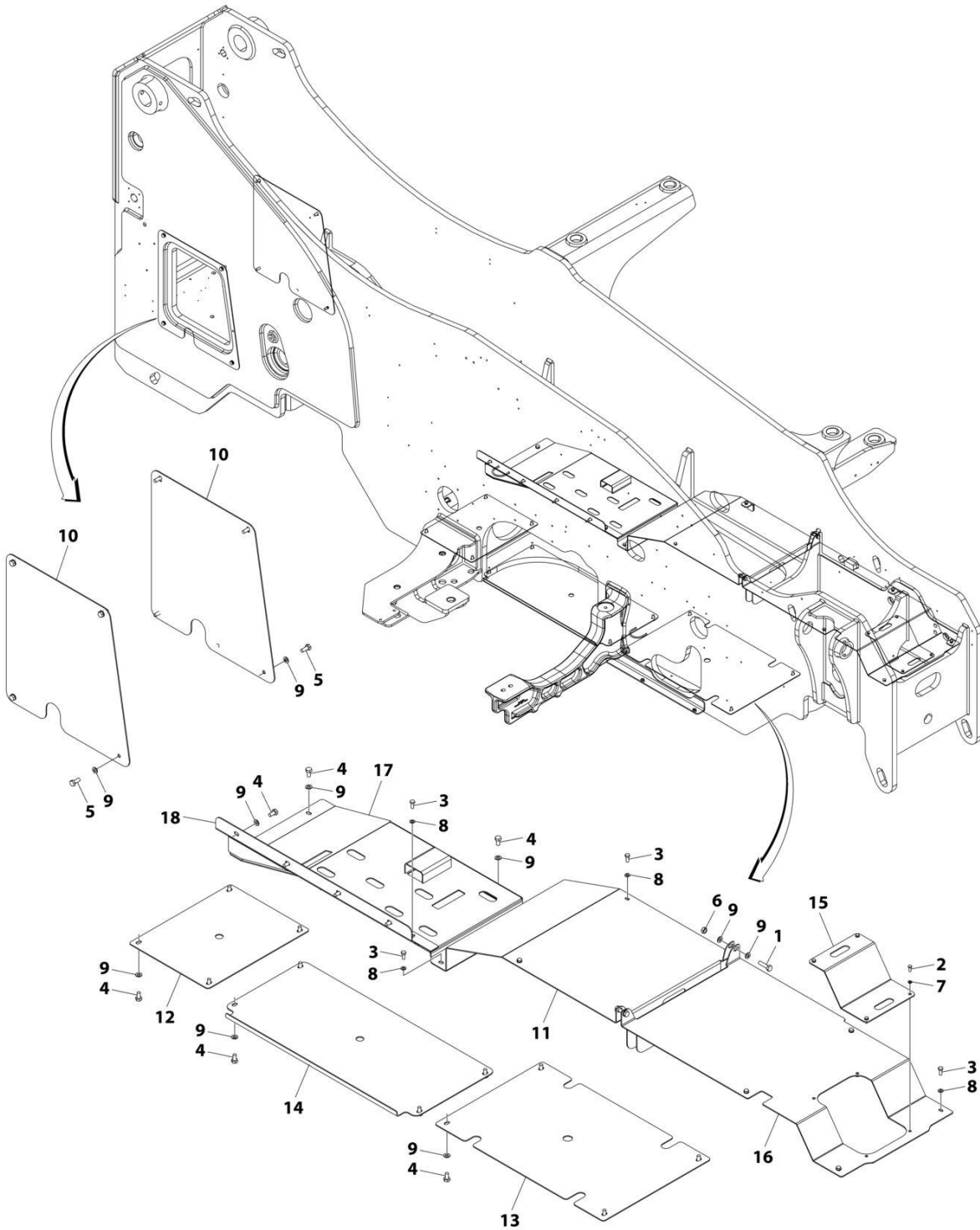
SECTION 1 - FRAME AND ATTACHING PARTS

FIGURE 1-6. CLOSURE INSTALLATION (4523)

ITEM	PART NUMBER	QTY	DESCRIPTION	REV
	1001268597	Ref	CLOSURE INSTALLATION	A
1	0700610	12	Bolt M6 x 20	
2	0760607	3	Bolt M6 x 14	
3	0761012	10	Bolt M10 x 25	
4	3900379	23	Screw M6 x 25	
5	4811700	4	Washer M6	
6	4811702	11	Washer M6	
7	4812000	16	Washer M10	
8	4831700	3	Washer M6	
9	1001097540	23	Washer M6	
10	1001130220	28	Nut M6	
11	1001239507	1	Installation, Frame Covers (See Separate Breakdown in this Section)	
12	1001246375	1	Cover, Rear Frame	
13	1001246376	1	Cover, Rear Frame	
14	1001247056	1	Cover, Lower Front	
15	1001247148	1	Cover, Rear Tank	
16	1001247199	1	Cover, Lower Rear Tank	
17	1001247384	3	Bracket	
18	1001247414	4	Bracket	
19	1001250708	6	Bolt M8 x 20	
20	1001268596	1	Cover, Side Tank	

SECTION 1 - FRAME AND ATTACHING PARTS

FIGURE 1-7. FRAME COVER INSTALLATION



ART_1001239507_E

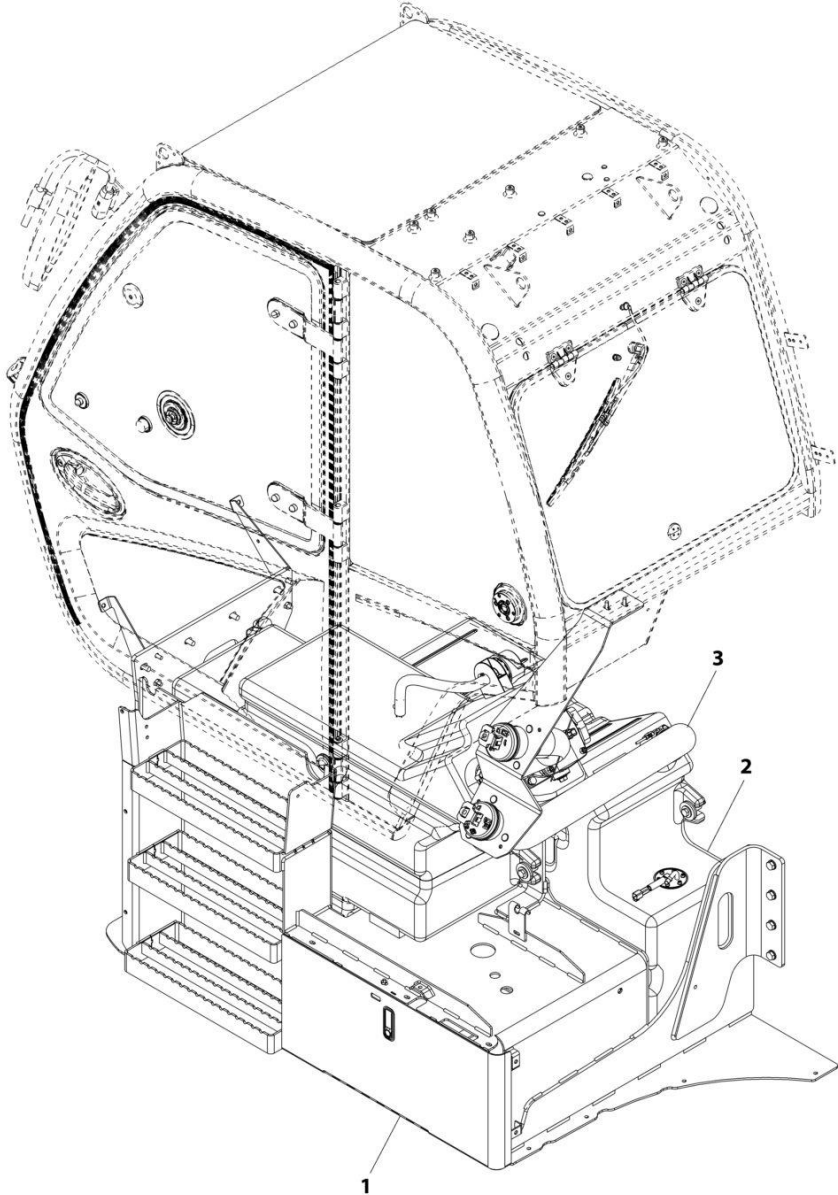
SECTION 1 - FRAME AND ATTACHING PARTS

FIGURE 1-7. FRAME COVER INSTALLATION

ITEM	PART NUMBER	QTY	DESCRIPTION	REV
	1001239507	Ref	FRAME COVER INSTALLATION	E
1	0701016	2	Bolt M10 x 40	
2	0760608	4	Bolt M6 x 16	
3	0760810	10	Bolt M8 x 20	
4	0761010	20	Bolt M10 x 20	
5	0761012	8	Bolt M10 x 25	
6	3291001	2	Nut M10	
7	4811700	4	Washer M6	
8	4811900	10	Washer M8	
9	4812000	32	Washer M10	
10	1001239486	2	Plate, Frame Cover	
11	1001239488	1	Plate, Frame Cover	
12	1001239490	1	Plate, Frame Cover	
13	1001239491	1	Plate, Frame Cover	
14	1001239492	1	Plate, Frame Cover	
15	1001245200	1	Plate, Frame Cover	
16	1001245201	1	Assembly, Frame Cover	
17	1001245707	1	Assembly, Frame Cover	
18	1001239489	1	Plate, Frame Cover	

SECTION 1 - FRAME AND ATTACHING PARTS

FIGURE 1-8. TANKS INSTALLATION



ART_1001205203-A

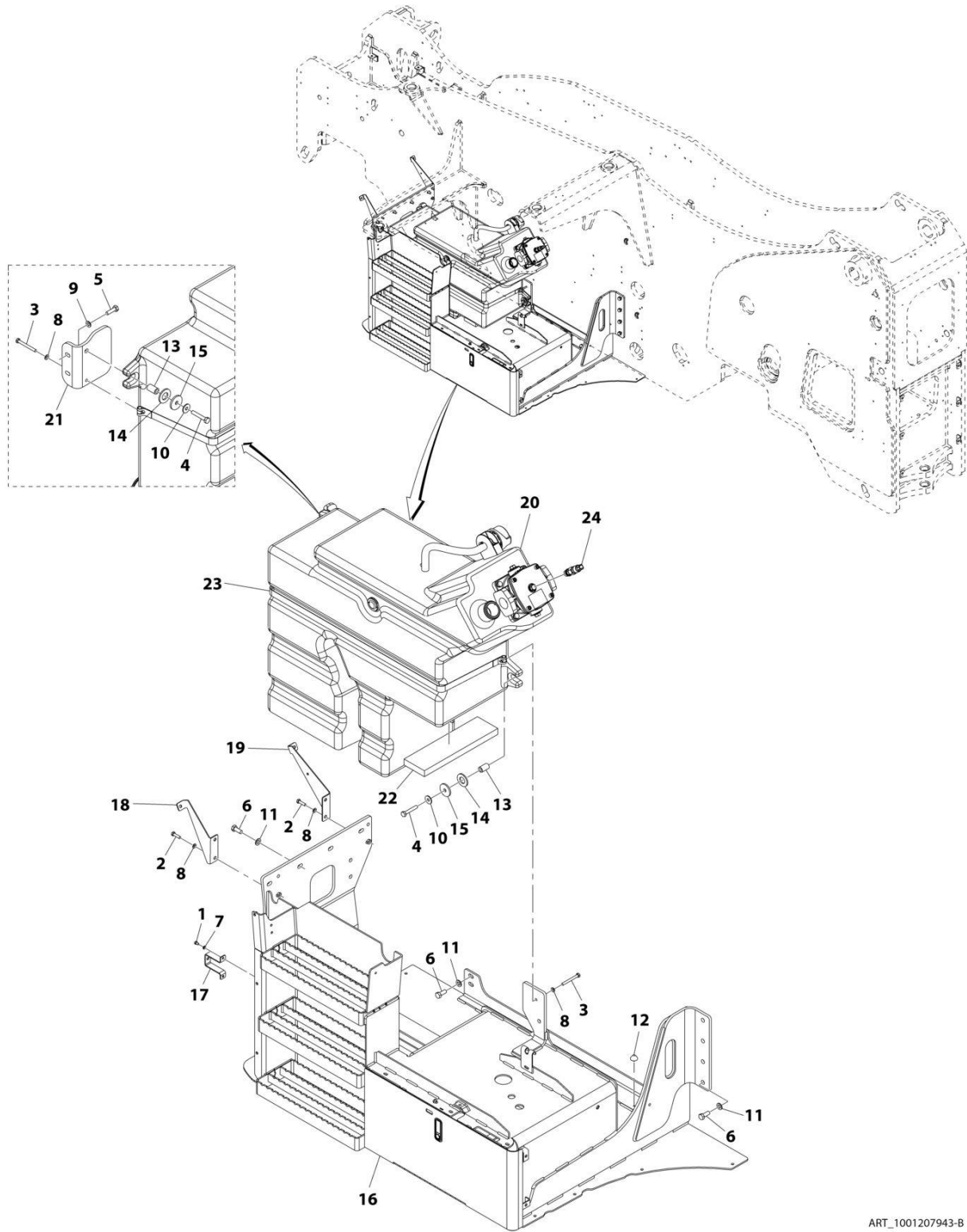
SECTION 1 - FRAME AND ATTACHING PARTS

FIGURE 1-8. TANKS INSTALLATION

ITEM	PART NUMBER	QTY	DESCRIPTION	REV
1	1001205203	Ref	Tanks Installation	A
	1001207943	1	Installation, Hydraulic Tank (See Separate Breakdown in this Section)	
2	1001246825	1	Installation, Fuel Tank (See Separate Breakdown in this Section)	
3	1001246830	1	Installation, Remote Fill (See Separate Breakdown in this Section)	

SECTION 1 - FRAME AND ATTACHING PARTS

FIGURE 1-9. HYDRAULIC TANK INSTALLATION



ART_1001207943-B

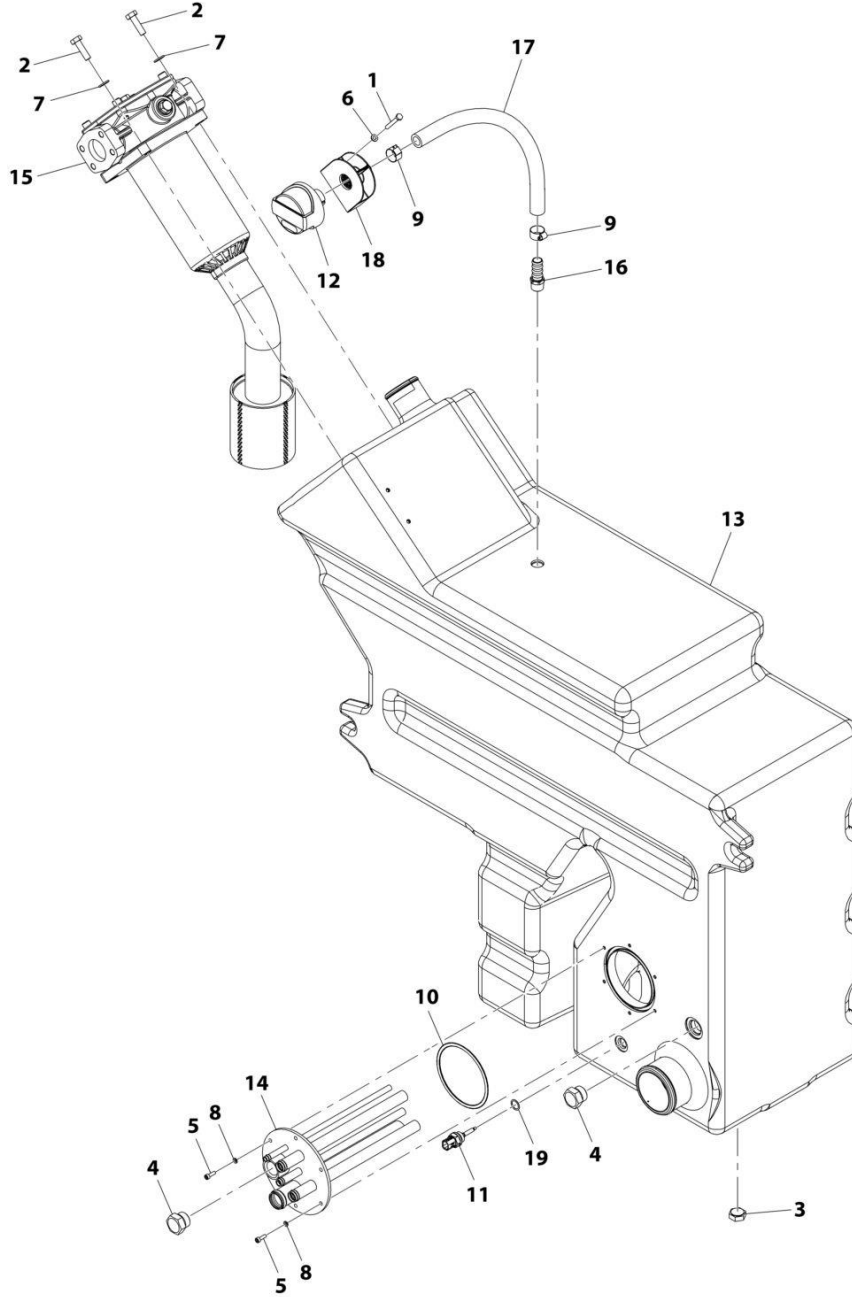
SECTION 1 - FRAME AND ATTACHING PARTS

FIGURE 1-9. HYDRAULIC TANK INSTALLATION

ITEM	PART NUMBER	QTY	DESCRIPTION	REV
	1001207943	Ref	Hydraulic Tank Installation	B
1	0700605	4	Bolt, M6X10	
2	0700814	4	Bolt, M8X30	
3	0760823	2	Bolt, M8X75	
4	0701020	2	Bolt, M10X60	
5	0711015	2	Bolt, M10X35	
6	0761214	10	Bolt, M12X30	
7	4811700	4	Washer, M6	
8	4811900	6	Washer, M8	
9	4812000	2	Washer, M10	
10	4812002	2	Washer, M10	
11	4812100	10	Washer, M12	
12	1001169454	4	Buffer	
13	1001171179	2	Spacer	
14	1001172146	2	Washer, Rubber	
15	1001172147	2	Washer, M10	
16	1001205205	1	Support	
17	1001206850	2	Support	
18	1001206875	1	Support	
19	1001206876	1	Support	
20	1001207944	1	Tank (See Separate Breakdown in this Section)	
21	1001208026	1	Bracket	
22	1001208674	1	Insulate, Oil Tank	
23	1001208676	1	Strap	
24	1001255573	1	Switch, Pressure	

SECTION 1 - FRAME AND ATTACHING PARTS

FIGURE 1-10. HYDRAULIC TANK ASSEMBLY



ART_1001207944-F

SECTION 1 - FRAME AND ATTACHING PARTS

FIGURE 1-10. HYDRAULIC TANK ASSEMBLY

ITEM	PART NUMBER	QTY	DESCRIPTION	REV
	1001207944	Ref	Hydraulic Tank Assembly	F
1	0700617	2	Bolt, M6X45	
2	0711015	4	Bolt, M10X35	
3	2220239	1	Plug	
4	2220240	2	Plug	
5	4031607	6	Bolt, M5X16	
6	4811700	2	Washer, M6	
7	4812000	4	Washer, M10	
8	4831600	6	Washer, Lock M5	
9	8405006	2	Clamp, Gear	
10	1001003301	1	Seal O-Ring	
11	1001128478	1	Sensor, Temperature	
12	1001187877	1	Filter, Breather	
13	1001207945	1	Tank, Hydraulic	
14	1001191157	1	Manifold, Hydraulic Return	
15	1001243844	1	Filter	
16	1001239853	1	Straight, Adapter	
17	1001239856	1	Hose	
18	1001241350	1	Filter, Remote	
19	1001009163	1	O-Ring	

SECTION 1 - FRAME AND ATTACHING PARTS

FIGURE 1-11. FUEL TANK INSTALLATION



ART_1001246825-A

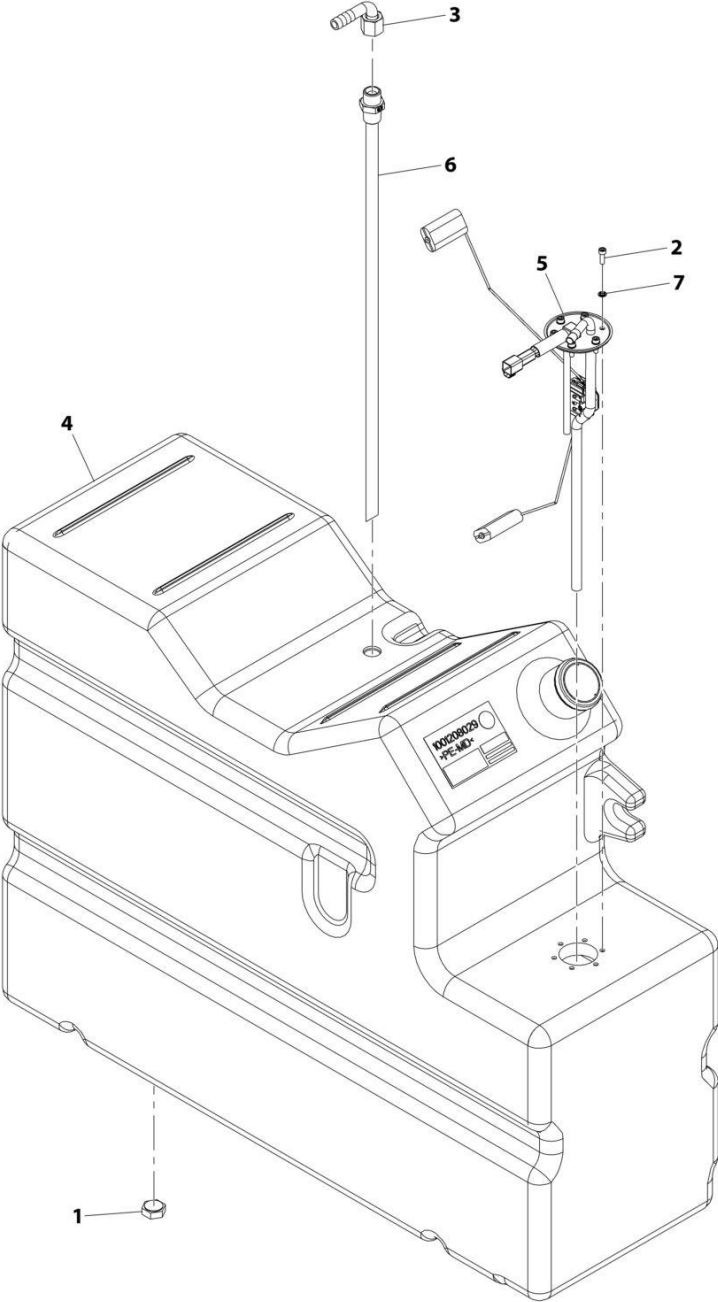
SECTION 1 - FRAME AND ATTACHING PARTS

FIGURE 1-11. FUEL TANK INSTALLATION

ITEM	PART NUMBER	QTY	DESCRIPTION	REV
	1001246825	Ref	Fuel Tank Installation	A
1	0701020	2	Bolt, M10X60	
2	4812002	2	Washer, M10	
3	1001171179	2	Spacer	
4	1001172146	2	Washer, Rubber	
5	1001172147	2	Washer, M10	
6	1001208028	1	Assembly, Fuel Tank (See Separate Breakdown in this Section)	

SECTION 1 - FRAME AND ATTACHING PARTS

FIGURE 1-12. FUEL TANK ASSEMBLY



ART_1001208028-C

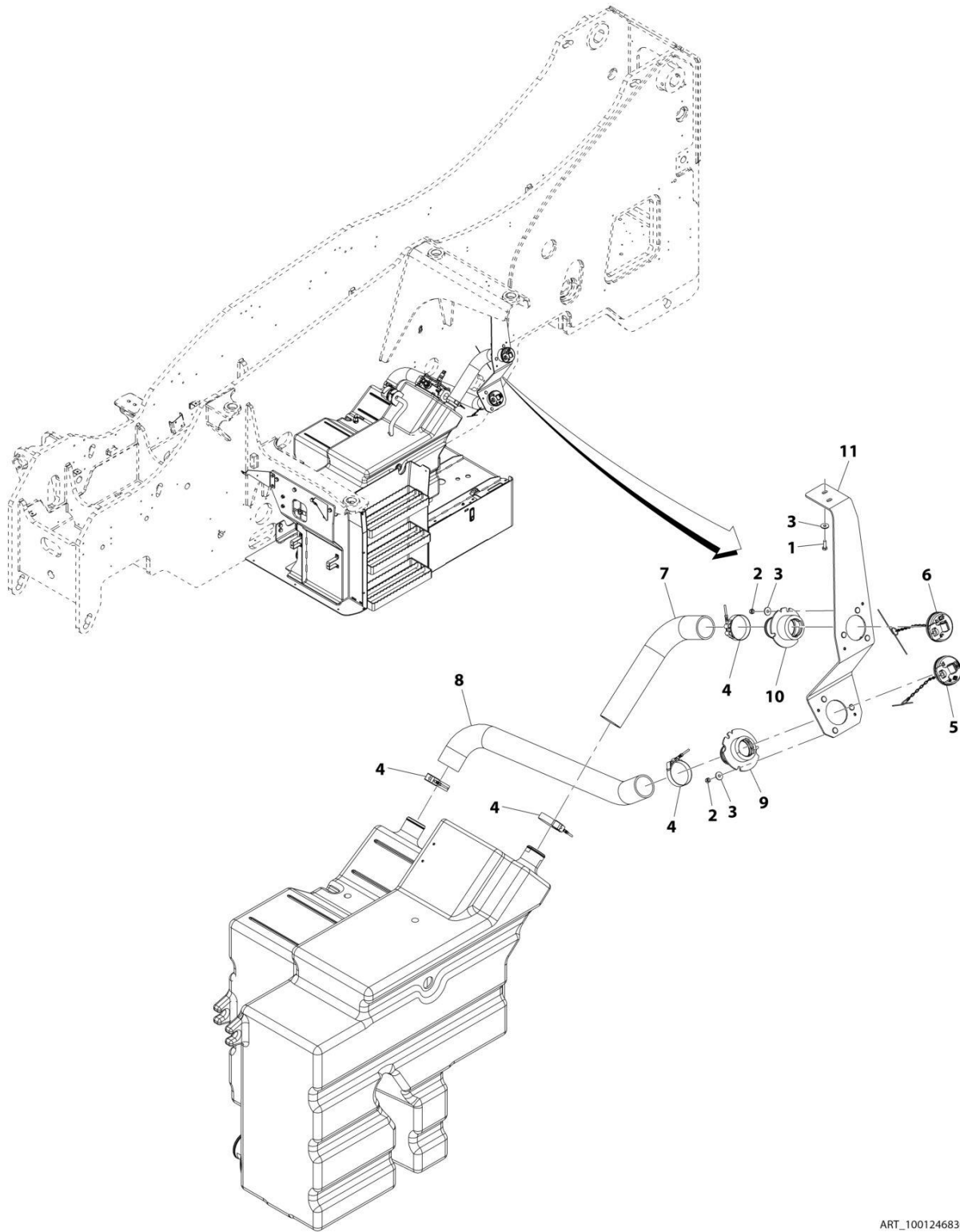
SECTION 1 - FRAME AND ATTACHING PARTS

FIGURE 1-12. FUEL TANK ASSEMBLY

ITEM	PART NUMBER	QTY	DESCRIPTION	REV
	1001208028	Ref	Fuel Tank Assembly	C
1	2220239	1	Plug	
2	4031607	6	Bolt, M5X16	
3	1001172693	1	Fitting, 90	
4	1001208029	1	Tank, Fuel	
5	1001222188	1	Sender, Fuel Level	
6	1001241324	1	Pipe, Fuel Supply	
7	1001222190	6	Washer	

SECTION 1 - FRAME AND ATTACHING PARTS

FIGURE 1-13. REMOTE FILL INSTALLATION



ART_1001246830-B

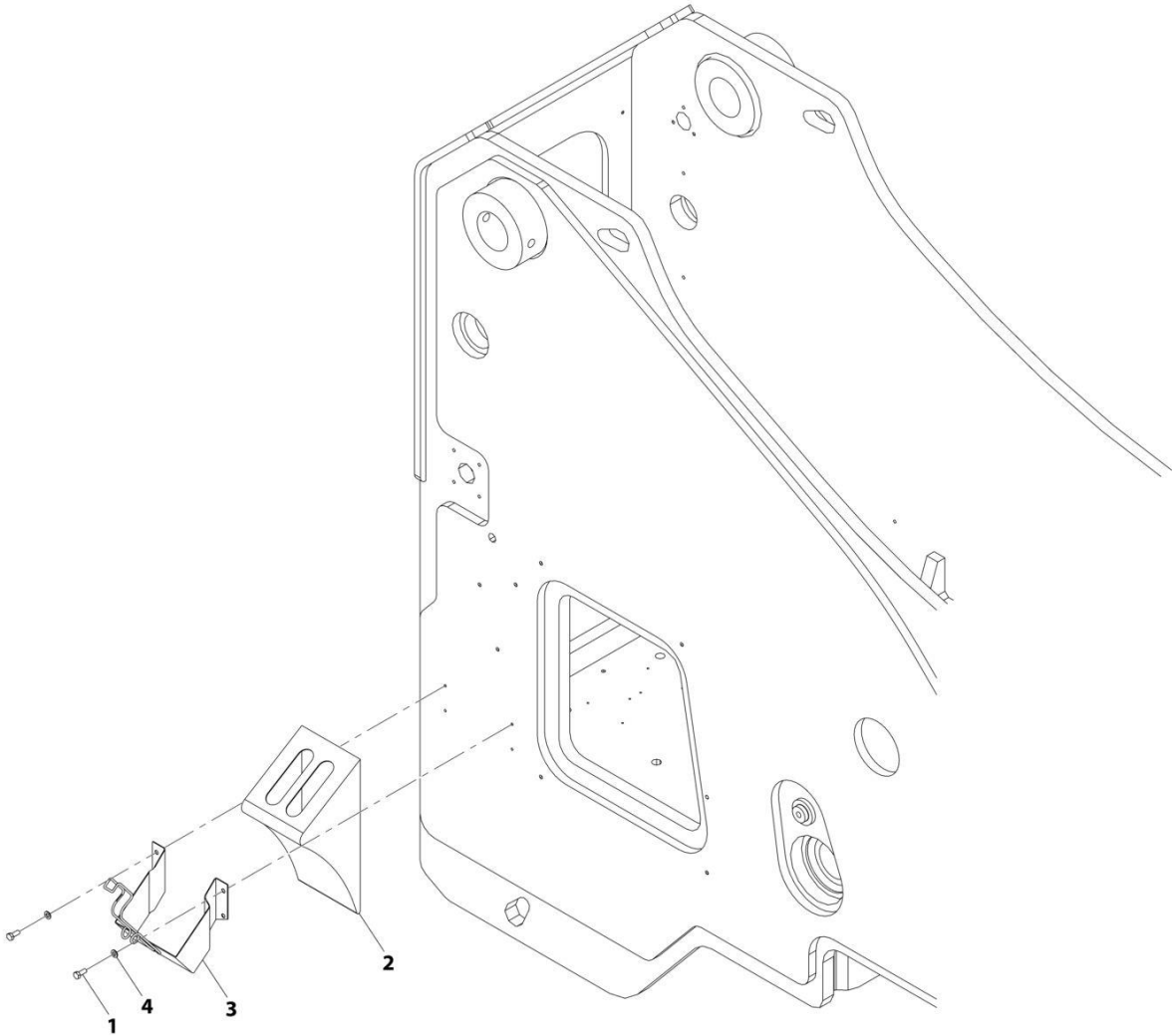
SECTION 1 - FRAME AND ATTACHING PARTS

FIGURE 1-13. REMOTE FILL INSTALLATION

ITEM	PART NUMBER	QTY	DESCRIPTION	REV
	1001246830	Ref	Remote Fill Installation	B
1	0700812	2	Bolt, M8X25	
2	3290805	6	Nut, M8X1.25	
3	4811902	8	Washer, M8	
4	1001014233	4	Clamp	
5	1001194980	1	Cap	
6	1001194981	1	Cap, Hydraulic	
7	1001207947	1	Filter, Hose	
8	1001208031	1	Filler, Pipe	
9	1001244443	1	Adapter	
10	1001244459	1	Adapter	
11	1001244517	1	Support, Filler	

SECTION 1 - FRAME AND ATTACHING PARTS

FIGURE 1-14. WHEEL CHOCK INSTALLATION



ART_1001207689-B

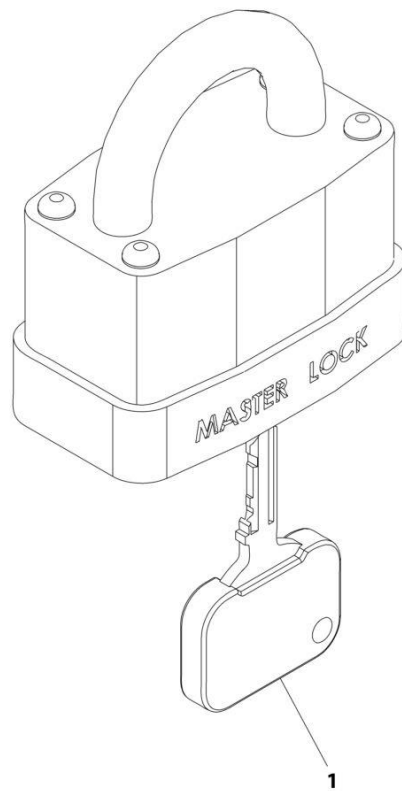
SECTION 1 - FRAME AND ATTACHING PARTS

FIGURE 1-14. WHEEL CHOCK INSTALLATION

ITEM	PART NUMBER	QTY	DESCRIPTION	REV
	1001207689	Ref	Wheel Chock Installation	B
1	0760810	8	Bolt, M8X20	
2	806253	2	Wedge	
3	806264	2	Holder, Wedge	
4	4811900	8	Washer, M8	

SECTION 1 - FRAME AND ATTACHING PARTS

FIGURE 1-15. PAD LOCK



ART_1001102157-A

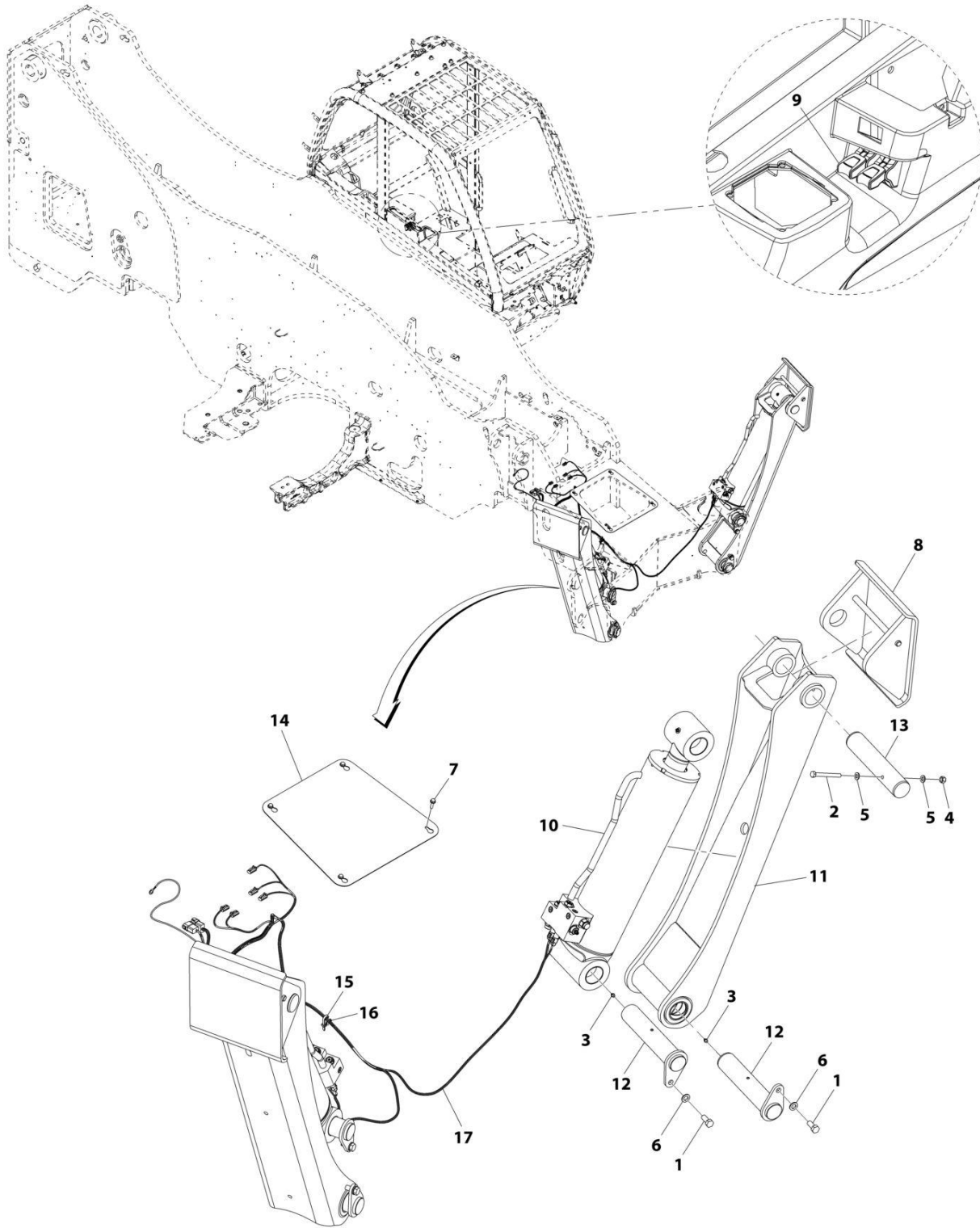
SECTION 1 - FRAME AND ATTACHING PARTS

FIGURE 1-15. PAD LOCK

ITEM	PART NUMBER	QTY	DESCRIPTION	REV
1	1001102157 8342813	Ref 1	Pad Lock Key	A

SECTION 1 - FRAME AND ATTACHING PARTS

FIGURE 1-16. OUTRIGGERS INSTALLATION



ART_1001245340-C

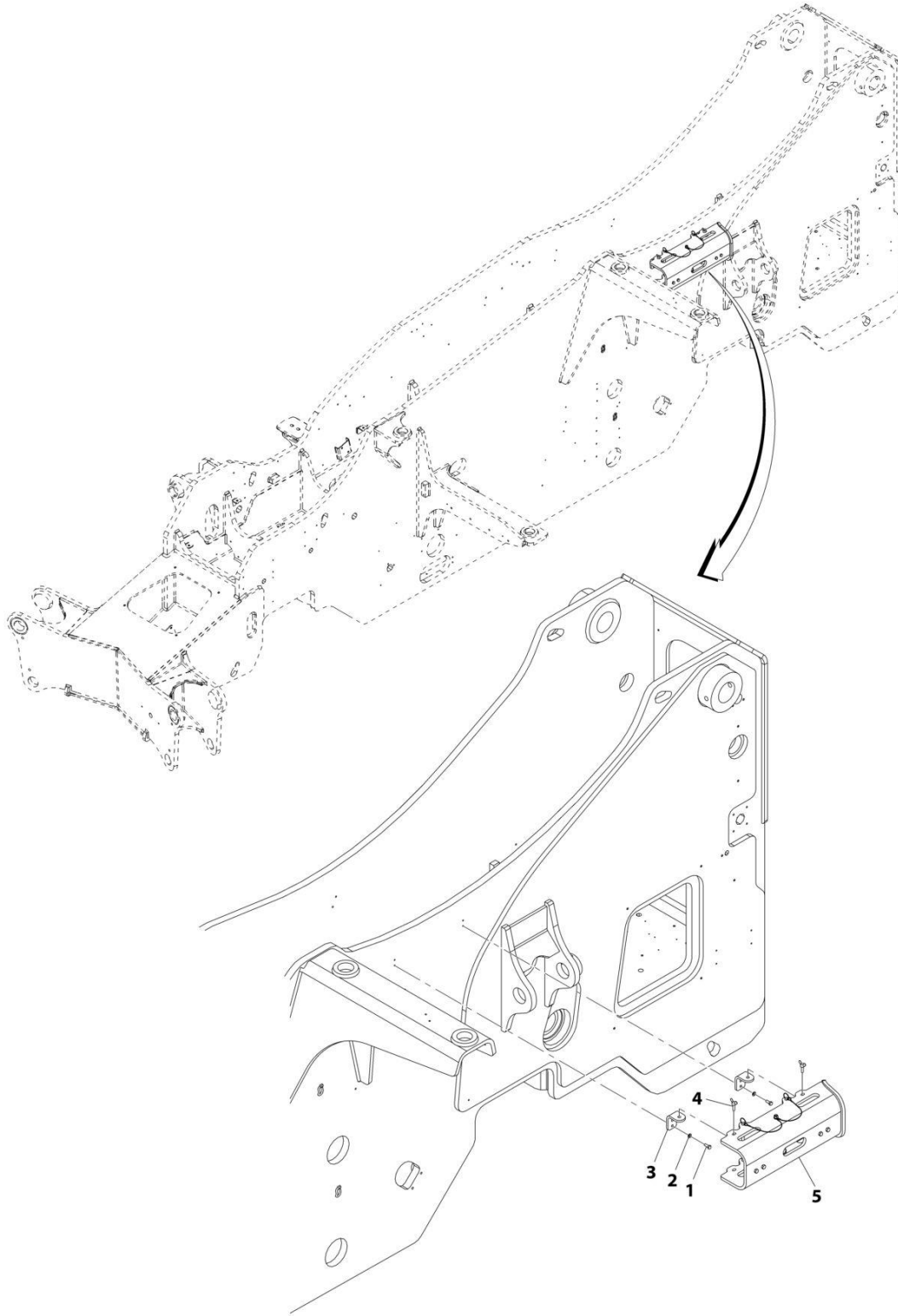
SECTION 1 - FRAME AND ATTACHING PARTS

FIGURE 1-16. OUTRIGGERS INSTALLATION

ITEM	PART NUMBER	QTY	DESCRIPTION	REV
	1001245340	Ref	Outriggers Installation	C
1	0761615	4	Bolt, M16X35	
2	0711228	2	Bolt, M12X110	
3	2160016	4	Fitting, Grease	
4	3291205	2	Nut M12	
5	4812100	4	Washer, M12	
6	4812300	4	Washer, M16	
7	5250814	4	Bolt, M8X30	
8	1001161564	2	Weldment, Outrigger Pad	
9	1001174478	1	Installation, Outrigger Switches (See Separate Breakdown in ELECTRICAL Section)	
10	1001238827	2	Installation, Outrigger Cylinder (See Separate Breakdown in HYDRAULIC COMPONENTS Section)	
11	1001245341	2	Arm, Stabilizer	
12	1001245348	4	Pin, Outrigger	
13	1001245351	2	Pin, Pad	
14	1001245352	1	Plate, Valve Cover	
15	1001008559	1	Tie-Strap	
16	1001202986	1	Push Mount, Strap	
17	1001239952	1	Harness, Outrigger (See Separate Breakdown in ELECTRICAL Section)	

SECTION 1 - FRAME AND ATTACHING PARTS

FIGURE 1-17. BOOM PROP INSTALLATION



ART_1001207627-A

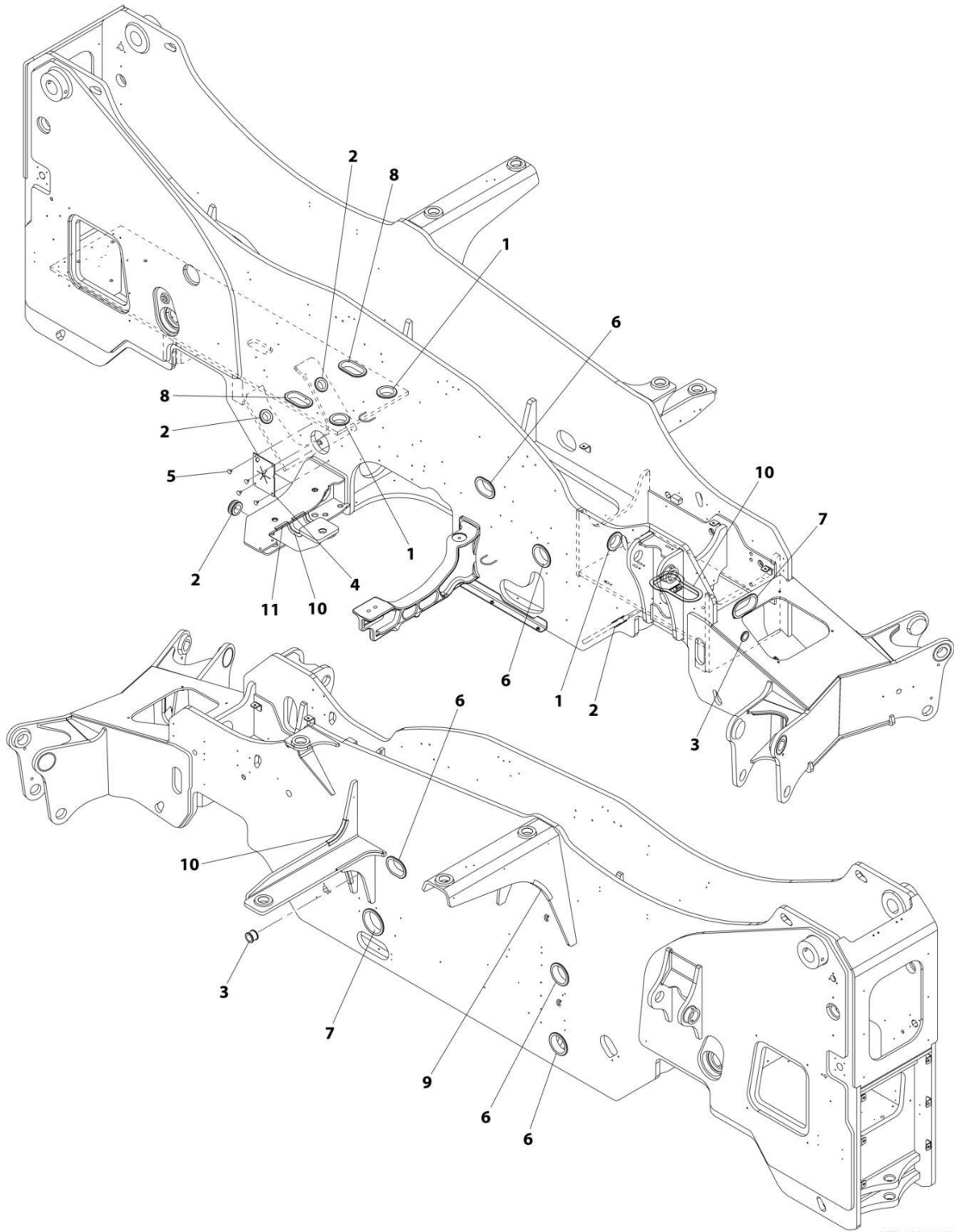
SECTION 1 - FRAME AND ATTACHING PARTS

FIGURE 1-17. BOOM PROP INSTALLATION

ITEM	PART NUMBER	QTY	DESCRIPTION	REV
	1001207627	Ref	Boom Prop Installation	A
1	0760810	4	Bolt, M8X20	
2	4811900	4	Washer, M8	
3	1001193887	2	Bracket	
4	1001228860	2	Bolt, Wing M8X30	
5	1001248853	1	Bracket, Boom Prop	

SECTION 1 - FRAME AND ATTACHING PARTS

FIGURE 1-18. GROMMETS INSTALLATION



ART_1001246532-B

SECTION 1 - FRAME AND ATTACHING PARTS

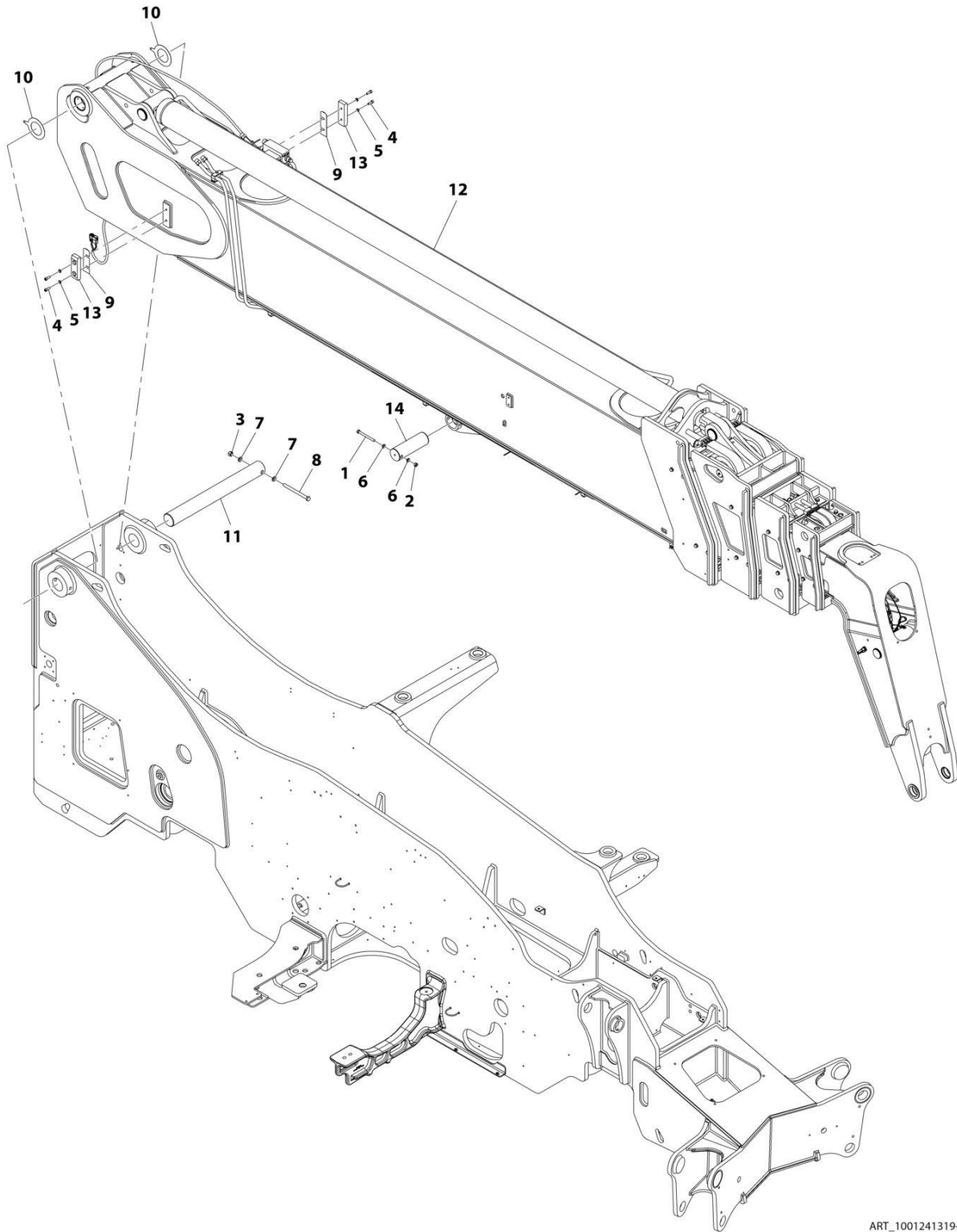
FIGURE 1-18. GROMMETS INSTALLATION

ITEM	PART NUMBER	QTY	DESCRIPTION	REV
	1001246532	Ref	Grommets Installation	B
1	1001028291	3	Grommet	
2	1001028308	5	Grommet, Rubber	
3	1001028400	2	Grommet, Rubber	
4	1001175347	1	Rubber, Grommet Over Frame Hole	
5	1001180306	4	Screw	
6	1001241314	5	Grommet, Rubber	
7	1001241315	2	Grommet, Rubber	
8	1001028377	2	Grommet, Rubber	
9	4060918	181 mm	Trim	
10	4060919	1448 mm	Trim	
11	90206202	180 mm	Trim Lock	

SECTION 2 - BOOM

SECTION 2 - BOOM

FIGURE 2-1. BOOM INSTALLATION



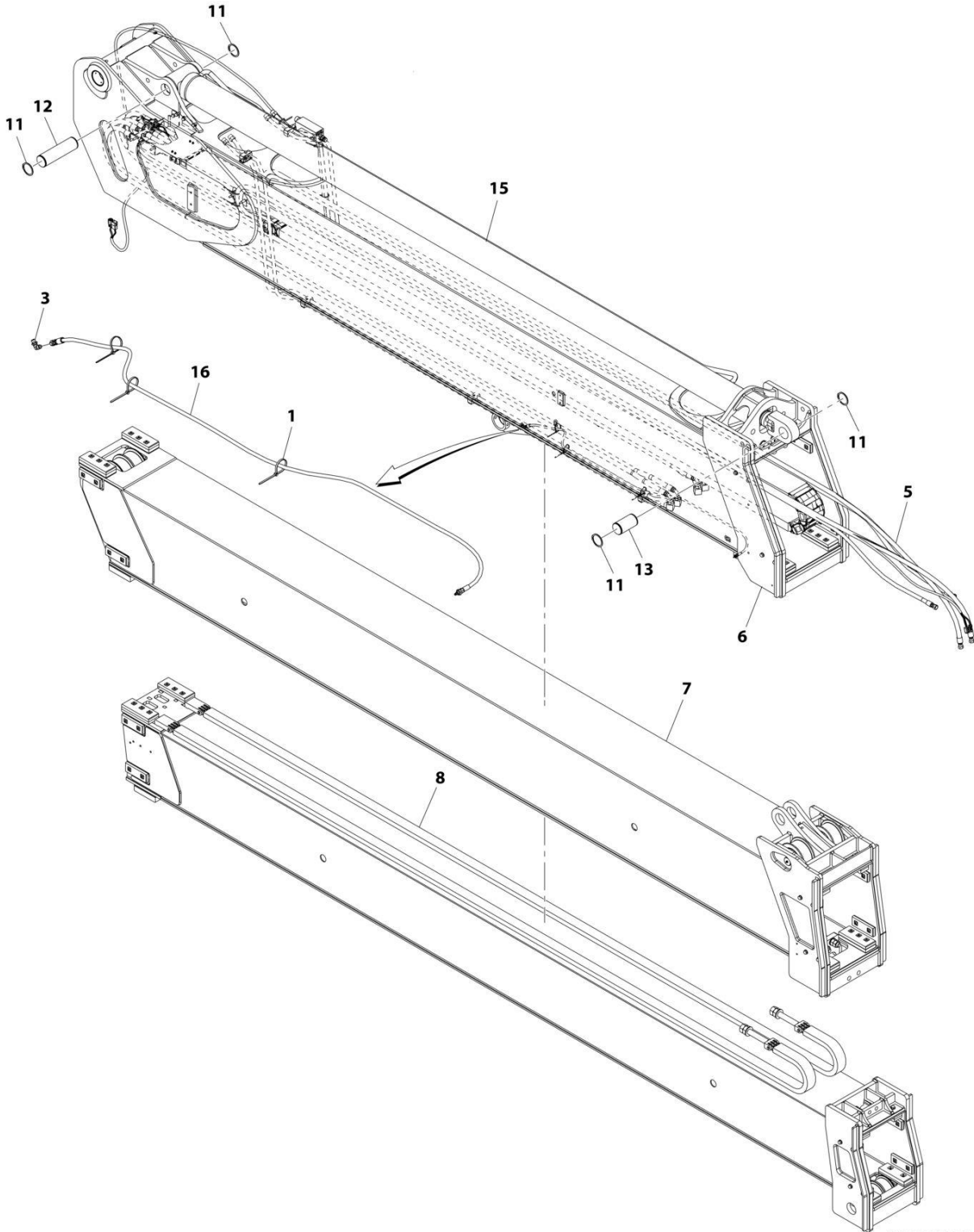
ART_1001241319-A

FIGURE 2-1. BOOM INSTALLATION

ITEM	PART NUMBER	QTY	DESCRIPTION	REV
	1001241319	Ref	Boom Installation	A
1	0711230	1	Bolt, M12X130	
2	3291205	1	Nut, Lock M12X1.75	
3	3291605	1	Nut, Lock M16X2	
4	4032010	4	Bolt, M10X30	
5	4812000	4	Washer, M10	
6	4812100	2	Washer, M12	
7	4812300	2	Washer, M16	
8	1001091951	1	Bolt, M16X200	
9	1001219905	AR	Shim	
10	1001219953	AR	Shim, Boom Pivot	
11	1001232801	1	Pin, Boom Pivot	
12	1001237114	1	Boom Assembly (See Separate Breakdown in this Section)	
13	1001239682	2	Pad	
14	1001242105	1	Pin, Lift Cylinder	

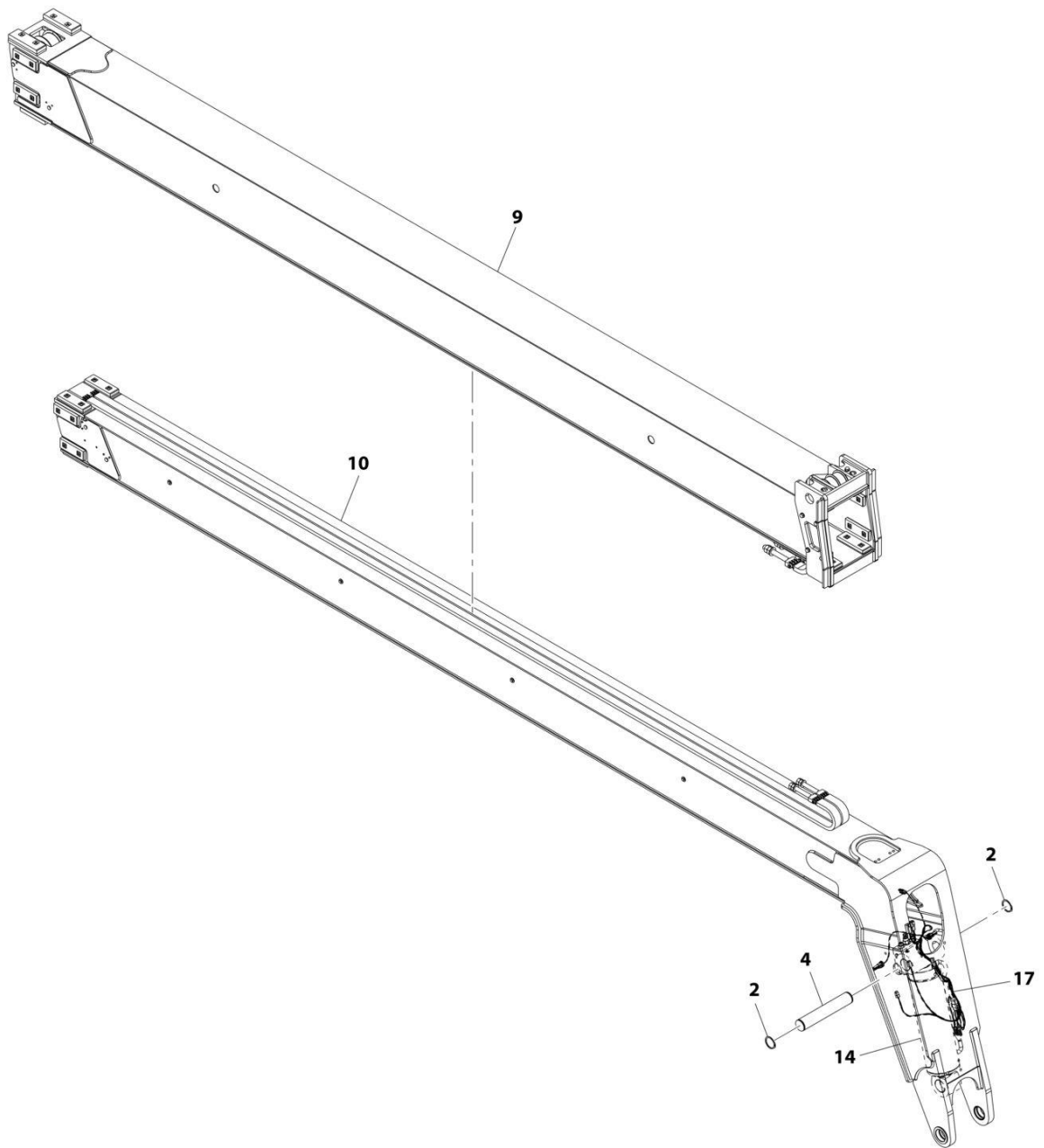
SECTION 2 - BOOM

FIGURE 2-2. BOOM ASSEMBLY



ART_1001237114_1-B

SECTION 2 - BOOM



ART_1001237114_2-B

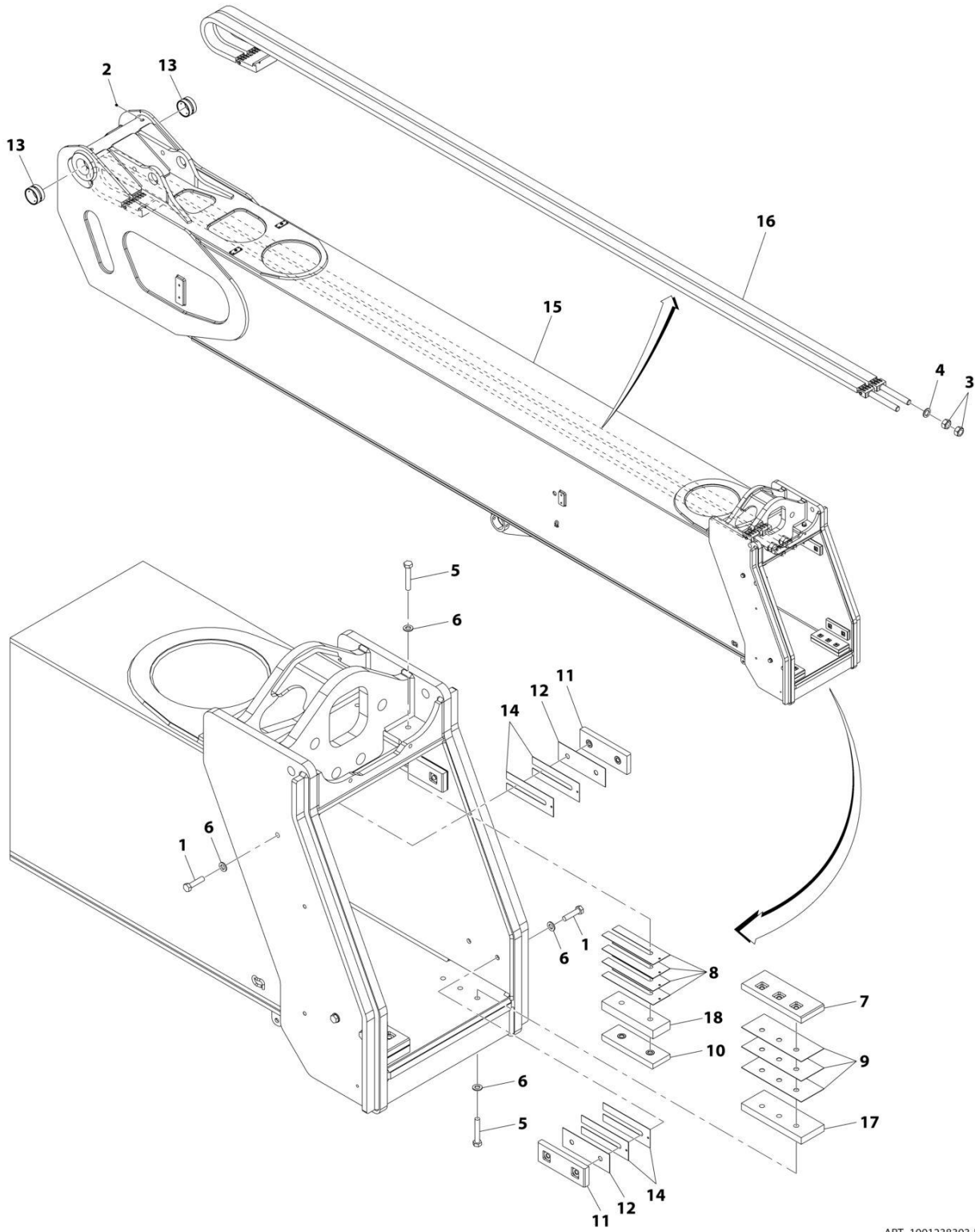
SECTION 2 - BOOM

FIGURE 2-2. BOOM ASSEMBLY

ITEM	PART NUMBER	QTY	DESCRIPTION	REV
	1001237114	Ref	Boom Assembly	B
1	471678	AR	Strap, Tie	
2	3760463	2	Ring, Retaining M60	
3	8770215	1	Elbow, 90	
4	1001173538	1	Pin, Tilt	
5	1001238195	1	Boom Hydraulic Installation, Boom Hydraulic (See Separate Breakdown in Hydraulic Circuits Section)	
6	1001238393	1	Base Boom Section Assembly (See Separate Breakdown in this Section)	
7	1001238394	1	Second Boom Section Assembly (See Separate Breakdown in this Section)	
8	1001238395	1	Third Boom Section Assembly (See Separate Breakdown in this Section)	
9	1001238396	1	Fourth Boom Section Assembly (See Separate Breakdown in this Section)	
10	1001238397	1	Fly Boom Section Assembly (See Separate Breakdown in this Section)	
11	1001238413	4	Ring, Retaining	
12	1001241306	1	Pin	
13	1001241307	1	Pin	
14	1001242677	1	Tilt Cylinder Assembly (See Separate Breakdown in Hydraulic Components Section)	
15	1001242678	1	Extent/Retract Cylinder Assembly (See Separate Breakdown in Hydraulic Components Section)	
16	1001244542	1	Hose	
17	1001244648	1	Platform Harness (See Separate Breakdown in Electrical Section)	

SECTION 2 - BOOM

FIGURE 2-3. BASE BOOM SECTION ASSEMBLY



ART_1001238393-B

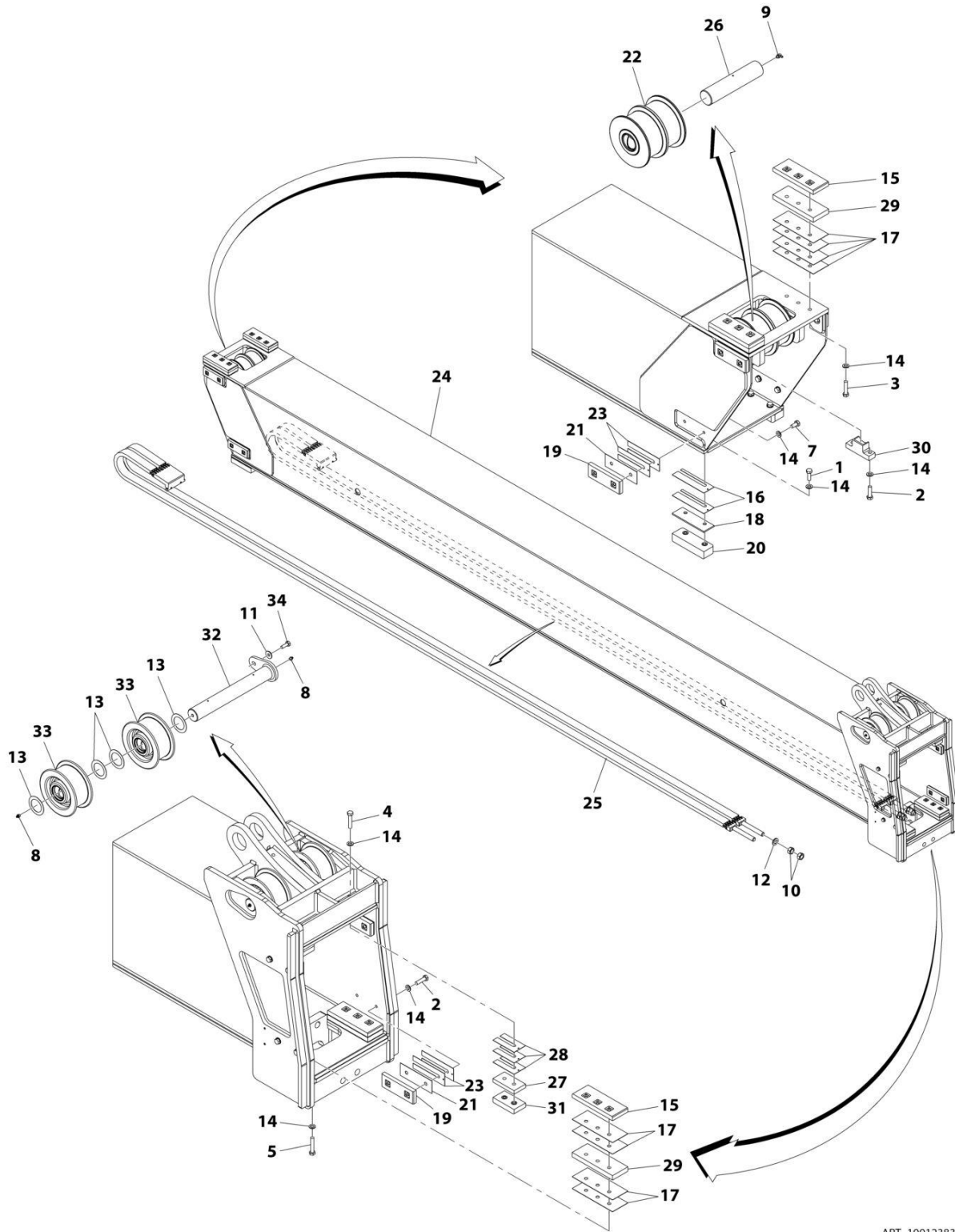
SECTION 2 - BOOM

FIGURE 2-3. BASE BOOM SECTION ASSEMBLY

ITEM	PART NUMBER	QTY	DESCRIPTION	REV
	1001238393	Ref	Base Boom Section Assembly	B
1	0711218	8	Bolt, M12X50	
2	2160016	2	Fitting, Grease	
3	3333011	4	Nut, M30	
4	1001097412	2	Washer	
5	1001098828	10	Bolt, M12-1.75X70	
6	1001125117	AR	Washer, M12	
7	1001162469	2	Pad, Wear	
8	1001163103	AR	Shim	
9	1001163112	6	Spacer	
10	1001165171	2	Pad, Wear	
11	1001165172	4	Pad, Wear	
12	1001165367	4	Spacer	
13	1001196235	2	Bearing	
14	1001200989	AR	Shim	
15	1001237246	1	Boom, Base Weld	
16	1001237387	1	Installation, Retract Chain (See Separate Breakdown in this Section)	
17	1001243451	2	Spacer	
18	1001244539	2	Block, Wear Pad	

SECTION 2 - BOOM

FIGURE 2-4. SECOND BOOM SECTION ASSEMBLY



ART_1001238394-C

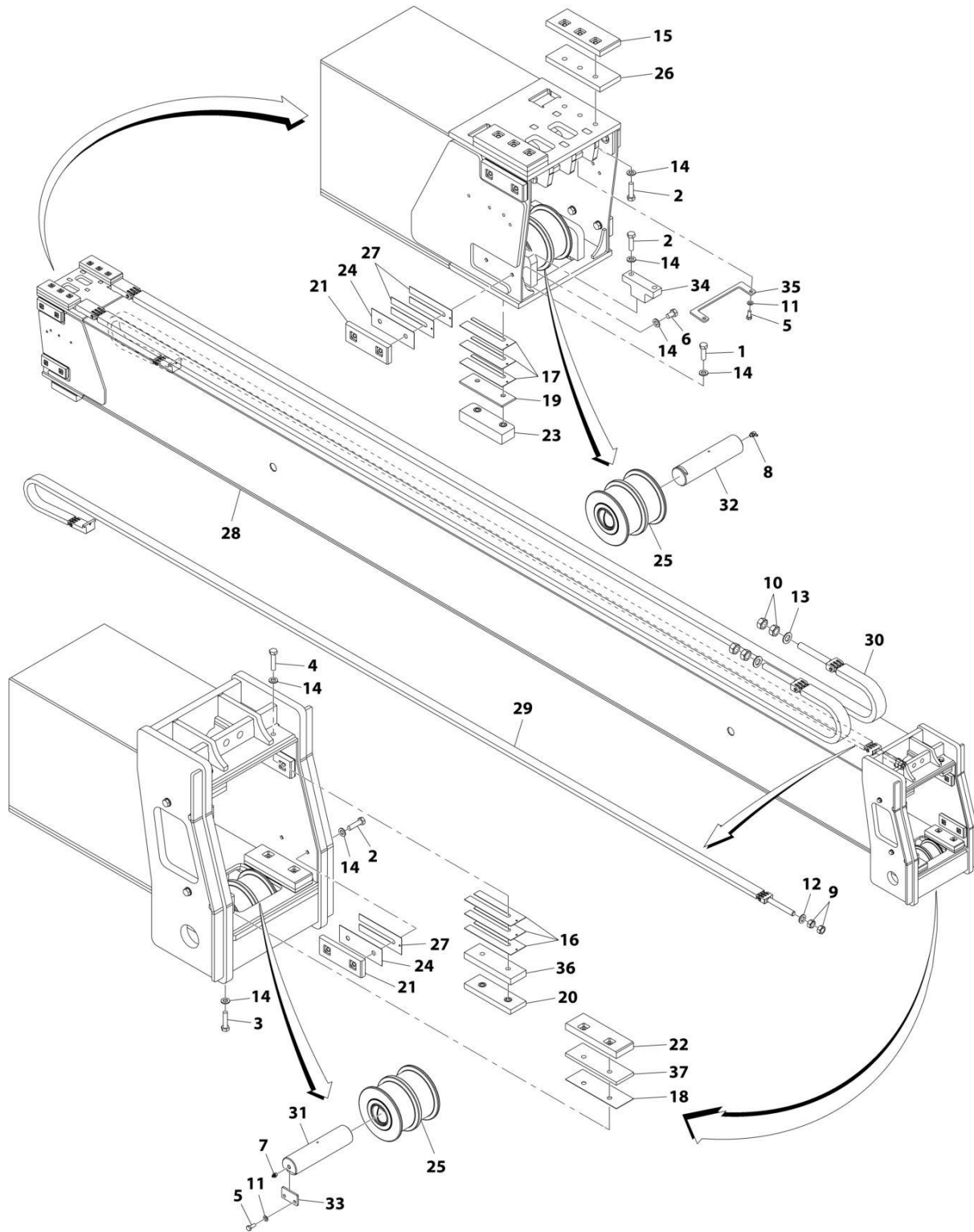
SECTION 2 - BOOM

FIGURE 2-4. SECOND BOOM SECTION ASSEMBLY

ITEM	PART NUMBER	QTY	DESCRIPTION	REV
	1001238394	Ref	Second Boom Section Assembly	C
1	0711215	4	Bolt, M12X35	
2	0711217	10	Bolt, M12X45	
3	0711219	6	Bolt, M12X55	
4	0711220	4	Bolt, M12X55	
5	0711221	6	Bolt, M12X65	
7	0771212	8	Bolt, M12X25	
8	2160016	2	Fitting, Grease	
9	8520003	1	Fitting, 90 Lube	
10	3332411	4	Nut, M24	
11	4812002	1	Washer, M10	
12	4812700	2	Washer, M24	
13	91041596	AR	Washer	
14	1001125117	AR	Washer, M12	
15	1001162469	4	Pad, Wear	
16	1001163104	AR	Shim	
17	1001163112	16	Spacer	
18	1001163114	2	Spacer	
19	1001165172	8	Pad, Wear	
20	1001165175	2	Pad, Wear	
21	1001165367	8	Spacer	
22	1001167027	1	Roller, Extend Chain	
23	1001200989	AR	Shim	
24	1001237247	1	Boom, Second Weld	
25	1001237389	1	Installation, Retract Chain (See Separate Breakdown in this Section)	
26	1001237678	1	Pin	
27	1001242579	2	Block, Wear Pad	
28	1001242580	AR	Shim	
29	1001243451	4	Spacer	
30	1001243467	1	Plate, Pin Locking	
31	1001243480	2	Pad, Wear	
32	1001245094	1	Pin, Extend Pulley	
33	91565005	2	Roller, Extend Chain	
33	91563025	2	Bushing (1 Per Assembly)	
33	91403119	4	Seall (2 Per Assembly)	
34	0711014	1	Bolt, M10X30	

SECTION 2 - BOOM

FIGURE 2-5. THIRD BOOM SECTION ASSEMBLY



ART_1001238395-B

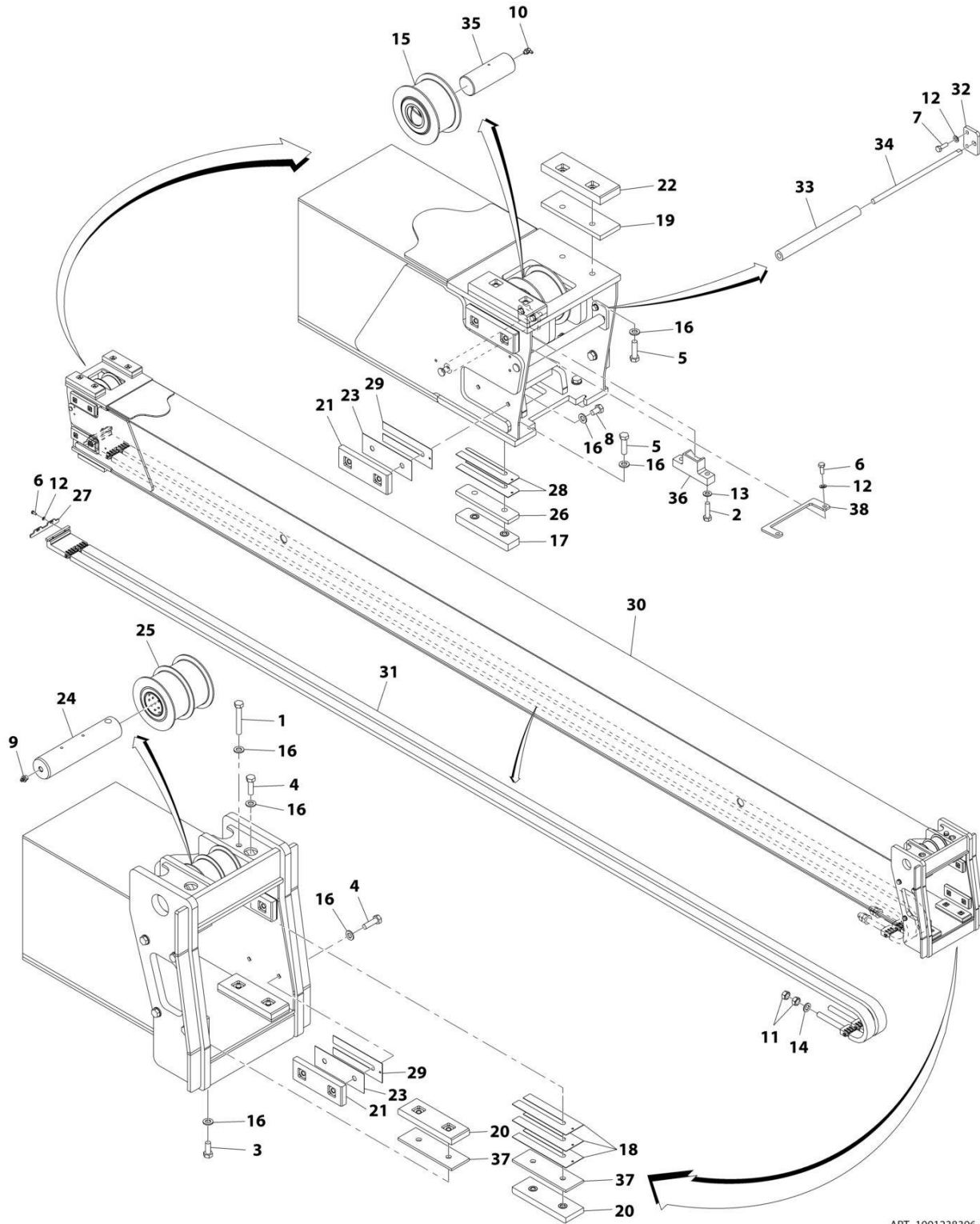
SECTION 2 - BOOM

FIGURE 2-5. THIRD BOOM SECTION ASSEMBLY

ITEM	PART NUMBER	QTY	DESCRIPTION	REV
	1001238395	Ref	Third Section Boom Assembly	B
1	0711216	4	Bolt, M12X40	
2	0711217	16	Bolt, M12X45	
3	0711218	4	Bolt, M12X50	
4	0711219	4	Bolt, M12X55	
5	0760810	4	Bolt, M8X20	
6	0771210	8	Bolt, M12X20	
7	2160016	1	Fitting, Grease	
8	8520003	1	Fitting, 90 Lube	
9	3332411	2	Nut, M24	
10	3333011	4	Nut, M30	
11	4811900	4	Washer, M8	
12	4812700	1	Washer, M24	
13	4812900	2	Washer, M30	
14	1001125117	AR	Washer, M12	
15	1001162469	2	Pad, Wear	
16	1001163103	AR	Shim	
17	1001163104	AR	Shim	
18	1001163108	2	Spacer	
19	1001163114	2	Spacer	
20	1001165171	2	Pad, Wear	
21	1001165172	8	Pad, Wear	
22	1001165173	2	Pad, Wear	
23	1001165175	2	Pad, Wear	
24	1001165367	8	Spacer	
25	1001168286	2	Roller, Extend Chain	
26	1001189714	2	Spacer	
27	1001200989	AR	Shim	
28	1001237248	1	Weldment, Third Boom Section	
29	1001237391	1	Installation, Retract Chain (See Separate Breakdown in this Section)	
30	1001237393	2	Installation, Extend Chain (See Separate Breakdown in this Section)	
31	1001237679	1	Pin	
32	1001237680	1	Pin	
33	1001241902	1	Plate, Pin Retainer	
34	1001243467	1	Plate, Pin Locking	
35	1001243468	1	Plate, Clevis	
36	1001243469	2	Spacer	
37	1001243470	2	Spacer	

SECTION 2 - BOOM

FIGURE 2-6. FOURTH BOOM SECTION ASSEMBLY



ART_1001238396-B

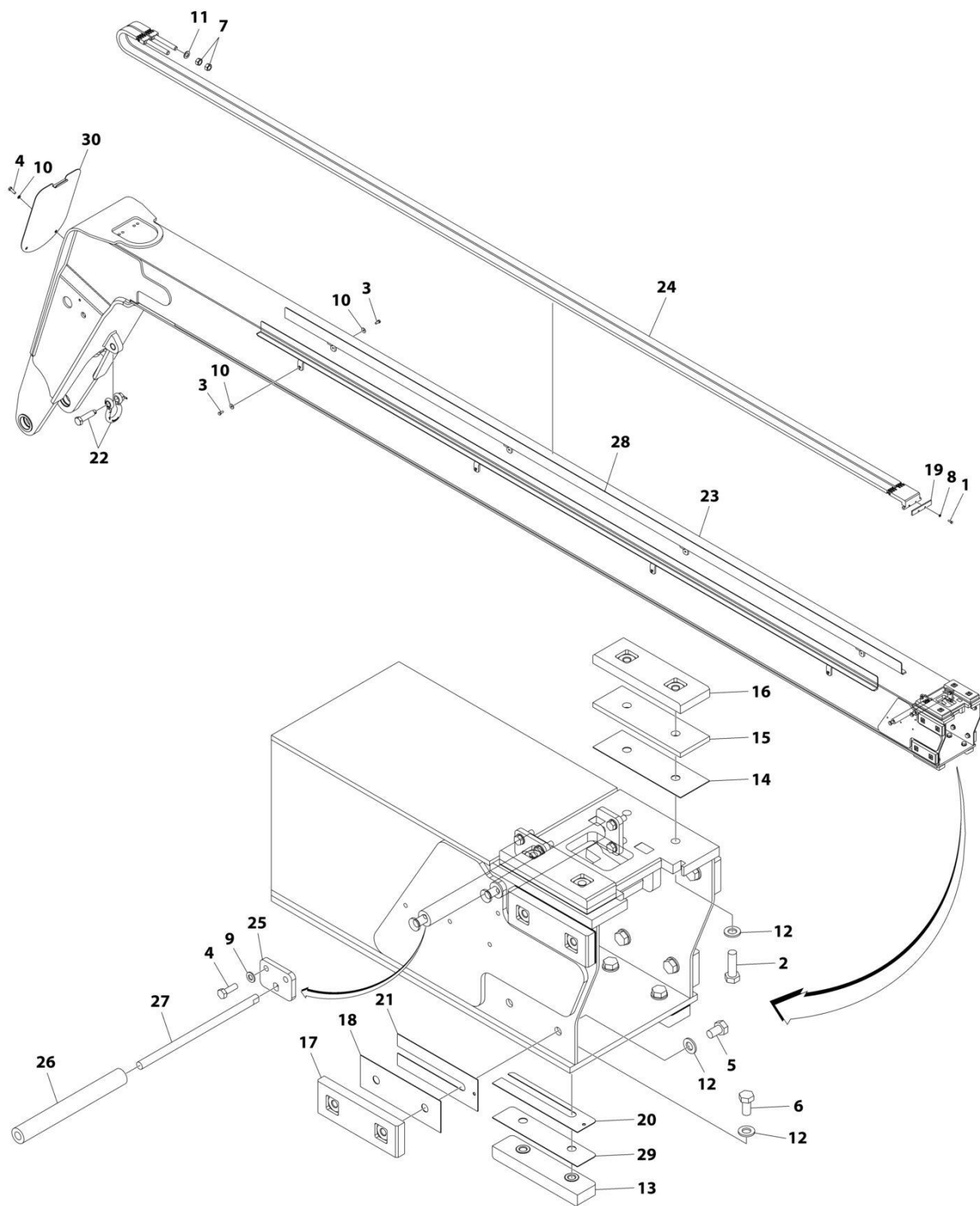
SECTION 2 - BOOM

FIGURE 2-6. FOURTH BOOM SECTION ASSEMBLY

ITEM	PART NUMBER	QTY	DESCRIPTION	REV
	1001238396	Ref	Fourth Boom Section Assembly	B
1	0701224	1	Bolt, M12X80	
2	0711016	2	Bolt, M10X40	
3	0711214	4	Bolt, M12X30	
4	0711216	12	Bolt, M12X40	
5	0711217	8	Bolt, M12X45	
6	0760810	4	Bolt, M8X20	
7	0760812	4	Bolt, M8X25	
8	0771210	8	Bolt, M12X20	
9	2160016	1	Fitting, Grease	
10	8520003	1	Fitting, 90 Lube	
11	3332411	4	Nut, M24	
12	4811900	8	Washer, M8	
13	4812000	2	Washer, M10	
14	4812700	2	Washer, M24	
15	1001101867	1	Assembly, Chain Sheave	
15	7117502	2	Bushing	
16	1001125117	AR	Washer, M12	
17	1001163029	2	Pad, Wear	
18	1001163103	AR	Shim	
19	1001163209	2	Spacer	
20	1001165171	4	Pad, Wear	
21	1001165172	8	Pad, Wear	
22	1001165173	2	Pad, Wear	
23	1001165367	8	Spacer	
24	1001167493	1	Pin	
25	1001168567	1	Roller, Extend Chain	
25	0440296	2	Bearing	
26	1001168589	2	Plate, Stop	
27	1001171001	1	Plate, Clevis	
28	1001189793	AR	Shim	
29	1001200989	AR	Shim	
30	1001237249	1	Weldment, Fourth Boom Section	
31	1001237395	1	Installation, Extend Chain (See Separate Breakdown in this Section)	
32	1001237444	2	Plate	
33	1001237445	2	Roller	
34	1001237447	2	Pin	
35	1001237681	1	Pin	
36	1001243472	1	Plate, Pin Locking	
37	1001243474	4	Spacer	
38	1001243475	1	Plate, Clevis	

SECTION 2 - BOOM

FIGURE 2-7. FLY BOOM SECTION ASSEMBLY



ART_1001238397

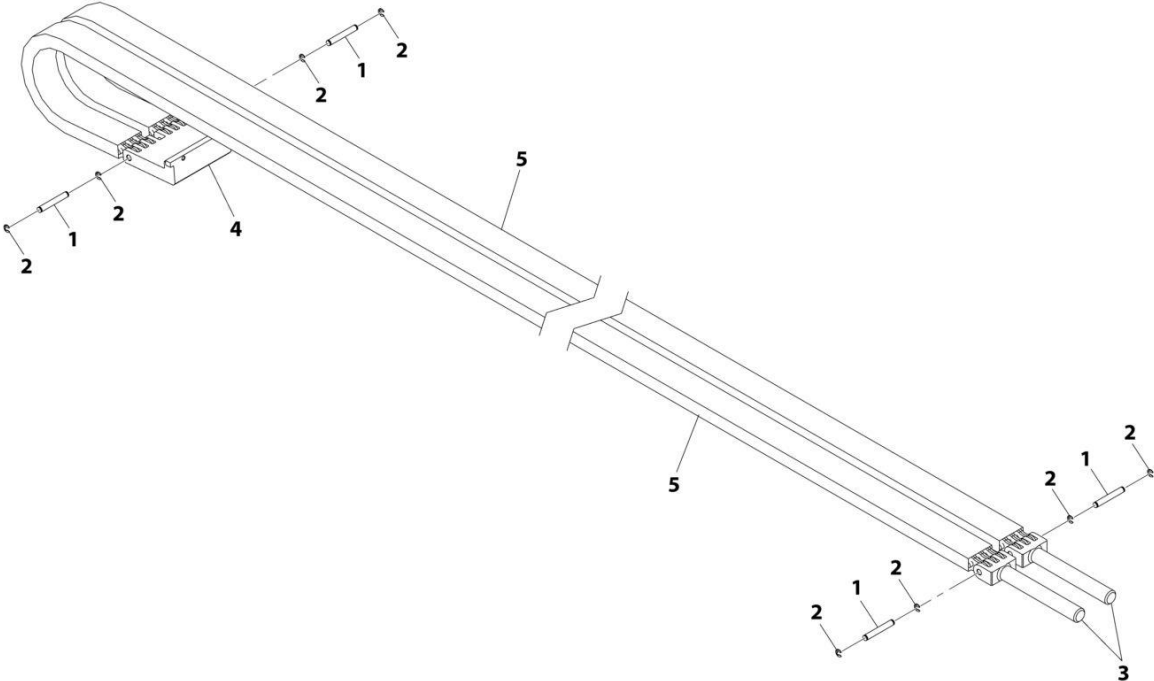
SECTION 2 - BOOM

FIGURE 2-7. FLY BOOM SECTION ASSEMBLY

ITEM	PART NUMBER	QTY	DESCRIPTION	REV
	1001238397	Ref	FLY BOOM SECTION ASSEMBLY	C
1	0700610	2	Bolt M6 x 20	
2	0711216	4	Bolt M12 x 40	
3	0760810	8	Bolt M8 x 20	
4	0760812	6	Bolt M8 x 25	
5	0771210	8	Bolt M12 x 20	
6	0771212	4	Bolt M12 x 25	
7	3332011	4	Nut M20 x 2.5	
8	4811700	2	Washer M6	
9	4811900	4	Washer M8	
10	4811902	10	Washer M8	
11	4812500	2	Washer M20	
12	1001125117	AR	Washer M12	
13	1001163029	2	Pad, Wear	
14	1001163034	2	Spacer	
15	1001163105	2	Spacer	
16	1001165171	2	Pad, Wear	
17	1001165172	4	Pad, Wear	
18	1001165367	4	Spacer	
19	1001171450	1	Plate, Clevis	
20	1001189793	AR	Shim	
21	1001200989	AR	Shim	
22	1001204045	1	Clevis	
23	1001237250	1	Weldment, Fly Boom Section	
24	1001237397	1	Installation, Extend Chain (See Separate Breakdown in this Section)	
25	1001237444	2	Plate	
26	1001237446	2	Roller	
27	1001237448	2	Pin	
28	1001237487	2	Bracket	
29	1001244651	2	Spacer	
30	1001174628	1	Plate	

SECTION 2 - BOOM

FIGURE 2-8. RETRACT CHAIN INSTALLATION



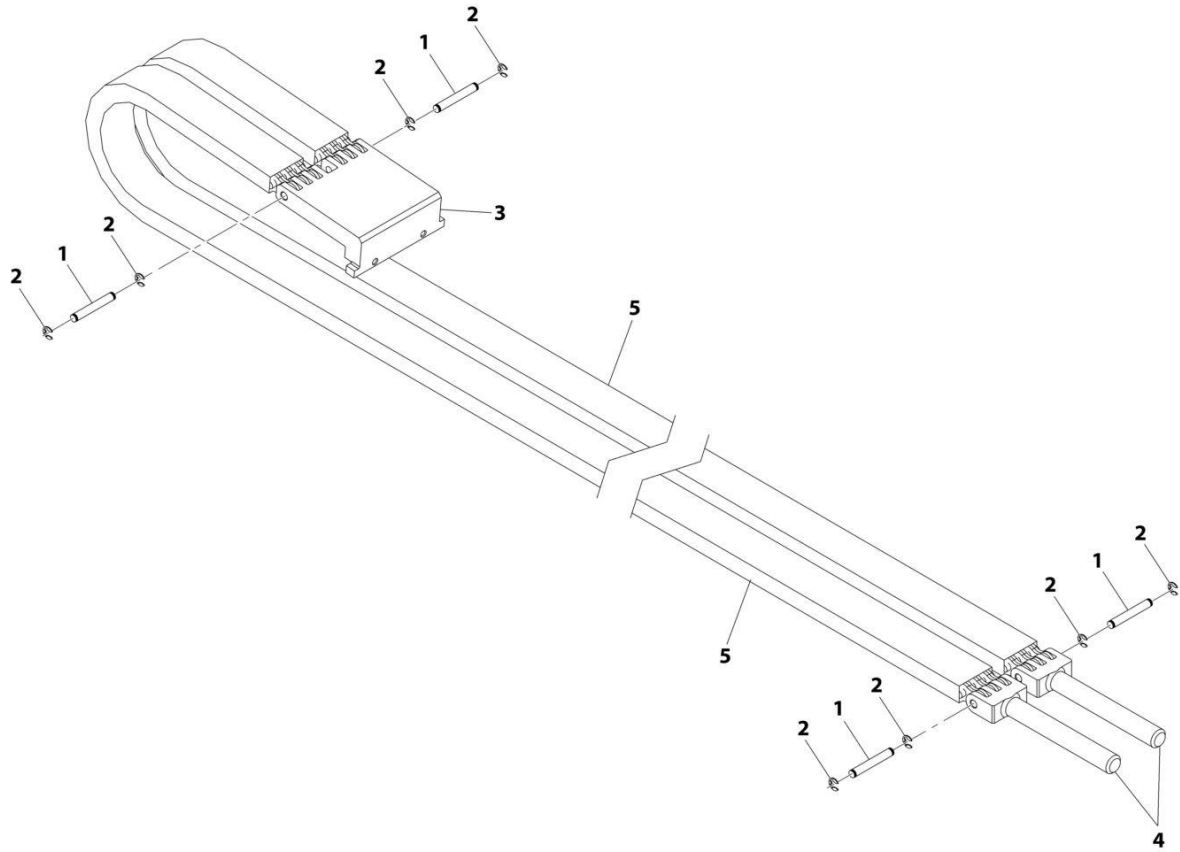
ART_1001237387-A

FIGURE 2-8. RETRACT CHAIN INSTALLATION

ITEM	PART NUMBER	QTY	DESCRIPTION	REV
	1001237387	Ref	Retract Chain Installation	A
1	1001163842	4	Pin, Clevis	
2	1001164039	8	Ring, External M8	
3	1001165486	2	Clevis, Chain	
4	1001165487	1	Clevis, Chain	
5	1001237394	2	Chain, Extend	

SECTION 2 - BOOM

FIGURE 2-9. RETRACT CHAIN INSTALLATION



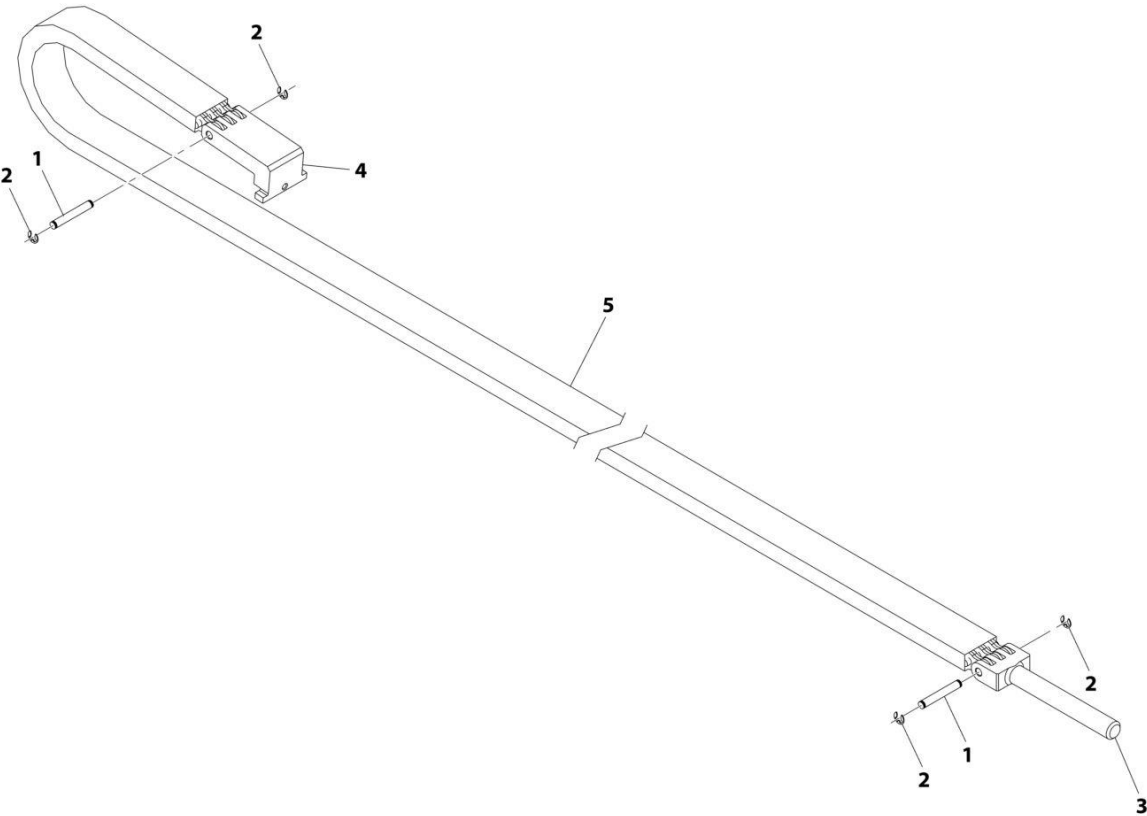
ART_1001237389-A

FIGURE 2-9. RETRACT CHAIN INSTALLATION

ITEM	PART NUMBER	QTY	DESCRIPTION	REV
	1001237389	Ref	Retract Chain Installation	A
1	1001163841	4	Pin, Clevis	
2	1001164039	8	Ring, External M8	
3	1001165483	1	Clevis, Chain	
4	1001165590	2	Clevis, Chain	
5	1001237390	2	Chain, Retract	

SECTION 2 - BOOM

FIGURE 2-10. RETRACT CHAIN INSTALLATION



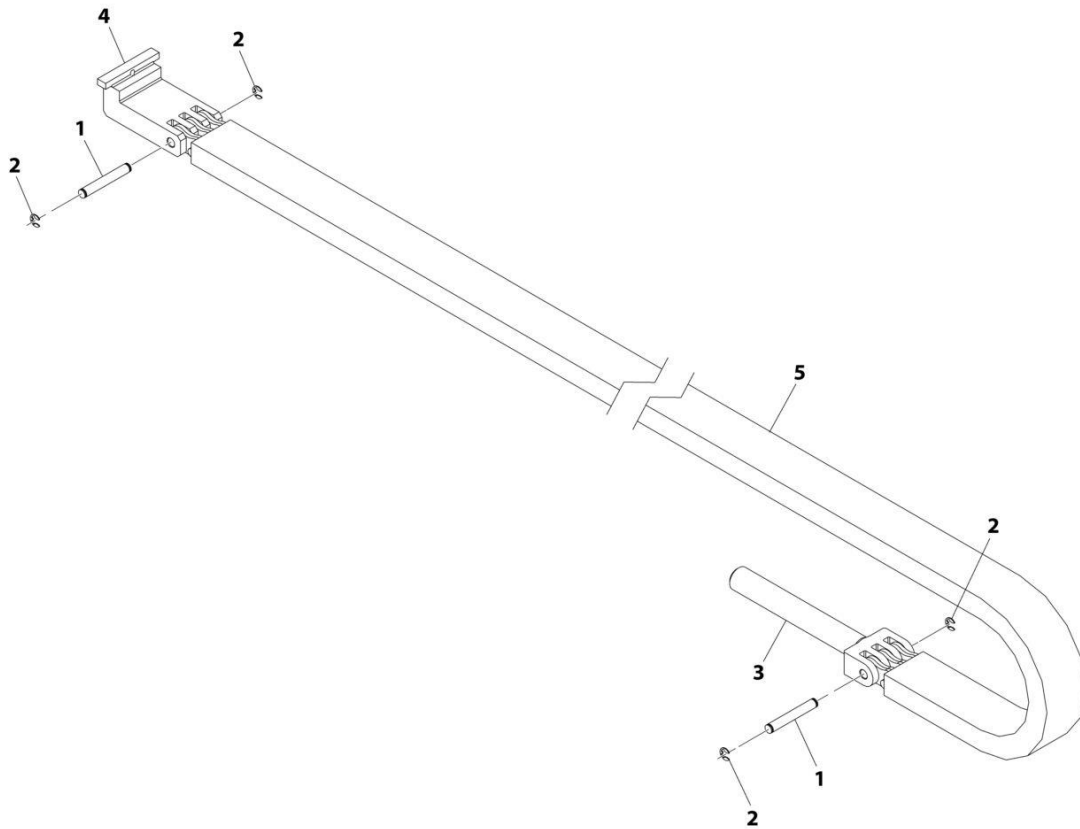
ART_1001237391-A

FIGURE 2-10. RETRACT CHAIN INSTALLATION

ITEM	PART NUMBER	QTY	DESCRIPTION	REV
	1001237391	Ref	Retract Chain Installation	A
1	1001163841	2	Pin, Clevis	
2	1001164039	4	Ring, External M8	
3	1001165590	1	Clevis, Chain	
4	1001165739	1	Clevis, Chain	
5	1001237392	1	Chain, Retract	

SECTION 2 - BOOM

FIGURE 2-11. EXTEND CHAIN INSTALLATION



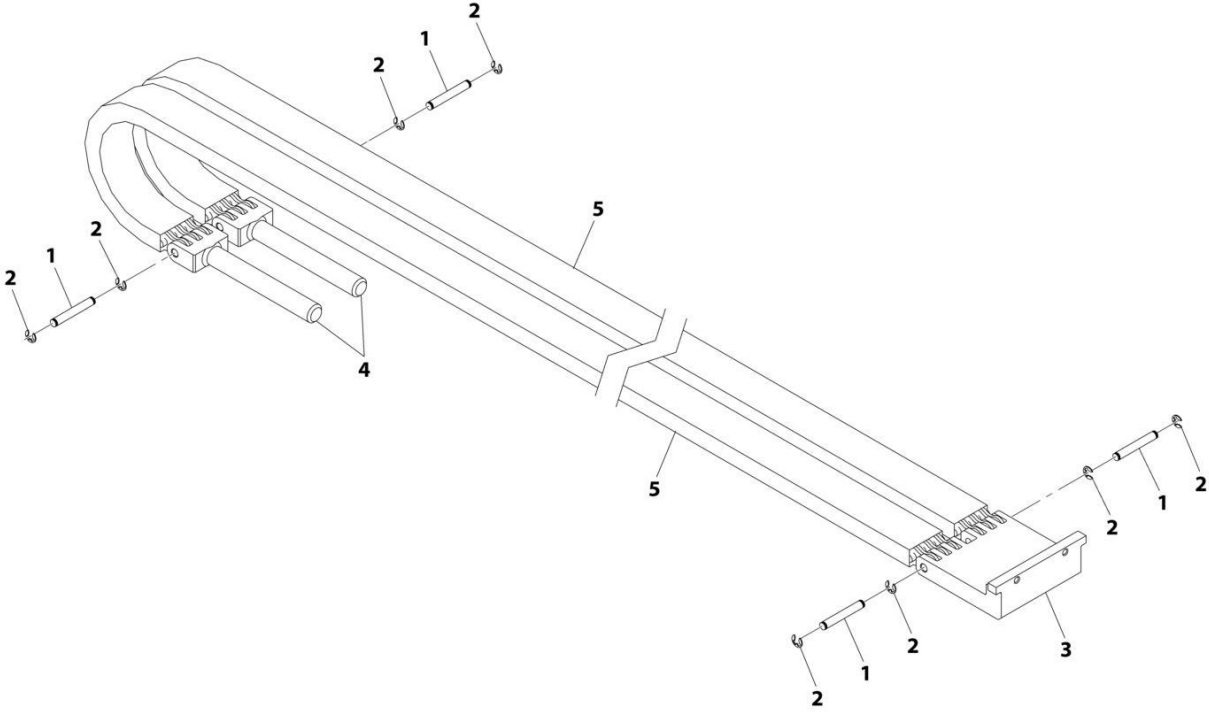
ART_1001237393-A

FIGURE 2-11. EXTEND CHAIN INSTALLATION

ITEM	PART NUMBER	QTY	DESCRIPTION	REV
	1001237393	Ref	Extend Chain Installation	A
1	1001163842	2	Pin, Clevis	
2	1001164039	4	Ring, External M8	
3	1001165486	1	Clevis, Chain	
4	1001165493	1	Clevis, Chain	
5	1001237394	1	Chain, Extend	

SECTION 2 - BOOM

FIGURE 2-12. EXTEND CHAIN INSTALLATION



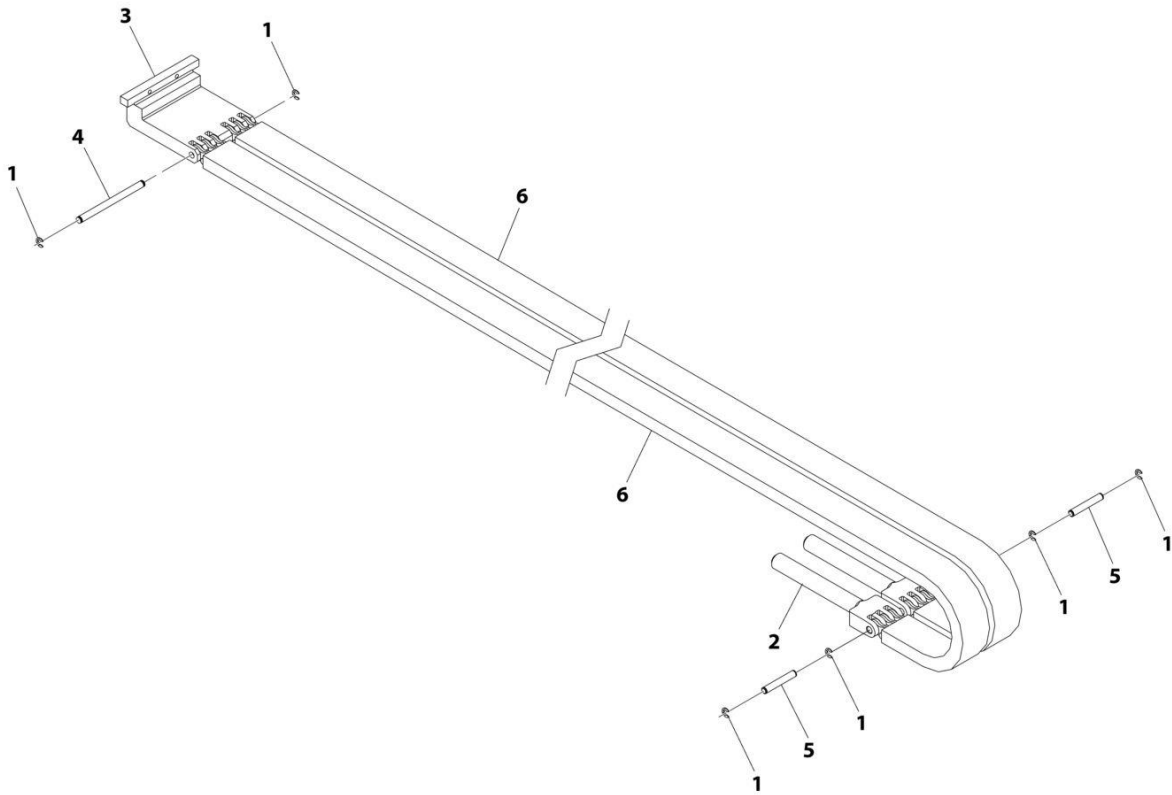
ART_1001237395-A

FIGURE 2-12. EXTEND CHAIN INSTALLATION

ITEM	PART NUMBER	QTY	DESCRIPTION	REV
	1001237395	Ref	Extend Chain Installation	A
1	1001163841	4	Pin, Clevis	
2	1001164039	8	Ring, External M8	
3	1001165483	1	Clevis, Chain	
4	1001165590	2	Clevis, Chain	
5	1001237396	2	Chain, Extend	

SECTION 2 - BOOM

FIGURE 2-13. EXTEND CHAIN INSTALLATION



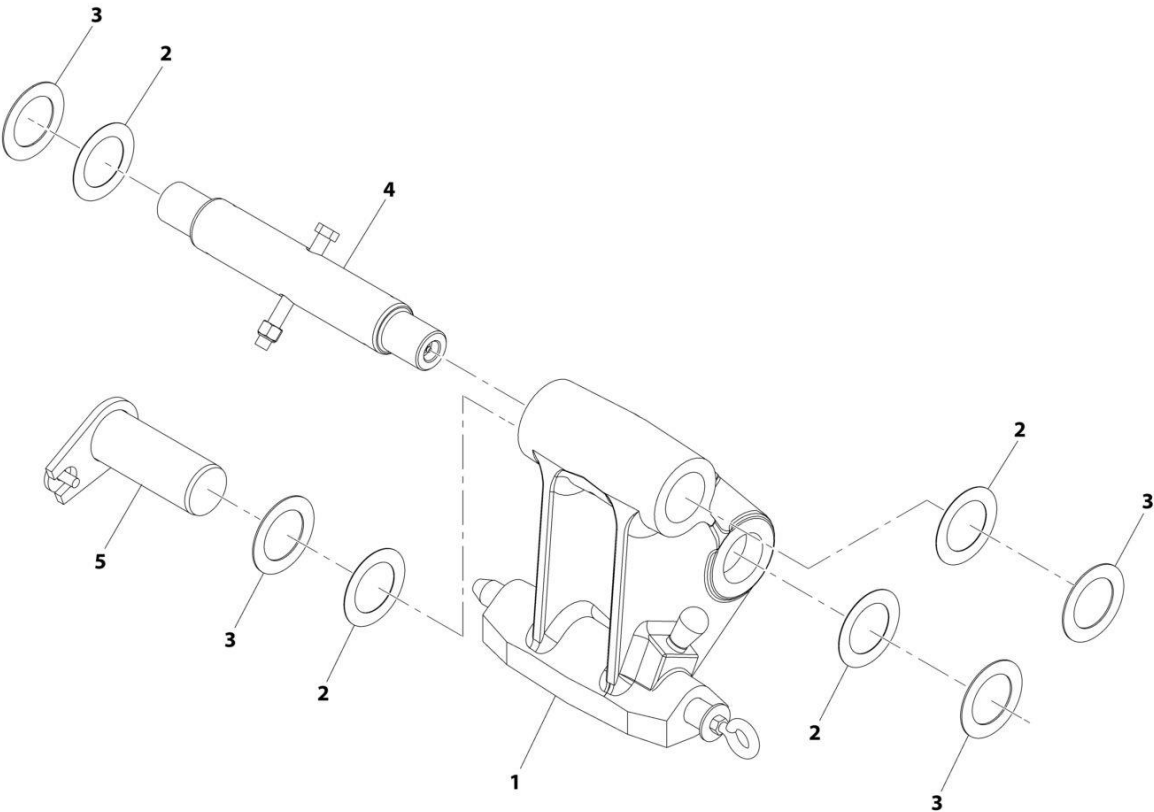
ART_1001237397-A

FIGURE 2-13. EXTEND CHAIN INSTALLATION

ITEM	PART NUMBER	QTY	DESCRIPTION	REV
	1001237397	Ref	Extend Chain Installation	A
1	1001166163	6	Ring, External M6	
2	1001166235	2	Clevis, Chain	
3	1001169373	1	Clevis, Dual	
4	1001169379	1	Pin, Clevis	
5	1001187785	2	Pin, Clevis	
6	1001237398	2	Chain, Extend	

SECTION 2 - BOOM

FIGURE 2-14. ATTACH COUPLER INSTALLATION (MANUAL)



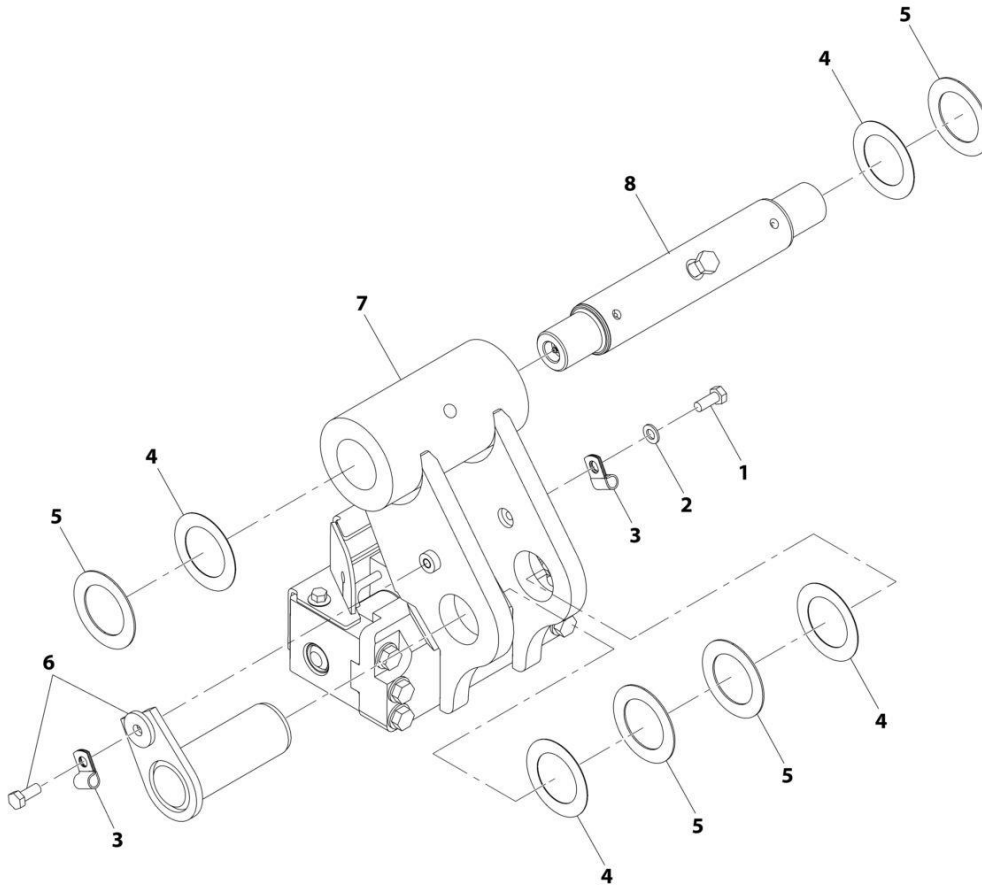
ART_1001257978-A

FIGURE 2-14. ATTACH COUPLER INSTALLATION (MANUAL)

ITEM	PART NUMBER	QTY	DESCRIPTION	REV
	1001257978	Ref	Attach Coupler Installation (Manual)	A
1	1001171764	1	Coupling, Quick Connect, (See Separate Breakdown in this Section)	
2	1001164884	AR	Shim	
3	1001164885	AR	Shim	
4	1001257917	1	Installation, Boom Pin (See Separate Breakdown in this Section)	
5	1001167762	1	Installation, Tilt Cylinder Pin (See Separate Breakdown in this Section)	

SECTION 2 - BOOM

FIGURE 2-15. ATTACH COUPLER INSTALLATION (HYDRAULIC)



ART_1001257979-A

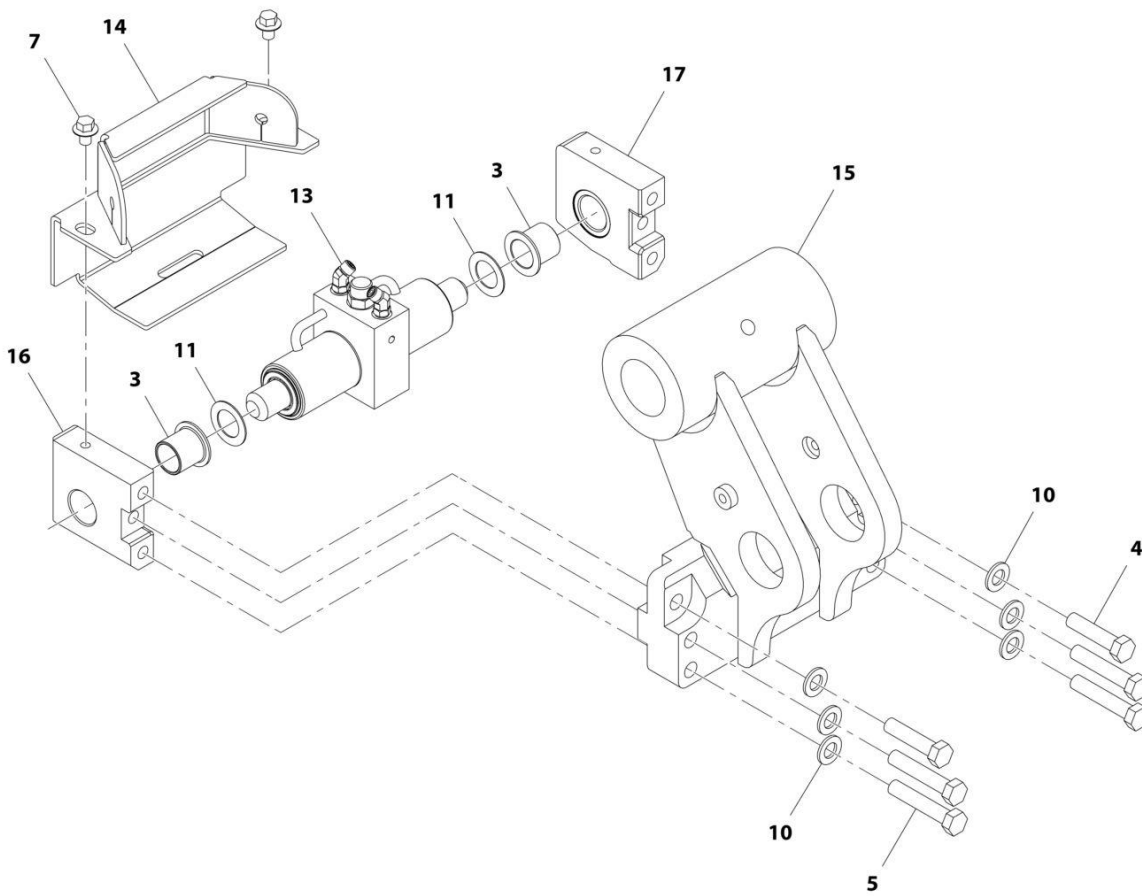
SECTION 2 - BOOM

FIGURE 2-15. ATTACH COUPLER INSTALLATION (HYDRAULIC)

ITEM	PART NUMBER	QTY	DESCRIPTION	REV
	1001257979	Ref	Attach Coupler Installation (Hydraulic)	A
1	0761214	1	Bolt, M12X30	
2	4812100	1	Washer, M12	
3	1001080996	2	Clamp	
4	1001164884	AR	Shim	
5	1001164885	AR	Shim	
6	1001167762	1	Installation, Tilt Cylinder Pin (See Separate Breakdown in this Section)	
7	1001172134	1	Assembly, Hydraulic Quick Coupler (See Separate Breakdown in this Section)	
8	1001257917	1	Installation, Boom Pin (See Separate Breakdown in this Section)	

SECTION 2 - BOOM

FIGURE 2-16. HYDRAULIC QUICK SWITCH INSTALLATION



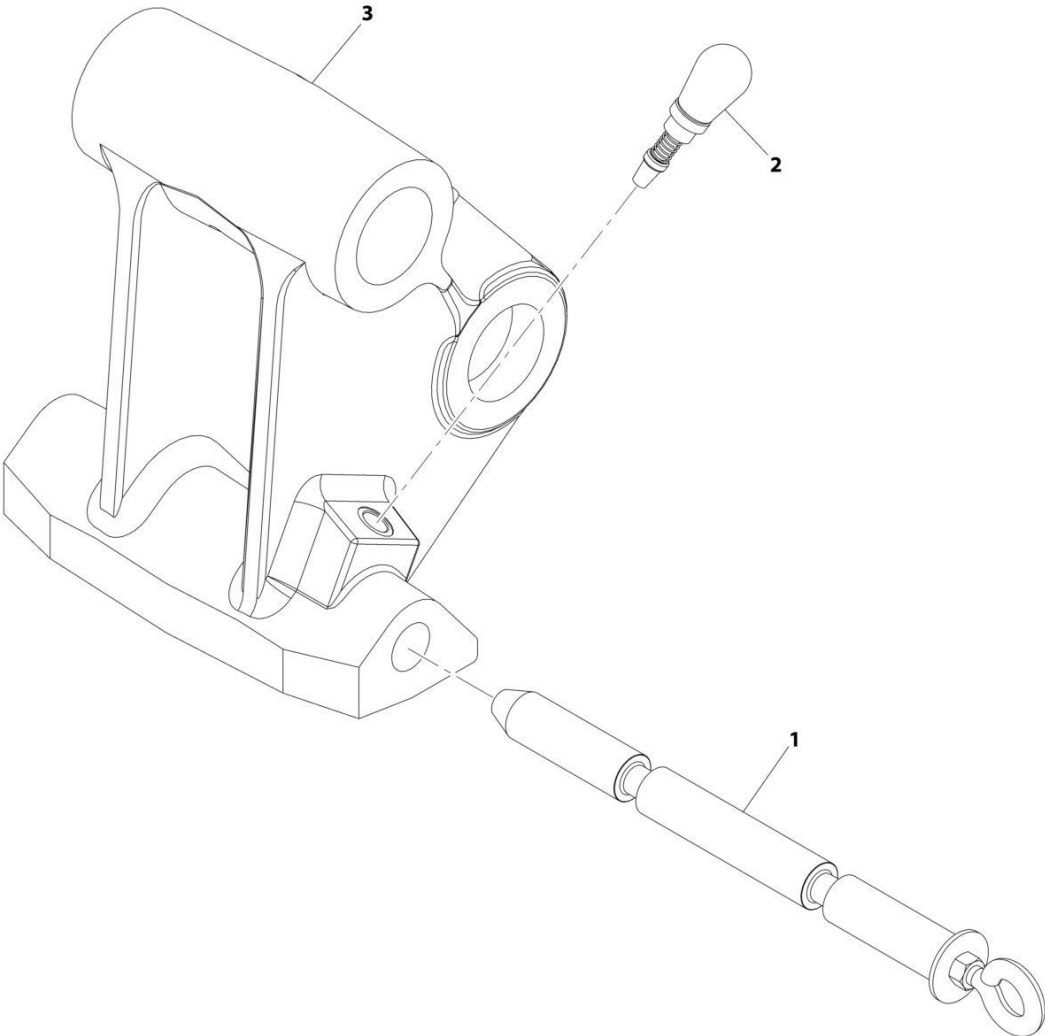
ART_1001172134

FIGURE 2-16. HYDRAULIC QUICK SWITCH INSTALLATION

ITEM	PART NUMBER	QTY	DESCRIPTION	REV
	1001172134	Ref	Hydraulic Quick Coupler Assembly	E
3	0440321	2	Bearing, Flange 1.5 Length	
3	1001263046	2	Bearing, Flange 1.375 Length	
4	1001191503	2	Bolt, M16X1.5X17 GR10.9	
5	1001191505	4	Bolt, M16X1.5X85 GR10.9	
7	0781208	2	Bolt, M12X16	
10	5241600	6	Washer, M16	
11	91561240	AR	Shim	
13	1001210390	1	Assembly, Quick Coupler Cylinder (See Separate Breakdown in HYDRAULIC COMPONENTS Section)	
14	1001164860	1	Cover	
15	1001172075	1	Fitting, Straight	
16	1001172077	1	Plate	
17	1001172078	1	Plate	

SECTION 2 - BOOM

FIGURE 2-17. QUICK COUPLER ASSEMBLY



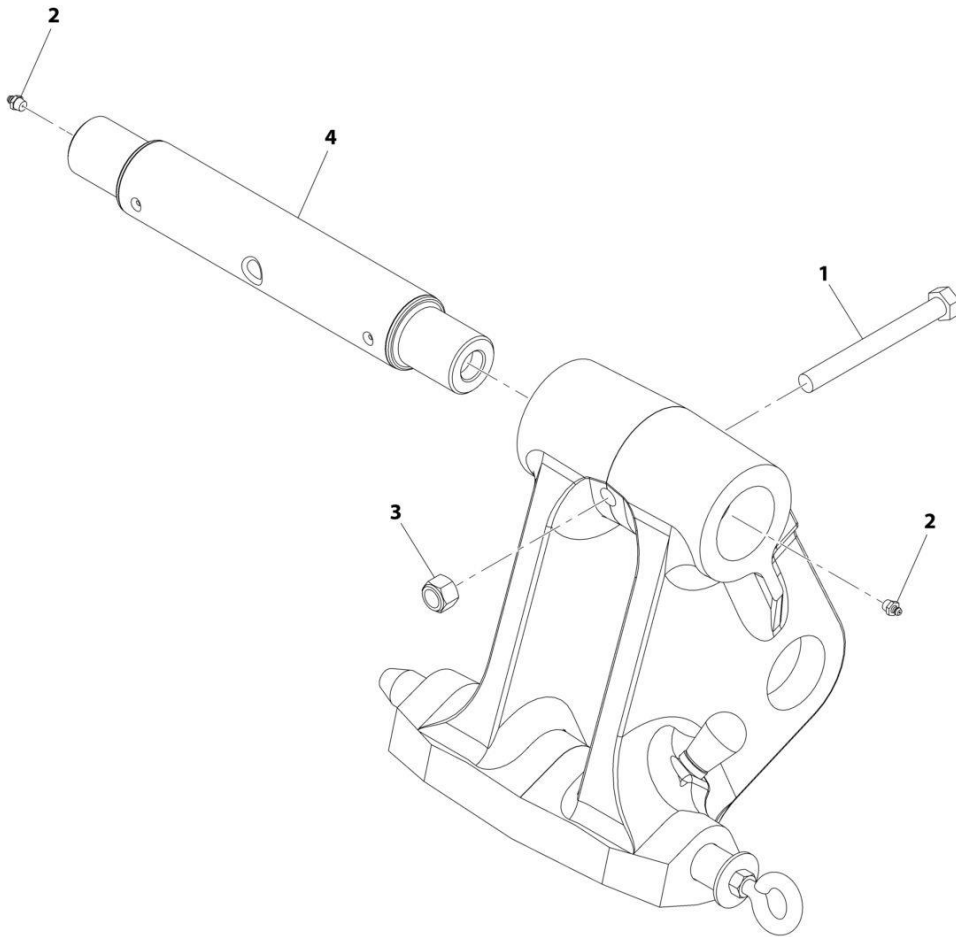
ART_1001171764-A

FIGURE 2-17. QUICK COUPLER ASSEMBLY

ITEM	PART NUMBER	QTY	DESCRIPTION	REV
	1001171764	Ref	Quick Coupler Assembly	A
1	1001105441	1	Pin	
2	1001143692	1	Pin, Poppin	
3	1001164567	1	Coupling, Quick Connect	

SECTION 2 - BOOM

FIGURE 2-18. BOOM PIN INSTALLATION



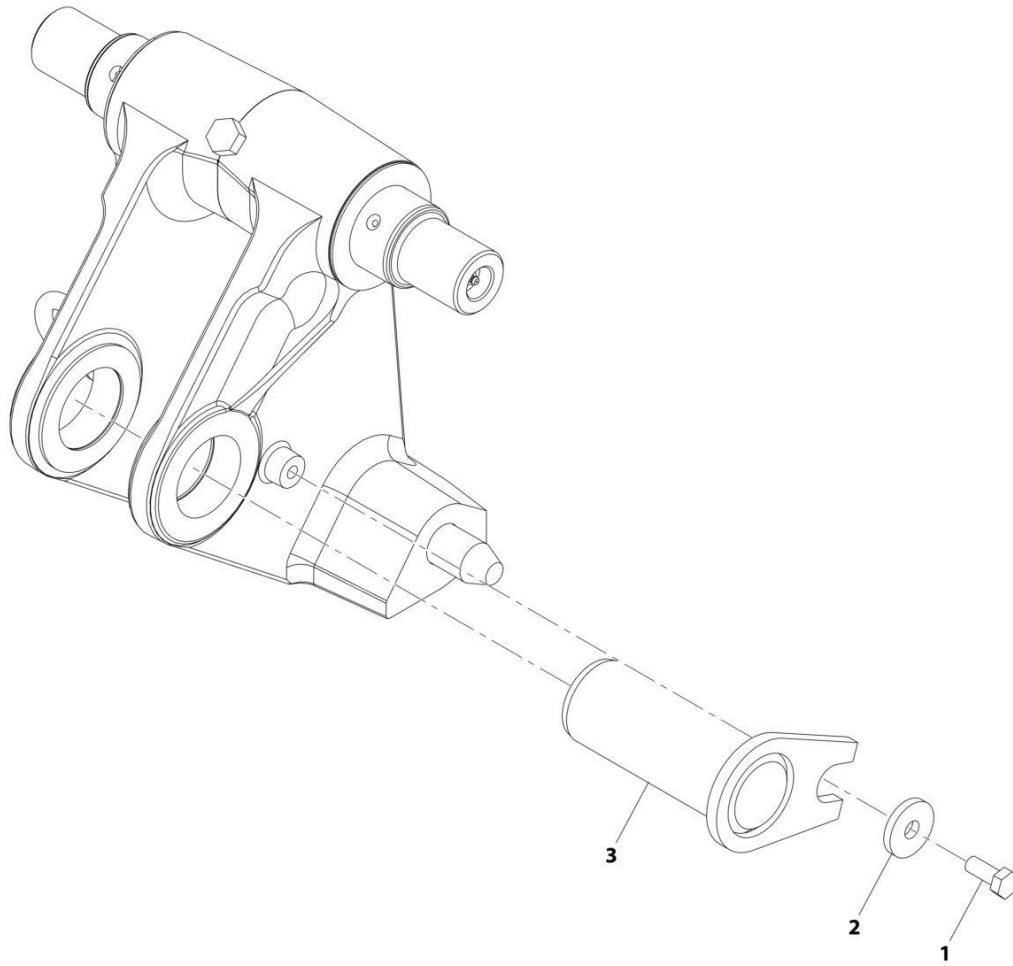
ART_1001257917-A

FIGURE 2-18. BOOM PIN INSTALLATION

ITEM	PART NUMBER	QTY	DESCRIPTION	REV
	1001257917	Ref	Boom Pin Installation	A
1	0711632	1	Bolt, M16X150	
2	2160016	2	Fitting, Grease	
3	3291605	1	Nut, Lock M16X2	
4	1001164871	1	Pin	

SECTION 2 - BOOM

FIGURE 2-19. TILT CYLINDER PIN INSTALLATION



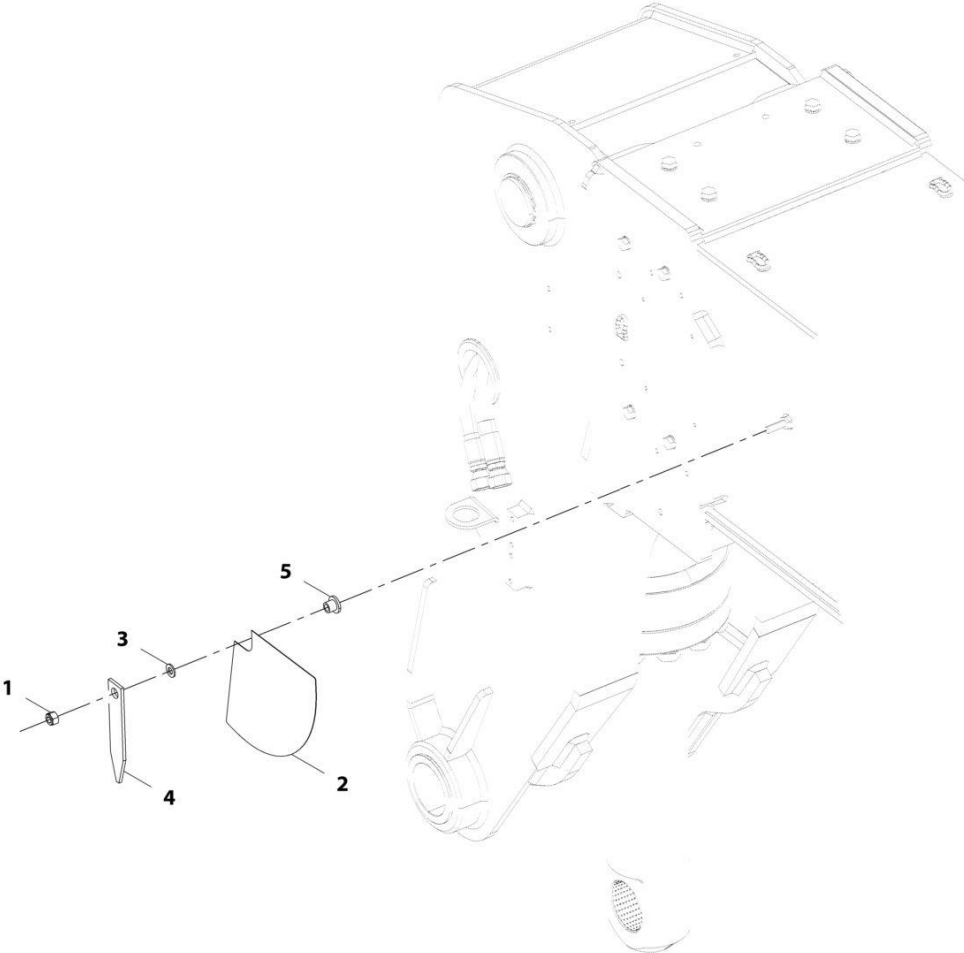
ART_1001167762-A

FIGURE 2-19. TILT CYLINDER PIN INSTALLATION

ITEM	PART NUMBER	QTY	DESCRIPTION	REV
	1001167762	Ref	Tilt Cylinder Pin Installation	A
1	0761214	1	Bolt, M12X30	
2	4740003	1	Washer	
3	1001164881	1	Pin	

SECTION 2 - BOOM

FIGURE 2-20. BOOM ANGLE INDICATOR INSTALLATION



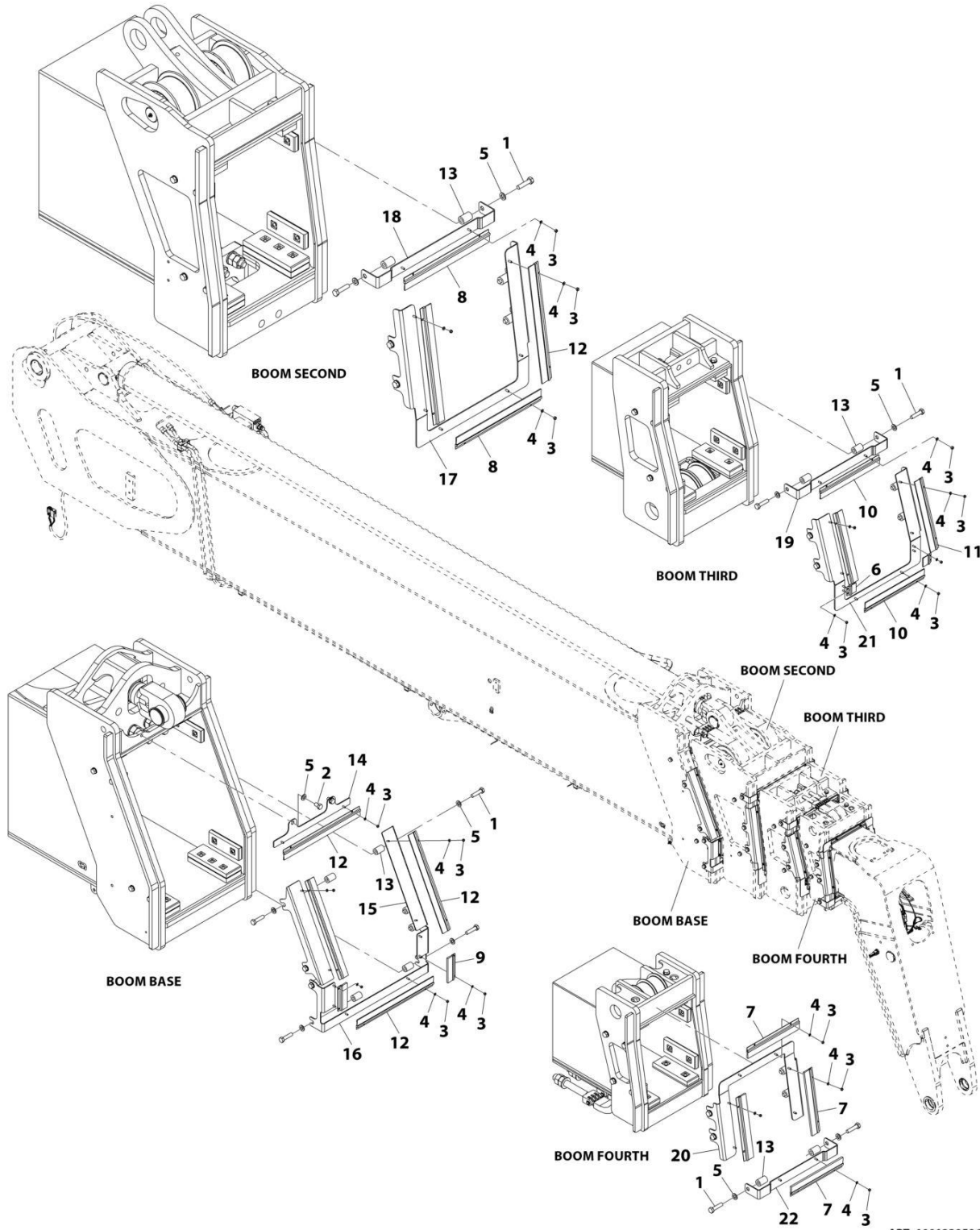
ART_1001192364-A

FIGURE 2-20. BOOM ANGLE INDICATOR INSTALLATION

ITEM	PART NUMBER	QTY	DESCRIPTION	REV
	1001192364	Ref	Boom Angle Indicator Installation	A
1	3291005	1	Nut, Lock M10X1.5	
2	4105262	1	Decal, Boom Angle Indicator	
3	4812000	1	Washer, M10	
4	1001098769	1	Plate, Boom Angle Indicator	
5	1001171808	1	Spacer	

SECTION 2 - BOOM

FIGURE 2-21. BOOM BRUSHES INSTALLATION



ART_1001239596

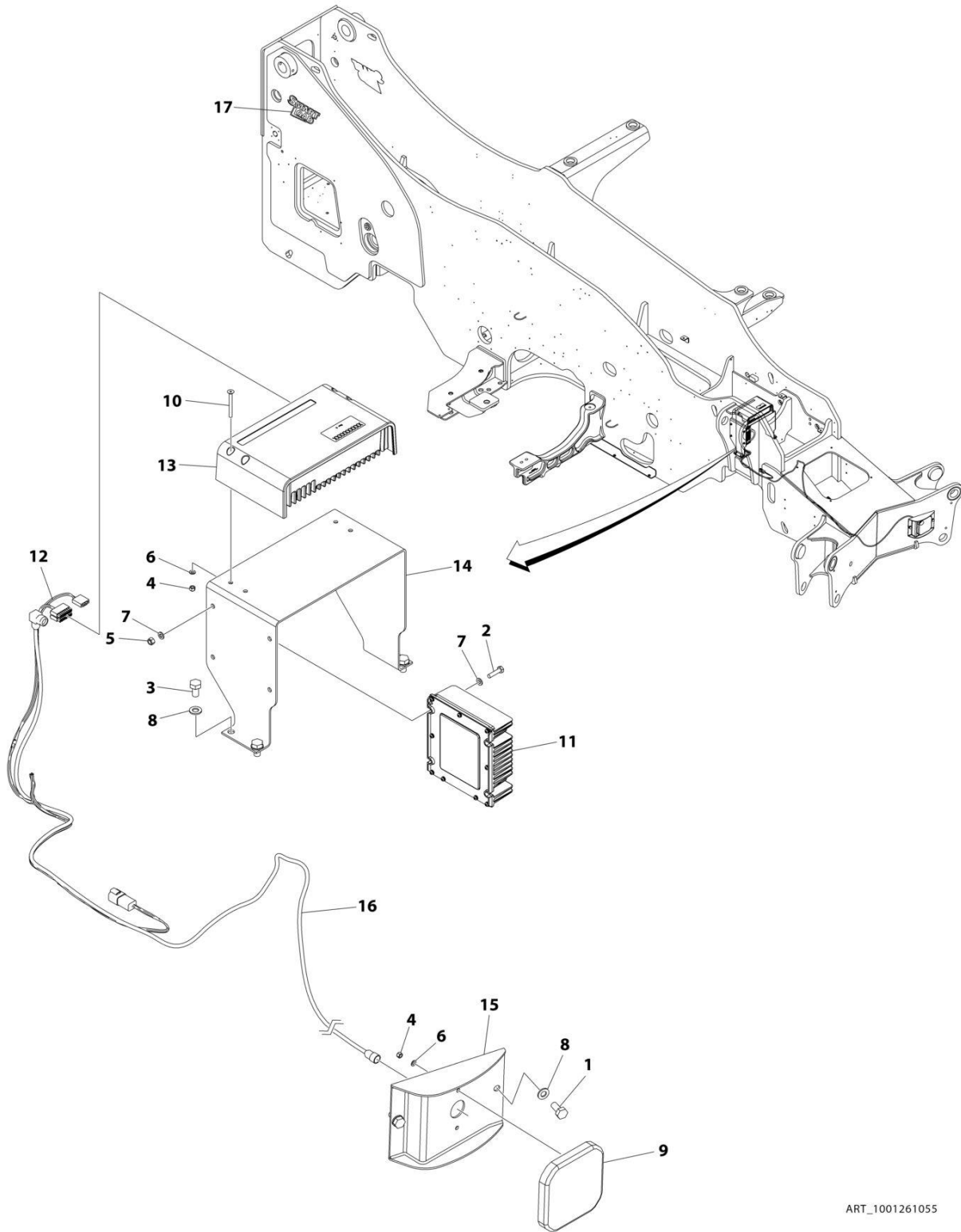
FIGURE 2-21. BOOM BRUSHES INSTALLATION

ITEM	PART NUMBER	QTY	DESCRIPTION	REV
	1001239596	Ref	Boom Brushes Installation	C
1	0761218	26	Bolt, M12X50	
2	0761210	2	Bolt, M12X20	
3	3290505	40	Nut, Lock M5X0.8	
4	4811600	40	Washer, M5	
5	1001125117	28	Washer, M12	
6	1001172994	2	Brush, Boom	
7	1001172995	4	Brush, Boom	
8	1001173739	2	Brush, Boom	
9	1001176806	2	Brush, Boom	
10	1001205627	2	Brush, Boom	
11	1001245711	2	Brush, Boom	
12	1001245712	6	Brush, Boom	
13	1001245718	26	Spacer	
14	1001245719	1	Bracket, Boom Brush	
15	1001245720	2	Bracket, Boom Brush	
16	1001245721	1	Bracket, Boom Brush	
17	1001245722	1	Bracket, Boom Brush	
18	1001245723	1	Bracket, Boom Brush	
19	1001245724	1	Bracket, Boom Brush	
20	1001245725	1	Bracket, Boom Brush	
21	1001245726	1	Bracket, Boom Brush	
22	1001245727	1	Bracket, Boom Brush	

SECTION 3 - ATTACHMENTS

SECTION 3 - ATTACHMENTS

FIGURE 3-1. ATTACHMENT RECOGNITION INSTALLATION (1075)



ART_1001261055

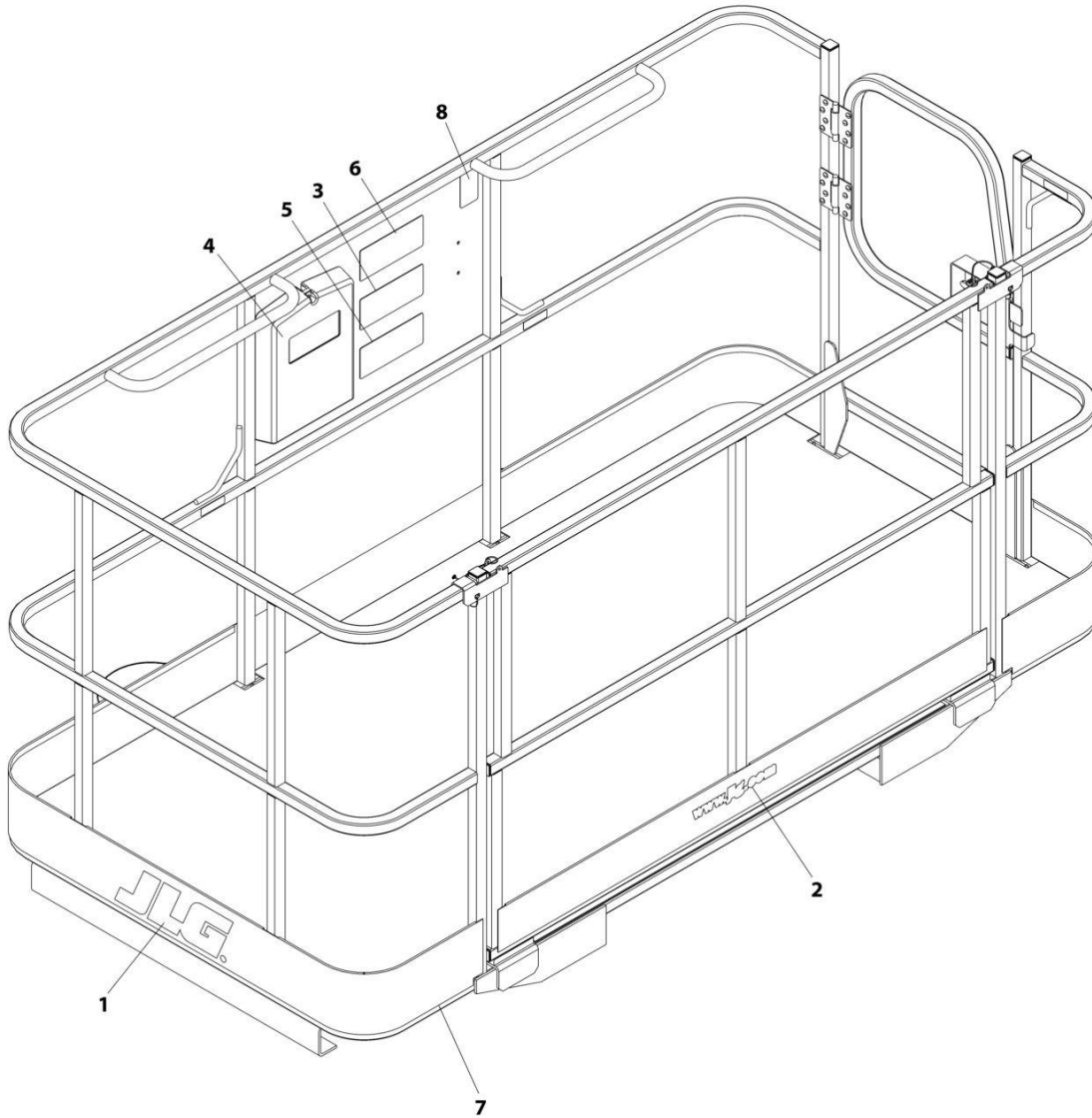
SECTION 3 - ATTACHMENTS

FIGURE 3-1. ATTACHMENT RECOGNITION INSTALLATION (1075)

ITEM	PART NUMBER	QTY	DESCRIPTION	REV
	1001261055	Ref	ATTACHMENT RECOGNITION INSTALLATION	B
1	0701011	2	Bolt M10 x 22	
2	0760612	4	Bolt M6 x 25	
3	0761009	4	Bolt	
4	3290505	6	Nut M5 x 0.8	
5	3290605	4	Nut M6 x 1	
6	4811600	6	Washer M5	
7	4811700	8	Washer M6	
8	4812000	6	Washer M10	
9	1001202730	1	Antenna	
10	1001234395	4	Screw	
11	1001249078	1	Module, Attachment Recognition	
12	1001250203	1	Attachment Recognition Harness (See Separate Breakdown in ELECTRICAL Section)	
13	1001250475	1	Control, Receiver	
14	1001256899	1	Bracket	
15	1001260996	1	Bracket	
16	1001261095	1	Cable	
17	1001250276	2	Decal, Smart Load	

SECTION 3 - ATTACHMENTS

FIGURE 3-2. BASKET, PERSONNEL (1.2MX2.4M) (ENGLISH)



ART_1001238653-A

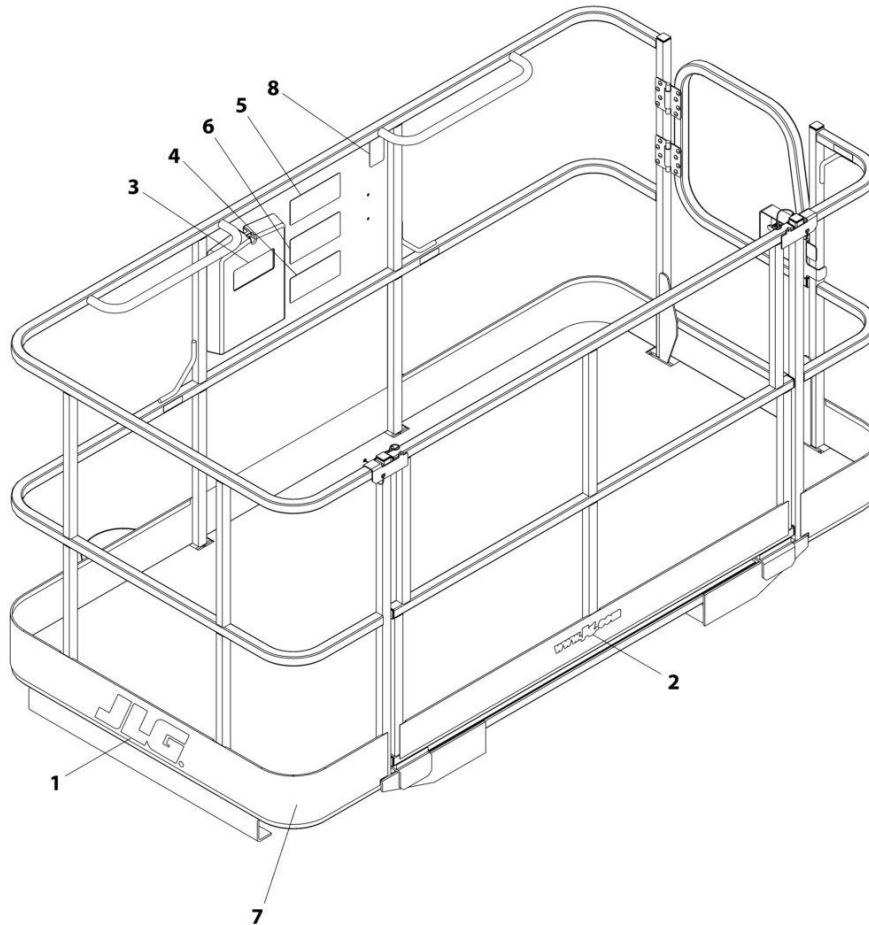
SECTION 3 - ATTACHMENTS

FIGURE 3-2. BASKET, PERSONNEL (1.2MX2.4M) (ENGLISH)

ITEM	PART NUMBER	QTY	DESCRIPTION	REV
	1001238653	Ref	FORK MOUNTED PLATFORM	B
1	1702773	2	Decal, JLG	
2	1704885	1	Decal, Website	
3	1706892	1	Decal, Platform Warning	
4	31200160	1	Manual, Personnel Work Platform Operation and Safety	
5	1001092481	1	Decal, Warning Attachment	
6	1001092482	1	Decal, Platform Capacity	
7	1001238565	1	Platform, Fork Mounted (See Separate Breakdown in this Section)	
8	See Note	NSS	SN Plate (Note: Stamped Part - Not Available for Purchase)	

SECTION 3 - ATTACHMENTS

FIGURE 3-3. BASKET PERSONNEL (1.2MX2.4M) (ENGLISH/FRENCH)



ART_1001238655-A

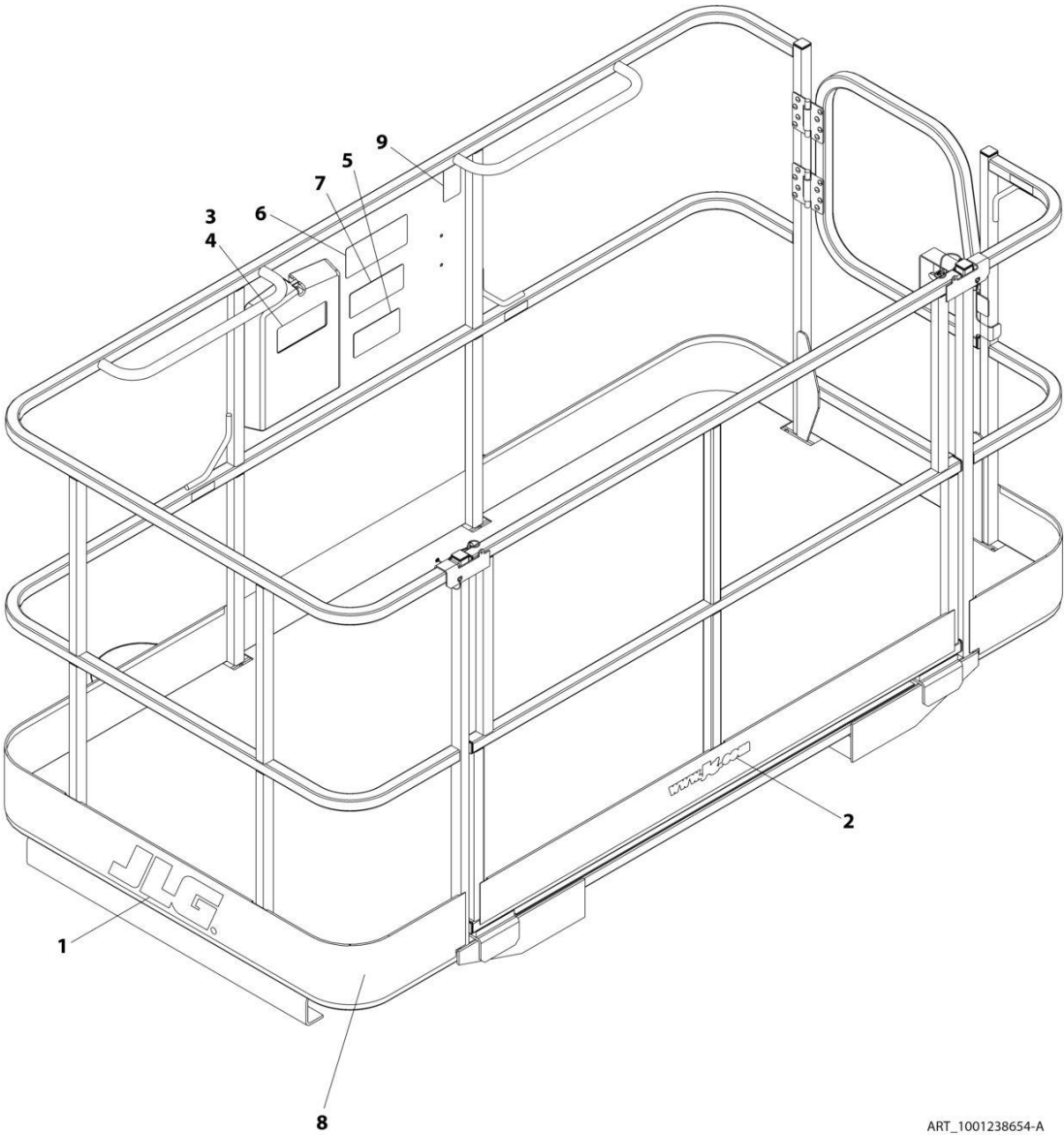
SECTION 3 - ATTACHMENTS

FIGURE 3-3. BASKET PERSONNEL (1.2MX2.4M) (ENGLISH/FRENCH)

ITEM	PART NUMBER	QTY	DESCRIPTION	REV
	1001238655	Ref	BASKET, PERSONNEL	B
1	1702773	2	Decal, JLG	
2	1704885	1	Decal, Website	
3	31200386	1	Manual, Operation and Safety (French)	
4	1001096019	1	Decal, Warning Attachment (French)	
5	1001096020	1	Decal, Platform Capacity (French)	
6	1001096024	1	Decal, Platform Warning (French)	
7	1001238565	1	Platform, Fork Mounted (ANSI) (See Separate Breakdown in this Section)	
8	See Note	NSS	SN Plate (Note: Stamped Part - Not Available for Purchase)	

SECTION 3 - ATTACHMENTS

FIGURE 3-4. BASKET PERSONNEL (1.2MX2.4M) (ISO)



ART_1001238654-A

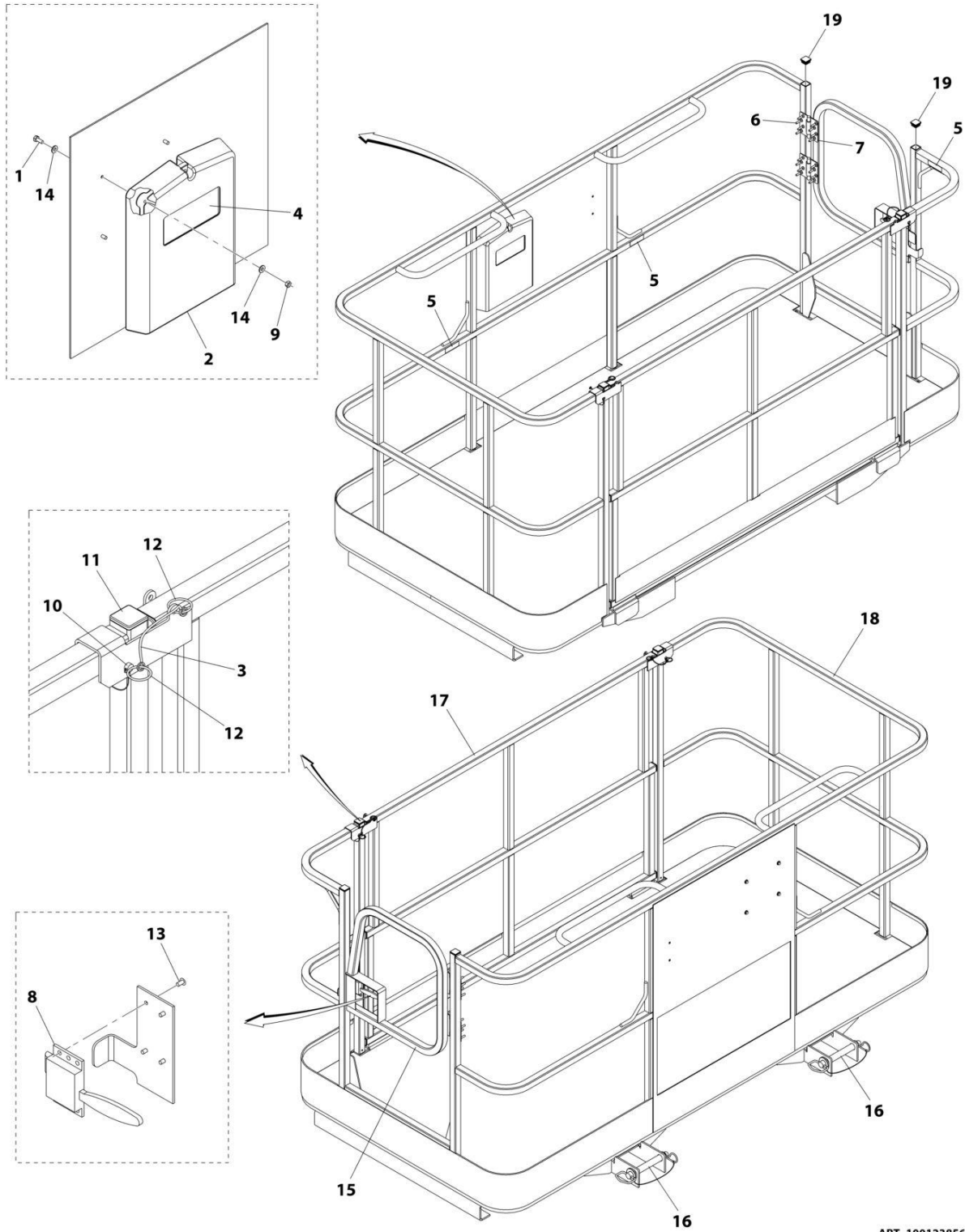
SECTION 3 - ATTACHMENTS

FIGURE 3-4. BASKET PERSONNEL (1.2MX2.4M) (ISO)

ITEM	PART NUMBER	QTY	DESCRIPTION	REV
	1001238654	Ref	BASKET, PERSONNEL	B
1	1702773	2	Decal, JLG	
2	1704885	1	Decal, Website	
3	31200387	1	Manual, Operation and Safety, Spanish	
4	31200388	1	Manual, Operation and Safety, Portuguese	
5	1001096021	1	Decal, Warning Attachment	
6	1001096023	1	Decal, Platform Capacity	
7	1001096025	1	Decal, Platform Warning	
8	1001238565	1	Platform, Fork Mounted (ANSI) (See Separate Breakdown in this Section)	
9	See Note	NSS	SN Plate (Note: Stamped Part - Not Available for Purchase)	

SECTION 3 - ATTACHMENTS

FIGURE 3-5. BASKET PERSONNEL (FORK MOUNTED)



ART_1001238565

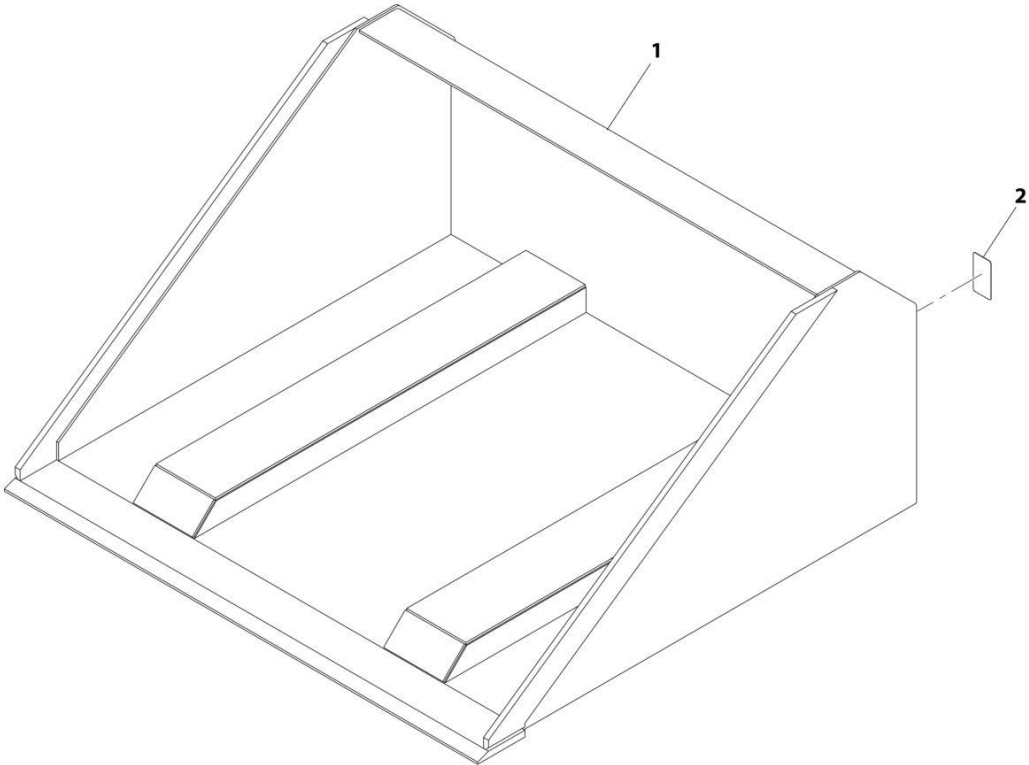
SECTION 3 - ATTACHMENTS

FIGURE 3-5. BASKET PERSONNEL (FORK MOUNTED)

ITEM	PART NUMBER	QTY	DESCRIPTION	REV
	1001238565	Ref	FORK MOUNTED PLATFORM ASSEMBLY	F
1	0641405	4	Bolt 1/4 x 5/8	
2	0860520	1	Box, Manual Storage	
3	1060379	2	Cable, Lanyard	
4	1701509	1	Decal, Manual	
5	1704277	3	Decal, Lanyard Attach	
6	2080040	16	Fastener	
7	2600281	2	Hinge	
8	2940074	1	Latch	
9	3311405	4	Nut 1/4	
10	3421453	2	Pin	
11	3520072	7	Plug	
12	3760170	4	Ring	
13	3820020	4	Rivet	
14	4711400	8	Washer 1/4	
15	1001144629J	1	Gate	
16	1001238560	2	Pin, Hitch	
17	1001095810	1	Gate	
18	See Note	NSS	Platform, Fork Mounted	
19	3520198	4	Plug	

SECTION 3 - ATTACHMENTS

FIGURE 3-6. BUCKET (1 M³) (FORK MOUNTED)



ART_1001195970-D

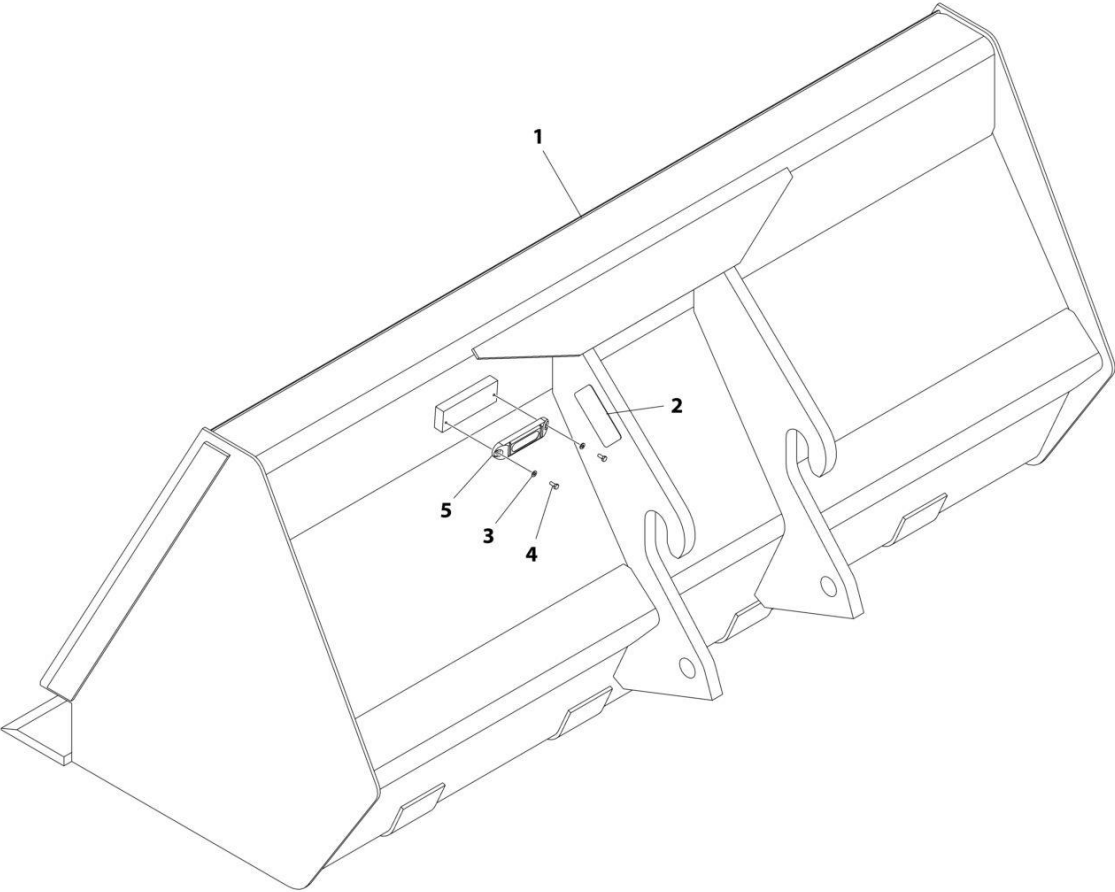
SECTION 3 - ATTACHMENTS

FIGURE 3-6. BUCKET (1 M³) (FORK MOUNTED)

ITEM	PART NUMBER	QTY	DESCRIPTION	REV
1	1001195970	Ref	Bucket 1.0 m ³ (Fork Mounted)	E
2	See Note	NSS	S/N Plate (Note: Stamped Part - Not Available for Purchase)	

SECTION 3 - ATTACHMENTS

FIGURE 3-7. BUCKET 1.0 YD³ (ANSI - JLG)



ART_1001100822_I

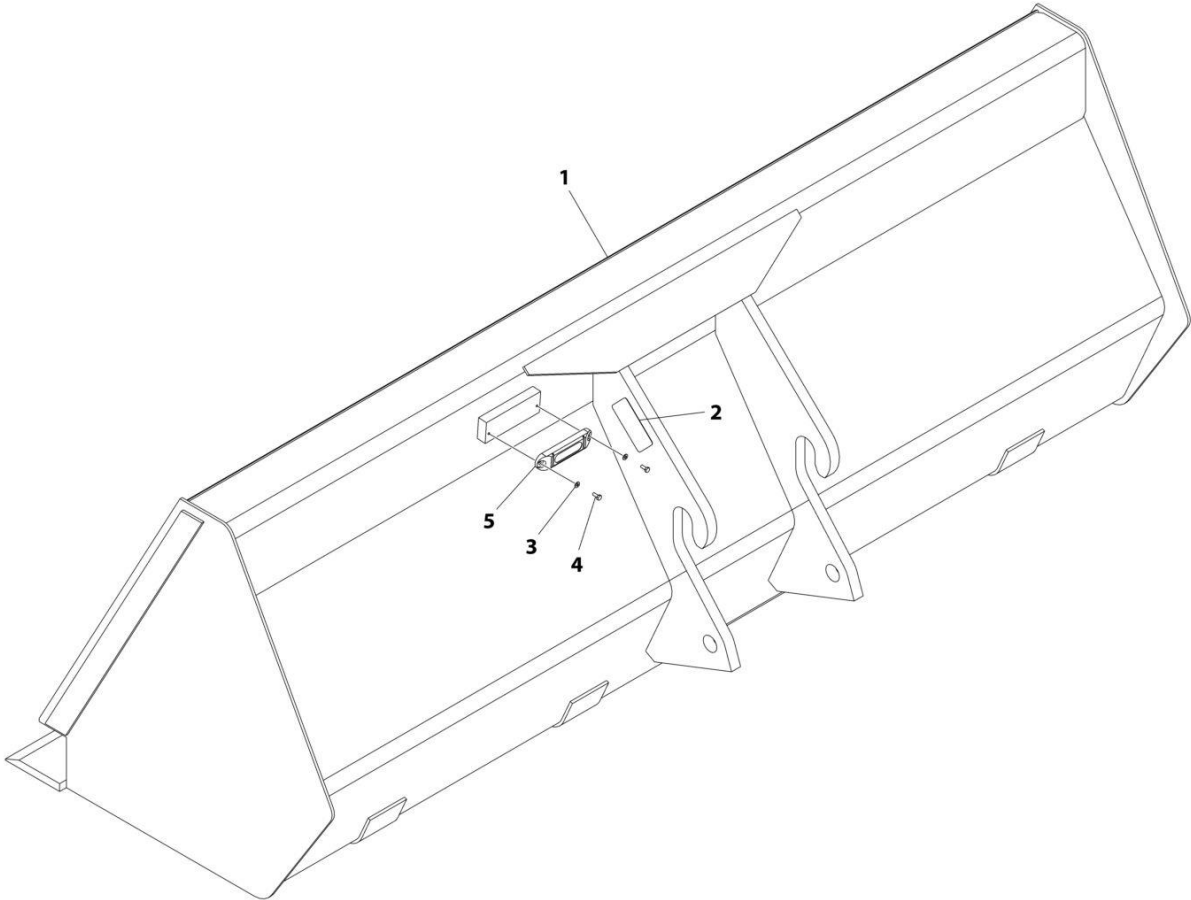
SECTION 3 - ATTACHMENTS

FIGURE 3-7. BUCKET 1.0 YD³ (ANSI - JLG)

ITEM	PART NUMBER	QTY	DESCRIPTION	REV
	1001100822	Ref	BUCKET 1.0 YD ³ (ANSI - JLG)	I
1	1001100265	1	Bucket Weldment	
2	See Note	NSS	SN Plate (Note:Stamped Part - Not Available for Purchase)	
3	4811400	2	Washer M4	
4	0760405	2	Bolt M4 x 10	
5	1001227670	1	Tag, RFID	

SECTION 3 - ATTACHMENTS

FIGURE 3-8. BUCKET (1.15 M³)



ART_1001100823_I

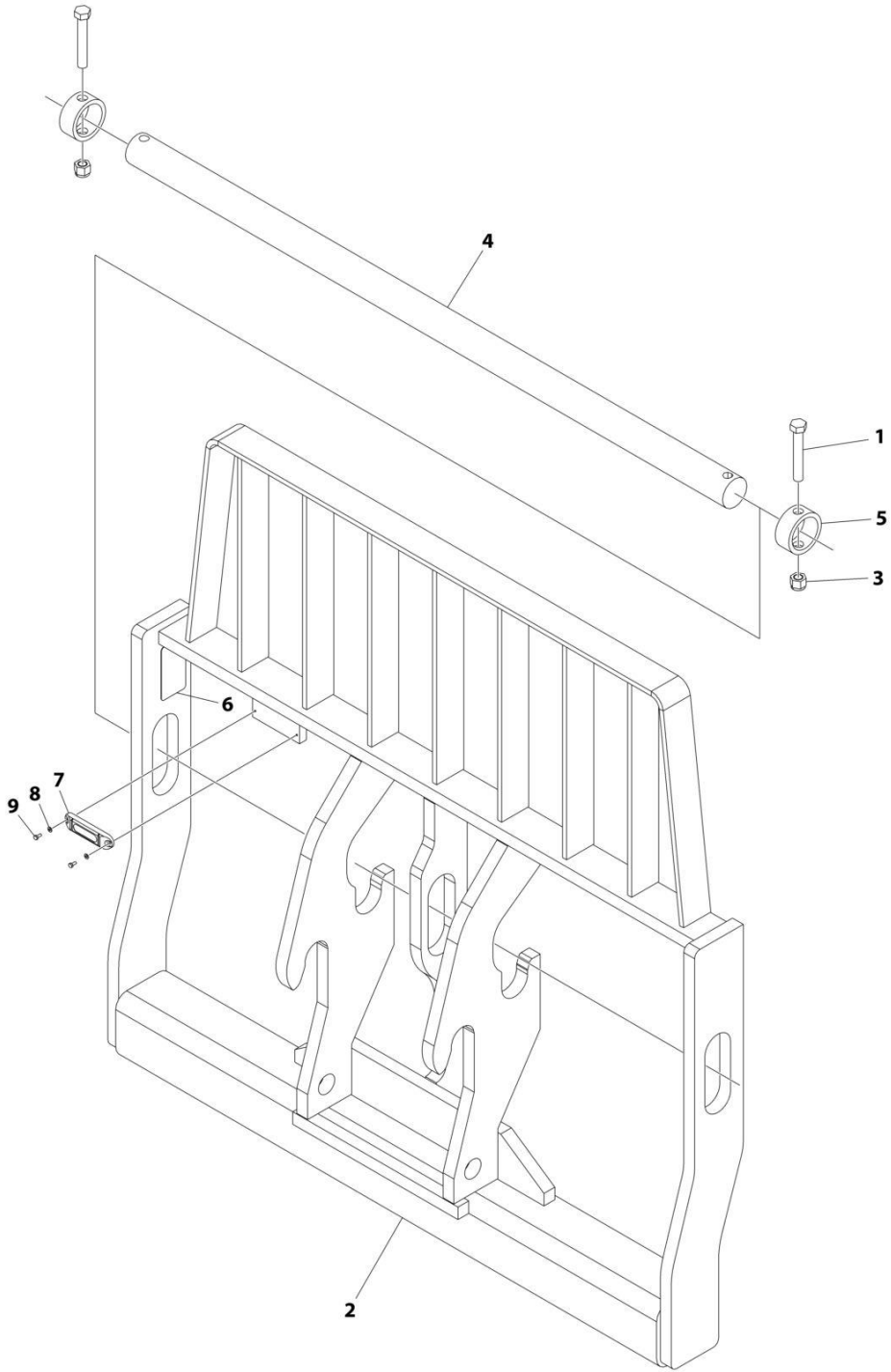
SECTION 3 - ATTACHMENTS

FIGURE 3-8. BUCKET (1.15 M³)

ITEM	PART NUMBER	QTY	DESCRIPTION	REV
	1001100823	Ref	BUCKET (1.15 M ³)	I
1	1001100266	1	Bucket	
2	See Note	NSS	SN Plate (Note:Stamped Part - Not Available for Purchase)	
3	4811400	2	Washer M4	
4	0760405	2	Bolt M4 x 10	
5	1001227670	1	Tag, RFID	

SECTION 3 - ATTACHMENTS

FIGURE 3-9. CARRIAGE ASSEMBLY (50 INCH)



ART_1170021_I

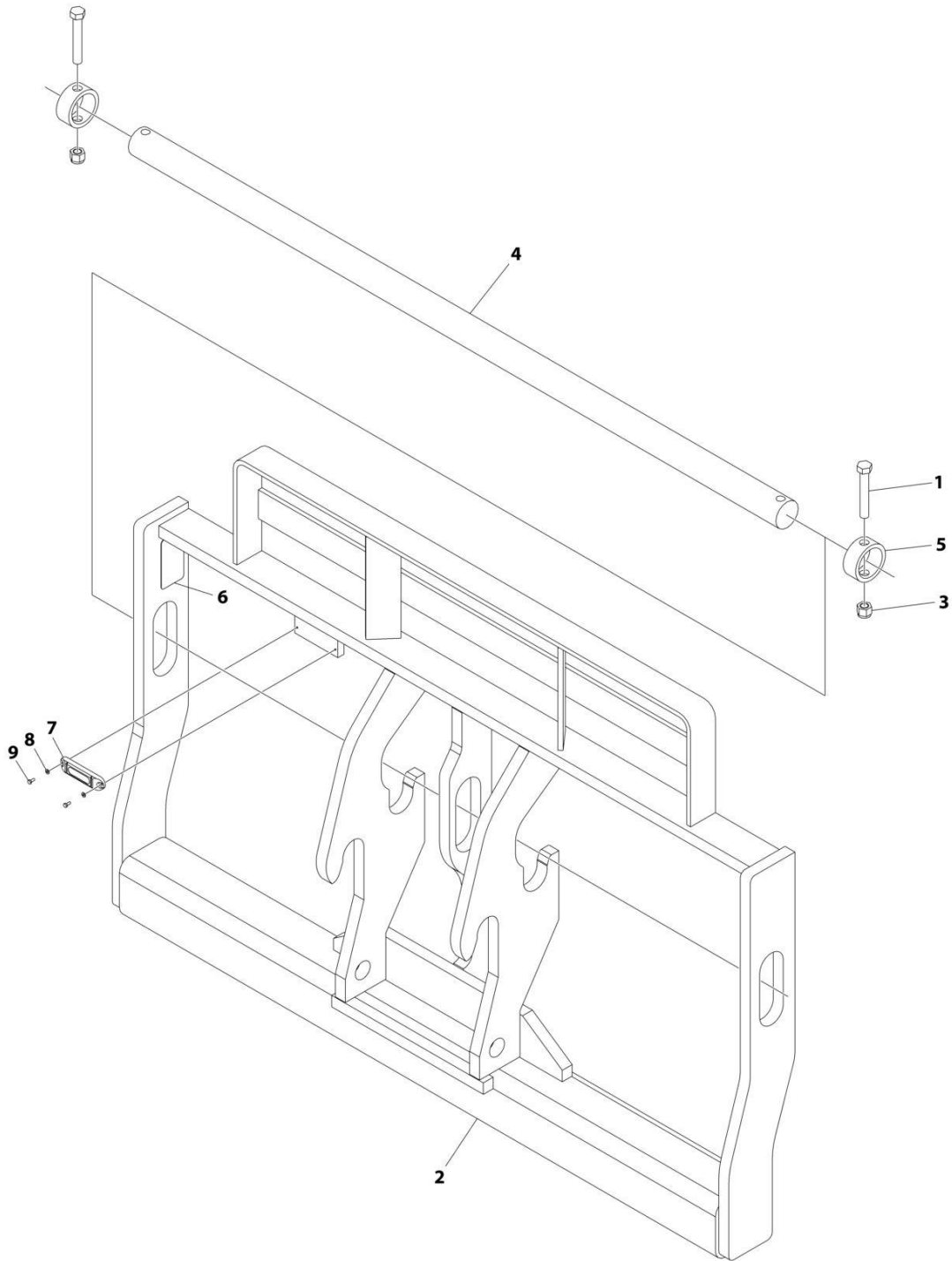
SECTION 3 - ATTACHMENTS

FIGURE 3-9. CARRIAGE ASSEMBLY (50 INCH)

ITEM	PART NUMBER	QTY	DESCRIPTION	REV
	1170021	Ref	CARRIAGE ASSEMBLY (50 INCH)	I
1	0642032	2	Bolt 5/8-11 x 4	
2	See Note	NSS	Carriage (Note: Purchase Complete Assembly)	
3	3300240	2	Nut 5/8-11	
4	3423275	1	Pin, Fork	
5	90200003	2	Collar, Fork Pin	
6	See Note	NSS	SN Plate (Note: Stamped Part - Not Available for Purchase)	
7	1001227670	1	Tag, RFID	
8	4811400	2	Washer M4	
9	0760405	2	Bolt M4 x 10	

SECTION 3 - ATTACHMENTS

FIGURE 3-10. CARRIAGE ASSEMBLY (60 INCH)



ART_1170024_I

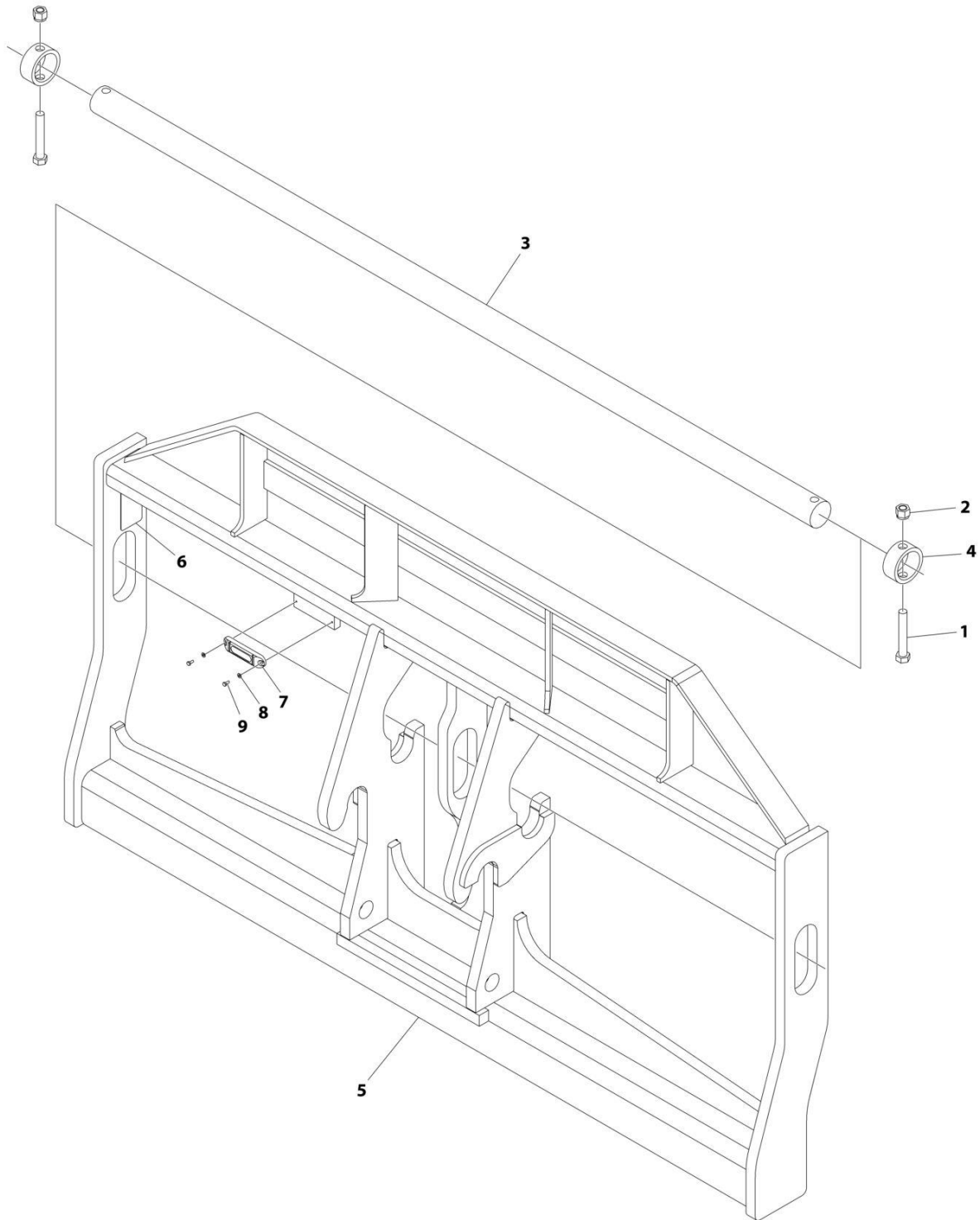
SECTION 3 - ATTACHMENTS

FIGURE 3-10. CARRIAGE ASSEMBLY (60 INCH)

ITEM	PART NUMBER	QTY	DESCRIPTION	REV
	1170024	Ref	CARRIAGE ASSEMBLY (1524 MM)	I
1	0642032	2	Bolt 5/8 x 4	
2	See Note	NSS	Carriage (Note: Purchase Complete Assembly)	
3	3300240	2	Nut 5/8	
4	3423242	1	Pin	
5	90200003	2	Sleeve	
6	See Note	NSS	SN Plate (Note:Stamped Part - Not Available for Purchase)	
7	1001227670	1	Tag, RFID	
8	4811400	2	Washer M4	
9	0760405	2	Bolt M4 x 10	

SECTION 3 - ATTACHMENTS

FIGURE 3-11. CARRIAGE ASSEMBLY (72 INCH)



ART_1001211516_E

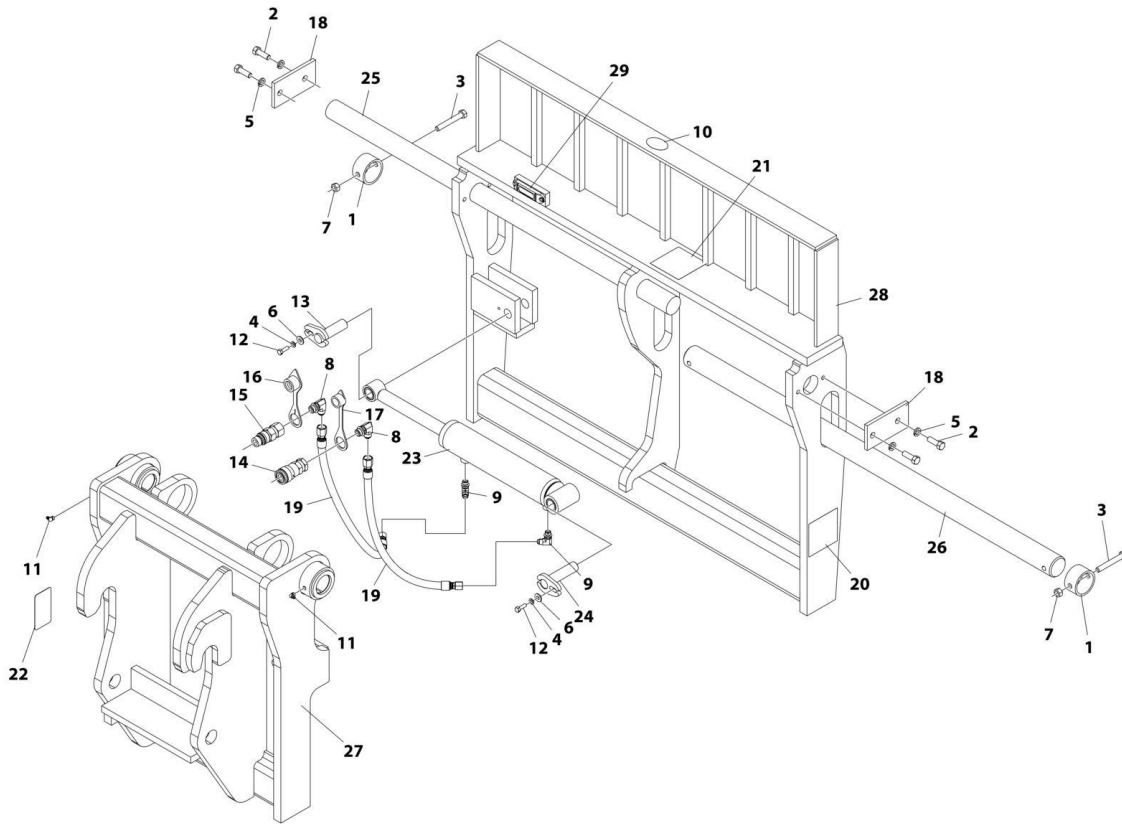
SECTION 3 - ATTACHMENTS

FIGURE 3-11. CARRIAGE ASSEMBLY (72 INCH)

ITEM	PART NUMBER	QTY	DESCRIPTION	REV
	1001211516	Ref	CARRIAGE ASSEMBLY (72 INCH)	F
1	0642032	2	Bolt 5/8 x 4	
2	3300240	2	Nut 5/8	
3	3423276	1	Pin	
4	90200003	2	Sleeve	
5	See Note	NSS	Carriage (Note: Purchase Complete Assembly)	
6	See Note	NSS	SN Plate (Note:Stamped Part - Not Available for Purchase)	
7	1001227670	1	Tag, RFID	
8	4811400	2	Washer M4	
9	0760405	2	Bolt M4 x 10	

SECTION 3 - ATTACHMENTS

FIGURE 3-12. CARRIAGE ASSEMBLY - SIDE SHIFT (48 INCH)



ART_1001242644_C

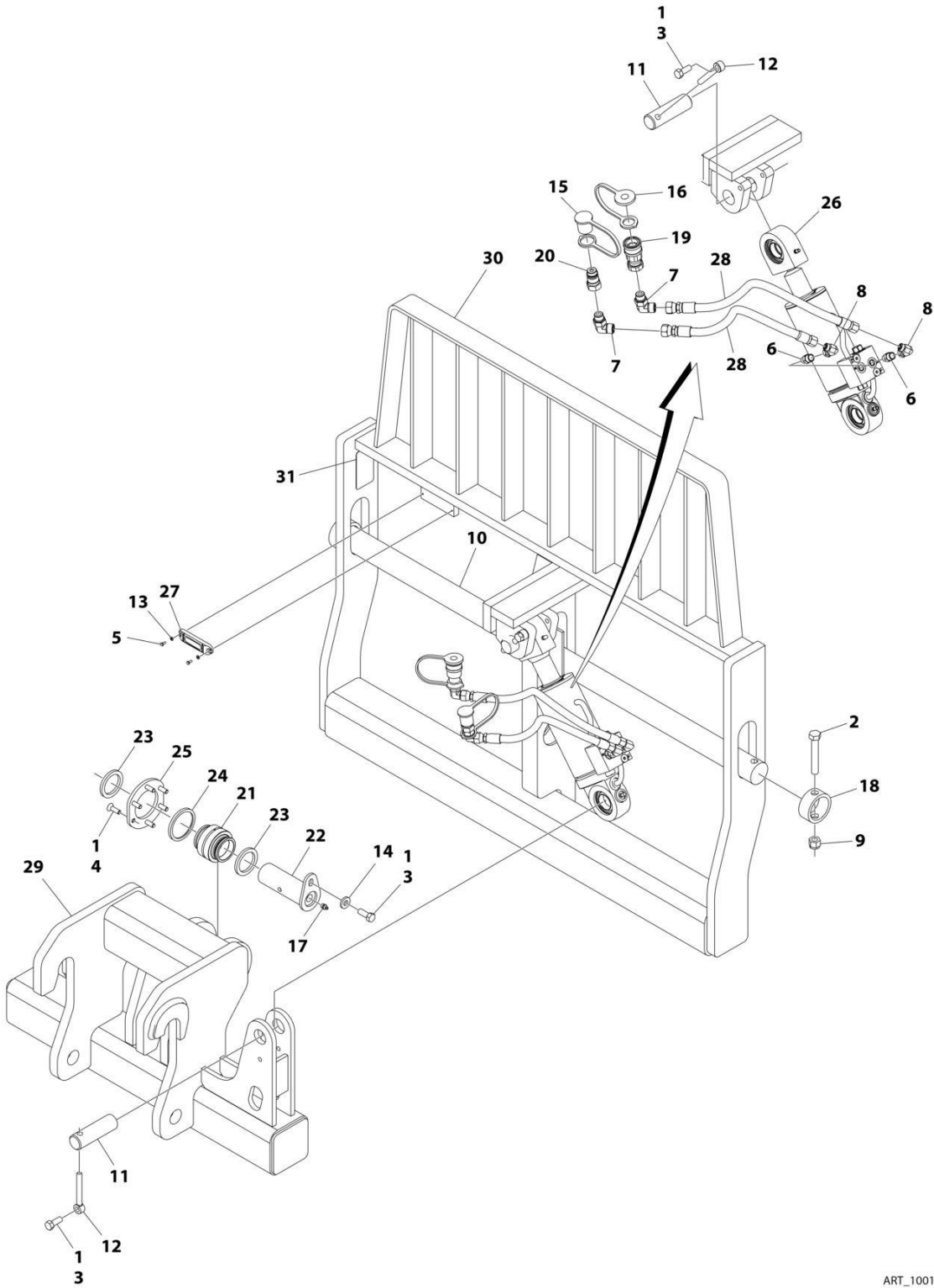
SECTION 3 - ATTACHMENTS

FIGURE 3-12. CARRIAGE ASSEMBLY - SIDE SHIFT (48 INCH)

ITEM	PART NUMBER	QTY	DESCRIPTION	REV
	1001242644	Ref	SIDE SHIFT CARRIAGE ASSEMBLY (48 INCH)	C
1	70020028	2	Bushing	
2	70021382	4	Bolt 1/2 x 1-1/2	
3	70020002	2	Bolt 1/2 x 4	
4	90554067	2	Washer 5/16	
5	90554020	4	Washer 1/2	
6	70021379	2	Washer	
7	70027642	2	Washer	
8	70030141	2	Elbow	
9	90554065	2	Elbow 90	
10	90554016	1	Decal - Made in USA	
11	70021389	2	Fitting 90	
12	70021378	2	Capscrew	
13	70021351	1	Pin	
14	91403413	1	Adapter	
15	91403414	1	Adapter	
16	8420053	1	Cap, Dust	
17	8420055	1	Plug, Dust	
18	70030142	2	Plate	
19	70030143	2	Hose 30in (Boom Front Disconnect)	
19	70031444	2	Hose 55in (Boom Side Disconnect)	
20	90554017	2	Decal - Danger Pinch Point	
21	7029711	1	Decal - High Pressure	
22	See Note	NSS	SN Plate (Note: Stamped Part - Not Available for Purchase)	
23	70021376	1	Cylinder Assembly (See Separate Breakdown in HYDRAULIC COMPONENTS Section)	
24	70021377	1	Pin	
25	70030144	1	Pin	
26	70030145	1	Pin	
27	See Note	NSS	Frame - Rear (Note: Purchase Complete Assembly)	
28	See Note	NSS	Frame - Front (Note: Purchase Complete Assembly)	
29	1001227670	1	Tag, RFID	

SECTION 3 - ATTACHMENTS

FIGURE 3-13. CARRIAGE ASSEMBLY - SIDE TILT (50 INCH)



ART_1001277290

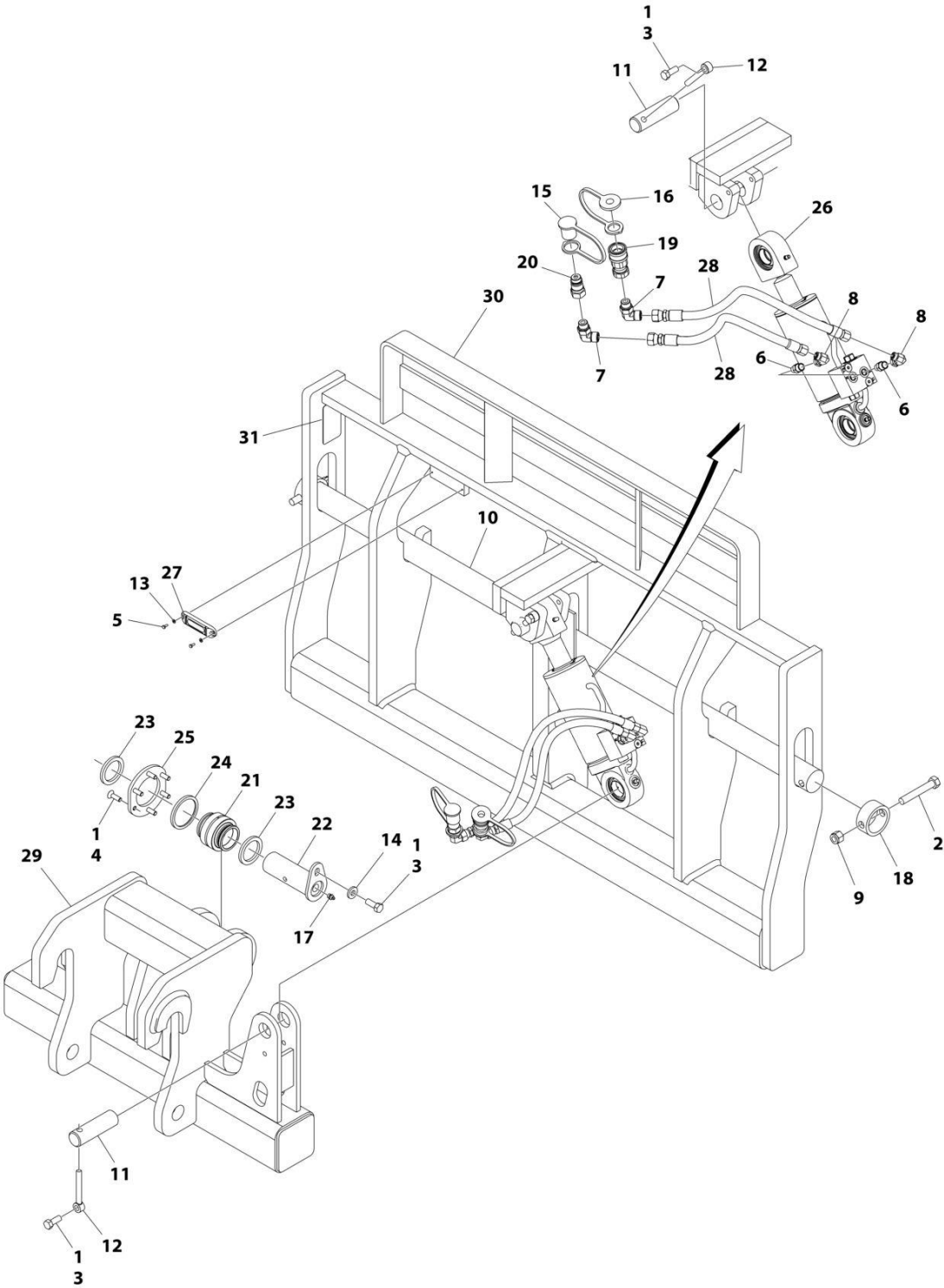
SECTION 3 - ATTACHMENTS

FIGURE 3-13. CARRIAGE ASSEMBLY - SIDE TILT (50 INCH)

ITEM	PART NUMBER	QTY	DESCRIPTION	REV
	1001277290	Ref	SIDE TILT CARRIAGE ASSEMBLY (50 INCH)	A
1	0100011	AR	Compound, Locking	
2	0642032	2	Bolt 5/8 x 4	
3	0681810	3	Bolt 1/2 x 1-1/4	
4	0741610	6	Screw 3/8 x 1-1/4	
5	0760405	2	Bolt M4 x 10	
6	2110606	2	Fitting, Straight ORFS	
7	2130808	2	Fitting, 90 ORFS	
8	2172106	2	Fitting, 90 ORFS	
9	3300240	2	Nut 5/8	
10	3423275	1	Pin	
11	3423307	2	Pin	
12	3841203	2	Keeper	
13	4811400	2	Washer M4	
14	4891800	1	Washer	
15	8420053	1	Cap	
16	8420055	1	Plug	
17	88671001	1	Fitting, Grease	
18	90200003	2	Collar	
19	91403413	1	Fitting, Straight	
20	91403414	1	Fitting, Straight	
21	1001090140	1	Bearing	
22	1001099113	1	Pin	
23	1001099115	2	Sleeve	
24	1001120914	1	Shim	
25	1001120915	1	Plate	
26	1001163414	1	Cylinder, Side Tilt (See Separate Breakdown in HYDRAULIC COMPONENTS Section)	
27	1001227670	1	Tag, RFID	
28	1001239734	2	Hose	
29	See Note	NSS	Carriage, Base Plate (Note: Purchase Complete Assembly)	
30	See Note	NSS	Carriage (Note: Purchase Complete Assembly)	
31	See Note	NSS	SN Plate (Note: Stamped Part - Not Available for Purchase)	

SECTION 3 - ATTACHMENTS

FIGURE 3-14. CARRIAGE ASSEMBLY - SIDE TILT (60 INCH)



ART_1001277338

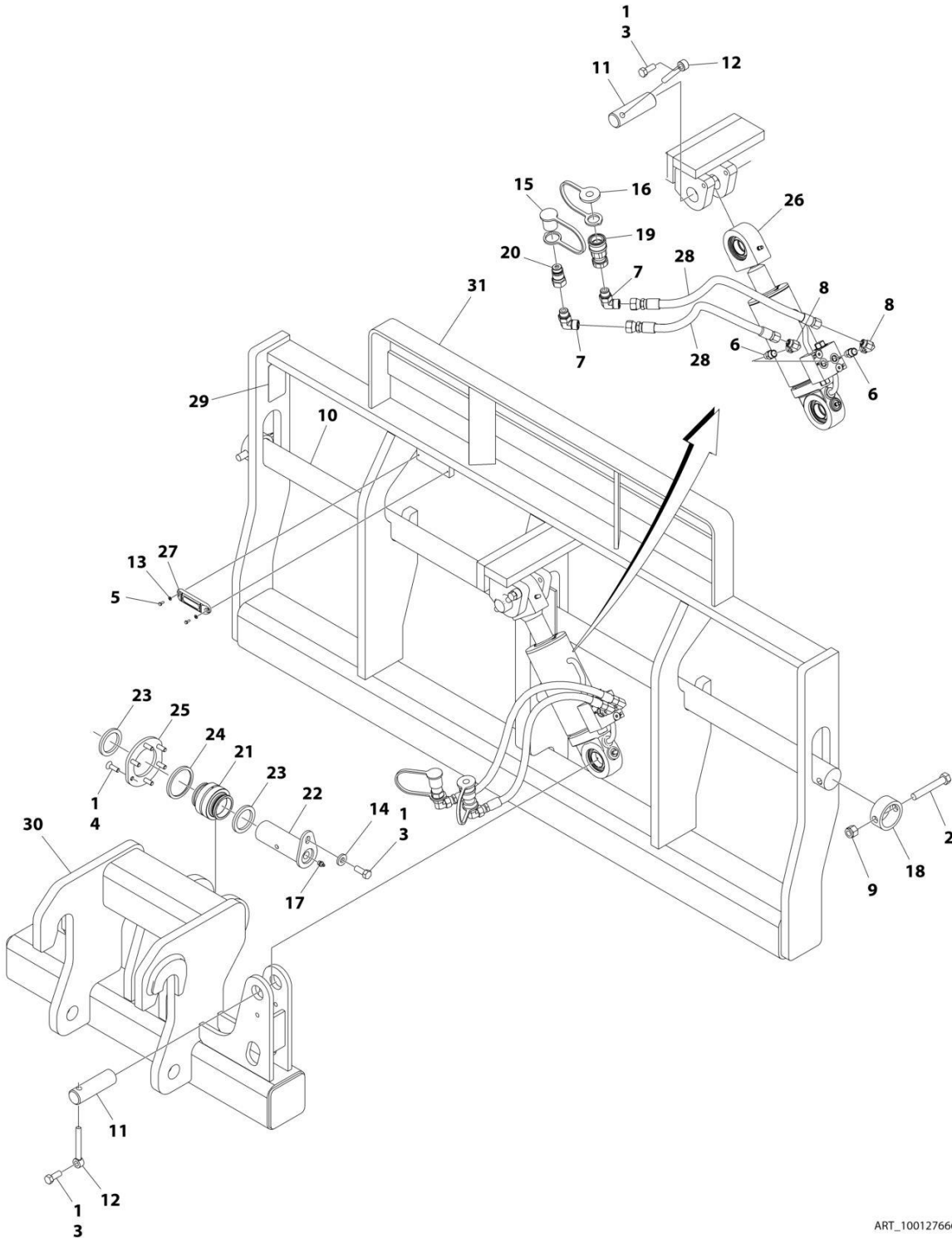
SECTION 3 - ATTACHMENTS

FIGURE 3-14. CARRIAGE ASSEMBLY - SIDE TILT (60 INCH)

ITEM	PART NUMBER	QTY	DESCRIPTION	REV
	1001277338	Ref	SIDE TILT CARRIAGE ASSEMBLY (60 INCH)	A
1	0100011	AR	Compound, Locking	
2	0642032	2	Bolt 5/8 x 4	
3	0681810	3	Bolt 1/2 x 1-1/4	
4	0741610	6	Screw 3/8 x 1-1/4	
5	0760405	2	Bolt M4 x 10	
6	2110606	2	Fitting, Straight	
7	2130808	2	Fitting, 90 ORFS	
8	2172106	2	Fitting, 90 ORFS	
9	3300240	2	Nut 5/8	
10	3423242	1	Pin	
11	3423307	2	Pin	
12	3841203	2	Keeper	
13	4811400	2	Washer M4	
14	4891800	1	Washer	
15	8420053	1	Cap	
16	8420055	1	Plug	
17	88671001	1	Fitting, Grease	
18	90200003	2	Collar	
19	91403413	1	Fitting, Straight	
20	91403414	1	Fitting, Straight	
21	1001090140	1	Bearing	
22	1001099113	1	Pin	
23	1001099115	2	Sleeve	
24	1001120914	1	Shim	
25	1001120915	1	Plate	
26	1001163414	1	Cylinder, Side Tilt (See Separate Breakdown in HYDRAULIC COMPONENTS Section)	
27	1001227670	1	Tag, RFID	
28	1001239734	2	Hose	
29	See Note	NSS	Carriage, Base Plate (Note: Purchase Complete Assembly)	
30	See Note	NSS	Carriage, Side Tilt (Note: Purchase Complete Assembly)	
31	See Note	NSS	SN Plate (Note: Stamped Part - Not Available for Purchase)	

SECTION 3 - ATTACHMENTS

FIGURE 3-15. CARRIAGE ASSEMBLY - SIDE TILT (72 INCH)



ART_1001276666

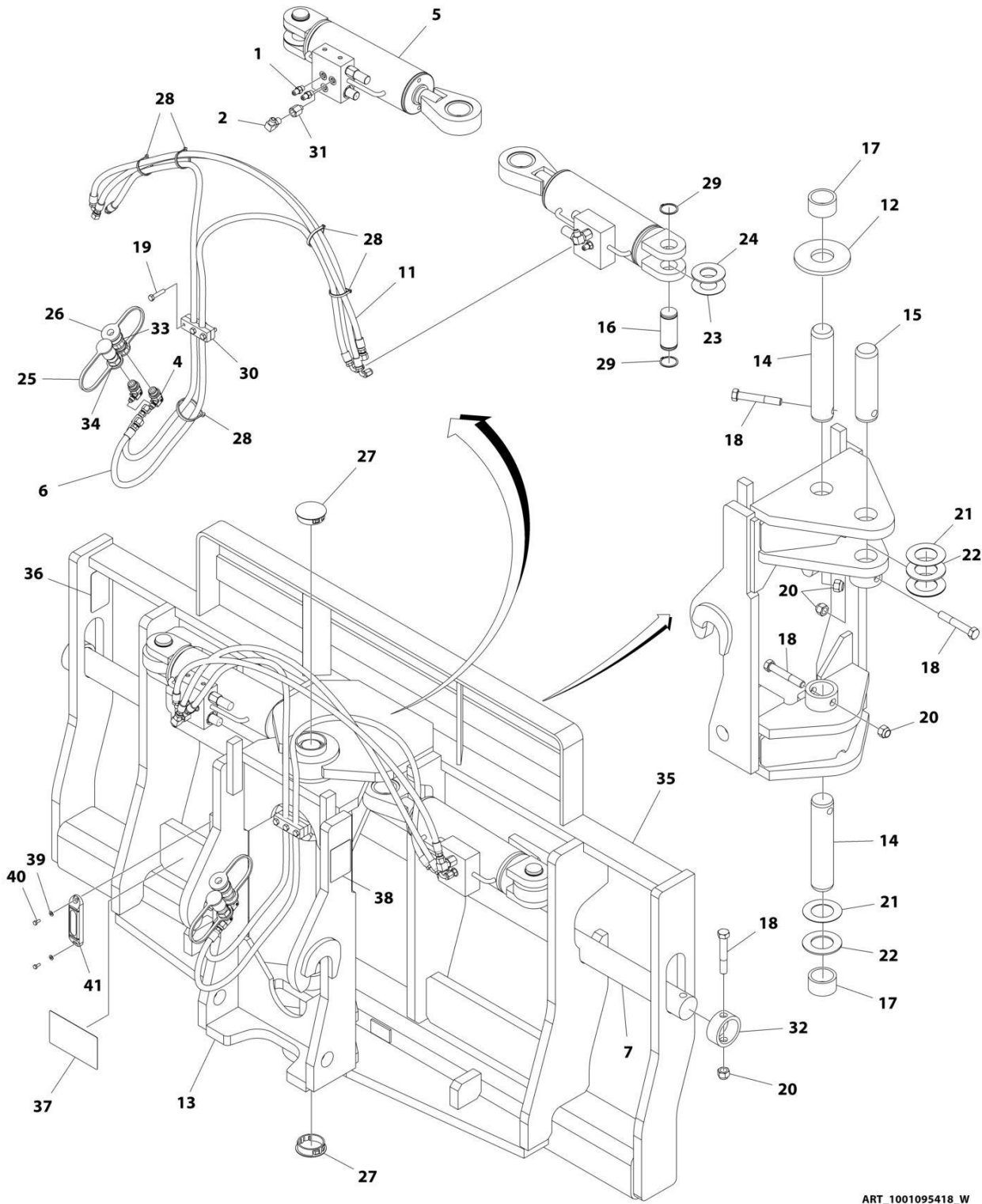
SECTION 3 - ATTACHMENTS

FIGURE 3-15. CARRIAGE ASSEMBLY - SIDE TILT (72 INCH)

ITEM	PART NUMBER	QTY	DESCRIPTION	REV
	1001276666	Ref	SIDE TILT CARRIAGE ASSEMBLY (72 INCH)	A
1	0100011	AR	Compound, Locking	
2	0642032	2	Bolt 5/8 x 4	
3	0681810	3	Bolt 1/2 x 1-1/4	
4	0741610	6	Screw 3/8 x 1-1/4	
5	0760405	2	Bolt M4 x 10	
6	2110606	2	Fitting, Straight	
7	2130808	2	Fitting, 90 ORFS	
8	2172106	2	Fitting, 90 ORFS	
9	3300240	2	Nut 5/8	
10	3423276	1	Pin, Fork	
11	3423307	2	Pin, Side Tilt Cylinder	
12	3841203	2	Keeper, Rod	
13	4811400	2	Washer M4	
14	4891800	1	Washer 1/2	
15	8420053	1	Cap, Dust	
16	8420055	1	Plug, Dust	
17	88671001	1	Fitting, Grease	
18	90200003	2	Collar, Fork Pin	
19	91403413	1	Fitting, Straight	
20	91403414	1	Fitting, Straight	
21	1001090140	1	Bearing, Side Tilt Spherical	
22	1001099113	1	Pin, Side Tilt Frame Pivot	
23	1001099115	2	Sleeve, Tilt Bearing Spacer	
24	1001120914	1	Shim, Bearing Retainer	
25	1001120915	1	Plate, Bearing Retainer	
26	1001163414	1	Cylinder, Side Tilt (See Separate Breakdown in HYDRAULIC COMPONENTS Section)	
27	1001227670	1	Tag, RFID	
28	1001239734	2	Hose	
29	See Note	NSS	SN Plate (Note: Stamped Part - Not Available for Purchase)	
30	See Note	NSS	Carriage, Base Plate (Note: Purchase Complete Assembly)	
31	See Note	NSS	Carriage, Side Tilt (Note: Purchase Complete Assembly)	

SECTION 3 - ATTACHMENTS

FIGURE 3-16. CARRIAGE ASSEMBLY - SWING (72 INCH) (Prior to SN 0160130010)



ART_1001095418_W

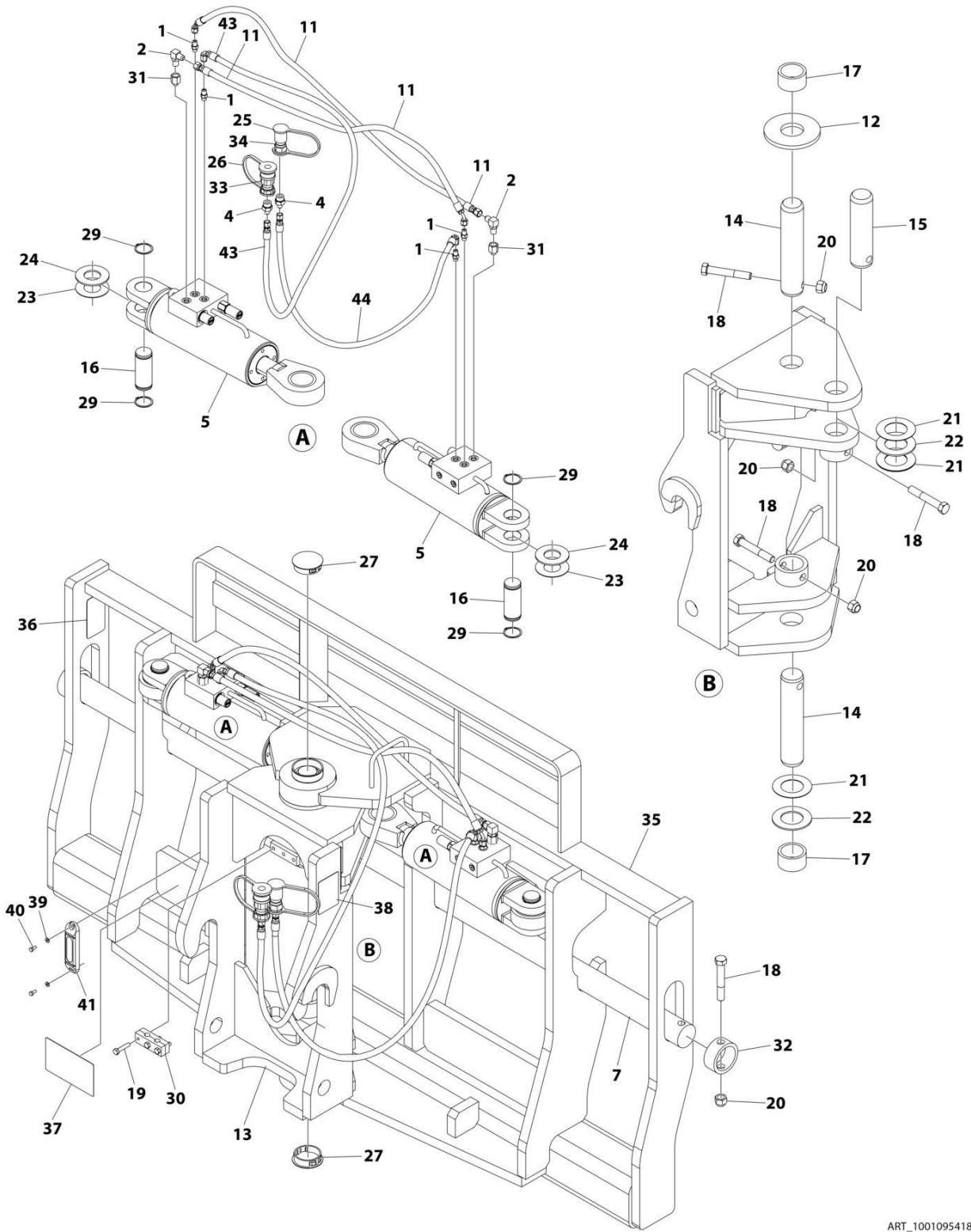
SECTION 3 - ATTACHMENTS

FIGURE 3-16. CARRIAGE ASSEMBLY - SWING (72 INCH) (Prior to SN 0160130010)

ITEM	PART NUMBER	QTY	DESCRIPTION	REV
	1001095418	Ref	CARRIAGE ASSEMBLY - SWING (72 INCH)	W
1	2220415	4	Fitting, Straight ORFS	
2	2220473	2	Fitting, 90 ORFS	
4	1001211139	2	Adapter, 90	
5	1001293182	1	Swing Carriage Cylinder (See Separate Breakdown in HYDRAULIC COMPONENTS Section)	
6	2717287	2	Hose 58in (Boom Front Disconnect)	
6	1001301599	1	Hose 66in (Boom Side Disconnect)	
6	1001301600	1	Hose 46in (Boom Side Disconnect)	
7	3423276	1	Pin	
11	6604662	2	Hose	
12	7062922	1	Washer	
13	See Note	NSS	Pivot (Note: Purchase Complete Assembly)	
14	7110702	2	Pin	
15	7110712	1	Pin	
16	7110722	2	Pin	
17	8065062	2	Bushing	
18	8303634	5	Bolt 5/8 x 4	
19	8303715	3	Bolt 5/16 x 1-1/2	
20	8305643	5	Nut 5/8	
21	8307904	AR	Washer	
22	8307918	AR	Washer	
23	8310160	AR	Washer	
24	8310161	AR	Washer	
25	8420053	1	Cap	
26	8420055	1	Plug	
27	8580315	2	Plug	
28	8584001	5	Tie Wrap	
29	8642207	4	Ring, Retaining	
30	8769132	2	Clamp	
31	8770016	2	Fitting, Straight ORFS	
32	90200003	2	Collar	
33	91403413	1	Fitting, Straight ORFS	
34	91403414	1	Fitting, Straight	
35	See Note	NSS	Carriage (Note: Purchase Complete Assembly)	
36	See Note	NSS	SN Plate (Note: Stamped Part - Not Available for Purchase)	
37	1001110704	1	Decal, Warning Crushing Hazard	
38	1001111190	2	Decal, Warning	
39	4811400	2	Washer M4	
40	0760405	2	Bolt M4 x 10	
41	1001227670	1	Tag - RFID	

SECTION 3 - ATTACHMENTS

FIGURE 3-17. CARRIAGE ASSEMBLY - SWING (72 INCH) (SN 0160130448 to Present)



ART_1001095418_Y

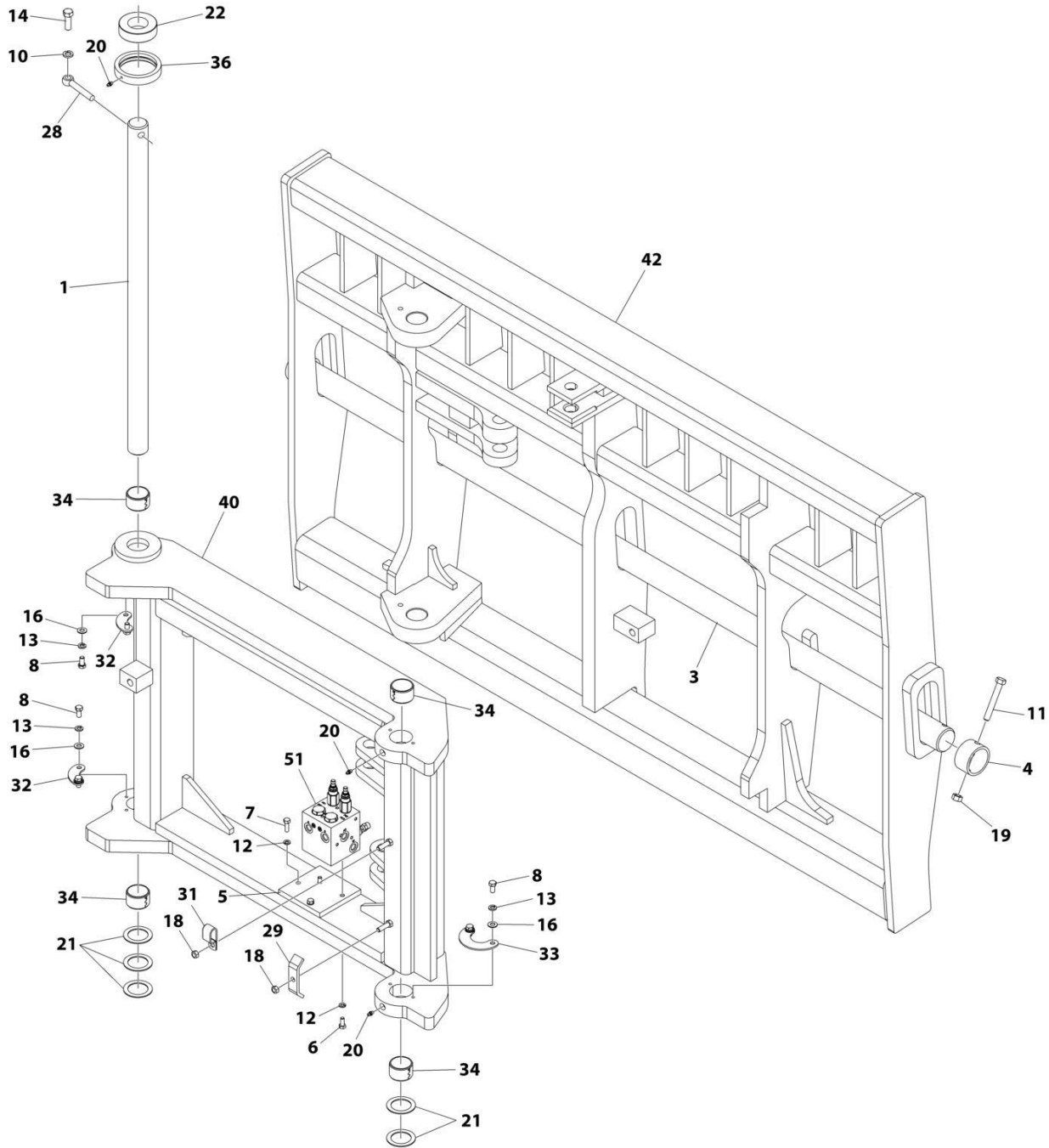
SECTION 3 - ATTACHMENTS

FIGURE 3-17. CARRIAGE ASSEMBLY - SWING (72 INCH) (SN 0160130448 to Present)

ITEM	PART NUMBER	QTY	DESCRIPTION	REV
	1001095418	Ref	CARRIAGE ASSEMBLY - SWING (72 INCH)	Y
1	2220415	4	Fitting, Straight ORFS	
2	2220473	2	Fitting, 90 ORFS	
4	2220468	2	Fitting, Straight JIC/ORB	
5	1001293182	2	Swing Carriage Cylinder (See Separate Breakdown in HYDRAULIC COMPONENTS Section)	
7	3423276	1	Pin	
11	1001286534	2	Hose	
12	7062922	1	Washer	
13	See Note	NSS	Pivot (Note: Purchase Complete Assembly)	
14	7110702	2	Pin	
15	7110712	1	Pin	
16	7110722	2	Pin	
17	8065062	2	Bushing	
18	8303634	5	Bolt 5/8 x 4	
19	8303715	3	Bolt 5/16 x 1-1/2	
20	8305643	5	Nut 5/8	
21	8307904	AR	Washer	
22	8307918	AR	Washer	
23	8310160	AR	Washer	
24	8310161	AR	Washer	
25	8420053	1	Cap	
26	8420055	1	Plug	
27	8580315	2	Plug	
29	8642207	4	Ring, Retaining	
30	8769132	2	Clamp	
31	8770016	2	Fitting, Straight ORFS	
32	90200003	2	Collar	
33	91403413	1	Fitting, Straight ORFS	
34	91403414	1	Fitting, Straight	
35	See Note	NSS	Carriage (Note: Purchase Complete Assembly)	
36	See Note	NSS	SN Plate (Note: Stamped Part - Not Available for Purchase)	
37	1001110704	1	Decal, Warning Crushing Hazard	
38	1001111190	2	Decal, Warning	
39	4811400	2	Washer M4	
40	0760405	2	Bolt M4 x 10	
41	1001227670	1	Tag - RFID	
42	1062255	AR	Tie-Strap (Not Shown)	
43	1001301599	1	Hose	
44	1001301600	1	Hose	

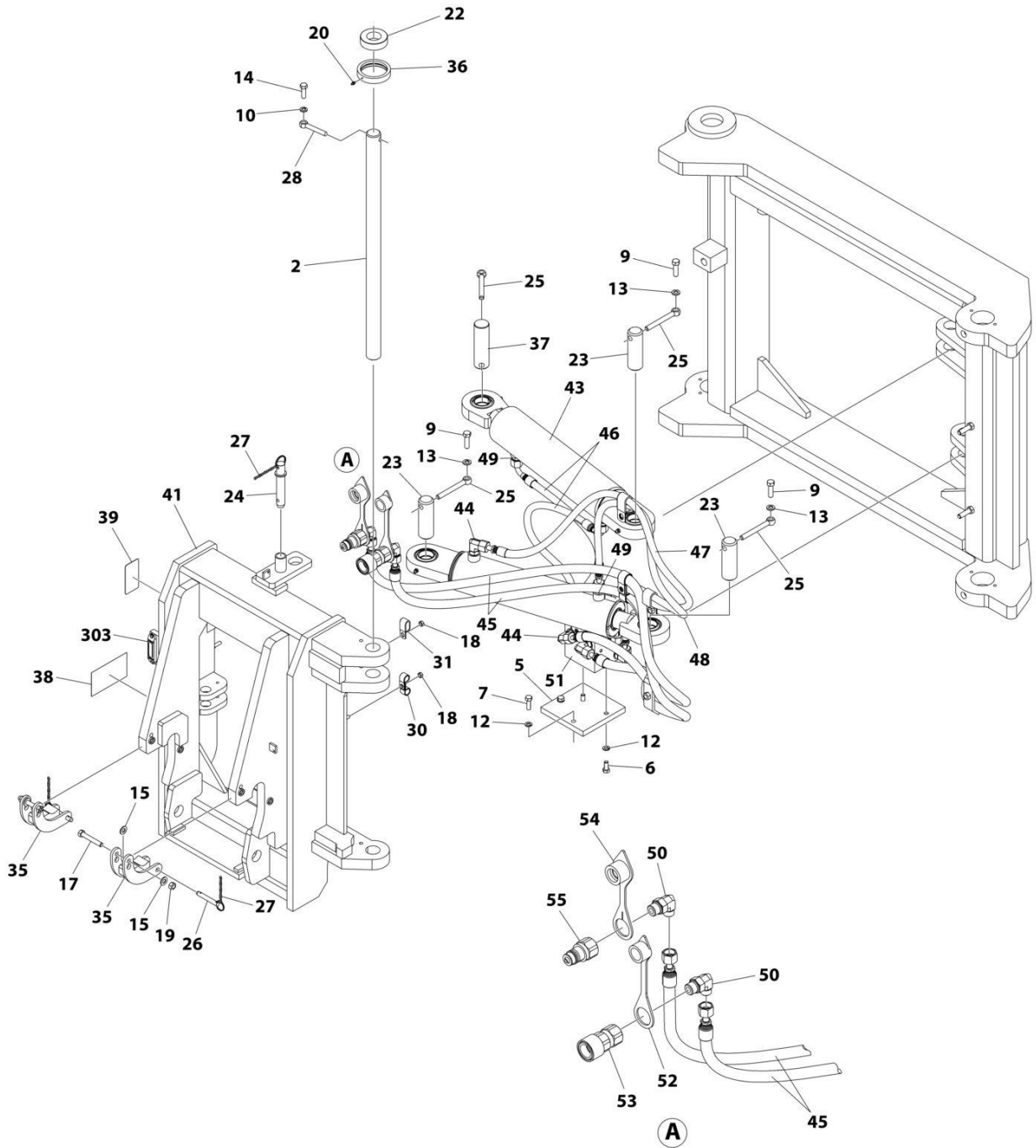
SECTION 3 - ATTACHMENTS

FIGURE 3-18. CARRIAGE ASSEMBLY - SWING (180)



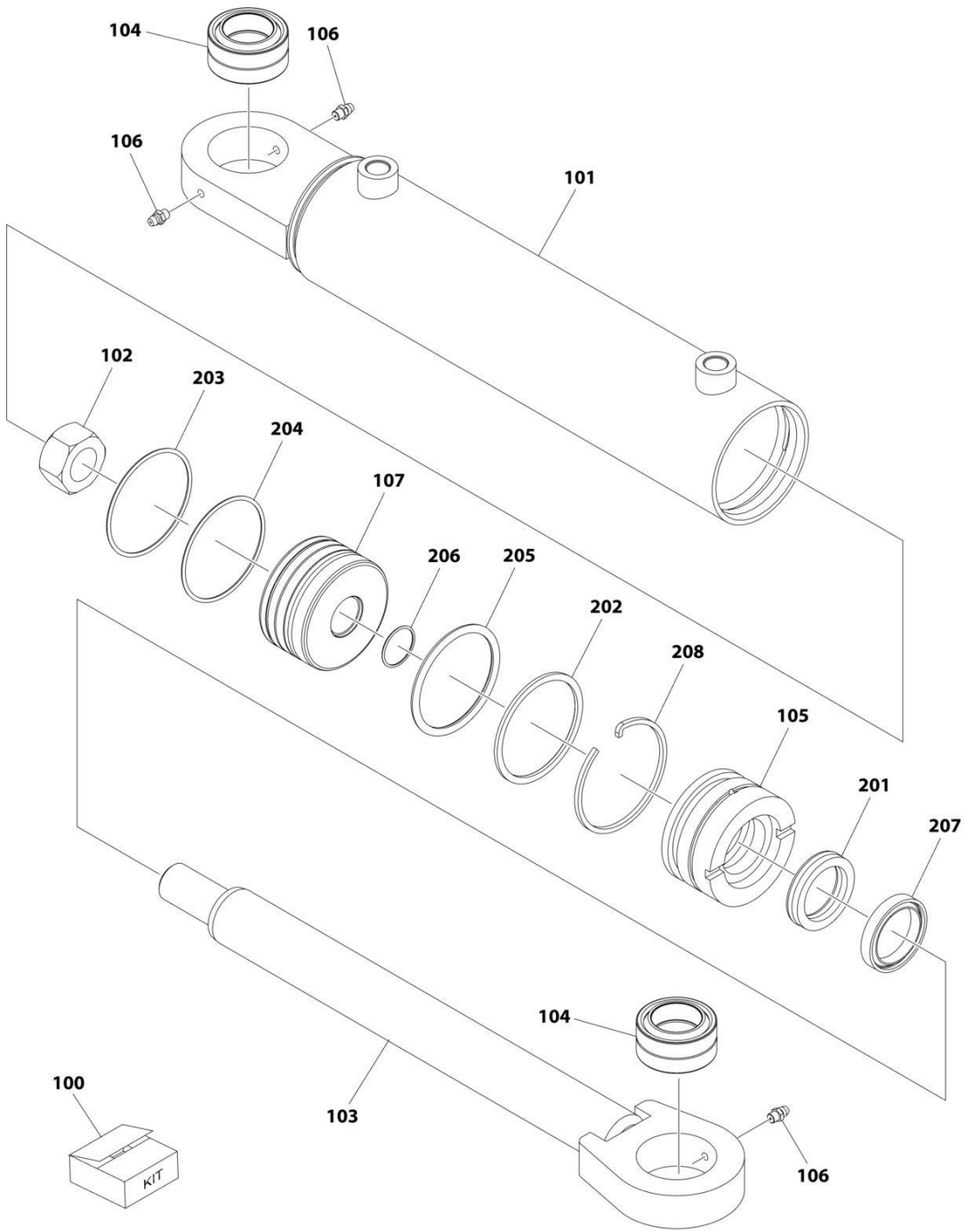
ART_1001238627_C_10F3

SECTION 3 - ATTACHMENTS



ART_1001238627_C_20F3

SECTION 3 - ATTACHMENTS



ART_1001238627_C_3OF3

SECTION 3 - ATTACHMENTS

FIGURE 3-18. CARRIAGE ASSEMBLY - SWING (180)

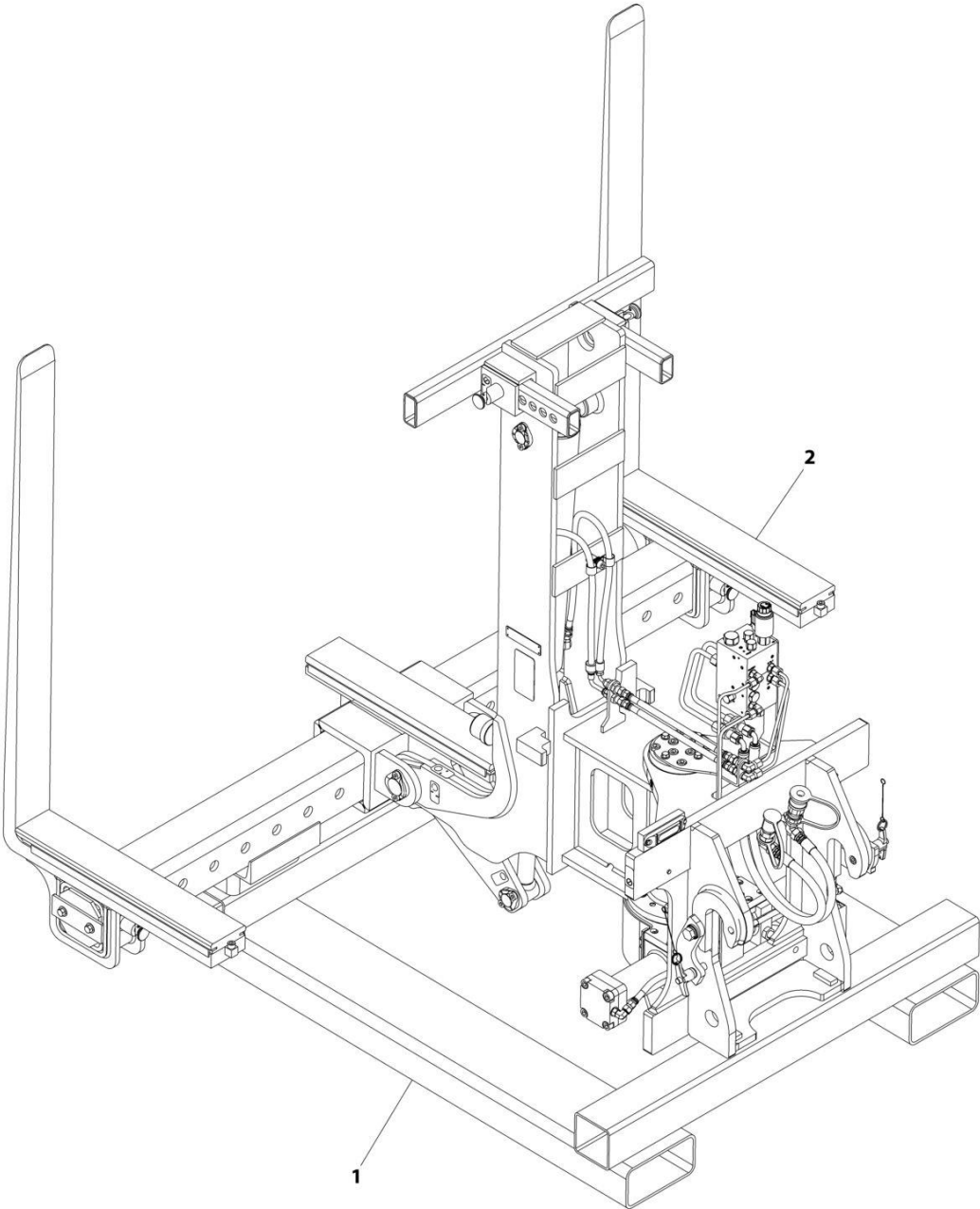
ITEM	PART NUMBER	QTY	DESCRIPTION	REV
	1001238627	Ref	SWING CARRIAGE 180	C
1	70020025	1	Pin	
2	70020026	1	Pin	
3	70020027	1	Pin Fork	
4	70020028	2	Fork Pin Retainer	
5	70029481	1	Plate	
6	70027773	2	Bolt	
7	70029478	2	Bolt	
8	7029997	6	Bolt	
9	70021429	4	Bolt	
10	90554020	2	Washer	
11	70020002	2	Bolt	
12	90554067	4	Washer	
13	90554042	10	Washer	
14	70021382	2	Bolt	
15	70021338	4	Washer	
16	7029703	6	Washer	
17	70029701	2	Bolt	
18	70021367	4	Nut	
19	70027642	4	Nut	
20	90554045	4	Zerk, Grease	
21	90554040	5	Washer	
22	90554024	2	Bearing	
23	90554044	3	Pin	
24	90554026	1	Pin	
25	90554043	4	Pin, Rod End	
26	90554035	2	Pin	
27	90554025	3	Chain, #12 Jack	
28	90554021	1	Pin, Rod End	
29	90554039	1	Hose Clamp	
30	7029996	2	Clamp, Hose	
31	70029480	2	Clamp, Hose	
32	70027644	2	Retainer, Bearing	
33	70027645	1	Retainer, Bearing	
34	70020015	4	Bearing	
35	90554027	2	Pin Support Wmt	
36	70020017	2	Spacer	
37	70022530	1	Pin	
38	1001110704	1	Decal, Warning	
39	N.S.S.	1	Serial Tag	
40	N.S.S.	1	Middle Frame	
41	N.S.S.	1	Rear Frame	
42	N.S.S.	1	Front Frame	
43	70027641	2	Cylinder Assy (includes items 100 thru 107)	
44	70028525	7	Elbow, 90	
45	70029702	2	Hose	
46	70029556	2	Hose	
47	70029554	1	Hose	
48	70029553	1	Hose	
49	70028486	3	Fitting Straight	

SECTION 3 - ATTACHMENTS

ITEM	PART NUMBER	QTY	DESCRIPTION	REV
50	70028526	2	Elbow, 90	
51	70029479	1	Valve	
52	8420055	1	Dust Plug, Female	
53	91403413	1	Hyd Couplier, Female	
54	8420053	1	Dust Cap, Male	
55	91403414	1	Hyd Couplier, Male	
100	70027649	1	Cylinder Seal Kit (includes items 201 thru 208)	
101	N.S.S.	1	Cylinder Tube Weldment	
102	70021440	1	Nut	
103	70021442	1	Cylinder Rod Weldment	
104	90554046	2	Bearing	
105	70021443	1	Cylinder Gland	
106	90554045	3	Grease Zerk	
107	70027647	1	Cylinder Piston	
201	Kit	1	Polypack	
202	Kit	1	Back-Up	
203	Kit	1	O-Ring	
204	Kit	1	O-Ring	
205	Kit	1	O-Ring	
206	Kit	1	O-Ring	
207	Kit	1	Rod Wiper	
208	Kit	1	Retainer, Gland	
303	1001227670	1	Tag, RFID	

SECTION 3 - ATTACHMENTS

FIGURE 3-19. CARRIAGE INSTALLATION - DRYWALL SWING



ART_1001246022_B

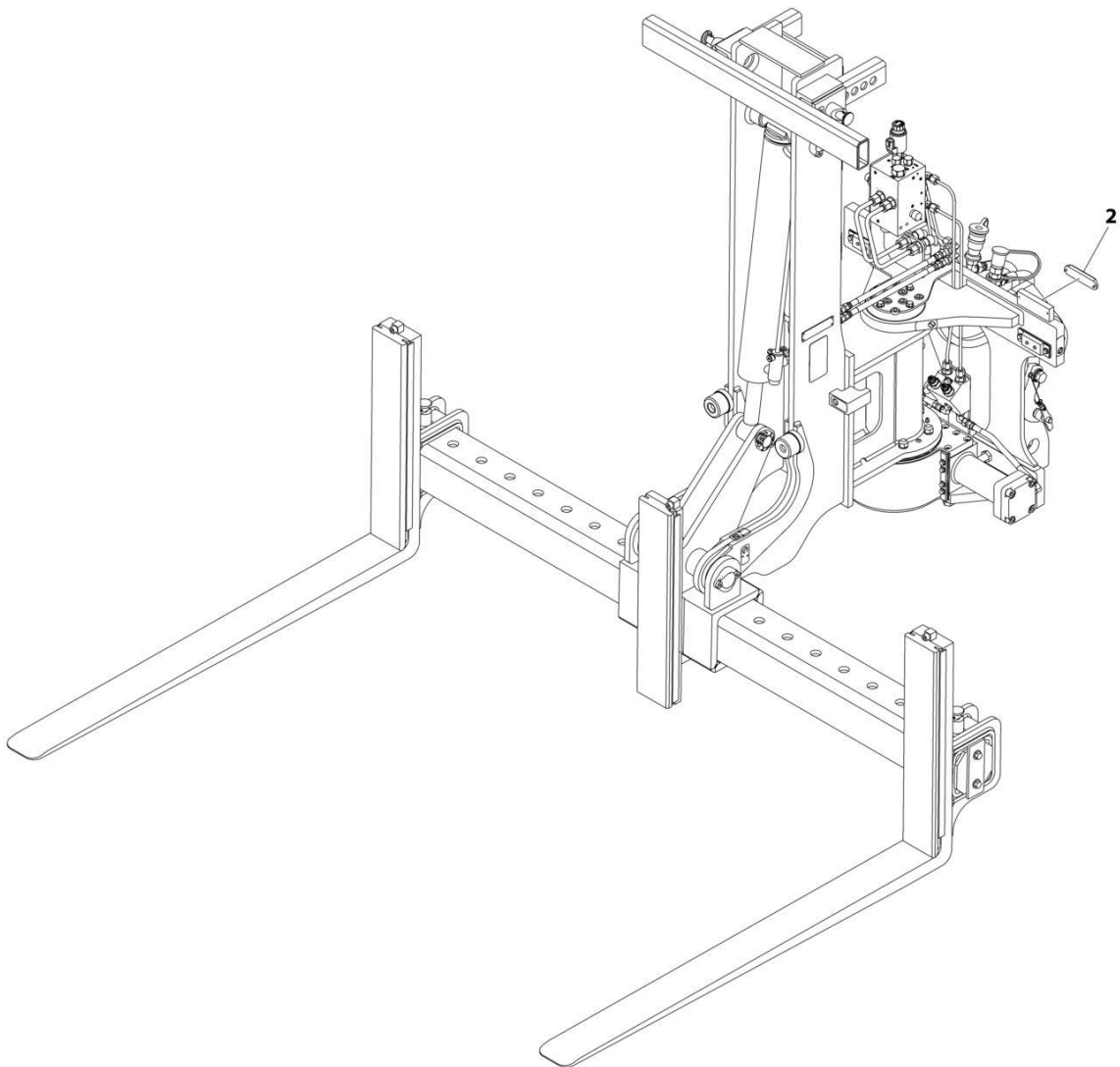
SECTION 3 - ATTACHMENTS

FIGURE 3-19. CARRIAGE INSTALLATION - DRYWALL SWING

ITEM	PART NUMBER	QTY	DESCRIPTION	REV
	1001246022	Ref	DRYWALL SWING CARRIAGE INSTALLATION	B
1	1001243214	1	Drywall Cradle	
2	1001230765	1	Rotating Drywall Carriage (See Separate Breakdown in this Section)	

SECTION 3 - ATTACHMENTS

FIGURE 3-20. CARRIAGE ASSEMBLY - DRYWALL SWING



ART_1001230765_D

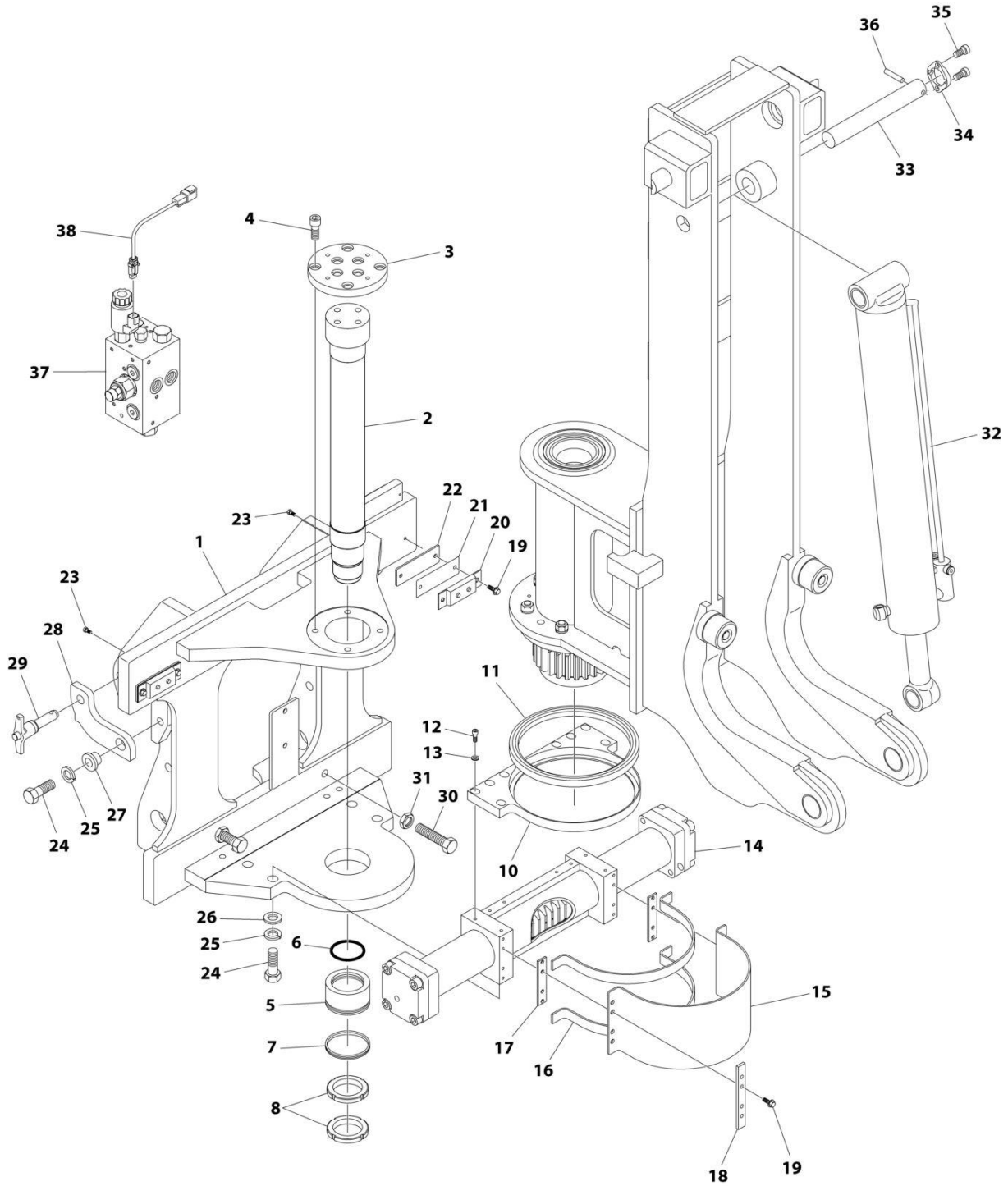
SECTION 3 - ATTACHMENTS

FIGURE 3-20. CARRIAGE ASSEMBLY - DRYWALL SWING

ITEM	PART NUMBER	QTY	DESCRIPTION	REV
	1001230765	Ref	ROTATING DRYWALL CARRIAGE	D
		Ref	Drywall Board Handler (See Separate Breakdown in this Section)	
		Ref	Drywall Pivot Frame Group (See Separate Breakdown in this Section)	
		Ref	Drywall Cylinder (See Separate Breakdown in this Section)	
		Ref	Drywall Hydraulic Group (See Separate Breakdown in this Section)	
		Ref	Drywall Valve Assembly (See Separate Breakdown in this Section)	
		Ref	Drywall Cylinder (See Separate Breakdown in this Section)	
		Ref	Drywall Fork Group (See Separate Breakdown in this Section)	
2	1001227670	1	Tag, RFID	

SECTION 3 - ATTACHMENTS

FIGURE 3-21. CARRIAGE ASSEMBLY - DRYWALL SWING (BOARD HANDLER)



ART_1001230765_1

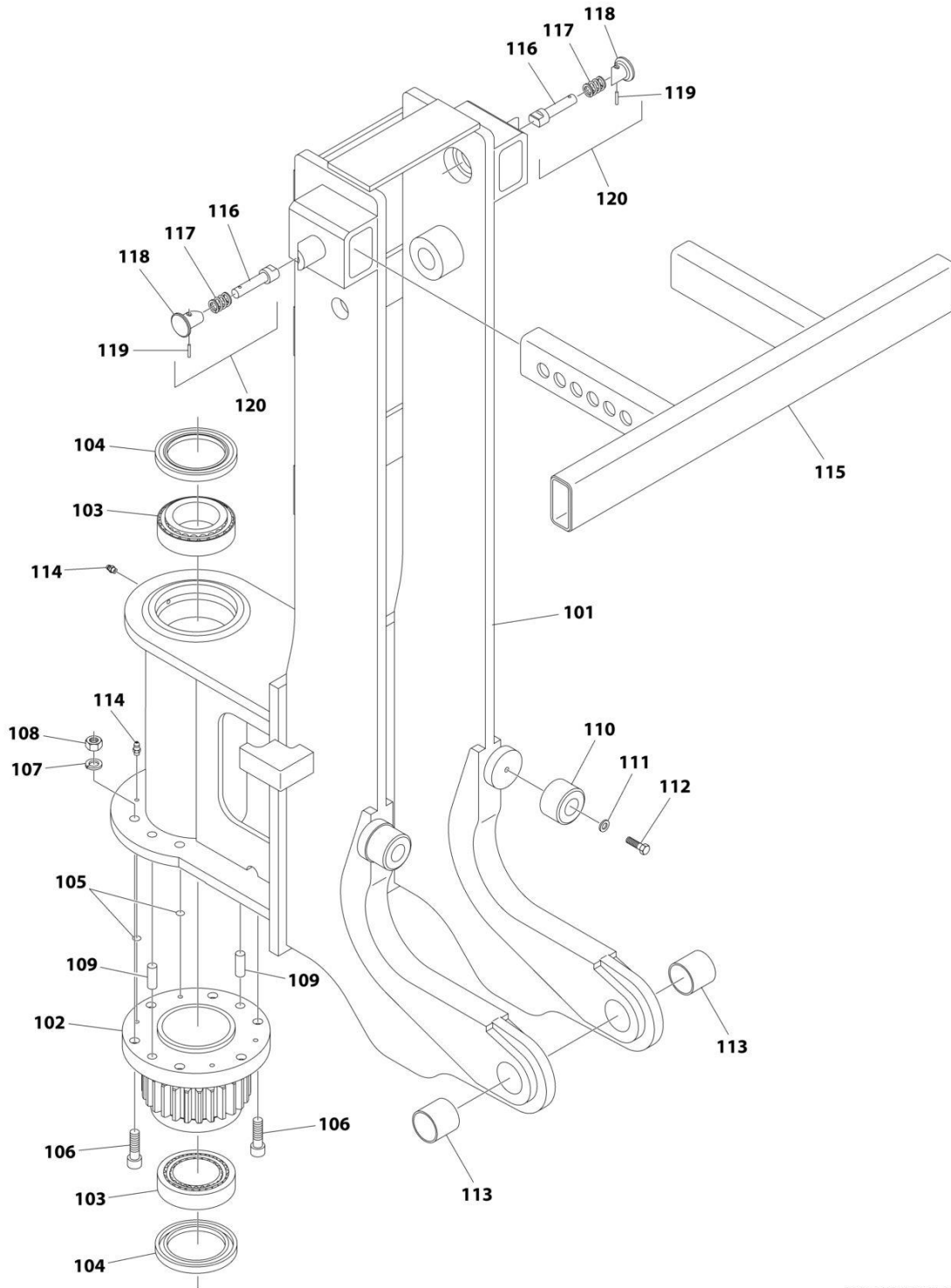
SECTION 3 - ATTACHMENTS

FIGURE 3-21. CARRIAGE ASSEMBLY - DRYWALL SWING (BOARD HANDLER)

ITEM	PART NUMBER	QTY	DESCRIPTION	REV
	1001230765	Ref	Drywall - Board Handler	
1	70029608	1	Carriage, Hook Mount	
2	70029609	1	Pivot Shaft	
3	70029610	1	Cap	
4	70029611	8	Screw	
5	70029612	1	Spacer	
6	70029613	1	O-Ring	
7	70029614	1	Dual Seal	
8	70029615	2	Locknut	
10	70029616	1	Upper Housing Assembly	
11	70029648	1	Shaft Seal	
12	70029617	8	Screw	
13	70026480	8	Washer	
14	70029586	1	Cylinder Assembly	
15	70029618	1	Cover Assembly (includes Items 16 & 17)	
16	N.S.S.	2	Gasket	
17	N.S.S.	2	Gasket	
18	70029619	2	Plate	
19	70029620	12	Screw	
20	70029621	2	Cushion	
21	70029622	AR	Shim	
22	70029623	AR	Shim	
23	70029624	2	Screw	
24	70024552	6	Screw	
25	70024551	6	Lockwasher	
26	70029625	4	Washer	
27	70029626	2	Shoulder Boss	
28	70029627	2	Lock Plate	
29	70029628	2	Ball Lock Pin	
30	70029629	2	Screw	
31	70029630	2	Jam Nut	
32	70029587	1	Cylinder Assembly	
33	70029631	1	Pin	
34	70028702	1	Pin Retainer	
35	70028701	2	Screw	
36	70028703	1	Grooved Pin	
37	70029595	1	Valve Assembly	
38	70029588	1	Cable Assembly	

SECTION 3 - ATTACHMENTS

FIGURE 3-22. CARRIAGE ASSEMBLY - DRYWALL SWING (PIVOT FRAME GROUP)



ART_1001230765_2

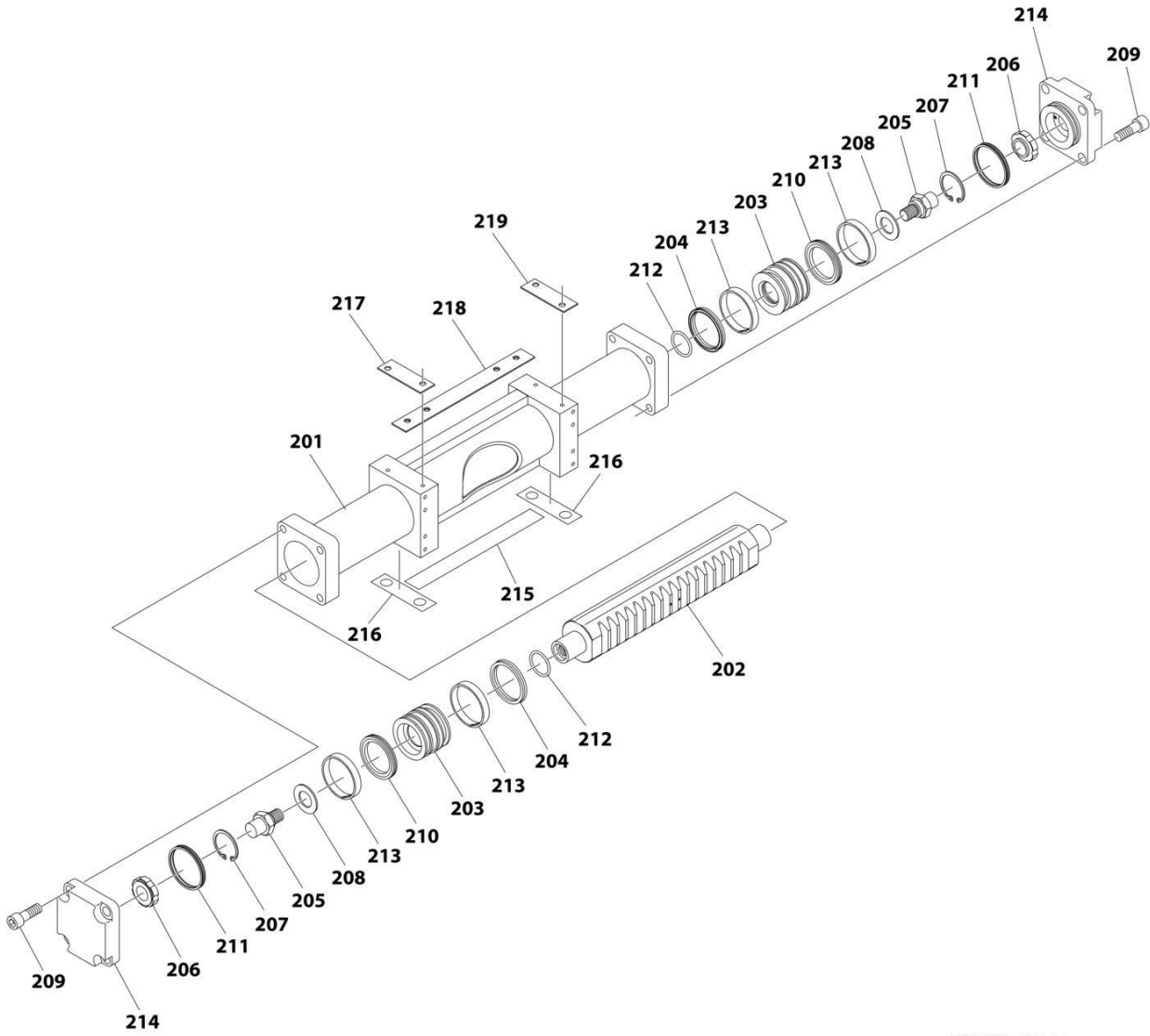
SECTION 3 - ATTACHMENTS

FIGURE 3-22. CARRIAGE ASSEMBLY - DRYWALL SWING (PIVOT FRAME GROUP)

ITEM	PART NUMBER	QTY	DESCRIPTION	REV
	1001230765	Ref	Drywall - Pivot Frame Group	
101	70029632	1	Pivot Frame	
102	70029633	1	Pinion Gear	
103	70029634	2	Bearing	
104	70029635	2	Shaft Seal	
105	70029636	2	O-Ring	
106	70024684	6	Screw	
107	70029637	6	Lockwasher	
108	70029638	6	Nut	
109	70029639	2	Dowel Pin	
110	70029640	2	Bumper	
111	70024721	2	Washer, M8	
112	70029641	2	Screw	
113	70029642	2	Bearing	
114	70024679	3	Grease Fitting	
115	70029643	1	Load Support	
116	70028154	1	Pin	
117	70028155	1	Spring	
118	70024759	1	Knob	
119	70024761	1	Spring Pin	
120	70028153	2	Pin Kit (includes Items 116 thru 119)	

SECTION 3 - ATTACHMENTS

FIGURE 3-23. CARRIAGE ASSEMBLY - DRYWALL SWING (CYLINDER)



ART_1001230765_3

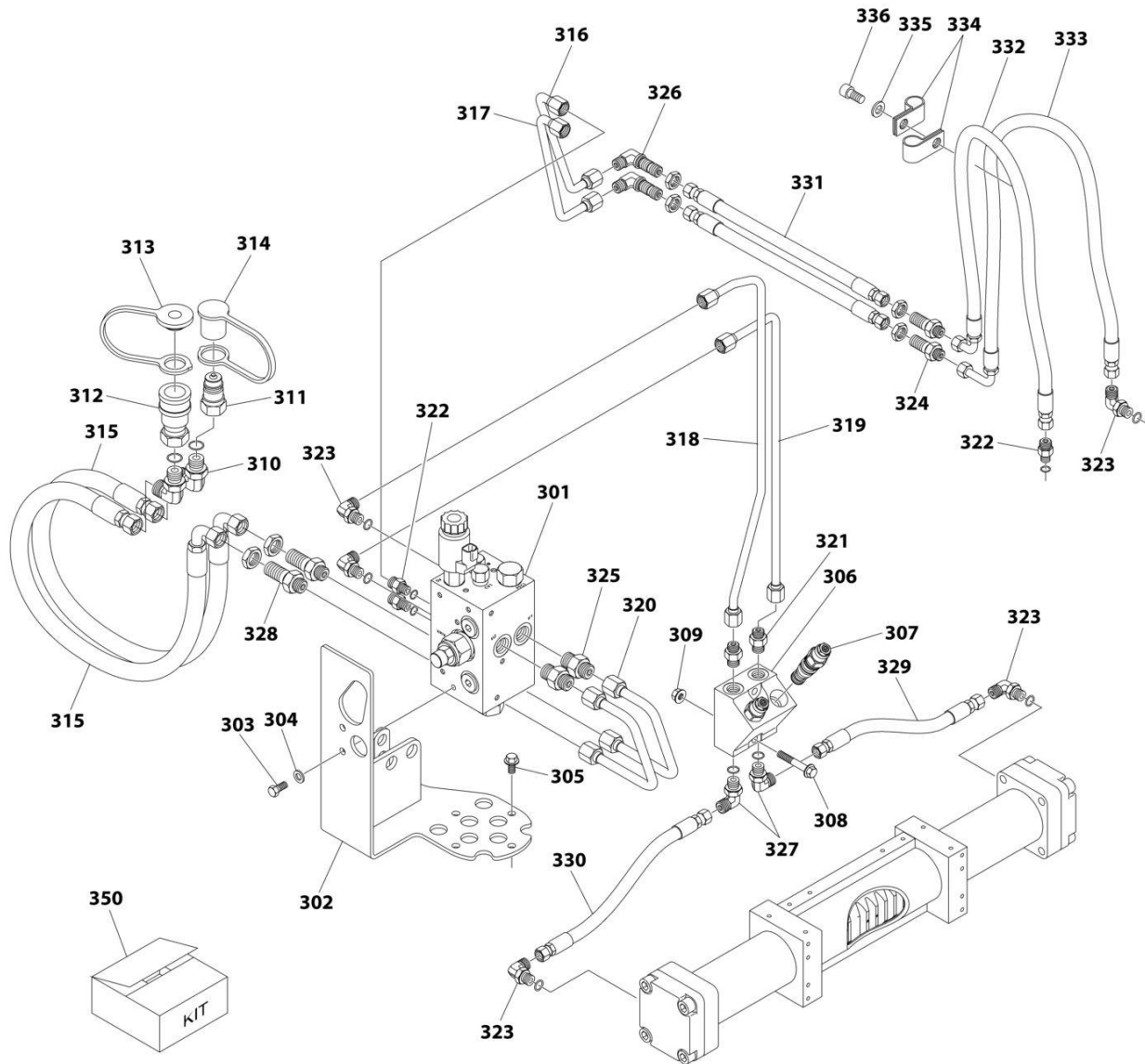
SECTION 3 - ATTACHMENTS

FIGURE 3-23. CARRIAGE ASSEMBLY - DRYWALL SWING (CYLINDER)

ITEM	PART NUMBER	QTY	DESCRIPTION	REV
201	1001230765	Ref	Drywall - Cylinder	
	N.S.S.	1	Barrel	
		Ref	Note: Original Cylinder May Have Been Replaced with Service Replacement. Identify PN Stamped on Cylinder Before Ordering Parts.	
202	70029644	1	Rod	
203	70029645	3	Piston	
204	70029646	2	Wiper	
205	70029681	2	Cushion Spear	
206	70029682	2	Cushion	
207	70029683	2	Retaining Ring	
208	70029684	2	Washer	
209	70029685	8	Screw	
210	70029686	2	Piston Seal	
211	70029687	2	Dual Seal	
212	70029688	2	O-Ring	
213	70029689	4	Wear Ring	
214	70029690	2	End Cap	
215	70029691	1	Gasket Tape	
216	70029692	2	Gasket Tape	
217	70029693	1	Gasket, RH	
218	70029694	1	Gasket, Rear	
219	70029695	1	Gasket, LH	

SECTION 3 - ATTACHMENTS

FIGURE 3-24. CARRIAGE ASSEMBLY - DRYWALL SWING (HYDRAULIC GROUP)



ART_1001230765_4

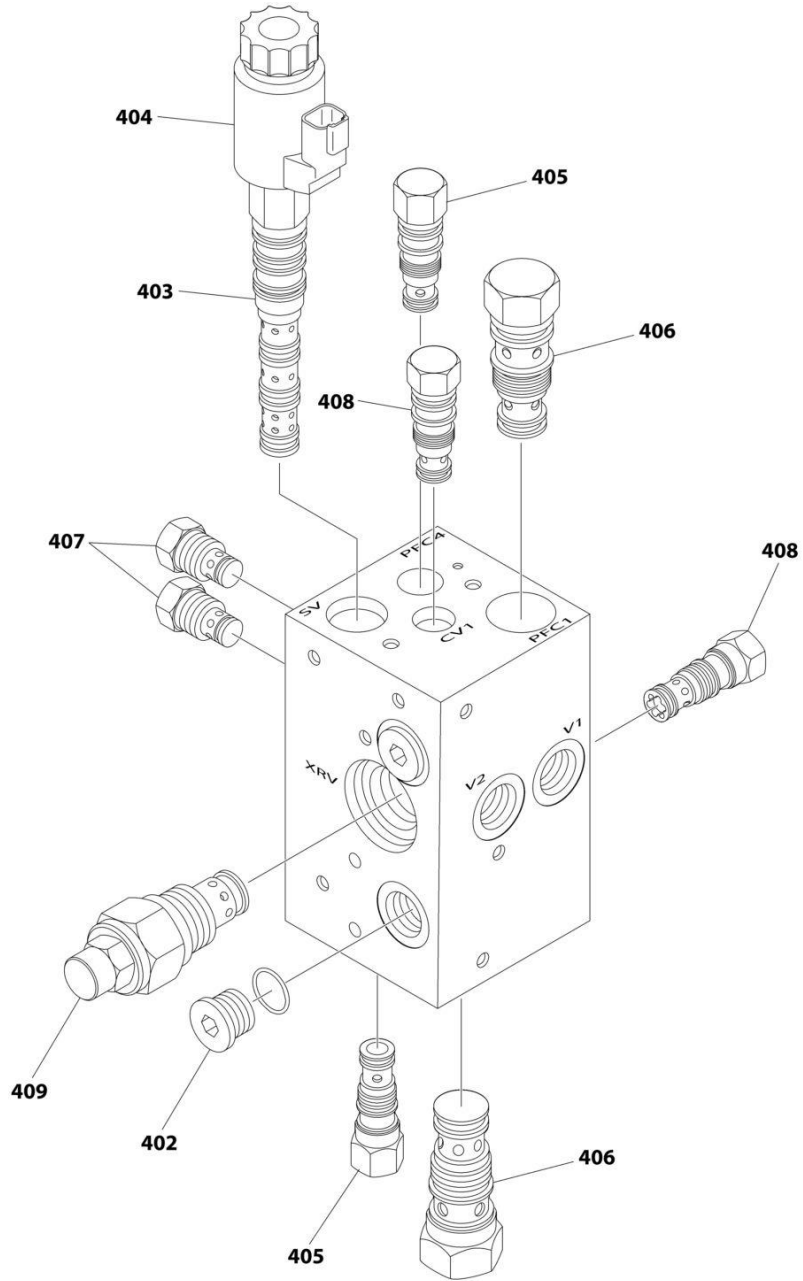
SECTION 3 - ATTACHMENTS

FIGURE 3-24. CARRIAGE ASSEMBLY - DRYWALL SWING (HYDRAULIC GROUP)

ITEM	PART NUMBER	QTY	DESCRIPTION	REV
	1001230765	Ref	Drywall - Hydraulic Group	
301	70029595	1	Valve Assembly	
302	70029659	1	Valve Mounting Bracket	
303	70028130	2	Screw	
304	70024721	2	Washer	
305	70029660	4	Bolt	
306	70029661	1	Inline Valve Body	
307	70029662	2	Cartridge, Counterbalance	
308	70029663	2	Screw	
309	70029664	2	Nut	
310	70024127	2	Adapter	
311	91403414	1	Quick Disconnect, Male	
312	91403413	1	Quick Disconnect, Female	
313	8420055	1	Dust Cap	
314	8420053	1	Dust Plug	
315	70029665	2	Hose 30in (Boom Front Disconnect)	
315	70031447	2	Hose 42in (Boom Side Disconnect)	
316	70029666	1	Tube	
317	70029667	1	Tube	
318	70029668	1	Tube	
319	70029669	1	Tube	
320	70029670	2	Tube	
321	70029671	2	Fitting	
322	70029672	3	Fitting	
323	70029673	5	Fitting	
324	70028768	2	Fitting	
325	70029674	2	Fitting	
326	70029675	2	Fitting	
327	70028661	2	Fitting	
328	70023000	2	Bulkhead Union Elbow	
329	70029676	1	Hose, 310 mm	
330	70029677	1	Hose, 255 mm	
331	70029678	2	Hose, 340 mm	
332	70029679	1	Hose, 800 mm	
333	70029680	1	Hose, 805 mm	
334	70026481	2	Hose Clamp	
335	70026482	1	Washer	
336	70028672	1	Screw	
350	70031440	1	Disconnect Hose Kit (Boom Front Disconnect) (Includes Items 310-315)	
350	70031441	1	Disconnect Hose Kit (Boom Side Disconnect) (Includes Items 310-315)	

SECTION 3 - ATTACHMENTS

FIGURE 3-25. CARRIAGE ASSEMBLY - DRYWALL SWING (VALVE ASSEMBLY)



ART_1001230765_5

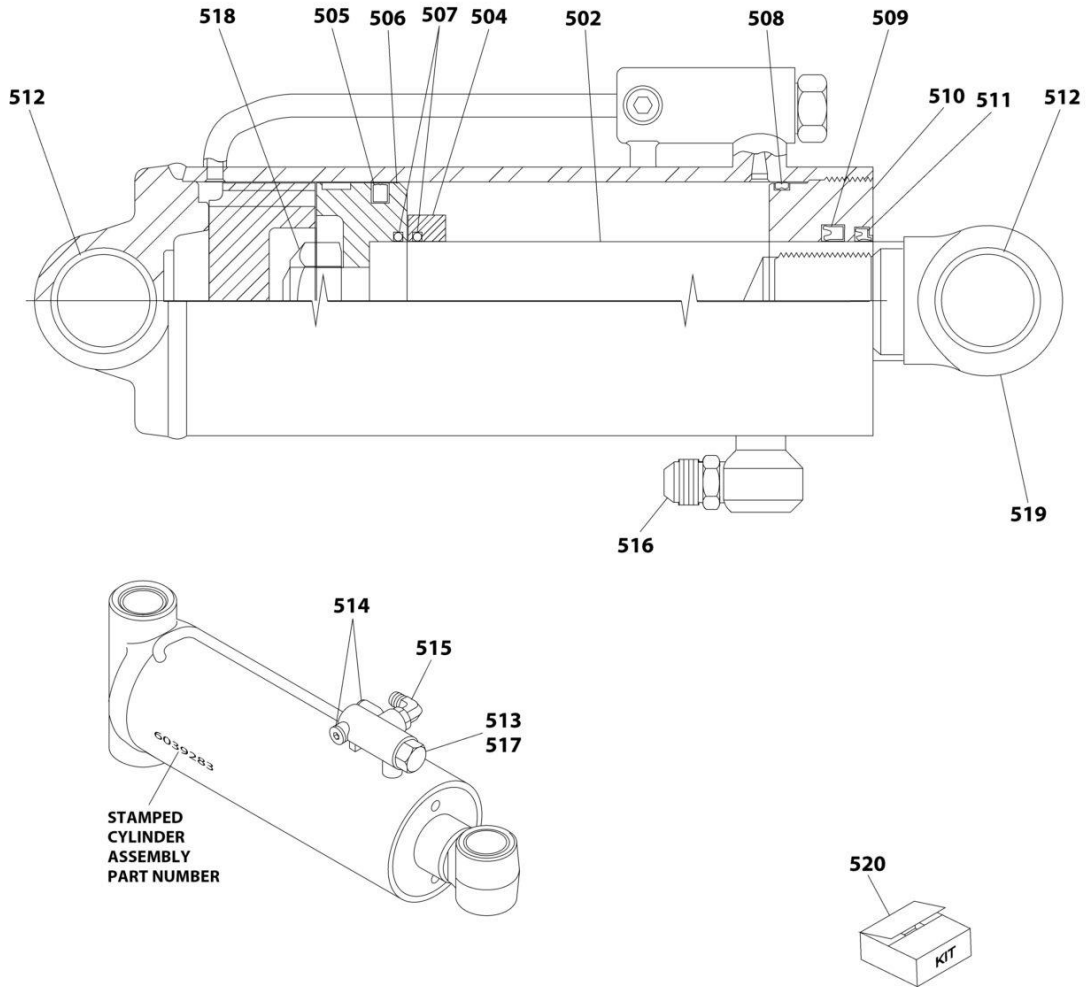
SECTION 3 - ATTACHMENTS

FIGURE 3-25. CARRIAGE ASSEMBLY - DRYWALL SWING (VALVE ASSEMBLY)

ITEM	PART NUMBER	QTY	DESCRIPTION	REV
	1001230765	Ref	Drywall - Valve Assembly	
402	70028119	2	Plug	
403	70029596	1	Cartridge, Directional Control	
404	70029597	1	Coil, 12V	
405	70029598	2	Cartridge, Flow Control	
406	70029599	2	Cartridge, Flow Control	
407	70029600	2	Cartridge, Check	
408	70029601	2	Cartridge, Check	
409	70029602	1	Cartridge, Pressure Control	

SECTION 3 - ATTACHMENTS

FIGURE 3-26. CARRIAGE ASSEMBLY - DRYWALL SWING (CYLINDER)



ART_1001230765_6

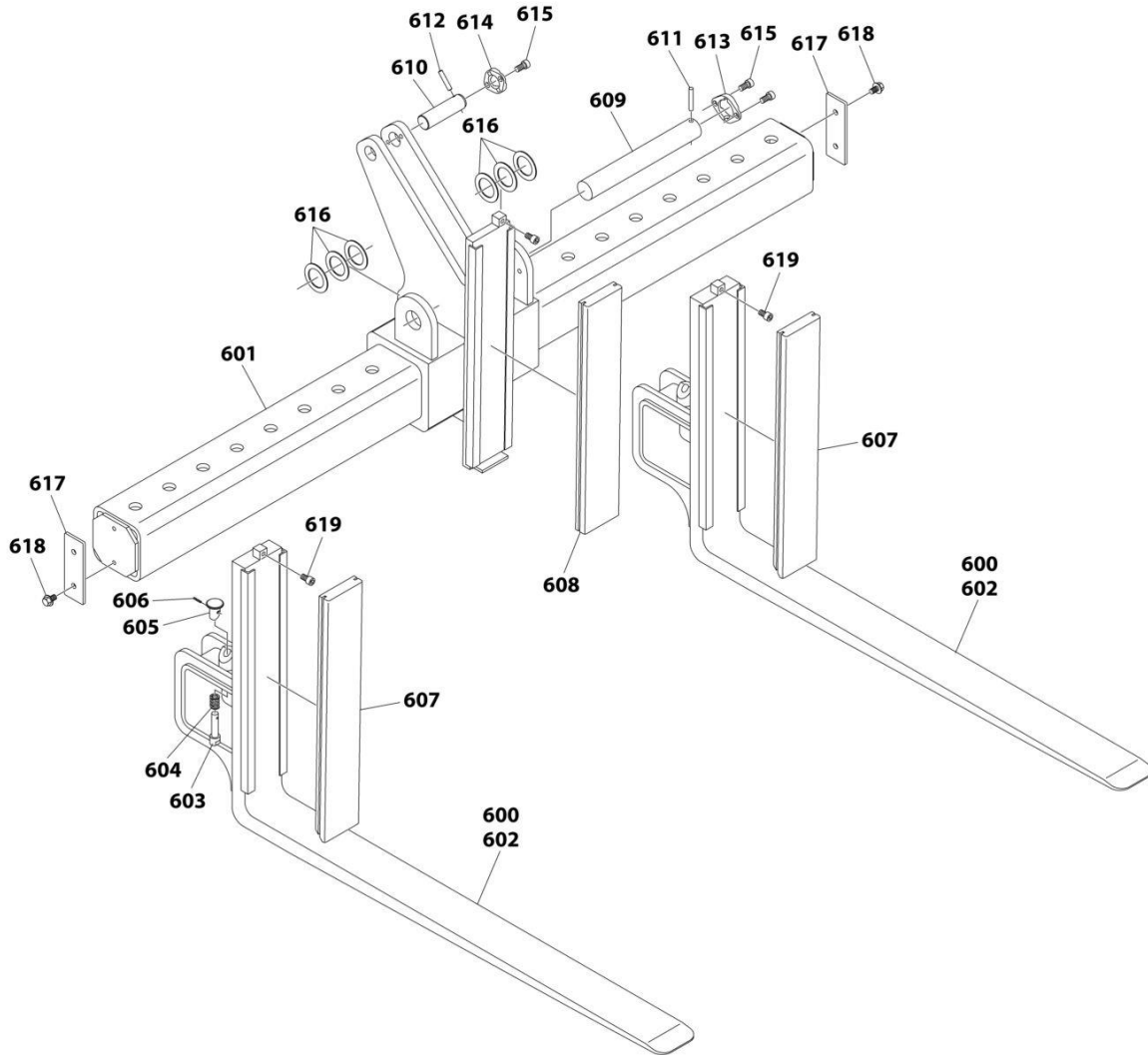
SECTION 3 - ATTACHMENTS

FIGURE 3-26. CARRIAGE ASSEMBLY - DRYWALL SWING (CYLINDER)

ITEM	PART NUMBER	QTY	DESCRIPTION	REV
502	1001230765	Ref	Drywall - Cylinder	
	70029593	1	Rod Assembly (Includes Item 512 & 519)	
		Ref	Note: Original Cylinder May Have Been Replaced with Service Replacement. Identify PN Stamped on Cylinder Before Ordering Parts.	
504	70029603	1	Spacer, Piston	
505	N.S.S.	1	Piston Seal	
506	70029594	1	Piston	
507	N.S.S.	2	O-Ring	
508	N.S.S.	1	Dual Seal	
509	N.S.S.	1	Rod Seal	
510	70029604	1	Retainer	
511	N.S.S.	1	Rod Wiper	
512	70029605	2	Bushing	
513	70024733	1	Valve, Check	
514	70024129	2	Fitting	
515	70029606	1	Fitting	
516	70029607	1	Fitting	
517	70024734	1	Check Valve Service Kit	
518	70026503	1	Nut	
519	70029647	1	Rod End	
520	70029592	1	Service Kit, Cylinder (Includes Items 505, 507 thru 511)	

SECTION 3 - ATTACHMENTS

FIGURE 3-27. CARRIAGE ASSEMBLY - DRYWALL SWING FORK GROUP



ART_1001230765_7

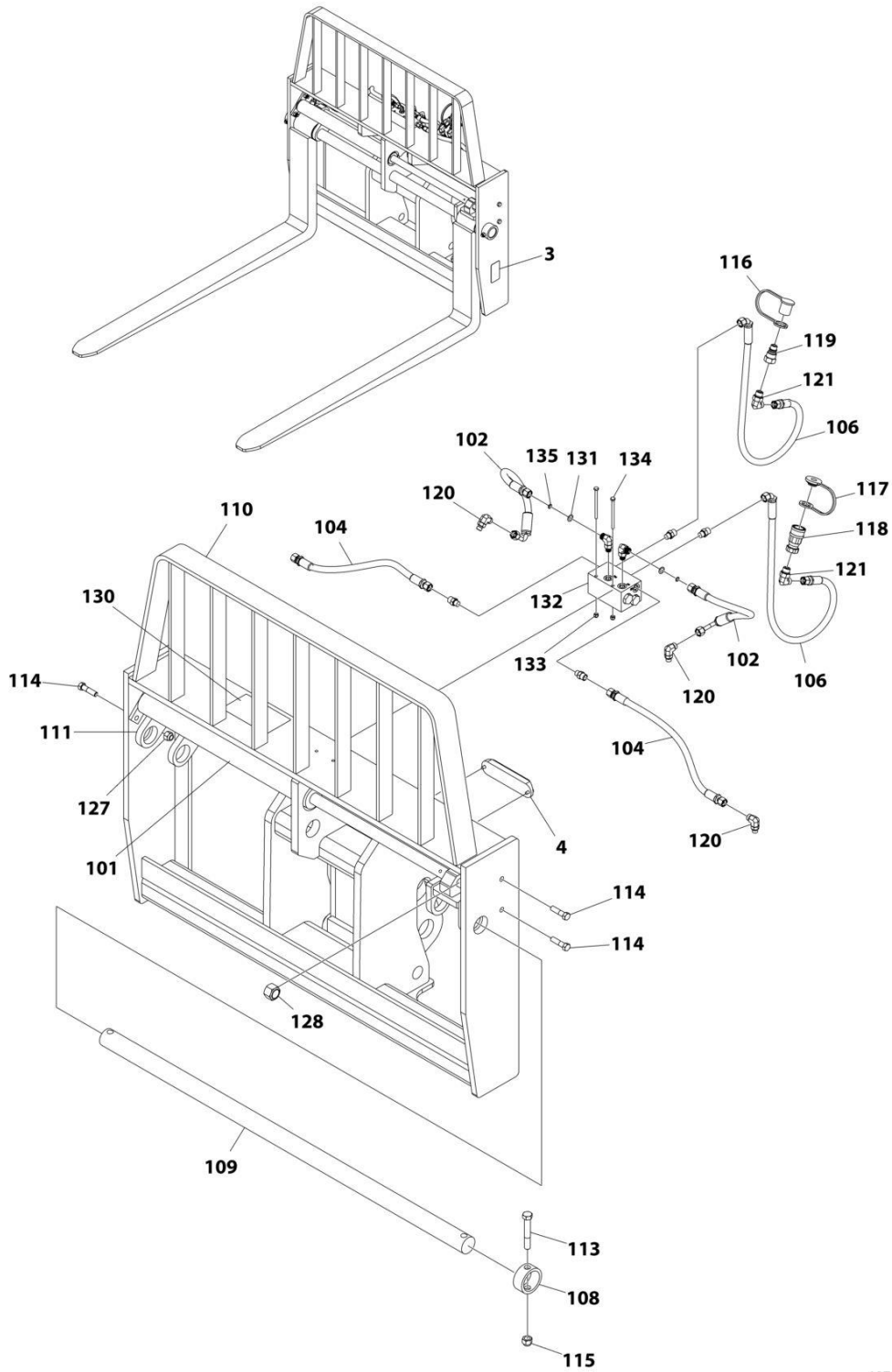
SECTION 3 - ATTACHMENTS

FIGURE 3-27. CARRIAGE ASSEMBLY - DRYWALL SWING FORK GROUP

ITEM	PART NUMBER	QTY	DESCRIPTION	REV
	1001230765	Ref	Drywall - Fork Group	
600	70029649	2	Fork Assembly	
601	70029650	1	Fork Mount Assembly	
602	70029651	1	Fork	
	70028153	1	Pin Kit (includes Items 603 thru 606)	
603	70028154	1	Pin	
604	70028155	1	Spring	
605	70024759	1	Knob	
606	70024761	1	Spring Pin	
607	70029652	2	Bumper	
608	70029653	1	Bumper	
609	70029654	1	Pin	
610	70029655	1	Pin	
611	70028706	1	Pin	
612	70028703	1	Pin	
613	70028707	1	Retainer	
614	70028702	1	Retainer	
615	70028701	4	Bolt	
616	70028708	6	Shim	
617	70029656	2	Retainer	
618	70029657	4	Screw	
619	70029658	3	Screw	

SECTION 3 - ATTACHMENTS

FIGURE 3-28. CARRIAGE - FORK POSITIONING (4.5 TON)



ART_7301295_L

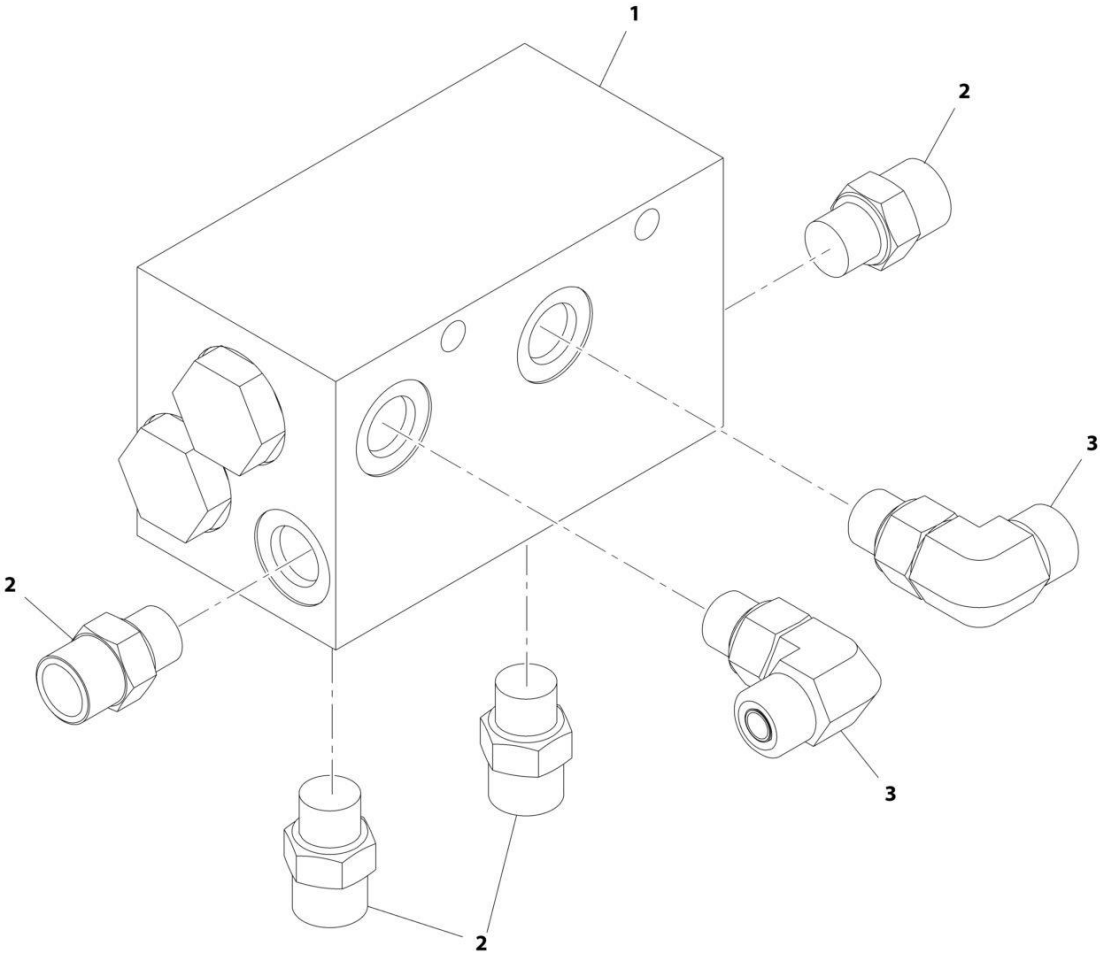
SECTION 3 - ATTACHMENTS

FIGURE 3-28. CARRIAGE - FORK POSITIONING (4.5 TON)

ITEM	PART NUMBER	QTY	DESCRIPTION	REV
	7301295	Ref	FORK POSITIONING CARRIAGE WITH FORKS (4.5 TON)	L
3	N.S.S.	1	S/N Plate	
4	1001227670	1	Tag, RFID	
101	2717283	2	Cylinder, Fork Positioning (See Separate Breakdown in HYDRAULIC COMPONENTS Section)	
102	2717160	2	Hose	
104	2717161	2	Hose	
106	2717162	2	Hose 36in (Boom Front Disconnect)	
106	70031443	2	Hose 44in (Boom Side Disconnect)	
108	90200003	2	Collar, Fork Pin	
109	90451058	1	Shaft, Fork	
110	N.S.S.	1	Weldment, Carriage	
111	N.S.S.	1	Weldment, Fork Adapter	
113	8303634	2	Bolt 5/8 x 4	
114	8303658	4	Bolt 1/2 x 2	
115	8305643	2	Nut 5/8	
116	8420053	1	Cap, Dust	
117	8420055	1	Plug, Dust	
118	91403413	1	Adapter, Quick Disconnect	
119	91403414	1	Adapter, Quick Disconnect	
120	2130606	4	Adapter, 90 Straight	
121	2130608	2	Adapter, 90 Straight	
127	8310302	4	Nut 1/2	
128	10705034	2	Nut 1	
130	4110473	1	Decal, Warning Route Hoses	
131	7139918	2	Disk, Orifice	
132	4641502	1	Assembly, Dual Fork Carriage Valve (See Separate Breakdown in HYDRAULIC COMPONENTS Section)	
133	8305624	2	Nut 1/4	
134	8310435	2	Bolt 1/4 x 3-3/4	
135	8630003	2	O-Ring	

SECTION 3 - ATTACHMENTS

FIGURE 3-29. CARRIAGE - FORK POSITIONING VALVE ASSEMBLY



ART_4641502-B

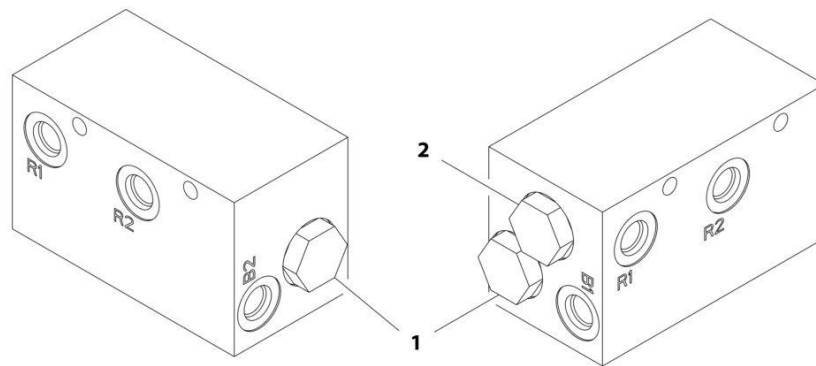
SECTION 3 - ATTACHMENTS

FIGURE 3-29. CARRIAGE - FORK POSITIONING VALVE ASSEMBLY

ITEM	PART NUMBER	QTY	DESCRIPTION	REV
	4641502	Ref	Dual Fork Carriage Valve Assembly	B
1	4641501	1	Valve, Flow Divider (See Separate Breakdown in this Section)	
2	2110606	4	Fitting, Straight ORFS	
3	2130606	2	Fitting, 90	

SECTION 3 - ATTACHMENTS

FIGURE 3-30. VALVE - CARRIAGE DUAL FORK FLOW DIVIDER



ART_4641501-A

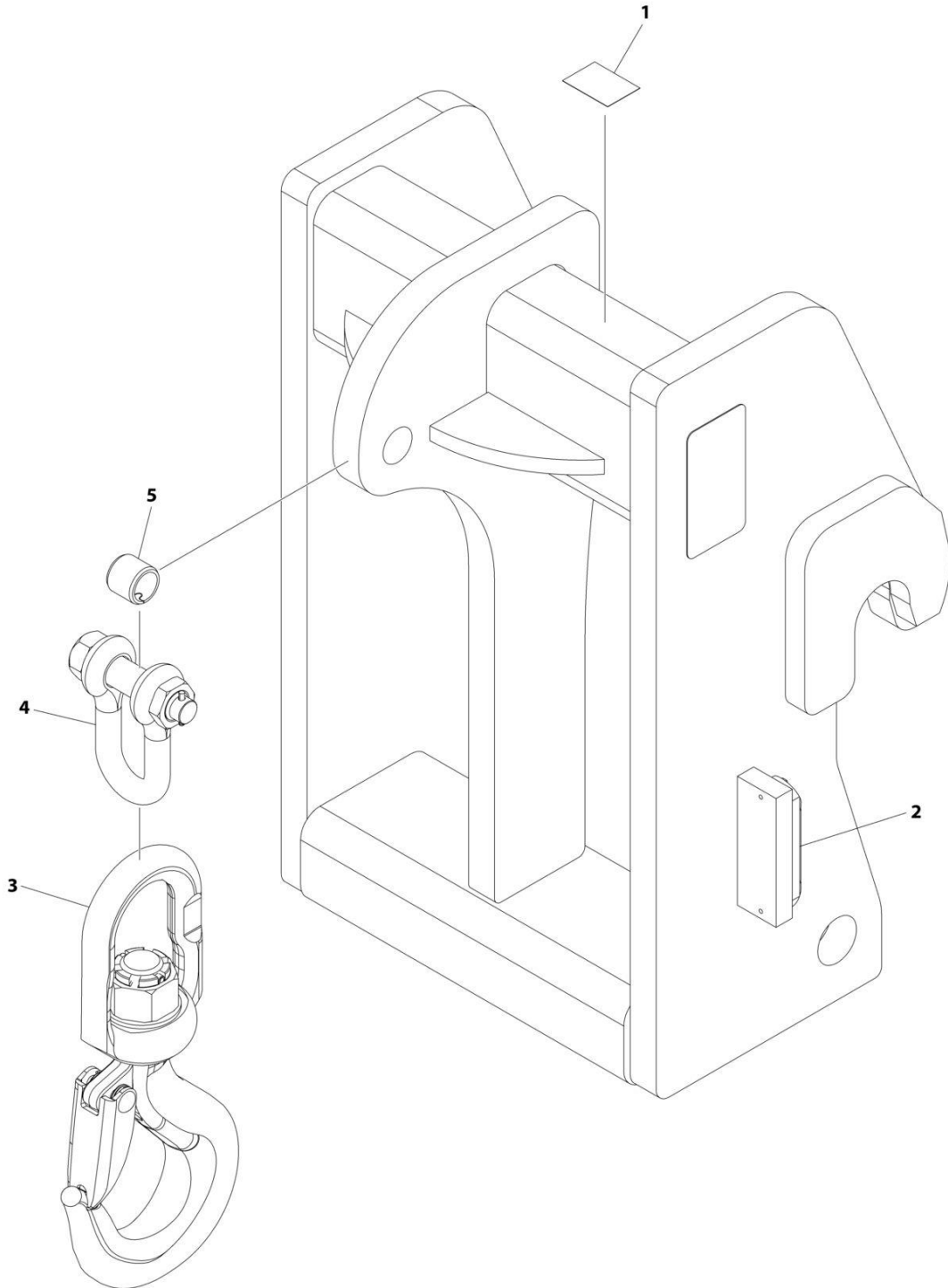
SECTION 3 - ATTACHMENTS

FIGURE 3-30. VALVE - CARRIAGE DUAL FORK FLOW DIVIDER

ITEM	PART NUMBER	QTY	DESCRIPTION	REV
	4641501	Ref	Flow Divider Valve	A
1	70023928	2	Valve, Check	
2	70023929	1	Valve, Cartridge	

SECTION 3 - ATTACHMENTS

FIGURE 3-31. COUPLER MOUNTED HOOK



ART_1001207606_D

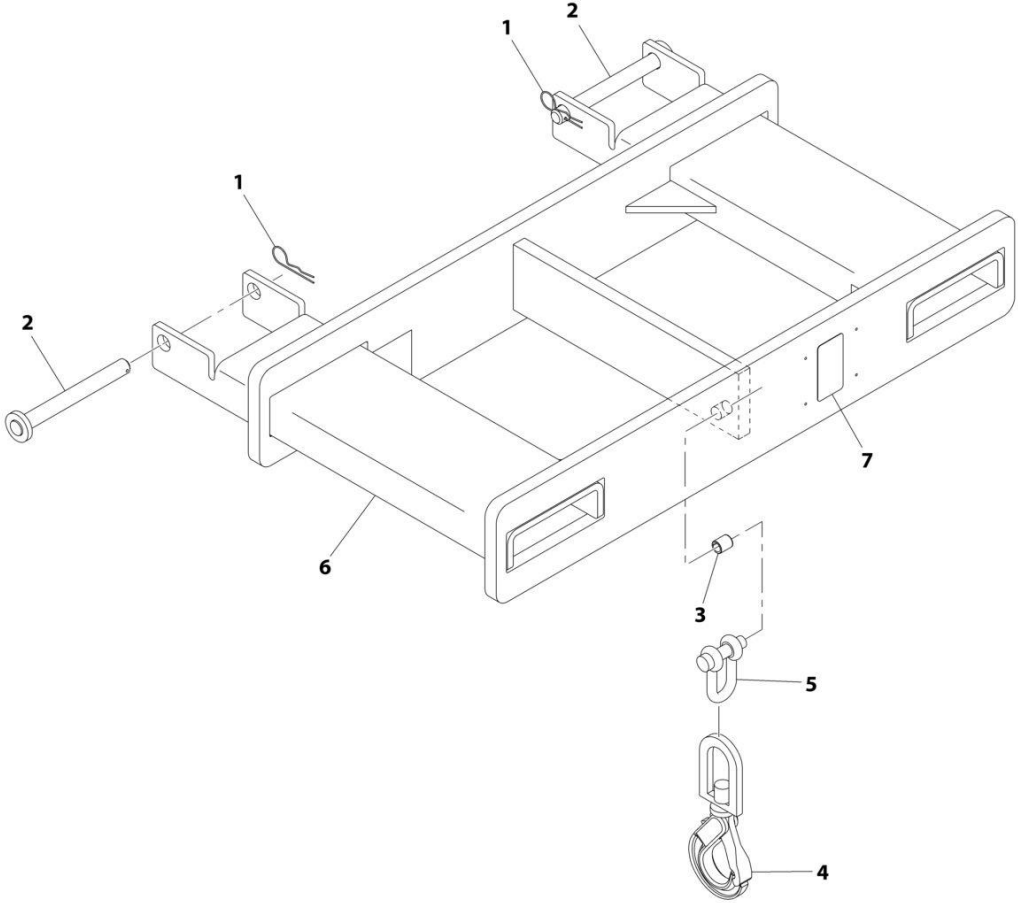
SECTION 3 - ATTACHMENTS

FIGURE 3-31. COUPLER MOUNTED HOOK

ITEM	PART NUMBER	QTY	DESCRIPTION	REV
	1001207606	Ref	COUPLER MOUNTED HOOK	E
1	90554016	1	Decal	
2	1001227670	1	Tag, RFID	
3	70026745	1	Hook Swivel	
4	70026746	1	Shackle Chain	
5	70020555	1	Bushing	

SECTION 3 - ATTACHMENTS

FIGURE 3-32. HOOK - 4 TON (FORK MOUNTED)



ART_1001097205-I

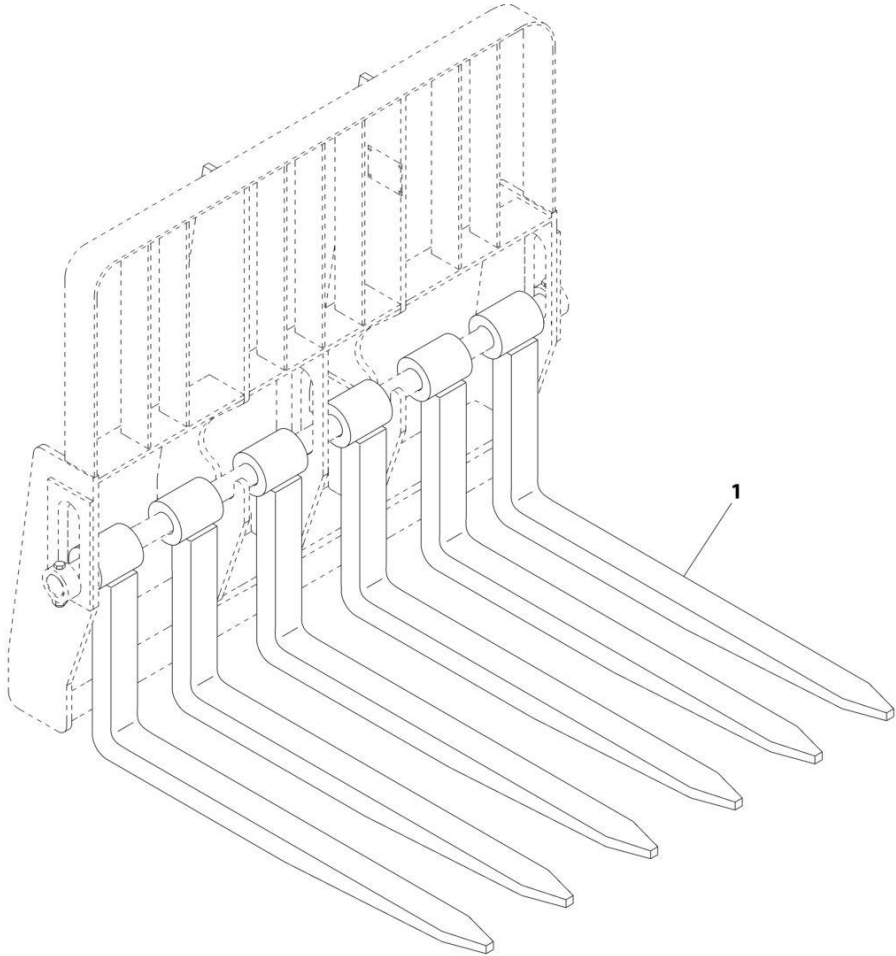
SECTION 3 - ATTACHMENTS

FIGURE 3-32. HOOK - 4 TON (FORK MOUNTED)

ITEM	PART NUMBER	QTY	DESCRIPTION	REV
	1001097205	Ref	Fork Mounted Hook (4 Ton)	J
1	7029520	2	Pin, Cotter	
2	1001093171	2	Pin	
3	70020555	1	Bushing	
4	90554080	1	Hook	
5	7029521	1	Shackle	
6	See Note	NSS	Frame, Hook (Note: Purchase Complete Assembly)	
7	See Note	NSS	S/N Plate (Note: Stamped Part - Not Available for Purchase)	

SECTION 3 - ATTACHMENTS

FIGURE 3-33. FORK - CUBING (2.00X2X48)



ART_2340037

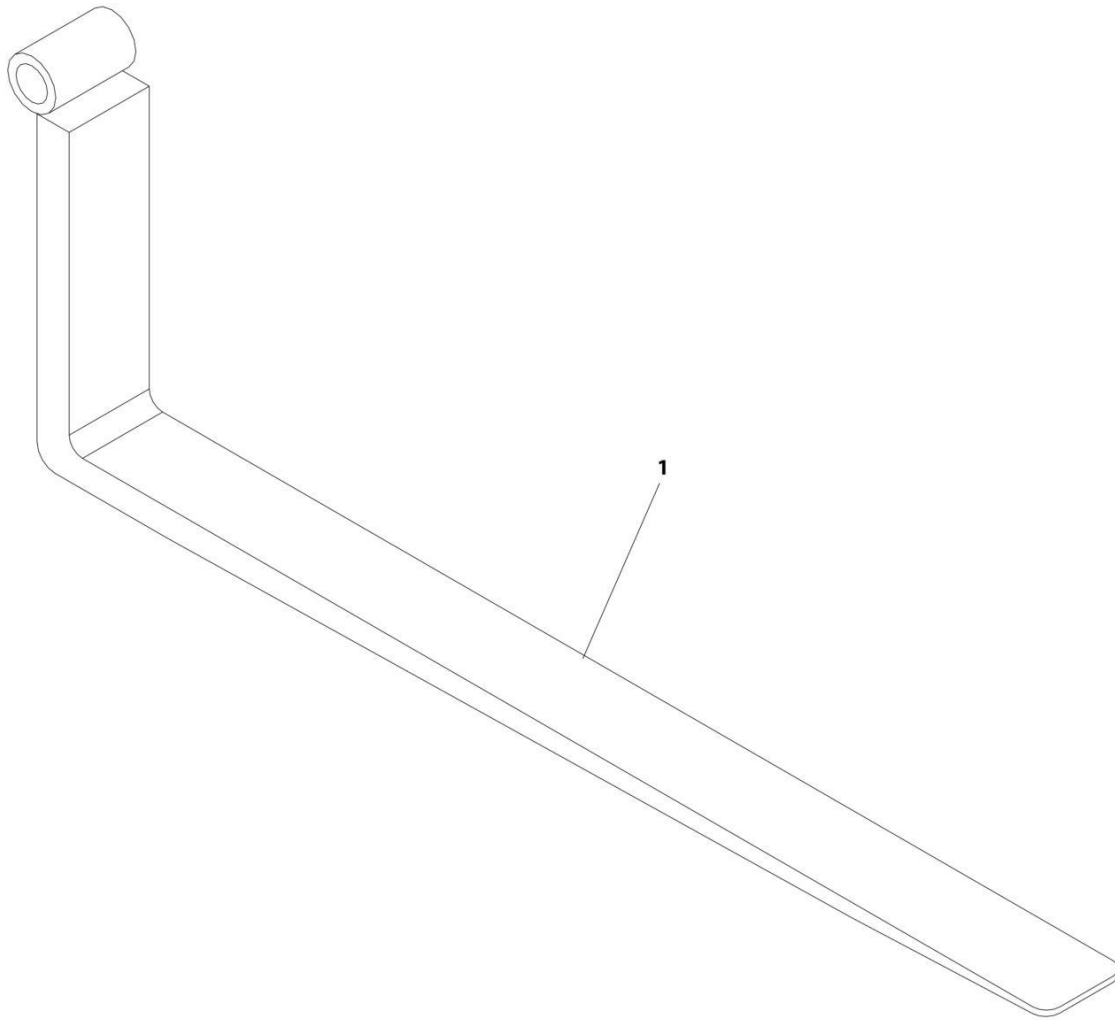
SECTION 3 - ATTACHMENTS

FIGURE 3-33. FORK - CUBING (2.00X2X48)

ITEM	PART NUMBER	QTY	DESCRIPTION	REV
1	2340037	1	Cubing Fork (2.00X2X48)	A
	Note	Ref	FORKS RATED LESS THAN THE ATTACHMENT OR MACHINE'S CAPACITY DECREASES CAPACITY OF THE ATTACHMENT OR MACHINE TO THAT OF THE FORKS. FORKS RATED MORE THAN THE ATTACHMENT OR MACHINE'S CAPACITY DO NOT INCREASE ATTACHMENT OR MACHINE'S CAPACITY.	
	Note	Ref	PLEASE CONSULT JLG PARTS DEPARTMENT TO DETERMINE THE CORRECT FORKS APPLICABLE TO YOUR SPECIFIC CARRIAGE ASSEMBLY AND APPLICATION.	

SECTION 3 - ATTACHMENTS

FIGURE 3-34. FORK - DUAL TAPER (2.00X6X72)



ART_1001259206

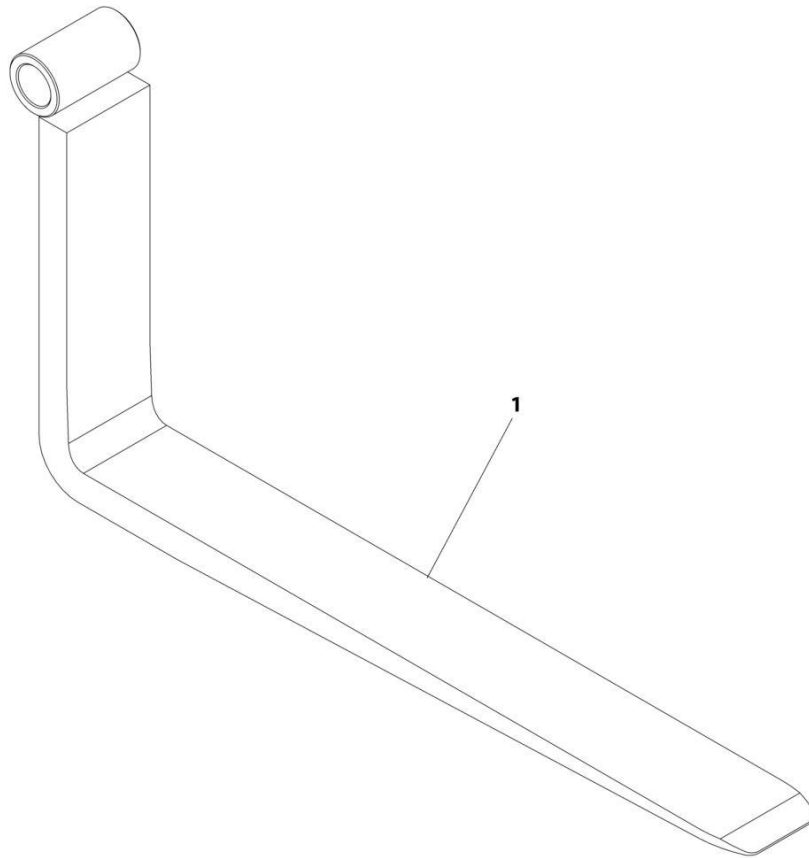
SECTION 3 - ATTACHMENTS

FIGURE 3-34. FORK - DUAL TAPER (2.00X6X72)

ITEM	PART NUMBER	QTY	DESCRIPTION	REV
1	1001259206	2	Dual Taper Fork (2.00X6X72)	A
	Note	Ref	FORKS RATED LESS THAN THE ATTACHMENT OR MACHINE'S CAPACITY DECREASES CAPACITY OF THE ATTACHMENT OR MACHINE TO THAT OF THE FORKS. FORKS RATED MORE THAN THE ATTACHMENT OR MACHINE'S CAPACITY DO NOT INCREASE ATTACHMENT OR MACHINE'S CAPACITY.	
	Note	Ref	PLEASE CONSULT JLG PARTS DEPARTMENT TO DETERMINE THE CORRECT FORKS APPLICABLE TO YOUR SPECIFIC CARRIAGE ASSEMBLY AND APPLICATION.	

SECTION 3 - ATTACHMENTS

FIGURE 3-35. FORK - FULL TAPER (50X150X1220MM)



ART_1001258605

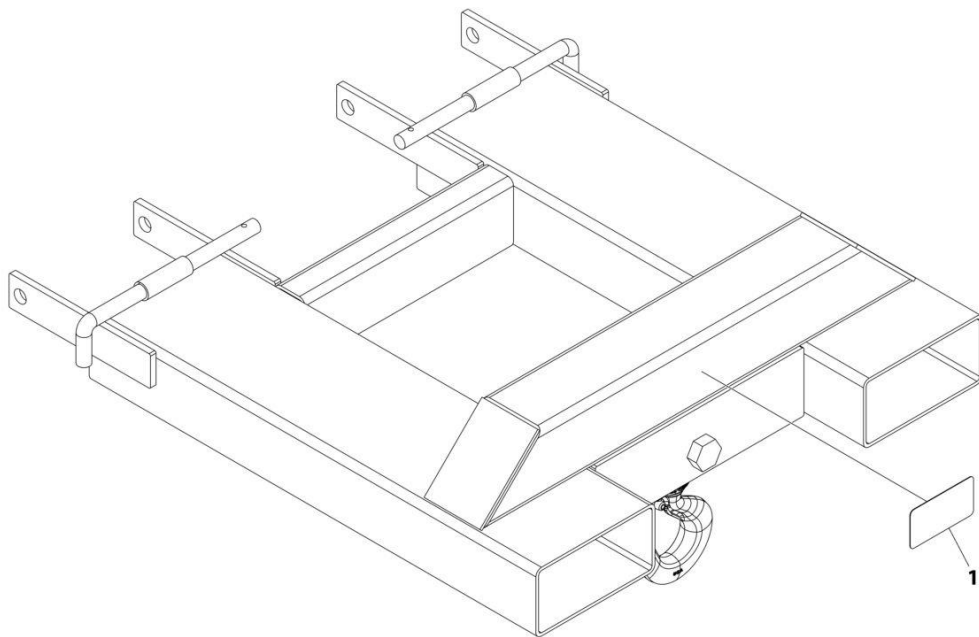
SECTION 3 - ATTACHMENTS

FIGURE 3-35. FORK - FULL TAPER (50X150X1220MM)

ITEM	PART NUMBER	QTY	DESCRIPTION	REV
1	1001258605	2	Fork - Pallet (2.00X6X48)	A
N1	Note	Ref	FORKS RATED LESS THAN THE ATTACHMENT OR MACHINE'S CAPACITY DECREASES CAPACITY OF THE ATTACHMENT OR MACHINE TO THAT OF THE FORKS. FORKS RATED MORE THAN THE ATTACHMENT OR MACHINE'S CAPACITY DO NOT INCREASE ATTACHMENT OR MACHINE'S CAPACITY.	
N2	Note	Ref	PLEASE CONSULT JLG PARTS DEPARTMENT TO DETERMINE THE CORRECT FORKS APPLICABLE TO YOUR SPECIFIC CARRIAGE ASSEMBLY AND APPLICATION.	

SECTION 3 - ATTACHMENTS

FIGURE 3-36. LIFTING HOOK (10K)



ART_1001305477

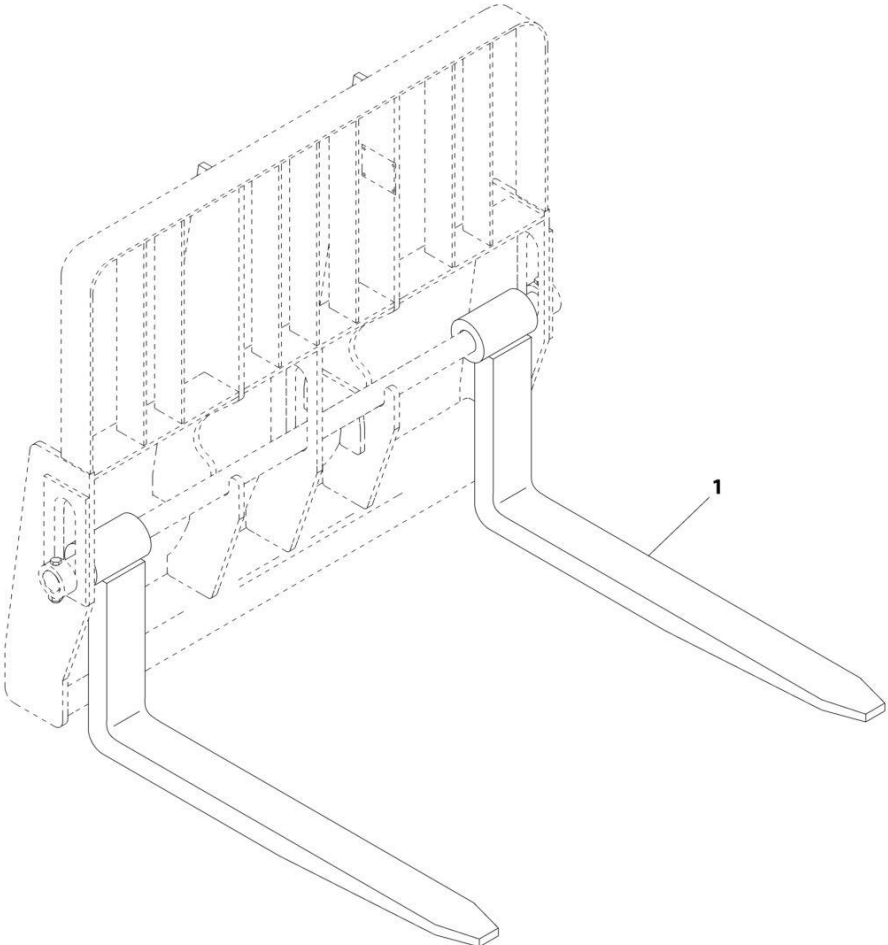
SECTION 3 - ATTACHMENTS

FIGURE 3-36. LIFTING HOOK (10K)

ITEM	PART NUMBER	QTY	DESCRIPTION	REV
	1001305477 See Note	Ref NSS	LIFTING HOOK (10K) SN Plate (Note: Not Available for Purchase)	A

SECTION 3 - ATTACHMENTS

FIGURE 3-37. FORK - LUMBER (1.5X6X60)



ART_1001099457-C

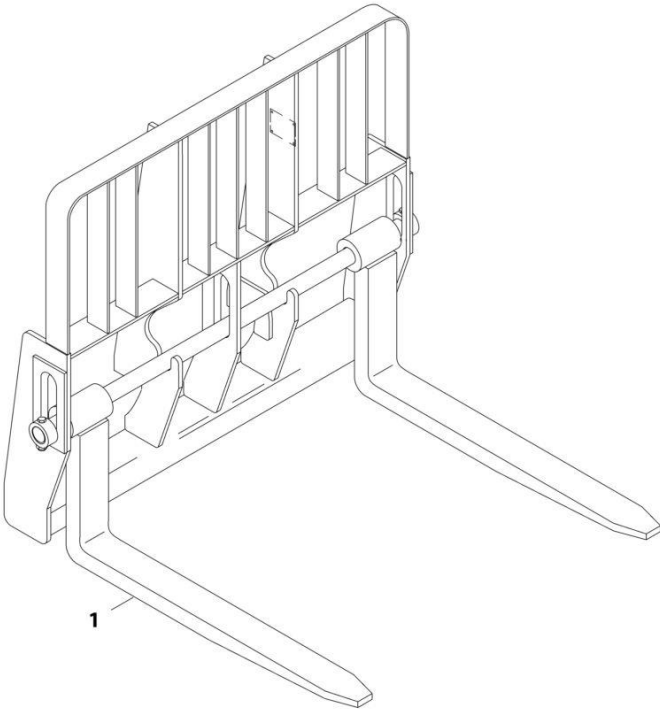
SECTION 3 - ATTACHMENTS

FIGURE 3-37. FORK - LUMBER (1.5X6X60)

ITEM	PART NUMBER	QTY	DESCRIPTION	REV
1	1001099457	2	Lumber Fork (1.5X6X60)	C
	Note	Ref	FORKS RATED LESS THAN THE ATTACHMENT OR MACHINE'S CAPACITY DECREASES CAPACITY OF THE ATTACHMENT OR MACHINE TO THAT OF THE FORKS. FORKS RATED MORE THAN THE ATTACHMENT OR MACHINE'S CAPACITY DO NOT INCREASE ATTACHMENT OR MACHINE'S CAPACITY.	
	Note	Ref	PLEASE CONSULT JLG PARTS DEPARTMENT TO DETERMINE THE CORRECT FORKS APPLICABLE TO YOUR SPECIFIC CARRIAGE ASSEMBLY AND APPLICATION.	

SECTION 3 - ATTACHMENTS

FIGURE 3-38. FORK - LUMBER (2.00X7X60)



ART_1001097110-A

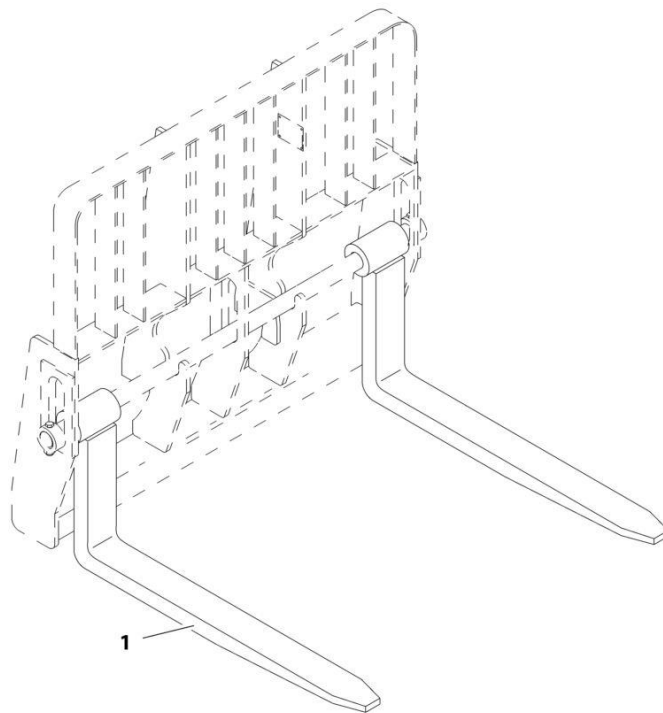
SECTION 3 - ATTACHMENTS

FIGURE 3-38. FORK - LUMBER (2.00X7X60)

ITEM	PART NUMBER	QTY	DESCRIPTION	REV
1	1001097110	2	Lumber Fork (2.00X7X60)	A
	Note	Ref	FORKS RATED LESS THAN THE ATTACHMENT OR MACHINE'S CAPACITY DECREASES CAPACITY OF THE ATTACHMENT OR MACHINE TO THAT OF THE FORKS. FORKS RATED MORE THAN THE ATTACHMENT OR MACHINE'S CAPACITY DO NOT INCREASE ATTACHMENT OR MACHINE'S CAPACITY.	
	Note	Ref	PLEASE CONSULT JLG PARTS DEPARTMENT TO DETERMINE THE CORRECT FORKS APPLICABLE TO YOUR SPECIFIC CARRIAGE ASSEMBLY AND APPLICATION.	

SECTION 3 - ATTACHMENTS

FIGURE 3-39. FORK - PALLET (2.36X4X48)



ART_2340045

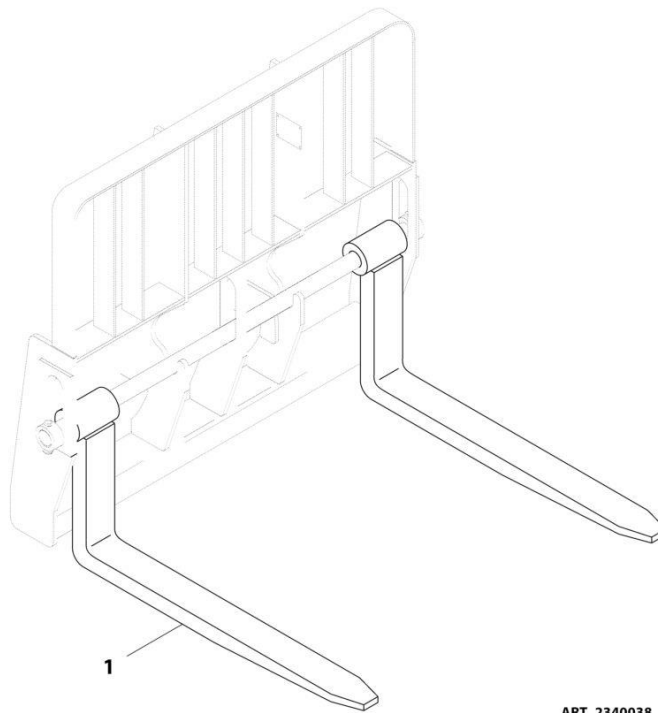
SECTION 3 - ATTACHMENTS

FIGURE 3-39. FORK - PALLET (2.36X4X48)

ITEM	PART NUMBER	QTY	DESCRIPTION	REV
1	2340045	2	Pallet Fork (2.36X4X48)	
	Note	Ref	FORKS RATED LESS THAN THE ATTACHMENT OR MACHINE'S CAPACITY DECREASES CAPACITY OF THE ATTACHMENT OR MACHINE TO THAT OF THE FORKS. FORKS RATED MORE THAN THE ATTACHMENT OR MACHINE'S CAPACITY DO NOT INCREASE ATTACHMENT OR MACHINE'S CAPACITY.	
	Note	Ref	PLEASE CONSULT JLG PARTS DEPARTMENT TO DETERMINE THE CORRECT FORKS APPLICABLE TO YOUR SPECIFIC CARRIAGE ASSEMBLY AND APPLICATION.	

SECTION 3 - ATTACHMENTS

FIGURE 3-40. FORK - PALLET (2.36X5X48)



ART_2340038

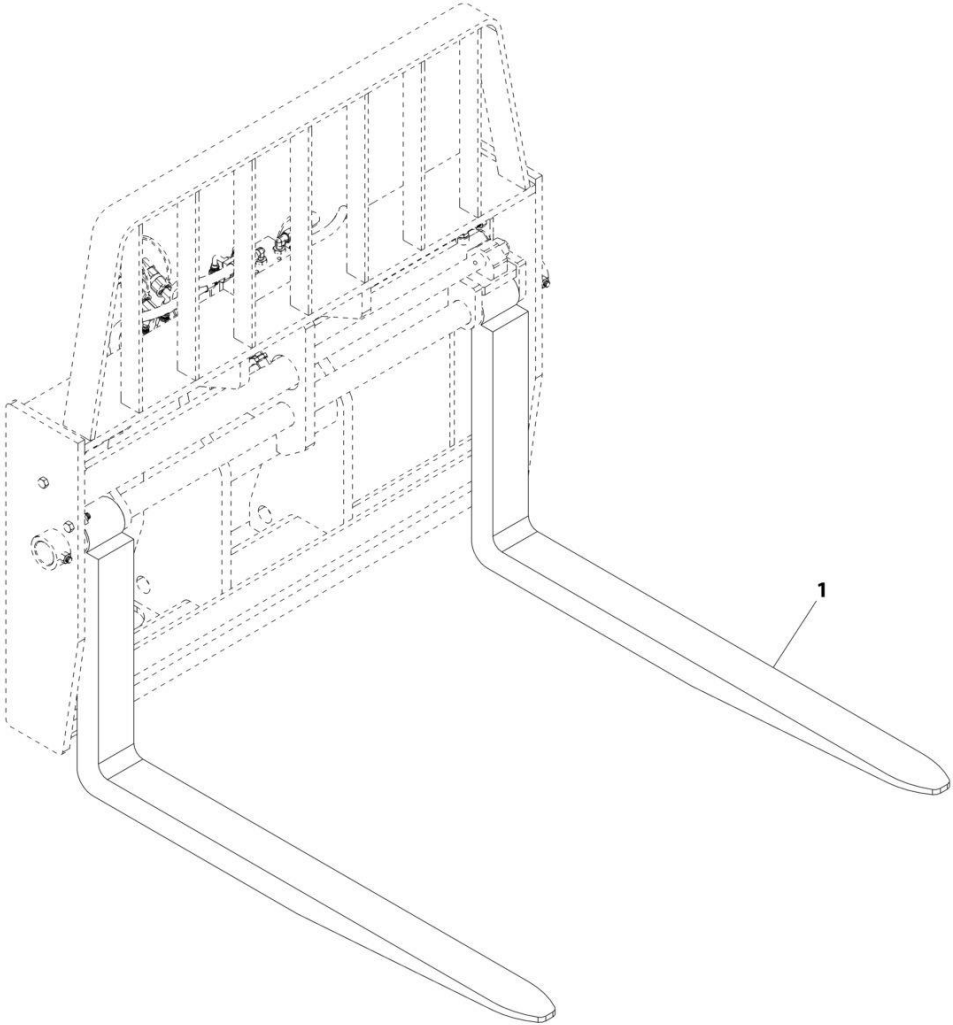
SECTION 3 - ATTACHMENTS

FIGURE 3-40. FORK - PALLET (2.36X5X48)

ITEM	PART NUMBER	QTY	DESCRIPTION	REV
1	2340038	2	Pallet Fork (2.36X5X48)	B
	Note	Ref	FORKS RATED LESS THAN THE ATTACHMENT OR MACHINE'S CAPACITY DECREASES CAPACITY OF THE ATTACHMENT OR MACHINE TO THAT OF THE FORKS. FORKS RATED MORE THAN THE ATTACHMENT OR MACHINE'S CAPACITY DO NOT INCREASE ATTACHMENT OR MACHINE'S CAPACITY.	
	Note	Ref	PLEASE CONSULT JLG PARTS DEPARTMENT TO DETERMINE THE CORRECT FORKS APPLICABLE TO YOUR SPECIFIC CARRIAGE ASSEMBLY AND APPLICATION.	

SECTION 3 - ATTACHMENTS

FIGURE 3-41. FORK - PALLET (2.36X4X48)



ART_7301408

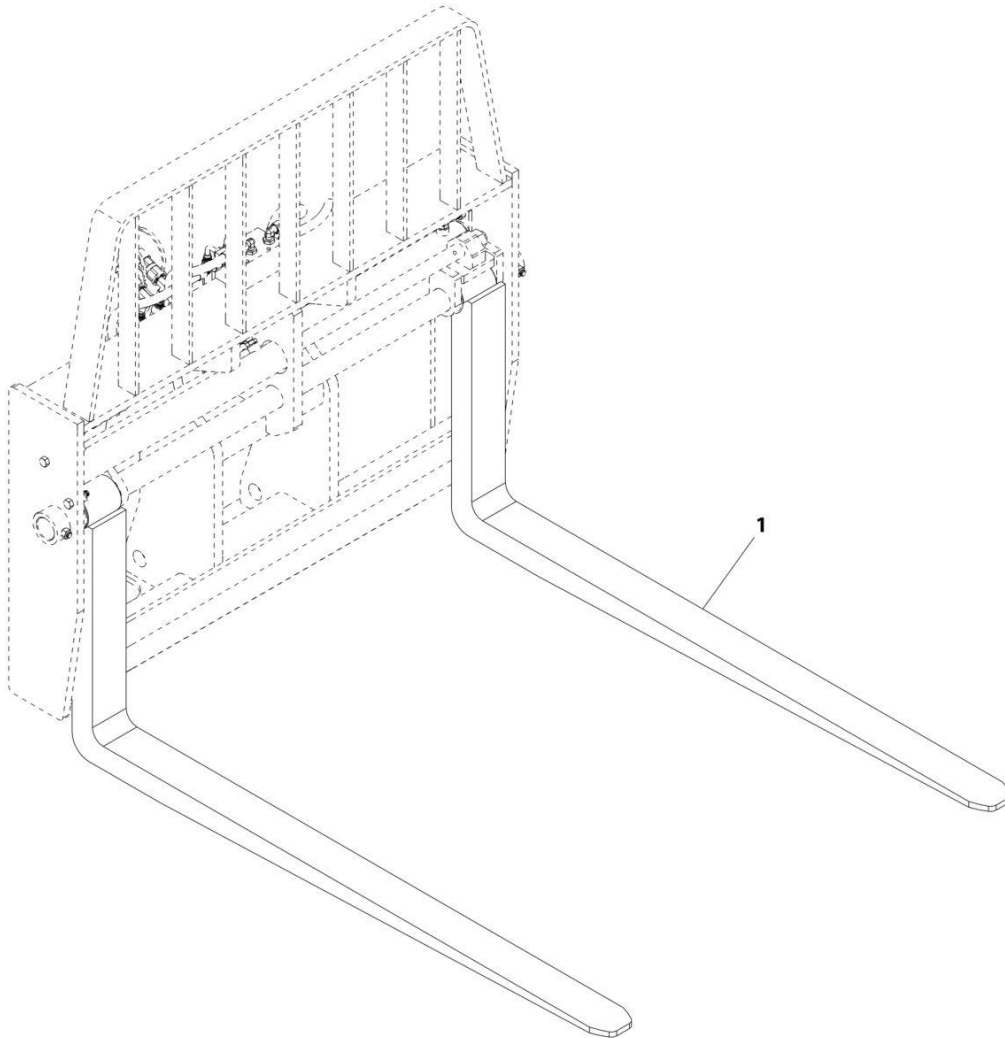
SECTION 3 - ATTACHMENTS

FIGURE 3-41. FORK - PALLET (2.36X4X48)

ITEM	PART NUMBER	QTY	DESCRIPTION	REV
1	7301408	2	Pallet Fork (2.36X4X48)	D
N1	Note	Ref	FORKS RATED LESS THAN THE ATTACHMENT OR MACHINE'S CAPACITY DECREASES CAPACITY OF THE ATTACHMENT OR MACHINE TO THAT OF THE FORKS. FORKS RATED MORE THAN THE ATTACHMENT OR MACHINE'S CAPACITY DO NOT INCREASE ATTACHMENT OR MACHINE'S CAPACITY.	
N2	Note	Ref	PLEASE CONSULT JLG PARTS DEPARTMENT TO DETERMINE THE CORRECT FORKS APPLICABLE TO YOUR SPECIFIC CARRIASE ASSEMBLY AND APPLICATION.	

SECTION 3 - ATTACHMENTS

FIGURE 3-42. FORK - PALLET (2.36X4X60)



ART_1001227379

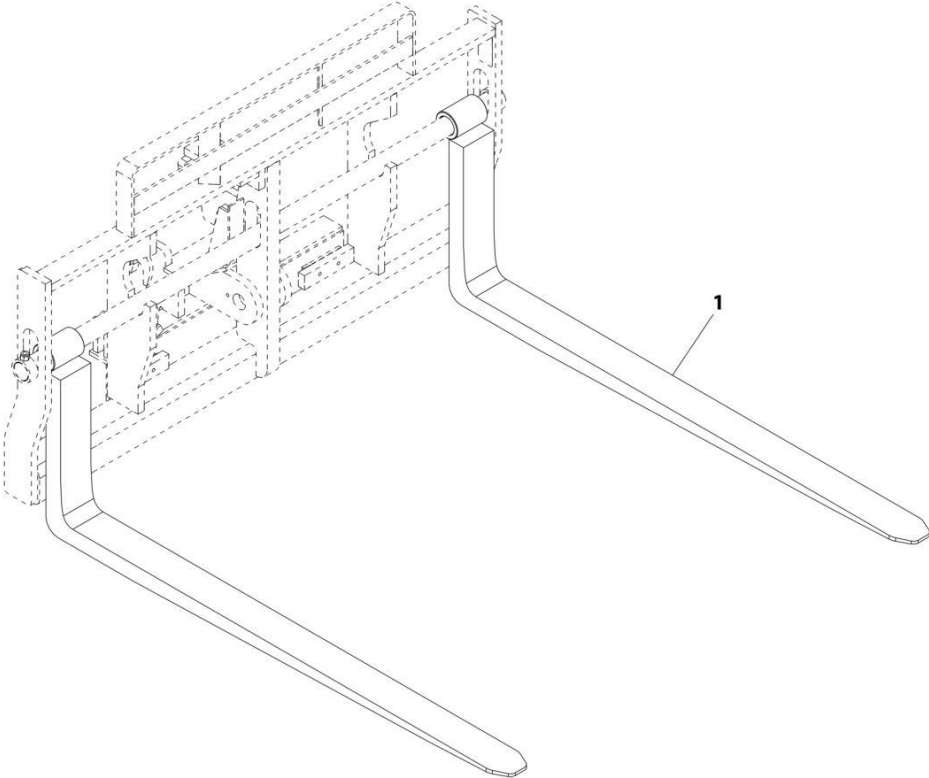
SECTION 3 - ATTACHMENTS

FIGURE 3-42. FORK - PALLET (2.36X4X60)

ITEM	PART NUMBER	QTY	DESCRIPTION	REV
1	1001227379	2	Pallet Fork (2.36X4X60)	A
N1	Note	Ref	FORKS RATED LESS THAN THE ATTACHMENT OR MACHINE'S CAPACITY DECREASES CAPACITY OF THE ATTACHMENT OR MACHINE TO THAT OF THE FORKS. FORKS RATED MORE THAN THE ATTACHMENT OR MACHINE'S CAPACITY DO NOT INCREASE ATTACHMENT OR MACHINE'S CAPACITY.	
N2	Note	Ref	PLEASE CONSULT JLG PARTS DEPARTMENT TO DETERMINE THE CORRECT FORKS APPLICABLE TO YOUR SPECIFIC CARRIAGE ASSEMBLY AND APPLICATION.	

SECTION 3 - ATTACHMENTS

FIGURE 3-43. FORK - PALLET (2.36X5X72)



ART_1001232355

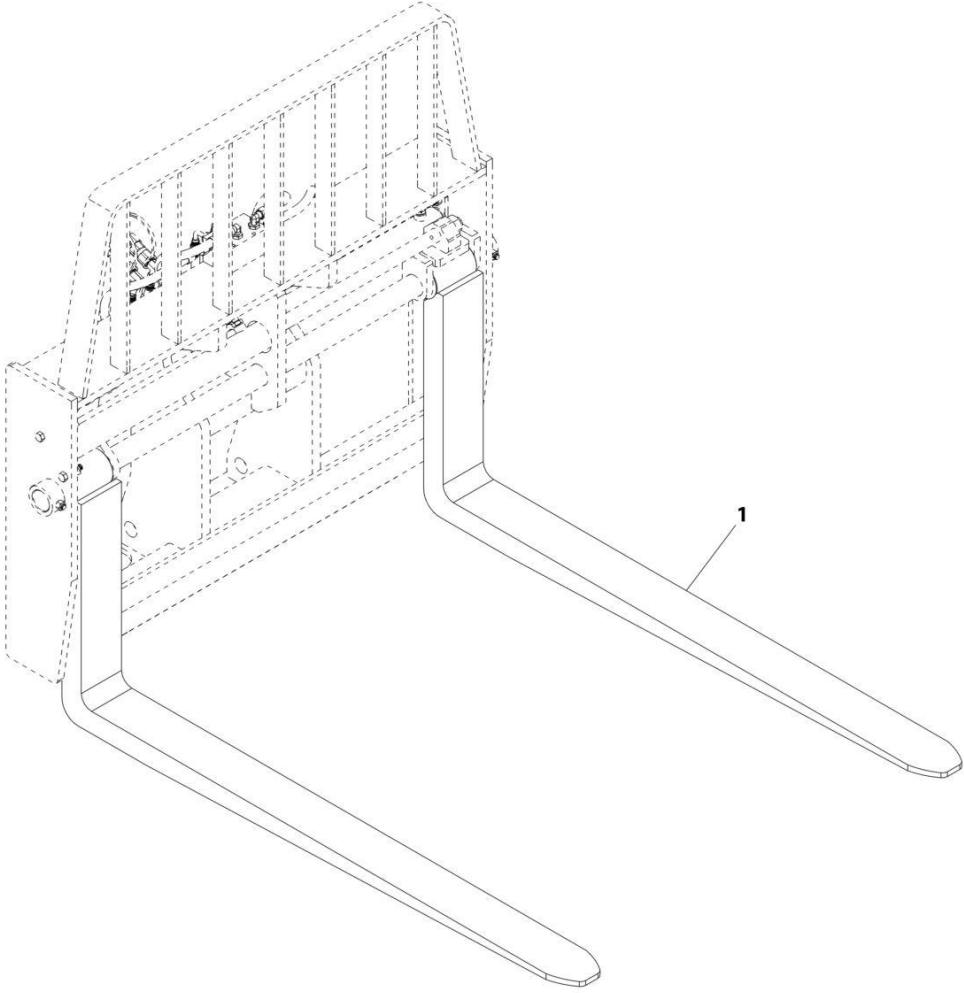
SECTION 3 - ATTACHMENTS

FIGURE 3-43. FORK - PALLET (2.36X5X72)

ITEM	PART NUMBER	QTY	DESCRIPTION	REV
	1001232355	1 pr	Pallet Fork (2.36X5X72)	A
	Note	Ref	FORKS RATED LESS THAN THE ATTACHMENT OR MACHINE'S CAPACITY DECREASES CAPACITY OF THE ATTACHMENT OR MACHINE TO THAT OF THE FORKS. FORKS RATED MORE THAN THE ATTACHMENT OR MACHINE'S CAPACITY DO NOT INCREASE ATTACHMENT OR MACHINE'S CAPACITY.	
	Note	Ref	PLEASE CONSULT JLG PARTS DEPARTMENT TO DETERMINE THE CORRECT FORKS APPLICABLE TO YOUR SPECIFIC CARRIAGE ASSEMBLY AND APPLICATION.	

SECTION 3 - ATTACHMENTS

FIGURE 3-44. FORK - PALLET (2.36X5X60)



ART_1001227382

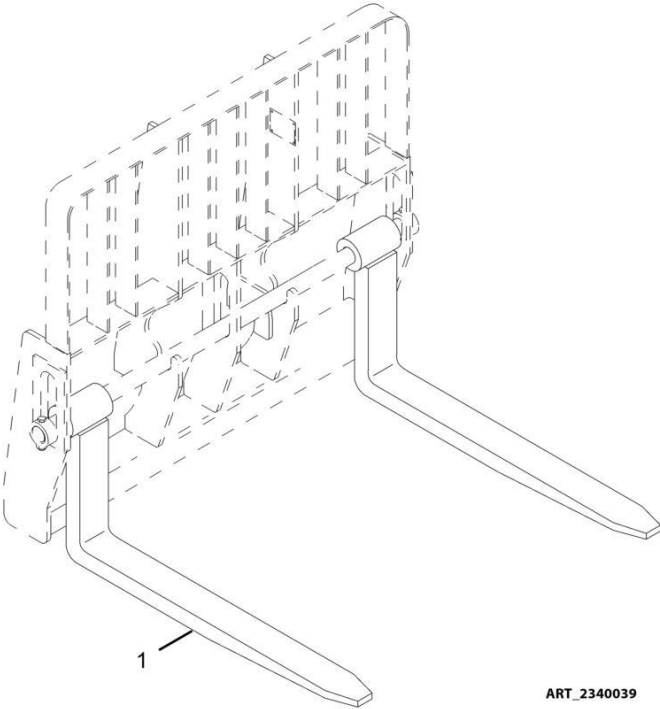
SECTION 3 - ATTACHMENTS

FIGURE 3-44. FORK - PALLET (2.36X5X60)

ITEM	PART NUMBER	QTY	DESCRIPTION	REV
1	1001227382	1	Pallet Fork (2.36X5X60)	A
N1	Note	Ref	FORKS RATED LESS THAN THE ATTACHMENT OR MACHINE'S CAPACITY DECREASES CAPACITY OF THE ATTACHMENT OR MACHINE TO THAT OF THE FORKS. FORKS RATED MORE THAN THE ATTACHMENT OR MACHINE'S CAPACITY DO NOT INCREASE ATTACHMENT OR MACHINE'S CAPACITY.	
N2	Note	Ref	PLEASE CONSULT JLG PARTS DEPARTMENT TO DETERMINE THE CORRECT FORKS APPLICABLE TO YOUR SPECIFIC CARRIASE ASSEMBLY AND APPLICATION.	

SECTION 3 - ATTACHMENTS

FIGURE 3-45. FORK - PALLET (2.36X6X60)



ART_2340039

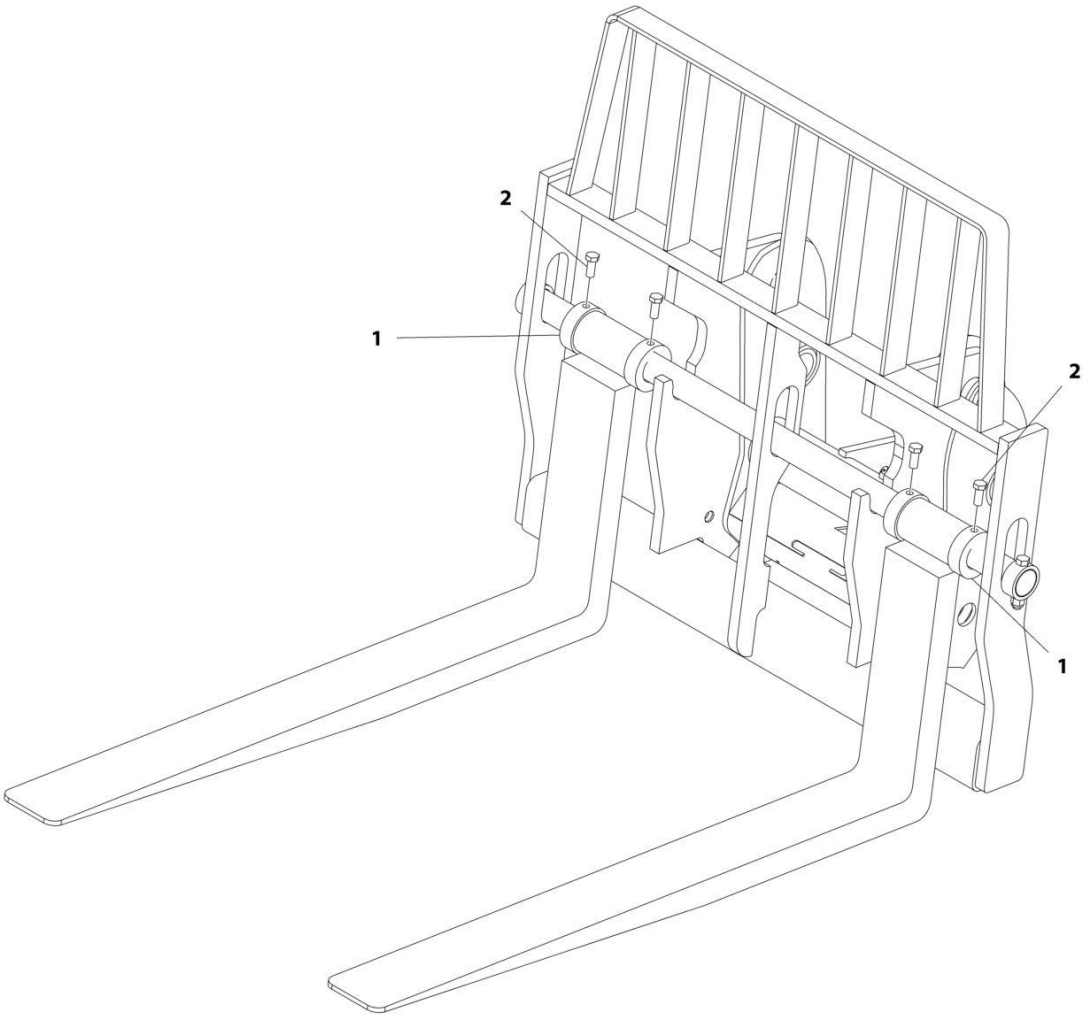
SECTION 3 - ATTACHMENTS

FIGURE 3-45. FORK - PALLET (2.36X6X60)

ITEM	PART NUMBER	QTY	DESCRIPTION	REV
1	2340039	2	Lumber Fork (60X150X1524)	
	Note	Ref	FORKS RATED LESS THAN THE ATTACHMENT OR MACHINE'S CAPACITY DECREASES CAPACITY OF THE ATTACHMENT OR MACHINE TO THAT OF THE FORKS. FORKS RATED MORE THAN THE ATTACHMENT OR MACHINE'S CAPACITY DO NOT INCREASE ATTACHMENT OR MACHINE'S CAPACITY.	
	Note	Ref	PLEASE CONSULT JLG PARTS DEPARTMENT TO DETERMINE THE CORRECT FORKS APPLICABLE TO YOUR SPECIFIC CARRIAGE ASSEMBLY AND APPLICATION.	

SECTION 3 - ATTACHMENTS

FIGURE 3-46. FORK CLAMPS INSTALLATION



ART_1001094134-A

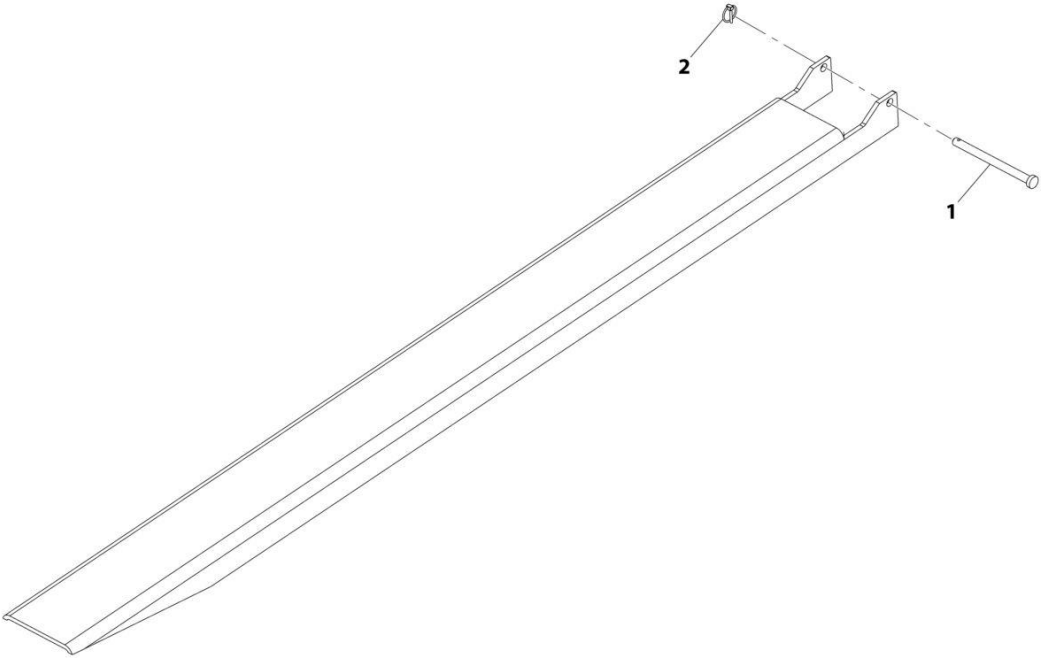
SECTION 3 - ATTACHMENTS

FIGURE 3-46. FORK CLAMPS INSTALLATION

ITEM	PART NUMBER	QTY	DESCRIPTION	REV
	1001094134	Ref	Fork Clamps Installation	A
1	1001094136	4	Clamp, Fork	
2	10700681	4	Bolt, 0.625-18X1.5	

SECTION 3 - ATTACHMENTS

FIGURE 3-47. FORK EXTENSIONS (62X163X2286)



ART_1001137512-D

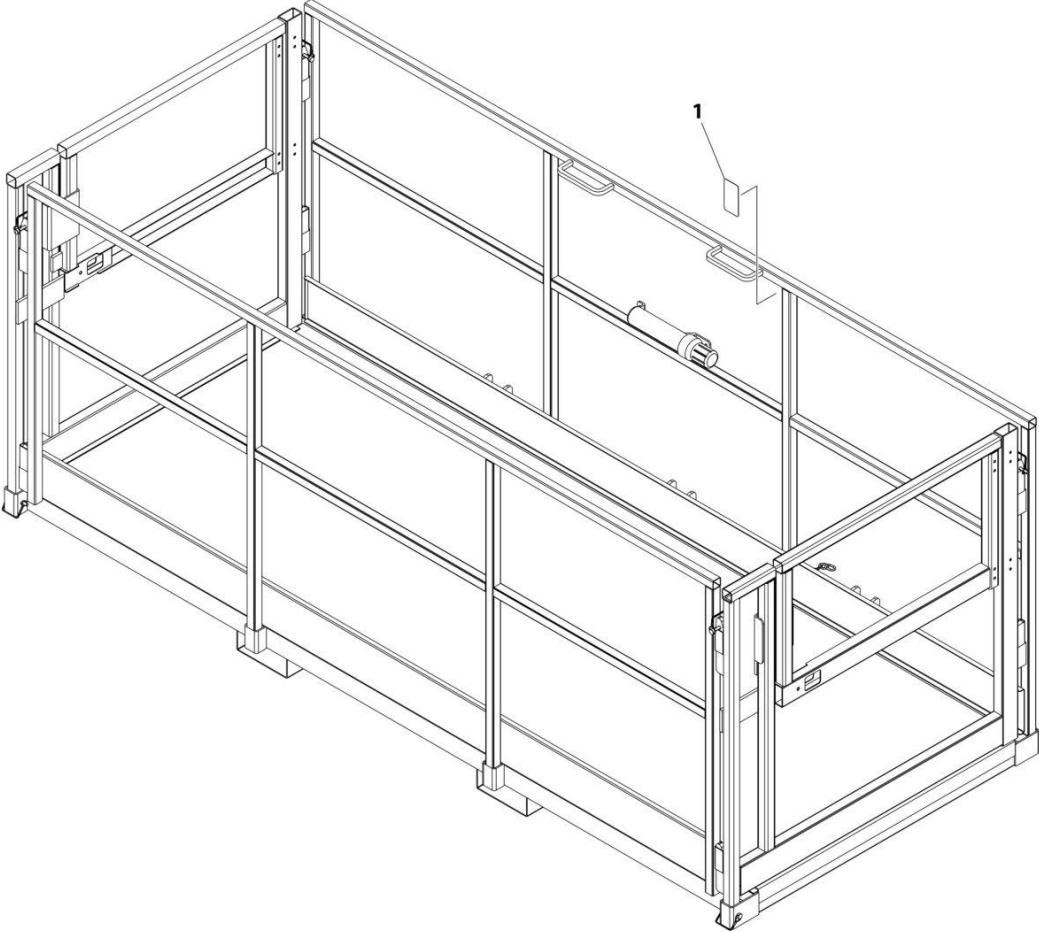
SECTION 3 - ATTACHMENTS

FIGURE 3-47. FORK EXTENSIONS (62X163X2286)

ITEM	PART NUMBER	QTY	DESCRIPTION	REV
	1001137512	2 pr	Fork Extensions (62X163X2286)	D
1	70024306	1	Pin	
2	70024307	1	Clip	

SECTION 3 - ATTACHMENTS

FIGURE 3-48. PLATFORM (FORK MOUNTED)(4X9.8)



ART_1001301393

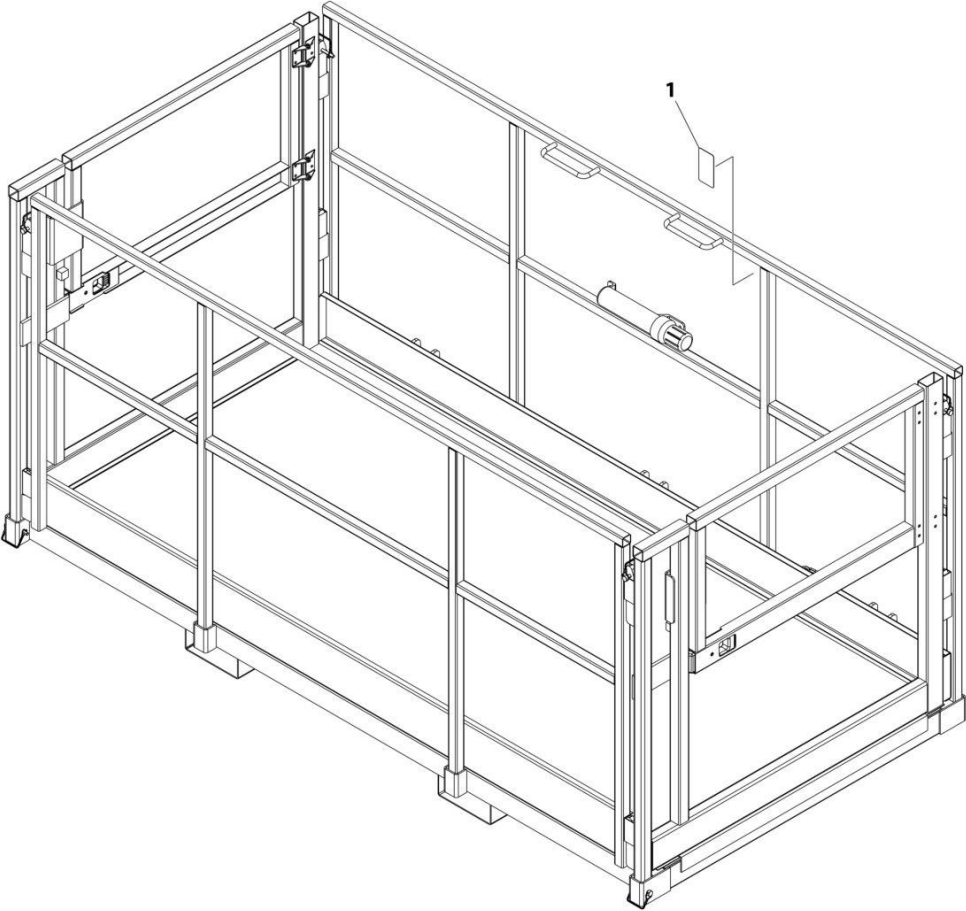
SECTION 3 - ATTACHMENTS

FIGURE 3-48. PLATFORM (FORK MOUNTED)(4X9.8)

ITEM	PART NUMBER	QTY	DESCRIPTION	REV
1	1001301393 See Note	Ref NSS	PLATFORM (FORK MOUNTED) (4X9.8) SN Plate (Note: Not Available for Purchase)	A

SECTION 3 - ATTACHMENTS

FIGURE 3-49. PLATFORM (FORK MOUNTED)(4X8 WITH DOORS)



ART_1001303246

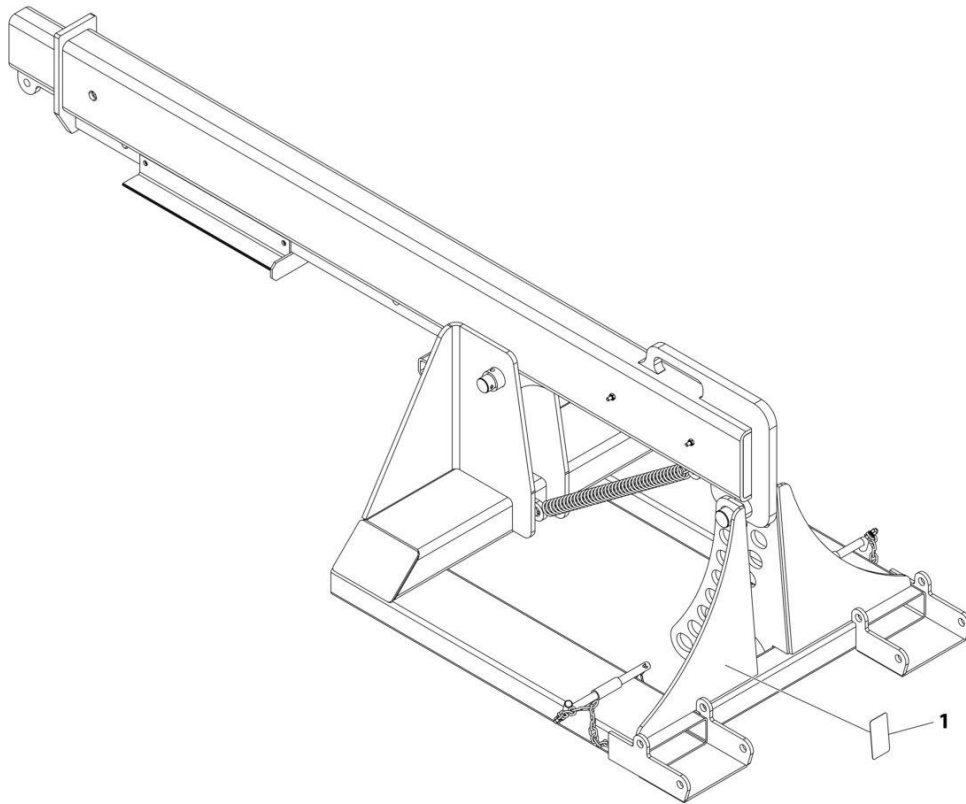
SECTION 3 - ATTACHMENTS

FIGURE 3-49. PLATFORM (FORK MOUNTED)(4X8 WITH DOORS)

ITEM	PART NUMBER	QTY	DESCRIPTION	REV
1	1001303246 See Note	Ref NSS	PLATFORM (FORK MOUNTED) (4X8 WITH DOORS) SN Plate (Note: Not Available for Purchase)	A

SECTION 3 - ATTACHMENTS

FIGURE 3-50. TELESCOPE PIVOT ADJUSTABLE JIB (10K)



ART_1001301527

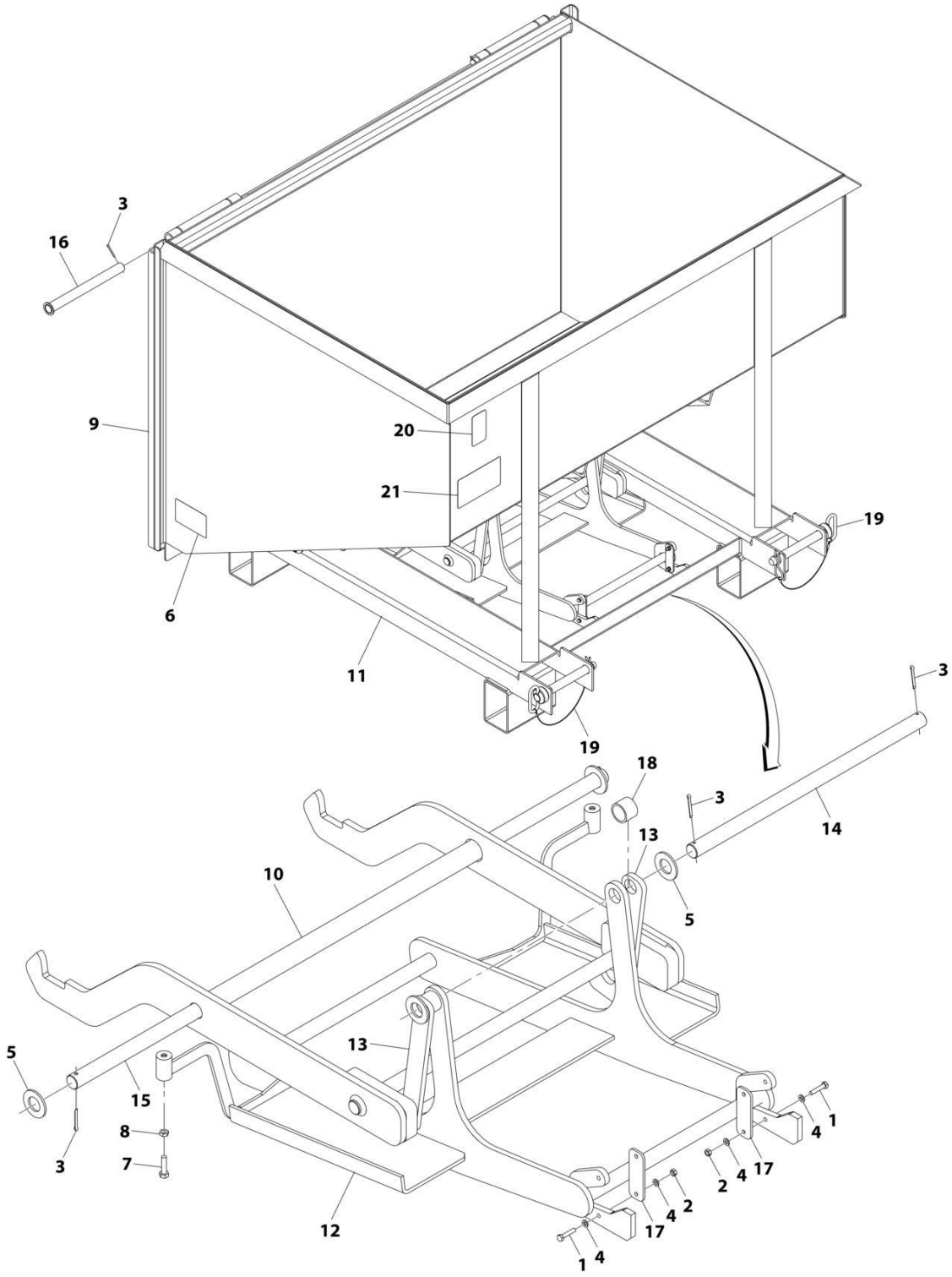
SECTION 3 - ATTACHMENTS

FIGURE 3-50. TELESCOPE PIVOT ADJUSTABLE JIB (10K)

ITEM	PART NUMBER	QTY	DESCRIPTION	REV
1	1001301527 See Note	Ref NSS	TELESCOPE PIVOT ADJUSTABLE JIB SN Plate (Note: Not Available for Purchase)	A

SECTION 3 - ATTACHMENTS

FIGURE 3-51. TRASH HOPPER INSTALLATION



ART_1001238566-B

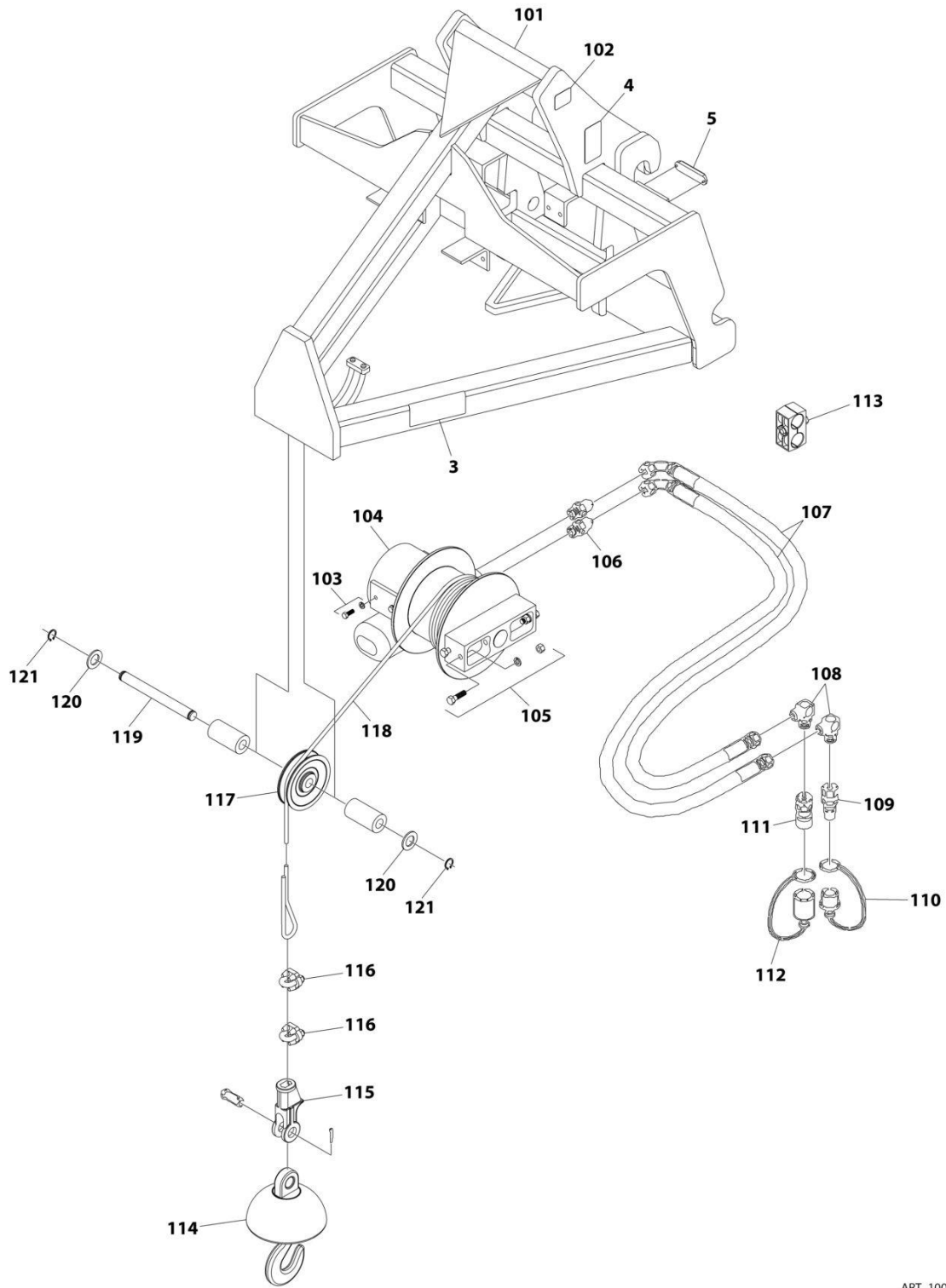
SECTION 3 - ATTACHMENTS

FIGURE 3-51. TRASH HOPPER INSTALLATION

ITEM	PART NUMBER	QTY	DESCRIPTION	REV
	1001238566	Ref	FORK MOUNTED TRASH HOPPER	C
1	0700614	4	Bolt M6 x 30	
2	3290601	4	Nut M6 x 1	
3	3391410	6	Pin	
4	4811700	8	Washer M6	
5	5242400	4	Washer M24	
6	1706302	2	Decal, Pinch Point	
7	0641510	2	Bolt 5/16 x 1-1/4	
8	3311502	2	Nut 5/16	
9	1001192711	1	Door Assembly	
10	1001192720	1	Hook Assembly	
11	See Note	NSS	Hopper, Trash (Note: Purchase Complete Assembly)	
12	1001192875	1	Tray Assembly	
13	1001192876	2	Arm, Swing	
14	1001192877	1	Rod, Swing	
15	1001238570	1	Bar	
16	1001193540	2	Pin	
17	1001193729	2	Plate	
18	1001198355	2	Spacer	
19	1001238560	2	Pin	
20	See Note	NSS	SN Plate (Note: Stamped Part - Not Available for Purchase)	
21	1001203503	1	Decal, Trash Hopper Operation	

SECTION 3 - ATTACHMENTS

FIGURE 3-52. TRUSS BOOM - 3 FOOT WITH WINCH



ART_1001100967_H

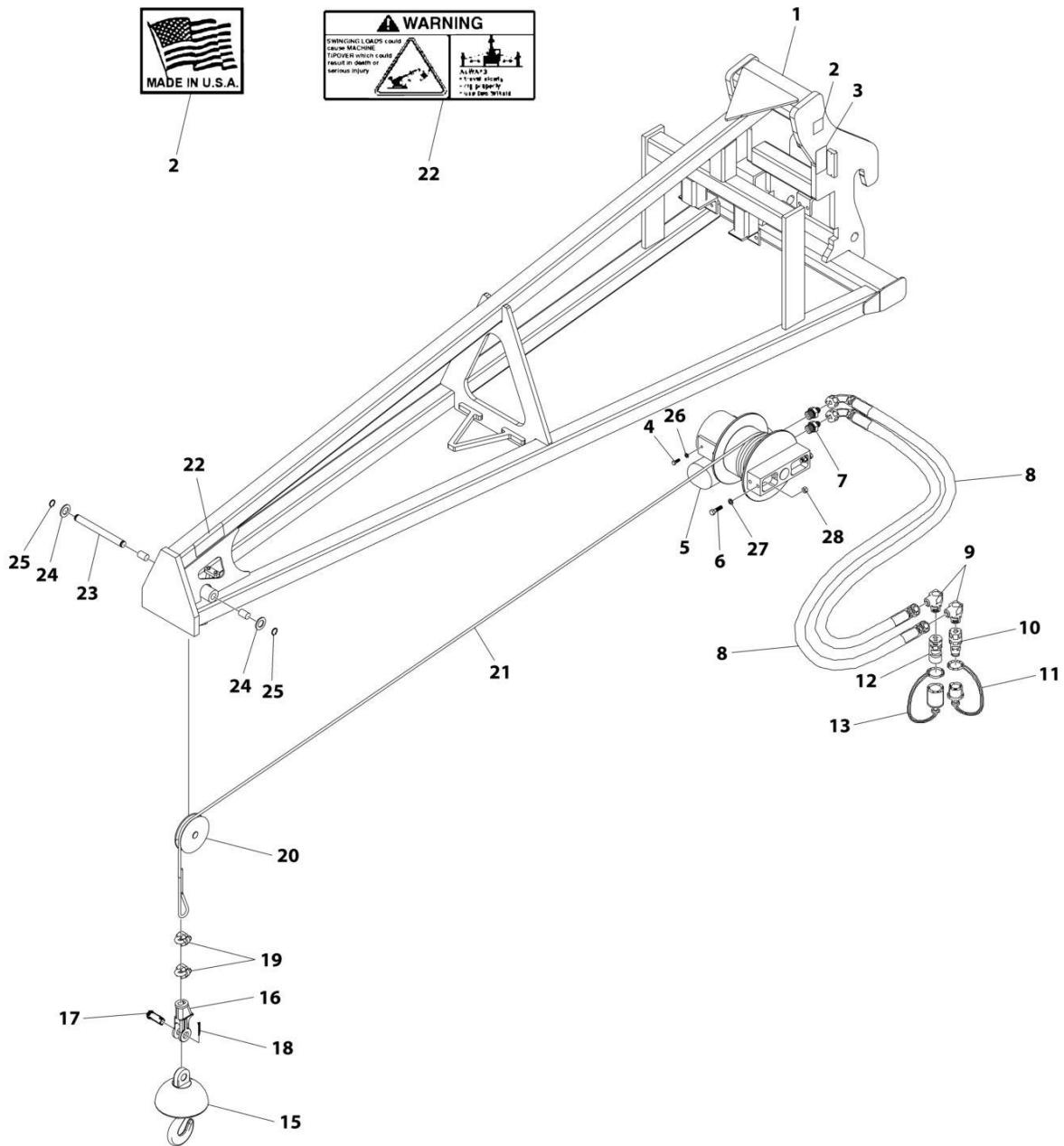
SECTION 3 - ATTACHMENTS

FIGURE 3-52. TRUSS BOOM - 3 FOOT WITH WINCH

ITEM	PART NUMBER	QTY	DESCRIPTION	REV
	1001100967	Ref	TRUSS BOOM ASSEMBLY (3 FOOT WITH WINCH) (INCLUDES ITEMS 3, 4, 5 & 101 THRU 121)	H
3	4110422	2	Decal, Danger, Swinging Loads	
4	See Note	NSS	S/N Plate (Note: Stamped Part - Not Available for Purchase)	
5	1001227670	1	Tag, RFID	
101	See Note	NSS	Truss Boom Frame (Note: Purchase Complete Assembly)	
102	90554016	1	Decal	
103	70021349	4	Bolt	
103	90554042	4	Washer	
104	70021921	1	Winch, Truss Boom	
105	70024059	4	Bolt	
105	90554054	4	Nut	
105	90554020	4	Washer	
106	70021415	2	Fitting	
107	70021977	2	Hose 32in (Boom Front Disconnect)	
107	70031445	2	Hose 48in (Boom Side Disconnect)	
108	70022527	2	Fitting, 90	
109	91403414	1	Fitting, Straight	
110	8420053	1	Cap	
111	91403413	1	Fitting, Straight	
112	8420055	1	Plug	
113	70021387	1	Clamp	
114	70021978	1	Ball Swivel Safety Hook	
115	70021979	1	Assembly, Socket	
116	70022528	2	Clamp	
117	70021935	1	Pulley	
118	70022028	1	Cable	
119	70022529	1	Pin	
120	70027009	2	Washer	
121	70026698	2	Ring, Snap	

SECTION 3 - ATTACHMENTS

FIGURE 3-53. TRUSS BOOM - 12 FOOT WITH WINCH



ART_1001099351

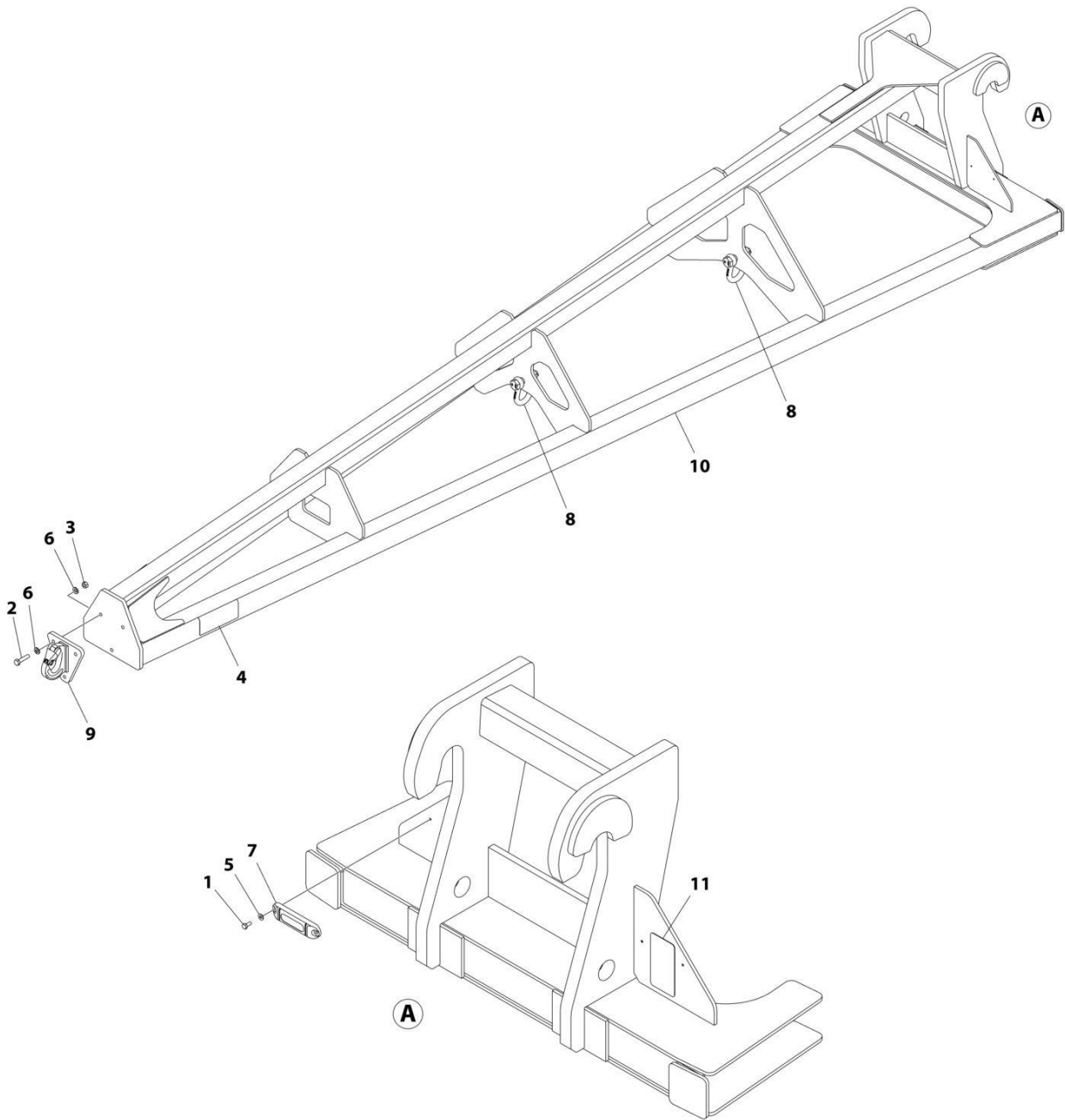
SECTION 3 - ATTACHMENTS

FIGURE 3-53. TRUSS BOOM - 12 FOOT WITH WINCH

ITEM	PART NUMBER	QTY	DESCRIPTION	REV
	1001099351	Ref	TRUSS BOOM (0.9 TON - 3.7M WITH WINCH)	L
1	See Note	NSS	Frame, Truss Boom (Note: Purchase Complete Assembly)	
2	90554016	1	Decal, Made in USA	
	See Note	NSS	S/N Plate (Note: Stamped Part - Not Available for Purchase)	
4	70021349	4	Bolt 3/8 x 1	
5	70021921	1	Motor, Truss Boom Winch	
6	70024059	2	Bolt 1/2 x 1-3/4	
7	70021415	2	Connector	
8	70021977	2	Hose 32in (Boom Front Disconnect)	
8	70031445	2	Hose 48in (Boom Side Disconnect)	
9	70022527	2	Fitting, 90	
10	7029692	1	Fitting, Straight	
11	90554062	1	Cap, Dust	
12	70021342	1	Fitting, Straight	
13	90554076	1	Cap, Dust	
15	70021978	1	Ball Swivel with Safety Hook	
16	70021979	1	Assembly, Socket (includes items 17 thru 18)	
17	See Note	NSS	Pin (Note: Use Item 16)	
18	See Note	NSS	Pin, Cotter (Note: Use Item 16)	
19	70022528	2	Clamp	
20	70021935	1	Pulley	
21	70022028	1	Cable	
22	4110422	2	Decal, Warning Swinging Loads	
23	70022529	1	Pin	
24	70024060	2	Washer	
25	70026698	2	Ring, Snap	
26	90554042	4	Washer 3/8	
27	90554020	2	Washer 1/2	
28	90554054	2	Nut 1/2	

SECTION 3 - ATTACHMENTS

FIGURE 3-54. TRUSS BOOM - 12 FOOT WITHOUT WINCH



ART_1001275853

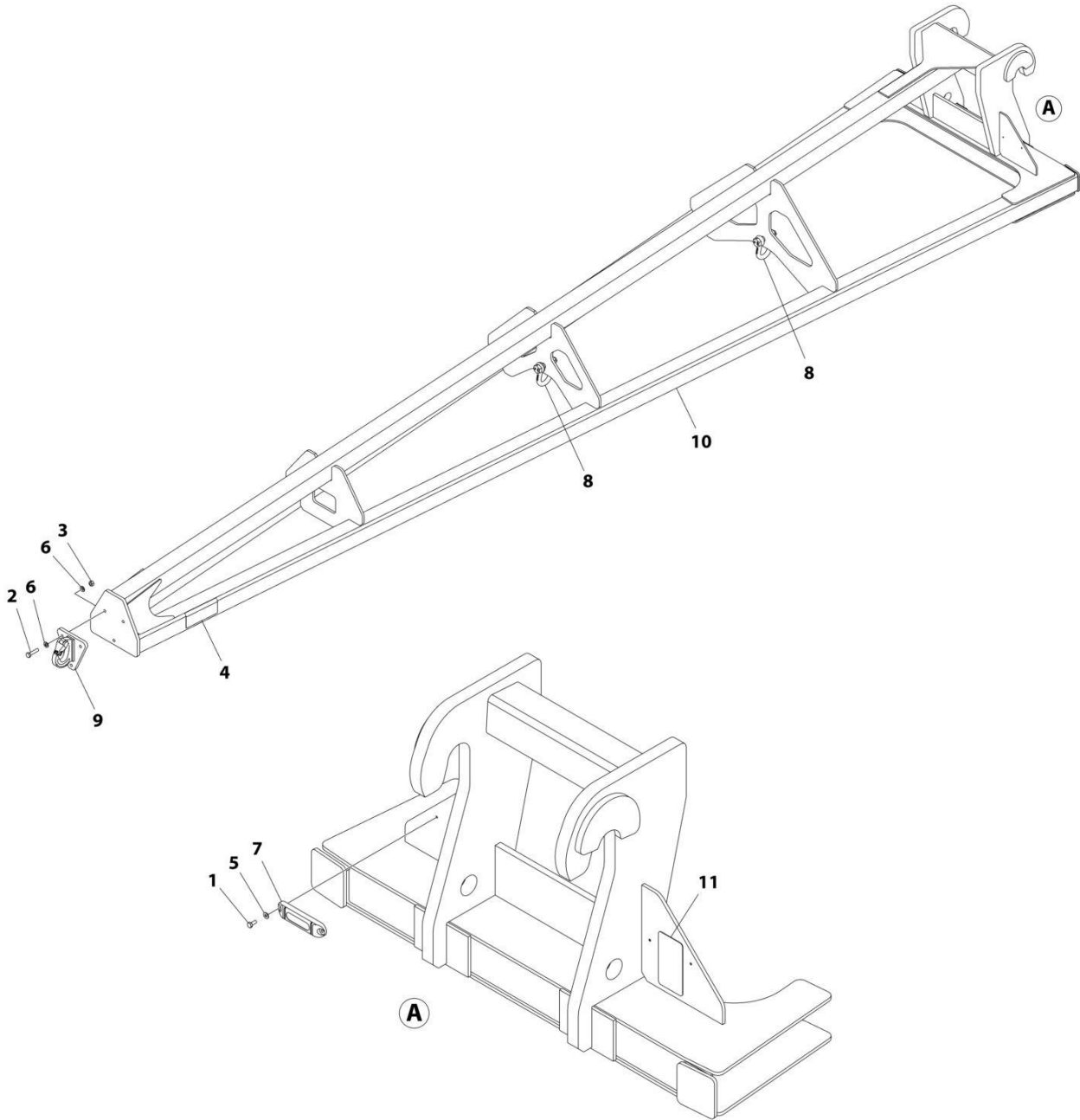
SECTION 3 - ATTACHMENTS

FIGURE 3-54. TRUSS BOOM - 12 FOOT WITHOUT WINCH

ITEM	PART NUMBER	QTY	DESCRIPTION	REV
	1001275853	Ref	BOOM - 12FT WITHOUT WINCH	D
1	0760405	2	Bolt M4 x 10	
2	0761017	3	Bolt M10 x 45	
3	3291007	3	Nut M10	
4	4110422	2	Decal, Danger Swinging Loads	
5	4811400	2	Washer M4	
6	5241000	6	Washer M10	
7	1001227670	1	Tag, RFID	
8	1001287742	2	Clevis	
9	1001275841	1	Hook	
10	See Note	NSS	Boom, Truss (Note: Purchase Complete Assembly)	
11	See Note	NSS	SN Plate (Note: Stamped Part - Not Available for Purchase)	

SECTION 3 - ATTACHMENTS

FIGURE 3-55. TRUSS BOOM - 15 FOOT WITHOUT WINCH



ART_1001275852

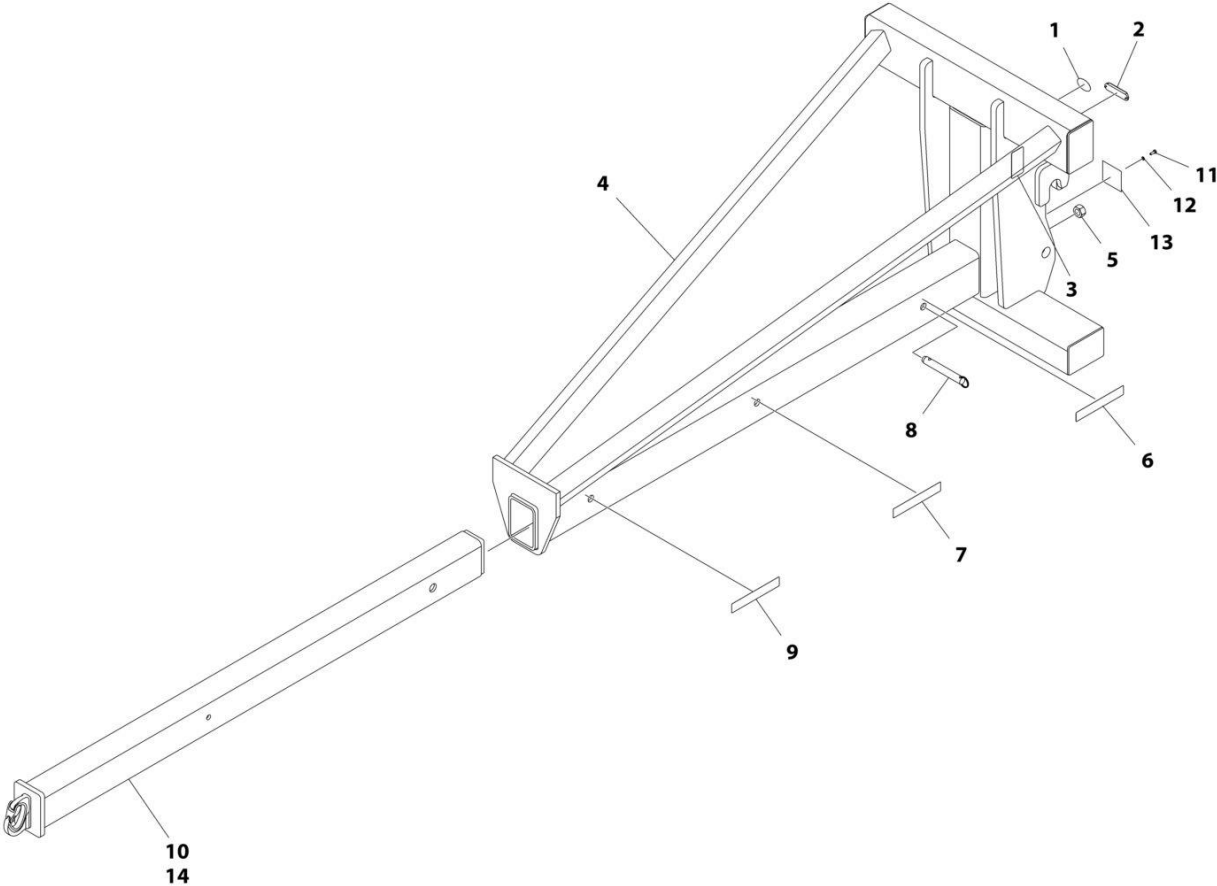
SECTION 3 - ATTACHMENTS

FIGURE 3-55. TRUSS BOOM - 15 FOOT WITHOUT WINCH

ITEM	PART NUMBER	QTY	DESCRIPTION	REV
	1001275852	Ref	BOOM - 15FT WITHOUT WINCH	D
1	0760405	2	Bolt M4 x 10	
2	0761017	3	Bolt M10 x 45	
3	3291007	3	Nut M10	
4	4110422	2	Decal, Danger Swinging Loads	
5	4811400	2	Washer M4	
6	5241000	6	Washer M10	
7	1001227670	1	Tag, RFID	
8	1001287742	2	Clevis	
9	1001275841	1	Hook	
10	See Note	NSS	Boom, Truss (Note: Purchase Complete Assembly)	
11	See Note	NSS	SN Plate (Note: Stamped Part - Not Available for Purchase)	

SECTION 3 - ATTACHMENTS

FIGURE 3-56. TRUSS BOOM - ADJUSTABLE



ART_1001176515_D

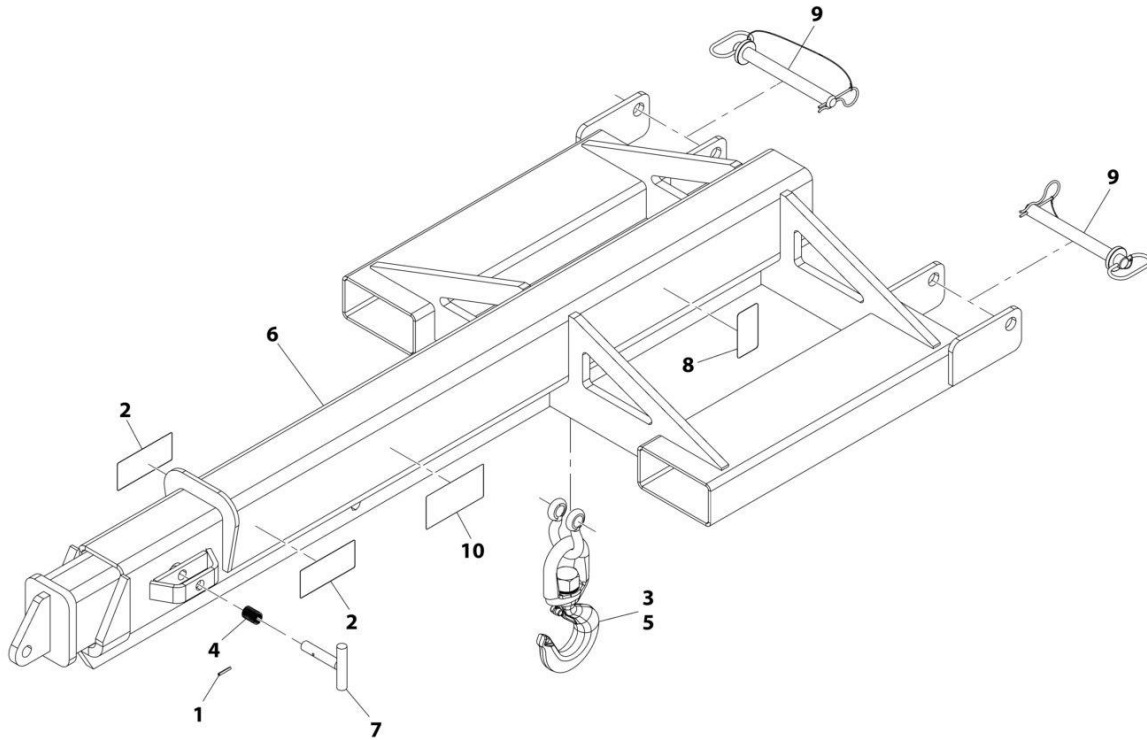
SECTION 3 - ATTACHMENTS

FIGURE 3-56. TRUSS BOOM - ADJUSTABLE

ITEM	PART NUMBER	QTY	DESCRIPTION	REV
	1001176515	Ref	ADJUSTABLE TRUSS BOOM	E
1	90554016	1	Decal, Made in USA	
2	1001227670	1	Tag, RFID	
3	See Note	NSS	SN Plate (Note: Stamped Part - Not Available for Purchase)	
4	See Note	NSS	Truss Boom, Adjustable (Note: Purchase Complete Assembly)	
5	70021440	1	Nut, Lock	
6	70024062	2	Decal, 4000 lbs cap	
7	70026944	2	Decal, 3000 lbs cap	
8	70026946	1	Pin	
9	70026699	2	Decal, 2000 lbs cap	
10	70026747	1	Seal	
11	90554033	1	Bolt 3/4 x 1/4	
12	90554034	1	Washer 1/4	
13	70026948	1	Plate, Stop	
14	70026949	1	Boom, Telescopic	

SECTION 3 - ATTACHMENTS

FIGURE 3-57. TRUSS BOOM - ADJUSTABLE (FORK MOUNTED)



ART_1001230241-H

SECTION 3 - ATTACHMENTS

FIGURE 3-57. TRUSS BOOM - ADJUSTABLE (FORK MOUNTED)

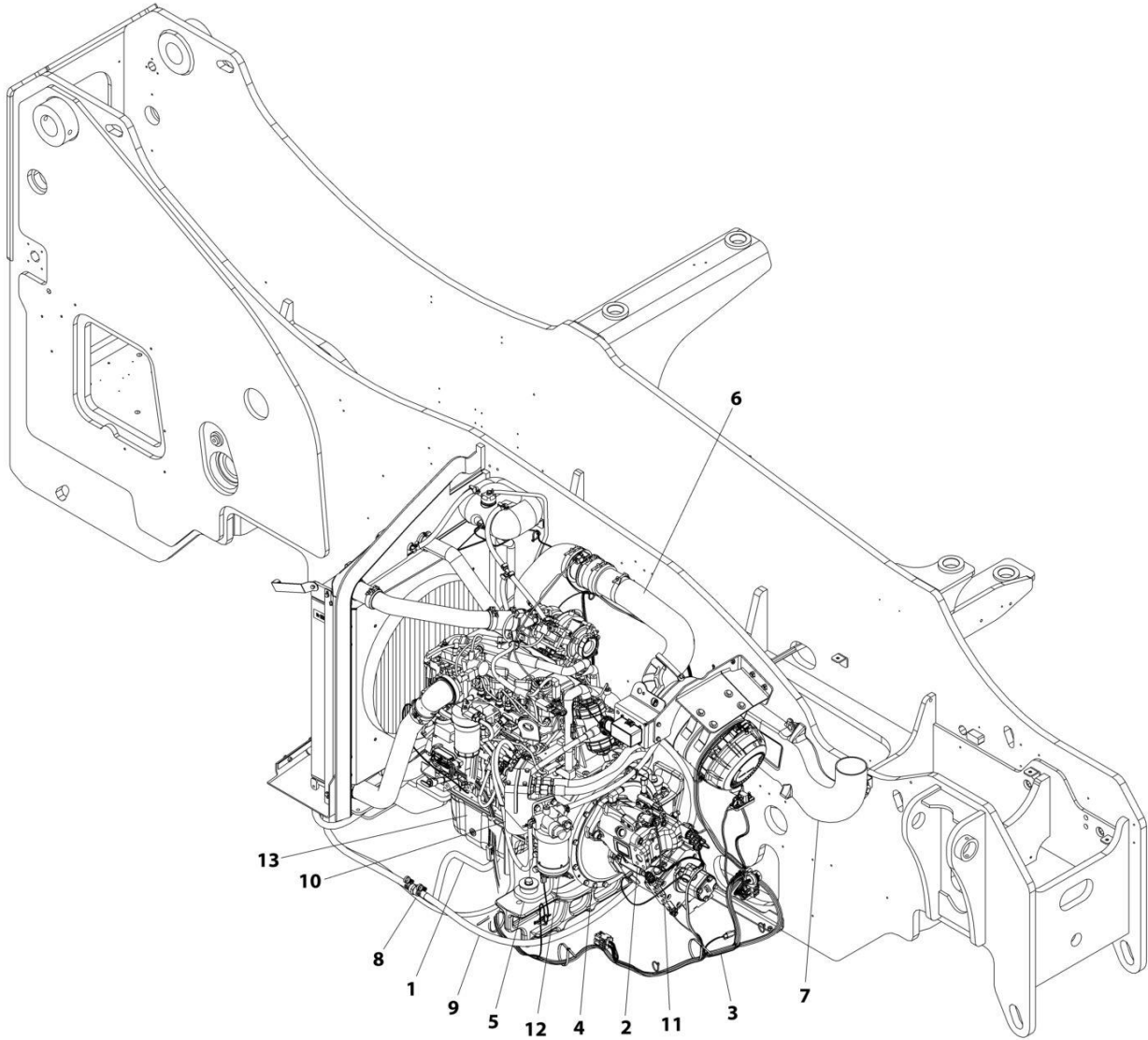
ITEM	PART NUMBER	QTY	DESCRIPTION	REV
	1001230241	Ref	Adjustable Truss Boom Installation (Fork Mounted)	J
1	3440620	1	Pin	
2	4110422	2	Decal, Danger Swinging Loads	
3	91403448	1	Hook, Swivel	
4	1001128890	1	Spring	
5	1001146160	1	Shackle	
6	See Note	NSS	Boom, Truss - Adjustable (Note: Purchase Complete Assembly)	
7	1001230239	1	Pin	
8	See Note	NSS	SN Plate (Note:Stamped Part - Not Available for Purchase)	
9	1001231692	2	Pin	
10	1001232500	1	Decal, Load Capacities	

SECTION 4 - ENGINE AND ATTACHING PARTS

SECTION 4 - ENGINE AND ATTACHING PARTS

SECTION 4 - ENGINE AND ATTACHING PARTS

FIGURE 4-1. ENGINE POD COMPONENT INSTALLATION (1075)



ART_1001274435

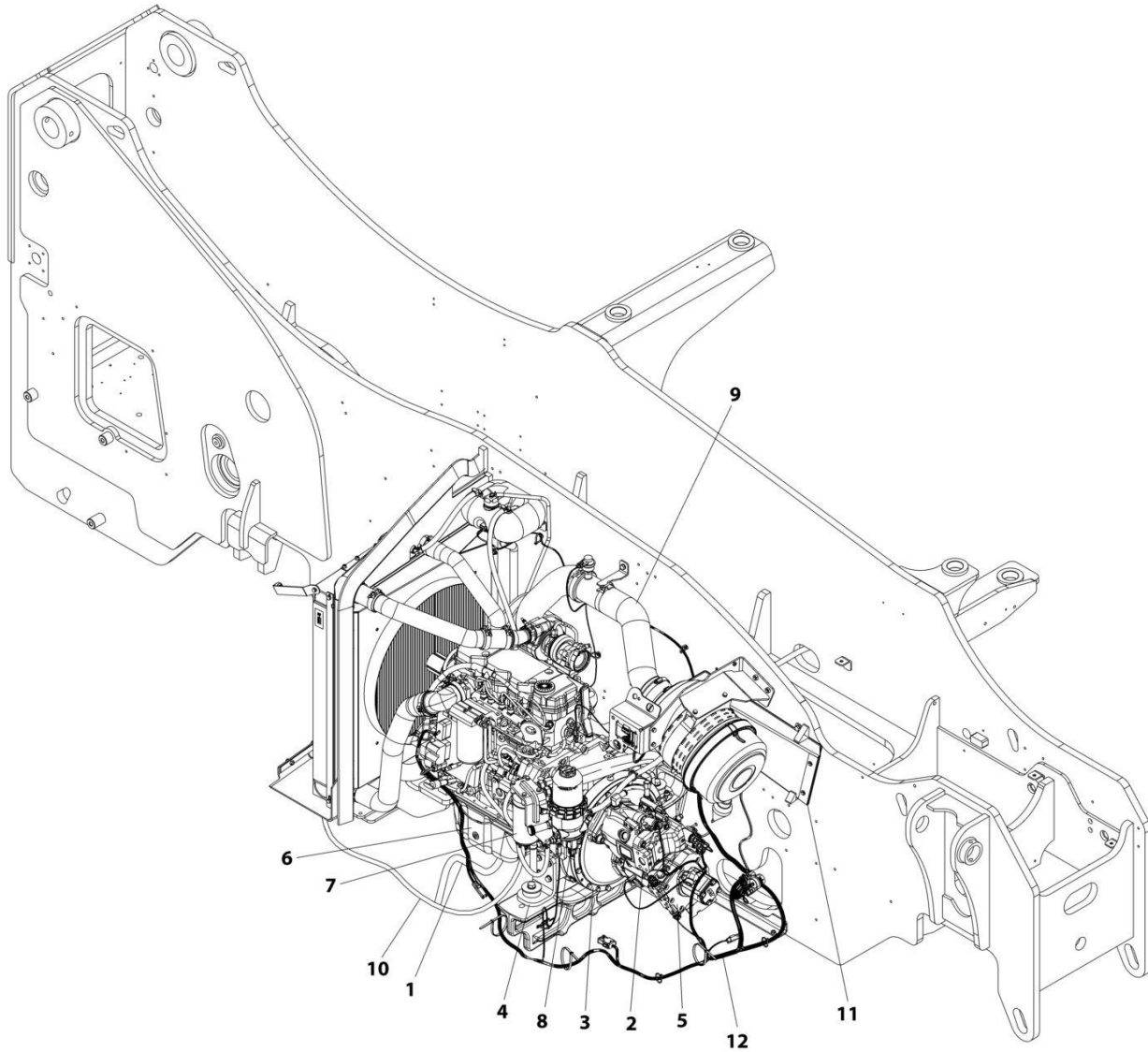
SECTION 4 - ENGINE AND ATTACHING PARTS

FIGURE 4-1. ENGINE POD COMPONENT INSTALLATION (1075)

ITEM	PART NUMBER	QTY	DESCRIPTION	REV
	1001274435	Ref	ENGINE POD COMPONENT INSTALLATION	B
1	1001173344	1	Installation, Oil Drain Hose (See Separate Breakdown in this Section)	
2	1001206349	1	Installation, Hydraulic Pump (See Separate Breakdown in this Section)	
3	1001238007	1	Installation, Engine Wiring Cummins 4.5L	
4	1001243039	1	Installation, Transmission Hydrostatic Adapter (See Separate Breakdown in this Section)	
5	1001244037	1	Installation, Engine Mount (See Separate Breakdown in this Section)	
6	1001244039	1	Installation, Air Cleaner Lines (See Separate Breakdown in this Section)	
7	1001244040	1	Installation, Air Cleaner (See Separate Breakdown in this Section)	
8	1001244041	1	Installation, Fuel Lines (See Separate Breakdown in this Section)	
9	1001244043	1	Installation, DEF Coolant Lines (See Separate Breakdown in this Section)	
10	1001244046	1	Installation, Remote Oil Filter (See Separate Breakdown in this Section)	
11	1001244049	1	Installation, Hydrostatic Drive Pump (See Separate Breakdown in this Section)	
12	1001244050	1	Installation, Primary Fuel Filter (See Separate Breakdown in this Section)	
13	1001274337	1	Engine, Cummins QSB 4.5L T4F(See Separate Breakdown in this Section)	

SECTION 4 - ENGINE AND ATTACHING PARTS

FIGURE 4-2. ENGINE POD COMPONENT INSTALLATION (4523)



ART_1001256491

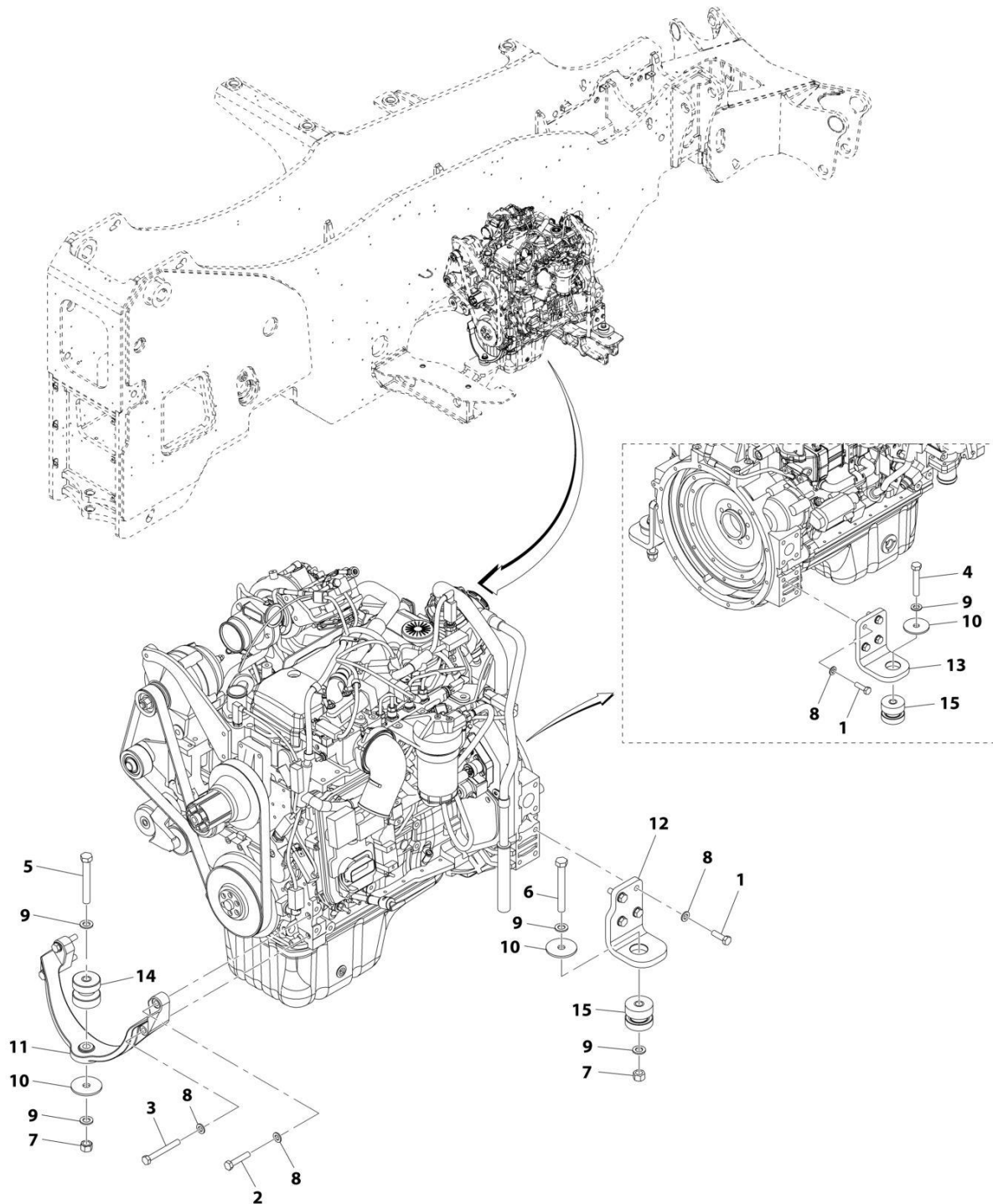
SECTION 4 - ENGINE AND ATTACHING PARTS

FIGURE 4-2. ENGINE POD COMPONENT INSTALLATION (4523)

ITEM	PART NUMBER	QTY	DESCRIPTION	REV
	1001256491	Ref	ENGINE POD COMPONENT INSTALLATION	B
1	1001173344	1	Installation, Oil Drain Hose (See Separate Breakdown in this Section)	
2	1001206349	1	Installation, Hydraulic Pump (See Separate Breakdown in this Section)	
3	1001243039	1	Installation, Transmission Hydrostatic Adapter (See Separate Breakdown in this Section)	
4	1001244037	1	Installation, Engine Mount (See Separate Breakdown in this Section)	
5	1001244049	1	Installation, Hydrostatic Drive Pump (See Separate Breakdown in this Section)	
6	1001255278	1	Engine, Cummins QSB 4.5L LRC(See Separate Breakdown in this Section)	
7	1001256496	1	Installation, Remote Oil Filter (See Separate Breakdown in this Section)	
8	1001256497	1	Installation, Fuel Filter (See Separate Breakdown in this Section)	
9	1001279087	1	Installation, Air Intake (See Separate Breakdown in this Section)	
10	1001256499	1	Installation, Fuel Lines (See Separate Breakdown in this Section)	
11	1001279088	1	Installation, Air Cleaner (See Separate Breakdown in this Section)	
12	1001264607	1	Installation, Engine Wiring Cummins 4.5L (See Separate Breakdown in this Section)	

SECTION 4 - ENGINE AND ATTACHING PARTS

FIGURE 4-3. ENGINE MOUNT INSTALLATION



ART_1001244037-A

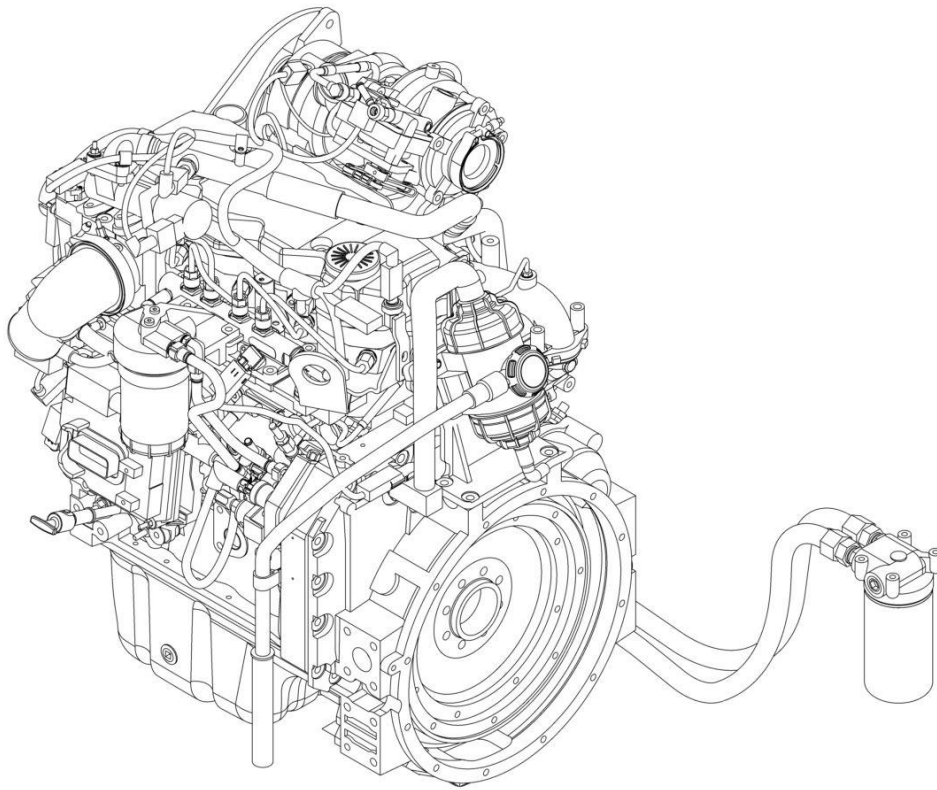
SECTION 4 - ENGINE AND ATTACHING PARTS

FIGURE 4-3. ENGINE MOUNT INSTALLATION

ITEM	PART NUMBER	QTY	DESCRIPTION	REV
	1001244037	Ref	Engine Mount Installation	A
1	0701216	8	Bolt, M12X40	
2	0701220	2	Bolt, M12X60	
3	0701227	2	Bolt, M12X100	
4	0711626	1	Bolt, M16X90	
5	0711629	1	Bolt, M16X120	
6	0711630	1	Bolt, M16X130	
7	3331615	1	Nut, M16	
8	4812100	2	Washer, M12	
9	4812300	12	Washer, M16	
10	7300435	5	Washer	
11	1001160116	3	Bracket, Engine	
12	1001238820	1	Plate, Engine Mount	
13	1001238821	1	Plate, Engine Mount	
14	1001188757	1	Mount, Isolator Engine	
15	1001197072	2	Mount, Isolator Engine	

SECTION 4 - ENGINE AND ATTACHING PARTS

FIGURE 4-4. CUMMINS ENGINE - 4.5L (1075)



ART_1001274337

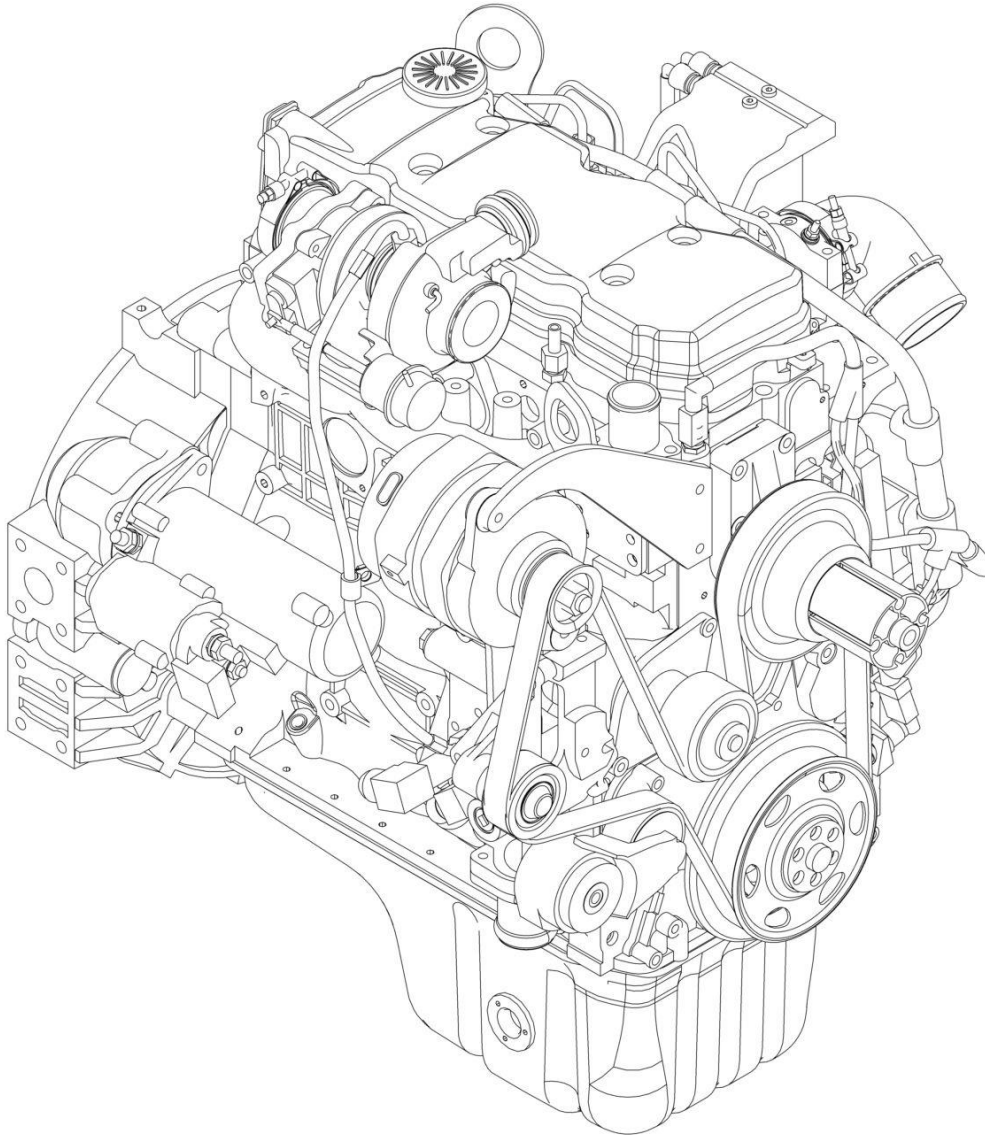
SECTION 4 - ENGINE AND ATTACHING PARTS

FIGURE 4-4. CUMMINS ENGINE - 4.5L (1075)

ITEM	PART NUMBER	QTY	DESCRIPTION	REV
	1001274337	Ref	CUMMINS ENGINE, QSB 4.5L	B
	70026248	1	Filter After Treatment Kit	
	N.S.S.	1	Filter Screen	
	N.S.S.	1	Filter Support	
	N.S.S.	1	Filter Service Tool	
	70026247	1	Cap, Filter After treatment	
	70026244	1	Connector, Male (Inlet)	
	70026245	1	Connector, Male (Outlet)	
		Ref	Crankcase Breather	
		Ref	Breather Tube and Seal	
	70024284	1	Vent Filter, Crankcase	
	70025351	1	Pressure Sensor	
		Ref	Idler Pulley Kit	
		Ref	Support, Idler Pulley	
	70023443	1	Block Heater Starting Aid, (includes o-ring)	
	1001195923	1	Block Heater Cordset	
		Ref	Fuel Drain Hose Coupling	
	7029128	1	Sealing Washer	
		Ref	Alternator	
		Ref	Pulley, Alternator	
		Ref	Support, Alternator	
		Ref	Brace, Alternator	
	1322073	1	Pulley, Fan	
	7028938	1	Fan Support Kit	
	70029919	1	Fan Spacer	
	70028450	1	Fuel Filter Assembly	

SECTION 4 - ENGINE AND ATTACHING PARTS

FIGURE 4-5. CUMMINS ENGINE - 4.5L (4523)



ART_1001255278

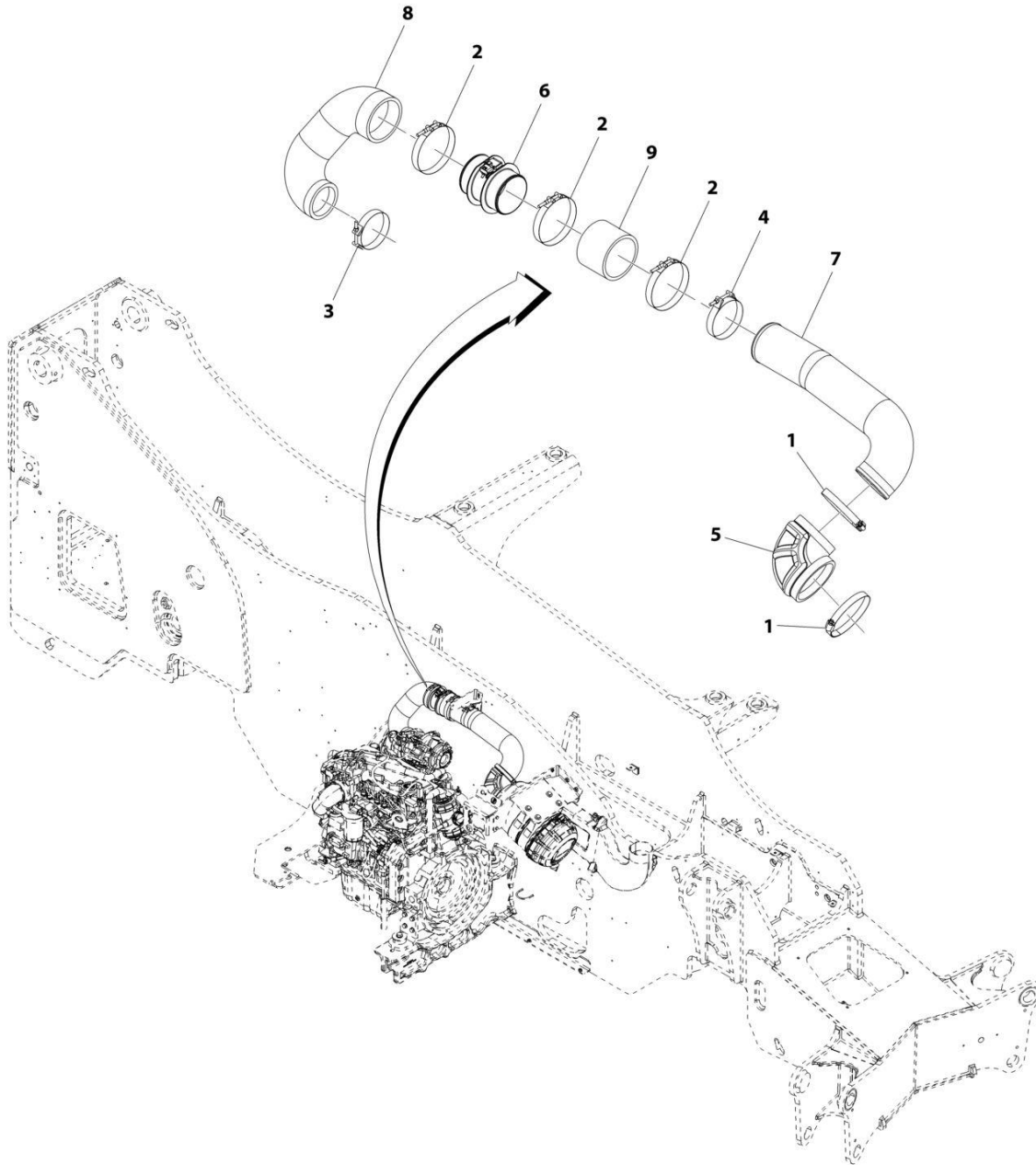
SECTION 4 - ENGINE AND ATTACHING PARTS

FIGURE 4-5. CUMMINS ENGINE - 4.5L (4523)

ITEM	PART NUMBER	QTY	DESCRIPTION	REV
	1001255278	Ref	ENGINE, QSB 4.5L LRC	B
	70026533	1	Starting Aid Assembly	
	70030164	1	Support, Idler Pulley	
	70023443	1	Engine Heater with O-Ring	
	1001195923	1	Heater Cable	
	70024313	1	Thermostat Kit (Includes O-Ring)	
	70030316	1	Valve, Check	
	70030167	1	Pulley, Alternator	
	70030168	1	Support, Alternator	
	70030169	1	Brace, Alternator	
	1322073	1	Pulley, Fan	
	7028938	1	Fan Support	
	70029919	1	Spacer, Fan Pilot	
	1322181	4	Screw	
	70026557	1	Tube, Fuel Supply	
	70022641	1	Fuel Filter Head with Fittings	
	70020348	1	Secondary Fuel Filter	
	70030146	1	Oil Seal, Rear Main	
	70021795	1	Flywheel	
	70021794	1	Fuel Injection Pump	
	1321797	1	Gasket, Cover Plate	
	70029430	1	Pipe, Air Transfer	
	70029431	1	O-Ring, Air Transfer	
	70029429	1	Clamp, V Band	
	70020358	1	Oil Filter	
	70020351	1	Dipstick Tube	
	70030310	1	Alternator	
	70030311	1	Dipstick	
	70030312	2	Pan, Oil	
	70022637	1	Oil Pan Plug Gasket	
	70024317	1	Oil Pan Valve	
	70022845	1	Gasket, Oil Pan Valve	
	70030313	1	Plug	
	70030315	1	Tensioner, Belt	
	1001128594	1	Starter	
	77384830	1	V-Band Clamp, Exhaust Outlet Connection	
	70030314	1	Coupling	
	70021805	1	Water Pump	
	70021806	1	Water Pump Gasket	

SECTION 4 - ENGINE AND ATTACHING PARTS

FIGURE 4-6. AIR CLEANER LINES INSTALLATION (1075)



ART_1001244039-A

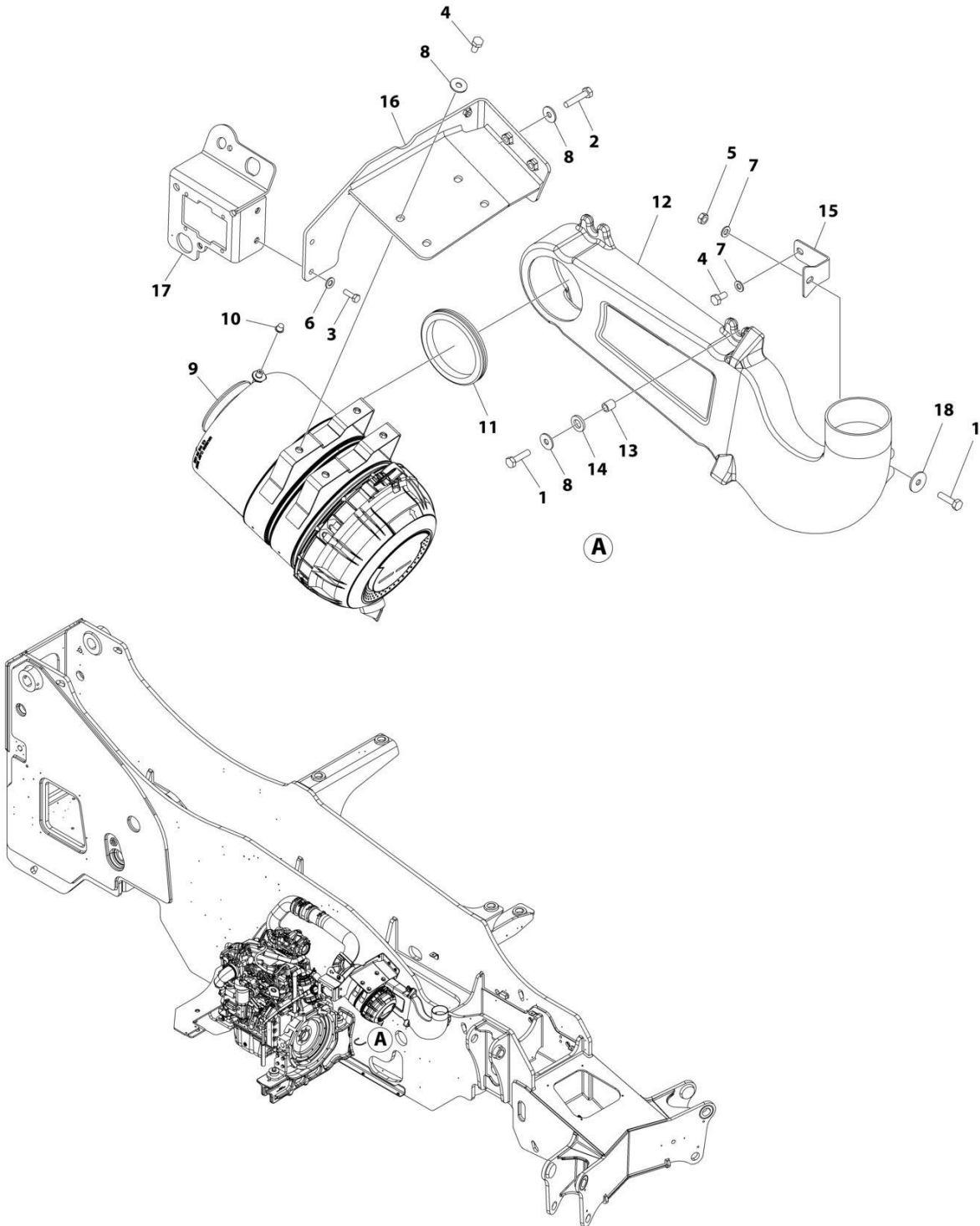
SECTION 4 - ENGINE AND ATTACHING PARTS

FIGURE 4-6. AIR CLEANER LINES INSTALLATION (1075)

ITEM	PART NUMBER	QTY	DESCRIPTION	REV
	1001244039	Ref	Air Cleaner Lines Installation	A
1	8405402	2	Clamp	
2	80933367	3	Clamp	
3	90028631	1	Clamp	
4	91413025	1	Clamp	
5	1001166451	1	Elbow	
6	1001168771	1	Tube	
7	1001241370	1	Tube	
8	1001243775	1	Hose	
9	1001247094	1	Hose	

SECTION 4 - ENGINE AND ATTACHING PARTS

FIGURE 4-7. AIR CLEANER INSTALLATION (1075)



ART_1001244040

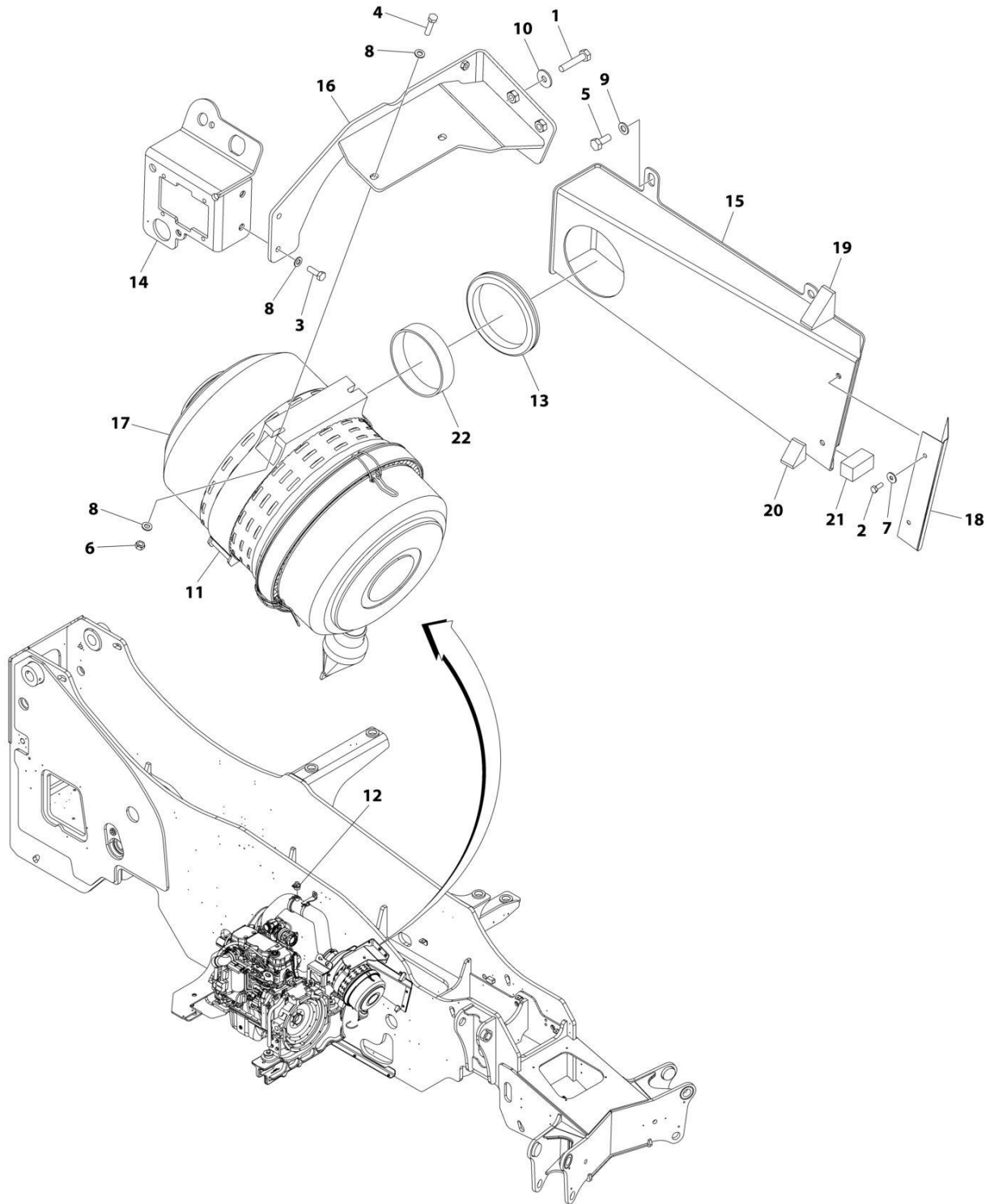
SECTION 4 - ENGINE AND ATTACHING PARTS

FIGURE 4-7. AIR CLEANER INSTALLATION (1075)

ITEM	PART NUMBER	QTY	DESCRIPTION	REV
	1001244040	Ref	AIR CLEANER INSTALLATION	C
1	0701016	5	Bolt M10 x 40	
2	0701018	3	Bolt M10 x 50	
3	0760812	2	Bolt M8 x 25	
4	0761010	5	Bolt M10 x 20	
5	3291001	1	Nut M10 x 1.5	
6	4811900	2	Washer M8	
7	4812000	2	Washer M10	
8	4812002	11	Washer M10	
9	1001166565	1	Filter, Air Cleaner (See Separate Breakdown in this Section)	
10	1001183177	1	Cap	
11	1001183831	1	Grommet	
12	1001216813	1	Duct	
13	1001231389	4	Sleeve, Spacer	
14	1001231390	4	Washer	
15	1001244442	1	Bracket	
16	1001245277	1	Bracket	
17	1001245283	1	Plate	
18	1001155540	1	Washer	

SECTION 4 - ENGINE AND ATTACHING PARTS

FIGURE 4-8. AIR CLEANER INSTALLATION (4523)



ART_1001279088

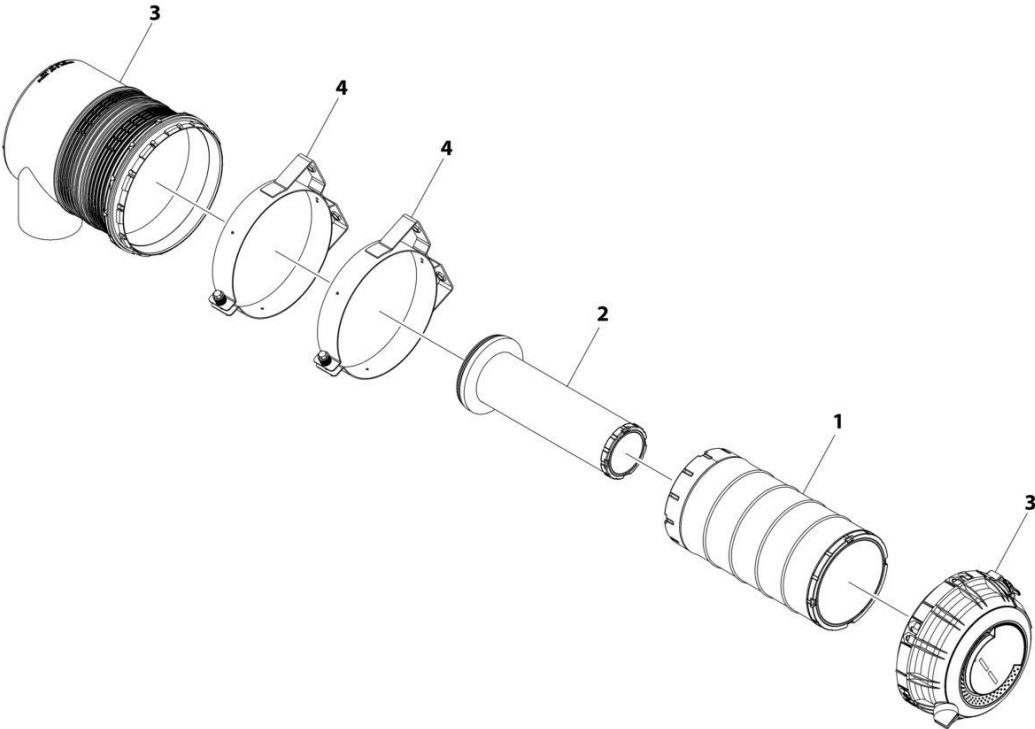
SECTION 4 - ENGINE AND ATTACHING PARTS

FIGURE 4-8. AIR CLEANER INSTALLATION (4523)

ITEM	PART NUMBER	QTY	DESCRIPTION	REV
	1001279088	Ref	AIR CLEANER INSTALLATION	A
1	0701018	3	Bolt M10 x 50	
2	0760608	2	Bolt M6 x 16	
3	0760812	2	Bolt M8 x 25	
4	0760815	2	Bolt M8 x 35	
5	0761012	3	Bolt M10 x 25	
6	3290801	2	Nut M8	
7	4811702	2	Washer M6	
8	4811900	6	Washer M8	
9	4812000	3	Washer M10	
10	4812002	3	Washer M10	
11	1001130443	1	Clamp	
12	1001166715	1	Indicator, Restriction	
13	1001183831	1	Grommet	
14	1001245283	1	Plate	
15	1001279090	1	Duct	
16	1001279093	1	Bracket	
17	1001279128	1	Filter, Air Cleaner (See Separate Breakdown in this Section)	
18	1001279682	1	Plate	
19	1001280354	1	Seal	
20	1001280355	1	Seal	
21	1001280381	1	Seal	
22	1001280666	1	Seal	

SECTION 4 - ENGINE AND ATTACHING PARTS

FIGURE 4-9. AIR CLEANER FILTER ASSEMBLY (90/100KW) (1075)



ART_1001166565

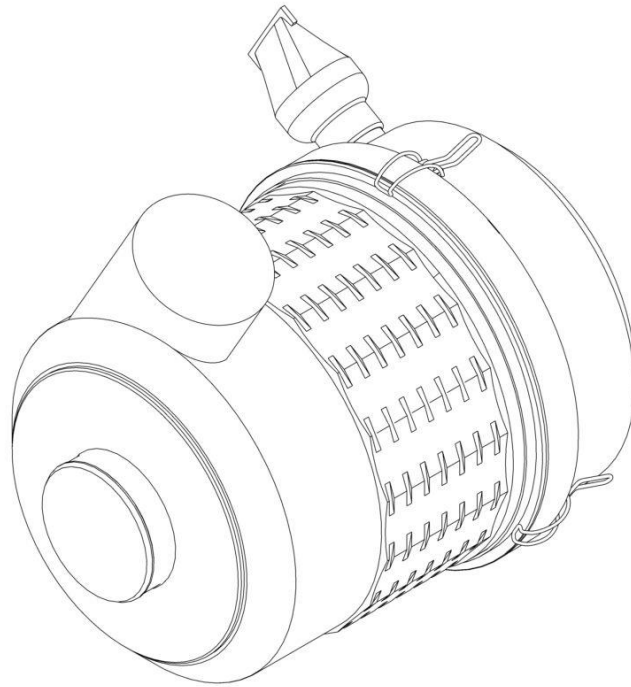
SECTION 4 - ENGINE AND ATTACHING PARTS

FIGURE 4-9. AIR CLEANER FILTER ASSEMBLY (90/100KW) (1075)

ITEM	PART NUMBER	QTY	DESCRIPTION	REV
	1001166565	Ref	AIR FILTER ASSEMBLY (90/100KW)	F
1	70025850	1	Filter, Cylindrical Air Primary	
2	70025851	1	Filter, Cylindrical Air Secondary	
3	70026395	1	Cover	
4	70026396	2	Bracket	

SECTION 4 - ENGINE AND ATTACHING PARTS

FIGURE 4-10. AIR CLEANER FILTER ASSEMBLY (4523)



ART_1001279128

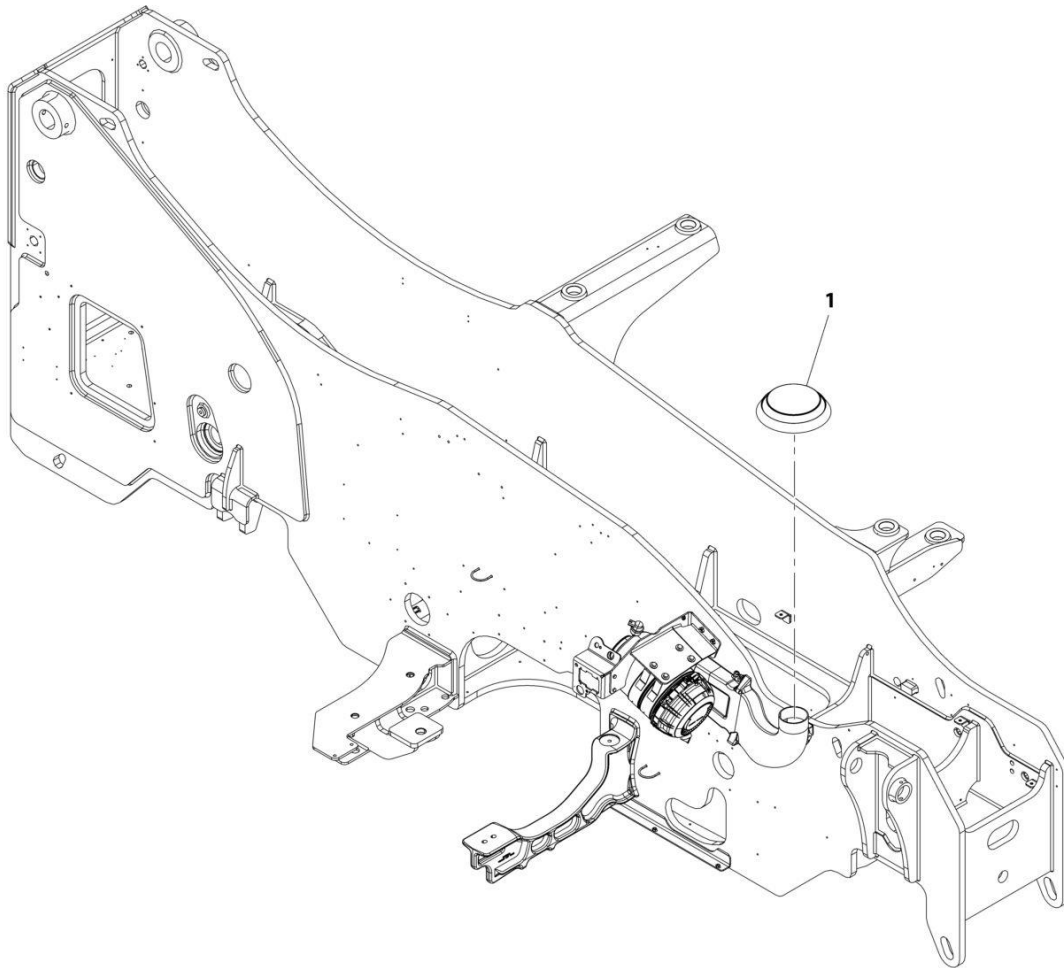
SECTION 4 - ENGINE AND ATTACHING PARTS

FIGURE 4-10. AIR CLEANER FILTER ASSEMBLY (4523)

ITEM	PART NUMBER	QTY	DESCRIPTION	REV
	1001279128	Ref Ref	AIR CLEANER FILTER ASSEMBLY Note: No Service Parts Available at Time of Printing.	A

SECTION 4 - ENGINE AND ATTACHING PARTS

FIGURE 4-11. AIR FILTER, RAIN CAP INSTALLATION



ART_1001258194-A

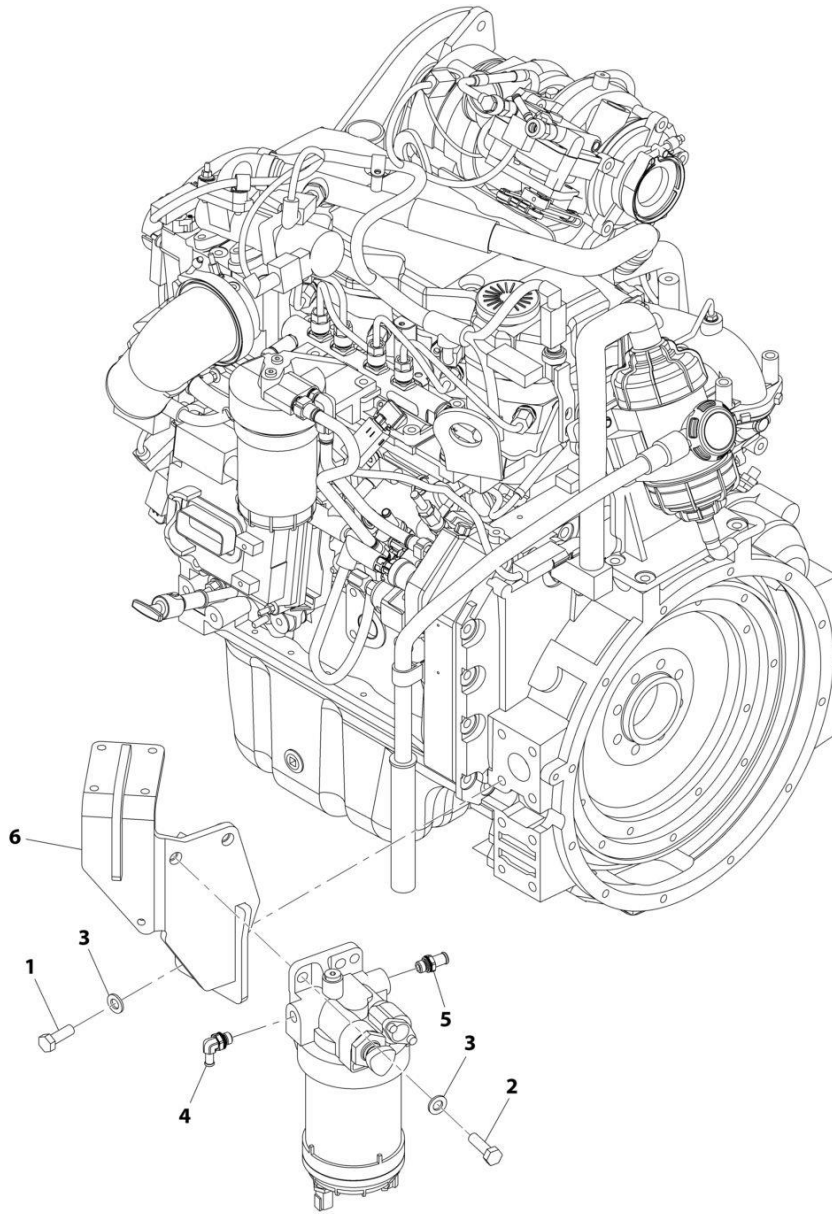
SECTION 4 - ENGINE AND ATTACHING PARTS

FIGURE 4-11. AIR FILTER, RAIN CAP INSTALLATION

ITEM	PART NUMBER	QTY	DESCRIPTION	REV
1	1001258194 90200849	Ref 1	Air Filter, Rain Cap Installation Air Stack Cap	A

SECTION 4 - ENGINE AND ATTACHING PARTS

FIGURE 4-12. PRIMARY FUEL FILTER INSTALLATION (1075)



ART_1001244050-A

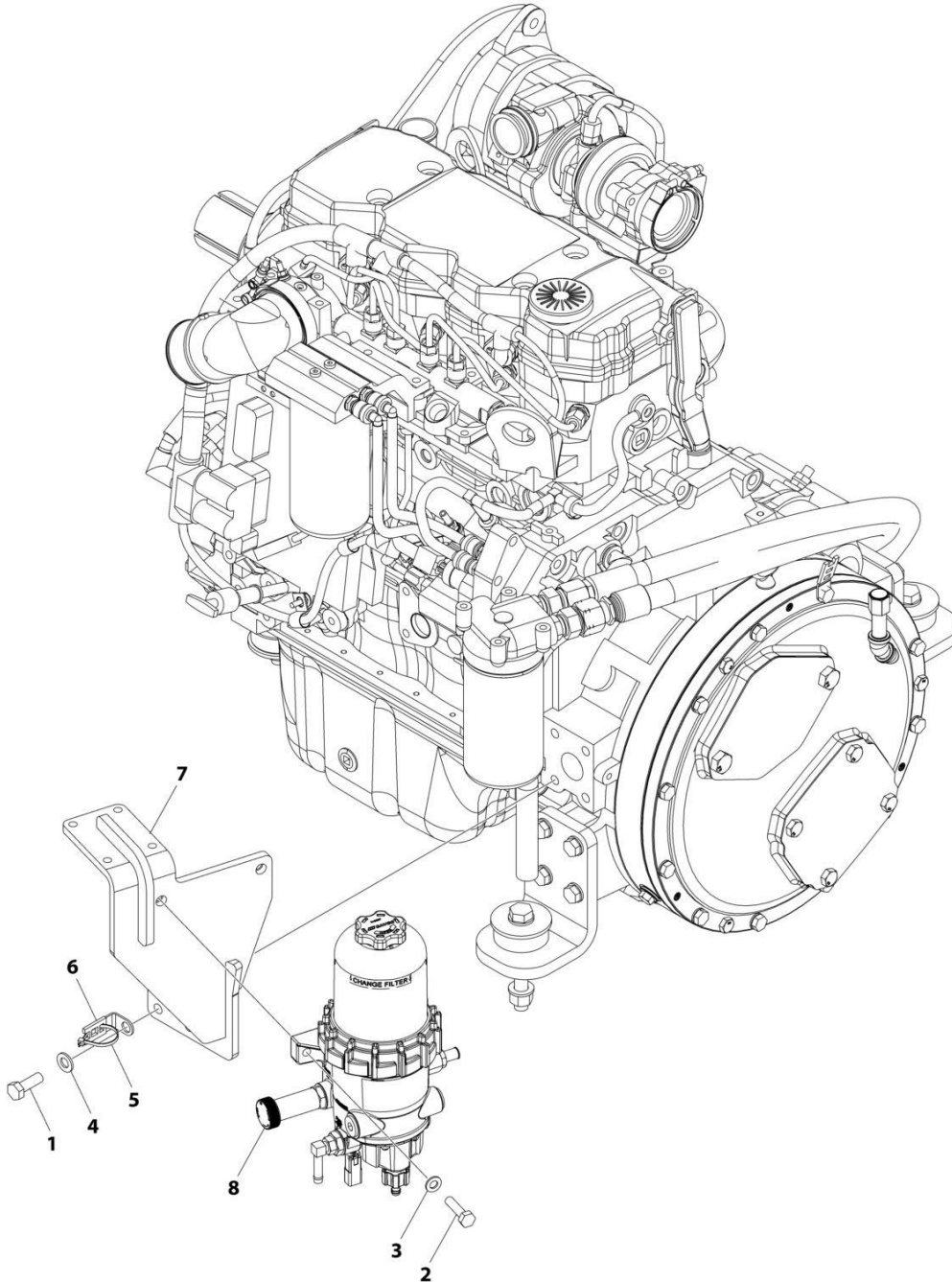
SECTION 4 - ENGINE AND ATTACHING PARTS

FIGURE 4-12. PRIMARY FUEL FILTER INSTALLATION (1075)

ITEM	PART NUMBER	QTY	DESCRIPTION	REV
	1001244050	Ref	Primary Fuel Filter Installation	A
1	0701215	4	Bolt, M12X35	
2	0701216	2	Bolt, M12X40	
3	4812100	6	Washer, M12	
4	1001182094	1	Hose, Barb	
5	1001217467	1	Adapter	
6	1001242340	1	Bracket	

SECTION 4 - ENGINE AND ATTACHING PARTS

FIGURE 4-13. FUEL FILTER INSTALLATION (4523)



ART_1001256497

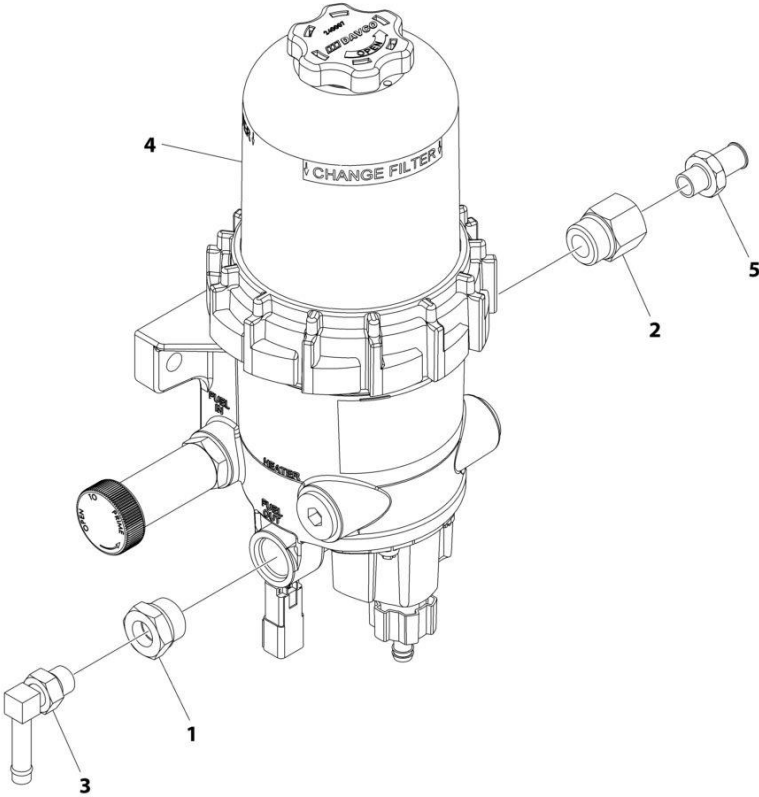
SECTION 4 - ENGINE AND ATTACHING PARTS

FIGURE 4-13. FUEL FILTER INSTALLATION (4523)

ITEM	PART NUMBER	QTY	DESCRIPTION	REV
	1001256497	Ref	FUEL FILTER INSTALLATION	A
1	0701215	4	Bolt M12 x 35	
2	0761016	2	Bolt M10 x 40	
3	4812000	2	Washer M10	
4	4812100	4	Washer M12	
5	1001008559	1	Tie-Strap	
6	1001130198	1	Clip	
7	1001256622	1	Bracket	
8	1001256942	1	Fuel Filter & Fittings Assembly (See Separate Breakdown in this Section)	

SECTION 4 - ENGINE AND ATTACHING PARTS

FIGURE 4-14. FUEL FILTER & FITTINGS ASSEMBLY (4523)



ART_1001256942

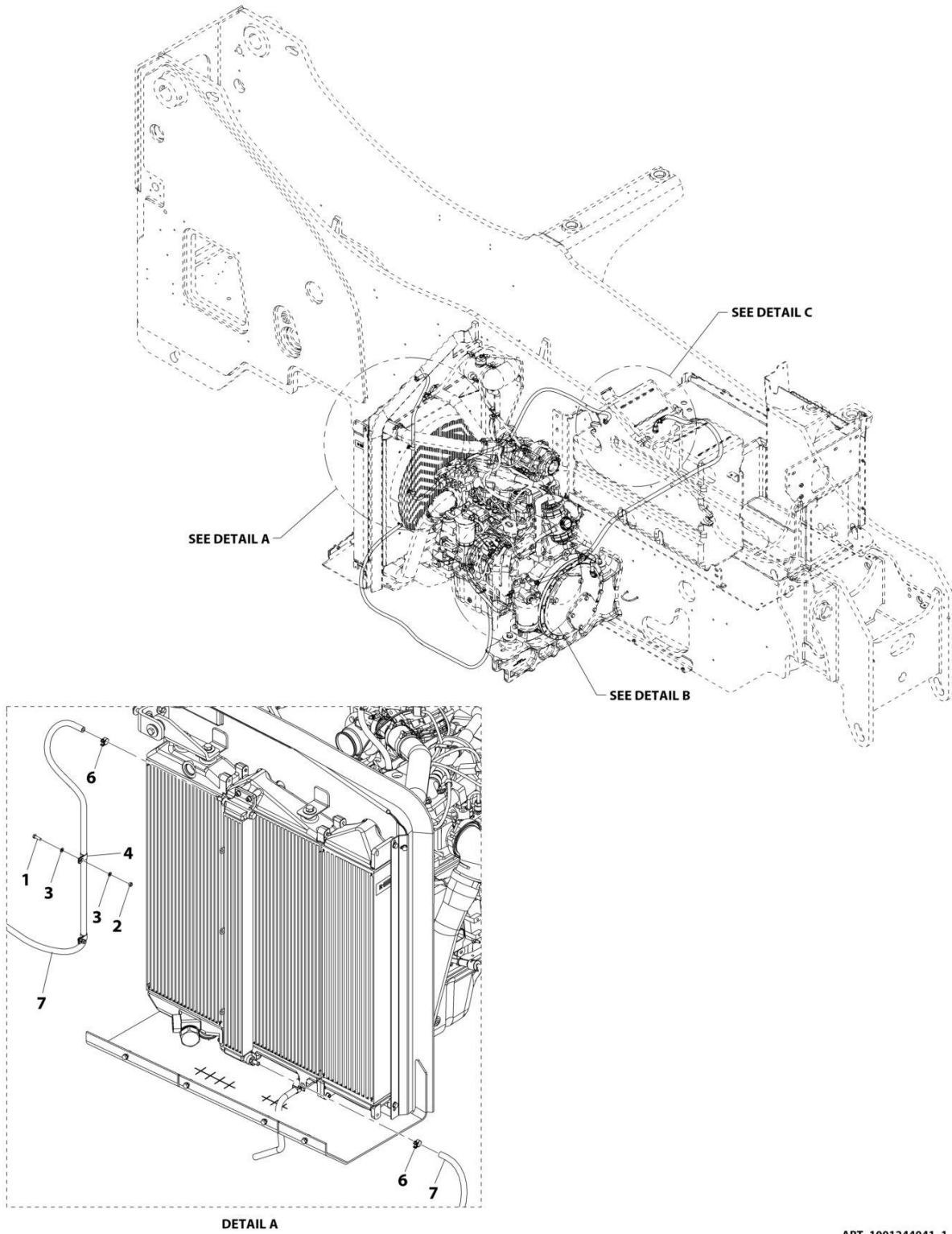
SECTION 4 - ENGINE AND ATTACHING PARTS

FIGURE 4-14. FUEL FILTER & FITTINGS ASSEMBLY (4523)

ITEM	PART NUMBER	QTY	DESCRIPTION	REV
	1001256942	Ref	FUEL FILTER & FITTINGS ASSEMBLY	A
1	2220218	1	Fitting, Straight	
2	2220810	1	Fitting, Straight	
3	8430034	1	Fitting, 90	
4	1001133534	1	Filter, Fuel	
5	1001190631	1	Fitting	

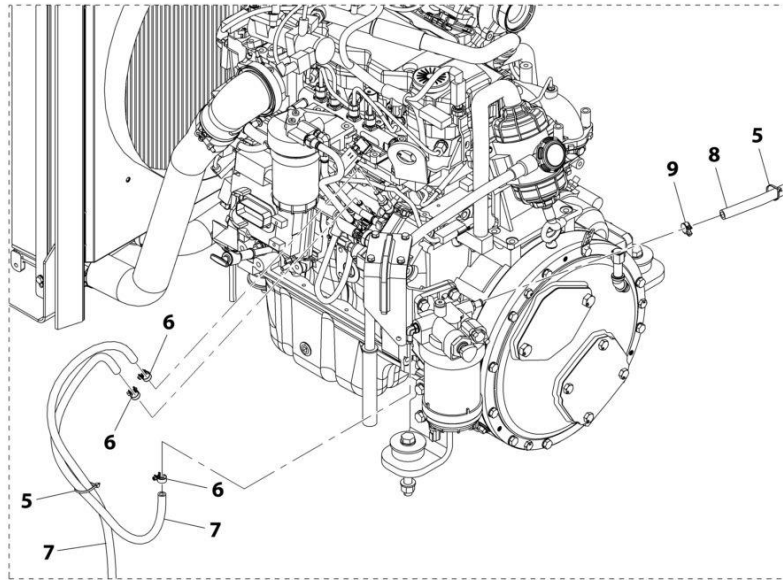
SECTION 4 - ENGINE AND ATTACHING PARTS

FIGURE 4-15. FUEL LINES INSTALLATION (1075)

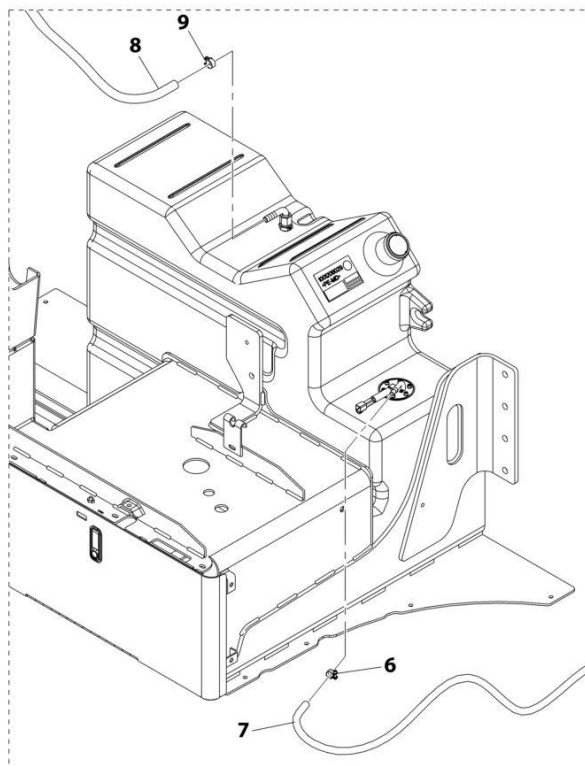


ART_1001244041_1

SECTION 4 - ENGINE AND ATTACHING PARTS



DETAIL B



DETAIL C

ART_1001244041_2

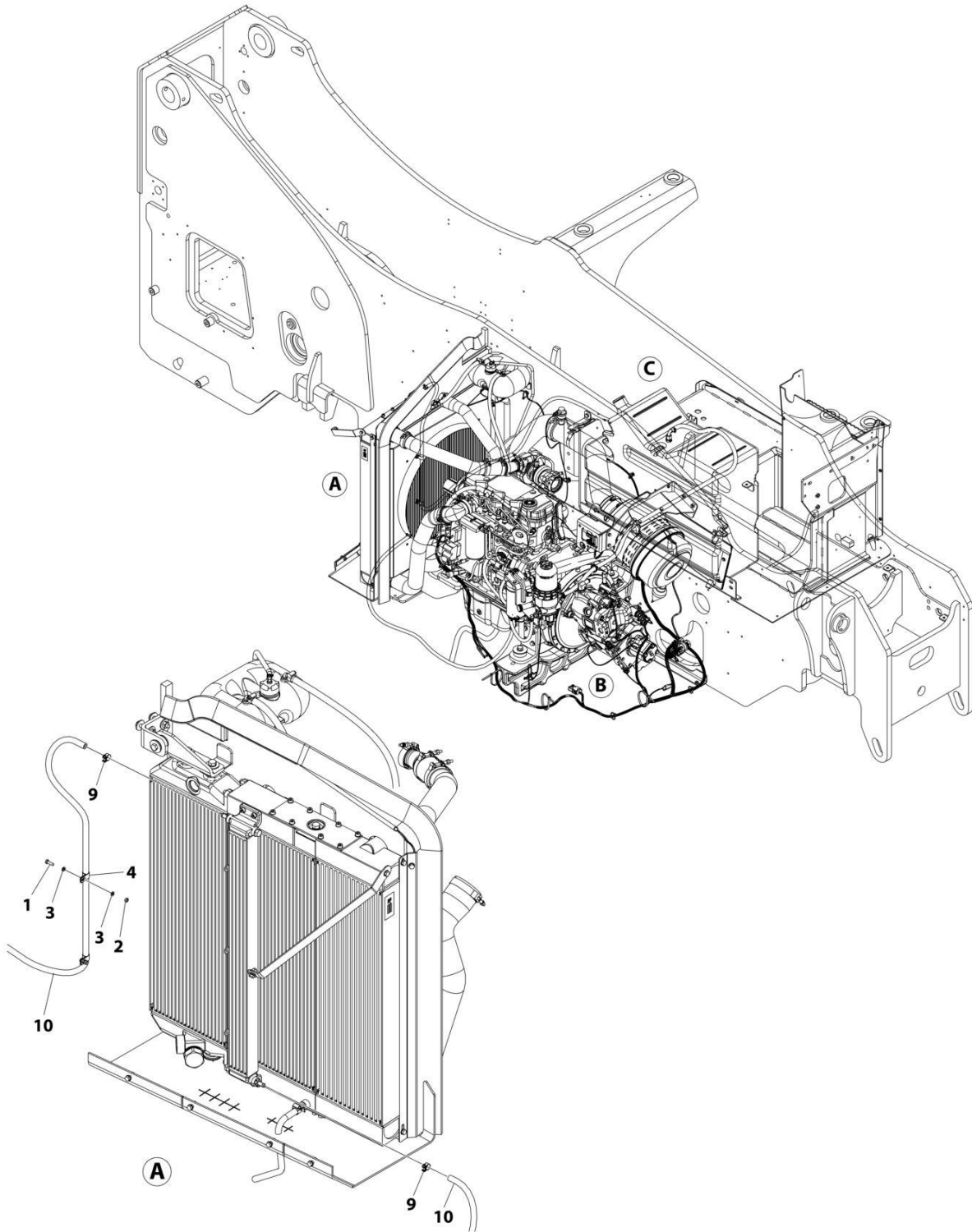
SECTION 4 - ENGINE AND ATTACHING PARTS

FIGURE 4-15. FUEL LINES INSTALLATION (1075)

ITEM	PART NUMBER	QTY	DESCRIPTION	REV
	1001244041	Ref	Fuel Lines Installation	C
1	0700610	2	Bolt, M6X20	
2	3290601	2	Nut, M6X1	
3	4811700	4	Washer, M6	
4	8406112	2	Clip, Tube	
5	1001008559	2	Strap	
6	1001136975	6	Clamp	
7	1001141400	5.7 m	Hose	
8	1001172755	2 m	Hose	
9	1001186342	2	Clip, Hose	

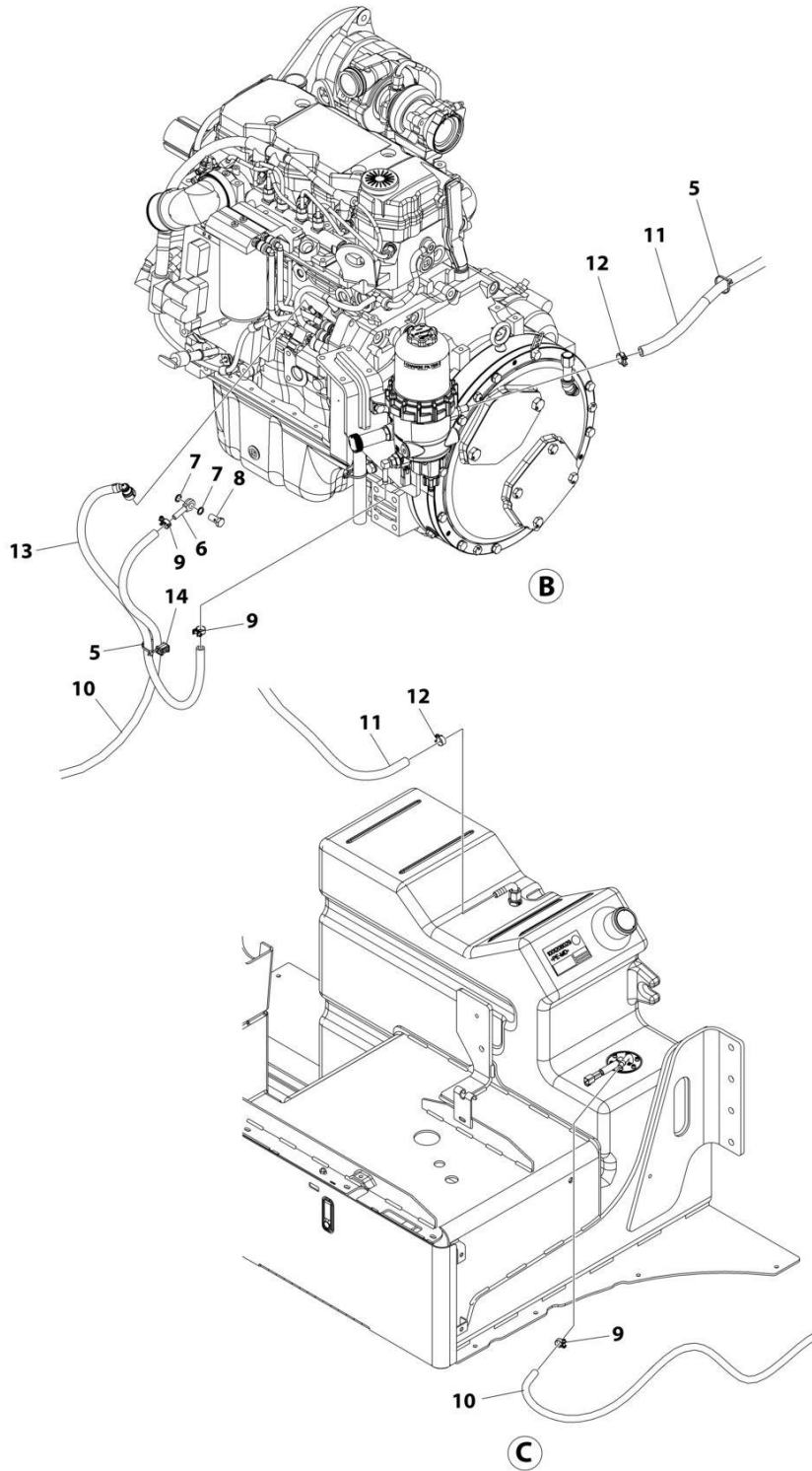
SECTION 4 - ENGINE AND ATTACHING PARTS

FIGURE 4-16. FUEL INTAKE LINES INSTALLATION (4523)



ART_1001256499_10F2

SECTION 4 - ENGINE AND ATTACHING PARTS



ART_1001256499_2OF2

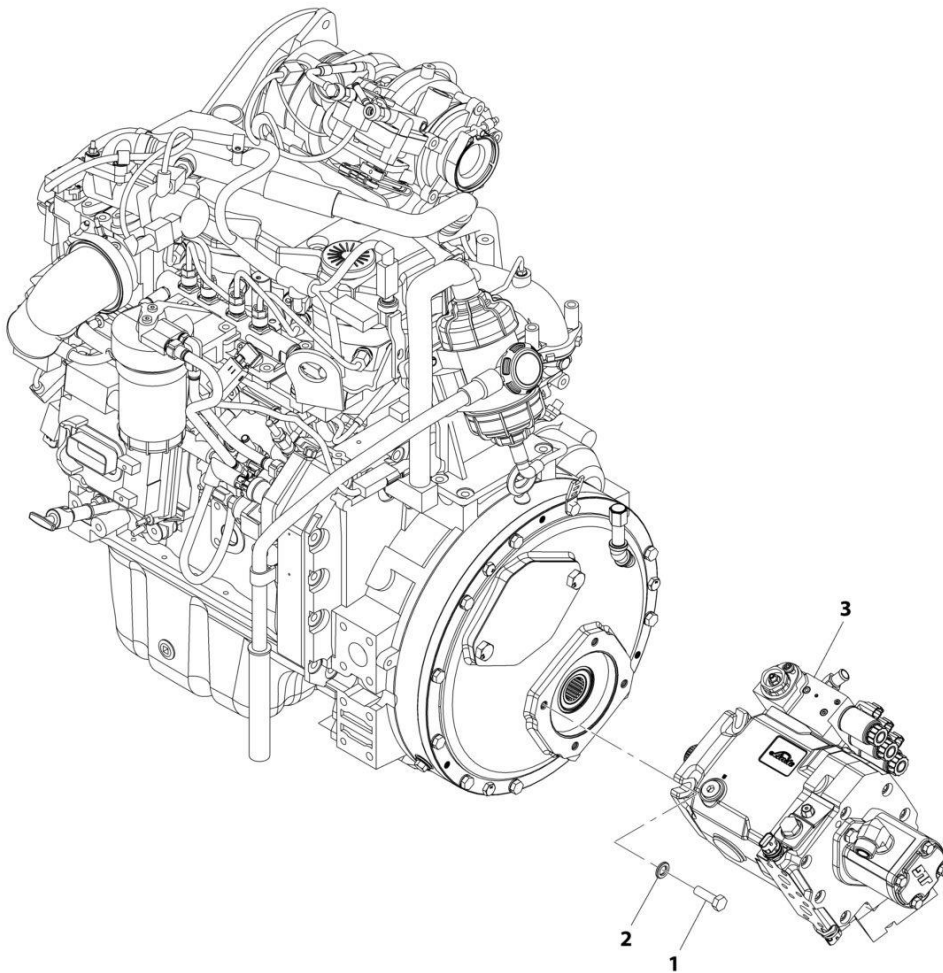
SECTION 4 - ENGINE AND ATTACHING PARTS

FIGURE 4-16. FUEL INTAKE LINES INSTALLATION (4523)

ITEM	PART NUMBER	QTY	DESCRIPTION	REV
	1001256499	Ref	FUEL INTAKE LINES INSTALLATION	A
1	0700610	2	Bolt M6 x 20	
2	3290601	2	Nut M6	
3	4811700	4	Washer M6	
4	8406112	2	Clip, Tube	
5	1001008559	2	Tie-Strap	
6	1001105638	1	Fitting, Straight	
7	1001105639	2	Washer	
8	1001105643	1	Screw	
9	1001136975	5	Clamp	
10	1001141400	4.6 m / 15.1 ft	Hose	
11	1001172755	2 m / 6.6 ft	Hose	
12	1001186342	2	Clip, Hose	
13	1001256721	1	Hose	
14	1001004723	1	Clip, Hose	

SECTION 4 - ENGINE AND ATTACHING PARTS

FIGURE 4-17. HYDROSTATIC DRIVE PUMP INSTALLATION



ART_1001244049-B

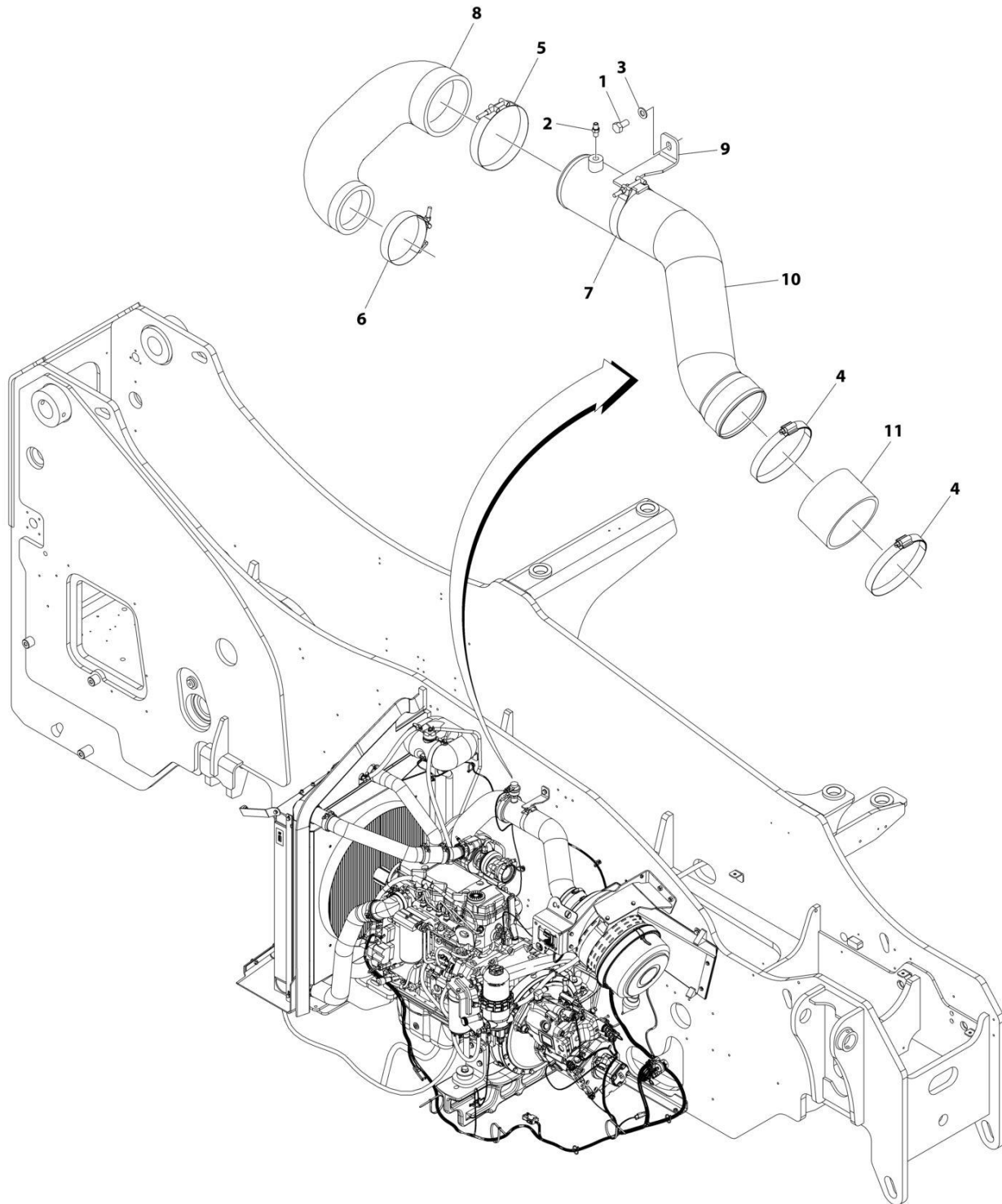
SECTION 4 - ENGINE AND ATTACHING PARTS

FIGURE 4-17. HYDROSTATIC DRIVE PUMP INSTALLATION

ITEM	PART NUMBER	QTY	DESCRIPTION	REV
	1001244049	Ref	Hydrostatic Drive Pump Installation	B
1	0711216	4	Bolt, M12X40	
2	4740532	4	Washer, M12	
3	1001243013	1	Assembly, Hydrostatic Pump (See Separate Breakdown in this Section)	

SECTION 4 - ENGINE AND ATTACHING PARTS

FIGURE 4-18. AIR INTAKE LINES INSTALLATION (4523)



ART_1001279087

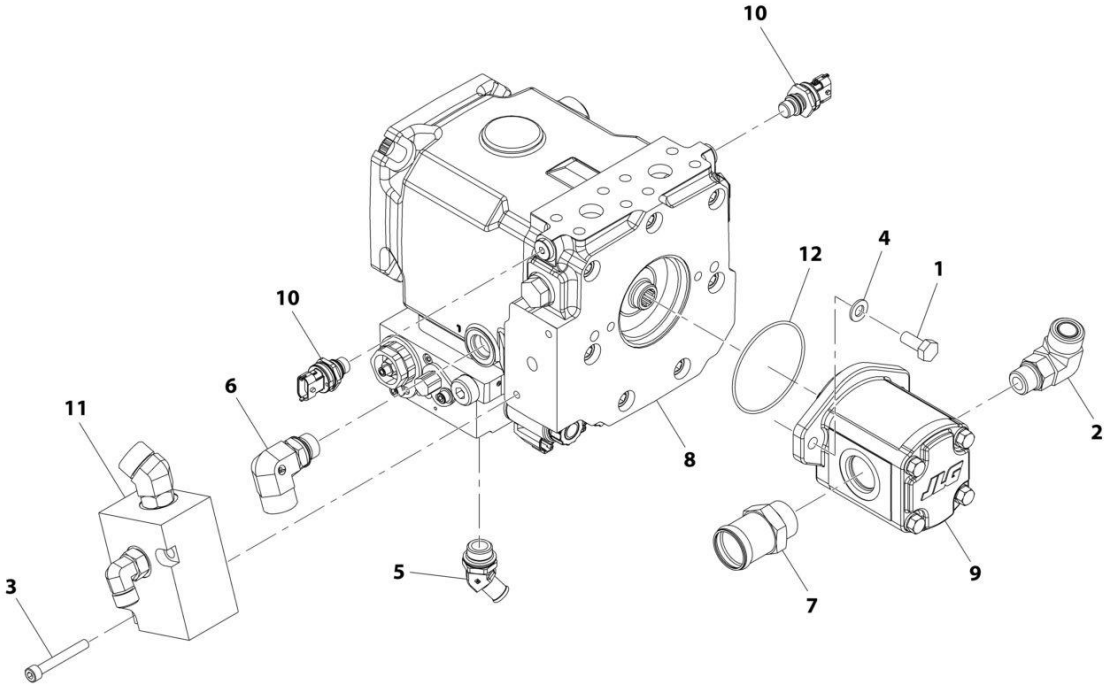
SECTION 4 - ENGINE AND ATTACHING PARTS

FIGURE 4-18. AIR INTAKE LINES INSTALLATION (4523)

ITEM	PART NUMBER	QTY	DESCRIPTION	REV
	1001279087	Ref	AIR INTAKE LINES INSTALLATION	A
1	0761010	1	Bolt M10 x 20	
2	2180104	1	Fitting, Straight	
3	4812000	1	Washer M10	
4	8405402	2	Clamp	
5	80933367	1	Clamp	
6	90028631	1	Clamp	
7	91413025	1	Clamp	
8	1001243775	1	Hose	
9	1001256718	1	Support	
10	1001279089	1	Tube	
11	1001279096	1	Sleeve	

SECTION 4 - ENGINE AND ATTACHING PARTS

FIGURE 4-19. HYDROSTATIC PUMP ASSEMBLY



ART_1001243013-D

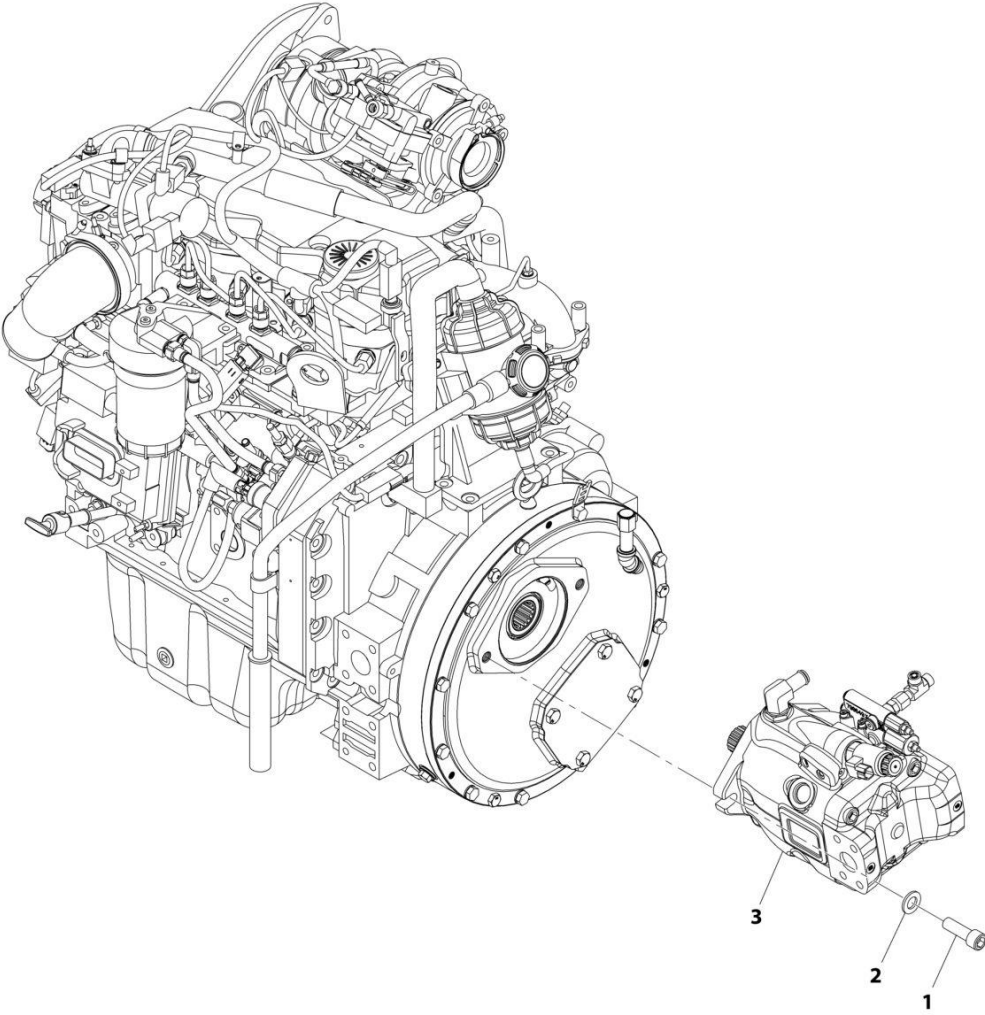
SECTION 4 - ENGINE AND ATTACHING PARTS

FIGURE 4-19. HYDROSTATIC PUMP ASSEMBLY

ITEM	PART NUMBER	QTY	DESCRIPTION	REV
	1001243013	Ref	Hydrostatic Pump Assembly	D
1	0761012	2	Bolt, M10X25	
2	2131210	1	Fitting, 90 ORFS	
3	4031916	2	Bolt, M8X60	
4	4812000	2	Washer, M10	
5	1001203005	1	Fitting, 45	
6	8770247	1	Fitting, 90 ORFS	
7	1001217930	1	Fitting, Straight ORB	
8	1001242635	1	Pump, Drive (See Separate Breakdown in HYDRAULIC COMPONENTS Section)	
9	1001243724	1	Pump, Charge (See Separate Breakdown in HYDRAULIC COMPONENTS Section)	
10	1001243960	2	Sensor, Pressure Transducer	
11	1001244407	1	Valve, Charge Flow Control Assembly (See Separate Breakdown in HYDRAULIC COMPONENTS Section)	
12	3790152	1	Ring	

SECTION 4 - ENGINE AND ATTACHING PARTS

FIGURE 4-20. HYDRAULIC PUMP INSTALLATION



ART_1001206349-B

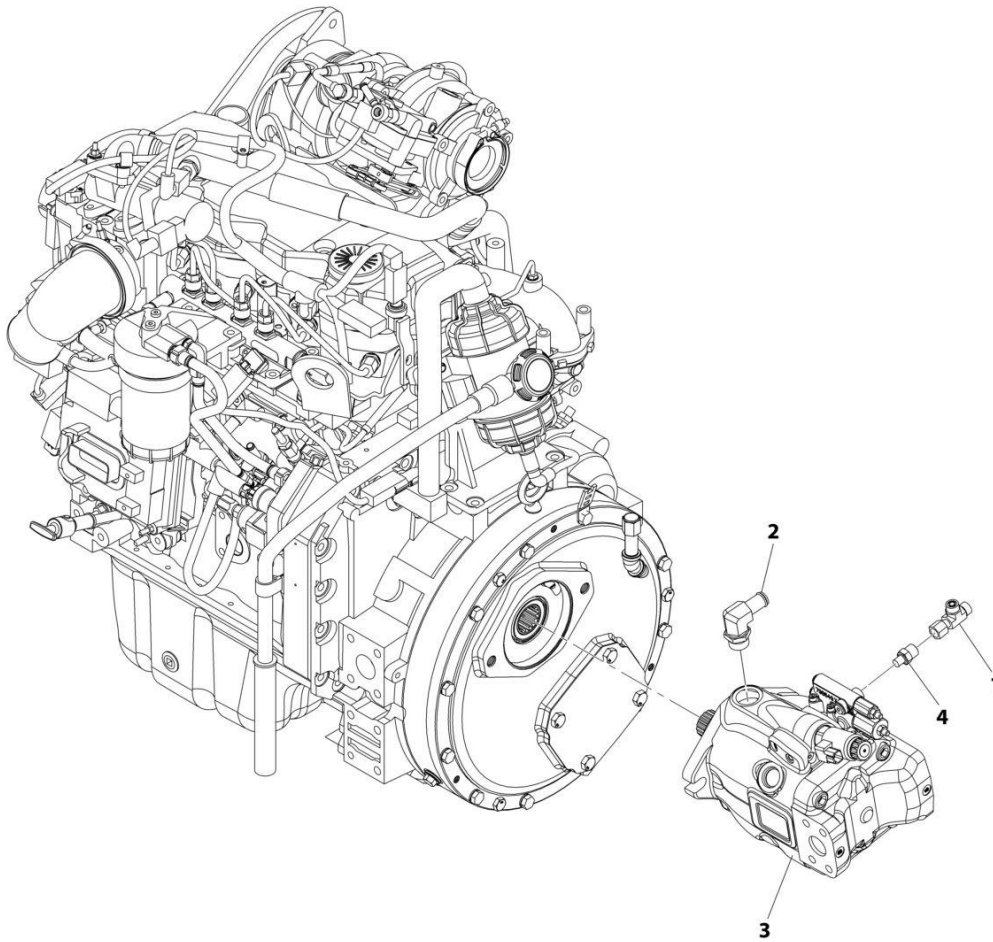
SECTION 4 - ENGINE AND ATTACHING PARTS

FIGURE 4-20. HYDRAULIC PUMP INSTALLATION

ITEM	PART NUMBER	QTY	DESCRIPTION	REV
	1001206349	Ref	Hydraulic Pump Installation	B
1	4032314	2	Bolt, M16X50	
2	5241600	2	Washer, M16	
3	1001245394	1	Assembly, Implement Pump (See Separate Breakdown in this Section)	

SECTION 4 - ENGINE AND ATTACHING PARTS

FIGURE 4-21. IMPLEMENT PUMP ASSEMBLY



ART_1001245394-B

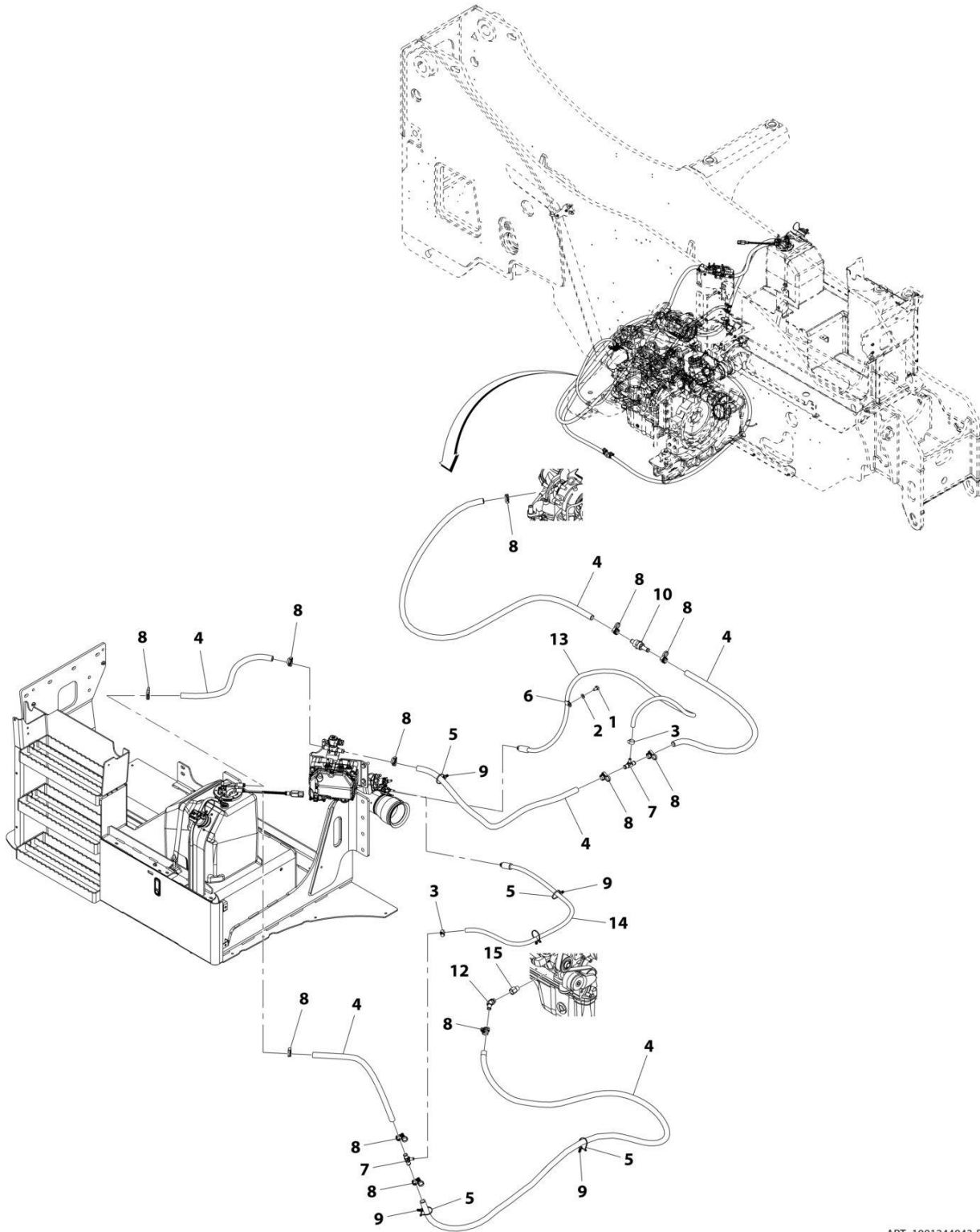
SECTION 4 - ENGINE AND ATTACHING PARTS

FIGURE 4-21. IMPLEMENT PUMP ASSEMBLY

ITEM	PART NUMBER	QTY	DESCRIPTION	REV
	1001245394	Ref	Implement Pump Assembly	B
1	2170706	1	Fitting, Tee ORFS	
2	1001188880	1	Fitting	
3	1001203793	1	Pump (See Separate Breakdown in HYDRAULIC COMPONENTS Section)	
4	2110604	1	Fitting, Straight ORFS	

SECTION 4 - ENGINE AND ATTACHING PARTS

FIGURE 4-22. DEF COOLANT LINES INSTALLATION



ART_1001244043-B

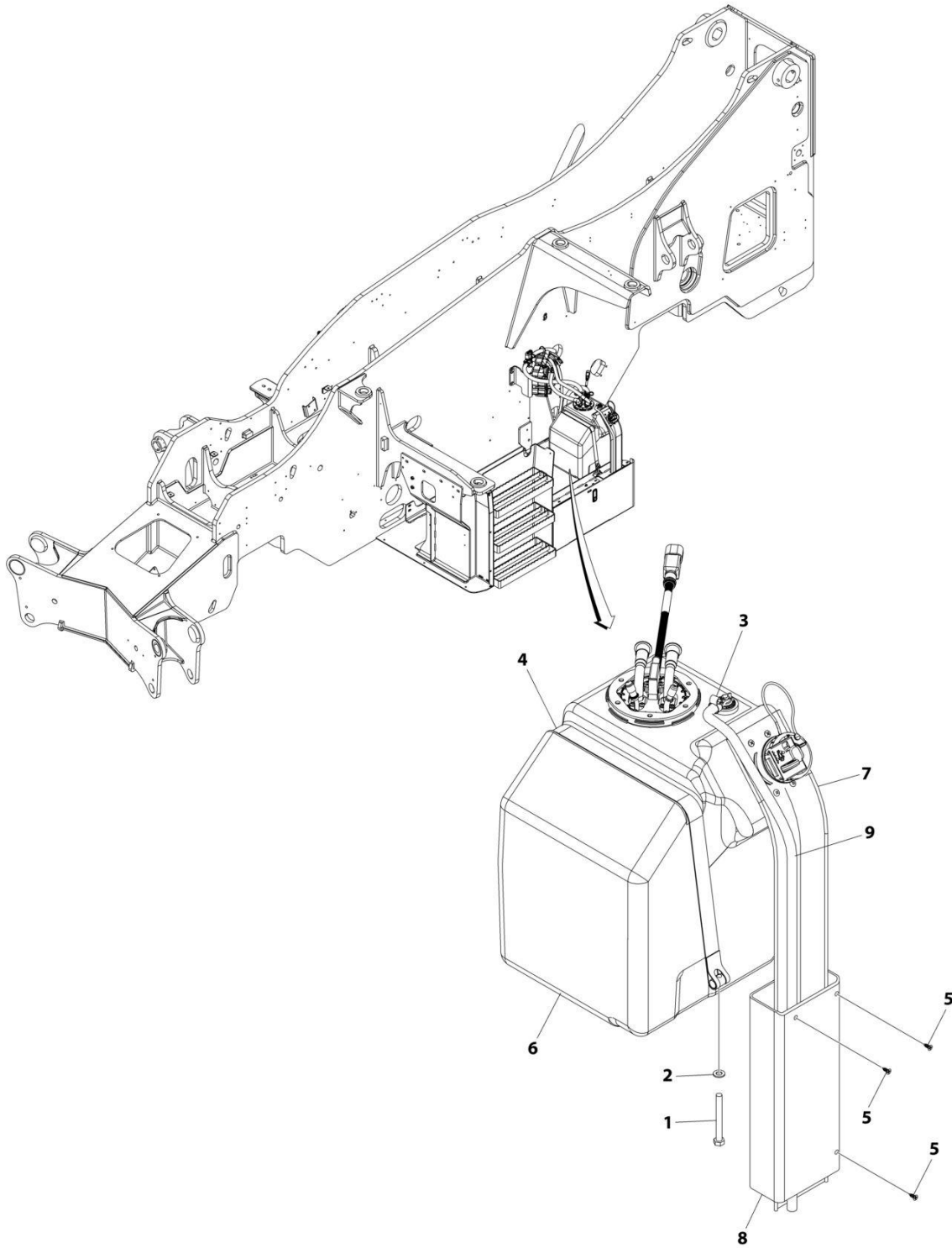
SECTION 4 - ENGINE AND ATTACHING PARTS

FIGURE 4-22. DEF COOLANT LINES INSTALLATION

ITEM	PART NUMBER	QTY	DESCRIPTION	REV
	1001244043	Ref	DEF Coolant Lines Installation	B
1	0761008	1	Bolt, M10X16	
2	4812000	1	Washer, M10	
3	8410013	2	Gear Clamp	
4	82033995	9 m	Hose	
5	1001008559	5	Strap	
6	8406101	1	Clip	
7	1001162212	2	Fitting, Tee	
8	1001202526	12	Clamp	
9	1001202986	5	Strap, Fir Tree Push Mount	
10	1001228872	1	Filter	
12	1001238153	1	Fitting, Straight	
13	1001243728	1	Hose	
14	1001243729	1	Hose	
15	1001245075	1	Adapter	

SECTION 4 - ENGINE AND ATTACHING PARTS

FIGURE 4-23. DEF TANK INSTALLATION



ART_1001239070_D

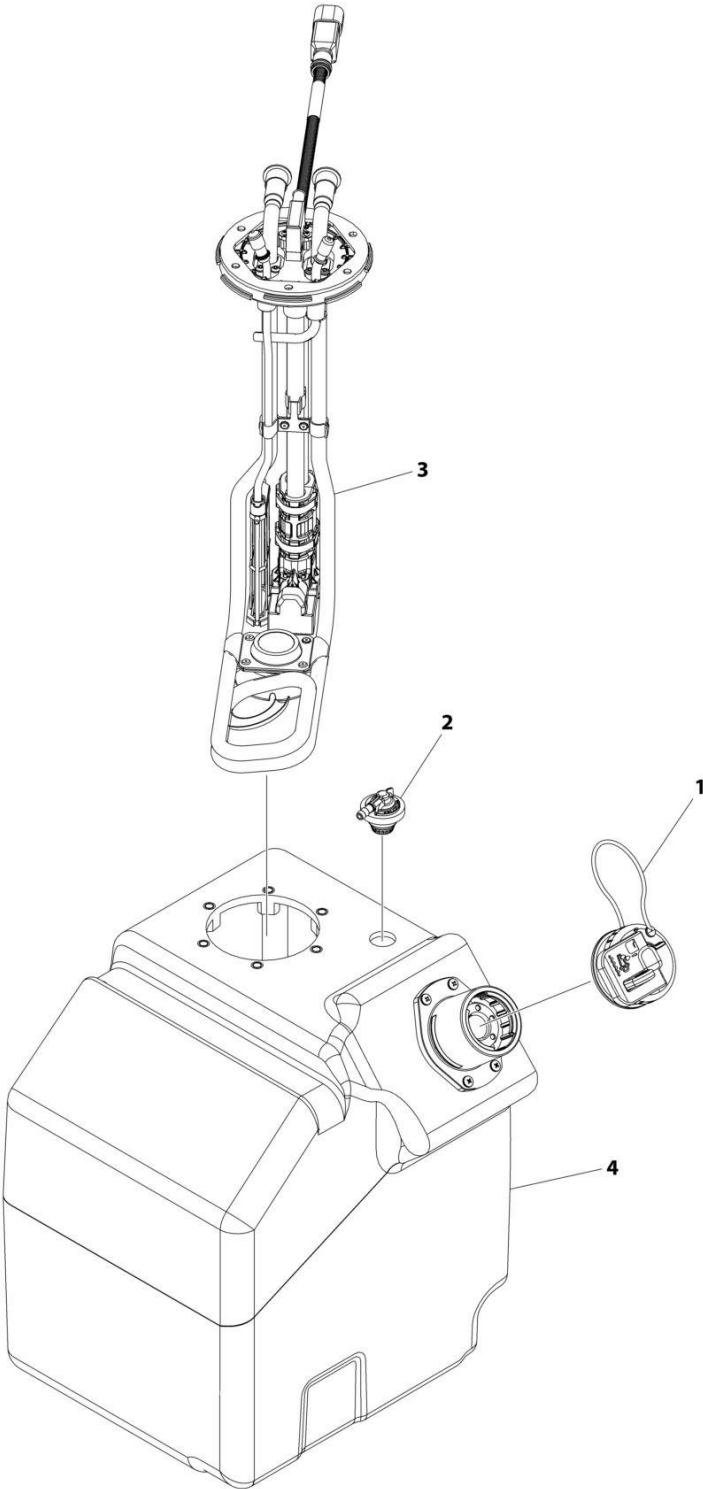
SECTION 4 - ENGINE AND ATTACHING PARTS

FIGURE 4-23. DEF TANK INSTALLATION

ITEM	PART NUMBER	QTY	DESCRIPTION	REV
	1001239070	Ref	DEF TANK INSTALLATION	D
1	0760823	1	Bolt M8 x 75	
2	4811900	1	Washer M8	
3	8405009	1	Clamp, Gear	
4	1001178791	1	Strap, Tank	
5	1001226681	3	Screw	
6	1001289561	1	Assembly, DEF Tank (See Separate Breakdown in this Section)	
7	1001239149	1	Sleeve	
8	1001239165	1	Tube	
9	1001175201	887 mm	Hose	

SECTION 4 - ENGINE AND ATTACHING PARTS

FIGURE 4-24. DEF TANK ASSEMBLY



ART_1001289561

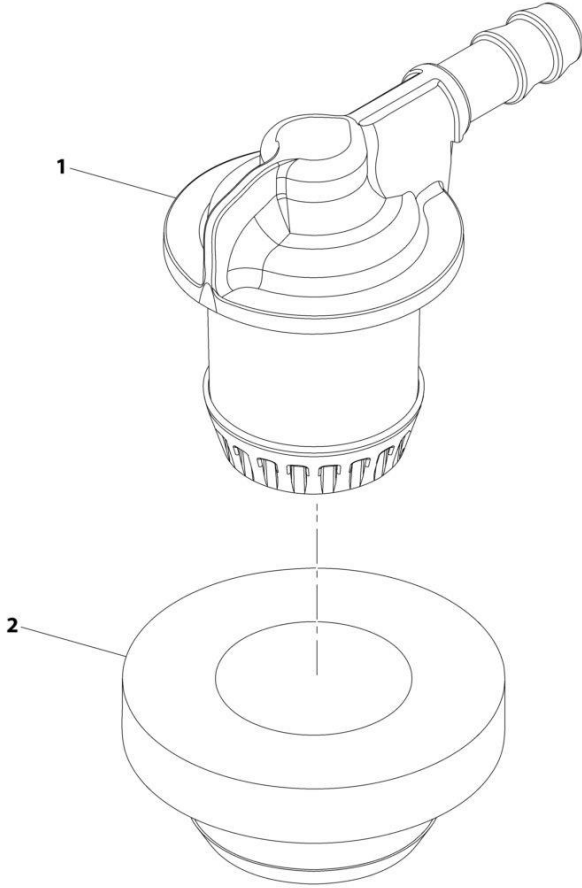
SECTION 4 - ENGINE AND ATTACHING PARTS

FIGURE 4-24. DEF TANK ASSEMBLY

ITEM	PART NUMBER	QTY	DESCRIPTION	REV
	1001289561	Ref	DEF TANK ASSEMBLY	A
1	1001174795	1	Cap	
2	1001215319	1	Valve (See Separate Breakdown in this Section)	
3	1001278919	1	Assembly, DEF Electrical	
4	1001289559	1	Tank	

SECTION 4 - ENGINE AND ATTACHING PARTS

FIGURE 4-25. DEF BREATHER VALVE



ART_1001215319-B

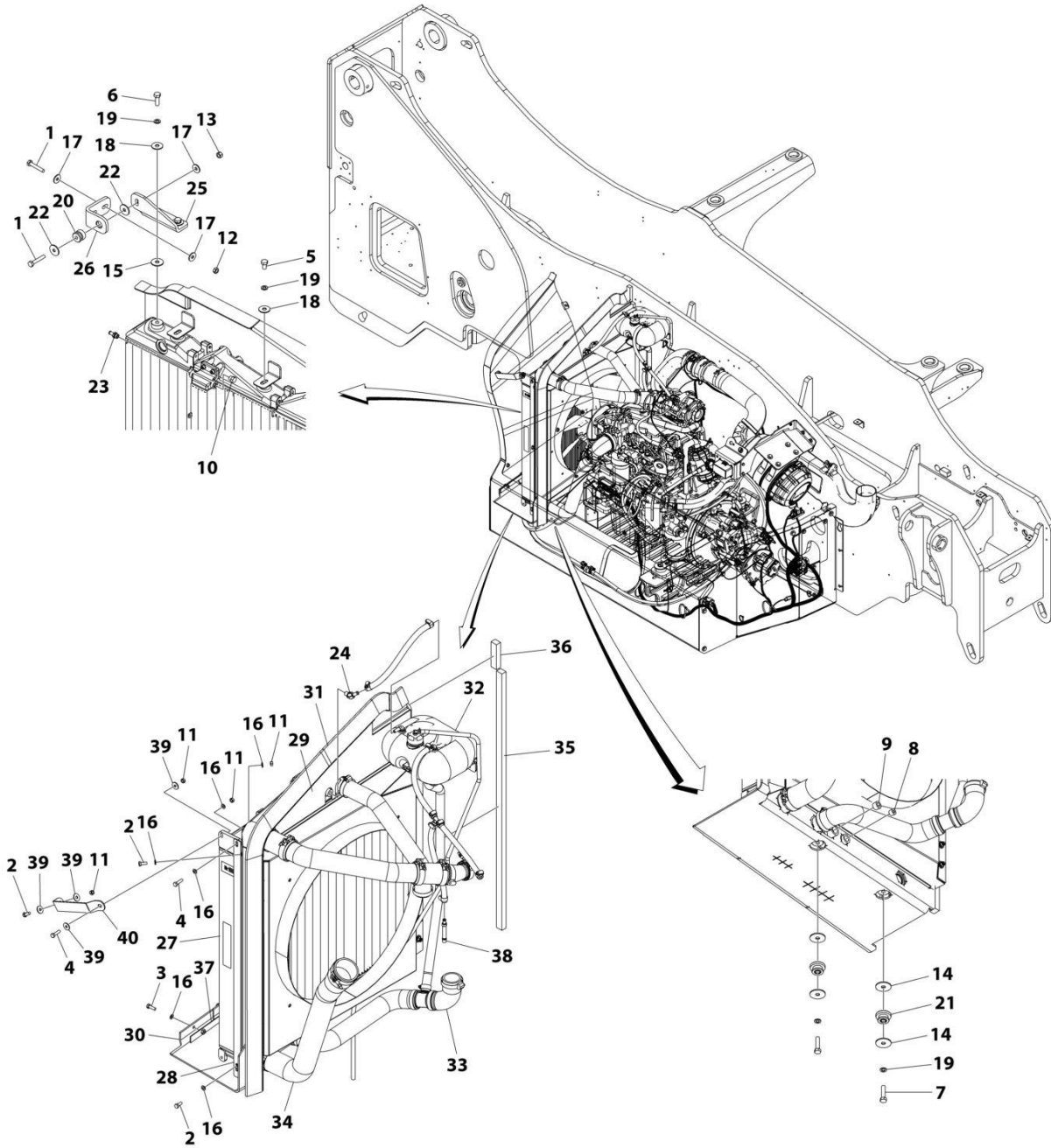
SECTION 4 - ENGINE AND ATTACHING PARTS

FIGURE 4-25. DEF BREATHER VALVE

ITEM	PART NUMBER	QTY	DESCRIPTION	REV
	1001215319	Ref	DEF Breather Valve	B
1	1001239510	1	Valve, DEF Breather	
2	1001239511	1	Grommet, DEF Breather	

SECTION 4 - ENGINE AND ATTACHING PARTS

FIGURE 4-26. COOLING PACKAGE INSTALLATION (CUMMINS 4.5L) (1075)



ART_1001243978

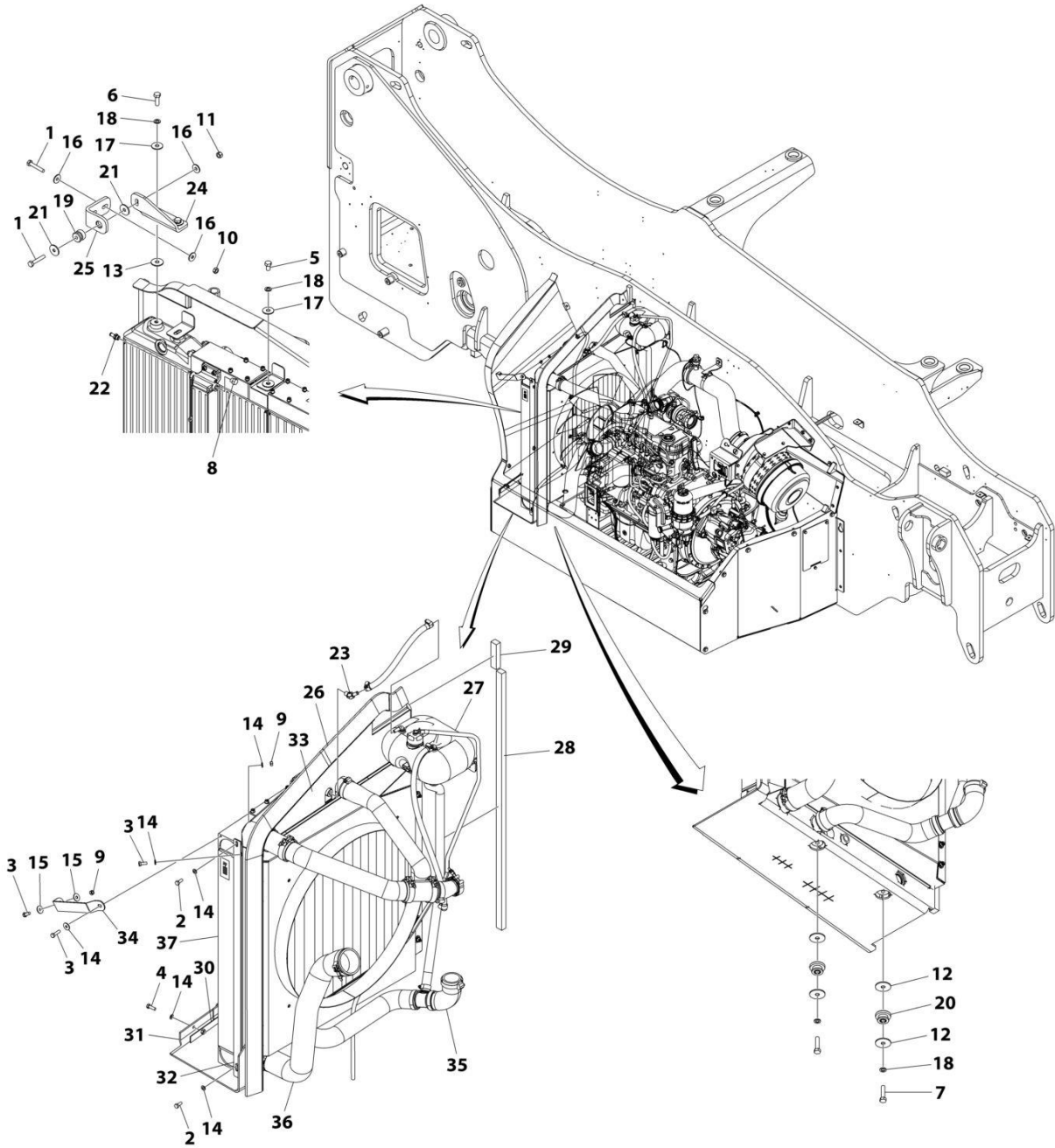
SECTION 4 - ENGINE AND ATTACHING PARTS

FIGURE 4-26. COOLING PACKAGE INSTALLATION (CUMMINS 4.5L) (1075)

ITEM	PART NUMBER	QTY	DESCRIPTION	REV
	1001243978	Ref	COOLING PACKAGE INSTALLATION (CUMMINS 4.5L)	C
1	0701020	3	Bolt M10 x 60	
2	0760810	3	Bolt M8 x 20	
3	0760812	4	Bolt M8 x 25	
4	0760814	2	Bolt M8 x 30	
5	0761210	1	Bolt M12 x 20	
6	0761215	2	Bolt M12 x 35	
7	0761218	2	Bolt M12 x 50	
8	2200223	1	Plug	
9	2200224	1	Plug	
10	2220237	2	Plug	
11	3290801	4	Nut M8 x 1.25	
12	3291001	2	Nut M10 x 1.5	
13	3291005	1	Nut M10 x 1.5	
14	4740274	4	Washer	
15	4740550	1	Washer M12	
16	4811900	9	Washer M8	
17	4812002	5	Washer M10	
18	4812102	3	Washer M12	
19	4832100	5	Washer M12	
20	8278020	1	Mount	
21	1001114803	2	Mount	
22	1001155540	2	Washer	
23	1001168030	2	Barb, Hose	
24	1001174356	1	Barb, Hose	
25	1001200498	1	Bracket, Radiator	
26	1001200499	1	Bracket, Frame	
27	1001237936	1	Radiator Cooling Package (See Separate Breakdown in this Section)	
28	1001250184	1	Plate	
29	1001250185	1	Bracket	
30	1001250183	1	Panel, Air Dam	
31	1001243961	1	Seal, Foam Gasket	
32	1001244051	1	Installation, Surge Tank (See Separate Breakdown in this Section)	
33	1001244052	1	Installation, Coolant Lines (See Separate Breakdown in this Section)	
34	1001244053	1	Installation, CAC Lines (See Separate Breakdown in this Section)	
35	1001244117	1	Seal, Foam Gasket	
36	1001244118	1	Seal, Foam Gasket	
37	1001247366	1	Bracket	
38	1001252525	1	Coupling	
39	4811902	4	Washer	
40	1001250190	1	Bracket	

SECTION 4 - ENGINE AND ATTACHING PARTS

FIGURE 4-27. COOLING PACKAGE INSTALLATION (CUMMINS 4.5L) (4523)



ART_1001256492

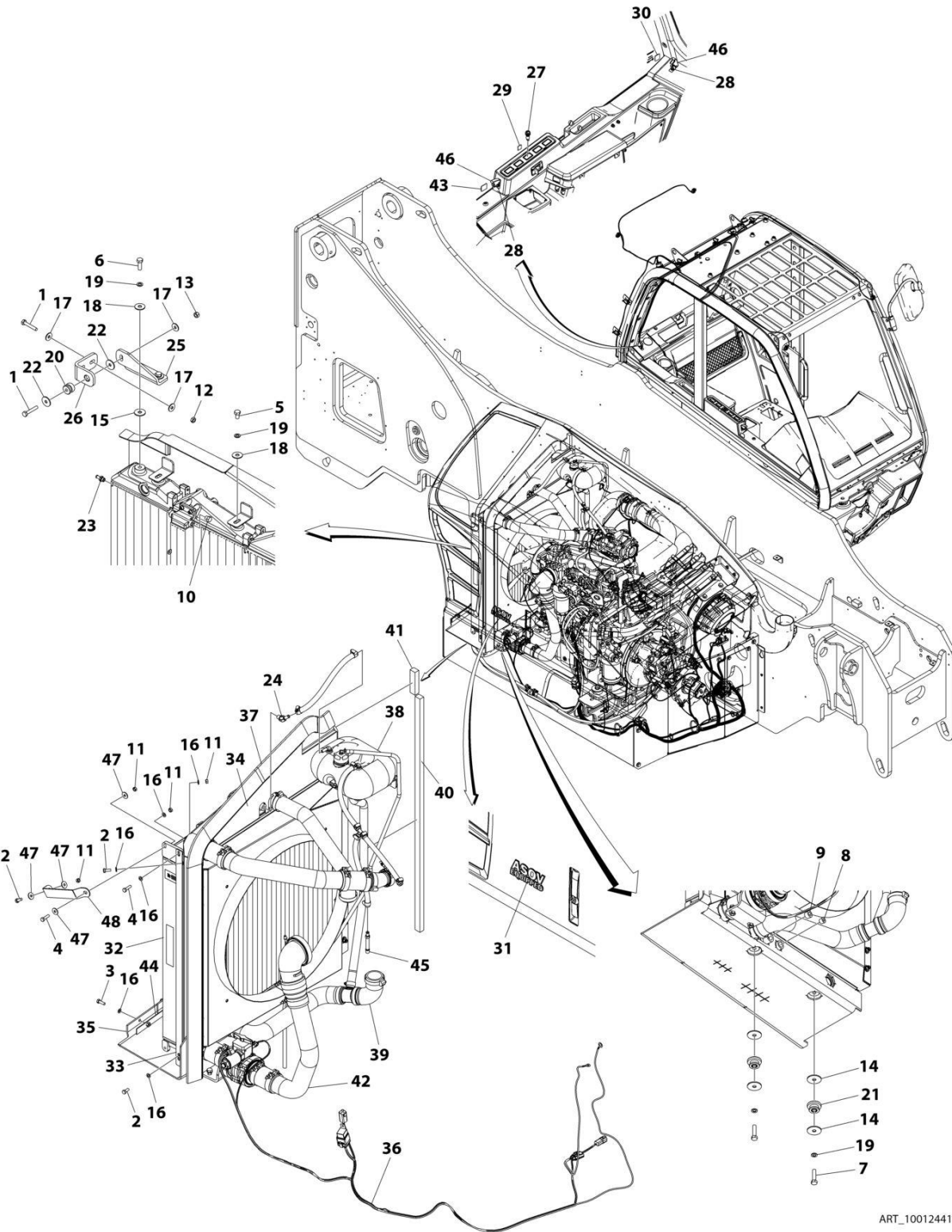
SECTION 4 - ENGINE AND ATTACHING PARTS

FIGURE 4-27. COOLING PACKAGE INSTALLATION (CUMMINS 4.5L) (4523)

ITEM	PART NUMBER	QTY	DESCRIPTION	REV
	1001256492	Ref	COOLING PACKAGE INSTALLATION (CUMMINS 4.5L)	A
1	0701020	3	Bolt M10 x 60	
2	0760807	2	Bolt M8 x 14	
3	0760810	3	Bolt M8 x 20	
4	0760812	4	Bolt M8 x 25	
5	0761210	1	Bolt M12 x 20	
6	0761215	2	Bolt M12 x 35	
7	0761218	2	Bolt M12 x 50	
8	2220237	2	Plug	
9	3290801	2	Nut M8 x 1.25	
10	3291001	2	Nut M10 x 1.5	
11	3291005	1	Nut M10 x 1.5	
12	4740274	4	Washer	
13	4740550	1	Washer M12	
14	4811900	9	Washer M8	
15	4811902	2	Washer	
16	4812002	5	Washer M10	
17	4812102	3	Washer M12	
18	4832100	5	Washer M12	
19	8278020	1	Mount	
20	1001114803	2	Mount	
21	1001155540	2	Washer	
22	1001168030	2	Fitting, Straight	
23	1001174356	1	Fitting, 45	
24	1001200498	1	Bracket, Radiator	
25	1001200499	1	Bracket, Frame	
26	1001243961	1	Seal, Foam Gasket	
27	1001244051	1	Installation, Surge Tank (See Separate Breakdown in this Section)	
28	1001244117	1	Seal, Foam Gasket	
29	1001244118	1	Seal, Foam Gasket	
30	1001247366	1	Bracket	
31	1001250183	1	Panel, Air Dam	
32	1001250184	1	Plate	
33	1001250185	1	Bracket	
34	1001250190	1	Bracket	
35	1001256500	1	Installation, Coolant Lines (See Separate Breakdown in this Section)	
36	1001256501	1	Installation, CAC Lines (See Separate Breakdown in this Section)	
37	1001262349	1	Radiator Cooling Package (See Separate Breakdown in this Section)	

SECTION 4 - ENGINE AND ATTACHING PARTS

FIGURE 4-28. COOLING PACKAGE INSTALLATION (ASOV) (1075)



ART_1001244174

SECTION 4 - ENGINE AND ATTACHING PARTS

FIGURE 4-28. COOLING PACKAGE INSTALLATION (ASOV) (1075)

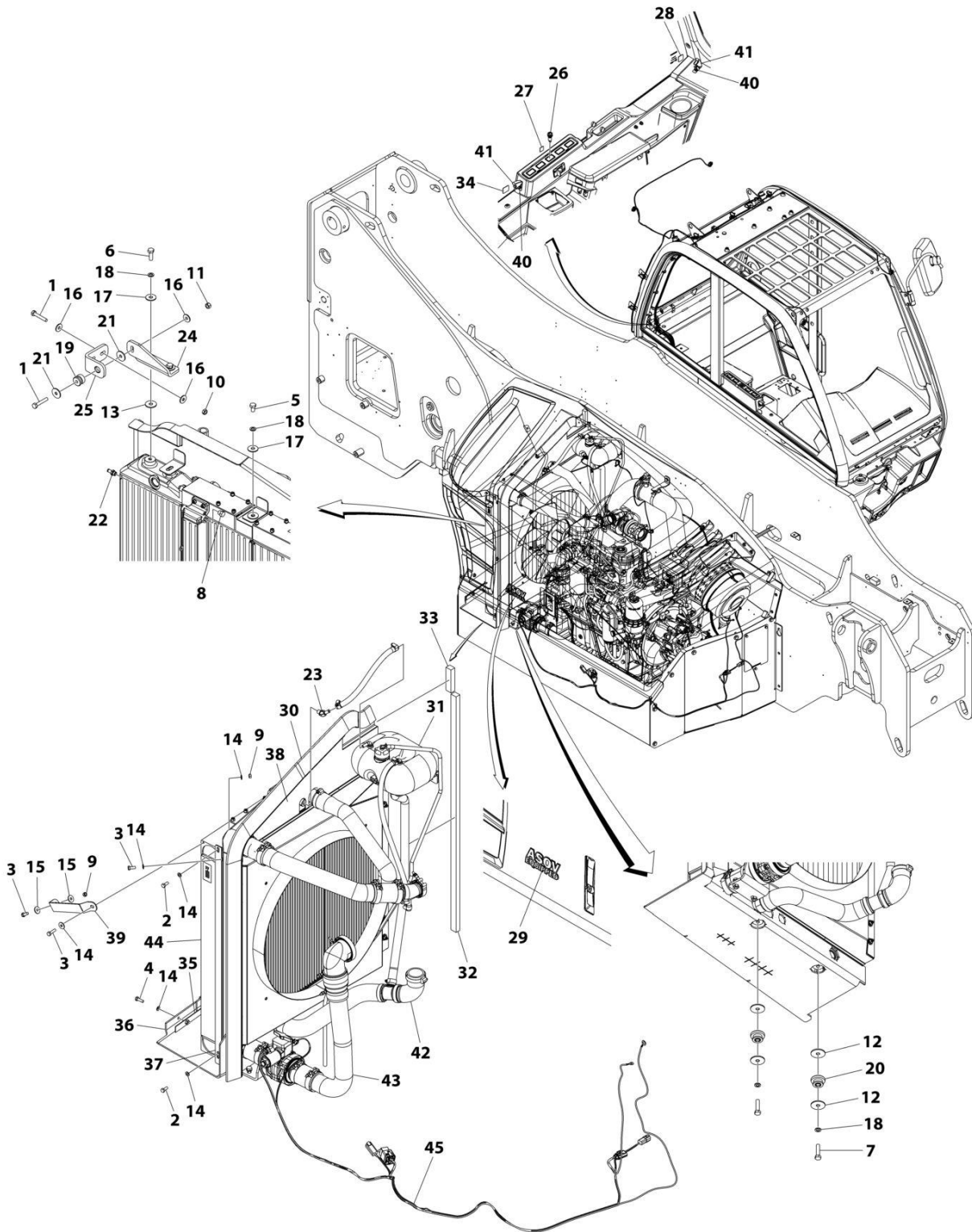
ITEM	PART NUMBER	QTY	DESCRIPTION	REV
	1001244174	Ref	COOLING PACKAGE INSTALLATION (ASOV)	C
1	0701020	3	Bolt M10 x 60	
2	0760810	3	Bolt M8 x 20	
3	0760812	4	Bolt M8 x 25	
4	0760814	2	Bolt M8 x 30	
5	0761210	1	Bolt M12 x 20	
6	0761215	2	Bolt M12 x 35	
7	0761218	2	Bolt M12 x 50	
8	2200223	1	Plug	
9	2200224	1	Plug	
10	2220237	2	Plug	
11	3290801	4	Nut M8 x 1.25	
12	3291001	2	Nut M10 x 1.5	
13	3291005	1	Nut M10 x 1.5	
14	4740274	4	Washer	
15	4740550	1	Washer M12	
16	4811900	9	Washer M8	
17	4812002	5	Washer M10	
18	4812102	3	Washer M12	
19	4832100	5	Washer M12	
20	8278020	1	Mount	
21	1001114803	2	Mount	
22	1001155540	2	Washer	
23	1001168030	2	Barb, Hose	
24	1001174356	1	Barb, Hose	
25	1001200498	1	Bracket, Radiator	
26	1001200499	1	Bracket, Frame	
27	1001200631	1	Lamp, LED Indicator	
28	1001255706	2	Switch	
29	1001227077	1	Decal, Air Shut Off	
30	1001227964	1	Decal, ASOV Test	
31	1001228643	1	Decal, ASOV Equipped	
32	1001237936	1	Radiator Cooling Package (See Separate Breakdown in this Section)	
33	1001250184	1	Plate	
34	1001250185	1	Bracket	
35	1001250183	1	Panel, Air Dam	
36	1001243540	1	ASOV Harness (See Separate Breakdown in ELECTRICAL Section)	
37	1001243961	1	Seal, Foam Gasket	
38	1001244051	1	Installation, Surge Tank (See Separate Breakdown in this Section)	
39	1001244052	1	Installation, Coolant Lines (See Separate Breakdown in this Section)	
40	1001244117	1	Seal, Foam Gasket	
41	1001244118	1	Seal, Foam Gasket	
42	1001244175	1	Installation, CAC Lines (See Separate Breakdown in this Section)	
43	1001246971	1	Decal, ASOV E-Stop	
44	1001247366	1	Bracket	
45	1001252525	1	Coupling	
46	1001255723	2	Switch, Toggle Guard	

SECTION 4 - ENGINE AND ATTACHING PARTS

ITEM	PART NUMBER	QTY	DESCRIPTION	REV
47	4811902	4	Washer	
48	1001250190	1	Bracket	

SECTION 4 - ENGINE AND ATTACHING PARTS

FIGURE 4-29. COOLING PACKAGE INSTALLATION (ASOV) (4523)



ART_1001258343

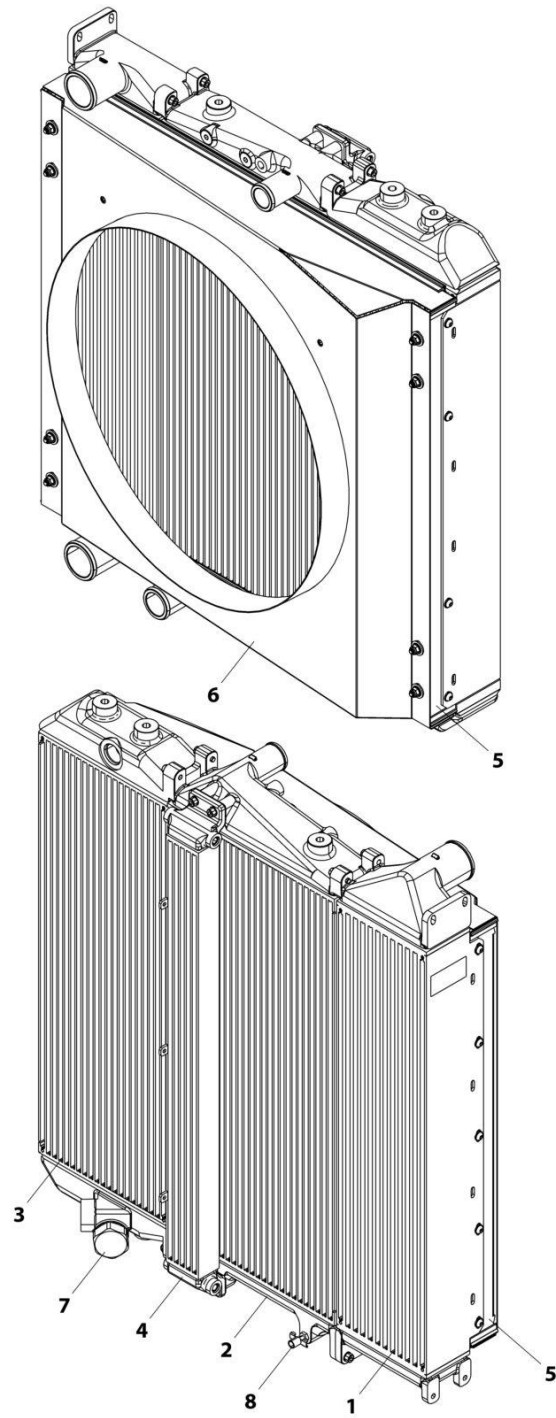
SECTION 4 - ENGINE AND ATTACHING PARTS

FIGURE 4-29. COOLING PACKAGE INSTALLATION (ASOV) (4523)

ITEM	PART NUMBER	QTY	DESCRIPTION	REV
	1001258343	Ref	COOLING PACKAGE INSTALLATION (ASOV)	A
1	0701020	3	Bolt M10 x 60	
2	0760807	2	Bolt M8 x 14	
3	0760810	3	Bolt M8 x 20	
4	0760812	4	Bolt M8 x 25	
5	0761210	1	Bolt M12 x 20	
6	0761215	2	Bolt M12 x 35	
7	0761218	2	Bolt M12 x 50	
8	2220237	2	Plug	
9	3290801	2	Nut M8	
10	3291001	2	Nut M10	
11	3291005	1	Nut M10	
12	4740274	4	Washer	
13	4740550	1	Washer M12	
14	4811900	9	Washer M8	
15	4811902	2	Washer M8	
16	4812002	5	Washer M10	
17	4812102	3	Washer M12	
18	4832100	5	Washer M12	
19	8278020	1	Mount	
20	1001114803	2	Mount	
21	1001155540	2	Washer	
22	1001168030	2	Fitting, Straight	
23	1001174356	1	Fitting, 45	
24	1001200498	1	Bracket, Radiator	
25	1001200499	1	Bracket, Frame	
26	1001200631	1	Lamp, LED Indicator	
27	1001227077	1	Decal, Air Shut Off	
28	1001227964	1	Decal, ASOV Test	
29	1001228643	1	Decal, ASOV Equipped	
30	1001243961	1	Seal, Foam Gasket	
31	1001244051	1	Installation, Surge Tank (See Separate Breakdown in this Section)	
32	1001244117	1	Seal, Foam Gasket	
33	1001244118	1	Seal, Foam Gasket	
34	1001246971	1	Decal, ASOV E-Stop	
35	1001247366	1	Bracket	
36	1001250183	1	Panel, Air Dam	
37	1001250184	1	Plate	
38	1001250185	1	Bracket	
39	1001250190	1	Bracket	
40	1001255706	2	Switch	
41	1001255723	2	Switch, Toggle Guard	
42	1001256500	1	Installation, Coolant Lines (See Separate Breakdown in this Section)	
43	1001258344	1	Installation, CAC Lines (See Separate Breakdown in this Section)	
44	1001262349	1	Radiator Cooling Package (See Separate Breakdown in this Section)	
45	1001243540	1	ASOV Harness (See Separate Breakdown in ELECTRICAL Section)	

SECTION 4 - ENGINE AND ATTACHING PARTS

FIGURE 4-30. RADIATOR ASSEMBLY (1075)



ART_1001237936

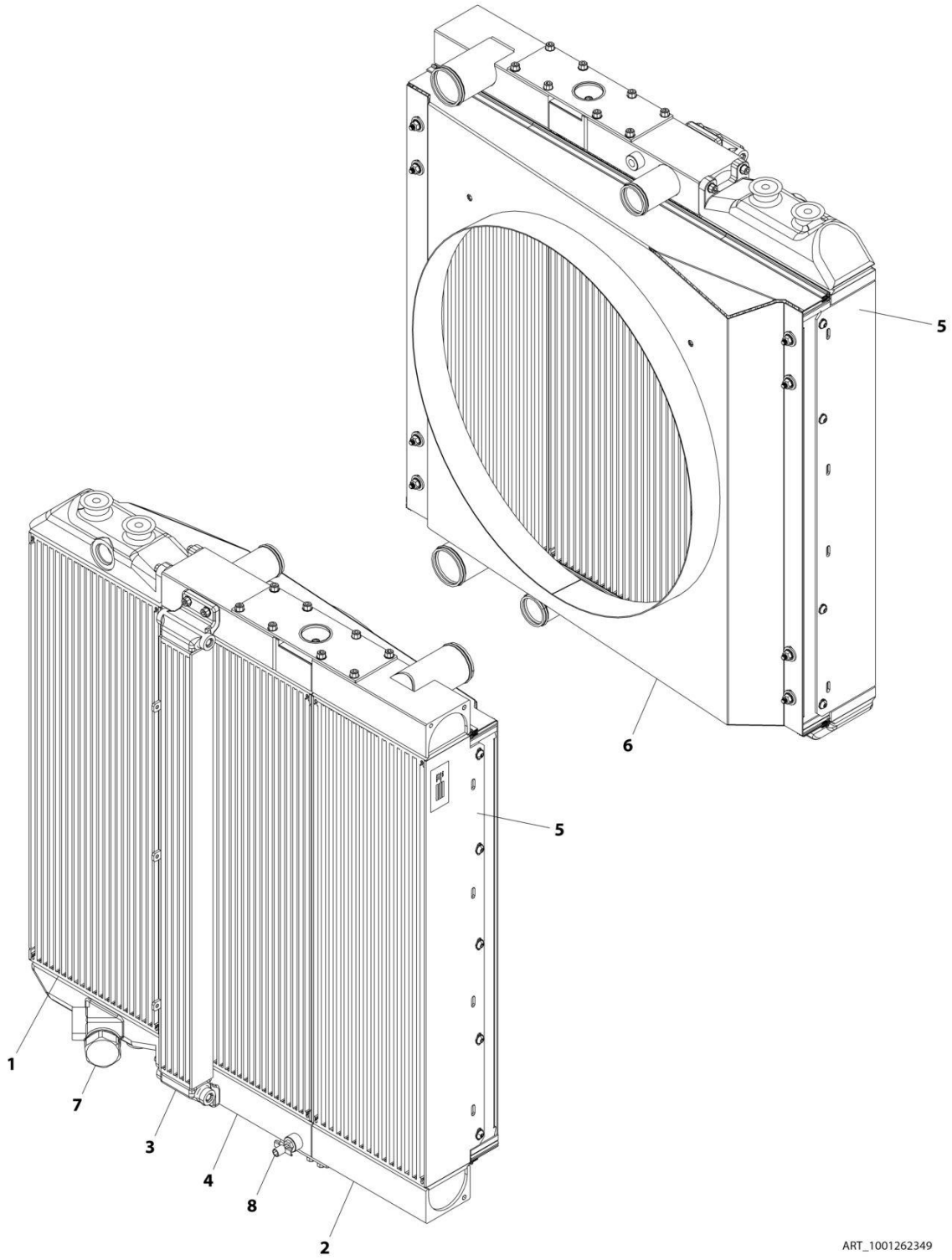
SECTION 4 - ENGINE AND ATTACHING PARTS

FIGURE 4-30. RADIATOR ASSEMBLY (1075)

ITEM	PART NUMBER	QTY	DESCRIPTION	REV
	1001237936	Ref	Radiator Assembly	D
1	70030086	1	Charge Air Cooler	
2	70026354	1	Radiator	
3	70028550	1	HYD Oil Cooler	
4	70026357	1	Fuel Cooler	
5	70026359	2	Bracket, Shroud Mounting	
6	70030087	1	Shroud	
7	70028548	1	Valve Bypass	
8	70026081	1	Petcock	

SECTION 4 - ENGINE AND ATTACHING PARTS

FIGURE 4-31. RADIATOR ASSEMBLY (4523)



ART_1001262349

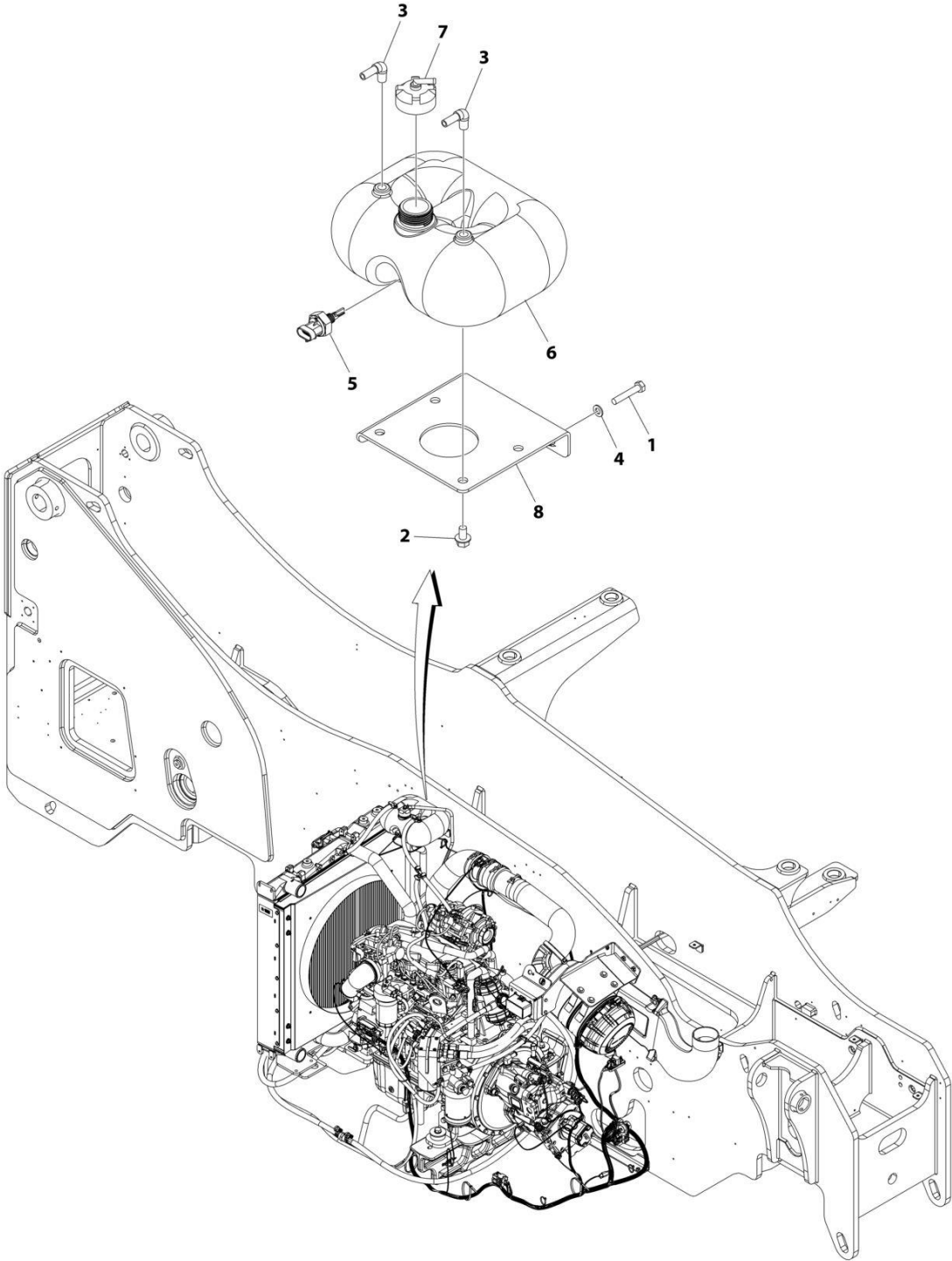
SECTION 4 - ENGINE AND ATTACHING PARTS

FIGURE 4-31. RADIATOR ASSEMBLY (4523)

ITEM	PART NUMBER	QTY	DESCRIPTION	REV
	1001262349	Ref	RADIATOR COOLING PACKAGE	A
1	70028550	1	Hydraulic Oil Cooler	
2	70030287	1	Charge Air Cooler	
3	70026357	1	Fuel Cooler	
4	70030288	1	Radiator	
5	70026359	2	Bracket, Shroud Mounting	
6	70030087	1	Shroud	
7	70028548	1	Valve, Bypass	
8	70026081	1	Petcock	

SECTION 4 - ENGINE AND ATTACHING PARTS

FIGURE 4-32. SURGE TANK INSTALLATION



ART_1001244051_C

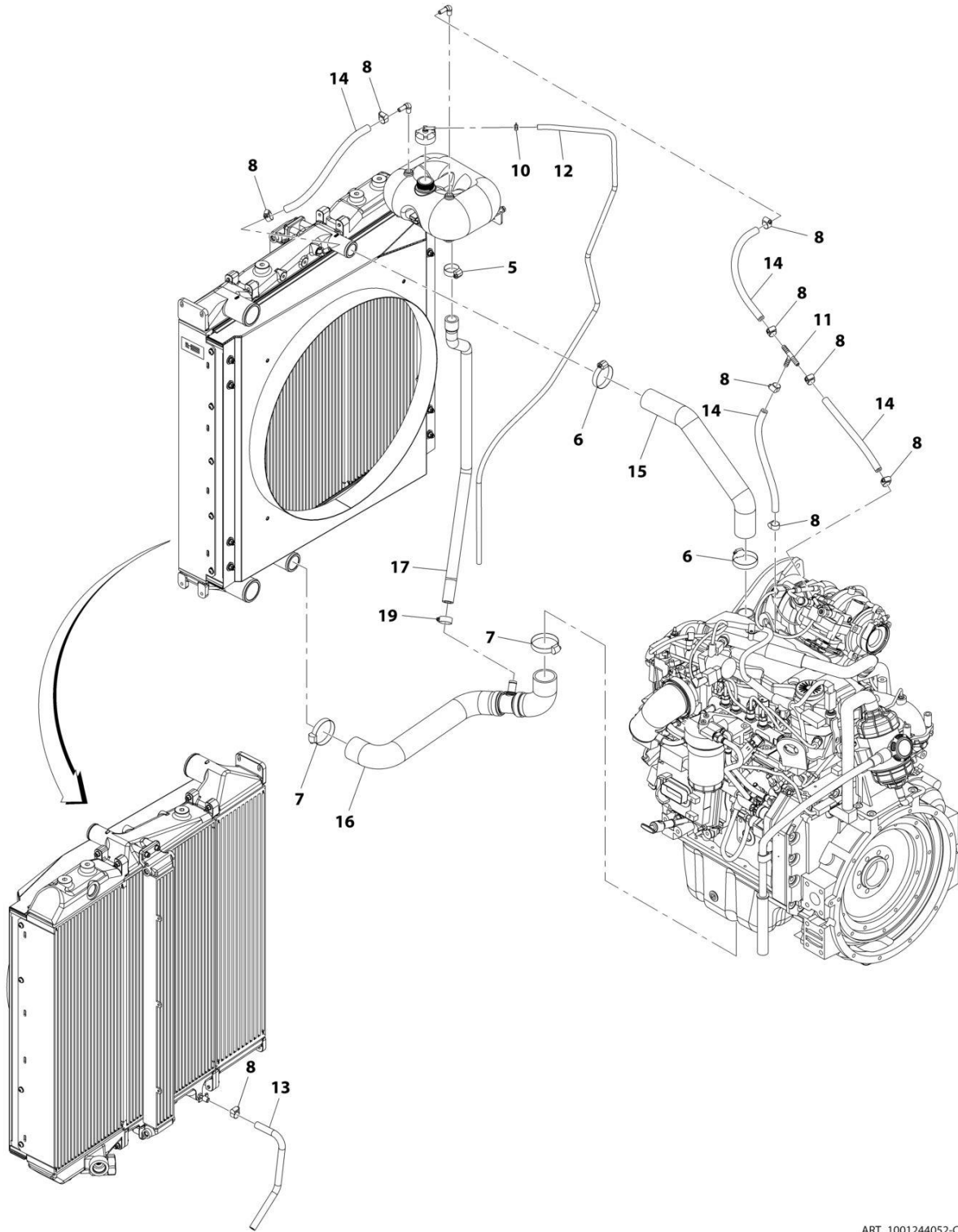
SECTION 4 - ENGINE AND ATTACHING PARTS

FIGURE 4-32. SURGE TANK INSTALLATION

ITEM	PART NUMBER	QTY	DESCRIPTION	REV
	1001244051	Ref	SURGE TANK INSTALLATION	C
1	0700817	2	Bolt M8 x 45	
2	0791605	4	Bolt M3/8-16 x 5/8	
3	2180467	2	Fitting	
4	4811900	2	Washer M8	
5	1001286175	1	Sensor, Coolant Level	
6	1001128144	1	Tank, Coolant	
7	1001128341	1	Cap	
8	1001163637	1	Bracket, Coolant Tank	

SECTION 4 - ENGINE AND ATTACHING PARTS

FIGURE 4-33. COOLANT LINES INSTALLATION (1075)



ART_1001244052-C

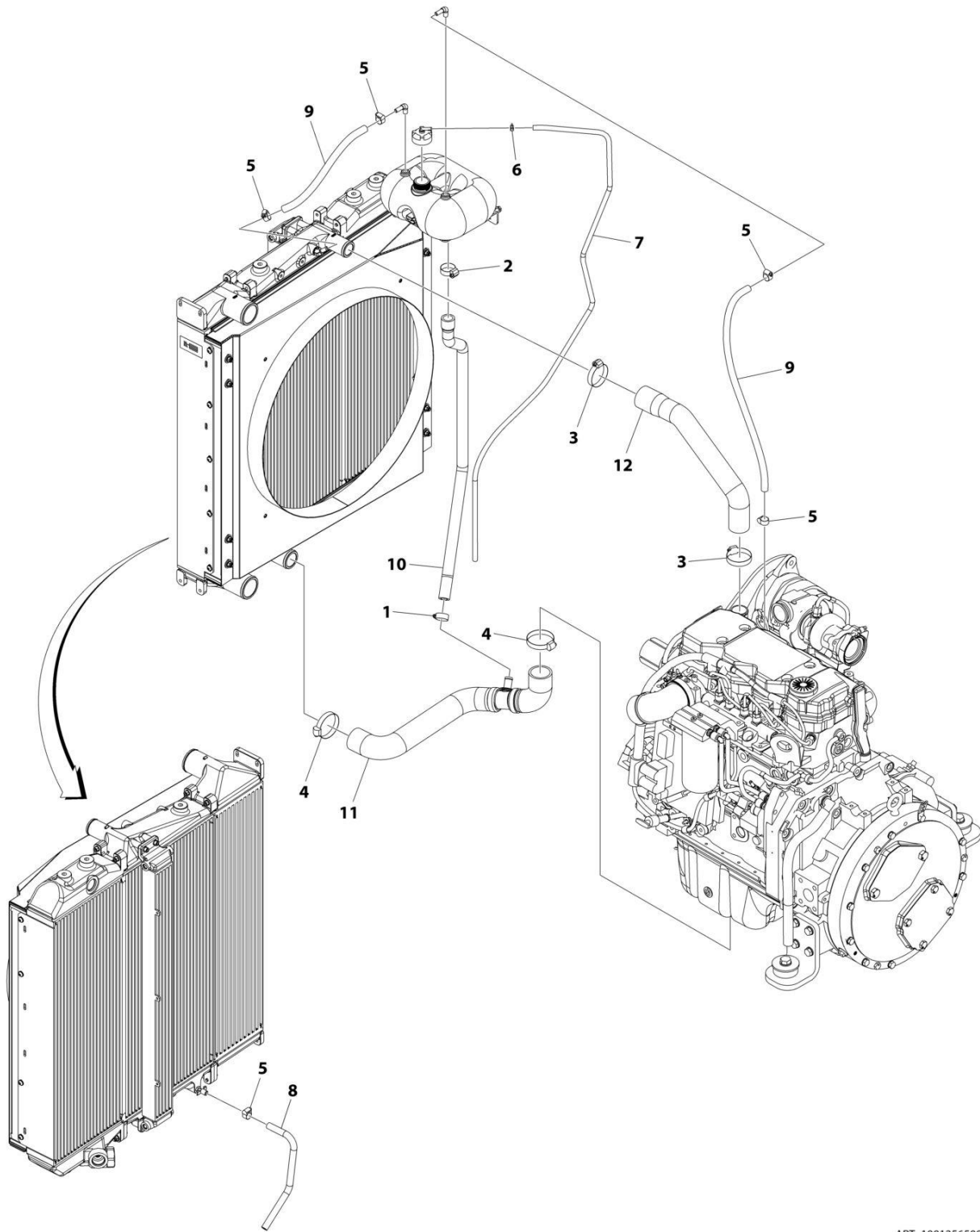
SECTION 4 - ENGINE AND ATTACHING PARTS

FIGURE 4-33. COOLANT LINES INSTALLATION (1075)

ITEM	PART NUMBER	QTY	DESCRIPTION	REV
	1001244052	Ref	Coolant Lines Installation	C
5	8405101	1	Clamp, Gear	
6	8405201	2	Clamp, Gear	
7	8405202	2	Clamp, Gear	
8	8410013	9	Clamp, Gear	
10	1001144802	1	Clamp, Hose	
11	1001172953	1	Pipe, Tee	
12	1001180542	1680 mm	Hose	
13	1001180553	370 mm	Hose	
14	1001181625	1180 mm	Hose	
15	1001239297	1	Hose	
16	1001239298	1	Hose	
17	1001242685	1	Hose	
19	8405007	1	Clamp, Gear	

SECTION 4 - ENGINE AND ATTACHING PARTS

FIGURE 4-34. COOLING LINES INSTALLATION (4523)



ART_1001256500

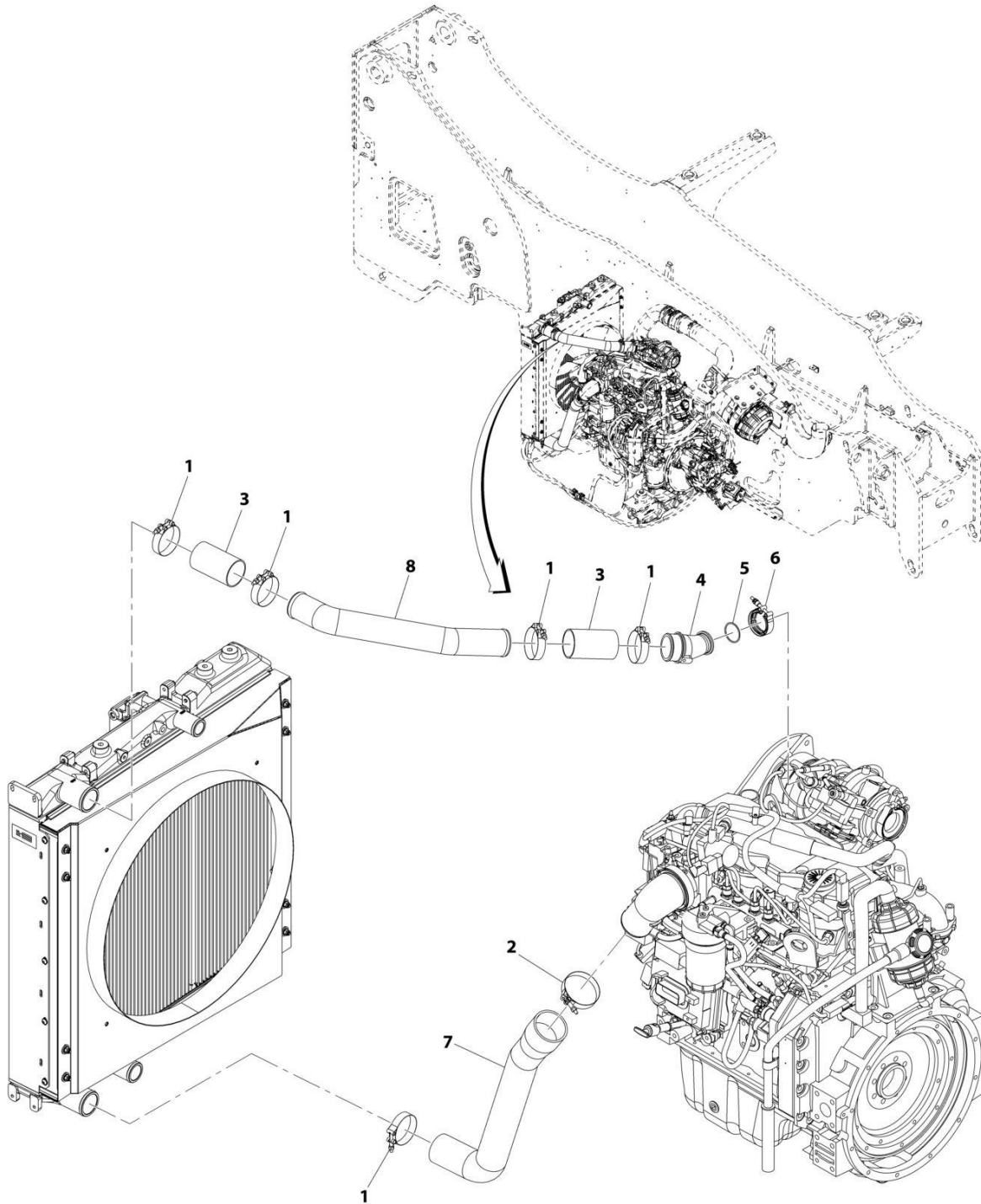
SECTION 4 - ENGINE AND ATTACHING PARTS

FIGURE 4-34. COOLING LINES INSTALLATION (4523)

ITEM	PART NUMBER	QTY	DESCRIPTION	REV
	1001256500	Ref	COOLING LINES INSTALLATION	A
1	8405007	1	Clamp, Gear	
2	8405101	1	Clamp, Gear	
3	8405201	2	Clamp, Gear	
4	8405202	2	Clamp, Gear	
5	8410013	5	Clamp, Gear	
6	1001144802	1	Clamp, Hose	
7	1001180542	1.7 m / 5.58 ft	Hose	
8	1001180553	0.37 m / 1.21 ft	Hose	
9	1001181625	0.94 m / 3.08 ft	Hose	
10	1001242685	1	Hose	
11	1001262591	1	Hose	
12	1001263425	1	Hose	

SECTION 4 - ENGINE AND ATTACHING PARTS

FIGURE 4-35. CAC LINES INSTALLATION (WITHOUT ASOV) (1075)



ART_1001244053-B

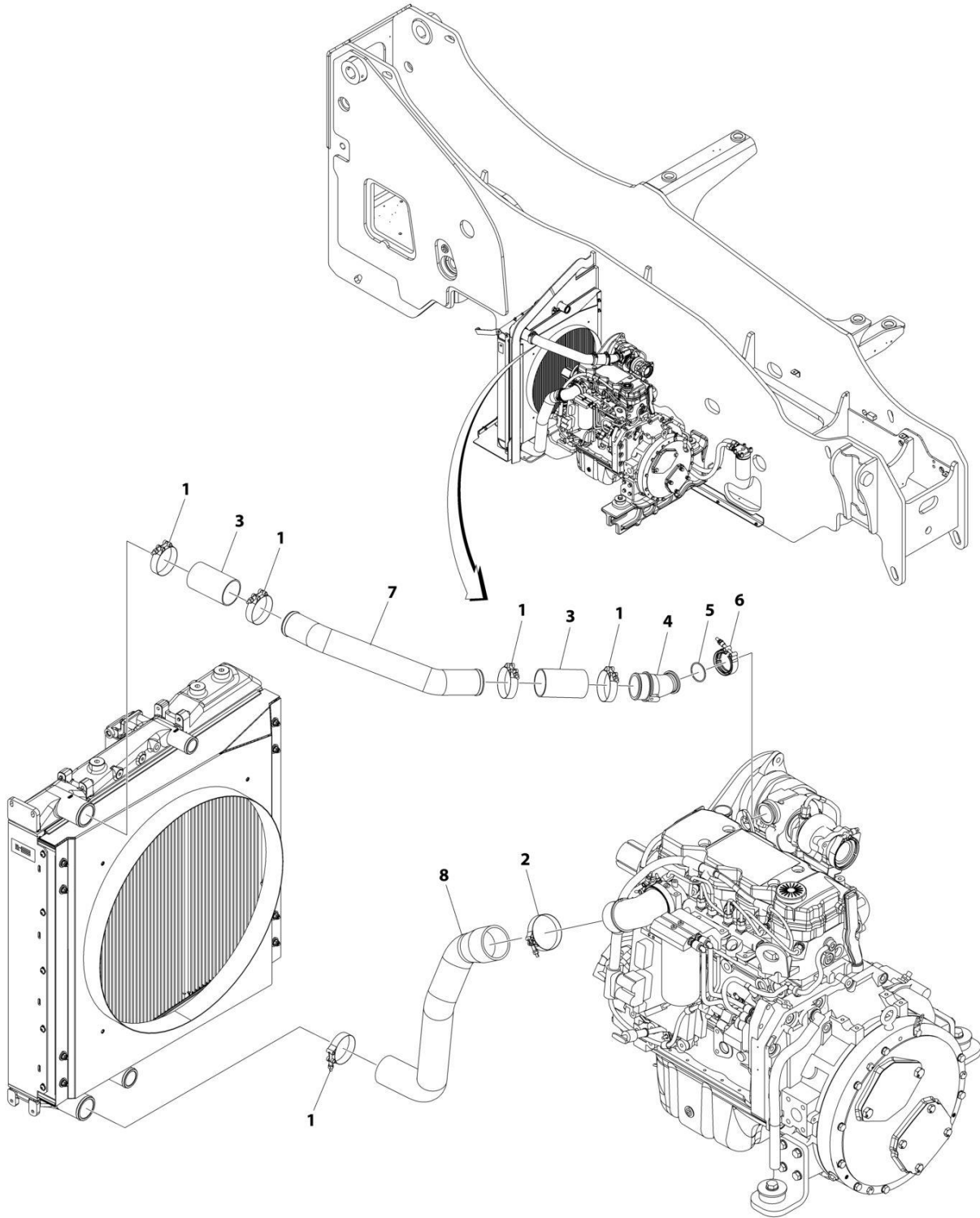
SECTION 4 - ENGINE AND ATTACHING PARTS

FIGURE 4-35. CAC LINES INSTALLATION (WITHOUT ASOV) (1075)

ITEM	PART NUMBER	QTY	DESCRIPTION	REV
	1001244053	Ref	CAC Lines Installation	B
1	8405212	5	Clamp, T-Bolt	
2	8405305	1	Clamp, T-Bolt	
3	1001114495	2	Hose	
4	1001161920	1	Adapter Mech	
5	1001238624	1	O-Ring	
6	1001238625	1	Clamp, Pipe-Tube	
7	1001250181	1	Hose	
8	1001250180	1	Pipe	

SECTION 4 - ENGINE AND ATTACHING PARTS

FIGURE 4-36. CAC LINES INSTALLATION (WITHOUT ASOV) (4523)



ART_1001256501

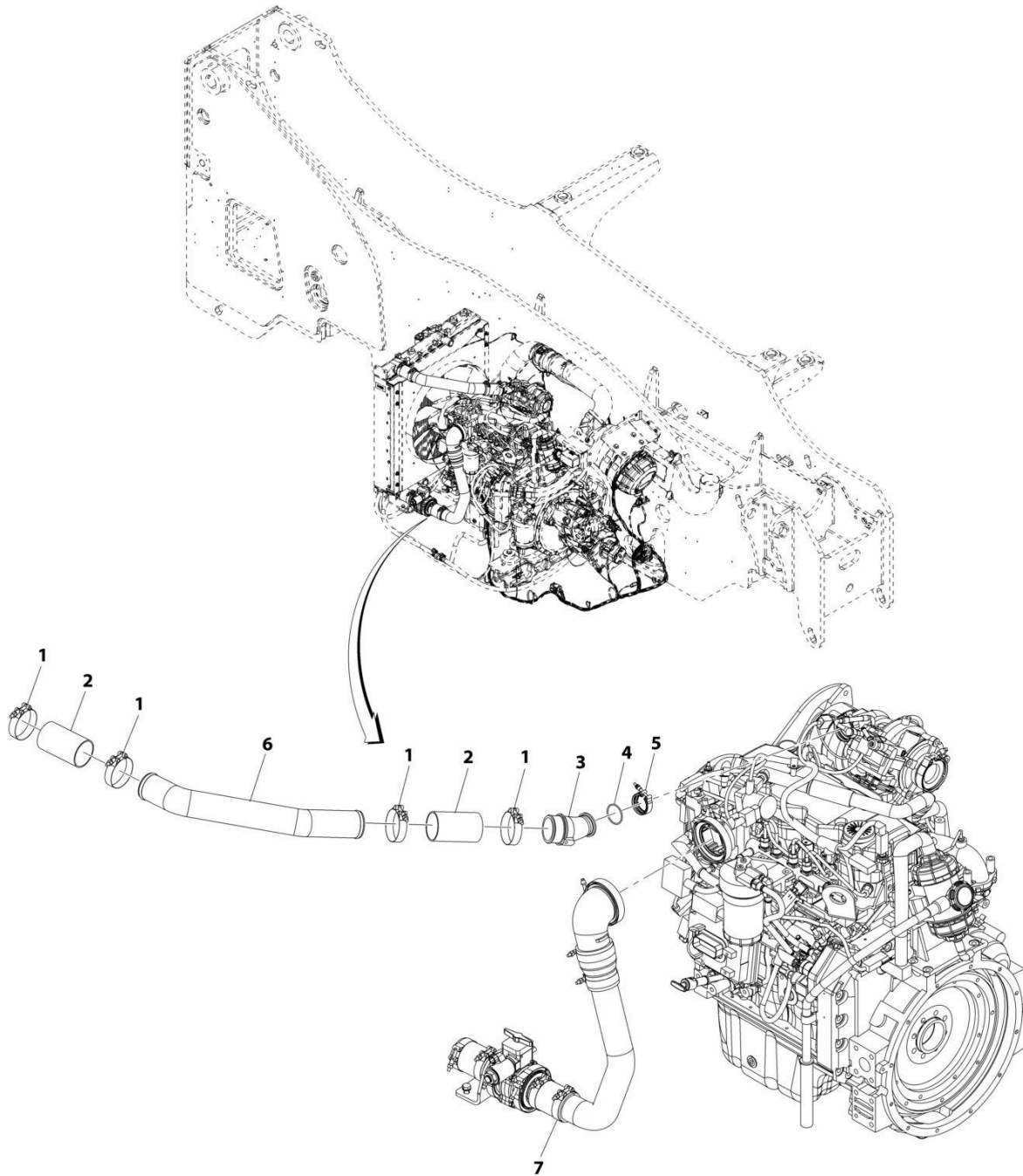
SECTION 4 - ENGINE AND ATTACHING PARTS

FIGURE 4-36. CAC LINES INSTALLATION (WITHOUT ASOV) (4523)

ITEM	PART NUMBER	QTY	DESCRIPTION	REV
	1001256501	Ref	CAC LINES INSTALLATION (WITHOUT ASOV)	A
1	8405212	5	Clamp, T-Bolt	
2	8405305	1	Clamp, T-Bolt	
3	1001114495	2	Hose	
4	1001161920	1	Adapter Mech	
5	1001238624	1	O-Ring	
6	1001238625	1	Clamp, Pipe-Tube	
7	1001256504	1	Tube	
8	1001256505	1	Hose	

SECTION 4 - ENGINE AND ATTACHING PARTS

FIGURE 4-37. CAC LINES INSTALLATION (WITH ASOV) (1075)



ART_1001244175-B

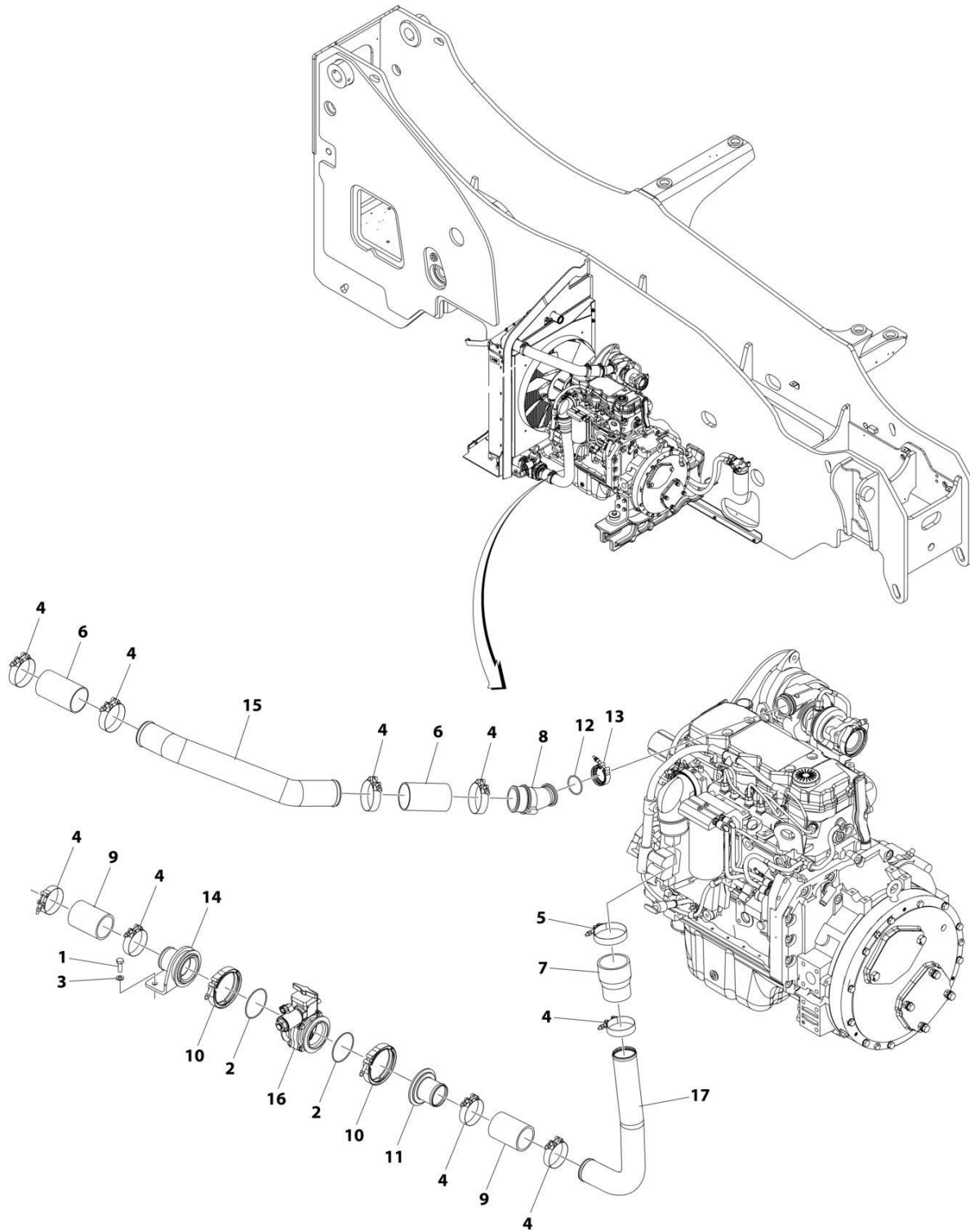
SECTION 4 - ENGINE AND ATTACHING PARTS

FIGURE 4-37. CAC LINES INSTALLATION (WITH ASOV) (1075)

ITEM	PART NUMBER	QTY	DESCRIPTION	REV
	1001244175	Ref	CAC Lines Installation (ASOV)	B
1	8405212	4	Clamp, T-Bolt	
2	1001114495	2	Hose	
3	1001161920	1	Adapter Mech	
4	1001238624	1	O-Ring	
5	1001238625	1	Clamp, Pipe-Tube	
6	1001250180	1	Pipe	
7	1001244048	1	Installation, ASOV Lines (See Separate Breakdown in this Section)	

SECTION 4 - ENGINE AND ATTACHING PARTS

FIGURE 4-38. CAC LINES INSTALLATION (WITH ASOV) (4523)



ART_1001258344

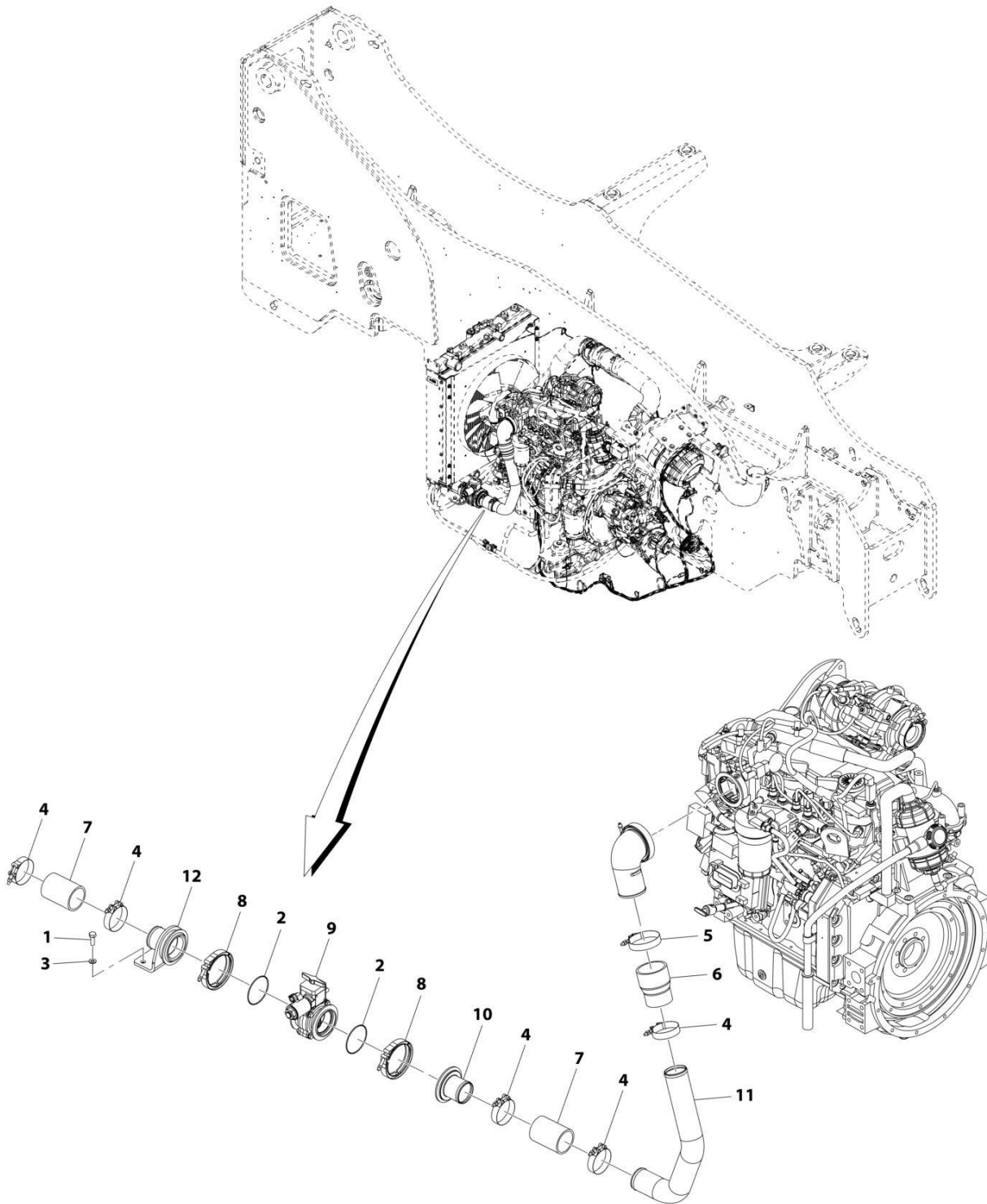
SECTION 4 - ENGINE AND ATTACHING PARTS

FIGURE 4-38. CAC LINES INSTALLATION (WITH ASOV) (4523)

ITEM	PART NUMBER	QTY	DESCRIPTION	REV
	1001258344	Ref	CAC LINE INSTALLATION (WITH ASOV)	A
1	0701014	2	Bolt M10 x 30	
2	3790152	2	O-Ring	
3	4812000	2	Washer M10	
4	8405212	9	Clamp, T-Bolt	
5	8405305	1	Clamp, T-Bolt	
6	1001114495	2	Hose	
7	1001138348	1	Hose	
8	1001161920	1	Adapter Mech	
9	1001166416	2	Hose	
10	1001202247	2	V-Clamp	
11	1001223628	1	Adapter Mech	
12	1001238624	1	O-Ring	
13	1001238625	1	Clamp, Pipe-Tube	
14	1001253340	1	Bracket	
15	1001256504	1	Tube	
16	1001257324	1	Valve, Air Shut-Off	
17	1001258345	1	Pipe	

SECTION 4 - ENGINE AND ATTACHING PARTS

FIGURE 4-39. ASOV LINES INSTALLATION (1075 ONLY)



ART_1001244048-B

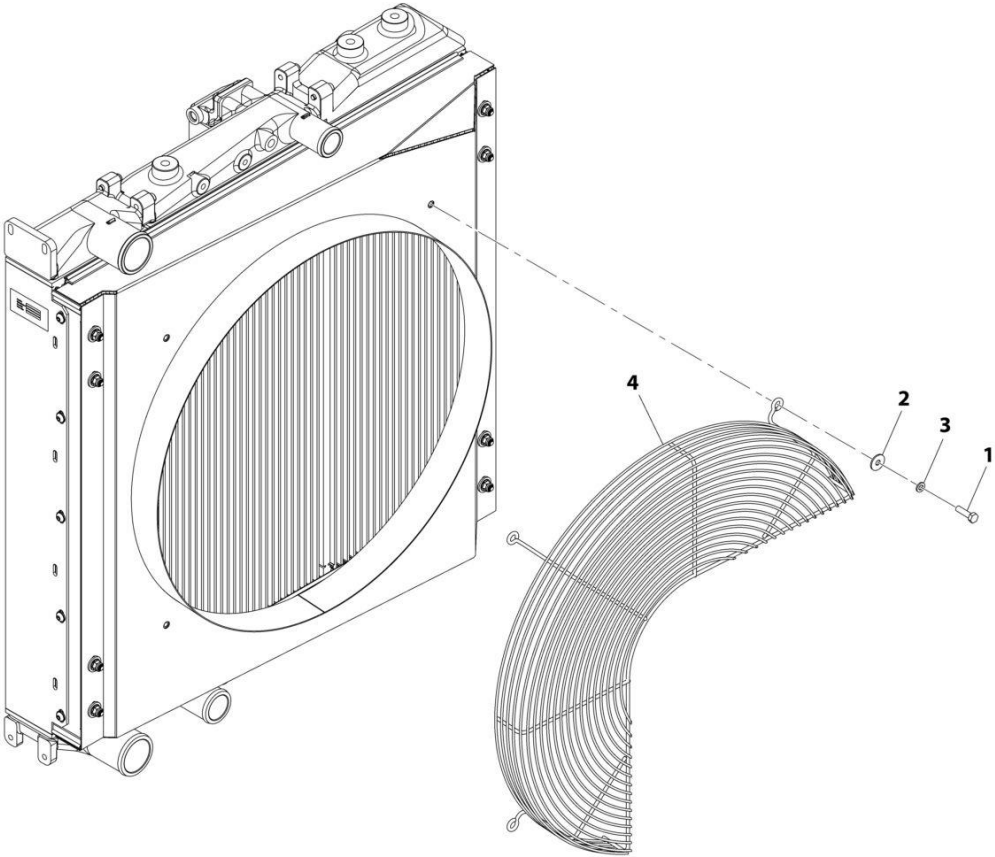
SECTION 4 - ENGINE AND ATTACHING PARTS

FIGURE 4-39. ASOV LINES INSTALLATION (1075 ONLY)

ITEM	PART NUMBER	QTY	DESCRIPTION	REV
	1001244048	Ref	ASOV Lines Installation	B
1	0701014	2	Bolt, M10X30	
2	3790152	2	Ring	
3	4812000	2	Washer, M10	
4	8405212	5	Clamp, T-Bolt	
5	8405305	1	Clamp, T-Bolt	
6	1001138348	1	Hose	
7	1001166416	2 mm	Hose	
8	1001202247	2	Clamp	
9	1001257324	1	Valve, Air Shut Off	
10	1001223628	1	Adapter Mech	
11	1001250189	1	Pipe	
12	1001253340	1	Bracket	

SECTION 4 - ENGINE AND ATTACHING PARTS

FIGURE 4-40. FAN GUARD INSTALLATION



ART_1001243771-B

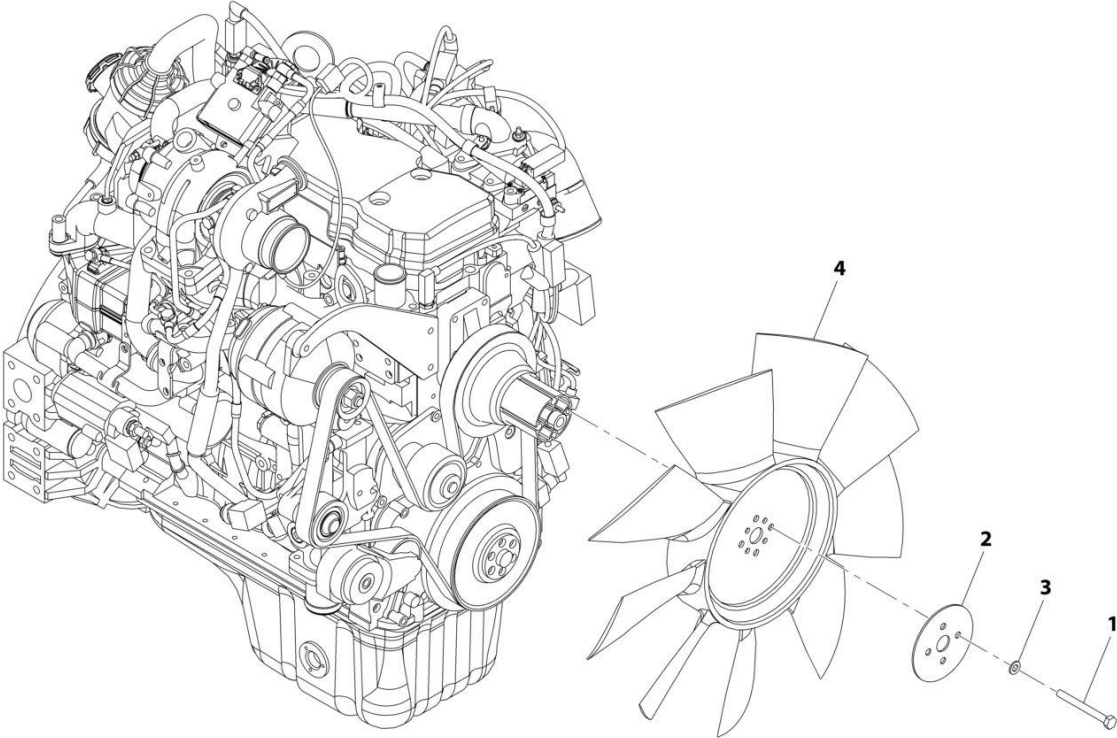
SECTION 4 - ENGINE AND ATTACHING PARTS

FIGURE 4-40. FAN GUARD INSTALLATION

ITEM	PART NUMBER	QTY	DESCRIPTION	REV
	1001243771	Ref	Fan Guard Installation	B
1	0700814	3	Bolt, M8X30	
2	4811902	3	Washer, M8	
3	4831900	3	Washer, Lock M8	
4	1001243772	1	Grill	

SECTION 4 - ENGINE AND ATTACHING PARTS

FIGURE 4-41. COOLING FAN INSTALLATION



ART_1001244057-A

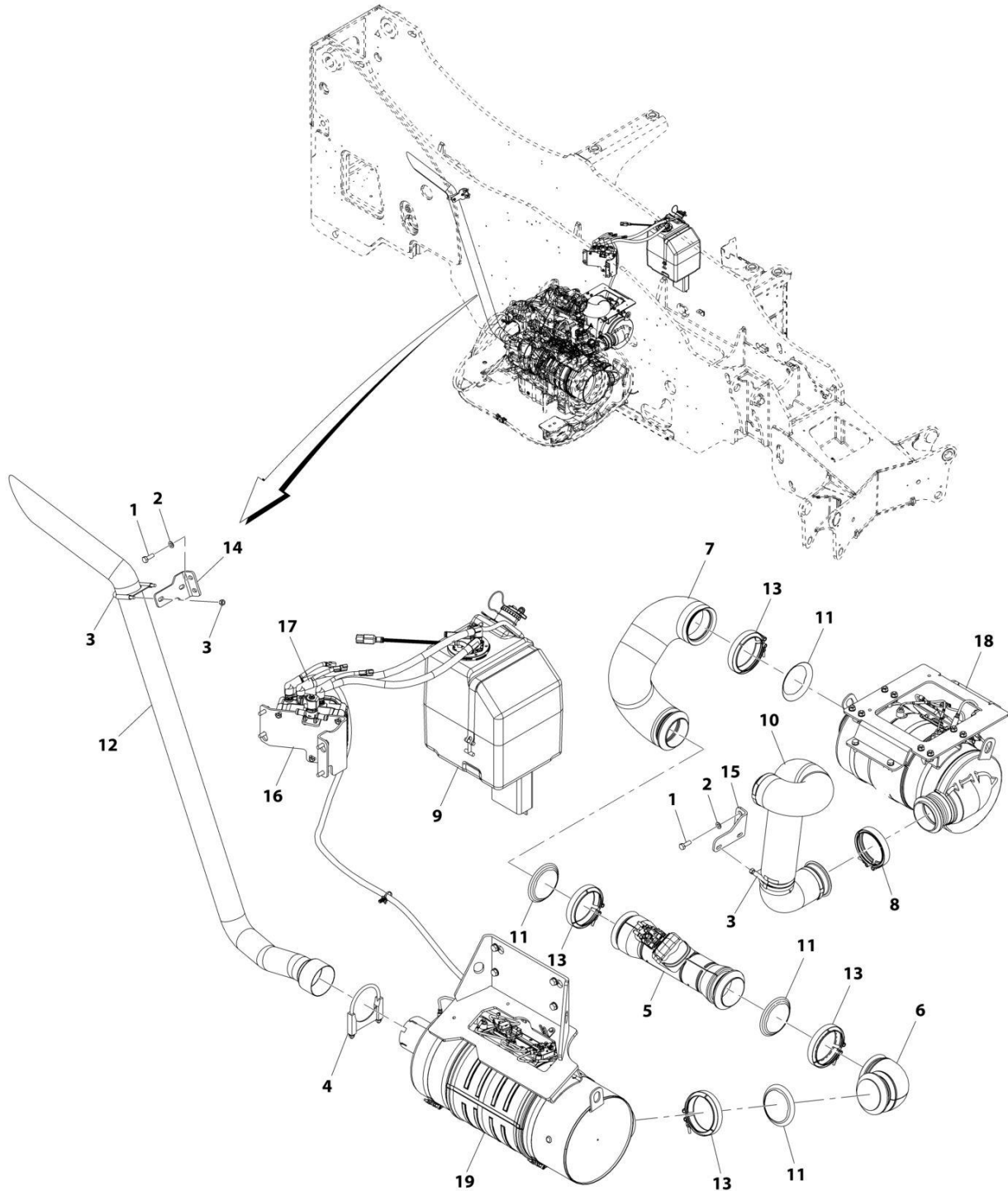
SECTION 4 - ENGINE AND ATTACHING PARTS

FIGURE 4-41. COOLING FAN INSTALLATION

ITEM	PART NUMBER	QTY	DESCRIPTION	REV
	1001244057	Ref	Cooling Fan Installation	A
1	0701027	4	Bolt, M10X100	
2	3575947	1	Plate	
3	4812000	4	Washer, M10	
4	1001237170	1	Fan, Cooling	

SECTION 4 - ENGINE AND ATTACHING PARTS

FIGURE 4-42. EXHAUST INSTALLATION (CUMMINS 4.5L)



ART_1001243979-B

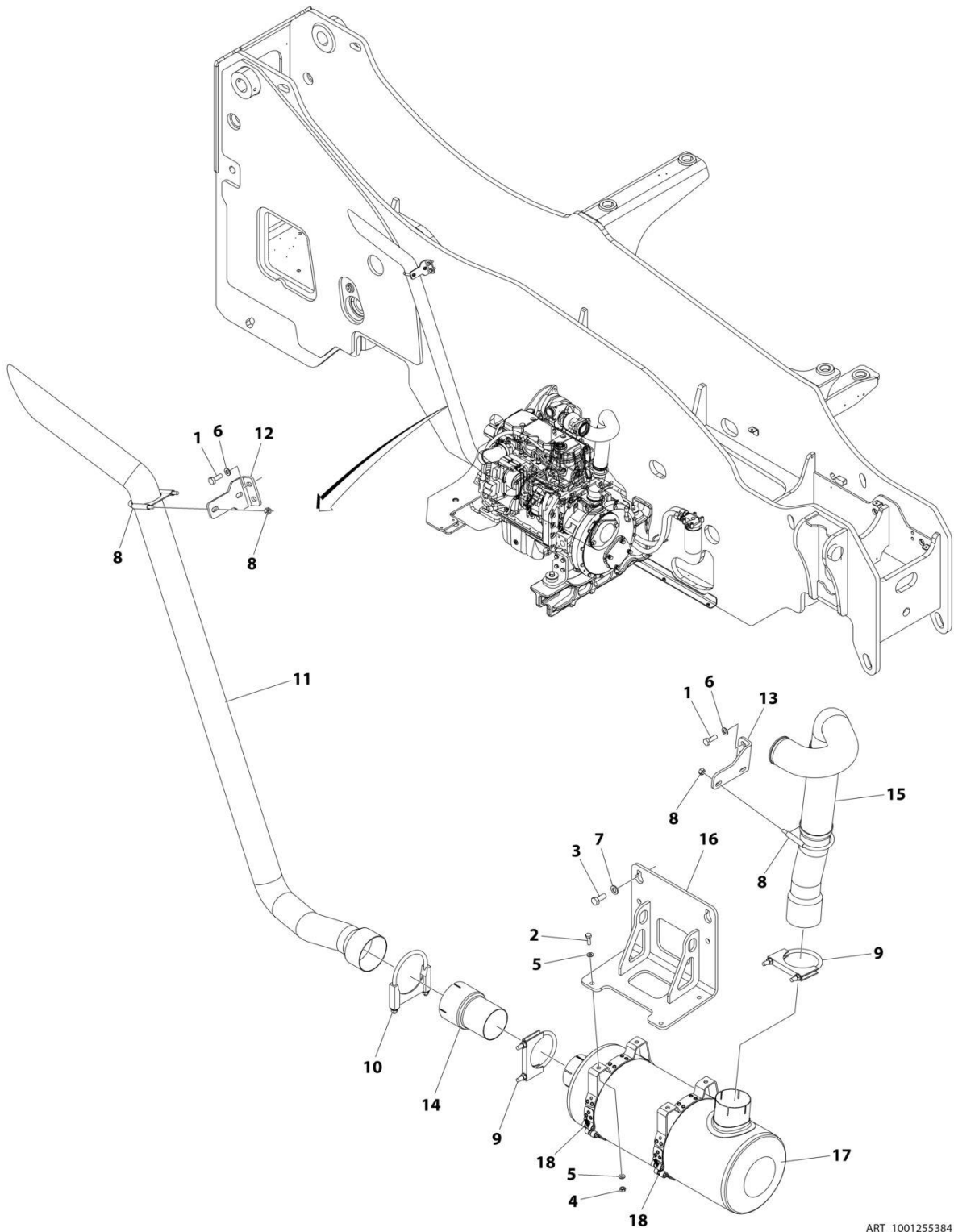
SECTION 4 - ENGINE AND ATTACHING PARTS

FIGURE 4-42. EXHAUST INSTALLATION (CUMMINS 4.5L)

ITEM	PART NUMBER	QTY	DESCRIPTION	REV
	1001243979	Ref	Exhaust Installation (Cummins 4.5L)	B
1	0701014	4	Bolt, M10X30	
2	4812000	4	Washer, M10	
3	24921332	2	Clamp	
4	86883127	1	Clamp	
5	1001236528	1	Muffler	
6	1001236556	1	Pipe	
7	1001236557	1	Pipe	
8	1001237181	1	Clamp	
9	1001239070	1	Installation, DEF Tank (See Separate Breakdown in this Section)	
10	1001239301	1	Pipe	
11	1001241318	4	Seal	
12	1001241326	1	Pipe	
13	1001241482	4	Clamp	
14	1001242740	1	Bracket	
15	1001242741	1	Bracket	
16	1001244059	1	Installation, DEF Pump and Control (See Separate Breakdown in this Section)	
17	1001244060	1	Installation, DEF Lines (See Separate Breakdown in this Section)	
18	1001245757	1	Installation, DOC (See Separate Breakdown in this Section)	
19	1001245758	1	Installation, SCR (See Separate Breakdown in this Section)	

SECTION 4 - ENGINE AND ATTACHING PARTS

FIGURE 4-43. EXHAUST INSTALLATION (4523)



ART_1001255384

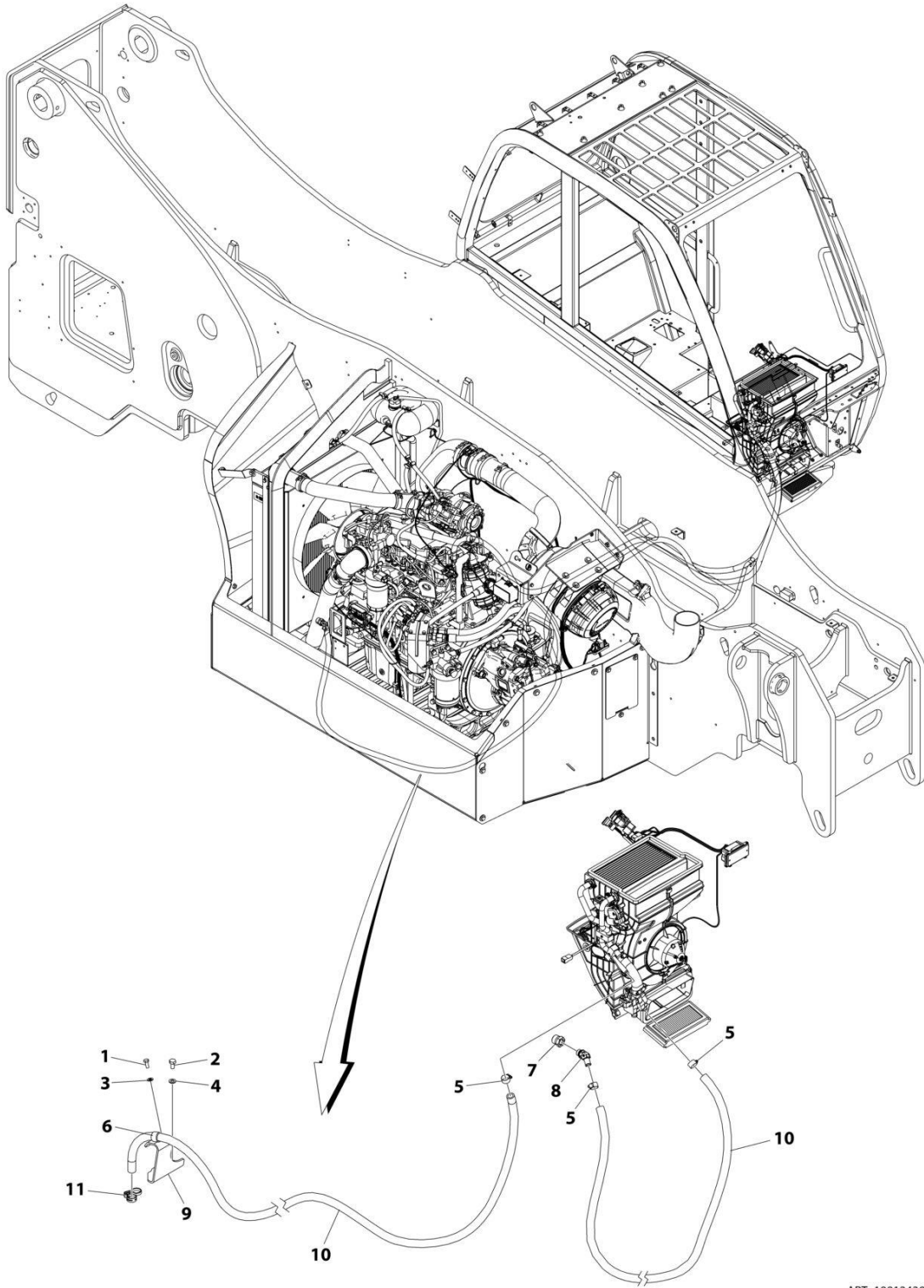
SECTION 4 - ENGINE AND ATTACHING PARTS

FIGURE 4-43. EXHAUST INSTALLATION (4523)

ITEM	PART NUMBER	QTY	DESCRIPTION	REV
	1001255384	Ref	EXHAUST INSTALLATION	A
1	0701014	4	Bolt M10 x 30	
2	0760812	4	Bolt M8 x 25	
3	0761214	4	Bolt M12 x 30	
4	3290801	4	Nut M8	
5	4811900	8	Washer M8	
6	4812000	4	Washer M10	
7	4812100	4	Washer M12	
8	24921332	2	Clamp	
9	86671583	2	Clamp	
10	86883127	1	Clamp	
11	1001241326	1	Pipe	
12	1001242740	1	Bracket	
13	1001242741	1	Bracket	
14	1001255385	1	Pipe	
15	1001255386	1	Pipe	
16	1001255387	1	Bracket	
17	1001263267	1	Muffler	
18	1001263268	2	Clamp	

SECTION 4 - ENGINE AND ATTACHING PARTS

FIGURE 4-44. CAB HEATER LINES INSTALLATION (1075)



ART_1001243980_B

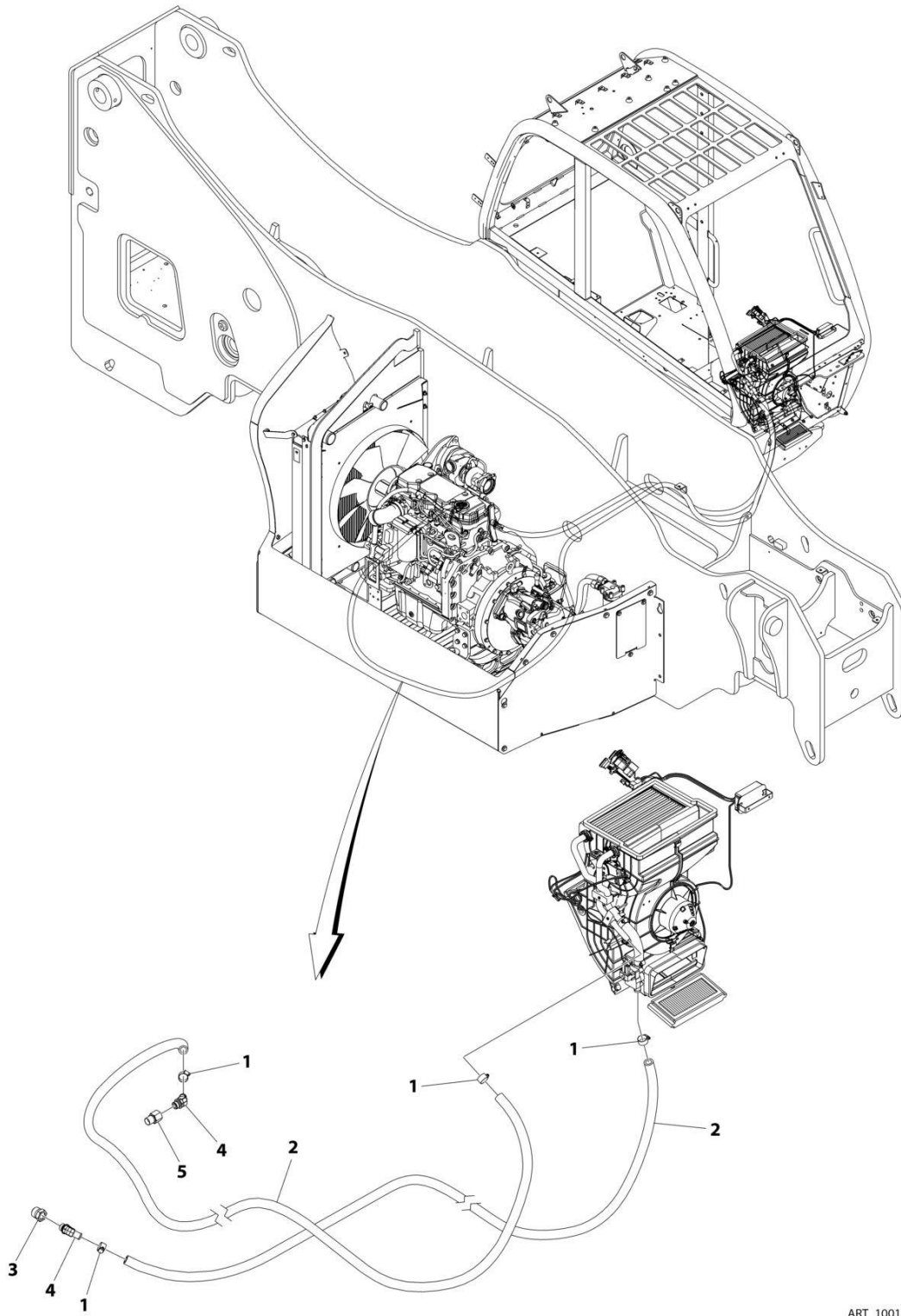
SECTION 4 - ENGINE AND ATTACHING PARTS

FIGURE 4-44. CAB HEATER LINES INSTALLATION (1075)

ITEM	PART NUMBER	QTY	DESCRIPTION	REV
	1001243980	Ref	Cab - Heater Lines Installation	B
1	0700810	1	Bolt, M8X20	
2	0701010	2	Bolt, M10X20	
3	4811900	1	Washer, M8	
4	4812000	2	Washer, M10	
5	8410009	3	Gear Clamp	
6	1001100319	1	Clip	
7	1001238152	1	Fitting	
8	1001238153	1	Fitting, Hose Barb	
9	1001245142	1	Bracket	
10	82033995	7 m	Hose	
11	1001202526	1	Clamp	

SECTION 4 - ENGINE AND ATTACHING PARTS

FIGURE 4-45. CAB HEATER LINES INSTALLATION (4523)



ART_1001256493

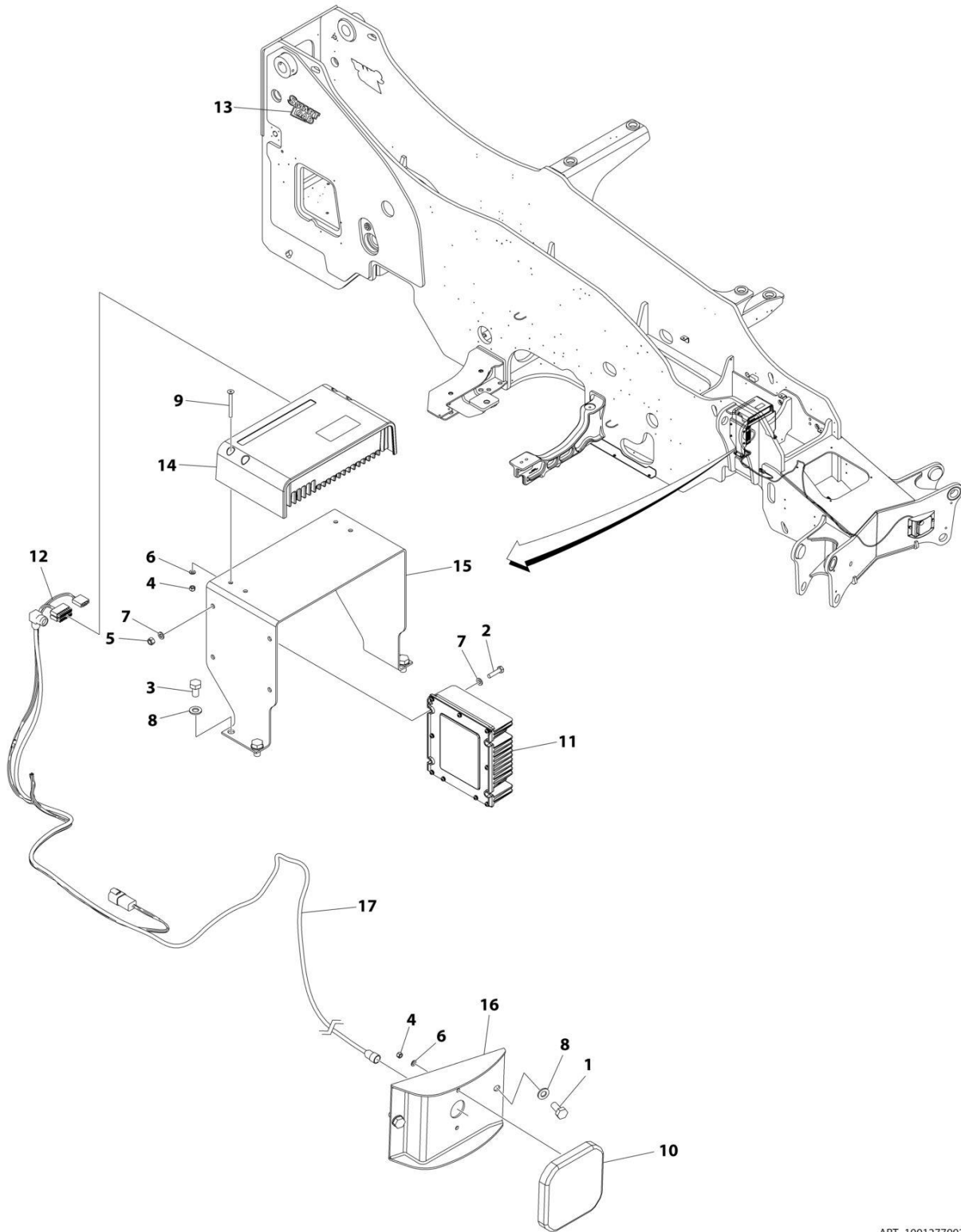
SECTION 4 - ENGINE AND ATTACHING PARTS

FIGURE 4-45. CAB HEATER LINES INSTALLATION (4523)

ITEM	PART NUMBER	QTY	DESCRIPTION	REV
	1001256493	Ref	CAB - HEATER LINES INSTALLATION	A
1	8410009	4	Gear Clamp	
2	82033995	7.3 m / 24 ft	Hose	
3	1001238152	1	Fitting	
4	1001238153	2	Fitting, Hose Barb	
5	1001245075	1	Fitting	

SECTION 4 - ENGINE AND ATTACHING PARTS

FIGURE 4-46. ATTACHMENT RECOGNITION INSTALLATION (4523)



ART_1001277992

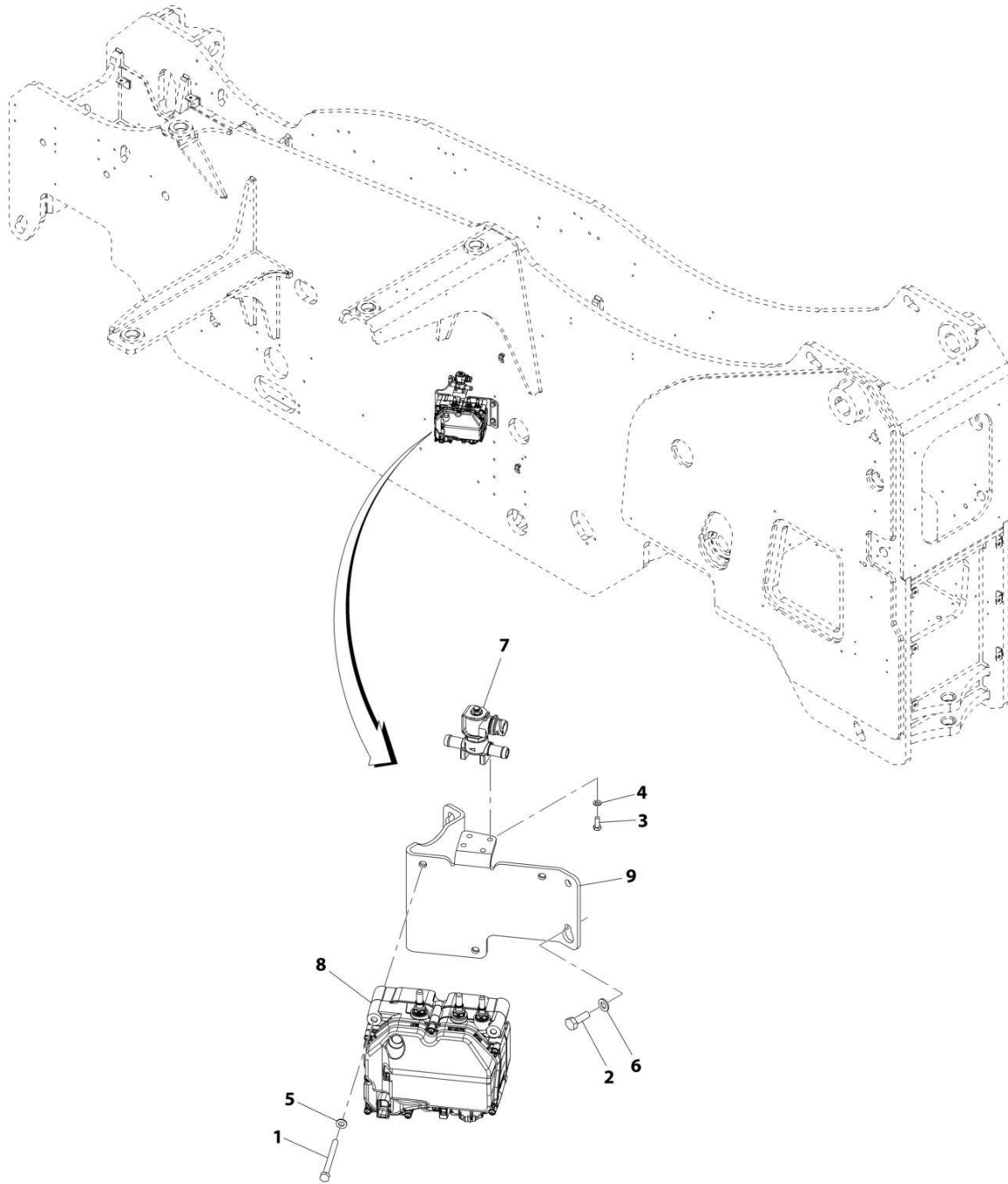
SECTION 4 - ENGINE AND ATTACHING PARTS

FIGURE 4-46. ATTACHMENT RECOGNITION INSTALLATION (4523)

ITEM	PART NUMBER	QTY	DESCRIPTION	REV
	1001277992	Ref	ATTACHMENT RECOGNITION INSTALLATION	A
1	0701011	2	Bolt M10 x 22	
2	0760612	4	Bolt M6 x 25	
3	0761009	4	Bolt	
4	3290505	6	Nut M5	
5	3290605	4	Nut M6	
6	4811600	6	Washer M5	
7	4811700	8	Washer M6	
8	4812000	6	Washer M10	
9	1001234395	4	Screw	
10	1001237738	1	Antenna	
11	1001249078	1	Control, Voltage	
12	1001250203	1	Harness, Attachment Recognition (See Separate Breakdown in ELECTRICAL Section)	
13	1001250276	2	Decal - Smart Load	
14	1001250476	1	Control, Receiver	
15	1001256899	1	Bracket	
16	1001260996	1	Bracket	
17	1001261095	1	Cable, Antenna	

SECTION 4 - ENGINE AND ATTACHING PARTS

FIGURE 4-47. DEF PUMP AND CONTROL INSTALLATION



ART_1001244059-A

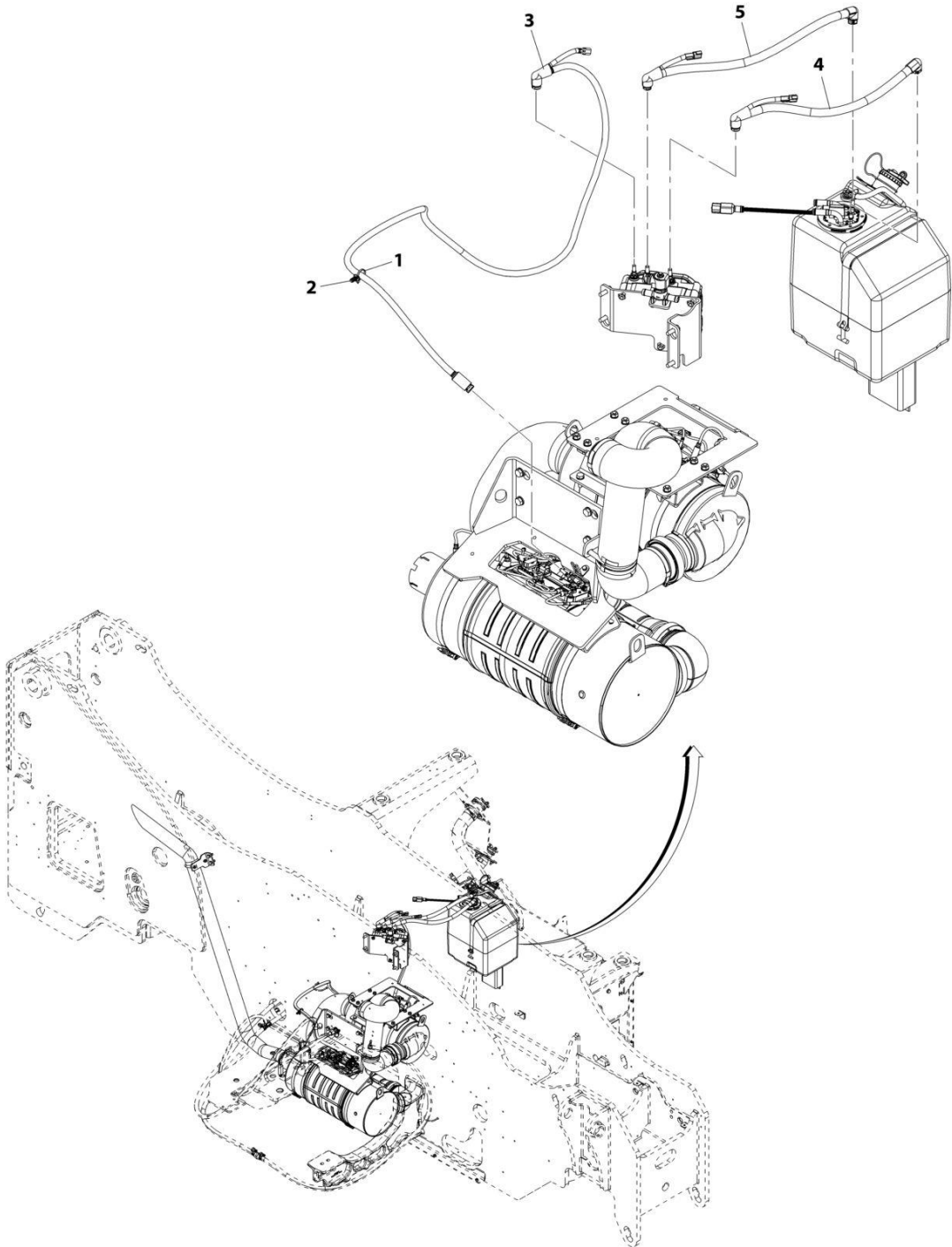
SECTION 4 - ENGINE AND ATTACHING PARTS

FIGURE 4-47. DEF PUMP AND CONTROL INSTALLATION

ITEM	PART NUMBER	QTY	DESCRIPTION	REV
	1001244059	Ref	DEF Pump and Control Installation	B
1	0700826	3	Bolt, M8X90	
2	0701014	4	Bolt, M10X30	
3	0760608	4	Bolt, M6X16	
4	4811700	4	Washer, M6	
5	4811900	3	Washer, M8	
6	4812000	4	Washer, M10	
7	1001199670	1	Valve, DEF Tank Coolant Flow	
8	1001213210	1	Pump, DEF Module (See Separate Breakdown in HYDRAULIC COMPONENTS Section)	
9	1001241702	1	Bracket	

SECTION 4 - ENGINE AND ATTACHING PARTS

FIGURE 4-48. DEF LINES INSTALLATION



ART_1001244060-B

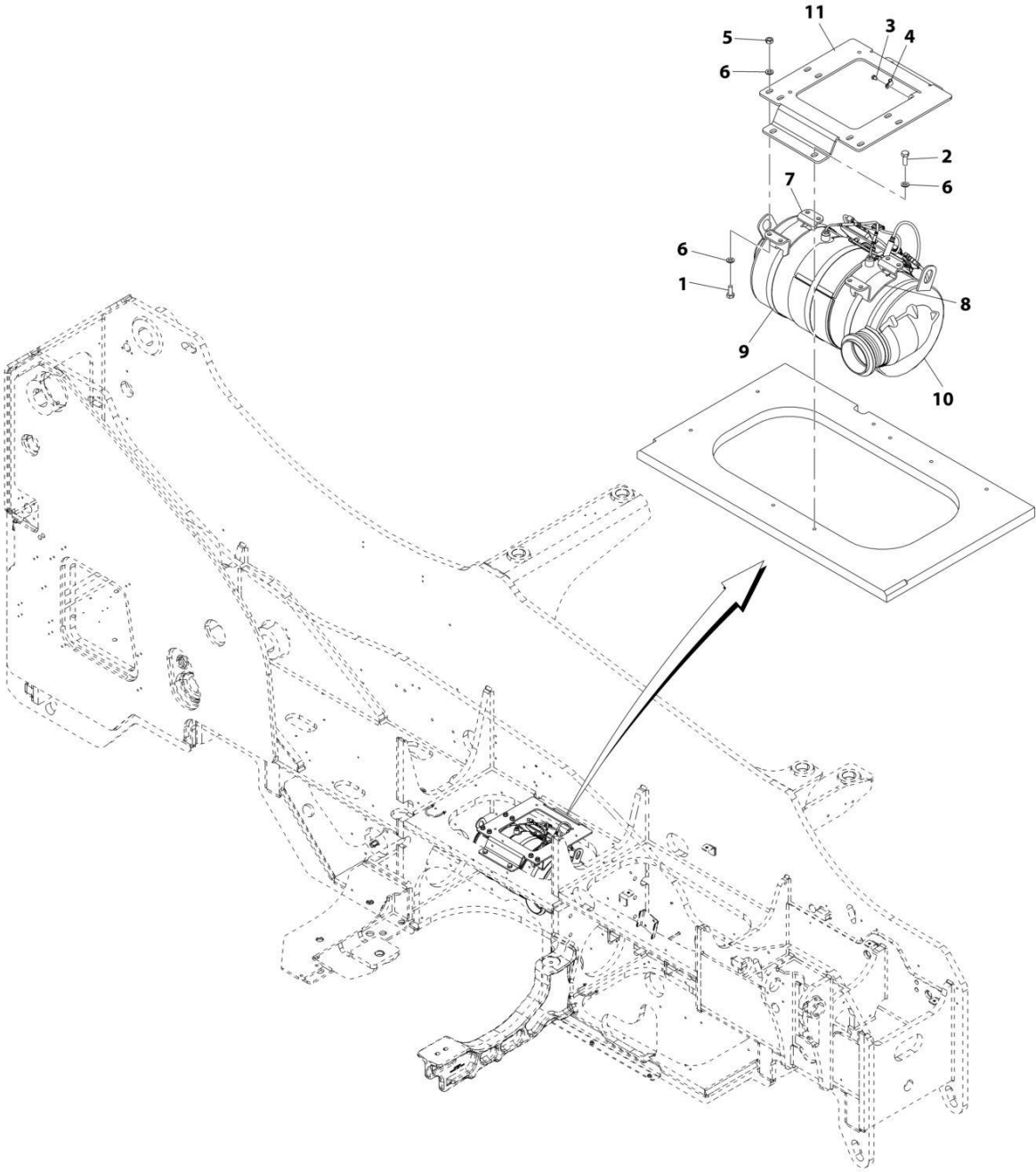
SECTION 4 - ENGINE AND ATTACHING PARTS

FIGURE 4-48. DEF LINES INSTALLATION

ITEM	PART NUMBER	QTY	DESCRIPTION	REV
	1001244060	Ref	DEF Lines Installation	B
1	1001008559	1	Strap, Cable	
2	1001202986	1	Strap Push Mount	
3	1001241684	1	Hose	
4	1001241704	1	Hose	
5	1001241705	1	Hose	

SECTION 4 - ENGINE AND ATTACHING PARTS

FIGURE 4-49. DOC INSTALLATION



ART_1001245757-B

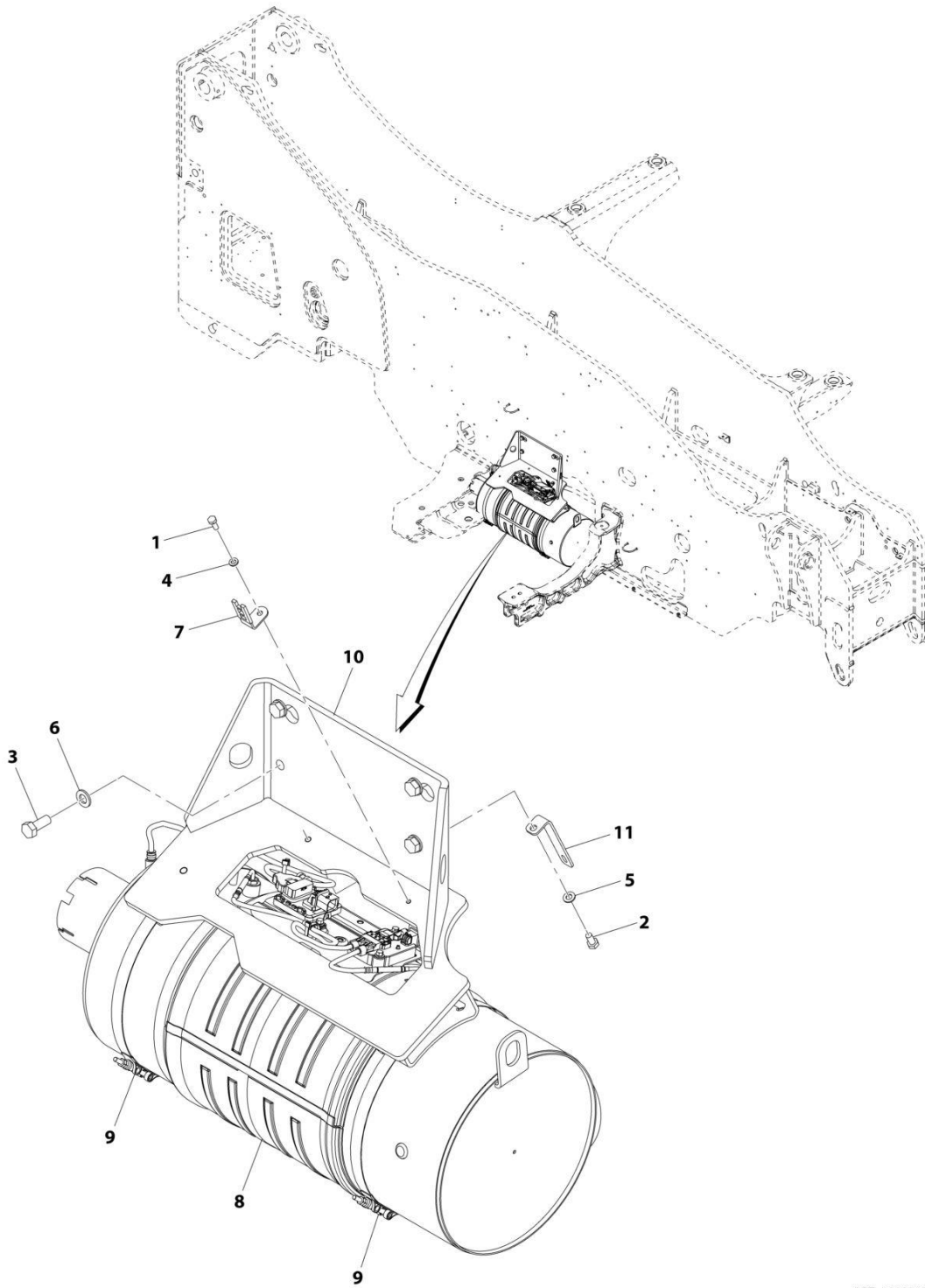
SECTION 4 - ENGINE AND ATTACHING PARTS

FIGURE 4-49. DOC INSTALLATION

ITEM	PART NUMBER	QTY	DESCRIPTION	REV
	1001245757	Ref	DOC Installation	B
1	0701012	8	Bolt, M10X25	
2	0701014	4	Bolt, M10X30	
3	0760605	1	Bolt, M6X10	
4	1320136	1	Clamp, Cable	
5	3291001	8	Nut, M10X1.5	
6	4812000	20	Washer, M10	
7	1001159881	1	Bracket	
8	1001159882	1	Bracket	
9	1001176945	2	Strap	
10	1001236530	1	Muffler	
11	1001242739	1	Bracket	

SECTION 4 - ENGINE AND ATTACHING PARTS

FIGURE 4-50. SCR INSTALLATION



ART_1001245758-B

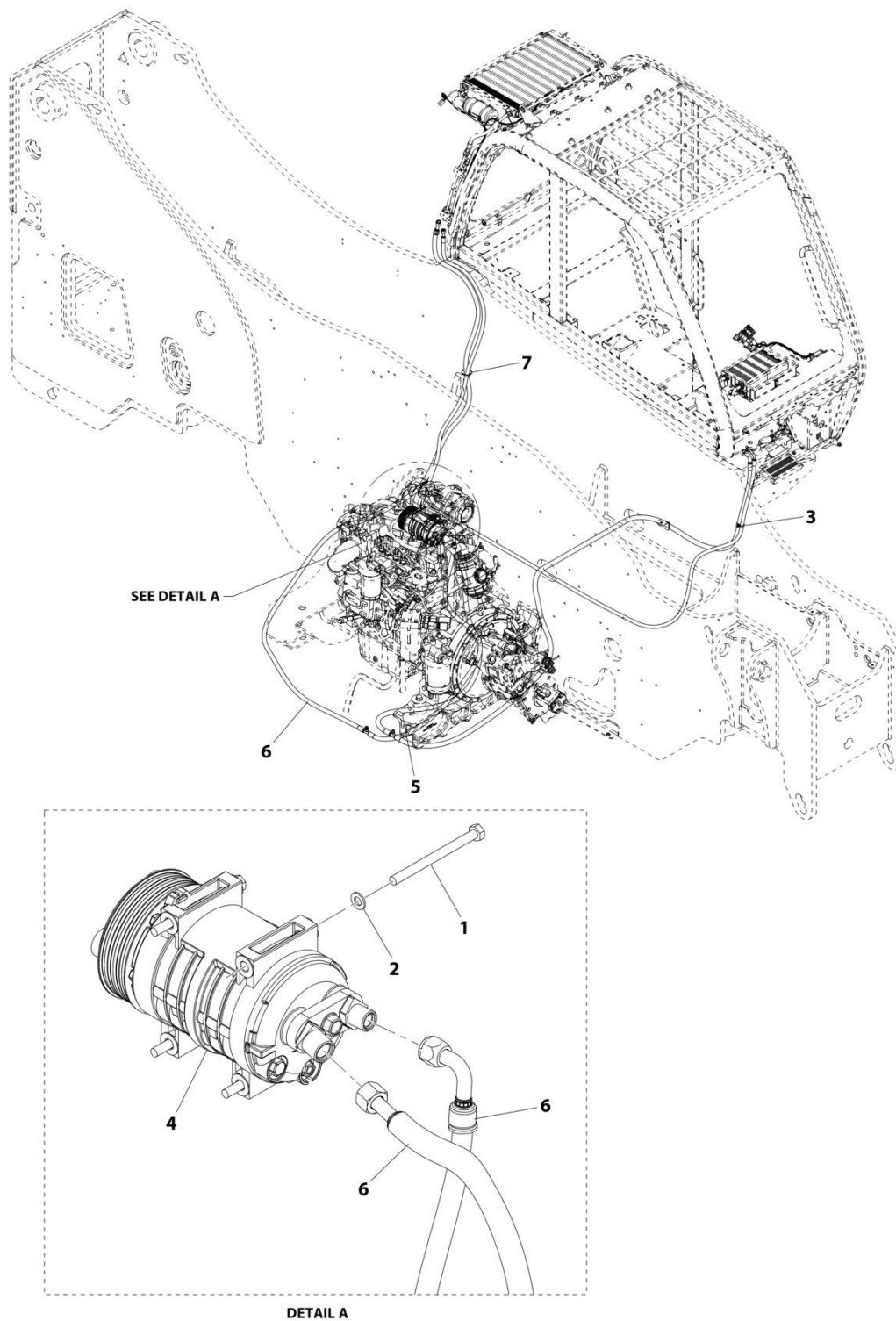
SECTION 4 - ENGINE AND ATTACHING PARTS

FIGURE 4-50. SCR INSTALLATION

ITEM	PART NUMBER	QTY	DESCRIPTION	REV
	1001245758	Ref	SCR Installation	B
1	0760608	1	Bolt, M6X16	
2	0760808	1	Bolt, M8X16	
3	0761214	4	Bolt, M12X30	
4	4811700	1	Washer, M6	
5	4811900	1	Washer, M8	
6	4812100	4	Washer, M12	
7	1001025749	1	Clip	
8	1001236529	1	Muffler	
9	1001238755	2	Strap	
10	1001242734	1	Bracket	
11	1001247578	1	Bracket	

SECTION 4 - ENGINE AND ATTACHING PARTS

FIGURE 4-51. A/C PUMP INSTALLATION (CUMMINS 4.5L)



ART_1001243981-A

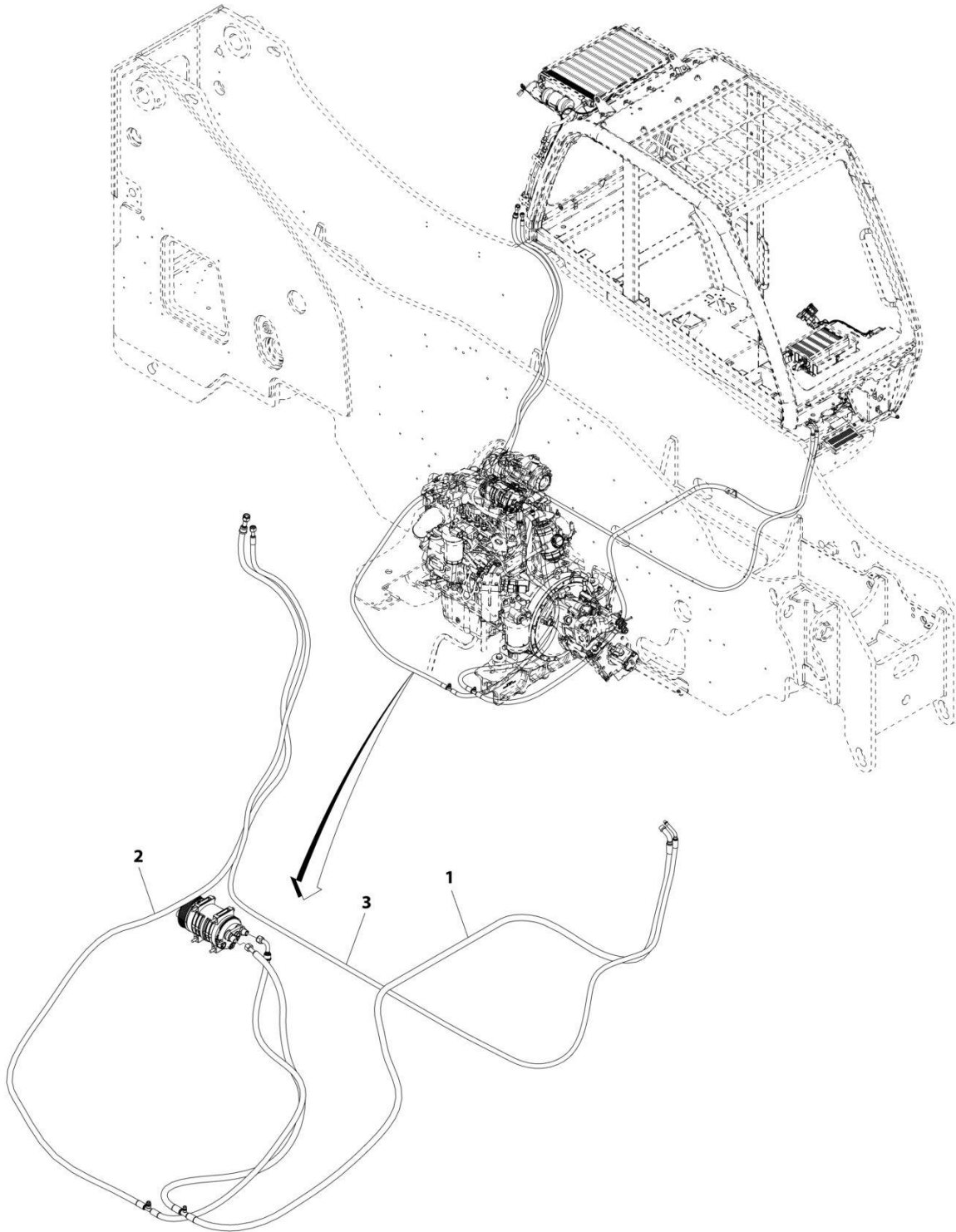
SECTION 4 - ENGINE AND ATTACHING PARTS

FIGURE 4-51. A/C PUMP INSTALLATION (CUMMINS 4.5L)

ITEM	PART NUMBER	QTY	DESCRIPTION	REV
	1001243981	Ref	A/C Pump Installation (Cummins 4.5L)	A
1	0700827	4	Bolt, M8X100	
2	4811900	4	Washer, M8	
3	1001146588	1	Strap, Tie	
4	1001157663	1	Compressor, A/C	
5	1001193026	1	Decal, A/C Refrigerant	
6	1001243982	1	A/C Lines Installation (See Separate Breakdown in this Section)	
7	1001008559	2	Strap, Cable	

SECTION 4 - ENGINE AND ATTACHING PARTS

FIGURE 4-52. A/C LINES INSTALLATION



ART_1001243982-A

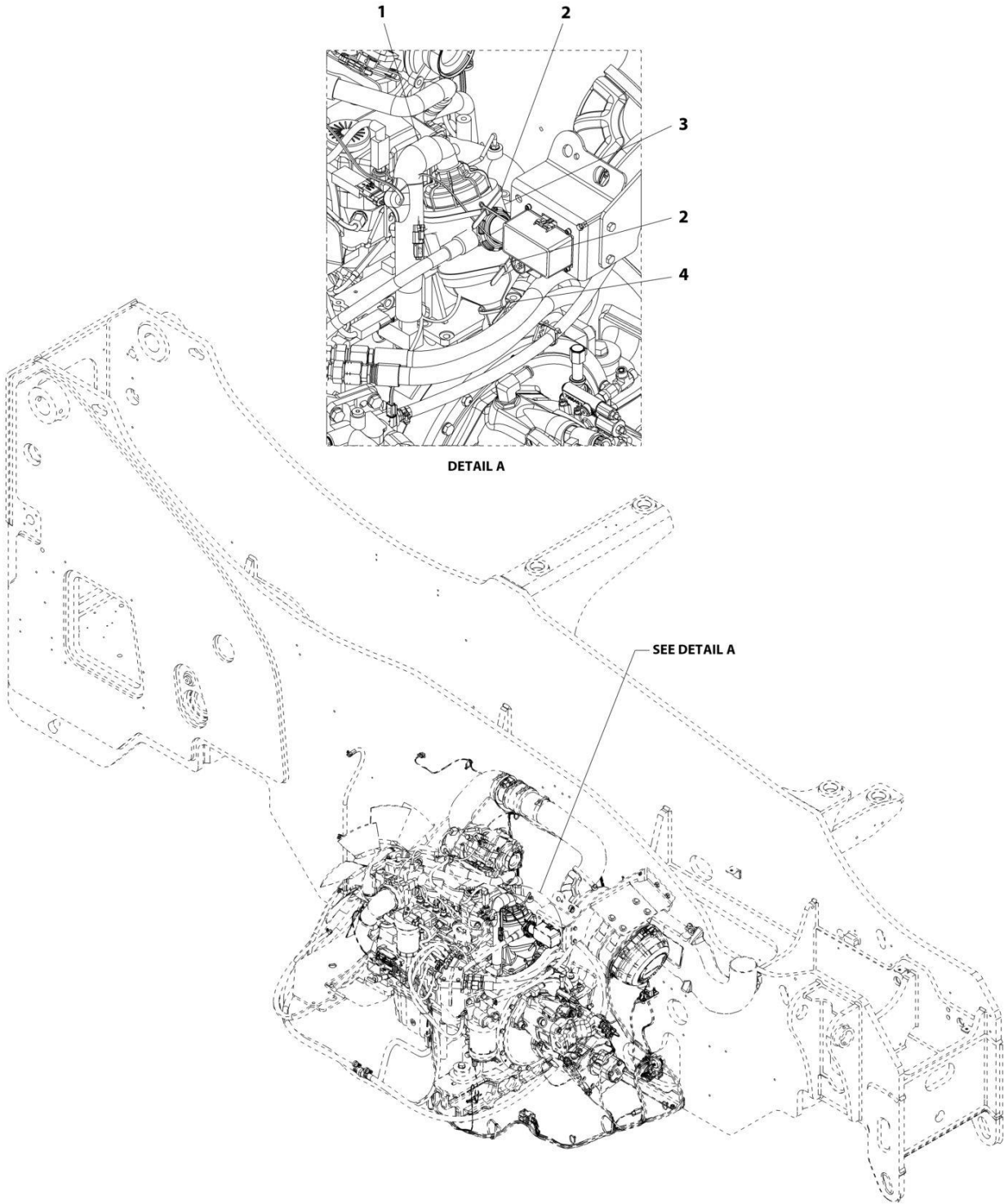
SECTION 4 - ENGINE AND ATTACHING PARTS

FIGURE 4-52. A/C LINES INSTALLATION

ITEM	PART NUMBER	QTY	DESCRIPTION	REV
	1001243982	Ref	A/C Line Installation	A
1	1001243840	1	Hose	
2	1001243841	1	Hose	
3	1001245708	1	Hose	

SECTION 4 - ENGINE AND ATTACHING PARTS

FIGURE 4-53. BREATHER TUBE HEATER INSTALLATION



ART_1001246882-A

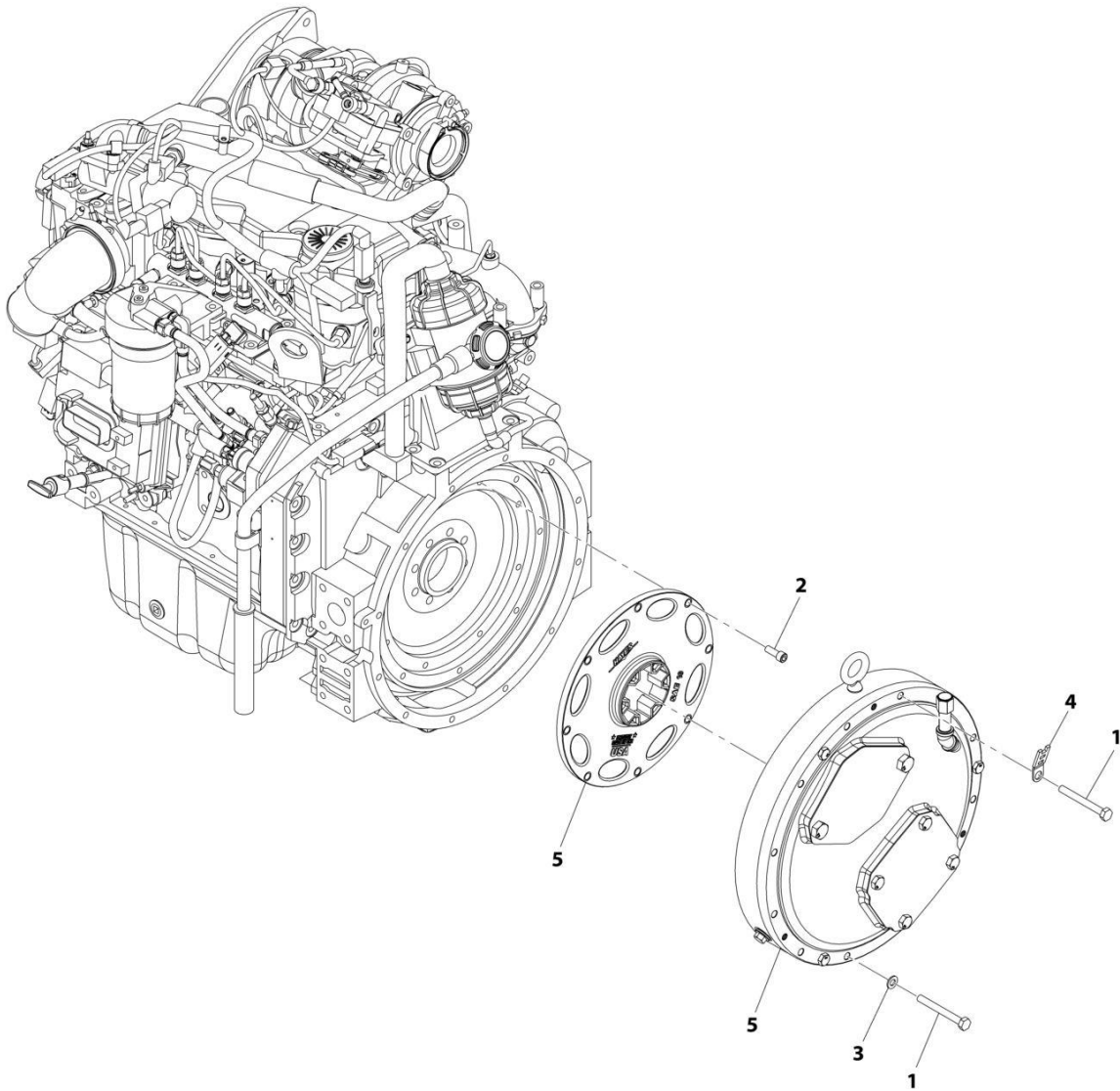
SECTION 4 - ENGINE AND ATTACHING PARTS

FIGURE 4-53. BREATHER TUBE HEATER INSTALLATION

ITEM	PART NUMBER	QTY	DESCRIPTION	REV
	1001246882	Ref	Breather Tube Heater Installation	A
1	1001211884	1	Hose	
2	01043892	2	Tie wrap, Long	
3	1001211503	1	Insulate, CV Filter	
4	86683122	1	Tie wrap, Short	

SECTION 4 - ENGINE AND ATTACHING PARTS

FIGURE 4-54. TRANSMISSION HYDROSTATIC ADAPTER INSTALLATION



ART_1001243039-B

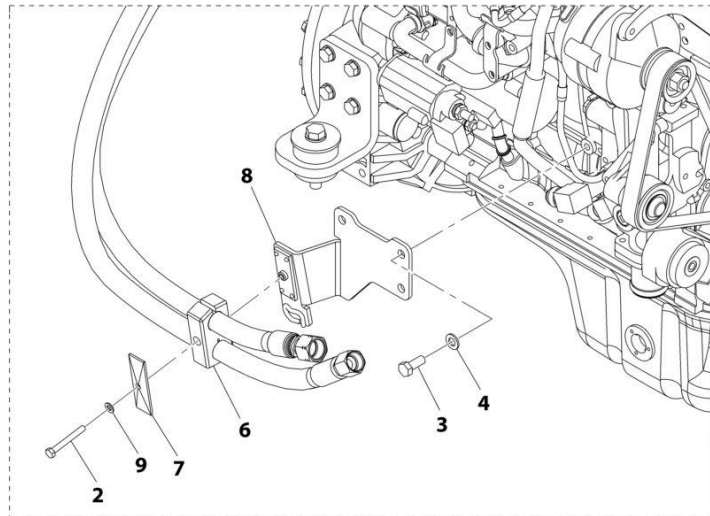
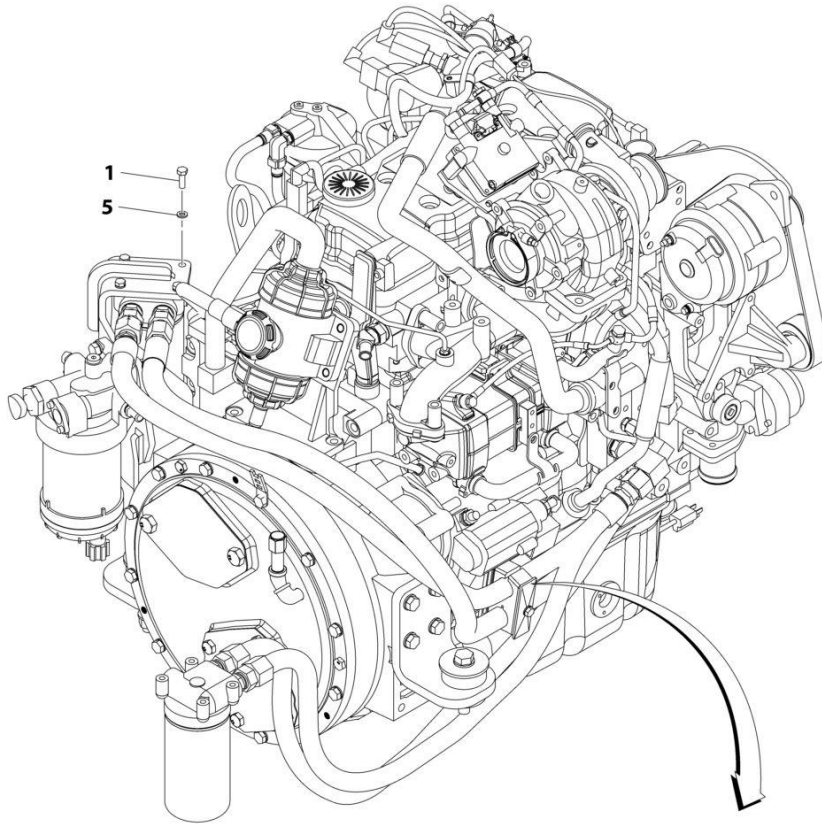
SECTION 4 - ENGINE AND ATTACHING PARTS

FIGURE 4-54. TRANSMISSION HYDROSTATIC ADAPTER INSTALLATION

ITEM	PART NUMBER	QTY	DESCRIPTION	REV
	1001243039	Ref	Transmission Hydrostatic Adapter Installation	B
1	0701026	12	Bolt, M10X90	
2	3931616	8	Bolt 3/8-16X1	
3	4812000	11	Washer, M10	
4	1001025750	1	Clip	
5	1001256526	1	Gear, HY-Stat Dual Drive	

SECTION 4 - ENGINE AND ATTACHING PARTS

FIGURE 4-55. REMOTE OIL FILTER INSTALLATION (1075)



ART_1001244046-C

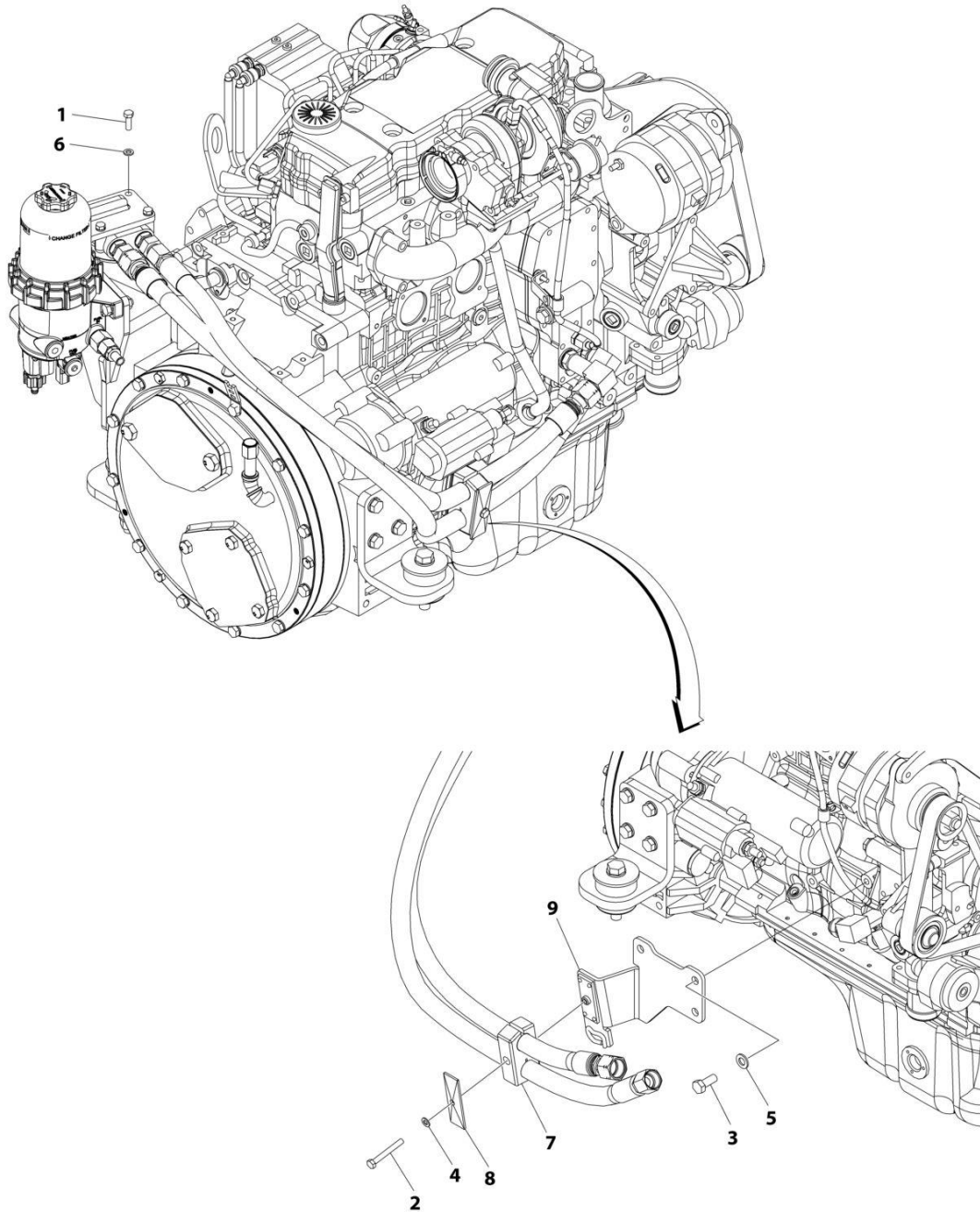
SECTION 4 - ENGINE AND ATTACHING PARTS

FIGURE 4-55. REMOTE OIL FILTER INSTALLATION (1075)

ITEM	PART NUMBER	QTY	DESCRIPTION	REV
	1001244046	Ref	Remote Oil Filter Installation	C
1	0700812	4	Bolt, M8X25	
2	0700821	1	Bolt, M8X65	
3	0761214	3	Bolt, M8X30	
4	4812100	3	Washer, 12mm	
5	4831900	4	Washer, Lock M8	
6	8750024	1	Clamp Set	
7	8750025	1	Cover Plate	
8	1001246178	1	Bracket	
9	4811900	1	Washer, 8mm	

SECTION 4 - ENGINE AND ATTACHING PARTS

FIGURE 4-56. REMOTE OIL FILTER INSTALLATION (4523)



ART_1001256496

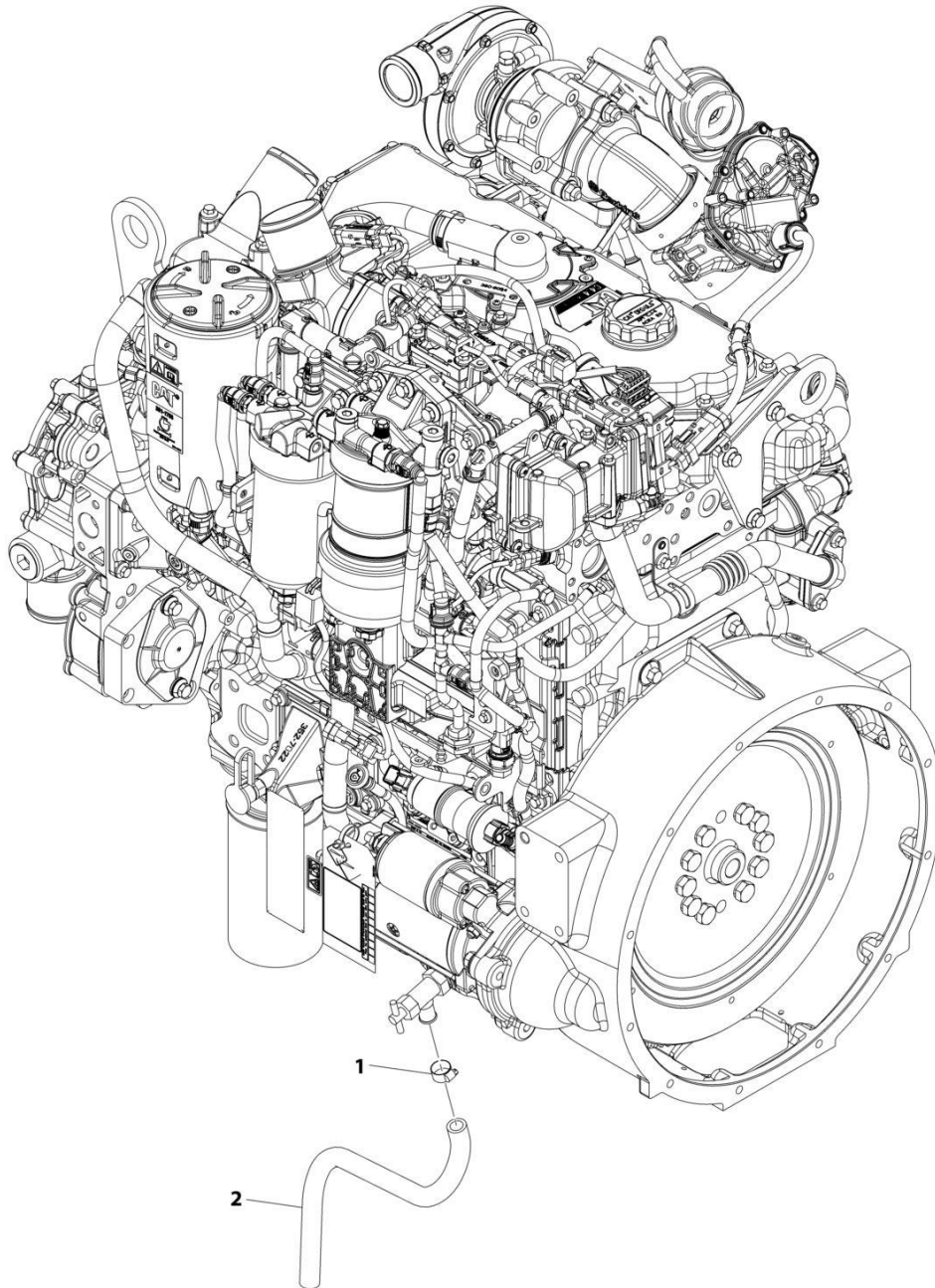
SECTION 4 - ENGINE AND ATTACHING PARTS

FIGURE 4-56. REMOTE OIL FILTER INSTALLATION (4523)

ITEM	PART NUMBER	QTY	DESCRIPTION	REV
	1001256496	Ref	REMOTE OIL FILTER INSTALLATION	A
1	0700812	4	Bolt M8 x 25	
2	0700821	1	Bolt M8 x 65	
3	0761214	3	Bolt M12 x 30	
4	4811900	1	Washer M8	
5	4812100	3	Washer M12	
6	4831900	4	Washer M8	
7	8750024	1	Clamp Set	
8	8750025	1	Cover Plate	
9	1001246178	1	Bracket	

SECTION 4 - ENGINE AND ATTACHING PARTS

FIGURE 4-57. OIL DRAIN HOSE INSTALLATION



ART_1001173344-C

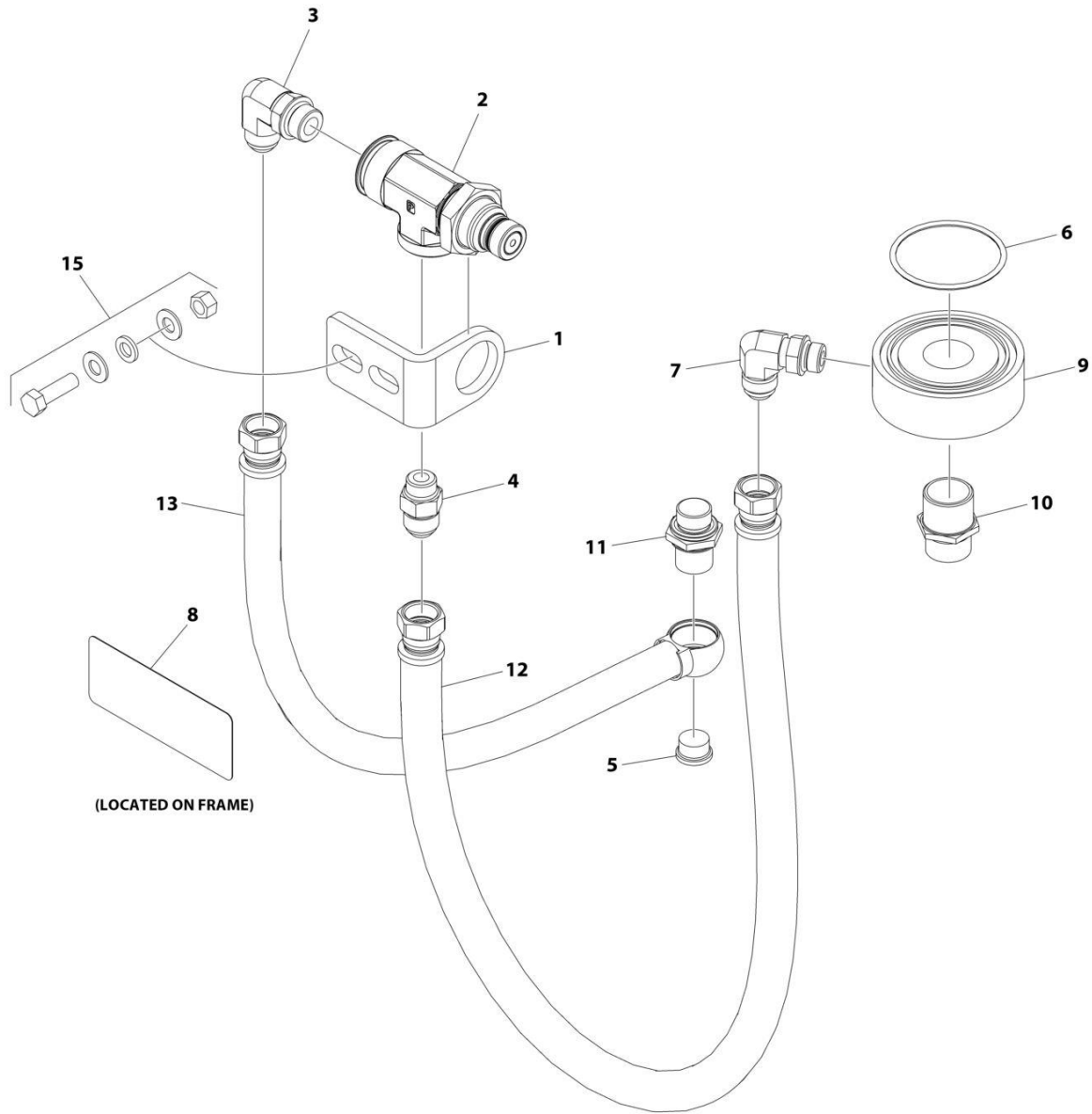
SECTION 4 - ENGINE AND ATTACHING PARTS

FIGURE 4-57. OIL DRAIN HOSE INSTALLATION

ITEM	PART NUMBER	QTY	DESCRIPTION	REV
	1001173344	Ref	Oil Drain Hose Installation	C
1	8410009	1	Gear Clamp	
2	1001213237	1	Hose	

SECTION 4 - ENGINE AND ATTACHING PARTS

FIGURE 4-58. QUICK DRAIN OIL VALVE INSTALLATION



ART_1001281472

SECTION 4 - ENGINE AND ATTACHING PARTS

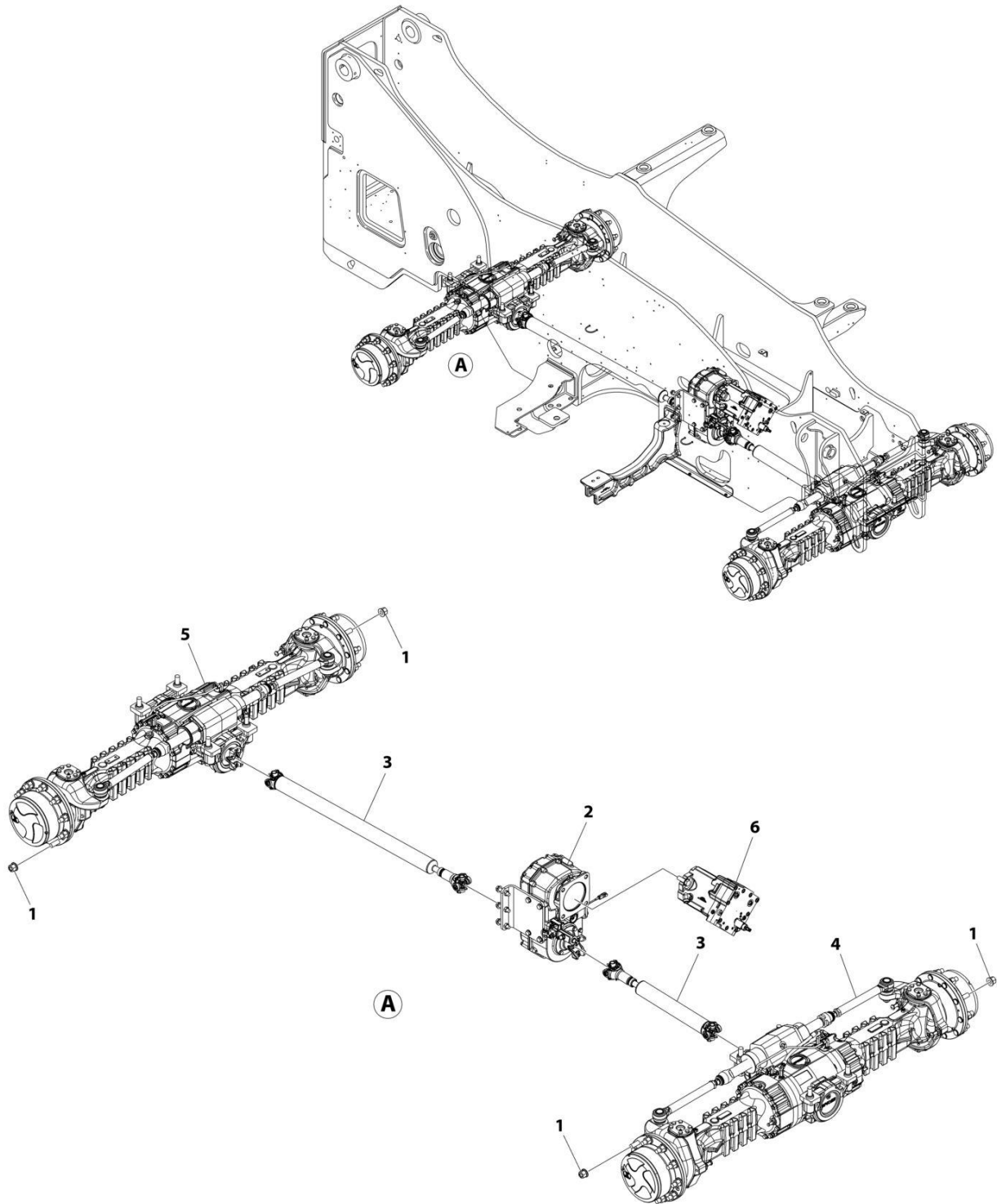
FIGURE 4-58. QUICK DRAIN OIL VALVE INSTALLATION

ITEM	PART NUMBER	QTY	DESCRIPTION	REV
	1001281472	Ref	QUICK DRAIN OIL VALVE INSTALLATION	A
1	1001281297	1	Bracket	
2	1001281298	1	Valve, Small Quickfit	
3	1001281301	1	Fitting, 90	
4	1001281302	1	Fitting, Straight	
5	1001281304	1	Plug, Quickfit	
6	1001281311	1	O-Ring	
7	1001281359	1	Valve, Check Quickfit	
8	1001281360	1	Decal - RPM Quickfit	
9	1001281380	1	Filter, Ring	
10	1001281386	1	Fitting, Straight	
11	1001281394	1	Fitting, Straight Quickfit	
12	1001281399	1	Hose	
13	1001281400	1	Hose	
14	1001281656	AR	Tie-Strap (Not Shown)	
15	1001281888	2	Bolt 3/8 x 1-1/4	

SECTION 5 - DRIVE TRAIN

SECTION 5 - DRIVE TRAIN

FIGURE 5-1. DRIVETRAIN INSTALLATION



ART_1001203799_B

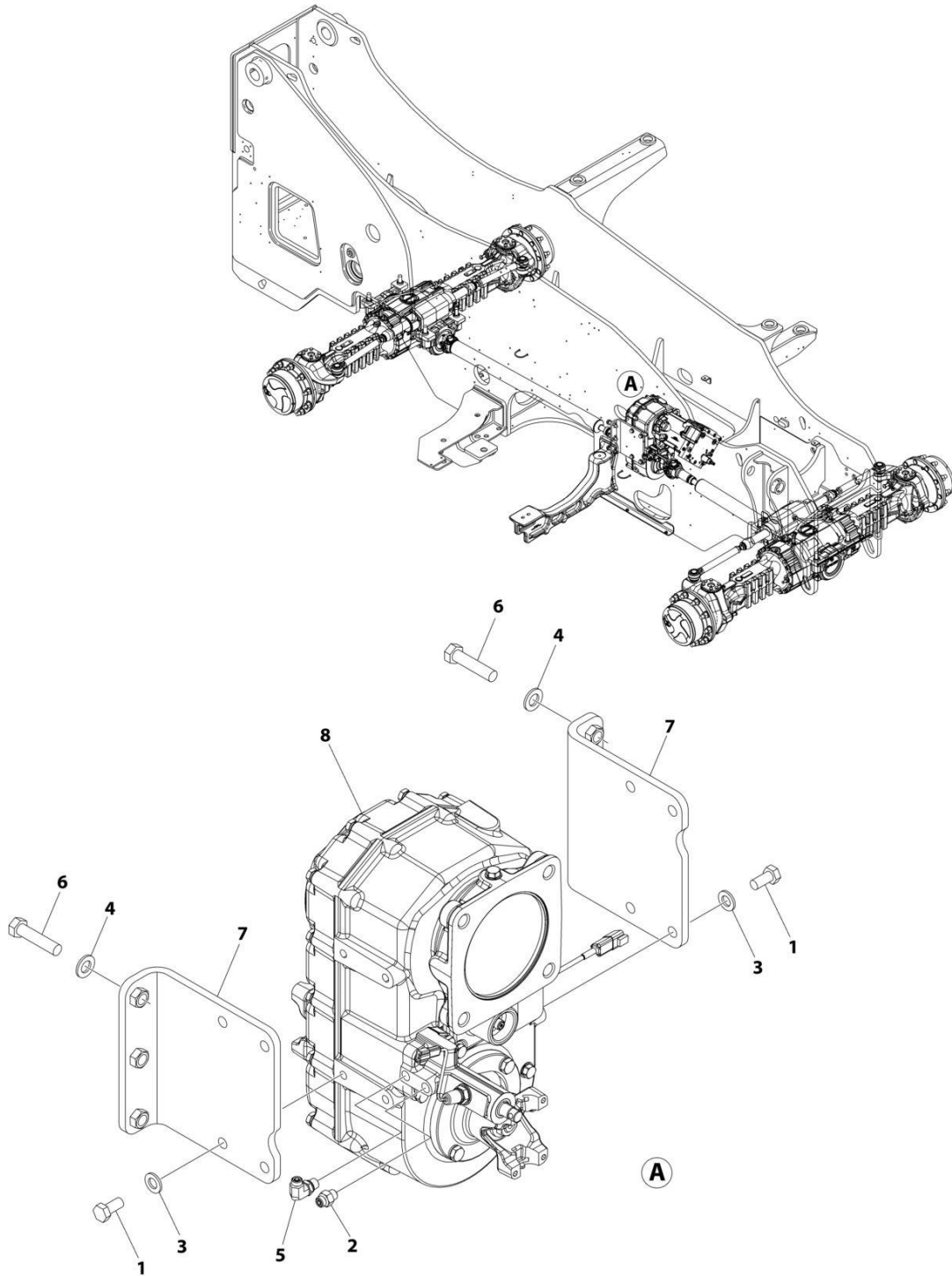
SECTION 5 - DRIVE TRAIN

FIGURE 5-1. DRIVETRAIN INSTALLATION

ITEM	PART NUMBER	QTY	DESCRIPTION	REV
	1001203799	Ref	DRIVETRAIN INSTALLATION	B
1	91403193	40	Nut, Lug M22 x 1-1/2	
2	1001295916	1	Installation, Gearbox (See Separate Breakdown in this Section)	
3	1001203798	1	Installation, Drive Shaft (See Separate Breakdown in this Section)	
4	1001244031	1	Installation, Front Axle (See Separate Breakdown in this Section)	
5	1001244032	1	Installation, Rear Axle (See Separate Breakdown in this Section)	
6	1001244340	1	Installation, Hydraulic Motor (See Separate Breakdown in this Section)	

SECTION 5 - DRIVE TRAIN

FIGURE 5-2. GEARBOX INSTALLATION



ART_1001295916

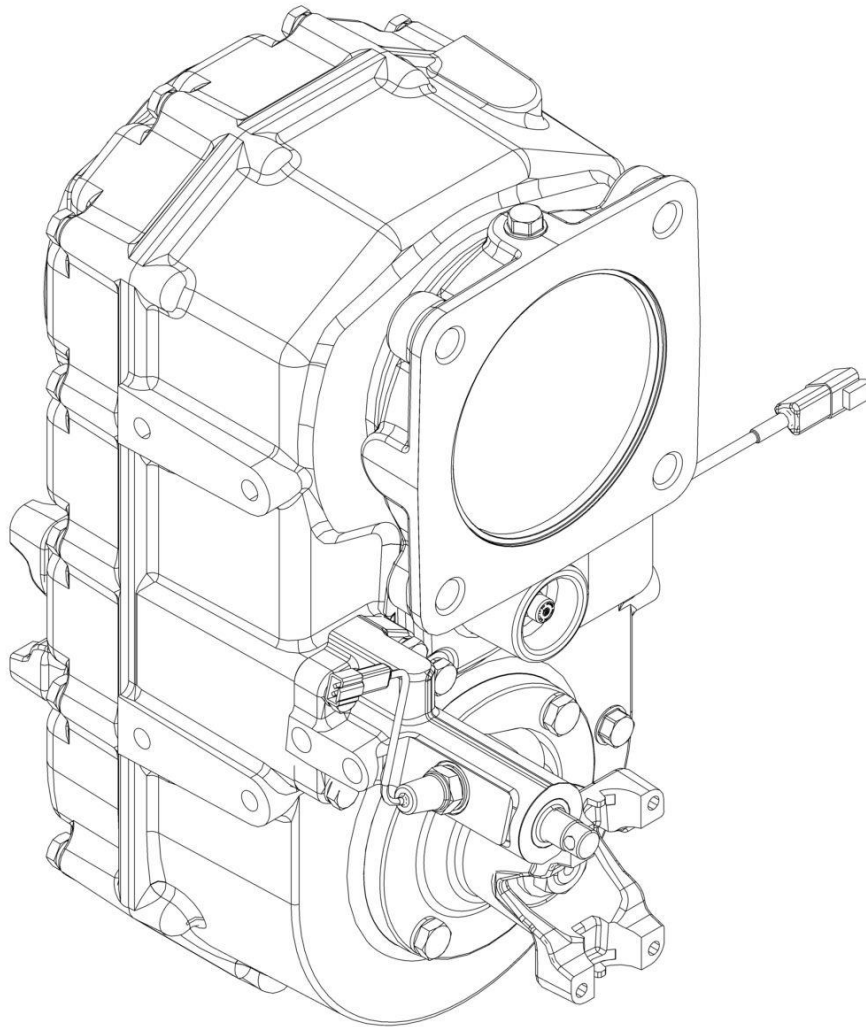
SECTION 5 - DRIVE TRAIN

FIGURE 5-2. GEARBOX INSTALLATION

ITEM	PART NUMBER	QTY	DESCRIPTION	REV
	1001295916	Ref	GEARBOX INSTALLATION	A
1	0771414	8	Bolt M14 x 30	
2	2144603	1	Fitting, Straight ORFS	
3	5241400	8	Washer M14	
4	5241600	6	Washer M16	
5	8770241	1	Fitting, 90 ORFS	
6	1001094516	6	Bolt M16 x 70	
7	1001245691	2	Bracket	
8	1001295491	1	Gearbox (See Separate Breakdown in this Seciton)	

SECTION 5 - DRIVE TRAIN

FIGURE 5-3. GEARBOX ASSEMBLY



ART_1001295491

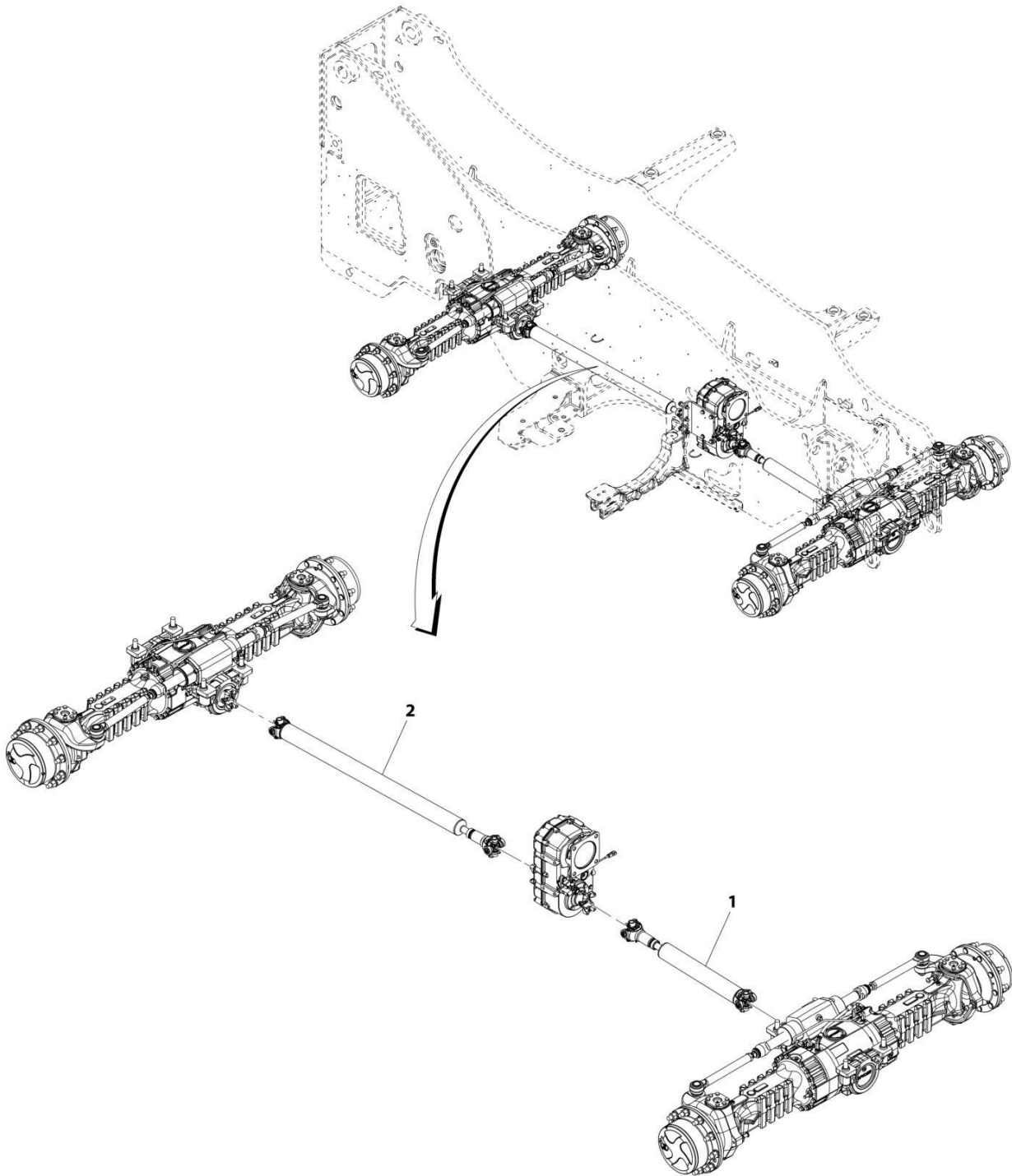
SECTION 5 - DRIVE TRAIN

FIGURE 5-3. GEARBOX ASSEMBLY

ITEM	PART NUMBER	QTY	DESCRIPTION	REV
	1001295491	Ref	GEARBOX ASSEMBLY	A
	See Note	Ref	Note: No Service Parts Available at Time of Printing	

SECTION 5 - DRIVE TRAIN

FIGURE 5-4. DRIVE SHAFT INSTALLATION



ART_1001203798-A

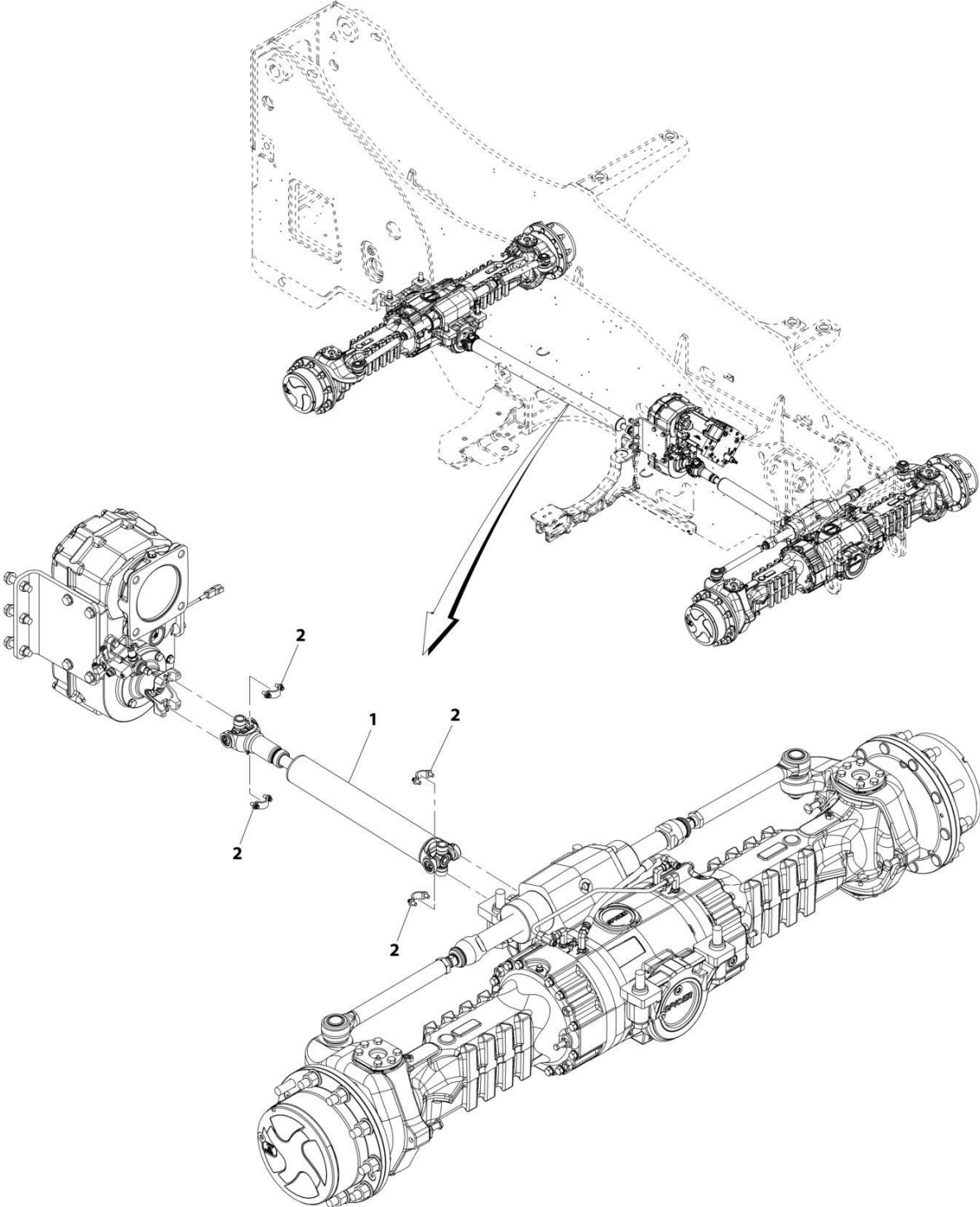
SECTION 5 - DRIVE TRAIN

FIGURE 5-4. DRIVE SHAFT INSTALLATION

ITEM	PART NUMBER	QTY	DESCRIPTION	REV
1	1001203798	Ref	Drive Shaft Installation	A
	1001244035	1	Installation, Front Drive Shaft (See Separate Breakdown in this Section)	
2	1001244036	1	Installation, Rear Drive Shaft (See Separate Breakdown in this Section)	

SECTION 5 - DRIVE TRAIN

FIGURE 5-5. FRONT DRIVESHAFT INSTALLATION



ART_1001244035-A

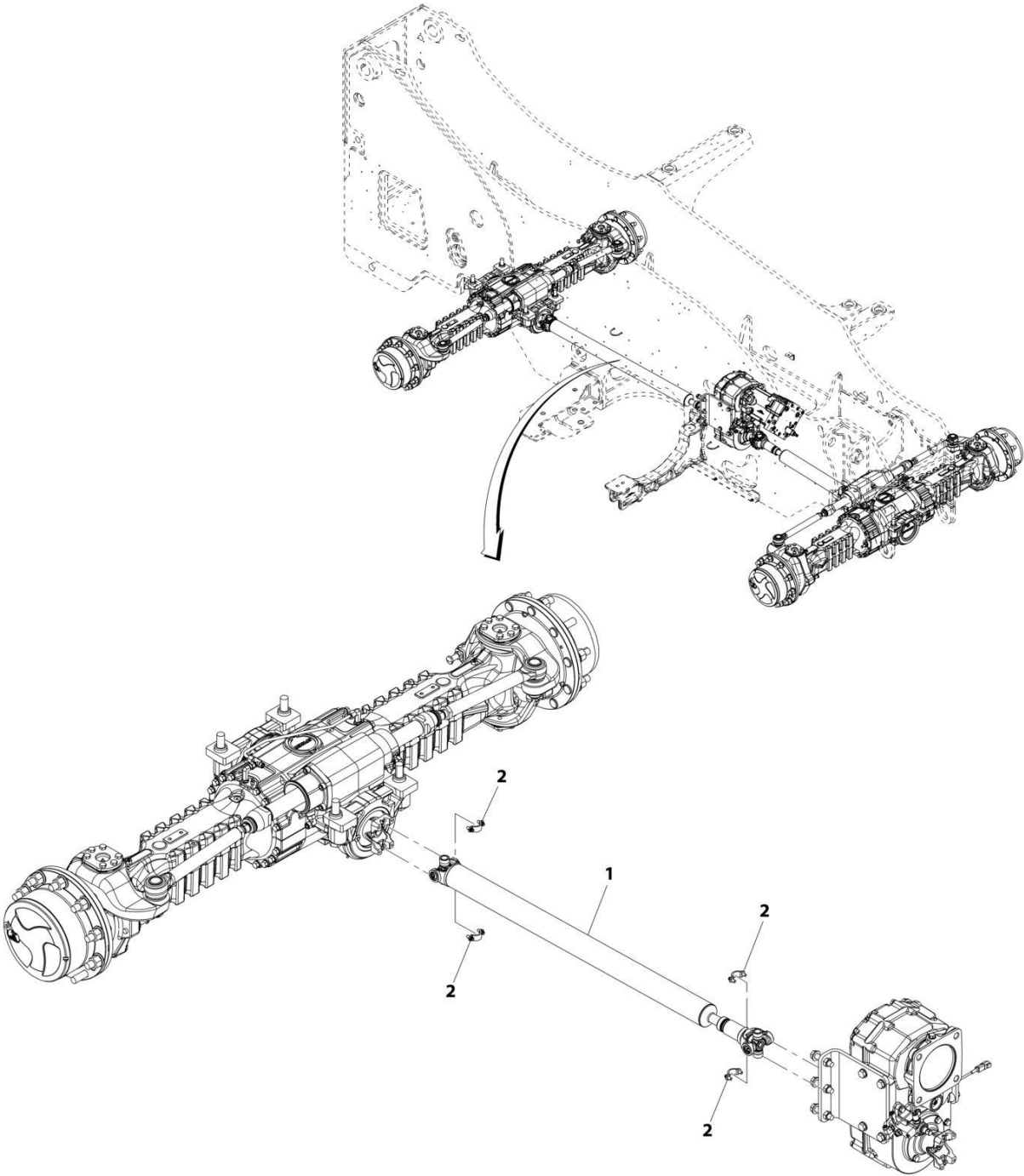
SECTION 5 - DRIVE TRAIN

FIGURE 5-5. FRONT DRIVESHAFT INSTALLATION

ITEM	PART NUMBER	QTY	DESCRIPTION	REV
	1001244035	Ref	Front Driveshaft Installation	A
1	1001203805	1	Drive Shaft, Front	
2	8880218-OM	2	Kit, Strap	

SECTION 5 - DRIVE TRAIN

FIGURE 5-6. REAR DRIVESHAFT INSTALLATION



ART_1001244036-A

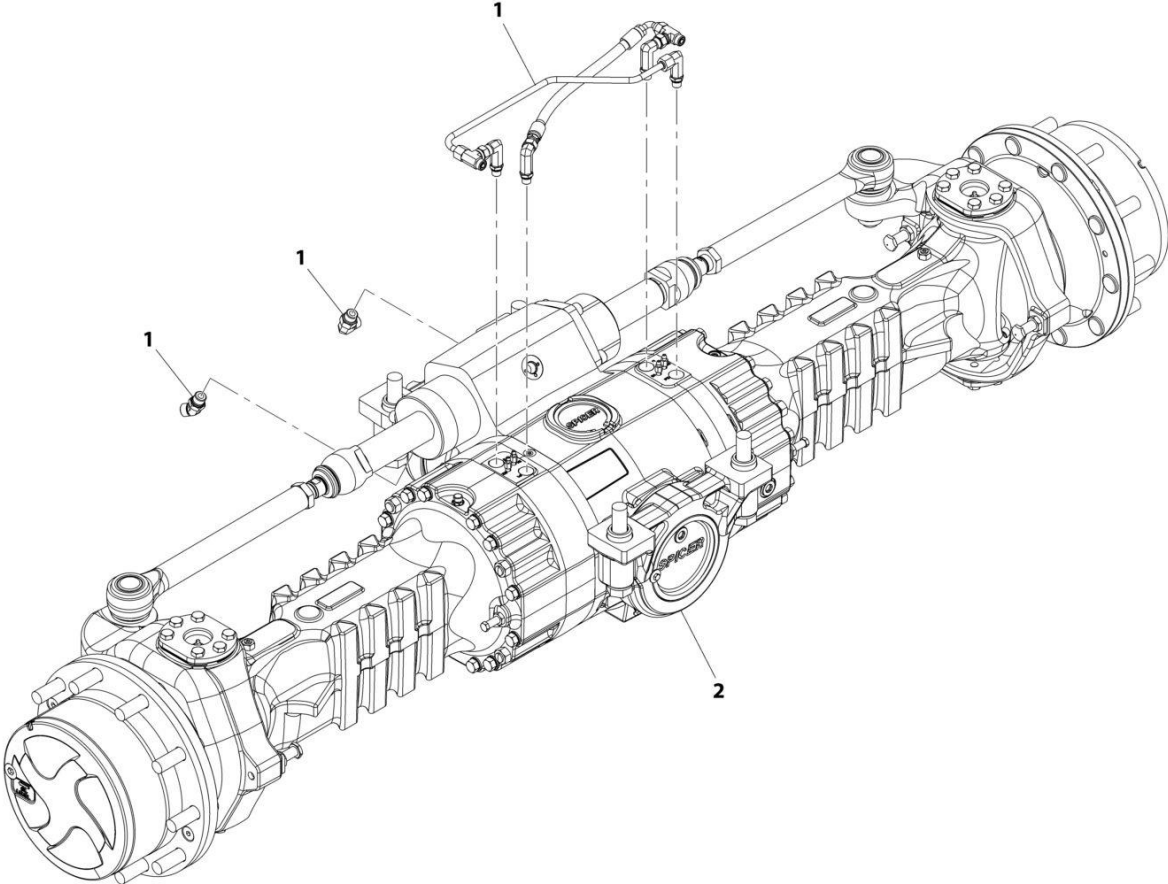
SECTION 5 - DRIVE TRAIN

FIGURE 5-6. REAR DRIVESHAFT INSTALLATION

ITEM	PART NUMBER	QTY	DESCRIPTION	REV
	1001244036	Ref	Rear Driveshaft Installation	A
1	1001203806	1	Drive Shaft, Rear	
2	8880218-OM	2	Kit, Strap	

SECTION 5 - DRIVE TRAIN

FIGURE 5-7. FRONT AXLE INSTALLATION



ART_1001244031-A

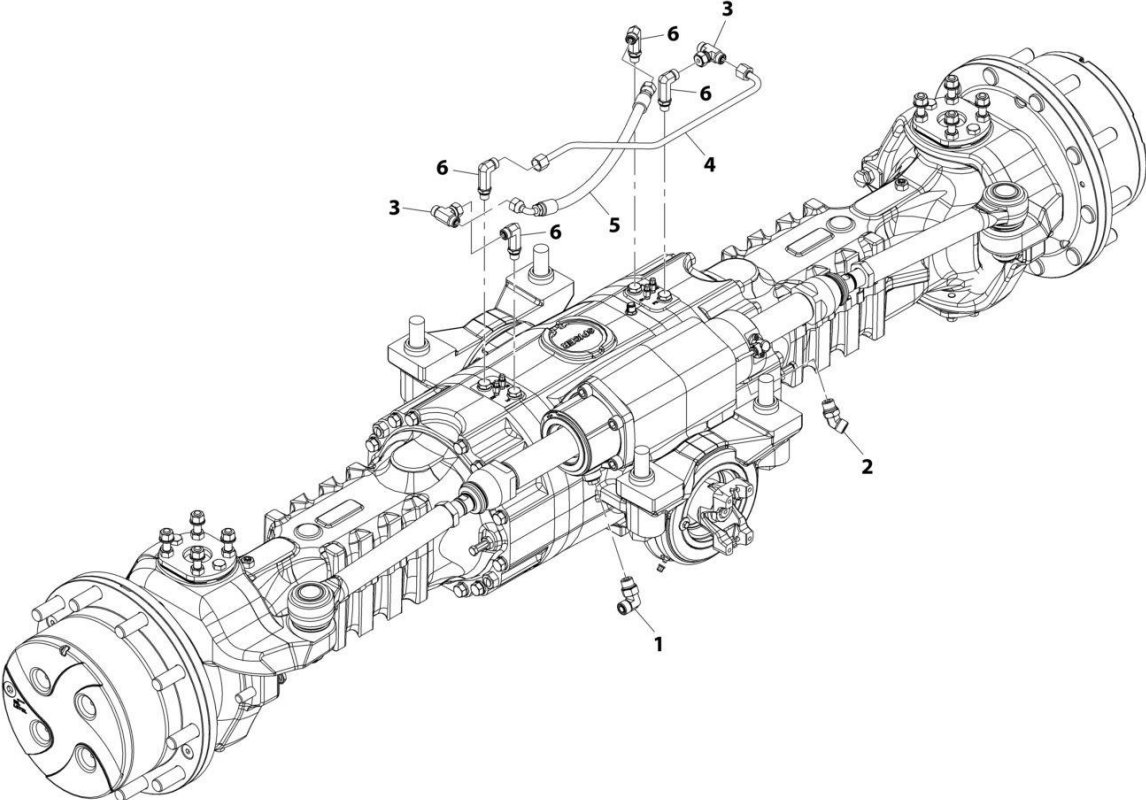
SECTION 5 - DRIVE TRAIN

FIGURE 5-7. FRONT AXLE INSTALLATION

ITEM	PART NUMBER	QTY	DESCRIPTION	REV
1	1001244031	Ref	Front Axle Installation	A
	1001207898	1	Installation, Front Axle Lines (See Separate Breakdown in this Section)	
2	1001242962	1	Installation, Front Axle Mounting (See Separate Breakdown in this Section)	

SECTION 5 - DRIVE TRAIN

FIGURE 5-8. FRONT AXLE LINES INSTALLATION



ART_1001207898-C

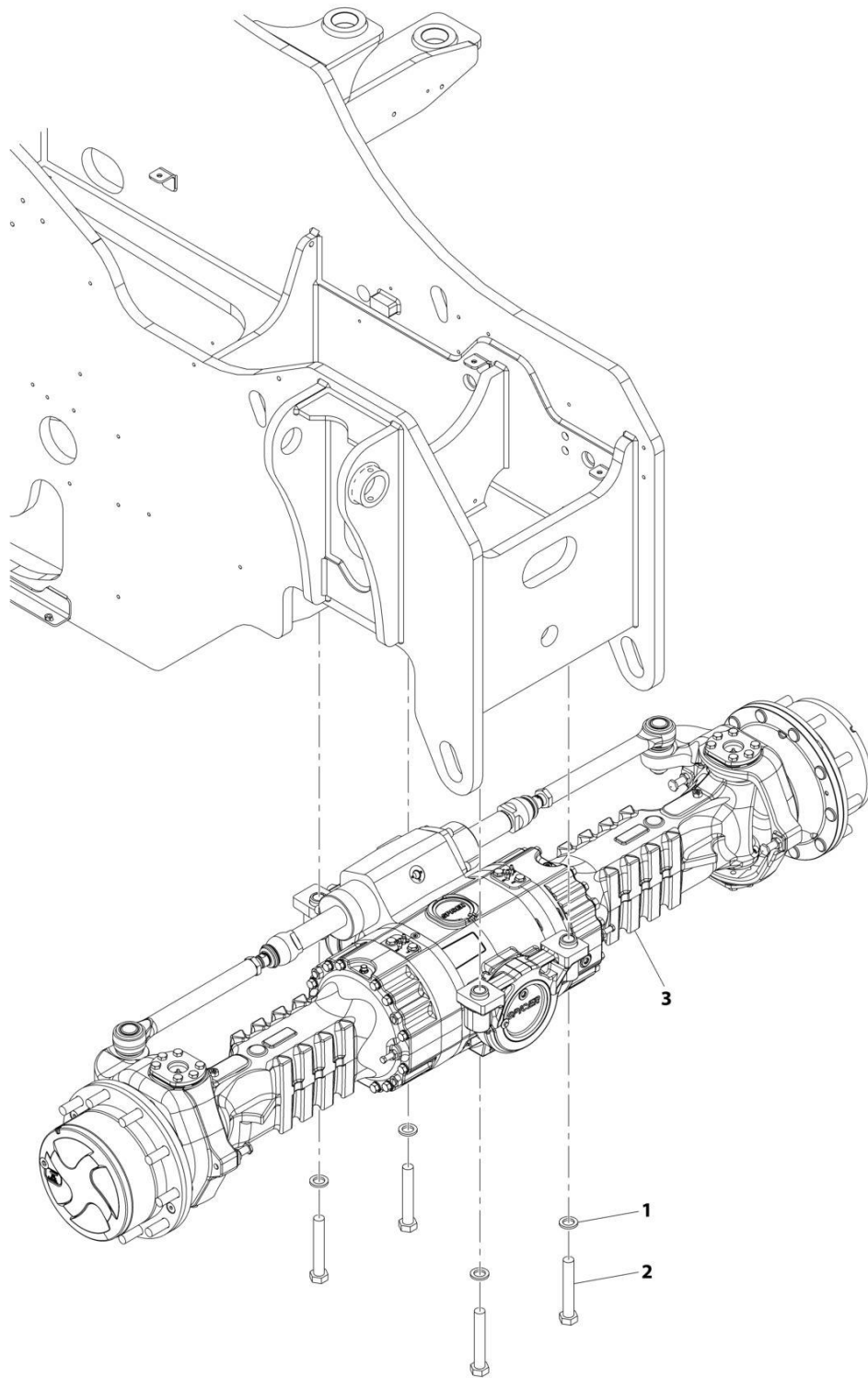
SECTION 5 - DRIVE TRAIN

FIGURE 5-8. FRONT AXLE LINES INSTALLATION

ITEM	PART NUMBER	QTY	DESCRIPTION	REV
	1001207898	Ref	Front Axle Lines Installation	C
1	2130808	1	Fitting, 90 ORFS	
2	2150808	1	Fitting, 45 ORFS	
3	2170806	2	Fitting, Tee ORFS	
4	1001224598	1	Tube	
5	1001210281	1	Hose	
6	1001210769	4	Fitting, 90 ORFS	

SECTION 5 - DRIVE TRAIN

FIGURE 5-9. FRONT AXLE MOUNTING INSTALLATION



ART_1001242962-A

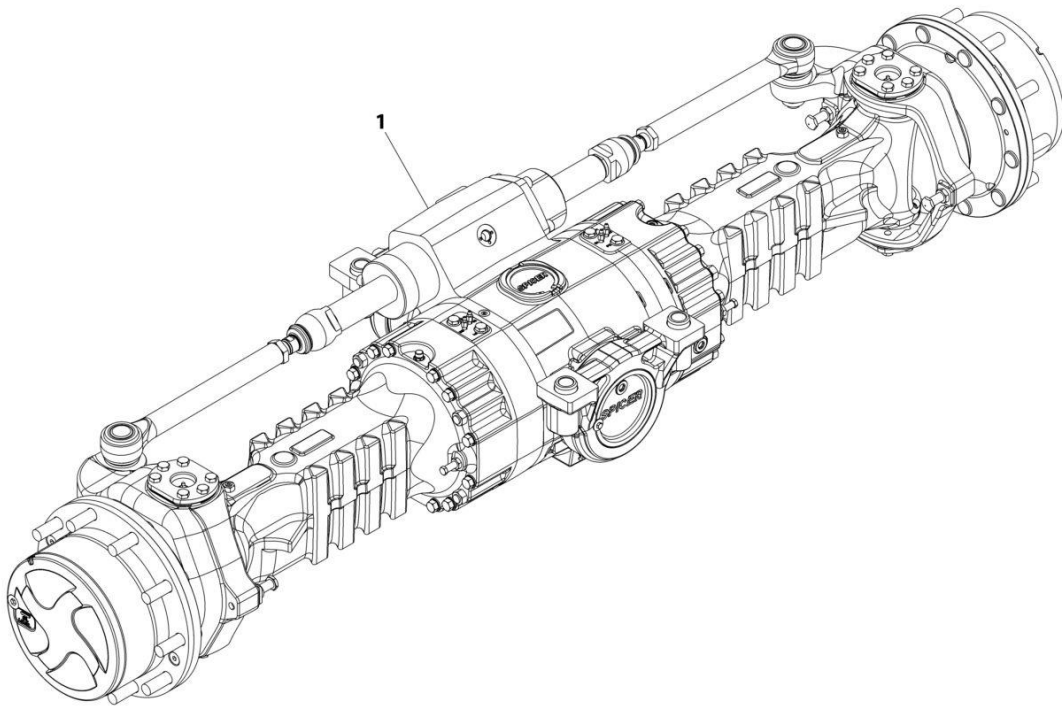
SECTION 5 - DRIVE TRAIN

FIGURE 5-9. FRONT AXLE MOUNTING INSTALLATION

ITEM	PART NUMBER	QTY	DESCRIPTION	REV
	1001242962	Ref	Front Axle Mounting Installation	A
1	4892600	4	Washer	
2	1001097587	4	Bolt, M24-3X150	
3	1009715900	1	Axle, Front (See Separate Breakdown in this Section)	

SECTION 5 - DRIVE TRAIN

FIGURE 5-10. FRONT AXLE



ART_1009715900-E

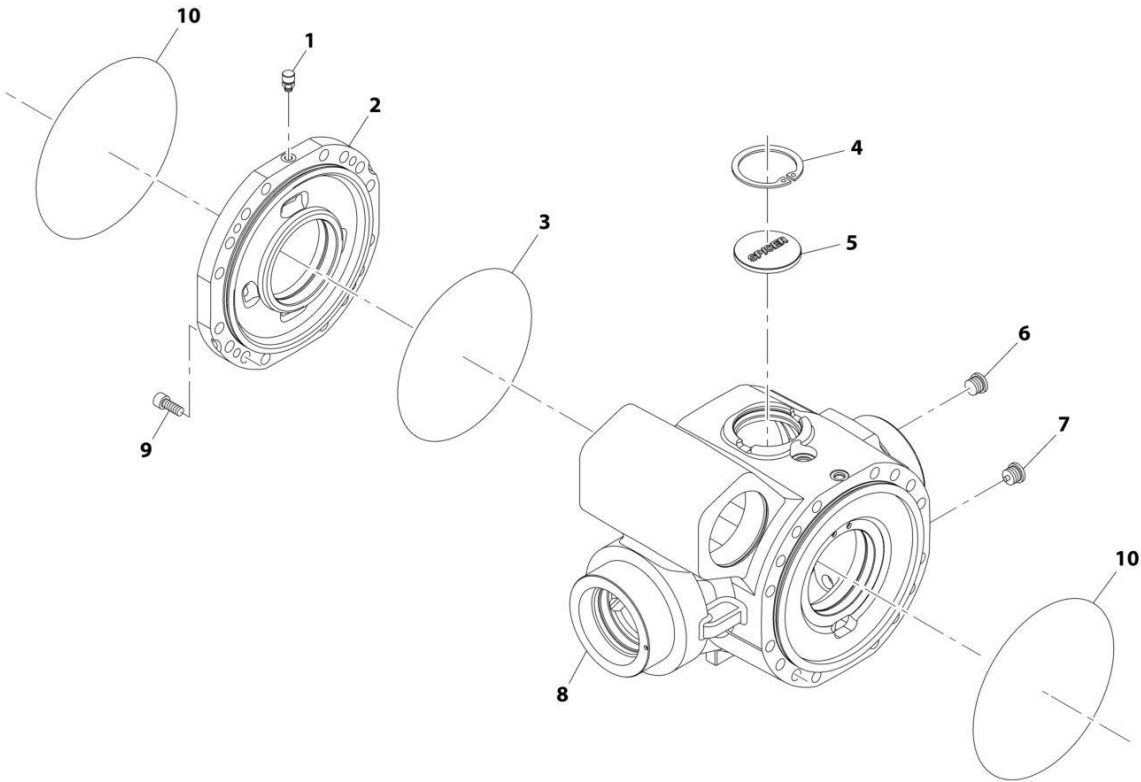
SECTION 5 - DRIVE TRAIN

FIGURE 5-10. FRONT AXLE

ITEM	PART NUMBER	QTY	DESCRIPTION	REV
	1009715900	Ref	Front Axle	E
		Ref	Front Axle, Central Housing (See Separate Breakdown in this Section)	
		Ref	Front Axle, Differential (See Separate Breakdown in this Section)	
		Ref	Front Axle, Hub Reduction (See Separate Breakdown in this Section)	
		Ref	Front Axle, Brakes (See Separate Breakdown in this Section)	
		Ref	Front Axle, Steering (See Separate Breakdown in this Section)	
		Ref	Front Axle, Trunion (See Separate Breakdown in this Section)	

SECTION 5 - DRIVE TRAIN

FIGURE 5-11. FRONT AXLE, CENTRAL HOUSING



ART_1009715900-1

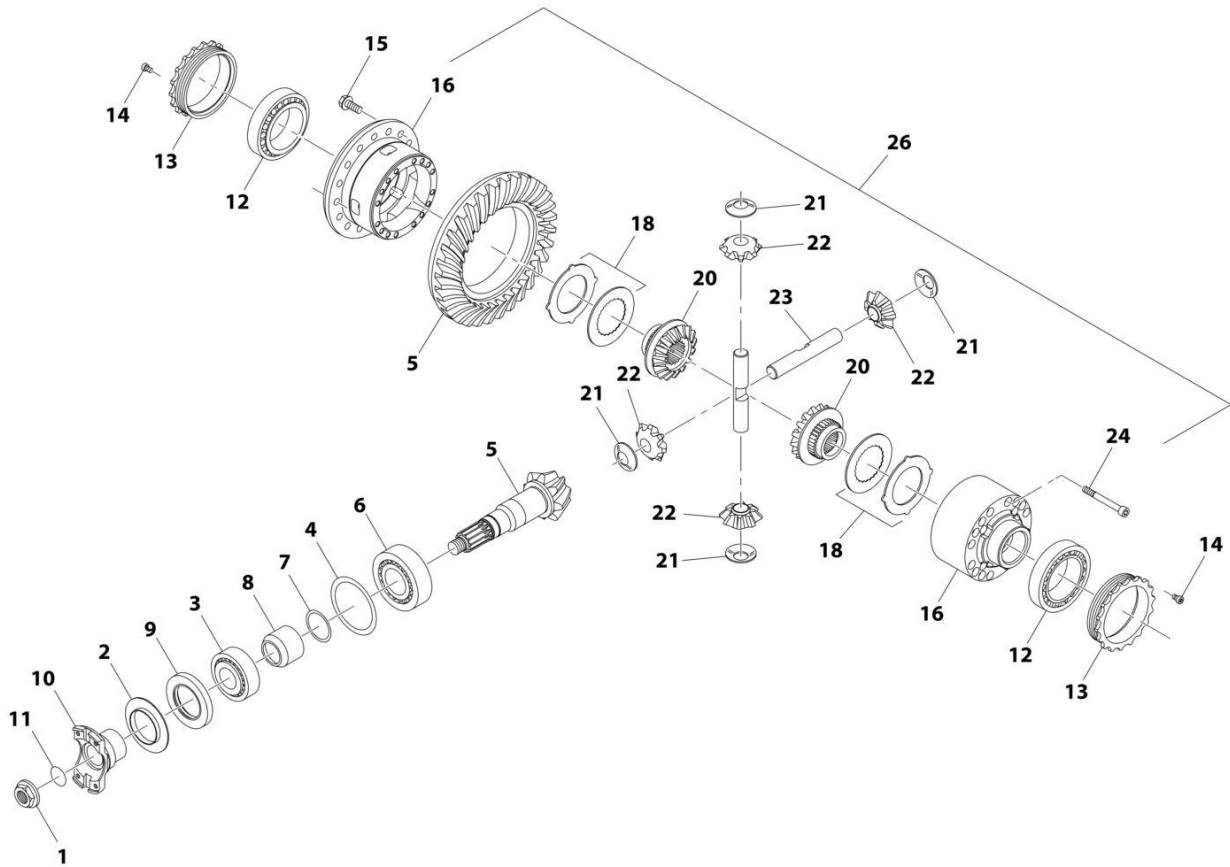
SECTION 5 - DRIVE TRAIN

FIGURE 5-11. FRONT AXLE, CENTRAL HOUSING

ITEM	PART NUMBER	QTY	DESCRIPTION	REV
	1009715900	Ref	Front Axle, Central Housing	E
1	91474512	1	Vent	
2	7029288	1	Cover, Intermediate	
3	80204002	1	O-Ring	
4	80204005	1	Circlip	
5	91514098	1	Plug	
6	70028389	1	Plug	
7	70028388	1	Plug	
8	70025335	1	Housing	
9	91514101	4	Bolt	
10	91514089	2	O-Ring	

SECTION 5 - DRIVE TRAIN

FIGURE 5-12. FRONT AXLE, DIFFERENTIAL



ART_1009715900-2

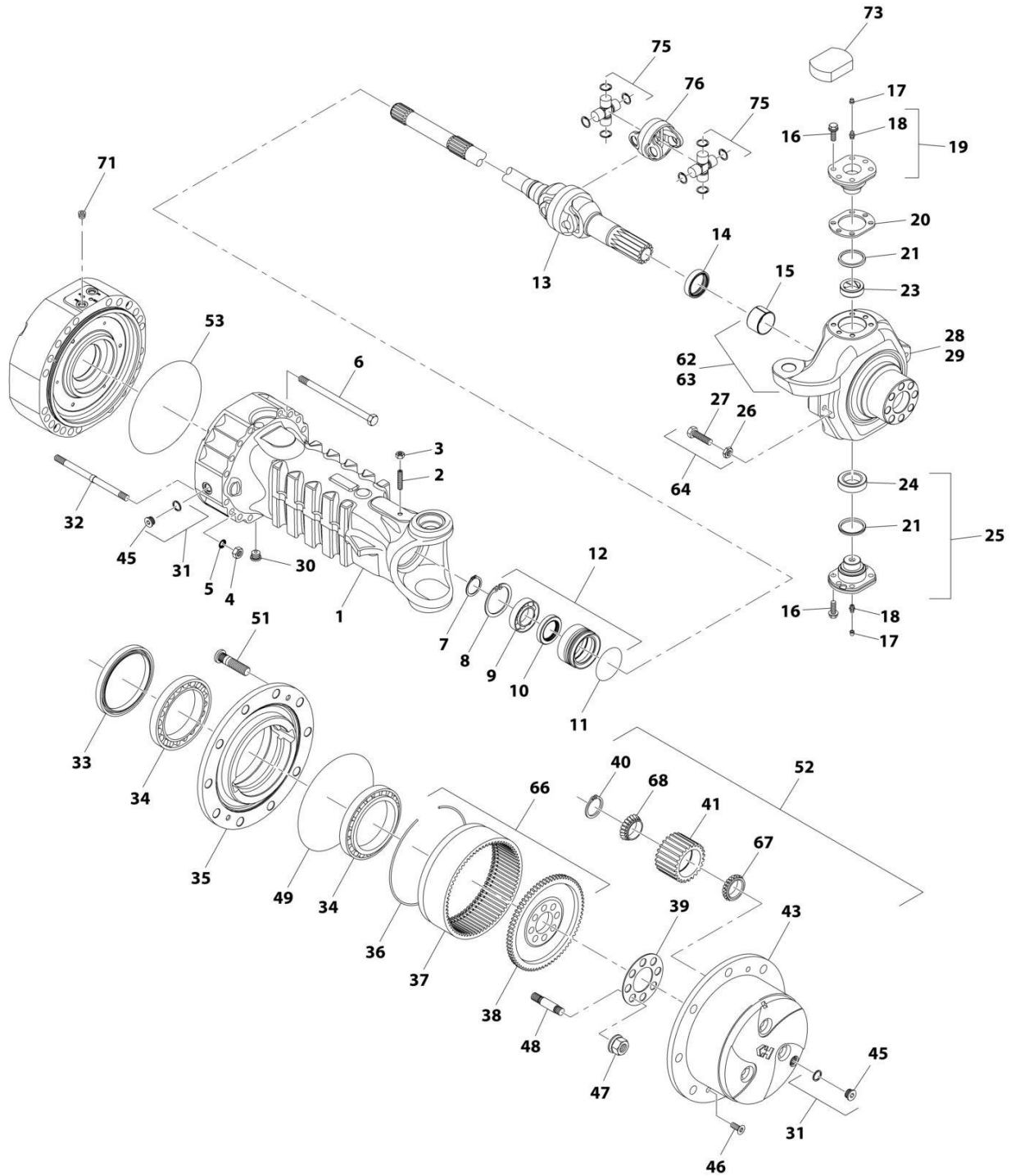
SECTION 5 - DRIVE TRAIN

FIGURE 5-12. FRONT AXLE, DIFFERENTIAL

ITEM	PART NUMBER	QTY	DESCRIPTION	REV
	1009715900	Ref	Front Axle, Differential	E
1	80204043	1	Nut	
2	91514130	1	Plate, Cover	
3	70030024	1	Bearing, Tape Roller	
4	70029483	1	Shim	
5	70026255	1	Gear, Bevel Set	
6	80204035	1	Bearing, Tape Roller	
7	70023494	1	Ring	
8	70022140	1	Spacer	
9	70025887	1	Seal	
10	91514131	1	Flange	
11	10725554	1	O-Ring	
12	80204033	2	Bearing, Tape Roller	
13	91514133	2	Nut, Ring	
14	91514134	2	Bolt	
15	70025562	16	Bolt	
16	70024004	1	Carrier, Differential	
18	70026750	2	Clutch Disc	
20	70025856	2	Gear, Differential Side	
21	70027105	4	Washer	
22	70025339	4	Pinion, Differential	
23	70023490	2	Shaft, Differential	
24	91514143	15	Bolt	
26	70028390	1	Kit, Differential (Includes Items 16 & 20 thru 24)	

SECTION 5 - DRIVE TRAIN

FIGURE 5-13. FRONT AXLE, HUB REDUCTION



ART_1009715900-3

SECTION 5 - DRIVE TRAIN

FIGURE 5-13. FRONT AXLE, HUB REDUCTION

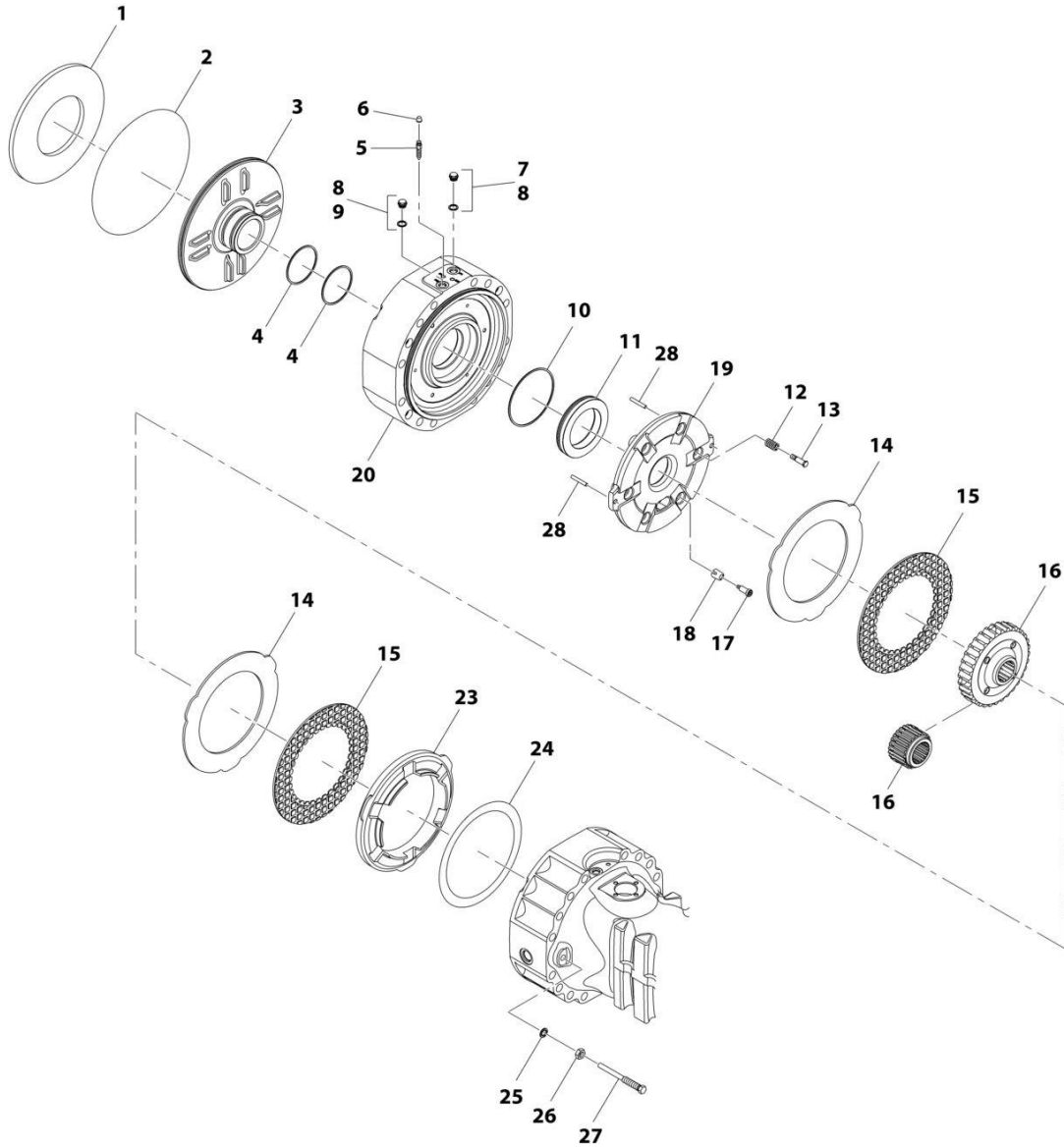
ITEM	PART NUMBER	QTY	DESCRIPTION	REV
	1009715900	Ref	Front Axle, Hub Reduction	E
1	70024850	2	Case, Axle	
2	91514081	2	Bolt	
3	91514082	2	Nut	
4	91514083	8	Nut	
5	91514084	8	Washer	
6	7029309	24	Bolt	
7	80204071	2	Circlip	
8	80204005	2	Circlip	
9	91514146	2	Ball Bearing	
10	91514147	2	Seal	
11	91514148	2	O-Ring	
12	91514149	2	Kit, Reduction Bushing (Includes Items 8 thru 11)	
13	70025855	2	Joint, Double Universal	
14	70026238	2	Seal	
15	91514111	2	Thrust Bushing	
16	70025562	24	Bolt	
17	80204117	4	Plug	
18	70024881	4	Fitting, Grease	
19	91514112	2	Pin	
20	70025561	1	Shim	
21	7028716	4	Seal, Dust	
23	7028714	2	Bushing	
24	91514095	2	Bearing	
25	7028715	2	Pin	
26	80204065	4	Nut	
27	91514117	4	Bolt	
28	N.S.S.	1	Steer Case (LF, RR)	
29	N.S.S.	1	Steer Case (RF, LR)	
30	70028388	2	Plug	
31	91514188	2	Plug	
32	70024851	8	Stud	
33	70026002	2	Seal	
34	80204076	4	Bearing, Taper Roller	
35	91514174	2	Hub, Wheel	
36	91514175	2	Circlip	
37	70024147	2	Gear, Ring	
38	91514177	2	Support, Ring Gear	
39	91514178	2	Plate	
40	70028926	8	Snap Ring	
41	70028924	8	Pinion, Differential	
43	70029486	2	Carrier, Planet Gear	
45	70028389	2	Plug	
46	91514189	4	Bolt, Countersunk	
47	91514179	16	Nut	
48	91514180	16	Stud	
49	91514181	2	O-Ring	
51	91514183	20	Wheel Stud	
52	70029454	2	Assembly, Planet Gear Carrier (Includes Items 40, 41, 43, 67 &68)	
53	91514089	2	O-Ring	

SECTION 5 - DRIVE TRAIN

ITEM	PART NUMBER	QTY	DESCRIPTION	REV
62	70030025	1	Assembly, Steer Case (LF, RR) (Includes Items 15 & 28)	
63	70030026	1	Assembly, Steer Case (RF, LR) (Includes Items 15 & 29)	
64	7028733	4	Bolt, Steering Adjust	
66	70024146	2	Kit, Ring Gear Support (Includes Items 36 thru 38)	
67	70028923	8	Tapered Roller Bearing	
68	70028922	8	Tapered Roller Bearing	
71	80204012	2	Plug	
73	70028392	2	Cover	
75	70023829	2	Cross Kit	
76	70023116	1	Center Body	

SECTION 5 - DRIVE TRAIN

FIGURE 5-14. FRONT AXLE, BRAKES



ART_1009715900-4

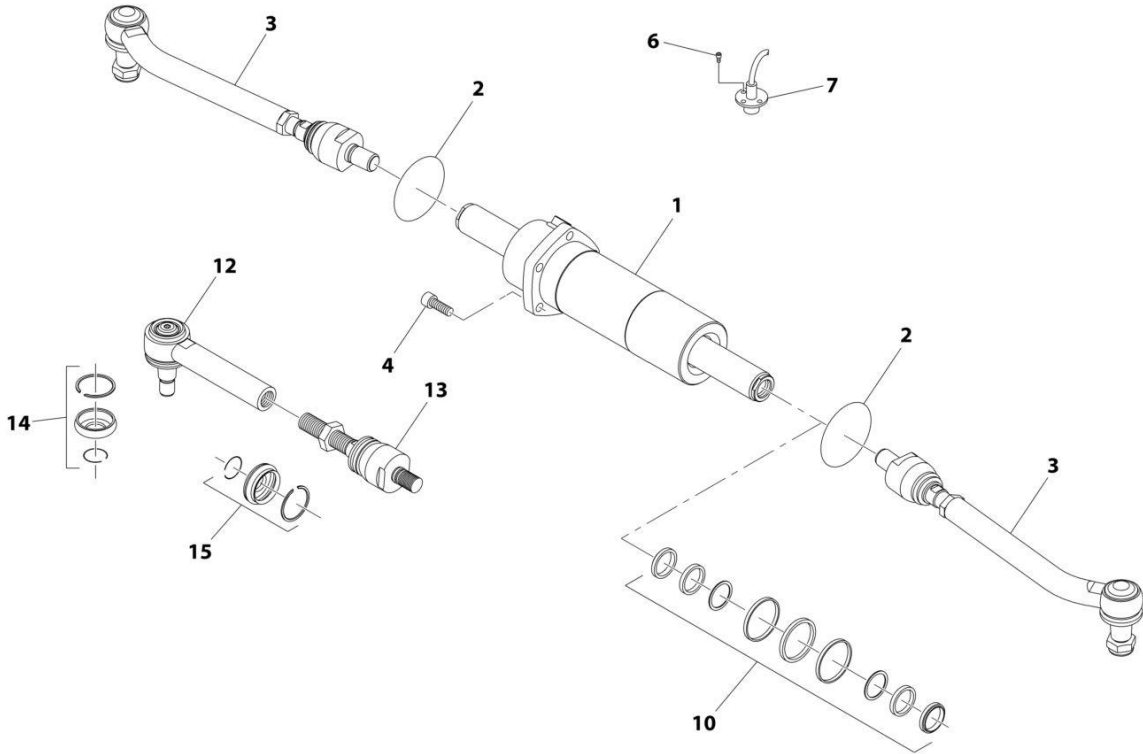
SECTION 5 - DRIVE TRAIN

FIGURE 5-14. FRONT AXLE, BRAKES

ITEM	PART NUMBER	QTY	DESCRIPTION	REV
	1009715900	Ref	Front Axle, Brakes	E
1	91514151	2	Washer	
2	91514089	2	O-Ring	
3	70027092	2	Piston	
4	70026262	4	Seal	
5	10725627	4	Bolt, Bleeding	
6	80204117	4	Plug	
7	91514154	2	Plug With Seal	
8	N.S.S.	4	Seal	
9	91514154	2	Plug With Seal	
10	70026263	2	Seal	
11	70027796	2	Piston	
12	91514159	6	Spring	
13	70024210	6	Bolt, Adjusting	
14	70027022	6	Disc, Intermediate Brake	
15	7029735	6	Disc, Brake	
16	7029734	2	Bushing, Reduction	
17	7029787	6	Bolt, Adjusting	
18	70027317	6	Spring	
19	70024849	2	Disc, Intermediate Brake	
20	70024848	2	Cover	
23	70026264	2	Spacer	
24	70025970	1	Shim	
25	80204108	4	Washer, Lock	
26	80204060	4	Nut	
27	70024213	4	Bolt	
28	70024215	4	Dowel	

SECTION 5 - DRIVE TRAIN

FIGURE 5-15. FRONT AXLE, STEERING



ART_1009715900-5

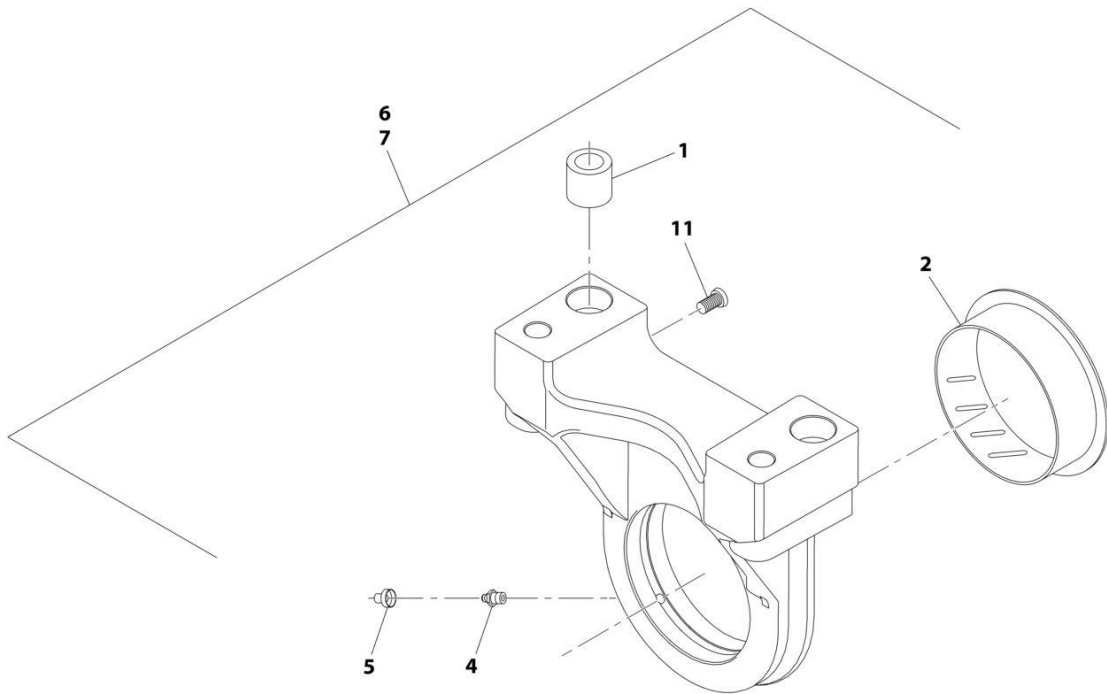
SECTION 5 - DRIVE TRAIN

FIGURE 5-15. FRONT AXLE, STEERING

ITEM	PART NUMBER	QTY	DESCRIPTION	REV
	1009715900	Ref	Front Axle, Steering	E
1	70030027	1	Cylinder	
2	80204143	2	O-Ring	
3	70026753	2	Tie Rod	
4	80204144	5	Bolt	
6	8008175	3	Bolt	
7	70030028	1	Sensor	
10	7029127	1	Kit, Seal	
12	70028465	1	Joint, 90	
13	70028466	1	Axial Joint Shaft	
14	70028467	1	Rubber Boot and Locking Ring Kit	
15	70028468	1	Rubber Boot and Locking Ring Kit	

SECTION 5 - DRIVE TRAIN

FIGURE 5-16. FRONT AXLE, TRUNION



ART_1009715900-6

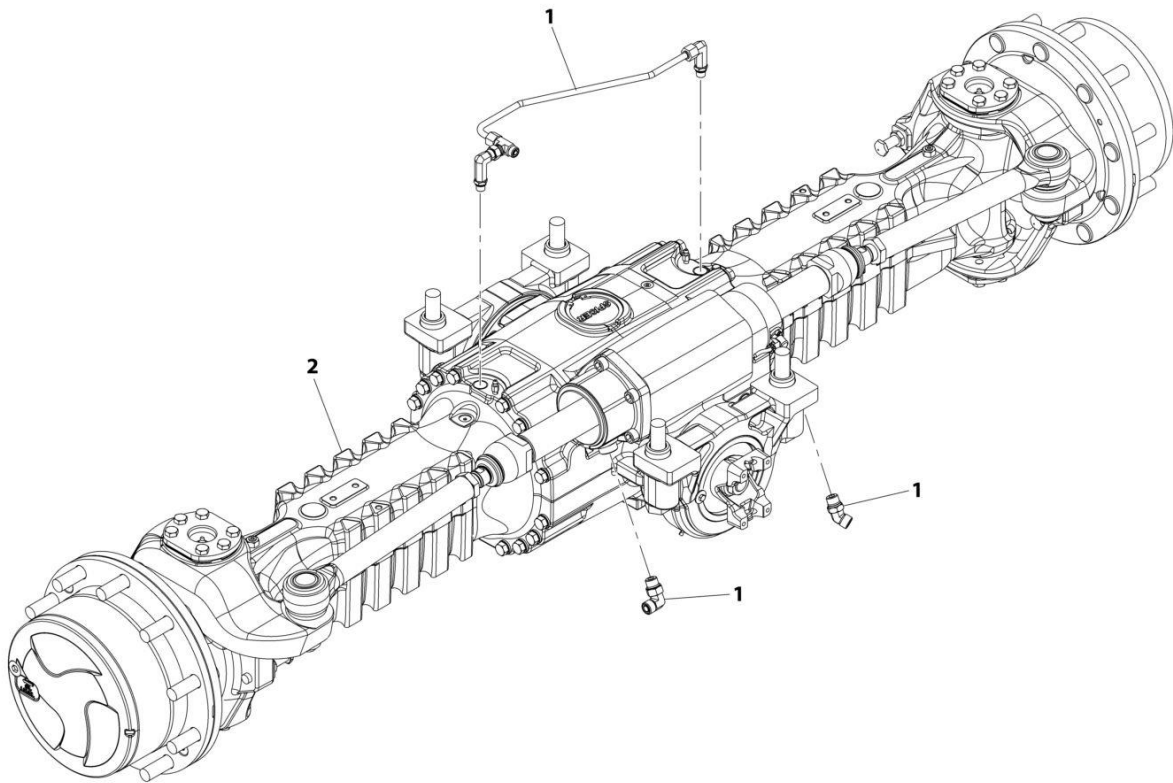
SECTION 5 - DRIVE TRAIN

FIGURE 5-16. FRONT AXLE, TRUNION

ITEM	PART NUMBER	QTY	DESCRIPTION	REV
	1009715900	Ref	Front Axle, Trunion	E
1	7029290	4	Bushing	
2	91514090	2	Thrust Bushing	
4	70024881	2	Grease Fitting	
5	80204117	2	Plug	
6	70026266	1	Support Assembly	
7	70026265	1	Support Assembly	
11	70025884	2	Bolt	

SECTION 5 - DRIVE TRAIN

FIGURE 5-17. REAR AXLE INSTALLATION



ART_1001244032-A

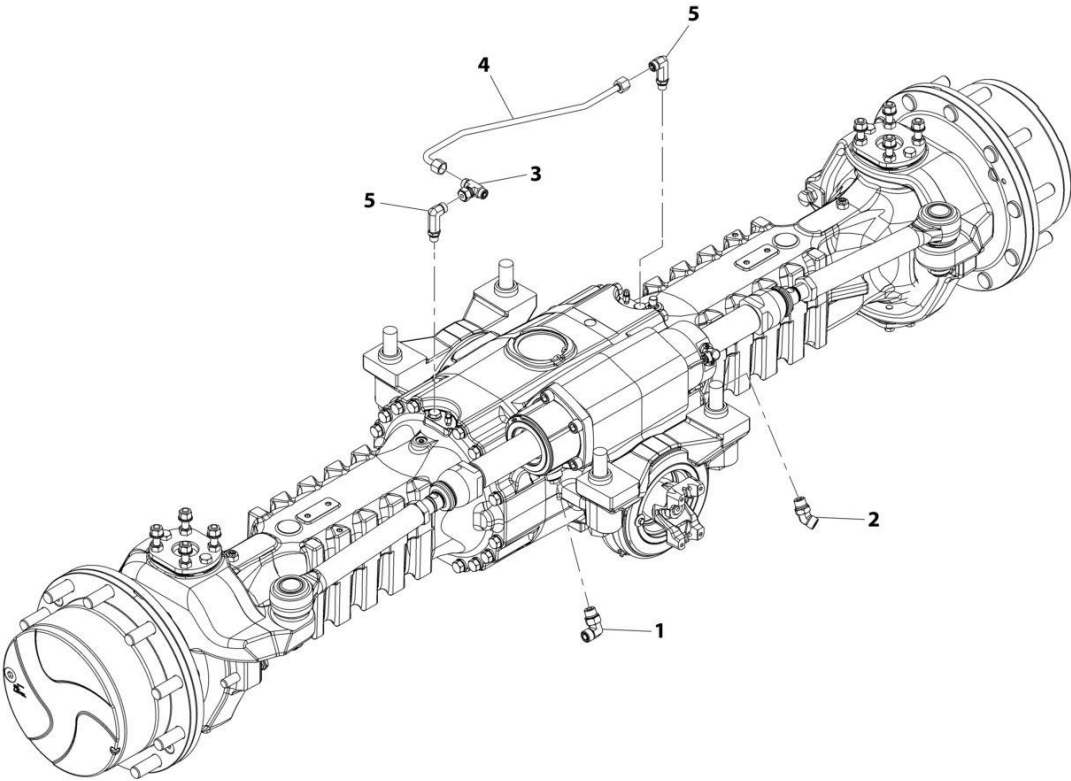
SECTION 5 - DRIVE TRAIN

FIGURE 5-17. REAR AXLE INSTALLATION

ITEM	PART NUMBER	QTY	DESCRIPTION	REV
1	1001244032	Ref	Rear Axle Installation	A
	1001207899	1	Installation, Rear Axle Lines (See Separate Breakdown in this Section)	
2	1001242963	1	Installation, Rear Axle Mounting (See Separate Breakdown in this Section)	

SECTION 5 - DRIVE TRAIN

FIGURE 5-18. REAR AXLE LINES INSTALLATION



ART_1001207899-C

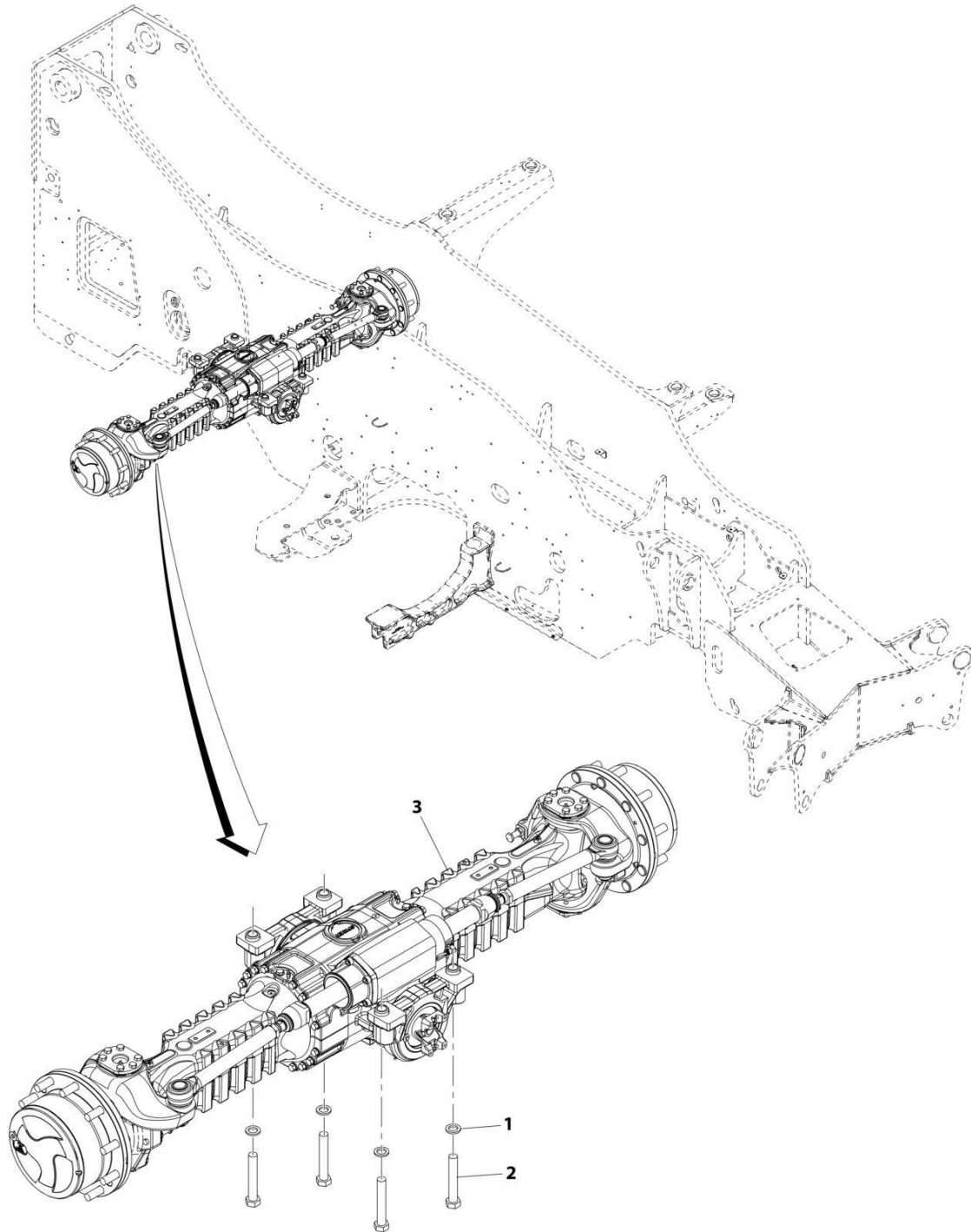
SECTION 5 - DRIVE TRAIN

FIGURE 5-18. REAR AXLE LINES INSTALLATION

ITEM	PART NUMBER	QTY	DESCRIPTION	REV
	1001207899	Ref	Rear Axle Lines Installation	C
1	2130808	1	Fitting, 90 ORFS	
2	2150808	1	Fitting, 45 ORFS	
3	2170806	1	Fitting, Tee ORFS	
4	1001224938	1	Tube	
5	1001210769	2	Fitting, 90 ORFS	

SECTION 5 - DRIVE TRAIN

FIGURE 5-19. REAR AXLE MOUNTING INSTALLATION



ART_1001242963-A

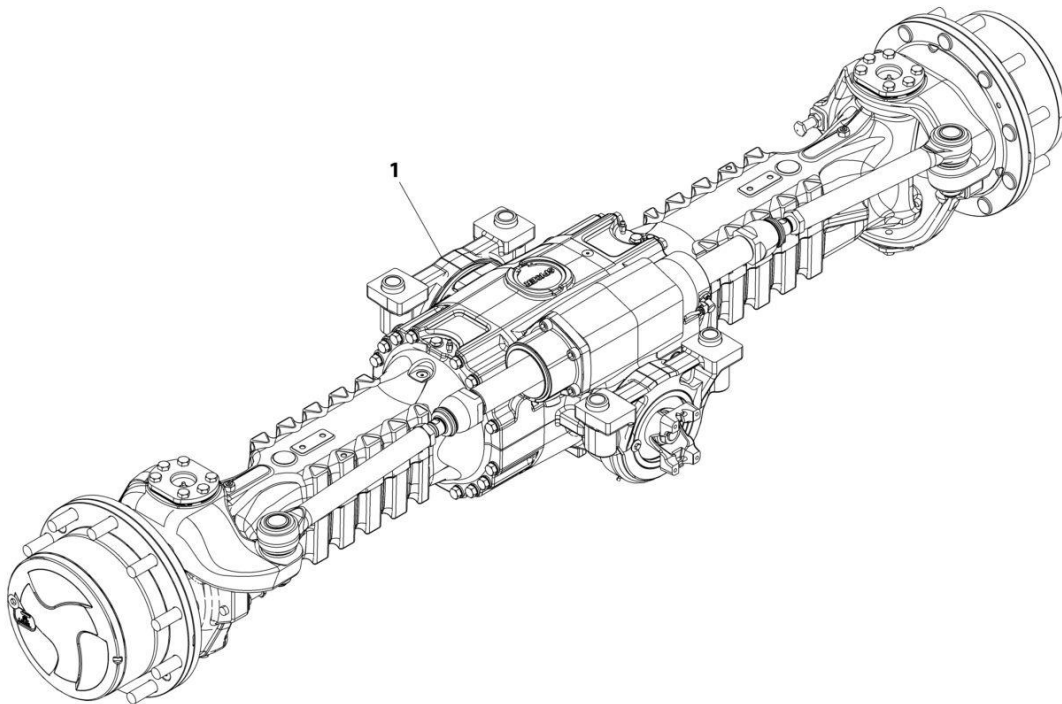
SECTION 5 - DRIVE TRAIN

FIGURE 5-19. REAR AXLE MOUNTING INSTALLATION

ITEM	PART NUMBER	QTY	DESCRIPTION	REV
	1001242963	Ref	Rear Axle Mounting Installation	A
1	4892600	4	Washer	
2	1001097587	4	Bolt, M24-3X150	
3	1009716000	1	Axle, Rear (See Separate Breakdown in this Section)	

SECTION 5 - DRIVE TRAIN

FIGURE 5-20. REAR AXLE



ART_1009716000-A

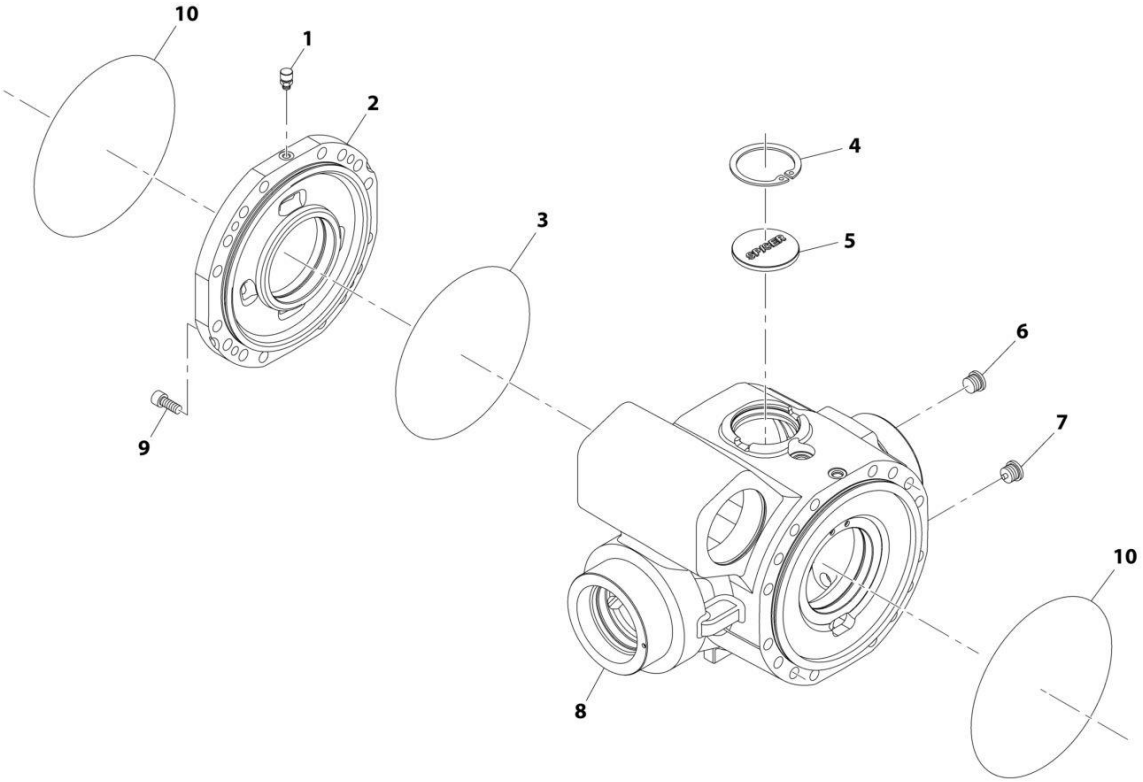
SECTION 5 - DRIVE TRAIN

FIGURE 5-20. REAR AXLE

ITEM	PART NUMBER	QTY	DESCRIPTION	REV
	1009716000	Ref	Rear Axle	E
		Ref	Rear Axle, Central Housing (See Separate Breakdown in this Section)	
		Ref	Rear Axle, Differential (See Separate Breakdown in this Section)	
		Ref	Rear Axle, Hub Reduction (See Separate Breakdown in this Section)	
		Ref	Rear Axle, Brakes (See Separate Breakdown in this Section)	
		Ref	Rear Axle, Steering (See Separate Breakdown in this Section)	
		Ref	Rear Axle, Trunnion (See Separate Breakdown in this Section)	

SECTION 5 - DRIVE TRAIN

FIGURE 5-21. REAR AXLE, CENTRAL HOUSING



ART_1009716000-1

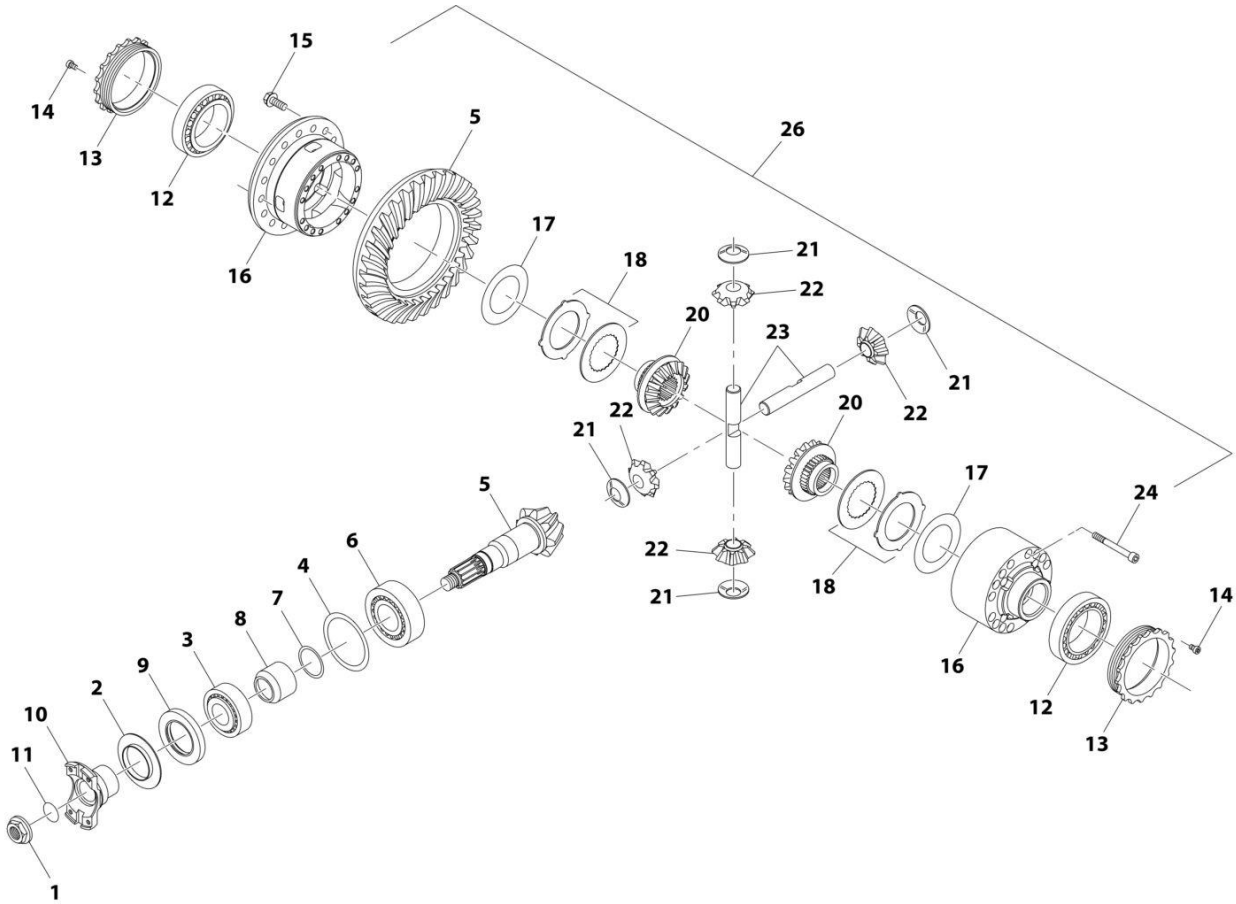
SECTION 5 - DRIVE TRAIN

FIGURE 5-21. REAR AXLE, CENTRAL HOUSING

ITEM	PART NUMBER	QTY	DESCRIPTION	REV
	1009716000	Ref	Rear Axle, Central Housing	E
1	91474512	1	Vent	
2	7029288	1	Cover, Intermediate	
3	80204002	1	O-Ring	
4	80204005	1	Circlip	
5	91514098	1	Plug	
6	70028389	1	Plug	
7	70028388	1	Plug	
8	70025335	1	Housing	
9	91514101	4	Bolt	
10	91514089	2	O-Ring	

SECTION 5 - DRIVE TRAIN

FIGURE 5-22. REAR AXLE, DIFFERENTIAL



ART_1009716000-2

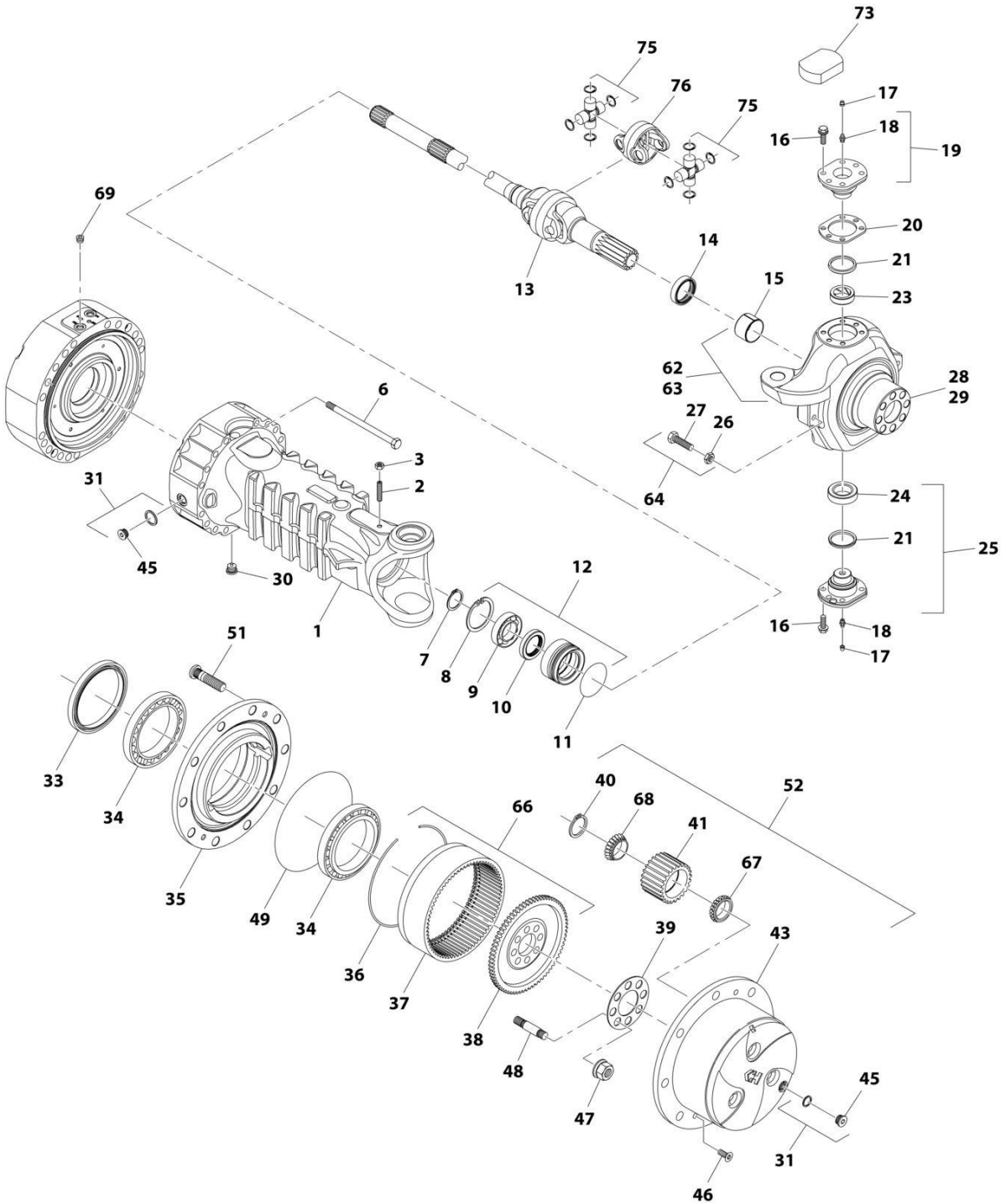
SECTION 5 - DRIVE TRAIN

FIGURE 5-22. REAR AXLE, DIFFERENTIAL

ITEM	PART NUMBER	QTY	DESCRIPTION	REV
	1009716000	Ref	Rear Axle, Differential	E
1	80204043	1	Nut	
2	91514130	1	Plate, Cover	
3	70030024	1	Bearing, Tape Roller	
4	70029483	1	Shim	
5	70025336	1	Gear, Bevel Set	
6	80204035	1	Bearing, Tape Roller	
7	70023494	1	Ring	
8	70022140	1	Spacer	
9	70025887	1	Seal	
10	91514131	1	Flange	
11	10725554	1	O-Ring	
12	80204033	2	Bearing, Tape Roller	
13	91514133	2	Nut, Ring	
14	91514134	2	Bolt	
15	70025562	16	Bolt	
16	70025337	1	Carrier, Differential	
17	70023493	2	Friction Washer	
18	N.S.S.	2	Clutch Disc	
20	70025338	2	Gear, Differential Side	
21	70027105	4	Washer	
22	70025339	4	Pinion, Differential	
23	70023490	2	Shaft, Differential	
24	70023489	15	Bolt	
26	70028398	1	Kit, Differential (Includes Items 16 thru 18 & 20 thru 24)	

SECTION 5 - DRIVE TRAIN

FIGURE 5-23. REAR AXLE, HUB REDUCTION



ART_1009716000-3

SECTION 5 - DRIVE TRAIN

FIGURE 5-23. REAR AXLE, HUB REDUCTION

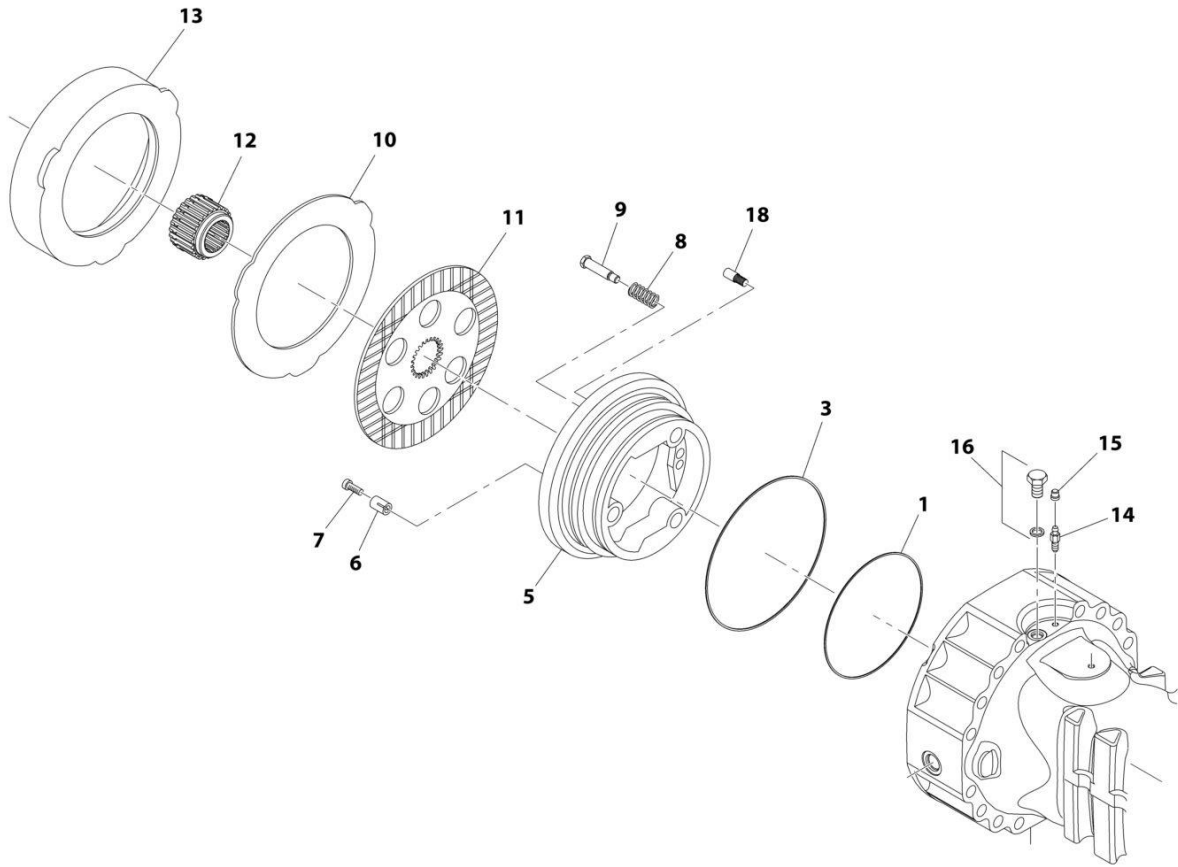
ITEM	PART NUMBER	QTY	DESCRIPTION	REV
	1009716000	Ref	Rear Axle, Hub Reduction	E
1	70030030	2	Case, Axle	
2	91514081	2	Bolt	
3	91514082	2	Nut	
6	70028397	32	Bolt	
7	80204071	2	Circlip	
8	80204005	2	Circlip	
9	91514146	2	Ball Bearing	
10	91514147	2	Seal	
11	91514148	2	O-Ring	
12	91514149	2	Kit, Reduction Bushing (Includes Items 8 thru 11)	
13	70025855	2	Joint, Double Universal	
14	70026238	2	Seal	
15	91514111	2	Thrust Bushing	
16	70025562	24	Bolt	
17	80204117	4	Plug	
18	70024881	4	Fitting, Grease	
19	91514112	2	Pin	
20	70025561	1	Shim	
21	7028716	4	Seal, Dust	
23	7028714	2	Bushing	
24	91514095	2	Bearing	
25	7028715	2	Pin	
26	80204065	4	Nut	
27	91514117	4	Bolt	
28	N.S.S.	1	Steer Case (LF, RR)	
29	N.S.S.	1	Steer Case (RF, LR)	
30	70028388	2	Plug	
31	91514188	2	Plug	
33	70026002	2	Seal	
34	80204076	4	Bearing, Taper Roller	
35	91514174	2	Hub, Wheel	
36	91514175	2	Circlip	
37	70024147	2	Gear, Ring	
38	91514177	2	Support, Ring Gear	
39	91514178	2	Plate	
40	70028926	6	Snap Ring	
41	70028924	6	Pinion, Differential	
43	70029486	2	Carrier, Planet Gear	
45	70028389	2	Plug	
46	91514189	4	Bolt, Countersunk	
47	91514179	16	Nut	
48	91514180	16	Stud	
49	91514181	2	O-Ring	
51	91514183	20	Wheel Stud	
52	70028882	2	Assembly, Planet Gear Carrier (Includes Items 40, 41, 43, 67 & 68)	
62	70030025	1	Assembly, Steer Case (LF, RR) (Includes Items 15 & 28)	
63	70030026	1	Assembly, Steer Case (RF, LR) (Includes Items 15 & 29)	
64	7028733	4	Bolt, Steering Adjust	

SECTION 5 - DRIVE TRAIN

ITEM	PART NUMBER	QTY	DESCRIPTION	REV
66	70024146	2	Kit, Ring Gear Support (Includes Items 36 thru 38)	
67	70028923	6	Tapered Roller Bearing	
68	70028922	6	Tapered Roller Bearing	
69	80204012	2	Plug	
73	70028392	2	Cover	
75	70023829	2	Cross Kit	
76	70023116	1	Center Body	

SECTION 5 - DRIVE TRAIN

FIGURE 5-24. REAR AXLE, BRAKES



ART_1009716000-4

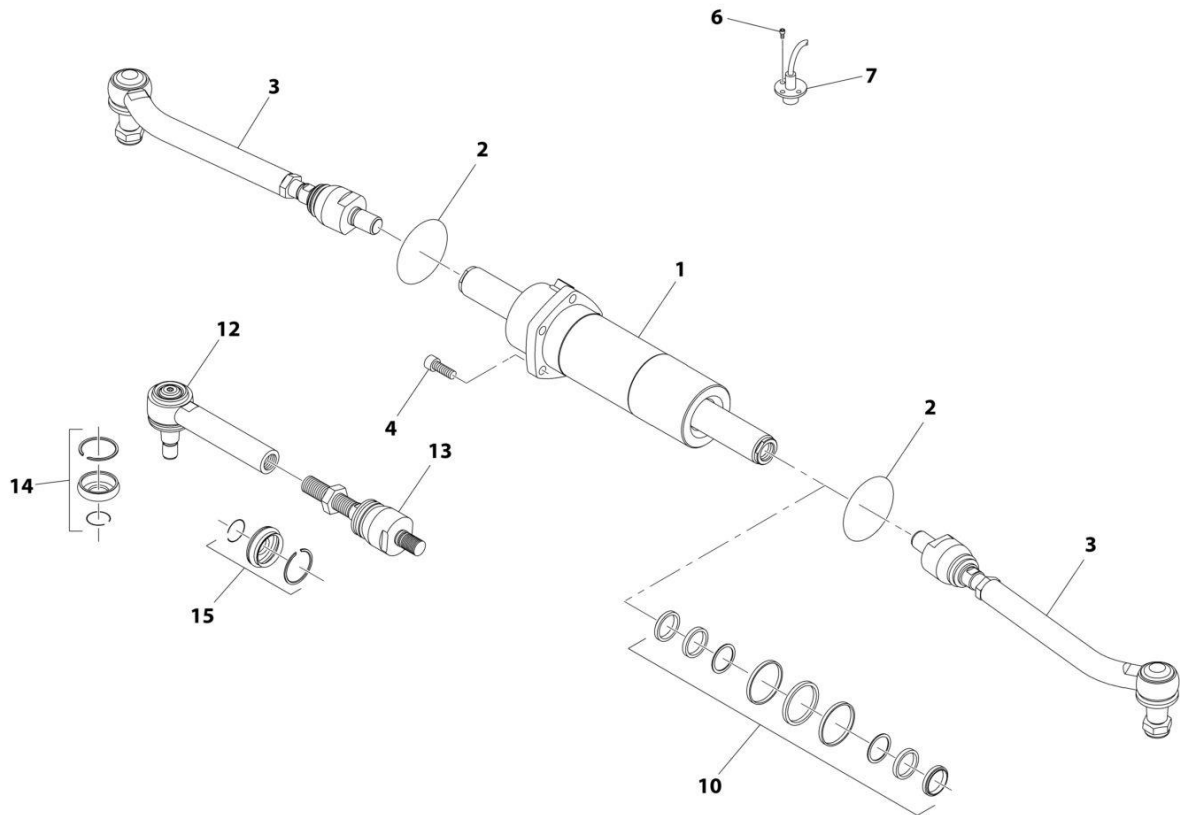
SECTION 5 - DRIVE TRAIN

FIGURE 5-24. REAR AXLE, BRAKES

ITEM	PART NUMBER	QTY	DESCRIPTION	REV
	1009716000	Ref	Rear Axle, Brakes	E
1	70026747	2	Seal	
3	70026748	2	Seal	
5	70024216	2	Piston	
6	70027317	6	Spring	
7	7029785	6	Bolt, Adjusting	
8	91514159	6	Spring	
9	70024210	6	Bolt, Adjusting	
10	70027022	6	Disc, Intermediate Brake	
11	7029735	6	Disc, Brake	
12	7029734	2	Bushing, Reduction	
13	70021606	2	Spacer	
14	10725627	2	Bolt, Bleeding	
15	80204117	2	Plug	
16	91514154	2	Plug	
18	70021613	2	Bolt, Pilot	

SECTION 5 - DRIVE TRAIN

FIGURE 5-25. REAR AXLE, STEERING



ART_1009716000-5

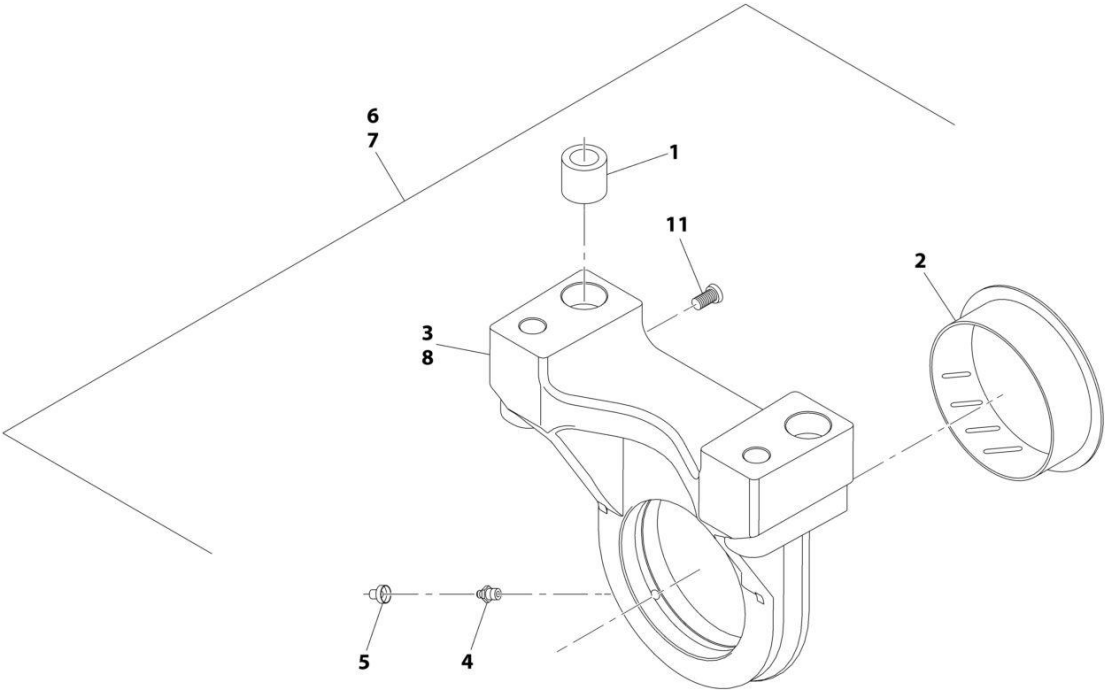
SECTION 5 - DRIVE TRAIN

FIGURE 5-25. REAR AXLE, STEERING

ITEM	PART NUMBER	QTY	DESCRIPTION	REV
	1009716000	Ref	Rear Axle, Steering	E
1	70030027	1	Cylinder	
2	80204143	2	O-Ring	
3	70026753	2	Tie Rod	
4	80204144	5	Bolt	
6	8008175	3	Bolt	
7	70030028	1	Sensor	
10	7029127	1	Kit, Seal	
12	70028465	1	Joint, 90	
13	70028466	1	Axial Joint Shaft	
14	70028467	1	Rubber Boot and Locking Ring Kit	
15	70028468	1	Rubber Boot and Locking Ring Kit	

SECTION 5 - DRIVE TRAIN

FIGURE 5-26. REAR AXLE, TRUNION



ART_1009716000-6

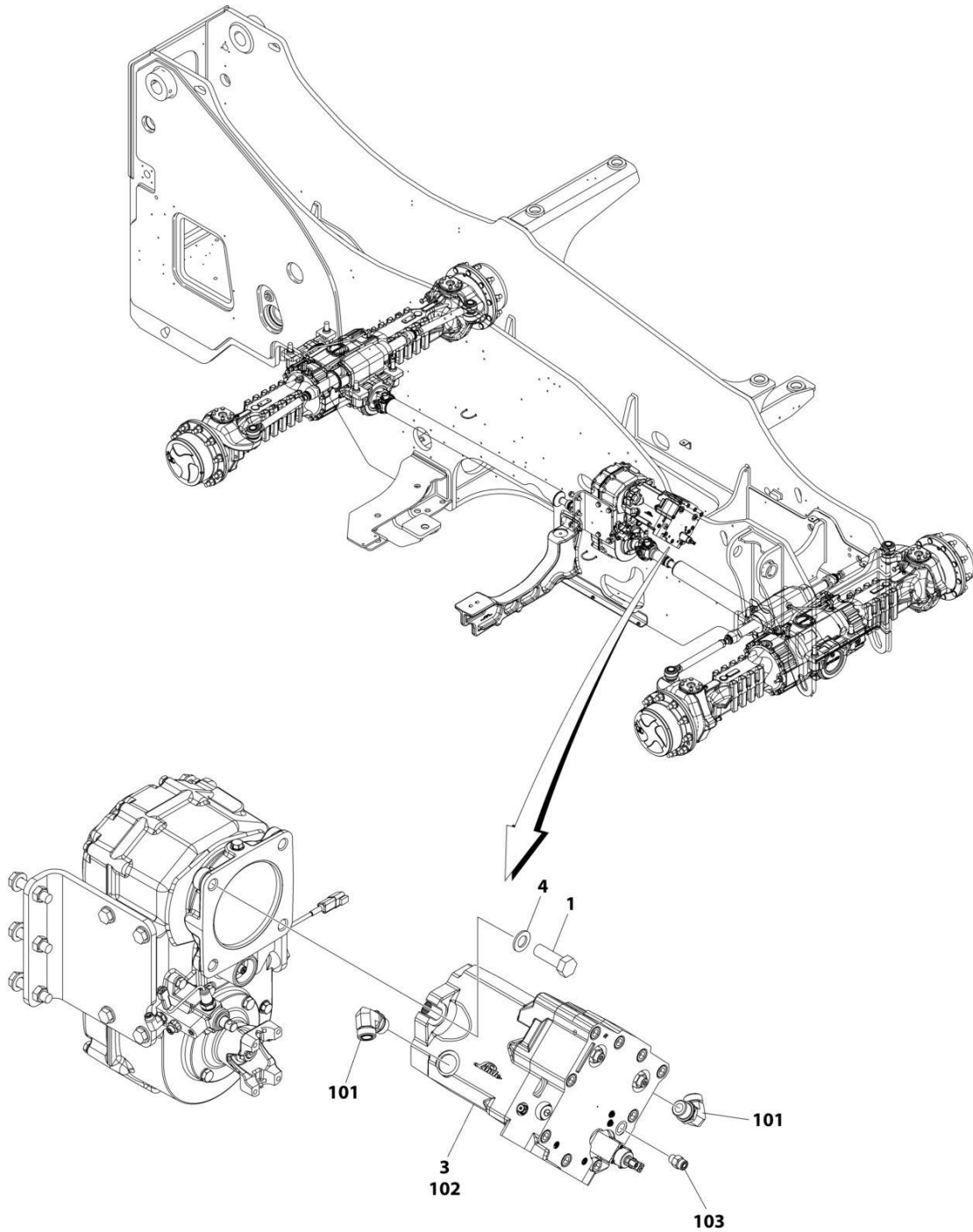
SECTION 5 - DRIVE TRAIN

FIGURE 5-26. REAR AXLE, TRUNION

ITEM	PART NUMBER	QTY	DESCRIPTION	REV
	1009716000	Ref	Rear Axle, Trunion	E
1	7029290	4	Bushing	
2	91514090	2	Thrust Bushing	
3	N.S.S.	1	Support	
4	70024881	2	Grease Fitting	
5	80204117	2	Plug	
6	70026266	1	Support Assembly	
7	70026265	1	Support Assembly	
8	N.S.S.	1	Support	
11	70025884	2	Bolt	

SECTION 5 - DRIVE TRAIN

FIGURE 5-27. HYDRAULIC MOTOR INSTALLATION



ART_1001244340

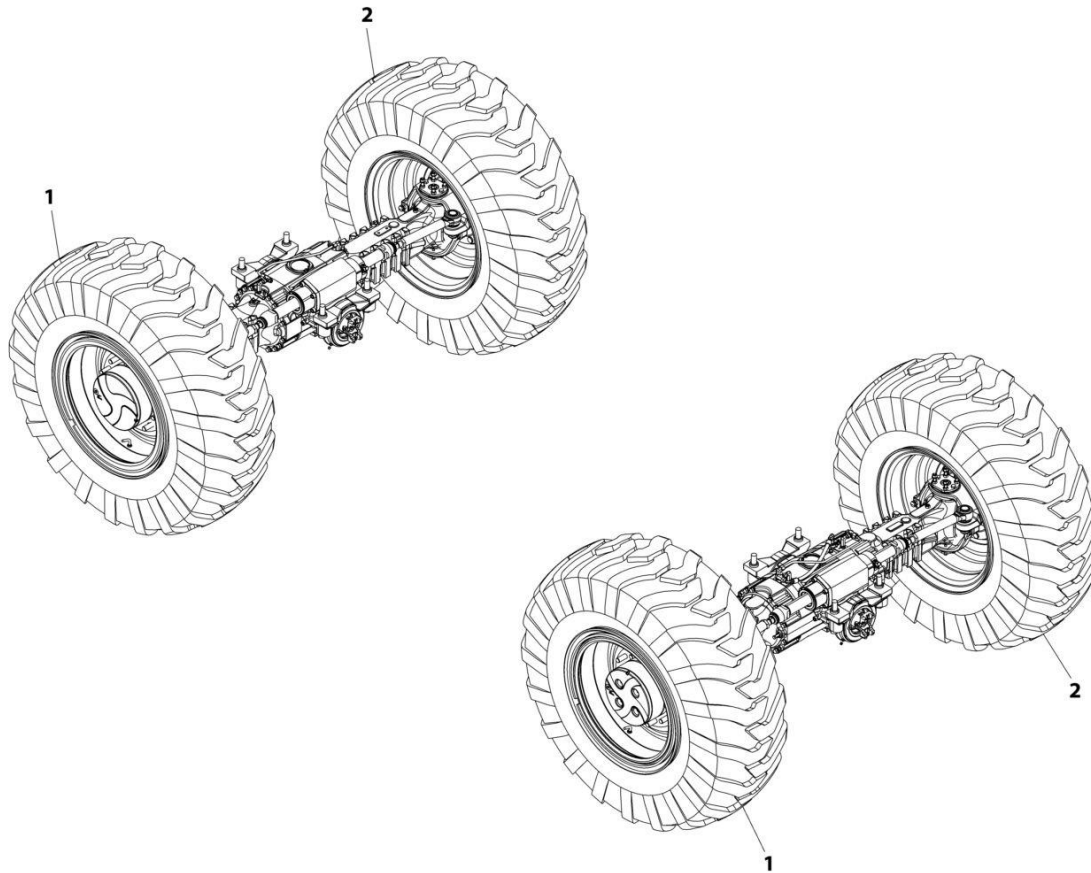
SECTION 5 - DRIVE TRAIN

FIGURE 5-27. HYDRAULIC MOTOR INSTALLATION

ITEM	PART NUMBER	QTY	DESCRIPTION	REV
	1001244340	Ref	Hydraulic Motor Installation	B
1	0772020	2	Bolt, M16X50	
3	1001203797	Ref	Sub-Assembly, Drive Motor (includes items 101-103)	C
4	1001244524	2	Washer, M16	
101	8770248	2	Fitting	
102	1001203804	1	Hydraulic Motor (See Separate Breakdown in HYDRAULIC COMPONENTS Section) (Note: Check tag on motor before ordering parts)	
102	1001268891	1	Hydraulic Motor (See Separate Breakdown in HYDRAULIC COMPONENTS Section) (Note: Check tag on motor before ordering parts)	
103	2144605	1	Fitting, Straight (Used with Hydraulic Motor 1001268891)	

SECTION 5 - DRIVE TRAIN

FIGURE 5-28. TIRE/WHEEL SET (FOAM 17.5-25 - 20 PLY)



ART_1001192170-A

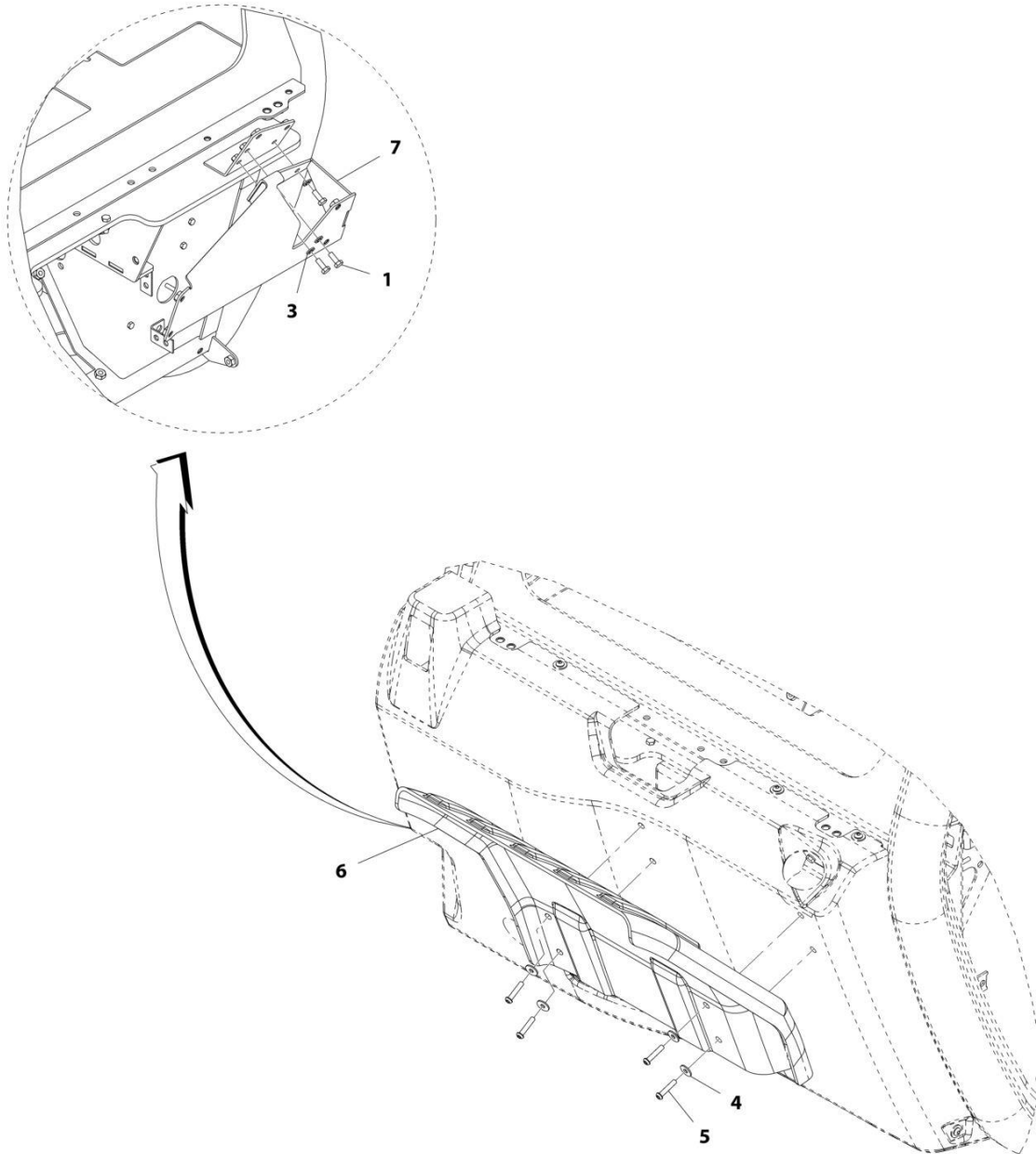
SECTION 5 - DRIVE TRAIN

FIGURE 5-28. TIRE/WHEEL SET (FOAM 17.5-25 - 20 PLY)

ITEM	PART NUMBER	QTY	DESCRIPTION	REV
	1001192170	1	Tire/Wheel Set (Foam 17.5-25 - 20 PLY)	A
		Ref	Note: Requires ballast/foam filling to manufacturer's specifications prior to installing on a machine. Refer to Service and Maintenance Manuals. Purchase individual tire and/or rim only if able to foam fill tire and wheel assembly, otherwise, purchase complete.	
1	1001192180	2	Assembly, Right Tire/Wheel (Foam 17.5-25 - 20 PLY)	
1	8786549	1	Valve, Stem	
1	1001187423	1	Tire, 17.5-25 20 PLY	
1	1001189288J	1	Wheel, 25X14.0 DTU 10 Hole	
2	1001192181	2	Assembly, Left Tire/Wheel (Foam 17.5-25 - 20 PLY)	
2	8786549	1	Valve, Stem	
2	1001187423	1	Tire, 17.5-25 20 PLY	
2	1001189288J	1	Wheel, 25X14.0 DTU 10 Hole	

SECTION 5 - DRIVE TRAIN

FIGURE 5-29. CAB FENDER INSTALLATION



ART_1001195972-C

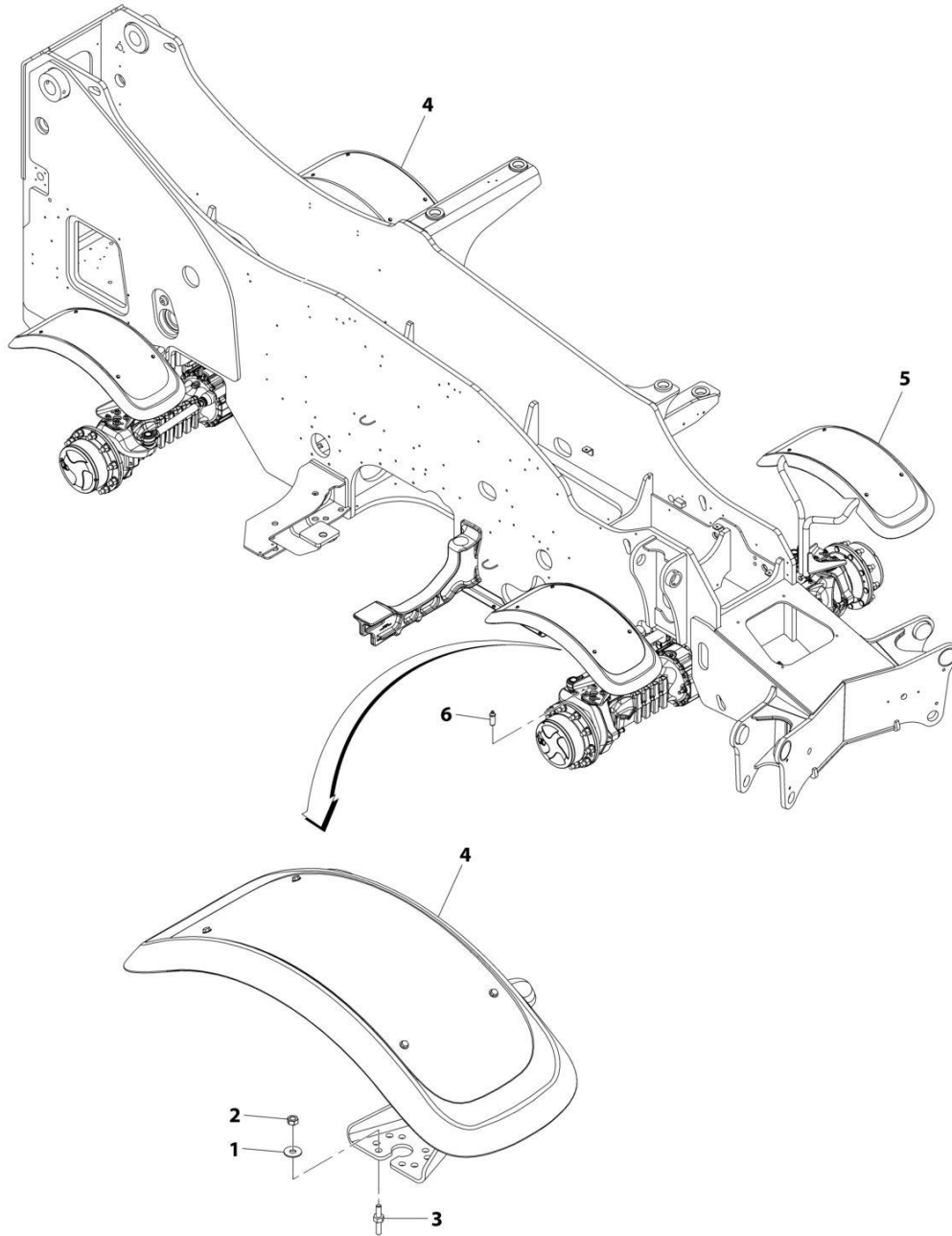
SECTION 5 - DRIVE TRAIN

FIGURE 5-29. CAB FENDER INSTALLATION

ITEM	PART NUMBER	QTY	DESCRIPTION	REV
	1001195972	Ref	Cab Fender Installation	C
1	0760608	3	Bolt, M6X16	
3	4811700	3	Washer, M6	
4	4811702	4	Washer, M6	
5	1001097202	4	Screw, M6X30	
6	1001187335	1	Fender, Front	
7	1001188048	1	Plate	

SECTION 5 - DRIVE TRAIN

FIGURE 5-30. FENDER INSTALLATION



ART_1001207167-B

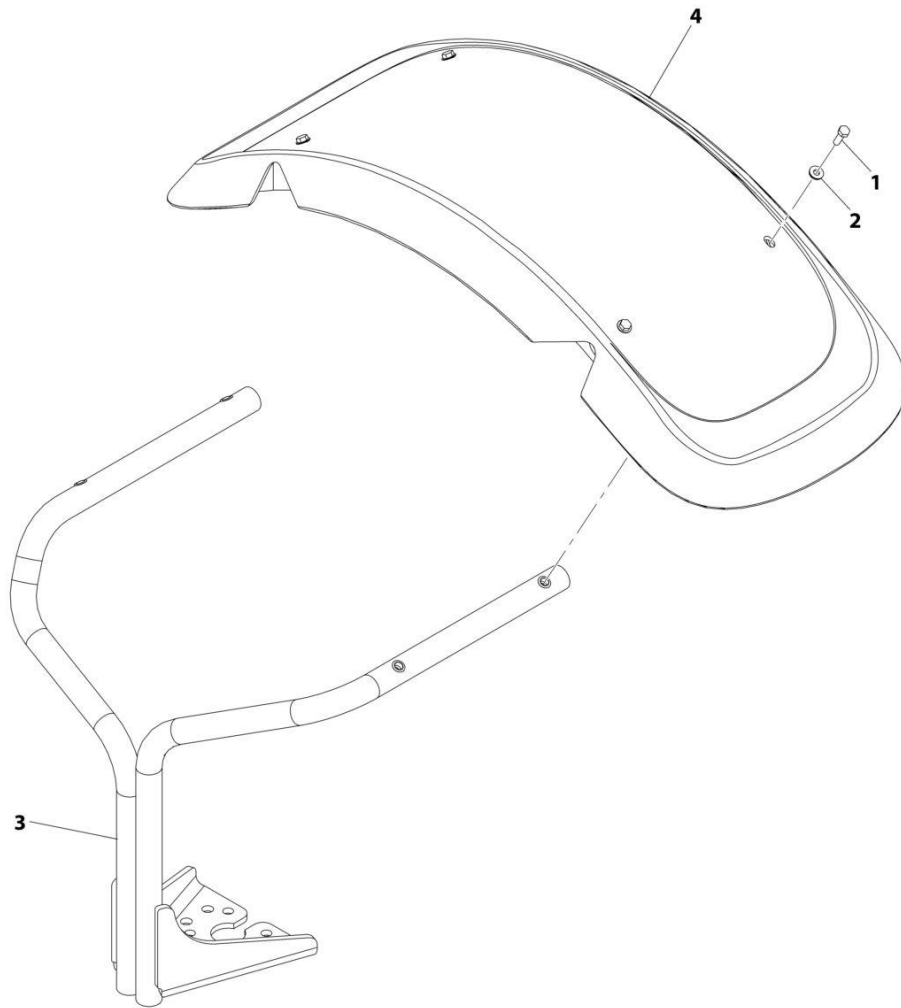
SECTION 5 - DRIVE TRAIN

FIGURE 5-30. FENDER INSTALLATION

ITEM	PART NUMBER	QTY	DESCRIPTION	REV
	1001207167	Ref	Fender Installation	B
1	4812102	16	Washer, M12	
2	91513266	16	Nut, M12X1.25	
3	91514118	16	Stud, Fender	
4	1001258117	2	Assembly, RH Fender (See Separate Breakdown in this Section)	
5	1001258118	2	Assembly, LH Fender (See Separate Breakdown in this Section)	
6	1001225317	4	Fitting, Grease	

SECTION 5 - DRIVE TRAIN

FIGURE 5-31. RH FENDER ASSEMBLY



ART_1001258117-B

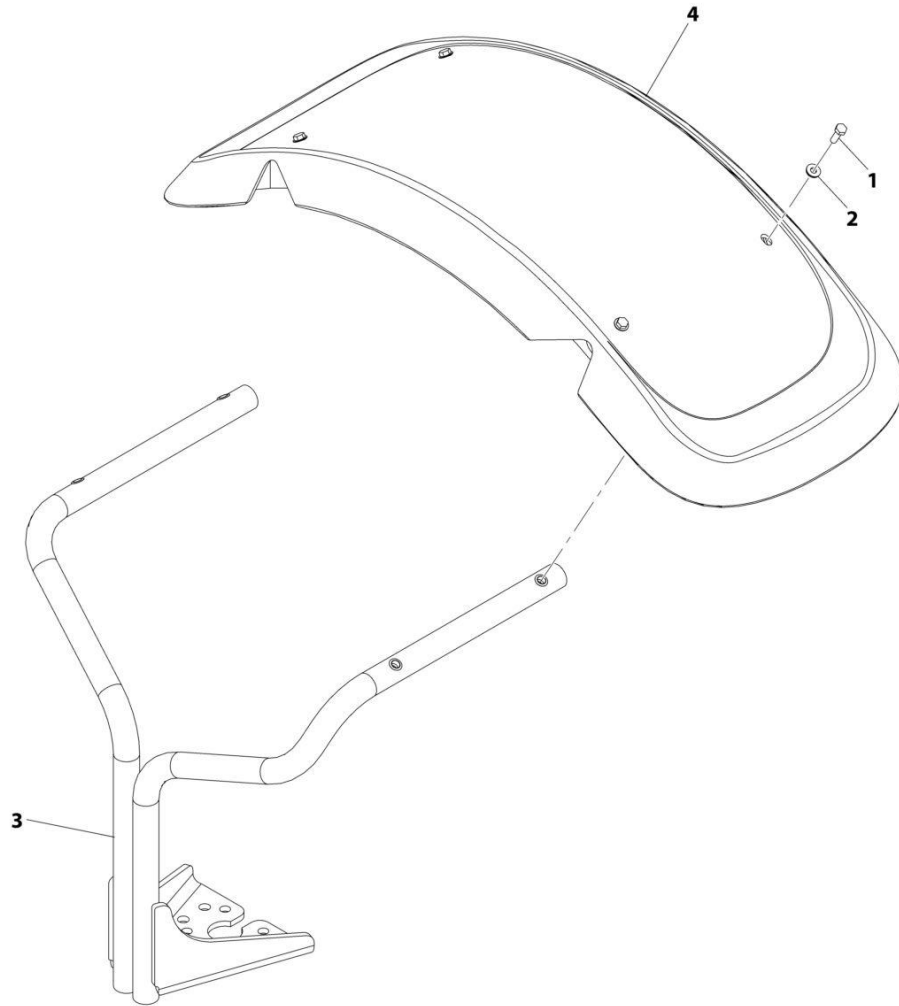
SECTION 5 - DRIVE TRAIN

FIGURE 5-31. RH FENDER ASSEMBLY

ITEM	PART NUMBER	QTY	DESCRIPTION	REV
	1001258117	Ref	RH Fender Assembly	B
1	0760812	4	Bolt, M8X25	
2	1001202786	4	Washer	
3	1001258121	1	Bracket, Fender RH Assembly	
4	1001168264	1	Fender	

SECTION 5 - DRIVE TRAIN

FIGURE 5-32. LH FENDER ASSEMBLY



ART_1001258118-B

SECTION 5 - DRIVE TRAIN

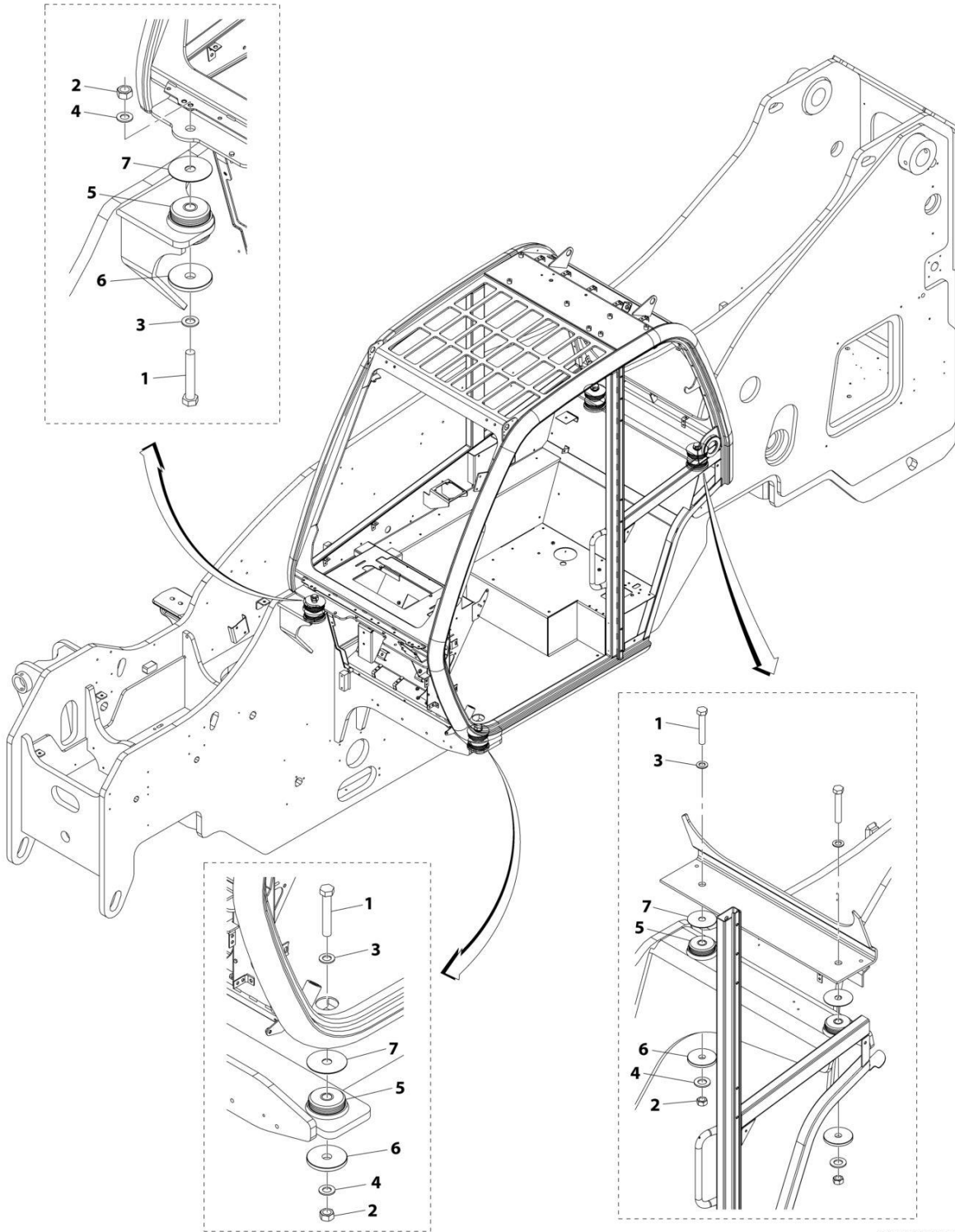
FIGURE 5-32. LH FENDER ASSEMBLY

ITEM	PART NUMBER	QTY	DESCRIPTION	REV
	1001258118	Ref	LH Fender Assembly	B
1	0760812	4	Screw, M8X25	
2	1001202786	4	Washer	
3	1001258122	1	LH Bracket	
4	1001168264	1	Fender	

SECTION 6 - CAB

SECTION 6 - CAB

FIGURE 6-1. CAB MOUNTING



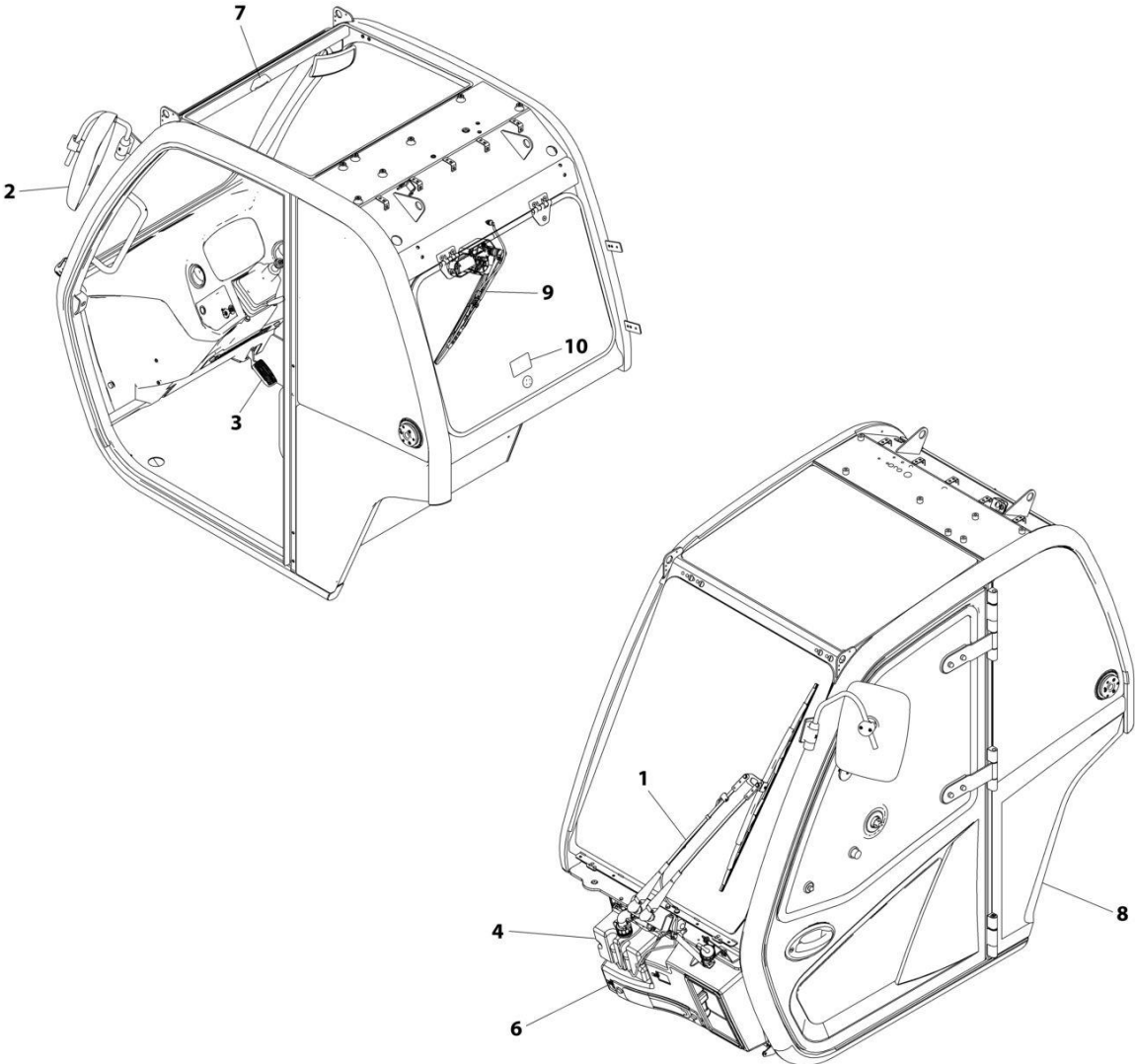
ART_1001249327-C

FIGURE 6-1. CAB MOUNTING

ITEM	PART NUMBER	QTY	DESCRIPTION	REV
	1001249327	Ref	CAB MOUNTING	C
1	0712029	4	Bolt M20 X 120 Class 10.9	
2	3332011	4	Nut M20	
3	4812500	4	Washer M20	
4	5242000	4	Washer M20	
5	1001205066	4	Mount, Cab Isolation	
6	1001207854	4	Washer, Cab Rebound	
7	1001253797	4	Washer, Cab Mount	

SECTION 6 - CAB

FIGURE 6-2. CAB COMPONENTS INSTALLATION



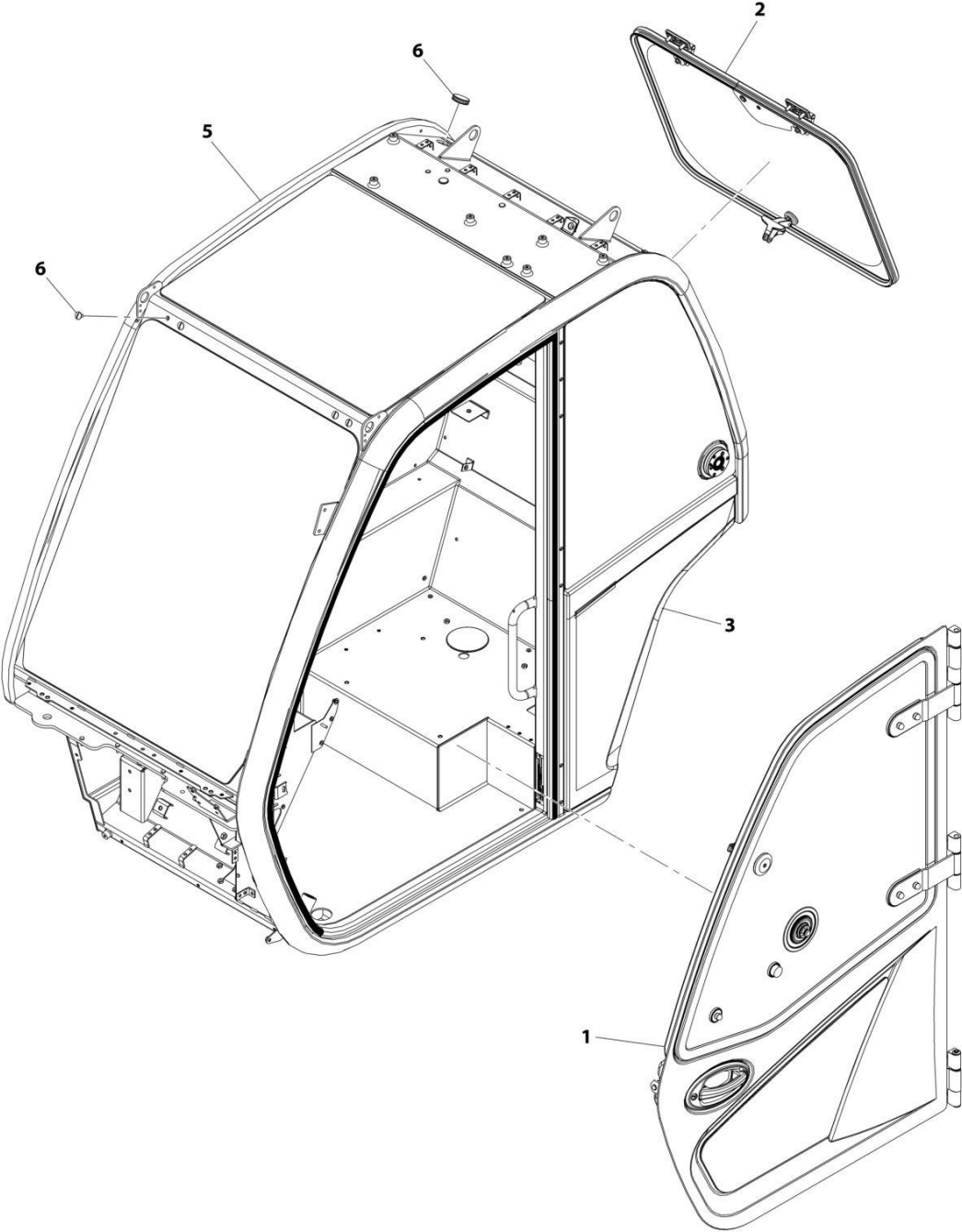
ART_1001194698_H

FIGURE 6-2. CAB COMPONENTS INSTALLATION

ITEM	PART NUMBER	QTY	DESCRIPTION	REV
	1001194698	Ref	CAB COMPONENTS INSTALLATION	H
1	1001155447	Ref	Installation, Front Wiper (See Separate Breakdown in this Section)	
2	1001160508	Ref	Installation, Basic Mirror (See Separate Breakdown in this Section)	
3	1001161499	Ref	Installation, Accelerator Pedal (See Separate Breakdown in CONTROLS Section)	
4	1001162789	Ref	Installation, Washer Tank (See Separate Breakdown in this Section)	
6	1001170366	Ref	Installation, Front Cover (See Separate Breakdown in this Section)	
7	1001172401	Ref	Installation, Level Indicator (See Separate Breakdown in this Section)	
8	1001194699	Ref	Installation, Cab (See Separate Breakdown in this Section)	
9	1001220329	Ref	Installation, Rear Wiper (See Separate Breakdown in this Section)	
10	1001204598	Ref	Installation, Rear Window Exit Decal (See Separate Breakdown in this Section)	

SECTION 6 - CAB

FIGURE 6-3. CAB INSTALLATION



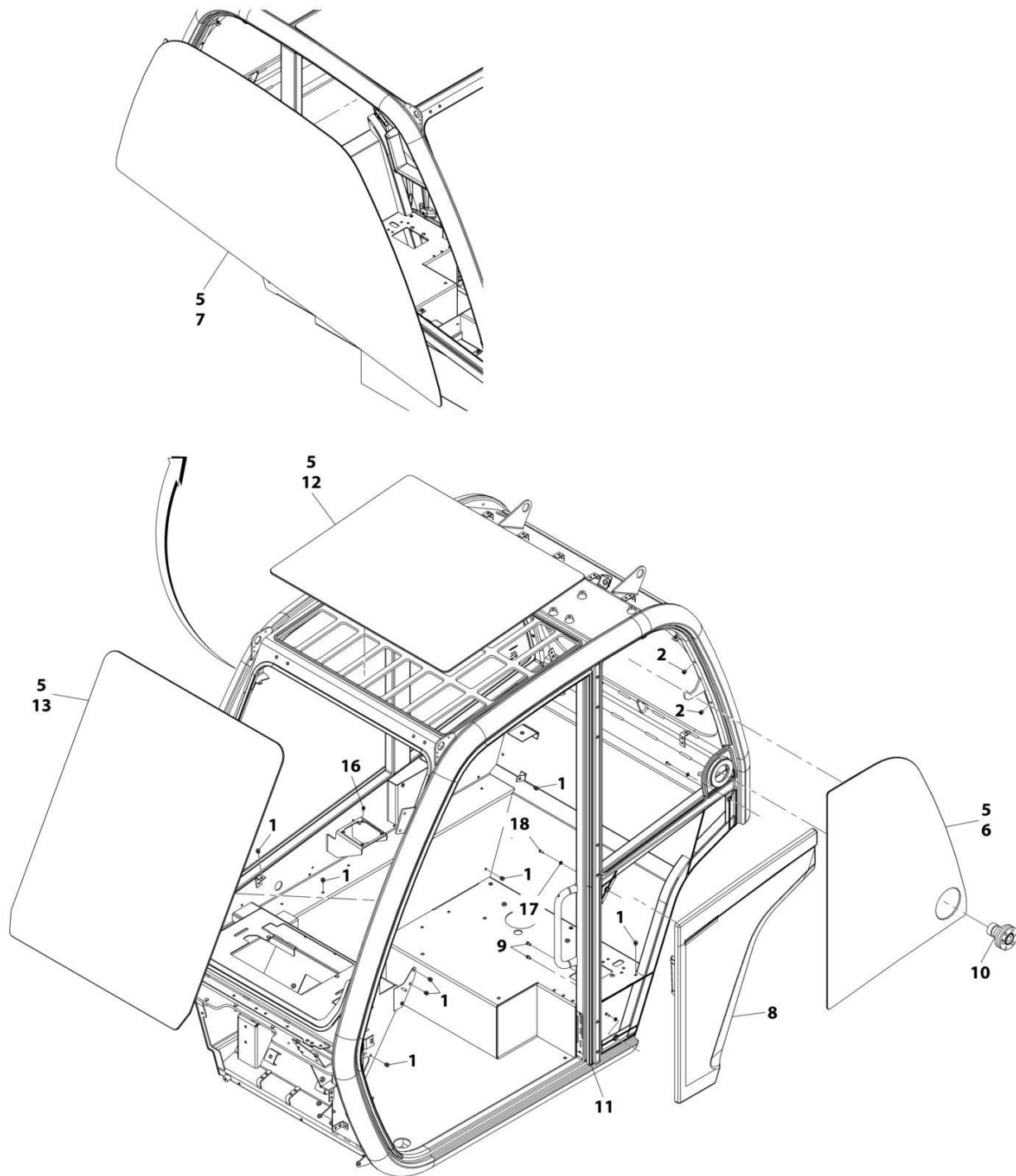
ART_1001194699

FIGURE 6-3. CAB INSTALLATION

ITEM	PART NUMBER	QTY	DESCRIPTION	REV
	1001194699	Ref	Cab Installation	L
1	1001155228	1	Installation, Cab Door (See Separate Breakdown in this Section)	
2	1001220339	1	Installation, Rear Window (See Separate Breakdown in this Section)	
3	1001194700	1	Assembly, Cab Group (See Separate Breakdown in this Section)	
5	N.S.S.	1	Weldment, Cab	
6	1001195814	1	Group, Cab Plug (See Separate Breakdown in this Section)	

SECTION 6 - CAB

FIGURE 6-4. CAB ASSEMBLY



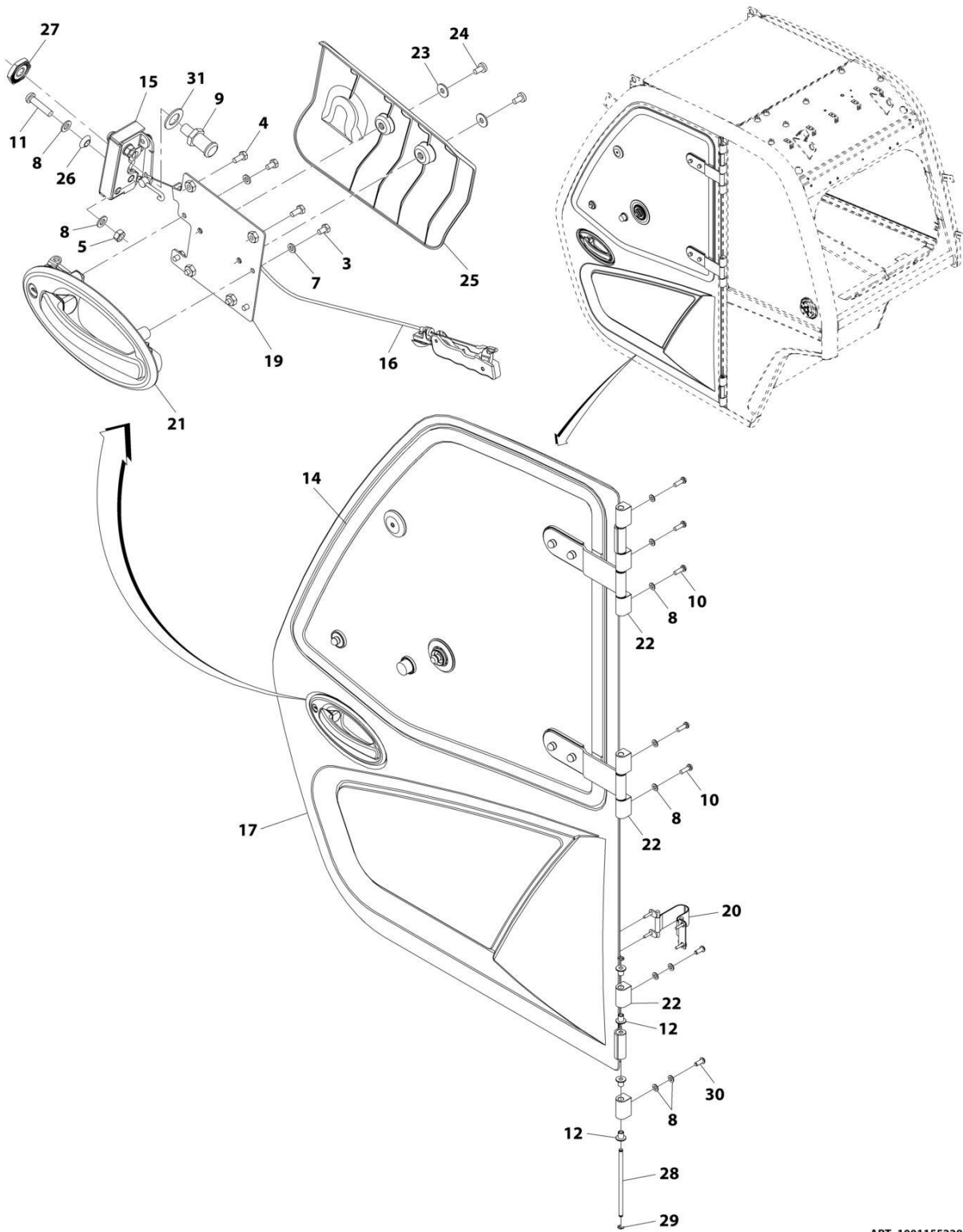
ART_1001194700-F

FIGURE 6-4. CAB ASSEMBLY

ITEM	PART NUMBER	QTY	DESCRIPTION	REV
	1001194700	Ref	Cab Assembly	G
1	2080086	25	Rivnut M6 x 1	
2	2080087	16	Rivnut M8 x 1.25	
5	1001111317	AR	Compound, Locking	
6	1001152915	1	Glass, LH Screen	
7	1001152947	1	Glass, RH Screen	
8	1001256073	1	Panel, Cab Quarter	
9	1001172193	2	Rivnut M5 x 0.8	
10	1001174320	1	Latch, Top Window	
11	1001227186	1	Seal, Cab Door	
12	1001178159	1	Glass, Roof Laminated	
13	1001178160	1	Glass, Front Laminated	
16	1001195878	4	Rivnut M5 x 0.8	
17	4811700	3	Washer M6	
18	4010608002	3	Screw	

SECTION 6 - CAB

FIGURE 6-5. DOOR INSTALLATION



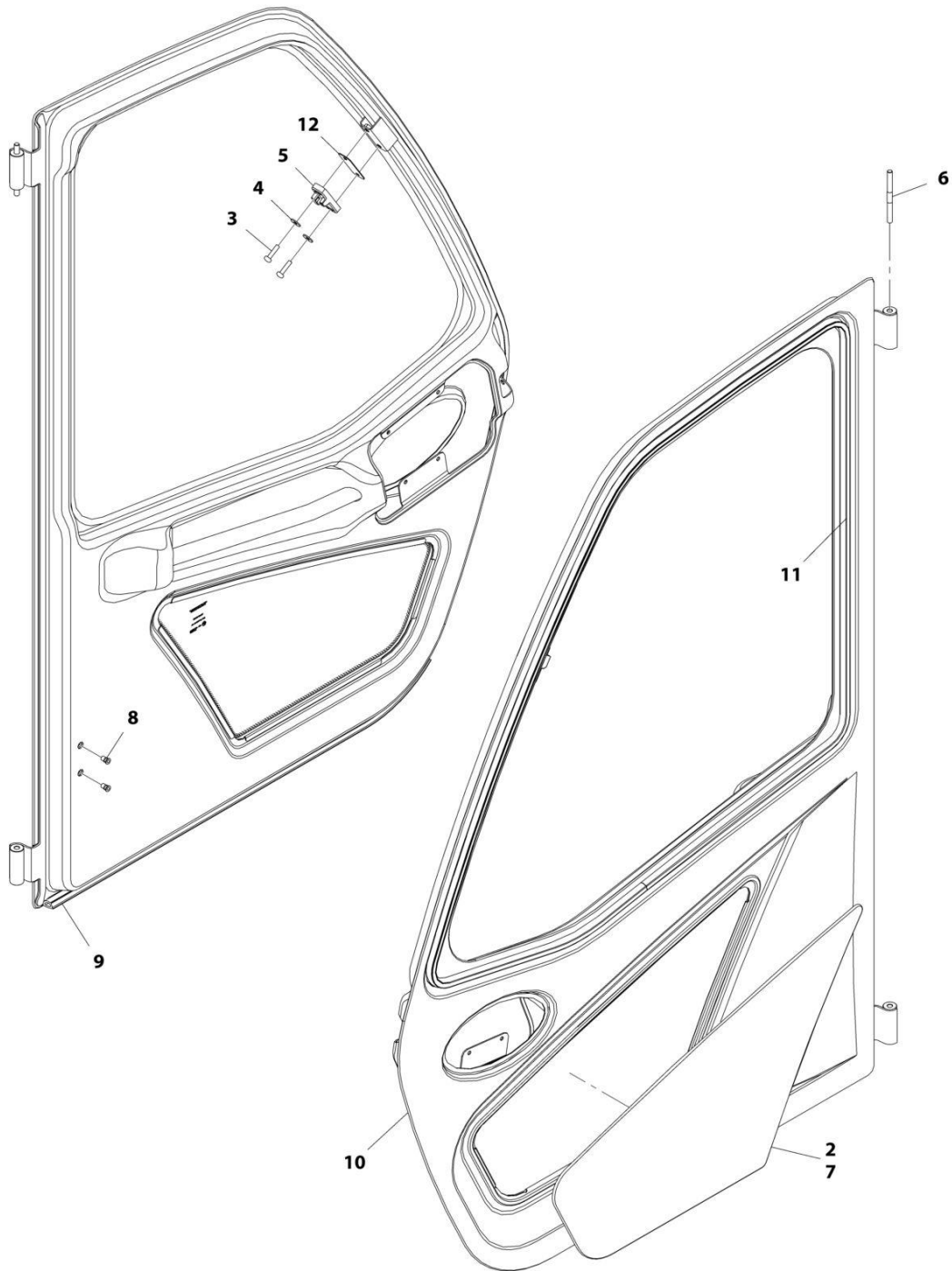
ART_1001155228

FIGURE 6-5. DOOR INSTALLATION

ITEM	PART NUMBER	QTY	DESCRIPTION	REV
	1001155228	Ref	Door Installation	Q
3	0760605	4	Bolt, M6X10	
4	0760607	4	Bolt, M6X14	
5	3290801	2	Nut, M8X1.25 Grade 8	
7	4811700	4	Washer, M6	
8	4811900	13	Washer, M8	
9	8000803	1	Pin, Door Striker	
10	1001008988	5	Screw M8X25	
11	1001047062	2	Screw, M8X35	
12	1001107192	10	Sleeve, Hinge	
14	1001205532	1	Assembly, Door Upper Glass (See Separate Breakdown in this Section)	
15	1001192766	1	Assembly, Cab Latch (See Separate Breakdown in this Section)	
16	1001167958	1	Assembly, Cab Door Trigger (See Separate Breakdown in this Section)	
17	1001170114	1	Assembly, Door (See Separate Breakdown in this Section)	
19	1001173298	1	Bracket	
20	1001174295	1	Installation, Door Strap (See Separate Breakdown in this Section)	
21	1001192646	1	Handle, Exterior Door	
22	1001229543	7	Block, Hinge (Rounded Top/Bottom Edge)	
22	1001170601J	7	Block, Hinge (Square Top/Bottom Edge)	
23	4811702001	2	Washer, M6	
24	4010608002	2	Screw, Posi-Drive, M6X16	
25	1001175477	1	Cover, Cab Door Interior	
26	1001184439	2	Bushing	
27	1001192309	1	Nut, M12X1	
28	1001213791	1	Pin	
29	0498748	2	Washer, Lock M7	
30	1001164726	2	Bolt, M8X20	
31	1001227802	1	Washer	

SECTION 6 - CAB

FIGURE 6-6. DOOR ASSEMBLY (AG)



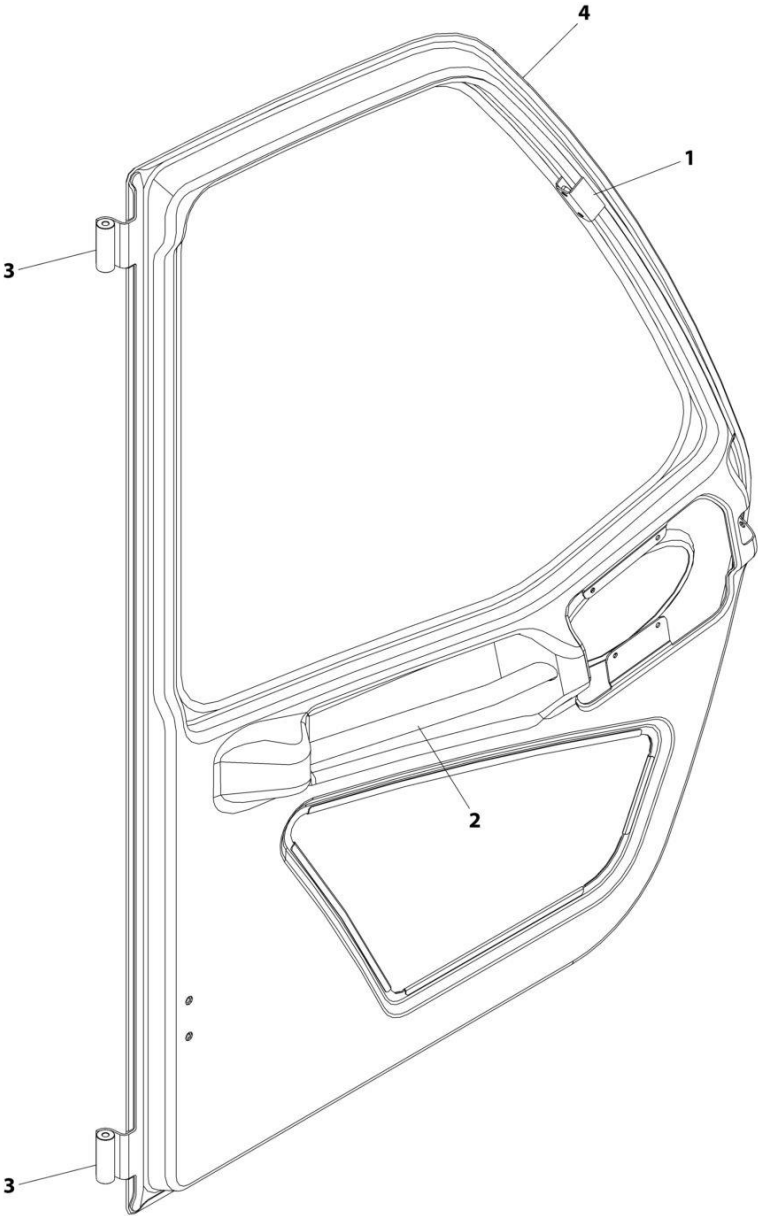
ART_1001170114

FIGURE 6-6. DOOR ASSEMBLY (AG)

ITEM	PART NUMBER	QTY	DESCRIPTION	REV
	1001170114	Ref	Door Assembly	K
2	1001111317	AR	Compound, Locking	
3	4010612002	2	Screw, M6X25	
4	4811702001	2	Washer, M6	
5	1001165276	1	Plate, Window Latch Striker	
6	1001166634	1	Pin, Hinge	
7	1001169880	1	Window, Lower Glass	
8	1001172193	2	Rivnut, M5X0.8	
9	1001227188	1	Seal, Cab Door	
10	1001170113J	1	Door, Cab (See Separate Breakdown in this Section)	
11	1001227187	1	Seal, Cab Door Window	
12	1001193210	AR	Shim, Window Latch	

SECTION 6 - CAB

FIGURE 6-7. CAB DOOR



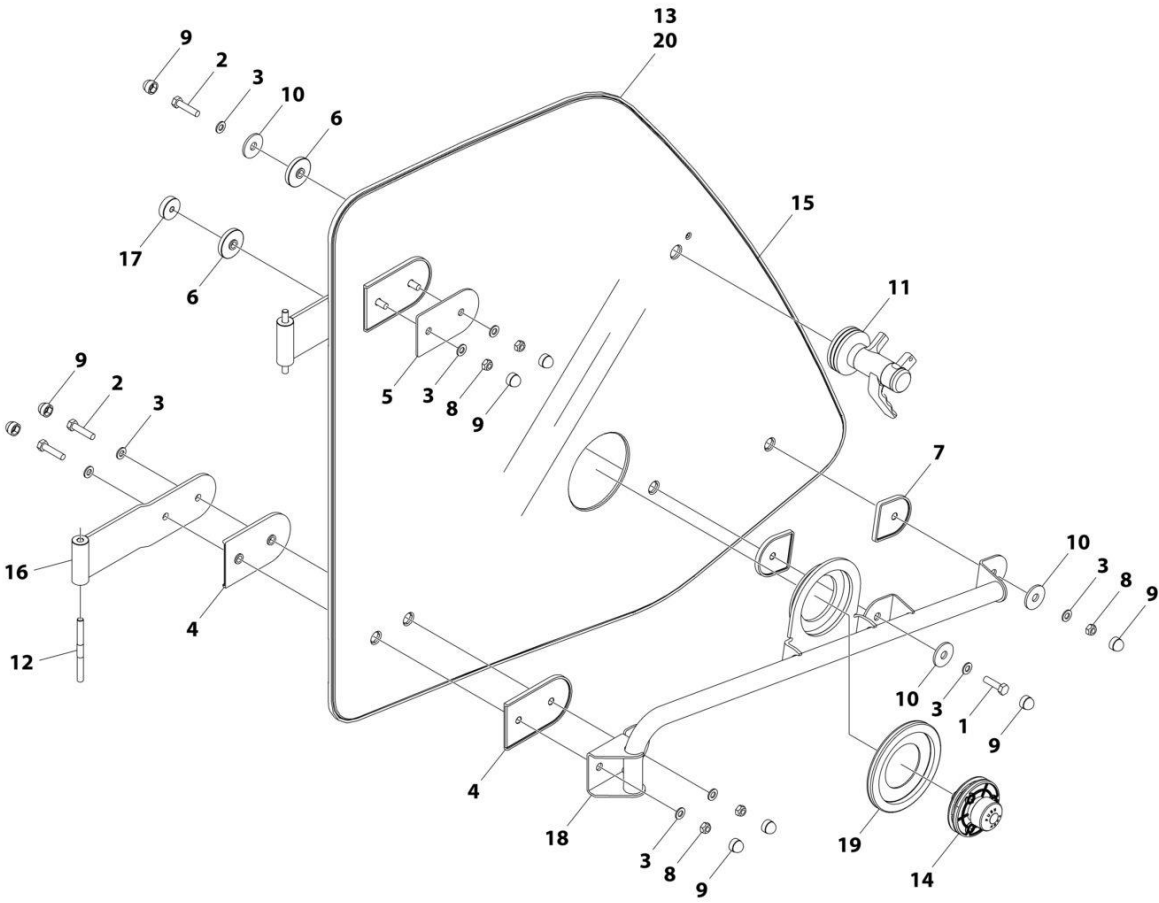
ART_1001170113J-E

FIGURE 6-7. CAB DOOR

ITEM	PART NUMBER	QTY	DESCRIPTION	REV
	1001170113J	Ref	Cab Door	E
1	1001169883	1	Bracket, Window Latch	
2	1001169885	1	Handle, Interior Door	
3	1001171037	1	Plate, Hinge	
4	1001171635	1	Frame, Door	

SECTION 6 - CAB

FIGURE 6-8. DOOR UPPER GLASS ASSEMBLY



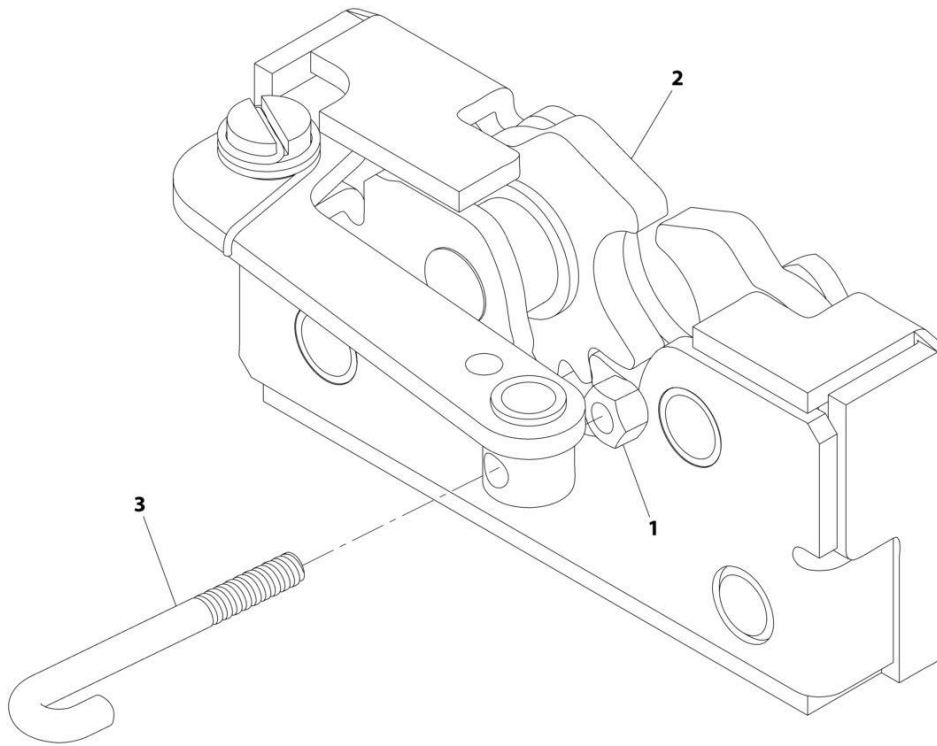
ART_1001205532

FIGURE 6-8. DOOR UPPER GLASS ASSEMBLY

ITEM	PART NUMBER	QTY	DESCRIPTION	REV
	1001205532	Ref	Door Upper Glass Assembly	G
1	0760812	1	Bolt, M8X25	
2	0760815	5	Bolt, M8X35	
3	4811900	11	Washer, 8MM	
4	1001002946	4	Mount, Hinge	
5	1001002947	1	Mount, Hinge	
6	1001002953	2	Mount, Rubber	
7	1001002957	2	Mount, Latch	
8	1001008857	5	Nut, Lock	
9	1001096365	11	Cap, M8	
10	1001141246	3	Mount, Rubber	
11	1001165275	1	Latch, Window	
12	1001166634	2	Pin, Hinge	
13	1001170944	1	Panel, Window Surround	
14	1001174321	1	Striker, Top Window	
15	1001204066	1	Glass, Window	
16	1001204115	2	Hinge	
17	1001222741	1	Buffer, Cab	
18	1001204120	1	Handle	
19	1001213331	1	Gasket	
20	1001215531	AR	Adhesive	

SECTION 6 - CAB

FIGURE 6-9. CAB LATCH ASSEMBLY



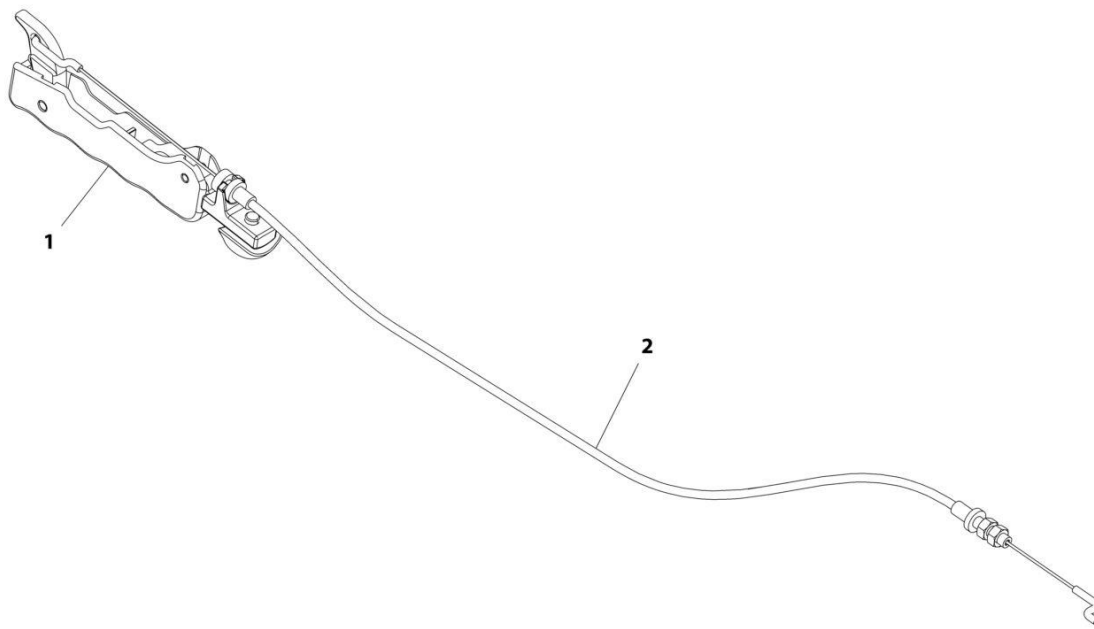
ART_1001192766_C

FIGURE 6-9. CAB LATCH ASSEMBLY

ITEM	PART NUMBER	QTY	DESCRIPTION	REV
	1001192766	Ref	Cab Latch Assembly	C
1	3290405	1	Nut, M4X0.7 Grade 8	
2	1001192643	1	Latch	
3	1001241308	1	Link, Door Handle	

SECTION 6 - CAB

FIGURE 6-10. CAB DOOR TRIGGER ASSEMBLY



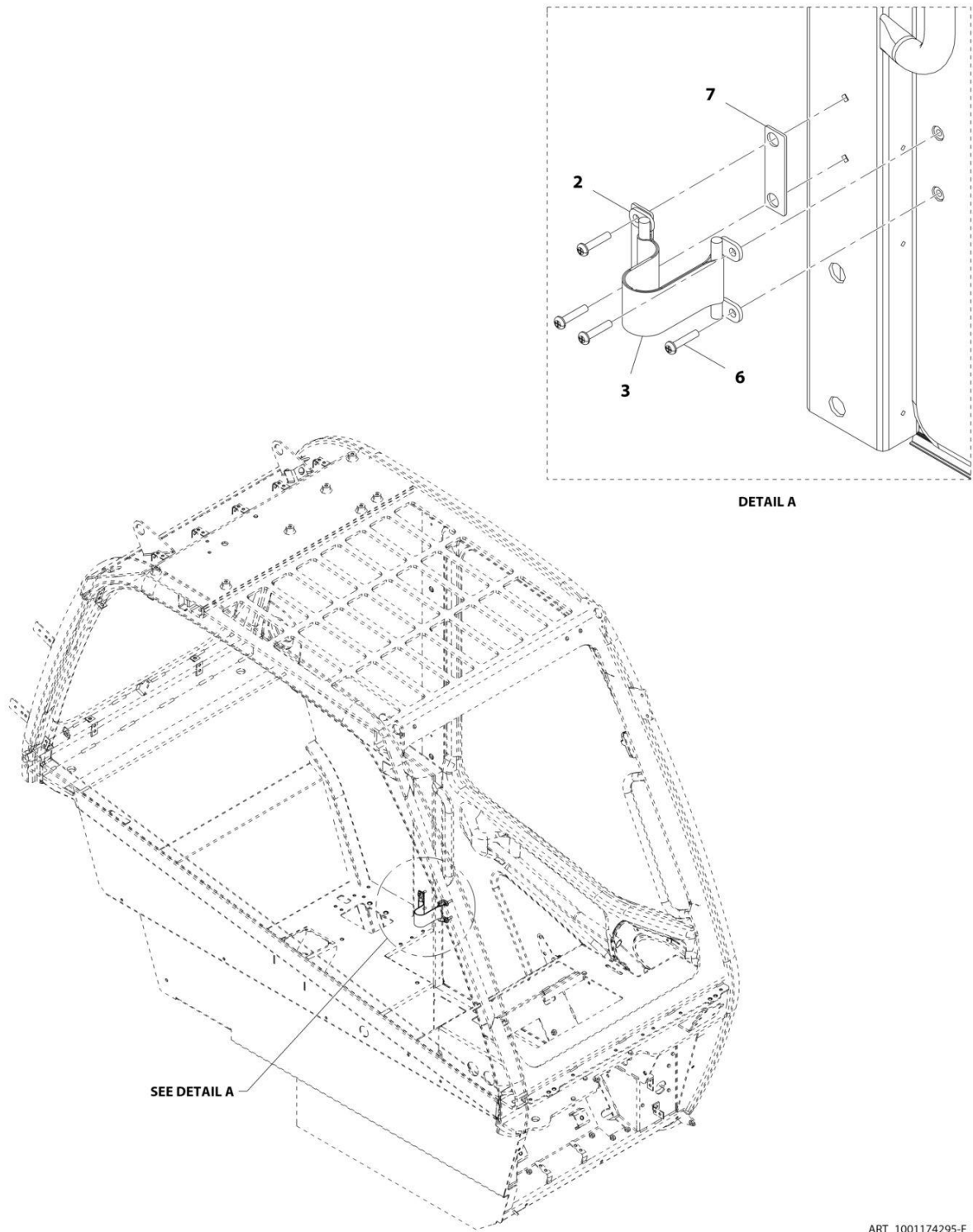
ART_1001167958-E

FIGURE 6-10. CAB DOOR TRIGGER ASSEMBLY

ITEM	PART NUMBER	QTY	DESCRIPTION	REV
	1001167958	Ref	Cab Door Trigger Assembly	E
1	1001167937	1	Trigger, Cab Interior Release	
2	1001192644	1	Cable, Cab Latch Release	

SECTION 6 - CAB

FIGURE 6-11. DOOR STRAP INSTALLATION



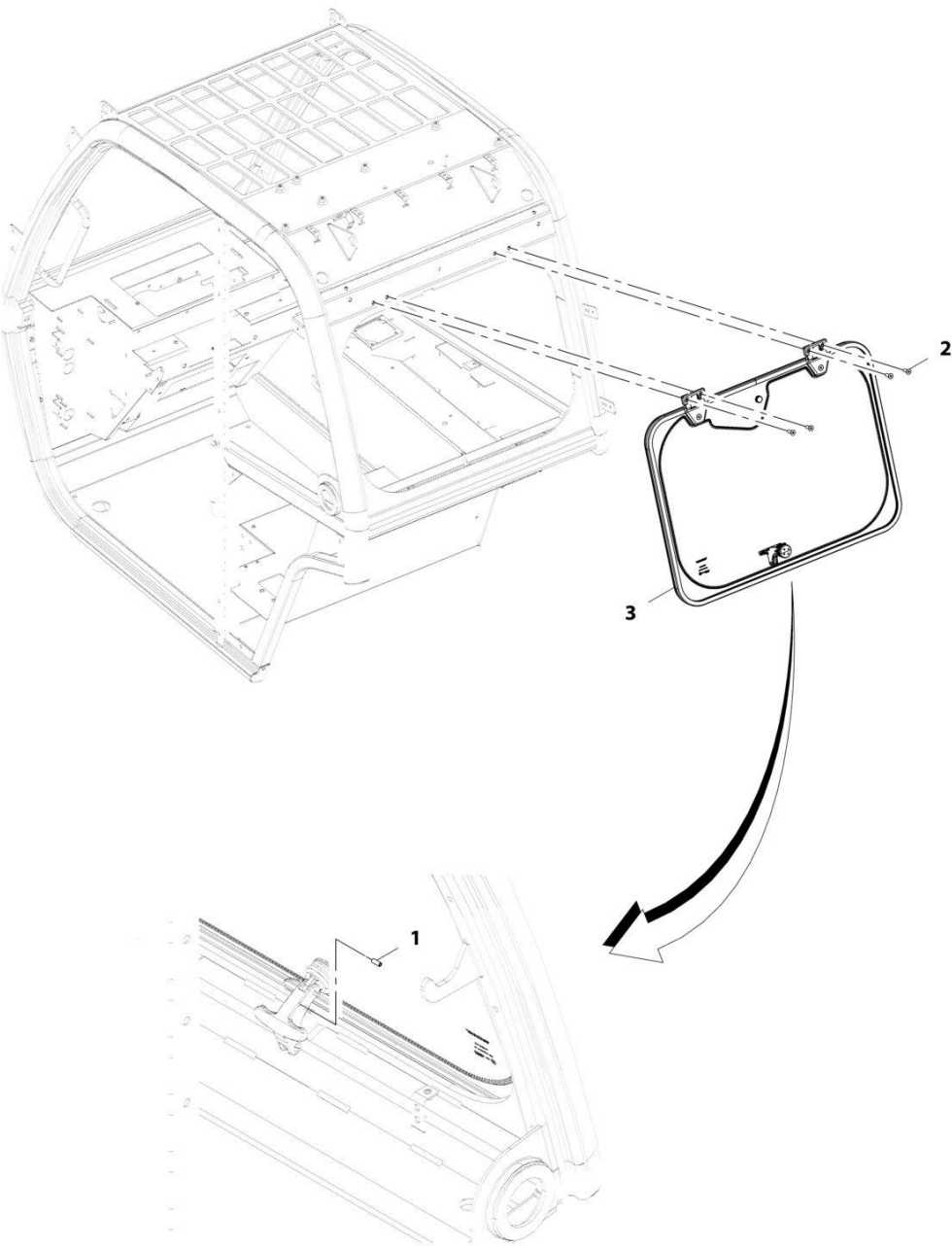
ART_1001174295-F

FIGURE 6-11. DOOR STRAP INSTALLATION

ITEM	PART NUMBER	QTY	DESCRIPTION	REV
	1001174295	Ref	Door Strap Installation	F
2	1001230163	2	Bracket, Strap Holder	
3	1001212011	1	Strap, Door Hold Open	
6	8310559	4	Screw	
7	1001191091	1	Plate, Cab Door Strap	

SECTION 6 - CAB

FIGURE 6-12. REAR WINDOW INSTALLATION



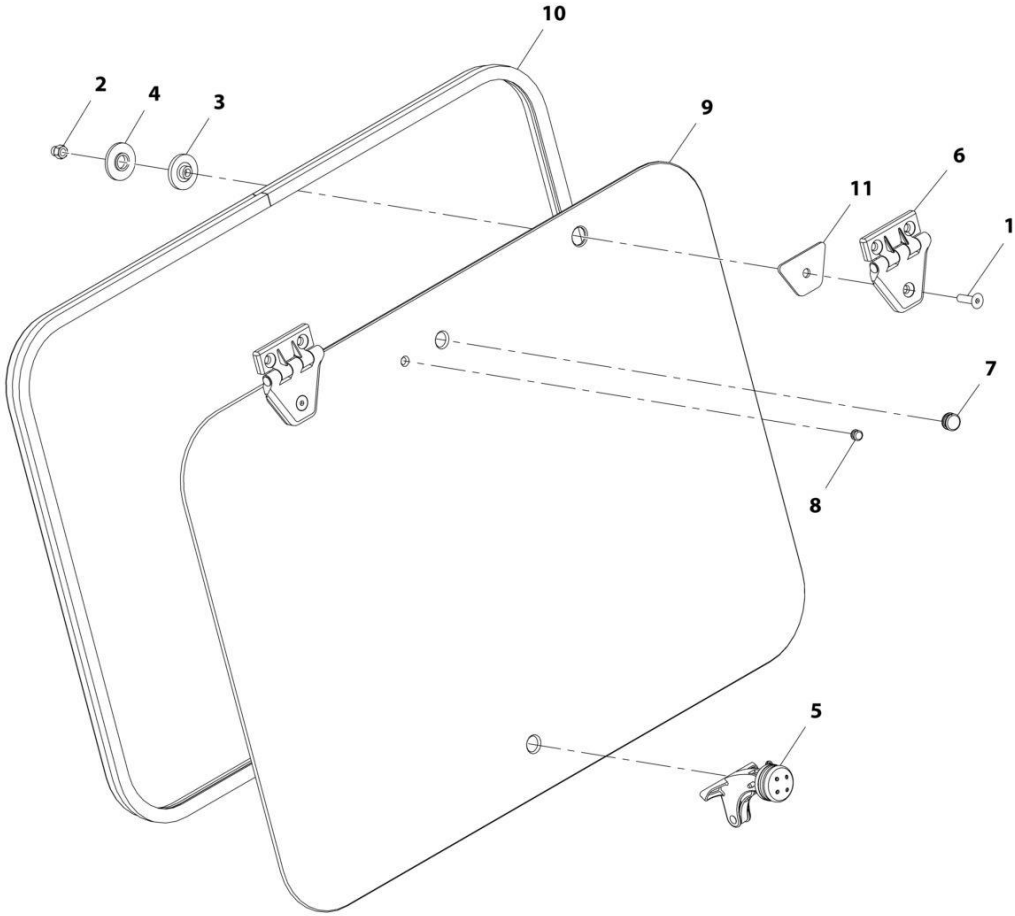
ART_1001220339-A

FIGURE 6-12. REAR WINDOW INSTALLATION

ITEM	PART NUMBER	QTY	DESCRIPTION	REV
	1001220339	Ref	Rear Window Installation	A
1	1001003043	1	Pin, Spring	
2	1001097586	4	Screw, M8X1.25	
3	1001220338	1	Assembly, Rear Window (See Separate Breakdown in this Section)	

SECTION 6 - CAB

FIGURE 6-13. REAR WINDOW GROUP



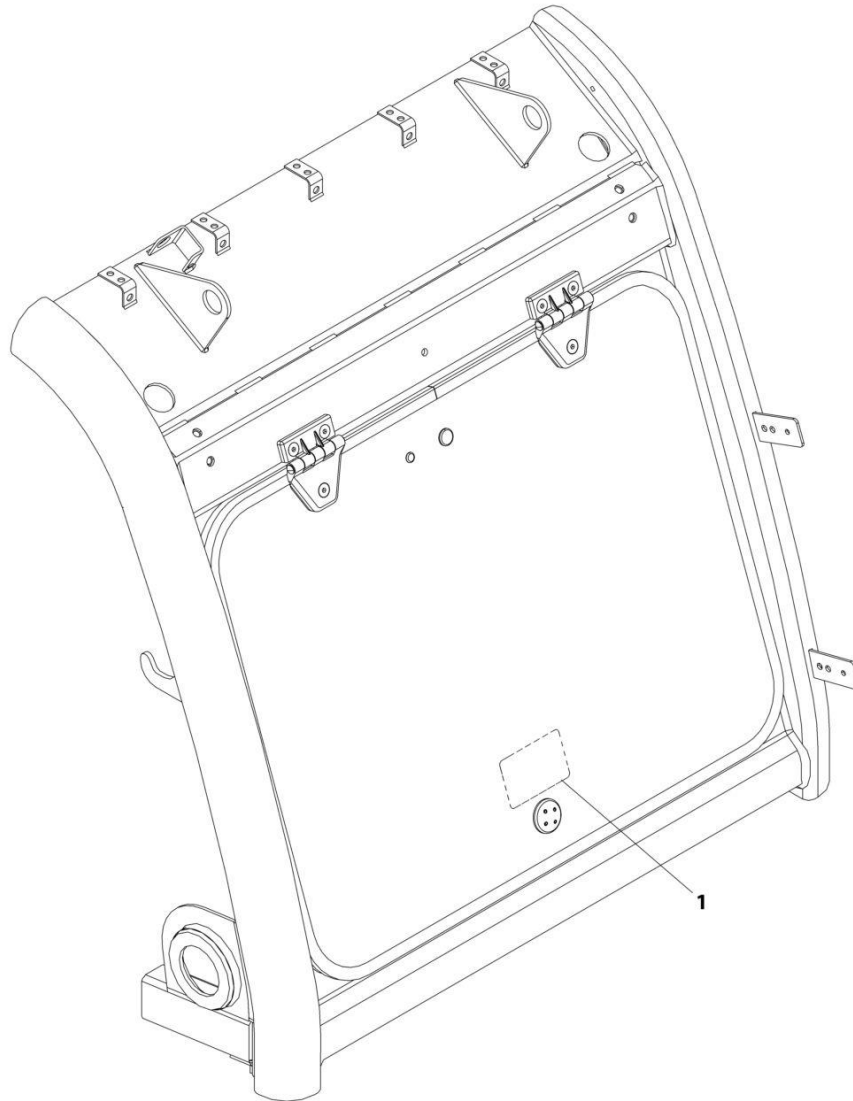
ART_1001220338-A

FIGURE 6-13. REAR WINDOW GROUP

ITEM	PART NUMBER	QTY	DESCRIPTION	REV
	1001220338	Ref	Rear Window Group	A
1	2080078	2	Fastener, M8X30	
2	3290806	2	Nut, M8X1.25 Grade 8	
3	8000759	2	Spacer	
4	8004398	2	Spacer	
5	1001005368	1	Latch, Window	
6	1001139568	2	Hinge	
7	1001171182	1	Grommet	
8	1001171183	1	Grommet	
9	1001178680	1	Glass, Rear Window	
10	1001178681	1	Seal	
11	1001181411	2	Gasket, Rear Window Hinge	

SECTION 6 - CAB

FIGURE 6-14. REAR WINDOW EXIT DECAL INSTALLATION



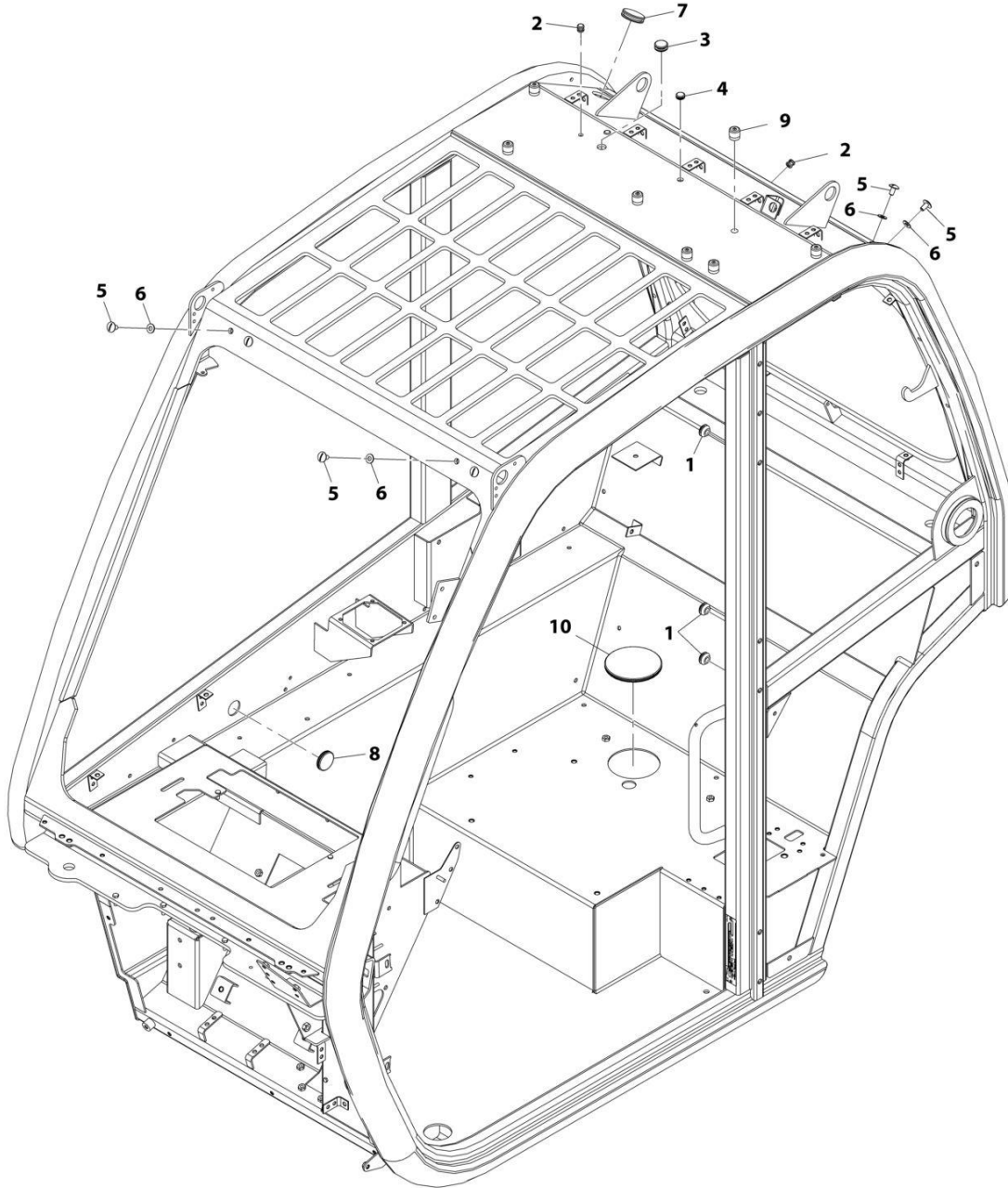
ART_1001204598

FIGURE 6-14. REAR WINDOW EXIT DECAL INSTALLATION

ITEM	PART NUMBER	QTY	DESCRIPTION	REV
1	1001204598 8005870	Ref 1	Rear Window Exit Decal Installation Decal, Emergency Exit	B

SECTION 6 - CAB

FIGURE 6-15. CAB PLUG GROUP



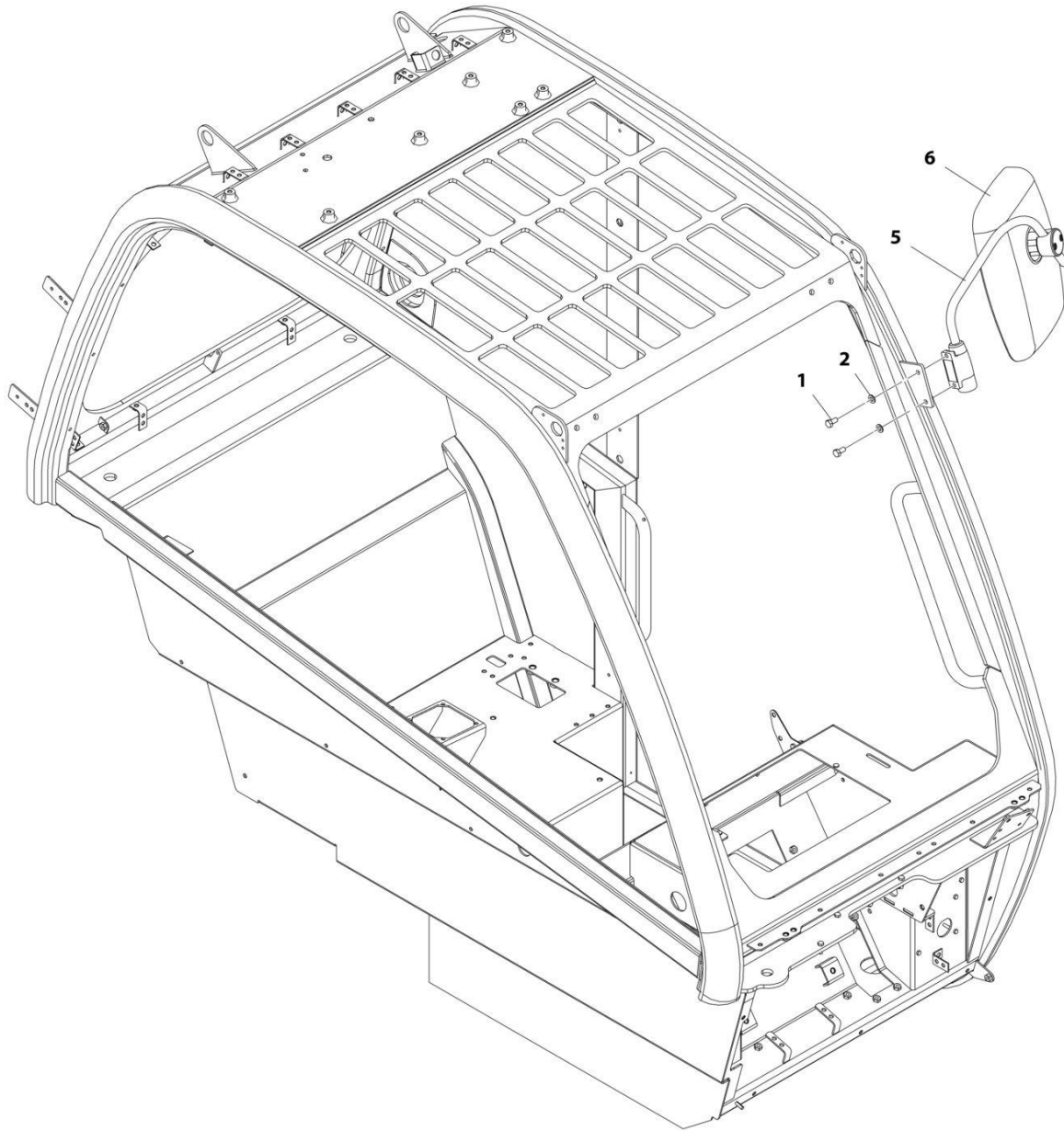
ART_1001195814-C

FIGURE 6-15. CAB PLUG GROUP

ITEM	PART NUMBER	QTY	DESCRIPTION	REV
	1001195814	Ref	Cab Plug Group	C
1	1001143200	7	Plug	
2	1001176272	3	Plug	
3	1001176273	1	Plug	
4	1001176626	1	Plug	
5	1001181920	8	Screw, Nylon M8X16	
6	1001181921	8	Washer, Rubber M8	
7	1001182123	2	Plug	
8	1001182139	1	Plug	
9	1001219220	7	Plug	
10	1001209899	1	Plug	

SECTION 6 - CAB

FIGURE 6-16. BASIC MIRROR INSTALLATION



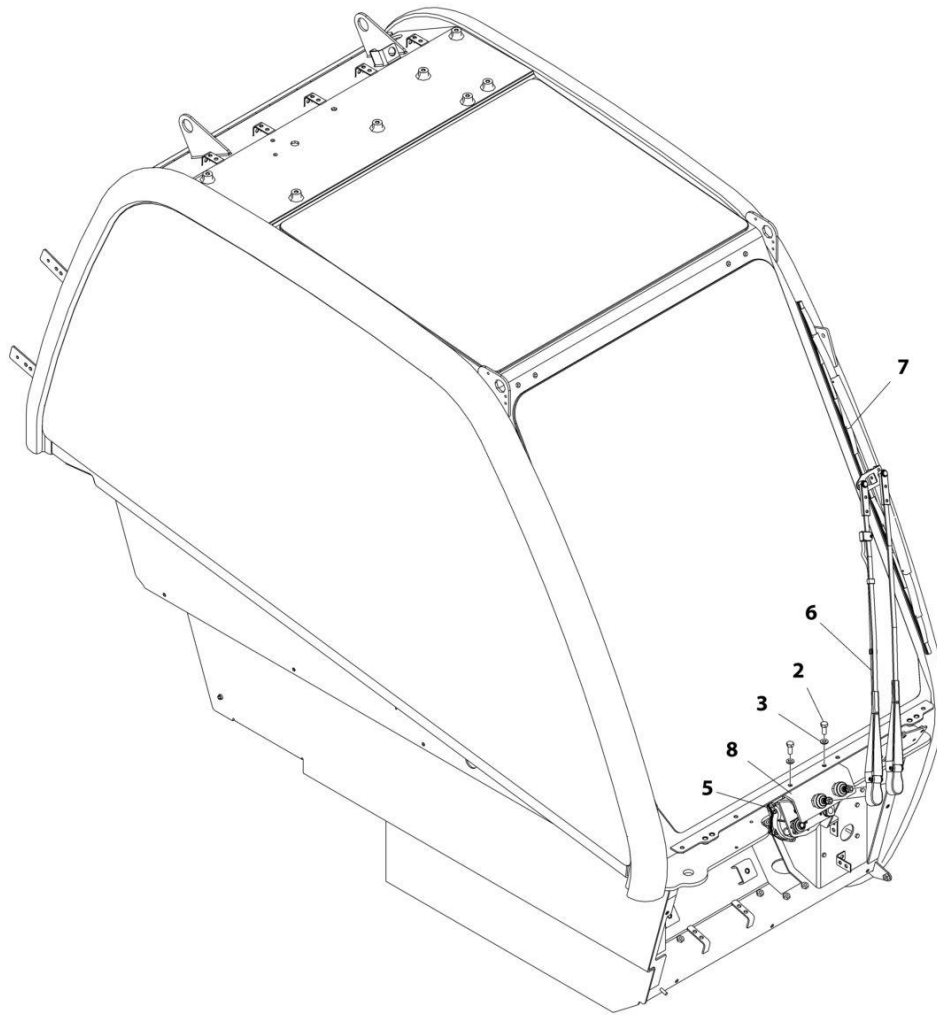
ART_1001160508-E

FIGURE 6-16. BASIC MIRROR INSTALLATION

ITEM	PART NUMBER	QTY	DESCRIPTION	REV
	1001160508	Ref	Basic Mirror Installation	E
1	0760808	2	Bolt, M8X16	
2	4811900	2	Washer, M8	
5	1001164655	1	Bracket	
6	80363195	1	Mirror	

SECTION 6 - CAB

FIGURE 6-17. FRONT WIPER INSTALLATION



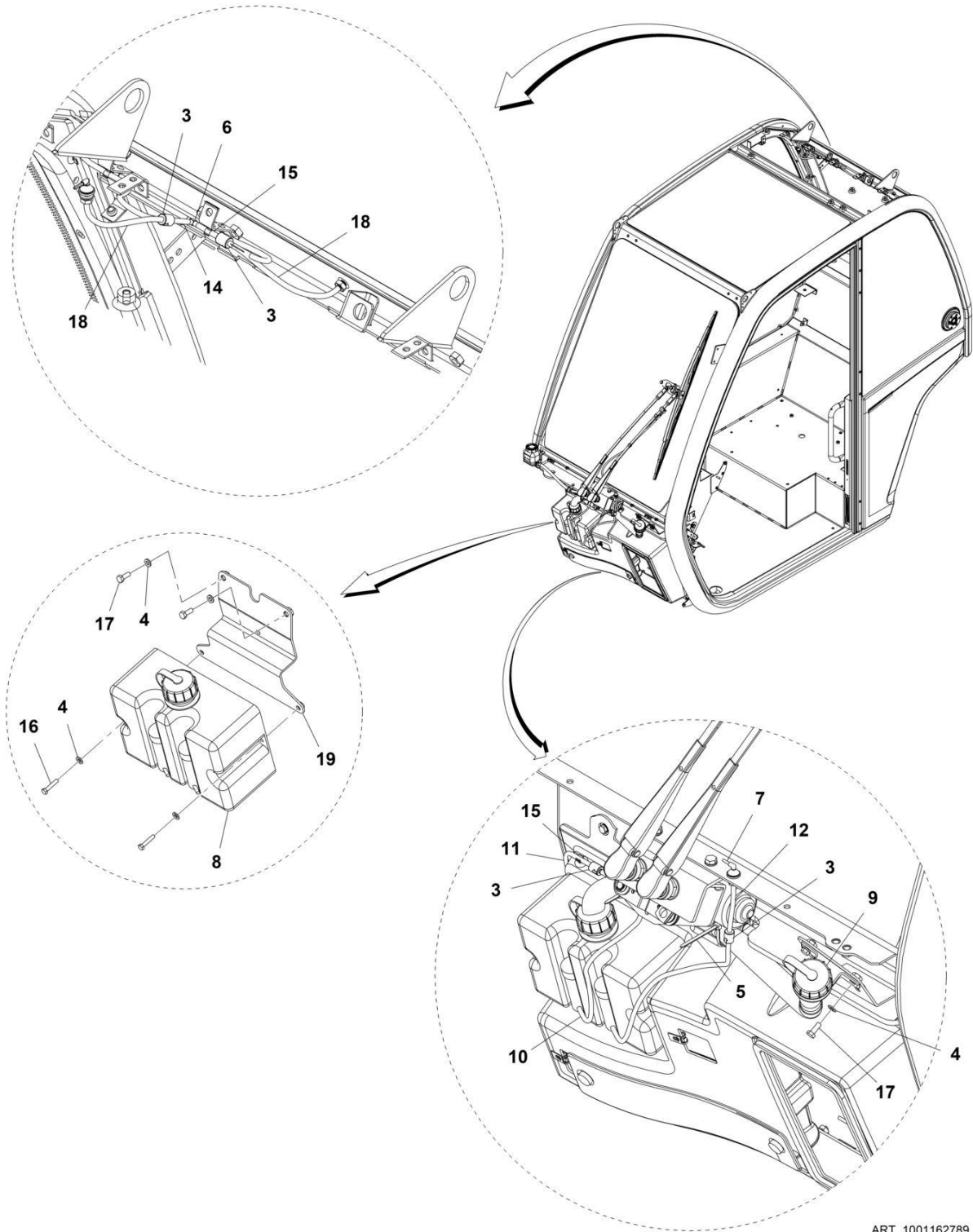
ART_1001155447-G

FIGURE 6-17. FRONT WIPER INSTALLATION

ITEM	PART NUMBER	QTY	DESCRIPTION	REV
	1001155447	Ref	Front Wiper Installation	G
2	0760810	2	Bolt, M8X20	
3	4811900	2	Washer, M8	
5	1001214092	1	Motor, Front Wiper	
6	1001212369	1	Arm, Front Wiper	
7	1001141281	1	Blade, Wiper	
8	1001165637	1	Bracket	

SECTION 6 - CAB

FIGURE 6-18. WASHER TANK INSTALLATION



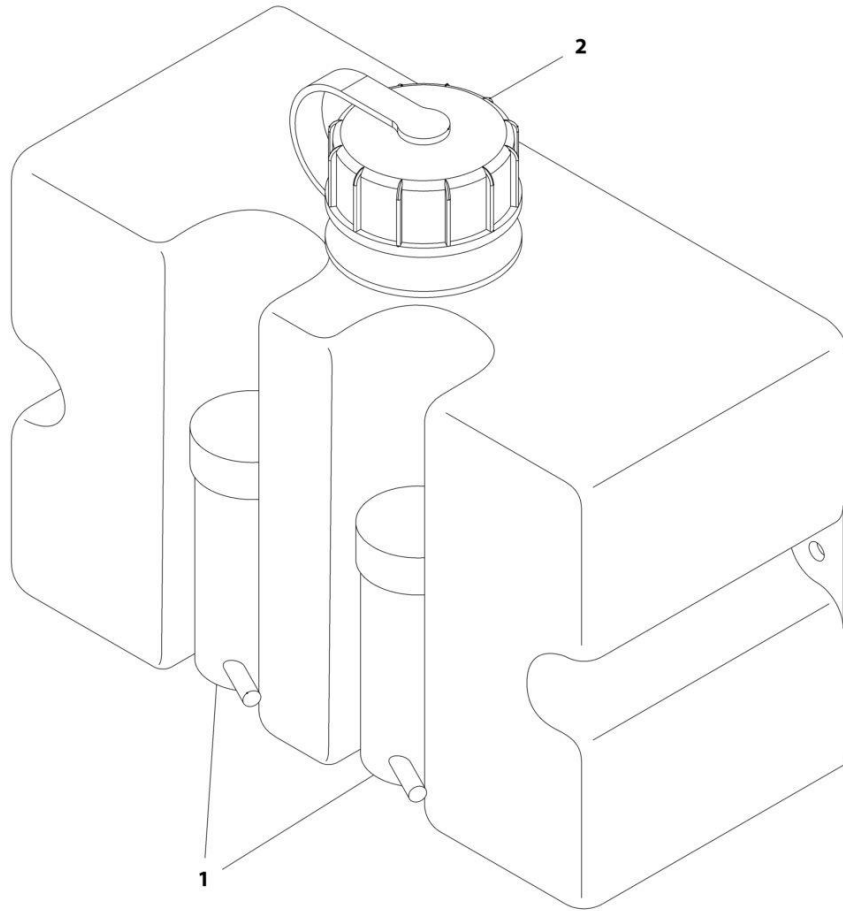
ART_1001162789

FIGURE 6-18. WASHER TANK INSTALLATION

ITEM	PART NUMBER	QTY	DESCRIPTION	REV
	1001162789	Ref	Washer Tank Installation	M
3	1001201331	4	Valve, Check	
4	4811700	6	Washer, M6	
5	471678	2	Strap, Tie	
6	1001008742	1	Coupling, Tee	
8	1001165269	1	Bottle, Washer (See Separate Breakdown in this Section)	
9	1001165270	1	Hose, Washer Filler	
10	1001165351	2	Hose	
11	1001165407	1	Hose	
12	1001165416	1	Hose	
14	1001165455	2	Hose	
15	1001165458	16	Hose	
16	0760512	2	Bolt M5X25	
17	0760608	4	Bolt, M6X16	
18	1001178123	2	Hose	
19	1001171756	1	Bracket	

SECTION 6 - CAB

FIGURE 6-19. WASHER BOTTLE



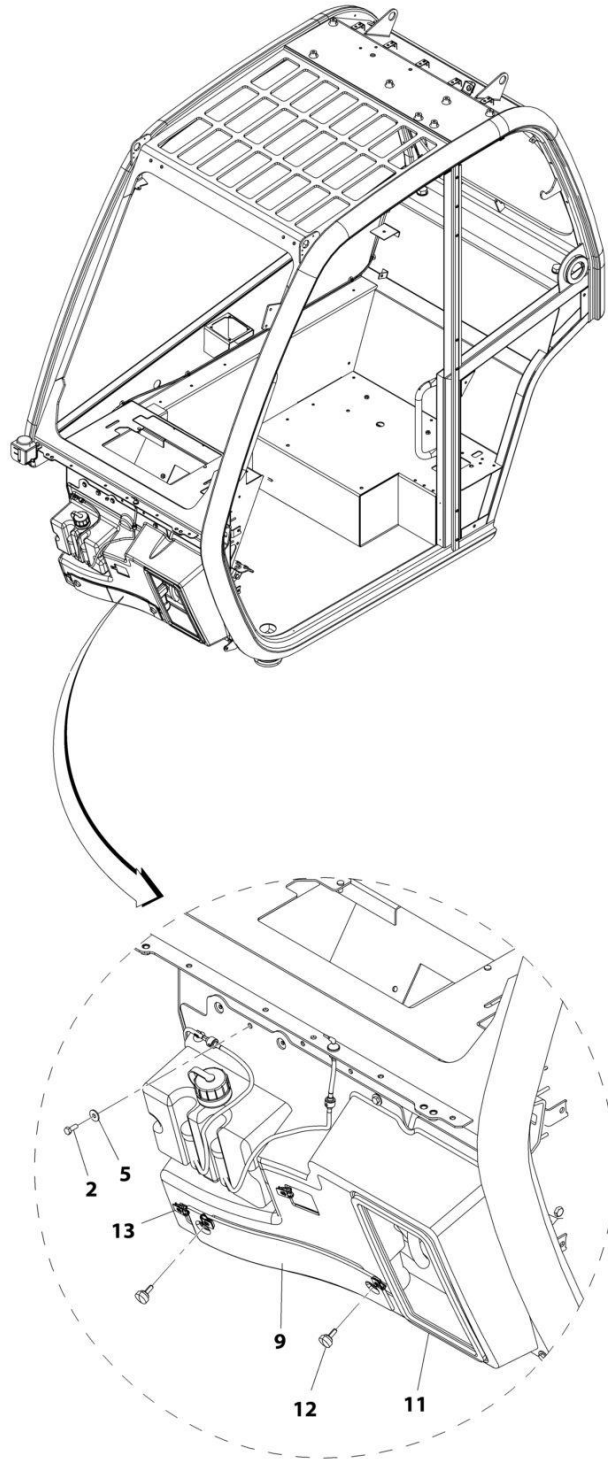
ART_1001165269-B

FIGURE 6-19. WASHER BOTTLE

ITEM	PART NUMBER	QTY	DESCRIPTION	REV
	1001165269	Ref	Washer Bottle	B
1	1001165327	2	Pump, Washer	
2	1001165273	1	Cap, Washer	

SECTION 6 - CAB

FIGURE 6-20. FRONT COVER INSTALLATION



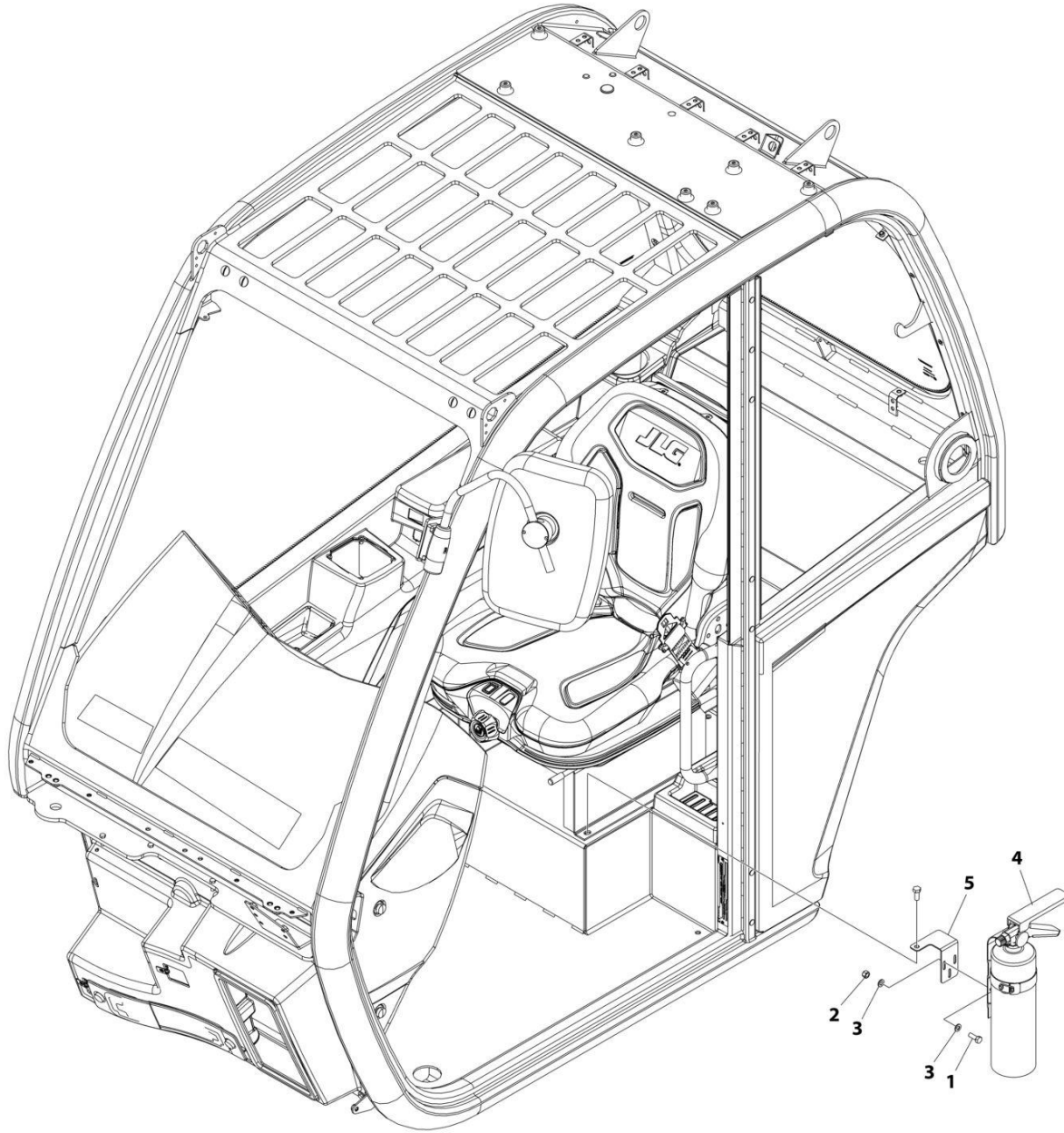
ART_1001170366-G

FIGURE 6-20. FRONT COVER INSTALLATION

ITEM	PART NUMBER	QTY	DESCRIPTION	REV
	1001170366	Ref	Front Cover Installation	G
2	0760608	7	Bolt, M6X16	
5	4811702	7	Washer, M6	
9	1001175471	1	Panel, Filter Tray (See Separate Breakdown in this Section)	
11	1001176121	1	Cover, Front Duct (See Separate Breakdown in this Section)	
12	2080092	2	Thumb Screw, M6X16	
13	8305919	4	Nut, M6	

SECTION 6 - CAB

FIGURE 6-21. FIRE EXTINGUISHER INSTALLATION



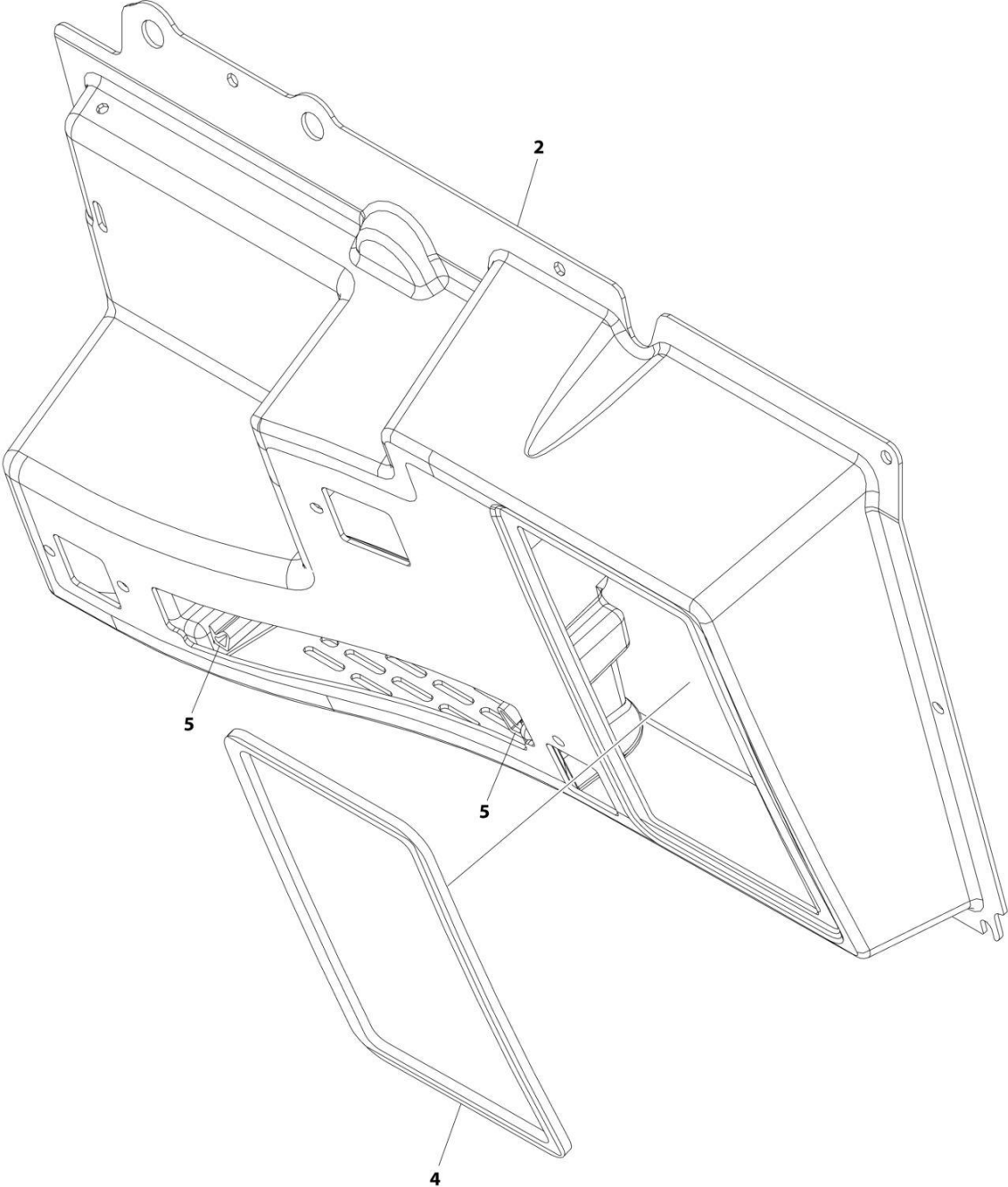
ART_1001258099

FIGURE 6-21. FIRE EXTINGUISHER INSTALLATION

ITEM	PART NUMBER	QTY	DESCRIPTION	REV
	1001258099	Ref	FIRE EXTINGUISHER INSTALLATION	A
1	0760507	3	Bolt M5X14	
2	3290505	3	Nut M5	
3	4811600	6	Washer M5	
4	1001099699	1	Fire Extinguisher Assy	
5	1001241337	1	Bracket	

SECTION 6 - CAB

FIGURE 6-22. FRONT DUCT COVER



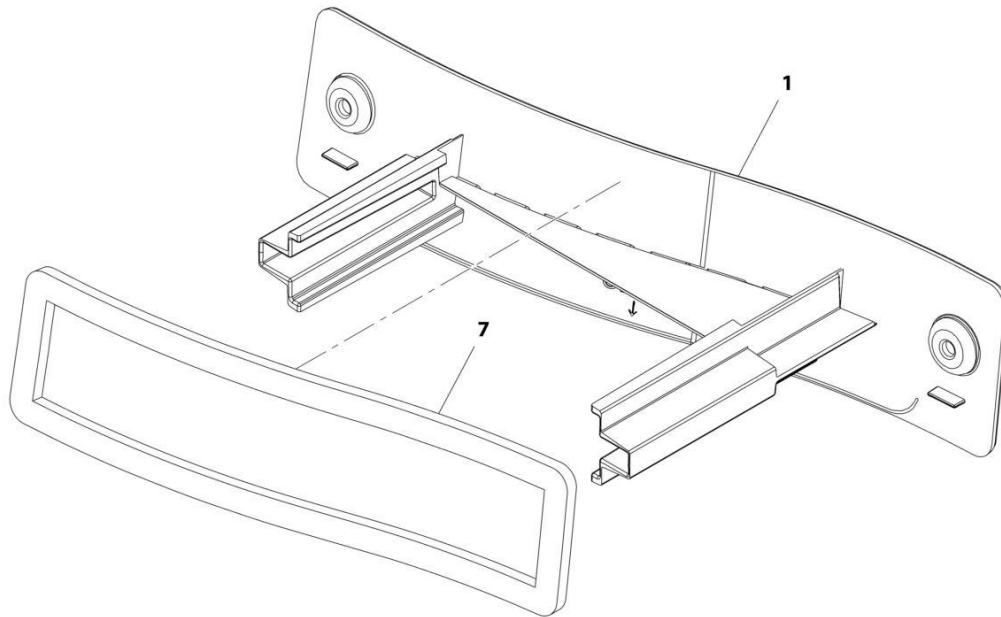
ART_1001176121

FIGURE 6-22. FRONT DUCT COVER

ITEM	PART NUMBER	QTY	DESCRIPTION	REV
	1001176121	Ref	FRONT DUCT COVER	H
2	1001170326	1	Cover, Front	
4	1001175470	1	Seal, Front Cab Panel	
5	1001270117	AR	Seal, Bulb	

SECTION 6 - CAB

FIGURE 6-23. FILTER TRAY PANEL



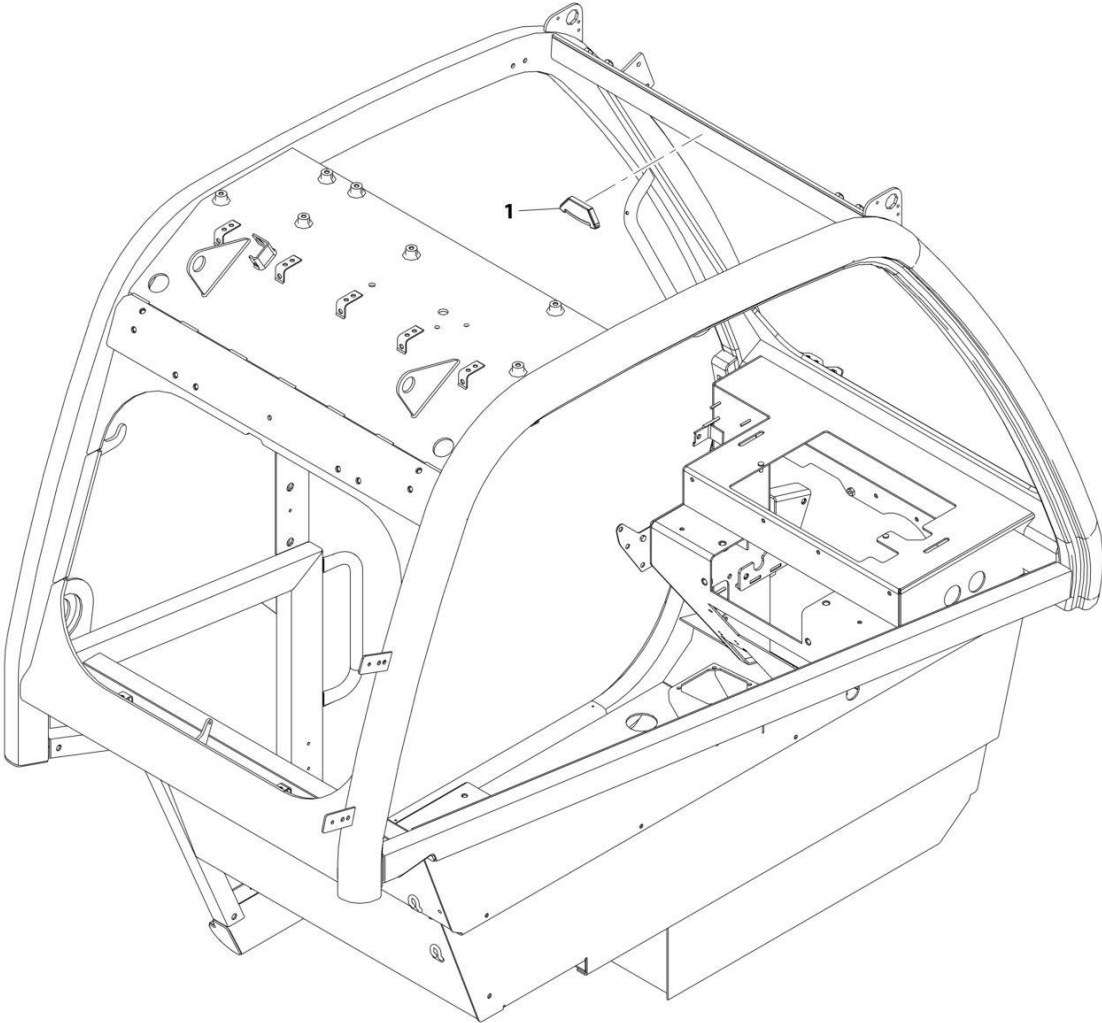
ART_1001175471-D

FIGURE 6-23. FILTER TRAY PANEL

ITEM	PART NUMBER	QTY	DESCRIPTION	REV
	1001175471	Ref	Filter Tray Panel	D
1	1001170993	1	Panel, Front Inlet	
7	1001171767	1	Cab, Front Panel Seal	

SECTION 6 - CAB

FIGURE 6-24. LEVEL INDICATOR INSTALLATION



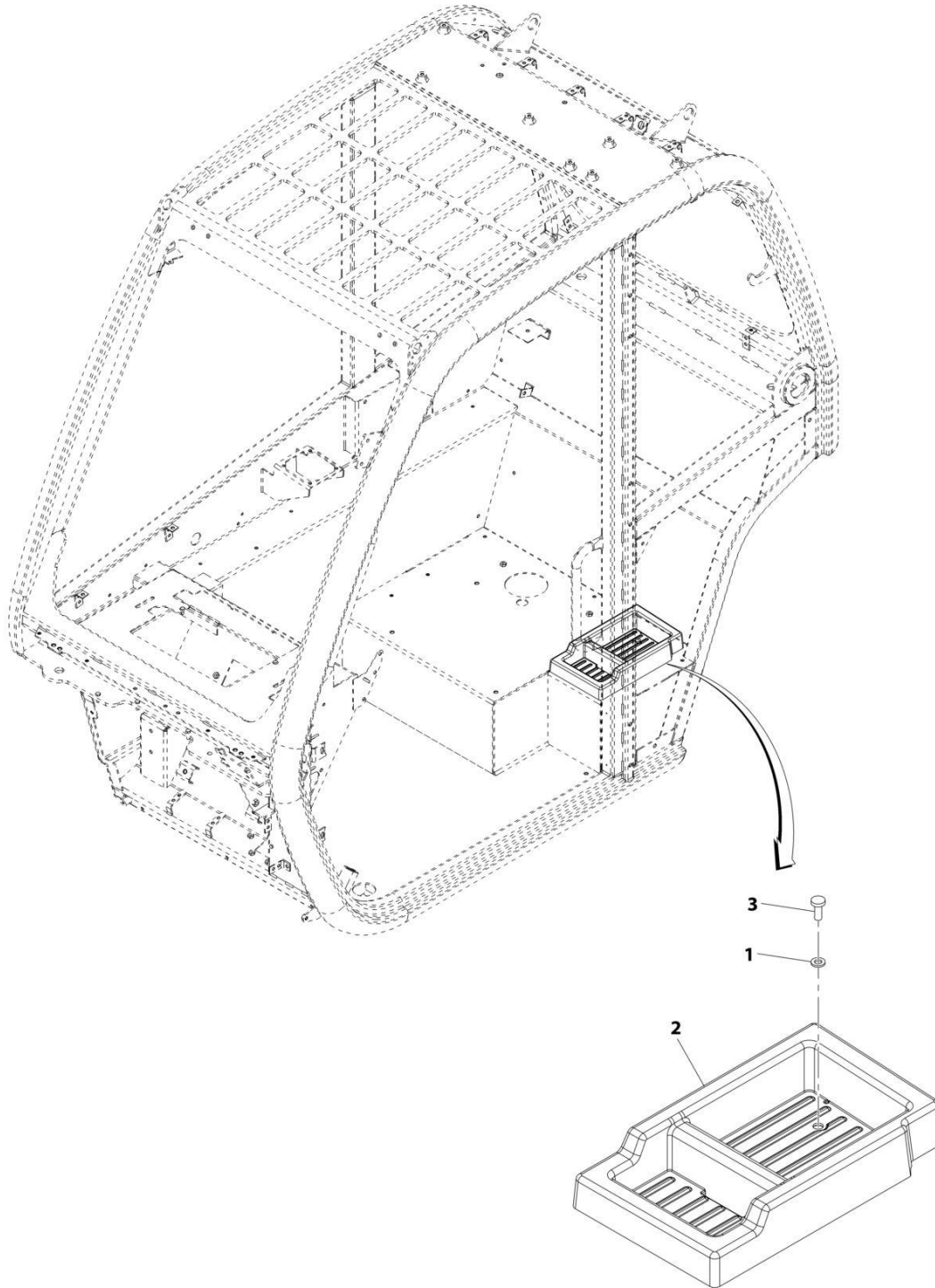
ART_1001172401-C

FIGURE 6-24. LEVEL INDICATOR INSTALLATION

ITEM	PART NUMBER	QTY	DESCRIPTION	REV
1	1001172401 8466306	Ref 1	Level Indicator Installation Gauge, Tilt Angle	C

SECTION 6 - CAB

FIGURE 6-25. CAB STORAGE TRAY INSTALLATION



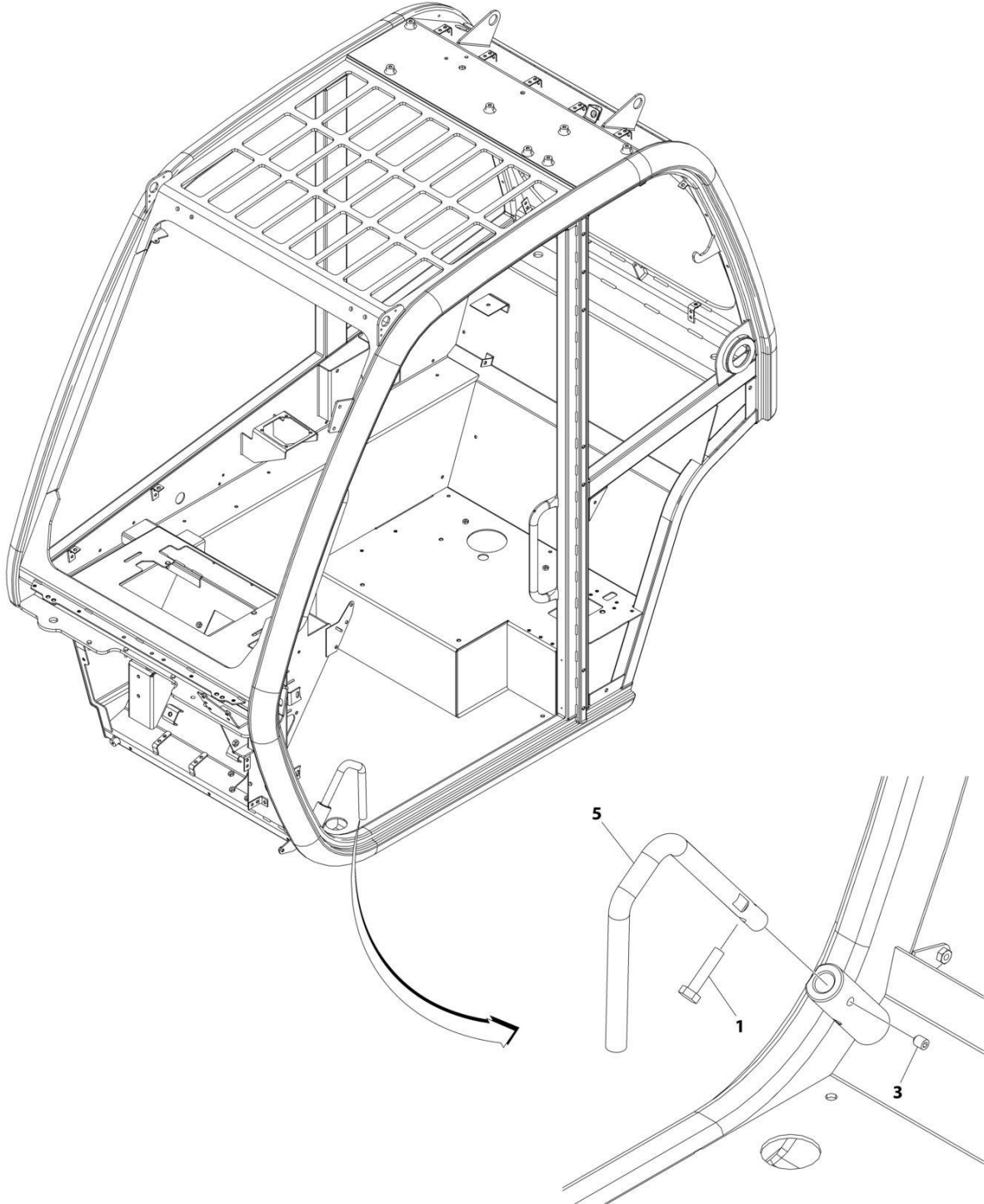
ART_1001249406-B

FIGURE 6-25. CAB STORAGE TRAY INSTALLATION

ITEM	PART NUMBER	QTY	DESCRIPTION	REV
	1001249406	Ref	Cab Storage Tray Installation	B
1	4811700	1	Washer, M6	
2	1001170515	1	Insert, Storage Tray	
3	4010608002	1	Screw, Posi-Drive, M6X16	

SECTION 6 - CAB

FIGURE 6-26. GRAB HANDLE INSTALLATION



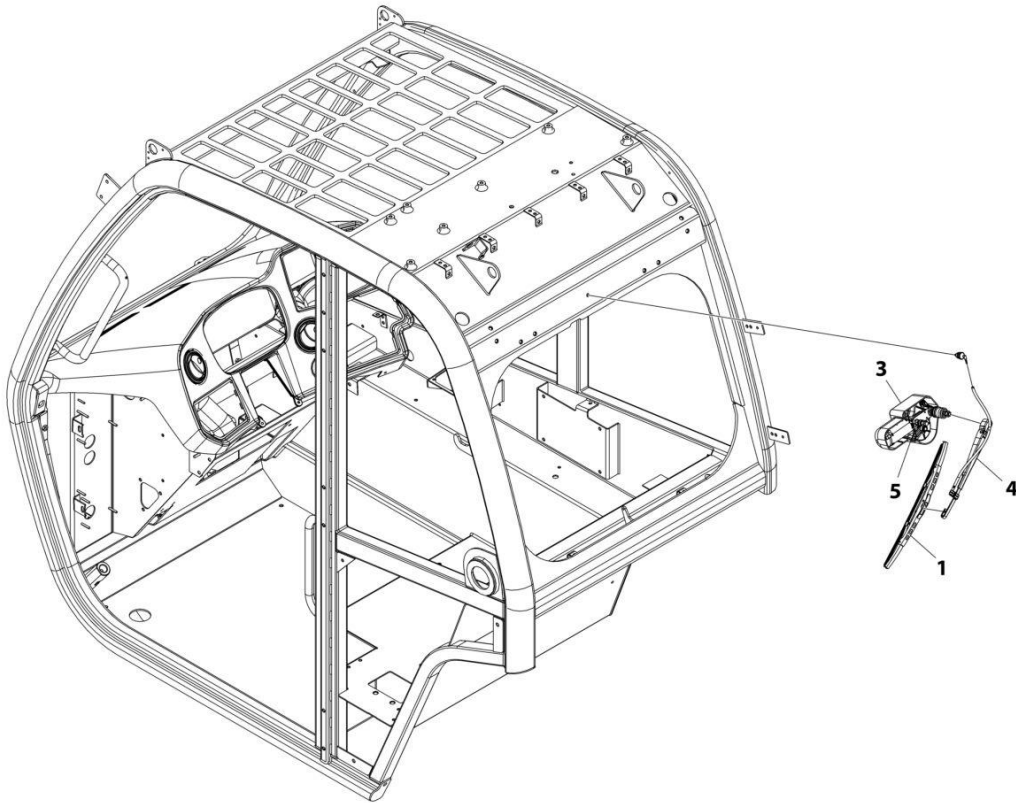
ART_1001255301_C

FIGURE 6-26. GRAB HANDLE INSTALLATION

ITEM	PART NUMBER	QTY	DESCRIPTION	REV
	1001255301	Ref	Grab Handle Installation	C
1	0761015001	1	Bolt, M10X35	
3	4092006	1	Bolt, M10X12	
5	1001247335	1	Handle	

SECTION 6 - CAB

FIGURE 6-27. REAR WIPER INSTALLATION



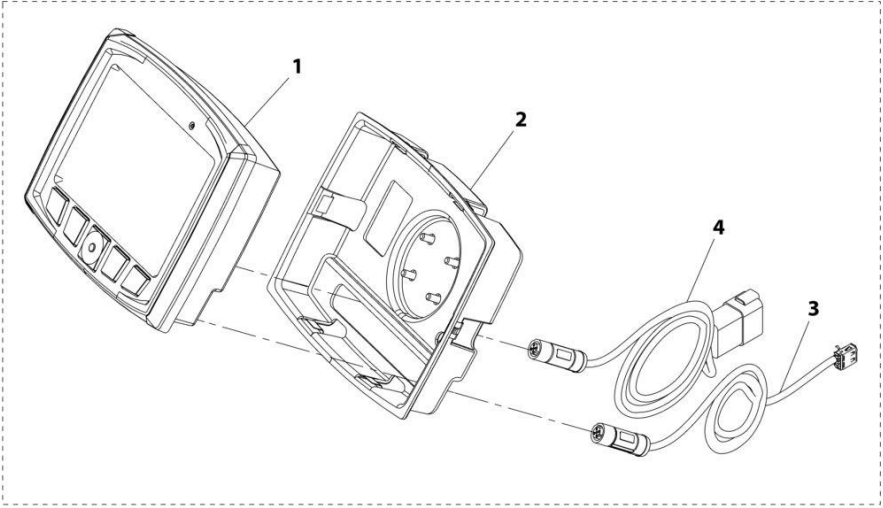
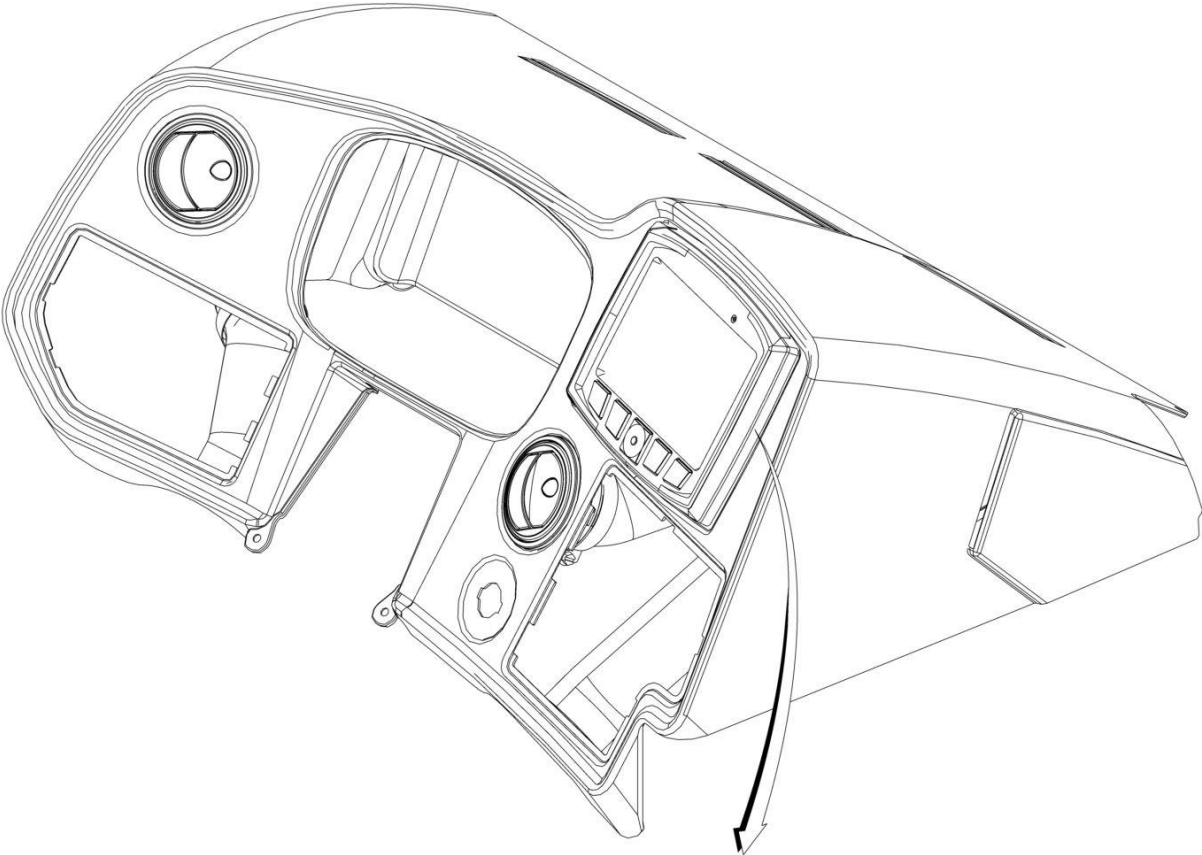
ART_1001220329_B

FIGURE 6-27. REAR WIPER INSTALLATION

ITEM	PART NUMBER	QTY	DESCRIPTION	REV
	1001220329	Ref	REAR WIPER INSTALLATION	B
1	4807718	1	Wiper Blade, Oslv Italia	
3	1001139552	1	Motor, Wiper, Rear Window	
4	1001141312	1	Blade, Arm, Rear Window	
5	3290801	1	Nut M8	

SECTION 6 - CAB

FIGURE 6-28. MULTIFUNCTION DISPLAY INSTALLATION



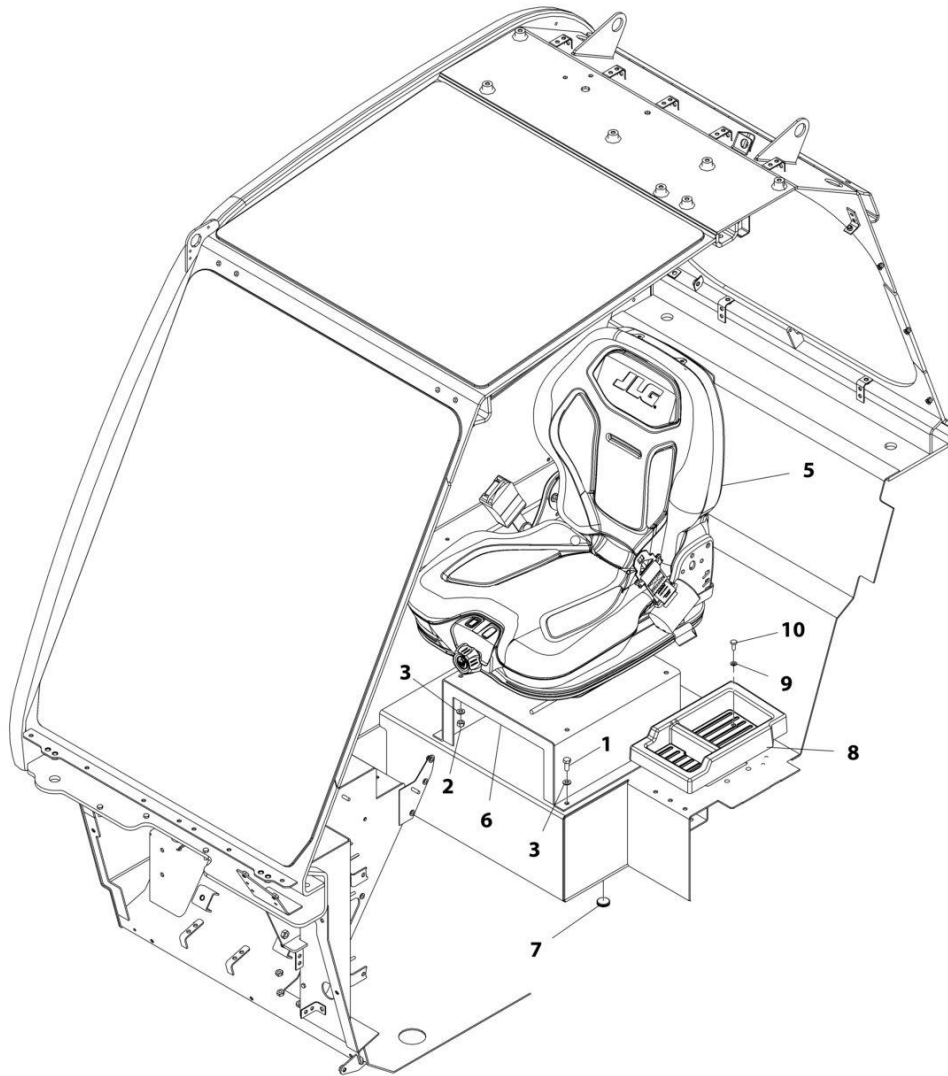
ART_1001176338-C

FIGURE 6-28. MULTIFUNCTION DISPLAY INSTALLATION

ITEM	PART NUMBER	QTY	DESCRIPTION	REV
	1001176338	Ref	Multifunction Display Installation	C
1	1001250161	1	Display	
2	1001178783	1	Bezel	
3	1001180682	1	Cable	
4	1001180683	1	Cable, Video	

SECTION 6 - CAB

FIGURE 6-29. SEAT INSTALLATION



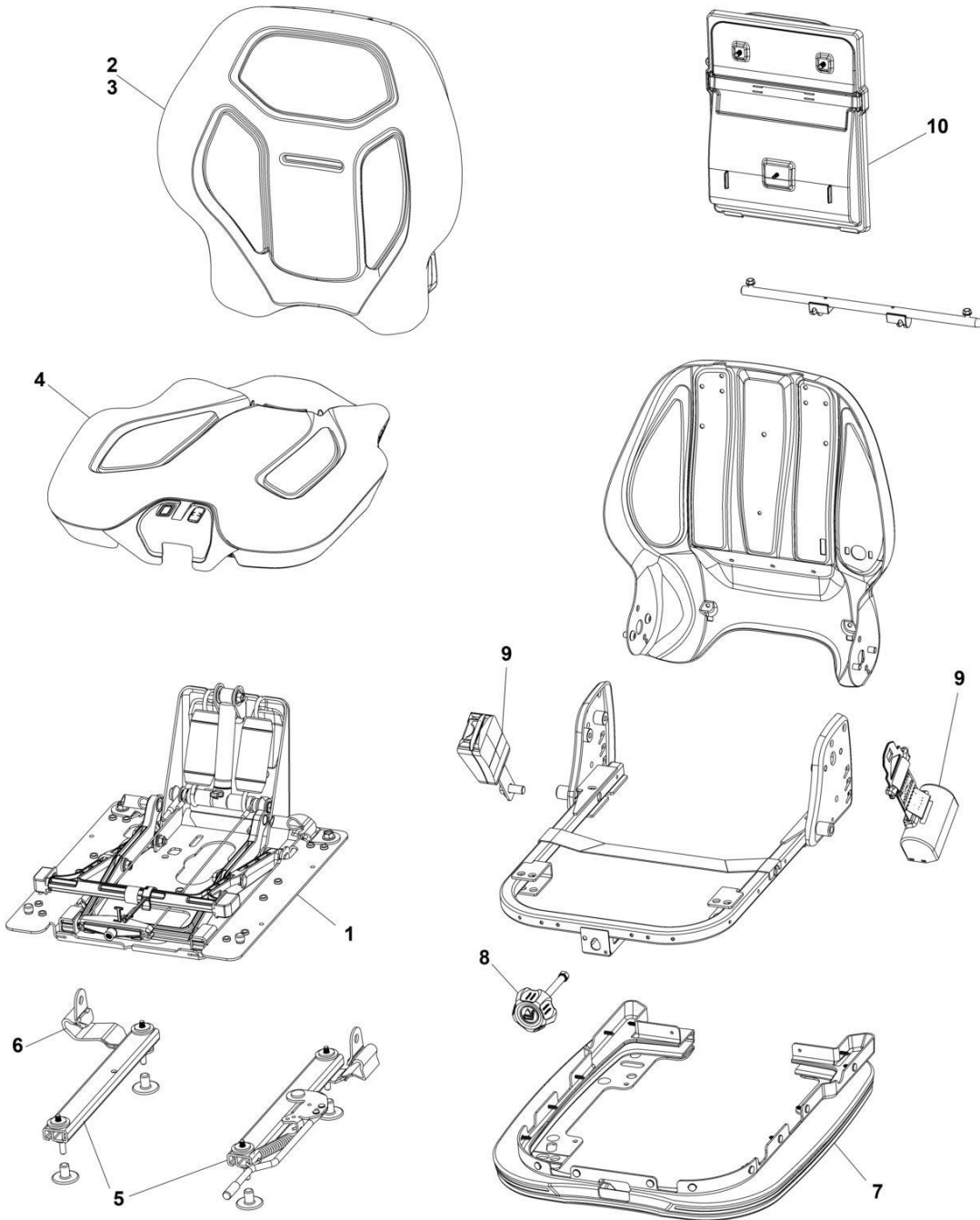
ART_1001164615-G

FIGURE 6-29. SEAT INSTALLATION

ITEM	PART NUMBER	QTY	DESCRIPTION	REV
	1001164615	Ref	Seat Installation	I
1	0760810	4	Bolt, M8X20	
2	3311505	4	Nut, Lock 5/16-18	
3	4811900	8	Washer, M8	
5	1001275929	1	Seat (See Separate Breakdown in this Section)	
6	1001164498	1	Plinth, Seat	
7	1001196076	1	Plug	
8	1001170515	1	Insert, Storage Tray	
9	4811700	1	Washer, M6	
10	4010608002	1	Screw, Posi-Drive, M6X16	

SECTION 6 - CAB

FIGURE 6-30. SUSPENSION SEAT ASSEMBLY (ORANGE SEAT BELT)



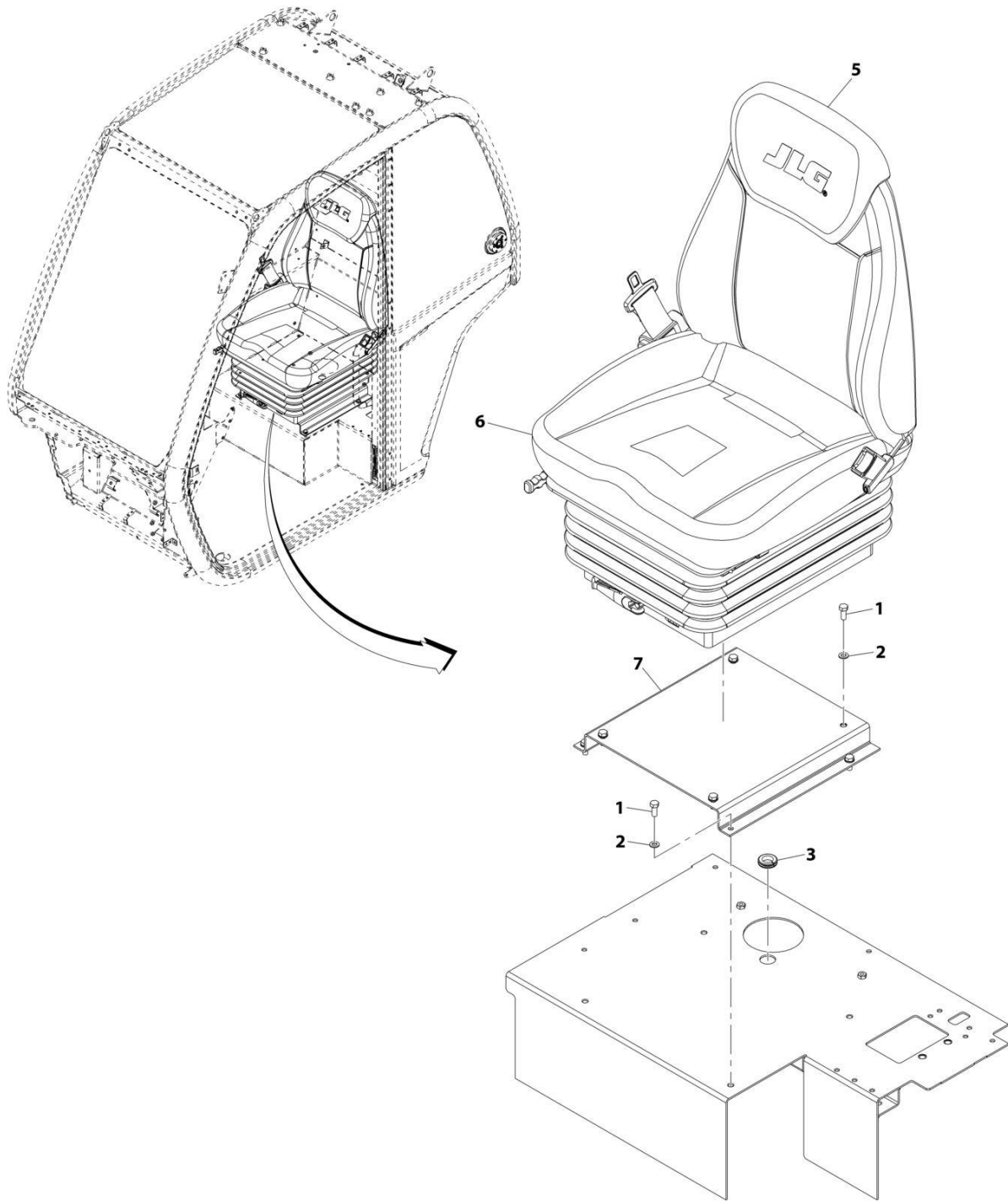
ART_1001275929

FIGURE 6-30. SUSPENSION SEAT ASSEMBLY (ORANGE SEAT BELT)

ITEM	PART NUMBER	QTY	DESCRIPTION	REV
	1001275929	Ref	Seat Assembly	A
1	70027024	1	Suspension Kit	
2	70027026	1	Back Cushion Kit (JLG)	
3	70027027	1	Back Cushion Kit (CAT)	
4	70027028	1	Seat Cushion Kit	
5	7026798	1	Adjuster Kit	
6	70027032	1	Tether strap	
7	70027030	1	Boot Kit	
8	70027033	1	Weight Adjust Knob Kit	
9	1001275933	1	Seat Belt	
10	70027035	1	Document box Kit	

SECTION 6 - CAB

FIGURE 6-31. SEAT INSTALLATION (CLOTH)



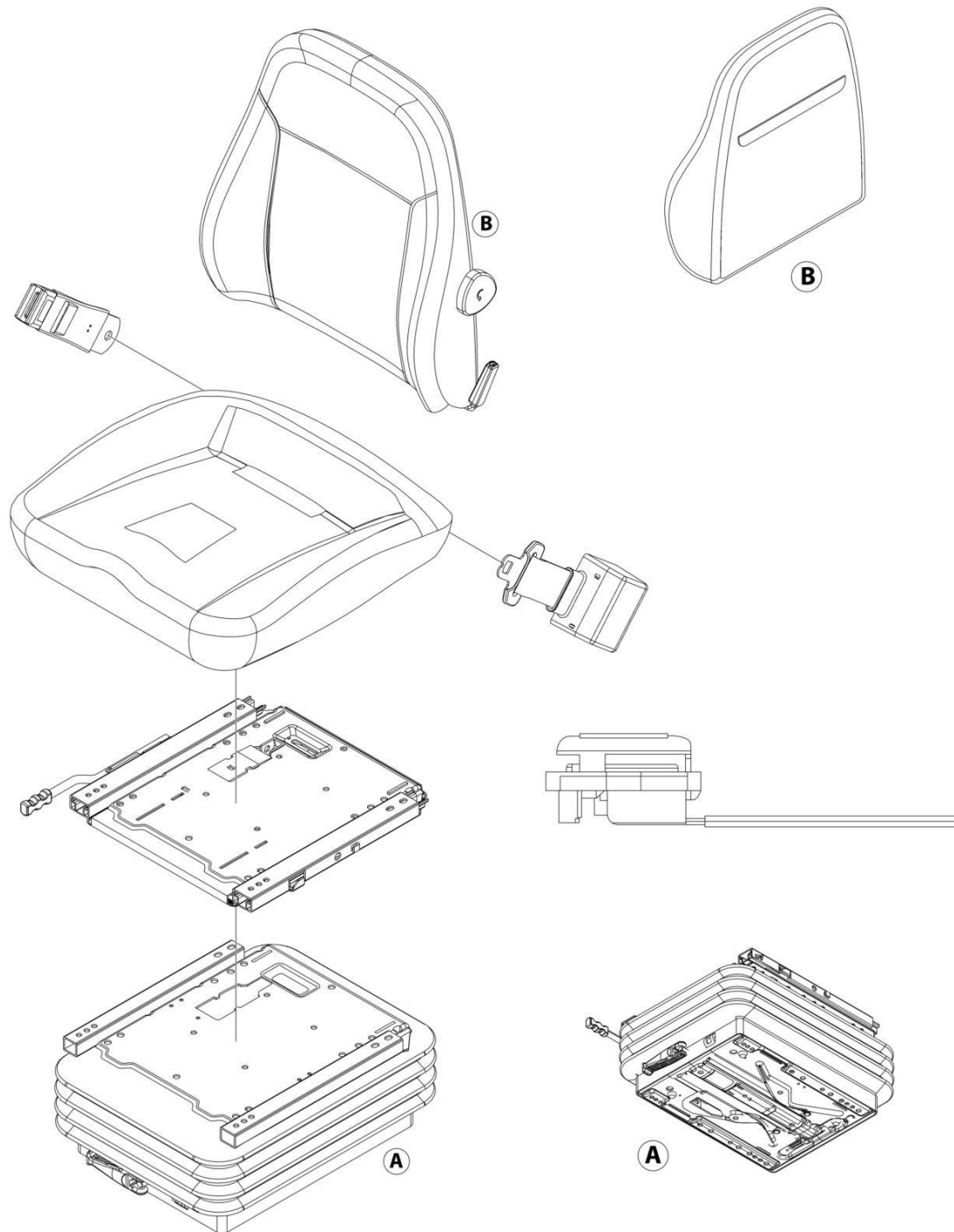
ART_1001158601-D

FIGURE 6-31. SEAT INSTALLATION (CLOTH)

ITEM	PART NUMBER	QTY	DESCRIPTION	REV
	1001158601	Ref	Seat Installation (Cloth)	E
1	0760810	8	Bolt, M8X20	
2	4811900	8	Washer, M8	
3	1001216974	1	Grommet	
5	1001119467	1	Headrest, Cloth	
6	1001288070	1	Assembly, Seat (See Separate Breakdown in this Section)	
7	1001158738C	1	Plinth, Seat	

SECTION 6 - CAB

FIGURE 6-32. SEAT ASSEMBLY



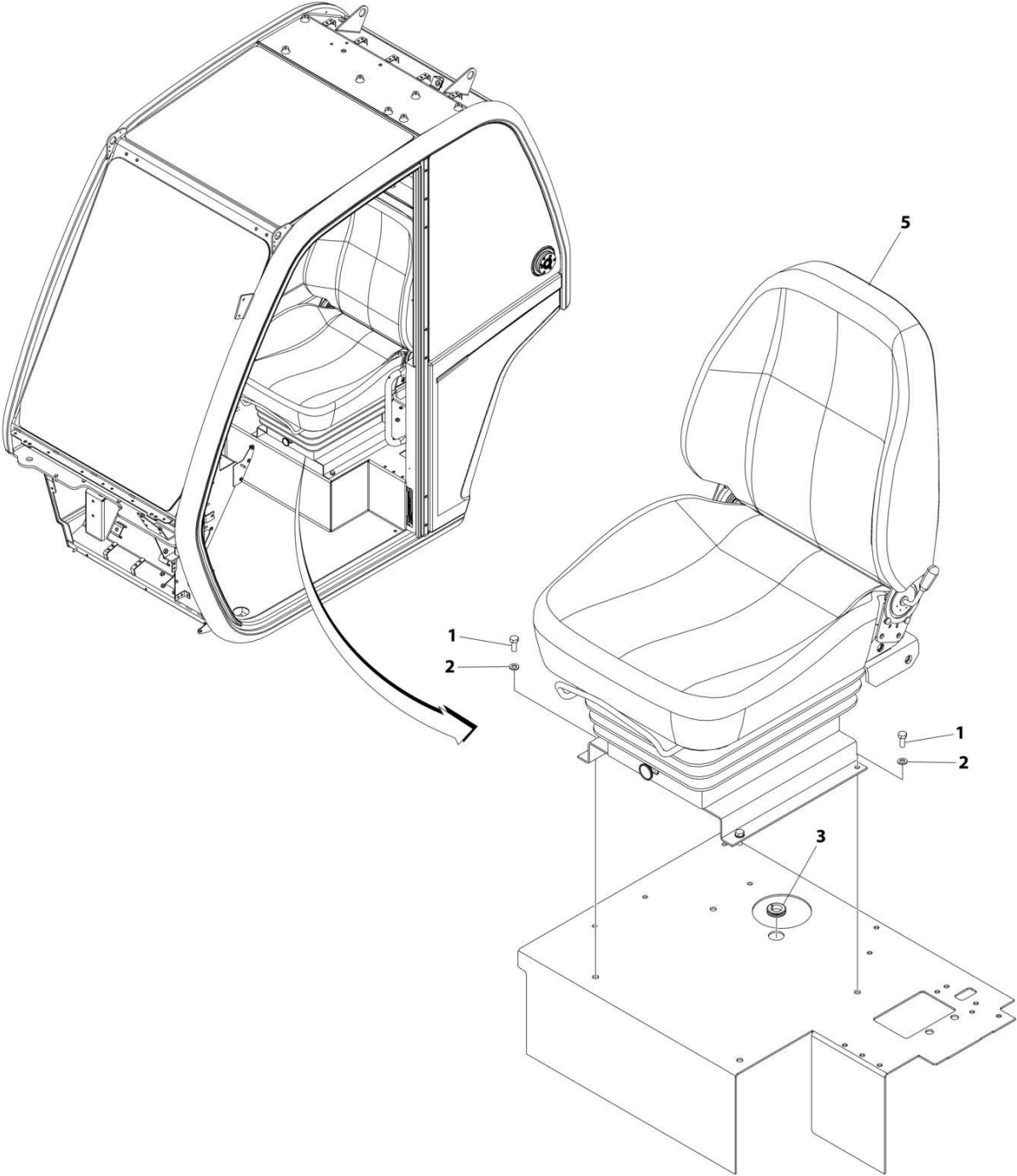
ART_1001288070

FIGURE 6-32. SEAT ASSEMBLY

ITEM	PART NUMBER	QTY	DESCRIPTION	REV
	1001288070 See Note	Ref NSS	SEAT ASSEMBLY Note: No Available Parts at time of Printing	B

SECTION 6 - CAB

FIGURE 6-33. SEAT INSTALLATION (AIR SUSPENSION - STANDARD)



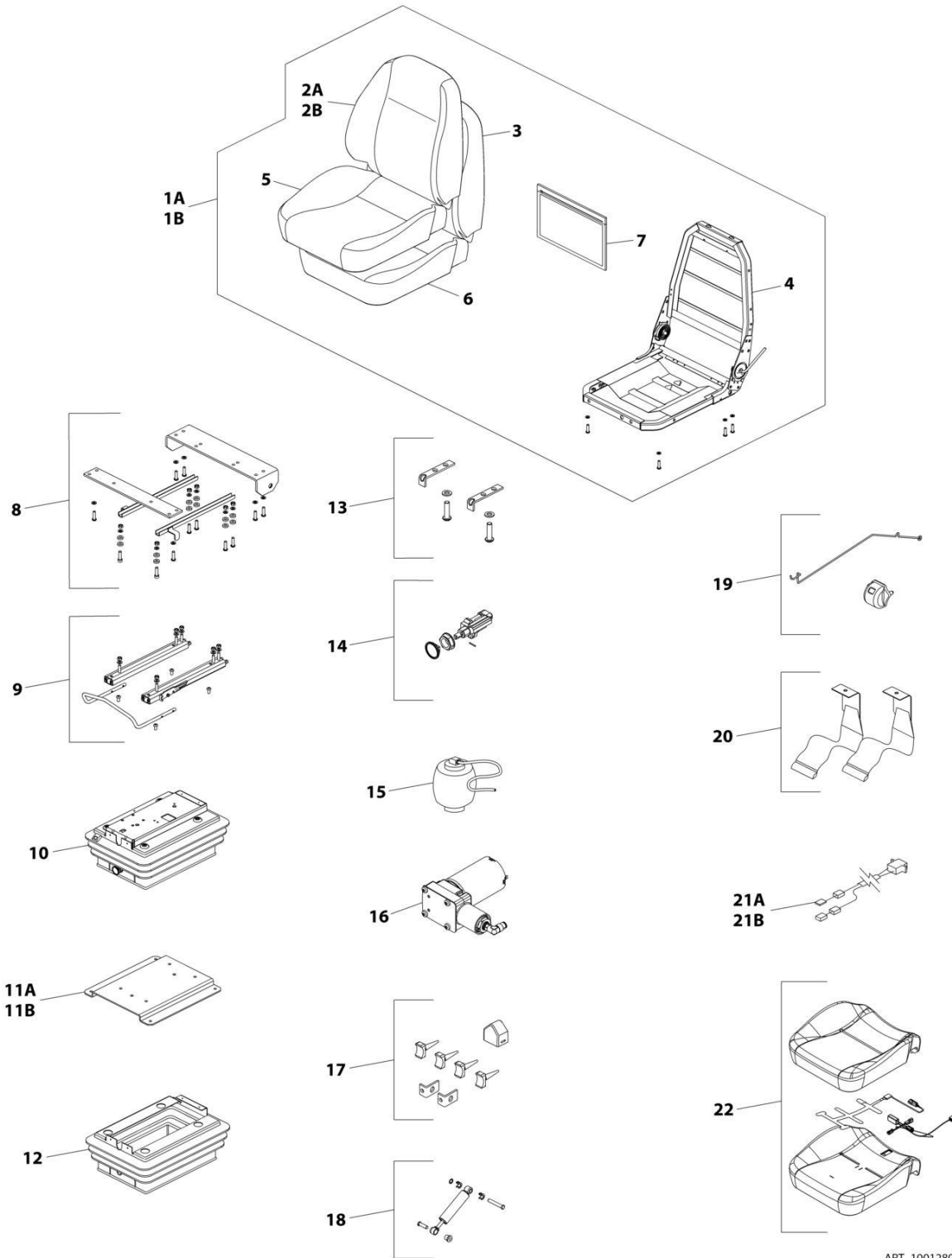
ART_1001158596_E

FIGURE 6-33. SEAT INSTALLATION (AIR SUSPENSION - STANDARD)

ITEM	PART NUMBER	QTY	DESCRIPTION	REV
	1001158596	Ref	SEAT INSTALLATION (AIR SUSPENSION - STANDARD)	E
1	0760810	4	Bolt, M8X20	
2	4811900	4	Washer, M8	
3	1001216974	1	Grommet	
5	1001280471	1	Seat Assembly (See Separate Breakdown in this Section)	

SECTION 6 - CAB

FIGURE 6-34. SEAT ASSEMBLY (AIR SUSPENSION - STANDARD)



ART_1001280471

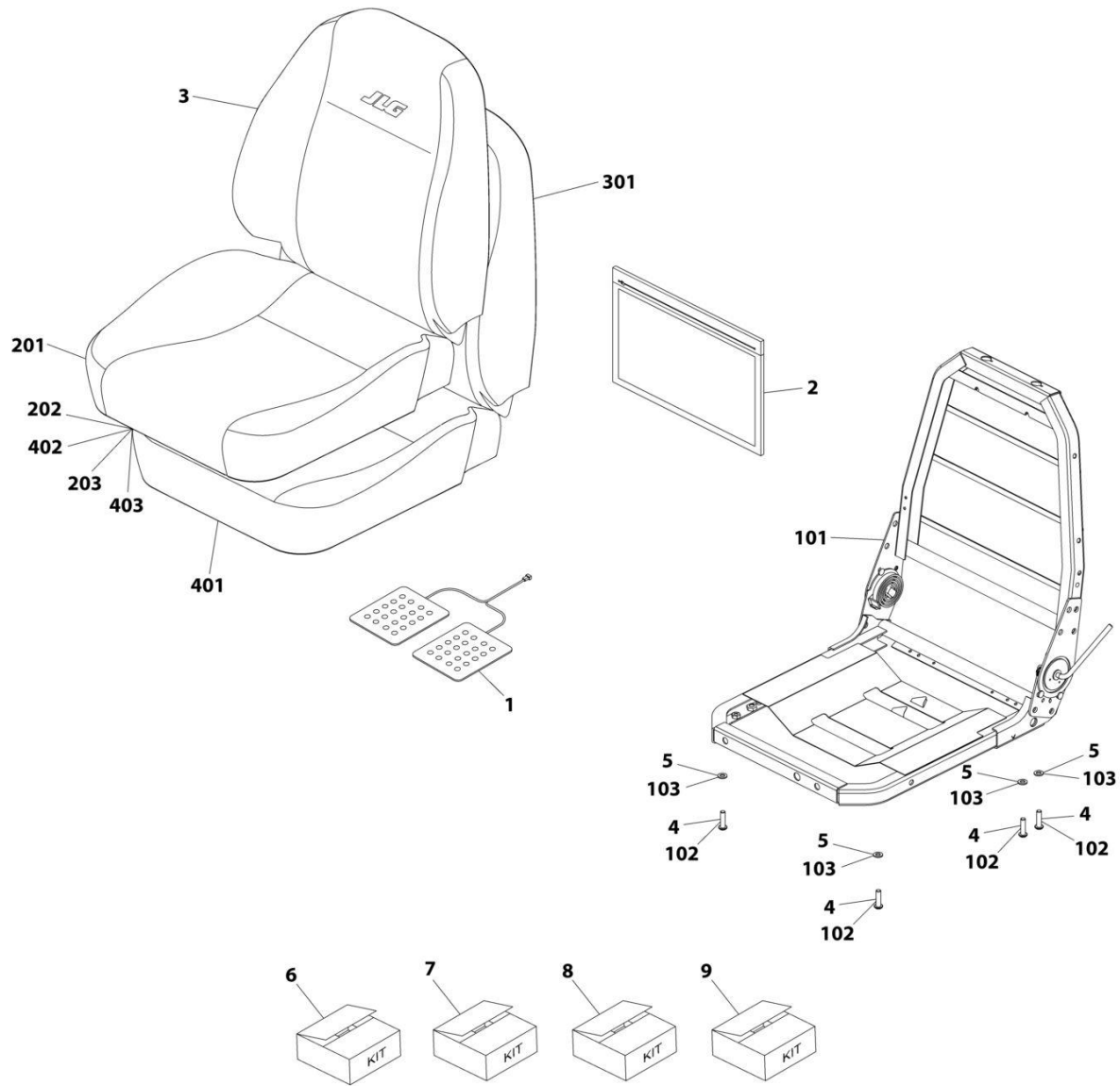
SECTION 6 - CAB

FIGURE 6-34. SEAT ASSEMBLY (AIR SUSPENSION - STANDARD)

ITEM	PART NUMBER	QTY	DESCRIPTION	REV
	1001280471	Ref	SEAT ASSEMBLY (AIR SUSPENSION - STANDARD)	A
1A	70031050	1	Cushion and Frame Assembly (Without Sensor) (Includes Items 2-7)	
1B	70031051	1	Cushion and Frame Assembly (With Sensor) (Includes Items 2-7)	
2A	70027399	1	Fabric, Seat Back (Without Sensor)	
2B	70031052	1	Fabric, Seat Back (With Sensor)	
3	80264002	1	Foam, Seat Back	
4	70021314	1	Frame, Seat Bottom and Back	
5	70027394	1	Fabric, Seat Bottom	
6	80264004	1	Foam, Seat Bottom	
7	70021316	1	Document Bag Kit	
8	70021317	1	Frame Mount Kit	
9	70021318	1	Fore/Aft Side Adjustment Kit	
10	70021319	1	Suspension Kit	
11A	70021320	1	Mounting Plate Kit (16.5mm Height)	
11B	70027395	1	Mounting Plate Kit (44.5mm Height)	
12	70021321	1	Cover, Suspension	
13	70021322	1	Side Rail Stop Kit	
14	70021323	1	Air Valve Kit	
15	70021324	1	Air Spring Kit	
16	70021325	1	Compressor Kit	
17	70021326	1	Limit Switches Kit	
18	70021327	1	Damper Kit	
19	70021328	1	Ride Indicator Kit	
20	70021329	1	Seatbelts Kit	
21A	70021330	1	Seat Adapter Harness (Without Sensor)	
21B	70031053	1	Seat Adapter Harness (With Sensor)	
22	70031054	1	Cover/Foam/Sensor Kit (Includes Items 5 & 6)	

SECTION 6 - CAB

FIGURE 6-35. UPPER SEAT ASSEMBLY



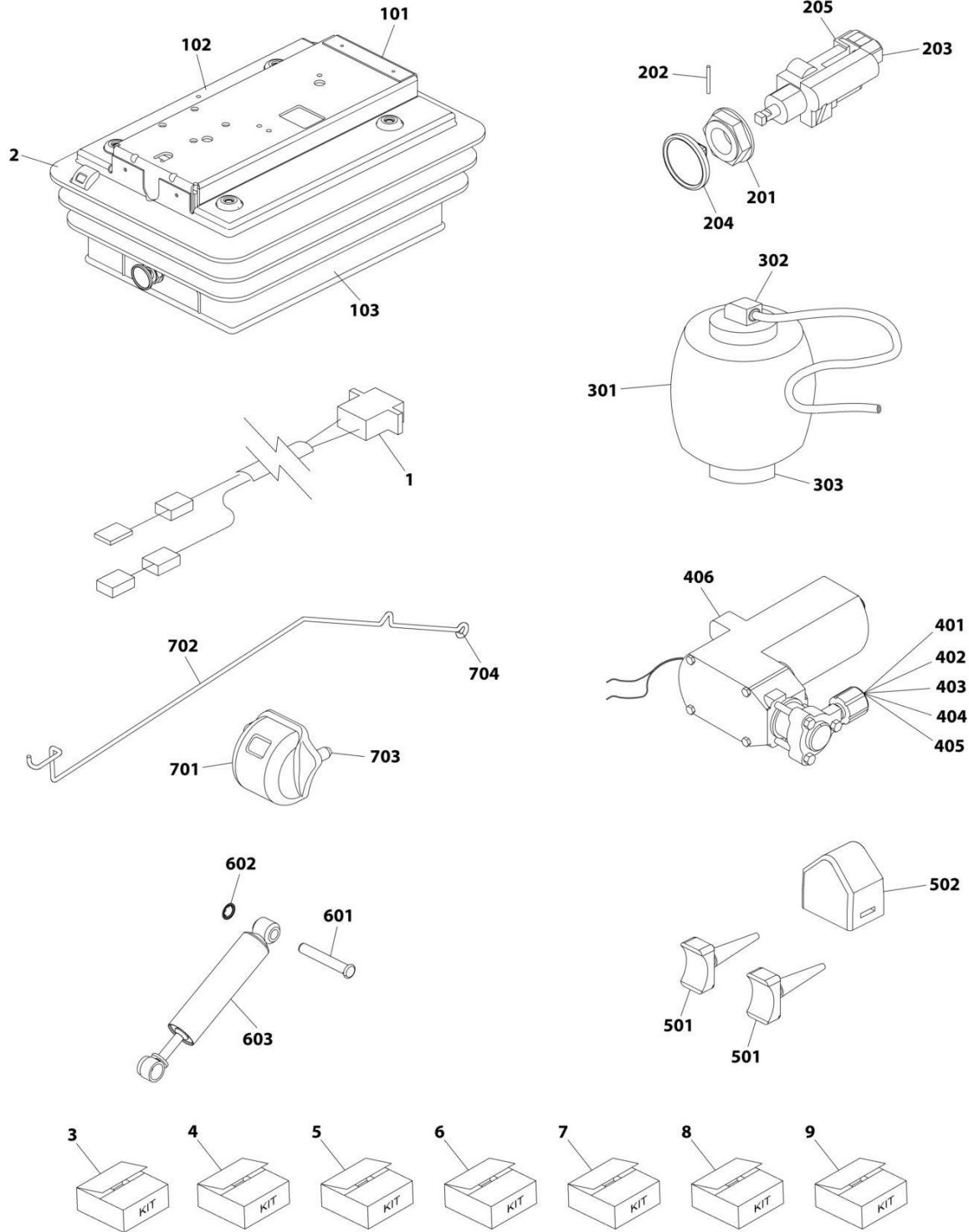
ART_70027392

FIGURE 6-35. UPPER SEAT ASSEMBLY

ITEM	PART NUMBER	QTY	DESCRIPTION	REV
	70027392	Ref	Upper Seat Assembly	
1	70025539	1	Pad, Sensor	
2	70021316	1	Bag	
3	70027393	1	Cover, Back	
4	N.S.S.	4	Bolt, M8X25	
5	N.S.S.	4	Washer	
6	70021314	1	Kit, Frame (includes items 101 thru 103)	
7	70027394	1	Kit, Bottom Seat Cover (includes items 201 thru 203)	
8	80264002	1	Kit, Back Foam (includes items 301 thru 303)	
9	80264004	1	Kit, Seat Foam (includes items 401 thru 403)	
101	N.S.S.	1	Frame, Seat	
102	N.S.S.	4	Bolt, M8X25	
103	N.S.S.	4	Washer	
201	N.S.S.	1	Cover, Seat	
202	N.S.S.	2	Clip	
203	N.S.S.	17	Clip	
301	N.S.S.	1	Foam, Back	
302	N.S.S.	3	Bar, Trim	
303	N.S.S.	4	Ring	
401	N.S.S.	1	Foam, Seat	
402	N.S.S.	2	Clip	
403	N.S.S.	17	Clip	

SECTION 6 - CAB

FIGURE 6-36. SUSPENSION KIT



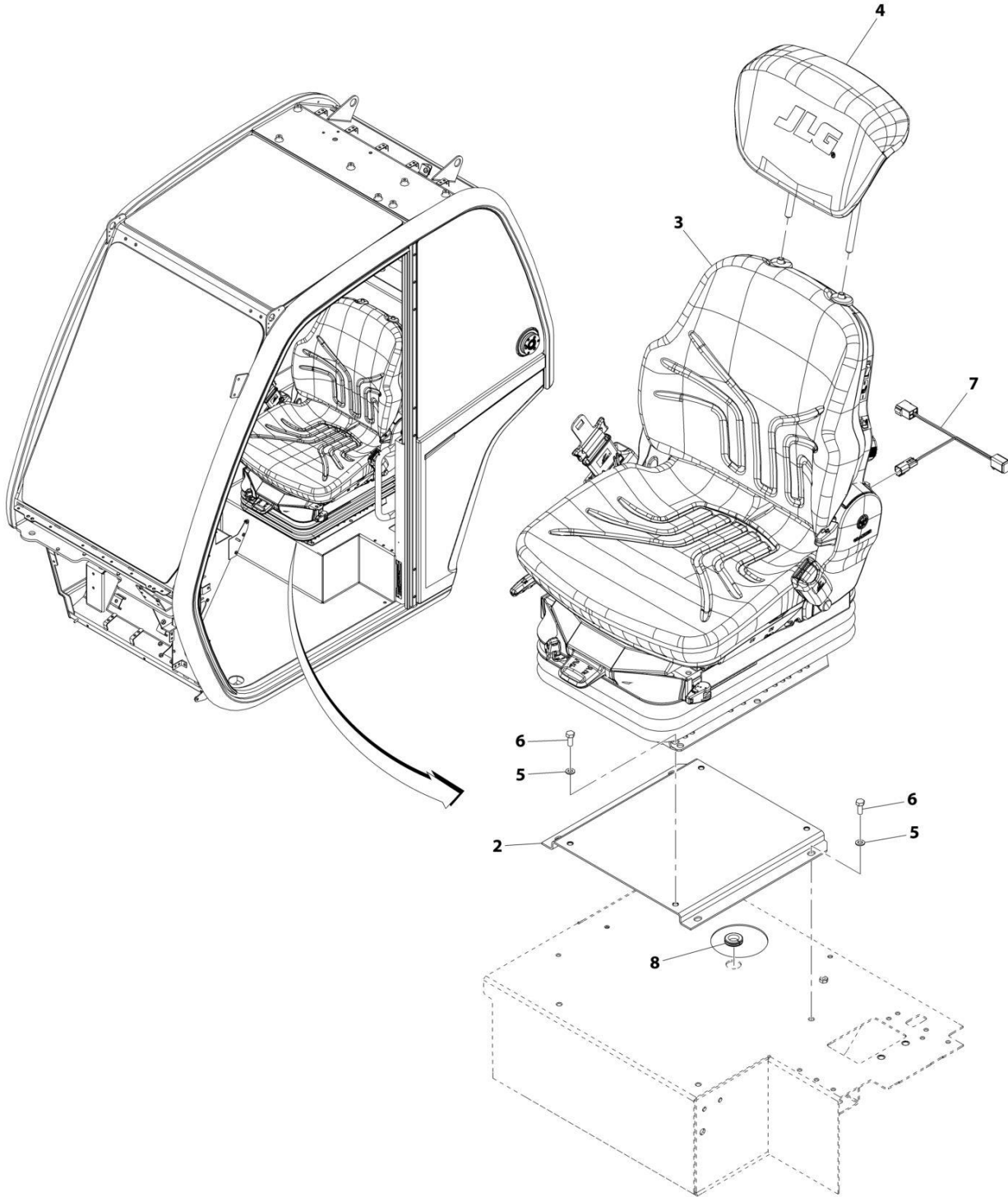
ART_70021319

FIGURE 6-36. SUSPENSION KIT

ITEM	PART NUMBER	QTY	DESCRIPTION	REV
	70021319	Ref	Suspension Kit	
1	70021330	1	Lead, Fly	
2	N.S.S.	1	Suspension	
3	70021321	1	Kit, Suspension Cover (includes items 101 thru 103)	
4	70021323	1	Kit, Air Valve (includes items 201 thru 205)	
5	70021324	1	Kit, Air Spring (includes items 301 thru 303)	
6	70021325	1	Kit, Compressor (includes items 401 thru 406)	
7	70021326	1	Kit, Upstop/Bumpstop (includes items 501 & 502)	
8	70021327	1	Kit, Damper (includes items 601 thru 603)	
9	70021328	1	Kit, Ride Indicator (includes items 701 thru 704)	
101	N.S.S.	6	Clip, Cover	
102	N.S.S.	1	Cover, Suspension	
103	N.S.S.	5	Clip, Cover	
201	N.S.S.	1	Nut, Air Valve	
202	N.S.S.	1	Pin, Retaining	
203	N.S.S.	1	Valve, Combination	
204	N.S.S.	1	Knob	
205	N.S.S.	2	Tie, Plastic	
301	N.S.S.	1	Spring, Air	
302	N.S.S.	1	Clip	
303	N.S.S.	1	Screw, Countersunk Self Tapping	
401	N.S.S.	1	Clip	
402	N.S.S.	1	Pad	
403	N.S.S.	1	Loom	
404	N.S.S.	2	Tie, Cable	
405	N.S.S.	3	Tie, Plastic	
406	N.S.S.	1	Compressor (with Elbow)	
501	N.S.S.	2	Upstop	
502	N.S.S.	1	Bumpstop	
601	N.S.S.	2	Pin	
602	N.S.S.	2	Washer, Starlock	
603	N.S.S.	1	Damper	
701	N.S.S.	1	Indicator, Ride	
702	N.S.S.	1	Wire, Ride Indicator	
703	N.S.S.	2	Washer, Starlock	
704	N.S.S.	1	Washer, Grip M4	

SECTION 6 - CAB

FIGURE 6-37. SEAT INSTALLATION (AIR SUSPENSION - PREMIUM)



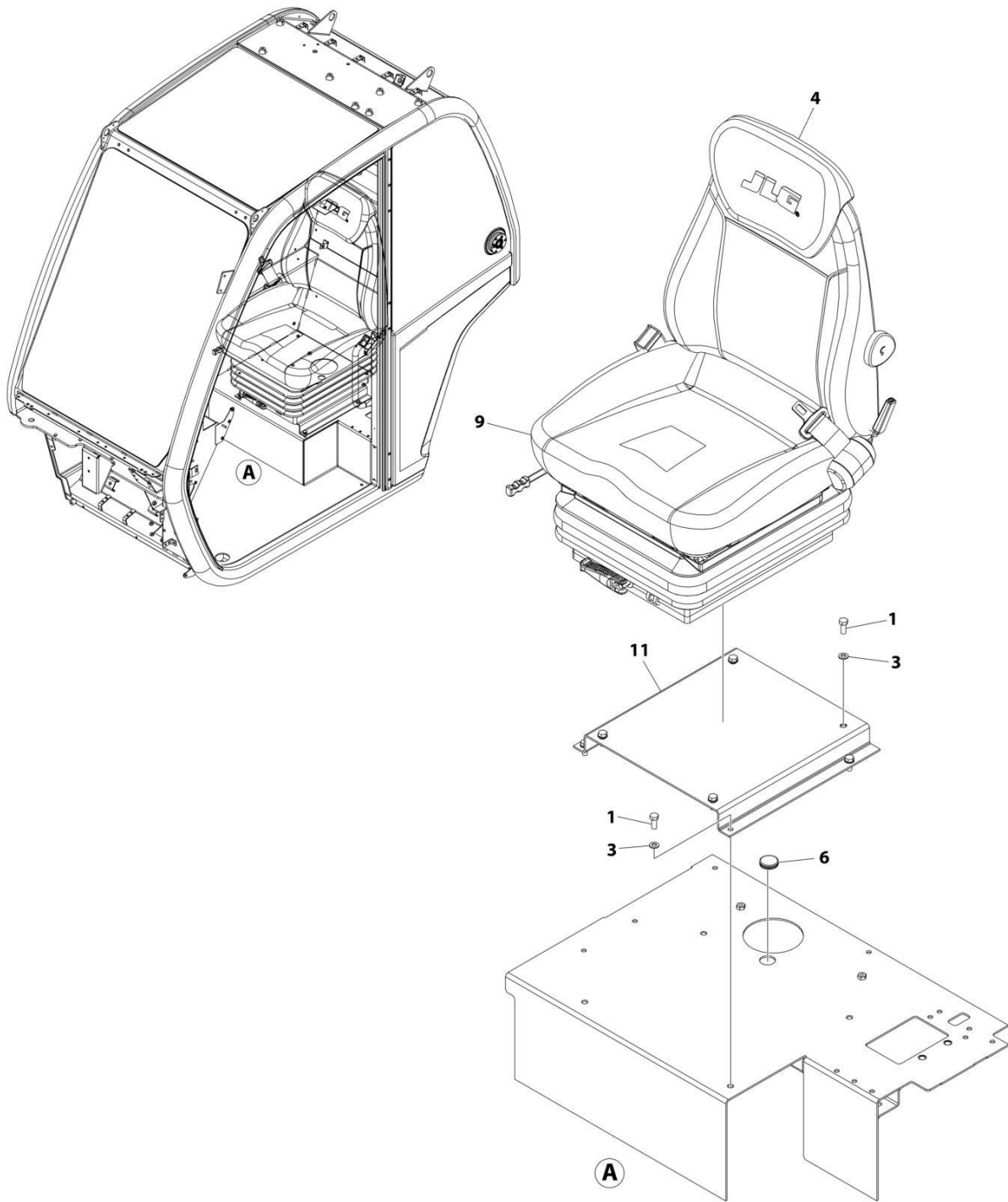
ART_1001182530-F

FIGURE 6-37. SEAT INSTALLATION (AIR SUSPENSION - PREMIUM)

ITEM	PART NUMBER	QTY	DESCRIPTION	REV
	1001182530	Ref	Seat Installation (Air Suspension - Premium)	F
2	1001158736C	1	Plinth, Seat	
3	1001169135	1	Assembly, Seat (See Separate Breakdown in this Section)	
4	1001182529	1	Headrest	
5	4811900	8	Washer, M8	
6	0760810	8	Bolt, M8X20	
7	1001168531	1	Harness, Seat Adaptor (See Separate Breakdown in ELECTRICAL Section)	
8	1001216974	1	Grommet	

SECTION 6 - CAB

FIGURE 6-38. SEAT INSTALLATION (CLOTH) (SEAOP)



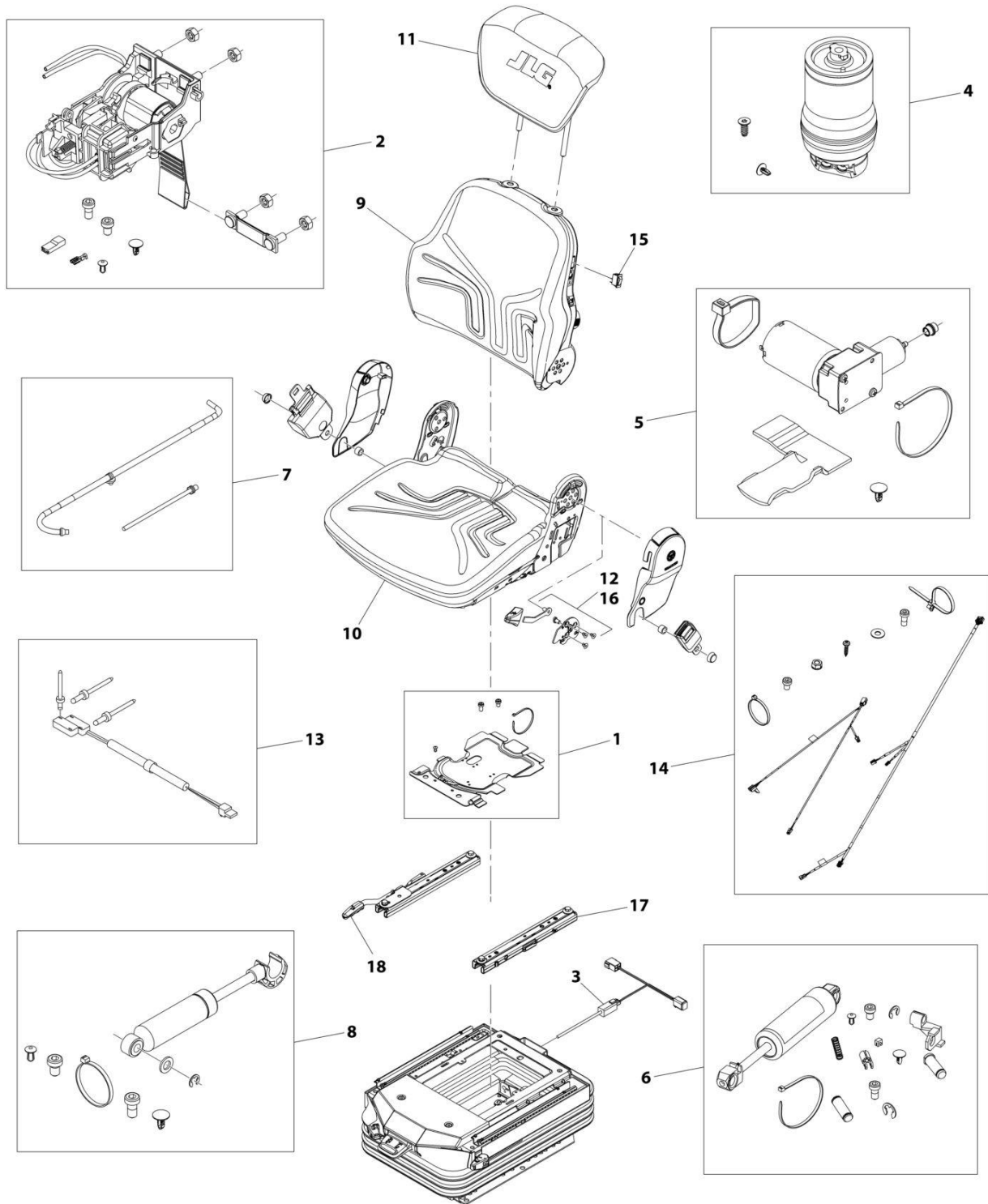
ART_1001288098

FIGURE 6-38. SEAT INSTALLATION (CLOTH) (SEAOP)

ITEM	PART NUMBER	QTY	DESCRIPTION	REV
	1001288098	Ref	SEAT INSTALLATION (CLOTH) (SEAOP)	A
1	0760810	8	Bolt M8 x 20	
3	4811900	8	Washer M8	
4	1001119467	1	Headrest, Cloth	
6	1001196076	1	Cap	
7	1001266488	1	Lamp, LED (Red) (Not Shown)	
8	1001268744	1	Seat Belt Alarm Harness (See Separate Breakdown in ELECTRICAL Section) (Not Shown)	
9	1001288070	1	Seat Assembly (See Separate Breakdown in this Section)	
11	1001158738C	1	Plinth, Seat	

SECTION 6 - CAB

FIGURE 6-39. SEAT ASSEMBLY (AIR SUSPENSION - PREMIUM)



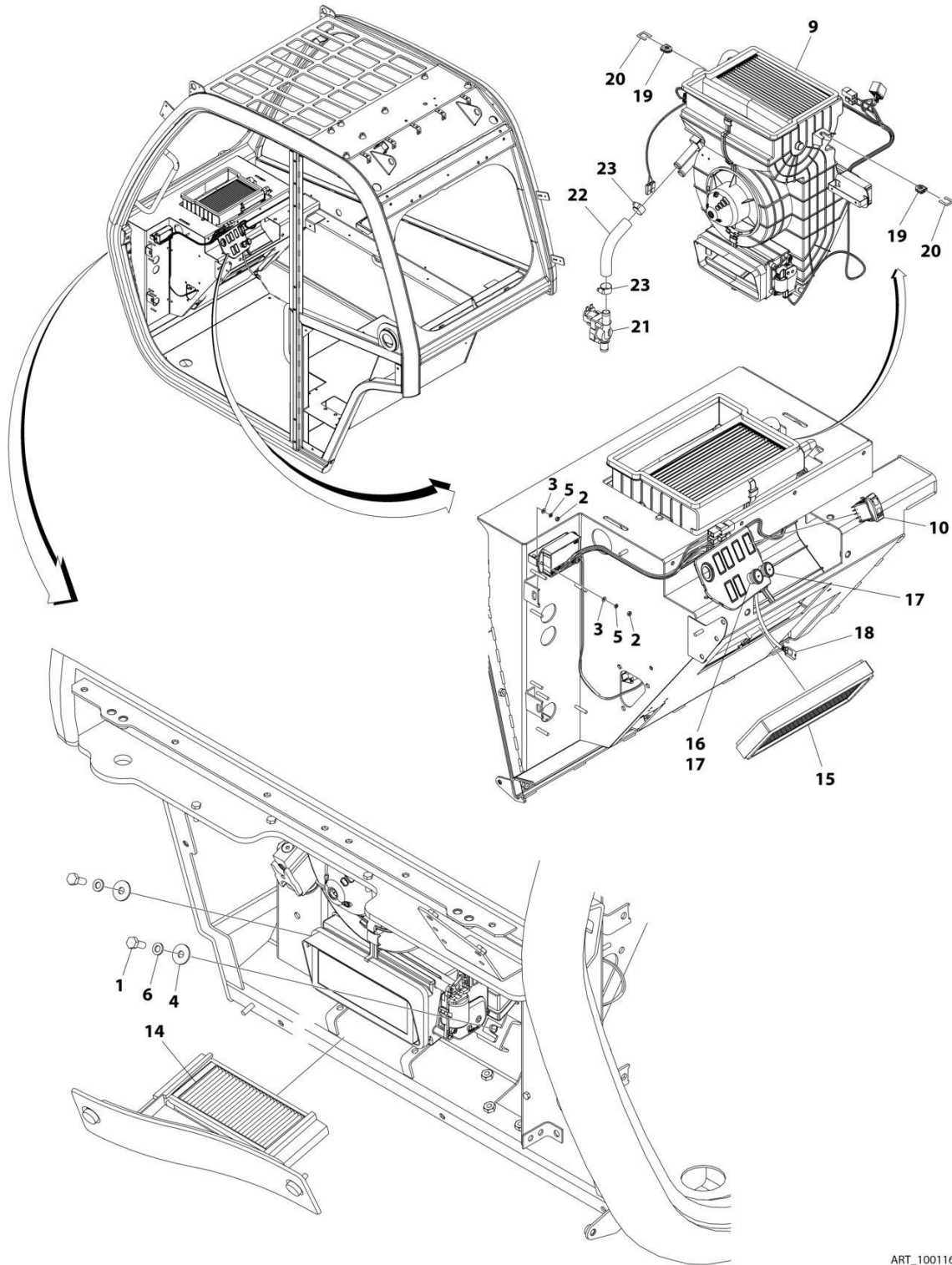
ART_1001169135-B

FIGURE 6-39. SEAT ASSEMBLY (AIR SUSPENSION - PREMIUM)

ITEM	PART NUMBER	QTY	DESCRIPTION	REV
	1001169135	Ref	Seat Assembly (Air Suspension - Premium)	B
1	70024856	1	Cover	
2	70023182	1	Control Level Kit	
3	70023186	1	Wiring Harness, Air/Safeswitch	
4	70023184	1	Air Spring Kit	
5	70024857	1	Compressor, 12V	
6	70023181	1	Shock Absorber Kit	
7	70024459	1	Air Tubes Kit	
8	70023189	2	Shock Absorber Kit	
9	70023179	1	Back Cushion Kit	
10	70024858	1	Seat Cushion Kit	
11	1001182529	1	Headrest, Cloth	
12	70024859	1	Backrest Actuator	
13	70028326	1	Switch	
14	70024861	1	Wiring Harness	
15	70024107	1	Switch, Heater	
16	7028621	1	Handle, Backrest Angle Adjust	
17	3986643	1	Adjust Slide Kit	
18	3986610	1	Handle	

SECTION 6 - CAB

FIGURE 6-40. HEATER INSTALLATION



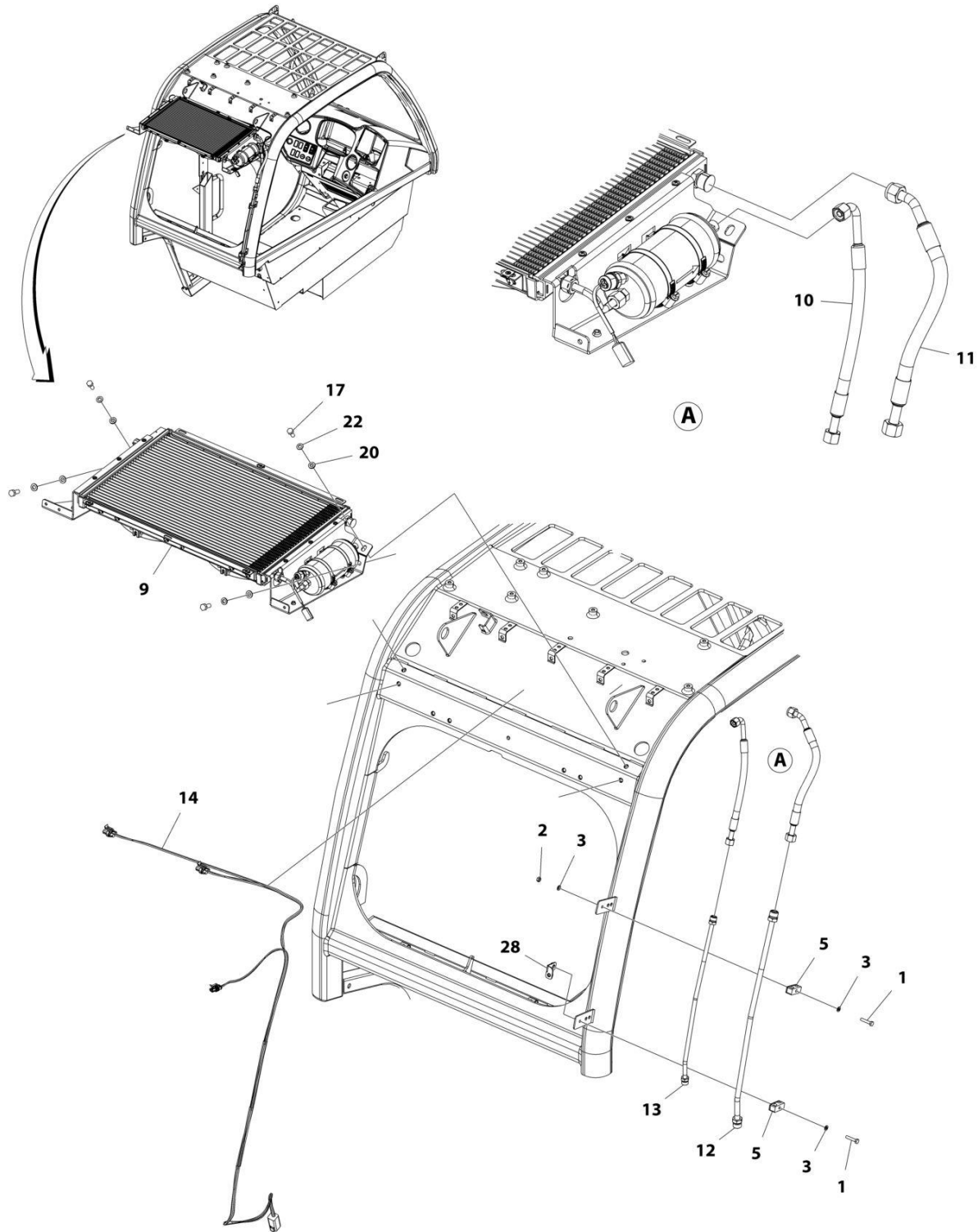
ART_1001160043-L

FIGURE 6-40. HEATER INSTALLATION

ITEM	PART NUMBER	QTY	DESCRIPTION	REV
	1001160043	Ref	HEATER INSTALLATION	L
1	0760810	2	Bolt M8 x 20	
2	3290401	4	Nut M4	
3	4811400	4	Washer M4	
4	4811902	2	Washer M8	
5	4831400	4	Washer M4	
6	4831900	2	Washer M8	
9	1001268827	1	Assembly, Heater (See Separate Breakdown in this Section)	
10	1001159925	1	Switch, HVAC Recycle	
14	1001218996	1	Filter, HVAC Air	
15	1001172553	1	Filter, HVAC Recirculation Air	
16	1001172547	1	Switch, HVAC Rotary 3 Speed	
17	1001172550	2	Knob, HVAC Control	
18	1001270976	1	Cable, HVAC	
19	1001188590	2	Grommet	
20	1001218542	2	Shim	
21	1001221059	1	Valve, Water	
22	1001221295	1	House	
23	8410009	2	Clamp	

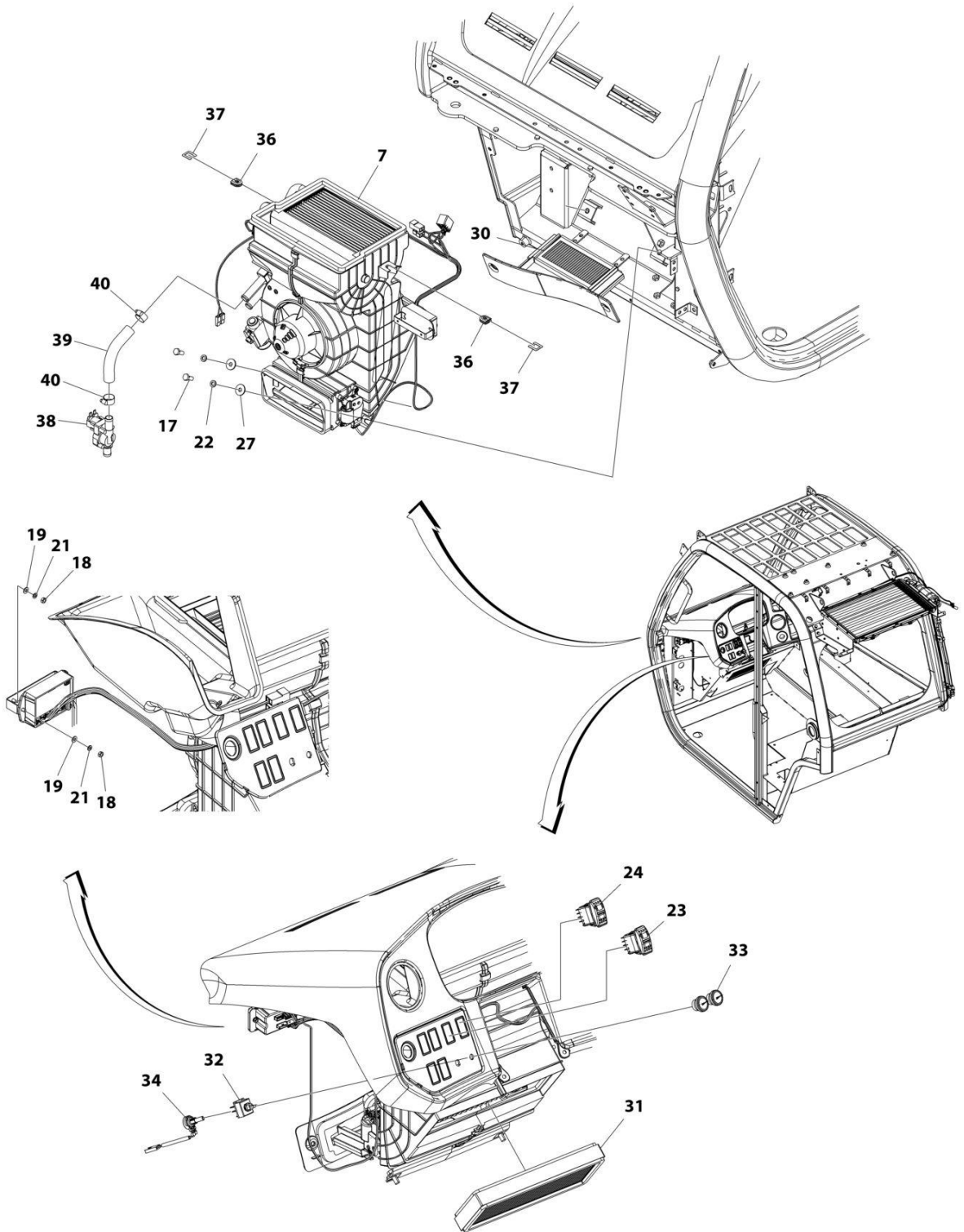
SECTION 6 - CAB

FIGURE 6-41. HEATER AND A/C INSTALLATION (CAB PARTS)



ART_1001160042_O_10F2

SECTION 6 - CAB



ART_1001160042_O_20F2

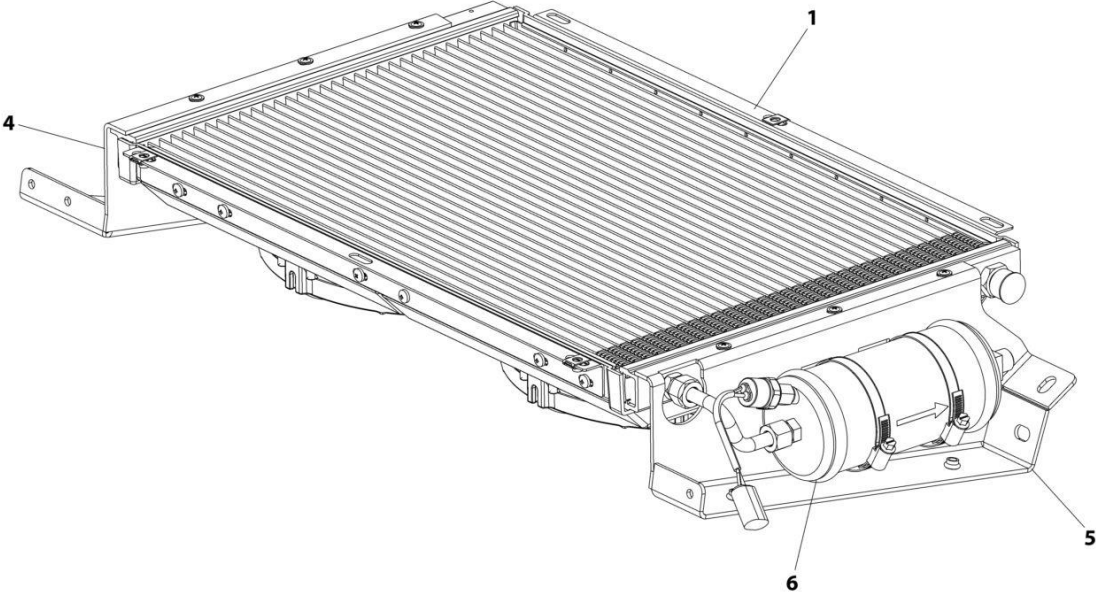
SECTION 6 - CAB

FIGURE 6-41. HEATER AND A/C INSTALLATION (CAB PARTS)

ITEM	PART NUMBER	QTY	DESCRIPTION	REV
	1001160042	Ref	HEATER AND A/C INSTALLATION (CAB PARTS)	O
1	0700614	2	Bolt M6 x 30	
2	3290601	1	Nut M6	
3	4811700	3	Washer M6	
5	1001145539	2	Support, Pipe	
7	1001268831	1	Assembly, Heater and A/C (See Separate Breakdown in this Section)	
9	1001162953	1	Assembly, Cab Condenser (See Separate Breakdown in this Section)	
10	1001168327	1	Hose	
11	1001168330	1	Hose	
12	1001168331	1	Tube	
13	1001168456	1	Tube	
14	1001169151	1	Harness, A/C Option (See Separate Breakdown in ELECTRICAL Section)	
17	0760810	6	Bolt M8 x 20 GR8.8	
18	3290401	4	Nut M4	
19	4811400	4	Washer M4	
20	4811900	4	Washer M8	
21	4831400	4	Washer M4	
22	4831900	6	Washer M8	
23	1001159925	1	Switch, HVAC Recycle	
24	1001160326	1	Switch, HVAC On/Off	
27	4811902	2	Washer M8	
28	1001178170	1	Bracket	
30	1001218996	1	Filter, HVAC Fresh Air	
31	1001172553	1	Filter, HVAC Air Recirculation	
32	1001172547	1	Switch, HVAC Rotary 3 Speed	
33	1001172550	2	Knob, HVAC Control	
34	1001270976	1	Cable, HVAC	
35	1320022	1	Clamp	
36	1001188590	2	Grommet	
37	1001218542	2	Shim	
38	1001221059	1	Valve, Water	
39	1001221295	1	Hose	
40	8410009	2	Clamp	

SECTION 6 - CAB

FIGURE 6-42. CAB CONDENSER ASSEMBLY



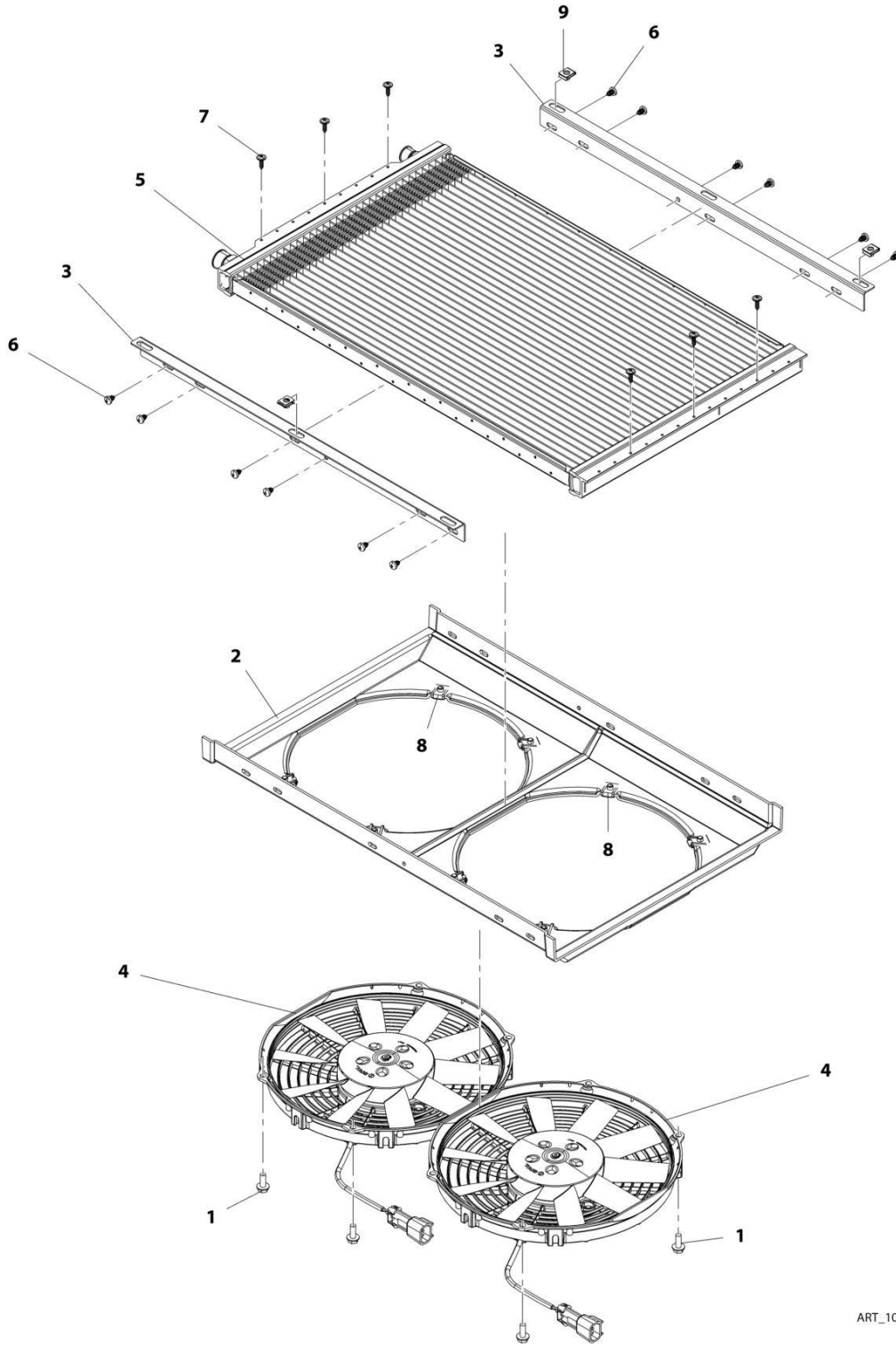
ART_1001162953

FIGURE 6-42. CAB CONDENSER ASSEMBLY

ITEM	PART NUMBER	QTY	DESCRIPTION	REV
	1001162953	Ref	Cab Condenser Assembly	G
1	1001167266	1	Condenser (See Separate Breakdown in this Section)	
4	1001179080	1	Bracket	
5	1001179081	1	Bracket	
6	1001179130	1	Drier, A/C Receiver (See Separate Breakdown in this Section)	

SECTION 6 - CAB

FIGURE 6-43. CONDENSER



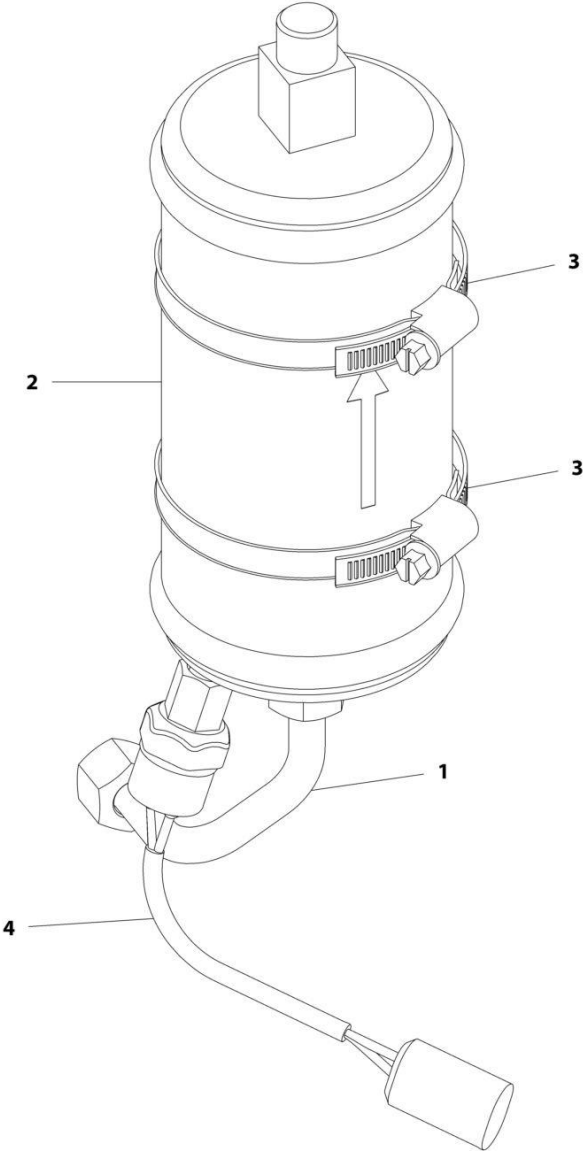
ART_1001167266-C

FIGURE 6-43. CONDENSER

ITEM	PART NUMBER	QTY	DESCRIPTION	REV
	1001167266	Ref	Condenser	C
1	5250608	8	Bolt, M6X16	
2	1001195342	1	Bracket, Condenser Fan Mount	
3	1001195343	2	Support, Condenser	
4	1001195345	2	Fan, Condenser	
5	1001195346	1	Condenser	
6	1001195385	12	Screw, M3.9X9.5	
7	1001195386	6	Screw, M4.2X16	
8	1001195437	8	Clip, M6X1	
9	1001195438	3	Clip, M6X1	

SECTION 6 - CAB

FIGURE 6-44. A/C RECEIVER DRIER



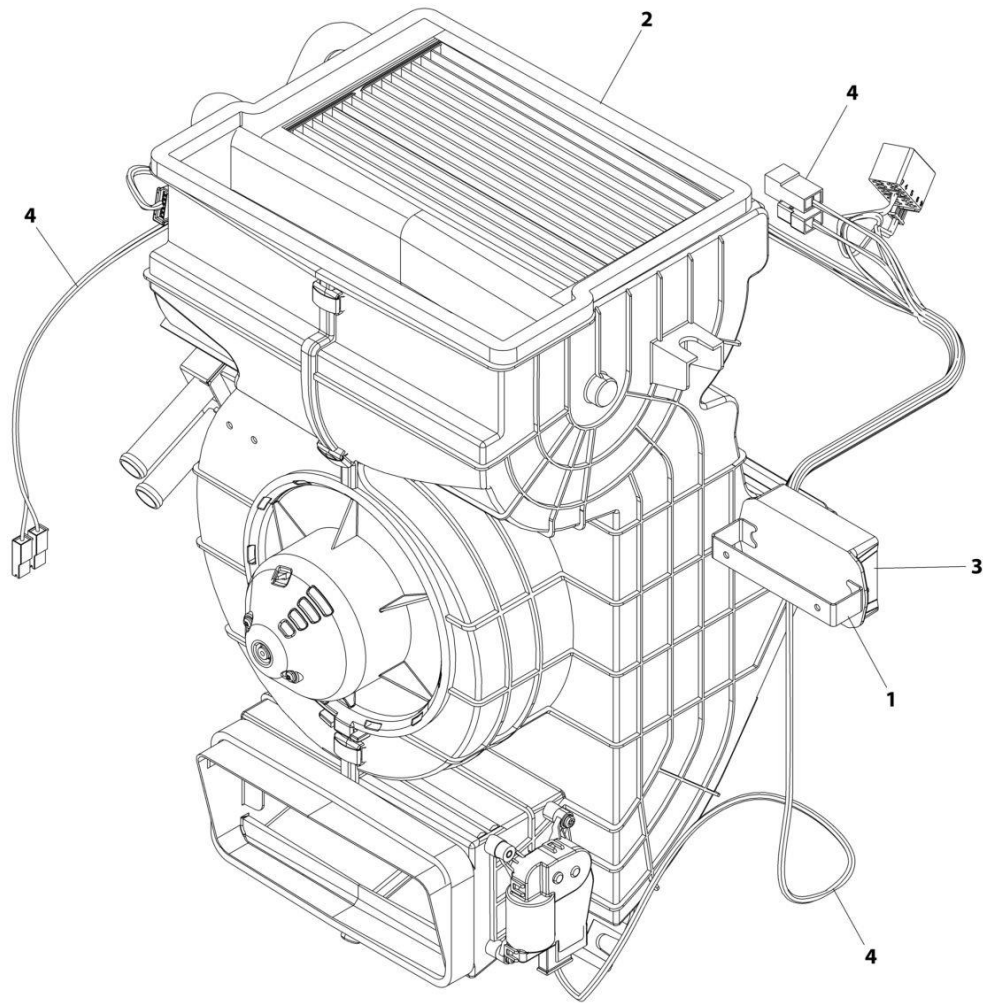
ART_1001179130-B

FIGURE 6-44. A/C RECEIVER DRIER

ITEM	PART NUMBER	QTY	DESCRIPTION	REV
	1001179130	Ref	A/C Receiver Drier	B
1	1001184403	1	Tube, Heater	
2	1001184404	1	Receiver, Heater Drier	
3	1001184405	2	Clamp	
4	1001184406	1	Connector, Heater	

SECTION 6 - CAB

FIGURE 6-45. HEATER ASSEMBLY



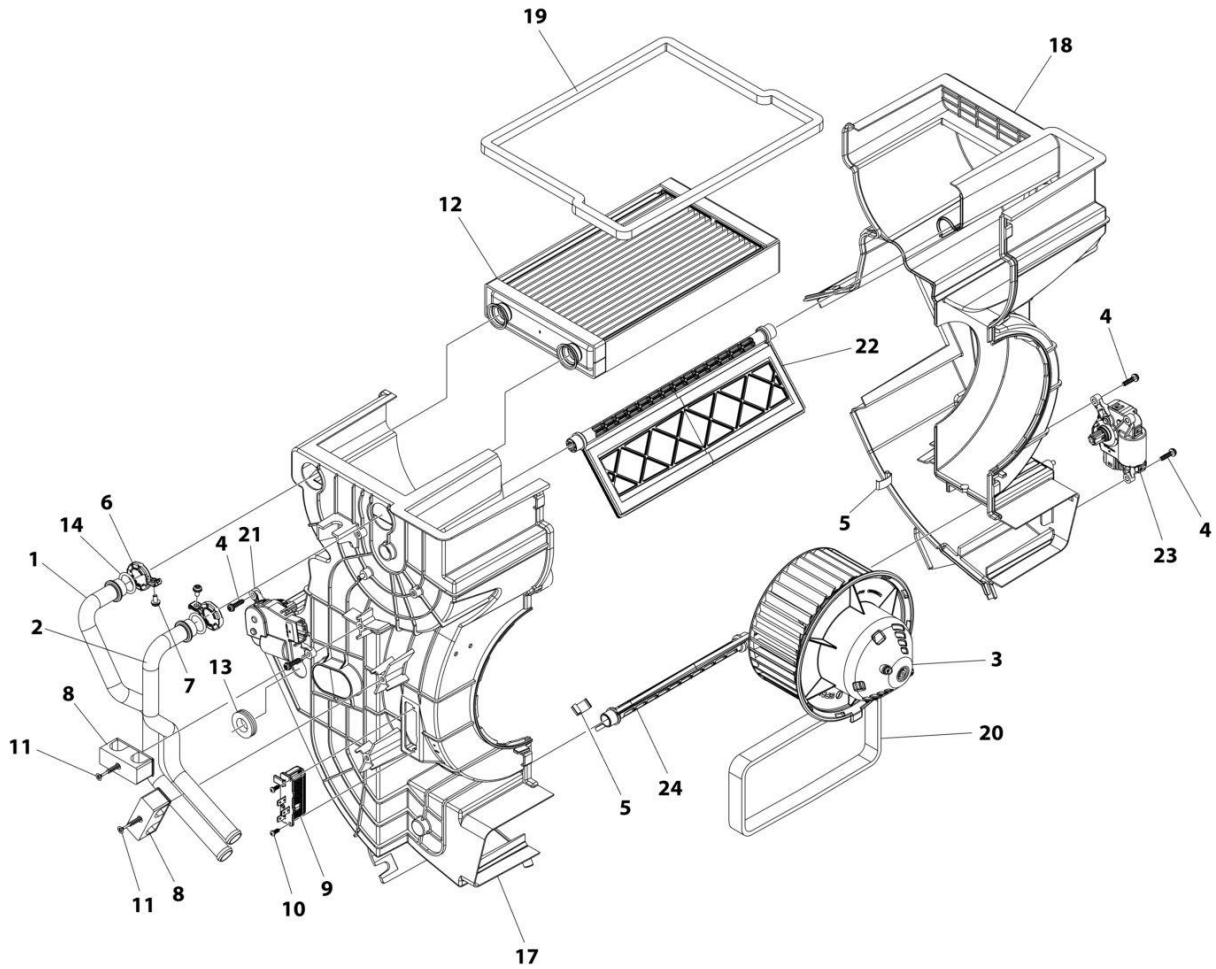
ART_1001268827

FIGURE 6-45. HEATER ASSEMBLY

ITEM	PART NUMBER	QTY	DESCRIPTION	REV
	1001268827	Ref	HEATER ASSEMBLY	B
1	1001264976	1	Bracket	
2	1001268828	1	Heater, Cab (See Separate Breakdown in this Section)	
3	1001268829	1	Actuator, HVAC Cab	
4	1001268830	1	Harness, HVAC Actuator (See Separate Breakdown in ELECTRICAL Section)	

SECTION 6 - CAB

FIGURE 6-46. HEATER ASSEMBLY



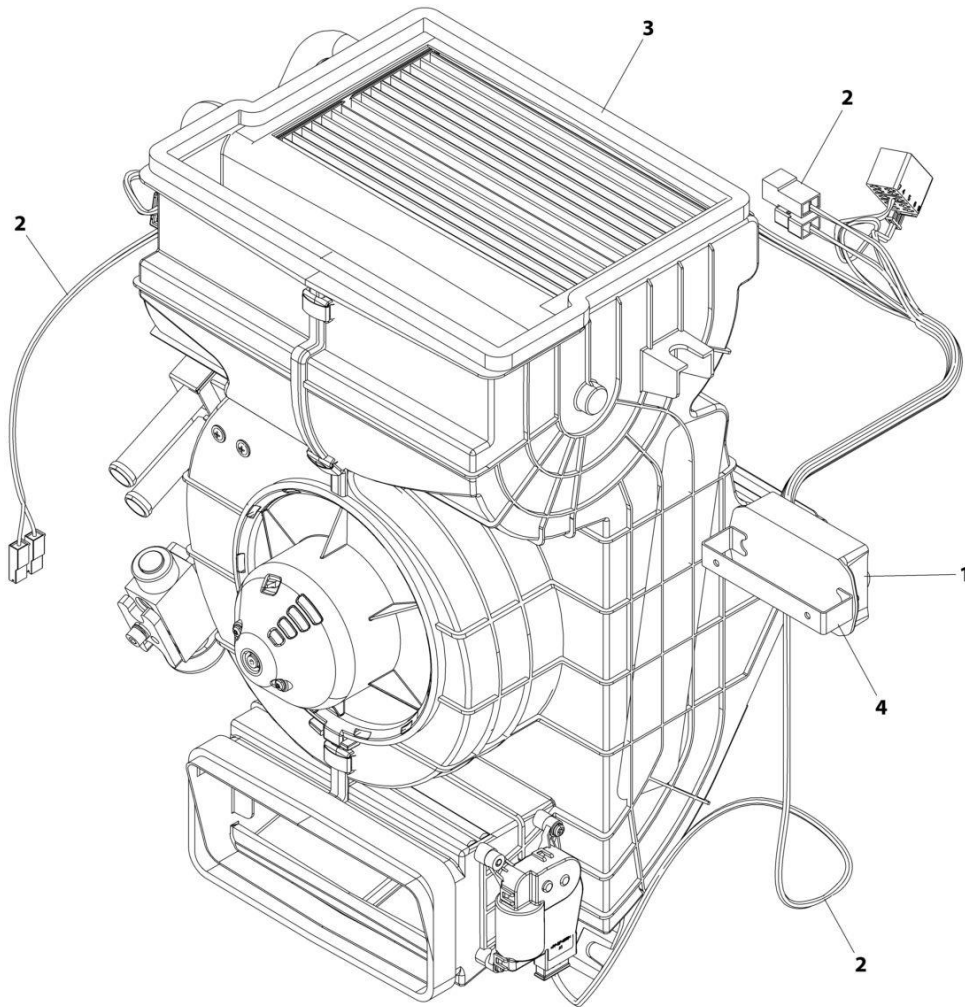
ART_1001268828

FIGURE 6-46. HEATER ASSEMBLY

ITEM	PART NUMBER	QTY	DESCRIPTION	REV
	1001268828	Ref	HEATER	B
1	1001184296	1	Pipe, Water	
2	1001184297	1	Pipe, Water	
3	1001188594	1	Fan, 12V	
4	1001188602	4	Screw	
5	1001188603	9	Clamp	
6	1001188604	2	Clamp	
7	1001188610	2	Screw	
8	1001188612	2	Clamp	
9	1001188614	1	Resistor	
10	1001188720	2	Screw	
11	1001188725	2	Screw	
12	1001188729	1	Radiator, Heater Core	
13	1001188733	1	Grommet	
14	1001189025	2	O-Ring	
17	1001269555	1	Housing, RH	
18	1001269556	1	Housing, LH	
19	1001269558	1	Foam, Air Outlet	
20	1001269559	1	Foam, Air Inlet	
21	1001269560	1	Actuator, Fresh/Recirculation Air	
22	1001269561	1	Flap, Mixing	
23	1001269563	1	Actuator, Fresh/Recirculation Air	
24	1001269564	1	Flap, HVAC Fresh	

SECTION 6 - CAB

FIGURE 6-47. HEATER AND A/C ASSEMBLY



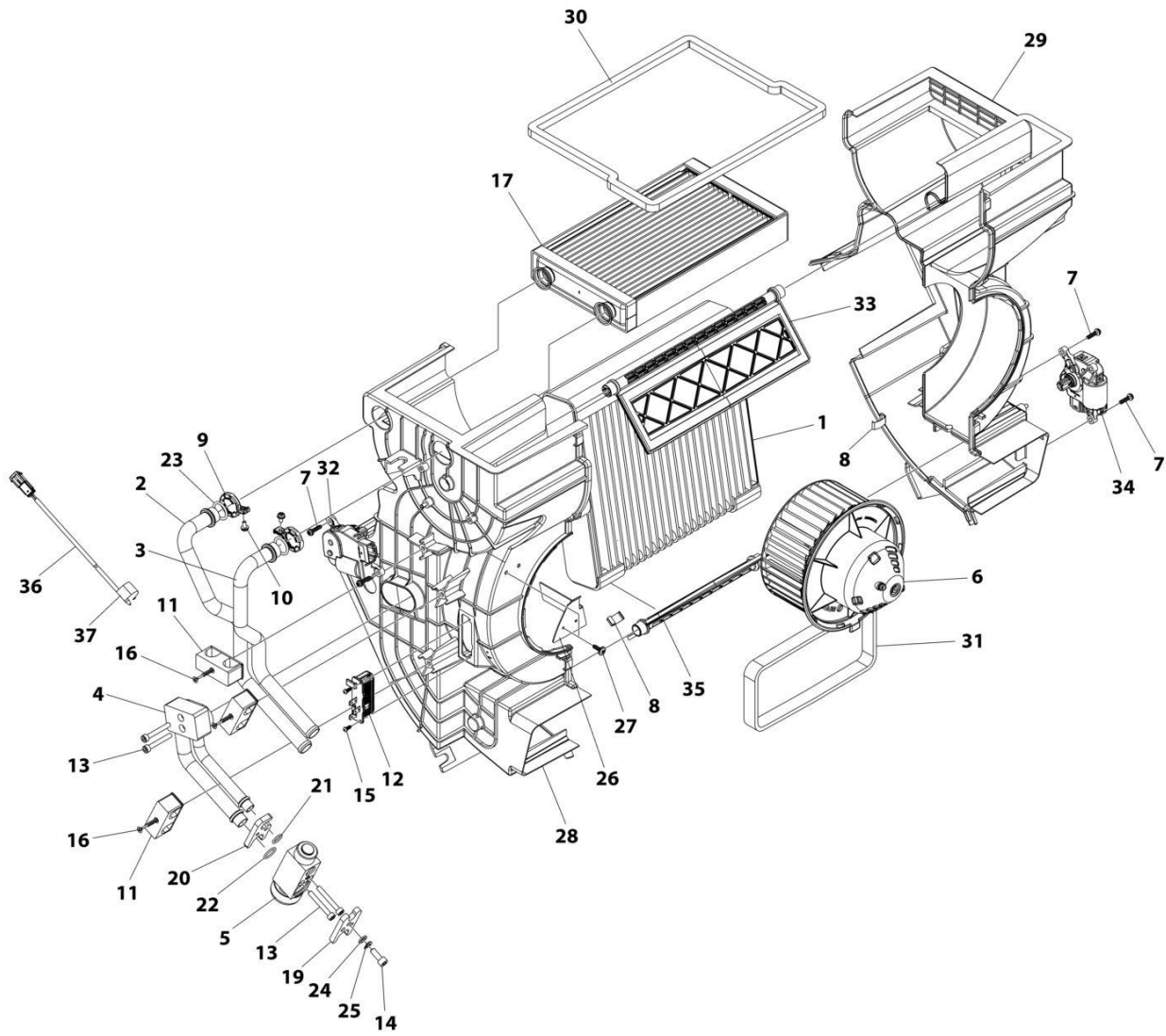
ART_1001268831

FIGURE 6-47. HEATER AND A/C ASSEMBLY

ITEM	PART NUMBER	QTY	DESCRIPTION	REV
	1001268831	Ref	HEATER AND A/C ASSEMBLY	B
1	1001268829	1	Actuator, HVAC Cab	
2	1001268830	1	Harness, HVAC Actuator (See Separate Breakdown in this Section)	
3	1001268832	1	Heater and A/C (See Separate Breakdown in this Section)	
4	1001264976	1	Bracket	

SECTION 6 - CAB

FIGURE 6-48. HEATER AND A/C ASSEMBLY



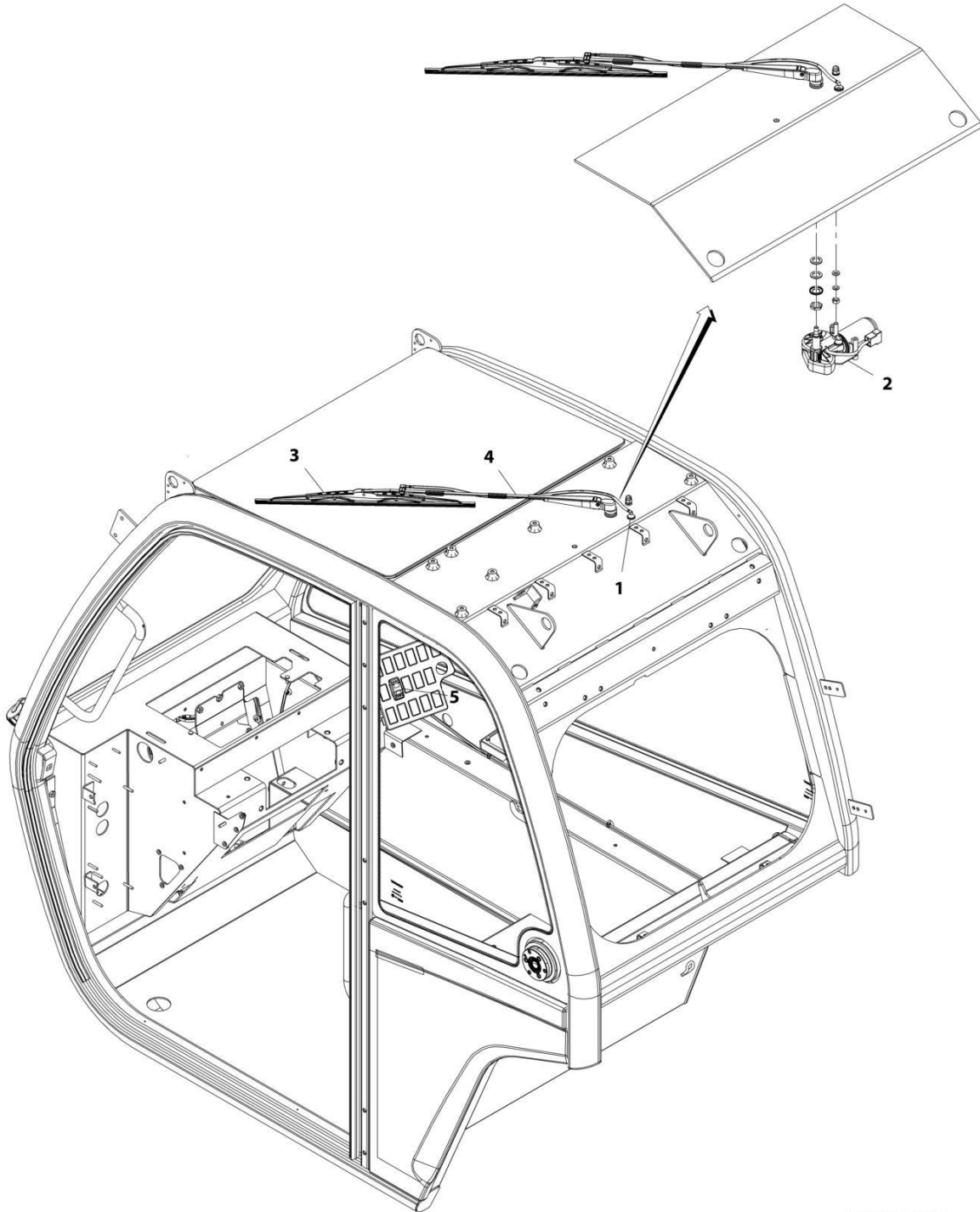
ART_1001268832

FIGURE 6-48. HEATER AND A/C ASSEMBLY

ITEM	PART NUMBER	QTY	DESCRIPTION	REV
	1001268832	Ref	HEATER AND A/C	B
1	1001184280	1	Evaporator, Heater	
2	1001184296	1	Pipe, Heater Water	
3	1001184297	1	Pipe, Heater Water	
4	1001184427	1	Pipe, Heater	
5	1001188592	1	Valve, HVAC Expansion	
6	1001188594	1	Fan, HVAC Centrifugal 12V	
7	1001188602	4	Screw M4	
8	1001188603	9	Clamp, HVAC Case	
9	1001188604	2	Clamp, HVAC Pipe	
10	1001188610	2	Screw M4	
11	1001188612	3	Clamp, Pipe	
12	1001188614	1	Resistor	
13	1001188618	4	Screw M5	
14	1001188619	1	Screw M6	
15	1001188720	2	Screw M2.9 x 9.5	
16	1001188725	3	Screw M4 x 35	
17	1001188729	1	Radiator, Heater Core	
19	1001188817	1	Clamp, Hose	
20	1001188818	1	Clamp, HVAC EVAP/Valve	
21	1001189023	1	O-Ring	
22	1001189024	1	O-Ring	
23	1001189025	2	O-Ring	
24	1001189048	1	Washer	
25	1001189054	1	Washer, Spring	
26	1001221057	1	Plate	
27	1001221058	2	Screw	
28	1001269555	1	Housing, HVAC RH	
29	1001269556	1	Housing, HVAC LH	
30	1001269558	1	Seal, Heater Outlet Foam	
31	1001269559	1	Seal, Air Inlet Foam	
32	1001269560	1	Actuator, Hot/Cold Mixing	
33	1001269561	1	Foam, Heater Mixing Flap	
34	1001269563	1	Actuator, Fresh/Recirculation Air	
35	1001269564	1	Foam, Heater Mixing Flap	
36	1001269578	1	Temperature Sensor	
37	1001269579	1	Clamp, Temperature Sensor	

SECTION 6 - CAB

FIGURE 6-49. ROOF WIPER INSTALLATION



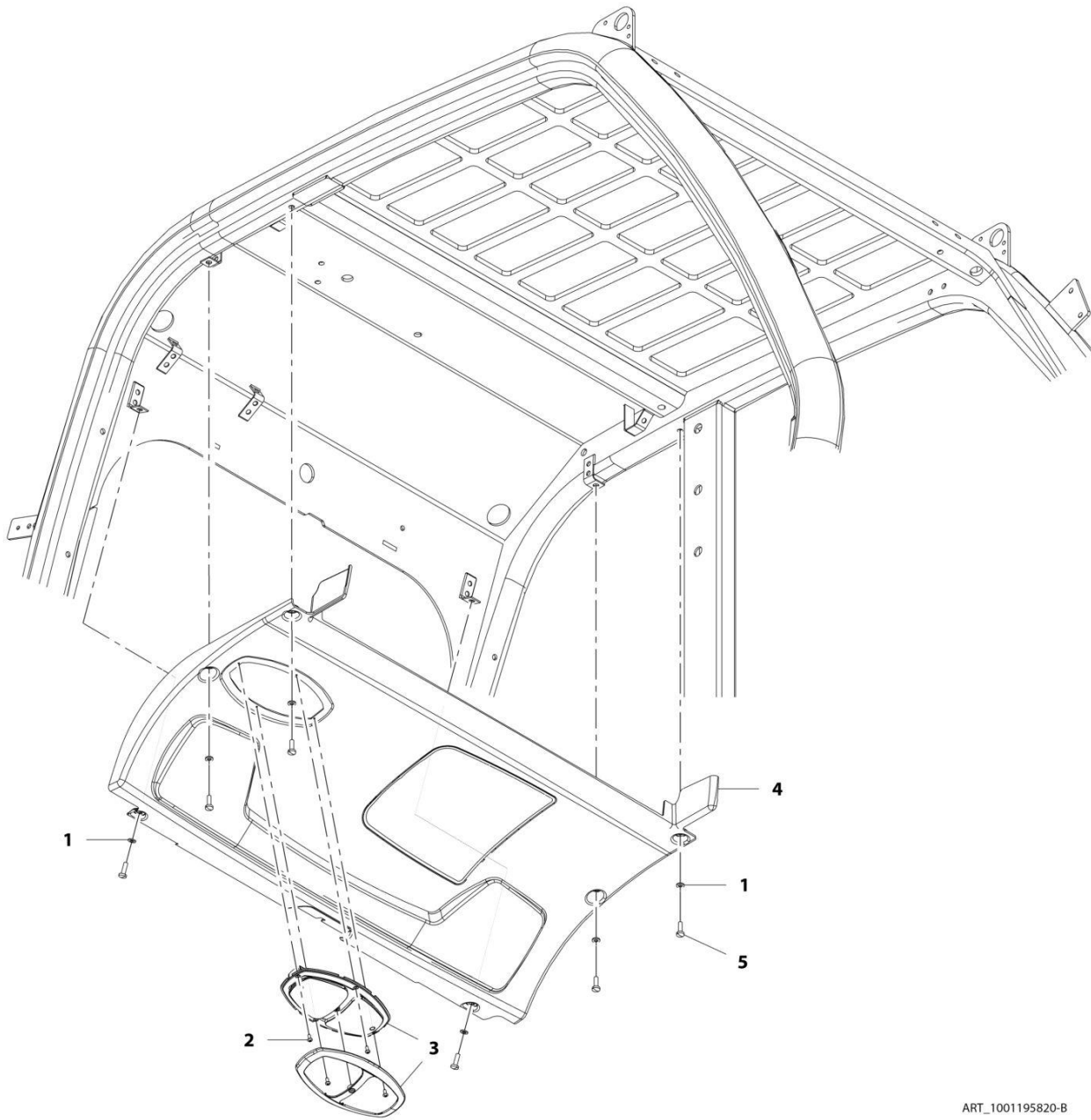
ART_1001155486-B

FIGURE 6-49. ROOF WIPER INSTALLATION

ITEM	PART NUMBER	QTY	DESCRIPTION	REV
	1001155486	Ref	Roof Wiper Installation	B
1	1001090343	1	Connector	
2	1001139551	1	Motor, Roof Wiper	
3	1001141313	1	Blade, Roof Wiper	
4	1001141311	1	Arm, Roof Wiper Blade	
5	1001159736	1	Switch, Roof Wiper	

SECTION 6 - CAB

FIGURE 6-50. HEADLINER INSTALLATION



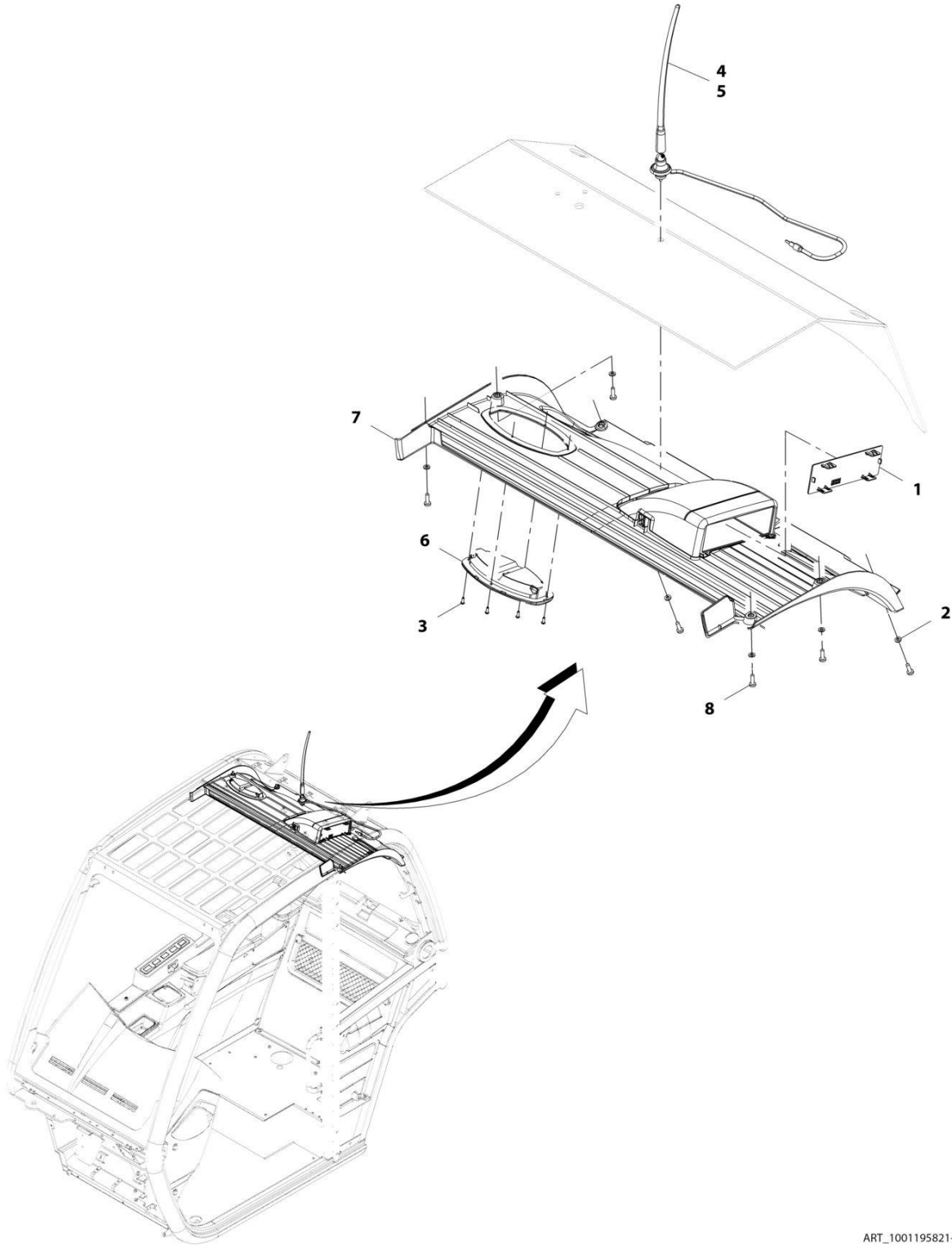
ART_1001195820-B

FIGURE 6-50. HEADLINER INSTALLATION

ITEM	PART NUMBER	QTY	DESCRIPTION	REV
	1001195820	Ref	Headliner Installation	C
1	4811700	6	Washer, M6	
2	7029486	4	Screw	
3	1001167015	1	Lamp, Dome	
4	1001195822	1	Panel, Headliner	
5	4031708001	1	Cap Screw M6 x 20	

SECTION 6 - CAB

FIGURE 6-51. HEADLINER/RADIO READY PACKAGE INSTALLATION



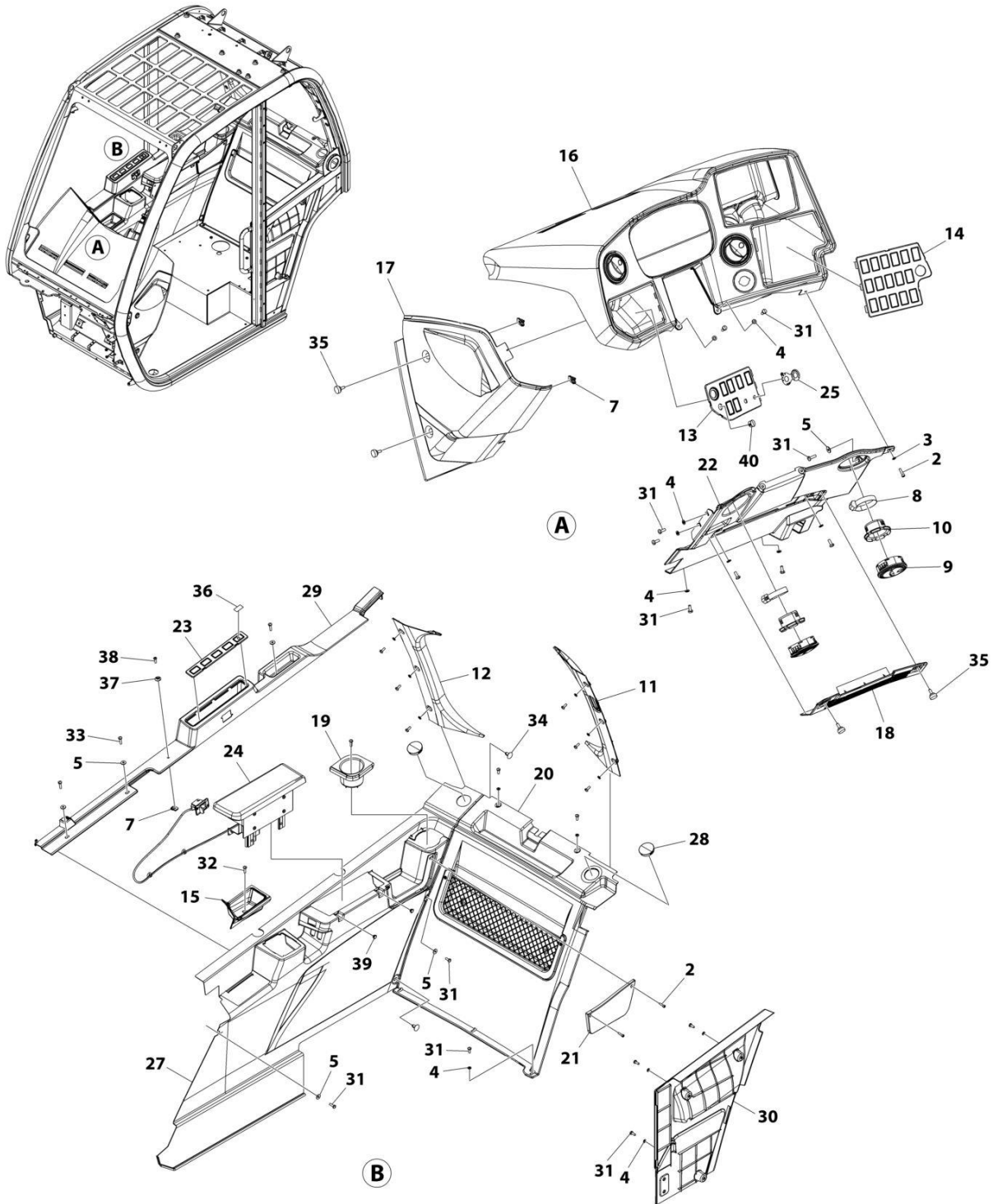
ART_1001195821-B

FIGURE 6-51. HEADLINER/RADIO READY PACKAGE INSTALLATION

ITEM	PART NUMBER	QTY	DESCRIPTION	REV
	1001195821	Ref	Headliner/Radio Ready Package Installation	B
1	1001200968	1	Plate	
2	4811700	6	Washer, 6M	
3	7029486	4	Screw	
4	8005901	1	Antenna	
5	1001116128	AR	Sealant, Polysiloxane	
6	1001167015	1	Lamp	
7	1001195823	1	Cover, Headliner	
8	4010610002	6	Screw, M6X20	

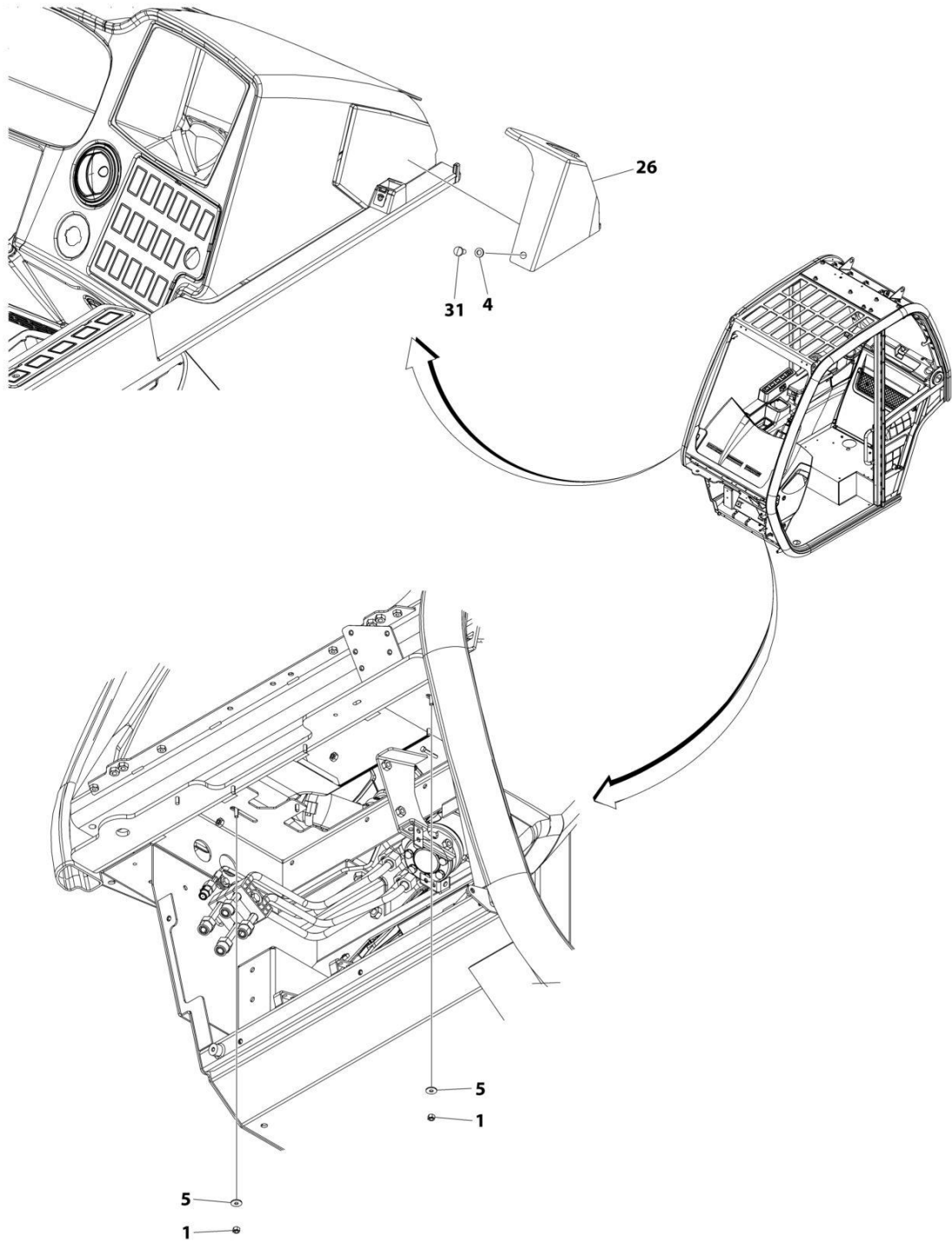
SECTION 6 - CAB

FIGURE 6-52. CAB TRIM INSTALLATION



ART_1001195816_J_10F2

SECTION 6 - CAB



ART_1001195816_J_20F2

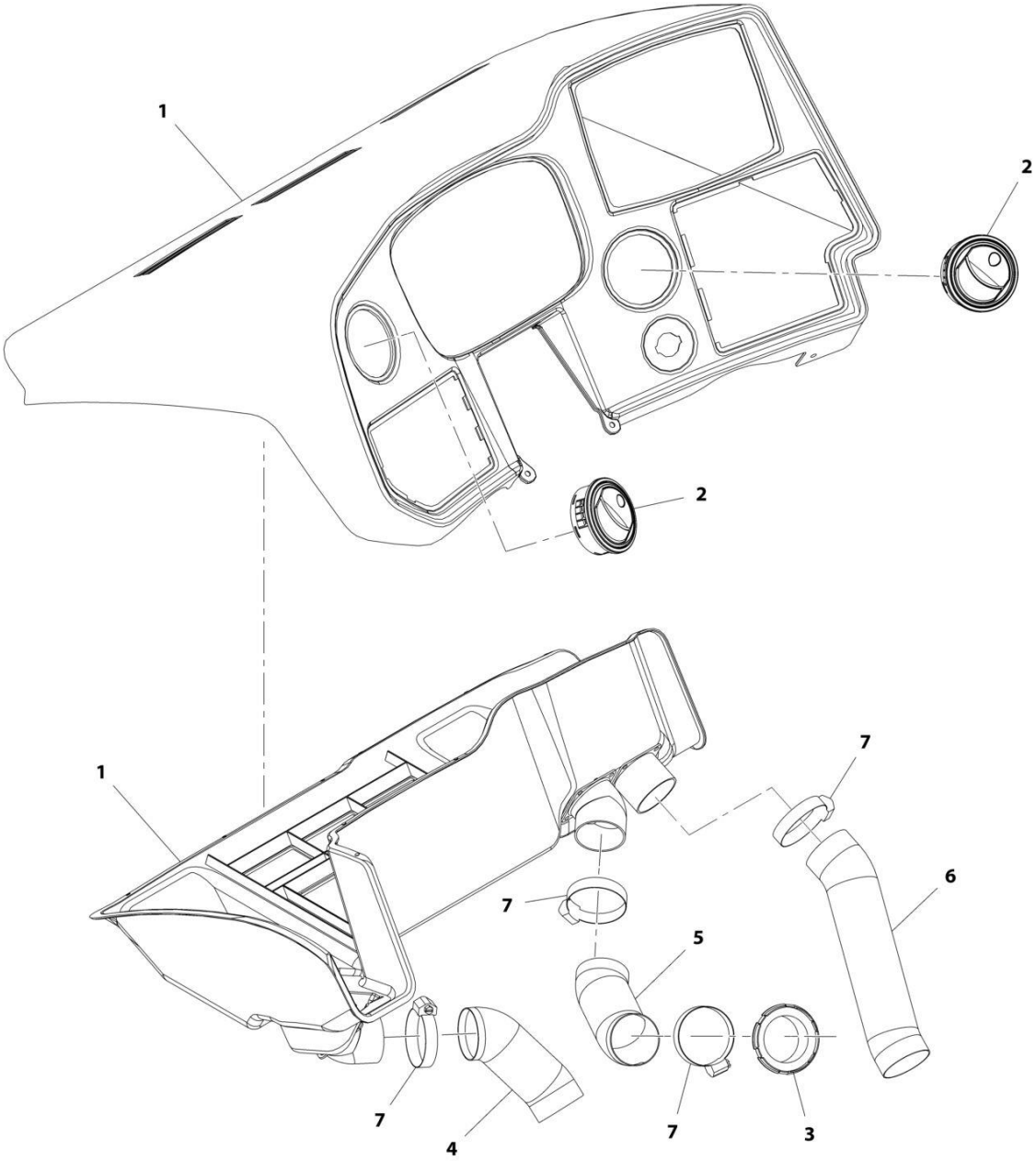
SECTION 6 - CAB

FIGURE 6-52. CAB TRIM INSTALLATION

ITEM	PART NUMBER	QTY	DESCRIPTION	REV
	1001195816	Ref	CAB TRIM INSTALLATION	J
1	3290605	2	Nut, Lock M6 x 1	
2	4031608001	3	Screw M5 x 20	
3	4811600	1	Washer M5	
4	4811700001	23	Washer M6	
5	4811702001	7	Washer M6	
7	8305919	2	Nut M6	
8	8405201	2	Clamp	
9	1001147449	2	Vent	
10	1001149278	2	Connector, Vent	
11	1001161252	1	Cover, LH C-Post	
12	1001161253	1	Cover, RH C-Post	
13	1001268846	1	Plate, Switch	
14	1001219865	1	Plate, Switch	
15	1001169603	1	Tray	
16	1001169604	1	Assembly, Dash Cover (See Separate Breakdown in this Section)	
17	1001161855	1	Cover, Side Dash	
18	1001170504	1	Cover, Recirculation Grille	
19	1001170518	1	Holder, Cup	
20	1001170519	1	Assembly, Rear Panel Cover (See Separate Breakdown in this Section)	
21	1001173965	1	Bezel, Net	
22	1001175903	1	Cover, Lower Dash	
23	1001219863	1	Plate, Switch	
24	1001181726	1	Installation, Armrest (See Separate Breakdown in this Section)	
25	1001184975	1	Decal, HVAC	
26	1001185870	1	Cover, Lower A-Post	
27	1001189182	1	Cover, RH Side	
28	1001223265	2	Grommet	
29	1001195817	1	Cover, RH Extension	
30	1001195818	1	Panel, LH Side	
31	4010608002	26	Screw M6 x 16	
32	4010610002	1	Screw M6 x 20	
33	4010612002	3	Screw M6 x 25	
34	1001211907	2	Screw	
35	1001208308	4	Thumb Screw M6 x 15	
36	1001226481	1	Decal, Blank	
37	1001098150	1	Washer M6	
38	1001132564	1	Screw M6 x 20	
39	1001227133	2	Grommet	
40	1001207963	1	Plug	

SECTION 6 - CAB

FIGURE 6-53. DASH COVER ASSEMBLY



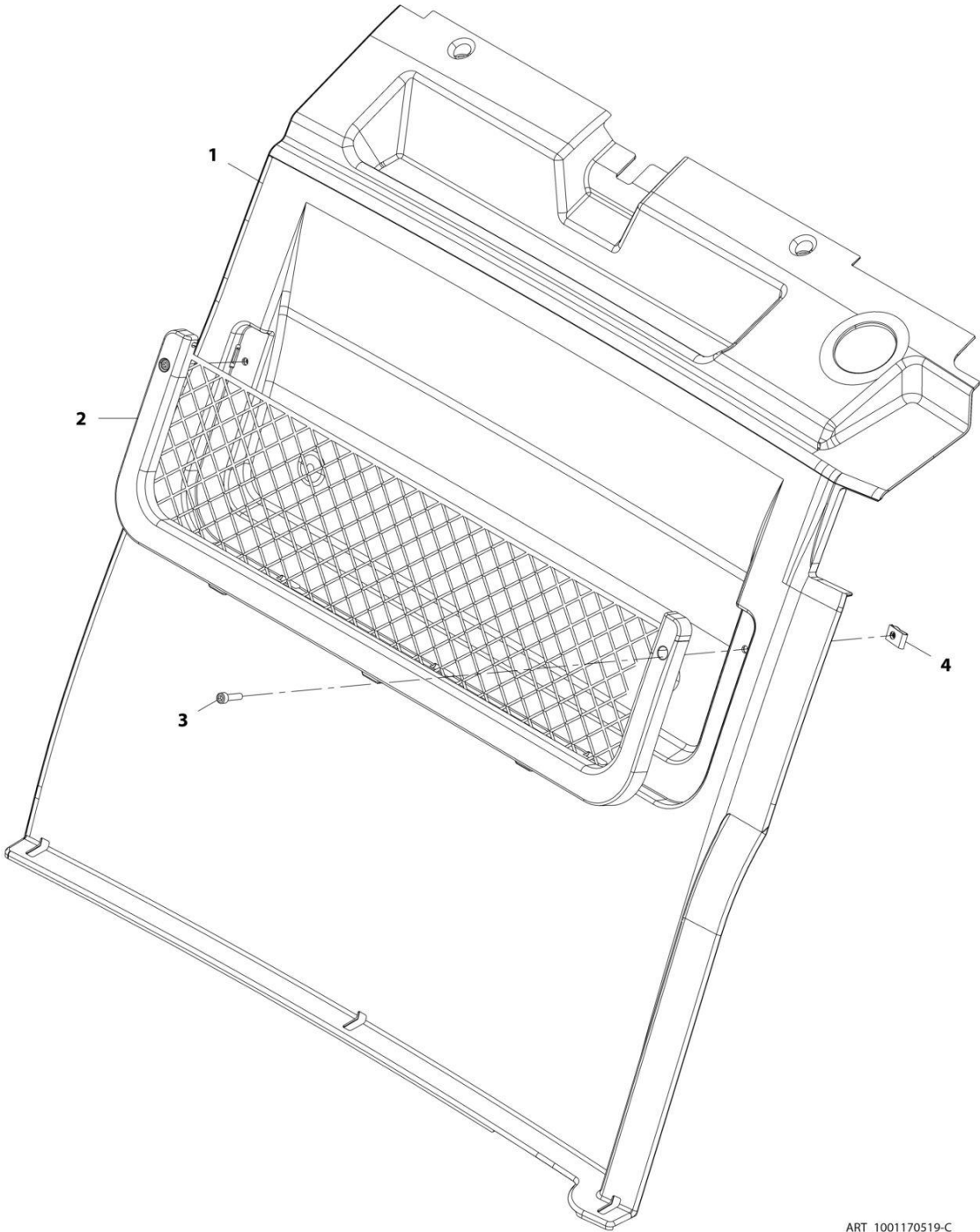
ART_1001169604-B

FIGURE 6-53. DASH COVER ASSEMBLY

ITEM	PART NUMBER	QTY	DESCRIPTION	REV
	1001169604	Ref	Dash Cover Assembly (Construction)	B
1	1001161851	1	Panel, Top Dash	
2	1001147449	2	Vent, Air	
3	1001149278	1	Vent, Connector	
4	1001174652	1	Hose	
5	1001174653	1	Hose	
6	1001174655	1	Hose	
7	8405201	4	Clamp, Gear	

SECTION 6 - CAB

FIGURE 6-54. REAR PANEL COVER ASSEMBLY



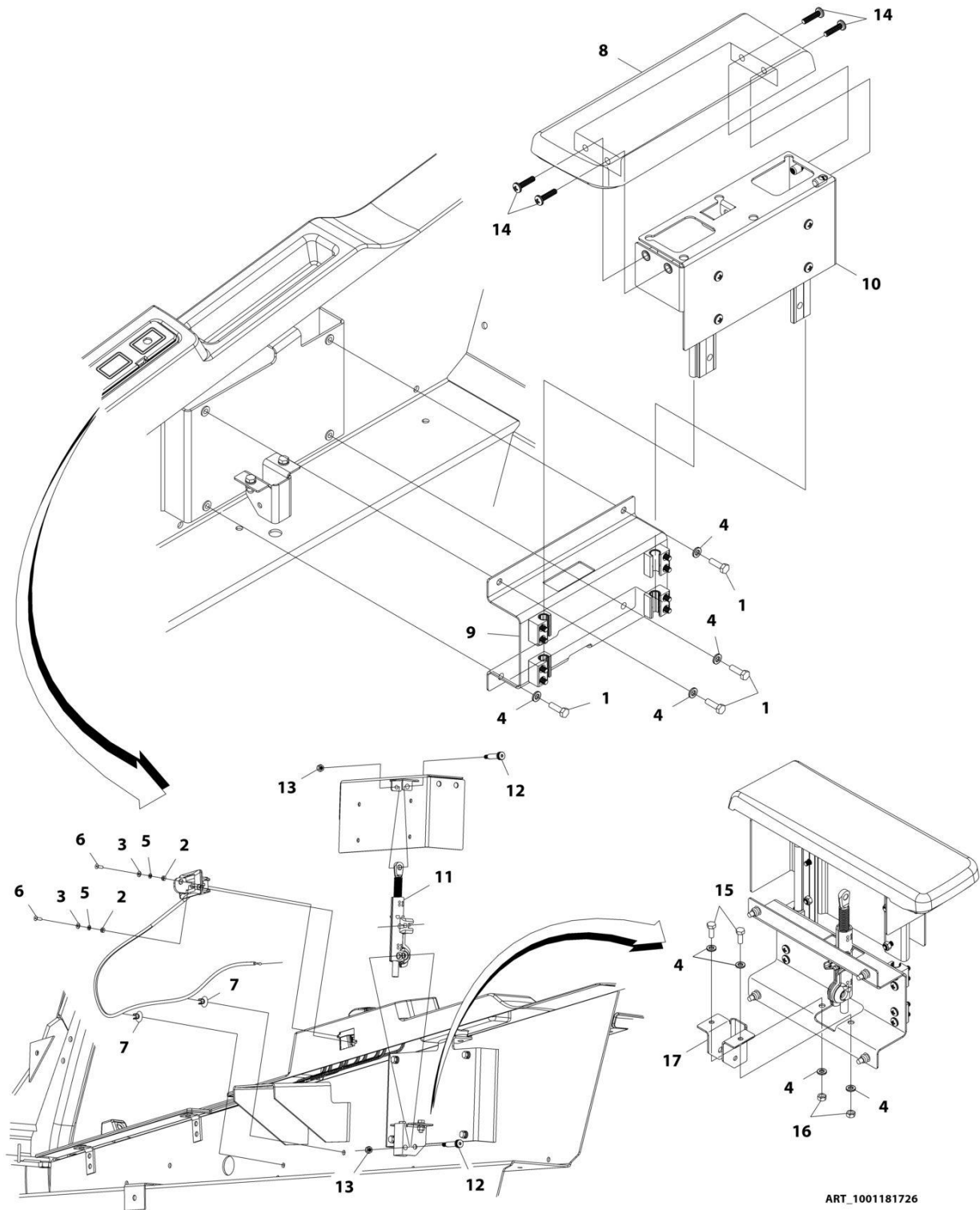
ART_1001170519-C

FIGURE 6-54. REAR PANEL COVER ASSEMBLY

ITEM	PART NUMBER	QTY	DESCRIPTION	REV
	1001170519	Ref	Rear Panel Cover Assembly	C
1	1001161067	1	Panel, Rear	
2	1001170514	1	Storage Net, Rear Panel	
3	4031608	2	Bolt, M5X20	
4	1001183550	2	Nut, Cage M5	

SECTION 6 - CAB

FIGURE 6-55. ADJUSTABLE ARMREST INSTALLATION



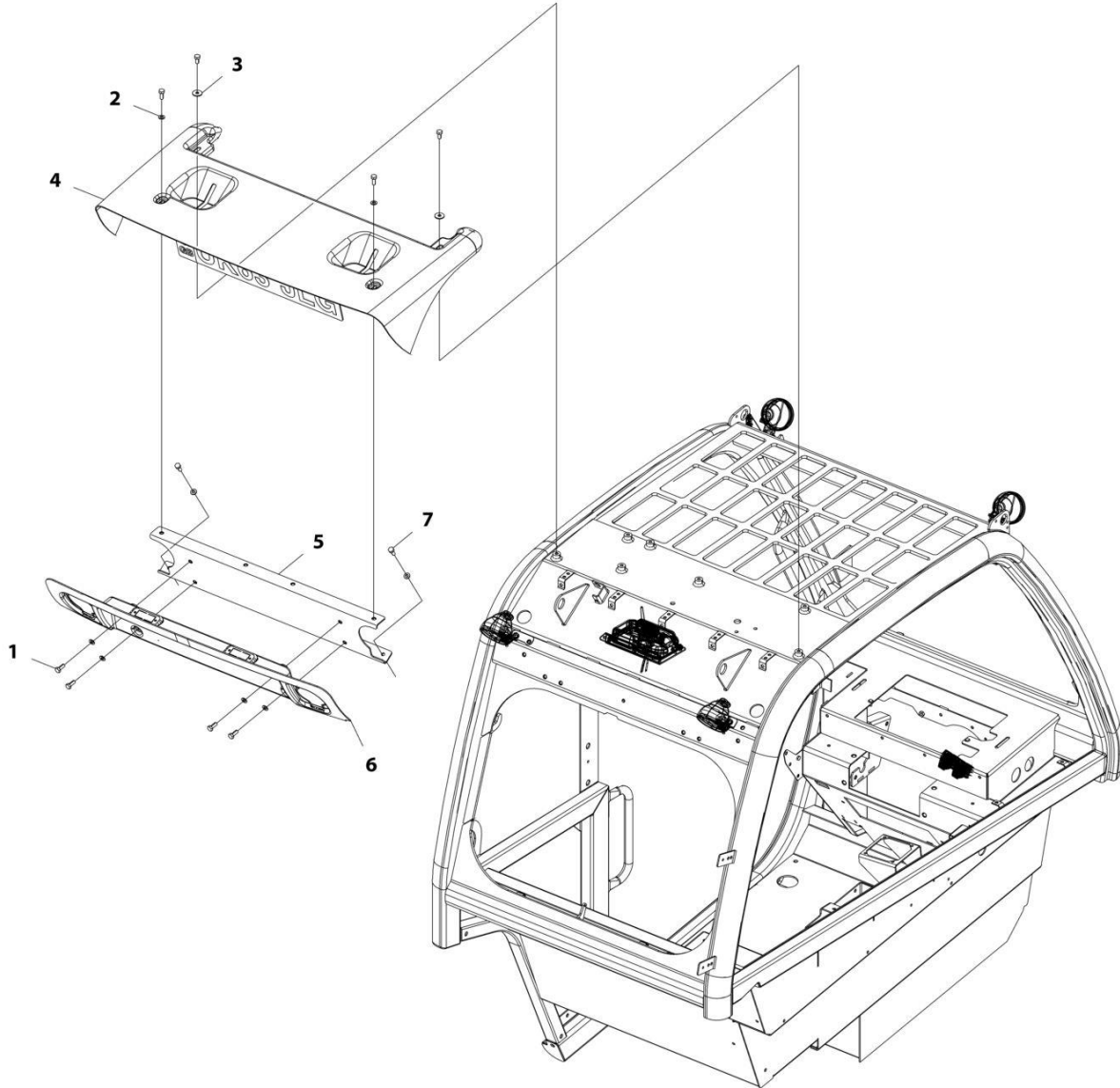
ART_1001181726

FIGURE 6-55. ADJUSTABLE ARMREST INSTALLATION

ITEM	PART NUMBER	QTY	DESCRIPTION	REV
	1001181726	Ref	Adjustable Armrest Installation	F
1	0700610	4	Bolt, M6X20	
2	3290401	2	Nut, M4X0.7	
3	4811400	2	Washer, M4	
4	4811700	8	Washer, M6	
5	4831400	2	Washer, Lock M4	
6	1001097244	2	Screw, M4X12	
7	1001165458	4	Hose	
8	1001191281	1	Armrest (See Separate Breakdown in this Section)	
9	1001191283	1	Bracket, Fixed Armrest (See Separate Breakdown in this Section)	
10	1001191284	1	Bracket, Moving Armrest (See Separate Breakdown in this Section)	
11	1001191285	1	Spring	
12	1001191370	2	Screw, M6	
13	3290605	2	Nut, M6X1 Grade 8	
14	4010612002	4	Screw, M6X25	
15	0760608	2	Bolt, M6X16	
16	3290601	2	Nut, M6X1	
17	1001212468	1	Bracket, Locking Spring Mount	

SECTION 6 - CAB

FIGURE 6-56. ROOF CAP INSTALLATION (NO A/C)



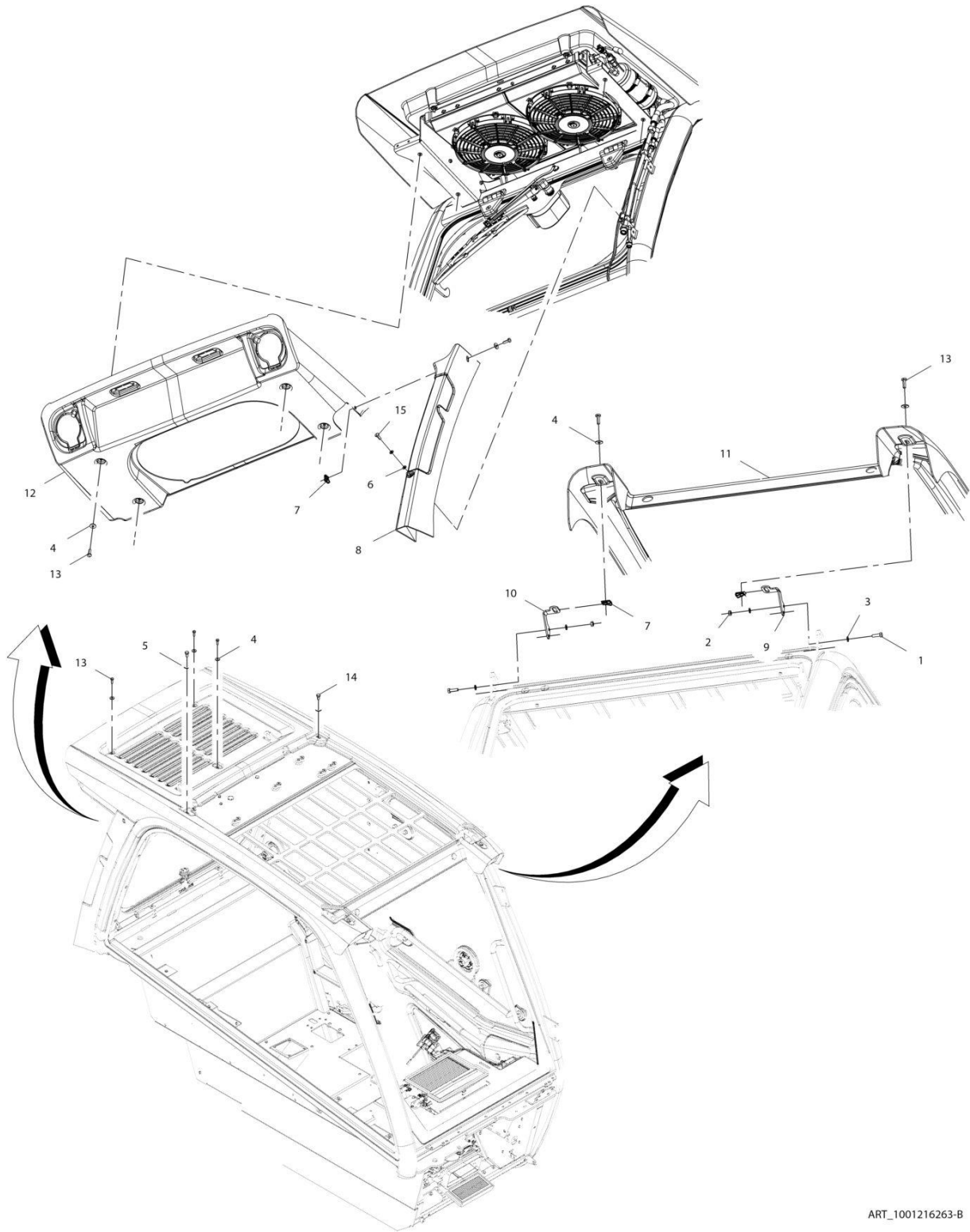
ART_1001216265

FIGURE 6-56. ROOF CAP INSTALLATION (NO A/C)

ITEM	PART NUMBER	QTY	DESCRIPTION	REV
	1001216265	Ref	Roof Cap Installation (No A/C)	B
1	0760810	8	Bolt, M8X20	
2	4811900	8	Washer, M8	
3	4811902	2	Washer, M8	
4	1001182330	1	Cover, Short Upper Roof Cap	
5	1001185633	1	Bracket, Roof Cap Mount	
6	1001216270	1	Cover, Short Lower Roof Cap	
7	0760808	2	Bolt, M8X16	

SECTION 6 - CAB

FIGURE 6-57. ROOF CAP INSTALLATION (A/C)



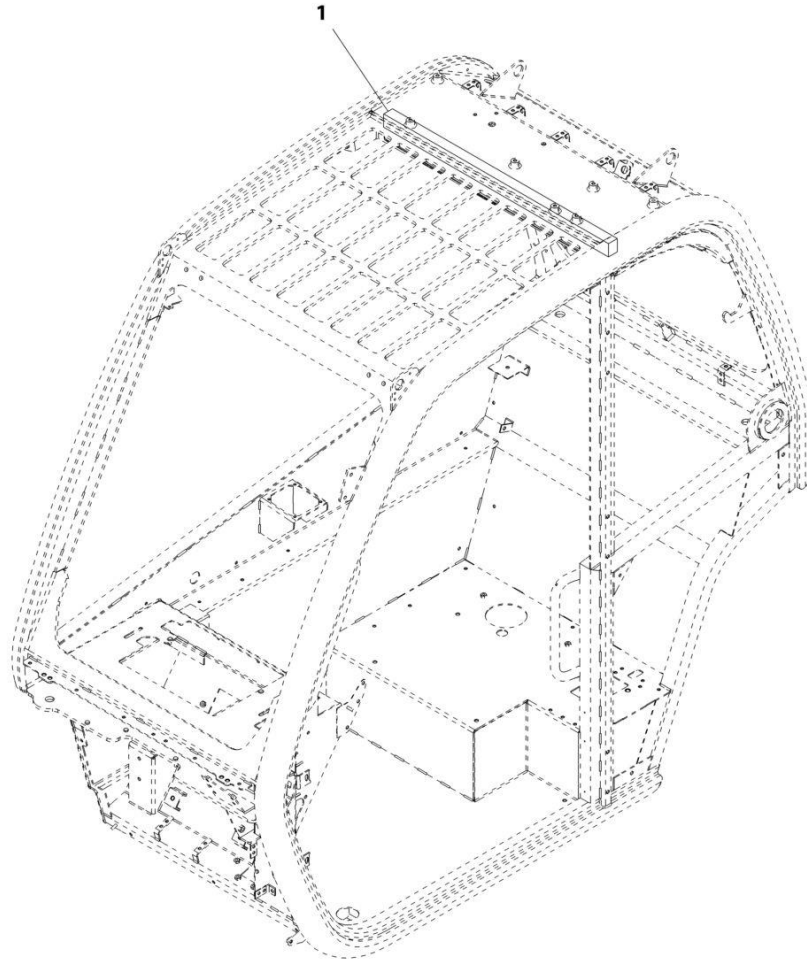
ART_1001216263-B

FIGURE 6-57. ROOF CAP INSTALLATION (A/C)

ITEM	PART NUMBER	QTY	DESCRIPTION	REV
	1001216263	Ref	Roof Cap (A/C) Installation	B
1	0700610	4	Bolt, M6X20	
2	3290601	4	Nut, M6X1	
3	4811700	9	Washer, M6	
4	4811702	10	Washer, M6	
5	4811902	2	Washer, M8	
6	4831700	1	Washer, Lock M6	
7	8305919	3	Nut, M6	
8	1001174741	1	Cover	
9	1001174800	1	Bracket	
10	1001174801	1	Bracket	
11	1001216267	1	Cover, Upper Roof Cap	
12	1001216269	1	Cover, Lower Roof Cap	
13	4010610002	10	Screw, Posi-Drive M6X20	
14	0760808	2	Bolt, M8X16	
15	4010608002	1	Screw, M6X16	

SECTION 6 - CAB

FIGURE 6-58. NO SUNSCREEN INSTALLATION



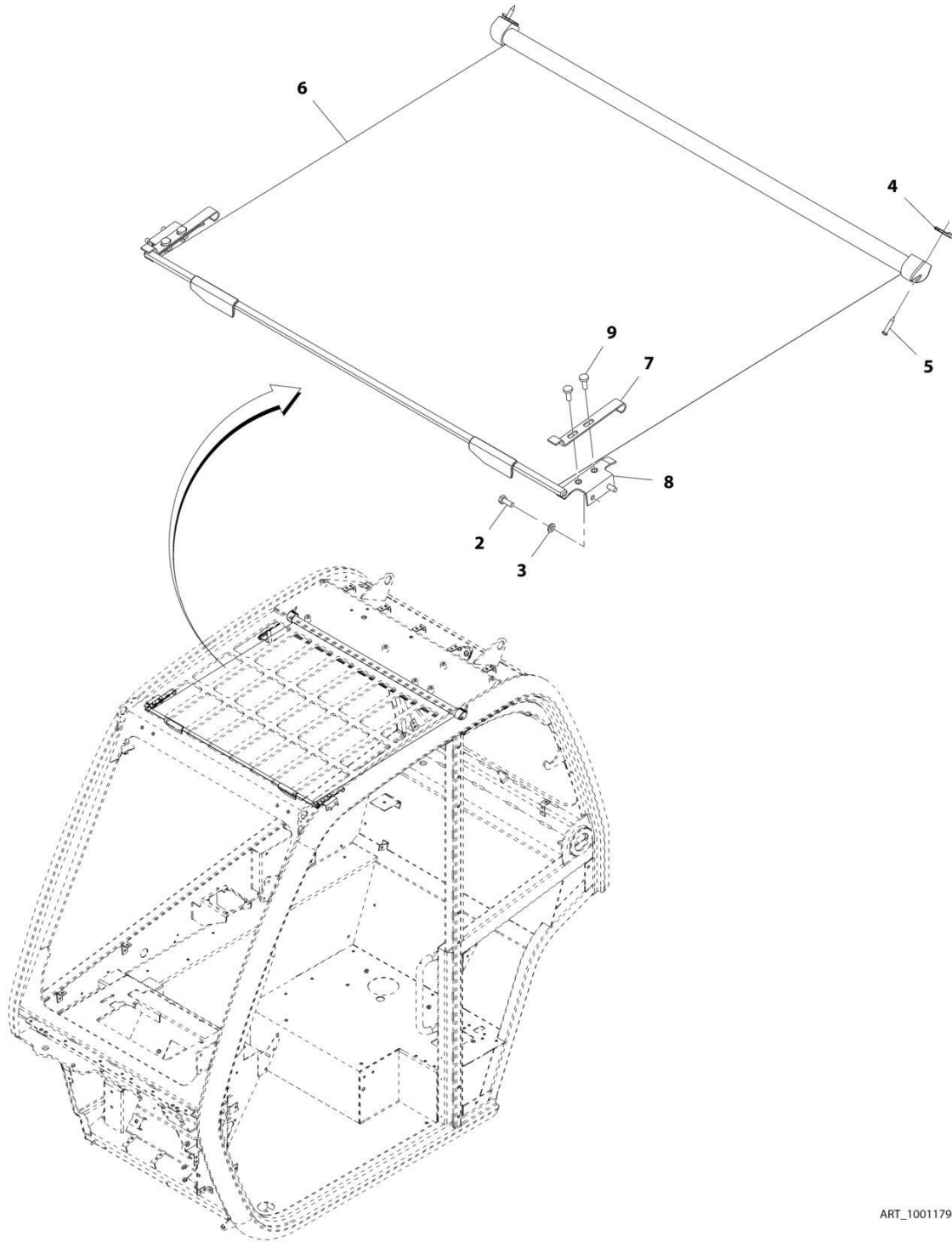
ART_1001211041-A

FIGURE 6-58. NO SUNSCREEN INSTALLATION

ITEM	PART NUMBER	QTY	DESCRIPTION	REV
1	1001211041 1001208192	Ref 1	No Sunscreen Installation Seal, Foam	A

SECTION 6 - CAB

FIGURE 6-59. RETRACTABLE SUNSCREEN INSTALLATION



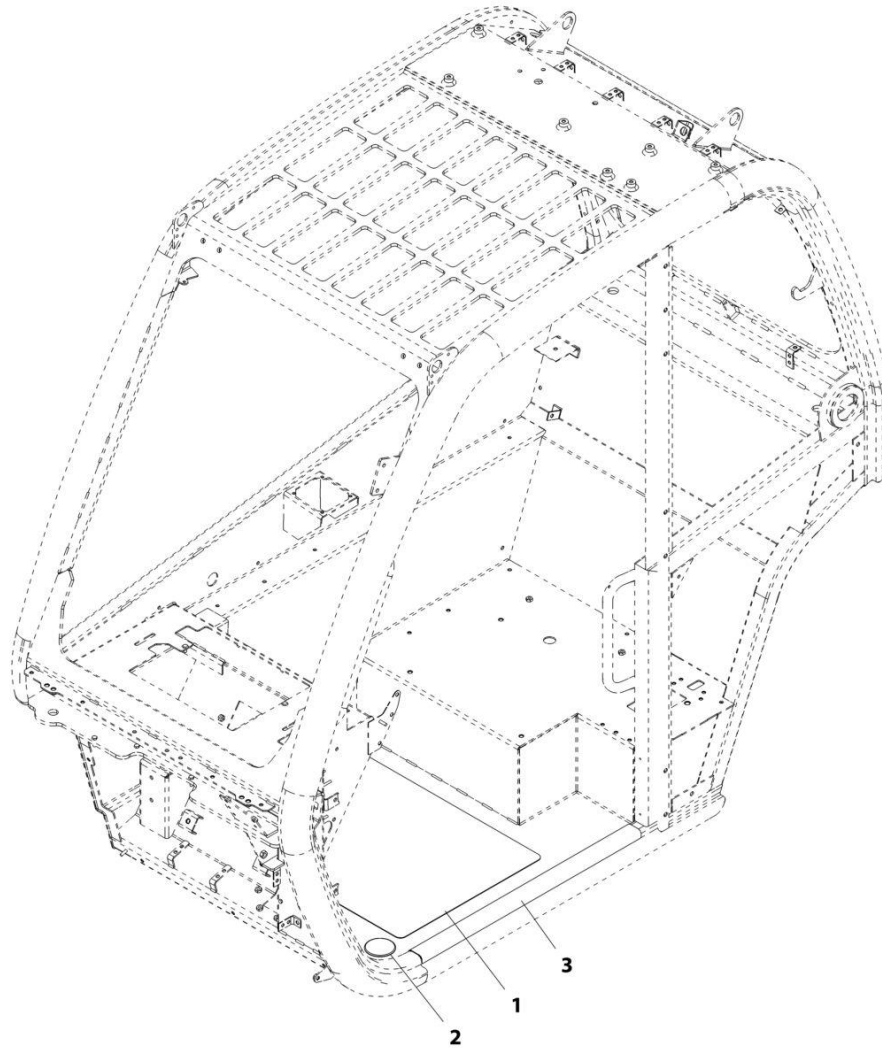
ART_1001179482-D

FIGURE 6-59. RETRACTABLE SUNSCREEN INSTALLATION

ITEM	PART NUMBER	QTY	DESCRIPTION	REV
	1001179482	Ref	Retractable Sunscreen Installation	D
2	0760608	4	Bolt, M6X16	
3	4811700	4	Washer, M6	
4	1001111076	2	Nut, Spire	
5	1001111147	2	Screw, Self Tapping	
6	1001179483	1	Cab, Sun Blind	
7	1001209463	2	Bracket	
8	1001166385	2	Bracket	
9	4010608002	4	Screw, Posi-Drive M6X16	

SECTION 6 - CAB

FIGURE 6-60. NON SKID TAPE INSTALLATION



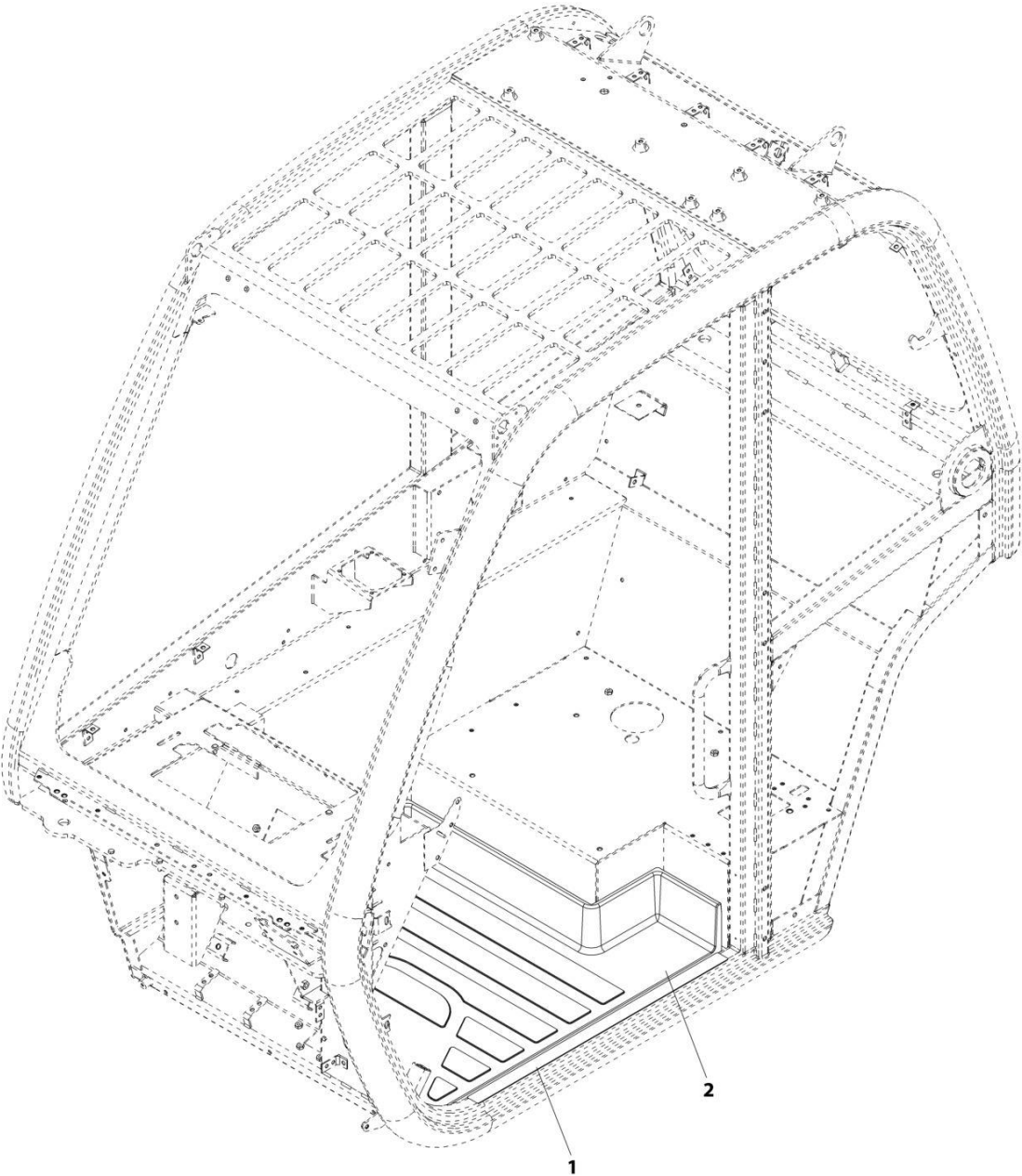
ART_1001197219-B

FIGURE 6-60. NON SKID TAPE INSTALLATION

ITEM	PART NUMBER	QTY	DESCRIPTION	REV
	1001197219	Ref	Non Skid Tape Installation	B
1	1001197217	1	Tape, Non Skid Floor	
2	1001197218	1	Grommet	
3	1001197259	1	Tape, Non Skid Frame	

SECTION 6 - CAB

FIGURE 6-61. FLOOR MAT INSTALLATION



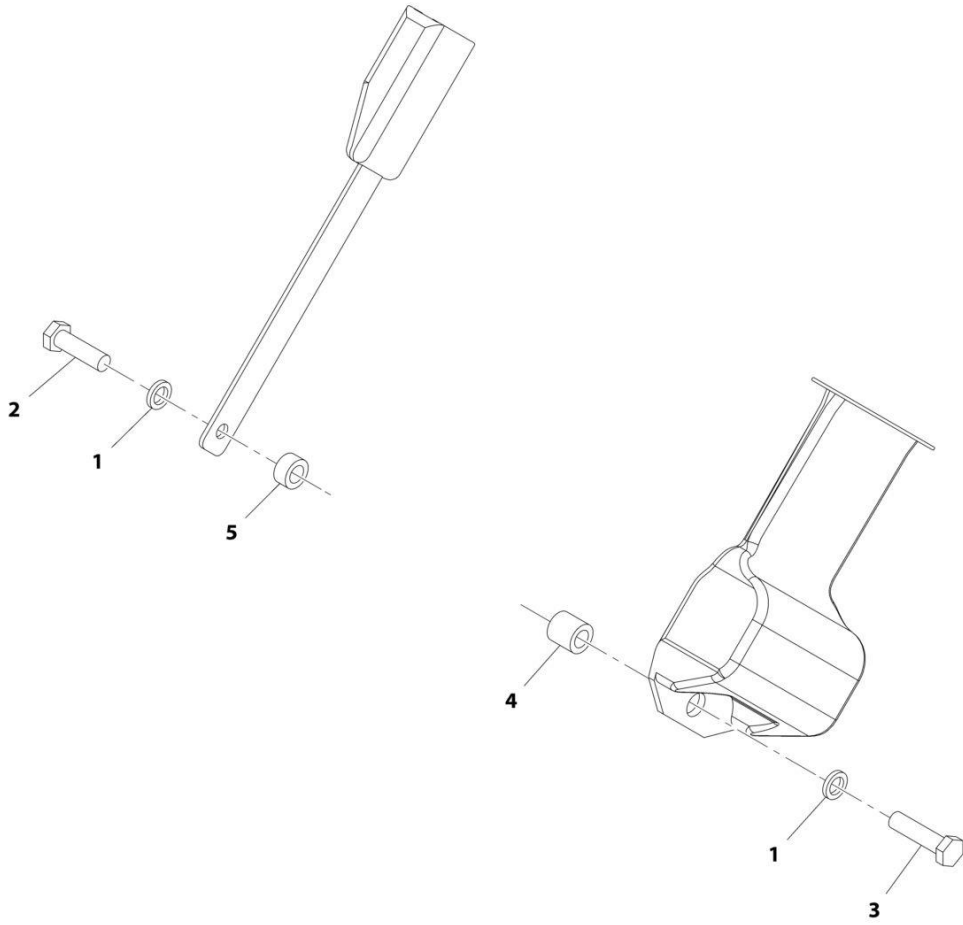
ART_1001255273-B

FIGURE 6-61. FLOOR MAT INSTALLATION

ITEM	PART NUMBER	QTY	DESCRIPTION	REV
	1001255273	Ref	Floor Mat Installation	B
1	1001197259	1	Tape, Non Skid Frame	
2	1001255131	1	Floor Mat, Cab	

SECTION 6 - CAB

FIGURE 6-62. SEAT BELT INSTALLATION (3IN)



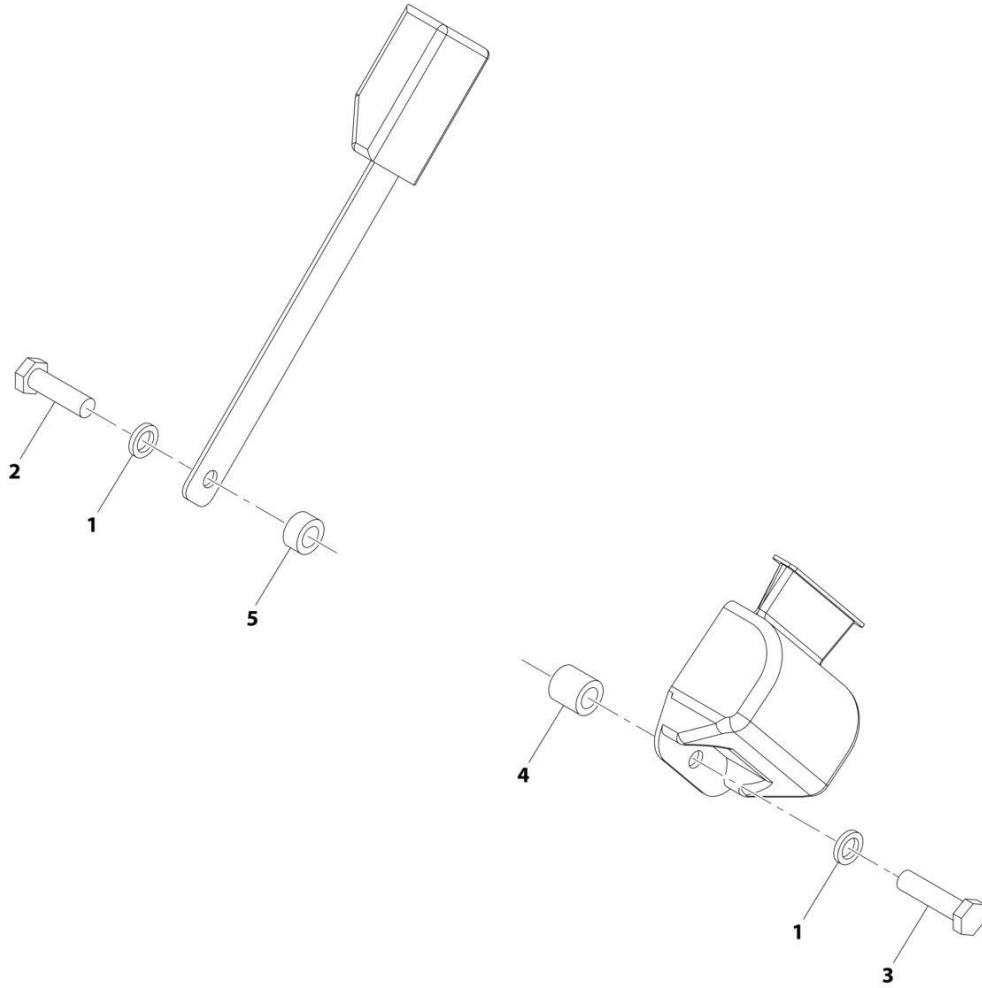
ART_1001006731-B

FIGURE 6-62. SEAT BELT INSTALLATION (3IN)

ITEM	PART NUMBER	QTY	DESCRIPTION	REV
	1001006731	Ref	Seat Belt Installation (3IN)	B
1	1001010646	2	Washer	
2	1001010647	1	Bolt	
3	1001010648	1	Bolt	
4	1001010649	1	Spacer	
5	1001010650	1	Spacer	

SECTION 6 - CAB

FIGURE 6-63. SEAT BELT INSTALLATION (2IN)



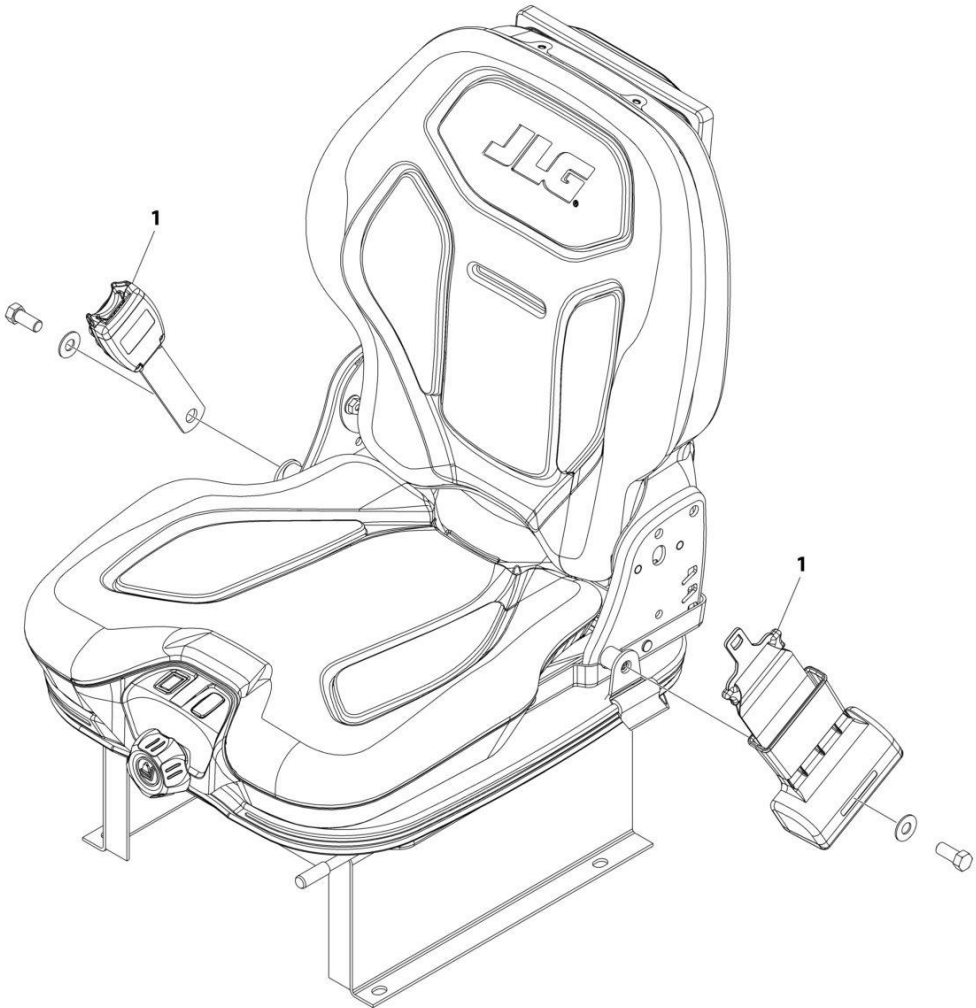
ART_1001006730

FIGURE 6-63. SEAT BELT INSTALLATION (2IN)

ITEM	PART NUMBER	QTY	DESCRIPTION	REV
	1001006730	Ref	Seat Belt Installation (2IN)	H
1	1001010646	2	Washer	
2	1001010647	1	Bolt	
3	1001010648	1	Bolt	
4	1001010649	1	Spacer, Shim	
5	1001010650	1	Spacer, Shim	

SECTION 6 - CAB

FIGURE 6-64. SEAT BELT INSTALLATION (3 INCH)



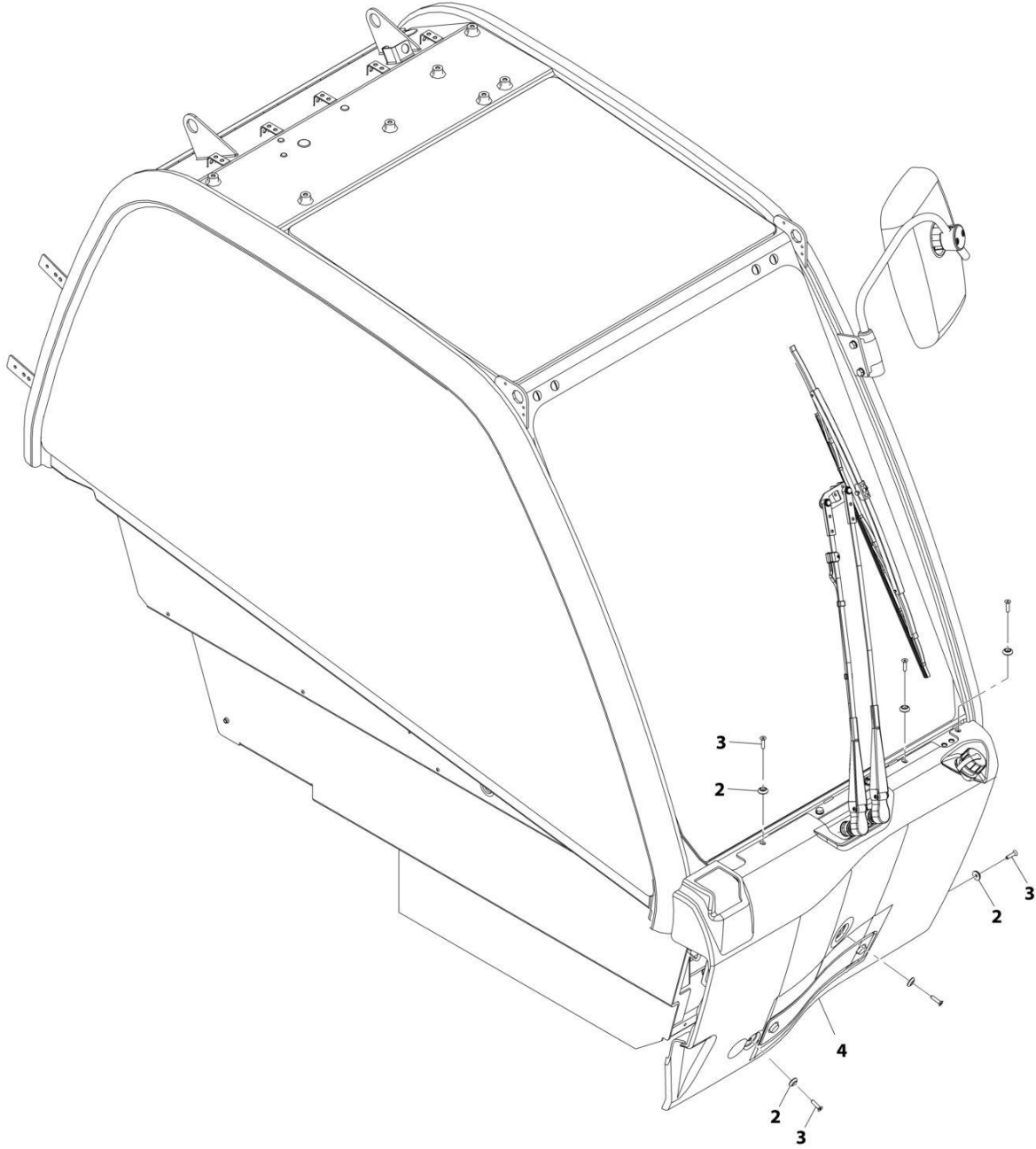
ART_1001258245

FIGURE 6-64. SEAT BELT INSTALLATION (3 INCH)

ITEM	PART NUMBER	QTY	DESCRIPTION	REV
	1001258245	Ref	Seat Belt Installation (3in Width)	B
1	1001258244	1	Seat Belt (3in) (Black Strap)	
1	1001275933	1	Seat Belt (3in) (Orange Strap)	

SECTION 6 - CAB

FIGURE 6-65. ENCLOSED CAB FRONT COVER INSTALLATION



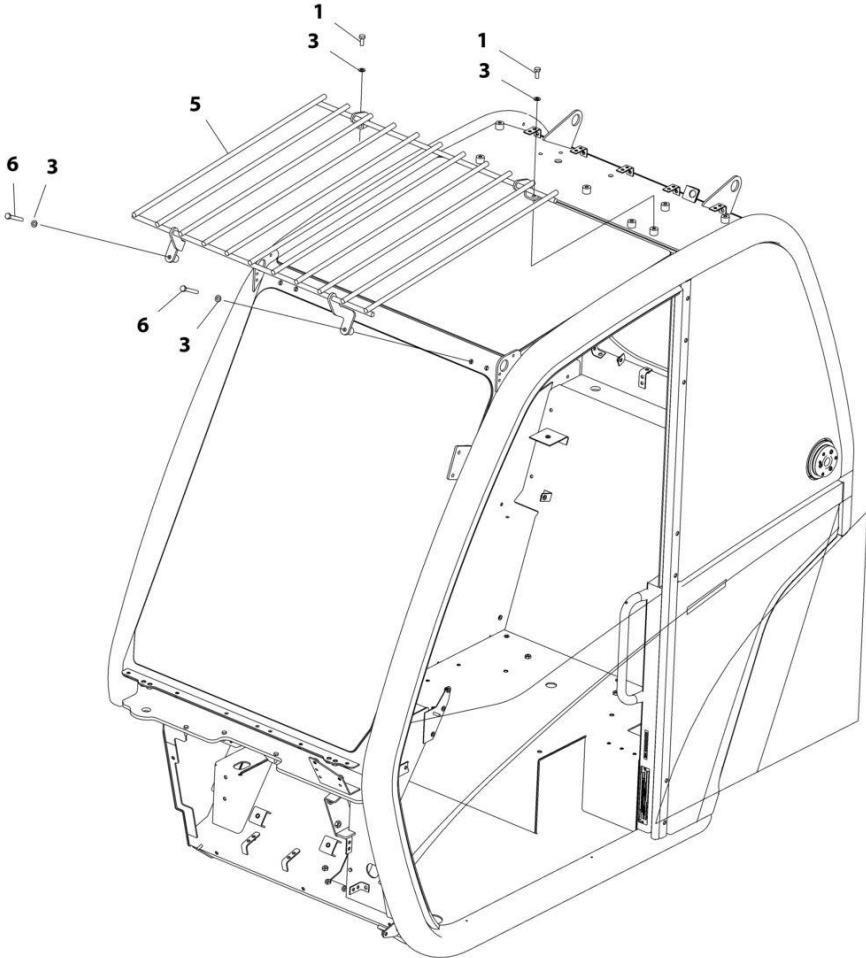
ART_1001179592-G

FIGURE 6-65. ENCLOSED CAB FRONT COVER INSTALLATION

ITEM	PART NUMBER	QTY	DESCRIPTION	REV
	1001179592	Ref	Enclosed Cab Front Cover Installation	G
2	1001097540	6	Washer, M6	
3	3900379	6	Screw, M6-1X25 Grade 10.9	
4	1001170325	1	Cover, Front	

SECTION 6 - CAB

FIGURE 6-66. CAB GUARD INSTALLATION (TOP)



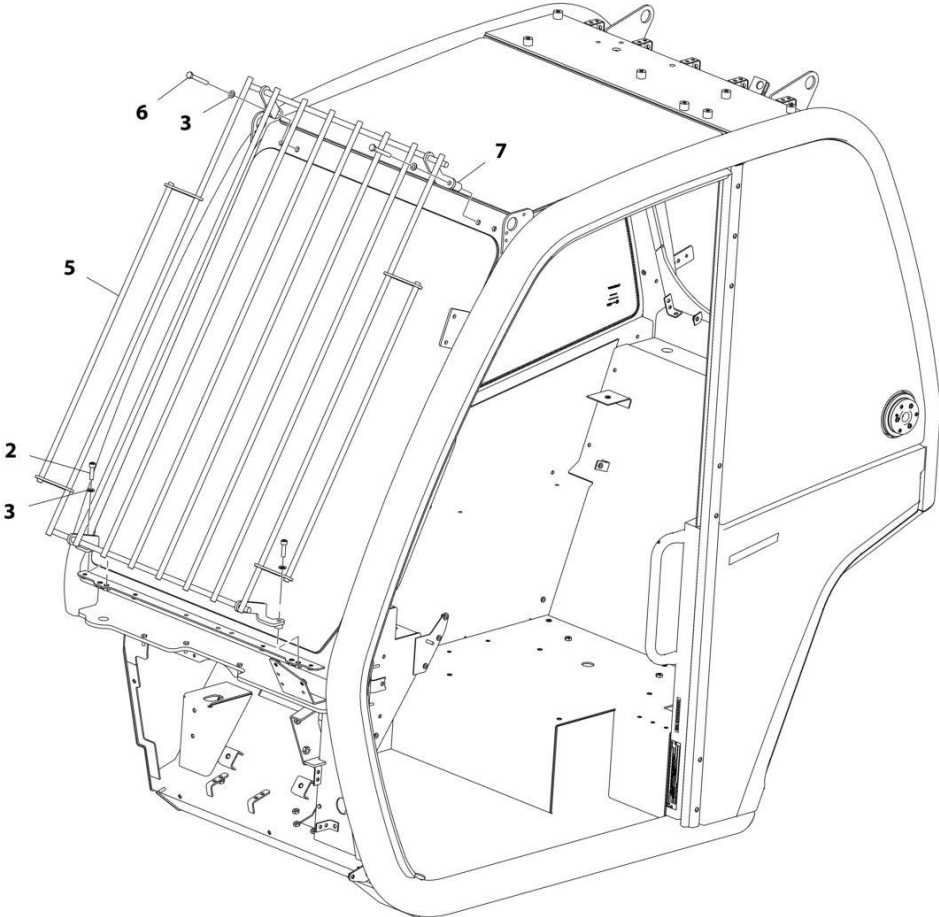
ART_1001160496

FIGURE 6-66. CAB GUARD INSTALLATION (TOP)

ITEM	PART NUMBER	QTY	DESCRIPTION	REV
	1001160496	Ref	Cab Guard Installation (Top)	G
1	0760810	2	Bolt, M8X20	
3	4811900	4	Washer, M8	
5	1001160503	1	Guard, Top Screen	
6	0700820	2	Bolt, M8X60	

SECTION 6 - CAB

FIGURE 6-67. CAB GUARD INSTALLATION (FRONT)



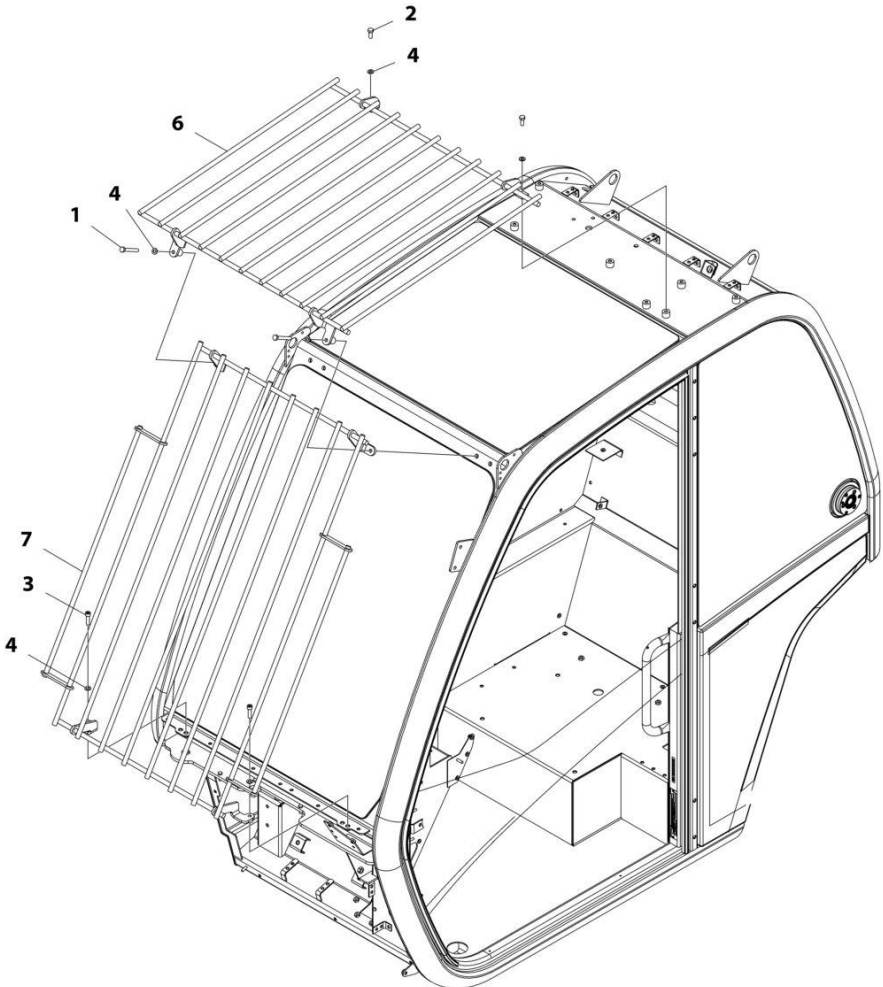
ART_1001160506-G

FIGURE 6-67. CAB GUARD INSTALLATION (FRONT)

ITEM	PART NUMBER	QTY	DESCRIPTION	REV
	1001160506	Ref	Cab Guard Installation (Front)	G
2	4031910	2	Bolt, M8X30	
3	4811900	4	Washer, M8	
5	1001180263	1	Guard, Front Screen	
6	0700820	2	Bolt, M8X60	
7	1001173257	2	Spacer	

SECTION 6 - CAB

FIGURE 6-68. CAB GUARD INSTALLATION (TOP AND FRONT)



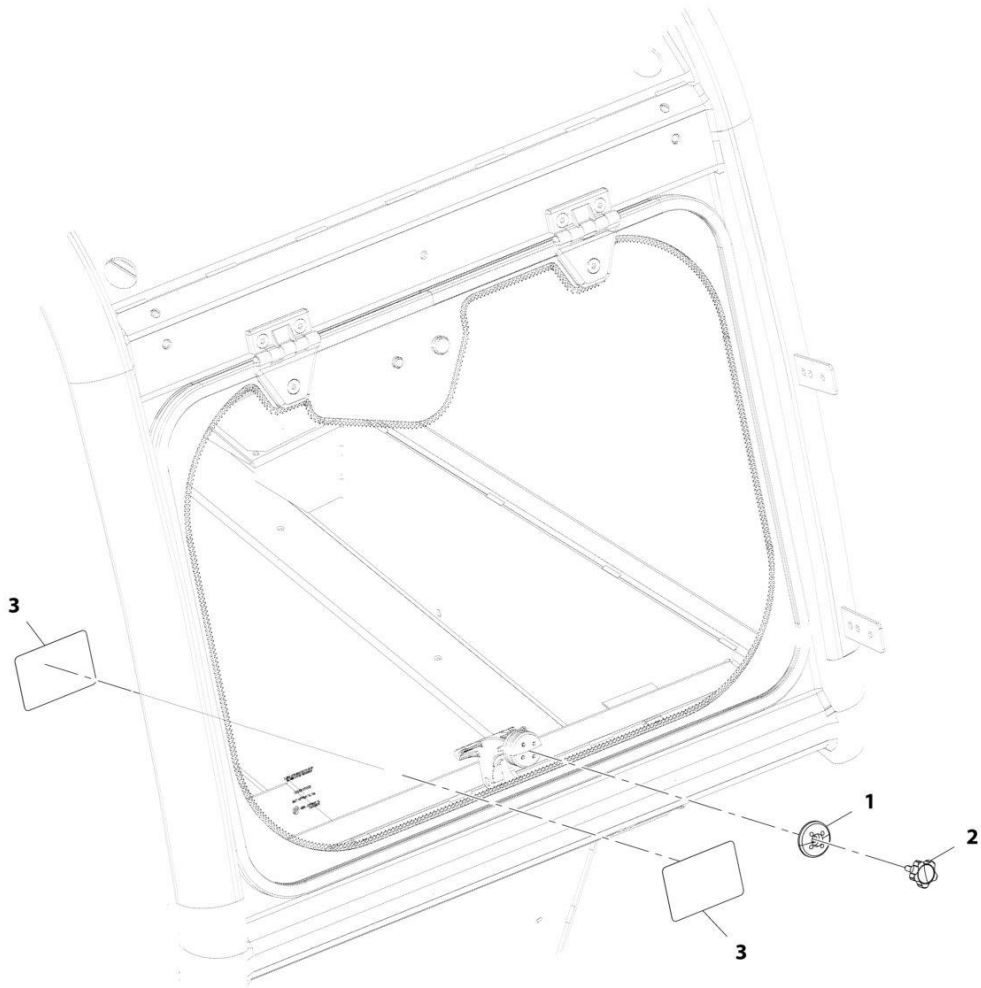
ART_1001172774

FIGURE 6-68. CAB GUARD INSTALLATION (TOP AND FRONT)

ITEM	PART NUMBER	QTY	DESCRIPTION	REV
	1001172774	Ref	CAB GUARD INSTALLATION (TOP AND FRONT)	G
1	0700820	2	Bolt M8 x 60	
2	0760810	2	Bolt M8 x 20	
3	4031910	2	Bolt M8 x 30	
4	4811900	6	Washer M8	
6	1001160503	1	Guard, Top Screen	
7	1001180263	1	Guard, Front Screen	

SECTION 6 - CAB

FIGURE 6-69. EXTERNAL WINDOW RELEASE INSTALLATION (CAN & ISO)



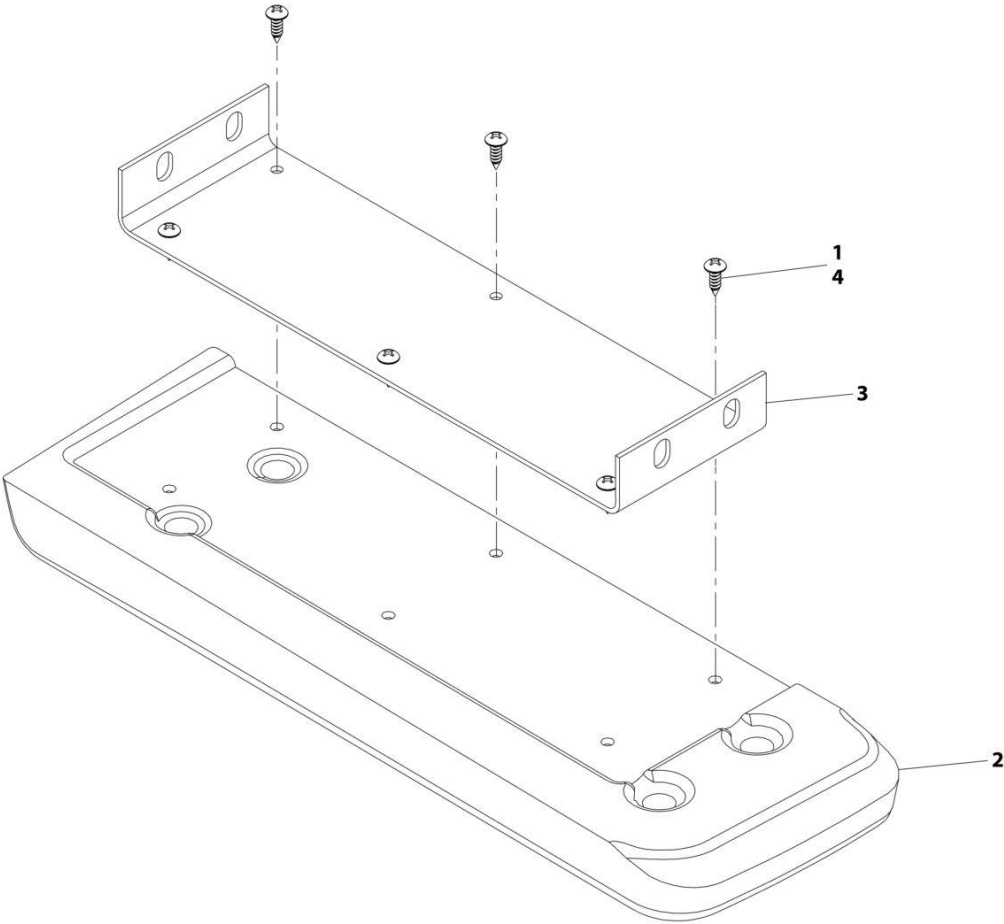
ART_1001178826-C

FIGURE 6-69. EXTERNAL WINDOW RELEASE INSTALLATION (CAN & ISO)

ITEM	PART NUMBER	QTY	DESCRIPTION	REV
	1001178826	Ref	External Window Release Installation (English/French)	C
1	1001179008	1	Cap, Latch Window	
2	1001179009	1	Knob	
3	1001204709	2	Decal, Emergency Exit (English/French)	

SECTION 6 - CAB

FIGURE 6-70. ARMREST



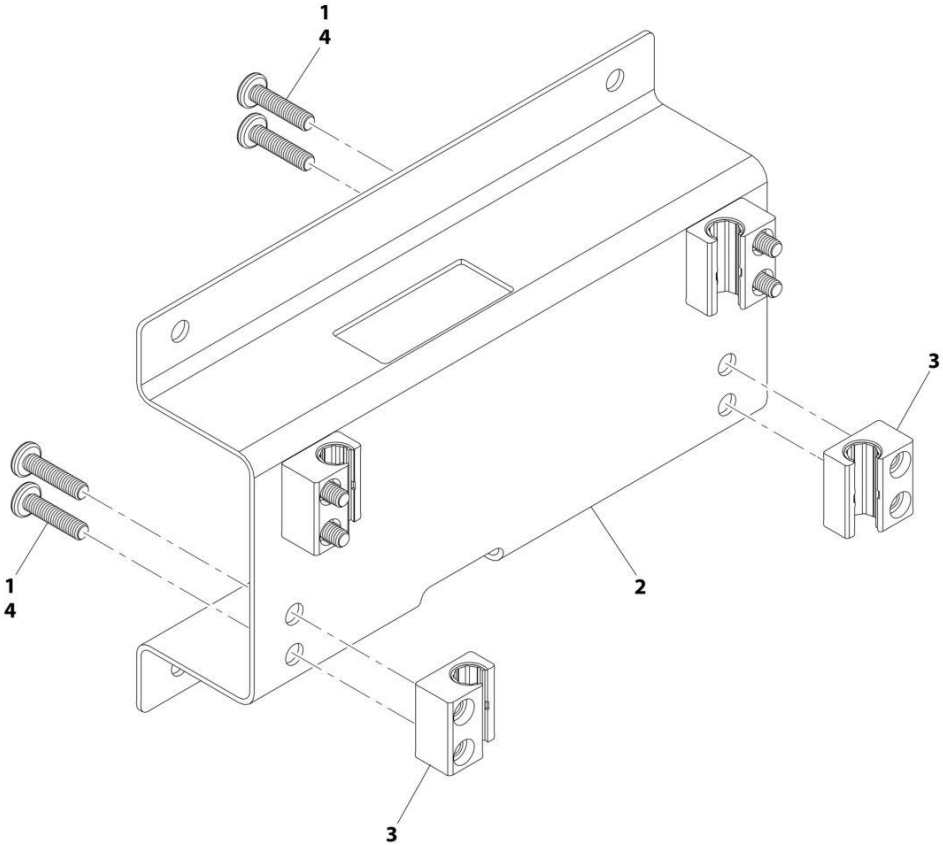
ART_1001191281

FIGURE 6-70. ARMREST

ITEM	PART NUMBER	QTY	DESCRIPTION	REV
	1001191281	Ref	Armrest	E
1	1001095650	AR	Adhesive	
2	1001179484	1	Armrest, Cab	
3	1001191282	1	Bracket, Armrest Pad	
4	1001192240	6	Screw	

SECTION 6 - CAB

FIGURE 6-71. FIXED ARMREST BRACKET



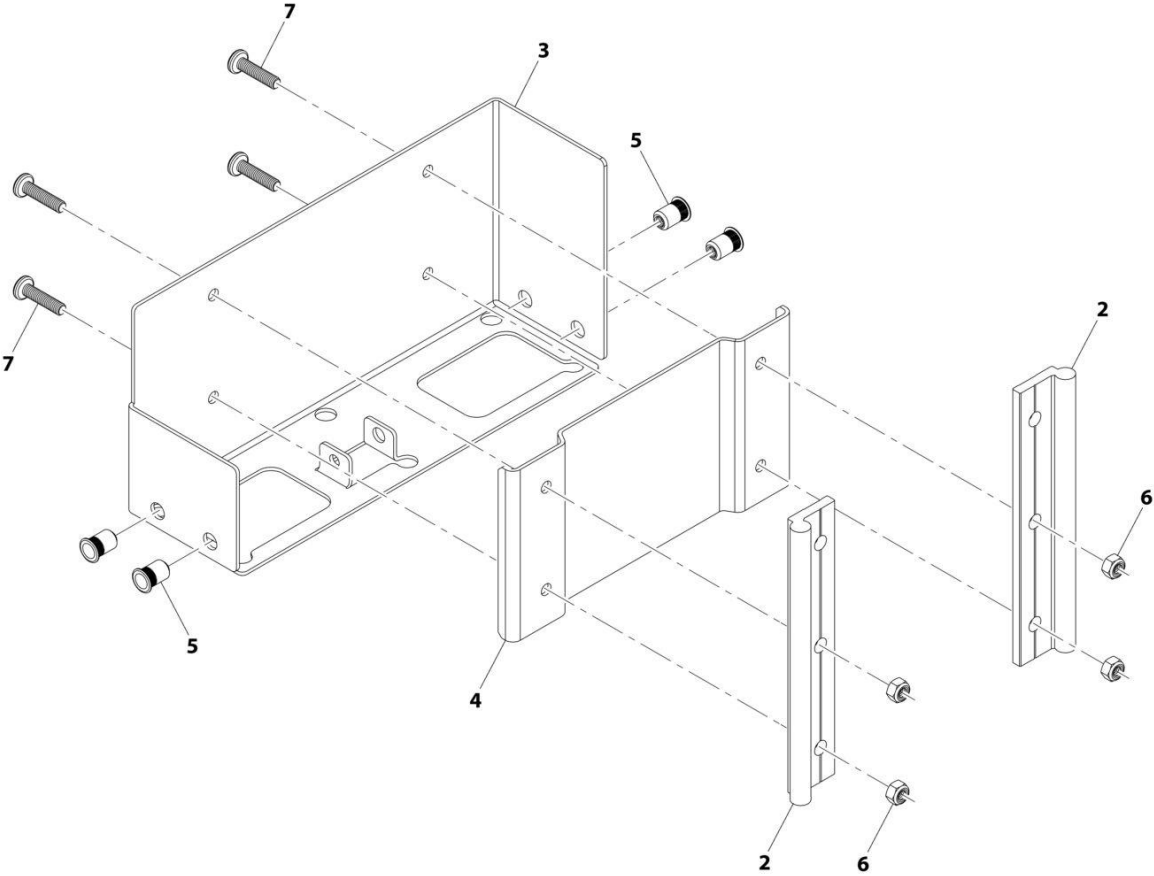
ART_1001191283-B

FIGURE 6-71. FIXED ARMREST BRACKET

ITEM	PART NUMBER	QTY	DESCRIPTION	REV
	1001191283	Ref	Fixed Armrest Bracket	B
1	1001095650	AR	Adhesive	
2	1001183597	1	Armrest Bracket	
3	1001191310	4	Slide Block	
4	4010612002	8	Screw	

SECTION 6 - CAB

FIGURE 6-72. MOVING ARMREST BRACKET



ART_1001191284-B

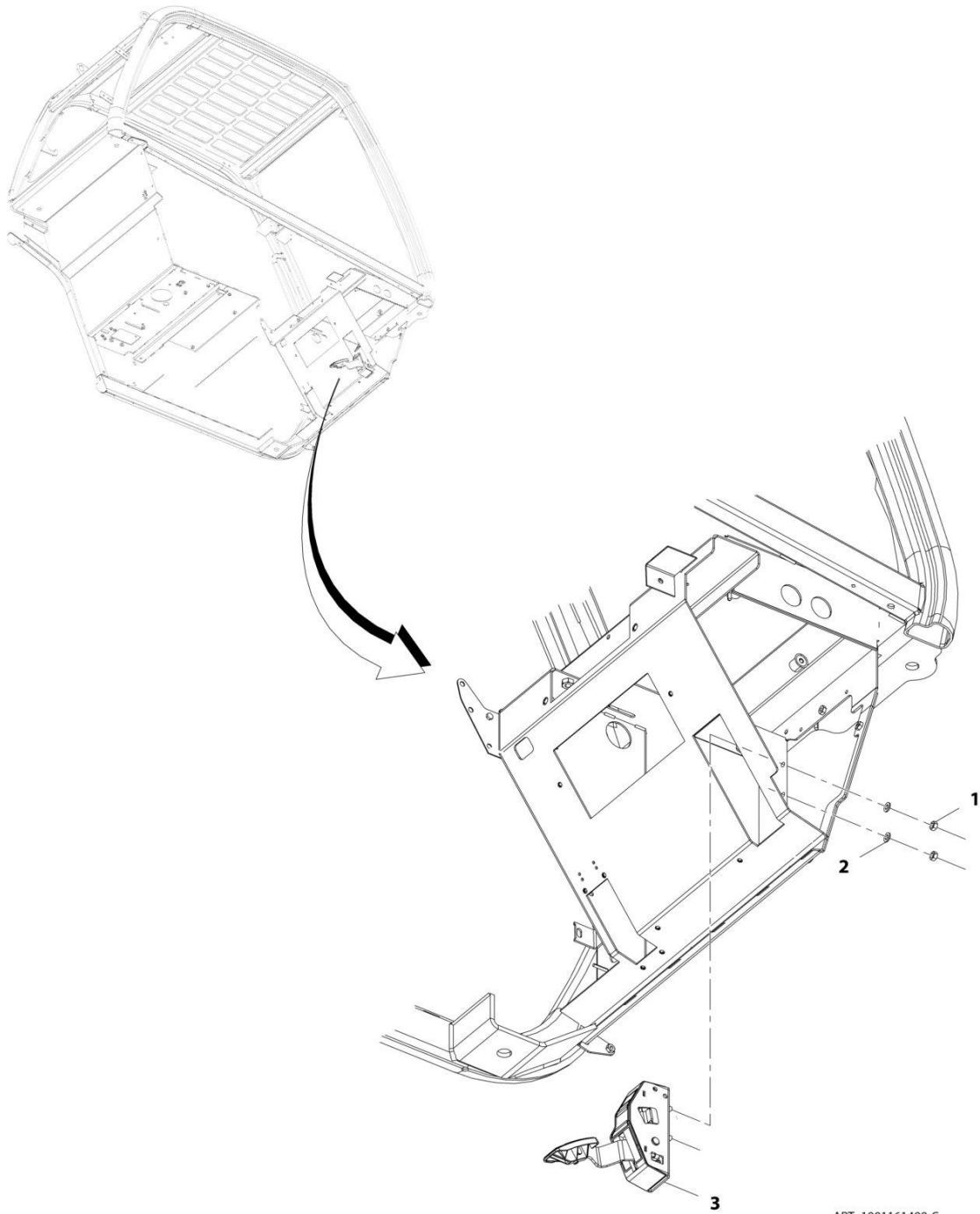
FIGURE 6-72. MOVING ARMREST BRACKET

ITEM	PART NUMBER	QTY	DESCRIPTION	REV
	1001191284	Ref	Moving Armrest Bracket	B
2	1001191311	2	Side Rail	
3	1001191312	1	Armrest Mount Bracket	
4	1001191313	1	Spacer Block Plate	
5	1001191959	4	Rivenut M6 X 1	
6	3290605	4	Nut, Lock M6X1	
7	4010612002	4	Screw, M6X25	

SECTION 7 - CONTROLS

SECTION 7 - CONTROLS

FIGURE 7-1. ACCELERATOR PEDAL INSTALLATION



ART_1001161499-C

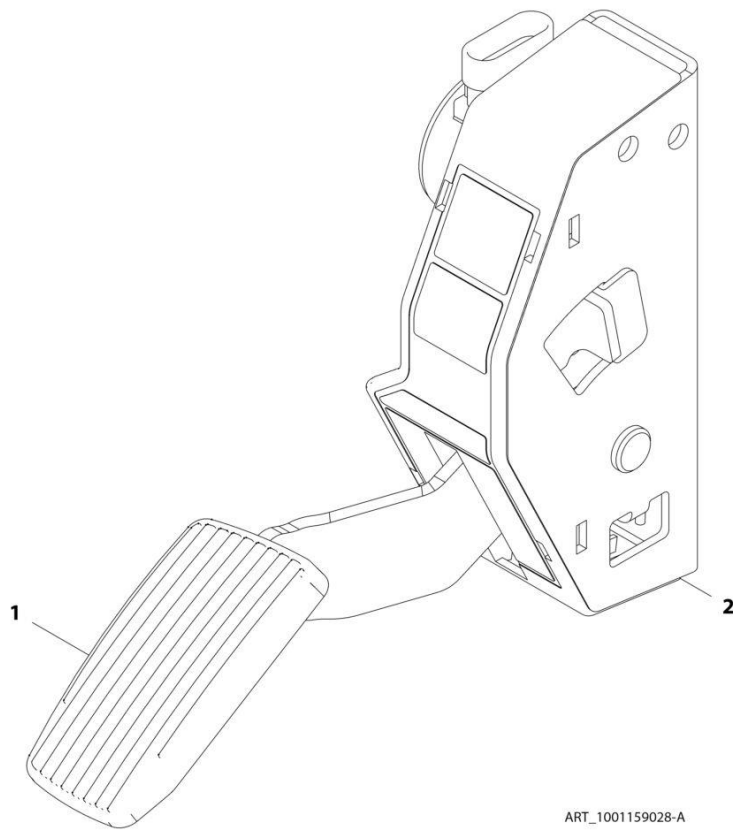
SECTION 7 - CONTROLS

FIGURE 7-1. ACCELERATOR PEDAL INSTALLATION

ITEM	PART NUMBER	QTY	DESCRIPTION	REV
	1001161499	Ref	Accelerator Pedal Installation	C
1	3290801	2	Nut, M8X1.25	
2	4811900	2	Washer, M8	
3	1001159028	1	Pedal, Accelerator (See Separate Breakdown in this Section)	

SECTION 7 - CONTROLS

FIGURE 7-2. ACCELERATOR PEDAL



ART_1001159028-A

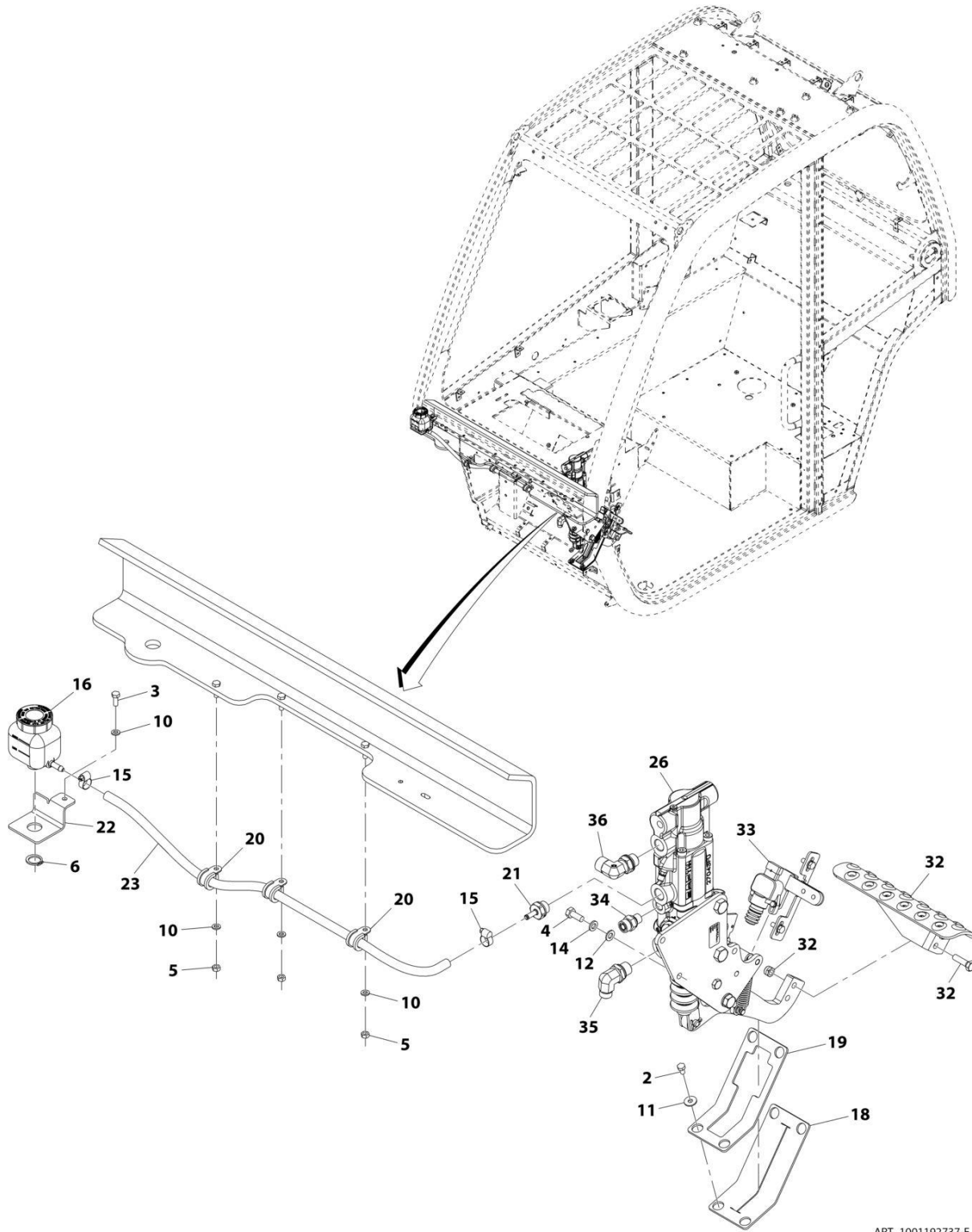
SECTION 7 - CONTROLS

FIGURE 7-2. ACCELERATOR PEDAL

ITEM	PART NUMBER	QTY	DESCRIPTION	REV
	1001159028	Ref	Accelerator Pedal	A
1	70025816	1	Pad, Rubber	
2	70025817	1	Cover, Rubber	

SECTION 7 - CONTROLS

FIGURE 7-3. BRAKE PEDAL INSTALLATION



ART_1001192737-E

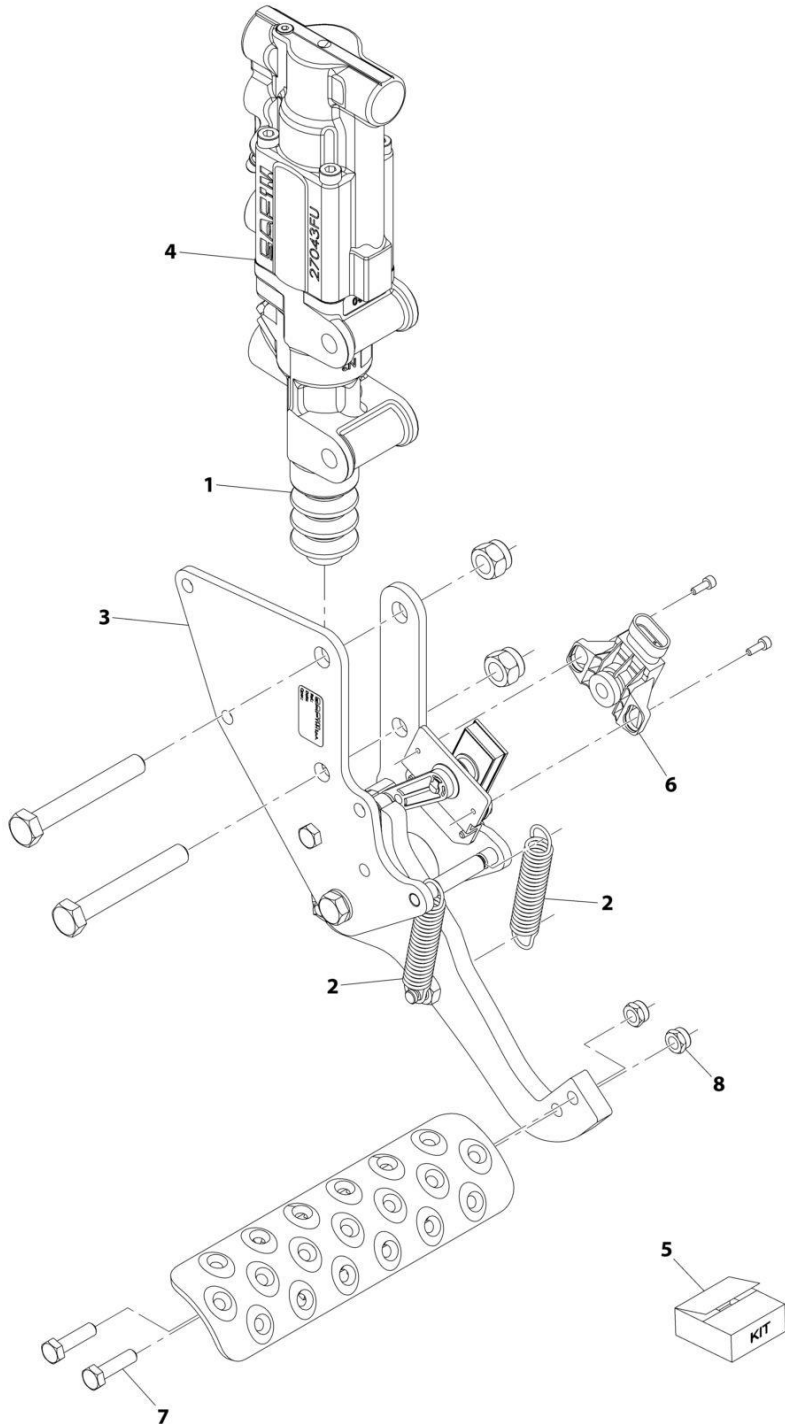
SECTION 7 - CONTROLS

FIGURE 7-3. BRAKE PEDAL INSTALLATION

ITEM	PART NUMBER	QTY	DESCRIPTION	REV
	1001192737	Ref	Brake Pedal Installation	E
2	0760605	4	Bolt, M6X10	
3	0760608	1	Bolt, M6X16	
4	0760810	3	Bolt, M8X20	
5	3290601	3	Nut, M6X1	
6	3760348	1	Ring, Retaining	
10	4811700	4	Washer, M6	
11	4811702	4	Washer, M6	
12	4811900	3	Washer, M8	
14	4831900	3	Washer, Lock M8	
15	8405009	2	Clamp	
16	1001214220	1	Reservoir, Brake	
18	1001162920	1	Seal	
19	1001162922	1	Plate	
20	1001170231	3	Clip	
21	1001171874	1	Fitting, Straight	
22	1001172088	1	Bracket	
23	1001172094	1	Hose	
26	1001213265	1	Assembly, Brake Pedal (See Separate Breakdown in this Section)	
32	1001197139	1	Plate, Brake Pedal	
33	1001205061	Ref	Installation, Brake Sensor (See Separate Breakdown in this Section)	
34	80233218	1	Fitting, Straight ORFS	
35	80333151	1	Fitting, 90 ORFS	
36	1001168054	1	Fitting, 90 ORFS	

SECTION 7 - CONTROLS

FIGURE 7-4. BRAKE PEDAL ASSEMBLY



ART_1001213265-A

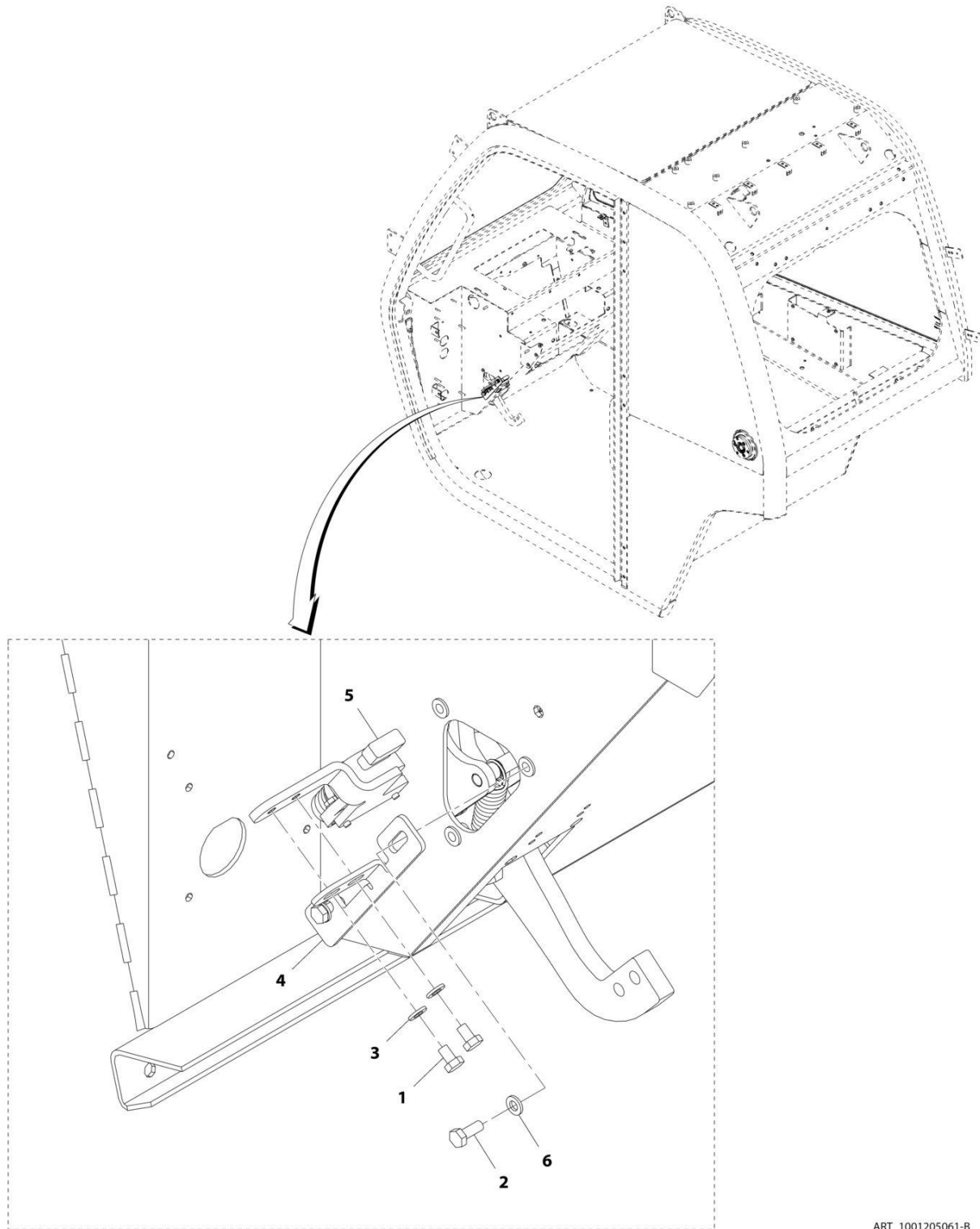
SECTION 7 - CONTROLS

FIGURE 7-4. BRAKE PEDAL ASSEMBLY

ITEM	PART NUMBER	QTY	DESCRIPTION	REV
	1001213265	Ref	Brake Pedal Assembly	A
1	70025859	1	Cover, Dust	
2	70025860	2	Spring, Return	
3	70028381	1	Support, Pedal	
4	70028382	1	Cylinder, Master	
5	70026434	1	Kit, Seal	
6	70028383	1	Sensor, Angle	
7	0770814	2	Bolt, M8X30 Grade 10.9	
8	3290805	2	Nut, Lock M8X1.25 Grade 8	

SECTION 7 - CONTROLS

FIGURE 7-5. BRAKE SENSOR INSTALLATION



ART_1001205061-B

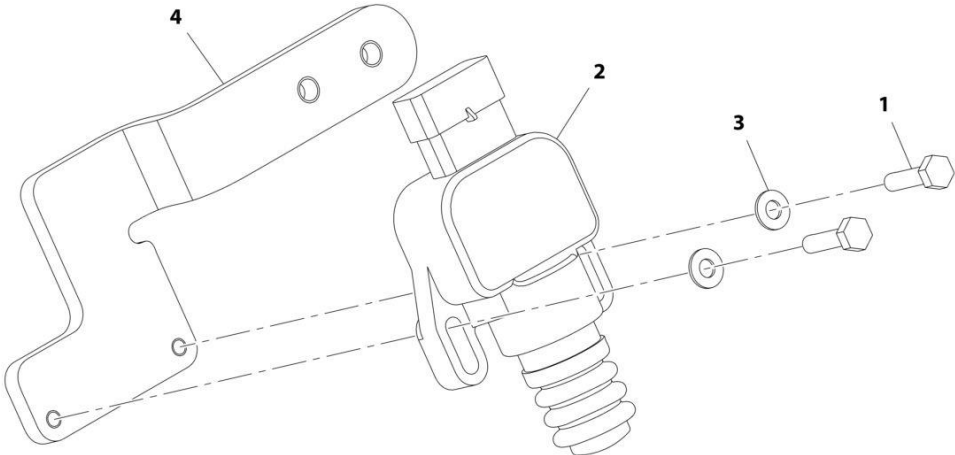
SECTION 7 - CONTROLS

FIGURE 7-5. BRAKE SENSOR INSTALLATION

ITEM	PART NUMBER	QTY	DESCRIPTION	REV
	1001205061	Ref	Brake Sensor Installation	B
1	0760605	2	Bolt, M6X10	
2	0760608	2	Bolt, M6X16	
3	4811700	2	Washer, M6	
4	1001201499	1	Plate, Switch Adjustment	
5	1001201501	1	Assembly, Switch Plate (See Separate Breakdown in this Section)	
6	4811702	2	Washer, M6	

SECTION 7 - CONTROLS

FIGURE 7-6. SWITCH PLATE ASSEMBLY



ART_1001201501-A

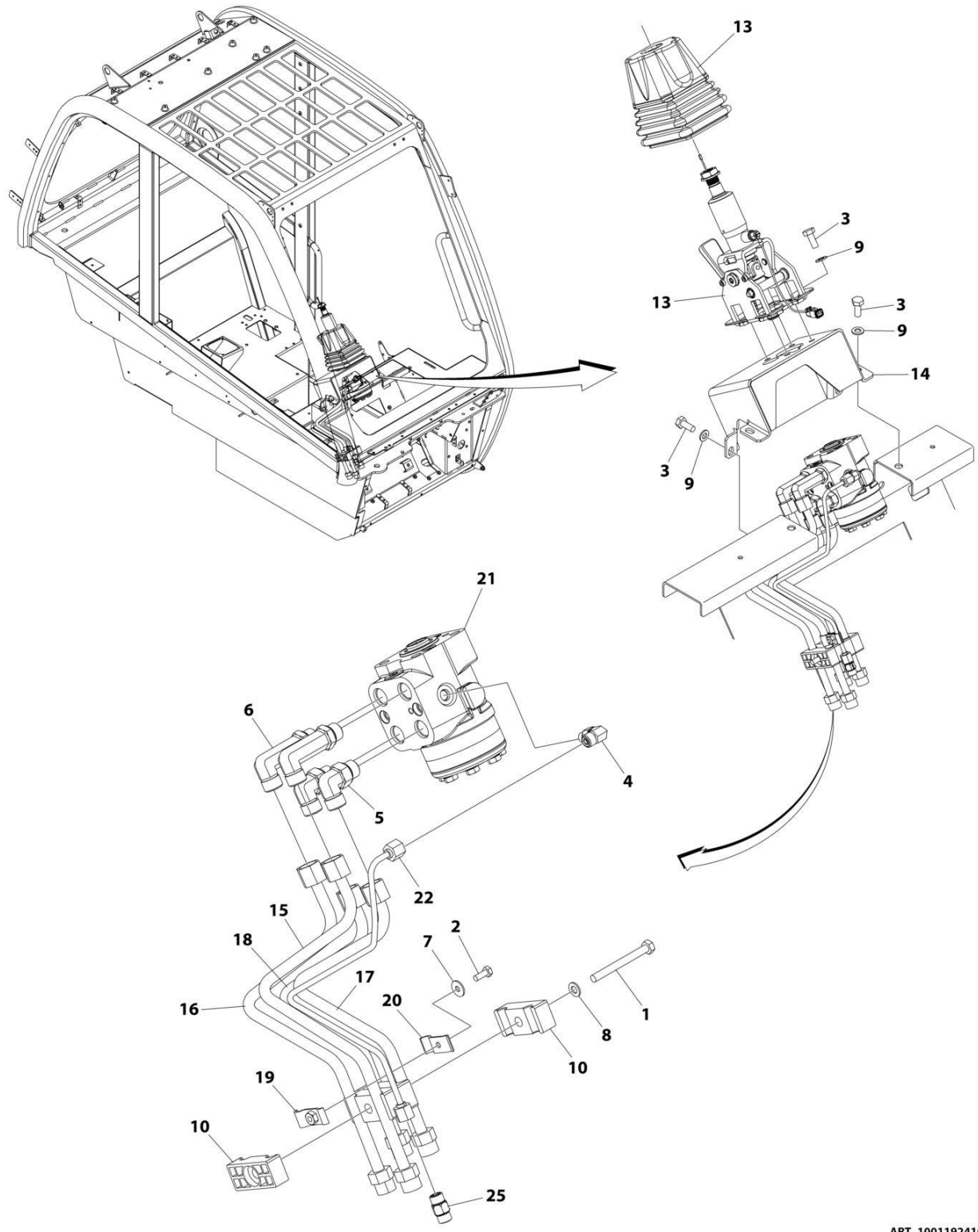
SECTION 7 - CONTROLS

FIGURE 7-6. SWITCH PLATE ASSEMBLY

ITEM	PART NUMBER	QTY	DESCRIPTION	REV
	1001201501	Ref	Switch Plate Assembly	A
1	0700408	2	Bolt, M4X16	
2	4360658	1	Sensor, Brake	
3	4811400	2	Washer, M4	
4	1001201500	1	Plate	

SECTION 7 - CONTROLS

FIGURE 7-7. TILT STEERING COLUMN INSTALLATION



ART_1001192410_I

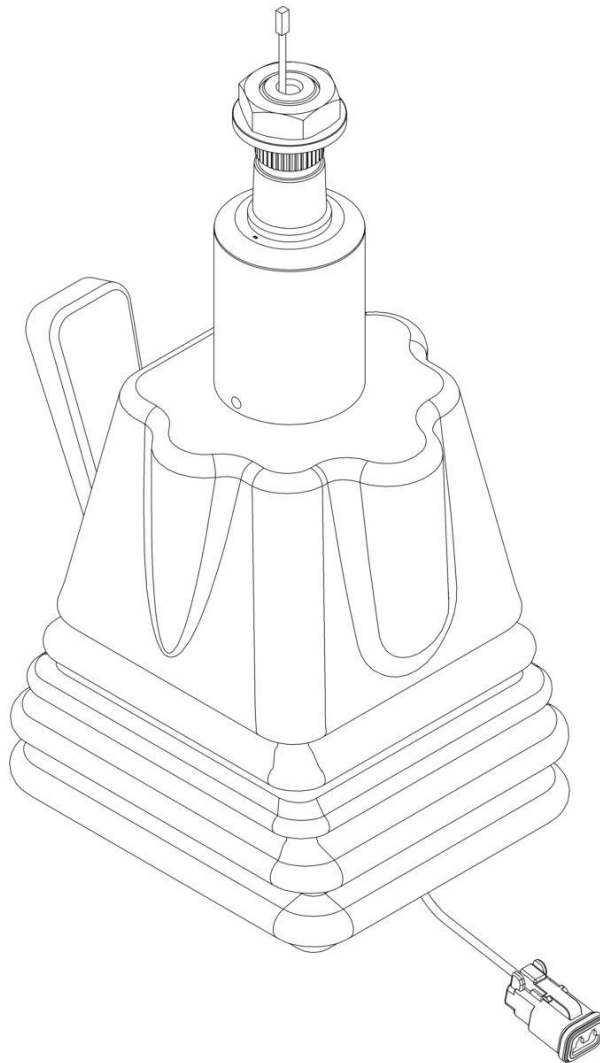
SECTION 7 - CONTROLS

FIGURE 7-7. TILT STEERING COLUMN INSTALLATION

ITEM	PART NUMBER	QTY	DESCRIPTION	REV
	1001192410	Ref	Tilt Steering Column Installation	I
1	0700824	1	Bolt M8 x 80	
2	0760608	1	Bolt M6 x 16	
3	0761012	8	Bolt M10 x 25	
4	2130404	1	Fitting, 90 ORFS	
5	2130808	2	Fitting, 90 ORFS	
6	2170208	2	Fitting, 90 ORFS	
7	4811702	1	Washer M6	
8	4811900	1	Washer M8	
9	4812000	8	Washer M10	
10	1001004640	4	Clamp	
11	1001095650	AR	Adhesive (Not Shown)	
13	1001257330	1	Column, Tilt Steering (See Separate Breakdown in this Section)	
14	1001156265	1	Bracket, Support	
15	1001161672	1	Pipe	
16	1001161896	1	Pipe	
17	1001161897	1	Pipe	
18	1001161898	1	Pipe	
19	1001168142	1	Bracket	
20	1001168151	1	Bracket	
21	1001178670	1	Valve, Steer (See Separate Breakdown in HYDRAULICS COMPONENTS Section)	
22	1001194282	1	Pipe	
25	1001227945	1	Valve, Check	

SECTION 7 - CONTROLS

FIGURE 7-8. TILT STEERING COLUMN



ART_1001257330

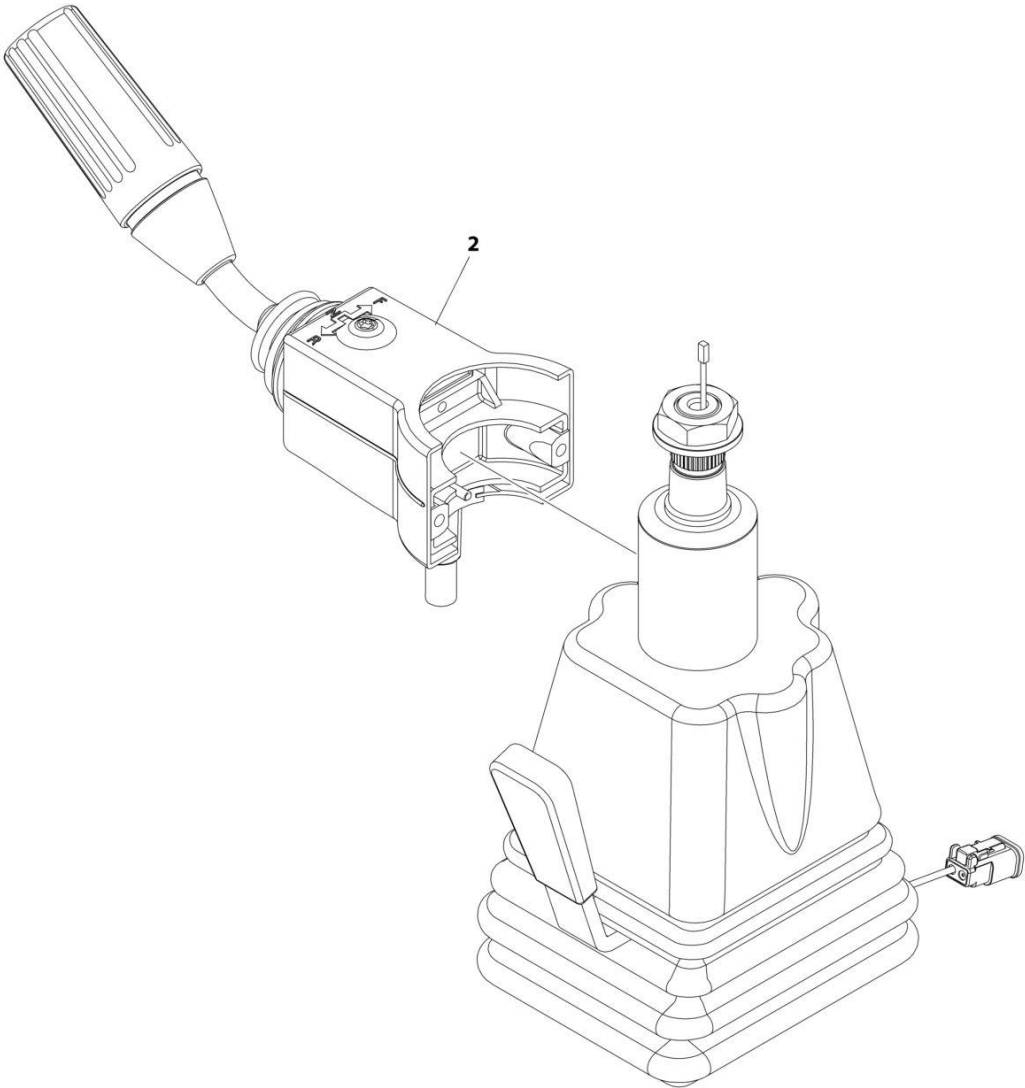
SECTION 7 - CONTROLS

FIGURE 7-8. TILT STEERING COLUMN

ITEM	PART NUMBER	QTY	DESCRIPTION	REV
	1001257330	Ref Ref	TILT STEERING COLUMN Note: No Service Parts Available - Purchase Complete Assembly	A

SECTION 7 - CONTROLS

FIGURE 7-9. COLUMN SHIFT INSTALLATION (2 SPEED)



ART_1001220507_B

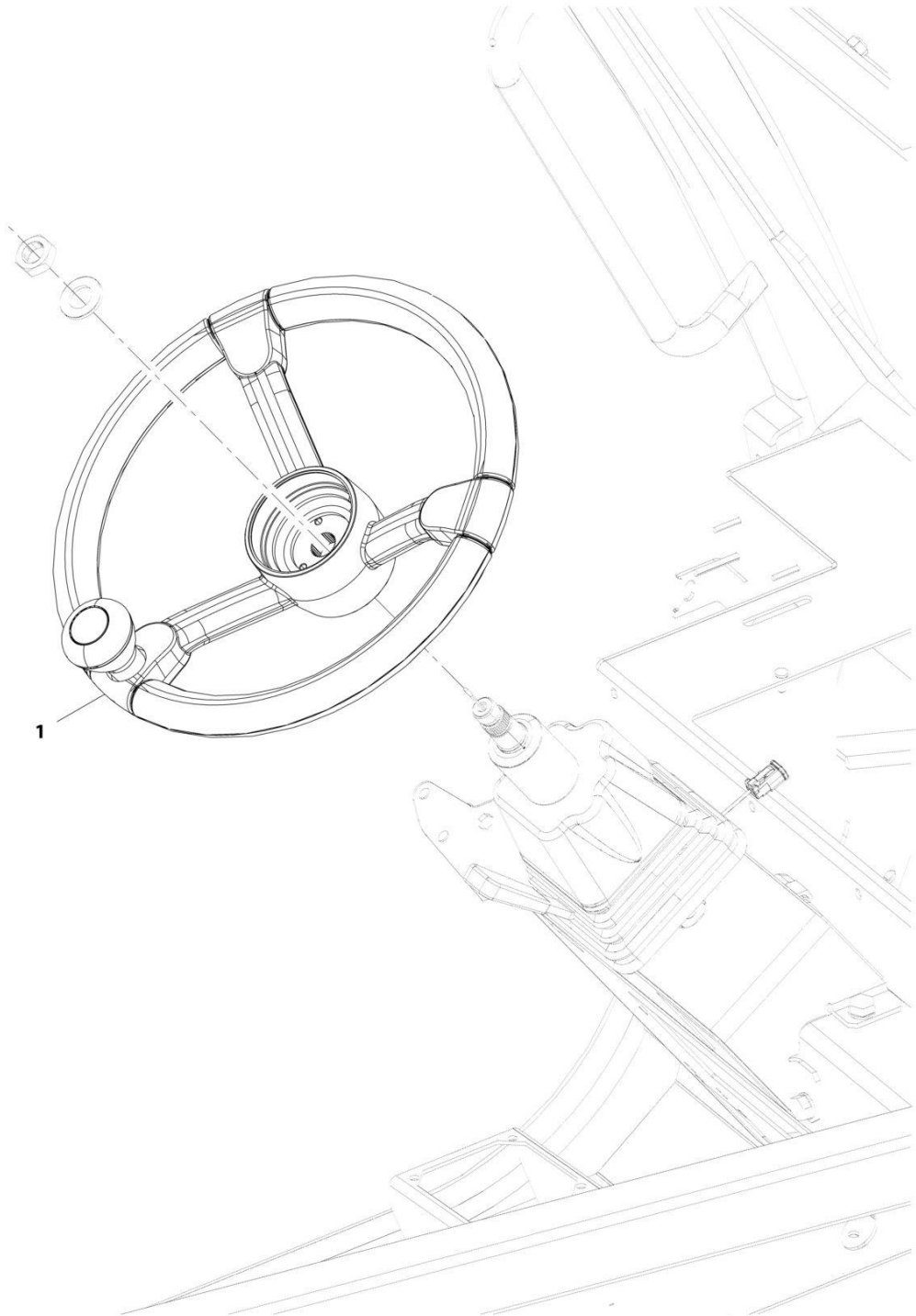
SECTION 7 - CONTROLS

FIGURE 7-9. COLUMN SHIFT INSTALLATION (2 SPEED)

ITEM	PART NUMBER	QTY	DESCRIPTION	REV
2	1001220507 1001257088	Ref 1	Column Shift Installation (2 Speed) Lever, FNR (2 Speed)	B

SECTION 7 - CONTROLS

FIGURE 7-10. STEERING WHEEL INSTALLATION



ART_1001169751-C

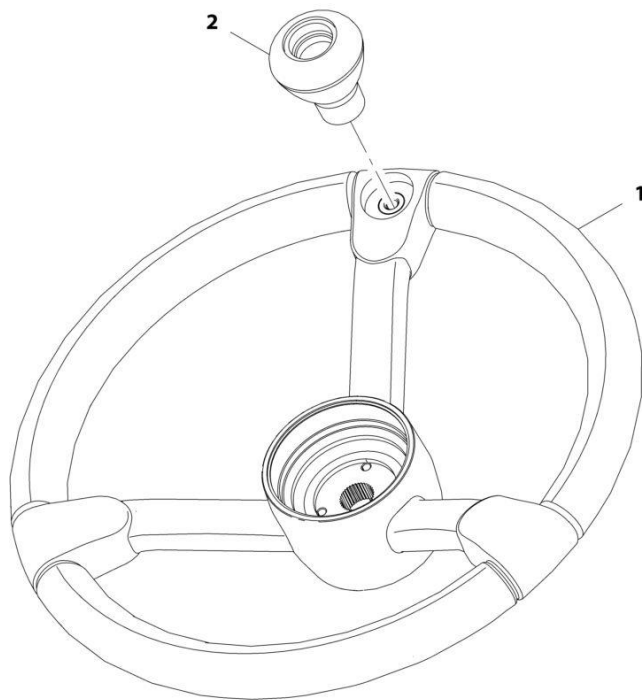
SECTION 7 - CONTROLS

FIGURE 7-10. STEERING WHEEL INSTALLATION

ITEM	PART NUMBER	QTY	DESCRIPTION	REV
1	1001169751 1001169354	Ref 1	Steering Wheel Installation Wheel, Steering (See Separate Breakdown in this Section)	C

SECTION 7 - CONTROLS

FIGURE 7-11. STEERING WHEEL



ART_1001169354-D

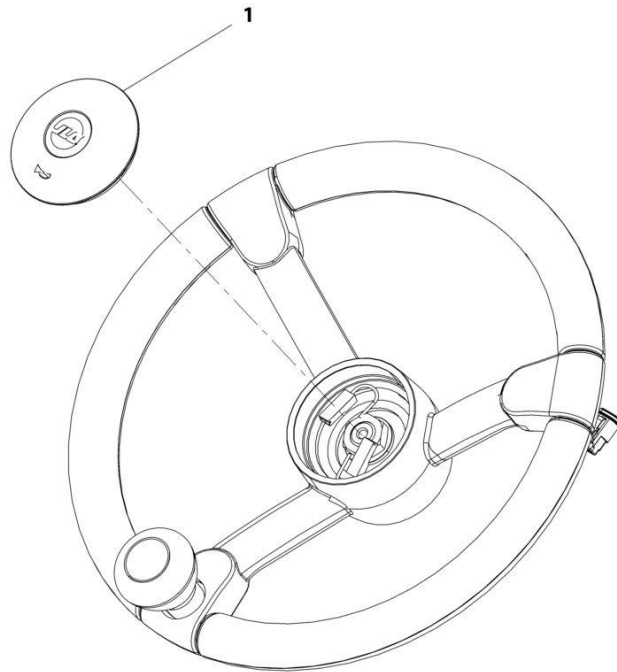
SECTION 7 - CONTROLS

FIGURE 7-11. STEERING WHEEL

ITEM	PART NUMBER	QTY	DESCRIPTION	REV
	1001169354	Ref	Steering Wheel	D
1	1001169367	1	Wheel, Steering	
2	1001169355	1	Handle, Steer Spinner	

SECTION 7 - CONTROLS

FIGURE 7-12. HORN BUTTON INSTALLATION



ART_1001169763-A

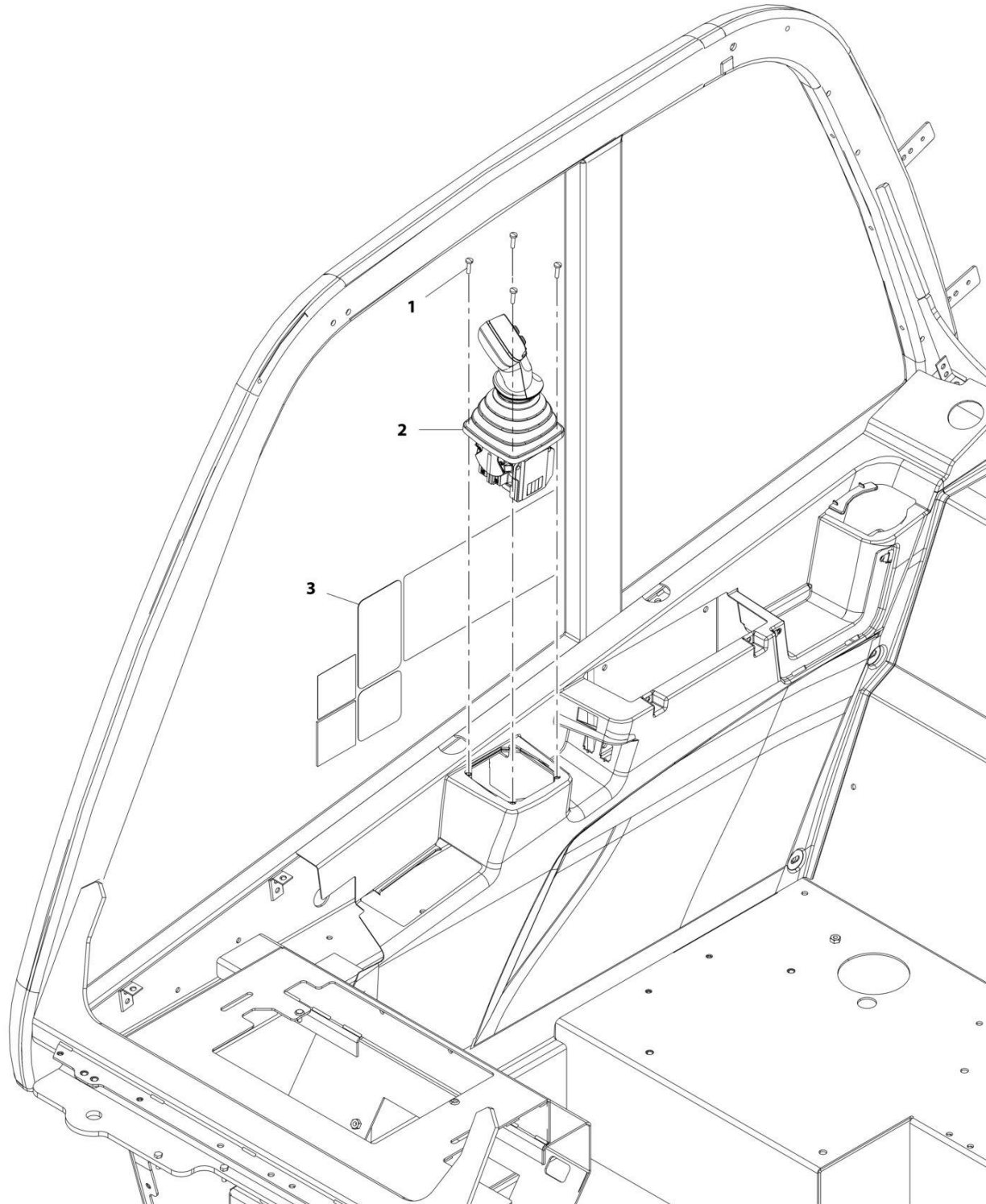
SECTION 7 - CONTROLS

FIGURE 7-12. HORN BUTTON INSTALLATION

ITEM	PART NUMBER	QTY	DESCRIPTION	REV
1	1001169763 1001169268	Ref 1	Horn Button Installation Button, Horn	A

SECTION 7 - CONTROLS

FIGURE 7-13. JOYSTICK INSTALLATION (2 SPEED)



ART_1001216757-B

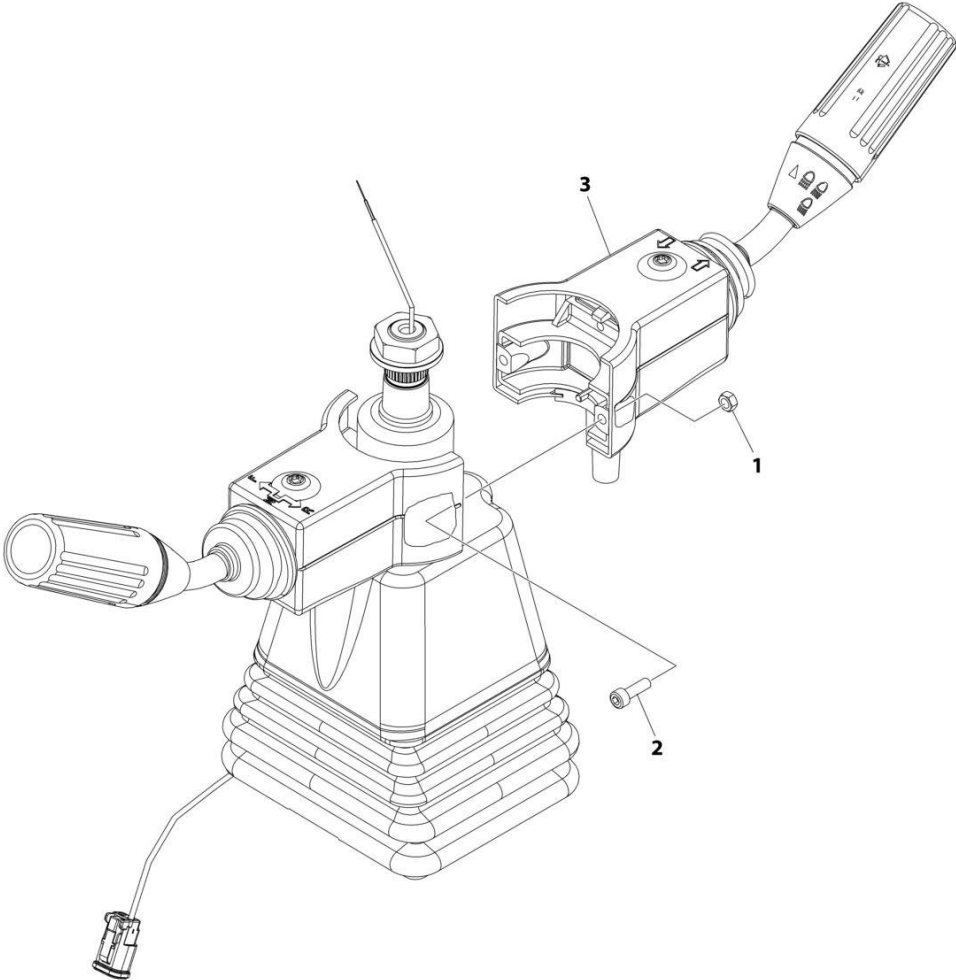
SECTION 7 - CONTROLS

FIGURE 7-13. JOYSTICK INSTALLATION (2 SPEED)

ITEM	PART NUMBER	QTY	DESCRIPTION	REV
	1001216757	Ref	Joystick Installation (2 Speed)	C
1	4010510	4	Screw, M5X20	
2	1001222606	1	Joystick, 2R2B	
3	1001216803	1	Decal	

SECTION 7 - CONTROLS

FIGURE 7-14. WIPER-TURN SWITCH



ART_1001257071

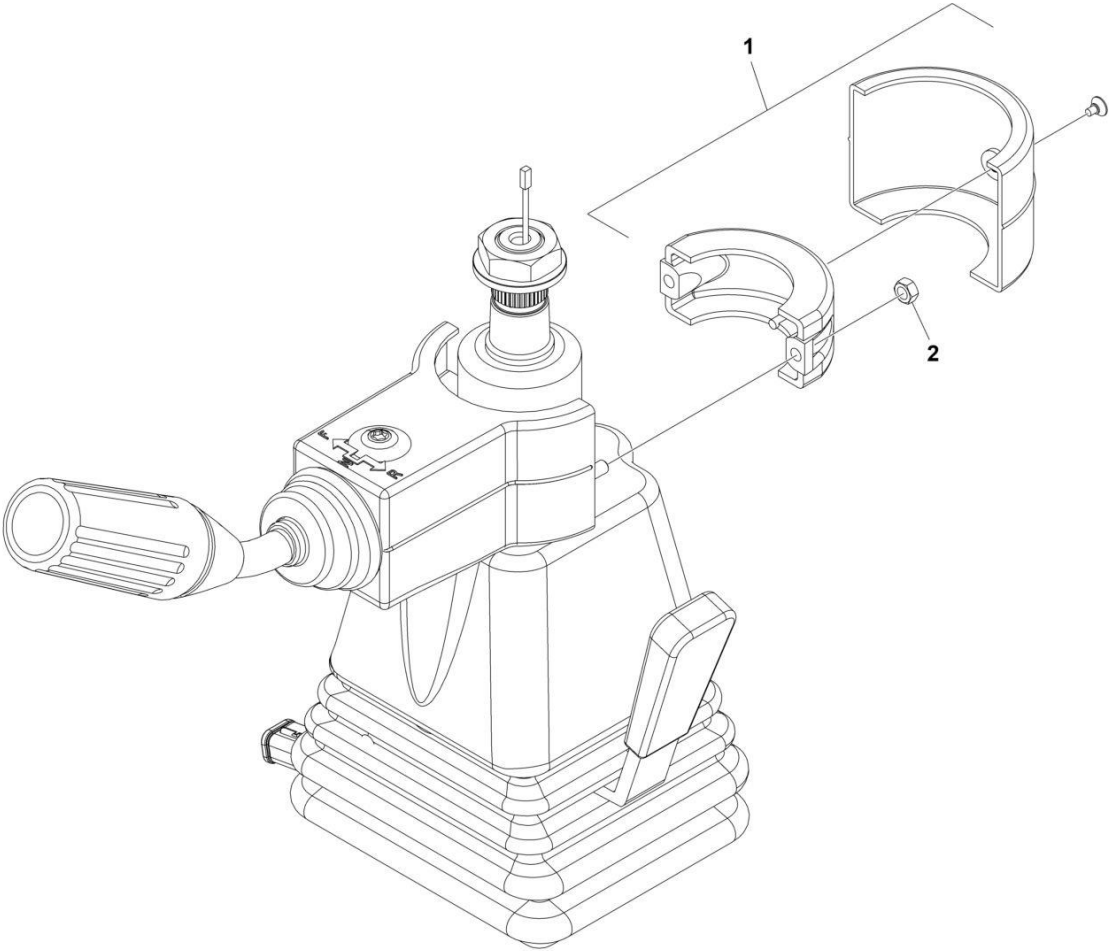
SECTION 7 - CONTROLS

FIGURE 7-14. WIPER-TURN SWITCH

ITEM	PART NUMBER	QTY	DESCRIPTION	REV
	1001257071	Ref	Wiper-Turn Switch Installation	B
1	3290505	2	Nut, Lock M5	
2	4031607	2	Capscrew M5 x 16	
3	1001256974	1	Switch, Turn-Wiper	

SECTION 7 - CONTROLS

FIGURE 7-15. COLUMN CLAMP INSTALLATION



ART_1001182671_E

SECTION 7 - CONTROLS

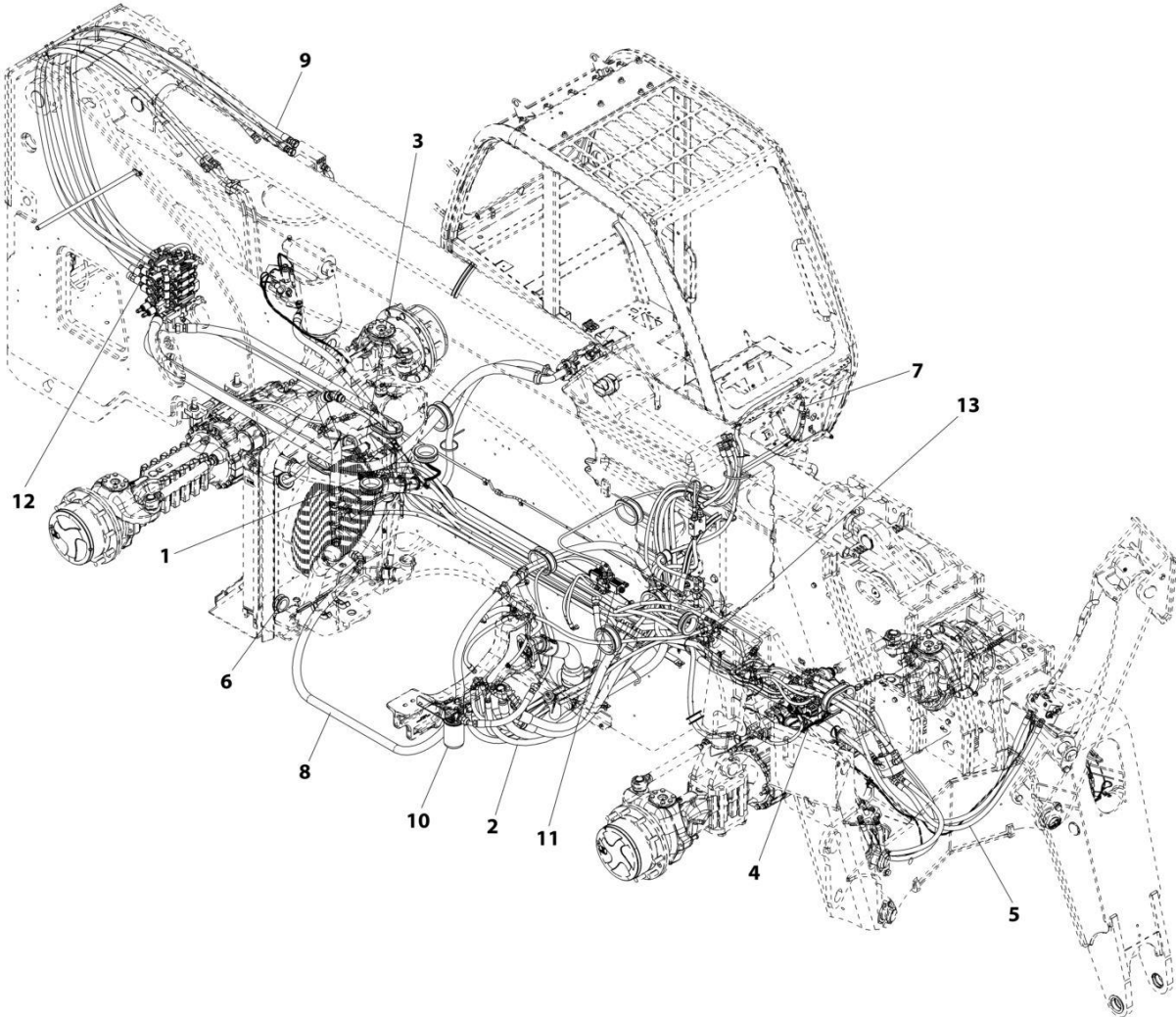
FIGURE 7-15. COLUMN CLAMP INSTALLATION

ITEM	PART NUMBER	QTY	DESCRIPTION	REV
	1001182671	Ref	Column Clamp Installation	E
1	1001146949	1	Clamp	
2	3290505	2	Nut, Lock M5	

SECTION 8 - HYDRAULIC CIRCUITS

SECTION 8 - HYDRAULIC CIRCUITS

FIGURE 8-1. MAIN HYDRAULIC INSTALLATION



ART_1001205882-B

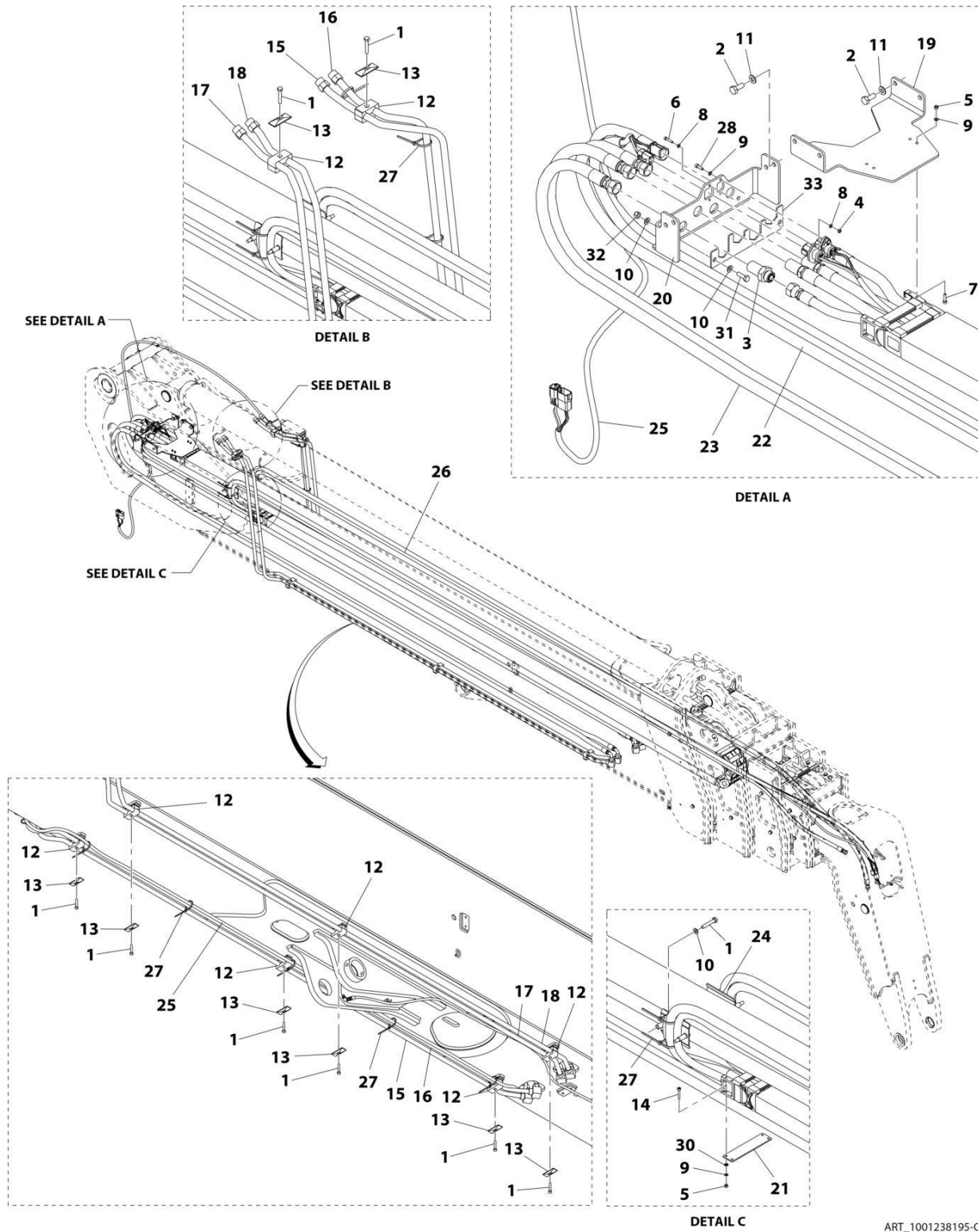
SECTION 8 - HYDRAULIC CIRCUITS

FIGURE 8-1. MAIN HYDRAULIC INSTALLATION

ITEM	PART NUMBER	QTY	DESCRIPTION	REV
	1001205882	Ref	Main Hydraulic Installation	B
1	1001193516	1	Installation, Steer Select Valve (See Separate Breakdown in this Section)	
2	1001242919	1	Installation, Frame Hydraulics (See Separate Breakdown in this Section)	
3	1001243703	1	Installation, RAS Variable Reducing Valve (See Separate Breakdown in this Section)	
4	1001245232	1	Installation, Frame Sway Control Valve (See Separate Breakdown in this Section)	
5	1001245870	1	Installation, Outtrigger Hydraulics (See Separate Breakdown in this Section)	
6	1001246532	1	Installation, Grommets (See Separate Breakdown in this Section)	
7	1001247057	1	Installation, Cab Hydraulics (See Separate Breakdown in this Section)	
8	1001247107	1	Installation, Engine Bay Hydraulic (See Separate Breakdown in this Section)	
9	1001247154	1	Installation, Boom Hydraulic Lines (See Separate Breakdown in this Section)	
10	1001247210	1	Installation, Charge Filter Hose (See Separate Breakdown in this Section)	
11	1001247223	1	Installation, Speed Control Valve (See Separate Breakdown in this Section)	
12	1001248169	1	Installation, Main Control Valve (See Separate Breakdown in this Section)	
13	1001248354	1	Installation, SAHR Valve (See Separate Breakdown in this Section)	

SECTION 8 - HYDRAULIC CIRCUITS

FIGURE 8-2. BOOM HYDRAULICS INSTALLATION



ART_1001238195-C

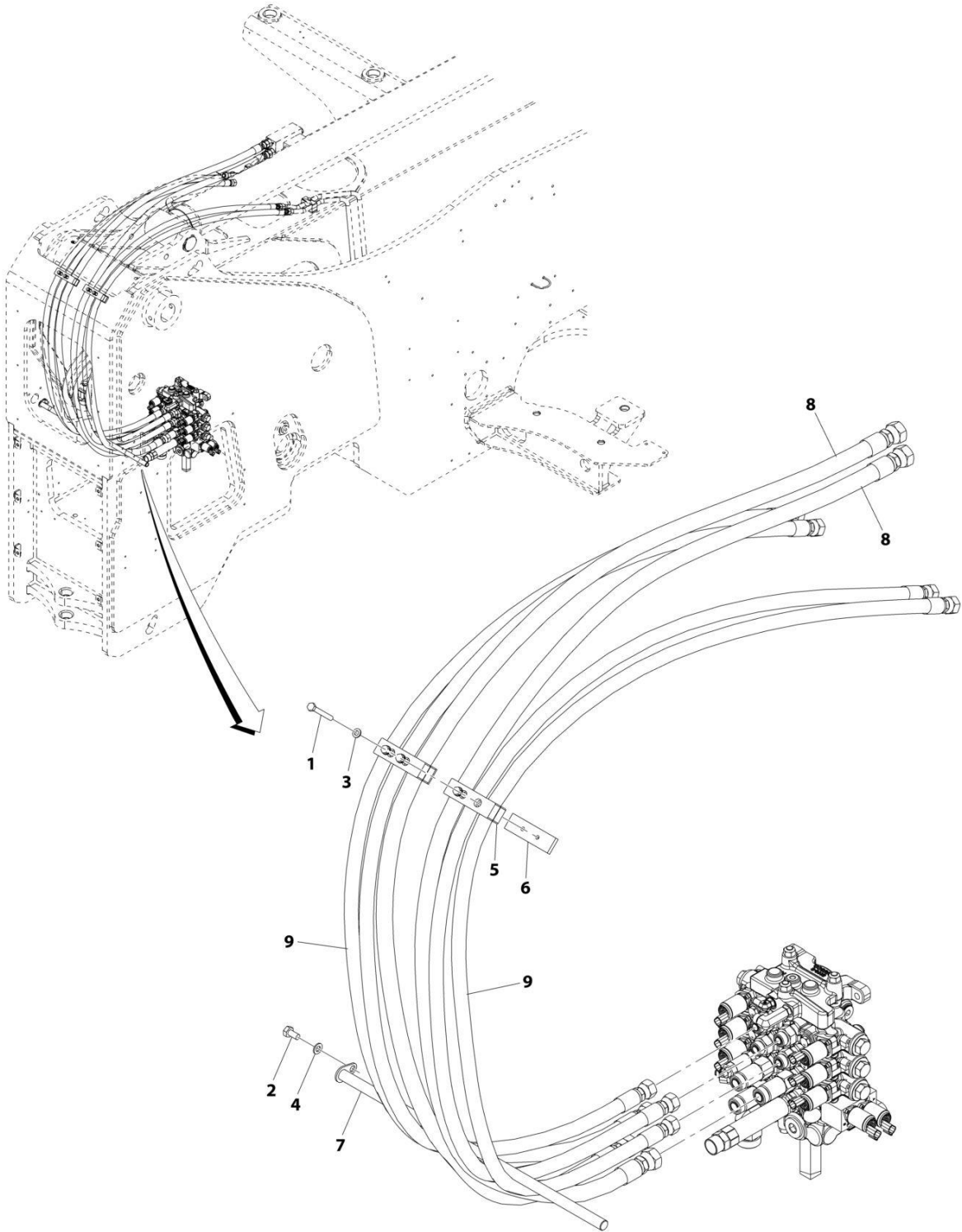
SECTION 8 - HYDRAULIC CIRCUITS

FIGURE 8-2. BOOM HYDRAULICS INSTALLATION

ITEM	PART NUMBER	QTY	DESCRIPTION	REV
	1001238195	Ref	Boom Hydraulics Installation	C
1	0700817	12	Bolt, M8X45	
2	0761012	8	Bolt, M10X25	
3	2171110	1	Fitting	
4	3290405	2	Nut, Lock M4X0.7	
5	3290505	8	Nut, Lock M5X0.8	
6	4031508	2	Screw, M4X20	
7	4031608	4	Screw, M5X20	
8	4811400	4	Washer, M4	
9	4811600	10	Washer, M5	
10	4811900	8	Washer, M8	
11	4812000	8	Washer, M10	
12	77133136	8	Clamp Set	
13	77133137	8	Plate	
14	1001104029	4	Screw, M5X.8X30	
15	1001237435	1	Hose	
16	1001237436	1	Hose	
17	1001237437	1	Hose	
18	1001237438	1	Hose	
19	1001237497	1	Bracket, Hose Chain	
20	1001237498	1	Bracket, Bulkhead	
21	1001237499	1	Plate, Chain Backing	
22	1001237540	1	Hose	
23	1001237541	1	Hose	
24	1001238509	2	Bracket, Hose Clamp	
25	1001243196	1	Boom to Frame Harness (See Separate Breakdown in Electrical Section)	
26	1001245316	1	Installation, Boom Hose and Chain (See Separate Breakdown in this Section)	
27	471678	11	Strap, Tie	
28	4031607	2	Screw, M5-0.8X16	
30	1001253728	4	Washer, M5	
31	0760812	2	Bolt, M8X25	
32	3290805	2	Nut, Lock M8X1.25 Grade 8	
33	1001255255	1	Plate, Bulkhead Locking	

SECTION 8 - HYDRAULIC CIRCUITS

FIGURE 8-3. BOOM HYDRAULIC LINES INSTALLATION



ART_1001247154-B

SECTION 8 - HYDRAULIC CIRCUITS

FIGURE 8-3. BOOM HYDRAULIC LINES INSTALLATION

ITEM	PART NUMBER	QTY	DESCRIPTION	REV
	1001247154	Ref	Boom Hydraulic Lines Installation	B
1	0700821	4	Bolt, M8 X 65	
2	0761010	1	Bolt, M10 X 20	
3	4811900	4	Washer, M8	
4	4812000	1	Washer, M10	
5	1001104979	2	Clamp	
6	1001226557	2	Plate, Hose Clamp	
7	1001247155	1	Bar, Hose Guide Assembly	
8	1001247158	2	Hose	
9	1001247159	4	Hose	

SECTION 8 - HYDRAULIC CIRCUITS

FIGURE 8-4. BOOM HOSE AND CHAIN INSTALLATION



ART_1001245316-B

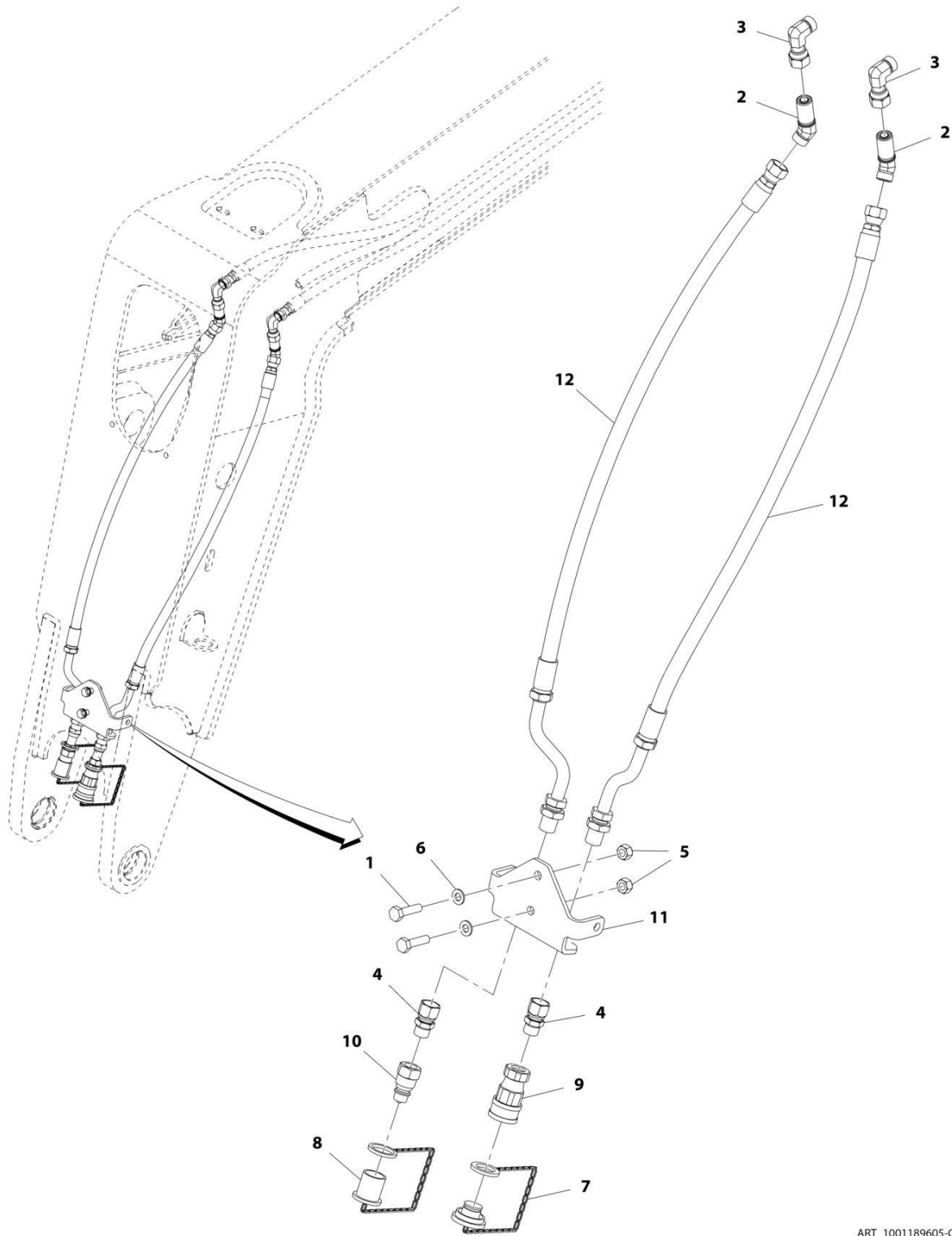
SECTION 8 - HYDRAULIC CIRCUITS

FIGURE 8-4. BOOM HOSE AND CHAIN INSTALLATION

ITEM	PART NUMBER	QTY	DESCRIPTION	REV
	1001245316	Ref	Boom Hose and Chain Installation	B
1	1001237669	2	Hose	
2	1001237670	1	Hose	
3	1001237671	1	Hose	
4	1001243198	1	Boom Harness (See Separate Breakdown in Electrical Section)	
5	1001244220	1	Chain	

SECTION 8 - HYDRAULIC CIRCUITS

FIGURE 8-5. BOOM AUXILIARY HYDRAULICS INSTALLATION



ART_1001189605-C

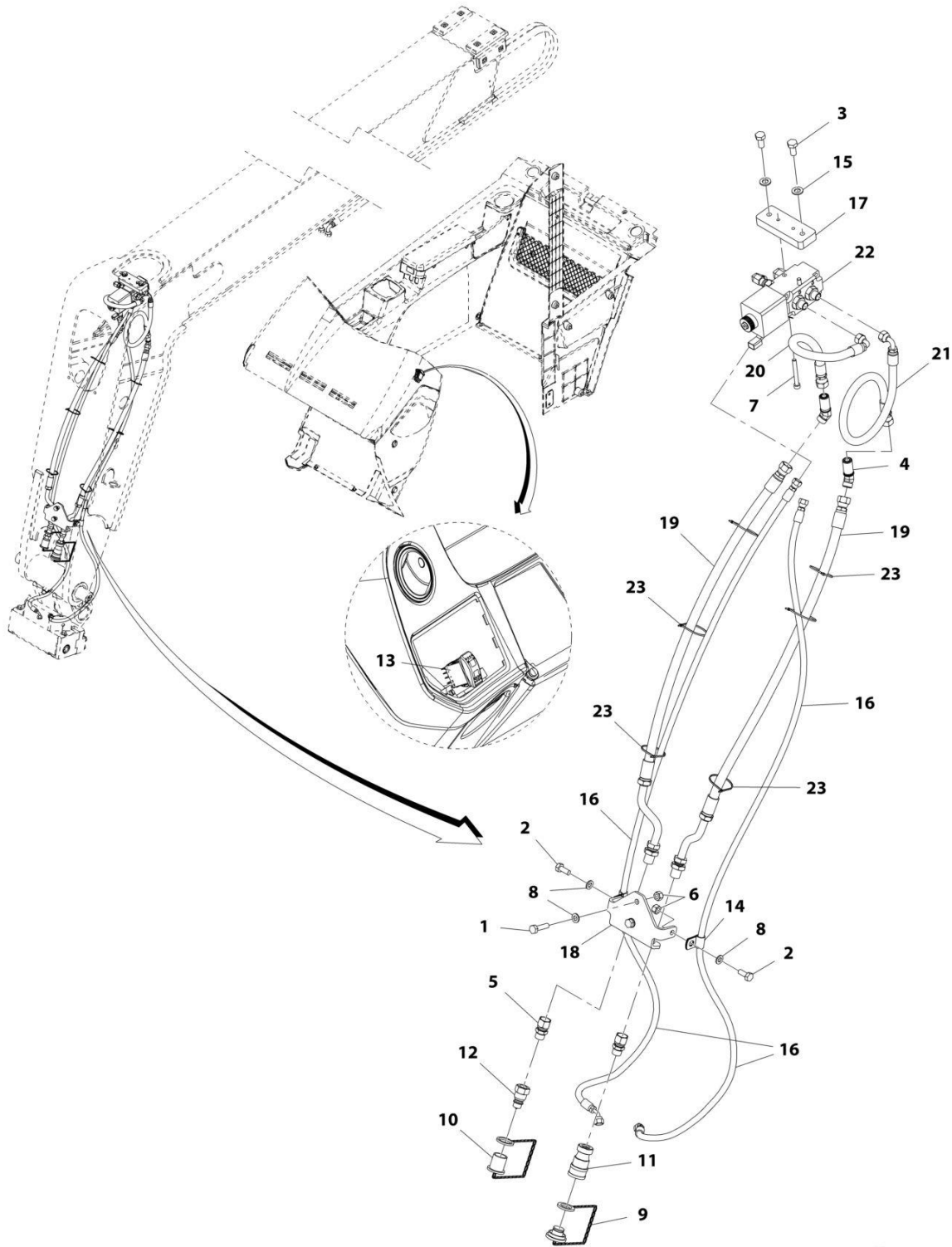
SECTION 8 - HYDRAULIC CIRCUITS

FIGURE 8-5. BOOM AUXILIARY HYDRAULICS INSTALLATION

ITEM	PART NUMBER	QTY	DESCRIPTION	REV
	1001189605	Ref	Boom Auxiliary Hydraulics Installation	C
1	0701016	2	Bolt, M10X40	
2	2171308	2	Fitting, 45 ORFS	
3	2172108	2	Fitting, 90 ORFS	
4	1001210775	2	Fitting, Straight	
5	3291005	2	Nut, Lock M10X1.5	
6	4812000	2	Washer, M10	
7	91043125	1	Plug	
8	91043126	1	Cap	
9	91403413	1	Fitting, Straight	
10	91403414	1	Fitting, Straight	
11	1001164948	1	Bracket	
12	1001189224	2	Hose	

SECTION 8 - HYDRAULIC CIRCUITS

FIGURE 8-6. BOOM AUXILIARY HYDRAULICS (HYDRAULIC COUPLER)



ART_1001189606-F

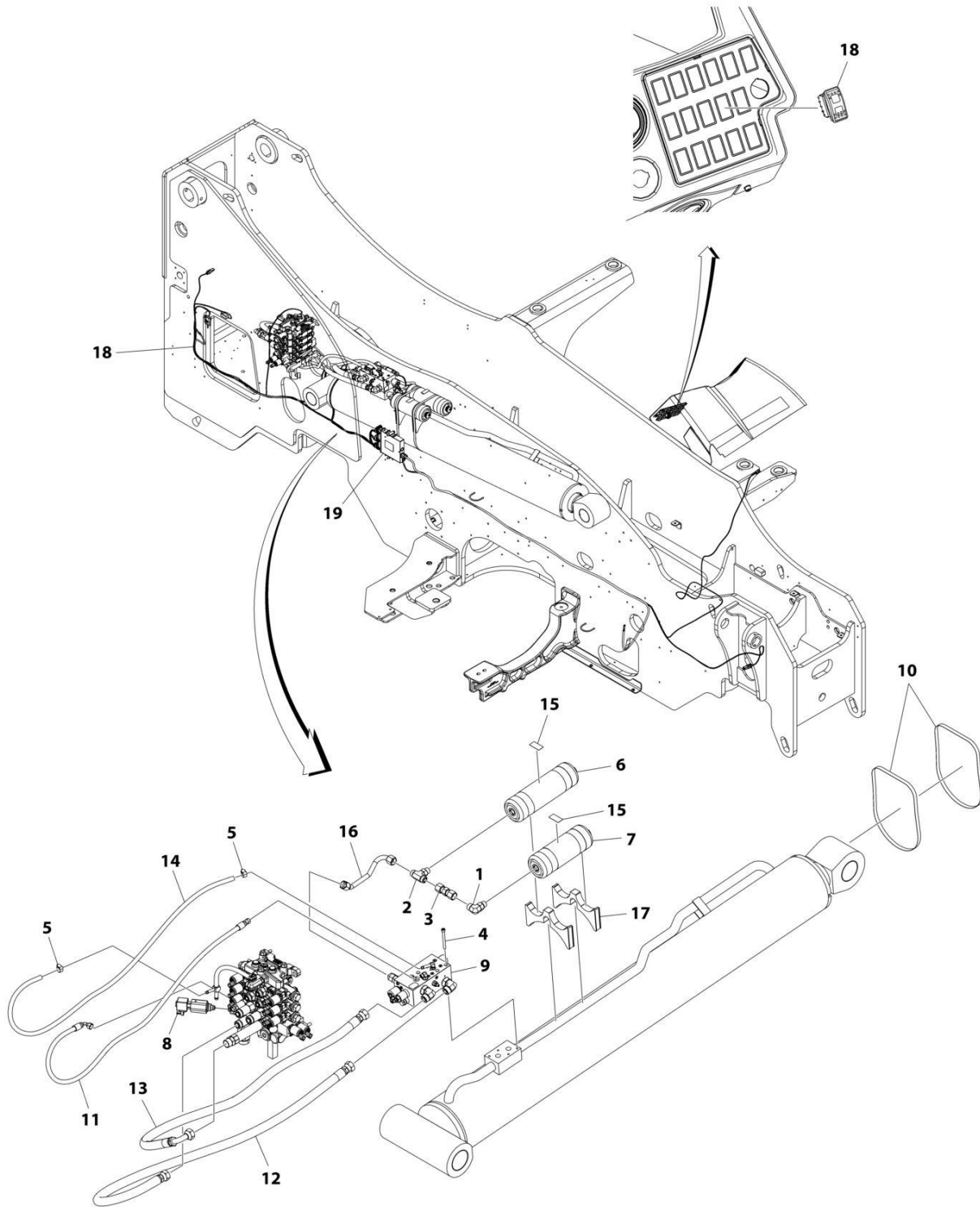
SECTION 8 - HYDRAULIC CIRCUITS

FIGURE 8-6. BOOM AUXILIARY HYDRAULICS (HYDRAULIC COUPLER)

ITEM	PART NUMBER	QTY	DESCRIPTION	REV
	1001189606	Ref	Boom Auxiliary Hydraulics (Hydraulic Coupler)	F
1	0701016	2	Bolt, M10X40	
2	0761012	2	Bolt, M10X25	
3	0761212	2	Bolt, M12X25	
4	2171308	2	Fitting, 45 ORFS	
5	1001210775	2	Fitting, Straight	
6	3291005	4	Nut, Lock M10X1.5	
7	4031918	2	Bolt, M8X70	
8	4812000	4	Washer, M10	
9	91043125	1	Plug	
10	91043126	1	Cap	
11	91403413	1	Fitting, Straight	
12	91403414	1	Fitting, Straight	
13	1001080375	1	Switch	
14	1001080996	2	Clamp	
15	1001125117	2	Washer, M12	
16	1001210340	2	Hose	
17	1001164870	1	Plate	
18	1001164948	1	Bracket	
19	1001189224	2	Hose	
20	1001189299	1	Hose	
21	1001189308	1	Hose	
22	1001189663	1	Assembly, Valve Quick Coupler (See Separate Breakdown in this Section)	
23	4240099	6	Strap, Tie	

SECTION 8 - HYDRAULIC CIRCUITS

FIGURE 8-7. BOOM RAISE HOSE INSTALLATION (RIDE CONTROL)



ART_1001205881_C

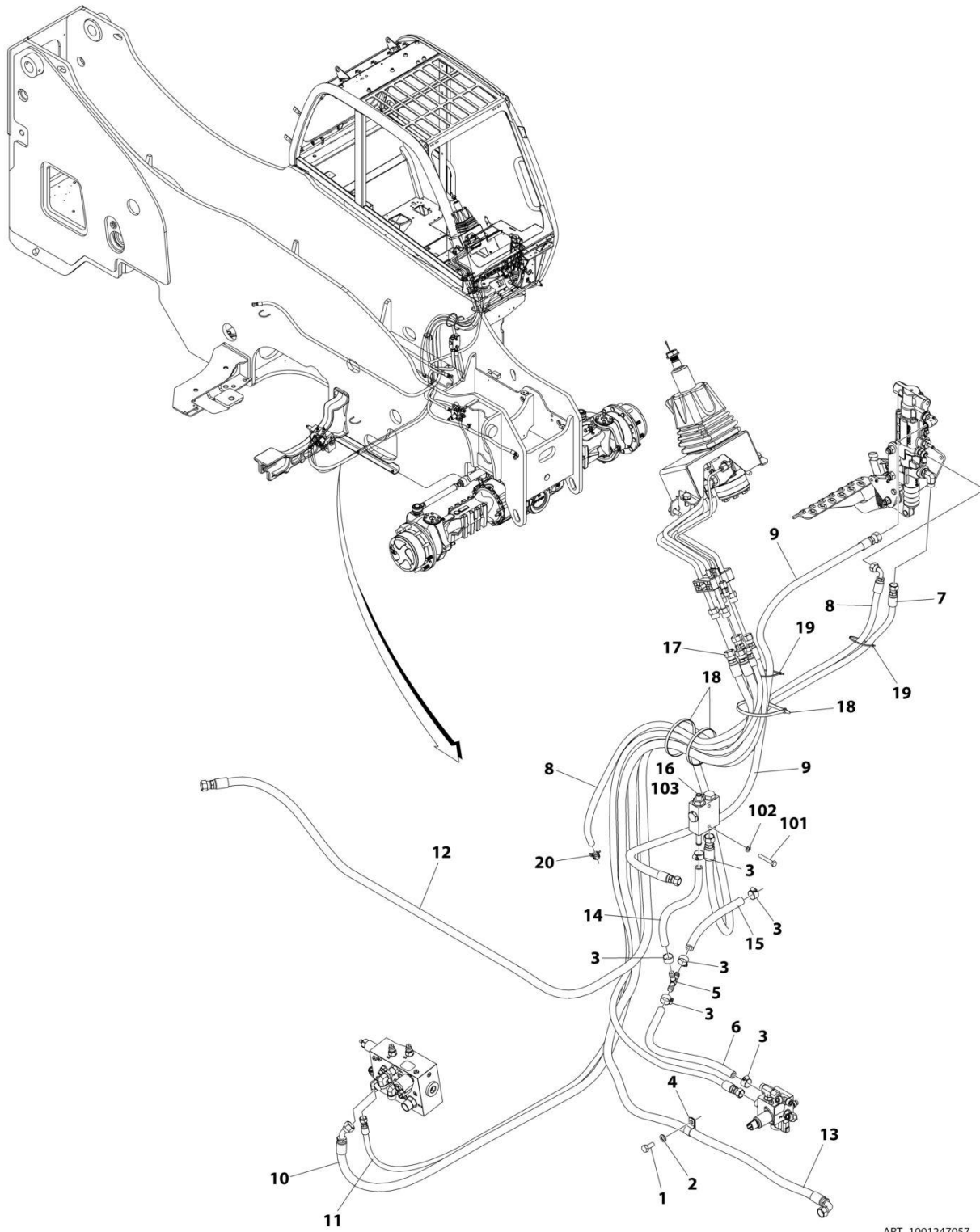
SECTION 8 - HYDRAULIC CIRCUITS

FIGURE 8-7. BOOM RAISE HOSE INSTALLATION (RIDE CONTROL)

ITEM	PART NUMBER	QTY	DESCRIPTION	REV
	1001205881	Ref	BOOM RAISE HOSE INSTALLATION (RIDE CONTROL)	C
1	2131010	1	Fitting, 90 ORFS	
2	2170410	1	Fitting, Tee	
3	2172410	1	Fitting, Straight	
4	4031921	4	Bolt M8 x 85	
5	8410013	2	Gear Clamp	
6	1001192771	1	Cylinder	
7	1001192772	1	Cylinder	
8	1001202020	1	Valve, MCV Tank Cartridge	
9	1001279420	1	Assembly, Ride and Float Valve (See Separate Breakdown in this Section)	
10	1001214829	2	Clamp	
11	1001247372	1	Hose	
12	1001247373	1	Hose	
13	1001247374	1	Hose	
14	1001261844	1	Hose	
15	1001247708	2	Decal, Stored Energy	
16	1001247979	1	Hose	
17	1001248677	2	Bumper, Cylinder Saddle	
18	1001248758	1	Installation, Ride Control Wiring (See Separate Breakdown in ELECTRICAL Section)	
19	1001266065	1	Installation, Boom Damping (See Separate Breakdown in ELECTRICAL Section)	

SECTION 8 - HYDRAULIC CIRCUITS

FIGURE 8-8. CAB HYDRAULICS INSTALLATION



ART_1001247057

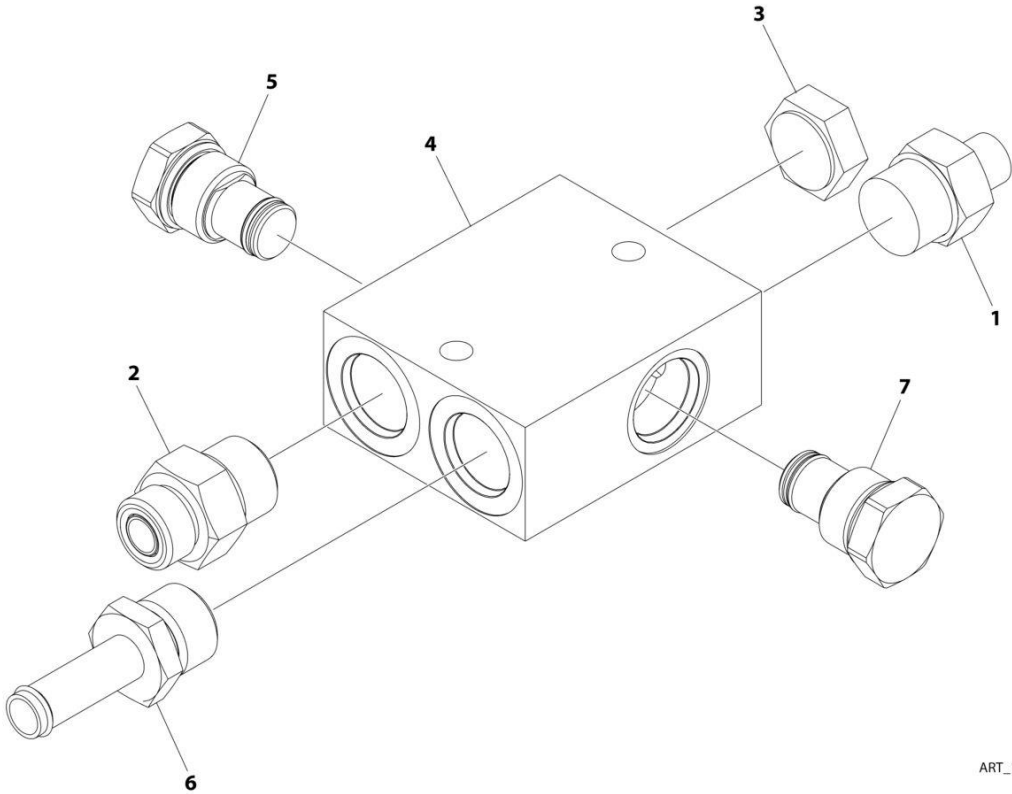
SECTION 8 - HYDRAULIC CIRCUITS

FIGURE 8-8. CAB HYDRAULICS INSTALLATION

ITEM	PART NUMBER	QTY	DESCRIPTION	REV
	1001247057	Ref	CAB HYDRAULICS INSTALLATION	D
1	0761012	1	Bolt M10 x 25	
2	4812000	1	Washer M10	
3	8405006	6	Clamp, Gear	
4	8406102	1	Clip	
5	8430099	1	Tee	
6	1001246964	1	Hose	
7	1001246997	1	Hose	
8	1001246998	1	Hose	
9	1001210282	1	Hose	
10	1001247000	1	Hose	
11	1001247001	1	Hose	
12	1001253785	1	Hose	
13	1001247004	1	Hose	
14	1001247006	1	Hose	
15	1001247007	1	Hose	
16	1001248372	1	Check Valve Installation (includes items 101 thru 103)	
17	1001204152	1	Hose	
18	4240018	3	Tie Strap	
19	4240099	3	Tie, Wire	
20	1001152729	1	Clamp	
	1001248372	Ref	Check Valve Installation	C
101	0700818	2	Bolt M8 x 50	
102	4811900	2	Washer M8	
103	1001247054	1	Assembly, Check Valve & Fittings (See Separate Breakdown in HYDRAULIC CIRCUITS Section)	

SECTION 8 - HYDRAULIC CIRCUITS

FIGURE 8-9. CAB CHECK VALVE & FITTING ASSEMBLY



ART_1001247054

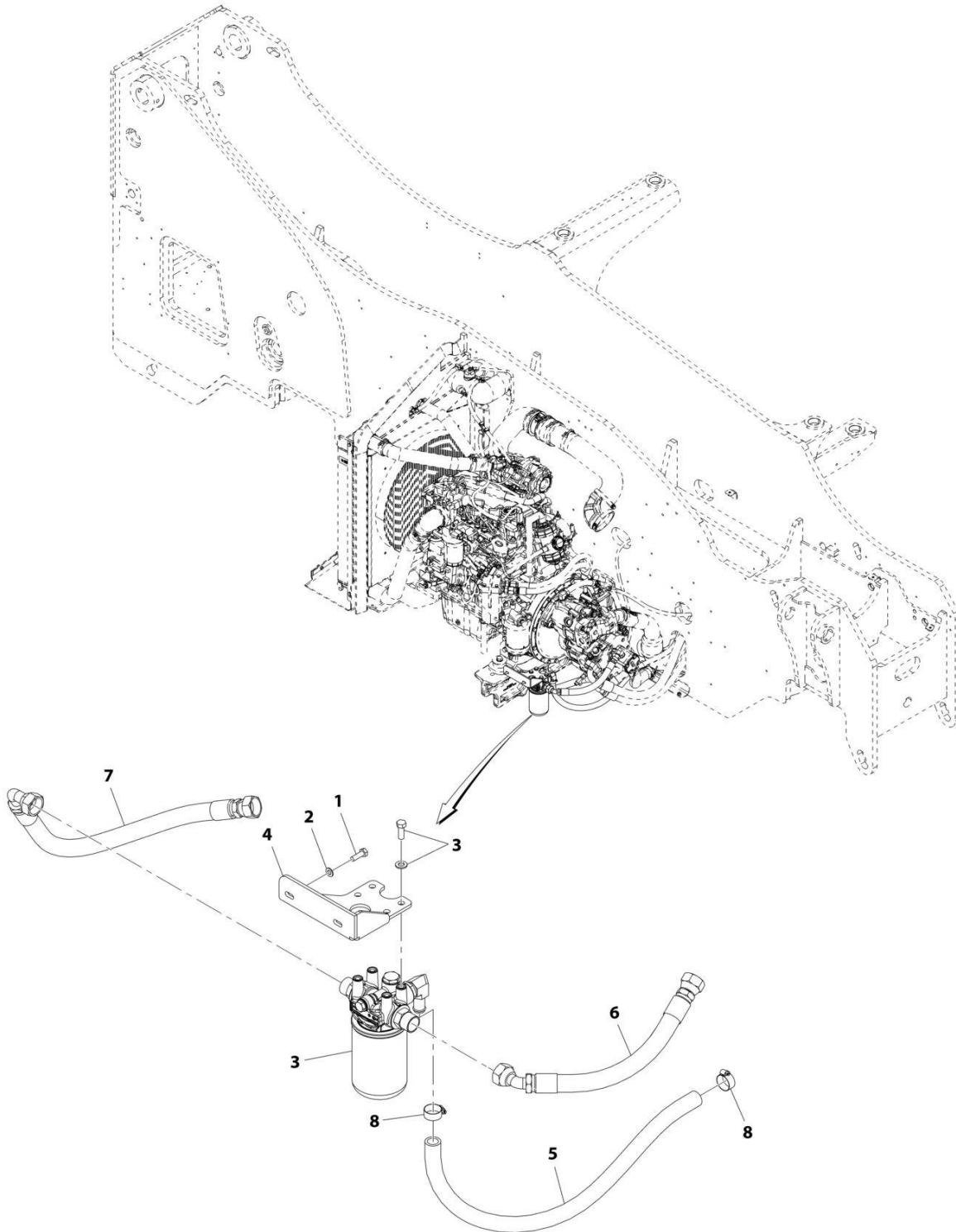
SECTION 8 - HYDRAULIC CIRCUITS

FIGURE 8-9. CAB CHECK VALVE & FITTING ASSEMBLY

ITEM	PART NUMBER	QTY	DESCRIPTION	REV
	1001247054	Ref	CHECK VALVE ASSEMBLY	C
1	2110410	1	Fitting, Straight ORFS	
2	2110810	1	Fitting, Straight ORFS	
3	2220239	1	Plug	
4	1001210780	1	Manifold, Dual Check	
5	1001210801	1	Valve, Check (2 PSI)	
6	1001225656	1	Fitting, Straight ORFS	
7	1001231393	1	Valve, Check (30 PSI)	

SECTION 8 - HYDRAULIC CIRCUITS

FIGURE 8-10. CHARGE FILTER HOSE INSTALLATION



ART_1001247210-A

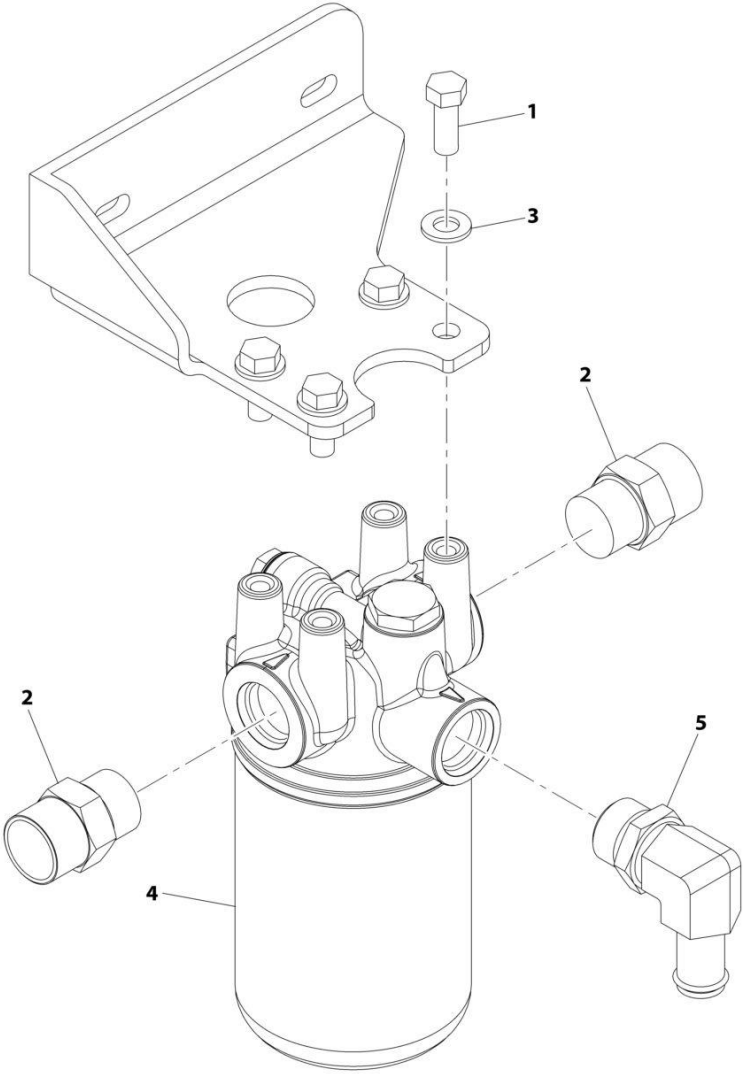
SECTION 8 - HYDRAULIC CIRCUITS

FIGURE 8-10. CHARGE FILTER HOSE INSTALLATION

ITEM	PART NUMBER	QTY	DESCRIPTION	REV
	1001247210	Ref	Charge Filter Hose Installation	A
1	0700812	2	Screw, M8X25 LG	
2	4811900	2	Washer, M8	
3	1001247206	1	Installation, Charge Filter (See Separate Breakdown in this Section)	
4	1001247208	1	Bracket, Filter Support	
5	1001247211	1	Hose	
6	1001247212	1	Hose	
7	1001247213	1	Hose	
8	8405007	2	Clamp	

SECTION 8 - HYDRAULIC CIRCUITS

FIGURE 8-11. CHARGE FILTER INSTALLATION



ART_1001247206-B

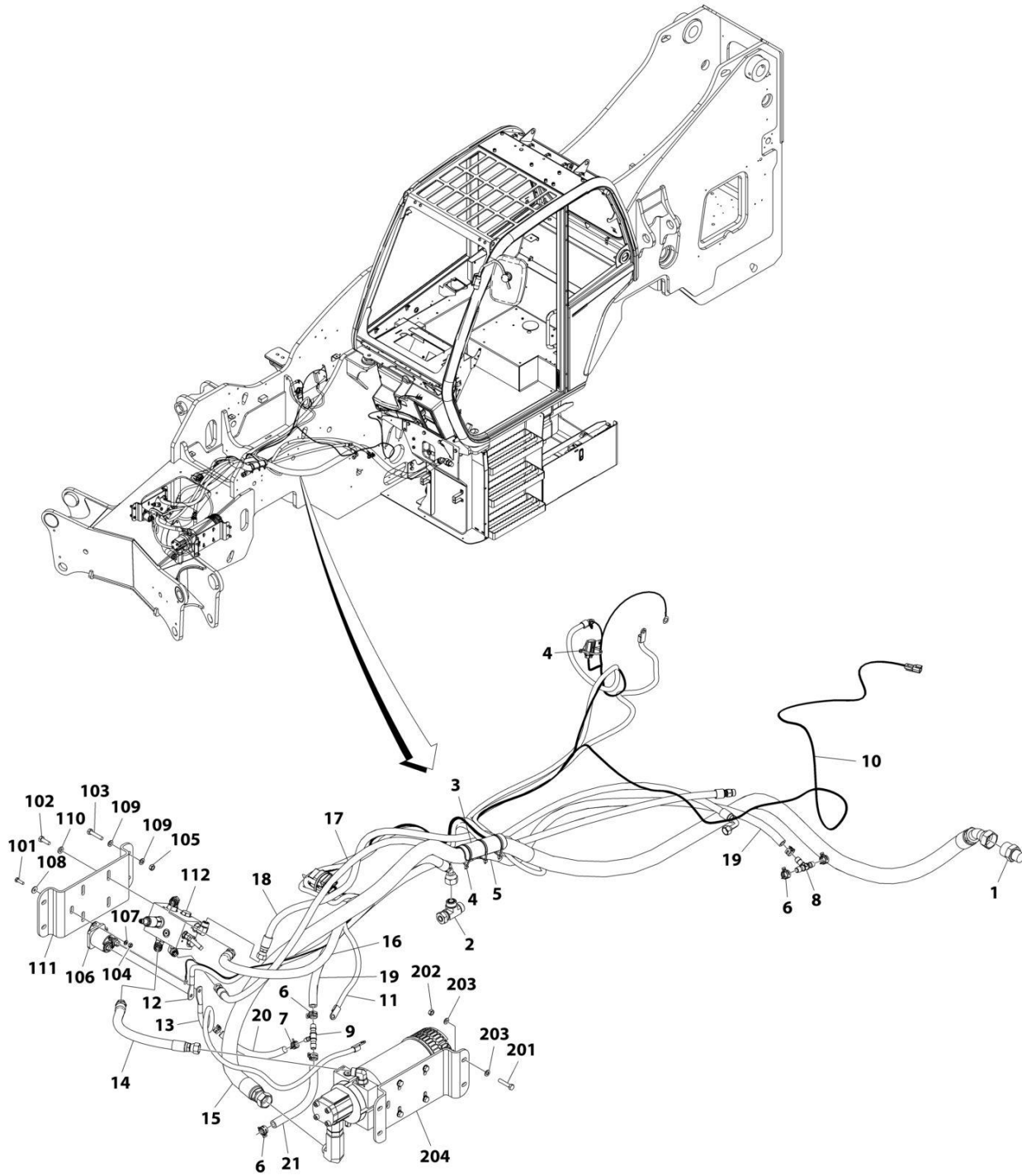
SECTION 8 - HYDRAULIC CIRCUITS

FIGURE 8-11. CHARGE FILTER INSTALLATION

ITEM	PART NUMBER	QTY	DESCRIPTION	REV
	1001247206	Ref	Charge Filter Installation	B
1	0641608	4	Bolt, 3/8-16 X 1	
2	2111212	2	Fitting, Straight ORFS	
3	4812000	4	Washer, M10	
4	1001141976	1	Assembly, Implement Pump Filter (See Separate Breakdown in this Section)	
5	1001188880	1	Fitting	

SECTION 8 - HYDRAULIC CIRCUITS

FIGURE 8-12. EMERGENCY LOWERING INSTALLATION



ART_1001266353

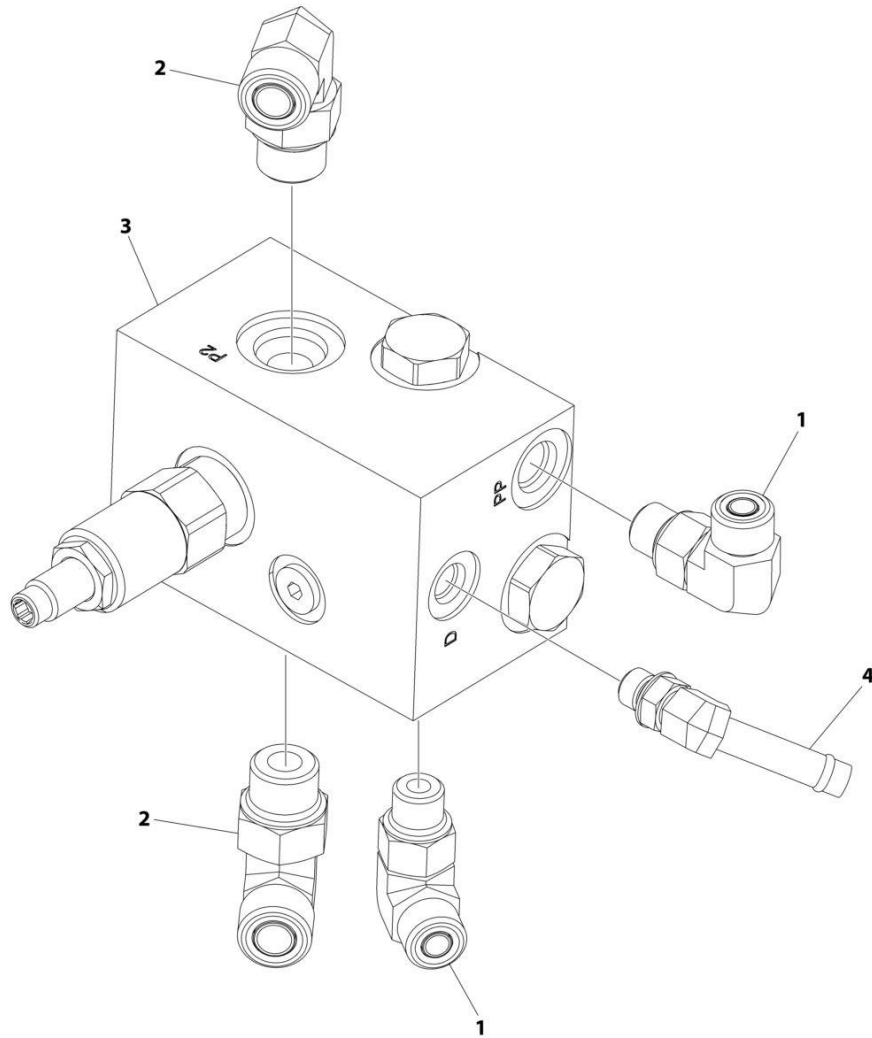
SECTION 8 - HYDRAULIC CIRCUITS

FIGURE 8-12. EMERGENCY LOWERING INSTALLATION

ITEM	PART NUMBER	QTY	DESCRIPTION	REV
	1001266353	Ref	EMERGENCY LOWERING INSTALLATION	A
1	2111612	1	Fitting	
2	2170710	1	Fitting, Straight Adapter	
3	7301536	1	Guard, Hose	
4	1001008559	5	Strap	
5	1001125642	1	Conduit	
6	1001142942	6	Clamp	
7	1001152729	2	Clamp	
8	1001176411	1	Connector	
9	1001188126	1	Tee Barb	
10	1001265893	1	Emergency Lowering Harness	
11	1001265996	1	Cable, AVB Ground	
12	1001265997	1	Cable, AVB Relay	
13	1001265998	1	Cable, AVB Power	
14	1001266178	1	Hose	
15	1001266220	1	Hose	
16	1001266223	1	Hose	
17	1001266225	1	Hose	
18	1001266227	1	Hose	
19	1001266280	1	Hose	
20	1001266871	1	Hose	
21	1001266872	1	Hose	
22	1001266881	Ref	Installation, Auxiliary Reducing Valve (See Items 101-112 for breakdown)	
23	1001267291	Ref	Installation, Power Unit (See Items 201-204 for breakdown)	
	1001266881	Ref	AUXLIARY REDUCING VALVE INSTALLATION	A
101	0760610	2	Bolt M6 x 20	
102	0760812	2	Bolt M8 x 25	
103	0760816	4	Bolt M8 x 40	
104	3290601	2	Nut M6 x 1	
105	3290801	4	Nut M8 x 1.25	
106	3740067	1	Relay	
107	4811700	2	Washer M6	
108	4811702	2	Washer M6	
109	4811900	8	Washer M8	
110	5240800	2	Washer M8	
111	1001266281	1	Bracket	
112	1001266880	1	Valve, Auxiliary Reducing Assembly (See Separate Breakdown in this Section)	
	1001267291	Ref	POWER UNIT INSTALLATION	A
201	0760816	4	Nut M8 x 40	
202	3290801	4	Nut M8 x 1.25	
203	4811900	8	Washer M8	
204	1001266345	1	Pump VDC Motor assembly (See Separate Breakdown in this Section)	

SECTION 8 - HYDRAULIC CIRCUITS

FIGURE 8-13. EMERGENCY LOWERING AUXILIARY VALVE & FITTING ASSEMBLY



ART_1001266880

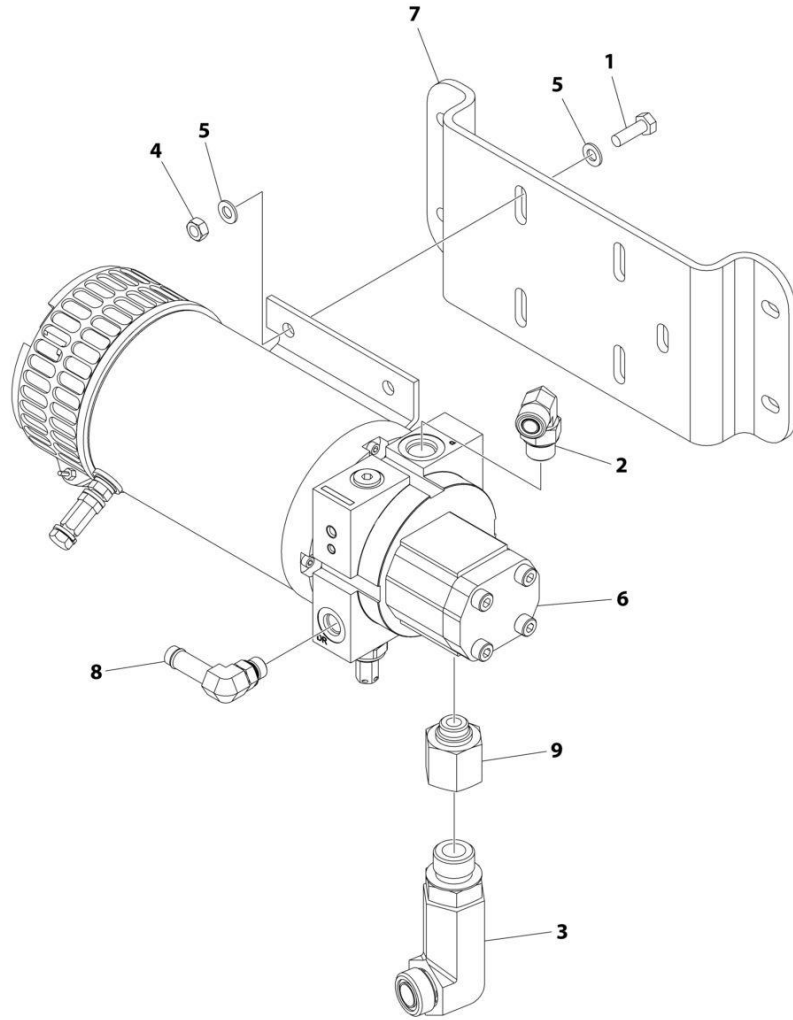
SECTION 8 - HYDRAULIC CIRCUITS

FIGURE 8-13. EMERGENCY LOWERING AUXILIARY VALVE & FITTING ASSEMBLY

ITEM	PART NUMBER	QTY	DESCRIPTION	REV
	1001266880	Ref	EMERGENCY LOWERING AUXILIARY VALVE & FITTING ASSEMBLY	A
1	2130606	2	Fitting, 90	
2	2130808	2	Fitting, 90	
3	1001266879	1	Valve, Auxiliary Reducing	
3	70026310	1	Cartridge, Relief Valve	
3	7022391	2	Cartridge, Check Valve	
4	1001266919	1	Fitting	

SECTION 8 - HYDRAULIC CIRCUITS

FIGURE 8-14. EMERGENCY LOWERING AUXILIARY PUMP & FITTING ASSEMBLY



ART_1001266345

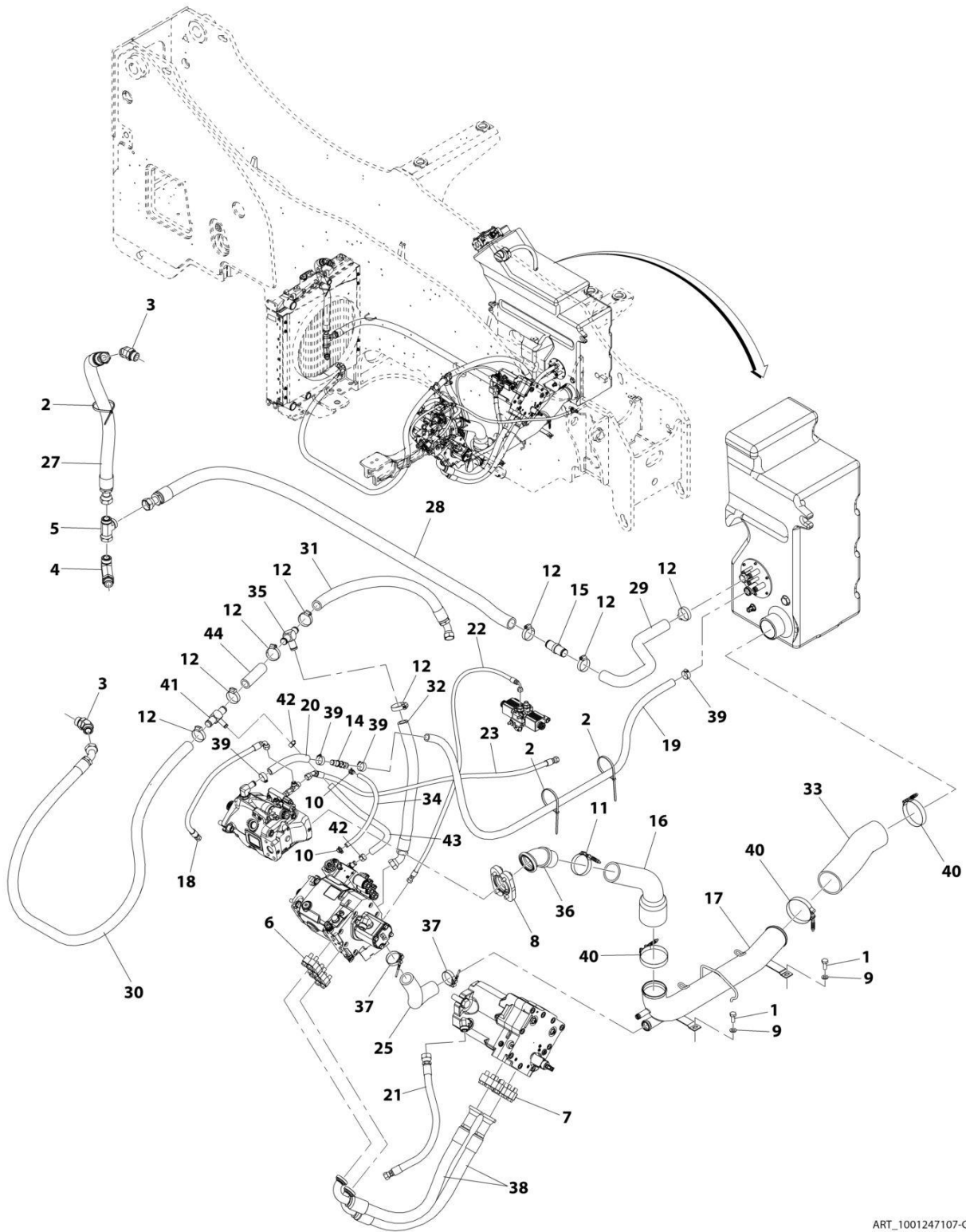
SECTION 8 - HYDRAULIC CIRCUITS

FIGURE 8-14. EMERGENCY LOWERING AUXILIARY PUMP & FITTING ASSEMBLY

ITEM	PART NUMBER	QTY	DESCRIPTION	REV
	1001266345	Ref	EMERGENCY LOWERING AUXILIARY PUMP & FITTING ASSEMBLY	A
1	0760812	4	Bolt M8 x 25	
2	2130808	1	Adapter, 90	
3	2170212	1	Adapter, 90	
4	3290801	4	Nut M8 x 1.25	
5	4811900	8	Washer M8	
6	1001162880	1	Pump/Motor Assembly (See Separate Breakdown in HYDRAULIC COMPONENTS Section)	
7	1001266281	1	Bracket	
8	1001266918	1	Fitting	
9	1001270843	1	Adapter	

SECTION 8 - HYDRAULIC CIRCUITS

FIGURE 8-15. ENGINE BAY HYDRAULIC INSTALLATION



ART_1001247107-G

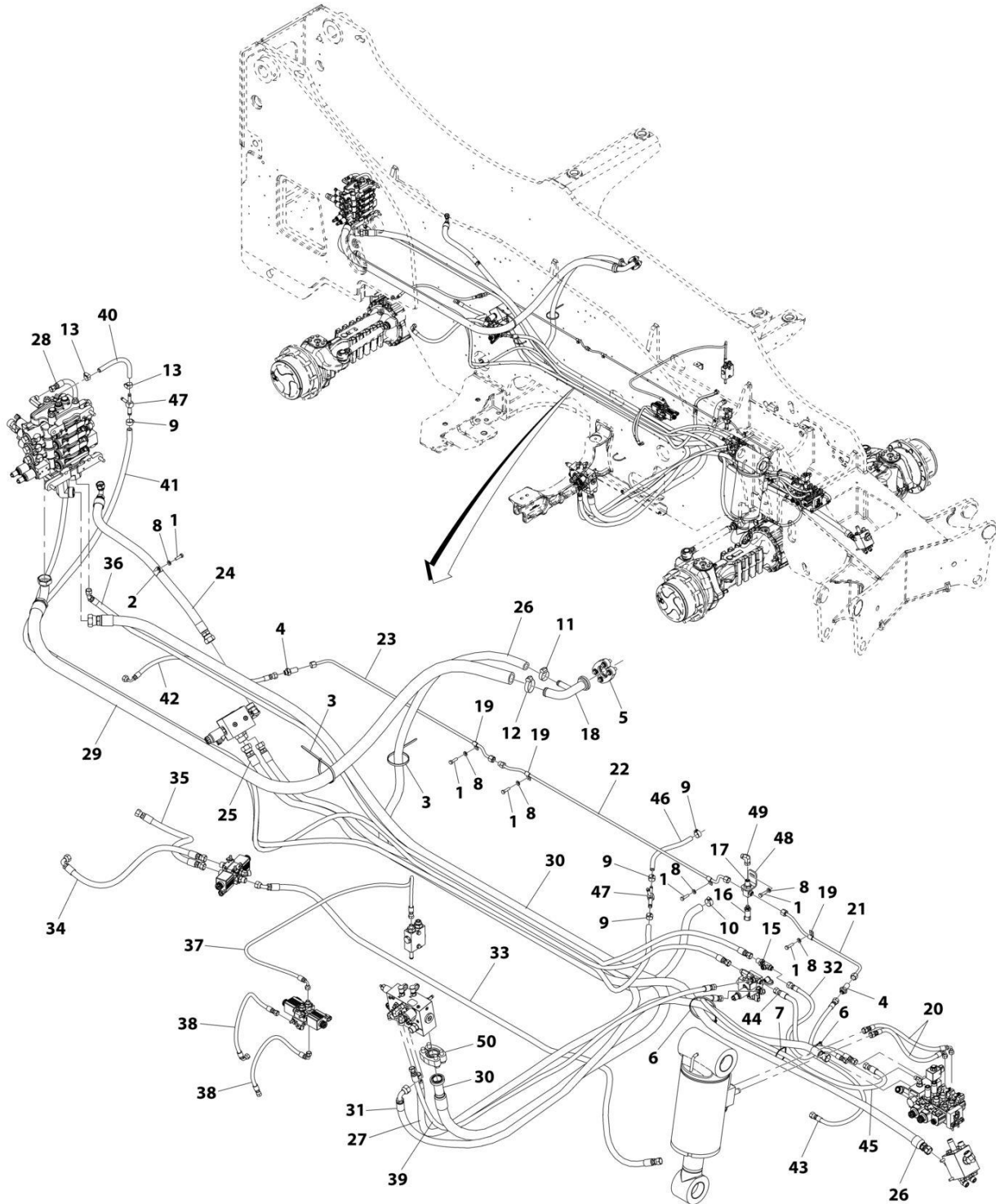
SECTION 8 - HYDRAULIC CIRCUITS

FIGURE 8-15. ENGINE BAY HYDRAULIC INSTALLATION

ITEM	PART NUMBER	QTY	DESCRIPTION	REV
	1001247107	Ref	Engine Bay Hydraulic Installation	G
1	0761012	4	Bolt, M10X25	
2	1062255	5	Strap, Tie	
3	2151616	2	Fitting, ORFS	
4	2170216	1	Fitting, ORFS	
5	2170716	1	Fitting, ORFS	
6	2171716	2	Flange Kit	
7	2171733	2	Flange Kit	
8	2171840	1	Flange Kit	
9	4812000	4	Washer, M10	
10	1001152729	2	Clamp	
11	1001253228	1	Clamp	
12	8405103	8	Gear Clamp	
14	1001137132	1	Fitting	
15	1001212921	1	Adapter	
16	1001247108	1	Hose	
17	1001247109	1	Hose	
18	1001263934	1	Hose	
19	1001247116	1	Hose	
20	1001247117	1	Hose	
21	1001247118	1	Hose	
22	1001247119	1	Hose	
23	1001247120	1	Hose	
25	1001247123	1	Hose	
27	1001247125	1	Hose	
28	1001247126	1	Hose	
29	1001247127	1	Hose	
30	1001247128	1	Hose	
31	1001247129	1	Hose	
32	1001247130	1	Hose	
33	1001247166	1	Hose	
34	1001247364	1	Hose	
35	1001247736	1	Fitting	
36	1001247739	1	Fitting	
37	1001014224	2	Clamp	
38	1001255538	2	Hose	
39	8405007	6	Clamp	
40	1001253072	3	Clamp	
41	1001258019	1	Fitting	
42	8410009	2	Clamp, Gear	
43	1001257346	1	Hose	
44	1001257347	1	Hose	

SECTION 8 - HYDRAULIC CIRCUITS

FIGURE 8-16. FRAME HYDRAULICS INSTALLATION



ART_1001242919-D

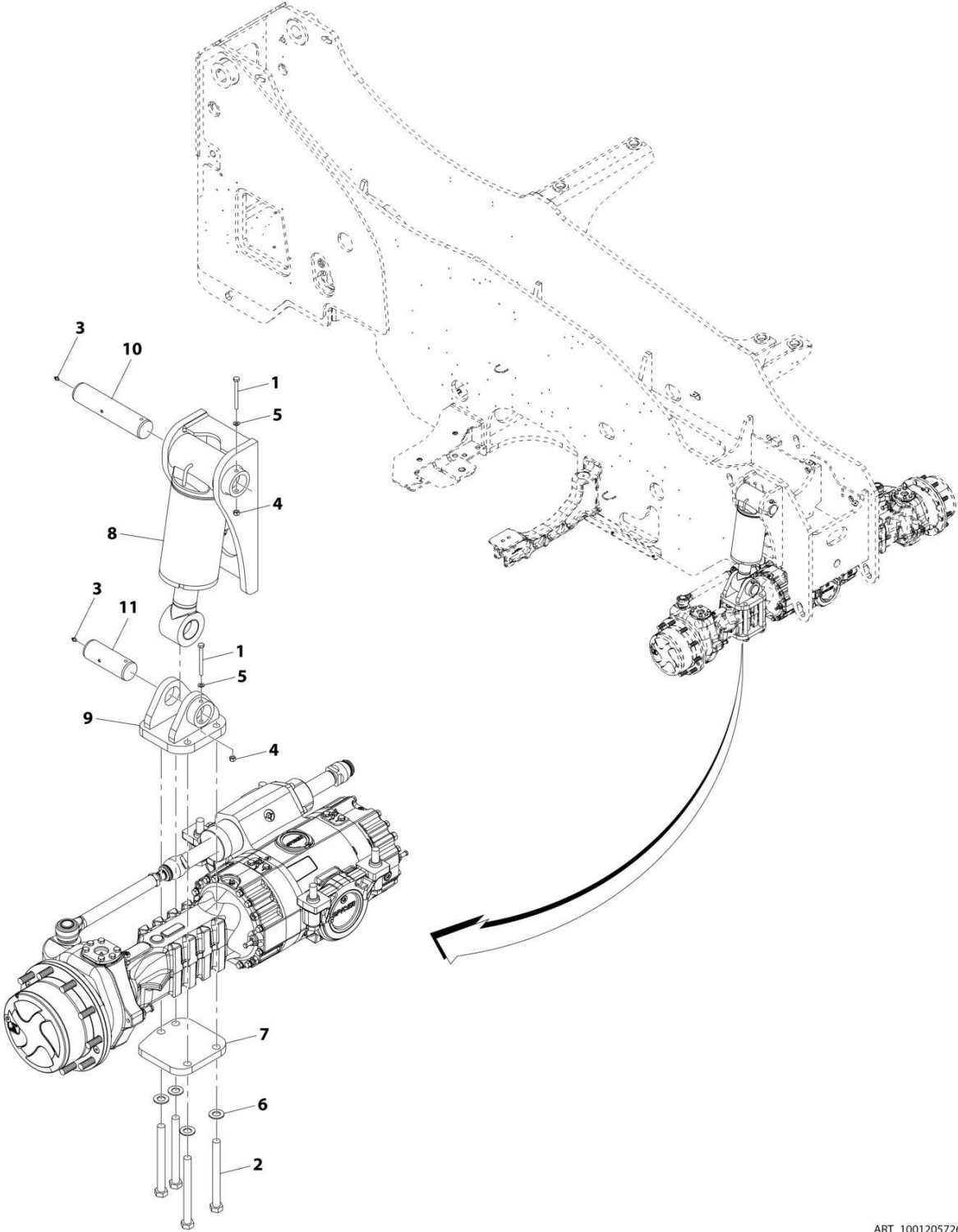
SECTION 8 - HYDRAULIC CIRCUITS

FIGURE 8-16. FRAME HYDRAULICS INSTALLATION

ITEM	PART NUMBER	QTY	DESCRIPTION	REV
	1001242919	Ref	Frame Hydraulics Installation	D
1	0760814	6	Bolt, M8X30	
2	1009352	1	Clip	
3	1062255	2	Strap, Tie	
4	2171106	2	Fitting	
5	2171824	1	Fitting	
6	4240018	2	Strap, Cable Tie	
7	4240099	1	Strap, Tie	
8	5240800	6	Washer, M8	
9	8405006	4	Clamp, Gear	
10	8405007	1	Clamp, Gear	
11	8405101	1	Clamp, Gear	
12	8405103	1	Clamp, Gear	
13	8410013	2	Clamp, Gear	
15	88662434	1	Fitting	
16	1001147340	1	Sensor, Pressure Transducer	
17	1001205756	1	Adapter	
18	1001244441	1	Hose	
19	1001245862	4	Clip	
20	1001245874	2	Hose	
21	1001246468	1	Pipe, Front Brake	
22	1001246469	1	Pipe, Rear Brake	
23	1001246470	1	Pipe, Rear Brake	
24	1001246597	1	Hose	
25	1001246600	1	Hose	
26	1001246601	1	Hose	
27	1001246602	1	Hose	
28	1001246603	1	Hose	
29	1001246604	1	Hose	
30	1001255935	1	Hose	
31	1001246606	1	Hose	
32	1001246607	1	Hose	
33	1001253784	1	Hose	
34	1001246609	1	Hose	
35	1001246642	1	Hose	
36	1001246643	1	Hose	
37	1001246645	1	Hose	
38	1001246646	2	Hose	
39	1001246648	1	Hose	
40	1001246960	1	Hose	
41	1001246961	1	Hose	
42	1001246965	1	Hose	
43	1001246966	1	Hose	
44	1001254895	1	Hose	
45	1001246968	1	Hose	
46	1001247005	1	Hose	
47	1001247713	2	Fitting	
48	1001254037	1	Plate, Angle	
49	2172106	1	Adapter, 90	
50	2171733	1	Fitting	

SECTION 8 - HYDRAULIC CIRCUITS

FIGURE 8-17. FRAME SWAY INSTALLATION



ART_1001205726-B

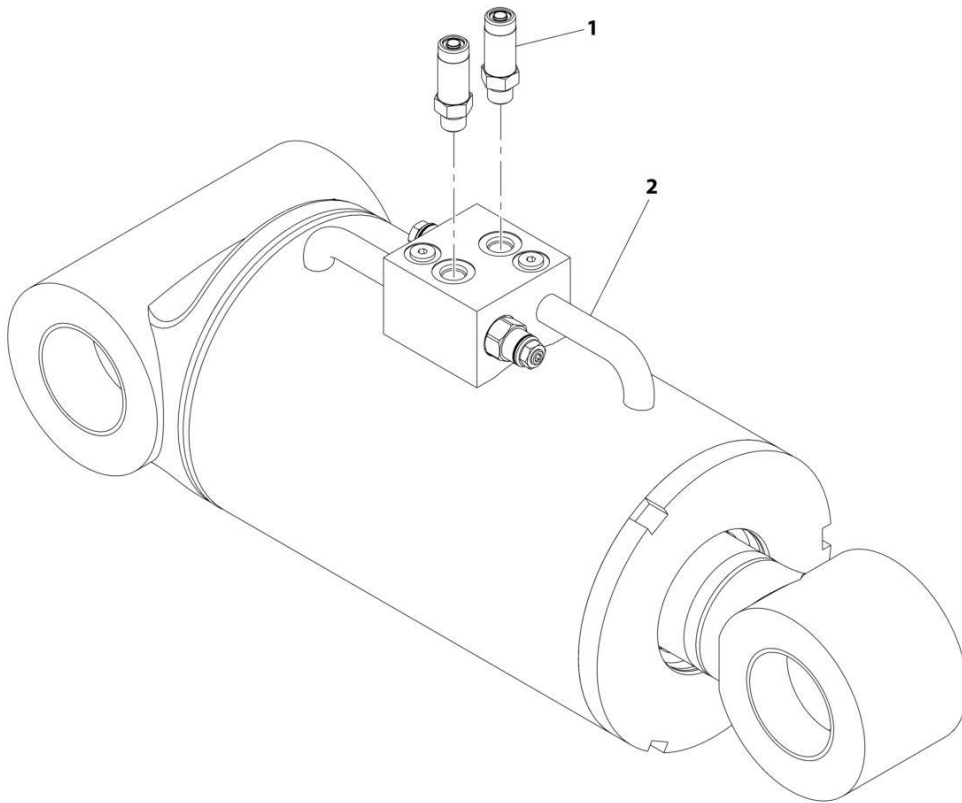
SECTION 8 - HYDRAULIC CIRCUITS

FIGURE 8-17. FRAME SWAY INSTALLATION

ITEM	PART NUMBER	QTY	DESCRIPTION	REV
	1001205726	Ref	Frame Sway Installation	B
1	0701028	2	Screw, M10X110	
2	0712442	4	Screw, M24X250	
3	2160016	2	Fitting, Grease	
4	3291005	2	Nut, Lock M10X1.5 Grade 8	
5	4812000	2	Washer, M10	
6	5242400	4	Washer, M24	
7	1001177047	1	Plate, Frame Level	
8	1001205727	1	Installation, Sway Cylinder (See Separate Breakdown in this Section)	
9	1001246557	1	Bracket, Axle Sway/RAS	
10	1001246560	1	Pin	
11	1001246561	1	Pin	

SECTION 8 - HYDRAULIC CIRCUITS

FIGURE 8-18. FRAME SWAY CYLINDER INSTALLATION



ART_1001205727-A

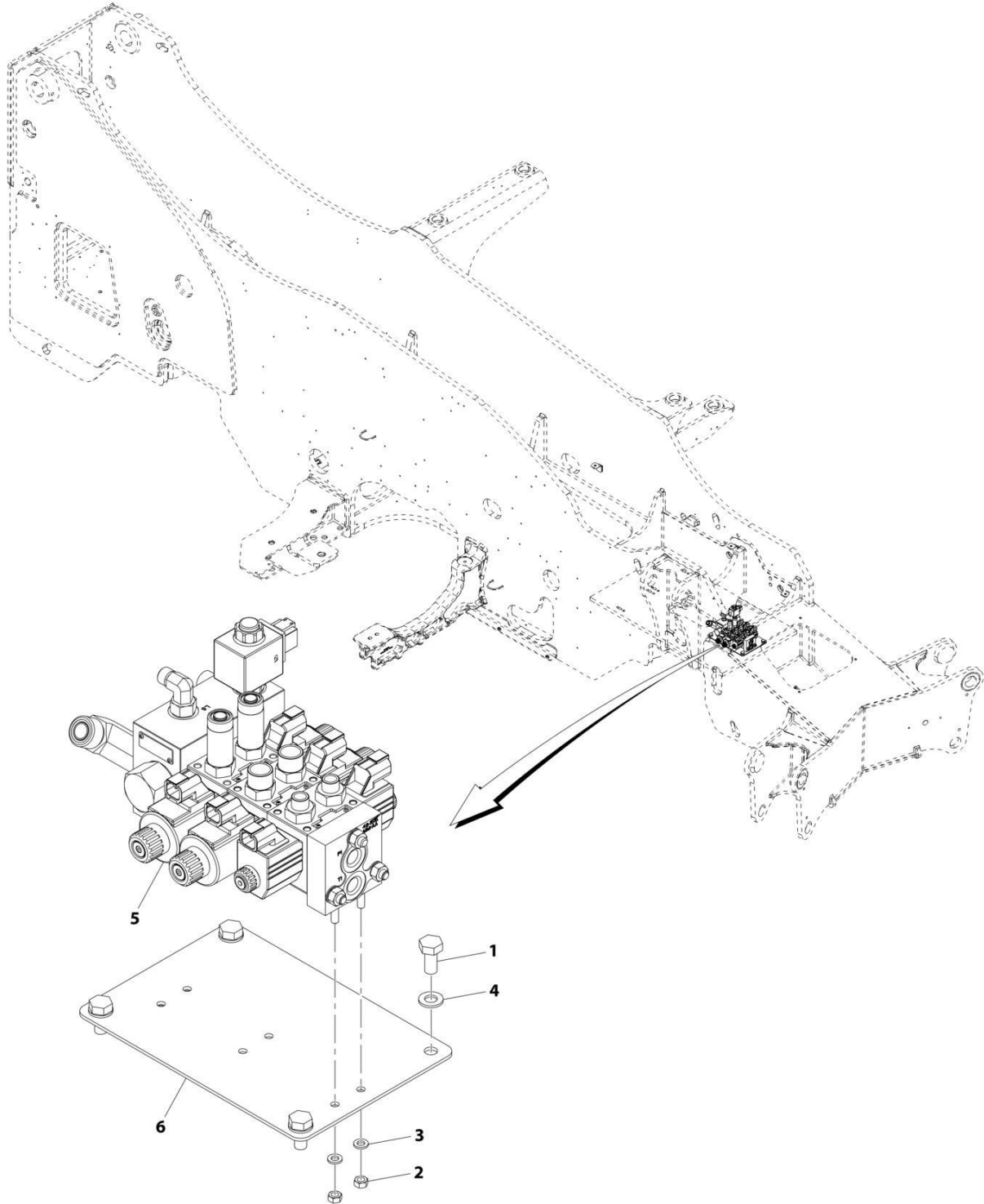
SECTION 8 - HYDRAULIC CIRCUITS

FIGURE 8-18. FRAME SWAY CYLINDER INSTALLATION

ITEM	PART NUMBER	QTY	DESCRIPTION	REV
1	1001205727	Ref	Sway Cylinder Installation	A
1	2170106	2	Fitting	
2	1001174987	1	Assembly, Frame Level Cylinder (See Separate Breakdown in this Section)	

SECTION 8 - HYDRAULIC CIRCUITS

FIGURE 8-19. FRAME SWAY CONTROL VALVE INSTALLATION



ART_1001245232-A

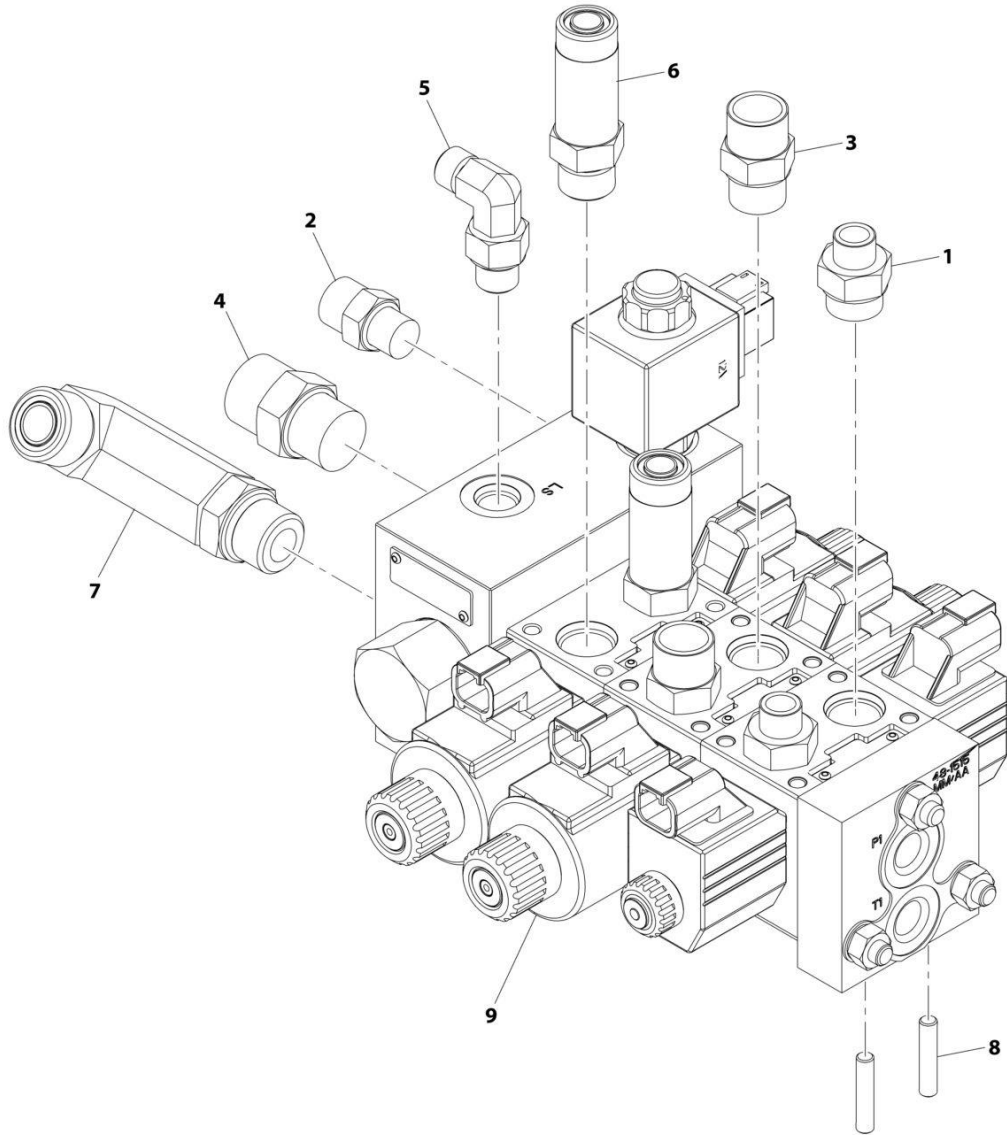
SECTION 8 - HYDRAULIC CIRCUITS

FIGURE 8-19. FRAME SWAY CONTROL VALVE INSTALLATION

ITEM	PART NUMBER	QTY	DESCRIPTION	REV
	1001245232	Ref	Frame Sway Control Valve Installation	A
1	0761011	4	Bolt, M10 X 22	
2	3290601	4	Nut, M6X1	
3	4811700	4	Washer, M6	
4	4812000	4	Washer, M10	
5	1001245233	1	Assembly, Sway Control Valve (See Separate Breakdown in this Section)	
6	1001245234	1	Plate, Valve Mount	

SECTION 8 - HYDRAULIC CIRCUITS

FIGURE 8-20. FRAME SWAY CONTROL VALVE & FITTING ASSEMBLY



ART_1001245233-A

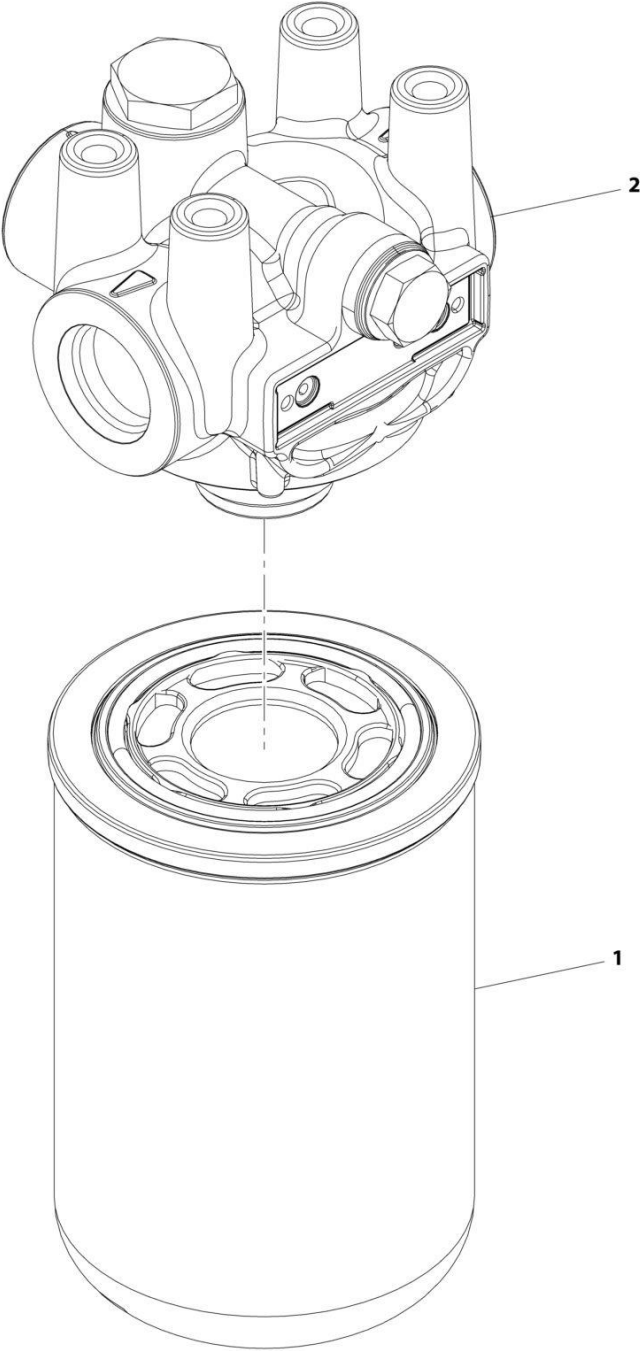
SECTION 8 - HYDRAULIC CIRCUITS

FIGURE 8-20. FRAME SWAY CONTROL VALVE & FITTING ASSEMBLY

ITEM	PART NUMBER	QTY	DESCRIPTION	REV
	1001245233	Ref	Sway Control Valve Assembly	A
1	2110408	2	Fitting, Straight ORFS	
2	2110606	1	Fitting, Straight ORFS	
3	2110808	2	Fitting, Straight ORFS	
4	2111010	1	Fitting, Straight ORFS	
5	2130406	1	Fitting, 90 ORFS	
6	2170108	2	Fitting, Straight ORFS	
7	2170210	1	Fitting, 90 ORFS	
8	1001100379	4	Stud, M6X30	
9	1001157972	1	Valve, Level and Stabilization (See Separate Breakdown in Hydraulic Components Section)	

SECTION 8 - HYDRAULIC CIRCUITS

FIGURE 8-21. IMPLEMENT PUMP FILTER ASSEMBLY



ART_1001141976-A

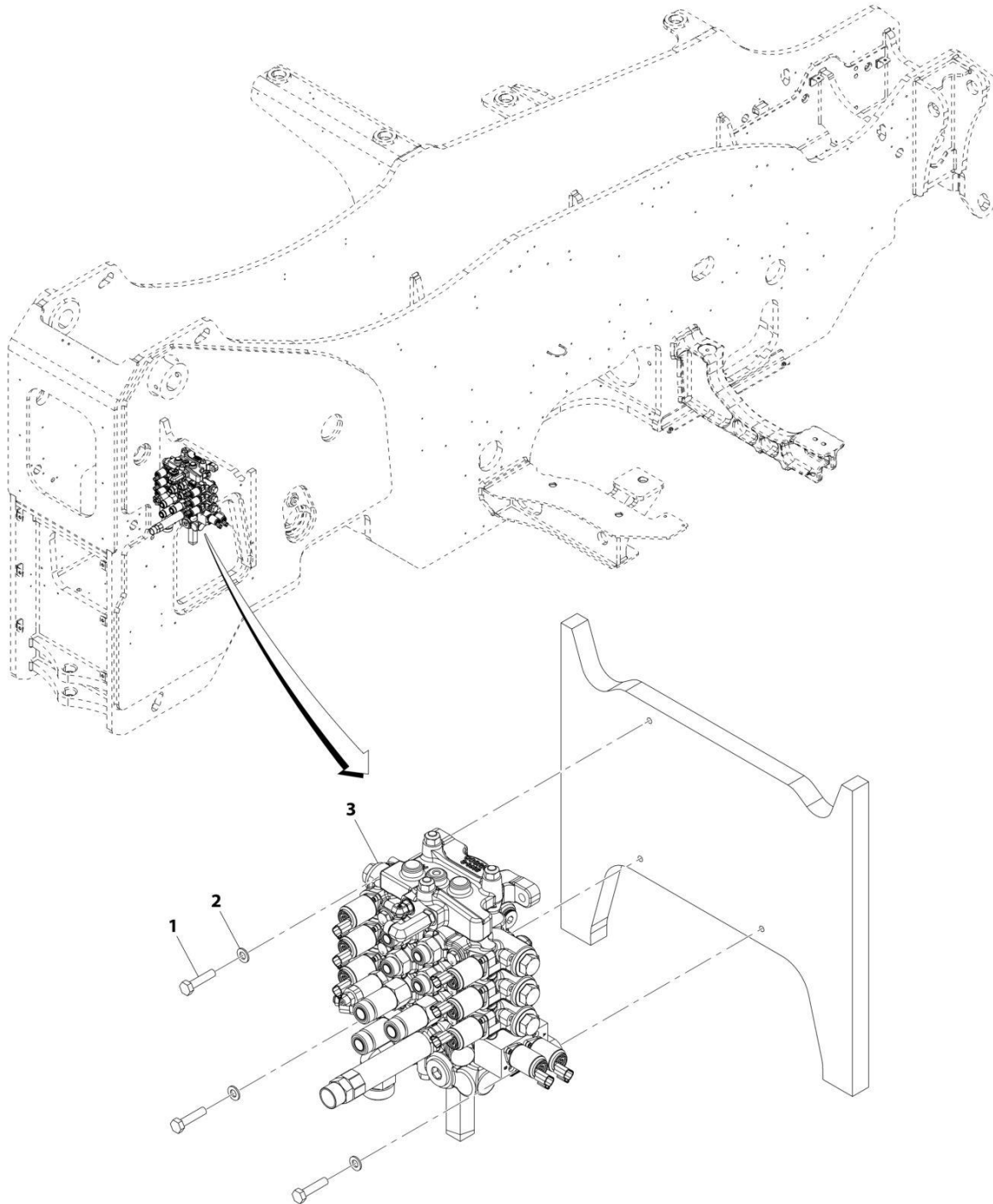
SECTION 8 - HYDRAULIC CIRCUITS

FIGURE 8-21. IMPLEMENT PUMP FILTER ASSEMBLY

ITEM	PART NUMBER	QTY	DESCRIPTION	REV
	1001141976	Ref	Implement Pump Filter Assembly	A
1	1001141461	1	Filter	
2	1001141462	1	Pump, Filter	

SECTION 8 - HYDRAULIC CIRCUITS

FIGURE 8-22. MAIN CONTROL VALVE INSTALLATION



ART_1001248169-B

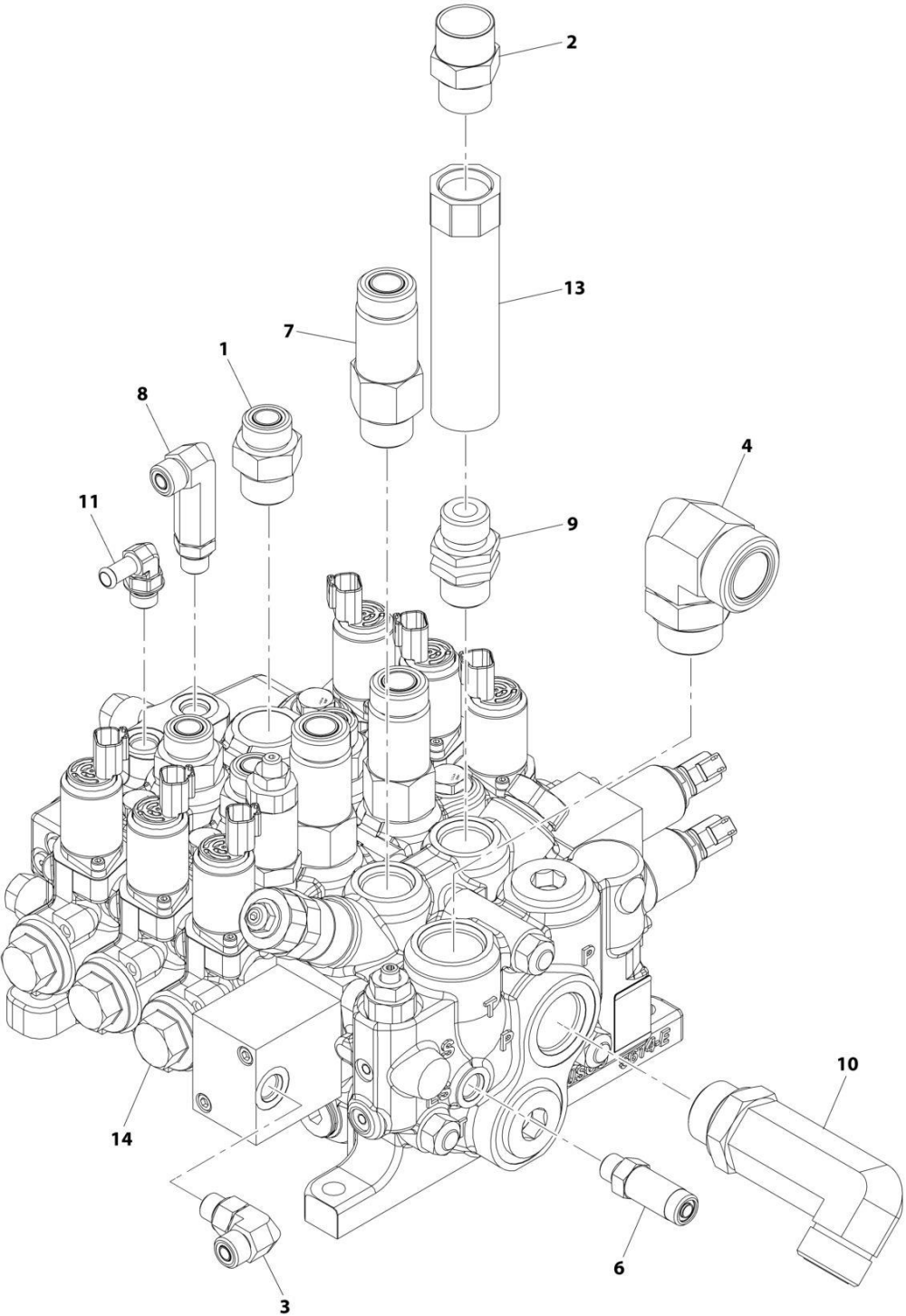
SECTION 8 - HYDRAULIC CIRCUITS

FIGURE 8-22. MAIN CONTROL VALVE INSTALLATION

ITEM	PART NUMBER	QTY	DESCRIPTION	REV
	1001248169	Ref	Main Control Valve Installation	B
1	0701017	3	Bolt, M10X45	
2	4812000	3	Washer, M10	
3	1001242651	1	Assembly, Main Control Valve (See Separate Breakdown in this Section)	

SECTION 8 - HYDRAULIC CIRCUITS

FIGURE 8-23. MAIN CONTROL VALVE & FITTINGS ASSEMBLY



ART_1001242651-A

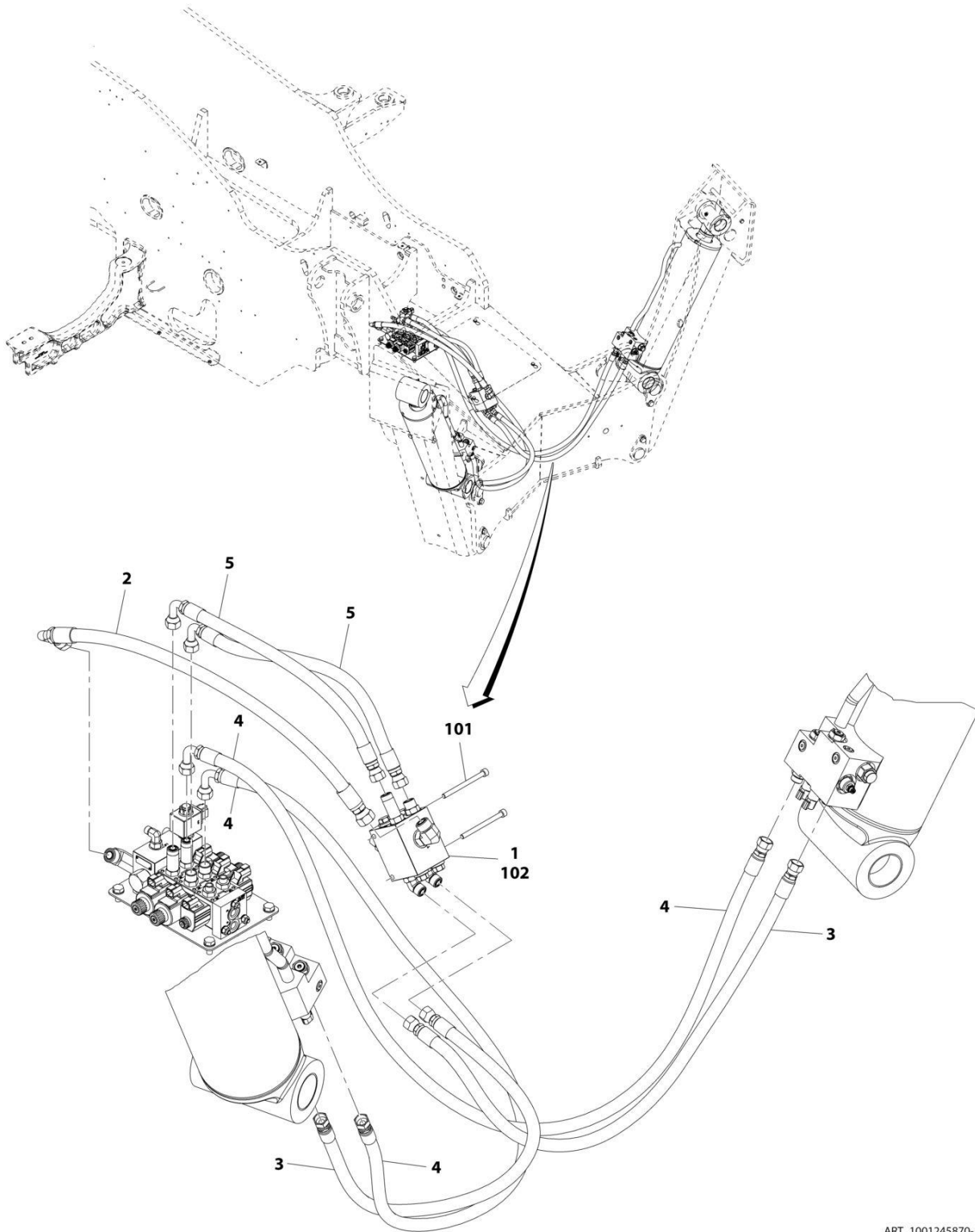
SECTION 8 - HYDRAULIC CIRCUITS

FIGURE 8-23. MAIN CONTROL VALVE & FITTINGS ASSEMBLY

ITEM	PART NUMBER	QTY	DESCRIPTION	REV
	1001242651	Ref	Main Control Valve Assembly	A
1	2111012	4	Fitting, Straight ORFS	
2	2111212	1	Fitting, Straight ORFS	
3	2130606	1	Fitting, 90	
4	2132016	1	Fitting, 90	
6	2170106	1	Fitting	
7	2170112	3	Fitting	
8	2170206	1	Fitting	
9	8770030	1	Fitting	
10	2170216	1	Fitting, ORFS	
11	1001178776	1	Fitting	
13	1001224946	1	Valve, Check	
14	1001242634	1	Valve, Main Control (See Separate Breakdown in Hydraulic Components Section)	

SECTION 8 - HYDRAULIC CIRCUITS

FIGURE 8-24. OUTRIGGER HYDRAULICS INSTALLATION



ART_1001245870-A

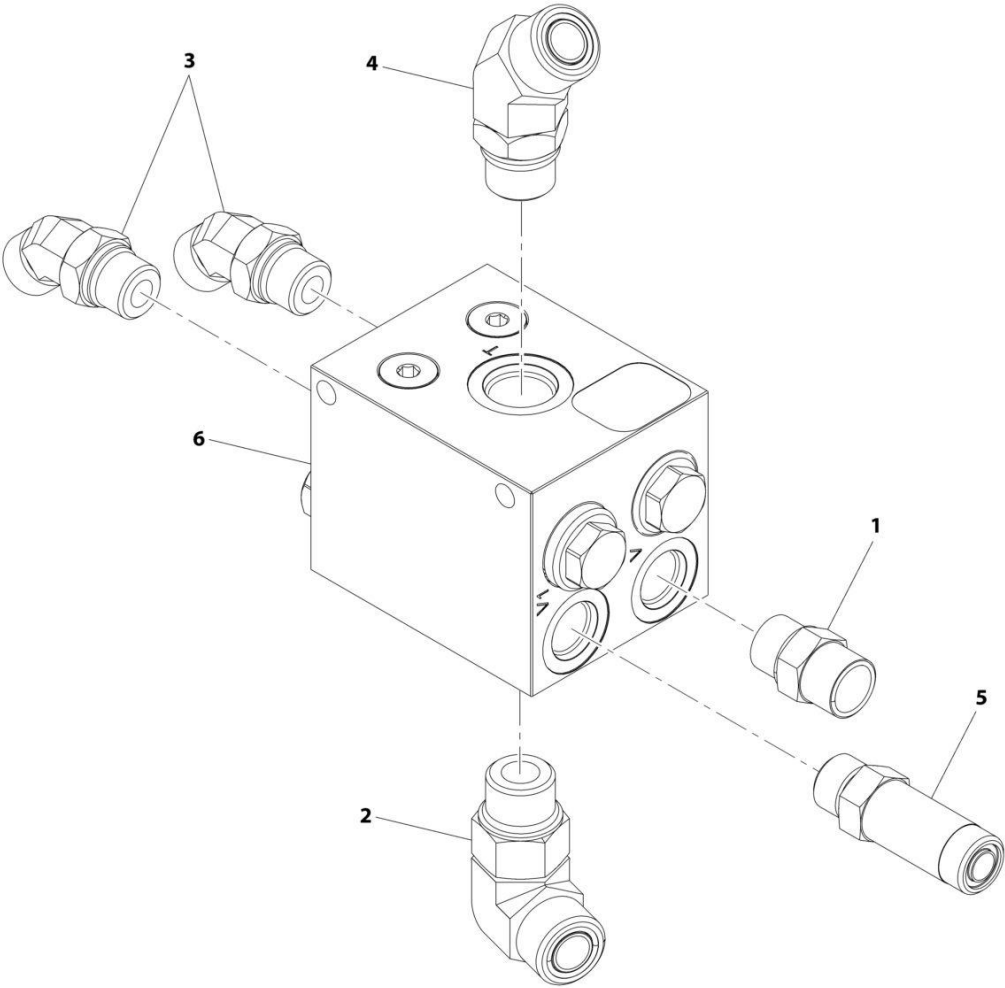
SECTION 8 - HYDRAULIC CIRCUITS

FIGURE 8-24. OUTRIGGER HYDRAULICS INSTALLATION

ITEM	PART NUMBER	QTY	DESCRIPTION	REV
	1001245870	Ref	Outrigger Hydraulics Installation	A
1	1001244408	1	Installation, Valve Outrigger Exhaust (includes items 101 & 102)	
2	1001245875	1	Hose	
3	1001245871	2	Hose	
4	1001245872	2	Hose	
5	1001245873	2	Hose	
101	1001093277	2	Bolt, M8X100	
102	1001243326	1	Assembly, Outrigger Exhaust Valve (See Separate Breakdown in this Section)	

SECTION 8 - HYDRAULIC CIRCUITS

FIGURE 8-25. OUTRIGGER EXHAUST VALVE ASSEMBLY



ART_1001243326-B

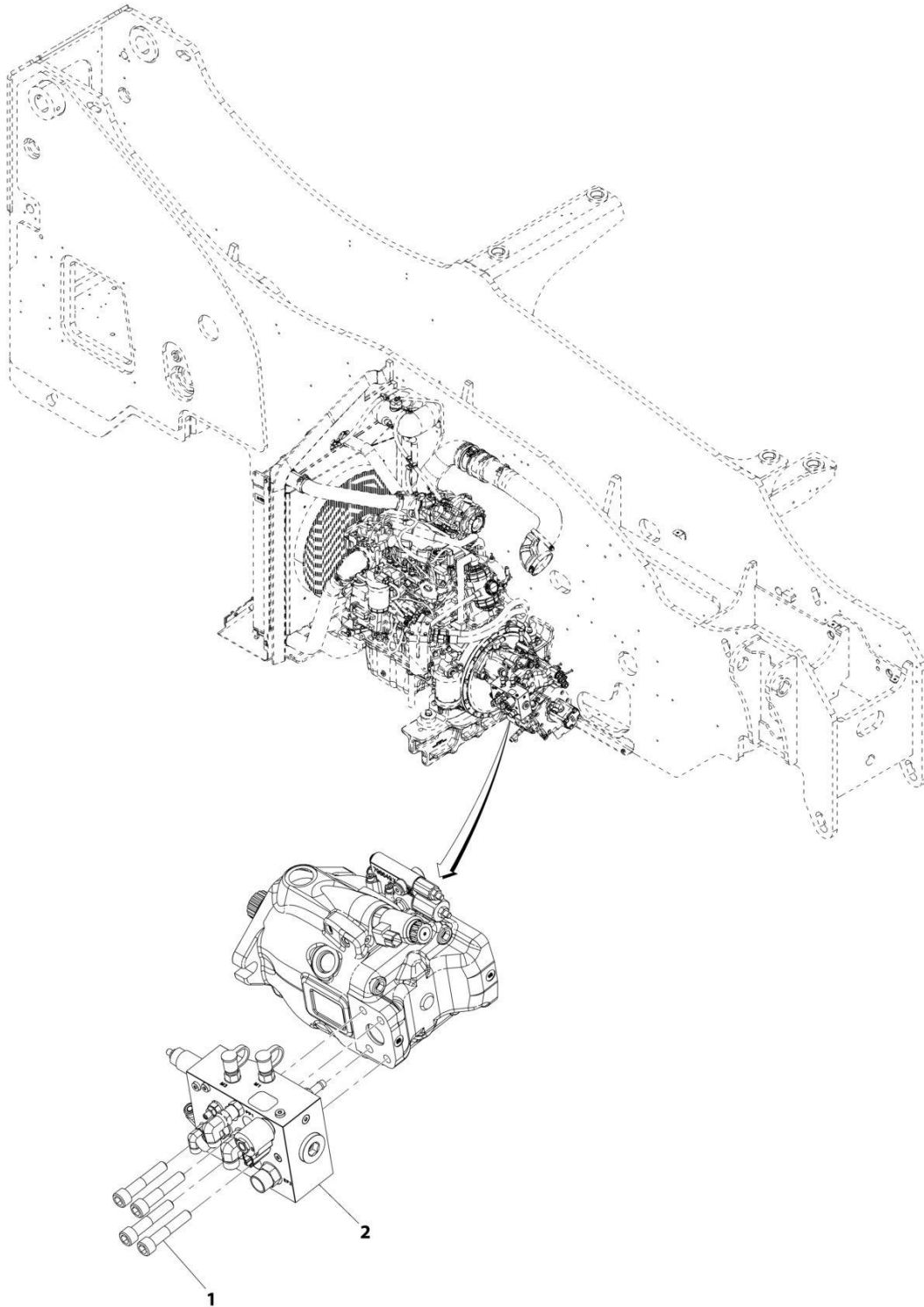
SECTION 8 - HYDRAULIC CIRCUITS

FIGURE 8-25. OUTRIGGER EXHAUST VALVE ASSEMBLY

ITEM	PART NUMBER	QTY	DESCRIPTION	REV
	1001243326	Ref	Outrigger Exhaust Valve Assembly	B
1	2110808	1	Fitting, Straight ORFS	
2	2131010	1	Fitting, ORFS	
3	2150808	2	Fitting, 45 ORFS	
4	2151010	1	Fitting	
5	2170108	1	Fitting, Straight ORFS	
6	1001243325	1	Valve, Outrigger Exhaust	

SECTION 8 - HYDRAULIC CIRCUITS

FIGURE 8-26. PRIORITY VALVE INSTALLATION



ART_1001205883-B

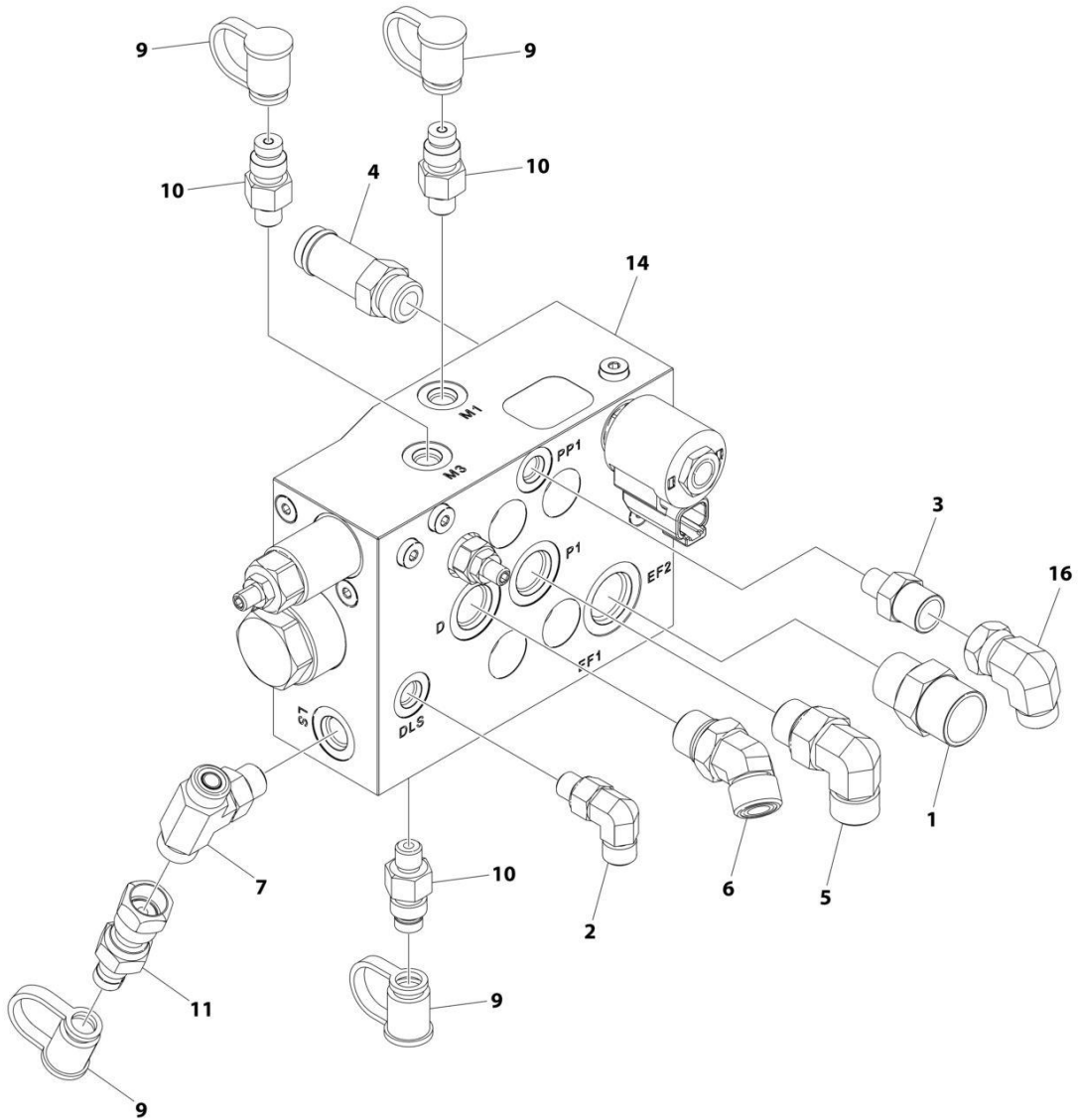
SECTION 8 - HYDRAULIC CIRCUITS

FIGURE 8-26. PRIORITY VALVE INSTALLATION

ITEM	PART NUMBER	QTY	DESCRIPTION	REV
	1001205883	Ref	Priority Valve Installation	B
1	3900368	4	Bolt, M14X70	
2	1001242813	1	Assembly, Priority Valve (See Separate Breakdown in this Section)	

SECTION 8 - HYDRAULIC CIRCUITS

FIGURE 8-27. PRIORITY VALVE & FITTING ASSEMBLY



ART_1001242813

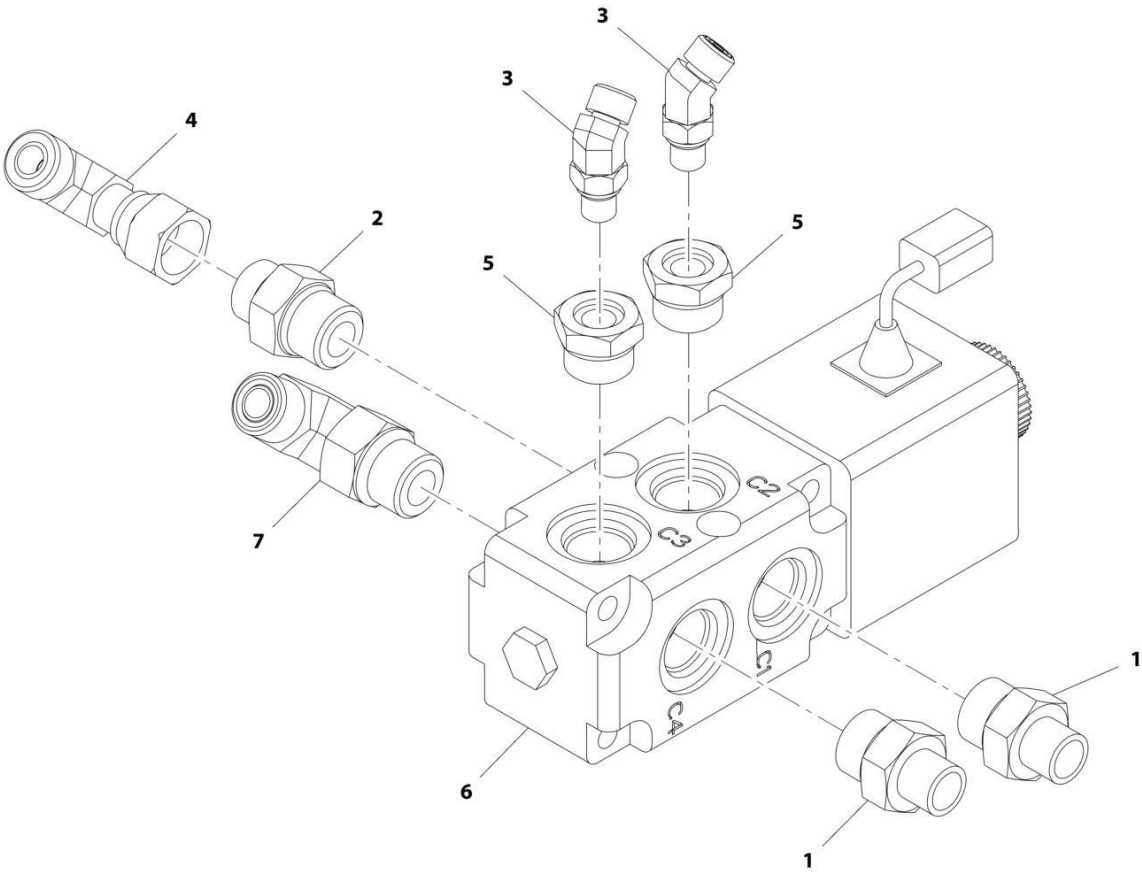
SECTION 8 - HYDRAULIC CIRCUITS

FIGURE 8-27. PRIORITY VALVE & FITTING ASSEMBLY

ITEM	PART NUMBER	QTY	DESCRIPTION	REV
	1001242813	Ref	Priority Valve Assembly	E
1	2111010	1	Fitting, Straight ORFS	
2	2130404	1	Fitting, 90 ORFS	
3	2110604	1	Fitting, Straight ORFS	
4	1001258014	1	Fitting, Straight ORFS	
5	2130808	1	Fitting, 90 ORFS	
6	2150808	1	Fitting, 45 ORFS	
7	2170406	1	Fitting	
9	8430032	4	Plug	
10	8430033	3	Fitting, Straight	
11	8430081	1	Fitting	
14	1001266710	1	Valve, Priority (See Separate Breakdown in HYDRAULIC COMPONENTS Section)	
16	2172106	1	Adapter, 90	

SECTION 8 - HYDRAULIC CIRCUITS

FIGURE 8-28. QUICK COUPLER VALVE & FITTING ASSEMBLY



ART_1001189663-C

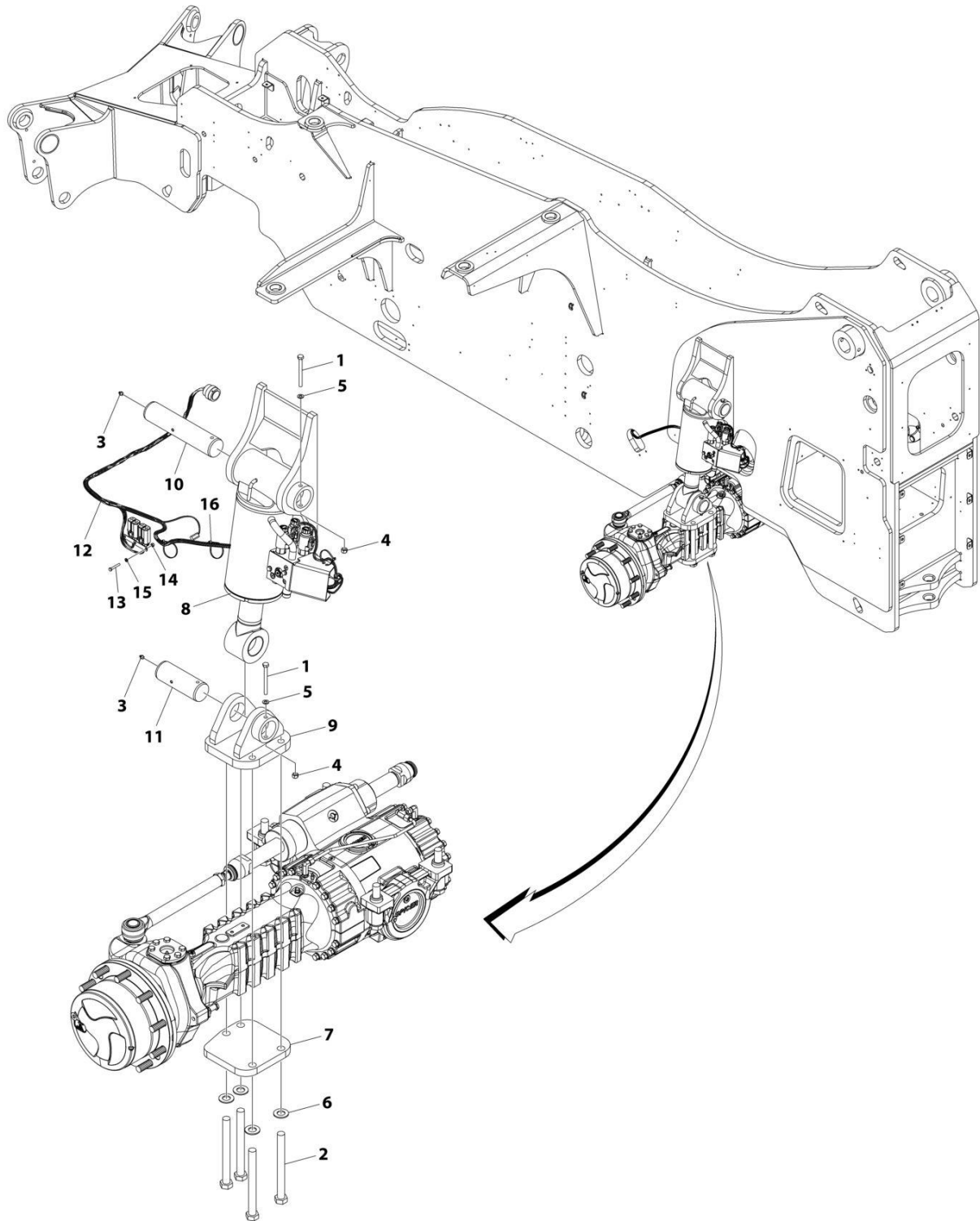
SECTION 8 - HYDRAULIC CIRCUITS

FIGURE 8-28. QUICK COUPLER VALVE & FITTING ASSEMBLY

ITEM	PART NUMBER	QTY	DESCRIPTION	REV
	1001189663	Ref	Quick Coupler Valve Assembly	C
1	2110610	2	Fitting, Straight ORFS	
2	2110810	1	Fitting, Straight ORFS	
3	2150404	2	Fitting, 45 ORFS	
4	2172108	1	Fitting, 90 ORFS	
5	1001001568	2	Reducer	
6	1001104477	1	Valve, Quick Coupler (See Separate Breakdown in HYDRAULIC COMPONENTS Section)	
7	2130810	1	Fitting, 90 ORFS	

SECTION 8 - HYDRAULIC CIRCUITS

FIGURE 8-29. REAR AXLE STABILIZER INSTALLATION



ART_1001207858_D

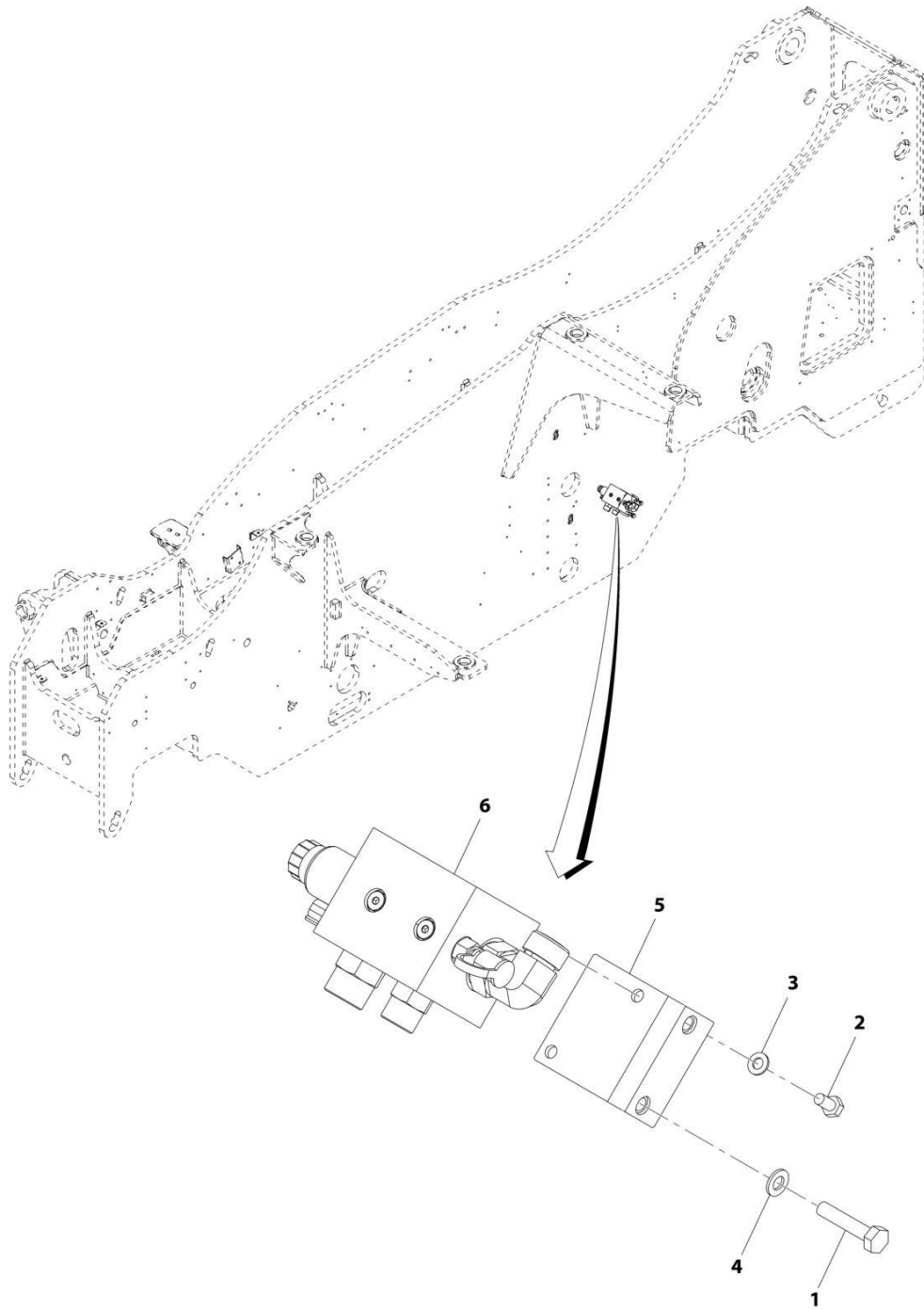
SECTION 8 - HYDRAULIC CIRCUITS

FIGURE 8-29. REAR AXLE STABILIZER INSTALLATION

ITEM	PART NUMBER	QTY	DESCRIPTION	REV
	1001207858	Ref	REAR AXLE STABILIZER INSTALLATION	D
1	0711028	2	Bolt M10 x 110	
2	0712442	4	Bolt M24 x 250	
3	2160016	2	Fitting, Grease	
4	3291005	2	Nut, Lock M10 x 1.5	
5	4812000	2	Washer M10	
6	5242400	4	Washer M24	
7	1001177047	1	Plate, Frame Level	
8	1001243089	1	Rear Axle Stabilizer Cylinder Assembly (See Separate Breakdown in Hydraulic Components Section)	
9	1001246557	1	Bracket	
10	1001246560	1	Pin	
11	1001246561	1	Pin	
12	1001259495	1	Rear Axle Stabilizer Harness (See Separate Breakdown in ELECTRICAL Section)	
13	0700616	3	Bolt M6 x 40	
14	3290605	3	Nut M6	
15	4811700	3	Washer M6	
16	1001008559	4	Strap, Tie	

SECTION 8 - HYDRAULIC CIRCUITS

FIGURE 8-30. REAR AXLE STABILIZER VARIABLE REDUCING VALVE INSTALLATION



ART_1001243703-A

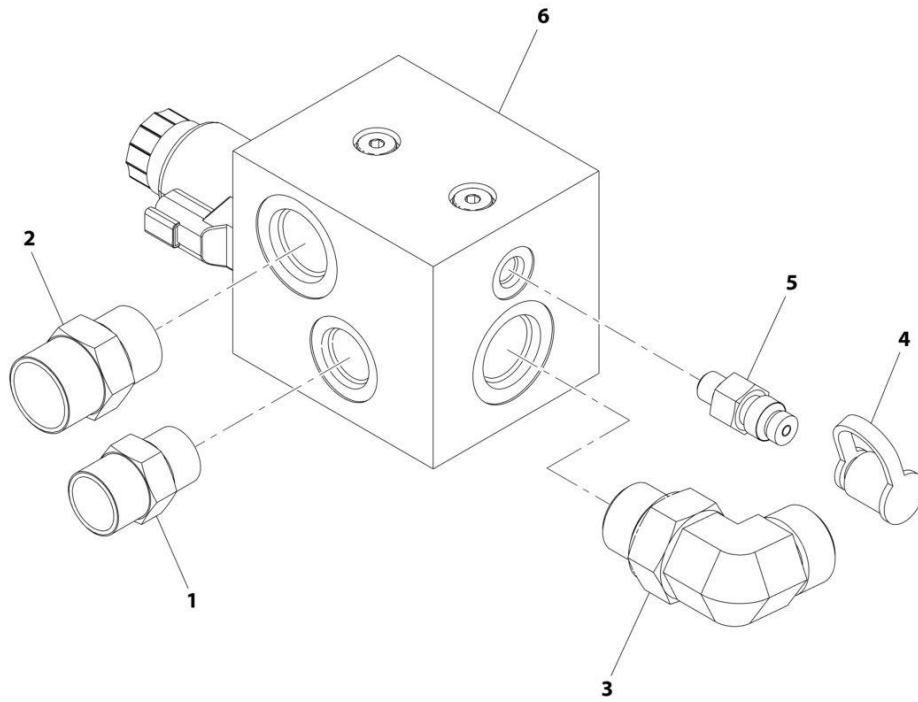
SECTION 8 - HYDRAULIC CIRCUITS

FIGURE 8-30. REAR AXLE STABILIZER VARIABLE REDUCING VALVE INSTALLATION

ITEM	PART NUMBER	QTY	DESCRIPTION	REV
	1001243703	Ref	RAS Variable Reducing Valve Installation	A
1	0701018	2	Bolt, M8X50	
2	0760808	2	Bolt, M8X16	
3	4811900	2	Washer, M8	
4	4812000	2	Washer, M10	
5	1001243691	1	Bracket, Valve	
6	1001243702	1	Assembly, RAS Variable Reducing Valve (See Separate Breakdown in this Section)	

SECTION 8 - HYDRAULIC CIRCUITS

FIGURE 8-31. REAR AXLE STABILIZER VARIABLE REDUCING VALVE & FITTING ASSEMBLY



ART_1001243702-A

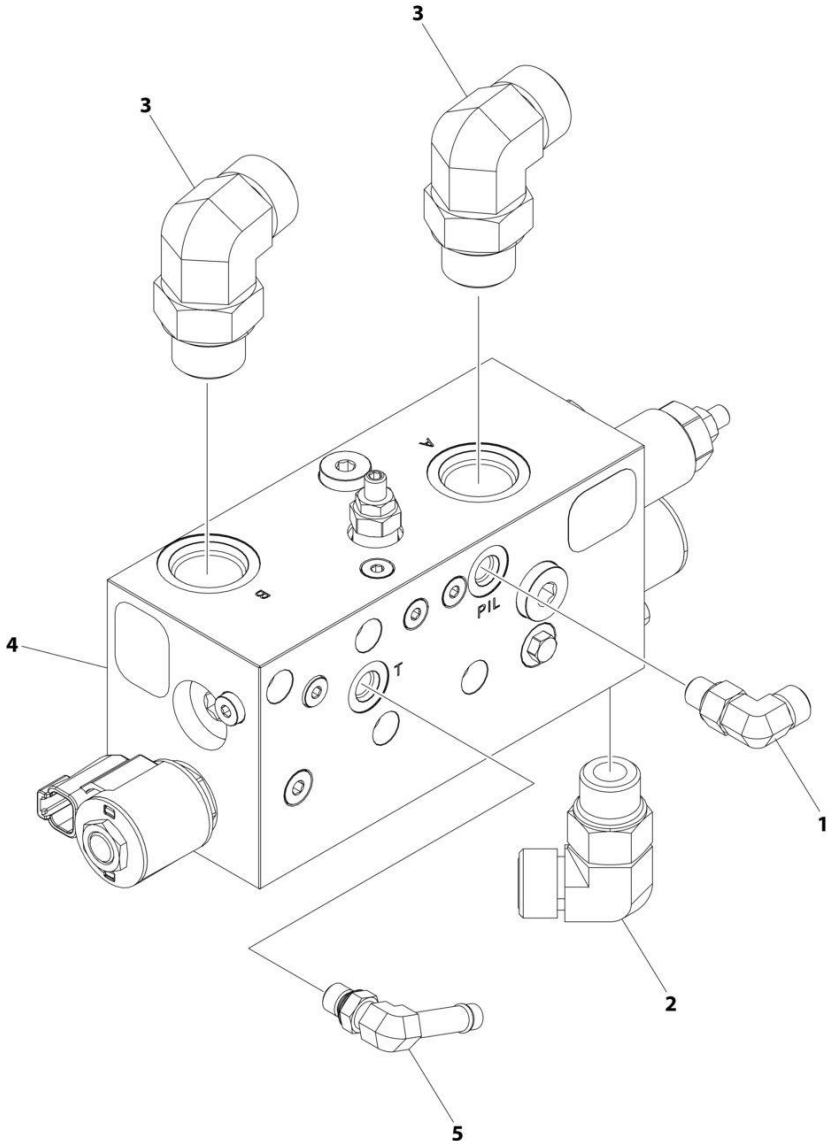
SECTION 8 - HYDRAULIC CIRCUITS

FIGURE 8-31. REAR AXLE STABILIZER VARIABLE REDUCING VALVE & FITTING ASSEMBLY

ITEM	PART NUMBER	QTY	DESCRIPTION	REV
	1001243702	Ref	RAS Variable Reducing Valve Assembly	A
1	2111010	1	Fitting, Straight ORFS	
2	2111212	1	Fitting, Straight ORFS	
3	2131212	1	Fitting, 90 ORFS	
4	8430032	1	Plug	
5	8430033	1	Fitting, Straight	
6	1001243701	1	Valve, Variable Reducing	
	7011367	1	Seal Kit	

SECTION 8 - HYDRAULIC CIRCUITS

FIGURE 8-32. RIDE AND FLOAT VALVE ASSEMBLY



ART_1001279420

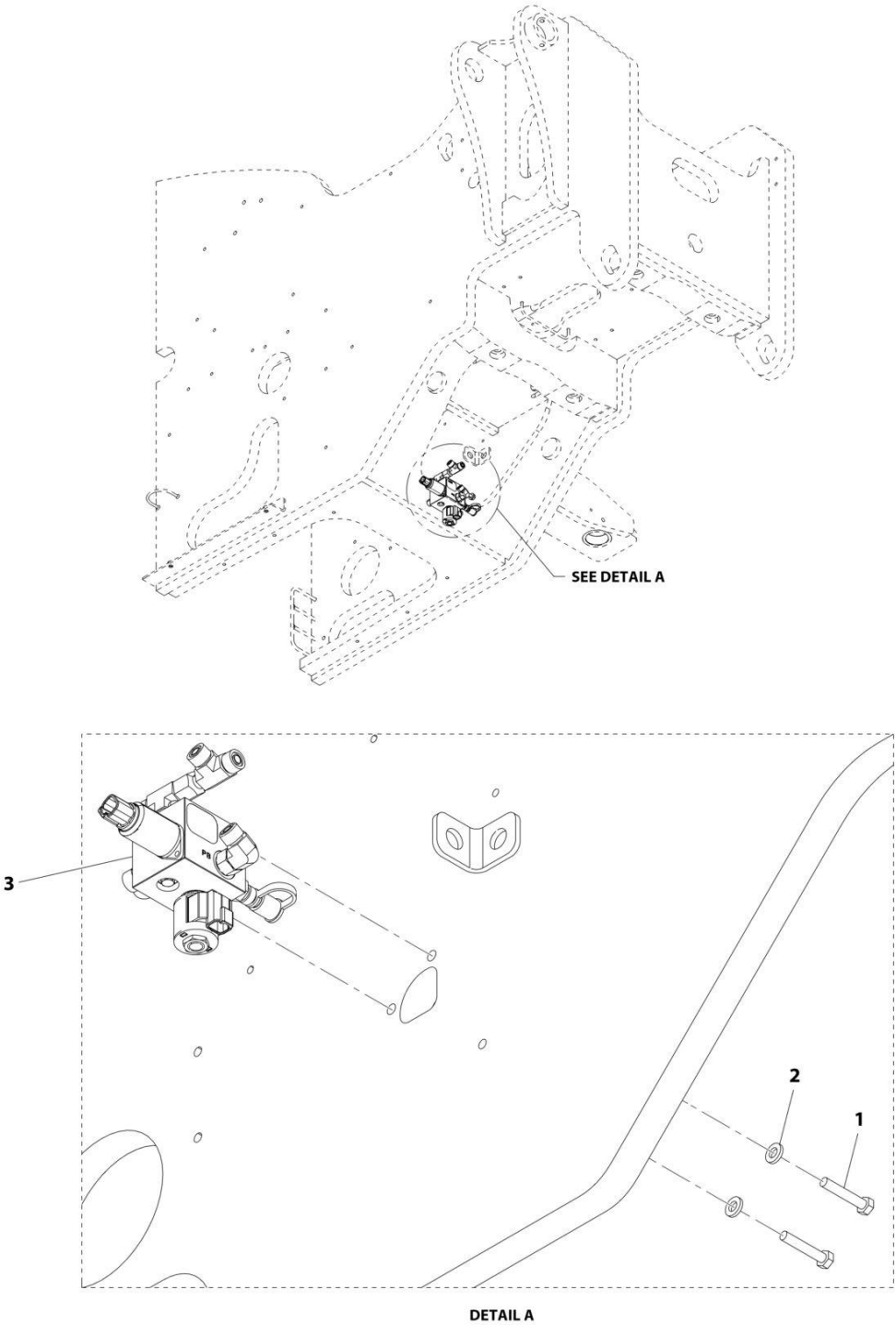
SECTION 8 - HYDRAULIC CIRCUITS

FIGURE 8-32. RIDE AND FLOAT VALVE ASSEMBLY

ITEM	PART NUMBER	QTY	DESCRIPTION	REV
	1001279420	Ref	RIDE AND FLOAT VALVE ASSEMBLY	A
1	2130404	1	Fitting, 90 ORFS	
2	2131010	1	Fitting, 90 ORFS	
3	2131212	2	Fitting, 90 ORFS	
4	1001224945	1	Valve, Boom Raise (See Separate Breakdown in HYDRAULIC COMPONENTS Section)	
5	1001263034	1	Fitting, 90 Barb	

SECTION 8 - HYDRAULIC CIRCUITS

FIGURE 8-33. SAHR VALVE INSTALLATION



ART_1001248354-A

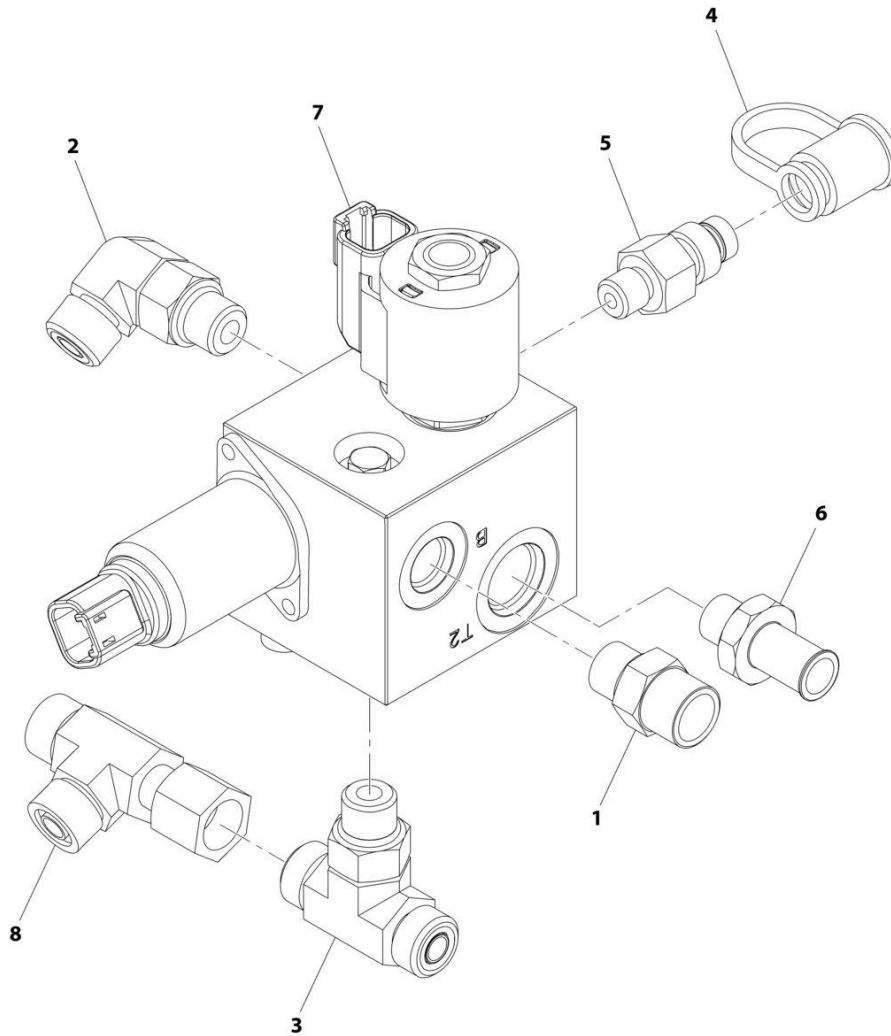
SECTION 8 - HYDRAULIC CIRCUITS

FIGURE 8-33. SAHR VALVE INSTALLATION

ITEM	PART NUMBER	QTY	DESCRIPTION	REV
	1001248354	Ref	SAHR Valve Installation	A
1	0700817	2	Bolt, M8X45	
2	5240800	2	Washer, M8	
3	1001242686	1	Assembly, SAHR Brake Valve (See Separate Breakdown in this Section)	

SECTION 8 - HYDRAULIC CIRCUITS

FIGURE 8-34. SAHR BRAKE VALVE & FITTING ASSEMBLY



ART_1001242686-B

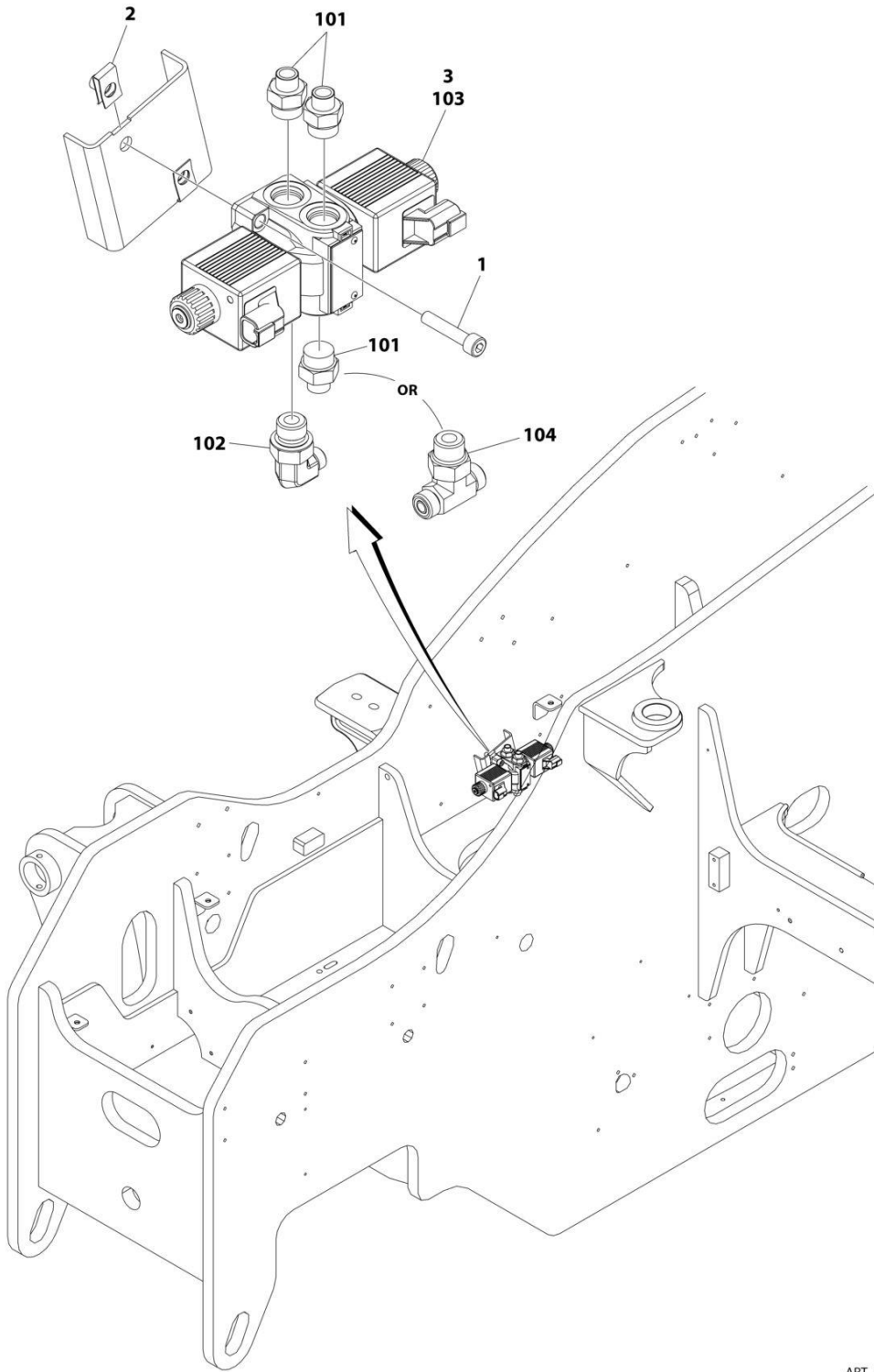
SECTION 8 - HYDRAULIC CIRCUITS

FIGURE 8-34. SAHR BRAKE VALVE & FITTING ASSEMBLY

ITEM	PART NUMBER	QTY	DESCRIPTION	REV
	1001242686	Ref	SAHR Brake Valve Assembly	B
1	2110606	1	Fitting, Straight ORFS	
2	2130606	1	Fitting, 90	
3	2170406	1	Fitting	
4	8430032	1	Plug	
5	8430033	1	Fitting, Straight	
6	1001190631	1	Fitting	
7	1001234127	1	Valve, SAHR Brake (See Separate Breakdown in Hydraulic Components Section)	
8	2170706	1	Fitting	

SECTION 8 - HYDRAULIC CIRCUITS

FIGURE 8-35. SPEED CONTROL VALVE INSTALLATION



ART_1001247223

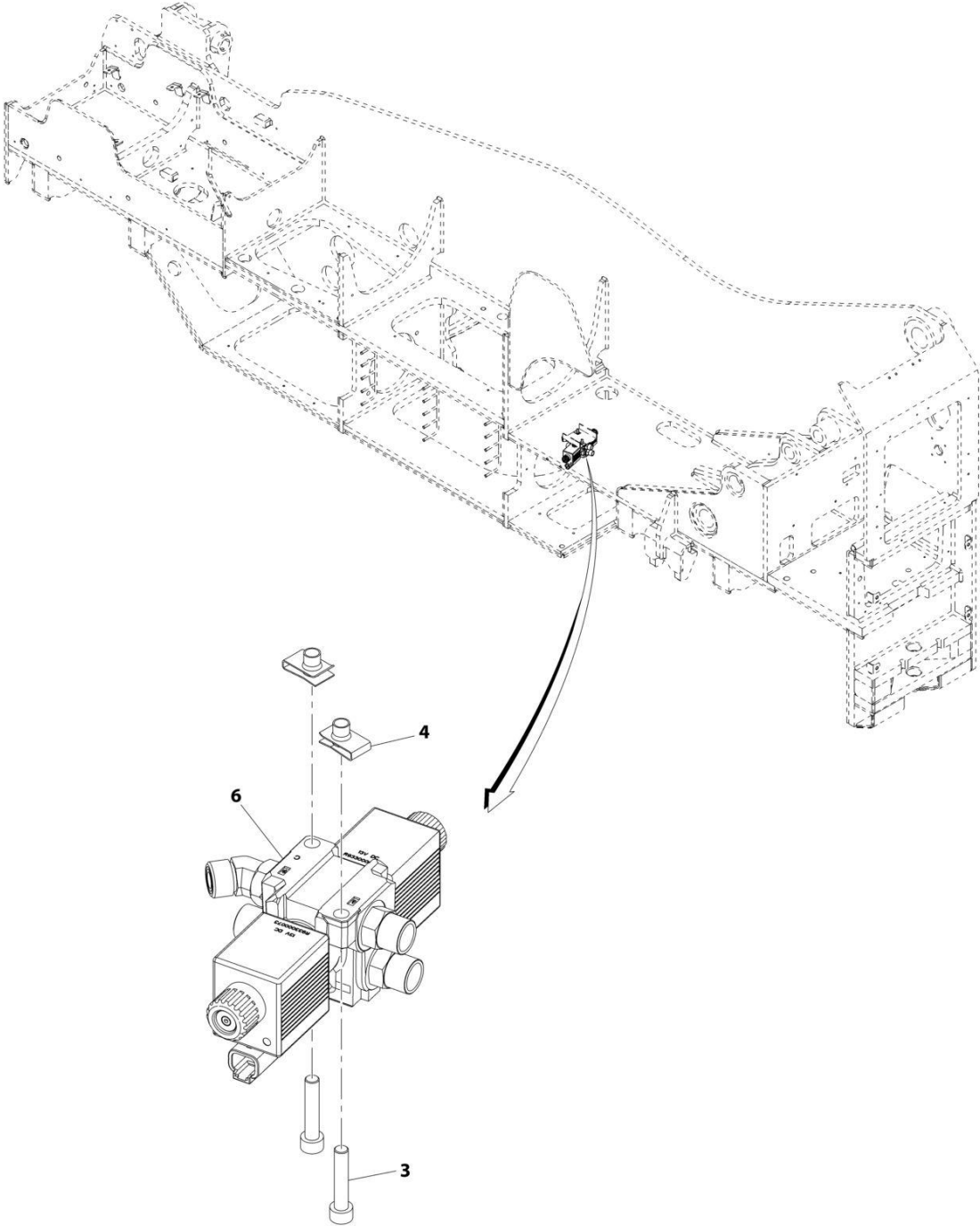
SECTION 8 - HYDRAULIC CIRCUITS

FIGURE 8-35. SPEED CONTROL VALVE INSTALLATION

ITEM	PART NUMBER	QTY	DESCRIPTION	REV
	1001247223	Ref	Speed Control Valve Installation	A
1	4031912	2	Bolt, M8X40	
2	8310686	2	Nut, Retainer M8X12.5	
3	1001247222	1	Speed Control Valve Assembly	B
101	2110408	AR	Fitting, Straight ORFS	
102	2130408	1	Fitting	
103	4641520	1	Valve, Speed Control	
104	88662447	1	Fitting, Tee ORFS/ORB/ORFS	

SECTION 8 - HYDRAULIC CIRCUITS

FIGURE 8-36. STEERING SELECT VALVE INSTALLATION



ART_1001193516-B

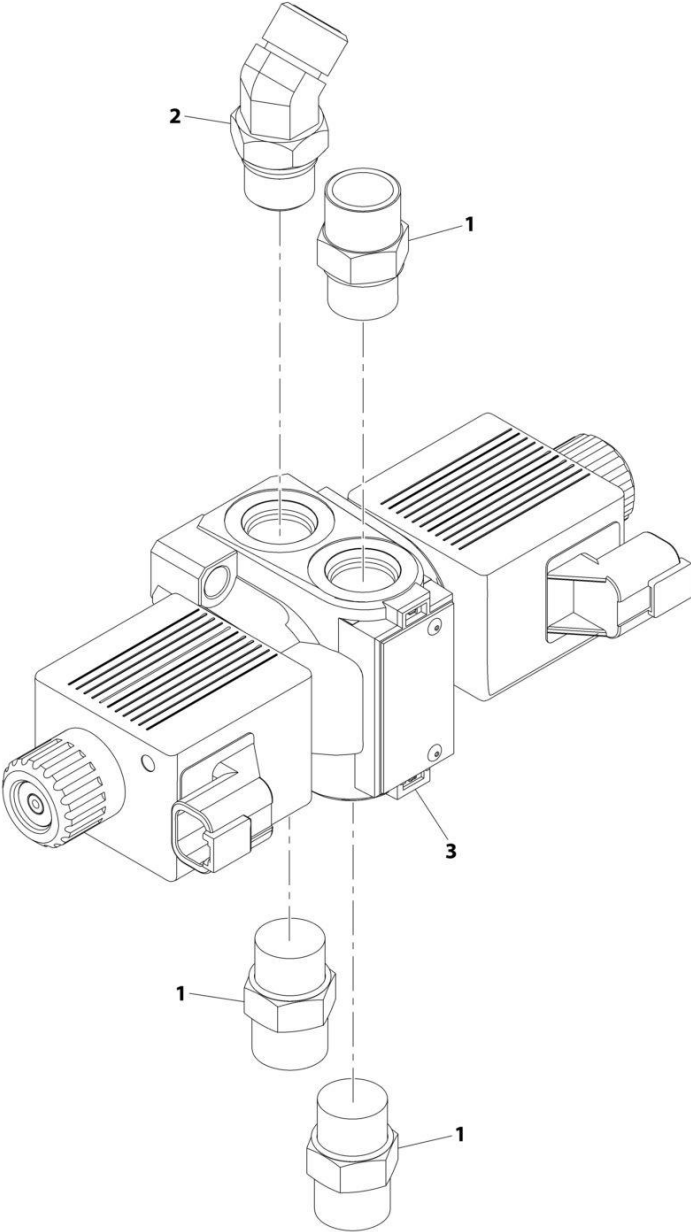
SECTION 8 - HYDRAULIC CIRCUITS

FIGURE 8-36. STEERING SELECT VALVE INSTALLATION

ITEM	PART NUMBER	QTY	DESCRIPTION	REV
	1001193516	Ref	Steering Select Valve Installation	B
3	4031912	2	Bolt, M8X40	
4	8310686	2	Nut, M8X12.5	
6	1001212418	1	Assembly, Steering Select Valve (See Separate Breakdown in this Section)	

SECTION 8 - HYDRAULIC CIRCUITS

FIGURE 8-37. STEERING SELECT VALVE & FITTING ASSEMBLY



ART_1001212418-A

SECTION 8 - HYDRAULIC CIRCUITS

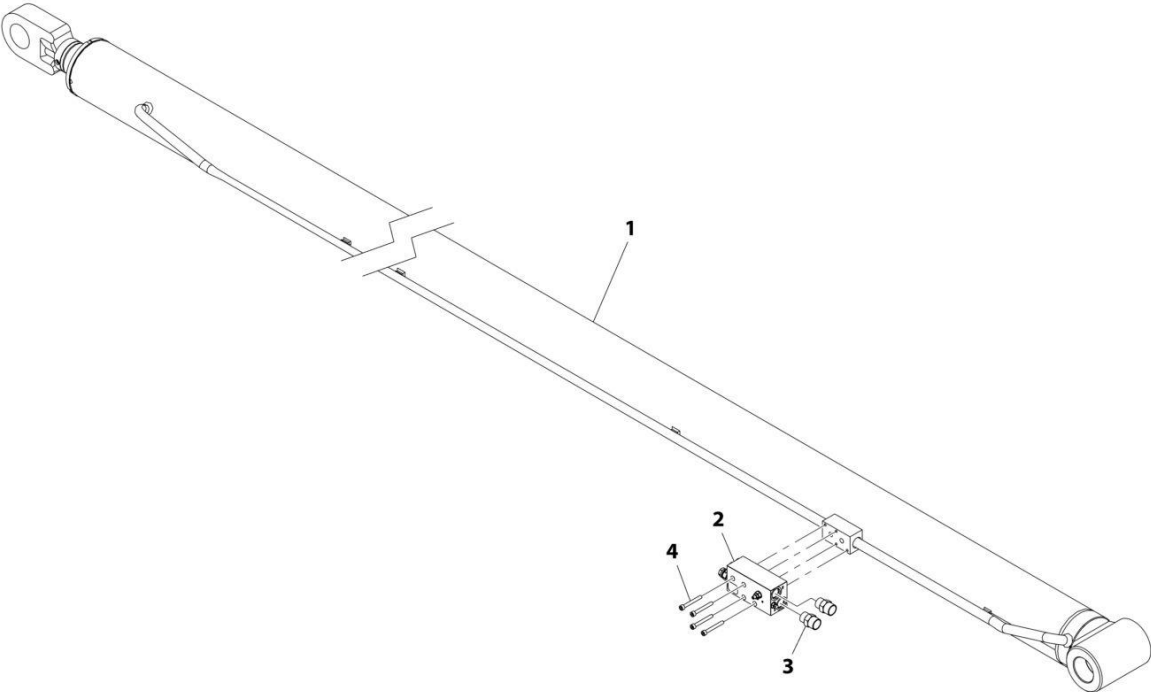
FIGURE 8-37. STEERING SELECT VALVE & FITTING ASSEMBLY

ITEM	PART NUMBER	QTY	DESCRIPTION	REV
	1001212418	Ref	Steering Select Valve Assembly	A
1	2110808	3	Fitting, Straight ORFS	
2	2150808	1	Fitting, 45 ORFS	
3	1001153748	1	Valve, Steering Select (See Separate Breakdown in HYDRAULIC COMPONENTS Section)	

SECTION 9 - HYDRAULIC COMPONENTS

SECTION 9 - HYDRAULIC COMPONENTS

FIGURE 9-1. CYLINDER INSTALLATION - EXTEND/RETRACT



ART_1001242678-A

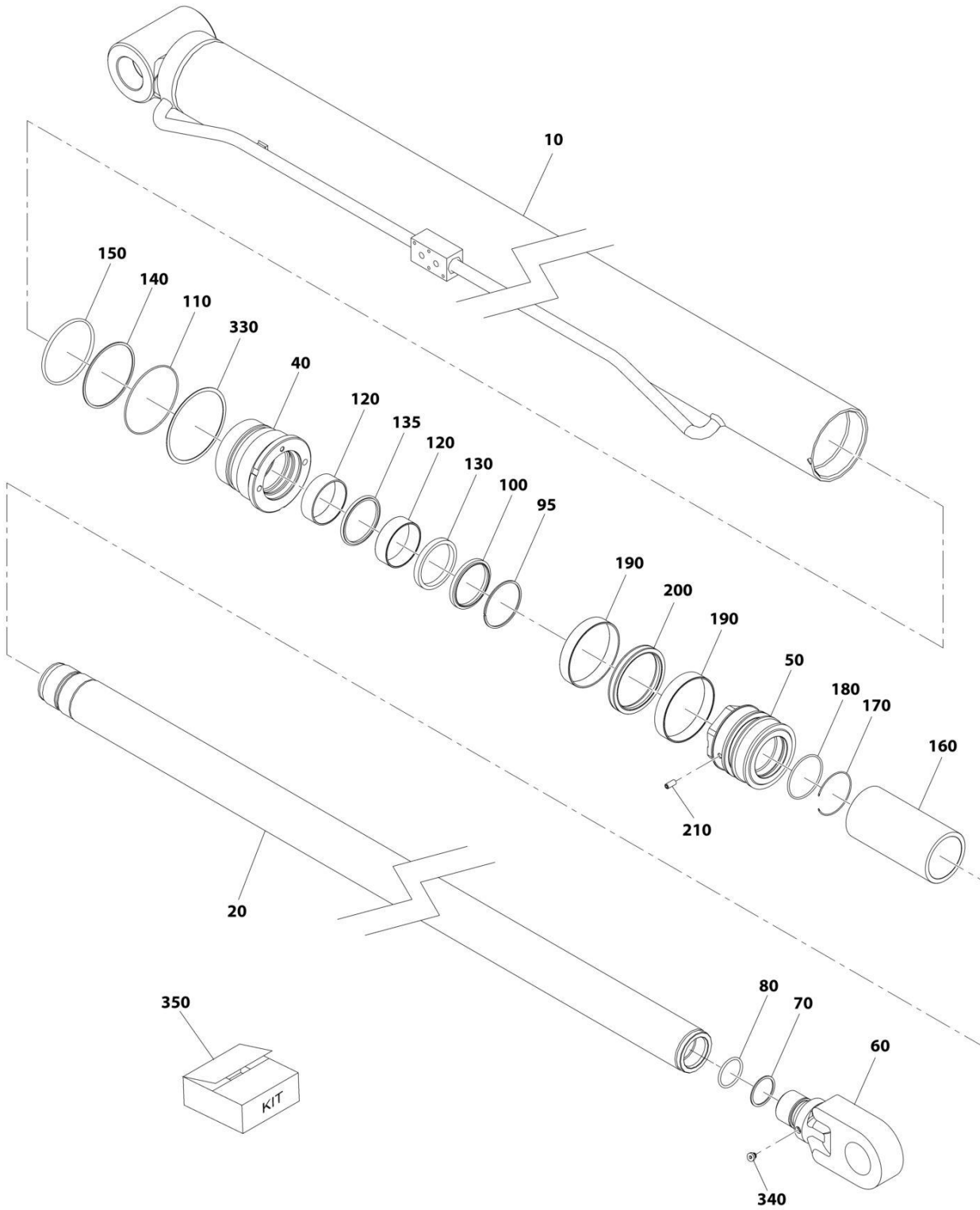
SECTION 9 - HYDRAULIC COMPONENTS

FIGURE 9-1. CYLINDER INSTALLATION - EXTEND/RETRACT

ITEM	PART NUMBER	QTY	DESCRIPTION	REV
	1001242678	Ref	Extend/Retract Cylinder Installation	A
1	1001238730	1	Cylinder, Extend/Retract (See Separate Breakdown in this Section)	
2	1001243925	1	Valve, Counterbalance	
2	70028454	2	O-Ring (Between Valve & Barrel)	
3	2111212	2	Fitting, Straight ORFS	
4	4031917	4	Bolt, M8X65	

SECTION 9 - HYDRAULIC COMPONENTS

FIGURE 9-2. CYLINDER INSTALLATION - EXTEND/RETRACT



ART_1001238730-E

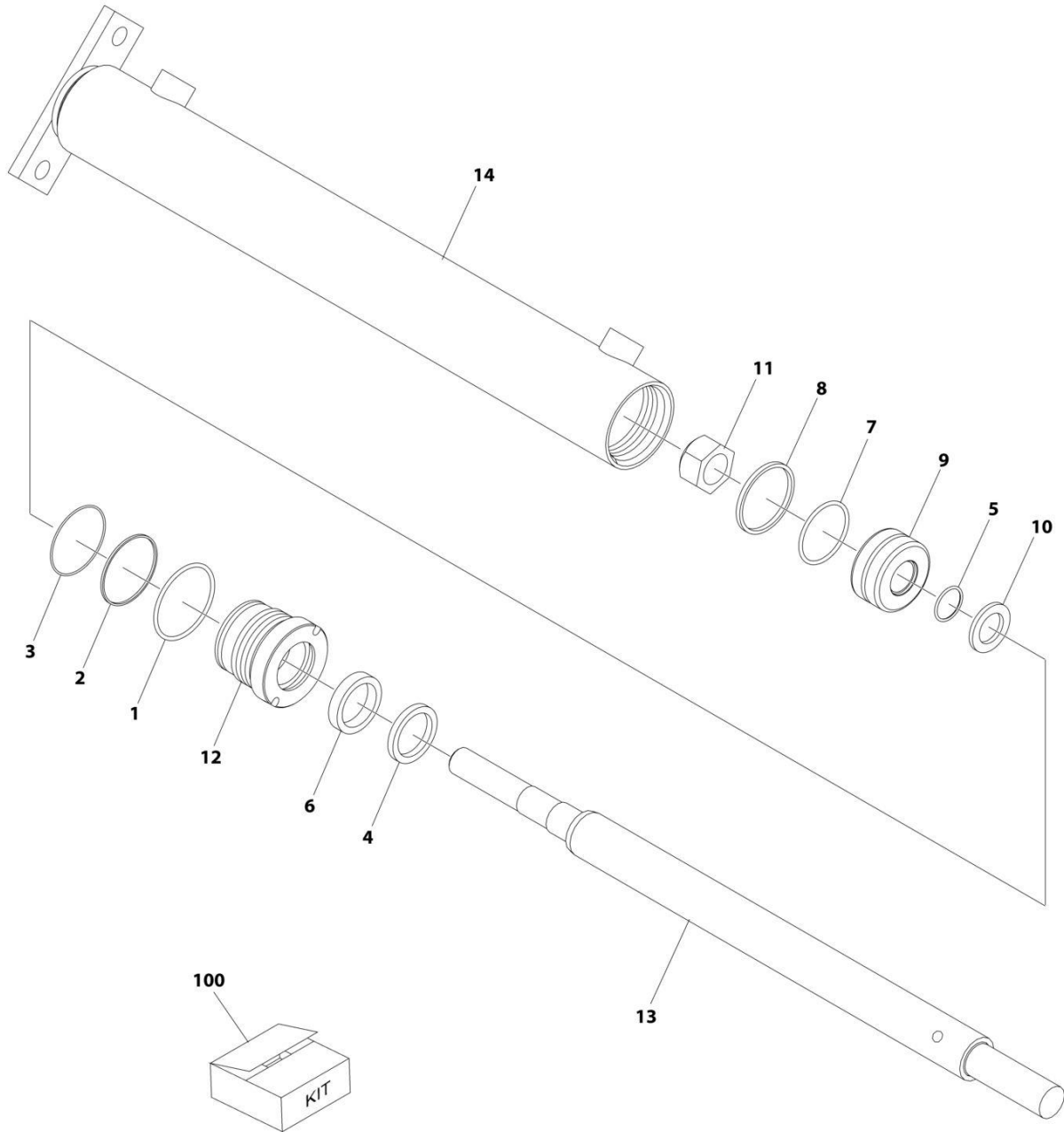
SECTION 9 - HYDRAULIC COMPONENTS

FIGURE 9-2. CYLINDER INSTALLATION - EXTEND/RETRACT

ITEM	PART NUMBER	QTY	DESCRIPTION	REV
	1001238730	Ref	Extend/Retract Cylinder	E
		Ref	Note: Original Cylinder May Have Been Replaced with Service Replacement. Identify PN Stamped on Cylinder Before Ordering Parts.	
10	N.S.S.	1	Barrel	
20	70030152	1	Rod	
40	70030153	1	Gland	
50	70030154	1	Piston Head	
60	70030155	1	Clevis	
70	Kit	1	Ring, Backup	
80	Kit	1	O-Ring	
95	70000699	1	Ring, Snap	
100	Kit	1	Seal, Wiper	
110	Kit	1	O-Ring	
120	Kit	1	Bearing	
130	Kit	1	Seal	
135	Kit	1	Seal	
140	Kit	1	Ring, Backup	
150	Kit	1	O-Ring	
160	70030156	1	Spacer	
170	70030157	1	Round Wire Ring	
180	Kit	1	O-Ring	
190	Kit	2	Bearing	
200	Kit	1	Seal	
210	70030158	1	Grub Screw	
330	70030159	1	Tab Washer	
340	70025961	1	Plug	
350	70030160	1	Kit, Seal (includes items 70, 80, 100 thru 150 & 180 thru 200)	

SECTION 9 - HYDRAULIC COMPONENTS

FIGURE 9-3. CYLINDER ASSEMBLY - FORK POSITIONING



ART_2717283

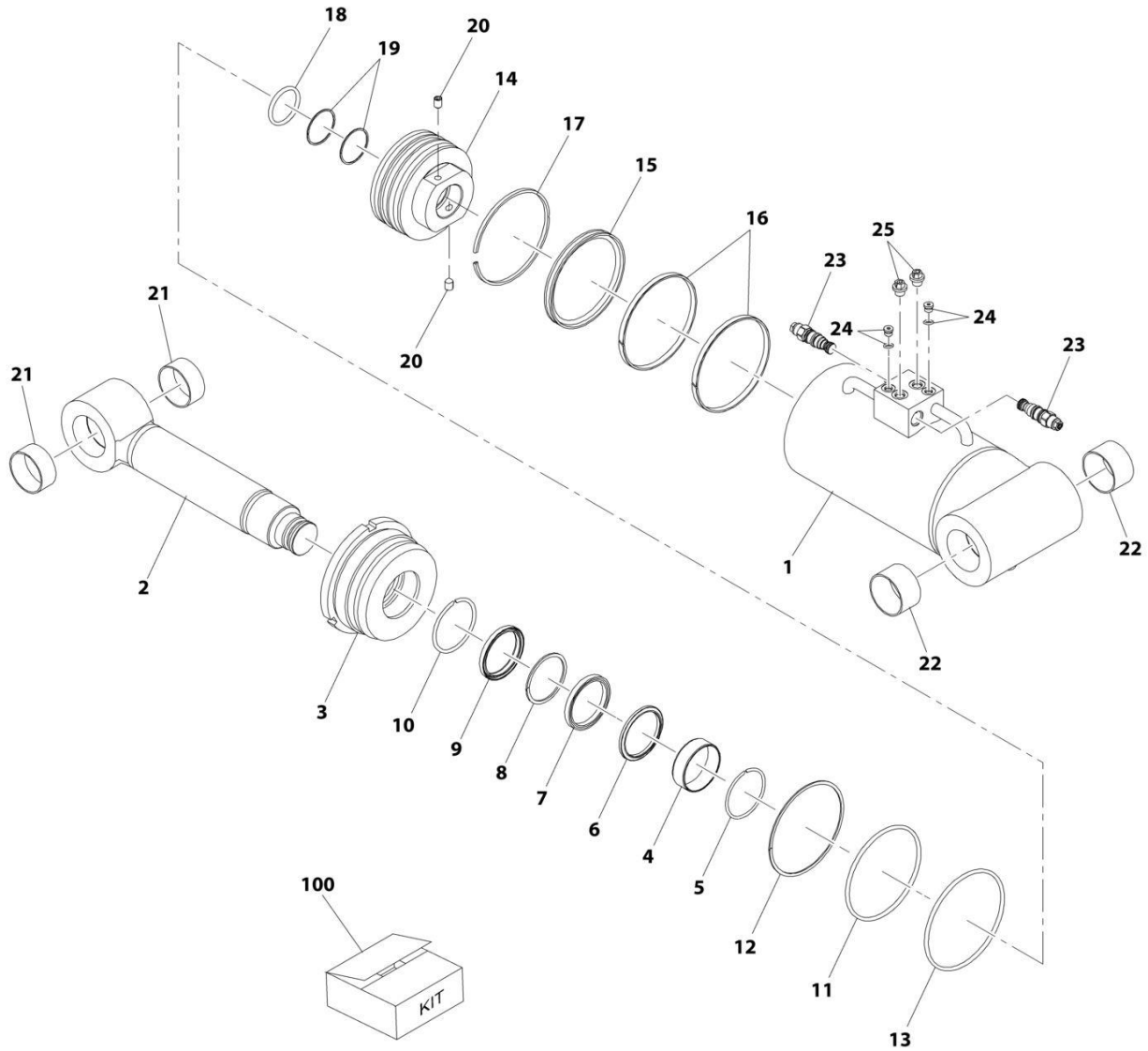
SECTION 9 - HYDRAULIC COMPONENTS

FIGURE 9-3. CYLINDER ASSEMBLY - FORK POSITIONING

ITEM	PART NUMBER	QTY	DESCRIPTION	REV
	2717283	Ref	FORK POSITIONING CYLINDER	B
		Ref	Note: Original Cylinder May Have Been Replaced with Service Replacement. Identify PN Stamped on Cylinder Before Ordering Parts.	
1	See Note	NSS	O-Ring (Use Item 100)	
2	See Note	NSS	Ring, Back-up (Use Item 100)	
3	See Note	NSS	O-Ring (Use Item 100)	
4	See Note	NSS	Seal (Use Item 100)	
5	See Note	NSS	O-Ring (Use Item 100)	
6	See Note	NSS	Seal (Use Item 100)	
7	See Note	NSS	O-Ring (Use Item 100)	
8	See Note	NSS	Seal (Use Item 100)	
9	70026771	1	Piston	
10	70026775	1	Washer	
11	70026770	1	Nut	
12	70026774	1	Head	
13	70026773	1	Rod	
14	See Note	NSS	Barrel (Note: Use PN 2717283)	
100	8036733	1	Seal Kit (includes items 1 thru 8)	

SECTION 9 - HYDRAULIC COMPONENTS

FIGURE 9-4. CYLINDER ASSEMBLY - FRAME LEVEL



ART_1001174987-E

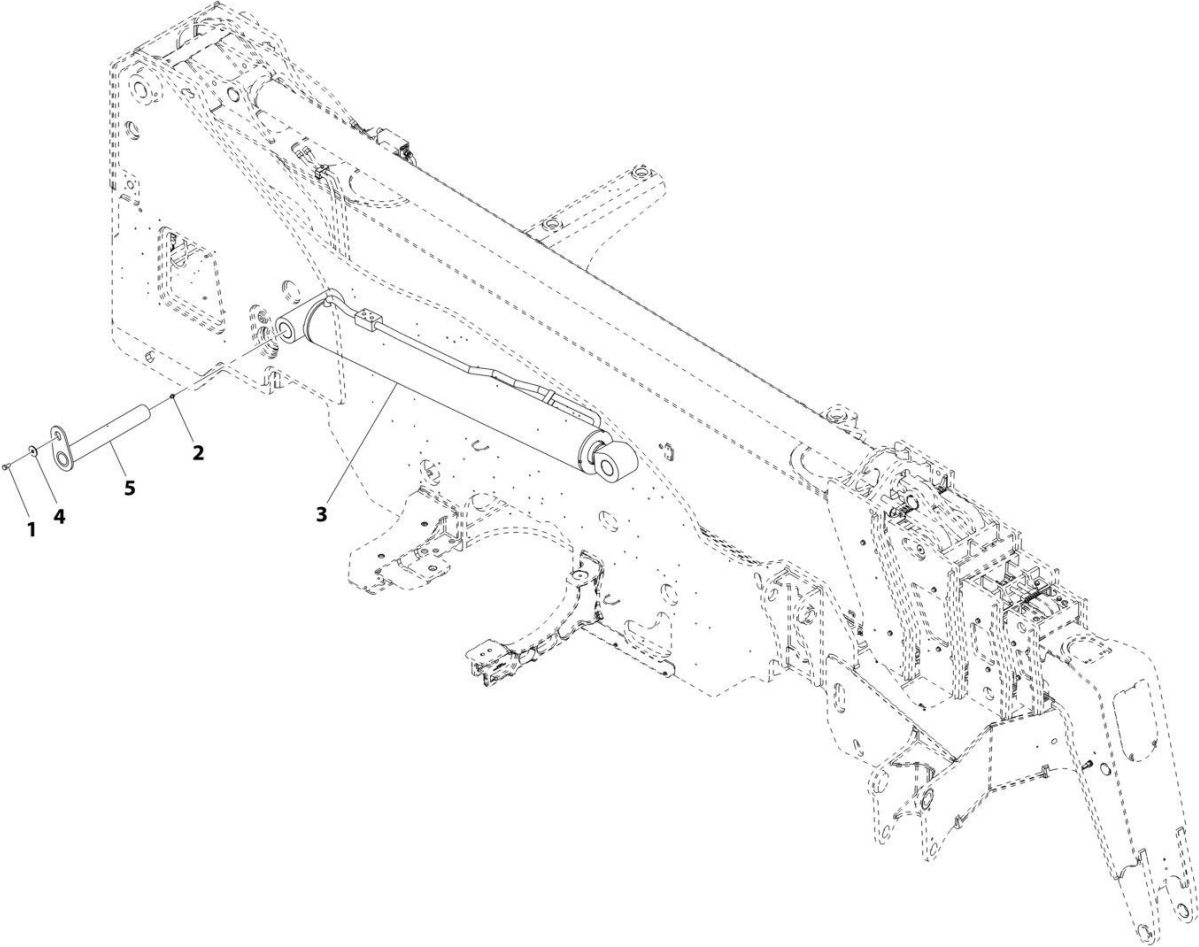
SECTION 9 - HYDRAULIC COMPONENTS

FIGURE 9-4. CYLINDER ASSEMBLY - FRAME LEVEL

ITEM	PART NUMBER	QTY	DESCRIPTION	REV
	1001174987	Ref	Frame Level Cylinder Assembly	E
		Ref	Note: Original Cylinder May Have Been Replaced with Service Replacement. Identify PN Stamped on Cylinder Before Ordering Parts.	
1	N.S.S.	1	Barrel	
2	70030115	1	Rod Assembly (includes item 21)	
3	70030116	1	Rod Cover Assembly (includes item 4 & 5)	
4	N.S.S.	1	Bushing	
5	N.S.S.	1	Ring, Retaining	
6	Kit	1	Buffer	
7	Kit	1	U-Packing	
8	Kit	1	Ring, Backup	
9	Kit	1	Wiper	
10	Kit	1	Ring, Retaining	
11	Kit	1	O-Ring	
12	Kit	1	Ring, Backup	
13	Kit	1	O-Ring	
14	70030117	1	Piston (includes item 20)	
15	Kit	1	Seal, Piston	
16	Kit	2	Ring, Wear	
17	Kit	1	Ring, Dust	
18	Kit	1	O-Ring	
19	Kit	2	Ring, Backup	
20	N.S.S.	2	Set Screw	
21	70030118	2	Bushing	
22	70030119	2	Bushing	
23	1001214653	2	Valve, Counterbalance	
24	N.S.S.	2	Plug with O-Ring	
25	N.S.S.	2	Cap, Dust	
100	70030120	1	Kit, Seal (includes items 6 thru 13 & 15 thru 19)	

SECTION 9 - HYDRAULIC COMPONENTS

FIGURE 9-5. CYLINDER INSTALLATION - LIFT



ART_1001205890-A

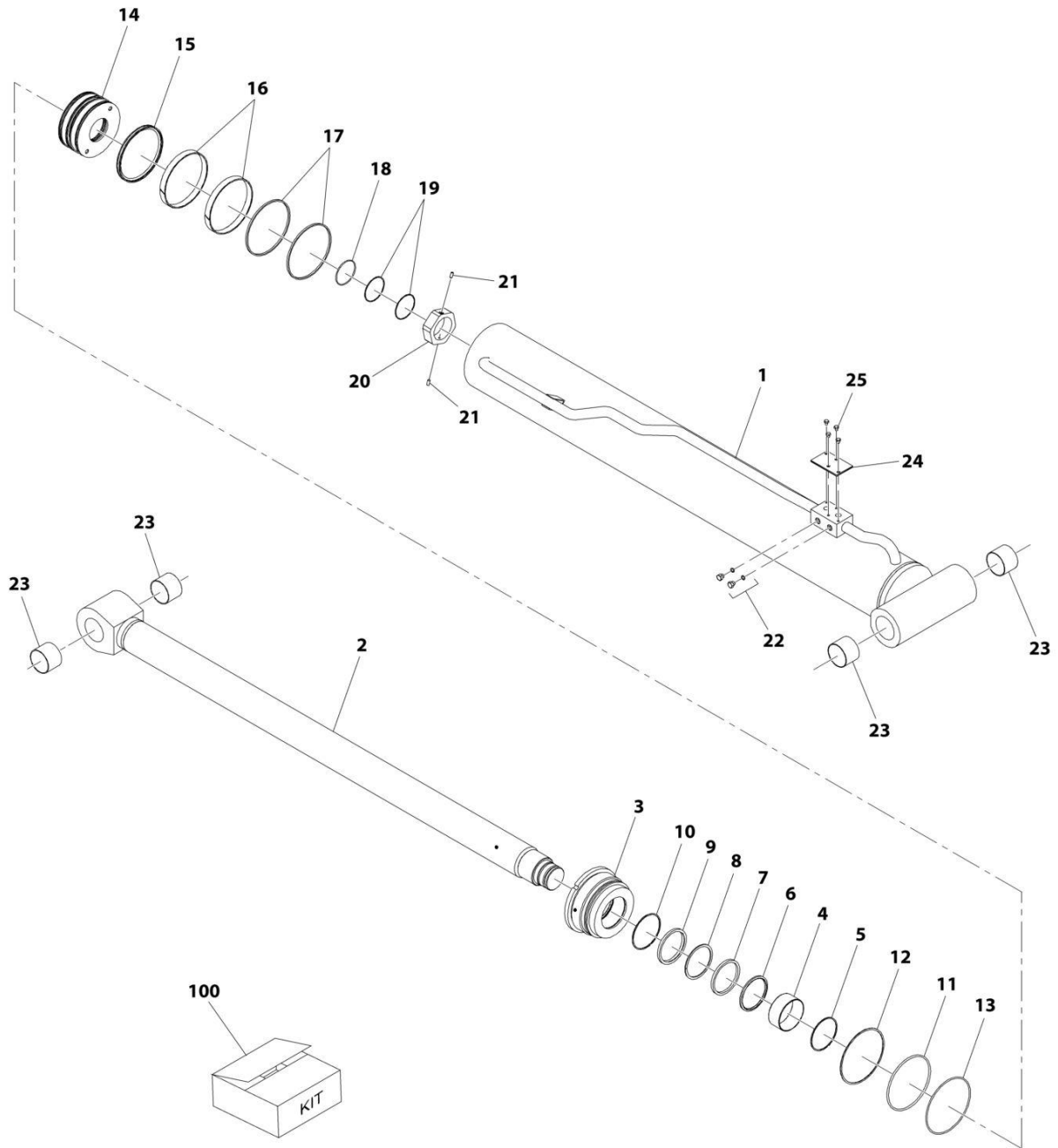
SECTION 9 - HYDRAULIC COMPONENTS

FIGURE 9-5. CYLINDER INSTALLATION - LIFT

ITEM	PART NUMBER	QTY	DESCRIPTION	REV
	1001205890	Ref	Lift Cylinder Installation	A
1	0771414	1	Bolt, M14X30	
2	2160016	1	Fitting, Grease	
3	1001174984	1	Cylinder, Lift (See Separate Breakdown in this Section)	
4	1001217226	1	Washer	
5	1001244574	1	Pin	

SECTION 9 - HYDRAULIC COMPONENTS

FIGURE 9-6. CYLINDER ASSEMBLY - LIFT



ART_1001174984-E

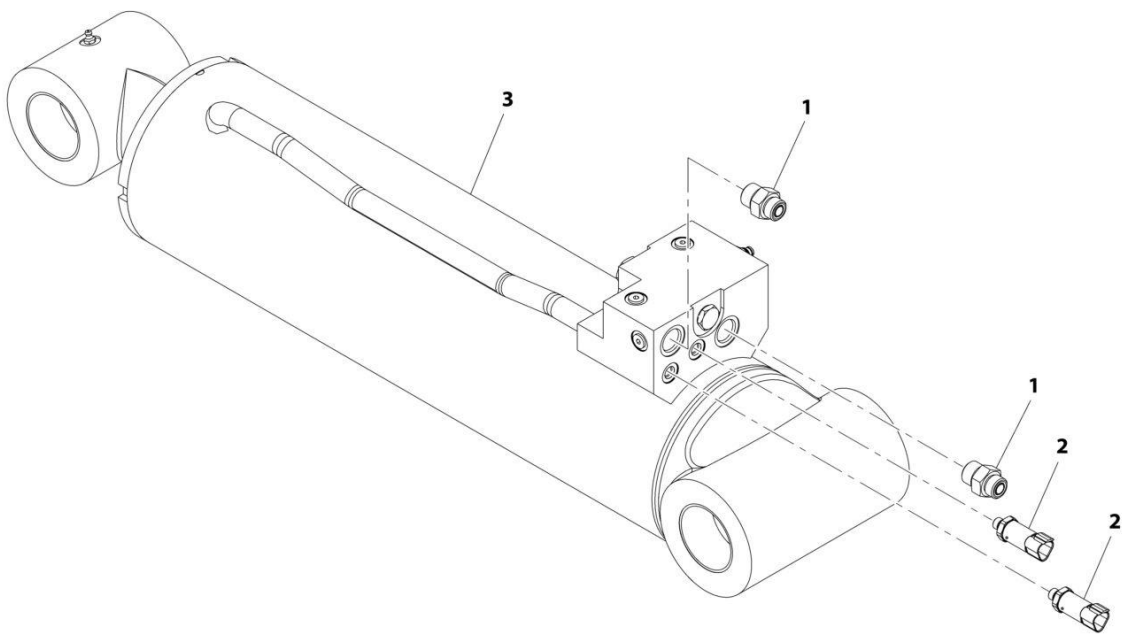
SECTION 9 - HYDRAULIC COMPONENTS

FIGURE 9-6. CYLINDER ASSEMBLY - LIFT

ITEM	PART NUMBER	QTY	DESCRIPTION	REV
	1001174984	Ref	Lift Cylinder Assembly	E
		Ref	Note: Original Cylinder May Have Been Replaced with Service Replacement. Identify PN Stamped on Cylinder Before Ordering Parts.	
1	N.S.S.	1	Barrel	
2	70030109	1	Rod Assembly (Includes item 23)	
3	70030110	1	Rod Cover Assembly	
4	N.S.S.	1	Bushing	
5	N.S.S.	1	Ring, Retaining	
6	Kit	1	Seal, Buffer	
7	Kit	1	U-Packing	
8	Kit	1	Ring, Backup	
9	Kit	1	Wiper	
10	Kit	1	Ring, Retaining	
11	Kit	1	O-Ring	
12	Kit	1	Ring, Backup	
13	Kit	1	O-Ring	
14	70030111	1	Piston	
15	Kit	1	Seal, Piston	
16	Kit	2	Ring, Wear	
17	Kit	2	Ring, Dust	
18	Kit	1	O-Ring	
19	Kit	2	Ring, Backup	
20	70030112	1	Piston Nut (Includes item 21)	
21	N.S.S.	2	Set Screw	
22	N.S.S.	2	Plug with O-Ring	
23	70030113	4	Bushing	
24	N.S.S.	1	Cover, Dust	
25	N.S.S.	4	Bolt	
100	70030114	1	Kit, Seal (includes items 6 thru 13 & 15 thru 19)	

SECTION 9 - HYDRAULIC COMPONENTS

FIGURE 9-7. CYLINDER INSTALLATION - OUTRIGGER



ART_1001238827-B

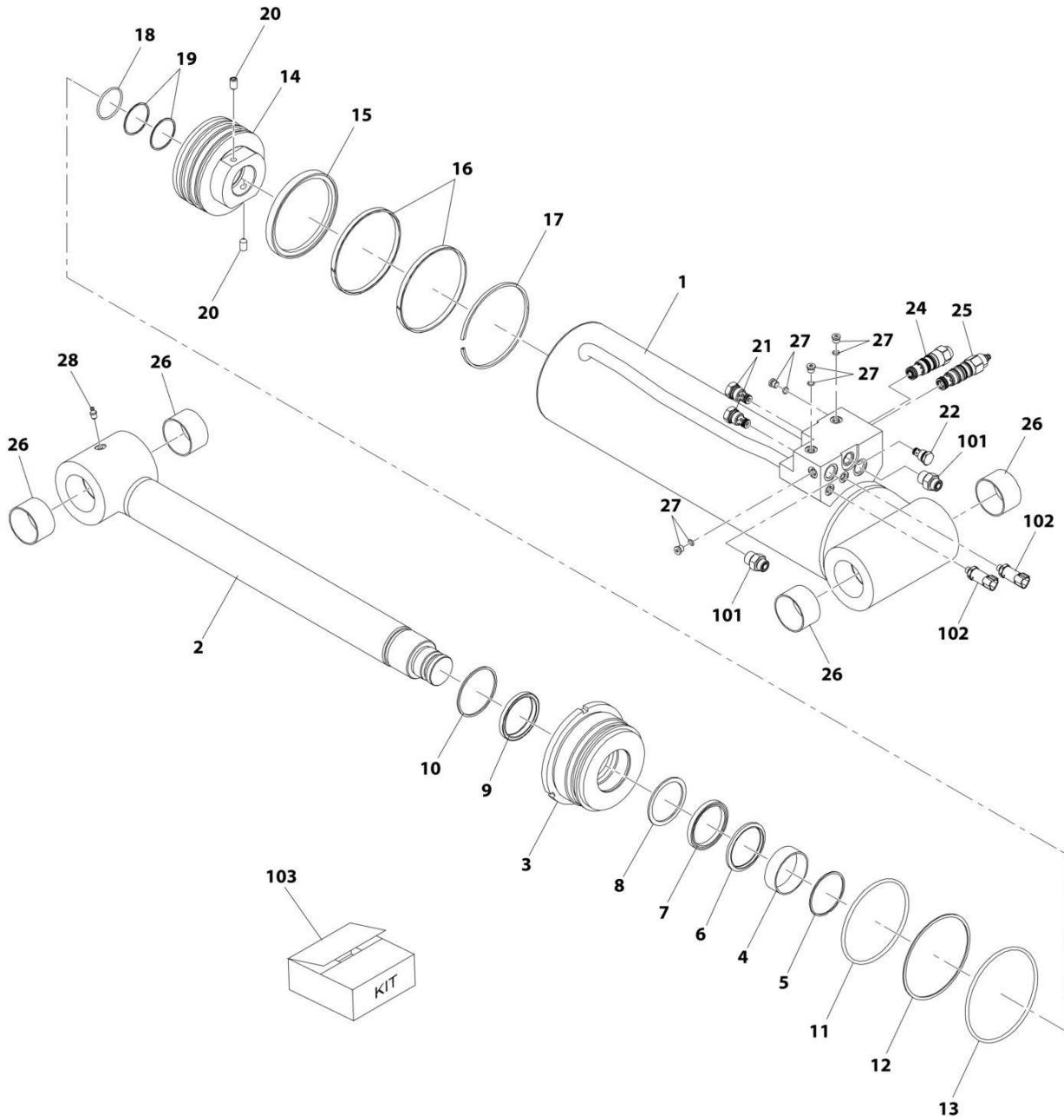
SECTION 9 - HYDRAULIC COMPONENTS

FIGURE 9-7. CYLINDER INSTALLATION - OUTRIGGER

ITEM	PART NUMBER	QTY	DESCRIPTION	REV
	1001238827	Ref	Outrigger Cylinder Installation	B
1	2110810	2	Fitting, Straight	
2	1001199043	2	Sensor, Pressure Transducer	
3	1001238807	1	Cylinder, Outrigger (See Separate Breakdown in this Section)	

SECTION 9 - HYDRAULIC COMPONENTS

FIGURE 9-8. CYLINDER ASSEMBLY - OUTRIGGER



ART_1001238807-G

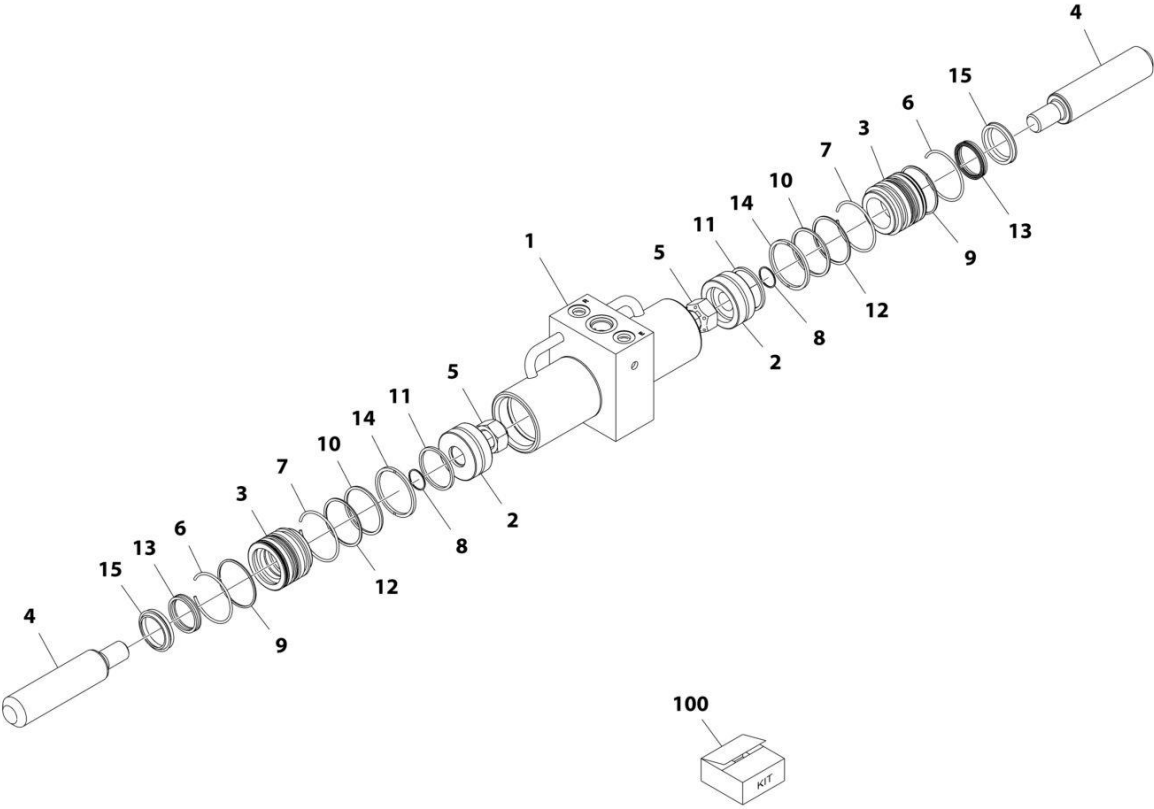
SECTION 9 - HYDRAULIC COMPONENTS

FIGURE 9-8. CYLINDER ASSEMBLY - OUTRIGGER

ITEM	PART NUMBER	QTY	DESCRIPTION	REV
	1001238807	Ref	Outrigger Cylinder	H
		Ref	Note: Original Cylinder May Have Been Replaced with Service Replacement. Identify PN Stamped on Cylinder Before Ordering Parts.	
1	N.S.S.	1	Barrel	
2	70030121	1	Rod Assembly (includes item 26)	
3	70030122	1	Rod Cover Assembly	
4	N.S.S.	1	Bushing	
5	N.S.S.	1	Ring, Retaining	
6	Kit	1	Seal, Buffer	
7	Kit	1	U-Packing	
8	Kit	1	Ring, Backup	
9	Kit	1	Wiper	
10	Kit	1	Ring, Retaining	
11	Kit	1	O-Ring	
12	Kit	1	Ring, Backup	
13	Kit	1	O-Ring	
14	70030117	1	Piston (includes item 20)	
15	Kit	1	Seal, Piston	
16	Kit	2	Ring, Wear	
17	Kit	1	Ring, Dust	
18	Kit	1	O-Ring	
19	Kit	2	Ring, Backup	
20	N.S.S.	2	Set Screw	
21	70030090	2	Valve, Check	
22	70030091	1	Valve, Check	
24	1001285929	1	Valve, Counterbalance	
25	70030092	1	Valve, Counterbalance	
26	70030119	4	Bushing	
27	2220883	4	Plug with O-Ring	
28	N.S.S.	1	Grease Nipple	
101	2110810	2	Fitting, Straight ORFS	
102	1001199043	2	Sensor	
103	70030120	1	Kit, Seal (includes items 6 thru 13 & 15 thru 19)	

SECTION 9 - HYDRAULIC COMPONENTS

FIGURE 9-9. CYLINDER ASSEMBLY - QUICK COUPLER



ART_1001120163-D

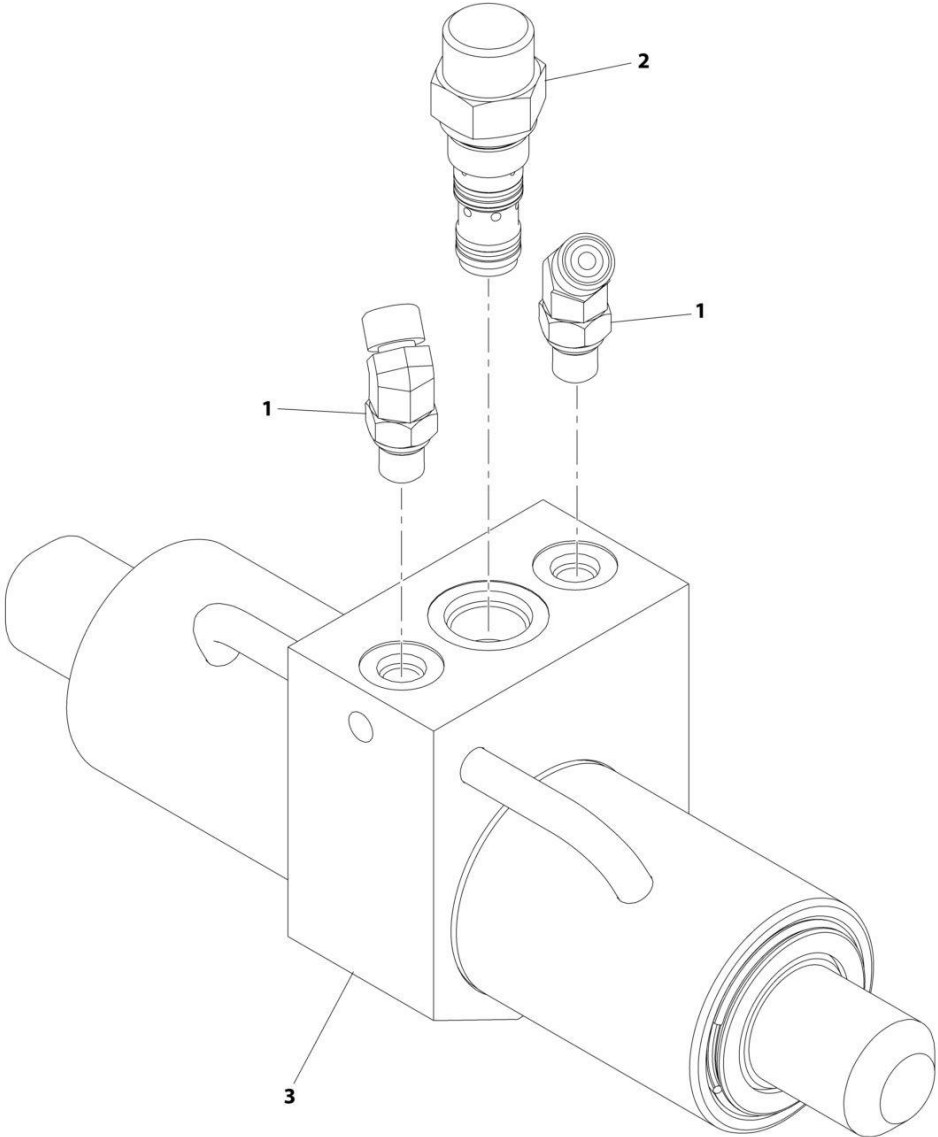
SECTION 9 - HYDRAULIC COMPONENTS

FIGURE 9-9. CYLINDER ASSEMBLY - QUICK COUPLER

ITEM	PART NUMBER	QTY	DESCRIPTION	REV
	1001120163	Ref	Quick Coupler Cylinder	D
		Ref	Note: Original Cylinder May Have Been Replaced with Service Replacement. Identify PN Stamped on Cylinder Before Ordering Parts.	
1	70026211	1	Barrel	
2	70026212	2	Piston	
3	70026213	2	Head Gland	
4	70026214	2	Cylinder Rod	
5	8037140	2	Locknut	
6	Kit	2	Round Retaining Ring	
7	Kit	2	Round Retaining Ring	
8	Kit	2	O-Ring	
9	Kit	2	O-Ring	
10	Kit	2	O-Ring	
11	Kit	2	Square Ring	
12	Kit	2	Backup Ring	
13	Kit	2	Rod Seal	
14	Kit	2	Piston Seal	
15	Kit	2	Rod Wiper	
100	70026215	1	Seal Kit (includes items 6 thru 15)	

SECTION 9 - HYDRAULIC COMPONENTS

FIGURE 9-10. CYLINDER ASSEMBLY - QUICK SWITCH



ART_1001210390-A

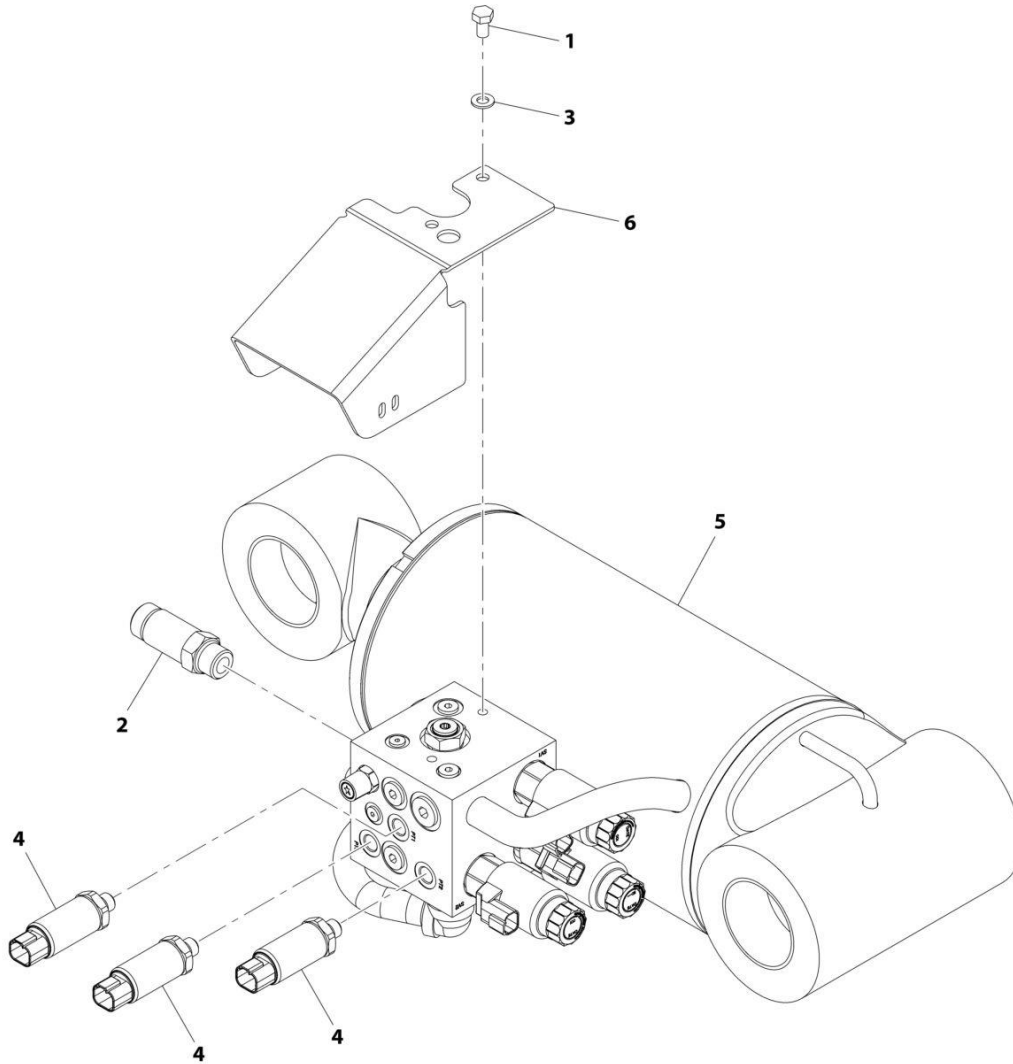
SECTION 9 - HYDRAULIC COMPONENTS

FIGURE 9-10. CYLINDER ASSEMBLY - QUICK SWITCH

ITEM	PART NUMBER	QTY	DESCRIPTION	REV
	1001210390	Ref	Quick Coupler Cylinder Assembly	A
1	2150404	2	Fitting, 45 ORFS	
2	1001007056	1	Valve, Check	
3	1001120163	1	Cylinder, Quick Coupler (See Separate Breakdown in this Section)	

SECTION 9 - HYDRAULIC COMPONENTS

FIGURE 9-11. CYLINDER INSTALLATION - REAR AXLE STABILIZER



ART_1001243089-A

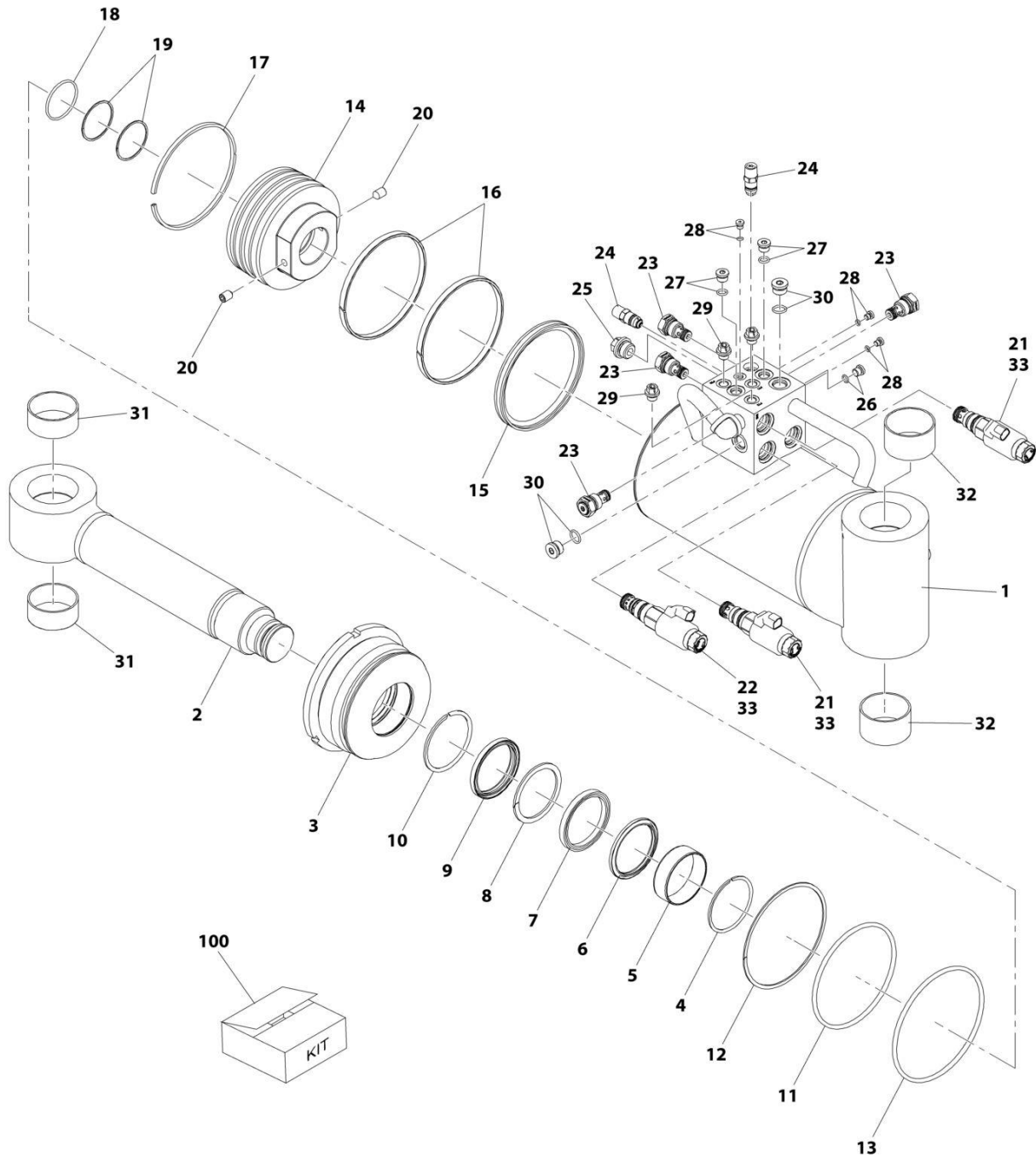
SECTION 9 - HYDRAULIC COMPONENTS

FIGURE 9-11. CYLINDER INSTALLATION - REAR AXLE STABILIZER

ITEM	PART NUMBER	QTY	DESCRIPTION	REV
	1001243089	Ref	Rear Axle Stabilizer Cylinder Assembly	A
1	0760807	2	Bolt, M8X14	
2	2170110	1	Fitting, Straight ORFS	
3	4811900	2	Washer, M8	
4	1001162885	3	Sensor, Pressure	
5	1001238733	1	Cylinder, Rear Axle Stabilizer (See Separate Breakdown in this Section)	
6	1001246562	1	Cover	

SECTION 9 - HYDRAULIC COMPONENTS

FIGURE 9-12. CYLINDER ASSEMBLY - REAR AXLE STABILIZER



ART_1001238733-F

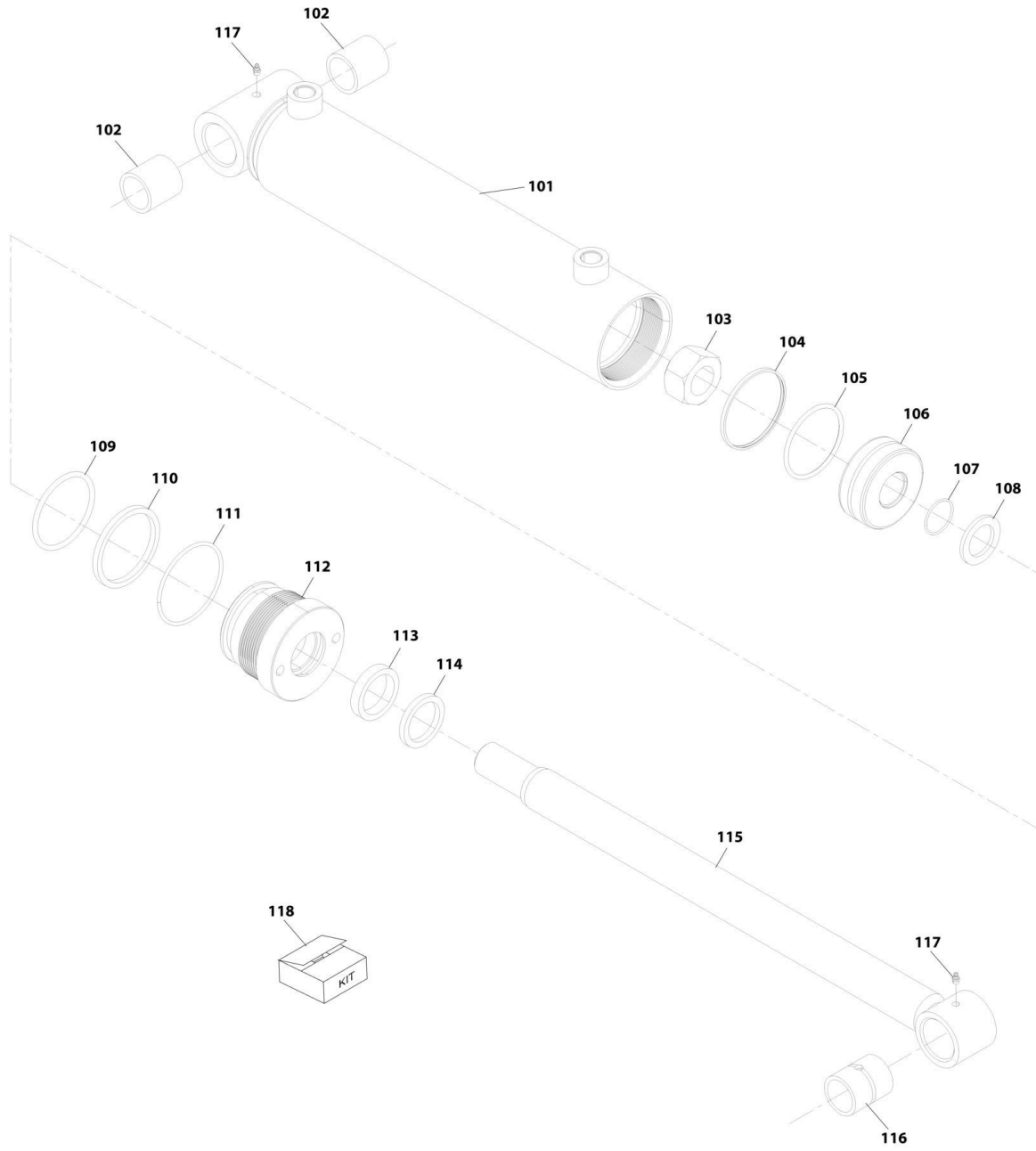
SECTION 9 - HYDRAULIC COMPONENTS

FIGURE 9-12. CYLINDER ASSEMBLY - REAR AXLE STABILIZER

ITEM	PART NUMBER	QTY	DESCRIPTION	REV
	1001238733	Ref	Rear Axle Stabilizer Cylinder	F
		Ref	Note: Original Cylinder May Have Been Replaced with Service Replacement. Identify PN Stamped on Cylinder Before Ordering Parts.	
1	N.S.S.	1	Barrel	
2	70030128	1	Rod Assembly (includes items 29 thru 31)	
3	70030124	1	Rod Cover Assembly (includes items 4 & 5)	
4	N.S.S.	1	Ring, Retaining	
5	N.S.S.	1	Bushing	
6	Kit	1	Seal, Buffer	
7	Kit	1	U-Packing	
8	Kit	1	Ring, Backup	
9	Kit	1	Wiper	
10	Kit	1	Ring, Retaining	
11	Kit	1	O-Ring	
12	Kit	1	Ring, Backup	
13	Kit	1	O-Ring	
14	70030125	1	Piston (includes item 20)	
15	Kit	1	Seal, Piston	
16	Kit	2	Ring, Wear	
17	Kit	1	Ring, Dust	
18	Kit	1	O-Ring	
19	Kit	2	Ring, Backup	
20	N.S.S.	2	Set Screw	
21	70030129	2	Valve, Solenoid	
22	70030130	1	Valve, Solenoid	
23	70030131	4	Valve, Check	
24	70030132	2	Valve, Relief	
25	N.S.S.	1	Cap, Dust	
26	2220883	1	Plug with O-Ring	
27	2220885	2	Plug with O-Ring	
28	2220881	3	Plug with O-Ring	
29	N.S.S.	3	Cap, Dust	
30	2220886	2	Plug with O-Ring	
31	70030118	2	Bushing	
32	70030119	2	Bushing	
33	1001207923	3	Coil	
100	70030120	1	Kit, Seal (includes items 6 thru 13 & 15 thru 19)	

SECTION 9 - HYDRAULIC COMPONENTS

FIGURE 9-13. CYLINDER ASSEMBLY - SIDE SHIFT CARRIAGE



ART_70021376

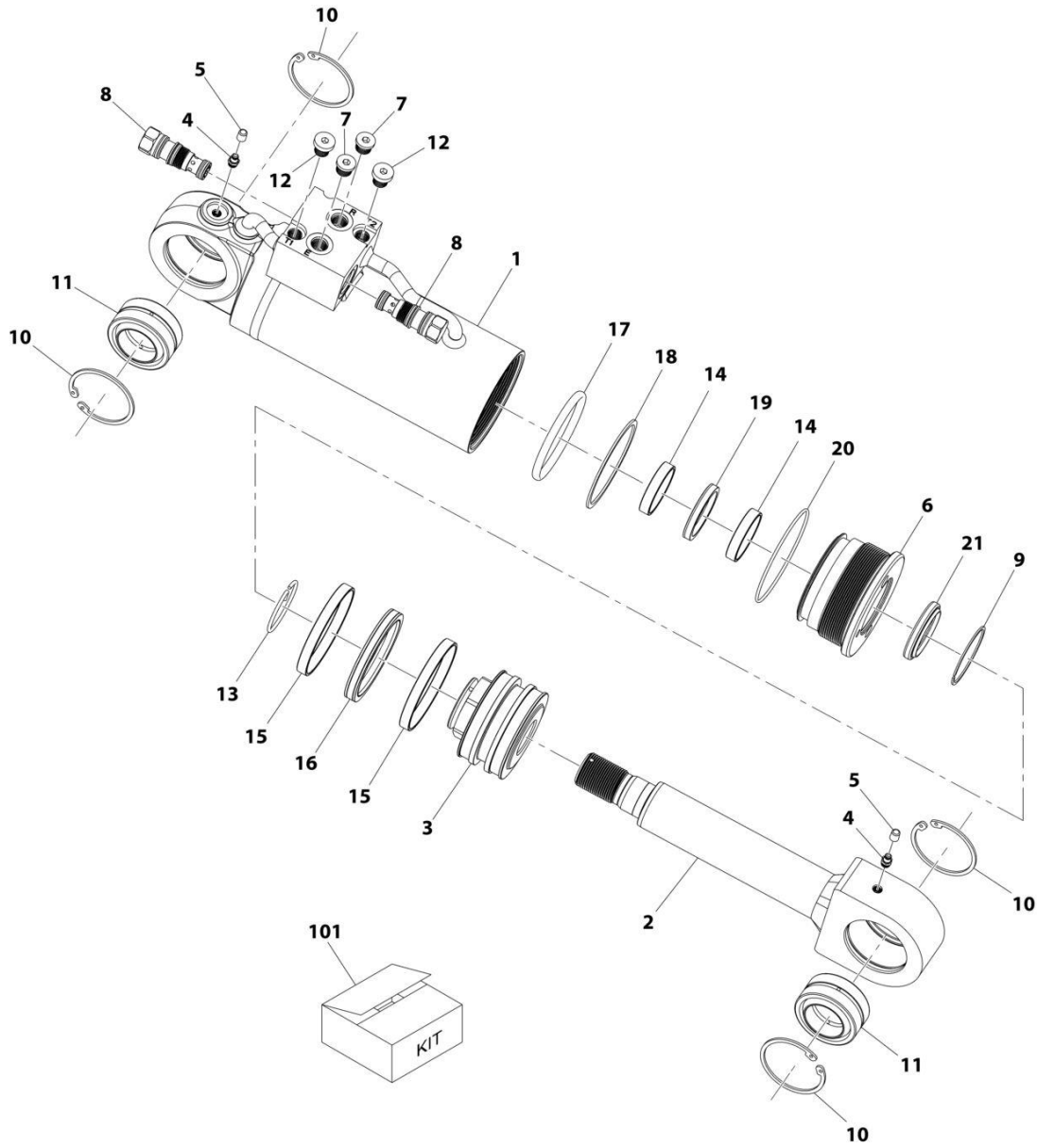
SECTION 9 - HYDRAULIC COMPONENTS

FIGURE 9-13. CYLINDER ASSEMBLY - SIDE SHIFT CARRIAGE

ITEM	PART NUMBER	QTY	DESCRIPTION	REV
	70021376	1	Cylinder Assembly, Side Shift Carriage 12K	
		Ref	Note: Original Cylinder May Have Been Replaced with Service Replacement. Identify PN Stamped on Cylinder Before Ordering Parts.	
101	See Note	NSS	Barrel (Note: Use PN 70021376)	
102	70021448	2	Bushing	
103	70021440	1	Nut	
104	See Note	NSS	Ring, Piston (Note Use Item 118)	
105	See Note	NSS	O-Ring (Note: Use Item 118)	
106	70021451	1	Piston	
107	See Note	NSS	O-Ring (Note: Use Item 118)	
108	70021444	1	Spacer, Sheave	
109	See Note	NSS	O-Ring (Note: Use Item 118)	
110	See Note	NSS	Washer, Back-Up (Note: Use Item 118)	
111	See Note	NSS	O-Ring (Note: Use Item 118)	
112	70021446	1	Head	
113	See Note	NSS	Seal (Note: Use Item 118)	
114	See Note	NSS	Wiper, Rod (Note: Use Item 118)	
115	70021445	1	Rod	
116	70021447	1	Bushing	
117	90554045	2	Grease Fitting	
118	70021452	1	Seal Kit, (includes items 104, 105, 107, 109, 110, 111, 113 & 114)	

SECTION 9 - HYDRAULIC COMPONENTS

FIGURE 9-14. CYLINDER ASSEMBLY - SIDE TILT



ART_1001163414-A

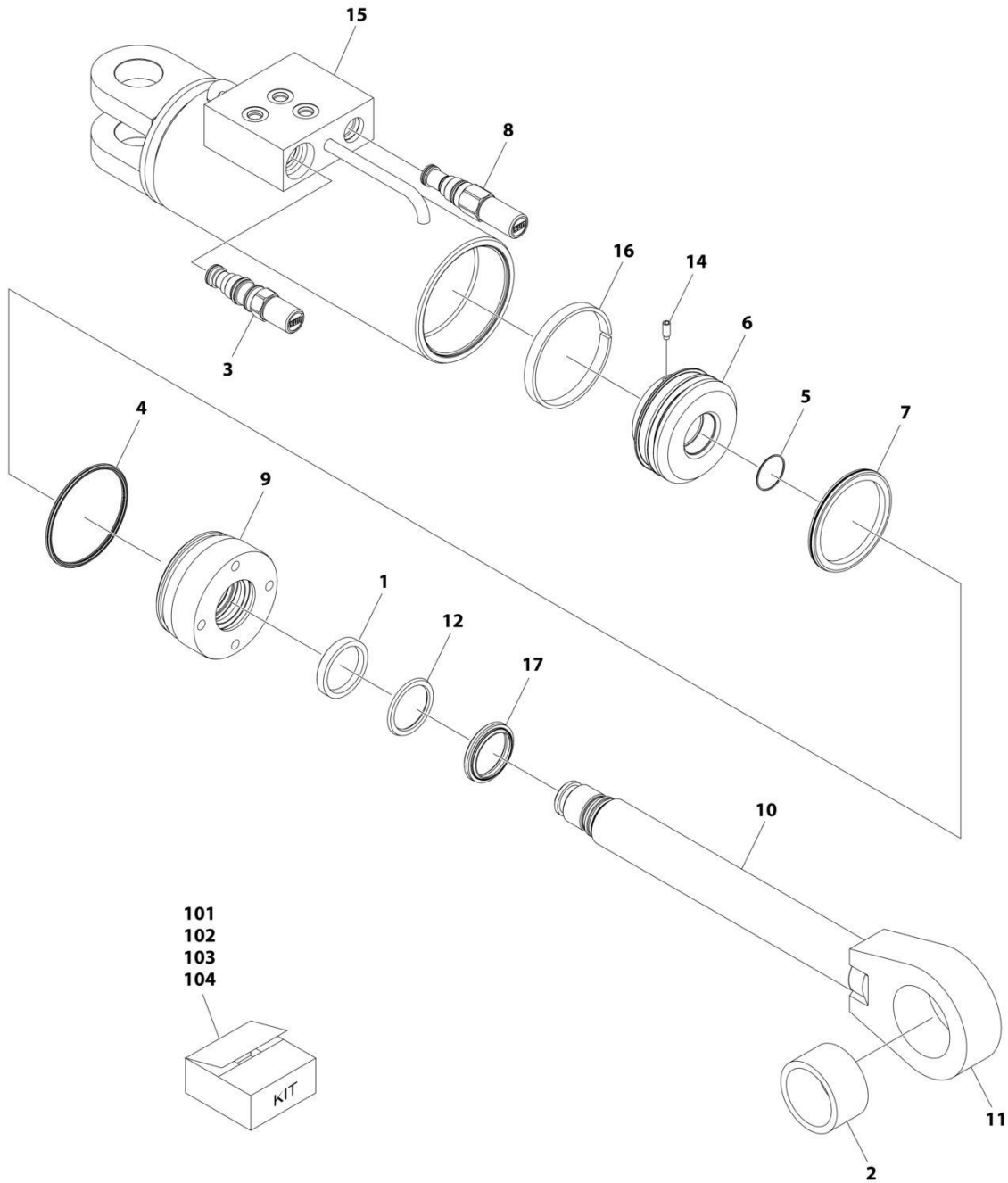
SECTION 9 - HYDRAULIC COMPONENTS

FIGURE 9-14. CYLINDER ASSEMBLY - SIDE TILT

ITEM	PART NUMBER	QTY	DESCRIPTION	REV
	1001163414	Ref	Side Tilt Cylinder	A
		Ref	Note: Original Cylinder May Have Been Replaced with Service Replacement. Identify PN Stamped on Cylinder Before Ordering Parts.	
1	70026056	1	Barrel	
2	70026057	1	Rod	
3	70026058	1	Piston	
4	70025606	2	Nipple, Grease	
5	70024020	2	Fitting, Grease	
6	70003849	1	Head	
7	70025959	2	Plug	
8	70026059	2	Valve, Check	
9	70002219	1	Ring, Retaining	
10	70026060	4	Ring, Retaining	
11	70026061	2	Bearing	
12	70024262	2	Plug	
13	70002224	1	Ring, Lock	
14	Kit	NSS	Ring, Rod Bearing (Note: Use Item 101)	
15	Kit	NSS	Ring, Piston Bearing (Note: Use Item 101)	
16	Kit	NSS	Seal, Piston (Note: Use Item 101)	
17	Kit	NSS	O-Ring (Note: Use Item 101)	
18	Kit	NSS	Ring, Back-Up (Note: Use Item 101)	
19	Kit	NSS	Seal, Rod (Note: Use Item 101)	
20	Kit	NSS	O-Ring (Note: Use Item 101)	
21	Kit	NSS	Seal, Wiper (Note: Use Item 101)	
101	70026062	1	Kit, Seal (includes items 14 thru 21)	

SECTION 9 - HYDRAULIC COMPONENTS

FIGURE 9-15. CYLINDER ASSEMBLY - SWING CARRIAGE



ART_1001293182

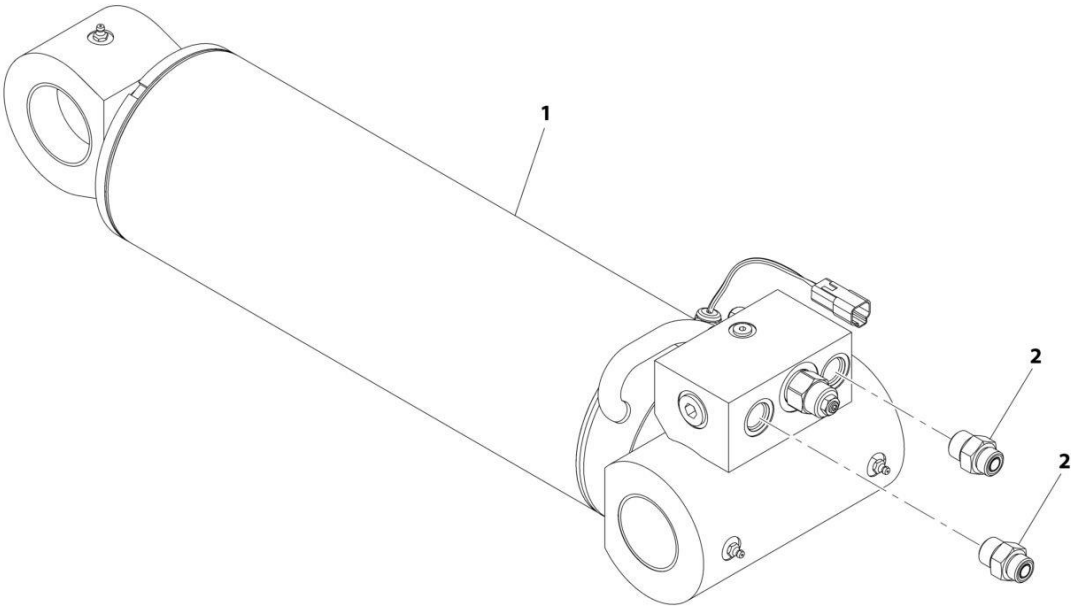
SECTION 9 - HYDRAULIC COMPONENTS

FIGURE 9-15. CYLINDER ASSEMBLY - SWING CARRIAGE

ITEM	PART NUMBER	QTY	DESCRIPTION	REV
	1001293182	Ref	SWING CARRIAGR CYLINDER	A
		Ref	Note: Original Cylinder May Have Been Replaced with Service Replacement. Identify PN Stamped on Cylinder Before Ordering Parts.	
1	See Note	NSS	Ring, Buffer (Note: Use Item 101 or 102)	
2	70031329	1	Bushing (Note: Use Item 104)	
3	8033786	1	Valve, Counterbalance	
4	See Note	NSS	Seal, Head (Note: Use Item 101 or 102)	
5	See Note	NSS	O-Ring (Note: Use Item 101)	
6	See Note	NSS	Piston (Note: Use Item 103)	
7	See Note	NSS	Seal, Piston (Note: Use Item 101 or 103)	
8	8902842	1	Valve, Relief	
9	See Note	NSS	Retainer (Note: Use Item 102)	
10	See Note	NSS	Rod (Note: Use Item 104)	
11	See Note	NSS	Rod End (Note: Use Item 104)	
12	See Note	NSS	Seal, Rod (Note: Use Item 101 or 102)	
14	See Note	NSS	Setscrew (Note: Use Item 103)	
15	See Note	NSS	Shell Assembly (Note: No Service Parts Available)	
16	See Note	NSS	Ring, Wear (Note: Use Items 101 or 103)	
17	See Note	NSS	Wiper (Note: Use Items 101 or 102)	
101	70031325	1	Seal Kit (Includes Items # 1, 4-5, 7, 12, 16 & 17)	
102	70031326	1	Retainer Kit (Includes Items # 1, 4, 9, 12 & 17)	
103	70031327	1	Piston Kit (Includes Items # 6-7, 14 & 16)	
104	70031328	1	Rod Service Kit (Includes Items # 2 & 10-11)	

SECTION 9 - HYDRAULIC COMPONENTS

FIGURE 9-16. CYLINDER & FITTING ASSEMBLY - TILT



ART_1001242677-A

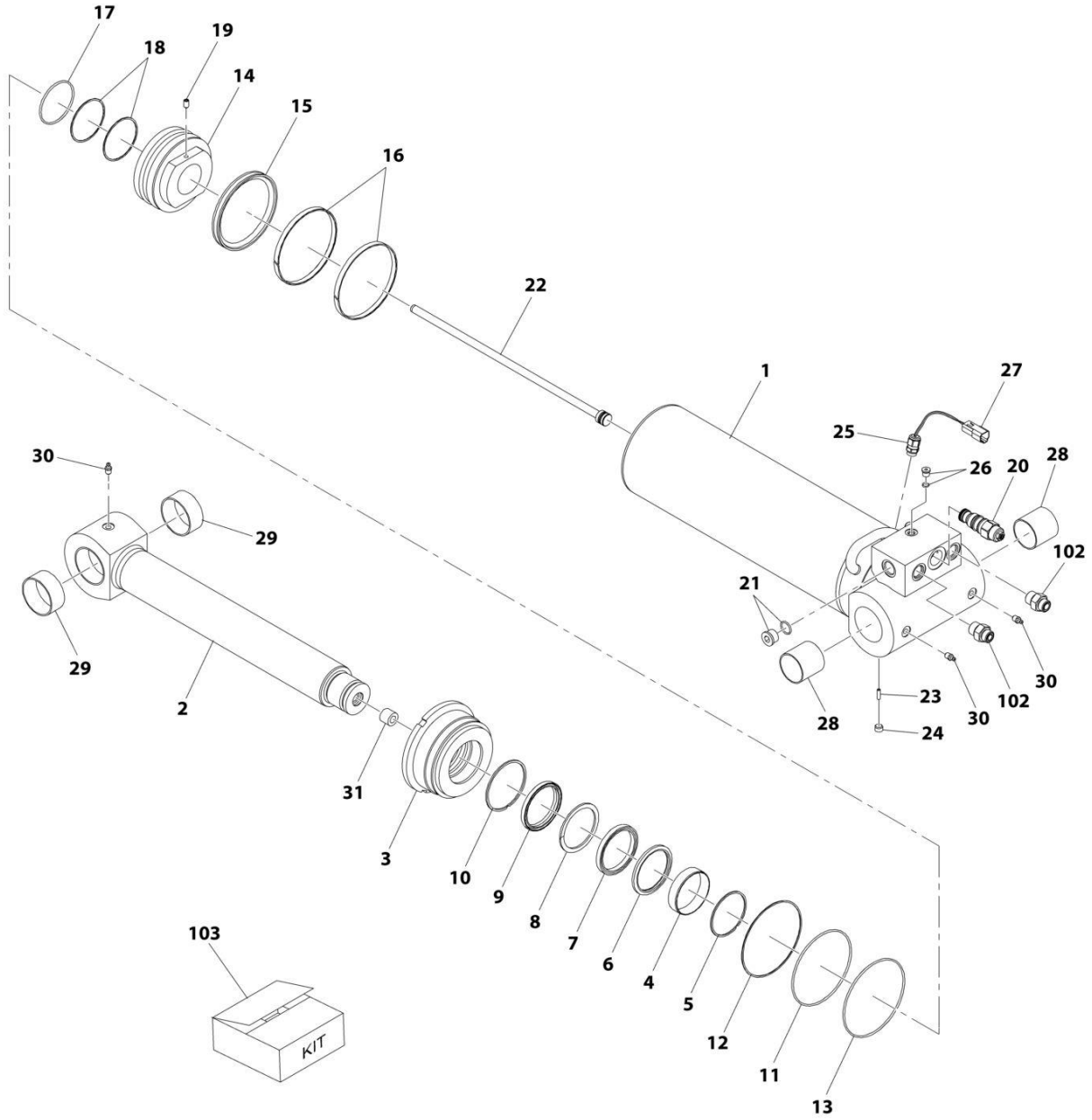
SECTION 9 - HYDRAULIC COMPONENTS

FIGURE 9-16. CYLINDER & FITTING ASSEMBLY - TILT

ITEM	PART NUMBER	QTY	DESCRIPTION	REV
	1001242677	Ref	Tilt Cylinder & Fitting Assembly	A
1	1001238640	1	Tilt Cylinder Assembly (See Separate Breakdown in this Section)	
2	2110810	2	Fitting, 45 ORFS	

SECTION 9 - HYDRAULIC COMPONENTS

FIGURE 9-17. CYLINDER ASSEMBLY - TILT



ART_1001238640-G

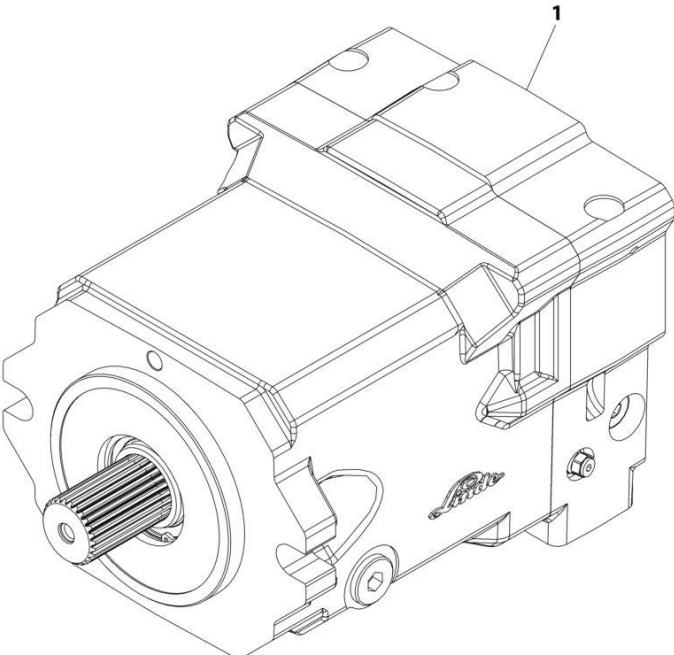
SECTION 9 - HYDRAULIC COMPONENTS

FIGURE 9-17. CYLINDER ASSEMBLY - TILT

ITEM	PART NUMBER	QTY	DESCRIPTION	REV
	1001238640	Ref	Tilt Cylinder	H
		Ref	Note: Original Cylinder May Have Been Replaced with Service Replacement. Identify PN Stamped on Cylinder Before Ordering Parts.	
1	N.S.S.	1	Barrel	
2	70030123	1	Rod Assembly (includes items 29, 30 thru 31)	
3	70030124	1	Rod Cover Assembly (includes items 4 & 5)	
4	N.S.S.	1	Bushing	
5	N.S.S.	1	Ring, Retaining	
6	Kit	1	Seal, Buffer	
7	Kit	1	U-Packing	
8	Kit	1	Ring, Backup	
9	Kit	1	Wiper	
10	Kit	1	Ring, Retaining	
11	Kit	1	O-Ring	
12	Kit	1	Ring, Backup	
13	Kit	1	O-Ring	
14	70030125	1	Piston (includes item 19)	
15	Kit	1	Seal, Piston	
16	Kit	2	Ring, Wear	
17	Kit	1	O-Ring	
18	Kit	2	Ring, Backup	
19	N.S.S.	1	Set Screw	
20	1001189888	1	Valve, Counterbalance	
21	N.S.S.	1	Plug with O-Ring	
22	N.S.S.	3	Sensor, Assembly	
23	N.S.S.	1	Set Screw	
24	N.S.S.	1	Plug	
25	N.S.S.	1	Gland, Cable	
26	N.S.S.	1	Plug with O-Ring	
27	N.S.S.	1	Connector	
28	70030126	2	Bushing	
29	70030118	2	Bushing	
30	N.S.S.	3	Grease Nipple	
31	N.S.S.	1	Plug, Magnet	
102	2110810	2	Fitting, Straight ORFS	
103	70030127	1	Kit, Seal (includes items 6 thru 13 & 15 thru 18)	

SECTION 9 - HYDRAULIC COMPONENTS

FIGURE 9-18. MOTOR ASSEMBLY - HYDRAULIC



ART_1001203804-C

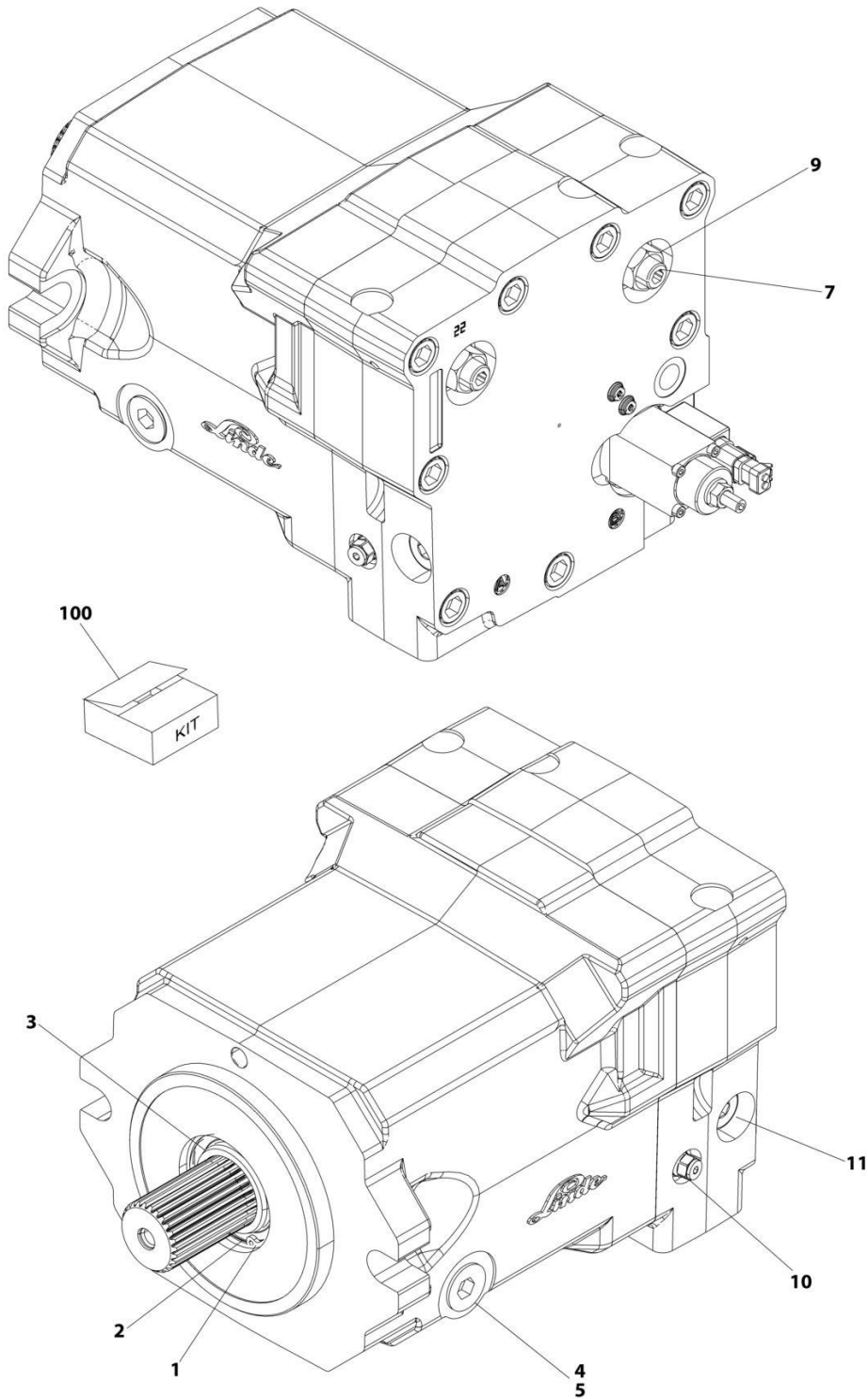
SECTION 9 - HYDRAULIC COMPONENTS

FIGURE 9-18. MOTOR ASSEMBLY - HYDRAULIC

ITEM	PART NUMBER	QTY	DESCRIPTION	REV
	1001203804	Ref	Hydraulic Motor	C
1	70030054	1	Ring, Snap	
2	70030055	1	Shim	
3	70030056	1	Seal, Shaft	
4	70030057	1	Plug (includes item 5)	
5	N.S.S.	1	O-Ring	
7	0009037416	2	Threaded Pin	
9	70030060	2	Nut	
20	70030061	1	Valve, Feed	
30	70030062	1	Valve, Switch	
102	70030063	1	Kit, Seal (includes item 3)	

SECTION 9 - HYDRAULIC COMPONENTS

FIGURE 9-19. MOTOR ASSEMBLY – HYDRAULIC



ART_1001268891

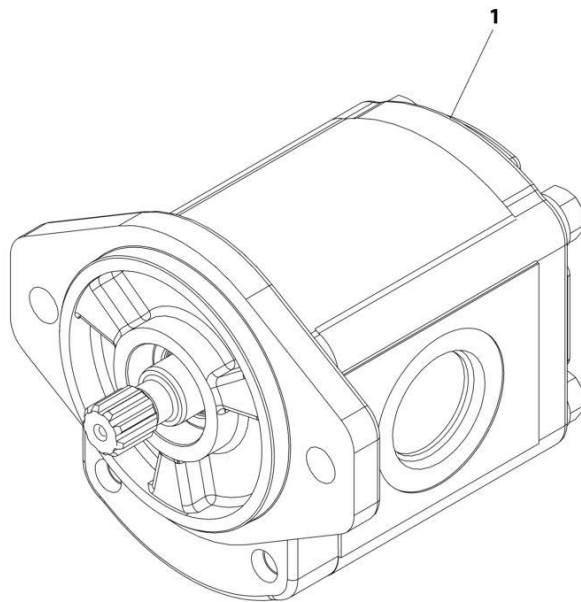
SECTION 9 - HYDRAULIC COMPONENTS

FIGURE 9-19. MOTOR ASSEMBLY – HYDRAULIC

ITEM	PART NUMBER	QTY	DESCRIPTION	REV
	1001268891	Ref	Hydraulic Motor	B
1	70030054	1	Ring, Snap	
2	70030055	1	Shim	
3	70030056	1	Seal, Shaft	
4	70030057	1	Plug (Includes Item 5)	
5	70030058	1	O-Ring	
7	70030059	1	Threaded Rod M16 x 70	
9	70030060	1	Nut M16	
10	70030061	1	Feed, Valve Assembly	
11	70030278	1	Switch, Valve Assembly	
100	70030063	1	Seal Kit	

SECTION 9 - HYDRAULIC COMPONENTS

FIGURE 9-20. PUMP ASSEMBLY - CHARGE



ART_1001243724-B

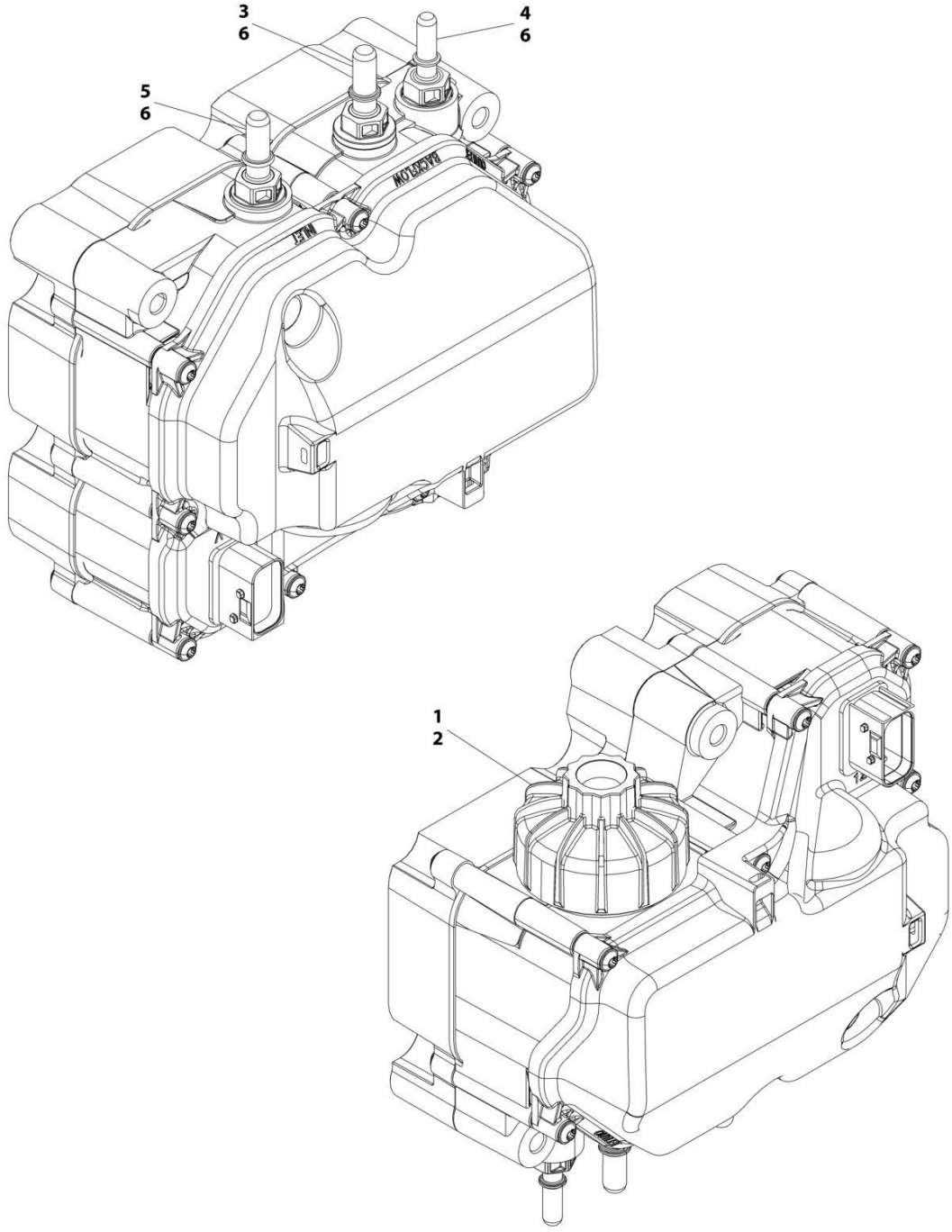
SECTION 9 - HYDRAULIC COMPONENTS

FIGURE 9-20. PUMP ASSEMBLY - CHARGE

ITEM	PART NUMBER	QTY	DESCRIPTION	REV
	1001243724	Ref	Charge Pump	B
	70006356	1	Seal kit	

SECTION 9 - HYDRAULIC COMPONENTS

FIGURE 9-21. PUMP ASSEMBLY - DEF MODULE



ART_1001213210-A

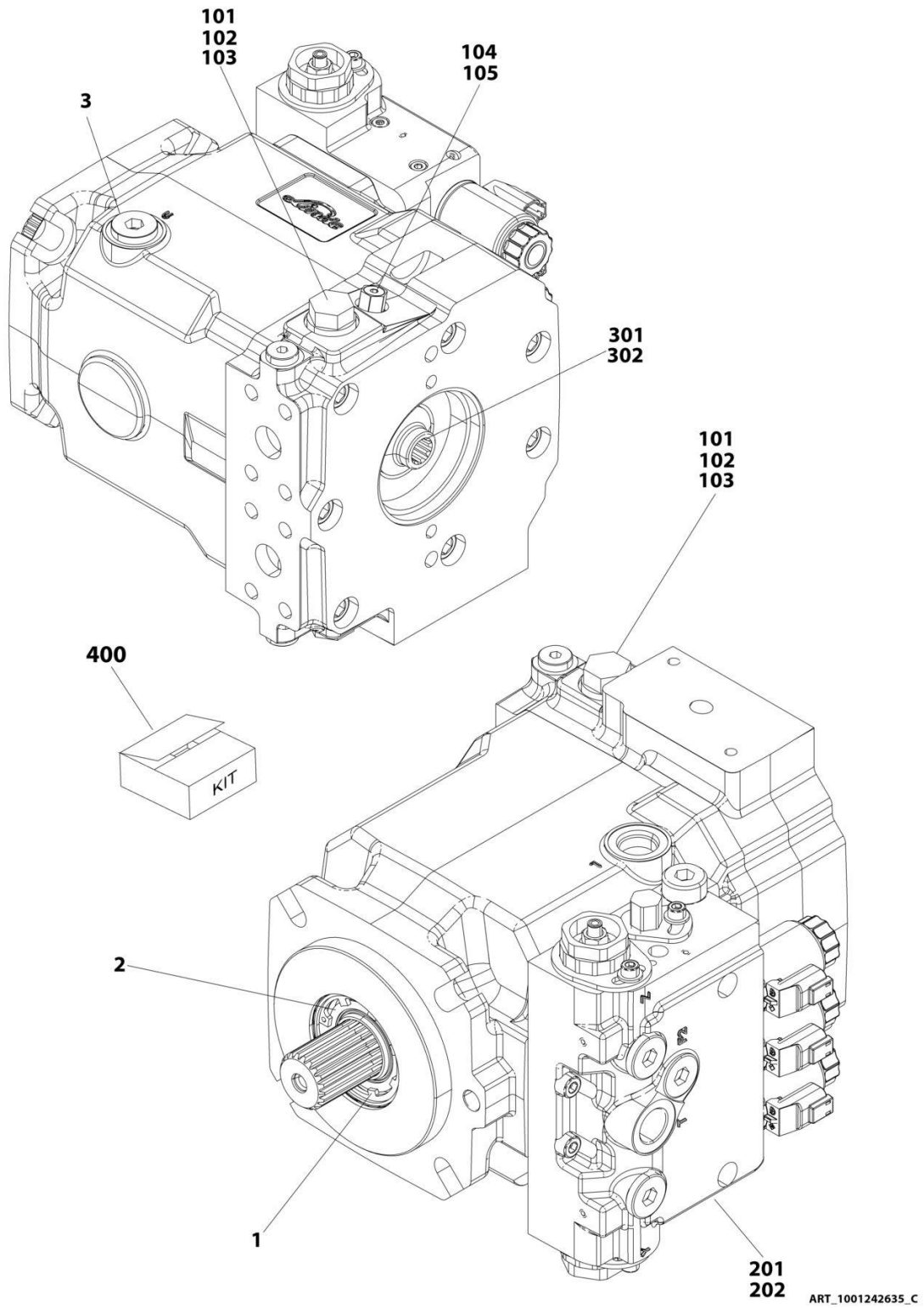
SECTION 9 - HYDRAULIC COMPONENTS

FIGURE 9-21. PUMP ASSEMBLY - DEF MODULE

ITEM	PART NUMBER	QTY	DESCRIPTION	REV
	1001213210	Ref	DEF Module Pump	B
1	70026248	1	Kit, Filter	
2	70026247	1	Cap, Filter	
3	70027705	1	Connector, Male (Backflow)	
4	70026245	1	Connector, Male (Outlet)	
5	70026244	1	Connector, Male (Inlet)	
6	70027706	3	Gasket, Circular (O-Ring)	

SECTION 9 - HYDRAULIC COMPONENTS

FIGURE 9-22. PUMP ASSEMBLY - DRIVE



ART_1001242635_C

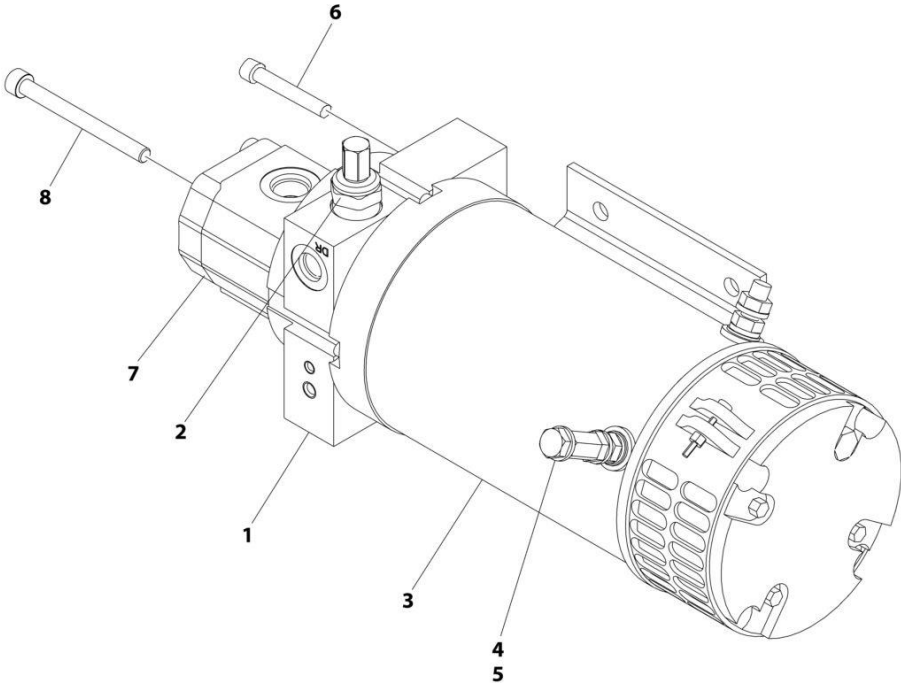
SECTION 9 - HYDRAULIC COMPONENTS

FIGURE 9-22. PUMP ASSEMBLY - DRIVE

ITEM	PART NUMBER	QTY	DESCRIPTION	REV
	1001242635	Ref	Drive Pump	C
		Ref	Power Unit and Housing	
1	70030064	1	Ring, Locking	
2	70030065	1	Seal, Shaft	
3	70030066	1	Plug	
		Ref	Port Plate Housing	
101	70030067	2	O-Ring	
102	70030068	2	O-Ring	
103	70030069	2	Valve, Relief	
104	70030070	1	O-Ring	
105	70030071	1	Valve, Relief	
		Ref	E2 Remote Control	
201	70030077	1	Control Assembly	
202	70030078	4	Screw M8 x 30	
		Ref	Cover and Coupling	
301	70030079	1	O-Ring	
302	70030080	1	Sleeve, Coupling	
400	70030082	1	Seal Kit	

SECTION 9 - HYDRAULIC COMPONENTS

FIGURE 9-23. PUMP/MOTOR ASSEMBLY - EMERGENCY LOWERING AUXILIARY



ART_1001162880

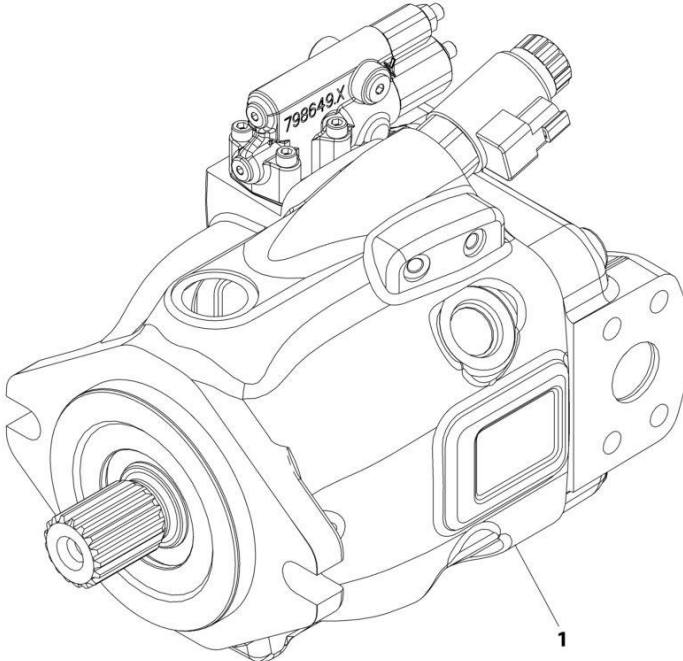
SECTION 9 - HYDRAULIC COMPONENTS

FIGURE 9-23. PUMP/MOTOR ASSEMBLY - EMERGENCY LOWERING AUXILIARY

ITEM	PART NUMBER	QTY	DESCRIPTION	REV
	1001162880	Ref	AUXILIARY PUMP ASSEMBLY (WITHOUT COLD WEATHER PLUS PACKAGE)	A
1	1001164700	1	Base Assembly	
1	70005618	1	Plug	
1	70005617	1	Spring	
1	70005616	1	Poppet, Check	
2	1001164700	1	Valve, Relief	
3	See Note	1	Motor (Note: Not Available for Purchase)	
4	70004006	1	Nut 3/8	
5	70004007	1	Bolt 3/8x3/4	
6	70004005	4	Capscrew 1/4x3	
6	See Note	1	Sleeve (Note: Not Available for Purchase)	
7	See Note	1	Pump Assembly (Note: Not Available for Purchase)	
7	70005615	1	Seal, Shaft	
7	70005619	1	Bearing	
8	See Note	4	Screw M8 x 85 (Note: Not Available for Purchase)	

SECTION 9 - HYDRAULIC COMPONENTS

FIGURE 9-24. PUMP ASSEMBLY - PISTON



ART_1001203793-C

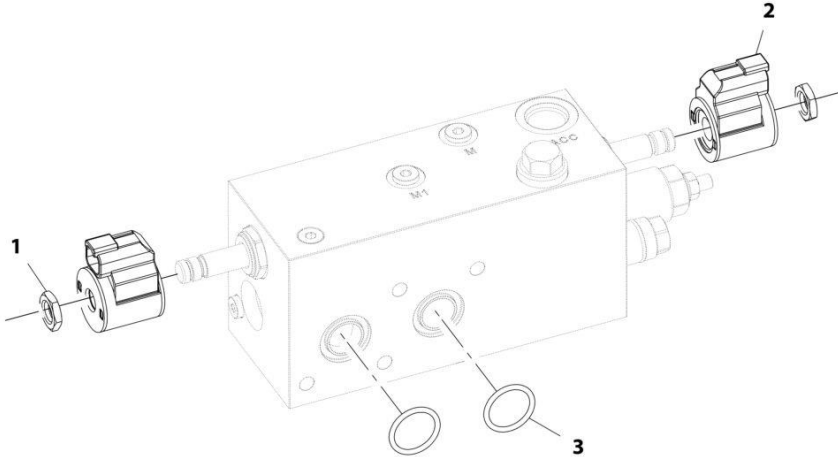
SECTION 9 - HYDRAULIC COMPONENTS

FIGURE 9-24. PUMP ASSEMBLY - PISTON

ITEM	PART NUMBER	QTY	DESCRIPTION	REV
	1001203793	Ref	Piston Pump Assembly	C
		Ref	Note: No Other Service Parts Available	
	70027595	1	Controller - DRS	
	70024186	1	Valve, EK Controller	
	70030305	1	Seal Kit (Includes Shaft Seal)	
	70030306	1	Seal, Shaft	

SECTION 9 - HYDRAULIC COMPONENTS

FIGURE 9-25. VALVE ASSEMBLY - BOOM RAISE VALVE



ART_1001224945-C

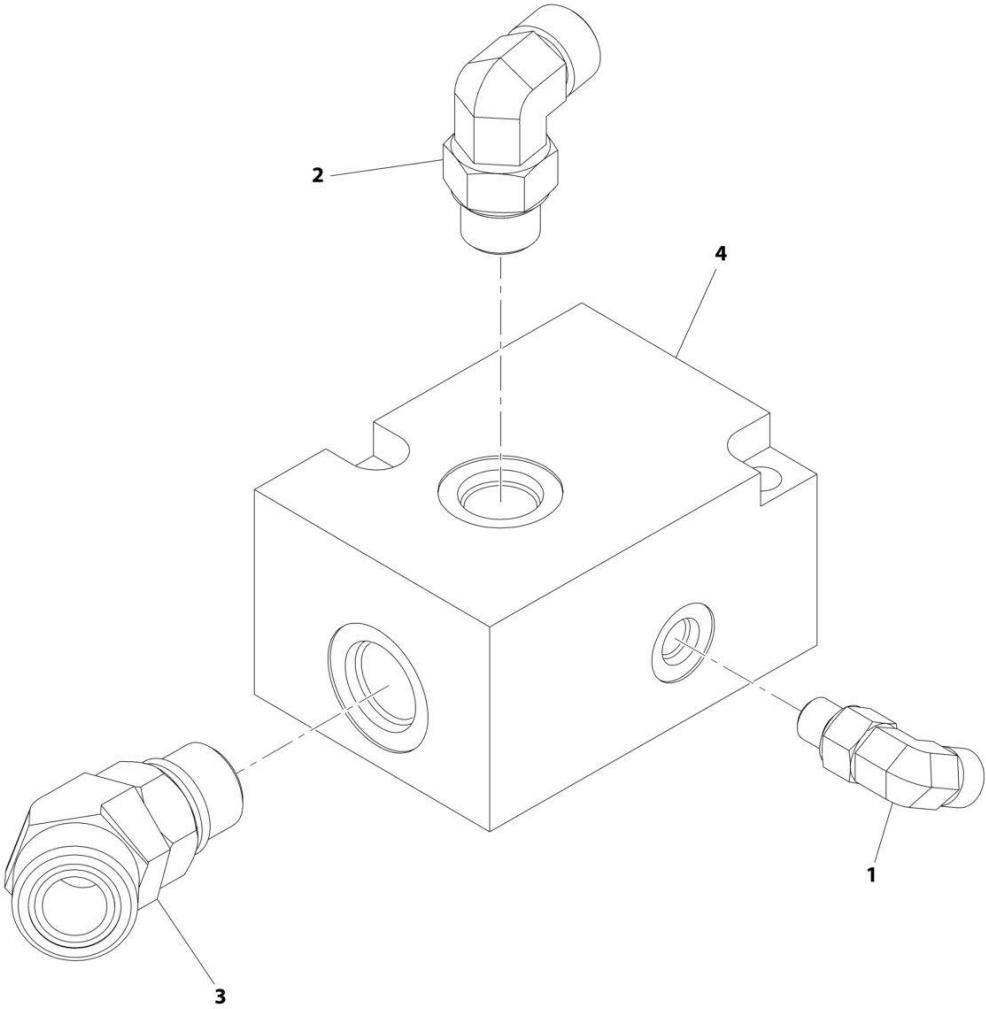
SECTION 9 - HYDRAULIC COMPONENTS

FIGURE 9-25. VALVE ASSEMBLY - BOOM RAISE VALVE

ITEM	PART NUMBER	QTY	DESCRIPTION	REV
	1001224945	Ref	Boom Raise Valve (Ride Control)	C
1	7022390	2	Nut	
2	70028281	2	Coil	
3	70028282	2	O-Ring	

SECTION 9 - HYDRAULIC COMPONENTS

FIGURE 9-26. VALVE ASSEMBLY - CHARGE FLOW CONTROL VALVE ASSEMBLY



ART_1001244407

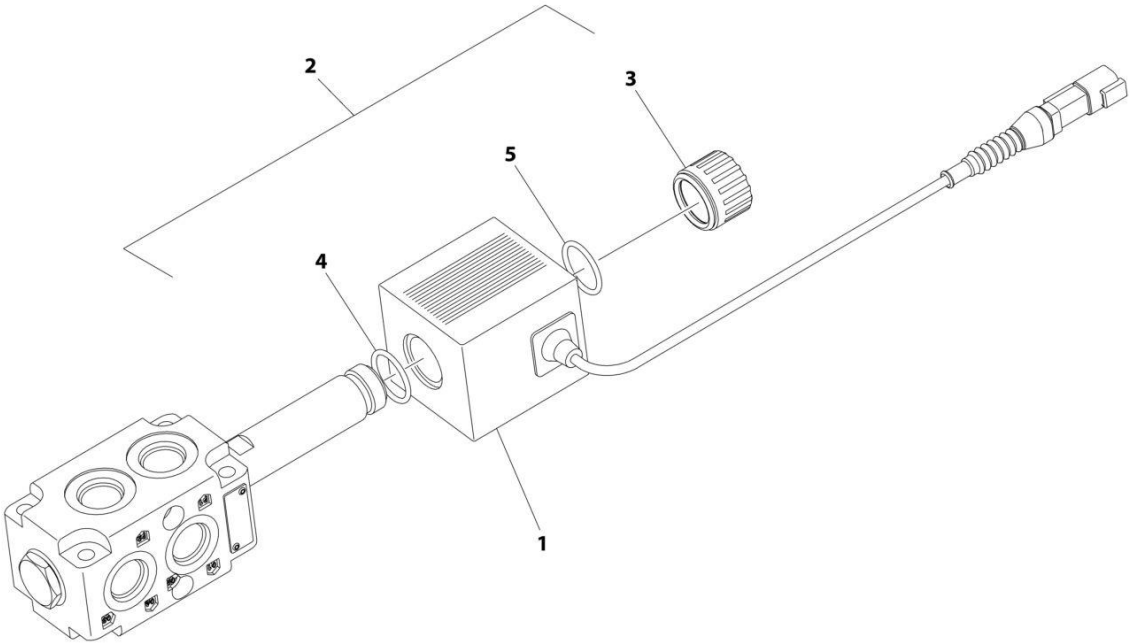
SECTION 9 - HYDRAULIC COMPONENTS

FIGURE 9-26. VALVE ASSEMBLY - CHARGE FLOW CONTROL VALVE ASSEMBLY

ITEM	PART NUMBER	QTY	DESCRIPTION	REV
	1001244407	Ref	Charge Flow Control Valve Assembly	B
1	2130404	1	Fitting, 90 ORFS	
2	2130808	1	Fitting, 90 ORFS	
3	2151210	1	Fitting, 45 ORFS	
4	1001244406	1	Valve, Change Flow Control	
4	7011367	1	Seal Kit	

SECTION 9 - HYDRAULIC COMPONENTS

FIGURE 9-27. VALVE ASSEMBLY - DIVERTOR VALVE



ART_1001104477

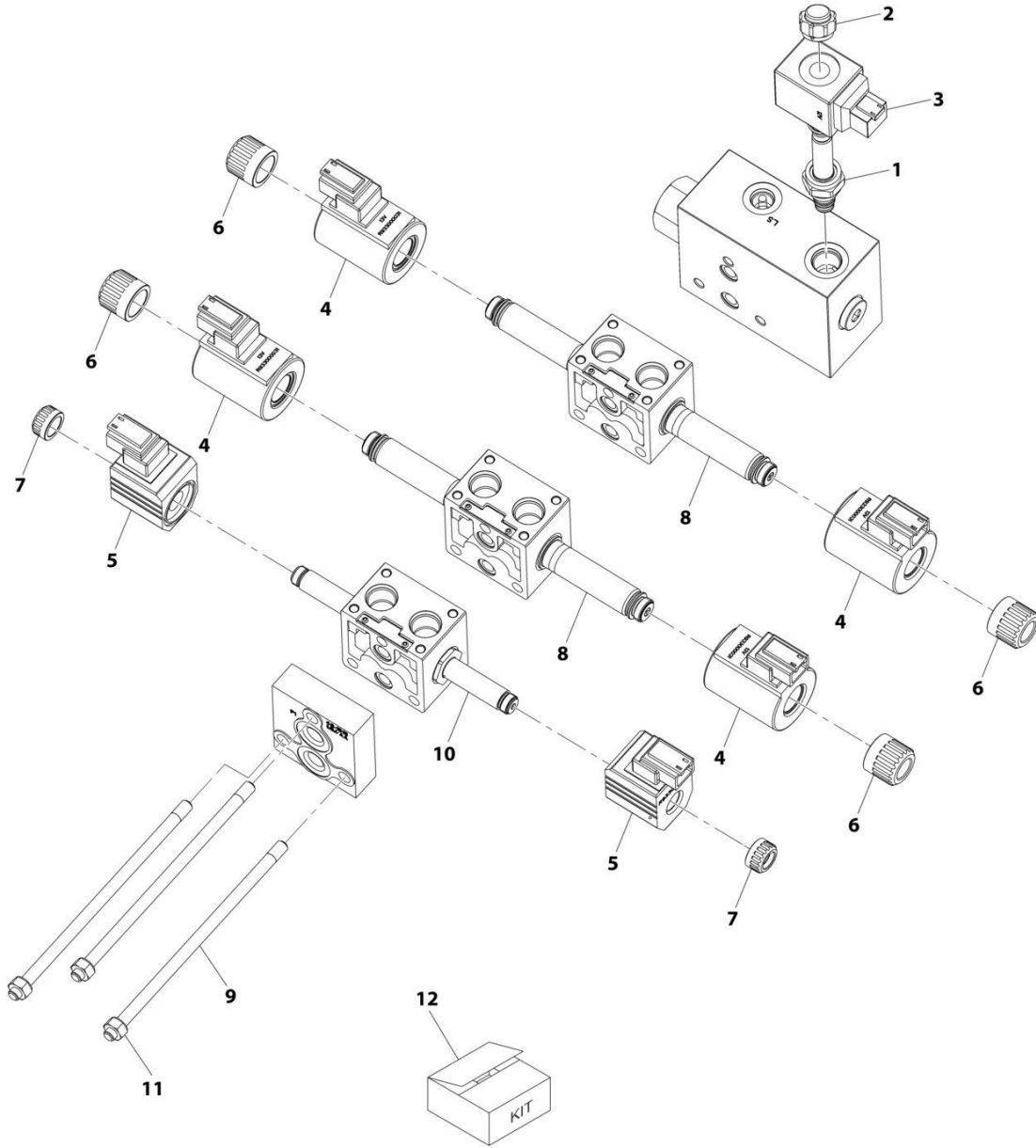
SECTION 9 - HYDRAULIC COMPONENTS

FIGURE 9-27. VALVE ASSEMBLY - DIVERTOR VALVE

ITEM	PART NUMBER	QTY	DESCRIPTION	REV
	1001104477	Ref	DIVERTOR VALVE	D
1	70020764	1	Coil	
2	70021531	1	Retainer Kit (Includes Items 3-5)	
3	Kit	1	Nut	
4	Kit	1	O-Ring	
5	Kit	1	O-Ring	

SECTION 9 - HYDRAULIC COMPONENTS

FIGURE 9-28. VALVE ASSEMBLY - LEVEL AND STABILIZATION VALVE



ART_1001157972-F

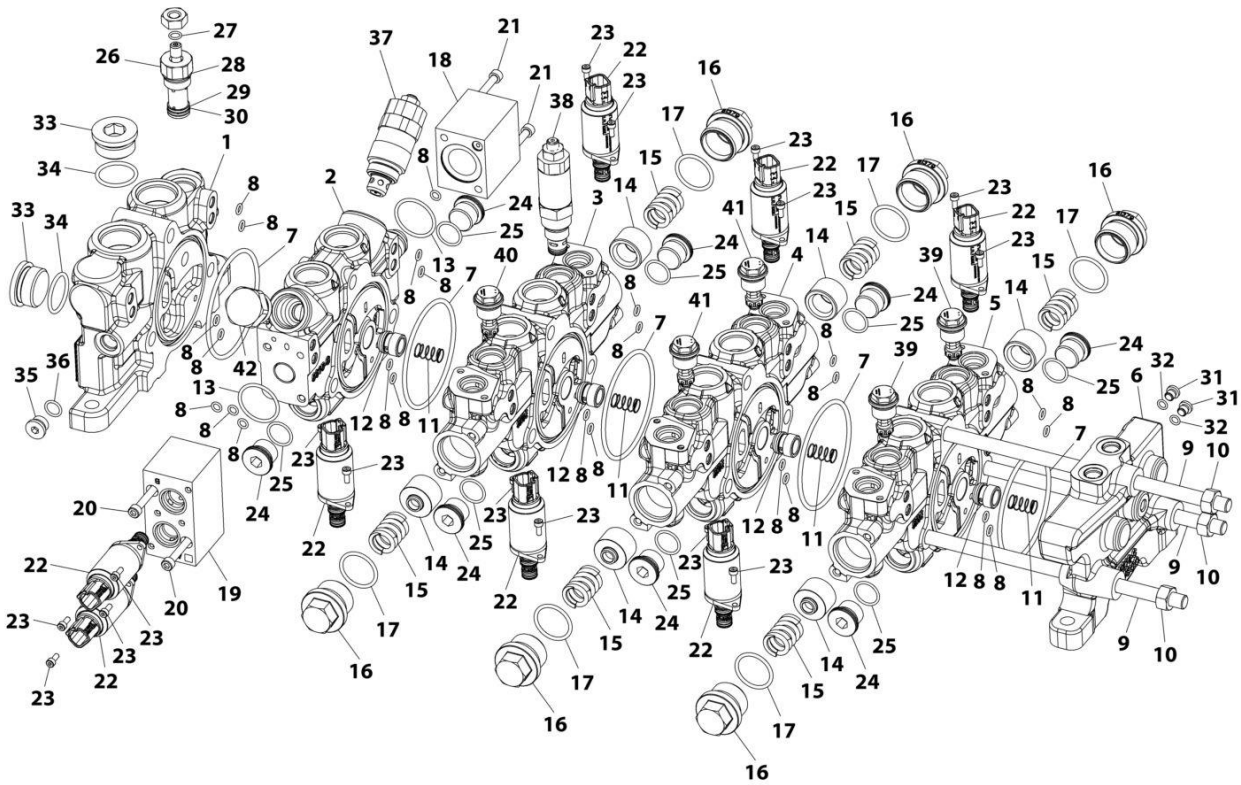
SECTION 9 - HYDRAULIC COMPONENTS

FIGURE 9-28. VALVE ASSEMBLY - LEVEL AND STABILIZATION VALVE

ITEM	PART NUMBER	QTY	DESCRIPTION	REV
	1001157972	Ref	Valve, Frame Level and Outrigger	F
1	70023327	1	Solenoid	
2	70004654	1	Nut, Coil	
3	70022147	1	Coil	
4	70020868	4	Coil	
5	70021208	2	Coil	
6	70020867	4	Kit, Retainer, W/Seals	
7	70021209	2	Kit, Retainer, W/Seals	
8	70026568	2	Section, Outrigger Valve	
9	70026569	3	Rod, Tie	
10	70021213	1	Section, Frame Level	
11	70026570	3	Nut	
12	70026571	1	Kit, Seal	
	Kit	1	O-Ring	
	Kit	1	O-Ring	
	Kit	1	O-Ring	
	Kit	1	O-Ring	
	Kit	1	O-Ring	
	Kit	1	O-Ring	
	Kit	4	O-Ring	
	Kit	4	O-Ring	
	Kit	2	O-Ring	
	Kit	2	O-Ring	

SECTION 9 - HYDRAULIC COMPONENTS

FIGURE 9-29. VALVE ASSEMBLY - MAIN CONTROL VALVE



ART_1001242634-C

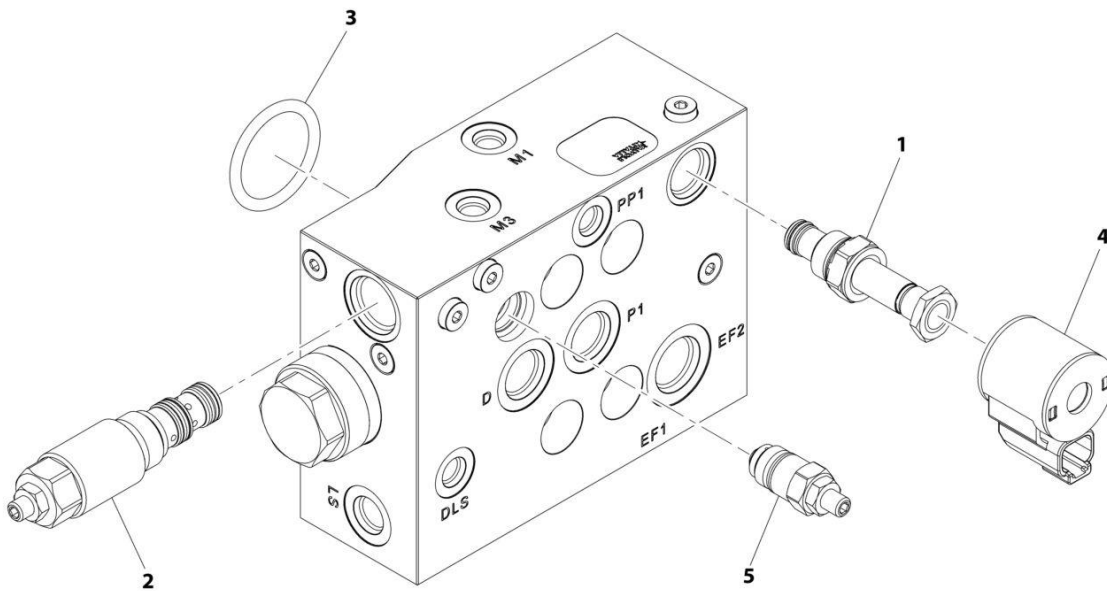
SECTION 9 - HYDRAULIC COMPONENTS

FIGURE 9-29. VALVE ASSEMBLY - MAIN CONTROL VALVE

ITEM	PART NUMBER	QTY	DESCRIPTION	REV
	1001242634	Ref	MAIN CONTROL VALVE	C
1	70028300	1	Inlet Section Assembly	
2	70030240	1	Lift Section Assembly	
3	70030241	1	Tilt Section Assembly	
4	70030242	1	Auxiliary Section Assembly	
5	70029872	1	Extend/Retract Section Assembly	
6	70022007	1	Outlet Section Assembly	
7	8034697	5	O-Ring	
8	70026369	24	O-Ring	
9	70028299	3	Tie Rod	
10	70022019	6	Nut	
11	70025854	4	Spring	
12	70028287	4	Poppet, CV	
13	70026784	2	O-Ring	
14	70026781	6	Spring Seat	
15	70026783	6	Spring	
16	70026778	6	Plug Assembly	
17	70026779	6	O-Ring	
18	70029873	1	End Cap	
19	70030243	1	End Cap Assembly, Solenoid	
20	70026785	2	Screw	
21	70026383	2	Screw	
22	70029874	8	Cartridge Valve, Solenoid	
23	70022014	16	Screw	
24	70024847	8	Plug Assembly	
25	70026777	8	O-Ring	
26	70028286	1	Drain Regulator Assembly	
27	70026373	1	O-Ring	
28	10837928	1	O-Ring	
29	70026376	1	Ring	
30	70026370	1	O-Ring	
31	70026379	2	Plug	
32	70026372	2	O-Ring	
33	70050473	2	Plug	
34	10732931	2	O-Ring	
35	70050475	1	Plug	
36	70024201	1	O-Ring	
37	70030244	1	Relief Valve Assembly	
38	70030245	1	Relief Valve Assembly	
39	70028296	2	Relief Valve Assembly	
40	70028297	1	Relief Valve Assembly	
41	70030246	2	Relief Valve Assembly	
42	10837953	1	Shut -Off Plug	

SECTION 9 - HYDRAULIC COMPONENTS

FIGURE 9-30. VALVE ASSEMBLY - PRIORITY VALVE



ART_1001266710

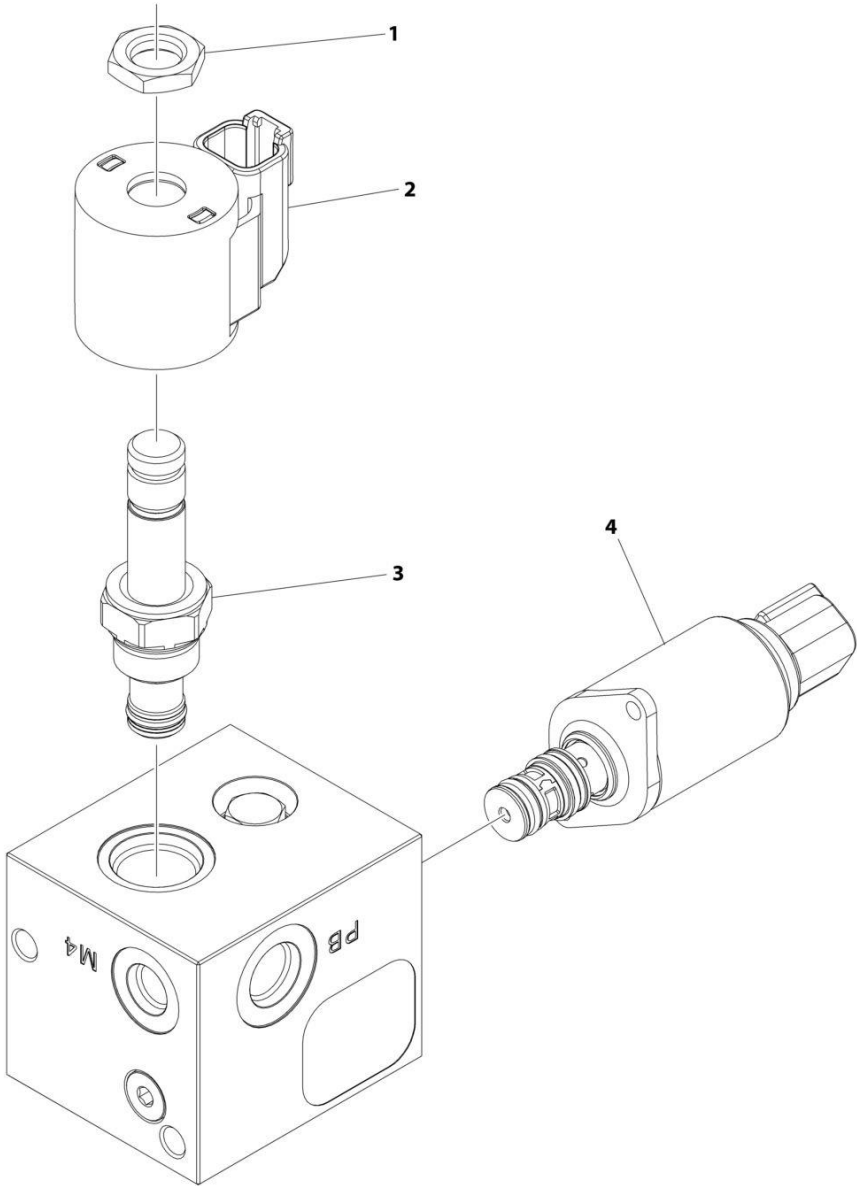
SECTION 9 - HYDRAULIC COMPONENTS

FIGURE 9-30. VALVE ASSEMBLY - PRIORITY VALVE

ITEM	PART NUMBER	QTY	DESCRIPTION	REV
	1001266710	Ref	Priority Valve	A
1	70029976	1	Cartridge	
2	70029977	1	Valve, Check	
3	70029978	1	O-Ring	
4	70002963	1	Coil	
5	70029979	1	Valve, Check	

SECTION 9 - HYDRAULIC COMPONENTS

FIGURE 9-31. VALVE ASSEMBLY - SAHR BRAKE VALVE



ART_1001234127

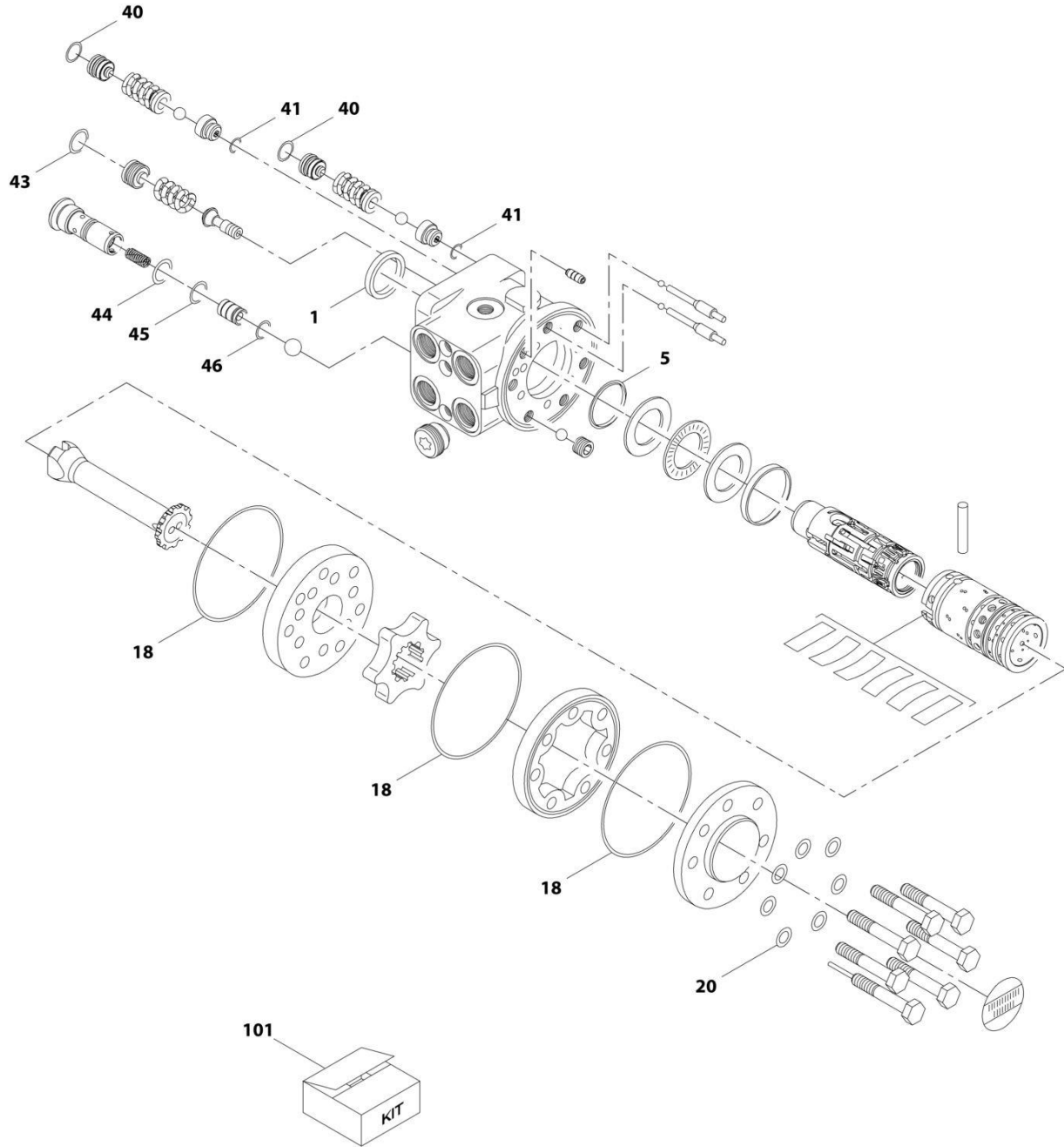
SECTION 9 - HYDRAULIC COMPONENTS

FIGURE 9-31. VALVE ASSEMBLY - SAHR BRAKE VALVE

ITEM	PART NUMBER	QTY	DESCRIPTION	REV
	1001234127	Ref	Sahr Brake Valve	C
1	7022390	1	Nut	
2	70002963	1	Coil	
3	70002955	1	Cartridge	
4	70030036	1	Solenoid Valve	

SECTION 9 - HYDRAULIC COMPONENTS

FIGURE 9-32. VALVE ASSEMBLY - STEER



ART_1001178670-B

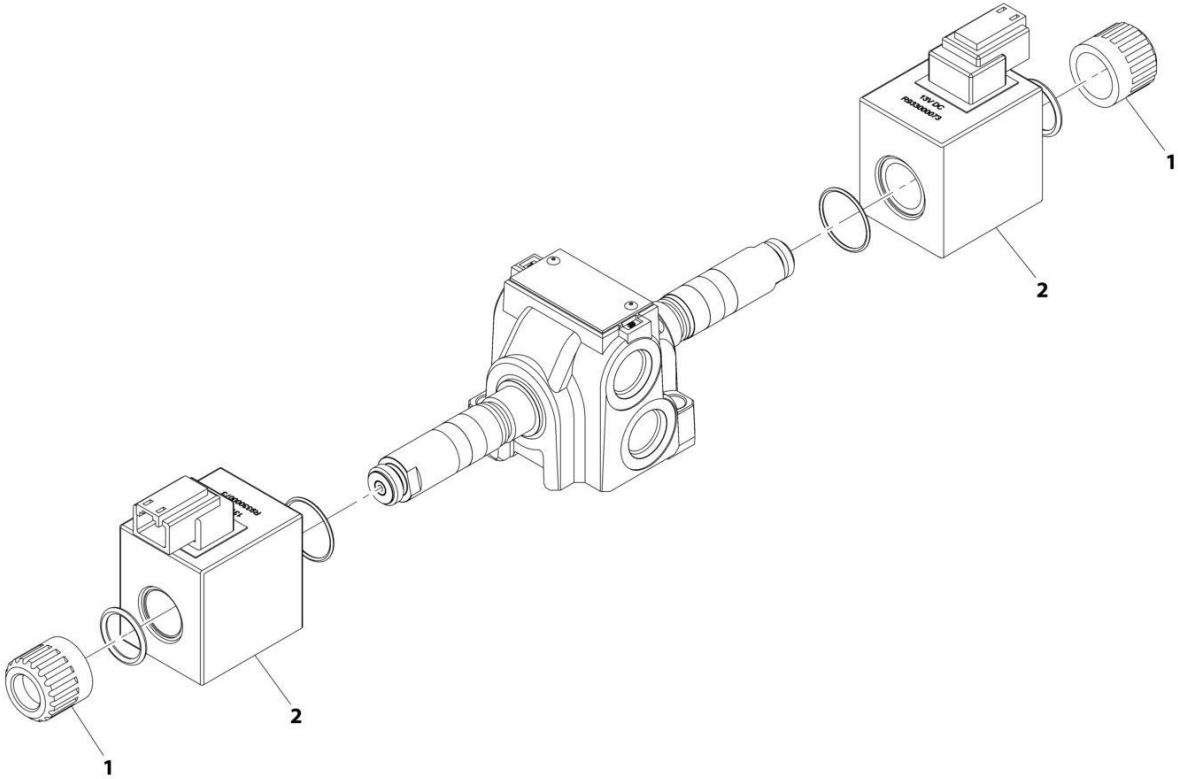
SECTION 9 - HYDRAULIC COMPONENTS

FIGURE 9-32. VALVE ASSEMBLY - STEER

ITEM	PART NUMBER	QTY	DESCRIPTION	REV
	1001178670	Ref	Steer Unit Valve	B
1	Kit	2	Ring, Dust Seal	
5	Kit	2	Seal, Shaft	
18	Kit	2	O-Ring	
20	Kit	2	Washer	
40	Kit	2	O-Ring	
41	Kit	2	O-Ring	
43	Kit	2	O-Ring	
44	Kit	2	O-Ring	
45	Kit	2	O-Ring	
46	Kit	2	O-Ring	
101	70028285	1	Kit, Seal (includes items 1, 5, 18, 20, 40, 41 and 43 thru 46)	

SECTION 9 - HYDRAULIC COMPONENTS

FIGURE 9-33. VALVE ASSEMBLY - STEERING SELECT



ART_1001153748-C

SECTION 9 - HYDRAULIC COMPONENTS

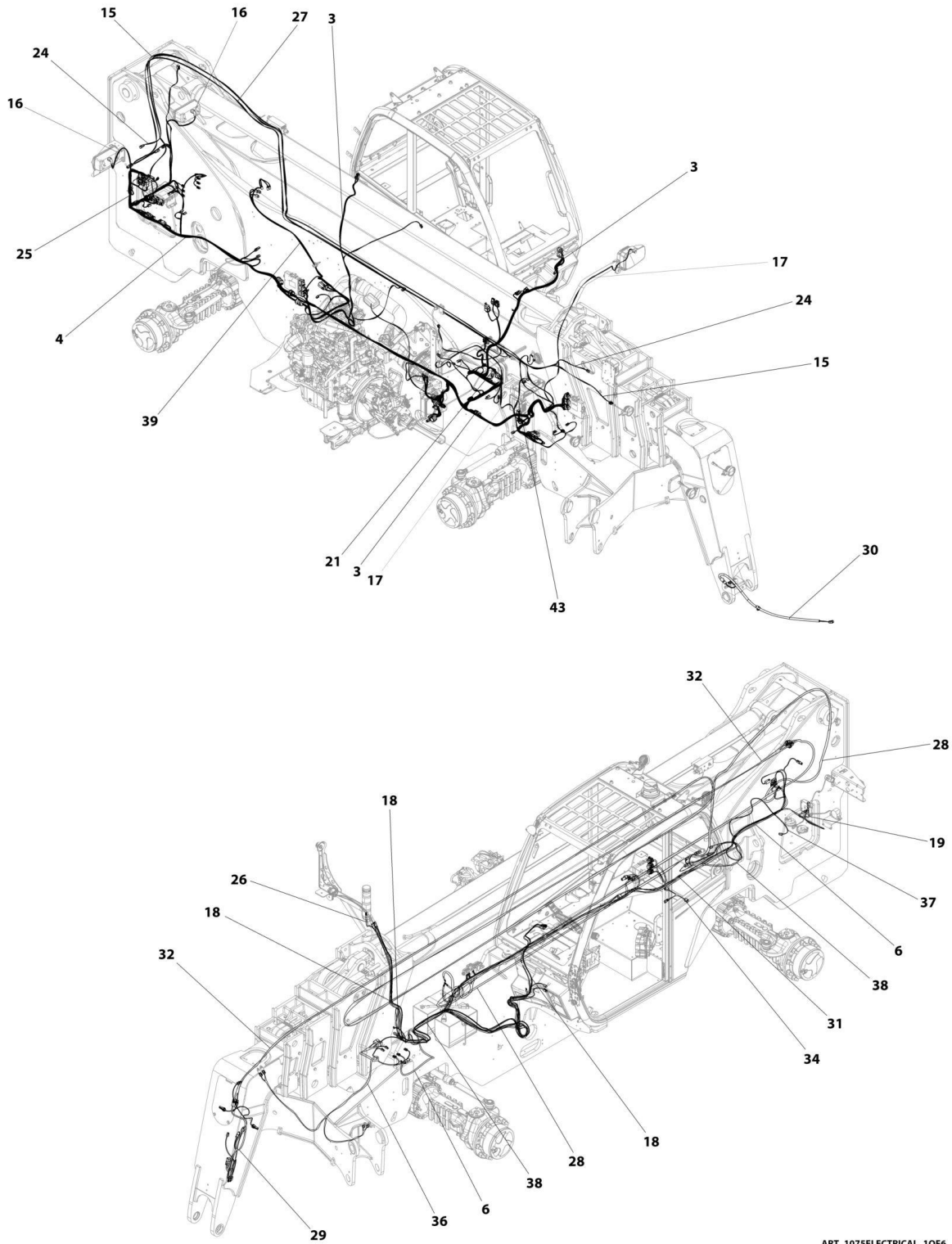
FIGURE 9-33. VALVE ASSEMBLY - STEERING SELECT

ITEM	PART NUMBER	QTY	DESCRIPTION	REV
	1001153748	Ref	Steering Select Valve	C
1	70020867	2	Nut, Coil	
2	70026582	2	Coil	

SECTION 10 - ELECTRICAL

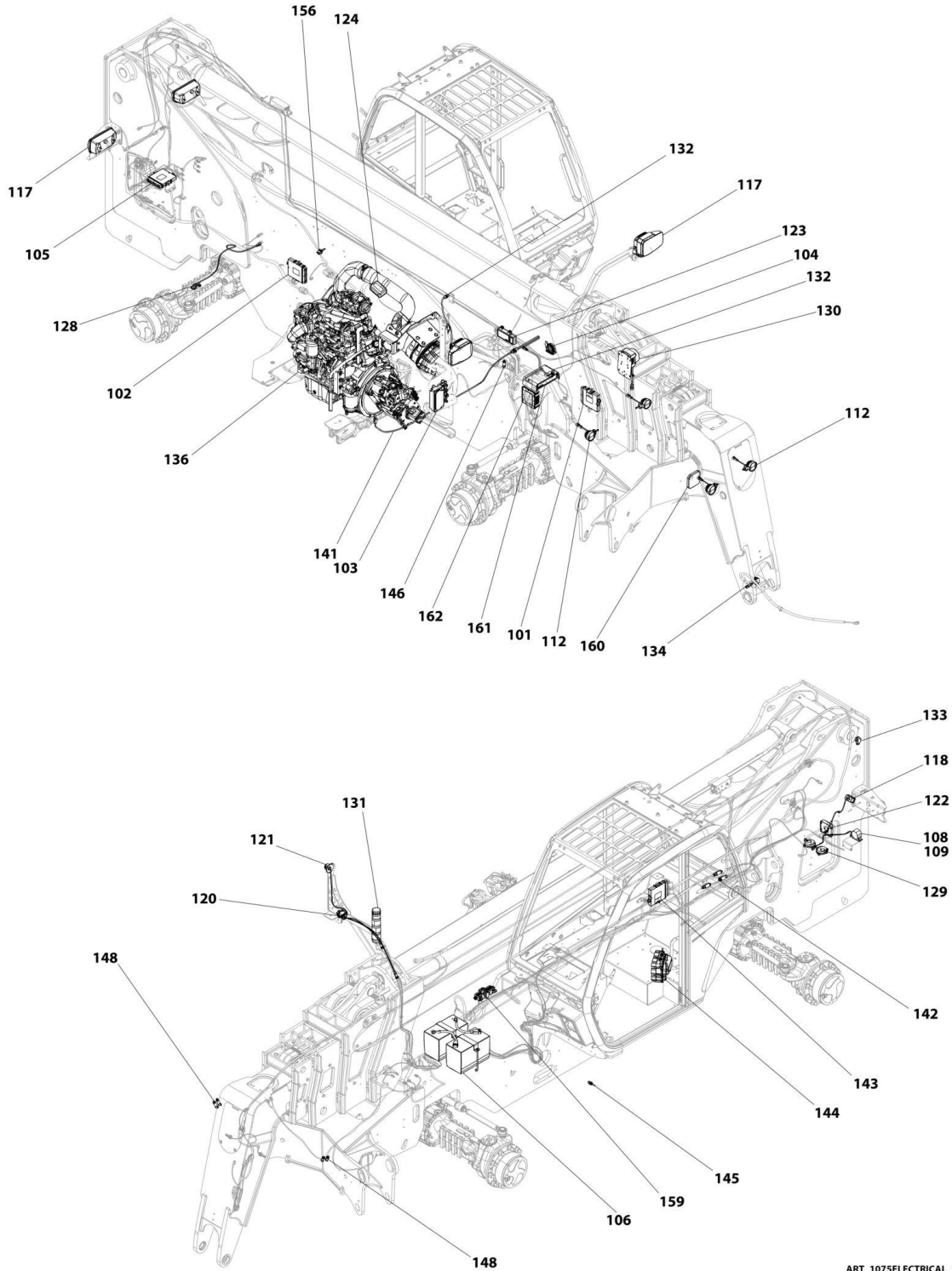
SECTION 10 - ELECTRICAL

FIGURE 10-1. ELECTRICAL LAYOUT



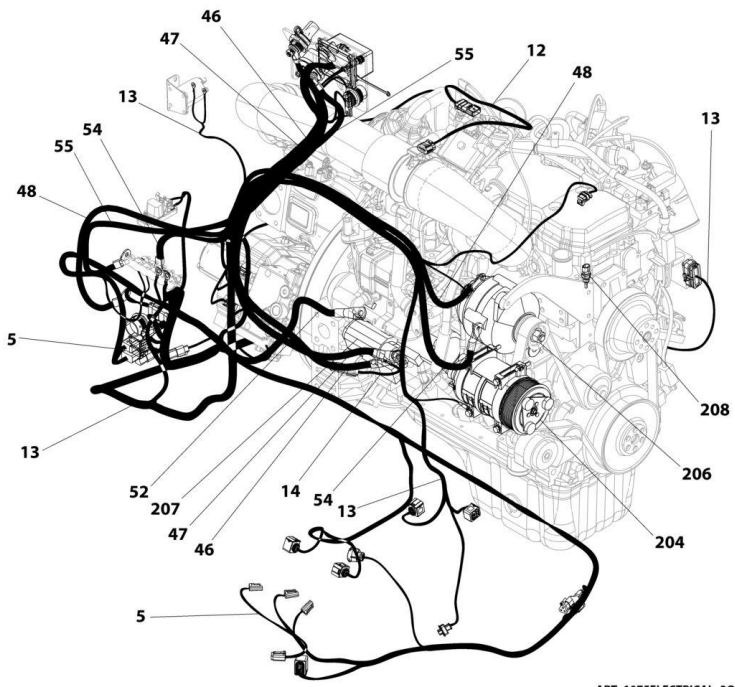
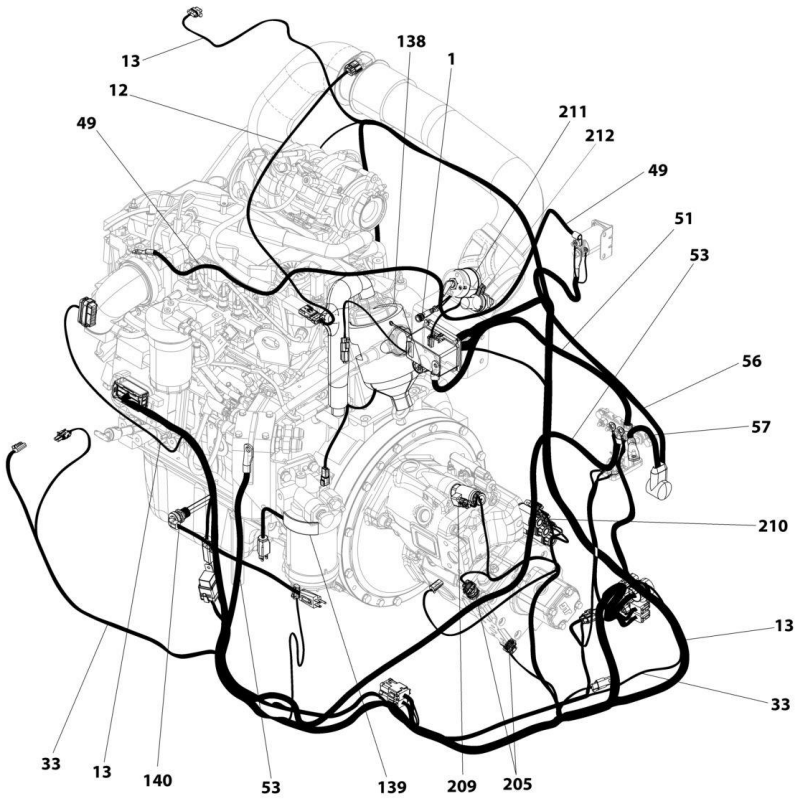
ART_1075ELECTRICAL_10F6

SECTION 10 - ELECTRICAL



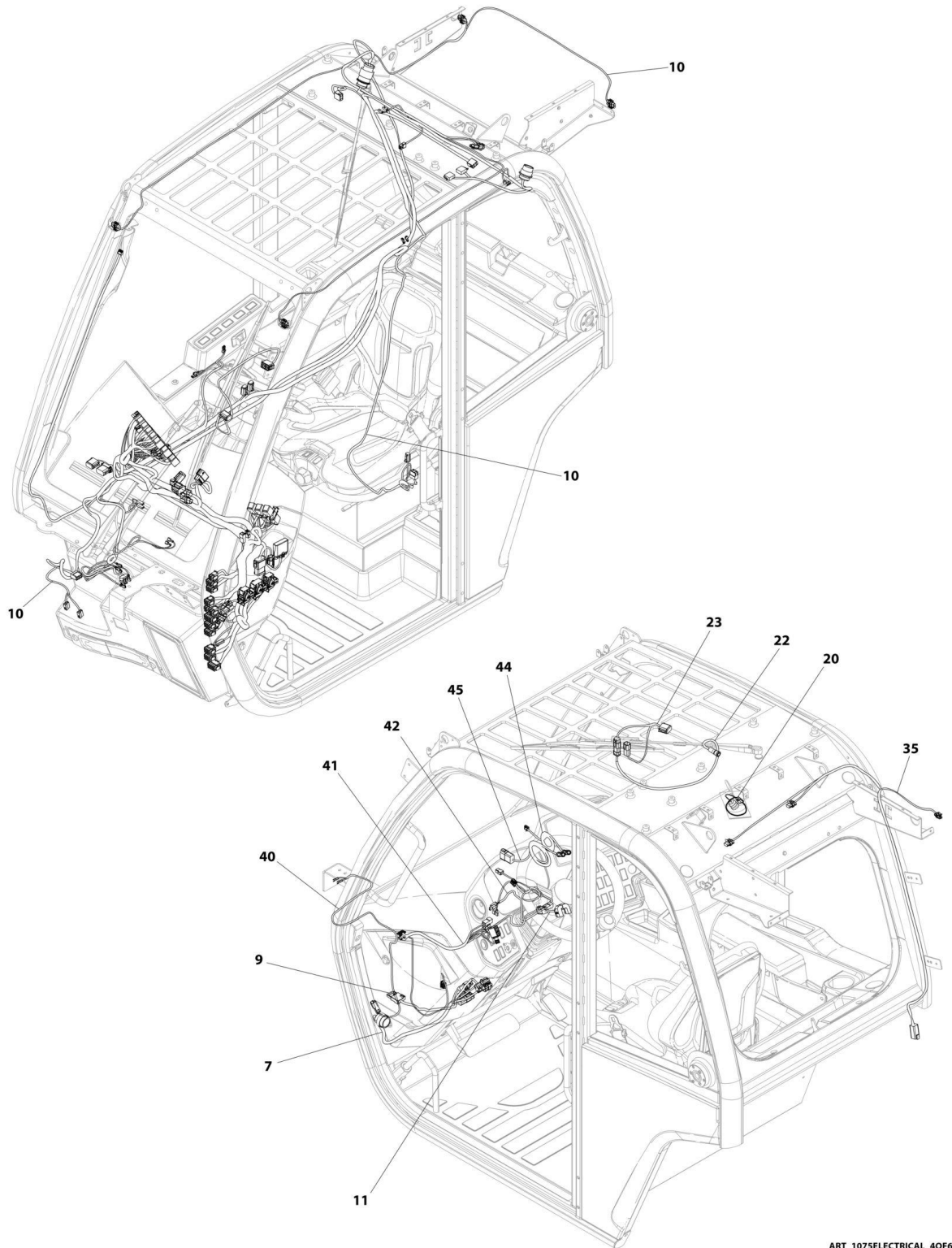
ART_1075ELECTRICAL_20F6

SECTION 10 - ELECTRICAL



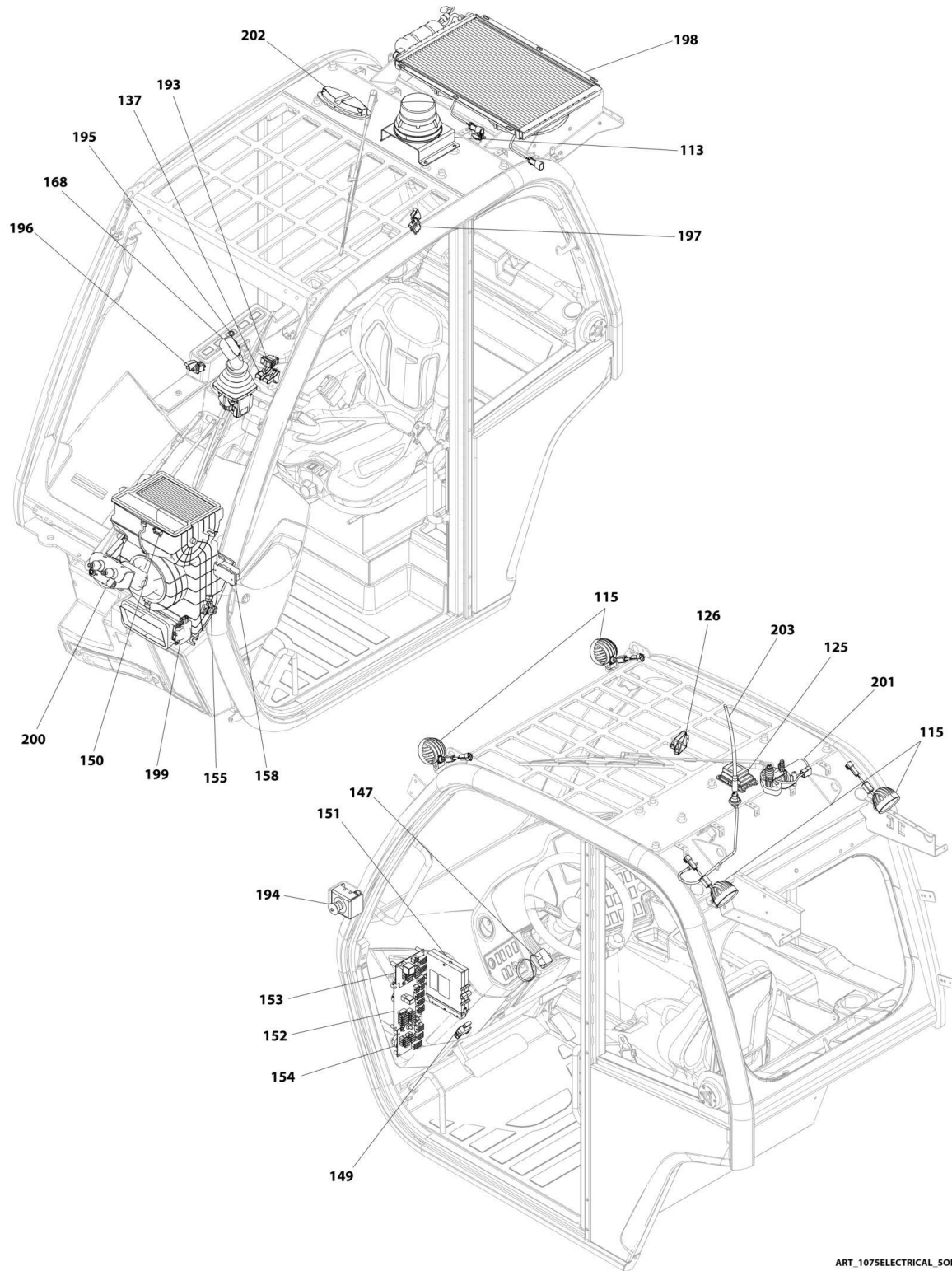
ART_1075ELECTRICAL_30F6

SECTION 10 - ELECTRICAL



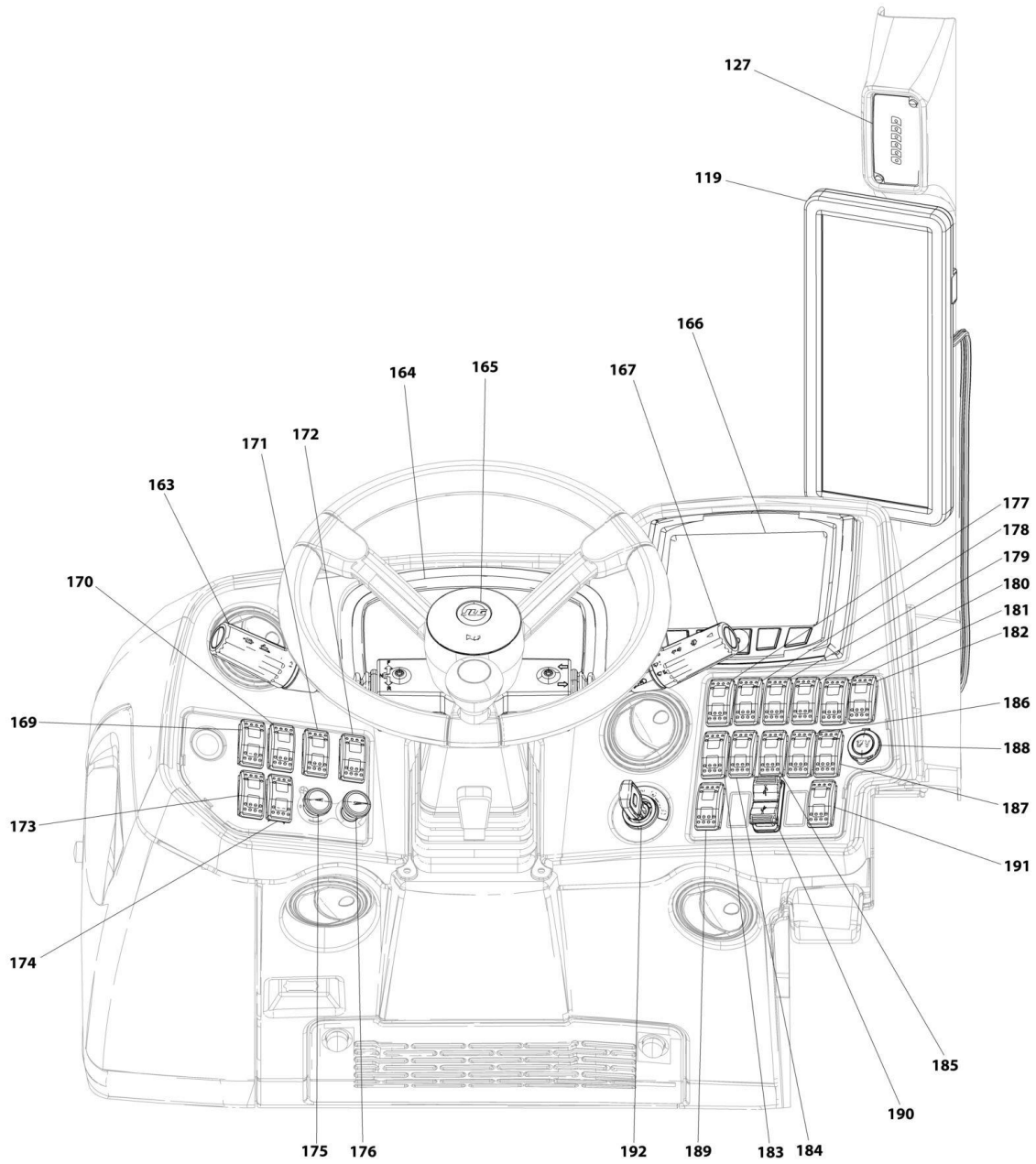
ART_1075ELECTRICAL_40F6

SECTION 10 - ELECTRICAL



ART_1075ELECTRICAL_50F6

SECTION 10 - ELECTRICAL



ART_1075ELECTRICAL_60F6

SECTION 10 - ELECTRICAL

FIGURE 10-1. ELECTRICAL LAYOUT

ITEM	PART NUMBER	QTY	DESCRIPTION	REV
		Ref	HARNESS LIST	
		Ref	Note: This figure is for part identification only.	
1		Ref	Harness, DEF Purge Light	
3		Ref	Harness, Front Frame	
4		Ref	Harness, Rear Frame	
5		Ref	Harness, Cummins Engine	
6		Ref	Harness, Front Frame Power	
7		Ref	Harness, Cab Option	
9		Ref	Cable, Communication Analyzer	
10		Ref	Harness, Cab	
11		Ref	Harness, Ignition Switch	
12		Ref	Harness, TBAP	
13		Ref	Harness, Engine	
14		Ref	Harness, Starter Solenoid Jumper	
15		Ref	Harness, Boom Worklights	
16		Ref	Harness, Tailights	
17		Ref	Harness, Headlights	
18		Ref	Cable, Right Side Camera Extension	
19		Ref	Harness, Reverse Sensor	
20		Ref	Harness, Telematics Ready	
21		Ref	Harness, Clearsky	
22		Ref	Harness, Telematics	
23		Ref	Harness, Xirgo Jumper	
24		Ref	Harness, LMIS Boom	
25		Ref	Harness, Platform Ready	
26		Ref	Harness, LMIS Beacon Option	
27		Ref	Harness, Soft Stop	
28		Ref	Harness, Frame to Boom	
29		Ref	Harness, Platform	
30		Ref	Harness, Tilt Sensor Jumper	
31		Ref	Cable, Reverse Camera	
32		Ref	Harness, Boom	
33		Ref	Harness, ASOV	
34		Ref	Harness, Seat Adaptor	
35		Ref	Harness, A/C Option	
36		Ref	Harness, Outrigger	
37		Ref	Harness, Boom Ride/Float	
38		Ref	Harness, LMIS Chassis Option	
39		Ref	Harness, Rear Axle Stabilizer	
40		Ref	Harness, Emergency Stop	
41		Ref	Harness, HVAC Actuator	
42		Ref	Harness, HVAC Sensor	
43		Ref	Harness, Attachment Recognition	
44		Ref	Cable, Display Programming	
45		Ref	Cable, Display Video	
46		Ref	Cable, Starter to Battery Disconnect	
47		Ref	Cable, Starter to Remote B+	
48		Ref	Cable, PDM to ALT+	
49		Ref	Cable, Grid Heater	
50		Ref	Cable, PDM to Power Fuse Module	

SECTION 10 - ELECTRICAL

ITEM	PART NUMBER	QTY	DESCRIPTION	REV
51		Ref	Cable, Ground Buss to Remote Ground	
52		Ref	Cable, Starter Ground	
53		Ref	Cable, Engine Ground	
54		Ref	Cable, Alt Ground	
55		Ref	Cable, Battery Disconnect to PDM	
56		Ref	Cable, PDM to Grid Heater	
		Ref	COMPONENT LIST	
		Ref	Note: This figure is for part identification only.	
101		Ref	Module, Front Frame	
102		Ref	Module, Transmission	
103		Ref	Box, Power Distribution Electrical	
104		Ref	Horn	
105		Ref	Module, Rear Frame	
106		Ref	Batteries	
108		Ref	Alarm, Backup	
109		Ref	Alarm, Backup (White Noise)	
110		Ref	Dash Electrics	
112		Ref	Worklights	
113		Ref	Beacon	
115		Ref	Cab Worklights	
117		Ref	Road Lights	
118		Ref	Camera, Reverse	
119		Ref	Display, Camera	
120		Ref	Camera, Normal View	
121		Ref	Camera, Mirror View	
122		Ref	Sensor, Reverse	
123		Ref	Module, ClearSky Telematics CANBUS	
124		Ref	Antennae, ClearSky Telematics	
125		Ref	Module, ClearSky Telematics 3-Wire	
126		Ref	Voltage Regulator, ClearSky Telematics	
127		Ref	Display, LSI	
128		Ref	Sensor, Rear Axle	
129		Ref	Sensor, Tilt	
130		Ref	Sensor, Boom Length	
131		Ref	Light, LMIS Beacon	
132		Ref	Sensor, Proximity	
133		Ref	Sensor, Boom Angle	
134		Ref	Sensor, Tilt Dual Axis	
136		Ref	Engine	
137		Ref	Control, Fingertip Joystick	
138		Ref	Breather Tube Heater	
139		Ref	Fuel Filter Heater Pad	
140		Ref	Heater, Engine Block	
141		Ref	Heater, Immersion	
142		Ref	Sensor, LMIS Pressure	
143		Ref	Module, LMIS	
144		Ref	Pump, DEF Module	
145		Ref	Sensor, Hydraulic Oil Temperature	
146		Ref	Sensor, LMIS Tilt Pressure Transducer	
147		Ref	Sensor, HVAC Thermostat	
148		Ref	Sensor, LMIS O/R Pressure Transducer	

SECTION 10 - ELECTRICAL

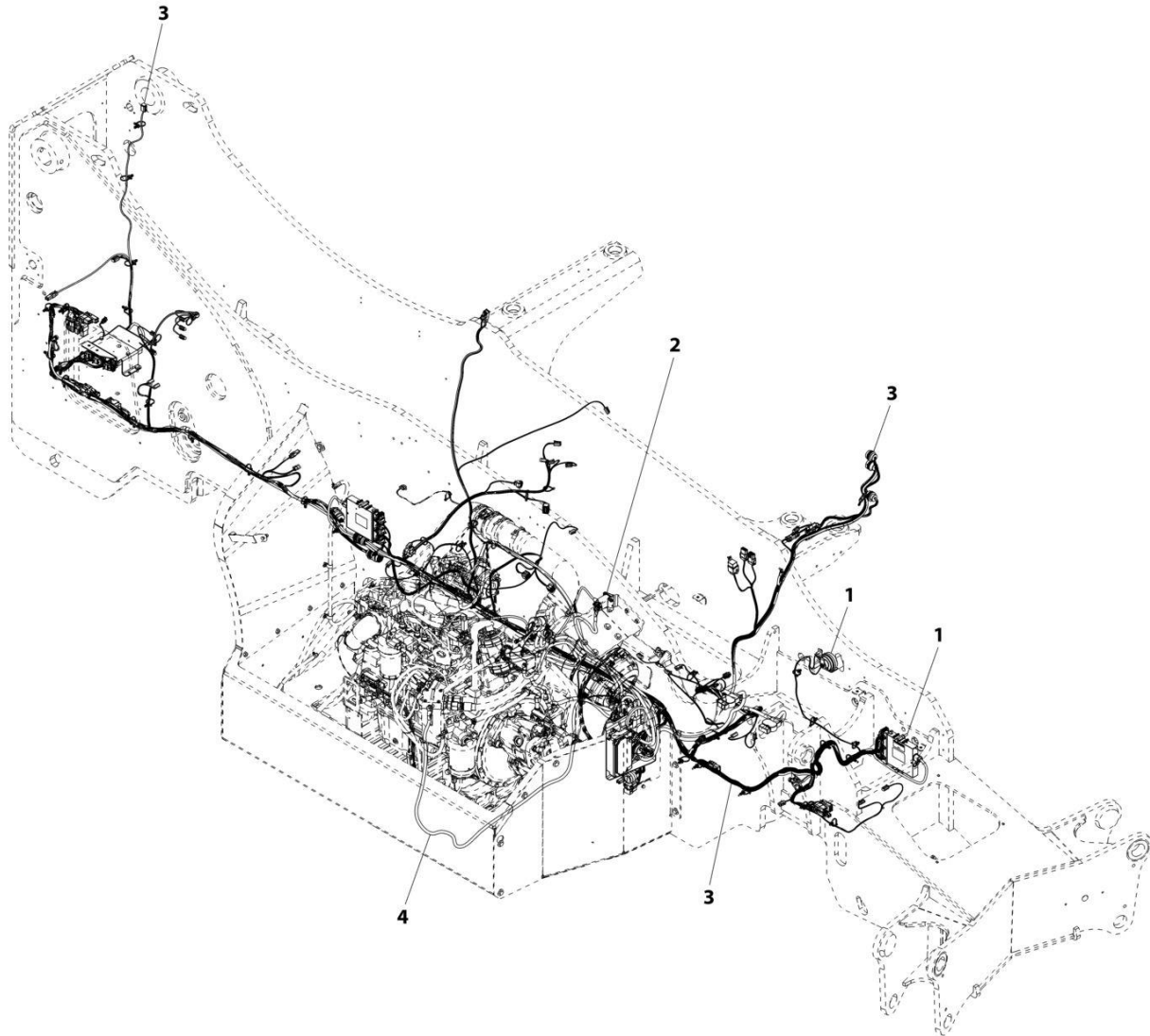
ITEM	PART NUMBER	QTY	DESCRIPTION	REV
149		Ref	Switch, Brake Light	
150		Ref	Valve, HVAC Water Sensor	
151		Ref	Module, Cab	
152		Ref	Electrical Board, Standard	
153		Ref	Electrical Board, Option 1	
154		Ref	Electrical Board, Option 2	
155		Ref	Sensor, Brake	
156		Ref	Sensor, Coolant Level	
158		Ref	HVAC Actuator	
159		Ref	Valve, Speed Control	
160		Ref	Antenna, Attachment Recognition	
161		Ref	Receiver, Attachment Recognition	
162		Ref	Module, Attachment Recognition Voltage Control	
163		Ref	Lever, Transmission Control	
164		Ref	Instrument Panel	
165		Ref	Horn	
166		Ref	Multifunction Display	
167		Ref	Lever, Accessory Control	
168		Ref	Joystick	
169		Ref	Switch, Park Brake	
170		Ref	Switch, Continuous Auxiliary Hydraulic	
171		Ref	Switch, Air Conditioning	
172		Ref	Switch, HVAC Recirculation	
173		Ref	Switch, LSI Override	
174		Ref	Switch, Coupler	
175		Ref	HVAC Fan Speed	
176		Ref	Switch, HVAC Temperature Control	
177		Ref	Switch, Fog Lights	
178		Ref	Switch, Front Work Lights	
179		Ref	Switch, Boom Work Lights	
180		Ref	Switch, Rear Work Lights	
181		Ref	Switch, Beacon Light	
182		Ref	Switch, Hazard Lights	
183		Ref	Switch, Rear Wiper	
184		Ref	Switch, Roof Wiper	
185		Ref	Switch, Auxiliary Electric	
186		Ref	Switch, Boom Ride Control	
187		Ref	Switch, Auxiliary Decompression	
188		Ref	Power Outlet	
189		Ref	Switch, Steer Select	
190		Ref	USB Port	
191		Ref	Switch, Master Light and Road Lights	
192		Ref	Switch, Ignition	
193		Ref	Switch, Frame Level	
194		Ref	Switch, Power/Emergency Stop	
195		Ref	Lamp, Air Shutoff Valve Indicator	
196		Ref	Switch, Air Shutoff Valve Emergency Stop	
197		Ref	Switch, Air Shutoff Valve Test	
198		Ref	Assembly, Cab Condenser	
199		Ref	Assembly, Heater & A/C	
200		Ref	Motor, Front Wiper	

SECTION 10 - ELECTRICAL

ITEM	PART NUMBER	QTY	DESCRIPTION	REV
201		Ref	Motor, Roof Wiper	
202		Ref	Lamp, Dome	
203		Ref	Antenna, Radio	
204		Ref	Compressor, A/C	
205		Ref	Sensor, Hydrostatic Pump Pressure Transducer	
206		Ref	Alternator	
207		Ref	Starter	
208		Ref	Sensor, Engine Coolant Temperature	
209		Ref	Solenoid, Implement Pump	
210		Ref	Solenoid, Hydrostatic Transmission Pump	
211		Ref	Switch, Master Electrical	
212		Ref	Stud, Battery Jump Start	

SECTION 10 - ELECTRICAL

FIGURE 10-2. MAIN ELECTRICAL INSTALLATION (1075)



ART_1001207860-C

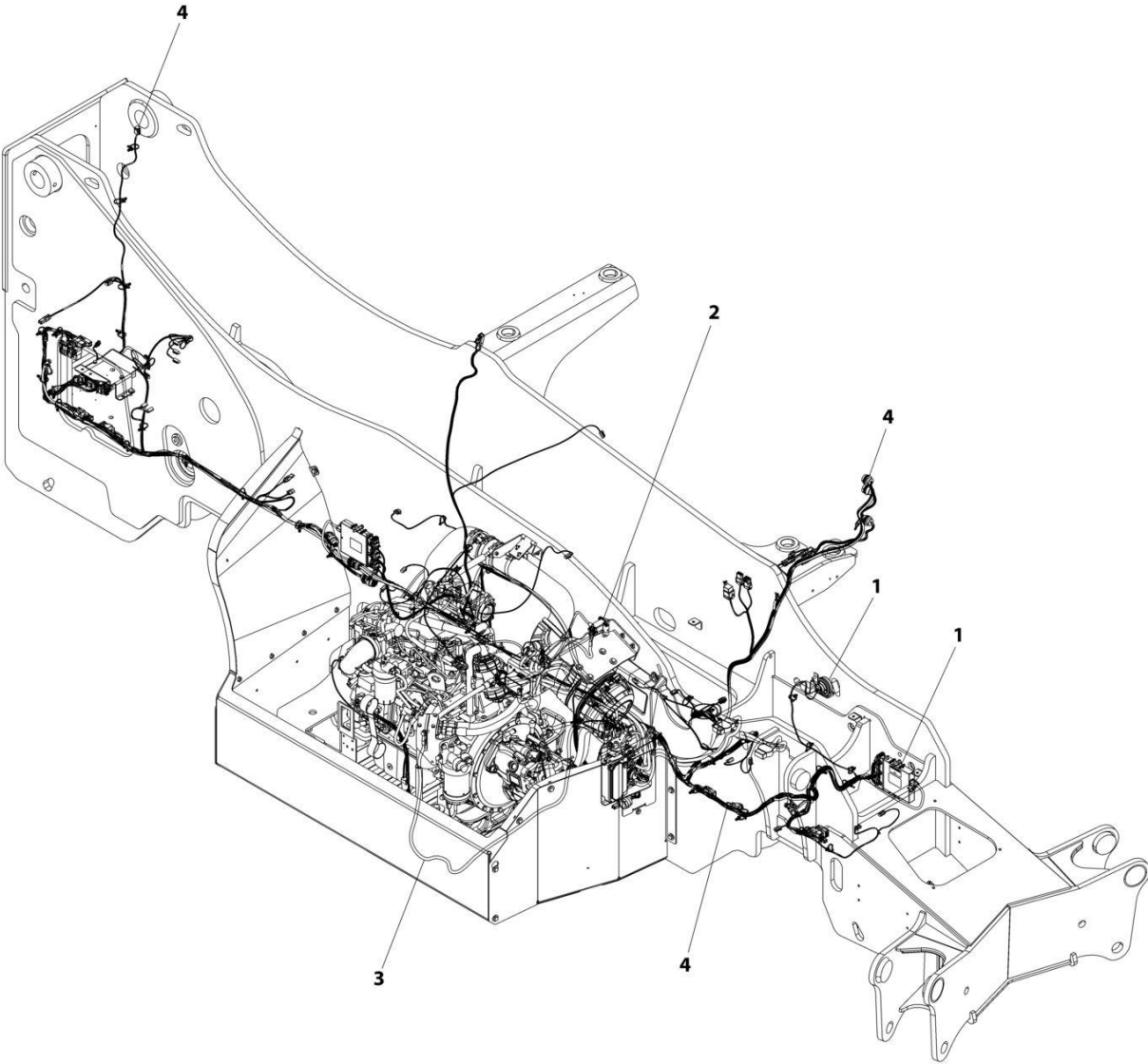
SECTION 10 - ELECTRICAL

FIGURE 10-2. MAIN ELECTRICAL INSTALLATION (1075)

ITEM	PART NUMBER	QTY	DESCRIPTION	REV
1	1001207860	Ref	Main Electrical Installation	C
	1001201198	Ref	Frame Electrical Installation (See Separate Breakdown in this Section)	
2	1001201199	Ref	Engine Bay Electrical Installation (See Separate Breakdown in this Section)	
3	1001201200	Ref	Frame Wiring Installation (See Separate Breakdown in this Section)	
4	1001236674	Ref	Engine Bay Wiring Installation (See Separate Breakdown in this Section)	

SECTION 10 - ELECTRICAL

FIGURE 10-3. MAIN ELECTRICAL INSTALLATION (4523)



ART_1001278595

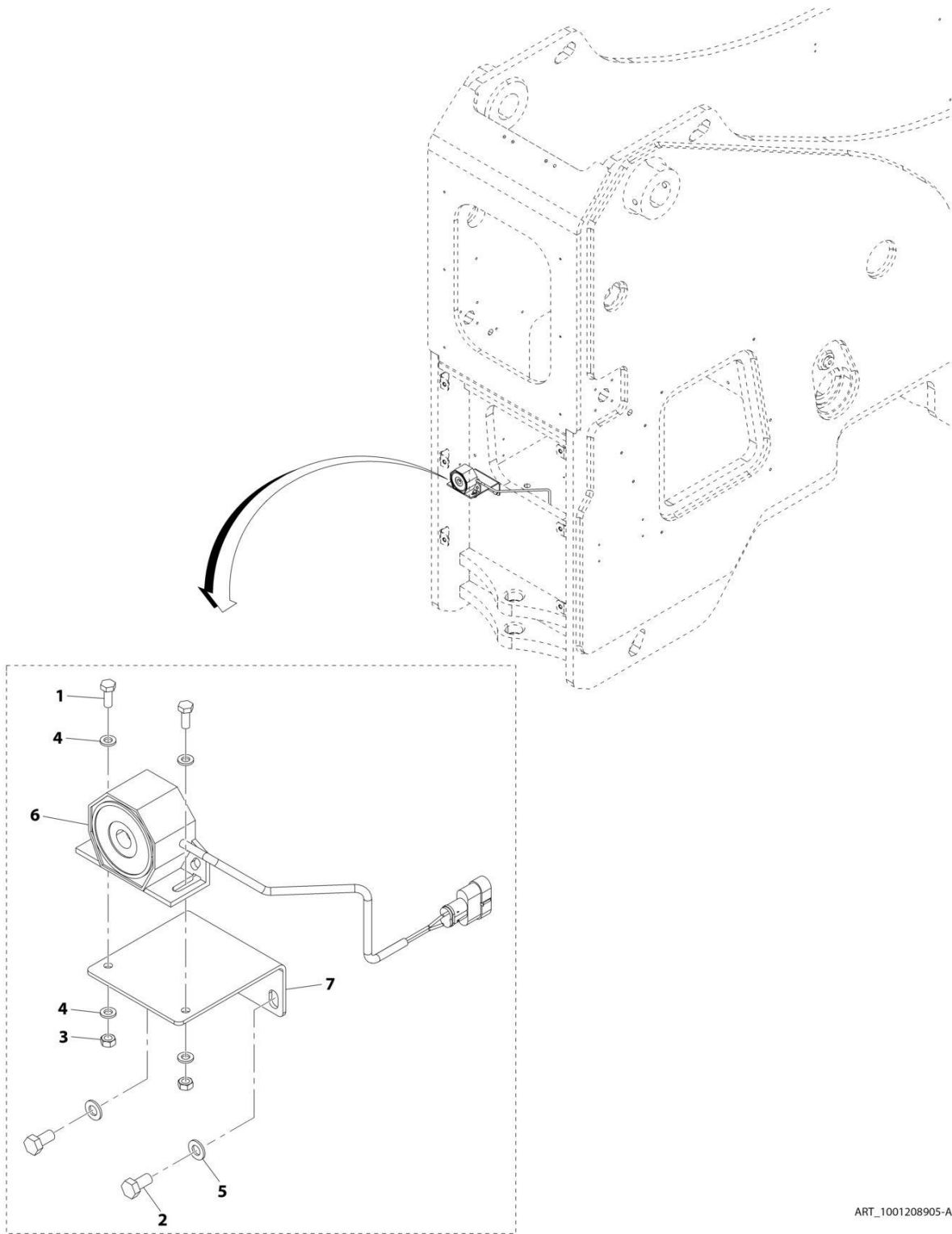
SECTION 10 - ELECTRICAL

FIGURE 10-3. MAIN ELECTRICAL INSTALLATION (4523)

ITEM	PART NUMBER	QTY	DESCRIPTION	REV
1	1001278595	Ref	MAIN ELECTRICAL INSTALLATION	A
	1001201198	Ref	Frame Electrical Installation (See Separate Breakdown in this Section)	
2	1001264601	Ref	Engine Bay Electrical Installation (See Separate Breakdown in this Section)	
3	1001264276	Ref	Engine Bay Wiring Installation (See Separate Breakdown in this Section)	
4	1001278581	Ref	Frame Wiring Installation (See Separate Breakdown in this Section)	

SECTION 10 - ELECTRICAL

FIGURE 10-4. ALARM INSTALLATION - BACKUP



ART_1001208905-A

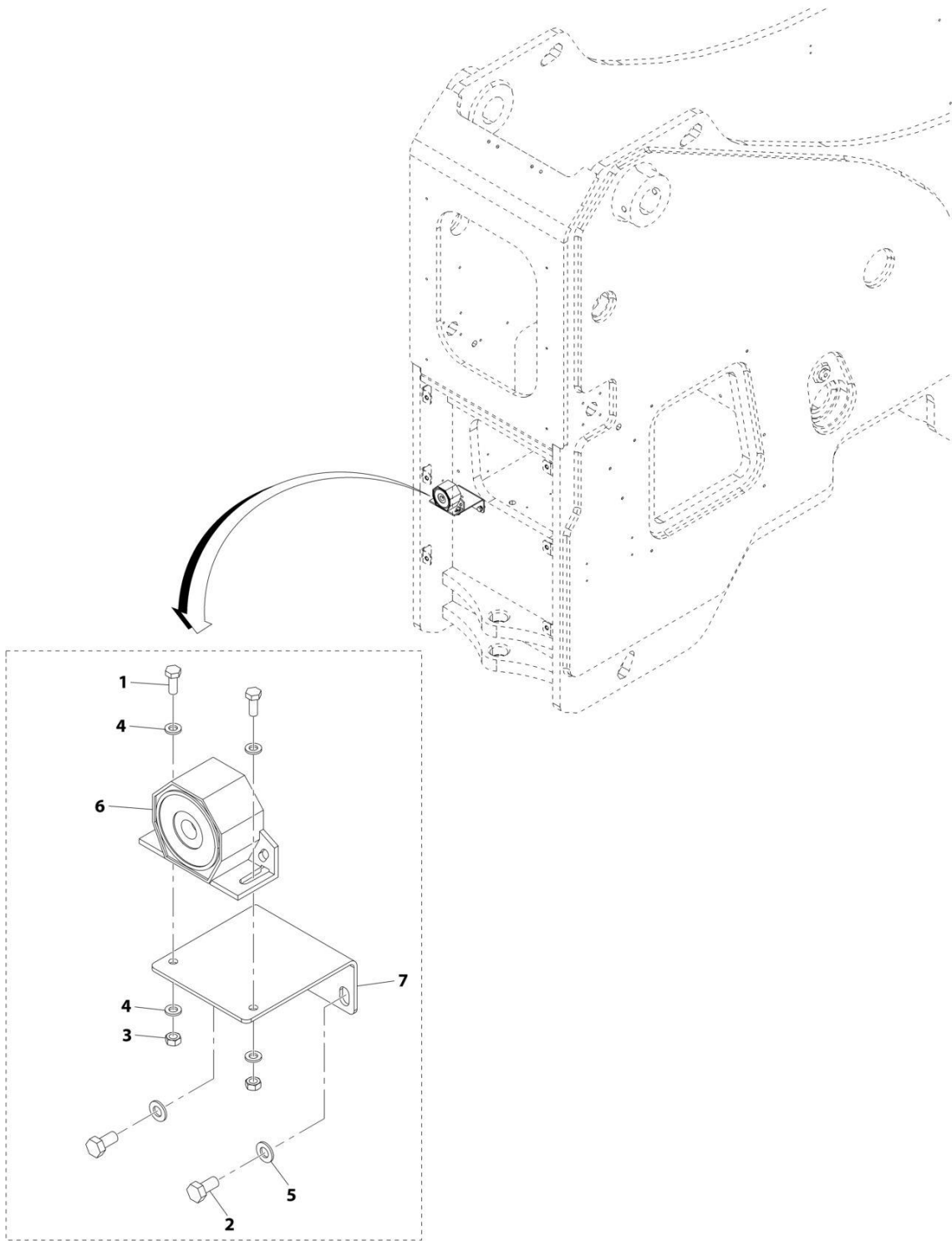
SECTION 10 - ELECTRICAL

FIGURE 10-4. ALARM INSTALLATION - BACKUP

ITEM	PART NUMBER	QTY	DESCRIPTION	REV
	1001208905	Ref	Backup Alarm Installation	A
1	0760608	2	Bolt M6X16	
2	0760808	2	Bolt M8X16	
3	3290601	2	Nut M6	
4	4811700	4	Washer M6	
5	4811900	2	Washer M8	
6	1001101808	1	Alarm, Backup	
7	1001208904	1	Bracket	

SECTION 10 - ELECTRICAL

FIGURE 10-5. ALARM INSTALLATION - BACKUP (WHITE NOISE)



ART_1001250124-A

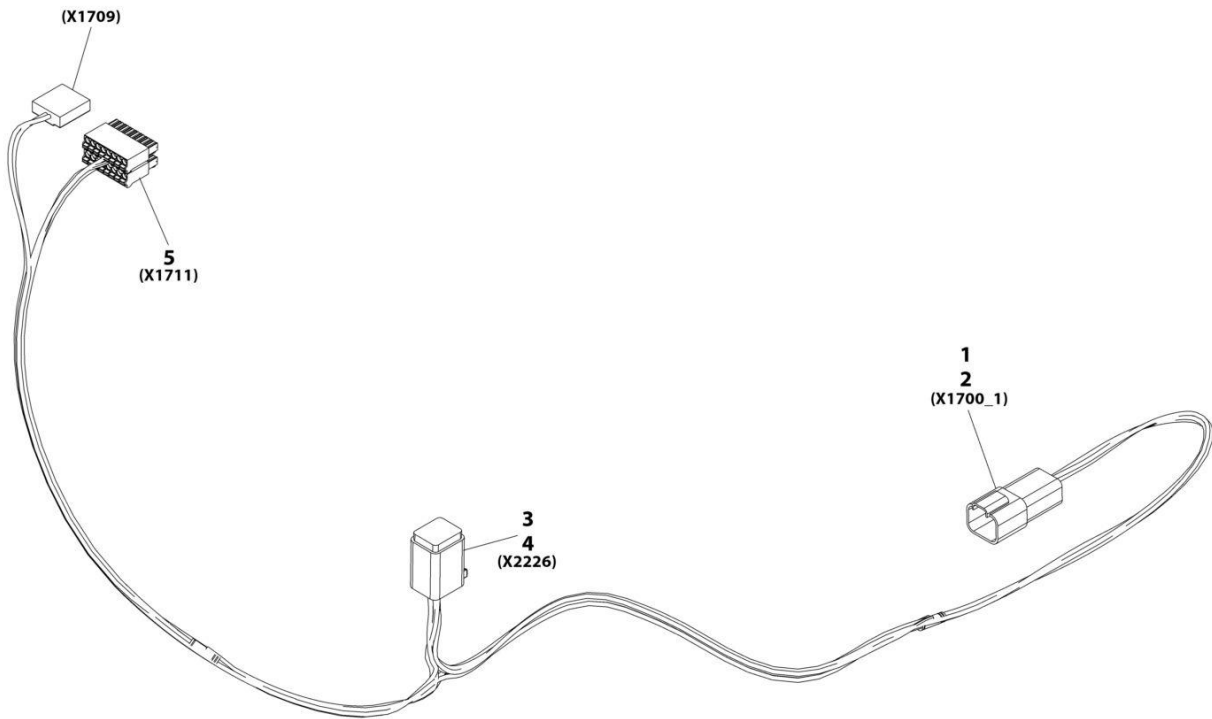
SECTION 10 - ELECTRICAL

FIGURE 10-5. ALARM INSTALLATION - BACKUP (WHITE NOISE)

ITEM	PART NUMBER	QTY	DESCRIPTION	REV
	1001250124	Ref	Backup Alarm Installation (White Noise)	A
1	0760608	2	Bolt M6X16	
2	0760808	2	Bolt M8X16	
3	3290601	2	Nut M6	
4	4811700	4	Washer M6	
5	4811900	2	Washer M8	
6	1001165827	1	Alarm, Backup (White Noise)	
7	1001208904	1	Bracket	

SECTION 10 - ELECTRICAL

FIGURE 10-6. ATTACHMENT RECOGNITION HARNESS



ART_1001250203-B

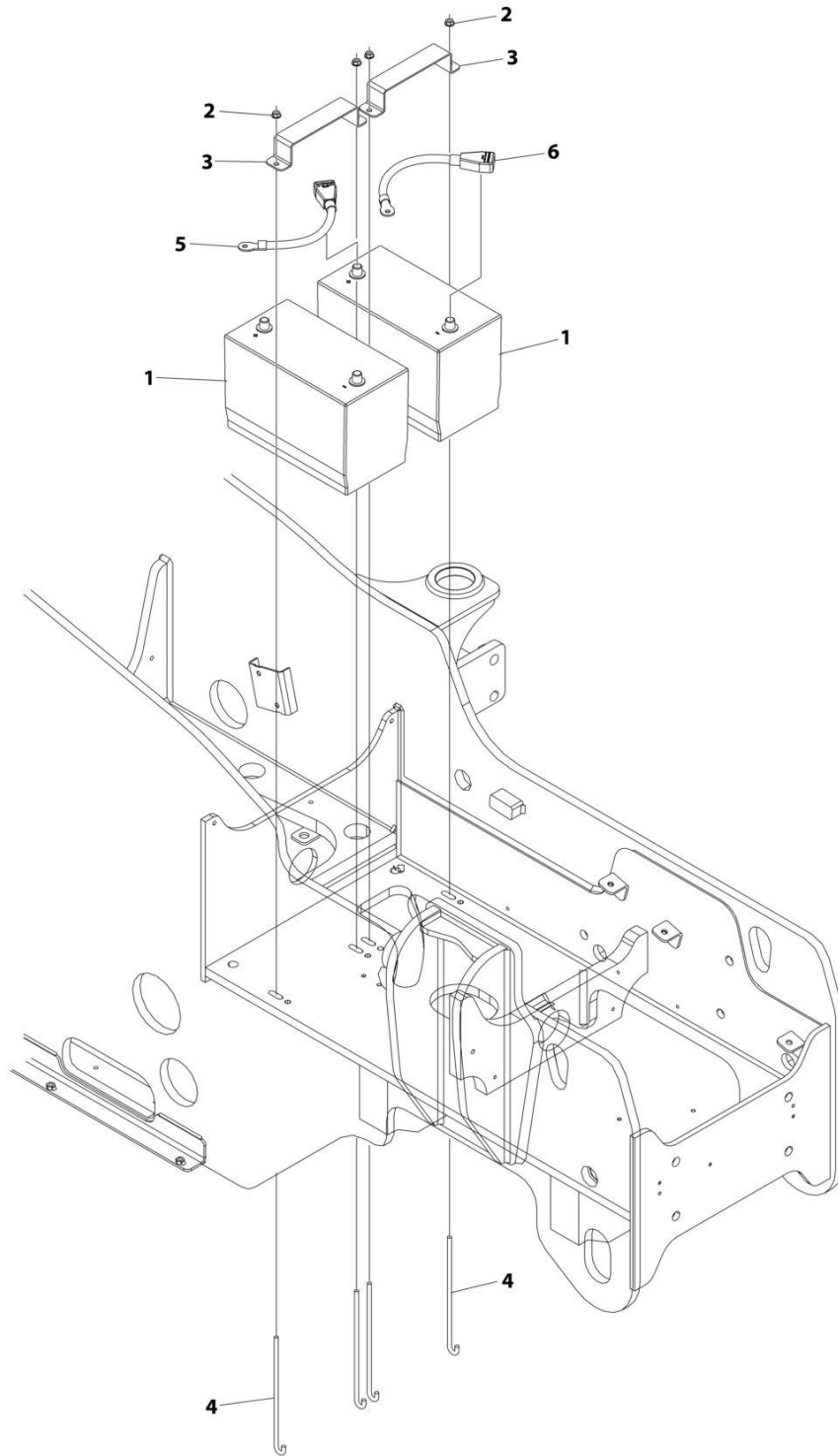
SECTION 10 - ELECTRICAL

FIGURE 10-6. ATTACHMENT RECOGNITION HARNESS

ITEM	PART NUMBER	QTY	DESCRIPTION	REV
	1001250203	Ref	Attachment Recognition Harness	B
1	4460932	1	Connector	
2	4460464	4	Terminal	
3	4460894	1	Connector	
4	4460465	6	Terminal	
5	1001206837	1	Connector	

SECTION 10 - ELECTRICAL

FIGURE 10-7. BATTERY INSTALLATION - DUAL



ART_1001211445_D

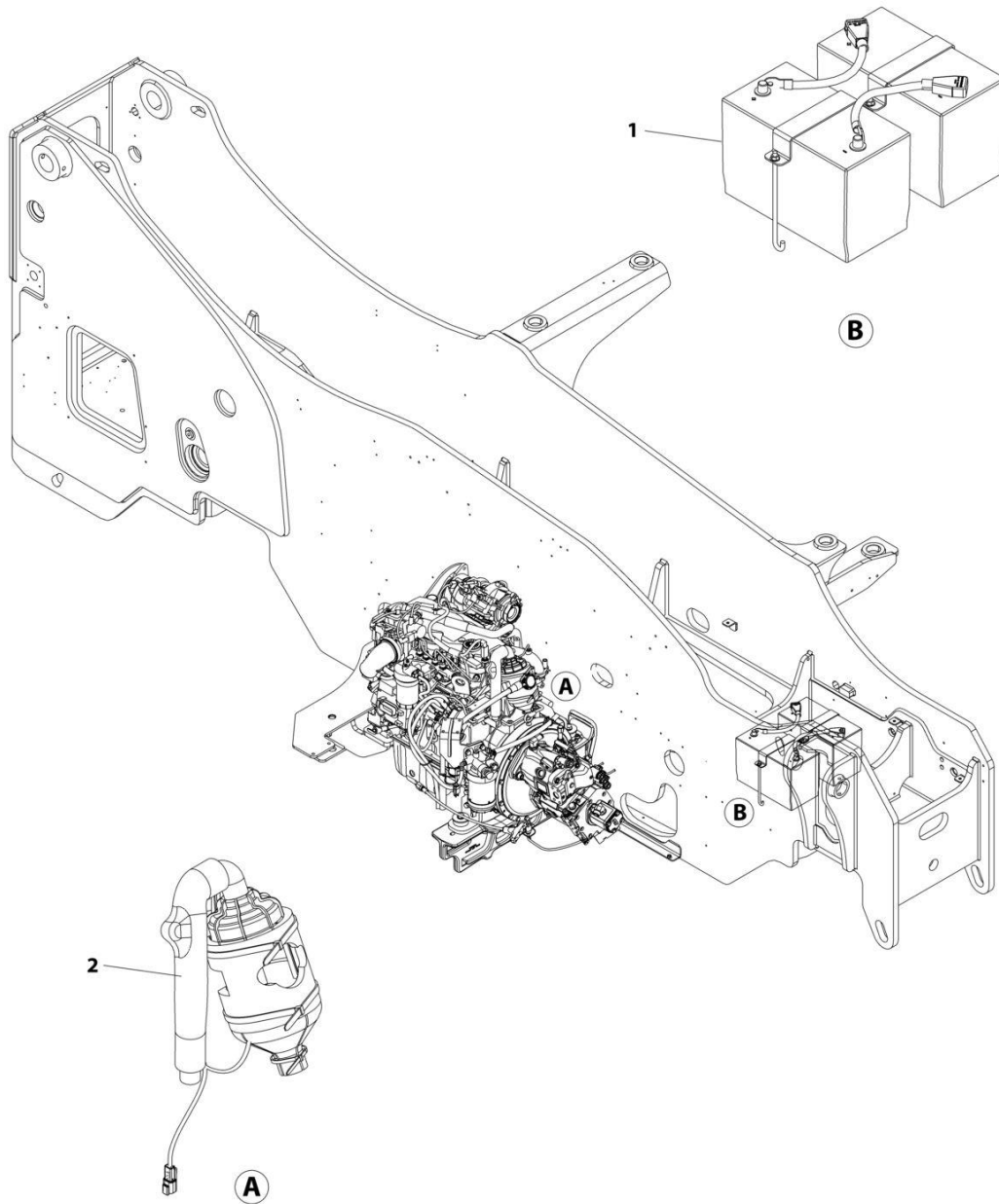
SECTION 10 - ELECTRICAL

FIGURE 10-7. BATTERY INSTALLATION - DUAL

ITEM	PART NUMBER	QTY	DESCRIPTION	REV
	1001211445	Ref	Dual Battery Installation	D
1	0400075	2	Battery, 12V	
2	5220800	4	Nut Ripp M8	
3	1001160927	2	Plate	
4	1001160928	4	J-Bolt (270mm Length)	
4	1001181961	4	J-Bolt (220mm Length)	
5	1001203557	1	Cable, Positive Battery	
6	1001203558	1	Cable, Negative Battery	

SECTION 10 - ELECTRICAL

FIGURE 10-8. BATTERY INSTALLATION - DUAL (WITH BREATHER TUBE HEATER)



ART_1001258815

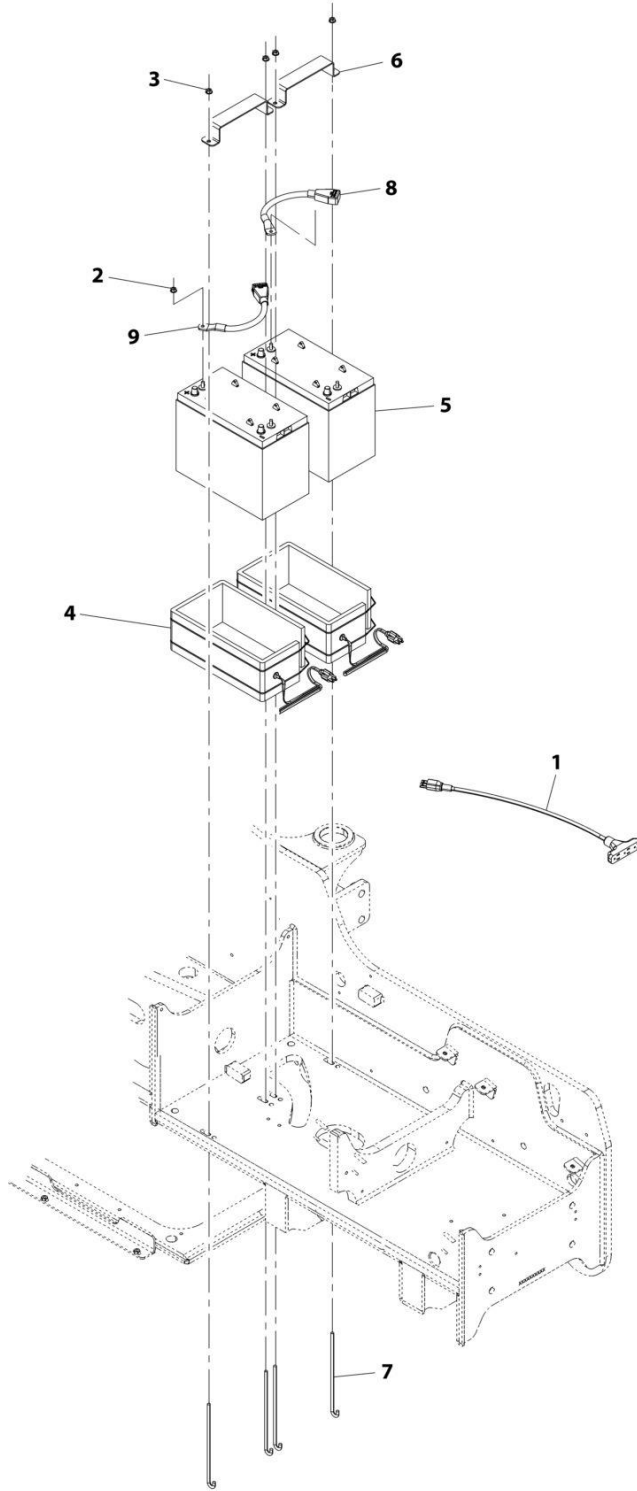
SECTION 10 - ELECTRICAL

FIGURE 10-8. BATTERY INSTALLATION - DUAL (WITH BREATHER TUBE HEATER)

ITEM	PART NUMBER	QTY	DESCRIPTION	REV
	1001258815	Ref	BATTERY INSTALLATION - DUAL (WITH BREATHER TUBE HEATER)	A
1	1001211445	Ref	Dual Battery Installation (See Separate Breakdown in this Section)	
2	1001246882	Ref	Breather Tube Heater Installation (See Separate Breakdown in ENGINE AND ATTACHING PARTS Section)	

SECTION 10 - ELECTRICAL

FIGURE 10-9. BATTERIES INSTALLATION - ARCTIC (115V)



ART_1001195582-B

SECTION 10 - ELECTRICAL

FIGURE 10-9. BATTERIES INSTALLATION - ARCTIC (115V)

ITEM	PART NUMBER	QTY	DESCRIPTION	REV
	1001195582	Ref	Arctic Batteries Installation (115V)	B
1	1060626	1	Cord, 3-Way Extension	
2	3311508	2	Nut 5/16	
3	5220800	4	Nut M8	
4	1001093564	2	Heater, Battery	
5	1001098762	2	Battery 12V	
6	1001160927	2	Plate, Battery Hold Down	
7	1001160928	4	J-Bolt	
8	1001172495	1	Cable, Positive Battery	
9	1001172496	1	Cable, Negative Battery	

SECTION 10 - ELECTRICAL

FIGURE 10-10. BOOM TO FRAME HARNESS



ART_1001243196-C

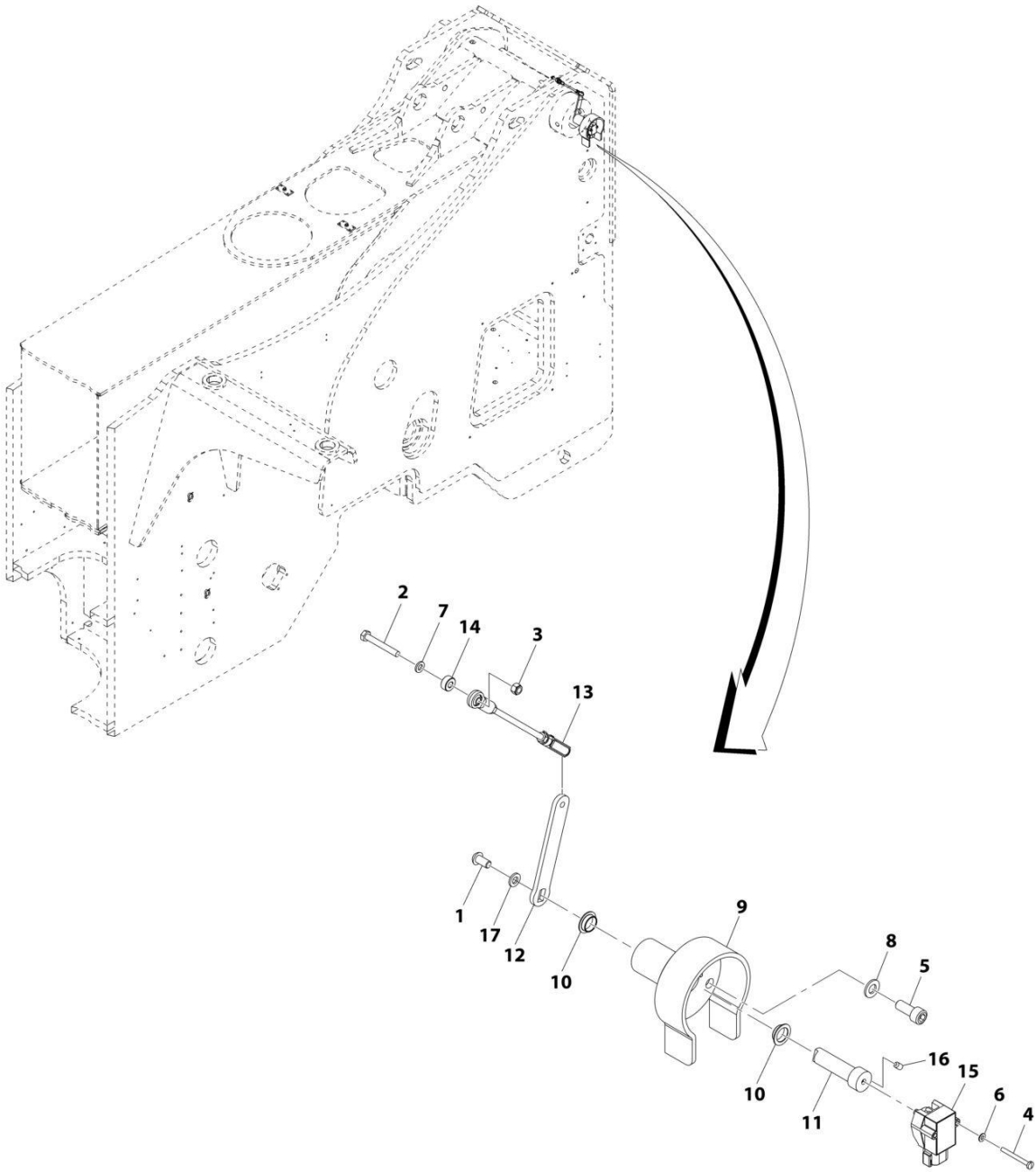
SECTION 10 - ELECTRICAL

FIGURE 10-10. BOOM TO FRAME HARNESS

ITEM	PART NUMBER	QTY	DESCRIPTION	REV
	1001243196	Ref	Boom to Frame Harness	C
1	4461017	1	Connector	
2	1001150610	2	Terminal	
3	4460931	1	Connector	
4	4460943	2	Terminal	
5	4460464	4	Terminal	
6	4460466	2	Plug	
7	4460894	1	Connector	
8	4460944	2	Terminal	
9	4460465	4	Terminal	
10	1001116810	1	Connector	
11	1001150611	2	Terminal	
12	4460466	2	Plug	

SECTION 10 - ELECTRICAL

FIGURE 10-11. BOOM ANGLE SENSOR INSTALLATION (STD)



ART_1001243000-D

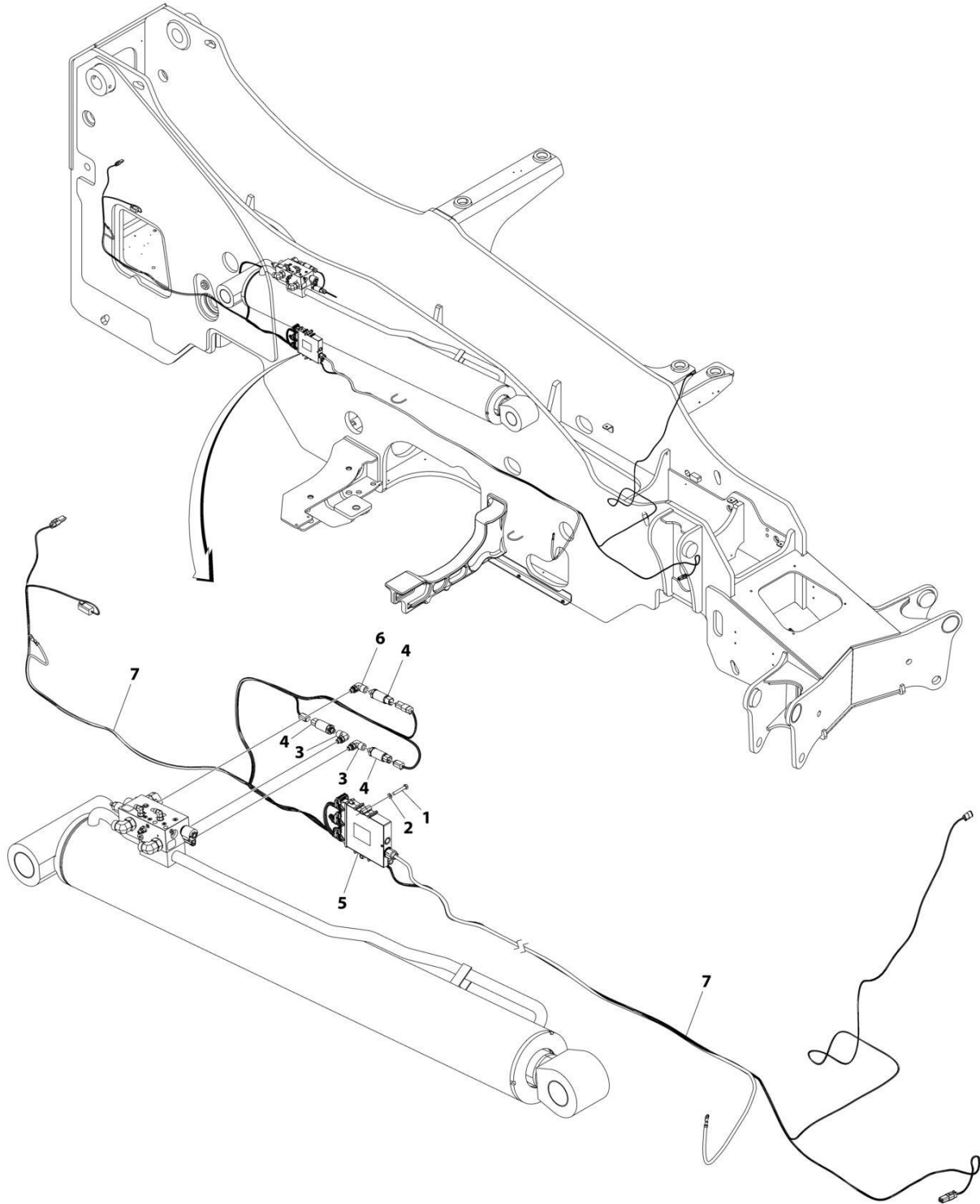
SECTION 10 - ELECTRICAL

FIGURE 10-11. BOOM ANGLE SENSOR INSTALLATION (STD)

ITEM	PART NUMBER	QTY	DESCRIPTION	REV
	1001243000	Ref	Boom Angle Sensor Installation (STD)	D
1	0630615	1	Bolt M8X16	
2	0700617	1	Bolt M6X45	
3	3290605	1	Nut M6	
4	4010416	2	Screw M4X40	
5	4032009	3	Bolt M10X25	
6	4811400	2	Washer M4	
7	4811700	1	Washer M6	
8	4812000	3	Washer M10	
9	1001246985	1	Housing, Angle Sensor Mount	
10	1001246988	2	Bearing	
11	1001246989	1	Shaft	
12	1001246990	1	Link	
13	1001246991	1	Arm	
14	1001246994	1	Sleeve	
15	1001247458	1	Sensor, Boom Angle	
16	1001254643	1	Screw M6X10	
17	4811900	1	Washer, M8	

SECTION 10 - ELECTRICAL

FIGURE 10-12. BOOM DAMPING INSTALLATION



ART_1001266065_B

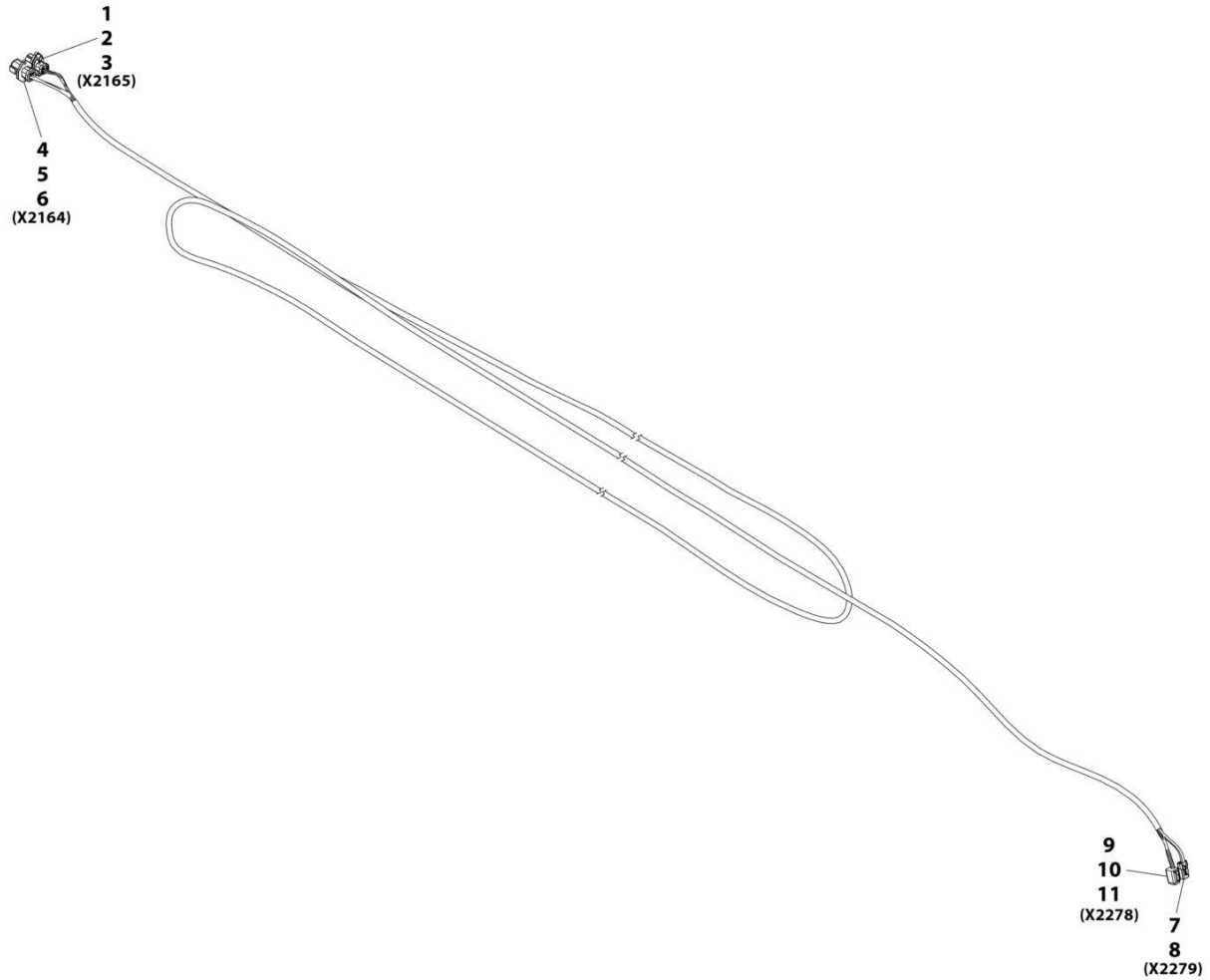
SECTION 10 - ELECTRICAL

FIGURE 10-12. BOOM DAMPING INSTALLATION

ITEM	PART NUMBER	QTY	DESCRIPTION	REV
	1001266065	Ref	BOOM DAMPING INSTALLATION	B
1	0700818	2	Bolt M8 x 50	
2	4811900	2	Washe M8	
3	1001101855	2	Fitting, 90	
4	1001162885	3	Sensor, LMIS Pressure	
5	1001270485	1	Controller, LMIS Module	
6	1001184172	1	Fitting, 90	
7	1001201599	1	Harness, LMIS Chassis Option (See Separate Breakdown in this Section)	

SECTION 10 - ELECTRICAL

FIGURE 10-13. BOOM HARNESS



ART_1001243198-C

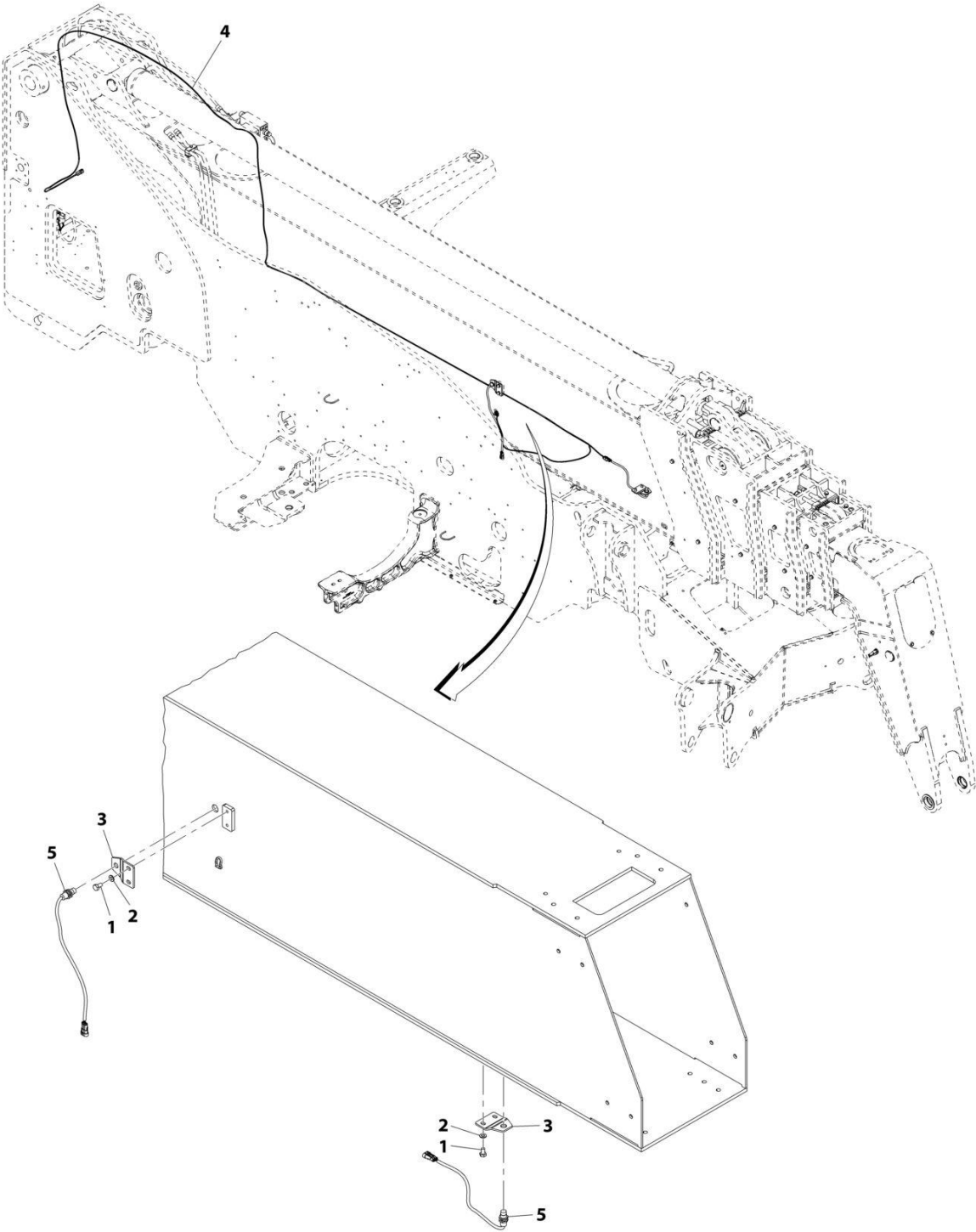
SECTION 10 - ELECTRICAL

FIGURE 10-13. BOOM HARNESS

ITEM	PART NUMBER	QTY	DESCRIPTION	REV
	1001243198	Ref	Boom Harness	C
1	1001243199	1	Connector	
2	4460943	2	Terminal	
3	4460464	4	Terminal	
4	1001200553	1	Connector	
5	1001150610	2	Terminal	
6	4460466	2	Plug	
7	4461018	1	Connector	
8	1001150611	2	Terminal	
9	4460894	1	Connector	
10	4460944	2	Terminal	
11	4460465	4	Terminal	

SECTION 10 - ELECTRICAL

FIGURE 10-14. BOOM RETRACT SENSOR INSTALLATION



ART_1001247092-A

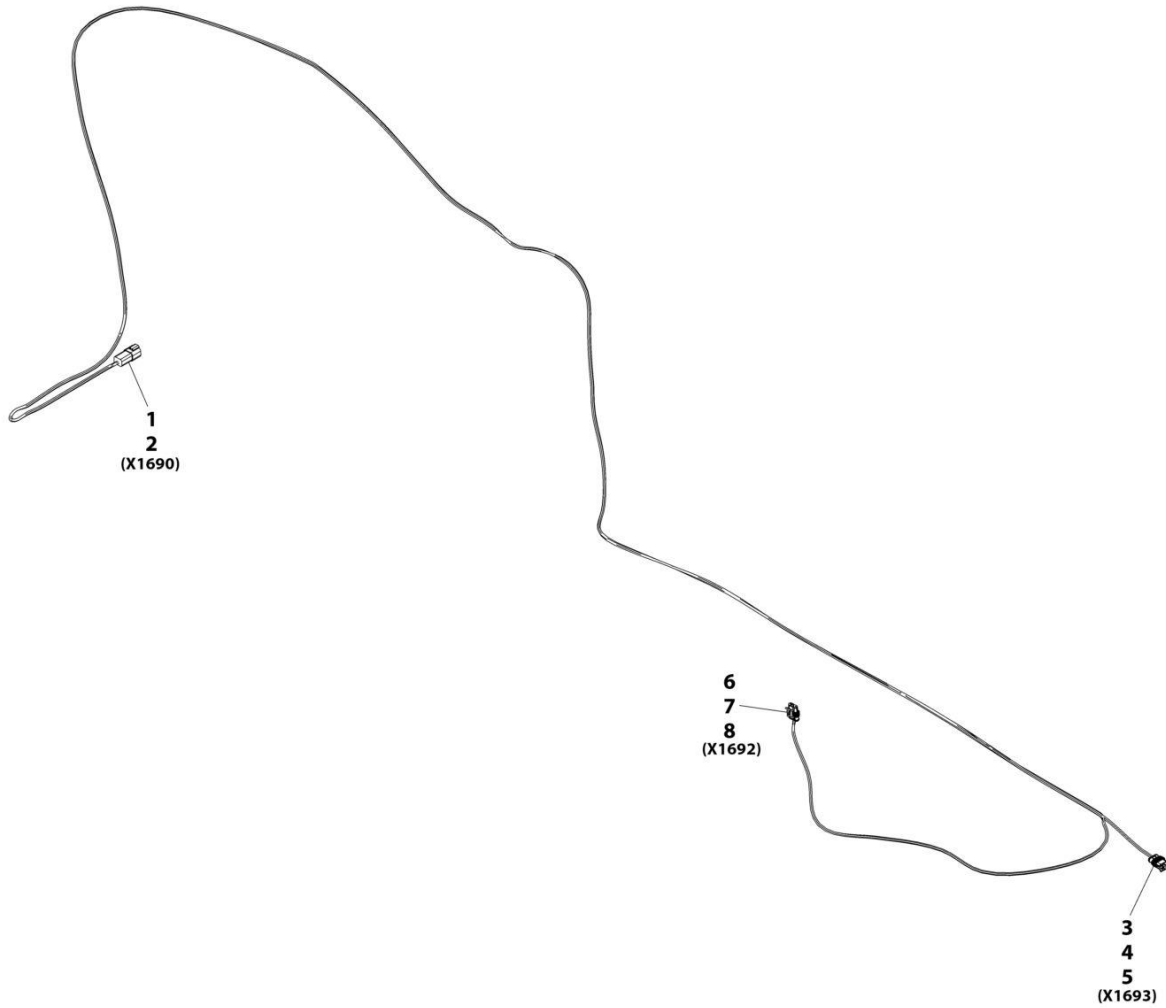
SECTION 10 - ELECTRICAL

FIGURE 10-14. BOOM RETRACT SENSOR INSTALLATION

ITEM	PART NUMBER	QTY	DESCRIPTION	REV
	1001247092	Ref	Boom Retract Sensor Installation	A
1	0761009	4	Bolt	
2	4812000	4	Washer, M10	
3	1001210567	2	Bracket	
4	1001247044	1	Soft Stop Harness (See Separate Breakdown in this Section)	
5	1001183024	2	Sensor, Proximity	

SECTION 10 - ELECTRICAL

FIGURE 10-15. BOOM RETRACT SOFT STOP HARNESS



ART_1001247044-A

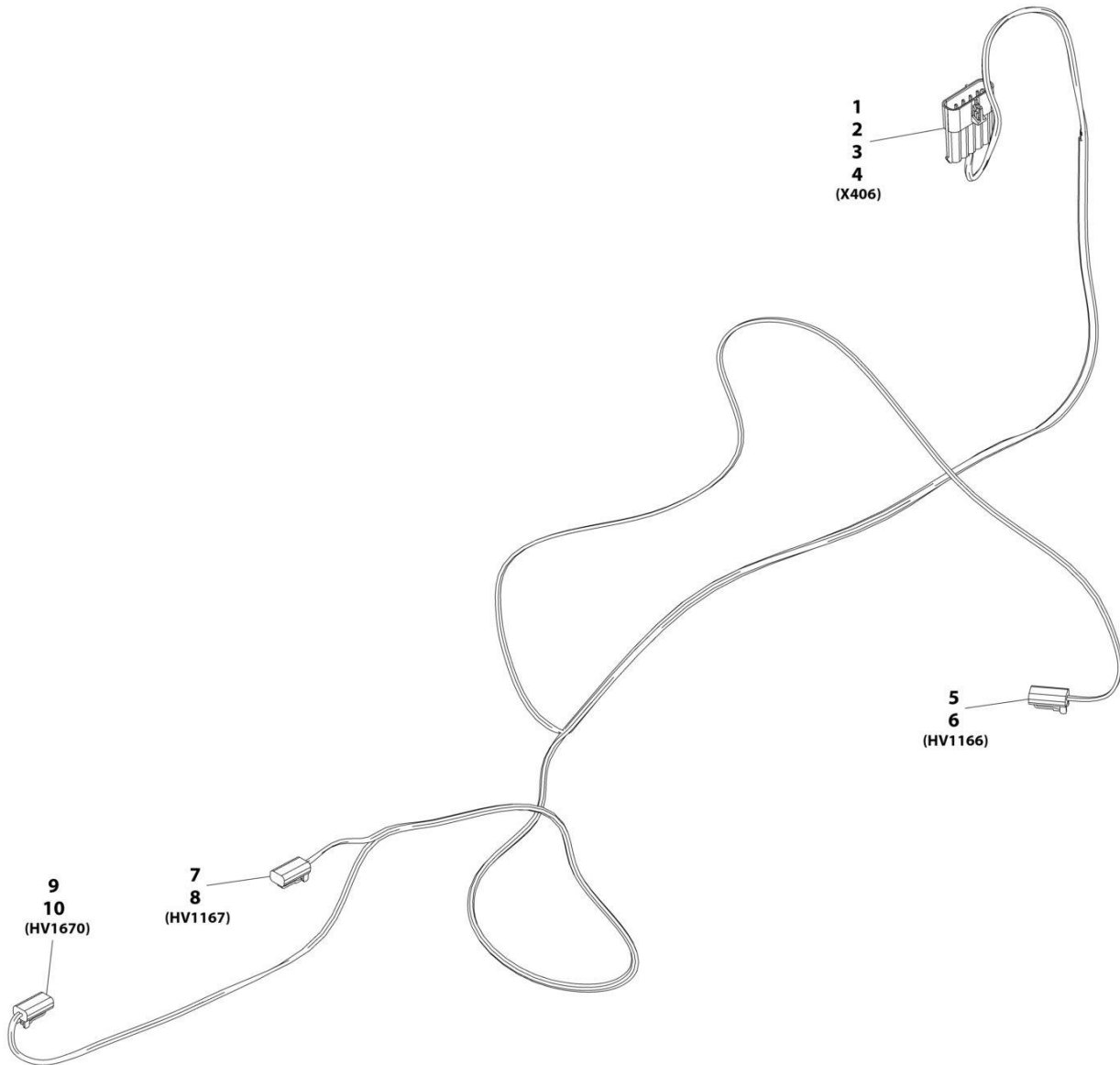
SECTION 10 - ELECTRICAL

FIGURE 10-15. BOOM RETRACT SOFT STOP HARNESS

ITEM	PART NUMBER	QTY	DESCRIPTION	REV
	1001247044	Ref	Boom Retract Soft Stop Harness	A
1	4460932	1	Connector	
2	4460464	4	Terminal	
3	4461262	1	Connector	
4	1001107854	3	Terminal	
5	1001104498	3	Terminal Seal	
6	4461262	1	Connector	
7	1001107854	3	Terminal	
8	1001104498	3	Terminal Seal	

SECTION 10 - ELECTRICAL

FIGURE 10-16. BOOM RIDE/FLOAT HARNESS



ART_1001246832-B

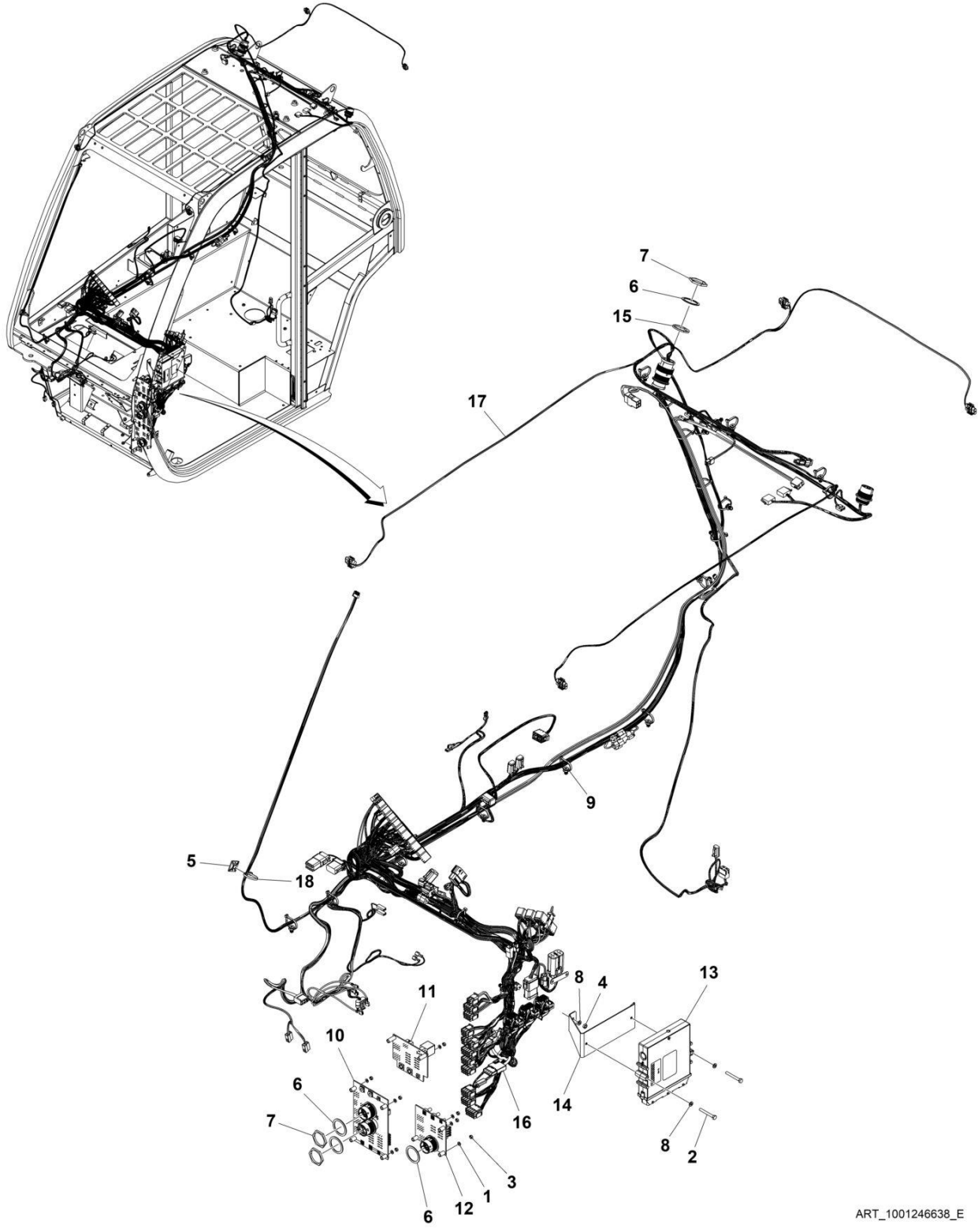
SECTION 10 - ELECTRICAL

FIGURE 10-16. BOOM RIDE/FLOAT HARNESS

ITEM	PART NUMBER	QTY	DESCRIPTION	REV
	1001246832	Ref	Boom Ride/Float Harness	B
1	1001121727	1	Connector	
2	1001116745	4	Terminal	
3	1001116727	1	Plug	
4	4460458	4	Terminal Seal	
5	4460891	1	Connector	
6	4460465	2	Terminal	
7	4460891	1	Connector	
8	4460465	2	Terminal	
9	4460891	1	Connector	
10	4460465	2	Terminal	

SECTION 10 - ELECTRICAL

FIGURE 10-17. CAB ELECTRICAL INSTALLATION



ART_1001246638_E

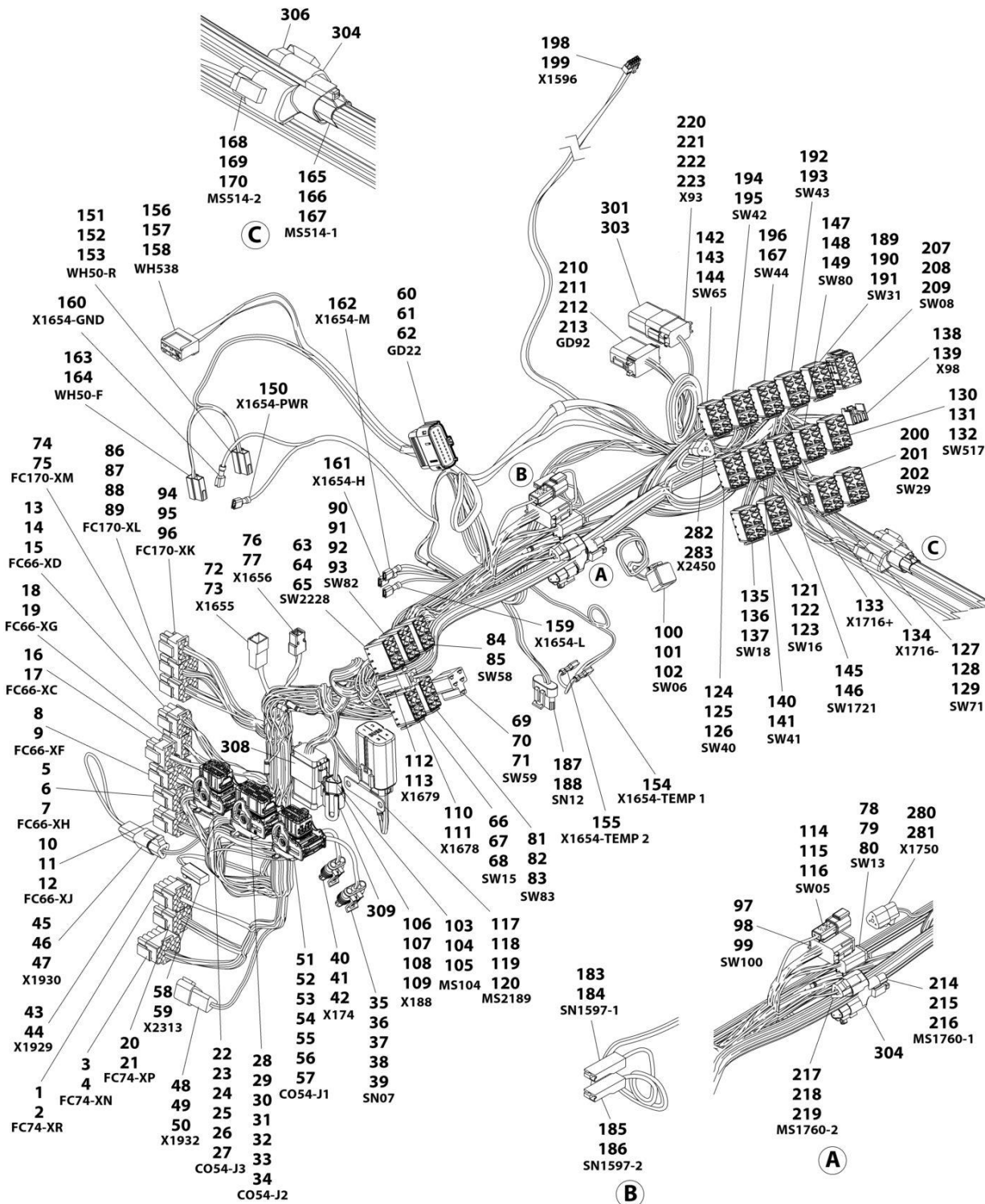
SECTION 10 - ELECTRICAL

FIGURE 10-17. CAB ELECTRICAL INSTALLATION

ITEM	PART NUMBER	QTY	DESCRIPTION	REV
	1001246638	Ref	CAB ELECTRICAL INSTALLATION	E
1	120034	7	Washer, Plastic	
2	0700618	2	Bolt M6X50	
3	3290501	7	Nut M5	
4	3290601	2	Nut M6	
5	4460234	1	Mount, Tie-Strap	
6	4460496	5	Washer, Terminal Lock	
7	4460497	5	Nut, Terminal	
8	4811700	4	Washer M6	
9	1001146588	24	Tie-Strap	
10	1001161769	1	Standard Electrical Board Assembly (See Separate Breakdown in this Section)	
11	1001161770	1	Option 1 Electrical Board Assembly (See Separate Breakdown in this Section)	
12	1001161771	1	Option 2 Electrical Board Assembly (See Separate Breakdown in this Section)	
13	1001270466	1	Module, Cab	
14	1001178933	1	Bracket	
15	1001211693	2	Seal	
16	1001213988	1	Cable, Communication Analyzer	
17	1001282230	1	Cab Harness (See Separate Breakdown in this Section)	
18	1001008559	1	Tie-Strap	

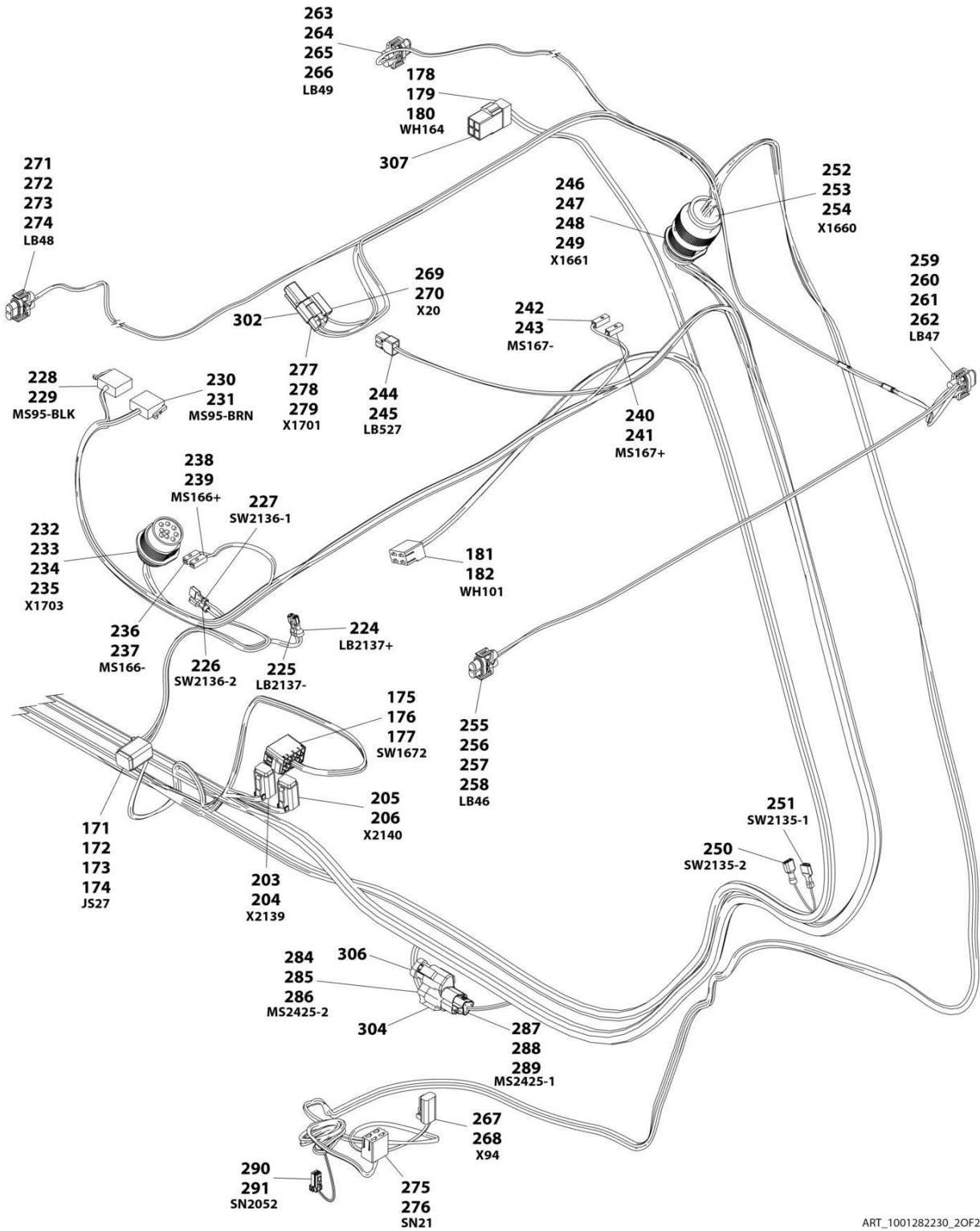
SECTION 10 - ELECTRICAL

FIGURE 10-18. CAB HARNESS



ART_1001282230_10F2

SECTION 10 - ELECTRICAL



ART_1001282230_2OF2

SECTION 10 - ELECTRICAL

FIGURE 10-18. CAB HARNESS

ITEM	PART NUMBER	QTY	DESCRIPTION	REV
	1001282230	Ref	CAB HARNESS	A
1	4460343	1	Connector	
2	4460267	5	Terminal	
3	4460434	1	Connector	
4	4460268	14	Terminal	
5	4460343	1	Connector	
6	4460268	8	Terminal	
7	10011223457	1	Terminal	
8	4460434	1	Connector	
9	4460268	15	Terminal	
10	4460343	1	Connector	
11	4460267	9	Terminal	
12	1001223456	1	Terminal	
13	4460265	1	Connector	
14	1001223457	3	Terminal	
15	4460268	6	Terminal	
16	4460225	1	Connector	
17	4460267	7	Terminal	
18	4460225	1	Connector	
19	4460268	5	Terminal	
20	4460343	1	Connector	
21	4460268	11	Terminal	
22	1001161959	1	Connector	
23	643191201	1	Cover	
24	1001161100	9	Plug	
25	1001161097	15	Terminal	
26	1001161098	1	Terminal	
27	1001161101	7	Plug	
28	1001160502	1	Connector	
29	643201301	1	Cover	
30	1001161097	22	Terminal	
31	1001161100	18	Plug	
32	1001161098	5	Terminal	
33	1001161099	1	Terminal	
34	1001161101	2	Plug	
35	1001103012	1	Connector	
36	1001116698	2	Plug	
37	1001116697	1	Terminal	
38	1001237212	1	Terminal	
39	1001104498	2	Terminal Seal	
40	4461262	1	Connector	
41	1001237212	3	Terminal	
42	1001104498	3	Terminal Seal	
43	4460539	1	Connector	
44	4460465	3	Terminal	
45	4460536	1	Connector	
46	4460464	2	Terminal	
47	4460466	1	Plug	
48	4460536	1	Connector	
49	4460464	2	Terminal	

SECTION 10 - ELECTRICAL

ITEM	PART NUMBER	QTY	DESCRIPTION	REV
50	4460466	1	Plug	
51	1001160498	1	Connector	
52	643191201	1	Cover	
53	1001161097	23	Terminal	
54	1001161100	1	Plug	
55	1001161098	6	Terminal	
56	1001161099	1	Terminal	
57	1001161101	1	Plug	
58	4461290	1	Connector	
59	1001126008	2	Terminal	
60	1001162886	1	Connector	
61	1001163340	13	Plug	
62	1001162887	7	Terminal	
63	1001117081	1	Connector	
64	1001223455	2	Terminal	
65	1001118384	4	Terminal	
66	1001117081	1	Connector	
67	1001118384	6	Terminal	
68	1001223455	1	Terminal	
69	1001173411	1	Connector	
70	1001116716	3	Terminal	
71	1001104519	3	Terminal	
72	1001116999	1	Connector	
73	1001116700	4	Terminal	
74	4460343	1	Connector	
75	4460267	7	Terminal	
76	1001116991	1	Connector	
77	1001116723	2	Terminal	
78	4460933	1	Connector	
79	4460465	7	Terminal	
80	4460466	5	Plug	
81	1001117081	1	Connector	
82	1001118384	6	Terminal	
83	1001223455	1	Terminal	
84	1001117081	1	Connector	
85	1001118384	6	Terminal	
86	4460343	1	Connector	
87	4460268	8	Terminal	
88	4460906	1	Terminal	
89	1001223457	1	Terminal	
90	1001117081	1	Connector	
91	1001116723	2	Terminal	
92	1001223455	1	Terminal	
93	1001118384	4	Terminal	
94	4460225	1	Connector	
95	4460267	5	Terminal	
96	4460705	1	Terminal	
97	4460836	1	Connector	
98	4460942	4	Terminal	
99	4460465	8	Terminal	
100	4460894	1	Connector	

SECTION 10 - ELECTRICAL

ITEM	PART NUMBER	QTY	DESCRIPTION	REV
101	4460465	4	Terminal	
102	4460466	2	Plug	
103	4460933	1	Connector	
104	1001125677	1	Mating Connector	
105	4460465	12	Terminal	
106	1001116812	1	Connector	
107	1001144296	1	Cap	
108	4460944	2	Terminal	
109	4460466	1	Plug	
110	4460320	1	Connector	
111	4460267	2	Terminal	
112	4460424	1	Connector	
113	4460268	2	Terminal	
114	4460897	1	Connector	
115	4460464	1	Terminal	
116	4460466	1	Plug	
117	1001184551	1	Connector	
118	1001177597	1	Diode, 6amp	
119	4460746	8	Terminal	
120	4460458	8	Seal	
121	1001117081	1	Connector	
122	1001118384	6	Terminal	
123	1001223455	1	Terminal	
124	1001117081	1	Connector	
125	1001118384	8	Terminal	
126	1001116723	2	Terminal	
127	1001117081	1	Connector	
128	1001118384	8	Terminal	
129	1001223455	2	Terminal	
130	1001117081	1	Connector	
131	1001118384	6	Terminal	
132	1001223455	1	Terminal	
133	1001194421	1	Terminal	
134	1001194421	1	Terminal	
135	1001117081	1	Connector	
136	1001223455	3	Terminal	
137	1001118384	8	Terminal	
138	1001118684	1	Connector	
139	1001116754	2	Terminal	
140	1001117081	1	Connector	
141	1001118384	7	Terminal	
142	1001117081	1	Connector	
143	1001118384	6	Terminal	
144	1001223455	1	Terminal	
145	1001117081	1	Connector	
146	1001118384	7	Terminal	
147	1001117081	1	Connector	
148	1001118384	6	Terminal	
149	1001223455	1	Terminal	
150	8220051	1	Terminal	
151	4460994	1	Connector	

SECTION 10 - ELECTRICAL

ITEM	PART NUMBER	QTY	DESCRIPTION	REV
152	1001118384	1	Terminal	
153	1001116723	2	Terminal	
154	1001194421	1	Terminal	
155	1001194421	1	Terminal	
156	1001116997	1	Connector	
157	1001118384	4	Terminal	
158	1001116723	1	Terminal	
159	8220051	1	Terminal	
160	8220051	1	Terminal	
161	8220051	1	Terminal	
162	8220051	1	Terminal	
163	4460994	1	Terminal	
164	1001118384	2	Terminal	
165	1001116812	1	Connector	
166	4460944	2	Terminal	
167	4460466	1	Plug	
168	4460539	1	Connector	
169	4460944	2	Terminal	
170	4460466	1	Plug	
171	4460894	1	Connector	
172	4460465	3	Terminal	
173	4460466	1	Plug	
174	4460944	2	Terminal	
175	1001117081	1	Connector	
176	1001223455	4	Terminal	
177	1001118384	2	Terminal	
178	1001116986	1	Connector	
179	1001117011	1	Mating Connector	
180	1001118384	4	Terminal	
181	1001116986	1	Connector	
182	1001118384	4	Terminal	
183	1001116995	1	Connector	
184	1001118379	1	Terminal	
185	1001116995	1	Connector	
186	1001118379	1	Terminal	
187	1001230931	1	Connector	
188	1001116748	6	Terminal	
189	1001117081	1	Connector	
190	1001118384	7	Terminal	
191	1001223455	1	Terminal	
192	1001117081	1	Connector	
193	1001118384	6	Terminal	
194	1001117081	1	Connector	
195	1001118384	6	Terminal	
196	1001117081	1	Connector	
197	1001118384	6	Terminal	
198	1001150735	1	Connector	
199	1001150737	7	Terminal	
200	1001117081	1	Connector	
201	1001118384	7	Terminal	
202	1001223455	2	Terminal	

SECTION 10 - ELECTRICAL

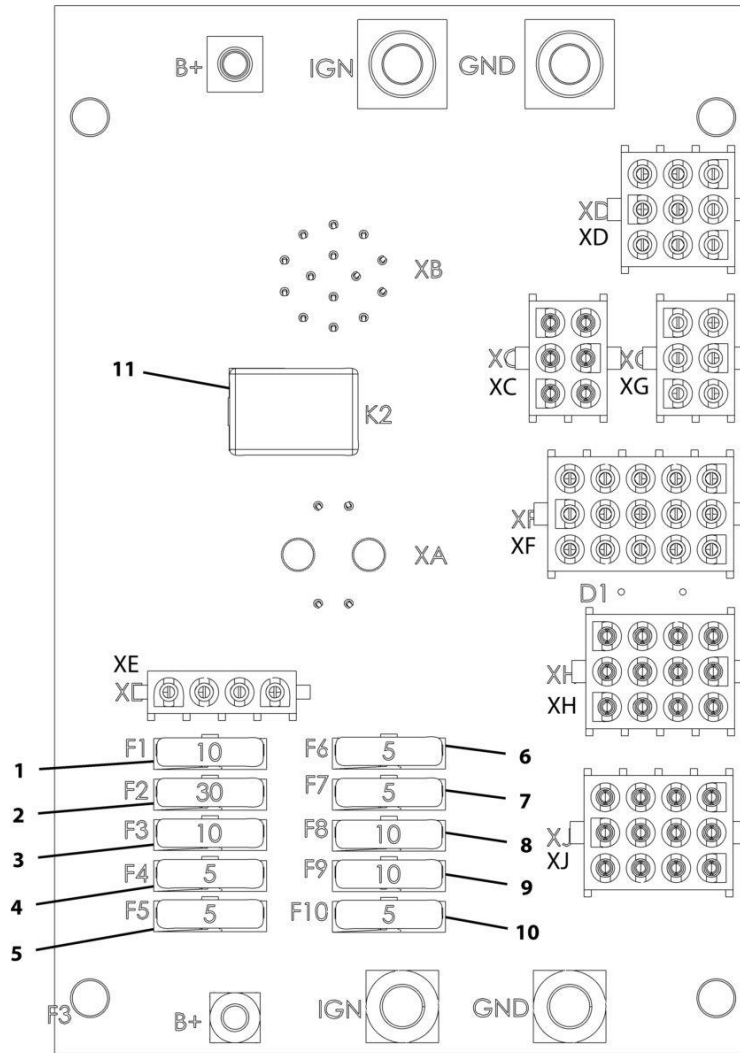
ITEM	PART NUMBER	QTY	DESCRIPTION	REV
203	4460884	1	Connector	
204	4460465	4	Terminal	
205	4460884	1	Connector	
206	4460465	4	Terminal	
207	1001117079	1	Connector	
208	1001118384	4	Terminal	
209	1001223455	3	Terminal	
210	1001176333	1	Connector	
211	4460466	11	Terminal	
212	4460465	3	Terminal	
213	4460944	4	Terminal	
214	1001116812	1	Connector	
215	4460944	2	Terminal	
216	4460466	1	Plug	
217	4460539	1	Connector	
218	4460944	2	Terminal	
219	4460466	1	Plug	
220	4460930	1	Connector	
221	4460931	1	Mating Connector	
222	4460466	6	Plug	
223	4460465	2	Terminal	
224	1001201885	1	Connector	
225	1001201885	1	Connector	
226	1001194421	1	Terminal	
227	1001194421	1	Terminal	
228	1001116985	1	Connector	
229	1001118386	3	Terminal	
230	1001116984	1	Connector	
231	1001118386	4	Terminal	
232	1001112612	1	Connector	
233	4460464	4	Terminal	
234	4460943	4	Terminal	
235	4460466	1	Plug	
236	1001116998	1	Connector	
237	1001118387	1	Terminal	
238	1001116998	1	Connector	
239	1001118387	1	Terminal	
240	1001116998	1	Connector	
241	1001118387	1	Terminal	
242	1001116998	1	Connector	
243	1001118387	1	Terminal	
244	1001116991	1	Connector	
245	1001118384	2	Terminal	
246	1001137000	1	Connector	
247	4460928	2	Terminal	
248	1001126008	12	Terminal	
249	4460518	8	Plug	
250	1001194421	1	Terminal	
251	1001194421	1	Terminal	
252	1001136999	1	Connector	
253	1001126011	14	Terminal	

SECTION 10 - ELECTRICAL

ITEM	PART NUMBER	QTY	DESCRIPTION	REV
254	4460518	7	Plug	
255	4461115	1	Connector	
256	1001103564	1	Lock, Terminal	
257	4460746	2	Terminal	
258	4460458	2	Terminal Seal	
259	4461115	1	Connector	
260	1001103564	1	Lock, Terminal	
261	4460746	2	Terminal	
262	4460458	2	Terminal Seal	
263	4461115	1	Connector	
264	1001103564	1	Lock, Terminal	
265	4460746	2	Terminal	
266	4460458	2	Terminal Seal	
267	4460891	1	Connector	
268	4460465	2	Terminal	
269	4460944	1	Connector	
270	1001118384	2	Terminal	
271	4461115	1	Connector	
272	1001103564	1	Lock, Terminal	
273	4460746	2	Terminal	
274	4460458	2	Terminal Seal	
275	1001116986	1	Connector	
276	1001118384	5	Terminal	
277	4460891	1	Connector	
278	4460897	1	Connector	
279	4460465	2	Terminal	
280	4460539	1	Connector	
281	4460465	3	Terminal	
282	4460539	1	Connector	
283	4460465	3	Terminal	
284	4460539	1	Connector	
285	4460944	2	Terminal	
286	4460466	1	Plug	
287	1001116812	1	Connector	
288	4460944	2	Terminal	
289	4460466	1	Plug	
290	1001264844	1	Connector	
291	1001264861	2	Terminal	
301	4460466	8	Plug	
302	4460897	1	Connector	
303	4460931	1	Connector	
304	4460945	3	Terminal	
305	1001008559	3	Tie-Strap (Not Shown)	
306	1001116815	2	Connector	
307	1001117011	1	Connector	
308	1001119020	1	Connector	
309	1001144296	1	Cap	

SECTION 10 - ELECTRICAL

FIGURE 10-19. CAB - STANDARD ELECTRICAL BOARD ASSEMBLY



ART_1001161769-C

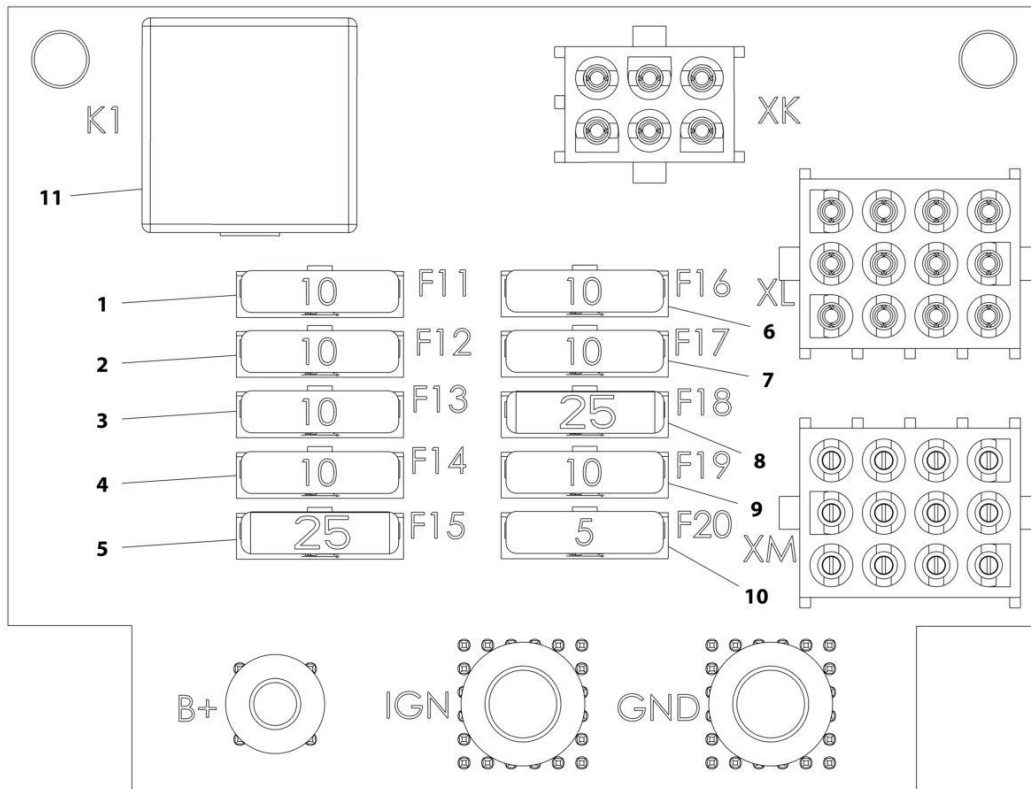
SECTION 10 - ELECTRICAL

FIGURE 10-19. CAB - STANDARD ELECTRICAL BOARD ASSEMBLY

ITEM	PART NUMBER	QTY	DESCRIPTION	REV
	1001161769	Ref	Standard Electrical Board Assembly	C
1	80983191	1	Fuse, 10AMP	
2	8229245	1	Fuse, 30AMP	
3	80983191	1	Fuse, 10AMP	
4	8229242	1	Fuse, 5AMP	
5	8229242	1	Fuse, 5AMP	
6	8229242	1	Fuse, 5AMP	
7	8229242	1	Fuse, 5AMP	
8	80983191	1	Fuse, 10AMP	
9	80983191	1	Fuse, 10AMP	
10	8229242	1	Fuse, 5AMP	
11	70026292	1	Fuse, 35AMP	

SECTION 10 - ELECTRICAL

FIGURE 10-20. CAB - OPTION 1 ELECTRICAL BOARD ASSEMBLY



ART_1001161770-C

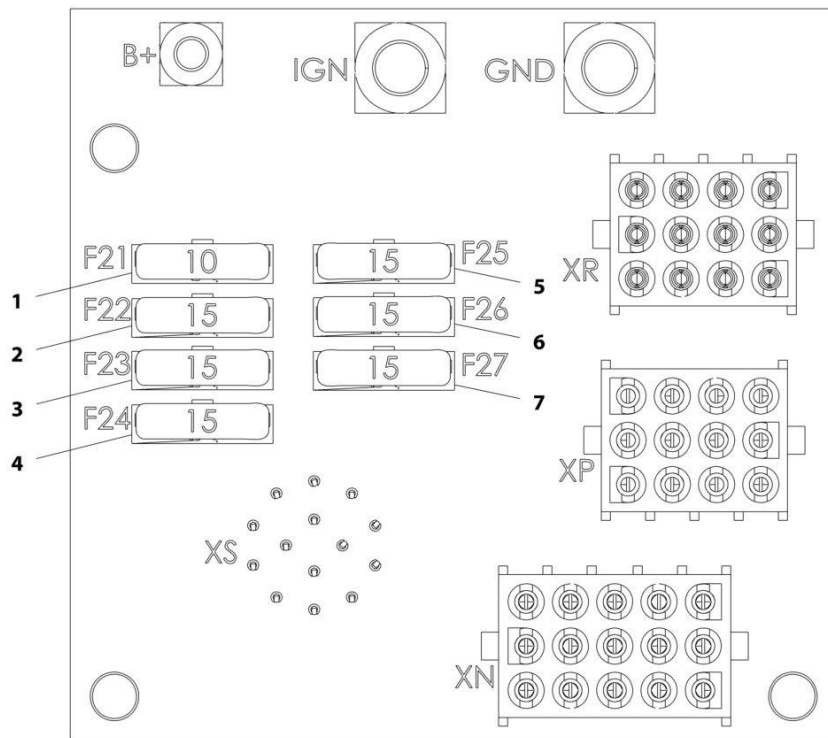
SECTION 10 - ELECTRICAL

FIGURE 10-20. CAB - OPTION 1 ELECTRICAL BOARD ASSEMBLY

ITEM	PART NUMBER	QTY	DESCRIPTION	REV
	1001161770	Ref	Option 1 Electrical Board Assembly	C
1	80983191	1	Fuse, 10AMP	
2	80983191	1	Fuse, 10AMP	
3	80983191	1	Fuse, 10AMP	
4	80983191	1	Fuse, 10AMP	
5	8229247	1	Fuse, 25AMP	
6	80983191	1	Fuse, 10AMP	
7	80983191	1	Fuse, 10AMP	
8	8229247	1	Fuse, 25AMP	
9	80983191	1	Fuse, 10AMP	
10	8229242	1	Fuse, 5AMP	
11	70026293	1	Fuse, 50AMP	

SECTION 10 - ELECTRICAL

FIGURE 10-21. CAB - OPTION 2 ELECTRICAL BOARD ASSEMBLY



ART_1001161771-B

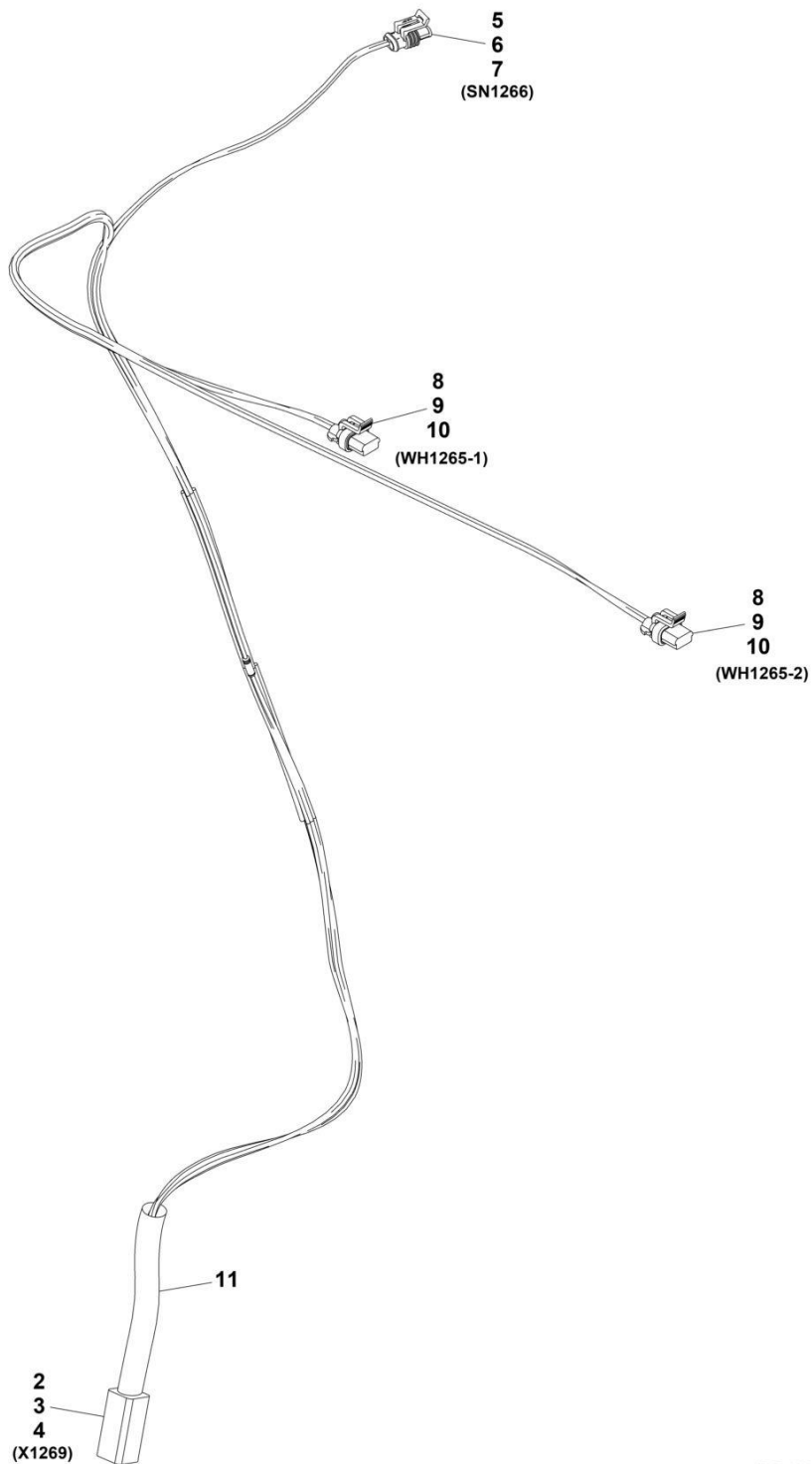
SECTION 10 - ELECTRICAL

FIGURE 10-21. CAB - OPTION 2 ELECTRICAL BOARD ASSEMBLY

ITEM	PART NUMBER	QTY	DESCRIPTION	REV
	1001161771	Ref	Option 2 Electrical Board Assembly	B
1	80983191	1	Fuse, 10AMP	
2	8229244	1	Fuse, 15AMP	
3	8229244	1	Fuse, 15AMP	
4	8229244	1	Fuse, 15AMP	
5	8229244	1	Fuse, 15AMP	
6	8229244	1	Fuse, 15AMP	
7	8229244	1	Fuse, 15AMP	

SECTION 10 - ELECTRICAL

FIGURE 10-22. CAB - A/C OPTION HARNESS



ART_1001169151

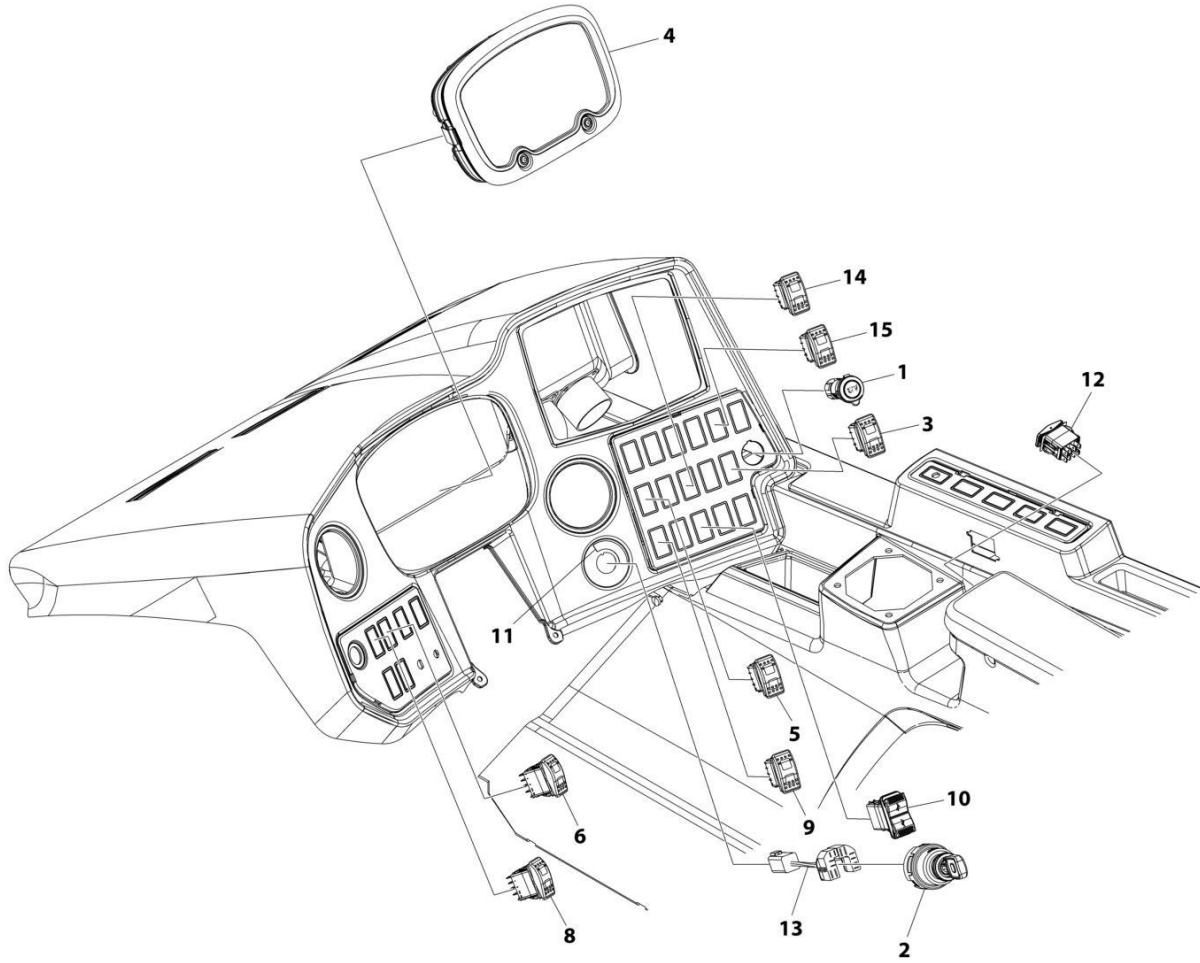
SECTION 10 - ELECTRICAL

FIGURE 10-22. CAB - A/C OPTION HARNESS

ITEM	PART NUMBER	QTY	DESCRIPTION	REV
	1001169151	Ref	A/C Option Harness	G
2	4460899	1	Connector	
3	4460941	4	Terminal	
4	4460464	2	Terminal	
5	4461118	1	Connector	
6	1001107854	2	Terminal	
7	1001116763	2	Seal	
8	1001117021	2	Connector	
9	1001116747	4	Terminal	
10	4460789	4	Seal	
11	70028546	1	Backshell	

SECTION 10 - ELECTRICAL

FIGURE 10-23. CAB - DASH ELECTRICAL INSTALLATION



ART_1001249631_C

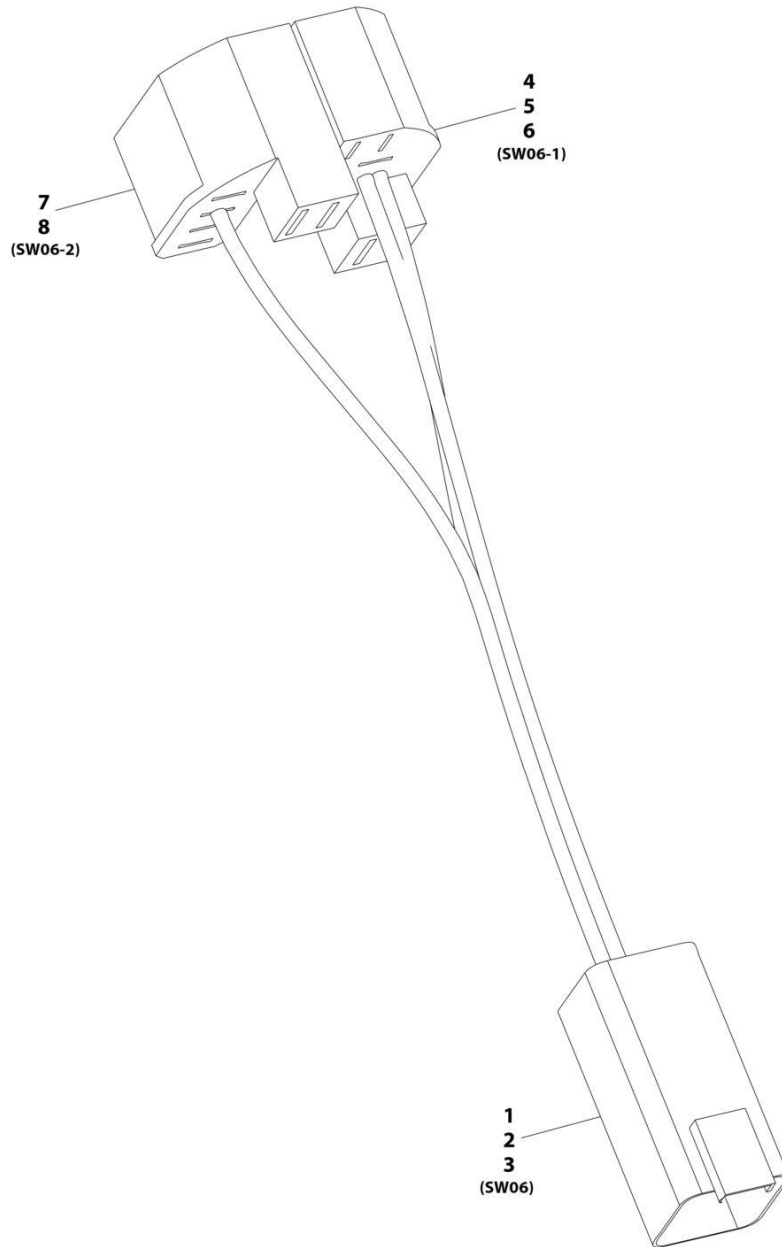
SECTION 10 - ELECTRICAL

FIGURE 10-23. CAB - DASH ELECTRICAL INSTALLATION

ITEM	PART NUMBER	QTY	DESCRIPTION	REV
	1001249631	Ref	DASH ELECTRICAL INSTALLATION	C
1	1001095804	1	Connector, 12V Power Socket	
2	1001102502	1	Switch, 4 Position Key	
3	1001104654	1	Switch, AUX Decomp	
4	1001158146	1	Cluster, Electrical Gauge	
5	1001159735	1	Switch, Rear Wiper	
6	1001159741	1	Switch, Constant AUX	
8	1001159753	1	Switch, Park Brake	
9	1001159849	1	Switch, Steer Mode	
10	1001174712	1	Charger, USB	
11	1001181531	1	Decal, Ignition Switch	
12	1001212470	1	Switch, Frame Level	
13	1001223968	1	Ignition Switch Harness (See Separate Breakdown in this Section)	
14	1001159746	1	Switch, Auxiliary Electric	
15	1001285715	1	Switch, Beacon	

SECTION 10 - ELECTRICAL

FIGURE 10-24. CAB - IGNITION SWITCH HARNESS



ART_1001223968-A

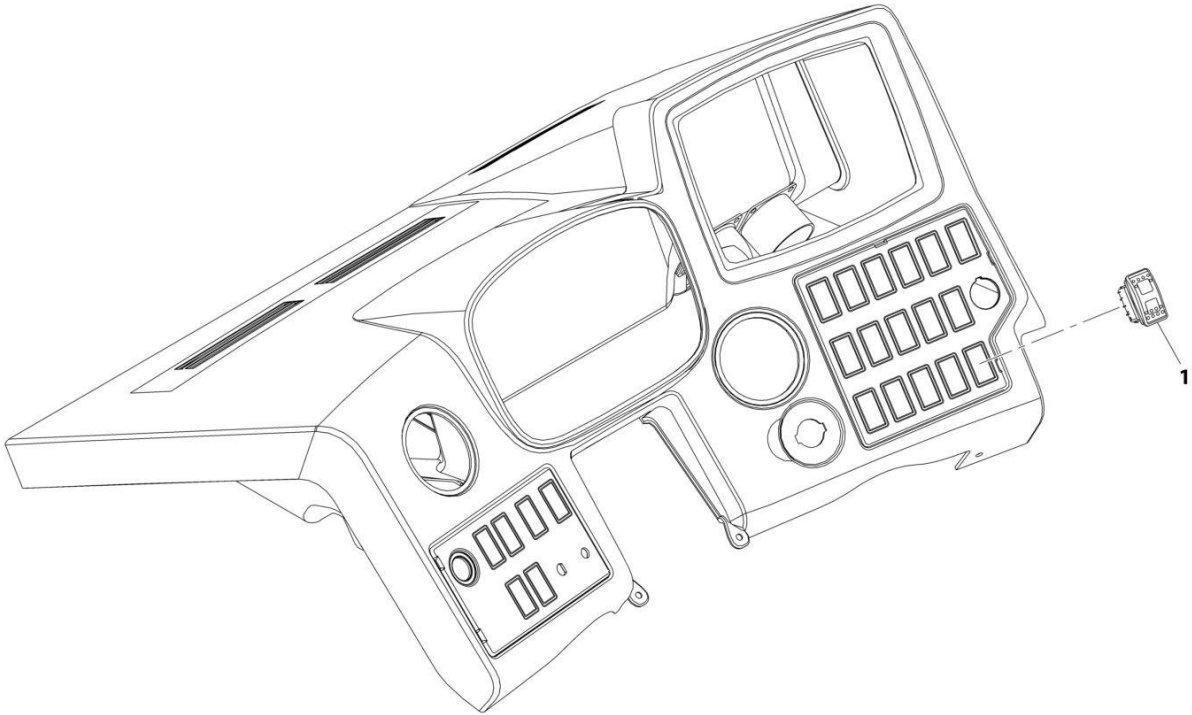
SECTION 10 - ELECTRICAL

FIGURE 10-24. CAB - IGNITION SWITCH HARNESS

ITEM	PART NUMBER	QTY	DESCRIPTION	REV
	1001223968	Ref	Ignition Switch Harness	A
1	4460899	1	Connector	
2	4460464	3	Terminal	
3	4460466	3	Plug	
4	1001118685	1	Connector	
5	1001104519	1	Terminal	
6	1001118383	1	Terminal	
7	1001117121	1	Connector	
8	1001104519	1	Terminal	

SECTION 10 - ELECTRICAL

FIGURE 10-25. CAB - LIGHT SWITCH INSTALLATION



ART_1001215121-A

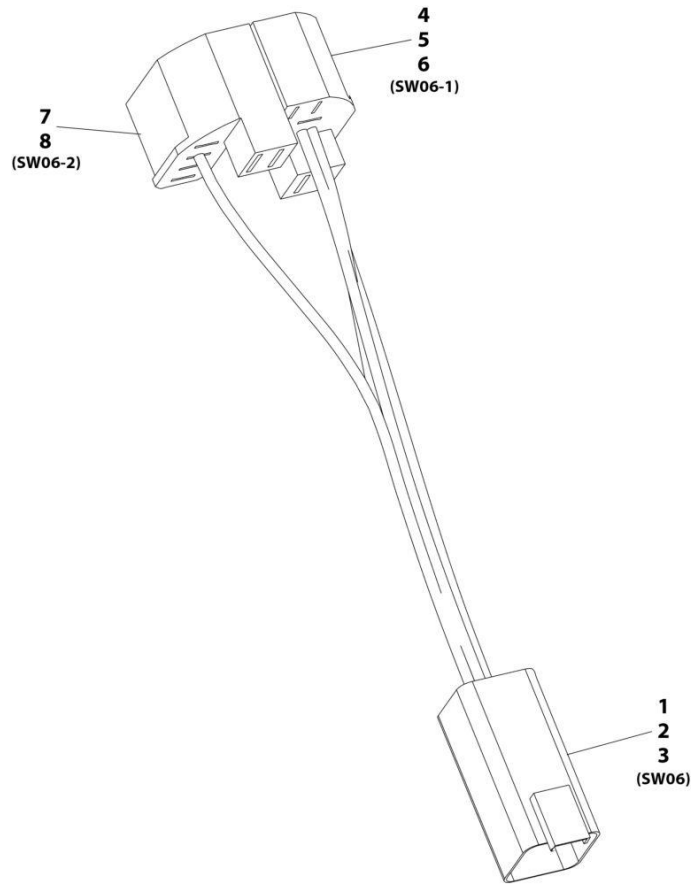
SECTION 10 - ELECTRICAL

FIGURE 10-25. CAB - LIGHT SWITCH INSTALLATION

ITEM	PART NUMBER	QTY	DESCRIPTION	REV
1	1001215121 1001163639	Ref 1	Light Switch Installation Switch, Light	A

SECTION 10 - ELECTRICAL

FIGURE 10-26. CAB KEY HARNESS (REMOTE CONTROL BOOM)



ART_1001241610-A

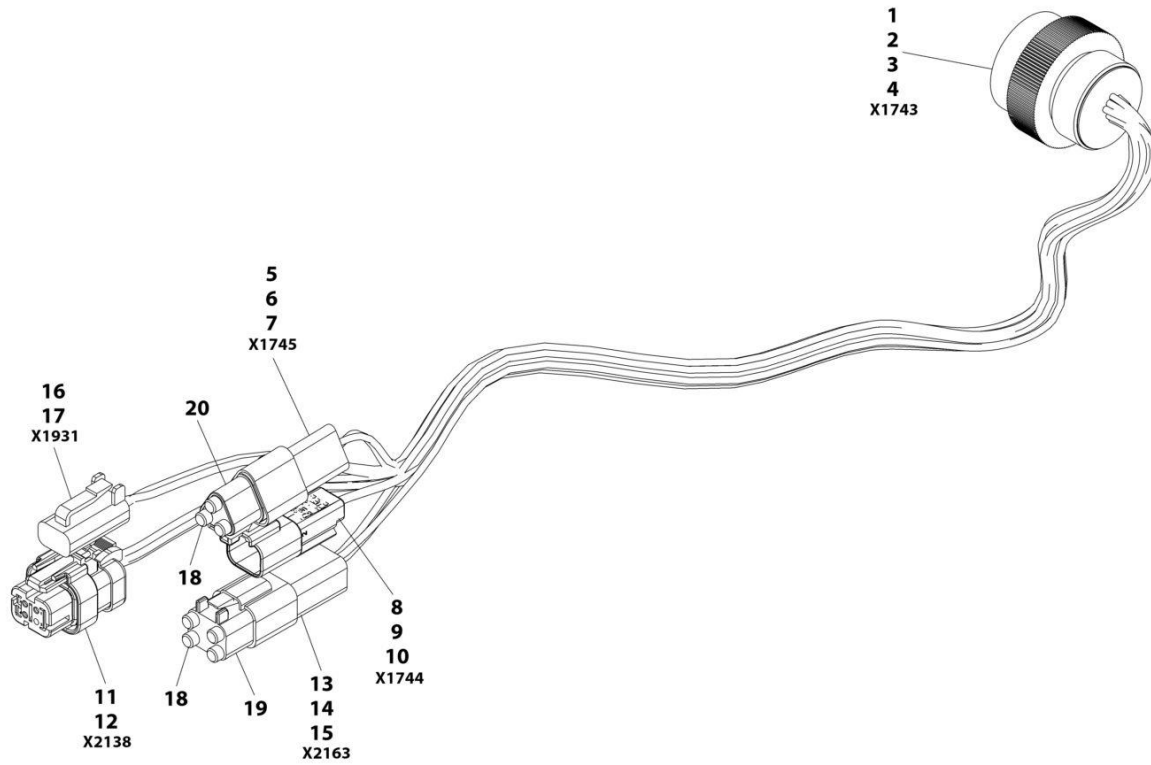
SECTION 10 - ELECTRICAL

FIGURE 10-26. CAB KEY HARNESS (REMOTE CONTROL BOOM)

ITEM	PART NUMBER	QTY	DESCRIPTION	REV
	1001241610	Ref	Key Harness	A
1	4460899	1	Connector	
2	4460464	4	Terminal	
3	4460466	2	Plug	
4	1001118685	1	Connector	
5	1001104519	2	Terminal	
6	1001118383	1	Terminal	
7	1001117121	1	Connector	
8	1001104519	1	Terminal	

SECTION 10 - ELECTRICAL

FIGURE 10-27. CAB OPTION HARNESS



ART_1001243044

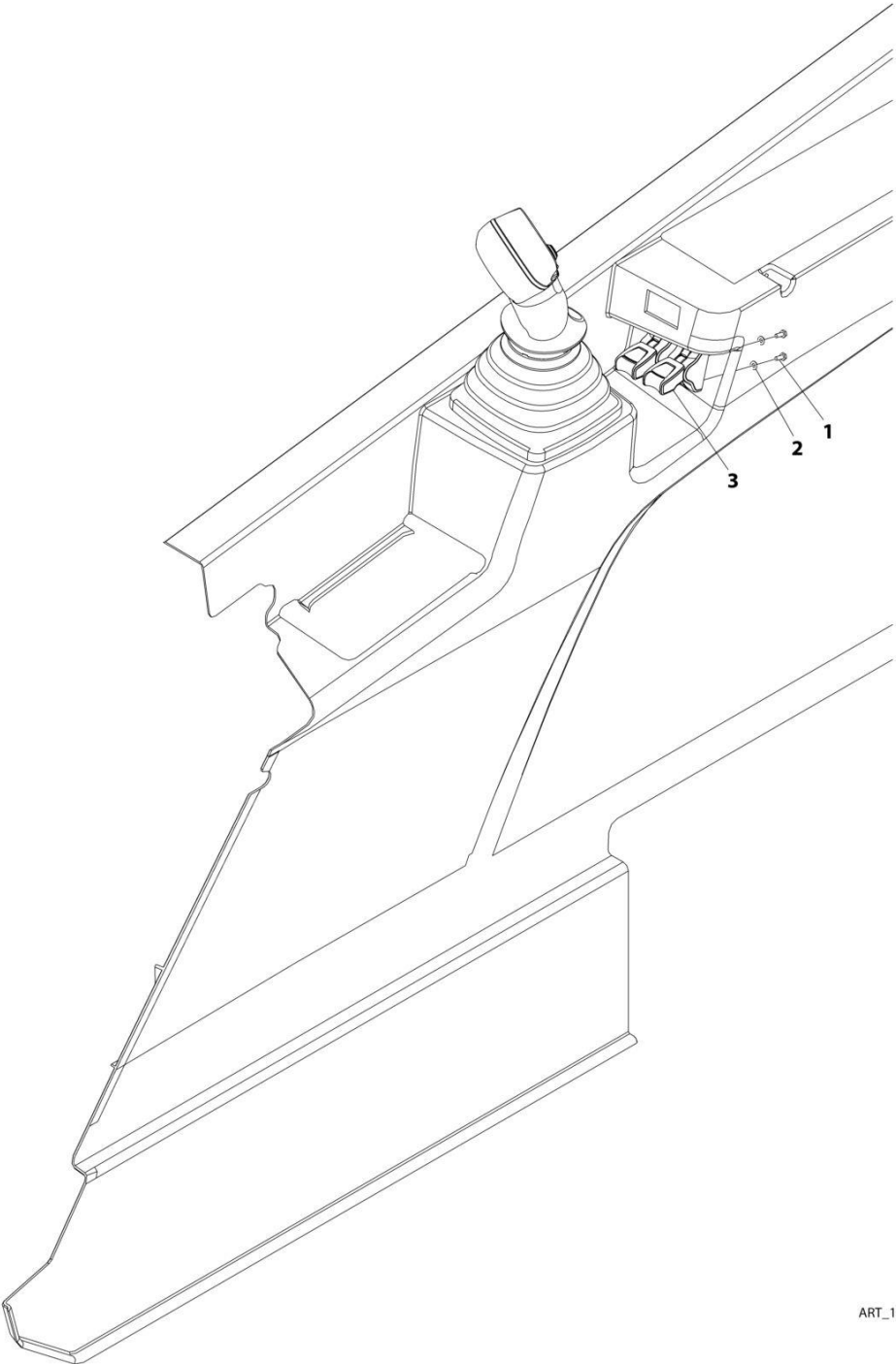
SECTION 10 - ELECTRICAL

FIGURE 10-27. CAB OPTION HARNESS

ITEM	PART NUMBER	QTY	DESCRIPTION	REV
	1001243044	Ref	Cab Option Harness	D
1	4461015	1	Connector	
2	4460465	9	Terminal	
3	4460466	2	Plug	
4	4460942	1	Terminal	
5	1001144147	1	Connector	
6	4460943	2	Terminal	
7	4460466	1	Plug	
8	4460897	1	Connector	
9	4460941	1	Terminal	
10	4460466	1	Plug	
11	1001130962	1	Connector	
12	4460465	4	Terminal	
13	4460932	1	Connector	
14	4460464	3	Terminal	
15	4460466	1	Plug	
16	4460891	1	Connector	
17	4460465	2	Terminal	
18	4460466	4	Plug	
19	4460884	1	Plug	
20	1001116815	1	Plug - 3 Position	

SECTION 10 - ELECTRICAL

FIGURE 10-28. CAB - OUTRIGGER SWITCHES INSTALLATION



ART_1001174478-C

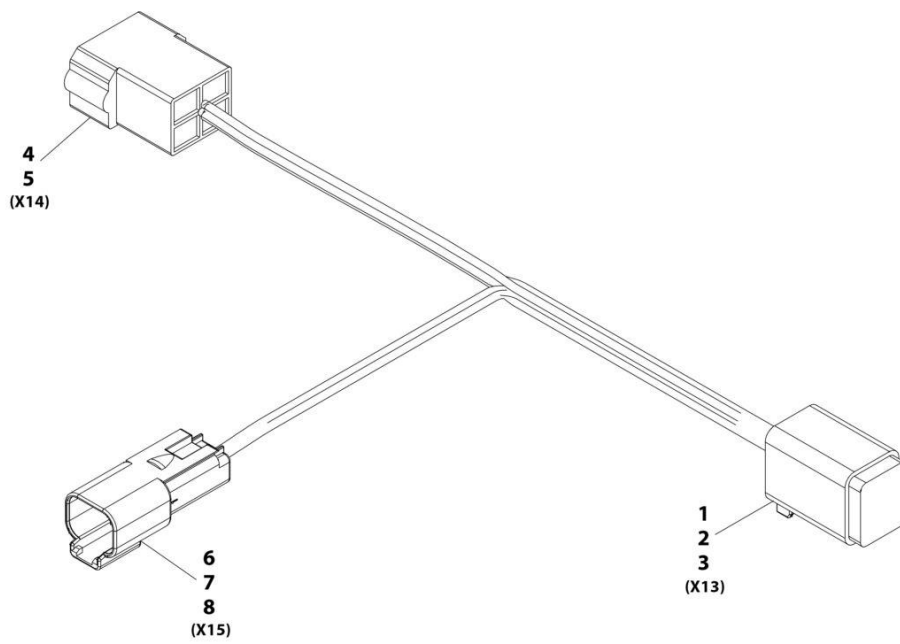
SECTION 10 - ELECTRICAL

FIGURE 10-28. CAB - OUTRIGGER SWITCHES INSTALLATION

ITEM	PART NUMBER	QTY	DESCRIPTION	REV
	1001174478	Ref	Outrigger Switches Installation	C
1	0760304	4	Bolt M3X8 GR8.8	
2	1001110544	4	Washer M3	
3	1001242098	2	Control, Fingertip Joystick	

SECTION 10 - ELECTRICAL

FIGURE 10-29. CAB - SEAT ADAPTOR HARNESS



ART_1001168531-A

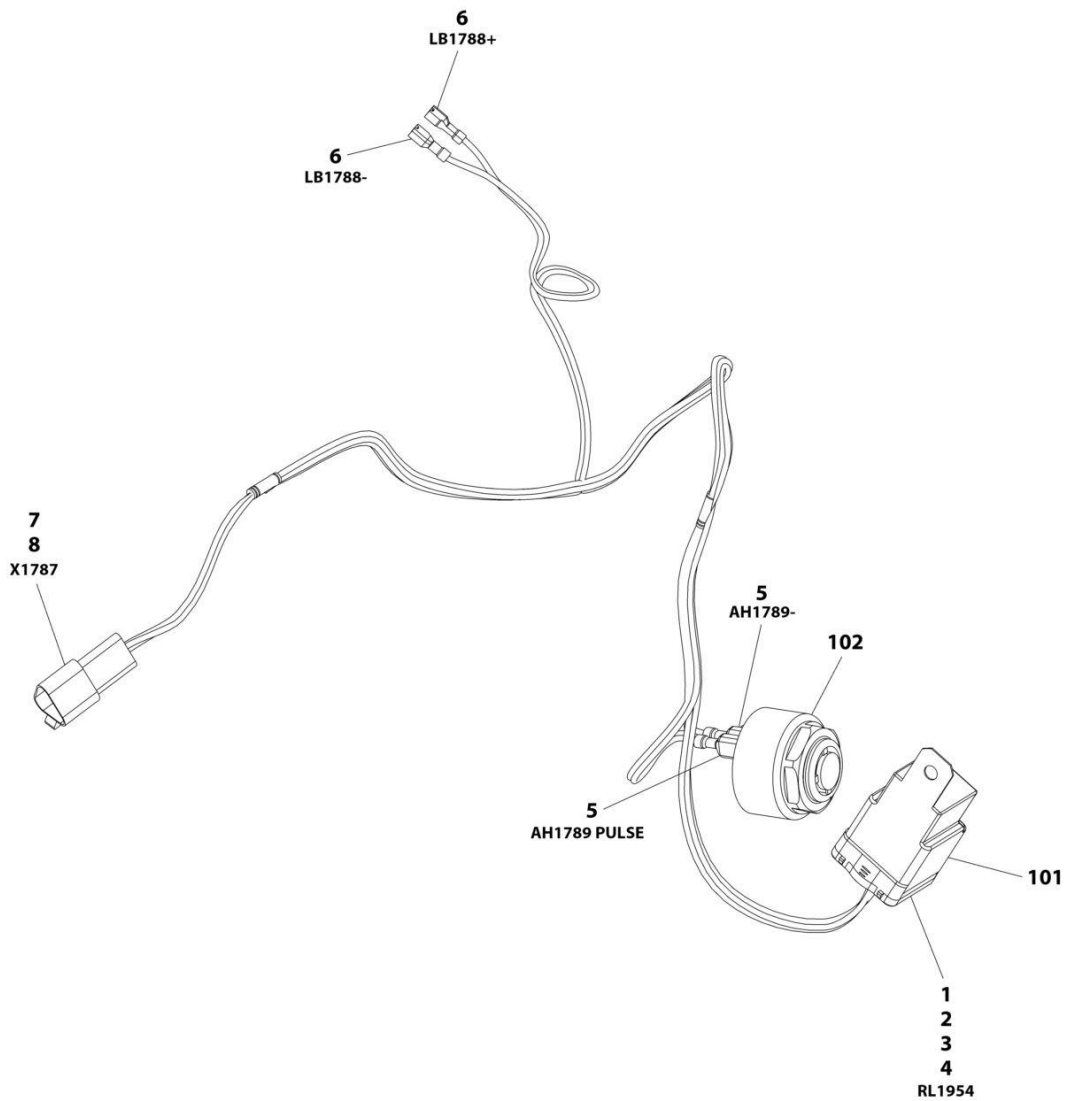
SECTION 10 - ELECTRICAL

FIGURE 10-29. CAB - SEAT ADAPTOR HARNESS

ITEM	PART NUMBER	QTY	DESCRIPTION	REV
	1001168531	Ref	Seat Adaptor Harness	A
1	4460894	1	Connector	
2	91504107	1	Lock, Connector	
3	4460465	6	Terminal	
4	1001117011	1	Connector	
5	1001116700	3	Terminal	
6	4460897	1	Connector	
7	80604017	1	Lock, Connector	
8	4460943	2	Terminal	

SECTION 10 - ELECTRICAL

FIGURE 10-30. CAB SEAT BELT ALARM HARNESS



ART_1001268744

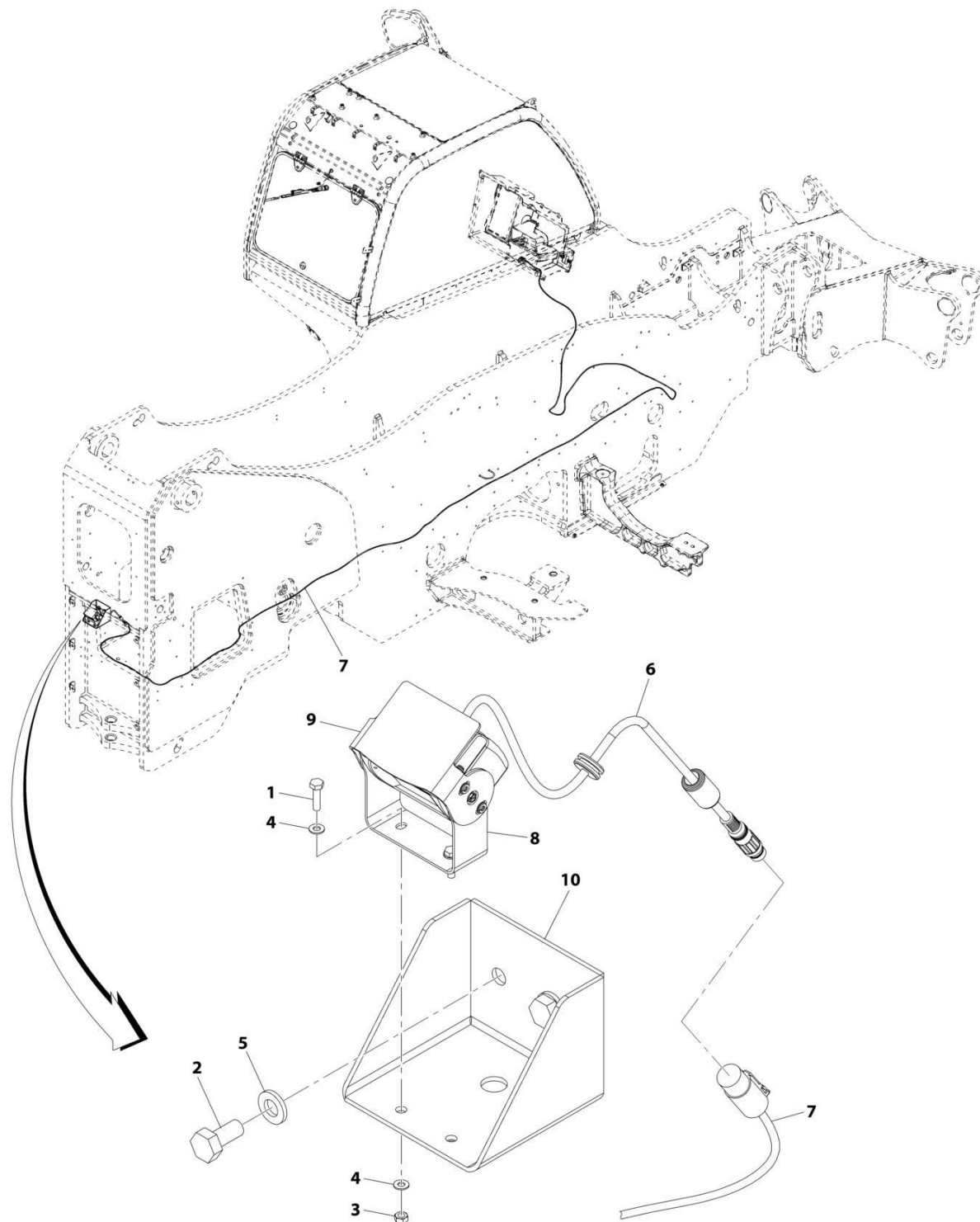
SECTION 10 - ELECTRICAL

FIGURE 10-30. CAB SEAT BELT ALARM HARNESS

ITEM	PART NUMBER	QTY	DESCRIPTION	REV
	1001268744	Ref	SEAT BELT ALARAM HARNESS	B
1	1001231398	1	Connector	
2	1001231400	4	Terminal	
3	1001231406	1	Terminal	
4	1001231404	4	Plug	
5	1001194421	2	Terminal	
6	1001201885	2	Terminal	
7	4460536	1	Connector	
8	4460464	3	Terminal	
101	3740080	1	Relay, Weather Proof	
102	1001091751	1	Buzzer Alarm	

SECTION 10 - ELECTRICAL

FIGURE 10-31. CAMERA INSTALLATION - REVERSE



ART_1001208907-A

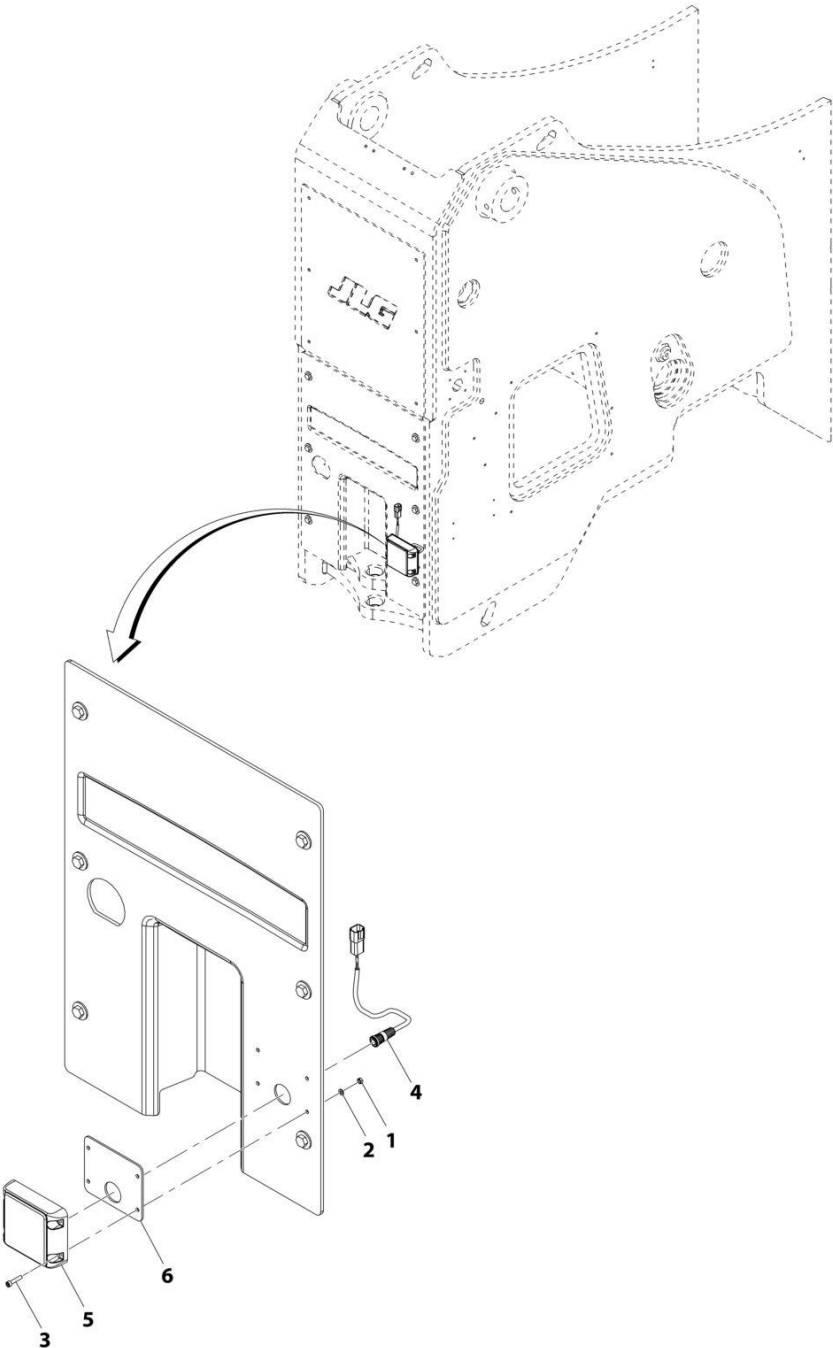
SECTION 10 - ELECTRICAL

FIGURE 10-31. CAMERA INSTALLATION - REVERSE

ITEM	PART NUMBER	QTY	DESCRIPTION	REV
	1001208907	Ref	Reverse Camera Installation	A
1	0700408	2	Bolt, M4X16	
2	0701011	2	Bolt, M10X22	
3	3290401	2	Nut, M4X0.7	
4	4811400	4	Washer, M4	
5	5241000	2	Washer, M10	
6	1001167017	1	Camera, Reverse	
7	1001171962	1	Cable, Reverse Camera	
8	1001202621	1	Bracket, Reverse Camera Mount	
9	1001202622	1	Bracket, Reverse Sun Shield	
10	1001208908	1	Bracket, Reverse Camera Mount	

SECTION 10 - ELECTRICAL

FIGURE 10-32. CAMERA (REVERSE) SENSOR INSTALLATION



ART_1001208906

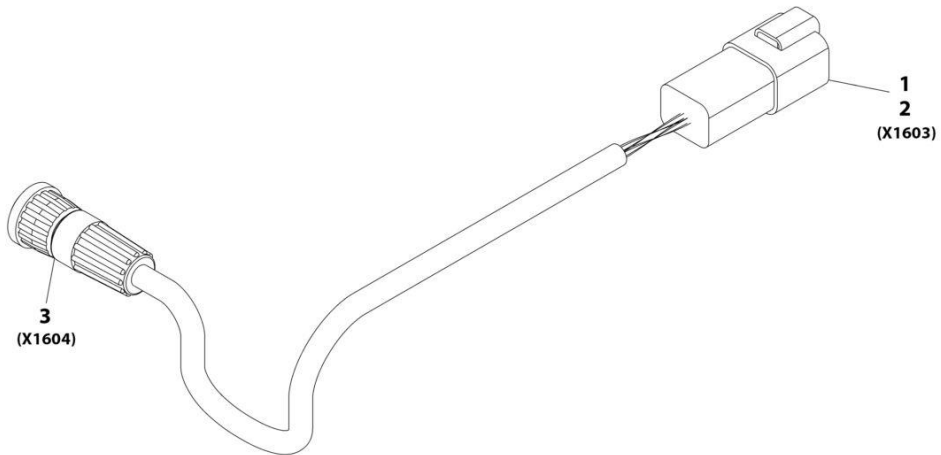
SECTION 10 - ELECTRICAL

FIGURE 10-32. CAMERA (REVERSE) SENSOR INSTALLATION

ITEM	PART NUMBER	QTY	DESCRIPTION	REV
	1001208906	Ref	REVERSE SENSOR INSTALLATION	D
1	3290501	4	Nut M5	
2	4811600	4	Washer M5	
3	5271609	4	Screw M5 x 25	
4	1001175776	1	Harness, Reverse Sensor (See Separate Breakdown in this Section)	
5	1001247421	1	Sensor, Reverse	
6	1001251518	1	Plate	

SECTION 10 - ELECTRICAL

FIGURE 10-33. CAMERA (REVERSE) SENSOR HARNESS



ART_1001175776-C

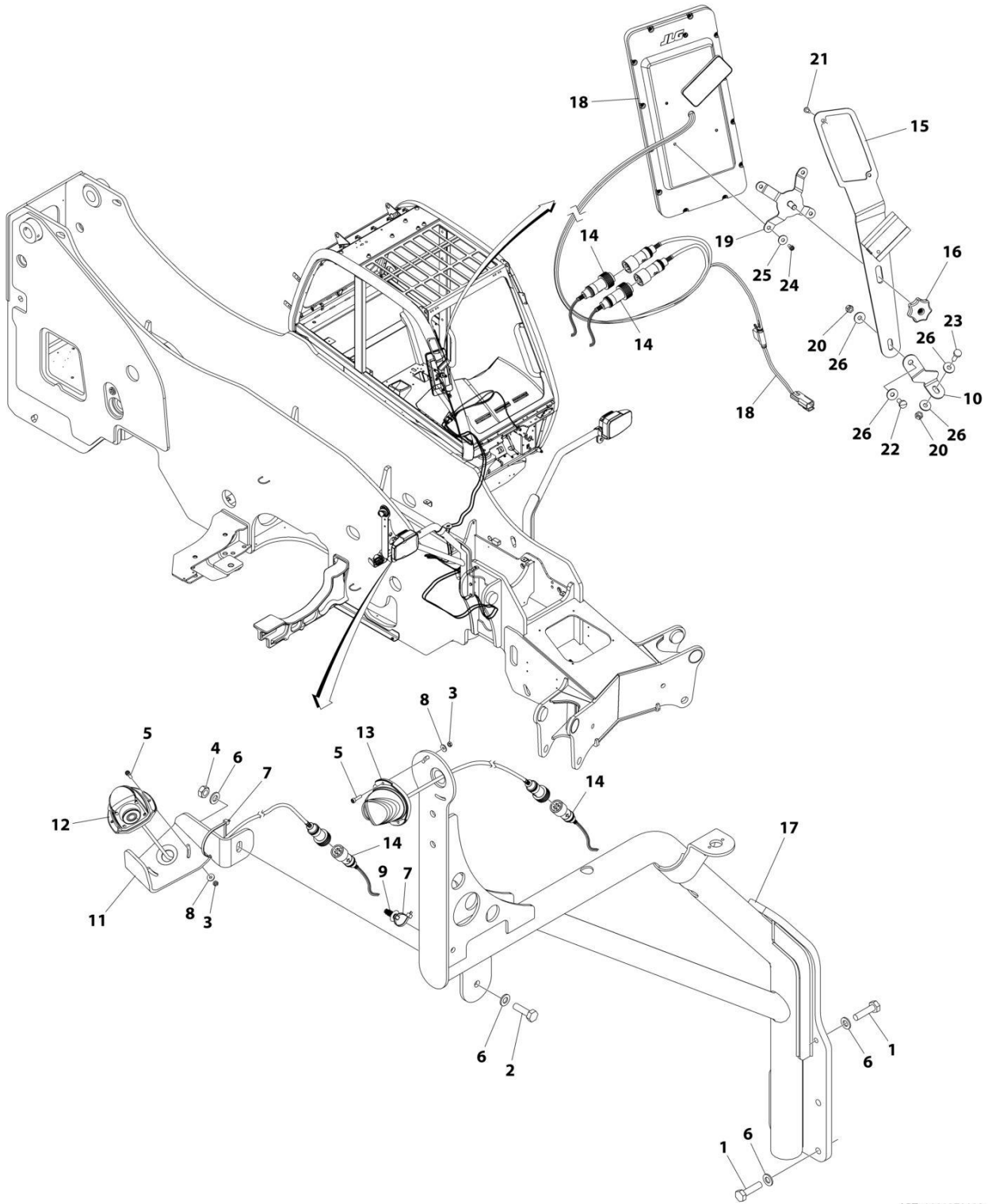
SECTION 10 - ELECTRICAL

FIGURE 10-33. CAMERA (REVERSE) SENSOR HARNESS

ITEM	PART NUMBER	QTY	DESCRIPTION	REV
	1001175776	Ref	Reverse Sensor Harness	C
1	4460932	1	Connector	
2	4460464	4	Terminal	
3	1001175733	1	Connector	

SECTION 10 - ELECTRICAL

FIGURE 10-34. CAMERA INSTALLATION - RIGHT SIDE



ART_1001270123

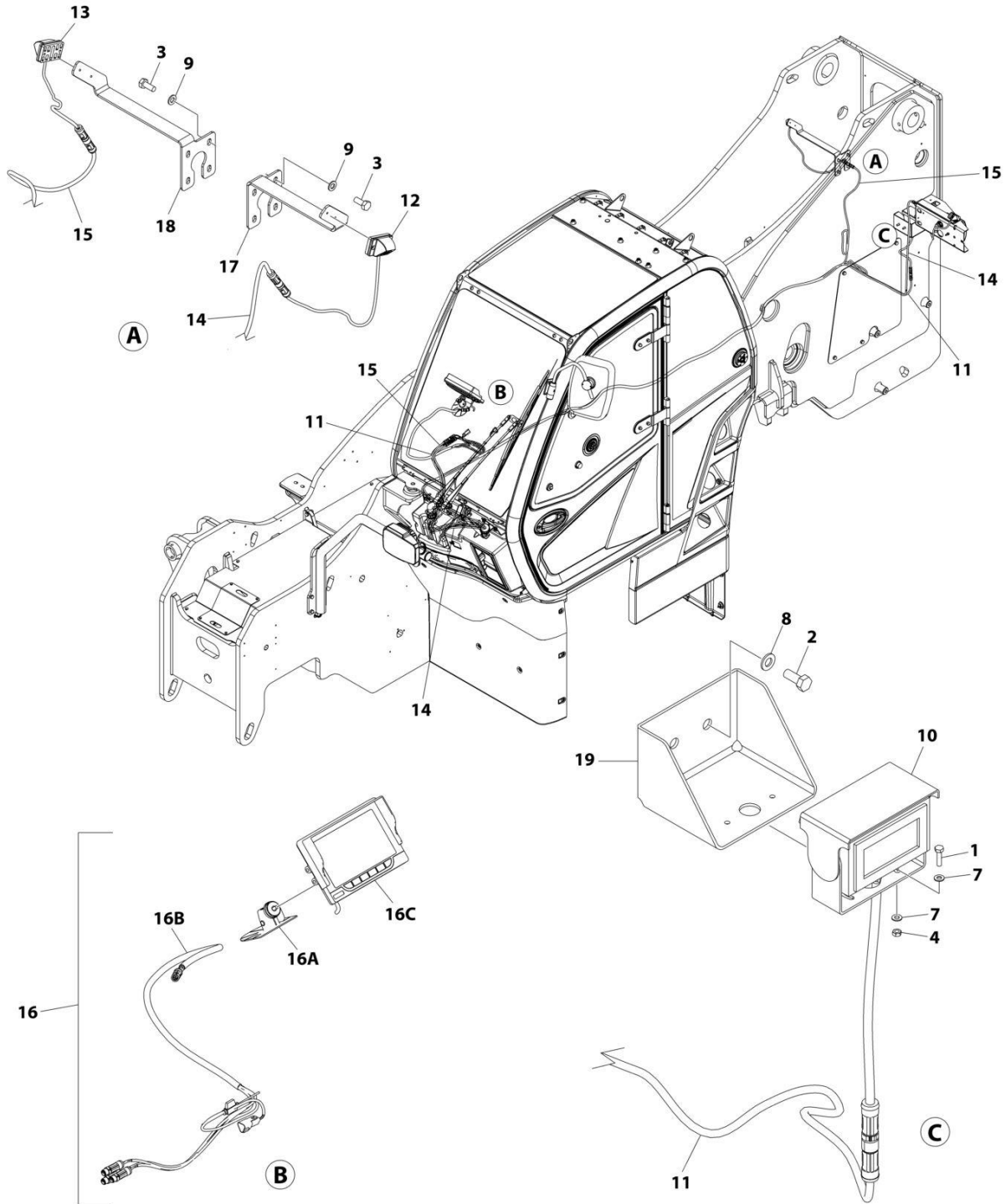
SECTION 10 - ELECTRICAL

FIGURE 10-34. CAMERA INSTALLATION - RIGHT SIDE

ITEM	PART NUMBER	QTY	DESCRIPTION	REV
	1001270123	Ref	CAMERA INSTALLATION	A
1	0701016	6	Bolt M10 x 40	
2	0761015	1	Bolt M10 x 35	
3	3290401	4	Nut M4 x 0.7	
4	3291001	1	Nut M10 x 1.5	
5	4031507	4	Bolt M4 x 16	
6	4812000	8	Washer M10	
7	1001008559	2	Tie-Strap	
8	1001091102	4	Washer M4	
9	1001202986	1	Strap, Push Mount	
10	1001260274	1	Plate, Display Bracket	
11	1001260580	1	Plate, Camera Bracket	
12	1001260685	1	Camera, Normal View	
13	1001260686	1	Camera, Mirror View	
14	1001260687	2	Cable, Extension	
15	1001260701	1	Bracket, Display	
16	1001265007	1	Knob, Display	
17	1001265347	1	Bracket, Camera	
18	1001265544	1	Display	
18	70031049	1	Control, Remote (Not Shown)	
19	1001271256	1	Mount, Display	
20	3290605001	2	Nut M6 x 1	
21	4010410002	2	Screw	
22	4010608002	1	Screw	
23	4010610002	1	Screw M6 x 20	
24	4031505001	4	Bolt M4 x 10	
25	4811602001	4	Washer M5	
26	4811702001	4	Washer M6	

SECTION 10 - ELECTRICAL

FIGURE 10-35. MULTI VIEW CAMERA INSTALLATION



ART_1001298048

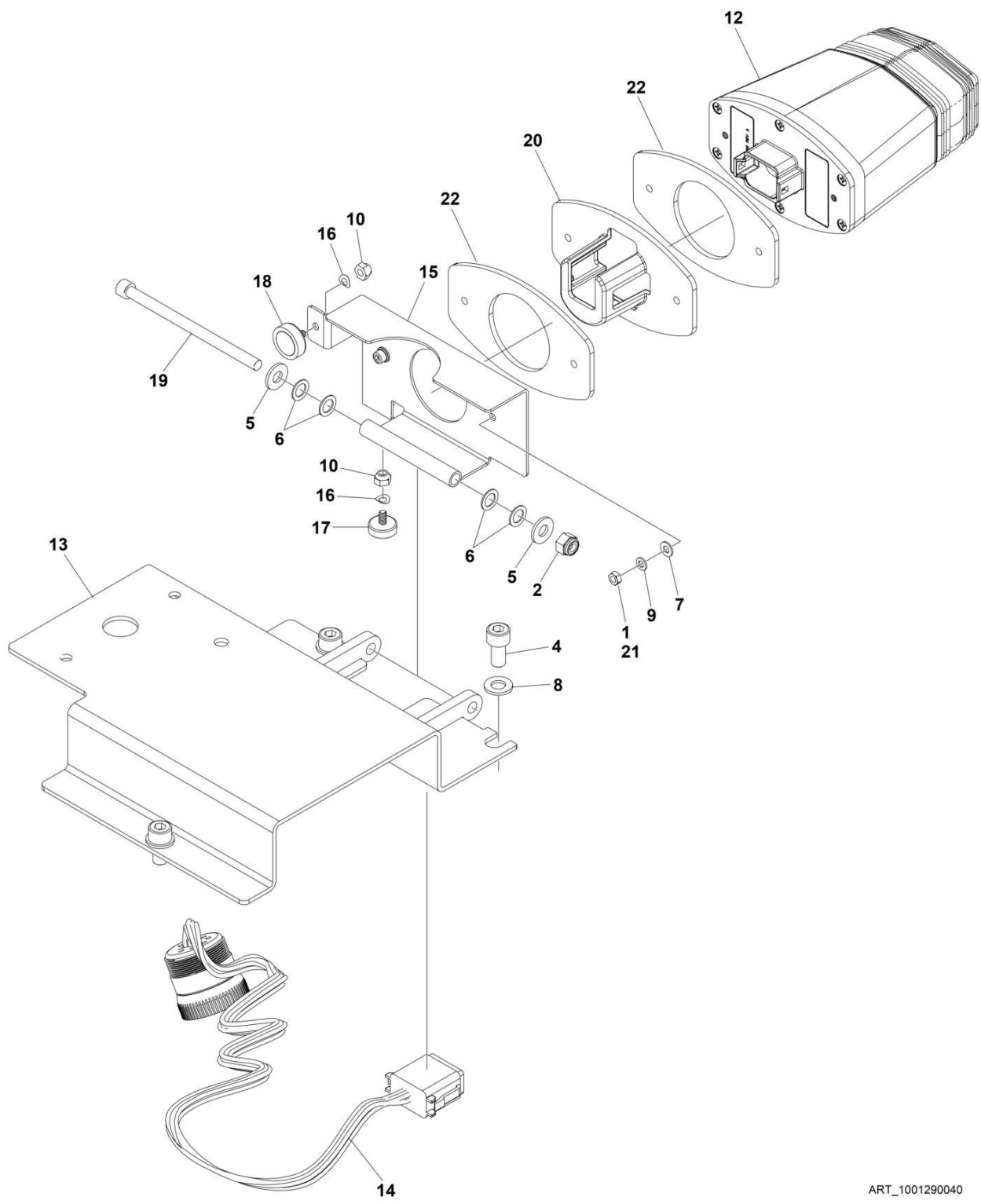
SECTION 10 - ELECTRICAL

FIGURE 10-35. MULTI VIEW CAMERA INSTALLATION

ITEM	PART NUMBER	QTY	DESCRIPTION	REV
	1001298048	Ref	MULTI VIEW CAMERA INSTALLATION	A
1	0700408	2	Bolt M4 x 16	
2	0760810	2	Bolt M8 x 20	
3	0761012	8	Bolt M10 x 25	
4	3290401	2	Nut M4	
5	4240032	AR	Tie-Strap (Not Shown)	
6	4460234	AR	Mount, Tie-Strap (Not Shown)	
7	4811400	4	Washer M4	
8	4811900	2	Washer M8	
9	4812000	8	Washer M10	
10	1001233174	1	Camera, Rear View	
11	1001233434	1	Extension Cable Camera Harness	
12	1001264534	1	Camera, Side View (LH)	
13	1001264536	1	Camera, Side View (RH)	
14	1001265979	1	Extension Cable Camera Harness (LH)	
15	1001265980	1	Extension Cable Camera Harness (RH)	
16	1001289479	1	Quad View Monitor Assembly	
16A	1001233217	1	Bracket	
16B	1001294608	1	Quad View Monitor Harness	
16C	1001302410	1	Monitor LED Display	
17	1001294830	1	Bracket, Side (LH)	
18	1001294831	1	Bracket, Side (RH)	
19	1001295269	1	Bracket, Rear	

SECTION 10 - ELECTRICAL

FIGURE 10-36. CLEARSKY INSTALLATION



ART_1001290040

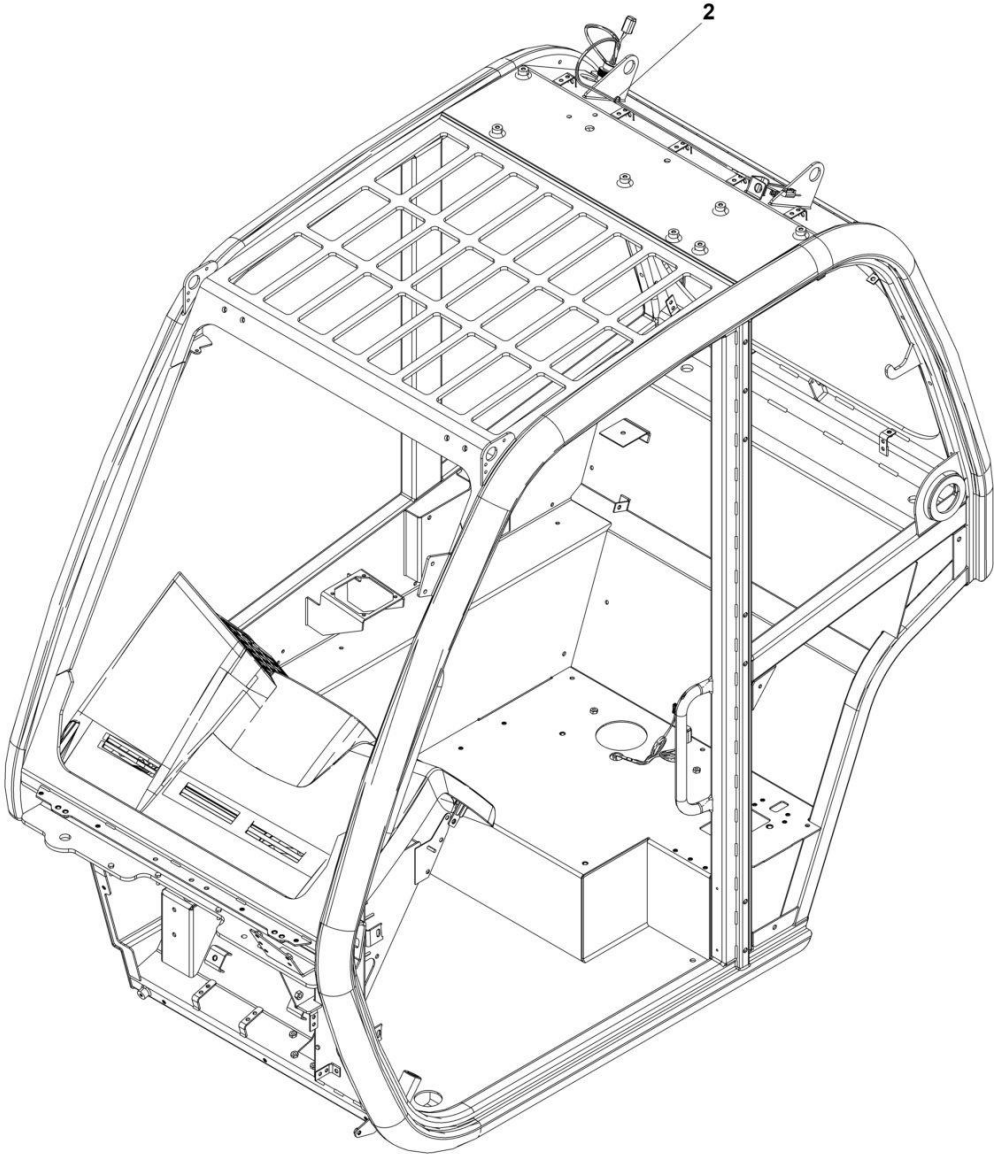
SECTION 10 - ELECTRICAL

FIGURE 10-36. CLEARSKY INSTALLATION

ITEM	PART NUMBER	QTY	DESCRIPTION	REV
	1001290040	Ref	CLEARSKY INSTALLATION	B
1	0100011	AR	Compound, Locking	
2	3300449	1	Nut 1/4	
4	4031907	3	Capscrew M8 x 16	
5	4711400	2	Washer 1/4	
6	4740428	4	Washer 5/16	
7	4811400	2	Washer M4	
8	4811900	3	Washer M8	
9	4831400	2	Washer, M4	
10	8310410	2	Nut #8	
11	1001146588	AR	Tie-Strap (Not Shown)	
12	1001280661	1	Module, ClearSky	
13	1001286599	1	Bracket, ClearSky Mounting	
14	1001286941	1	Harness, ClearSky (See Separate Breakdown in this Section)	
15	1001289060	1	Mount, ClearSky Pivot	
16	1001289299	2	Washer #8	
17	1001289300	1	Magnet, Studded (16mm Diameter)	
18	1001289301	1	Magnet, Studded (20mm Diameter)	
19	1001289647	1	Capscrew 1/4 x 4	
20	1001289648	1	Plate, Anti-Tamper	
21	3290401	2	Nut, M4	
22	1001291056	2	Gasket, ClearSky CS550	

SECTION 10 - ELECTRICAL

FIGURE 10-37. CLEARSKY NOT INSTALLED



ART_1001291382

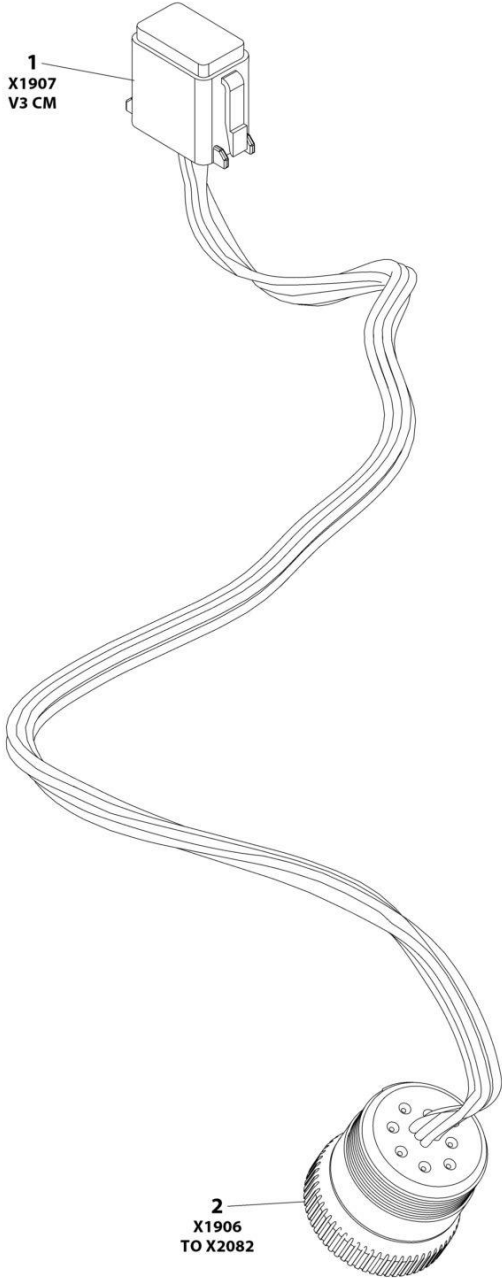
SECTION 10 - ELECTRICAL

FIGURE 10-37. CLEARSKY NOT INSTALLED

ITEM	PART NUMBER	QTY	DESCRIPTION	REV
2	1001291382 4240032	Ref 1	ClearSky Not Installed Tie Strap	A

SECTION 10 - ELECTRICAL

FIGURE 10-38. CLEARSKY HARNESS



ART_1001286941

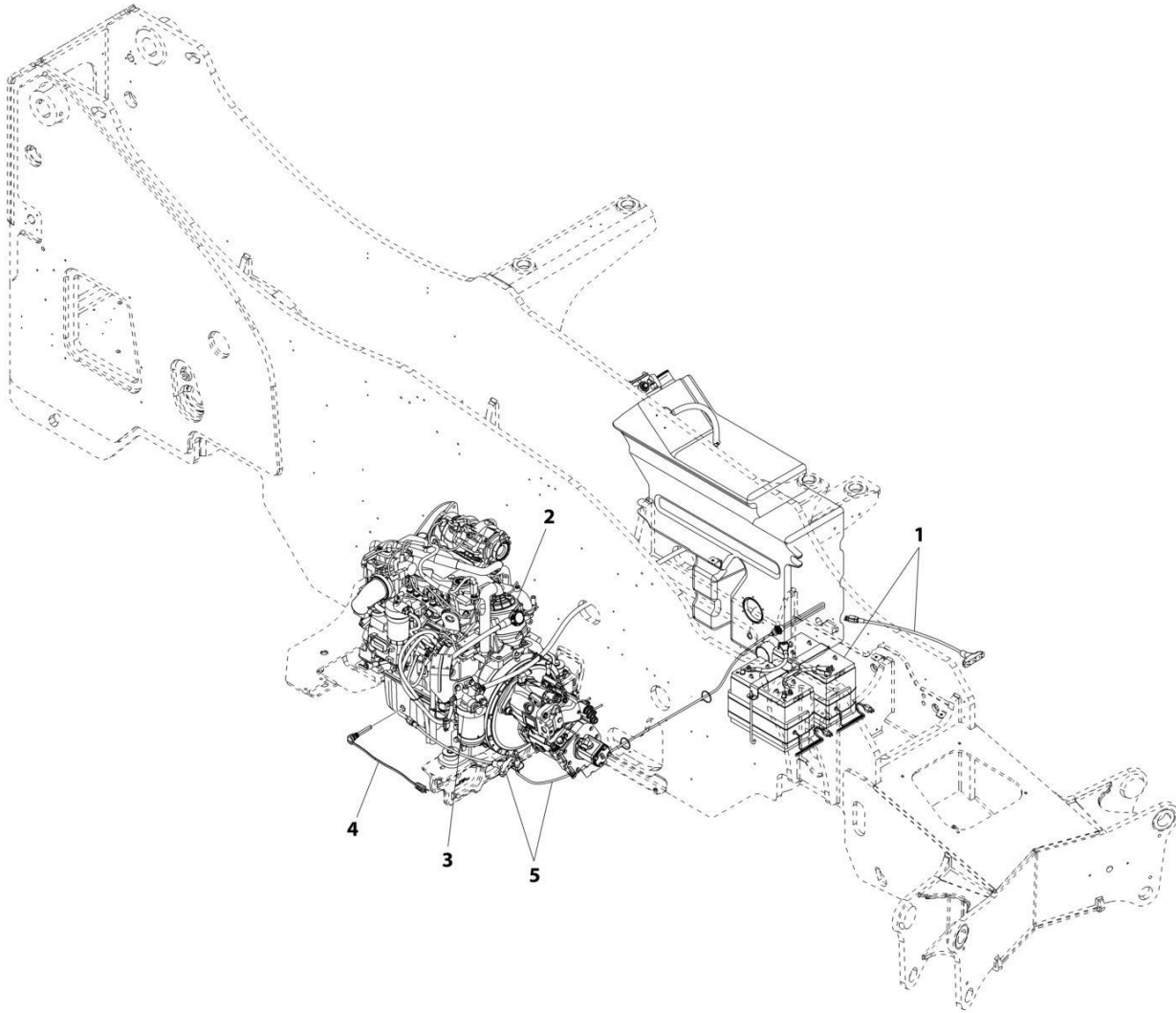
SECTION 10 - ELECTRICAL

FIGURE 10-38. CLEARSKY HARNESS

ITEM	PART NUMBER	QTY	DESCRIPTION	REV
	1001286941	Ref	CLEARSKY HARNESS	A
1	4460930	1	Connector	
1	4460465	8	Socket	
2	1001112796	1	Connector	
2	4460465	8	Socket	
2	4460466	1	Plug	

SECTION 10 - ELECTRICAL

FIGURE 10-39. COLD WEATHER PACKAGE INSTALLATION (ARCTIC) (1075)



ART_1001207863-A

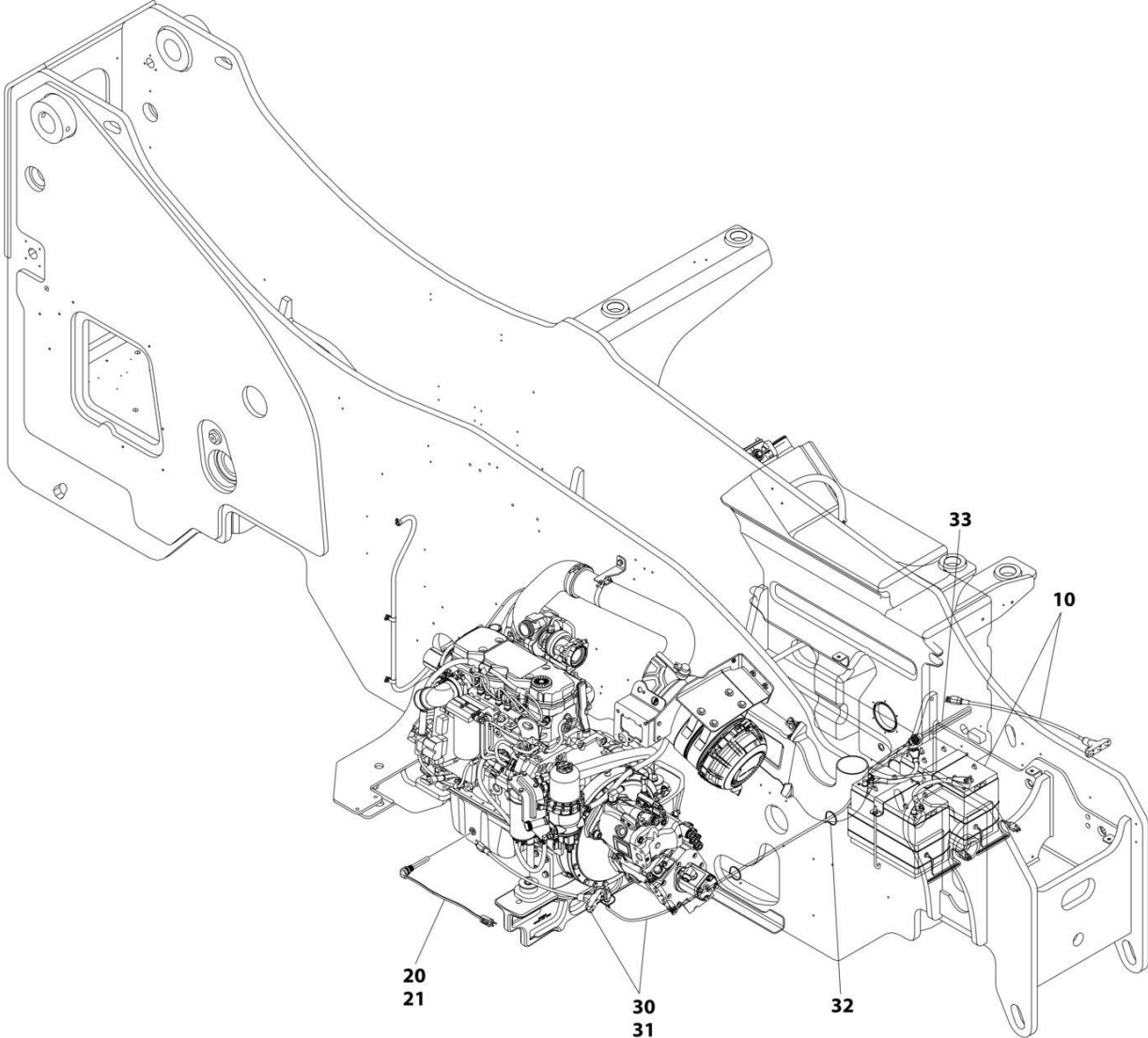
SECTION 10 - ELECTRICAL

FIGURE 10-39. COLD WEATHER PACKAGE INSTALLATION (ARCTIC) (1075)

ITEM	PART NUMBER	QTY	DESCRIPTION	REV
1	1001207863	Ref	Arctic Weather Package Installation	A
	1001195582	Ref	Arctic Batteries Installation (See Separate Breakdown in this Section)	
2	1001246882	Ref	Breather Tube Heater Installation (See Separate Breakdown in Engine and Attaching Parts Section)	
3	1001247501	Ref	Fuel Filter Heater Installation (See Separate Breakdown in this Section)	
4	1001247528	Ref	Oil Pan Heater Installation (See Separate Breakdown in this Section)	
5	1001247917	Ref	Hydraulic Tank Heater Installation (See Separate Breakdown in this Section)	

SECTION 10 - ELECTRICAL

FIGURE 10-40. COLD WEATHER PACKAGE INSTALLATION (ARCTIC) (4523)



ART_1001265386

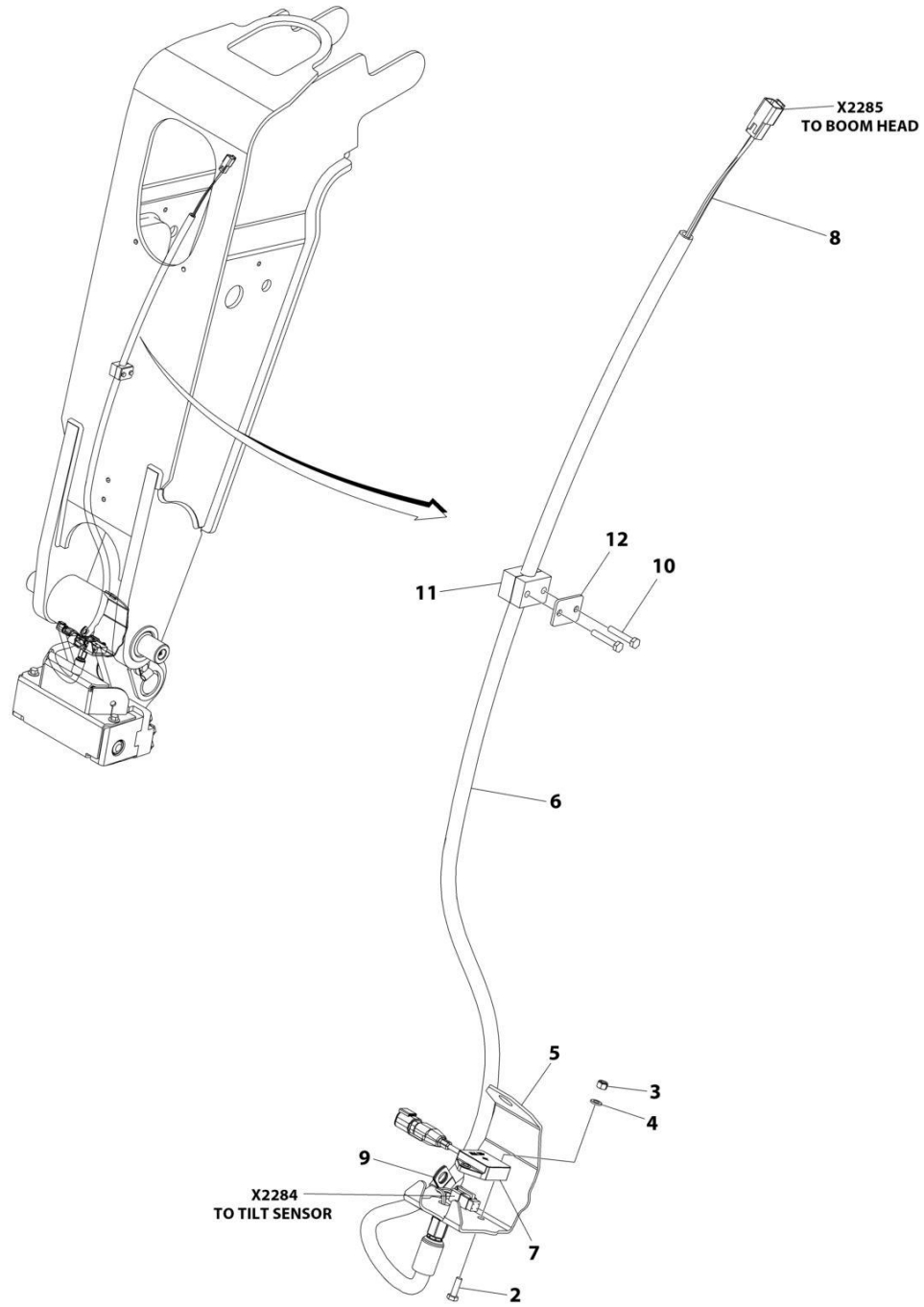
SECTION 10 - ELECTRICAL

FIGURE 10-40. COLD WEATHER PACKAGE INSTALLATION (ARCTIC) (4523)

ITEM	PART NUMBER	QTY	DESCRIPTION	REV
	1001265386	Ref	ARCTIC COLD WEATHER PACKAGE INSTALLATION	A
10	1001195582	Ref	Arctic Batteries Installation (See Separate Breakdown in this Section)	
20	1001247528	Ref	Oil Pan Heater Installation	
21	2580062	1	Heater, Engine Block	
30	1001247917	Ref	Hydraulic Tank Heater Installation	
31	1060626	1	Cord, 3-Way Extension	
32	4240099	3	Tie-Strap	
33	1001105886	1	Heater, Immersion	

SECTION 10 - ELECTRICAL

FIGURE 10-41. COUPLER ANGLE SENSOR INSTALLATION



ART_1001250380

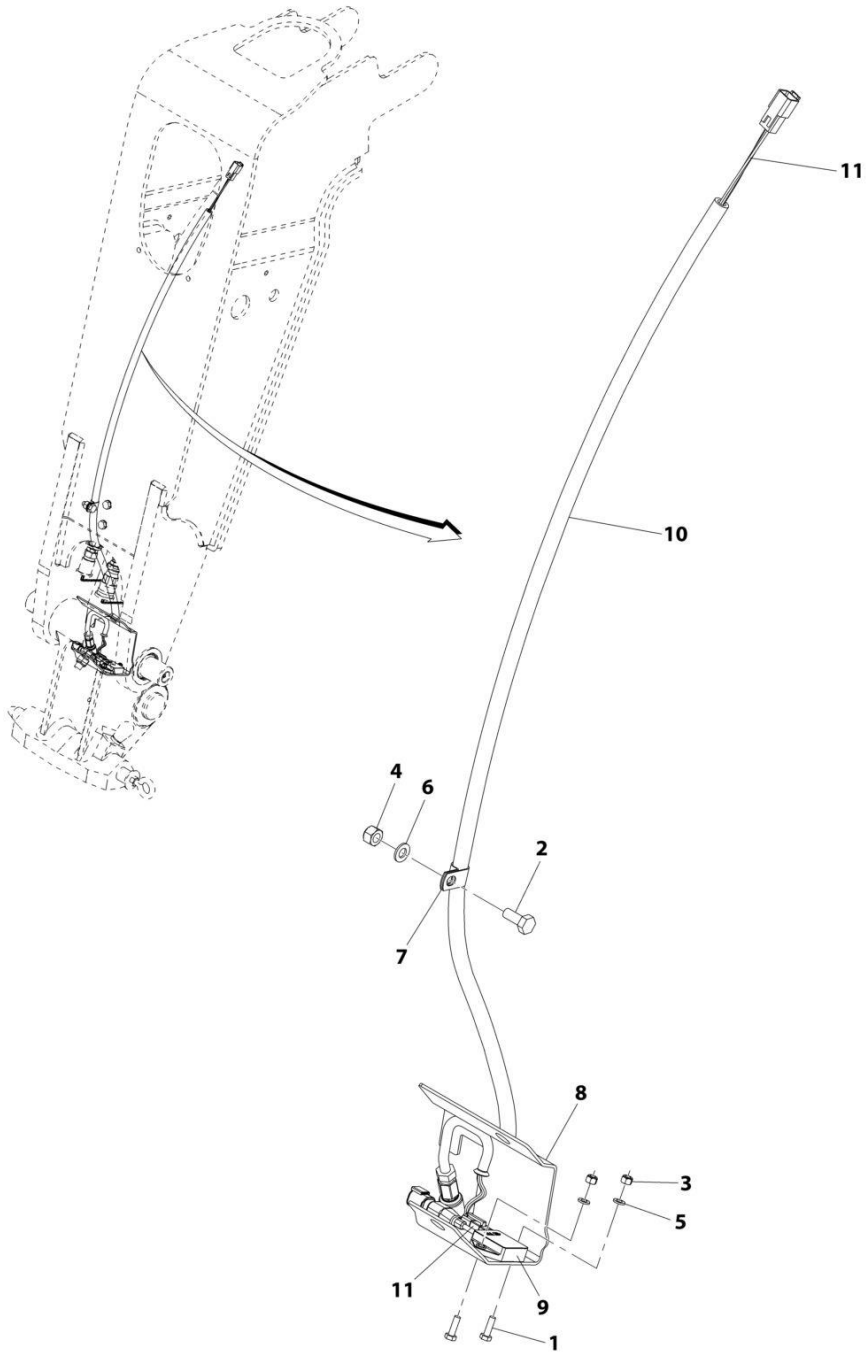
SECTION 10 - ELECTRICAL

FIGURE 10-41. COUPLER ANGLE SENSOR INSTALLATION

ITEM	PART NUMBER	QTY	DESCRIPTION	REV
	1001250380	Ref	COUPLER ANGLE SENSOR INSTALLATION	C
2	0700610	2	Bolt M6 x 20	
3	3290605	2	Locknut M6 x 1 Grd8	
4	4811700	2	Washer M6	
5	1001270982	1	Plate, Sensor Mount	
6	1001250279	1	Hose	
7	1001256555	1	Sensor, Tilt Dual Axis	
8	1001256558	1	Harness, Tilt Sensor Jumper (See Separate Breakdown in this Section)	
9	91143122	1	Clamp	
10	0760615	2	Bolt M6 x 35	
11	77133497	1	Clamp Set	
12	1001105093	1	Clamp Cover Plate	

SECTION 10 - ELECTRICAL

FIGURE 10-42. COUPLER ANGLE SENSOR INSTALLATION (MANUAL COUPLER)



ART_1001250379-A

SECTION 10 - ELECTRICAL

FIGURE 10-42. COUPLER ANGLE SENSOR INSTALLATION (MANUAL COUPLER)

ITEM	PART NUMBER	QTY	DESCRIPTION	REV
	1001250379	Ref	Coupler Angle Sensor Installation (Man Coupler)	A
1	0700610	2	Bolt, M6 X 20	
2	0761012	1	Bolt, M10X25	
3	3290605	2	Nut, Lock M6X1 Grade 8	
4	3291005	1	Nut, Lock M10X1.5	
5	4811700	2	Washer, M6	
6	4812000	1	Washer, M10	
7	8406101	1	Clip	
8	1001250381	1	Bracket, Sensor Mount	
9	1001256555	1	Sensor, Tilt Dual Axis	
10	1001250279	1	Hose	
11	1001256558	1	Harness, Tilt Sensor Jumper (See Separate Breakdown in this Section)	

SECTION 10 - ELECTRICAL

FIGURE 10-43. COUPLER - TILT SENSOR JUMPER HARNESS



ART_1001256558-A

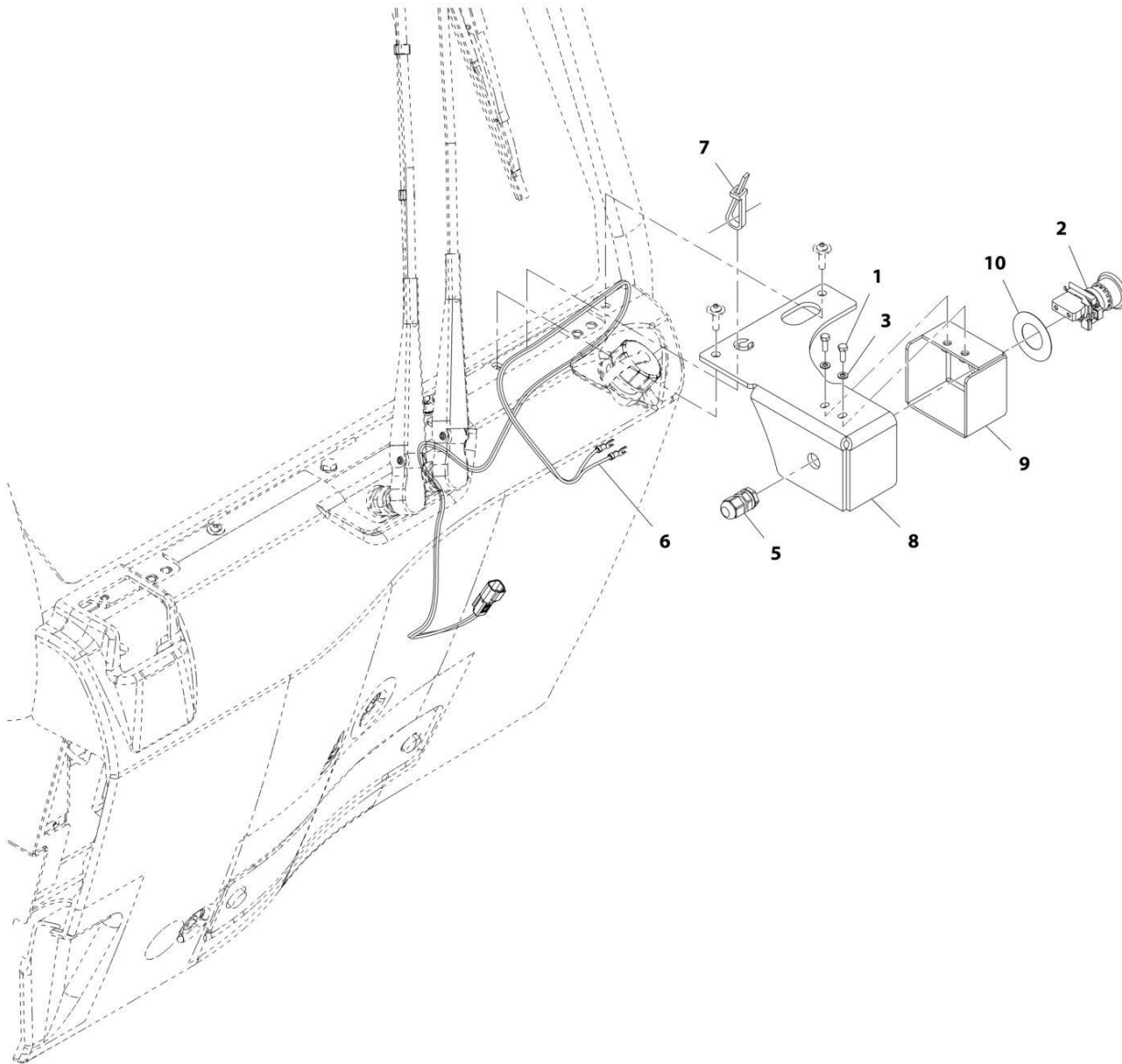
SECTION 10 - ELECTRICAL

FIGURE 10-43. COUPLER - TILT SENSOR JUMPER HARNESS

ITEM	PART NUMBER	QTY	DESCRIPTION	REV
	1001256558	Ref	Tilt Sensor Jumper Harness	A
1	1001097051	1	Connector	
2	4460929	4	Terminal	
3	4461077	1	Connector	
4	4460928	4	Terminal	

SECTION 10 - ELECTRICAL

FIGURE 10-44. EMERGENCY STOP EXTERNAL INSTALLATION



ART_1001195721-C

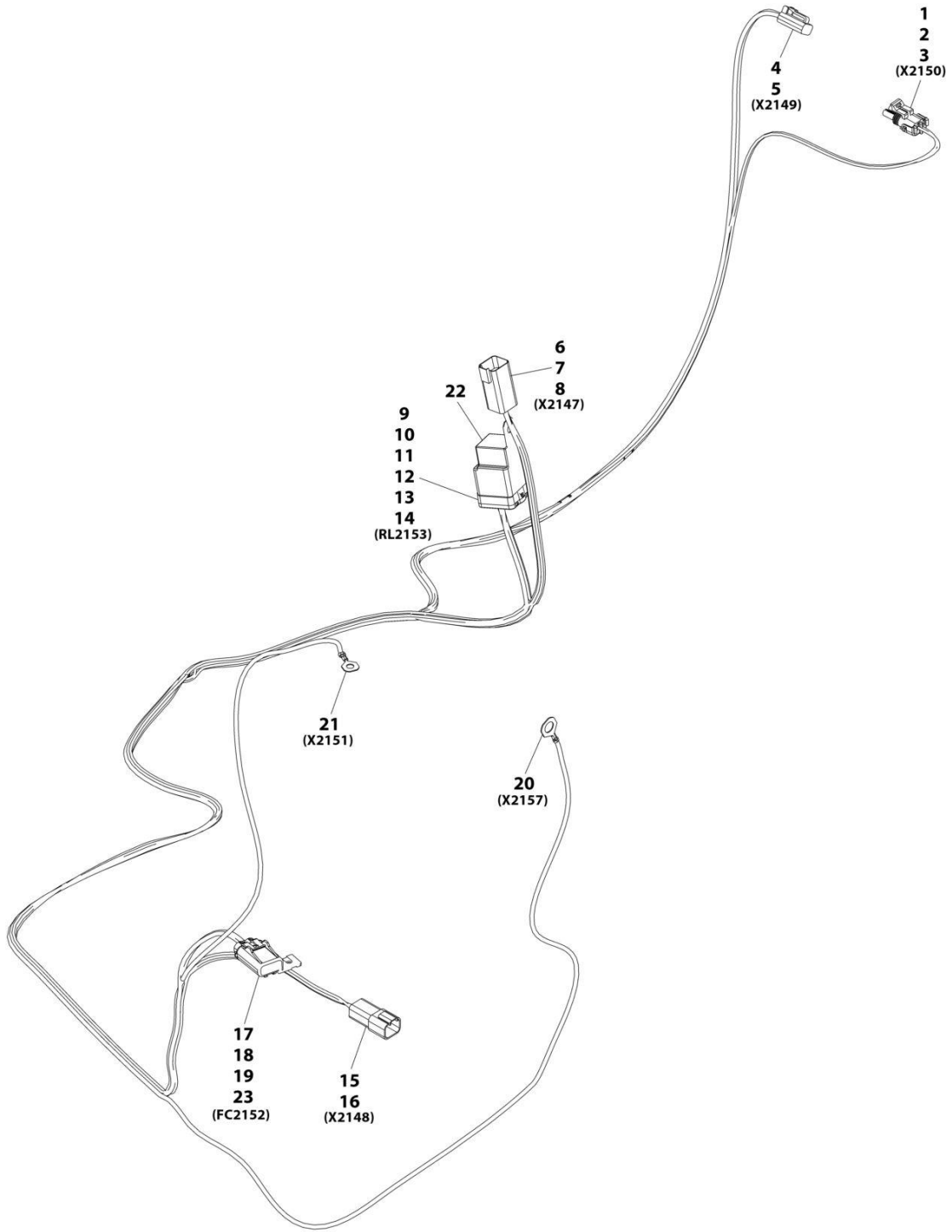
SECTION 10 - ELECTRICAL

FIGURE 10-44. EMERGENCY STOP EXTERNAL INSTALLATION

ITEM	PART NUMBER	QTY	DESCRIPTION	REV
	1001195721	Ref	Emergency Stop External Installation	C
1	0760507	2	Bolt, M5X14	
2	4360475	1	Switch, E-Stop	
3	4811600	2	Washer, M5	
5	4461000	1	Connector	
6	1001217320	1	Harness, External EMS	
7	1001008559	1	Strap, Tie	
8	1001220859	1	Bracket	
9	1001220861	1	Shield	
10	1704260	1	Decal, EMS	

SECTION 10 - ELECTRICAL

FIGURE 10-45. ENGINE - AIR SHUT OFF VALVE HARNESS (ASOV)



ART_1001243540-B

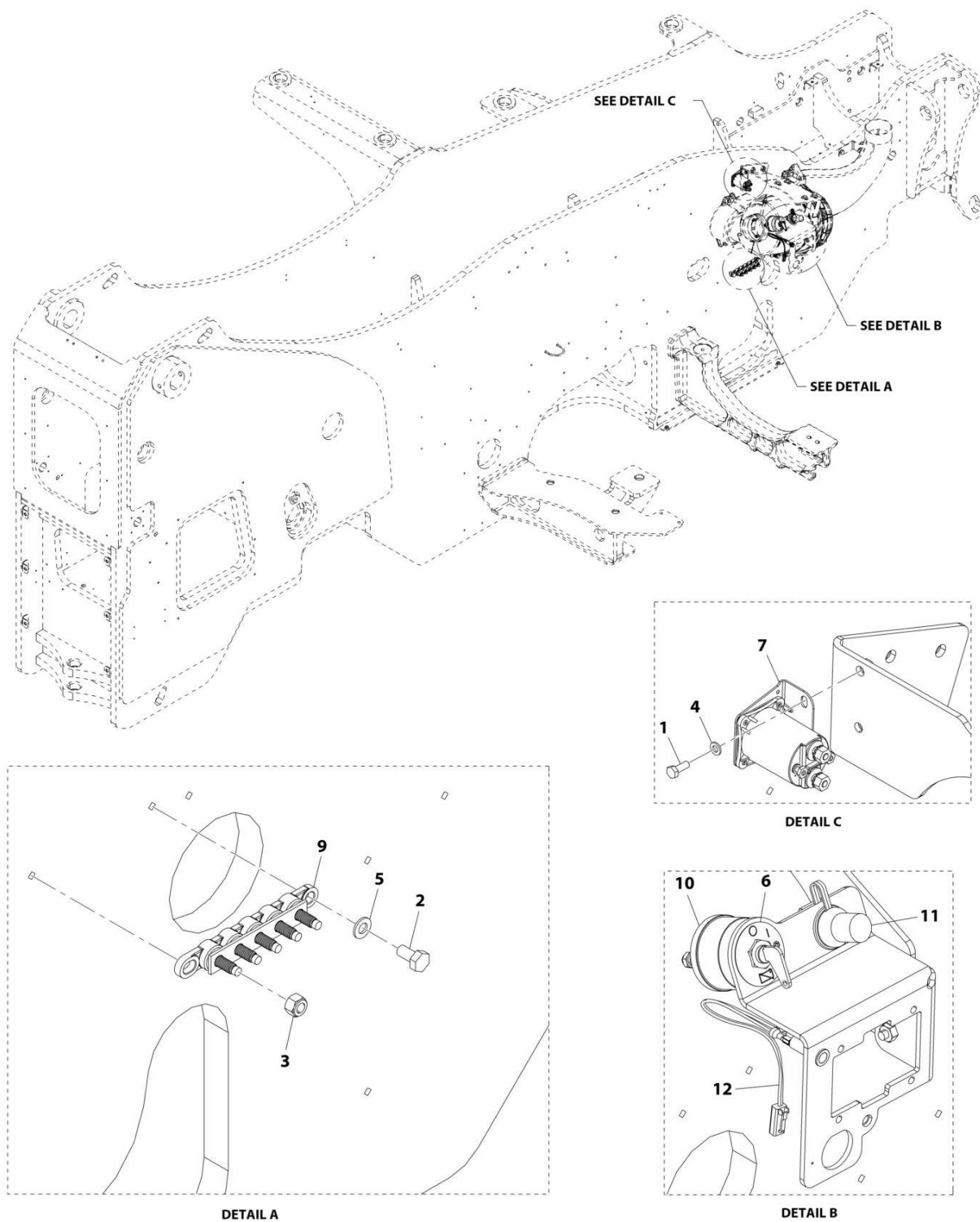
SECTION 10 - ELECTRICAL

FIGURE 10-45. ENGINE - AIR SHUT OFF VALVE HARNESS (ASOV)

ITEM	PART NUMBER	QTY	DESCRIPTION	REV
	1001243540	Ref	ASOV Harness	B
1	4460742	1	Connector	
2	4460475	2	Terminal	
3	4460458	2	Seal	
4	4460891	1	Connector	
5	1001157890	2	Terminal	
6	4460899	1	Connector	
7	4460464	5	Terminal	
8	4460466	1	Plug	
9	1001231398	1	Connector	
10	1001231401	2	Terminal	
11	1001231400	2	Terminal	
12	1001231406	1	Plug	
13	1001231402	2	Seal	
14	1001231404	2	Seal	
15	4460932	1	Connector	
16	4460464	4	Terminal	
17	1001231397	1	Connector	
18	1001231401	2	Terminal	
19	1001231402	2	Seal	
20	1001187078	1	Ring Terminal	
21	1001207171	1	Ring Terminal	
22	3740080	1	Relay, Weather Proof	
23	8229235	1	Fuse	

SECTION 10 - ELECTRICAL

FIGURE 10-46. ENGINE BAY ELECTRICAL INSTALLATION (1075)



ART_1001201199-A

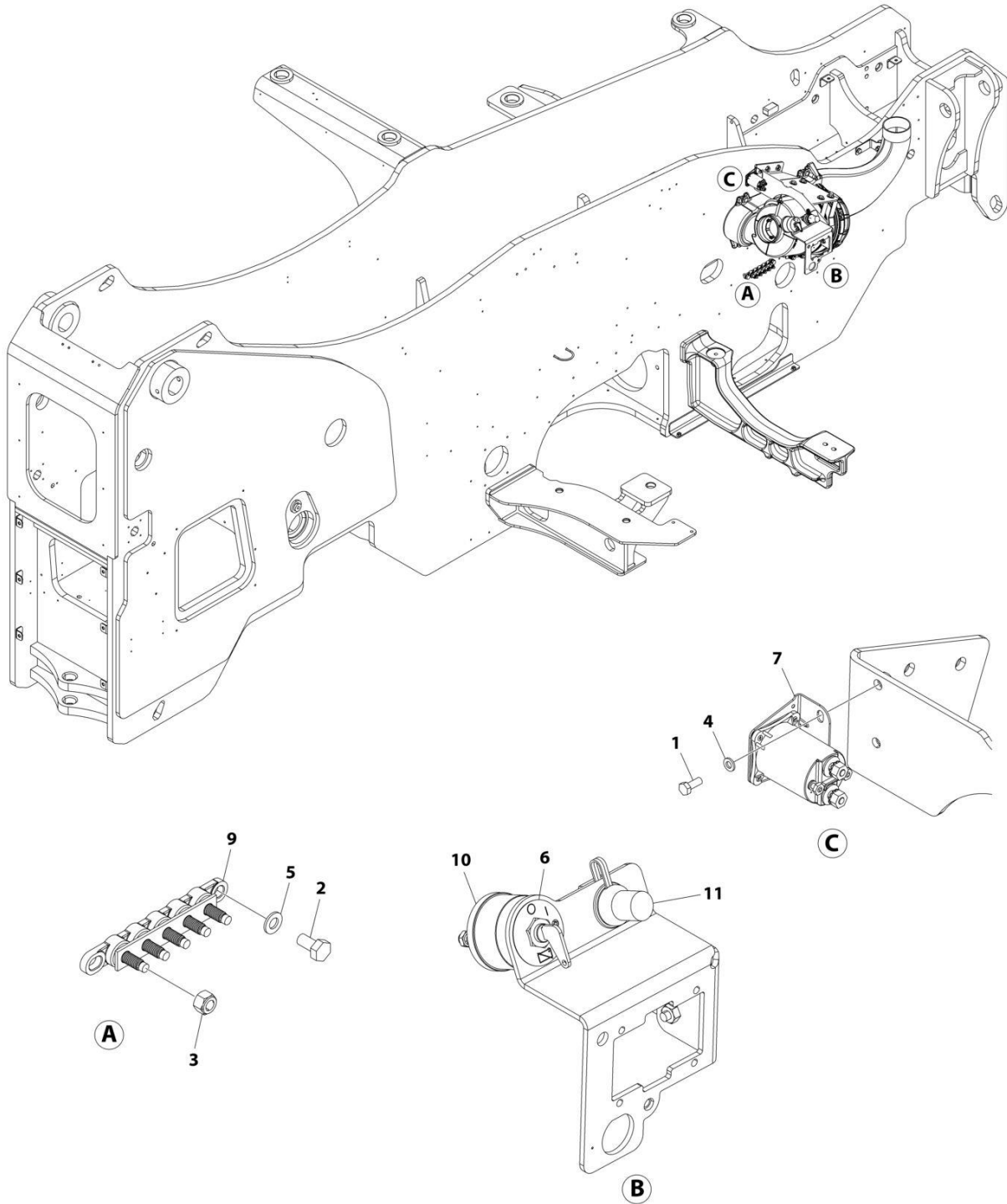
SECTION 10 - ELECTRICAL

FIGURE 10-46. ENGINE BAY ELECTRICAL INSTALLATION (1075)

ITEM	PART NUMBER	QTY	DESCRIPTION	REV
	1001201199	Ref	Engine Bay Electrical Installation	A
1	0760608	2	Bolt, M6X16	
2	0761010	2	Bolt, M10X20	
3	3291005	5	Nut, lock M10X1.5	
4	4811700	2	Washer, M6	
5	4812000	2	Washer, M10	
6	1001008540	1	Plate, Battery	
7	1001117308	1	Relay, 200 Amp	
9	1001181128	1	Bussbar	
10	1001192142	1	Switch, Disconnect	
11	1001193993	1	Terminal, Battery	
12	1001232288	1	Harness, DEF Purge Light (See Separate Breakdown in this Section)	

SECTION 10 - ELECTRICAL

FIGURE 10-47. ENGINE BAY ELECTRICAL INSTALLATION (4523)



ART_1001264601

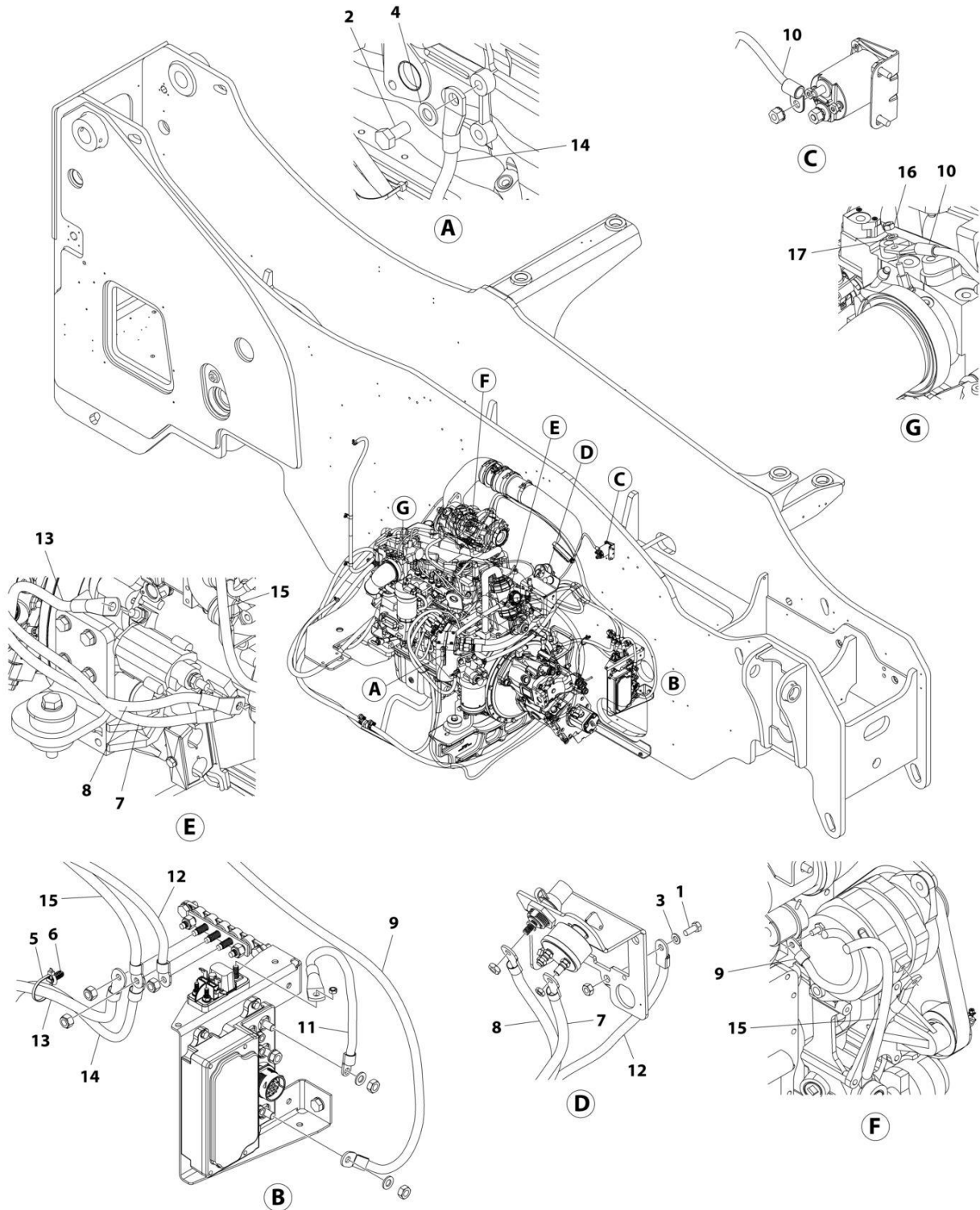
SECTION 10 - ELECTRICAL

FIGURE 10-47. ENGINE BAY ELECTRICAL INSTALLATION (4523)

ITEM	PART NUMBER	QTY	DESCRIPTION	REV
	1001264601	Ref	ENGINE BAY ELECTRICAL INSTALLATION	A
1	0760608	2	Bolt M6 x 16	
2	0761010	2	Bolt M10 x 20	
3	3291005	5	Nut M10	
4	4811700	2	Washer M6	
5	4812000	2	Washer M10	
6	1001008540	1	Plate, Battery	
7	1001117308	1	Relay, 200 Amp	
9	1001181128	1	Bussbar	
10	1001192142	1	Switch, Disconnect	
11	1001193993	1	Terminal, Battery	

SECTION 10 - ELECTRICAL

FIGURE 10-48. ENGINE BAY WIRING INSTALLATION (1075)



ART_1001236674

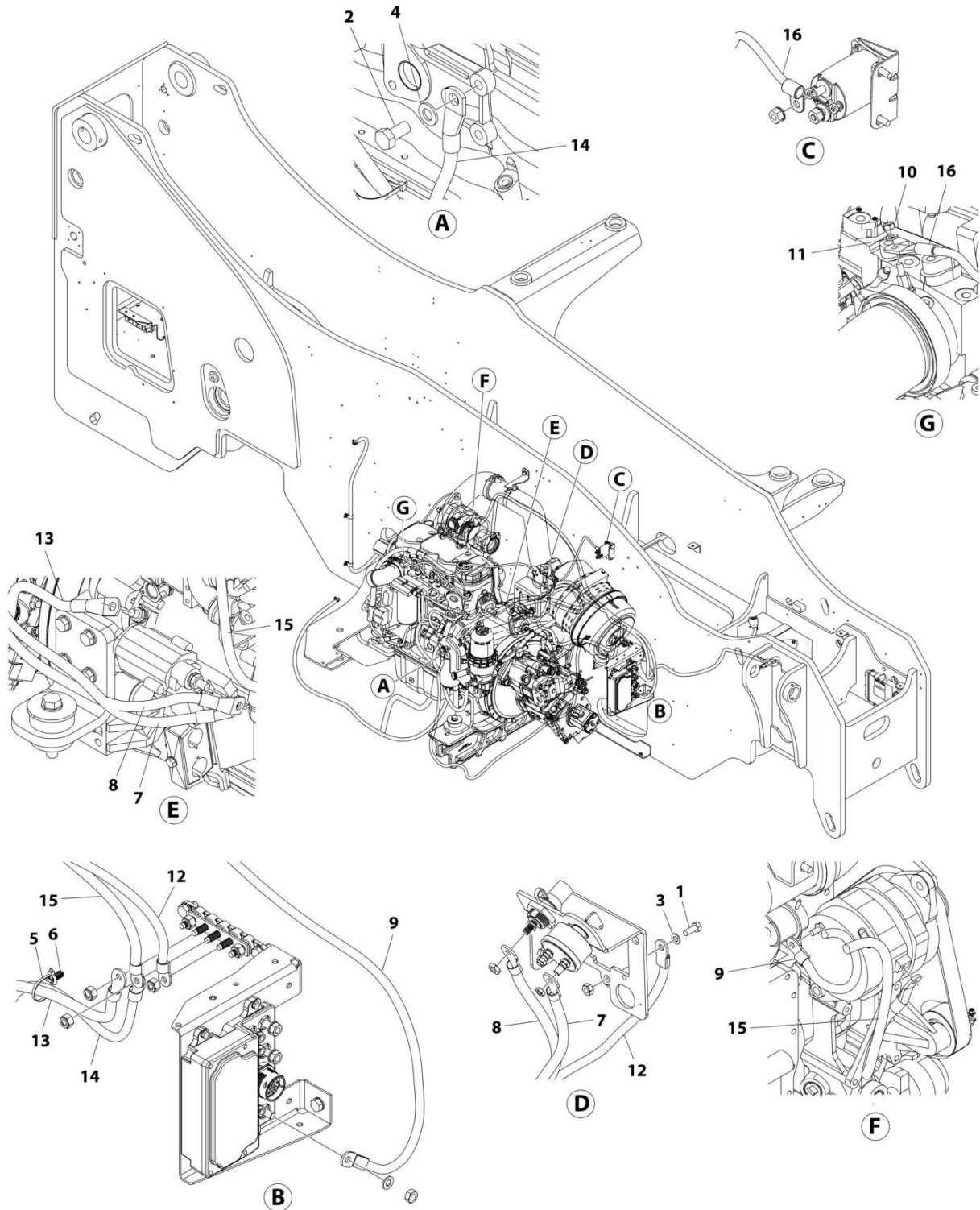
SECTION 10 - ELECTRICAL

FIGURE 10-48. ENGINE BAY WIRING INSTALLATION (1075)

ITEM	PART NUMBER	QTY	DESCRIPTION	REV
	1001236674	Ref	ENGINE BAY WIRING INSTALLATION	C
1	0760810	1	Bolt M8 x 20	
2	0761212	1	Bolt M12 x 25	
3	4811900	1	Washer M8	
4	4812100	1	Washer M12	
5	1001008559	1	Strap, Cable	
6	1001202986	1	Strap Push Mount	
7	1001239061	1	Cable, Starter to Battery Disconnect	
8	1001239062	1	Cable, Starter to Remote B+	
9	1001239125	1	Cable, PDM to ALT+	
10	1001239126	1	Cable, Grid Heater	
11	1001239127	1	Cable, PDM to Power Fuse Module	
12	1001239186	1	Cable, Ground Buss to Remote Ground	
13	1001239187	1	Cable, Starter Ground	
14	1001239188	1	Cable, Engine Ground	
15	1001242109	1	Cable, Alt Ground	
16	3290601	1	Nut M6	
17	4811700	1	Washer M6	

SECTION 10 - ELECTRICAL

FIGURE 10-49. ENGINE BAY WIRING INSTALLATION (4523)



ART_1001264276

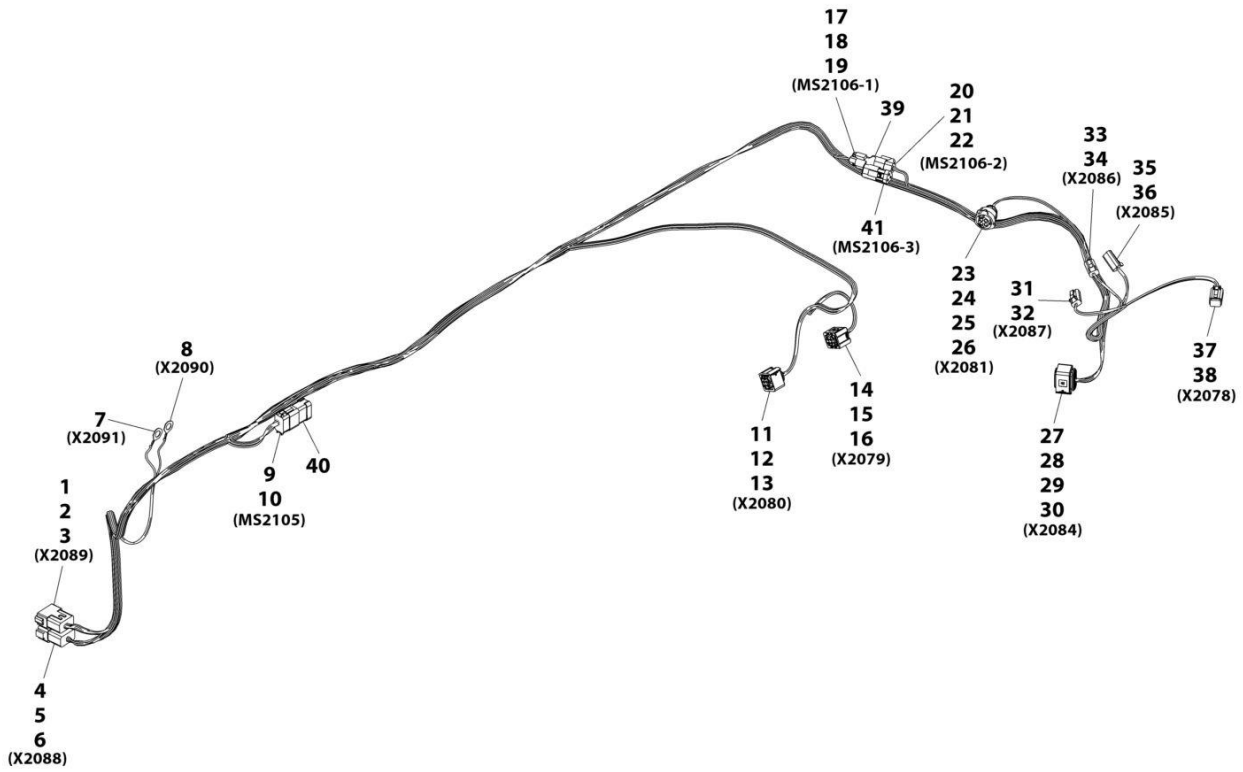
SECTION 10 - ELECTRICAL

FIGURE 10-49. ENGINE BAY WIRING INSTALLATION (4523)

ITEM	PART NUMBER	QTY	DESCRIPTION	REV
	1001264276	Ref	ENGINE BAY WIRING INSTALLATION	B
1	0760810	1	Bolt M8 x 20	
2	0761212	1	Bolt M12 x 25	
3	4811900	1	Washer M8	
4	4812100	1	Washer M12	
5	1001008559	1	Tie-Strap	
6	1001202986	1	Strap Push Mount	
7	1001239061	1	Cable, Starter to Battery Disconnect	
8	1001239062	1	Cable, Starter to Remote B+	
9	1001239125	1	Cable, PDM to ALT+	
10	3290601	1	Nut M6	
11	4811700	1	Washer M6	
12	1001239186	1	Cable, Ground Buss to Remote Ground	
13	1001239187	1	Cable, Starter Ground	
14	1001239188	1	Cable, Engine Ground	
15	1001279501	1	Cable, Alt Ground	
16	1001239126	1	Cable, Grid Heater	

SECTION 10 - ELECTRICAL

FIGURE 10-50. ENGINE - ENGINE HARNESS (CUMMINS) (1075 ONLY)



ART_1001239954-B

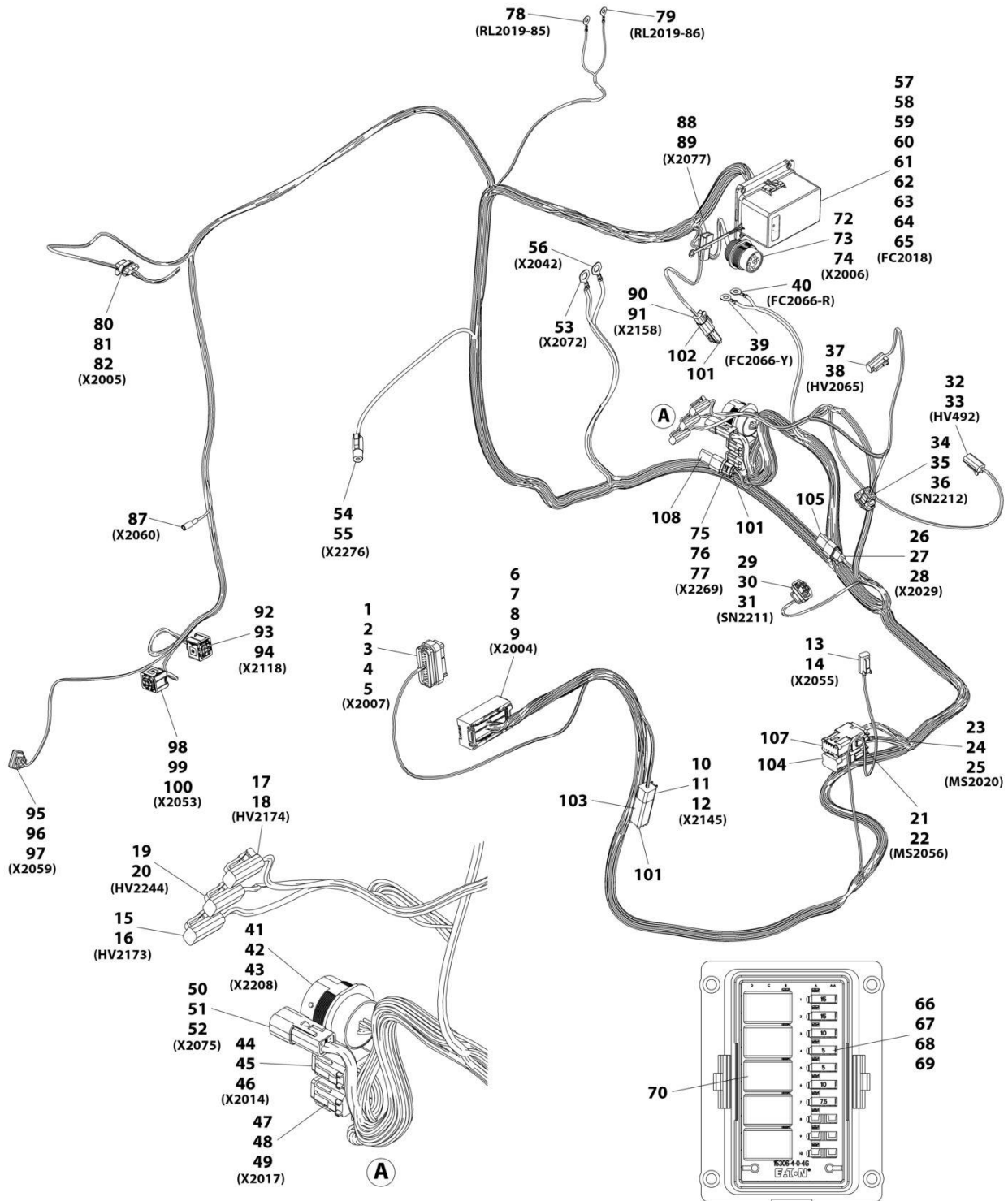
SECTION 10 - ELECTRICAL

FIGURE 10-50. ENGINE - ENGINE HARNESS (CUMMINS) (1075 ONLY)

ITEM	PART NUMBER	QTY	DESCRIPTION	REV
	1001239954	Ref	Cummins Engine Harness	B
1	4460970	1	Connector	
2	4460464	11	Terminal	
3	4460466	1	Plug	
4	4460950	1	Connector	
5	4460464	10	Terminal	
6	4460466	2	Plug	
7	1001187077	1	Terminal Ring	
8	1001187077	1	Terminal Ring	
9	4460930	1	Connector	
10	4460465	8	Terminal	
11	1001176935	1	Connector	
12	1001166704	4	Terminal	
13	1001137578	4	Seal	
14	1001167528	1	Connector	
15	1001166704	4	Terminal	
16	1001137578	4	Seal	
17	1001116812	1	Connector	
18	4460944	2	Terminal	
19	4460466	1	Plug	
20	4460539	1	Connector	
21	4460944	2	Terminal	
22	4460466	1	Plug	
23	1001167620	1	Connector	
24	1001176004	2	Terminal	
25	1001167624	2	Plug	
26	1001176002	2	Seal	
27	1001165194	1	Connector	
28	1001126391	2	Plug	
29	1001166703	10	Terminal	
30	1001223459	10	Seal	
31	4460891	1	Connector	
32	4460465	2	Terminal	
33	4460891	1	Connector	
34	4460465	2	Terminal	
35	4460891	1	Connector	
36	4460465	2	Terminal	
37	4460884	1	Connector	
38	4460465	4	Terminal	
39	4460945	1	Terminal, 3 Way "T" Receptacle	
40	4460984	1	Plug	
41	1001116815	1	Connector, 3 Pin	

SECTION 10 - ELECTRICAL

FIGURE 10-51. ENGINE - ENGINE HARNESS (CUMMINS) (1075)



ART_1001239953

SECTION 10 - ELECTRICAL

FIGURE 10-51. ENGINE - ENGINE HARNESS (CUMMINS) (1075)

ITEM	PART NUMBER	QTY	DESCRIPTION	REV
	1001239953	Ref	ENGINE HARNESS (CUMMINS)	D
1	1001167641	1	Connector	
2	1001195782	7	Plug	
3	1001195781	14	Plug	
4	1001125085	2	Terminal	
5	1001125089	1	Terminal	
6	1001167641	1	Connector	
7	1001167648	10	Terminal	
8	1001167650	55	Plug	
9	1001167649	31	Terminal	
10	4460894	1	Connector	
11	4460465	5	Terminal	
12	4460466	1	Plug	
13	4460891	1	Connector	
14	4460465	2	Terminal	
15	4460891	1	Connector	
16	4460465	2	Terminal	
17	4460891	1	Connector	
18	4460465	2	Terminal	
19	1001167641	1	Connector	
20	4460465	2	Terminal	
21	4460930	1	Connector	
22	4460465	8	Terminal	
23	4460933	1	Connector	
24	4460465	10	Terminal	
25	4460466	2	Plug	
26	4461095	1	Connector	
27	4460944	2	Terminal	
28	4460466	1	Plug	
29	1001126483	1	Connector	
30	1001167634	3	Terminal	
31	1001126485	3	Seal	
32	4460891	1	Connector	
33	4460465	2	Terminal	
34	1001126483	1	Connector	
35	1001167634	3	Terminal	
36	1001167634	3	Seal	
37	4460891	1	Connector	
38	4460465	2	Terminal	
39	1001207171	1	Ring Terminal	
40	1001207171	1	Ring Terminal	
41	1001148106	1	Connector	
42	4460464	20	Terminal	
43	4460466	3	Plug	
44	1001207171	1	Connector	
45	4460465	11	Terminal	
46	4460466	1	Plug	
47	4460836	1	Connector	
48	4460465	10	Terminal	
49	4460466	2	Plug	

SECTION 10 - ELECTRICAL

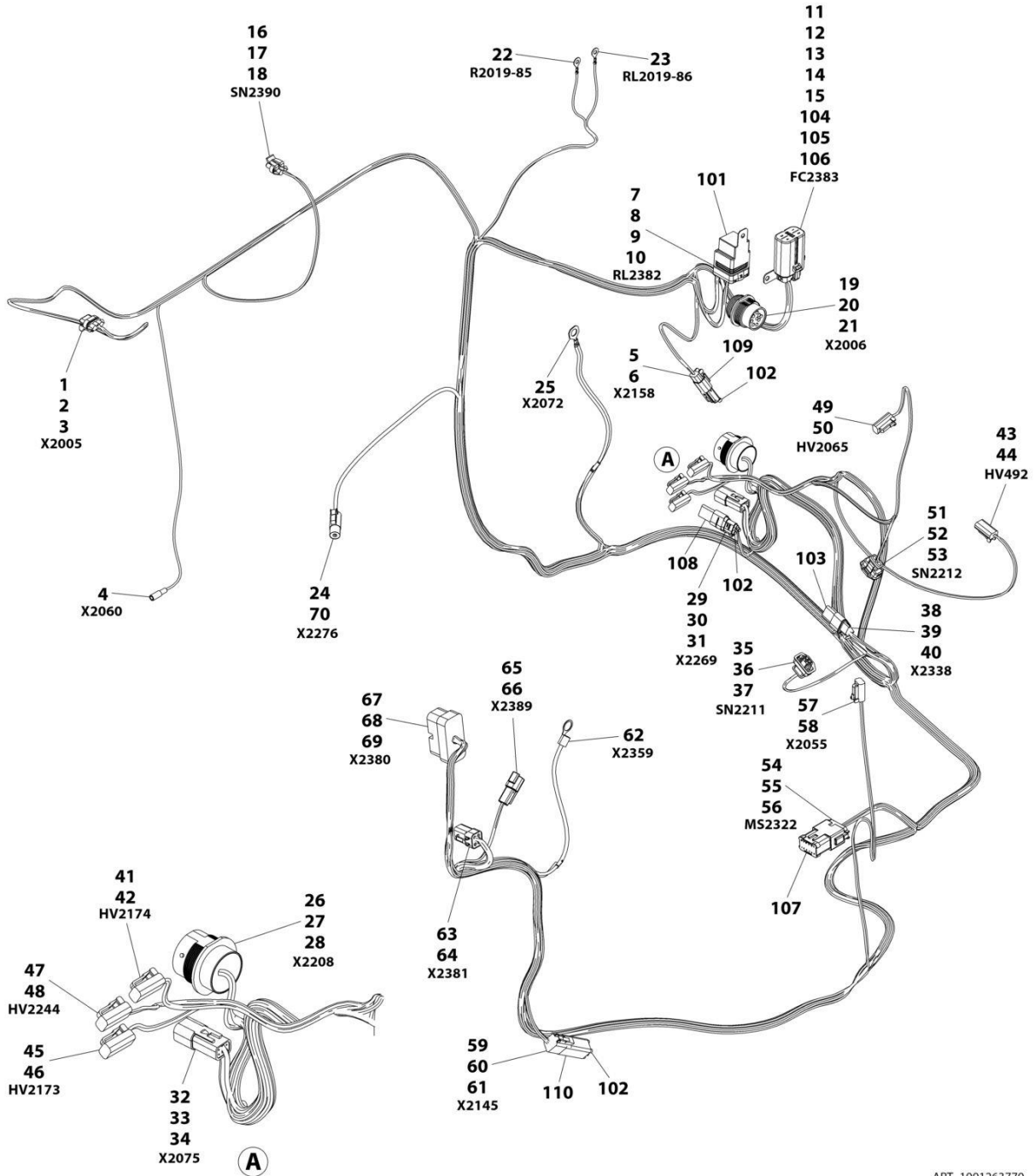
ITEM	PART NUMBER	QTY	DESCRIPTION	REV
50	1001116811	1	Connector	
51	4460508	3	Terminal	
52	1001150610	1	Terminal	
53	1001187079	1	Ring, Terminal	
54	4461261	1	Connector	
55	1001150611	1	Terminal	
56	1001187079	1	Ring, Terminal	
57	1001167616	1	Connector	
58	4460748	10	Plug	
59	1001190921	1	Seal, Foam Fuse Box	
60	1001116725	1	Terminal	
61	8220098	8	Terminal	
62	8220097	26	Terminal	
63	80963067	2	Seal	
64	4460789	9	Seal	
65	4460458	25	Seal	
66	8229244	2	Fuse, 15amp	
67	80983191	2	Fuse, 10amp	
68	8229242	1	Fuse, 5amp	
69	8229243	1	Fuse, 7.5amp	
70	1001205172	1	Relay, 35amp	
72	1001112612	1	Connector	
73	4460464	4	Terminal	
74	4460466	5	Plug	
75	1001116812	1	Connector	
76	4460465	1	Terminal	
77	4460466	1	Plug	
78	1001187070	1	Ring, Terminal	
79	1001187070	1	Ring, Terminal	
80	1001125027	1	Connector	
81	8220124	3	Terminal	
82	4460608	3	Seal	
87	1001246391	1	Connector	
88	1001153612	1	Connector	
89	1001126011	2	Terminal	
90	4460891	1	Connector	
91	4460465	2	Terminal	
92	1001176935	1	Connector	
93	1001166704	4	Terminal	
94	4461006	4	Seal	
95	1001126487	1	Connector	
96	1001167656	2	Terminal	
97	1001167657	2	Seal	
98	1001167528	1	Connector	
99	1001166704	4	Terminal	
100	4461006	4	Seal	
101	4460466	11	Terminal	
102	4460897	1	Connector	
103	4460899	1	Terminal	
104	4460984	1	Plug	
105	4461070	1	Connector	

SECTION 10 - ELECTRICAL

ITEM	PART NUMBER	QTY	DESCRIPTION	REV
107	1001125677	1	Connector	
108	1001144147	1	Terminal	

SECTION 10 - ELECTRICAL

FIGURE 10-52. ENGINE HARNESS (CUMMINS) (4523)



ART_1001263770

SECTION 10 - ELECTRICAL

FIGURE 10-52. ENGINE HARNESS (CUMMINS) (4523)

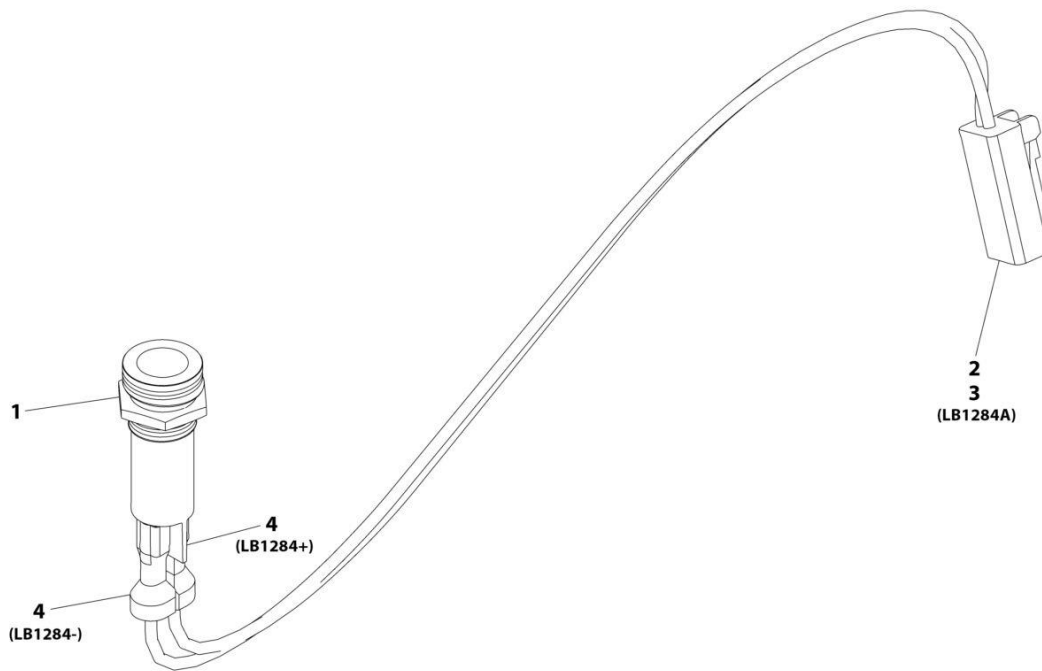
ITEM	PART NUMBER	QTY	DESCRIPTION	REV
	1001263770	Ref	ENGINE HARNESS (CUMMINS)	B
1	1001125027	1	Connector, 3-Position	
2	8220124	3	Terminal	
3	4460608	3	Seal	
4	1001246391	1	Connector	
5	4460891	1	Connector, 2-Position	
6	4460465	2	Terminal	
7	1001231398	1	Connector, 5-Way	
8	1001231400	4	Terminal	
9	1001231406	1	Terminal	
10	1001231404	4	Seal	
11	1001184551	1	Connector	
12	4460746	5	Terminal	
13	1001116747	3	Terminal	
14	4460458	5	Seal	
15	4460789	3	Seal	
16	1001209097	1	Connector	
17	8220124	2	Terminal	
18	4460608	2	Seal	
19	1001112612	1	Connector	
20	4460464	4	Terminal	
21	4460466	5	Terminal	
22	1001187070	1	Terminal, Ring	
23	1001187070	1	Terminal, Ring	
24	4461261	1	Connector	
25	1001187079	1	Terminal, Ring	
26	1001148106	1	Connector	
27	4460464	21	Terminal	
28	4460464	2	Terminal	
29	1001116812	1	Connector	
30	4460465	2	Terminal	
31	4460466	1	Plug	
32	1001116811	1	Connector	
33	4460508	3	Terminal	
34	1001150610	1	Terminal	
35	1001126483	1	Connector, 3-Position	
36	1001167634	3	Terminal	
37	1001126485	3	Seal	
38	4461095	1	Connector	
39	4460944	2	Terminal	
40	4460466	1	Plug	
41	4460891	1	Connector, 2-Position	
42	4460465	2	Terminal	
43	4460891	1	Connector, 2-Position	
44	4460465	2	Terminal	
45	4460891	1	Connector, 2-Position	
46	4460465	2	Terminal	
47	4460891	1	Connector, 2-Position	
48	4460465	2	Terminal	
49	4460891	1	Connector, 2-Position	

SECTION 10 - ELECTRICAL

ITEM	PART NUMBER	QTY	DESCRIPTION	REV
50	4460465	2	Terminal	
51	1001126483	1	Connector, 3-Position	
52	1001167634	3	Seal	
53	1001126485	3	Seal	
54	4460933	1	Connector	
55	4460465	10	Terminal	
56	4460466	2	Plug	
57	4460891	1	Connector, 2-Position	
58	4460465	2	Terminal	
59	4460894	1	Connector, 6-Position	
60	4460465	5	Terminal	
61	4460466	1	Plug	
62	8220029	1	Terminal	
63	1001116810	1	Connector	
64	4460509	4	Terminal	
65	4460897	1	Connector, 2-Position	
66	4460464	2	Terminal	
67	1001116821	1	Connector, 50-Position	
68	4460518	36	Plug	
69	1001126008	14	Terminal	
70	1001150611	1	Terminal	
101	3740080	1	Relay	
102	4460466	11	Plug	
103	4461070	1	Connector, 3-Position	
104	8229242	1	Fuse, 5amp	
105	8229243	1	Fuse, 7.5amp	
106	80983191	2	Fuse, 10amp	
107	1001125677	1	Connector	
108	1001144147	1	Terminal	
109	4460897	1	Connector, 2-Position	
110	4460899	1	Connector, 6-Position	

SECTION 10 - ELECTRICAL

FIGURE 10-53. ENGINE - DEF PURGE LIGHT HARNESS (1075)



ART_1001232288-A

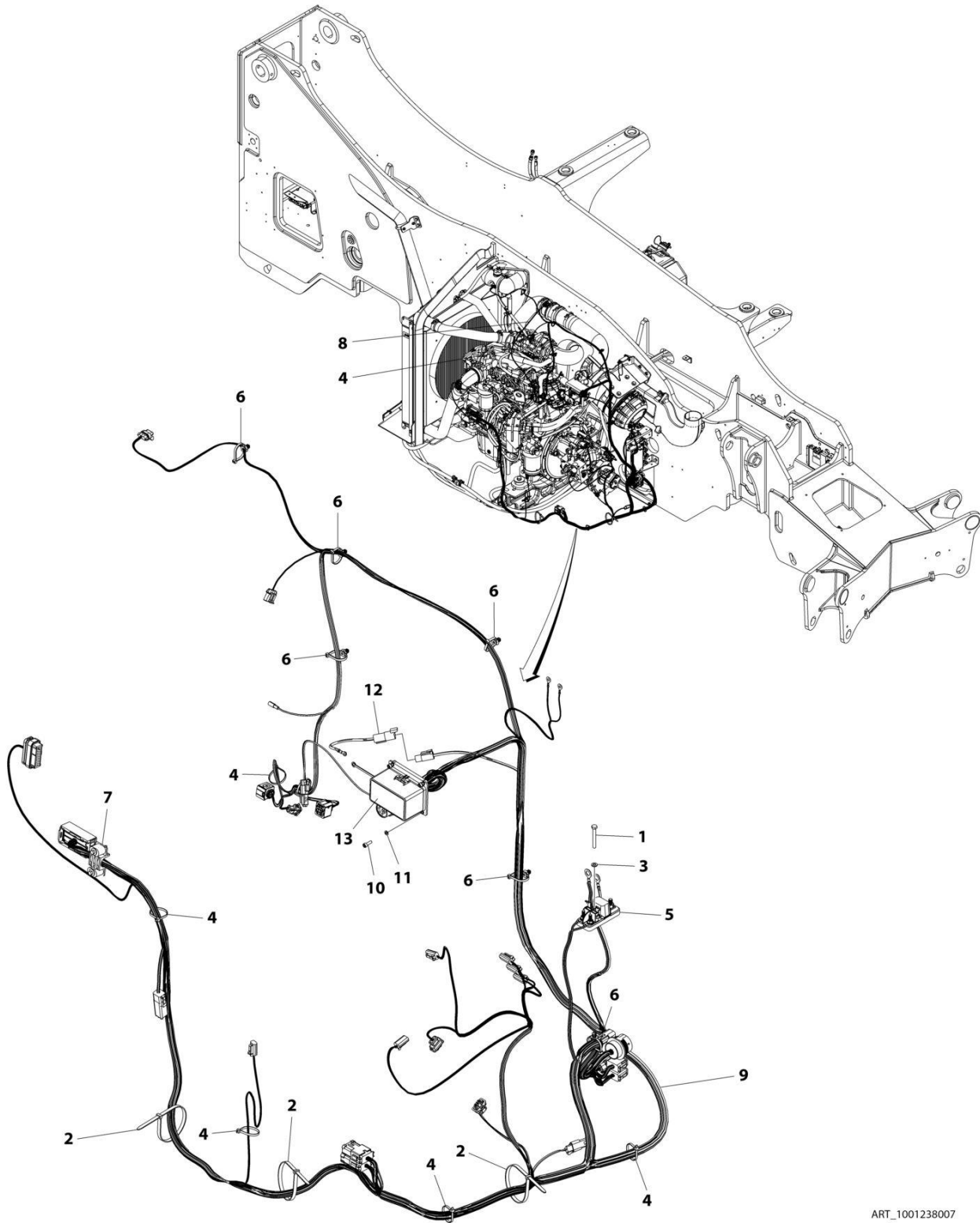
SECTION 10 - ELECTRICAL

FIGURE 10-53. ENGINE - DEF PURGE LIGHT HARNESS (1075)

ITEM	PART NUMBER	QTY	DESCRIPTION	REV
	1001232288	Ref	DEF Purge Light Harness	A
1	1001169825	1	LED Lamp 12V	
2	4461290	1	Connector	
3	1001126008	2	Terminal	
4	8220108	2	Connector	

SECTION 10 - ELECTRICAL

FIGURE 10-54. ENGINE WIRING INSTALLATION (1075)



ART_1001238007

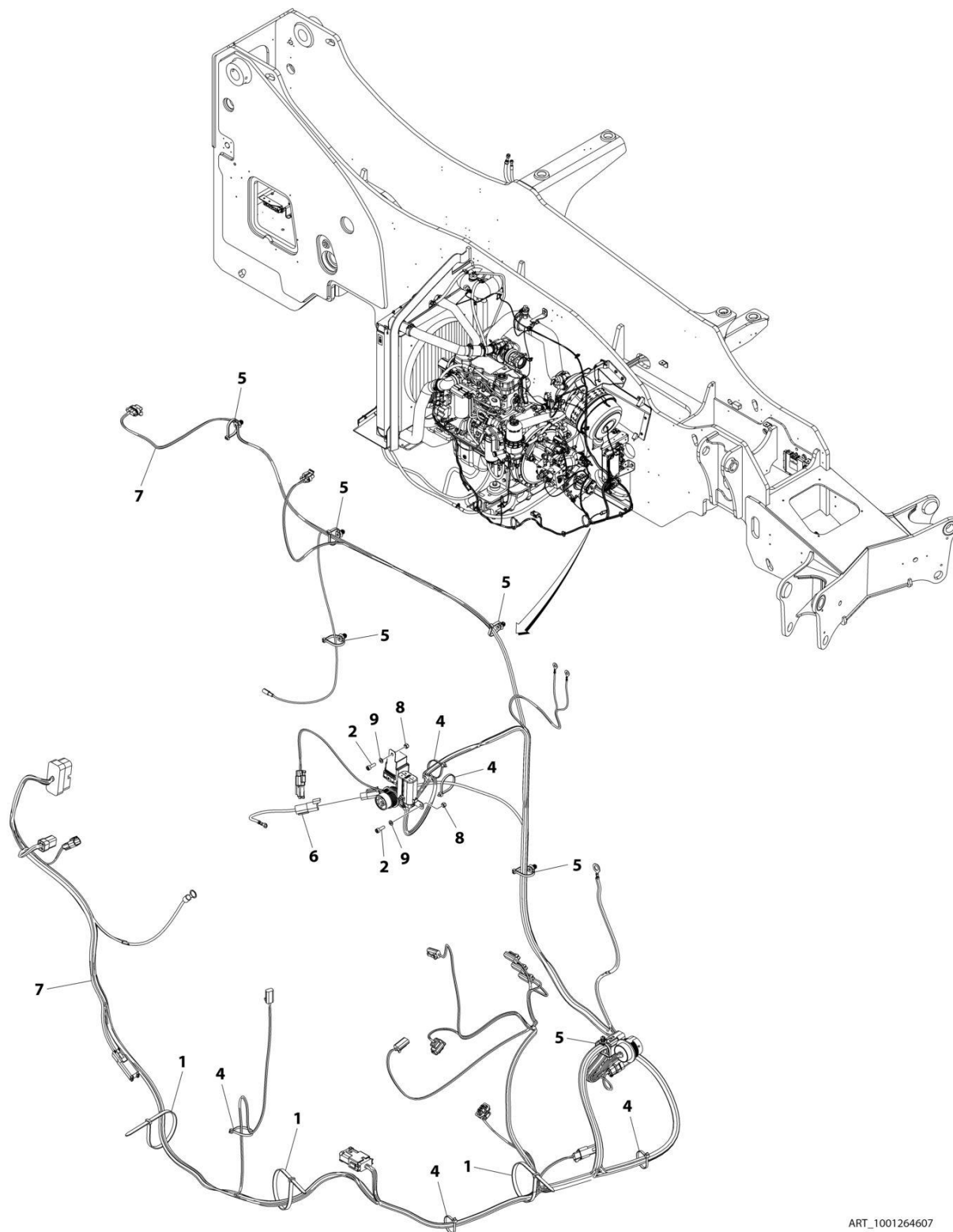
SECTION 10 - ELECTRICAL

FIGURE 10-54. ENGINE WIRING INSTALLATION (1075)

ITEM	PART NUMBER	QTY	DESCRIPTION	REV
	1001238007	Ref	Engine Wiring Installation	C
1	0700618	1	Bolt, M6X50	
2	1062255	3	Strap, Tie	
3	4811700	1	Washer, M6	
4	1001008559	9	Strap	
5	1001131177	1	Fuse	
6	1001146588	6	Strap, Cable Tie	
7	1001167646	1	Bracket	
8	1001184835	1	Harness, TBAP (See Separate Breakdown in this Section)	
9	1001239953	1	Harness, Engine (See Separate Breakdown in this Section)	
10	4031607	4	Bolt, M5X16	
11	4831600	4	Washer, Lock M5	
12	1001255725	1	Harness, Starter Solenoid Jumper	
13	1001250171	1	Decal, Fuse	

SECTION 10 - ELECTRICAL

FIGURE 10-55. ENGINE WIRING INSTALLATION (4523)



ART_1001264607

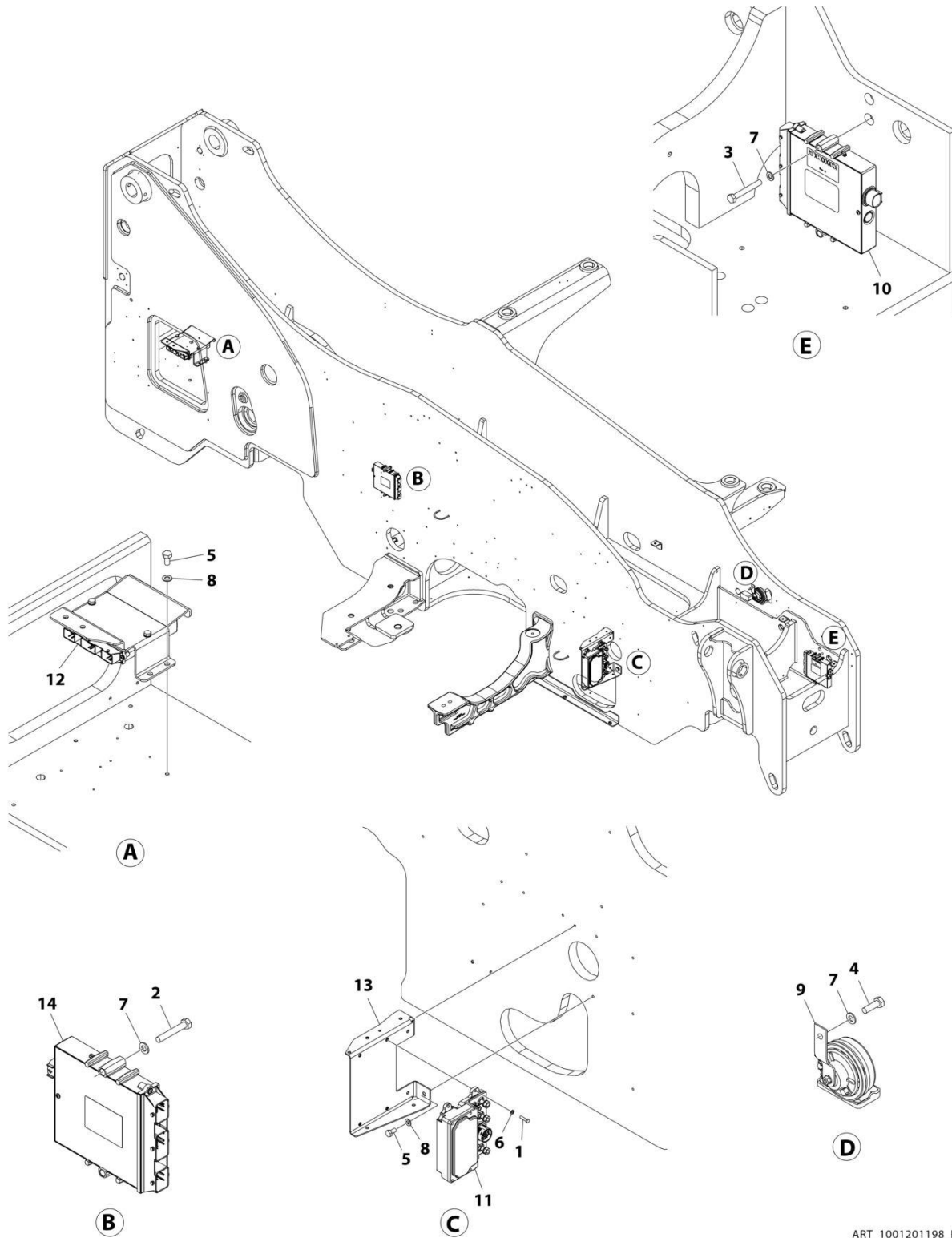
SECTION 10 - ELECTRICAL

FIGURE 10-55. ENGINE WIRING INSTALLATION (4523)

ITEM	PART NUMBER	QTY	DESCRIPTION	REV
	1001264607	Ref	ENGINE WIRING INSTALLATION	B
1	1062255	3	Tie-Strap	
2	4031607	2	Bolt M5 x 16	
4	1001008559	6	Tie-Strap	
5	1001146588	6	Tie-Strap	
6	1001255725	1	Harness, Starter Solenoid Jumper	
7	1001263770	1	Harness, Engine (See Separate Breakdown in this Section)	
8	3290505	2	Nut M5	
9	4811600	2	Washer M5	

SECTION 10 - ELECTRICAL

FIGURE 10-56. FRAME ELECTRICAL INSTALLATION



ART_1001201198_E

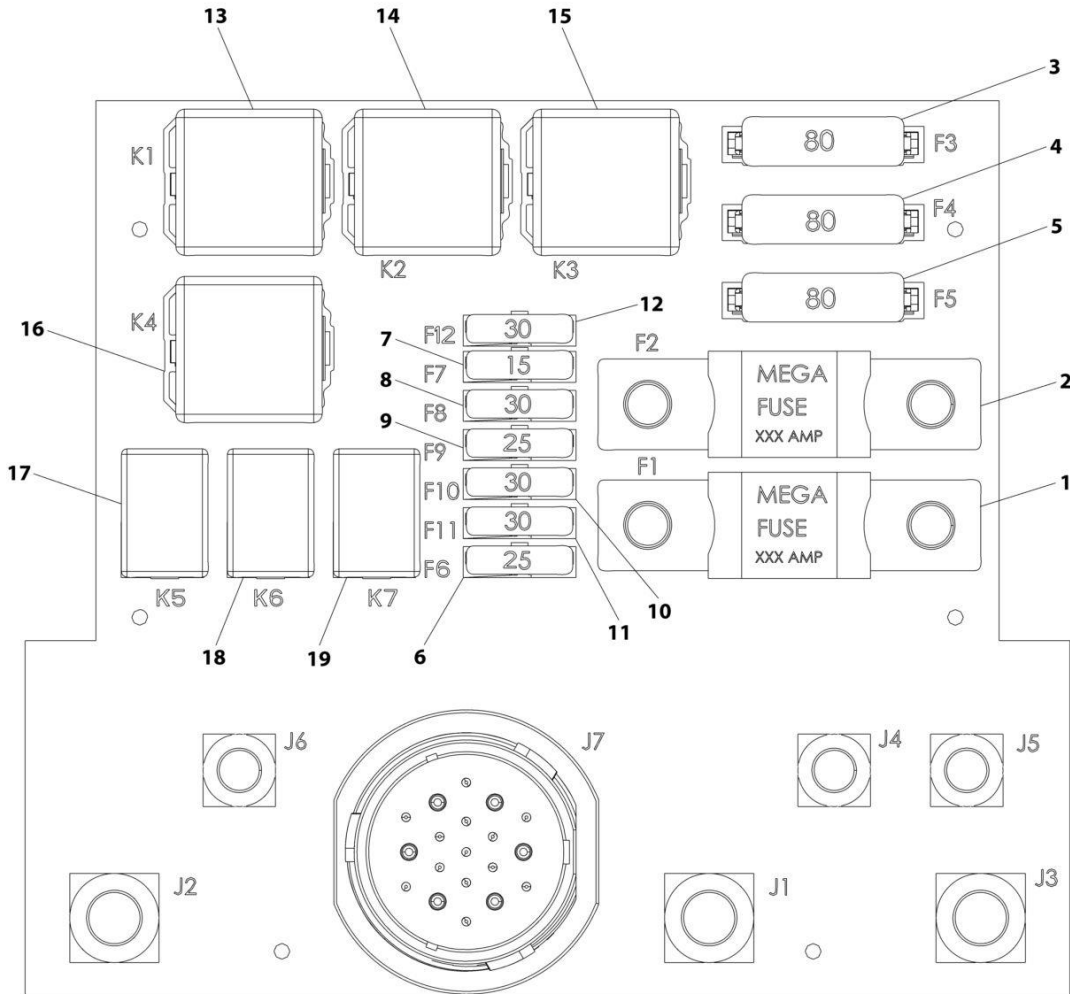
SECTION 10 - ELECTRICAL

FIGURE 10-56. FRAME ELECTRICAL INSTALLATION

ITEM	PART NUMBER	QTY	DESCRIPTION	REV
	1001201198	Ref	FRAME ELECTRICAL INSTALLATION	E
1	0700612	4	Bolt M6 x 25	
2	0700818	2	Bolt M8 x 50	
3	0700820	2	Bolt M8 x 60	
4	0760812	1	Bolt M8 x 25	
5	0761010	4	Bolt M10 x 20	
6	4811700	4	Washer M6	
7	4811900	5	Washer M8	
8	4812000	4	Washer M10	
9	1001264995	1	Horn	
10	1001270467	1	Module, Front Frame	
11	1001164402	1	Box, Power Distribution Electrical (See Separate Breakdown in this Section)	
12	1001210770	1	Rear Frame Module Installation, (See Separate Breakdown in this Section)	
13	1001246929	1	Bracket	
14	1001270486	1	Module, Transmission	

SECTION 10 - ELECTRICAL

FIGURE 10-57. FRAME - ELECTRICAL POWER DISTRIBUTION BOX



ART_1001164402-G

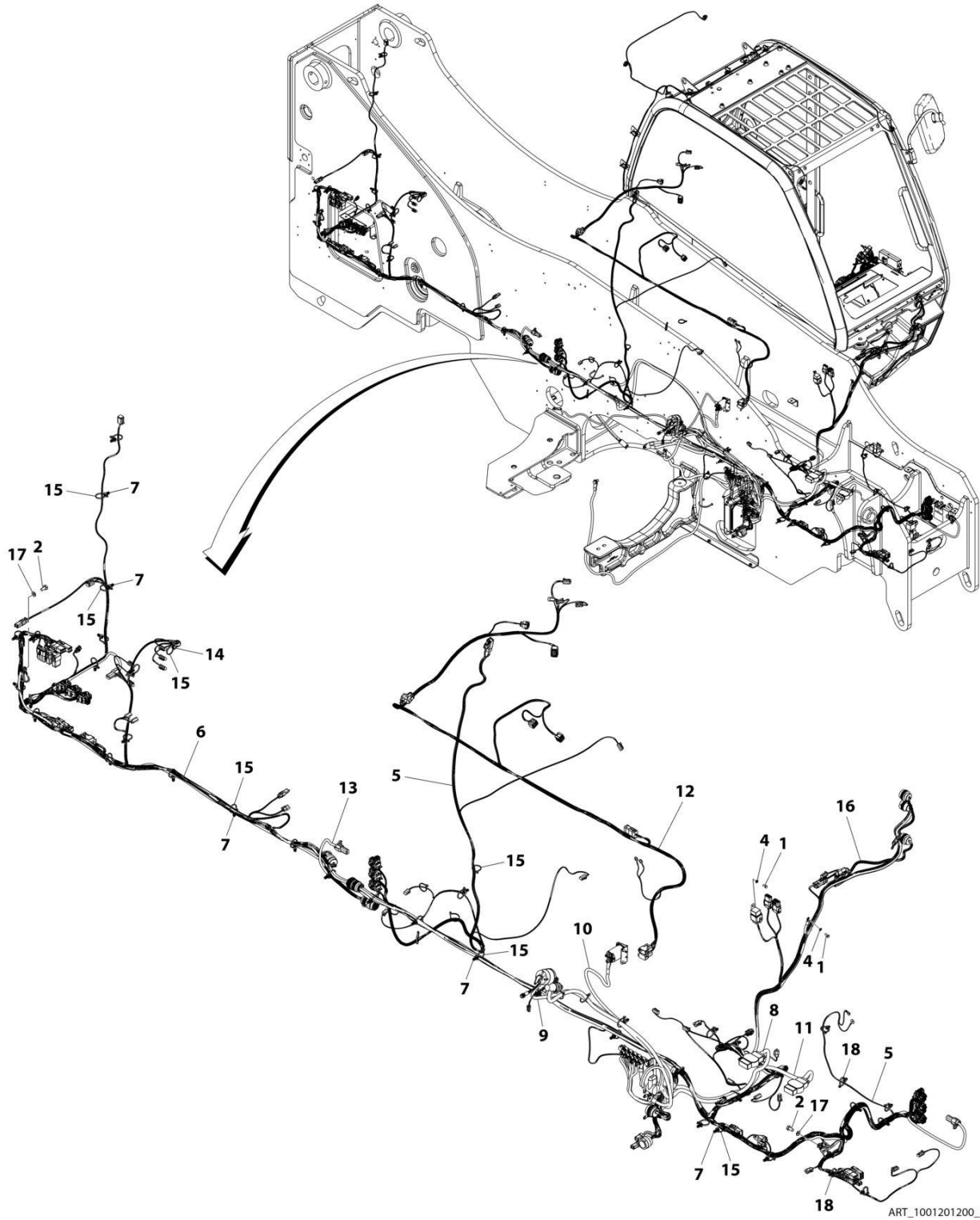
SECTION 10 - ELECTRICAL

FIGURE 10-57. FRAME - ELECTRICAL POWER DISTRIBUTION BOX

ITEM	PART NUMBER	QTY	DESCRIPTION	REV
	1001164402	Ref	Power Distribution Electrical Box	G
1	1001095336	1	Fuse, 150AMP	
2	70026296	1	Fuse, 200AMP	
3	70026297	1	Fuse, 80AMP	
4	70026297	1	Fuse, 80AMP	
5	70026297	1	Fuse, 80AMP	
6	8229247	1	Fuse, 25AMP	
7	8229244	1	Fuse, 15AMP	
8	8229245	1	Fuse, 30AMP	
9	8229247	1	Fuse, 25AMP	
10	8229245	1	Fuse, 30AMP	
11	8229245	1	Fuse, 30AMP	
12	8229245	1	Fuse, 30AMP	
13	70026294	1	Fuse, 70AMP	
14	70026294	1	Fuse, 70AMP	
15	70026294	1	Fuse, 70AMP	
16	70026294	1	Fuse, 70AMP	
17	70026295	1	Fuse, 35AMP	
18	70026295	1	Fuse, 35AMP	
19	70026295	1	Fuse, 35AMP	

SECTION 10 - ELECTRICAL

FIGURE 10-58. FRAME WIRING INSTALLATION (1075)



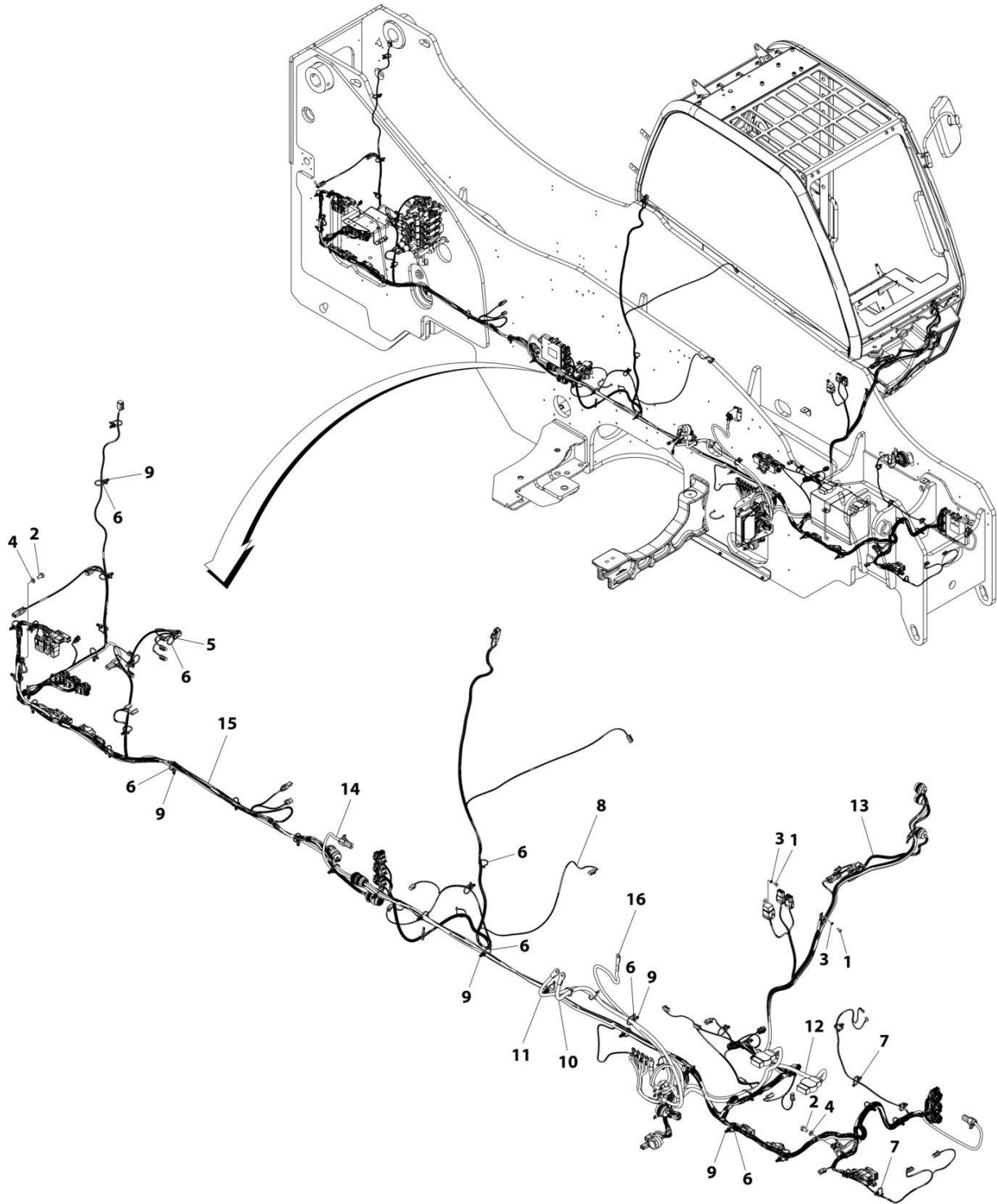
SECTION 10 - ELECTRICAL

FIGURE 10-58. FRAME WIRING INSTALLATION (1075)

ITEM	PART NUMBER	QTY	DESCRIPTION	REV
	1001201200	Ref	FRAME WIRING INSTALLATION	D
1	0760607	2	Bolt, M6X14	
2	0761010	2	Bolt, M10X20	
4	4811700	2	Washer, M6	
5	1001281912	1	Harness, Front Frame (See Separate Breakdown in this Section)	
6	1001259494	1	Harness, Rear Frame (See Separate Breakdown in this Section)	
7	1001202986	37	Strap Push Mount	
8	1001239059	1	Cable, Battery + to Battery Disconnect	
9	1001239060	1	Cable Battery Disconnect to PDM	
10	1001239128	1	Cable, PDM to Grid Heater	
11	1001239185	1	Cable, Battery Negative	
12	1001239954	1	Harness, Cummins Engine (See Separate Breakdown in this Section)	
13	1001245231	1	Harness, Front Frame Power (See Separate Breakdown in this Section)	
14	1001004723	2	Saddle	
15	1001008559	50	Tie, Strap	
16	1001243044	1	Harness, Cab Option (See Separate Breakdown in this Section)	
17	4812000	2	Washer, M10	
18	1001146588	5	Strap, Cable Tie	

SECTION 10 - ELECTRICAL

FIGURE 10-59. FRAME WIRING INSTALLATION (4523)



ART_1001278581

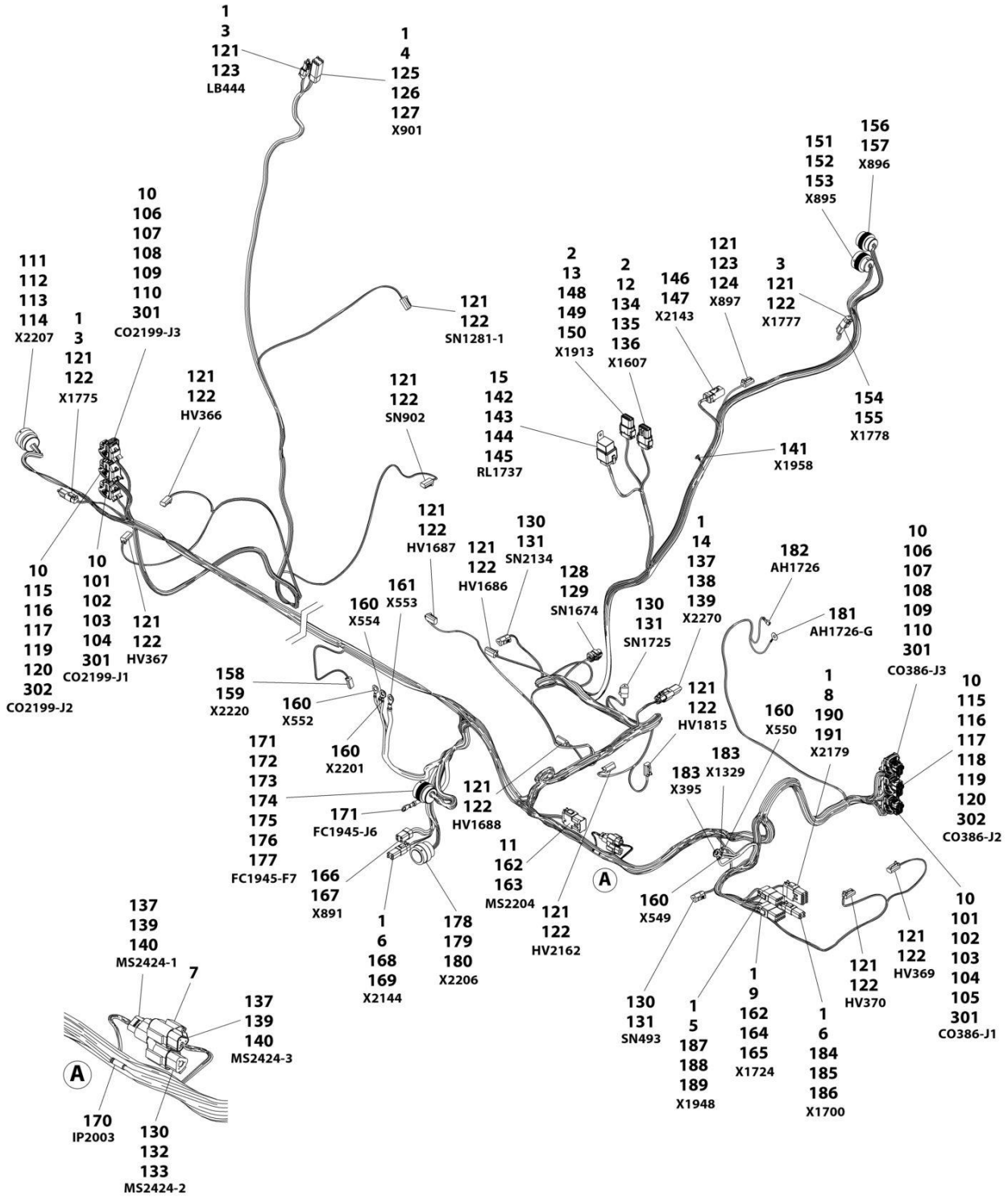
SECTION 10 - ELECTRICAL

FIGURE 10-59. FRAME WIRING INSTALLATION (4523)

ITEM	PART NUMBER	QTY	DESCRIPTION	REV
	1001278581	Ref	FRAME WIRING INSTALLATION	B
1	0760607	2	Bolt M6 x 14	
2	0761010	2	Bolt M10 x 20	
3	4811700	2	Washer M6	
4	4812000	2	Washer M10	
5	1001004723	2	Saddle	
6	1001008559	46	Tie-Strap	
7	1001146588	5	Tie-Strap	
8	1001281912	1	Harness, Front Frame (See Separate Breakdown in this Section)	
9	1001202986	36	Strap Push Mount	
10	1001239059	1	Cable, Battery + to Battery Disconnect	
11	1001239060	1	Cable Battery Disconnect to PDM	
12	1001239185	1	Cable, Battery Negative	
13	1001243044	1	Harness, Cab Option (See Separate Breakdown in this Section)	
14	1001245231	1	Harness, Front Frame Power (See Separate Breakdown in this Section)	
15	1001259494	1	Harness, Rear Frame (See Separate Breakdown in this Section)	
16	1001264165	1	Cable, PDM to Grid Heater	

SECTION 10 - ELECTRICAL

FIGURE 10-60. FRAME - FRONT FRAME HARNESS



ART_1001281912

SECTION 10 - ELECTRICAL

FIGURE 10-60. FRAME - FRONT FRAME HARNESS

ITEM	PART NUMBER	QTY	DESCRIPTION	REV
	1001281912	Ref	FRONT FRAME HARNESS	B
1	4460466	53	Plug, Terminal	
2	4460518	24	Plug, Terminal	
3	4460897	3	Connector, 2-Position	
4	4460899	1	Connector, 6-Position	
5	4460931	1	Connector, 8-Position	
6	4460932	2	Connector, 4-Position	
7	4460945	1	Receptacle, 3-Way	
8	4460950	1	Connector, 12-Position	
9	4460970	1	Connector, 12-Position	
10	1001008559	6	Tie-Strap	
11	1001125677	1	Connector, 2 x 6 Buss Bar	
12	1001132169	1	Connector, 12-Position	
13	1001132170	1	Connector, 12-Position	
14	1001144147	1	Connector, 3-Position	
15	3740080	1	Relay	
101	1001161958	2	Connector, 32-Position	
102	1001161097	18	Terminal	
103	1001161100	30	Plug	
104	1001161101	12	Plug	
105	1001161098	4	Terminal	
106	1001160499	2	Connector, 32-Position	
107	1001161097	22	Terminal	
108	1001161100	28	Plug	
109	1001161101	8	Plug	
110	1001161099	8	Terminal	
111	1001147923	1	Connector, 23-Position	
112	4460465	11	Terminal	
113	4460942	2	Terminal	
114	4460466	10	Plug	
115	1001161964	2	Connector, 32-Position	
116	1001161097	30	Terminal	
117	1001161099	9	Terminal	
118	1001161098	1	Terminal	
119	1001161100	48	Plug	
120	1001161101	6	Plug	
121	4460891	15	Connector, 2-Position	
122	4460465	26	Terminal	
123	4460942	3	Terminal	
124	4460466	1	Plug, Terminal	
125	4460894	1	Connector, 6-Position	
126	4460942	4	Terminal	
127	4460465	2	Terminal	
128	1001116950	1	Connector, 2-Position	
129	4460465	2	Terminal	
130	4460539	4	Connector, 3-Position	
131	4460465	8	Terminal	
132	4460944	2	Terminal	
133	4460466	1	Plug, Terminal	
134	1001116774	1	Connector, 12-Position	

SECTION 10 - ELECTRICAL

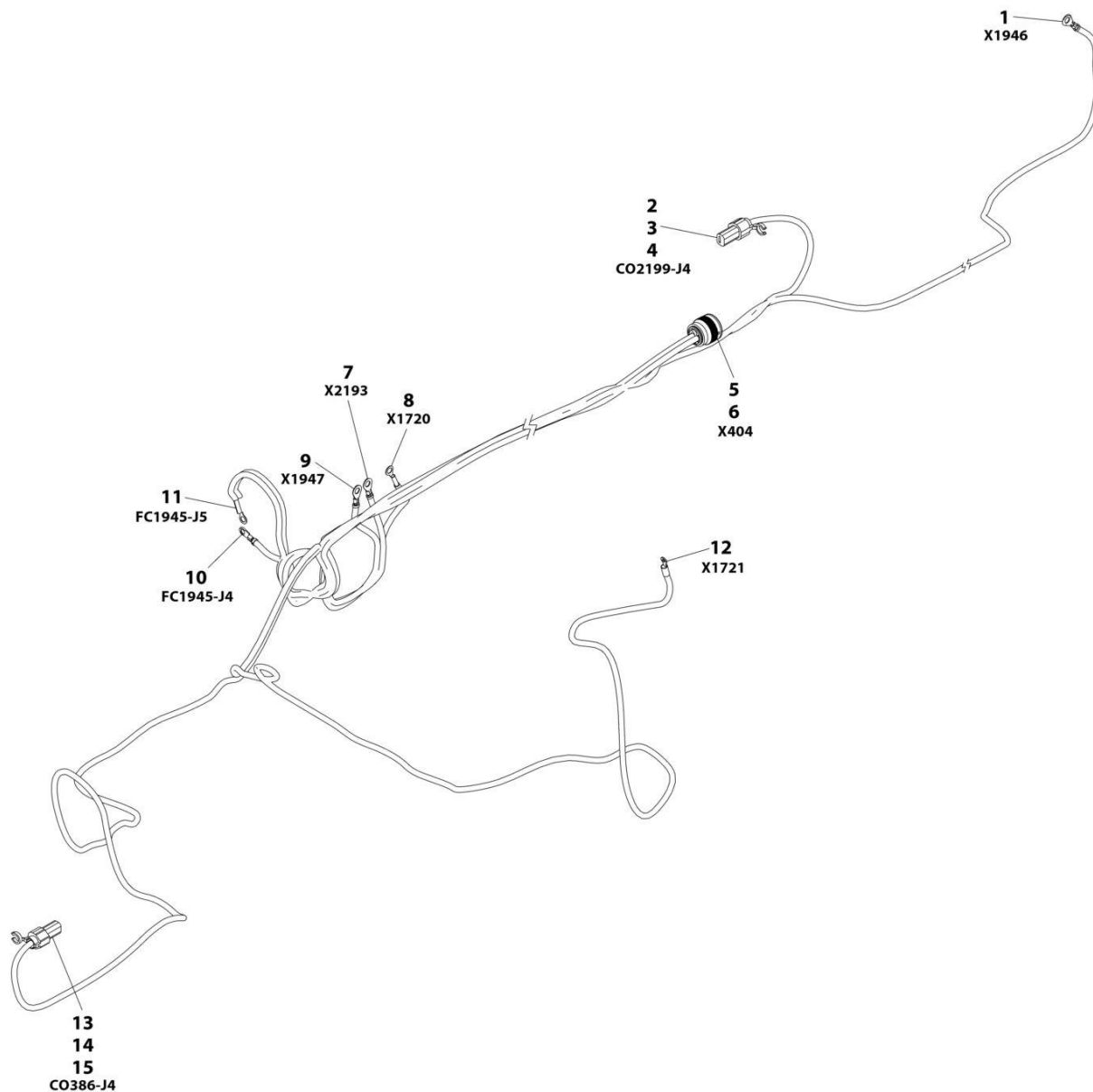
ITEM	PART NUMBER	QTY	DESCRIPTION	REV
135	1001126008	2	Terminal	
136	4460518	10	Plug	
137	1001116812	3	Connector, 3-Position	
138	4460465	2	Terminal	
139	4460466	3	Plug	
140	4460944	4	Terminal	
141	1001207173	1	Terminal, Ring	
142	1001231398	1	Connector, 5-Position	
143	1001231400	4	Terminal	
143	1001231399	4	Terminal	
144	1001231404	4	Seal	
145	1001231406	1	Plug, Terminal	
146	1001195689	1	Connector, 4-Position	
147	4460464	4	Terminal	
148	1001116808	1	Connector, 12-Position	
149	1001126008	3	Terminal	
150	4460518	9	Plug	
151	1001118323	1	Connector, 6-Position	
152	4460942	4	Terminal	
153	91013192	2	Terminal	
154	4460897	1	Connector, 2-Position	
155	4460464	2	Terminal	
156	4461015	1	Connector, 14-Position	
157	4460465	14	Terminal	
158	4461290	1	Connector, 2-Position	
159	4460928	2	Terminal	
160	1001187079	5	Terminal, Ring	
161	1001187076	1	Terminal, Ring	
162	4460933	1	Connector, 12-Position	
163	4460465	12	Terminal	
164	4460942	10	Terminal	
165	4460466	2	Plug, Terminal	
166	1001116810	1	Connector, 4-Position	
167	1001150611	4	Terminal	
168	4460884	1	Connector, 4-Position	
169	4460465	4	Terminal	
170		Ref	Diode	
171	1001187075	1	Terminal, Ring (Includes Boot)	
172	1001165309	1	Connector, 19-Position	
173	4460465	9	Terminal	
174	4460942	2	Terminal	
175	4460509	3	Terminal	
176	1001150611	3	Terminal	
177	4460466	2	Plug	
178	1001147923	1	Connector, 23-Position	
179	4460465	21	Terminal	
180	4460466	2	Plug	
181	1001187073	1	Terminal, Ring	
182	8220051	1	Terminal, Ring	
183	1001187080	2	Terminal, Ring	
184	4460884	1	Connector, 4-Position	

SECTION 10 - ELECTRICAL

ITEM	PART NUMBER	QTY	DESCRIPTION	REV
185	4460465	3	Terminal	
186	4460942	1	Terminal	
187	4460930	1	Connector, 8-Position	
188	4460465	6	Terminal	
189	4460466	2	Plug	
190	4460836	1	Connector, 12-Position	
191	4460465	12	Terminal	
301	643191201	4	Cover	
302	643201301	2	Cover	

SECTION 10 - ELECTRICAL

FIGURE 10-61. FRAME - FRONT FRAME POWER HARNESS



ART_1001245231

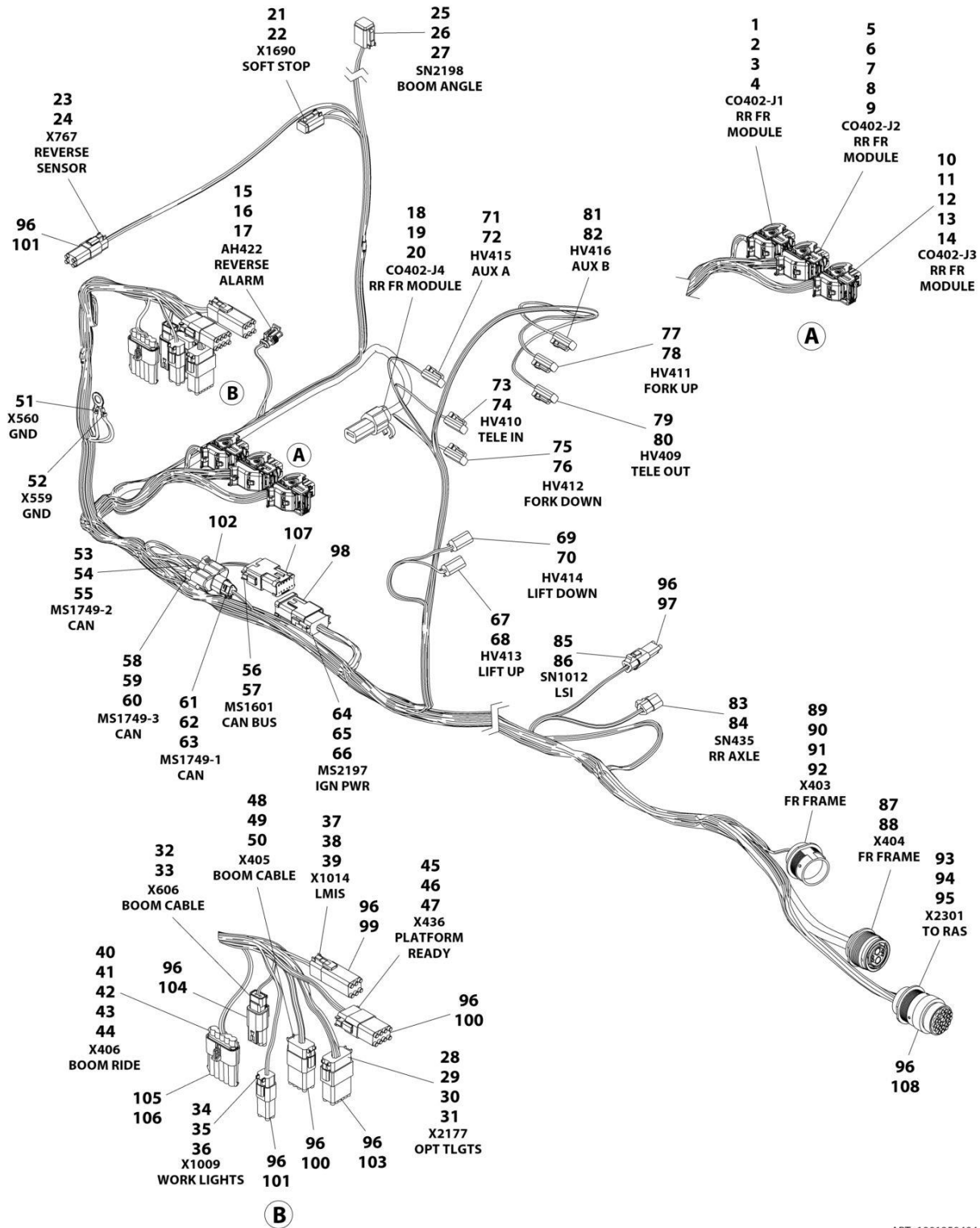
SECTION 10 - ELECTRICAL

FIGURE 10-61. FRAME - FRONT FRAME POWER HARNESS

ITEM	PART NUMBER	QTY	DESCRIPTION	REV
	1001245231	Ref	Front Frame Power Harness	C
1	1001187076	1	Terminal, Ring	
2	1001160509	1	Connector	
3	1001160510	1	Terminal	
4	1001175267	1	Seal	
5	1001165310	1	Connector	
6	91013192	2	Terminal	
7	1001187076	1	Terminal, Ring	
8	1001187076	1	Terminal, Ring	
9	1001187076	1	Terminal, Ring	
10	1001187075	1	Terminal, Ring	
11	1001128127	1	Terminal, Ring	
12	1001187075	1	Terminal, Ring	
13	1001160509	1	Connector	
14	1001160510	1	Terminal	
15	1001175267	1	Seal	

SECTION 10 - ELECTRICAL

FIGURE 10-62. FRAME - REAR FRAME HARNESS



ART_1001259494

SECTION 10 - ELECTRICAL

FIGURE 10-62. FRAME - REAR FRAME HARNESS

ITEM	PART NUMBER	QTY	DESCRIPTION	REV
	1001259494	Ref	Front Frame Harness	A
1	1001161958	1	Connector	
2	1001161097	11	Terminal	
3	1001161100	13	Plug	
4	1001161101	8	Plug	
5	1001161964	1	Connector	
6	1001161097	28	Terminal	
7	1001161099	6	Terminal	
8	1001161100	12	Plug	
9	1001161101	2	Plug	
10	1001160499	1	Connector	
11	1001161097	8	Terminal	
12	1001161099	7	Terminal	
13	1001161100	16	Plug	
14	1001161101	1	Plug	
15	4461118	1	Connector	
16	1001107854	2	Terminal	
17	1001116763	2	Seal	
18	1001160509	1	Connector	
19	1001160510	1	Terminal	
20	1001175267	1	Seal	
21	4460884	1	Connector	
22	4460465	4	Terminal	
23	4460884	1	Connector	
24	4460465	4	Terminal	
25	4460894	1	Connector	
26	4460465	4	Terminal	
27	4460466	2	Plug	
28	4460933	1	Connector	
29	4460942	8	Terminal	
30	4460465	2	Terminal	
31	4460466	2	Plug	
32	4461018	1	Connector	
33	4460509	2	Terminal	
34	4460884	1	Connector	
35	4460465	2	Terminal	
36	4460466	2	Plug	
37	4460894	1	Connector	
38	4460465	3	Terminal	
39	4460466	3	Plug	
40	1001121726	1	Connector	
41	4460744	4	Terminal	
42	1001116727	1	Plug	
43	1001189877	3	Seal	
44	4460458	1	Terminal Seal	
45	4460930	1	Connector	
46	4460465	6	Terminal	
47	4460466	2	Plug	
48	4460930	1	Connector	
49	4460465	6	Terminal	

SECTION 10 - ELECTRICAL

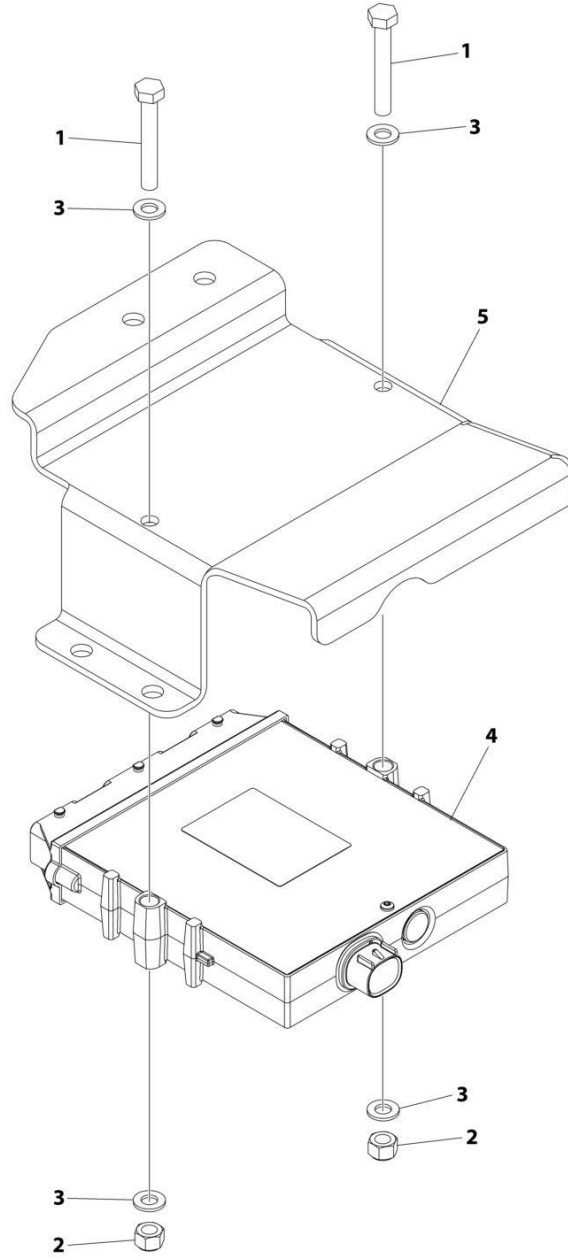
ITEM	PART NUMBER	QTY	DESCRIPTION	REV
50	4460466	2	Plug	
51	1001187080	1	Ring, Terminal	
52	1001187080	1	Ring, Terminal	
53	4460539	1	Connector	
54	4460944	2	Terminal	
55	4460466	1	Plug	
56	4460933	1	Connector	
57	4460465	12	Terminal	
58	1001116812	1	Connector	
59	4460944	2	Terminal	
60	4460466	1	Plug	
61	1001116812	1	Connector	
62	4460944	2	Terminal	
63	4460466	1	Plug	
64	4460836	1	Connector	
65	4460944	10	Terminal	
66	4460466	2	Plug	
67	4460891	1	Connector	
68	4460465	2	Terminal	
69	4460891	1	Connector	
70	4460465	2	Terminal	
71	4460891	1	Connector	
72	4460465	2	Terminal	
73	4460891	1	Connector	
74	4460465	2	Terminal	
75	4460891	1	Connector	
76	4460465	2	Terminal	
77	4460891	1	Connector	
78	4460465	2	Terminal	
79	4460891	1	Connector	
80	4460465	2	Terminal	
81	4460891	1	Connector	
82	4460465	2	Terminal	
83	4460539	1	Connector	
84	4460944	3	Terminal	
85	4460539	1	Connector	
86	4460465	3	Terminal	
87	1001165311	1	Connector	
88	91013191	2	Terminal	
89	1001148106	1	Connector	
90	4460464	11	Terminal	
91	4460941	1	Terminal	
92	4460466	11	Plug	
93	1001148106	1	Connector	
94	4460464	22	Terminal	
95	4460466	1	Plug	
96	4460466	70	Plug	
97	4460536	1	Terminal	
98	4460837	1	Connector, Housing	
99	4460899	1	Terminal	
100	4460931	2	Connector	

SECTION 10 - ELECTRICAL

ITEM	PART NUMBER	QTY	DESCRIPTION	REV
101	4460932	2	Connector	
102	4460945	1	Terminal	
103	4460970	1	Connector	
104	4461017	1	Connector	
105	1001116727	5	Plug	
106	1001121727	1	Connector	
107	1001125677	1	Connector	
108	1001147923	1	Connector	

SECTION 10 - ELECTRICAL

FIGURE 10-63. FRAME - REAR FRAME MODULE INSTALLATION



ART_1001210770_E

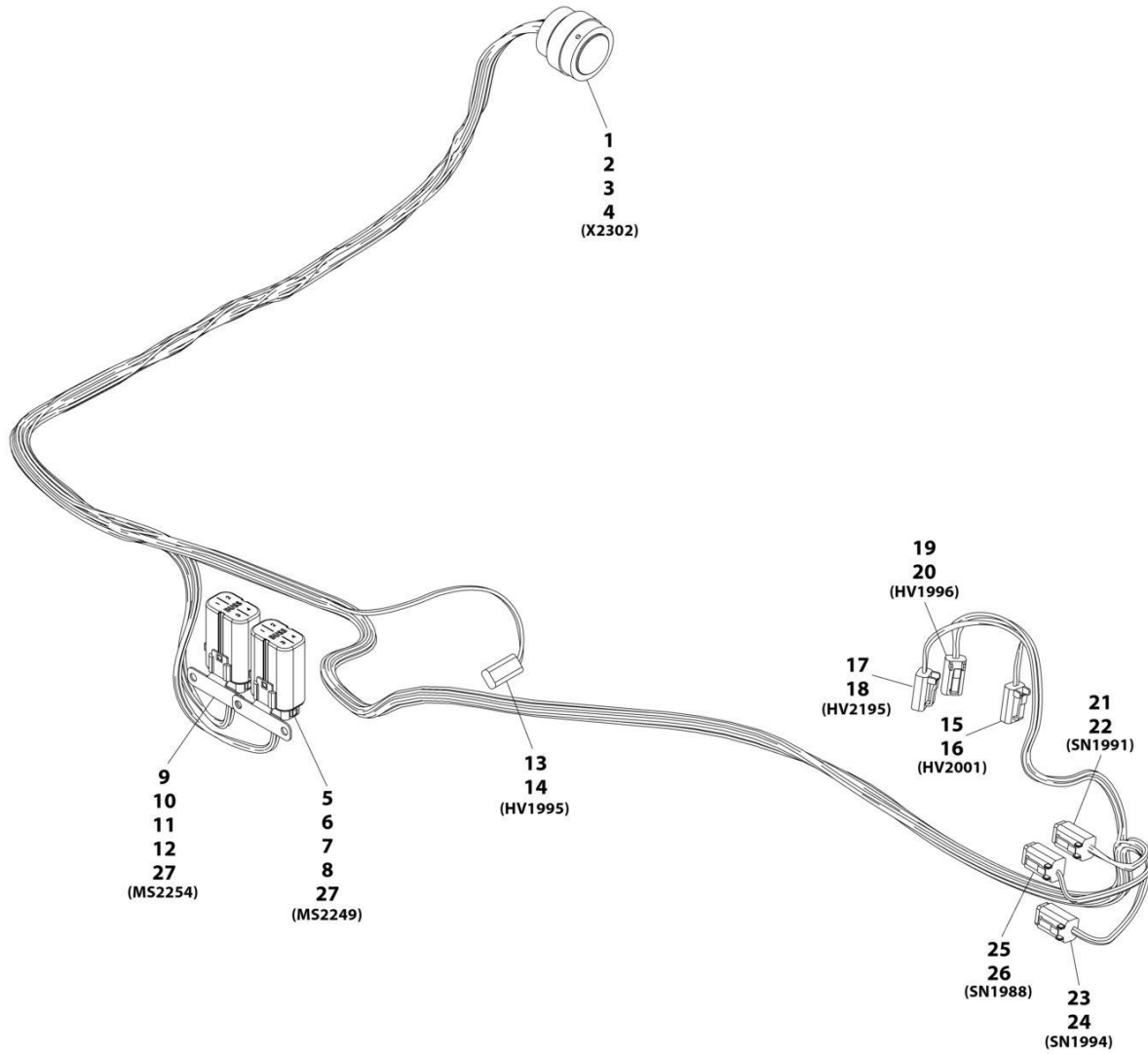
SECTION 10 - ELECTRICAL

FIGURE 10-63. FRAME - REAR FRAME MODULE INSTALLATION

ITEM	PART NUMBER	QTY	DESCRIPTION	REV
	1001210770	Ref	REAR FRAME MODULE INSTALLATION	E
1	0700819	2	Bolt M8 x 55	
2	3290805	2	Nut M8 x 1.25	
3	4811900	4	Washer M8	
4	1001270468	1	Control, Rear Frame Module	
5	1001255581	1	Bracket	

SECTION 10 - ELECTRICAL

FIGURE 10-64. FRAME - REAR AXLE STABILIZER HARNESS (RAS)



ART_1001259495

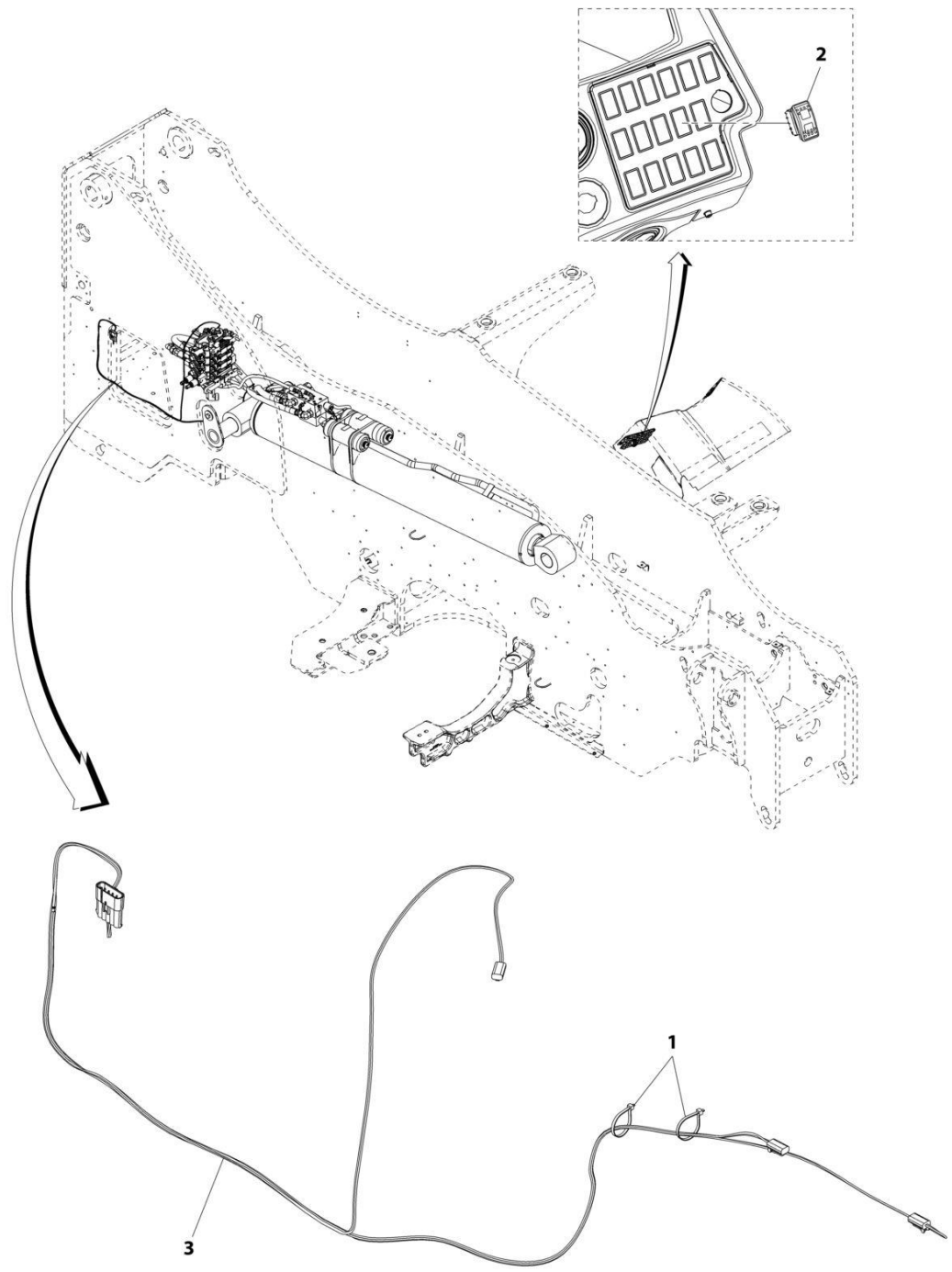
SECTION 10 - ELECTRICAL

FIGURE 10-64. FRAME - REAR AXLE STABILIZER HARNESS (RAS)

ITEM	PART NUMBER	QTY	DESCRIPTION	REV
	1001259495	Ref	REAR AXLE STABILIZER HARNESS	D
1	1001147923	1	Connector	
2	4460465	21	Terminal	
3	4460942	1	Terminal	
4	4460466	1	Plug	
5	1001184551	1	Connector	
6	4460746	6	Terminal	
7	4460748	2	Plug	
8	1001189877	6	Seal	
9	1001184551	1	Connector	
10	4460746	6	Terminal	
11	4460748	2	Plug	
12	1001189877	6	Seal	
13	4460891	1	Connector	
14	4460465	2	Terminal	
15	4460891	1	Connector	
16	4460465	2	Terminal	
17	4460891	1	Connector	
18	4460465	2	Terminal	
19	4460891	1	Connector	
20	4460465	2	Terminal	
21	1001220379	1	Connector	
22	4460465	4	Terminal	
23	1001220379	1	Connector	
24	4460465	4	Terminal	
25	1001220379	1	Connector	
26	4460465	4	Terminal	
27	1001250120	6	Resistor	

SECTION 10 - ELECTRICAL

FIGURE 10-65. FRAME - RIDE CONTROL WIRING INSTALLATION



ART_1001248758-C

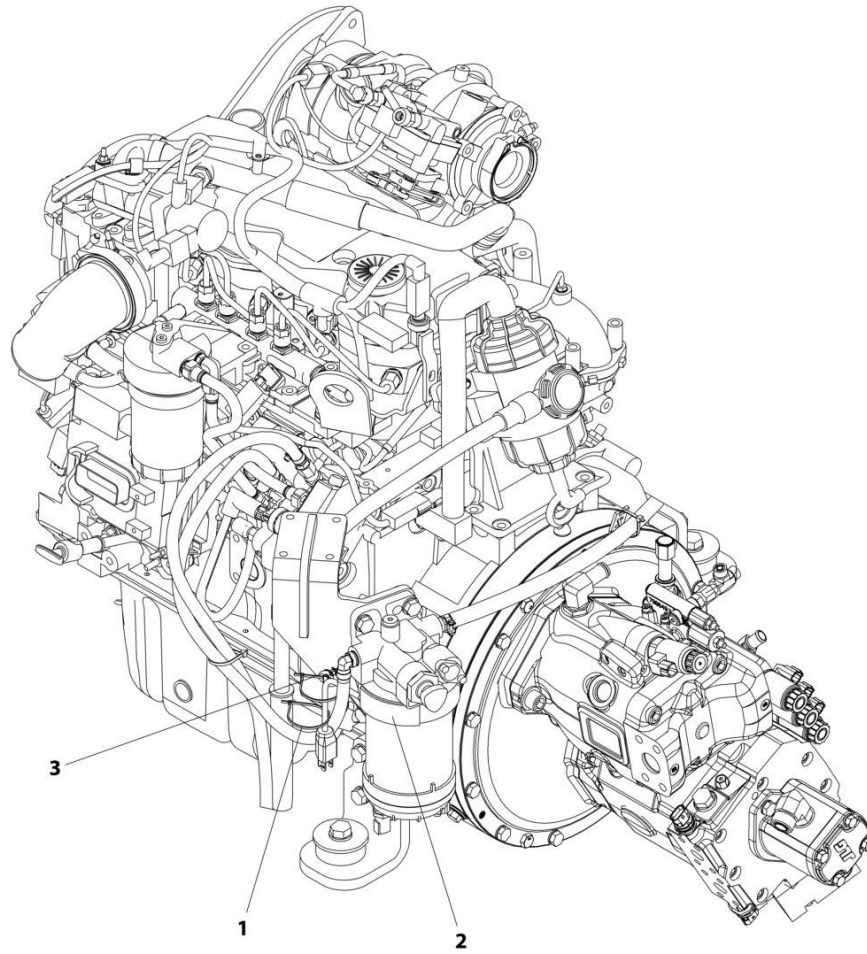
SECTION 10 - ELECTRICAL

FIGURE 10-65. FRAME - RIDE CONTROL WIRING INSTALLATION

ITEM	PART NUMBER	QTY	DESCRIPTION	REV
	1001248758	Ref	Ride Control Wiring Installation	C
1	1001008559	2	Strap, Cable	
2	1001159745	1	Switch, Boom Ride	
3	1001246832	1	Harness, Boom Ride/Float (See Separate Breakdown in this Section)	

SECTION 10 - ELECTRICAL

FIGURE 10-66. HEATER INSTALLATION - FUEL FILTER



ART_1001247501-A

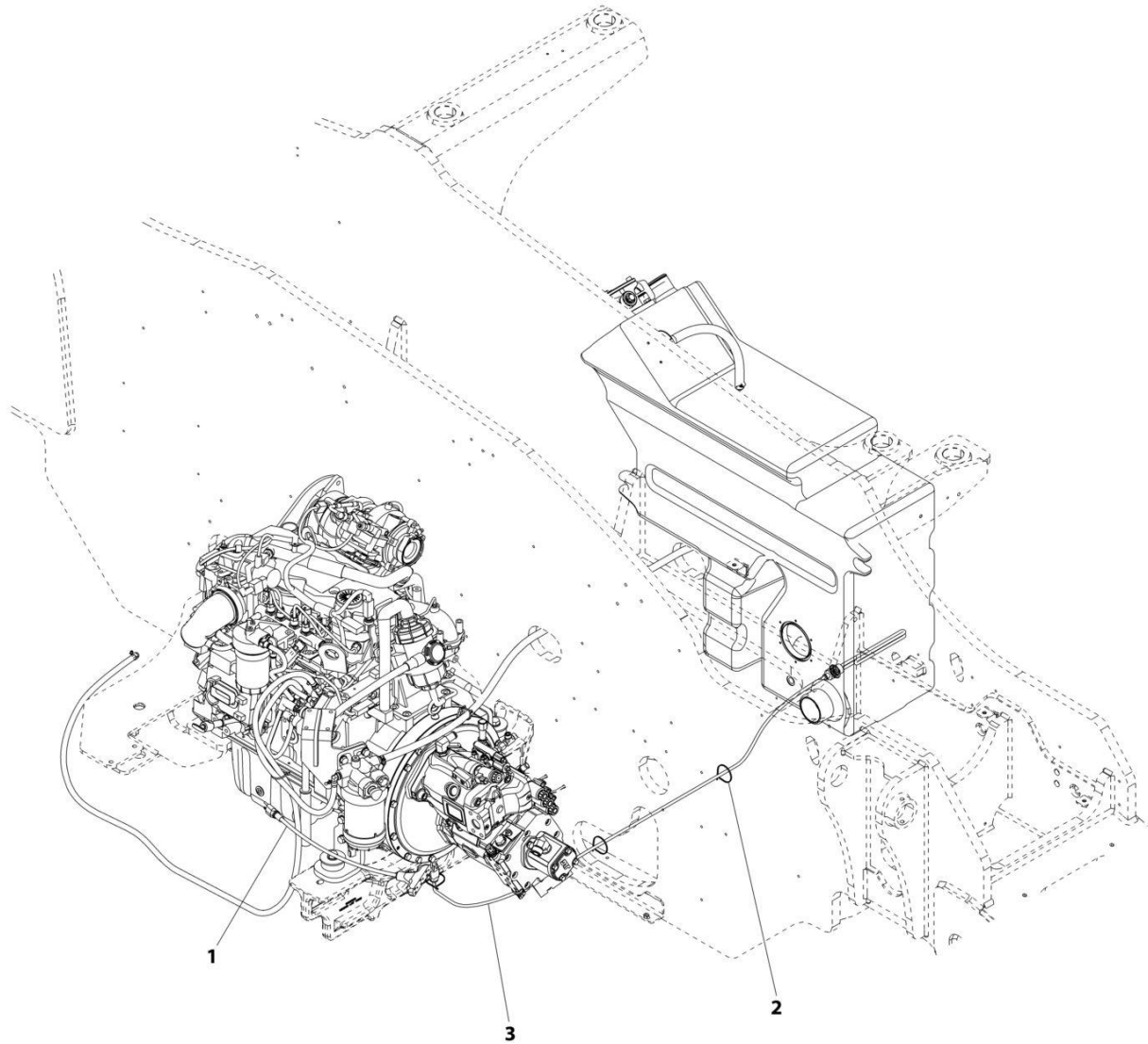
SECTION 10 - ELECTRICAL

FIGURE 10-66. HEATER INSTALLATION - FUEL FILTER

ITEM	PART NUMBER	QTY	DESCRIPTION	REV
	1001247501	Ref	Fuel Filter Heater Installation	A
1	4240099	2	Strap, Tie	
2	1001202498	1	Pad	
3	1001202986	1	Strap, Fir Tree Push Mount	

SECTION 10 - ELECTRICAL

FIGURE 10-67. HEATER INSTALLATION - HYDRAULIC TANK



ART_1001247917-A

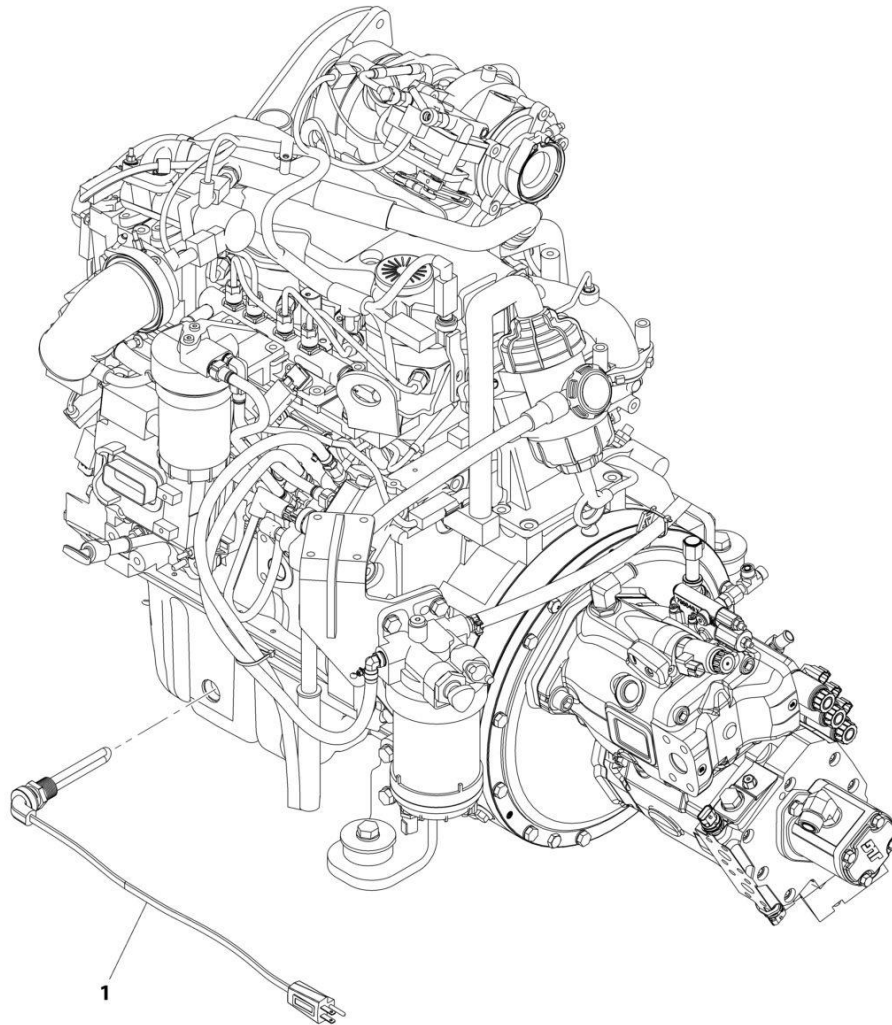
SECTION 10 - ELECTRICAL

FIGURE 10-67. HEATER INSTALLATION - HYDRAULIC TANK

ITEM	PART NUMBER	QTY	DESCRIPTION	REV
	1001247917	Ref	Hydraulic Tank Heater Installation	A
1	1060626	1	Cord, 3-Way Extension	
2	4240099	3	Strap, Tie	
3	1001105886	1	Heater, Immersion	

SECTION 10 - ELECTRICAL

FIGURE 10-68. HEATER INSTALLATION - OIL PAN



ART_1001247528-A

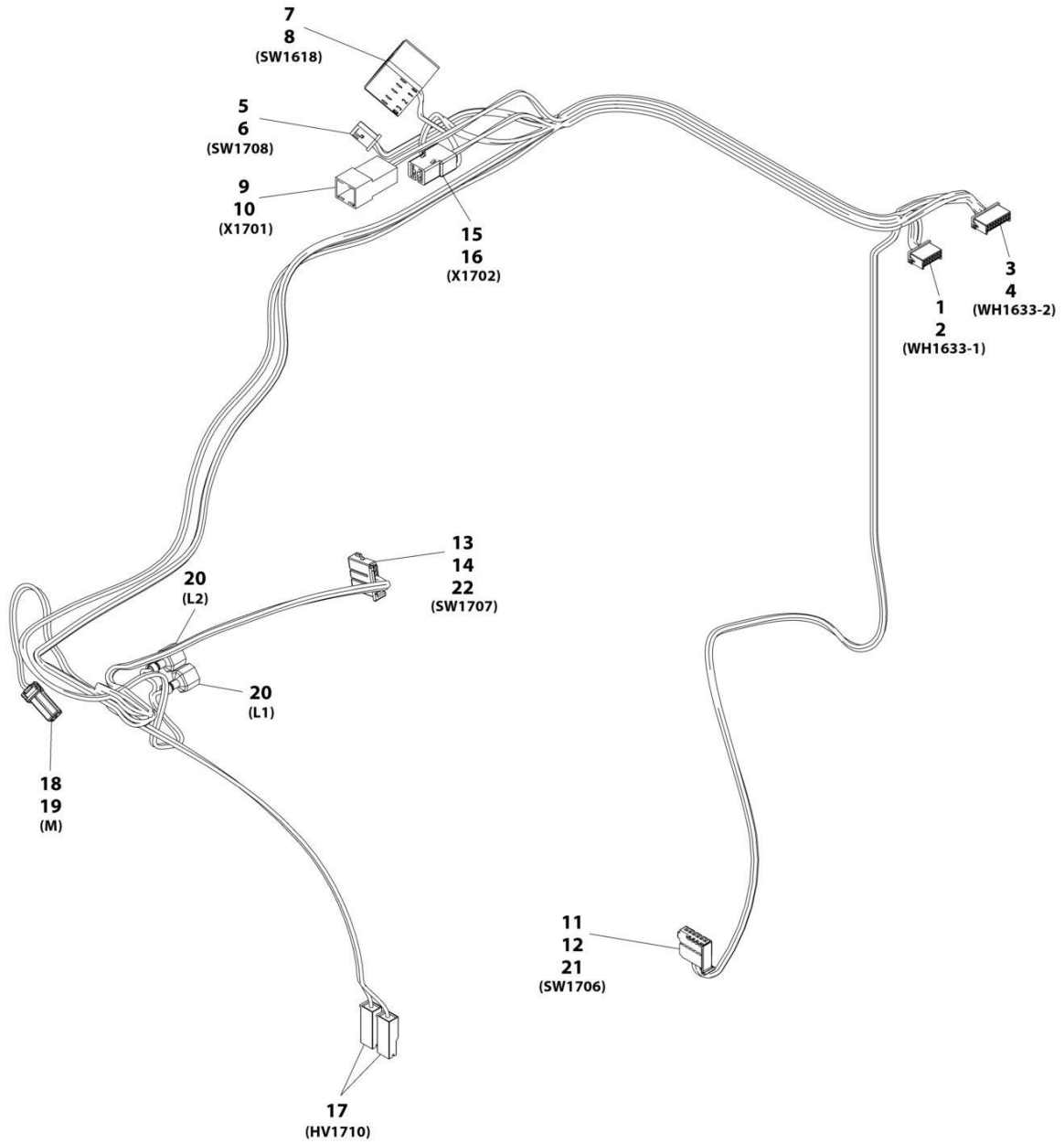
SECTION 10 - ELECTRICAL

FIGURE 10-68. HEATER INSTALLATION - OIL PAN

ITEM	PART NUMBER	QTY	DESCRIPTION	REV
1	1001247528 2580062	Ref 1	Oil Pan Heater Installation Heater, Engine Block	A

SECTION 10 - ELECTRICAL

FIGURE 10-69. HVAC ACTUATOR HARNESS



ART_1001268830

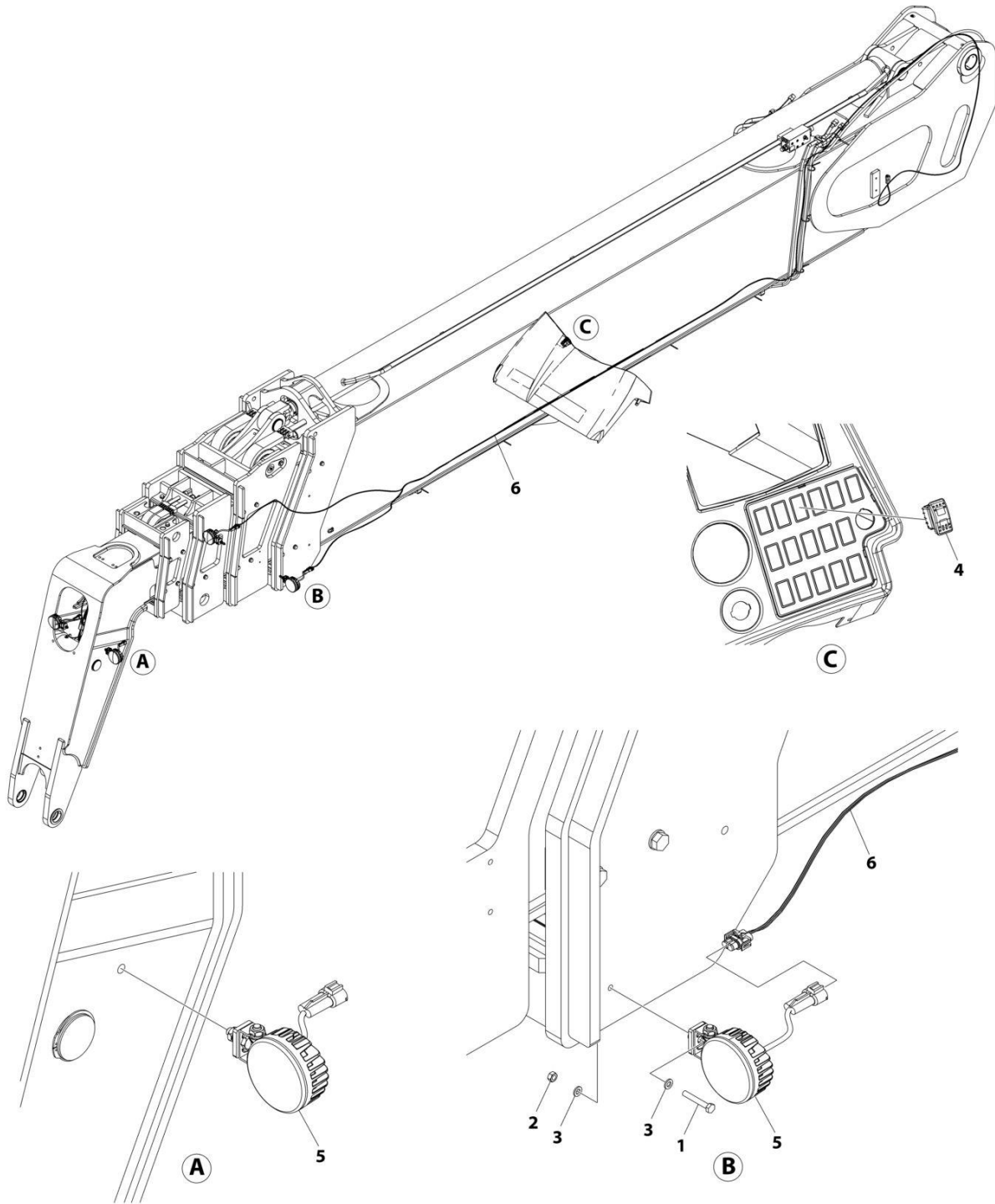
SECTION 10 - ELECTRICAL

FIGURE 10-69. HVAC ACTUATOR HARNESS

ITEM	PART NUMBER	QTY	DESCRIPTION	REV
	1001268830	Ref	CAB HVAC ACTUATOR HARNESS	B
1	1001274536	1	Connector	
2	1001274543	10	Terminal	
3	1001274537	1	Connector	
4	1001274543	8	Terminal	
5	1001184473	1	Connector	
6	1001184479	3	Terminal	
7	1001274533	1	Connector	
8	1001274539	4	Terminal	
9	1001116999	1	Connector	
10	1001274540	2	Terminal	
11	1001274534	1	Connector	
12	1001274541	2	Terminal	
13	1001274534	1	Connector	
14	1001274541	5	Terminal	
15	1001116991	1	Connector	
16	1001116720	2	Terminal	
17	1001274535	2	Connector	
18	1001274538	1	Connector	
19	1001274544	2	Terminal	
20	8220050	2	Terminal	
21	1001274553	1	Retainer	
22	1001274553	1	Retainer	

SECTION 10 - ELECTRICAL

FIGURE 10-70. LIGHTS - BOOM WORKLIGHTS INSTALLATION



ART_1001246296_B

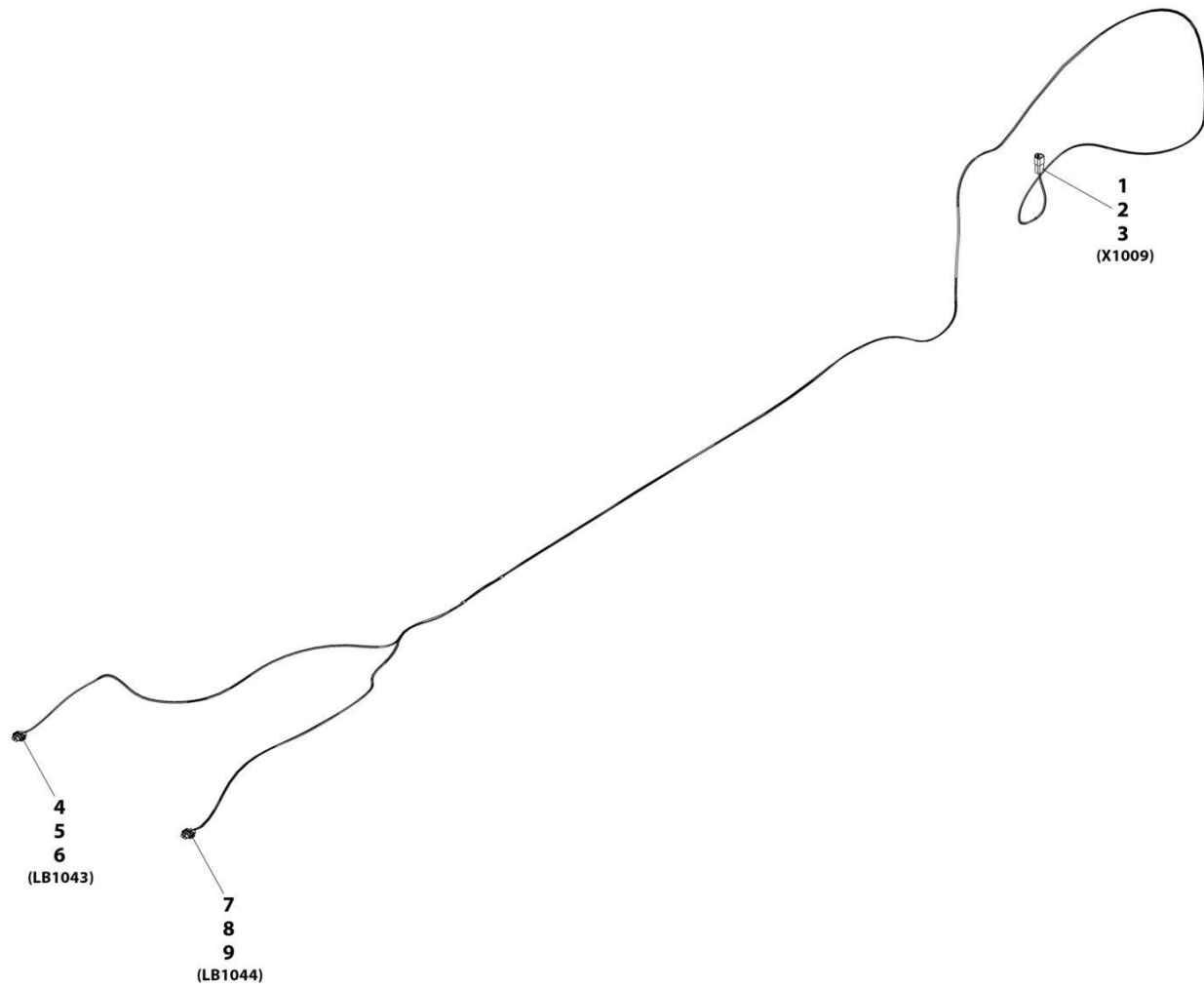
SECTION 10 - ELECTRICAL

FIGURE 10-70. LIGHTS - BOOM WORKLIGHTS INSTALLATION

ITEM	PART NUMBER	QTY	DESCRIPTION	REV
	1001246296	Ref	BOOM WORKLIGHTS INSTALLATION	B
1	0700616	2	Bolt M6 x 40	
2	3290601	2	Nut M6	
3	4811700	4	Washer M6	
4	1001159739	1	Switch, Boom Worklights	
5	1001273635	4	Lamp, LED Work Light	
6	1001246754	1	Harness, Boom Worklights (See Separate Breakdown in this Section)	

SECTION 10 - ELECTRICAL

FIGURE 10-71. LIGHTS - BOOM WORKLIGHTS HARNESS



ART_1001246754-A

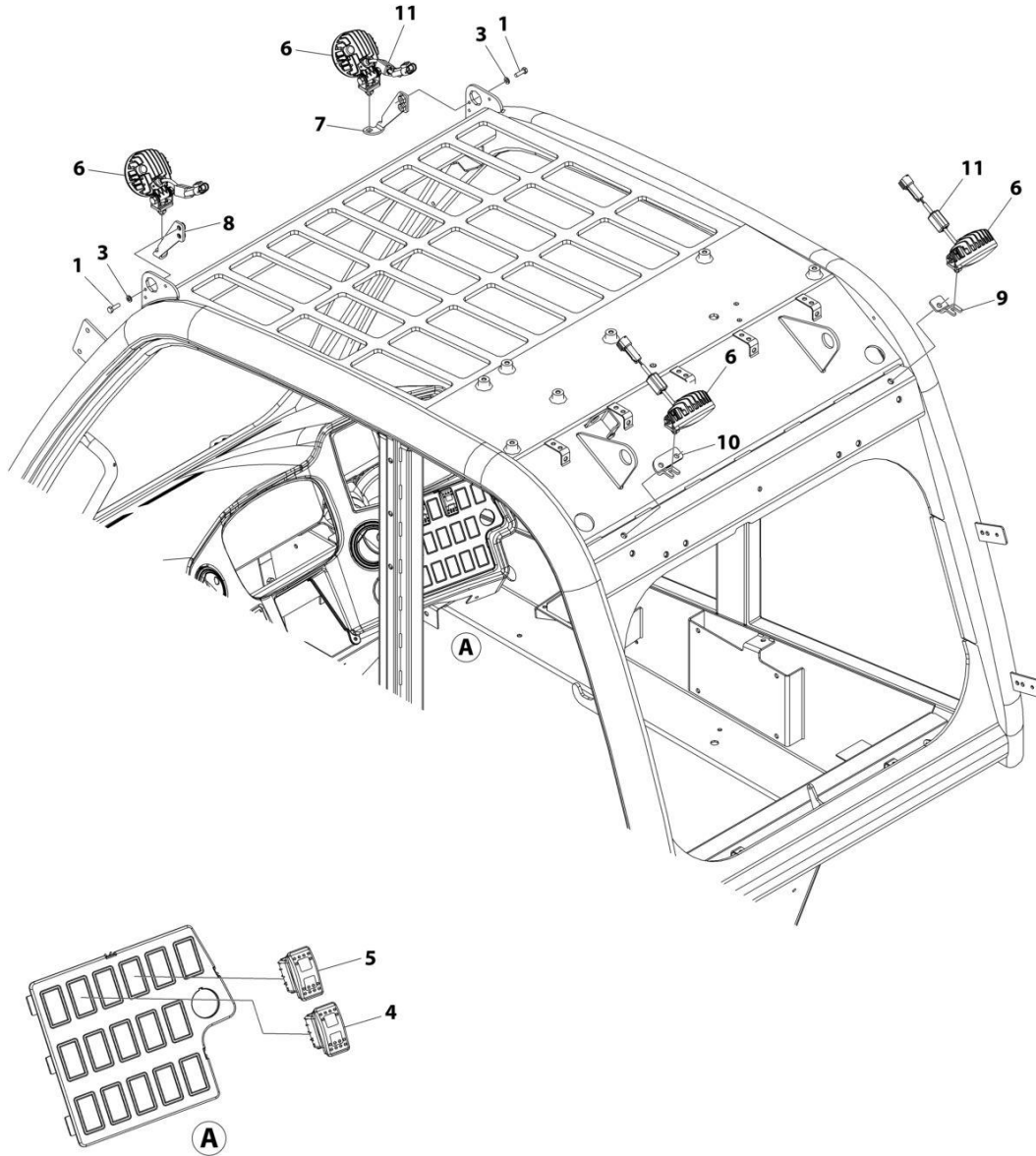
SECTION 10 - ELECTRICAL

FIGURE 10-71. LIGHTS - BOOM WORKLIGHTS HARNESS

ITEM	PART NUMBER	QTY	DESCRIPTION	REV
	1001246754	Ref	Boom Worklights Harness	A
1	4460932	1	Connector	
2	4460464	2	Terminal	
3	4460466	2	Plug	
4	4461115	1	Connector	
5	1001116728	2	Terminal	
6	4460458	2	Terminal Seal	
7	4461115	1	Connector	
8	1001116728	2	Terminal	
9	4460458	2	Terminal Seal	

SECTION 10 - ELECTRICAL

FIGURE 10-72. LIGHTS - CAB WORKLIGHTS INSTALLATION (NO A/C - LED)



ART_1001200538_E

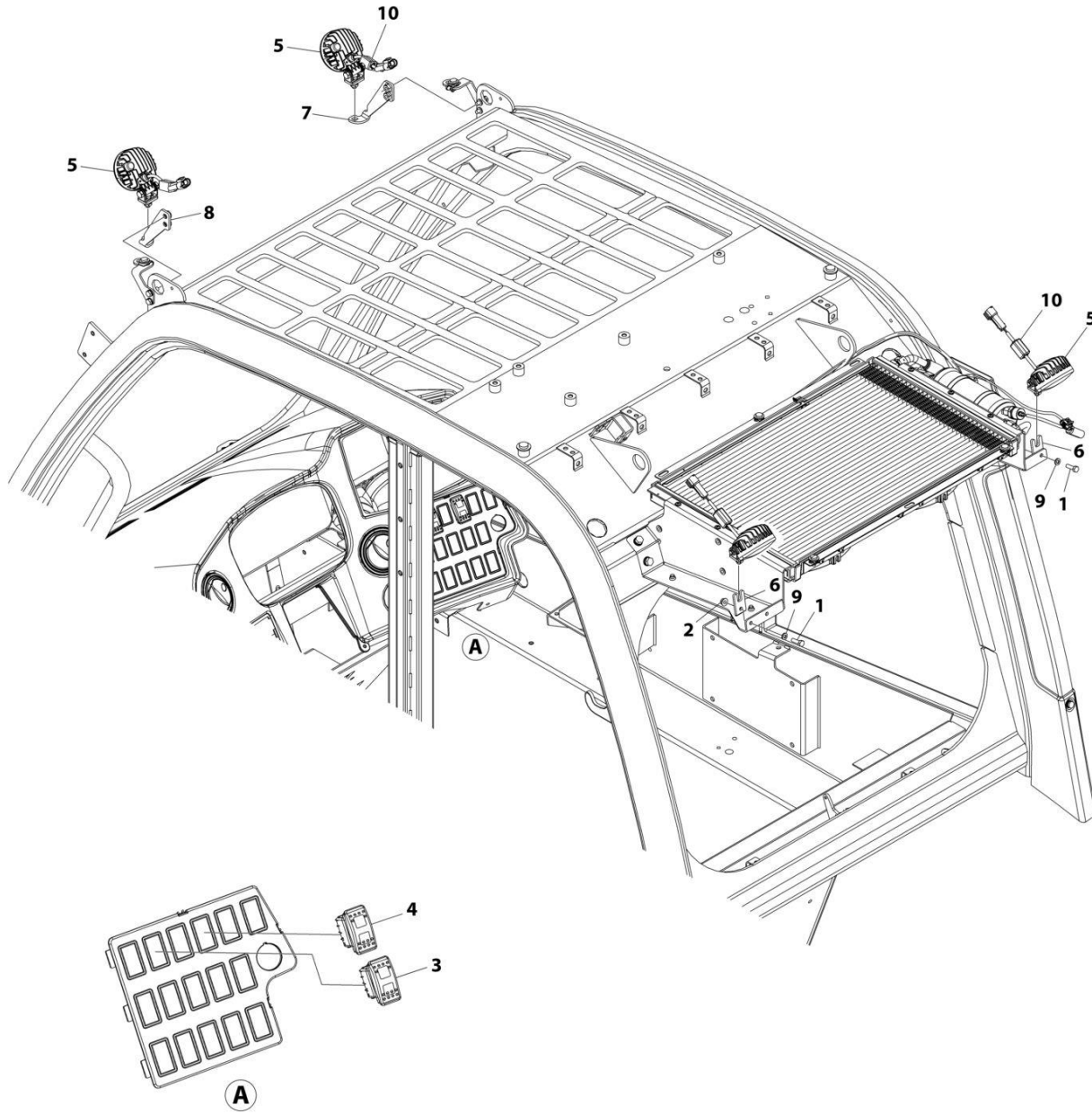
SECTION 10 - ELECTRICAL

FIGURE 10-72. LIGHTS - CAB WORKLIGHTS INSTALLATION (NO A/C - LED)

ITEM	PART NUMBER	QTY	DESCRIPTION	REV
	1001200538	Ref	LIGHTS - CAB WORK LIGHTS INSTALLATION (NO A/C) (LED)	E
1	0700610	4	Bolt M6 x 20	
3	4811700	4	Washer M6	
4	1001159845	1	Switch, Front Worklights	
5	1001159846	1	Switch, Rear Worklights	
6	1001273635	4	Lamp, LED Work Light	
7	1001244193	1	Support, LED Work Light RH	
8	1001244192	1	Support, LED Work Light LH	
9	1001204528	1	Support, LED Work Light RH	
10	1001204530	1	Support, LED Work Light LH	
11	1001228989	4	Harness, Ferrite	

SECTION 10 - ELECTRICAL

FIGURE 10-73. LIGHTS - CAB WORKLIGHTS INSTALLATION (A/C - LED)



ART_1001200539_E

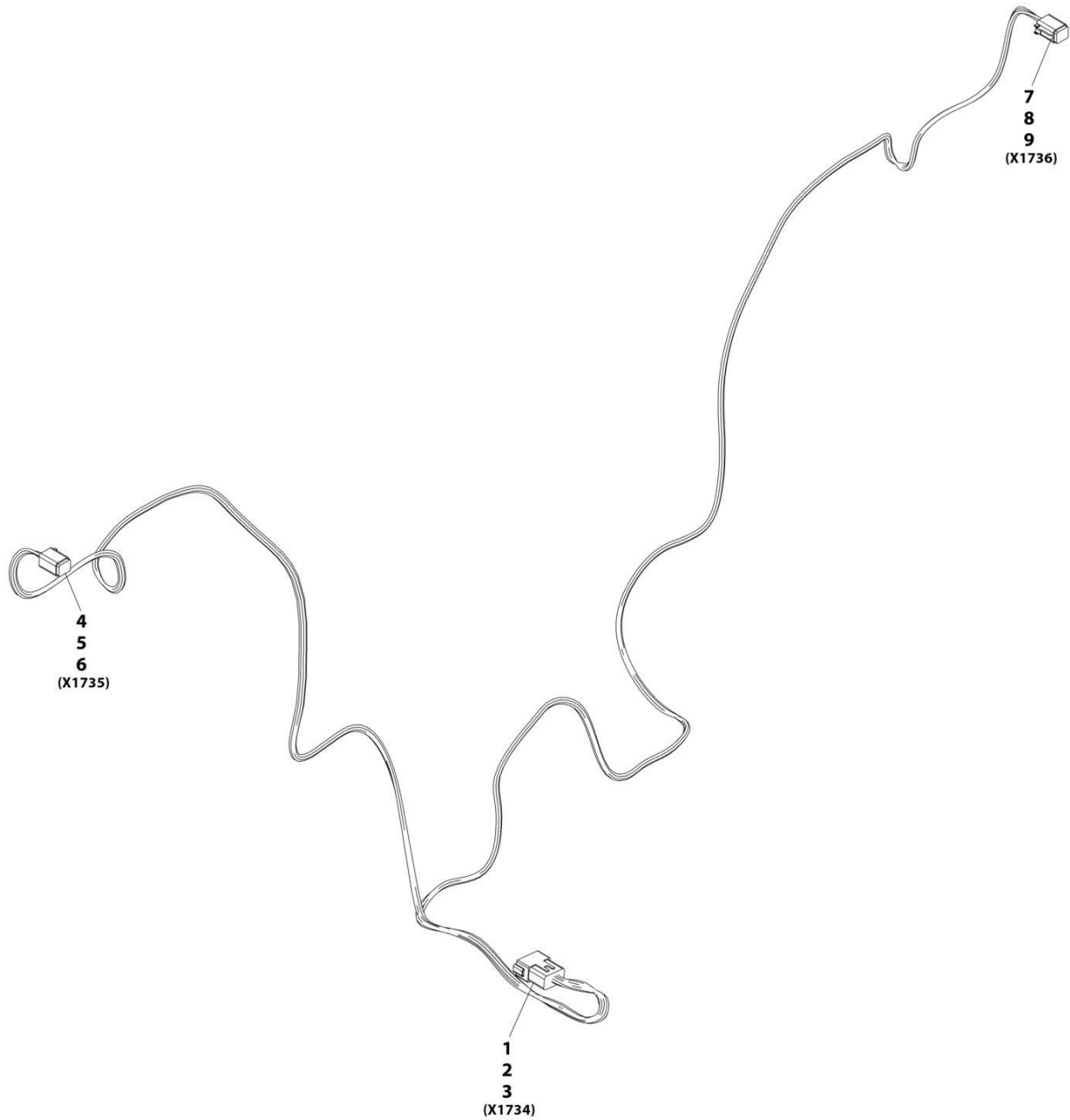
SECTION 10 - ELECTRICAL

FIGURE 10-73. LIGHTS - CAB WORKLIGHTS INSTALLATION (A/C - LED)

ITEM	PART NUMBER	QTY	DESCRIPTION	REV
	1001200539	Ref	LIGHTS - CAB WORK LIGHTS INSTALLATION (A/C) (LED)	E
1	0700610	2	Bolt M6 x 20	
2	5220600	2	Nut M6	
3	1001159845	1	Switch, Front Worklights	
4	1001159846	1	Switch, Rear Worklights	
5	1001273635	4	Lamp, LED Worklights	
6	1001204060	2	Bracket	
7	1001244193	1	Support, LED Work Light RH	
8	1001244192	1	Support, LED Work Light LH	
9	4811700	2	Washer M6	
10	1001228989	4	Harness, Ferrite	

SECTION 10 - ELECTRICAL

FIGURE 10-74. LIGHTS - HEADLIGHT HARNESS



ART_1001256999-A

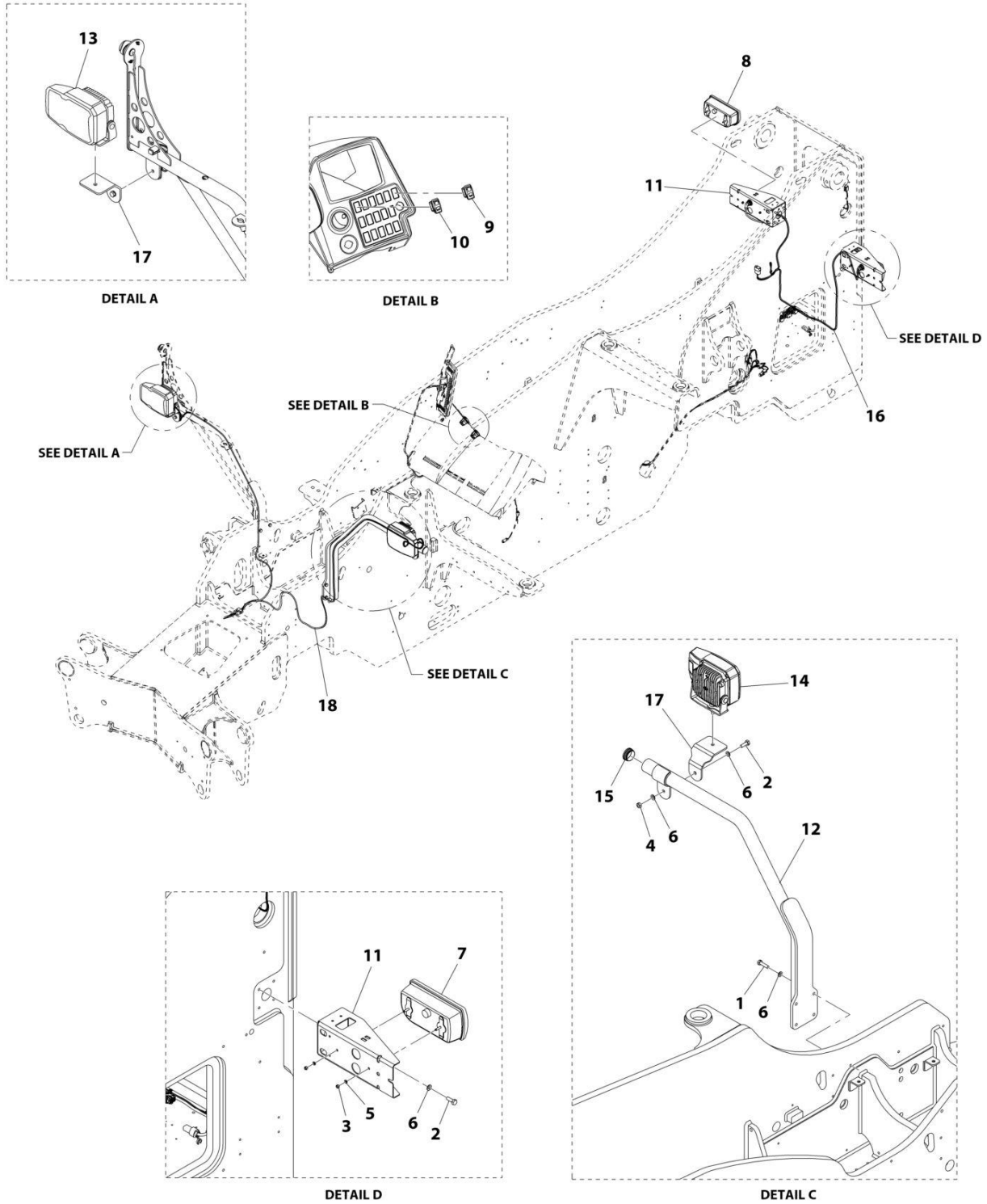
SECTION 10 - ELECTRICAL

FIGURE 10-74. LIGHTS - HEADLIGHT HARNESS

ITEM	PART NUMBER	QTY	DESCRIPTION	REV
	1001256999	Ref	Headlight Harness	A
1	4460970	1	Connector	
2	4460941	10	Terminal	
3	4460466	2	Plug	
4	4460894	1	Connector	
5	4460942	5	Terminal	
6	4460466	1	Plug	
7	4460894	1	Connector	
8	4460942	5	Terminal	
9	4460466	1	Plug	

SECTION 10 - ELECTRICAL

FIGURE 10-75. LIGHTS - ROAD LIGHTS INSTALLATION



ART_1001256946-B

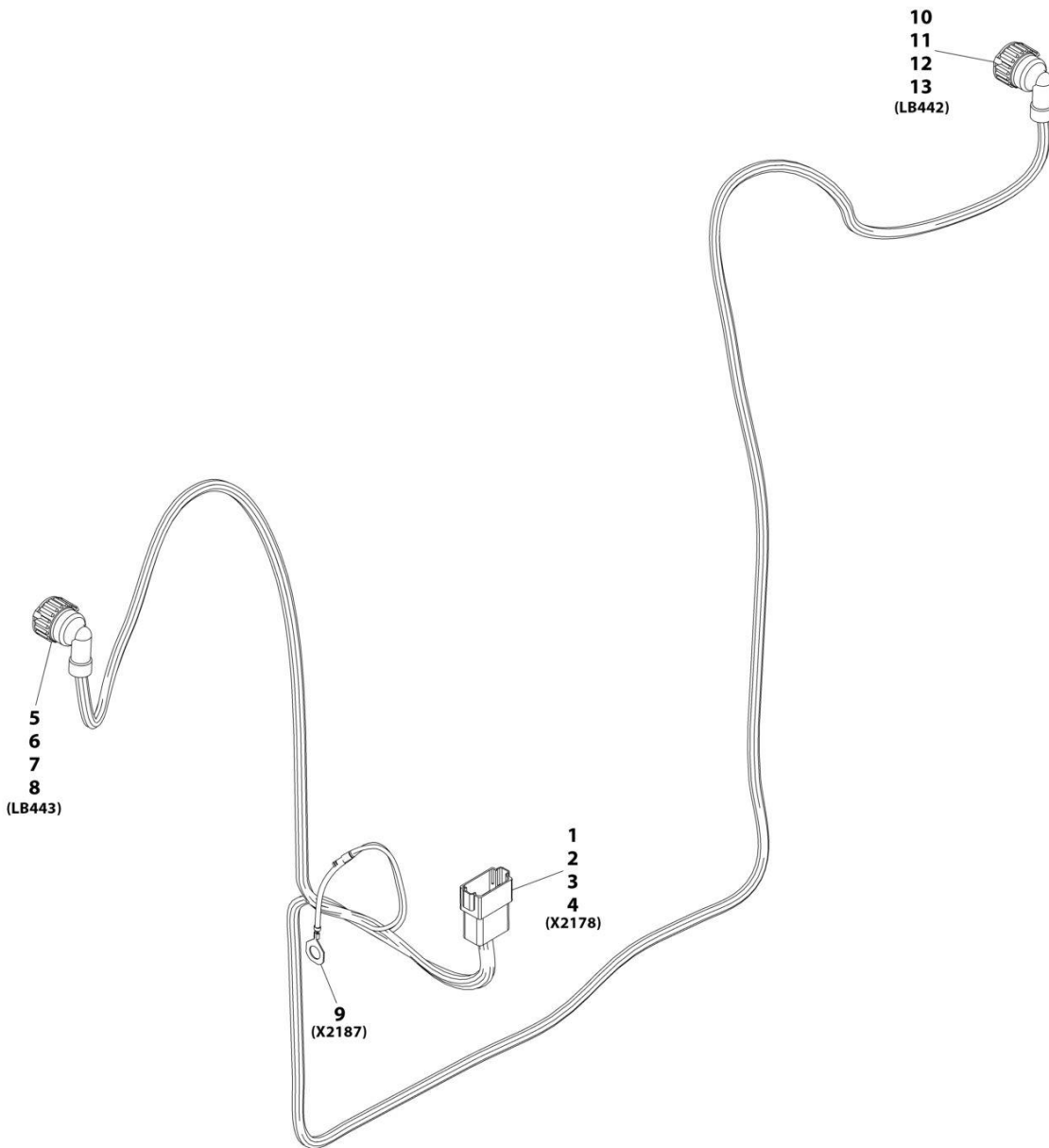
SECTION 10 - ELECTRICAL

FIGURE 10-75. LIGHTS - ROAD LIGHTS INSTALLATION

ITEM	PART NUMBER	QTY	DESCRIPTION	REV
	1001256946	Ref	Road Lights Installation	B
1	0701016	4	Bolt, M10X40	
2	0761014	9	Bolt, M10X40	
3	3290607	4	Nut, M6X1	
4	3291001	1	Nut, M10X1.5 Grade 8	
5	4811700	4	Washer, M6	
6	4812000	14	Washer, M10	
7	1001091715	1	Lamp, Rear LH	
8	1001091716	1	Lamp, Rear RH	
9	1001159734	1	Switch, Hazard	
10	1001159737	1	Switch, Fog Lights	
11	1001196100	2	Bracket	
12	1001206100	1	Bracket	
13	1001209690	1	Light, Driving (RH - LED) (RH Dip)	
14	1001209691	1	Light, Driving (LH - LED) (LH Dip)	
15	1001209697	1	Cap	
16	1001244877	1	Harness, Tailights (See Separate Breakdown in this Section)	
17	1001256951	2	Bracket	
18	1001256999	1	Harness, Headlights (See Separate Breakdown in this Section)	

SECTION 10 - ELECTRICAL

FIGURE 10-76. LIGHTS - TAILLIGHT HARNESS



ART_1001244877-A

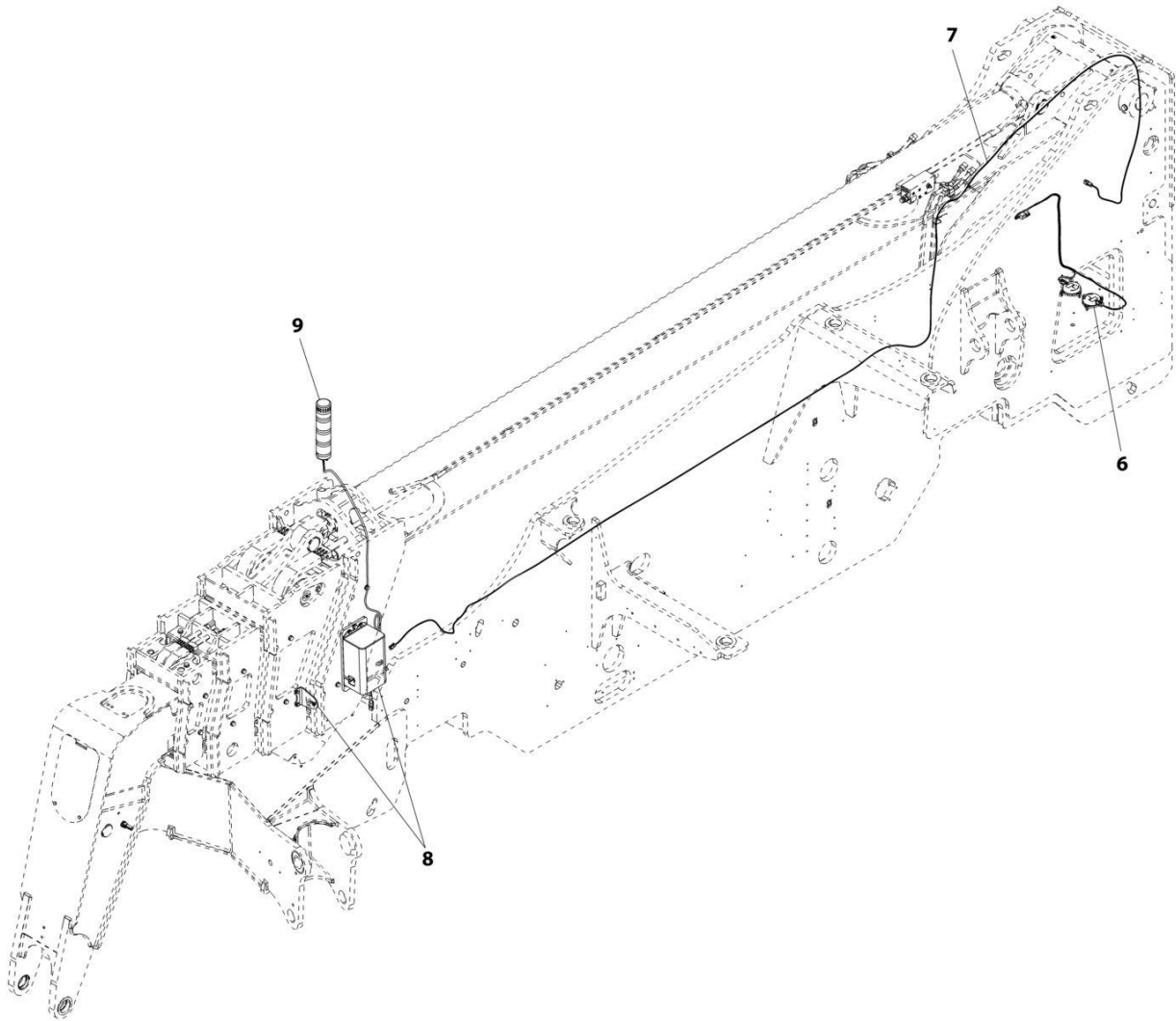
SECTION 10 - ELECTRICAL

FIGURE 10-76. LIGHTS - TAILLIGHT HARNESS

ITEM	PART NUMBER	QTY	DESCRIPTION	REV
	1001244877	Ref	Tailight Harness	A
1	4460970	1	Connector	
2	4460941	8	Terminal	
3	4460466	2	Plug	
4	4460464	2	Terminal	
5	1001116996	1	Connector	
6	1001118392	6	Terminal	
7	1001116696	1	Plug	
8	4461054	6	Seal	
9	1001187078	1	Ring, Terminal	
10	1001116696	1	Connector	
11	1001118392	6	Terminal	
12	1001116996	1	Plug	
13	4461054	6	Seal	

SECTION 10 - ELECTRICAL

FIGURE 10-77. LMIS COMPONENT INSTALLATION



ART_1001246636-B

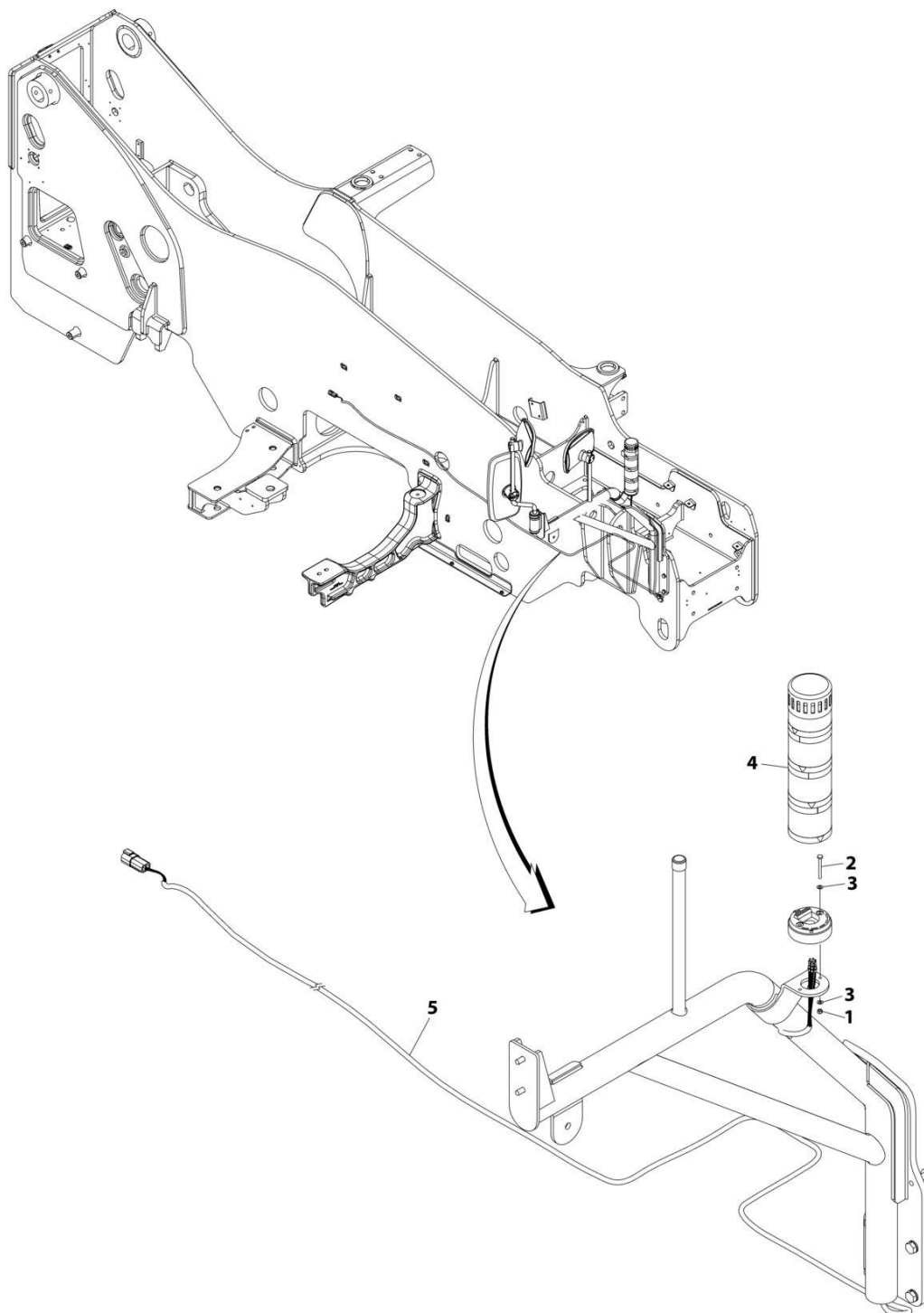
SECTION 10 - ELECTRICAL

FIGURE 10-77. LMIS COMPONENT INSTALLATION

ITEM	PART NUMBER	QTY	DESCRIPTION	REV
	1001246636	Ref	LMIS Component Installation	B
6	1001201597	Ref	Installation, Tilt Sensor (See Separate Breakdown in this Section)	
7	1001201598	Ref	Installation, LMIS Wiring (See Separate Breakdown in this Section)	
8	1001248204	Ref	Installation, LMIS Cable Reel (See Separate Breakdown in this Section)	
9	1001195591	Ref	Installation, LMIS Beacon (See Separate Breakdown in this Section)	

SECTION 10 - ELECTRICAL

FIGURE 10-78. LMIS BEACON LIGHT INSTALLATION



ART_1001195591_E

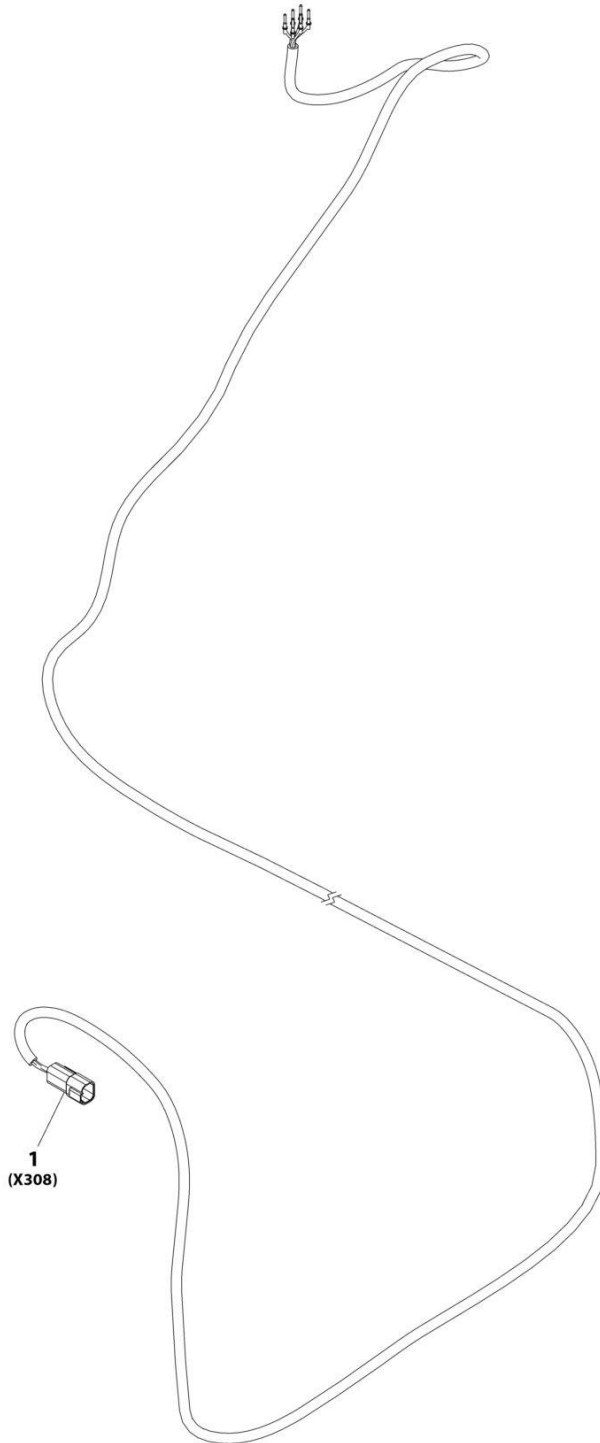
SECTION 10 - ELECTRICAL

FIGURE 10-78. LMIS BEACON LIGHT INSTALLATION

ITEM	PART NUMBER	QTY	DESCRIPTION	REV
	1001195591	Ref	LMIS Beacon Light Installation	E
1	3290405	2	Nut M4	
2	4010416	2	Screw, M4X40	
3	4811400	4	Washer, M4	
	1001265343	1	Light, LMIS Beacon	
5	1001117247	1	Harness, LMIS Beacon Option (See Separate Breakdown in this Section)	
7	1001146588	1	Tie-Strap (Not Shown)	

SECTION 10 - ELECTRICAL

FIGURE 10-79. LMIS BEACON OPTION HARNESS



ART_1001117247

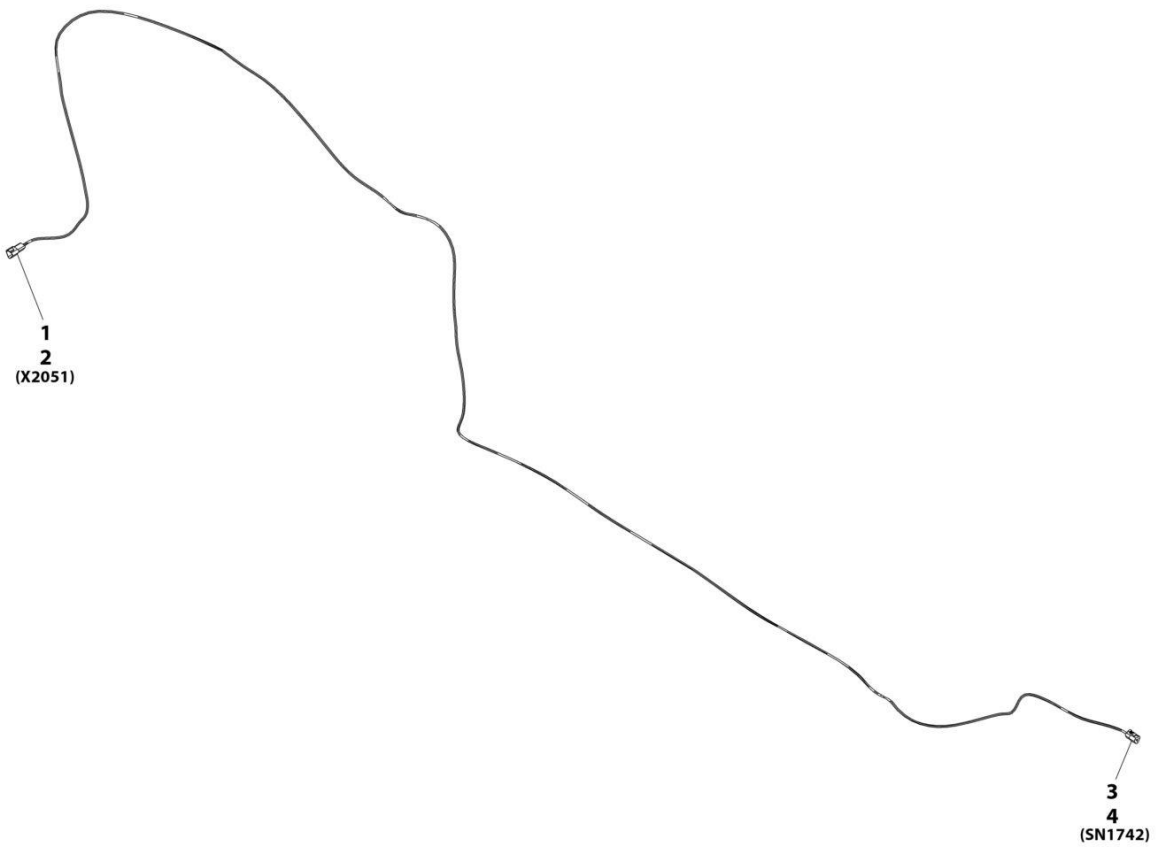
SECTION 10 - ELECTRICAL

FIGURE 10-79. LMIS BEACON OPTION HARNESS

ITEM	PART NUMBER	QTY	DESCRIPTION	REV
1	1001117247 4460932	Ref 1	LMIS Beacon Option Harness Connector	D

SECTION 10 - ELECTRICAL

FIGURE 10-80. LMIS BOOM HARNESS



ART_1001201600-A

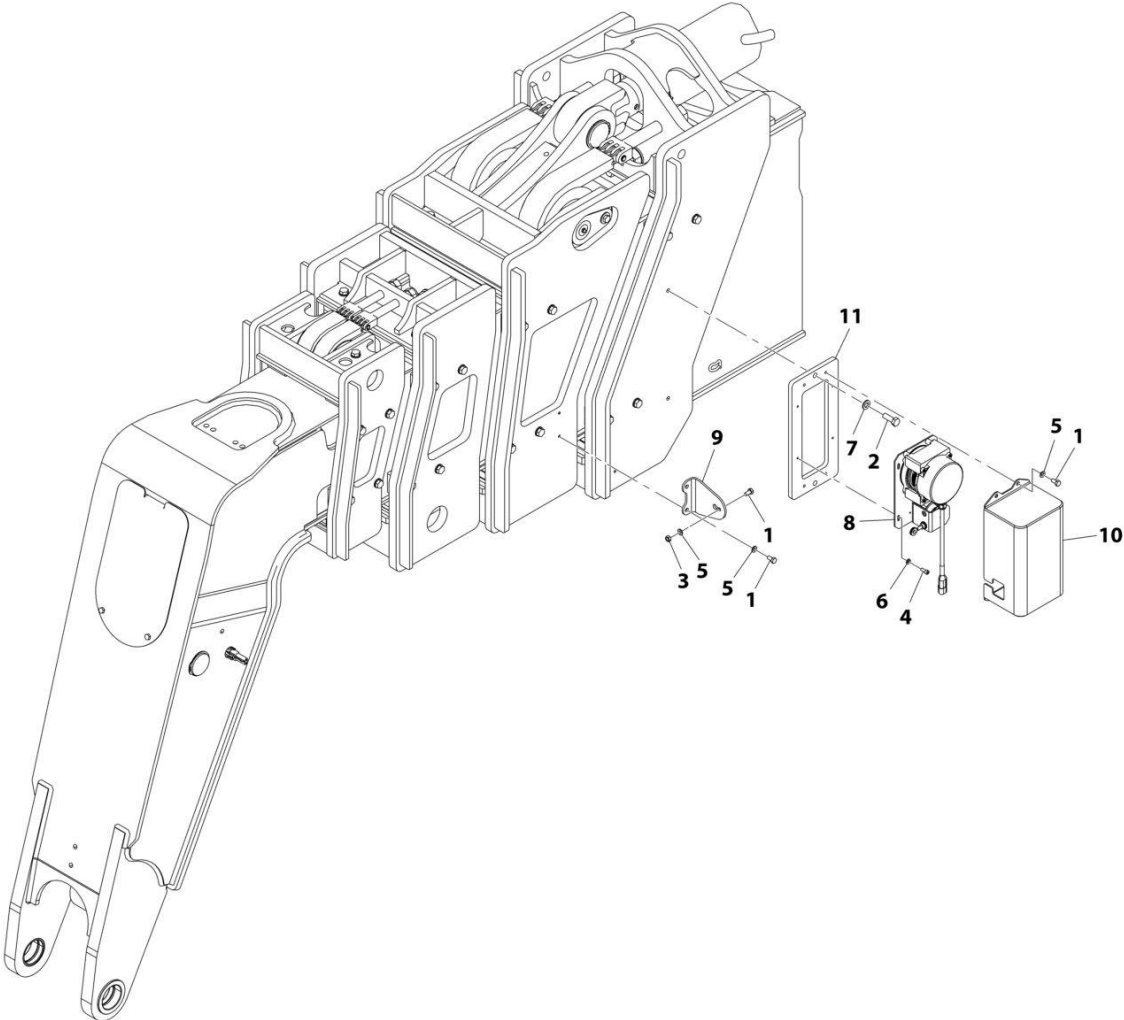
SECTION 10 - ELECTRICAL

FIGURE 10-80. LMIS BOOM HARNESS

ITEM	PART NUMBER	QTY	DESCRIPTION	REV
	1001201600	Ref	LMIS Boom Harness	A
1	4460536	1	Connector	
2	4460464	3	Terminal	
3	4460539	1	Connector	
4	4460465	3	Terminal	

SECTION 10 - ELECTRICAL

FIGURE 10-81. LMIS CABLE REEL INSTALLATION



ART_1001248204-A

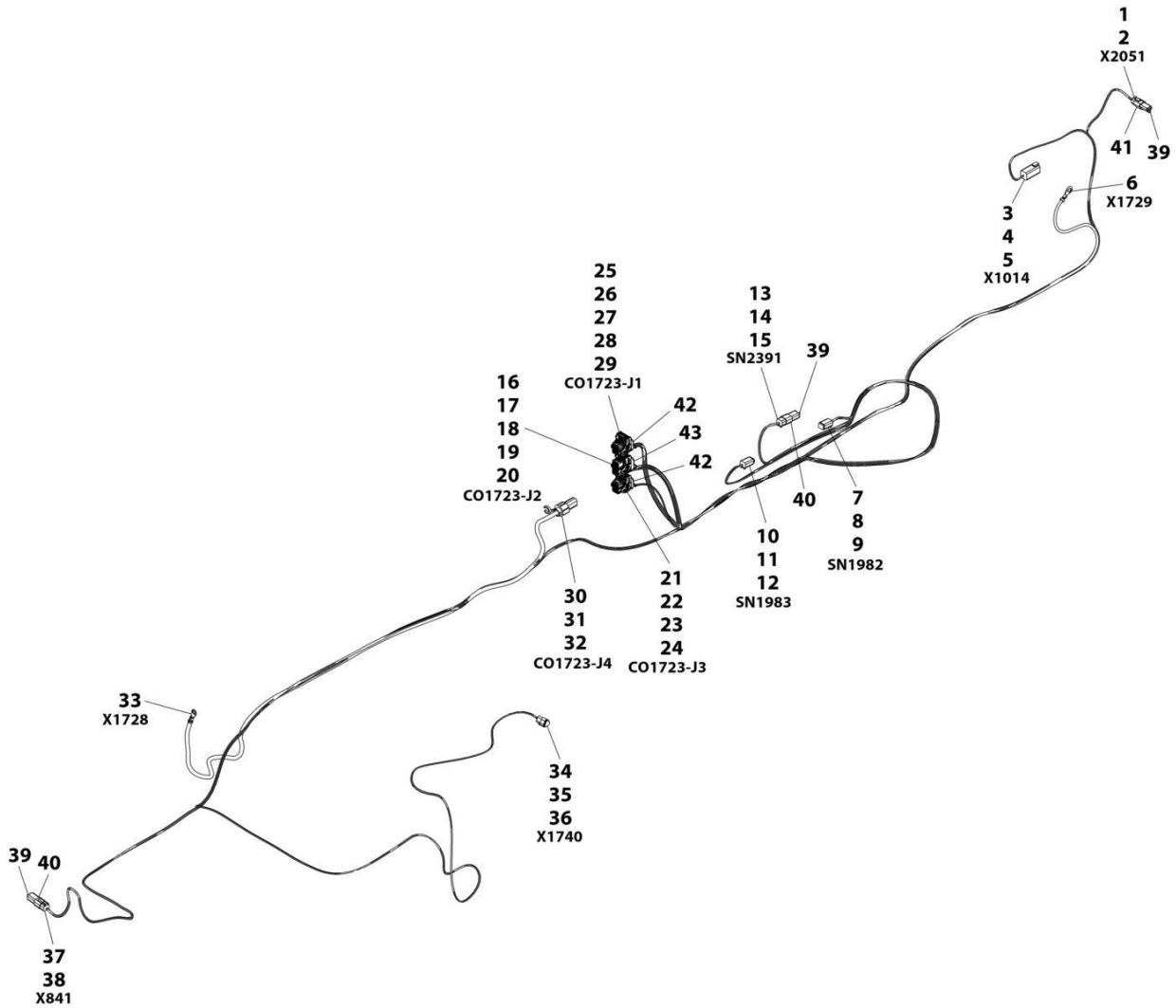
SECTION 10 - ELECTRICAL

FIGURE 10-81. LMIS CABLE REEL INSTALLATION

ITEM	PART NUMBER	QTY	DESCRIPTION	REV
	1001248204	Ref	LMIS Cable Reel Installation	A
1	0760808	7	Bolt, M8X16	
2	0761215	2	Bolt, M12X35	
3	3290801	1	Nut, M8X1.25	
4	4031707	4	Bolt, M6X16	
5	4811900	7	Washer, M8	
6	5240600	4	Washer, M6	
7	1001125117	2	Washer, M12	
8	1001223903	1	Sensor, Boom Length	
9	1001224127	1	Bracket	
10	1001224128	1	Panel	
11	1001244334	1	Plate	

SECTION 10 - ELECTRICAL

FIGURE 10-82. LMIS CHASSIS OPTION HARNESS



ART_1001201599

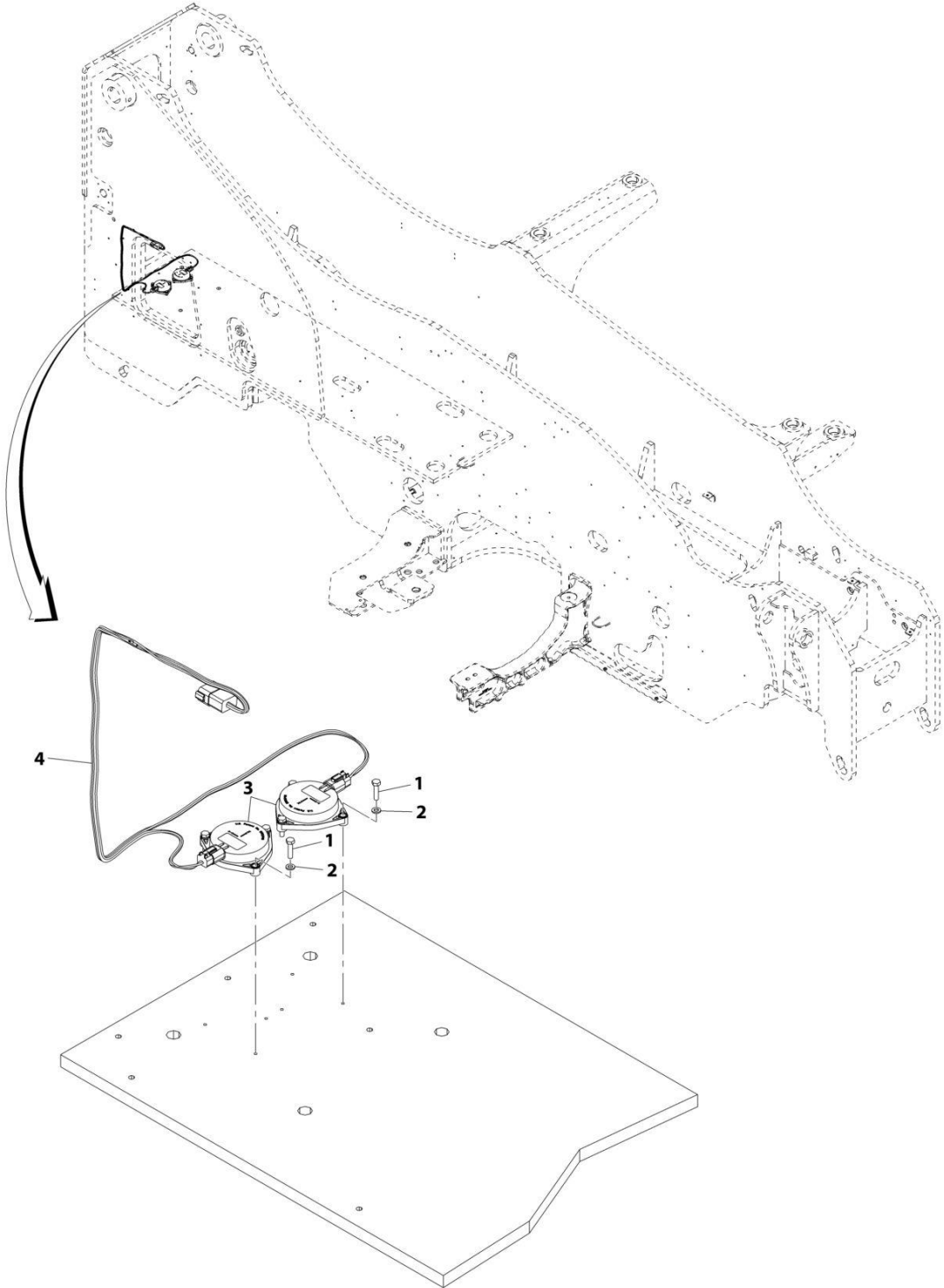
SECTION 10 - ELECTRICAL

FIGURE 10-82. LMIS CHASSIS OPTION HARNESS

ITEM	PART NUMBER	QTY	DESCRIPTION	REV
	1001201599	Ref	LMIS Chassis Option Harness	D
1	4460539	1	Connector	
2	4460465	3	Terminal	
3	4460899	1	Connector	
4	4460466	4	Plug	
5	4460464	2	Terminal	
6	1001187080	1	Ring Terminal	
7	4460884	1	Connector	
8	4460942	1	Terminal	
9	4460465	3	Terminal	
10	4460884	1	Connector	
11	4460942	1	Terminal	
12	4460465	3	Terminal	
13	4460884	1	Connector	
14	4460942	1	Terminal	
15	4460465	3	Terminal	
16	1001161963	1	Connector	
17	1001161097	16	Terminal	
18	1001161100	24	Plug	
19	1001161099	3	Terminal	
20	1001161101	5	Plug	
21	1001160500	1	Connector	
22	1001161100	22	Plug	
23	1001161097	2	Terminal	
24	1001161101	8	Plug	
25	1001161957	1	Connector	
26	1001161097	11	Terminal	
27	1001161100	13	Plug	
28	1001161101	5	Plug	
29	1001161099	3	Terminal	
30	1001160509	1	Connector	
31	1001160510	1	Terminal	
32	1001175267	1	Seal	
33	1001187075	1	Ring Terminal	
34	1001116812	1	Connector	
35	4460944	2	Terminal	
36	4460466	1	Plug	
37	4460884	1	Connector	
38	4460465	4	Terminal	
39	4460466	11	Plug	
40	4460932	2	Connector	
41	4460536	1	Terminal, 3 Pin Male	
42	643191201	2	Cover	
43	643191301	1	Cover	

SECTION 10 - ELECTRICAL

FIGURE 10-83. LMIS TILT SENSOR INSTALLATION



ART_1001201597-A

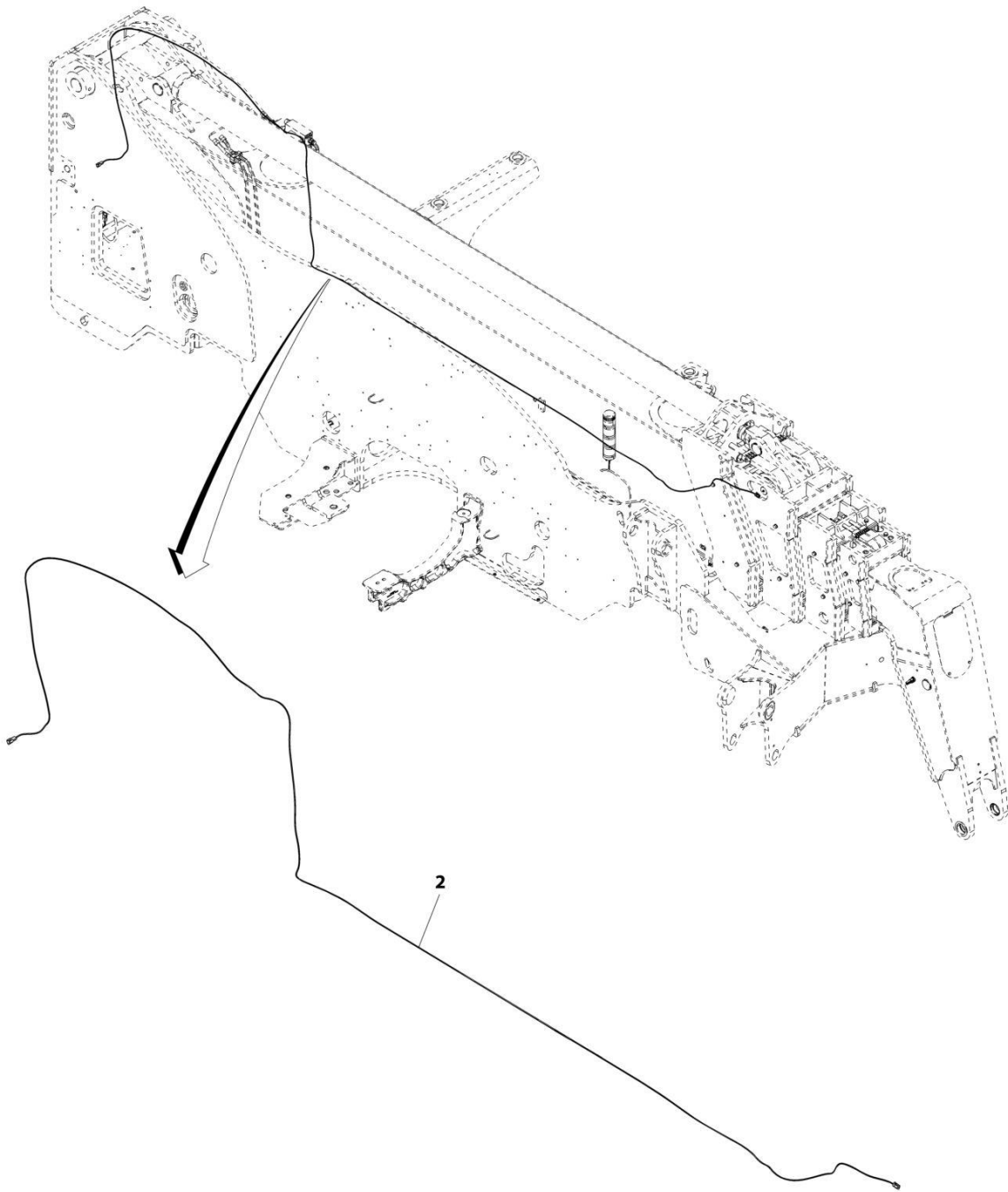
SECTION 10 - ELECTRICAL

FIGURE 10-83. LMIS TILT SENSOR INSTALLATION

ITEM	PART NUMBER	QTY	DESCRIPTION	REV
	1001201597	Ref	Tilt Sensor Installation	A
1	0700612	6	Bolt, M6X25	
2	4811700	6	Washer, M6	
3	1001163095	2	Sensor, Tilt	
4	1001201601	1	Harness, Platform Ready (See Separate Breakdown in this Section)	

SECTION 10 - ELECTRICAL

FIGURE 10-84. LMIS WIRING INSTALLATION



ART_1001201598-C

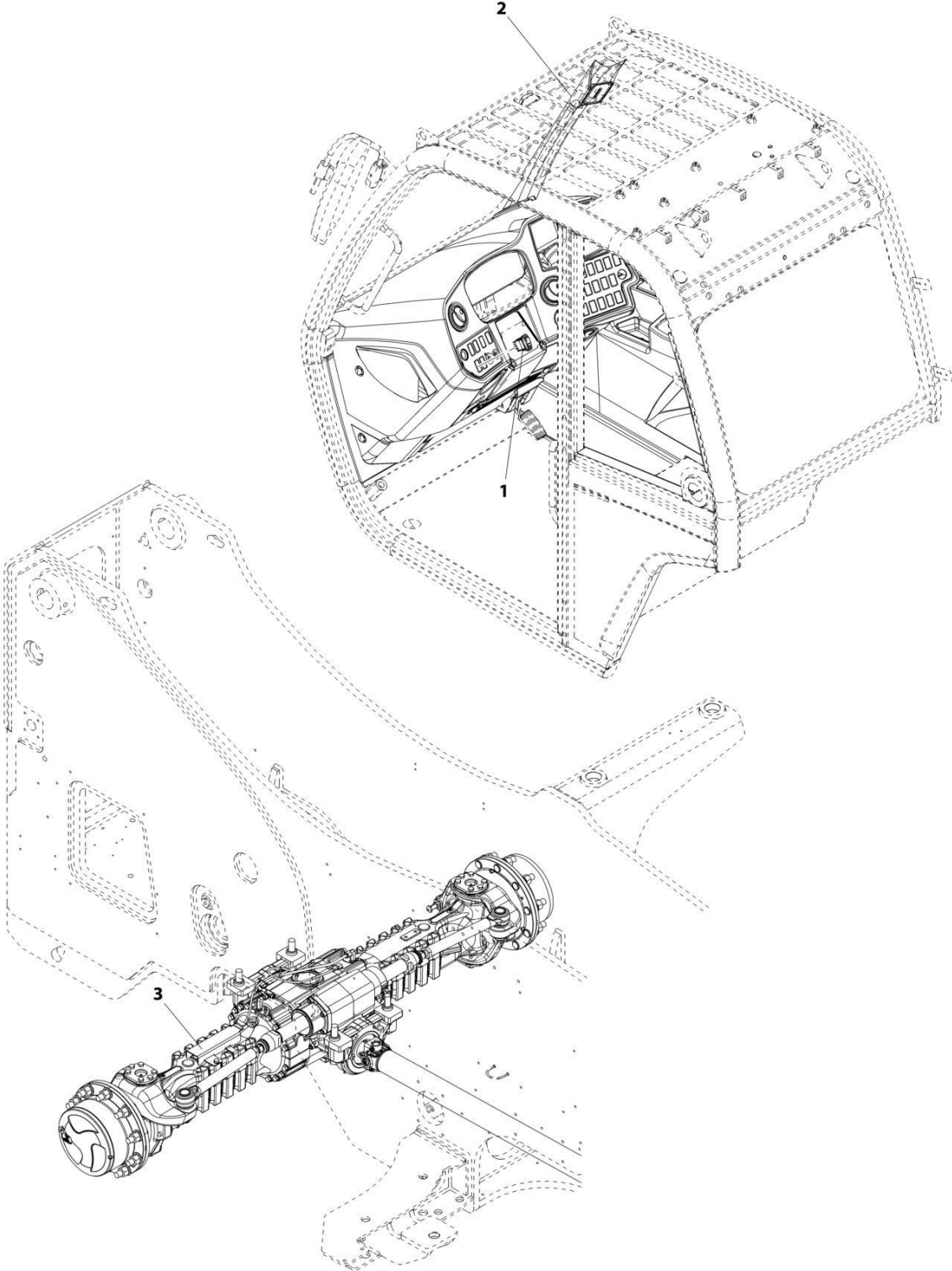
SECTION 10 - ELECTRICAL

FIGURE 10-84. LMIS WIRING INSTALLATION

ITEM	PART NUMBER	QTY	DESCRIPTION	REV
2	1001201598	Ref	LMIS Wiring Installation	C
	1001201600	1	Harness, LMIS Boom (See Separate Breakdown in this Section)	

SECTION 10 - ELECTRICAL

FIGURE 10-85. LSI INSTALLATION



ART_1001258642-A

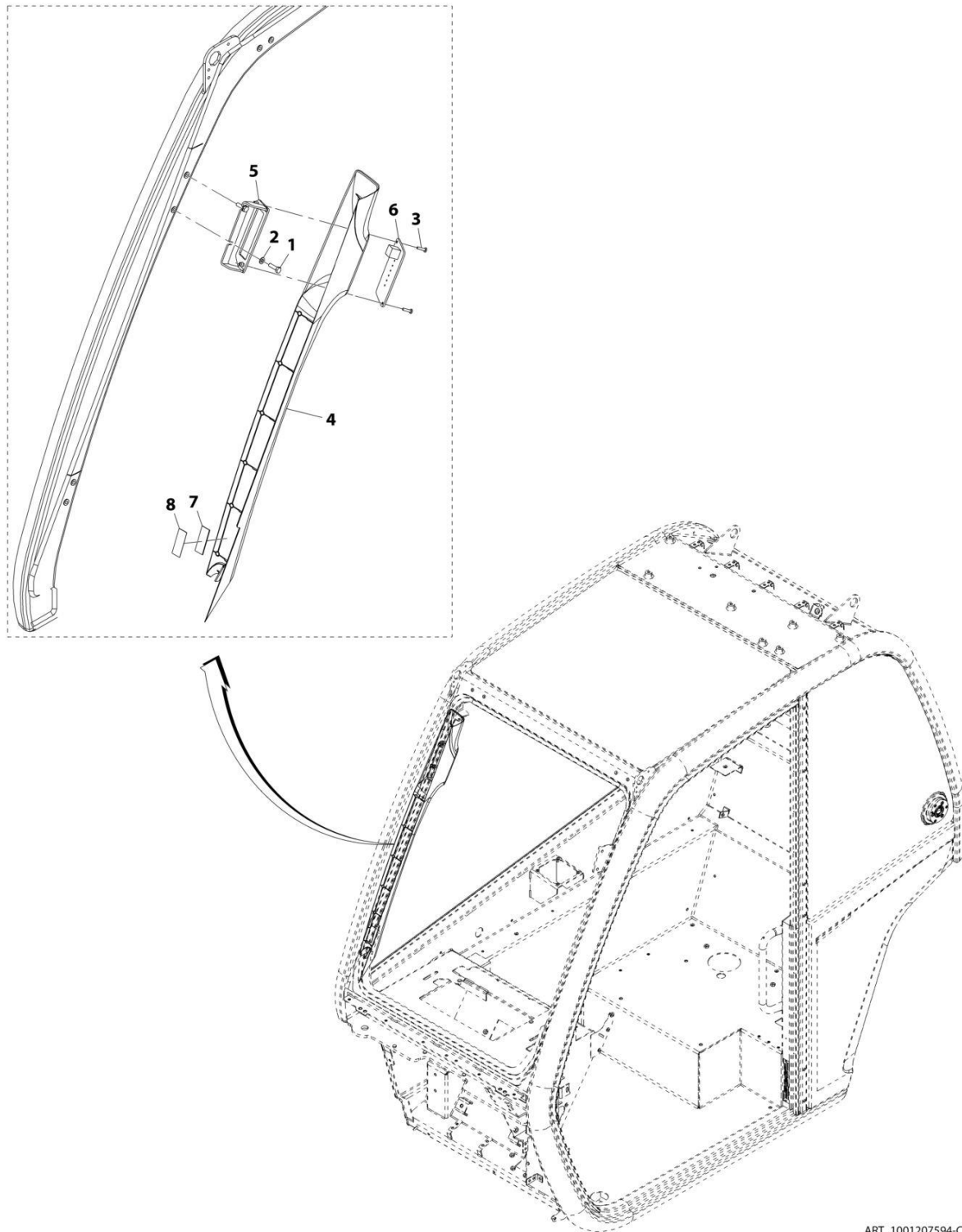
SECTION 10 - ELECTRICAL

FIGURE 10-85. LSI INSTALLATION

ITEM	PART NUMBER	QTY	DESCRIPTION	REV
	1001258642	Ref	LSI Installation	A
1	1001159742	1	Switch, LSI Override	
2	1001207594	1	Installation, LSI Display (See Separate Breakdown in this Section)	
3	1001258644	1	Installation, LSI Sensor (See Separate breakdown in this Section)	

SECTION 10 - ELECTRICAL

FIGURE 10-86. LSI DISPLAY INSTALLATION



ART_1001207594-C

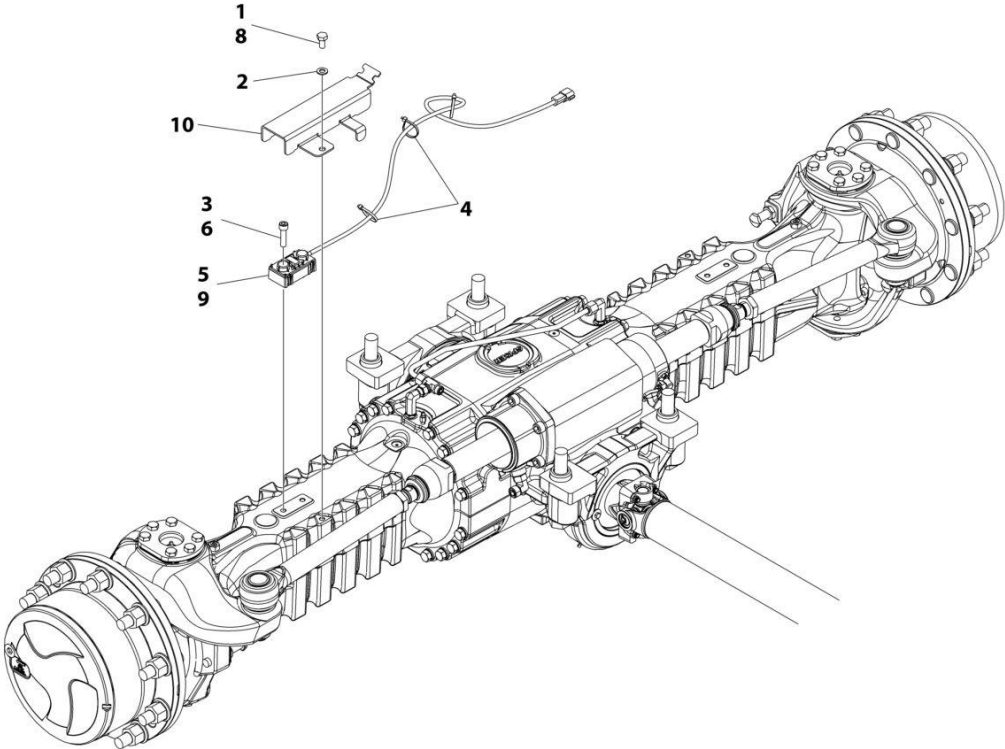
SECTION 10 - ELECTRICAL

FIGURE 10-86. LSI DISPLAY INSTALLATION

ITEM	PART NUMBER	QTY	DESCRIPTION	REV
	1001207594	Ref	LSI Display Installation	C
1	0760610	2	Bolt, M6X20	
2	4811700	2	Washer, M6	
3	1001126837	2	Screw, M4X16	
4	1001182839	1	Cover	
5	1001214401	1	Bracket	
6	1001213752	1	Display, LSI	
7	1001221318	1	Tape, Hook Fastener	
8	1001221319	1	Tape, Hook Fastener	

SECTION 10 - ELECTRICAL

FIGURE 10-87. LSI SENSOR INSTALLATION



ART_1001258644

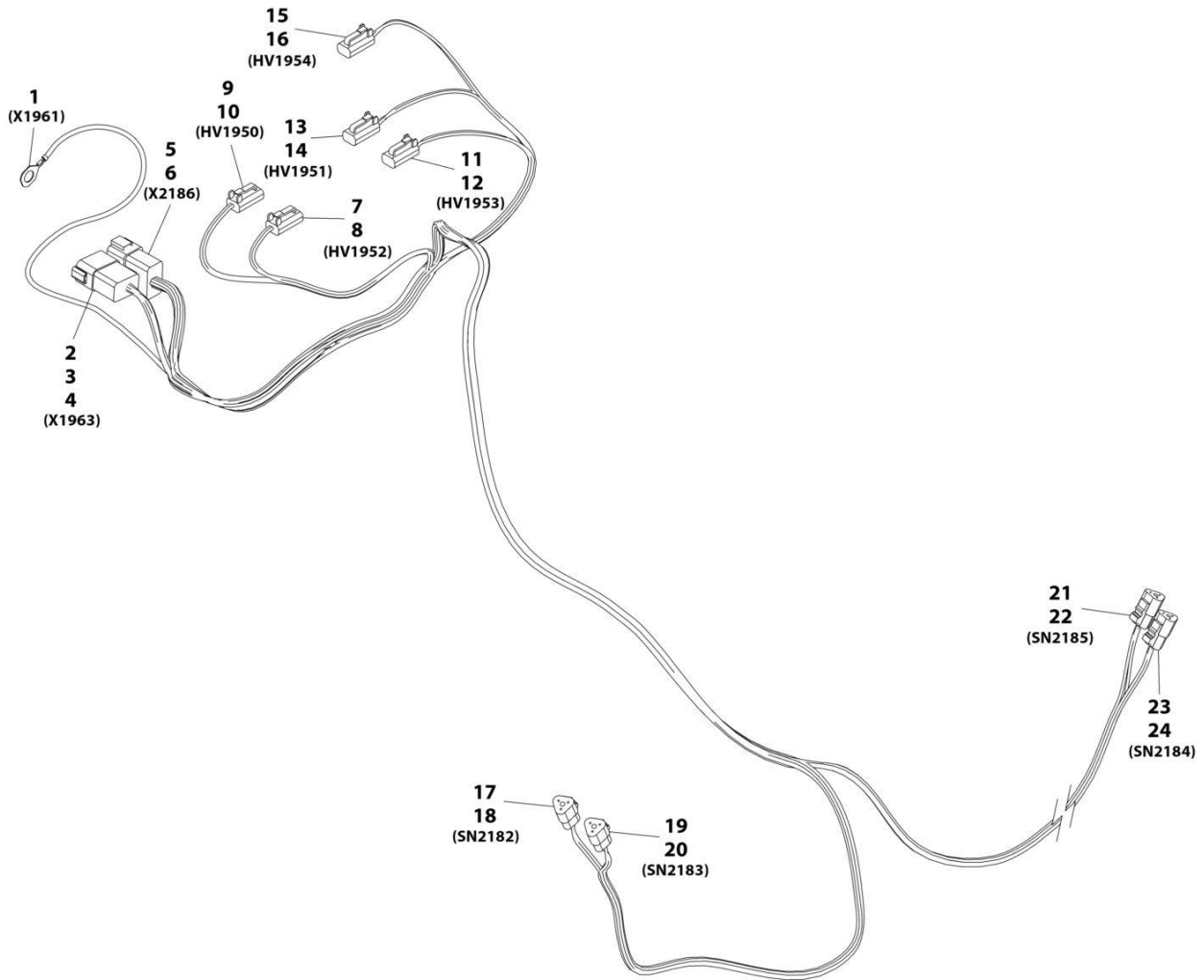
SECTION 10 - ELECTRICAL

FIGURE 10-87. LSI SENSOR INSTALLATION

ITEM	PART NUMBER	QTY	DESCRIPTION	REV
	1001258644	Ref	LSI Sensor Installation	B
1	0761010	1	Bolt, M10X20	
2	4812000	1	Washer, M10	
3	5272012	2	Bolt, M10X40	
4	1001008559	3	Strap, Cable	
5	1001116128	AR	Seal	
6	1001125465	AR	Locking, Compound	
8	1001289296	AR	Adhesive	
9	1001289105	1	Sensor, Rear Axle	
10	1001290669	1	Bracket	

SECTION 10 - ELECTRICAL

FIGURE 10-88. OUTRIGGER HARNESS



ART_1001239952-A

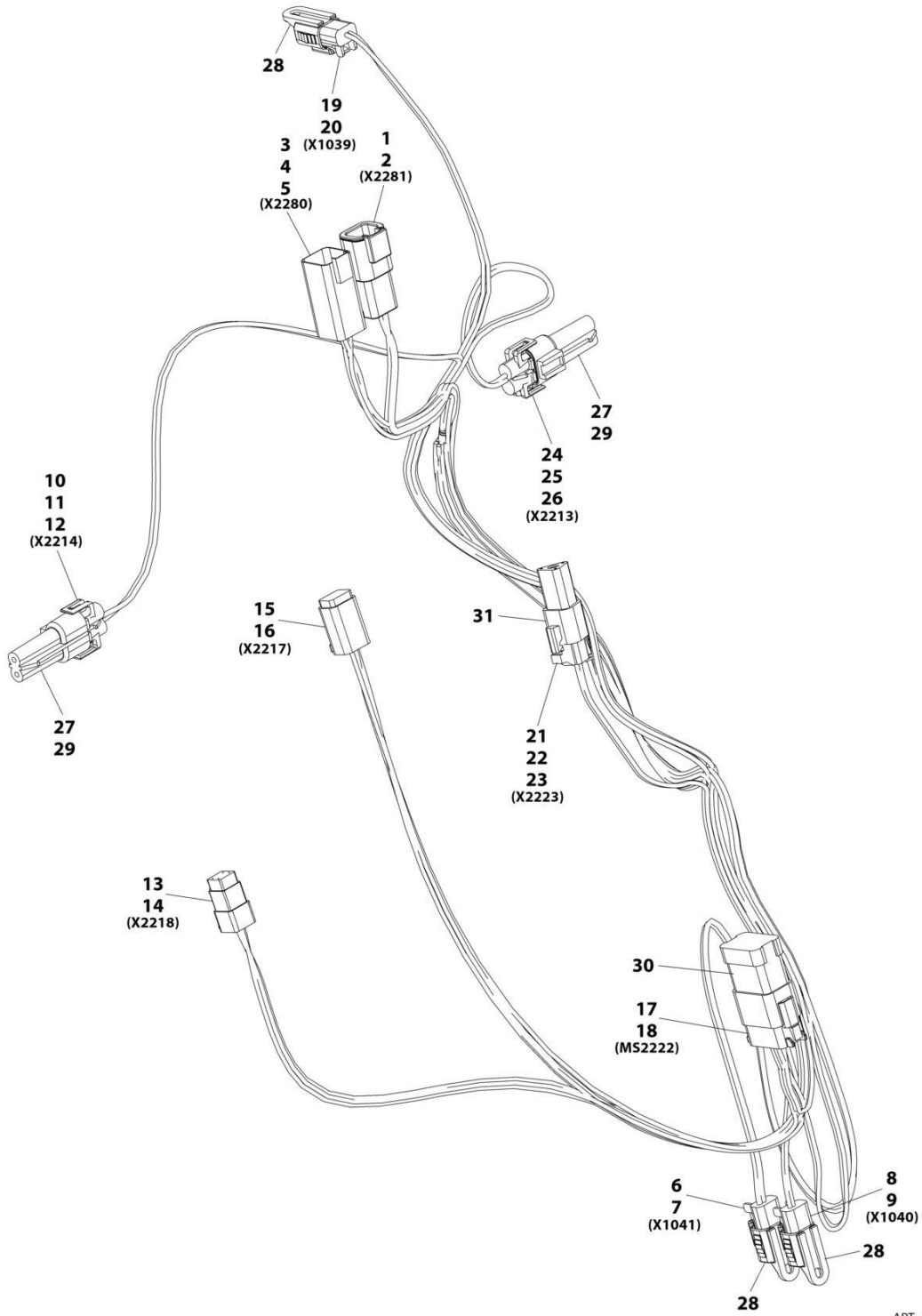
SECTION 10 - ELECTRICAL

FIGURE 10-88. OUTRIGGER HARNESS

ITEM	PART NUMBER	QTY	DESCRIPTION	REV
	1001239952	Ref	Outrigger Harness	A
1	1001187078	1	Connector	
2	4460931	1	Connector	
3	4460464	6	Terminal	
4	4460466	2	Plug	
5	4460950	1	Connector	
6	4460464	12	Terminal	
7	4460891	1	Connector	
8	4460465	2	Terminal	
9	4460891	1	Connector	
10	4460465	2	Terminal	
11	4460891	1	Connector	
12	4460465	2	Terminal	
13	4460891	1	Connector	
14	4460465	2	Terminal	
15	4460891	1	Connector	
16	4460465	2	Terminal	
17	4460539	1	Connector	
18	4460465	3	Terminal	
19	4460539	1	Connector	
20	4460465	3	Terminal	
21	4460539	1	Connector	
22	4460465	3	Terminal	
23	4460539	1	Connector	
24	4460465	3	Terminal	

SECTION 10 - ELECTRICAL

FIGURE 10-89. PLATFORM HARNESS



ART_1001244648-C

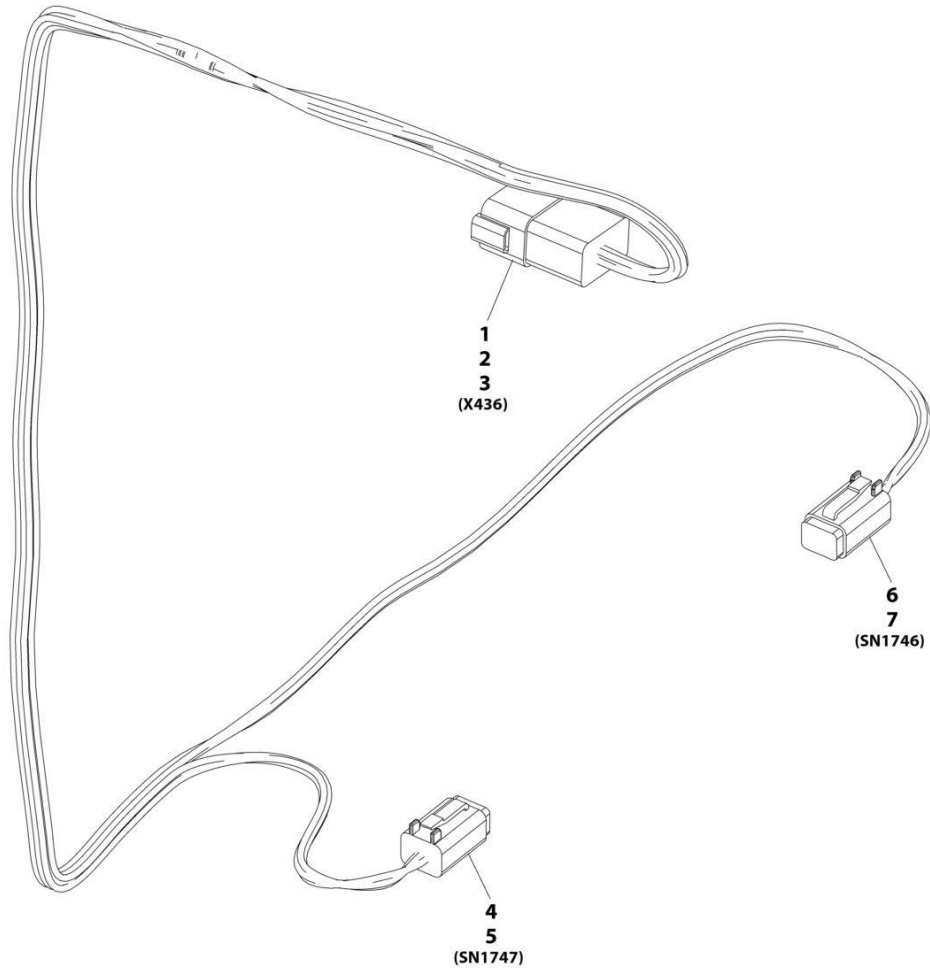
SECTION 10 - ELECTRICAL

FIGURE 10-89. PLATFORM HARNESS

ITEM	PART NUMBER	QTY	DESCRIPTION	REV
	1001244648	Ref	Platform Harness	C
1	4461017	1	Connector	
2	1001150610	2	Terminal	
3	4460899	1	Connector	
4	4460943	2	Terminal	
5	4460464	4	Terminal	
6	4460891	1	Connector	
7	4460942	2	Terminal	
8	4460891	1	Connector	
9	4460465	1	Terminal	
10	4461115	1	Connect	
11	1001116728	2	Terminal	
12	4460458	2	Seal	
13	4461077	1	Connector	
14	1001126008	4	Terminal	
15	4460884	1	Connector	
16	4460465	4	Terminal	
17	4460930	1	Connector	
18	4460465	8	Terminal	
19	4460891	1	Connector	
20	4460465	2	Terminal	
21	4461095	1	Connector	
22	4460944	2	Terminal	
23	4460466	1	Plug	
24	4461115	1	Connector	
25	1001116728	2	Terminal	
26	4460458	2	Plug	

SECTION 10 - ELECTRICAL

FIGURE 10-90. PLATFORM READY HARNESS



ART_1001201601-A

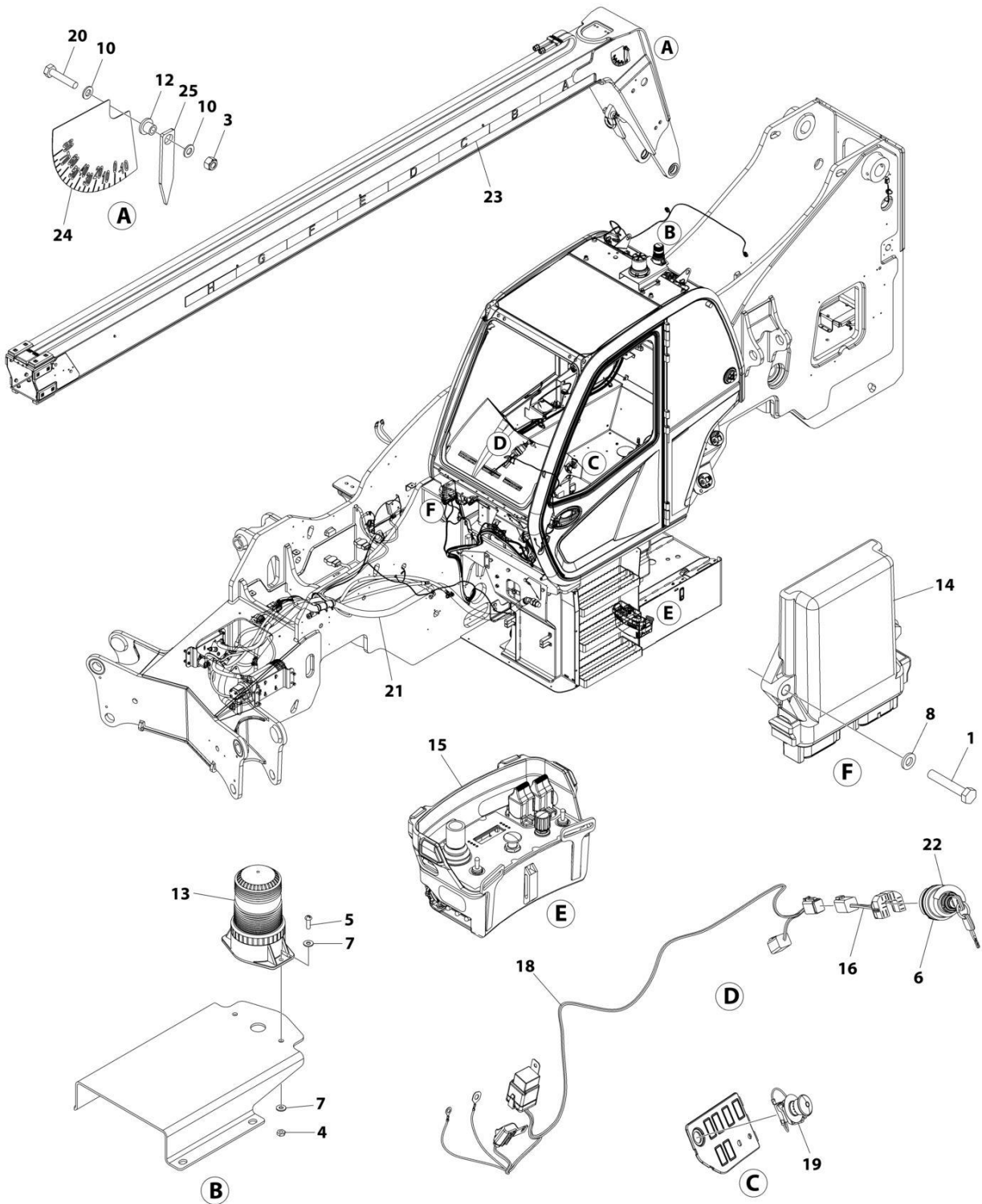
SECTION 10 - ELECTRICAL

FIGURE 10-90. PLATFORM READY HARNESS

ITEM	PART NUMBER	QTY	DESCRIPTION	REV
	1001201601	Ref	Platform Ready Harness	A
1	4460931	1	Connector	
2	4460464	6	Terminal	
3	4460466	2	Plug	
4	4460884	1	Connector	
5	4460944	4	Terminal	
6	4460884	1	Connector	
7	4460944	4	Terminal	

SECTION 10 - ELECTRICAL

FIGURE 10-91. REMOTE CONTROL BOOM INSTALLATION



ART_1001267699_B

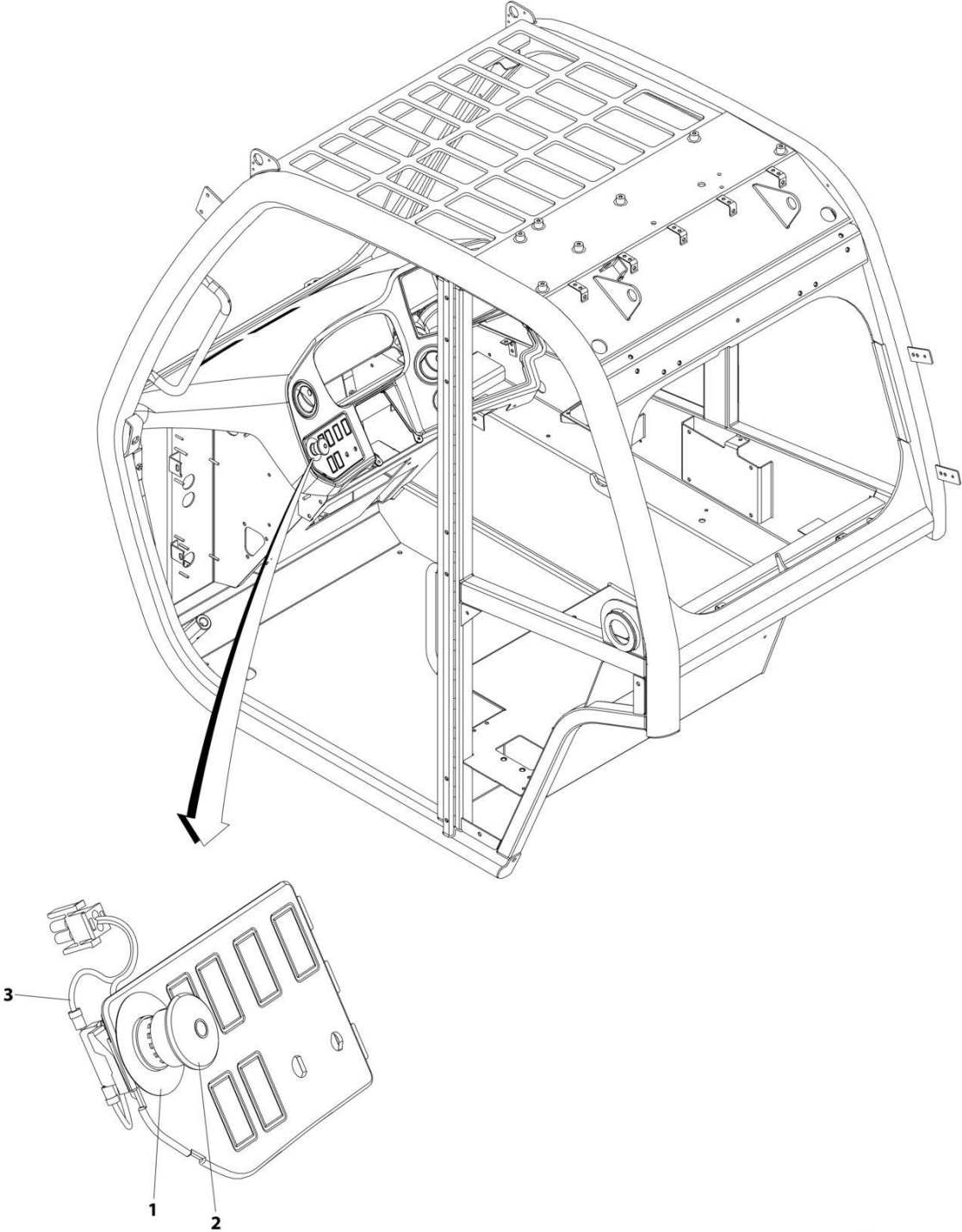
SECTION 10 - ELECTRICAL

FIGURE 10-91. REMOTE CONTROL BOOM INSTALLATION

ITEM	PART NUMBER	QTY	DESCRIPTION	REV
	1001267699	Ref	REMOTE CONTROL BOOM INSTALLATION	B
1	0760615	2	Bolt M6 x 35	
3	3291005	1	Nut M10 x 1.5	
4	3311005	2	Nut 10	
5	3911010	2	Bolt 10 x 5/8	
6	4360657	1	Switch, Ignition	
7	4711000	4	Washer 10	
8	4811700	2	Washer M6	
10	4812000	2	Washer M10	
11	1001008559	4	Tie-Strap (Not Shown)	
12	1001171808	1	Spacer	
13	1001200910	1	Lamp, Blue Beacon	
14	1001206112	1	Control, Remote Controller	
15	1001209194	1	Control, Remote	
16	1001241610	1	Cab Key Harness (See Separate Breakdown in this Section)	
18	1001259205	1	Remote Control Power Harness (See Separate Breakdown in this Section)	
19	1001259246	1	Installation, Remote Control Emergency Stop Switch (See Separate Breakdown in this Section)	
20	0701018	1	Bolt M10 x 50	
21	1001266353	1	Installation, Emergency Lowering (See Separate Breakdown in HYDRAULIC CIRCUITS Section)	
22	1001268354	1	Decal, Ignition Switch	
23	1001269175	1	Decal, Boom Extend	
24	1001269176	1	Decal, Boom Angle Indicator	
25	1001269177	1	Plate	

SECTION 10 - ELECTRICAL

FIGURE 10-92. REMOTE CONTROL EMERGENCY STOP SWITCH INSTALLATION



ART_1001259246

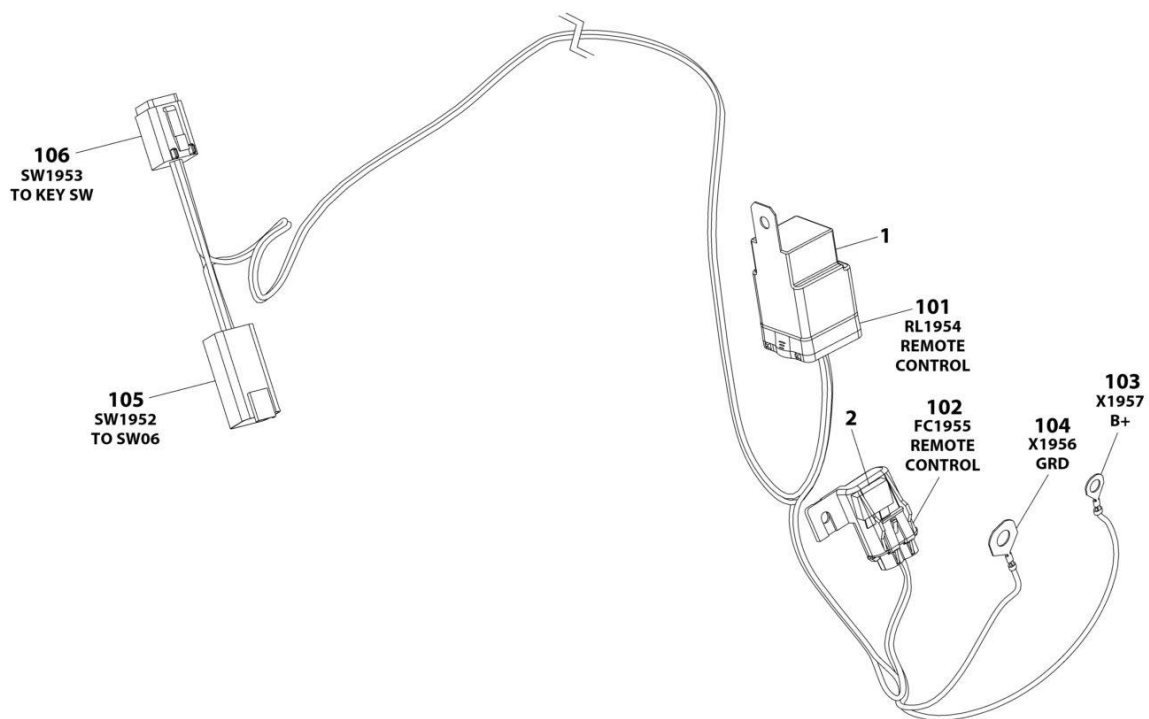
SECTION 10 - ELECTRICAL

FIGURE 10-92. REMOTE CONTROL EMERGENCY STOP SWITCH INSTALLATION

ITEM	PART NUMBER	QTY	DESCRIPTION	REV
	1001259246	Ref	Remote Control Emergency Stop Switch Installation	A
1	1704260	1	Decal - Emergency Stop	
2	4360475	1	Switch, Emergency Stop	
3	1001259224	1	Harness, EMS Switch	
3	4460320	1	Connector	
3	4460183	2	Terminal	

SECTION 10 - ELECTRICAL

FIGURE 10-93. REMOTE CONTROL POWER HARNESS



ART_1001259205

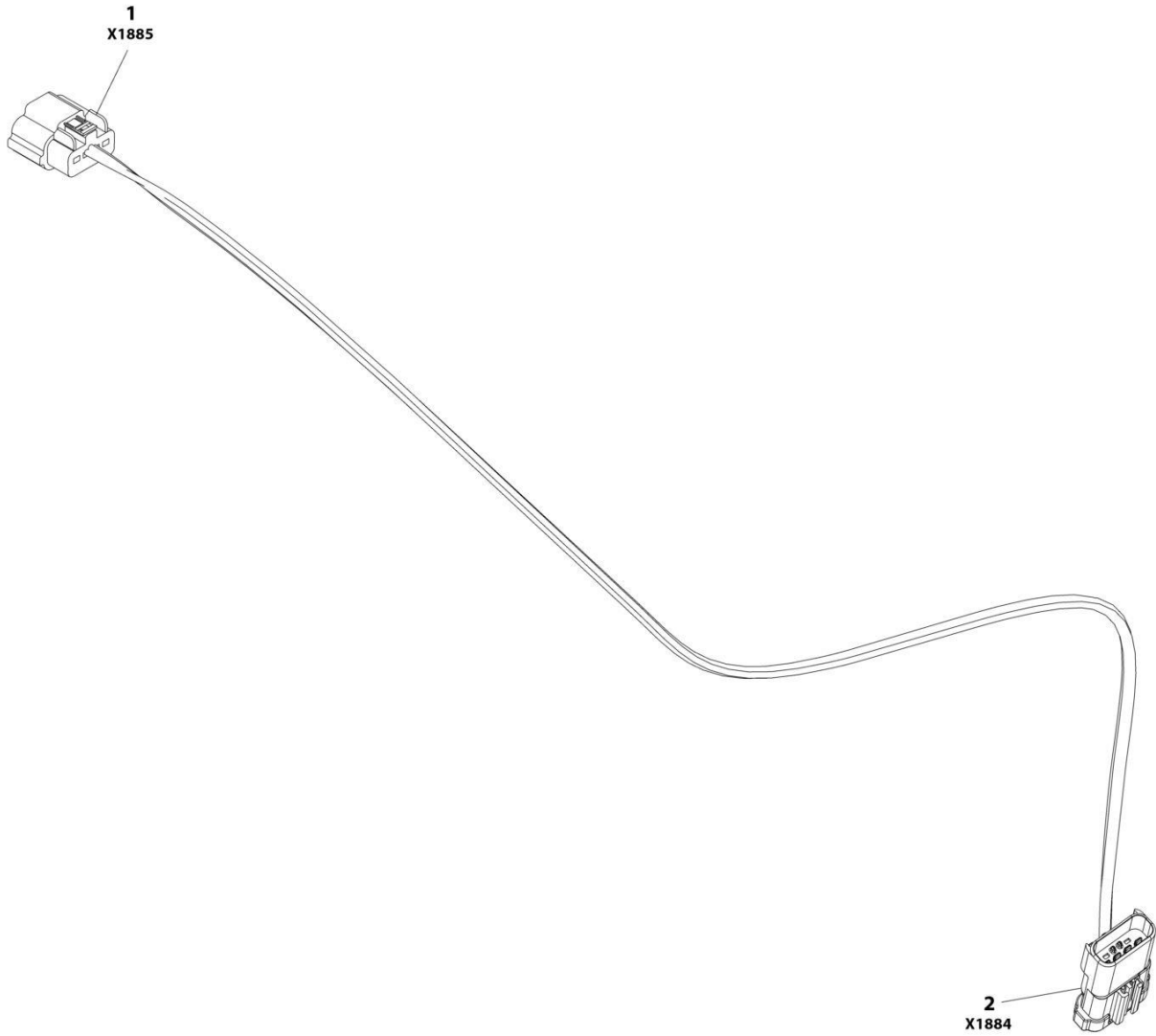
SECTION 10 - ELECTRICAL

FIGURE 10-93. REMOTE CONTROL POWER HARNESS

ITEM	PART NUMBER	QTY	DESCRIPTION	REV
	1001259205	Ref	Remote Control Power Harness	A
1	3740080	1	Relay	
2	8229234	1	Fuse, 10Amp	
101	1001231398	1	Connector, Relay	
101	1001231400	4	Terminal	
101	1001231404	4	Seal, Terminal	
101	1001231406	1	Plug, Terminal	
102	1001231397	1	Connector - 2 Position	
102	1001231400	2	Terminal	
102	1001231404	2	Seal, Terminal	
103	1001207173	1	Terminal, Ring	
104	1001211775	1	Terminal, Ring	
105	4460899	1	Receptacle, Female - 6 Position	
105	4460464	4	Pin, Male	
105	4460466	2	Plug, Terminal	
106	4460894	1	Plug, Male - 6 Position	
106	4460465	4	Socket, Female	
106	4460466	2	Plug, Terminal	

SECTION 10 - ELECTRICAL

FIGURE 10-94. TBAP HARNESS (1075)



ART_1001184835

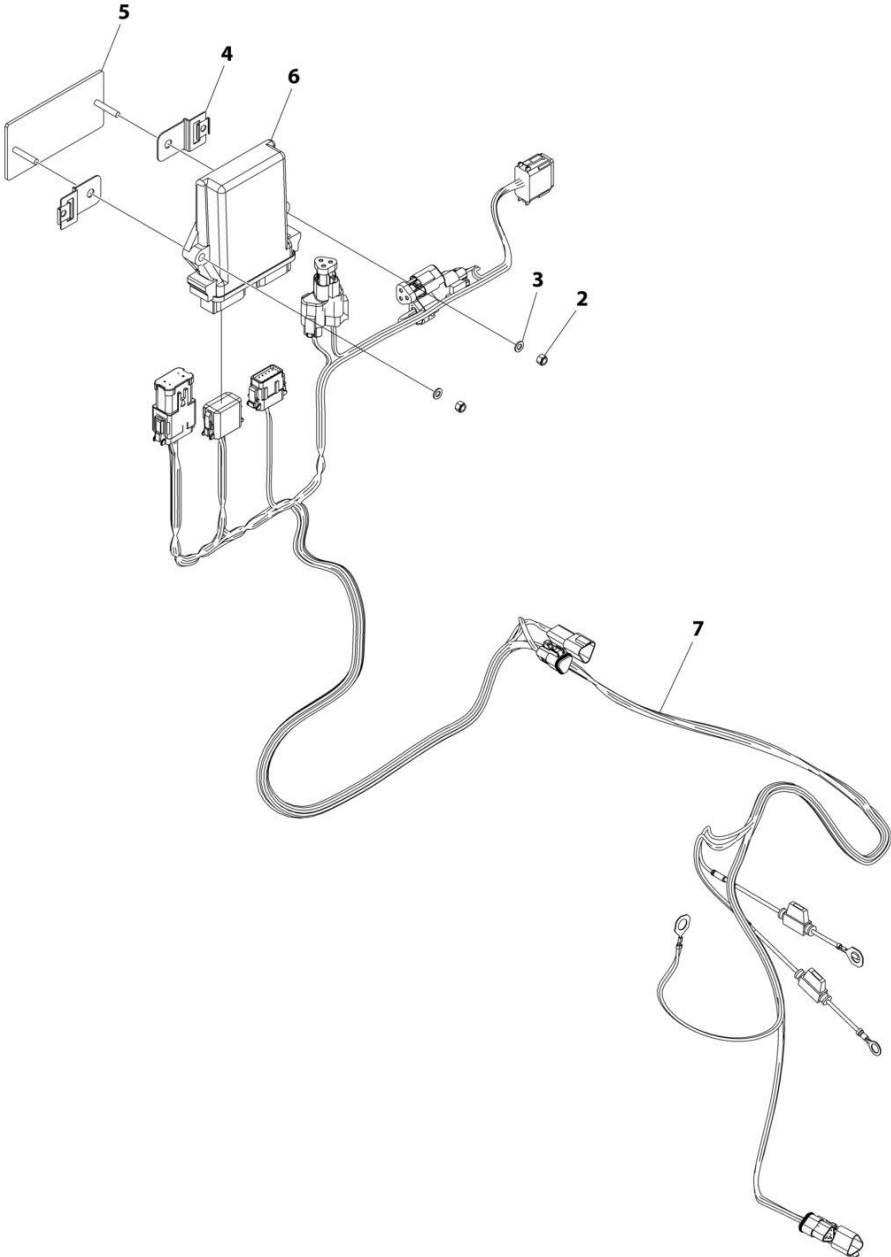
SECTION 10 - ELECTRICAL

FIGURE 10-94. TBAP HARNESS (1075)

ITEM	PART NUMBER	QTY	DESCRIPTION	REV
1	1001184835	Ref	TBAP Harness	C
	10011184495	1	Connector	
	1001260509	4	Terminal	
	1001184496	4	Seal	
2	1001184491	1	Connector	
	1001184493	4	Terminal	

SECTION 10 - ELECTRICAL

FIGURE 10-95. TELEMATICS GATEWAY INSTALLATION



ART_1001275106

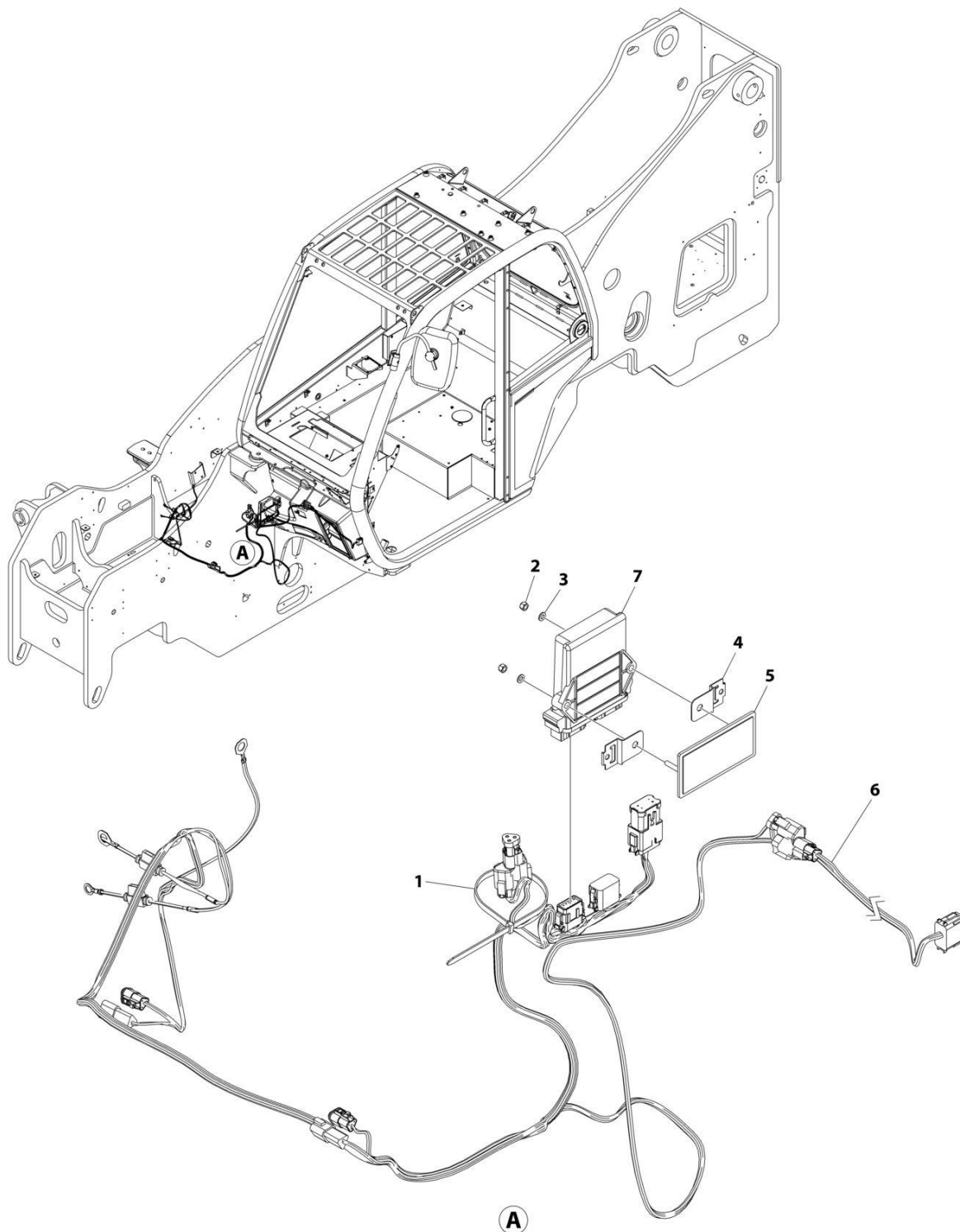
SECTION 10 - ELECTRICAL

FIGURE 10-95. TELEMATICS GATEWAY INSTALLATION

ITEM	PART NUMBER	QTY	DESCRIPTION	REV
	1001275106	Ref	TELEMATICS GATEWAY INSTALLATION	A
1	1062255	AR	Tie-Strap (Not Shown)	
2	3290505	2	Nut M5	
3	4811600	2	Washer M5	
4	1001153749	2	Clip	
5	1001219082	1	Bracket	
6	1001229458	1	Controller, Gateway	
7	1001275105	1	Harness, Telematics Gateway (See Separate Breakdown in this Section)	

SECTION 10 - ELECTRICAL

FIGURE 10-96. TELEMATICS GATEWAY PLUS



ART_1001287804

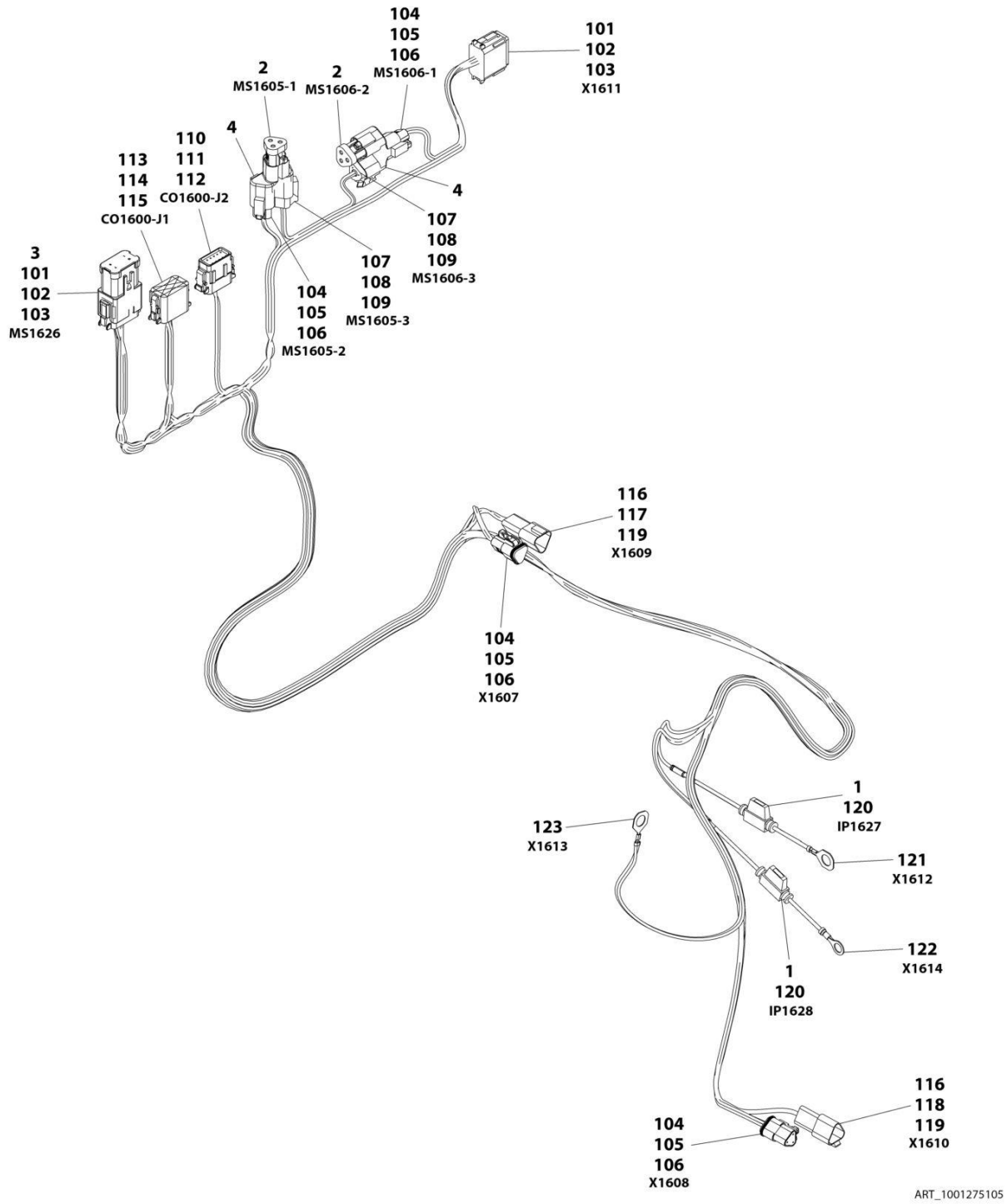
SECTION 10 - ELECTRICAL

FIGURE 10-96. TELEMATICS GATEWAY PLUS

ITEM	PART NUMBER	QTY	DESCRIPTION	REV
	1001287804	Ref	TELEMATICS GATEWAY PLUS	A
1	1062255	1	Tie-Strap	
2	3290505	2	Nut M5	
3	4811600	2	Washer M5	
4	1001153749	2	Clip	
5	1001219082	1	Bracket	
6	1001275105	1	Harness, Telematics Gateway (See Separate Breakdown in this Section)	
7	1001282260	1	Control, Gateway Plus	

SECTION 10 - ELECTRICAL

FIGURE 10-97. TELEMATICS GATEWAY HARNESS



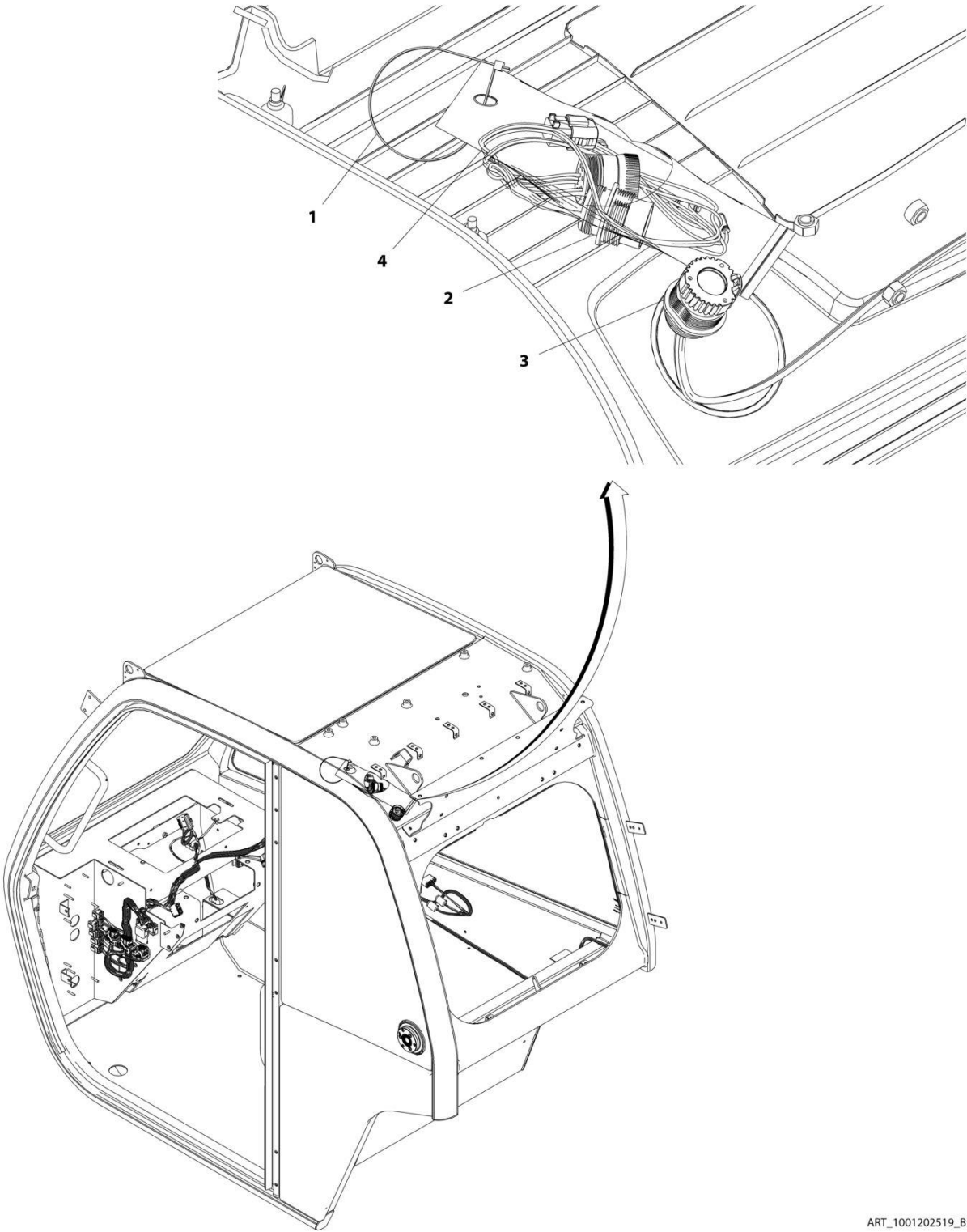
SECTION 10 - ELECTRICAL

FIGURE 10-97. TELEMATICS GATEWAY HARNESS

ITEM	PART NUMBER	QTY	DESCRIPTION	REV
	1001275105	Ref	TELEMATICS GATEWAY HARNESS	A
1	8229242	2	Fuse, 5AMP	
2	1001116815	2	Connector, Plug - 3 Position	
3	1001200206	1	Connector, Buss - 12 Position	
4	4460945	2	Receptacle, 3 - Way	
101	4460933	2	Connector - 12 Position	
102	4460465	17	Socket, Female	
103	4460466	7	Plug, Terminal	
104	1001116812	4	Plug, Male - 3 Position	
105	4460465	8	Socket, Female	
106	4460466	4	Plug, Terminal	
107	4460539	2	Plug, Male - 3 Position	
108	4460465	4	Socket, Female	
109	4460466	2	Plug, Terminal	
110	1001116808	1	Connector - 12 Position	
111	1001126008	2	Terminal	
112	4460518	10	Plug, Terminal	
113	1001116774	1	Connector - 12 Position	
114	1001126008	6	Terminal	
115	4460518	6	Plug, Terminal	
116	1001144147	2	Receptacle, Female - 3 Position	
117	4460943	2	Pin, Male	
118	4460464	2	Pin, Male	
119	4460466	2	Plug, Terminal	
120	2400060	2	Fuseholder with Cover	
121	1001187078	1	Terminal, Ring	
122	4460670	1	Terminal, Ring	
123	1001187081	1	Terminal, Ring	

SECTION 10 - ELECTRICAL

FIGURE 10-98. TELEMATICS READY INSTALLATION



ART_1001202519_B

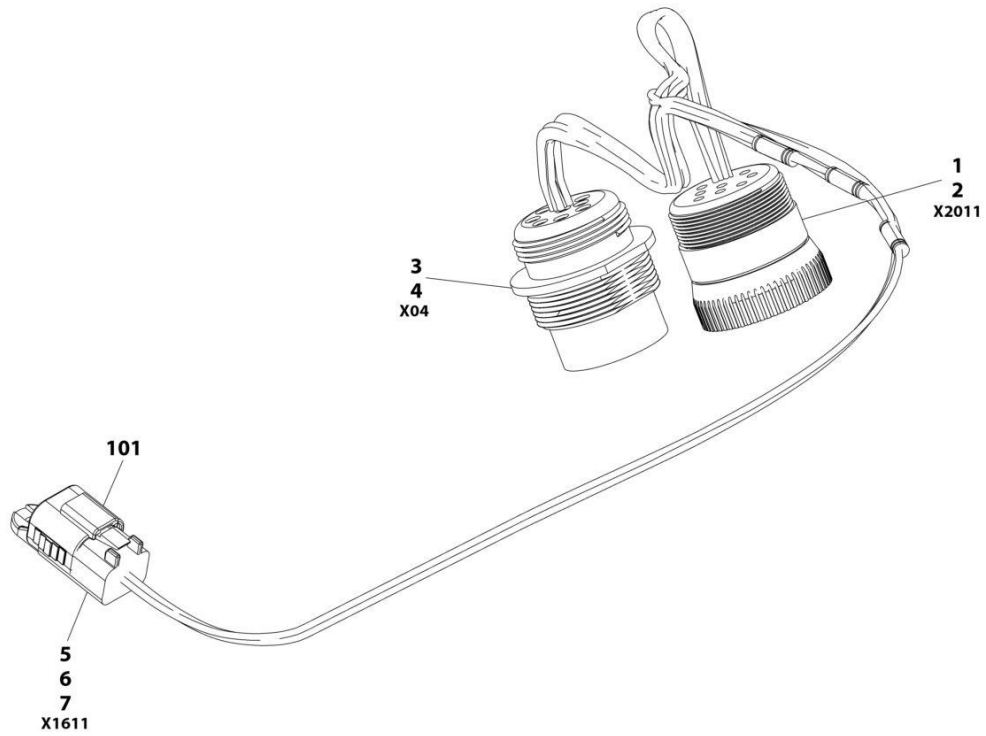
SECTION 10 - ELECTRICAL

FIGURE 10-98. TELEMATICS READY INSTALLATION

ITEM	PART NUMBER	QTY	DESCRIPTION	REV
	1001202519	Ref	TELEMATICS READY INSTALLATION	B
1	8584003	1	Strap, Tie	
2	1001291182	1	Harness, Telematics Ready (See Separate Breakdown in ELECTRICAL Section)	
3	1001201162	1	Cap	
4	1001202617	1	Bag	

SECTION 10 - ELECTRICAL

FIGURE 10-99. TELEMATICS READY HARNESS



ART_1001291182

SECTION 10 - ELECTRICAL

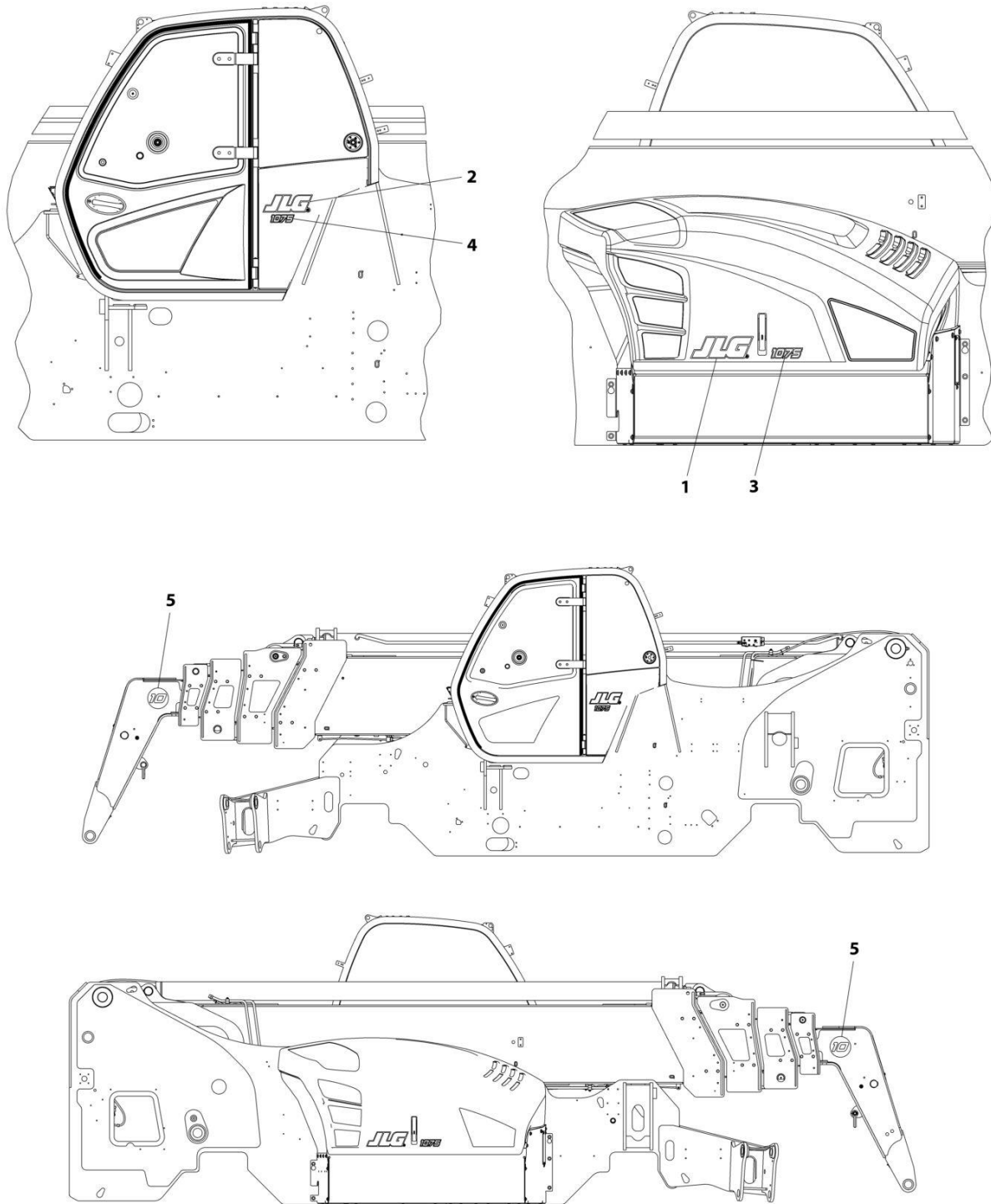
FIGURE 10-99. TELEMATICS READY HARNESS

ITEM	PART NUMBER	QTY	DESCRIPTION	REV
	1001291182	Ref	TELEMATICS READY HARNESS	A
1	1001112796	1	Connector	
2	4460465	9	Terminal	
3	1001112612	1	Connector	
4	4460464	9	Terminal	
5	4460884	1	Connector	
6	4460465	3	Terminal	
7	4460466	1	Plug	
101	1001192401	1	Dust Cap	

SECTION 11 - DECALS

SECTION 11 - DECALS

FIGURE 11-1. BRANDING DECAL INSTALLATION (1075)



ART_1001250235_C

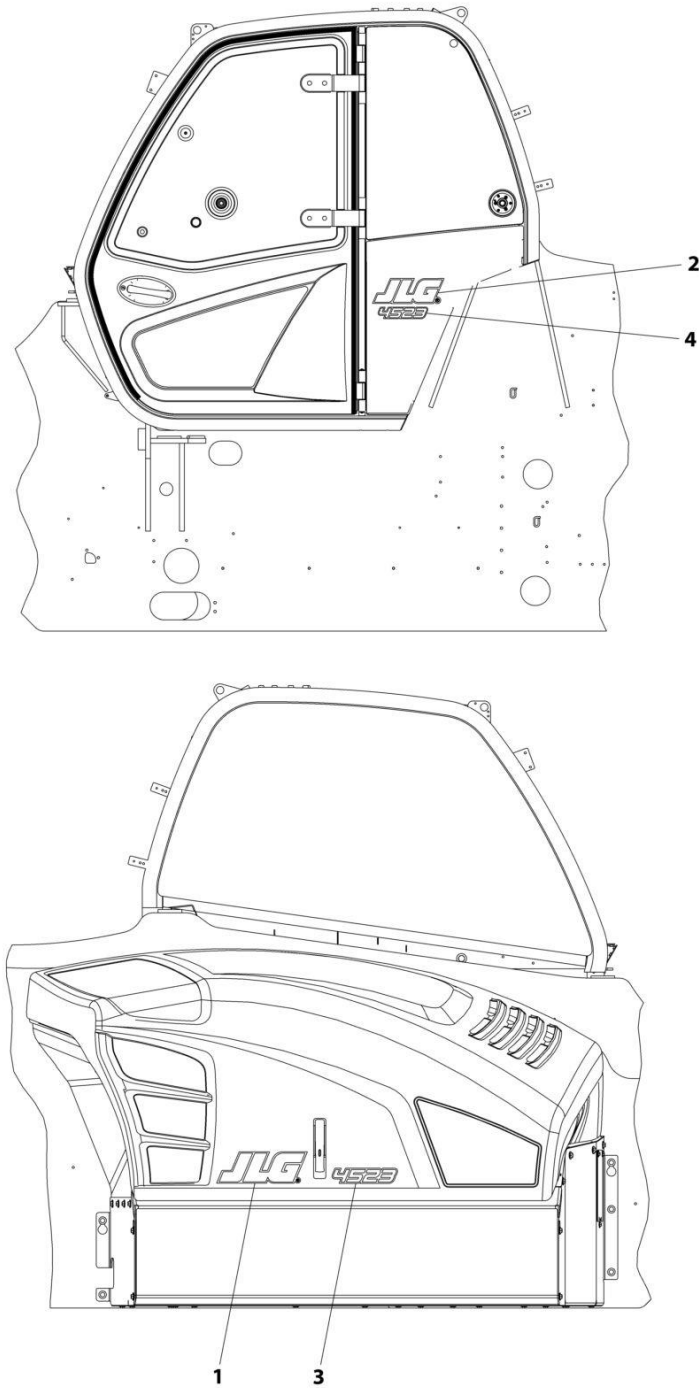
SECTION 11 - DECALS

FIGURE 11-1. BRANDING DECAL INSTALLATION (1075)

ITEM	PART NUMBER	QTY	DESCRIPTION	REV
	1001250235	Ref	BRANDING DECAL INSTALLATION	C
1	1001160775	1	Decal, JLG 5 Black	
2	1001169674	1	Decal, JLG	
3	1001276766	1	Decal, JLG 1075 Hood	
4	1001276767	1	Decal, JLG 1075 Cab	
5	1001279167	2	Decal, Boom Head	

SECTION 11 - DECALS

FIGURE 11-2. BRANDING DECAL INSTALLATION (4523)



ART_1001278111

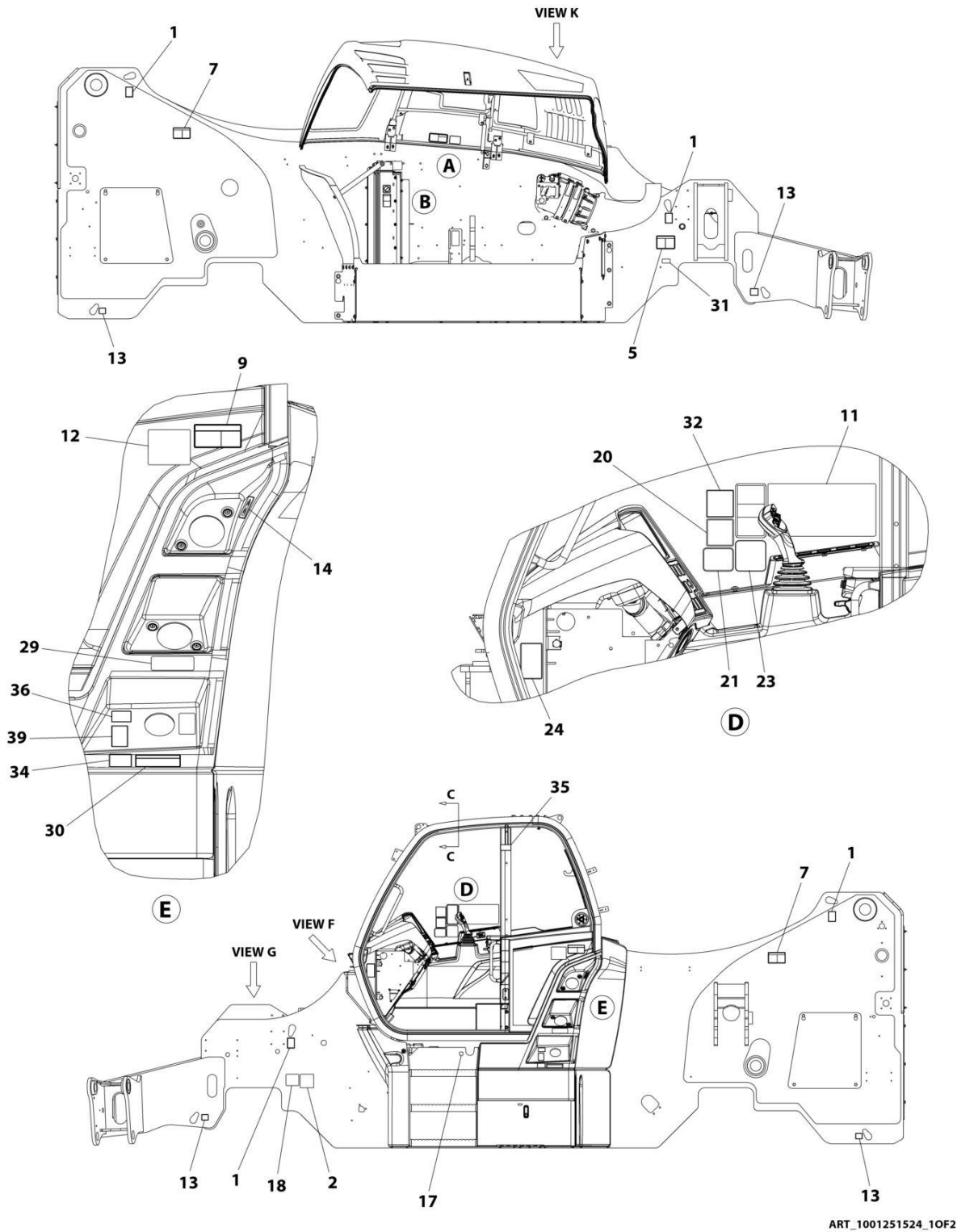
SECTION 11 - DECALS

FIGURE 11-2. BRANDING DECAL INSTALLATION (4523)

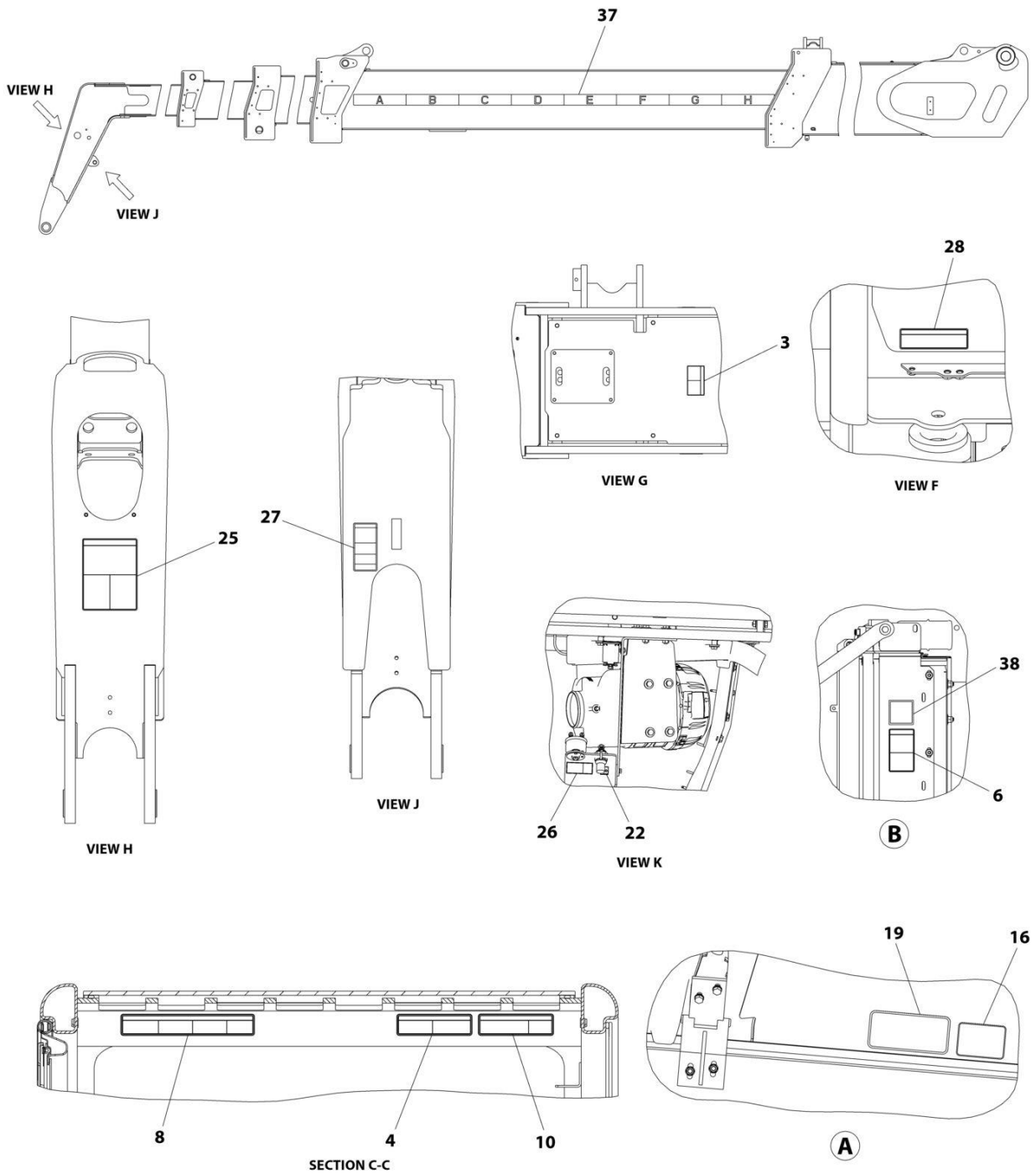
ITEM	PART NUMBER	QTY	DESCRIPTION	REV
	1001278111	Ref	BRANDING DECAL INSTALLATION	A
1	1001160775	1	Decal, JLG 5 Black	
2	1001169674	1	Decal, JLG	
3	1001278109	1	Decal, JLG 4523 Hood	
4	1001278110	1	Decal, JLG 4523 Cab	

SECTION 11 - DECALS

FIGURE 11-3. DECAL INSTALLATION (ANSI)



SECTION 11 - DECALS



ART_1001251524_20F2

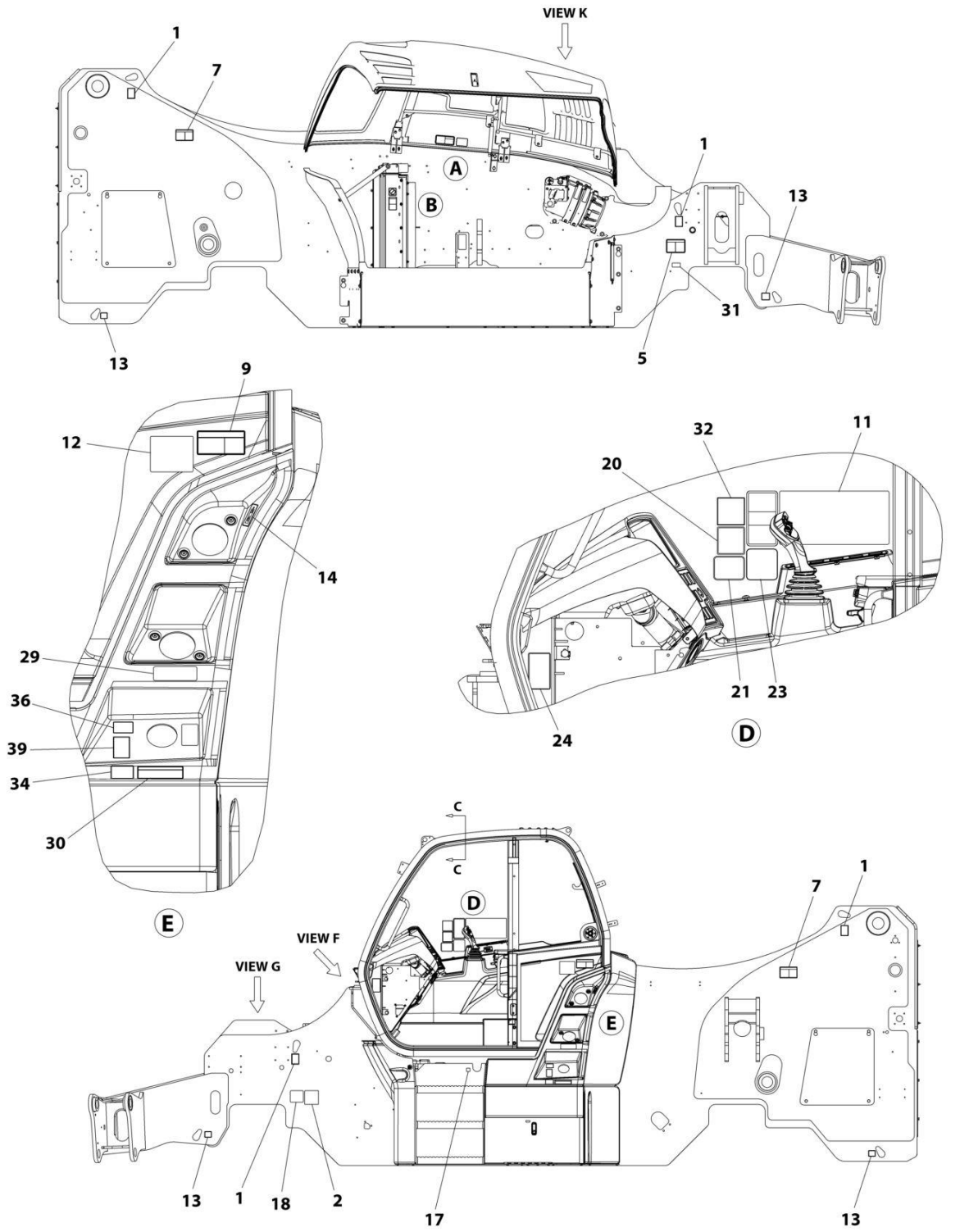
SECTION 11 - DECALS

FIGURE 11-3. DECAL INSTALLATION (ANSI)

ITEM	PART NUMBER	QTY	DESCRIPTION	REV
	1001251524	Ref	DECAL INSTALLATION (ANSI)	C
1	1701500	4	Decal, Lift	
2	1702631	1	Decal, Bar Code	
3	1706296	1	Decal, Battery Warning	
4	1706299	1	Decal, Contacting Power Lines Warning	
5	1706300	1	Decal, Ether Warning	
6	1706301	1	Decal, Keep Clear Of Rotating Parts Warning	
7	1706302	2	Decal, Pinch Point Boom Holes	
8	1706306	1	Decal, Tip Over Warning	
9	1706768	1	Decal, Vehicle Roll Away	
10	1706850	1	Decal, Crush Hazard Warning	
11	1707078	1	Decal, Warning/Danger Cab	
12	3251813	1	Decal, USA	
13	4109801	4	Decal, Tie Down Point	
14	4100181	1	Decal, Hydraulic Oil Fill	
16	1001109053	1	Decal, Coolant Fill	
17	1001130323	1	Decal, Oil Level	
18	1001131271	1	Decal, Patent	
19	1001139578	1	Decal, Hot Fluid Warning	
20	1001172035	1	Decal, No Weld or Drill	
21	1001181537	1	Decal, Outrigger Switches	
22	1001184632	1	Decal, Battery Positive	
23	1001188372	1	Decal, Sway	
24	1001191229	1	Decal, Fuse Panel	
25	1001195849	1	Decal, Carry Personnel	
26	1001195855	1	Decal, Battery Disconnect	
27	1001207217	1	Decal, Danger Swinging Loads	
28	1001218659	1	Decal, Brake Fluid	
29	1001218704	1	Decal, Ultra Low Sulfur Diesel	
30	1001219212	1	Decal, DEF Fluid	
31	1001223453	1	Decal, ICES	
32	1001227287	1	Decal, Manual Location	
34	1001230310	1	Decal, JLG DEF Tank Service	
35	1001231801	1	Decal, Warning Prop 65 Diesel	
36	1001247646	1	Decal, DEF Min Refill Volume	
37	1001253095	1	Decal, Boom Extend	
38	AU2105	1	Decal, No Karcher	
39	1001196806	1	Decal, Diesel Exhaust Fluid	

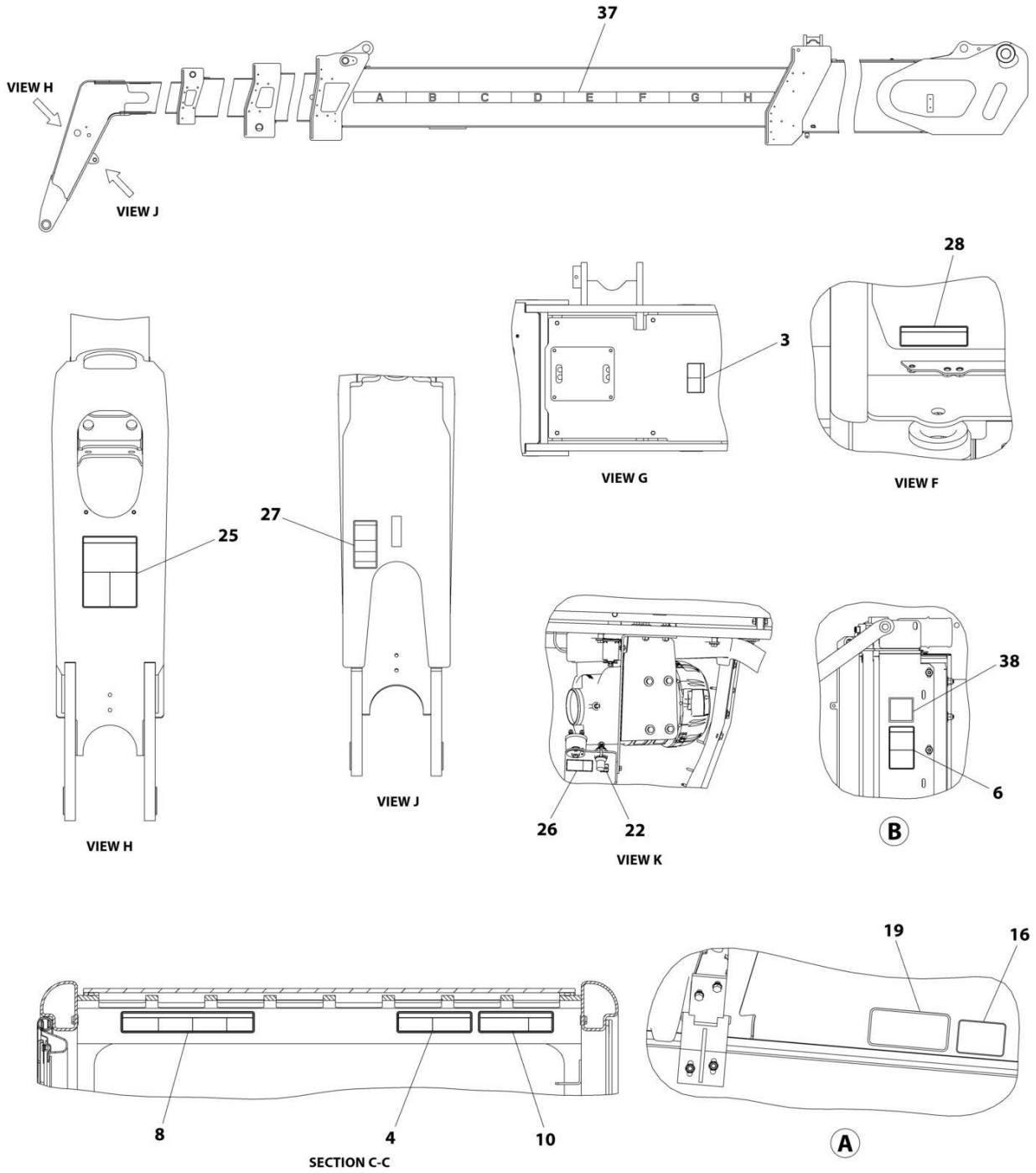
SECTION 11 - DECALS

FIGURE 11-4. DECAL INSTALLATION (CSA ENGLISH/FRENCH)



ART_1001251525_10F2

SECTION 11 - DECALS



ART_1001251525_2OF2

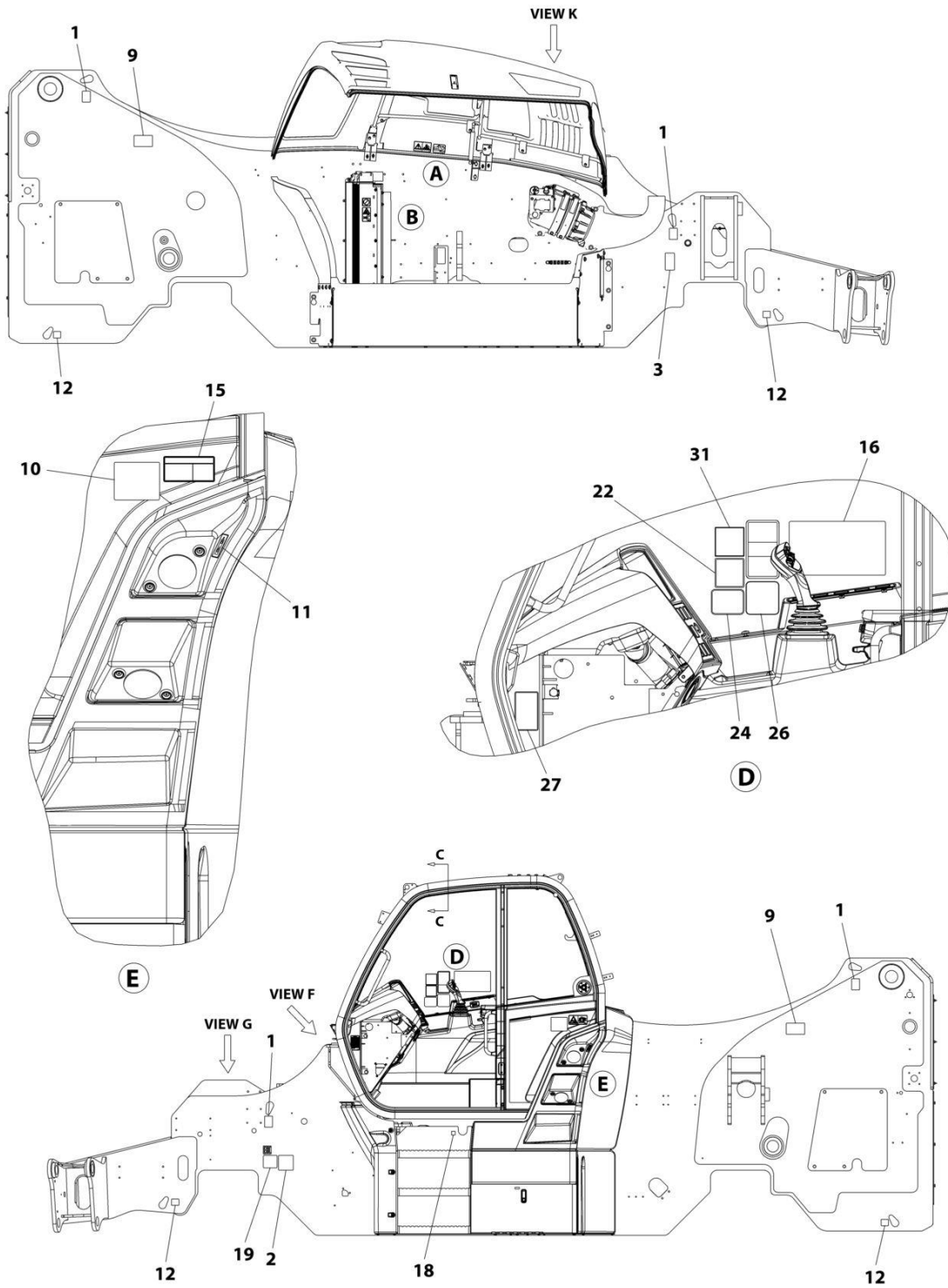
SECTION 11 - DECALS

FIGURE 11-4. DECAL INSTALLATION (CSA ENGLISH/FRENCH)

ITEM	PART NUMBER	QTY	DESCRIPTION	REV
	1001251525	Ref	DECAL INSTALLATION (CSA ENGLISH/FRENCH)	C
1	1701500	4	Decal, Lift	
2	1702631	1	Decal, Bar Code	
3	1001163174	1	Decal, Battery Warning	
4	1001163210	1	Decal, Electrocutation Hazard	
5	1001163212	1	Decal, Warning No Either	
6	1001163222	1	Decal, Moving Parts	
7	1001163223	2	Decal, Pinch Point	
8	1001163285	1	Decal, Warning Tip Over	
9	1001163300	1	Decal, No Riders	
10	1001163304	1	Decal, Warning Crushing Hazard	
11	1001233558	1	Decal, Warning/Danger Cab	
12	3251813	1	Decal, USA	
13	4109801	1	Decal, Tie Down Point	
14	4100181	4	Decal, Hydraulic Oil Fill	
16	1001109053	1	Decal, Coolant Fill	
17	1001130323	1	Decal, Oil Level	
18	1001131271	1	Decal, Patent	
19	1001163323	1	Decal, Warning Hot Fluid	
20	1001172035	1	Decal, No Weld Or Drill	
21	1001181537	1	Decal, Outrigger Switches	
22	1001184632	1	Decal, Battery Positive	
23	1001188372	1	Decal, Sway	
24	1001191229	1	Decal, Fuse Panel	
25	1001195851	1	Decal, Carry Personnel	
26	1001195855	1	Decal, Battery Disconnect	
27	1001209625	1	Decal, Danger Swinging Loads	
28	1001219211	1	Decal, Brake Fluid	
29	1001163355	1	Decal, Ultra Low Sulfur Diesel	
30	1001219212	1	Decal, DEF Fluid	
31	1001223453	1	Decal, ICES	
32	1001227287	1	Decal, Manual Location	
34	1001230311	1	Decal DEF Tank	
36	1001247646	1	Decal, DEF Min Refill Volume	
37	1001253095	1	Decal, Boom Extend	
38	AU2105	1	Decal, No Karcher	
39	1001196806	1	Decal, Diesel Exhaust Fluid	

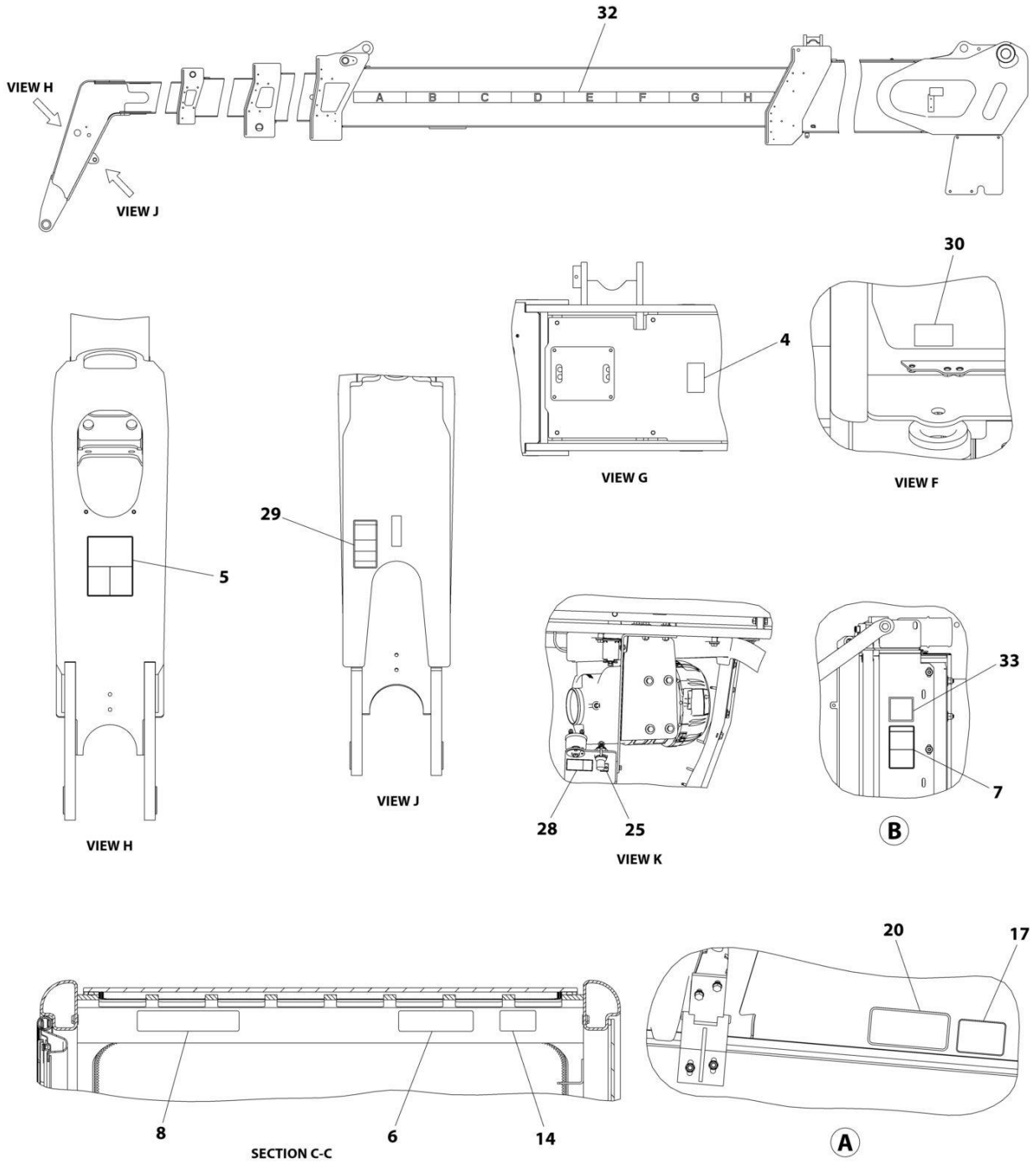
SECTION 11 - DECALS

FIGURE 11-5. DECAL INSTALLATION (ISO)



ART_1001278137_10F2

SECTION 11 - DECALS



ART_1001278137_20F2

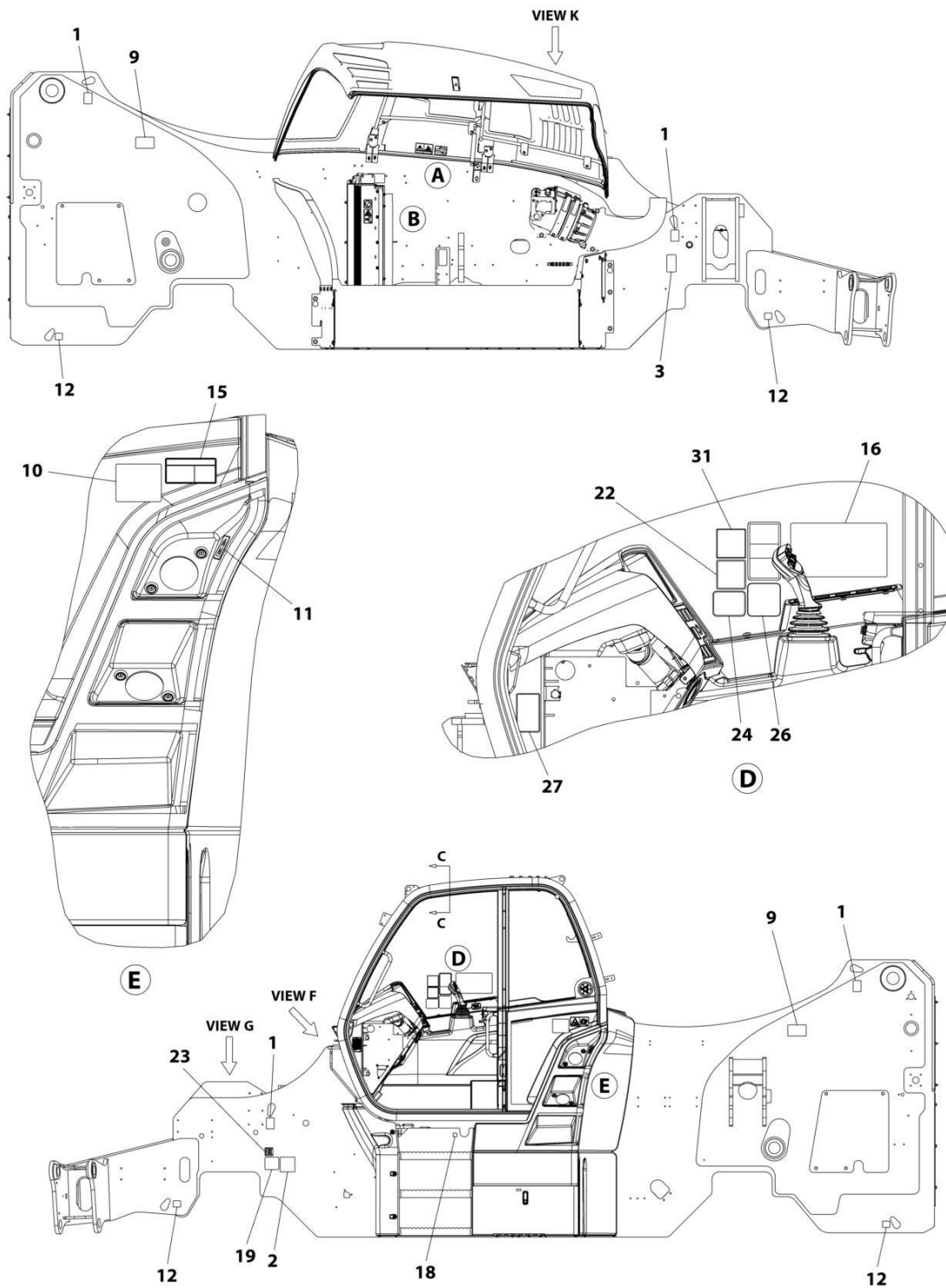
SECTION 11 - DECALS

FIGURE 11-5. DECAL INSTALLATION (ISO)

ITEM	PART NUMBER	QTY	DESCRIPTION	REV
	1001278137	Ref	DECAL INSTALLATION (ISO)	A
1	1701500	4	Decal, Lift	
2	1702631	1	Decal, Bar Code	
3	1706098	1	Decal, Warning Either Start	
4	1706281	1	Decal, Battery Warning	
5	1706282	1	Decal, Carry Personnel	
6	1706284	1	Decal, Electrocution Hazard	
7	1706285	1	Decal, Moving Parts	
8	1706288	1	Decal, Tipover Warning	
9	1706292	2	Decal, Pinch Point	
10	3251813	1	Decal, USA	
11	4100181	1	Decal, Hydraulic Oil Fill	
12	4109801	4	Decal, Tie Down Point	
14	1001092877	1	Decal, Warning Crushing Hazard	
15	1001092878	1	Decal, No Riders	
16	1001101895	1	Decal, Warning Cab	
17	1001109053	1	Decal, Coolant Fill	
18	1001130323	1	Decal, Oil Level	
19	1001131271	1	Decal, Patent	
20	1001139942	1	Decal, Warning Hot Fluid	
22	1001172035	1	Decal, No Weld or Drill	
24	1001181537	1	Decal, Outrigger Switches	
25	1001184632	1	Decal, Battery Positive	
26	1001188372	1	Decal, Sway	
27	1001191229	1	Decal, Fuse Panel	
28	1001195855	1	Decal, Battery Disconnect	
29	1001207218	1	Decal, Danger Swinging Loads	
30	1001219211	1	Decal, Brake Fluid	
31	1001227287	1	Decal, Manual Location	
32	1001253095	1	Decal, Boom Extend	
33	AU2105	1	Decal, No Karcher	

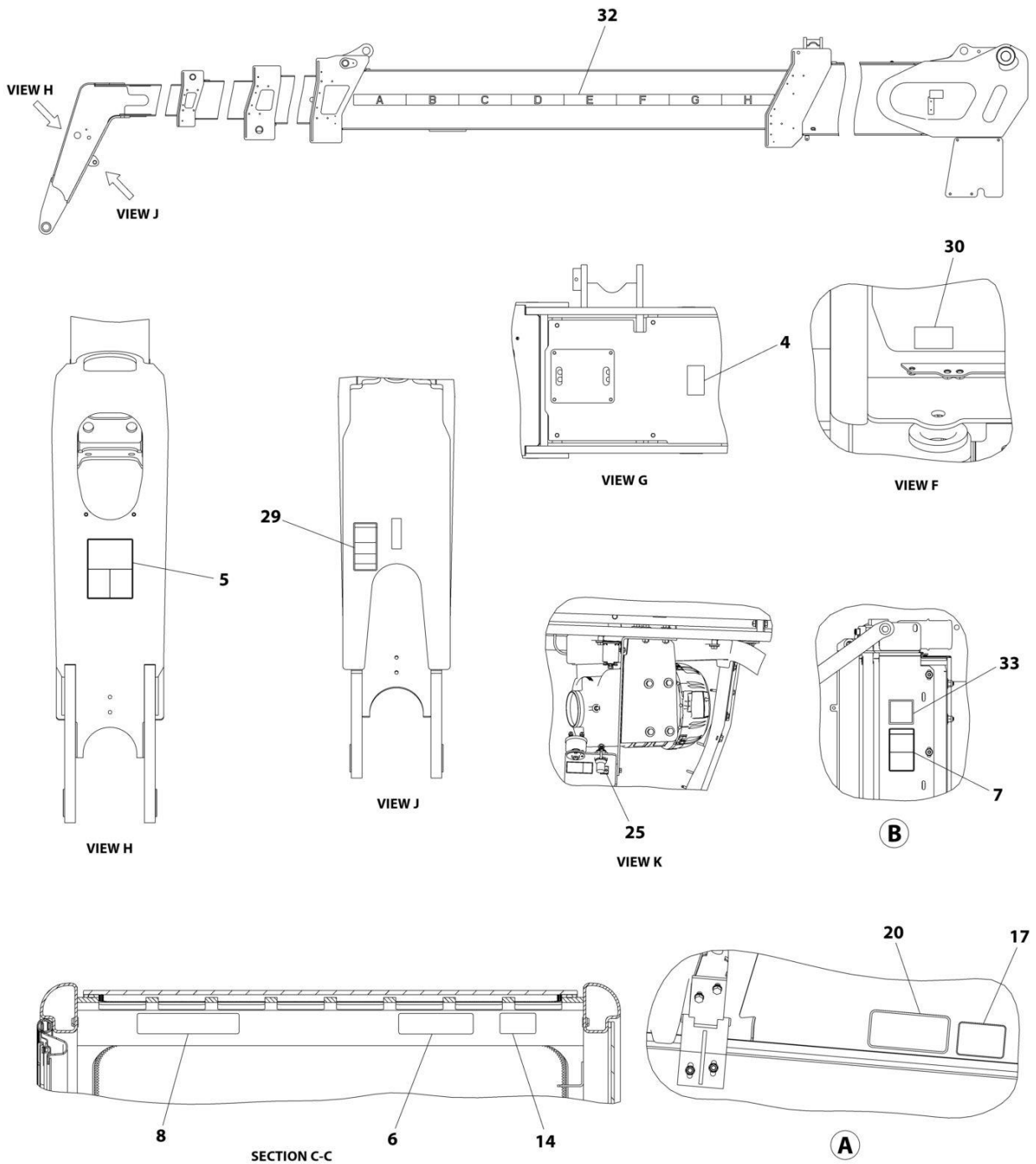
SECTION 11 - DECALS

FIGURE 11-6. DECAL INSTALLATION (RUSSIAN/CIS)



ART_1001278139_10F2

SECTION 11 - DECALS



ART_1001278137_20F2

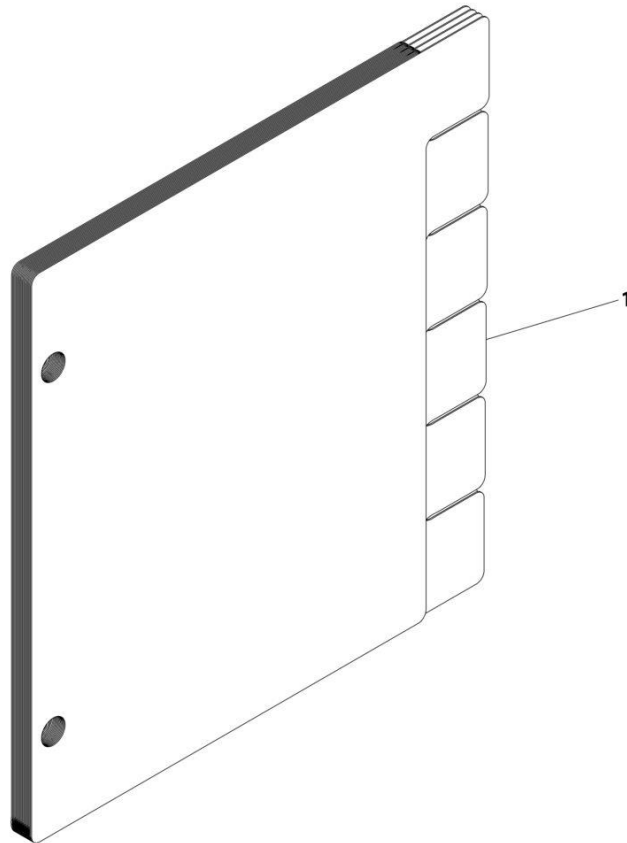
SECTION 11 - DECALS

FIGURE 11-6. DECAL INSTALLATION (RUSSIAN/CIS)

ITEM	PART NUMBER	QTY	DESCRIPTION	REV
	1001278139	Ref	DECAL INSTALLATION (RUSSIAN/CIS)	A
1	1701500	4	Decal, Lift	
2	1702631	1	Decal, Bar Code	
3	1706098	1	Decal, Ether Warning	
4	1706281	1	Decal, Battery Warning	
5	1706282	1	Decal, Carry Personnel	
6	1706284	1	Decal, Electrocution Hazard	
7	1706285	1	Decal, Moving Parts	
8	1706288	1	Decal Tipover Warning	
9	1706292	2	Decal, Pinch Point	
10	3251813	1	Decal, USA	
11	4100181	1	Decal, Hydraulic Oil Fill	
12	4109801	4	Decal, Tie Down Point	
14	1001092877	1	Decal, Crush Hazard Warning	
15	1001092878	1	Decal, No Rider	
16	1001101895	1	Decal, Warning - Cab	
17	1001109053	1	Decal, Coolant Fill	
18	1001130323	1	Decal, Oil Level	
19	1001131271	1	Decal, Patent	
20	1001139942	1	Decal, Hot Fluid Warning	
22	1001172035	1	Decal, No Weld or Drill	
23	1001173703	1	Decal, EAC	
24	1001181537	1	Decal, Outrigger Switches	
25	1001184632	1	Decal, Battery Positive	
26	1001188372	1	Decal, Sway	
27	1001191229	1	Decal, Fuse Panel	
29	1001207218	1	Decal, Danger Swinging Loads	
30	1001219211	1	Decal, Brake Fluid	
31	1001227287	1	Decal, Manual Location	
32	1001253095	1	Decal, Boom Extend	
33	AU2105	1	Decal, No Karcher	

SECTION 11 - DECALS

FIGURE 11-7. LOADCHARTS (ANSI SAE)



ART_1001259238

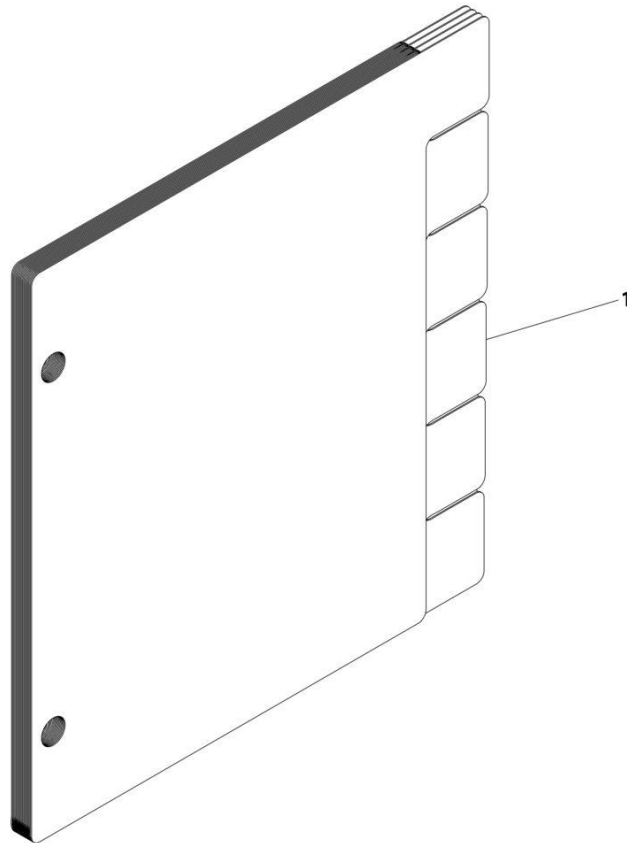
SECTION 11 - DECALS

FIGURE 11-7. LOADCHARTS (ANSI SAE)

ITEM	PART NUMBER	QTY	DESCRIPTION	REV
1	1001259238	1	LOADCHARTS (ANSI)	

SECTION 11 - DECALS

FIGURE 11-8. LOADCHARTS (ANSI METRIC)



ART_1001278570

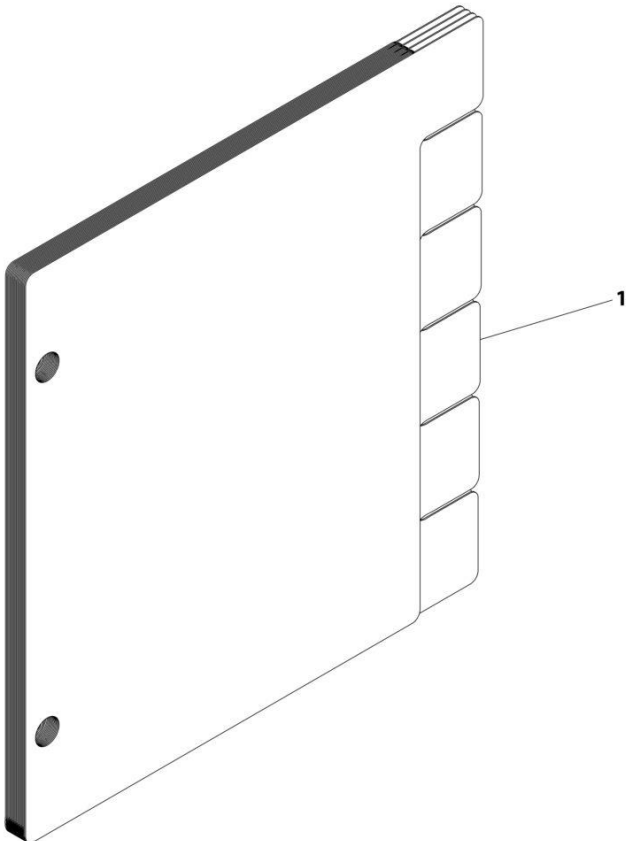
SECTION 11 - DECALS

FIGURE 11-8. LOADCHARTS (ANSI METRIC)

ITEM	PART NUMBER	QTY	DESCRIPTION	REV
1	1001278570	1	LOADCHARTS (ANSI METRIC)	A

SECTION 11 - DECALS

FIGURE 11-9. LOADCHARTS - REMOTE CONTROL BOOM (ANSI)



ART_1001271062

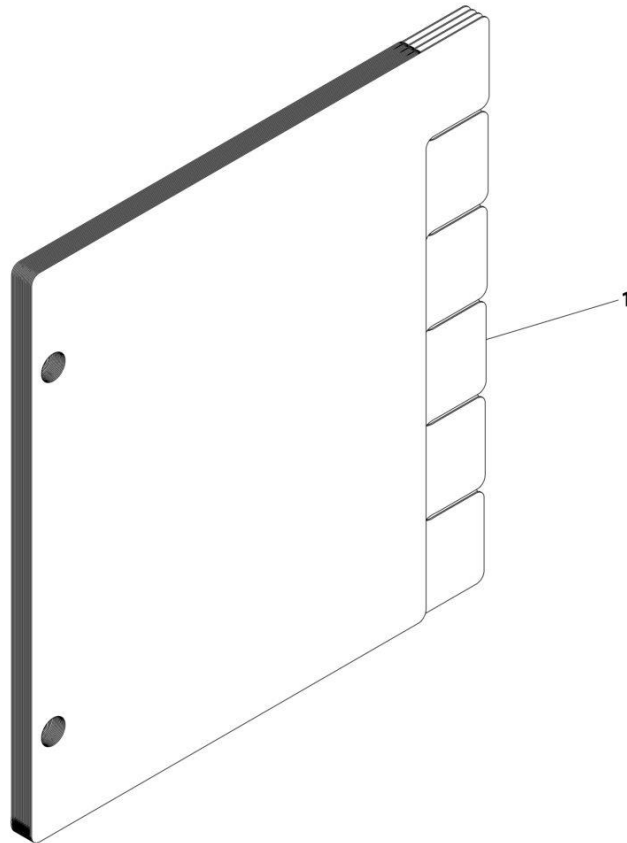
SECTION 11 - DECALS

FIGURE 11-9. LOADCHARTS - REMOTE CONTROL BOOM (ANSI)

ITEM	PART NUMBER	QTY	DESCRIPTION	REV
1	1001271062	1	LOADCHARTS – REMOTE CONTROL BOOM (ANSI)	A

SECTION 11 - DECALS

FIGURE 11-10. LOADCHARTS - REMOTE CONTROL BOOM WITH LMIS (ANSI SAE)



ART_1001271063

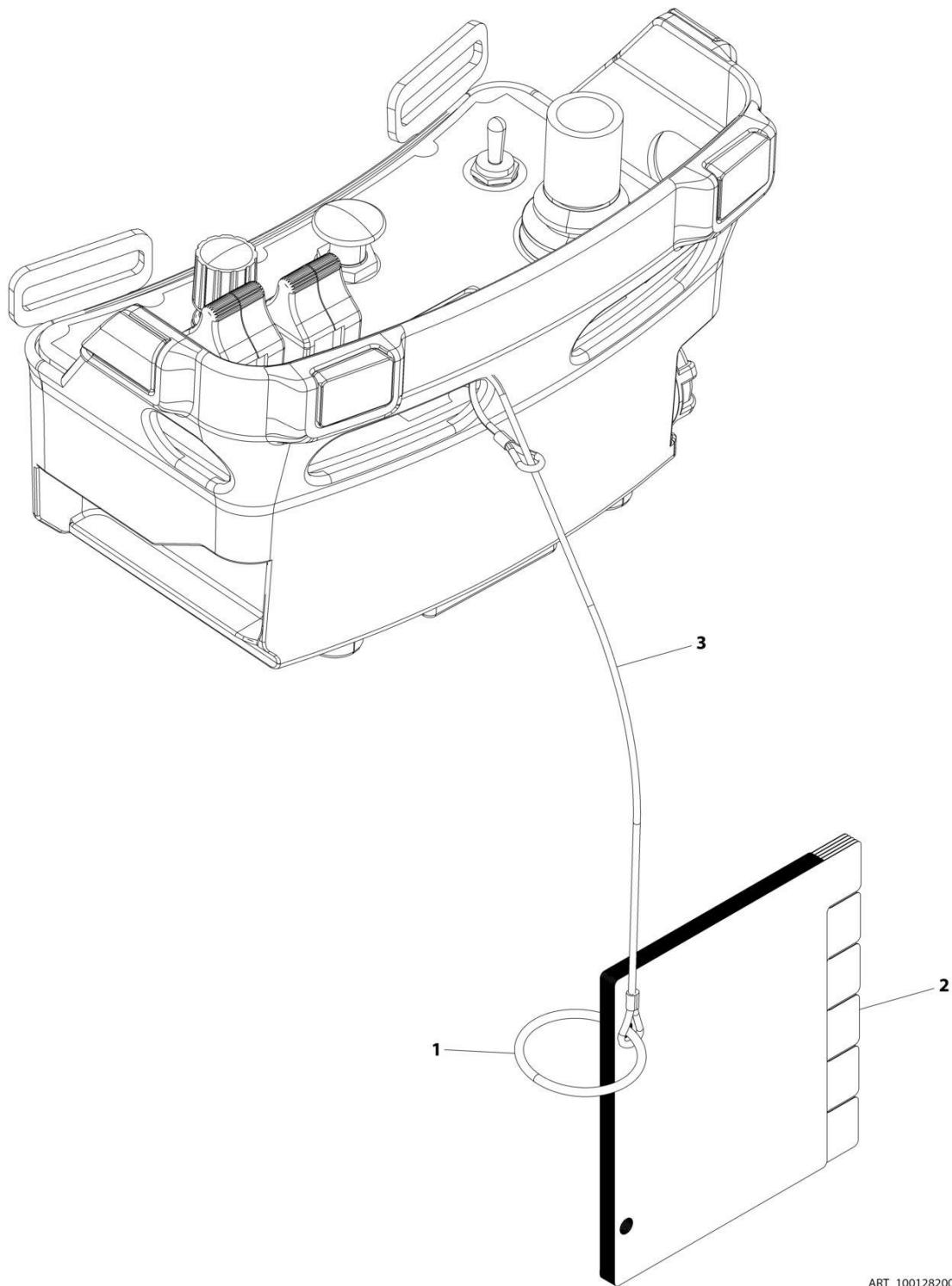
SECTION 11 - DECALS

FIGURE 11-10. LOADCHARTS - REMOTE CONTROL BOOM WITH LMIS (ANSI SAE)

ITEM	PART NUMBER	QTY	DESCRIPTION	REV
1	1001271063	1	LOADCHARTS – REMOTE CONTROL BOOM WITH LMIS (ANSI)	

SECTION 11 - DECALS

FIGURE 11-11. LOADCHARTS - REMOTE CONTROL BOOM WITH LMIS/NON (ANSI METRIC)



ART_1001282008

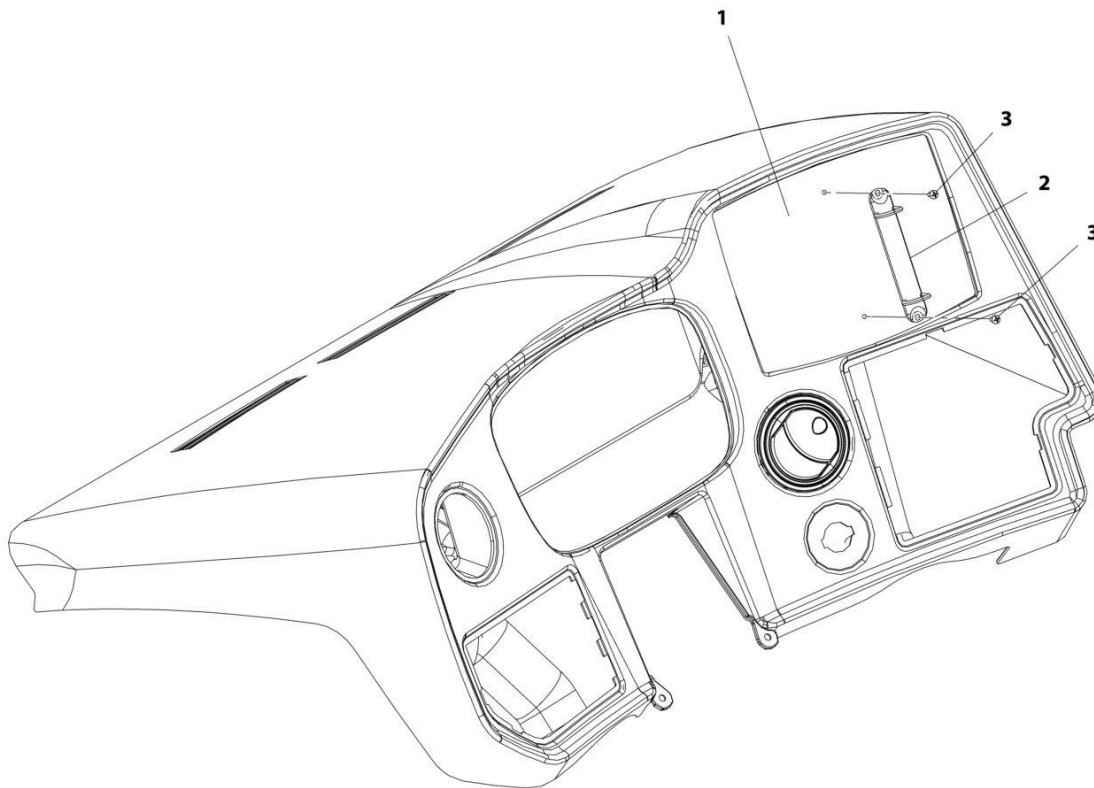
SECTION 11 - DECALS

FIGURE 11-11. LOADCHARTS - REMOTE CONTROL BOOM WITH LMIS/NON (ANSI METRIC)

ITEM	PART NUMBER	QTY	DESCRIPTION	REV
	1001282008	Ref	LOADCHARTS - REMOTE CONTROL BOOM WITH LMIS/NON (ANSI METRIC)	A
1	1001271061	1	Clip	
2	1001282006	1	Loadcharts, Booklet	
3	1060799	1	Cable, Lanyard	

SECTION 11 - DECALS

FIGURE 11-12. CAPACITY CHART HOLDER INSTALLATION



ART_1001178706-A

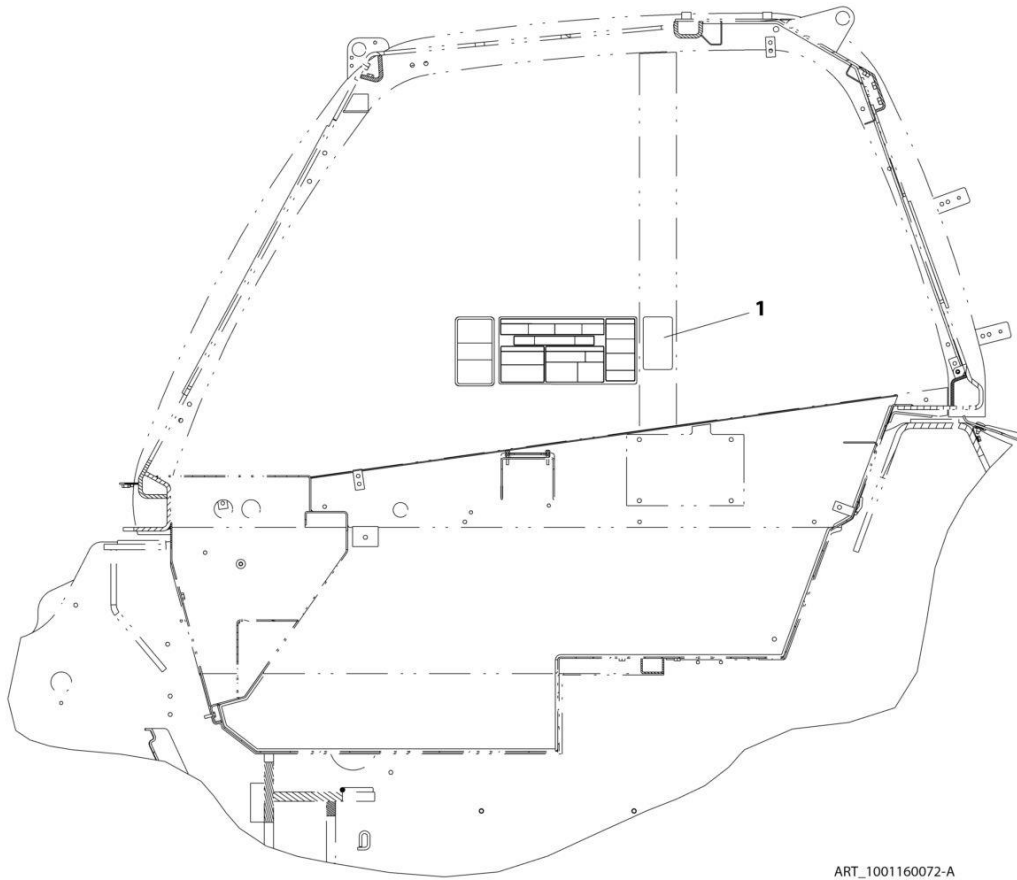
SECTION 11 - DECALS

FIGURE 11-12. CAPACITY CHART HOLDER INSTALLATION

ITEM	PART NUMBER	QTY	DESCRIPTION	REV
	1001178706	Ref	Capacity Chart Holder Installation	A
1	1001179297	1	Load Chart, Bezel	
2	1001005960	1	Holder	
3	7029486	2	Screw	

SECTION 11 - DECALS

FIGURE 11-13. REVERSE SENSOR SYSTEM DECAL (ENGLISH)



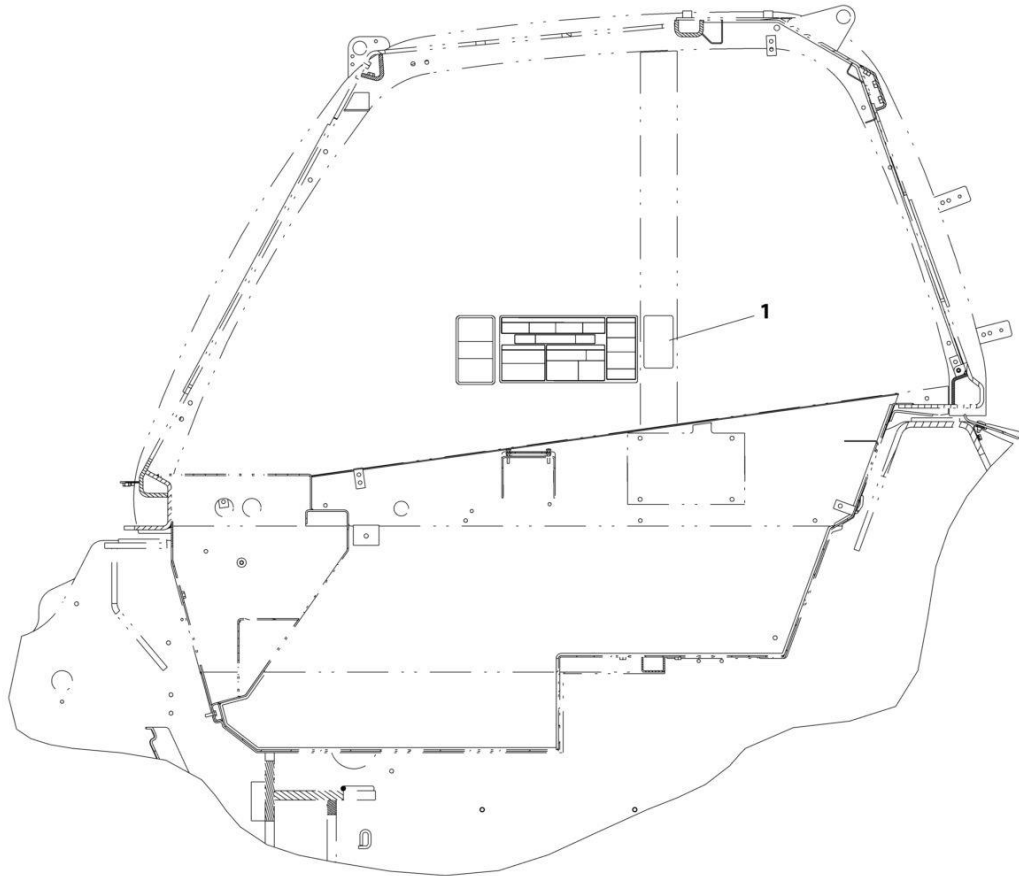
SECTION 11 - DECALS

FIGURE 11-13. REVERSE SENSOR SYSTEM DECAL (ENGLISH)

ITEM	PART NUMBER	QTY	DESCRIPTION	REV
1	1001160072	1	Reverse Sensor System Decal (English)	A

SECTION 11 - DECALS

FIGURE 11-14. REVERSE SENSING SYSTEM DECAL, (ENGLISH/FRENCH)



ART_1001160945-A

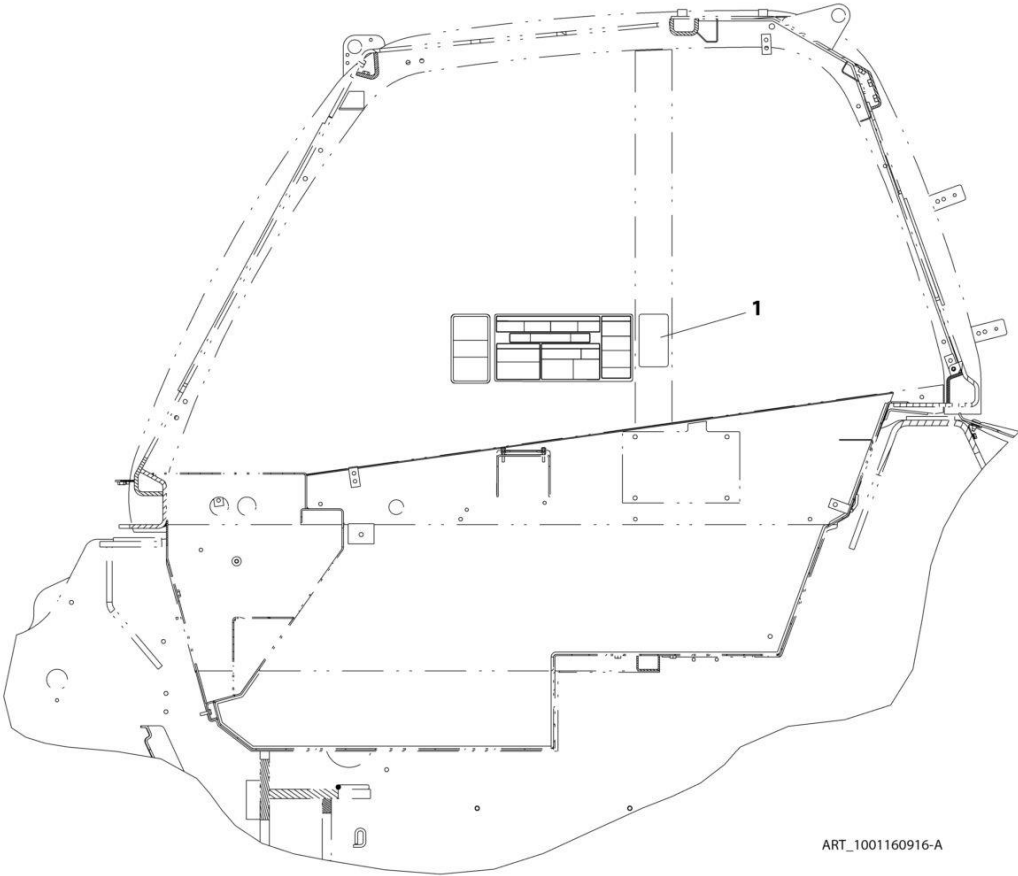
SECTION 11 - DECALS

FIGURE 11-14. REVERSE SENSING SYSTEM DECAL, (ENGLISH/FRENCH)

ITEM	PART NUMBER	QTY	DESCRIPTION	REV
1	1001160945	1	Reverse Sensor System Decal (ENGLISH/FRENCH)	A

SECTION 11 - DECALS

FIGURE 11-15. REVERSE SENSING SYSTEM DECAL (ISO)



ART_1001160916-A

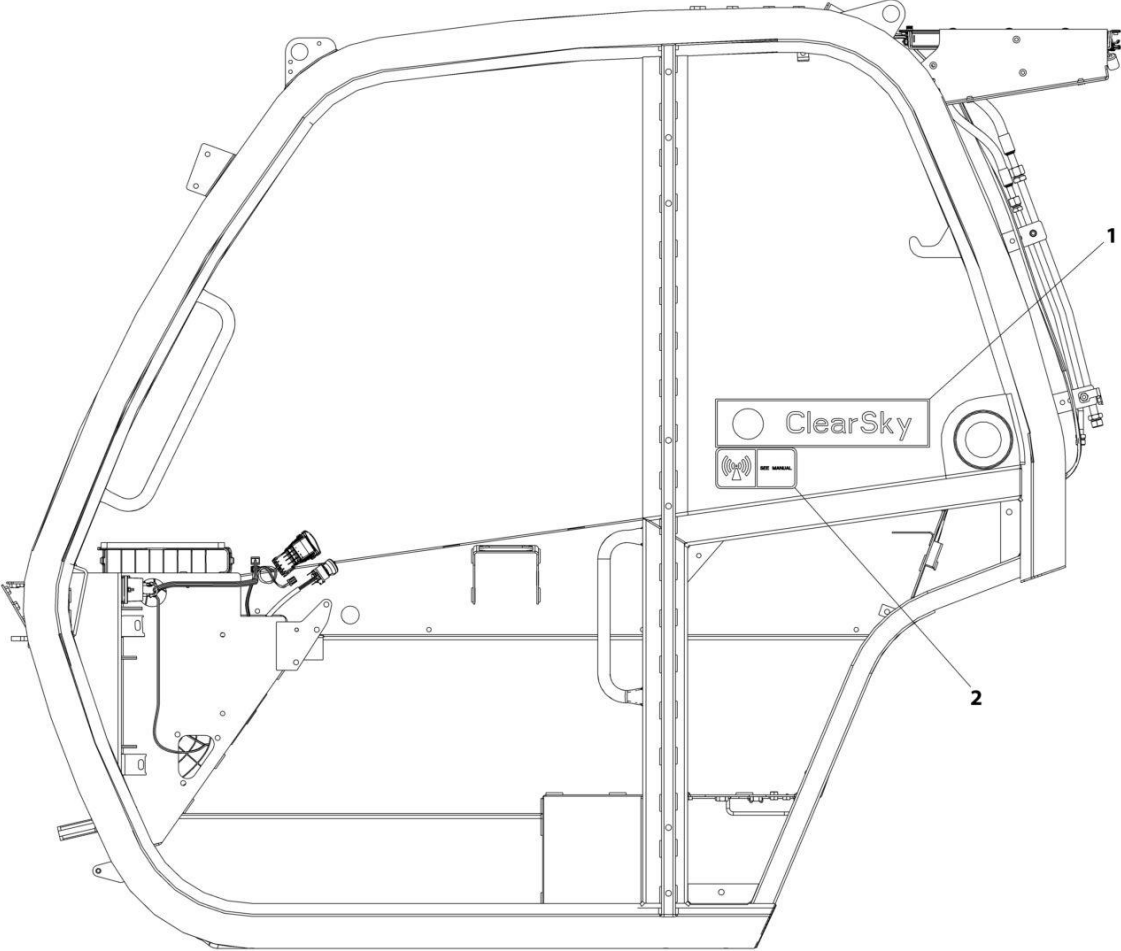
SECTION 11 - DECALS

FIGURE 11-15. REVERSE SENSING SYSTEM DECAL (ISO)

ITEM	PART NUMBER	QTY	DESCRIPTION	REV
1	1001160916	1	Reverse Sensor System Decal (ISO)	A

SECTION 11 - DECALS

FIGURE 11-16. CLEARSKY DECAL INSTALLATION



ART_1001229707

SECTION 11 - DECALS

FIGURE 11-16. CLEARSKY DECAL INSTALLATION

ITEM	PART NUMBER	QTY	DESCRIPTION	REV
	1001229707	Ref	Clearsky Decal Installation	C
1	1001294815	1	Decal - ClearSky	
2	1001120989	1	Radio Frequency Decal	

SECTION 12 - RECOMMENDED SERVICE PARTS STOCK

SECTION 12 - RECOMMENDED SERVICE PARTS STOCK

SECTION 12 - RECOMMENDED SERVICE PARTS STOCK

FIGURE 12-1. RECOMMENDED SERVICE PARTS STOCK

ITEM	PART NUMBER	QTY	DESCRIPTION	REV
		Ref	Note: The following list will service one machine (built to current production per date on the front cover) with emergency repair parts which can be installed in the field. Parts from the list should be replaced when inventory is depleted to keep service parts stock supplied. For further information, contact your JLG dealer or the JLG Industries Parts Department.	
	70020764	1	Coil (Divertor Valve)	
	70020868	1	Coil (Level & Stabilization Valve)	
	70021208	1	Coil (Level & Stabilization Valve)	
	70002963	1	Coil (Priority Valve & SAHR Brake Valve)	
	70026582	1	Coil (Steering Select Valve)	
	70028281	1	Coil, 10V (Boom Raise Valve)	
	1001207923	1	Coil, 12V (Rear Axle Stabilizer Cylinder)	
	70022147	1	Coil, 12V (Level & Stabilization Valve)	
	70029597	1	Coil, 12V (Drywall Swing Carriage, Valve Assembly)	
	1001270468	1	Control, Rear Frame Module	
	1001250475	1	Control, Receiver (Attachment Recognition)	
	1001206112	1	Control, Remote Controller (Remote Boom Control)	
	1001159028	1	Controller, Accelerator Pedal	
	1001213265	1	Controller, Brake Pedal	
	1001242098	1	Controller, Fingertip Joystick (Outrigger Switches)	
	1001257088	1	Controller, FNR (2 Speed)	
	1001222606	1	Controller, 2R2B (Joystick Installation)	
	1001209194	1	Controller, Remote (Remote Control Boom)	
	1001177597	2	Diode, 6amp (Cab Harness)	
	1001187877	12	Filter, Breather Hydraulic (Hydraulic Tank Assembly)	
	1001228872	12	Filter, Coolant Screen DEF (Def Coolant Lines)	
	70025850	12	Filter, Primary Air (Air Cleaner)	
	70025851	12	Filter, Secondary Air (Air Cleaner)	
	1001141461	12	Filter, Spin On Oil (Implement Pump)	
	8229242	2	Fuse, 5A (Electrical Board, OPT 1 Board & Engine Harness)	
	8229261	2	Fuse, 5A (ClearSky Harness)	
	8229243	2	Fuse, 7.5A (Engine Harness)	
	80983191	2	Fuse, 10A (Electrical Board, OPT 1 & 2 Board, Engine & Remote Harness)	
	8229244	2	Fuse, 15A (OPT 2 Board & Engine Harness)	
	8229235	2	Fuse, 20A (ASOV Harness)	
	8229247	2	Fuse, 25A (Electrical & OPT 1 Board, Power Distribution Box)	
	8229245	2	Fuse, 30A (Electrical Board & Power Distribution Box)	
	70026297	2	Fuse, 80A (Power Distribution Box)	
	1001095336	2	Fuse, 150A (Power Distribution Box)	
	70026296	2	Fuse, 200A (Power Distribution Box)	
	1001131177	2	Fuse, Power Module (Engine Wiring)	
	8342813	1	Key, Pad Lock	
	2940074	1	Latch (Fork Mounted Platform)	
	1001249078	1	Module, Attachment Recognition	
	1001270466	1	Module, Cab	
	1001262322	1	Module, ClearSky Telematics Canbus	
	1001270467	1	Module, Front Frame	
	1001270485	1	Module, LMIS	

SECTION 12 - RECOMMENDED SERVICE PARTS STOCK

ITEM	PART NUMBER	QTY	DESCRIPTION	REV
	1001270486	1	Module, Transmission	
	1001226328	1	Module, 3W TCU (ClearSky)	
	3740067	1	Relay, 12v (Emergency Lowering)	
	3740080	1	Relay, 12v 20/40amp (ASOV & Remote Control Harness)	
	1001205172	1	Relay, 35amp (Engine Harness)	
	70026292	1	Relay, 35amp (Electrical Board & Power Distribution Box)	
	70026295	1	Relay, 35AMP (Power Distribution Box)	
	70026293	1	Relay, 50amp (OPT 1 Board)	
	70026294	1	Relay, 70AMP (Power Distribution Box)	
	1001117308	1	Relay, 200amp (Engine Bay)	
	70028383	1	Sensor, Angle (Brake Pedal)	
	1001247458	1	Sensor, Boom Angle	
	1001223903	1	Sensor, Boom Length (LMIS Cable Reel)	
	1001121955	1	Sensor, Coolant Level	
	1001162885	1	Sensor, LMIS Pressure (Boom Damping)	
	70025539	1	Sensor, Pad (Upper Seat)	
	1001147340	1	Sensor, Pressure Transducer (Frame Hydraulics)	
	1001199043	1	Sensor, Pressure Transducer (Outrigger Cylinder)	
	1001183024	1	Sensor, Proximity (Boom Retract Sensor)	
	1001160730	1	Sensor, Rear Axle (LSI Sensor)	
	1001247421	1	Sensor, Reverse (Camera, Reverse Sensor)	
	70030028	1	Sensor, Steer (Front & Rear Axle Steering)	
	1001128478	1	Sensor, Temperature (Hydraulic Tank)	
	1001269578	1	Sensor, Temperature (Heater & A/C)	
	1001163095	1	Sensor, Tilt (LMIS)	
	1001256555	1	Sensor, Tilt Dual Axis (Coupler Angle Sensor)	
	1001102502	1	Switch, 4 Position Key (Dash Electrical)	
	1001104654	1	Switch, AUX Decomp (Dash Electrical)	
	1001159746	1	Switch, Auxiliary Electric (Dash Electrical)	
	1001159738	1	Switch, Beacon (Beacon Installation LED)	
	1001159745	1	Switch, Boom Ride (Ride Control)	
	1001159739	1	Switch, Boom Worklights	
	4360658	1	Switch, Brake Light (Switch Plate)	
	1001255706	1	Switch (Cooling Package (ASOV))	
	1001159741	1	Switch, Constant AUX (Dash Electrical)	
	1001192142	1	Switch, Disconnect (Engine Bay Electrical)	
	1001163639	1	Switch, Driving Lights (Cab - Light Switch Installation)	
	4360475	1	Switch, E-Stop (E-Stop External Installation & Remote Control E-Stop Switch)	
	1001159737	1	Switch, Fog Lights (Roadlights)	
	1001212470	1	Switch, Frame Level (Dash Electrical)	
	1001159845	1	Switch, Front Worklights (Cab Worklights)	
	1001159734	1	Switch, Hazard (Roadlights)	
	70024107	1	Switch, Heater (Seat Assembly)	
	1001169268	1	Switch, Horn Button (Horn Button Installation)	
	1001160326	1	Switch, HVAC On/Off (Heater & AC)	
	1001159925	1	Switch, HVAC Recycle (Heater & AC)	
	1001172547	1	Switch, HVAC Rotary 3 Speed (Heater & AC)	
	4360657	1	Switch, Ignition (Remote Control Boom Installation)	
	1001159742	1	Switch, LSI Override	
	1001159753	1	Switch, Park Brake (Dash Electrical)	
	1001080375	1	Switch, Quick Coupler (Hydraulic Coupler)	

SECTION 12 - RECOMMENDED SERVICE PARTS STOCK

ITEM	PART NUMBER	QTY	DESCRIPTION	REV
	1001159735	1	Switch, Rear Wiper (Dash Electrical)	
	1001159846	1	Switch, Rear Worklights (Cab Worklights)	
	1001159736	1	Switch, Roof Wiper (Roof Wiper Installation)	
	1001159849	1	Switch, Steer Mode (Dash Electrical)	
	1001256974	1	Switch, Turn-Wiper (Wiper - Turn Switch)	

SECTION 13 - SPECIAL OPTIONS/ACCESSORIES/KITS

SECTION 13 - SPECIAL OPTIONS/ACCESSORIES/KITS

SECTION 13 - SPECIAL OPTIONS/ACCESSORIES/KITS

FIGURE 13-1. SPECIAL OPTIONS/ACCESSORIES/KITS

ITEM	PART NUMBER	QTY	DESCRIPTION	REV
	1001252304	Ref	Sensor (Reverse) Add-on Kit (Dealer Installed)	
	1001276649	Ref	Work Lights LED Kit	
	1001260870	Ref	Wear Pad Kit	
	1001293558	Ref	Seat (SEAOP) Kit	
	1001290279	Ref	Hydraulic Aux Hose Kit	
	1001275633	Ref	Road Light LED Kit	
	1001199328	Ref	Wiper (Roof) Add-on Kit (Dealer Installed)	
	1001275634	Ref	Work Lights LED Kit	
	1001258664	Ref	Platform Docking Station Kit (Personnel Basket)	
	1001230699	Ref	Radio Ready Add-on Kit (Dealer Installed)	
	1001285930	Ref	Outrigger Valve Replacement Kit (Includes 2 Counterbalance Valves)	
	See Note	Ref	Note: This list is to accommodate machines ordered with special equipment. Options may not be applicable to all models. For more specific parts information contact JLG Parts Department.	
		Ref	SPECIAL OPTIONS/ACCESSORIES/KITS	
	1001260872	Ref	Air Shut-Off Valve Kit	
	1001271006	Ref	Aftermarket Attachment Kits	D
	1001260984	Ref	Boom Kit (Dealer Installed)	
	1001260979	Ref	Boom Brushes Add-on Kit (Dealer Installed)	
	1001260871	Ref	Boom Prop Add-on Kit (Dealer Installed)	
	1001213286	Ref	Cab Display Add-on Kit (Dealer Installed)	
	1001199382	Ref	Cab Guard (Front & Top) Add-on Kit (Dealer Installed)	
	1001212845	Ref	Cab Guard (Front) Add-on Kit (Dealer Installed)	
	1001199380	Ref	Cab Guard (Top) Add-on Kit (Dealer Installed)	
	1001278336	Ref	Camera Display Kit	
	1001271527	Ref	Camera Kit - Reverse	
	1001291382	Ref	ClearSky Prep Installation	
		Ref	Electrical Connector Kits:	
	1001148902	Ref	Electrical Connector Kit - Amp/Tyco Electrical Connectors	
	1001148903	Ref	Electrical Connector Kit - Deutsch DT Electrical Connectors	
	1001148904	Ref	Electrical Connector Kit - Deutsch HD Electrical Connectors	
	1001148905	Ref	Electrical Connector Kit - Packard Electrical Connectors	
	1001148906	Ref	Electrical Connector Kit - Various Electrical Connectors	
	1001230409	Ref	Emergency Stop (External) Add-on Kit (Dealer Installed)	
	1001264990	Ref	Decal Kit	
	1001264989	Ref	Filter Kit - 250 Hour	
	1001264988	Ref	Filter Kit - 1000 Hour	
	1001274892	Ref	Forward/Reverse Lever Kit - 0 Speed	
	1001274891	Ref	Forward/Reverse Lever Kit - 2 Speed	
	1001274313	Ref	Heated Breather Kit	
	1001260867	Ref	Service Kits	I
		Ref	Tools:	
	7002821	Ref	Crimper	
	7002823	Ref	Extractor	
	7004276	Ref	Seal Tool 1 1/2" (For Cylinders)	
	7004275	Ref	Seal Tool 1" (For Cylinders)	
	7002826	Ref	Seal Tool 2" (For Cylinders)	
	8896941	Ref	Wire Stripper	

SECTION 13 - SPECIAL OPTIONS/ACCESSORIES/KITS

PART NUMBER INDEX

SECTION 13 - SPECIAL OPTIONS/ACCESSORIES/KITS

0009037416.....711	0711219 67, 69	0761215 ... 279, 281, 283, 287, 927	1001092878.....980, 984
0100011129, 131, 133, 829	0711220 67	0761218 ... 101, 279, 281, 283, 287	1001093171.....171
01043892.....335	0711221 67		1001093277.....647
0400075.....765	0711228 51		1001093564.....769
0440296.....71	0711230 59	0761615 51	1001094134.....199
0440321.....91	0711626 229	0770814 575	1001094136.....199
0498748.....427	0711629 229	0771210 69, 71, 73	1001094516.....351
0630615.....773	0711630 229	0771212 67, 73	1001095336.....875, 1008
0641405.....113	0711632 95	0771414 351, 685	1001095418.....135, 137
0641510.....209	0712029 419	0771619 21	1001095650.....561, 563, 581
0641608.....621	0712442 633, 657	0772020 405	1001095804.....803
0642032....121, 123, 125, 129, 131, 133	0741610 129, 131, 133	0781208 91	1001095810.....113
0681810....129, 131, 133	0760304 813	0791605 293	1001096019.....109
0700408....579, 819, 827	0760405... 117, 119, 121, 123, 125, 129, 131, 133, 135, 137, 215, 217	0860520 113	1001096020.....109
0700605.....37	0760507 459, 845	1001001568 655	1001096021.....111
0700610...29, 31, 73, 254, 258, 531, 535, 839, 841, 909, 911	0760512 453	1001002946 433	1001096023.....111
0700612.....873, 931	0760605 ... 327, 427, 573, 577	1001002953 433	1001096024.....109
0700614.....209, 500	0760607 29, 31, 427, 877, 879	1001002957 433	1001096025.....111
0700616.....657, 905	0760608 33, 239, 323, 329, 409, 453, 457, 531, 539, 573, 577, 581, 759, 761, 849, 851	1001003043 441	1001096365.....433
0700617.....39, 773	0760610 623, 937	1001003301 39	1001097051.....843
0700618.....785, 869	0760612 105, 321	1001004640 581	1001097110.....183
0700810.....317	0760615 839, 947	1001004723 258, 877, 879	1001097202.....409
0700812....45, 339, 341, 619	0760807 ... 281, 287, 697	1001005368 443	1001097205.....171
0700814.....37, 309	0760808 ... 329, 449, 533, 535, 659, 759, 761, 927	1001005960 997	1001097244.....531
0700817293, 603, 665	0760810 ... 23, 25, 27, 33, 47, 53, 69, 71, 73, 279, 281, 283, 287, 451, 475, 479, 483, 491, 493, 497, 500, 533, 553, 557, 573, 827, 853, 855	1001006730 547	1001097412.....65
0700818....615, 775, 873	0760811 239, 433	1001006731 545	1001097540...29, 31, 551
0700819.....891	0760812 71, 73, 237, 239, 279, 281, 283, 287, 315, 413, 415, 433, 603, 623, 627, 873	1001007056 695	1001097586.....441
0700820....553, 555, 557, 873	0760814 ... 279, 283, 631	1001008540 849, 851	1001097587.....365, 387
0700821339, 341, 605	0760815 239, 433	1001008559 51, 249, 254, 258, 271, 325, 331, 623, 657, 785, 793, 825, 845, 853, 855, 869, 871, 877, 879, 881, 895, 939, 947	1001098150.....524
0700824.....581	0760816 623	1001008742 453	1001098762.....769
0700826.....323	0760823 37, 273	1001008857 433	1001098769.....99
0700827.....331	0761008 271	1001008988 427	1001098828.....65
0701010.....317	0761009 ... 105, 321, 779	1001009163 39	1001099113.....129, 131, 133
0701011105, 321, 819	0761010 ... 23, 25, 27, 33, 237, 263, 605, 849, 851, 873, 877, 879, 939	1001010646 545, 547	1001099115.....129, 131, 133
0701012.....327	0761011 637	1001010647 545, 547	1001099351.....213
0701014....305, 307, 313, 315, 323, 327	0761012 ... 23, 29, 31, 33, 239, 265, 581, 603, 611, 615, 629, 827, 841	1001010648 545, 547	1001099457.....181
0701016....33, 237, 609, 611, 825, 915	0761014 25, 915	1001010649 545, 547	1001099699.....459
0701017.....643	0761015 825	1001010650 545, 547	1001100265.....117
0701018....237, 239, 659, 947	0761015001 469	1001014224 629	1001100266.....119
0701020 37, 41, 279, 281, 283, 287	0761016 249	1001014233 45	1001100319.....317
0701026.....337	0761017 215, 217	1001025749 329	1001100379.....639
0701027.....311	0761210 ... 101, 279, 281, 283, 287	1001025750 337	1001100822.....117
0701028.....633	0761212 611, 853, 855	1001028291 55	1001100823.....119
0701215.....247, 249	0761214 . 37, 89, 97, 315, 329, 339, 341	1001028308 55	1001100967.....211
0701216.....229, 247		1001028377 55	1001101808.....759
0701220.....229		1001028400 55	1001101855.....775
0701224.....71		1001047062 427	1001101867.....71
0701227.....229		1001080375 ... 611, 1009	1001101895.....980, 984
0711014.....67		1001080996 89, 611	1001102157.....49
0711015.....37, 39		1001090140 129, 131, 133	1001102502....803, 1009
0711016.....71		1001090343 517	1001103012.....788
0711028.....657		1001091102 825	1001103564.....793
0711214.....71		1001091715 915	1001104029.....603
0711215.....67		1001091716 915	1001104477.....655, 729
0711216...69, 71, 73, 261		1001091751 817	1001104498.....781, 788
0711217.....67, 69, 71		1001091951 59	1001104519.....789, 805, 809
0711218.....65, 69		1001092481 107	1001104654....803, 1009
		1001092482 107	1001104979.....605
		1001092877 980, 984	1001105093.....839
			1001105441.....93
			1001105638.....258
			1001105639.....258
			1001105643.....258

SECTION 13 - SPECIAL OPTIONS/ACCESSORIES/KITS

1001105886 837, 899	1001117247..... 921, 923	1001137132..... 629	1001158146 803
1001107192 427	1001117308..... 849, 851, 1009	1001137512..... 201	1001158596 483
1001107854 781, 801, 887	1001118323..... 882	1001137578..... 857	1001158601 479
1001109053 972, 976, 980, 984	1001118379..... 791	1001138348..... 305, 307	1001158736C..... 491
1001110544 813	1001118383..... 805, 809	1001139551..... 517	1001158738C.... 479, 493
1001110704 135, 137, 141	1001118384..... 789, 790, 791, 792, 793	1001139552..... 471	1001159028 569, 571, 1008
1001111076 539	1001118386..... 792	1001139578..... 972	1001159734 915, 1009
1001111147 539	1001118387..... 792	1001139942..... 980, 984	1001159735 803, 1010
1001111190 135, 137	1001118392..... 917	1001141246..... 433	1001159736 517, 1010
1001111317 425, 429	10011184495..... 953	1001141281..... 451	1001159737 ... 915, 1009
1001112612 792, 860, 863, 963	1001118684..... 790	1001141311..... 517	1001159738 1009
1001112796 833, 963	1001118685..... 805, 809	1001141312..... 471	1001159739 905, 1009
1001114495 299, 301, 303, 305	1001119020..... 793	1001141313..... 517	1001159741 803, 1009
1001114803 279, 281, 283, 287	1001119467..... 479, 493	1001141400..... 254, 258	1001159742 ... 935, 1009
1001116128 521, 939	1001120163..... 693, 695	1001141461..... 641, 1008	1001159745 895, 1009
1001116696 917	1001120914..... 129, 131, 133	1001141462..... 641	1001159746 803, 1009
1001116697 788	1001120915..... 129, 131, 133	1001141976..... 621, 641	1001159753 ... 803, 1009
1001116698 788	1001120989..... 1005	1001142942..... 623	1001159845 909, 911, 1009
1001116700 789, 815	1001121726..... 887	1001143200..... 447	1001159846 909, 911, 1010
1001116716 789	1001121727..... 783, 889	1001143692..... 93	1001159849 803, 1010
1001116720 903	1001121955..... 1009	1001144147..... 811, 861, 864, 881, 959	1001159881 327
1001116723 789, 790, 791	10011223457..... 788	1001144296..... 790, 793	1001159882 327
1001116725 860	1001125027..... 860, 863	1001144629J 113	1001159925 497, 500, 1009
1001116727 783, 887, 889	1001125085..... 859	1001144802..... 295, 297	1001160042 500
1001116728 907, 943	1001125089..... 859	1001145539..... 500	1001160043 497
1001116745 783	1001125117..... 65, 67, 69, 71, 73, 101, 611, 927	1001146160..... 221	1001160072 999
1001116747 801, 863	1001125465..... 939	1001146588..... 331, 785, 829, 869, 871, 877, 879, 921	1001160116 229
1001116748 791	1001125642..... 623	1001146949..... 597	1001160326 500, 1009
1001116754 790	1001125677..... 790, 861, 864, 881, 889	1001147340..... 631, 1009	1001160496 553
1001116763 801, 887	1001126008..... 789, 792, 864, 867, 882, 943, 959	1001147449..... 524, 527	1001160498 789
1001116774 881, 959	1001126011..... 792, 860	1001147923..... 881, 882, 889, 893	1001160499 881, 887
1001116808 882, 959	1001126391..... 857	1001148106..... 859, 863, 888	1001160500 929
1001116810 771, 864, 882	1001126483..... 859, 863, 864	1001148902..... 1012	1001160502 788
1001116811 860, 863	1001126485..... 859, 863, 864	1001148903..... 1012	1001160503 553, 557
1001116812 790, 791, 792, 793, 857, 860, 863, 882, 888, 929, 959	1001126487..... 860	1001148904..... 1012	1001160506 555
1001116815 793, 811, 857, 959	1001126837..... 937	1001148905..... 1012	1001160508 421, 449
1001116821 864	1001128127..... 885	1001148906..... 1012	1001160509 885, 887, 929
1001116950 881	1001128144..... 293	1001149278..... 524, 527	1001160510 885, 887, 929
1001116984 792	1001128341..... 293	1001150610..... 771, 777, 860, 863, 943	1001160730 1009
1001116985 792	1001128478..... 39, 1009	1001150611..... 771, 777, 860, 864, 882	1001160775 967, 969
1001116986 791, 793	1001128594..... 233	1001150735..... 791	1001160916 1003
1001116991 789, 792, 903	1001128890..... 221	1001150737..... 791	1001160927 765, 769
1001116995 791	1001130198..... 249	1001152729..... 615, 623, 629	1001160928 765, 769
1001116996 917	1001130220..... 29, 31	1001152915..... 425	1001160945 1001
1001116997 791	1001130323..... 972, 976, 980, 984	1001152947..... 425	1001161067 529
1001116998 792	1001130443..... 239	1001153612..... 860	1001161097 788, 789, 881, 887, 929
1001116999 789, 903	1001130962..... 811	1001153748..... 673, 741	1001161098 788, 789, 881
1001117011 791, 793, 815	1001131177..... 869, 1008	1001153749..... 955, 957	1001161099 788, 789, 881, 887, 929
1001117021 801	1001131271..... 972, 976, 980, 984	1001154688..... 25	1001161100 788, 789, 881, 887, 929
1001117079 792	1001132169..... 881	1001155228..... 423, 427	1001161101 788, 789, 881, 887, 929
1001117081 789, 790, 791	1001132170..... 881	1001155447..... 421, 451	1001161252 524
1001117121 805, 809	1001132564..... 524	1001155486..... 517	1001161253 524
	1001133534..... 251	1001155540..... 237, 279, 281, 283, 287	1001161499 421, 569
	1001136975..... 254, 258	1001156265..... 581	1001161564 51
	1001136999..... 792	1001157663..... 331	1001161672 581
	1001137000..... 792	1001157890..... 847	1001161769 785, 795
		1001157972..... 639, 731	

SECTION 13 - SPECIAL OPTIONS/ACCESSORIES/KITS

1001161770.....785, 797	1001164948..... 609, 611	1001168151 581	1001172401.....421, 465
1001161771.....785, 799	1001165171 ... 65, 69, 71, 73	1001168264 413, 415	1001172495.....769
1001161851.....527	1001165172 ... 65, 67, 69, 71, 73	1001168286 69	1001172496.....769
1001161855.....524	1001165173 69, 71	1001168327 500	1001172547.....497, 500, 1009
1001161896.....581	1001165175 67, 69	1001168330 500	1001172550.....497, 500
1001161897.....581	1001165194 857	1001168331 500	1001172553.....497, 500
1001161898.....581	1001165269 453, 455	1001168456 500	1001172693.....43
1001161920.....299, 301, 303, 305	1001165270 453	1001168531 491, 815	1001172755.....254, 258
1001161957.....929	1001165273 455	1001168567 71	1001172774.....557
1001161958.....881, 887	1001165275 433	1001168589 71	1001172953.....295
1001161959.....788	1001165276 429	1001168771 235	1001172994.....101
1001161963.....929	1001165309 882	1001169135 491, 495	1001172995.....101
1001161964.....881, 887	1001165310 885	1001169151 500, 801	1001173257.....555
1001162212.....271	1001165311 888	1001169268 ... 591, 1009	1001173298.....427
1001162469.....65, 67, 69	1001165327 455	1001169354 587, 589	1001173298.....427
1001162789.....421, 453	1001165351 453	1001169355 589	1001173344.....225, 227, 343
1001162880.....627, 721	1001165367 ... 65, 67, 69, 71, 73	1001169367 589	1001173411.....789
1001162885.....697, 775, 1009	1001165407 453	1001169373 85	1001173538.....62
1001162886.....789	1001165416 453	1001169379 85	1001173703.....984
1001162887.....789	1001165455 453	1001169454 37	1001173739.....101
1001162920.....573	1001165458 453, 531	1001169603 524	1001173965.....524
1001162922.....573	1001165483 77, 83	1001169604 524, 527	1001174295.....427, 439
1001162953.....500, 503	1001165486 75, 81	1001169674 967, 969	1001174320.....425
1001163029.....71, 73	1001165487 75	1001169751 587	1001174321.....433
1001163034.....73	1001165493 81	1001169763 591	1001174356.....279, 281, 283, 287
1001163095.....931, 1009	1001165590 ... 77, 79, 83	1001169825 867	1001174478.....51, 813
1001163103.....65, 69, 71	1001165637 451	1001169880 429	1001174628.....73
1001163104.....67, 69	1001165739 79	1001169883 431	1001174628.....73
1001163105.....73	1001165827 761	1001170113J.....429, 431	1001174652.....527
1001163108.....69	1001166163 85	1001170114 427, 429	1001174653.....527
1001163112.....65, 67	1001166235 85	1001170231 573	1001174655.....527
1001163114.....67, 69	1001166385 539	1001170325 551	1001174712.....803
1001163174.....976	1001166416 305, 307	1001170326 461	1001174741.....535
1001163209.....71	1001166451 235	1001170366 421, 457	1001174795.....275
1001163210.....976	1001166565 237, 241	1001170504 524	1001174800.....535
1001163212.....976	1001166634 429, 433	1001170514 529	1001174801.....535
1001163222.....976	1001166703 857	1001170515 467, 475	1001174984.....685, 687
1001163223.....976	1001166704 857, 860	1001170518 524	1001174987.....635, 683
1001163285.....976	1001166715 239	1001170519 524, 529	1001175201.....273
1001163300.....976	1001167015 519, 521	1001170601J.....427	1001175267.....885, 887, 929
1001163304.....976	1001167017 819	1001170944 433	1001175347.....55
1001163323.....976	1001167027 67	1001170993 463	1001175470.....461
1001163340.....789	1001167266 503, 505	1001171001 71	1001175471.....457, 463
1001163355.....976	1001167493 71	1001171037 431	1001175477.....427
1001163414.....129, 131, 133, 703	1001167528 857, 860	1001171179 37, 41	1001175733.....823
1001163637.....293	1001167528 857, 860	1001171182 443	1001175776.....821, 823
1001163639.....807, 1009	1001167616 860	1001171183 443	1001175903.....524
1001163841.....77, 79, 83	1001167620 857	1001171450 73	1001176002.....857
1001163842.....75, 81	1001167624 857	1001171635 431	1001176004.....857
1001164039.....75, 77, 79, 81, 83	1001167634 859, 863, 864	1001171756 453	1001176004.....857
1001164402.....873, 875	1001167641 859	1001171764 87, 93	1001176121.....457, 461
1001164498.....475	1001167646 869	1001171767 463	1001176272.....447
1001164567.....93	1001167648 859	1001171808 99, 947	1001176273.....447
1001164615.....475	1001167649 859	1001171874 573	1001176333.....792
1001164655.....449	1001167650 859	1001171962 819	1001176338.....473
1001164700.....721	1001167656 860	1001172035 972, 976, 980, 984	1001176411.....623
1001164726.....427	1001167657 860	1001172075 91	1001176515.....219
1001164860.....91	1001167762 87, 89, 97	1001172077 91	1001176626.....447
1001164870.....611	1001167937 437	1001172078 91	1001176806.....101
1001164871.....95	1001167958 427, 437	1001172088 573	1001176935.....857, 860
1001164881.....97	1001168030 279, 281, 283, 287	1001172094 573	1001176945.....327
1001164884.....87, 89	1001168054 573	1001172134 89, 91	1001177047.....633, 657
1001164885.....87, 89	1001168142 581	1001172146 37, 41	1001177597.....790, 1008
		1001172147 37, 41	1001178123.....453
		1001172193 425, 429	1001178159.....425
			1001178160.....425

SECTION 13 - SPECIAL OPTIONS/ACCESSORIES/KITS

1001178170.....	500	1001184632.....	972, 976, 980, 984	1001191157.....	39	1001195721.....	845
1001178670.....	581, 739	1001184835.....	869, 953	1001191229.....	972, 976, 980, 984	1001195781.....	859
1001178680.....	443	1001184975.....	524	1001191281.....	531, 561	1001195782.....	859
1001178681.....	443	1001185633.....	533	1001191282.....	561	1001195814.....	423, 447
1001178706.....	997	1001185870.....	524	1001191283.....	531, 563	1001195816.....	524
1001178776.....	645	1001186342.....	254, 258	1001191284.....	531, 565	1001195817.....	524
1001178783.....	473	1001187070.....	860, 863	1001191285.....	531	1001195818.....	524
1001178791.....	273	1001187073.....	882	1001191310.....	563	1001195820.....	519
1001178826.....	559	1001187075.....	882, 885, 929	1001191311.....	565	1001195821.....	521
1001178933.....	785	1001187076.....	882, 885	1001191312.....	565	1001195822.....	519
1001179008.....	559	1001187077.....	857	1001191313.....	565	1001195823.....	521
1001179009.....	559	1001187078.....	847, 917, 941, 959	1001191370.....	531	1001195849.....	972
1001179080.....	503	1001187079.....	860, 863, 882	1001191503.....	91	1001195851.....	976
1001179081.....	503	1001187080.....	882, 888, 929	1001191505.....	91	1001195855.....	972, 976, 980
1001179130.....	503, 507	1001187081.....	959	1001191959.....	565	1001195878.....	425
1001179297.....	997	1001187335.....	409	1001192142.....	849, 851, 1009	1001195923.....	231, 233
1001179482.....	539	1001187423.....	407	1001192170.....	407	1001195970.....	115
1001179483.....	539	1001187785.....	85	1001192180.....	407	1001195972.....	409
1001179484.....	561	1001187877.....	39, 1008	1001192181.....	407	1001196076.....	475, 493
1001179592.....	551	1001188048.....	409	1001192240.....	561	1001196100.....	915
1001180263.....	555, 557	1001188126.....	623	1001192309.....	427	1001196235.....	65
1001180306.....	55	1001188372.....	972, 976, 980, 984	1001192364.....	99	1001196806.....	972, 976
1001180542.....	295, 297	1001188590.....	497, 500	1001192401.....	963	1001197072.....	229
1001180553.....	295, 297	1001188592.....	515	1001192410.....	581	1001197139.....	573
1001180682.....	473	1001188594.....	511, 515	1001192643.....	435	1001197217.....	541
1001180683.....	473	1001188602.....	511, 515	1001192644.....	437	1001197218.....	541
1001181128.....	849, 851	1001188603.....	511, 515	1001192646.....	427	1001197219.....	541
1001181411.....	443	1001188604.....	511, 515	1001192711.....	209	1001197259.....	541, 543
1001181531.....	803	1001188610.....	511, 515	1001192720.....	209	1001197955.....	21
1001181537.....	972, 976, 980, 984	1001188612.....	511, 515	1001192737.....	573	1001198355.....	209
1001181625.....	295, 297	1001188614.....	511, 515	1001192766.....	427, 435	1001199043.....	689, 691, 1009
1001181726.....	524, 531	1001188618.....	515	1001192771.....	613	1001199328.....	1012
1001181920.....	447	1001188619.....	515	1001192772.....	613	1001199380.....	1012
1001181921.....	447	1001188720.....	511, 515	1001192875.....	209	1001199382.....	1012
1001181961.....	765	1001188725.....	511, 515	1001192876.....	209	1001199670.....	323
1001182094.....	247	1001188729.....	511, 515	1001192877.....	209	1001200206.....	959
1001182123.....	447	1001188733.....	511	1001193026.....	331	1001200498.....	279, 281, 283, 287
1001182139.....	447	1001188757.....	229	1001193210.....	429	1001200499.....	279, 281, 283, 287
1001182330.....	533	1001188817.....	515	1001193516.....	601, 671	1001200538.....	909
1001182529.....	491, 495	1001188818.....	515	1001193540.....	209	1001200539.....	911
1001182530.....	491	1001188880.....	269, 621	1001193729.....	209	1001200553.....	777
1001182671.....	597	1001189023.....	515	1001193887.....	53	1001200631.....	283, 287
1001182839.....	937	1001189024.....	515	1001193993.....	849, 851	1001200910.....	947
1001183024.....	779, 1009	1001189025.....	511, 515	1001194282.....	581	1001200968.....	521
1001183177.....	237	1001189048.....	515	1001194421.....	790, 791, 792, 817	1001200989.....	65, 67, 69, 71, 73
1001183550.....	529	1001189054.....	515	1001194698.....	421	1001201162.....	961
1001183597.....	563	1001189182.....	524	1001194699.....	421, 423	1001201198.....	755, 757, 873
1001183831.....	237, 239	1001189224.....	609, 611	1001194700.....	423, 425	1001201199.....	755, 849
1001184172.....	775	1001189288J.....	407	1001194969.....	25	1001201200.....	755, 877
1001184280.....	515	1001189299.....	611	1001194980.....	45	1001201331.....	453
1001184296.....	511, 515	1001189308.....	611	1001194981.....	45	1001201499.....	577
1001184297.....	511, 515	1001189605.....	609	1001195342.....	505	1001201500.....	579
1001184403.....	507	1001189606.....	611	1001195343.....	505	1001201501.....	577, 579
1001184404.....	507	1001189663.....	611, 655	1001195345.....	505	1001201597.....	919, 931
1001184405.....	507	1001189714.....	69	1001195346.....	505	1001201598.....	919, 933
1001184406.....	507	1001189793.....	71, 73	1001195385.....	505	1001201599.....	775, 929
1001184427.....	515	1001189877.....	887, 893	1001195386.....	505	1001201600.....	925, 933
1001184439.....	427	1001189888.....	709	1001195437.....	505	1001201601.....	931, 945
1001184473.....	903	1001190631.....	251, 667	1001195438.....	505	1001201885.....	792, 817
1001184479.....	903	1001190921.....	860	1001195582.....	769, 835, 837	1001202020.....	613
1001184491.....	953	1001191091.....	439	1001195587.....	27	1001202247.....	305, 307
1001184493.....	953			1001195591.....	919, 921		
1001184496.....	953			1001195689.....	882		
1001184551.....	790, 863, 893						

SECTION 13 - SPECIAL OPTIONS/ACCESSORIES/KITS

1001202498.....897	1001207863..... 835	1001214401 937	1001225656..... 617
1001202519.....961	1001207898..... 361, 363	1001214653 683	1001226328.....1009
1001202526.....271, 317	1001207899..... 383, 385	1001214829 613	1001226481.....524
1001202617.....961	1001207923.... 699, 1008	1001215121 807	1001226557.....605
1001202621.....819	1001207943..... 35, 37	1001215319 275, 277	1001226681.....273
1001202622.....819	1001207944..... 37, 39	1001215531 433	1001227077.....283, 287
1001202730.....105	1001207945..... 39	1001216263 535	1001227133.....524
1001202786.....413, 415	1001207947..... 45	1001216265 533	1001227186.....425
100120298651, 271, 325, 825, 853, 855, 877, 879, 897	1001207963..... 524	1001216267 535	1001227187.....429
1001203005.....265	1001208026..... 37	1001216269 535	1001227188.....429
1001203503.....209	1001208028..... 41, 43	1001216270 533	1001227287.....972, 976, 980, 984
1001203557.....765	1001208029..... 43	1001216757 593	1001227379.....191
1001203558.....765	1001208031..... 45	1001216803 593	1001227382.....195
1001203793.....269, 723	1001208192..... 537	1001216813 237	1001227670.....117, 119, 121, 123, 125, 127, 129, 131, 133, 135, 137, 142, 147, 163, 169, 211, 215, 217, 219
1001203797.....405	1001208308..... 524	1001216974 479, 483, 491	1001227802.....427
1001203798.....349, 355	1001208674..... 37	1001217226 685	1001227945.....581
1001203799.....349	1001208676..... 37	1001217320 845	1001227964.....283, 287
1001203804.....405, 711	1001208904..... 759, 761	1001217467 247	1001228643.....283, 287
1001203805.....357	1001208905..... 759	1001217930 265	1001228860.....53
1001203806.....359	1001208906..... 821	1001217930 265	1001228872.....271, 1008
1001204045.....73	1001208907..... 819	1001218542 497, 500	1001228989.....909, 911
1001204060.....911	1001208908..... 819	1001218659 972	1001229458.....955
1001204066.....433	1001209097..... 863	1001218704 972	1001229543.....427
1001204115.....433	1001209194 947, 1008	1001218996 497, 500	1001229707.....1005
1001204120.....433	1001209463..... 539	1001219082 955, 957	1001230163.....439
1001204152.....615	1001209625..... 976	1001219211 976, 980, 984	1001230239.....221
1001204528.....909	1001209690..... 915	1001219212 972, 976	1001230241.....221
1001204530.....909	1001209691..... 915	1001219220 447	1001230310.....972
1001204598.....421, 445	1001209697..... 915	1001219863 524	1001230311.....976
1001204709.....559	1001209899..... 447	1001219865 524	1001230409.....1012
1001205061.....573, 577	1001210281..... 363	1001219905 59	1001230699.....1012
1001205066.....419	1001210282..... 615	1001219953 59	1001230765.....145, 147, 149, 151, 153, 155, 157, 159, 161
1001205080.....27	1001210340..... 611	1001220329 421, 471	1001230931.....791
1001205172.....860, 1009	1001210390..... 91, 695	1001220338 441, 443	1001231389.....237
1001205203.....35	1001210567..... 779	1001220339 423, 441	1001231390.....237
1001205205.....37	1001210769..... 363, 385	1001220379 893	1001231393.....617
1001205532.....427, 433	1001210770..... 873, 891	1001220507 585	1001231397.....847, 951
1001205627.....101	1001210775..... 609, 611	1001220859 845	1001231398.....817, 847, 863, 882, 951
1001205726.....633	1001210780..... 617	1001220861 845	1001231399.....882
1001205727.....633, 635	1001210801..... 617	1001221057 515	1001231400.....817, 847, 863, 882, 951
1001205756.....631	1001211041..... 537	1001221058 515	1001231401.....847
1001205881.....613	1001211139..... 135	1001221059 497, 500	1001231402.....847
1001205882.....601	1001211445..... 765, 767	1001221295 497, 500	1001231404.....817, 847, 863, 882, 951
1001205883.....651	1001211503..... 335	1001221295 497, 500	1001231406.....817, 847, 863, 882, 951
1001205890.....685	1001211516..... 125	1001221318 937	1001231692.....221
1001206100.....915	1001211693..... 785	1001221319 937	1001231801.....972
1001206112.....947, 1008	1001211775..... 951	1001222188 43	1001232288.....849, 867
1001206349.....225, 227, 267	1001211884..... 335	1001222190 43	1001232355.....193
1001206837.....763	1001211884..... 335	1001222606 593, 1008	1001232500.....221
1001206850.....37	1001211907..... 524	1001222741 433	1001232801.....59
1001206875.....37	1001212011..... 439	1001223265 524	1001233174.....827
1001206876.....37	1001212369..... 451	1001223453 972, 976	1001233217.....827
1001207167.....411	1001212418..... 671, 673	1001223455 789, 790, 791, 792	1001233434.....827
1001207171.....847, 859	1001212468..... 531	1001223456 788	1001233558.....976
1001207173.....882, 951	1001212470.... 803, 1009	1001223457 788, 789	1001234127.....667, 737
1001207217.....972	1001212845..... 1012	1001223459 857	1001234395.....105, 321
1001207218.....980, 984	1001212921..... 629	1001223628 305, 307	
1001207594.....935, 937	1001213210..... 323, 717	1001223903 927, 1009	
1001207606.....169	1001213237..... 343	1001223968 803, 805	
1001207627.....53	1001213265 573, 575, 1008	1001224127 927	
1001207689.....47	1001213286..... 1012	1001224128 927	
1001207854.....419	1001213331..... 433	1001224598 363	
1001207858.....657	1001213752..... 937	1001224938 385	
1001207860.....755	1001213791..... 427	1001224945 663, 725	
	1001213988..... 785	1001224946 645	
	1001214092..... 451	1001225317 411	
	1001214220..... 573		

SECTION 13 - SPECIAL OPTIONS/ACCESSORIES/KITS

1001236131 23, 25	1001238566.....209	1001241350.....39	1001243728 271
1001236528 313	1001238570.....209	1001241370.....235	1001243729 271
1001236529 329	1001238624..... 299, 301, 303, 305	1001241482.....313	1001243771 309
1001236530 327	1001238625..... 299, 301, 303, 305	1001241610..... 809, 947	1001243772 309
1001236556 313	1001238627..... 141	1001241684.....325	1001243775 235, 263
1001236557 313	1001238640..... 707, 709	1001241702.....323	1001243840 333
1001236674 755, 853	1001238653..... 107	1001241704.....325	1001243841 333
1001237114 59, 62	1001238654..... 111	1001241705.....325	1001243844 39
1001237170 311	1001238655..... 109	1001241902.....69	1001243925 677
1001237181 313	1001238730..... 677, 679	1001242098.....813, 1008	1001243960 265
1001237212 788	1001238733..... 697, 699	1001242105.....59	1001243961 279, 281, 283, 287
1001237246 65	1001238755.....329	1001242109.....853	1001243978 279
1001237247 67	1001238807..... 689, 691	10012422340.....247	1001243979 313
1001237248 69	1001238820.....229	1001242579.....67	1001243980 317
1001237249 71	1001238821.....229	1001242580.....67	1001243981 331
1001237250 73	1001238827..... 51, 689	1001242634..... 645, 733	1001243982 331, 333
1001237387 65, 75	1001238912..... 21	1001242635..... 265, 719	1001244031 349, 361
1001237389 67, 77	1001239059..... 877, 879	1001242644.....127	1001244032 349, 383
1001237390 77	1001239060..... 877, 879	1001242651..... 643, 645	1001244035 355, 357
1001237391 69, 79	1001239061..... 853, 855	1001242677.....62, 707	1001244036 355, 359
1001237392 79	1001239062..... 853, 855	1001242678.....62, 677	1001244037 225, 227, 229
1001237393 69, 81	1001239070..... 273, 313	1001242685..... 295, 297	1001244039 225, 235
1001237394 75, 81	1001239125..... 853, 855	1001242686..... 665, 667	1001244040 225, 237
1001237395 71, 83	1001239126..... 853, 855	1001242689.....23	1001244041 225, 254
1001237396 83	1001239127..... 853	1001242690.....25	1001244042 225, 271
1001237397 73, 85	1001239128..... 877	1001242692.....25	1001244043 225, 339
1001237398 85	1001239149.....273	1001242719.....25	1001244046 303, 307
1001237435 603	1001239165.....273	1001242721.....25	1001244048 225, 227, 261
1001237436 603	1001239185..... 877, 879	1001242722.....25	1001244049 225, 247
1001237437 603	1001239186..... 853, 855	1001242725.....25	1001244050 279, 281, 283, 287, 293
1001237438 603	1001239187..... 853, 855	1001242734.....329	1001244052 279, 283, 295
1001237444 71, 73	1001239188..... 853, 855	1001242739.....327	1001244053 279, 299
1001237445 71	1001239256..... 27	1001242740..... 313, 315	1001244057 311
1001237446 73	1001239257..... 23, 27	1001242741..... 313, 315	1001244059 313, 323
1001237447 71	1001239297..... 295	1001242742..... 651, 653	1001244060 313, 325
1001237448 73	1001239298..... 295	1001242749..... 601, 631	1001244117 279, 281, 283, 287
1001237487 73	1001239301.....313	1001242962..... 361, 365	1001244118 279, 281, 283, 287
1001237497 603	1001239486..... 33	1001242963..... 383, 387	1001244174 283
1001237498 603	1001239488..... 33	1001243000.....773	1001244175 283, 303
1001237499 603	1001239489..... 33	1001243013..... 261, 265	1001244192 909, 911
1001237540 603	1001239490..... 33	1001243039..... 225, 227, 337	1001244193 909, 911
1001237541 603	1001239491..... 33	1001243044..... 811, 877, 879	1001244220 607
1001237669 607	1001239492..... 33	1001243089..... 657, 697	1001244334 927
1001237670 607	1001239507..... 29, 31, 33	1001243196..... 603, 771	1001244340 349, 405
1001237671 607	1001239510..... 277	1001243198..... 607, 777	1001244406 727
1001237678 67	1001239511..... 277	1001243199..... 777	1001244407 265, 727
1001237679 69	1001239596..... 101	1001243214..... 145	1001244408 647
1001237680 69	1001239682..... 59	1001243325..... 649	1001244441 631
1001237681 71	1001239734..... 129, 131, 133	1001243326..... 647, 649	1001244442 237
1001237738 321	1001239853..... 39	1001243451..... 65, 67	1001244443 45
1001237936 279, 283, 289	1001239856..... 39	1001243467..... 67, 69	1001244459 45
1001238007 225, 869	1001239952..... 51, 941	1001243468..... 69	1001244517 45
1001238152 317, 319	1001239953..... 859, 869	1001243469..... 69	1001244524 405
1001238153 271, 317, 319	1001239954..... 857, 877	1001243470..... 69	1001244539 65
1001238195 62, 603	1001241306..... 62	1001243472..... 71	1001244542 62
1001238393 62, 65	1001241307..... 62	1001243474..... 71	1001244574 685
1001238394 62, 67	1001241308..... 435	1001243475..... 71	1001244648 62, 943
1001238395 62, 69	1001241314..... 55	1001243480..... 67	1001244651 73
1001238396 62, 71	1001241315..... 55	1001243540..... 283, 287, 847	1001244877 915, 917
1001238397 62, 73	1001241318..... 313	1001243691..... 659	1001245075 271, 319
1001238413 62	1001241319..... 59	1001243701..... 661	
1001238509 603	1001241324..... 43	1001243702..... 659, 661	
1001238560 113, 209	1001241326..... 313, 315	1001243703..... 601, 659	
1001238565 107, 109, 111, 113	1001241337..... 459	1001243724..... 265, 715	

SECTION 13 - SPECIAL OPTIONS/ACCESSORIES/KITS

1001245094.....67	1001246642 631	1001247206 619, 621	1001250476.....321
1001245142.....317	1001246643 631	1001247208 619	1001250708.....29, 31
1001245200.....33	1001246645 631	1001247210 601, 619	1001251518.....821
1001245201.....33	1001246646 631	1001247211 619	1001251524.....972
1001245231 877, 879, 885	1001246648 631	1001247212 619	1001251525.....976
1001245232.....601, 637	1001246734 29	1001247213 619	1001252304.....1012
1001245233.....637, 639	1001246754 905, 907	1001247222 669	1001252525.....279, 283
1001245234.....637	1001246770 25	1001247223 601, 669	1001253072.....629
1001245277237	1001246771 25	1001247335 469	1001253095.....972, 976, 980, 984
1001245283.....237, 239	1001246800 27	1001247364 629	1001253228.....629
1001245316.....603, 607	1001246801 25	1001247366 279, 281, 283, 287	1001253340.....305, 307
1001245340.....51	1001246825 35, 41	1001247372 613	1001253728.....603
100124534151	1001246830 35, 45	1001247373 613	1001253784.....631
100124534851	1001246832 783, 895	1001247374 613	1001253785.....615
100124535151	1001246882 335, 767, 835	1001247384 29, 31	1001253797.....419
1001245352.....51	1001246929 873	1001247414 29, 31	1001254037.....631
1001245394.....267, 269	1001246960 631	1001247421 821, 1009	1001254643.....773
1001245691351	1001246961 631	1001247458 773, 1009	1001254895.....631
100124570733	1001246964 615	1001247501 835, 897	1001255131.....543
1001245708333	1001246965 631	1001247528 835, 837, 901	1001255255.....603
1001245711101	1001246966 631	1001247578 329	1001255273.....543
1001245712101	1001246968 631	1001247578 329	1001255278.....227, 233
1001245718101	1001246971 283, 287	1001247646 972, 976	1001255301.....469
1001245719101	1001246985 773	1001247708 613	1001255384.....315
1001245720101	1001246988 773	1001247713 631	1001255385.....315
1001245721101	1001246989 773	1001247736 629	1001255386.....315
1001245722101	1001246990 773	1001247739 629	1001255387.....315
1001245723101	1001246991 773	1001247917 835, 837, 899	1001255538.....629
1001245724101	1001246994 773	1001247979 613	1001255573.....37
1001245725101	1001246997 615	1001248169 601, 643	1001255581.....891
1001245726101	1001246998 615	1001248204 919, 927	1001255706.....283, 287, 1009
1001245727101	1001247000 615	1001248354 601, 665	1001255723.....283, 287
1001245757 313, 327	1001247001 615	1001248372 615	1001255725.....869, 871
1001245758 313, 329	1001247004 615	1001248677 613	1001255935.....631
1001245862631	1001247005 631	1001248758 613, 895	1001256073.....425
1001245870 601, 647	1001247006 615	1001248853 53	1001256264.....27
1001245871647	1001247007 615	1001249078 105, 321, 1008	1001256491.....227
1001245872647	1001247044 779, 781	1001249327 419	1001256492.....281
1001245873647	1001247054 615, 617	1001249406 467	1001256493.....319
1001245874631	1001247056 29, 31	1001249631 803	1001256496.....227, 341
1001245875647	1001247057 601, 615	1001250120 893	1001256497.....227, 249
1001246022 145	1001247092 779	1001250124 761	1001256499.....227, 258
1001246178 339, 341	1001247094 235	1001250161 473	1001256500.....281, 287, 297
1001246296905	1001247103 29	1001250171 869	1001256501.....281, 301
100124637529, 31	1001247107 601, 629	1001250180 299, 303	1001256504.....301, 305
100124637629, 31	1001247108 629	1001250181 299	1001256505.....301
1001246391 860, 863	1001247109 629	1001250183 279, 281, 283, 287	1001256526.....337
1001246468631	1001247116 629	1001250184 279, 281, 283, 287	1001256555.....839, 841, 1009
1001246469631	1001247117 629	1001250185 279, 281, 283, 287	1001256558.....839, 841, 843
1001246470631	1001247118 629	1001250189 307	1001256622.....249
1001246532 55, 601	1001247119 629	1001250190 279, 281, 284, 287	1001256718.....263
1001246557 633, 657	1001247120 629	1001250203 105, 321, 763	1001256721.....258
1001246560 633, 657	1001247123 629	1001250235 967	1001256899..... 105, 321
1001246561 633, 657	1001247125 629	1001250276 105, 321	1001256942.....915
1001246562697	1001247126 629	1001250279 839, 841	1001256951.....915
1001246597631	1001247127 629	1001250379 841	1001256974..... 595, 1010
1001246600631	1001247128 629	1001250380 839	1001256999..... 913, 915
1001246601631	1001247129 629	1001250381 841	1001257071..... 595
1001246602631	1001247130 629	1001250475 105, 1008	1001257088..... 585, 1008
1001246603631	1001247148 29, 31		1001257090.....27
1001246604631	1001247148 29, 31		1001257324..... 305, 307
1001246606631	1001247154 601, 605		
1001246607631	1001247155 605		
1001246609631	1001247158 605		
1001246636919	1001247159 605		
1001246638785	1001247166 629		
	1001247199 29, 31		

SECTION 13 - SPECIAL OPTIONS/ACCESSORIES/KITS

1001257330 581, 583	1001264844..... 793	1001270123..... 825	1001279128 239, 243
1001257346 629	1001264861..... 793	1001270466..... 785, 1008	1001279167 967
1001257347 629	1001264976..... 509, 513	1001270467..... 873, 1008	1001279420 613, 663
1001257917 87, 89, 95	1001264988..... 1012	1001270468..... 891, 1008	1001279501 855
1001257978 87	1001264989..... 1012	1001270485..... 775, 1008	1001279682 239
1001257979 89	1001264990..... 1012	1001270486..... 873, 1009	1001280354 239
1001258014 653	1001264995..... 873	1001270843..... 627	1001280355 239
1001258019 629	1001265007..... 825	1001270976..... 497, 500	1001280381 239
1001258099 459	1001265032..... 27	1001270982..... 839	1001280471 483, 485
1001258117 411, 413	1001265343..... 921	1001271006..... 1012	1001280661 829
1001258118 411, 415	1001265347..... 825	1001271061..... 995	1001280666 239
1001258121 413	1001265386..... 837	1001271062..... 991	1001281297 345
1001258122 415	1001265544..... 825	1001271063..... 993	1001281298 345
1001258194 245	1001265893..... 623	1001271256..... 825	1001281301 345
1001258244 549	1001265979..... 827	1001271527..... 1012	1001281302 345
1001258245 549	1001265980..... 827	1001273635..... 905, 909, 911	1001281304 345
1001258259 21	1001265996..... 623	1001274313..... 1012	1001281311 345
1001258343 287	1001265997..... 623	1001274337..... 225, 231	1001281359 345
1001258344 287, 305	1001265998..... 623	1001274435 225	1001281360 345
1001258345 305	1001266065..... 613, 775	1001274533..... 903	1001281380 345
1001258605 177	1001266178..... 623	1001274534..... 903	1001281386 345
1001258642 935	1001266220..... 623	1001274535..... 903	1001281394 345
1001258644 935, 939	1001266223..... 623	1001274536..... 903	1001281399 345
1001258664 1012	1001266225..... 623	1001274537..... 903	1001281400 345
1001258815 767	1001266227..... 623	1001274538..... 903	1001281472 345
1001259205 947, 951	1001266280..... 623	1001274539..... 903	1001281656 345
1001259206 175	1001266281..... 623, 627	1001274540..... 903	1001281888 345
1001259224 949	1001266345..... 623, 627	1001274541..... 903	1001281912 877, 879, 881
1001259238 987	1001266353..... 623, 947	1001274543..... 903	1001282006 995
1001259246 947, 949	1001266488..... 493	1001274544..... 903	1001282008 995
1001259494 877, 879, 887	1001266710..... 653, 735	1001274553..... 903	1001282230 785, 788
1001259495 657, 893	1001266871..... 623	1001274891..... 1012	1001282260 957
1001260274 825	1001266872..... 623	1001274892..... 1012	1001285715 803
1001260509 953	1001266879..... 625	1001275105..... 955, 957, 959	1001285929 691
1001260580 825	1001266880..... 623, 625	1001275106..... 955	1001285930 1012
1001260685 825	1001266881..... 623	1001275633..... 1012	1001286175 293
1001260686 825	1001266918..... 627	1001275634..... 1012	1001286534 137
1001260687 825	1001266919..... 625	1001275841..... 215, 217	1001286599 829
1001260701 825	1001267291..... 623	1001275852..... 217	1001286941 829, 833
1001260867 1012	1001267699..... 947	1001275853..... 215	1001287742 215, 217
1001260870 1012	1001268354..... 947	1001275929..... 475, 477	1001287804 957
1001260871 1012	1001268596..... 31	1001275933..... 477, 549	1001288070 479, 481, 493
1001260872 1012	1001268597..... 31	1001276649..... 1012	1001288098 493
1001260979 1012	1001268744..... 493, 817	1001276666..... 133	1001289060 829
1001260984 1012	1001268827..... 497, 509	1001276766..... 967	1001289105 939
1001260996 105, 321	1001268828..... 509, 511	1001276767..... 967	1001289296 939
1001261055 105	1001268829..... 509, 513	1001277290..... 129	1001289299 829
1001261095 105, 321	1001268830..... 509, 513, 903	1001277338..... 131	1001289300 829
1001261844 613	1001268831..... 500, 513	1001277992..... 321	1001289301 829
1001262322 1008	1001268832..... 513, 515	1001278109..... 969	1001289479 827
1001262349 281, 287, 291	1001268846..... 524	1001278110..... 969	1001289559 275
1001262591 297	1001268891..... 405, 713	1001278111..... 969	1001289561 273, 275
1001263034 663	1001269175..... 947	1001278137..... 980	1001289647 829
1001263046 91	1001269176..... 947	1001278139..... 984	1001289648 829
1001263267 315	1001269177..... 947	1001278336..... 1012	1001290040 829
1001263268 315	1001269555..... 511, 515	1001278570..... 989	1001290279 1012
1001263425 297	1001269556..... 511, 515	1001278581..... 757, 879	1001290669 939
1001263770 863, 871	1001269558..... 511, 515	1001278595..... 757	1001291056 829
1001263934 629	1001269559..... 511, 515	1001278919..... 275	1001291182 961, 963
1001264165 879	1001269560..... 511, 515	1001279087..... 227, 263	1001291382 831, 1012
1001264276 757, 855	1001269561..... 511, 515	1001279088..... 227, 239	1001293182 135, 137, 705
1001264534 827	1001269563..... 511, 515	1001279089..... 263	1001293558 1012
1001264536 827	1001269564..... 511, 515	1001279090..... 239	1001294608 827
1001264601 757, 851	1001269578..... 515, 1009	1001279093..... 239	1001294815 1005
1001264607 227, 871	1001269579..... 515	1001279096..... 263	
	1001270117..... 461		

SECTION 13 - SPECIAL OPTIONS/ACCESSORIES/KITS

1001294830.....827	2080078.....443	2172108.....609, 655	633, 657, 841, 849,
1001294831.....827	2080086.....425	2172410.....613	851, 947
1001295269.....827	2080087.....425	2180104.....263	3291007.....215, 217
1001295491.....351, 353	2080092.....457	2180467.....293	3291205.....51, 59
1001295916.....349, 351	2110408.....639, 669	2200223.....279, 283	3291605.....59, 95
1001298048.....827	2110410.....617	2200224.....279, 283	3300240....121, 123, 125,
1001301393.....203	2110604.....269, 653	2220218.....251	129, 131, 133
1001301527.....207	2110606...129, 131, 133,	2220237...279, 281, 283,	3300449.....829
1001301599.....135, 137	165, 639, 667	287	3311005.....947
1001301600.....135, 137	2110610.....655	2220239.....39, 43, 617	3311405.....113
1001302410.....827	2110808...639, 649, 673	2220240.....39	3311502.....209
1001303246.....205	2110810...617, 655, 689,	2220415.....135, 137	3311505.....475
1001305477.....179	691, 707, 709	2220468.....137	3311508.....769
1009352.....631	2111010....639, 653, 661	2220473.....135, 137	3331615.....229
1009715900.....365, 367,	2111012.....645	2220810.....251	3332011.....73, 419
369, 371, 373, 377,	2111212...621, 645, 661,	2220881.....699	3332411.....67, 69, 71
379, 381	677	2220883.....691, 699	3333011.....65, 69
1009716000.....387, 389,	2111612.....623	2220885.....699	3391410.....209
391, 393, 395, 399,	2130404...581, 653, 663,	2220886.....699	3421453.....113
401, 403	727	2340037.....173	3423242.....123, 131
1060379.....113	2130406.....639	2340038.....187	3423275.....121, 129
1060626.....769, 837, 899	2130408.....669	2340039.....197	3423276....125, 133, 135,
1060799.....995	2130606...163, 165, 625,	2340045.....185	137
1062255....137, 629, 631,	645, 667	2400060.....959	3423307....129, 131, 133
869, 871, 955, 957	2130608.....163	24921332.....313, 315	3440620.....221
10700681.....199	2130808...129, 131, 133,	2580062.....837, 901	3520072.....113
10705034.....163	363, 385, 581, 625,	2600281.....113	3520198.....113
10725554.....371, 393	627, 653, 727	2717160.....163	3575947.....311
10725627.....377, 399	2130810.....655	2717161.....163	3740067.....623, 1009
10732931.....733	2131010...613, 649, 663	2717162.....163	3740080....817, 847, 864,
10837928.....733	2131210.....265	2717283.....163, 681	881, 951, 1009
10837953.....733	2131212.....661, 663	2717287.....135	3760170.....113
1170021.....121	2132016.....645	2940074.....113, 1008	3760348.....573
1170024.....123	2144603.....351	31200160.....107	3760463.....62
120034.....785	2144605.....405	31200386.....109	3790152....265, 305, 307
1320022.....500	2150404.....655, 695	31200387.....111	3820020.....113
1320136.....327	2150808...363, 385, 649,	31200388.....111	3841203....129, 131, 133
1321797.....233	653, 673	3251813...972, 976, 980,	3900368.....651
1322073.....231, 233	2151010.....649	984	3900379.....29, 31, 551
1322181.....233	2151210.....727	3290401...497, 500, 531,	3911010.....947
1701500....972, 976, 980,	2151616.....629	819, 825, 827, 829	3931616.....337
984	2160016...51, 65, 67, 69,	3290405...435, 603, 921	3986610.....495
1701509.....113	71, 95, 633, 657, 685	3290501.....785, 821	3986643.....495
1702631....972, 976, 980,	2170106.....635, 645	3290505...101, 105, 321,	4010410002.....825
984	2170108.....639, 649	459, 595, 597, 603,	4010416.....773, 921
1702773....107, 109, 111	2170110.....697	871, 955, 957	4010510.....593
1704260.....845, 949	2170112.....645	3290601...209, 254, 258,	4010608002.....425, 427,
1704277.....113	2170206.....645	500, 531, 535, 573,	467, 475, 524, 535,
1704885....107, 109, 111	2170208.....581	623, 637, 759, 761,	539, 825
1706098.....980, 984	2170210.....639	785, 853, 855, 905	4010610002.....521, 524,
1706281.....980, 984	2170212.....627	3290605...105, 321, 524,	535, 825
1706282.....980, 984	2170216.....629, 645	531, 565, 657, 773,	4010612002.....429, 524,
1706284.....980, 984	2170406.....653, 667	839, 841	531, 563, 565
1706285.....980, 984	2170410.....613	3290605001.....825	4031505001.....825
1706288.....980, 984	2170706.....269, 667	3290607.....915	4031507.....825
1706292.....980, 984	2170710.....623	3290801...239, 279, 281,	4031508.....603
1706296.....972	2170716.....629	283, 287, 315, 427,	403160739, 43, 595, 603,
1706299.....972	2170806.....363, 385	471, 569, 623, 627, 927	869, 871
1706300.....972	2171106.....631	329080527, 45, 575, 603,	4031608.....529, 603
1706301.....972	2171110.....603	891	4031608001.....524
1706302.....209, 972	2171308.....609, 611	3290806.....443	4031707.....927
1706306.....972	2171716.....629	329100127, 33, 237, 279,	4031708001.....519
1706768.....972	2171733.....629, 631	281, 283, 287, 327,	4031907.....829
1706850.....972	2171824.....631	825, 915	4031910.....555, 557
1706892.....107	2171840.....629	3291005....99, 279, 281,	4031912.....669, 671
1707078.....972	2172106...129, 131, 133,	283, 287, 609, 611,	4031916.....265
2080040.....113	631, 653		4031917.....677

SECTION 13 - SPECIAL OPTIONS/ACCESSORIES/KITS

4031918 611	4460518 ... 792, 793, 864, 881, 882, 959	4461017.....771, 889, 943	829, 853, 855, 873, 891, 927
4031921 613		4461018.....777, 887	
4032009 773	4460536 ... 788, 817, 888, 925, 929	4461054.....917	4811902 ... 23, 25, 45, 73, 279, 281, 284, 287, 309, 497, 500, 533, 535
4032010 59		4461070.....860, 864	
4032314 267	4460539 ... 788, 791, 792, 793, 857, 881, 888, 925, 929, 941, 959	4461077.....843, 943	4812000 ... 27, 29, 31, 33, 37, 39, 59, 71, 99, 105, 237, 239, 249, 263, 265, 271, 305, 307, 311, 313, 315, 317, 321, 323, 327, 337, 581, 603, 605, 609, 611, 615, 621, 629, 633, 637, 643, 657, 659, 773, 779, 825, 827, 841, 849, 851, 873, 877, 879, 915, 939, 947
4060804 25		4461095.....859, 863, 943	
4060918 55	4460608 860, 863	4461115.....793, 907, 943	
4060919 55	4460670 959	4461118.....801, 887	
4092006 469	4460705 789	4461261.....860, 863	
4100181 ... 972, 976, 980, 984	4460742 847	4461262.....781, 788	
4105262 99	4460744 887	4461290.....789, 867, 882	
4109801 ... 972, 976, 980, 984	4460746 ... 790, 793, 863, 893	4641501.....165, 167	
4110422 ... 211, 213, 215, 217, 221	4460748 860, 893	4641502.....163, 165	
4110473 163	4460789 ... 801, 860, 863	4641520.....669	
4240018 615, 631	4460836 ... 789, 859, 883, 888	4711000.....947	
4240032 827, 831	4460837 888	4711400.....113, 829	
4240099 ... 611, 615, 631, 837, 897, 899	4460884 ... 792, 811, 857, 882, 887, 929, 943, 945, 963	471678.....62, 453, 603	
4360475 .. 845, 949, 1009	4460891 ... 783, 793, 811, 847, 857, 859, 860, 863, 864, 881, 888, 893, 941, 943	4740003.....97	
4360657 947, 1009		4740274....279, 281, 283, 287	4812002 ... 23, 25, 37, 41, 67, 237, 239, 279, 281, 283, 287
4360658 579, 1009	4460894 ... 763, 771, 777, 789, 791, 815, 859, 864, 881, 887, 913, 951	4740428.....829	4812100 ... 37, 51, 59, 89, 229, 247, 249, 315, 329, 339, 341, 853, 855
4460183 949	4460897 ... 790, 793, 811, 815, 860, 864, 881, 882	4740532.....261	4812102 ... 279, 281, 283, 287, 411
4460225 788, 789	4460899 ... 801, 805, 809, 847, 860, 864, 881, 888, 929, 943, 951	4740550....279, 281, 283, 287	4812300 ... 21, 51, 59, 229
4460234 785, 827	4460906 789	4807718.....471	4812500 73, 419
4460265 788	4460928 792, 843, 882	4811400....117, 119, 121, 123, 125, 129, 131, 133, 135, 137, 215, 217, 497, 500, 531, 579, 603, 773, 819, 827, 829, 921	4812700 67, 69, 71
4460267 ... 788, 789, 790	4460929 843	4811600....101, 105, 321, 459, 524, 603, 821, 845, 871, 955, 957	4812900 69
4460268 788, 789, 790	4460930 ... 792, 833, 857, 859, 883, 887, 943	4811602001.....825	4831400 ... 497, 500, 531, 829
4460320 790, 949	4460931 ... 771, 792, 793, 881, 888, 941, 945	4811700....29, 31, 33, 37, 39, 73, 105, 209, 254, 258, 321, 323, 329, 409, 425, 427, 453, 467, 475, 500, 519, 521, 531, 535, 539, 573, 577, 623, 637, 657, 759, 761, 773, 785, 839, 841, 849, 851, 853, 855, 869, 873, 877, 879, 905, 909, 911, 915, 931, 937, 947	4831600 39, 869
4460343 788, 789	4460932 ... 763, 781, 811, 823, 847, 881, 889, 907, 923, 929	4811700001.....524	4831700 29, 31, 535
4460424 790	4460933 ... 789, 790, 859, 864, 882, 887, 888, 959	481170229, 31, 239, 409, 457, 535, 573, 577, 581, 623	4831900 ... 309, 339, 341, 497, 500, 573
4460434 788	4460941 ... 801, 811, 888, 913, 917	4811702001.....427, 429, 524, 825	4832100 ... 279, 281, 283, 287
4460458 ... 783, 790, 793, 847, 860, 863, 887, 907, 943	4460942 ... 789, 811, 881, 882, 883, 887, 893, 913, 929, 943	4811900....27, 33, 37, 47, 53, 69, 71, 73, 237, 239, 273, 279, 281, 283, 287, 293, 315, 317, 323, 329, 331, 339, 341, 427, 433, 449, 451, 475, 479, 483, 491, 493, 500, 533, 553, 555, 557, 569, 573, 581, 603, 605, 615, 619, 623, 627, 659, 697, 759, 761, 773, 775, 827,	4831400 ... 497, 500, 531, 829
4460464 ... 763, 771, 777, 781, 788, 790, 792, 801, 805, 809, 811, 817, 823, 847, 857, 859, 860, 863, 864, 882, 888, 907, 917, 925, 929, 941, 943, 945, 951, 959, 963	4460943 ... 771, 777, 792, 811, 815, 943, 959		4831600 39, 869
4460465 ... 763, 771, 777, 783, 788, 789, 790, 791, 792, 793, 811, 815, 833, 857, 859, 860, 863, 864, 881, 882, 883, 887, 888, 893, 925, 929, 941, 943, 951, 959, 963	4460944 ... 771, 777, 790, 791, 792, 793, 857, 859, 863, 881, 882, 888, 929, 943, 945		4831700 29, 31, 535
4460466 ... 771, 777, 788, 789, 790, 791, 792, 793, 805, 809, 811, 833, 847, 857, 859, 860, 863, 864, 881, 882, 883, 887, 888, 893, 907, 913, 917, 929, 941, 943, 945, 951, 959, 963	4460945 ... 793, 857, 881, 889, 959		4831900 ... 309, 339, 341, 497, 500, 573
4460475 847	4460950 857, 881, 941		4832100 ... 279, 281, 283, 287
4460496 785	4460970 ... 857, 881, 889, 913, 917		4891800 129, 131, 133
4460497 785	4460984 857, 860		4892600 365, 387
4460508 860, 863	4460994 790, 791		5220600 911
4460509 864, 882, 887	4461000 845		5220800 765, 769
	4461006 860		5240600 927
	4461015 811, 882		5240800 623, 631, 665
			5241000 215, 217, 819
			5241400 351
			5241600 91, 267, 351
			5242000 419
			5242400 209, 633, 657
			5250608 505
			5250814 51
			5271609 821
			5272012 939
			643191201 788, 789, 883, 929
			643191301 929
			643201301 788, 883
			6604662 135
			70000699 679
			70002219 703
			70002224 703
			70002955 737
			70002963 735, 737, 1008
			70003849 703
			70004005 721
			70004006 721
			70004007 721

SECTION 13 - SPECIAL OPTIONS/ACCESSORIES/KITS

70004654.....	731	70021794.....	233	70024733.....	159	70026293.....	797, 1009
70005615.....	721	70021795.....	233	70024734.....	159	70026294.....	875, 1009
70005616.....	721	70021805.....	233	70024759.....	151, 161	70026295.....	875, 1009
70005617.....	721	70021806.....	233	70024761.....	151, 161	70026296.....	875, 1008
70005618.....	721	70021921.....	211, 213	70024847.....	733	70026297.....	875, 1008
70005619.....	721	70021935.....	211, 213	70024848.....	377	70026310.....	625
70006356.....	715	70021977.....	211, 213	70024849.....	377	70026354.....	289
70020002.....	127, 141	70021978.....	211, 213	70024850.....	373	70026357.....	289, 291
70020015.....	141	70021979.....	211, 213	70024851.....	373	70026359.....	289, 291
70020017.....	141	70022007.....	733	70024856.....	495	70026369.....	733
70020025.....	141	70022014.....	733	70024857.....	495	70026370.....	733
70020026.....	141	70022019.....	733	70024858.....	495	70026372.....	733
70020027.....	141	70022028.....	211, 213	70024859.....	495	70026373.....	733
70020028.....	127, 141	70022140.....	371, 393	70024861.....	495	70026376.....	733
70020348.....	233	70022147.....	731, 1008	70024881.....	373, 381, 395, 403	70026379.....	733
70020351.....	233	70022527.....	211, 213	70025335.....	369, 391	70026383.....	733
70020358.....	233	70022528.....	211, 213	70025336.....	393	70026395.....	241
70020555.....	169, 171	70022529.....	211, 213	70025337.....	393	70026396.....	241
70020764.....	729, 1008	70022530.....	141	70025338.....	393	70026434.....	575
70020867.....	731, 741	70022637.....	233	70025339.....	371, 393	70026480.....	149
70020868.....	731, 1008	70022641.....	233	70025351.....	231	70026481.....	155
70021208.....	731, 1008	70022845.....	233	70025539.....	487, 1009	70026482.....	155
70021209.....	731	70023000.....	155	70025561.....	373, 395	70026503.....	159
70021213.....	731	70023116.....	374, 396	70025562.....	371, 373, 393, 395	70026533.....	233
70021314.....	485, 487	70023179.....	495	70025606.....	703	70026557.....	233
70021316.....	485, 487	70023181.....	495	70025816.....	571	70026568.....	731
70021317.....	485	70023182.....	495	70025817.....	571	70026569.....	731
70021318.....	485	70023184.....	495	70025850.....	241, 1008	70026570.....	731
70021319.....	485, 489	70023186.....	495	70025851.....	241, 1008	70026571.....	731
70021320.....	485	70023189.....	495	70025854.....	733	70026582.....	741, 1008
70021321.....	485, 489	70023327.....	731	70025855.....	373, 395	70026698.....	211, 213
70021322.....	485	70023443.....	231, 233	70025856.....	371	70026699.....	219
70021323.....	485, 489	70023489.....	393	70025859.....	575	70026745.....	169
70021324.....	485, 489	70023490.....	371, 393	70025860.....	575	70026746.....	169
70021325.....	485, 489	70023493.....	393	70025884.....	381, 403	70026747.....	219, 399
70021326.....	485, 489	70023494.....	371, 393	70025887.....	371, 393	70026748.....	399
70021327.....	485, 489	70023829.....	374, 396	70025959.....	703	70026750.....	371
70021328.....	485, 489	70023928.....	167	70025961.....	679	70026753.....	379, 401
70021329.....	485	70023929.....	167	70025970.....	377	70026770.....	681
70021330.....	485, 489	70024004.....	371	70026002.....	373, 395	70026771.....	681
70021338.....	141	70024020.....	703	70026056.....	703	70026773.....	681
70021342.....	213	70024059.....	211, 213	70026057.....	703	70026774.....	681
70021349.....	211, 213	70024060.....	213	70026058.....	703	70026775.....	681
70021351.....	127	70024062.....	219	70026059.....	703	70026777.....	733
70021367.....	141	70024107.....	495, 1009	70026060.....	703	70026778.....	733
70021376.....	127, 701	70024127.....	155	70026061.....	703	70026779.....	733
70021377.....	127	70024129.....	159	70026062.....	703	70026781.....	733
70021378.....	127	70024146.....	374, 396	70026081.....	289, 291	70026783.....	733
70021379.....	127	70024147.....	373, 395	70026211.....	693	70026784.....	733
70021382.....	127, 141	70024186.....	723	70026212.....	693	70026785.....	733
70021387.....	211	70024201.....	733	70026213.....	693	70026944.....	219
70021389.....	127	70024210.....	377, 399	70026214.....	693	70026946.....	219
70021415.....	211, 213	70024213.....	377	70026215.....	693	70026948.....	219
70021429.....	141	70024215.....	377	70026238.....	373, 395	70026949.....	219
70021440.....	142, 219, 701	70024216.....	399	70026244.....	231, 717	70027009.....	211
70021442.....	142	70024262.....	703	70026245.....	231, 717	70027022.....	377, 399
70021443.....	142	70024284.....	231	70026247.....	231, 717	70027024.....	477
70021444.....	701	70024306.....	201	70026248.....	231, 717	70027026.....	477
70021445.....	701	70024307.....	201	70026255.....	371	70027027.....	477
70021446.....	701	70024313.....	233	70026262.....	377	70027028.....	477
70021447.....	701	70024317.....	233	70026263.....	377	70027030.....	477
70021448.....	701	70024459.....	495	70026264.....	377	70027032.....	477
70021451.....	701	70024551.....	149	70026265.....	381, 403	70027033.....	477
70021452.....	701	70024552.....	149	70026266.....	381, 403	70027035.....	477
70021531.....	729	70024679.....	151	70026292.....	795, 1009	70027092.....	377
70021606.....	399	70024684.....	151			70027105.....	371, 393
70021613.....	399	70024721.....	151, 155			70027317.....	377, 399

SECTION 13 - SPECIAL OPTIONS/ACCESSORIES/KITS

70027392	487	70028922	374, 396	70029639	151	70030024	371, 393
70027393	487	70028923	374, 396	70029640	151	70030025	374, 395
70027394	485, 487	70028924	373, 395	70029641	151	70030026	374, 395
70027395	485	70028926	373, 395	70029642	151	70030027	379, 401
70027399	485	70029429	233	70029643	151	70030028	379, 401, 1009
70027595	723	70029430	233	70029644	153	70030030	395
70027641	141	70029431	233	70029645	153	70030036	737
70027642	127, 141	70029454	373	70029646	153	70030054	711, 713
70027644	141	70029478	141	70029647	159	70030055	711, 713
70027645	141	70029479	142	70029648	149	70030056	711, 713
70027647	142	70029480	141	70029649	161	70030057	711, 713
70027649	142	70029481	141	70029650	161	70030058	713
70027705	717	70029483	371, 393	70029651	161	70030059	713
70027706	717	70029486	373, 395	70029652	161	70030060	711, 713
70027773	141	70029553	141	70029653	161	70030061	711, 713
70027796	377	70029554	141	70029654	161	70030062	711
70028119	157	70029556	141	70029655	161	70030063	711, 713
70028130	155	70029586	149	70029656	161	70030064	719
70028153	151, 161	70029587	149	70029657	161	70030065	719
70028154	151, 161	70029588	149	70029658	161	70030066	719
70028155	151, 161	70029592	159	70029659	155	70030067	719
7002821	1012	70029593	159	70029660	155	70030068	719
7002823	1012	70029594	159	70029661	155	70030069	719
7002826	1012	70029595	149, 155	70029662	155	70030070	719
70028281	725, 1008	70029596	157	70029663	155	70030071	719
70028282	725	70029597	157, 1008	70029664	155	70030077	719
70028285	739	70029598	157	70029665	155	70030078	719
70028286	733	70029599	157	70029666	155	70030079	719
70028287	733	70029600	157	70029667	155	70030080	719
70028296	733	70029601	157	70029668	155	70030082	719
70028297	733	70029602	157	70029669	155	70030086	289
70028299	733	70029603	159	70029670	155	70030087	289, 291
70028300	733	70029604	159	70029671	155	70030090	691
70028326	495	70029605	159	70029672	155	70030091	691
70028381	575	70029606	159	70029673	155	70030092	691
70028382	575	70029607	159	70029674	155	70030109	687
70028383	575, 1009	70029608	149	70029675	155	70030110	687
70028388	369, 373, 391, 395	70029609	149	70029676	155	70030111	687
70028389	369, 373, 391, 395	70029610	149	70029677	155	70030112	687
70028390	371	70029611	149	70029678	155	70030113	687
70028392	374, 396	70029612	149	70029679	155	70030114	687
70028397	395	70029613	149	70029680	155	70030115	683
70028398	393	70029614	149	70029681	153	70030116	683
70028450	231	70029615	149	70029682	153	70030117	683, 691
70028454	677	70029616	149	70029683	153	70030118	683, 699, 709
70028465	379, 401	70029617	149	70029684	153	70030119	683, 691, 699
70028466	379, 401	70029618	149	70029685	153	70030120	683, 691, 699
70028467	379, 401	70029619	149	70029686	153	70030121	691
70028468	379, 401	70029620	149	70029687	153	70030122	691
70028486	141	70029621	149	70029688	153	70030123	709
70028525	141	70029622	149	70029689	153	70030124	699, 709
70028526	142	70029623	149	70029690	153	70030125	699, 709
70028546	801	70029624	149	70029691	153	70030126	709
70028548	289, 291	70029625	149	70029692	153	70030127	709
70028550	289, 291	70029626	149	70029693	153	70030128	699
70028661	155	70029627	149	70029694	153	70030129	699
70028672	155	70029628	149	70029695	153	70030130	699
70028701	149, 161	70029629	149	70029701	141	70030131	699
70028702	149, 161	70029630	149	70029702	141	70030132	699
70028703	149, 161	70029631	149	70029872	733	70030141	127
70028706	161	70029632	151	70029873	733	70030142	127
70028707	161	70029633	151	70029874	733	70030143	127
70028708	161	70029634	151	70029919	231, 233	70030144	127
70028768	155	70029635	151	70029976	735	70030145	127
70028882	395	70029636	151	70029977	735	70030146	233
		70029637	151	70029978	735	70030152	679
		70029638	151	70029979	735	70030153	679

SECTION 13 - SPECIAL OPTIONS/ACCESSORIES/KITS

70030154.....	679	7029520.....	171	8220051	790, 791, 882	8580315.....	135, 137
70030155.....	679	7029521.....	171	8220097.....	860	8584001.....	135
70030156.....	679	7029692.....	213	8220098.....	860	8584003.....	961
70030157.....	679	7029703.....	141	8220108.....	867	8630003.....	163
70030158.....	679	7029711.....	127	8220124.....	860, 863	8642207.....	135, 137
70030159.....	679	7029734.....	377, 399	8229234.....	951	86671583.....	315
70030160.....	679	7029735.....	377, 399	8229235.....	847, 1008	86683122.....	335
70030164.....	233	7029785.....	399	8229242 ...	795, 797, 860, 864, 959, 1008	86883127.....	313, 315
70030167.....	233	7029787.....	377	8229243 ..	860, 864, 1008	8750024.....	339, 341
70030168.....	233	7029996.....	141	8229244 ...	799, 860, 875, 1008	8750025.....	339, 341
70030169.....	233	7029997.....	141	8229245 ..	795, 875, 1008	8769132.....	135, 137
70030240.....	733	7062922.....	135, 137	8229247 ..	797, 875, 1008	8770016.....	135, 137
70030241.....	733	7110702.....	135, 137	8229261.....	1008	8770030.....	645
70030242.....	733	7110712.....	135, 137	8278020 ...	279, 281, 283, 287	8770215.....	62
70030243.....	733	7110722.....	135, 137	8303634	135, 137, 163	8770241.....	351
70030244.....	733	7117502.....	71	8303658.....	163	8770247.....	265
70030245.....	733	7139918.....	163	8303715.....	135, 137	8770248.....	405
70030246.....	733	7300435.....	229	8305624.....	163	8786549.....	407
70030278.....	713	7301295.....	163	8305643	135, 137, 163	88662434.....	631
70030287.....	291	7301408.....	189	8305919	457, 524, 535	88662447.....	669
70030288.....	291	7301536.....	623	8307904.....	135, 137	88671001... ..	129, 131, 133
70030305.....	723	77133136.....	603	8307908.....	135, 137	8880218-OM.....	357, 359
70030306.....	723	77133137.....	603	8307918.....	135, 137	8896941.....	1012
70030310.....	233	77133497.....	839	8310160.....	135, 137	8902842.....	705
70030311.....	233	77384830.....	233	8310161.....	135, 137	90028631.....	235, 263
70030312.....	233	8000759.....	443	8310302.....	163	90200003.. ..	121, 123, 125, 129, 131, 133, 135, 137, 163
70030313.....	233	8000803.....	427	8310410.....	829	90200849.....	245
70030314.....	233	8004398.....	443	8310435.....	163	90206202.....	55
70030315.....	233	8005870.....	445	8310559.....	439	90451058.....	163
70030316.....	233	8005901.....	521	8310686.....	669, 671	90554016.. ..	127, 169, 211, 213, 219
70031049.....	825	8008175.....	379, 401	8342813.....	49, 1008	90554017.....	127
70031050.....	485	80204002.....	369, 391	8405006.....	39, 615, 631	90554020.. ..	127, 141, 211, 213
70031051.....	485	80204005 .	369, 373, 391, 395	8405007 ...	295, 297, 619, 629, 631	90554021.....	141
70031052.....	485	80204012.....	374, 396	8405009.....	273, 573	90554024.....	141
70031053.....	485	80204033.....	371, 393	8405101 ...	295, 297, 631	90554025.....	141
70031054.....	485	80204035.....	371, 393	8405103.....	629, 631	90554026.....	141
70031325.....	705	80204043.....	371, 393	8405201 ...	295, 297, 524, 527	90554027.....	141
70031326.....	705	80204060.....	377	8405202.....	295, 297	90554033.....	219
70031327.....	705	80204065.....	373, 395	8405212 ...	299, 301, 303, 305, 307	90554034.....	219
70031328.....	705	80204066.....	373, 395	8405305 ...	299, 301, 305, 307	90554035.....	141
70031329.....	705	80204071.....	373, 395	8405402.....	235, 263	90554039.....	141
70031440.....	155	80204076.....	373, 395	8406101.....	271, 841	90554040.....	141
70031441.....	155	80204108.....	377	8406102.....	615	90554042... ..	141, 211, 213
70031443.....	163	80204117 .	373, 377, 381, 395, 399, 403	8406112.....	254, 258	90554043.....	141
70031444.....	127	80204143.....	379, 401	8410009 ...	317, 319, 343, 497, 500, 629	90554044.....	141
70031445.....	211, 213	80204144.....	379, 401	8410013 ...	271, 295, 297, 613, 631	90554045... ..	141, 142, 701
70031447.....	155	80233218.....	573	8420053 ...	127, 129, 131, 133, 135, 137, 142, 155, 163, 211	90554046.....	142
7004275.....	1012	80264002.....	485, 487	8420055 ...	127, 129, 131, 133, 135, 137, 142, 155, 163, 211	90554054.....	211, 213
7004276.....	1012	80264004.....	485, 487	8430032	653, 661, 667	90554062.....	213
70050473.....	733	80333151.....	573	8430033	653, 661, 667	90554065.....	127
70050475.....	733	8033786.....	705	8430034.....	251	90554067.....	127, 141
7011367.....	661, 727	8034697.....	733	8430081.....	653	90554076.....	213
7022390.....	725, 737	80363195.....	449	8430099.....	615	90554080.....	171
7022391.....	625	8036733.....	681	8466306.....	465	91013191.....	888
7026798.....	477	8037140.....	693	8520003.....	67, 69, 71	91013192.....	882, 885
7028621.....	495	80604017.....	815			91041596.....	67
7028714.....	373, 395	806253.....	47			91043125.....	609, 611
7028715.....	373, 395	806264.....	47			91043126.....	609, 611
7028716.....	373, 395	8065062.....	135, 137			91143122.....	839
7028733.....	374, 395	80933367.....	235, 263			91403119.....	67
7028938.....	231, 233	80963067.....	860			91403193.....	349
7029127.....	379, 401	80983191 .	795, 797, 799, 860, 864, 1008				
7029128.....	231	82033995 ..	271, 317, 319				
7029288.....	369, 391	8220029.....	864				
7029290.....	381, 403	8220050.....	903				
7029309.....	373						
7029486.....	519, 521, 997						

SECTION 13 - SPECIAL OPTIONS/ACCESSORIES/KITS

91403413 . 127, 129, 131, 133, 135, 137, 142, 155, 163, 211, 609, 611	91514083 373	91514131 371, 393	91514177 373, 395
91403414 . 127, 129, 131, 133, 135, 137, 142, 155, 163, 211, 609, 611	91514084 373	91514133 371, 393	91514178 373, 395
91403448 221	91514089 . 369, 373, 377, 391	91514134 371, 393	91514179 373, 395
91413025 235, 263	91514090 381, 403	91514143 371	91514180 373, 395
91474512 369, 391	91514095 373, 395	91514146 373, 395	91514181 373, 395
91504107 815	91514098 369, 391	91514147 373, 395	91514183 373, 395
91513266 411	91514101 369, 391	91514148 373, 395	91514188 373, 395
91514081 373, 395	91514111 373, 395	91514149 373, 395	91514189 373, 395
91514082 373, 395	91514112 373, 395	91514151 377	91561240 91
	91514117 373, 395	91514154 377, 399	91563025 67
	91514118 411	91514159 377, 399	91565005 67
	91514130 371, 393	91514174 373, 395	AU2105 972, 976, 980, 984
		91514175 373, 395	



**Corporate Office
JLG Industries, Inc.
1 JLG Drive
McConnellsburg, PA 17233-9533 USA
☎ (717) 485-5161 (Corporate)
☎ (877) 554-5438 (Customer Support)
📠 (717) 485-6417**

**Visit our website for JLG Worldwide Locations.
www.jlg.com**



OSHKOSH™