



Illustrated Parts Manual

Models

1055

1255

**PVC
2405**

**P/N
3122314000**

May 1, 2024 - Rev A



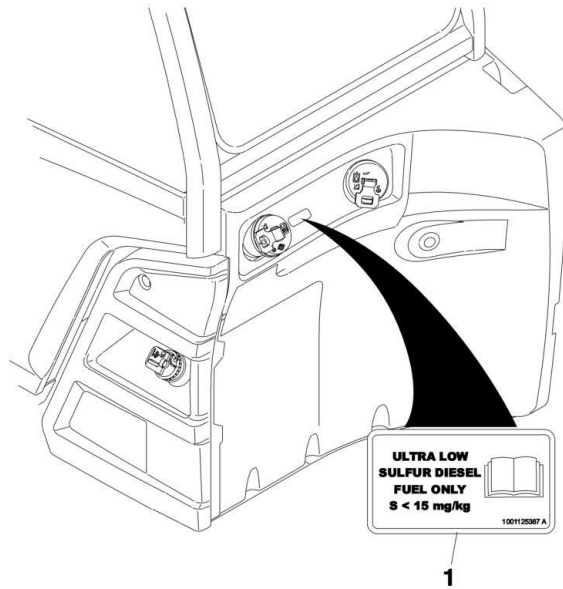
EFFECTIVITY PAGE

May 1, 2024 - A - Original Issue of Manual (Edited to B/M 1001162000 Revision CG)

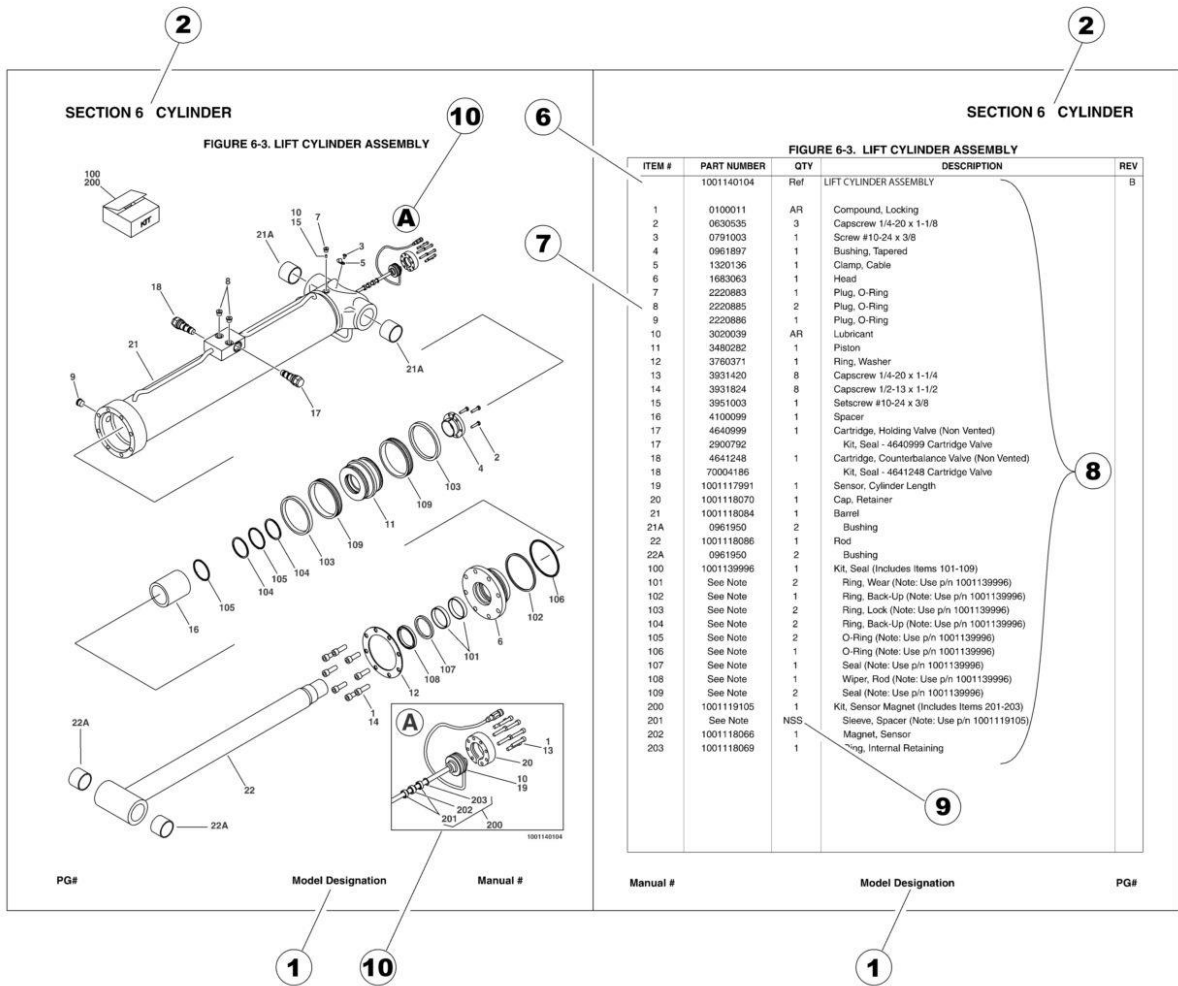
Machine Configuration

Two configurations of each machine are included in this manual. Determine if machine is equipped with Ultra Sulfur Fuel Decal (1) as indicated below.

- If equipped with the Ultra Low Sulfur decal, all specific references to this machine configuration will be referred to as Ultra Low Sulfur (ULS) from this point forward.
- If not equipped with the Ultra Low Sulfur decal, all specific references to this machine configuration will be referred to as Low Sulfur (LS) from this point forward.



GENERAL INFORMATION



1) MACHINE IDENTIFICATION

Machines are identified by model and in some cases a combination of models, serial number (SN) or regional standard (i.e ANSI, CE, CSA). Components may also be identified by SN or manufacturer. Common components that may be identified by these characteristics are engines and hydraulic components.

2) PARTS MANUAL ORGANIZATION

Product information in this manual is organized under section titles. Frame, Cylinder, Hydraulic and Electrical are a few examples. Each section is organized by figure and page number. The information within the Figure is then organized by item number, part number, description and corresponding illustration (s).

3) TABLE OF CONTENTS (NOT SHOWN)

A table of contents is found toward the beginning of the manual. Figure number, description and page number are provided for quick reference to the page containing the related information.

4) RECOMMENDED SPARE PARTS (NOT SHOWN)

The Recommended Spare Parts List, located near the end of the manual, reference most frequently used maintenance parts.

5) PART NUMBER INDEX (NOT SHOWN)

A numerical index listing all part numbers and the corresponding page number(s) appears at the back of the manual.

GENERAL INFORMATION

6) NON-SERVICED PARTS

In some instances, it is necessary to display non-serviced parts, assemblies or installations. In the case of assemblies and installations there will be a Ref in the Qty. column. In case of parts that are not available for service within assemblies or components, there will be a NSS (Not Sold Separately) or NLA (No Longer Available) listed in the Qty. column of the manual.

7) PARTS LIST ITEM NUMBERS

Numbers shown in the item# column correspond to numbers used in the associated illustration (s). Item numbers which are missing from the sequence in the parts list are not used on that page.

8) INDENTED PARTS DESCRIPTION

An indented part description is included in the item under which it is indented.

9) ABBREVIATION AND SYMBOLS

AC.....	Alternating Current	L.....	Liter
ADE.....	Advanced Design Electronics	LB(LBS).....	Pounds
AG.....	Agricultural	LCD.....	Liquid Crystal Display
ANSI.....	American National Standards Institute	LED.....	Light Emitting Diodes
AR.....	As Required	LH.....	Left Hand
ASSY.....	Assembly	LRC.....	Low Rated Countries
AUS.....	Australia	LSS.....	Load Sensing System
AUX.....	Auxiliary	M(m).....	Metric/Meter
AWG.....	American Wire Gauge	MM(mm).....	Milimeter
B/M.....	Bill of Material	mA.....	Miliamps
CAC.....	Charge Air Cooler	NLA.....	No Longer Available
CE.....	European Conformity	NPT.....	National Pipe Threads
CCW.....	Counter Clockwise	NSS.....	Not Sold Separately
CM.....	Centimeter	OD.....	Outside Diameter
CW.....	Clockwise	ORB.....	O-Ring Boss
CSA.....	Canadian Standards Association	ORFS.....	O-Ring Face Seal
CYL.....	Cylinder	OZ (oz).....	Ounces
DIA.....	Diameter	PG.....	Page
DC.....	Direct Current	PN.....	Part Number
DEF.....	Diesel Exhaust Fluid	QT(qt.).....	Quarts
EMS.....	Emergency Stop	QTY.....	Quantity
ENG.....	Engine	REF.....	Reference
FT(ft).....	Feet	REV.....	Revision Level
GA(Ga).....	Gauge	RH.....	Right Hand
HRC.....	High Rated Countries	SAE.....	Society of Automotive Engineers
HVAC.....	Heating, Ventilating, and Air Conditioning	SN.....	Serial Number
HYD.....	Hydraulic	SPEC(S).....	Specifications
Hz.....	Hertz	T/T.....	Turntable
ID.....	Inside Diameter	UGM.....	Universal Ground Module
IN.....	inches	V.....	Volts
ISO.....	International Organization for Standards	W.....	Watts
JIC.....	Joint Industry Council	#.....	Number
KG.....	Kilogram		

10) ILLUSTRATION REFERENCE LETTERS

When necessary, illustrations may contain reference letters that are intended to track information (i. e. hoses, harnesses) from one point to another or to track visual enlargement of components to show details that may be located in another area on the illustration.

Note: Due to continuous product improvements, JLG Industries, Inc. reserves the right to make specification changes without prior notification. Contact JLG Industries, Inc. for updated information.

TABLE OF CONTENTS

SECTION 1 - FRAME AND ATTACHING PARTS.....	19
FIGURE 1-1. FRAME COVER INSTALLATION (ULS).....	20
FIGURE 1-2. FRAME COVER INSTALLATION (LS).....	22
FIGURE 1-3. FRAME LEVEL CYLINDER PIN INSTALLATION.....	24
FIGURE 1-4. REAR STABILIZER CYLINDER PIN INSTALLATION.....	26
FIGURE 1-5. OUTRIGGERS INSTALLATION.....	28
FIGURE 1-6. TANK INSTALLATION.....	30
FIGURE 1-7. FUEL TANK INSTALLATION.....	32
FIGURE 1-8. HYDRAULIC TANK INSTALLATION.....	34
FIGURE 1-9. ENGINE MOUNTING INSTALLATION.....	36
FIGURE 1-10. ENGINE ENCLOSURE INSTALLATION.....	38
FIGURE 1-11. ENGINE ENCLOSURE COVER INSTALLATION.....	40
FIGURE 1-12. HOOD ASSEMBLY.....	42
FIGURE 1-13. MIRROR INSTALLATION.....	44
FIGURE 1-14. TOOLBOX INSTALLATION.....	46
FIGURE 1-15. COUNTERWEIGHT INSTALLATION - 1055.....	48
FIGURE 1-16. COUNTERWEIGHT INSTALLATION - 1255.....	50
SECTION 2 - BOOM.....	53
FIGURE 2-1. BOOM ASSEMBLY - 1055.....	54
FIGURE 2-2. BOOM ASSEMBLY - 1255.....	58
FIGURE 2-3. FIRST BOOM ASSEMBLY - 1055.....	62
FIGURE 2-4. FIRST BOOM ASSEMBLY - 1255.....	64
FIGURE 2-5. SECOND BOOM ASSEMBLY - 1055.....	66
FIGURE 2-6. SECOND BOOM ASSEMBLY - 1255.....	68
FIGURE 2-7. THIRD BOOM ASSEMBLY - 1055.....	70
FIGURE 2-8. THIRD BOOM ASSEMBLY - 1255.....	72
FIGURE 2-9. FOURTH BOOM ASSEMBLY - 1055.....	74
FIGURE 2-10. FOURTH BOOM ASSEMBLY - 1255.....	76
FIGURE 2-11. EXTEND CYLINDER PINS INSTALLATION.....	78
FIGURE 2-12. SECOND BOOM SECTION EXTEND CHAIN INSTALLATION - 1055.....	80
FIGURE 2-13. SECOND BOOM SECTION EXTEND CHAIN INSTALLATION - 1255.....	82
FIGURE 2-14. THIRD BOOM SECTION RETRACT CHAIN INSTALLATION.....	84
FIGURE 2-15. SECOND BOOM SECTION EXTEND CHAIN INSTALLATION - 1055.....	86
FIGURE 2-16. SECOND BOOM SECTION EXTEND CHAIN INSTALLATION - 1255.....	88
FIGURE 2-17. THIRD BOOM SECTION RETRACT CHAIN INSTALLATION - 1055.....	90
FIGURE 2-18. THIRD BOOM SECTION RETRACT CHAIN INSTALLATION - 1255.....	92
FIGURE 2-19. BOOM PIN INSTALLATION.....	94
FIGURE 2-20. BOOM PIVOT PIN INSTALLATION.....	96
FIGURE 2-21. LIFT CYLINDER PIN INSTALLATION.....	98
FIGURE 2-22. COMPENSATION CYLINDER PIN INSTALLATION.....	100
FIGURE 2-23. BOOM BRUSHES INSTALLATION.....	102
FIGURE 2-24. BOOM ANGLE INDICATOR INSTALLATION.....	104
FIGURE 2-25. MANUAL QUICK COUPLER INSTALLATION.....	106
FIGURE 2-26. HYDRAULIC QUICK COUPLER INSTALLATION.....	108

TABLE OF CONTENTS

FIGURE 2-27. HYDRAULIC QUICK COUPLER INSTALLATION.....	110
FIGURE 2-28. QUICK COUPLING CYLINDER & FITTING ASSEMBLY.....	112
FIGURE 2-29. COUPLING PIN INSTALLATION.....	114
FIGURE 2-30. TILT CYLINDER PIN INSTALLATION.....	116
FIGURE 2-31. QUICK COUPLER ASSEMBLY.....	118
FIGURE 2-32. BOOM PROP INSTALLATION (ANSI).....	120
FIGURE 2-33. BOOM PROP INSTALLATION (CANADA).....	122
FIGURE 2-34. BOOM PROP BRACKET.....	124
SECTION 3 - ATTACHMENTS.....	127
FIGURE 3-1. BASKET, PERSONNEL (ENGLISH DECALS).....	128
FIGURE 3-2. BASKET, PERSONNEL (ENGLISH/FRENCH DECALS).....	130
FIGURE 3-3. BASKET, PERSONNEL (ISO DECALS).....	132
FIGURE 3-4. BASKET ASSEMBLY.....	134
FIGURE 3-5. BOOM - ADJUSTABLE.....	136
FIGURE 3-6. BOOM - ADJUSTABLE (FORK MOUNTED).....	138
FIGURE 3-7. BOOM - 3FT WITH WINCH.....	140
FIGURE 3-8. BOOM - 12FT WITH WINCH.....	142
FIGURE 3-9. BOOM - 12FT WITHOUT WINCH (WELDED ON HOOK).....	144
FIGURE 3-10. BOOM - 12FT WITHOUT WINCH (BOLTED ON HOOK).....	146
FIGURE 3-11. BOOM - 15FT WITHOUT WINCH (WELDED ON HOOK).....	148
FIGURE 3-12. BOOM - 15FT WITHOUT WINCH (BOLTED ON HOOK).....	150
FIGURE 3-13. BUCKET - 72IN 1.0 YD ³	152
FIGURE 3-14. BUCKET - 96IN 1.3 YD ³ (GENERAL PURPOSE).....	154
FIGURE 3-15. BUCKET - 96IN 1.3 YD ³ (MULTI-PURPOSE).....	156
FIGURE 3-16. BUCKET - 102IN 2.0 YD ³	158
FIGURE 3-17. BUCKET - FORK MOUNTED (1.0 M ³).....	160
FIGURE 3-18. CARRIAGE ASSEMBLY - 48IN SIDE SHIFT.....	162
FIGURE 3-19. CARRIAGE ASSEMBLY - 50IN.....	164
FIGURE 3-20. CARRIAGE ASSEMBLY - 50IN DUAL FORK POSITIONING (10K).....	166
FIGURE 3-21. CARRIAGE ASSEMBLY - 50IN DUAL FORK POSITIONING (12K).....	168
FIGURE 3-22. CARRIAGE ASSEMBLY - DUAL FORK VALVE & FITTINGS.....	170
FIGURE 3-23. CARRIAGE ASSEMBLY - 50IN/12000# CAPACITY SIDE TILT (WITH BASE PIVOT WEAR PADS).....	172
FIGURE 3-24. CARRIAGE ASSEMBLY - 50IN/12000# CAPACITY SIDE TILT (WITHOUT BASE PIVOT WEAR PADS).....	174
FIGURE 3-25. CARRIAGE ASSEMBLY - 60IN.....	176
FIGURE 3-26. CARRIAGE ASSEMBLY - 60IN/12000# CAPACITY SIDE TILT (WITH BASE PIVOT WEAR PADS).....	178
FIGURE 3-27. CARRIAGE ASSEMBLY - 60IN/12000# CAPACITY SIDE TILT (WITHOUT BASE PIVOT WEAR PADS).....	180
FIGURE 3-28. CARRIAGE ASSEMBLY - 72IN.....	182
FIGURE 3-29. CARRIAGE ASSEMBLY - 72IN FORK POSITIONING (12K).....	184
FIGURE 3-30. CARRIAGE ASSEMBLY - 72IN/12000# CAPACITY SIDE TILT (WITHOUT BASE PIVOT WEAR PADS).....	186
FIGURE 3-31. CARRIAGE ASSEMBLY - 72IN/12000# CAPACITY SIDE TILT (WITH BASE PIVOT WEAR PADS).....	188
FIGURE 3-32. CARRIAGE ASSEMBLY - 72IN 90 DEGREE SWING.....	190
FIGURE 3-33. CARRIAGE ASSEMBLY - SWING (180).....	192
FIGURE 3-34. CARRIAGE INSTALLATION - DRYWALL SWING.....	198
FIGURE 3-35. CARRIAGE ASSEMBLY - DRYWALL ROTATING CARRIAGE.....	200
FIGURE 3-36. CARRIAGE ASSEMBLY - DRYWALL BOARD HANDLER.....	202

TABLE OF CONTENTS

FIGURE 3-37. CARRIAGE ASSEMBLY - DRYWALL PIVOT FRAME GROUP	204
FIGURE 3-38. CARRIAGE ASSEMBLY - DRYWALL CYLINDER.....	206
FIGURE 3-39. CARRIAGE ASSEMBLY - DRYWALL HYDRAULIC GROUP	208
FIGURE 3-40. CARRIAGE ASSEMBLY - DRYWALL VALVE ASSEMBLY	210
FIGURE 3-41. CARRIAGE ASSEMBLY - DRYWALL CYLINDER.....	212
FIGURE 3-42. CARRIAGE ASSEMBLY - DRYWALL FORK GROUP.....	214
FIGURE 3-43. FORK - 1.6INX6INX60INLUMBER FORK.....	216
FIGURE 3-44. FORK - 2INX2INX48IN BLOCK FORK	218
FIGURE 3-45. FORK - 2INX6INX48IN TAPERED FORK.....	220
FIGURE 3-46. FORK - 2INX6INX72IN LUMBER FORK.....	222
FIGURE 3-47. FORK - 2INX7INX60INLUMBER FORK.....	224
FIGURE 3-48. FORK - 2.36INX4INX48IN PALLET FORK	226
FIGURE 3-49. FORK - 2.36INX4INX48IN PALLET FORK (DUAL:FORK POSITIONING)	228
FIGURE 3-50. FORK - 2.36INX4INX60IN PALLET FORK (DUAL:FORK POSITIONING)	230
FIGURE 3-51. FORK - 2.36INX5INX48IN PALLET FORK (WITH OR WITHOUT DUAL FORK POSITIONING)	232
FIGURE 3-52. FORK - 2.36INX5INX60IN PALLET FORK (WITH OR WITHOUT DUAL FORK POSITIONING)	234
FIGURE 3-53. FORK - 2.36INX5INX72IN PALLET FORK (DUAL:FORK POSITIONING)	236
FIGURE 3-54. FORK - 2.36INX6INX60IN PALLET FORK	238
FIGURE 3-55. FORK CLAMPS INSTALLATION	240
FIGURE 3-56. FORK EXTENSION - 90IN.....	242
FIGURE 3-57. PLATFORM (FORK MOUNTED) (4X9.8)	244
FIGURE 3-58. PLATFORM (FORK MOUNTED) (4X8 WITH DOORS)	246
FIGURE 3-59. HOOK - COUPLER MOUNTED	248
FIGURE 3-60. HOOK - FORK MOUNTED	250
FIGURE 3-61. LIFTING HOOK (10K).....	252
FIGURE 3-62. MAST - 8FT	254
FIGURE 3-63. MAST - 8FT SIDE TILT.....	258
FIGURE 3-64. MAST CYLINDER ASSEMBLY.....	262
FIGURE 3-65. MAST DECAL KIT.....	264
FIGURE 3-66. PIPE HANDLER.....	266
FIGURE 3-67. SWEEPER ASSEMBLY	270
FIGURE 3-68. SWEEPER - HOPPER ASSEMBLY.....	272
FIGURE 3-69. SWEEPER - BODY ASSEMBLY	274
FIGURE 3-70. SWEEPER - MOTOR ASSEMBLY	276
FIGURE 3-71. SWEEPER - IDLER ASSEMBLY	278
FIGURE 3-72. SWEEPER - CORE ASSEMBLY	280
FIGURE 3-73. SWEEPER - HYDRAULIC SINGLE MOTOR ASSEMBLY.....	282
FIGURE 3-74. TRASH HOPPER.....	284
FIGURE 3-75. TELESCOPE PIVOT ADJUSTABLE JIB (10K).....	286
SECTION 4 - ENGINE AND ATTACHING PARTS	289
FIGURE 4-1. ENGINE INSTALLATION (ULS)	290
FIGURE 4-2. ENGINE INSTALLATION (LS).....	292
FIGURE 4-3. 3.8L ENGINE (ULS).....	294
FIGURE 4-4. 3.8L ENGINE (LS).....	296
FIGURE 4-5. FUEL LINES INSTALLATION (ULS).....	298

TABLE OF CONTENTS

FIGURE 4-6. FUEL LINES INSTALLATION (LS).....	302
FIGURE 4-7. PRIMARY FUEL FILTER INSTALLATION (ULS)	306
FIGURE 4-8. PRIMARY FUEL FILTER INSTALLATION (LS).....	308
FIGURE 4-9. FUEL TANK ASSEMBLY.....	310
FIGURE 4-10. COOLING PACKAGE INSTALLATION (ULS).....	312
FIGURE 4-11. COOLING PACKAGE INSTALLATION (LS).....	314
FIGURE 4-12. RADIATOR COOLING PACKAGE	316
FIGURE 4-13. HOC LINES INSTALLATION.....	318
FIGURE 4-14. COOLANT LINES INSTALLATION (ULS)	320
FIGURE 4-15. COOLANT LINES INSTALLATION (LS).....	322
FIGURE 4-16. CAC LINES INSTALLATION (ULS).....	324
FIGURE 4-17. CAC LINES INSTALLATION (LS)	326
FIGURE 4-18. TOC LINES INSTALLATION	328
FIGURE 4-19. SURGE TANK INSTALLATION.....	330
FIGURE 4-20. FAN INSTALLATION	332
FIGURE 4-21. FAN GUARD INSTALLATION	334
FIGURE 4-22. AIR INTAKE LINES INSTALLATION (ULS).....	336
FIGURE 4-23. AIR CLEANER LINES INSTALLATION (LS)	338
FIGURE 4-24. AIR CLEANER INSTALLATION (ULS).....	340
FIGURE 4-25. AIR CLEANER INSTALLATION (LS).....	342
FIGURE 4-26. AIR CLEANER ASSEMBLY (90/100KW)	344
FIGURE 4-27. AIR INTAKE DUCT INSTALLATION	346
FIGURE 4-28. EXHAUST INSTALLATION (ULS).....	348
FIGURE 4-29. EXHAUST INSTALLATION (LS)	350
FIGURE 4-30. MUFFLER INSTALLATION (LS)	352
FIGURE 4-31. DEF LINES INSTALLATION.....	354
FIGURE 4-32. DEF PUMP LINES INSTALLATION	356
FIGURE 4-33. DEF TANK INSTALLATION	358
FIGURE 4-34. DEF PUMP AND CONTROL INSTALLATION.....	360
FIGURE 4-35. UREA PUMP	362
FIGURE 4-36. DEF TANK ASSEMBLY.....	364
FIGURE 4-37. DEF BREATHER VALVE	366
FIGURE 4-38. ENGINE PARTS INSTALLATION (NO HEATER)	368
FIGURE 4-39. ENGINE PARTS INSTALLATION (HEATER).....	370
FIGURE 4-40. A/C PUMP INSTALLATION (ULS).....	372
FIGURE 4-41. A/C PUMP INSTALLATION (LS)	374
FIGURE 4-42. A/C LINES INSTALLATION.....	376
FIGURE 4-43. ENGINE OIL QUICK DRAIN INSTALLATION	378
FIGURE 4-44. FUEL CAP ASSEMBLY.....	380
FIGURE 4-45. HEATER BREATHER.....	382
FIGURE 4-46. AIR INTAKE SHUT OFF VALVE INSTALLATION.....	384
SECTION 5 - DRIVE TRAIN	387
FIGURE 5-1. TRANSMISSION INSTALLATION.....	388
FIGURE 5-2. POWERSHIFT TRANSMISSION	390
FIGURE 5-3. TRANSMISSION, ENGINE CONNECTION.....	392

TABLE OF CONTENTS

FIGURE 5-4. TRANSMISSION, CONVERTER	394
FIGURE 5-5. TRANSMISSION, INPUT	396
FIGURE 5-6. TRANSMISSION, HOUSING GROUP 1	398
FIGURE 5-7. TRANSMISSION, HOUSING GROUP 2	400
FIGURE 5-8. TRANSMISSION, CLUTCH GROUP 1	402
FIGURE 5-9. TRANSMISSION, CLUTCH GROUP 2	404
FIGURE 5-10. TRANSMISSION, COUPLING GROUP 1	406
FIGURE 5-11. TRANSMISSION, COUPLING GROUP 2	408
FIGURE 5-12. TRANSMISSION, COUPLING GROUP 3	410
FIGURE 5-13. TRANSMISSION, COUPLING GROUP 4	412
FIGURE 5-14. TRANSMISSION, OUTPUT	414
FIGURE 5-15. TRANSMISSION, POWER TAKE-OFF	416
FIGURE 5-16. TRANSMISSION, CONTROL UNIT	418
FIGURE 5-17. TRANSMISSION, SHIFT SYSTEM	420
FIGURE 5-18. TRANSMISSION, PRESSURE REGULATOR	422
FIGURE 5-19. TRANSMISSION, PRESSURE OIL PUMP	424
FIGURE 5-20. TRANSMISSION, INDUCTIVE TRANSMITTER	426
FIGURE 5-21. TRANSMISSION, FILTER	428
FIGURE 5-22. TRANSMISSION, OIL DIPSTICK	430
FIGURE 5-23. TRANSMISSION, ACCESSORIES	432
FIGURE 5-24. TRANSMISSION, TRANSFER BOX HOUSING 1	434
FIGURE 5-25. TRANSMISSION, TRANSFER BOX HOUSING 2	436
FIGURE 5-26. TRANSMISSION, TRANSFER BOX HOUSING INPUT	438
FIGURE 5-27. TRANSMISSION, TRANSFER BOX HOUSING OUTPUT 1	440
FIGURE 5-28. TRANSMISSION, TRANSFER BOX HOUSING OUTPUT 2	442
FIGURE 5-29. DRIVE TRAIN INSTALLATION	444
FIGURE 5-30. DRIVE SHAFTS INSTALLATION	446
FIGURE 5-31. FRONT DRIVE SHAFT INSTALLATION	448
FIGURE 5-32. FRONT MID SHAFT INSTALLATION	450
FIGURE 5-33. FRONT MID DRIVE SHAFT	452
FIGURE 5-34. REAR DRIVE SHAFT INSTALLATION	454
FIGURE 5-35. REAR DRIVE SHAFT ASSEMBLY	456
FIGURE 5-36. REAR DRIVE SHAFT	458
FIGURE 5-37. FRONT AXLE INSTALLATION	460
FIGURE 5-38. FRONT AXLE MOUNTING INSTALLATION, 110HP	462
FIGURE 5-39. REAR AXLE INSTALLATION	464
FIGURE 5-40. REAR AXLE MOUNTING INSTALLATION	466
FIGURE 5-41. REAR AXLE	468
FIGURE 5-42. REAR AXLE	470
FIGURE 5-43. LSI AXLE SENSOR INSTALLATION	472
FIGURE 5-44. LSI SENSOR INSTALLATION	474
FIGURE 5-45. TIRE/WHEEL SET 14-24 16PR - AIR	476
FIGURE 5-46. TIRE/WHEEL SET - 14.00-24 FOAM FILLED	478
FIGURE 5-47. TIRE/WHEEL SET - 14.00-24 E-3 FOAM FILLED (SUNSHINE)	480
FIGURE 5-48. TIRE/WHEEL SET 14-24 - FOAM-FILLED (E-3) (NON-MARKING) (SUNSHINE)	482

TABLE OF CONTENTS

FIGURE 5-49. TIRE/WHEEL SET 14-24 SOLIDBOSS (DIRECTIONAL).....	484
FIGURE 5-50. TIRE/WHEEL SET - 14.00-24 SOLIDEAL (DIRECTIONAL).....	486
FIGURE 5-51. TIRE/WHEEL SET 14-28 SOLIDBOSS (DIRECTIONAL).....	488
FIGURE 5-52. TIRE/WHEEL SET 14-28 SOLIDBOSS (NON-DIRECTIONAL)	490
FIGURE 5-53. TIRE/WHEEL SET - 17.50-25 AIR	492
FIGURE 5-54. TIRE/WHEEL SET - 17.50-25 - FOAM FILLED	494
FIGURE 5-55. TIRE SET - 18 X 625 (TURF PNEUMATIC)	496
FIGURE 5-56. TIRE/WHEEL SET 360/85-28 - SOLID.....	498
FIGURE 5-57. TIRE/WHEEL SET 400/75-28 - AIR.....	500
FIGURE 5-58. TIRE/WHEEL SET - 400/75-28 - PNEUMATIC NON MARKING.....	502
FIGURE 5-59. TIRE/WHEEL SET 400/75-28 - FOAM FILLED	504
FIGURE 5-60. TIRE/WHEEL SET 400/75-28 - FOAM FILLED NON MARKING	506
FIGURE 5-61. FENDER INSTALLATION	508
FIGURE 5-62. WHEEL CHOCK INSTALLATION.....	510
SECTION 6 - CAB	513
FIGURE 6-1. BEACON BRACKET INSTALLATION - WITHOUT CLEARSKY	514
FIGURE 6-2. CAB MOUNTING.....	516
FIGURE 6-3. CAB MOUNTS INSTALLATION	518
FIGURE 6-4. FRONT CAB OUTRIGGER INSTALLATION.....	520
FIGURE 6-5. CAB FENDER INSTALLATION	522
FIGURE 6-6. CAB FENDER INSTALLATION REAR (LH)	524
FIGURE 6-7. CAB GUARD INSTALLATION (TOP)	526
FIGURE 6-8. CAB GUARD INSTALLATION (FRONT)	528
FIGURE 6-9. CAB GUARD INSTALLATION (TOP AND FRONT)	530
FIGURE 6-10. OROPS CAB INSTALLATION.....	532
FIGURE 6-11. EROPS CAB INSTALLATION	534
FIGURE 6-12. LSI ENCLOSED CAB INSTALLATION.....	536
FIGURE 6-13. LSI OPEN CAB INSTALLATION	538
FIGURE 6-14. CAB, TRIM KIT.....	540
FIGURE 6-15. CAB, TRIM KIT.....	542
FIGURE 6-16. CAB, EPD CAULK.....	544
FIGURE 6-17. OPEN CAB ASSEMBLY.....	546
FIGURE 6-18. OPEN CAB PLUG GROUP	548
FIGURE 6-19. OPEN CAB, LSI DISPLAY INSTALLATION	550
FIGURE 6-20. ENCLOSED CAB ASSEMBLY	552
FIGURE 6-21. REAR WINDOW INSTALLATION	554
FIGURE 6-22. DOOR INSTALLATION	556
FIGURE 6-23. ENCLOSED CAB PLUG GROUP.....	558
FIGURE 6-24. LSI DISPLAY INSTALLATION.....	560
FIGURE 6-25. BASIC MIRROR INSTALLATION.....	562
FIGURE 6-26. FRONT COVER INSTALLATION (ENCLOSED CAB).....	564
FIGURE 6-27. FRONT COVER INSTALLATION (OPEN CAB)	566
FIGURE 6-28. LEVEL INDICATOR INSTALLATION	568
FIGURE 6-29. FRONT WIPER INSTALLATION	570
FIGURE 6-30. WASHER TANK INSTALLATION.....	572

TABLE OF CONTENTS

FIGURE 6-31. REAR WINDOW INSTALLATION (WO/WIPER) (ANSI)	574
FIGURE 6-32. REAR WINDOW INSTALLATION (WO/WIPER) (ISO)	576
FIGURE 6-33. REAR WINDOW INSTALLATION (WO/WIPER) (ENG/SPAN)	578
FIGURE 6-34. HEADLINER INSTALLATION	580
FIGURE 6-35. OPEN CAB TRIM INSTALLATION	582
FIGURE 6-36. ENCLOSED CAB TRIM INSTALLATION	586
FIGURE 6-37. OPEN CAB FRONT COVER	590
FIGURE 6-38. ENCLOSED CAB FRONT COVER	592
FIGURE 6-39. SEAT INSTALLATION (ORANGE SEAT BELT)	594
FIGURE 6-40. SEAT INSTALLATION - VINYL	596
FIGURE 6-41. SEAT (ORANGE SEAT BELT)	598
FIGURE 6-42. SEAT ASSEMBLY - VINYL	600
FIGURE 6-43. ARMREST	602
FIGURE 6-44. SEAT BELT INSTALLATION (3 INCH)	604
FIGURE 6-45. HEATER INSTALLATION	606
FIGURE 6-46. HEATER AND A/C INSTALLATION (CAB PARTS)	608
FIGURE 6-47. HEATER ASSEMBLY	612
FIGURE 6-48. HEATER ASSEMBLY	614
FIGURE 6-49. HEATER AND A/C ASSEMBLY	616
FIGURE 6-50. HEATER AND A/C ASSEMBLY	618
FIGURE 6-51. CAB CONDENSER ASSEMBLY	620
FIGURE 6-52. A/C RECEIVER DRIER	622
FIGURE 6-53. CONDENSER	624
FIGURE 6-54. REAR WIPER INSTALLATION	626
FIGURE 6-55. ROOF WIPER INSTALLATION	628
FIGURE 6-56. ROOF CAP INSTALLATION (A/C)	630
FIGURE 6-57. ROOF CAP INSTALLATION (NO A/C)	632
FIGURE 6-58. NON SKID TAPE INSTALLATION	634
FIGURE 6-59. EXTERNAL WINDOW RELEASE INSTALLATION (CAN & ISO)	636
FIGURE 6-60. SWITCH LIGHT INSTALLATION	638
FIGURE 6-61. ROOF PIGTAIL CAP INSTALLATION	640
FIGURE 6-62. NO SUNSCREEN INSTALLATION	642
FIGURE 6-63. RETRACTABLE SUNSCREEN INSTALLATION	644
FIGURE 6-64. REAR WINDOW EXIT DECAL INSTALLATION	646
FIGURE 6-65. ROOF PIGTAIL INSTALLATION	648
FIGURE 6-66. FILTER TRAY PANEL	650
FIGURE 6-67. FRONT DUCT COVER	652
FIGURE 6-68. WASHER BOTTLE	654
FIGURE 6-69. REAR WINDOW ASSEMBLY	656
FIGURE 6-70. DOOR UPPER GLASS ASSEMBLY	658
FIGURE 6-71. CAB LATCH ASSEMBLY	660
FIGURE 6-72. CAB DOOR TRIGGER ASSEMBLY	662
FIGURE 6-73. DOOR ASSEMBLY	664
FIGURE 6-74. DOOR STRAP INSTALLATION	666
FIGURE 6-75. CAB DOOR	668

TABLE OF CONTENTS

FIGURE 6-76. FIRE EXTINGUISHER INSTALLATION	670
SECTION 7 - CONTROLS.....	673
FIGURE 7-1. ACCELERATOR PEDAL INSTALLATION.....	674
FIGURE 7-2. ACCELERATOR PEDAL	676
FIGURE 7-3. BRAKE PEDAL INSTALLATION	678
FIGURE 7-4. BRAKE PEDAL.....	680
FIGURE 7-5. BRAKE PEDAL PLATE	682
FIGURE 7-6. STEERING COLUMN INSTALLATION NO FNR LEVER	684
FIGURE 7-7. STEERING COLUMN INSTALLATION	686
FIGURE 7-8. STEERING WHEEL INSTALLATION	688
FIGURE 7-9. STEERING WHEEL.....	690
FIGURE 7-10. HORN BUTTON INSTALLATION	692
FIGURE 7-11. JOYSTICK INSTALLATION (ELOBAU BRAND)	694
FIGURE 7-12. JOYSTICK INSTALLATION (BOSCH/REXROTH BRAND).....	696
FIGURE 7-13. JOYSTICK ASSEMBLY (ELOBAU BRAND)	698
FIGURE 7-14. JOYSTICK ASSEMBLY (BOSCH/REXROTH BRAND).....	700
FIGURE 7-15. OUTRIGGER SWITCHES INSTALLATION.....	702
FIGURE 7-16. COLUMN CLAMP INSTALLATION	704
FIGURE 7-17. WIPER-TURN SWITCH INSTALLATION	706
SECTION 8 - HYDRAULIC CIRCUITS	709
FIGURE 8-1. MAIN HYDRAULICS INSTALLATION	710
FIGURE 8-2. AXLE (FRONT) LINES INSTALLATION	714
FIGURE 8-3. AXLE (REAR) LINES INSTALLATION	716
FIGURE 8-4. BOOM HYDRAULIC INSTALLATION.....	718
FIGURE 8-5. BOOM HYDRAULIC TUBES INSTALLATION.....	720
FIGURE 8-6. BOOM HOSES INSTALLATION.....	724
FIGURE 8-7. BOOM AUXILIARY HYDRAULIC INSTALLATION	726
FIGURE 8-8. BOOM AUXILIARY HYDRAULIC INSTALLATION WITH HYDRAULIC COUPLER.....	728
FIGURE 8-9. CAB HYDRAULIC INSTALLATION	730
FIGURE 8-10. COUPLER VALVE & FITTING ASSEMBLY	732
FIGURE 8-11. ENGINE BAY HYDRAULIC INSTALLATION.....	734
FIGURE 8-12. EXTEND/RETRACT CYLINDER VALVE INSTALLATION	738
FIGURE 8-13. FRAME HYDRAULIC INSTALLATION.....	740
FIGURE 8-14. FRAME LEVEL AND OUTRIGGER VALVE INSTALLATION.....	744
FIGURE 8-15. FRAME LEVEL CYLINDER INSTALLATION	746
FIGURE 8-16. FRAME LEVEL AND OUTRIGGER VALVE & FITTINGS ASSEMBLY	748
FIGURE 8-17. LIFT CYLINDER VALVE INSTALLATION WITHOUT RIDE CONTROL.....	750
FIGURE 8-18. LIFT CYLINDER & FITTING ASSEMBLY - 1055	752
FIGURE 8-19. LIFT CYLINDER INSTALLATION - 1255.....	754
FIGURE 8-20. MAIN CONTROL VALVE INSTALLATION	756
FIGURE 8-21. MAIN CONTROL VALVE & FITTINGS ASSEMBLY	758
FIGURE 8-22. PIPE HANDLER VALVE & FITTINGS ASSEMBLY	760
FIGURE 8-23. PISTON PUMP INSTALLATION	762
FIGURE 8-24. PISTON PUMP & FITTINGS ASSEMBLY	764

TABLE OF CONTENTS

FIGURE 8-25. PRIORITY FUNCTION MANIFOLD INSTALLATION.....	766
FIGURE 8-26. PRIORITY FUNCTION MANIFOLD & FITTINGS ASSEMBLY	768
FIGURE 8-27. CYLINDER & VALVE INSTALLATION - STABILIZER (REAR AXLE).....	770
FIGURE 8-28. RIDE CONTROL INSTALLATION - 1055	772
FIGURE 8-29. RIDE CONTROL INSTALLATION - 1255	774
FIGURE 8-30. RIDE CONTROL HYDRAULIC LINES.....	776
FIGURE 8-31. SAHR BRAKE VALVE INSTALLATION.....	778
FIGURE 8-32. SAHR BRAKE VALVE & FITTINGS ASSEMBLY	780
FIGURE 8-33. STEER COLUMN CHECK VALE & FITTINGS ASSEMBLY	782
FIGURE 8-34. STEER SELECT VALVE INSTALLATION	784
FIGURE 8-35. STEER SELECT VALVE & FITTINGS ASSEMBLY.....	786
SECTION 9 - HYDRAULIC COMPONENTS.....	789
FIGURE 9-1. CYLINDER GROUP INSTALLATION (1055).....	790
FIGURE 9-2. CYLINDER GROUP INSTALLATION (1255).....	792
FIGURE 9-3. CYLINDER ASSEMBLY - BUCKET (GRAPPLE).....	794
FIGURE 9-4. CYLINDER ASSEMBLY - CARRIAGE DUAL FORKS.....	796
FIGURE 9-5. CYLINDER ASSEMBLY - CARRIAGE SIDE SHIFT	798
FIGURE 9-6. CYLINDER ASSEMBLY - CARRIAGE SIDE SHIFT	800
FIGURE 9-7. CYLINDER ASSEMBLY - CARRIAGE SIDE TILT	802
FIGURE 9-8. CYLINDER ASSEMBLY - CARRIAGE SWING.....	804
FIGURE 9-9. CYLINDER ASSEMBLY - COMPENSATION (1055).....	806
FIGURE 9-10. CYLINDER ASSEMBLY - COMPENSATION (1255).....	808
FIGURE 9-11. CYLINDER ASSEMBLY - COUPLER	810
FIGURE 9-12. CYLINDER ASSEMBLY - EXTENT/RETRACT	812
FIGURE 9-13. CYLINDER ASSEMBLY - FORK POSITIONING	814
FIGURE 9-14. CYLINDER ASSEMBLY - FRAME LEVEL.....	816
FIGURE 9-15. CYLINDER ASSEMBLY - LIFT (1055).....	818
FIGURE 9-16. CYLINDER ASSEMBLY - LIFT (1255).....	820
FIGURE 9-17. CYLINDER ASSEMBLY - OUTRIGGER.....	822
FIGURE 9-18. CYLINDER ASSEMBLY - PIPE HANDLER	824
FIGURE 9-19. CYLINDER ASSEMBLY - STABILIZER (REAR AXLE).....	826
FIGURE 9-20. CYLINDER AND FITTINGS ASSEMBLY - TILT (1055).....	828
FIGURE 9-21. CYLINDER ASSEMBLY - TILT (1055).....	830
FIGURE 9-22. CYLINDER AND FITTINGS ASSEMBLY - TILT (1255).....	832
FIGURE 9-23. CYLINDER ASSEMBLY - TILT (1255).....	834
FIGURE 9-24. PUMP ASSEMBLY - PISTON.....	836
FIGURE 9-25. TANK ASSEMBLY - HYDRAULIC	838
FIGURE 9-26. TANK FILTER ASSEMBLY - HYDRAULIC	840
FIGURE 9-27. VALVE ASSEMBLY - AIR SHUT OFF	842
FIGURE 9-28. VALVE ASSEMBLY - COUNTERBALANCE.....	844
FIGURE 9-29. VALVE ASSEMBLY - COUPLER DIVERTER.....	846
FIGURE 9-30. VALVE ASSEMBLY - FLOW DIVIDER (CARRIAGE WITH DUAL FORKS)	848
FIGURE 9-31. VALVE ASSEMBLY - FRAME & OUTRIGGER	850
FIGURE 9-32. VALVE ASSEMBLY - MAIN CONTROL.....	852
FIGURE 9-33. VALVE ASSEMBLY - PRIORITY MANIFOLD VALVE	854

TABLE OF CONTENTS

FIGURE 9-34. VALVE ASSEMBLY - SAHR BRAKE.....	856
FIGURE 9-35. VALVE ASSEMBLY - STABILIZER (REAR AXLE).....	858
FIGURE 9-36. VALVE ASSEMBLY - STEER VALVE	860
FIGURE 9-37. VALVE ASSEMBLY - STEER VALVE (ORBITAL)	862
SECTION 10 - ELECTRICAL.....	865
FIGURE 10-1. MAIN ELECTRICAL INSTALLATION (ULS).....	866
FIGURE 10-2. MAIN ELECTRICAL INSTALLATION (LS)	868
FIGURE 10-3. AIR SHUT OFF VALVE HARNESS	870
FIGURE 10-4. AIR SHUT OFF VALVE HARNESS (ENGINE).....	872
FIGURE 10-5. ALARM INSTALLATION - BACKUP.....	876
FIGURE 10-6. ALARM INSTALLATION - WHITE NOISE	878
FIGURE 10-7. ARCTIC COLD WEATHER PACKAGE INSTALLATION (ULS)	880
FIGURE 10-8. ARCTIC COLD WEATHER PACKAGE INSTALLATION (LS).....	882
FIGURE 10-9. BATTERY INSTALLATION.....	884
FIGURE 10-10. BATTERY INSTALLATION - ARCTIC	886
FIGURE 10-11. BOOM ANGLE SENSOR INSTALLATION	888
FIGURE 10-12. BOOM ANGLE SENSOR INSTALLATION (CAN ONLY)	890
FIGURE 10-13. BOOM AUXILIARY ELECTRIC INSTALLATION.....	892
FIGURE 10-14. BOOM AUXILIARY ELECTRIC HARNESS INSTALLATION.....	894
FIGURE 10-15. BOOM AUXILIARY ELECTRIC HARNESS	896
FIGURE 10-16. CAB ELECTRICAL INSTALLATION.....	898
FIGURE 10-17. CAB HARNESS.....	900
FIGURE 10-18. CAB (ENCLOSED) ELECTRICAL INSTALLATION WITH OPTIONS.....	904
FIGURE 10-19. CAB ELECTRICAL INSTALLATION - OPEN	906
FIGURE 10-20. CAB OPTION 1 HARNESS	908
FIGURE 10-21. CAB OPTION 2 HARNESS	912
FIGURE 10-22. CAB - OPTION HARNESS.....	914
FIGURE 10-23. CAB ALARM HARNESS - SEAT BELT	916
FIGURE 10-24. CAB - A/C OPTION HARNESS	918
FIGURE 10-25. CAB - COMMUNICATION ANALYZER CABLE	920
FIGURE 10-26. CAB - DASH ELECTRICAL INSTALLATION (LS).....	922
FIGURE 10-27. CAB - DASH ELECTRICAL INSTALLATION (ULS)	924
FIGURE 10-28. CAB FUSE BOARD ASSEMBLY - STANDARD.....	926
FIGURE 10-29. CAB FUSE BOARD ASSEMBLY - OPTION 1	928
FIGURE 10-30. CAB FUSE BOARD ASSEMBLY - OPTION 2.....	930
FIGURE 10-31. CAB KEY HARNESS.....	932
FIGURE 10-32. CAB - MULTIFUNCTION DISPLAY INSTALLATION	934
FIGURE 10-33. CAMERA INSTALLATION - REVERSE.....	936
FIGURE 10-34. MULTI VIEW CAMERA INSTALLATION	938
FIGURE 10-35. CLEARSKY CS550 INSTALLATION	940
FIGURE 10-36. CLEARSKY CS550 WITH BEACON INSTALLATION.....	942
FIGURE 10-37. CLEARSKY HARNESS	944
FIGURE 10-38. CLEARSKY TELEMATICS READY INSTALLATION	946
FIGURE 10-39. CLEARSKY TELEMATICS READY INSTALLATION	948
FIGURE 10-40. CLEARSKY/TELEMATICS READY HARNESS	950

TABLE OF CONTENTS

FIGURE 10-41. CLEARSKY/TELEMATICS INSTALLATION (CUSTOMER SUPPLIED).....	952
FIGURE 10-42. CLEARSKY/TELEMATICS HARNESS - CUSTOMER SUPPLIED VERSION.....	954
FIGURE 10-43. DEF PURGE LIGHT HARNESS	956
FIGURE 10-44. ENGINE BAY ELECTRICAL INSTALLATION (LS).....	958
FIGURE 10-45. ENGINE BAY ELECTRICAL INSTALLATION (ULS)	960
FIGURE 10-46. ENGINE BAY WIRING INSTALLATION (LS).....	962
FIGURE 10-47. ENGINE BAY WIRING INSTALLATION (ULS)	966
FIGURE 10-48. ENGINE WIRING INSTALLATION (LS).....	970
FIGURE 10-49. ENGINE WIRING INSTALLATION (ULS)	974
FIGURE 10-50. ENGINE HARNESS	978
FIGURE 10-51. ENGINE HARNESS	982
FIGURE 10-52. ENGINE ECU INSTALLATION (LS).....	986
FIGURE 10-53. ENGINE ECU INSTALLATION (ULS)	988
FIGURE 10-54. ENGINE/FRAME HARNESS	990
FIGURE 10-55. FRAME ELECTRICAL INSTALLATION	994
FIGURE 10-56. FRAME POWER DISTRIBUTION ELECTRICAL BOX	998
FIGURE 10-57. FRAME WIRING INSTALLATION (LS)	1000
FIGURE 10-58. FRAME WIRING INSTALLATION (ULS)	1002
FIGURE 10-59. FRONT FRAME HARNESS.....	1004
FIGURE 10-60. FRAME HARNESS - FRONT.....	1010
FIGURE 10-61. FRAME HARNESS - FRONT.....	1014
FIGURE 10-62. FRAME HARNESS - REAR	1018
FIGURE 10-63. HEATER INSTALLATION - FUEL FILTER	1022
FIGURE 10-64. HEATER INSTALLATION - TANK (HYDRAULIC)	1024
FIGURE 10-65. HVAC ACTUATOR HARNESS	1026
FIGURE 10-66. JOYSTICK HARNESS	1028
FIGURE 10-67. LIGHTS - BOOM WORKLIGHTS & SWITCH INSTALLATION.....	1030
FIGURE 10-68. LIGHTS - BOOM WORKLIGHTS HARNESS INSTALLATION (LED).....	1032
FIGURE 10-69. LIGHTS - BOOM WORKLIGHTS HARNESS	1034
FIGURE 10-70. LIGHTS - CAB WORK LIGHTS INSTALLATION (A/C) (LED)	1036
FIGURE 10-71. LIGHTS - CAB WORK LIGHTS INSTALLATION (NO A/C) (LED)	1038
FIGURE 10-72. LIGHTS - ROADLIGHTS INSTALLATION	1040
FIGURE 10-73. LIGHTS - ROADLIGHTS DRIVING LIGHTS (LH).....	1042
FIGURE 10-74. LIGHTS - ROADLIGHTS DRIVING LIGHTS (RH)	1044
FIGURE 10-75. LIGHTS - ROADLIGHTS DRIVING LIGHTS HARNESS.....	1046
FIGURE 10-76. LIGHTS - ROADLIGHTS TAILLIGHT (LH).....	1048
FIGURE 10-77. LIGHTS - ROADLIGHTS TAILLIGHT (RH)	1050
FIGURE 10-78. LIGHTS - TAILLIGHTS HARNESS	1052
FIGURE 10-79. LSI HARNESS - BOOM RETRACT	1054
FIGURE 10-80. PLATFORM HARNESS	1056
FIGURE 10-81. REVERSE SENSOR INSTALLATION	1058
FIGURE 10-82. REVERSE SENSOR HARNESS.....	1060
FIGURE 10-83. RIDE CONTROL HARNESS INSTALLATION	1062
FIGURE 10-84. RIDE CONTROL BOOM FLAT HARNESS	1064
FIGURE 10-85. ROOF PIGTAIL HARNESS INSTALLATION	1066

TABLE OF CONTENTS

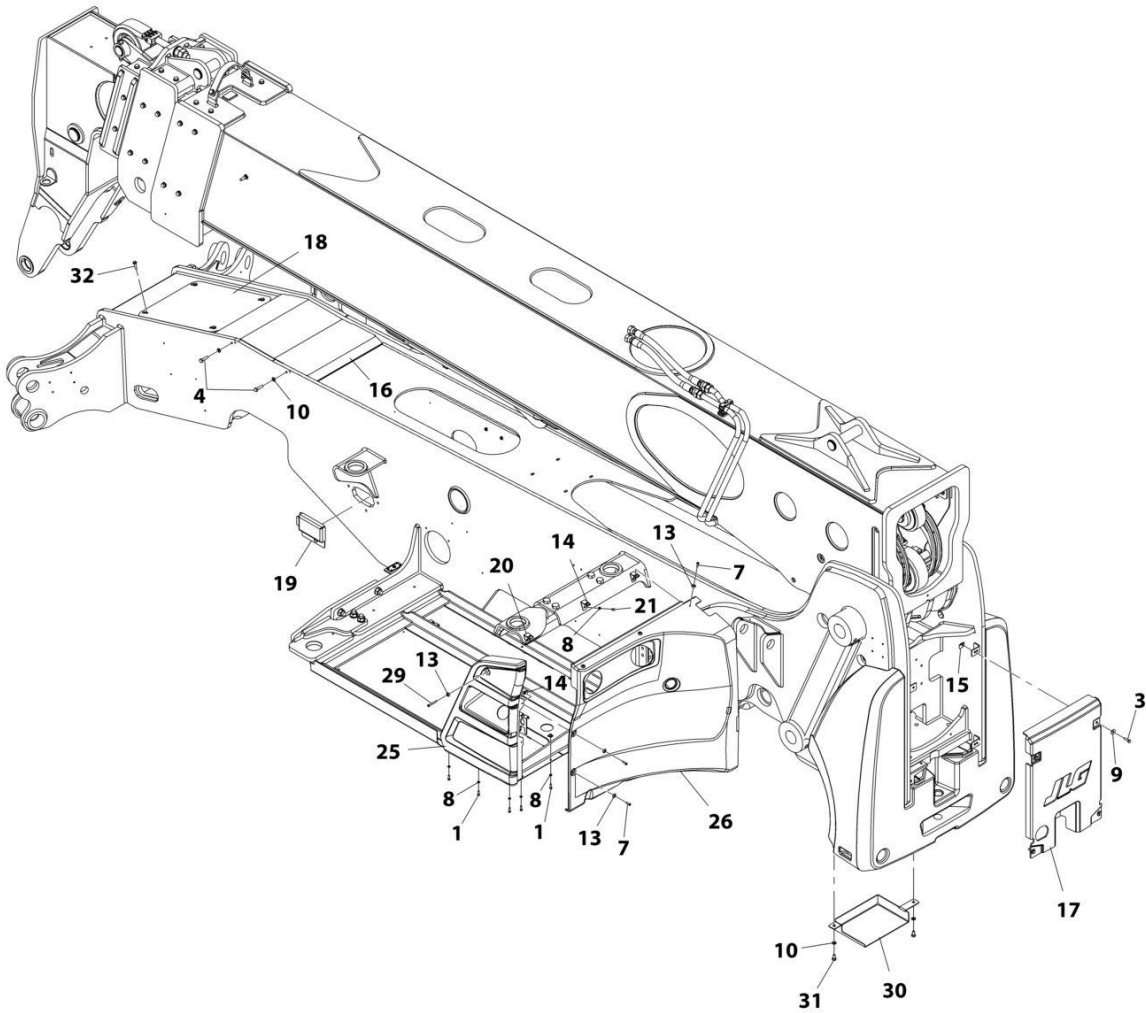
FIGURE 10-86. ROOF PIGTAIL HARNESS	1068
FIGURE 10-87. TBAP HARNESS	1070
FIGURE 10-88. USB CHARGER INSTALLATION	1072
SECTION 11 - DECALS	1075
FIGURE 11-1. CAPACITY CHART HOLDER INSTALLATION	1076
FIGURE 11-2. DECAL INSTALLATION - 1055	1078
FIGURE 11-3. DECAL INSTALLATION - 1255	1080
FIGURE 11-4. DECAL INSTALLATION (ANSI)	1082
FIGURE 11-5. DECAL INSTALLATION (ISO).....	1086
FIGURE 11-6. DECAL INSTALLATION	1088
FIGURE 11-7. DECAL INSTALLATION (ENGLISH/SPANISH)	1092
FIGURE 11-8. CAPACITY CHART (ANSI) - 1055.....	1096
FIGURE 11-9. CAPACITY CHART (ANSI) - 1255.....	1098
FIGURE 11-10. CAPACITY CHART (METRIC) - 1055	1100
FIGURE 11-11. CAPACITY CHART (METRIC) - 1255	1102
FIGURE 11-12. DECAL INSTALLATION - JLG (74HP)	1104
FIGURE 11-13. DECAL INSTALLATION - JLG (110HP)	1106
FIGURE 11-14. REVERSE SENSOR SYSTEM DECAL (ENGLISH).....	1108
FIGURE 11-15. REVERSE SENSOR SYSTEM DECAL.....	1110
FIGURE 11-16. REVERSE SENSING SYSTEM DECAL, (ENGLISH/FRENCH)	1112
FIGURE 11-17. REVERSE SENSOR SYSTEM DECAL (ENGLISH/SPANISH)	1114
FIGURE 11-18. CLEARSKY DECAL INSTALLATION	1116
SECTION 12 - RECOMMENDED SERVICE PARTS STOCK	1119
FIGURE 12-1. RECOMMENDED SERVICE PARTS STOCK.....	1120
SECTION 13 - SPECIAL OPTIONS/ACCESSORIES/KITS	1123
FIGURE 13-1. SPECIAL OPTIONS/ACCESSORIES/KITS.....	1124
PART NUMBER INDEX	1127

SECTION 1 - FRAME AND ATTACHING PARTS

SECTION 1 - FRAME AND ATTACHING PARTS

SECTION 1 - FRAME AND ATTACHING PARTS

FIGURE 1-1. FRAME COVER INSTALLATION (ULS)



ART_1001160710-K

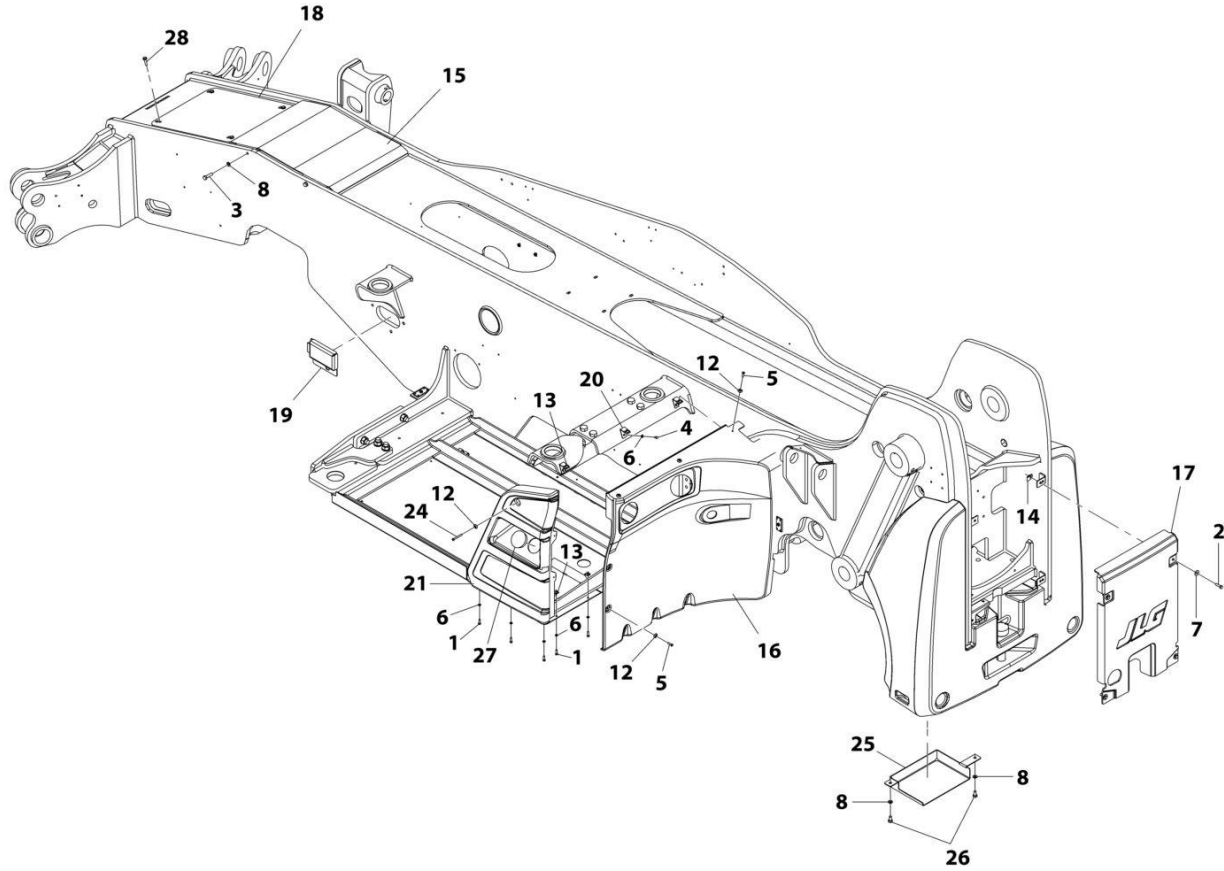
SECTION 1 - FRAME AND ATTACHING PARTS

FIGURE 1-1. FRAME COVER INSTALLATION (ULS)

ITEM	PART NUMBER	QTY	DESCRIPTION	REV
	1001160710	Ref	Frame Cover Installation (if equipped for ULS)	K
1	0700610	7	Bolt, M6X20	
3	0700814	4	Bolt, M8X30	
4	0701016	4	Bolt, M10X40	
7	3900379	5	Capscrew, M6-1X25	
8	4811700	10	Washer, M6	
9	4811902	4	Washer, M8	
10	4812000	6	Washer, M10	
13	1001097540	6	Washer, Nylon M6	
14	1001130220	12	Nut, M6	
15	1001149160	4	Nut, M8	
16	1001207299	1	Bracket, Battery Shield	
17	1001170645	1	Cover, Counterweight	
18	1001170665	1	Plate, Valve Cover	
19	1001201646	1	Shield, Inspection Port	
20	1001171772	3	Plate, Angle Bracket	
21	0760606	3	Screw, M6X12	
25	1001168760	1	Cover, Side Tank	
26	1001179548	1	Cover, Rear Tank	
29	1001112902	1	Screw, M6	
30	1001173468	1	Cover, Rear Frame Module	
31	0761010	2	Bolt, M10X20	
32	5250814	4	Bolt, M8X30	

SECTION 1 - FRAME AND ATTACHING PARTS

FIGURE 1-2. FRAME COVER INSTALLATION (LS)



ART_1001172638-K

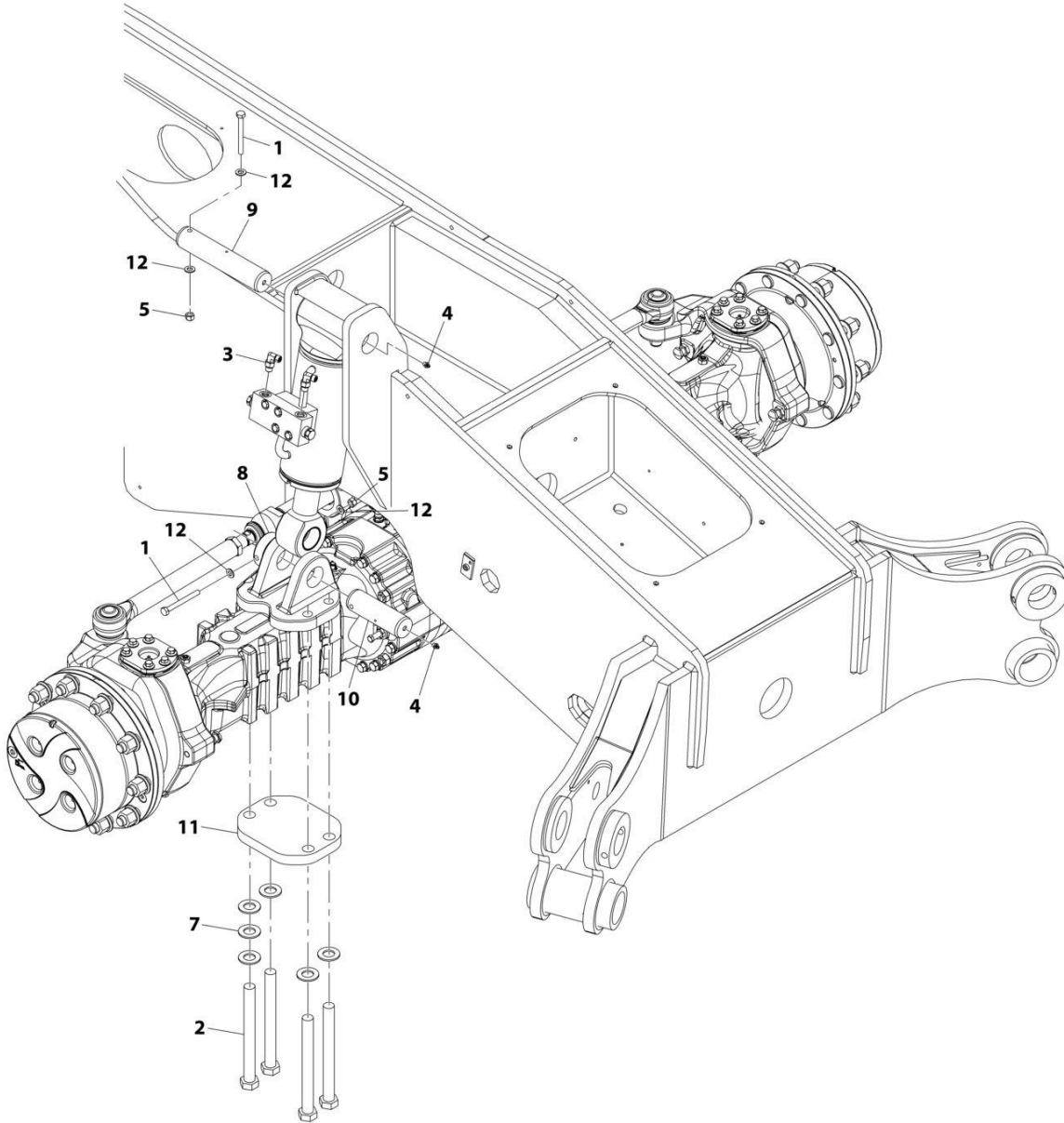
SECTION 1 - FRAME AND ATTACHING PARTS

FIGURE 1-2. FRAME COVER INSTALLATION (LS)

ITEM	PART NUMBER	QTY	DESCRIPTION	REV
	1001172638	Ref	Frame Cover Installation (if equipped for LS)	K
1	0700610	7	Bolt, M6X20	
2	0700814	4	Bolt, M8X30	
3	0701016	4	Bolt, M10X40	
4	0760606	3	Screw, M6X12	
5	3900379	5	Capscrew, M6-1X25	
6	4811700	10	Washer, M6	
7	4811902	4	Washer, M8	
8	4812000	6	Washer, M10	
12	1001097540	6	Washer, Nylon M6	
13	1001130220	12	Nut, M6	
14	1001149160	4	Nut, M8	
15	1001207299	1	Bracket, Battery Shield	
16	1001168761	1	Cover, Rear Tank	
17	1001170645	1	Cover, Counterweight	
18	1001170665	1	Plate, Valve Cover	
19	1001201646	1	Shield, Inspection Port	
20	1001171772	3	Plate, Angle Bracket	
21	1001168760	1	Cover, Side Tank	
24	1001112902	1	Screw, M6	
25	1001173468	1	Cover, Rear Frame Module	
26	0761010	2	Bolt, M10X20	
27	1001206746	1	Cap, Side Tank Cover	
28	5250814	4	Bolt, M8X30	

SECTION 1 - FRAME AND ATTACHING PARTS

FIGURE 1-3. FRAME LEVEL CYLINDER PIN INSTALLATION



ART_1001160669-G

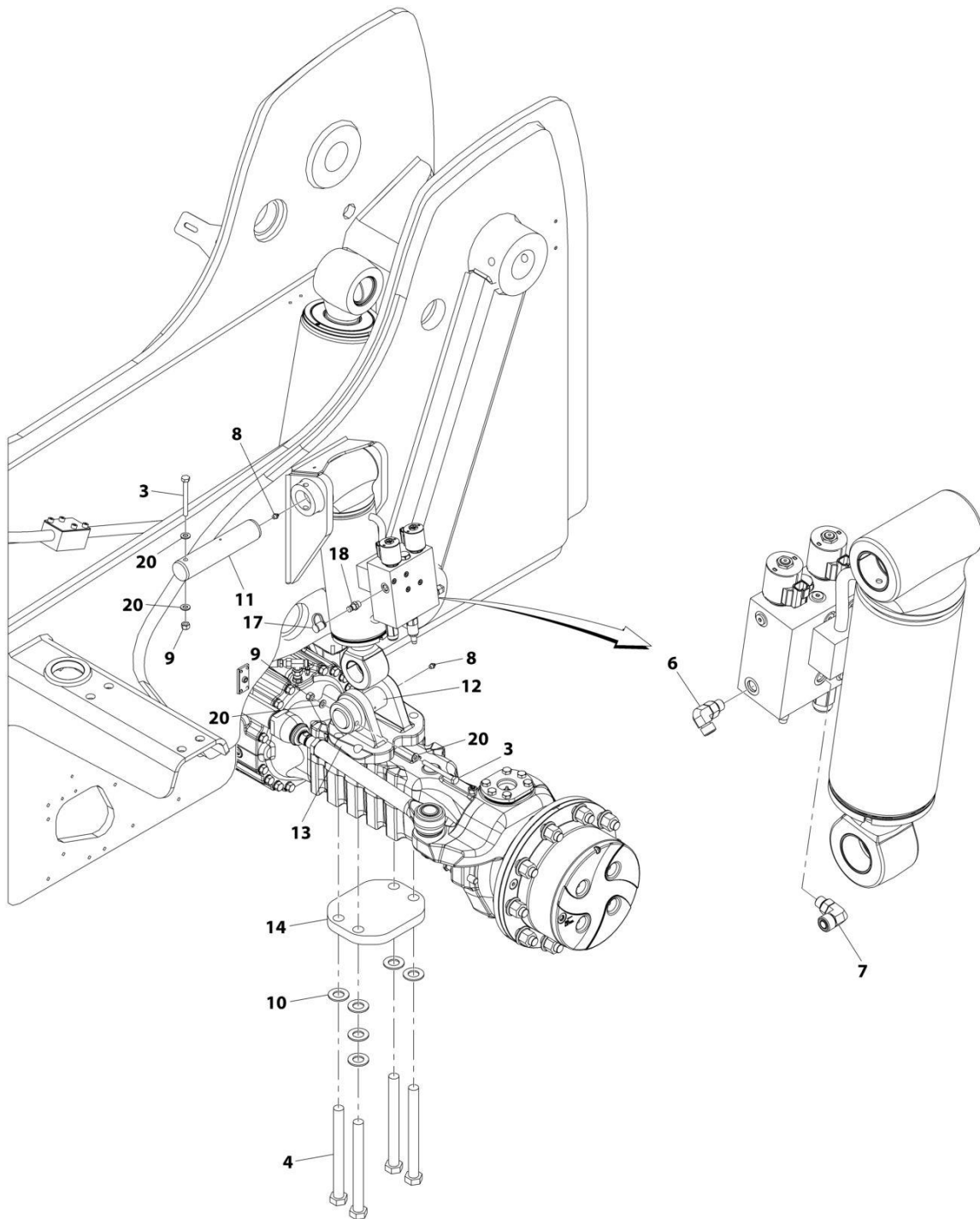
SECTION 1 - FRAME AND ATTACHING PARTS

FIGURE 1-3. FRAME LEVEL CYLINDER PIN INSTALLATION

ITEM	PART NUMBER	QTY	DESCRIPTION	REV
	1001160669	Ref	Frame Level Installation	G
1	0711027	2	Bolt, M10X100 Grade 10.9	
2	0712442	4	Bolt, M24X250 Grade 10.9	
3	2130406	2	Fitting, 90 ORFS	
4	2160016	2	Fitting, Grease	
5	3291005	2	Nut, Lock M10X1.5	
7	5242400	6	Washer, M24	
8	1001250331	1	Bracket	
9	1001164971	1	Pin	
10	1001164972	1	Pin	
11	1001168629	1	Plate	
12	4812000	4	Washer, M10	

SECTION 1 - FRAME AND ATTACHING PARTS

FIGURE 1-4. REAR STABILIZER CYLINDER PIN INSTALLATION



ART_1001160679-K

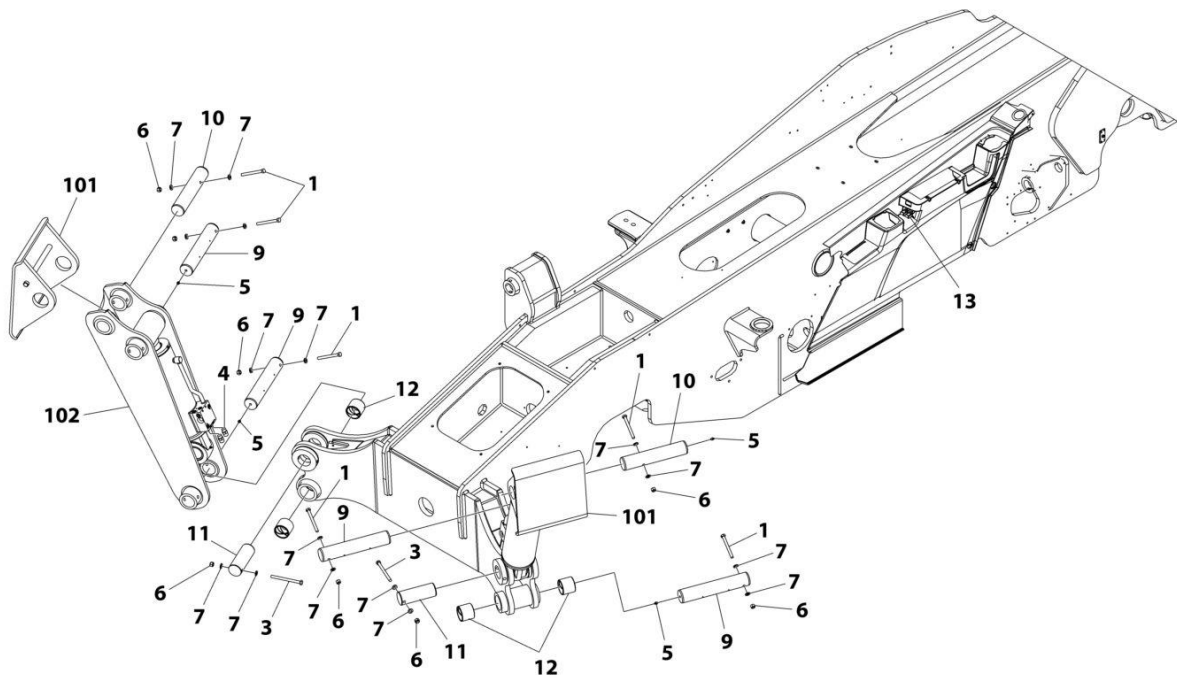
SECTION 1 - FRAME AND ATTACHING PARTS

FIGURE 1-4. REAR STABILIZER CYLINDER PIN INSTALLATION

ITEM	PART NUMBER	QTY	DESCRIPTION	REV
	1001160679	Ref	Rear Axle Stabilizer Installation	K
3	0711027	2	Bolt, M10X100 Grade 10.9	
4	0712442	4	Bolt, M24X250 Grade 10.9	
6	2130606	1	Fitting, 90 ORFS	
7	2130806	1	Fitting, 90 ORFS	
8	2160016	2	Fitting, Grease	
9	3291005	2	Nut, Lock M10X1.5	
10	5242400	6	Washer, M24	
11	1001164971	1	Pin	
12	1001164972	1	Pin	
13	1001250331	1	Bracket	
14	1001168629	1	Plate	
17	8430032	1	Plug	
18	1001003590	1	Adapter, Male	
20	4812000	4	Washer, M10	

SECTION 1 - FRAME AND ATTACHING PARTS

FIGURE 1-5. OUTRIGGERS INSTALLATION



ART_1001174788

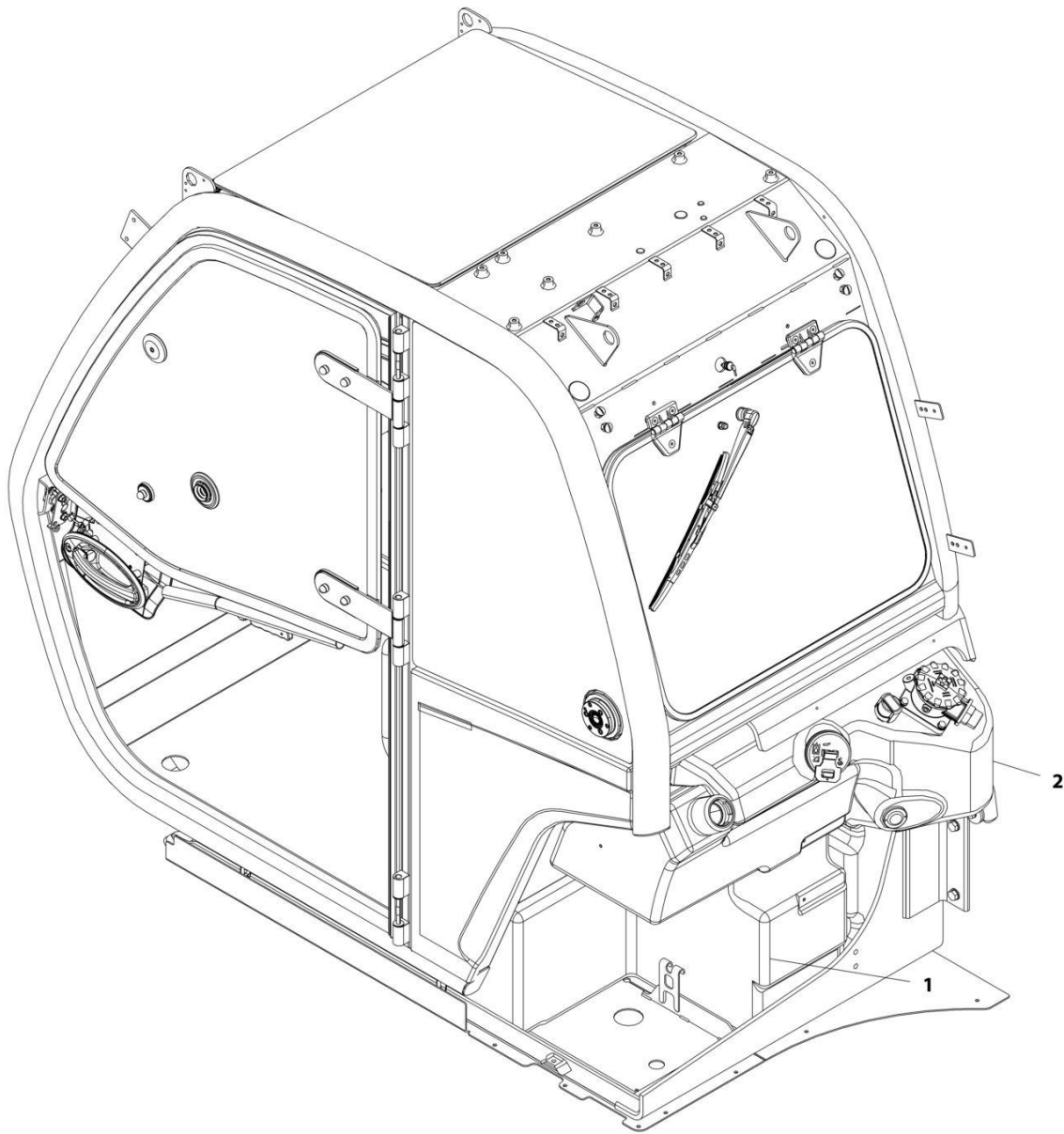
SECTION 1 - FRAME AND ATTACHING PARTS

FIGURE 1-5. OUTRIGGERS INSTALLATION

ITEM	PART NUMBER	QTY	DESCRIPTION	REV
	1001174788	Ref	OUTRIGGERS INSTALLATION	J
1	0701229	6	Bolt M12 x 120	
3	0701232	2	Bolt M12 x 150	
4	2110808	4	Fitting, Straight ORFS	
5	2160016	4	Fitting, Grease Straight	
6	3291205	8	Nut M12	
7	4812100	16	Washer M12	
9	1001164436	4	Pin	
10	1001207292	2	Pin	
11	1001164454	2	Pin	
12	1001168281	4	Bearing	
13	1001174478	1	Installation, Outrigger Switches (See Separate Breakdown in CONTROLS Section)	
101	1001161564	2	Plate, Outrigger Pad	
102	1001207291J	2	Arm, Outrigger	

SECTION 1 - FRAME AND ATTACHING PARTS

FIGURE 1-6. TANK INSTALLATION



ART_1001160735-A

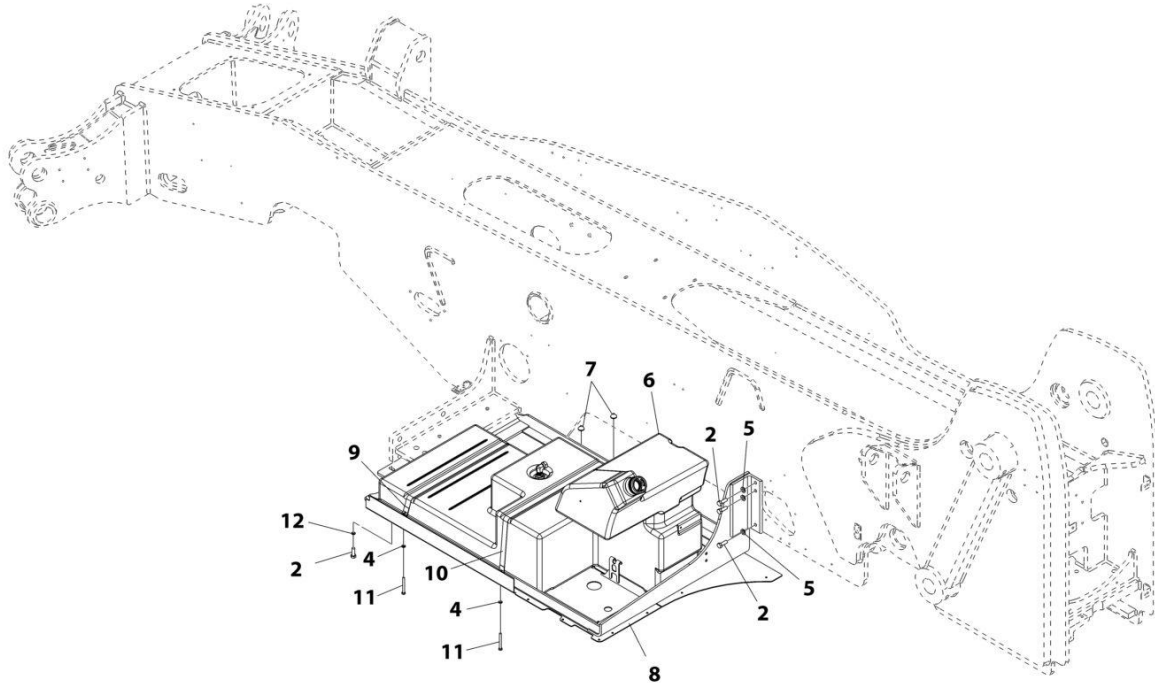
SECTION 1 - FRAME AND ATTACHING PARTS

FIGURE 1-6. TANK INSTALLATION

ITEM	PART NUMBER	QTY	DESCRIPTION	REV
	1001160735	Ref	Tank Installation	A
1	1001171153	1	Installation, Fuel Tank (See Separate Breakdown in this Section)	
2	1001171154	1	Installation, Hydraulic Tank (See Separate Breakdown in this Section)	

SECTION 1 - FRAME AND ATTACHING PARTS

FIGURE 1-7. FUEL TANK INSTALLATION



ART_1001171153-H

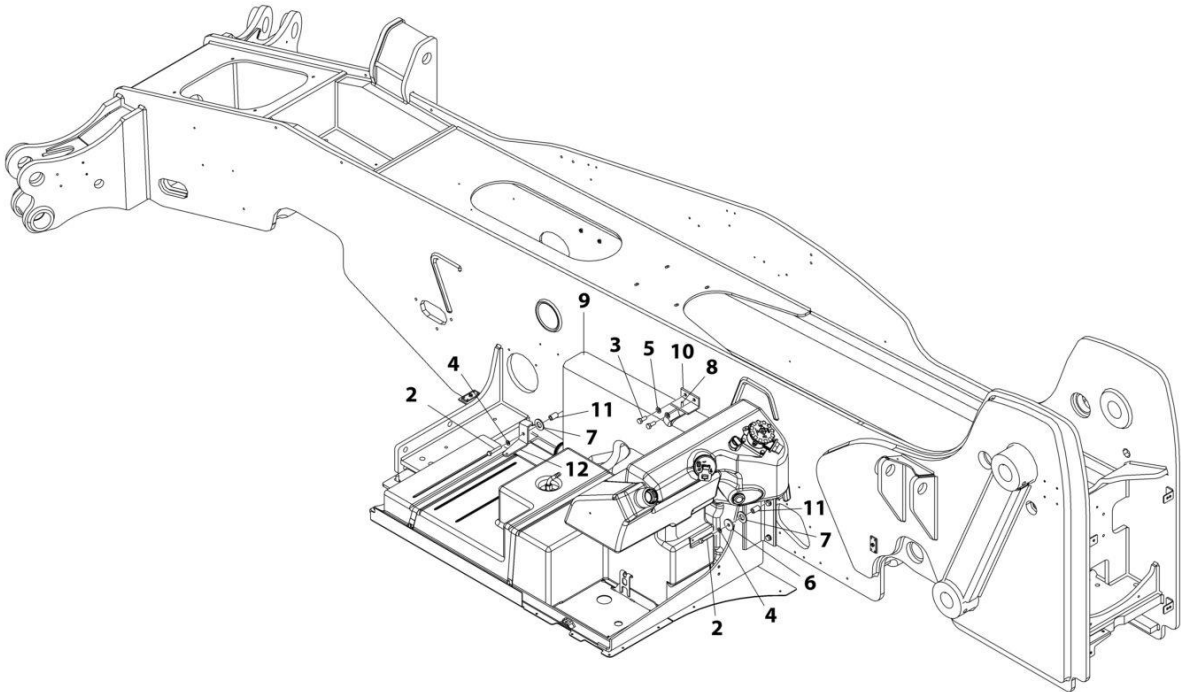
SECTION 1 - FRAME AND ATTACHING PARTS

FIGURE 1-7. FUEL TANK INSTALLATION

ITEM	PART NUMBER	QTY	DESCRIPTION	REV
	1001171153	Ref	Fuel Tank Installation	H
2	0761215	6	Bolt, M12X35	
4	4811900	2	Washer, M8	
5	4812100	3	Washer, M12	
6	1001211432	1	Tank, Fuel (See Separate Breakdown in ENGINE AND ATTACHING PARTS Section)	
7	1001169454	4	Mount, Buffer	
8	1001169602	1	Support, Tank Plate	
9	1001170071	1	Strap, Tank	
10	1001170072	1	Strap, Tank	
11	0760823	2	Bolt, M8X75	
12	4812102	3	Washer, M12	

SECTION 1 - FRAME AND ATTACHING PARTS

FIGURE 1-8. HYDRAULIC TANK INSTALLATION



ART_1001171154-E

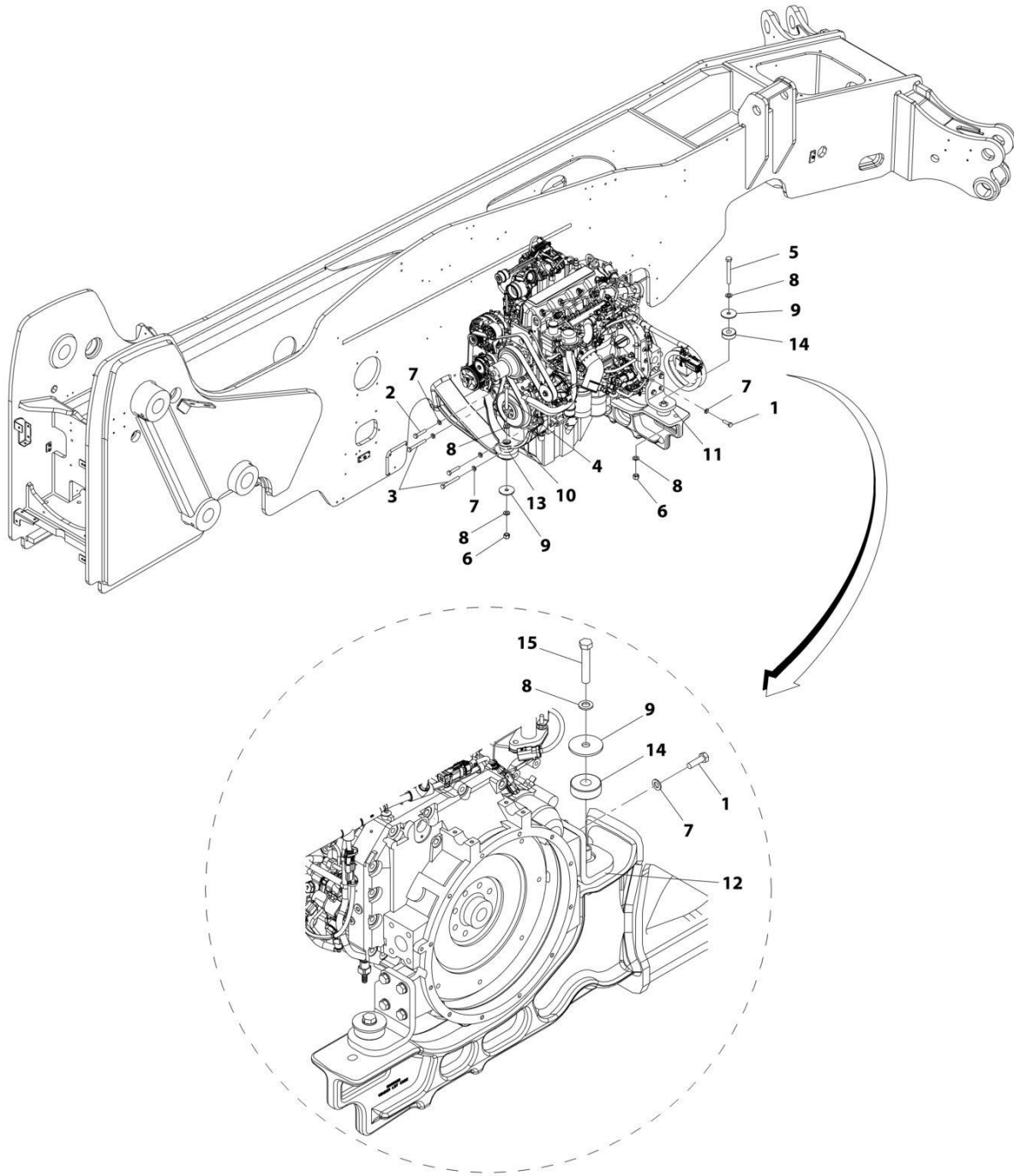
SECTION 1 - FRAME AND ATTACHING PARTS

FIGURE 1-8. HYDRAULIC TANK INSTALLATION

ITEM	PART NUMBER	QTY	DESCRIPTION	REV
	1001171154	Ref	Hydraulic Tank Installation	E
2	0701020	2	Bolt, M10X60	
3	0761214	2	Bolt, M12X30	
4	4812000	2	Washer, M10	
5	4812100	2	Washer, M12	
6	1001172147	1	Washer, M10	
7	1001172146	2	Washer, Rubber	
8	1001008575	1	Bumper, Conical	
9	1001163067	1	Tank, Hydraulic (See Separate Breakdown in HYDRAULIC COMPONENTS Section)	
10	1001169461	1	Bracket	
11	1001171179	2	Spacer	
12	1001210707	1	Bracket	

SECTION 1 - FRAME AND ATTACHING PARTS

FIGURE 1-9. ENGINE MOUNTING INSTALLATION



ART_1001163227-H

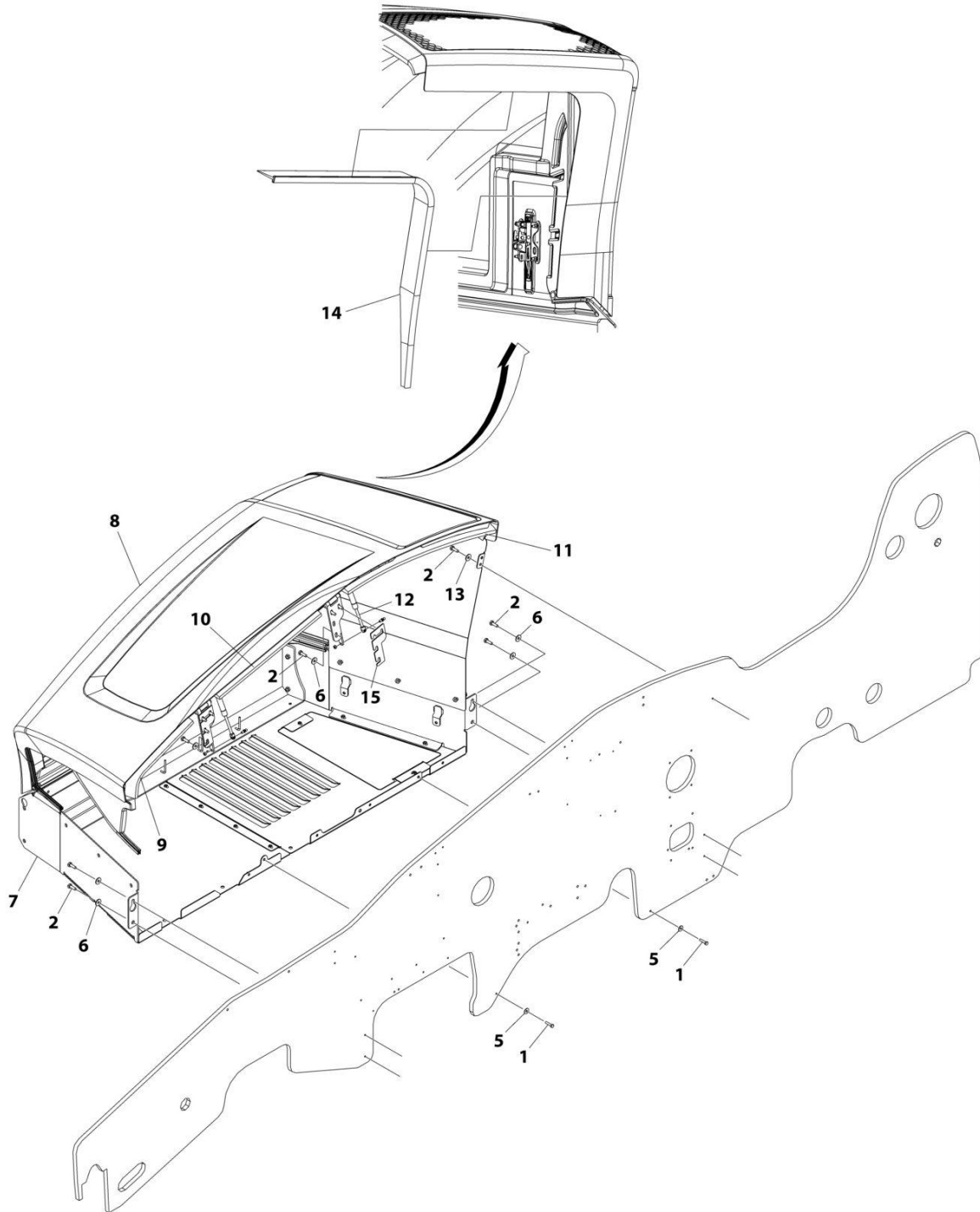
SECTION 1 - FRAME AND ATTACHING PARTS

FIGURE 1-9. ENGINE MOUNTING INSTALLATION

ITEM	PART NUMBER	QTY	DESCRIPTION	REV
	1001163227	Ref	Engine Mounting Installation	H
1	0701216	8	Bolt, M12X40	
2	0701220	2	Bolt, M12X60	
3	0701227	2	Bolt, M12X100	
4	0711629	1	Bolt, M16x120	
5	0711630	1	Bolt, M16X130	
6	3331615	2	Nut, M16	
7	4812100	12	Washer, M12	
8	4812300	5	Washer, M16	
9	7300435	3	Washer	
10	1001160116	1	Bracket, Engine	
11	1001168795	1	Plate, Engine Mount	
12	1001168797	1	Plate, Engine Mount	
13	1001160888	1	Mount, Isolator Engine	
14	1001195518	2	Mount, Isolator Engine	
15	0711626	1	Bolt, M16X90	

SECTION 1 - FRAME AND ATTACHING PARTS

FIGURE 1-10. ENGINE ENCLOSURE INSTALLATION



ART_1001160253-J

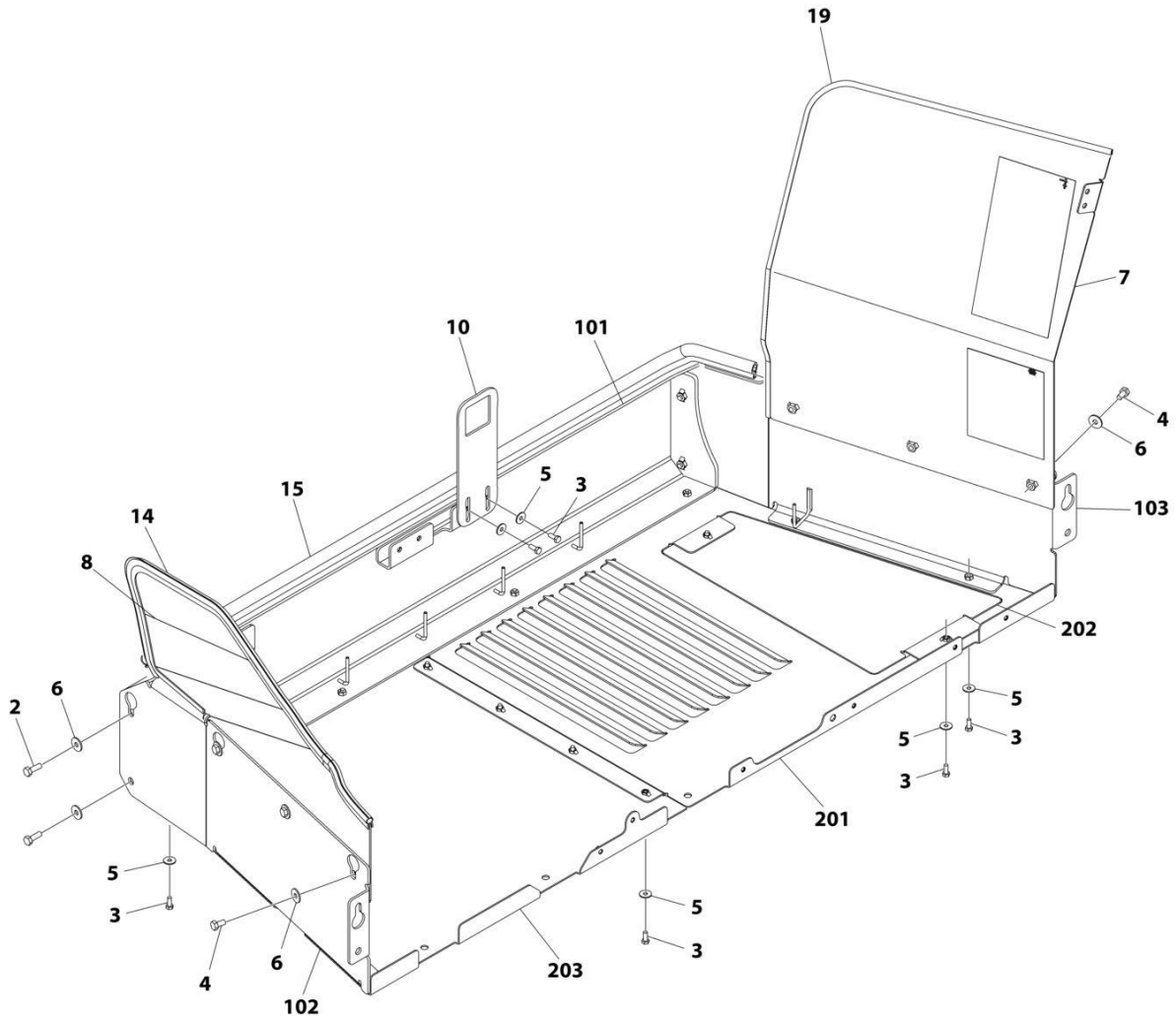
SECTION 1 - FRAME AND ATTACHING PARTS

FIGURE 1-10. ENGINE ENCLOSURE INSTALLATION

ITEM	PART NUMBER	QTY	DESCRIPTION	REV
	1001160253	Ref	Engine Enclosure Installation	J
1	0760815	2	Bolt, M8X35	
2	0701014	11	Bolt, M10X30	
5	4811902	2	Washer, M8	
6	4812002	10	Washer, M10	
7	1001162239	Ref	Installation, Engine Enclosure Cover (See Separate Breakdown in this Section)	
8	1001235963	Ref	Assembly, Hood (See Separate Breakdown in this Section)	
9	1001203932	1	Seal	
10	1001203933	1	Seal	
11	1001203934	1	Seal	
12	1001171885	2	Spring, Gas	
13	4812000	1	Washer, M10	
14	1001197339	1	Trim, Lock Seal	
15	1001241836	AR	Shim	

SECTION 1 - FRAME AND ATTACHING PARTS

FIGURE 1-11. ENGINE ENCLOSURE COVER INSTALLATION



ART_1001162239-N

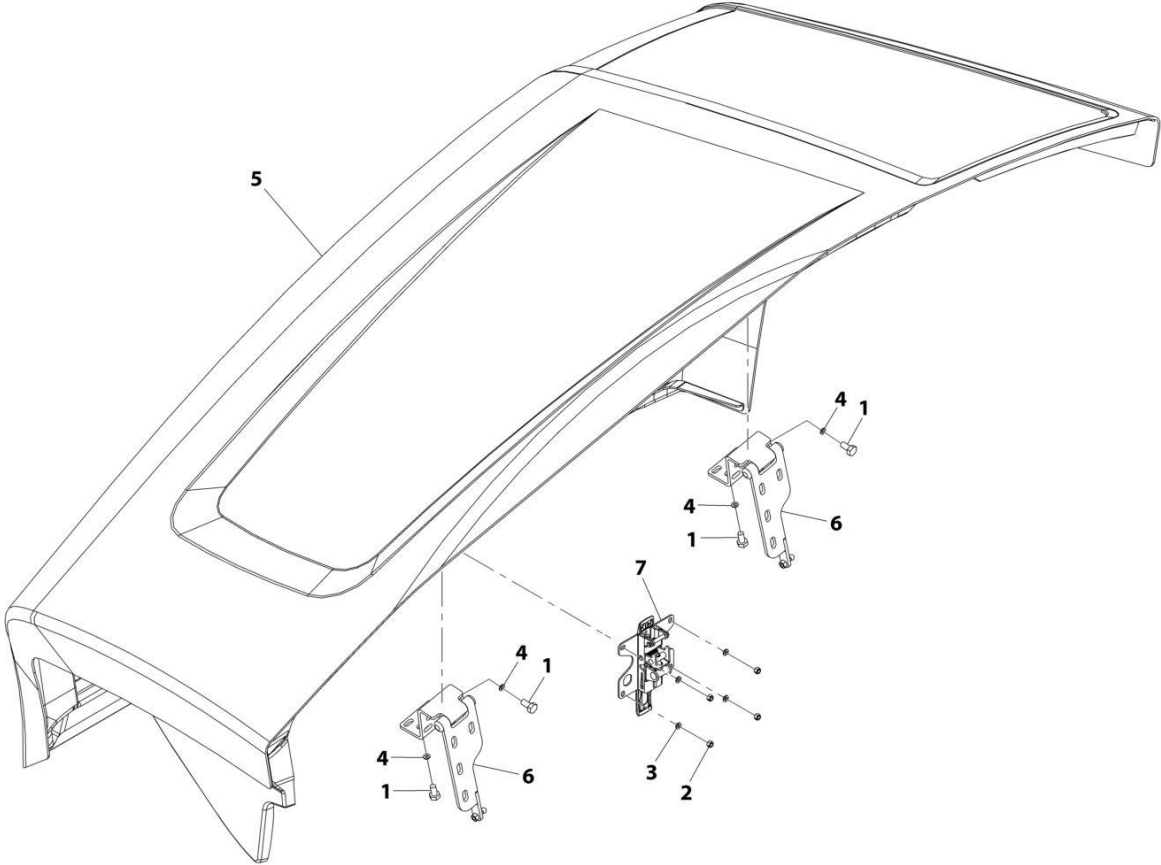
SECTION 1 - FRAME AND ATTACHING PARTS

FIGURE 1-11. ENGINE ENCLOSURE COVER INSTALLATION

ITEM	PART NUMBER	QTY	DESCRIPTION	REV
	1001162239	Ref	Engine Enclosure Cover Installation	N
2	0701014	4	Bolt, M10X30	
3	0760810	16	Bolt, M8X20	
4	0761010	6	Bolt, M10X20	
5	4811902	16	Washer, M8	
6	4812002	10	Washer, M10	
7	1001204086	1	Plate, Rear Cover	
8	1001184076	1	Panel, Front Cover	
10	1001209388	1	Latch, Hood	
14	1001003227	1375 mm	Seal	
15	1001204486	1795 mm	Seal	
19	90206198	1345 mm	Trim, Edge	
101	1001162240J	1	Panel, Side Skirt	
102	1001213126J	1	Panel, Front Skirt	
103	1001196426J	1	Panel, Rear Skirt	
201	1001196422	1	Panel, Bottom Cover	
202	1001169265	1	Panel, Access	
203	1001196404	1	Panel, Engine Pod	

SECTION 1 - FRAME AND ATTACHING PARTS

FIGURE 1-12. HOOD ASSEMBLY



ART_1001235963-B

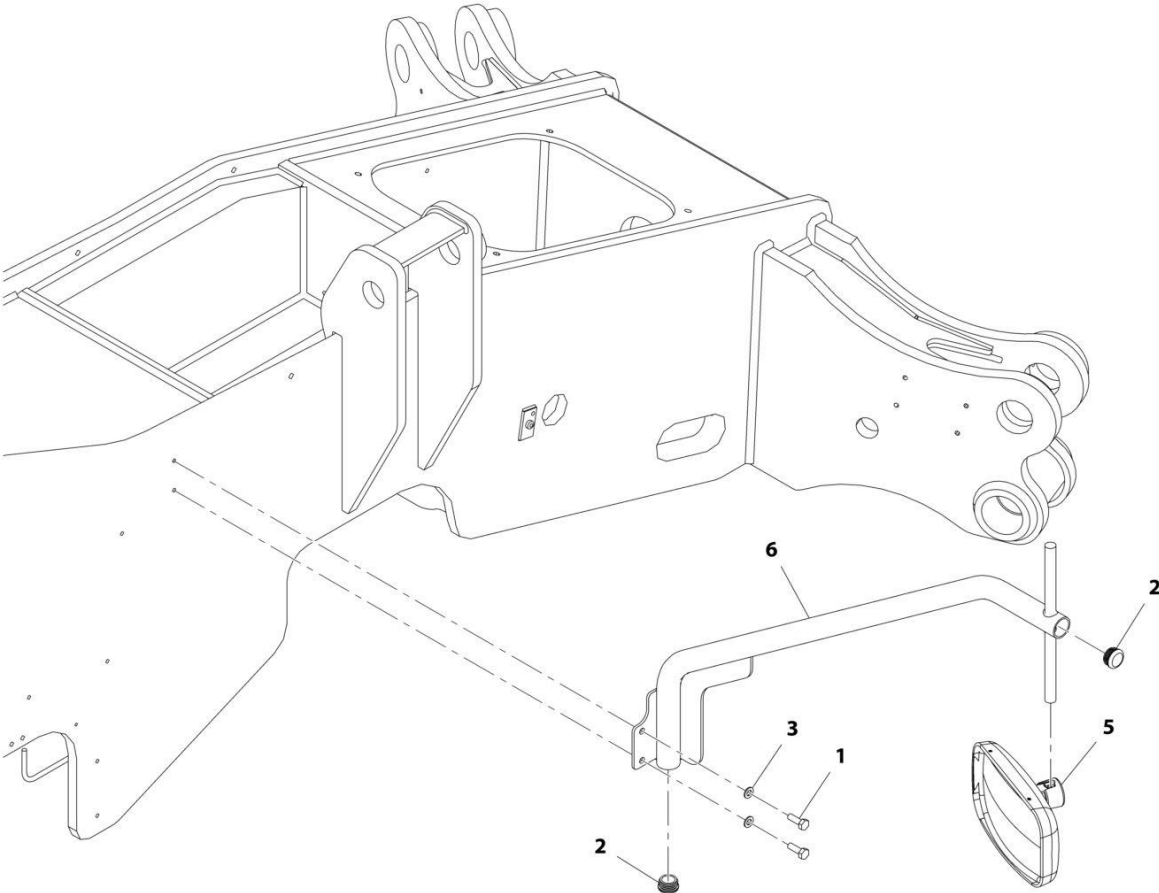
SECTION 1 - FRAME AND ATTACHING PARTS

FIGURE 1-12. HOOD ASSEMBLY

ITEM	PART NUMBER	QTY	DESCRIPTION	REV
	1001235963	Ref	Hood Assembly	B
1	0761010	8	Bolt, M10X20	
2	3290605	4	Nut, Lock M6X1	
3	4811700	4	Washer, M6	
4	4812000	8	Washer, M10	
5	1001234455	1	Hood	
6	1001209387	2	Hinge, Hood	
7	1001132168	1	Latch, Hood	

SECTION 1 - FRAME AND ATTACHING PARTS

FIGURE 1-13. MIRROR INSTALLATION



ART_1001160255-D

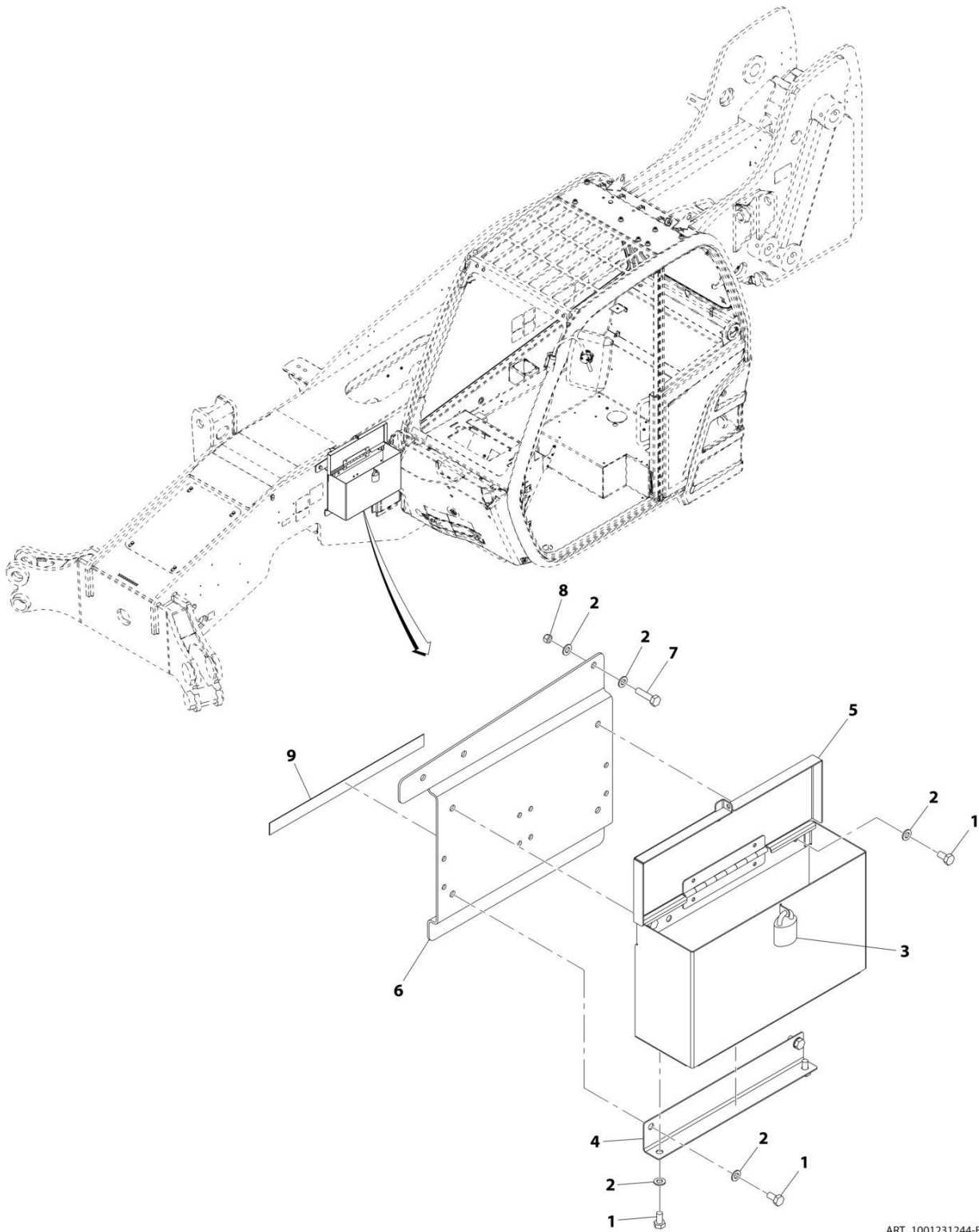
SECTION 1 - FRAME AND ATTACHING PARTS

FIGURE 1-13. MIRROR INSTALLATION

ITEM	PART NUMBER	QTY	DESCRIPTION	REV
	1001160255	Ref	Mirror Installation	D
1	0701014	2	Bolt, M10X30 Grade 8	
2	3520186	2	Plug	
3	4812000	2	Washer, M10	
5	1001191635	1	Mirror, Convex	
6	1001191603	1	Bracket	

SECTION 1 - FRAME AND ATTACHING PARTS

FIGURE 1-14. TOOLBOX INSTALLATION



ART_1001231244-B

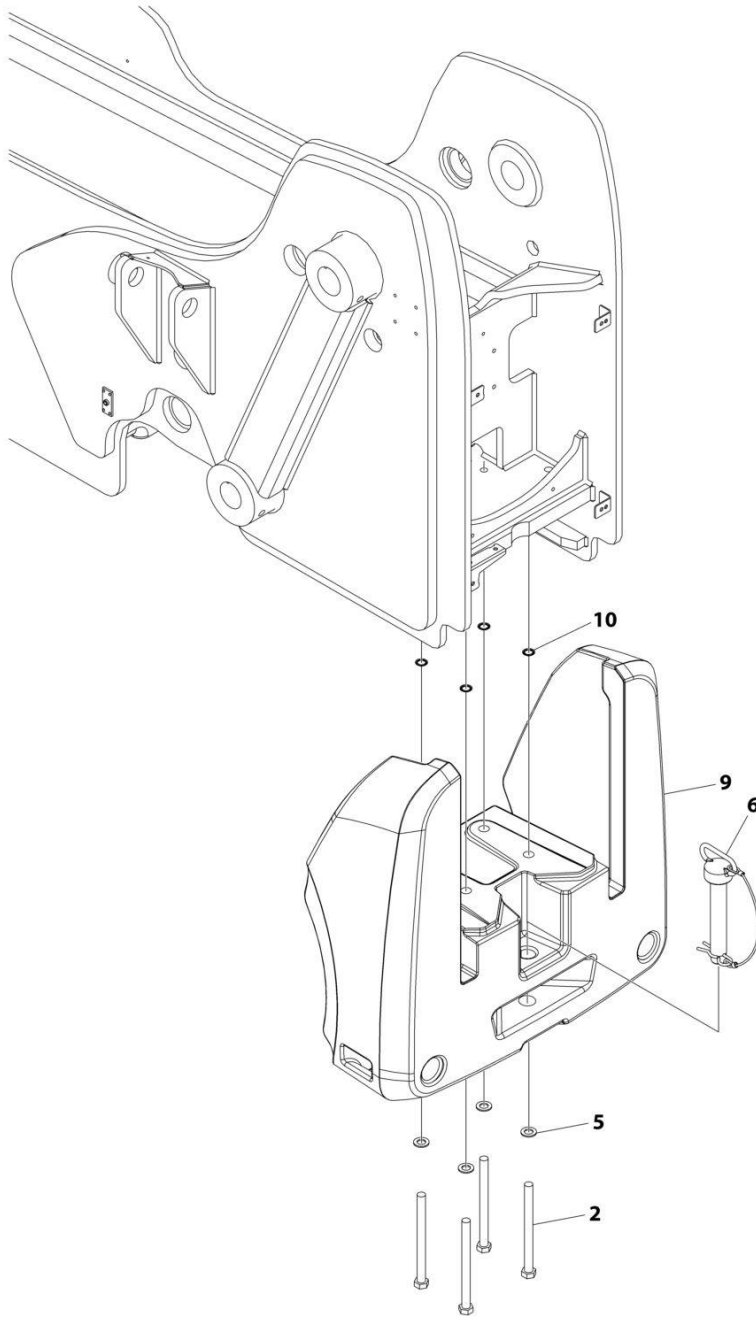
SECTION 1 - FRAME AND ATTACHING PARTS

FIGURE 1-14. TOOLBOX INSTALLATION

ITEM	PART NUMBER	QTY	DESCRIPTION	REV
	1001231244	Ref	ToolBox Installation (If equipped)	B
1	0761010	6	Bolt, M10X20	
2	4812000	8	Washer, M10	
3	1001008687	1	Padlock	
4	1001178729	1	Bracket	
5	1001192836	1	Box	
6	1001230713J	1	Bracket	
7	0701016	1	Bolt, M10X40	
8	3290805	1	Nut, Lock M8X1.25	
9	1001165978	380 mm	Adhesive	

SECTION 1 - FRAME AND ATTACHING PARTS

FIGURE 1-15. COUNTERWEIGHT INSTALLATION - 1055



ART_1001165421

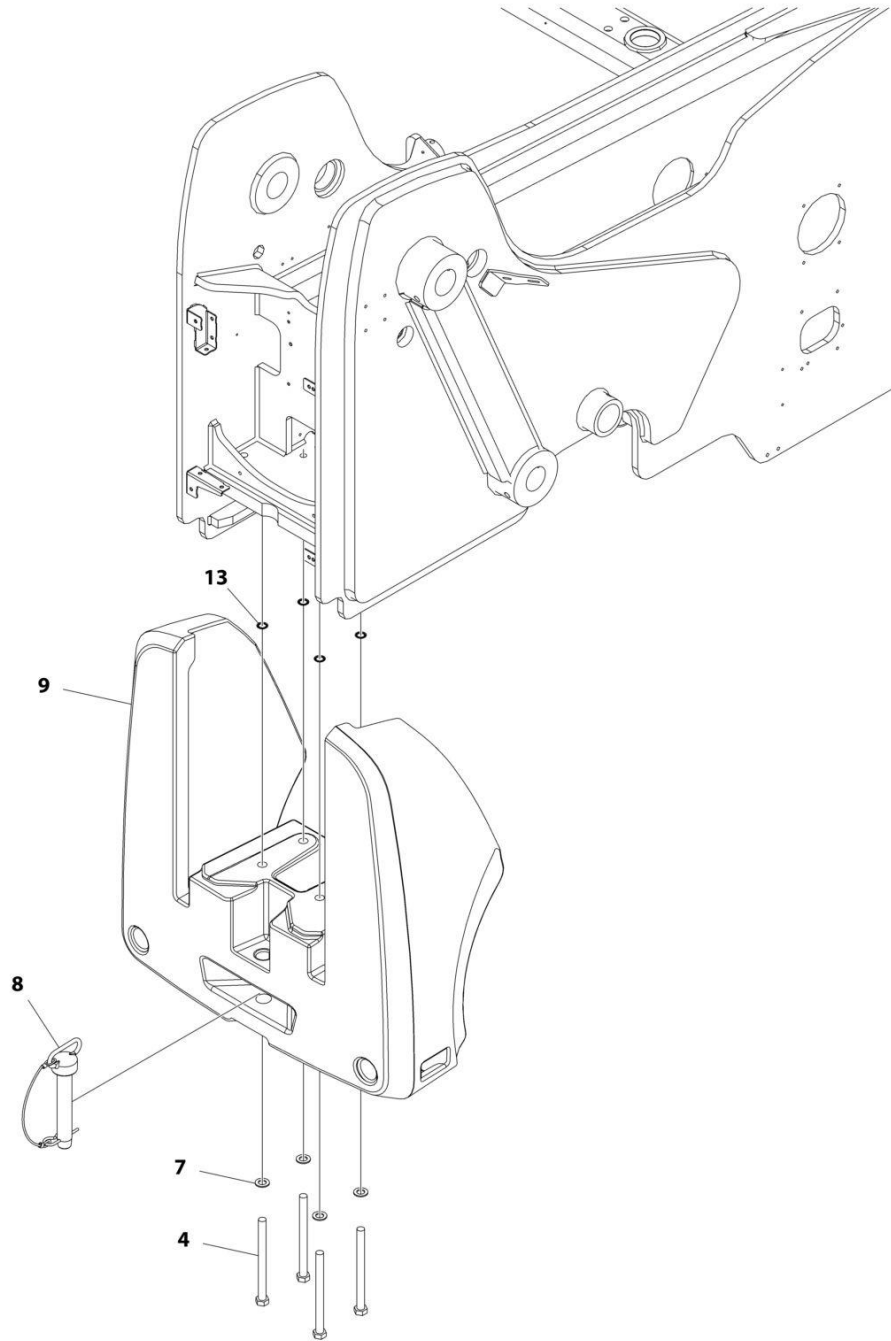
SECTION 1 - FRAME AND ATTACHING PARTS

FIGURE 1-15. COUNTERWEIGHT INSTALLATION - 1055

ITEM	PART NUMBER	QTY	DESCRIPTION	REV
	1001165421	Ref	COUNTERWEIGHT INSTALLATION - 1055	H
2	0712042	4	Bolt M20 x 250 Grd10.9	
5	8310620	4	Washer M20	
6	1001160250	1	Pin	
9	1001176492J	1	Counterweight, 1000KG	
10	1001218341	4	Washer	

SECTION 1 - FRAME AND ATTACHING PARTS

FIGURE 1-16. COUNTERWEIGHT INSTALLATION - 1255



ART_1001165409

SECTION 1 - FRAME AND ATTACHING PARTS

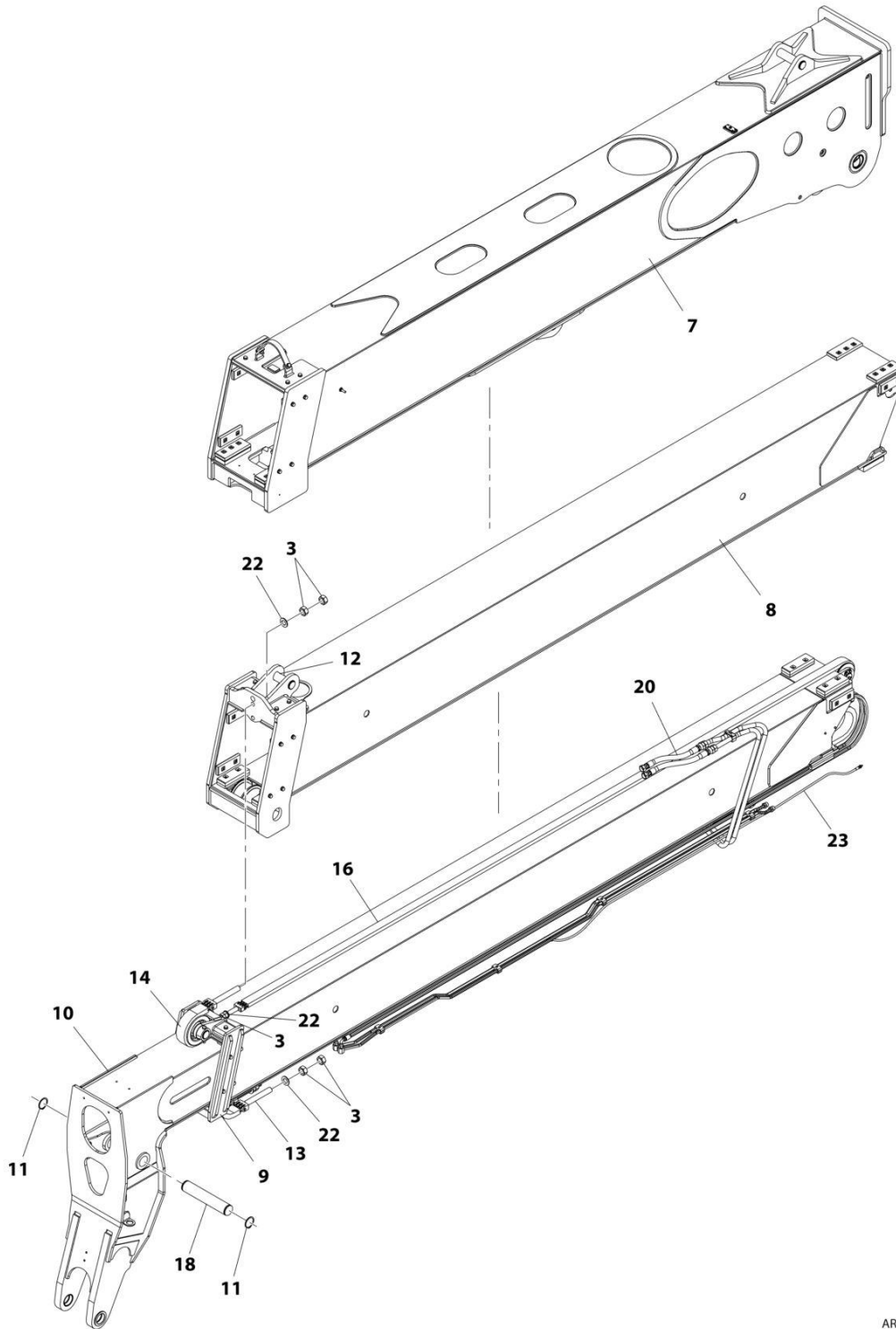
FIGURE 1-16. COUNTERWEIGHT INSTALLATION - 1255

ITEM	PART NUMBER	QTY	DESCRIPTION	REV
	1001165409	Ref	COUNTERWEIGHT INSTALLATION - 1255	J
4	0712042	4	Bolt M20 x 250 Grd10.9	
7	8310620	4	Washer M20	
8	1001160250	1	Pin	
9	1001176490J	1	Counterweight, 1500KG	
13	1001218341	4	Washer	

SECTION 2 - BOOM

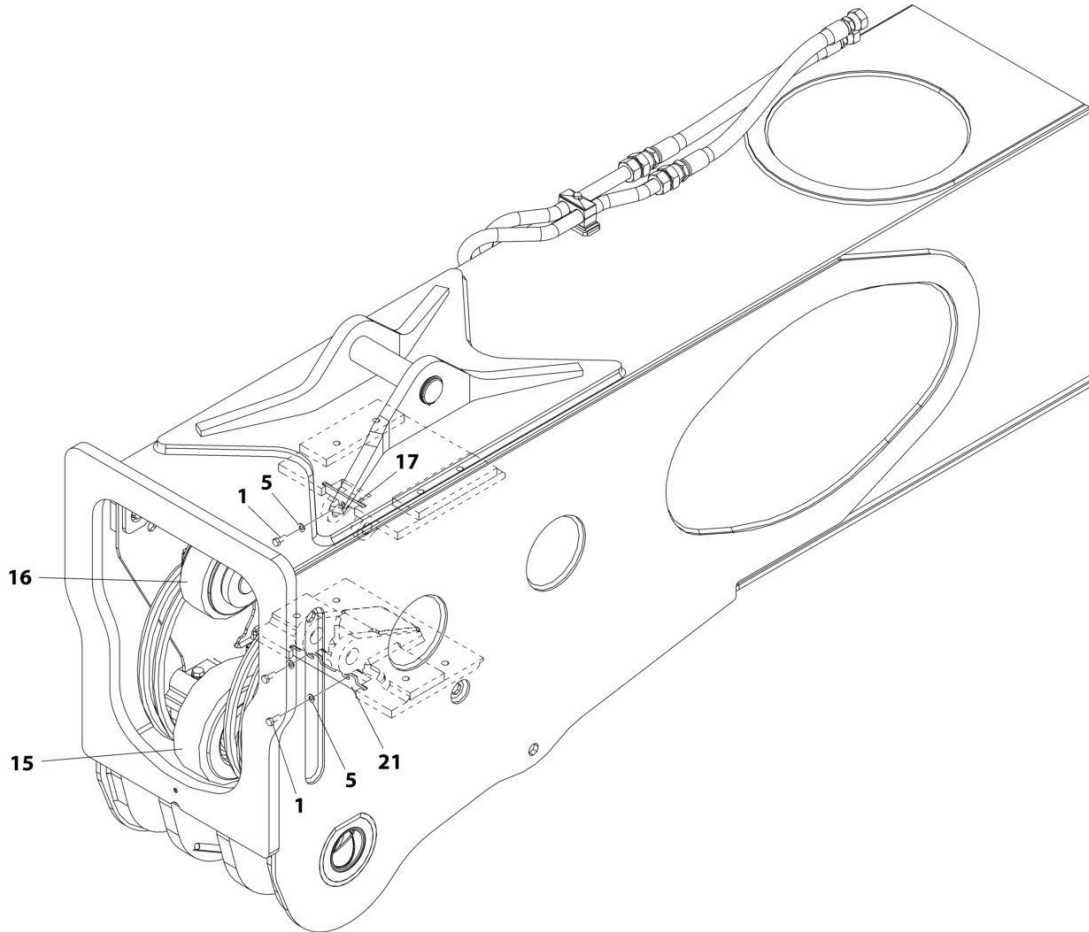
SECTION 2 - BOOM

FIGURE 2-1. BOOM ASSEMBLY - 1055



ART_1001159958_1-F

SECTION 2 - BOOM



ART_1001159958_2-F

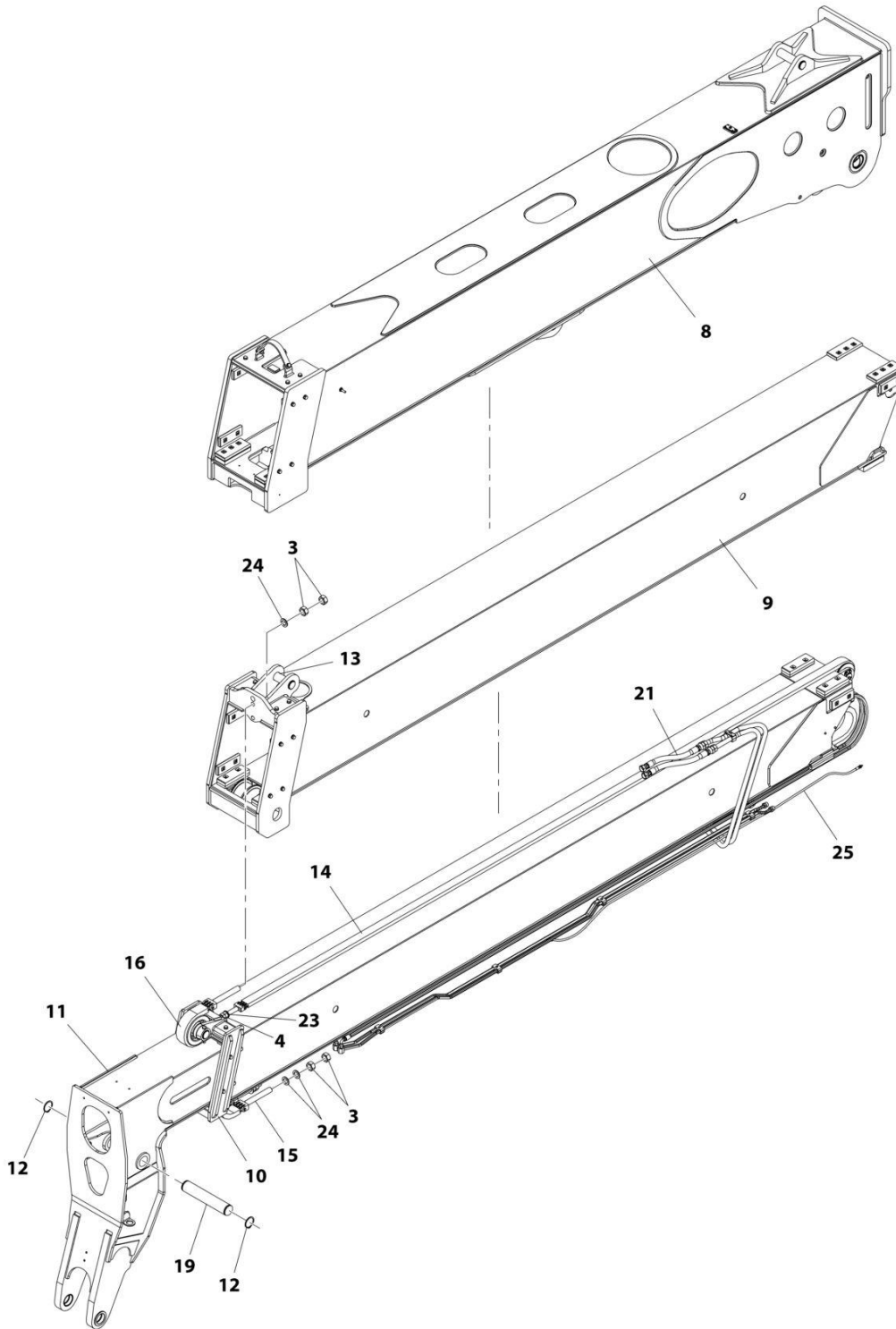
SECTION 2 - BOOM

FIGURE 2-1. BOOM ASSEMBLY - 1055

ITEM	PART NUMBER	QTY	DESCRIPTION	REV
	1001159958	Ref	Boom Assembly - 1055	F
1	0760810	3	Bolt, M8X20	
3	3332411	10	Nut, M24X3	
5	4811900	3	Washer, M8	
7	1001159967	1	Assembly, First Boom (See Separate Breakdown in this Section)	
8	1001160014	1	Assembly, Second Boom (See Separate Breakdown in this Section)	
9	1001160024	1	Assembly, Third Boom (See Separate Breakdown in this Section)	
10	1001160033	1	Assembly, Fourth Boom (See Separate Breakdown in this Section)	
11	88581157	2	Ring, Snap	
12	1001163881	Ref	Installation, Extend Cylinder Pins (See Separate Breakdown in this Section)	
13	1001165045	Ref	Installation, Second Boom Section Extend Chain (See Separate Breakdown in this Section)	
14	1001165046	Ref	Installation, Second Boom Section Extend Chain (See Separate Breakdown in this Section)	
15	1001165047	Ref	Installation, Third Boom Section Retract Chain (See Separate Breakdown in this Section)	
16	1001165048	Ref	Installation, Third Boom Section Retract Chain (See Separate Breakdown in this Section)	
17	1001165484	1	Plate	
18	1001167491	1	Pin	
20	1001174329	Ref	Installation, Boom Hydraulic Tubes (See Separate Breakdown in HYDRAULIC CIRCUITS Section)	
21	1001171001	1	Plate	
22	4812700	5	Washer, M24	
23	1001208050	1	Hose	

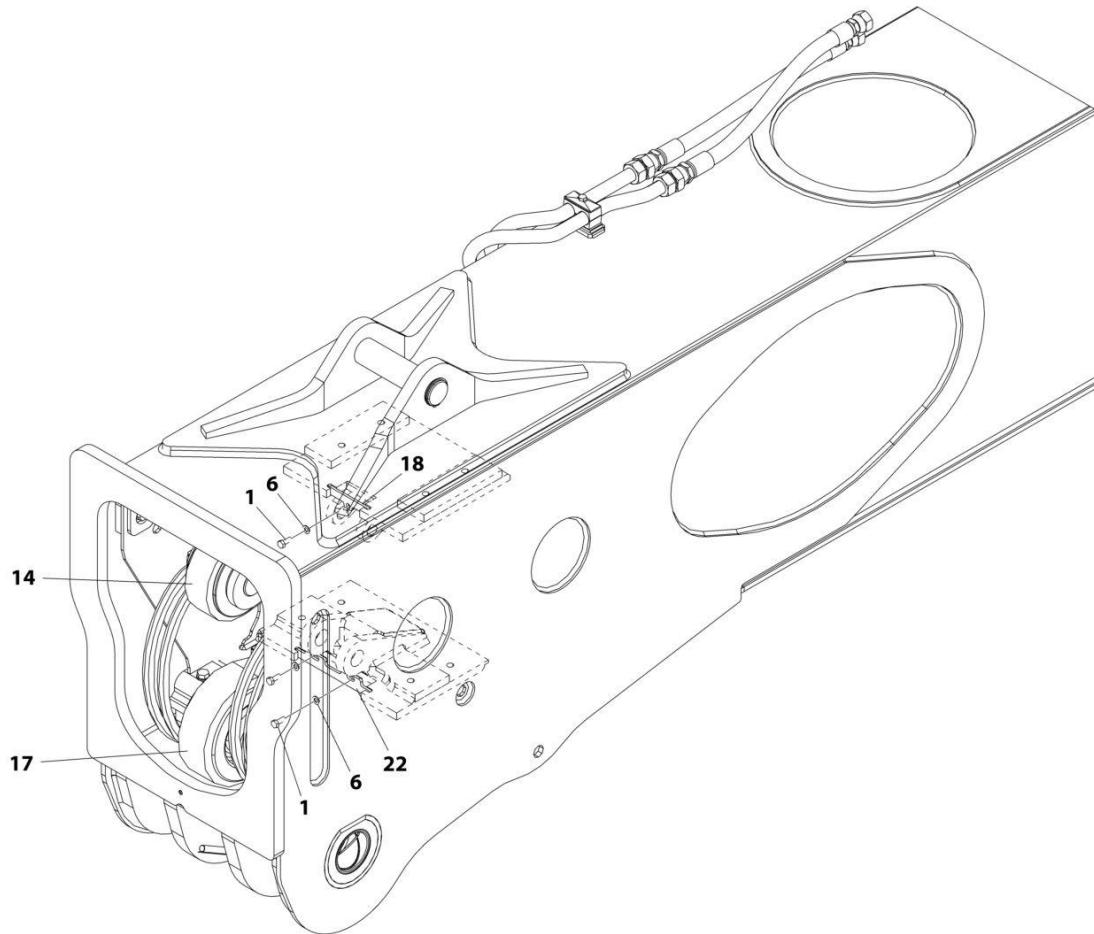
SECTION 2 - BOOM

FIGURE 2-2. BOOM ASSEMBLY - 1255



ART_1001159957_1-G

SECTION 2 - BOOM



ART_1001159957_2-G

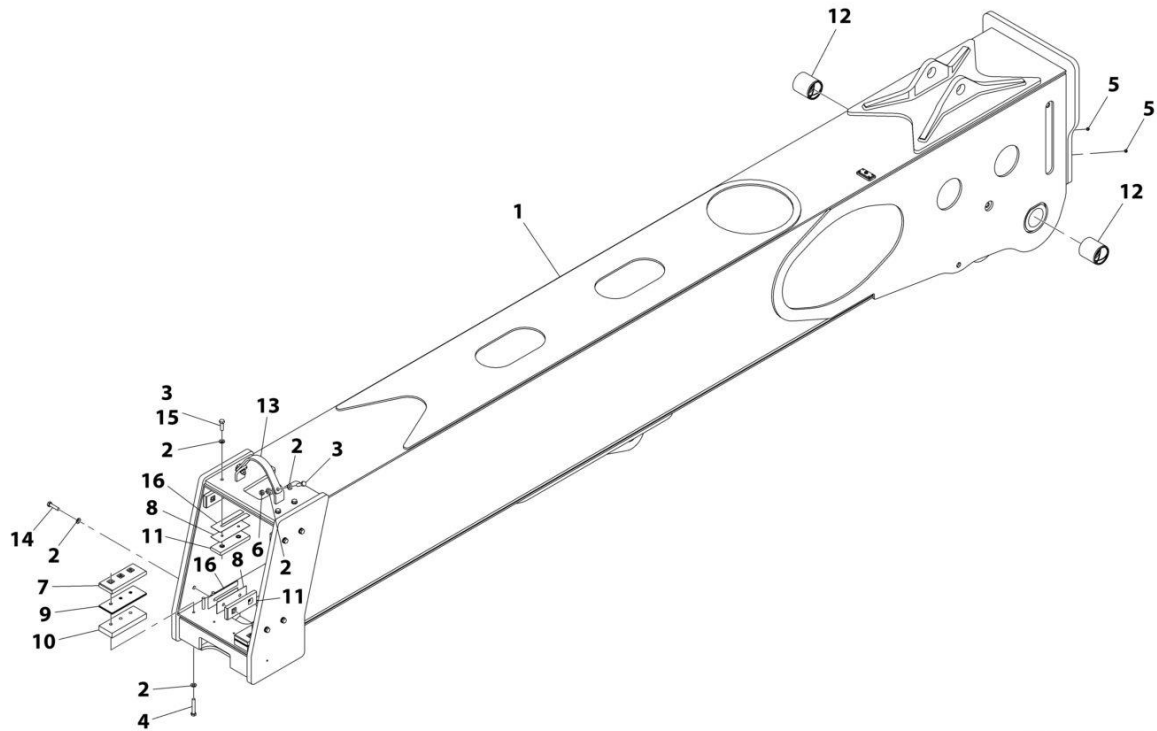
SECTION 2 - BOOM

FIGURE 2-2. BOOM ASSEMBLY - 1255

ITEM	PART NUMBER	QTY	DESCRIPTION	REV
	1001159957	Ref	Boom Assembly - 1255	G
1	0760810	3	Bolt, M8X20	
3	3333011	8	Nut, M30	
4	3332411	2	Nut, M24X3	
6	4811900	3	Washer, M8	
8	1001159966	1	Assembly, First Boom (See Separate Breakdown in this Section)	
9	1001160013	1	Assembly, Second Boom (See Separate Breakdown in this Section)	
10	1001160023	1	Assembly, Third Boom (See Separate Breakdown in this Section)	
11	1001160032	1	Assembly, Fourth Boom (See Separate Breakdown in this Section)	
12	88581157	2	Ring, Snap	
13	1001163881	1	Installation, Extend Cylinder Pins (See Separate Breakdown in this Section)	
14	1001165048	1	Installation, Third Boom Section Retract Chain (See Separate Breakdown in this Section)	
15	1001165295	1	Installation, Second Boom Section Extend Chain - 1255 (See Separate Breakdown in this Section)	
16	1001165296	1	Installation, Second Boom Section Extend Chain - 1255 (See Separate Breakdown in this Section)	
17	1001165297	1	Installation, Third Boom Section Retract Chain - 1255 (See Separate Breakdown in this Section)	
18	1001165484	1	Plate	
19	1001167491	1	Pin	
21	1001174329	1	Installation, Boom Hydraulic Tubes (See Separate Breakdown in HYDRAULIC CIRCUITS Section)	
22	1001171001	1	Plate	
23	4812700	1	Washer, M24	
24	1001097412	4	Washer	
25	1001208050	1	Hose	

SECTION 2 - BOOM

FIGURE 2-3. FIRST BOOM ASSEMBLY - 1055



ART_1001159967-F

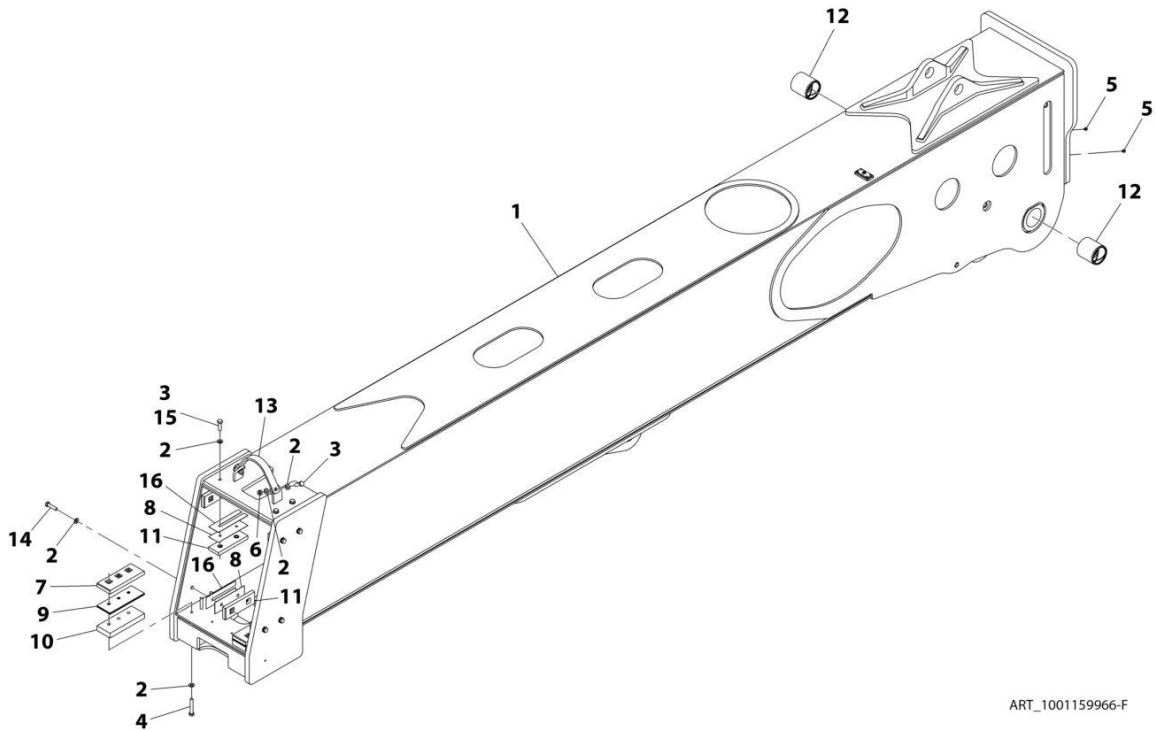
SECTION 2 - BOOM

FIGURE 2-3. FIRST BOOM ASSEMBLY - 1055

ITEM	PART NUMBER	QTY	DESCRIPTION	REV
	1001159967	Ref	First Boom Assembly - 1055	F
1	1001159971J	1	Weldment, First Boom	
2	1001125117	AR	Washer, M12	
3	0711216	6	Bolt, M12X40	
4	0711223	6	Bolt, M12X75 GR10.9	
5	2160016	2	Fitting, Grease	
6	3291201	2	Nut, M12X1.75	
7	1001162469	2	Pad, Wear	
8	1001163034	AR	Spacer	
9	1001163112	AR	Spacer	
10	1001163113	2	Spacer	
11	1001165171	6	Pad, Wear	
12	1001166455	2	Sleeve, Bronze	
13	1001171178	1	Strap, Cylinder	
14	0711218	8	Bolt, M12X50	
15	0711217	AR	Bolt, M12X45	
16	1001163103	AR	Shim	

SECTION 2 - BOOM

FIGURE 2-4. FIRST BOOM ASSEMBLY - 1255



ART_1001159966-F

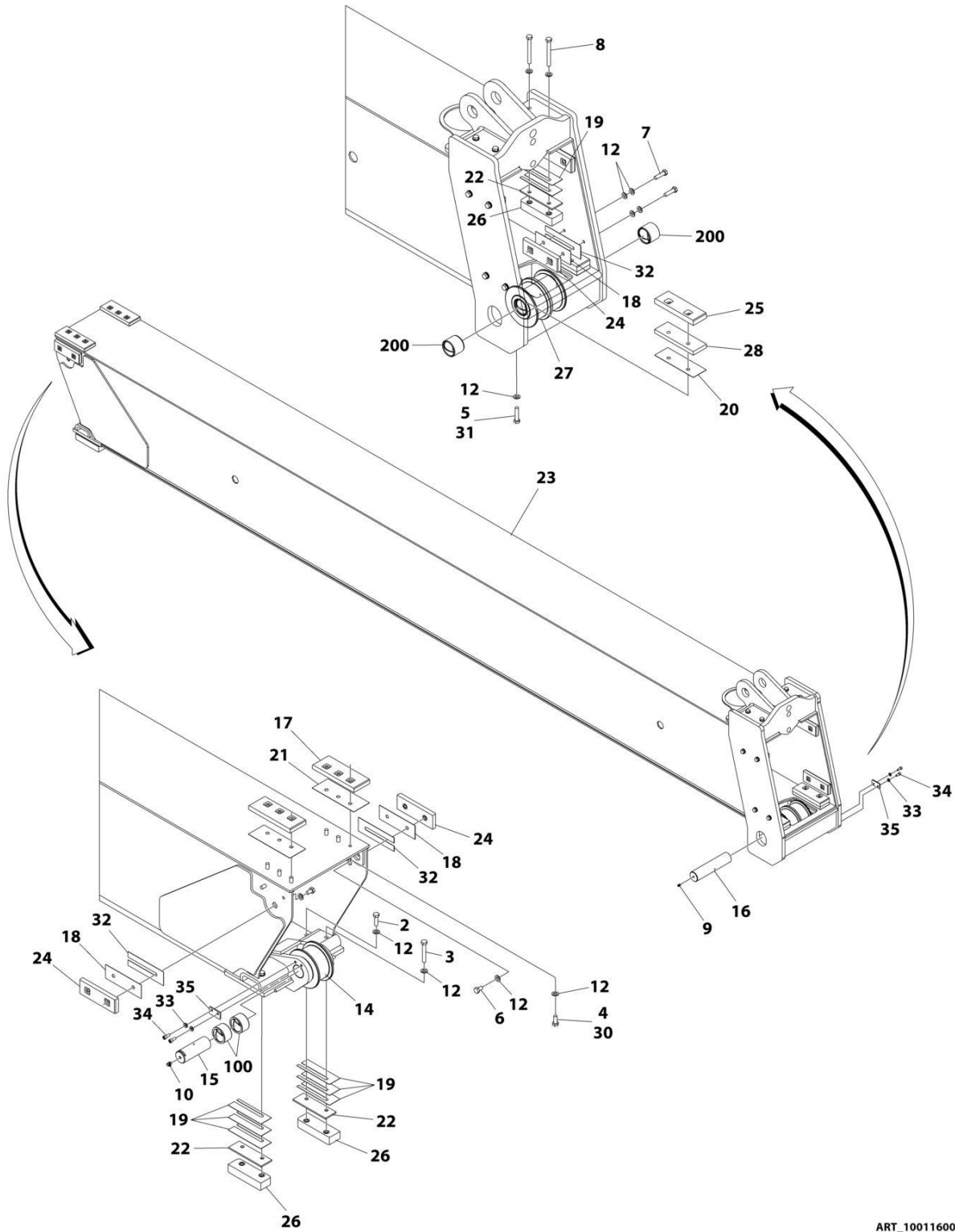
SECTION 2 - BOOM

FIGURE 2-4. FIRST BOOM ASSEMBLY - 1255

ITEM	PART NUMBER	QTY	DESCRIPTION	REV
	1001159966	Ref	First Boom Assembly - 1255	F
1	1001159970J	1	Weldment, First Boom	
2	1001125117	AR	Washer, M12	
3	0711216	6	Bolt, M12X40	
4	0711223	6	Bolt, M12X75 GR10.9	
5	2160016	2	Fitting, Grease	
6	3291201	2	Nut, M12X1.75	
7	1001162469	2	Pad, Wear	
8	1001163034	AR	Spacer	
9	1001163112	AR	Spacer	
10	1001163113	2	Spacer	
11	1001165171	6	Pad, Wear	
12	1001166455	2	Sleeve, Bronze	
13	1001171178	1	Strap, Cylinder	
14	0711218	8	Bolt, M12X50	
15	0711217	AR	Bolt, M12X45	
16	1001163103	AR	Shim	

SECTION 2 - BOOM

FIGURE 2-5. SECOND BOOM ASSEMBLY - 1055



ART_1001160014

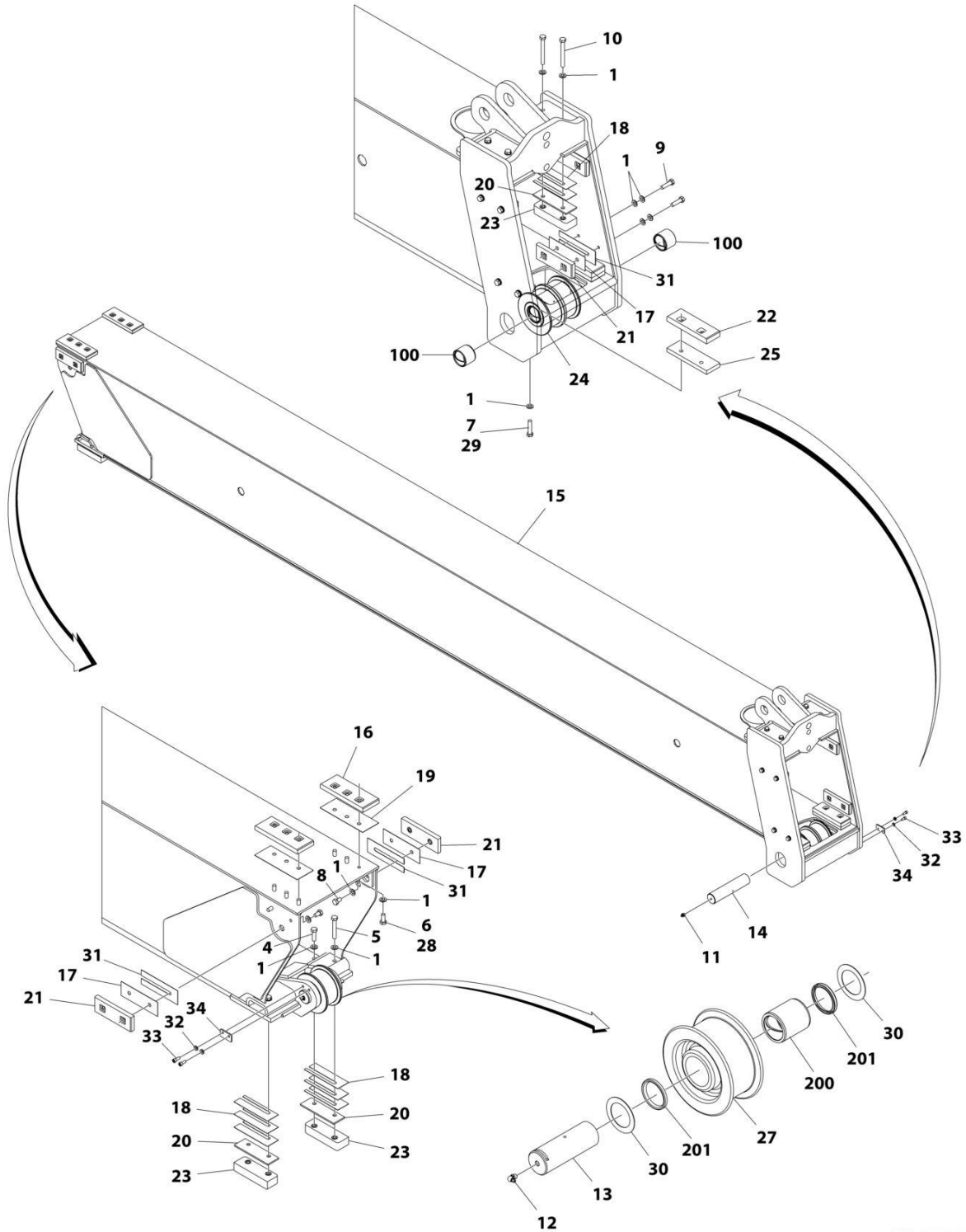
SECTION 2 - BOOM

FIGURE 2-5. SECOND BOOM ASSEMBLY - 1055

ITEM	PART NUMBER	QTY	DESCRIPTION	REV
	1001160014	Ref	SECOND BOOM ASSEMBLY - 1055	J
2	0711216	2	Bolt, M12 x 40	
3	0711224	2	Bolt, M12 x 80	
4	0711214	6	Bolt, M12 x 30	
5	0711219	4	Bolt, M12 x 55 GR10.9	
6	0771210	4	Bolt, M12 x 20	
7	0711217	8	Bolt, M12 x 45	
8	0711228	4	Bolt, M12 x 110	
9	2160016	1	Fitting, Grease	
10	2160018	1	Fitting, Grease	
12	1001125117	AR	Washer, M12	
14	1001101867	1	Assembly, Chain Sheave (Includes Item 100)	
15	1001159611	1	Pin	
16	1001161054	1	Pin	
17	1001162469	2	Pad, Wear	
18	1001163034	AR	Spacer	
19	1001163104	AR	Shim	
20	1001163108	AR	Spacer	
21	1001163112	AR	Spacer	
22	1001163114	4	Spacer	
23	1001163900	1	Weldment, Second Boom	
24	1001165171	6	Pad, Wear	
25	1001165173	2	Pad, Wear	
26	1001165175	4	Pad, Wear	
27	1001168286	1	Assembly, Chain Sheave (Includes Item 200)	
28	1001170627	2	Spacer	
30	0711215	AR	Bolt, M12 x 35	
31	0711220	AR	Bolt, M12 x 60	
32	1001163103	AR	Shim	
33	5240800	4	Washer, M8	
34	5271808	4	Bolt, M8 x 20	
35	1001206248	2	Bracket	
100	7117502	2	Bushing (Part of Item 14)	
200	1001167025	2	Bushing (Part of Item 27)	

SECTION 2 - BOOM

FIGURE 2-6. SECOND BOOM ASSEMBLY - 1255



ART_1001160013

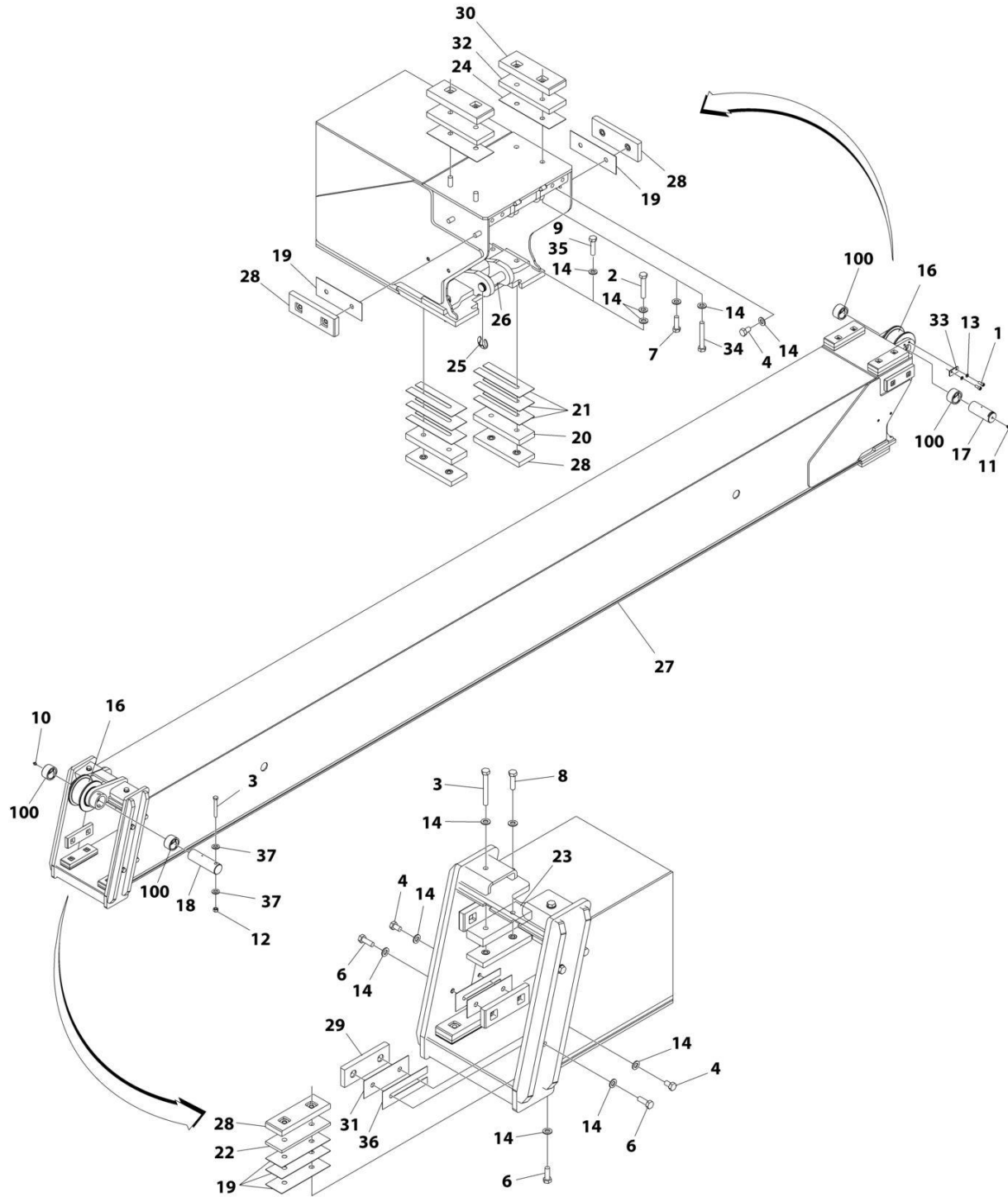
SECTION 2 - BOOM

FIGURE 2-6. SECOND BOOM ASSEMBLY - 1255

ITEM	PART NUMBER	QTY	DESCRIPTION	REV
	1001160013	Ref	SECOND BOOM ASSEMBLY - 1255	I
1	1001125117	AR	Washer, M12	
4	0711216	2	Bolt, M12 x 40	
5	0711224	2	Bolt, M12 x 80 GR10.9	
6	0711214	6	Bolt, M12 x 30	
7	0711219	4	Bolt, M12 x 55 GR10.9	
8	0771210	4	Bolt, M12 x 20 GR10.9	
9	0711217	8	Bolt, M12 x 45	
10	0711228	4	Bolt, M12 x 10	
11	2160016	1	Fitting, Grease	
12	2160018	1	Fitting, Grease	
13	1001159611	1	Pin	
14	1001161054	1	Pin	
15	1001162286	1	Weldment, Second Boom	
16	1001162469	2	Pad, Wear	
17	1001163034	AR	Spacer	
18	1001163104	AR	Shim	
19	1001163112	AR	Spacer	
20	1001163114	4	Plate, Spacer	
21	1001165171	6	Pad, Wear	
22	1001165173	2	Pad, Wear	
23	1001165175	4	Pad, Wear	
24	1001167027	1	Assembly, Chain Sheave (Includes Item 100)	
25	1001170627	2	Spacer	
27	91565005	1	Assembly, Chain Sheave (Includes Item 200-201)	
28	0711215	AR	Bolt, M12 x 35	
29	0711220	AR	Bolt, M12 x 60	
30	91041596	AR	Washer	
31	1001163103	AR	Shim	
32	5240800	4	Washer, M8	
33	5271808	4	Bolt, M8 x 20	
34	1001206248	2	Bracket	
100	1001167025	2	Bushing (Part of Item 24)	
200	91563025	1	Bushing (Part of Item 27)	
201	91403119	2	Seal (Part of Item 27)	

SECTION 2 - BOOM

FIGURE 2-7. THIRD BOOM ASSEMBLY - 1055



ART_1001160024

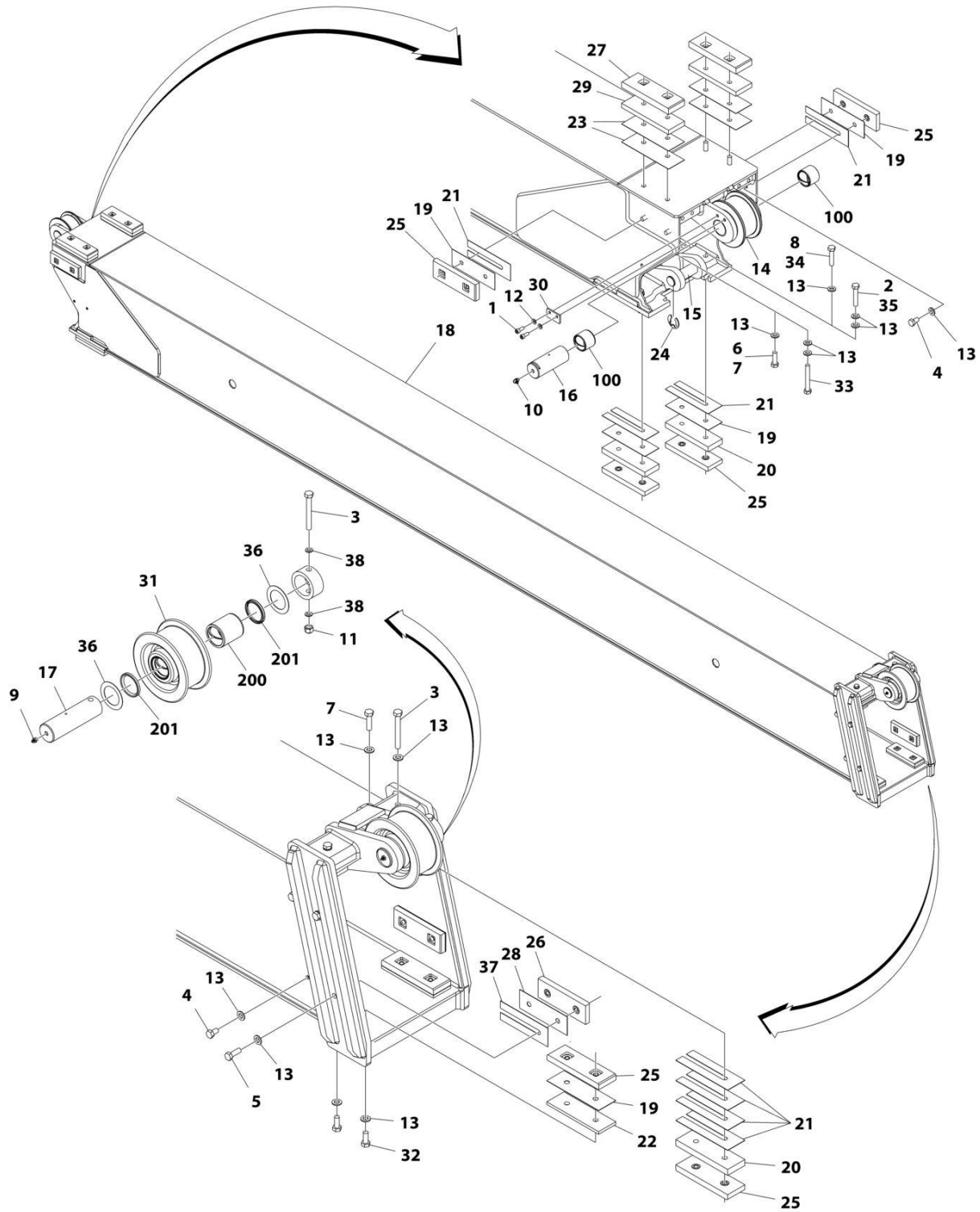
SECTION 2 - BOOM

FIGURE 2-7. THIRD BOOM ASSEMBLY - 1055

ITEM	PART NUMBER	QTY	DESCRIPTION	REV
	1001160024	Ref	THIRD BOOM ASSEMBLY - 1055	J
1	5271808	2	Bolt, M8 x 20	
2	1001098828	2	Bolt, M12 x 70	
3	0711227	3	Bolt, M12 x 100	
4	0771210	8	Bolt, M12 x 20	
6	0711215	8	Bolt, M12 x 35	
7	0711216	2	Bolt, M12 x 40	
8	0711217	2	Bolt, M12 x 45	
9	0711218	AR	Bolt, M12 x 50	
10	2160016	1	Fitting, Grease	
11	2160018	1	Fitting, Grease	
12	3291205	1	Nut, Lock M12 x 1.75	
13	5240800	2	Washer, M8	
14	1001125117	AR	Washer, M12	
16	1001101867	2	Assembly, Chain Sheave (Includes Item 100)	
17	1001159613	1	Pin	
18	1001161055	1	Pin	
19	1001163034	AR	Spacer	
20	1001163038	2	Spacer	
21	1001163103	AR	Shim	
22	1001163105	2	Spacer	
23	1001163107	2	Spacer	
24	1001163108	AR	Spacer	
25	1001163638	2	Ring, Retaining	
26	1001163693	1	Pin	
27	1001163903	1	Weldment, Third Boom	
28	1001165171	8	Pad, Wear	
29	1001165172	4	Pad, Wear	
30	1001165173	2	Pad, Wear	
31	1001165367	AR	Spacer	
32	1001170627	2	Spacer	
33	1001206248	1	Bracket	
34	0711226	2	Bolt, M12 x 85	
35	0711219	2	Bolt, M12 x 55	
36	1001200989	AR	Shim	
37	4812100	2	Washer, M12	
100	7117502	4	Bushing (Part of Item 16) (2 per assembly)	

SECTION 2 - BOOM

FIGURE 2-8. THIRD BOOM ASSEMBLY - 1255



ART_1001160023

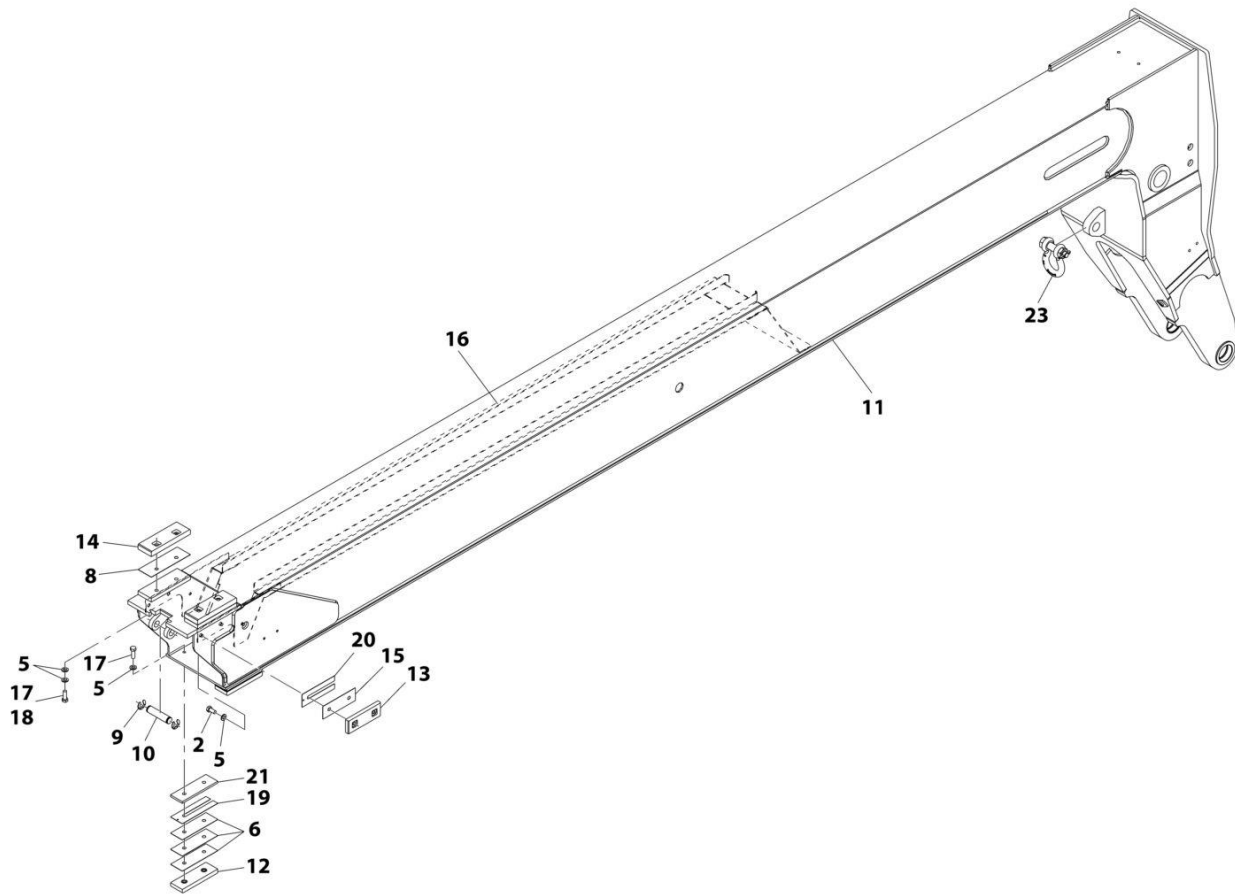
SECTION 2 - BOOM

FIGURE 2-8. THIRD BOOM ASSEMBLY - 1255

ITEM	PART NUMBER	QTY	DESCRIPTION	REV
	1001160023	Ref	THIRD BOOM ASSEMBLY - 1255	1
1	5271808	2	Bolt, M8 x 20	
2	1001098828	2	Bolt, M12-1.75 x 70 GR10.9	
3	0711227	3	Bolt, M12 x 100 GR10.9	
4	0771210	8	Bolt, M12 x 20 GR10.9	
5	0711215	4	Bolt, M12 x 35 GR10.9	
6	0711216	2	Bolt, M12 x 40 GR10.9	
7	0711217	2	Bolt, M12 x 45	
8	0711218	2	Bolt, M12 x 50 GR10.9	
9	2160016	1	Fitting, Grease	
10	2160018	1	Fitting, Grease	
11	3291205	1	Nut, Lock M12 x 1.75	
12	5240800	2	Washer, M8	
13	1001125117	AR	Washer, M12	
14	1001101867	1	Assembly, Chain Sheave (Includes Item 100)	
15	1001159612	1	Pin	
16	1001159613	1	Pin	
17	1001161055	1	Pin	
18	1001162376	1	Weldment, Third Boom	
19	1001163034	AR	Spacer	
20	1001163038	4	Spacer	
21	1001163103	AR	Shim	
22	1001163105	2	Spacer	
23	1001163108	AR	Spacer	
24	1001163619	2	Ring, Retaining	
25	1001165171	8	Pad, Wear	
26	1001165172	4	Pad, Wear	
27	1001165173	2	Pad, Wear	
28	1001165367	AR	Spacer	
29	1001170627	2	Spacer	
30	1001206248	1	Bracket	
31	91565005	1	Assembly, Chain Sheave (Includes Item 200-201)	
32	0711214	4	Bolt, M12 x 30	
33	0711226	2	Bolt, M12 x 90	
34	0711219	AR	Bolt, M12 x 55	
35	0711221	AR	Bolt, M12 x 65	
36	91041596	AR	Washer	
37	1001200989	AR	Shim	
38	4812100	2	Washer, M12	
100	7117502	2	Bushing (Part of Item 14)	
200	91563025	1	Bushing (Part of Item 31)	
201	91403119	2	Seal (Part of Item 31)	

SECTION 2 - BOOM

FIGURE 2-9. FOURTH BOOM ASSEMBLY - 1055



ART_1001160033-K

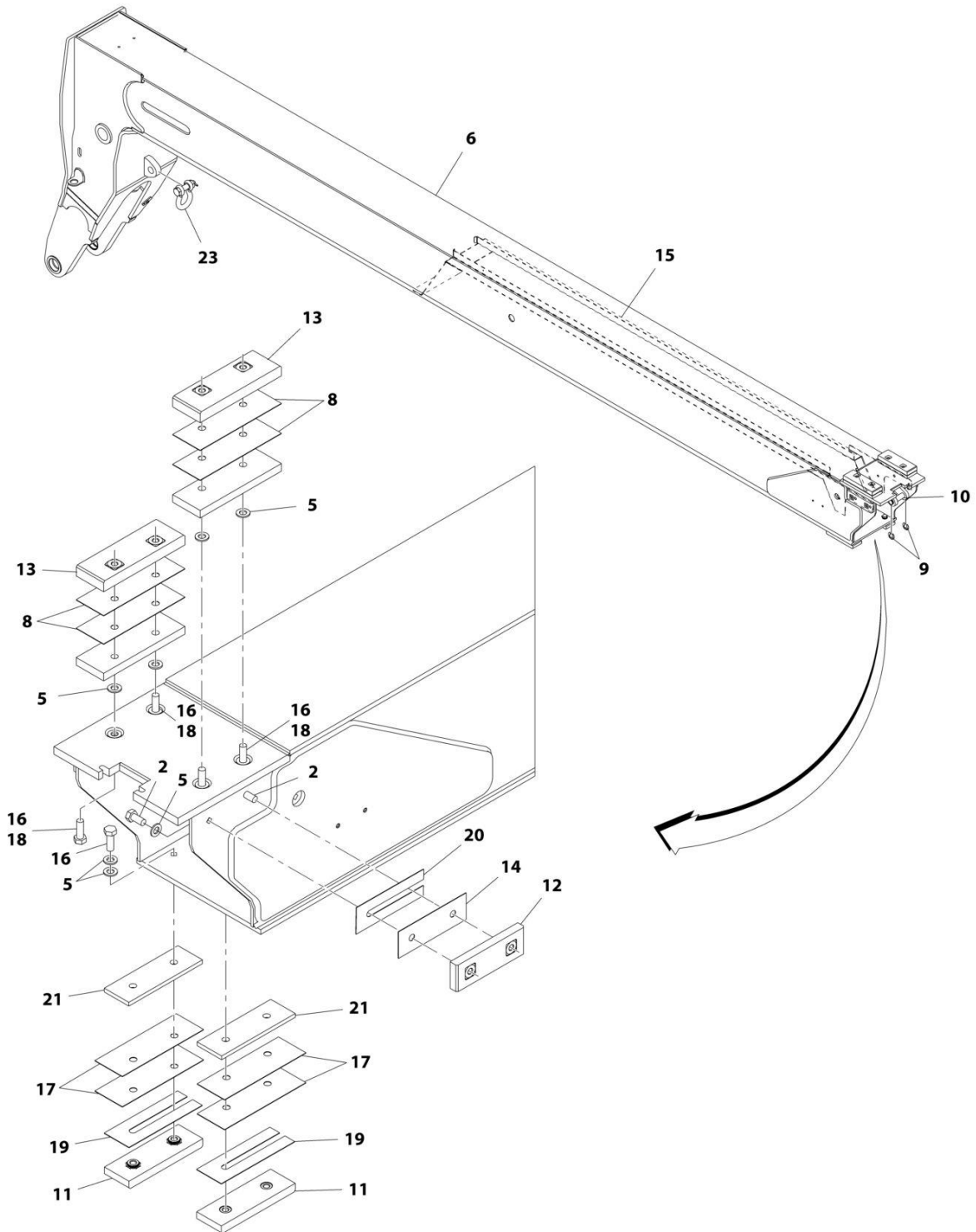
SECTION 2 - BOOM

FIGURE 2-9. FOURTH BOOM ASSEMBLY - 1055

ITEM	PART NUMBER	QTY	DESCRIPTION	REV
	1001160033	Ref	Fourth Boom Assembly - 1055	K
2	0771212	4	Bolt, M12X35	
5	1001125117	AR	Washer, M12	
6	1001163034	AR	Spacer	
8	1001163108	AR	Spacer	
9	1001163638	2	Ring, Retainer	
10	1001163693	1	Pin	
11	1001163908	1	Weldment, Fourth Boom	
12	1001165171	2	Pad, Wear	
13	1001165172	2	Pad, Wear	
14	1001165173	2	Pad, Wear	
15	1001165367	AR	Spacer	
16	1001173926	1	Support, Hose	
17	0711215	8	Bolt, M12X35	
18	0711214	AR	Bolt, M12X30	
19	1001163103	AR	Shim	
20	1001200989	AR	Shim	
21	1001163105	2	Plate, Spacer	
23	1001204045	1	Clevis	

SECTION 2 - BOOM

FIGURE 2-10. FOURTH BOOM ASSEMBLY - 1255



ART_1001160032-K

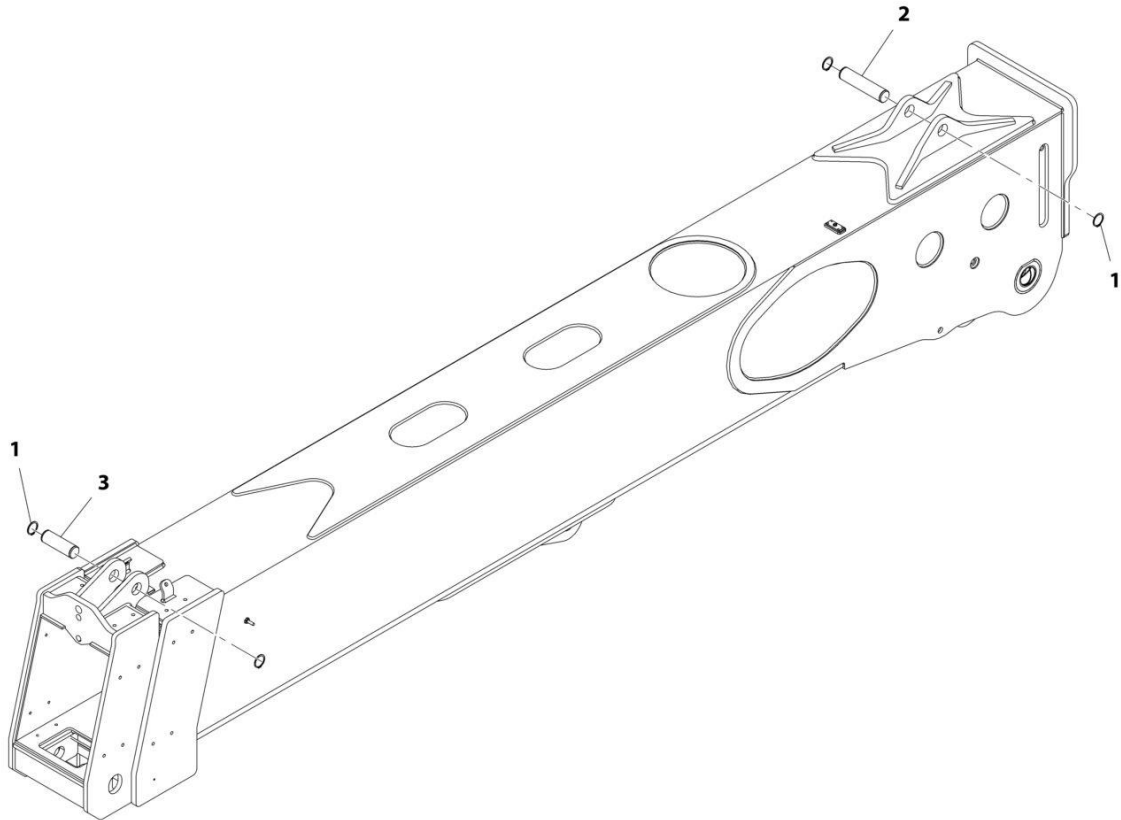
SECTION 2 - BOOM

FIGURE 2-10. FOURTH BOOM ASSEMBLY - 1255

ITEM	PART NUMBER	QTY	DESCRIPTION	REV
	1001160032	Ref	Fourth Boom Assembly - 1255	K
2	0771212	4	Bolt, M12X25	
5	1001125117	AR	Washer, M12	
6	1001162262	1	Weldment, Fourth Boom	
8	1001163108	AR	Spacer	
9	1001163638	2	Ring, Retaining	
10	1001163693	1	Pin	
11	1001165171	2	Wear, Pad	
12	1001165172	2	Pad, Wear	
13	1001165173	2	Pad, Wear	
14	1001165367	AR	Spacer	
15	1001173926	1	Support, Hose	
16	0711215	8	Bolt, M12X35	
17	1001163034	AR	Spacer	
18	0711214	AR	Bolt, M12X30	
19	1001163103	AR	Shim	
20	1001200989	AR	Shim	
21	1001163105	2	Plate, Spacer	
23	1001204045	1	Clevis	

SECTION 2 - BOOM

FIGURE 2-11. EXTEND CYLINDER PINS INSTALLATION



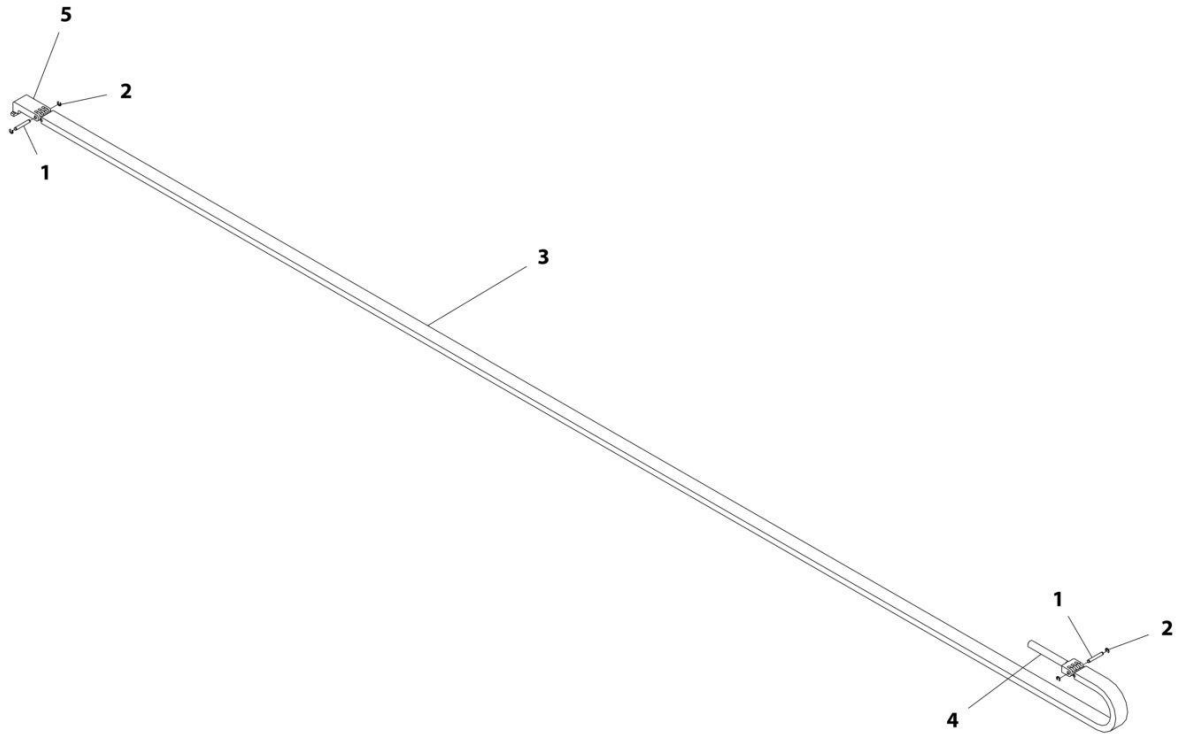
ART_1001163881-A

FIGURE 2-11. EXTEND CYLINDER PINS INSTALLATION

ITEM	PART NUMBER	QTY	DESCRIPTION	REV
	1001163881	Ref	Extend Cylinder Pins Installation	A
1	3760493	4	Ring, Retaining	
2	1001159609	1	Pin	
3	1001163880	1	Pin	

SECTION 2 - BOOM

FIGURE 2-12. SECOND BOOM SECTION EXTEND CHAIN INSTALLATION - 1055



ART_1001165046-C

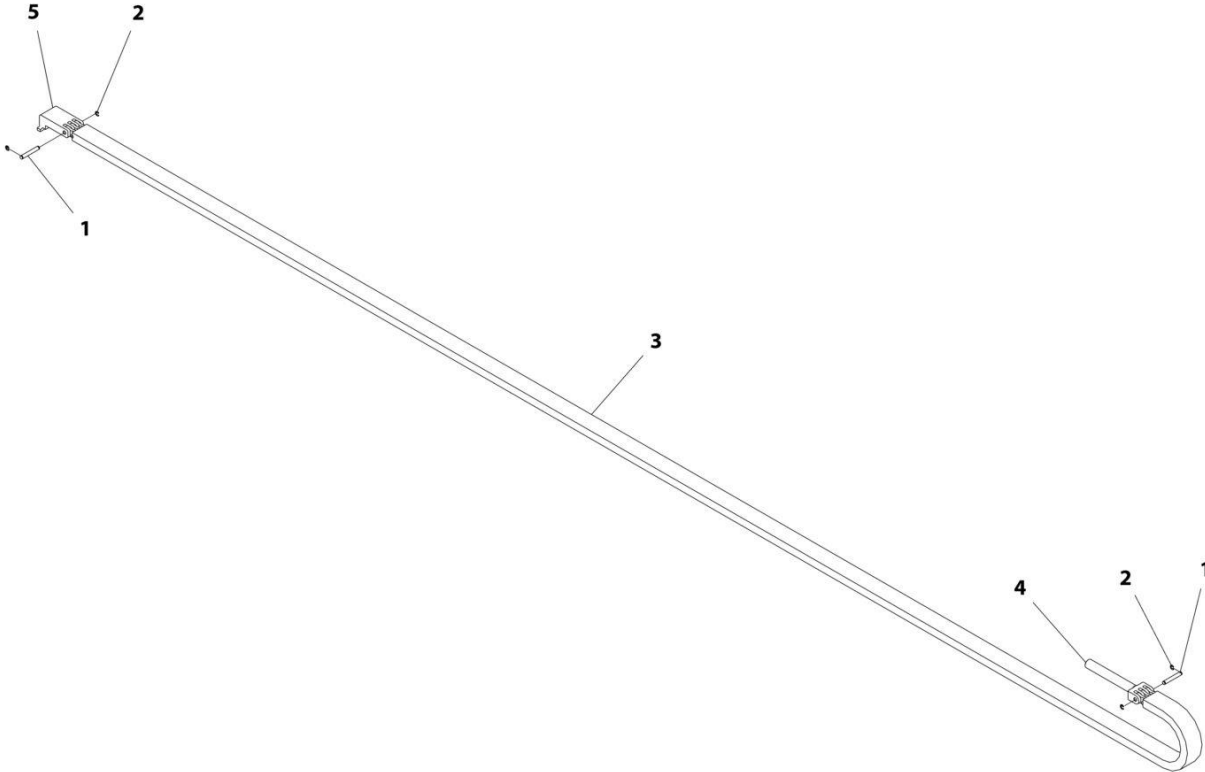
SECTION 2 - BOOM

FIGURE 2-12. SECOND BOOM SECTION EXTEND CHAIN INSTALLATION - 1055

ITEM	PART NUMBER	QTY	DESCRIPTION	REV
	1001165046	Ref	Second Boom Section Extend Chain Installation - 1055	C
1	1001163841	2	Pin	
2	1001164039	4	Ring, Retaining	
3	1001165040	1	Chain	
4	1001165590	1	Clevis, Chain	
5	1001165739	1	Clevis, Chain	

SECTION 2 - BOOM

FIGURE 2-13. SECOND BOOM SECTION EXTEND CHAIN INSTALLATION - 1255



ART_1001165296-D

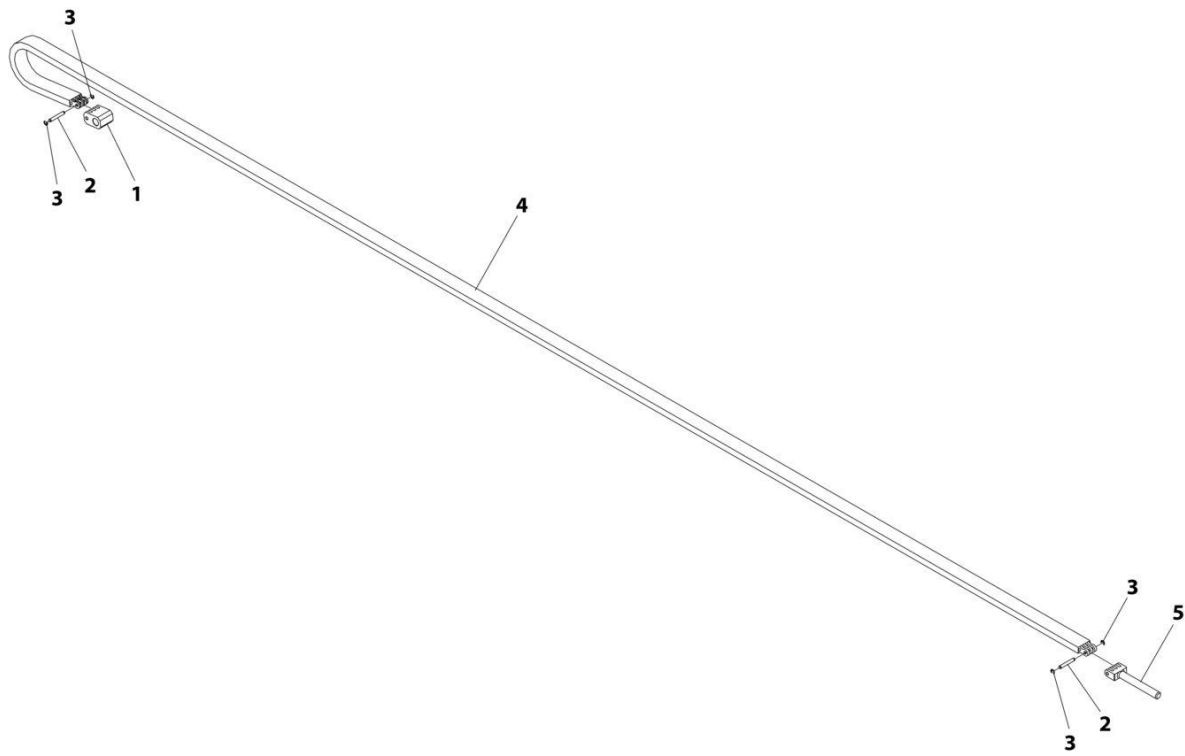
SECTION 2 - BOOM

FIGURE 2-13. SECOND BOOM SECTION EXTEND CHAIN INSTALLATION - 1255

ITEM	PART NUMBER	QTY	DESCRIPTION	REV
	1001165296	Ref	Second Boom Section Extend Chain Installation - 1255	D
1	1001163842	2	Pin	
2	1001164039	4	Ring, Retainer	
3	1001165293	1	Chain, Extend	
4	1001165486	1	Chain	
5	1001165493	1	Clevis, Chain	

SECTION 2 - BOOM

FIGURE 2-14. THIRD BOOM SECTION RETRACT CHAIN INSTALLATION



ART_1001165048-C

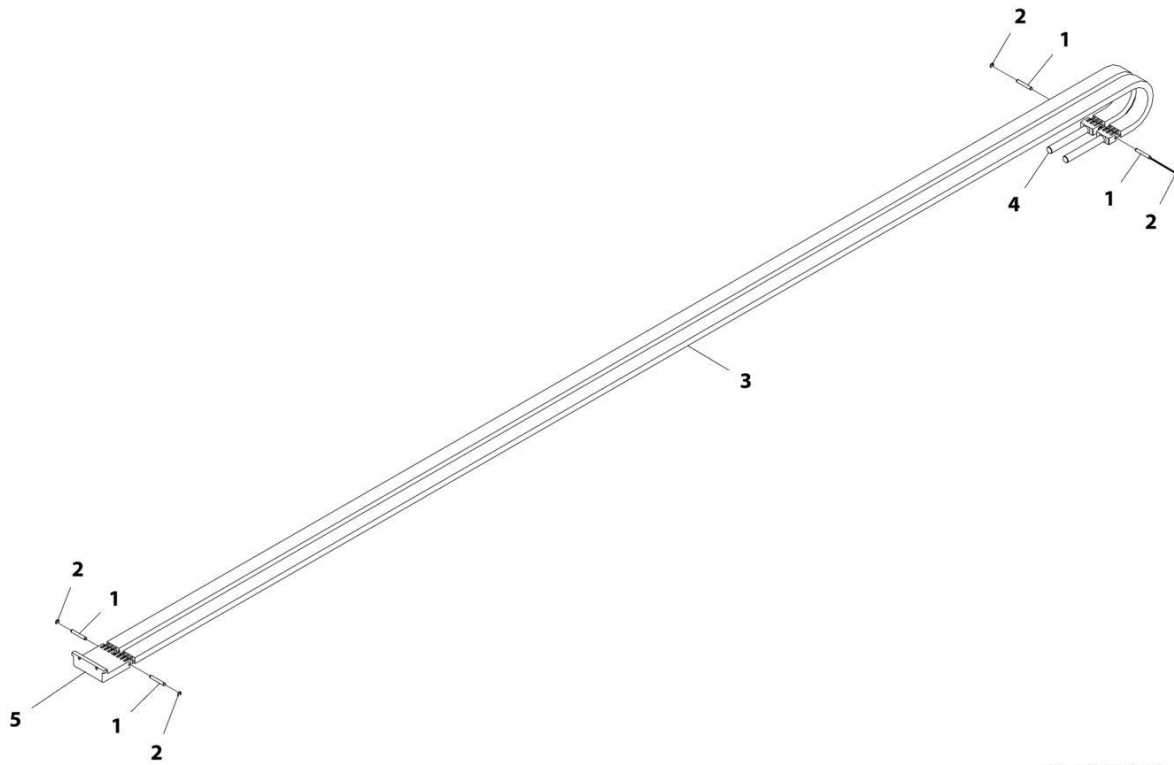
SECTION 2 - BOOM

FIGURE 2-14. THIRD BOOM SECTION RETRACT CHAIN INSTALLATION

ITEM	PART NUMBER	QTY	DESCRIPTION	REV
	1001165048	Ref	Third Boom Section Retract Chain Installation	C
1	1001147623	1	Clevis, Chain	
2	1001163841	2	Pin, Chain Clevis	
3	1001164039	4	Ring, M8	
4	1001165043	1	Chain	
5	1001165590	1	Clevis, Chain	

SECTION 2 - BOOM

FIGURE 2-15. SECOND BOOM SECTION EXTEND CHAIN INSTALLATION - 1055



ART_1001165045-A

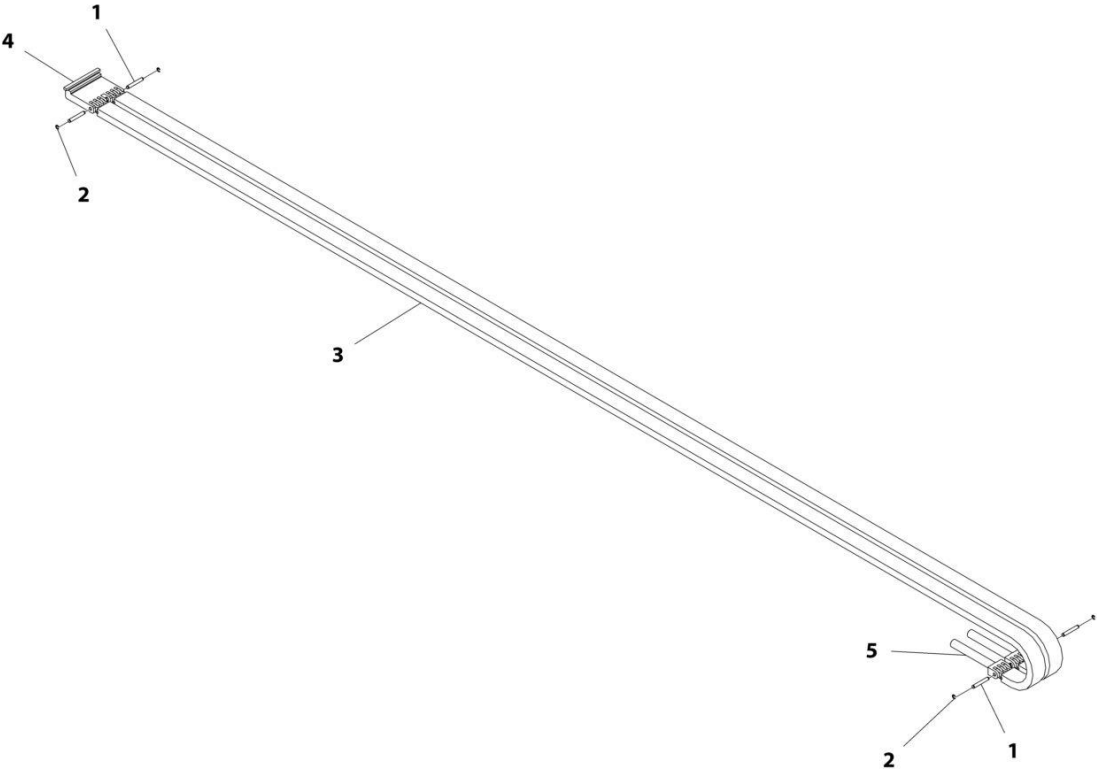
SECTION 2 - BOOM

FIGURE 2-15. SECOND BOOM SECTION EXTEND CHAIN INSTALLATION - 1055

ITEM	PART NUMBER	QTY	DESCRIPTION	REV
	1001165045	Ref	Second Boom Section Extend Chain Installation - 1055	A
1	1001163841	4	Pin, Chain Clevis	
2	1001164039	8	Ring, M8	
3	1001165036	2	Chain	
4	1001165483	1	Clevis, Dual	
5	1001165590	2	Clevis, Dual	

SECTION 2 - BOOM

FIGURE 2-16. SECOND BOOM SECTION EXTEND CHAIN INSTALLATION - 1255



ART_1001165295-A

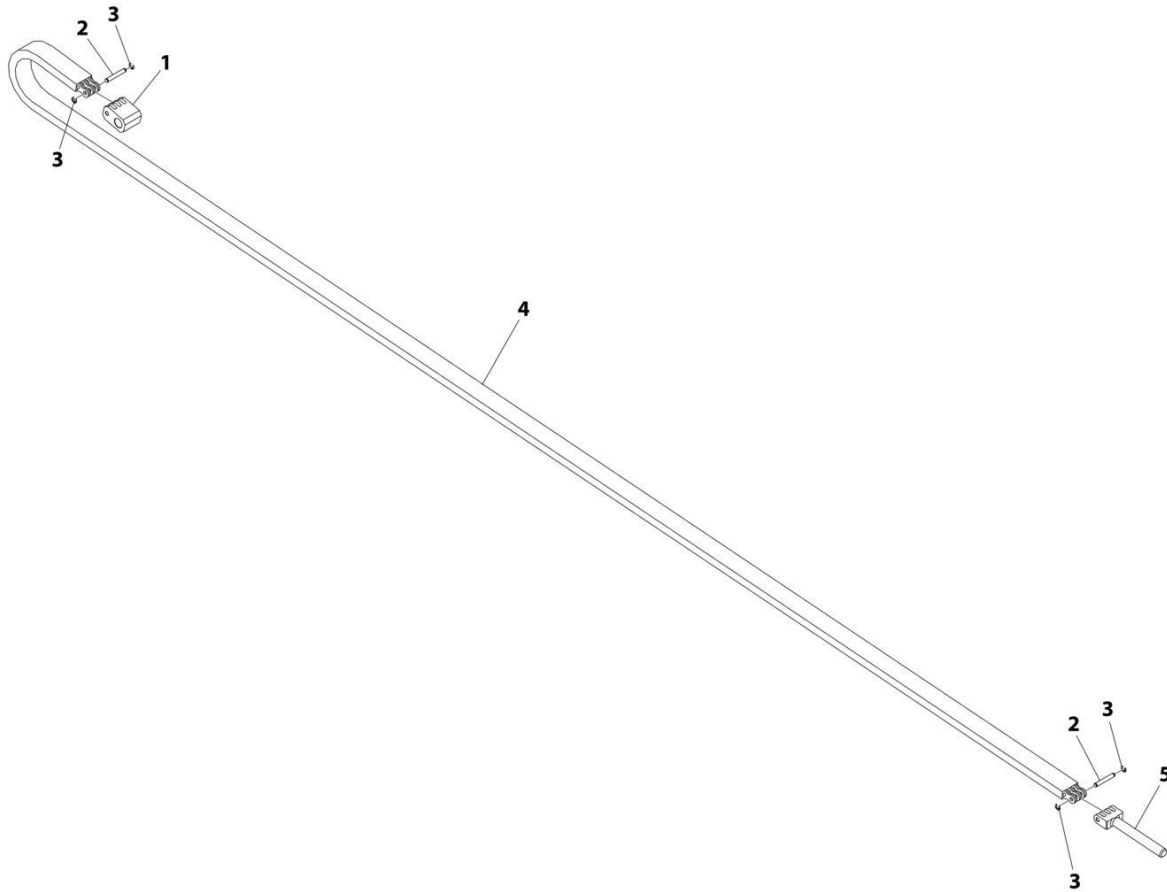
SECTION 2 - BOOM

FIGURE 2-16. SECOND BOOM SECTION EXTEND CHAIN INSTALLATION - 1255

ITEM	PART NUMBER	QTY	DESCRIPTION	REV
	1001165295	Ref	Second Boom Section Extend Chain Installation - 1255	A
1	1001163842	4	Pin, Chain Clevis	
2	1001164039	8	Ring, M8	
3	1001165292	2	Chain, Extend	
4	1001165487	1	Clevis, Dual	
5	1001165486	2	Clevis, Chain	

SECTION 2 - BOOM

FIGURE 2-17. THIRD BOOM SECTION RETRACT CHAIN INSTALLATION - 1055



ART_1001165047-C

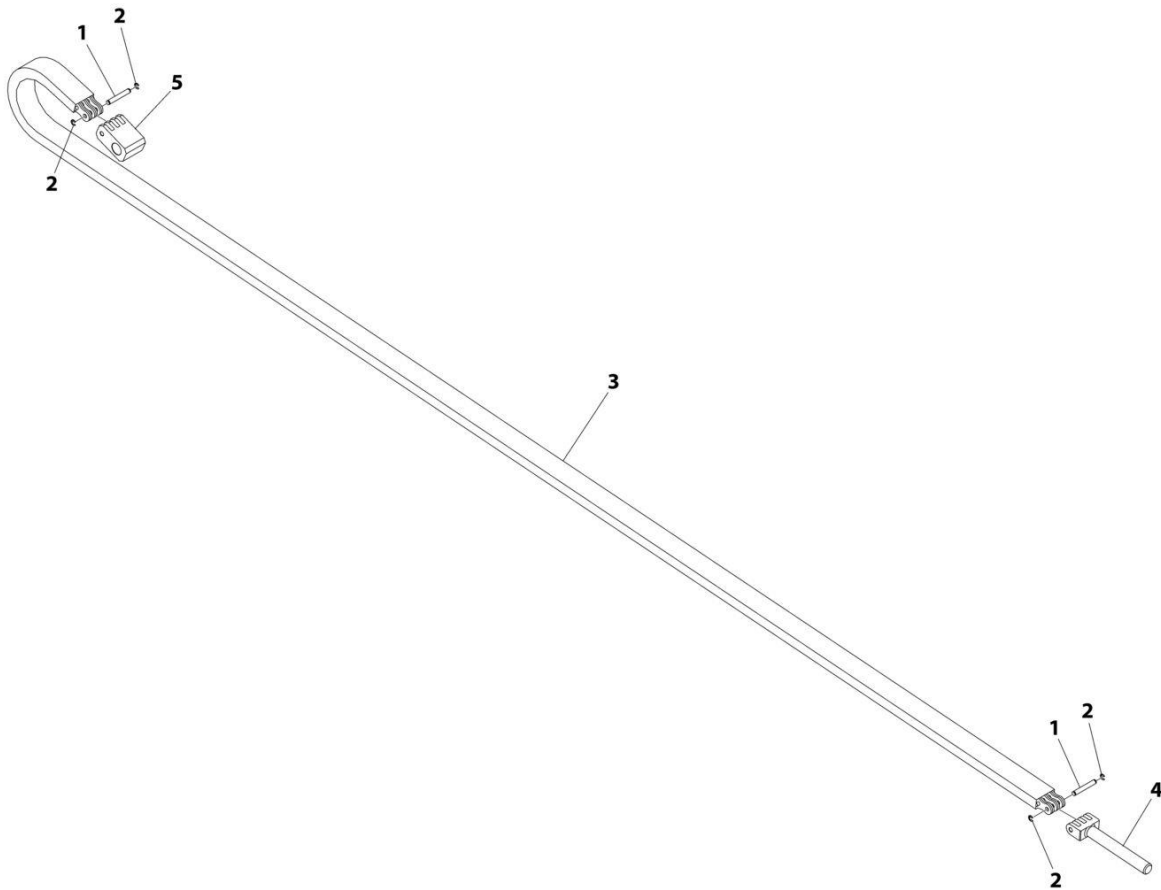
SECTION 2 - BOOM

FIGURE 2-17. THIRD BOOM SECTION RETRACT CHAIN INSTALLATION - 1055

ITEM	PART NUMBER	QTY	DESCRIPTION	REV
	1001165047	Ref	Third Boom Section Retract Chain Installation - 1055	C
1	1001147623	1	Clevis, Chain	
2	1001163841	2	Pin, Chain clevis	
3	1001164039	4	Ring, M8	
4	1001165042	1	Chain	
5	1001165590	1	Clevis, Chain	

SECTION 2 - BOOM

FIGURE 2-18. THIRD BOOM SECTION RETRACT CHAIN INSTALLATION - 1255



ART_1001165297-D

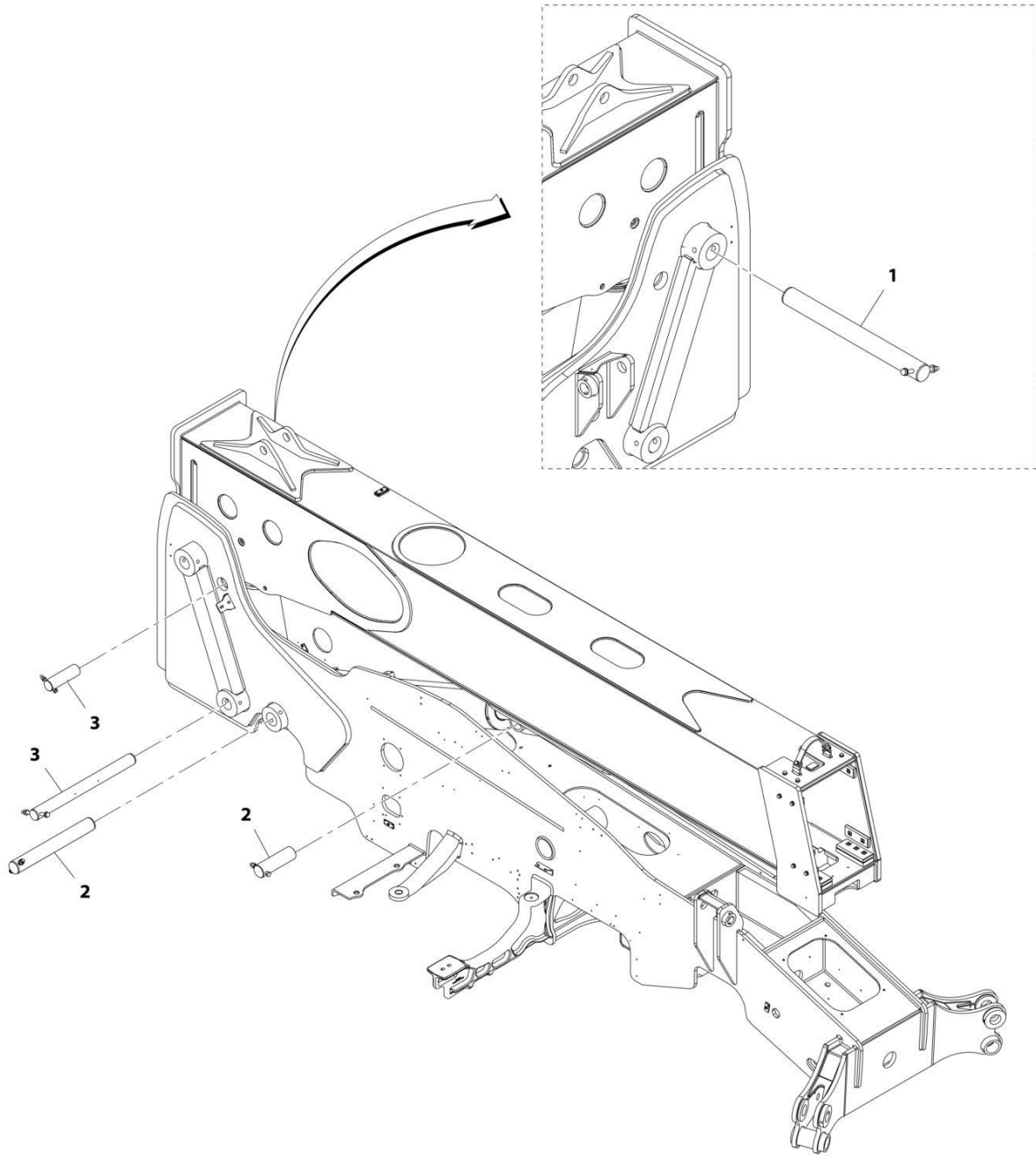
SECTION 2 - BOOM

FIGURE 2-18. THIRD BOOM SECTION RETRACT CHAIN INSTALLATION - 1255

ITEM	PART NUMBER	QTY	DESCRIPTION	REV
	1001165297	Ref	Third Boom Section Retract Chain Installation - 1255	D
1	1001163842	2	Pin, Chain Clevis	
2	1001164039	4	Ring, M8	
3	1001165294	1	Chain, Retract	
4	1001165486	1	Clevis, Chain	
5	1001165496	1	Clevis, Chain	

SECTION 2 - BOOM

FIGURE 2-19. BOOM PIN INSTALLATION



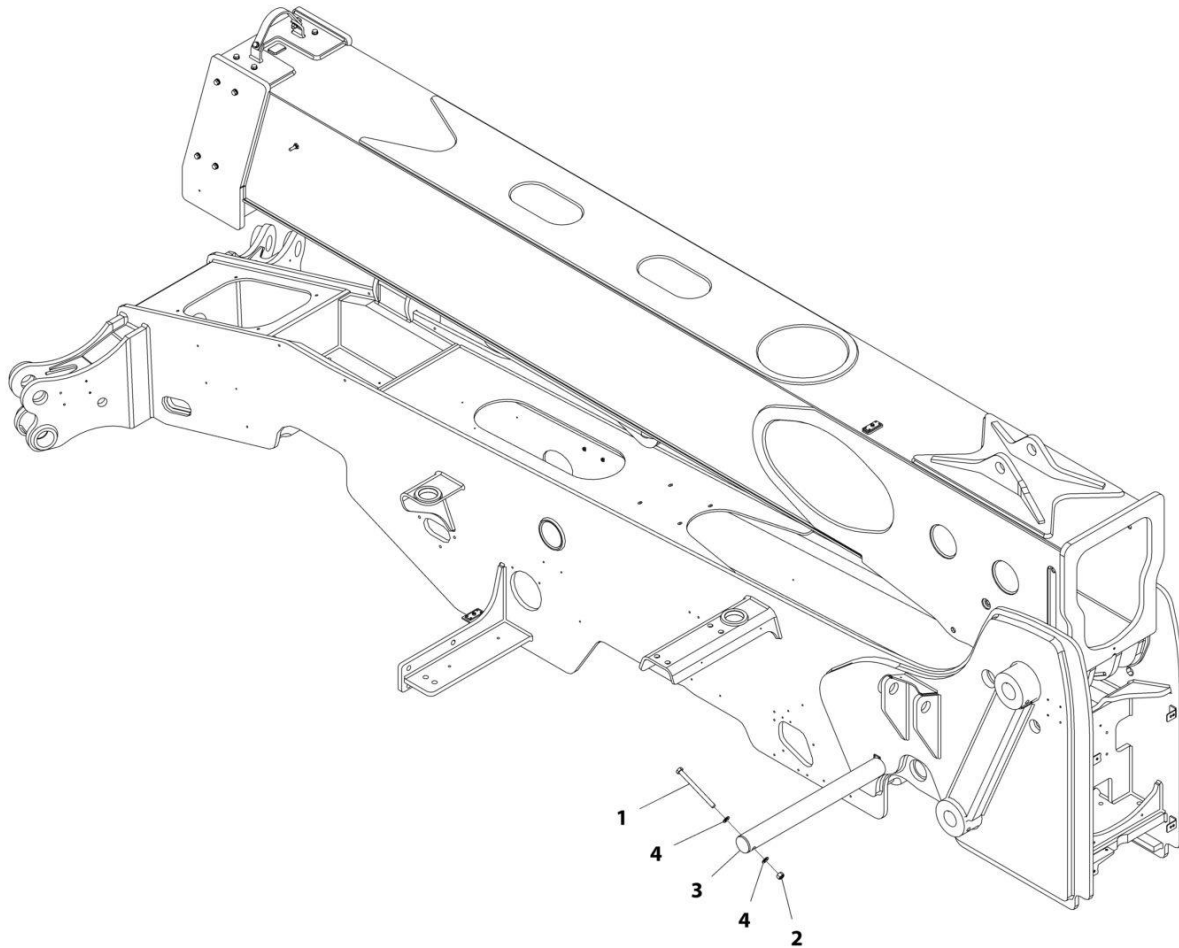
ART_1001159943-C

FIGURE 2-19. BOOM PIN INSTALLATION

ITEM	PART NUMBER	QTY	DESCRIPTION	REV
	1001159943	Ref	Boom Pinning Installation	C
1	1001159947	Ref	Installation, Boom Pivot (See Separate Breakdown in this Section)	
2	1001167010	Ref	Installation, Lift Cylinder (See Separate Breakdown in this Section)	
3	1001167011	Ref	Installation, Compensation Cylinder (See Separate Breakdown in this Section)	

SECTION 2 - BOOM

FIGURE 2-20. BOOM PIVOT PIN INSTALLATION



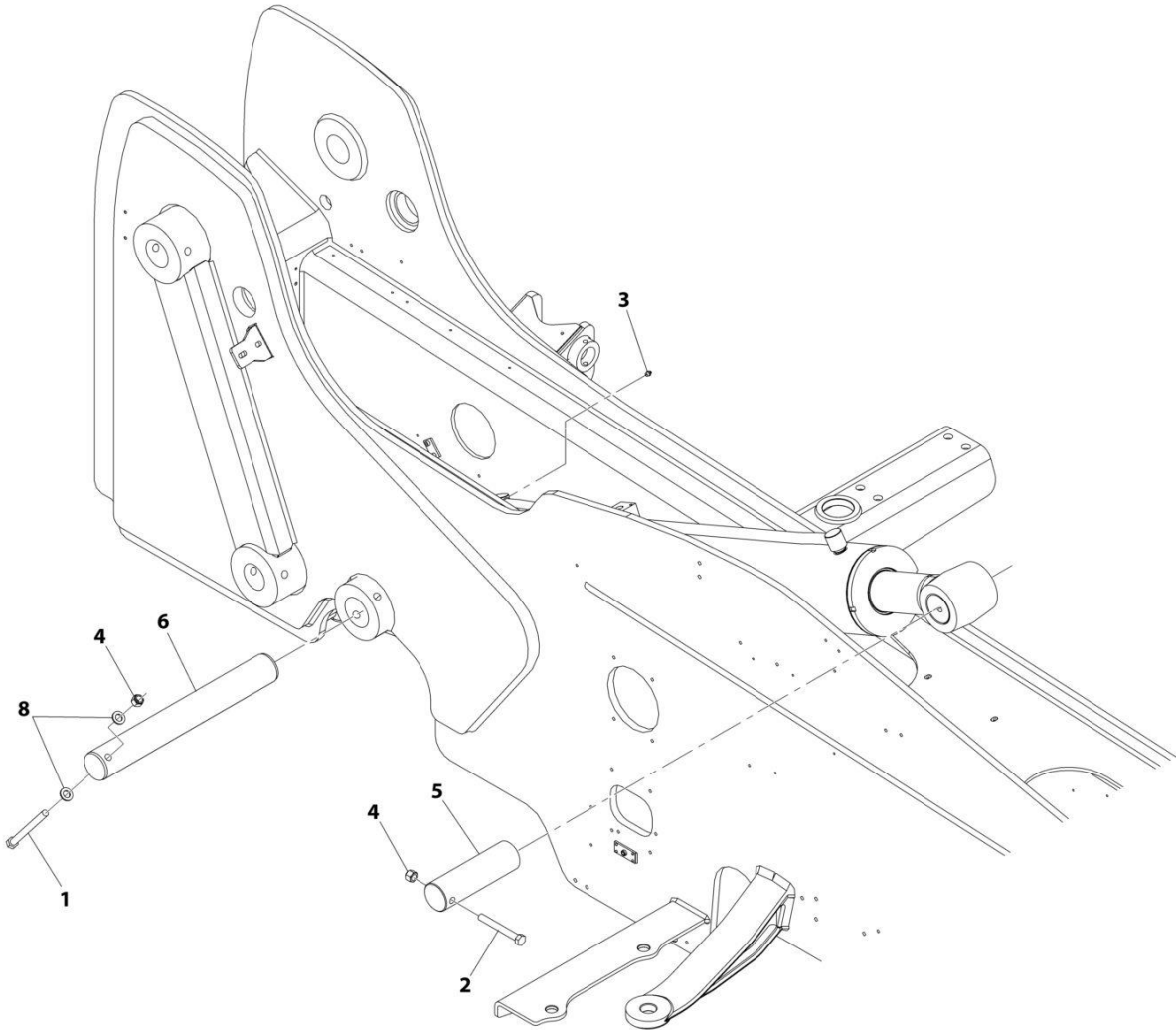
ART_1001159947-C

FIGURE 2-20. BOOM PIVOT PIN INSTALLATION

ITEM	PART NUMBER	QTY	DESCRIPTION	REV
	1001159947	Ref	Boom Pivot Installation	C
1	1001091951	1	Bolt, M16X180 Grade 10.9	
2	3291605	1	Nut, Lock M16X2 Grade 8	
3	1001166975	1	Pin	
4	4812300	2	Washer, M16	

SECTION 2 - BOOM

FIGURE 2-21. LIFT CYLINDER PIN INSTALLATION



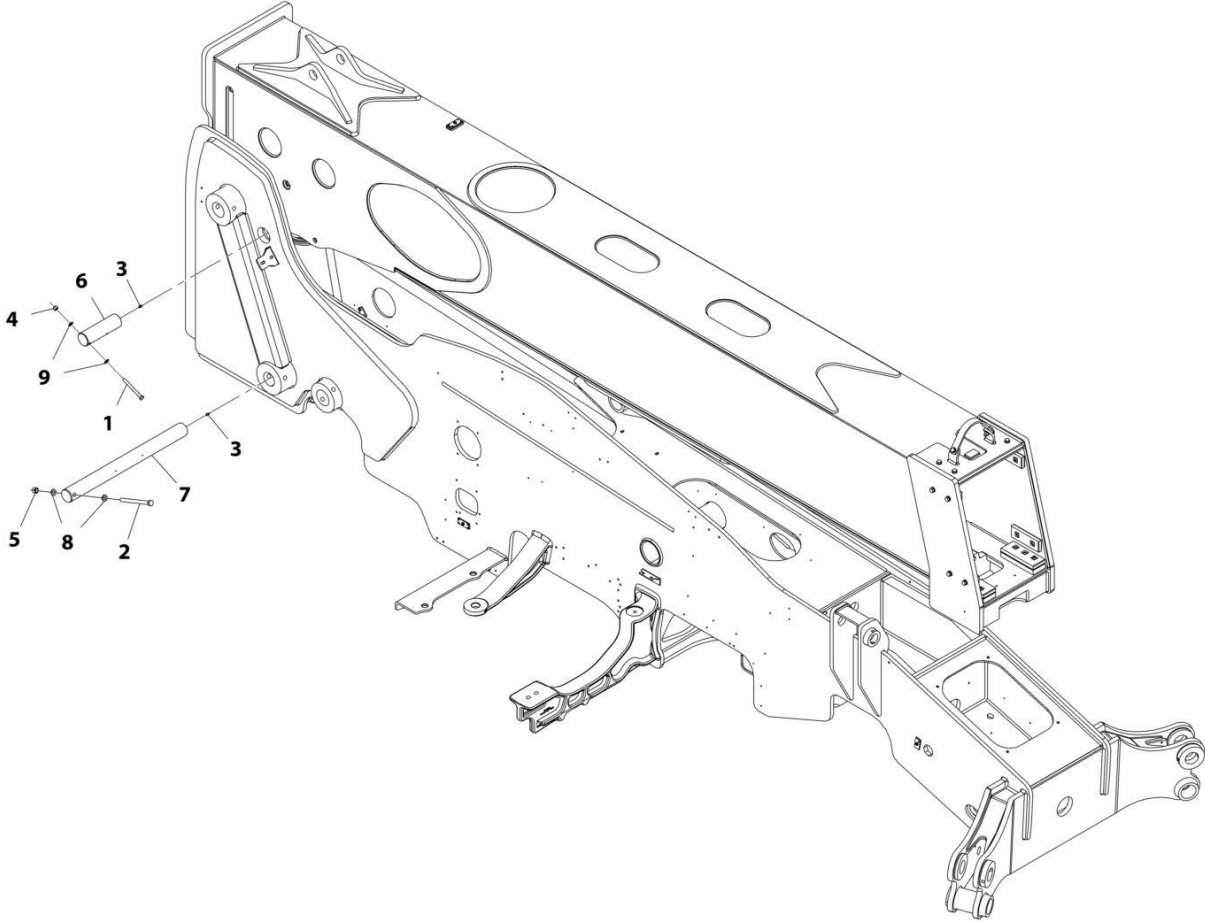
ART_1001167010-G

FIGURE 2-21. LIFT CYLINDER PIN INSTALLATION

ITEM	PART NUMBER	QTY	DESCRIPTION	REV
	1001167010	Ref	Lift Cylinder Installation	G
1	0711631	1	Bolt, M16X140	
2	0711630	1	Bolt, M16X130 Grade 10.9	
3	2160016	1	Fitting, Grease	
4	3291605	2	Nut, Lock M16X2	
5	1001207939	1	Pin	
6	1001164888	1	Pin	
8	4812300	2	Washer, M16	

SECTION 2 - BOOM

FIGURE 2-22. COMPENSATION CYLINDER PIN INSTALLATION



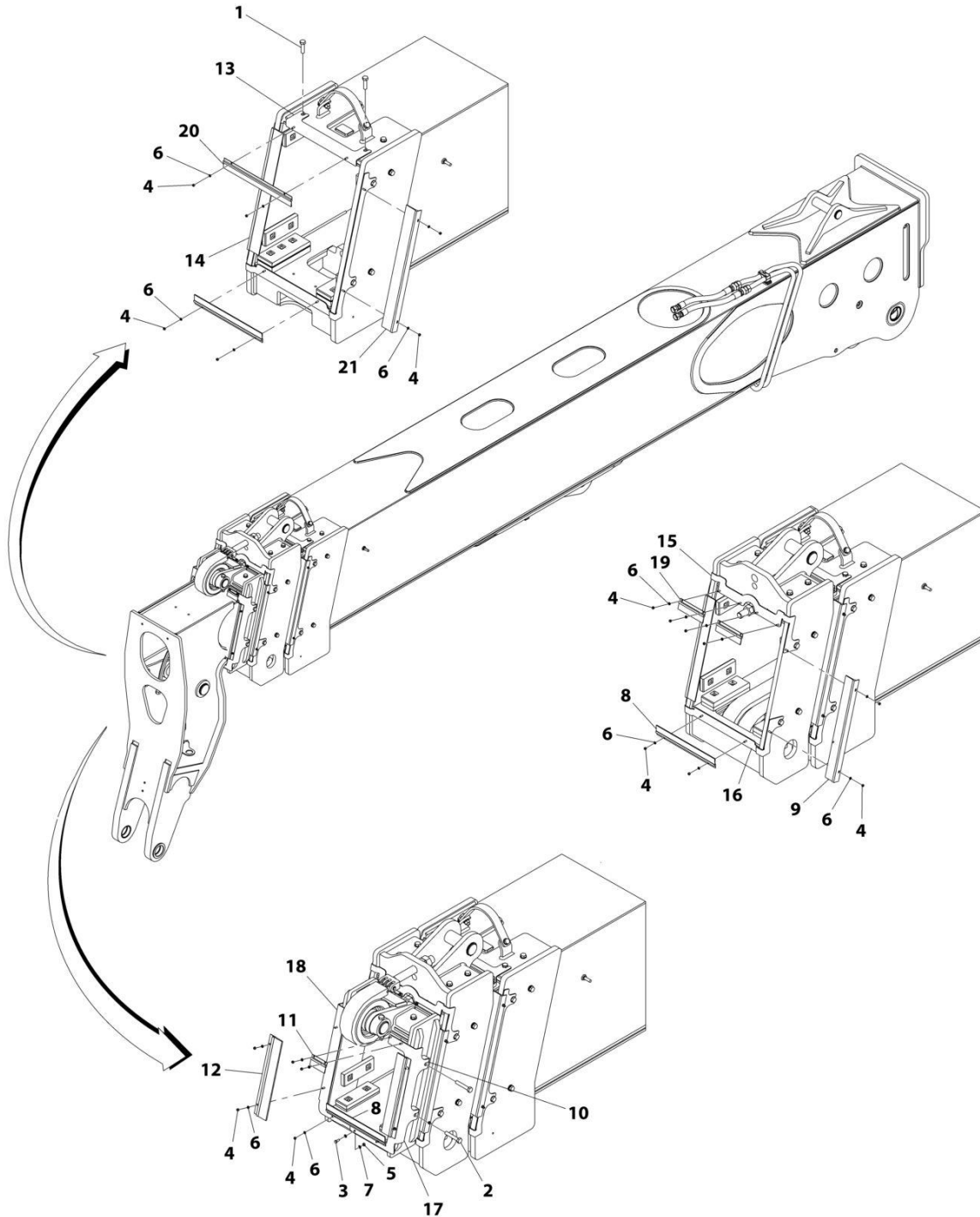
ART_1001167011-C

FIGURE 2-22. COMPENSATION CYLINDER PIN INSTALLATION

ITEM	PART NUMBER	QTY	DESCRIPTION	REV
	1001167011	Ref	Compensation Cylinder Installation	C
1	0711229	1	Bolt, M12X120 Grade 10.9	
2	1001091951	1	Bolt, M16X180 Grade 10.9	
3	2160016	2	Fitting, Grease	
4	3291205	1	Nut, Lock M12X1.75	
5	3291605	1	Nut, Lock M16X2	
6	1001159605	1	Pin	
7	1001164889	1	Pin	
8	4812300	2	Washer, M16	
9	4812100	2	Washer, M12	

SECTION 2 - BOOM

FIGURE 2-23. BOOM BRUSHES INSTALLATION



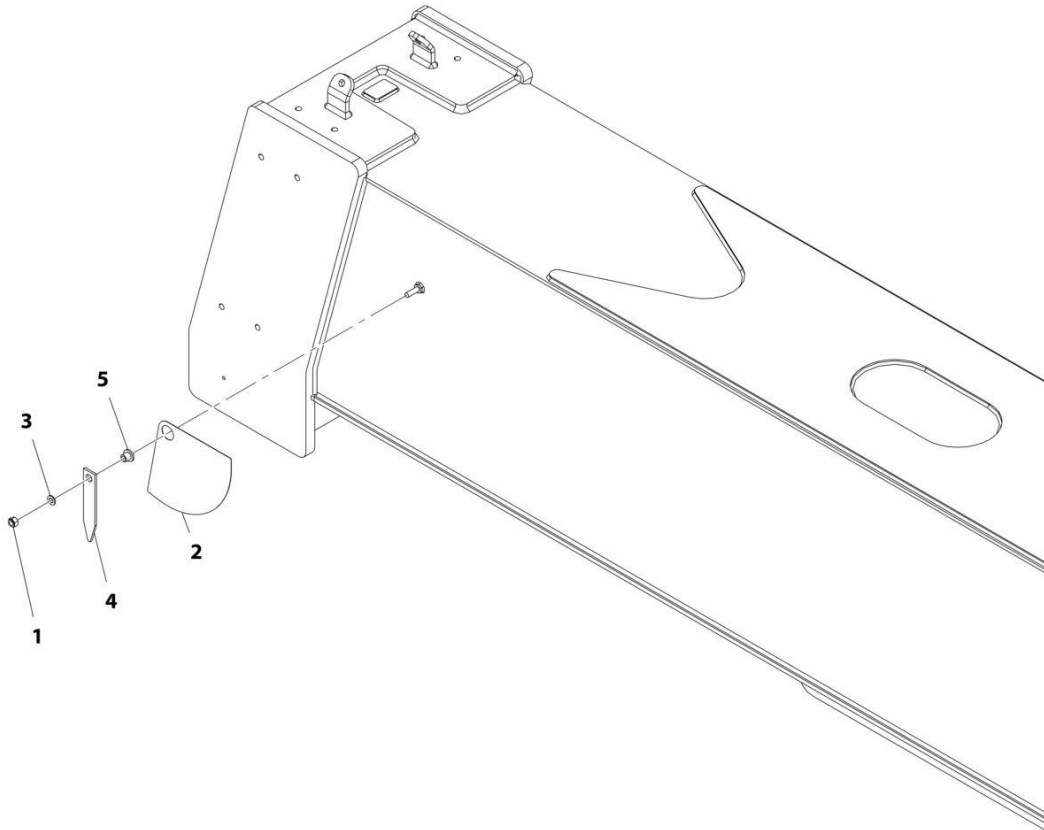
ART_1001160914-C

FIGURE 2-23. BOOM BRUSHES INSTALLATION

ITEM	PART NUMBER	QTY	DESCRIPTION	REV
	1001160914	Ref	Boom Brushes Installation	C
1	0711217	2	Bolt, M12X45	
2	1001098828	4	Bolt, M12X1.75X70 Grade 10.9	
3	0760608	1	Bolt, M6X16	
4	3290505	28	Nut, Lock M5X0.8 Grade 8	
5	3290601	1	Nut, M6X1 Grade 8	
6	4811600	28	Washer, M5	
7	4811700	2	Washer, M6	
8	1001172997	2	Brush, Boom	
9	1001173000	2	Brush, Boom	
10	1001173576	4	Plate, Spacer	
11	1001173678	2	Brush, Boom	
12	1001173679	2	Brush, Boom	
13	1001173688	1	Bracket, Boom Brush	
14	1001173689	1	Bracket, Boom Brush	
15	1001173690	1	Bracket, Boom Brush	
16	1001173691	1	Bracket, Boom Brush	
17	1001173692	1	Bracket, Boom Brush	
18	1001173693	1	Bracket, Boom Brush	
19	1001173728	2	Brush, Boom	
20	1001173739	2	Brush, Boom	
21	1001173740	2	Brush, Boom	

SECTION 2 - BOOM

FIGURE 2-24. BOOM ANGLE INDICATOR INSTALLATION



ART_1001167806-B

FIGURE 2-24. BOOM ANGLE INDICATOR INSTALLATION

ITEM	PART NUMBER	QTY	DESCRIPTION	REV
	1001167806	Ref	Boom Angle Indicator Installation	B
1	3291005	1	Nut, Lock M10X1.5 Grade 8	
2	4105262	1	Decal, Boom Angle Indicator	
3	4812000	1	Washer, M10	
4	1001098769	1	Plate	
5	1001171808	1	Spacer	

SECTION 2 - BOOM

FIGURE 2-25. MANUAL QUICK COUPLER INSTALLATION

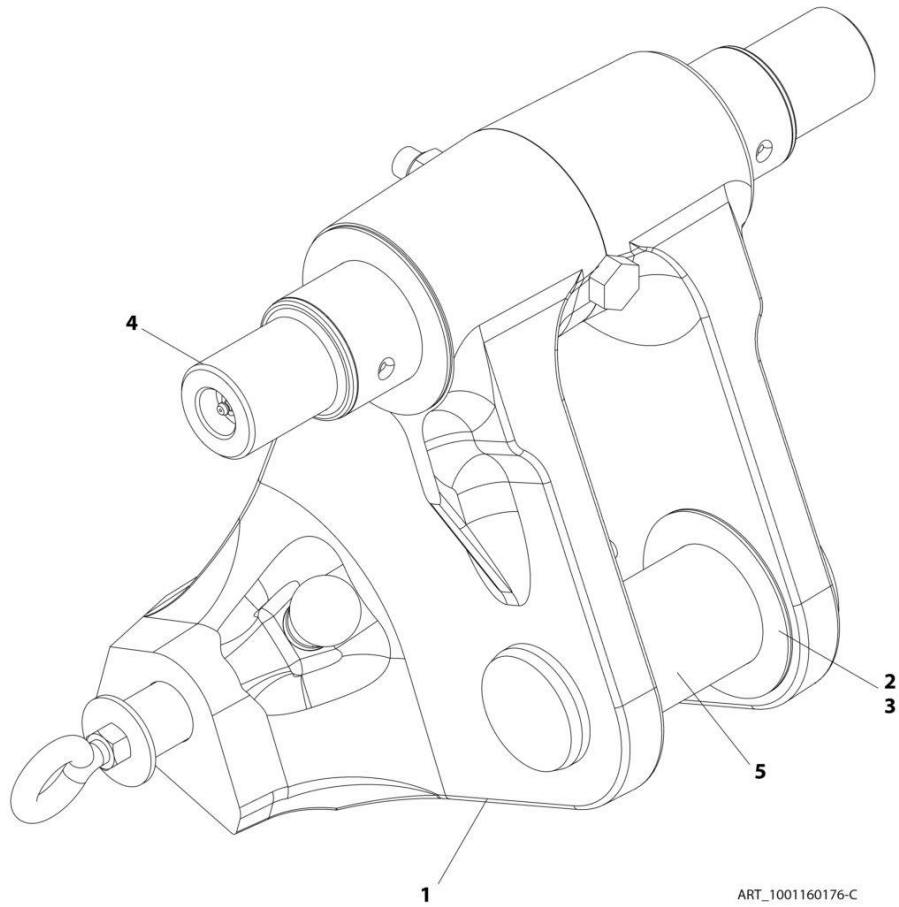


FIGURE 2-25. MANUAL QUICK COUPLER INSTALLATION

ITEM	PART NUMBER	QTY	DESCRIPTION	REV
	1001160176	Ref	Manual Quick Coupler Installation	C
1	1001164571	1	Coupling, Quick Connect, (See Separate Breakdown in this Section)	
2	1001164884	AR	Shim, 2mm	
3	1001164885	AR	Shim, 3.5mm	
4	1001167761	1	Installation, Pin (See Separate Breakdown in this Section)	
5	1001167762	1	Installation, Pin (See Separate Breakdown in this Section)	

SECTION 2 - BOOM

FIGURE 2-26. HYDRAULIC QUICK COUPLER INSTALLATION

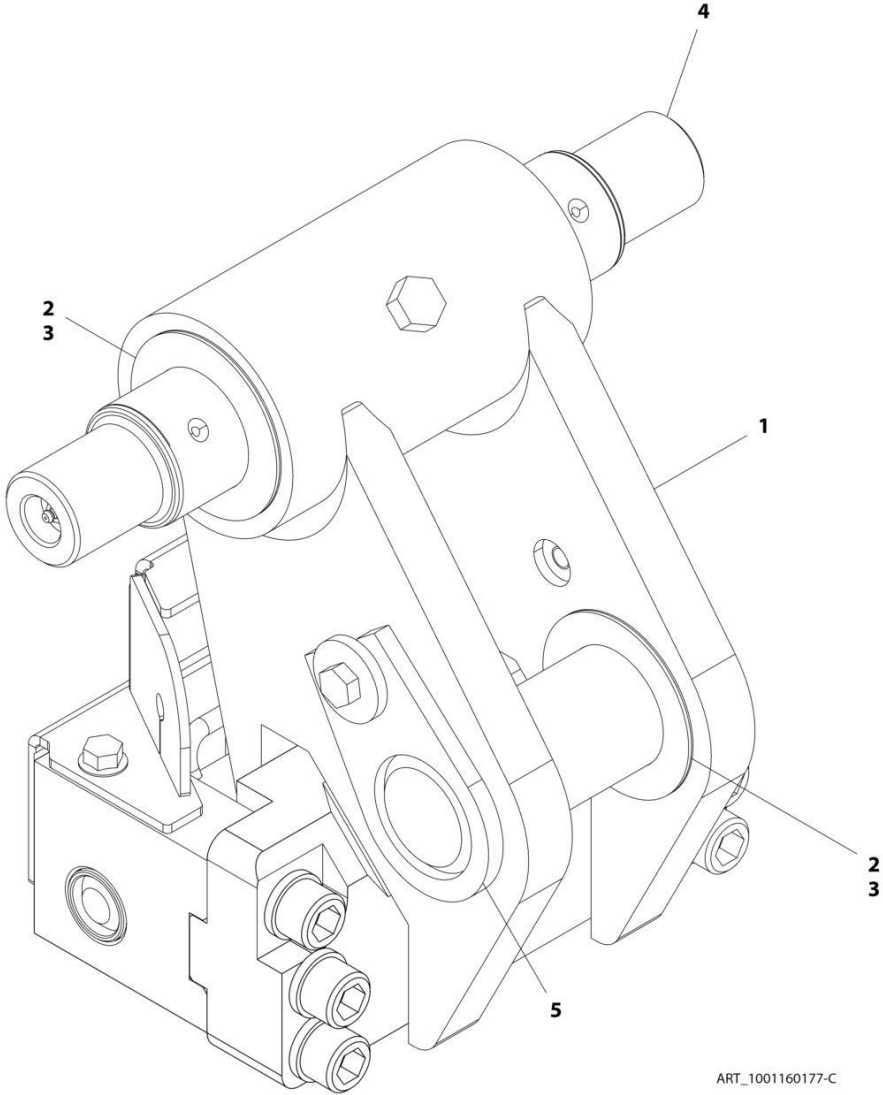
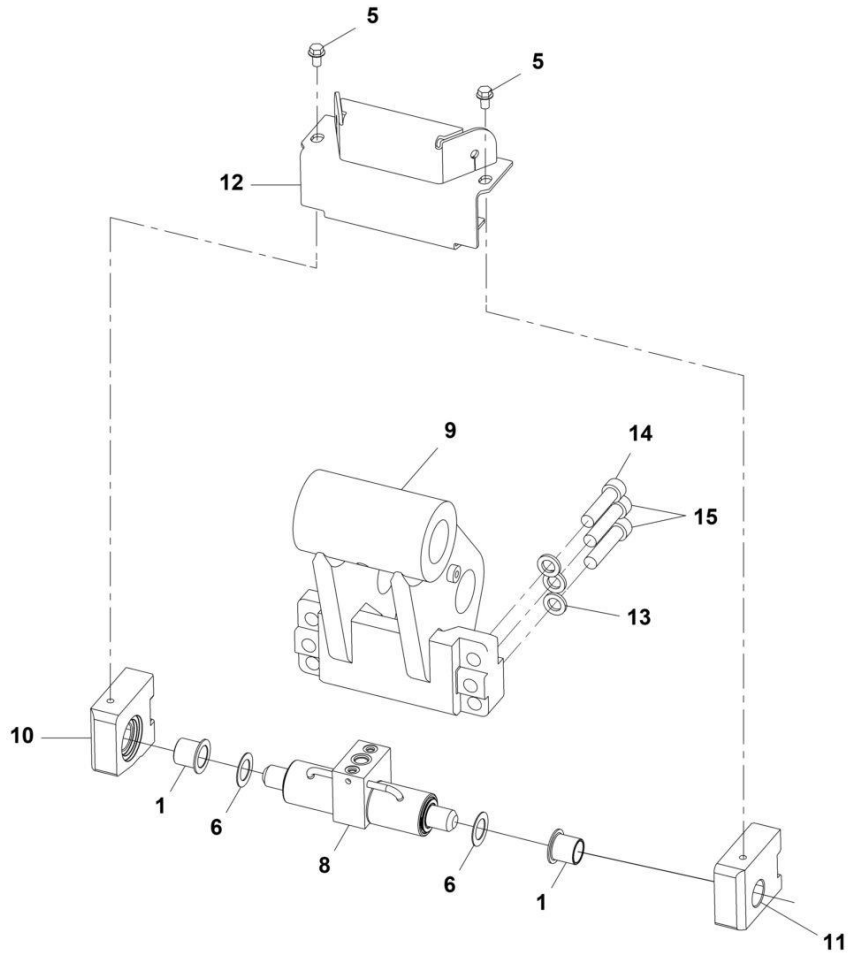


FIGURE 2-26. HYDRAULIC QUICK COUPLER INSTALLATION

ITEM	PART NUMBER	QTY	DESCRIPTION	REV
	1001160177	Ref	Hydraulic Quick Coupler Installation	C
1	1001164845	1	Installation, Hydraulic Quick Coupler (See Separate Breakdown in this Section)	
2	1001164884	AR	Shim, 2mm	
3	1001164885	AR	Shim, 3.5mm	
4	1001167761	1	Installation, Pin (See Separate Breakdown in this Section)	
5	1001167762	1	Installation, Pin (See Separate Breakdown in this Section)	

SECTION 2 - BOOM

FIGURE 2-27. HYDRAULIC QUICK COUPLER INSTALLATION



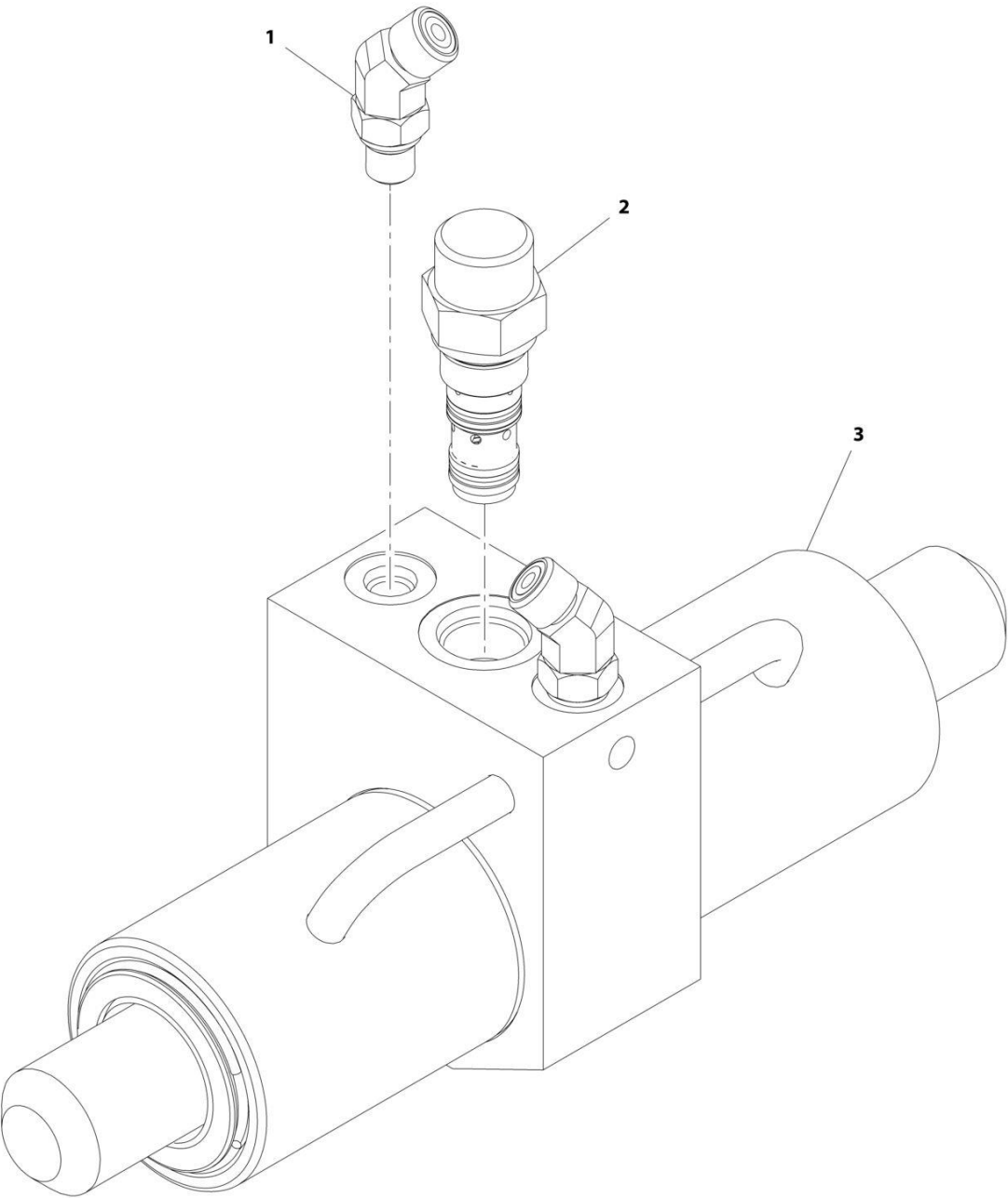
ART_1001164845-D

FIGURE 2-27. HYDRAULIC QUICK COUPLER INSTALLATION

ITEM	PART NUMBER	QTY	DESCRIPTION	REV
	1001164845	Ref	Hydraulic Quick Coupler Assembly	D
1	1001263046	2	Bearing, Flange	
5	5201210	2	Bolt, Ripp M12X20	
6	91561240	AR	Shim	
8	1001197151	1	Assembly, Quick Coupler Cylinder (See Separate Breakdown in this Section)	
9	1001164846	1	Adapter, Hydraulic Quick Coupler	
10	1001164858	1	Plate	
11	1001164859	1	Plate	
12	1001164860	1	Cover	
13	1001171991	6	Washer, M20	
14	1001172153	2	Screw, M20X1.5X80	
15	1001172154	4	Screw, M20X1.5X90	

SECTION 2 - BOOM

FIGURE 2-28. QUICK COUPLING CYLINDER & FITTING ASSEMBLY



ART_1001197151-B

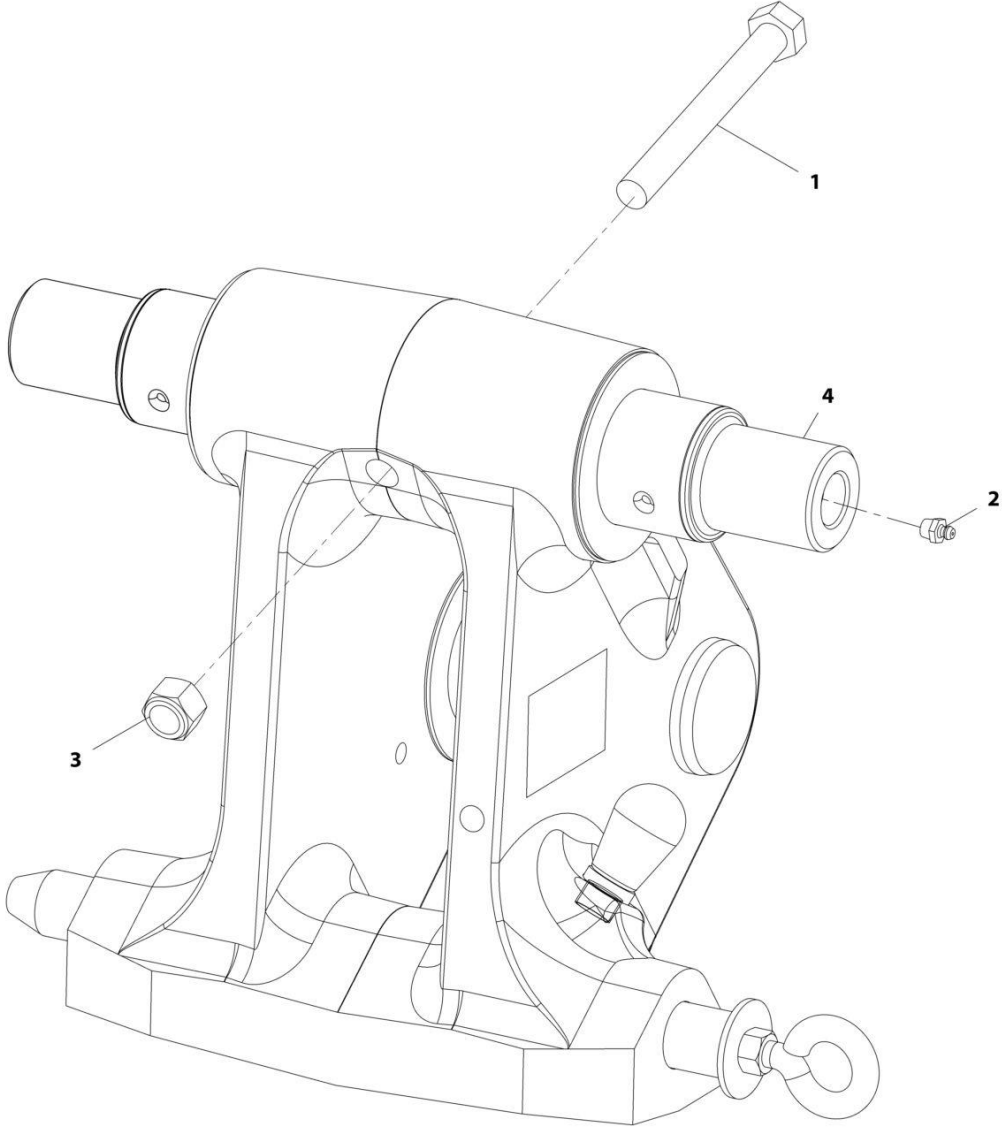
SECTION 2 - BOOM

FIGURE 2-28. QUICK COUPLING CYLINDER & FITTING ASSEMBLY

ITEM	PART NUMBER	QTY	DESCRIPTION	REV
1	1001197151	Ref	Quick Coupler Cylinder Assembly	B
1	2150404	2	Fitting, 45 ORFS	
2	1001007056	1	Valve, Check	
3	1001120163	1	Cylinder, Quick Coupler (See HYDRAULIC COMPONENTS SECTION for Breakdown)	

SECTION 2 - BOOM

FIGURE 2-29. COUPLING PIN INSTALLATION



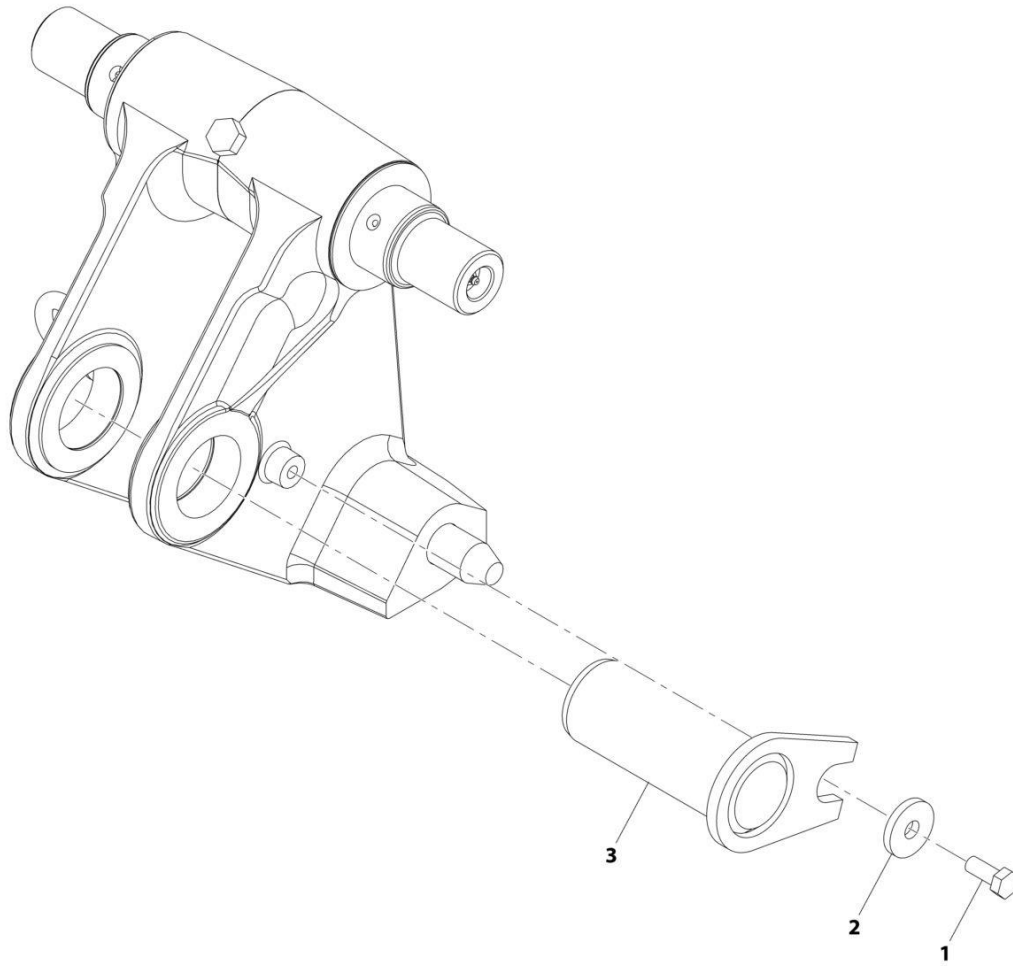
ART_1001167761-B

FIGURE 2-29. COUPLING PIN INSTALLATION

ITEM	PART NUMBER	QTY	DESCRIPTION	REV
	1001167761	Ref	Boom Pin Installation	B
1	0711631	1	Bolt, M16X140	
2	2160016	2	Fitting, Straight	
3	3291605	1	Nut, Lock M16X2	
4	1001164871	1	Pin	

SECTION 2 - BOOM

FIGURE 2-30. TILT CYLINDER PIN INSTALLATION



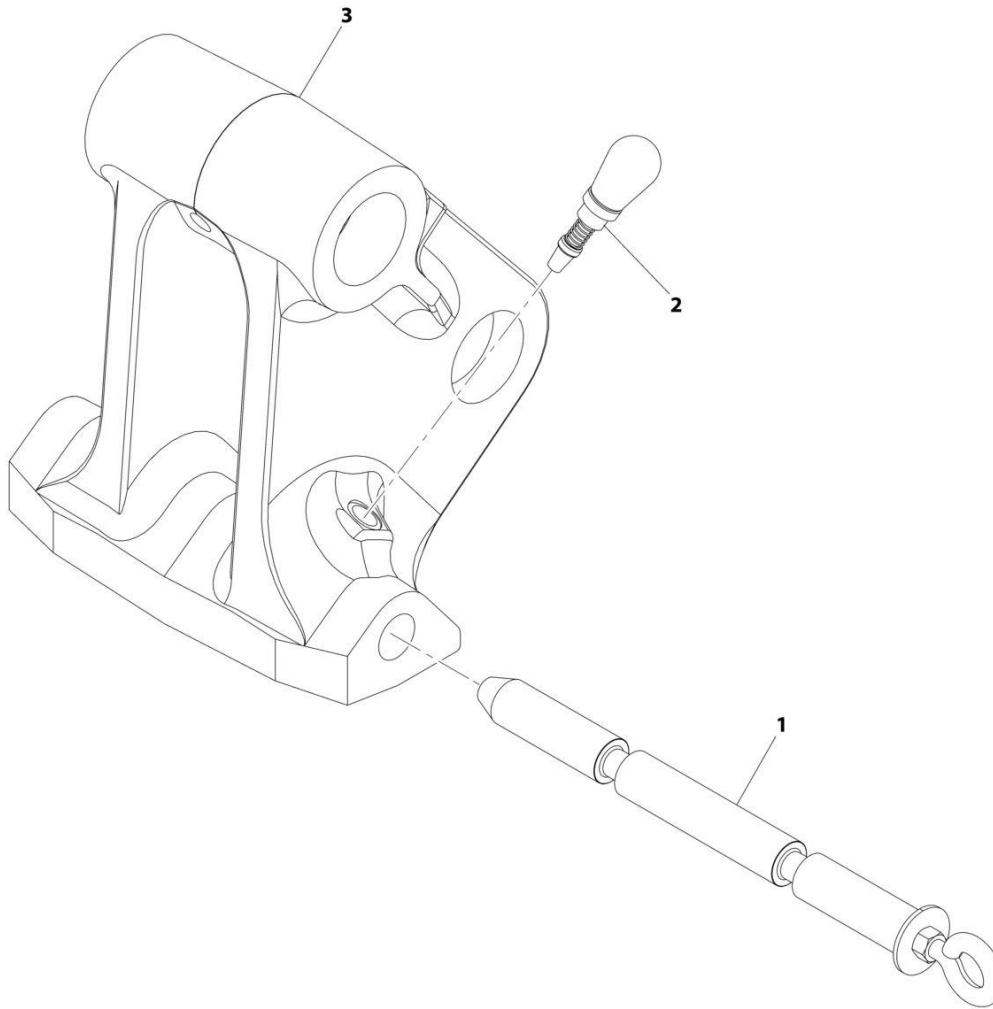
ART_1001167762-A

FIGURE 2-30. TILT CYLINDER PIN INSTALLATION

ITEM	PART NUMBER	QTY	DESCRIPTION	REV
	1001167762	Ref	Tilt Cylinder Pin Installation	A
1	0761214	1	Bolt, M12X30	
2	4740003	1	Washer	
3	1001164881	1	Pin	

SECTION 2 - BOOM

FIGURE 2-31. QUICK COUPLER ASSEMBLY



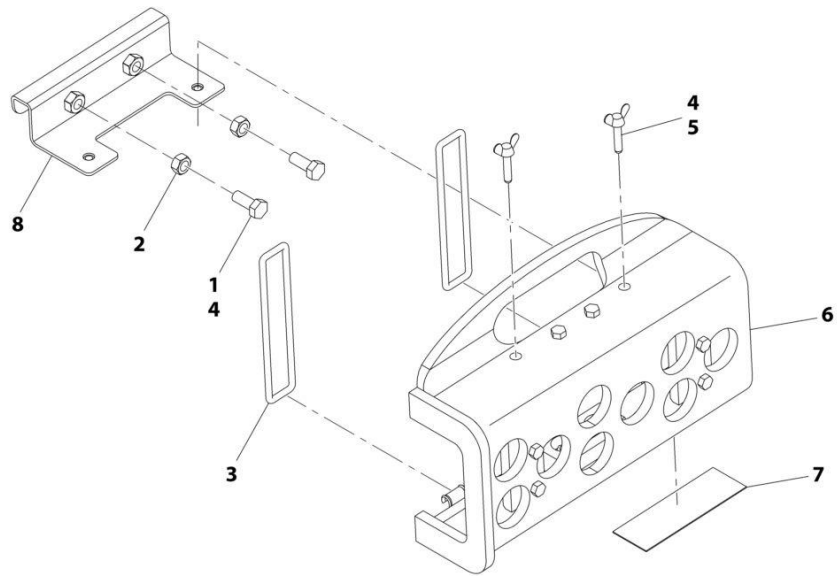
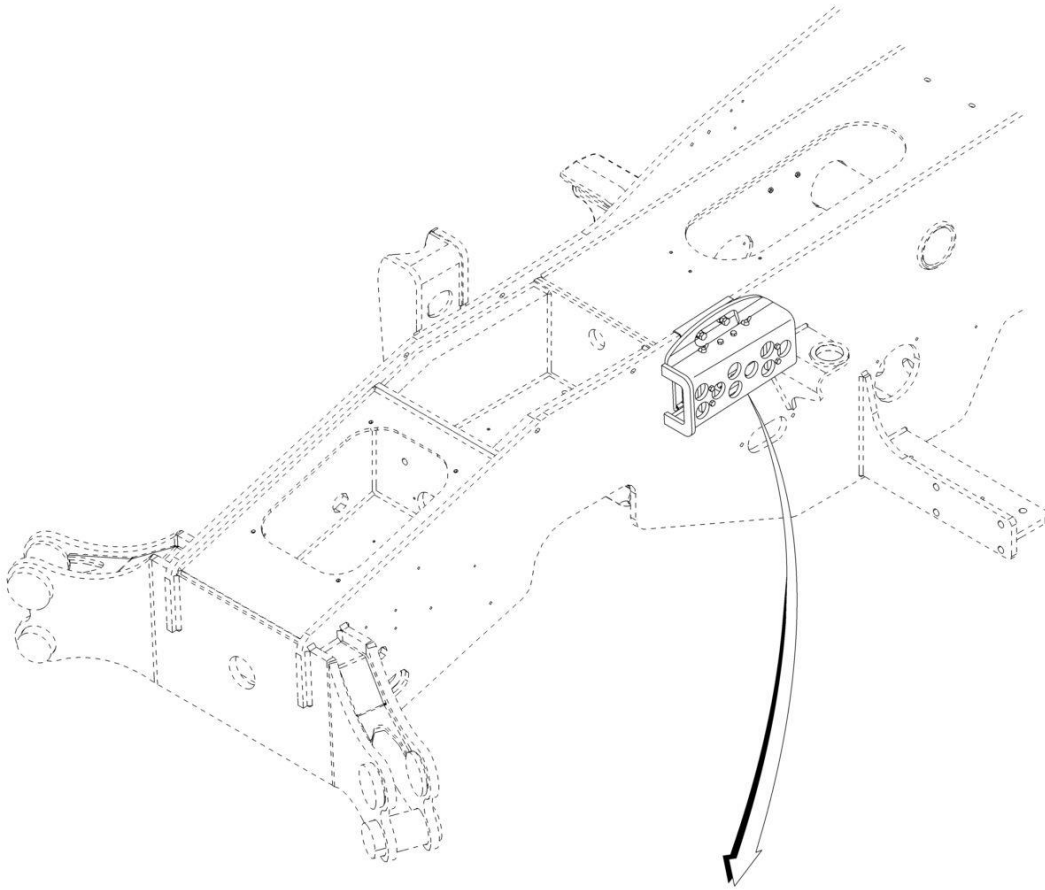
ART_1001164571-B

FIGURE 2-31. QUICK COUPLER ASSEMBLY

ITEM	PART NUMBER	QTY	DESCRIPTION	REV
	1001164571	1	Quick Coupler Assembly	B
1	1001105441	1	Pin	
2	1001143692	1	Pin, Poppin	
3	1001164567	1	Coupling, Quick Connect	

SECTION 2 - BOOM

FIGURE 2-32. BOOM PROP INSTALLATION (ANSI)



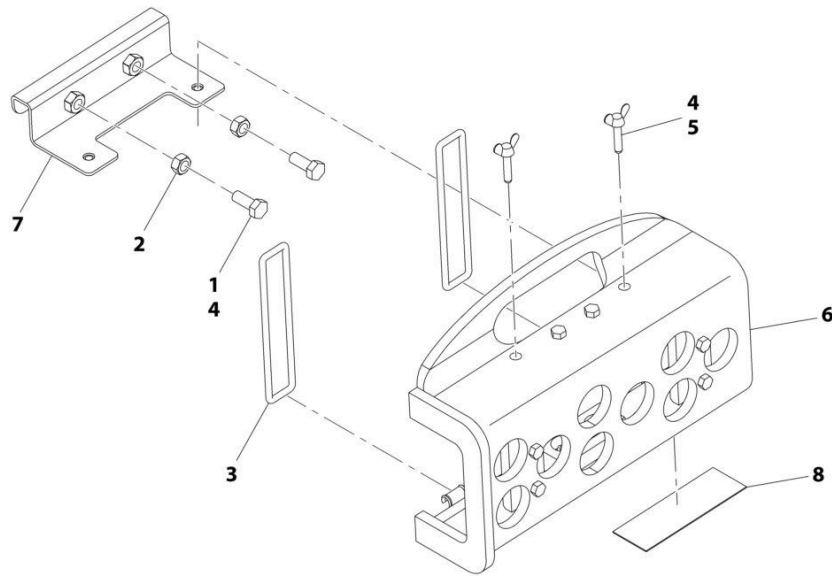
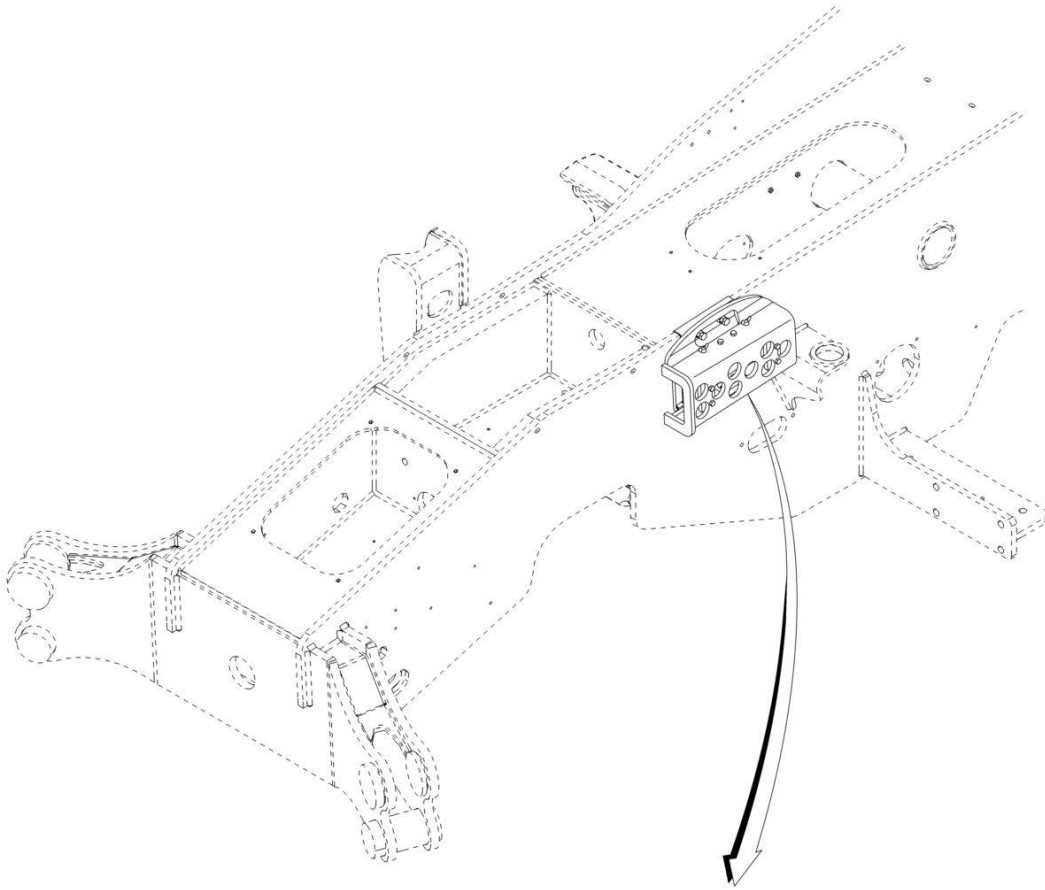
ART_1001232339-A

FIGURE 2-32. BOOM PROP INSTALLATION (ANSI)

ITEM	PART NUMBER	QTY	DESCRIPTION	REV
	1001232339	Ref	Boom Prop Installation (ANSI)	A
1	0761214	2	Bolt, 12 X 30, GR8.8	
2	3291201	2	Nut, M12X1.75	
3	1784861	2	O-Ring	
4	1001095650	AR	Compound, Locking	
5	1001101458	2	Bolt, M8X40	
6	1001231221	1	Bracket, Boom Prop Class D (See Separate Breakdown in this Section)	
7	1001232148	1	Decal, Warning	
8	1001232299	1	Bracket, Mount	

SECTION 2 - BOOM

FIGURE 2-33. BOOM PROP INSTALLATION (CANADA)



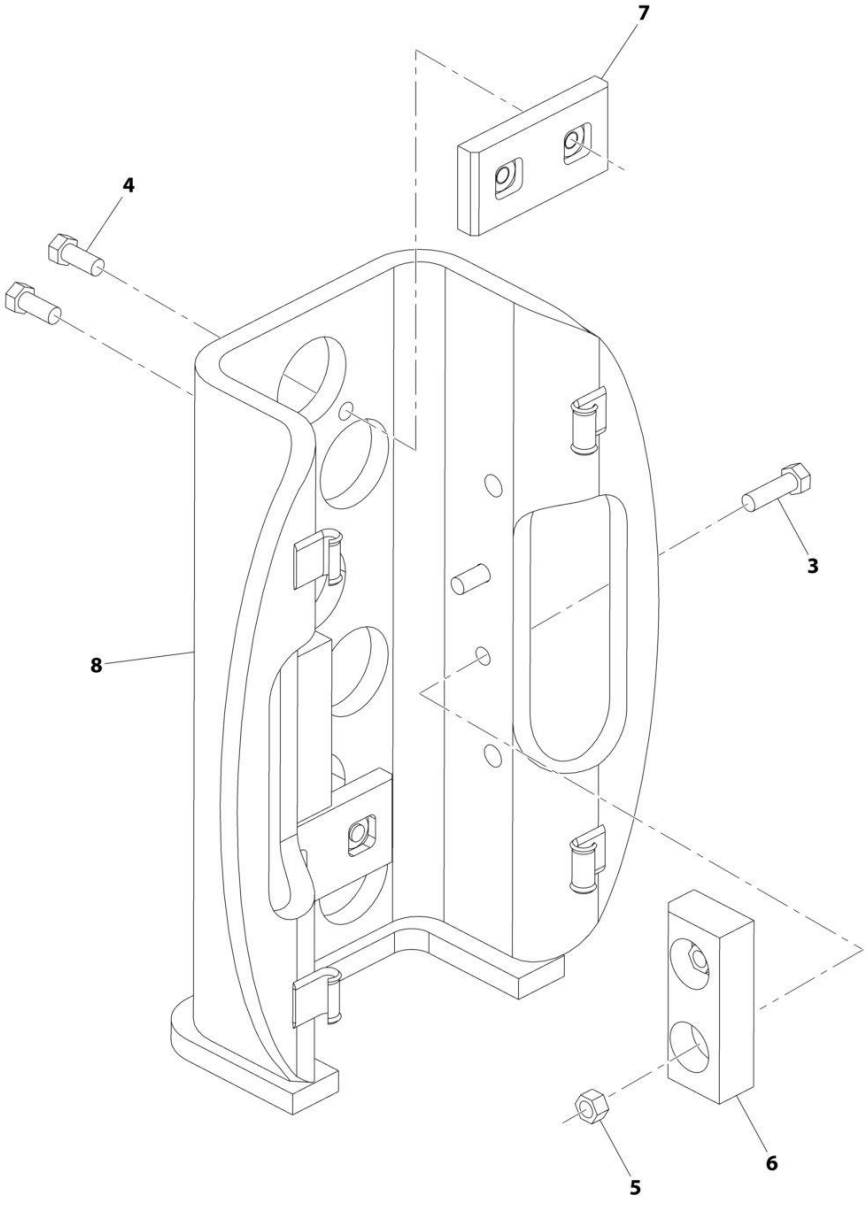
ART_1001234137-A

FIGURE 2-33. BOOM PROP INSTALLATION (CANADA)

ITEM	PART NUMBER	QTY	DESCRIPTION	REV
	1001234137	Ref	Boom Prop Installation (Canada)	A
1	0761214	2	Bolt, 12 X 30, GR8.8	
2	3291201	2	Nut, M12X1.75	
3	1784861	2	O-Ring	
4	1001095650	AR	Compound, Locking	
5	1001101458	2	Bolt, M8X40	
6	1001231221	1	Bracket, Boom Prop Class D (See Separate Breakdown in this Section)	
7	1001232299	1	Bracket, Mount	
8	1001234254	1	Decal, Warning	

SECTION 2 - BOOM

FIGURE 2-34. BOOM PROP BRACKET



ART_1001231221-A

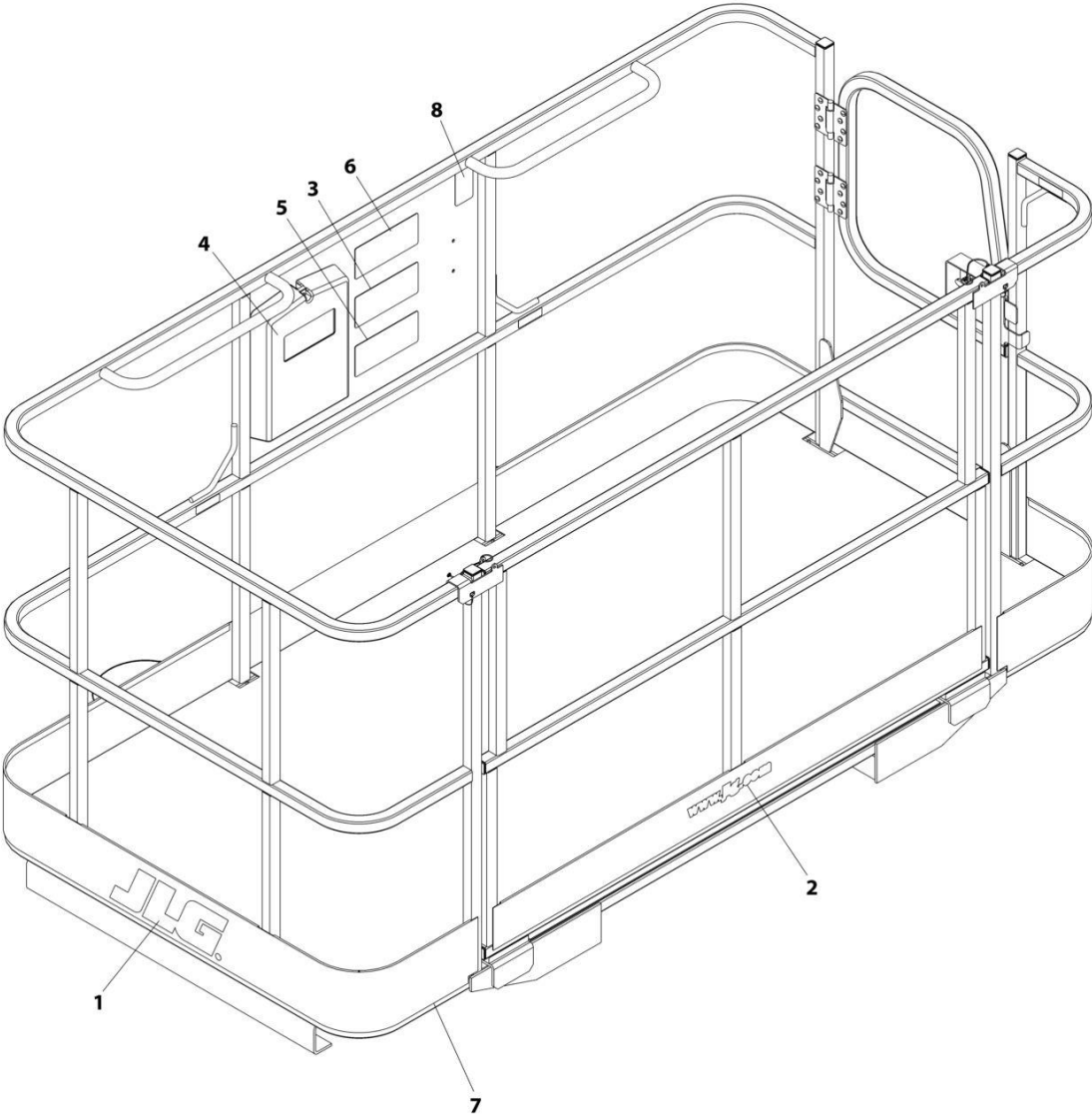
FIGURE 2-34. BOOM PROP BRACKET

ITEM	PART NUMBER	QTY	DESCRIPTION	REV
	1001231221	Ref	Boom Prop Bracket	A
3	0641610	4	Bolt, 3/8-16X5/4	
4	0651607	4	Bolt, 3/8-24X7/8	
5	3311605	4	Nut, 3/8-16	
6	3340843	2	Pad, Wear	
7	91403530	2	Bearing, Pad	
8	1001232587	1	Bracket	

SECTION 3 - ATTACHMENTS

SECTION 3 - ATTACHMENTS

FIGURE 3-1. BASKET, PERSONNEL (ENGLISH DECALS)



ART_1001238653-A

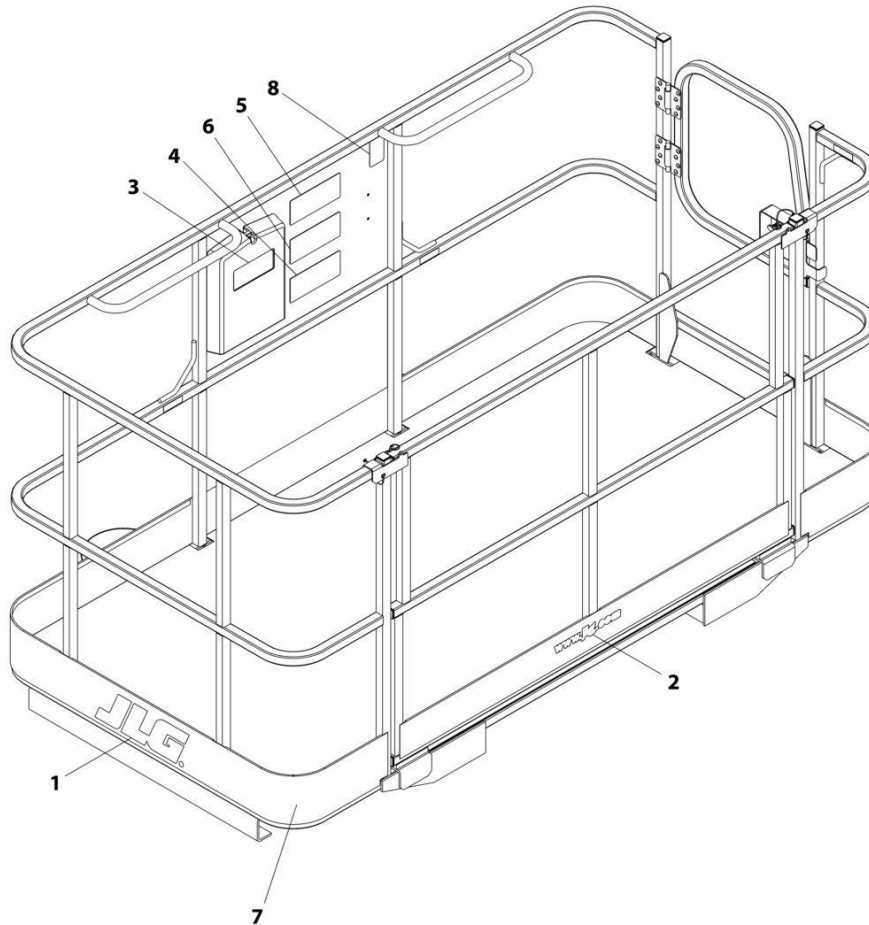
SECTION 3 - ATTACHMENTS

FIGURE 3-1. BASKET, PERSONNEL (ENGLISH DECALS)

ITEM	PART NUMBER	QTY	DESCRIPTION	REV
	1001238653	Ref	FORK MOUNTED PLATFORM	B
1	1702773	2	Decal, JLG	
2	1704885	1	Decal, Website	
3	1706892	1	Decal, Platform Warning	
4	31200160	1	Manual, Personnel Work Platform Operation and Safety	
5	1001092481	1	Decal, Warning Attachment	
6	1001092482	1	Decal, Platform Capacity	
7	1001238565	1	Platform, Fork Mounted (See Separate Breakdown in this Section)	
8	See Note	NSS	SN Plate (Note: Stamped Part - Not Available for Purchase)	

SECTION 3 - ATTACHMENTS

FIGURE 3-2. BASKET, PERSONNEL (ENGLISH/FRENCH DECALS)



ART_1001238655-A

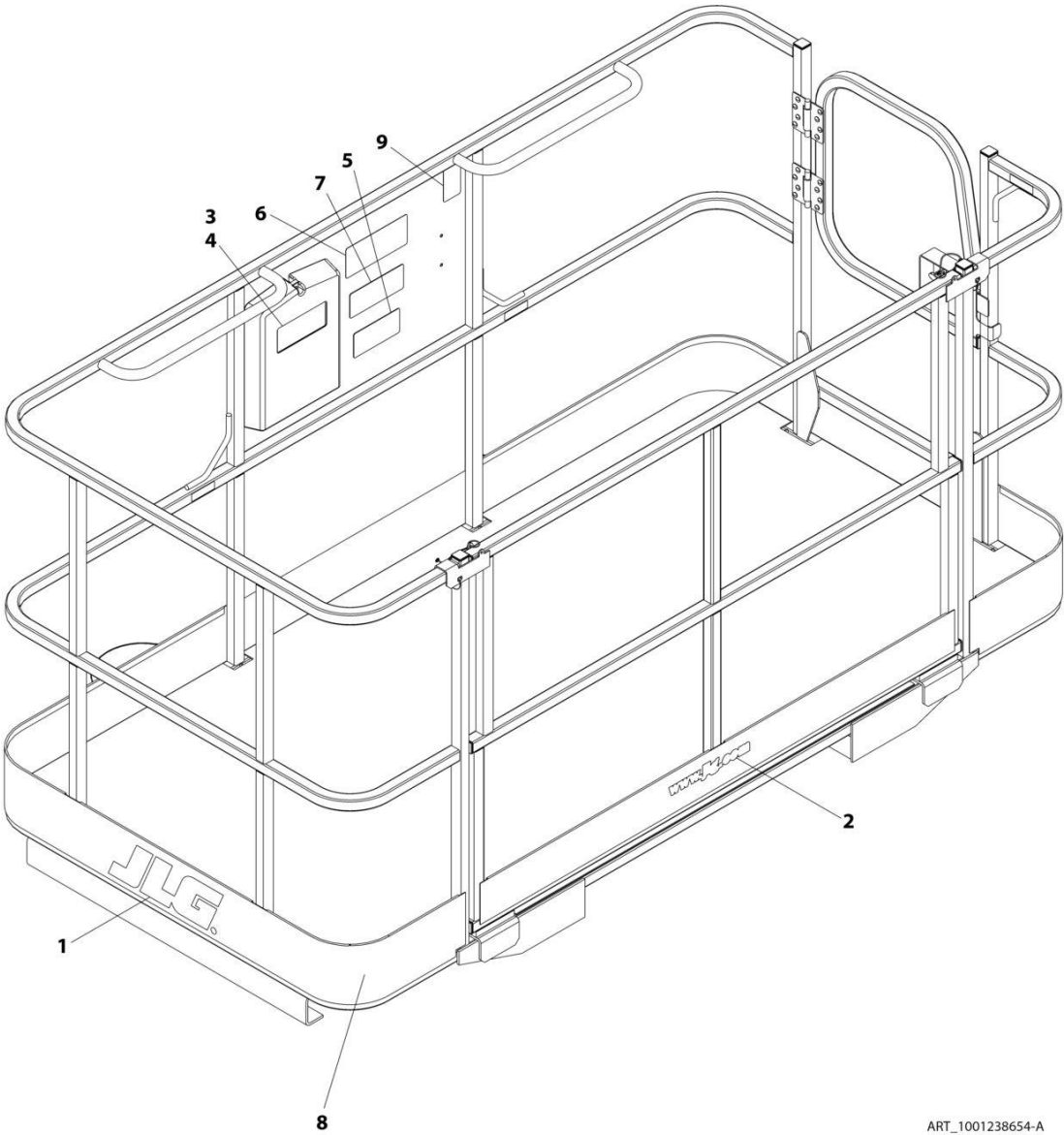
SECTION 3 - ATTACHMENTS

FIGURE 3-2. BASKET, PERSONNEL (ENGLISH/FRENCH DECALS)

ITEM	PART NUMBER	QTY	DESCRIPTION	REV
	1001238655	Ref	BASKET, PERSONNEL	B
1	1702773	2	Decal, JLG	
2	1704885	1	Decal, Website	
3	31200386	1	Manual, Operation and Safety (French)	
4	1001096019	1	Decal, Warning Attachment (French)	
5	1001096020	1	Decal, Platform Capacity (French)	
6	1001096024	1	Decal, Platform Warning (French)	
7	1001238565	1	Platform, Fork Mounted (ANSI) (See Separate Breakdown in this Section)	
8	See Note	NSS	SN Plate (Note: Stamped Part - Not Available for Purchase)	

SECTION 3 - ATTACHMENTS

FIGURE 3-3. BASKET, PERSONNEL (ISO DECALS)



ART_1001238654-A

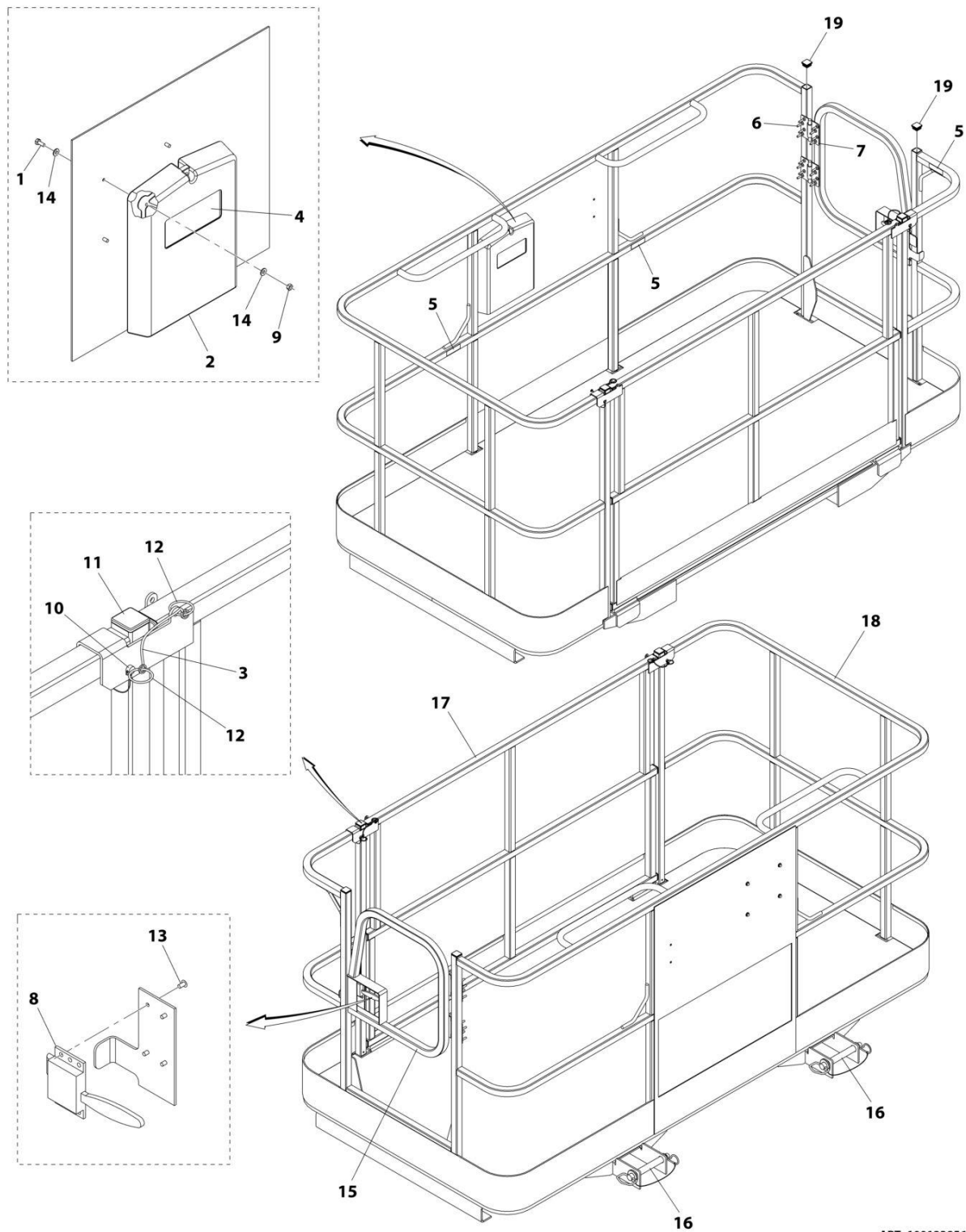
SECTION 3 - ATTACHMENTS

FIGURE 3-3. BASKET, PERSONNEL (ISO DECALS)

ITEM	PART NUMBER	QTY	DESCRIPTION	REV
	1001238654	Ref	BASKET, PERSONNEL	B
1	1702773	2	Decal, JLG	
2	1704885	1	Decal, Website	
3	31200387	1	Manual, Operation and Safety, Spanish	
4	31200388	1	Manual, Operation and Safety, Portuguese	
5	1001096021	1	Decal, Warning Attachment	
6	1001096023	1	Decal, Platform Capacity	
7	1001096025	1	Decal, Platform Warning	
8	1001238565	1	Platform, Fork Mounted (ANSI) (See Separate Breakdown in this Section)	
9	See Note	NSS	SN Plate (Note: Stamped Part - Not Available for Purchase)	

SECTION 3 - ATTACHMENTS

FIGURE 3-4. BASKET ASSEMBLY



ART_1001238565

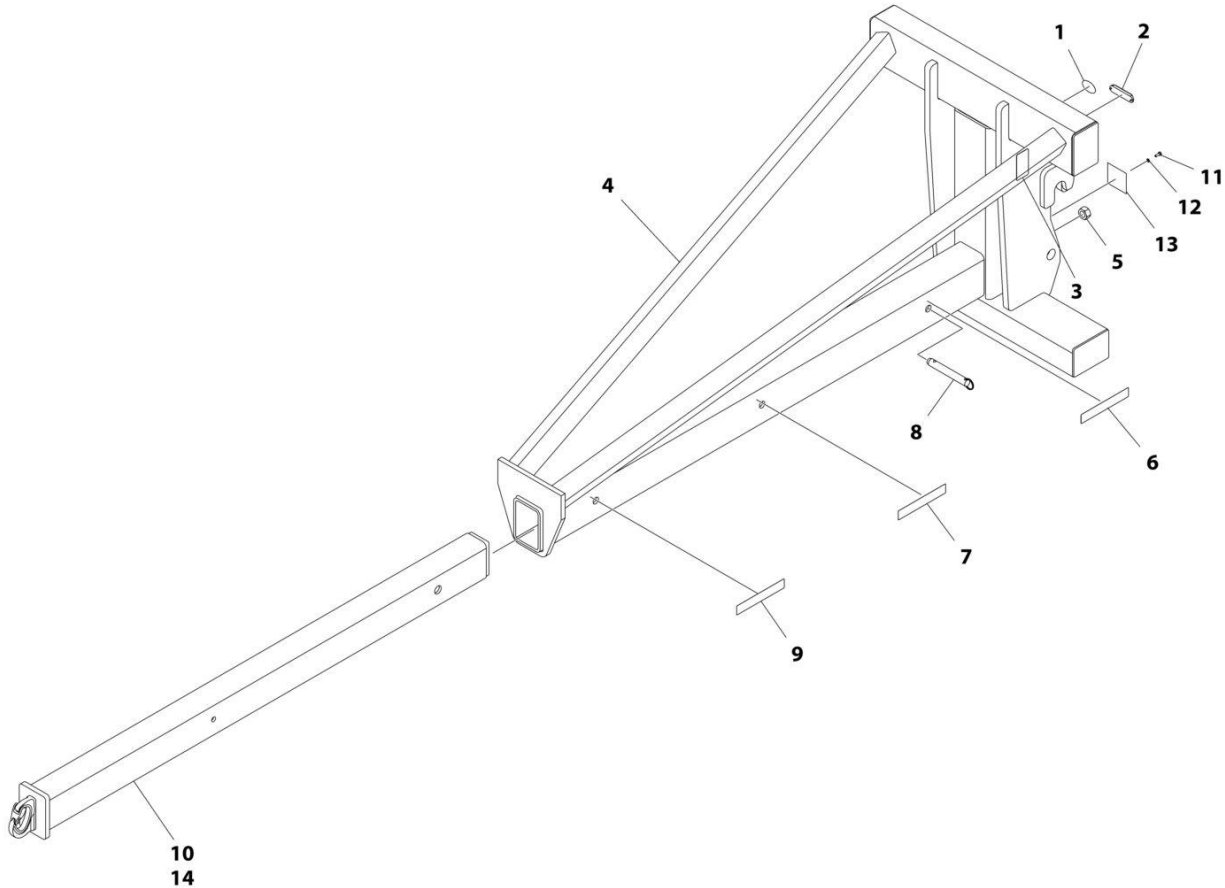
SECTION 3 - ATTACHMENTS

FIGURE 3-4. BASKET ASSEMBLY

ITEM	PART NUMBER	QTY	DESCRIPTION	REV
	1001238565	Ref	FORK MOUNTED PLATFORM ASSEMBLY	F
1	0641405	4	Bolt 1/4 x 5/8	
2	0860520	1	Box, Manual Storage	
3	1060379	2	Cable, Lanyard	
4	1701509	1	Decal, Manual	
5	1704277	3	Decal, Lanyard Attach	
6	2080040	16	Fastener	
7	2600281	2	Hinge	
8	2940074	1	Latch	
9	3311405	4	Nut 1/4	
10	3421453	2	Pin	
11	3520072	7	Plug	
12	3760170	4	Ring	
13	3820020	4	Rivet	
14	4711400	8	Washer 1/4	
15	1001144629J	1	Gate	
16	1001238560	2	Pin, Hitch	
17	1001095810	1	Gate	
18	See Note	NSS	Platform, Fork Mounted	
19	3520198	4	Plug	

SECTION 3 - ATTACHMENTS

FIGURE 3-5. BOOM - ADJUSTABLE



ART_1001176515_D

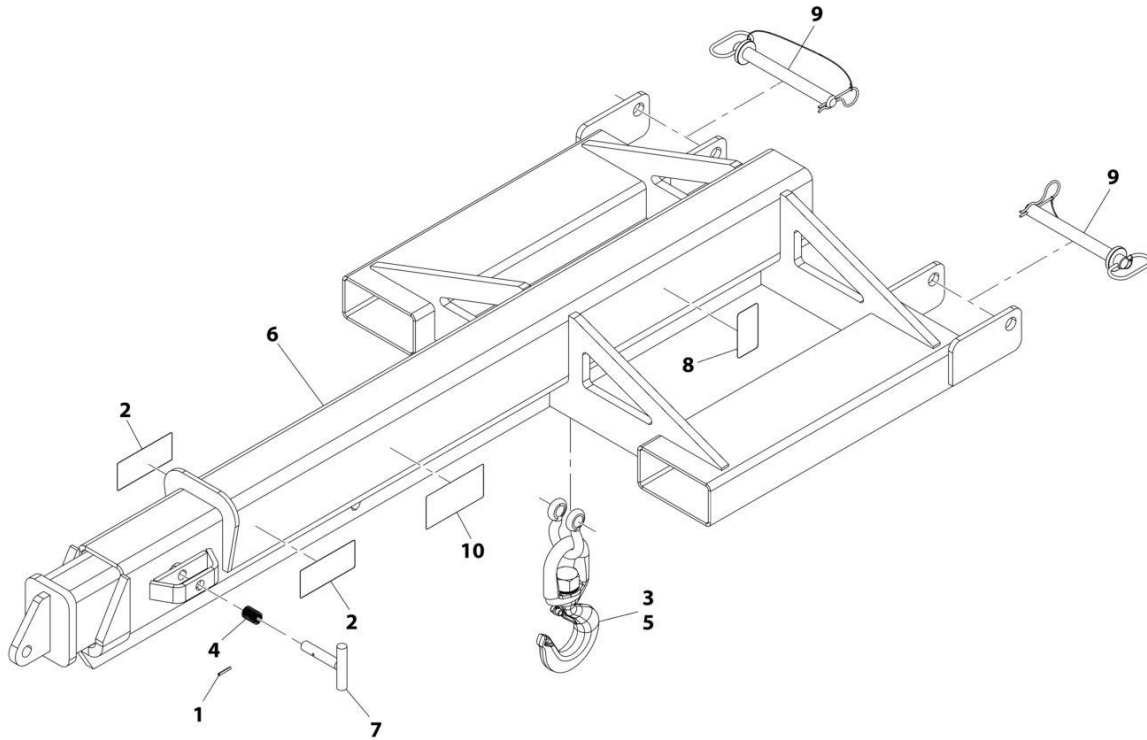
SECTION 3 - ATTACHMENTS

FIGURE 3-5. BOOM - ADJUSTABLE

ITEM	PART NUMBER	QTY	DESCRIPTION	REV
	1001176515	Ref	ADJUSTABLE TRUSS BOOM	E
1	90554016	1	Decal, Made in USA	
2	1001227670	1	Tag, RFID	
3	See Note	NSS	SN Plate (Note: Stamped Part - Not Available for Purchase)	
4	See Note	NSS	Truss Boom, Adjustable (Note: Purchase Complete Assembly)	
5	70021440	1	Nut, Lock	
6	70024062	2	Decal, 4000 lbs cap	
7	70026944	2	Decal, 3000 lbs cap	
8	70026946	1	Pin	
9	70026699	2	Decal, 2000 lbs cap	
10	70026747	1	Seal	
11	90554033	1	Bolt 3/4 x 1/4	
12	90554034	1	Washer 1/4	
13	70026948	1	Plate, Stop	
14	70026949	1	Boom, Telescopic	

SECTION 3 - ATTACHMENTS

FIGURE 3-6. BOOM - ADJUSTABLE (FORK MOUNTED)



ART_1001230241-H

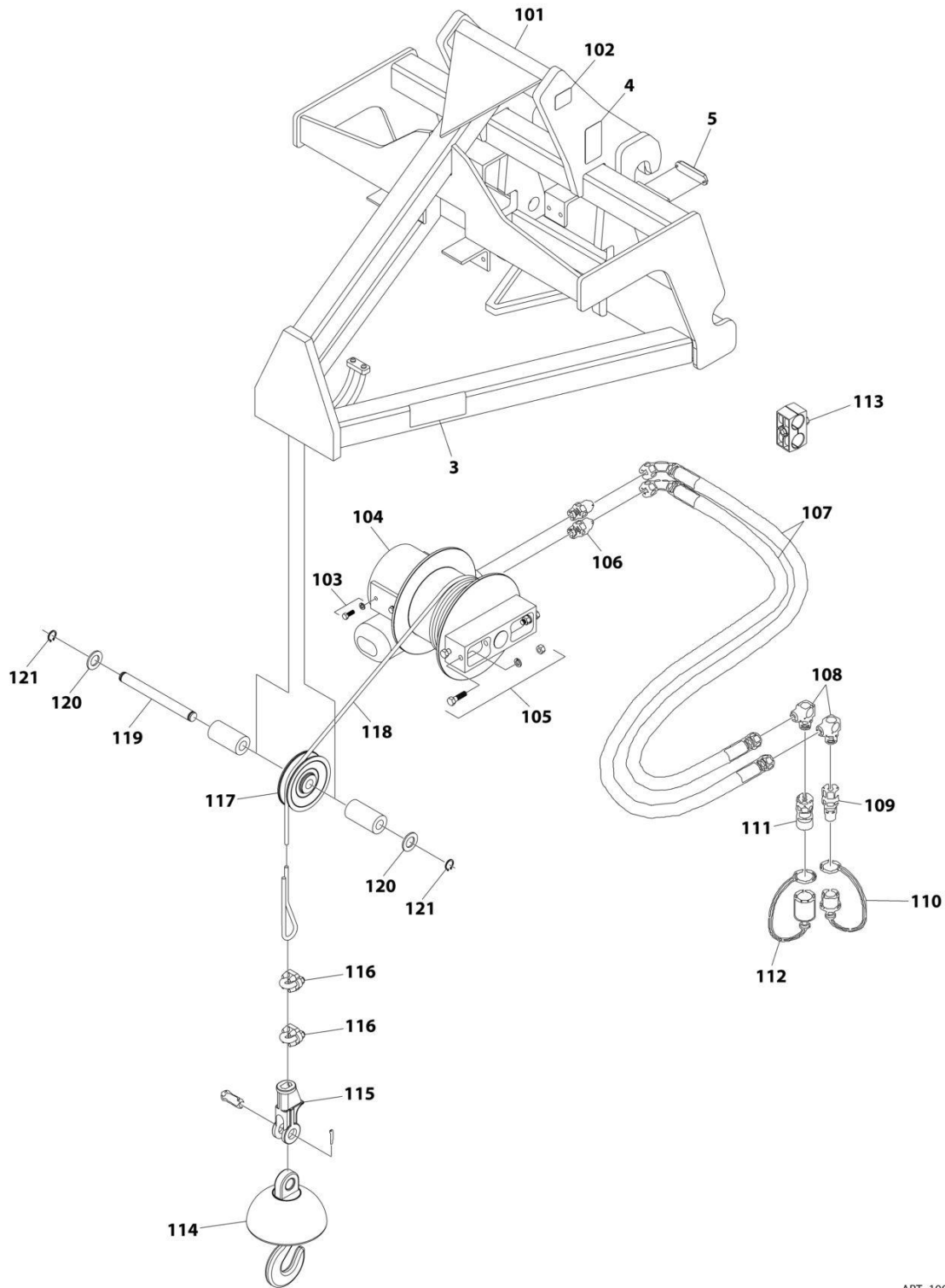
SECTION 3 - ATTACHMENTS

FIGURE 3-6. BOOM - ADJUSTABLE (FORK MOUNTED)

ITEM	PART NUMBER	QTY	DESCRIPTION	REV
	1001230241	Ref	Adjustable Truss Boom Installation (Fork Mounted)	J
1	3440620	1	Pin	
2	4110422	2	Decal, Danger Swinging Loads	
3	91403448	1	Hook, Swivel	
4	1001128890	1	Spring	
5	1001146160	1	Shackle	
6	See Note	NSS	Boom, Truss - Adjustable (Note: Purchase Complete Assembly)	
7	1001230239	1	Pin	
8	See Note	NSS	SN Plate (Note:Stamped Part - Not Available for Purchase)	
9	1001231692	2	Pin	
10	1001232500	1	Decal, Load Capacities	

SECTION 3 - ATTACHMENTS

FIGURE 3-7. BOOM - 3FT WITH WINCH



ART_1001100967_H

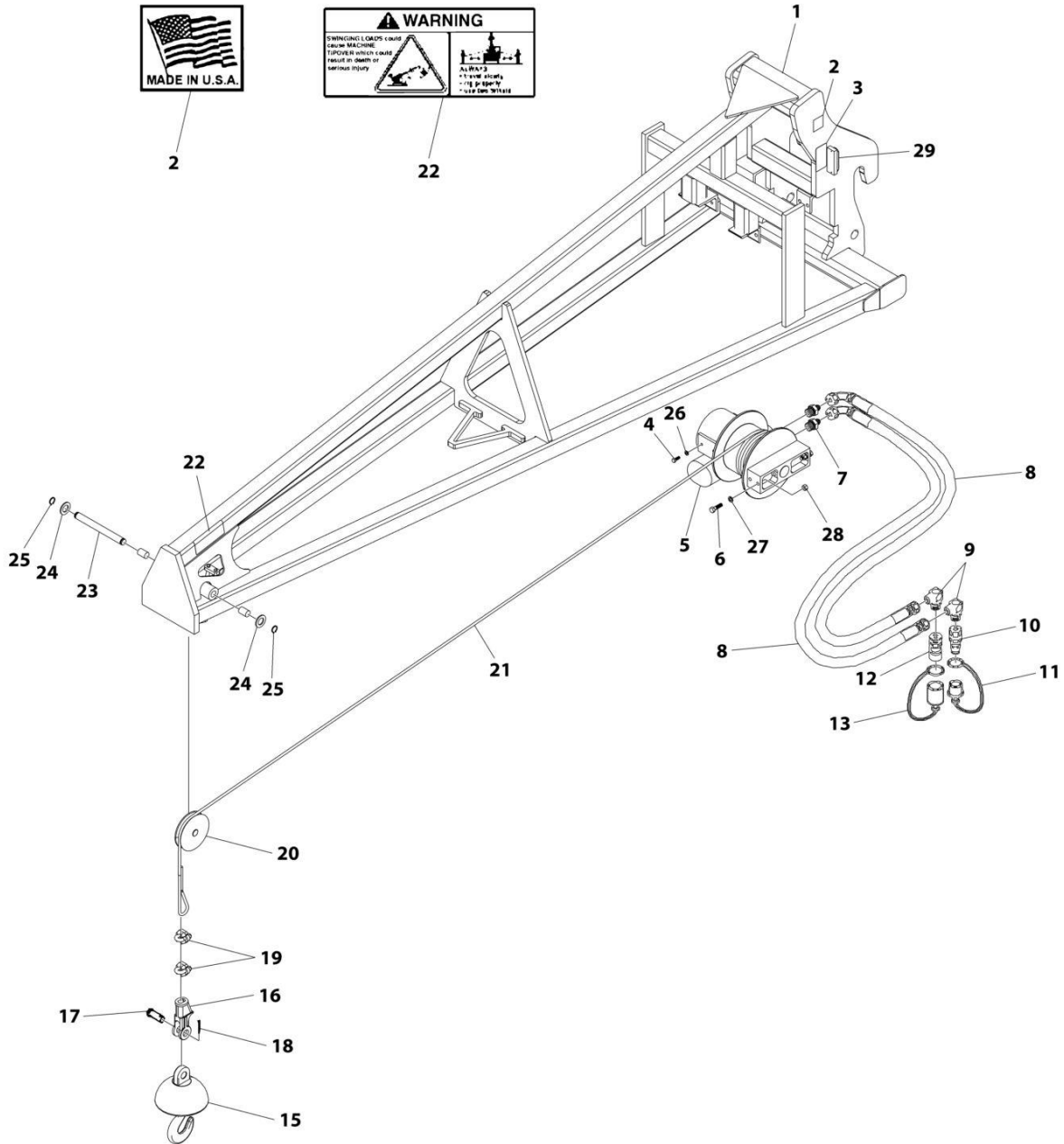
SECTION 3 - ATTACHMENTS

FIGURE 3-7. BOOM - 3FT WITH WINCH

ITEM	PART NUMBER	QTY	DESCRIPTION	REV
	1001100967	Ref	TRUSS BOOM ASSEMBLY (3 FOOT WITH WINCH) (INCLUDES ITEMS 3, 4, 5 & 101 THRU 121)	H
3	4110422	2	Decal, Danger, Swinging Loads	
4	See Note	NSS	S/N Plate (Note: Stamped Part - Not Available for Purchase)	
5	1001227670	1	Tag, RFID	
101	See Note	NSS	Truss Boom Frame (Note: Purchase Complete Assembly)	
102	90554016	1	Decal	
103	70021349	4	Bolt	
103	90554042	4	Washer	
104	70021921	1	Winch, Truss Boom	
105	70024059	4	Bolt	
105	90554054	4	Nut	
105	90554020	4	Washer	
106	70021415	2	Fitting	
107	70021977	2	Hose 32in (Boom Front Disconnect)	
107	70031445	2	Hose 48in (Boom Side Disconnect)	
108	70022527	2	Fitting, 90	
109	91403414	1	Fitting, Straight	
110	8420053	1	Cap	
111	91403413	1	Fitting, Straight	
112	8420055	1	Plug	
113	70021387	1	Clamp	
114	70021978	1	Ball Swivel Safety Hook	
115	70021979	1	Assembly, Socket	
116	70022528	2	Clamp	
117	70021935	1	Pulley	
118	70022028	1	Cable	
119	70022529	1	Pin	
120	70027009	2	Washer	
121	70026698	2	Ring, Snap	

SECTION 3 - ATTACHMENTS

FIGURE 3-8. BOOM - 12FT WITH WINCH



ART_1001099351_N

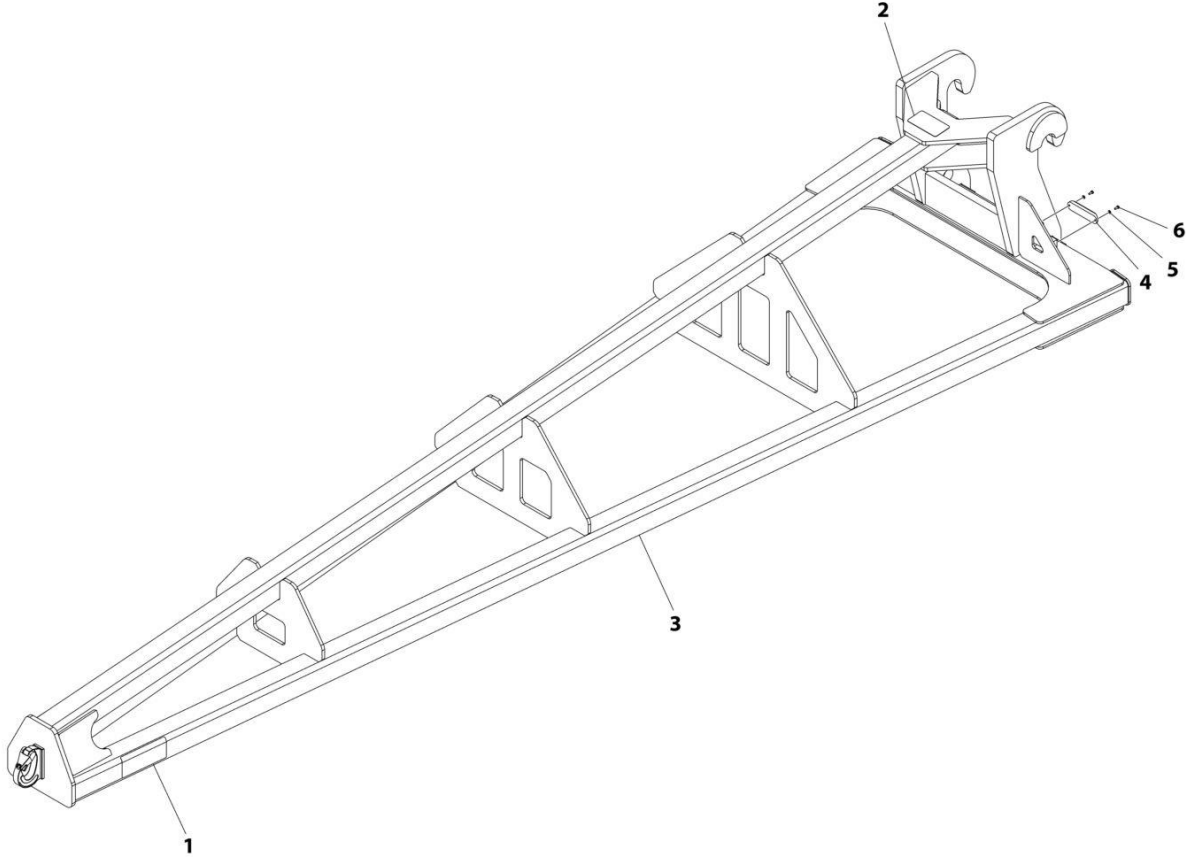
SECTION 3 - ATTACHMENTS

FIGURE 3-8. BOOM - 12FT WITH WINCH

ITEM	PART NUMBER	QTY	DESCRIPTION	REV
	1001099351	Ref	TRUSS BOOM (0.9 TON - 3.7M WITH WINCH)	N
1	N.S.S.	1	Frame, Truss Boom	
2	90554016	1	Decal, Made in USA	
3	N.S.S.	1	S/N Plate	
4	70021349	4	Bolt 3/8 x 1	
5	70021921	1	Motor, Truss Boom Winch	
6	70024059	2	Bolt 1/2 x 1-3/4	
7	70021415	2	Connector	
8	70021977	2	Hose 32in (Boom Front Disconnect)	
8	70031445	2	Hose 48in (Boom Side Disconnect)	
9	70022527	2	Fitting, 90	
10	7029692	1	Fitting, Straight	
11	90554062	1	Cap, Dust	
12	70021342	1	Fitting, Straight	
13	90554076	1	Cap, Dust	
15	70021978	1	Ball Swivel with Safety Hook	
16	70021979	1	Assembly, Socket (includes items 17 thru 18)	
17	N.S.S.	1	Pin	
18	N.S.S.	1	Pin, Cotter	
19	70022528	2	Clamp	
20	70021935	1	Pulley	
21	70022028	1	Cable	
22	4110422	2	Decal, Warning Swinging Loads	
23	70022529	1	Pin	
24	70024060	2	Washer	
25	70026698	2	Ring, Snap	
26	90554042	4	Washer 3/8	
27	90554020	2	Washer 1/2	
28	90554054	2	Nut 1/2	
29	1001227670	1	Tag, RFID	

SECTION 3 - ATTACHMENTS

FIGURE 3-9. BOOM - 12FT WITHOUT WINCH (WELDED ON HOOK)



ART_1001099902_H

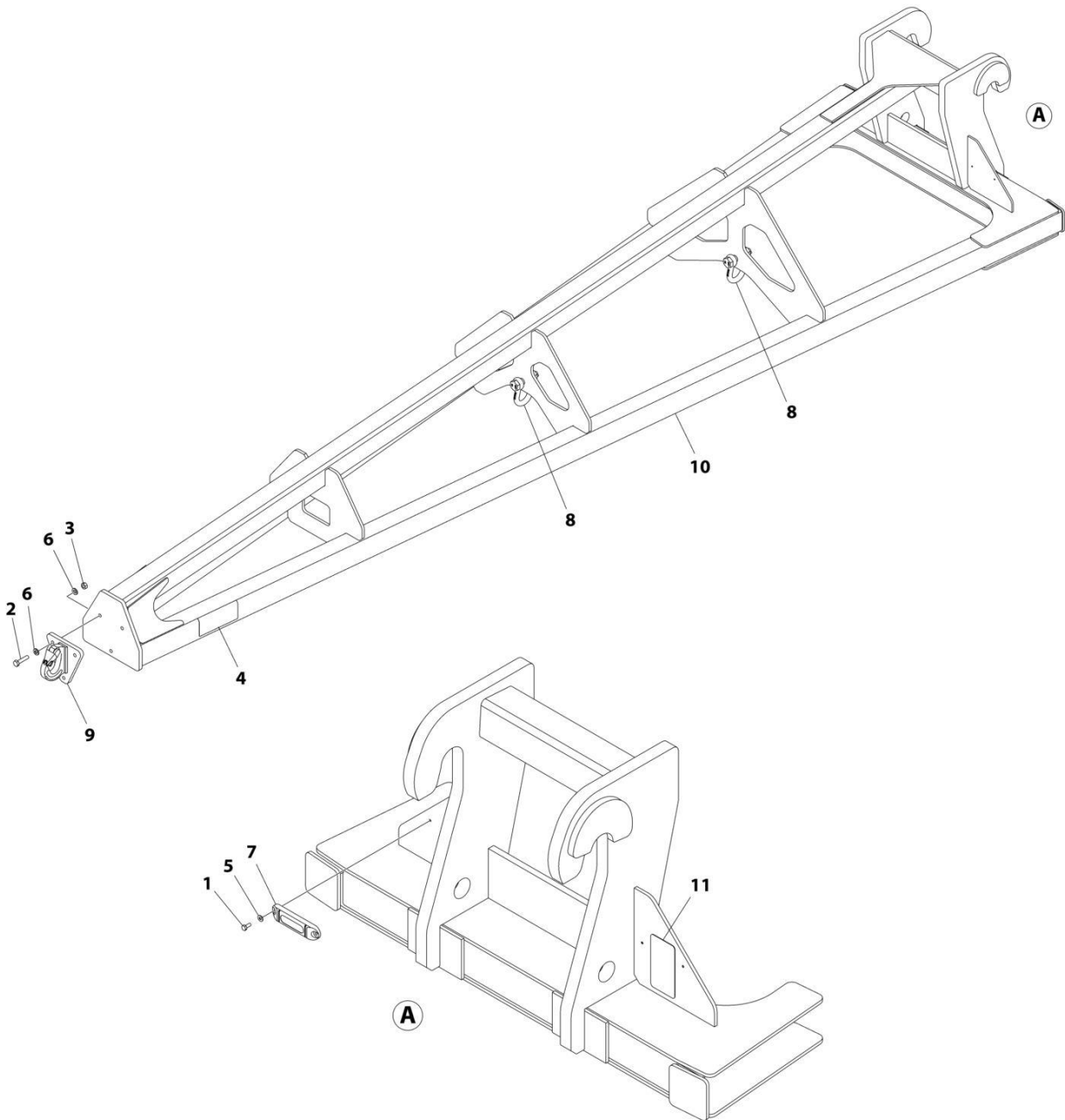
SECTION 3 - ATTACHMENTS

FIGURE 3-9. BOOM - 12FT WITHOUT WINCH (WELDED ON HOOK)

ITEM	PART NUMBER	QTY	DESCRIPTION	REV
	1001099902	Ref	TRUSS BOOM (0.9 TON - 3.7M)	H
1	4110422	2	Decal, Danger Swinging Loads	
2	See Note	NSS	SN Plate (Note:Stamped Part - Not Available for Purchase)	
3	See Note	NSS	Boom, Truss (Note: Purchase Complete Assembly)	
4	1001227670	1	Tag, RFID	
5	4811400	2	Washer M4	
6	0760405	2	Bolt M4 x 10	

SECTION 3 - ATTACHMENTS

FIGURE 3-10. BOOM - 12FT WITHOUT WINCH (BOLTED ON HOOK)



ART_1001275853

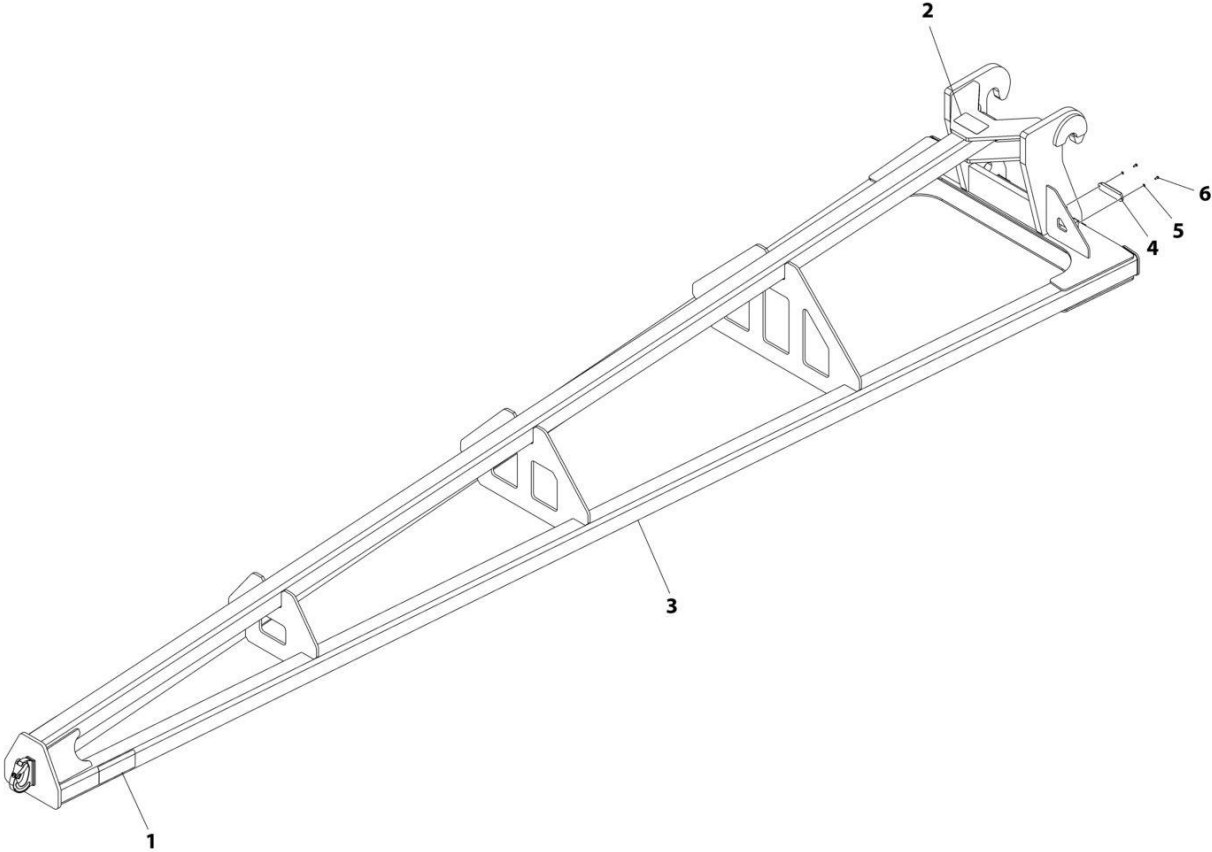
SECTION 3 - ATTACHMENTS

FIGURE 3-10. BOOM - 12FT WITHOUT WINCH (BOLTED ON HOOK)

ITEM	PART NUMBER	QTY	DESCRIPTION	REV
	1001275853	Ref	BOOM - 12FT WITHOUT WINCH	D
1	0760405	2	Bolt M4 x 10	
2	0761017	3	Bolt M10 x 45	
3	3291007	3	Nut M10	
4	4110422	2	Decal, Danger Swinging Loads	
5	4811400	2	Washer M4	
6	5241000	6	Washer M10	
7	1001227670	1	Tag, RFID	
8	1001287742	2	Clevis	
9	1001275841	1	Hook	
10	See Note	NSS	Boom, Truss (Note: Purchase Complete Assembly)	
11	See Note	NSS	SN Plate (Note: Stamped Part - Not Available for Purchase)	

SECTION 3 - ATTACHMENTS

FIGURE 3-11. BOOM - 15FT WITHOUT WINCH (WELDED ON HOOK)



ART_1001099901_H

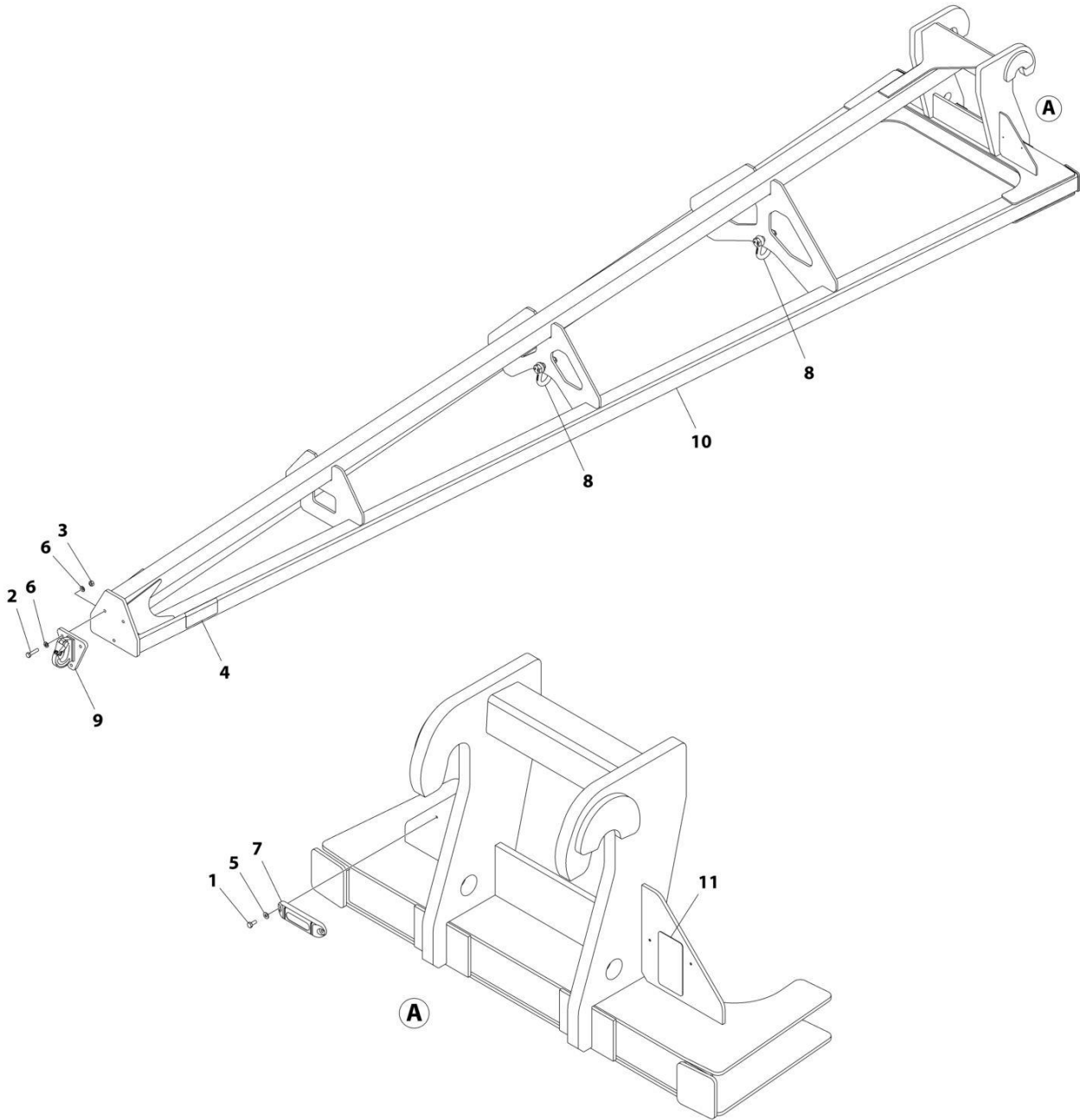
SECTION 3 - ATTACHMENTS

FIGURE 3-11. BOOM - 15FT WITHOUT WINCH (WELDED ON HOOK)

ITEM	PART NUMBER	QTY	DESCRIPTION	REV
	1001099901	Ref	TRUSS BOOM (15 FOOT)	H
1	4110422	2	Decal, Danger Swinging Loads	
2	See Note	NSS	SN Plate (Note:Stamped Part - Not Available for Purchase)	
3	See Note	NSS	Boom, Truss (Note: Purchase Complete Assembly)	
4	1001227670	1	Tag, RFID	
5	4811400	2	Washer M4	
6	0760405	2	Bolt M4 x 10	

SECTION 3 - ATTACHMENTS

FIGURE 3-12. BOOM - 15FT WITHOUT WINCH (BOLTED ON HOOK)



ART_1001275852

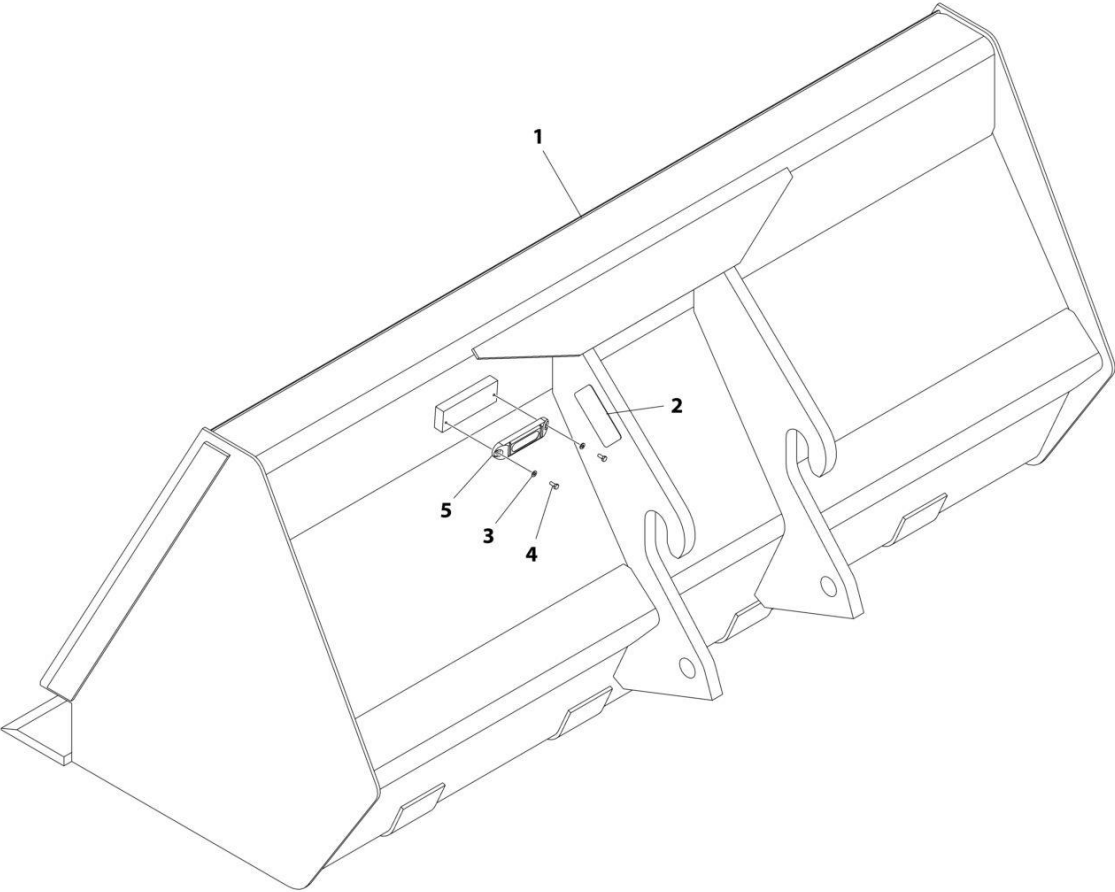
SECTION 3 - ATTACHMENTS

FIGURE 3-12. BOOM - 15FT WITHOUT WINCH (BOLTED ON HOOK)

ITEM	PART NUMBER	QTY	DESCRIPTION	REV
	1001275852	Ref	BOOM - 15FT WITHOUT WINCH	D
1	0760405	2	Bolt M4 x 10	
2	0761017	3	Bolt M10 x 45	
3	3291007	3	Nut M10	
4	4110422	2	Decal, Danger Swinging Loads	
5	4811400	2	Washer M4	
6	5241000	6	Washer M10	
7	1001227670	1	Tag, RFID	
8	1001287742	2	Clevis	
9	1001275841	1	Hook	
10	See Note	NSS	Boom, Truss (Note: Purchase Complete Assembly)	
11	See Note	NSS	SN Plate (Note: Stamped Part - Not Available for Purchase)	

SECTION 3 - ATTACHMENTS

FIGURE 3-13. BUCKET - 72IN 1.0 YD³



ART_1001100822_I

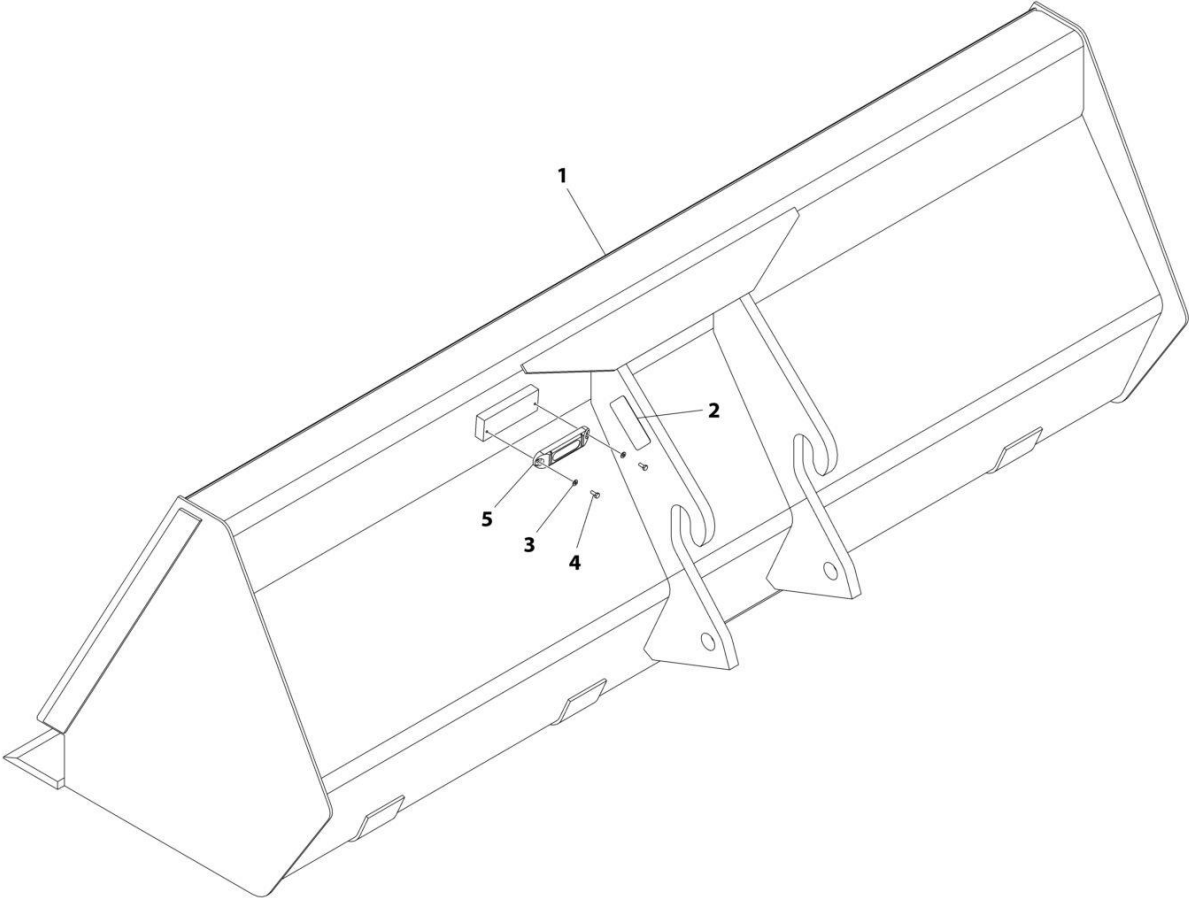
SECTION 3 - ATTACHMENTS

FIGURE 3-13. BUCKET - 72IN 1.0 YD³

ITEM	PART NUMBER	QTY	DESCRIPTION	REV
	1001100822	Ref	BUCKET 1.0 YD ³ (ANSI - JLG)	I
1	1001100265	1	Bucket Weldment	
2	See Note	NSS	SN Plate (Note:Stamped Part - Not Available for Purchase)	
3	4811400	2	Washer M4	
4	0760405	2	Bolt M4 x 10	
5	1001227670	1	Tag, RFID	

SECTION 3 - ATTACHMENTS

FIGURE 3-14. BUCKET - 96IN 1.3 YD³ (GENERAL PURPOSE)



ART_1001100823_I

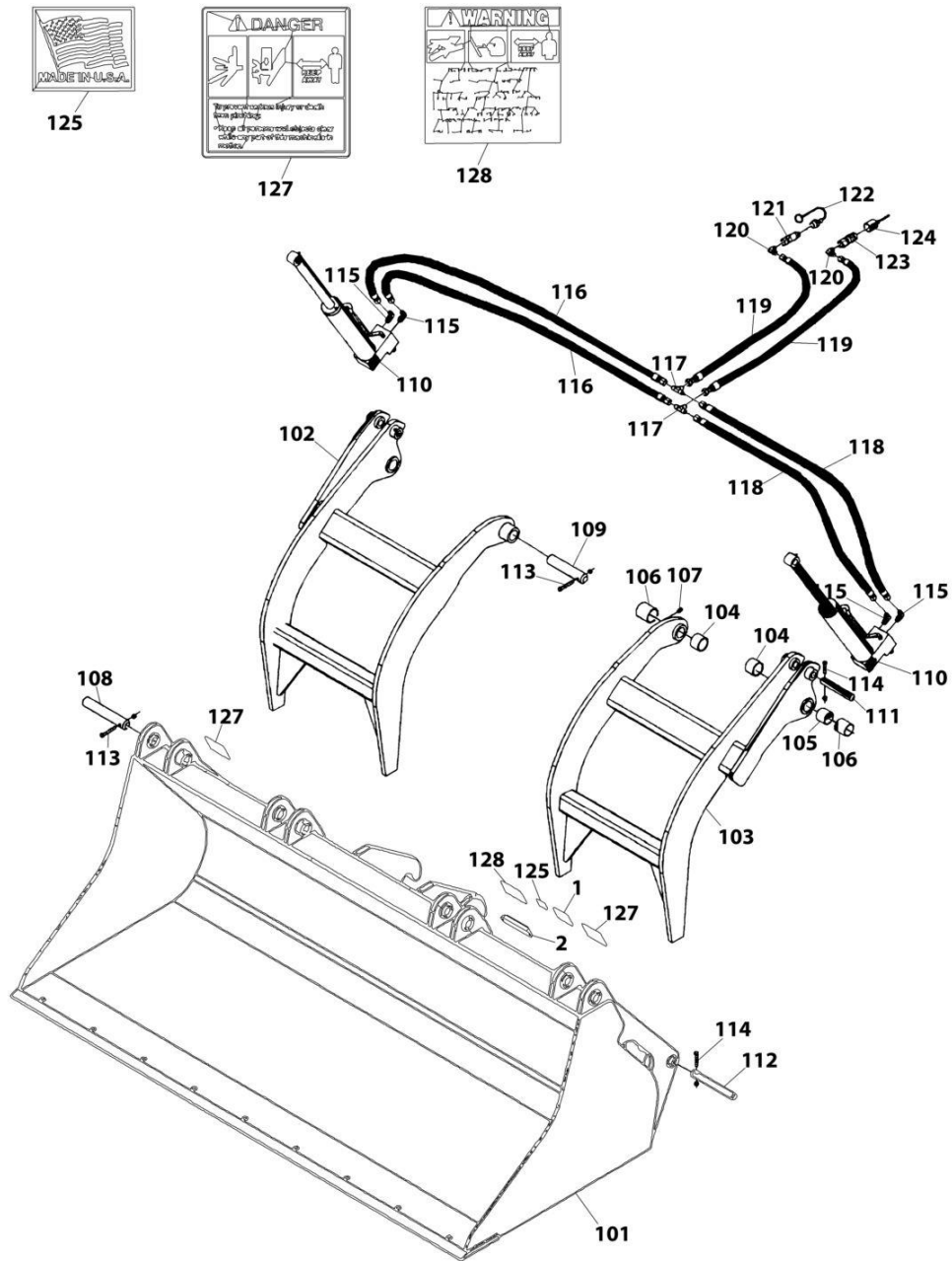
SECTION 3 - ATTACHMENTS

FIGURE 3-14. BUCKET - 96IN 1.3 YD³ (GENERAL PURPOSE)

ITEM	PART NUMBER	QTY	DESCRIPTION	REV
	1001100823	Ref	BUCKET (1.15 M ³)	I
1	1001100266	1	Bucket	
2	See Note	NSS	SN Plate (Note:Stamped Part - Not Available for Purchase)	
3	4811400	2	Washer M4	
4	0760405	2	Bolt M4 x 10	
5	1001227670	1	Tag, RFID	

SECTION 3 - ATTACHMENTS

FIGURE 3-15. BUCKET - 96IN 1.3 YD³ (MULTI-PURPOSE)



ART_0930020

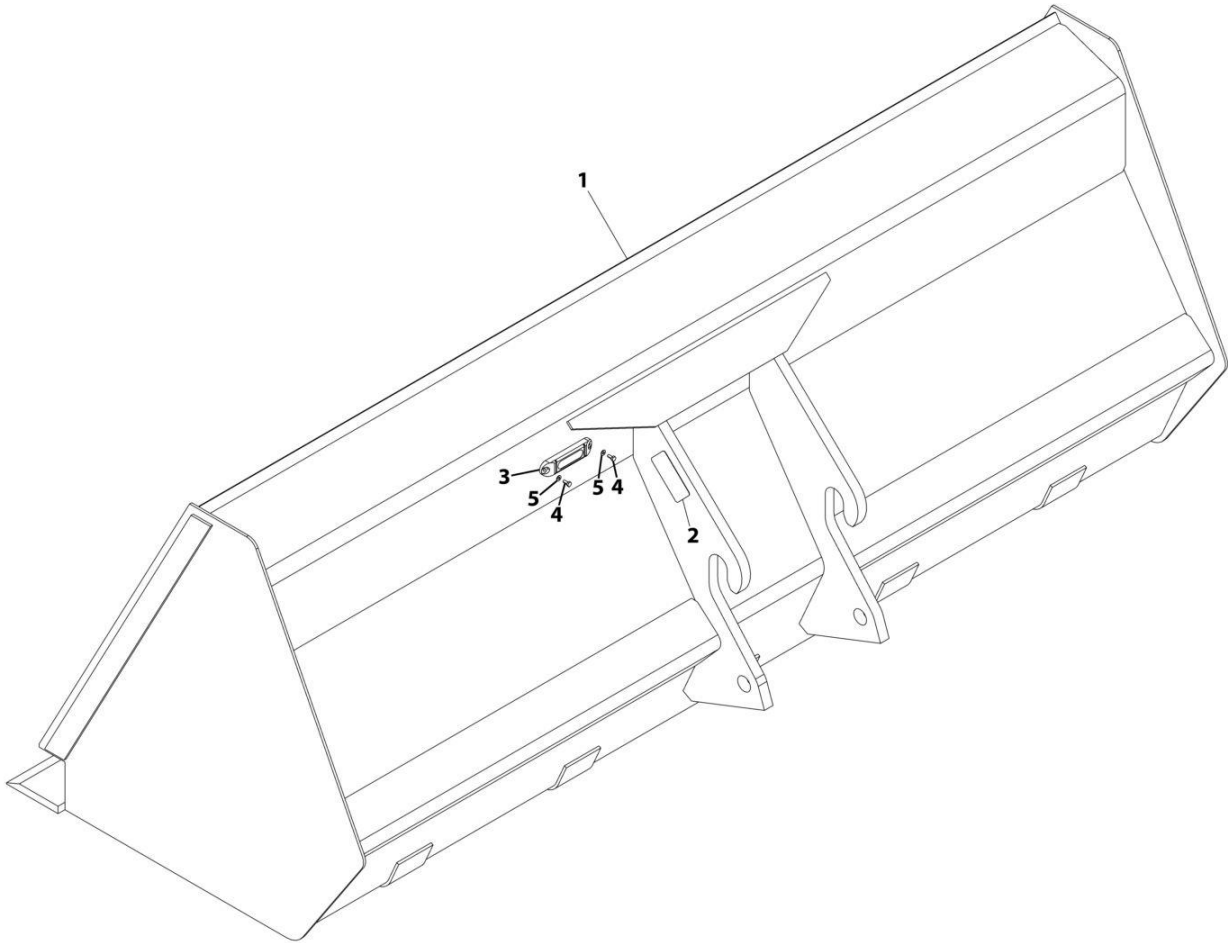
SECTION 3 - ATTACHMENTS

FIGURE 3-15. BUCKET - 96IN 1.3 YD³ (MULTI-PURPOSE)

ITEM	PART NUMBER	QTY	DESCRIPTION	REV
	0930020	Ref	Multi-Purpose Grapple Bucket (2450 MM)	L
1	See Note	NSS	S/N Plate (Note: Stamped Part - Not Available for Purchase)	
2	1001227670	1	Tag, RFID	
101	N.S.S.	1	Bucket	
101	70021387	4	Clamp, Hose	
102	70021391	1	Hook, RH Grapple	
103	70021392	1	Hook, LH Grapple	
104	70021358	4	Bushing	
105	70021359	2	Spacer	
106	70021360	4	Bushing	
107	7029714	4	Fitting, Grease	
108	70021361	2	Pin	
109	70021362	2	Pin	
110	70021393	2	Cylinder, Grapple Bucket (See Separate Breakdown in HYDRAULIC COMPONENTS Section)	
111	70021364	2	Pin	
112	70021365	2	Pin	
113	70021366	4	Bolt, 3/8X2-3/4	
113	70021367	4	Nut 3/8	
114	70021399	4	Bolt, 3/8X2-1/4	
114	70021367	4	Nut, Lock 3/8	
115	90554065	4	Fitting, 90	
116	70021980	2	Hose	
117	70020562	2	Fitting, Tee	
118	70021981	2	Hose	
119	70021982	2	Hose 34in (Boom Front Disconnect)	
119	70031446	2	Hose 45in (Boom Side Disconnect)	
120	70022527	2	Fitting, 90	
121	7029692	1	Coupler	
122	90554062	1	Cover	
123	70021342	1	Coupler	
124	90554076	1	Cover	
125	90554016	1	Decal, Made in USA	
127	90554017	2	Decal, Danger Pinch Point	
128	90554018	1	Decal, Warning High Pressure	

SECTION 3 - ATTACHMENTS

FIGURE 3-16. BUCKET - 102IN 2.0 YD³



ART_1001100824

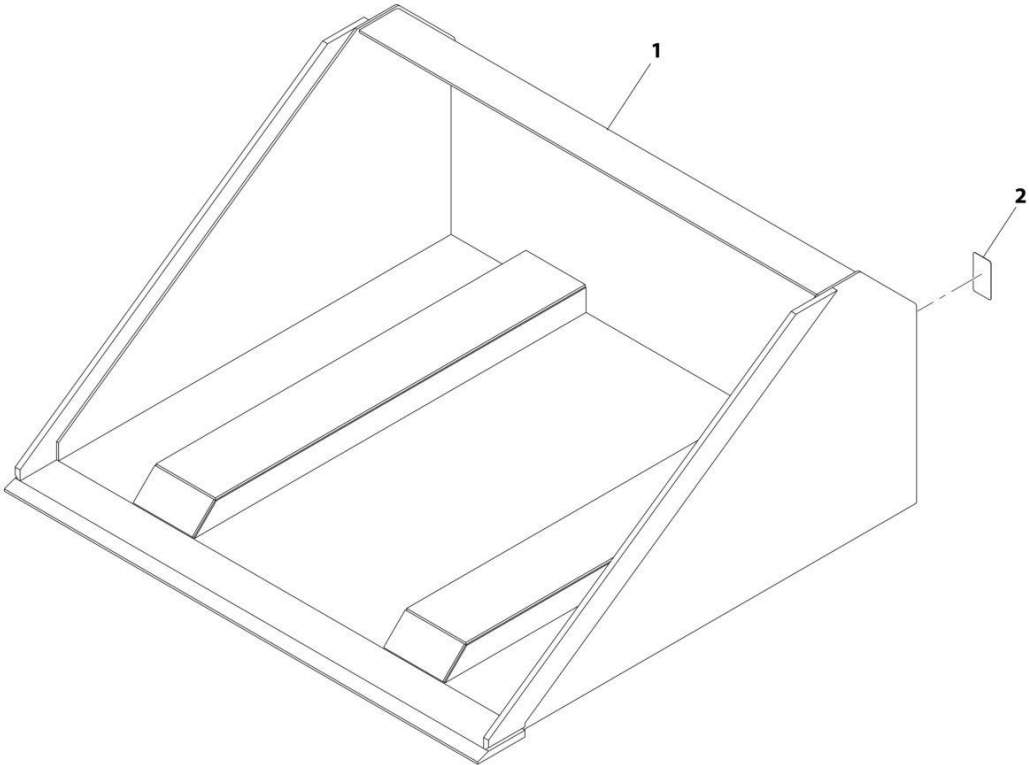
SECTION 3 - ATTACHMENTS

FIGURE 3-16. BUCKET - 102IN 2.0 YD³

ITEM	PART NUMBER	QTY	DESCRIPTION	REV
	1001100824	Ref	Bucket (102 Inch)	H
1	1001100267	NLA	Bucket (Note: Purchase PN 1001100824)	
2	See Note	NSS	S/N Plate (Note: Stamped Part - Not Available for Purchase)	
3	1001227670	1	Tag, RFID	
4	0760405	2	Bolt M4 x 10	
5	4811400	2	Washer M4	

SECTION 3 - ATTACHMENTS

FIGURE 3-17. BUCKET - FORK MOUNTED (1.0 M³)



ART_1001195970-D

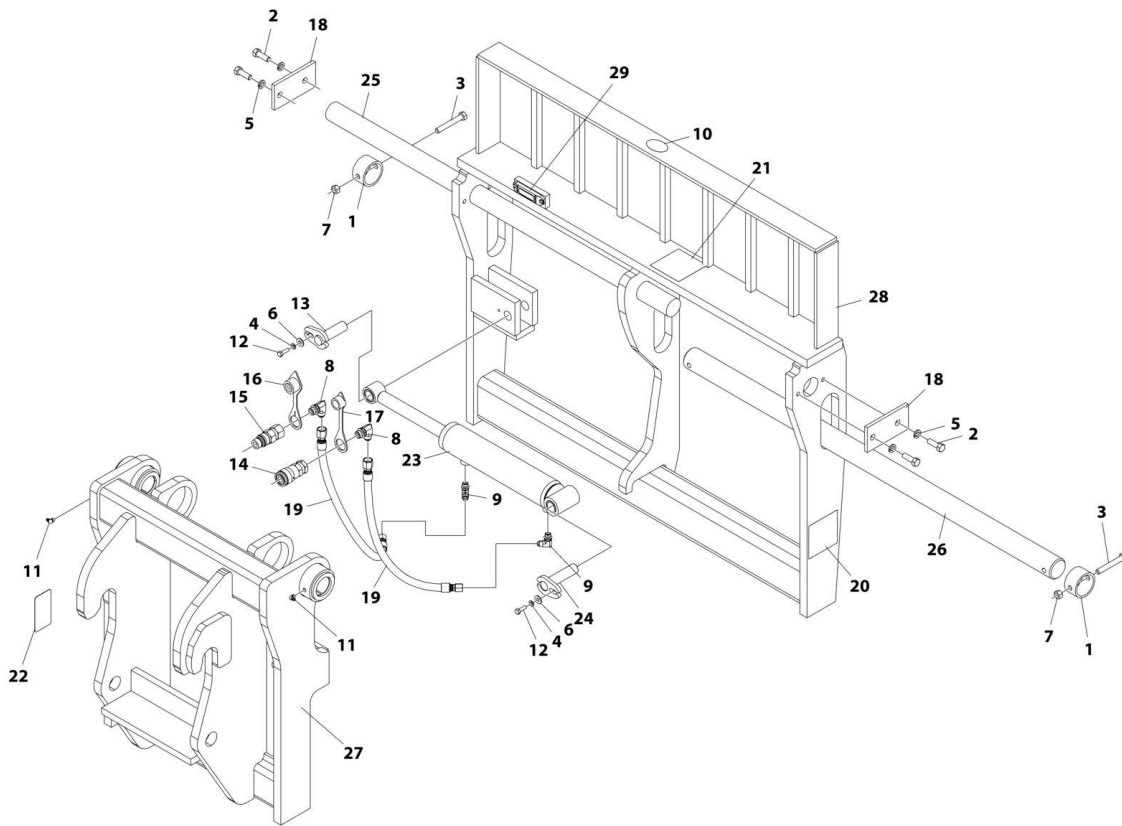
SECTION 3 - ATTACHMENTS

FIGURE 3-17. BUCKET - FORK MOUNTED (1.0 M³)

ITEM	PART NUMBER	QTY	DESCRIPTION	REV
1	1001195970	Ref	Bucket 1.0 m ³ (Fork Mounted)	E
2	See Note	NSS	S/N Plate (Note: Stamped Part - Not Available for Purchase)	

SECTION 3 - ATTACHMENTS

FIGURE 3-18. CARRIAGE ASSEMBLY - 48IN SIDE SHIFT



ART_1001242644_C

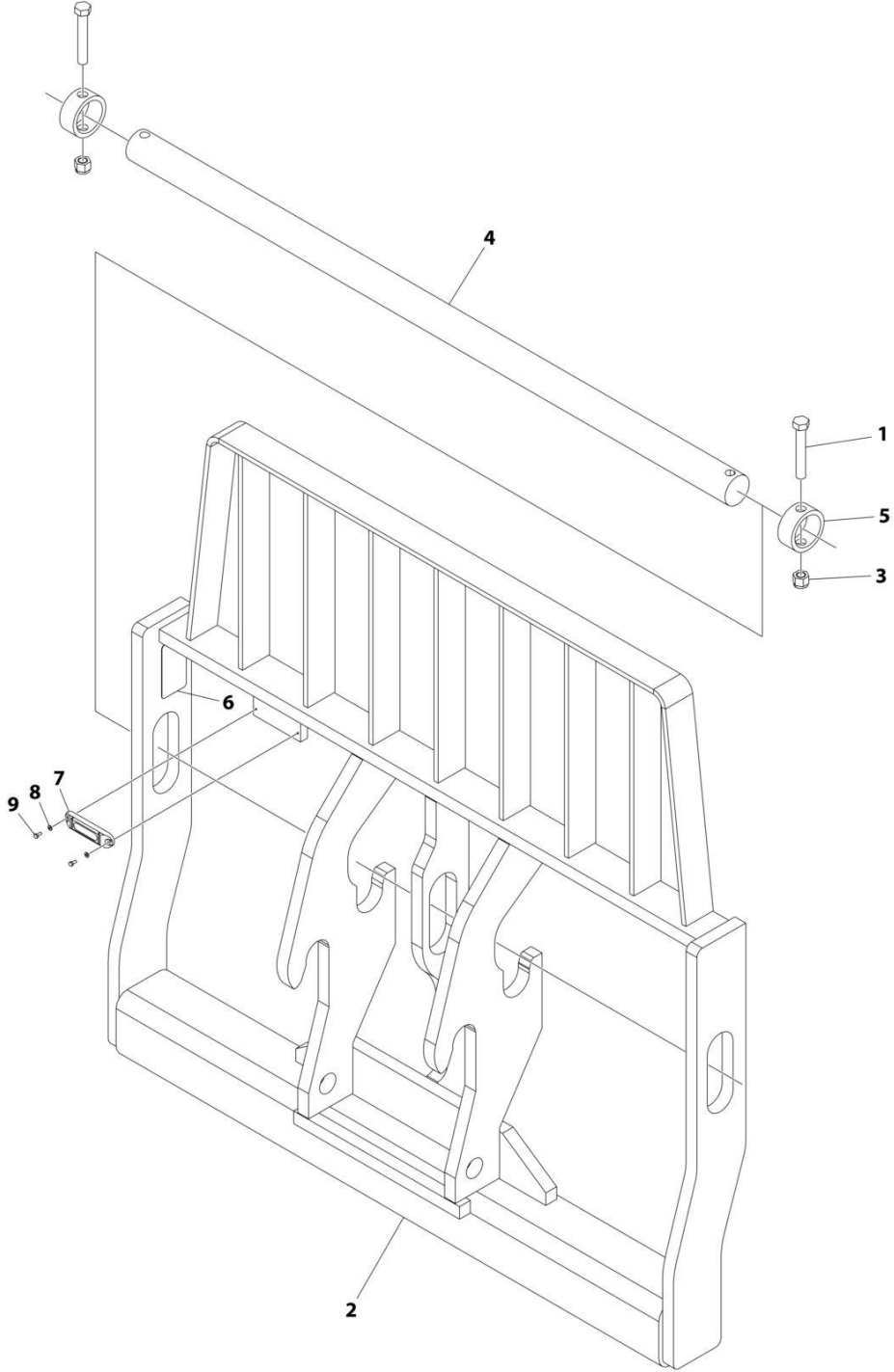
SECTION 3 - ATTACHMENTS

FIGURE 3-18. CARRIAGE ASSEMBLY - 48IN SIDE SHIFT

ITEM	PART NUMBER	QTY	DESCRIPTION	REV
	1001242644	Ref	SIDE SHIFT CARRIAGE ASSEMBLY (48 INCH)	C
1	70020028	2	Bushing	
2	70021382	4	Bolt 1/2 x 1-1/2	
3	70020002	2	Bolt 1/2 x 4	
4	90554067	2	Washer 5/16	
5	90554020	4	Washer 1/2	
6	70021379	2	Washer	
7	70027642	2	Washer	
8	70030141	2	Elbow	
9	90554065	2	Elbow 90	
10	90554016	1	Decal - Made in USA	
11	70021389	2	Fitting 90	
12	70021378	2	Capscrew	
13	70021351	1	Pin	
14	91403413	1	Adapter	
15	91403414	1	Adapter	
16	8420053	1	Cap, Dust	
17	8420055	1	Plug, Dust	
18	70030142	2	Plate	
19	70030143	2	Hose 30in (Boom Front Disconnect)	
19	70031444	2	Hose 55in (Boom Side Disconnect)	
20	90554017	2	Decal - Danger Pinch Point	
21	7029711	1	Decal - High Pressure	
22	See Note	NSS	SN Plate (Note: Stamped Part - Not Available for Purchase)	
23	70021376	1	Cylinder Assembly (See Separate Breakdown in HYDRAULIC COMPONENTS Section)	
24	70021377	1	Pin	
25	70030144	1	Pin	
26	70030145	1	Pin	
27	See Note	NSS	Frame - Rear (Note: Purchase Complete Assembly)	
28	See Note	NSS	Frame - Front (Note: Purchase Complete Assembly)	
29	1001227670	1	Tag, RFID	

SECTION 3 - ATTACHMENTS

FIGURE 3-19. CARRIAGE ASSEMBLY - 50IN



ART_1170021_I

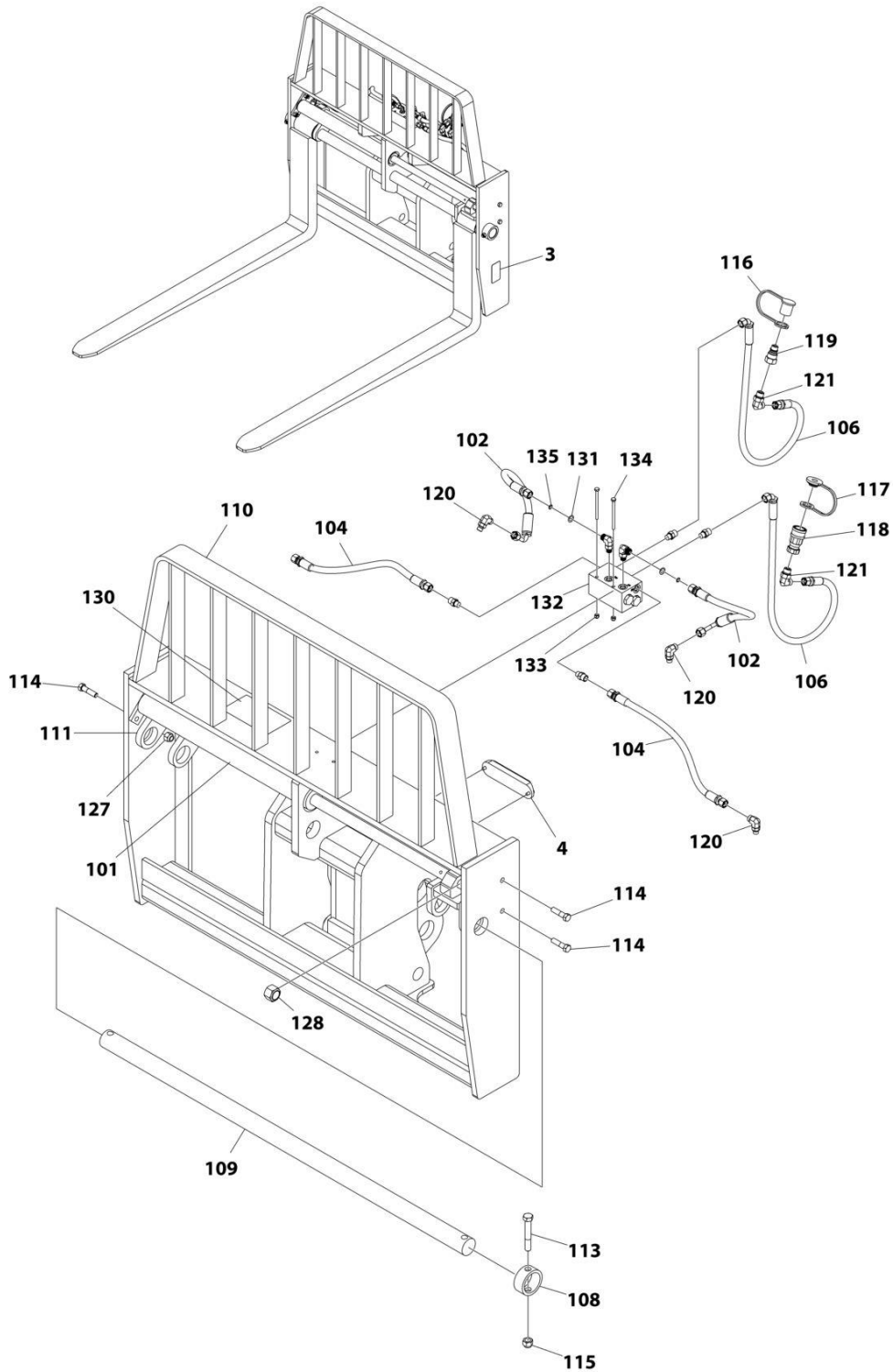
SECTION 3 - ATTACHMENTS

FIGURE 3-19. CARRIAGE ASSEMBLY - 50IN

ITEM	PART NUMBER	QTY	DESCRIPTION	REV
	1170021	Ref	CARRIAGE ASSEMBLY (50 INCH)	1
1	0642032	2	Bolt 5/8-11 x 4	
2	See Note	NSS	Carriage (Note: Purchase Complete Assembly)	
3	3300240	2	Nut 5/8-11	
4	3423275	1	Pin, Fork	
5	90200003	2	Collar, Fork Pin	
6	See Note	NSS	SN Plate (Note: Stamped Part - Not Available for Purchase)	
7	1001227670	1	Tag, RFID	
8	4811400	2	Washer M4	
9	0760405	2	Bolt M4 x 10	

SECTION 3 - ATTACHMENTS

FIGURE 3-20. CARRIAGE ASSEMBLY - 50IN DUAL FORK POSITIONING (10K)



ART_7301295_L

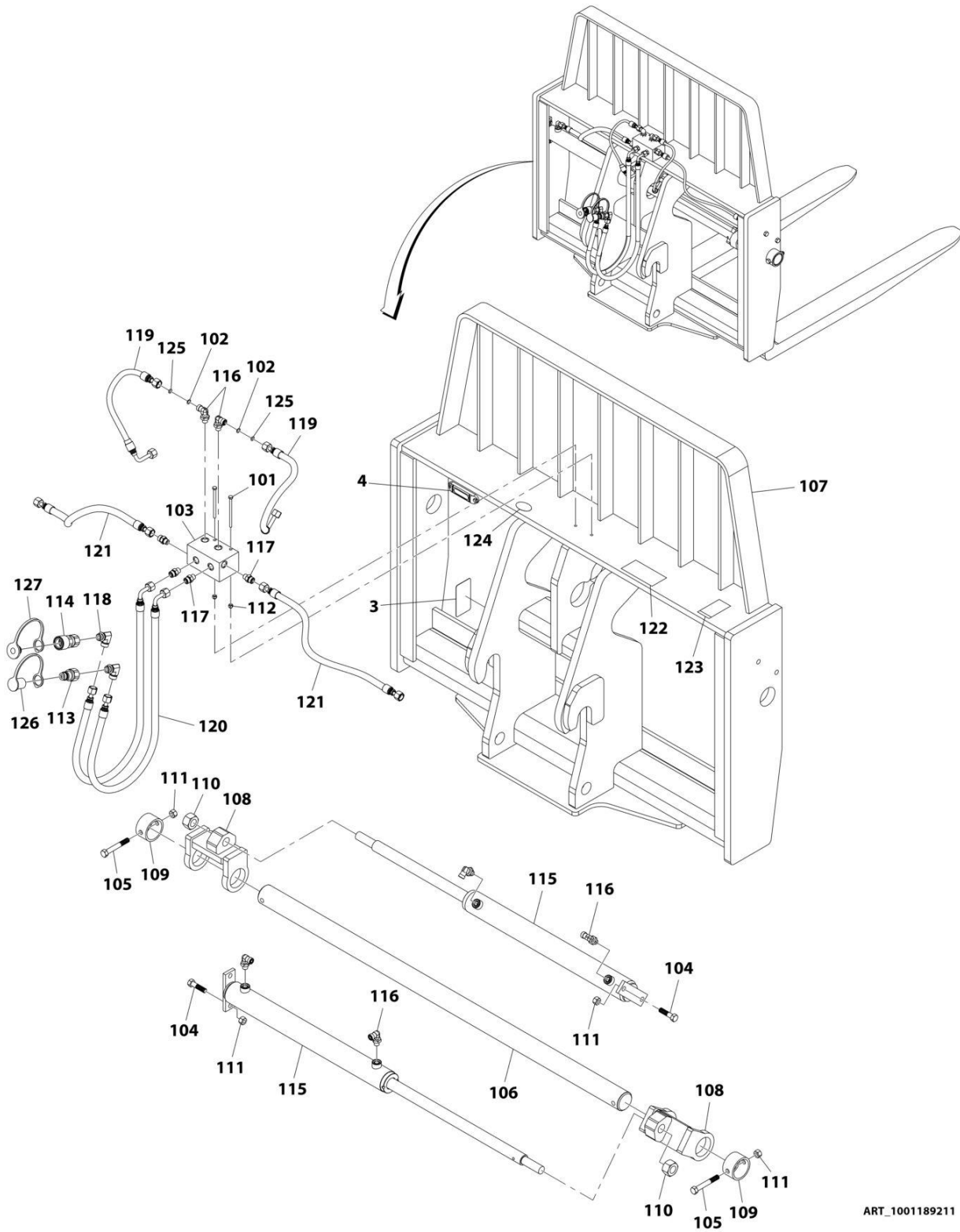
SECTION 3 - ATTACHMENTS

FIGURE 3-20. CARRIAGE ASSEMBLY - 50IN DUAL FORK POSITIONING (10K)

ITEM	PART NUMBER	QTY	DESCRIPTION	REV
	7301295	Ref	FORK POSITIONING CARRIAGE WITH FORKS (4.5 TON)	L
3	N.S.S.	1	S/N Plate	
4	1001227670	1	Tag, RFID	
101	2717283	2	Cylinder, Fork Positioning (See Separate Breakdown in HYDRAULIC COMPONENTS Section)	
102	2717160	2	Hose	
104	2717161	2	Hose	
106	2717162	2	Hose 36in (Boom Front Disconnect)	
106	70031443	2	Hose 44in (Boom Side Disconnect)	
108	90200003	2	Collar, Fork Pin	
109	90451058	1	Shaft, Fork	
110	N.S.S.	1	Weldment, Carriage	
111	N.S.S.	1	Weldment, Fork Adapter	
113	8303634	2	Bolt 5/8 x 4	
114	8303658	4	Bolt 1/2 x 2	
115	8305643	2	Nut 5/8	
116	8420053	1	Cap, Dust	
117	8420055	1	Plug, Dust	
118	91403413	1	Adapter, Quick Disconnect	
119	91403414	1	Adapter, Quick Disconnect	
120	2130606	4	Adapter, 90 Straight	
121	2130608	2	Adapter, 90 Straight	
127	8310302	4	Nut 1/2	
128	10705034	2	Nut 1	
130	4110473	1	Decal, Warning Route Hoses	
131	7139918	2	Disk, Orifice	
132	4641502	1	Assembly, Dual Fork Carriage Valve (See Separate Breakdown in HYDRAULIC COMPONENTS Section)	
133	8305624	2	Nut 1/4	
134	8310435	2	Bolt 1/4 x 3-3/4	
135	8630003	2	O-Ring	

SECTION 3 - ATTACHMENTS

FIGURE 3-21. CARRIAGE ASSEMBLY - 50IN DUAL FORK POSITIONING (12K)



ART_1001189211

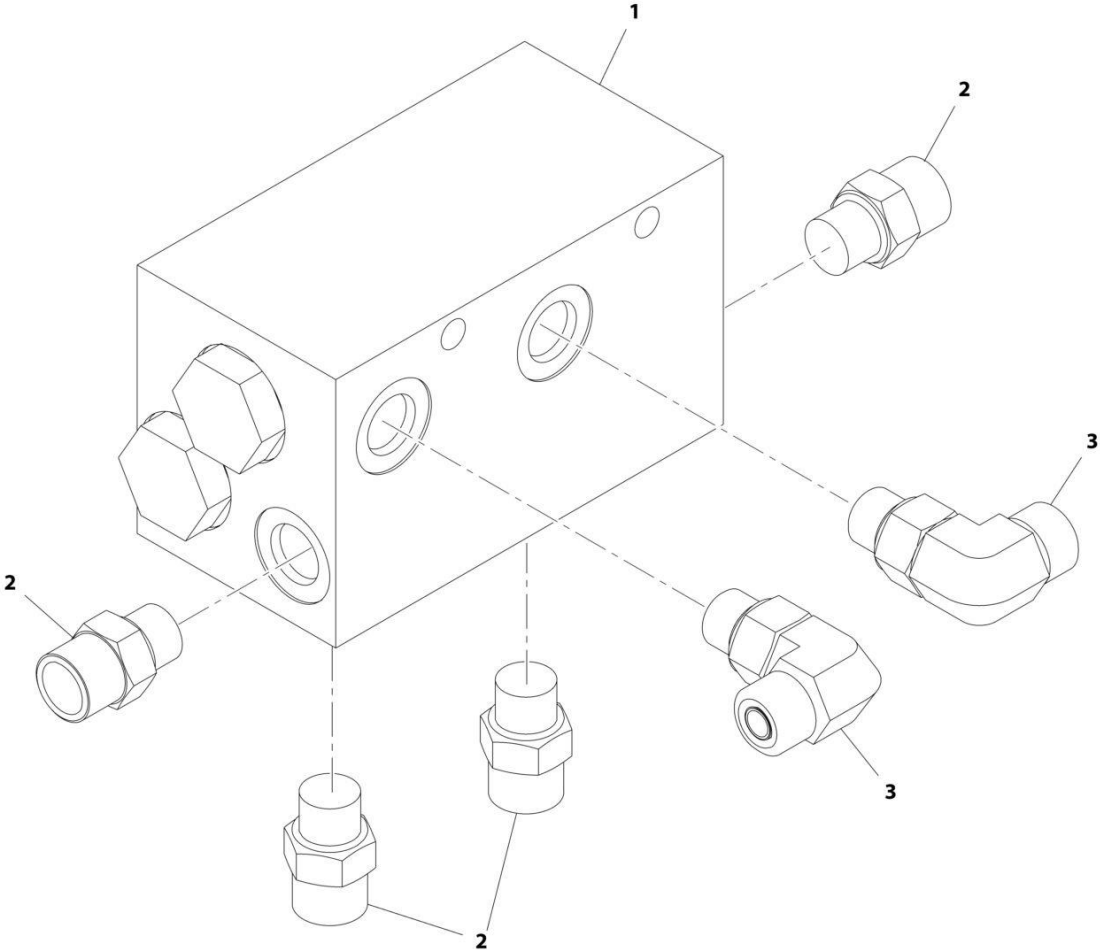
SECTION 3 - ATTACHMENTS

FIGURE 3-21. CARRIAGE ASSEMBLY - 50IN DUAL FORK POSITIONING (12K)

ITEM	PART NUMBER	QTY	DESCRIPTION	REV
	1001189211	Ref	DUAL FORK POSITIONING CARRIAGE ASSEMBLY (50 INCH)	F
3	See Note	NSS	S/N Plate (Note: Stamped Part - Not Available for Purchase)	
4	1001227670	1	Tag. RFID	
101	70028519	2	Bolt	
102	70028520	2	Orifice	
103	70028521	1	Valve	
104	90554019	4	Bolt	
105	70020002	2	Bolt	
106	70027283	1	Pin Fork	
107	See Note	NSS	Carriage (Note: Purchase Complete Assembly)	
108	70028522	2	Weldment, Fork Adapter	
109	70020028	2	Bushing	
110	70021440	2	Nut	
111	70028523	6	Nut	
112	70028524	2	Nut	
113	91403414	1	Adapter, Male Quick Disconnect	
114	91403413	1	Adapter, Female Quick Disconnect	
115	2717283	2	Cylinder, Dual Fork (See Separate Breakdown in HYDRAUIC COMPONENTS Section)	
116	70028525	6	Elbow, 90	
117	70028486	4	Fitting	
118	70028526	2	Elbow, 90	
119	70028527	2	Hose	
120	70028528	2	Hose 36in (Boom Front Disconnect)	
120	70031443	2	Hose 44in (Boom Side Disconnect)	
121	70028529	2	Hose	
122	70028530	1	Decal, Hose Routing	
123	See Note	NSS	S/N Plate (Note: Stamped Part - Not Available for Purchase)	
124	90554016	1	Decal	
125	70028531	2	O-Ring	
126	8420055	1	Plug, Dust	
127	8420053	1	Cap, Dust	

SECTION 3 - ATTACHMENTS

FIGURE 3-22. CARRIAGE ASSEMBLY - DUAL FORK VALVE & FITTINGS



ART_4641502-B

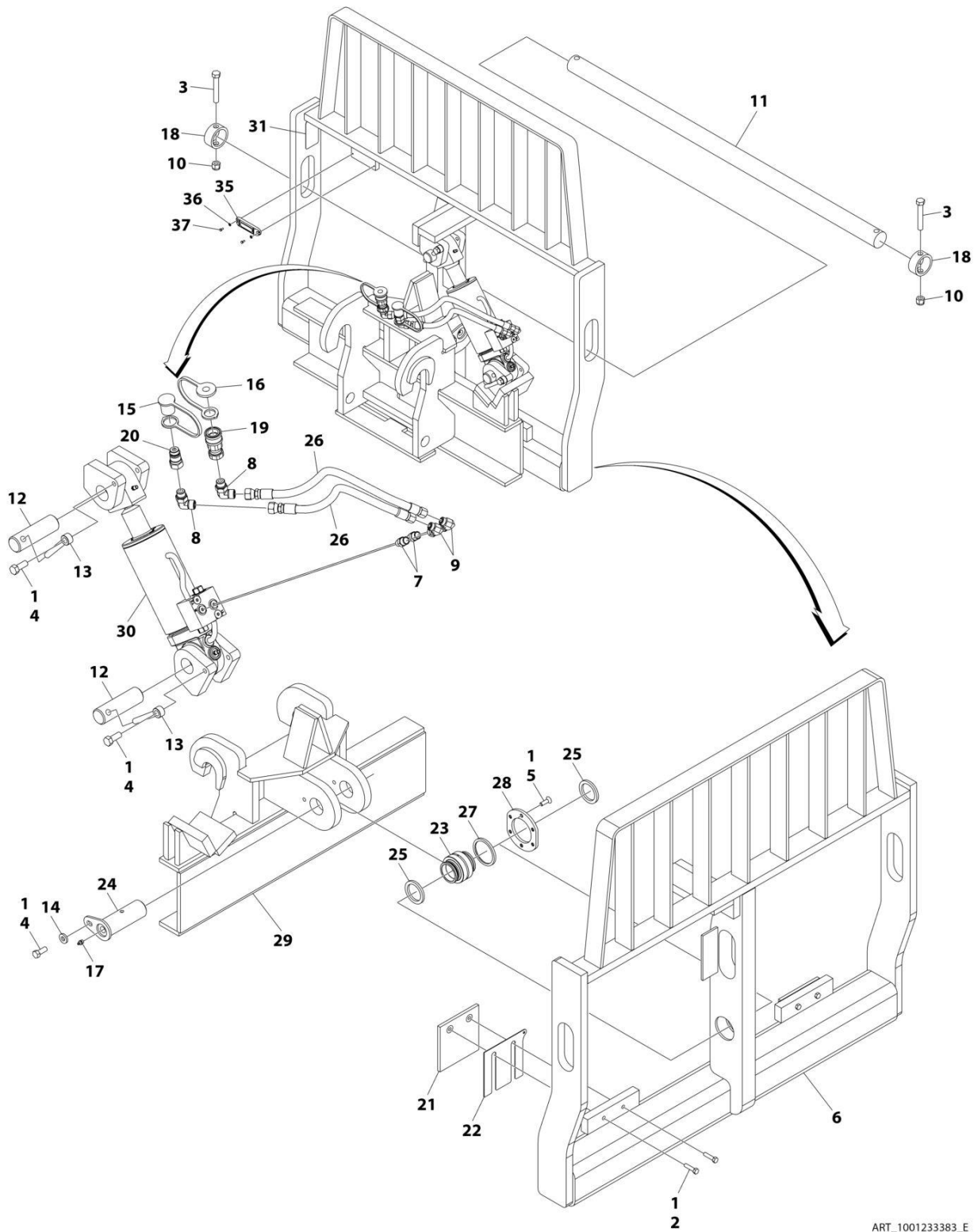
SECTION 3 - ATTACHMENTS

FIGURE 3-22. CARRIAGE ASSEMBLY - DUAL FORK VALVE & FITTINGS

ITEM	PART NUMBER	QTY	DESCRIPTION	REV
	4641502	Ref	Dual Fork Carriage Valve Assembly	B
1	4641501	1	Valve, Flow Divider (See Separate Breakdown in this Section)	
2	2110606	4	Fitting, Straight ORFS	
3	2130606	2	Fitting, 90	

SECTION 3 - ATTACHMENTS

FIGURE 3-23. CARRIAGE ASSEMBLY - 50IN/12000# CAPACITY SIDE TILT (WITH BASE PIVOT WEAR PADS)



ART_1001233383_E

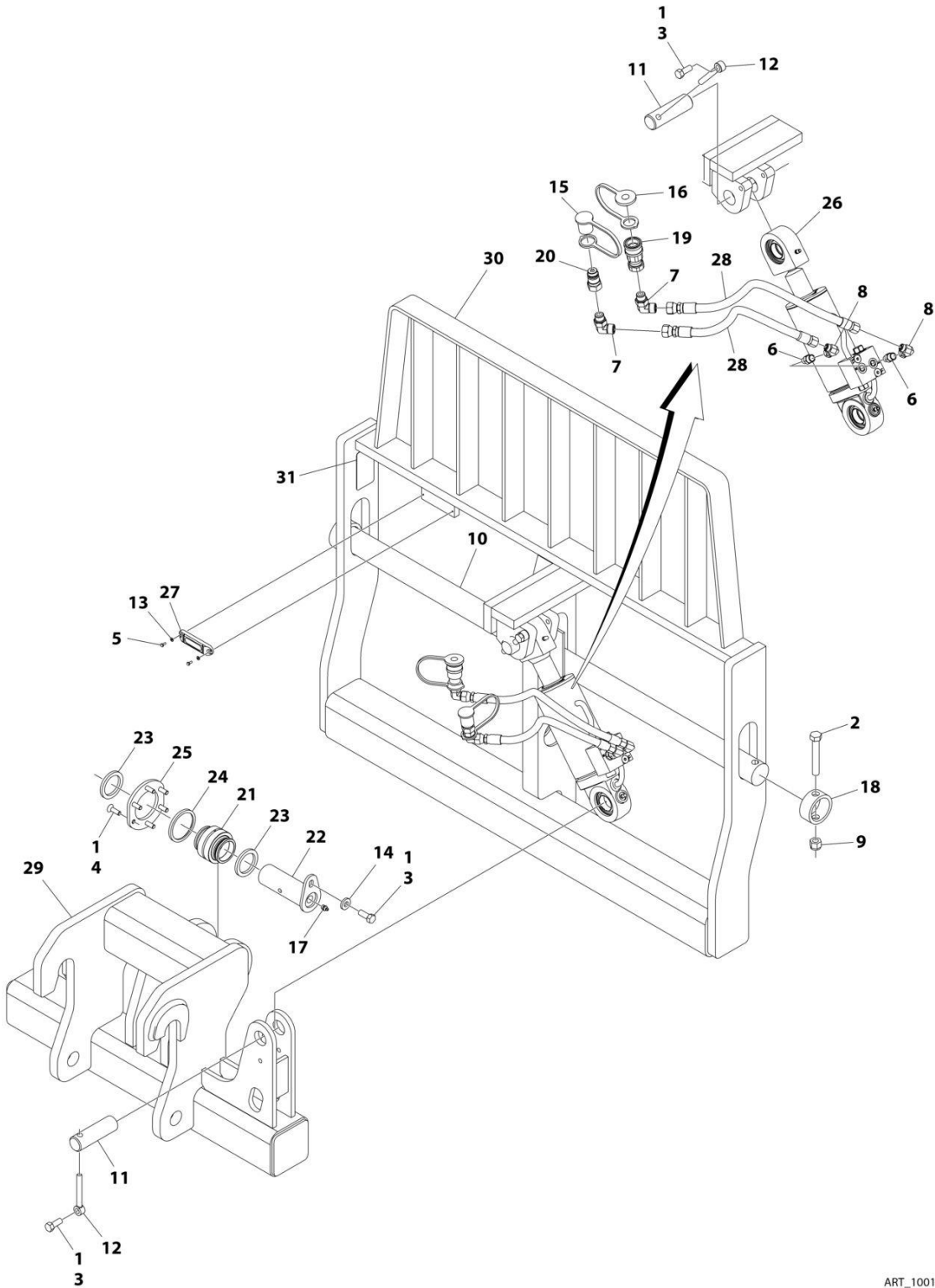
SECTION 3 - ATTACHMENTS

FIGURE 3-23. CARRIAGE ASSEMBLY - 50IN/12000# CAPACITY SIDE TILT (WITH BASE PIVOT WEAR PADS)

ITEM	PART NUMBER	QTY	DESCRIPTION	REV
	1001233383	NLA	SIDE TILT CARRIAGE ASSEMBLY (50 INCH) (No longer available, use item 1 to 37 for service or 1001277290 for replacement)	E
1	0100011	AR	Compound, Locking	
2	0641612	4	Bolt 3/8 x 1-1/2	
3	0642032	2	Bolt 5/8 x 4	
4	0681810	3	Bolt 1/2 x 1-1/4	
5	0741610	6	Screw 3/8 x 1.25	
6	See Note	NSS	Carriage (Note: Purchase Complete Assembly)	
7	2110606	2	Fitting, Straight ORFS	
8	2130808	2	Adapter, 90	
9	2172106	2	Fitting, 90 ORFS	
10	3300240	2	Nut 5/8	
11	3423275	1	Pin	
12	3423307	2	Pin	
13	3841203	2	Keeper	
14	4891800	1	Flatwasher	
15	8420053	1	Cap	
16	8420055	1	Plug	
17	88671001	1	Fitting, Grease	
18	90200003	2	Collar	
19	91403413	1	Fitting, Straight	
20	91403414	1	Fitting, Straight	
21	1001090063	2	Pad	
22	1001090064	AR	Shim	
23	1001090140	1	Bearing	
24	1001099113	1	Pin	
25	1001099115	2	Sleeve	
26	1001239734	2	Hose	
27	1001120914	1	Shim	
28	1001120915	1	Plate	
29	See Note	NSS	Carriage, Base Plate (Note: Purchase Complete Assembly)	
30	1001163414	1	Cylinder, Side Tilt (See Separate Breakdown in HYDRAULIC COMPONENTS Section)	
31	See Note	NSS	SN Plate (Note: Stamped Part - Not Available for Purchase)	
35	1001227670	1	Tag, RFID	
36	4811400	2	Washer M4	
37	0760405	2	Bolt M4 x 10	

SECTION 3 - ATTACHMENTS

FIGURE 3-24. CARRIAGE ASSEMBLY - 50IN/12000# CAPACITY SIDE TILT (WITHOUT BASE PIVOT WEAR PADS)



ART_1001277290

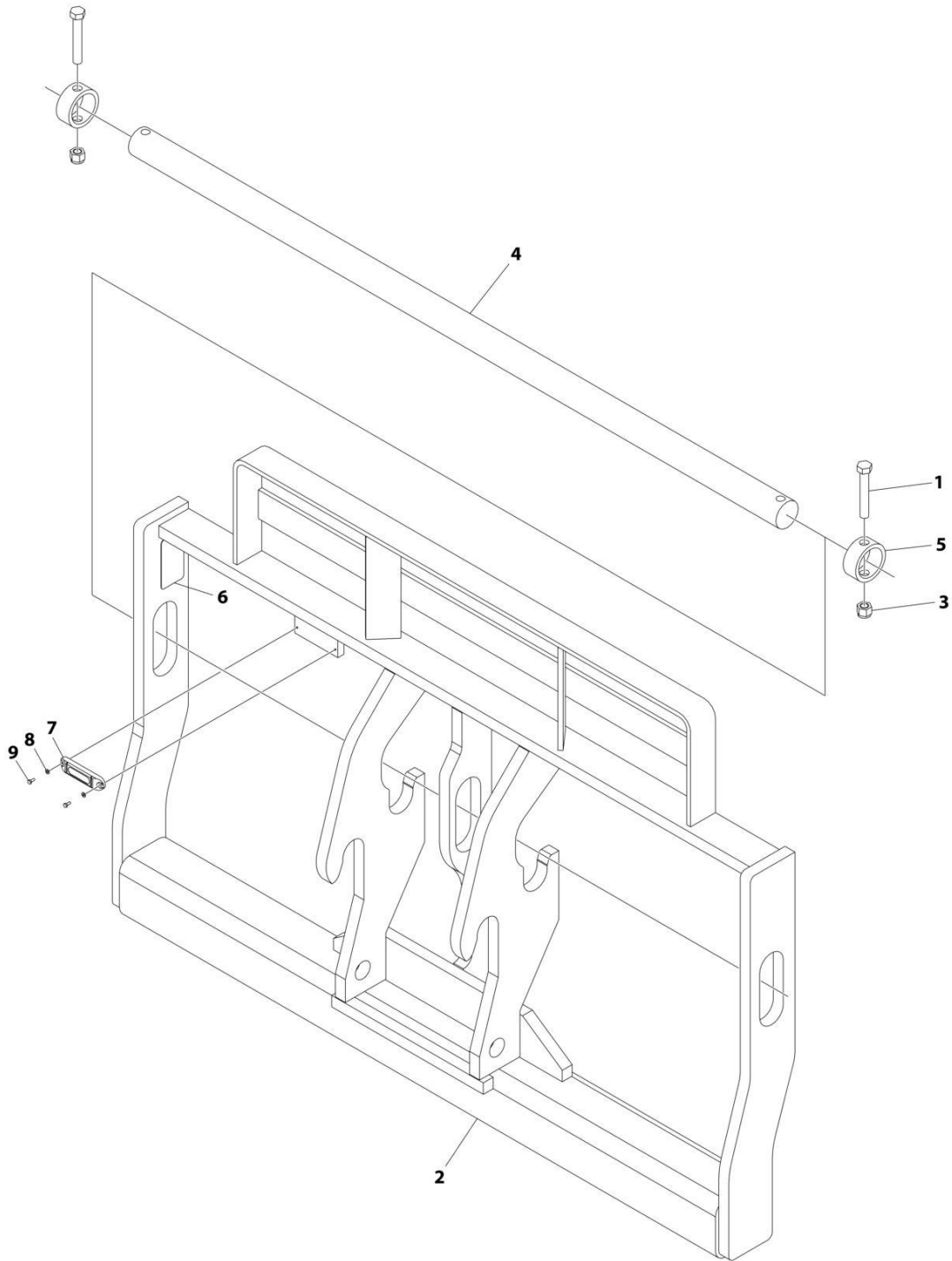
SECTION 3 - ATTACHMENTS

FIGURE 3-24. CARRIAGE ASSEMBLY - 50IN/12000# CAPACITY SIDE TILT (WITHOUT BASE PIVOT WEAR PADS)

ITEM	PART NUMBER	QTY	DESCRIPTION	REV
	1001277290	Ref	SIDE TILT CARRIAGE ASSEMBLY (50 INCH)	A
1	0100011	AR	Compound, Locking	
2	0642032	2	Bolt 5/8 x 4	
3	0681810	3	Bolt 1/2 x 1-1/4	
4	0741610	6	Screw 3/8 x 1-1/4	
5	0760405	2	Bolt M4 x 10	
6	2110606	2	Fitting, Straight ORFS	
7	2130808	2	Fitting, 90 ORFS	
8	2172106	2	Fitting, 90 ORFS	
9	3300240	2	Nut 5/8	
10	3423275	1	Pin	
11	3423307	2	Pin	
12	3841203	2	Keeper	
13	4811400	2	Washer M4	
14	4891800	1	Washer	
15	8420053	1	Cap	
16	8420055	1	Plug	
17	88671001	1	Fitting, Grease	
18	90200003	2	Collar	
19	91403413	1	Fitting, Straight	
20	91403414	1	Fitting, Straight	
21	1001090140	1	Bearing	
22	1001099113	1	Pin	
23	1001099115	2	Sleeve	
24	1001120914	1	Shim	
25	1001120915	1	Plate	
26	1001163414	1	Cylinder, Side Tilt (See Separate Breakdown in HYDRAULIC COMPONENTS Section)	
27	1001227670	1	Tag, RFID	
28	1001239734	2	Hose	
29	See Note	NSS	Carriage, Base Plate (Note: Purchase Complete Assembly)	
30	See Note	NSS	Carriage (Note: Purchase Complete Assembly)	
31	See Note	NSS	SN Plate (Note: Stamped Part - Not Available for Purchase)	

SECTION 3 - ATTACHMENTS

FIGURE 3-25. CARRIAGE ASSEMBLY - 60IN



ART_1170024_I

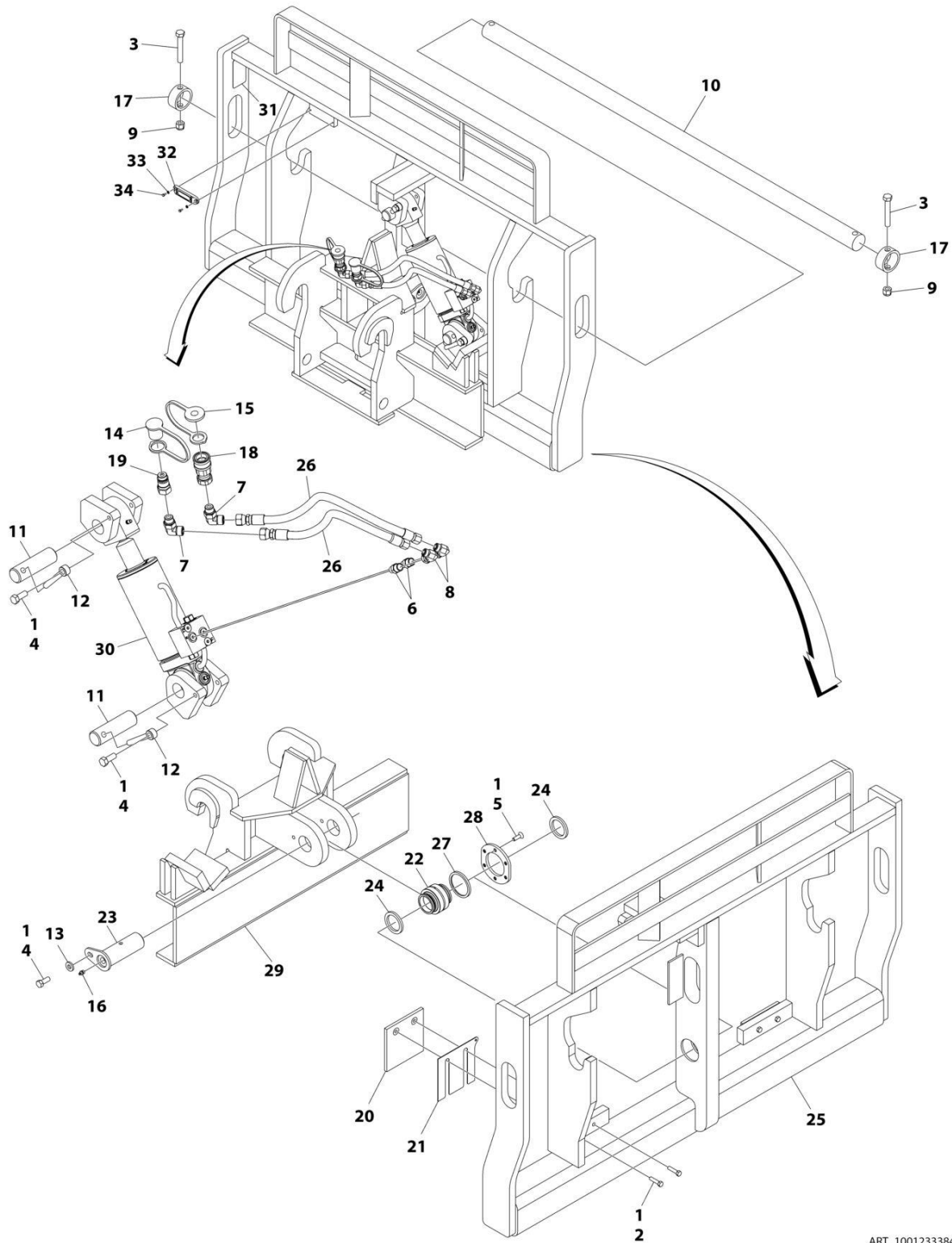
SECTION 3 - ATTACHMENTS

FIGURE 3-25. CARRIAGE ASSEMBLY - 60IN

ITEM	PART NUMBER	QTY	DESCRIPTION	REV
	1170024	Ref	CARRIAGE ASSEMBLY (1524 MM)	1
1	0642032	2	Bolt 5/8 x 4	
2	See Note	NSS	Carriage (Note: Purchase Complete Assembly)	
3	3300240	2	Nut 5/8	
4	3423242	1	Pin	
5	90200003	2	Sleeve	
6	See Note	NSS	SN Plate (Note:Stamped Part - Not Available for Purchase)	
7	1001227670	1	Tag, RFID	
8	4811400	2	Washer M4	
9	0760405	2	Bolt M4 x 10	

SECTION 3 - ATTACHMENTS

FIGURE 3-26. CARRIAGE ASSEMBLY - 60IN/12000# CAPACITY SIDE TILT (WITH BASE PIVOT WEAR PADS)



ART_1001233384_F

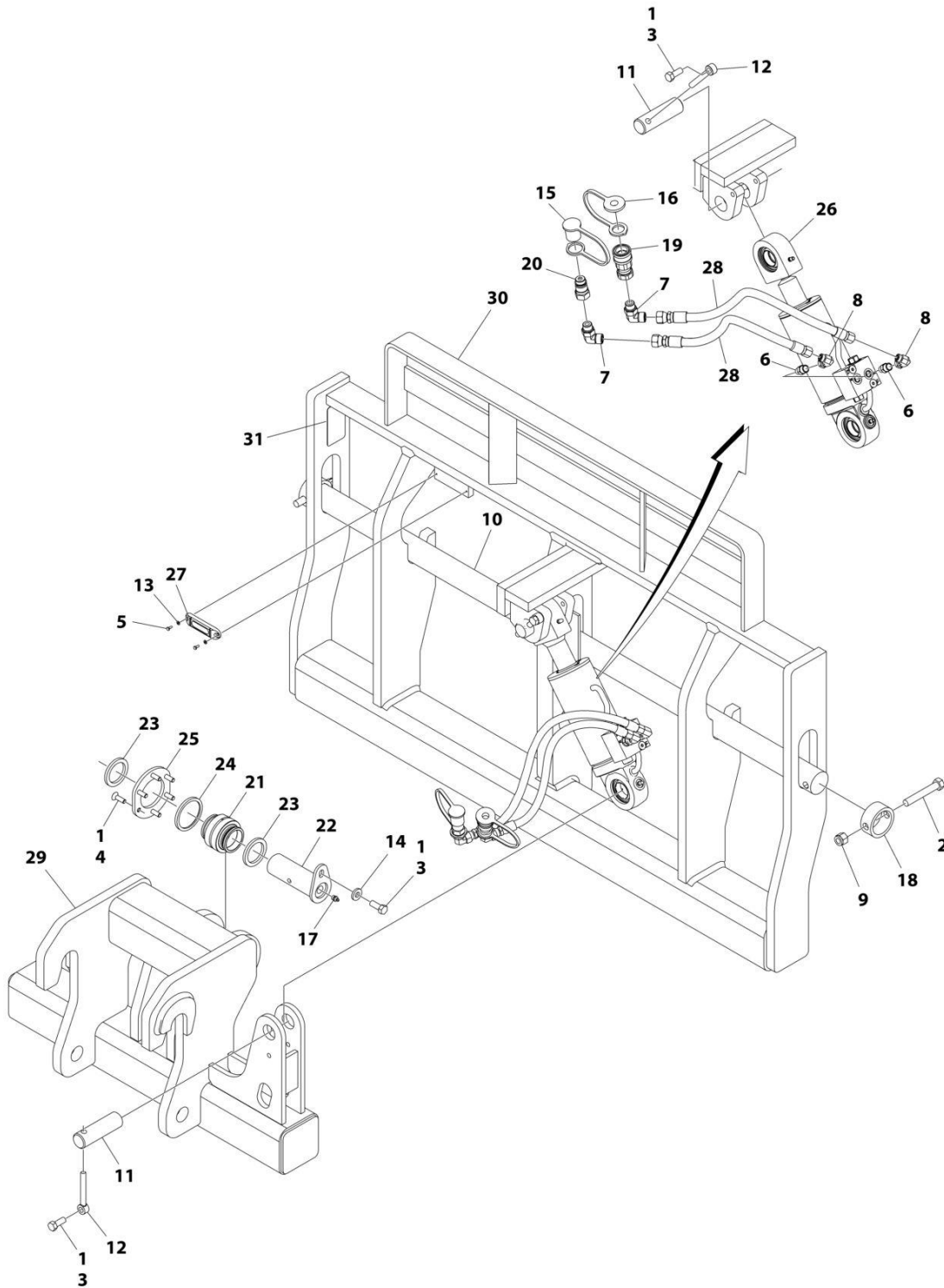
SECTION 3 - ATTACHMENTS

FIGURE 3-26. CARRIAGE ASSEMBLY - 60IN/12000# CAPACITY SIDE TILT (WITH BASE PIVOT WEAR PADS)

ITEM	PART NUMBER	QTY	DESCRIPTION	REV
	1001233384	Ref	SIDE TILT CARRIAGE ASSEMBLY (60 INCH)	F
1	0100011	AR	Compound, Locking	
2	0641612	4	Bolt 3/8 x 1-1/2	
3	0642032	2	Bolt 5/8 x 4	
4	0681810	3	Bolt 1/2 x 1-1/4	
5	0741610	6	Screw 3/8 x 1-1/4	
6	2110606	2	Fitting, Straight	
7	2130808	2	Adapter, 90	
8	2172106	2	Fitting, 90	
9	3300240	2	Nut 5/8	
10	3423242	1	Pin	
11	3423307	2	Pin	
12	3841203	2	Keeper	
13	4891800	1	Washer	
14	8420053	1	Cap	
15	8420055	1	Plug	
16	88671001	1	Fitting, Grease	
17	90200003	2	Collar	
18	91403413	1	Fitting, Straight	
19	91403414	1	Fitting, Straight	
20	1001090063	2	Pad	
21	1001090064	AR	Shim	
22	1001090140	1	Bearing	
23	1001099113	1	Pin	
24	1001099115	2	Sleeve	
25	See Note	NSS	Carriage, Side Tilt (Note: Purchase Complete Assembly)	
26	1001239734	2	Hose	
27	1001120914	1	Shim	
28	1001120915	1	Plate	
29	1001133072	1	Carriage, Base Pivot	
30	1001163414	1	Cylinder, Side Tilt (See Separate Breakdown in HYDRAULIC COMPONENTS Section)	
31	See Note	NSS	SN Plate (Note: Stamped Part - Not Available for Purchase)	
32	1001227670	1	Tag, RFID	
33	4811400	2	Washer M4	
34	0760405	2	Bolt M4 x 10	

SECTION 3 - ATTACHMENTS

FIGURE 3-27. CARRIAGE ASSEMBLY - 60IN/12000# CAPACITY SIDE TILT (WITHOUT BASE PIVOT WEAR PADS)



ART_1001277338

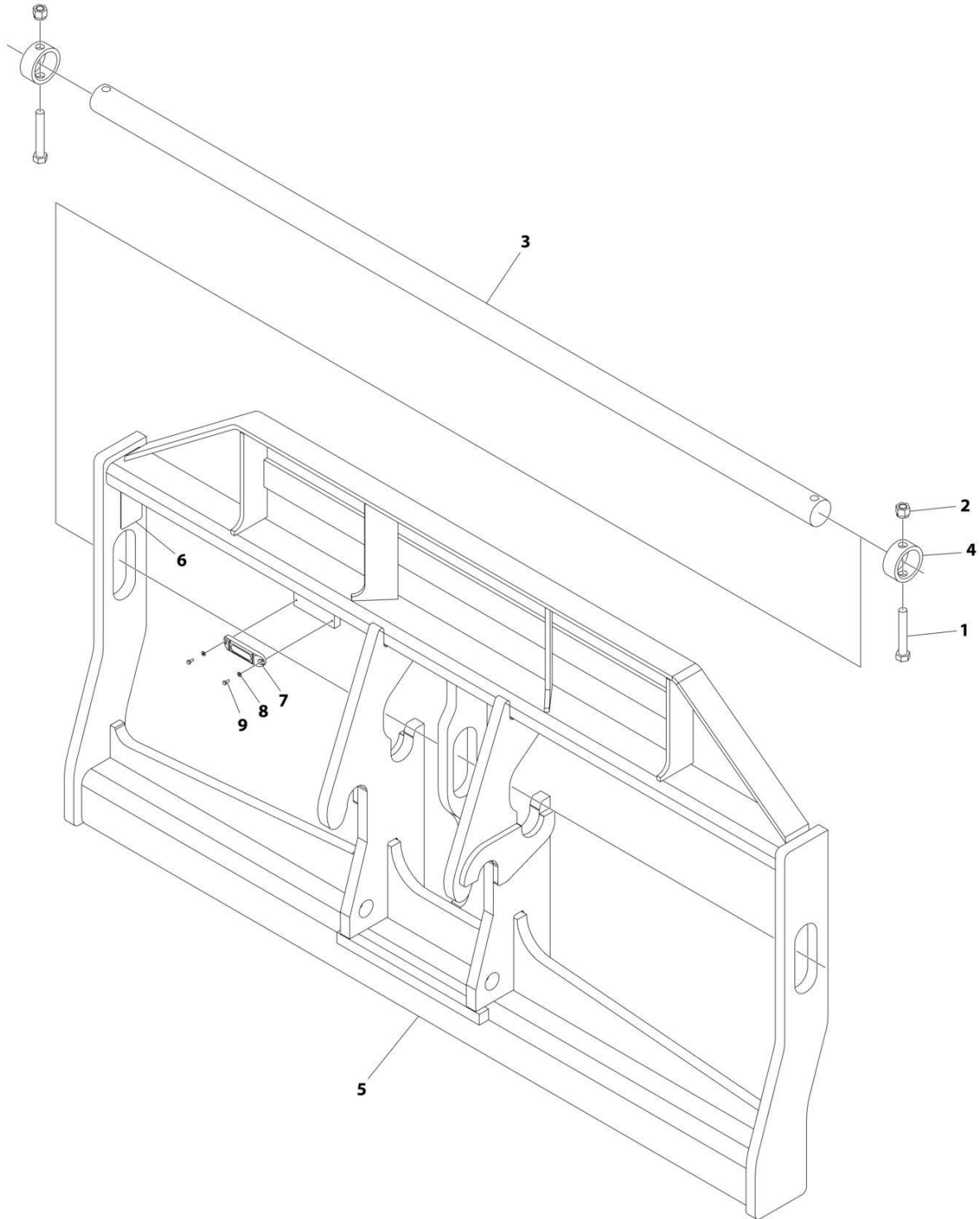
SECTION 3 - ATTACHMENTS

FIGURE 3-27. CARRIAGE ASSEMBLY - 60IN/12000# CAPACITY SIDE TILT (WITHOUT BASE PIVOT WEAR PADS)

ITEM	PART NUMBER	QTY	DESCRIPTION	REV
	1001277338	Ref	SIDE TILT CARRIAGE ASSEMBLY (60 INCH)	A
1	0100011	AR	Compound, Locking	
2	0642032	2	Bolt 5/8 x 4	
3	0681810	3	Bolt 1/2 x 1-1/4	
4	0741610	6	Screw 3/8 x 1-1/4	
5	0760405	2	Bolt M4 x 10	
6	2110606	2	Fitting, Straight	
7	2130808	2	Fitting, 90 ORFS	
8	2172106	2	Fitting, 90 ORFS	
9	3300240	2	Nut 5/8	
10	3423242	1	Pin	
11	3423307	2	Pin	
12	3841203	2	Keeper	
13	4811400	2	Washer M4	
14	4891800	1	Washer	
15	8420053	1	Cap	
16	8420055	1	Plug	
17	88671001	1	Fitting, Grease	
18	90200003	2	Collar	
19	91403413	1	Fitting, Straight	
20	91403414	1	Fitting, Straight	
21	1001090140	1	Bearing	
22	1001099113	1	Pin	
23	1001099115	2	Sleeve	
24	1001120914	1	Shim	
25	1001120915	1	Plate	
26	1001163414	1	Cylinder, Side Tilt (See Separate Breakdown in HYDRAULIC COMPONENTS Section)	
27	1001227670	1	Tag, RFID	
28	1001239734	2	Hose	
29	See Note	NSS	Carriage, Base Plate (Note: Purchase Complete Assembly)	
30	See Note	NSS	Carriage, Side Tilt (Note: Purchase Complete Assembly)	
31	See Note	NSS	SN Plate (Note: Stamped Part - Not Available for Purchase)	

SECTION 3 - ATTACHMENTS

FIGURE 3-28. CARRIAGE ASSEMBLY - 72IN



ART_1001211516_E

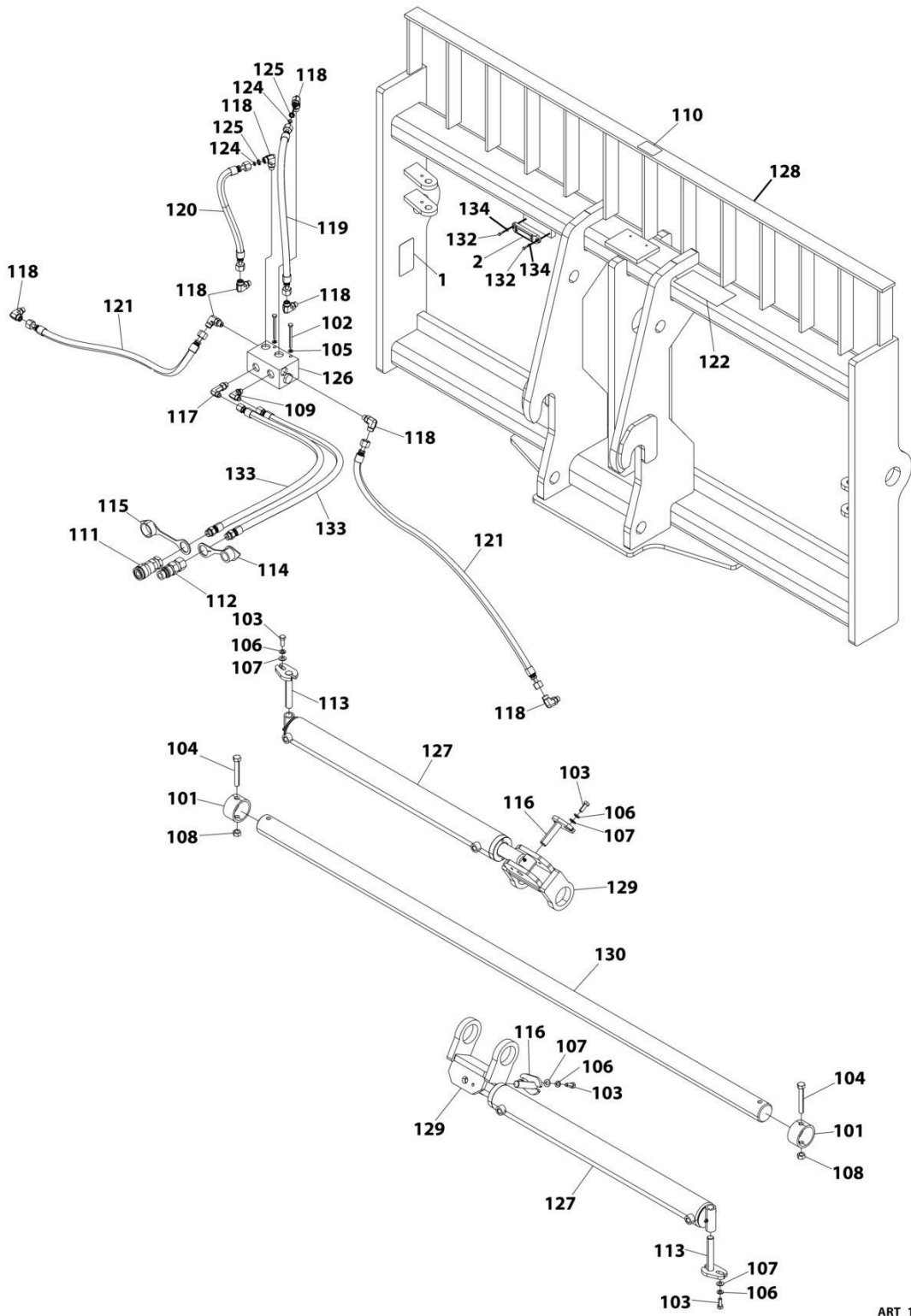
SECTION 3 - ATTACHMENTS

FIGURE 3-28. CARRIAGE ASSEMBLY - 72IN

ITEM	PART NUMBER	QTY	DESCRIPTION	REV
	1001211516	Ref	CARRIAGE ASSEMBLY (72 INCH)	F
1	0642032	2	Bolt 5/8 x 4	
2	3300240	2	Nut 5/8	
3	3423276	1	Pin	
4	90200003	2	Sleeve	
5	See Note	NSS	Carriage (Note: Purchase Complete Assembly)	
6	See Note	NSS	SN Plate (Note:Stamped Part - Not Available for Purchase)	
7	1001227670	1	Tag, RFID	
8	4811400	2	Washer M4	
9	0760405	2	Bolt M4 x 10	

SECTION 3 - ATTACHMENTS

FIGURE 3-29. CARRIAGE ASSEMBLY - 72IN FORK POSITIONING (12K)



ART_1001282232

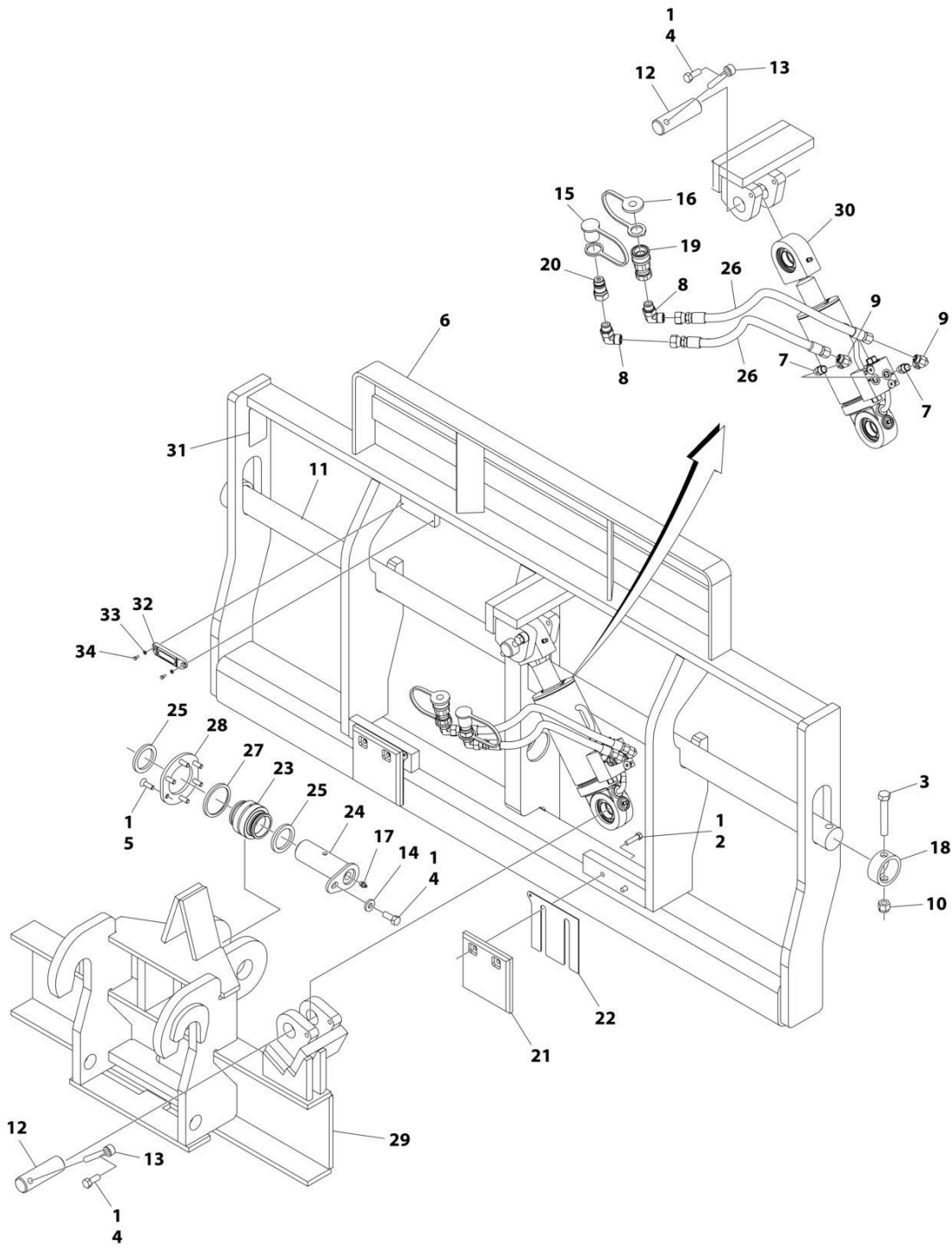
SECTION 3 - ATTACHMENTS

FIGURE 3-29. CARRIAGE ASSEMBLY - 72IN FORK POSITIONING (12K)

ITEM	PART NUMBER	QTY	DESCRIPTION	REV
	1001282232	REF	Dual Fork Positioning Carriage Assembly (72 Inch)	B
1	See Note	NSS	S/N Plate (Note: Stamped Part - Not Available for Purchase)	
2	1001227670	1	Tag, RFID	
101	70020028	2	Bushing	
102	70029050	2	Bolt 1/4 x 3	
103	70021349	4	Bolt 3/8 x 1	
104	70020002	2	Bolt 1/2 x 4	
105	90554034	2	Washer, Lock 1/4	
106	90554042	4	Washer, Lock 3/8	
107	7029703	4	Washer 3/8	
108	70027642	2	Nut, Lock 1/2	
109	90554065	1	Fitting, 90	
110	90554016	1	Decal - Made in USA	
111	91403413	1	Coupling, Female	
112	91403414	1	Coupling, Male	
113	70028593	2	Pin	
114	1001093826	1	Cap, Dust	
115	1001093827	1	Cap, Dust	
116	70029051	2	Pin	
117	70028620	1	Fitting, 90	
118	70028525	8	Fitting, 90	
119	70029053	1	Hose	
120	70029492	1	Hose	
121	70029494	2	Hose	
122	70028530	1	Decal - Hose Routing	
124	70028531	2	O-Ring	
125	70028520	2	Orifice	
126	70028521	1	Valve	
127	70028599	2	Fork Adjustment Cylinder Assembly (No Service Parts Available - Purchase Complete Cylinder)	
128	See Note	NSS	Frame (Note: Not Sold Separately, Purchase Whole Assembly)	
129	70029459	2	Clevis	
130	70029054	1	Pin	
132	70028554	2	Screw	
133	70031047	2	Hose	
134		Ref	Washer	

SECTION 3 - ATTACHMENTS

FIGURE 3-30. CARRIAGE ASSEMBLY - 72IN/12000# CAPACITY SIDE TILT (WITHOUT BASE PIVOT WEAR PADS)



ART_1001233385_E

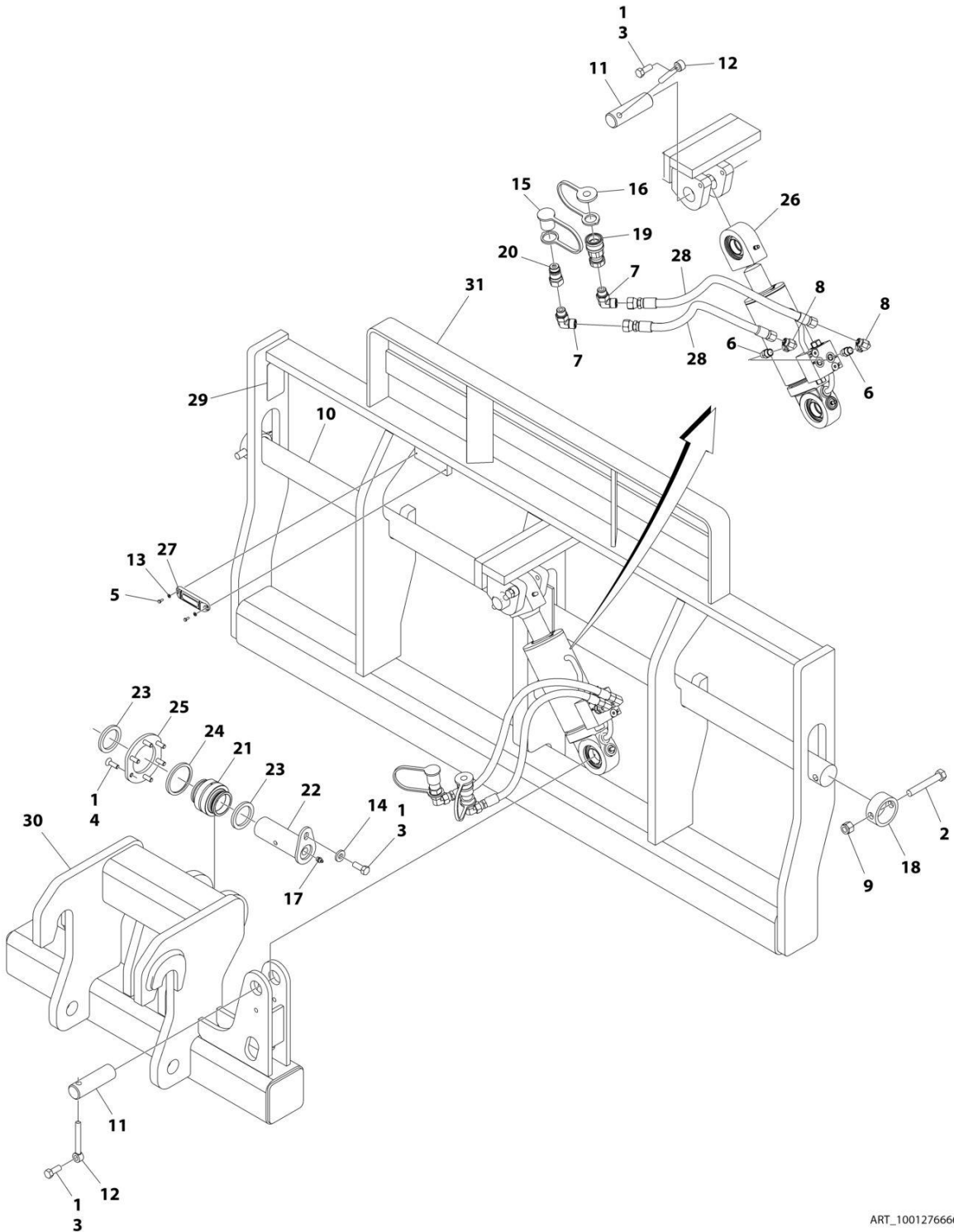
SECTION 3 - ATTACHMENTS

FIGURE 3-30. CARRIAGE ASSEMBLY - 72IN/12000# CAPACITY SIDE TILT (WITHOUT BASE PIVOT WEAR PADS)

ITEM	PART NUMBER	QTY	DESCRIPTION	REV
	1001233385	NLA	SIDE TILT CARRIAGE ASSEMBLY (72 INCH) (No longer available, use item 1 to 34 for service or 1001276666 for replacement)	E
1	0100011	AR	Compound, Locking	
2	0641612	4	Bolt 3/8 x 1-1/2	
3	0642032	2	Bolt 5/8 x 4	
4	0681810	3	Bolt 1/2 x 1-1/4	
5	0741610	6	Screw 3/8 x 1-1/4	
5	See Note	NSS	Carriage, Side Tilt (Note: Purchase Complete Assembly)	
7	2110606	2	Adapter, Straight	
8	2130808	2	Adapter, 90	
9	2172106	2	Adapter, 90	
10	3300240	2	Nut 5/8	
11	3423276	1	Pin, Fork	
12	3423307	2	Pin, Side Tilt Cylinder	
13	3841203	2	Keeper, Rod	
14	4891800	1	Washer 1/2	
15	8420053	1	Cap, Dust	
16	8420055	1	Plug, Dust	
17	88671001	1	Fitting, Grease	
18	90200003	2	Collar, Fork Pin	
19	91403413	1	Adapter	
20	91403414	1	Adapter	
21	1001090063	2	Pad, Wear	
22	1001090064	AR	Shim, Wear Pad	
23	1001090140	1	Bearing, Side Tilt Spherical	
24	1001099113	1	Pin, Side Tilt Frame Pivot	
25	1001099115	2	Sleeve, Tilt Bearing Spacer	
26	1001239734	2	Hose	
27	1001120914	1	Shim, Bearing Retainer	
28	1001120915	1	Plate, Bearing Retainer	
29	1001133072	1	Carriage, Base Pivot	
30	1001163414	1	Cylinder, Side Tilt (See Separate Breakdown in HYDRAULIC COMPONENTS Section)	
31	See Note	NSS	SN Plate (Note: Stamped Part - Not Available for Purchase)	
32	1001227670	1	Tag, RFID	
33	4811400	2	Washer M4	
34	0760405	2	Bolt M4 x 10	

SECTION 3 - ATTACHMENTS

FIGURE 3-31. CARRIAGE ASSEMBLY - 72IN/12000# CAPACITY SIDE TILT (WITH BASE PIVOT WEAR PADS)



ART_1001276666

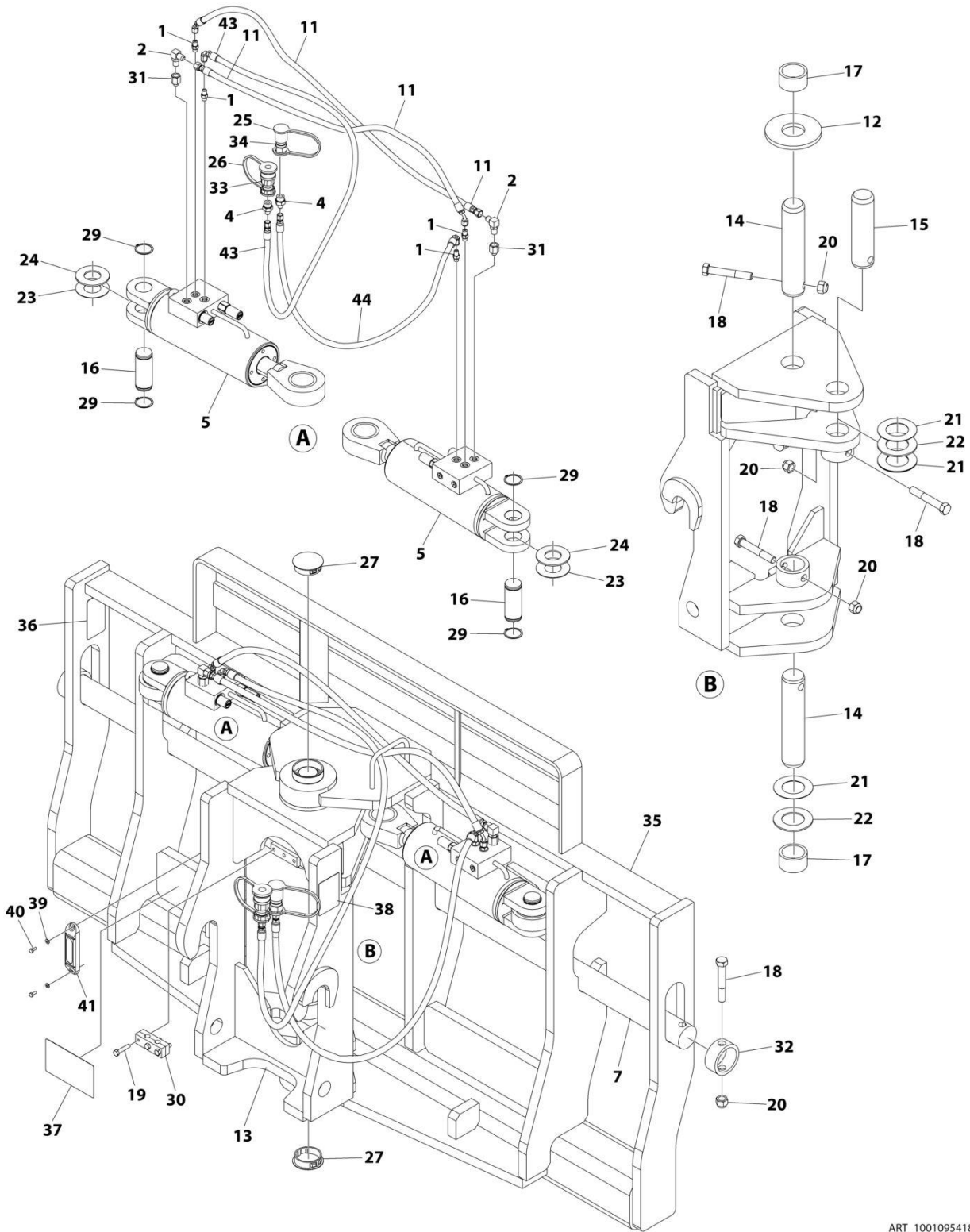
SECTION 3 - ATTACHMENTS

FIGURE 3-31. CARRIAGE ASSEMBLY - 72IN/12000# CAPACITY SIDE TILT (WITH BASE PIVOT WEAR PADS)

ITEM	PART NUMBER	QTY	DESCRIPTION	REV
	1001276666	Ref	SIDE TILT CARRIAGE ASSEMBLY (72 INCH)	A
1	0100011	AR	Compound, Locking	
2	0642032	2	Bolt 5/8 x 4	
3	0681810	3	Bolt 1/2 x 1-1/4	
4	0741610	6	Screw 3/8 x 1-1/4	
5	0760405	2	Bolt M4 x 10	
6	2110606	2	Fitting, Straight	
7	2130808	2	Fitting, 90 ORFS	
8	2172106	2	Fitting, 90 ORFS	
9	3300240	2	Nut 5/8	
10	3423276	1	Pin, Fork	
11	3423307	2	Pin, Side Tilt Cylinder	
12	3841203	2	Keeper, Rod	
13	4811400	2	Washer M4	
14	4891800	1	Washer 1/2	
15	8420053	1	Cap, Dust	
16	8420055	1	Plug, Dust	
17	88671001	1	Fitting, Grease	
18	90200003	2	Collar, Fork Pin	
19	91403413	1	Fitting, Straight	
20	91403414	1	Fitting, Straight	
21	1001090140	1	Bearing, Side Tilt Spherical	
22	1001099113	1	Pin, Side Tilt Frame Pivot	
23	1001099115	2	Sleeve, Tilt Bearing Spacer	
24	1001120914	1	Shim, Bearing Retainer	
25	1001120915	1	Plate, Bearing Retainer	
26	1001163414	1	Cylinder, Side Tilt (See Separate Breakdown in HYDRAULIC COMPONENTS Section)	
27	1001227670	1	Tag, RFID	
28	1001239734	2	Hose	
29	See Note	NSS	SN Plate (Note: Stamped Part - Not Available for Purchase)	
30	See Note	NSS	Carriage, Base Plate (Note: Purchase Complete Assembly)	
31	See Note	NSS	Carriage, Side Tilt (Note: Purchase Complete Assembly)	

SECTION 3 - ATTACHMENTS

FIGURE 3-32. CARRIAGE ASSEMBLY - 72IN 90 DEGREE SWING



ART_1001095418_Y

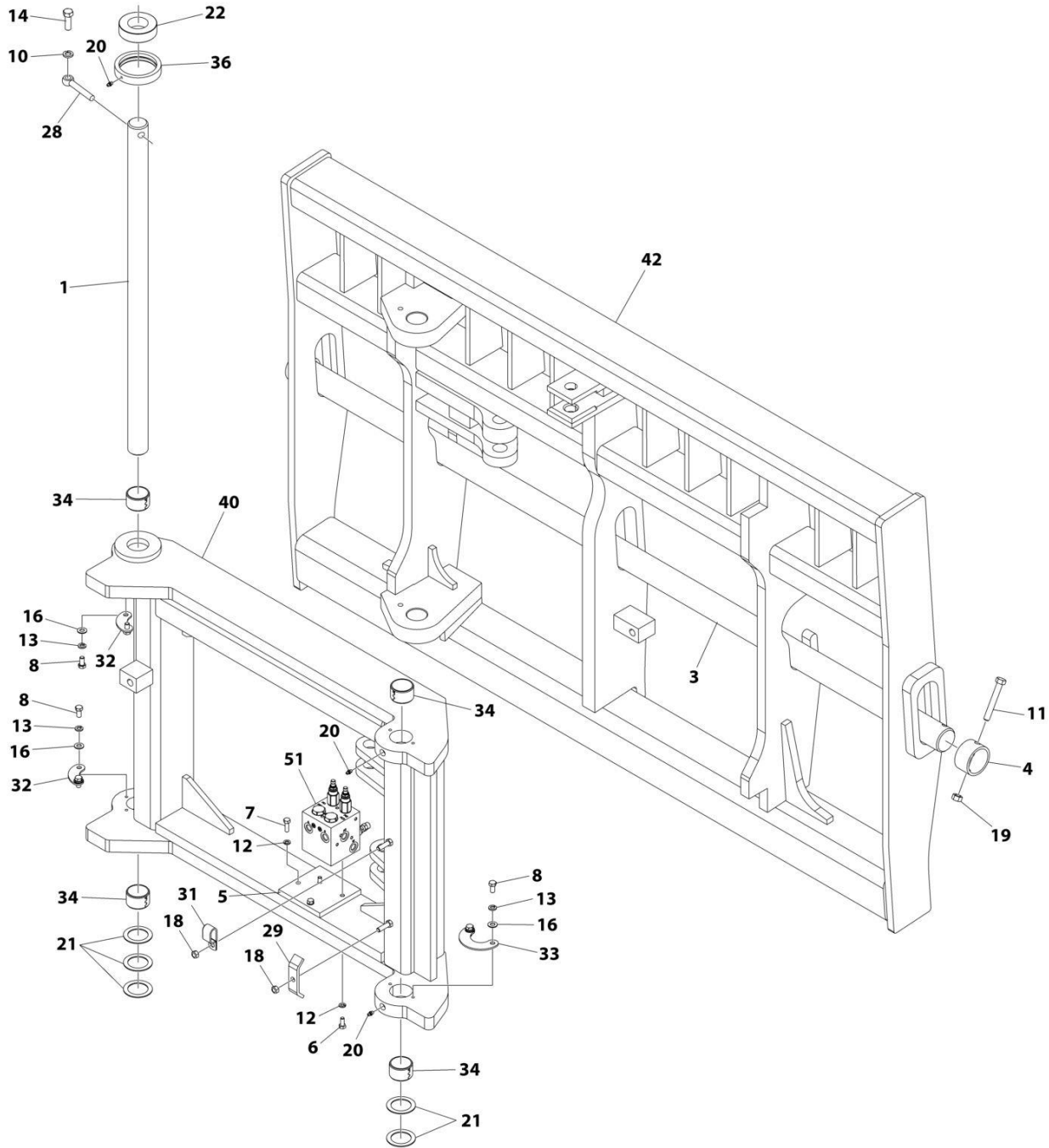
SECTION 3 - ATTACHMENTS

FIGURE 3-32. CARRIAGE ASSEMBLY - 72IN 90 DEGREE SWING

ITEM	PART NUMBER	QTY	DESCRIPTION	REV
	1001095418	Ref	CARRIAGE ASSEMBLY - SWING (72 INCH)	Y
1	2220415	4	Fitting, Straight ORFS	
2	2220473	2	Fitting, 90 ORFS	
4	2220468	2	Fitting, Straight JIC/ORB	
5	1001293182	2	Swing Carriage Cylinder (See Separate Breakdown in HYDRAULIC COMPONENTS Section)	
7	3423276	1	Pin	
11	1001286534	2	Hose	
12	7062922	1	Washer	
13	See Note	NSS	Pivot (Note: Purchase Complete Assembly)	
14	7110702	2	Pin	
15	7110712	1	Pin	
16	7110722	2	Pin	
17	8065062	2	Bushing	
18	8303634	5	Bolt 5/8 x 4	
19	8303715	3	Bolt 5/16 x 1-1/2	
20	8305643	5	Nut 5/8	
21	8307904	AR	Washer	
22	8307918	AR	Washer	
23	8310160	AR	Washer	
24	8310161	AR	Washer	
25	8420053	1	Cap	
26	8420055	1	Plug	
27	8580315	2	Plug	
29	8642207	4	Ring, Retaining	
30	8769132	2	Clamp	
31	8770016	2	Fitting, Straight ORFS	
32	90200003	2	Collar	
33	91403413	1	Fitting, Straight ORFS	
34	91403414	1	Fitting, Straight	
35	See Note	NSS	Carriage (Note: Purchase Complete Assembly)	
36	See Note	NSS	SN Plate (Note: Stamped Part - Not Available for Purchase)	
37	1001110704	1	Decal, Warning Crushing Hazard	
38	1001111190	2	Decal, Warning	
39	4811400	2	Washer M4	
40	0760405	2	Bolt M4 x 10	
41	1001227670	1	Tag - RFID	
42	1062255	AR	Tie-Strap (Not Shown)	
43	1001301599	1	Hose	
44	1001301600	1	Hose	

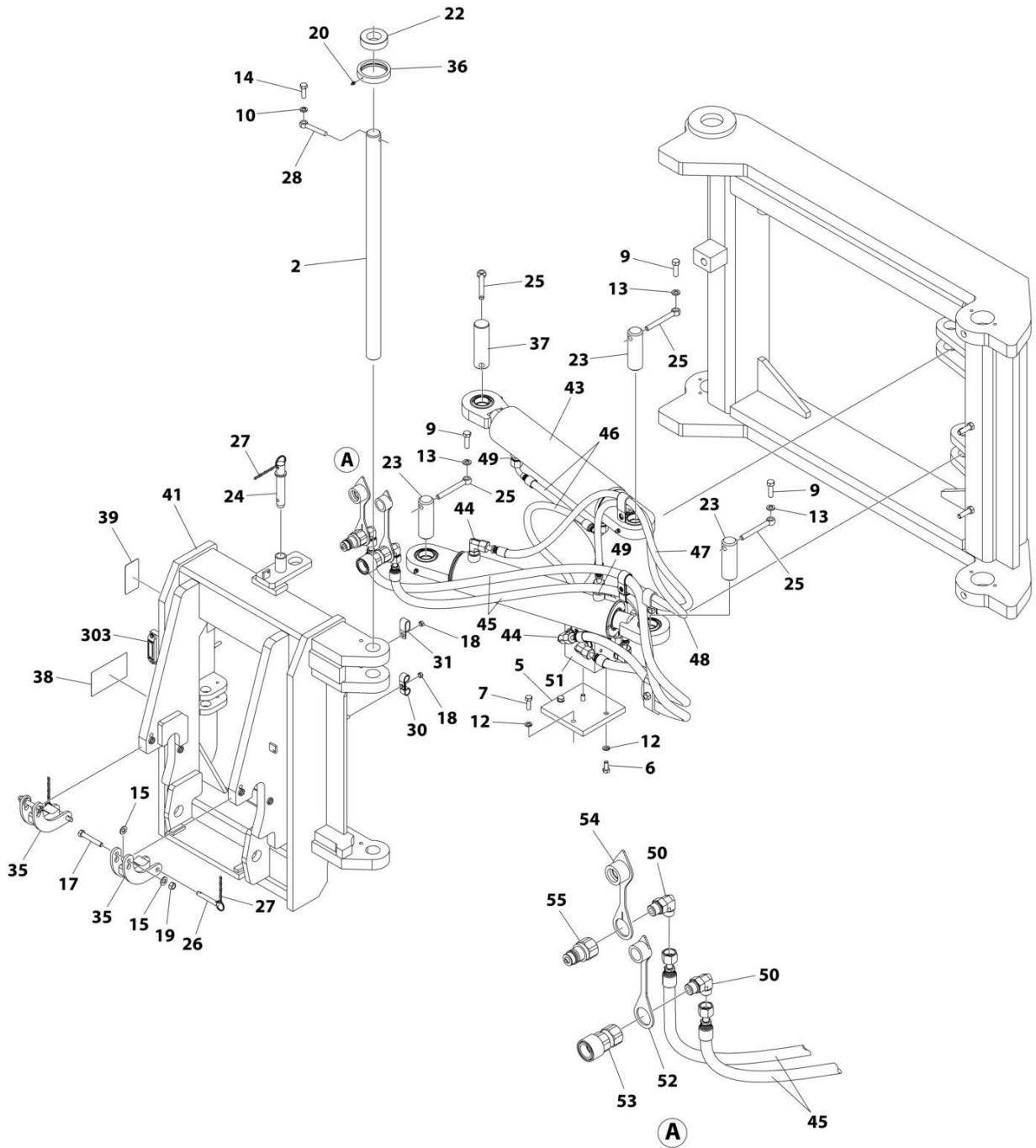
SECTION 3 - ATTACHMENTS

FIGURE 3-33. CARRIAGE ASSEMBLY - SWING (180)



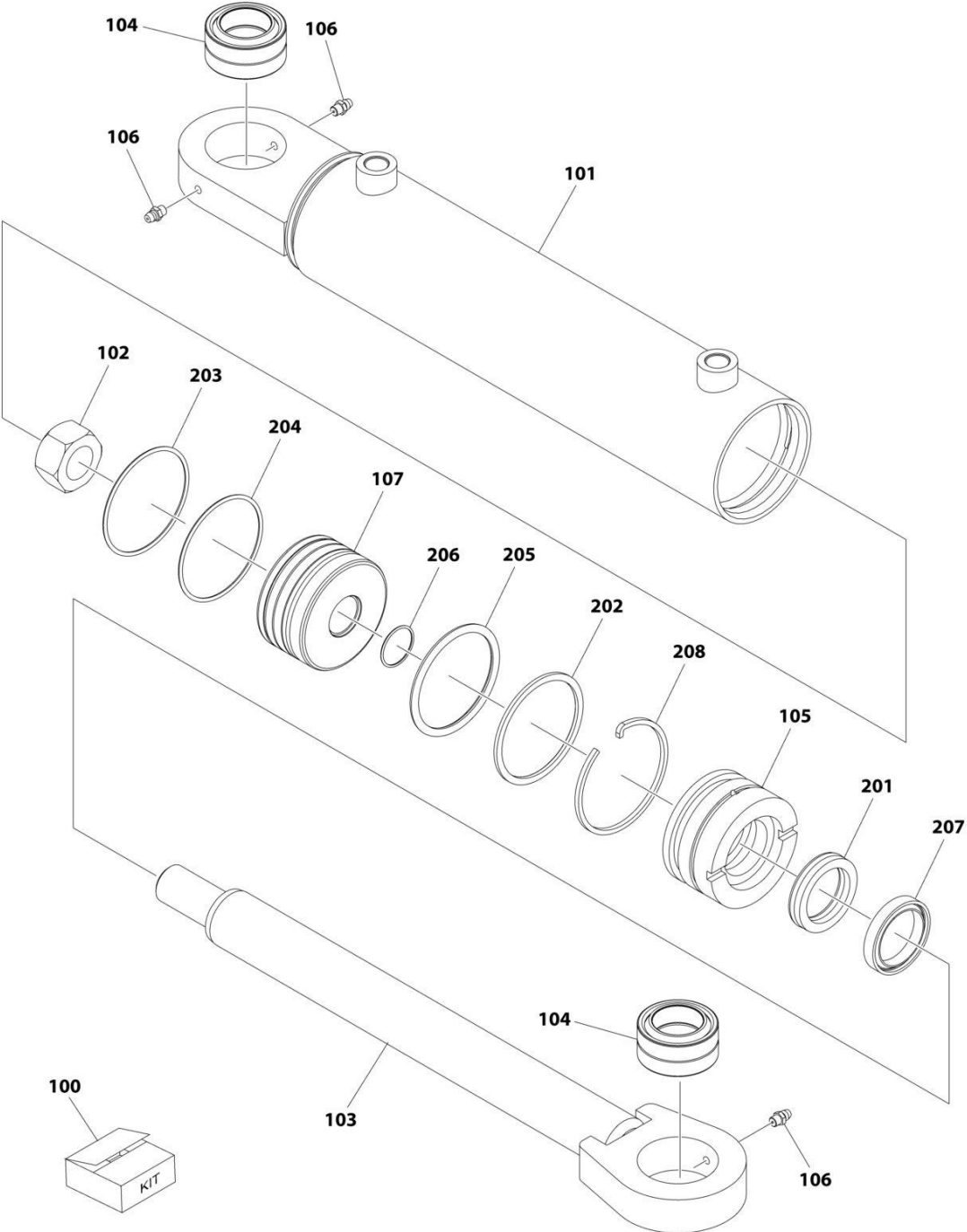
ART_1001238627_C_10F3

SECTION 3 - ATTACHMENTS



ART_1001238627_C_20F3

SECTION 3 - ATTACHMENTS



ART_1001238627_C_3OF3

SECTION 3 - ATTACHMENTS

FIGURE 3-33. CARRIAGE ASSEMBLY - SWING (180)

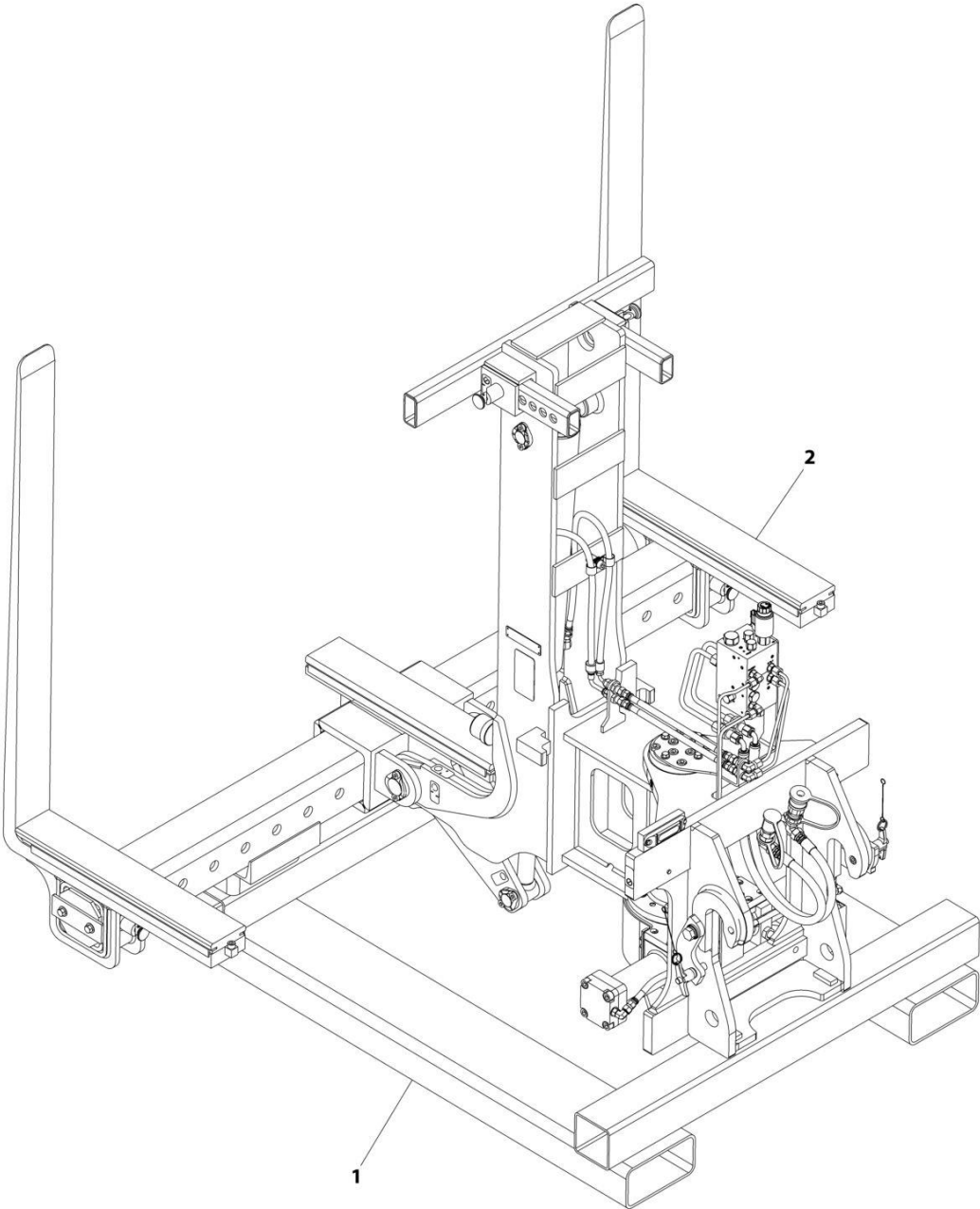
ITEM	PART NUMBER	QTY	DESCRIPTION	REV
	1001238627	Ref	SWING CARRIAGE 180	C
1	70020025	1	Pin	
2	70020026	1	Pin	
3	70020027	1	Pin Fork	
4	70020028	2	Fork Pin Retainer	
5	70029481	1	Plate	
6	70027773	2	Bolt	
7	70029478	2	Bolt	
8	7029997	6	Bolt	
9	70021429	4	Bolt	
10	90554020	2	Washer	
11	70020002	2	Bolt	
12	90554067	4	Washer	
13	90554042	10	Washer	
14	70021382	2	Bolt	
15	70021338	4	Washer	
16	7029703	6	Washer	
17	70029701	2	Bolt	
18	70021367	4	Nut	
19	70027642	4	Nut	
20	90554045	4	Zerk, Grease	
21	90554040	5	Washer	
22	90554024	2	Bearing	
23	90554044	3	Pin	
24	90554026	1	Pin	
25	90554043	4	Pin, Rod End	
26	90554035	2	Pin	
27	90554025	3	Chain, #12 Jack	
28	90554021	1	Pin, Rod End	
29	90554039	1	Hose Clamp	
30	7029996	2	Clamp, Hose	
31	70029480	2	Clamp, Hose	
32	70027644	2	Retainer, Bearing	
33	70027645	1	Retainer, Bearing	
34	70020015	4	Bearing	
35	90554027	2	Pin Support Wmt	
36	70020017	2	Spacer	
37	70022530	1	Pin	
38	1001110704	1	Decal, Warning	
39	N.S.S.	1	Serial Tag	
40	N.S.S.	1	Middle Frame	
41	N.S.S.	1	Rear Frame	
42	N.S.S.	1	Front Frame	
43	70027641	2	Cylinder Assy (includes items 100 thru 107)	
44	70028525	7	Elbow, 90	
45	70029702	2	Hose	
46	70029556	2	Hose	
47	70029554	1	Hose	
48	70029553	1	Hose	
49	70028486	3	Fitting Straight	

SECTION 3 - ATTACHMENTS

ITEM	PART NUMBER	QTY	DESCRIPTION	REV
50	70028526	2	Elbow, 90	
51	70029479	1	Valve	
52	8420055	1	Dust Plug, Female	
53	91403413	1	Hyd Couplier, Female	
54	8420053	1	Dust Cap, Male	
55	91403414	1	Hyd Couplier, Male	
100	70027649	1	Cylinder Seal Kit (includes items 201 thru 208)	
101	N.S.S.	1	Cylinder Tube Weldment	
102	70021440	1	Nut	
103	70021442	1	Cylinder Rod Weldment	
104	90554046	2	Bearing	
105	70021443	1	Cylinder Gland	
106	90554045	3	Grease Zerk	
107	70027647	1	Cylinder Piston	
201	Kit	1	Polypack	
202	Kit	1	Back-Up	
203	Kit	1	O-Ring	
204	Kit	1	O-Ring	
205	Kit	1	O-Ring	
206	Kit	1	O-Ring	
207	Kit	1	Rod Wiper	
208	Kit	1	Retainer, Gland	
303	1001227670	1	Tag, RFID	

SECTION 3 - ATTACHMENTS

FIGURE 3-34. CARRIAGE INSTALLATION - DRYWALL SWING



ART_1001246022_B

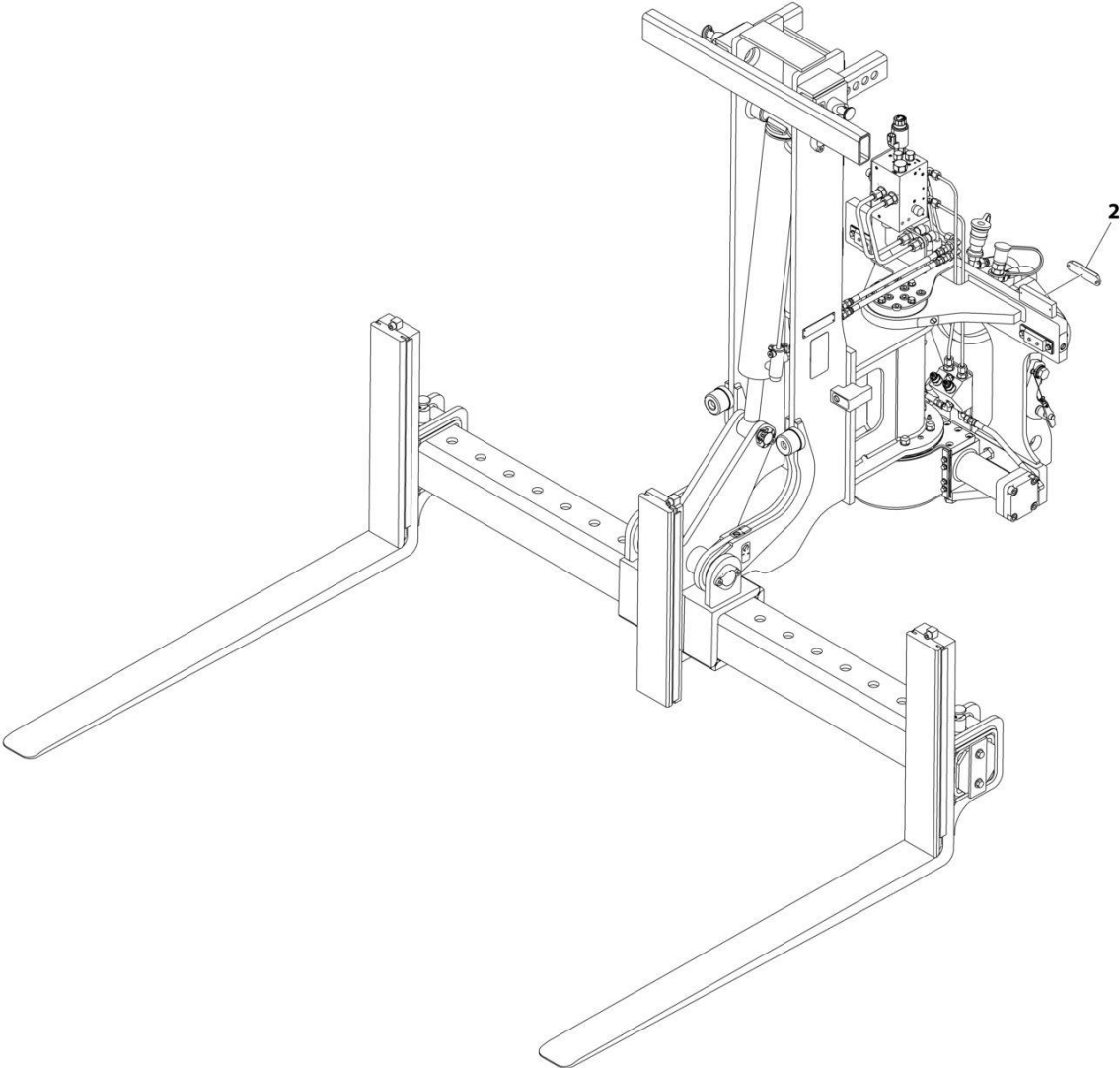
SECTION 3 - ATTACHMENTS

FIGURE 3-34. CARRIAGE INSTALLATION - DRYWALL SWING

ITEM	PART NUMBER	QTY	DESCRIPTION	REV
	1001246022	Ref	DRYWALL SWING CARRIAGE INSTALLATION	B
1	1001243214	1	Drywall Cradle	
2	1001230765	1	Rotating Drywall Carriage (See Separate Breakdown in this Section)	

SECTION 3 - ATTACHMENTS

FIGURE 3-35. CARRIAGE ASSEMBLY - DRYWALL ROTATING CARRIAGE



ART_1001230765_D

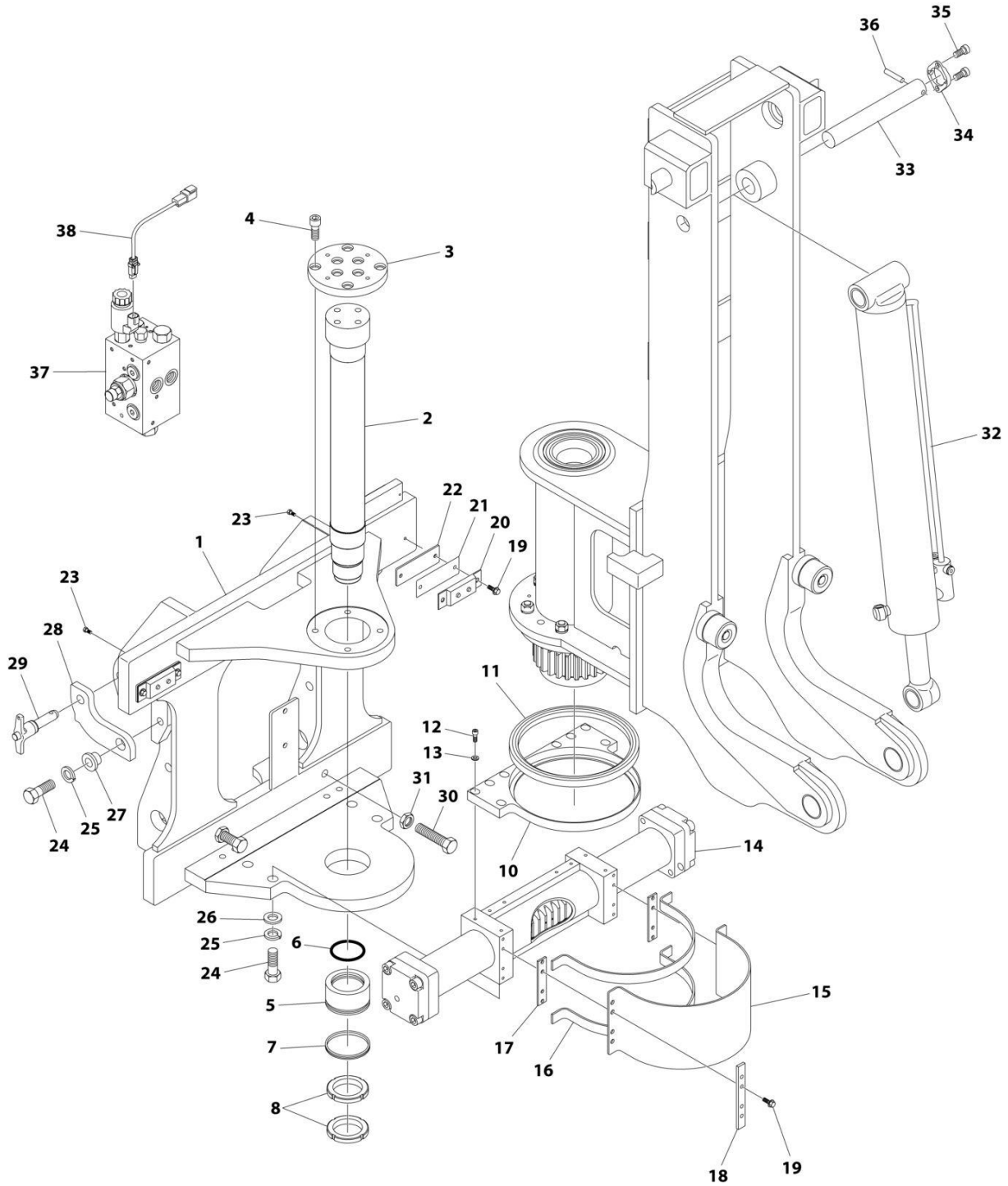
SECTION 3 - ATTACHMENTS

FIGURE 3-35. CARRIAGE ASSEMBLY - DRYWALL ROTATING CARRIAGE

ITEM	PART NUMBER	QTY	DESCRIPTION	REV
	1001230765	Ref	ROTATING DRYWALL CARRIAGE	D
		Ref	Drywall Board Handler (See Separate Breakdown in this Section)	
		Ref	Drywall Pivot Frame Group (See Separate Breakdown in this Section)	
		Ref	Drywall Cylinder (See Separate Breakdown in this Section)	
		Ref	Drywall Hydraulic Group (See Separate Breakdown in this Section)	
		Ref	Drywall Valve Assembly (See Separate Breakdown in this Section)	
		Ref	Drywall Cylinder (See Separate Breakdown in this Section)	
		Ref	Drywall Fork Group (See Separate Breakdown in this Section)	
2	1001227670	1	Tag, RFID	

SECTION 3 - ATTACHMENTS

FIGURE 3-36. CARRIAGE ASSEMBLY - DRYWALL BOARD HANDLER



ART_1001230765_1

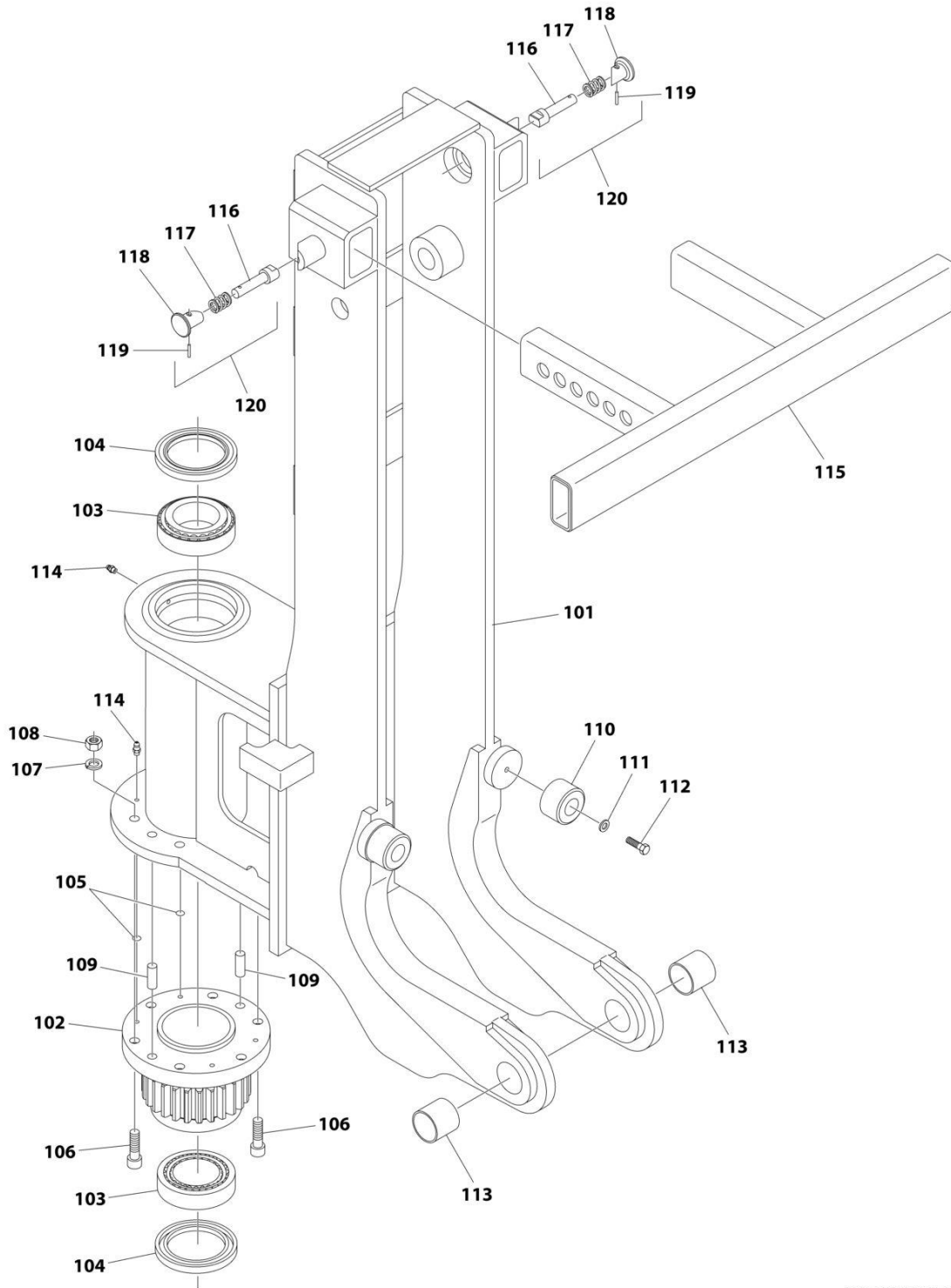
SECTION 3 - ATTACHMENTS

FIGURE 3-36. CARRIAGE ASSEMBLY - DRYWALL BOARD HANDLER

ITEM	PART NUMBER	QTY	DESCRIPTION	REV
	1001230765	Ref	Drywall - Board Handler	
1	70029608	1	Carriage, Hook Mount	
2	70029609	1	Pivot Shaft	
3	70029610	1	Cap	
4	70029611	8	Screw	
5	70029612	1	Spacer	
6	70029613	1	O-Ring	
7	70029614	1	Dual Seal	
8	70029615	2	Locknut	
10	70029616	1	Upper Housing Assembly	
11	70029648	1	Shaft Seal	
12	70029617	8	Screw	
13	70026480	8	Washer	
14	70029586	1	Cylinder Assembly	
15	70029618	1	Cover Assembly (includes Items 16 & 17)	
16	N.S.S.	2	Gasket	
17	N.S.S.	2	Gasket	
18	70029619	2	Plate	
19	70029620	12	Screw	
20	70029621	2	Cushion	
21	70029622	AR	Shim	
22	70029623	AR	Shim	
23	70029624	2	Screw	
24	70024552	6	Screw	
25	70024551	6	Lockwasher	
26	70029625	4	Washer	
27	70029626	2	Shoulder Boss	
28	70029627	2	Lock Plate	
29	70029628	2	Ball Lock Pin	
30	70029629	2	Screw	
31	70029630	2	Jam Nut	
32	70029587	1	Cylinder Assembly	
33	70029631	1	Pin	
34	70028702	1	Pin Retainer	
35	70028701	2	Screw	
36	70028703	1	Grooved Pin	
37	70029595	1	Valve Assembly	
38	70029588	1	Cable Assembly	

SECTION 3 - ATTACHMENTS

FIGURE 3-37. CARRIAGE ASSEMBLY - DRYWALL PIVOT FRAME GROUP



ART_1001230765_2

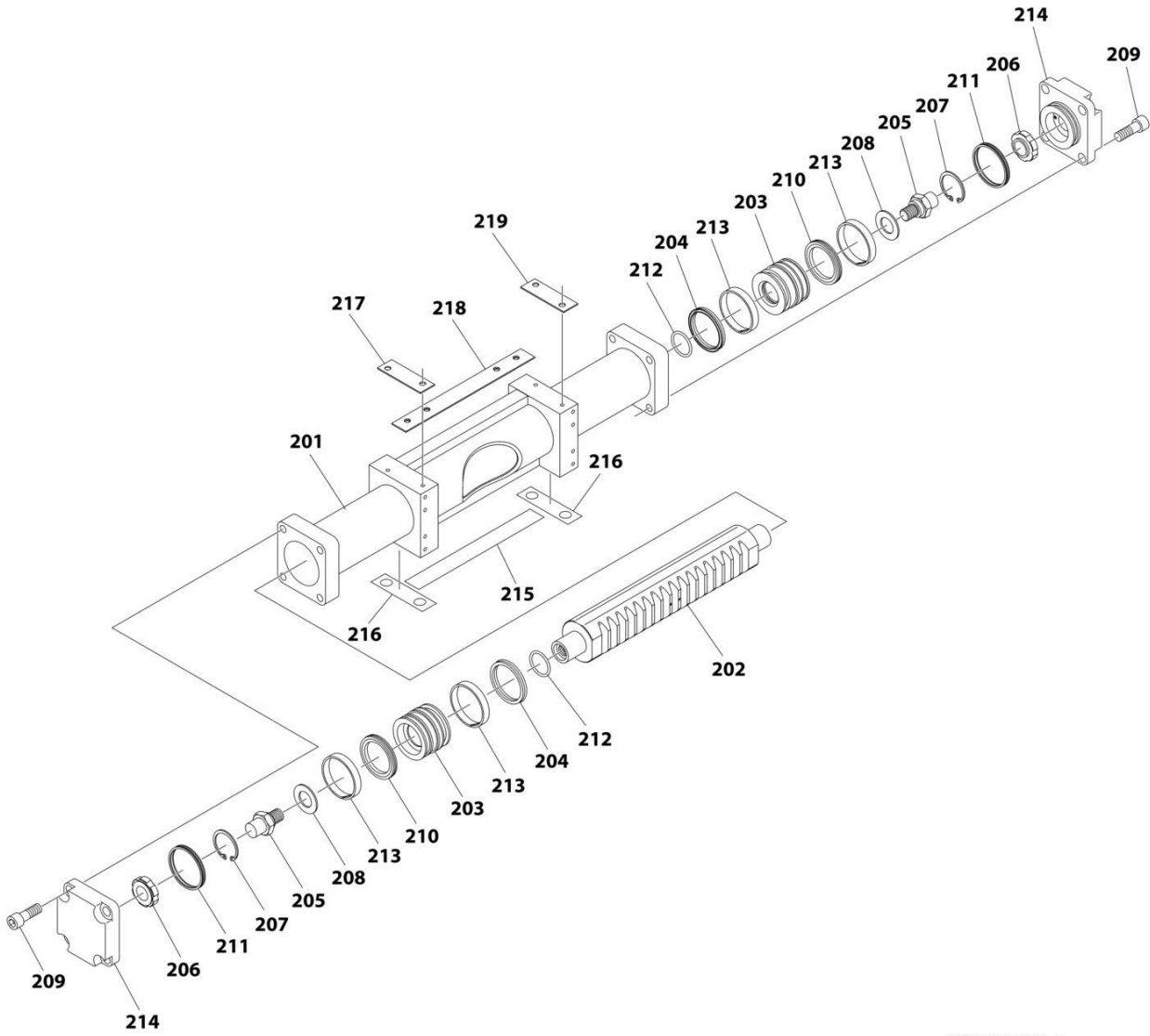
SECTION 3 - ATTACHMENTS

FIGURE 3-37. CARRIAGE ASSEMBLY - DRYWALL PIVOT FRAME GROUP

ITEM	PART NUMBER	QTY	DESCRIPTION	REV
	1001230765	Ref	Drywall - Pivot Frame Group	
101	70029632	1	Pivot Frame	
102	70029633	1	Pinion Gear	
103	70029634	2	Bearing	
104	70029635	2	Shaft Seal	
105	70029636	2	O-Ring	
106	70024684	6	Screw	
107	70029637	6	Lockwasher	
108	70029638	6	Nut	
109	70029639	2	Dowel Pin	
110	70029640	2	Bumper	
111	70024721	2	Washer, M8	
112	70029641	2	Screw	
113	70029642	2	Bearing	
114	70024679	3	Grease Fitting	
115	70029643	1	Load Support	
116	70028154	1	Pin	
117	70028155	1	Spring	
118	70024759	1	Knob	
119	70024761	1	Spring Pin	
120	70028153	2	Pin Kit (includes Items 116 thru 119)	

SECTION 3 - ATTACHMENTS

FIGURE 3-38. CARRIAGE ASSEMBLY - DRYWALL CYLINDER



ART_1001230765_3

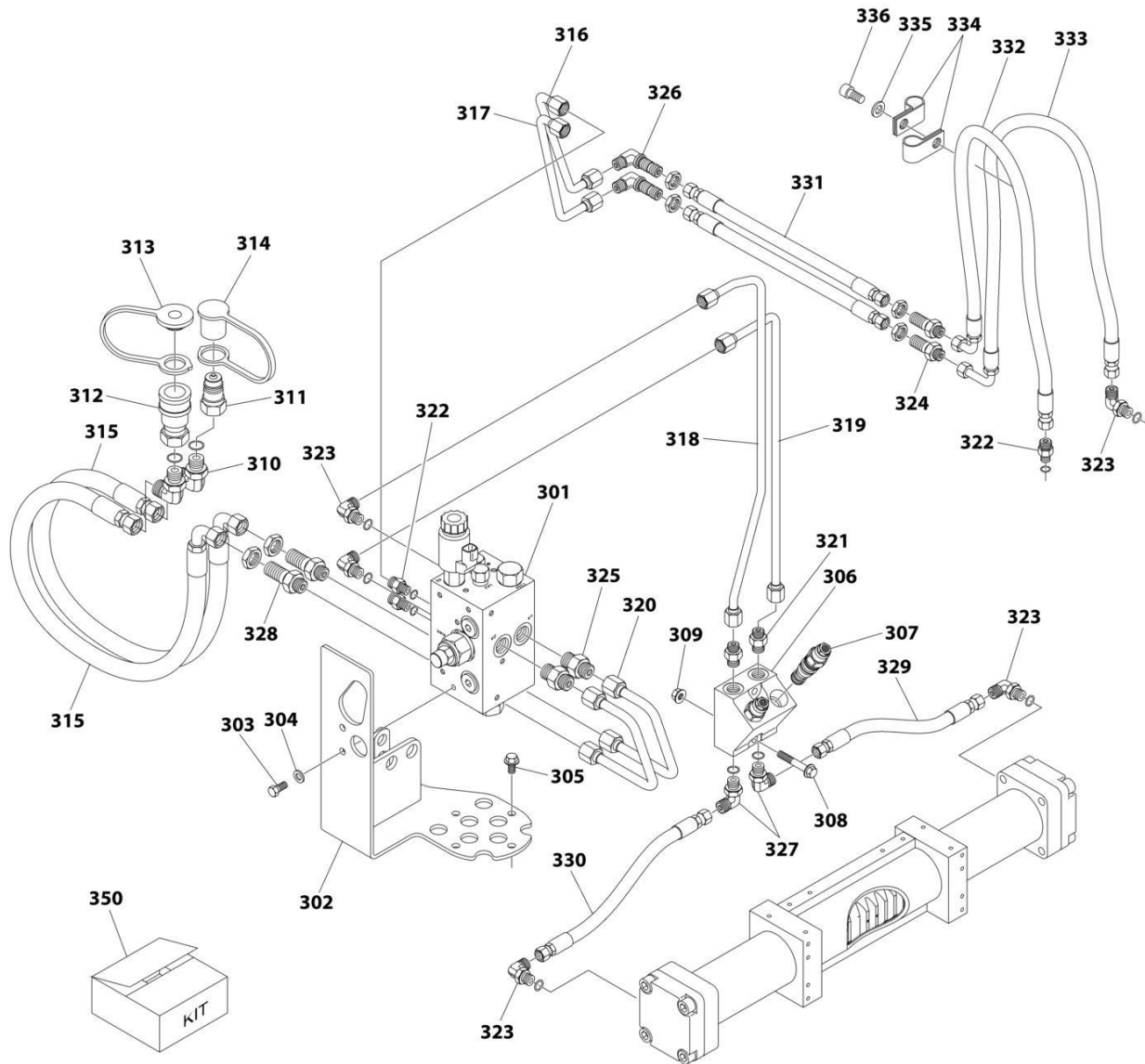
SECTION 3 - ATTACHMENTS

FIGURE 3-38. CARRIAGE ASSEMBLY - DRYWALL CYLINDER

ITEM	PART NUMBER	QTY	DESCRIPTION	REV
201	1001230765	Ref	Drywall - Cylinder	
	N.S.S.	1	Barrel	
		Ref	Note: Original Cylinder May Have Been Replaced with Service Replacement. Identify PN Stamped on Cylinder Before Ordering Parts.	
202	70029644	1	Rod	
203	70029645	3	Piston	
204	70029646	2	Wiper	
205	70029681	2	Cushion Spear	
206	70029682	2	Cushion	
207	70029683	2	Retaining Ring	
208	70029684	2	Washer	
209	70029685	8	Screw	
210	70029686	2	Piston Seal	
211	70029687	2	Dual Seal	
212	70029688	2	O-Ring	
213	70029689	4	Wear Ring	
214	70029690	2	End Cap	
215	70029691	1	Gasket Tape	
216	70029692	2	Gasket Tape	
217	70029693	1	Gasket, RH	
218	70029694	1	Gasket, Rear	
219	70029695	1	Gasket, LH	

SECTION 3 - ATTACHMENTS

FIGURE 3-39. CARRIAGE ASSEMBLY - DRYWALL HYDRAULIC GROUP



ART_1001230765_4

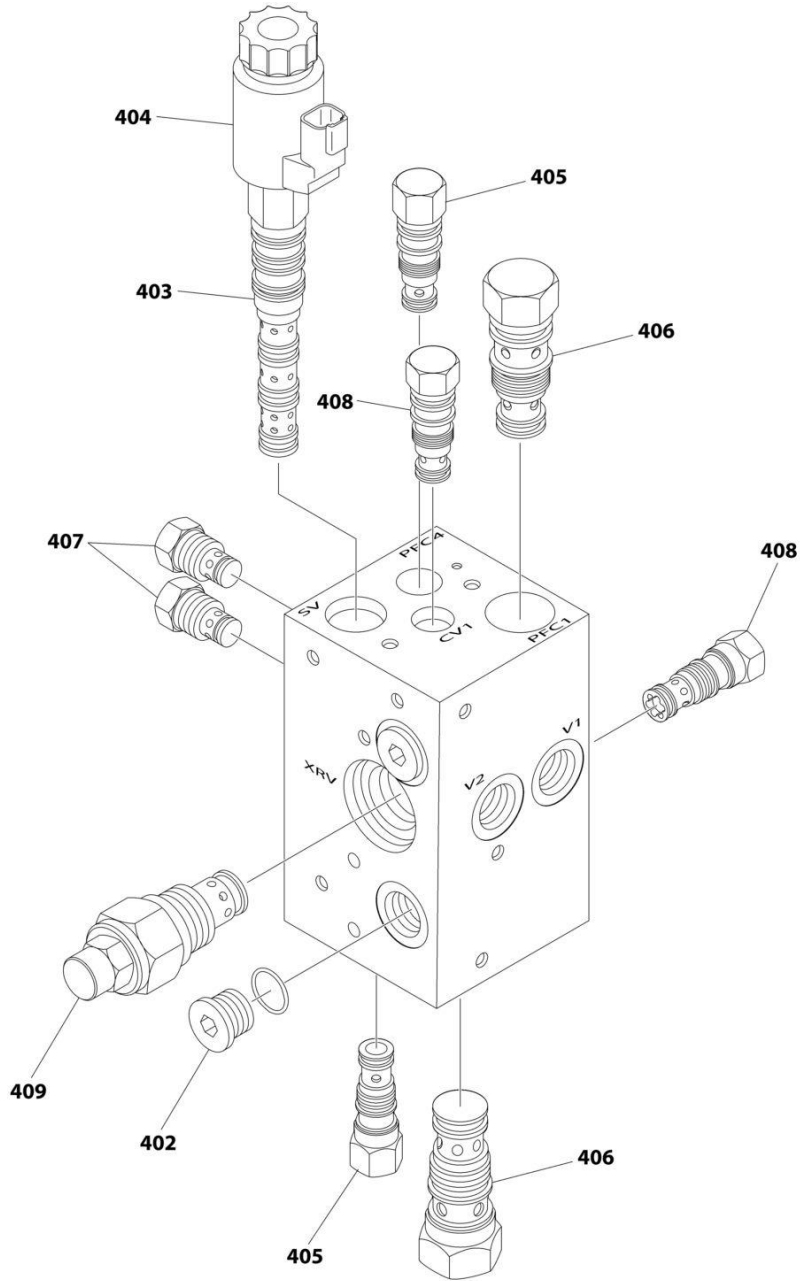
SECTION 3 - ATTACHMENTS

FIGURE 3-39. CARRIAGE ASSEMBLY - DRYWALL HYDRAULIC GROUP

ITEM	PART NUMBER	QTY	DESCRIPTION	REV
	1001230765	Ref	Drywall - Hydraulic Group	
301	70029595	1	Valve Assembly	
302	70029659	1	Valve Mounting Bracket	
303	70028130	2	Screw	
304	70024721	2	Washer	
305	70029660	4	Bolt	
306	70029661	1	Inline Valve Body	
307	70029662	2	Cartridge, Counterbalance	
308	70029663	2	Screw	
309	70029664	2	Nut	
310	70024127	2	Adapter	
311	91403414	1	Quick Disconnect, Male	
312	91403413	1	Quick Disconnect, Female	
313	8420055	1	Dust Cap	
314	8420053	1	Dust Plug	
315	70029665	2	Hose 30in (Boom Front Disconnect)	
315	70031447	2	Hose 42in (Boom Side Disconnect)	
316	70029666	1	Tube	
317	70029667	1	Tube	
318	70029668	1	Tube	
319	70029669	1	Tube	
320	70029670	2	Tube	
321	70029671	2	Fitting	
322	70029672	3	Fitting	
323	70029673	5	Fitting	
324	70028768	2	Fitting	
325	70029674	2	Fitting	
326	70029675	2	Fitting	
327	70028661	2	Fitting	
328	70023000	2	Bulkhead Union Elbow	
329	70029676	1	Hose, 310 mm	
330	70029677	1	Hose, 255 mm	
331	70029678	2	Hose, 340 mm	
332	70029679	1	Hose, 800 mm	
333	70029680	1	Hose, 805 mm	
334	70026481	2	Hose Clamp	
335	70026482	1	Washer	
336	70028672	1	Screw	
350	70031440	1	Disconnect Hose Kit (Boom Front Disconnect) (Includes Items 310-315)	
350	70031441	1	Disconnect Hose Kit (Boom Side Disconnect) (Includes Items 310-315)	

SECTION 3 - ATTACHMENTS

FIGURE 3-40. CARRIAGE ASSEMBLY - DRYWALL VALVE ASSEMBLY



ART_1001230765_5

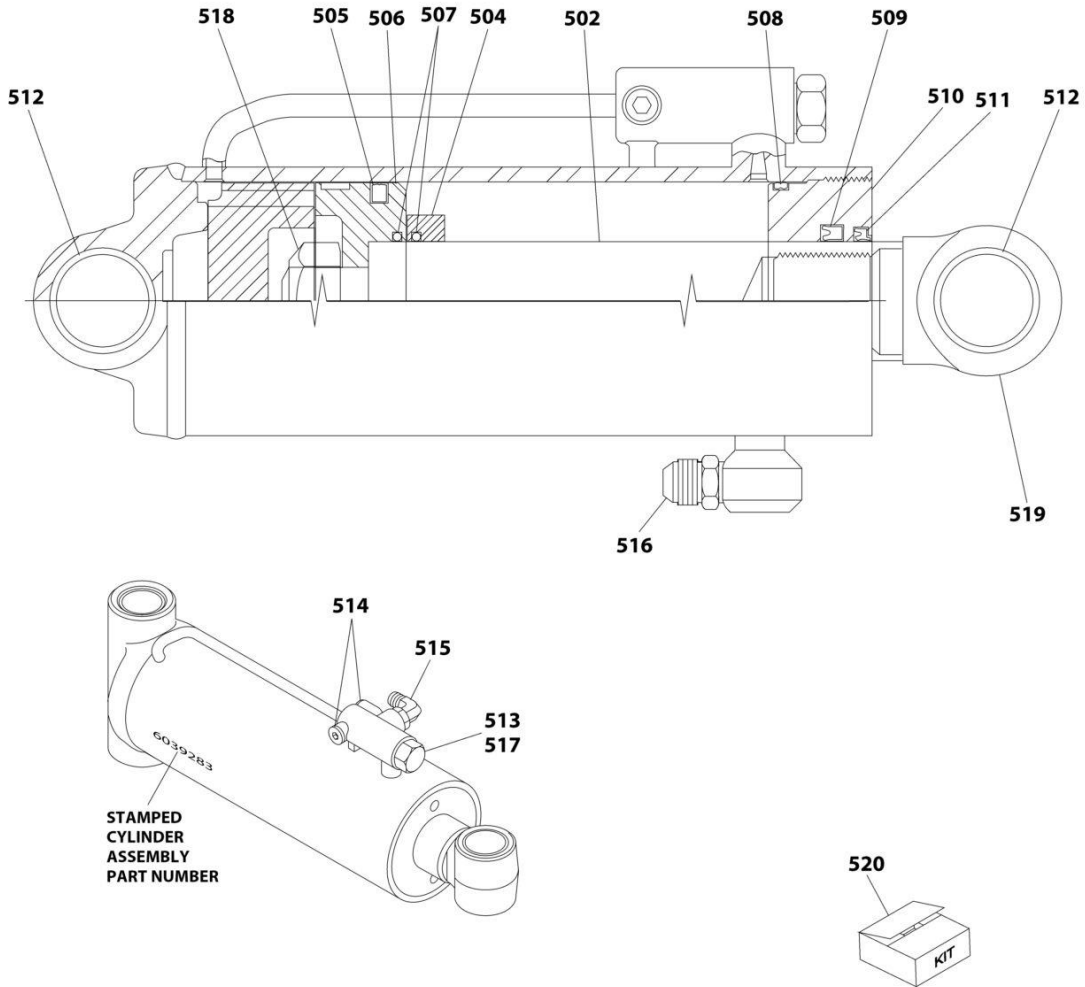
SECTION 3 - ATTACHMENTS

FIGURE 3-40. CARRIAGE ASSEMBLY - DRYWALL VALVE ASSEMBLY

ITEM	PART NUMBER	QTY	DESCRIPTION	REV
	1001230765	Ref	Drywall - Valve Assembly	
402	70028119	2	Plug	
403	70029596	1	Cartridge, Directional Control	
404	70029597	1	Coil, 12V	
405	70029598	2	Cartridge, Flow Control	
406	70029599	2	Cartridge, Flow Control	
407	70029600	2	Cartridge, Check	
408	70029601	2	Cartridge, Check	
409	70029602	1	Cartridge, Pressure Control	

SECTION 3 - ATTACHMENTS

FIGURE 3-41. CARRIAGE ASSEMBLY - DRYWALL CYLINDER



ART_1001230765_6

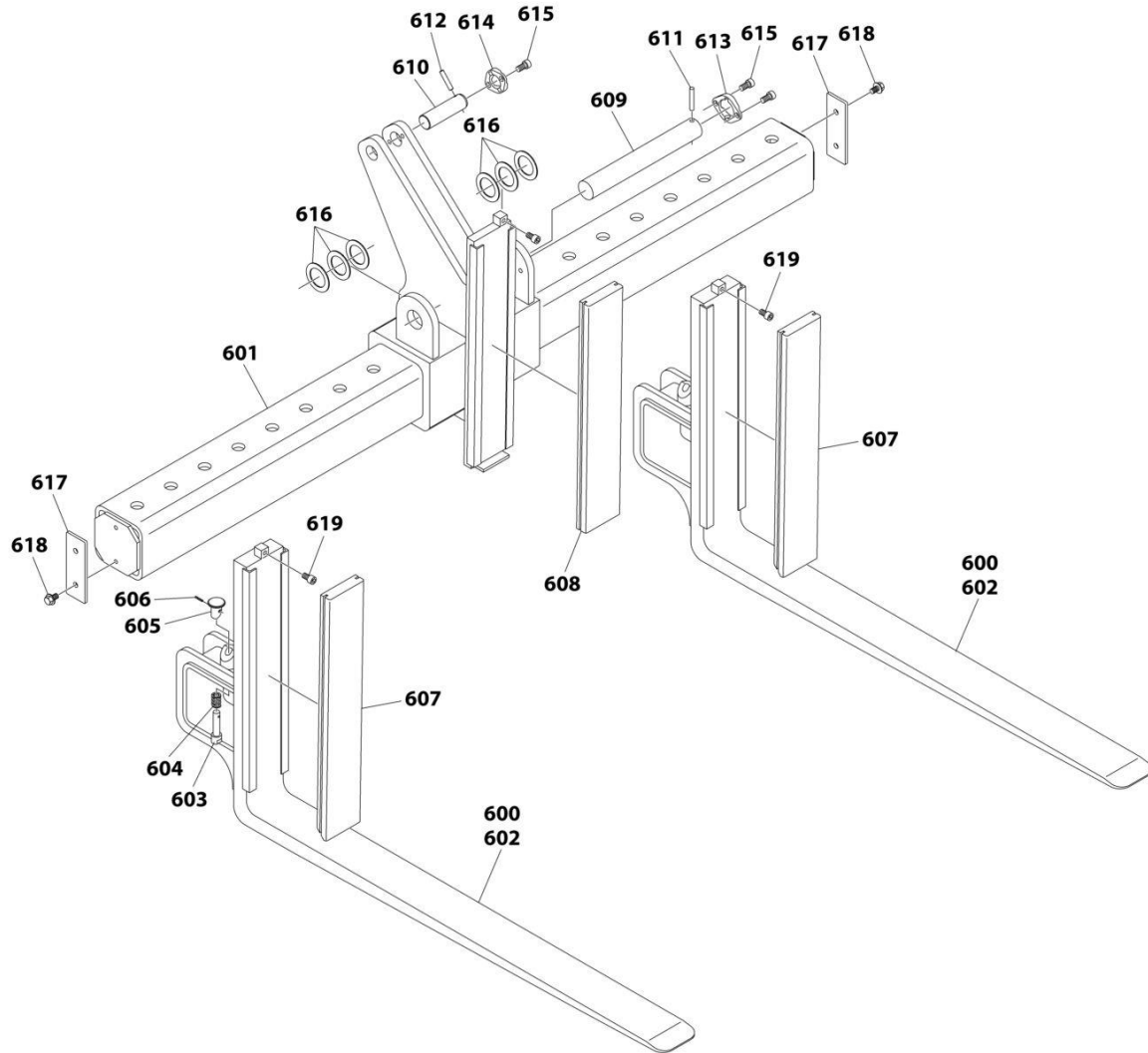
SECTION 3 - ATTACHMENTS

FIGURE 3-41. CARRIAGE ASSEMBLY - DRYWALL CYLINDER

ITEM	PART NUMBER	QTY	DESCRIPTION	REV
502	1001230765	Ref	Drywall - Cylinder	
	70029593	1	Rod Assembly (Includes Item 512 & 519)	
		Ref	Note: Original Cylinder May Have Been Replaced with Service Replacement. Identify PN Stamped on Cylinder Before Ordering Parts.	
504	70029603	1	Spacer, Piston	
505	N.S.S.	1	Piston Seal	
506	70029594	1	Piston	
507	N.S.S.	2	O-Ring	
508	N.S.S.	1	Dual Seal	
509	N.S.S.	1	Rod Seal	
510	70029604	1	Retainer	
511	N.S.S.	1	Rod Wiper	
512	70029605	2	Bushing	
513	70024733	1	Valve, Check	
514	70024129	2	Fitting	
515	70029606	1	Fitting	
516	70029607	1	Fitting	
517	70024734	1	Check Valve Service Kit	
518	70026503	1	Nut	
519	70029647	1	Rod End	
520	70029592	1	Service Kit, Cylinder (Includes Items 505, 507 thru 511)	

SECTION 3 - ATTACHMENTS

FIGURE 3-42. CARRIAGE ASSEMBLY - DRYWALL FORK GROUP



ART_1001230765_7

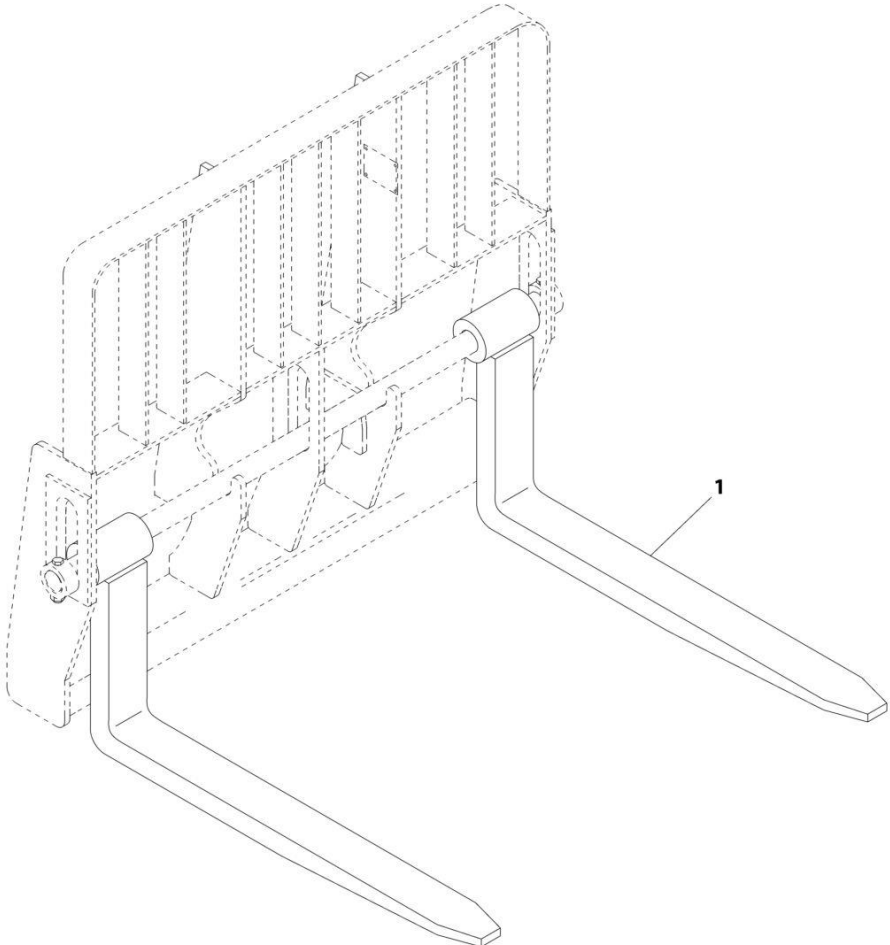
SECTION 3 - ATTACHMENTS

FIGURE 3-42. CARRIAGE ASSEMBLY - DRYWALL FORK GROUP

ITEM	PART NUMBER	QTY	DESCRIPTION	REV
	1001230765	Ref	Drywall - Fork Group	
600	70029649	2	Fork Assembly	
601	70029650	1	Fork Mount Assembly	
602	70029651	1	Fork	
	70028153	1	Pin Kit (includes Items 603 thru 606)	
603	70028154	1	Pin	
604	70028155	1	Spring	
605	70024759	1	Knob	
606	70024761	1	Spring Pin	
607	70029652	2	Bumper	
608	70029653	1	Bumper	
609	70029654	1	Pin	
610	70029655	1	Pin	
611	70028706	1	Pin	
612	70028703	1	Pin	
613	70028707	1	Retainer	
614	70028702	1	Retainer	
615	70028701	4	Bolt	
616	70028708	6	Shim	
617	70029656	2	Retainer	
618	70029657	4	Screw	
619	70029658	3	Screw	

SECTION 3 - ATTACHMENTS

FIGURE 3-43. FORK - 1.6INX6INX60IN LUMBER FORK



ART_1001099457-C

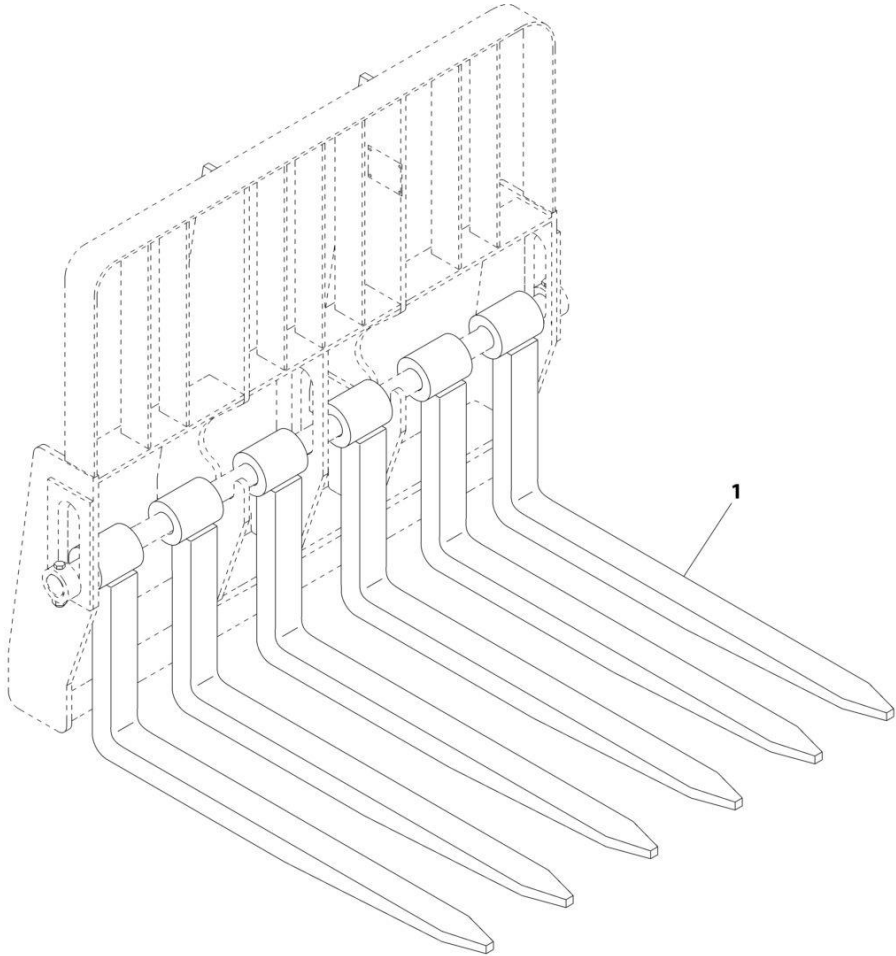
SECTION 3 - ATTACHMENTS

FIGURE 3-43. FORK - 1.6INX6INX60INLUMBER FORK

ITEM	PART NUMBER	QTY	DESCRIPTION	REV
1	1001099457	2	Lumber Fork (1.5X6X60)	C
	Note	Ref	FORKS RATED LESS THAN THE ATTACHMENT OR MACHINE'S CAPACITY DECREASES CAPACITY OF THE ATTACHMENT OR MACHINE TO THAT OF THE FORKS. FORKS RATED MORE THAN THE ATTACHMENT OR MACHINE'S CAPACITY DO NOT INCREASE ATTACHMENT OR MACHINE'S CAPACITY.	
	Note	Ref	PLEASE CONSULT JLG PARTS DEPARTMENT TO DETERMINE THE CORRECT FORKS APPLICABLE TO YOUR SPECIFIC CARRIAGE ASSEMBLY AND APPLICATION.	

SECTION 3 - ATTACHMENTS

FIGURE 3-44. FORK - 2INX2INX48IN BLOCK FORK



ART_2340037

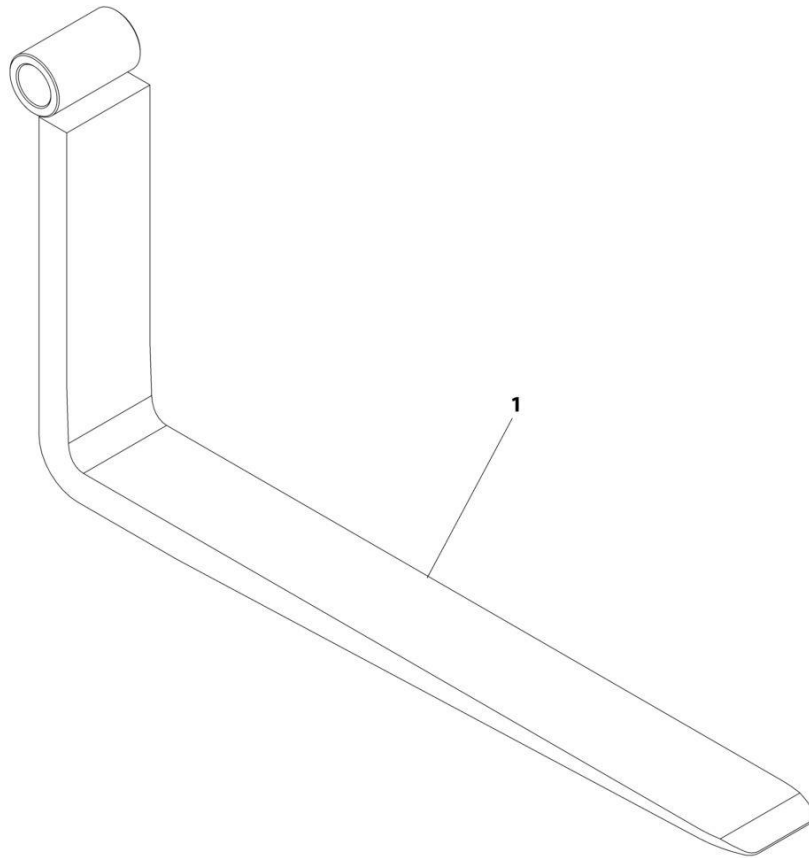
SECTION 3 - ATTACHMENTS

FIGURE 3-44. FORK - 2INX2INX48IN BLOCK FORK

ITEM	PART NUMBER	QTY	DESCRIPTION	REV
1	2340037	1	Cubing Fork (2.00X2X48)	A
	Note	Ref	FORKS RATED LESS THAN THE ATTACHMENT OR MACHINE'S CAPACITY DECREASES CAPACITY OF THE ATTACHMENT OR MACHINE TO THAT OF THE FORKS. FORKS RATED MORE THAN THE ATTACHMENT OR MACHINE'S CAPACITY DO NOT INCREASE ATTACHMENT OR MACHINE'S CAPACITY.	
	Note	Ref	PLEASE CONSULT JLG PARTS DEPARTMENT TO DETERMINE THE CORRECT FORKS APPLICABLE TO YOUR SPECIFIC CARRIAGE ASSEMBLY AND APPLICATION.	

SECTION 3 - ATTACHMENTS

FIGURE 3-45. FORK - 2INX6INX48IN TAPERED FORK



ART_1001258605

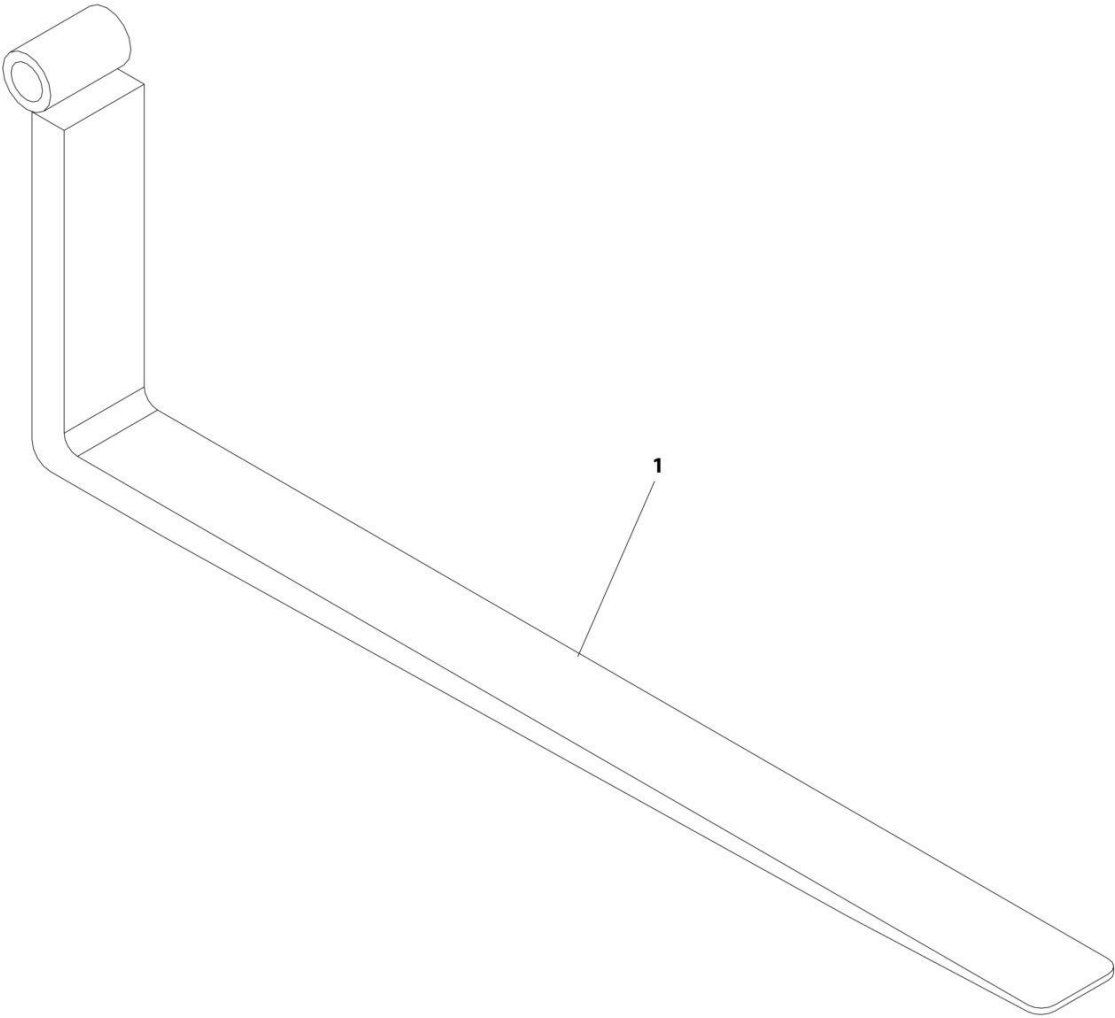
SECTION 3 - ATTACHMENTS

FIGURE 3-45. FORK - 2INX6INX48IN TAPERED FORK

ITEM	PART NUMBER	QTY	DESCRIPTION	REV
1	1001258605	2	Fork - Pallet (2.00X6X48)	A
N1	Note	Ref	FORKS RATED LESS THAN THE ATTACHMENT OR MACHINE'S CAPACITY DECREASES CAPACITY OF THE ATTACHMENT OR MACHINE TO THAT OF THE FORKS. FORKS RATED MORE THAN THE ATTACHMENT OR MACHINE'S CAPACITY DO NOT INCREASE ATTACHMENT OR MACHINE'S CAPACITY.	
N2	Note	Ref	PLEASE CONSULT JLG PARTS DEPARTMENT TO DETERMINE THE CORRECT FORKS APPLICABLE TO YOUR SPECIFIC CARRIAGE ASSEMBLY AND APPLICATION.	

SECTION 3 - ATTACHMENTS

FIGURE 3-46. FORK - 2INX6INX72IN LUMBER FORK



ART_1001259206

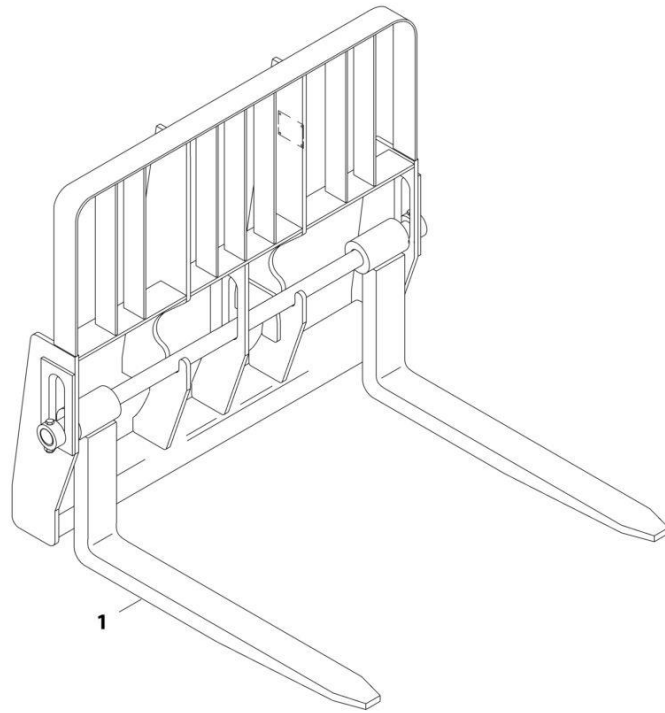
SECTION 3 - ATTACHMENTS

FIGURE 3-46. FORK - 2INX6INX72IN LUMBER FORK

ITEM	PART NUMBER	QTY	DESCRIPTION	REV
1	1001259206	2	Dual Taper Fork (2.00X6X72)	A
	Note	Ref	FORKS RATED LESS THAN THE ATTACHMENT OR MACHINE'S CAPACITY DECREASES CAPACITY OF THE ATTACHMENT OR MACHINE TO THAT OF THE FORKS. FORKS RATED MORE THAN THE ATTACHMENT OR MACHINE'S CAPACITY DO NOT INCREASE ATTACHMENT OR MACHINE'S CAPACITY.	
	Note	Ref	PLEASE CONSULT JLG PARTS DEPARTMENT TO DETERMINE THE CORRECT FORKS APPLICABLE TO YOUR SPECIFIC CARRIAGE ASSEMBLY AND APPLICATION.	

SECTION 3 - ATTACHMENTS

FIGURE 3-47. FORK - 2INX7INX60IN LUMBER FORK



ART_1001097110-A

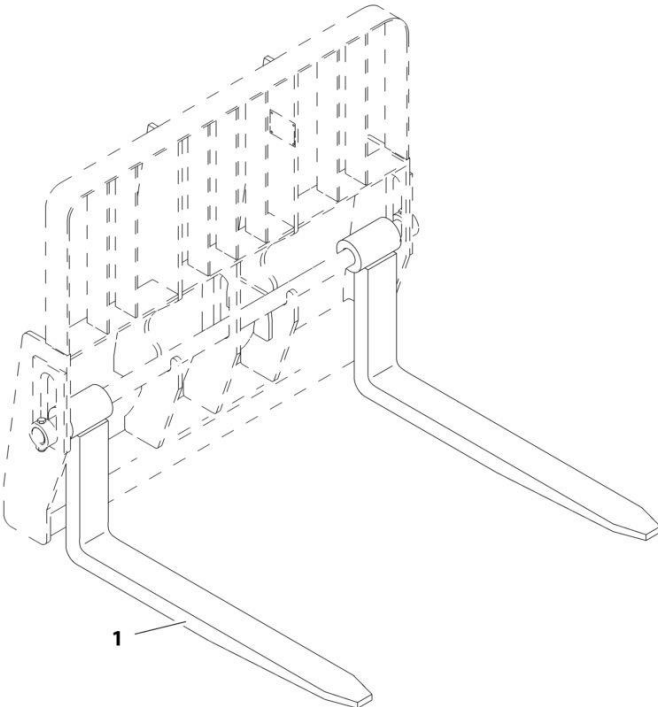
SECTION 3 - ATTACHMENTS

FIGURE 3-47. FORK - 2INX7INX60INLUMBER FORK

ITEM	PART NUMBER	QTY	DESCRIPTION	REV
1	1001097110	2	Lumber Fork (2.00X7X60)	A
	Note	Ref	FORKS RATED LESS THAN THE ATTACHMENT OR MACHINE'S CAPACITY DECREASES CAPACITY OF THE ATTACHMENT OR MACHINE TO THAT OF THE FORKS. FORKS RATED MORE THAN THE ATTACHMENT OR MACHINE'S CAPACITY DO NOT INCREASE ATTACHMENT OR MACHINE'S CAPACITY.	
	Note	Ref	PLEASE CONSULT JLG PARTS DEPARTMENT TO DETERMINE THE CORRECT FORKS APPLICABLE TO YOUR SPECIFIC CARRIASE ASSEMBLY AND APPLICATION.	

SECTION 3 - ATTACHMENTS

FIGURE 3-48. FORK - 2.36INX4INX48IN PALLET FORK



ART_2340045

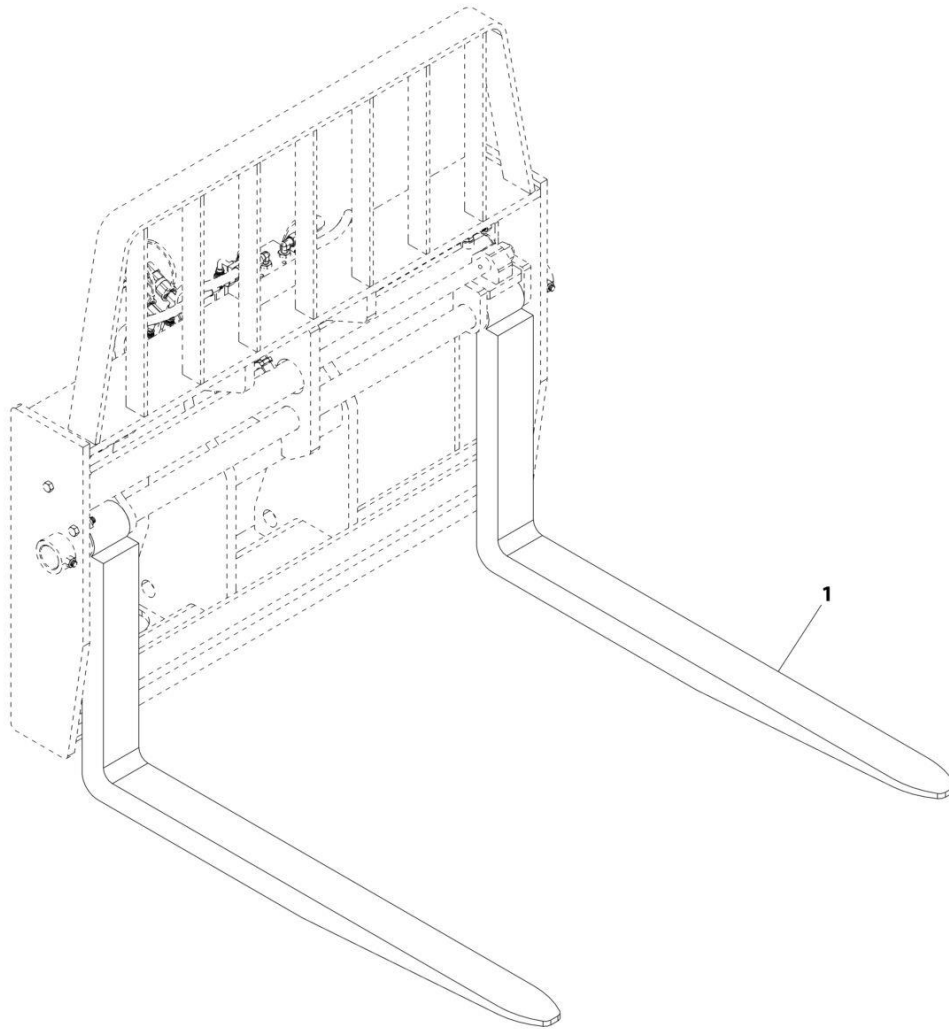
SECTION 3 - ATTACHMENTS

FIGURE 3-48. FORK - 2.36INX4INX48IN PALLET FORK

ITEM	PART NUMBER	QTY	DESCRIPTION	REV
1	2340045	2	Pallet Fork (2.36X4X48)	
	Note	Ref	FORKS RATED LESS THAN THE ATTACHMENT OR MACHINE'S CAPACITY DECREASES CAPACITY OF THE ATTACHMENT OR MACHINE TO THAT OF THE FORKS. FORKS RATED MORE THAN THE ATTACHMENT OR MACHINE'S CAPACITY DO NOT INCREASE ATTACHMENT OR MACHINE'S CAPACITY.	
	Note	Ref	PLEASE CONSULT JLG PARTS DEPARTMENT TO DETERMINE THE CORRECT FORKS APPLICABLE TO YOUR SPECIFIC CARRIASE ASSEMBLY AND APPLICATION.	

SECTION 3 - ATTACHMENTS

FIGURE 3-49. FORK - 2.36INX4INX48IN PALLET FORK (DUAL:FORK POSITIONING)



ART_7301408

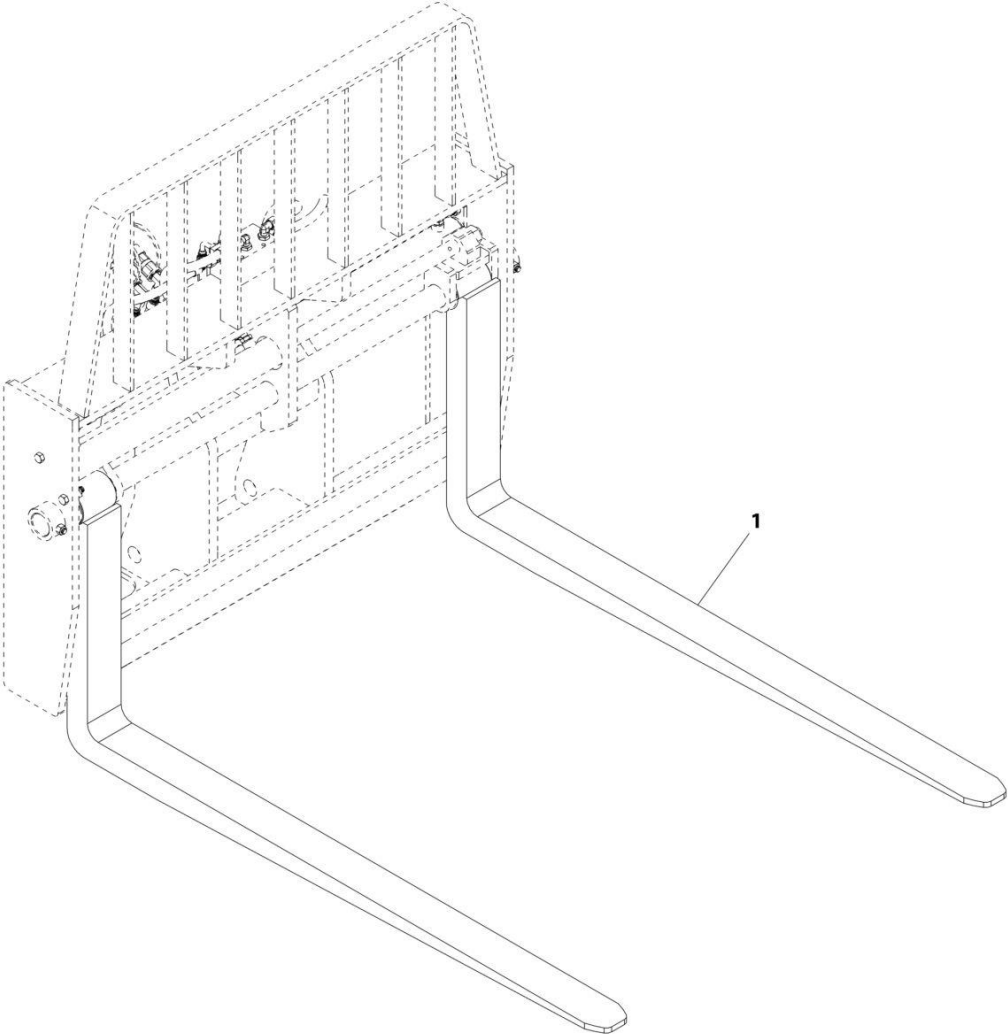
SECTION 3 - ATTACHMENTS

FIGURE 3-49. FORK - 2.36INX4INX48IN PALLET FORK (DUAL:FORK POSITIONING)

ITEM	PART NUMBER	QTY	DESCRIPTION	REV
1	7301408	2	Pallet Fork (2.36X4X48)	D
N1	Note	Ref	FORKS RATED LESS THAN THE ATTACHMENT OR MACHINE'S CAPACITY DECREASES CAPACITY OF THE ATTACHMENT OR MACHINE TO THAT OF THE FORKS. FORKS RATED MORE THAN THE ATTACHMENT OR MACHINE'S CAPACITY DO NOT INCREASE ATTACHMENT OR MACHINE'S CAPACITY.	
N2	Note	Ref	PLEASE CONSULT JLG PARTS DEPARTMENT TO DETERMINE THE CORRECT FORKS APPLICABLE TO YOUR SPECIFIC CARRIASE ASSEMBLY AND APPLICATION.	

SECTION 3 - ATTACHMENTS

FIGURE 3-50. FORK - 2.36INX4INX60IN PALLET FORK (DUAL:FORK POSITIONING)



ART_1001227379

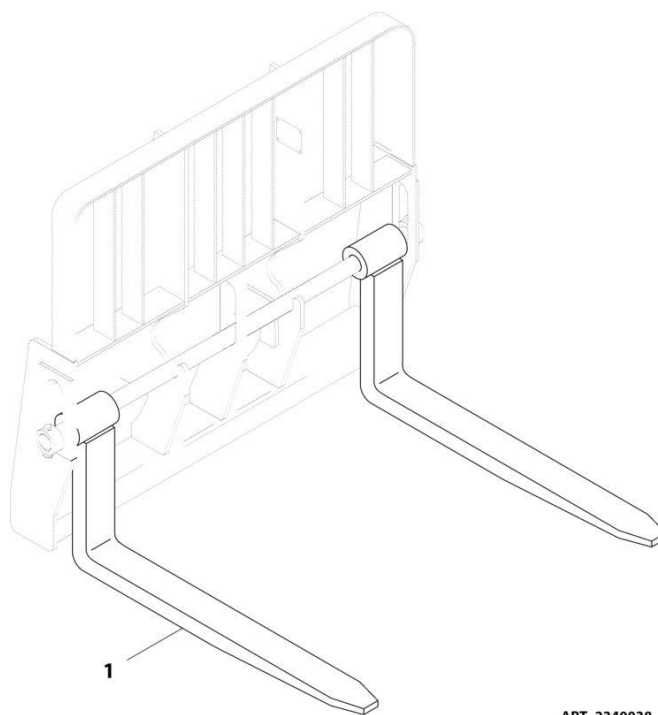
SECTION 3 - ATTACHMENTS

FIGURE 3-50. FORK - 2.36INX4INX60IN PALLET FORK (DUAL:FORK POSITIONING)

ITEM	PART NUMBER	QTY	DESCRIPTION	REV
1	1001227379	2	Pallet Fork (2.36X4X60)	A
N1	Note	Ref	FORKS RATED LESS THAN THE ATTACHMENT OR MACHINE'S CAPACITY DECREASES CAPACITY OF THE ATTACHMENT OR MACHINE TO THAT OF THE FORKS. FORKS RATED MORE THAN THE ATTACHMENT OR MACHINE'S CAPACITY DO NOT INCREASE ATTACHMENT OR MACHINE'S CAPACITY.	
N2	Note	Ref	PLEASE CONSULT JLG PARTS DEPARTMENT TO DETERMINE THE CORRECT FORKS APPLICABLE TO YOUR SPECIFIC CARRIASE ASSEMBLY AND APPLICATION.	

SECTION 3 - ATTACHMENTS

FIGURE 3-51. FORK - 2.36INX5INX48IN PALLET FORK (WITH OR WITHOUT DUAL FORK POSITIONING)



ART_2340038

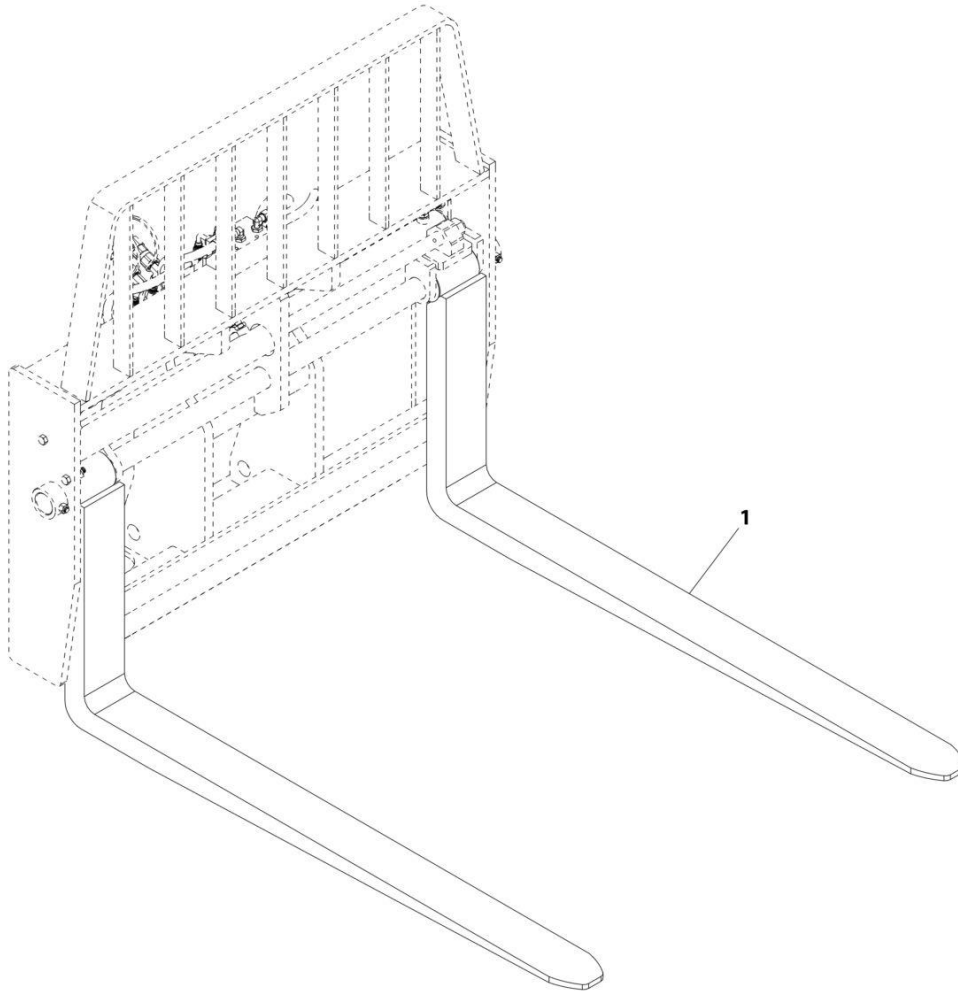
SECTION 3 - ATTACHMENTS

FIGURE 3-51. FORK - 2.36INX5INX48IN PALLET FORK (WITH OR WITHOUT DUAL FORK POSITIONING)

ITEM	PART NUMBER	QTY	DESCRIPTION	REV
1	2340038	2	Pallet Fork (2.36X5X48)	B
	Note	Ref	FORKS RATED LESS THAN THE ATTACHMENT OR MACHINE'S CAPACITY DECREASES CAPACITY OF THE ATTACHMENT OR MACHINE TO THAT OF THE FORKS. FORKS RATED MORE THAN THE ATTACHMENT OR MACHINE'S CAPACITY DO NOT INCREASE ATTACHMENT OR MACHINE'S CAPACITY.	
	Note	Ref	PLEASE CONSULT JLG PARTS DEPARTMENT TO DETERMINE THE CORRECT FORKS APPLICABLE TO YOUR SPECIFIC CARRIAGE ASSEMBLY AND APPLICATION.	

SECTION 3 - ATTACHMENTS

FIGURE 3-52. FORK - 2.36INX5INX60IN PALLET FORK (WITH OR WITHOUT DUAL FORK POSITIONING)



ART_1001227382

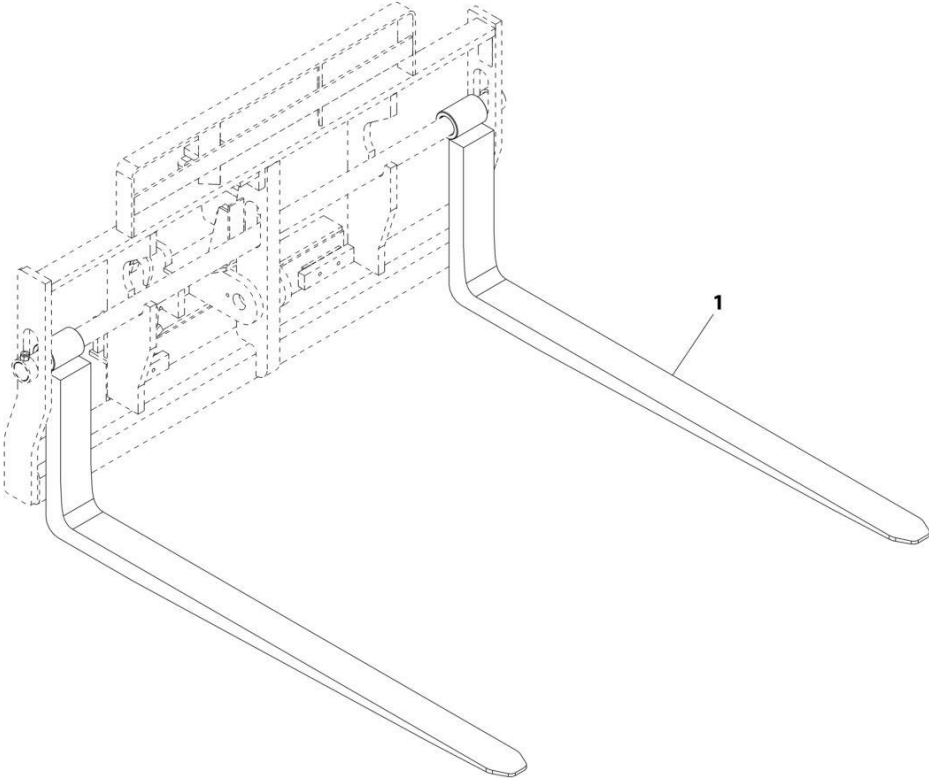
SECTION 3 - ATTACHMENTS

FIGURE 3-52. FORK - 2.36INX5INX60IN PALLET FORK (WITH OR WITHOUT DUAL FORK POSITIONING)

ITEM	PART NUMBER	QTY	DESCRIPTION	REV
1	1001227382	1	Pallet Fork (2.36X5X60)	A
N1	Note	Ref	FORKS RATED LESS THAN THE ATTACHMENT OR MACHINE'S CAPACITY DECREASES CAPACITY OF THE ATTACHMENT OR MACHINE TO THAT OF THE FORKS. FORKS RATED MORE THAN THE ATTACHMENT OR MACHINE'S CAPACITY DO NOT INCREASE ATTACHMENT OR MACHINE'S CAPACITY.	
N2	Note	Ref	PLEASE CONSULT JLG PARTS DEPARTMENT TO DETERMINE THE CORRECT FORKS APPLICABLE TO YOUR SPECIFIC CARRIAGE ASSEMBLY AND APPLICATION.	

SECTION 3 - ATTACHMENTS

FIGURE 3-53. FORK - 2.36INX5INX72IN PALLET FORK (DUAL:FORK POSITIONING)



ART_1001232355

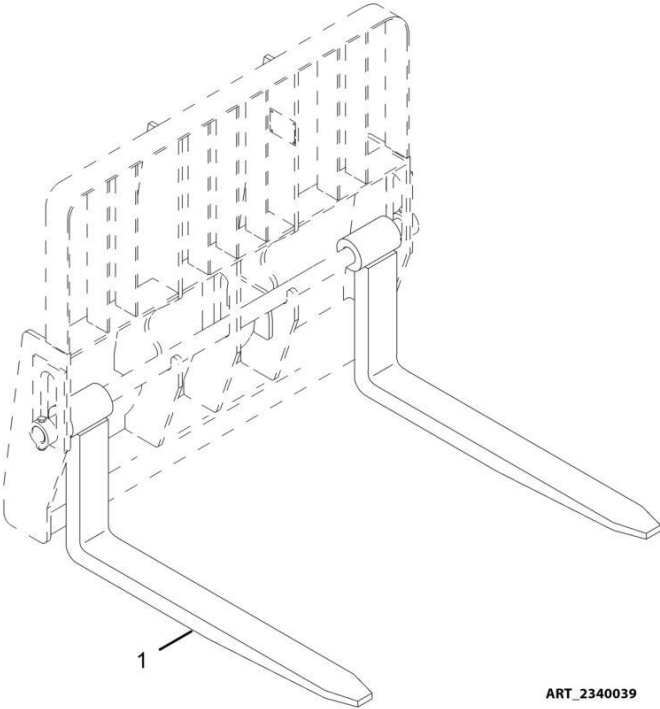
SECTION 3 - ATTACHMENTS

FIGURE 3-53. FORK - 2.36INX5INX72IN PALLET FORK (DUAL:FORK POSITIONING)

ITEM	PART NUMBER	QTY	DESCRIPTION	REV
	1001232355	1 pr	Pallet Fork (2.36X5X72)	A
	Note	Ref	FORKS RATED LESS THAN THE ATTACHMENT OR MACHINE'S CAPACITY DECREASES CAPACITY OF THE ATTACHMENT OR MACHINE TO THAT OF THE FORKS. FORKS RATED MORE THAN THE ATTACHMENT OR MACHINE'S CAPACITY DO NOT INCREASE ATTACHMENT OR MACHINE'S CAPACITY.	
	Note	Ref	PLEASE CONSULT JLG PARTS DEPARTMENT TO DETERMINE THE CORRECT FORKS APPLICABLE TO YOUR SPECIFIC CARRIAGE ASSEMBLY AND APPLICATION.	

SECTION 3 - ATTACHMENTS

FIGURE 3-54. FORK - 2.36INX6INX60IN PALLET FORK



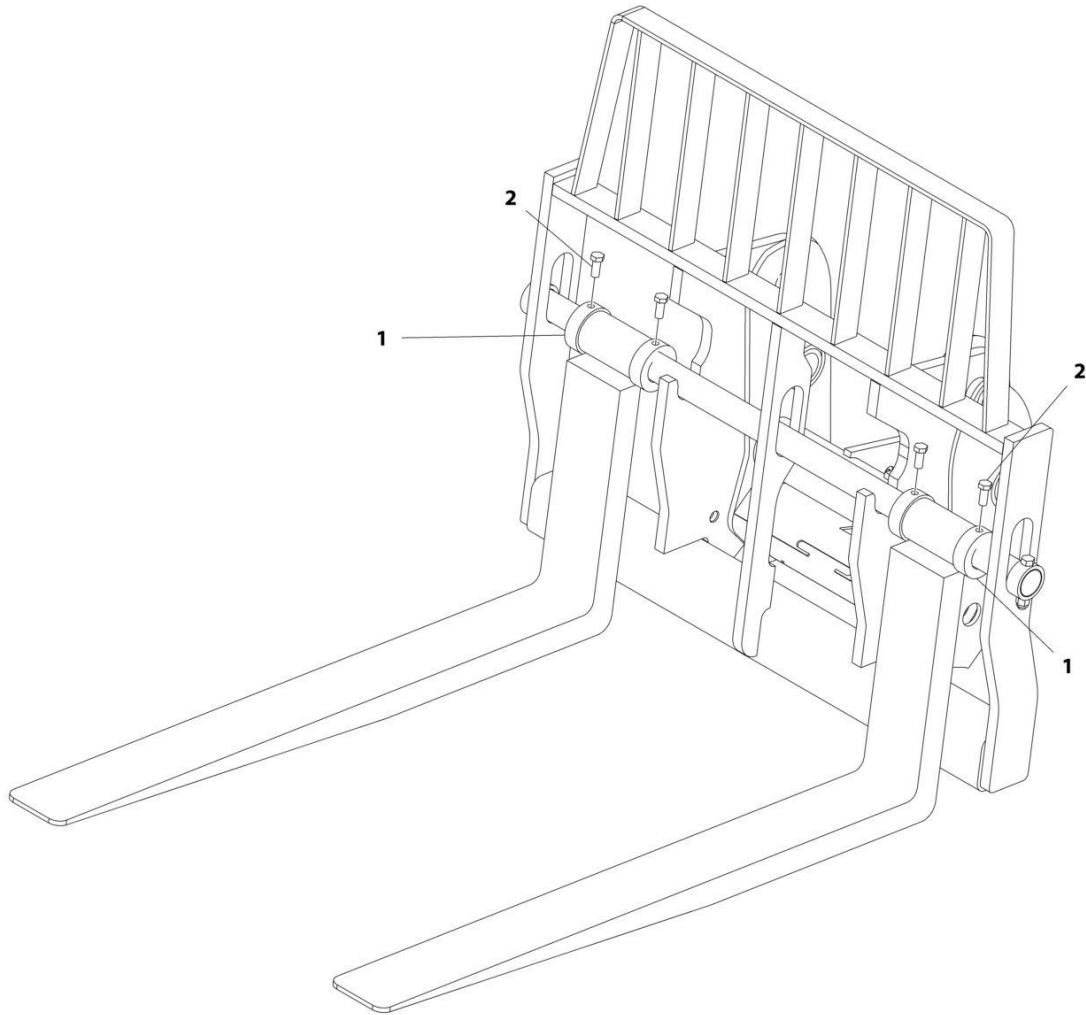
SECTION 3 - ATTACHMENTS

FIGURE 3-54. FORK - 2.36INX6INX60IN PALLET FORK

ITEM	PART NUMBER	QTY	DESCRIPTION	REV
1	2340039	2	Lumber Fork (60X150X1524)	
	Note	Ref	FORKS RATED LESS THAN THE ATTACHMENT OR MACHINE'S CAPACITY DECREASES CAPACITY OF THE ATTACHMENT OR MACHINE TO THAT OF THE FORKS. FORKS RATED MORE THAN THE ATTACHMENT OR MACHINE'S CAPACITY DO NOT INCREASE ATTACHMENT OR MACHINE'S CAPACITY.	
	Note	Ref	PLEASE CONSULT JLG PARTS DEPARTMENT TO DETERMINE THE CORRECT FORKS APPLICABLE TO YOUR SPECIFIC CARRIASE ASSEMBLY AND APPLICATION.	

SECTION 3 - ATTACHMENTS

FIGURE 3-55. FORK CLAMPS INSTALLATION



ART_1001094134-A

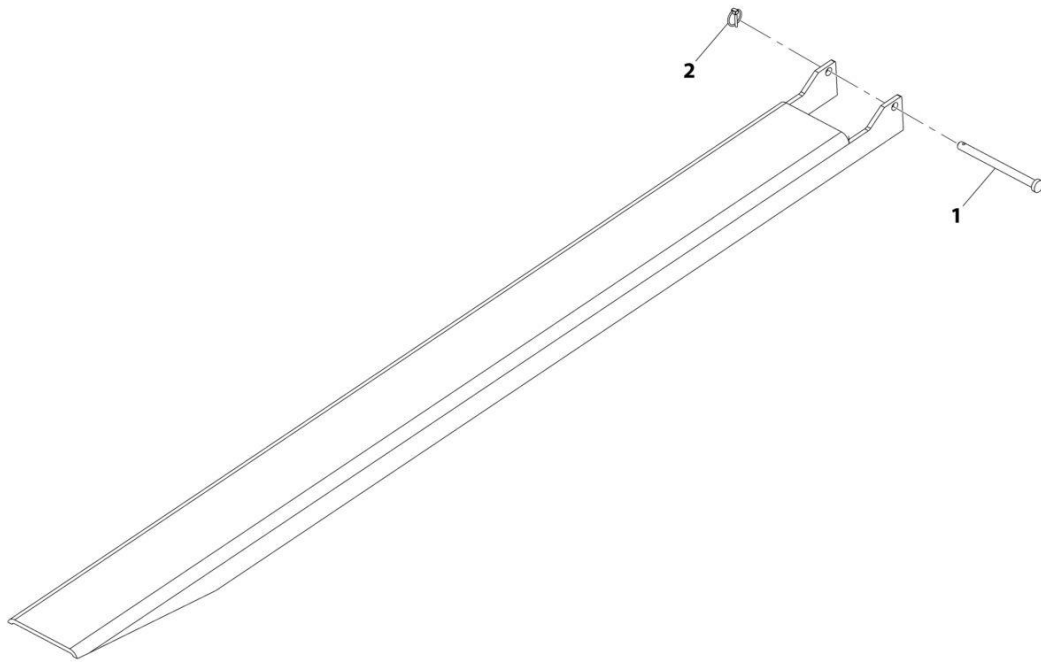
SECTION 3 - ATTACHMENTS

FIGURE 3-55. FORK CLAMPS INSTALLATION

ITEM	PART NUMBER	QTY	DESCRIPTION	REV
	1001094134	Ref	Fork Clamps Installation	A
1	1001094136	4	Clamp, Fork	
2	10700681	4	Bolt, 0.625-18X1.5	

SECTION 3 - ATTACHMENTS

FIGURE 3-56. FORK EXTENSION - 90IN



ART_1001137512-D

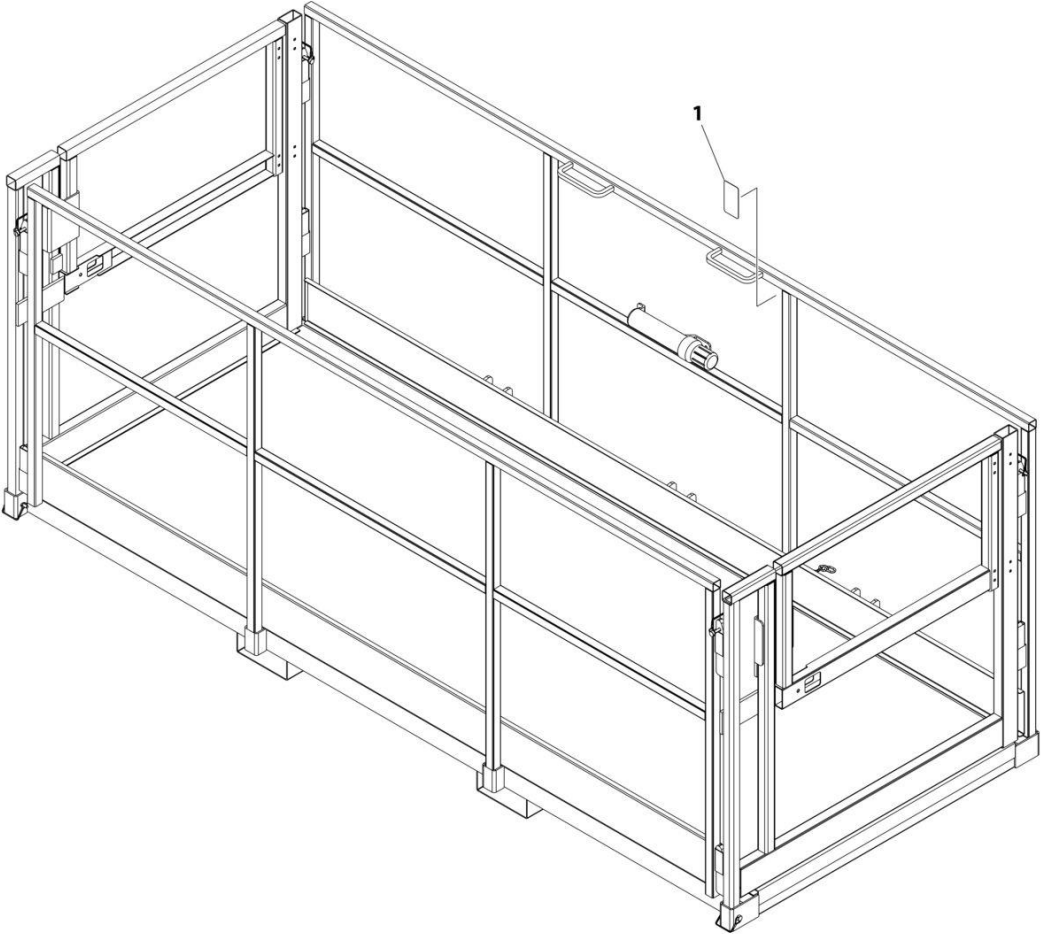
SECTION 3 - ATTACHMENTS

FIGURE 3-56. FORK EXTENSION - 90IN

ITEM	PART NUMBER	QTY	DESCRIPTION	REV
	1001137512	2 pr	Fork Extensions (62X163X2286)	D
1	70024306	1	Pin	
2	70024307	1	Clip	

SECTION 3 - ATTACHMENTS

FIGURE 3-57. PLATFORM (FORK MOUNTED) (4X9.8)



ART_1001301393

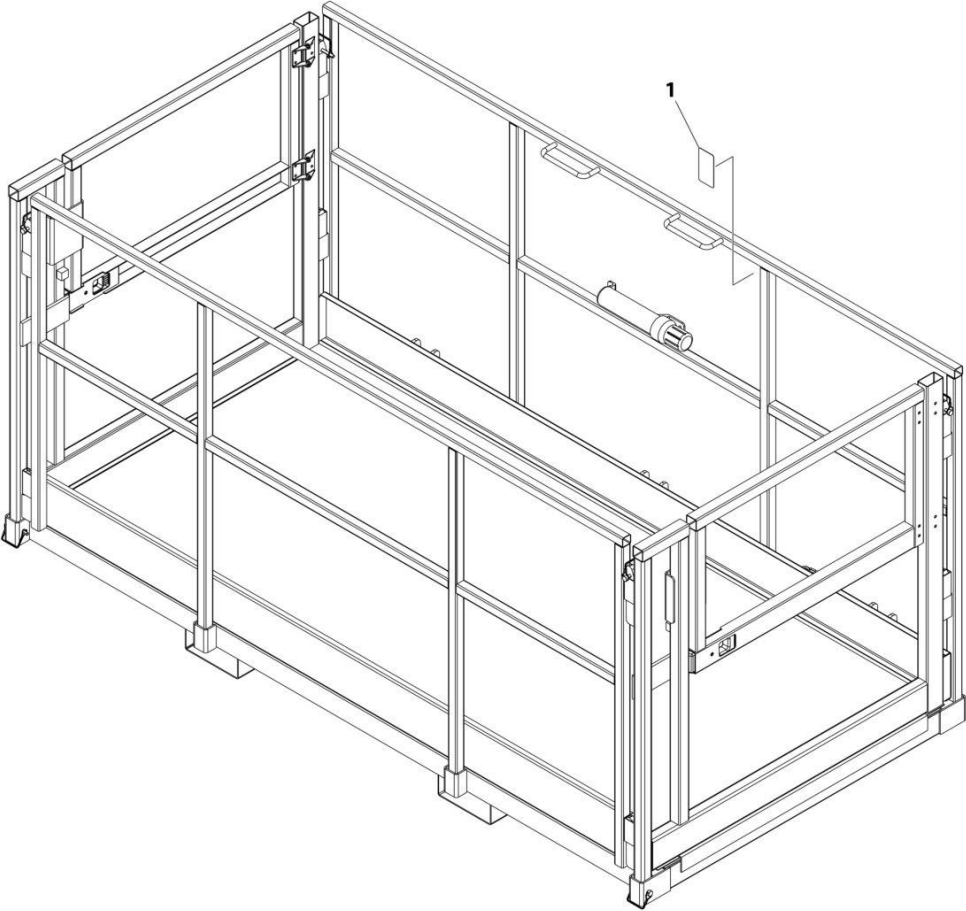
SECTION 3 - ATTACHMENTS

FIGURE 3-57. PLATFORM (FORK MOUNTED) (4X9.8)

ITEM	PART NUMBER	QTY	DESCRIPTION	REV
1	1001301393 See Note	Ref NSS	PLATFORM (FORK MOUNTED) (4X9.8) SN Plate (Note: Not Available for Purchase)	A

SECTION 3 - ATTACHMENTS

FIGURE 3-58. PLATFORM (FORK MOUNTED) (4X8 WITH DOORS)



ART_1001303246

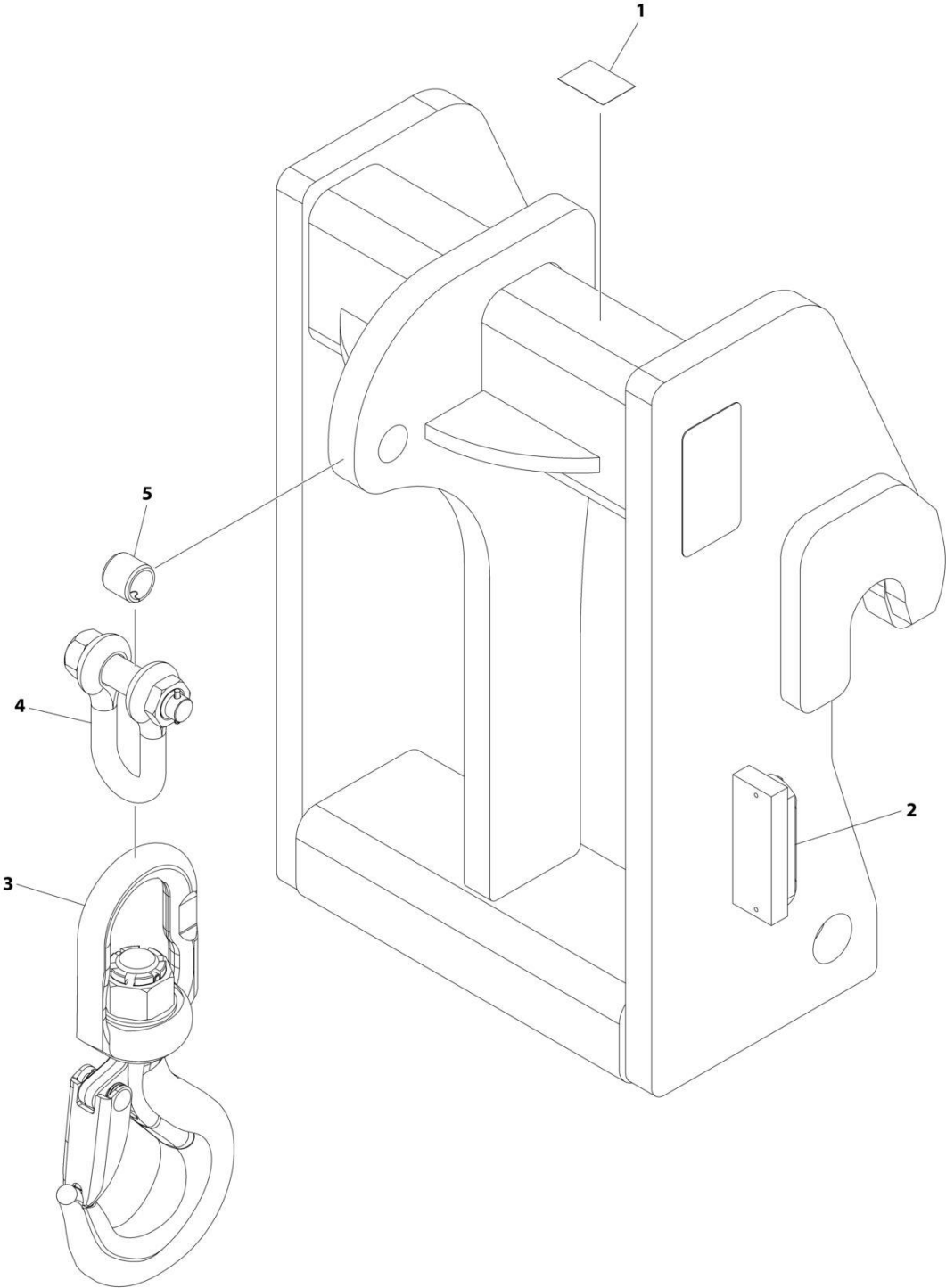
SECTION 3 - ATTACHMENTS

FIGURE 3-58. PLATFORM (FORK MOUNTED) (4X8 WITH DOORS)

ITEM	PART NUMBER	QTY	DESCRIPTION	REV
1	1001303246 See Note	Ref NSS	PLATFORM (FORK MOUNTED) (4X8 WITH DOORS) SN Plate (Note: Not Available for Purchase)	A

SECTION 3 - ATTACHMENTS

FIGURE 3-59. HOOK - COUPLER MOUNTED



ART_1001207606_D

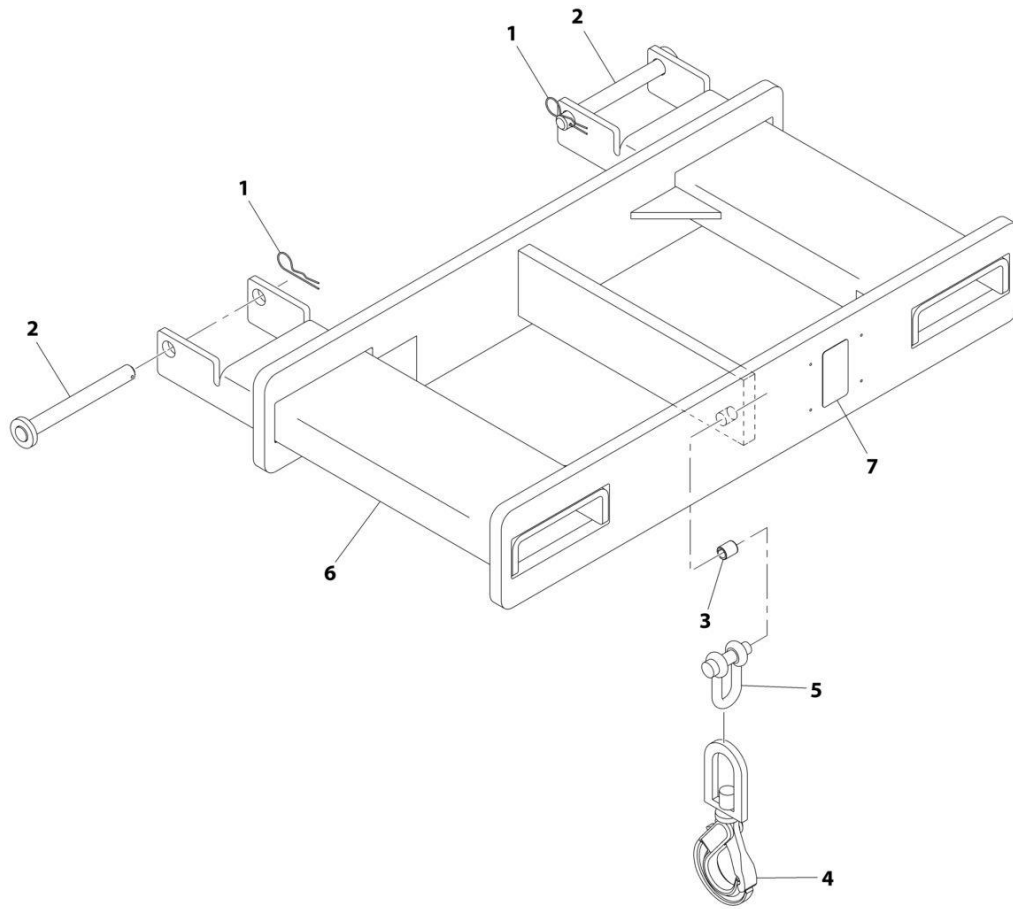
SECTION 3 - ATTACHMENTS

FIGURE 3-59. HOOK - COUPLER MOUNTED

ITEM	PART NUMBER	QTY	DESCRIPTION	REV
	1001207606	Ref	COUPLER MOUNTED HOOK	E
1	90554016	1	Decal	
2	1001227670	1	Tag, RFID	
3	70026745	1	Hook Swivel	
4	70026746	1	Shackle Chain	
5	70020555	1	Bushing	

SECTION 3 - ATTACHMENTS

FIGURE 3-60. HOOK - FORK MOUNTED



ART_1001097205-I

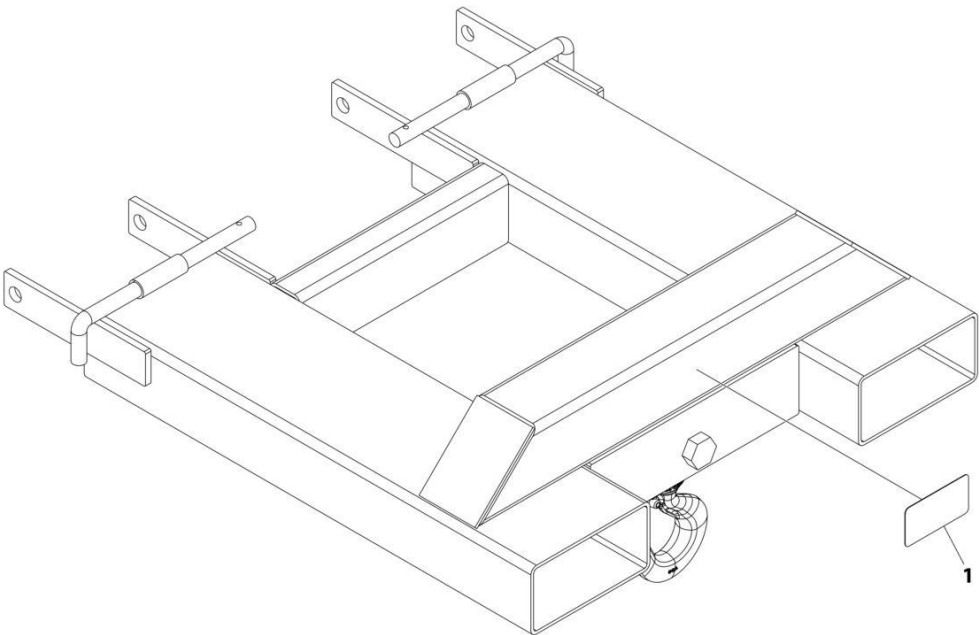
SECTION 3 - ATTACHMENTS

FIGURE 3-60. HOOK - FORK MOUNTED

ITEM	PART NUMBER	QTY	DESCRIPTION	REV
	1001097205	Ref	Fork Mounted Hook (4 Ton)	J
1	7029520	2	Pin, Cotter	
2	1001093171	2	Pin	
3	70020555	1	Bushing	
4	90554080	1	Hook	
5	7029521	1	Shackle	
6	See Note	NSS	Frame, Hook (Note: Purchase Complete Assembly)	
7	See Note	NSS	S/N Plate (Note: Stamped Part - Not Available for Purchase)	

SECTION 3 - ATTACHMENTS

FIGURE 3-61. LIFTING HOOK (10K)



ART_1001305477

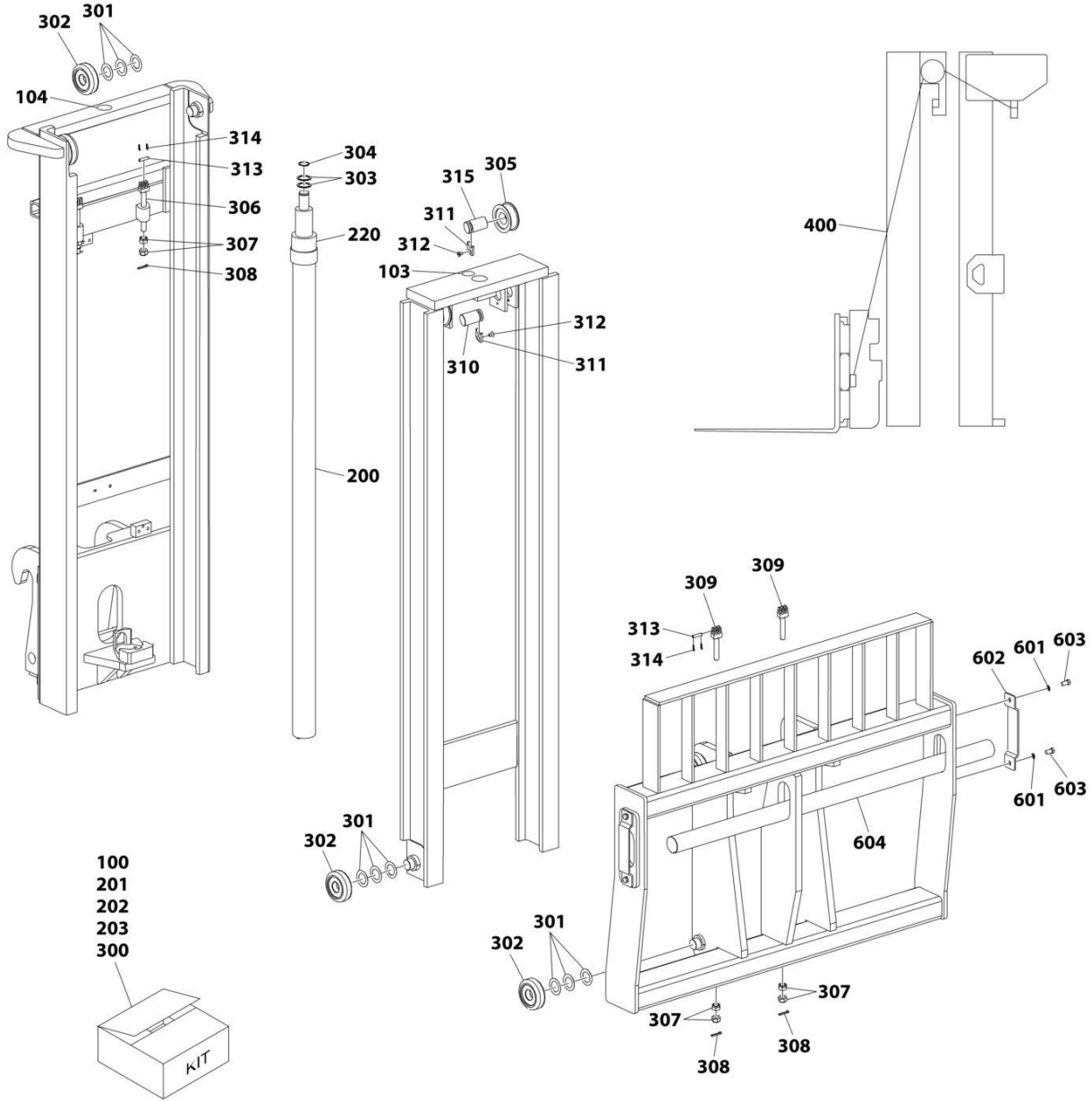
SECTION 3 - ATTACHMENTS

FIGURE 3-61. LIFTING HOOK (10K)

ITEM	PART NUMBER	QTY	DESCRIPTION	REV
	1001305477 See Note	Ref NSS	LIFTING HOOK (10K) SN Plate (Note: Not Available for Purchase)	A

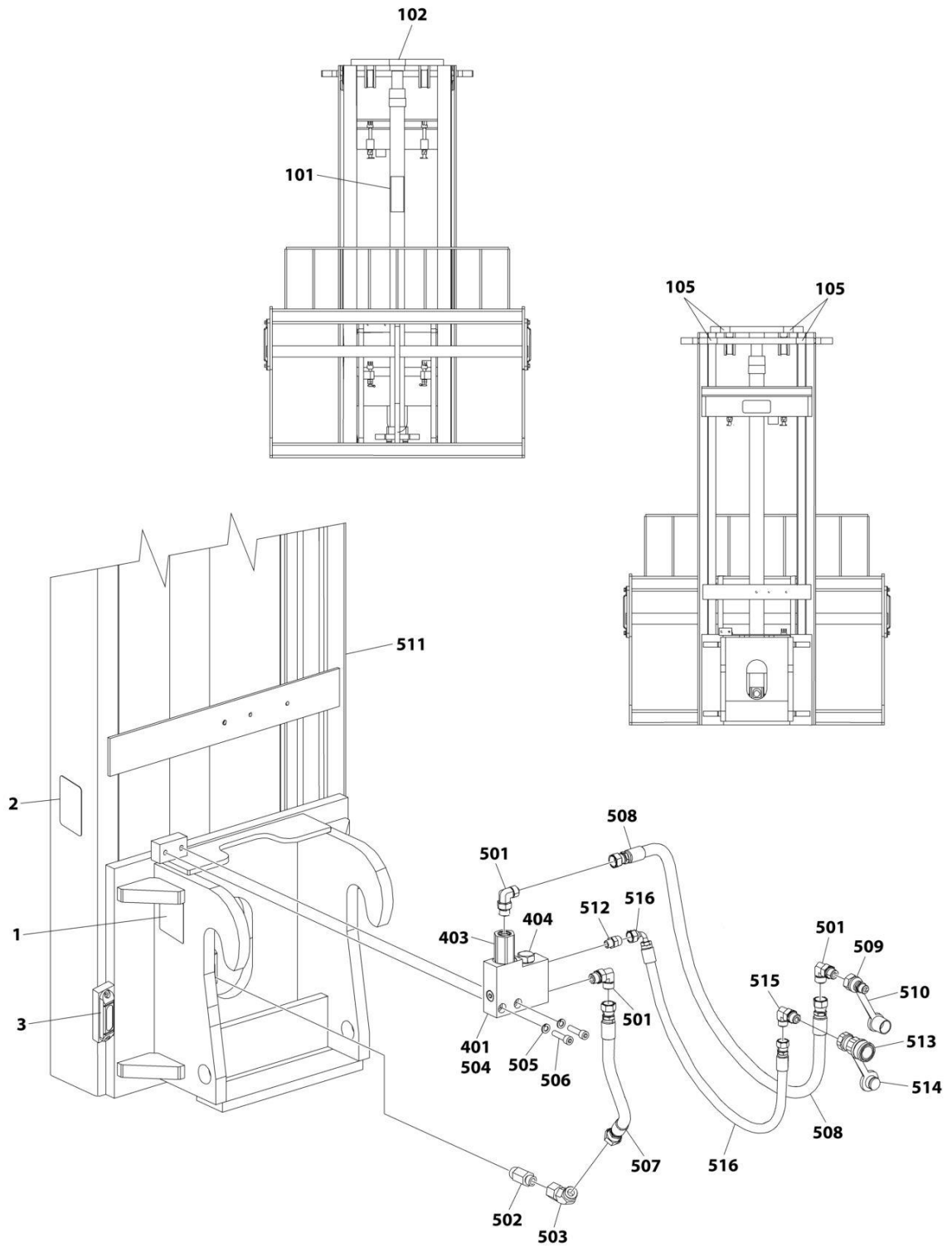
SECTION 3 - ATTACHMENTS

FIGURE 3-62. MAST - 8FT



ART_1001108668_1OF2

SECTION 3 - ATTACHMENTS



ART_1001108668_20F2

SECTION 3 - ATTACHMENTS

FIGURE 3-62. MAST - 8FT

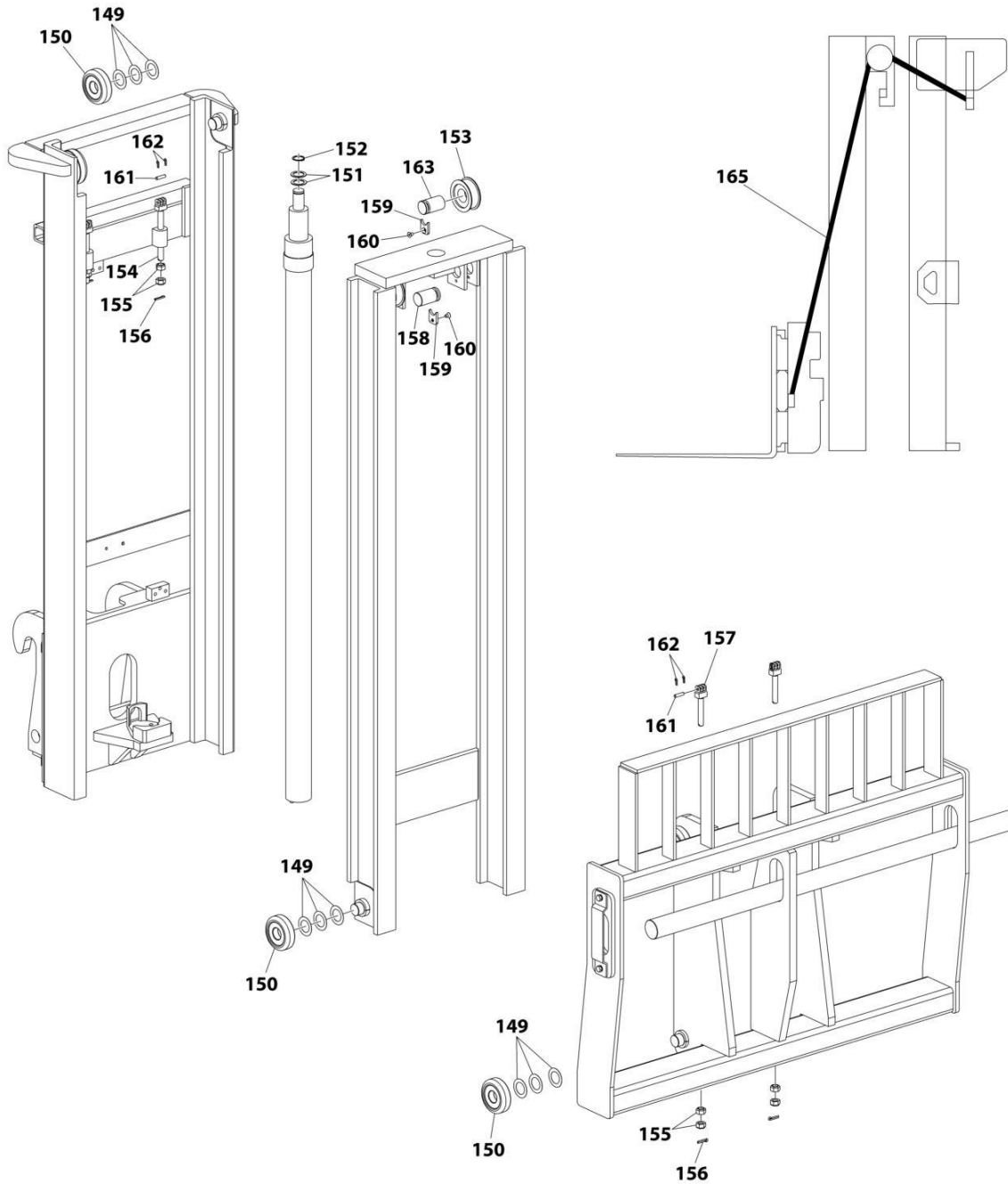
ITEM	PART NUMBER	QTY	DESCRIPTION	REV
	1001108668	Ref	MAST ASSEMBLY - 8FT	G
1	See Note	NSS	Nameplate, Serial Number (Note: Not Available for Purchase)	
2	1001111190	2	Decal - Warning	
3	1001227670	1	RFID Tag	
100	70023925	1	Decal Kit (includes items 1, Warning, No Step & Hose Routing Decals)	
101	See Note	NSS	Decal, Warning (Use Item 100)	
102	See Note	NSS	Decal, Warning (Use Item 100)	
103	See Note	NSS	Decal, No Step (Use Item 100)	
104	See Note	NSS	Decal, No Step (Use Item 100)	
105	See Note	NSS	Decal, Hands Off (Use Item 100)	
200	70023008	1	Cylinder Assembly - Lift (includes items 201-203 & 220. No Other Service Parts Available)	
201	70023005	1	Seal Kit - 70023008 Cylinder (includes Seals & Seal Retaining Hardware)	
202	70023006	1	Check Valve Kit (includes Mounting O-Rings & Hardware)	
203	70023007	1	Shim Kit (Includes items 303)	
220	70023004	1	Head/Retainer	
300	70023015	1	Mast Kit (includes items 100 & 301-315)	
301	70023014	24	Shim	
302	70022987	8	Bearing, Ball	
303	See Note	NLA	Shim (Note: Use item 203)	
304	70023016	1	Ring, Retaining	
305	70022969	2	Sheave	
306	70022960	2	Anchor, Chain	
307	70022957	8	Nut 5/8	
308	70022993	4	Pin, Cotter	
309	70022995	2	Anchor, Chain	
310	70022984	1	Shaft, Sheave	
311	70022970	2	Bar	
312	70023003	2	Screw	
313	70022994	4	Pin	
314	70022992	8	Pin, Cotter	
315	70022985	1	Shaft, Sheave	
400	70023009	2	Chain, Hoist	
401	70022932	1	Valve Assembly - Lowering Control	
403	70022931	1	Cartridge, Valve	
404	70023010	1	Cartridge, Valve	
501	70022934	3	Fitting, 90	
502	70022936	1	Fitting, Flow Limiter	
503	70022937	1	Fitting, 45	
504	70022932	1	Valve Assembly - Lowering Control (Note: Duplicate of Item 401 - Only Qty 1 Used)	
505	70022949	2	Washer, M10	
506	70022950	2	Bolt M10	
507	70022942	1	Hose	
508	70022952	1	Hose	
509	91403414	1	Fitting, Quick Disconnect Coupling (Male)	
510	91043126	1	Cap, Dust	
511	70023015	1	Mast Kit (Note: Duplicate of Item 300 - Only Qty 1 Used)	

SECTION 3 - ATTACHMENTS

ITEM	PART NUMBER	QTY	DESCRIPTION	REV
512	70022939	1	Fitting, Straight	
513	91403413	1	Fitting, Quick Disconnect Coupling (Female)	
514	91043125	1	Cap, Dust	
515	70022935	1	Fitting, 90	
516	70022946	1	Hose	
601	70022949	4	Washer M10	
602	70022980	2	Keeper, Pin	
603	70022998	4	Bolt M10 x 20	
604	70022990	1	Pin, Fork	

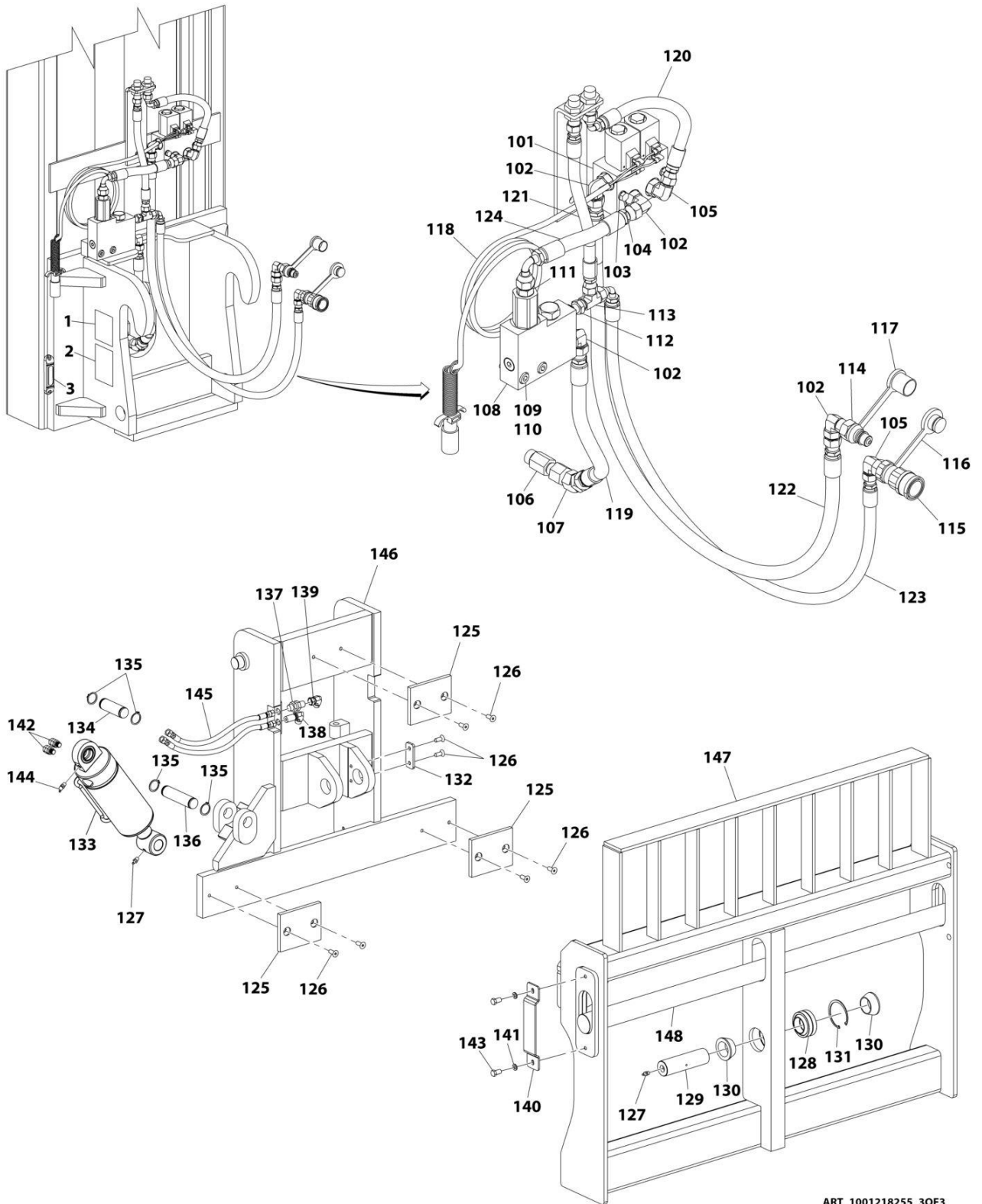
SECTION 3 - ATTACHMENTS

FIGURE 3-63. MAST - 8FT SIDE TILT



ART_1001218255_20F3

SECTION 3 - ATTACHMENTS



ART_1001218255_30F3

SECTION 3 - ATTACHMENTS

FIGURE 3-63. MAST - 8FT SIDE TILT

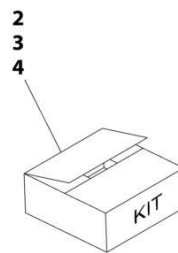
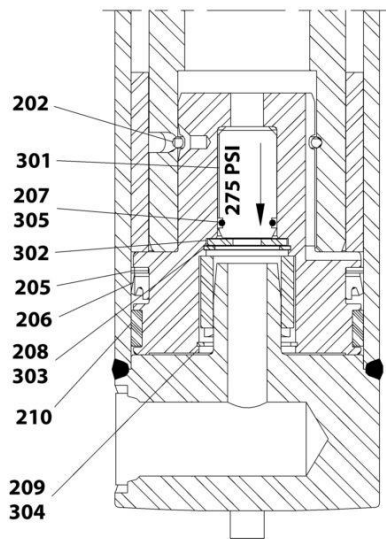
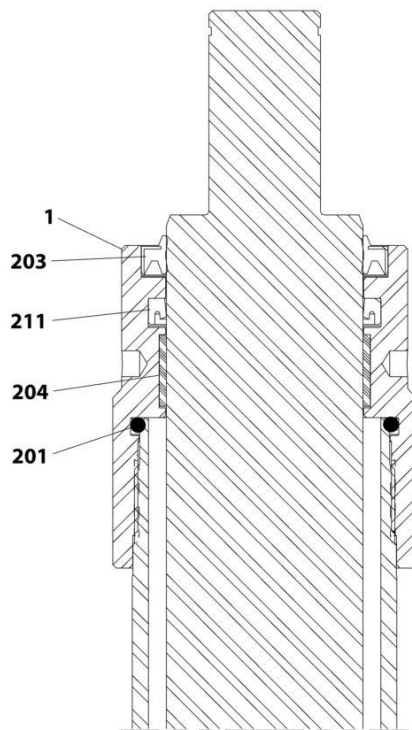
ITEM	PART NUMBER	QTY	DESCRIPTION	REV
	1001218255	Ref	Side Tilt Electric Mast (8 Foot)	F
1	1001111190	2	Decal, Hose Routing	
2	See Note	NSS	S/N Plate (Note: Stamped Part - Not Available for Purchase)	
3	1001227670	1	Tag, RFID	
101	70022933	1	Solenoid Valve Bank	
102	70022934	4	Fitting, 90	
103	70022948	2	Washer, Lock M8	
104	70022951	2	Screw, M8X60	
105	70022935	2	Elbow, Straight Thread	
106	70022936	1	Limiter, Flow	
107	70022937	1	Fitting, 45	
108	70022932	1	Assembly, PO Check Valve	
108	N.S.S.	1	Manifold	
108	70022931	1	Cartridge, PO Check Valve	
108	70023010	1	Check, PO	
109	70022949	2	Washer, Lock M10	
110	70022950	2	Bolt	
111	70022938	1	Fitting, Straight	
112	70022939	1	Fitting, Straight	
113	70022940	1	Tee Fitting	
114	91403414	1	Adapter, Male Quick Disconnect	
115	91403413	1	Adapter, Female Quick Disconnect	
116	8420055	1	Cover, Dust	
117	8420053	1	Cover, Dust	
118	70022941	1	Harness	
119	70022942	1	Hose	
120	70022943	1	Hose	
121	70022944	1	Hose	
122	70022945	1	Hose	
123	70022946	1	Hose	
124	70022947	1	Hose	
125	70022972	3	Wear Pad	
126	70022971	8	Capscrew, Flat Head	
127	70023001	2	Grease Fitting	
128	70022975	1	Spherical Bearing	
129	70022973	1	Pivot Shaft	
130	70022974	2	Beveled Spacer	
131	70022988	1	Ring, Retaining	
132	70022976	1	Retainer Plate	
133	2716143	1	Tilt Cylinder	
134	70022977	1	Pin	
135	70023016	4	Ring, Snap	
136	70022978	1	Pin	
137	70023000	1	Fitting	
138	70022999	1	Elbow	
139	70022982	1	Elbow, Straight Thread	
140	70022980	2	Keeper, Fork Pin	
141	70022949	4	Washer, Lock M10	
142	70022939	2	Fitting, Straight	
143	70022998	4	Screw, M10X20	

SECTION 3 - ATTACHMENTS

ITEM	PART NUMBER	QTY	DESCRIPTION	REV
144	70022966	1	Grease Fitting 30	
145	70022979	2	Hose	
146	70025353	1	Spine Weldment	
147	N.S.S.	1	Front Frame Weldment	
148	70022990	1	Pin, Fork	
149	70023014	24	Shim	
150	70022987	8	Bearing, Ball	
151	70027951	2	Washer, Shim	
152	70023016	1	Ring, Snap	
153	70022969	2	Assembly, Sheave	
154	70022960	2	Anchor, Chain	
155	70022957	8	Nut, 5/8-18	
156	70022993	4	Pin, Cotter	
157	70022995	2	Anchor, Chain	
158	70022984	1	Shaft, Sheave	
159	70022970	2	Bar, Retainer	
160	70023003	2	Capscrew	
161	70022994	4	Pin, Chain Anchor	
162	70022992	8	Pin, Cotter	
163	70022985	1	Shaft, Sheave	
164	70023925	1	Kit, Decal (Not Shown) (See Separate Breakdown in this Section)	
165	70023009	2	Chain, Lift	
166	70023008	1	Cylinder, Main Lift (Not Shown) (See Separate Breakdown in this Section)	

SECTION 3 - ATTACHMENTS

FIGURE 3-64. MAST CYLINDER ASSEMBLY



ART_70023008-A

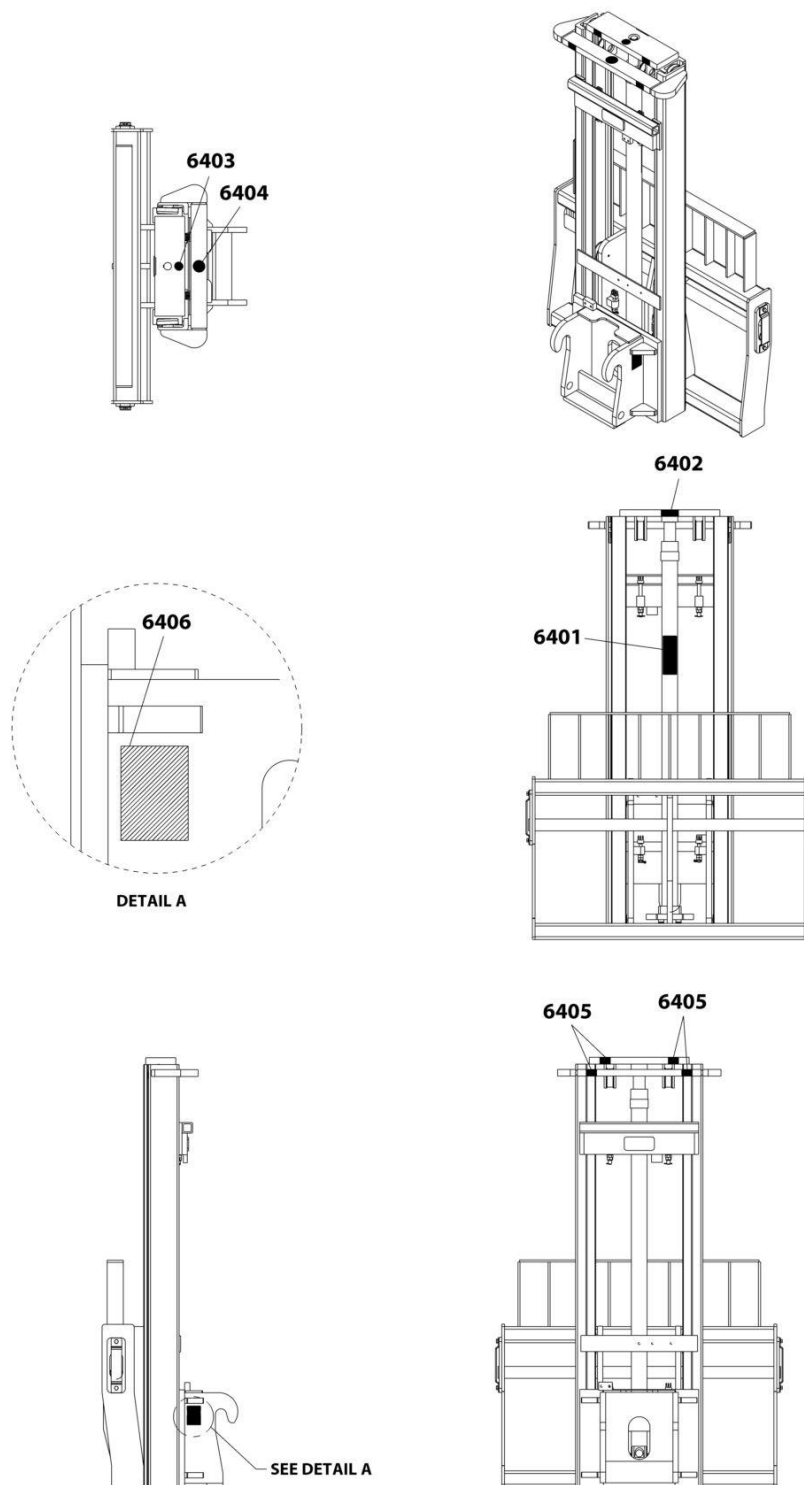
SECTION 3 - ATTACHMENTS

FIGURE 3-64. MAST CYLINDER ASSEMBLY

ITEM	PART NUMBER	QTY	DESCRIPTION	REV
	70023008	Ref	Main Lift Cylinder	A
1	70023004	1	Retainer/Gland	
2	70023005	1	Seal Kit, Main Lift Cylinder	
201	Kit	1	O-Ring	
202	Kit	1	Wire, Pull	
203	Kit	1	Wiper	
204	Kit	1	Bushing	
205	Kit	1	Ring, Nylon	
206	Kit	1	Seal, Piston	
207	Kit	1	O-Ring	
208	Kit	1	Circlip	
209	Kit	1	Ring, Retaining	
210	Kit	1	Ring, Wear	
211	Kit	1	Seal, Rod	
3	70023006	1	Kit, Check Valve	
301	Kit	1	Valve, Check	
302	Kit	1	Washer	
303	Kit	1	Circlip	
304	Kit	1	Ring, Retaining	
304	Kit	1	O-Ring	
4	70023007	1	Kit, Shim	

SECTION 3 - ATTACHMENTS

FIGURE 3-65. MAST DECAL KIT



ART_70023925-A

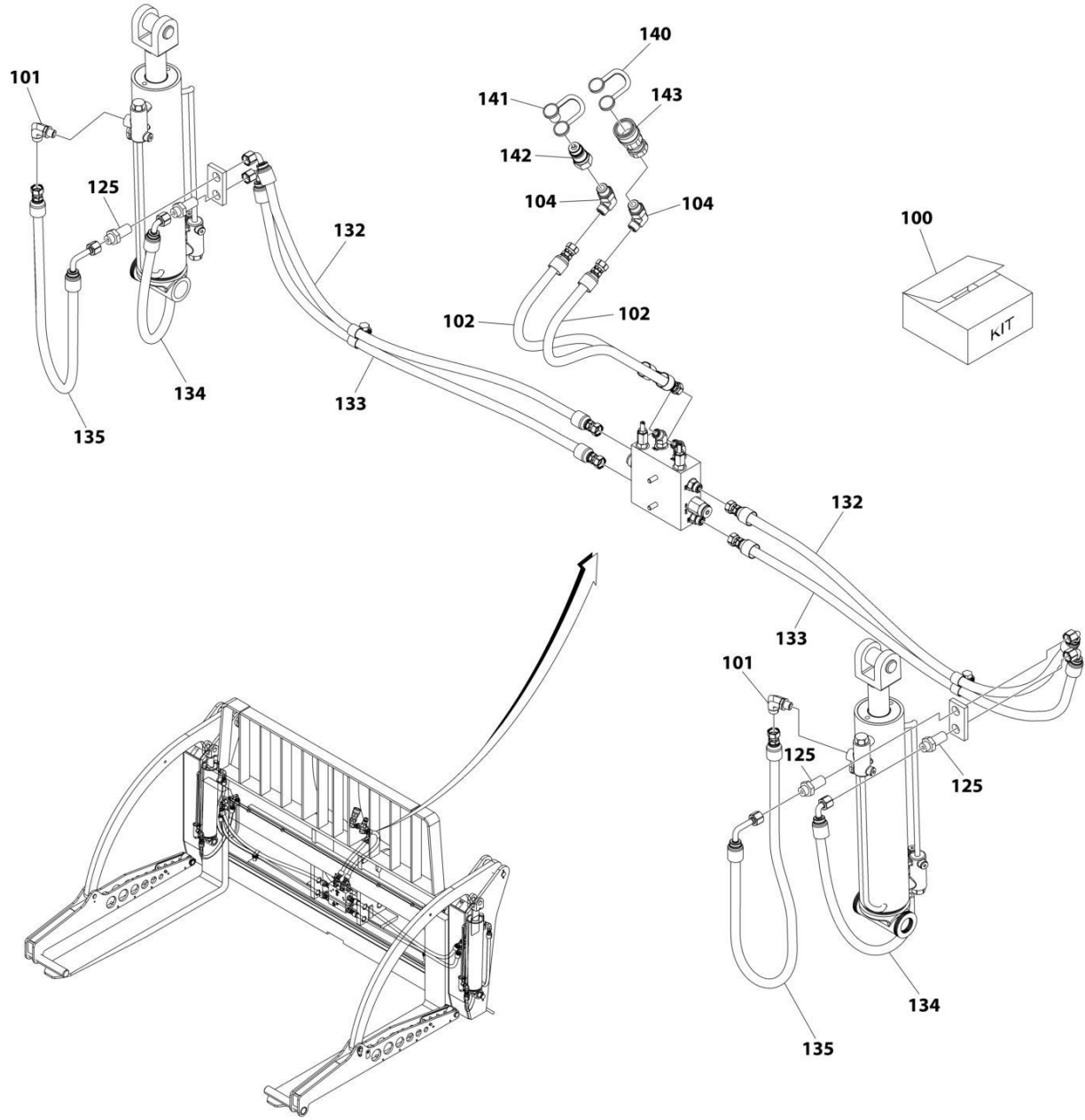
SECTION 3 - ATTACHMENTS

FIGURE 3-65. MAST DECAL KIT

ITEM	PART NUMBER	QTY	DESCRIPTION	REV
	70023925	Ref	Kit, Decal	A
6401	Kit	1	Decal, Warning	
6402	Kit	1	Decal, Warning	
6403	Kit	1	Decal, No Step	
6404	Kit	1	Decal, No Step	
6405	Kit	4	Decal, Hands Off	
6406	Kit	2	Decal, Hose Routing	

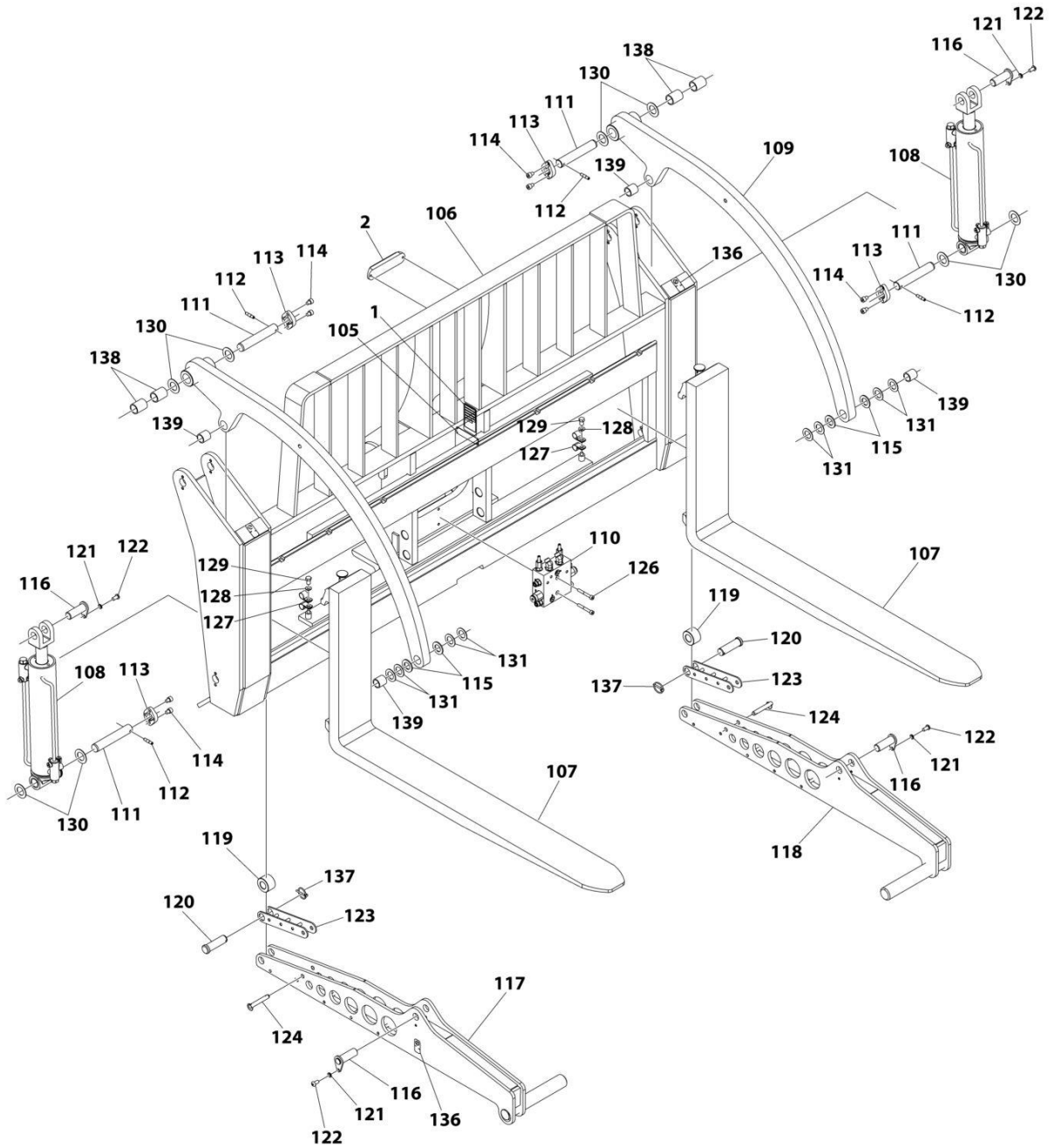
SECTION 3 - ATTACHMENTS

FIGURE 3-66. PIPE HANDLER



ART_1001142247_1

SECTION 3 - ATTACHMENTS



ART_1001142247_2

SECTION 3 - ATTACHMENTS

FIGURE 3-66. PIPE HANDLER

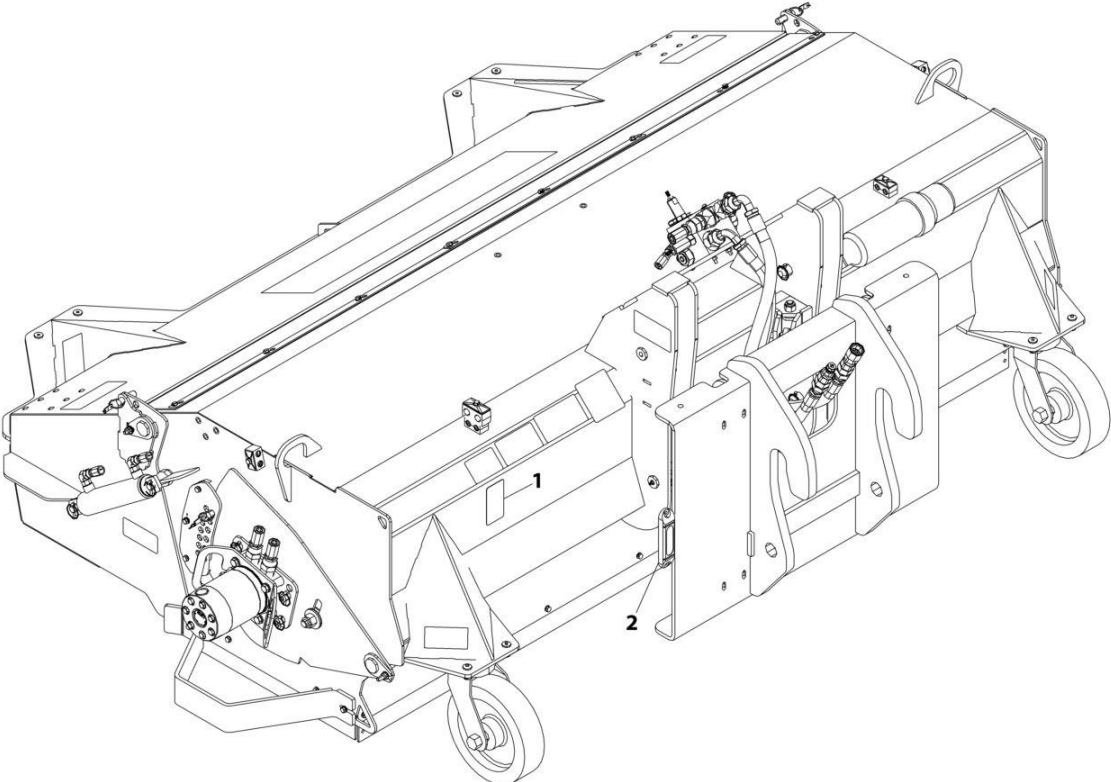
ITEM	PART NUMBER	QTY	DESCRIPTION	REV
	1001142247	Ref	PIPE HANDLER ASSEMBLY	G
1	See Note	NSS	JLG Plate (Note: Stamped Part - Not Available for Purchase)	
2	1001227670	1	Tag, RFID	
100	70026585	1	Disconnect & Hose Kit (Boom Front Disconnect) (Includes Items 101, 102, 104, 125, 132-135, 140-143)	
100	70031442	1	Disconnect Kit (Boom Side Disconnect) (Includes Items 102, 104, & 140-143)	
101	70024123	4	Fitting, 90	
102	70026347	2	Hose 20in (Boom Front Disconnect)	
102	70031448	2	Hose 44in (Boom Side Disconnect)	
104	70024550	2	Fitting, 90	
105	See Note	NSS	S/N Plate (Note: Stamped Part - Not Available for Purchase)	
106	See Note	NSS	Carriage (Note: Purchase Complete Assembly)	
107	70026586	2	Fork	
108	70026587	2	Cylinder, Pipe Handler (See Separate Breakdown in HYDRAULIC COMPONENTS Section)	
109	70026588	2	Arm	
110	70026589	1	Valve Assembly (See Separate Breakdown in HYDRAULIC CIRCUITS Section)	
111	70026470	4	Pin	
112	70026471	4	Pin Drive - Lock	
113	70026472	4	Retainer	
114	70026473	8	Capscrew, M10 x 12	
115	70026590	4	Thrust Washer	
116	70026591	4	Pin Weldment	
117	70026592	1	Contact Pad - RH	
118	70026593	1	Contact Pad - LH	
119	70026594	2	Roller	
120	70026595	2	Clevis Pin	
121	70026596	4	Lockwasher, M8	
122	70026597	4	Capscrew, M8 x 16	
123	70026598	2	Retainer	
124	70026599	2	Ring Detent Pin	
125	70023000	4	Fitting	
126	70026600	2	Capscrew, M8 x 60	
127	70026481	4	Hose Clamp	
128	70026482	2	Washer	
129	70022996	2	Capscrew, M10X16	
130	70026476	24	Shim	
131	70026601	8	Shim	
132	70026602	2	Hose	
133	70026603	2	Hose	
134	70026604	2	Hose	
135	70026605	2	Hose	
136	70024538	4	Warning Decal	
137	70026606	2	Lynch Pin, 3/16	
138	70026501	4	Bushing	
139	70026607	4	Bushing	
140	70026608	1	Plug	
141	70026609	1	Cap	

SECTION 3 - ATTACHMENTS

ITEM	PART NUMBER	QTY	DESCRIPTION	REV
142	91403414	1	Coupler - Male	
143	91403413	1	Coupler - Female	

SECTION 3 - ATTACHMENTS

FIGURE 3-67. SWEEPER ASSEMBLY



ART_1001202904

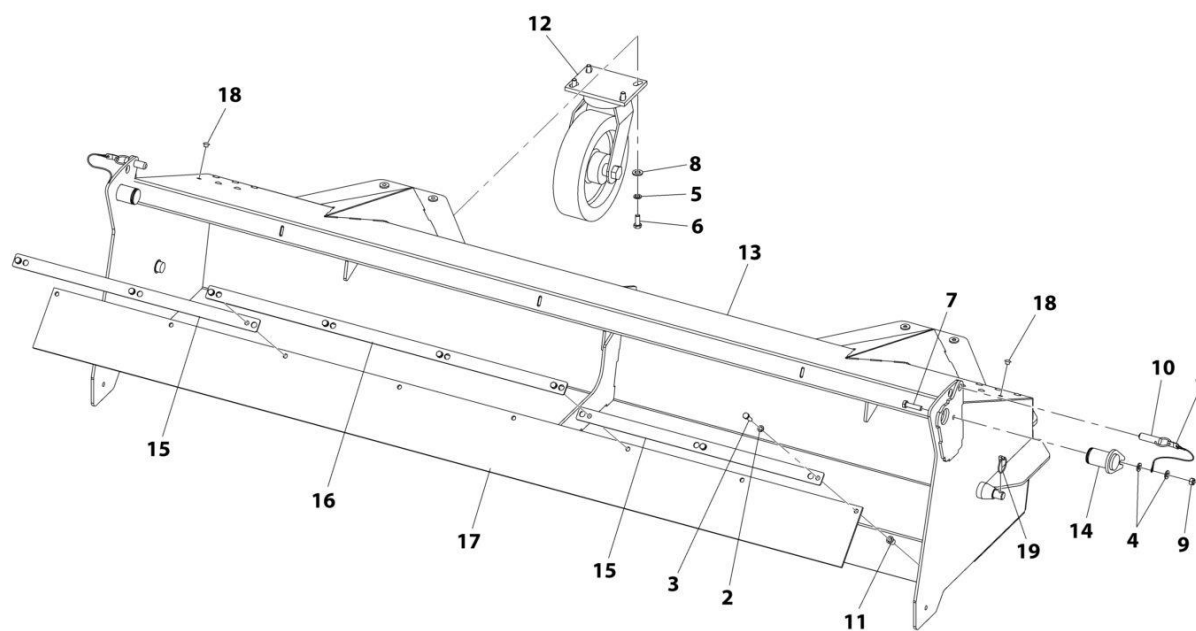
SECTION 3 - ATTACHMENTS

FIGURE 3-67. SWEEPER ASSEMBLY

ITEM	PART NUMBER	QTY	DESCRIPTION	REV
	1001202904	Ref	Sweeper Assembly	D
1	See Note	NSS	S/N Plate (Note: Stamped Part - Not Available for Purchase)	
2	1001227670	1	Tag, RFID	
		Ref	Sweeper Assembly- Hopper (See Separate Breakdown in this Section)	
		Ref	Sweeper Assembly - Body (See Separate Breakdown in this Section)	
		Ref	Sweeper Assembly - Motor (See Separate Breakdown in this Section)	
		Ref	Sweeper Assembly - Idler (See Separate Breakdown in this Section)	
		Ref	Sweeper Assembly - Core (See Separate Breakdown in this Section)	
		Ref	Sweeper Assembly - Hydraulic Single Motor (See Separate Breakdown in this Section)	

SECTION 3 - ATTACHMENTS

FIGURE 3-68. SWEEPER - HOPPER ASSEMBLY



ART_1001202904_1-B

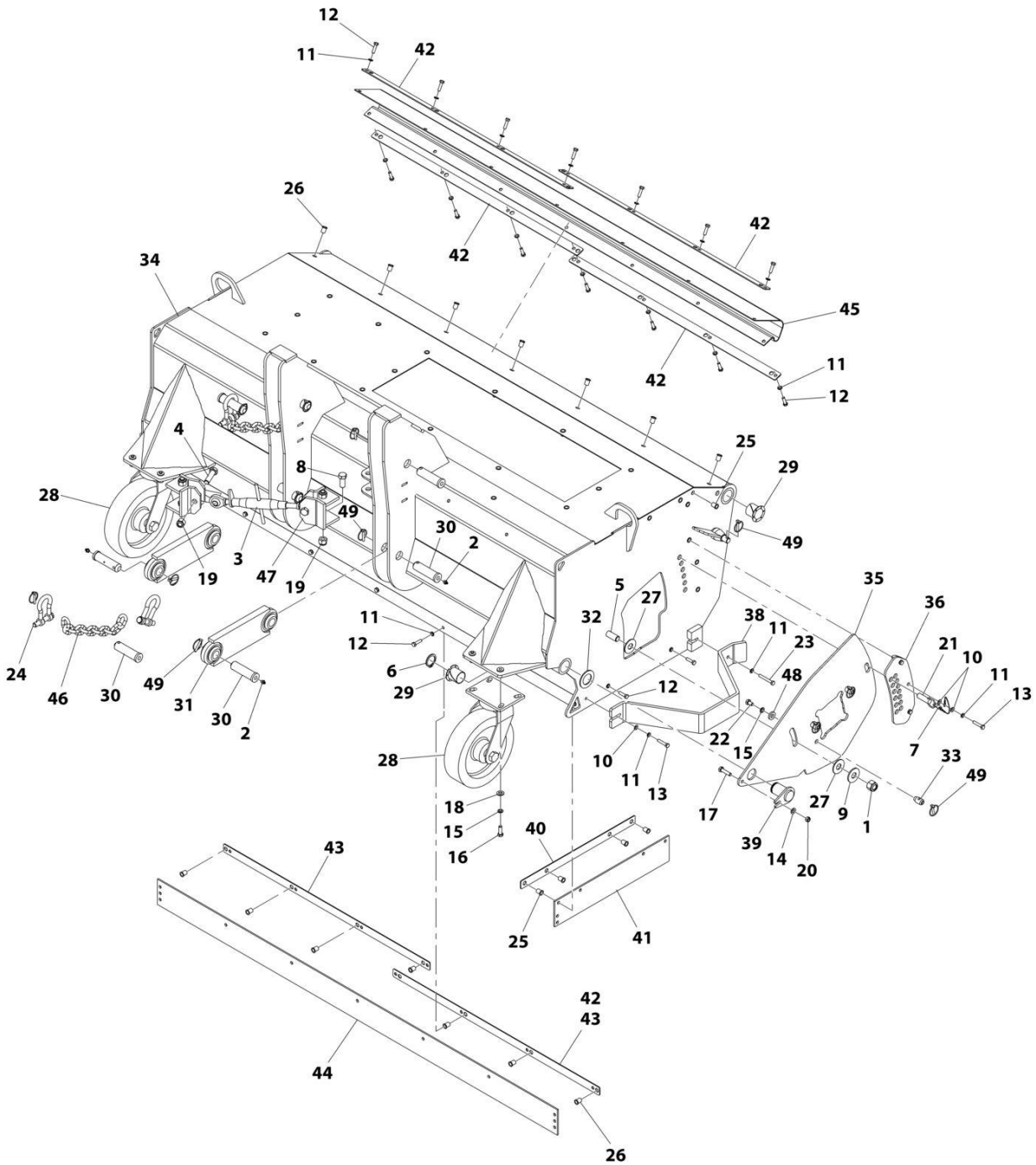
SECTION 3 - ATTACHMENTS

FIGURE 3-68. SWEEPER - HOPPER ASSEMBLY

ITEM	PART NUMBER	QTY	DESCRIPTION	REV
	1001202904	Ref	SWEEPER ASSEMBLY - HOPPER	
1	70029725	2	Lanyard	
2	70029734	8	Washer	
3	70029735	8	Screw	
4	70029738	4	Washer	
5	70029739	8	Washer	
6	70029740	8	Screw	
7	70029742	2	Screw	
8	70029743	8	Washer	
9	70029747	2	Nut	
10	70029750	2	Pin	
11	70029756	8	Nut	
12	70029762	2	Assembly, Caster	
13	See Note	NSS	Hopper (Note: Purchase Complete Assembly)	
14	70029777	2	Pin	
15	70029780	2	Plate	
16	70029781	1	Plate	
17	70029785	1	Flap	
18	70029792	12	Plug	
19	70029794	2	Pin, Lynch	

SECTION 3 - ATTACHMENTS

FIGURE 3-69. SWEEPER - BODY ASSEMBLY



ART_1001202904_2-B

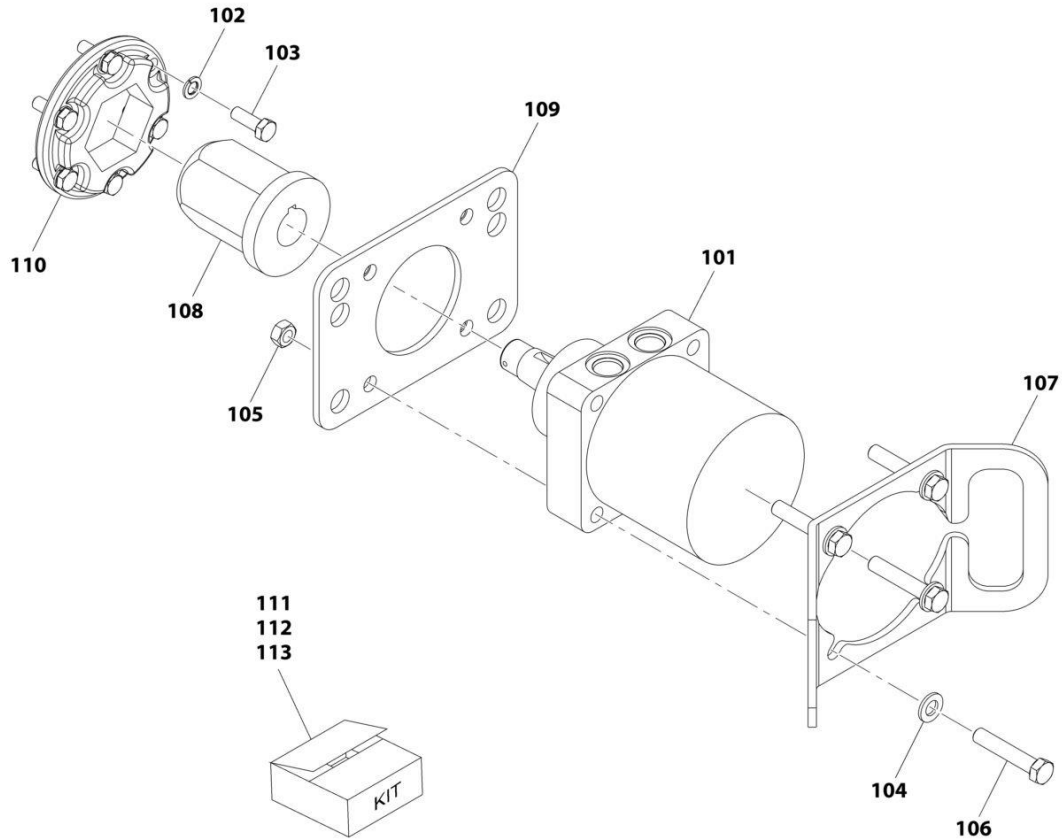
SECTION 3 - ATTACHMENTS

FIGURE 3-69. SWEEPER - BODY ASSEMBLY

ITEM	PART NUMBER	QTY	DESCRIPTION	REV
	1001202904	Ref	SWEEPER ASSEMBLY - BODY	
1	70029720	2	Nut	
2	70029721	4	Fitting, Grease	
3	70029722	1	Toplink	
4	70029723	2	Screw	
5	70020004	2	Screw	
6	70029724	2	Ring, Snap	
7	70029725	2	Lanyard	
8	70029726	4	Screw	
9	70029728	2	Washer	
10	70029732	6	Washer	
11	70029734	38	Washer	
12	70029735	32	Screw	
13	70029736	4	Screw	
14	70029738	2	Washer	
15	70029739	14	Washer	
16	70029741	8	Screw	
17	70029742	2	Screw	
18	70029743	8	Washer	
19	70029745	6	Nut	
20	70029747	2	Nut	
21	70029729	2	Pin	
22	70029751	6	Screw	
23	70029752	2	Screw	
24	70029755	4	Shackle	
25	70029756	45	Nut	
26	70029757	25	Nut	
27	70029760	4	Washer	
28	70029762	2	Assembly, Caster	
29	70029764	4	Bearing	
30	70029765	8	Pin	
31	70029766	2	Link	
32	70029767	2	Washer	
33	70029768	6	Stud	
34	See Note	NSS	Body, Sweeper (Note: Purchase Complete Assembly)	
35	70029773	2	Plate	
36	70029774	2	Plate	
37	70029775	2	Plate	
38	70029776	2	Plate	
39	70029777	2	Pin	
40	70029778	2	Plate	
41	70029779	2	Flap	
42	70029780	6	Plate	
43	70029781	3	Plate	
44	70029784	1	Flap	
45	70029786	1	Flap	
46	70029788	2	Chain	
47	70029790	2	Toplink	
48	70029793	6	Washer	
49	70029794	16	Pin, Lynch	

SECTION 3 - ATTACHMENTS

FIGURE 3-70. SWEEPER - MOTOR ASSEMBLY



ART_1001202904_3-B

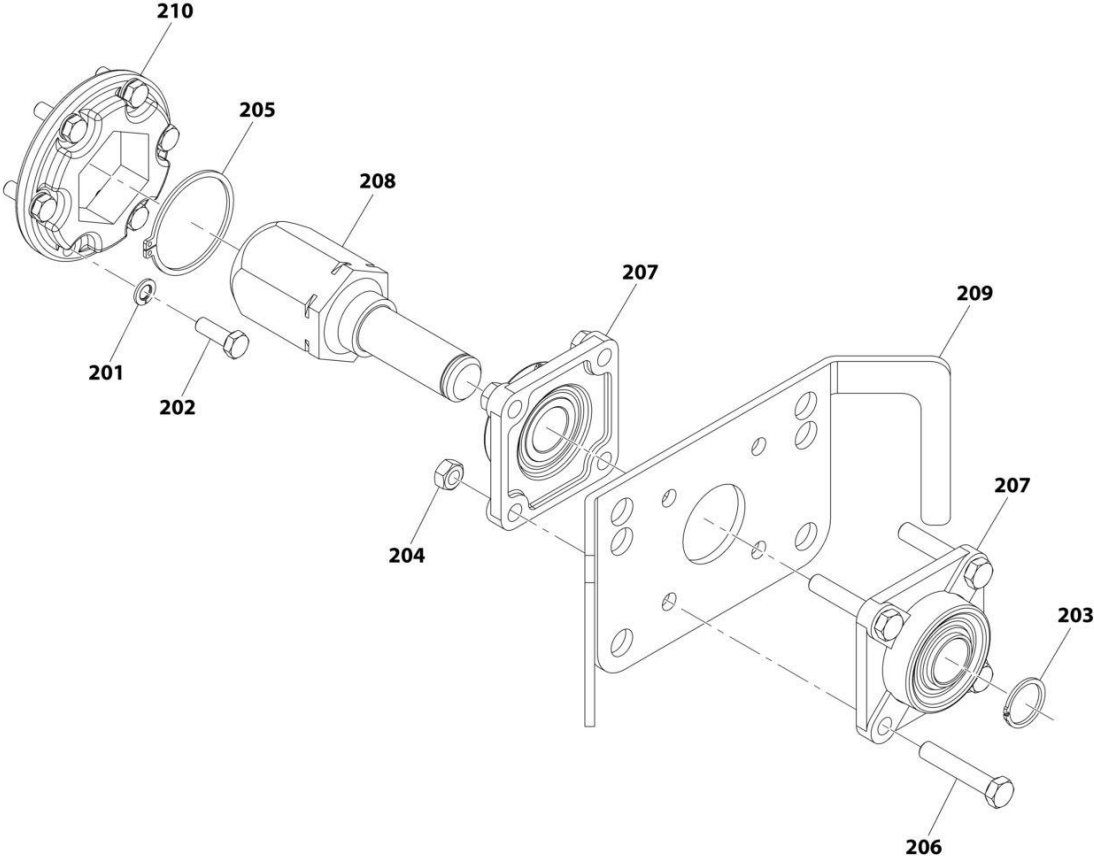
SECTION 3 - ATTACHMENTS

FIGURE 3-70. SWEEPER - MOTOR ASSEMBLY

ITEM	PART NUMBER	QTY	DESCRIPTION	REV
	1001202904	Ref	SWEEPER ASSEMBLY - MOTOR	
101	70029717	1	Motor	
102	70029739	6	Washer	
103	70029741	6	Screw	
104	70029743	4	Washer	
105	70029746	4	Nut	
106	70029749	4	Screw	
107	70029769	1	Plate	
108	70029771	1	Hub	
109	70029772	1	Plate	
110	70029789	1	Plate	
111	70029719	1	Nut, Motor Shaft Lock	
112	70029718	1	Kit, Seal	
113	70029761	1	Key	

SECTION 3 - ATTACHMENTS

FIGURE 3-71. SWEEPER - IDLER ASSEMBLY



ART_1001202904_4-B

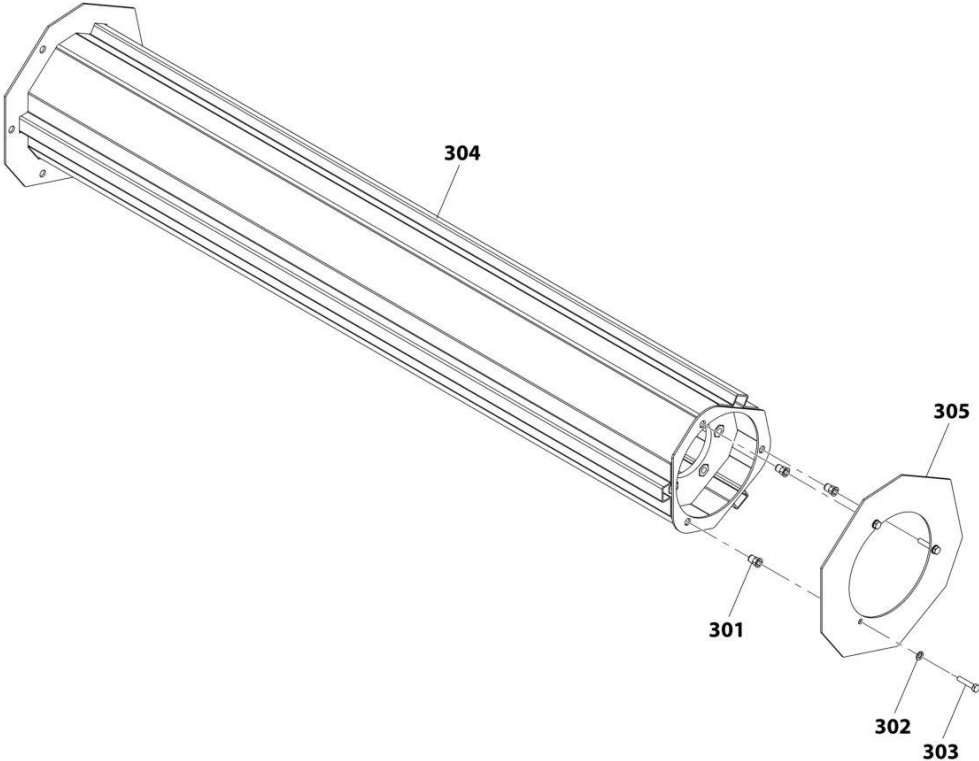
SECTION 3 - ATTACHMENTS

FIGURE 3-71. SWEEPER - IDLER ASSEMBLY

ITEM	PART NUMBER	QTY	DESCRIPTION	REV
	1001202904	Ref	SWEEPER ASSEMBLY - IDLER	
201	70029739	6	Washer	
202	70029741	6	Screw	
203	70029744	1	Ring, Snap	
204	70029746	4	Nut	
205	70029748	1	Ring, Snap	
206	70029749	4	Screw	
207	70029763	2	Bearing	
208	70029770	1	Hub	
209	70029787	1	Plate	
210	70029789	1	Plate	

SECTION 3 - ATTACHMENTS

FIGURE 3-72. SWEEPER - CORE ASSEMBLY



ART_1001202904_5-B

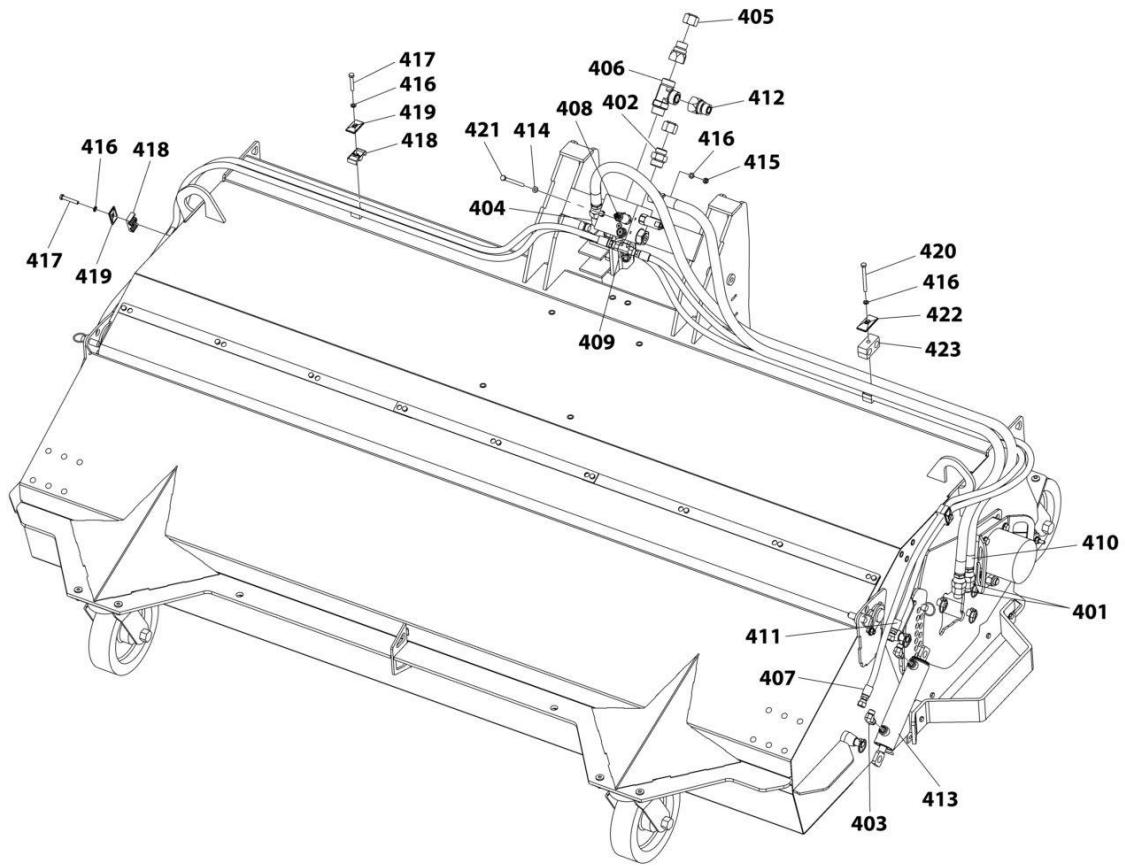
SECTION 3 - ATTACHMENTS

FIGURE 3-72. SWEEPER - CORE ASSEMBLY

ITEM	PART NUMBER	QTY	DESCRIPTION	REV
	1001202904	1	SWEEPER ASSEMBLY - CORE	
301	70029727	3	Nut	
302	70029730	3	Washer	
303	70029731	3	Screw	
304	70029782	1	Core	
305	70029783	1	Plate	

SECTION 3 - ATTACHMENTS

FIGURE 3-73. SWEEPER - HYDRAULIC SINGLE MOTOR ASSEMBLY



ART_1001202904_6-B

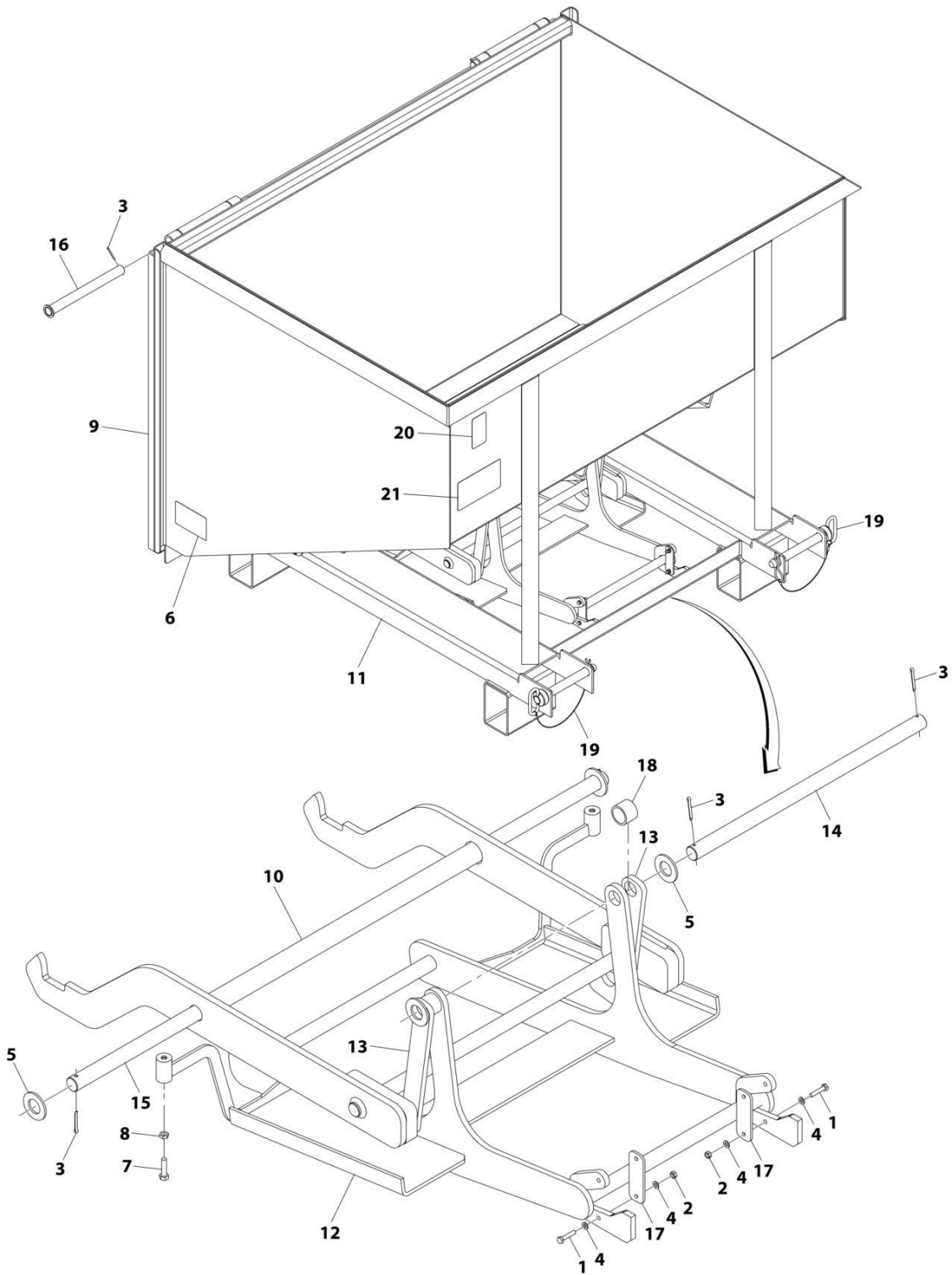
SECTION 3 - ATTACHMENTS

FIGURE 3-73. SWEEPER - HYDRAULIC SINGLE MOTOR ASSEMBLY

ITEM	PART NUMBER	QTY	DESCRIPTION	REV
	1001202904	Ref	SWEEPER ASSEMBLY - HYDRAULICS	
401	70029704	2	Fitting	
402	70029705	1	Fitting	
403	70029706	4	Fitting, 90	
404	70029707	1	Fitting, 90	
405	70029708	2	Cap	
406	70029709	1	Fitting, Tee	
407	70029710	2	Hose	
408	70029711	1	Manifold	
409	70029712	2	Fitting, Tee	
410	70029713	2	Hose	
411	70029714	2	Hose	
412	70029715	2	Fitting	
413	70029716	2	Cylinder	
413	70029791	1	Kit, Seal	
414	70029732	2	Washer	
415	70029733	2	Nut	
416	70029734	6	Washer	
417	70029737	3	Screw	
418	70029753	8	Hose	
419	70029754	3	Cover	
420	70029758	1	Screw	
421	70029759	2	Screw	
422	70029795	1	Cover	
423	70029796	1	Cradle, Hose	

SECTION 3 - ATTACHMENTS

FIGURE 3-74. TRASH HOPPER



ART_1001238566-B

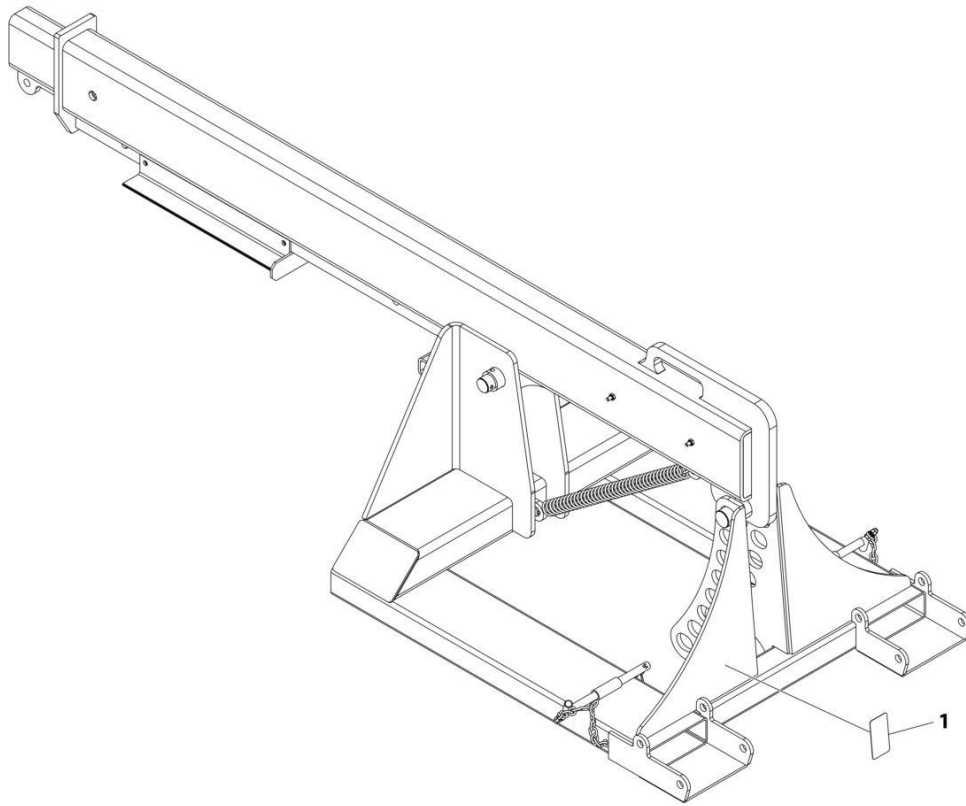
SECTION 3 - ATTACHMENTS

FIGURE 3-74. TRASH HOPPER

ITEM	PART NUMBER	QTY	DESCRIPTION	REV
	1001238566	Ref	FORK MOUNTED TRASH HOPPER	C
1	0700614	4	Bolt M6 x 30	
2	3290601	4	Nut M6 x 1	
3	3391410	6	Pin	
4	4811700	8	Washer M6	
5	5242400	4	Washer M24	
6	1706302	2	Decal, Pinch Point	
7	0641510	2	Bolt 5/16 x 1-1/4	
8	3311502	2	Nut 5/16	
9	1001192711	1	Door Assembly	
10	1001192720	1	Hook Assembly	
11	See Note	NSS	Hopper, Trash (Note: Purchase Complete Assembly)	
12	1001192875	1	Tray Assembly	
13	1001192876	2	Arm, Swing	
14	1001192877	1	Rod, Swing	
15	1001238570	1	Bar	
16	1001193540	2	Pin	
17	1001193729	2	Plate	
18	1001198355	2	Spacer	
19	1001238560	2	Pin	
20	See Note	NSS	SN Plate (Note: Stamped Part - Not Available for Purchase)	
21	1001203503	1	Decal, Trash Hopper Operation	

SECTION 3 - ATTACHMENTS

FIGURE 3-75. TELESCOPE PIVOT ADJUSTABLE JIB (10K)



ART_1001301527

SECTION 3 - ATTACHMENTS

FIGURE 3-75. TELESCOPE PIVOT ADJUSTABLE JIB (10K)

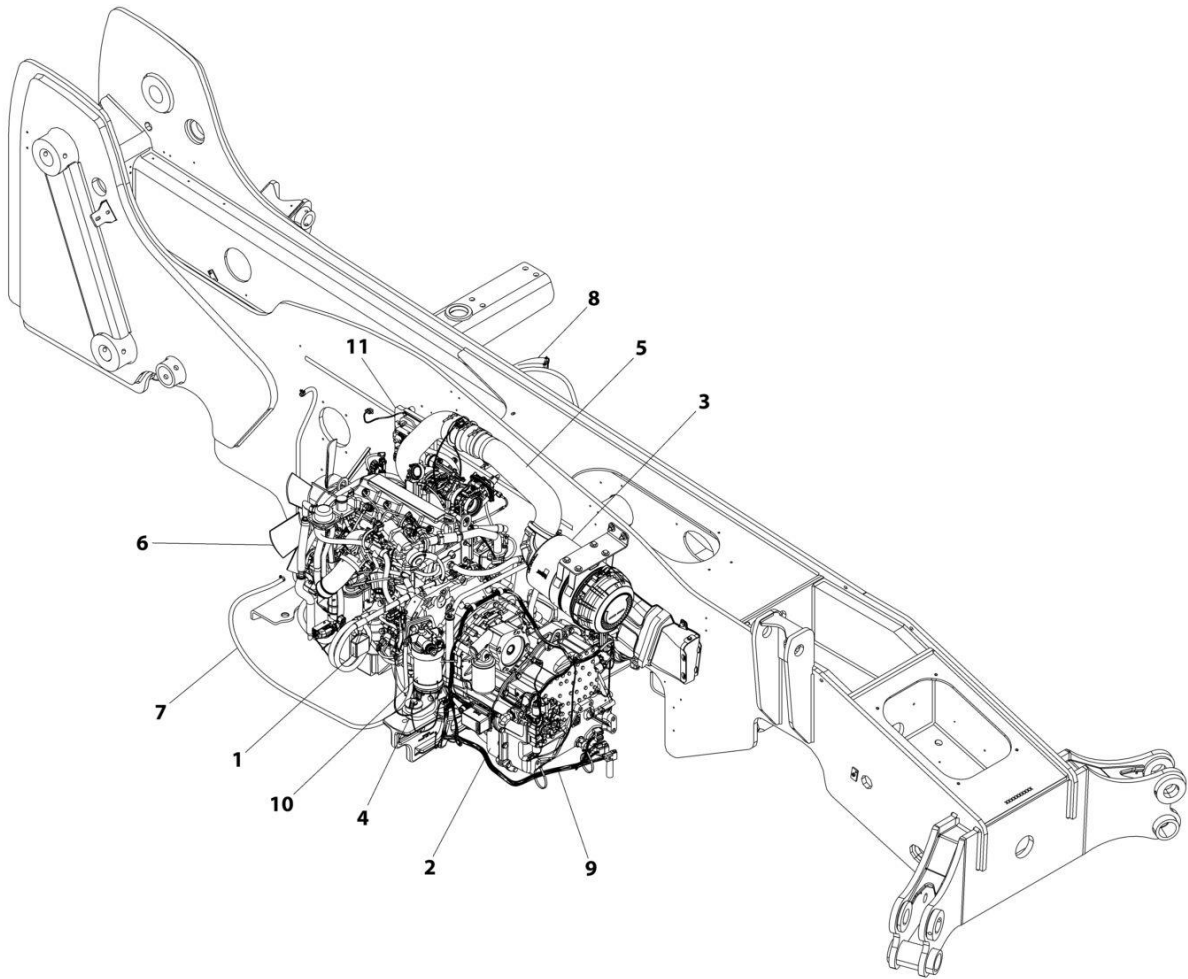
ITEM	PART NUMBER	QTY	DESCRIPTION	REV
1	1001301527 See Note	Ref NSS	TELESCOPE PIVOT ADJUSTABLE JIB SN Plate (Note: Not Available for Purchase)	A

SECTION 4 - ENGINE AND ATTACHING PARTS

SECTION 4 - ENGINE AND ATTACHING PARTS

SECTION 4 - ENGINE AND ATTACHING PARTS

FIGURE 4-1. ENGINE INSTALLATION (ULS)



ART_1001160387-D

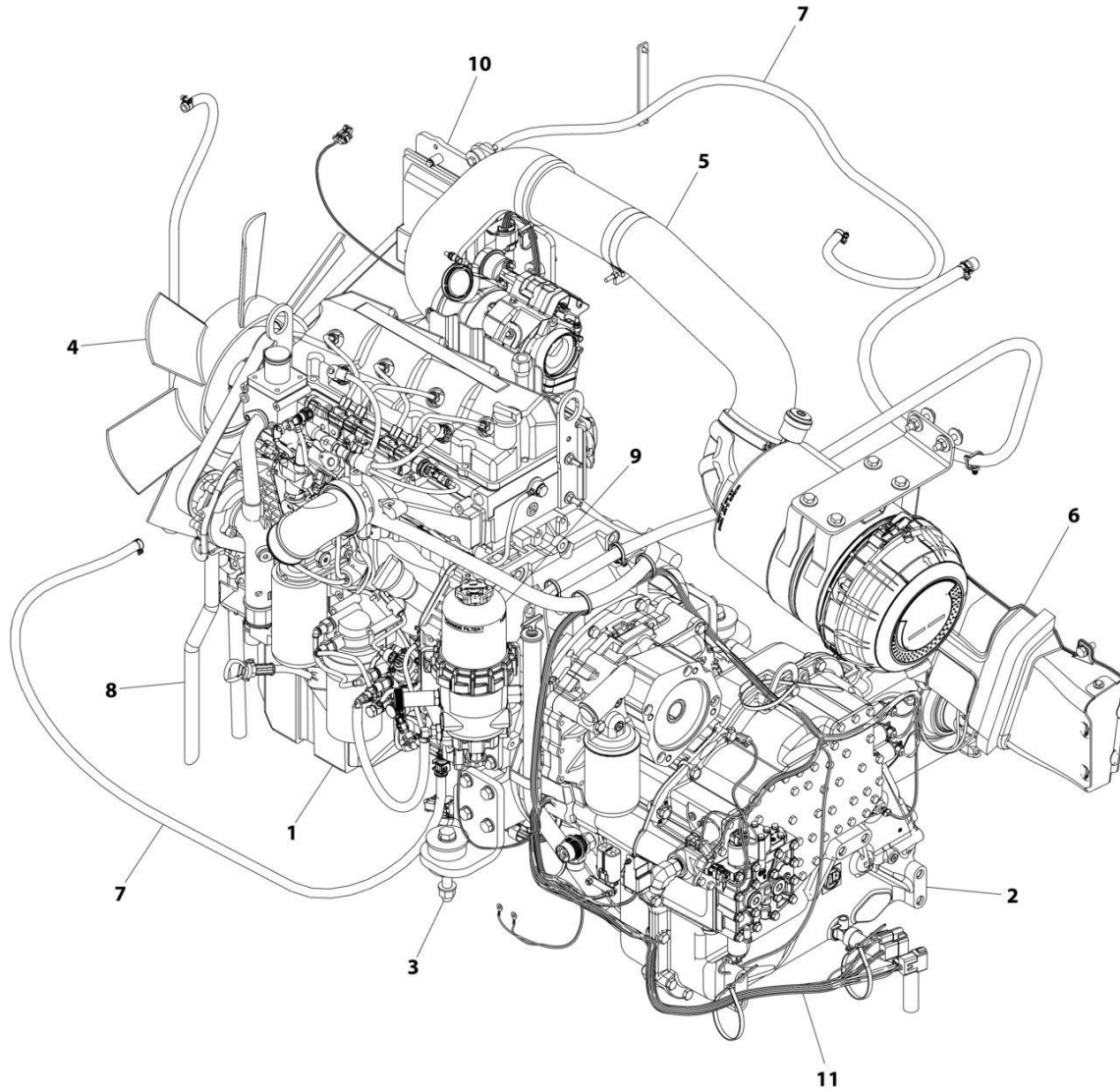
SECTION 4 - ENGINE AND ATTACHING PARTS

FIGURE 4-1. ENGINE INSTALLATION (ULS)

ITEM	PART NUMBER	QTY	DESCRIPTION	REV
1	1001160387	Ref	Engine Installation (if equipped for ULS)	D
	1001154511	Ref	Engine, QSF 3.8L, (130HP) (See Separate Breakdown in this Section)	
2	1001161664	Ref	Transmission Powershift Installation (See Separate Breakdown in DRIVETRAIN Section)	
3	1001162988	Ref	Air Cleaner, 4.4L 106KW Installation (See Separate Breakdown in this Section)	
4	1001163227	Ref	Engine Mounting 3.8L Engine Installation (See Separate Breakdown in FRAME AND ATTACHING PARTS Section)	
5	1001163228	Ref	Intake Air Lines 3.8L Engine Installation Assembly, Electrical PDB (See Separate Breakdown in this Section)	
6	1001163230	Ref	Fan, 3.8L Engine Installation Assembly, Electrical PDB (See Separate Breakdown in this Section)	
7	1001163231	Ref	Fuel Lines, 3.8L Engine Installation Assembly, Electrical PDB (See Separate Breakdown in this Section)	
8	1001163232	Ref	Def Lines, 3.8L Engine Installation Assembly, Electrical PDB (See Separate Breakdown in this Section)	
9	1001163233	Ref	Engine Wiring 3.8L Engine Installation Assembly, Electrical PDB (See Separate Breakdown in ELECTRICAL Section)	
10	1001163235	Ref	Primary Fuel Filter, 3.8L Engine Installation Assembly, Electrical PDB (See Separate Breakdown in this Section)	
11	1001170722	Ref	ECU, 3.8L Engine Installation (See Separate Breakdown in ELECTRICAL Section)	

SECTION 4 - ENGINE AND ATTACHING PARTS

FIGURE 4-2. ENGINE INSTALLATION (LS)



ART_1001160396-D

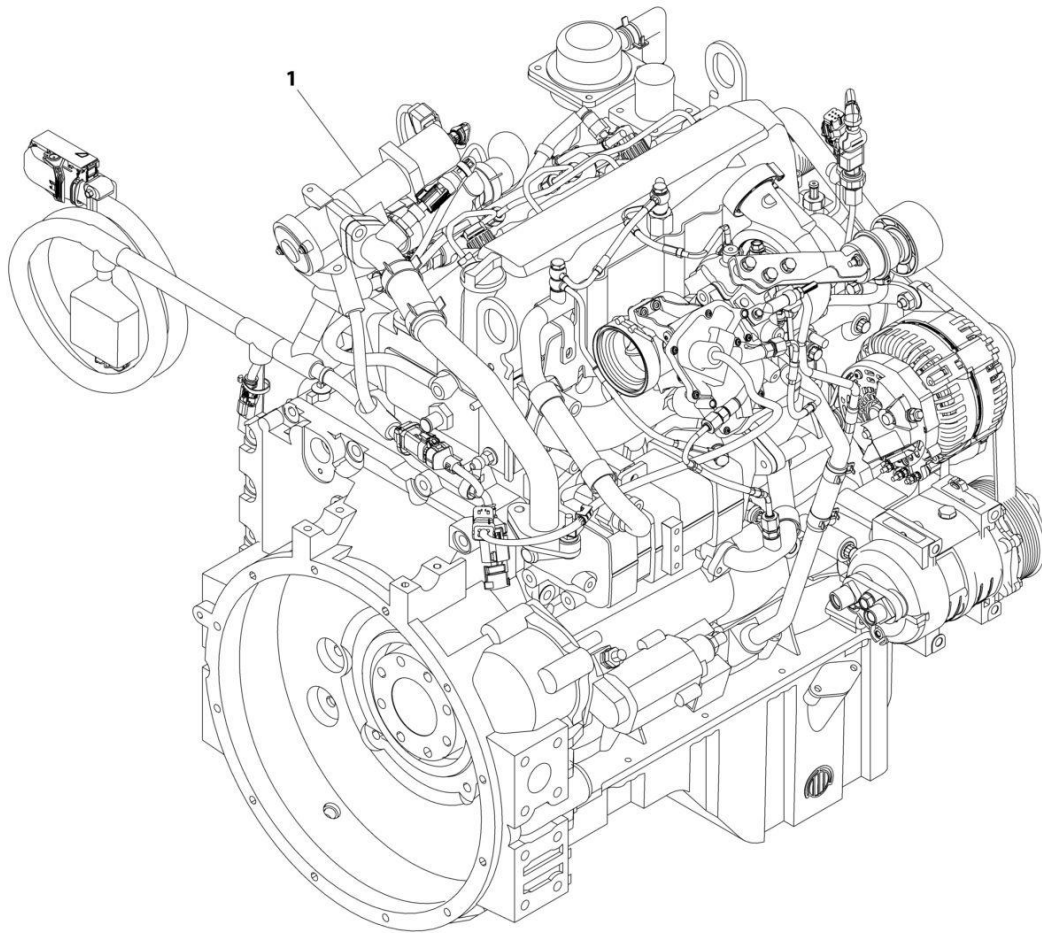
SECTION 4 - ENGINE AND ATTACHING PARTS

FIGURE 4-2. ENGINE INSTALLATION (LS)

ITEM	PART NUMBER	QTY	DESCRIPTION	REV
	1001160396	Ref	Engine Installation, 110HP (LS)	D
1	1001154790	Ref	Engine, 110HP (LS) (See Separate Breakdown in this Section)	
2	1001161664	Ref	Installation, Transmission (See Separate Breakdown in DRIVETRAIN Section)	
3	1001163227	Ref	Installation, Engine Mounting (See Separate Breakdown in this Section)	
4	1001163230	Ref	Installation, Fan (See Separate Breakdown in this Section)	
5	1001163238	Ref	Installation, Air Intake Lines (LS) (See Separate Breakdown in this Section)	
6	1001163239	Ref	Installation, Air Cleaner (LS) (See Separate Breakdown in this Section)	
7	1001163241	Ref	Installation, Fuel Lines (LS) (See Separate Breakdown in this Section)	
8	1001176228	1	Hose, 3.8L	
9	1001180076	Ref	Installation, Primary Fuel Filter (LS) (See Separate Breakdown in this Section)	
10	1001180242	Ref	Installation, Engine ECM (LS) (See Separate Breakdown in ELECTRICAL Section)	
11	1001163242	Ref	Installation, Engine Wiring (LS) (See Separate Breakdown in ELECTRICAL Section)	

SECTION 4 - ENGINE AND ATTACHING PARTS

FIGURE 4-3. 3.8L ENGINE (ULS)



ART_1001154511

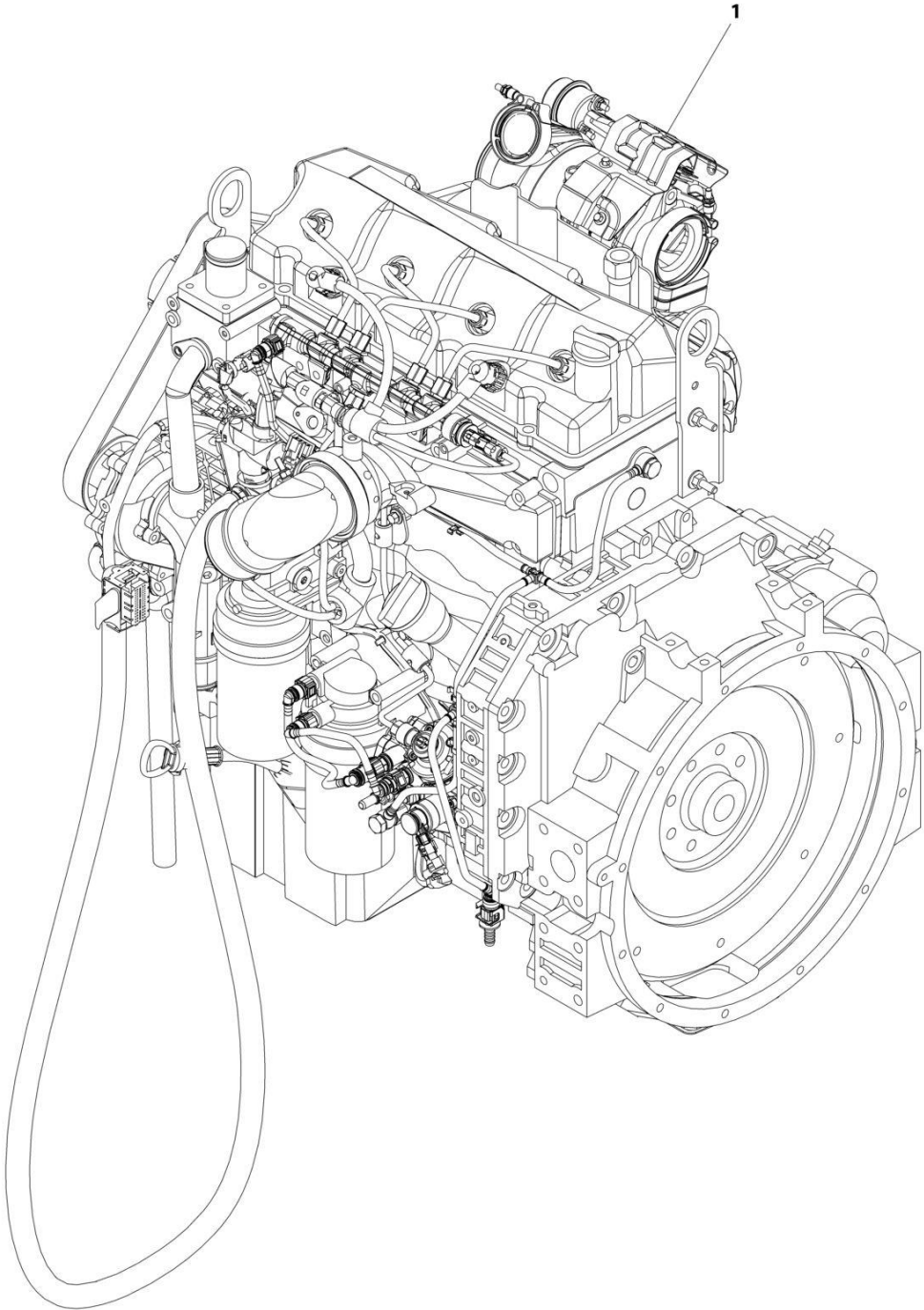
SECTION 4 - ENGINE AND ATTACHING PARTS

FIGURE 4-3. 3.8L ENGINE (ULS)

ITEM	PART NUMBER	QTY	DESCRIPTION	REV
1	1001154511	Ref	Engine, QSF 3.8L (if equipped for ULS)	W
	70026220	1	Assembly, Secondary Fuel Filter (includes shell, seal and cartridge)	
	70026453	1	Cartridge, Fuel Filter	
	70031350	1	Rail, Fuel	
	70031351	1	Sensor, Fuel Pressure	
	70031352	1	Valve, Fuel Pressure Relief Valve	
	70026223	1	Pan, Oil	
	70026224	1	Seal, Oil Pan	
	70026225	1	Plug, Oil Pan	
	70026226	1	Seal, Oil Pan Plug	
	1001128594	1	Starter	
	70026228	1	Filler Cap, Valve Cover	
	70026229	1	Fan Belt, V-Ribbed	
	70026230	1	Support, Fan	
	70026231	1	Pulley, Fan	
	70026232	1	Alternator	
	70028450	1	Assembly, Primary Fuel Filter, (includes filter head, seal and element)	
	70026235	1	Assembly, Dipstick Oil Level	
	70026236	1	Assembly, Block Heater	
	70026241	1	Assembly, Fuel Filter Plug	
	70026237	1	Filter, Oil	
	70023933	1	O-Ring, Oil Pressure Switch	
	70041620	2	Ring, Retaining	
	70041616	1	Bolt, Fan Drive	
	70041617	1	Bearing, Ball	
	70041619	1	Retainer, Fan Hub	
	1322039	1	Spacer, Fan Pilot	
	1321094	16	Bolt, Oil Pan	
	70024016	1	Cap, Side Oil Fill	
	70022634	1	Flywheel w/Ring Gear	
	70023736	1	Ring Gear, Flywheel	
	1322040	1	Plug, Flywheel	
	70030317	1	Connection, Fuel Actuator	
	70030347	1	Valve, Exhaust Throttle	
	70031380	1	Harness, ECM	

SECTION 4 - ENGINE AND ATTACHING PARTS

FIGURE 4-4. 3.8L ENGINE (LS)



ART_1001154790

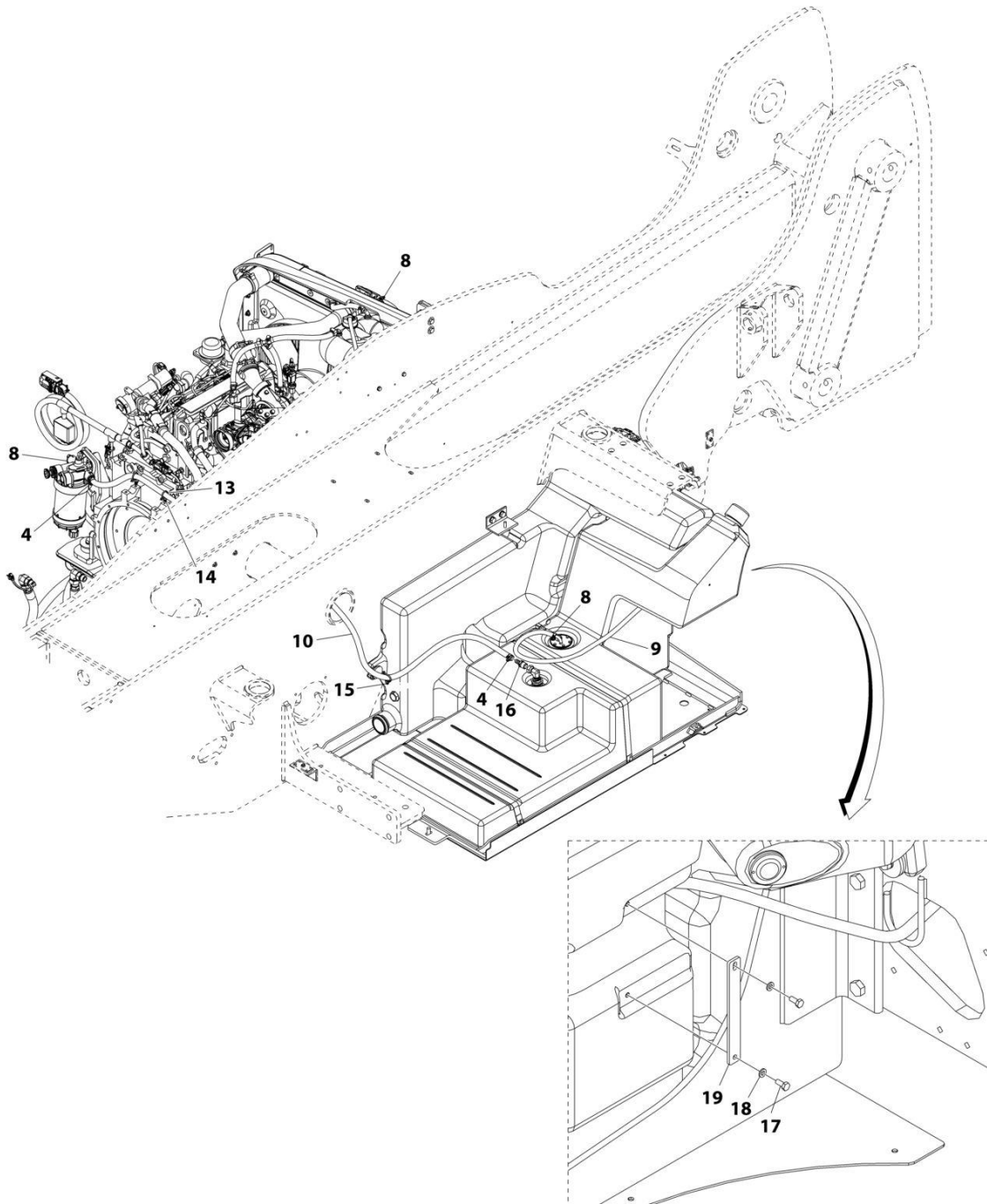
SECTION 4 - ENGINE AND ATTACHING PARTS

FIGURE 4-4. 3.8L ENGINE (LS)

ITEM	PART NUMBER	QTY	DESCRIPTION	REV
1	1001154790	Ref	3.8L Engine (LS)	L
	70026800	1	Fuel Filter Assembly	
	70026801	1	Fuel Filter Element	
	70026222	1	Assembly, Flywheel Housing	
	70027281	1	Pan, Oil	
	70026224	1	Seal, Oil Pan	
	70026225	1	Plug, Oil Pan	
	70026226	1	Seal, Oil Pan Plug	
	1001128594	1	Starter	
	70026228	1	Filler Cap, Valve Cover	
	70026229	1	Fan Belt, V-Ribbed	
	70026230	1	Support, Fan	
	70026231	1	Pulley, Fan	
	70026232	1	Alternator	
	70026233	1	Assembly, Primary Fuel Filter	
	70026234	1	Element, Fuel Filter	
	70026235	1	Assembly, Dipstick Oil Level	
	70026241	1	Assembly, Fuel Filter Plug	
	70026237	1	Filter, Oil	
	70041620	2	Ring, Retaining	
	70041616	1	Bolt	
	70041617	1	Bearing, Ball	
	70041619	1	Retainer, Fan Hub	
	1322039	1	Spacer, Fan Pilot	
	1321094	17	Screw	
	70024016	1	Cap, Side Oil Fill	
	70022634	1	Flywheel w/Ring Gear	
	70023736	1	Ring Gear, Flywheel	
	1322040	1	Plug, Flywheel	

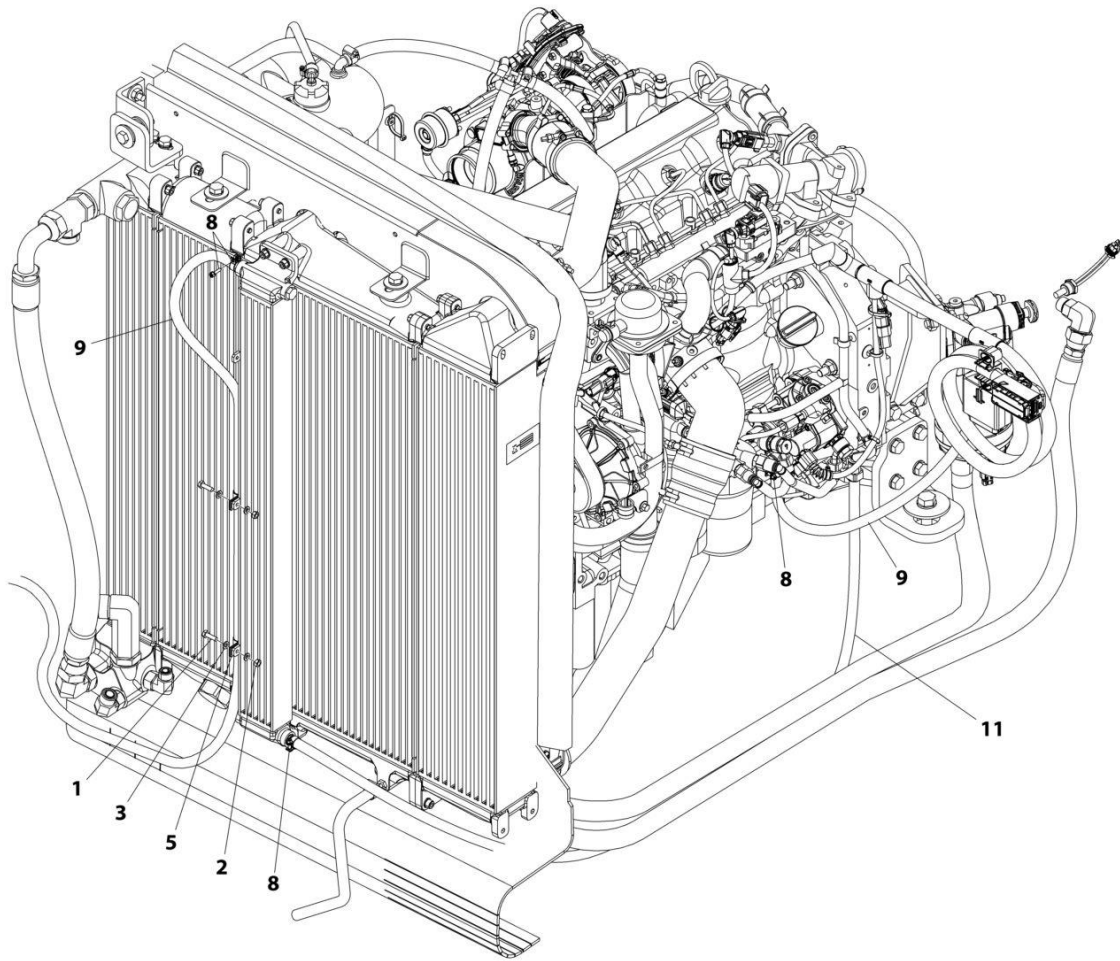
SECTION 4 - ENGINE AND ATTACHING PARTS

FIGURE 4-5. FUEL LINES INSTALLATION (ULS)



ART_1001163231-1-J

SECTION 4 - ENGINE AND ATTACHING PARTS



ART_1001163231_2-J

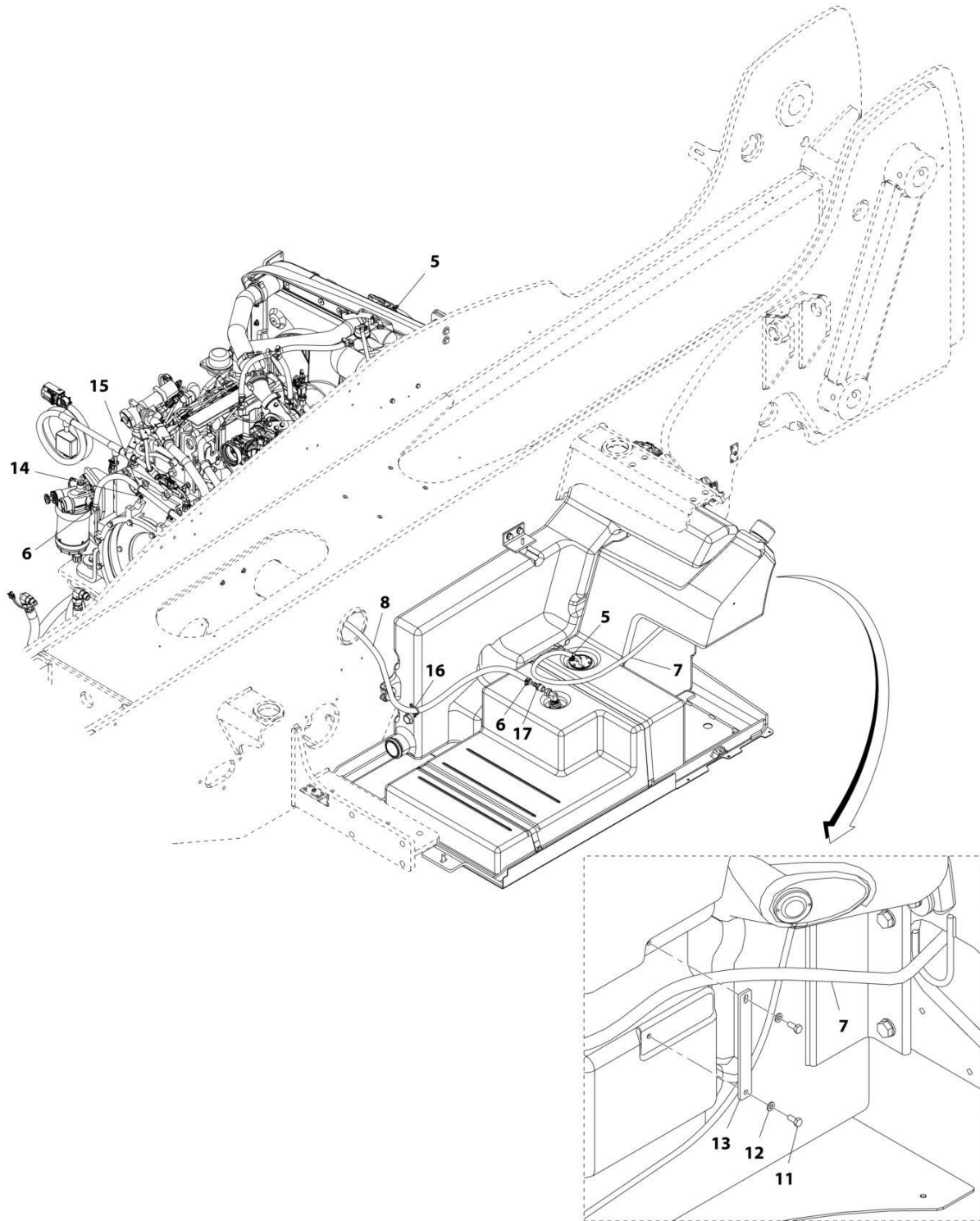
SECTION 4 - ENGINE AND ATTACHING PARTS

FIGURE 4-5. FUEL LINES INSTALLATION (ULS)

ITEM	PART NUMBER	QTY	DESCRIPTION	REV
	1001163231	Ref	Fuel Lines Installation	J
1	0700610	2	Bolt, M6X20	
2	3290601	2	Nut, M6X1 Grade 8	
3	4811700	4	Washer, M6	
4	1001186342	2	Clip, Hose	
5	8406112	2	Clip, Tube	
8	1001136975	5	Clamp	
9	1001141400	4.3 m	Hose	
10	1001172755	2.4 m	Hose	
11	1001197299	1	Hose	
13	1001008559	2	Strap	
14	1001202986	2	Strap, Fir Tree Push Mount	
15	1001146588	1	Strap	
16	1001206588	1	Fitting	
17	0760607	2	Nut, M6X14	
18	4831700	2	Washer, Lock M6	
19	1001196440	1	Plate, Retainer	

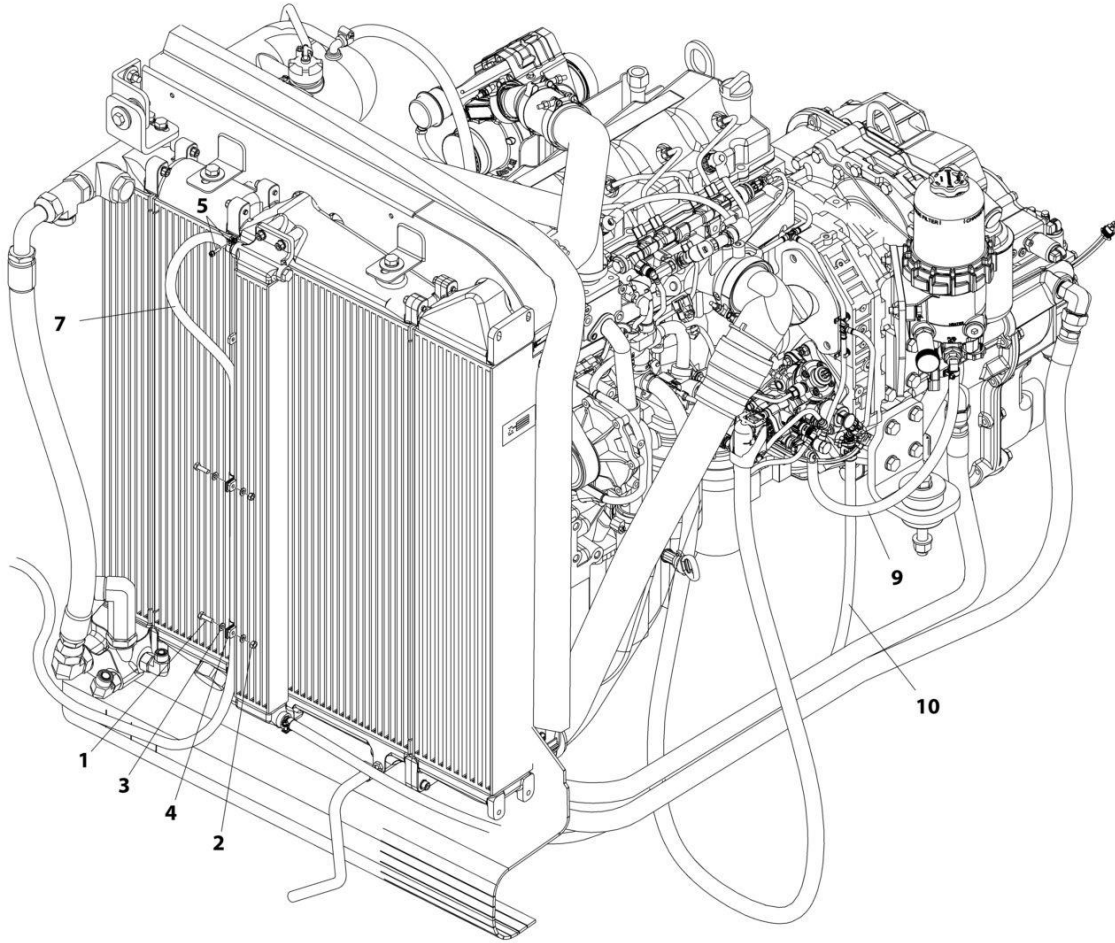
SECTION 4 - ENGINE AND ATTACHING PARTS

FIGURE 4-6. FUEL LINES INSTALLATION (LS)



ART_1001163241_1-G

SECTION 4 - ENGINE AND ATTACHING PARTS



ART_1001163241_2-G

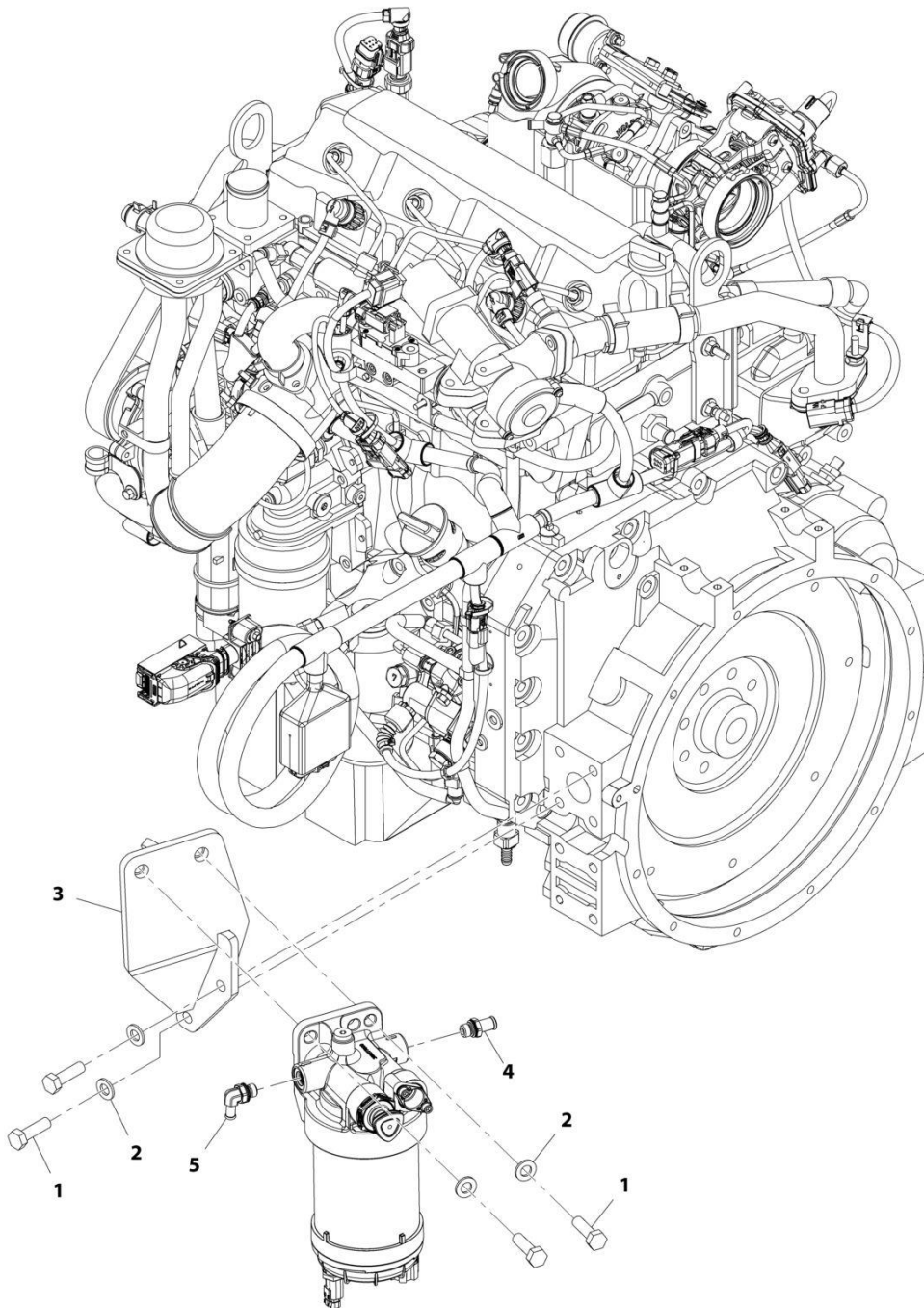
SECTION 4 - ENGINE AND ATTACHING PARTS

FIGURE 4-6. FUEL LINES INSTALLATION (LS)

ITEM	PART NUMBER	QTY	DESCRIPTION	REV
	1001163241	Ref	Fuel Lines Installation (LS)	G
1	0700610	2	Bolt, M6X20	
2	3290601	2	Nut, M6X1 Grade 8	
3	4811700	4	Washer, M6	
4	8406112	2	Clip	
5	1001136975	4	Clamp	
6	1001186342	2	Clip	
7	1001141400	3.7 m	Hose	
8	1001172755	2.4 m	Hose	
9	1001190980	1	Hose	
10	1001197299	1	Hose	
11	0760607	2	Bolt, M6X14	
12	4831700	2	Washer, Lock M6	
13	1001196440	1	Plate, Retainer	
14	1001202986	2	Strap, Fir Tree Push Mount	
15	1001008559	2	Strap	
16	1001146588	1	Strap	
17	1001206588	1	Fitting	

SECTION 4 - ENGINE AND ATTACHING PARTS

FIGURE 4-7. PRIMARY FUEL FILTER INSTALLATION (ULS)



ART_1001163235-F

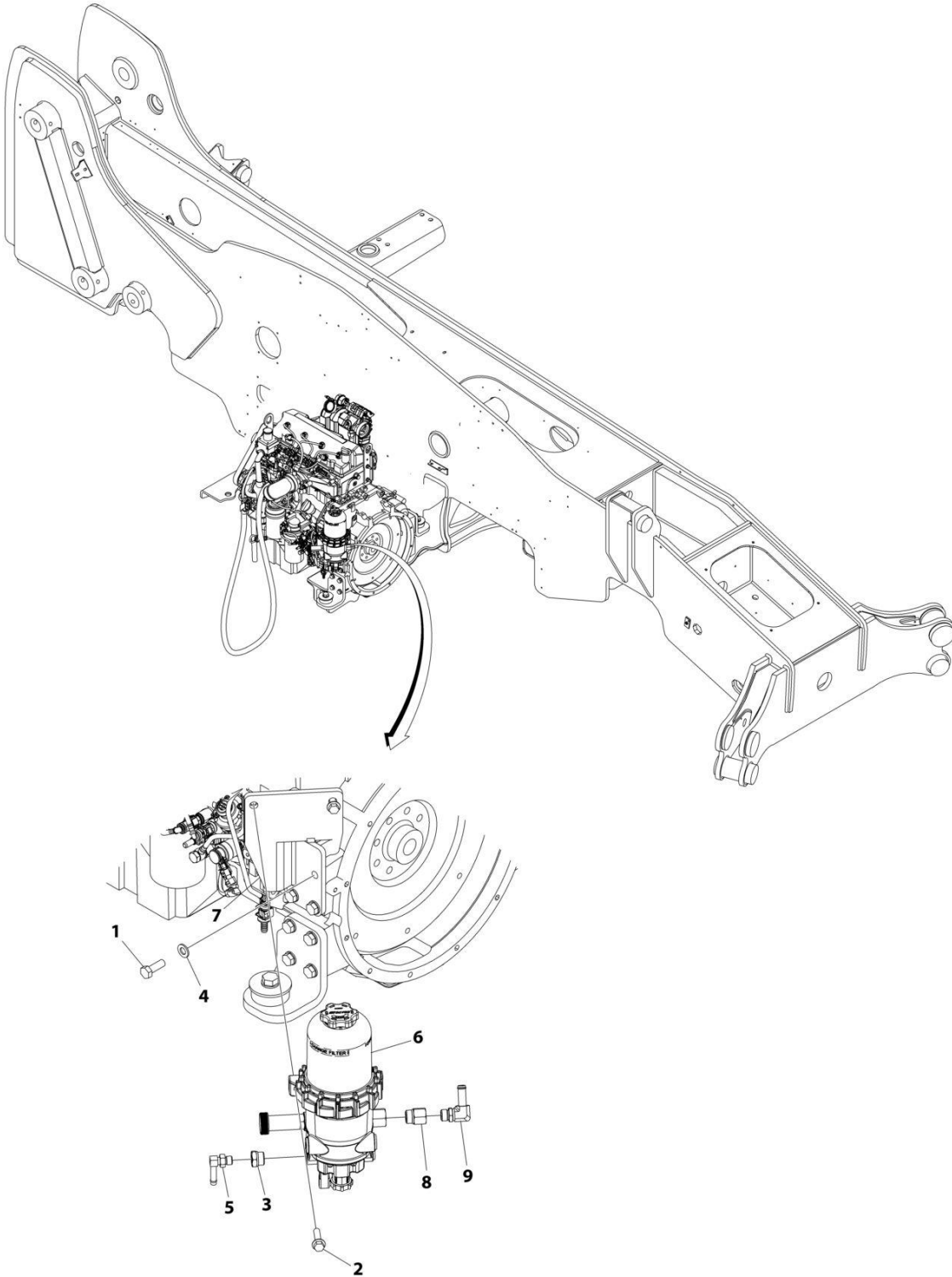
SECTION 4 - ENGINE AND ATTACHING PARTS

FIGURE 4-7. PRIMARY FUEL FILTER INSTALLATION (ULS)

ITEM	PART NUMBER	QTY	DESCRIPTION	REV
	1001163235	Ref	Primary Fuel Filter Installation	F
1	0701216	4	Bolt, M12X40	
2	4812100	4	Washer, M12	
3	1001206019	1	Bracket, Fuel Filter Mount	
4	1001217467	1	Barb, Hose	
5	1001182094	1	Hose	

SECTION 4 - ENGINE AND ATTACHING PARTS

FIGURE 4-8. PRIMARY FUEL FILTER INSTALLATION (LS)



ART_1001180076_E

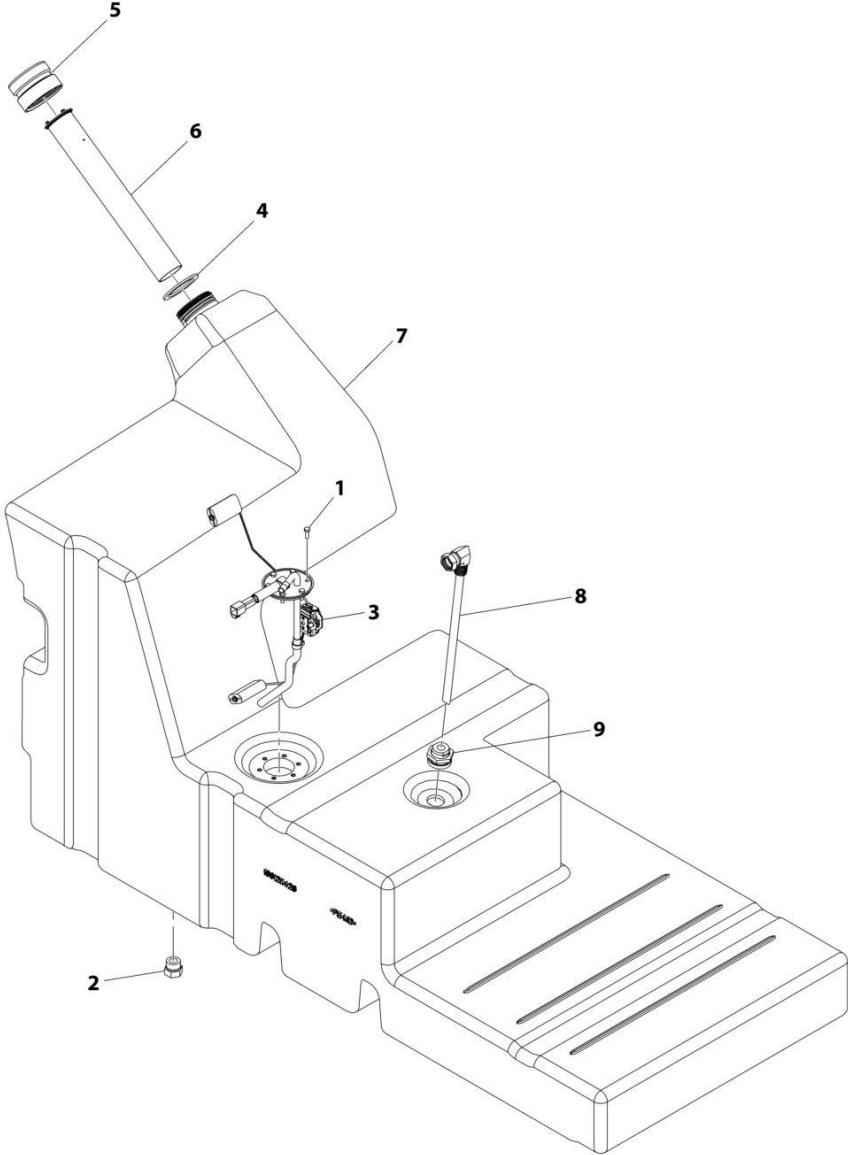
SECTION 4 - ENGINE AND ATTACHING PARTS

FIGURE 4-8. PRIMARY FUEL FILTER INSTALLATION (LS)

ITEM	PART NUMBER	QTY	DESCRIPTION	REV
	1001180076	Ref	Primary Fuel Filter Installation (LS)	E
1	0701215	3	Bolt, M12X35	
2	0781016	2	Bolt, M10X40	
3	2220218	1	Fitting, Straight ORFS	
4	4812100	3	Washer, M12	
5	8430034	1	Elbow, 90	
6	1001133534	1	Filter, Fuel	
7	1001180078	1	Bracket, Fuel Filter Mount	
8	2220810	1	Fitting, Straight	
9	1001200239	1	Fitting, 90 ORFS	

SECTION 4 - ENGINE AND ATTACHING PARTS

FIGURE 4-9. FUEL TANK ASSEMBLY



ART_1001211432-F

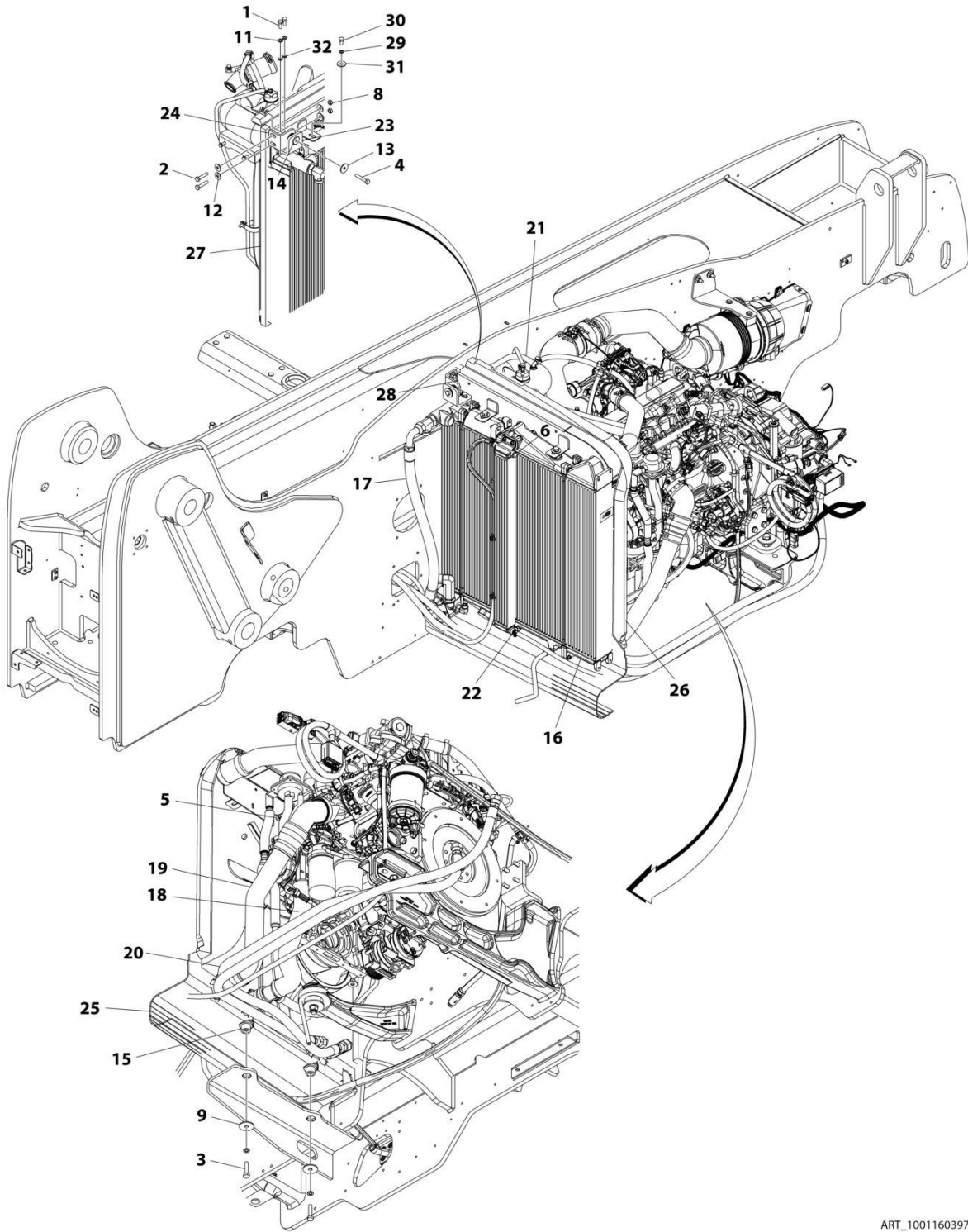
SECTION 4 - ENGINE AND ATTACHING PARTS

FIGURE 4-9. FUEL TANK ASSEMBLY

ITEM	PART NUMBER	QTY	DESCRIPTION	REV
	1001211432	Ref	Fuel Tank Assembly	F
1	0760507	6	Bolt, M5X14	
2	1001003427	1	Plug	
3	1001235100	1	Gauge, Fuel Level	
4	1001172178	1	Gasket	
5	1001207282	1	Adapter, Tank Cap	
6	1001207557	1	Pipe, Fuel Tank Drop	
7	1001211428	1	Tank, Fuel	
8	1001211429	1	Coupling, ORFS	
9	1001211747	1	Pipe, Fuel Supply	

SECTION 4 - ENGINE AND ATTACHING PARTS

FIGURE 4-10. COOLING PACKAGE INSTALLATION (ULS)



ART_1001160397_I

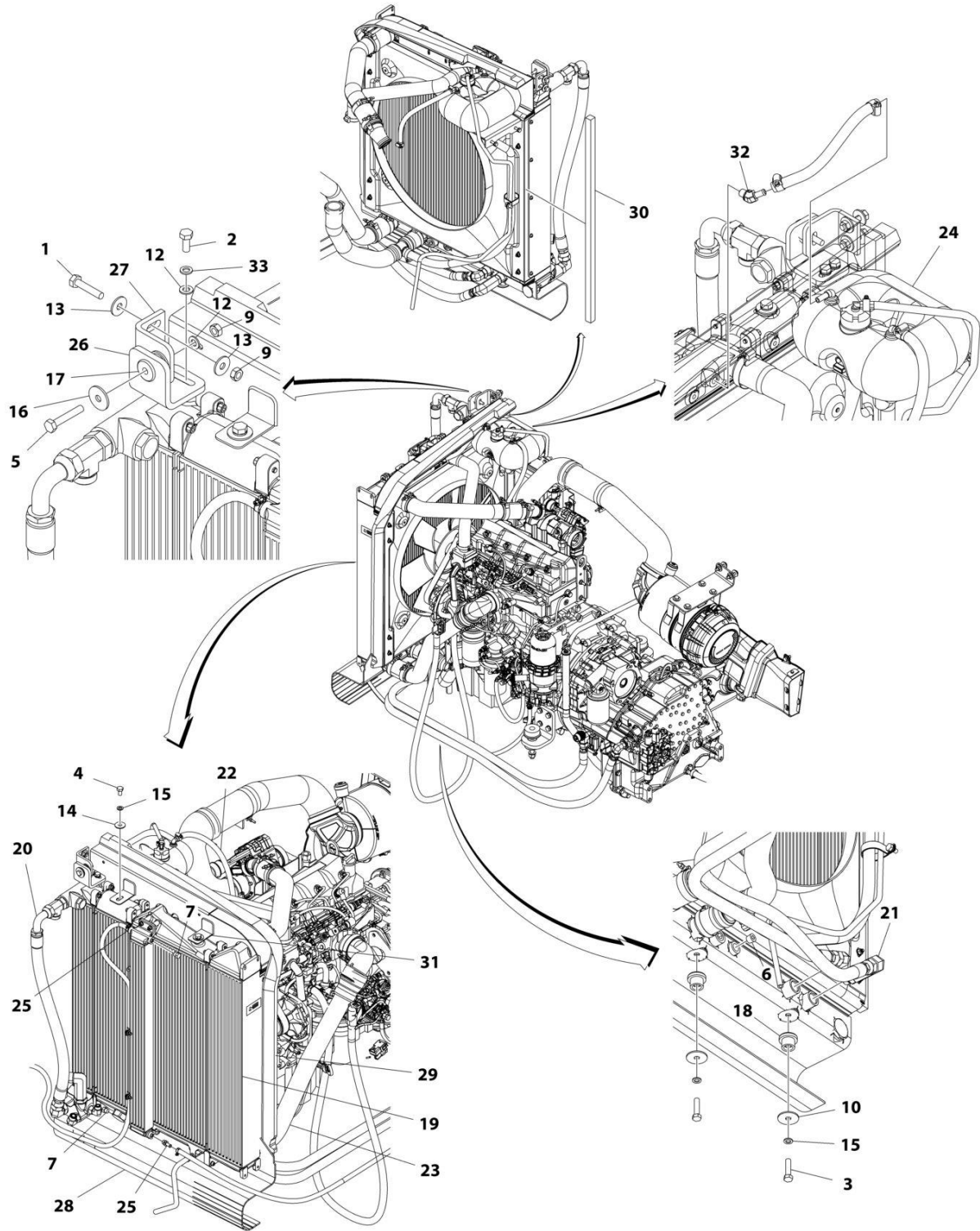
SECTION 4 - ENGINE AND ATTACHING PARTS

FIGURE 4-10. COOLING PACKAGE INSTALLATION (ULS)

ITEM	PART NUMBER	QTY	DESCRIPTION	REV
	1001160397	Ref	Cooling Package Installation (ULS)	I
1	0761012	2	Bolt, M10X25	
2	0701018	2	Bolt, M10X50	
3	0761218	2	Bolt, M12X50	
4	0701020	1	Bolt, M10X60	
5	1001174356	1	Barb, Hose	
6	2220237	2	Plug	
8	3291001	3	Nut, M10X1.5 Grade 8	
9	4740274	4	Washer	
11	4812000	3	Washer, M10	
12	4812002	4	Washer, M10	
13	1001155540	2	Washer	
14	8278020	1	Mount	
15	1001114803	2	Mount	
16	1001159347	1	Radiator Cooling Package (See Separate Breakdown in this Section)	
17	1001163082	1	Installation, HOC Lines (See Separate Breakdown in this Section)	
18	1001163245	1	Installation, Coolant Lines (ULS) (See Separate Breakdown in this Section)	
19	1001163246	1	Installation, CAC Lines (ULS) (See Separate Breakdown in this Section)	
20	1001163247	1	Installation, TOC Lines (See Separate Breakdown in this Section)	
21	1001167078	1	Installation, Surge Tank (See Separate Breakdown in this Section)	
22	1001168030	2	Barb, Hose	
23	1001169173	1	Bracket	
24	1001169174	1	Bracket	
25	1001169965	1	Panel	
26	1001173452	1	Seal, Foam Gasket	
27	1001173457	1	Seal, Foam Gasket	
28	1001173546	1	Bracket	
29	4832100	4	Washer, Lock M12	
30	0761210	2	Bolt, M12X20	
31	4812102	2	Washer, M12	
32	4832000	2	Washer, Lock M10	

SECTION 4 - ENGINE AND ATTACHING PARTS

FIGURE 4-11. COOLING PACKAGE INSTALLATION (LS)



ART_1001160402_F

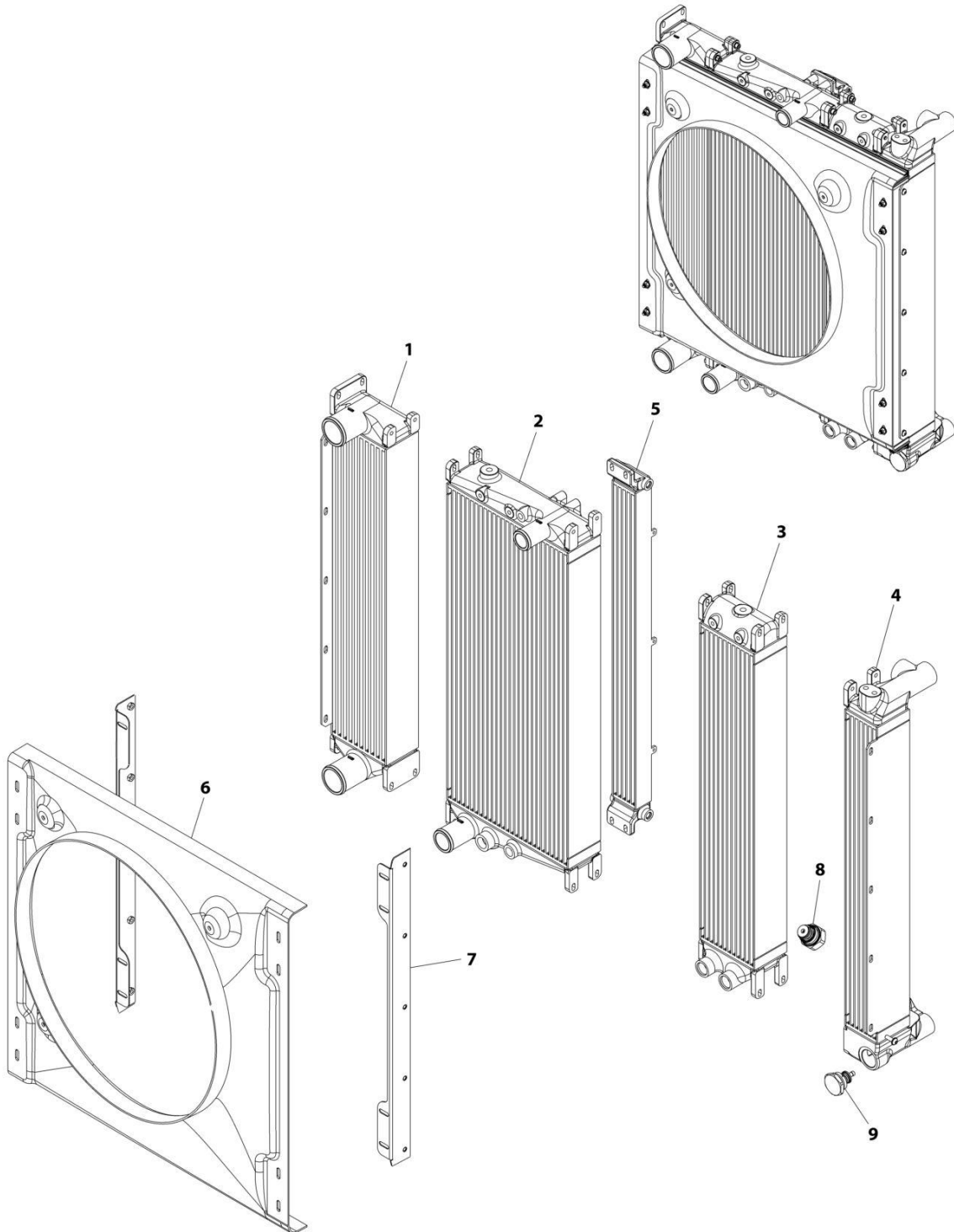
SECTION 4 - ENGINE AND ATTACHING PARTS

FIGURE 4-11. COOLING PACKAGE INSTALLATION (LS)

ITEM	PART NUMBER	QTY	DESCRIPTION	REV
	1001160402	Ref	Cooling Package Installation (LS)	F
1	0701018	2	Bolt, M10X50	
2	0761012	2	Bolt, M10X25	
3	0761218	2	Bolt, M12X50	
4	0771210	2	Bolt, M12X20 Grade 10.9	
5	0701020	1	Bolt, M10X60	
6	2200223	1	Plug	
7	2220237	2	Plug	
9	3291001	3	Nut, M10X1.5 Grade 8	
10	4740274	4	Washer	
12	4812000	3	Washer, M10	
13	4812002	4	Washer, M10	
14	4812102	2	Washer, M12	
15	4832100	4	Washer, Lock M12	
16	1001155540	2	Washer	
17	8278020	1	Mount	
18	1001114803	2	Mount	
19	1001159347	1	Radiator Cooling Package (See Separate Breakdown in this Section)	
20	1001163082	1	Installation, HOC Lines (See Separate Breakdown in this Section)	
21	1001163247	1	Installation, TOC Lines (See Separate Breakdown in this Section)	
22	1001163248	1	Installation, Coolant Lines (LS) (See Separate Breakdown in this Section)	
23	1001163249	1	Installation, CAC Lines (LS) (See Separate Breakdown in this Section)	
24	1001167078	1	Installation, Surge Tank (See Separate Breakdown in this Section)	
25	1001168030	2	Barb, Hose	
26	1001169173	1	Bracket	
27	1001169174	1	Bracket	
28	1001169965	1	Panel, Air Dam	
29	1001173452	1	Gasket	
30	1001173457	1	Gasket	
31	1001173546	1	Bracket, Air Baffle	
32	1001174356	1	Barb, Hose	
33	4832000	2	Washer, Lock M10	

SECTION 4 - ENGINE AND ATTACHING PARTS

FIGURE 4-12. RADIATOR COOLING PACKAGE



ART_1001159347_H

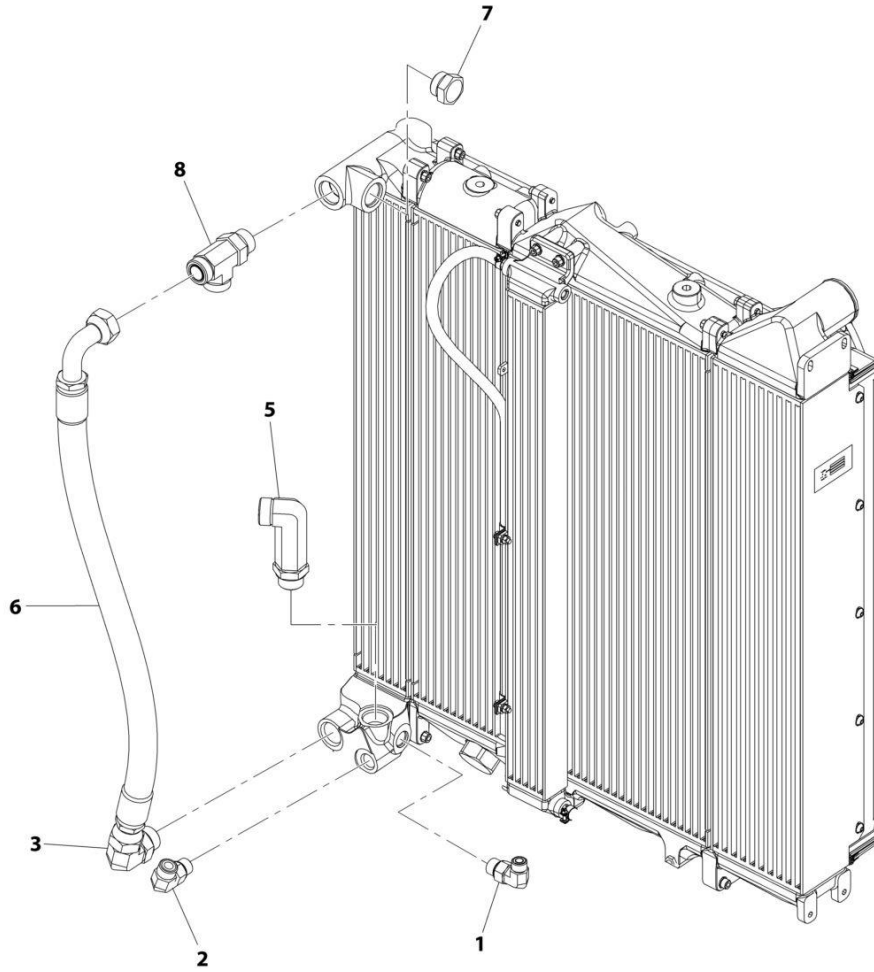
SECTION 4 - ENGINE AND ATTACHING PARTS

FIGURE 4-12. RADIATOR COOLING PACKAGE

ITEM	PART NUMBER	QTY	DESCRIPTION	REV
	1001159347	Ref	RADIATOR COOLING PACKAGE	H
1	70026353	1	Cooler, Air Charge	
2	70026354	1	Radiator	
3	70026355	1	Cooler, Transmission Oil	
4	70026356	1	Cooler, Hydraulic Oil	
5	70026357	1	Cooler, Fuel	
6	70026358	1	Shroud	
7	70026359	2	Bracket, Shroud Mounting	
8	70026082	1	Valve, Bypass	
9	70026360	1	Valve, Bypass	
10	70026081	1	Petcock	

SECTION 4 - ENGINE AND ATTACHING PARTS

FIGURE 4-13. HOC LINES INSTALLATION



ART_1001163082-D

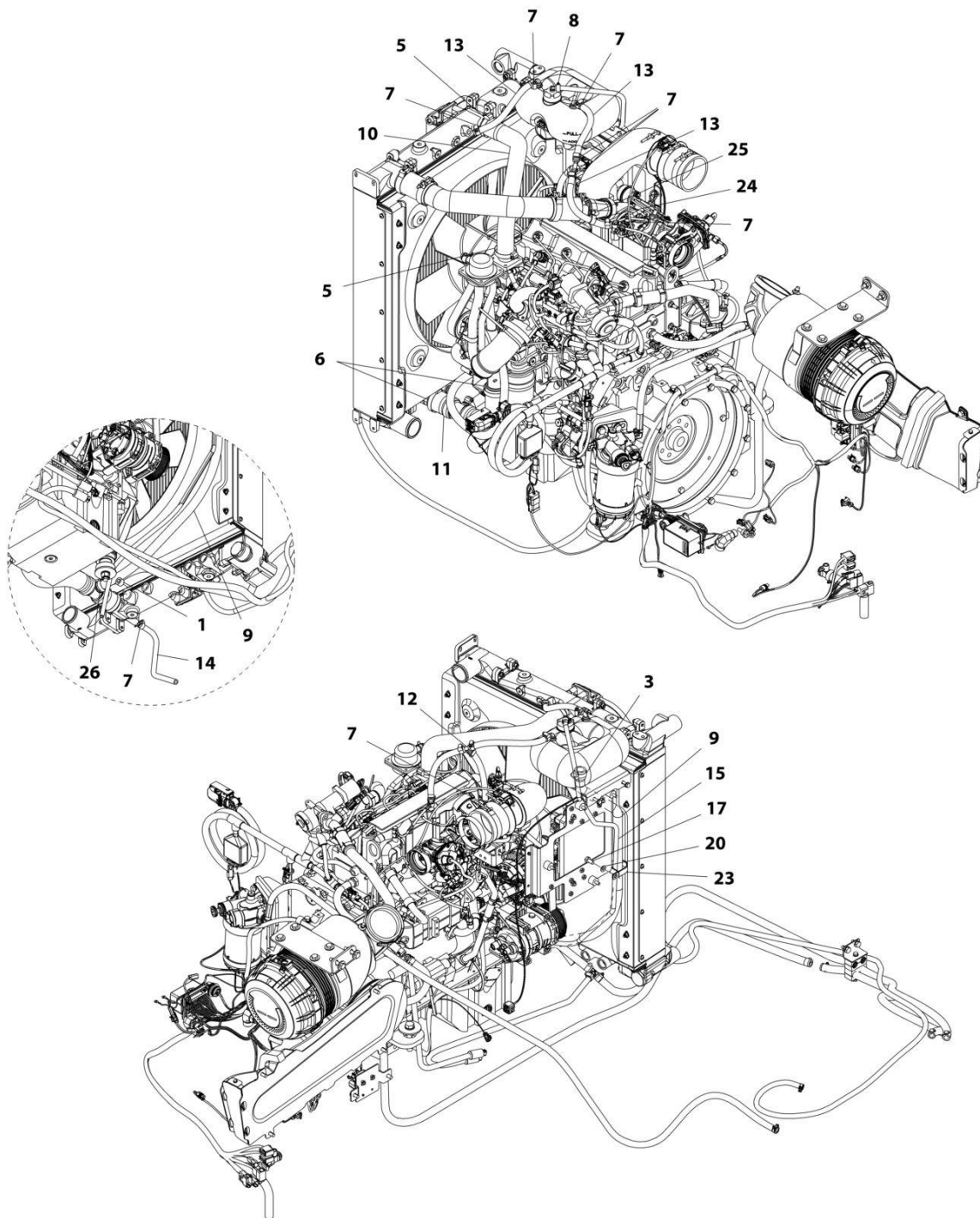
SECTION 4 - ENGINE AND ATTACHING PARTS

FIGURE 4-13. HOC LINES INSTALLATION

ITEM	PART NUMBER	QTY	DESCRIPTION	REV
	1001163082	Ref	HOC Lines Installation	D
1	2130810	1	Fitting, ORFS	
2	2131010	1	Fitting, ORFS	
3	2131616	1	Fitting, ORFS	
5	2170216	1	Fitting, ORFS	
6	1001163723	1	Hose	
7	2220242	1	Fitting	
8	2170316	1	Fitting, Tee ORFS	

SECTION 4 - ENGINE AND ATTACHING PARTS

FIGURE 4-14. COOLANT LINES INSTALLATION (ULS)



ART_1001163245-1

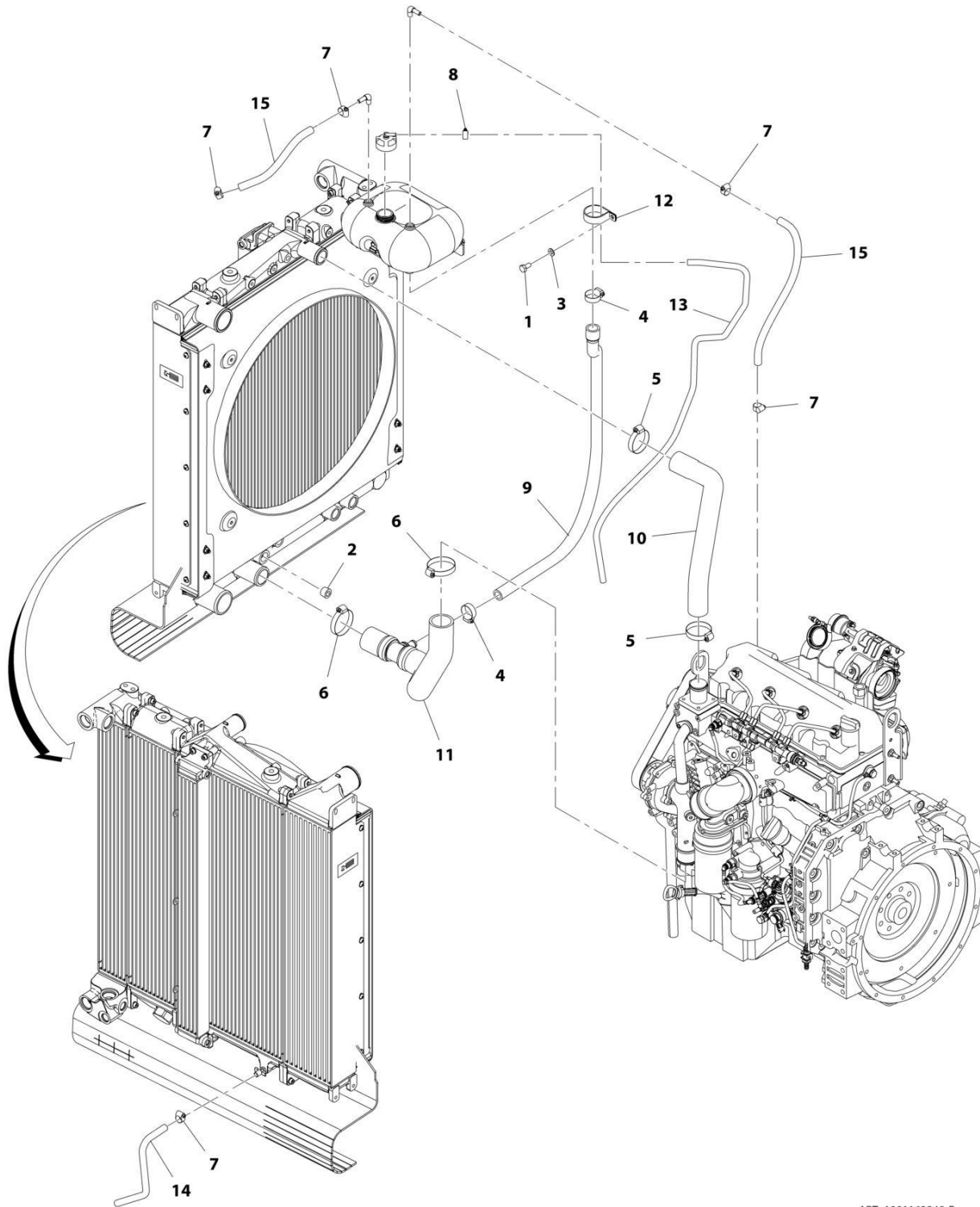
SECTION 4 - ENGINE AND ATTACHING PARTS

FIGURE 4-14. COOLANT LINES INSTALLATION (ULS)

ITEM	PART NUMBER	QTY	DESCRIPTION	REV
	1001163245	Ref	Coolant Lines Installation (ULS)	I
1	2200224	1	Plug	
3	8405101	AR	Clamp, Gear	
5	8405201	2	Clamp, Gear	
6	8405202	2	Clamp, Gear	
7	8410013	9	Clamp, Gear	
8	8405009	1	Clamp, Gear	
9	1001182011	1	Hose	
10	1001166430	1	Pipe	
11	1001182012	1	Hose	
12	1001172953	1	Pipe, Tee	
13	1001181625	1042 mm	Hose	
14	1001180553	370 mm	Hose	
15	1001180542	1680 mm	Hose	
17	0761010	1	Bolt, M10X20	
20	4812000	1	Washer, M10	
23	1001097588	1	Clamp	
24	8410019	1	Clamp, 7/8	
25	0760605	1	Bolt, 6X10	
26	8405007	1	Clamp	

SECTION 4 - ENGINE AND ATTACHING PARTS

FIGURE 4-15. COOLANT LINES INSTALLATION (LS)



ART_1001163248-F

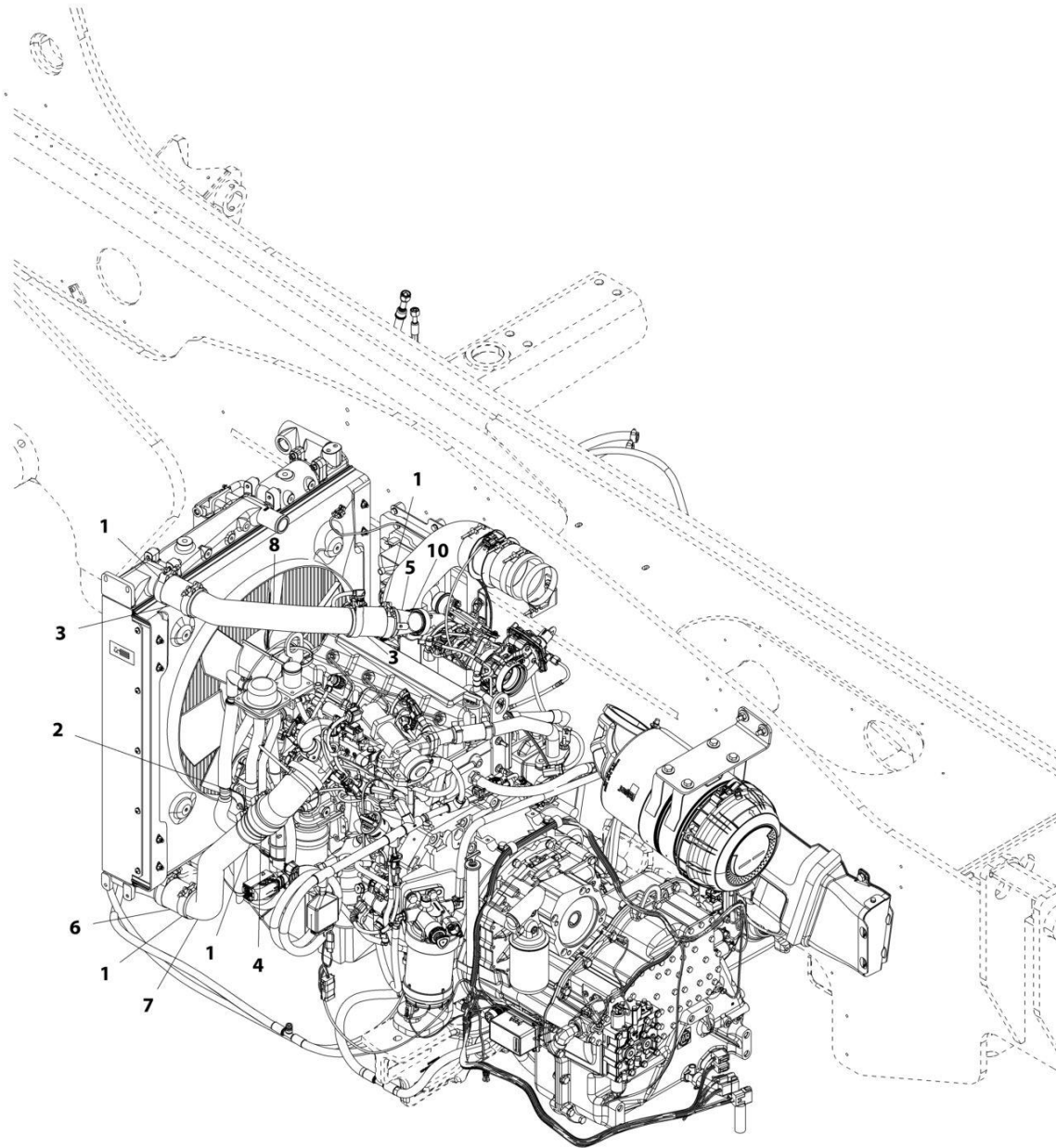
SECTION 4 - ENGINE AND ATTACHING PARTS

FIGURE 4-15. COOLANT LINES INSTALLATION (LS)

ITEM	PART NUMBER	QTY	DESCRIPTION	REV
	1001163248	Ref	Coolant Lines Installation (LS)	F
1	0761010	1	Bolt, M10X20	
2	2200224	1	Plug	
3	4812000	1	Washer, M10	
4	8405101	2	Clamp, Gear	
5	8405201	2	Clamp, Gear	
6	8405202	2	Clamp, Gear	
7	8410013	5	Clamp, Gear	
8	8405009	1	Clamp, Gear	
9	1001182011	1	Hose	
10	1001166430	1	Pipe	
11	1001182012	1	Hose	
12	1001097588	1	Clamp	
13	1001180542	1680 mm	Hose	
14	1001180553	369 mm	Hose	
15	1001181625	711 mm	Hose	

SECTION 4 - ENGINE AND ATTACHING PARTS

FIGURE 4-16. CAC LINES INSTALLATION (ULS)



ART_1001163246-F

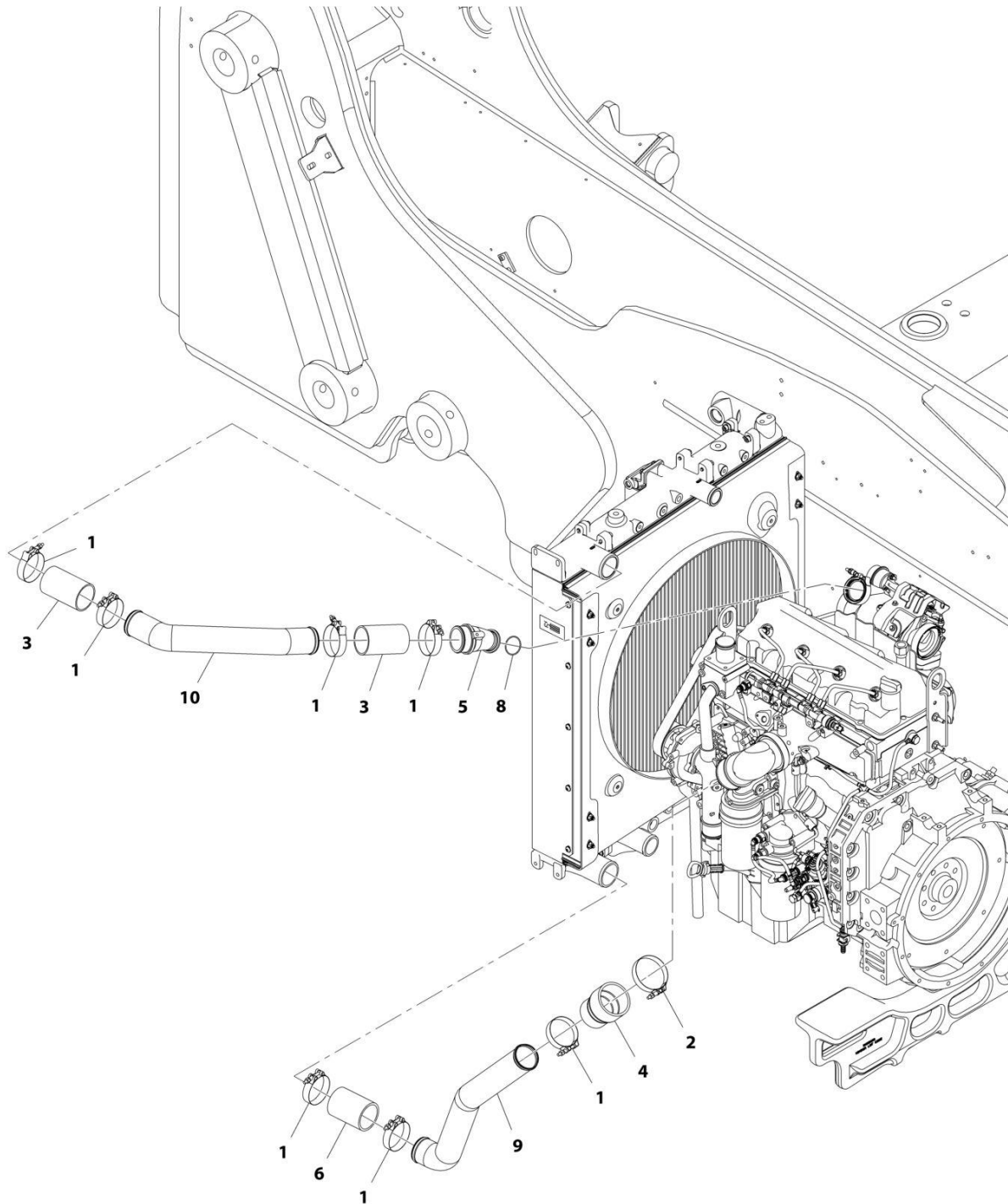
SECTION 4 - ENGINE AND ATTACHING PARTS

FIGURE 4-16. CAC LINES INSTALLATION (ULS)

ITEM	PART NUMBER	QTY	DESCRIPTION	REV
	1001163246	Ref	CAC Lines Installation (ULS)	F
1	8405212	7	Clamp, T-Bolt	
2	8405305	1	Clamp, T-Bolt	
3	1001114495	2	Hose	
4	1001138348	1	Hose	
5	1001161920	1	Adapter Mech	
6	1001166416	1	Hose	
7	1001166925	1	Pipe	
8	1001166993	1	Pipe	
10	1001172591	1	O-Ring	

SECTION 4 - ENGINE AND ATTACHING PARTS

FIGURE 4-17. CAC LINES INSTALLATION (LS)



ART_1001163249-C

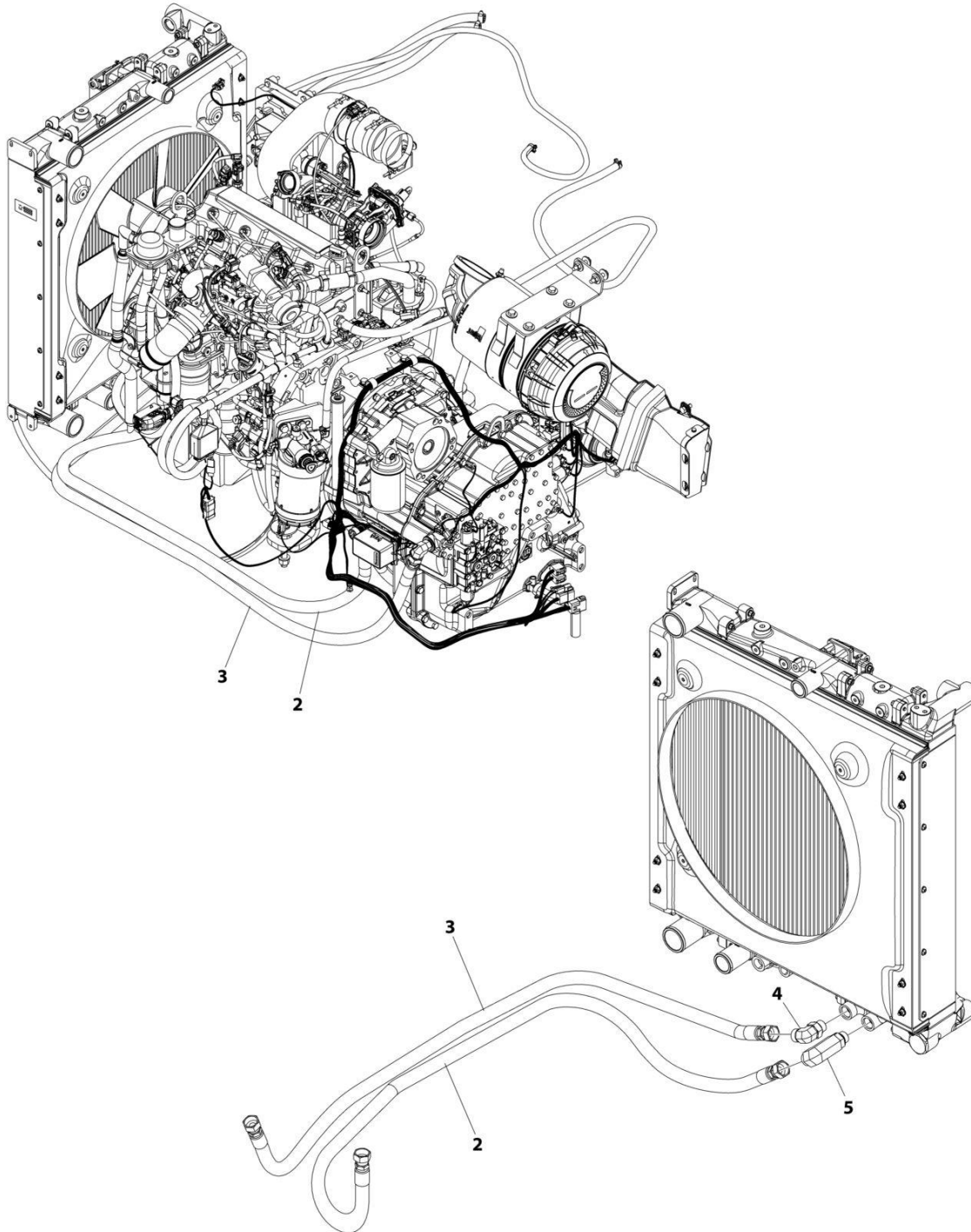
SECTION 4 - ENGINE AND ATTACHING PARTS

FIGURE 4-17. CAC LINES INSTALLATION (LS)

ITEM	PART NUMBER	QTY	DESCRIPTION	REV
	1001163249	Ref	CAC Lines Installation (LS)	C
1	8405212	7	Clamp, T-Bolt	
2	8405305	1	Clamp, T-Bolt	
3	1001114495	2	Hose	
4	1001138348	1	Hose	
5	1001161920	1	Adapter Mech	
6	1001166416	1	Hose	
8	1001172591	1	O-Ring	
9	1001174832	1	Pipe	
10	1001179376	1	Pipe	

SECTION 4 - ENGINE AND ATTACHING PARTS

FIGURE 4-18. TOC LINES INSTALLATION



ART_1001163247-D

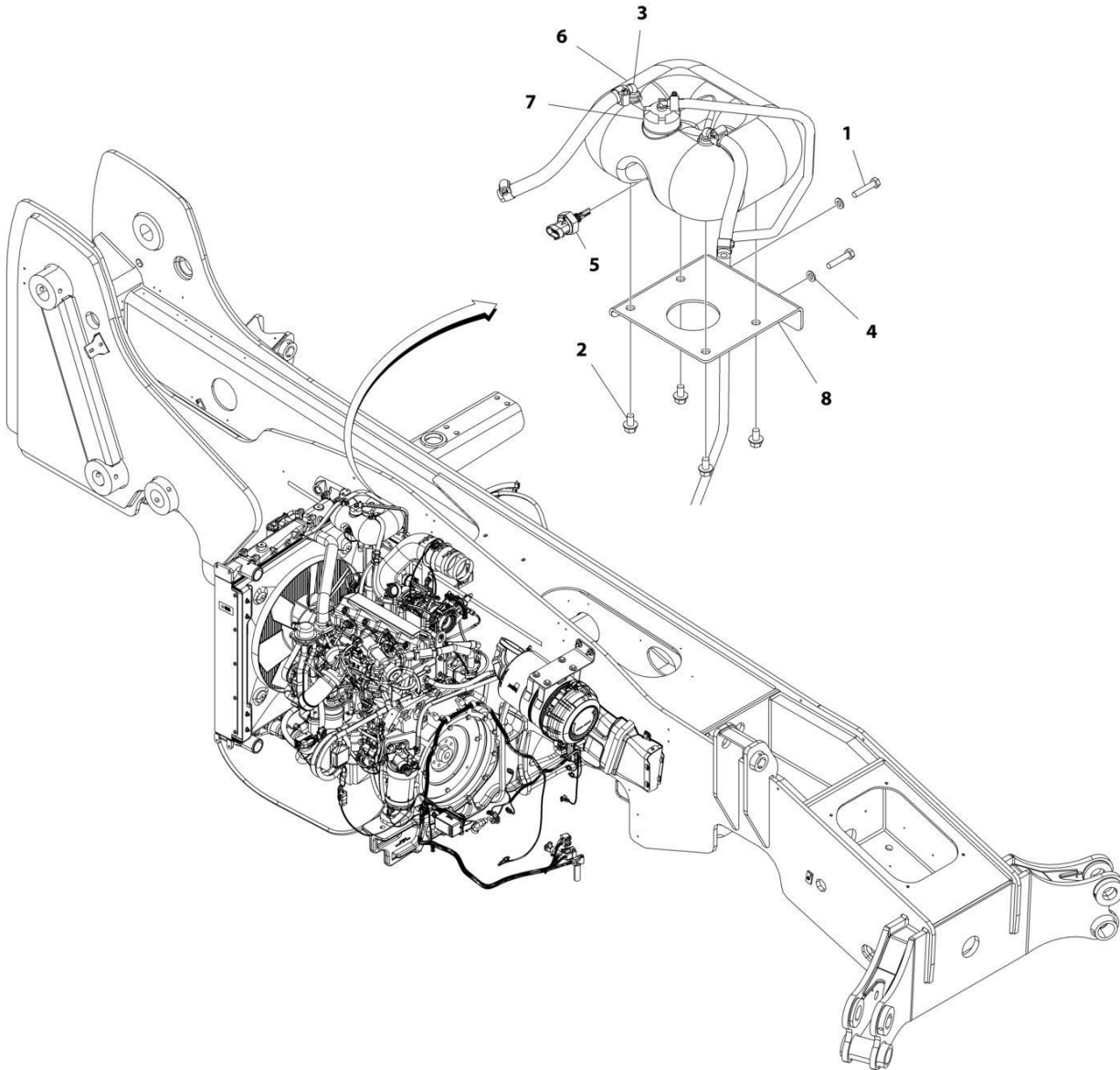
SECTION 4 - ENGINE AND ATTACHING PARTS

FIGURE 4-18. TOC LINES INSTALLATION

ITEM	PART NUMBER	QTY	DESCRIPTION	REV
	1001163247	Ref	TOC Lines Installation	D
2	1001169207	1	Hose	
3	1001169393	1	Hose	
4	2131212	1	Fitting, 90 ORFS	
5	2170212	1	Fitting, 90 ORFS	

SECTION 4 - ENGINE AND ATTACHING PARTS

FIGURE 4-19. SURGE TANK INSTALLATION



ART_1001167078_F

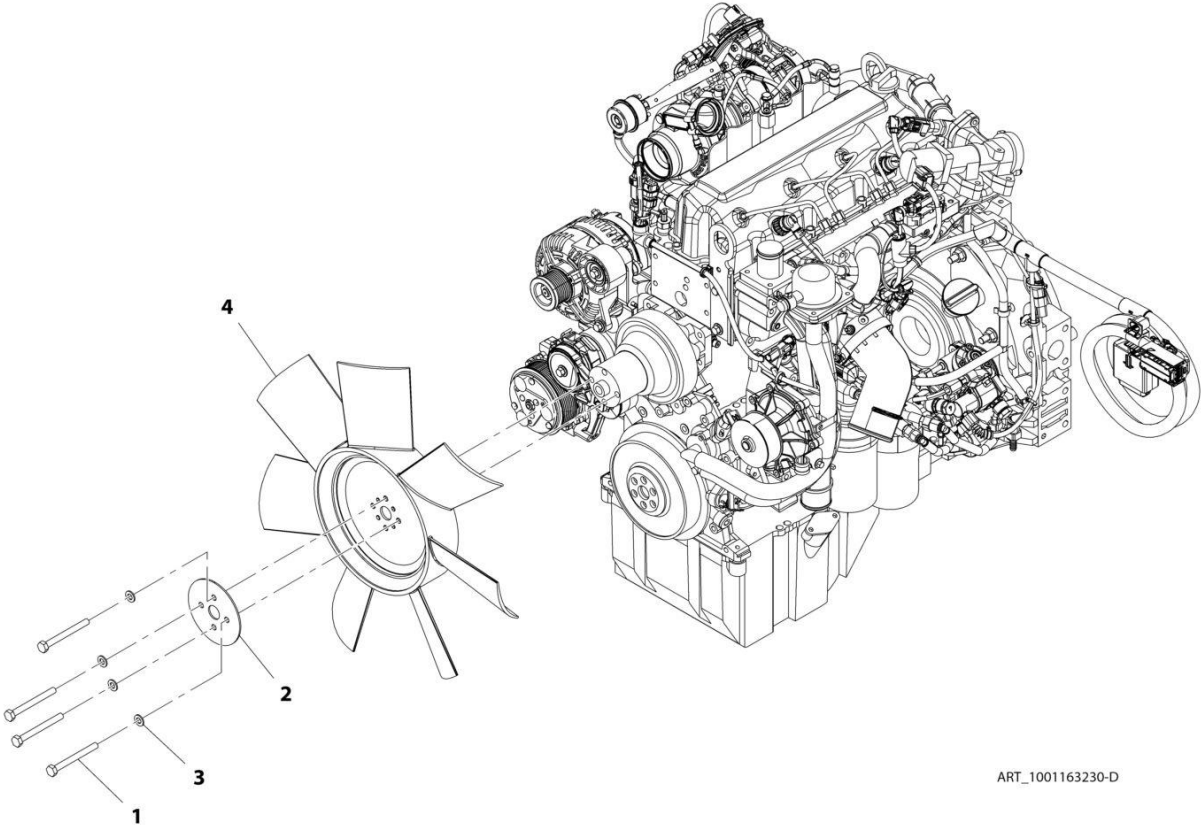
SECTION 4 - ENGINE AND ATTACHING PARTS

FIGURE 4-19. SURGE TANK INSTALLATION

ITEM	PART NUMBER	QTY	DESCRIPTION	REV
	1001167078	Ref	SURGE TANK INSTALLATION	F
1	0700816	2	Bolt M8 x 40	
2	0791605	4	Bolt M3/8-16 x 5/8	
3	2180467	2	Fitting	
4	4811900	2	Washer M8	
5	1001286175	1	Sensor, Coolant Level	
6	1001128144	1	Tank, Coolant	
7	1001128341	1	Cap	
8	1001163637	1	Bracket, Coolant Tank	

SECTION 4 - ENGINE AND ATTACHING PARTS

FIGURE 4-20. FAN INSTALLATION



ART_1001163230-D

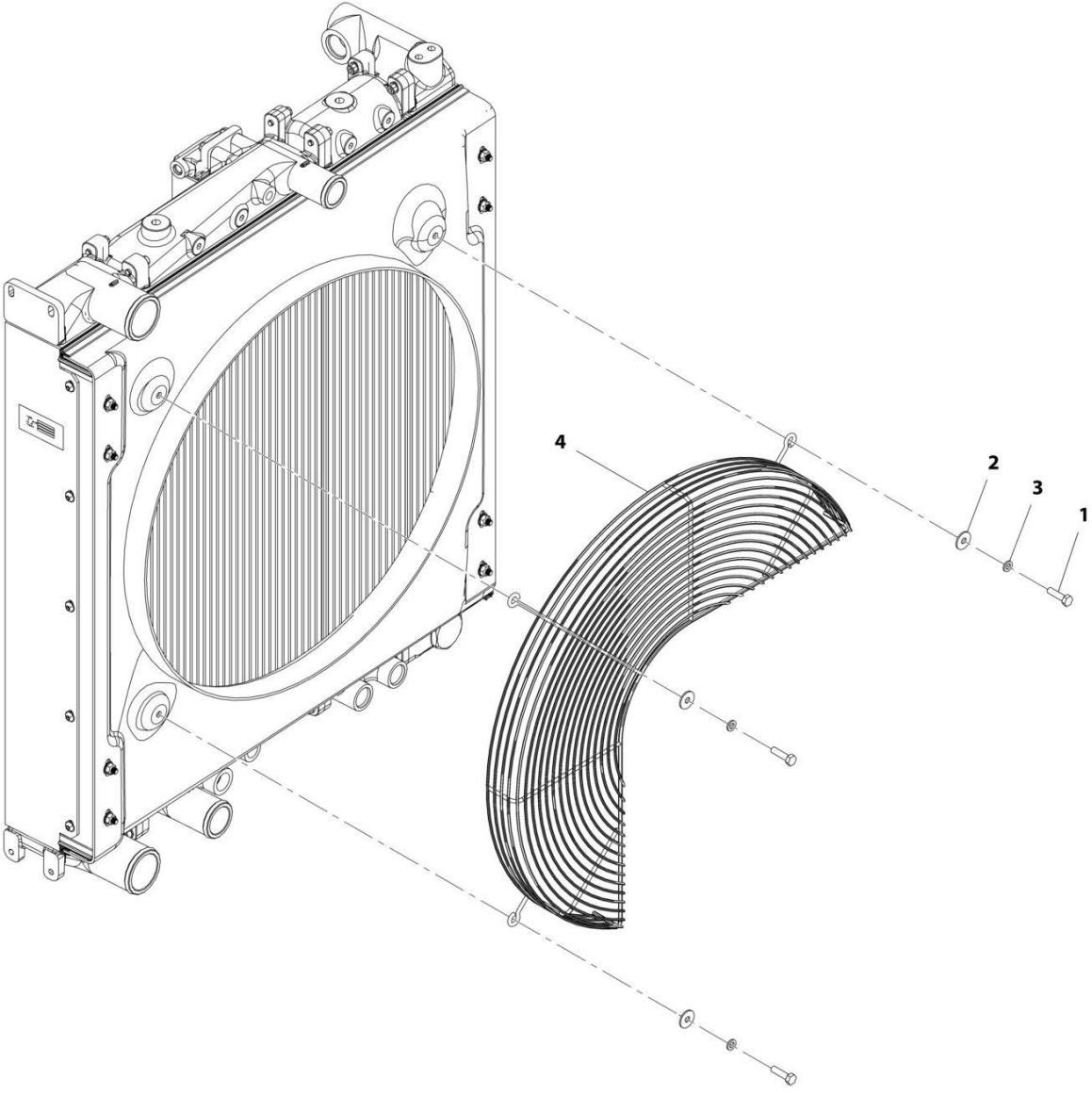
SECTION 4 - ENGINE AND ATTACHING PARTS

FIGURE 4-20. FAN INSTALLATION

ITEM	PART NUMBER	QTY	DESCRIPTION	REV
	1001163230	Ref	Fan Installation	D
1	0701027	4	Bolt, M10X100	
2	3575947	1	Plate	
3	4812000	4	Washer, M10	
4	1001175269	1	Fan, Cooling	

SECTION 4 - ENGINE AND ATTACHING PARTS

FIGURE 4-21. FAN GUARD INSTALLATION



ART_1001160420-D

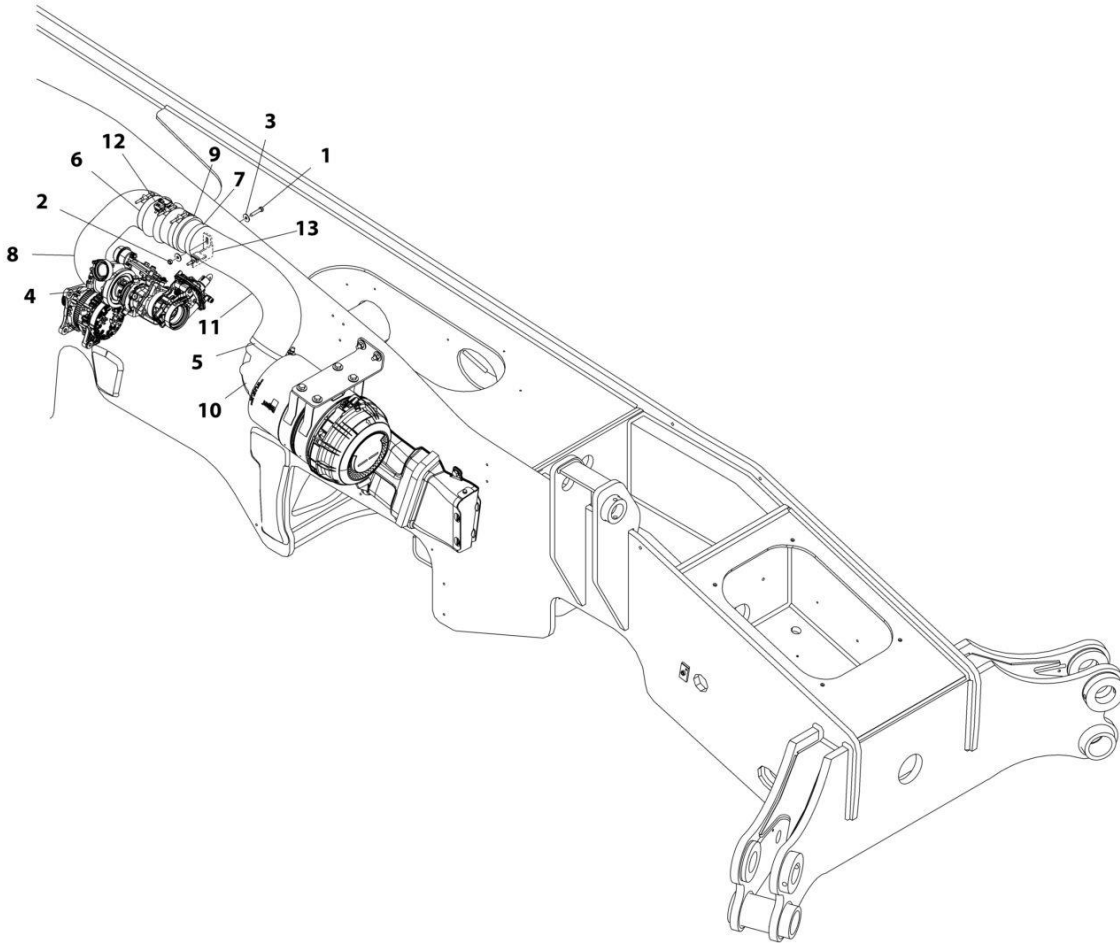
SECTION 4 - ENGINE AND ATTACHING PARTS

FIGURE 4-21. FAN GUARD INSTALLATION

ITEM	PART NUMBER	QTY	DESCRIPTION	REV
	1001160420	Ref	Fan Guard Installation	D
1	0700814	3	Bolt, M8X30	
2	4811902	3	Washer, M8	
3	4831900	3	Washer, Lock M8	
4	1001167186	1	Grill	

SECTION 4 - ENGINE AND ATTACHING PARTS

FIGURE 4-22. AIR INTAKE LINES INSTALLATION (ULS)



ART_1001163228-E

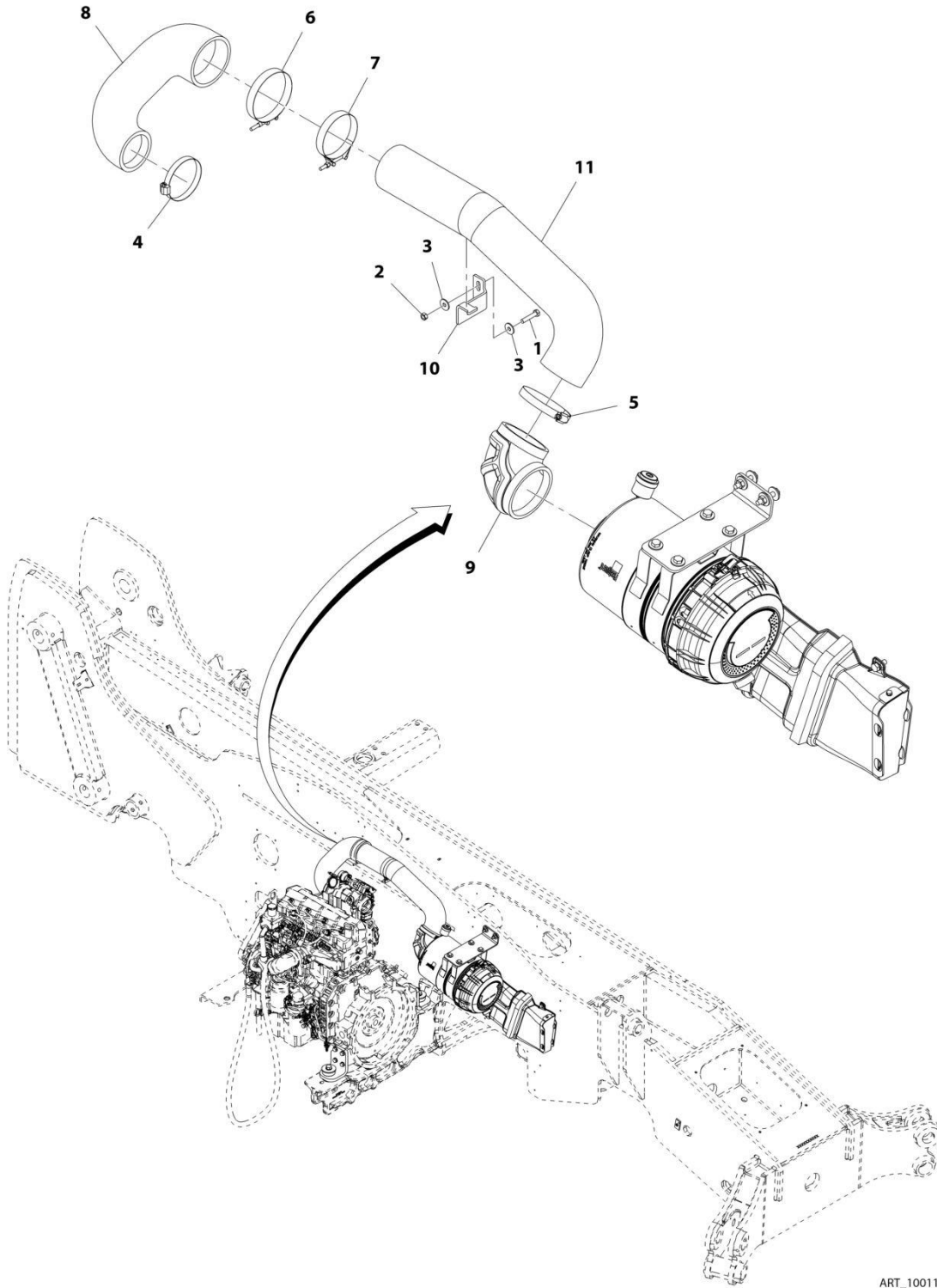
SECTION 4 - ENGINE AND ATTACHING PARTS

FIGURE 4-22. AIR INTAKE LINES INSTALLATION (ULS)

ITEM	PART NUMBER	QTY	DESCRIPTION	REV
	1001163228	Ref	Air Intake Lines Installation (if equipped for ULS)	E
1	0700816	1	Bolt, M8X40	
2	3290801	1	Nut, M8X1.25	
3	4811902	2	Washer, M8	
4	8410011	1	Clamp, Gear	
5	8405402	1	Clamp	
6	80933367	3	Clamp	
7	91413025	1	Clamp	
8	1001166449	1	Hose	
9	1001166450	1	Hose	
10	1001166451	1	Elbow, Air Intake	
11	1001184052	1	Tube	
12	1001168771	1	Tube	
13	1001169155	1	Bracket	

SECTION 4 - ENGINE AND ATTACHING PARTS

FIGURE 4-23. AIR CLEANER LINES INSTALLATION (LS)



ART_1001163238-C

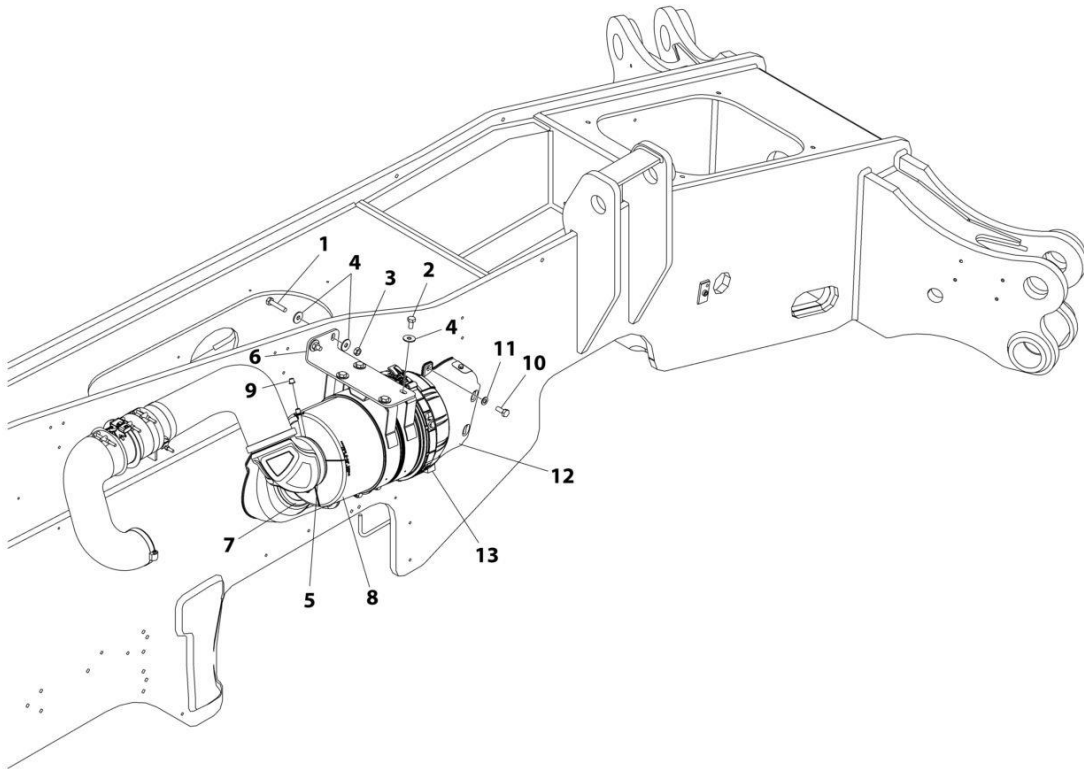
SECTION 4 - ENGINE AND ATTACHING PARTS

FIGURE 4-23. AIR CLEANER LINES INSTALLATION (LS)

ITEM	PART NUMBER	QTY	DESCRIPTION	REV
	1001163238	Ref	Air Intake Lines Installation (LS)	C
1	0700816	1	Bolt, M8X40	
2	3290801	1	Nut, M8X1.25 Grade 8	
3	4811902	2	Washer, M8	
4	8410011	1	Clamp	
5	10719267	1	Clamp	
6	80933367	1	Clamp	
7	91413025	1	Clamp	
8	1001166449	1	Hose	
9	1001166451	1	Elbow	
10	1001169155	1	Bracket	
11	1001185498	1	Tube	

SECTION 4 - ENGINE AND ATTACHING PARTS

FIGURE 4-24. AIR CLEANER INSTALLATION (ULS)



ART_1001162988

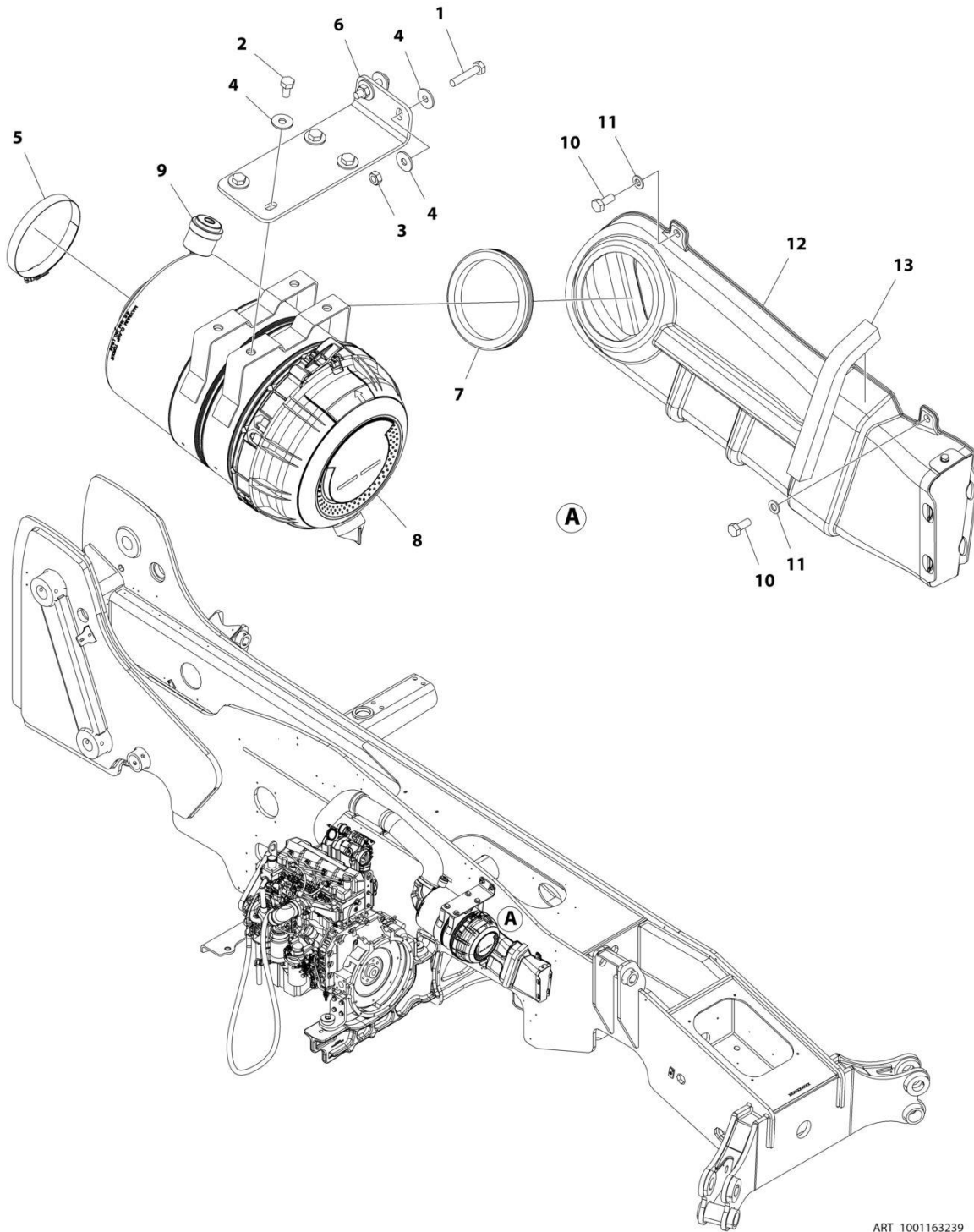
SECTION 4 - ENGINE AND ATTACHING PARTS

FIGURE 4-24. AIR CLEANER INSTALLATION (ULS)

ITEM	PART NUMBER	QTY	DESCRIPTION	REV
	1001162988	Ref	AIR CLEANER INSTALLATION (ULS)	J
1	0701018	2	Bolt M10 x 50	
2	0761010	4	Bolt M10 x 20	
3	3291001	2	Nut M10 x 1.5 Grade 8	
4	4812002	8	Washer M10	
5	8405402	1	Clamp	
6	1001194534	1	Bracket, Air Cleaner Mount	
7	1001183831	1	Grommet, Intake	
8	1001166565	1	Filter, Air Cleaner (See Separate Breakdown in this Section)	
9	1001183177	1	Cap, Air Cleaner	
10	0761012	4	Bolt M10 x 25	
11	4812000	4	Washer M10	
12	1001183835	1	Installation, Duct Air Intake (See Separate Breakdown in this Section)	
13	1001186898	1	Gasket	

SECTION 4 - ENGINE AND ATTACHING PARTS

FIGURE 4-25. AIR CLEANER INSTALLATION (LS)



ART_1001163239

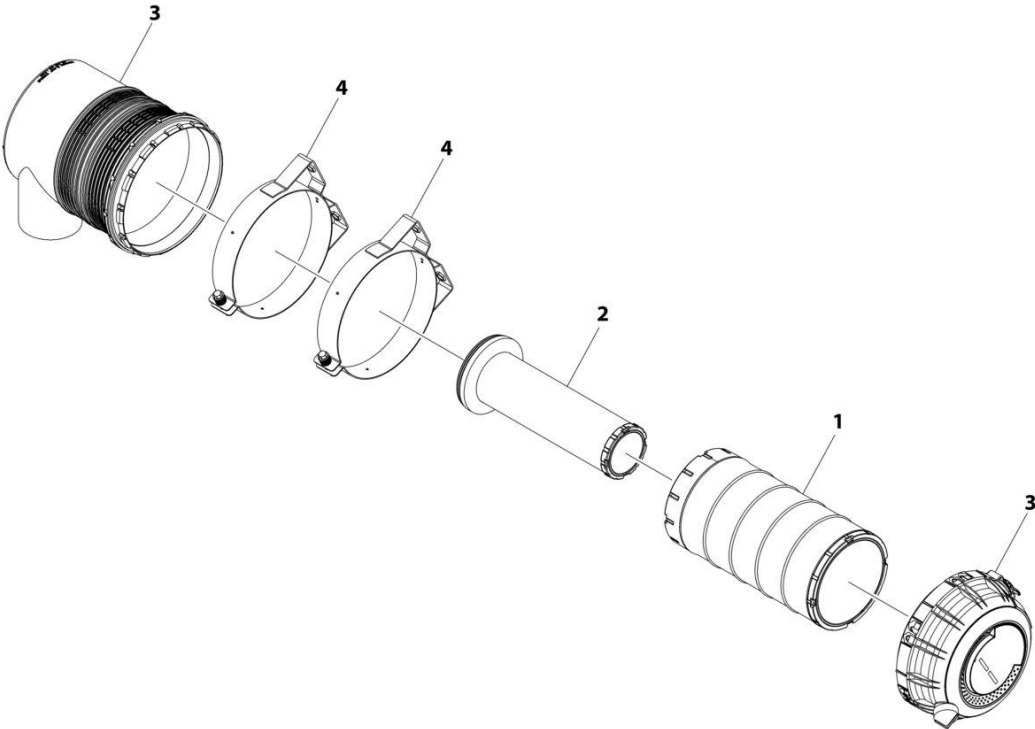
SECTION 4 - ENGINE AND ATTACHING PARTS

FIGURE 4-25. AIR CLEANER INSTALLATION (LS)

ITEM	PART NUMBER	QTY	DESCRIPTION	REV
	1001163239	Ref	AIR CLEANER INSTALLATION (LS)	F
1	0701018	2	Bolt M10 x 50	
2	0761010	4	Bolt M10 x 20	
3	3291001	2	Nut M10 x 1.5 Grade 8	
4	4812002	8	Washer M10	
5	8405402	1	Clamp	
6	1001194534	1	Bracket, Air Cleaner Mount	
7	1001183831	1	Grommet	
8	1001166565	1	Filter, Air Cleaner (See Separate Breakdown in this Section)	
9	1001166716	1	Indicator	
10	0761012	4	Bolt M10 x 25	
11	4812000	4	Washer M10	
12	1001183835	1	Installation, Duct Air Intake (See Separate Breakdown in this Section)	
13	1001186898	1	Seal	

SECTION 4 - ENGINE AND ATTACHING PARTS

FIGURE 4-26. AIR CLEANER ASSEMBLY (90/100KW)



ART_1001166565

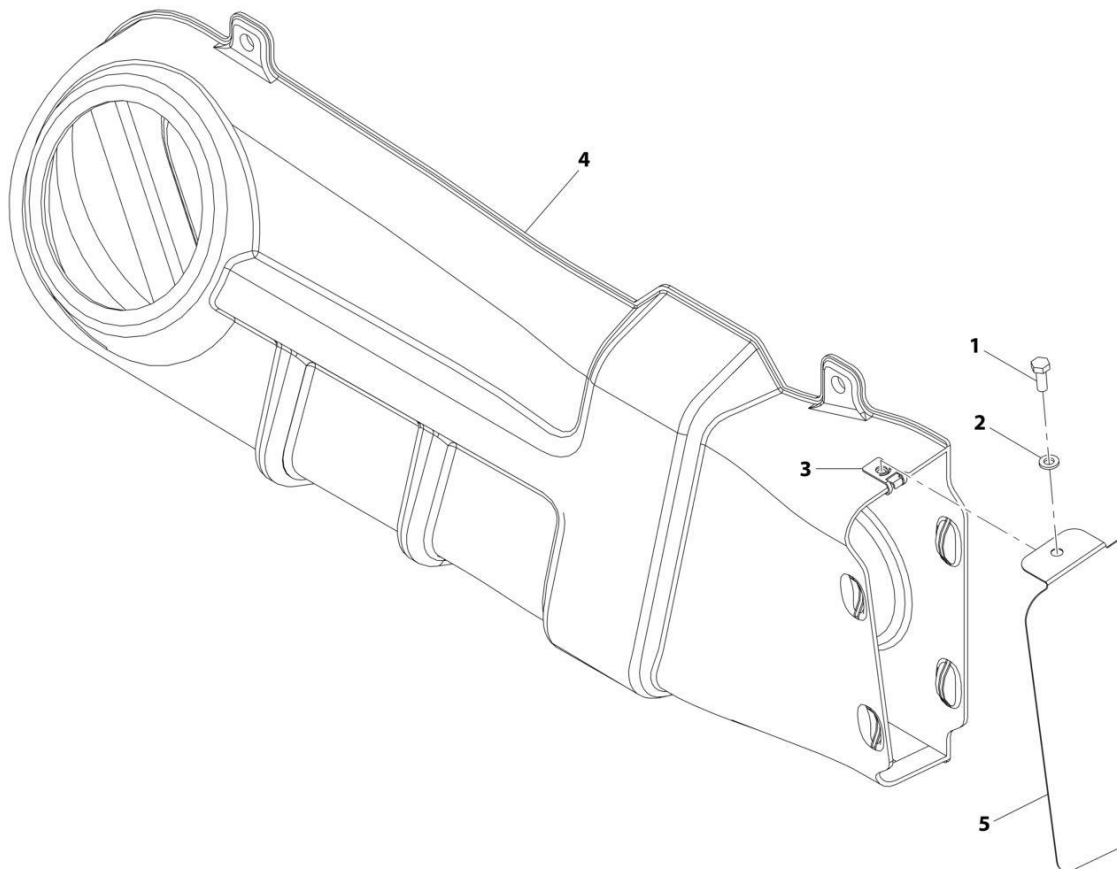
SECTION 4 - ENGINE AND ATTACHING PARTS

FIGURE 4-26. AIR CLEANER ASSEMBLY (90/100KW)

ITEM	PART NUMBER	QTY	DESCRIPTION	REV
	1001166565	Ref	AIR FILTER ASSEMBLY (90/100KW)	F
1	70025850	1	Filter, Cylindrical Air Primary	
2	70025851	1	Filter, Cylindrical Air Secondary	
3	70026395	1	Cover	
4	70026396	2	Bracket	

SECTION 4 - ENGINE AND ATTACHING PARTS

FIGURE 4-27. AIR INTAKE DUCT INSTALLATION



ART_1001183835-C

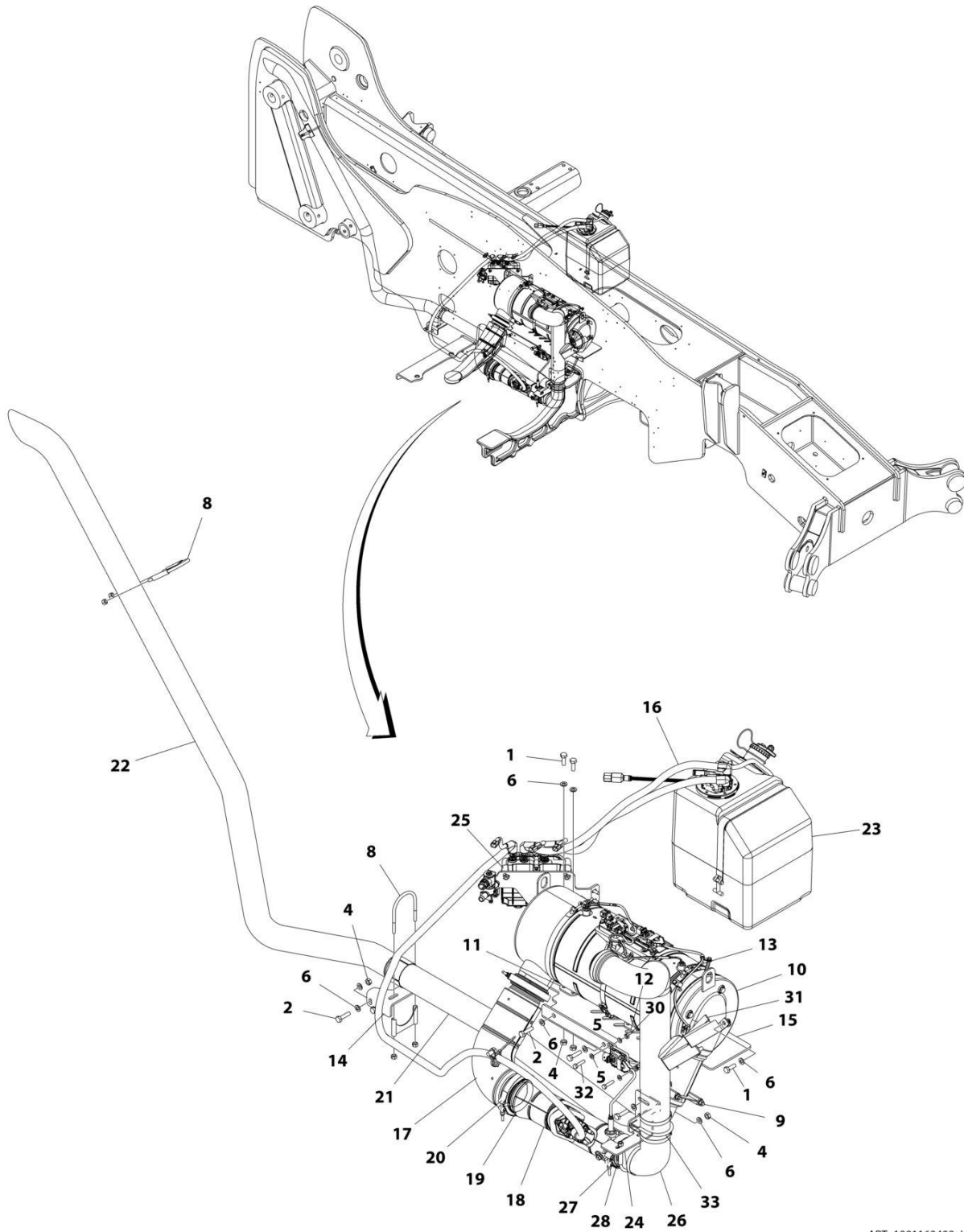
SECTION 4 - ENGINE AND ATTACHING PARTS

FIGURE 4-27. AIR INTAKE DUCT INSTALLATION

ITEM	PART NUMBER	QTY	DESCRIPTION	REV
	1001183835	Ref	Air Intake Duct Installation	C
1	0760608	1	Bolt, M6X16	
2	4811702	1	Washer, M6	
3	8305919	1	Nut	
4	1001183827	1	Duct	
5	1001183829	1	Plate	

SECTION 4 - ENGINE AND ATTACHING PARTS

FIGURE 4-28. EXHAUST INSTALLATION (ULS)



ART_1001160409_L

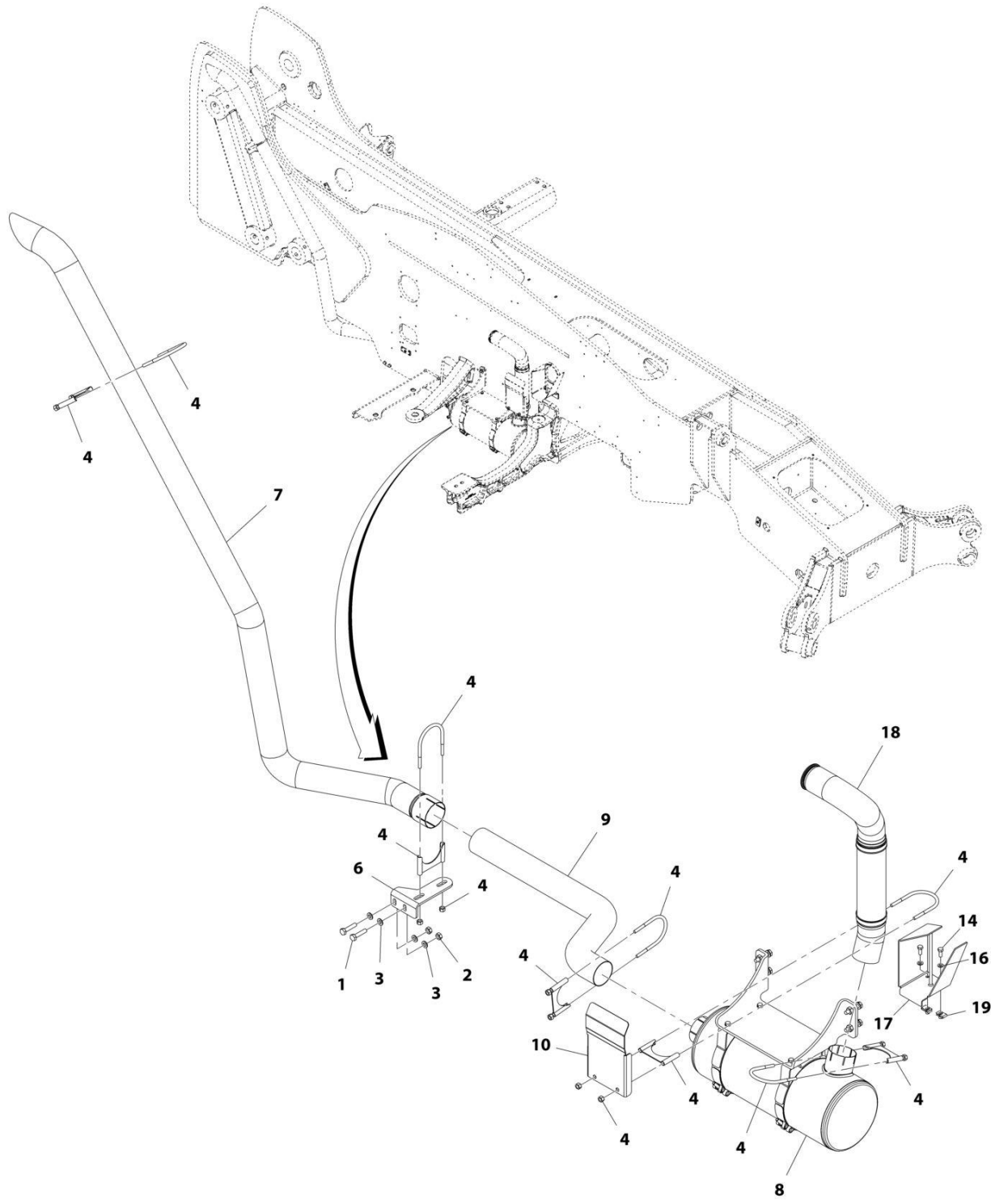
SECTION 4 - ENGINE AND ATTACHING PARTS

FIGURE 4-28. EXHAUST INSTALLATION (ULS)

ITEM	PART NUMBER	QTY	DESCRIPTION	REV
	1001160409	Ref	EXHAUST INSTALLATION (IF EQUIPPED FOR ULS)	L
1	0701014	12	Bolt M10 x 30	
2	0701016	6	Bolt M10 x 40	
4	3291001	12	Nut M10 x 1.5	
5	4811900	4	Washer M8	
6	4812000	30	Washer M10	
8	24921332	3	Clamp	
9	86883127	1	Clamp	
10	1001155261	1	Muffler	
11	1001159881	1	Bracket	
12	1001159882	1	Bracket	
13	1001176945	2	Strap	
14	1001162281	1	Support, Exhaust Pipe	
15	1001162597	1	Bracket	
16	1001199825	1	Installation, Def Pump Lines (See Separate Breakdown in this Section)	
17	1001163546	1	Pipe	
18	1001164404	1	Muffler	
19	1001241318	2	Seal	
20	1001241482	2	Clamp	
21	1001168560	1	Pipe	
22	1001168635	1	Pipe	
23	1001168638	Ref	Installation, Def Tank (See Separate Breakdown in this Section)	
24	1001183836	1	Bracket	
25	1001170308	Ref	Installation, Def Pump and Control (See Separate Breakdown in this Section)	
26	1001183759	1	Pipe	
27	1001167167	1	Clamp	
28	1001167168	1	Seal	
30	3290801	2	Nut M8 x 1.25	
31	1001258606	1	Shield	
32	0760815	2	Bolt M8 x 35	
33	8275212	1	Clamp	

SECTION 4 - ENGINE AND ATTACHING PARTS

FIGURE 4-29. EXHAUST INSTALLATION (LS)



ART_1001160417-G

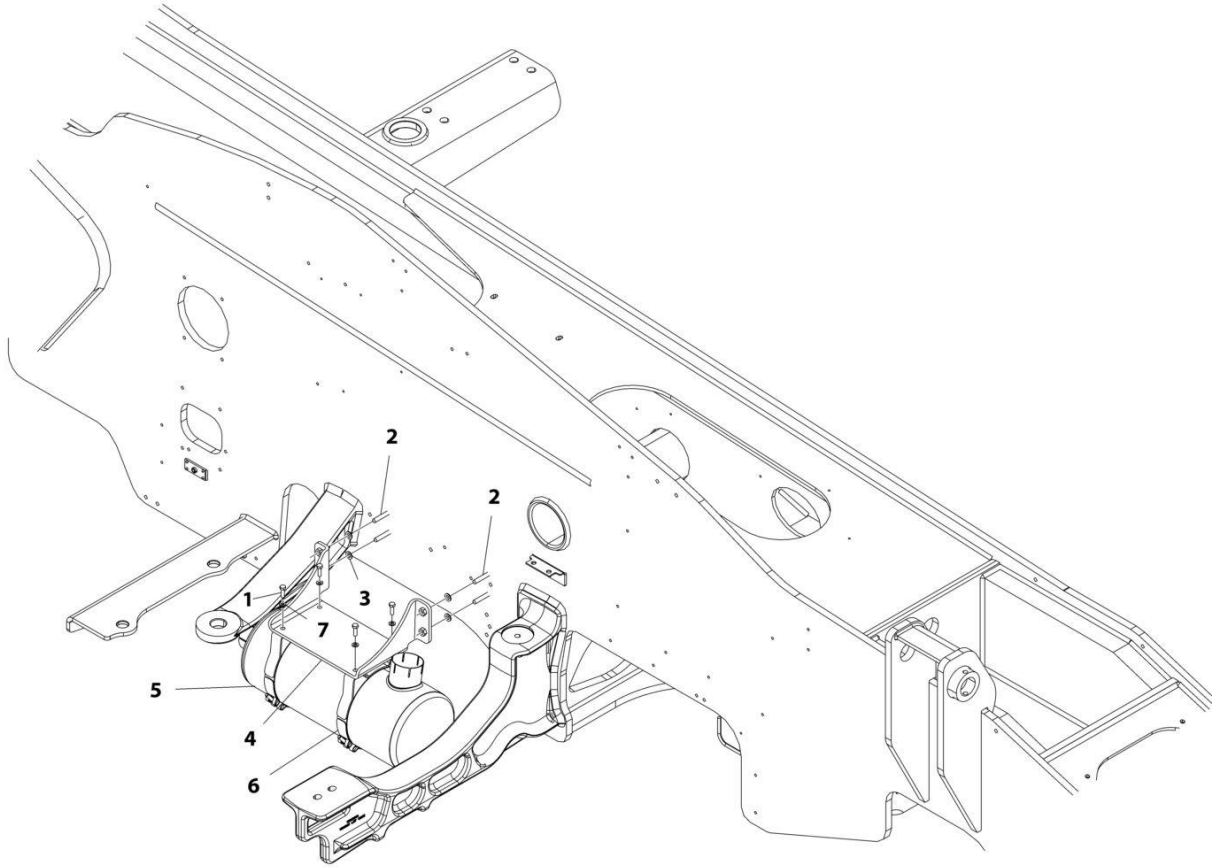
SECTION 4 - ENGINE AND ATTACHING PARTS

FIGURE 4-29. EXHAUST INSTALLATION (LS)

ITEM	PART NUMBER	QTY	DESCRIPTION	REV
	1001160417	Ref	Exhaust Installation (if equipped for LS)	G
1	0701017	2	Bolt, M10X45	
2	3291001	2	Nut, M10X1.5 Grade 8	
3	4812000	4	Washer, M10	
4	24921332	5	Clamp	
6	1001162281	1	Support, Exhaust Pipe	
7	1001168635	1	Pipe	
8	1001179968	1	Installation, Muffler (See Separate Breakdown in this Section)	
9	1001179972	1	Pipe	
10	1001181815	1	Plate, Heat Shield	
14	0760810	2	Bolt, M8X20	
16	4811900	2	Washer, M8	
17	1001176650	1	Shield	
18	1001191348	1	Pipe	
19	8310686	2	Nut, M8X12.5	

SECTION 4 - ENGINE AND ATTACHING PARTS

FIGURE 4-30. MUFFLER INSTALLATION (LS)



ART_1001179968-D

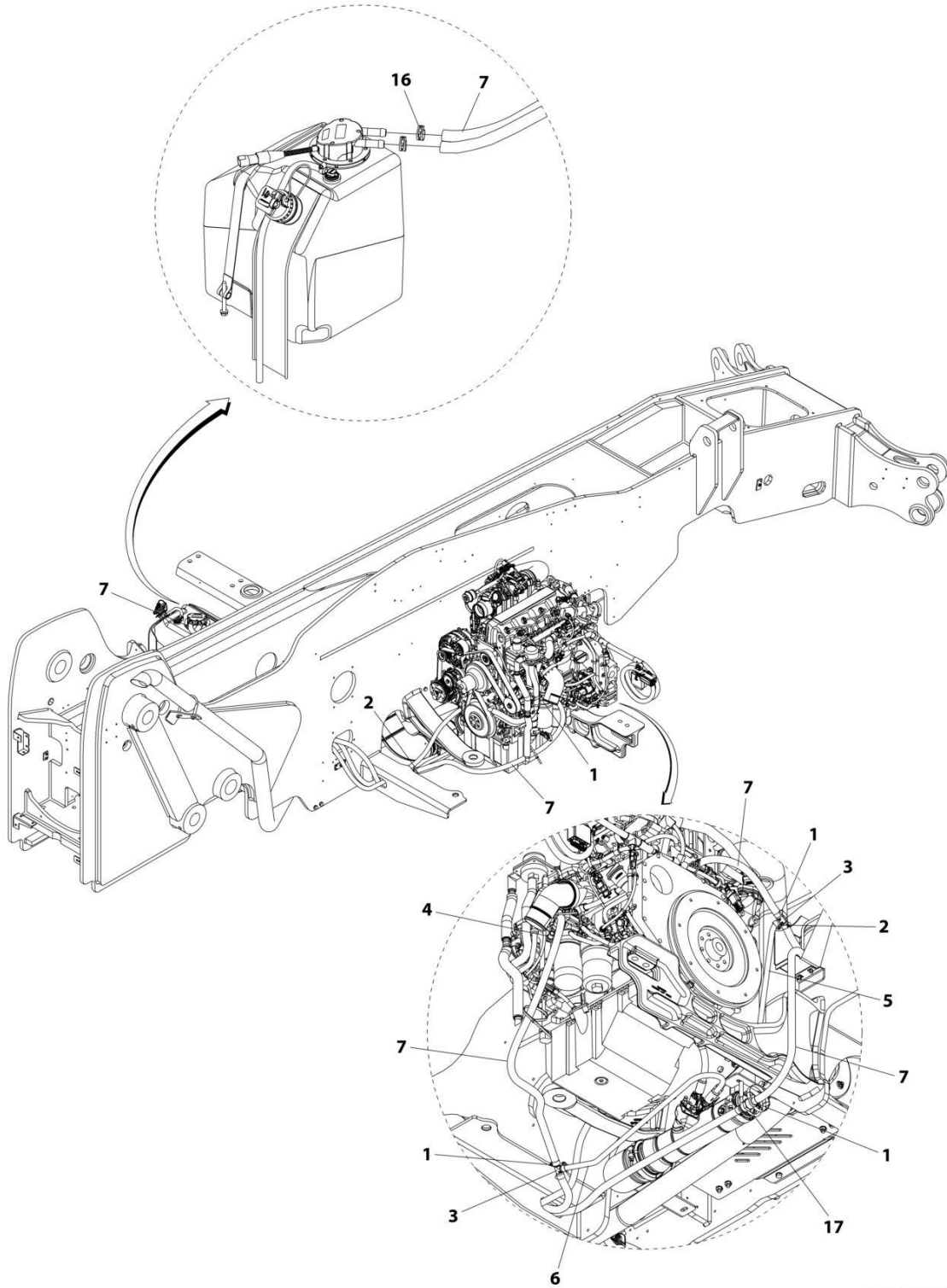
SECTION 4 - ENGINE AND ATTACHING PARTS

FIGURE 4-30. MUFFLER INSTALLATION (LS)

ITEM	PART NUMBER	QTY	DESCRIPTION	REV
	1001179968	Ref	Muffler Installation (LS)	D
1	0760812	4	Bolt, M8X25	
2	0701017	4	Bolt, M10X45	
3	4812000	4	Washer, M10	
4	1001179973	1	Bracket	
5	1001180226	1	Muffler	
6	1001180227	2	Clamp, Muffler	
7	4811900	4	Washer, M8	

SECTION 4 - ENGINE AND ATTACHING PARTS

FIGURE 4-31. DEF LINES INSTALLATION



ART_1001163232-1

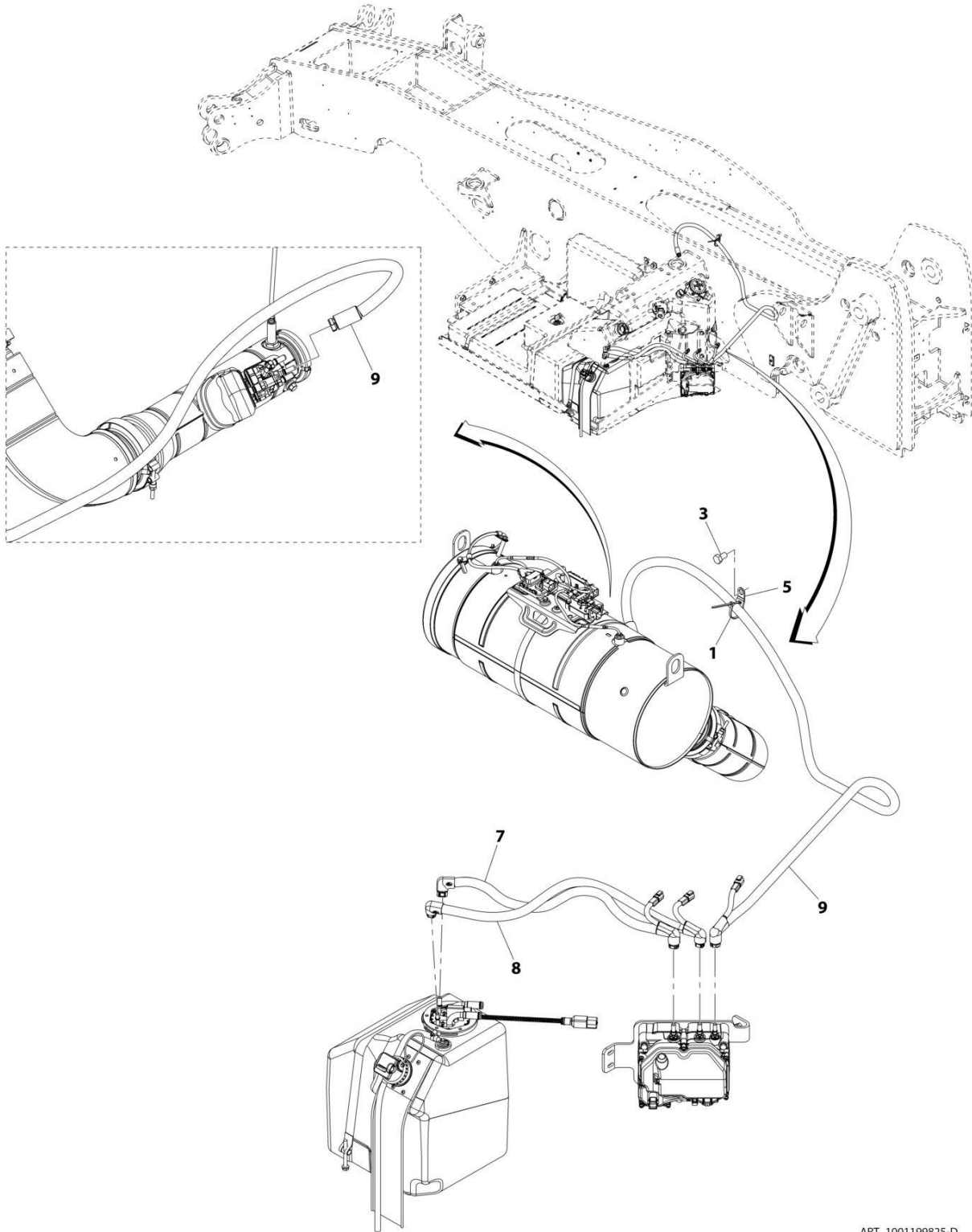
SECTION 4 - ENGINE AND ATTACHING PARTS

FIGURE 4-31. DEF LINES INSTALLATION

ITEM	PART NUMBER	QTY	DESCRIPTION	REV
	1001163232	Ref	DEF Lines Installation	I
1	8410009	10	Gear Clamp	
2	8410013	2	Gear Clamp	
3	1001162212	2	Pipe	
4	1001168822	1	Pipe	
5	1001169409	1	Hose	
6	1001169410	1	Hose	
7	82033995	6.9 m	Hose	
16	1001202526	2	Clamp	
17	1001228872	1	Filter	

SECTION 4 - ENGINE AND ATTACHING PARTS

FIGURE 4-32. DEF PUMP LINES INSTALLATION



ART_1001199825-D

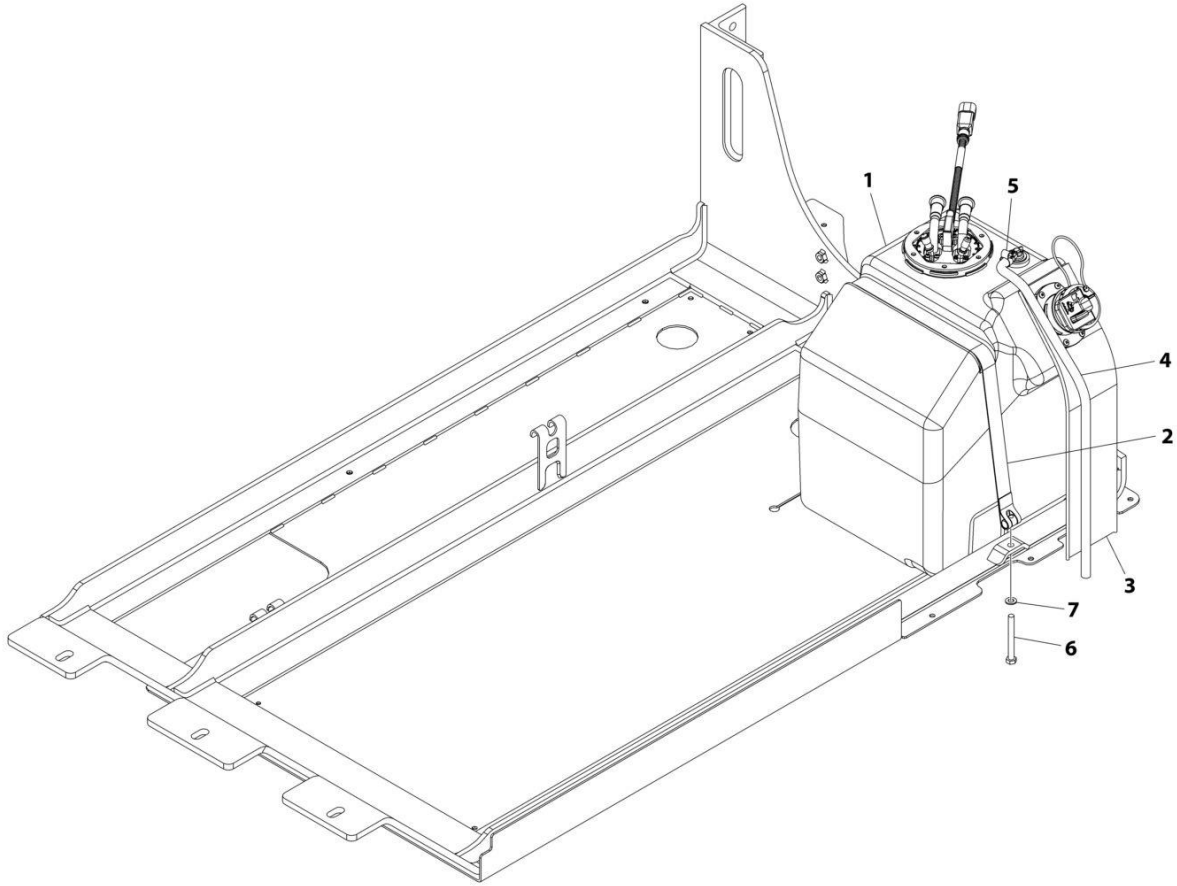
SECTION 4 - ENGINE AND ATTACHING PARTS

FIGURE 4-32. DEF PUMP LINES INSTALLATION

ITEM	PART NUMBER	QTY	DESCRIPTION	REV
	1001199825	Ref	DEF Pump Lines Installation	D
1	8881802	1	Wire Tie	
3	0761210	1	Bolt, M12X20	
5	1001025750	1	Clip	
7	1001231000	1	Hose	
8	1001231001	1	Hose	
9	1001199824	1	Hose	

SECTION 4 - ENGINE AND ATTACHING PARTS

FIGURE 4-33. DEF TANK INSTALLATION



ART_1001168638_L

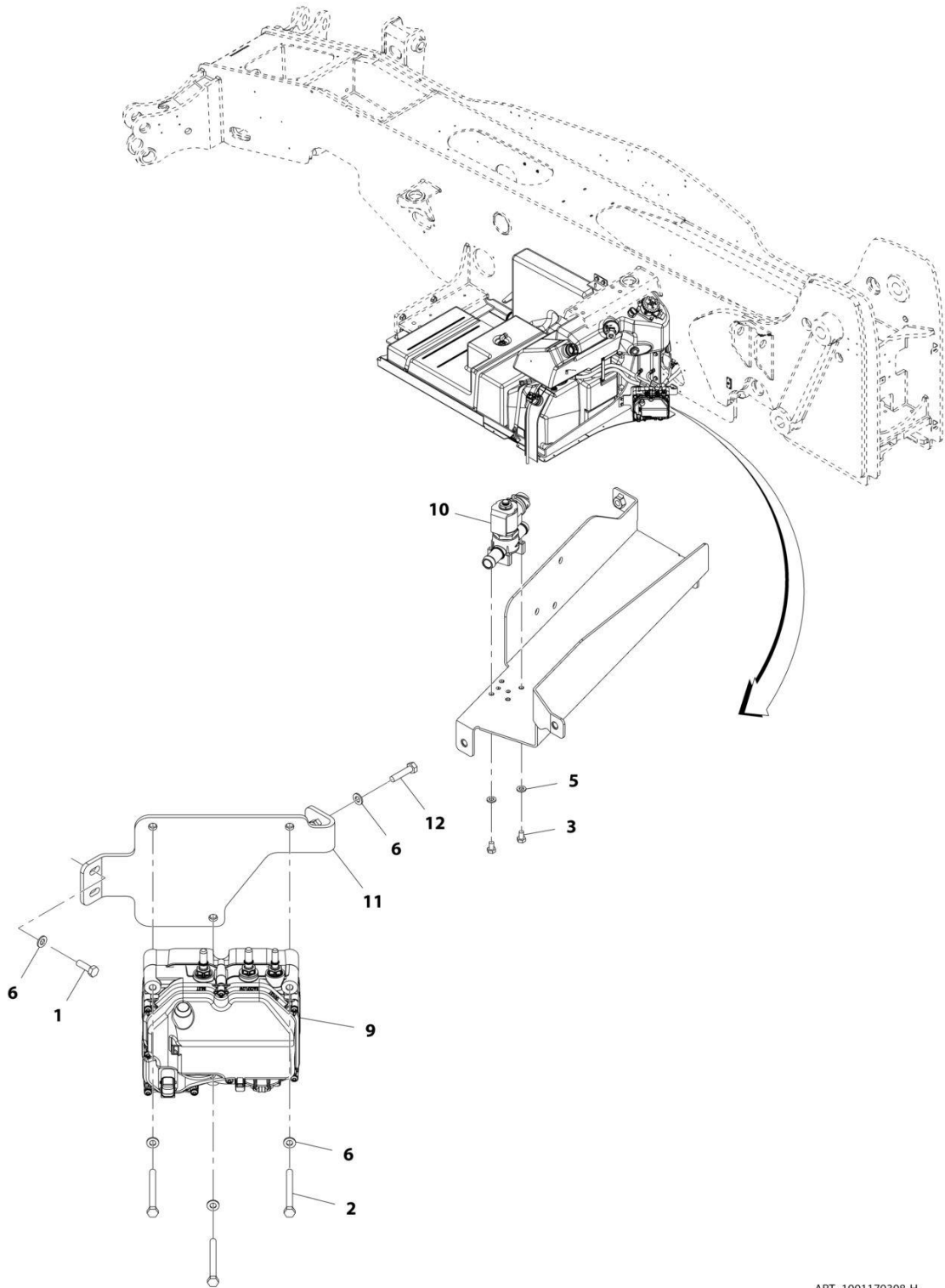
SECTION 4 - ENGINE AND ATTACHING PARTS

FIGURE 4-33. DEF TANK INSTALLATION

ITEM	PART NUMBER	QTY	DESCRIPTION	REV
	1001168638	Ref	DEF TANK INSTALLATION	L
1	1001289561	1	Tank, DEF (See Separate Breakdown in this Section)	
2	1001178791	1	Strap, Tank	
3	1001168272	1	Sleeve	
4	1001175201	0.6 m	Hose	
5	8405009	1	Clamp, Gear	
6	0760823	1	Bolt M8 x 75	
7	4811900	1	Washer M8	

SECTION 4 - ENGINE AND ATTACHING PARTS

FIGURE 4-34. DEF PUMP AND CONTROL INSTALLATION



ART_1001170308-H

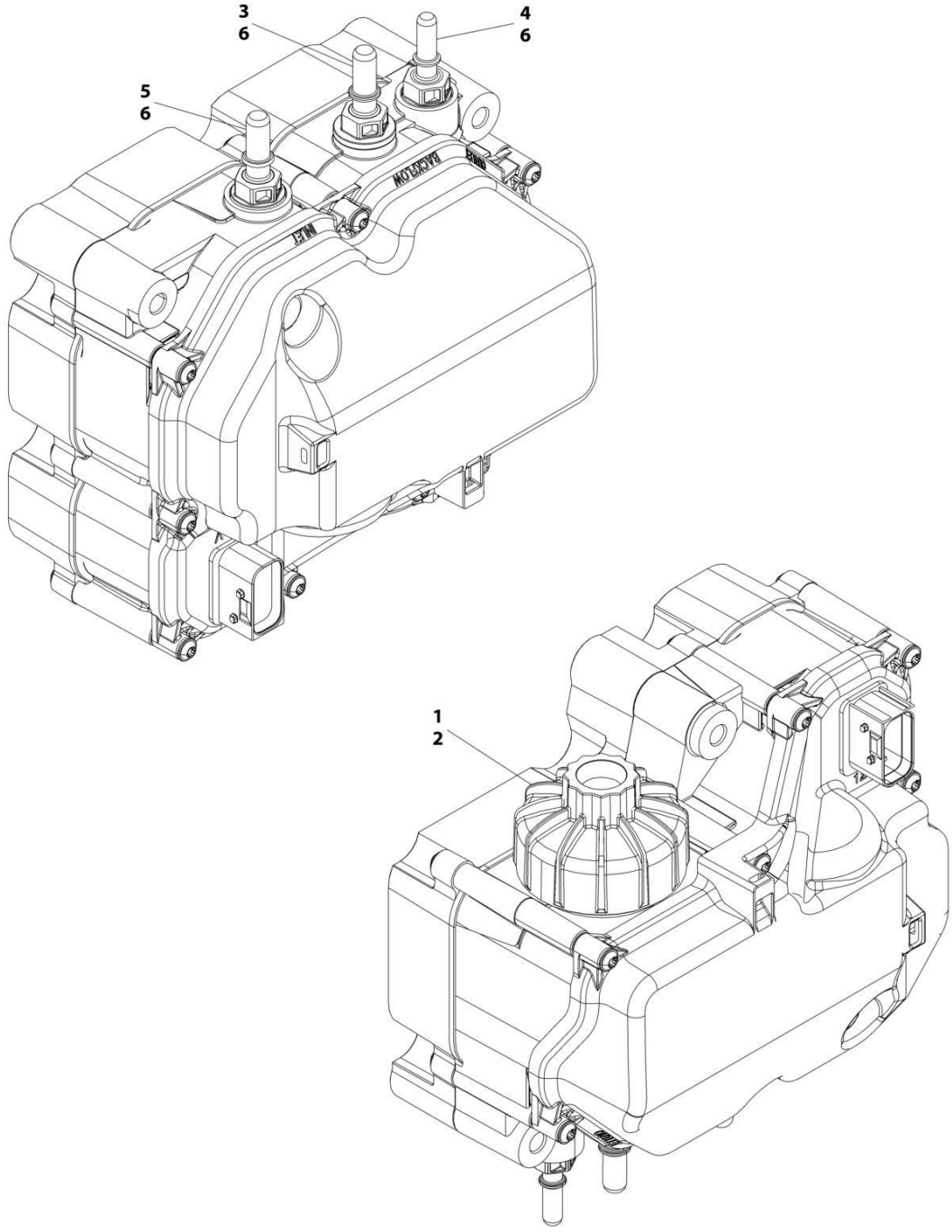
SECTION 4 - ENGINE AND ATTACHING PARTS

FIGURE 4-34. DEF PUMP AND CONTROL INSTALLATION

ITEM	PART NUMBER	QTY	DESCRIPTION	REV
	1001170308	Ref	DEF Pump and Control Installation	H
1	0760812	2	Bolt, M8X25	
2	0700826	3	Bolt, M8X90	
3	0760605	4	Bolt, M6X10	
5	4811700	4	Washer, M6	
6	4811900	6	Washer, M8	
9	1001213210	1	Pump (See Separate Breakdown in this Section)	
10	1001199670	1	Valve	
11	1001199645	1	Bracket	
12	0760815	1	Bolt, M8X35	

SECTION 4 - ENGINE AND ATTACHING PARTS

FIGURE 4-35. UREA PUMP



ART_1001213210-A

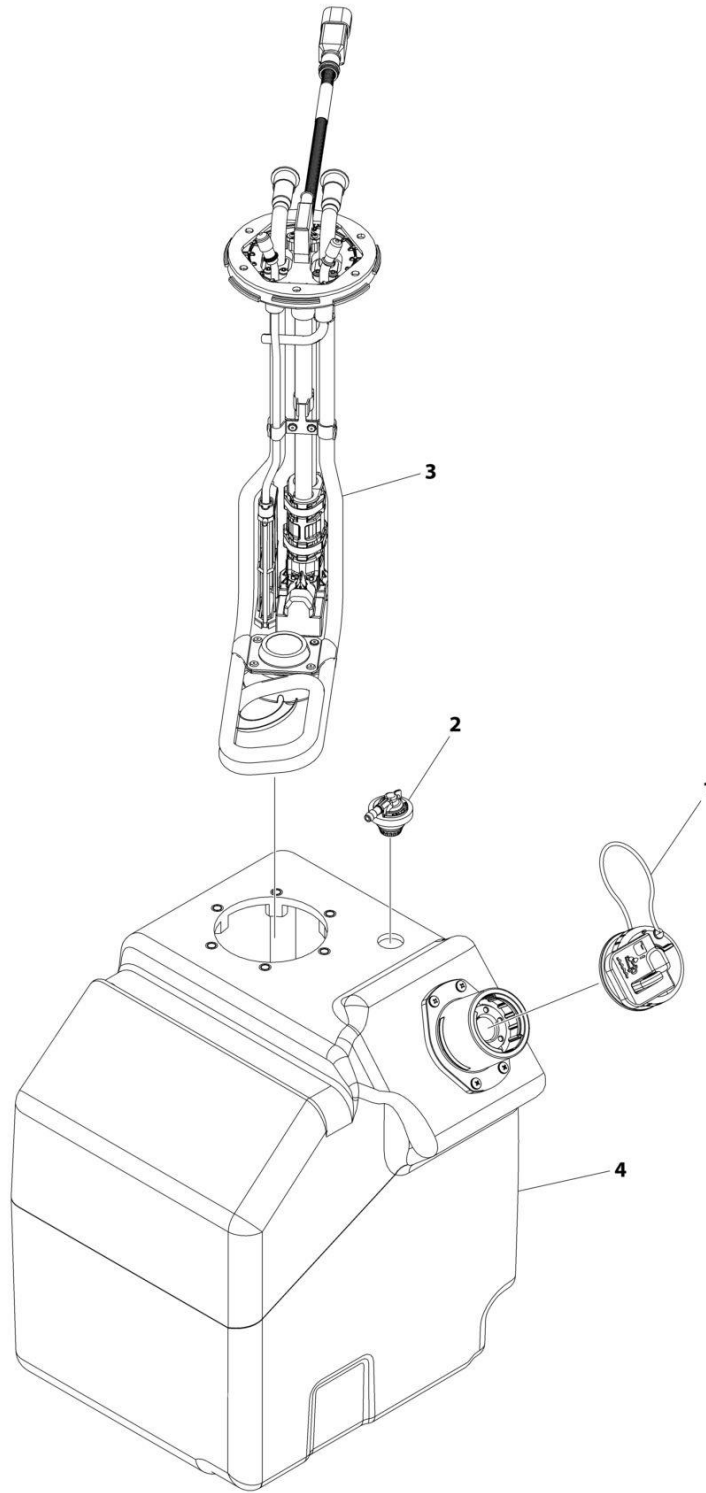
SECTION 4 - ENGINE AND ATTACHING PARTS

FIGURE 4-35. UREA PUMP

ITEM	PART NUMBER	QTY	DESCRIPTION	REV
	1001213210	Ref	DEF Module Pump	B
1	70026248	1	Kit, Filter	
2	70026247	1	Cap, Filter	
3	70027705	1	Connector, Male (Backflow)	
4	70026245	1	Connector, Male (Outlet)	
5	70026244	1	Connector, Male (Inlet)	
6	70027706	3	Gasket, Circular (O-Ring)	

SECTION 4 - ENGINE AND ATTACHING PARTS

FIGURE 4-36. DEF TANK ASSEMBLY



ART_1001289561

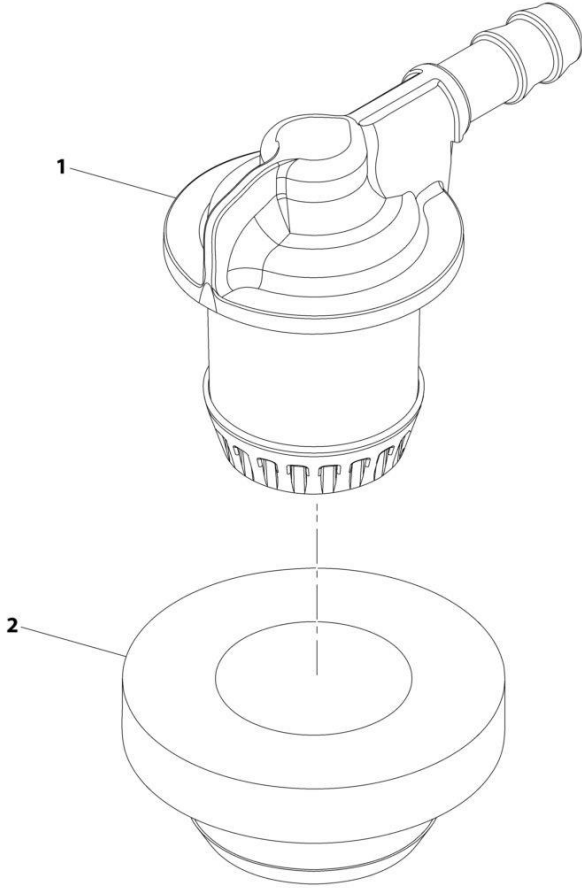
SECTION 4 - ENGINE AND ATTACHING PARTS

FIGURE 4-36. DEF TANK ASSEMBLY

ITEM	PART NUMBER	QTY	DESCRIPTION	REV
	1001289561	Ref	DEF TANK ASSEMBLY	A
1	1001174795	1	Cap	
2	1001215319	1	Valve (See Separate Breakdown in this Section)	
3	1001278919	1	Assembly, DEF Electrical	
4	1001289559	1	Tank	

SECTION 4 - ENGINE AND ATTACHING PARTS

FIGURE 4-37. DEF BREATHER VALVE



ART_1001215319-B

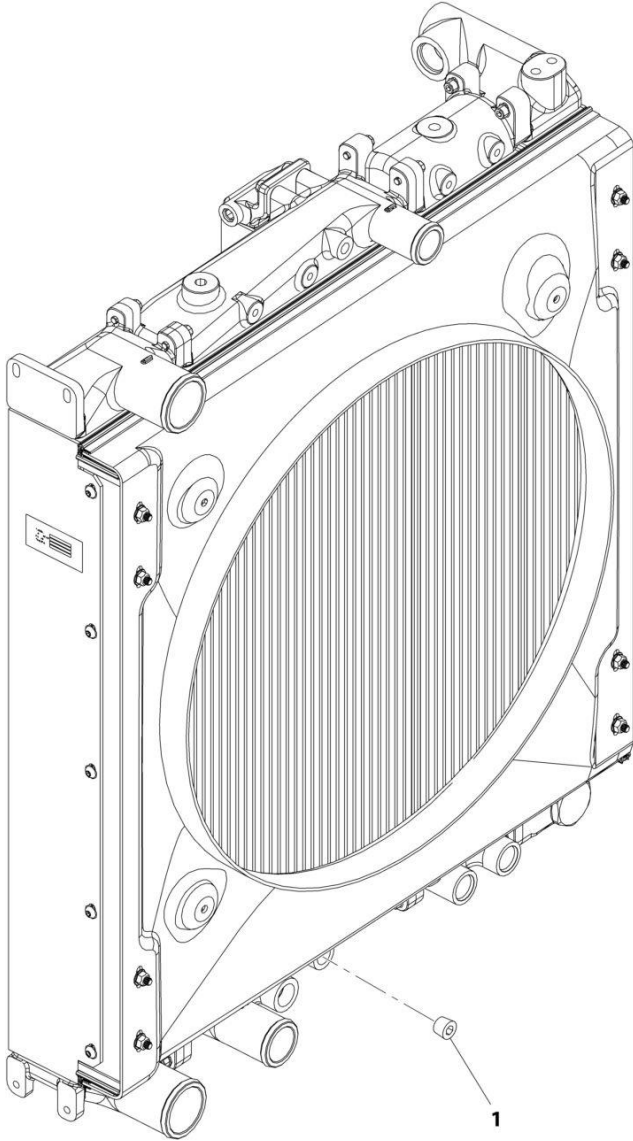
SECTION 4 - ENGINE AND ATTACHING PARTS

FIGURE 4-37. DEF BREATHER VALVE

ITEM	PART NUMBER	QTY	DESCRIPTION	REV
	1001215319	Ref	DEF Breather Valve	B
1	1001239510	1	Valve, DEF Breather	
2	1001239511	1	Grommet, DEF Breather	

SECTION 4 - ENGINE AND ATTACHING PARTS

FIGURE 4-38. ENGINE PARTS INSTALLATION (NO HEATER)



ART_1001163133-D

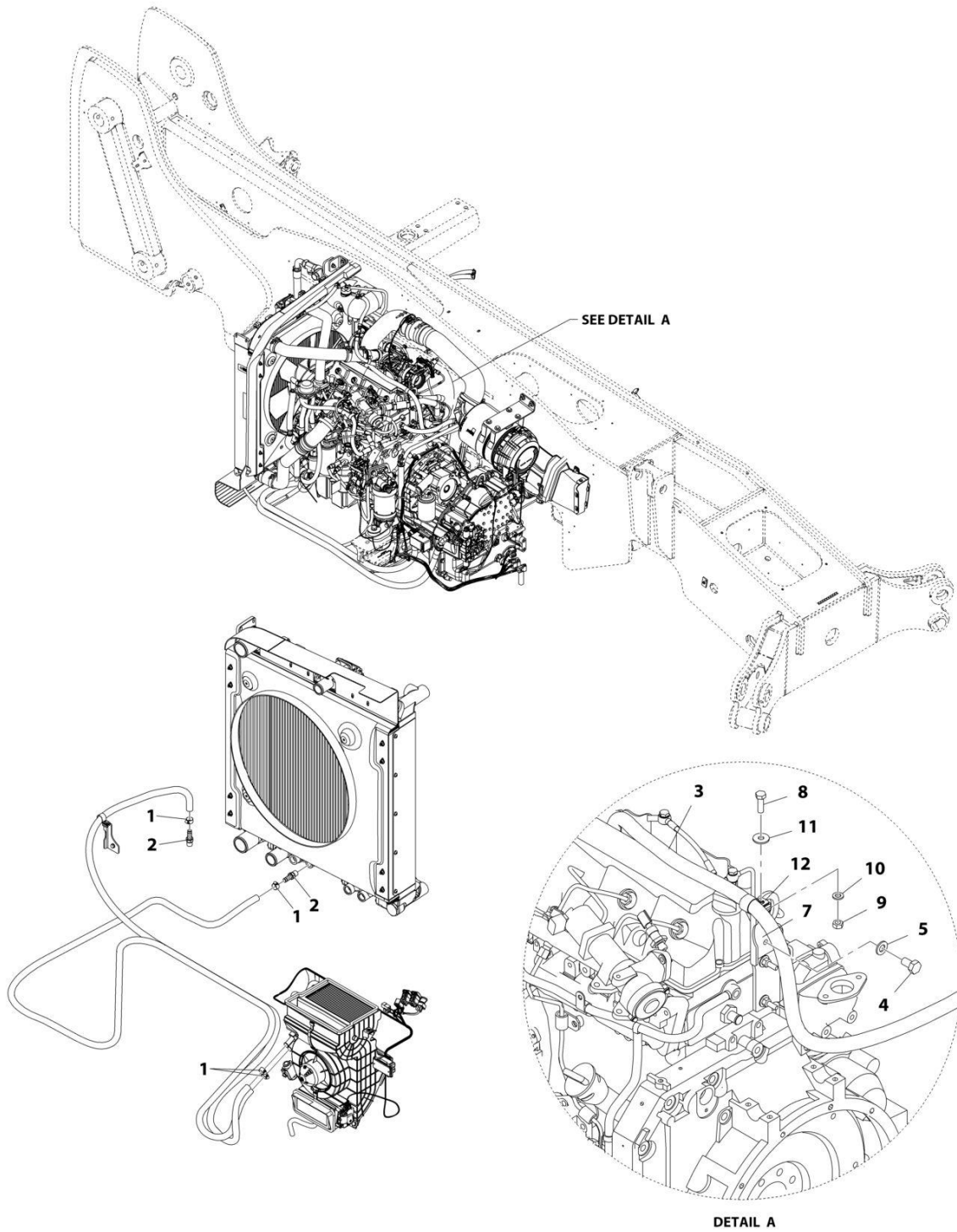
SECTION 4 - ENGINE AND ATTACHING PARTS

FIGURE 4-38. ENGINE PARTS INSTALLATION (NO HEATER)

ITEM	PART NUMBER	QTY	DESCRIPTION	REV
1	1001163133 2200223	Ref 1	Engine Parts Installation (No Heater) Plug	D

SECTION 4 - ENGINE AND ATTACHING PARTS

FIGURE 4-39. ENGINE PARTS INSTALLATION (HEATER)



ART_1001163134-J

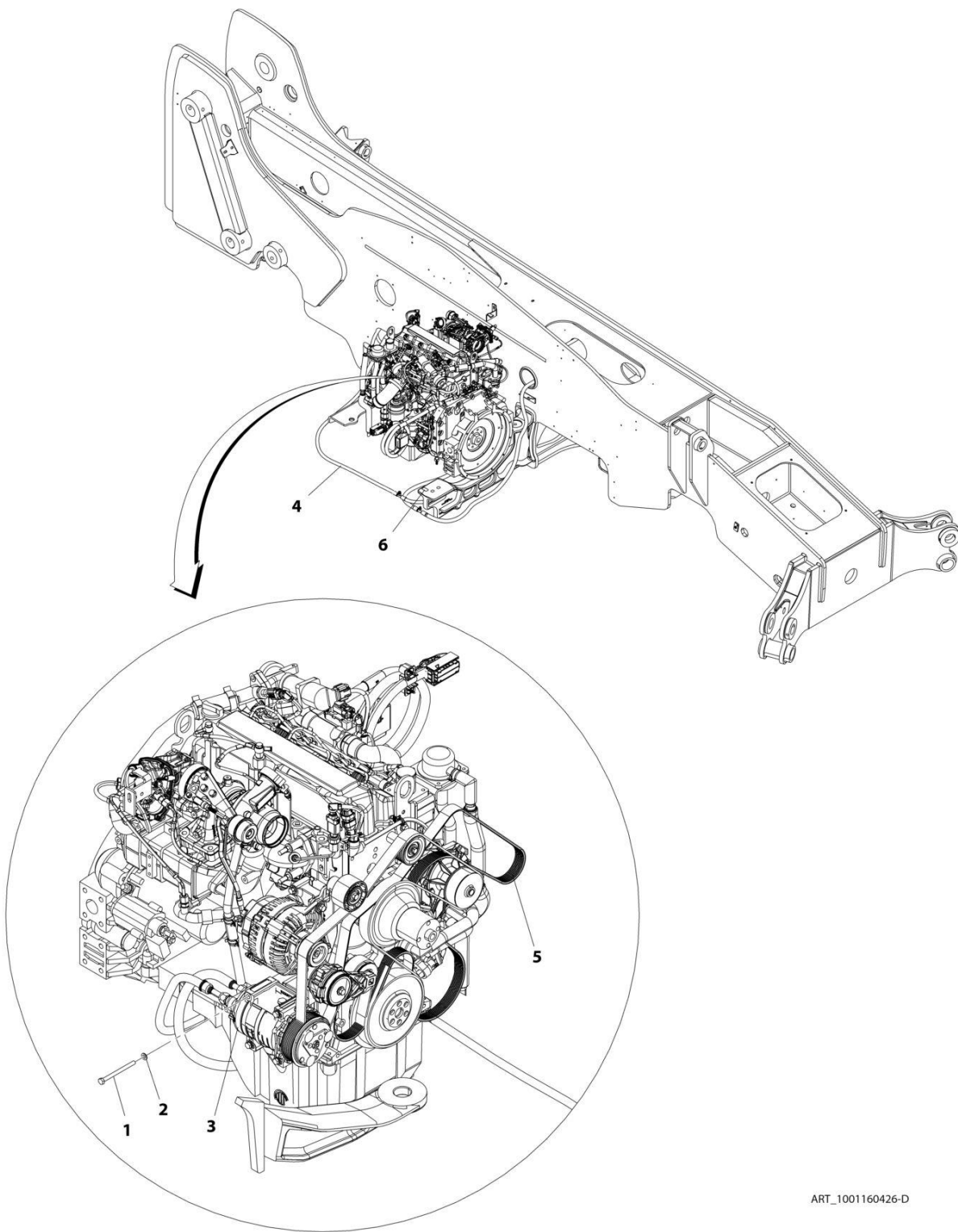
SECTION 4 - ENGINE AND ATTACHING PARTS

FIGURE 4-39. ENGINE PARTS INSTALLATION (HEATER)

ITEM	PART NUMBER	QTY	DESCRIPTION	REV
	1001163134	Ref	Engine Parts Installation (Heater)	J
1	8410009	4	Clamp, Gear	
2	1001104685	2	Pipe	
3	82033995	7 m	Hose	
4	0760807	1	Bolt, M8X14	
5	4811900	1	Washer, M8	
7	1001200555	1	Bracket	
8	0700610	1	Bolt, M6X20	
9	3290601	1	Nut, M6X1	
10	4811700	1	Washer, M6	
11	4811702	1	Washer, M6	
12	8406201	1	Clip	

SECTION 4 - ENGINE AND ATTACHING PARTS

FIGURE 4-40. A/C PUMP INSTALLATION (ULS)



ART_1001160426-D

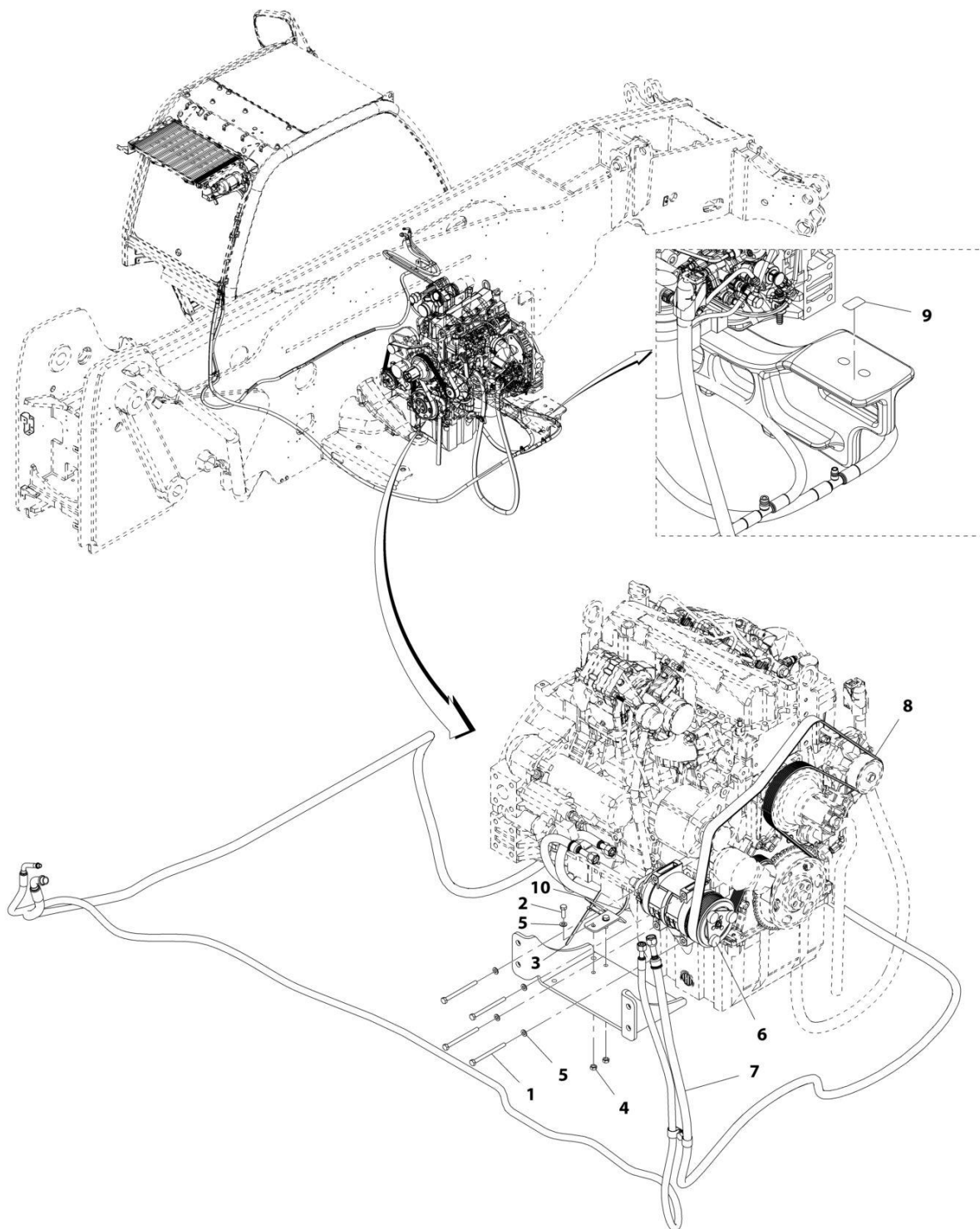
SECTION 4 - ENGINE AND ATTACHING PARTS

FIGURE 4-40. A/C PUMP INSTALLATION (ULS)

ITEM	PART NUMBER	QTY	DESCRIPTION	REV
	1001160426	Ref	A/C Pump Installation (ULS)	D
1	0700827	4	Bolt, M8X100	
2	4811900	4	Washer, M8	
3	1001157663	1	Compressor, A/C	
4	1001163254	1	Installation, A/C Lines (See Separate Breakdown in this Section)	
5	1001167357	1	Belt	
6	1001193026	1	Decal, A/C Refrigerant	

SECTION 4 - ENGINE AND ATTACHING PARTS

FIGURE 4-41. A/C PUMP INSTALLATION (LS)



ART_1001206448-A

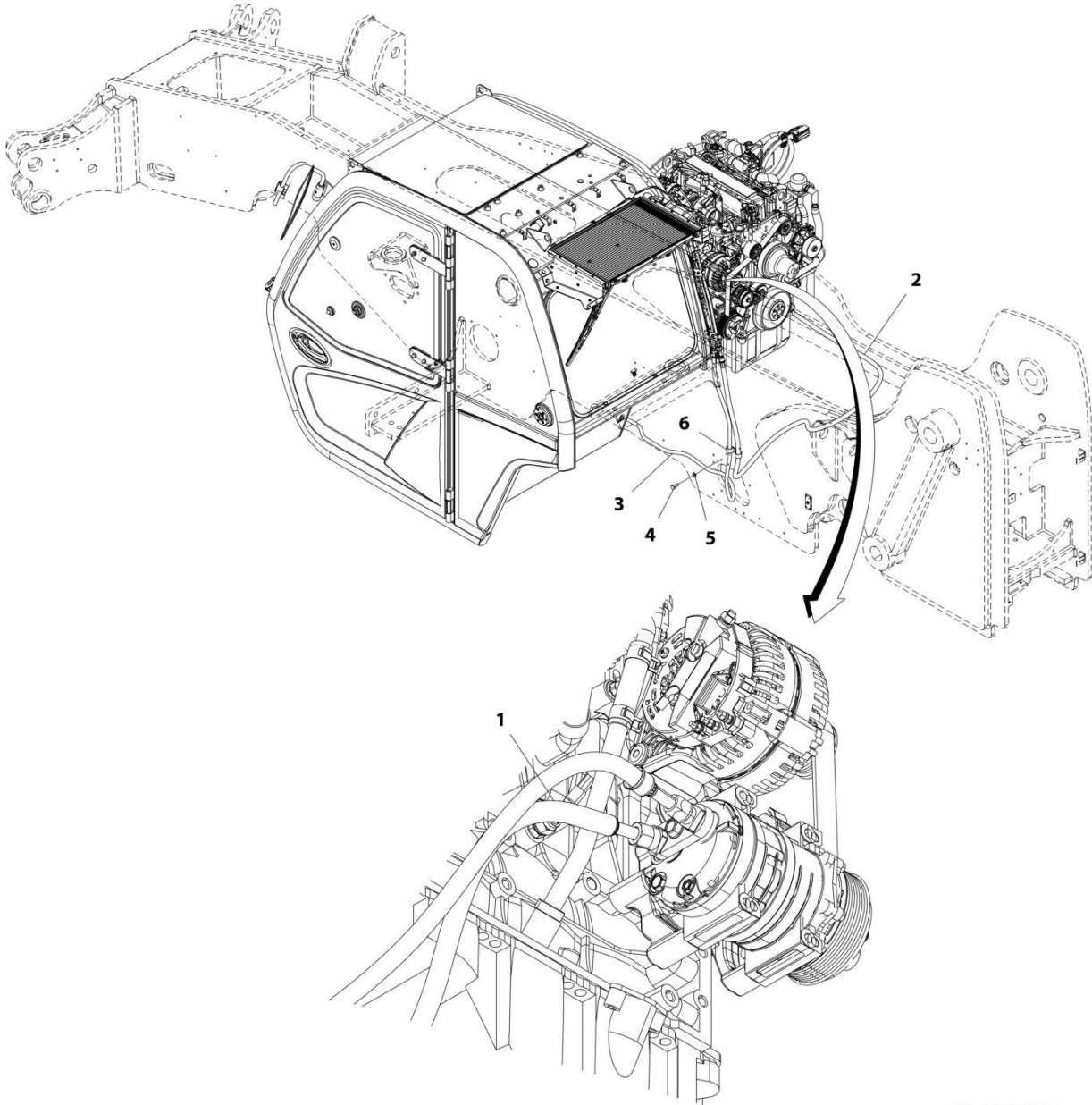
SECTION 4 - ENGINE AND ATTACHING PARTS

FIGURE 4-41. A/C PUMP INSTALLATION (LS)

ITEM	PART NUMBER	QTY	DESCRIPTION	REV
	1001206448	Ref	A/C Pump Installation (LS)	A
1	0700827	4	Bolt, M8X100	
2	0760812	2	Bolt, M8X25	
3	1062255	1	Strap, Tie	
4	3290801	2	Nut, M8X1.25 Grade 8	
5	4811900	6	Washer, M8	
6	1001157663	1	Compressor, A/C	
7	1001163254	1	Installation, A/C Lines (See Separate Breakdown in this Section)	
8	1001167357	1	Belt	
9	1001193026	1	Decal, A/C Refrigerant	
10	1001206332	1	Bracket	

SECTION 4 - ENGINE AND ATTACHING PARTS

FIGURE 4-42. A/C LINES INSTALLATION



ART_1001163254-H

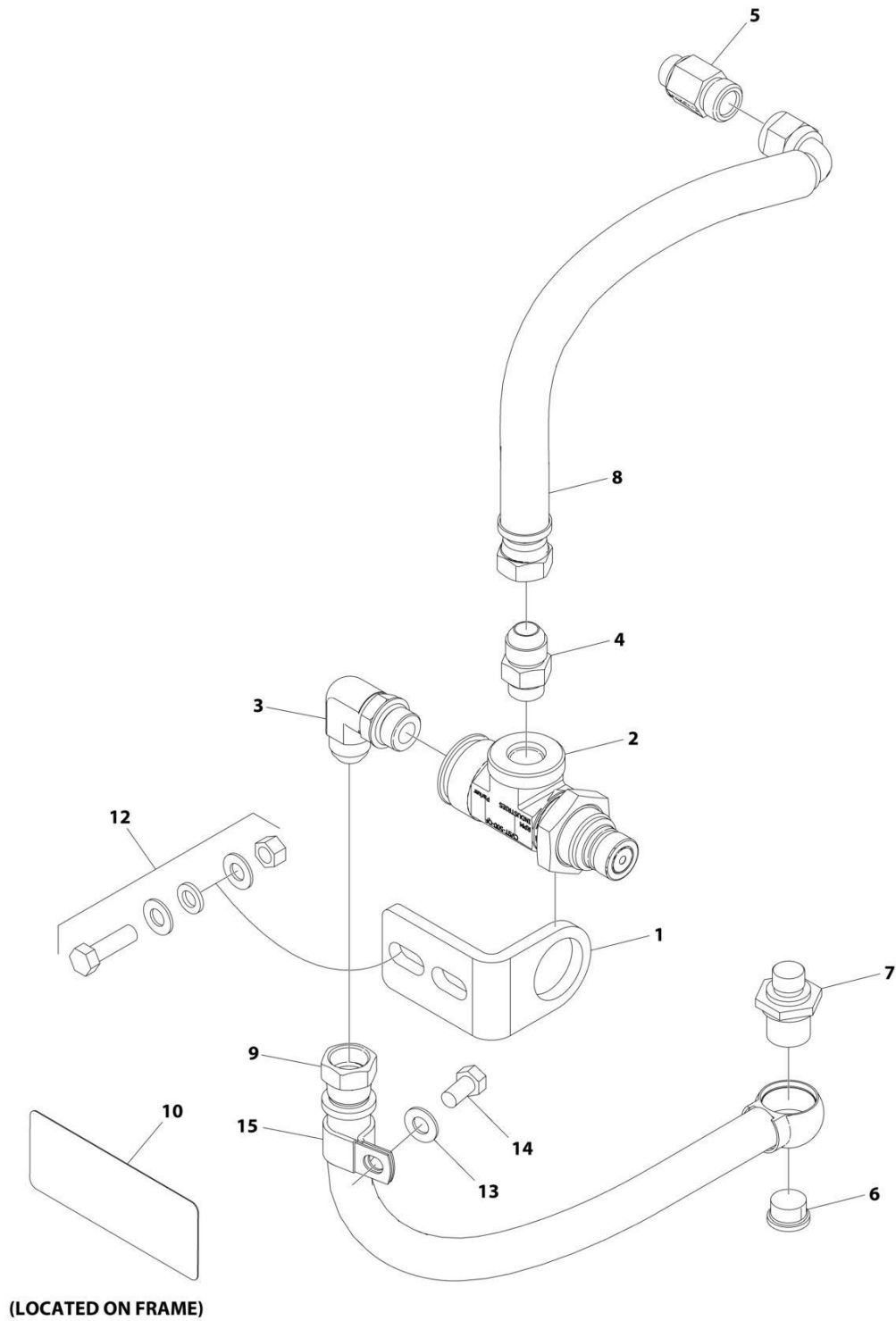
SECTION 4 - ENGINE AND ATTACHING PARTS

FIGURE 4-42. A/C LINES INSTALLATION

ITEM	PART NUMBER	QTY	DESCRIPTION	REV
	1001163254	Ref	A/C Lines Installation	H
1	1001196491	1	Hose	
2	1001184017	1	Hose	
3	1001186705	1	Hose	
4	0761012	1	Bolt, M10X25	
5	4812000	1	Washer, M10	
6	8406102	2	Clip	

SECTION 4 - ENGINE AND ATTACHING PARTS

FIGURE 4-43. ENGINE OIL QUICK DRAIN INSTALLATION



ART_1001281468

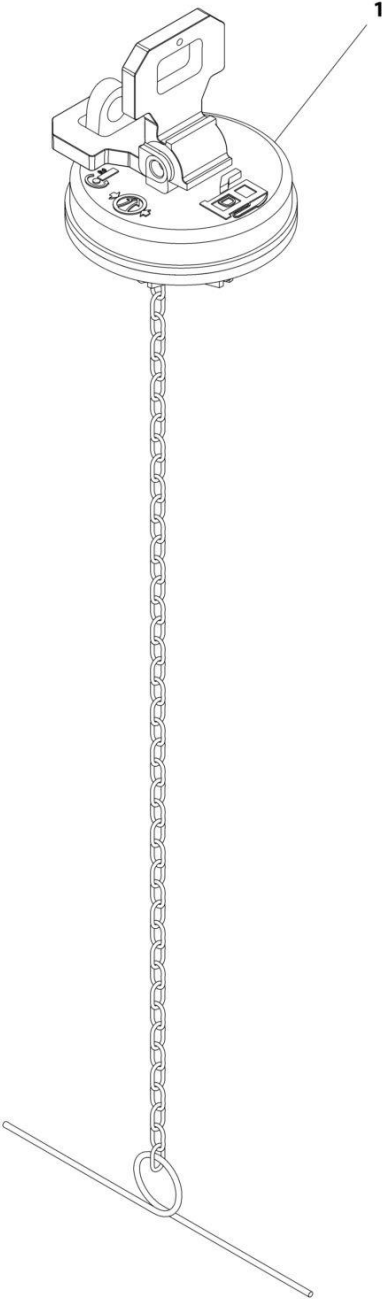
SECTION 4 - ENGINE AND ATTACHING PARTS

FIGURE 4-43. ENGINE OIL QUICK DRAIN INSTALLATION

ITEM	PART NUMBER	QTY	DESCRIPTION	REV
	1001281468	Ref	QUICK DRAIN OIL VALVE INSTALLATION	A
1	1001281297	1	Bracket	
2	1001281298	1	Valve, Small Quickfit	
3	1001281301	1	Fitting, 90	
4	1001281302	1	Fitting, Straight	
5	1001281303	1	Valve, Check Quickfit	
6	1001281304	1	Plug, Quickfit	
7	1001281305	1	Fitting, Straight Quickfit	
8	1001283990	1	Hose	
9	1001281354	1	Hose	
10	1001281360	1	Decal - RPM Quickfit	
11	1001281656	AR	Tie-Strap (Not Shown)	
12	1001281888	2	Bolt 3/8 x 1-1/4	
13	1001282009	1	Washer M8	
14	1001282010	1	Bolt M8 x 18	
15	1001282011	1	Clip	

SECTION 4 - ENGINE AND ATTACHING PARTS

FIGURE 4-44. FUEL CAP ASSEMBLY



ART_1001194978-A

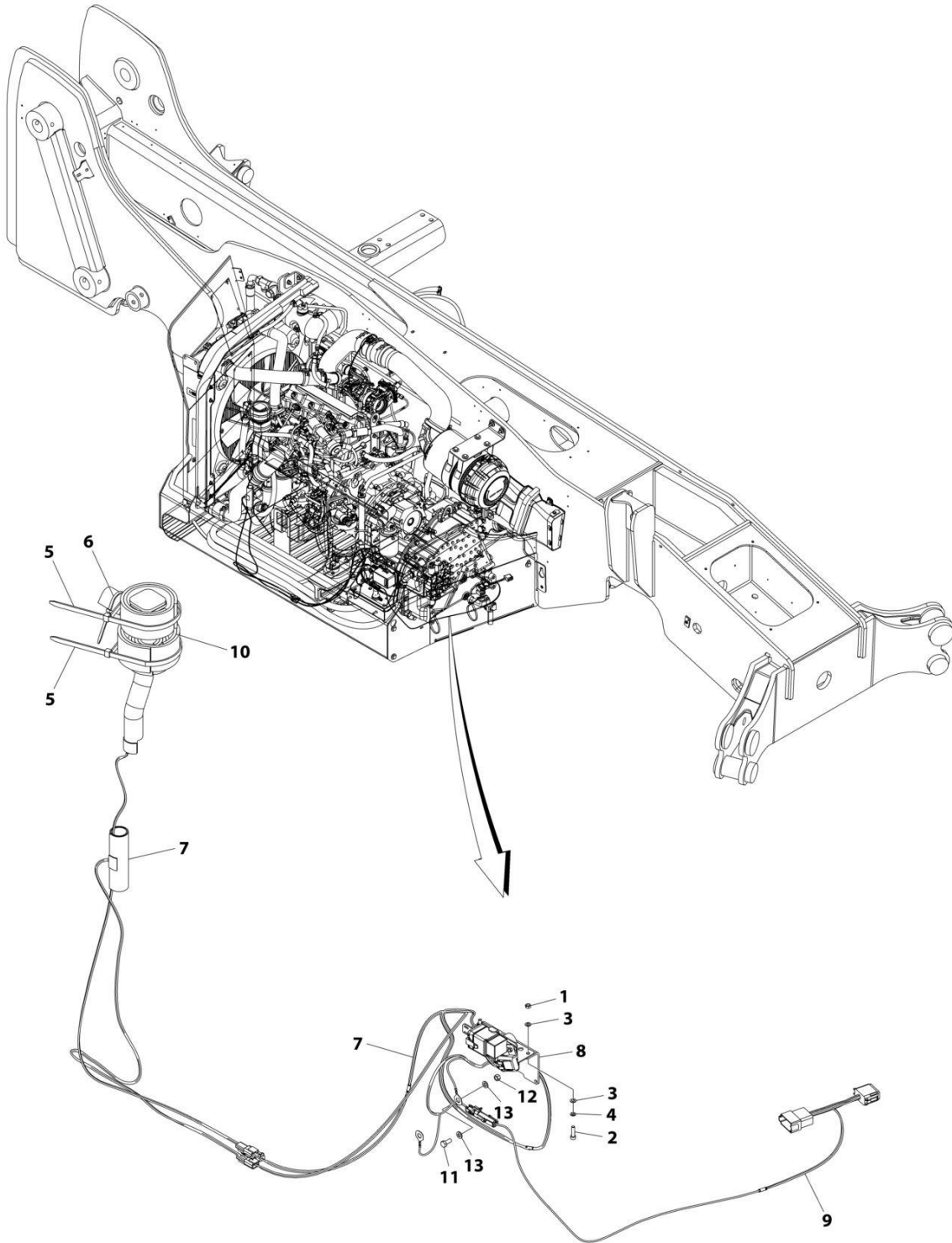
SECTION 4 - ENGINE AND ATTACHING PARTS

FIGURE 4-44. FUEL CAP ASSEMBLY

ITEM	PART NUMBER	QTY	DESCRIPTION	REV
1	1001194978	1	Fuel Cap Assembly	A

SECTION 4 - ENGINE AND ATTACHING PARTS

FIGURE 4-45. HEATER BREATHER



ART_1001232751_C

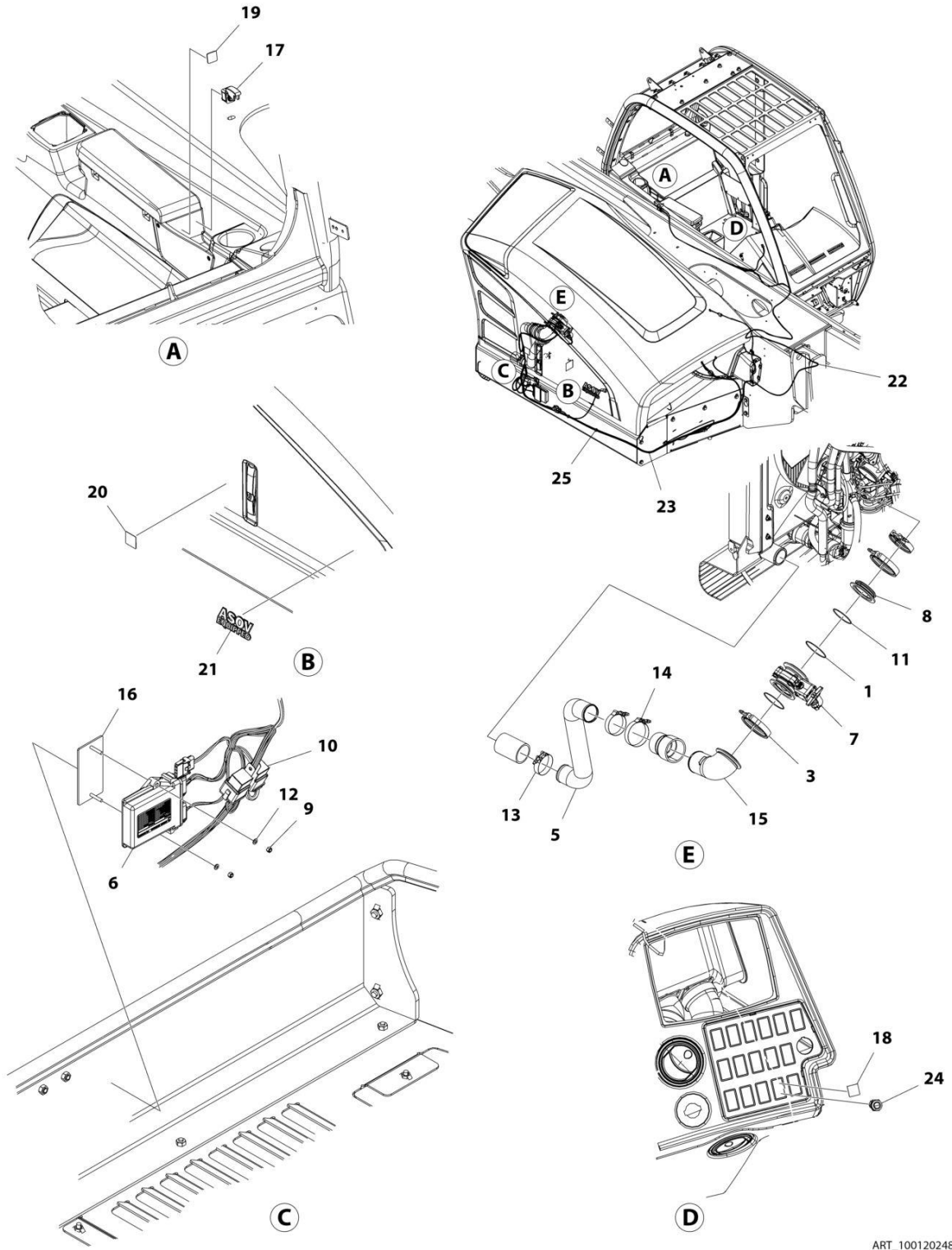
SECTION 4 - ENGINE AND ATTACHING PARTS

FIGURE 4-45. HEATER BREATHER

ITEM	PART NUMBER	QTY	DESCRIPTION	REV
	1001232751	Ref	Heater Breather - 110 HP	C
1	3290501	2	Nut, M5X0.8	
2	4031608	2	Screw, M5X20	
3	4811600	4	Washer, M5	
4	4831600	2	Washer, Lock M5	
5	01043892	2	Strap, Tie	
6	86683122	1	Strap, Tie	
7	1001232439	1	Engine, Cummins Breather Kit	
8	1001253331	1	Bracket	
9	1001232556	1	Harness, Cummins Heater Jump	
10	1001232624	1	Insulate, Cummins Insulation	
11	0760607	1	Bolt, M6X1	
12	3290601	1	Nut, M6X1	
13	4811700	2	Washer, M6	

SECTION 4 - ENGINE AND ATTACHING PARTS

FIGURE 4-46. AIR INTAKE SHUT OFF VALVE INSTALLATION



ART_1001202487_D

SECTION 4 - ENGINE AND ATTACHING PARTS

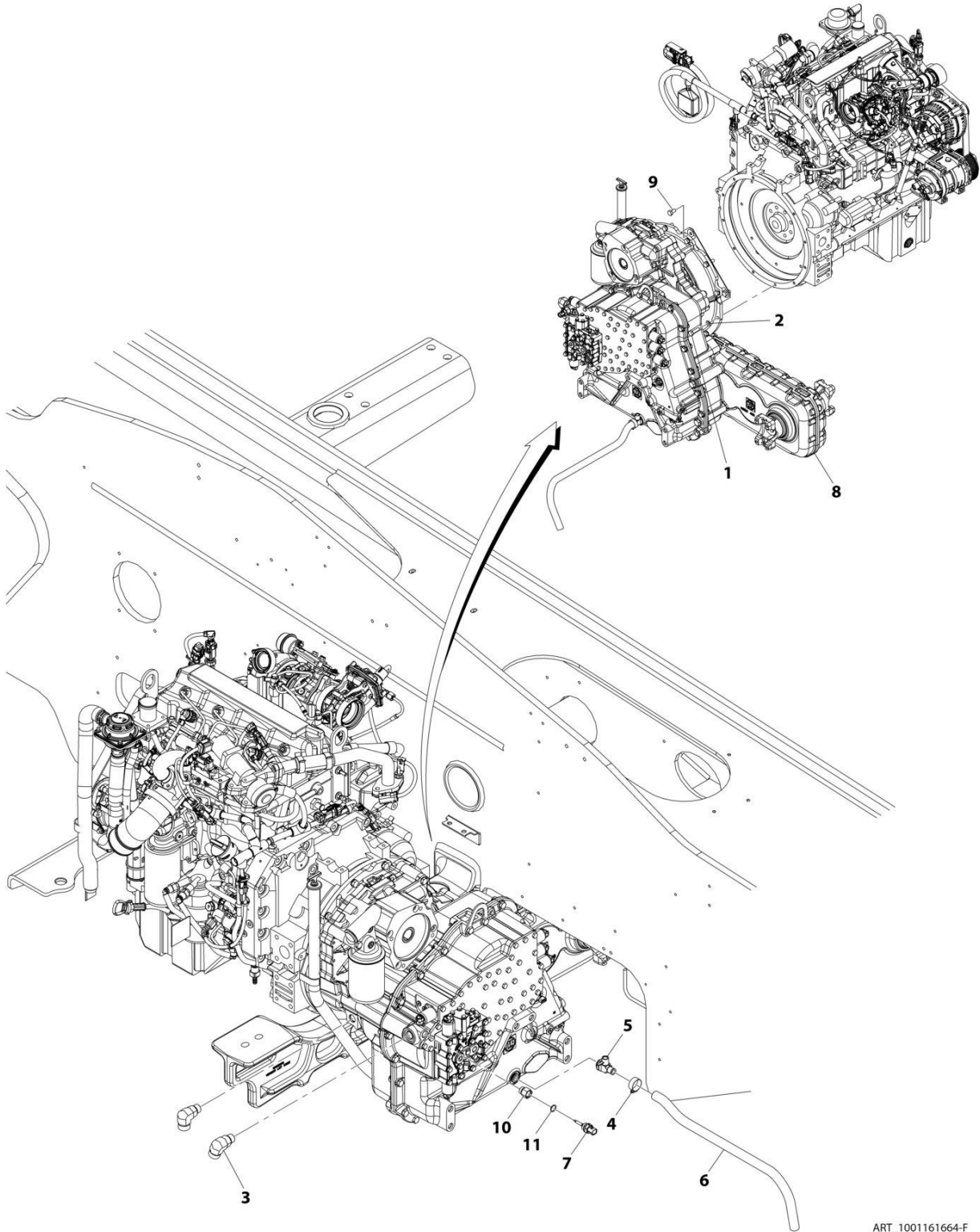
FIGURE 4-46. AIR INTAKE SHUT OFF VALVE INSTALLATION

ITEM	PART NUMBER	QTY	DESCRIPTION	REV
	1001202487	Ref	Air Intake Shut Off Valve Installation	D
1	3790152	2	Ring	
3	1001202247	2	Clamp	
5	1001202491	1	Pipe	
6	1001203181	1	Accessory, Control	
7	1001204032	1	Valve, Air Shut Off (See Separate Breakdown in HYDRAULIC COMPONENTS Section)	
8	1001206980	1	Plate	
9	3290505	2	Nut, Lock M5X0.8 Grade 8	
10	3740080	2	Relay	
11	3790151	1	O-Ring	
12	4811600	2	Washer, M5	
13	8405212	2	Clamp	
14	8405305	1	Clamp	
15	1001215476	1	Pipe	
16	1001219082	1	Bracket	
17	1001215941	1	Switch	
18	1001227077	1	Decal, Air Shut Off	
19	1001227964	1	Decal, ASOV Test	
20	1001228273	1	Decal, Air Shut Off	
21	1001228643	1	Decal, ASOV Equipped	
22	1001231407	1	Harness, Cab Air Shut Off Valve (See Separate Breakdown in ELECTRICAL Section)	
23	1001231483	1	Harness, Engine Air Shut Off Valve (See Separate Breakdown in ELECTRICAL Section)	
24	1001239539	1	Lamp	
25	91053419	AR	Strap, Cable	

SECTION 5 - DRIVE TRAIN

SECTION 5 - DRIVE TRAIN

FIGURE 5-1. TRANSMISSION INSTALLATION



ART_1001161664-F

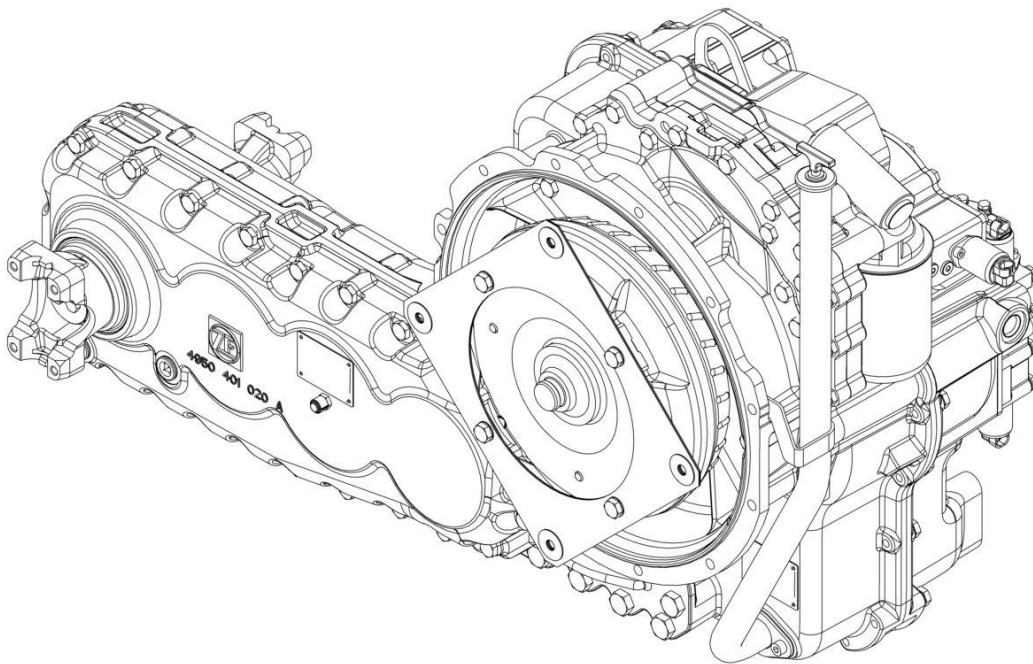
SECTION 5 - DRIVE TRAIN

FIGURE 5-1. TRANSMISSION INSTALLATION

ITEM	PART NUMBER	QTY	DESCRIPTION	REV
	1001161664	Ref	Transmission Installation	F
1	0711015	12	Screw, M10X35	
2	4812000	12	Washer, M10	
3	2131210	2	Fitting, 90 ORFS	
4	8405007	1	Clamp, Hose	
5	1001097053	1	Valve, Oil Drain	
6	1001186225	1	Hose, Drain	
7	1001128478	1	Switch, Oil Temperature	
8	1001260171	1	Transmission, Powershift (See Separate Breakdown in this Section)	
9	0761010	4	Screw, M10X20	
10	1001220760	1	Adapter	
11	1001009163	1	Seal	

SECTION 5 - DRIVE TRAIN

FIGURE 5-2. POWERSHIFT TRANSMISSION



ART_1001260171-A

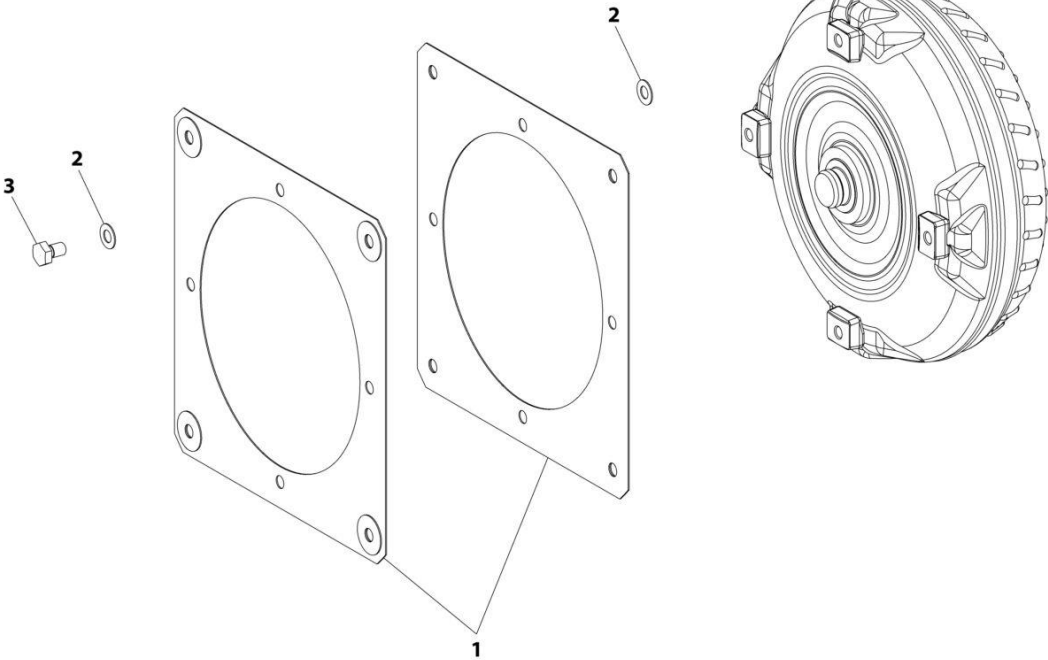
SECTION 5 - DRIVE TRAIN

FIGURE 5-2. POWERSHIFT TRANSMISSION

ITEM	PART NUMBER	QTY	DESCRIPTION	REV
	1001260171	Ref	Powershift Transmission	A
		Ref	Transmission, Engine Connection (See Separate Breakdown in this Section)	
		Ref	Transmission, Converter (See Separate Breakdown in this Section)	
		Ref	Transmission, Input (See Separate Breakdown in this Section)	
		Ref	Transmission, Housing Group 1 (See Separate Breakdown in this Section)	
		Ref	Transmission, Housing Group 2 (See Separate Breakdown in this Section)	
		Ref	Transmission, Clutch Group 1 (See Separate Breakdown in this Section)	
		Ref	Transmission, Clutch Group 2 (See Separate Breakdown in this Section)	
		Ref	Transmission, Coupling Group 1 (See Separate Breakdown in this Section)	
		Ref	Transmission, Coupling Group 2 (See Separate Breakdown in this Section)	
		Ref	Transmission, Coupling Group 3 (See Separate Breakdown in this Section)	
		Ref	Transmission, Coupling Group 4 (See Separate Breakdown in this Section)	
		Ref	Transmission, Output (See Separate Breakdown in this Section)	
		Ref	Transmission, Power Take-Off (See Separate Breakdown in this Section)	
		Ref	Transmission, Control Unit (See Separate Breakdown in this Section)	
		Ref	Transmission, Shift System (See Separate Breakdown in this Section)	
		Ref	Transmission, Pressure Regulator (See Separate Breakdown in this Section)	
		Ref	Transmission, Pressure Oil Pump (See Separate Breakdown in this Section)	
		Ref	Transmission, Inductive Transmitter (See Separate Breakdown in this Section)	
		Ref	Transmission, Filter (See Separate Breakdown in this Section)	
		Ref	Transmission, Oil Dipstick (See Separate Breakdown in this Section)	
		Ref	Transmission, Accessories (See Separate Breakdown in this Section)	

SECTION 5 - DRIVE TRAIN

FIGURE 5-3. TRANSMISSION, ENGINE CONNECTION



ART_1001260171_1-A

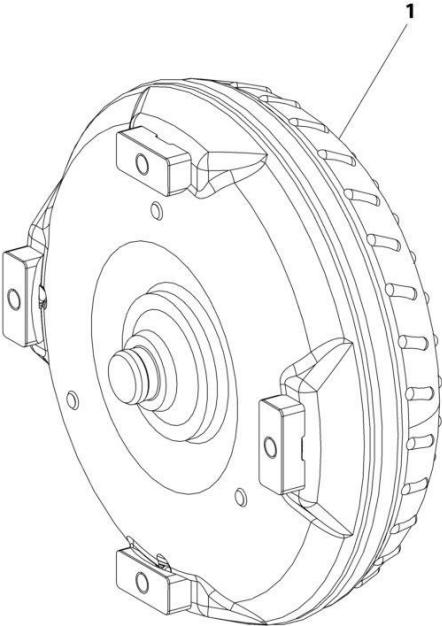
SECTION 5 - DRIVE TRAIN

FIGURE 5-3. TRANSMISSION, ENGINE CONNECTION

ITEM	PART NUMBER	QTY	DESCRIPTION	REV
	1001260171	Ref	TRANSMISSION, ENGINE CONNECTION	A
1	1319229	2	Diaphragm	
2	7026745	8	Washer	
3	7026744	4	Screw	

SECTION 5 - DRIVE TRAIN

FIGURE 5-4. TRANSMISSION, CONVERTER



ART_1001260171_2-A

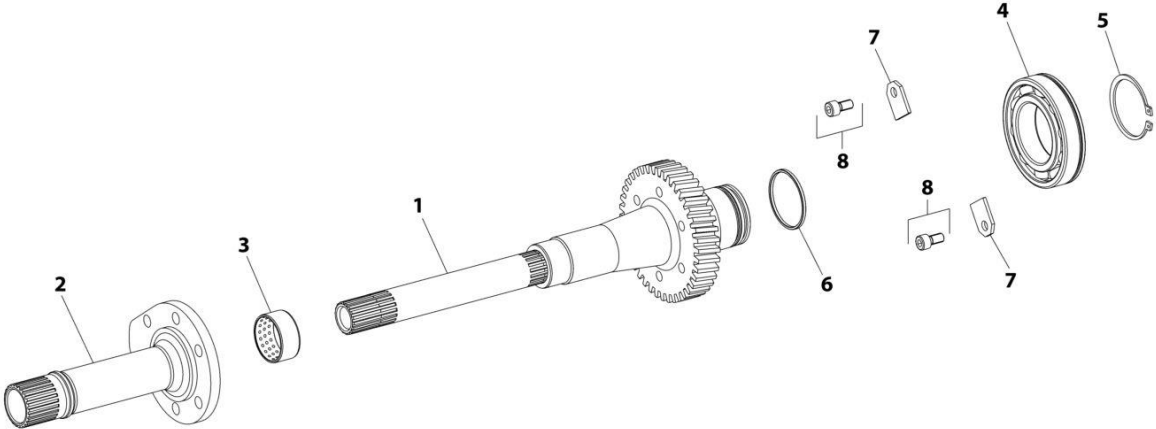
SECTION 5 - DRIVE TRAIN

FIGURE 5-4. TRANSMISSION, CONVERTER

ITEM	PART NUMBER	QTY	DESCRIPTION	REV
1	1001260171 7026746	Ref 1	TRANSMISSION, CONVERTER Converter	A

SECTION 5 - DRIVE TRAIN

FIGURE 5-5. TRANSMISSION, INPUT



ART_1001260171_3-A

SECTION 5 - DRIVE TRAIN

FIGURE 5-5. TRANSMISSION, INPUT

ITEM	PART NUMBER	QTY	DESCRIPTION	REV
	1001260171	Ref	TRANSMISSION, INPUT	A
1	7026747	1	Shaft, Turbine	
2	7026748	1	Shaft, Stator	
3	1319558	1	Bushing, Bearing	
4	1319563	1	Bearing, Ball	
5	80304405	1	Ring, Retaining	
6	7026749	1	Ring, Piston	
7	70026515	2	Strap	
8	70026516	2	Bolt	

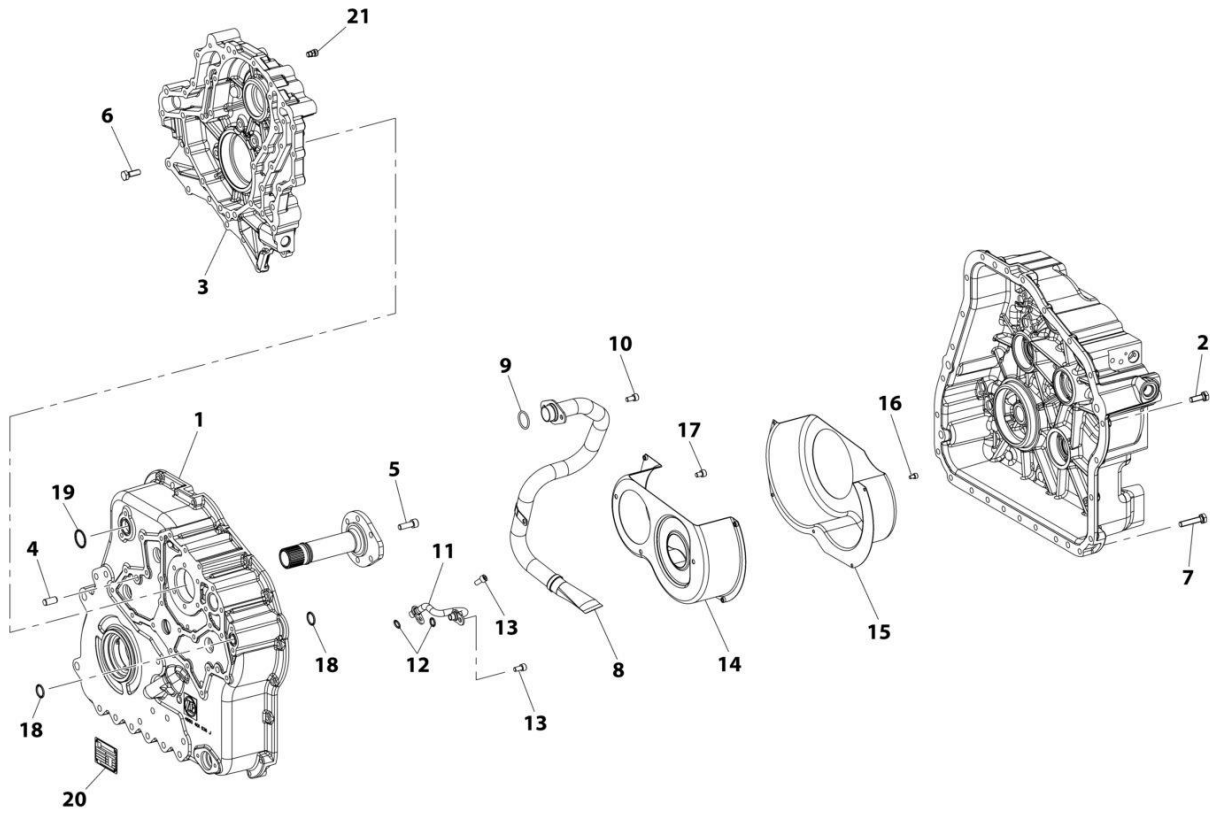
SECTION 5 - DRIVE TRAIN

FIGURE 5-6. TRANSMISSION, HOUSING GROUP 1

ITEM	PART NUMBER	QTY	DESCRIPTION	REV
	1001260171	Ref	TRANSMISSION, HOUSING GROUP 1	A
1	7029973	1	Housing	
2	1319571	2	Pin, Cylindrical	
3	70029525	1	Plug, Screw	
4	1319590	1	Bracket	
5	7026750	1	Tube	
6	70026516	2	Screw	
7	8036847	2	O-Ring	
8	7026751	1	Pipe, Gearbox Housing	
9	70026516	2	Screw	
10	8036847	2	O-Ring	
11	7026752	1	Pipe, Gearbox Housing	
12	70026516	3	Bolt	
13	8036847	2	O-Ring	
14	70026517	7	Screw Plug	
15	70026518	1	Nozzle	

SECTION 5 - DRIVE TRAIN

FIGURE 5-7. TRANSMISSION, HOUSING GROUP 2



ART_1001260171_5-A

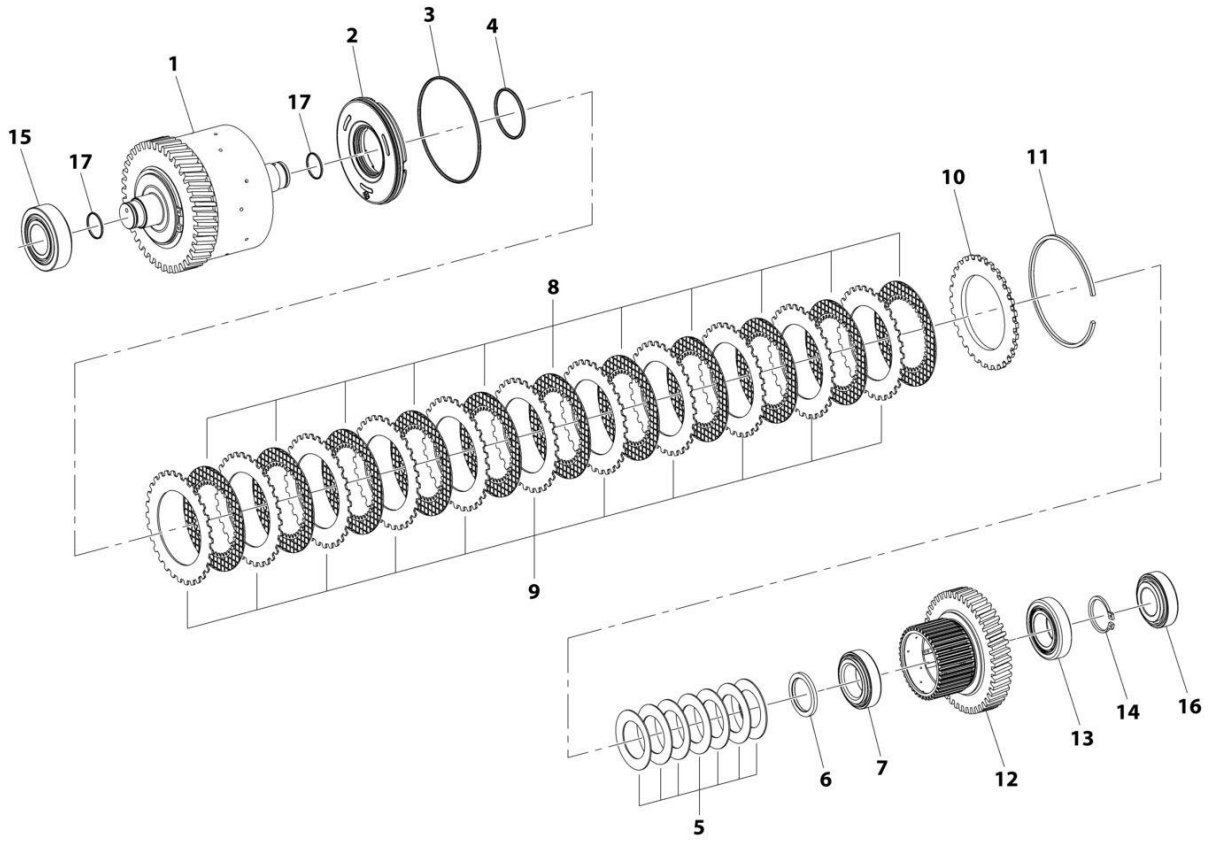
SECTION 5 - DRIVE TRAIN

FIGURE 5-7. TRANSMISSION, HOUSING GROUP 2

ITEM	PART NUMBER	QTY	DESCRIPTION	REV
	1001260171	Ref	TRANSMISSION, HOUSING GROUP 2	A
1	70028854	1	Housing	
2	70027651	18	Bolt	
3	70021920	1	Housing	
4	1319571	2	Pin, Cylindrical	
5	70026519	6	Bolt	
6	70027651	13	Bolt	
7	7026794	7	Screw	
8	70028853	1	Suction Tube	
9	70023885	1	O-Ring	
10	70026516	2	Bolt	
11	7026754	1	Pipe, Gearbox Housing	
12	8036847	2	O-Ring	
13	70026516	2	Bolt	
14	7026755	1	Screen Sheet, Gearbox Housing	
15	7026756	1	Screen Sheet, Gearbox Housing	
16	7029031	5	Screw	
17	70028855	3	Screw	
18	7026792	2	O-Ring	
19	70023885	1	O-Ring	
20	10731744	1	Breather	

SECTION 5 - DRIVE TRAIN

FIGURE 5-8. TRANSMISSION, CLUTCH GROUP 1



ART_1001260171_6-A

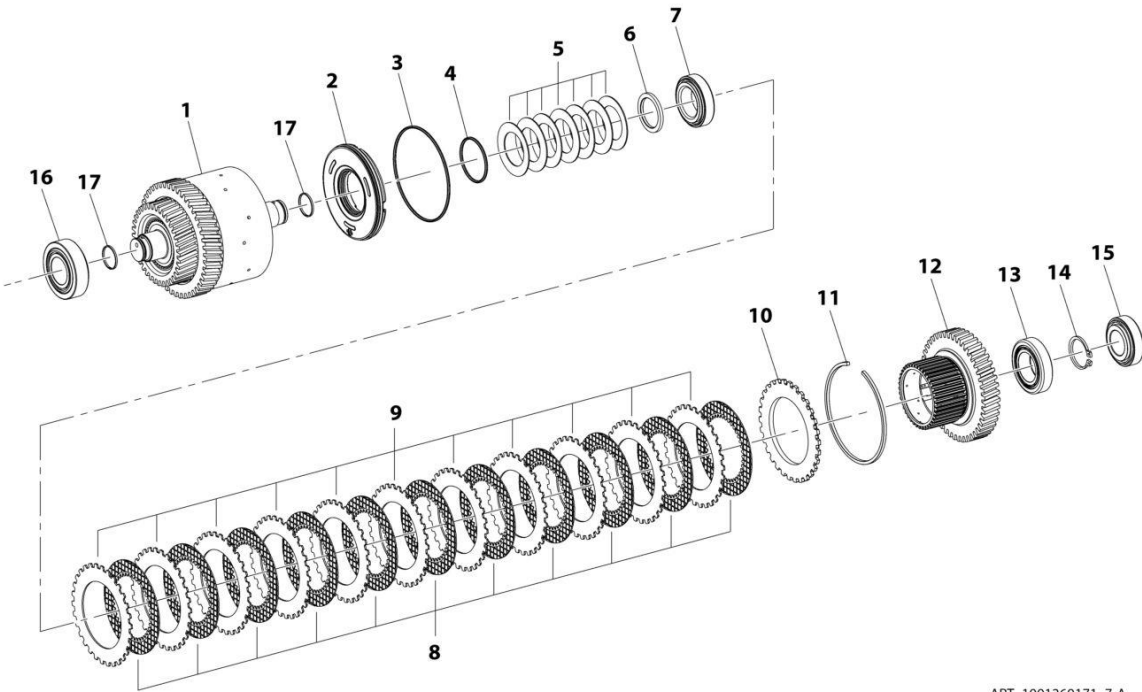
SECTION 5 - DRIVE TRAIN

FIGURE 5-8. TRANSMISSION, CLUTCH GROUP 1

ITEM	PART NUMBER	QTY	DESCRIPTION	REV
	1001260171	Ref	TRANSMISSION, CLUTCH GROUP 1	A
1	7026757	1	Coupling	
2	70022075	1	Piston	
3	1319594	1	O-Ring, 115X3	
4	1319593	1	O-Ring, 52X3	
5	1319595	7	Spring, Cup	
6	1319617	1	Shim, Support	
7	1319618	1	Bearing, Roller	
8	7026758	11	Inner Clutch Disk	
9	7026759	11	Outer Clutch Disk	
10	7026760	1	End Shim	
11	70026529	1	Snap Ring, 2.50	
12	7029852	1	Snap Ring, 2.75	
13	1319602	1	Snap Ring, 3.0	
14	7029849	1	Snap Ring, 3.25	
15	1319601	1	Snap Ring, 3.5	
16	7029850	1	Snap Ring, 3.75	
17	1319600	1	Snap Ring, 4.00	
18	1319638	1	Carrier, Disc	
19	1319620	1	Bearing, Taper Roller	
20	1319632	1	Ring, Retaining 38 X 2.1	
21	1319631	1	Ring, Retaining 38 X 2.2	
22	1319630	1	Ring, Retaining 38 X 2.3	
23	1319628	1	Ring, Retaining 38 X 2.4	
24	1319628	1	Ring, Retaining 38 X 2.5	
25	1319627	1	Ring, Retaining 2.60	
26	1319626	1	Ring, Retaining 2.70	
27	1319625	1	Ring, Retaining 2.80	
28	1319624	1	Ring, Retaining 2.90	
29	1319623	1	Ring, Retaining 3.00	
30	1319622	1	Ring, Retaining 3.10	
31	1319621	1	Ring, Retaining 3.20	
32	1319615	1	Bearing, Roller	
33	1319636	1	Bearing, Tapered Roller	
34	7026761	2	Ring, Piston	

SECTION 5 - DRIVE TRAIN

FIGURE 5-9. TRANSMISSION, CLUTCH GROUP 2



ART_1001260171_7-A

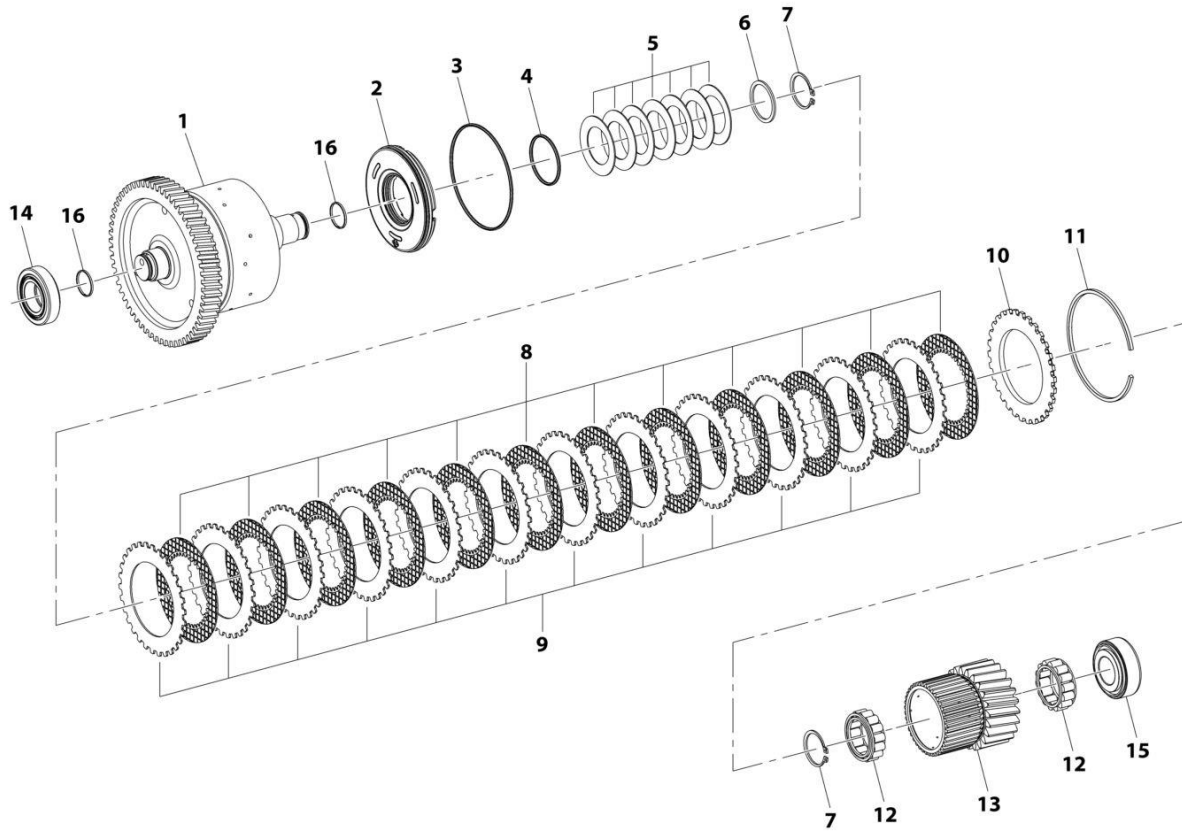
SECTION 5 - DRIVE TRAIN

FIGURE 5-9. TRANSMISSION, CLUTCH GROUP 2

ITEM	PART NUMBER	QTY	DESCRIPTION	REV
	1001260171	Ref	TRANSMISSION, CLUTCH GROUP 2	A
1	7026762	1	Coupling	
2	70022075	1	Piston	
3	1319594	1	O-Ring, 115X3	
4	1319593	1	O-Ring, 52X3	
5	1319595	7	Cup Spring	
6	1319617	1	Shim, Support	
7	1319618	1	Bearing, Roller	
8	7026758	11	Clutch Disk, Inner	
9	7026759	11	Clutch Disk, Outer	
10	7026760	1	End Shim	
11	70026529	1	Snap Ring, 2.50	
	7029852	1	Snap Ring, 2.75	
	1319602	1	Snap Ring, 3.0	
	7029849	1	Snap Ring, 3.25	
	1319601	1	Snap Ring, 3.5	
	7029850	1	Snap Ring, 3.75	
	1319600	1	Snap Ring, 4.00	
12	1319638	1	Carrier, Disc	
13	1319620	1	Bearing, Taper Roller	
14	1319632	1	Ring, Retaining 38 X 2.1	
	1319631	1	Ring, Retaining 38 X 2.2	
	1319630	1	Ring, Retaining 38 X 2.3	
	1319628	1	Ring, Retaining 38 X 2.5	
	1319628	1	Ring, Retaining 38 X 2.4	
	1319627	1	Ring, Retaining 2.60	
	1319626	1	Ring, Retaining 2.70	
	1319625	1	Ring, Retaining 2.80	
	1319624	1	Ring, Retaining 2.90	
	1319623	1	Ring, Retaining 3.00	
	1319622	1	Ring, Retaining 3.10	
	1319621	1	Ring, Retaining 3.20	
15	1319615	1	Bearing, Roller	
16	1319636	1	Bearing, Tapered Roller	
17	7026761	2	Ring, Piston	

SECTION 5 - DRIVE TRAIN

FIGURE 5-10. TRANSMISSION, COUPLING GROUP 1



ART_1001260171_8-A

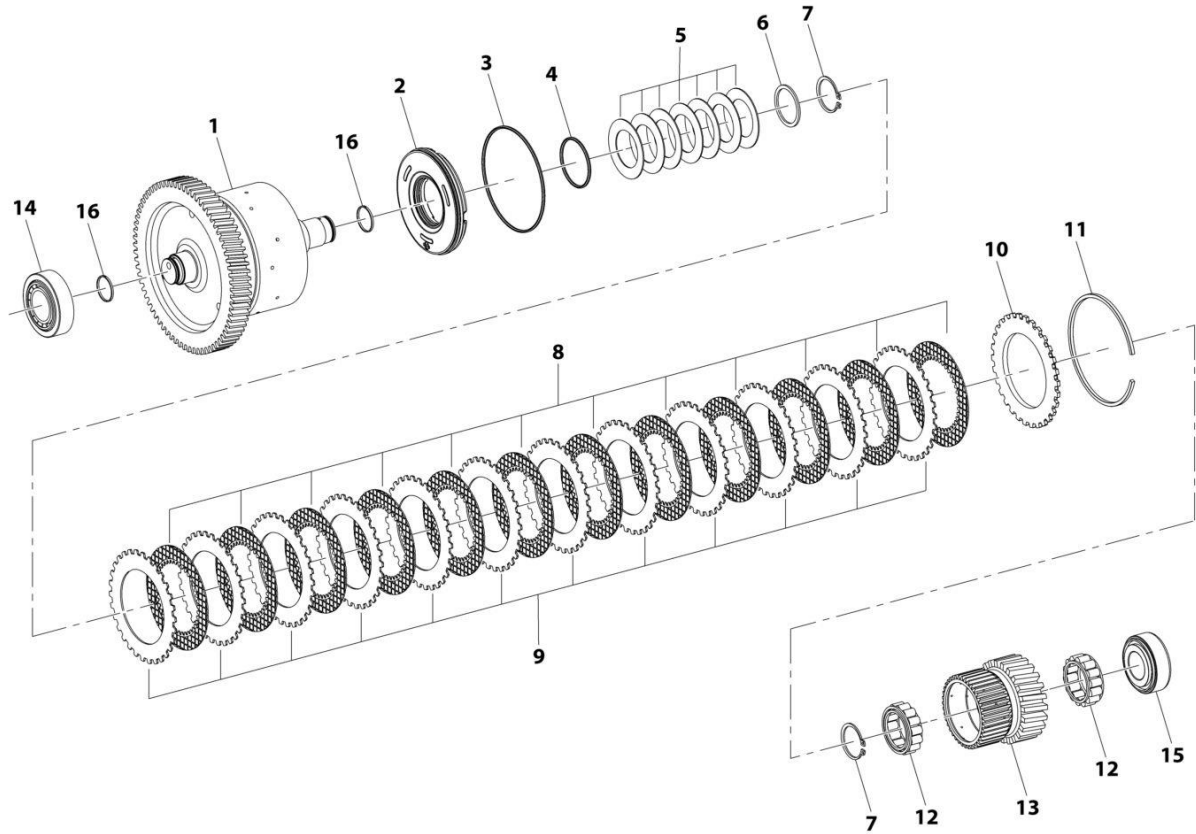
SECTION 5 - DRIVE TRAIN

FIGURE 5-10. TRANSMISSION, COUPLING GROUP 1

ITEM	PART NUMBER	QTY	DESCRIPTION	REV
	1001260171	Ref	TRANSMISSION, COUPLING GROUP 1	A
1	70026530	1	Coupling	
2	1319613	1	Coupling	
3	1319594	1	O-Ring, 115 X 3	
4	1319593	1	O-Ring, 52 X 3	
5	1319595	7	Cup Spring	
6	70029526	1	Shim	
7	10731845	2	Retaining Ring	
8	7026758	12	Inner Clutch Disk	
9	7026759	12	Static Disc	
10	7026760	1	End Shim	
11	70026529	1	Snap Ring, 2.50	
	7029852	1	Snap Ring, 2.75	
	1319602	1	Snap Ring, 3.00	
	70026529	1	Snap Ring, 3.25	
	1319601	1	Snap Ring, 3.50	
	7029850	2	Snap Ring, 3.75	
	1319600	1	Snap Ring, 4.00	
17	7027265	1	Roller Cage	
	70024902	1	Washer, Roller Cage	
18	7027265	1	Roller Gage Assembly	
19	1319608	1	Bearing, Tapered Roller	
20	8036190	1	Roller Bearing Assembly	
21	7026761	2	Ring, Piston	

SECTION 5 - DRIVE TRAIN

FIGURE 5-11. TRANSMISSION, COUPLING GROUP 2



ART_1001260171_9-A

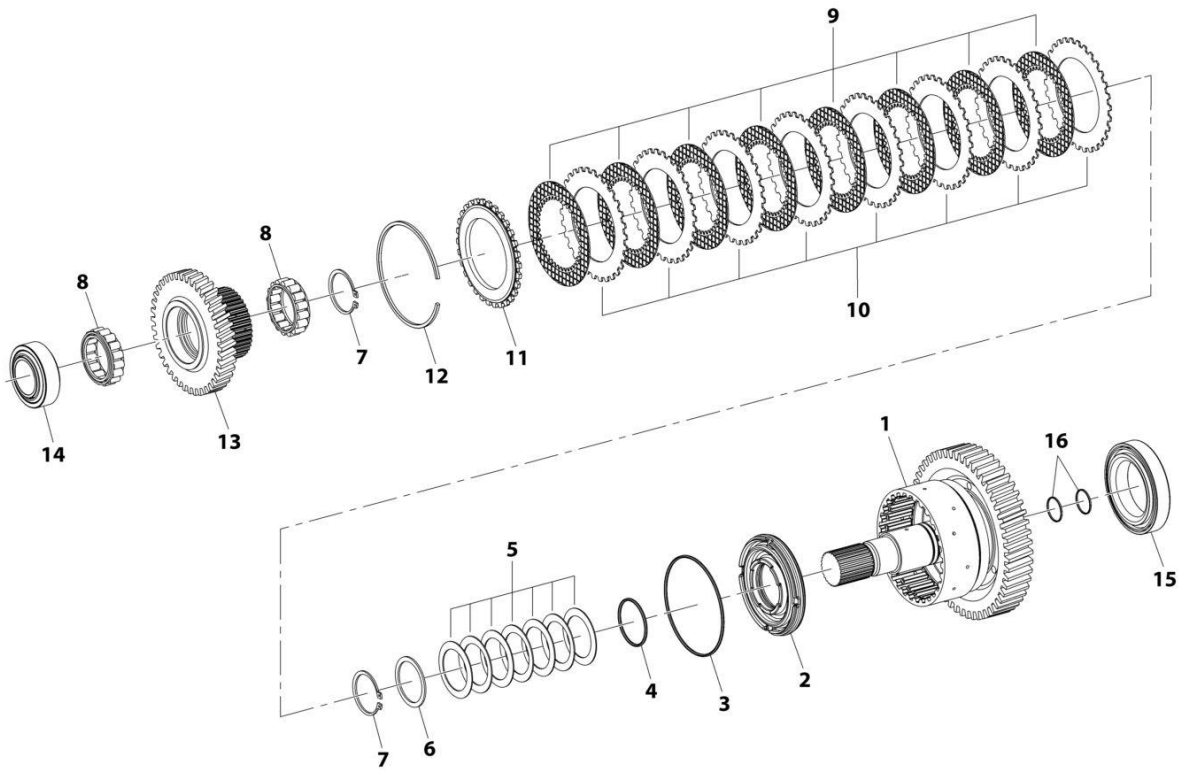
SECTION 5 - DRIVE TRAIN

FIGURE 5-11. TRANSMISSION, COUPLING GROUP 2

ITEM	PART NUMBER	QTY	DESCRIPTION	REV
	1001260171	Ref	TRANSMISSION, COUPLING GROUP 2	A
1	70026535	1	Coupling	
2	70022075	1	Piston	
3	1319594	1	O-Ring, 115 X 3	
4	1319593	1	O-Ring, 52 X 3	
5	1319595	7	Spring, Cup	
6	70029526	1	Shim	
7	10731845	2	Retaining Ring	
8	7026758	8	Inner Clutch Disk	
9	7026759	8	Outer Clutch Disk	
10	7026760	1	End Shim	
11	70026529	1	Snap Ring, 2.50	
	7029852	1	Snap Ring, 2.75	
	1319602	1	Snap Ring, 3.00	
	7029849	1	Snap Ring, 3.25	
	1319601	1	Snap Ring, 3.50	
	7029850	1	Snap Ring, 3.75	
	1319600	1	Snap Ring, 4.00	
12	1319606	1	Roller Cage	
	7027265	1	Roller Cage	
13	1319614	1	Carrier, Disc	
14	1319615	1	Roller Bearing	
15	8036190	1	Bearing, Tapered Roller	
16	7026761	2	Piston Ring	

SECTION 5 - DRIVE TRAIN

FIGURE 5-12. TRANSMISSION, COUPLING GROUP 3



ART_1001260171_10-A

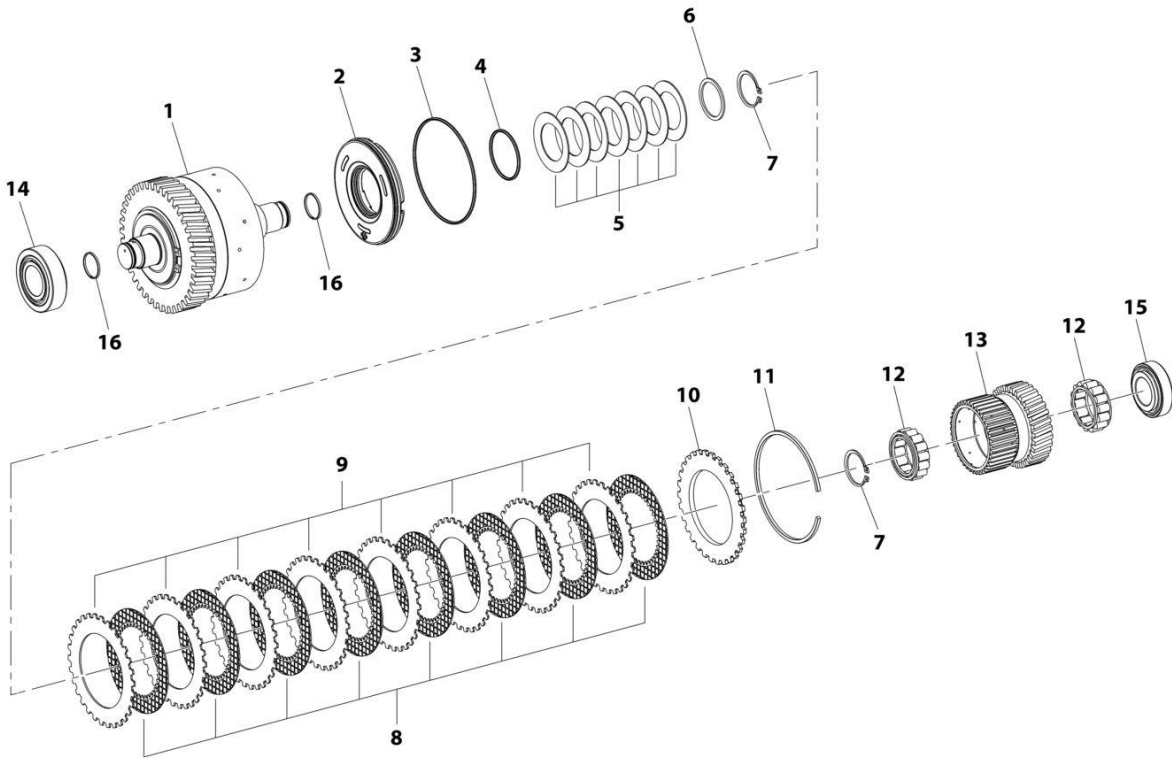
SECTION 5 - DRIVE TRAIN

FIGURE 5-12. TRANSMISSION, COUPLING GROUP 3

ITEM	PART NUMBER	QTY	DESCRIPTION	REV
	1001260171	Ref	TRANSMISSION, COUPLING GROUP 3	A
1	70026532	1	Coupling	
2	70022075	1	Piston	
3	1319594	1	O-Ring, 115 X 3	
4	1319593	1	O-Ring, 52 X 3	
5	7026765	7	Spring, Cup	
6	7026766	1	Washer	
7	80304227	2	Retaining Ring	
8	70021227	1	Ring	
	70021228	1	Roller Cage	
9	7026758	8	Inner Clutch Disk	
10	7026759	8	Outer Clutch Disk	
11	7026760	1	End Shim	
12	70026529	1	Snap Ring, 2.50	
	7029852	1	Snap Ring, 2.75	
	1319602	1	Snap Ring, 3.00	
	7029849	1	Snap Ring, 3.25	
	1319601	1	Snap Ring, 3.50	
	7029850	1	Snap Ring, 3.75	
	1319600	1	Snap Ring, 4.00	
13	7027267	1	Carrier, Disc	
14	70021268	1	Outer Bearing Ring	
	70021269	1	Inner Bearing Ring	
15	7026769	1	Bearing, Roller	
16	7026761	2	Ring, Piston	

SECTION 5 - DRIVE TRAIN

FIGURE 5-13. TRANSMISSION, COUPLING GROUP 4



ART_1001260171_11-A

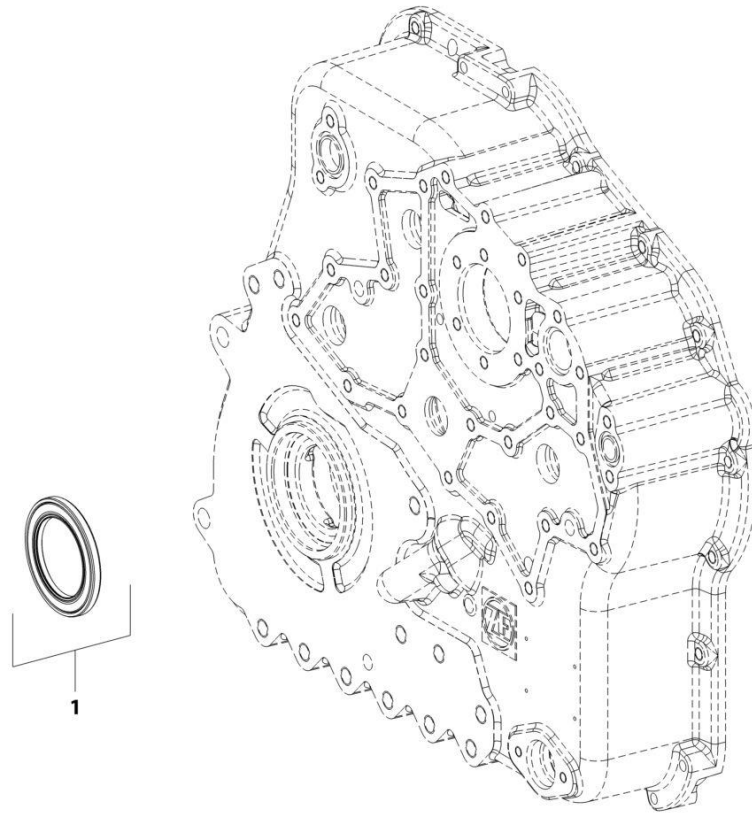
SECTION 5 - DRIVE TRAIN

FIGURE 5-13. TRANSMISSION, COUPLING GROUP 4

ITEM	PART NUMBER	QTY	DESCRIPTION	REV
	1001260171	Ref	TRANSMISSION, COUPLING GROUP 4	A
1	70026535	1	Coupling	
2	70022075	1	Piston	
3	1319594	1	O-Ring, 115 X 3	
4	1319593	1	O-Ring, 52 X 3	
5	1319595	7	Spring, Cup	
6	70029526	1	Shim	
7	10731845	2	Ring, Retaining	
8	7026758	8	Inner Clutch Disk	
9	7026759	8	Outer Clutch Disk	
10	7026760	1	End Shim	
11	70026529	1	Snap Ring, 2.50	
	7029852	1	Snap Ring, 2.75	
	1319602	1	Snap Ring, 3.00	
	7029849	1	Snap Ring, 3.25	
	1319601	1	Snap Ring, 3.50	
	7029850	1	Snap Ring, 3.75	
	1319600	1	Snap Ring, 4.00	
12	1319606	1	Cage, Roller	
	70024902	1	Washer, Roller Cage	
13	1319635	1	Carrier, Disc	
14	1319615	1	Bearing, Roller	
15	1319636	1	Bearing, Roller	
16	7026761	2	Ring, Piston	

SECTION 5 - DRIVE TRAIN

FIGURE 5-14. TRANSMISSION, OUTPUT



ART_1001260171_12-A

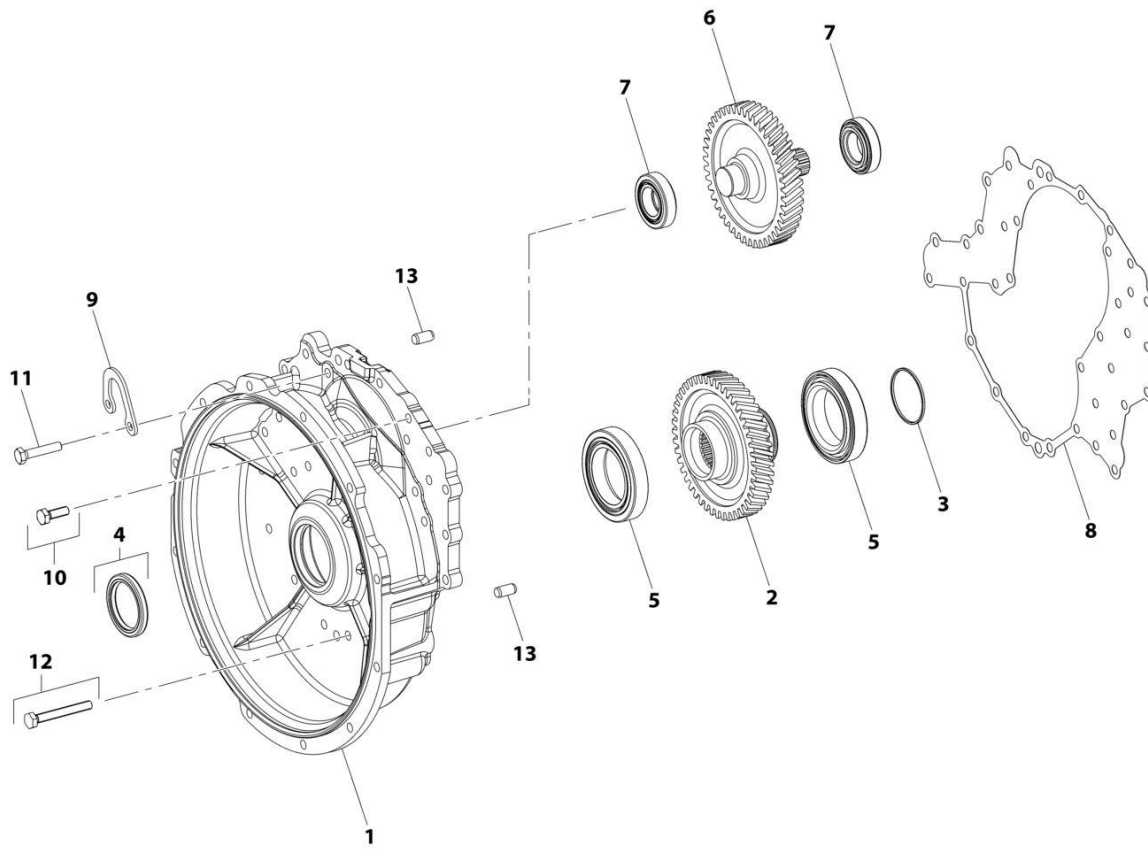
SECTION 5 - DRIVE TRAIN

FIGURE 5-14. TRANSMISSION, OUTPUT

ITEM	PART NUMBER	QTY	DESCRIPTION	REV
1	1001260171 70026536	Ref 1	TRANSMISSION, OUTPUT Shaft Seal	A

SECTION 5 - DRIVE TRAIN

FIGURE 5-15. TRANSMISSION, POWER TAKE-OFF



ART_1001260171_13-A

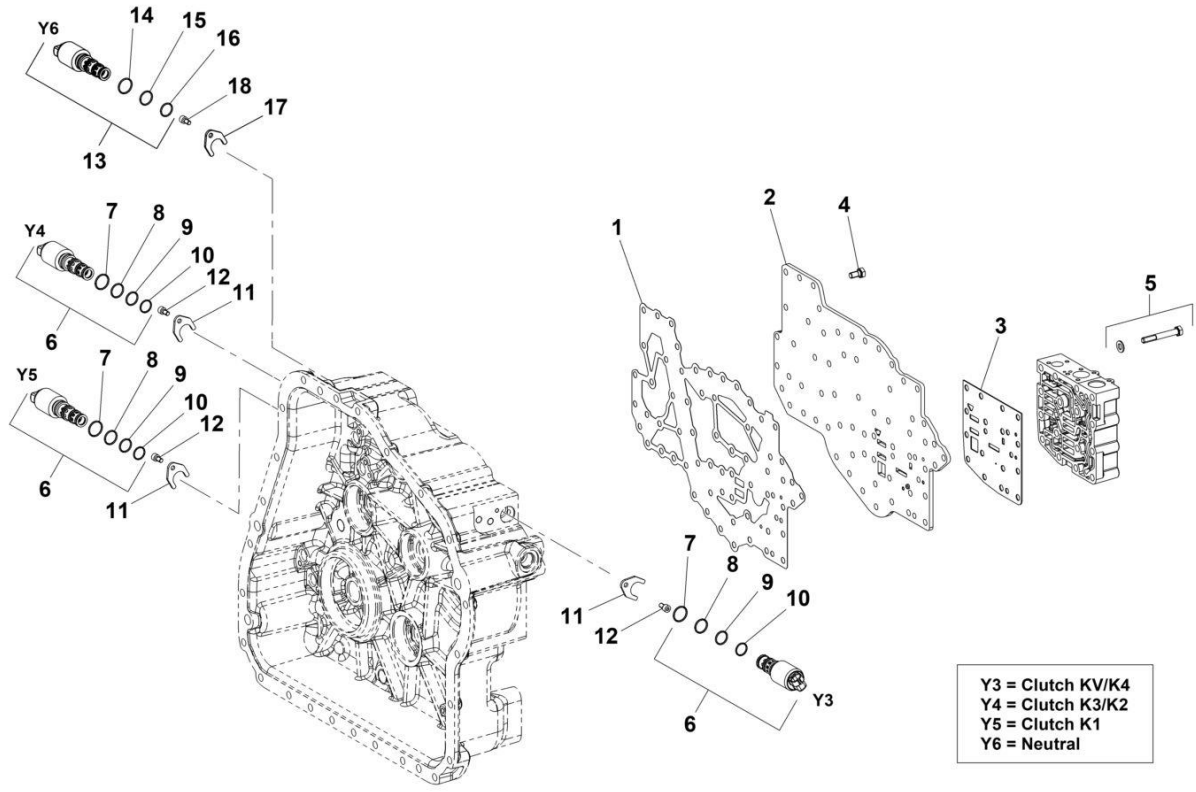
SECTION 5 - DRIVE TRAIN

FIGURE 5-15. TRANSMISSION, POWER TAKE-OFF

ITEM	PART NUMBER	QTY	DESCRIPTION	REV
	1001260171	Ref	TRANSMISSION, POWER TAKE-OFF	A
1	70021526	1	PTO Housing	
2	7026771	1	Shaft	
3	7026772	1	Ring, Piston	
4	1319576	1	Shaft Seal	
5	7026769	2	Roller Bearing	
6	7026773	1	Shaft	
7	1319608	2	Bearing, Roller	
8	7026774	1	Gasket	
9	1319590	1	Bracket	
10	70027651	19	Bolt	
11	70029527	2	Bolt	
12	7026775	15	Screw	
13	1319571	2	Pin, Cylindrical	

SECTION 5 - DRIVE TRAIN

FIGURE 5-16. TRANSMISSION, CONTROL UNIT



Y3 = Clutch KV/K4
 Y4 = Clutch K3/K2
 Y5 = Clutch K1
 Y6 = Neutral

ART_1001260171_14-A

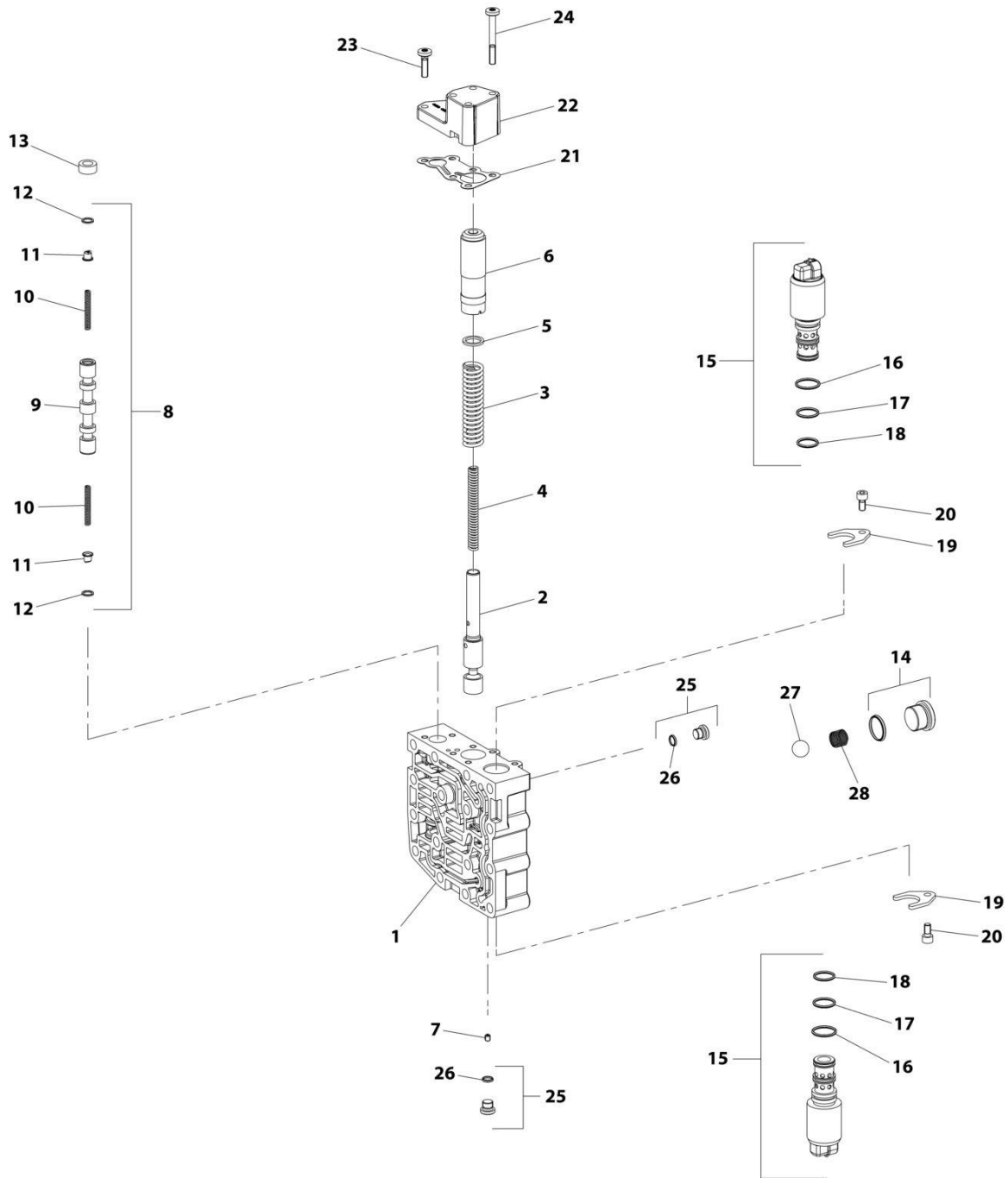
SECTION 5 - DRIVE TRAIN

FIGURE 5-16. TRANSMISSION, CONTROL UNIT

ITEM	PART NUMBER	QTY	DESCRIPTION	REV
	1001260171	Ref	TRANSMISSION, CONTROL UNIT	A
1	7026776	1	Gasket	
2	70029528	1	Plate	
3	70026539	1	Intermediate Sheet	
4	7026780	46	Screw	
5	7026781	16	Screw	
5	10732095	16	Washer	
6	8036529	3	Valve, Solenoid	
7	70029540	1	O-Ring	
8	70029541	1	O-Ring	
9	70029542	1	O-Ring	
10	70029543	1	O-Ring	
11	7029267	3	Bracket	
12	70026544	3	Bolt	
13	8036528	1	Valve, Solenoid	
14	70029540	1	O-Ring	
15	70029541	1	O-Ring	
16	70029530	1	O-Ring	
17	7029267	1	Bracket	
18	70026544	1	Bolt	

SECTION 5 - DRIVE TRAIN

FIGURE 5-17. TRANSMISSION, SHIFT SYSTEM



ART_1001260171_15-A

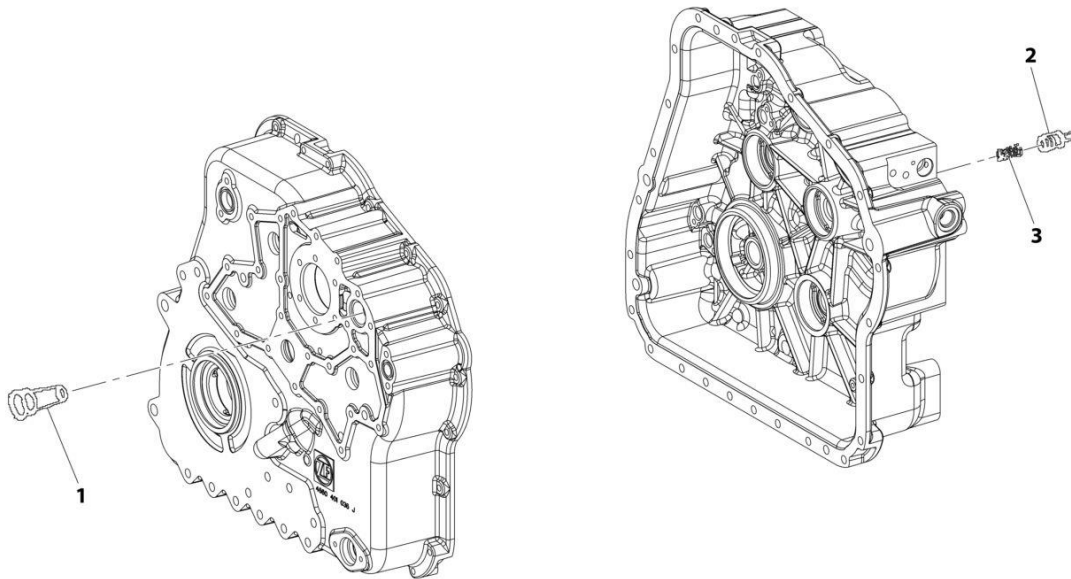
SECTION 5 - DRIVE TRAIN

FIGURE 5-17. TRANSMISSION, SHIFT SYSTEM

ITEM	PART NUMBER	QTY	DESCRIPTION	REV
	1001260171	Ref	TRANSMISSION, SHIFT SYSTEM	A
1	70029531	1	Valve Housing	
2	70026547	1	Control Piston	
3	1319683	1	Spring, Compression	
4	1319684	1	Spring, Compression	
5	1319689	1	Washer, 0.20	
	1319688	1	Washer, 0.30	
	1319687	1	Washer, 0.50	
	1319685	1	Washer, 2.00	
	1319686	1	Washer, 1.00	
6	70026548	1	Piston	
7	70029532	1	Nozzle	
8	1319694	1	Valve	
9	70029533	1	Piston	
10	70029534	2	Compression Spring	
11	70029535	2	Spring Sleeve	
12	70029536	2	Snap Ring	
13	7026787	1	Spacer	
14	70026554	1	Screw Plug	
	70000656	1	O-Ring	
15	8036528	2	Valve, Solenoid	
16	70029540	1	O-Ring	
17	70029541	1	O-Ring	
18	70029530	1	O-Ring	
19	7029267	2	Bracket	
20	70026544	2	Bolt	
21	7026788	1	Gasket	
22	7026789	1	Cover	
23	70026555	2	Torx Screw	
24	70026556	4	Torx Screw	
25	70026517	2	Screw Plug	
26	10731709	1	O-Ring	
27	70029537	1	Ball	
28	10732072	1	Spring, Compression	

SECTION 5 - DRIVE TRAIN

FIGURE 5-18. TRANSMISSION, PRESSURE REGULATOR



ART_1001260171_16-A

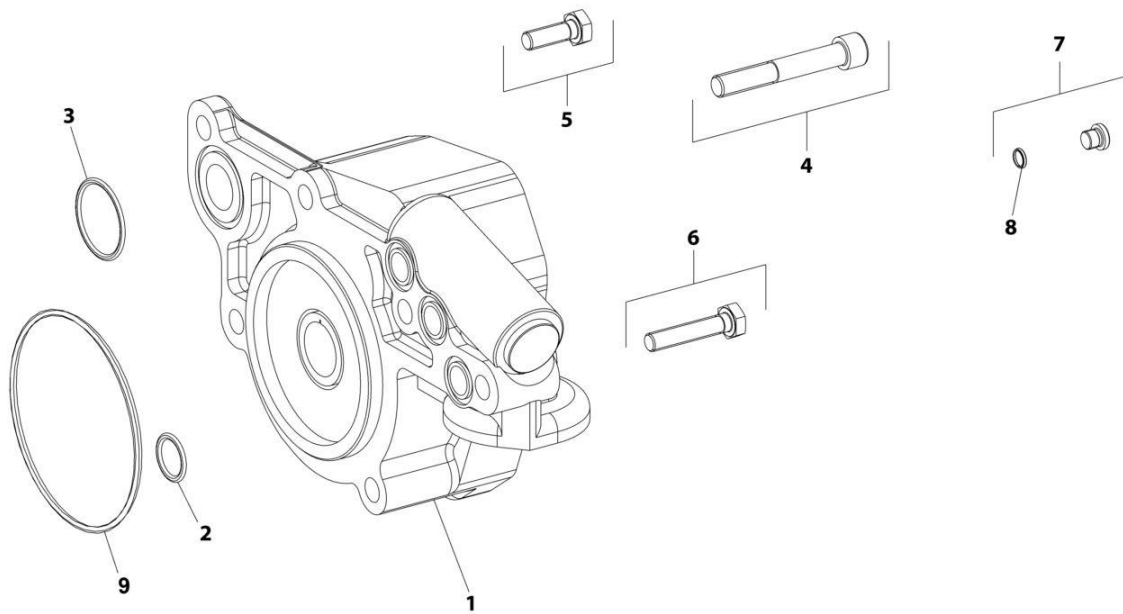
SECTION 5 - DRIVE TRAIN

FIGURE 5-18. TRANSMISSION, PRESSURE REGULATOR

ITEM	PART NUMBER	QTY	DESCRIPTION	REV
	1001260171	Ref	TRANSMISSION, PRESSURE REGULATOR	A
1	7026782	1	Valve	
2	7026783	1	Piston	
3	7026784	1	Spring, Compression	

SECTION 5 - DRIVE TRAIN

FIGURE 5-19. TRANSMISSION, PRESSURE OIL PUMP



ART_1001260171_17-A

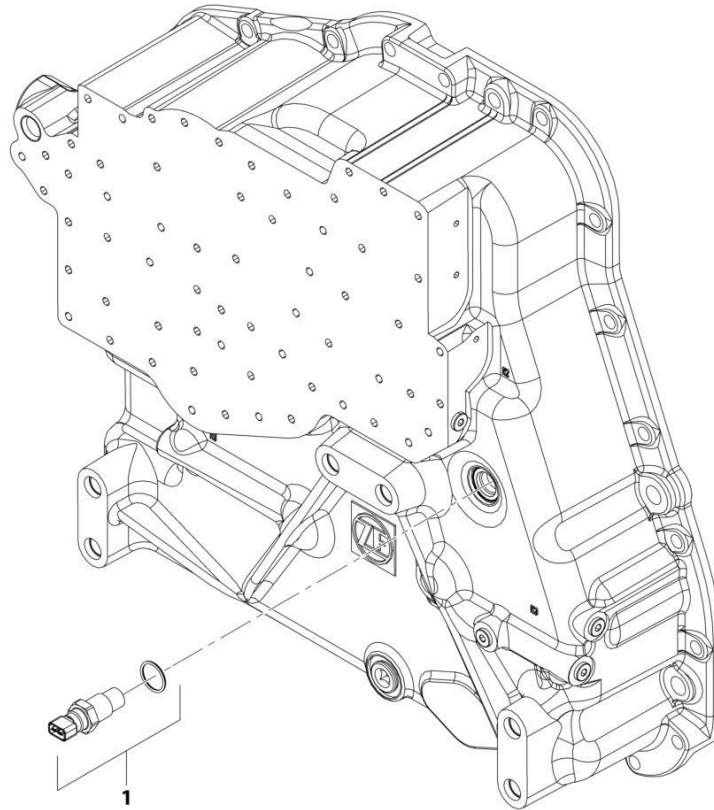
SECTION 5 - DRIVE TRAIN

FIGURE 5-19. TRANSMISSION, PRESSURE OIL PUMP

ITEM	PART NUMBER	QTY	DESCRIPTION	REV
	1001260171	Ref	TRANSMISSION, PRESSURE OIL PUMP	A
1	7026791	1	Pump	
2	7026792	3	O-Ring	
3	70029538	1	O-Ring	
4	7026793	4	Screw	
5	70027651	1	Screw	
6	7026794	1	Screw	
7	70026517	2	Screw Plug	
8	10731709	2	O-Ring	
9	8036250	1	O-Ring (located between oil pump and transmission)	

SECTION 5 - DRIVE TRAIN

FIGURE 5-20. TRANSMISSION, INDUCTIVE TRANSMITTER



ART_1001260171_18-A

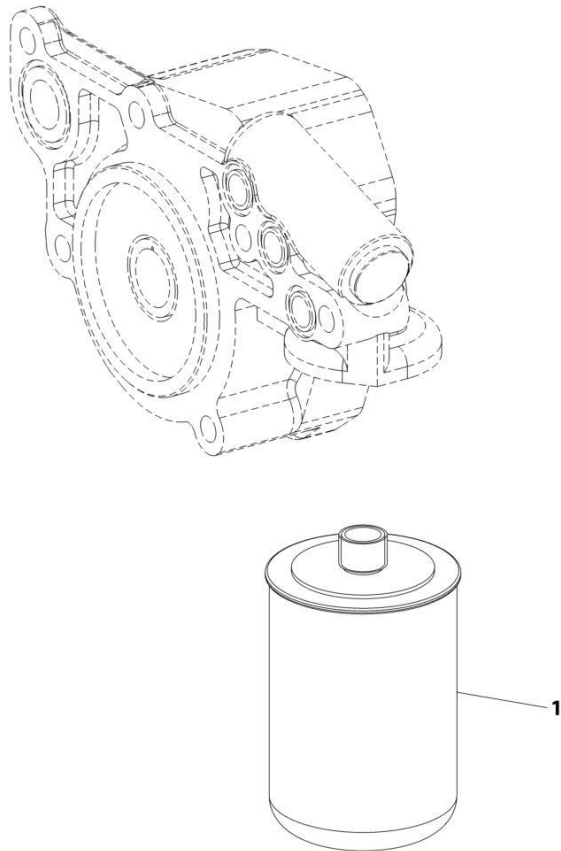
SECTION 5 - DRIVE TRAIN

FIGURE 5-20. TRANSMISSION, INDUCTIVE TRANSMITTER

ITEM	PART NUMBER	QTY	DESCRIPTION	REV
	1001260171	Ref	TRANSMISSION, INDUCTIVE TRANSMITTER	A
1	1001190881	1	Inductive Sensor	
1	70029539	1	O-Ring	

SECTION 5 - DRIVE TRAIN

FIGURE 5-21. TRANSMISSION, FILTER



ART_1001260171_19-A

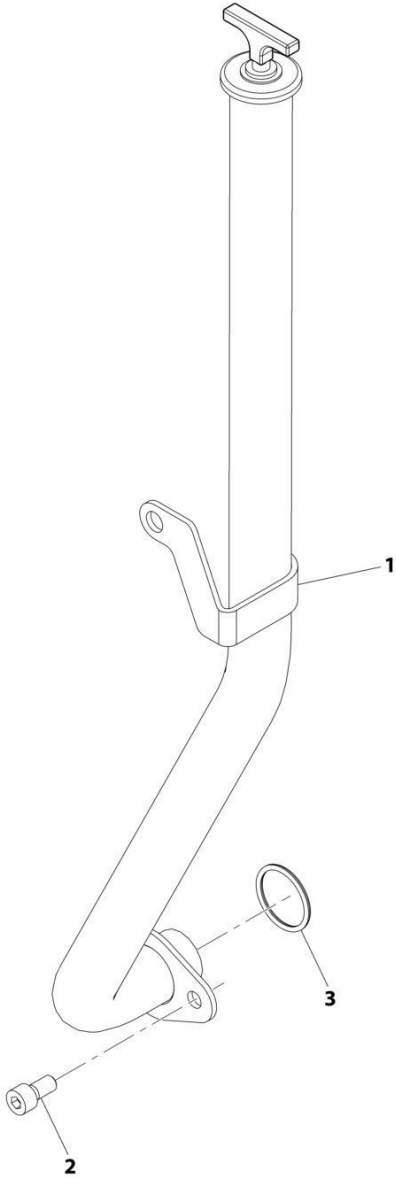
SECTION 5 - DRIVE TRAIN

FIGURE 5-21. TRANSMISSION, FILTER

ITEM	PART NUMBER	QTY	DESCRIPTION	REV
1	1001260171 1319726	Ref 1	TRANSMISSION, FILTER Filter	A

SECTION 5 - DRIVE TRAIN

FIGURE 5-22. TRANSMISSION, OIL DIPSTICK



ART_1001260171_20-A

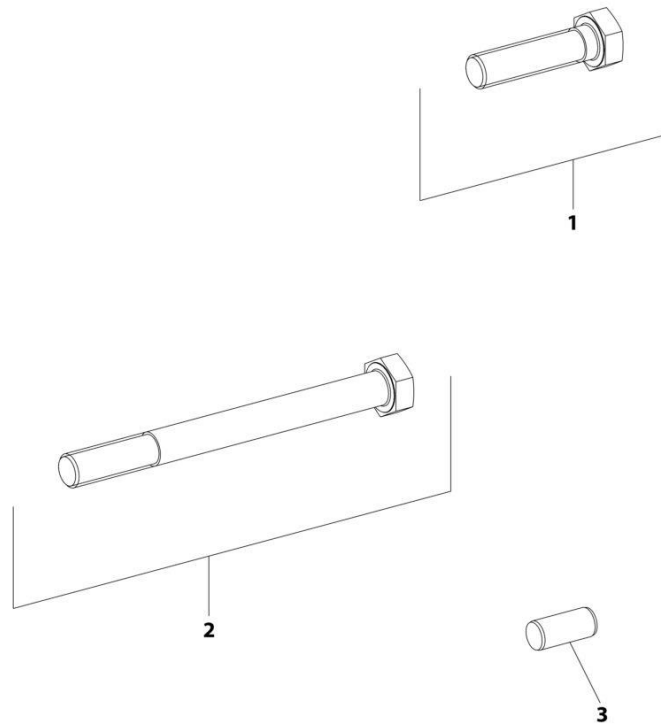
SECTION 5 - DRIVE TRAIN

FIGURE 5-22. TRANSMISSION, OIL DIPSTICK

ITEM	PART NUMBER	QTY	DESCRIPTION	REV
	1001260171	Ref	TRANSMISSION, OIL DIPSTICK	A
1	1001095738	1	Oil Tube & Dipstick	
2	70026516	2	Bolt	
3	70023885	1	O-Ring	

SECTION 5 - DRIVE TRAIN

FIGURE 5-23. TRANSMISSION, ACCESSORIES



ART_1001260171_21-A

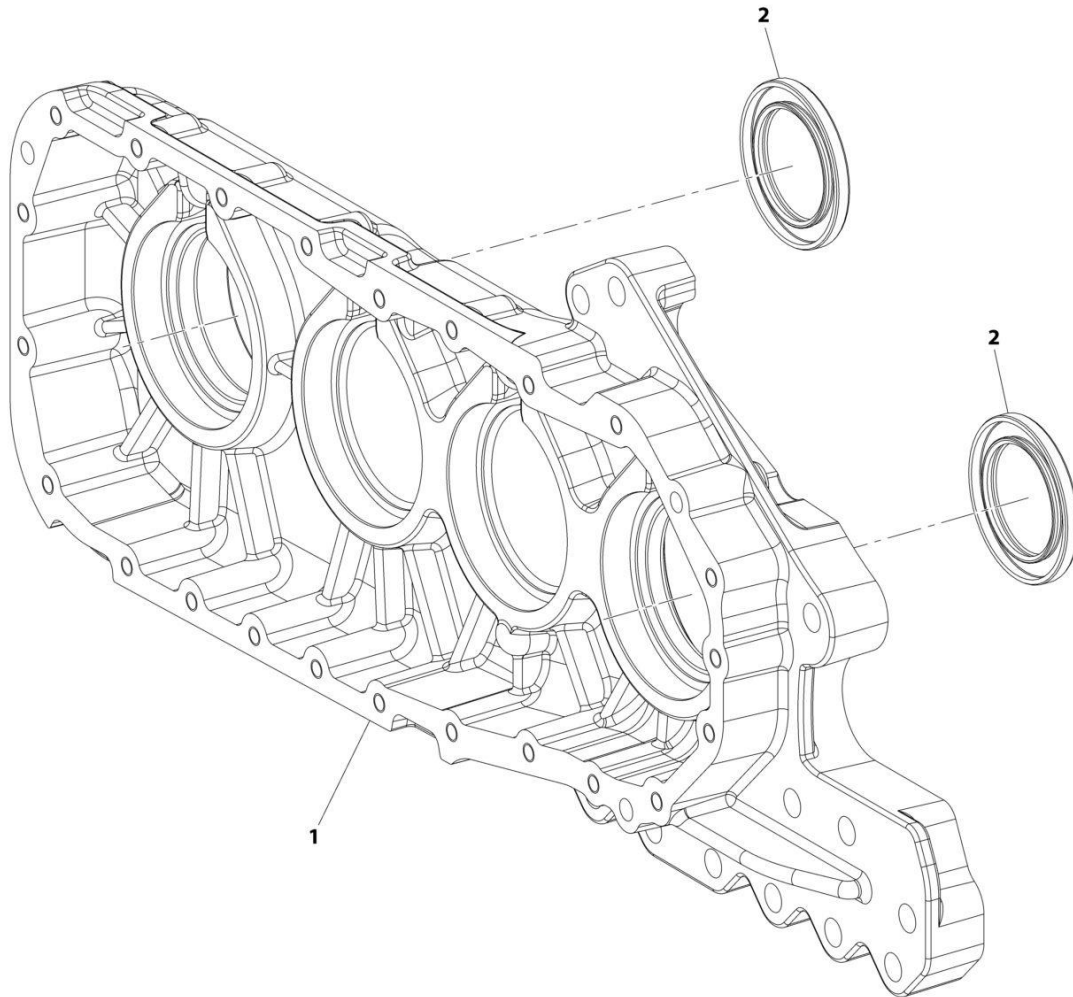
SECTION 5 - DRIVE TRAIN

FIGURE 5-23. TRANSMISSION, ACCESSORIES

ITEM	PART NUMBER	QTY	DESCRIPTION	REV
	1001260171	Ref	TRANSMISSION, ACCESSORIES	A
1	7027254	12	Screw	
2	7027255	2	Screw	
3	1319571	1	Pin, Cylindrical	

SECTION 5 - DRIVE TRAIN

FIGURE 5-24. TRANSMISSION, TRANSFER BOX HOUSING 1



ART_1001260171_22-A

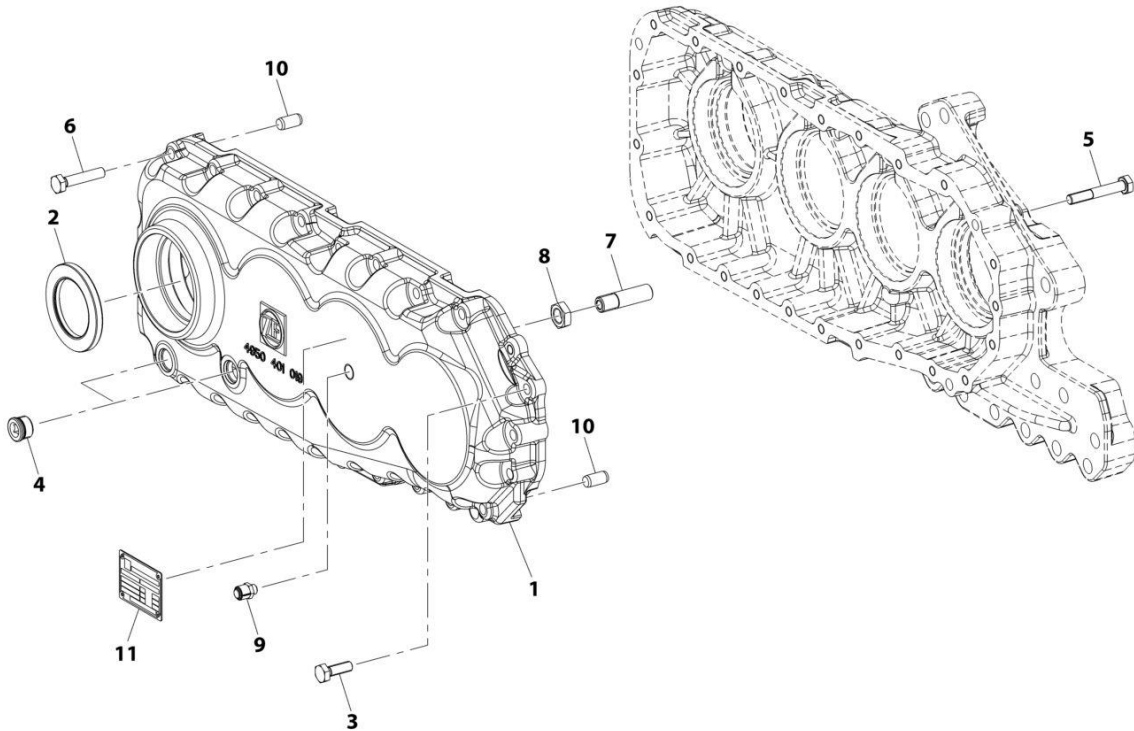
SECTION 5 - DRIVE TRAIN

FIGURE 5-24. TRANSMISSION, TRANSFER BOX HOUSING 1

ITEM	PART NUMBER	QTY	DESCRIPTION	REV
	1001260171	Ref	TRANSMISSION, TRANSFER BOX HOUSING 1	A
1	70023474	1	Housing, Transfer Box	
2	70026536	2	Shaft Seal	

SECTION 5 - DRIVE TRAIN

FIGURE 5-25. TRANSMISSION, TRANSFER BOX HOUSING 2



ART_1001260171_23-A

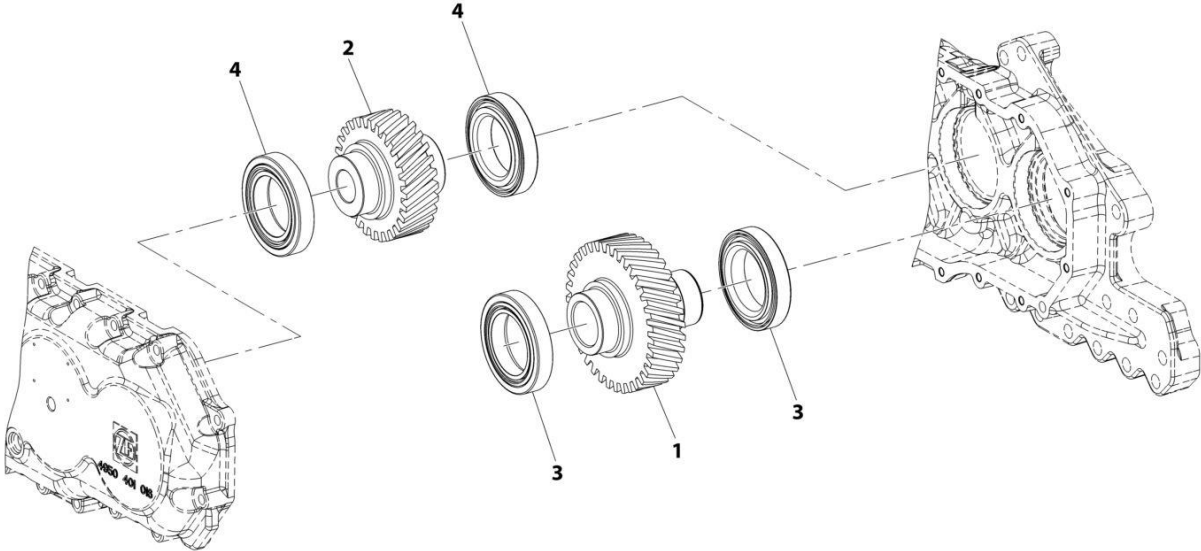
SECTION 5 - DRIVE TRAIN

FIGURE 5-25. TRANSMISSION, TRANSFER BOX HOUSING 2

ITEM	PART NUMBER	QTY	DESCRIPTION	REV
	1001260171	Ref	TRANSMISSION, TRANSFER BOX HOUSING 2	A
1	70028163	1	Housing, Transfer Box	
2	70026536	1	Shaft Seal	
3	70023800	1	Bolt	
4	70029525	2	Plug, Screw	
5	70023476	1	Bolt	
6	70023801	22	Bolt	
7	7026577	1	Sleeve	
8	7026578	1	Nut	
9	1319436	1	Breather	
10	1319571	2	Pin	
11	N.S.S.	1	S/N Plate	

SECTION 5 - DRIVE TRAIN

FIGURE 5-26. TRANSMISSION, TRANSFER BOX HOUSING INPUT



ART_1001260171_24-A

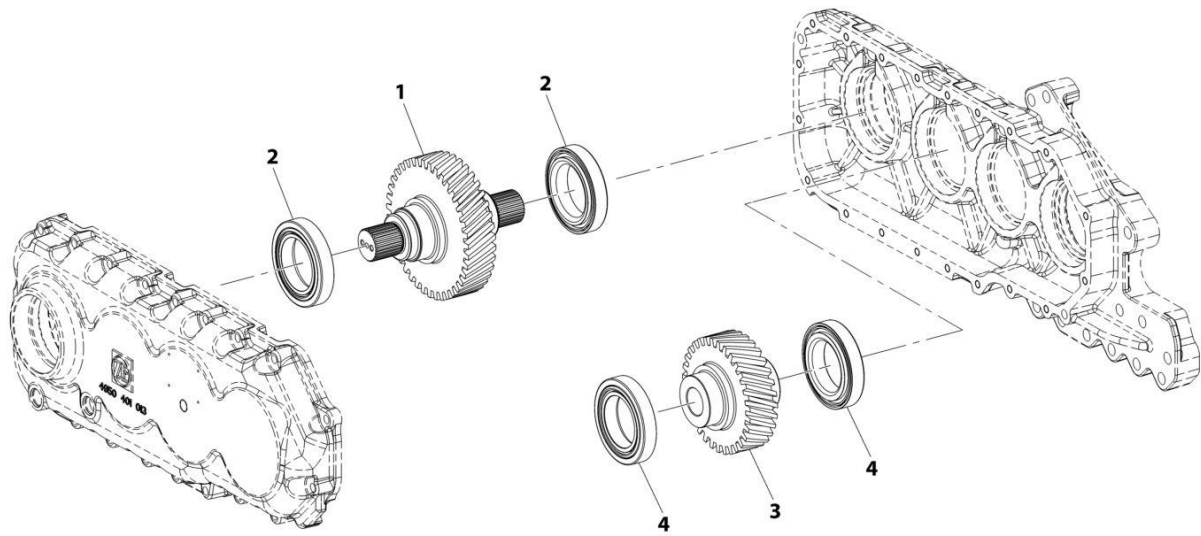
SECTION 5 - DRIVE TRAIN

FIGURE 5-26. TRANSMISSION, TRANSFER BOX HOUSING INPUT

ITEM	PART NUMBER	QTY	DESCRIPTION	REV
	1001260171	Ref	TRANSMISSION, TRANSFER BOX INPUT	A
1	7027269	1	Input Gear	
2	7027270	1	Idler Gear	
3	7026769	2	Bearing	
4	7026796	2	Taper Roller Bearing Assembly	

SECTION 5 - DRIVE TRAIN

FIGURE 5-27. TRANSMISSION, TRANSFER BOX HOUSING OUTPUT 1



ART_1001260171_25-A

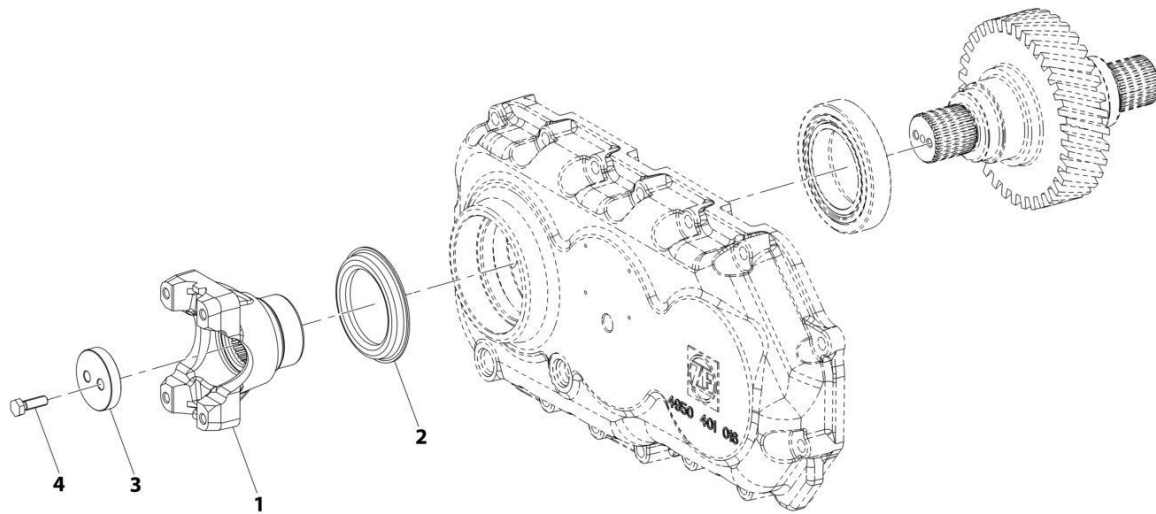
SECTION 5 - DRIVE TRAIN

FIGURE 5-27. TRANSMISSION, TRANSFER BOX HOUSING OUTPUT 1

ITEM	PART NUMBER	QTY	DESCRIPTION	REV
	1001260171	Ref	TRANSFER BOX HOUSING OUTPUT 1	A
1	7027271	1	Gear, Output	
2	7026769	2	Roller Bearing	
3	7027272	1	Gear, Idler	
4	1320748	2	Cup, Tapered Roller Bearing	
4	1320754	2	Cone, Tapered Roller Bearing	

SECTION 5 - DRIVE TRAIN

FIGURE 5-28. TRANSMISSION, TRANSFER BOX HOUSING OUTPUT 2



ART_1001260171_26-A

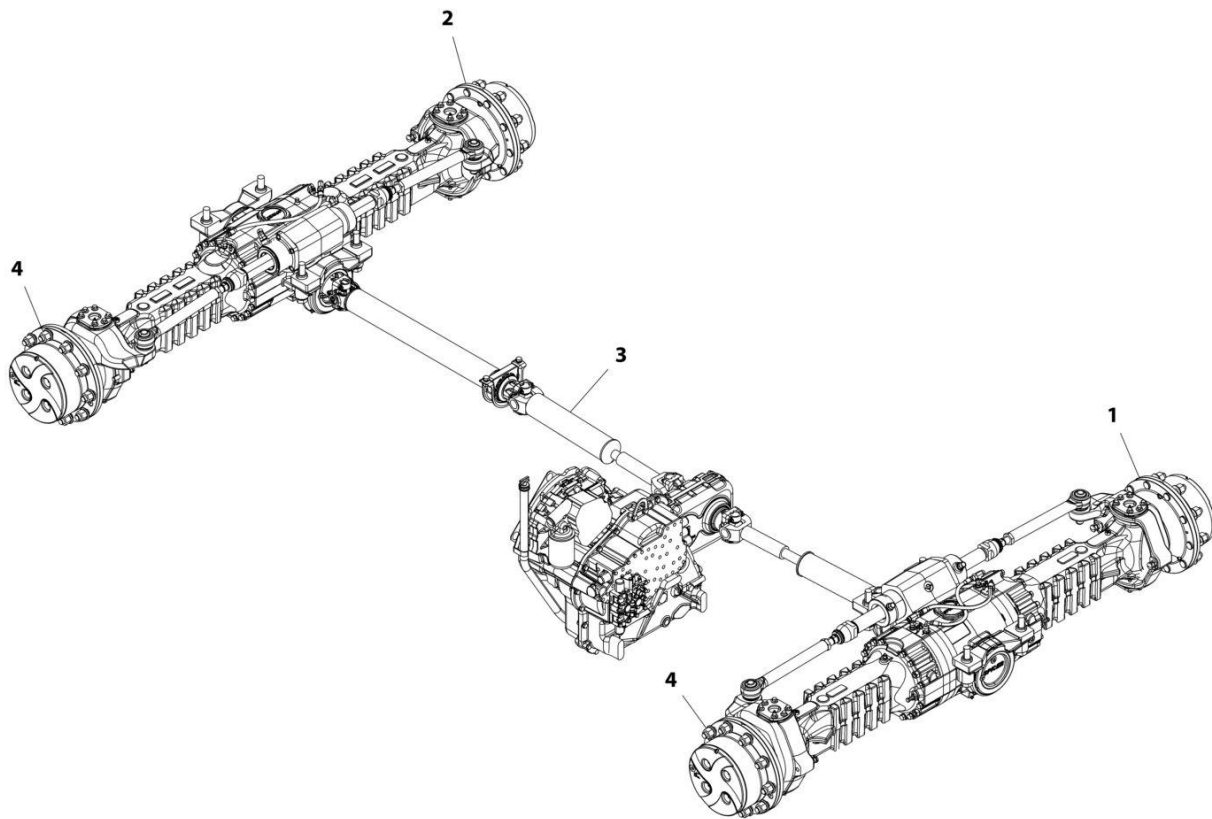
SECTION 5 - DRIVE TRAIN

FIGURE 5-28. TRANSMISSION, TRANSFER BOX HOUSING OUTPUT 2

ITEM	PART NUMBER	QTY	DESCRIPTION	REV
	1001260171	Ref	TRANSMISSION, TRANSFER BOX HOUSING OUTPUT 2	A
1	7027273	2	Flange, Output (One Per Side)	
2	1319647	2	Sheet, Screen (One Per Side)	
3	1319648	2	Washer (One Per Side)	
4	10731959	4	Screw (Two Per Side)	

SECTION 5 - DRIVE TRAIN

FIGURE 5-29. DRIVE TRAIN INSTALLATION



ART_1001170524-C

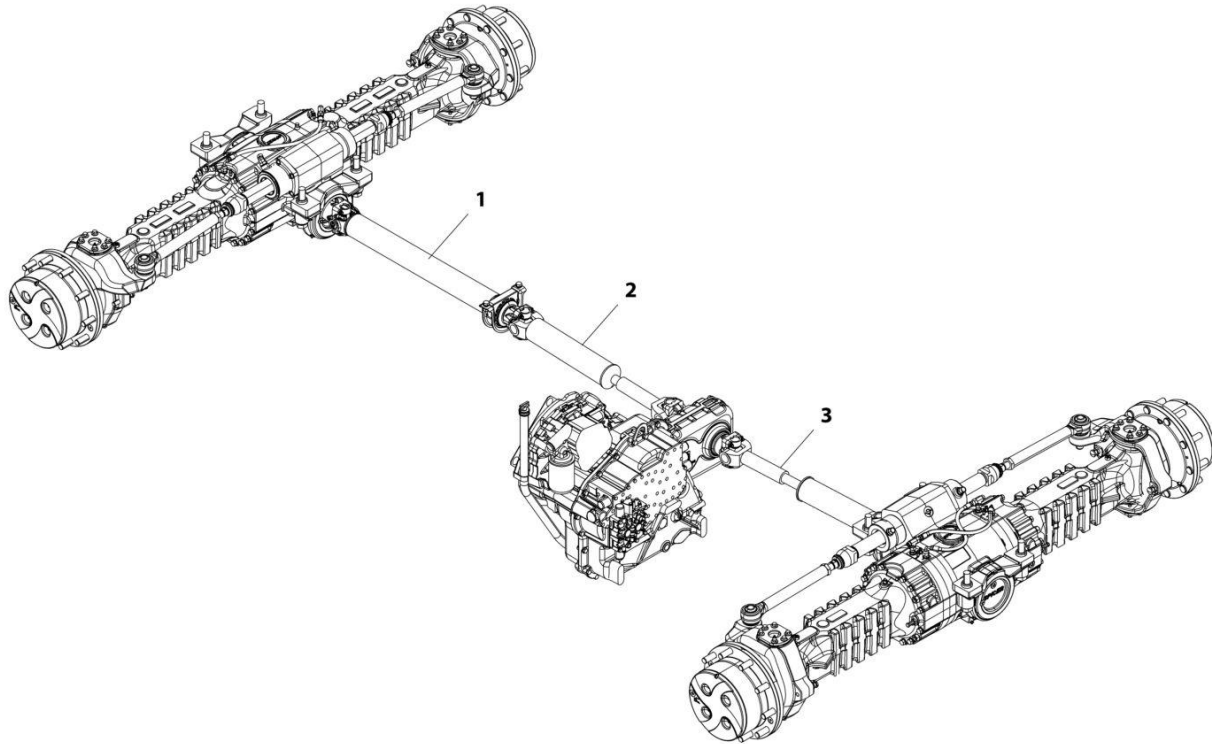
SECTION 5 - DRIVE TRAIN

FIGURE 5-29. DRIVE TRAIN INSTALLATION

ITEM	PART NUMBER	QTY	DESCRIPTION	REV
	1001170524	Ref	Drive Train Installation	C
1	1001161418	Ref	Installation, Front Axle (See Separate Breakdown in this Section)	
2	1001161419	Ref	Installation, Rear Axle (See Separate Breakdown in this Section)	
3	1001169682	Ref	Installation, Drive Shafts (See Separate Breakdown in this Section)	
4	91403193	40	Lug Nut, M22X1.5	

SECTION 5 - DRIVE TRAIN

FIGURE 5-30. DRIVE SHAFTS INSTALLATION



ART_1001169682-A

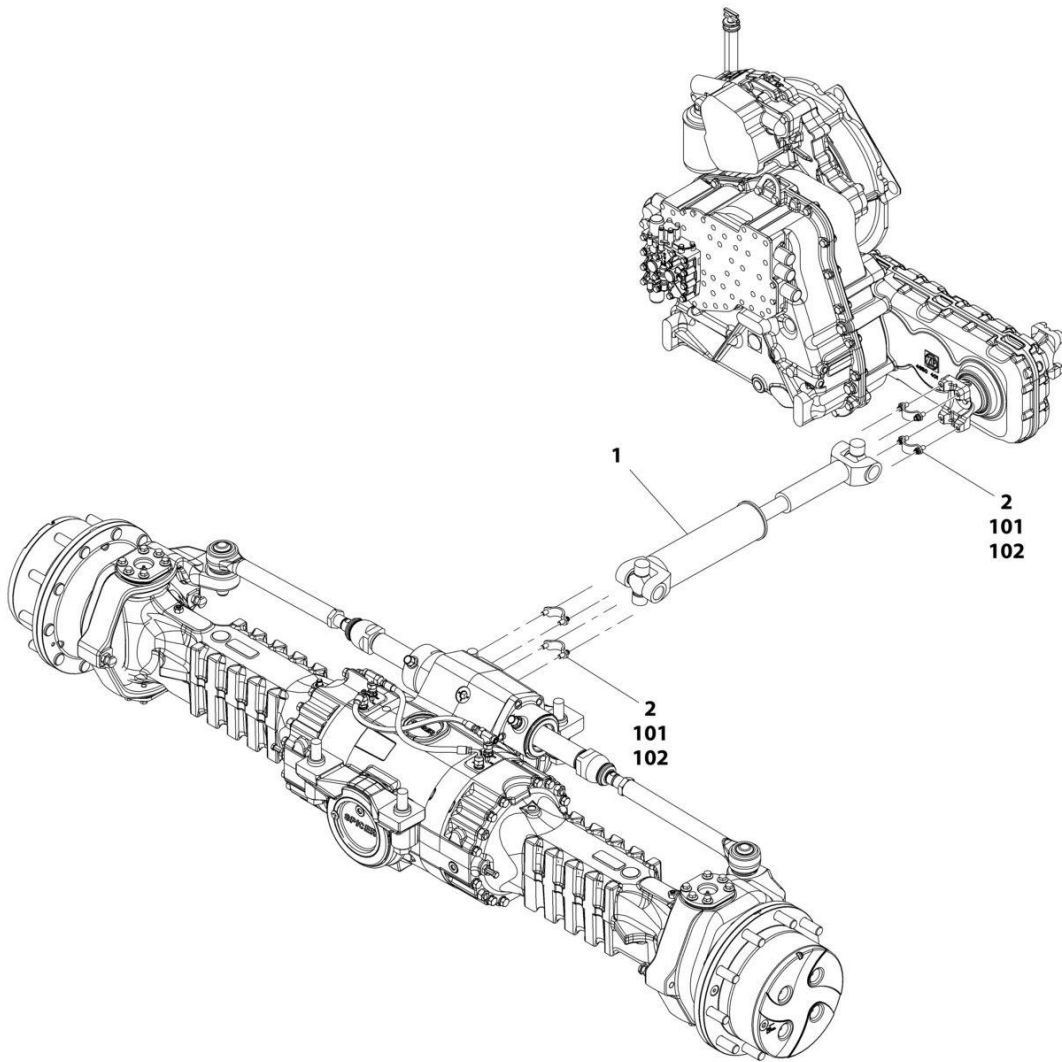
SECTION 5 - DRIVE TRAIN

FIGURE 5-30. DRIVE SHAFTS INSTALLATION

ITEM	PART NUMBER	QTY	DESCRIPTION	REV
1	1001169682	Ref	Drive Shafts Installation	A
	1001163987	Ref	Installation, Rear Drive Shaft (See Separate Breakdown in this Section)	
2	1001170509	Ref	Installation, Front Mid Shaft (See Separate Breakdown in this Section)	
3	1001170530	Ref	Installation, Front Drive Shaft (See Separate Breakdown in this Section)	

SECTION 5 - DRIVE TRAIN

FIGURE 5-31. FRONT DRIVE SHAFT INSTALLATION



ART_1001170530-B

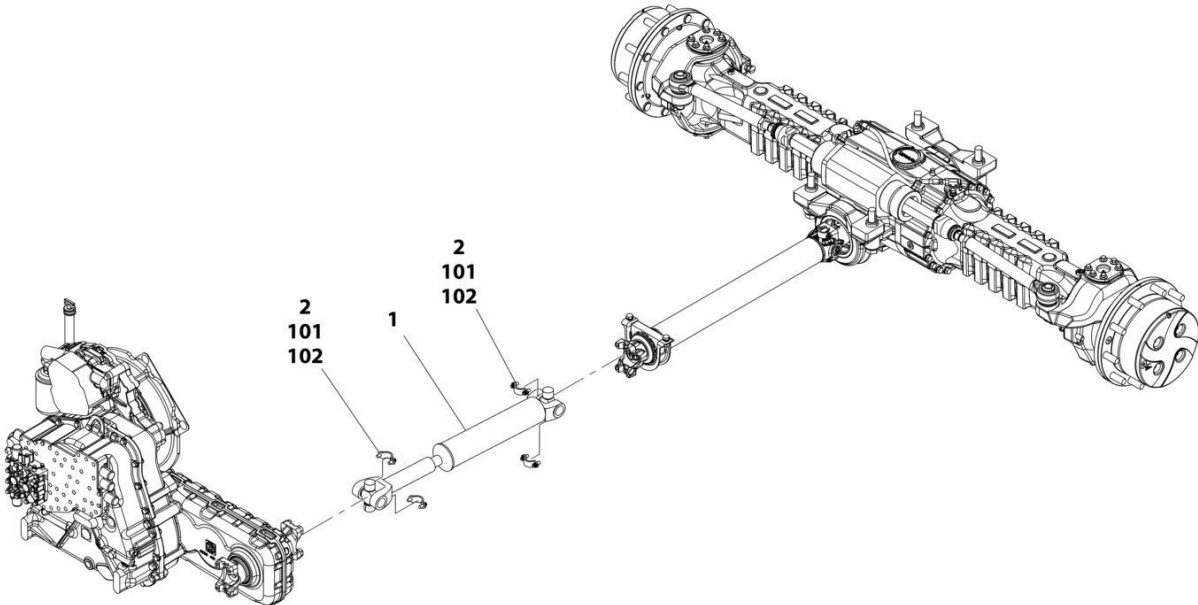
SECTION 5 - DRIVE TRAIN

FIGURE 5-31. FRONT DRIVE SHAFT INSTALLATION

ITEM	PART NUMBER	QTY	DESCRIPTION	REV
	1001170530	Ref	Front Drive Shaft Installation	B
1	7150580	1	Shaft, Rear Drive (See Separate Breakdown in this Section)	
2	8880218-OM	1	Kit, Strap (includes items 101 & 102)	
101	N.S.S.	1	Strap	
102	N.S.S.	1	Bolt, Strap 0.375-24X0.75	

SECTION 5 - DRIVE TRAIN

FIGURE 5-32. FRONT MID SHAFT INSTALLATION



ART_1001170509-B

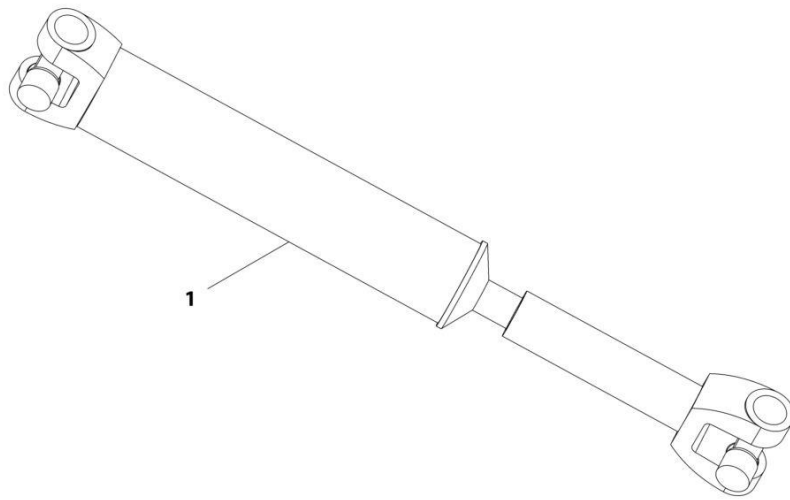
SECTION 5 - DRIVE TRAIN

FIGURE 5-32. FRONT MID SHAFT INSTALLATION

ITEM	PART NUMBER	QTY	DESCRIPTION	REV
	1001170509	Ref	Front Mid Drive Shaft Installation	B
1	1001170615	1	Shaft, Driveshaft Mid (See Separate Breakdown in this Section)	
2	8880218-OM	2	Kit, Strap (includes items 101 & 102)	
101	N.S.S.	1	Strap	
102	N.S.S.	1	Bolt, Strap 0.375-24X0.75	

SECTION 5 - DRIVE TRAIN

FIGURE 5-33. FRONT MID DRIVE SHAFT



ART_1001170615-B

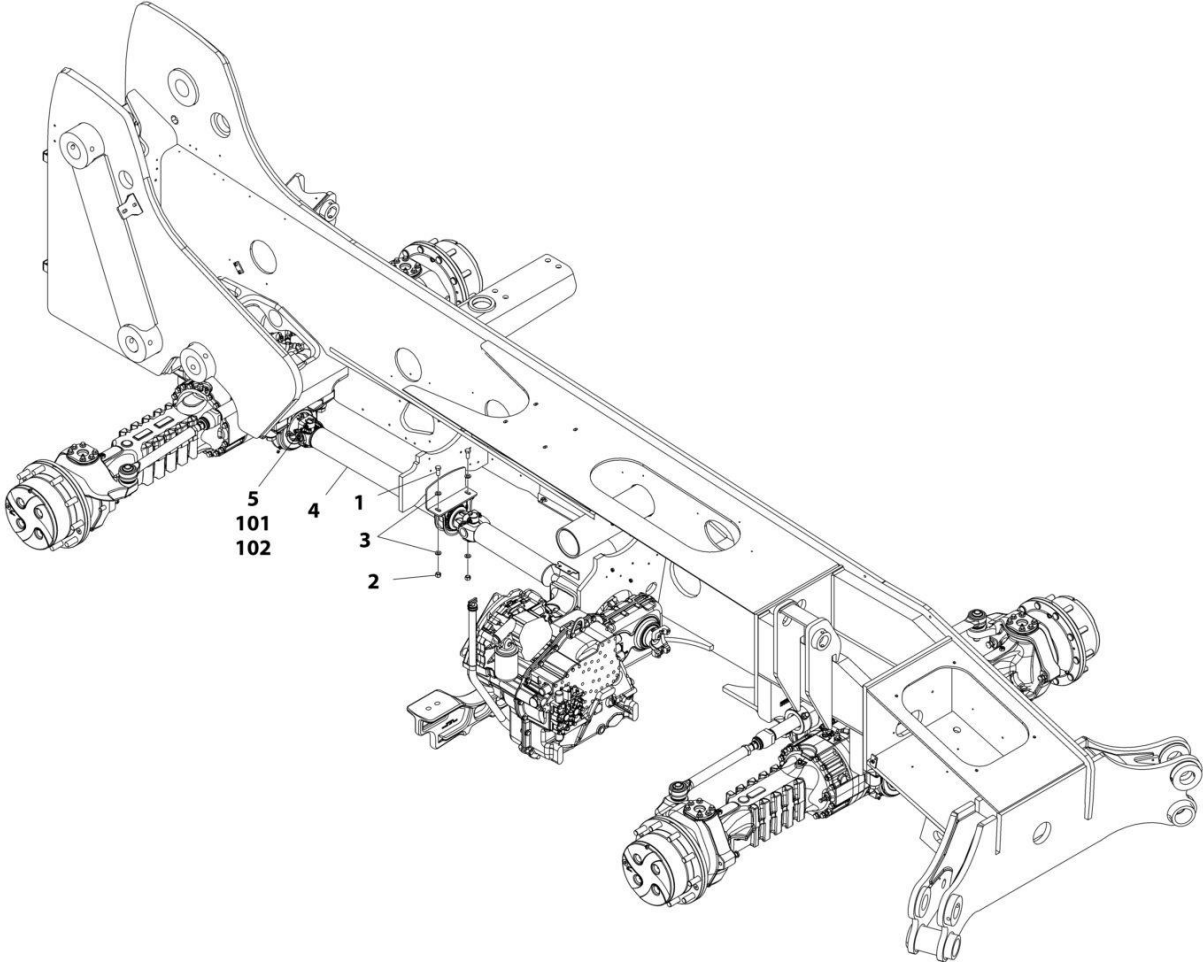
SECTION 5 - DRIVE TRAIN

FIGURE 5-33. FRONT MID DRIVE SHAFT

ITEM	PART NUMBER	QTY	DESCRIPTION	REV
1	1001170615	1	Front Mid Drive Shaft	B
	91474035	2	Kit, Universal Joint	

SECTION 5 - DRIVE TRAIN

FIGURE 5-34. REAR DRIVE SHAFT INSTALLATION



ART_1001163987-C

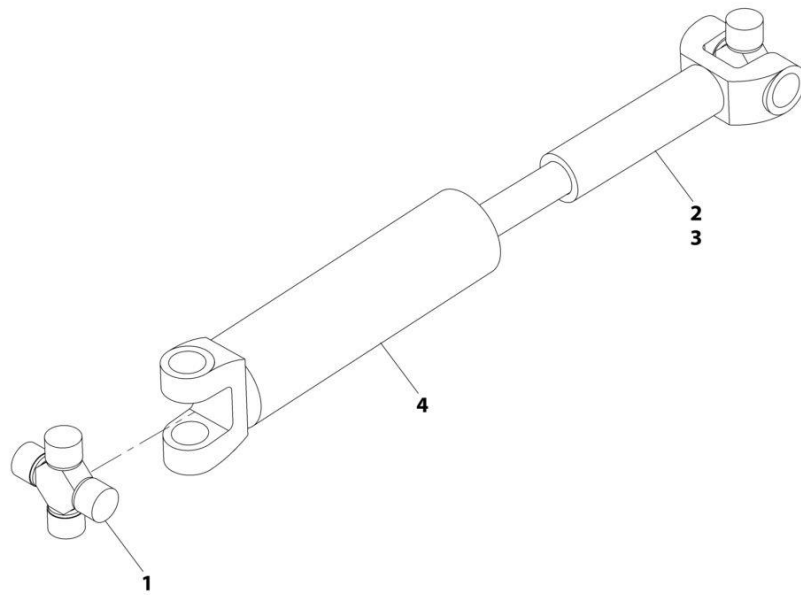
SECTION 5 - DRIVE TRAIN

FIGURE 5-34. REAR DRIVE SHAFT INSTALLATION

ITEM	PART NUMBER	QTY	DESCRIPTION	REV
	1001163987	Ref	Rear Drive Shaft Installation	C
1	0761214	2	Bolt, 12 X 30, GR8.8	
2	3291205	2	Nut, Lock M12 X 1.75	
3	4812100	4	Washer, 12	
4	1001163765	1	Shaft, Rear Drive (See Separate Breakdown in this Section)	
5	8880218-OM	1	Kit, Strap (includes items 101 & 102)	
101	N.S.S.	1	Strap	
102	N.S.S.	1	Bolt, Strap 0.375-24X0.75	

SECTION 5 - DRIVE TRAIN

FIGURE 5-35. REAR DRIVE SHAFT ASSEMBLY



ART_7150580-D

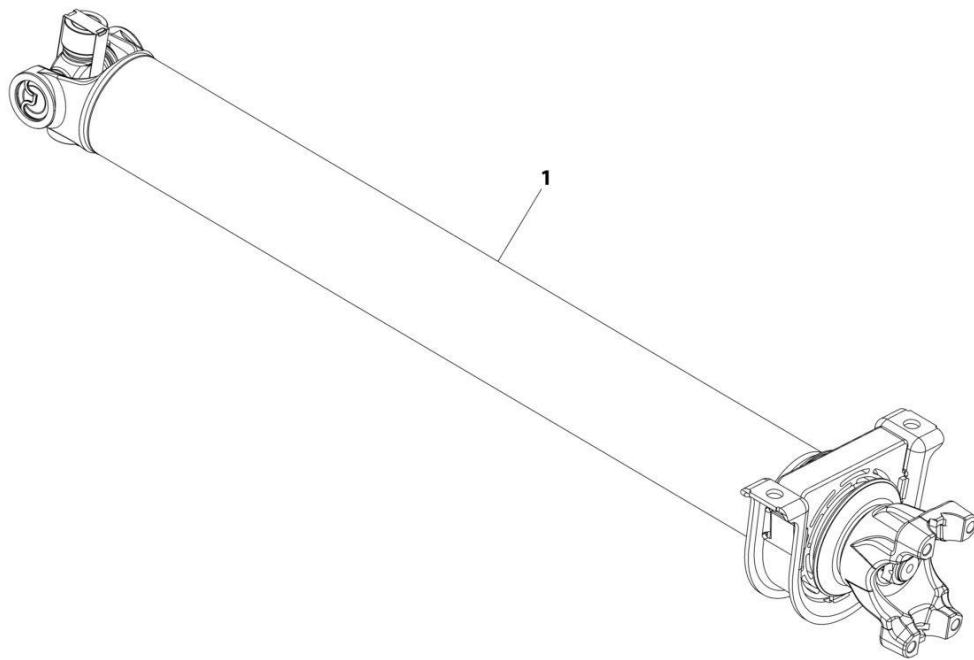
SECTION 5 - DRIVE TRAIN

FIGURE 5-35. REAR DRIVE SHAFT ASSEMBLY

ITEM	PART NUMBER	QTY	DESCRIPTION	REV
	7150580	Ref	Front Drive Shaft Assembly	D
1	8036433	4	Kit, Cross and Bearing	
2	8035779	2	Kit, Dust Cap	
3	N.S.S.	1	Joint, Slip	
4	N.S.S.	1	Shaft, Yoke	

SECTION 5 - DRIVE TRAIN

FIGURE 5-36. REAR DRIVE SHAFT



ART_1001163765-B

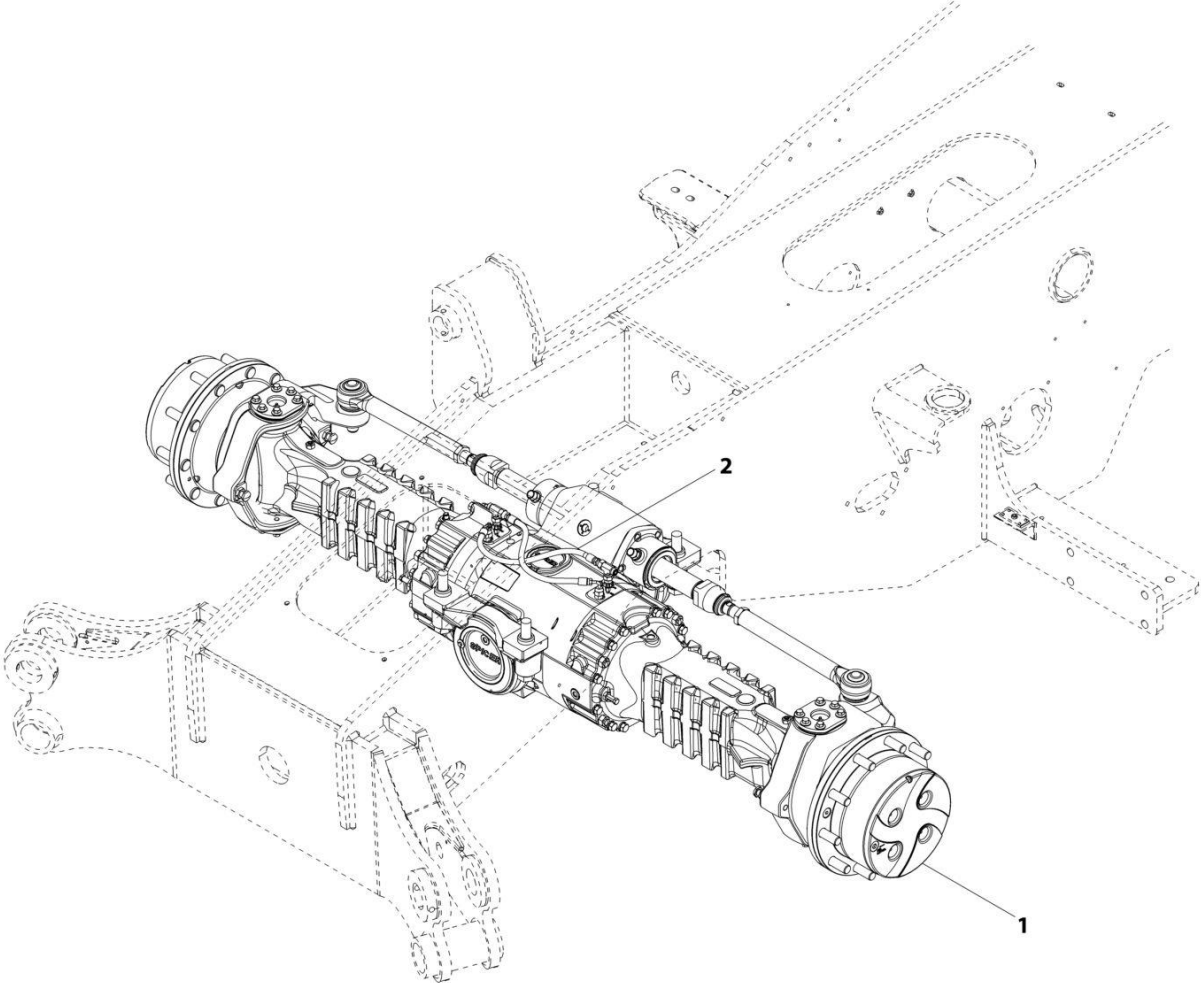
SECTION 5 - DRIVE TRAIN

FIGURE 5-36. REAR DRIVE SHAFT

ITEM	PART NUMBER	QTY	DESCRIPTION	REV
1	1001163765 91474035	Ref 1	Rear Drive Shaft Kit, Universal Joint	B

SECTION 5 - DRIVE TRAIN

FIGURE 5-37. FRONT AXLE INSTALLATION



ART_1001161418-B

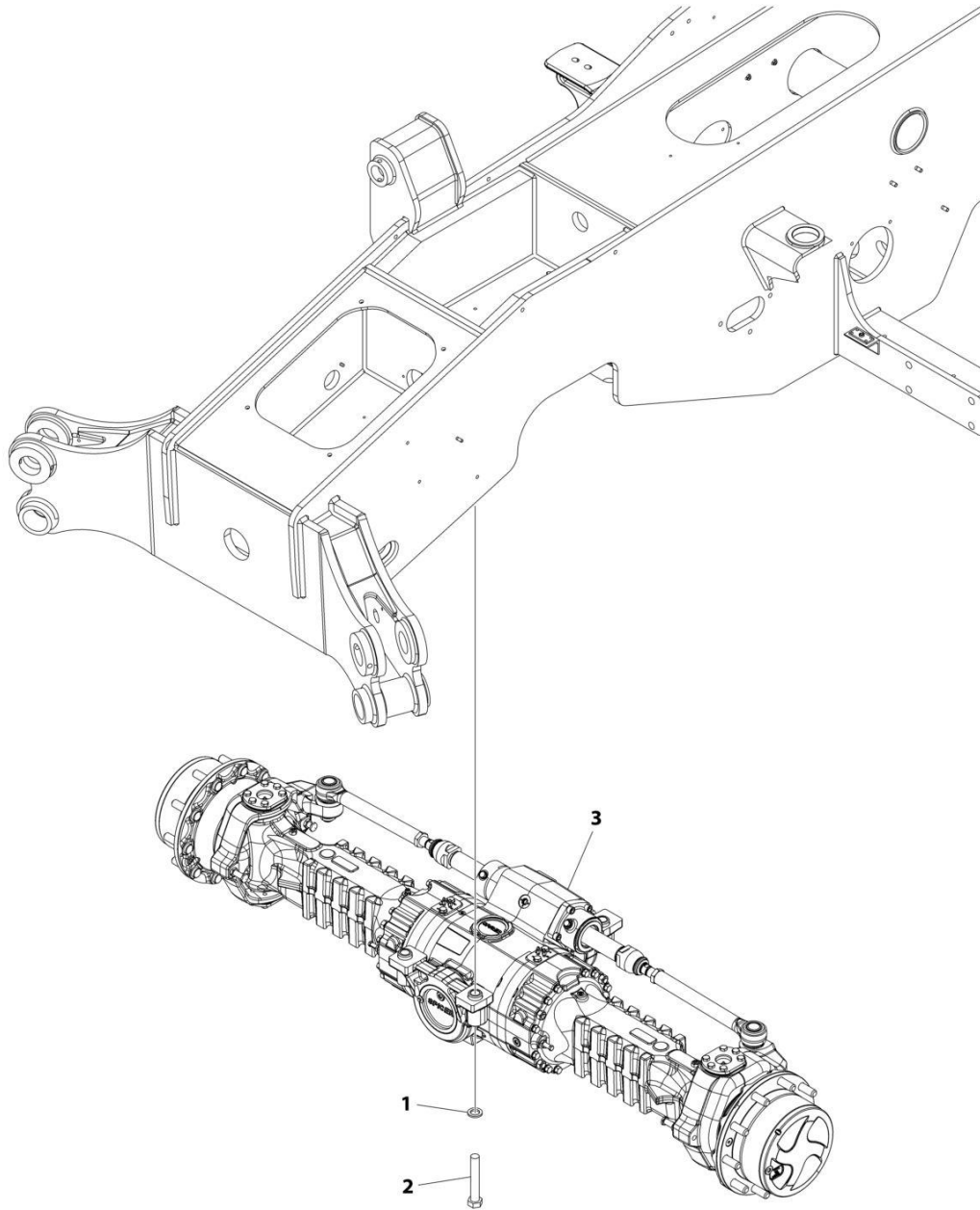
SECTION 5 - DRIVE TRAIN

FIGURE 5-37. FRONT AXLE INSTALLATION

ITEM	PART NUMBER	QTY	DESCRIPTION	REV
1	1001161418	Ref	Front Axle Installation	B
	1001161420	Ref	Installation, Front Axle Mounting (See Separate Breakdown in this Section)	
2	1001161421	Ref	Installation, Front Axle Hydraulic Lines (See Separate Breakdown in HYDRAULIC CIRCUITS Section)	

SECTION 5 - DRIVE TRAIN

FIGURE 5-38. FRONT AXLE MOUNTING INSTALLATION, 110HP



ART_1001161420_D

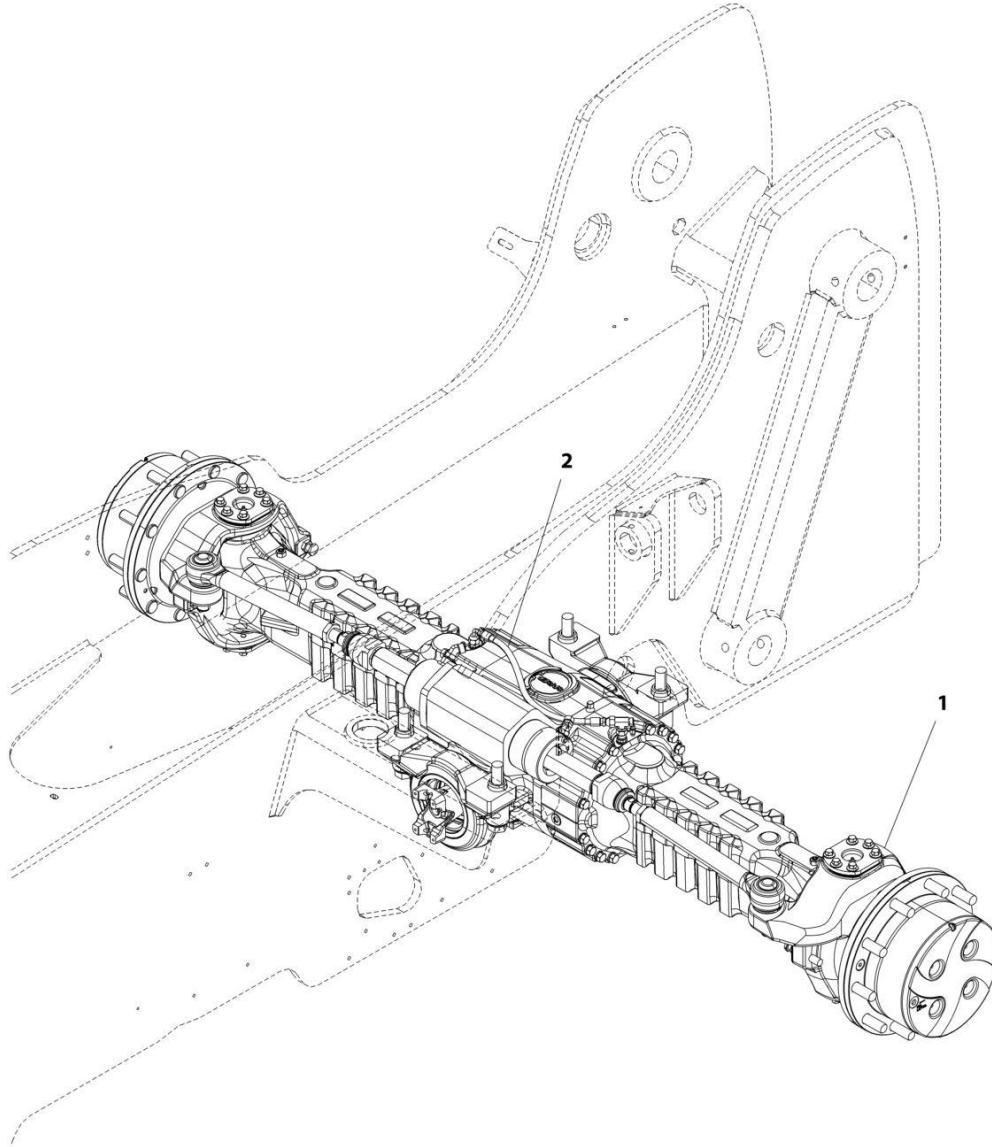
SECTION 5 - DRIVE TRAIN

FIGURE 5-38. FRONT AXLE MOUNTING INSTALLATION, 110HP

ITEM	PART NUMBER	QTY	DESCRIPTION	REV
	1001161420	Ref	FRONT AXLE MOUNTING INSTALLATION	D
1	4892600	4	Washer 1	
2	1001097587	4	Bolt M24 x 150	
3	1001288139	1	Axle, Front (See Separate Breakdown in this Section)	

SECTION 5 - DRIVE TRAIN

FIGURE 5-39. REAR AXLE INSTALLATION



ART_1001161419-B

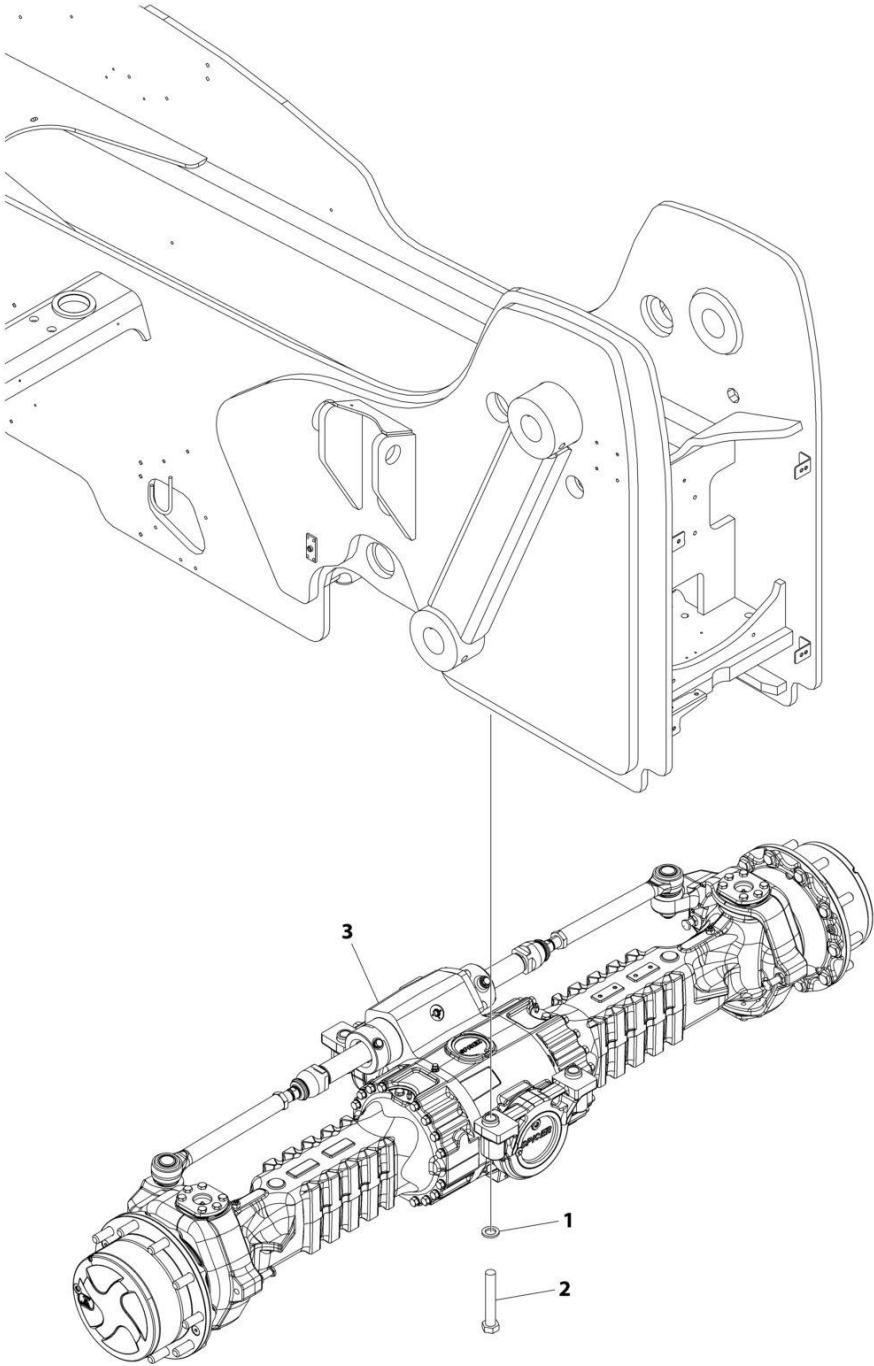
SECTION 5 - DRIVE TRAIN

FIGURE 5-39. REAR AXLE INSTALLATION

ITEM	PART NUMBER	QTY	DESCRIPTION	REV
1	1001161419	Ref	Rear Axle Installation	B
	1001161423	Ref	Installation, Rear Axle Mounting (See Separate Breakdown in this Section)	
2	1001161424	Ref	Installation, Rear Axle Lines (See Separate Breakdown in HYDRAULIC CIRCUITS Section)	

SECTION 5 - DRIVE TRAIN

FIGURE 5-40. REAR AXLE MOUNTING INSTALLATION



ART_1001161423_D

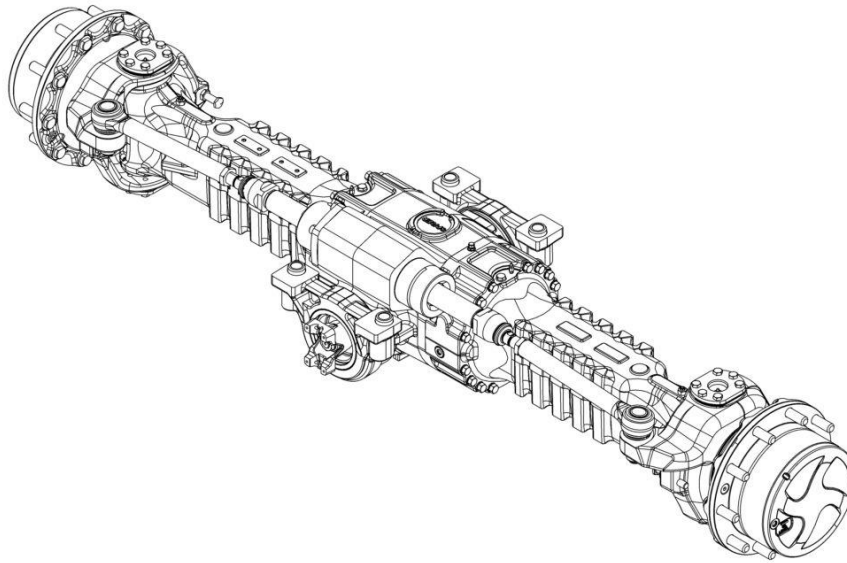
SECTION 5 - DRIVE TRAIN

FIGURE 5-40. REAR AXLE MOUNTING INSTALLATION

ITEM	PART NUMBER	QTY	DESCRIPTION	REV
	1001161423	Ref	REAR AXLE MOUNTING INSTALLATION	D
1	4892600	4	Washer 1	
2	1001097587	4	Bolt M24 x 150	
3	1001288138	1	Axle, Rear (See Separate Breakdown in this Section)	

SECTION 5 - DRIVE TRAIN

FIGURE 5-41. REAR AXLE



ART_1001288138

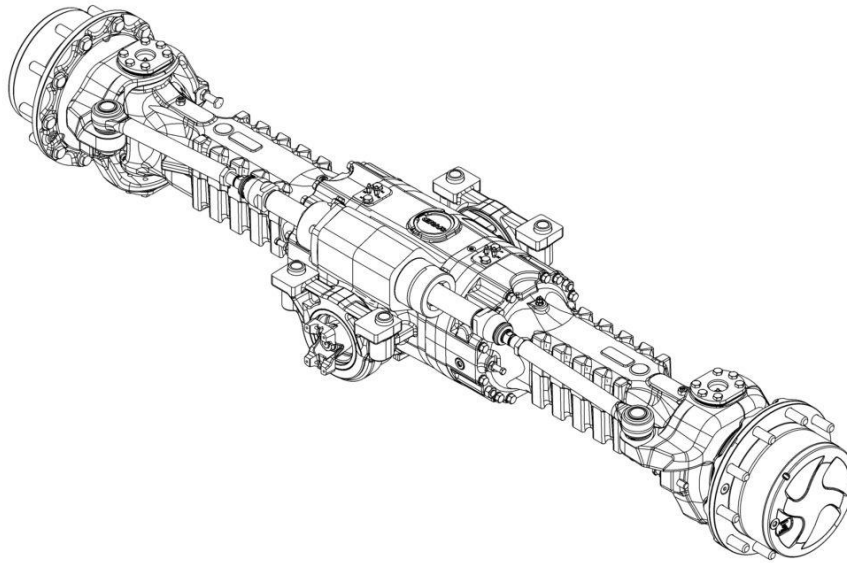
SECTION 5 - DRIVE TRAIN

FIGURE 5-41. REAR AXLE

ITEM	PART NUMBER	QTY	DESCRIPTION	REV
	1001288138 SEE NOTE	Ref NSS	REAR AXLE Note: No Service Parts Available at Time of Printing	A

SECTION 5 - DRIVE TRAIN

FIGURE 5-42. REAR AXLE



ART_1001288139

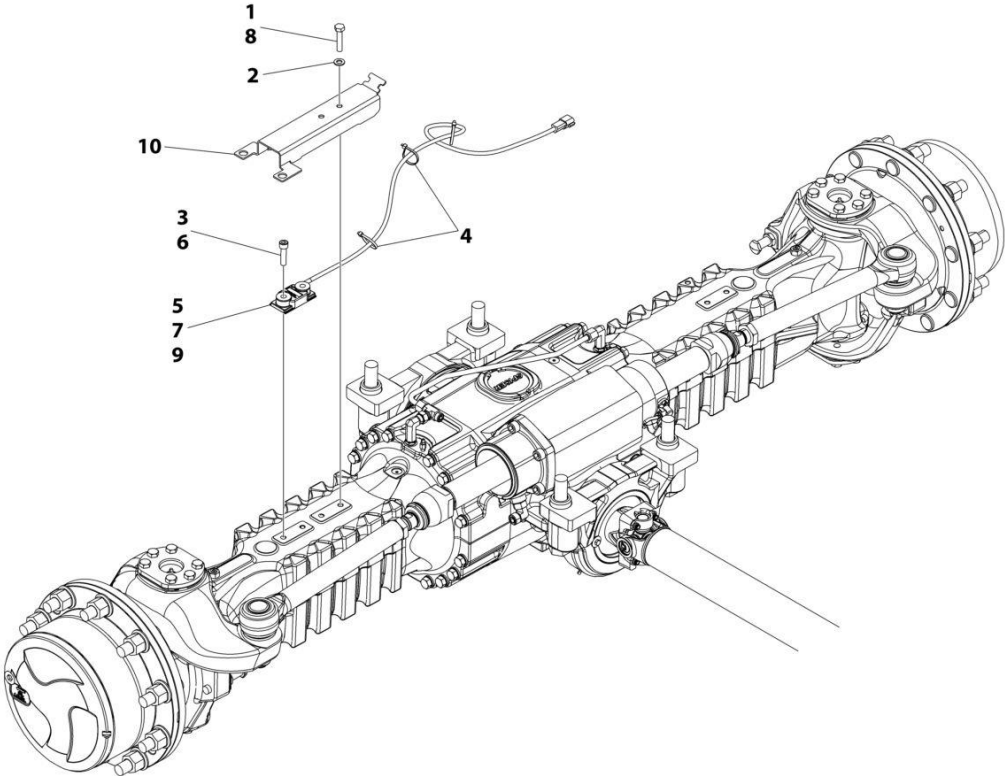
SECTION 5 - DRIVE TRAIN

FIGURE 5-42. REAR AXLE

ITEM	PART NUMBER	QTY	DESCRIPTION	REV
	1001288139 See Note	Ref NSS	REAR AXLE Note: No Service Parts Available at Time of Printing	A

SECTION 5 - DRIVE TRAIN

FIGURE 5-43. LSI AXLE SENSOR INSTALLATION



ART_1001258217

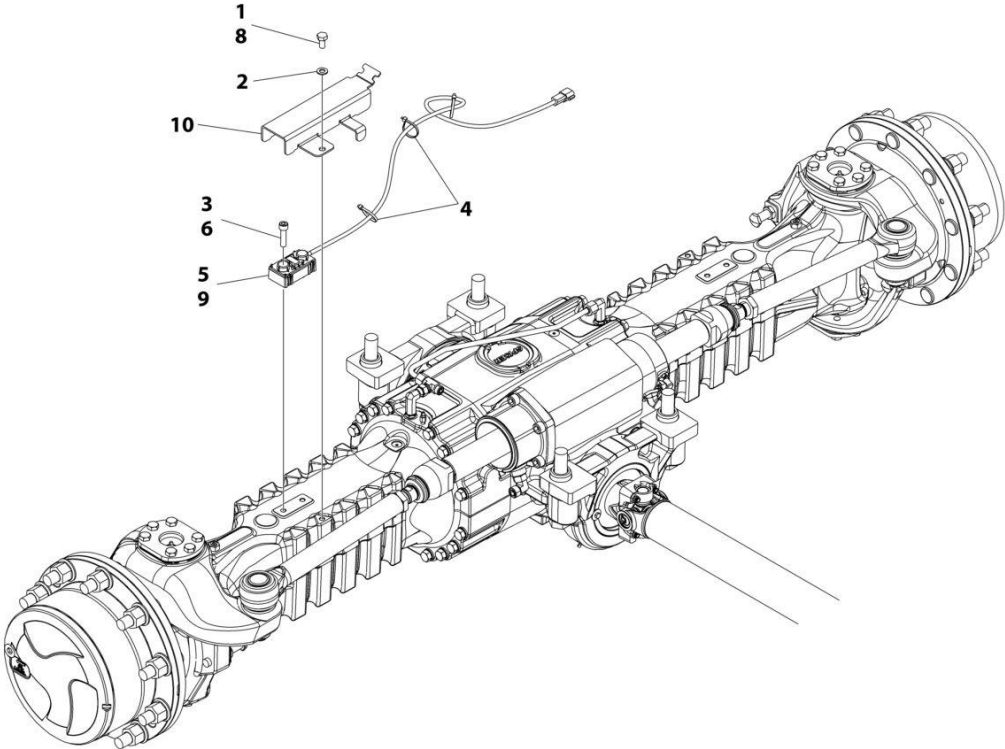
SECTION 5 - DRIVE TRAIN

FIGURE 5-43. LSI AXLE SENSOR INSTALLATION

ITEM	PART NUMBER	QTY	DESCRIPTION	REV
	1001258217	Ref	LSI AXLE SENSOR INSTALLATION	A
1	0701018	2	Bolt M10 x 50	
2	4812000	2	Washer M10	
3	5272012	2	Bolt M10 x 40	
4	1001008559	3	Strap	
5	1001116128	AR	Seal	
6	1001125465	AR	Locking, Compound	
7	1001129423	1	Sensor Installation (Includes Items 3, 5, 6, 8 & 9)	
8	1001129425	AR	Adhesive	
9	1001160730	1	Sensor, Rear Axle	
10	1001258706	1	Bracket	

SECTION 5 - DRIVE TRAIN

FIGURE 5-44. LSI SENSOR INSTALLATION



ART_1001258644

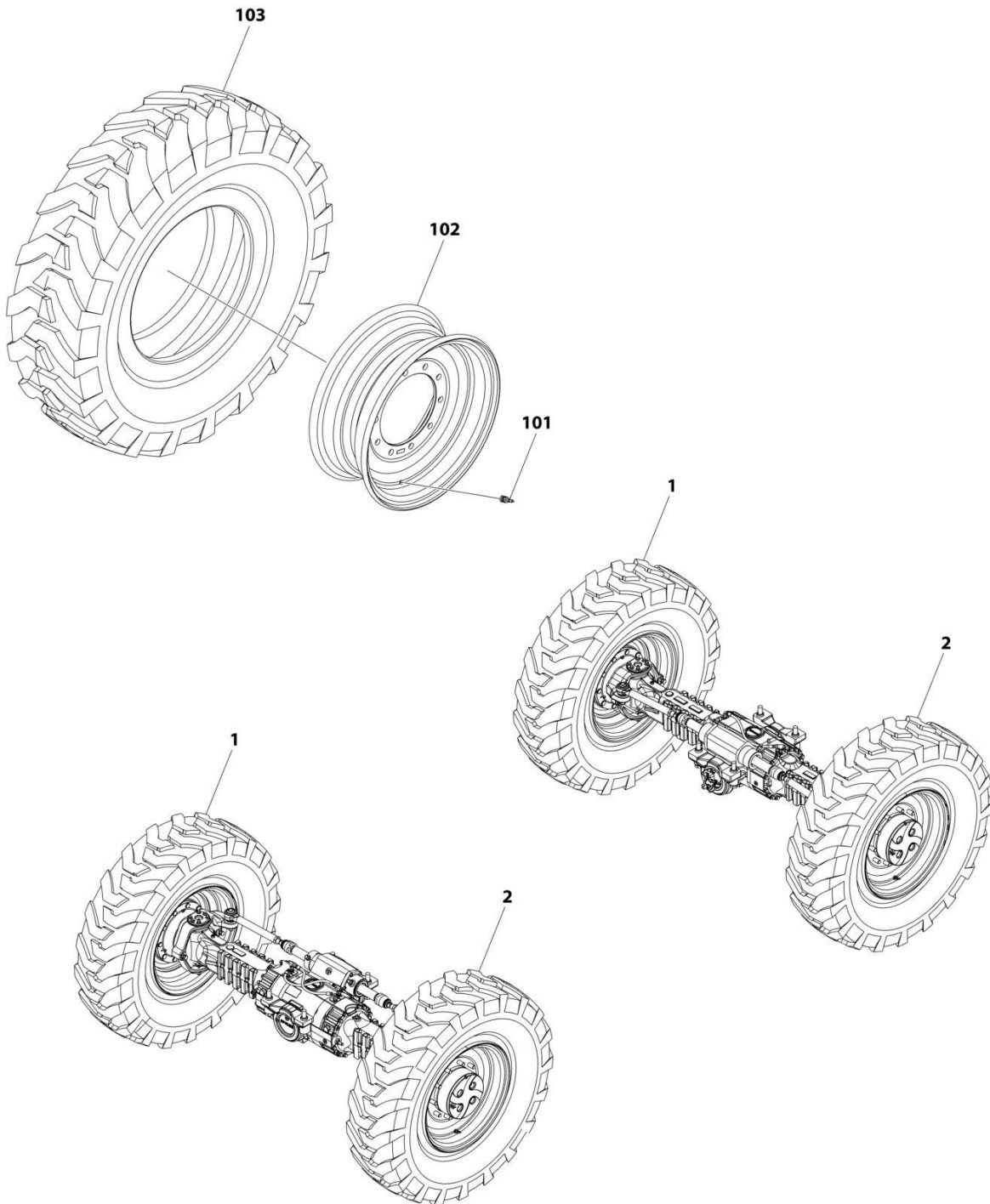
SECTION 5 - DRIVE TRAIN

FIGURE 5-44. LSI SENSOR INSTALLATION

ITEM	PART NUMBER	QTY	DESCRIPTION	REV
	1001258644	Ref	LSI Sensor Installation	B
1	0761010	1	Bolt, M10X20	
2	4812000	1	Washer, M10	
3	5272012	2	Bolt, M10X40	
4	1001008559	3	Strap, Cable	
5	1001116128	AR	Seal	
6	1001125465	AR	Locking, Compound	
8	1001289296	AR	Adhesive	
9	1001289105	1	Sensor, Rear Axle	
10	1001290669	1	Bracket	

SECTION 5 - DRIVE TRAIN

FIGURE 5-45. TIRE/WHEEL SET 14-24 16PR - AIR



ART_1001198291

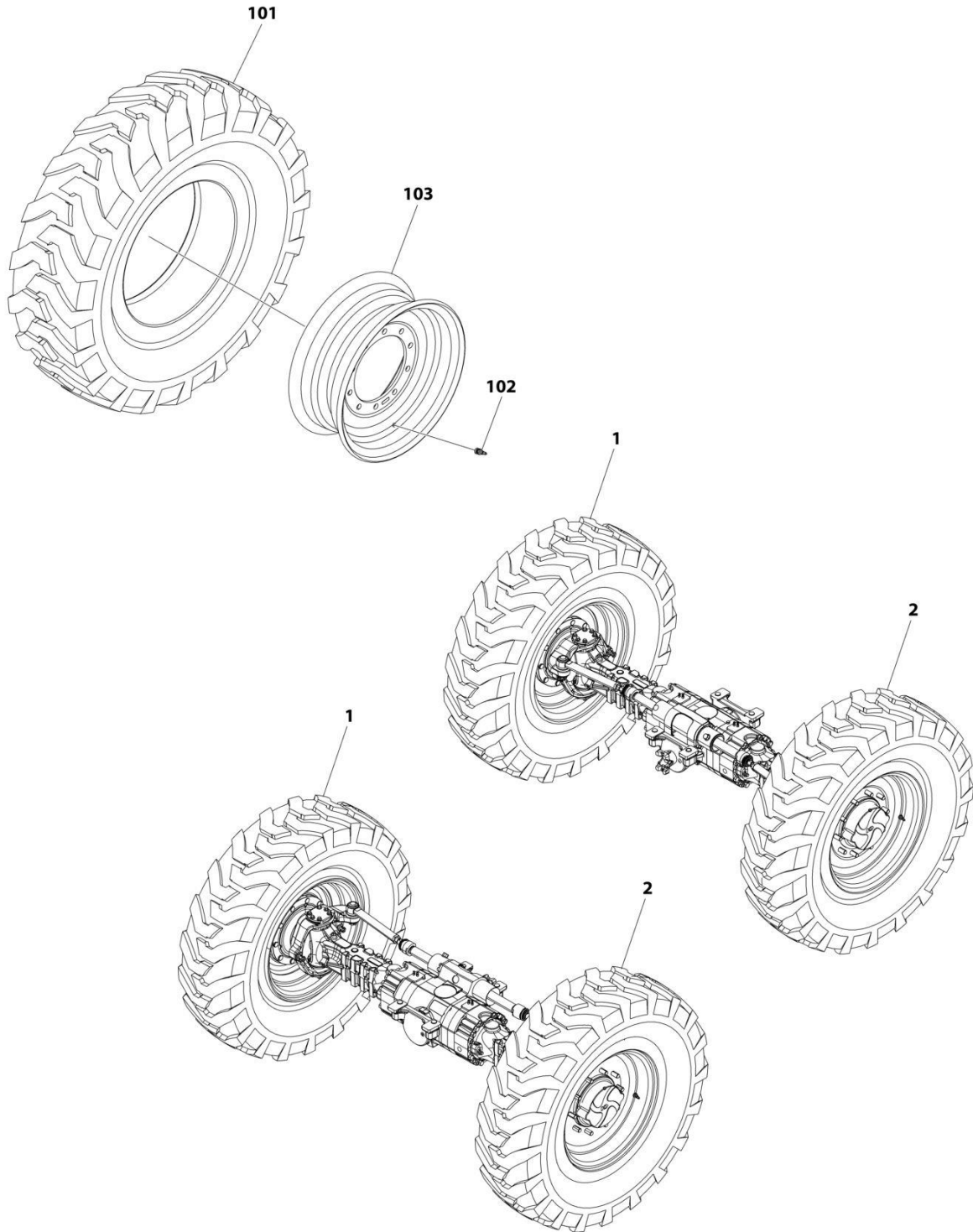
SECTION 5 - DRIVE TRAIN

FIGURE 5-45. TIRE/WHEEL SET 14-24 16PR - AIR

ITEM	PART NUMBER	QTY	DESCRIPTION	REV
	1001198291	Ref	TIRE/WHEEL SET 14-24 16PR - AIR	A
1	1001197715	2	Assembly, Tire/Wheel Right 14-24 16PR - Air (Includes Item 101-103)	
2	1001197716	2	Assembly, Tire/Wheel Left 14-24 16PR - Air (Includes Item 101-103)	
101	8786514	4	Valve, Stem (1 per assembly)	
102	91473206	4	Wheel, 24 x 9.00 GR (1 per assembly)	
103	1001197709	4	Tire, 14.00 x 24 TG 16 PLY BIAS G2 (1 per assembly)	

SECTION 5 - DRIVE TRAIN

FIGURE 5-46. TIRE/WHEEL SET - 14.00-24 FOAM FILLED



ART_4520482

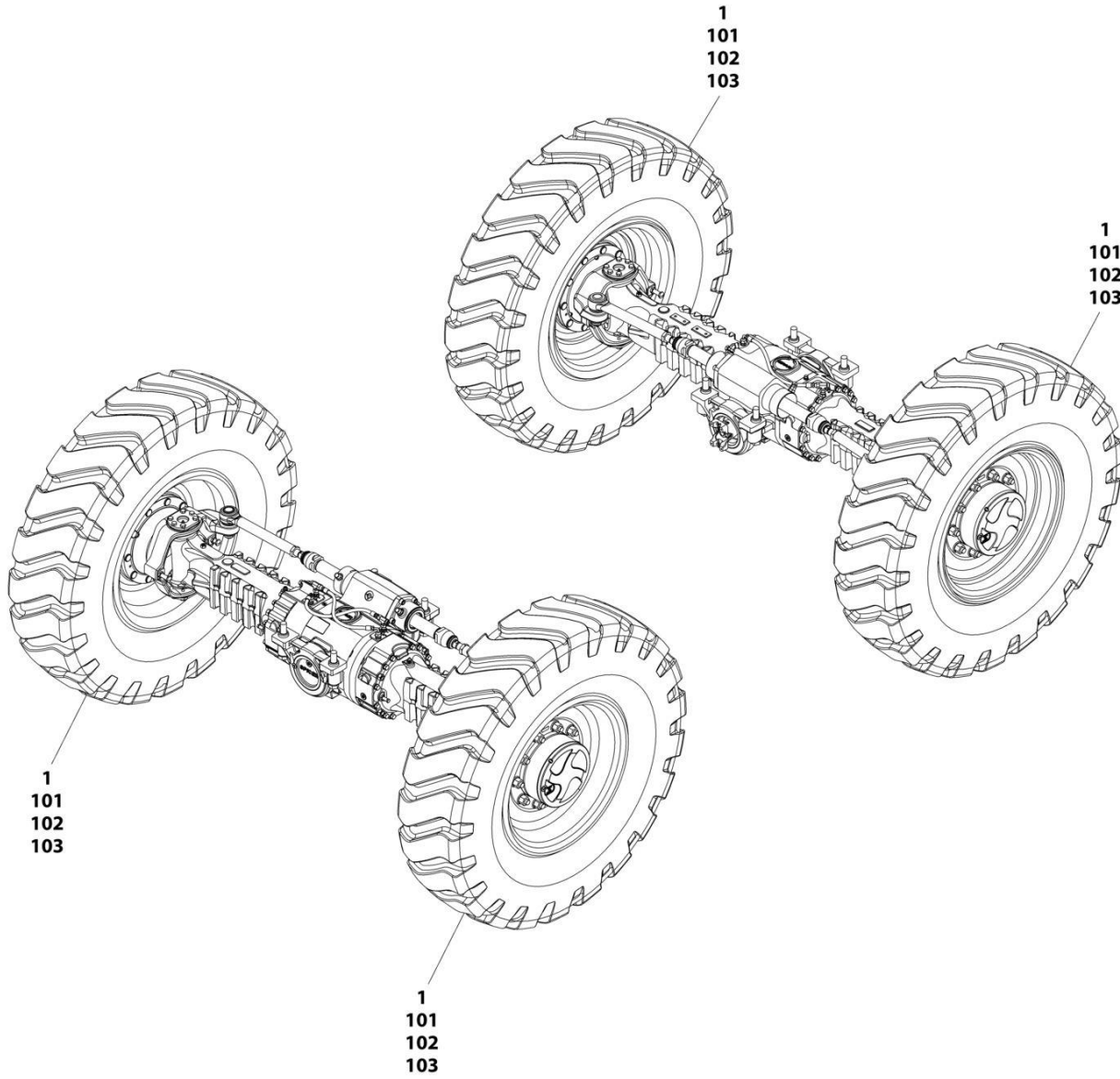
SECTION 5 - DRIVE TRAIN

FIGURE 5-46. TIRE/WHEEL SET - 14.00-24 FOAM FILLED

ITEM	PART NUMBER	QTY	DESCRIPTION	REV
	4520482	Ref	TIRE/WHEEL SET - 14.00-24 FOAM FILLED	C
		Ref	Note: Assemblies require ballast/foam filling to manufacture's specifications prior to installing on machine. Refer to Operation & Safety or Service & Maintenance Manuals.	
		Ref	Purchase individual tire and/or wheel only if able to foam fill tire & wheel assembly, otherwise purchase complete assembly.	
1	91355037	2	Tire/Wheel Right 14-24 G-2 - Foam (Includes Item 101-103)	
2	91355038	2	Tire/Wheel Left 14-24 G-2 - Foam (Includes Item 101-103)	
101	91043084	4	Tire, 13.00 x 24 TG 16 PLY G2, BIAS (1 per assembly)	
102	8786514	4	Valve, Stem (1 per assembly)	
103	91473206	4	Wheel, 24 x 9.00 GR (1 per assembly)	

SECTION 5 - DRIVE TRAIN

FIGURE 5-47. TIRE/WHEEL SET - 14.00-24 E-3 FOAM FILLED (SUNSHINE)



ART_1001264713

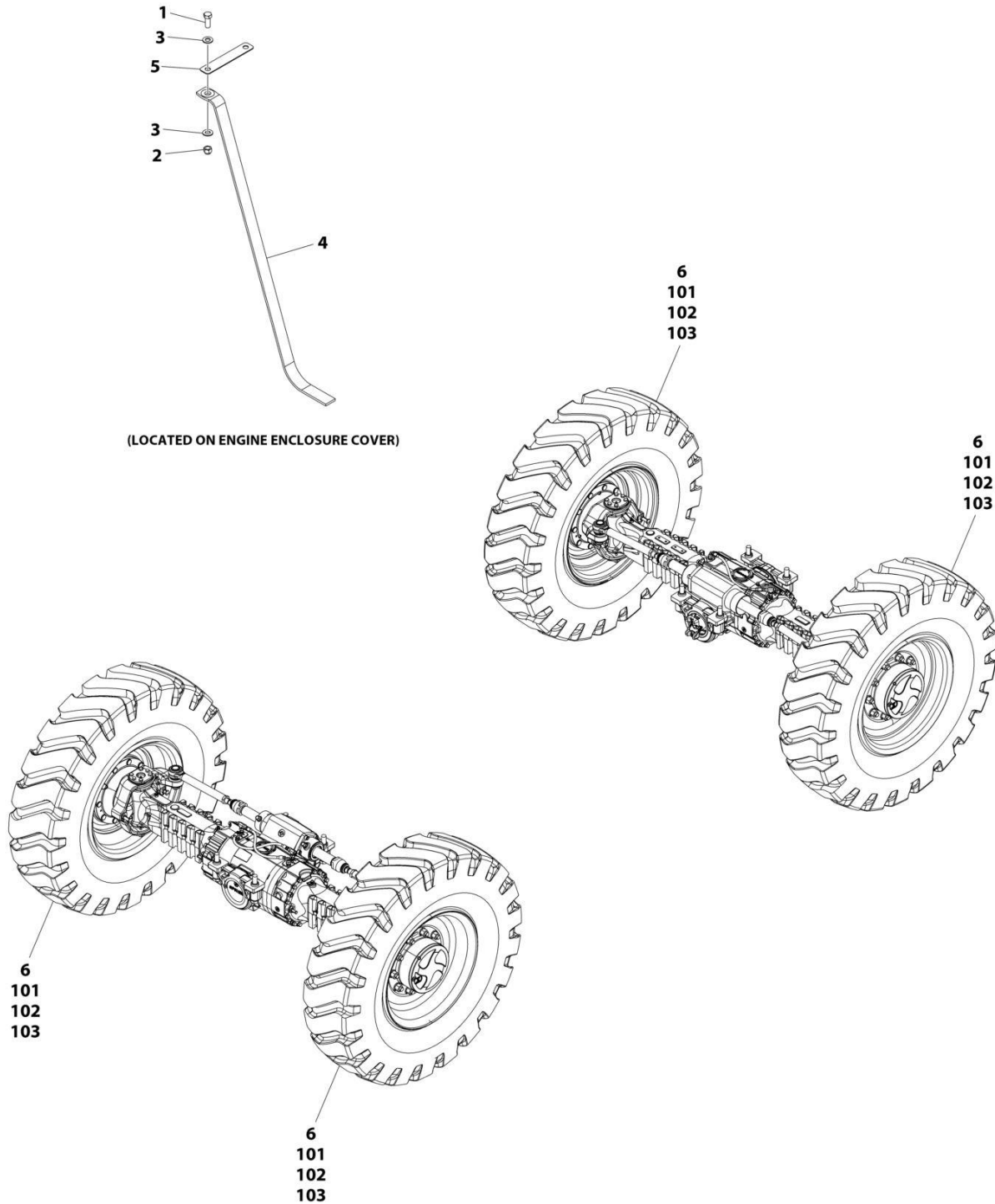
SECTION 5 - DRIVE TRAIN

FIGURE 5-47. TIRE/WHEEL SET - 14.00-24 E-3 FOAM FILLED (SUNSHINE)

ITEM	PART NUMBER	QTY	DESCRIPTION	REV
	1001264713	Ref	TIRE WHEEL SET - 14.00-24 - FOAM-FILLED	A
		Ref	Note: Assemblies require ballast/foam filling to manufacture's specifications prior to installing on machine. Refer to Operation & Safety or Service & Maintenance Manuals.	
		Ref	Purchase individual tire and/or wheel only if able to foam fill tire & wheel assembly, otherwise purchase complete assembly.	
1	1001264700	4	Tire and Wheel Assembly	
101	8786514	4	Valve, Air (1 per assembly)	
102	91473206	4	Wheel (1 per assembly)	
103	1001263011	4	Tire 14.00-24 (1 per assembly)	

SECTION 5 - DRIVE TRAIN

FIGURE 5-48. TIRE/WHEEL SET 14-24 - FOAM-FILLED (E-3) (NON-MARKING) (SUNSHINE)



ART_1001281186

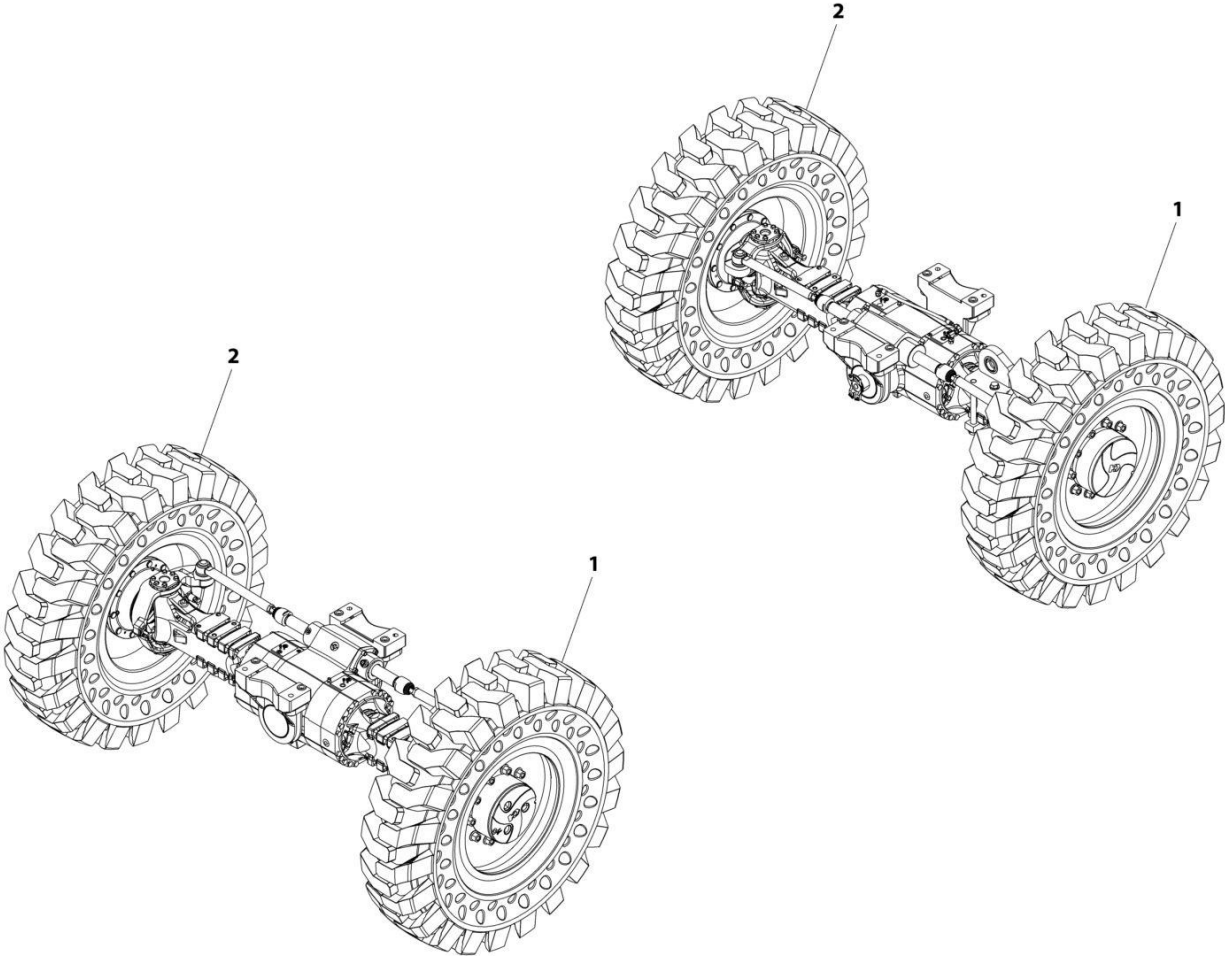
SECTION 5 - DRIVE TRAIN

FIGURE 5-48. TIRE/WHEEL SET 14-24 - FOAM-FILLED (E-3) (NON-MARKING) (SUNSHINE)

ITEM	PART NUMBER	QTY	DESCRIPTION	REV
	1001281186	Ref	TIRE/WHEEL SET 14-24 - FOAM-FILLED (E-3) (NON-MARKING) (SUNSHINE)	A
		Ref	Note: Assemblies require ballast/foam filling to manufacture's specifications prior to installing on machine. Refer to Operation & Safety or Service & Maintenance Manuals.	
		Ref	Purchase individual tire and/or wheel only if able to foam fill tire & wheel assembly, otherwise purchase complete assembly.	
1	8303620	1	Screw 3/8 x 1	
2	8305645	1	Nut 3/8	
3	8307110	2	Washer 3/8	
4	1001275637	1	Strap, Anti-Static	
5	1001275638	1	Bracket	
6	1001281184	4	Tire and Wheel Assembly	
101	8786514	4	Valve, Air (1 per assembly)	
102	91473206	4	Wheel (1 per assembly)	
103	1001281182	4	Tire 14.00-24 (1 per assembly)	

SECTION 5 - DRIVE TRAIN

FIGURE 5-49. TIRE/WHEEL SET 14-24 SOLIDBOSS (DIRECTIONAL)



ART_1001274721

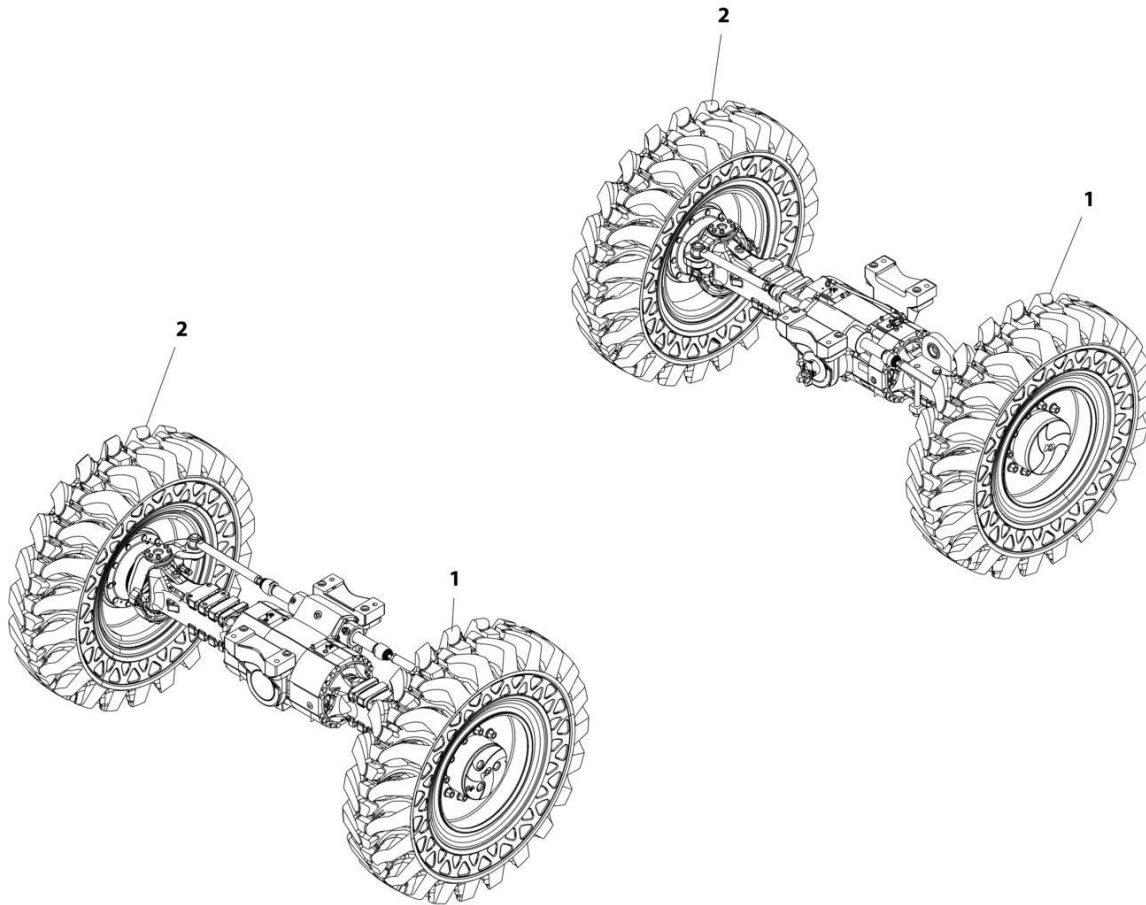
SECTION 5 - DRIVE TRAIN

FIGURE 5-49. TIRE/WHEEL SET 14-24 SOLIDBOSS (DIRECTIONAL)

ITEM	PART NUMBER	QTY	DESCRIPTION	REV
	1001274721	Ref	TIRE/WHEEL SET 14-24 SOLIDBOSS (DIRECTIONAL)	A
1	1001274719	2	Tire/Wheel Left 14X24 - Solid	
2	1001274720	2	Tire/Wheel Right 14X24 - Solid	

SECTION 5 - DRIVE TRAIN

FIGURE 5-50. TIRE/WHEEL SET - 14.00-24 SOLIDEAL (DIRECTIONAL)



ART_1001151108-A

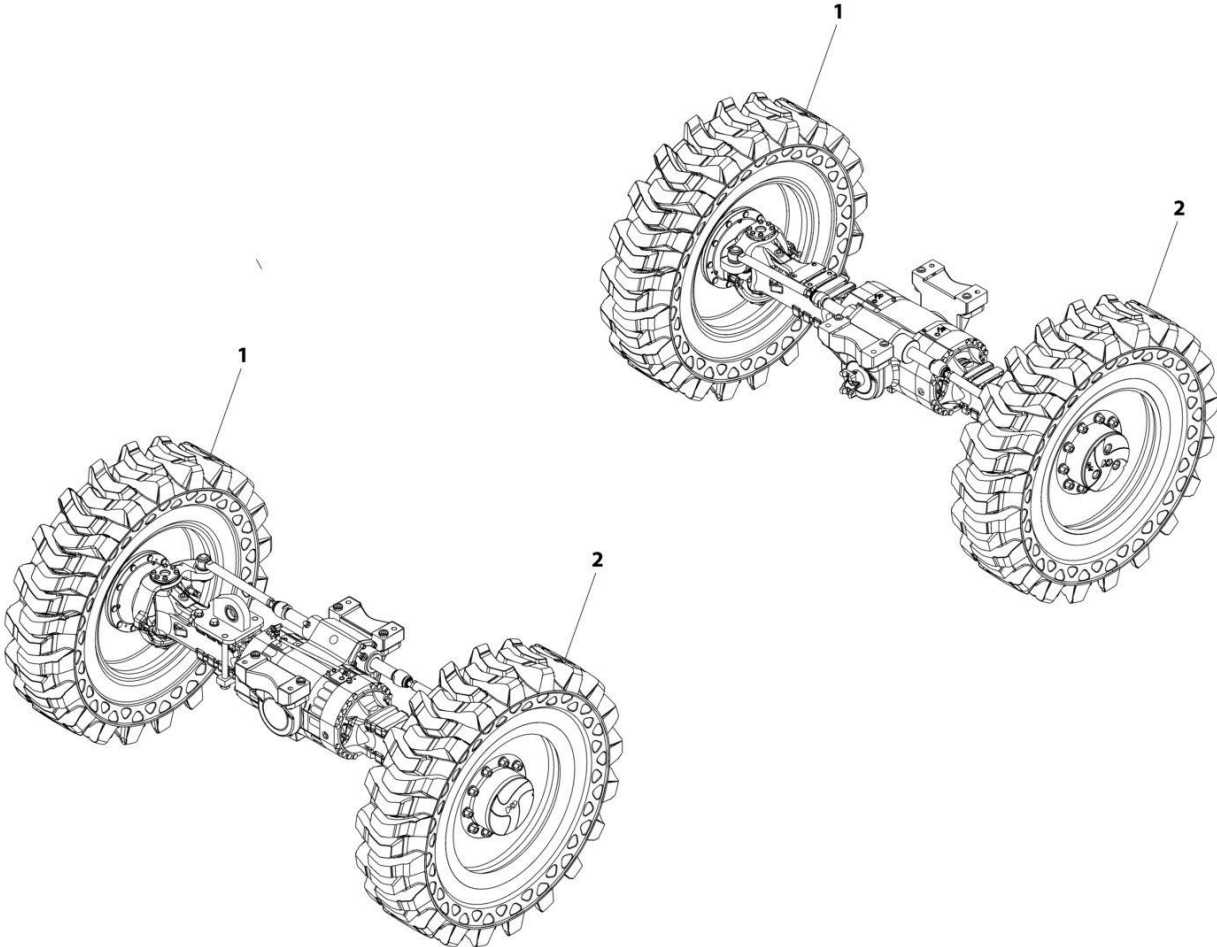
SECTION 5 - DRIVE TRAIN

FIGURE 5-50. TIRE/WHEEL SET - 14.00-24 SOLIDEAL (DIRECTIONAL)

ITEM	PART NUMBER	QTY	DESCRIPTION	REV
	1001151108	1	Tire/Wheel Set 14-24 - Solid	A
1	1001151101	2	Tire/Wheel Left 14-24 .219 - Offset	
2	1001151102	2	Tire/Wheel Right 14-24 .219 - Offset	

SECTION 5 - DRIVE TRAIN

FIGURE 5-51. TIRE/WHEEL SET 14-28 SOLIDBOSS (DIRECTIONAL)



ART_1001274305

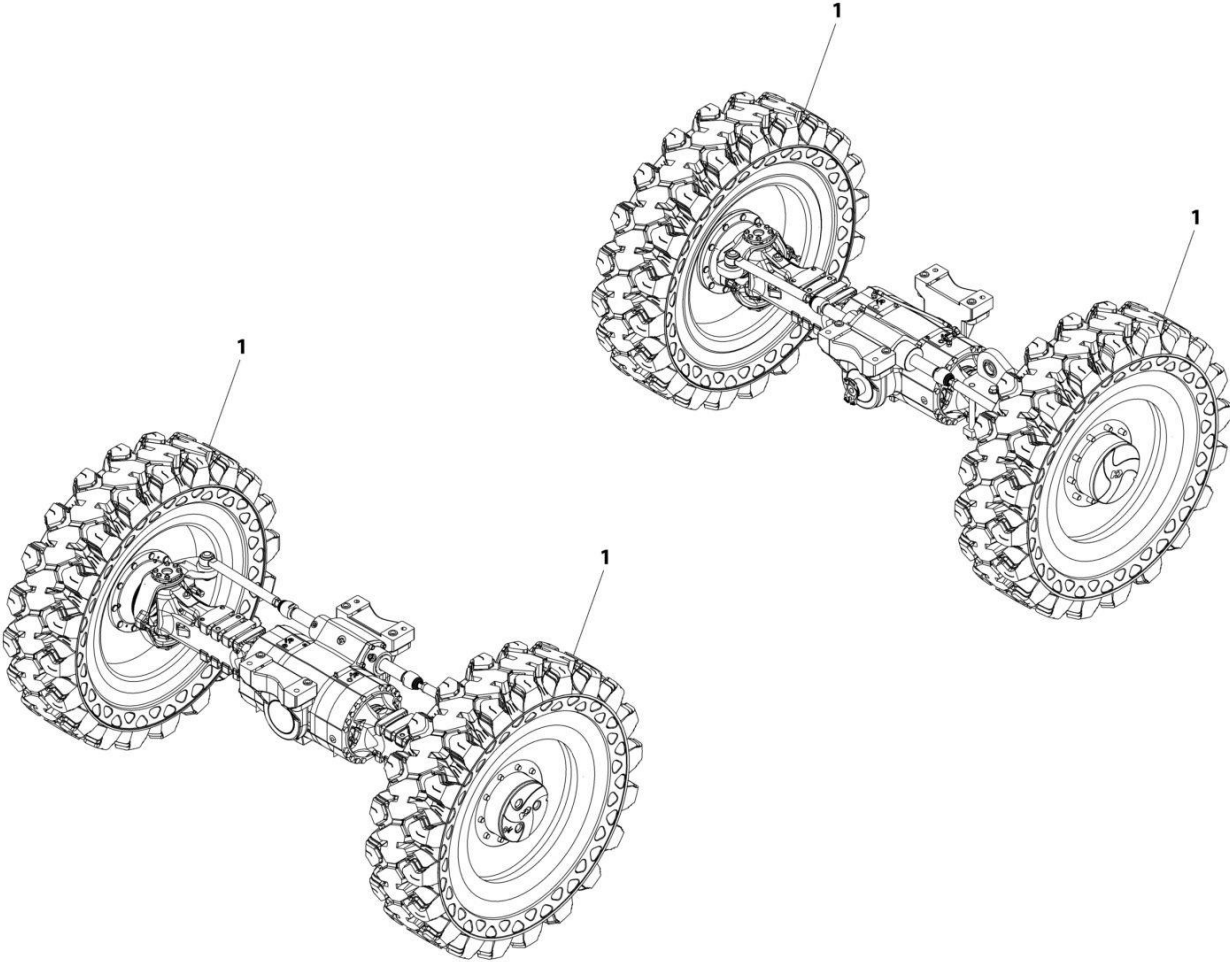
SECTION 5 - DRIVE TRAIN

FIGURE 5-51. TIRE/WHEEL SET 14-28 SOLIDBOSS (DIRECTIONAL)

ITEM	PART NUMBER	QTY	DESCRIPTION	REV
	1001274305	Ref	TIRE/WHEEL SET 14-28 SOLIDBOSS (DIRECTIONAL)	A
1	1001274303	2	Tire/Wheel Left 14X28 - Solid	
2	1001274304	2	Tire/Wheel Right 14X28 - Solid	

SECTION 5 - DRIVE TRAIN

FIGURE 5-52. TIRE/WHEEL SET 14-28 SOLIDBOSS (NON-DIRECTIONAL)



ART_1001274307

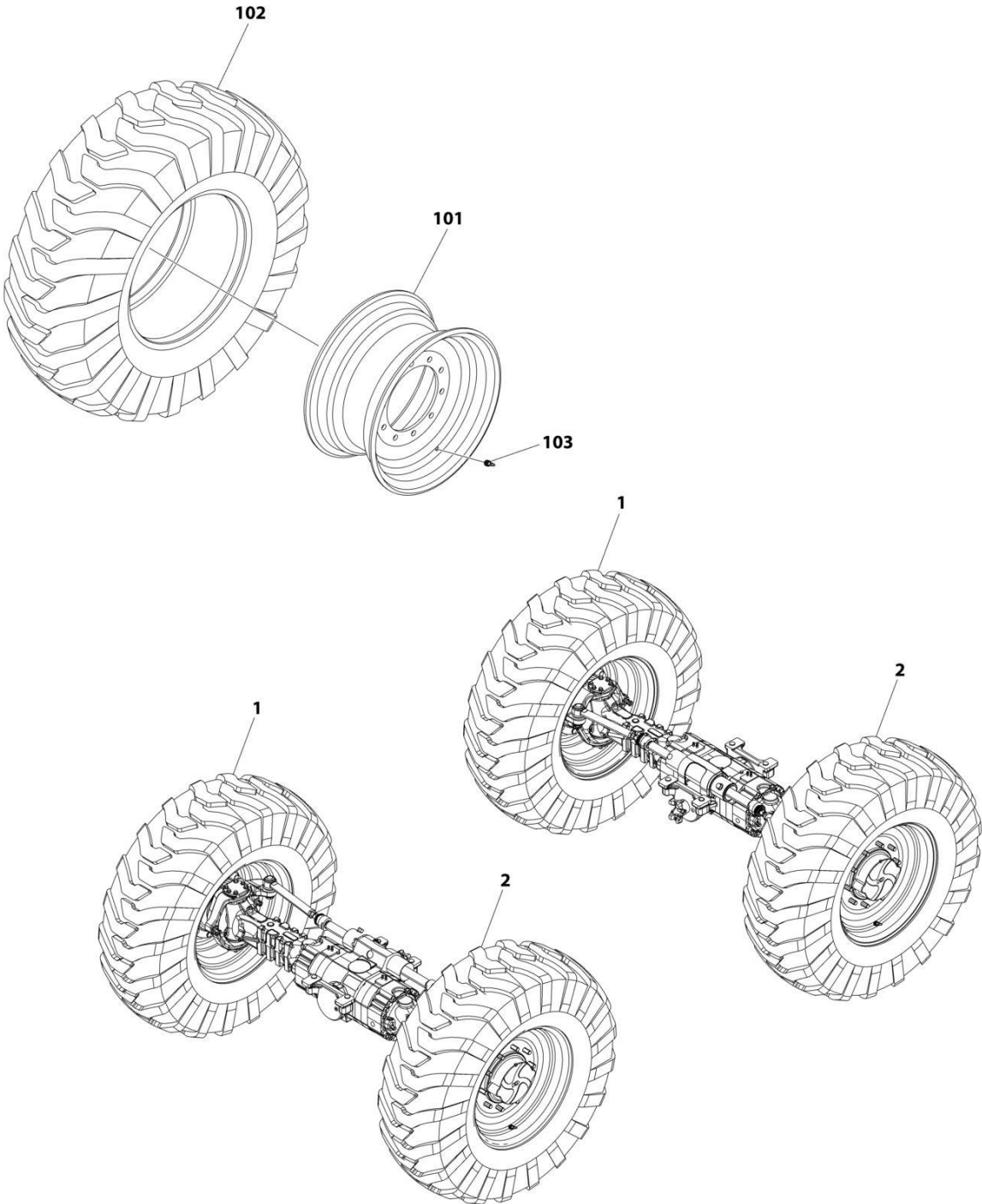
SECTION 5 - DRIVE TRAIN

FIGURE 5-52. TIRE/WHEEL SET 14-28 SOLIDBOSS (NON-DIRECTIONAL)

ITEM	PART NUMBER	QTY	DESCRIPTION	REV
1	1001274307	Ref	TIRE/WHEEL SET 14-28 SOLIDBOSS (NON-DIRECTIONAL)	A
	1001274306	4	Tire/Wheel 14X28 - Solid	

SECTION 5 - DRIVE TRAIN

FIGURE 5-53. TIRE/WHEEL SET - 17.50-25 AIR



ART_1001152430

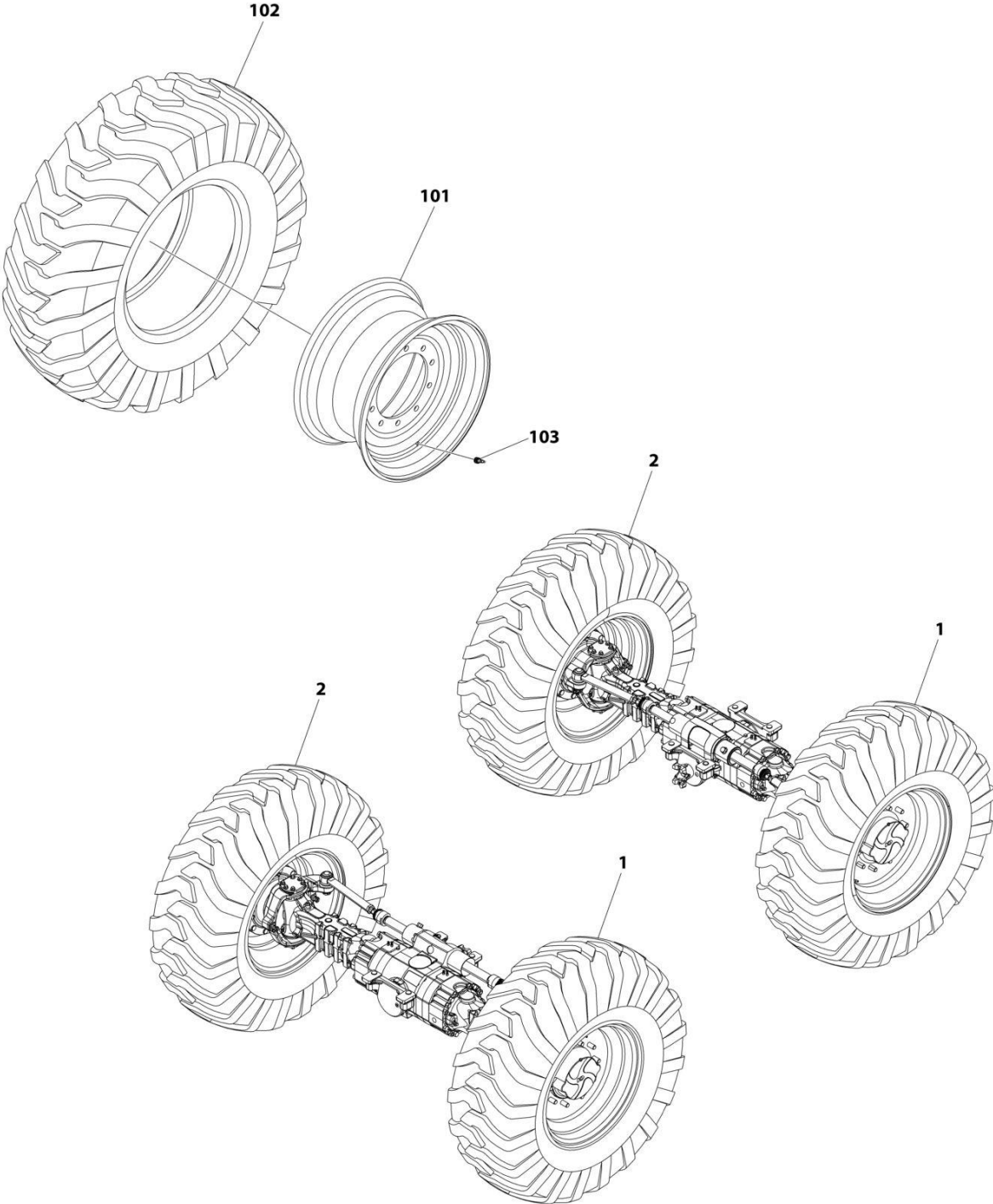
SECTION 5 - DRIVE TRAIN

FIGURE 5-53. TIRE/WHEEL SET - 17.50-25 AIR

ITEM	PART NUMBER	QTY	DESCRIPTION	REV
	1001152430	Ref	TIRE/WHEEL SET - 17.50-25 AIR	A
1	1001152415	2	Assembly, Right Tire and Wheel - 17.5-25 16 PLY (Includes Item 101-103)	
2	1001152416	2	Assembly, Left Tire and Wheel - 17.5-25 16 PLY (Includes Item 101-103)	
101	91563250	4	Wheel, 25.00 x 13.00 LR 1.687 Offset (1 per assembly)	
102	8780039	4	Tire, 17.5-25 16 PLY (1 per assembly)	
103	91083385	4	Valve, Tire (1 per assembly)	

SECTION 5 - DRIVE TRAIN

FIGURE 5-54. TIRE/WHEEL SET - 17.50-25 - FOAM FILLED



ART_4520519

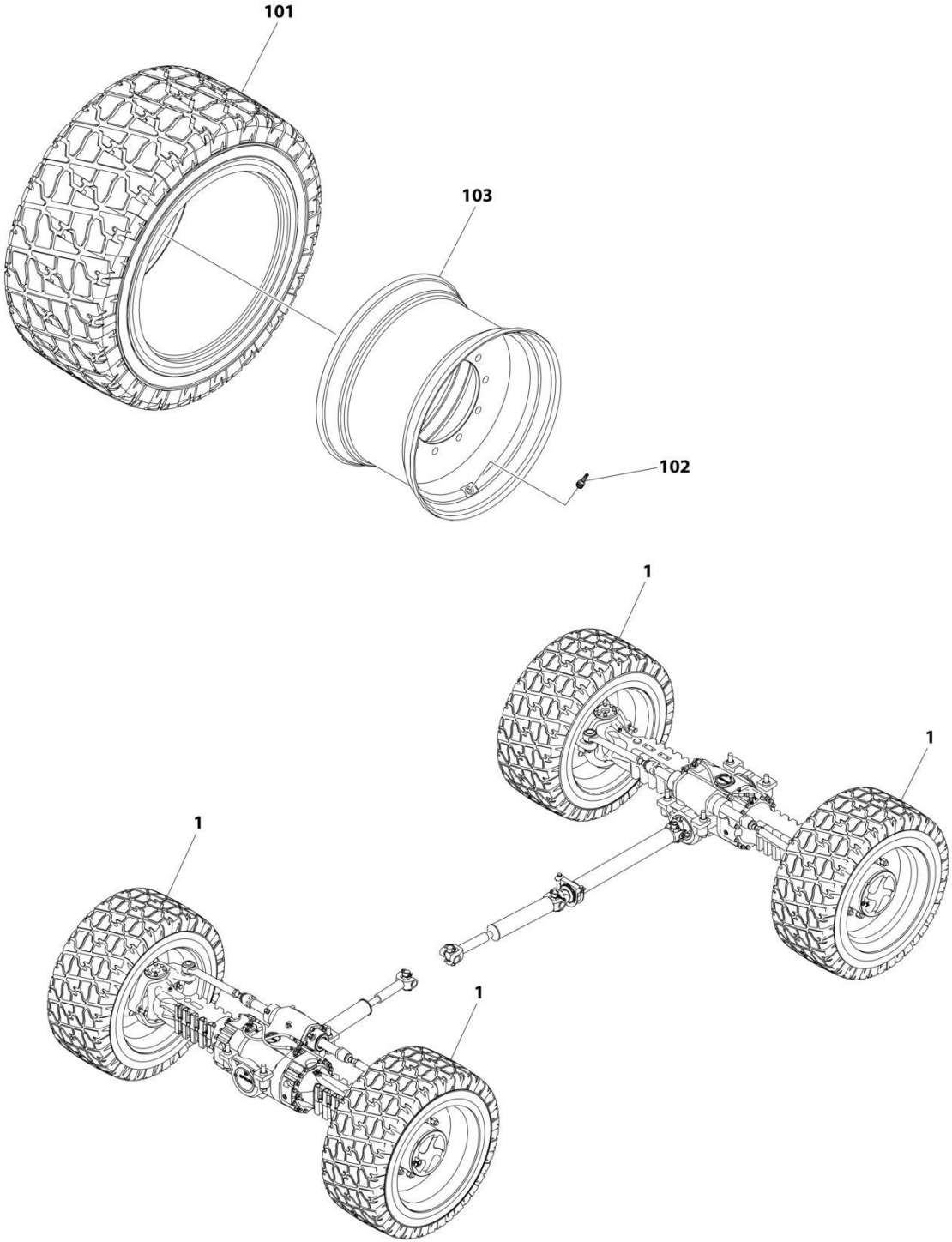
SECTION 5 - DRIVE TRAIN

FIGURE 5-54. TIRE/WHEEL SET - 17.50-25 - FOAM FILLED

ITEM	PART NUMBER	QTY	DESCRIPTION	REV
	4520519	Ref	TIRE/WHEEL SET - 17.50-25 - FOAM FILLED	B
		Ref	Note: Assemblies require ballast/foam filling to manufacture's specifications prior to installing on machine. Refer to Operation & Safety or Service & Maintenance Manuals.	
		Ref	Purchase individual tire and/or wheel only if able to foam fill tire & wheel assembly, otherwise purchase complete assembly.	
1	91565039	2	Assembly, Left Tire and Wheel - 17.50-25 - FOAM FILLED (Includes Item 101-103)	
2	91565040	2	Assembly, Right Tire and Wheel - 17.50-25 - FOAM FILLED (Includes Item 101-103)	
101	91563250	4	Wheel, 25 x 13.00 LR, 1.687 Offset (1 per assembly)	
102	4520527	4	Tire, 17.5-25 12 PLY (1 per assembly)	
103	91083385	4	Valve, Tire (1 per assembly)	

SECTION 5 - DRIVE TRAIN

FIGURE 5-55. TIRE SET - 18 X 625 (TURF PNEUMATIC)



ART_1001252986

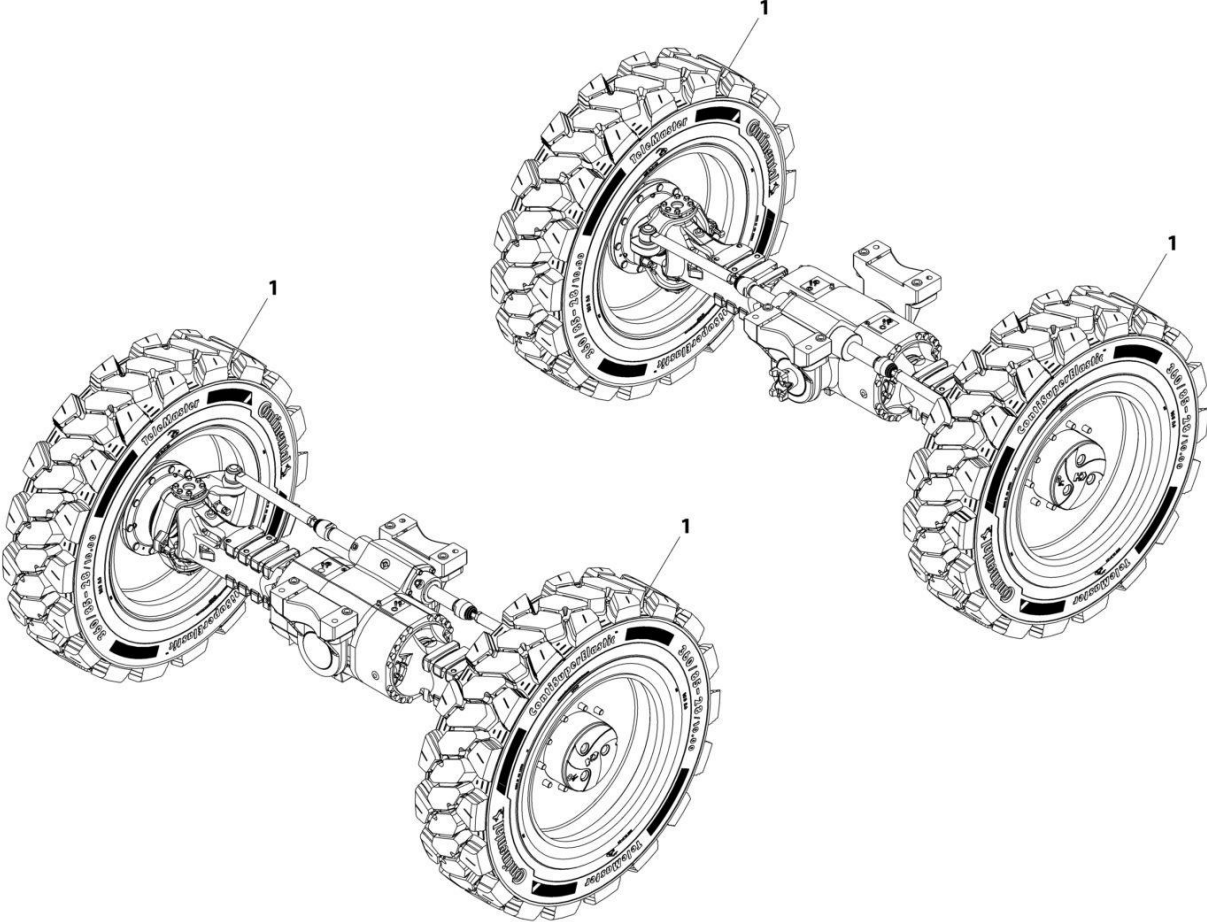
SECTION 5 - DRIVE TRAIN

FIGURE 5-55. TIRE SET - 18 X 625 (TURF PNEUMATIC)

ITEM	PART NUMBER	QTY	DESCRIPTION	REV
	1001252986	Ref	TIRE SET - 18 X 625 (TURF PNEUMATIC)	B
1	1001259635	4	Tire and Wheel Assembly	
101	4520356	4	Tire - 18 x 625 Turf/Sand (1 per assembly)	
102	4641122	4	Valve, Air (1 per assembly)	
103	1001246001	4	Wheel (1 per assembly)	

SECTION 5 - DRIVE TRAIN

FIGURE 5-56. TIRE/WHEEL SET 360/85-28 - SOLID



ART_1001221504-A

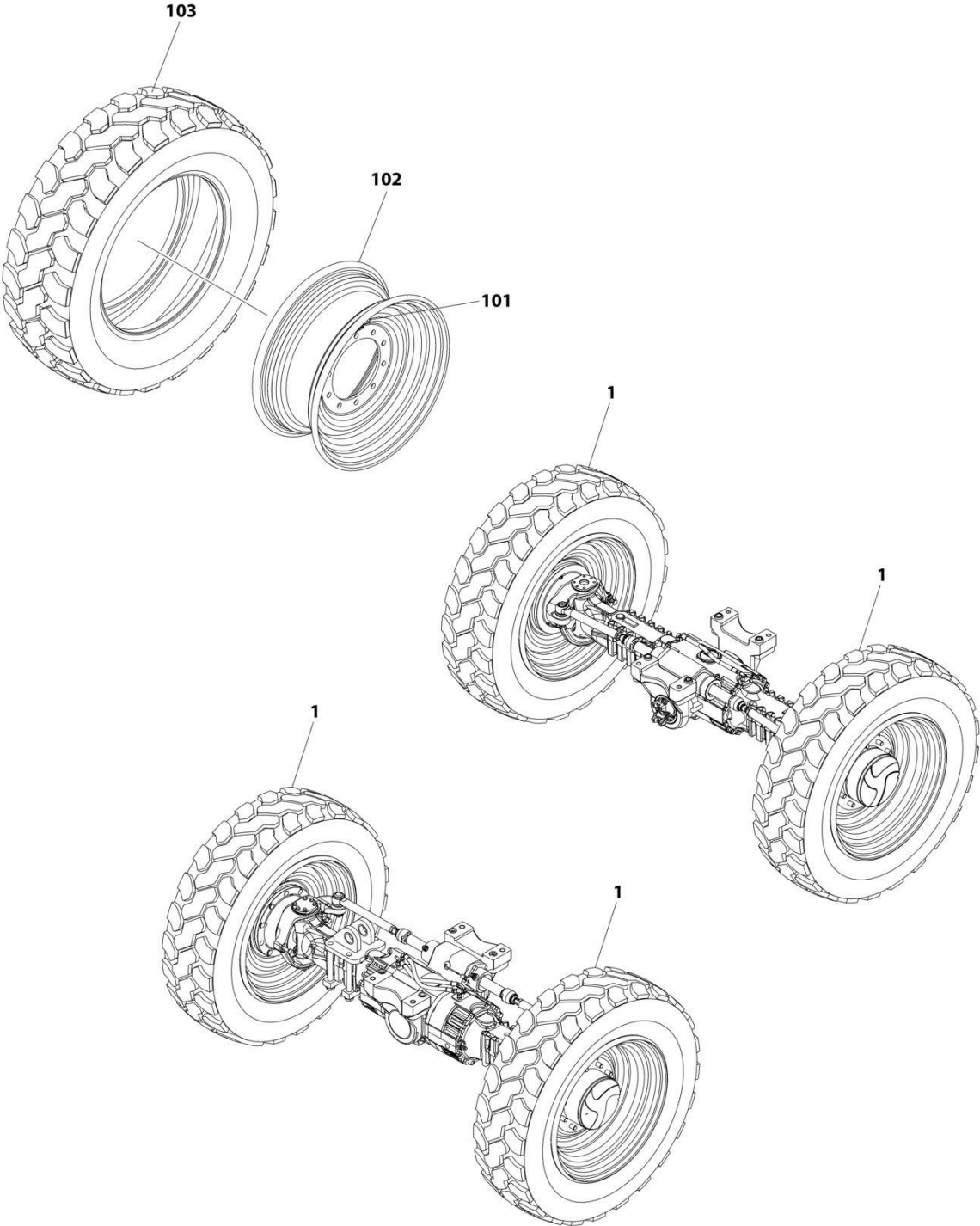
SECTION 5 - DRIVE TRAIN

FIGURE 5-56. TIRE/WHEEL SET 360/85-28 - SOLID

ITEM	PART NUMBER	QTY	DESCRIPTION	REV
1	1001221504	Ref	Tire/Wheel Set 360/85-28 - Solid	A
	1001213200J	4	Tire/Wheel Solid 360/85-28/10 - 1M Offset	

SECTION 5 - DRIVE TRAIN

FIGURE 5-57. TIRE/WHEEL SET 400/75-28 - AIR



ART_1001121109

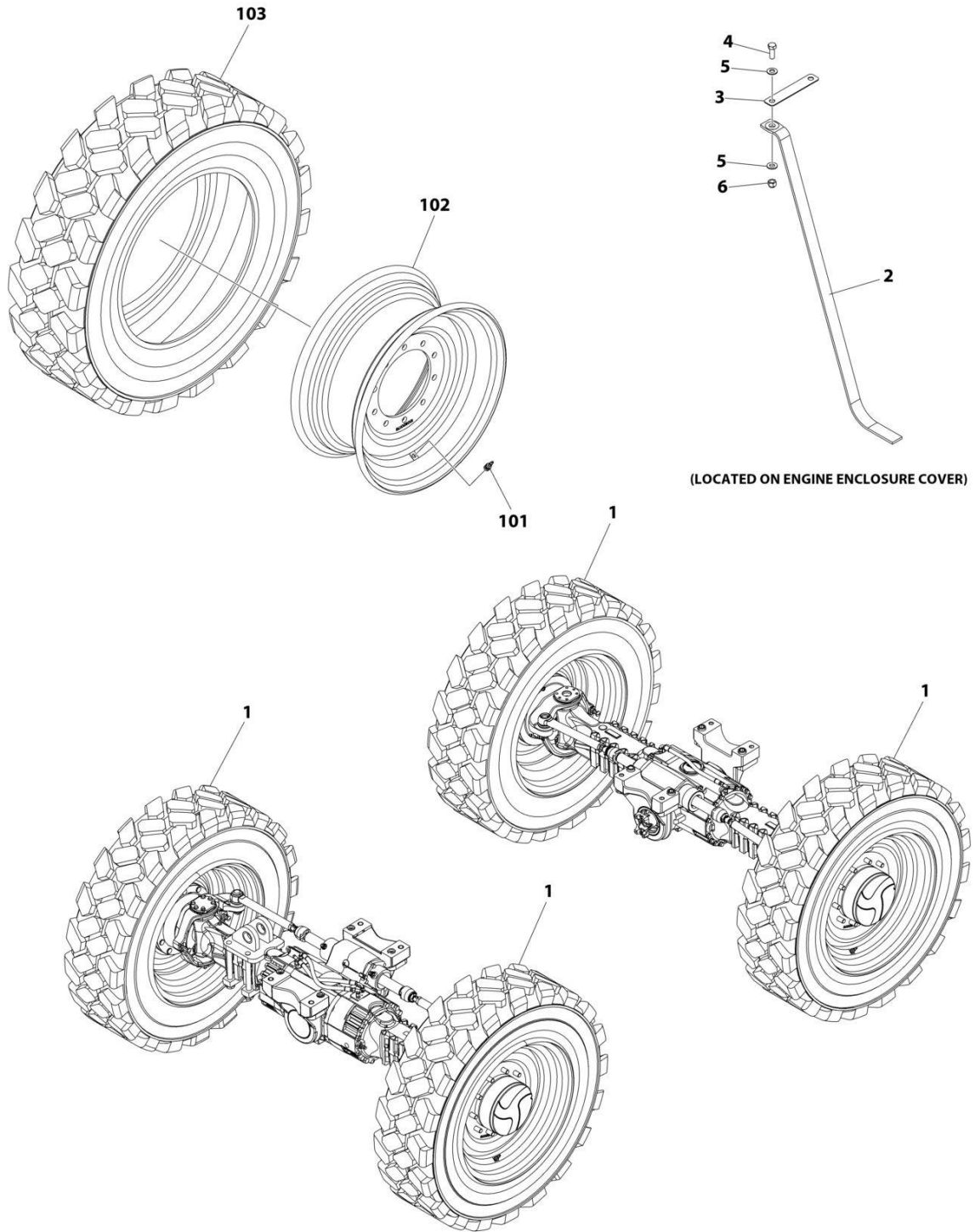
SECTION 5 - DRIVE TRAIN

FIGURE 5-57. TIRE/WHEEL SET 400/75-28 - AIR

ITEM	PART NUMBER	QTY	DESCRIPTION	REV
	1001121109	Ref	TIRE/WHEEL SET 400/75-28 - AIR	B
1	1001121103	4	Assembly, Tire/Wheel 400/75-28 - Air	
101	8786514	4	Valve, Stem (1 per assembly)	
102	1001120178	4	Wheel, 28.00 x 12W/0.75 Offset (1 per assembly)	
103	1001120179	4	Tire, 400/75D-28 (1 per assembly)	

SECTION 5 - DRIVE TRAIN

FIGURE 5-58. TIRE/WHEEL SET - 400/75-28 - PNEUMATIC NON MARKING



ART_1001241848

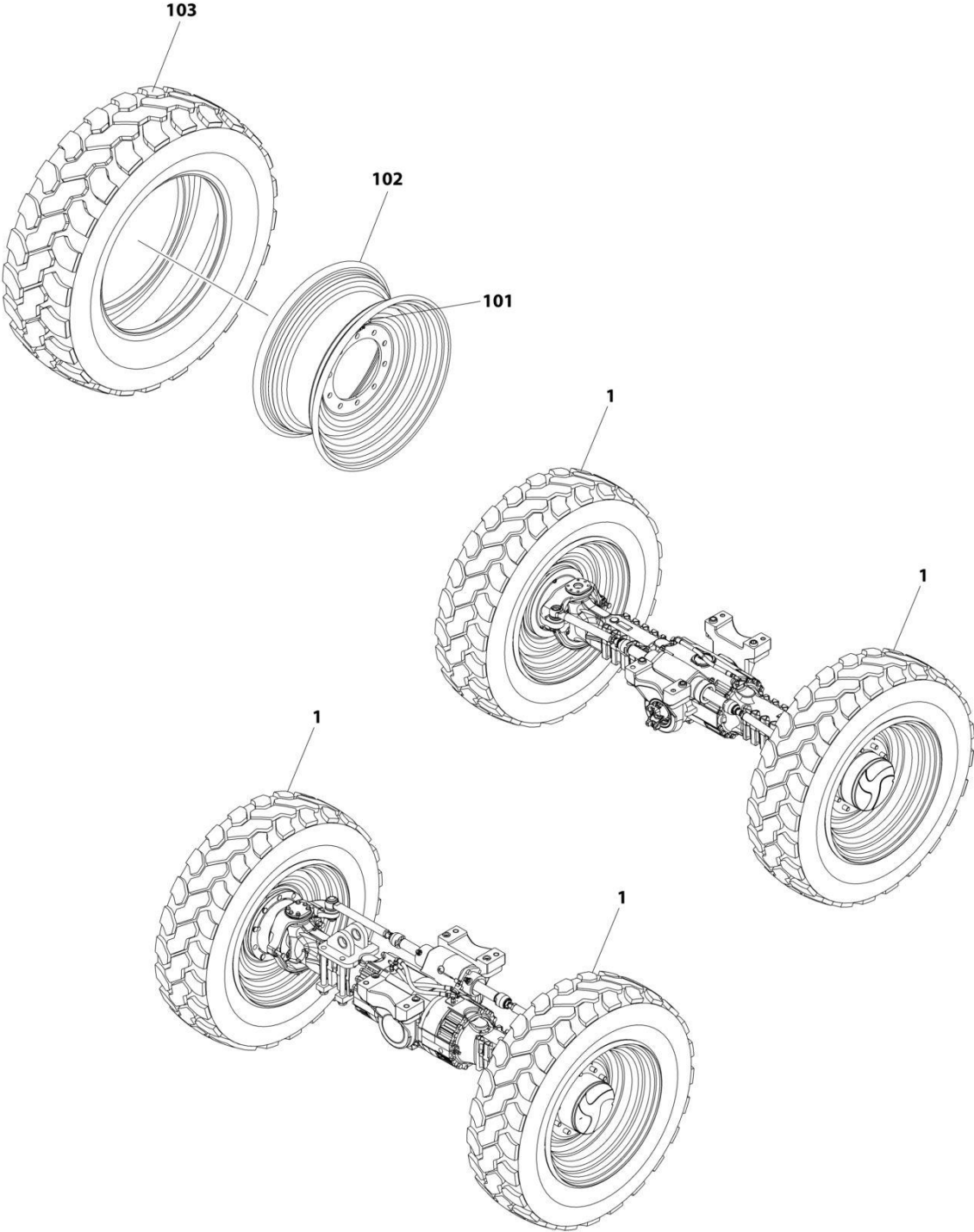
SECTION 5 - DRIVE TRAIN

FIGURE 5-58. TIRE/WHEEL SET - 400/75-28 - PNEUMATIC NON MARKING

ITEM	PART NUMBER	QTY	DESCRIPTION	REV
	1001241848	Ref	TIRE/WHEEL SET - 400/75-28 - PNEUMATIC NON MARKING	B
1	1001241841	4	Assembly, Tire and Wheel - 400/75-28 - Pneumatic Non-Marking (See Items 101-103)	
2	1001275637	1	Strap, Anti-Static	
3	1001275638	1	Bracket	
4	8303620	1	Bolt 3/8 x 1	
5	8307110	2	Washer 3/8	
6	8305645	1	Nut 3/8	
	1001241841	Ref	ASSEMBLY, TIRE AND WHEEL - 400/75-28 - PNEUMATIC NON-MARKING	A
101	8786514	4	Valve, Air (1 per assembly)	
102	1001120178	4	Wheel (1 per assembly)	
103	1001241837	4	Tire 400/75-28 Non-Marking (1 per assembly)	

SECTION 5 - DRIVE TRAIN

FIGURE 5-59. TIRE/WHEEL SET 400/75-28 - FOAM FILLED



ART_1001125410

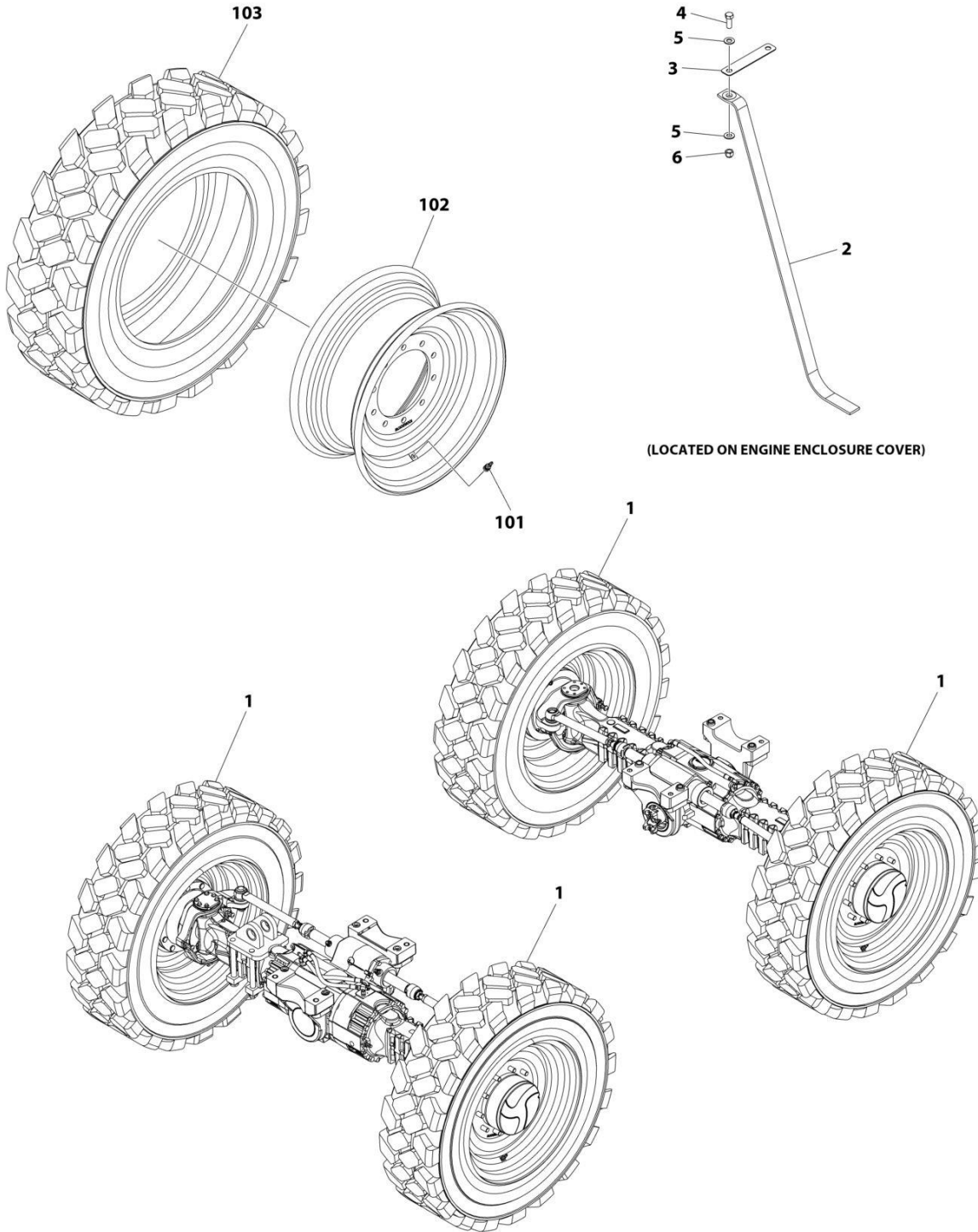
SECTION 5 - DRIVE TRAIN

FIGURE 5-59. TIRE/WHEEL SET 400/75-28 - FOAM FILLED

ITEM	PART NUMBER	QTY	DESCRIPTION	REV
	1001125410	1	TIRE/WHEEL SET 400/75-28 - FOAM FILLED	B
		Ref	Note: Assemblies require ballast/foam filling to manufacture's specifications prior to installing on machine. Refer to Operation & Safety or Service & Maintenance Manuals.	
		Ref	Purchase individual tire and/or wheel only if able to foam fill tire & wheel assembly, otherwise purchase complete assembly.	
1	1001121105	4	Tire/Wheel 400/75-28 Foam	
101	8786514	4	Valve, Stem (1 per assembly)	
102	1001120178	4	Wheel, 28.00 x 12 W/0.75 Offset (1 per assembly)	
103	1001120179	4	Tire, 400/75D-28 (1 per assembly)	

SECTION 5 - DRIVE TRAIN

FIGURE 5-60. TIRE/WHEEL SET 400/75-28 - FOAM FILLED NON MARKING



ART_1001241849

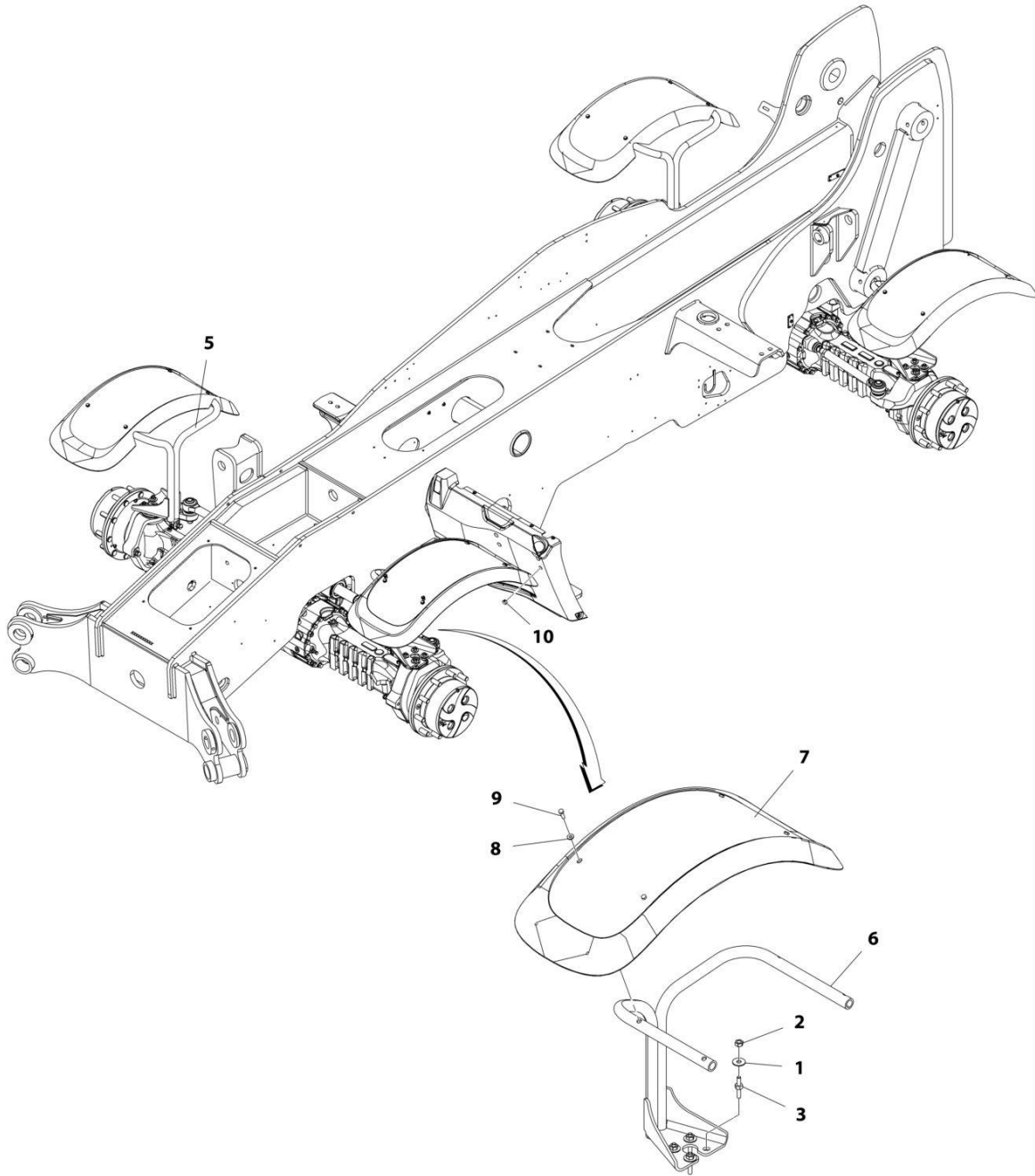
SECTION 5 - DRIVE TRAIN

FIGURE 5-60. TIRE/WHEEL SET 400/75-28 - FOAM FILLED NON MARKING

ITEM	PART NUMBER	QTY	DESCRIPTION	REV
	1001241849	Ref	TIRE/WHEEL SET 400/75-28 - FOAM FILLED NON MARKING	B
		Ref	Note: Assemblies require ballast/foam filling to manufacture's specifications prior to installing on machine. Refer to Operation & Safety or Service & Maintenance Manuals.	
		Ref	Purchase individual tire and/or wheel only if able to foam fill tire & wheel assembly, otherwise purchase complete assembly.	
1	1001241842	4	Tire and Wheel Assembly (See Items 101-103)	
2	1001275637	1	Strap, Anti-Static	
3	1001275638	1	Bracket	
4	8303620	1	Bolt 3/8 x 1	
5	8307110	2	Washer 3/8	
6	8305645	1	Nut 3/8	
	1001241842	Ref	TIRE AND WHEEL ASSEMBLY	A
101	8786514	4	Valve, Air (1 per assembly)	
102	1001120178	4	Wheel (1 per assembly)	
103	1001241837	4	Tire 400/75-28 Non-Marking (1 per assembly)	

SECTION 5 - DRIVE TRAIN

FIGURE 5-61. FENDER INSTALLATION



ART_1001171242-E

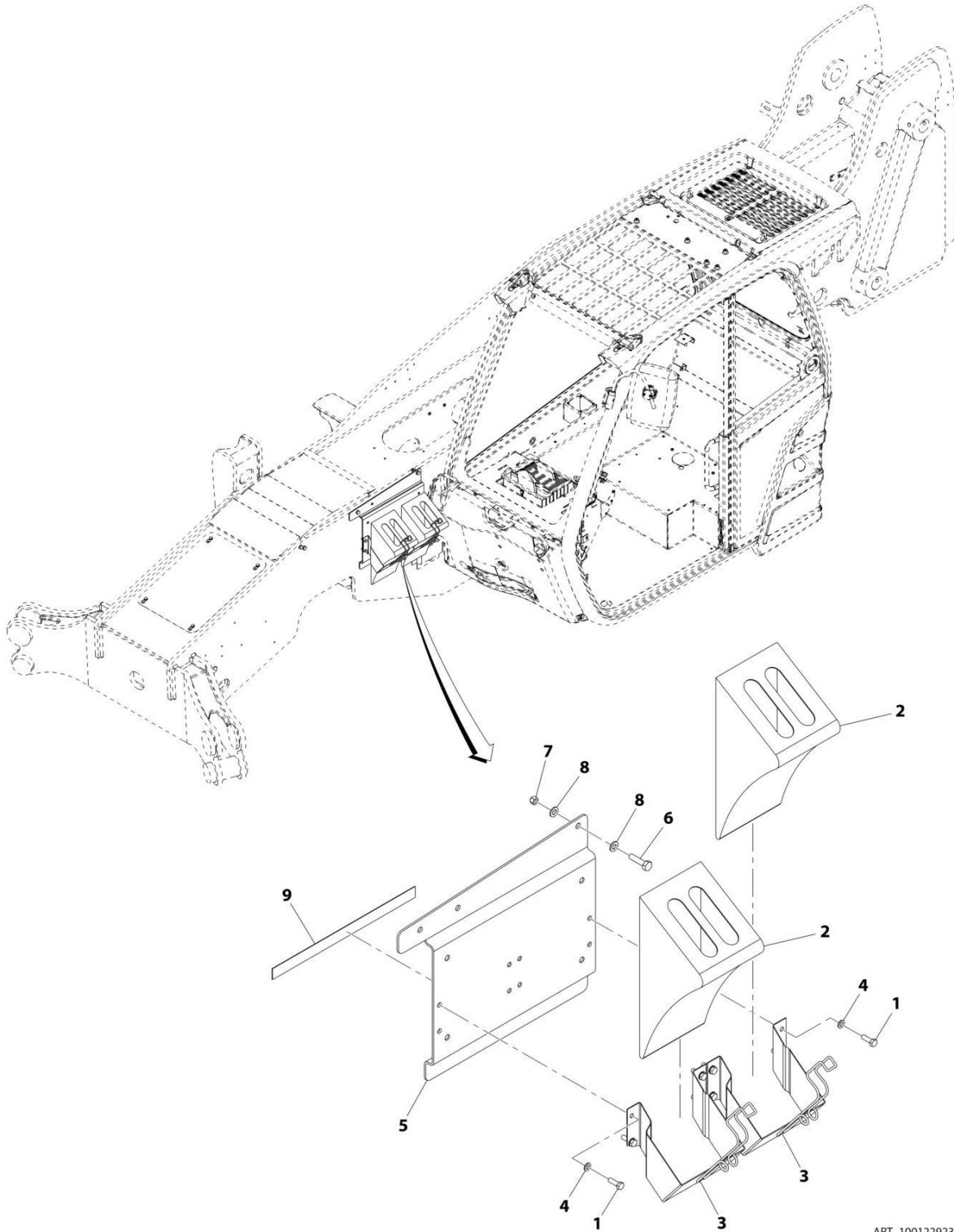
SECTION 5 - DRIVE TRAIN

FIGURE 5-61. FENDER INSTALLATION

ITEM	PART NUMBER	QTY	DESCRIPTION	REV
	1001171242	Ref	Fender Installation	E
1	4812102	16	Washer, M12	
2	91513266	16	Nut, M12X1.25	
3	91514118	16	Stud, Fender	
5	1001202513	2	RH Bracket	
6	1001202512	2	LH Bracket	
7	1001168264	4	Fender	
8	1001202786	16	Washer	
9	0760812	16	Screw, M8X25	
10	1001208338	4	Plug	

SECTION 5 - DRIVE TRAIN

FIGURE 5-62. WHEEL CHOCK INSTALLATION



ART_1001229235-B

SECTION 5 - DRIVE TRAIN

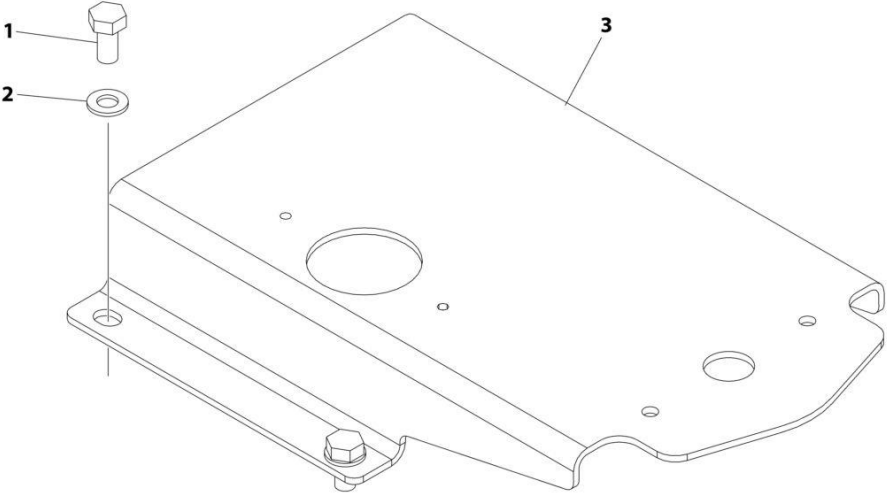
FIGURE 5-62. WHEEL CHOCK INSTALLATION

ITEM	PART NUMBER	QTY	DESCRIPTION	REV
	1001229235	Ref	Wheel Chock Installation (If equipped)	B
1	0700812	8	Screw, 8X25 LG	
2	806253	2	Wedge	
3	806264	2	Holder	
4	4811900	8	Washer, 8mm	
5	1001230713J	1	Bracket	
6	0701016	1	Bolt, M10X40	
7	3290805	1	Nut, Lock M8X1.25	
8	4812000	2	Washer, M10	
9	1001165978	380 mm	Adhesive	

SECTION 6 - CAB

SECTION 6 - CAB

FIGURE 6-1. BEACON BRACKET INSTALLATION - WITHOUT CLEARSKY



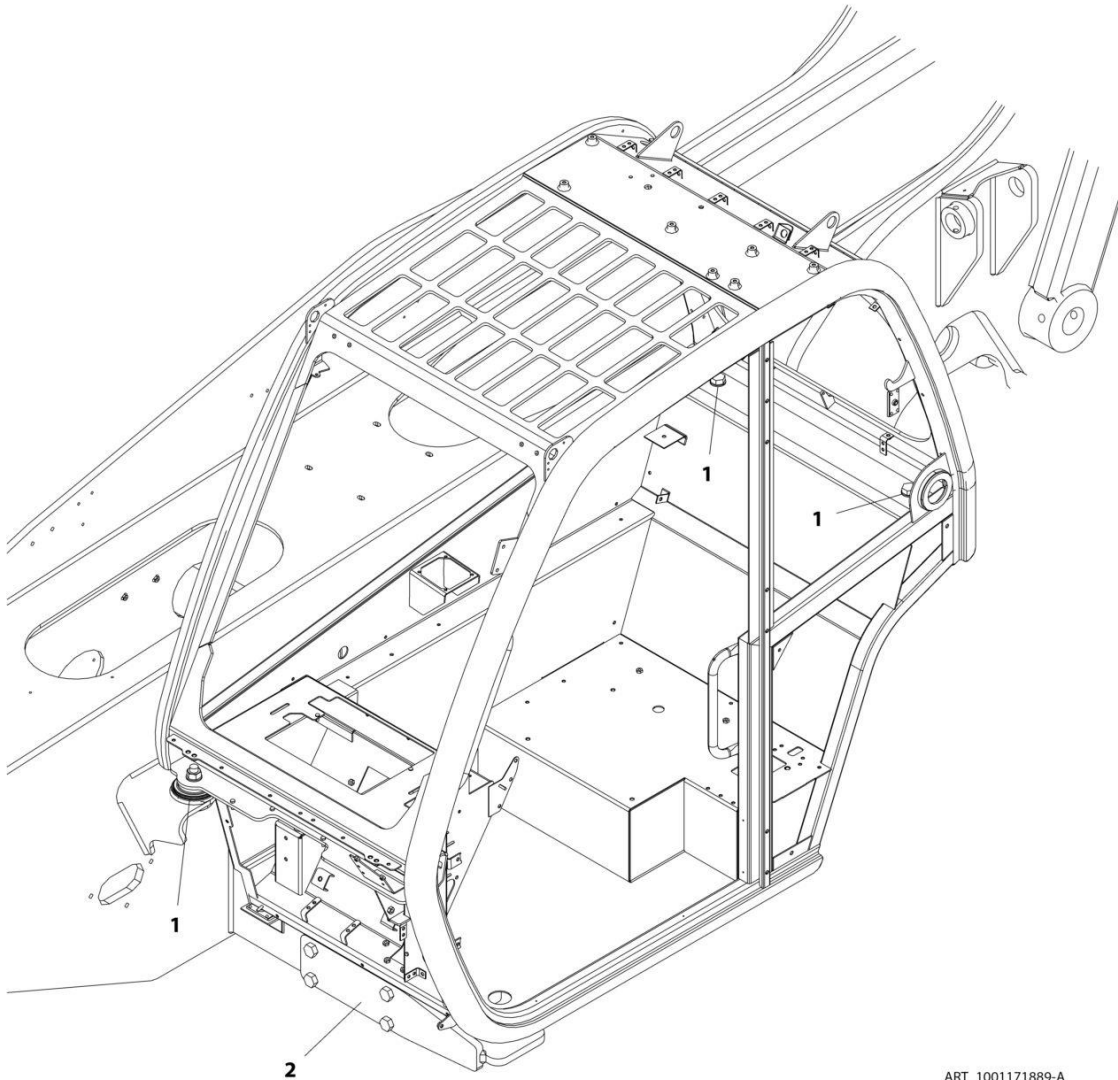
ART_1001291379

FIGURE 6-1. BEACON BRACKET INSTALLATION - WITHOUT CLEARSKY

ITEM	PART NUMBER	QTY	DESCRIPTION	REV
	1001291379	Ref	CLEARSKY INSTALLATION	A
1	0760808	3	Bolt M8 x 16	
2	4811900	3	Washer M8	
3	1001289198	1	Bracket, Beacon Mounting	

SECTION 6 - CAB

FIGURE 6-2. CAB MOUNTING



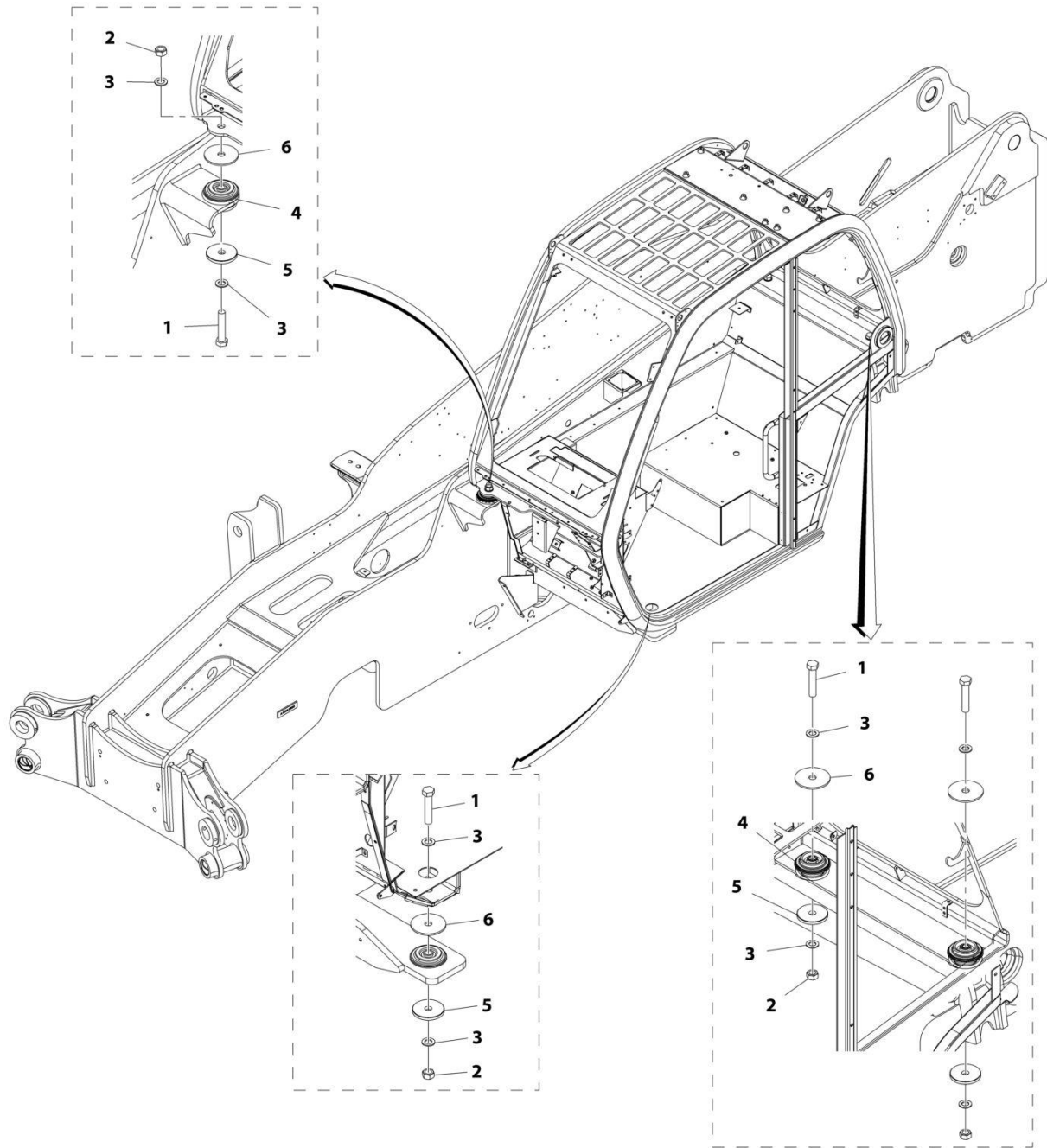
ART_1001171889-A

FIGURE 6-2. CAB MOUNTING

ITEM	PART NUMBER	QTY	DESCRIPTION	REV
	1001171889	Ref	Cab Mounting	A
1	1001155446	1	Installation, Cab Mounts (See Separate Breakdown in this Section)	
2	1001171890	1	Installation, Front Cab Outrigger (See Separate Breakdown in this Section)	

SECTION 6 - CAB

FIGURE 6-3. CAB MOUNTS INSTALLATION



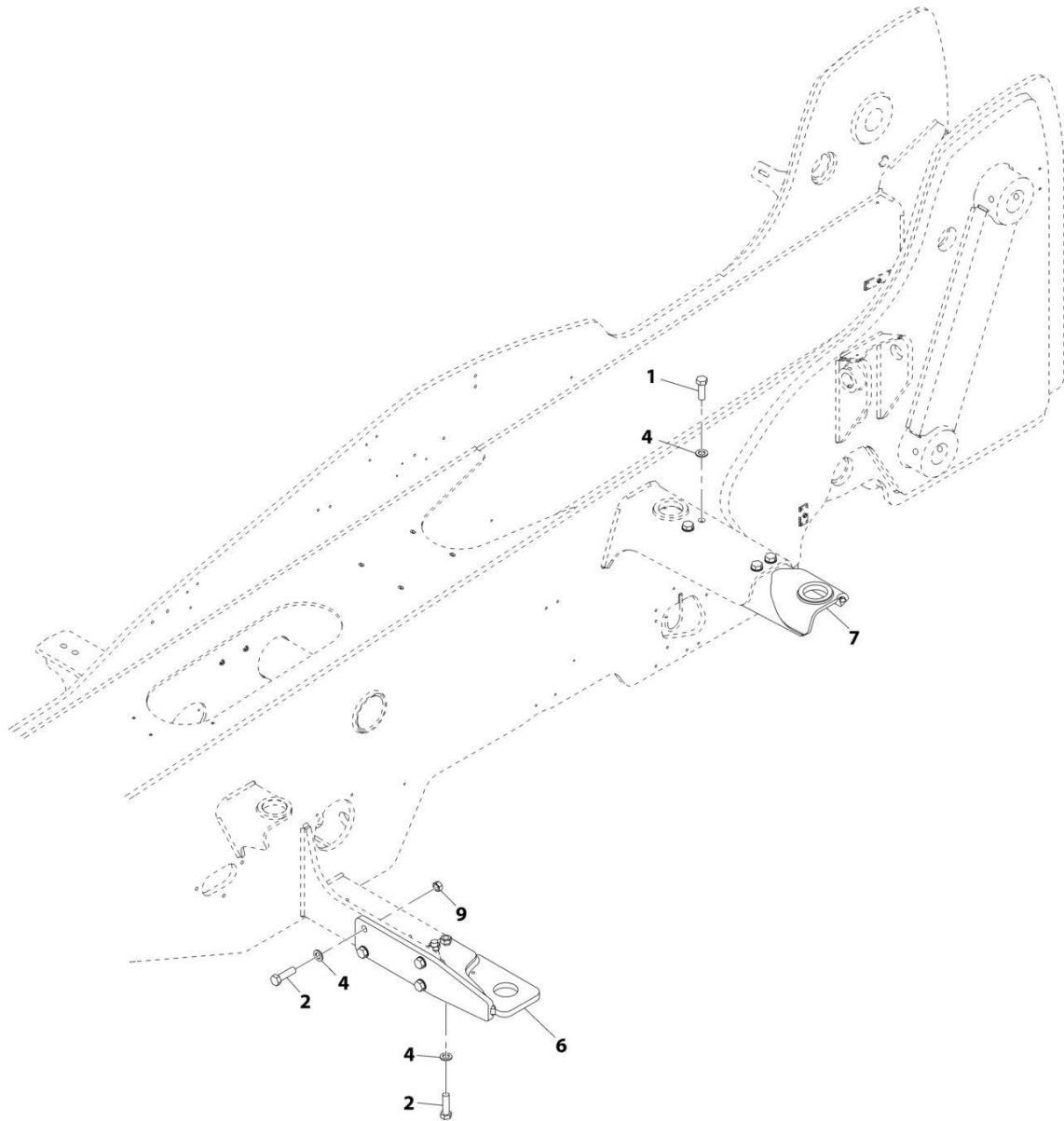
ART_1001155446-E

FIGURE 6-3. CAB MOUNTS INSTALLATION

ITEM	PART NUMBER	QTY	DESCRIPTION	REV
	1001155446	Ref	Cab Mounts Installation	E
1	0712027	4	Bolt, M20X100	
2	3332011	4	Nut, M20X2.5	
3	4812500	8	Washer, M20	
4	1001166754	4	Mount, Cab Isolation	
5	1001166755	4	Washer, Cab Rebound	
6	1001220540	4	Washer, Cab Mount	

SECTION 6 - CAB

FIGURE 6-4. FRONT CAB OUTRIGGER INSTALLATION



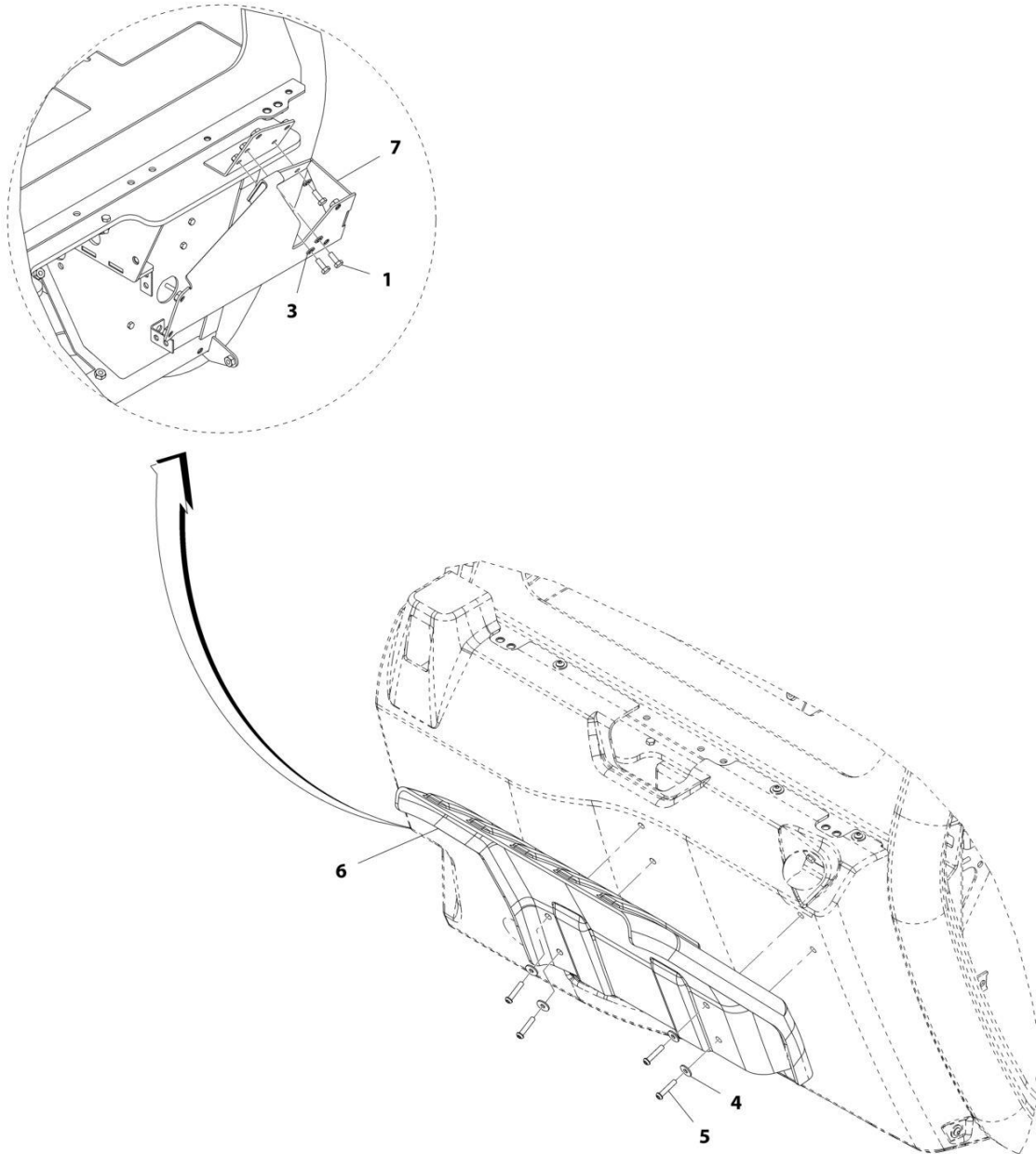
ART_1001171890-E

FIGURE 6-4. FRONT CAB OUTRIGGER INSTALLATION

ITEM	PART NUMBER	QTY	DESCRIPTION	REV
	1001171890	Ref	Front Cab Outrigger Installation	E
1	0712020	4	Bolt, M20X60	
2	0712022	6	Bolt, M20X70	
4	4812500	10	Washer, M20	
6	1001208106	1	Bracket, Front Lower Cab	
7	1001210782	1	Bracket, Rear Cab Mount	
9	3292001	4	Hex Nut, M20X2.5	

SECTION 6 - CAB

FIGURE 6-5. CAB FENDER INSTALLATION



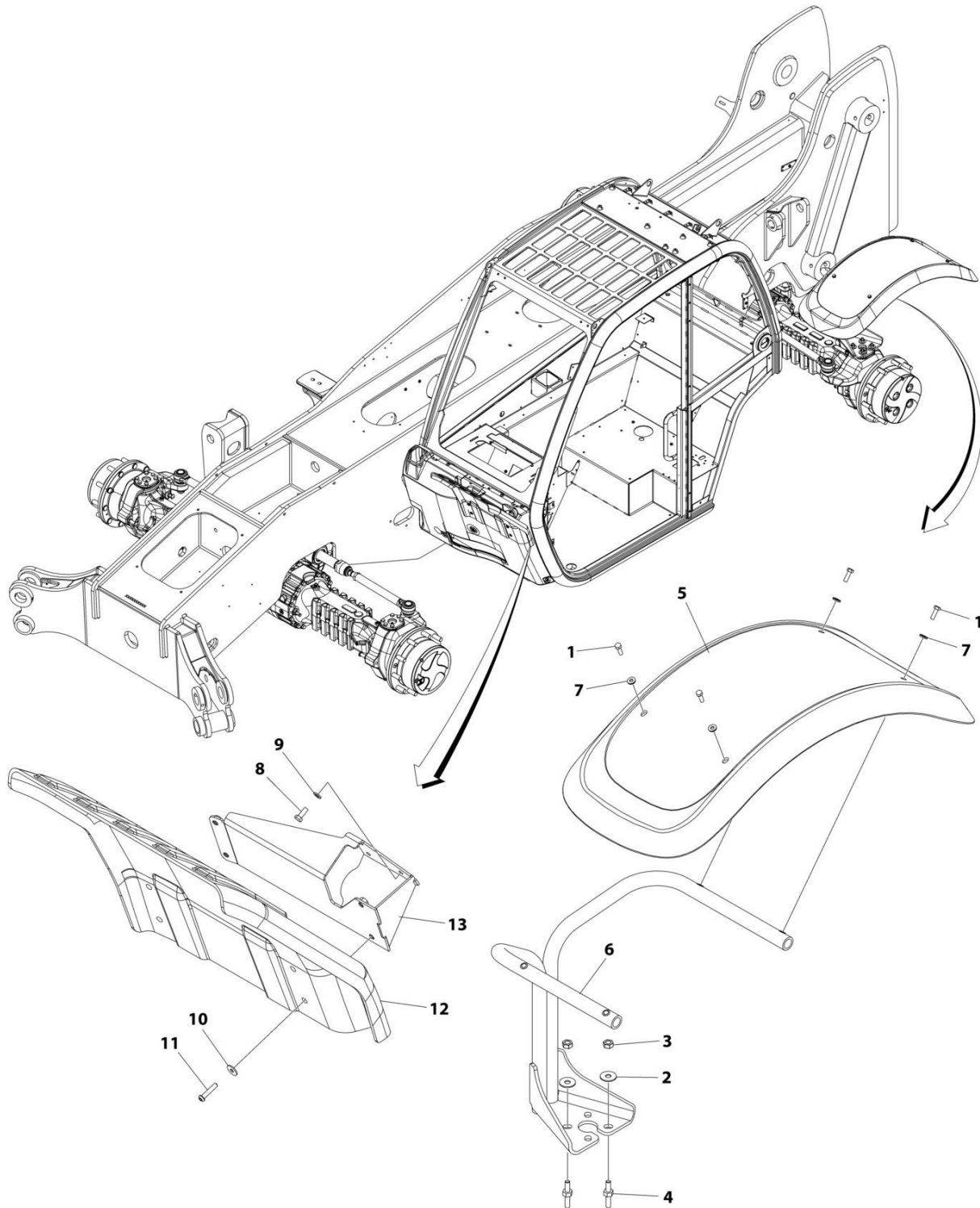
ART_1001195972-C

FIGURE 6-5. CAB FENDER INSTALLATION

ITEM	PART NUMBER	QTY	DESCRIPTION	REV
	1001195972	Ref	Cab Fender Installation	C
1	0760608	3	Bolt, M6X16	
3	4811700	3	Washer, M6	
4	4811702	4	Washer, M6	
5	1001097202	4	Screw, M6X30	
6	1001187335	1	Fender, Front	
7	1001188048	1	Plate	

SECTION 6 - CAB

FIGURE 6-6. CAB FENDER INSTALLATION REAR (LH)



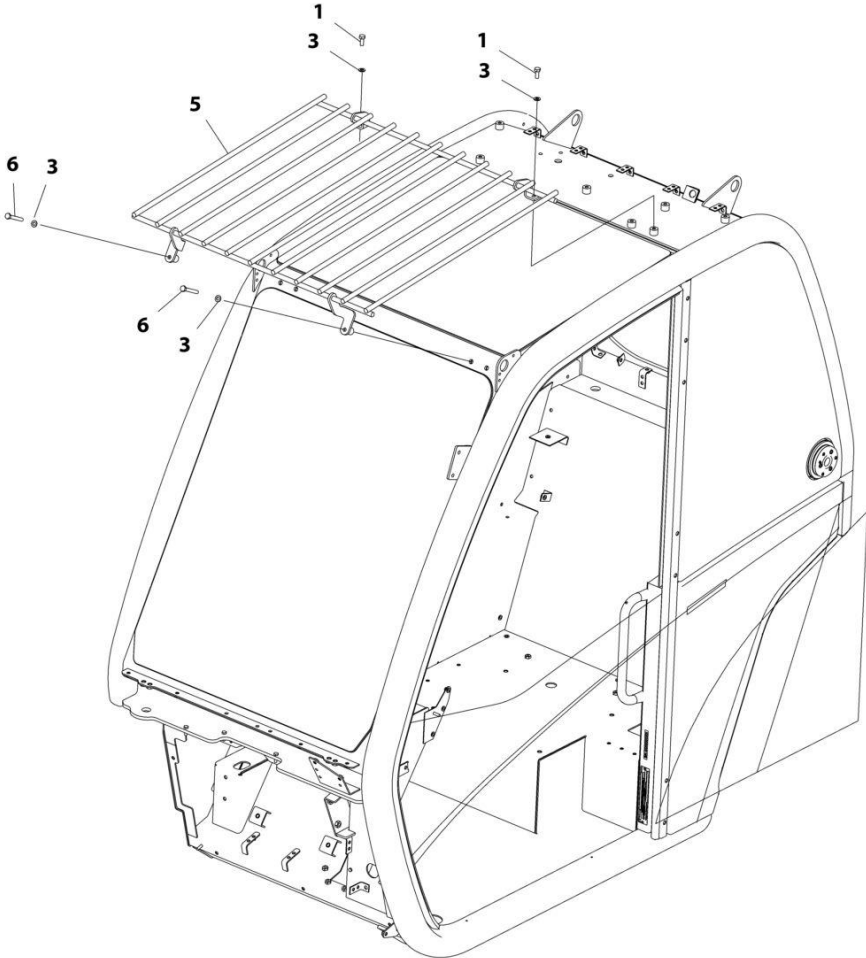
ART_1001236542_B

FIGURE 6-6. CAB FENDER INSTALLATION REAR (LH)

ITEM	PART NUMBER	QTY	DESCRIPTION	REV
	1001236542	Ref	Cab Fender Installation Rear (LH)	B
1	0760812	4	Bolt, M8X25	
2	4812102	4	Washer, M12	
3	91513266	4	Nut, M12X1.25	
4	91514118	4	Stud	
5	1001168264	1	Fender	
6	1001202512	1	Bracket	
7	1001202786	4	Washer	
8	0760608	3	Bolt M6 x 16	
9	4811700	3	Washer M6	
10	4811702	4	Washer M6	
11	1001097202	4	Bolt M6 x 30	
12	1001187335	1	Fender, Front	
13	1001188048	1	Plate	

SECTION 6 - CAB

FIGURE 6-7. CAB GUARD INSTALLATION (TOP)



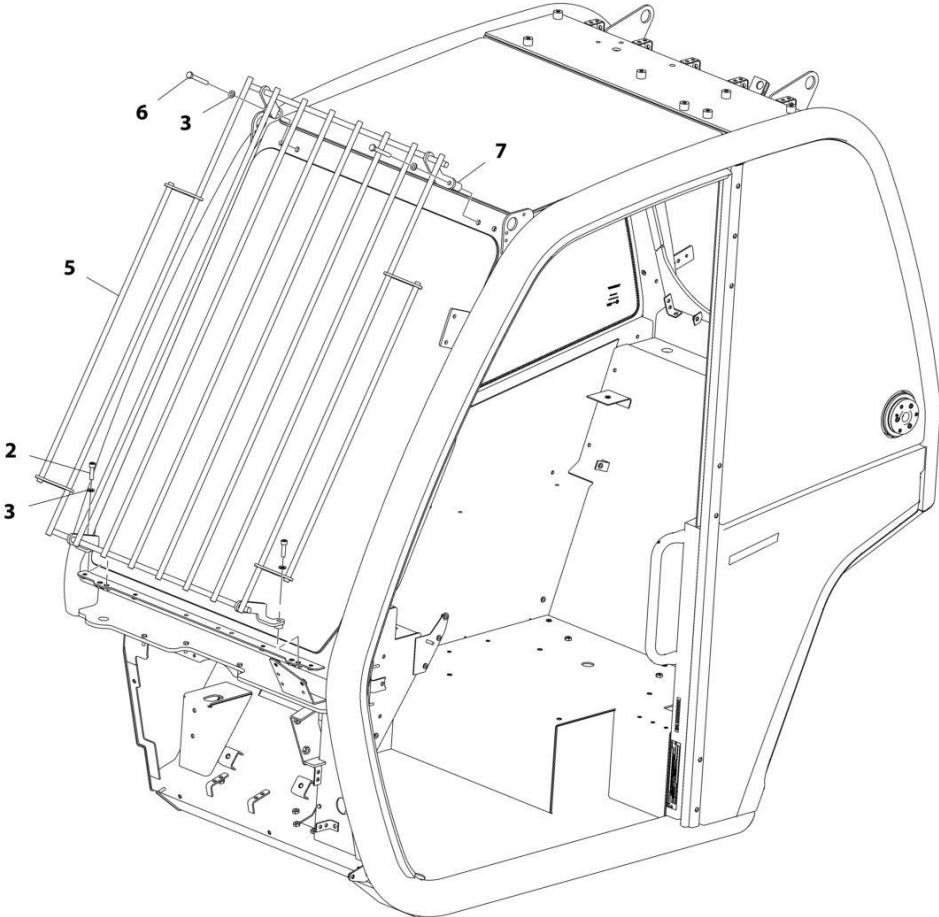
ART_1001160496

FIGURE 6-7. CAB GUARD INSTALLATION (TOP)

ITEM	PART NUMBER	QTY	DESCRIPTION	REV
	1001160496	Ref	Cab Guard Installation (Top)	G
1	0760810	2	Bolt, M8X20	
3	4811900	4	Washer, M8	
5	1001160503	1	Guard, Top Screen	
6	0700820	2	Bolt, M8X60	

SECTION 6 - CAB

FIGURE 6-8. CAB GUARD INSTALLATION (FRONT)



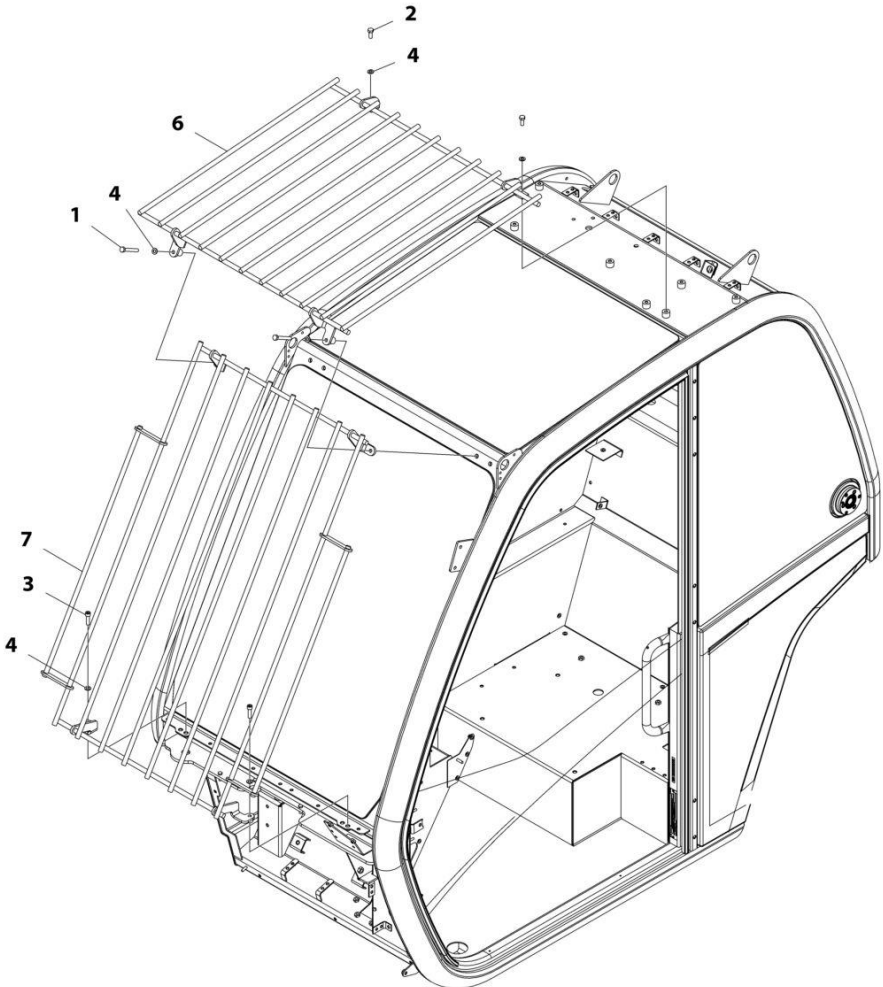
ART_1001160506-G

FIGURE 6-8. CAB GUARD INSTALLATION (FRONT)

ITEM	PART NUMBER	QTY	DESCRIPTION	REV
	1001160506	Ref	Cab Guard Installation (Front)	G
2	4031910	2	Bolt, M8X30	
3	4811900	4	Washer, M8	
5	1001180263	1	Guard, Front Screen	
6	0700820	2	Bolt, M8X60	
7	1001173257	2	Spacer	

SECTION 6 - CAB

FIGURE 6-9. CAB GUARD INSTALLATION (TOP AND FRONT)



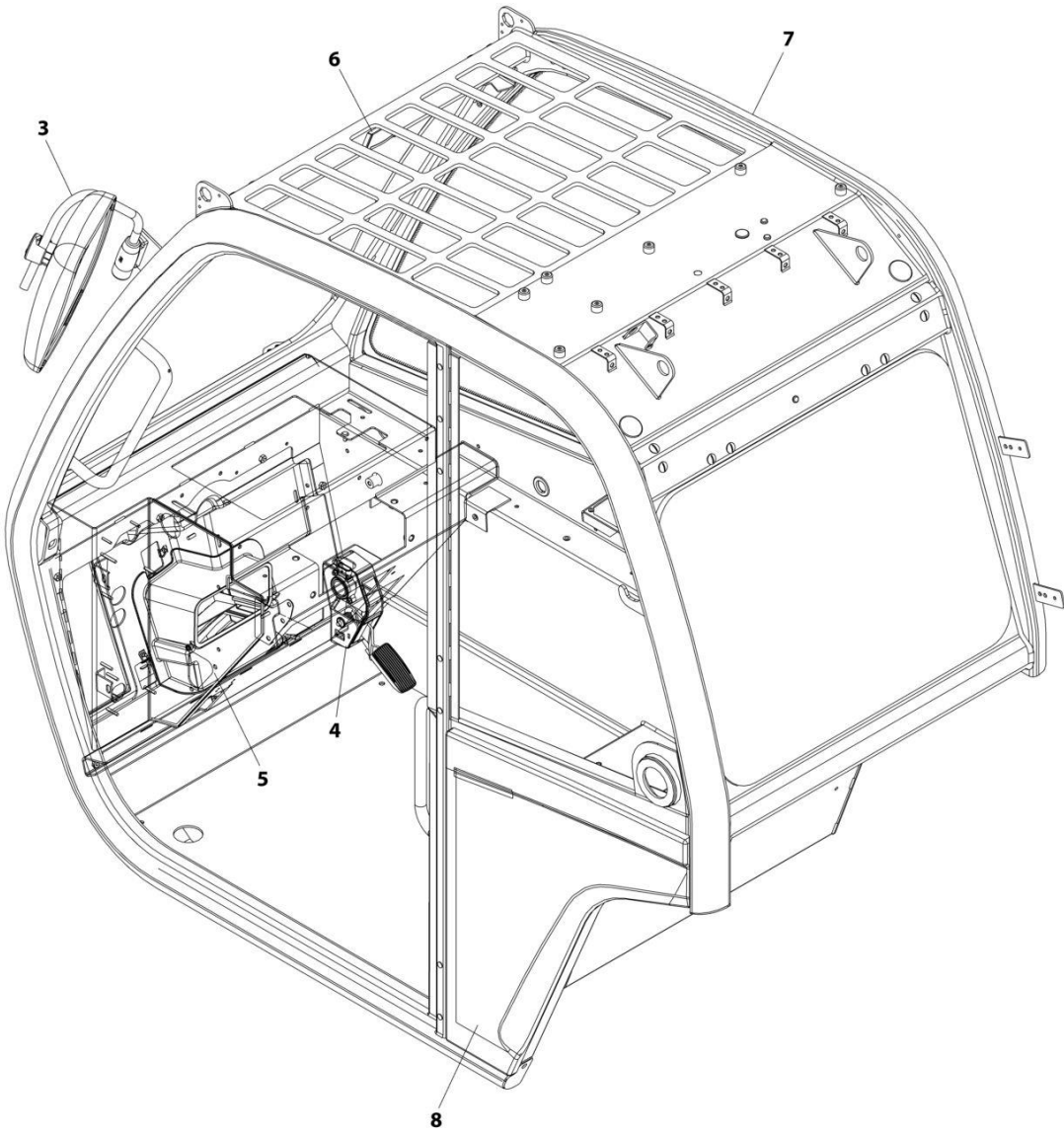
ART_1001172774

FIGURE 6-9. CAB GUARD INSTALLATION (TOP AND FRONT)

ITEM	PART NUMBER	QTY	DESCRIPTION	REV
	1001172774	Ref	CAB GUARD INSTALLATION (TOP AND FRONT)	G
1	0700820	2	Bolt M8 x 60	
2	0760810	2	Bolt M8 x 20	
3	4031910	2	Bolt M8 x 30	
4	4811900	6	Washer M8	
6	1001160503	1	Guard, Top Screen	
7	1001180263	1	Guard, Front Screen	

SECTION 6 - CAB

FIGURE 6-10. OROPS CAB INSTALLATION



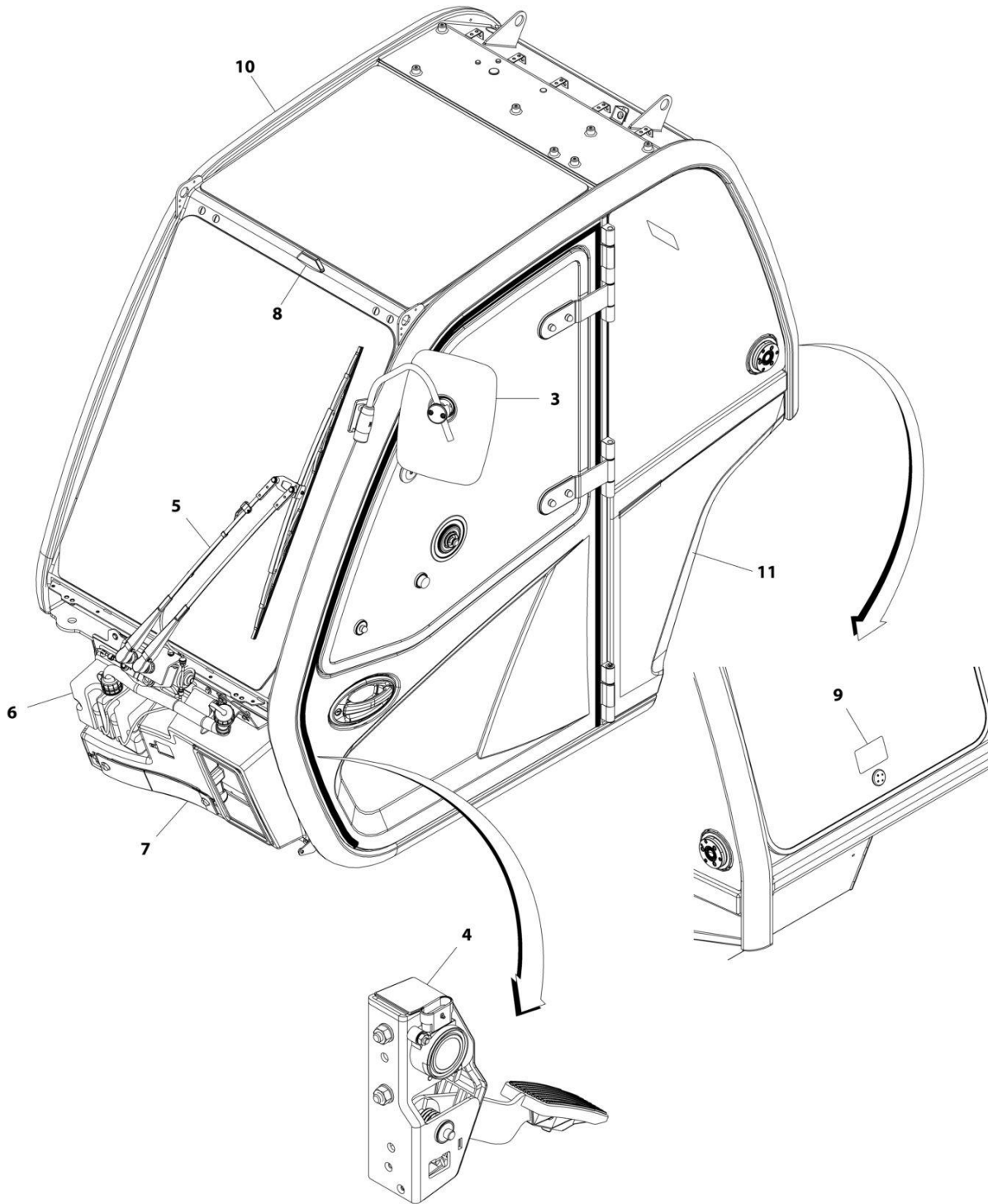
ART_1001154984_I

FIGURE 6-10. OROPS CAB INSTALLATION

ITEM	PART NUMBER	QTY	DESCRIPTION	REV
	1001154984	Ref	OROPS Cab Installation	J
3	1001160508	Ref	Installation, Mirror (See Separate Breakdown in this Section)	
4	1001161499	Ref	Installation, Accelerator Pedal (See Separate Breakdown in Controls Section)	
5	1001293104	Ref	Installation, Front Cover (See Separate Breakdown in this Section)	
6	1001172401	Ref	Installation, Level Indicator (See Separate Breakdown in this Section)	
7	1001214326	Ref	Cab (See Separate Breakdown in this Section)	
8	1001214331	Ref	Installation, Open Cab (See Separate Breakdown in this Section)	

SECTION 6 - CAB

FIGURE 6-11. EROPS CAB INSTALLATION



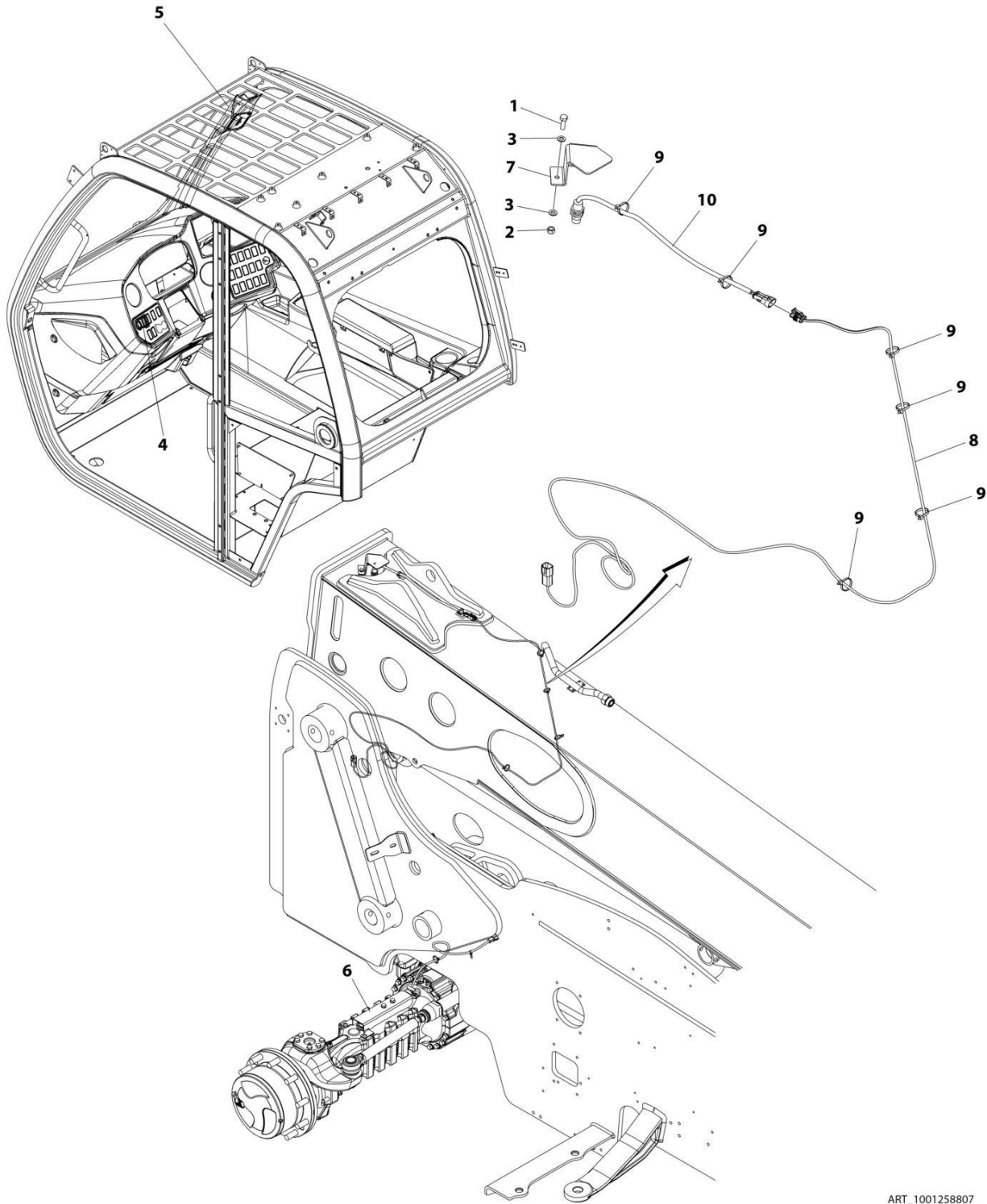
ART_1001173419_K

FIGURE 6-11. EROPS CAB INSTALLATION

ITEM	PART NUMBER	QTY	DESCRIPTION	REV
	1001173419	Ref	EROPS CAB INSTALLATION	K
3	1001160508	Ref	Installation, Mirror (See Separate Breakdown in this Section)	
4	1001161499	Ref	Installation, Accelerator Pedal (See Separate Breakdown in Controls Section)	
5	1001155447	Ref	Installation, Front Wiper (See Separate Breakdown in this Section)	
6	1001162789	Ref	Installation, Washer Tank (See Separate Breakdown in this Section)	
7	1001170366	Ref	Installation, Front Cover (See Separate Breakdown in this Section)	
8	1001172401	Ref	Installation, Level Indicator (See Separate Breakdown in this Section)	
9	1001204598	1	Decal, Emergency Exit	
10	1001214326	Ref	Cab (See Separate Breakdown in this Section)	
11	1001214332	Ref	Installation, Enclosed Cab (See Separate Breakdown in this Section)	

SECTION 6 - CAB

FIGURE 6-12. LSI ENCLOSED CAB INSTALLATION



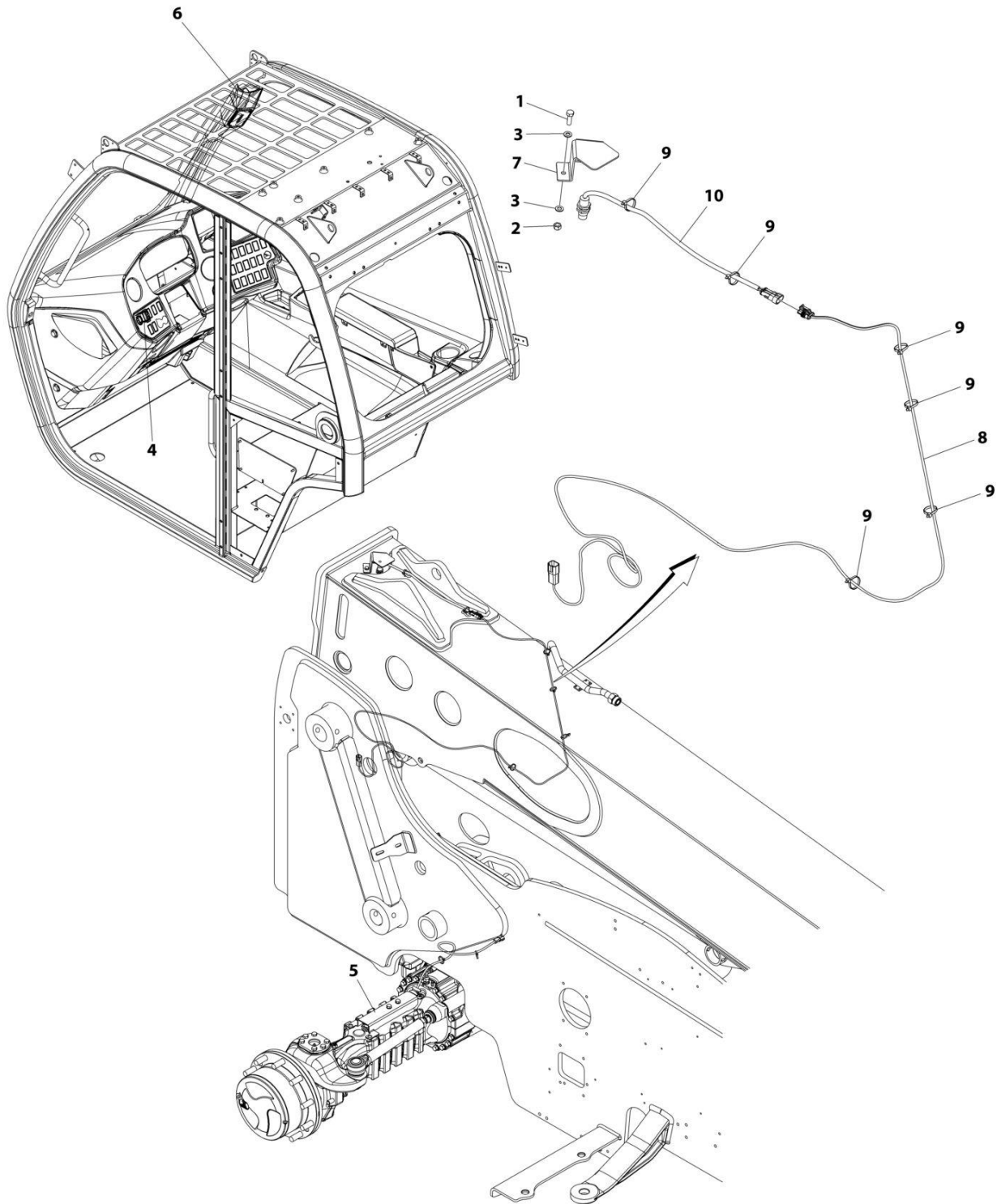
ART_1001258807

FIGURE 6-12. LSI ENCLOSED CAB INSTALLATION

ITEM	PART NUMBER	QTY	DESCRIPTION	REV
	1001258807	Ref	LSI ENCLOSED CAB INSTALLATION	A
1	760812	2	Bolt M8 x 25	
2	3290805	2	Nut M8 x 1.25	
3	4811900	4	Washer M8	
4	1001159742	1	Switch, LSI Override	
5	1001207594	1	LSI Display Installation (See Separate Breakdown in this Section)	
6	1001258217	1	LSI Axle Sensor Installation (See Separate Breakdown in ELECTRICAL Section)	
7	1001258862	1	Plate	
8	1001259062	1	Harness, Boom Retract (See Separate Breakdown in ELECTRICAL Section)	
9	1001008559	AR	Strap	
10	1001183024	1	Sensor, Proximity	

SECTION 6 - CAB

FIGURE 6-13. LSI OPEN CAB INSTALLATION



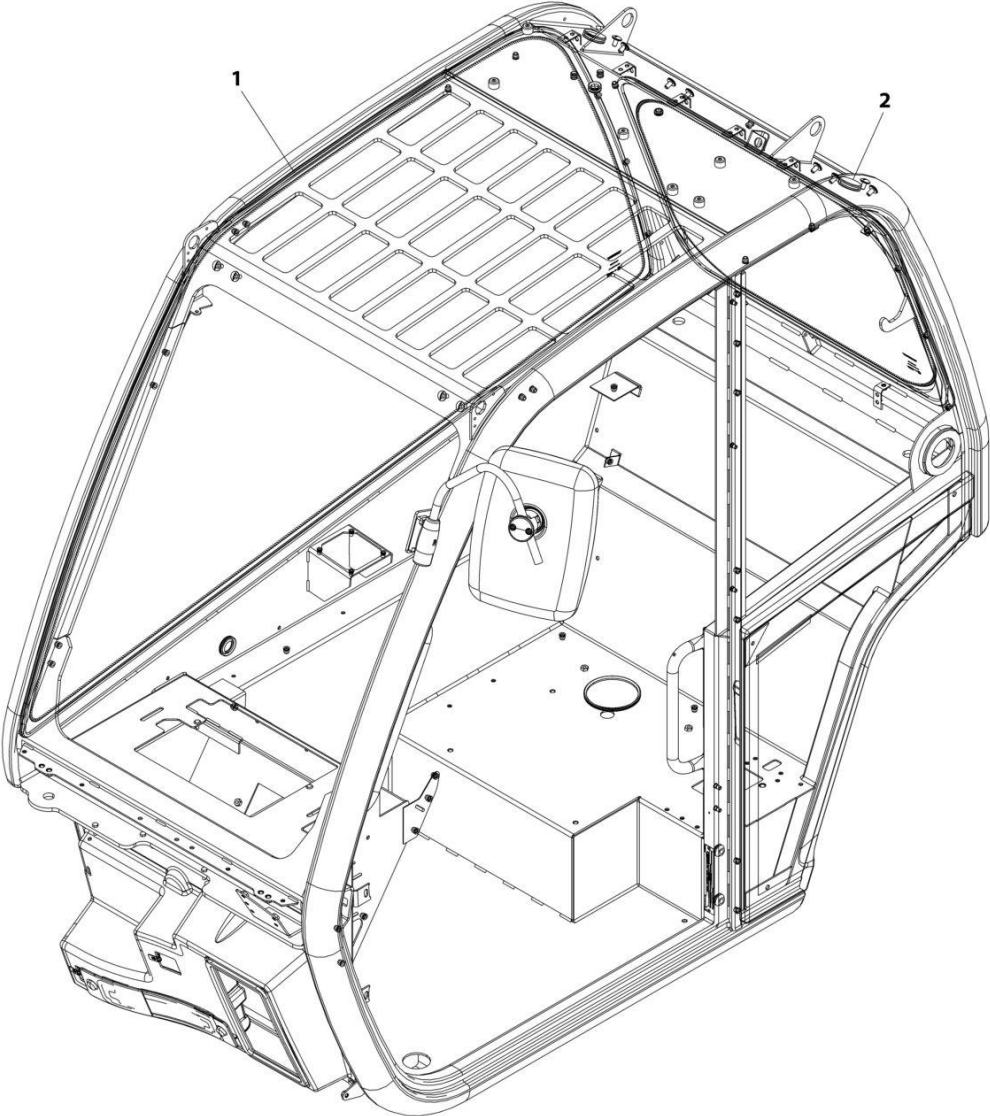
ART_1001258806

FIGURE 6-13. LSI OPEN CAB INSTALLATION

ITEM	PART NUMBER	QTY	DESCRIPTION	REV
	1001258806	Ref	LSI OPEN CAB INSTALLATION	A
1	760812	2	Bolt M8 x 25	
2	3290805	2	Nut M8 x 1.25	
3	4811900	4	Washer M8	
4	1001159742	1	Switch, LSI Override	
5	1001258563	1	LSI Axle Sensor Installation (See Separate Breakdown in ELECTRICAL Section)	
6	1001258862	1	Plate	
7	1001259062	1	Harness, Boom Retract (See Separate Breakdown in ELECTRICAL Section)	
8	1001008559	AR	Strap	
9	1001183024	1	Sensor, Proximity	

SECTION 6 - CAB

FIGURE 6-14. CAB, TRIM KIT



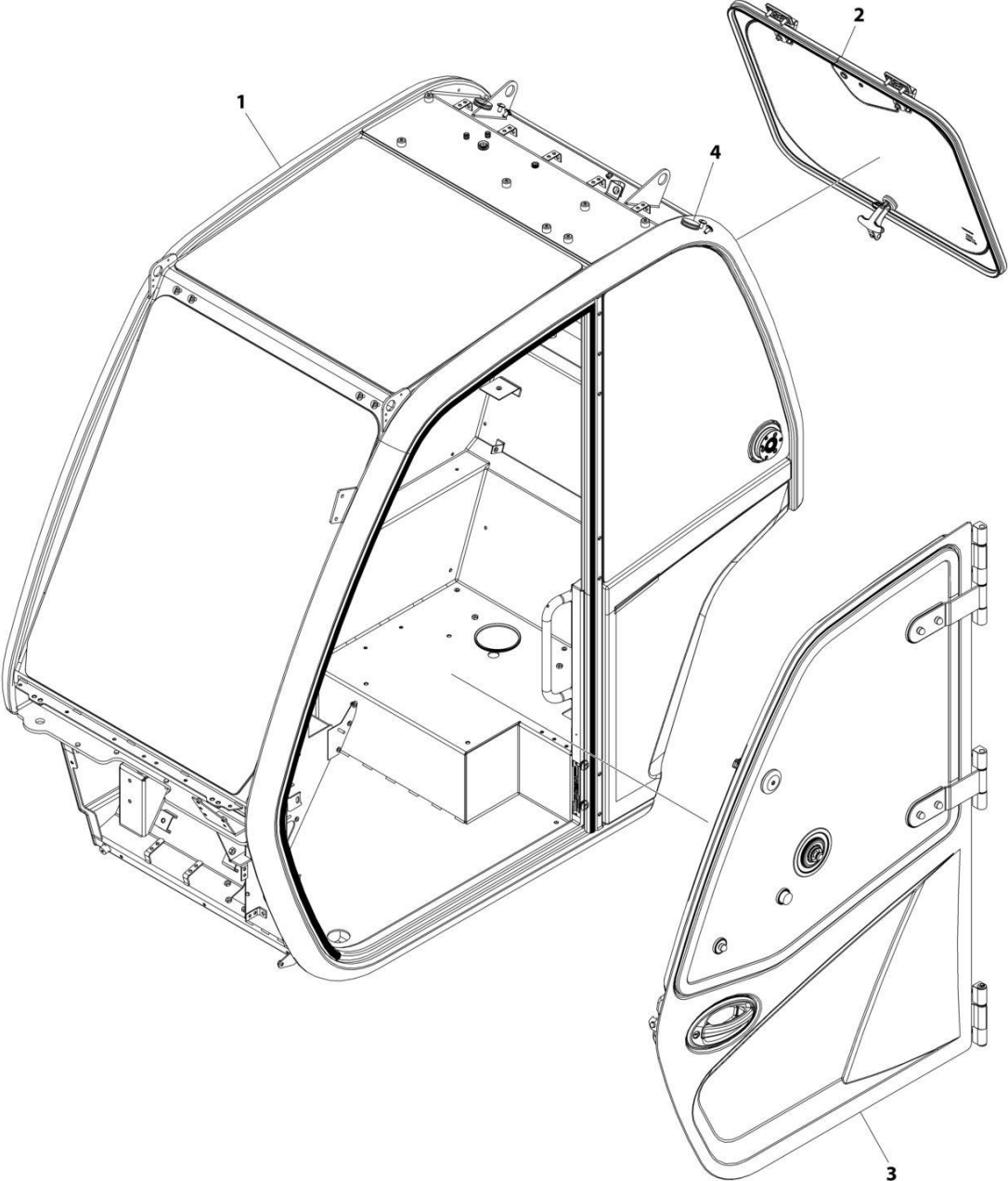
ART_1001214331_E

FIGURE 6-14. CAB, TRIM KIT

ITEM	PART NUMBER	QTY	DESCRIPTION	REV
	1001214331	Ref	Open Cab Installation	E
1	1001154721	1	Assembly, Open Cab (See Separate Breakdown in this Section)	
2	1001170495	1	Group, Open Cab Plug (See Separate Breakdown in this Section)	

SECTION 6 - CAB

FIGURE 6-15. CAB, TRIM KIT



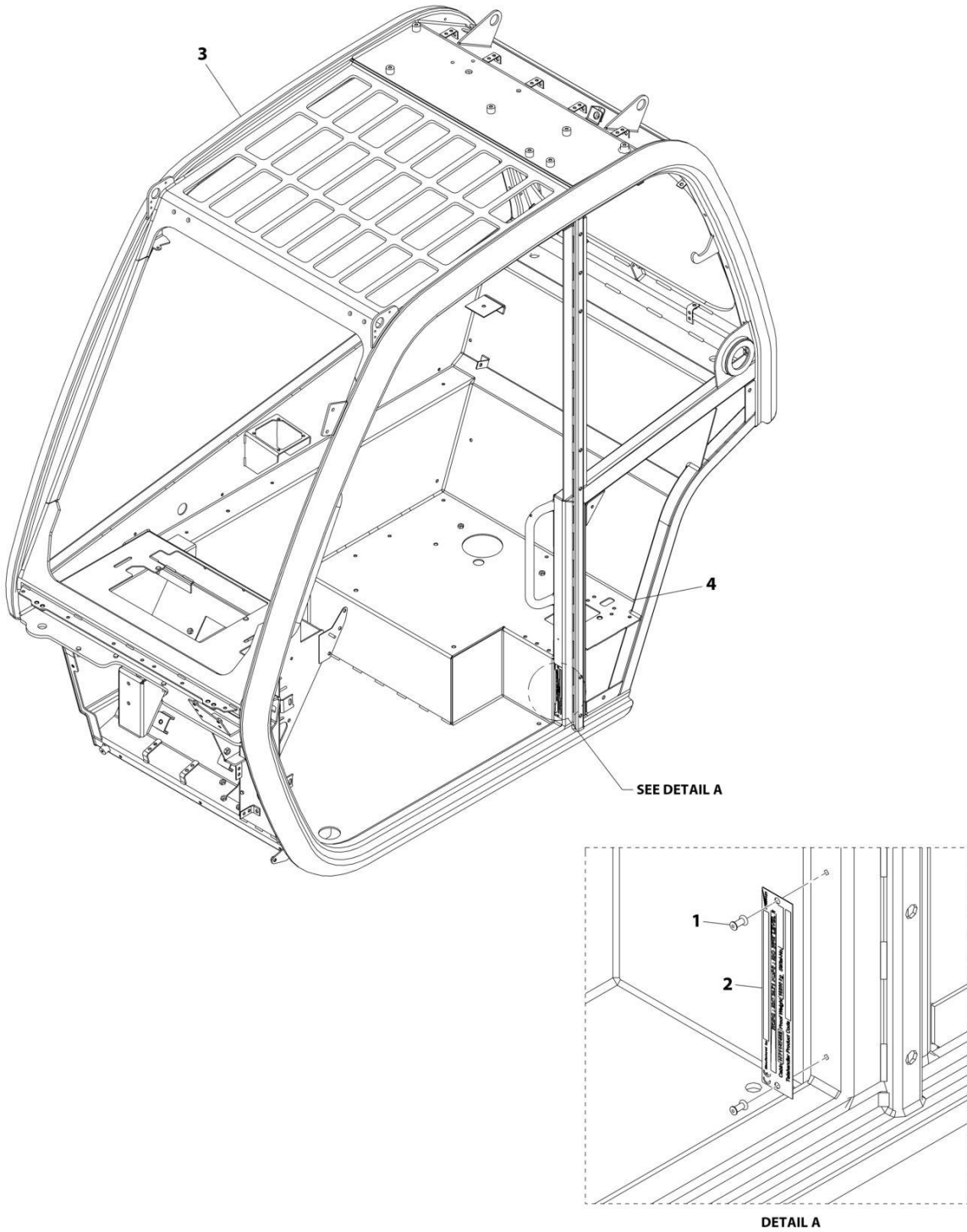
ART_1001214332

FIGURE 6-15. CAB, TRIM KIT

ITEM	PART NUMBER	QTY	DESCRIPTION	REV
1	1001214332	Ref	Enclosed Cab Installation	1
	1001154365	1	Assembly, Enclosed Cab (See Separate Breakdown in this Section)	
2	1001170500	1	Installation, Rear Window (See Separate Breakdown in this Section)	
3	1001165080	1	Installation, Door (See Separate Breakdown in this Section)	
4	1001170603	1	Group, Enclosed Cab Plug (See Separate Breakdown in this Section)	

SECTION 6 - CAB

FIGURE 6-16. CAB, EPD CAULK



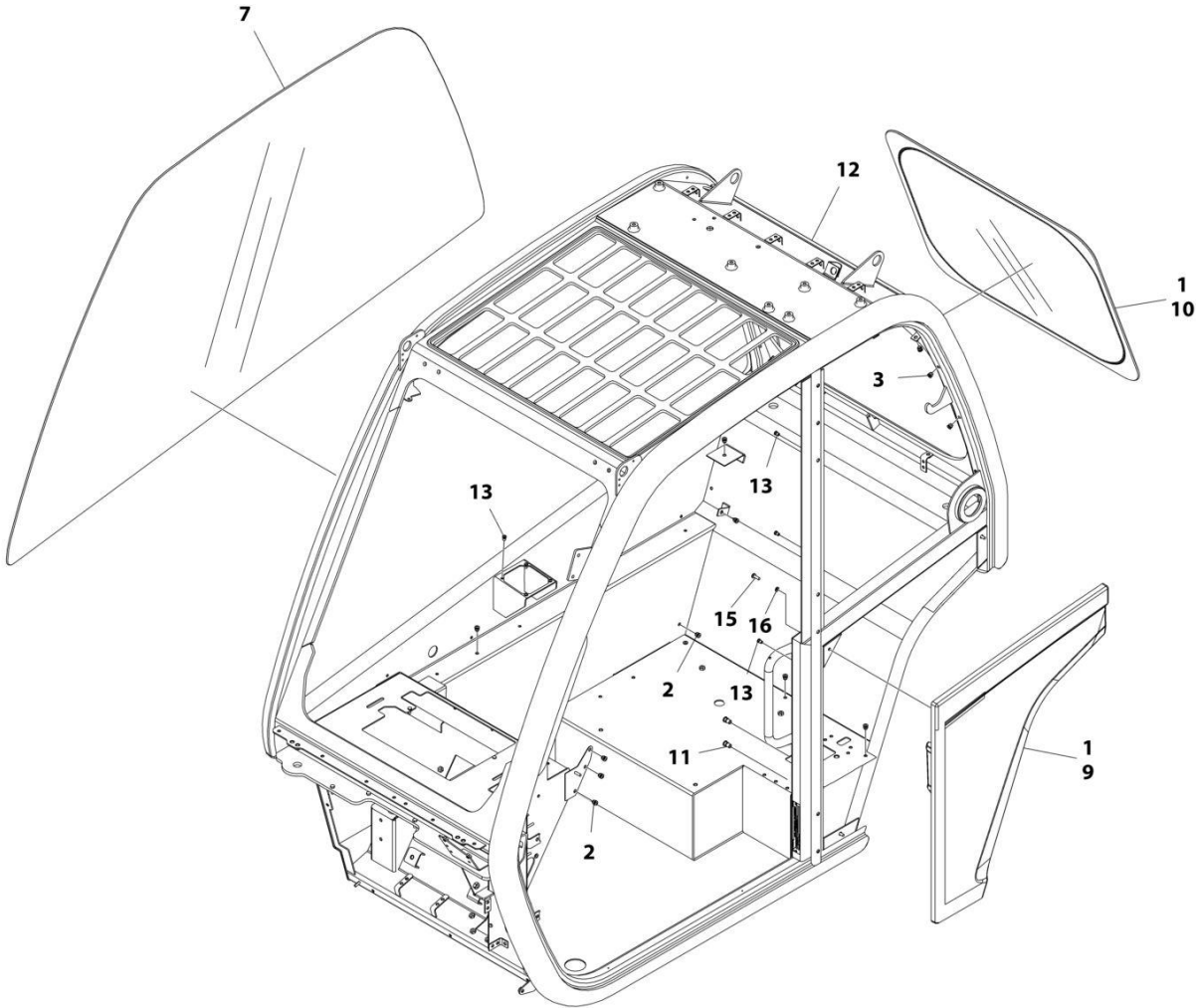
ART_1001214326-E

FIGURE 6-16. CAB, EPD CAULK

ITEM	PART NUMBER	QTY	DESCRIPTION	REV
	1001214326	Ref	Cab	E
1	1001099170	2	Rivet, 4	
2	N.S.S.	1	Plate, Serial Number	
3	N.S.S.	1	Weldment	
4	1001205402	AR	Sealant	

SECTION 6 - CAB

FIGURE 6-17. OPEN CAB ASSEMBLY



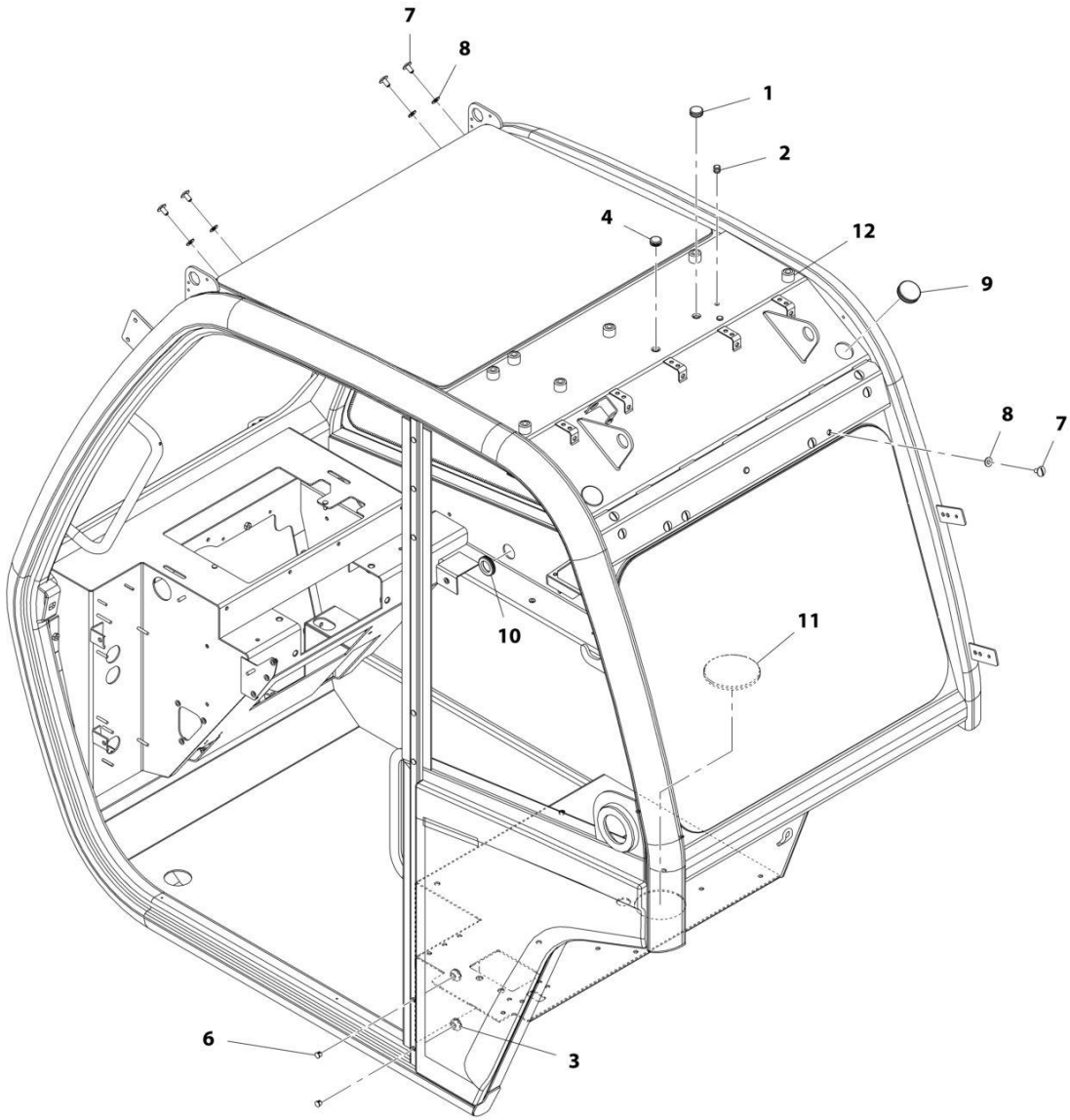
ART_1001154721_J

FIGURE 6-17. OPEN CAB ASSEMBLY

ITEM	PART NUMBER	QTY	DESCRIPTION	REV
	1001154721	Ref	Open Cab Assembly	J
1	1001111317	AR	Compound, Locking	
2	2080086	17	Rivnut, M6X1	
3	2080087	16	Rivnut, M8X1.25	
7	1001152947	1	Glass, RH Screen	
9	1001256073	1	Panel, Cab Quarter	
10	1001161538	1	Glass, Rear Window	
11	1001172193	2	Rivnut, M5X0.8	
12	See Note	NSS	Weldment, Cab (Note: Not available for purchase)	
13	1001195878	7	Rivnut, M5X0.8	
15	N.S.S.	3	Screw	
16	4811700	3	Washer, M6	

SECTION 6 - CAB

FIGURE 6-18. OPEN CAB PLUG GROUP



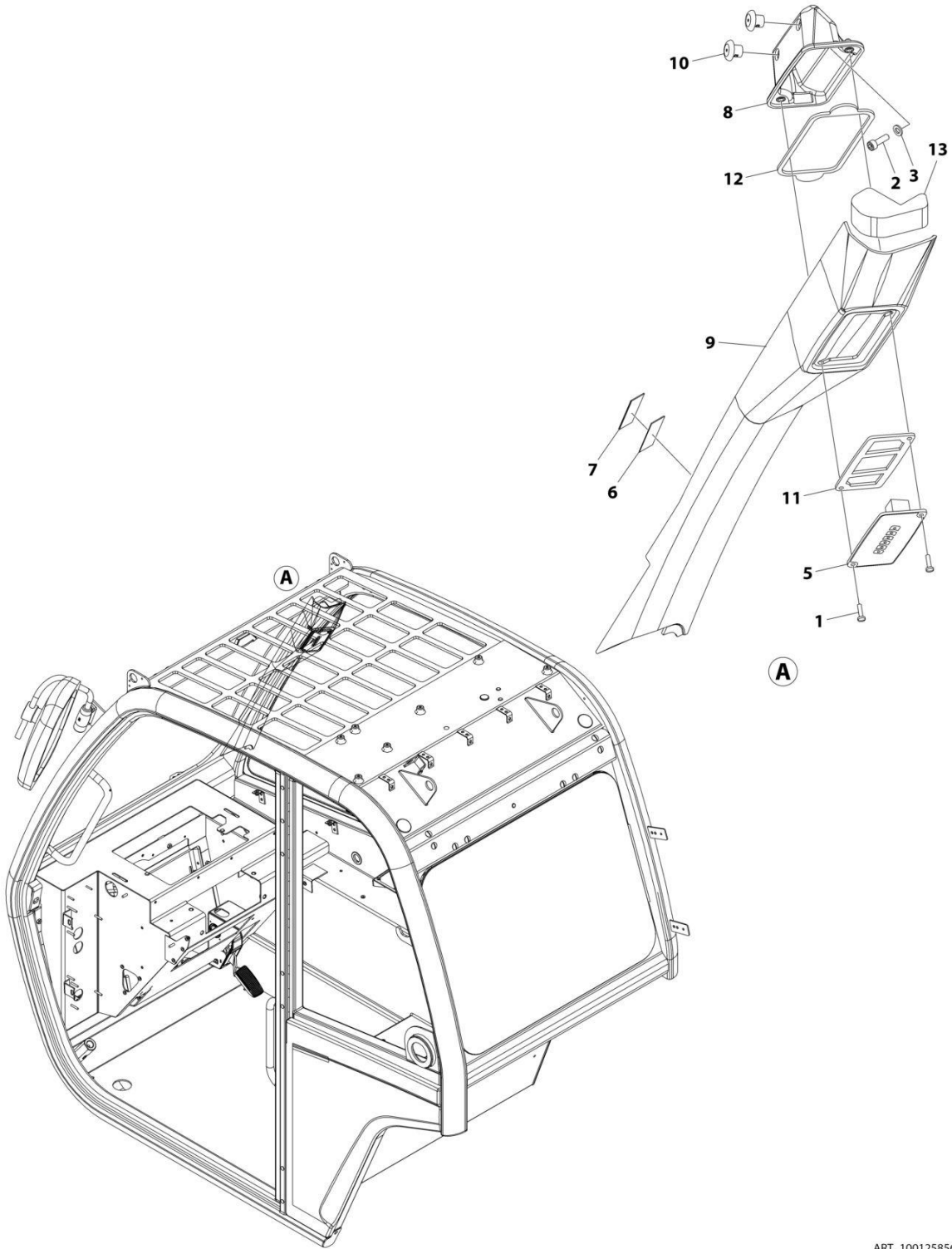
ART_1001170495-E

FIGURE 6-18. OPEN CAB PLUG GROUP

ITEM	PART NUMBER	QTY	DESCRIPTION	REV
	1001170495	Ref	Open Cab Plug Group	E
1	1001176273	1	Plug	
2	1001176272	3	Plug	
3	1001143200	2	Plug	
4	1001176626	1	Plug	
6	1001170374	7	Plug	
7	1001181920	12	Screw, M8X16	
8	1001181921	12	Washer, M8 Rubber	
9	1001182123	2	Plug	
10	1001182139	1	Plug	
11	1001209899	1	Plug	
12	1001219220	1	Cap, Vinyl Round	

SECTION 6 - CAB

FIGURE 6-19. OPEN CAB, LSI DISPLAY INSTALLATION



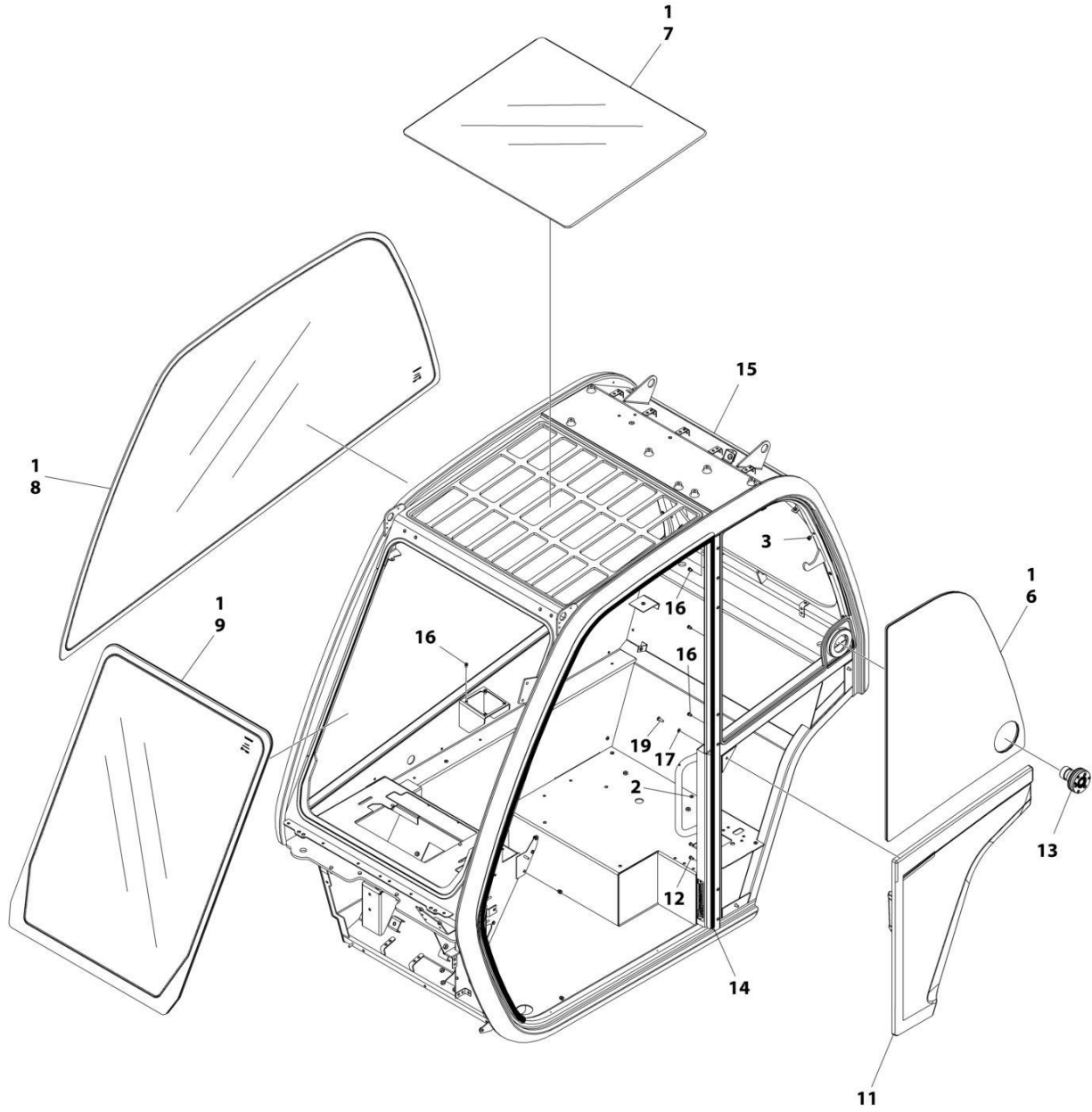
ART_1001258563_B

FIGURE 6-19. OPEN CAB, LSI DISPLAY INSTALLATION

ITEM	PART NUMBER	QTY	DESCRIPTION	REV
	1001258563	Ref	LSI DISPLAY INSTALLATION	B
1	1001126837	2	Screw M4 x 16	
2	4031708	2	Bolt M6 x 20	
3	4811700	2	Washer M6	
5	1001213752	1	LSI Display Electrical Assembly	
5	1001205976	1	Decal - LSI Display	
5	1001209028	1	Gauge	
6	1001221318	1	Tape, Hook Fastener	
7	1001221319	1	Tape, Loop Fastener	
8	1001257058	1	Box	
9	1001257059	1	Panel	
10	1001257067	2	Grommet	
11	1001257069	1	Seal	
12	1001257087	1	Seal	
13	1001264415	1	Seal	

SECTION 6 - CAB

FIGURE 6-20. ENCLOSED CAB ASSEMBLY



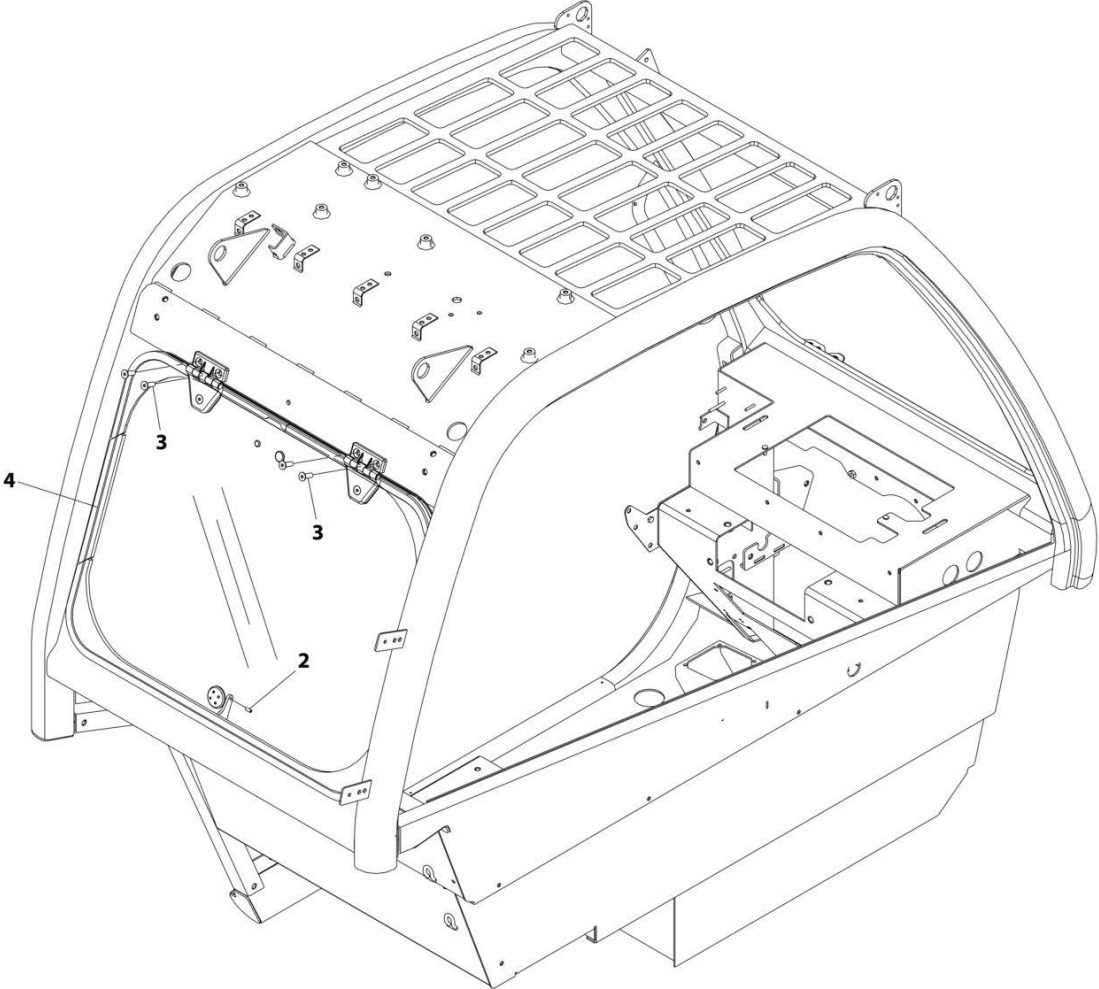
ART_1001154365_K

FIGURE 6-20. ENCLOSED CAB ASSEMBLY

ITEM	PART NUMBER	QTY	DESCRIPTION	REV
	1001154365	Ref	Enclosed Cab Assembly	K
1	1001111317	AR	Compound, Locking	
2	2080086	17	Rivnut, M6X1	
3	2080087	16	Rivnut, M8X1.25	
6	1001152915	1	Glass, LH Screen	
7	1001152934	1	Glass, Roof	
8	1001152947	1	Glass, RH Screen	
9	1001154419	1	Glass, Front	
11	1001256073	1	Panel, Cab Quarter	
12	1001172193	2	Rivnut, M5X0.8	
13	1001174320	1	Latch, Top Window	
14	1001227186	1	Seal, Cab Door	
15	See Note	NSS	Weldment, Cab (Note: Not available for purchase)	
16	1001195878	7	Rivnut, M5X0.8	
17	4811700	3	Washer, M6	
19	N.S.S.	3	Screw	

SECTION 6 - CAB

FIGURE 6-21. REAR WINDOW INSTALLATION



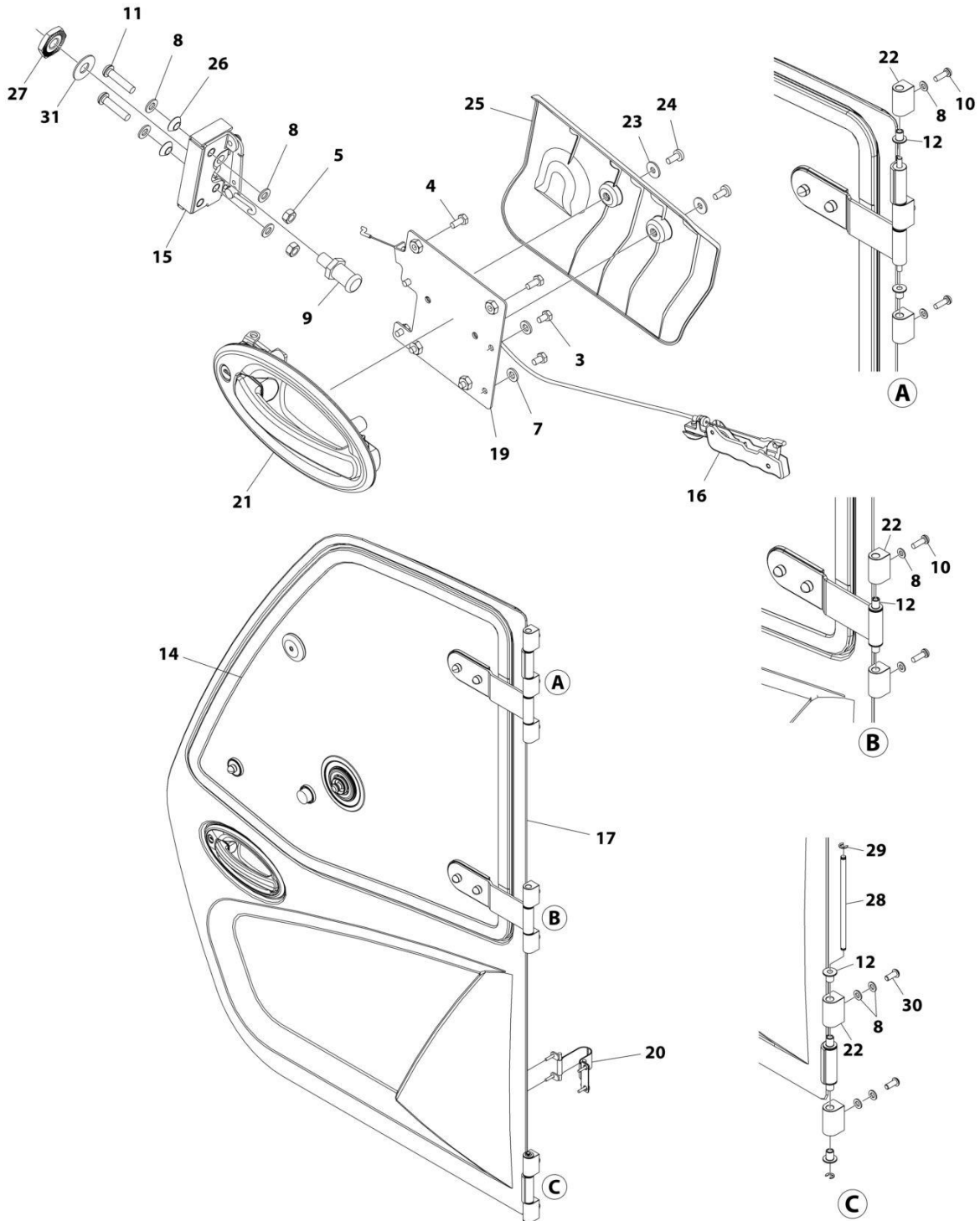
ART_1001170500-D

FIGURE 6-21. REAR WINDOW INSTALLATION

ITEM	PART NUMBER	QTY	DESCRIPTION	REV
	1001170500	Ref	Rear Window Installation	D
2	1001003043	1	Pin, Spring	
3	1001097586	4	Bolt, M8-1.25X25	
4	1001170502	1	Window, Rear (See Separate Breakdown in this Section)	

SECTION 6 - CAB

FIGURE 6-22. DOOR INSTALLATION



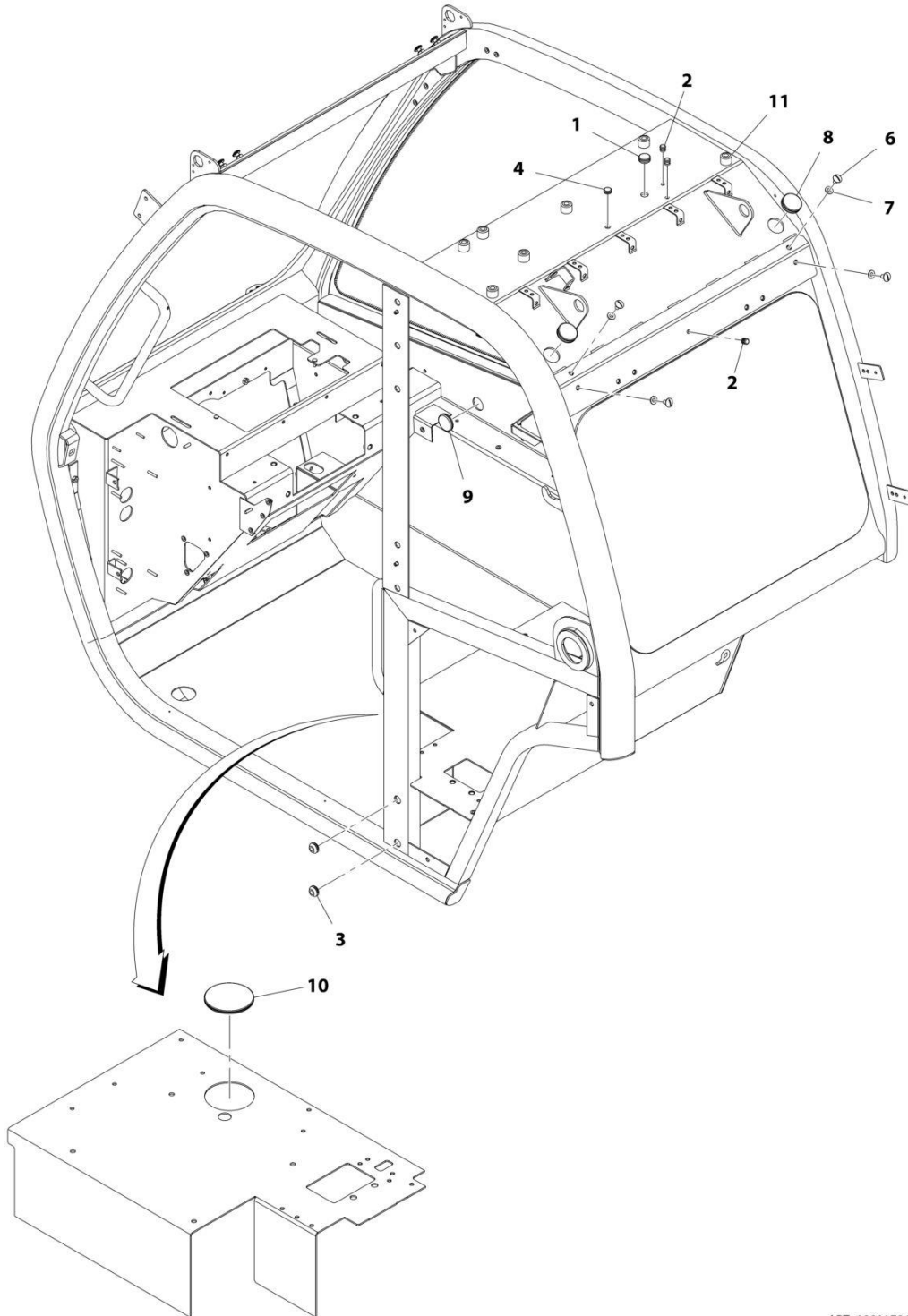
ART_1001165080

FIGURE 6-22. DOOR INSTALLATION

ITEM	PART NUMBER	QTY	DESCRIPTION	REV
	1001165080	Ref	Door Installation	P
3	0760605	4	Bolt, M6X10	
4	0760607	4	Bolt, M6X14	
5	3290801	2	Nut, M8X1.25 Grade 8	
7	4811700	4	Washer, M6	
8	4811900	13	Washer, M8	
9	8000803	1	Pin, Door Striker	
10	1001008988	5	Screw M8X25	
11	1001047062	2	Screw, M8X35	
12	1001107192	10	Sleeve, Hinge	
14	1001205532	1	Assembly, Door Upper Glass (See Separate Breakdown in this Section)	
15	1001192766	1	Assembly, Cab Latch (See Separate Breakdown in this Section)	
16	1001167958	1	Assembly, Cab Door Trigger (See Separate Breakdown in this Section)	
17	1001169881	1	Assembly, Door (See Separate Breakdown in this Section)	
19	1001173298	1	Bracket	
20	1001174295	1	Installation, Door Strap (See Separate Breakdown in this Section)	
21	1001192646	1	Handle, Exterior Door	
22	1001170601J	7	Lug, Hinge	
23	4811702001	2	Washer, M6	
24	4010608002	2	Screw, M6X16	
25	1001175477	1	Cover, Cab Door Interior	
26	1001184439	2	Bushing	
27	1001192309	1	Nut, M12X1	
28	1001213791	1	Pin, Hinge	
29	0498748	2	Clip, Snap Ring	
30	1001164726	2	Bolt, M8X20	
31	1001227802	1	Washer	

SECTION 6 - CAB

FIGURE 6-23. ENCLOSED CAB PLUG GROUP



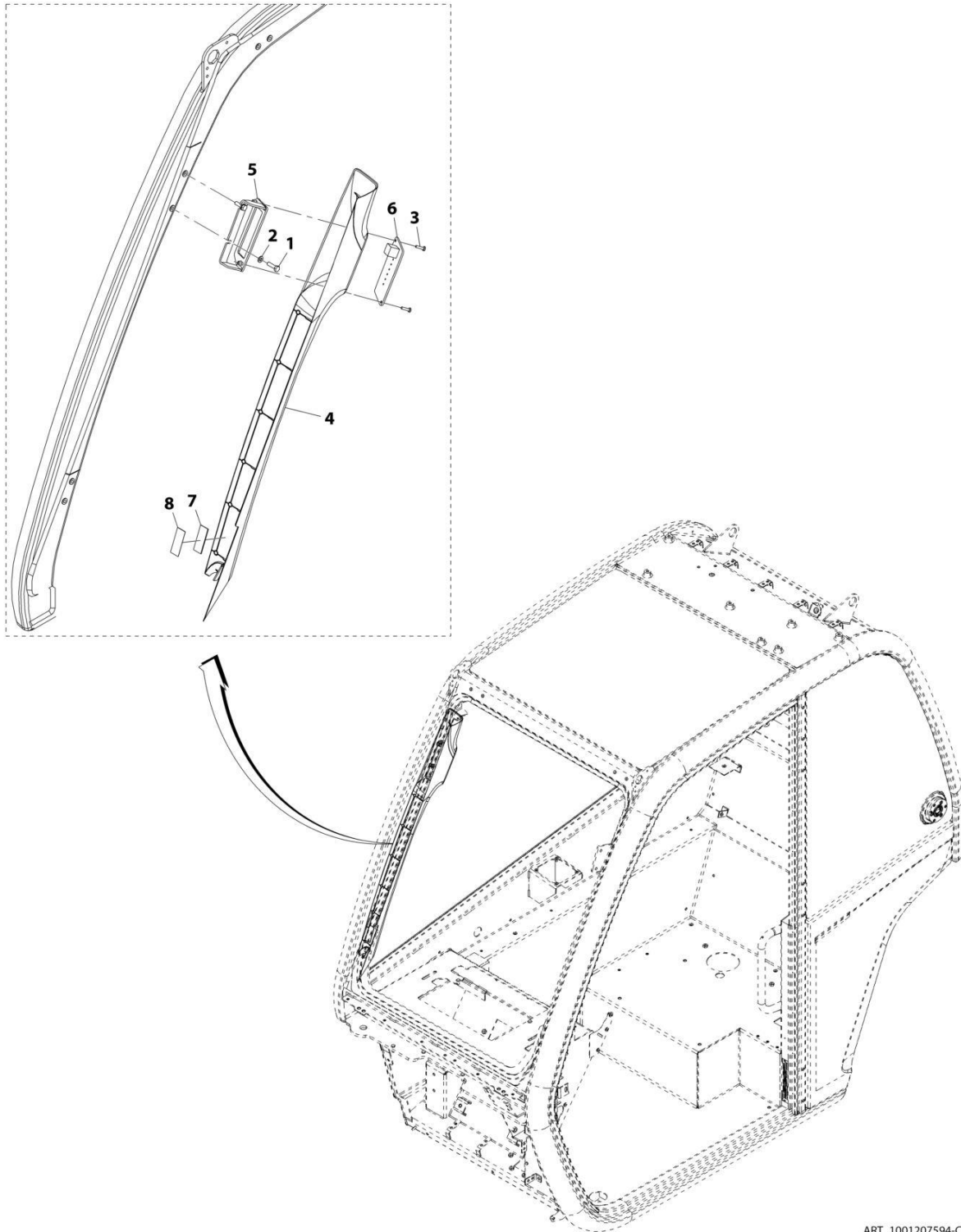
ART_1001170603-E

FIGURE 6-23. ENCLOSED CAB PLUG GROUP

ITEM	PART NUMBER	QTY	DESCRIPTION	REV
	1001170603	Ref	Enclosed Cab Plug Group	E
1	1001176273	1	Plug	
2	1001176272	3	Plug	
3	1001143200	2	Plug	
4	1001176626	1	Plug	
6	1001181920	8	Screw, M8X16	
7	1001181921	8	Washer, Rubber M8	
8	1001182123	2	Plug	
9	1001182139	1	Plug	
10	1001209899	1	Plug	
11	1001219220	7	Cap, Vinyl Round	

SECTION 6 - CAB

FIGURE 6-24. LSI DISPLAY INSTALLATION



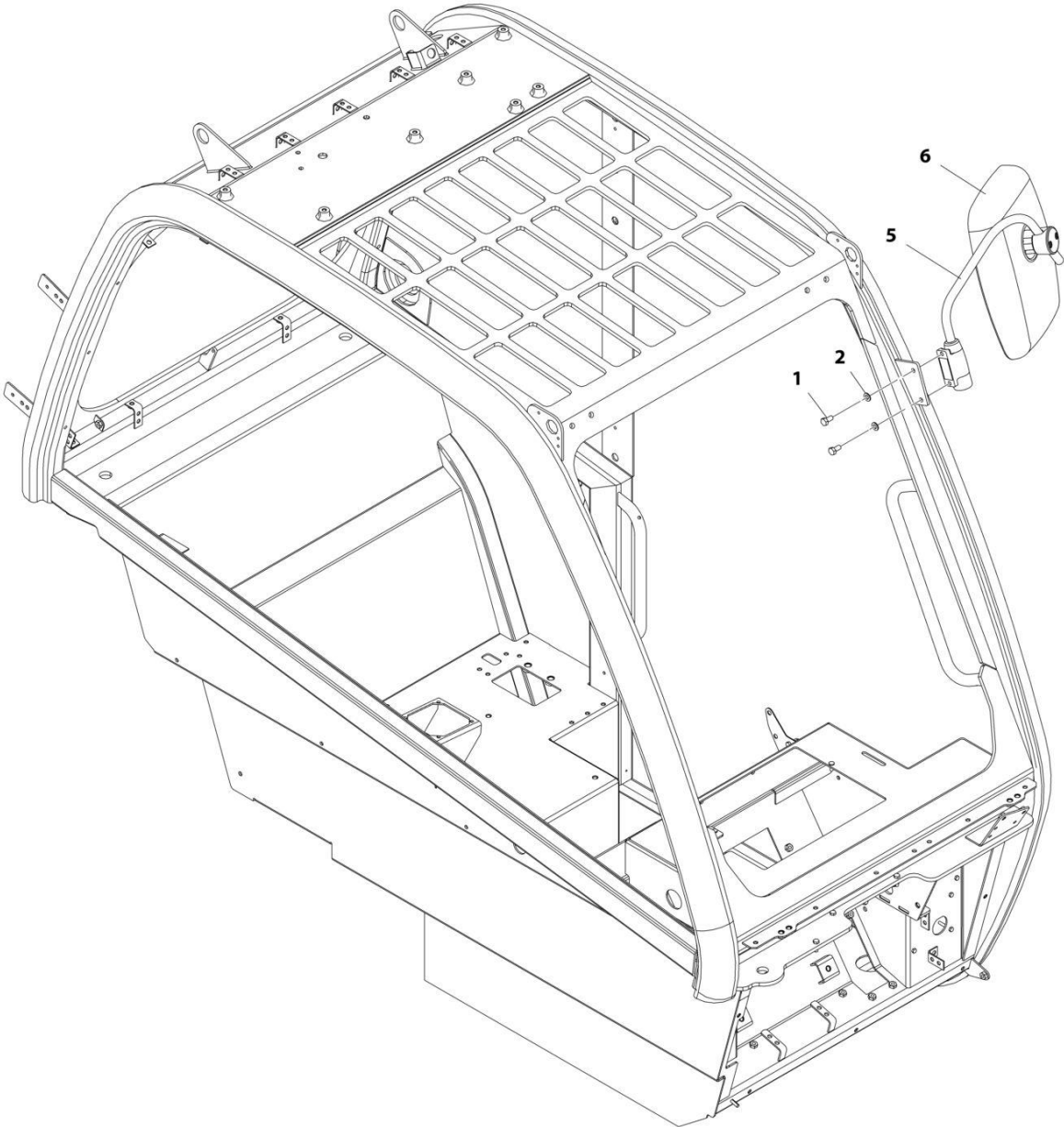
ART_1001207594-C

FIGURE 6-24. LSI DISPLAY INSTALLATION

ITEM	PART NUMBER	QTY	DESCRIPTION	REV
	1001207594	Ref	LSI Display Installation	C
1	0760610	2	Bolt, M6X20	
2	4811700	2	Washer, M6	
3	1001126837	2	Screw, M4X16	
4	1001182839	1	Cover	
5	1001214401	1	Bracket	
6	1001213752	1	Display, LSI	
7	1001221318	1	Tape, Hook Fastener	
8	1001221319	1	Tape, Hook Fastener	

SECTION 6 - CAB

FIGURE 6-25. BASIC MIRROR INSTALLATION



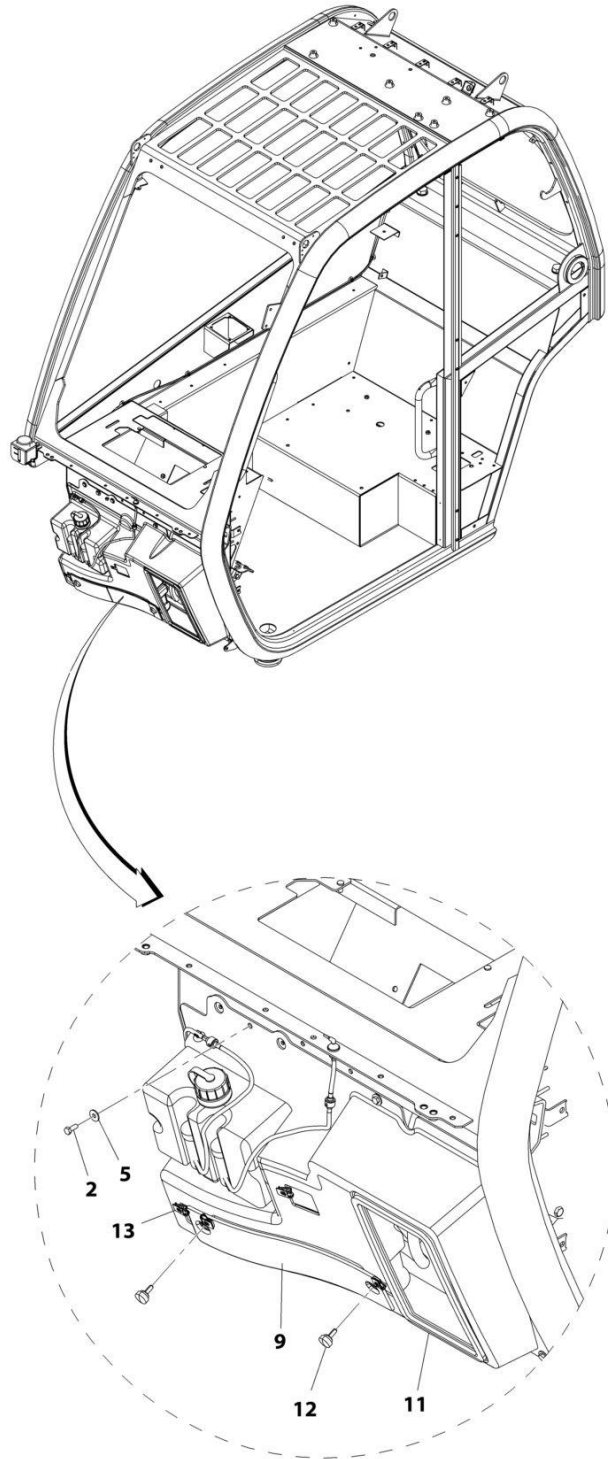
ART_1001160508-E

FIGURE 6-25. BASIC MIRROR INSTALLATION

ITEM	PART NUMBER	QTY	DESCRIPTION	REV
	1001160508	Ref	Basic Mirror Installation	E
1	0760808	2	Bolt, M8X16	
2	4811900	2	Washer, M8	
5	1001164655	1	Bracket	
6	80363195	1	Mirror	

SECTION 6 - CAB

FIGURE 6-26. FRONT COVER INSTALLATION (ENCLOSED CAB)



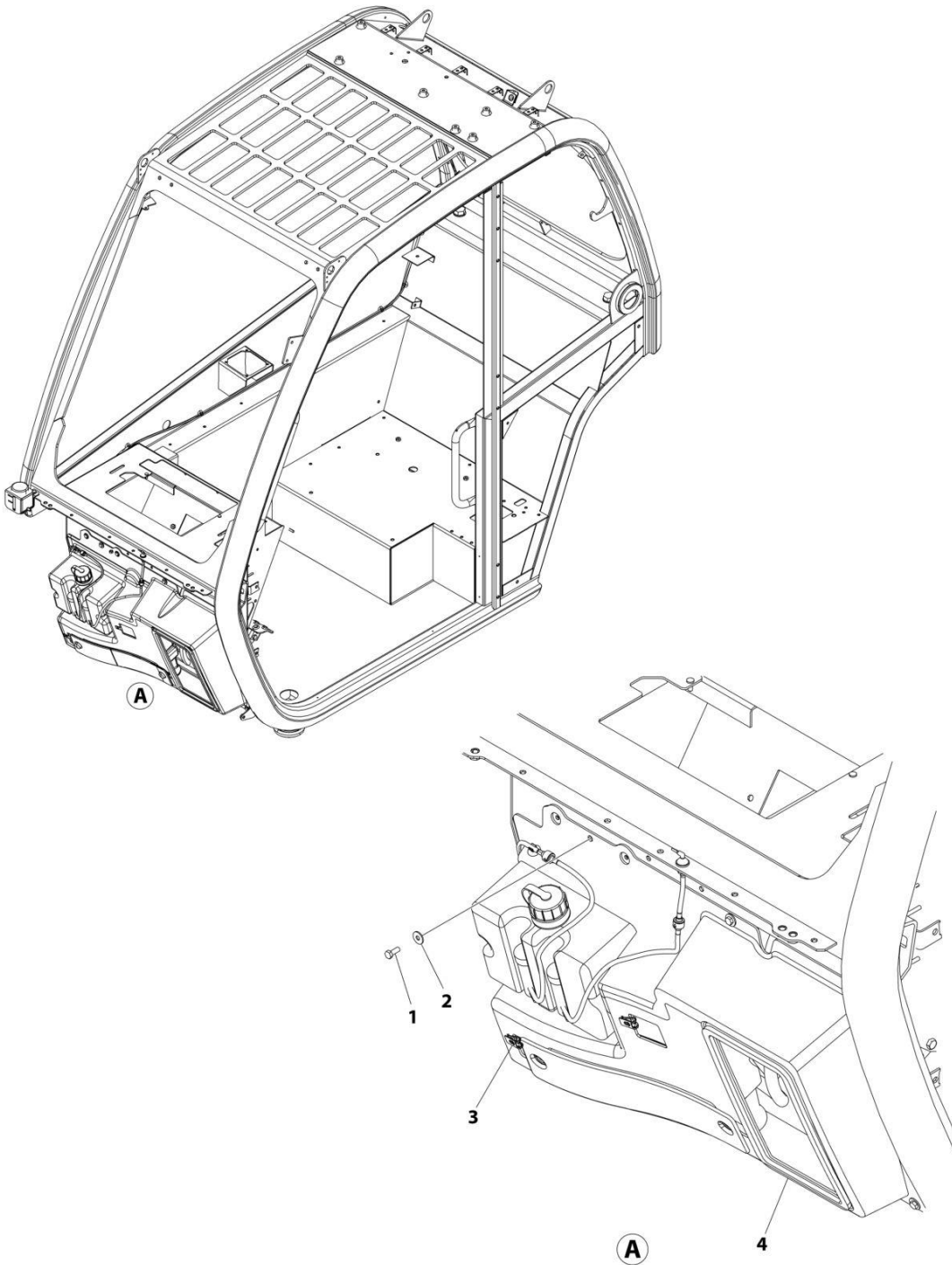
ART_1001170366-G

FIGURE 6-26. FRONT COVER INSTALLATION (ENCLOSED CAB)

ITEM	PART NUMBER	QTY	DESCRIPTION	REV
	1001170366	Ref	Front Cover Installation	G
2	0760608	7	Bolt, M6X16	
5	4811702	7	Washer, M6	
9	1001175471	1	Panel, Filter Tray (See Separate Breakdown in this Section)	
11	1001176121	1	Cover, Front Duct (See Separate Breakdown in this Section)	
12	2080092	2	Thumb Screw, M6X16	
13	8305919	4	Nut, M6	

SECTION 6 - CAB

FIGURE 6-27. FRONT COVER INSTALLATION (OPEN CAB)



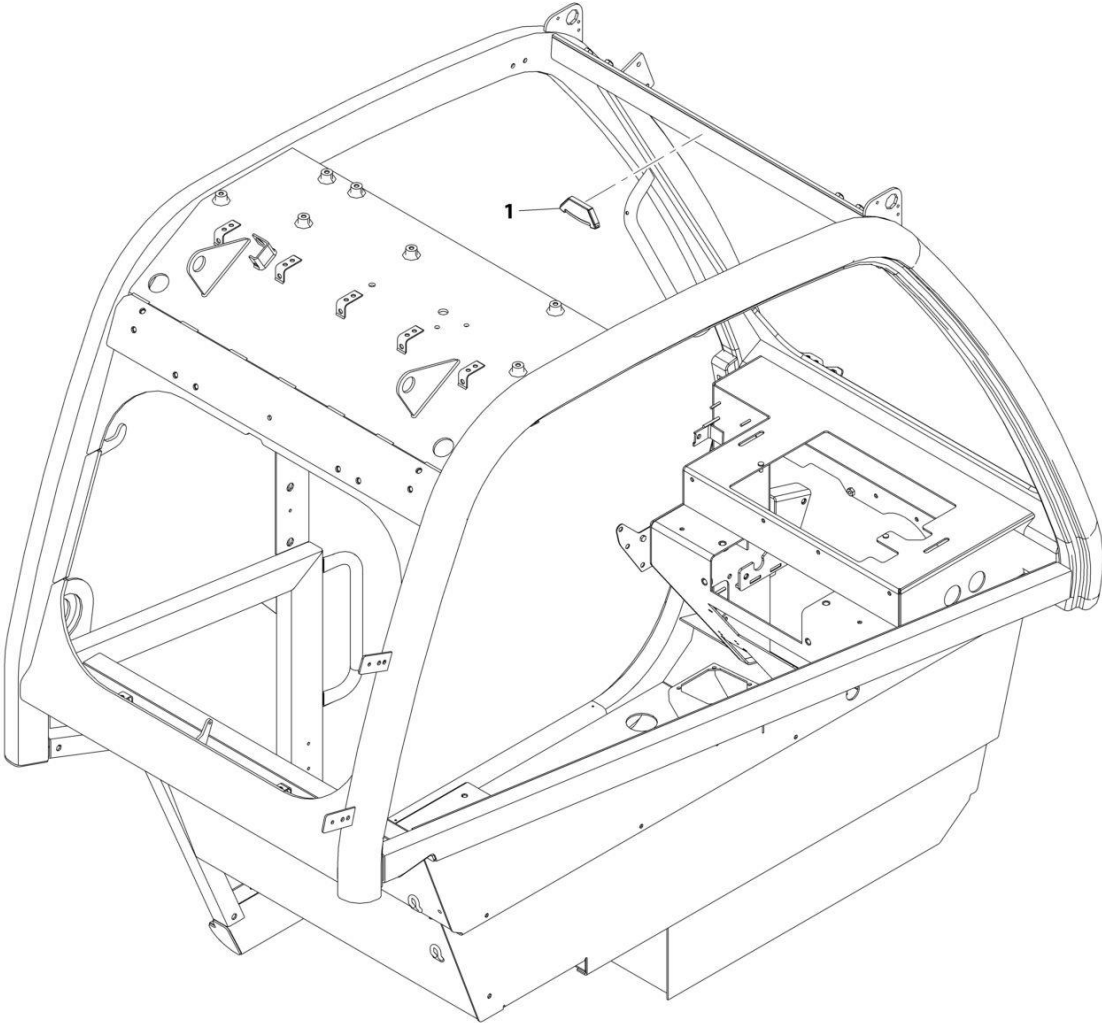
ART_1001293104

FIGURE 6-27. FRONT COVER INSTALLATION (OPEN CAB)

ITEM	PART NUMBER	QTY	DESCRIPTION	REV
	1001293104	Ref	FRONT COVER INSTALLATION	A
1	0760608	7	Bolt M6 x 16	
2	4811702	7	Washer M6	
3	8305919	2	Nut M6	
4	1001176121	1	Cover, Front Duct (See Separate Breakdown in this Section)	

SECTION 6 - CAB

FIGURE 6-28. LEVEL INDICATOR INSTALLATION



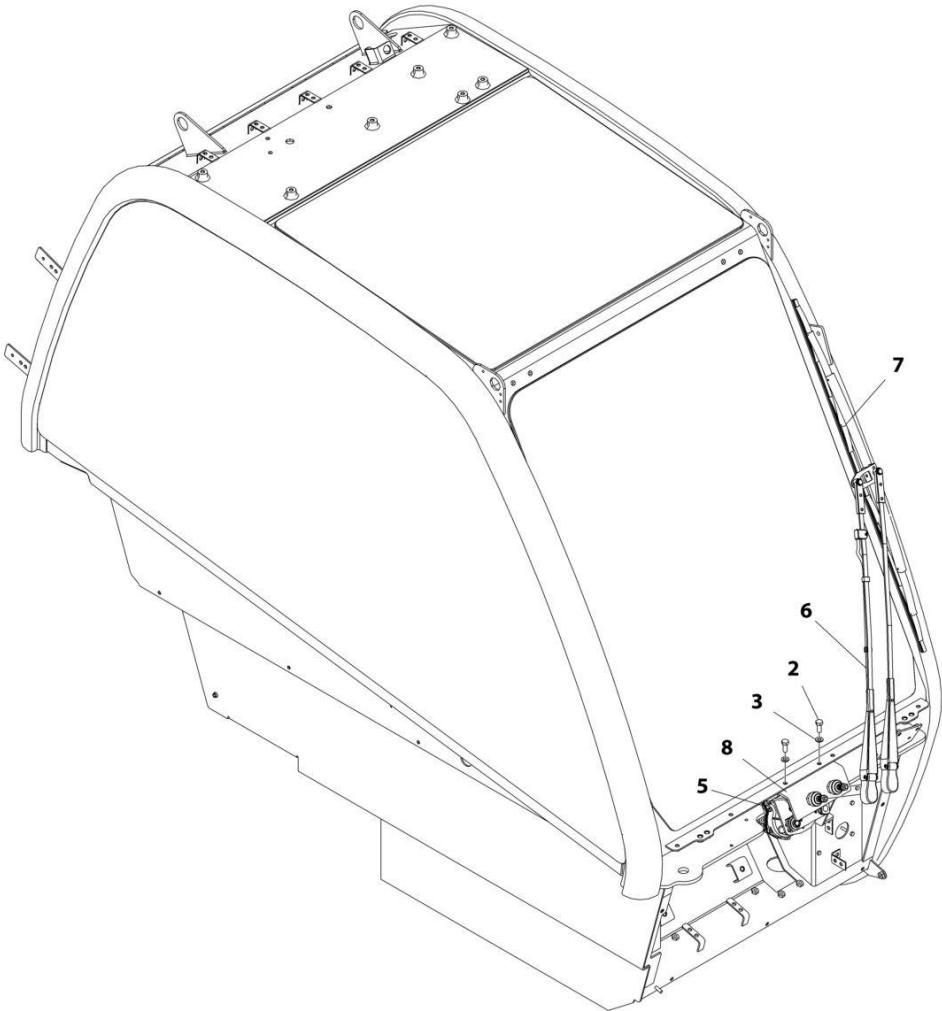
ART_1001172401-C

FIGURE 6-28. LEVEL INDICATOR INSTALLATION

ITEM	PART NUMBER	QTY	DESCRIPTION	REV
1	1001172401 8466306	Ref 1	Level Indicator Installation Gauge, Tilt Angle	C

SECTION 6 - CAB

FIGURE 6-29. FRONT WIPER INSTALLATION



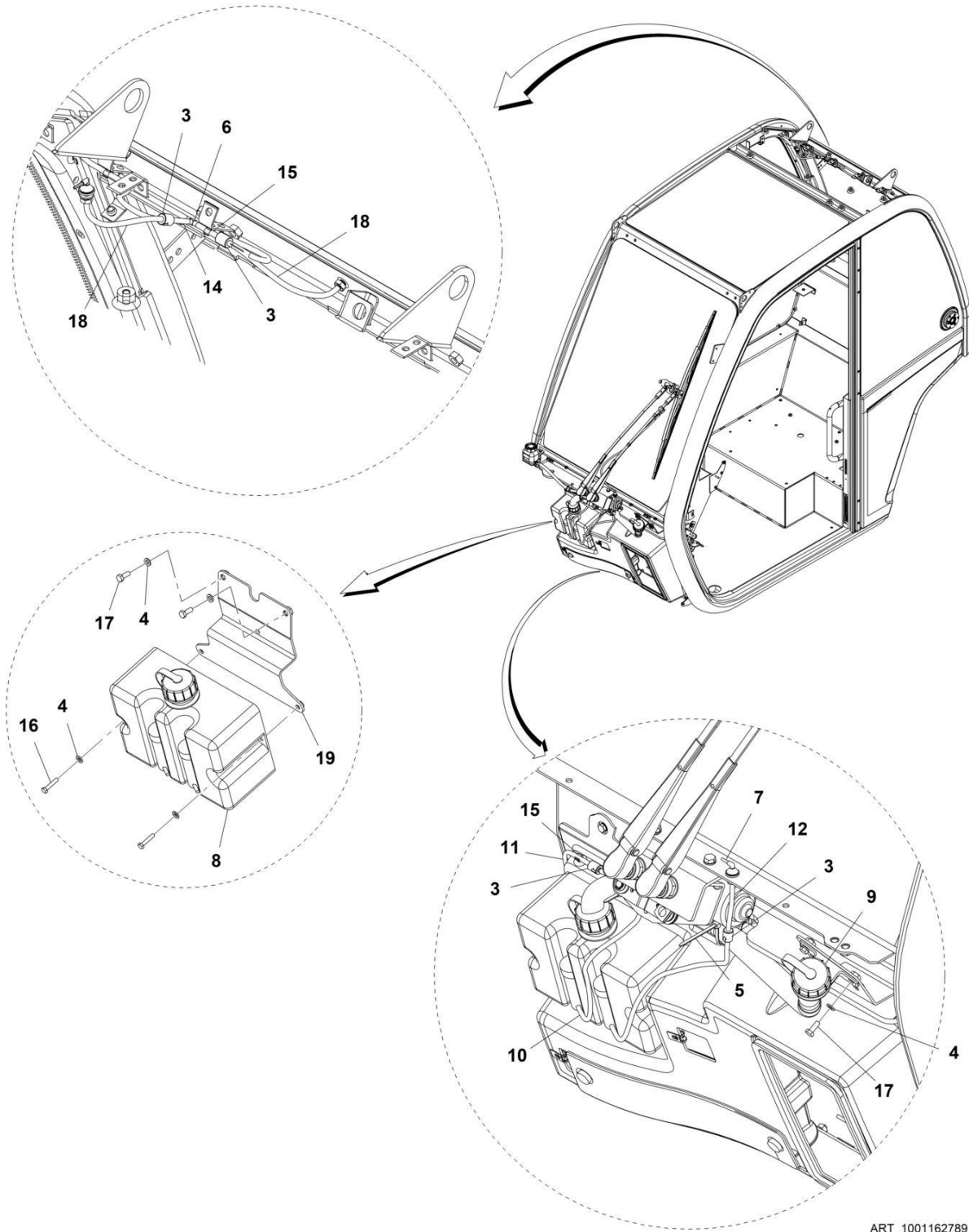
ART_1001155447-G

FIGURE 6-29. FRONT WIPER INSTALLATION

ITEM	PART NUMBER	QTY	DESCRIPTION	REV
	1001155447	Ref	Front Wiper Installation	G
2	0760810	2	Bolt, M8X20	
3	4811900	2	Washer, M8	
5	1001214092	1	Motor, Front Wiper	
6	1001212369	1	Arm, Front Wiper	
7	1001141281	1	Blade, Wiper	
8	1001165637	1	Bracket	

SECTION 6 - CAB

FIGURE 6-30. WASHER TANK INSTALLATION



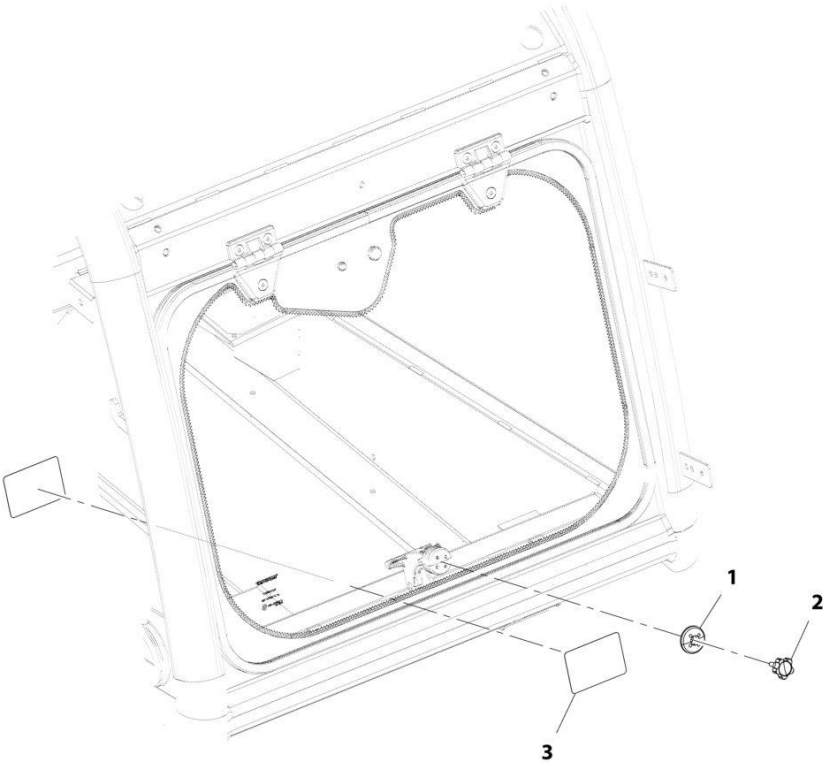
ART_1001162789

FIGURE 6-30. WASHER TANK INSTALLATION

ITEM	PART NUMBER	QTY	DESCRIPTION	REV
	1001162789	Ref	Washer Tank Installation	M
3	1001201331	4	Valve, Check	
4	4811700	6	Washer, M6	
5	471678	2	Strap, Tie	
6	1001008742	1	Coupling, Tee	
8	1001165269	1	Bottle, Washer (See Separate Breakdown in this Section)	
9	1001165270	1	Hose, Washer Filler	
10	1001165351	2	Hose	
11	1001165407	1	Hose	
12	1001165416	1	Hose	
14	1001165455	2	Hose	
15	1001165458	16	Hose	
16	0760512	2	Bolt M5X25	
17	0760608	4	Bolt, M6X16	
18	1001178123	2	Hose	
19	1001171756	1	Bracket	

SECTION 6 - CAB

FIGURE 6-31. REAR WINDOW INSTALLATION (WOWIPER) (ANSI)



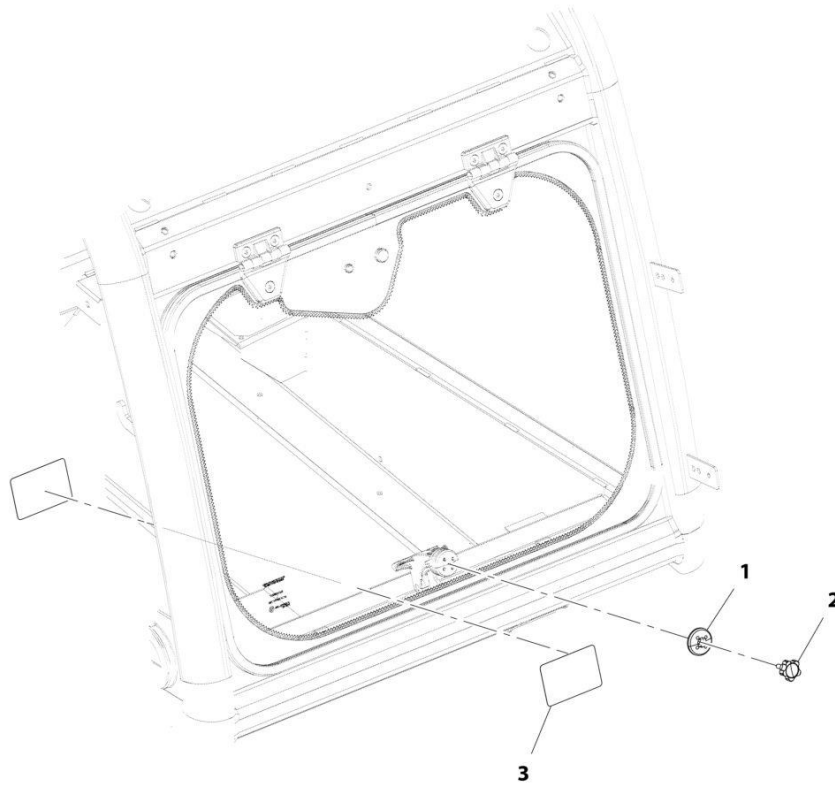
ART_1001212047-A

FIGURE 6-31. REAR WINDOW INSTALLATION (WO/WIPER) (ANSI)

ITEM	PART NUMBER	QTY	DESCRIPTION	REV
	1001212047	Ref	External Window Release Installation (ANSI)	A
1	1001179008	1	Cap, Latch Window	
2	1001179009	1	Cap, Knob M6	
3	1001212049	2	Decal, Emergency Exit	

SECTION 6 - CAB

FIGURE 6-32. REAR WINDOW INSTALLATION (WO/WIPER) (ISO)



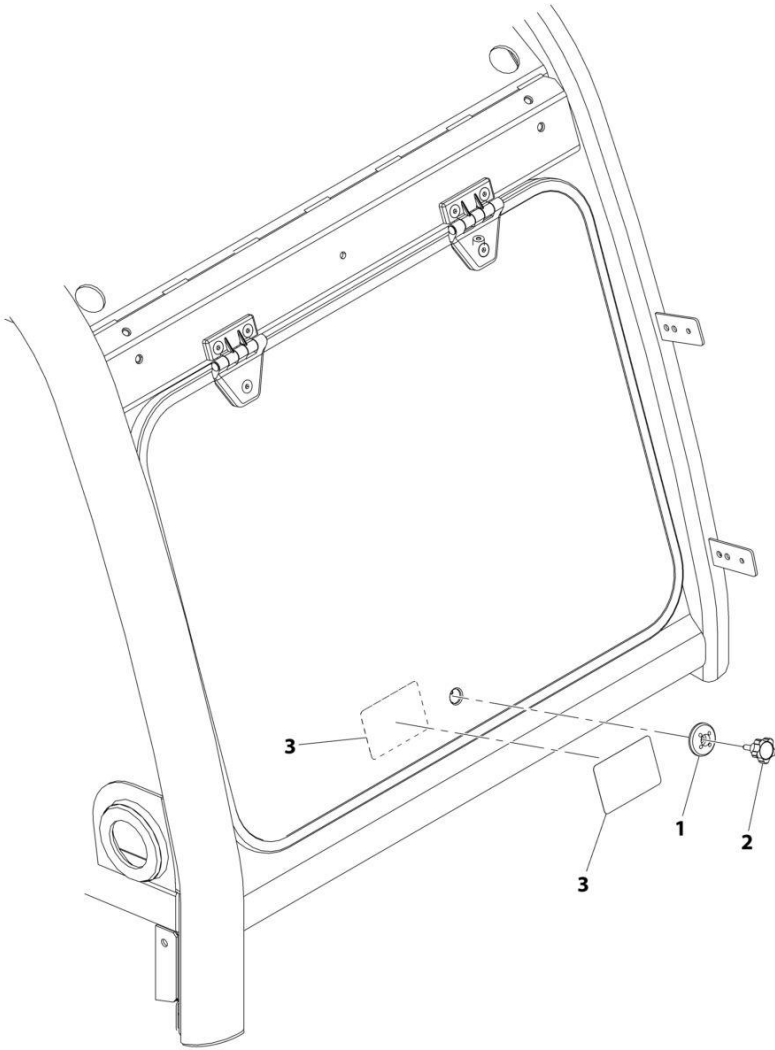
ART_1001212048-A

FIGURE 6-32. REAR WINDOW INSTALLATION (WO/WIPER) (ISO)

ITEM	PART NUMBER	QTY	DESCRIPTION	REV
	1001212048	Ref	Rear Window Installation (WO/Wiper) (ISO)	A
1	1001179008	1	Cap, Latch Window	
2	1001179009	1	Cap, Knob M6	
3	1001212050	2	Decal, Emergency Exit	

SECTION 6 - CAB

FIGURE 6-33. REAR WINDOW INSTALLATION (WO/WIPER) (ENG/SPAN)



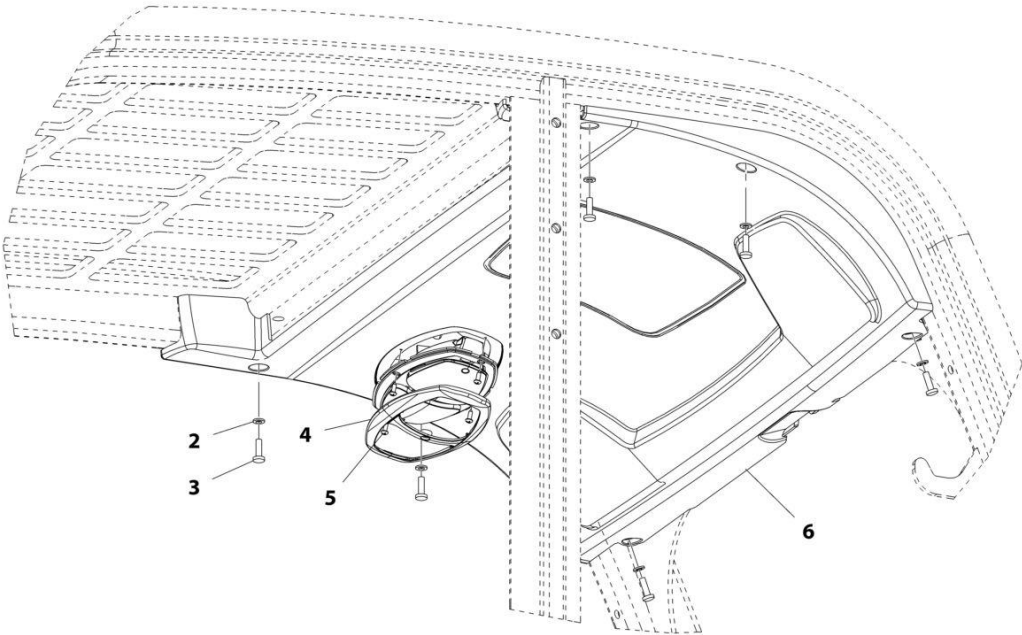
ART_1001237852-A

FIGURE 6-33. REAR WINDOW INSTALLATION (WO/WIPER) (ENG/SPAN)

ITEM	PART NUMBER	QTY	DESCRIPTION	REV
	1001237852	Ref	Rear Window Installation (WO/Wiper) (ENG/SPAN)	A
1	1001179008	1	Cap, Latch Window	
2	1001179009	1	Cap, Knob M6	
3	1001237845	2	Decal, Emergency Exit	

SECTION 6 - CAB

FIGURE 6-34. HEADLINER INSTALLATION



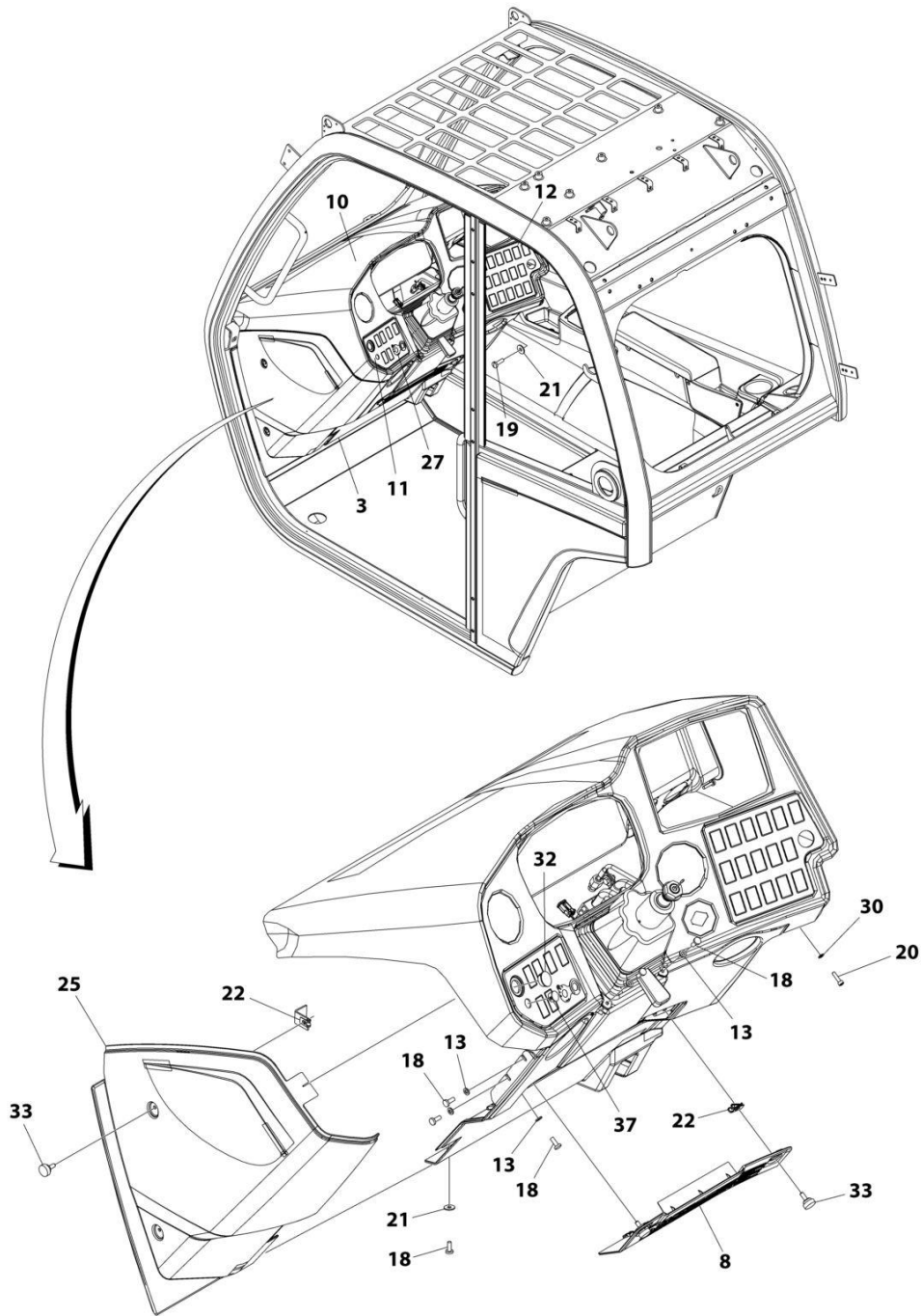
ART_1001170717-D

FIGURE 6-34. HEADLINER INSTALLATION

ITEM	PART NUMBER	QTY	DESCRIPTION	REV
	1001170717	Ref	Headliner Installation	E
2	4811700	6	Washer, M6	
3	4031708001	6	Screw, M6X20	
4	1001167015	1	Lamp	
5	7029486	4	Screw	
6	1001161069	1	Panel, Headliner	

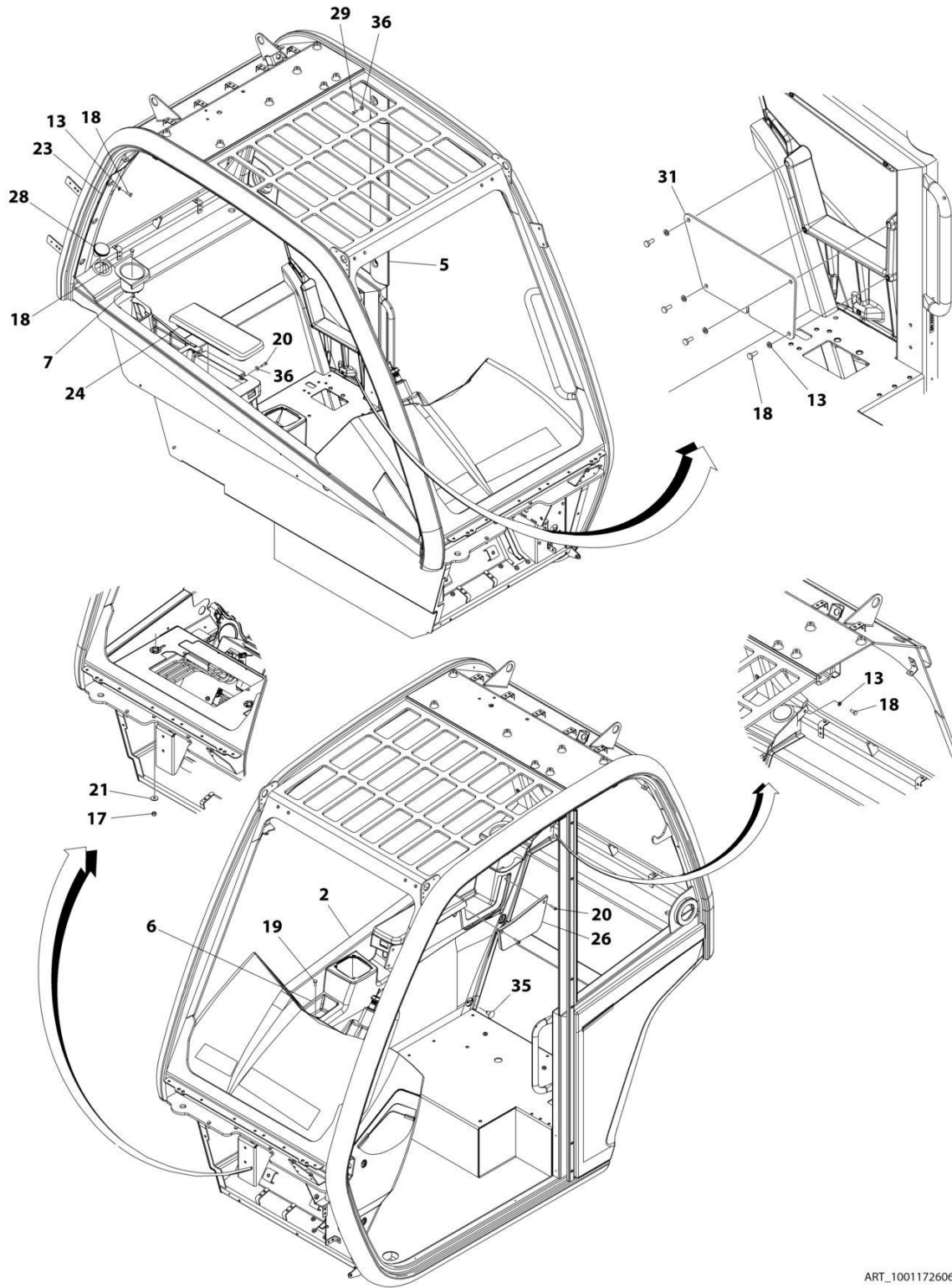
SECTION 6 - CAB

FIGURE 6-35. OPEN CAB TRIM INSTALLATION



ART_1001172606_10F2

SECTION 6 - CAB



ART_1001172606_20F2

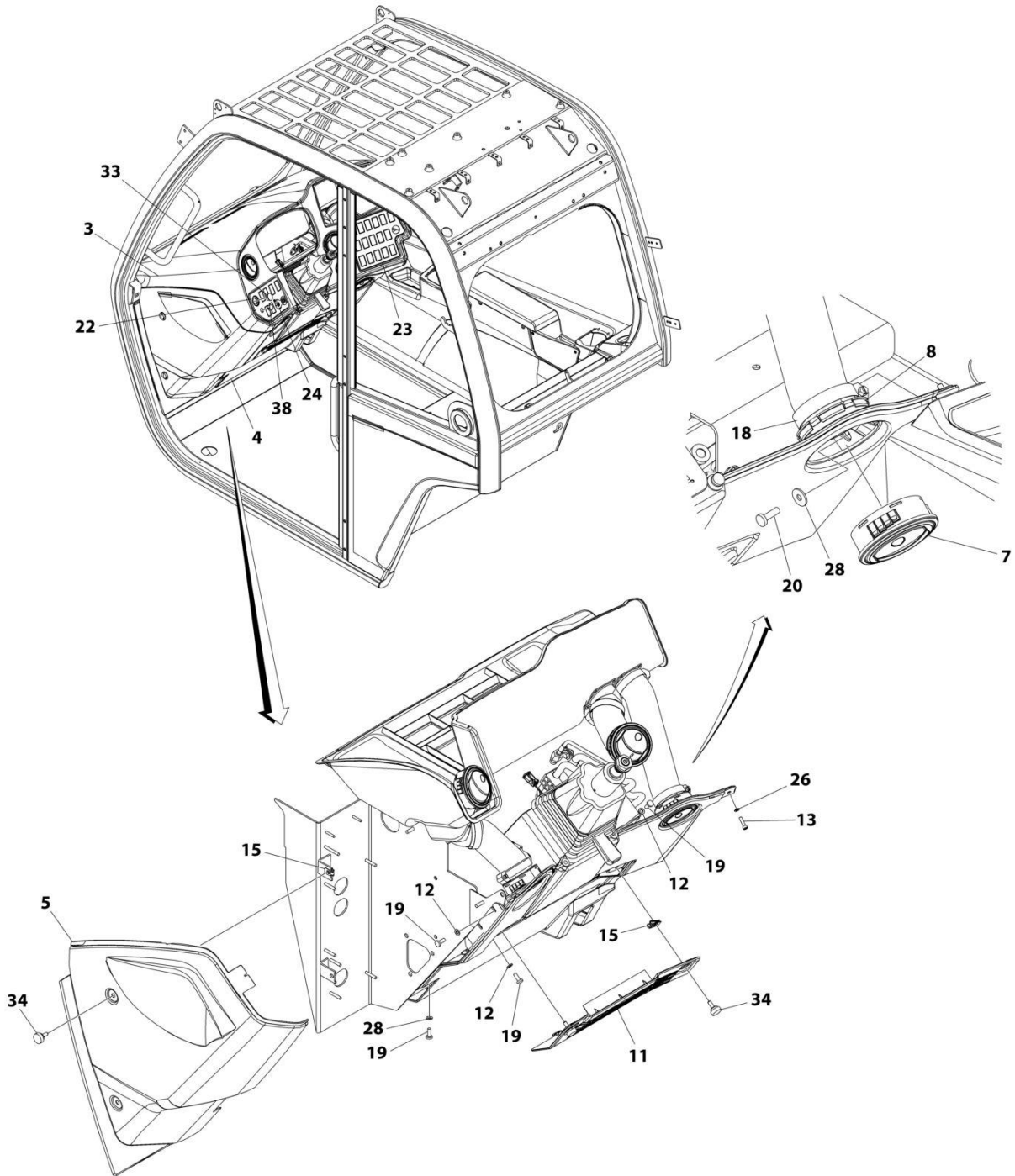
SECTION 6 - CAB

FIGURE 6-35. OPEN CAB TRIM INSTALLATION

ITEM	PART NUMBER	QTY	DESCRIPTION	REV
	1001172606	Ref	Open Cab Trim Installation	K
2	1001169605	1	Cover, Side	
3	1001175904	1	Panel, Lower Dash	
5	1001219076	1	Panel, Cover	
6	1001169603	1	Panel, Trinket Tray	
7	1001170518	1	Holder, Cup	
8	1001170504	1	Panel, Recirculation Grille Cover	
10	1001172608	1	Panel, Dash	
11	1001268846	1	Plate, LH Switch	
12	1001219865	1	Plate, RH Switch	
13	4811700001	14	Washer, M6	
17	3290605	2	Nut, Lock M6X1 Grade 8	
18	4010608002	18	Screw, Posi-Drive M6X16 GR4.8	
19	4010610002	2	Screw, Posi-Drive M6X20 GR4.8	
20	4031608001	5	Screw, M5X20	
21	4811702001	6	Washer, M6	
22	8305919	4	Nut, M6	
23	1001191617	1	Panel, Cover	
24	1001161854	1	Armrest (See Separate Breakdown in this Section)	
25	1001161855	1	Panel, LH Dash	
26	1001173965	1	Bezel, RH	
27	1001190347	1	Decal, No HVAC	
28	1001223265	1	Plug	
29	4010508002	3	Screw, Posi-Drive M5X16	
30	4811600	1	Washer, M5	
31	1001185179	1	Cover, LH Rear Panel	
32	1001190589	1	Blanking Plug	
33	1001208308	4	Screw, M6X15	
35	1001211907	1	Screw	
36	4811602001	5	Washer, M5	
37	1001207963	1	PLUG,5/8 PUSH IN	

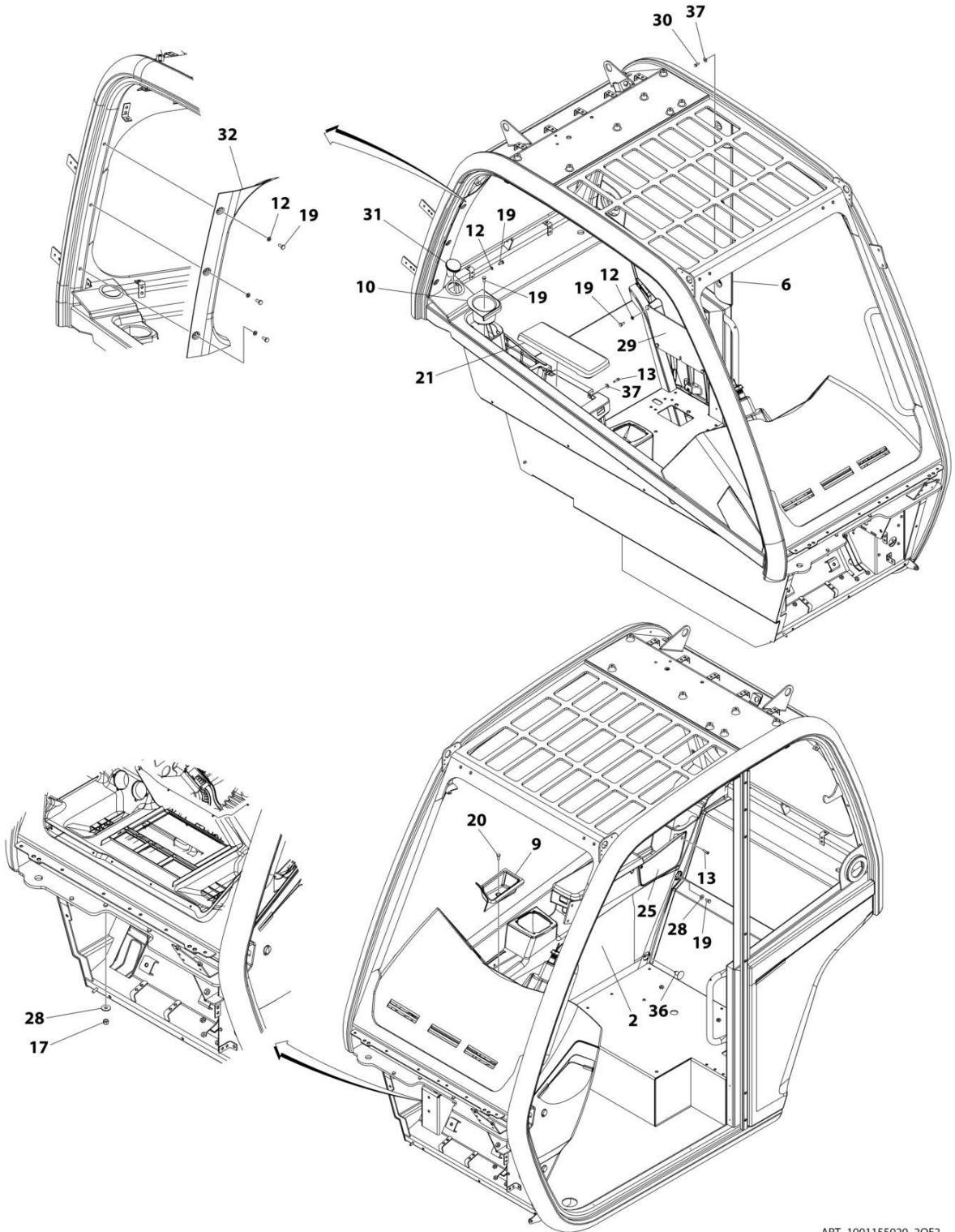
SECTION 6 - CAB

FIGURE 6-36. ENCLOSED CAB TRIM INSTALLATION



ART_1001155020_10F2

SECTION 6 - CAB



ART_1001155020_20F2

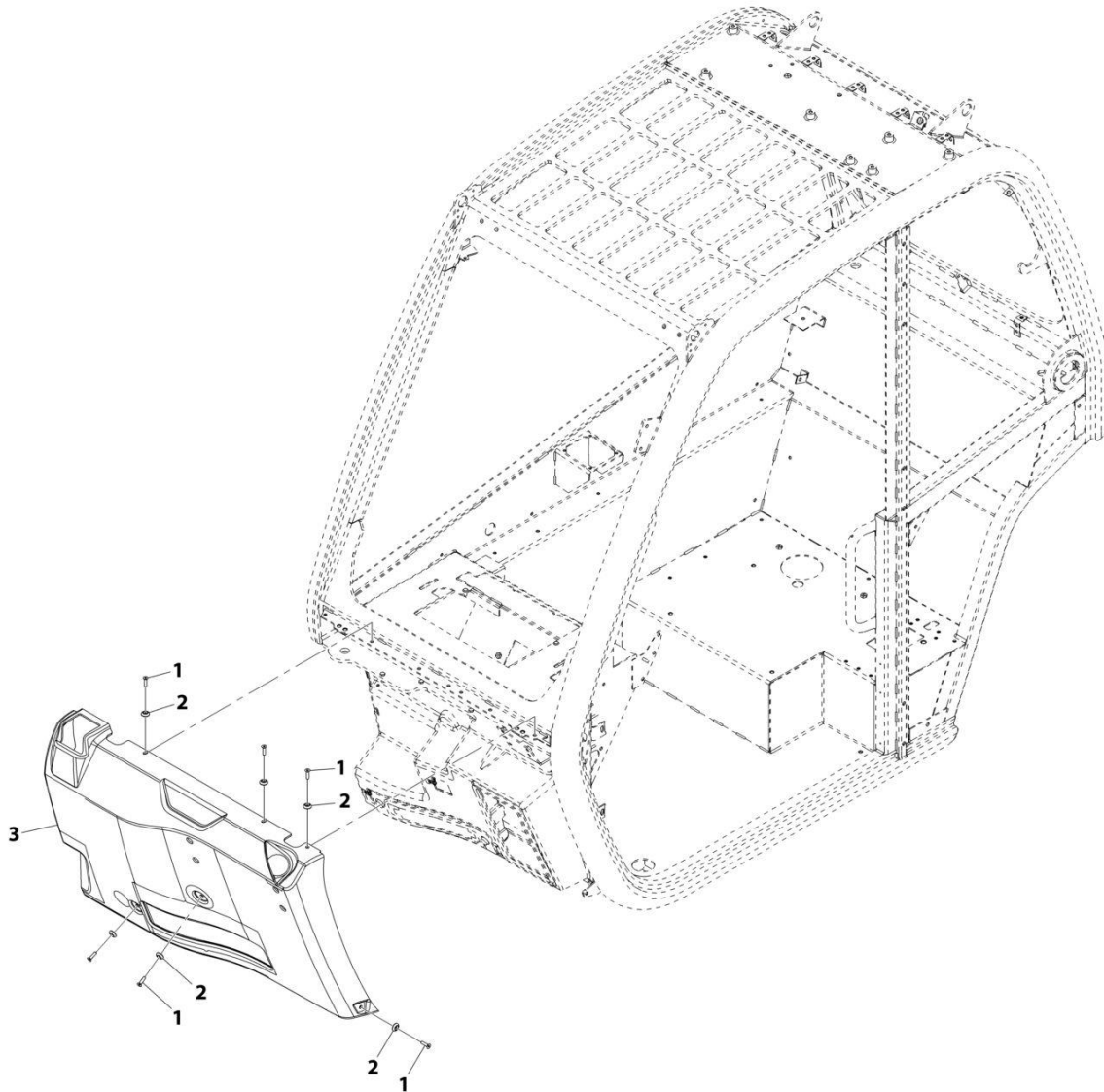
SECTION 6 - CAB

FIGURE 6-36. ENCLOSED CAB TRIM INSTALLATION

ITEM	PART NUMBER	QTY	DESCRIPTION	REV
	1001155020	Ref	Enclosed Cab Trim Installation	N
2	1001169605	1	Cover, Side	
3	1001169604	1	Cover, Dash	
4	1001175903	1	Panel, Lower Dash	
5	1001161855	1	Panel, Cover	
6	1001219076	1	Panel, Cover	
7	1001147449	2	Vent, Air	
8	1001149278	2	Vent, Connector	
9	1001169603	1	Panel, Trinket Tray	
10	1001170518	1	Holder, Cup	
11	1001170504	1	Panel, Recirculation Grille Cover	
12	4811700001	14	Washer, M6	
13	4031608001	5	Bolt, M5X20	
15	8305919	4	Nut, M6	
17	3290605	2	Nut, Lock M6X1 Grade 8	
18	8405201	2	Clamp, Gear	
19	4010608002	18	Screw, Posi-Drive, M6X16	
20	4010610002	1	Screw, M6X20	
21	1001161854	1	Armrest (See Separate Breakdown in this Section)	
22	1001268846	1	Plate, LH Switch	
23	1001219865	1	Plate, RH Switch	
24	1001184975	1	Decal, HVAC	
25	1001173965	1	Bezel, RH	
26	4811600	1	Washer, M5	
28	4811702001	6	Washer, M6	
29	1001185179	1	Panel, LH Rear Cover	
30	4010508002	3	Screw, Posi-Drive M5X16	
31	1001223265	1	Plug	
32	1001191617	1	Panel, RH C Post	
33	1001190589	1	Blanking Plug	
34	1001208308	4	Thumb Screw, M6X15	
36	1001211907	1	Screw	
37	4811602001	5	Washer, Flat	
38	1001207963	1	Plug	

SECTION 6 - CAB

FIGURE 6-37. OPEN CAB FRONT COVER



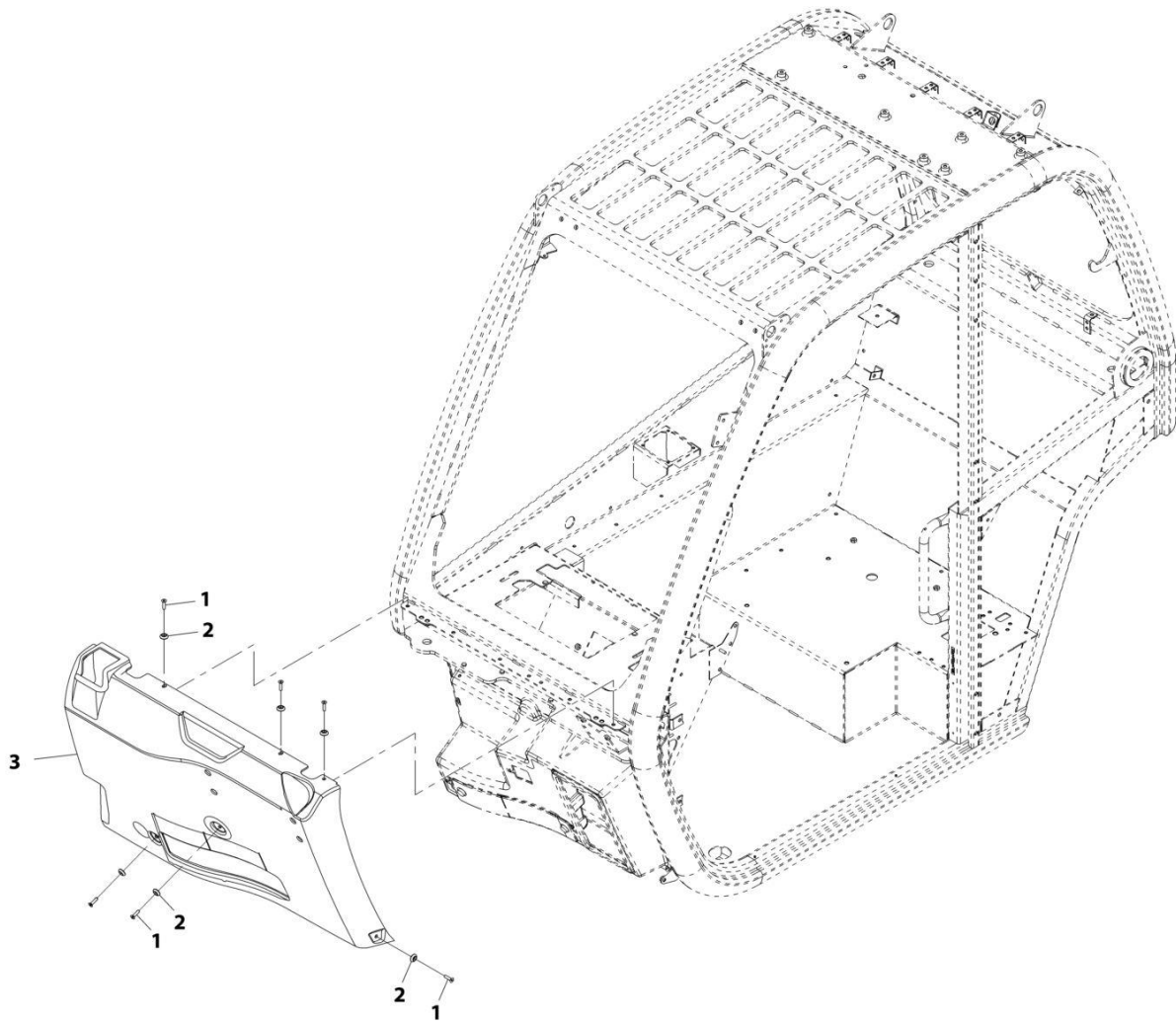
ART_1001229550-A

FIGURE 6-37. OPEN CAB FRONT COVER

ITEM	PART NUMBER	QTY	DESCRIPTION	REV
	1001229550	Ref	Open Cab Front Cover Installation	A
1	3900379	6	Screw, Socket HD M6-1X25	
2	1001097540	6	Washer, M6	
3	1001229540	1	Cover, Front	

SECTION 6 - CAB

FIGURE 6-38. ENCLOSED CAB FRONT COVER



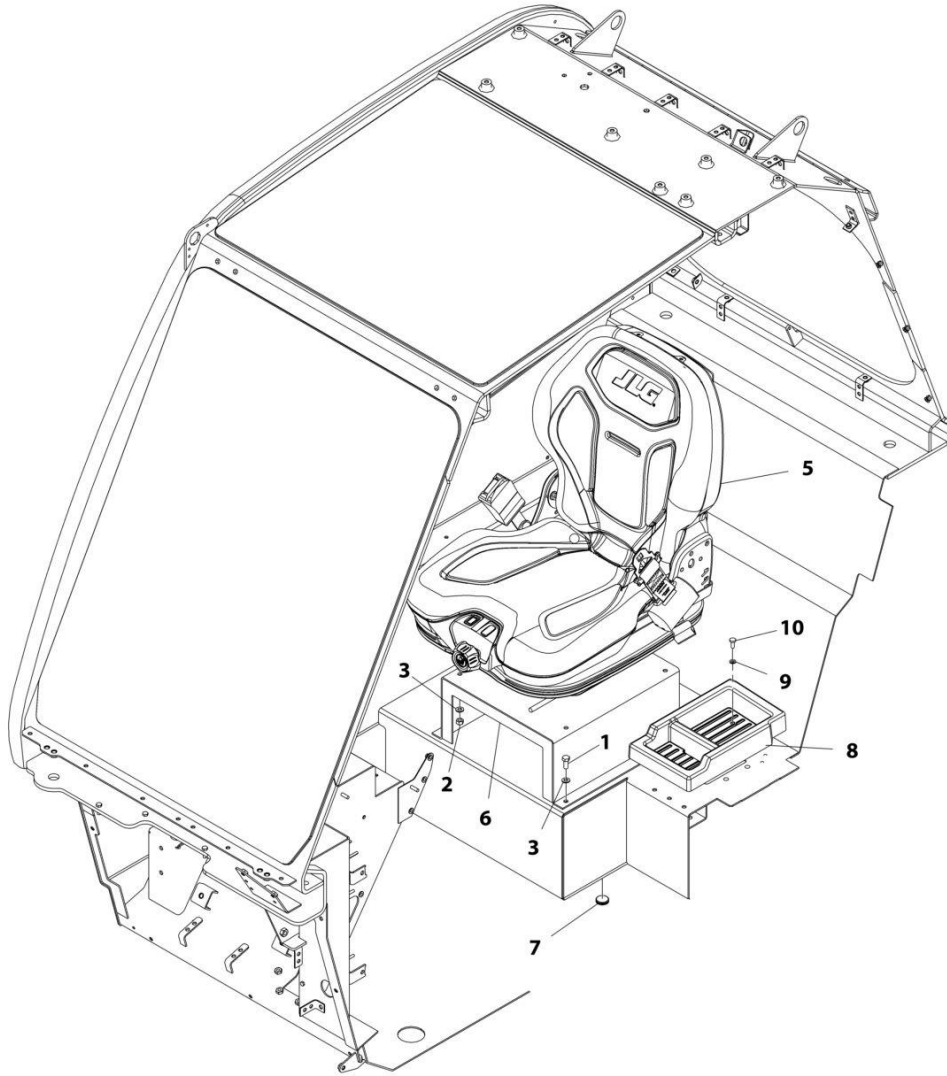
ART_1001229551-A

FIGURE 6-38. ENCLOSED CAB FRONT COVER

ITEM	PART NUMBER	QTY	DESCRIPTION	REV
	1001229551	Ref	Enclosed Cab Front Cover Installation	A
1	3900379	6	Screw, Socket Hd M6-1x100	
2	1001097540	6	Washer, M6	
3	1001229541	1	Cover, Front Cab	

SECTION 6 - CAB

FIGURE 6-39. SEAT INSTALLATION (ORANGE SEAT BELT)



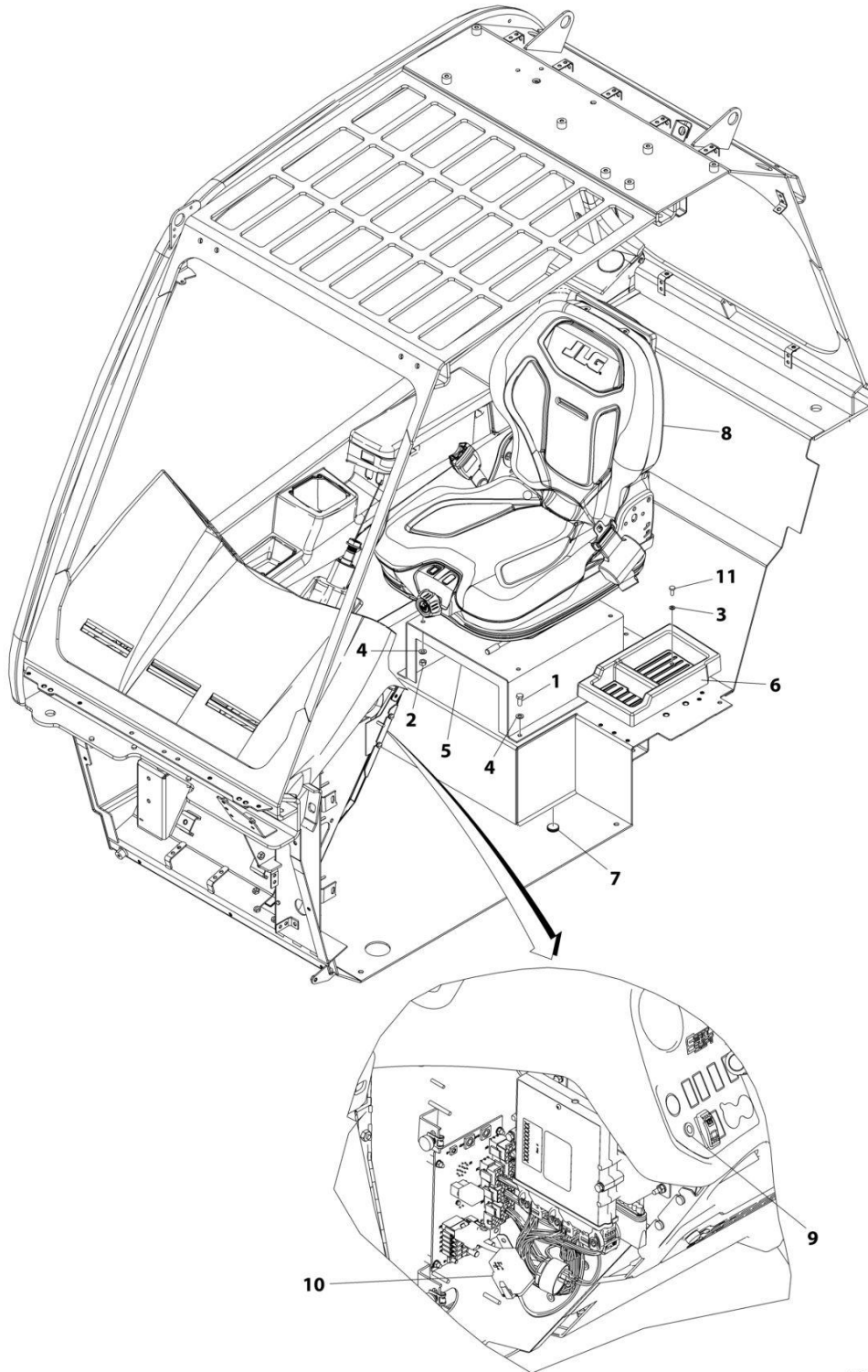
ART_1001164615-G

FIGURE 6-39. SEAT INSTALLATION (ORANGE SEAT BELT)

ITEM	PART NUMBER	QTY	DESCRIPTION	REV
	1001164615	Ref	Seat Installation	I
1	0760810	4	Bolt, M8X20	
2	3311505	4	Nut, Lock 5/16-18	
3	4811900	8	Washer, M8	
5	1001275929	1	Seat (See Separate Breakdown in this Section)	
6	1001164498	1	Plinth, Seat	
7	1001196076	1	Plug	
8	1001170515	1	Insert, Storage Tray	
9	4811700	1	Washer, M6	
10	4010608002	1	Screw, Posi-Drive, M6X16	

SECTION 6 - CAB

FIGURE 6-40. SEAT INSTALLATION - VINYL



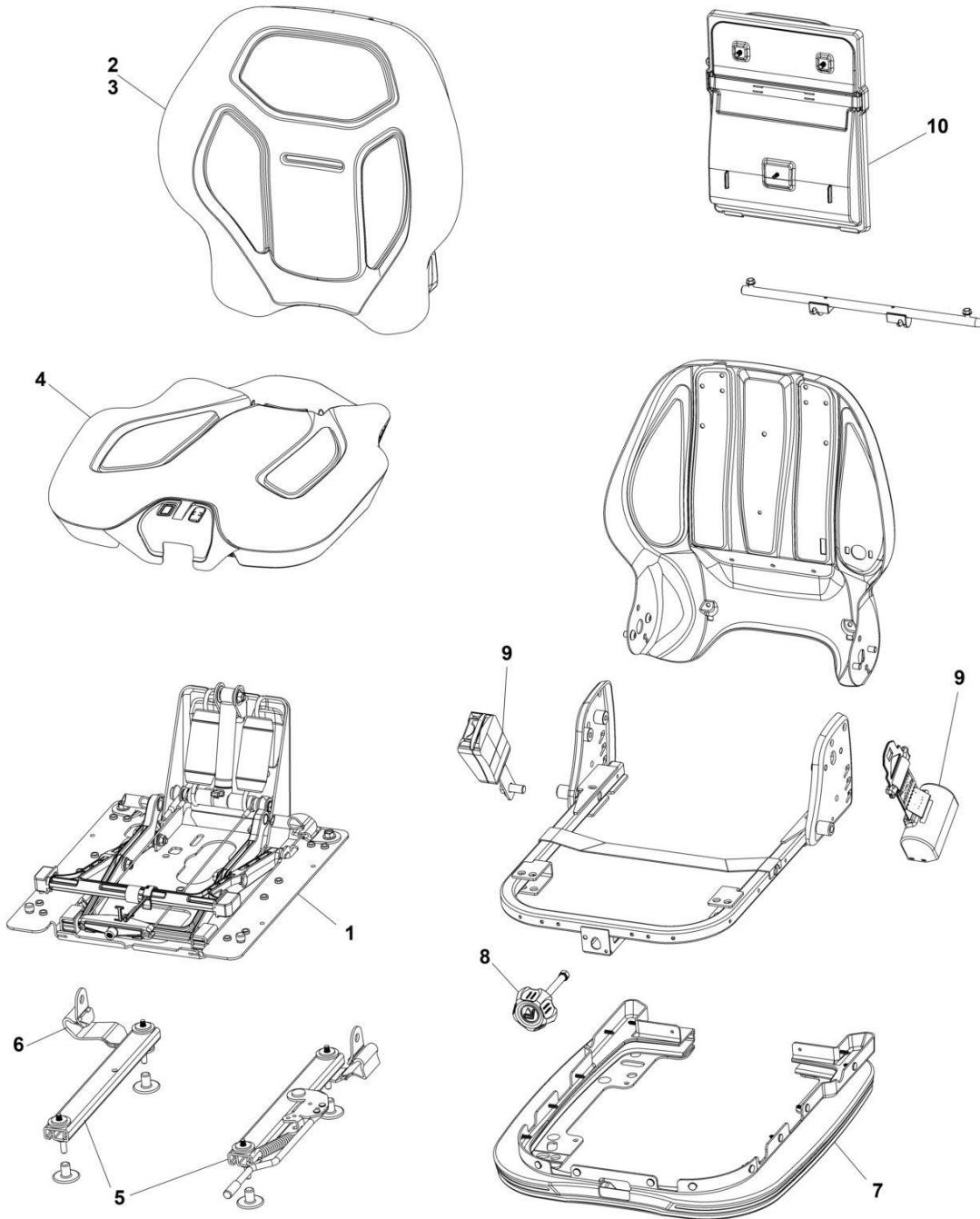
ART_1001268804_B

FIGURE 6-40. SEAT INSTALLATION - VINYL

ITEM	PART NUMBER	QTY	DESCRIPTION	REV
	1001268804	Ref	SEAT INSTALLATION - VINYL	B
1	0760810	1	Bolt M8 x 20	
2	3311505	1	Nut 5/16	
3	4811700	1	Washer M6	
4	4811900	1	Washer M8	
5	1001164498	1	Plinth, Seat	
6	1001170515	1	Insert, Storage Tray	
7	1001196076	1	Plug	
8	1001275931	1	Seat Assembly (See Separate Breakdown in this Section)	
9	1001266488	1	Light, Indicator - Red	
10	1001268744	1	Harness, Seat Belt Alarm (See Separate Breakdown in ELECTRICAL Section)	
11	4010608002	1	Screw M6 x 16	

SECTION 6 - CAB

FIGURE 6-41. SEAT (ORANGE SEAT BELT)



ART_1001275929

FIGURE 6-41. SEAT (ORANGE SEAT BELT)

ITEM	PART NUMBER	QTY	DESCRIPTION	REV
	1001275929	Ref	Seat Assembly	A
1	70027024	1	Suspension Kit	
2	70027026	1	Back Cushion Kit (JLG)	
3	70027027	1	Back Cushion Kit (CAT)	
4	70027028	1	Seat Cushion Kit	
5	7026798	1	Adjuster Kit	
6	70027032	1	Tether strap	
7	70027030	1	Boot Kit	
8	70027033	1	Weight Adjust Knob Kit	
9	1001275933	1	Seat Belt	
10	70027035	1	Document box Kit	

SECTION 6 - CAB

FIGURE 6-42. SEAT ASSEMBLY - VINYL



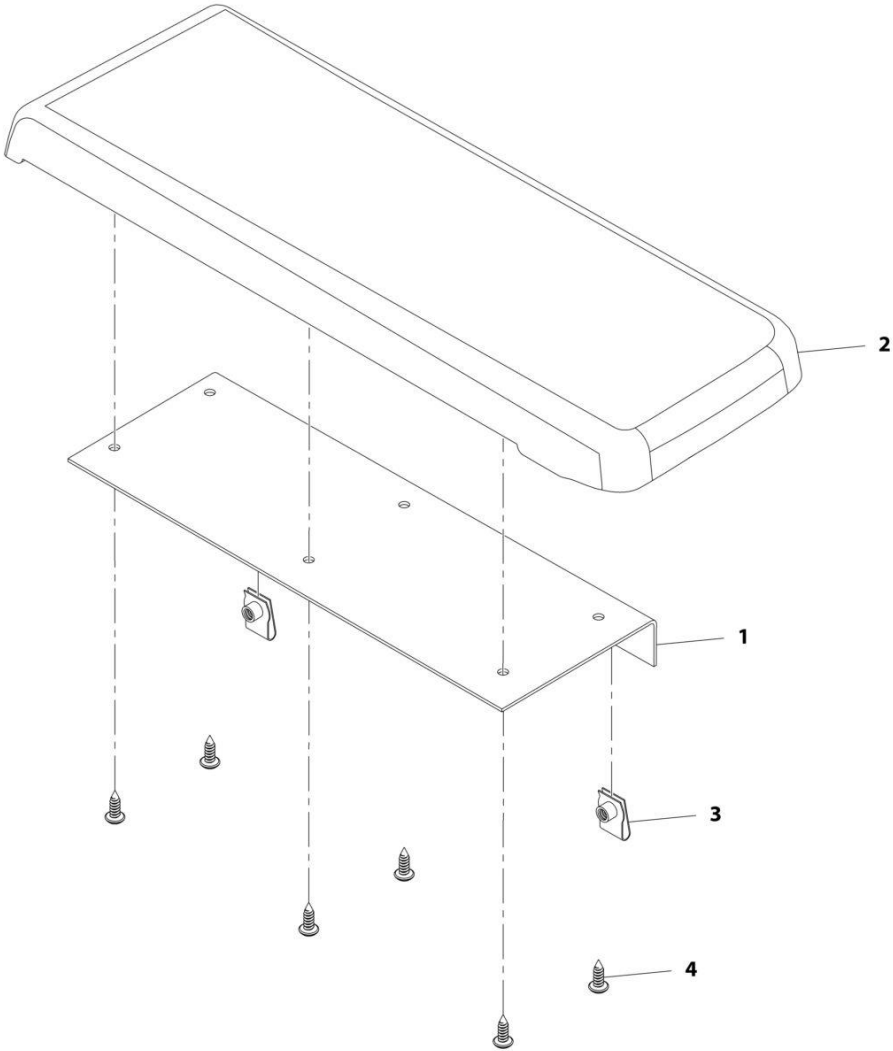
ART_1001275931

FIGURE 6-42. SEAT ASSEMBLY - VINYL

ITEM	PART NUMBER	QTY	DESCRIPTION	REV
	1001275931	Ref Ref	SEAT ASSEMBLY - VINYL Note: No Service Parts Available at Time of Printing	A

SECTION 6 - CAB

FIGURE 6-43. ARMREST



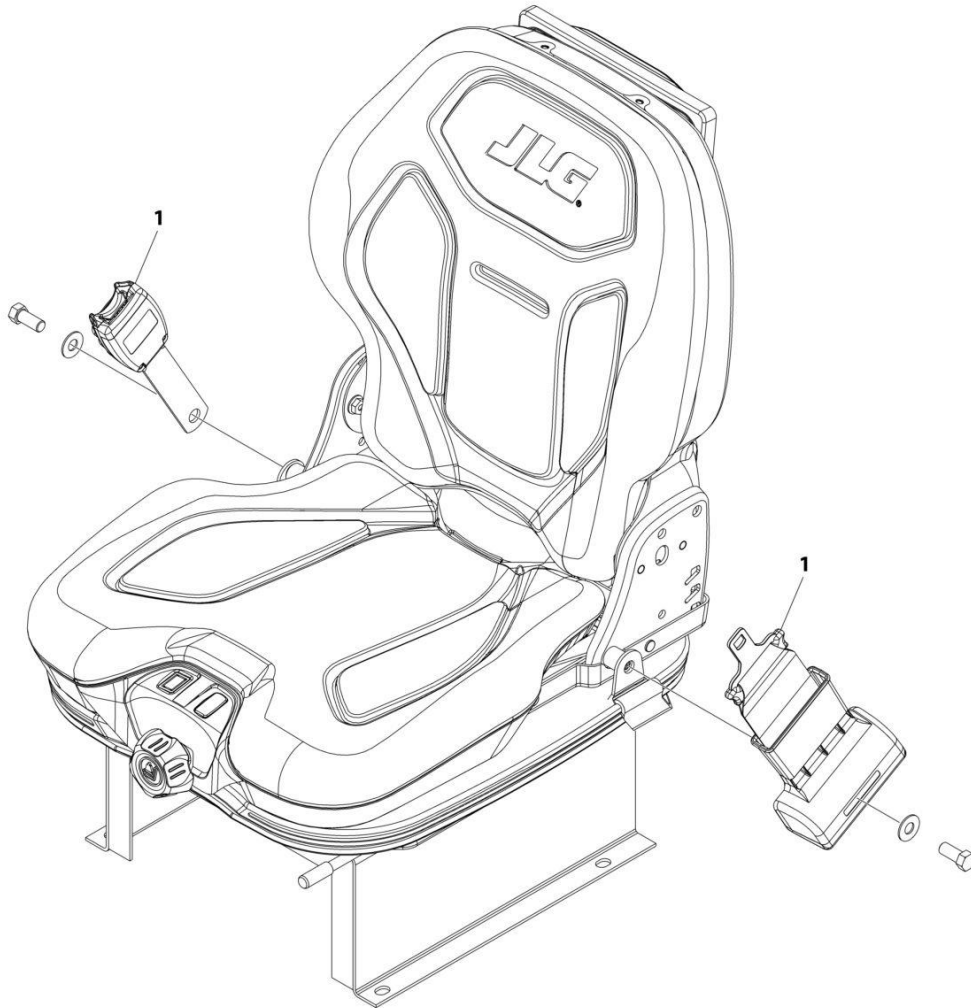
ART_1001161854-E

FIGURE 6-43. ARMREST

ITEM	PART NUMBER	QTY	DESCRIPTION	REV
	1001161854	Ref	Armrest Assembly	E
1	1001174581	1	Bracket	
2	1001179484	1	Arm Rest	
3	1001183550	2	Nut, Cage M5	
4	1001192240	6	Screw	

SECTION 6 - CAB

FIGURE 6-44. SEAT BELT INSTALLATION (3 INCH)



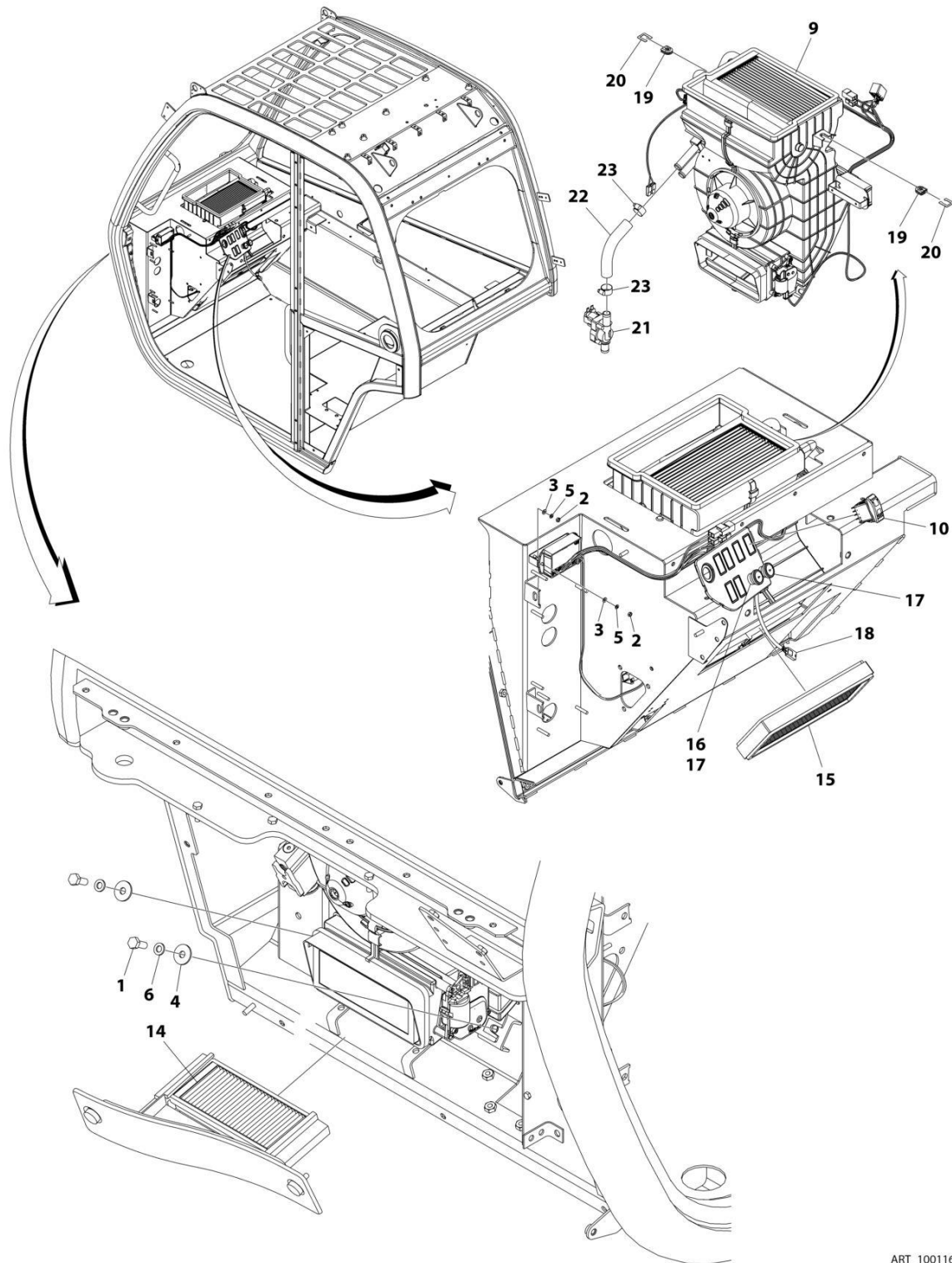
ART_1001258245

FIGURE 6-44. SEAT BELT INSTALLATION (3 INCH)

ITEM	PART NUMBER	QTY	DESCRIPTION	REV
	1001258245	Ref	Seat Belt Installation (3in Width)	B
1	1001258244	1	Seat Belt (3in) (Black Strap)	
1	1001275933	1	Seat Belt (3in) (Orange Strap)	

SECTION 6 - CAB

FIGURE 6-45. HEATER INSTALLATION



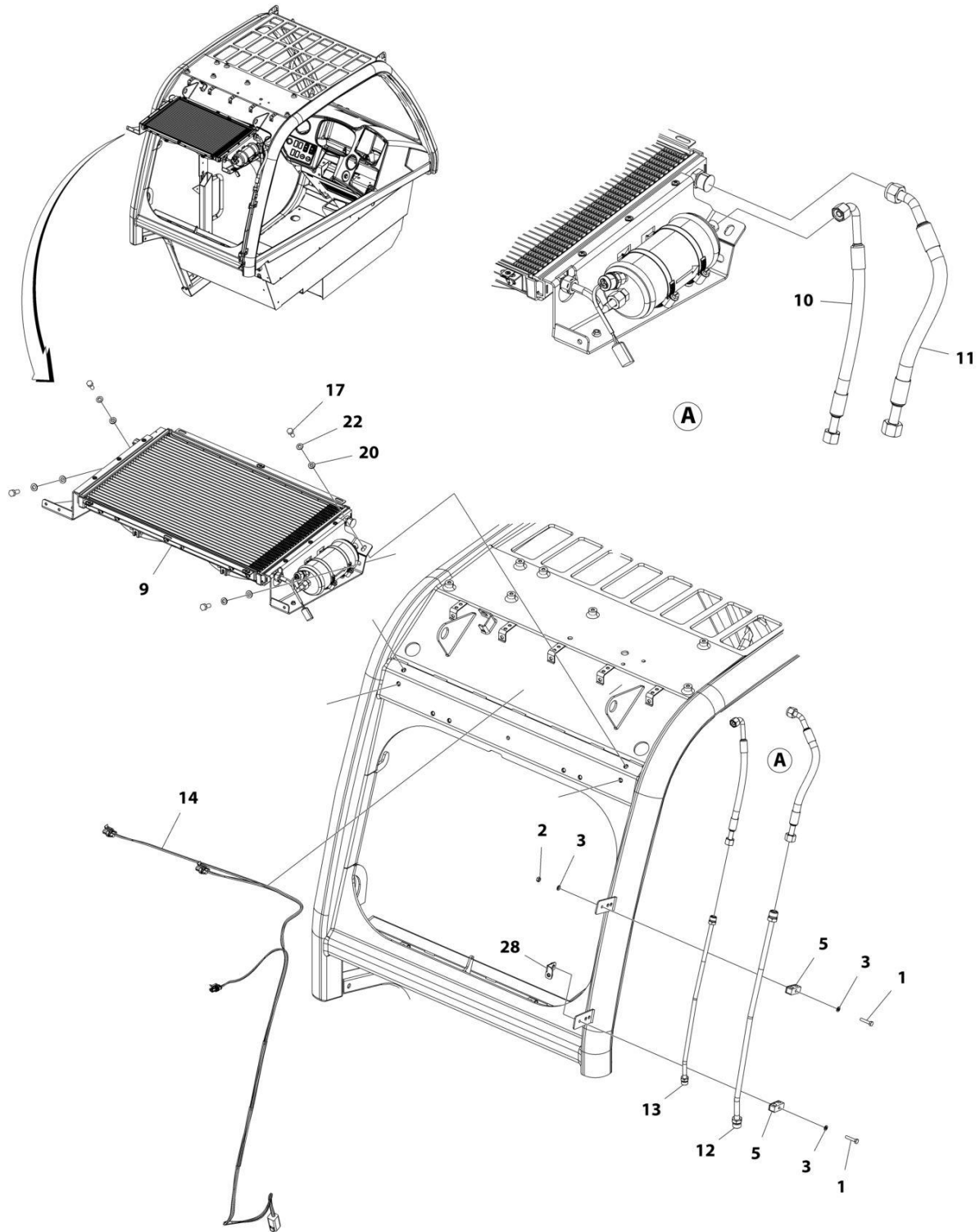
ART_1001160043-L

FIGURE 6-45. HEATER INSTALLATION

ITEM	PART NUMBER	QTY	DESCRIPTION	REV
	1001160043	Ref	HEATER INSTALLATION	L
1	0760810	2	Bolt M8 x 20	
2	3290401	4	Nut M4	
3	4811400	4	Washer M4	
4	4811902	2	Washer M8	
5	4831400	4	Washer M4	
6	4831900	2	Washer M8	
9	1001268827	1	Assembly, Heater (See Separate Breakdown in this Section)	
10	1001159925	1	Switch, HVAC Recycle	
14	1001218996	1	Filter, HVAC Air	
15	1001172553	1	Filter, HVAC Recirculation Air	
16	1001172547	1	Switch, HVAC Rotary 3 Speed	
17	1001172550	2	Knob, HVAC Control	
18	1001270976	1	Cable, HVAC	
19	1001188590	2	Grommet	
20	1001218542	2	Shim	
21	1001221059	1	Valve, Water	
22	1001221295	1	House	
23	8410009	2	Clamp	

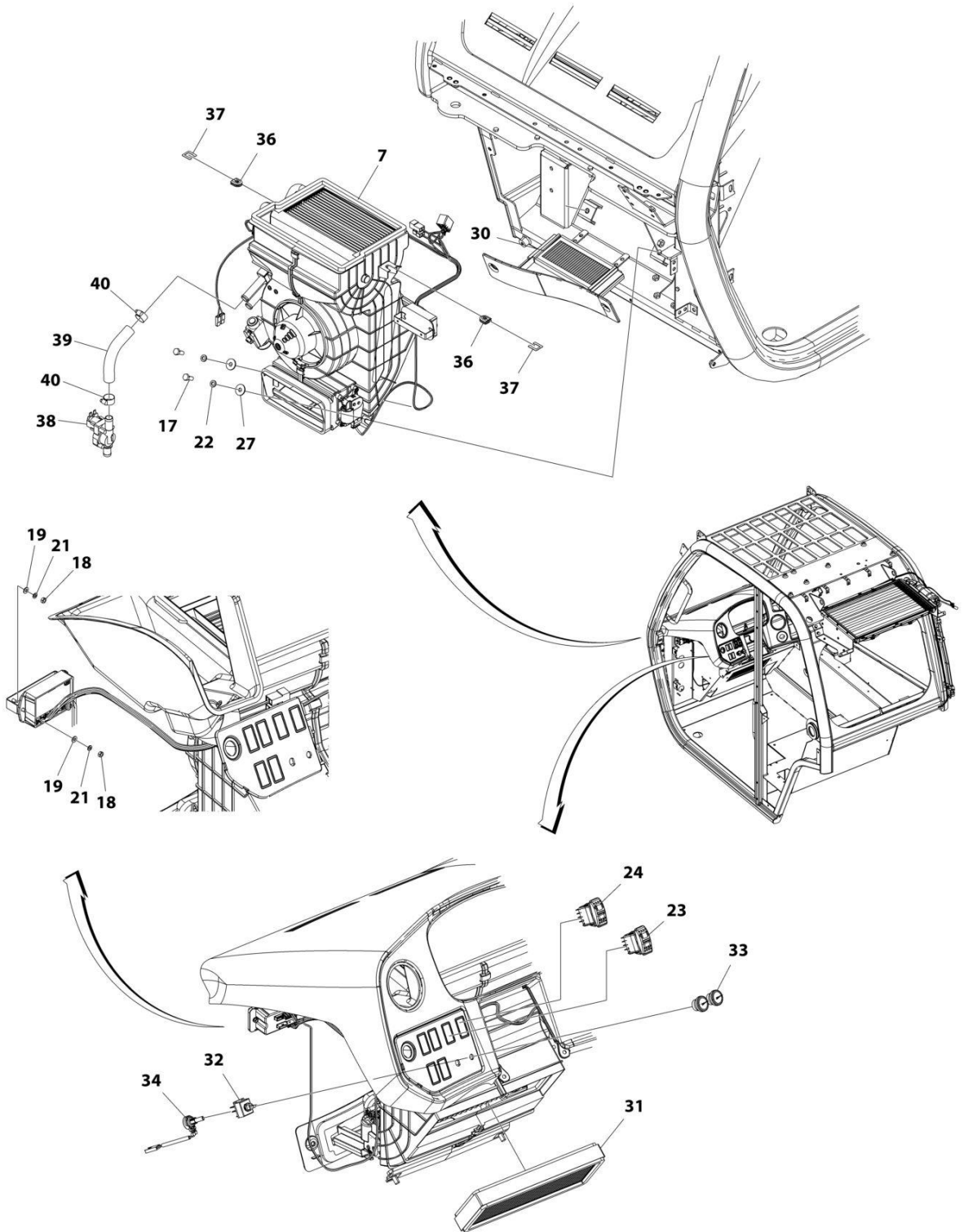
SECTION 6 - CAB

FIGURE 6-46. HEATER AND A/C INSTALLATION (CAB PARTS)



ART_1001160042_O_10F2

SECTION 6 - CAB



ART_1001160042_O_20F2

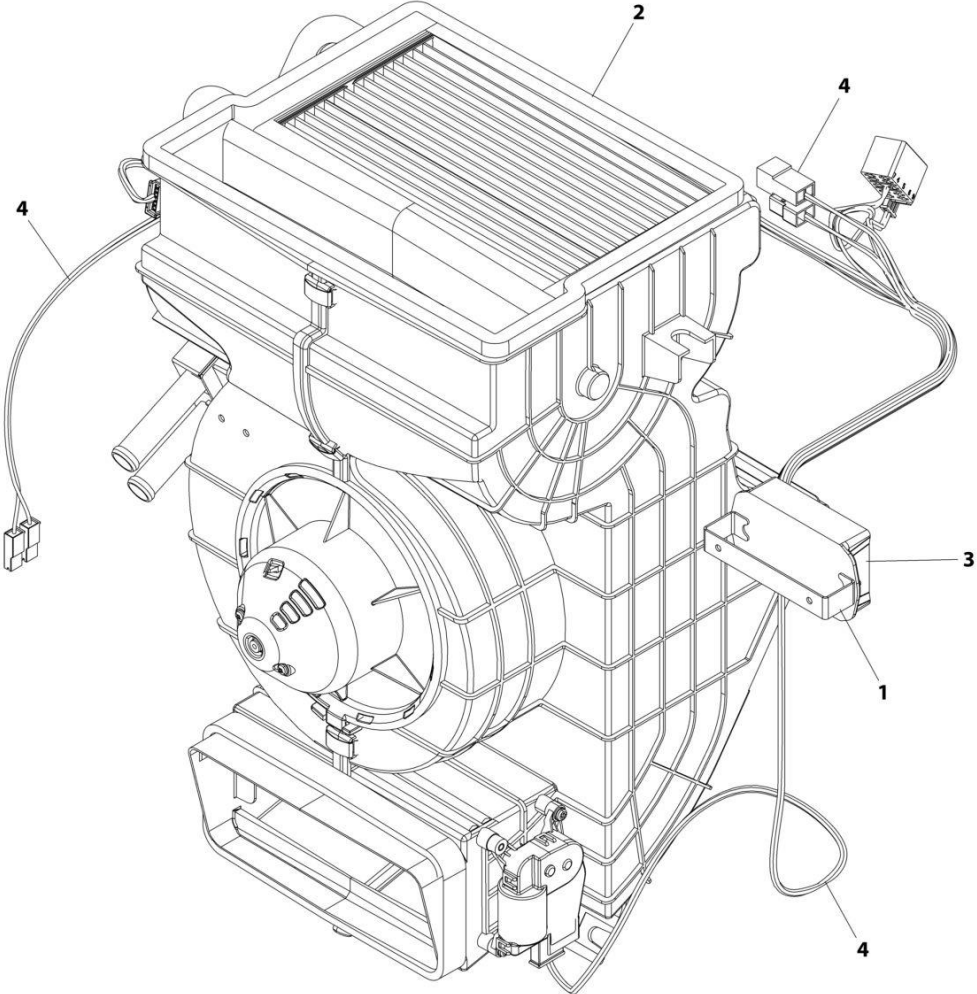
SECTION 6 - CAB

FIGURE 6-46. HEATER AND A/C INSTALLATION (CAB PARTS)

ITEM	PART NUMBER	QTY	DESCRIPTION	REV
	1001160042	Ref	HEATER AND A/C INSTALLATION (CAB PARTS)	O
1	0700614	2	Bolt M6 x 30	
2	3290601	1	Nut M6	
3	4811700	3	Washer M6	
5	1001145539	2	Support, Pipe	
7	1001268831	1	Assembly, Heater and A/C (See Separate Breakdown in this Section)	
9	1001162953	1	Assembly, Cab Condenser (See Separate Breakdown in this Section)	
10	1001168327	1	Hose	
11	1001168330	1	Hose	
12	1001168331	1	Tube	
13	1001168456	1	Tube	
14	1001169151	1	Harness, A/C Option (See Separate Breakdown in ELECTRICAL Section)	
17	0760810	6	Bolt M8 x 20 GR8.8	
18	3290401	4	Nut M4	
19	4811400	4	Washer M4	
20	4811900	4	Washer M8	
21	4831400	4	Washer M4	
22	4831900	6	Washer M8	
23	1001159925	1	Switch, HVAC Recycle	
24	1001160326	1	Switch, HVAC On/Off	
27	4811902	2	Washer M8	
28	1001178170	1	Bracket	
30	1001218996	1	Filter, HVAC Fresh Air	
31	1001172553	1	Filter, HVAC Air Recirculation	
32	1001172547	1	Switch, HVAC Rotary 3 Speed	
33	1001172550	2	Knob, HVAC Control	
34	1001270976	1	Cable, HVAC	
35	1320022	1	Clamp	
36	1001188590	2	Grommet	
37	1001218542	2	Shim	
38	1001221059	1	Valve, Water	
39	1001221295	1	Hose	
40	8410009	2	Clamp	

SECTION 6 - CAB

FIGURE 6-47. HEATER ASSEMBLY



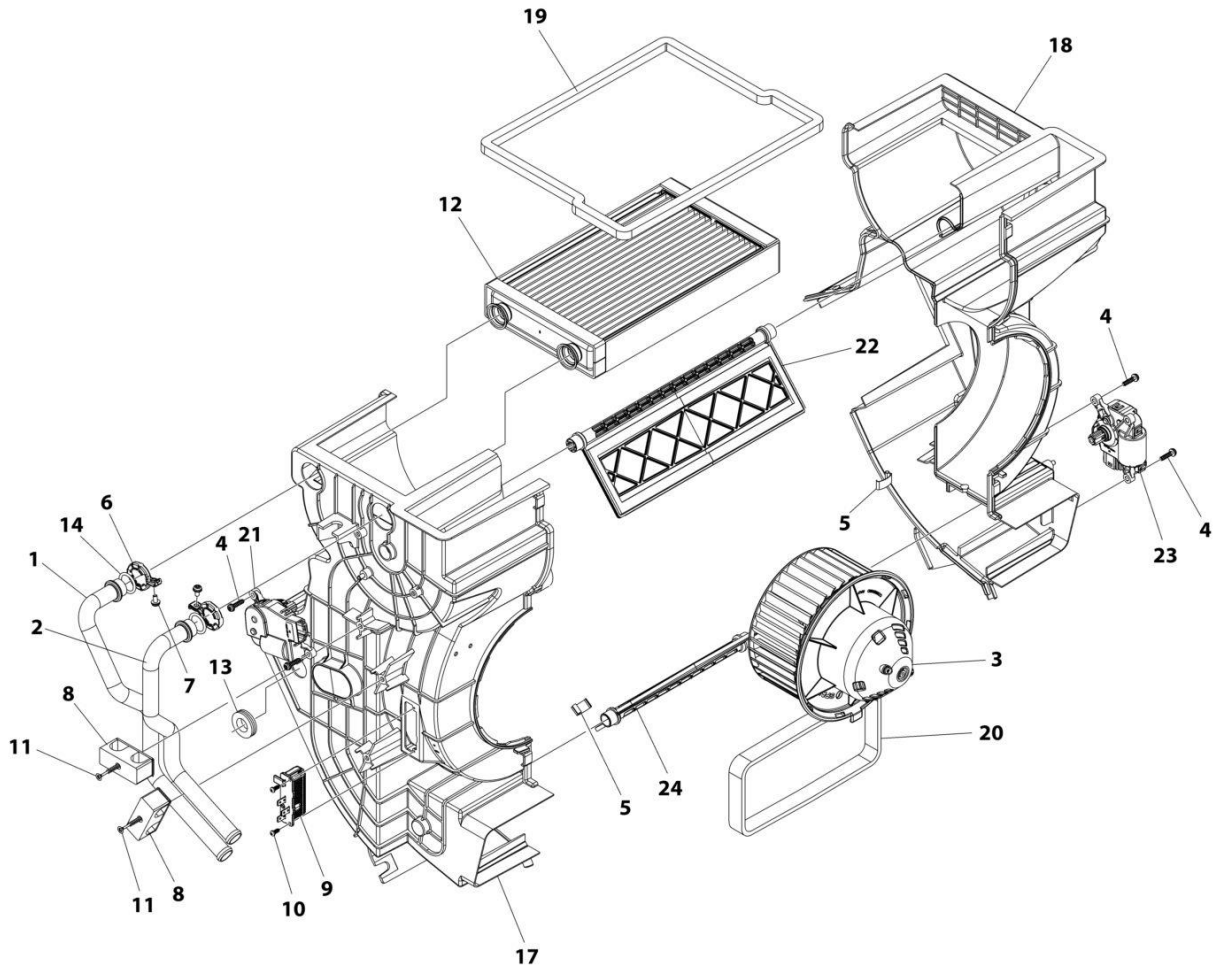
ART_1001268827

FIGURE 6-47. HEATER ASSEMBLY

ITEM	PART NUMBER	QTY	DESCRIPTION	REV
	1001268827	Ref	HEATER ASSEMBLY	B
1	1001264976	1	Bracket	
2	1001268828	1	Heater, Cab (See Separate Breakdown in this Section)	
3	1001268829	1	Actuator, HVAC Cab	
4	1001268830	1	Harness, HVAC Actuator (See Separate Breakdown in ELECTRICAL Section)	

SECTION 6 - CAB

FIGURE 6-48. HEATER ASSEMBLY



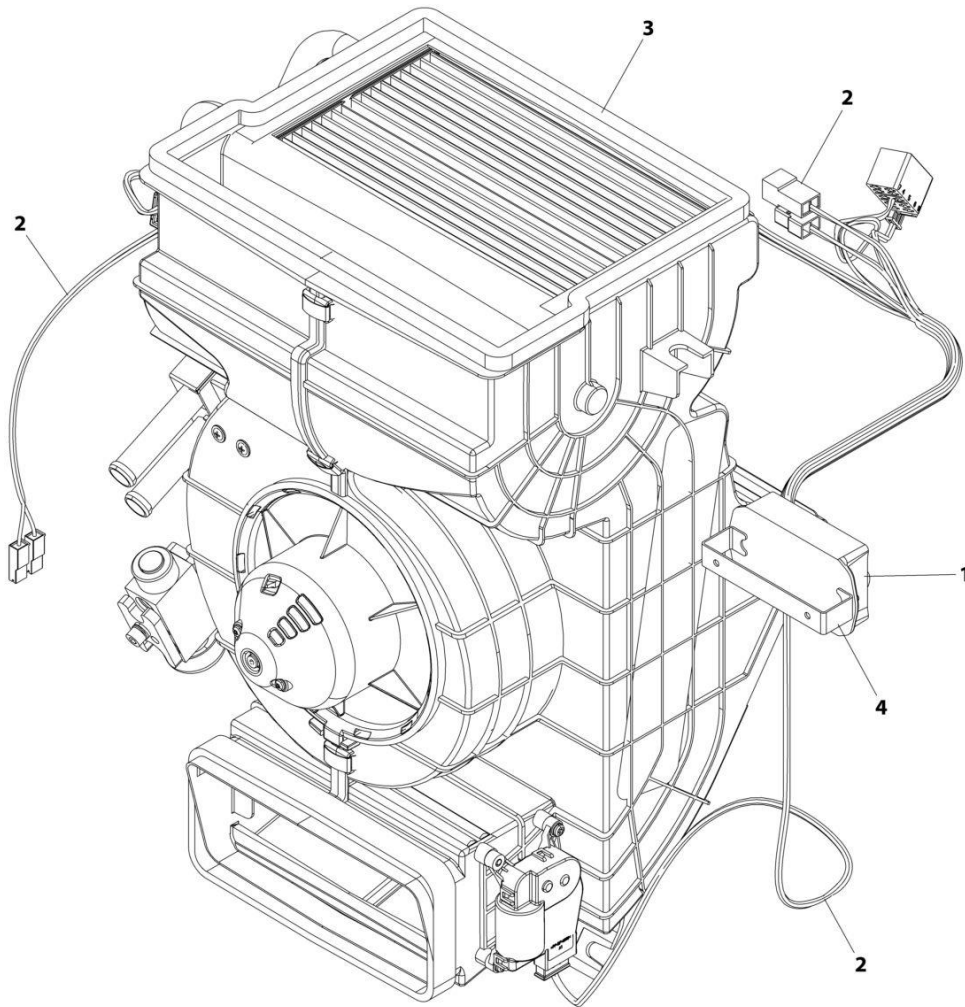
ART_1001268828

FIGURE 6-48. HEATER ASSEMBLY

ITEM	PART NUMBER	QTY	DESCRIPTION	REV
	1001268828	Ref	HEATER	B
1	1001184296	1	Pipe, Water	
2	1001184297	1	Pipe, Water	
3	1001188594	1	Fan, 12V	
4	1001188602	4	Screw	
5	1001188603	9	Clamp	
6	1001188604	2	Clamp	
7	1001188610	2	Screw	
8	1001188612	2	Clamp	
9	1001188614	1	Resistor	
10	1001188720	2	Screw	
11	1001188725	2	Screw	
12	1001188729	1	Radiator, Heater Core	
13	1001188733	1	Grommet	
14	1001189025	2	O-Ring	
17	1001269555	1	Housing, RH	
18	1001269556	1	Housing, LH	
19	1001269558	1	Foam, Air Outlet	
20	1001269559	1	Foam, Air Inlet	
21	1001269560	1	Actuator, Fresh/Recirculation Air	
22	1001269561	1	Flap, Mixing	
23	1001269563	1	Actuator, Fresh/Recirculation Air	
24	1001269564	1	Flap, HVAC Fresh	

SECTION 6 - CAB

FIGURE 6-49. HEATER AND A/C ASSEMBLY



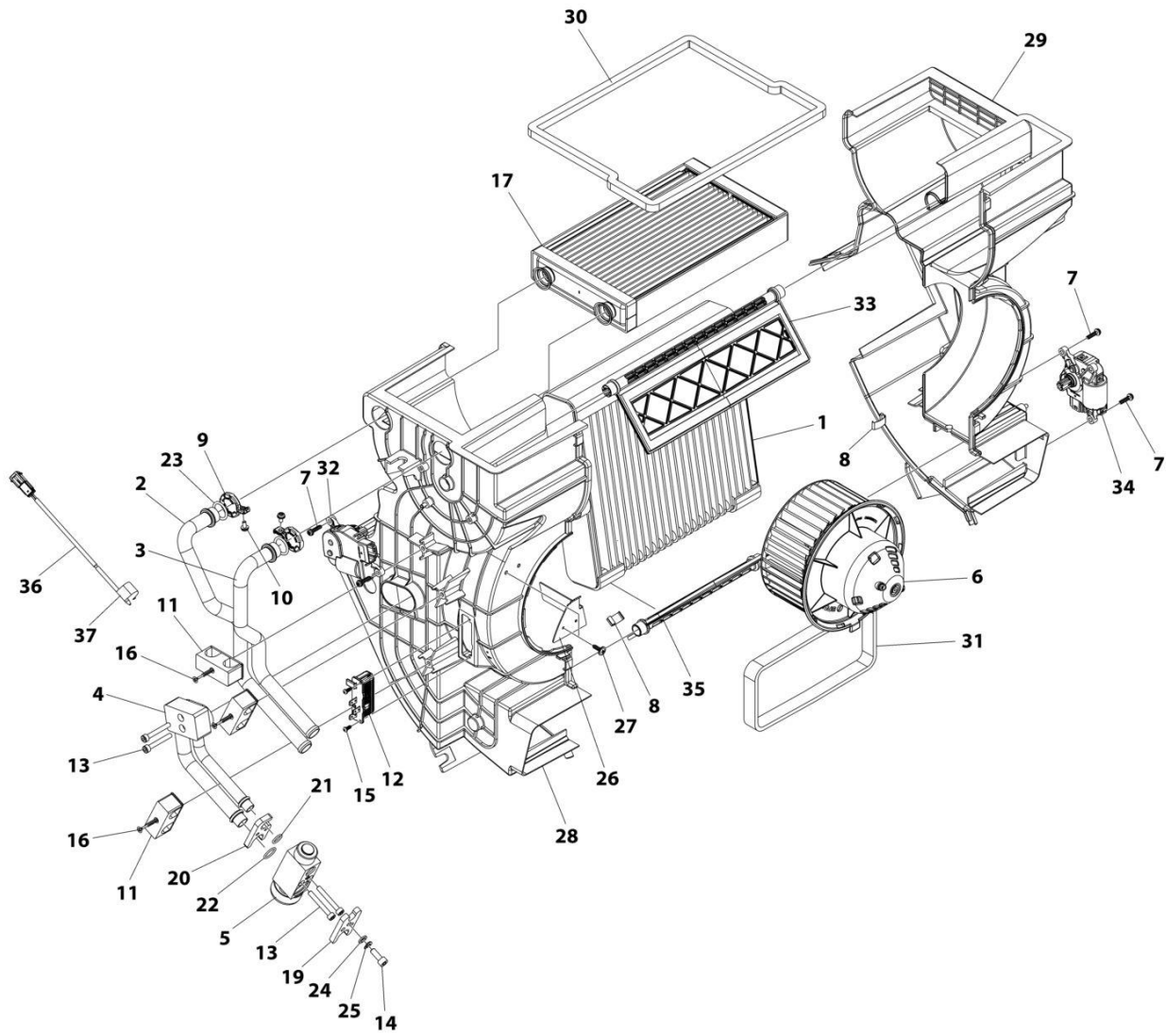
ART_1001268831

FIGURE 6-49. HEATER AND A/C ASSEMBLY

ITEM	PART NUMBER	QTY	DESCRIPTION	REV
	1001268831	Ref	HEATER AND A/C ASSEMBLY	B
1	1001268829	1	Actuator, HVAC Cab	
2	1001268830	1	Harness, HVAC Actuator (See Separate Breakdown in this Section)	
3	1001268832	1	Heater and A/C (See Separate Breakdown in this Section)	
4	1001264976	1	Bracket	

SECTION 6 - CAB

FIGURE 6-50. HEATER AND A/C ASSEMBLY



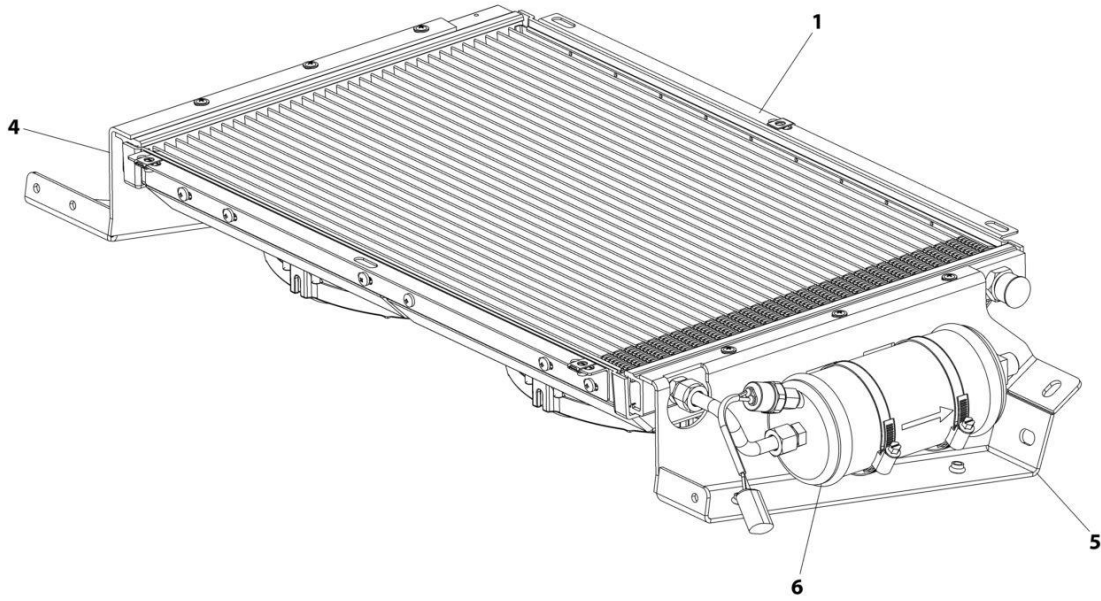
ART_1001268832

FIGURE 6-50. HEATER AND A/C ASSEMBLY

ITEM	PART NUMBER	QTY	DESCRIPTION	REV
	1001268832	Ref	HEATER AND A/C	B
1	1001184280	1	Evaporator, Heater	
2	1001184296	1	Pipe, Heater Water	
3	1001184297	1	Pipe, Heater Water	
4	1001184427	1	Pipe, Heater	
5	1001188592	1	Valve, HVAC Expansion	
6	1001188594	1	Fan, HVAC Centrifugal 12V	
7	1001188602	4	Screw M4	
8	1001188603	9	Clamp, HVAC Case	
9	1001188604	2	Clamp, HVAC Pipe	
10	1001188610	2	Screw M4	
11	1001188612	3	Clamp, Pipe	
12	1001188614	1	Resistor	
13	1001188618	4	Screw M5	
14	1001188619	1	Screw M6	
15	1001188720	2	Screw M2.9 x 9.5	
16	1001188725	3	Screw M4 x 35	
17	1001188729	1	Radiator, Heater Core	
19	1001188817	1	Clamp, Hose	
20	1001188818	1	Clamp, HVAC EVAP/Valve	
21	1001189023	1	O-Ring	
22	1001189024	1	O-Ring	
23	1001189025	2	O-Ring	
24	1001189048	1	Washer	
25	1001189054	1	Washer, Spring	
26	1001221057	1	Plate	
27	1001221058	2	Screw	
28	1001269555	1	Housing, HVAC RH	
29	1001269556	1	Housing, HVAC LH	
30	1001269558	1	Seal, Heater Outlet Foam	
31	1001269559	1	Seal, Air Inlet Foam	
32	1001269560	1	Actuator, Hot/Cold Mixing	
33	1001269561	1	Foam, Heater Mixing Flap	
34	1001269563	1	Actuator, Fresh/Recirculation Air	
35	1001269564	1	Foam, Heater Mixing Flap	
36	1001269578	1	Temperature Sensor	
37	1001269579	1	Clamp, Temperature Sensor	

SECTION 6 - CAB

FIGURE 6-51. CAB CONDENSER ASSEMBLY



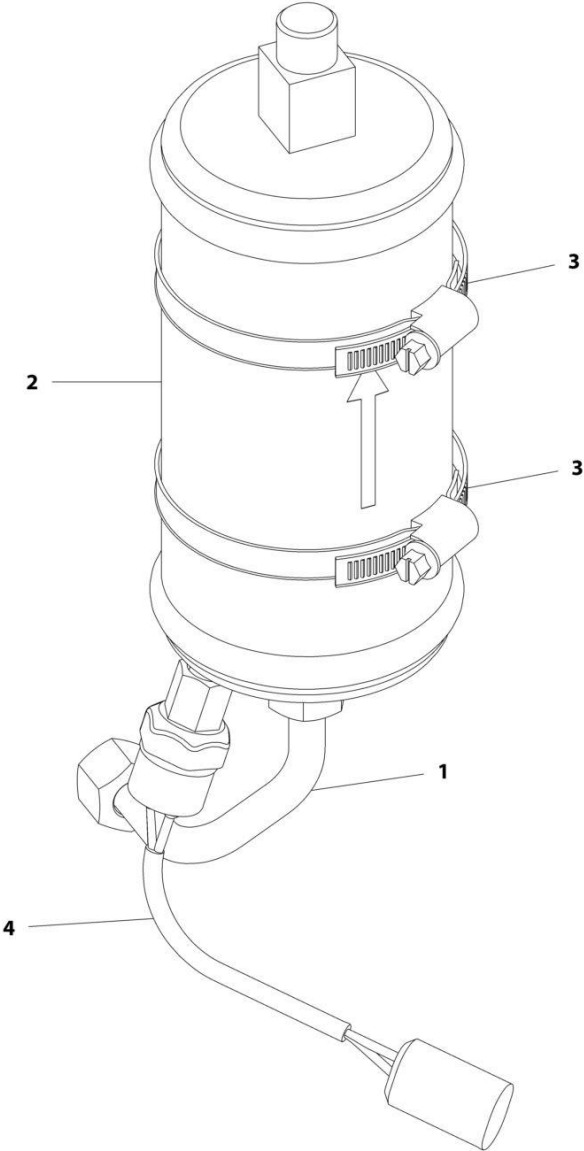
ART_1001162953

FIGURE 6-51. CAB CONDENSER ASSEMBLY

ITEM	PART NUMBER	QTY	DESCRIPTION	REV
	1001162953	Ref	Cab Condenser Assembly	G
1	1001167266	1	Condenser (See Separate Breakdown in this Section)	
4	1001179080	1	Bracket	
5	1001179081	1	Bracket	
6	1001179130	1	Drier, A/C Receiver (See Separate Breakdown in this Section)	

SECTION 6 - CAB

FIGURE 6-52. A/C RECEIVER DRIER



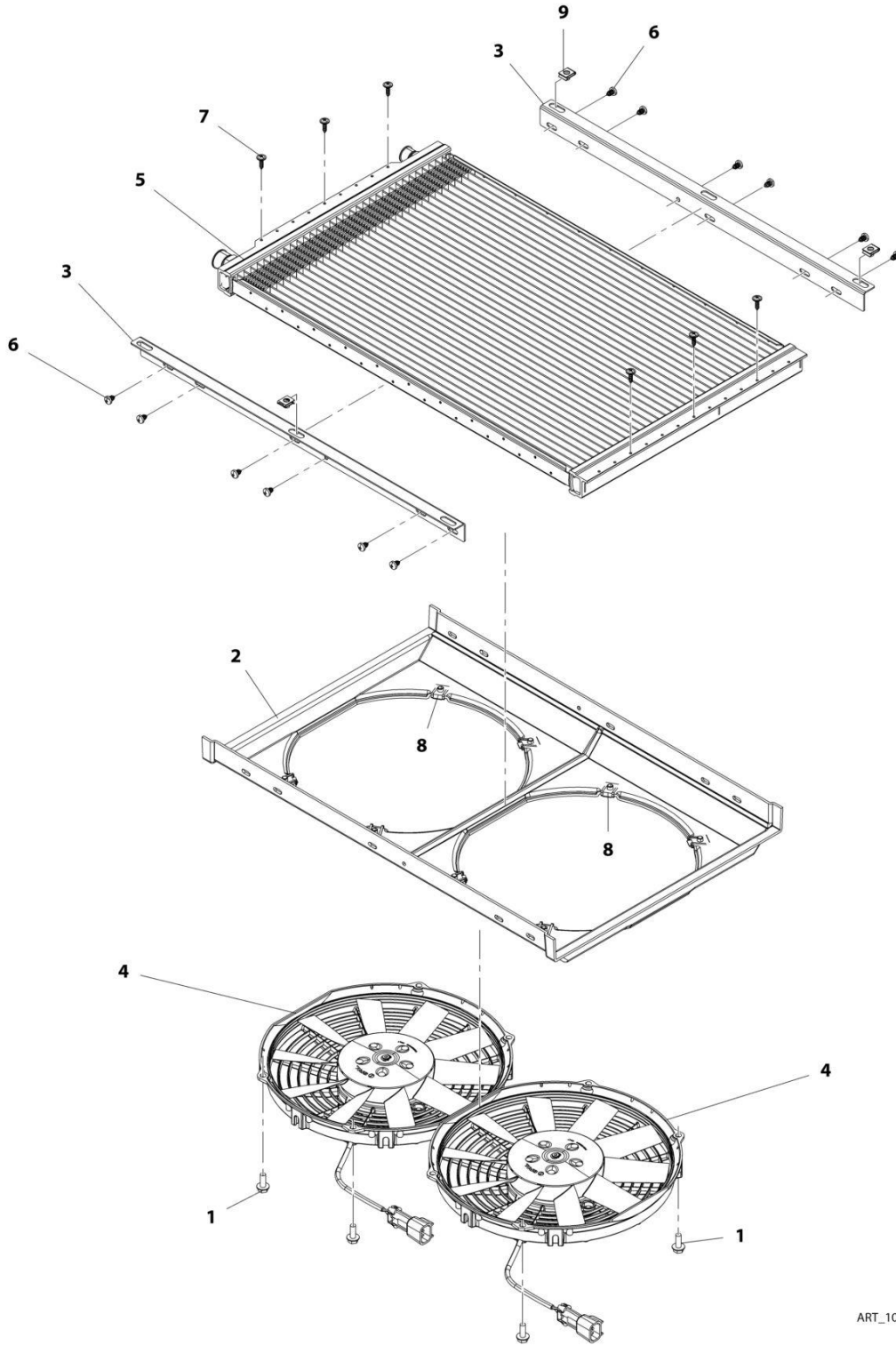
ART_1001179130-B

FIGURE 6-52. A/C RECEIVER DRIER

ITEM	PART NUMBER	QTY	DESCRIPTION	REV
	1001179130	Ref	A/C Receiver Drier	B
1	1001184403	1	Tube, Heater	
2	1001184404	1	Receiver, Heater Drier	
3	1001184405	2	Clamp	
4	1001184406	1	Connector, Heater	

SECTION 6 - CAB

FIGURE 6-53. CONDENSER



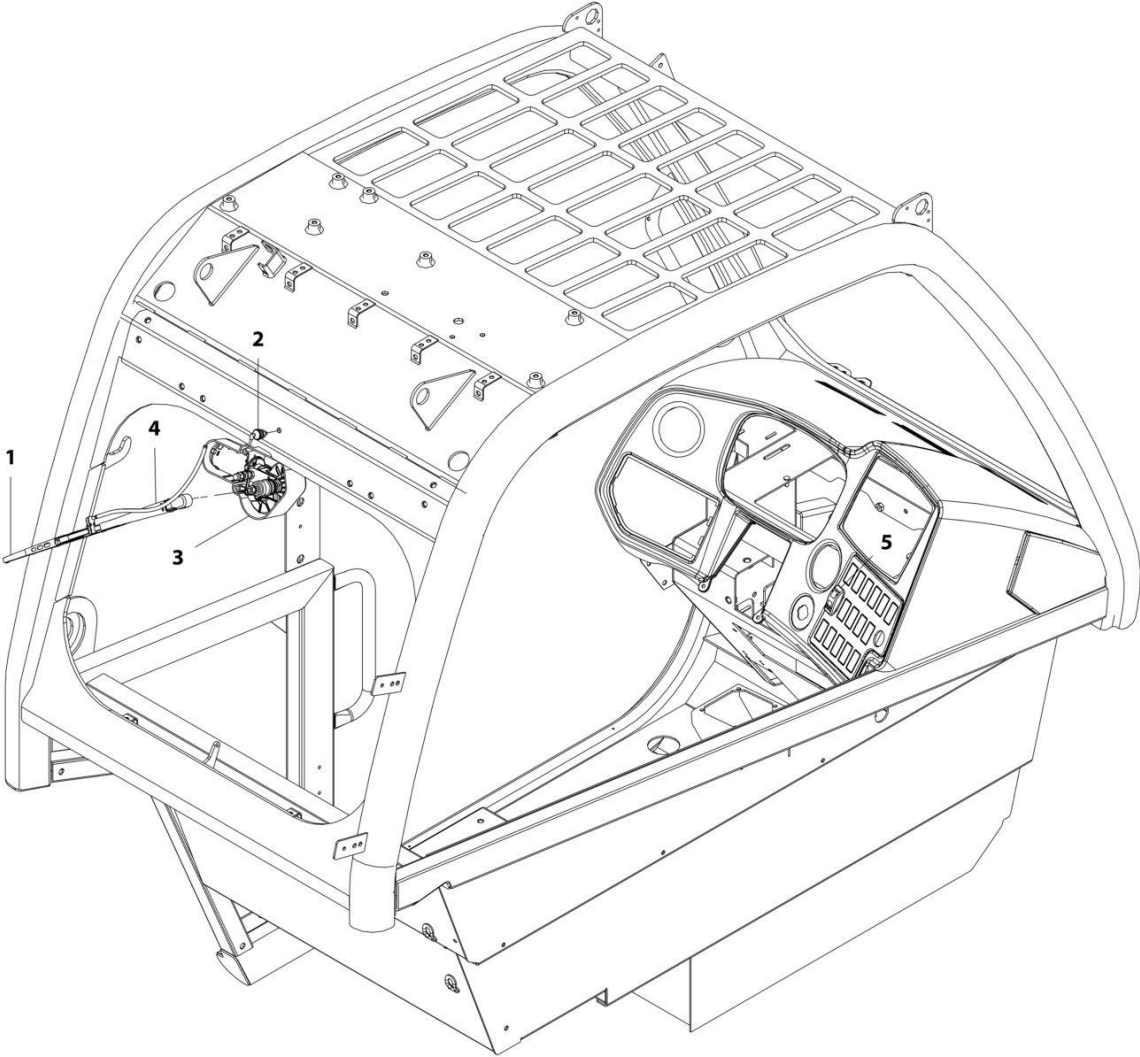
ART_1001167266-C

FIGURE 6-53. CONDENSER

ITEM	PART NUMBER	QTY	DESCRIPTION	REV
	1001167266	Ref	Condenser	C
1	5250608	8	Bolt, M6X16	
2	1001195342	1	Bracket, Condenser Fan Mount	
3	1001195343	2	Support, Condenser	
4	1001195345	2	Fan, Condenser	
5	1001195346	1	Condenser	
6	1001195385	12	Screw, M3.9X9.5	
7	1001195386	6	Screw, M4.2X16	
8	1001195437	8	Clip, M6X1	
9	1001195438	3	Clip, M6X1	

SECTION 6 - CAB

FIGURE 6-54. REAR WIPER INSTALLATION



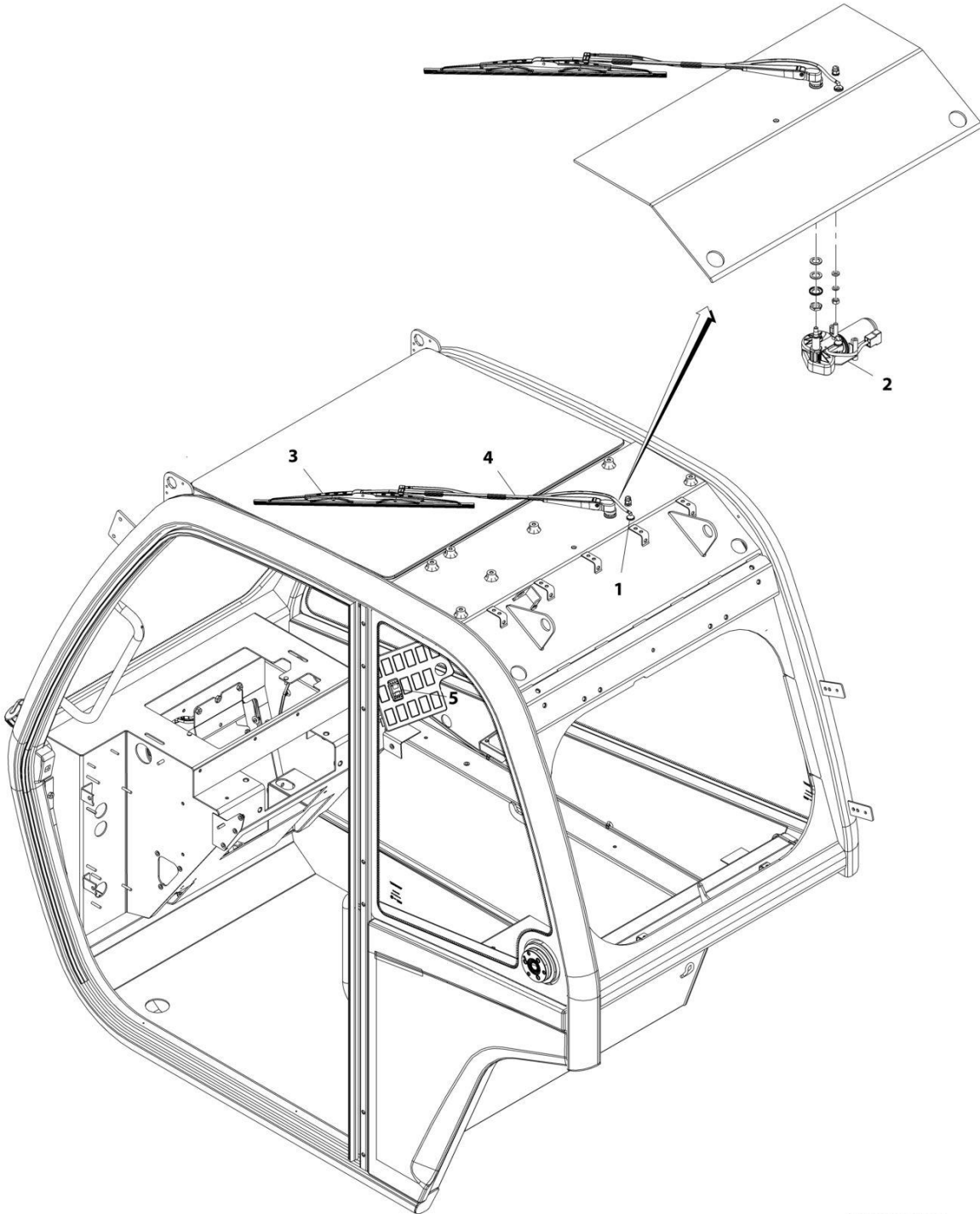
ART_1001176164-B

FIGURE 6-54. REAR WIPER INSTALLATION

ITEM	PART NUMBER	QTY	DESCRIPTION	REV
	1001176164	Ref	Rear Wiper Installation	C
1	4807718	1	Blade, Wiper	
3	1001139552	1	Motor, Rear Wiper Window	
4	1001141312	1	Arm, Rear Window Wiper Blade	
5	1001159735	1	Switch, Rear Wiper	

SECTION 6 - CAB

FIGURE 6-55. ROOF WIPER INSTALLATION



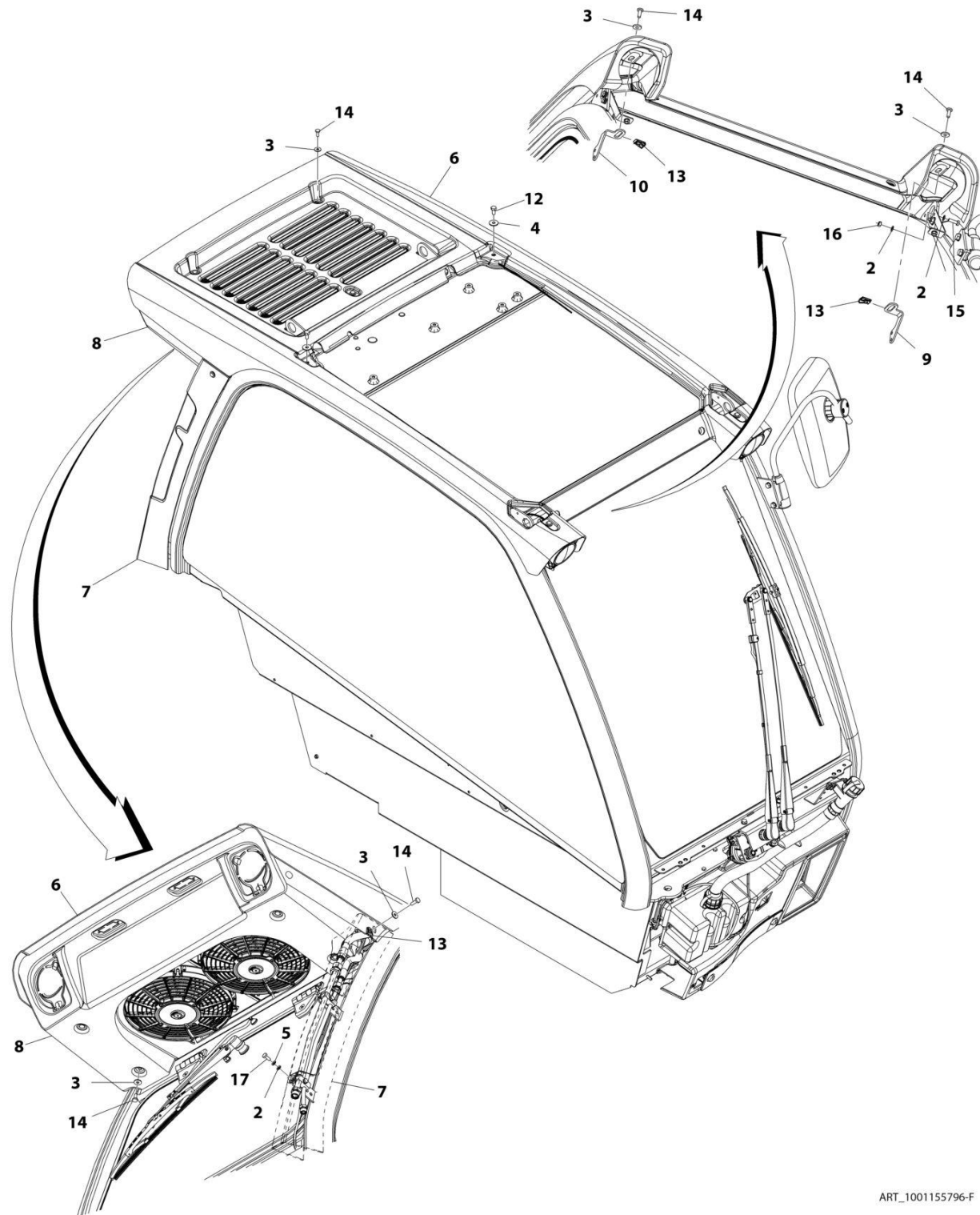
ART_1001155486-B

FIGURE 6-55. ROOF WIPER INSTALLATION

ITEM	PART NUMBER	QTY	DESCRIPTION	REV
	1001155486	Ref	Roof Wiper Installation	B
1	1001090343	1	Connector	
2	1001139551	1	Motor, Roof Wiper	
3	1001141313	1	Blade, Roof Wiper	
4	1001141311	1	Arm, Roof Wiper Blade	
5	1001159736	1	Switch, Roof Wiper	

SECTION 6 - CAB

FIGURE 6-56. ROOF CAP INSTALLATION (A/C)



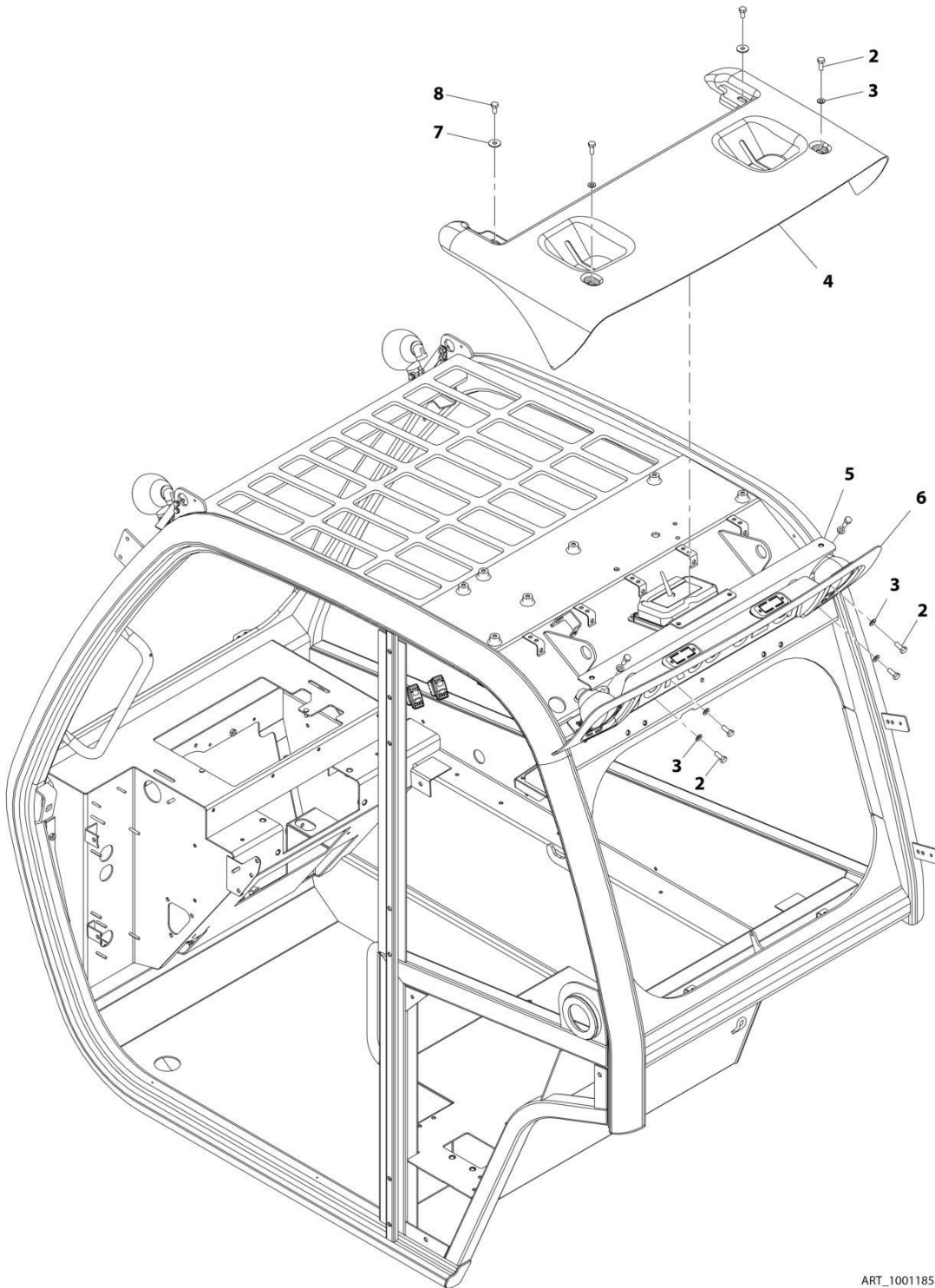
ART_1001155796-F

FIGURE 6-56. ROOF CAP INSTALLATION (A/C)

ITEM	PART NUMBER	QTY	DESCRIPTION	REV
	1001155796	Ref	Roof Cap Installation (A/C) (Construction)	F
2	4811700	9	Washer, M6	
3	4811702	10	Washer, M6	
4	4811902	2	Washer, M8	
5	4831700	1	Washer, Lock M6	
6	1001155800	1	Cover, Upper Roof Cap	
7	1001174741	1	Cover	
8	1001214156	1	Cover, Lower Roof Cap	
9	1001174800	1	Bracket, Roof Cap	
10	1001174801	1	Bracket, Roof Cap	
12	0760808	2	Bolt, M8X16	
13	8305919	3	Nut, M6	
14	4010610002	10	Screw, Posi-Drive M6X20	
15	0700610	4	Bolt, M6X20	
16	3290601	4	Nut, M6X1	
17	4010608002	1	Screw, Posi-Drive, M6X16	

SECTION 6 - CAB

FIGURE 6-57. ROOF CAP INSTALLATION (NO A/C)



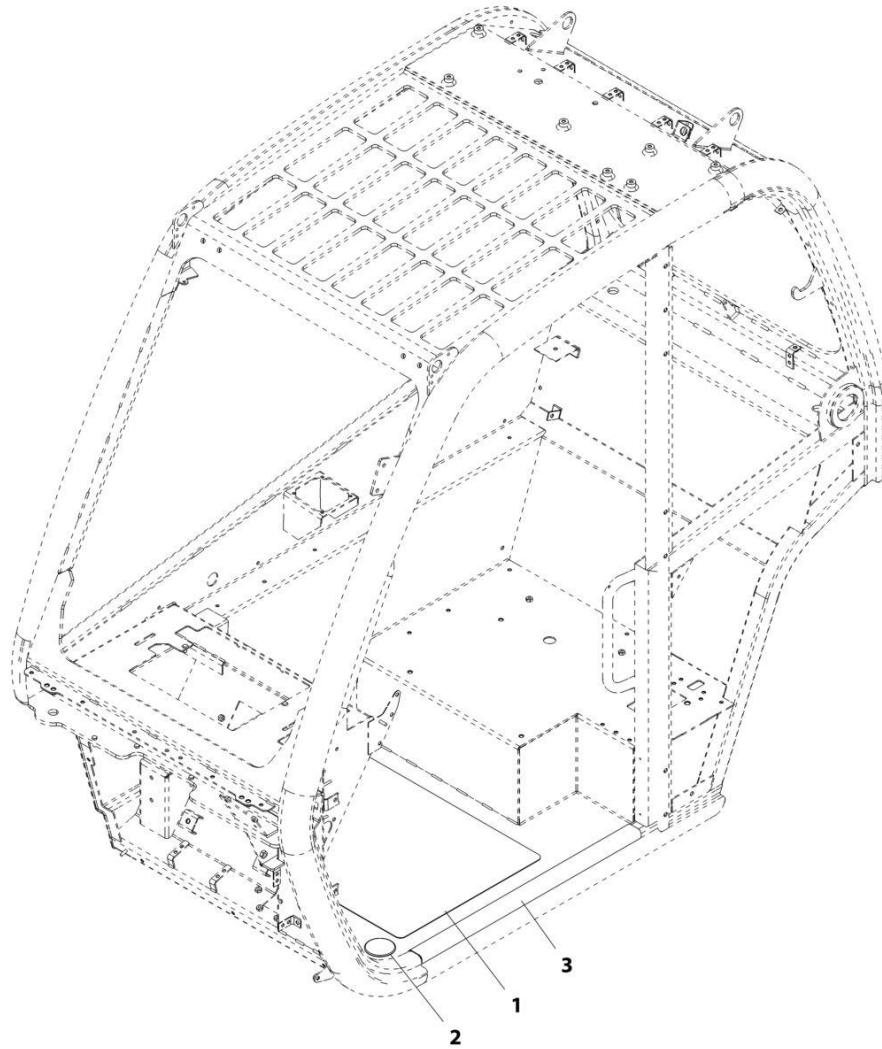
ART_1001185846-D

FIGURE 6-57. ROOF CAP INSTALLATION (NO A/C)

ITEM	PART NUMBER	QTY	DESCRIPTION	REV
	1001185846	Ref	Roof Cap Installation (No A/C)	D
2	0760810	8	Bolt, M8X20	
3	4811900	8	Washer, M8	
4	1001182328	1	Cover, Short Upper Roof Cap	
5	1001185633	1	Bracket	
6	1001214535	2	Cover, Short Lower Roof Cap	
7	4811902	2	Washer, M8	
8	0760808	2	Bolt, M8X16	

SECTION 6 - CAB

FIGURE 6-58. NON SKID TAPE INSTALLATION



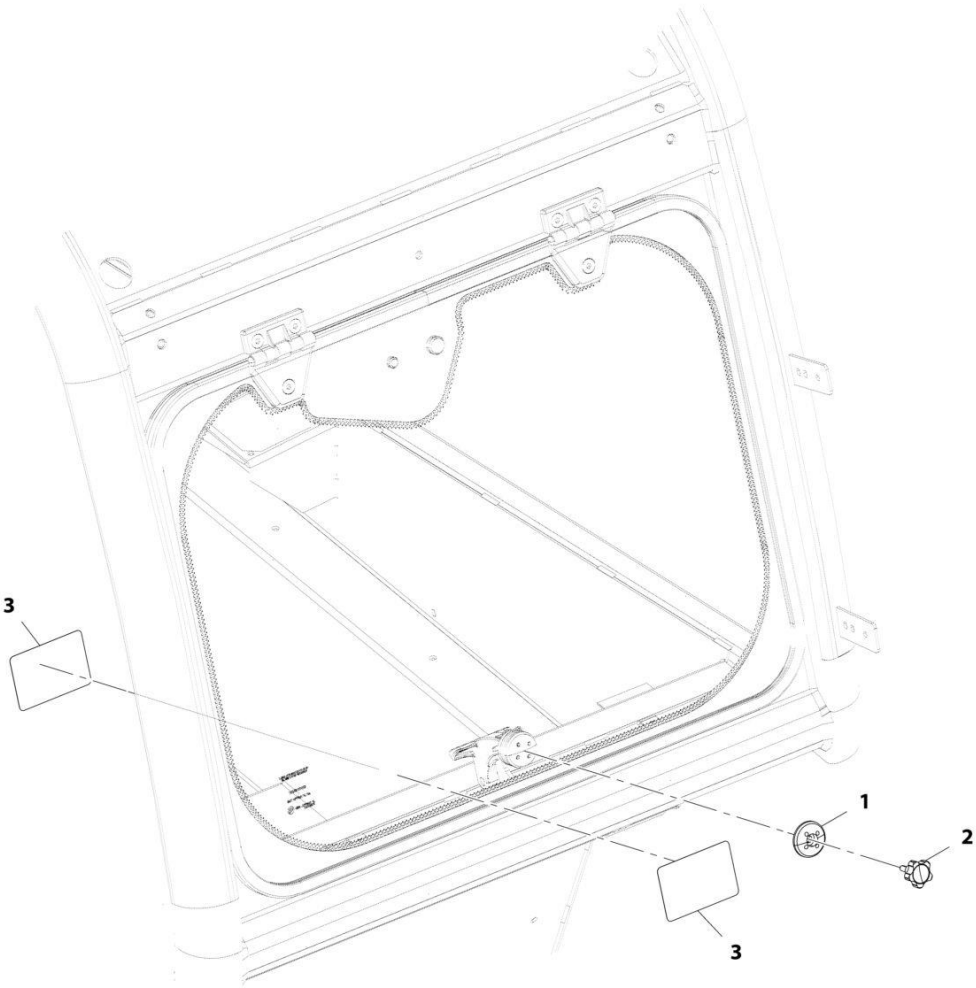
ART_1001197219-B

FIGURE 6-58. NON SKID TAPE INSTALLATION

ITEM	PART NUMBER	QTY	DESCRIPTION	REV
	1001197219	Ref	Non Skid Tape Installation	B
1	1001197217	1	Tape, Non Skid Floor	
2	1001197218	1	Grommet	
3	1001197259	1	Tape, Non Skid Frame	

SECTION 6 - CAB

FIGURE 6-59. EXTERNAL WINDOW RELEASE INSTALLATION (CAN & ISO)



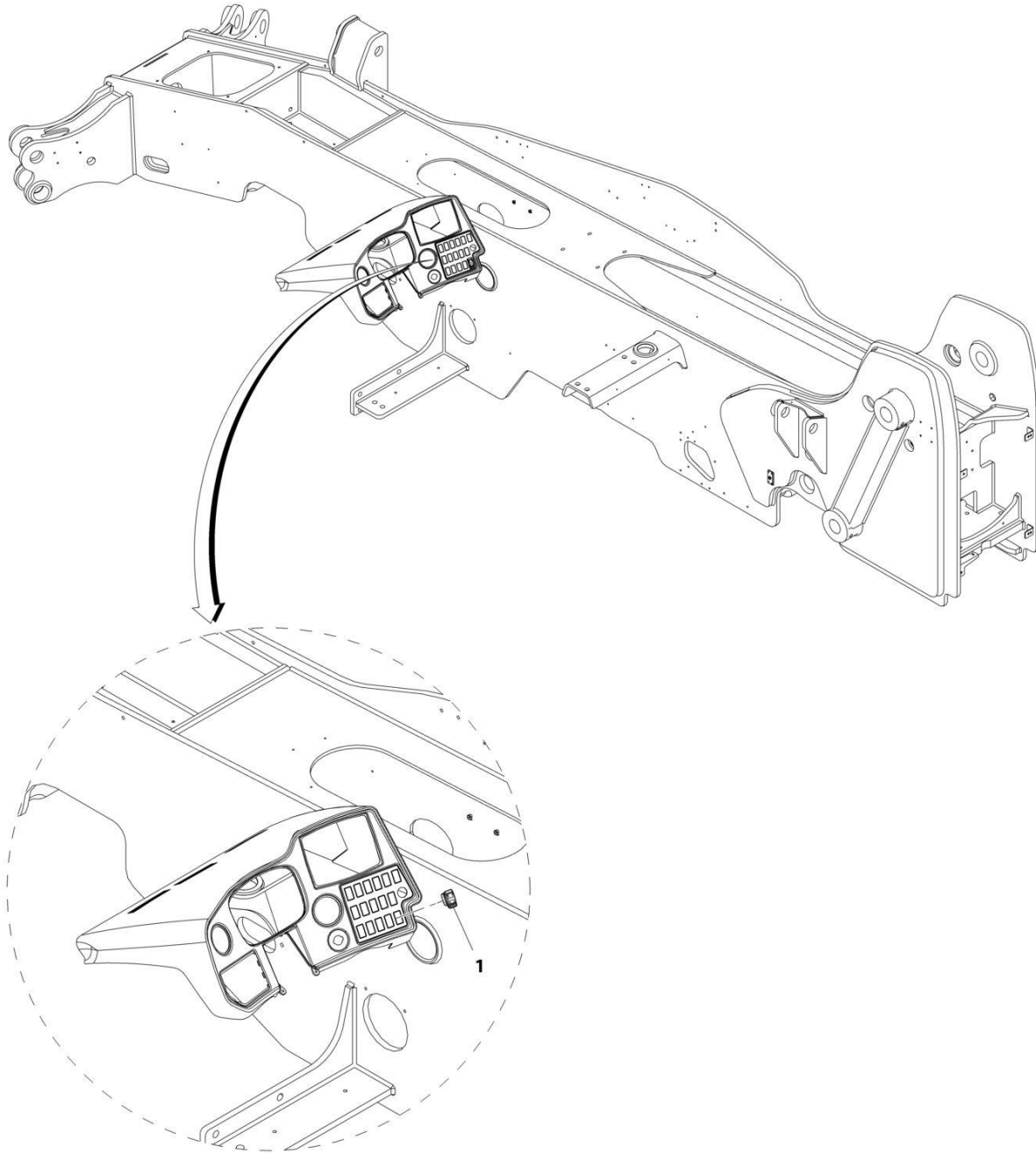
ART_1001178826-C

FIGURE 6-59. EXTERNAL WINDOW RELEASE INSTALLATION (CAN & ISO)

ITEM	PART NUMBER	QTY	DESCRIPTION	REV
	1001178826	Ref	External Window Release Installation (English/French)	C
1	1001179008	1	Cap, Latch Window	
2	1001179009	1	Knob	
3	1001204709	2	Decal, Emergency Exit (English/French)	

SECTION 6 - CAB

FIGURE 6-60. SWITCH LIGHT INSTALLATION



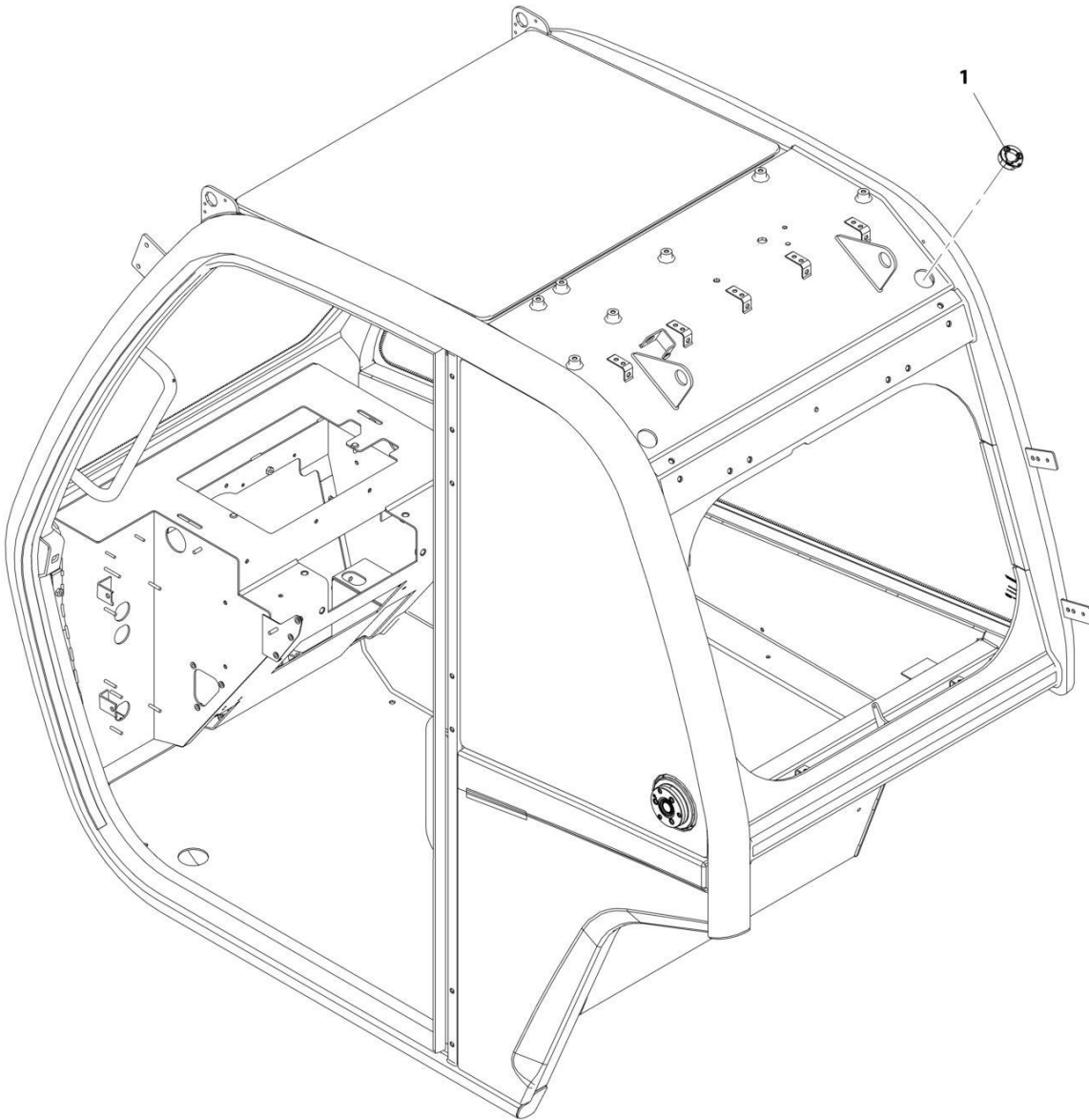
ART_100197282-A

FIGURE 6-60. SWITCH LIGHT INSTALLATION

ITEM	PART NUMBER	QTY	DESCRIPTION	REV
1	1001197282 1001163639	Ref 1	Switch Light Installation Switch, Driving Lights	A

SECTION 6 - CAB

FIGURE 6-61. ROOF PIGTAIL CAP INSTALLATION



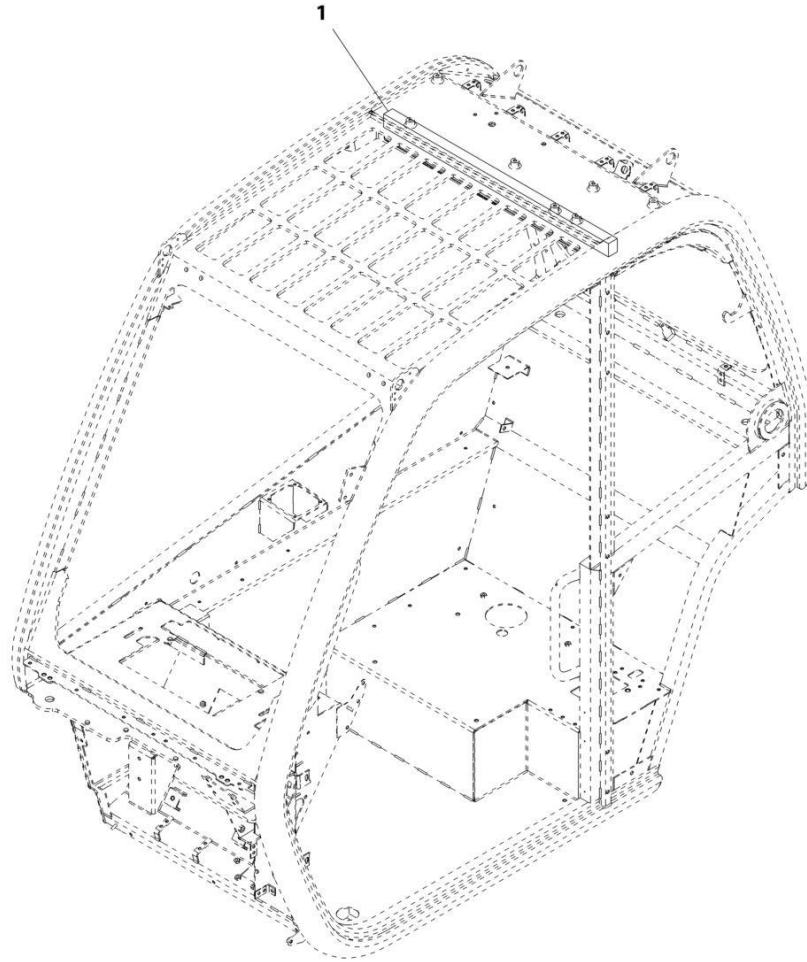
ART_1001202138-A

FIGURE 6-61. ROOF PIGTAIL CAP INSTALLATION

ITEM	PART NUMBER	QTY	DESCRIPTION	REV
1	1001202138 1001202134	Ref 1	Roof Pigtail Cap Installation Cap, Deutsch Dust	A

SECTION 6 - CAB

FIGURE 6-62. NO SUNSCREEN INSTALLATION



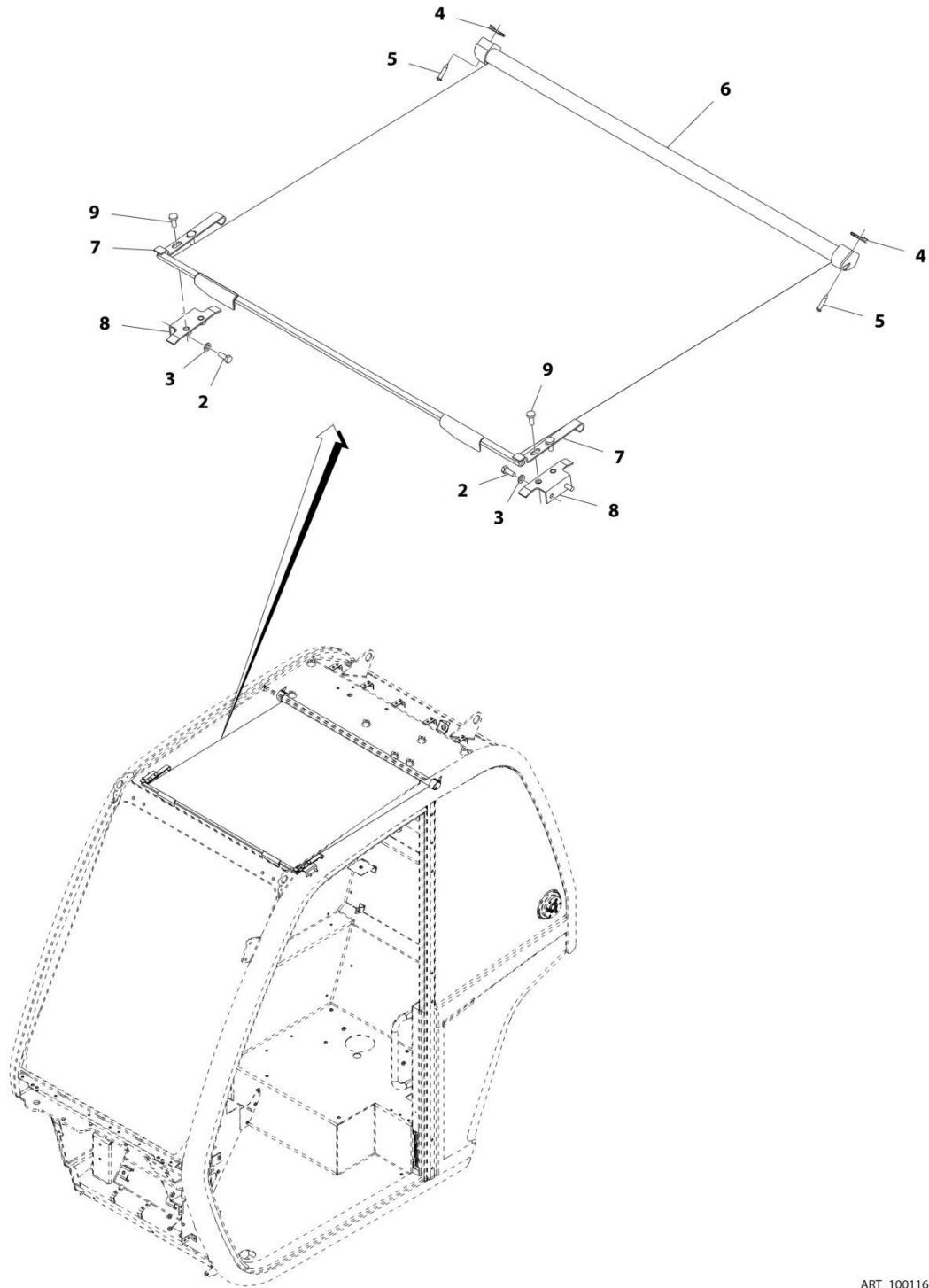
ART_1001211041-A

FIGURE 6-62. NO SUNSCREEN INSTALLATION

ITEM	PART NUMBER	QTY	DESCRIPTION	REV
1	1001211041 1001208192	Ref 1	No Sunscreen Installation Seal, Foam	A

SECTION 6 - CAB

FIGURE 6-63. RETRACTABLE SUNSCREEN INSTALLATION



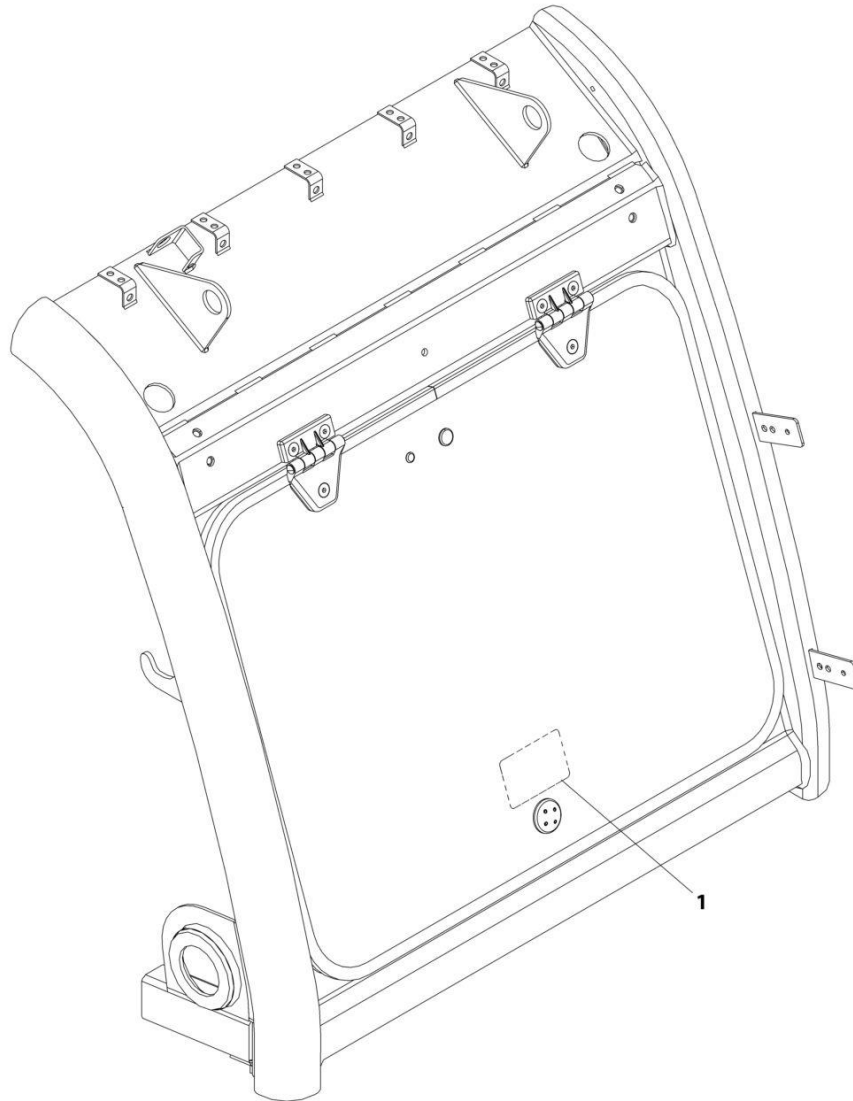
ART_1001163151-G

FIGURE 6-63. RETRACTABLE SUNSCREEN INSTALLATION

ITEM	PART NUMBER	QTY	DESCRIPTION	REV
	1001163151	Ref	Retractable Sunscreen Installation	G
2	0760608	4	Bolt, M6X16	
3	4811700	4	Washer, M6	
4	1001111076	2	Nut	
5	1001111147	2	Screw	
6	1001163170	1	Cab, Screen Blind	
7	1001209463	2	Bracket, Sunscreen Mount	
8	1001166385	2	Bracket	
9	4010608002	4	Screw, M6X16	

SECTION 6 - CAB

FIGURE 6-64. REAR WINDOW EXIT DECAL INSTALLATION



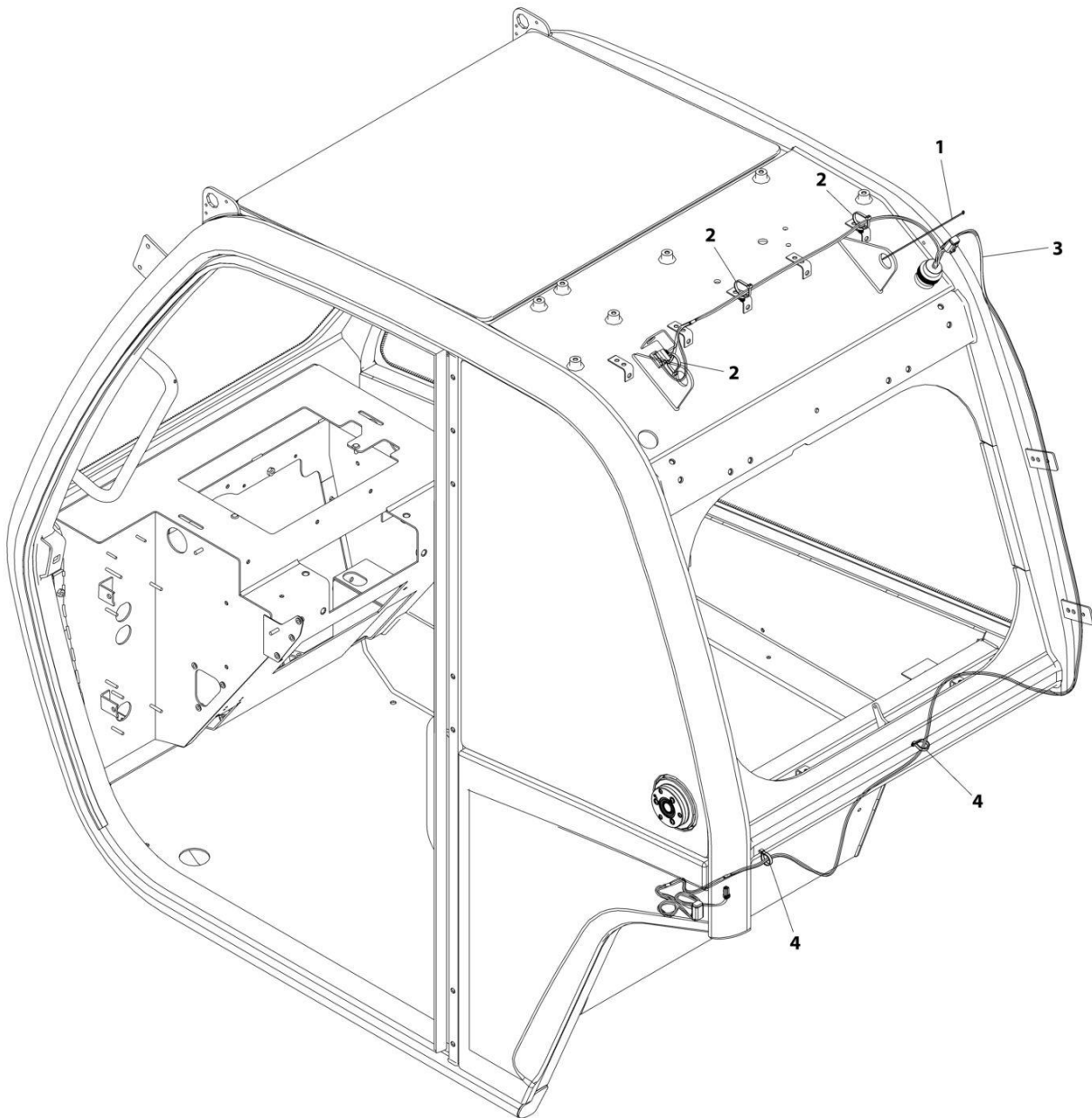
ART_1001204598

FIGURE 6-64. REAR WINDOW EXIT DECAL INSTALLATION

ITEM	PART NUMBER	QTY	DESCRIPTION	REV
1	1001204598 8005870	Ref 1	Rear Window Exit Decal Installation Decal, Emergency Exit	B

SECTION 6 - CAB

FIGURE 6-65. ROOF PIGTAIL INSTALLATION



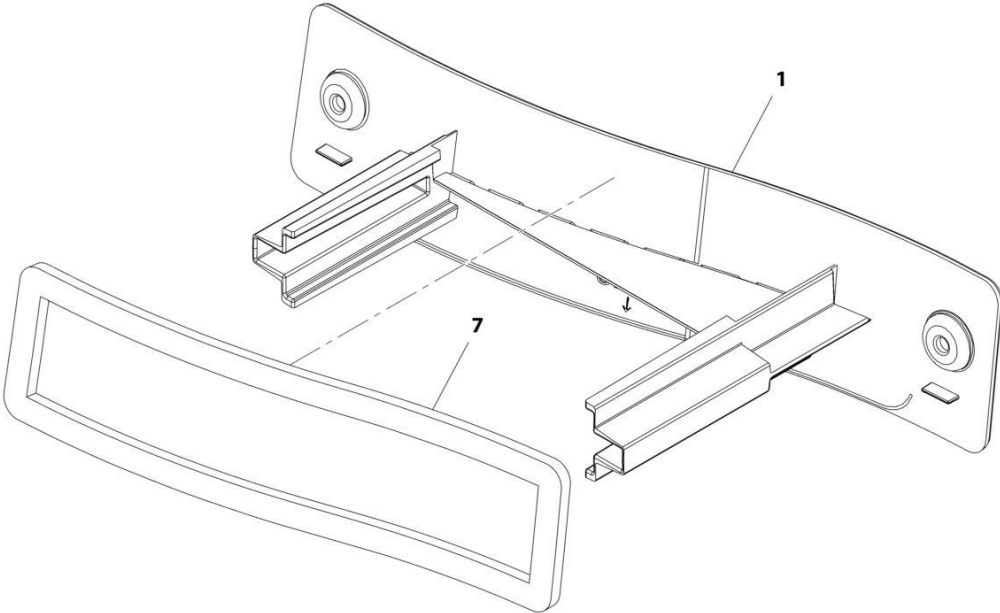
ART_1001202133_B

FIGURE 6-65. ROOF PIGTAIL INSTALLATION

ITEM	PART NUMBER	QTY	DESCRIPTION	REV
	1001202133	Ref	Roof Pigtail Installation	B
1	4240033	1	Cable Tie	
2	1001146588	3	Strap	
3	1001265200	1	Harness, Roof Pigtail (See Separate Breakdown in ELECTRICAL Section)	
4	1001008559	2	Strap	

SECTION 6 - CAB

FIGURE 6-66. FILTER TRAY PANEL



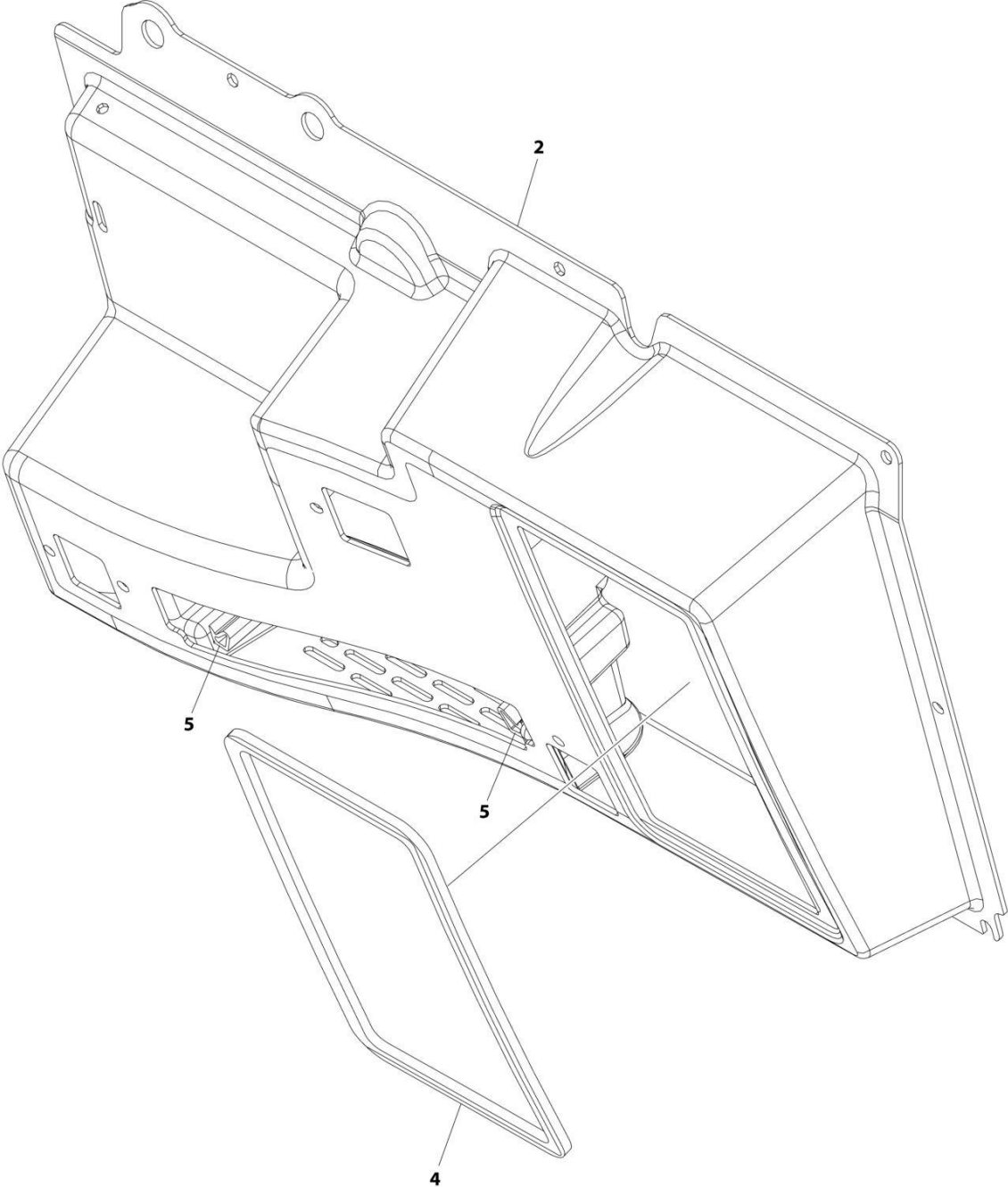
ART_1001175471-D

FIGURE 6-66. FILTER TRAY PANEL

ITEM	PART NUMBER	QTY	DESCRIPTION	REV
	1001175471	Ref	Filter Tray Panel	D
1	1001170993	1	Panel, Front Inlet	
7	1001171767	1	Cab, Front Panel Seal	

SECTION 6 - CAB

FIGURE 6-67. FRONT DUCT COVER



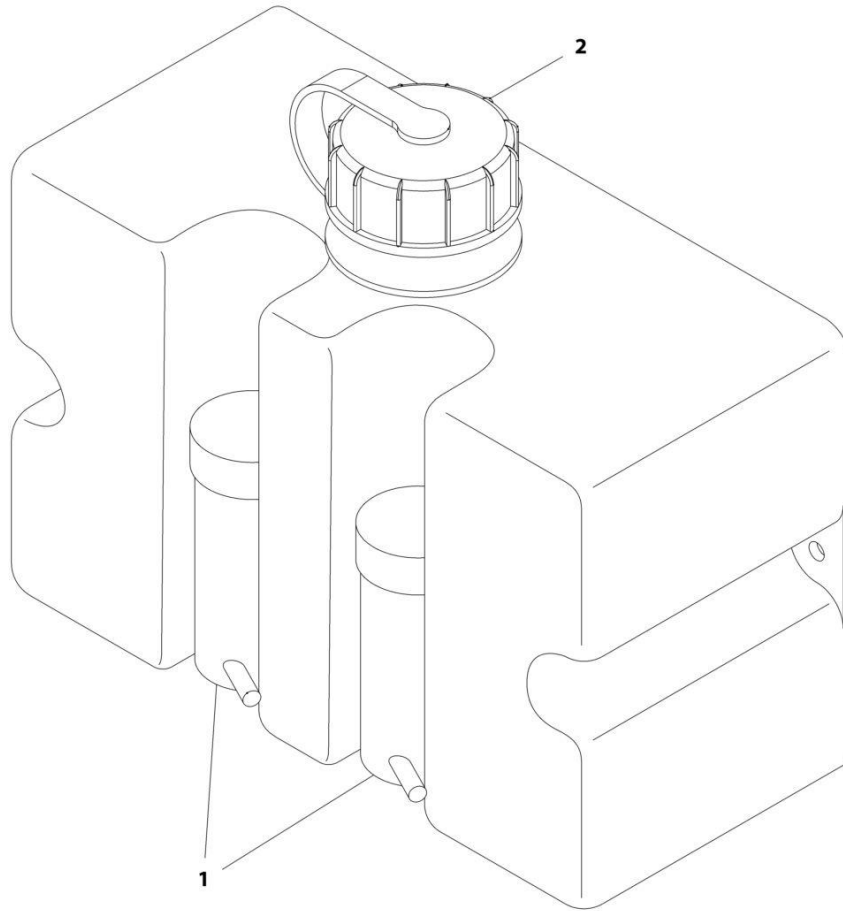
ART_1001176121

FIGURE 6-67. FRONT DUCT COVER

ITEM	PART NUMBER	QTY	DESCRIPTION	REV
	1001176121	Ref	FRONT DUCT COVER	H
2	1001170326	1	Cover, Front	
4	1001175470	1	Seal, Front Cab Panel	
5	1001270117	AR	Seal, Bulb	

SECTION 6 - CAB

FIGURE 6-68. WASHER BOTTLE



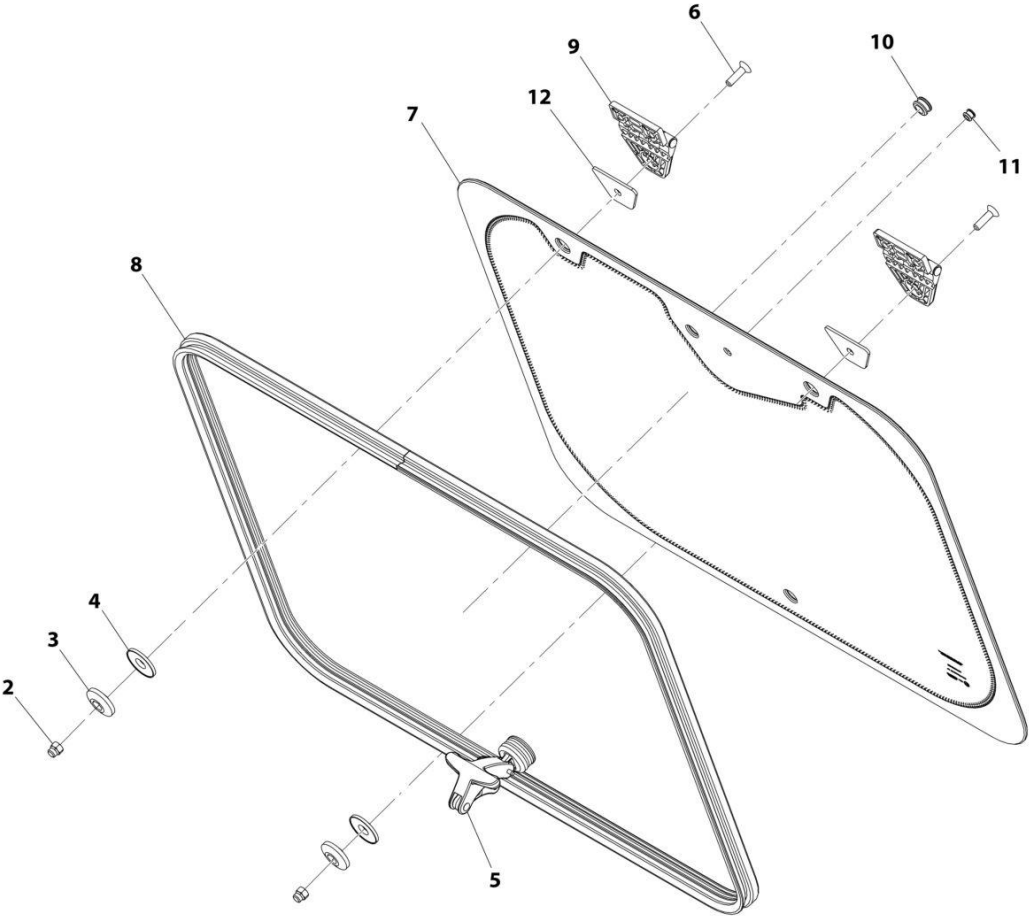
ART_1001165269-B

FIGURE 6-68. WASHER BOTTLE

ITEM	PART NUMBER	QTY	DESCRIPTION	REV
	1001165269	Ref	Washer Bottle	B
1	1001165327	2	Pump, Washer	
2	1001165273	1	Cap, Washer	

SECTION 6 - CAB

FIGURE 6-69. REAR WINDOW ASSEMBLY



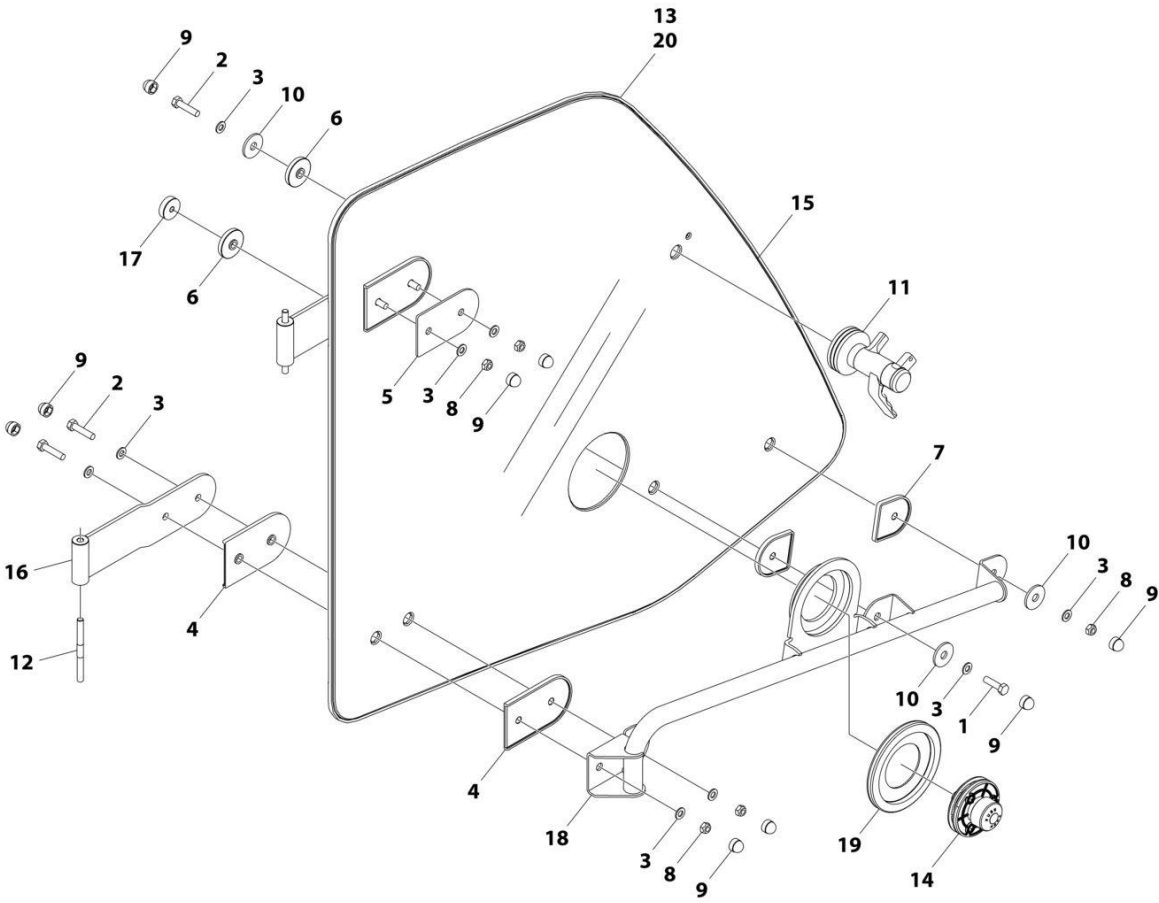
ART_1001170502-D

FIGURE 6-69. REAR WINDOW ASSEMBLY

ITEM	PART NUMBER	QTY	DESCRIPTION	REV
	1001170502	Ref	Rear Window Assembly	D
2	3290806	2	Nut, M8X1.25 Grade 8	
3	8000759	2	Spacer	
4	8004398	2	Washer	
5	1001005368	1	Latch, Window	
6	2080078	2	Fastener, M8X30	
7	1001157481	1	Glass, Rear Window	
8	1001157487	1	Seal	
9	1001139568	2	Hinge	
10	1001171182	1	Grommet	
11	1001171183	1	Grommet	
12	1001181411	2	Gasket, Rear Window Hinge	

SECTION 6 - CAB

FIGURE 6-70. DOOR UPPER GLASS ASSEMBLY



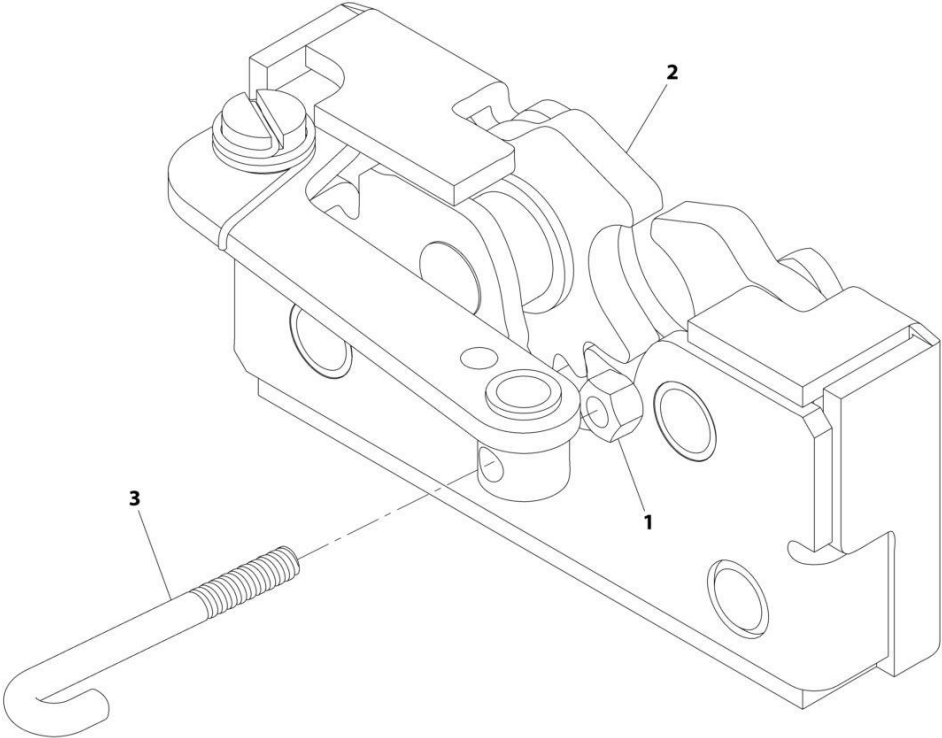
ART_1001205532

FIGURE 6-70. DOOR UPPER GLASS ASSEMBLY

ITEM	PART NUMBER	QTY	DESCRIPTION	REV
	1001205532	Ref	Door Upper Glass Assembly	G
1	0760812	1	Bolt, M8X25	
2	0760815	5	Bolt, M8X35	
3	4811900	11	Washer, 8MM	
4	1001002946	4	Mount, Hinge	
5	1001002947	1	Mount, Hinge	
6	1001002953	2	Mount, Rubber	
7	1001002957	2	Mount, Latch	
8	1001008857	5	Nut, Lock	
9	1001096365	11	Cap, M8	
10	1001141246	3	Mount, Rubber	
11	1001165275	1	Latch, Window	
12	1001166634	2	Pin, Hinge	
13	1001170944	1	Panel, Window Surround	
14	1001174321	1	Striker, Top Window	
15	1001204066	1	Glass, Window	
16	1001204115	2	Hinge	
17	1001222741	1	Buffer, Cab	
18	1001204120	1	Handle	
19	1001213331	1	Gasket	
20	1001215531	AR	Adhesive	

SECTION 6 - CAB

FIGURE 6-71. CAB LATCH ASSEMBLY



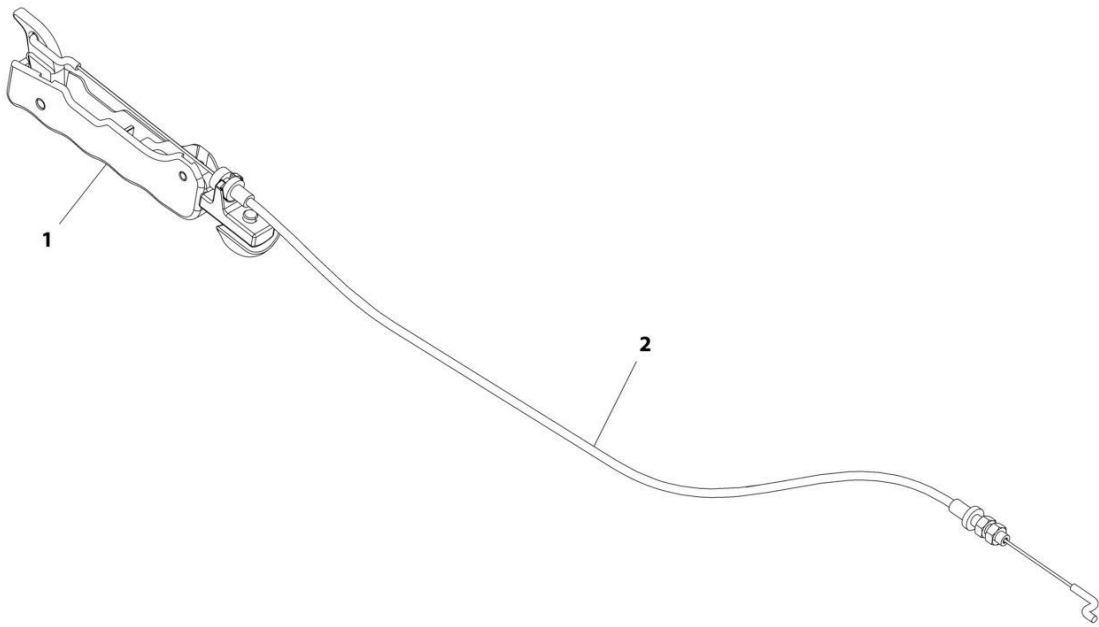
ART_1001192766_C

FIGURE 6-71. CAB LATCH ASSEMBLY

ITEM	PART NUMBER	QTY	DESCRIPTION	REV
	1001192766	Ref	Cab Latch Assembly	C
1	3290405	1	Nut, M4X0.7 Grade 8	
2	1001192643	1	Latch	
3	1001241308	1	Link, Door Handle	

SECTION 6 - CAB

FIGURE 6-72. CAB DOOR TRIGGER ASSEMBLY



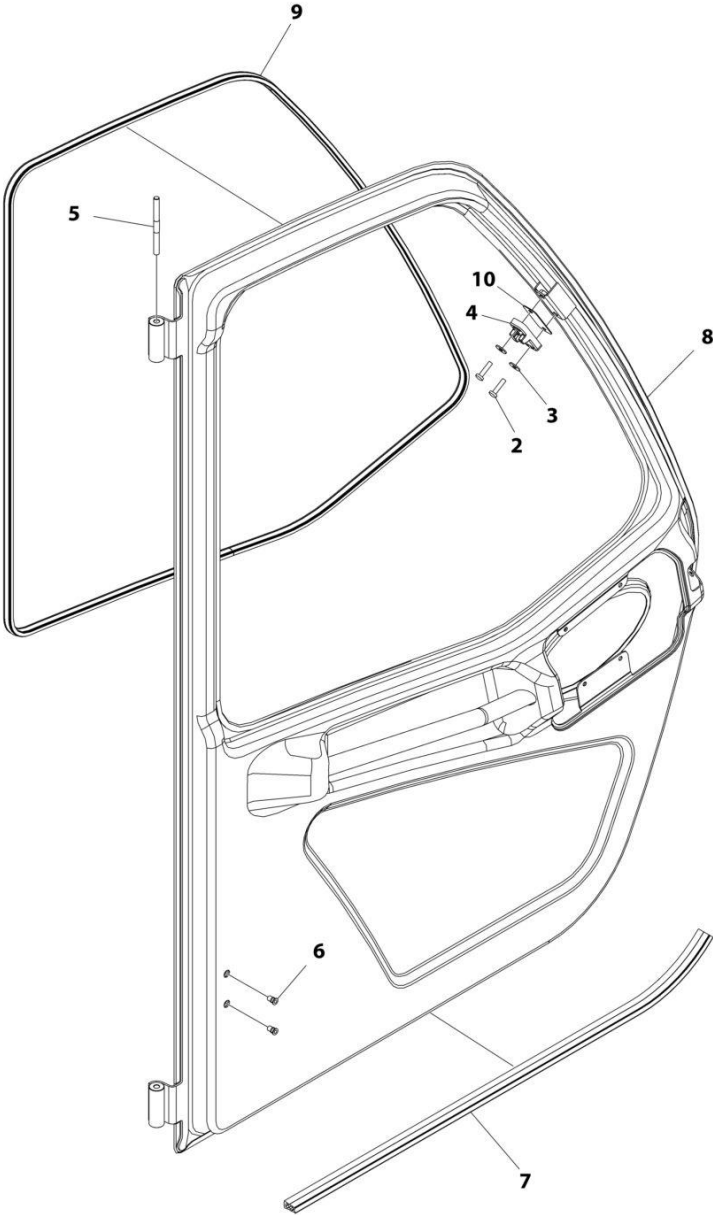
ART_1001167958-E

FIGURE 6-72. CAB DOOR TRIGGER ASSEMBLY

ITEM	PART NUMBER	QTY	DESCRIPTION	REV
	1001167958	Ref	Cab Door Trigger Assembly	E
1	1001167937	1	Trigger, Cab Interior Release	
2	1001192644	1	Cable, Cab Latch Release	

SECTION 6 - CAB

FIGURE 6-73. DOOR ASSEMBLY



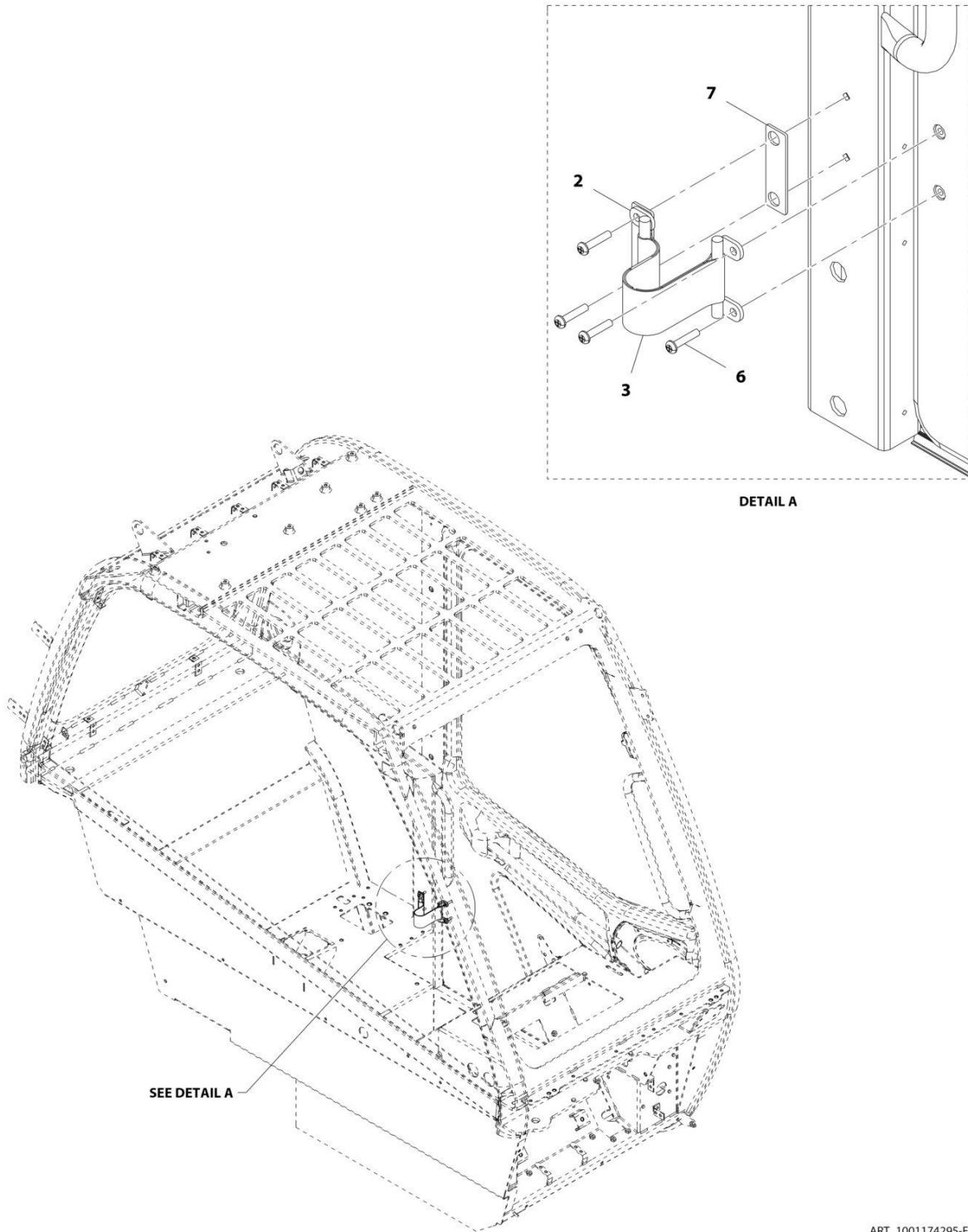
ART_1001169881_K

FIGURE 6-73. DOOR ASSEMBLY

ITEM	PART NUMBER	QTY	DESCRIPTION	REV
	1001169881	Ref	Door Assembly	K
2	4010612002	2	Screw, Posi-Drive, M6X25	
3	4811702001	2	Washer, M6	
4	1001165276	1	Plate, Window Latch Striker	
5	1001166634	1	Pin, Hinge	
6	1001172193	2	Rivnut, M5X0.8	
7	1001227188	1	Seal, Cab Door	
8	1001165022J	1	Door, Cab (See Separate Breakdown in this Section)	
9	1001227187	1	Seal, Cab Door Window	
10	1001193210	AR	Shim, Window Latch	

SECTION 6 - CAB

FIGURE 6-74. DOOR STRAP INSTALLATION



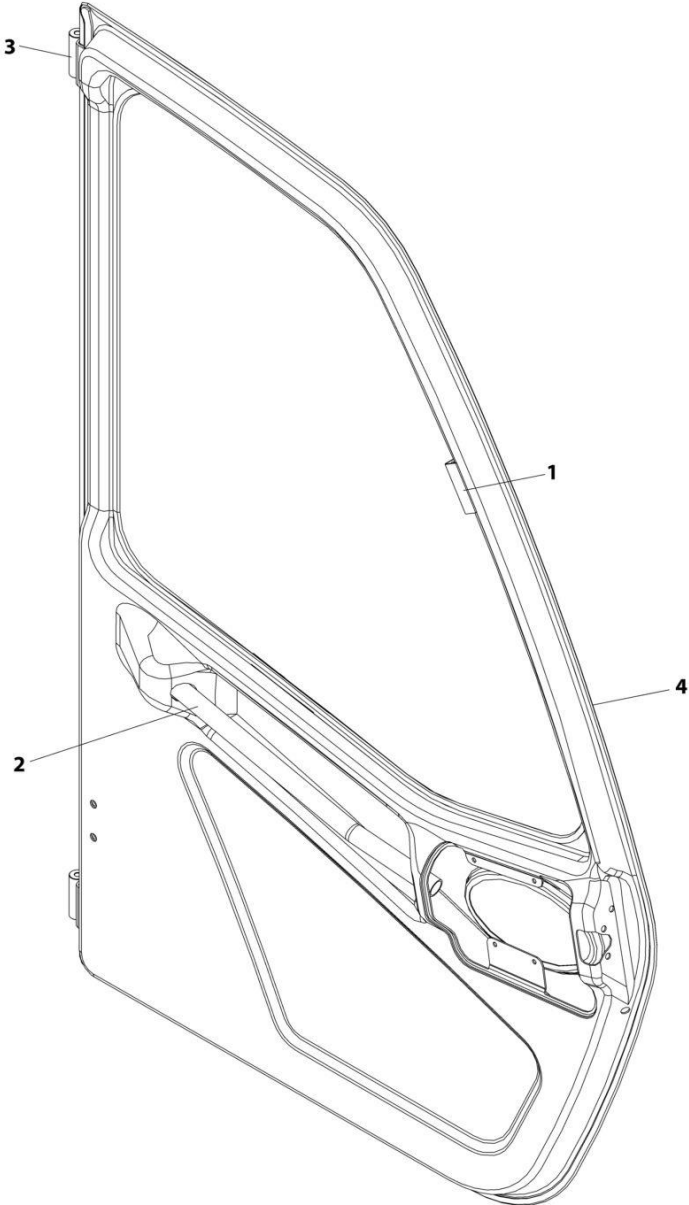
ART_1001174295-F

FIGURE 6-74. DOOR STRAP INSTALLATION

ITEM	PART NUMBER	QTY	DESCRIPTION	REV
	1001174295	Ref	Door Strap Installation	F
2	1001230163	2	Bracket, Strap Holder	
3	1001212011	1	Strap, Door Hold Open	
6	8310559	4	Screw	
7	1001191091	1	Plate, Cab Door Strap	

SECTION 6 - CAB

FIGURE 6-75. CAB DOOR



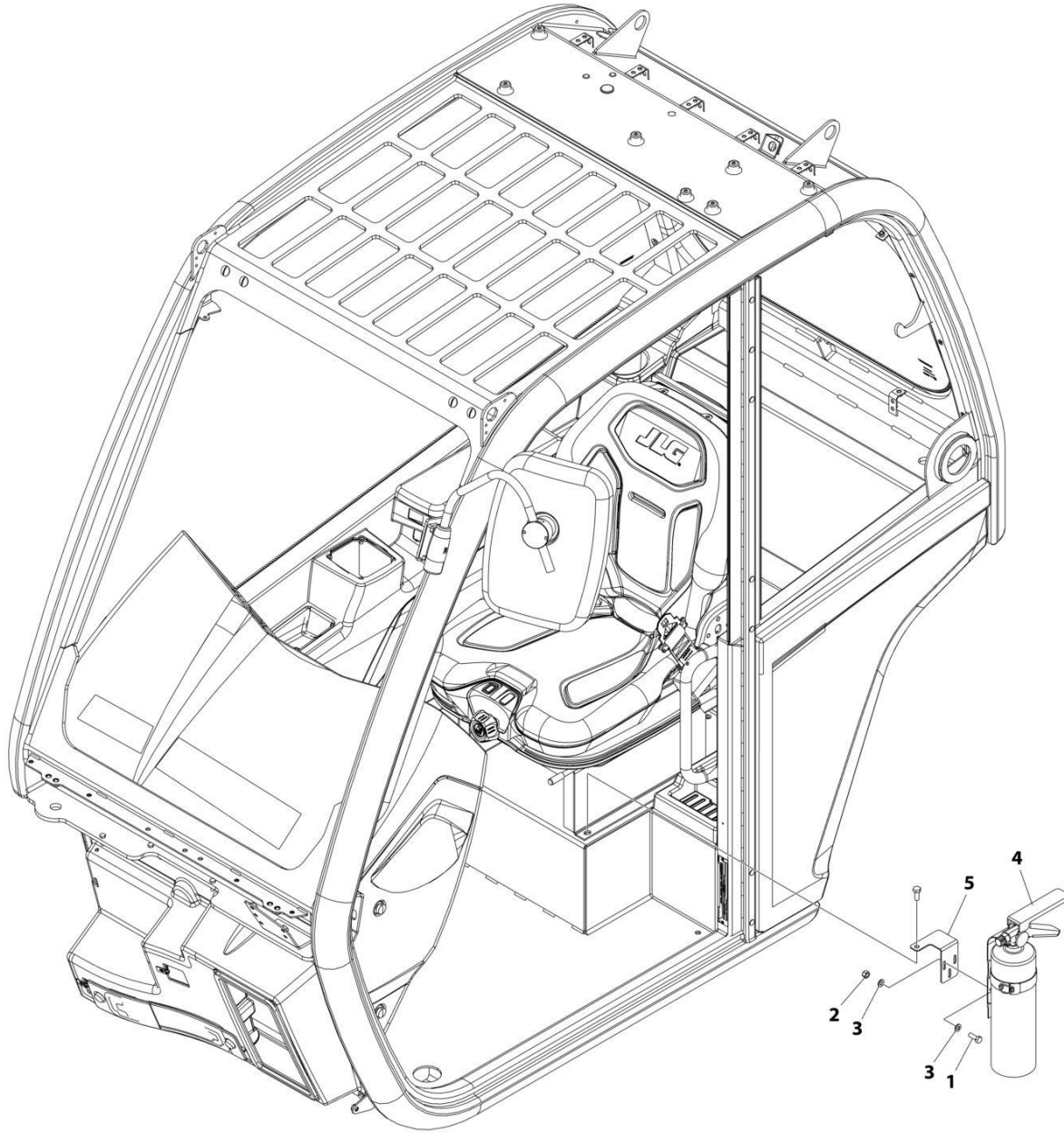
ART_1001165022-E

FIGURE 6-75. CAB DOOR

ITEM	PART NUMBER	QTY	DESCRIPTION	REV
	1001165022	Ref	Cab Door	E
1	1001169883	1	Bracket, Window Latch	
2	1001169885	1	Handle, Interior Door	
3	1001171037	1	Plate, Hinge	
4	1001171634	1	Frame, Door	

SECTION 6 - CAB

FIGURE 6-76. FIRE EXTINGUISHER INSTALLATION



ART_1001258099

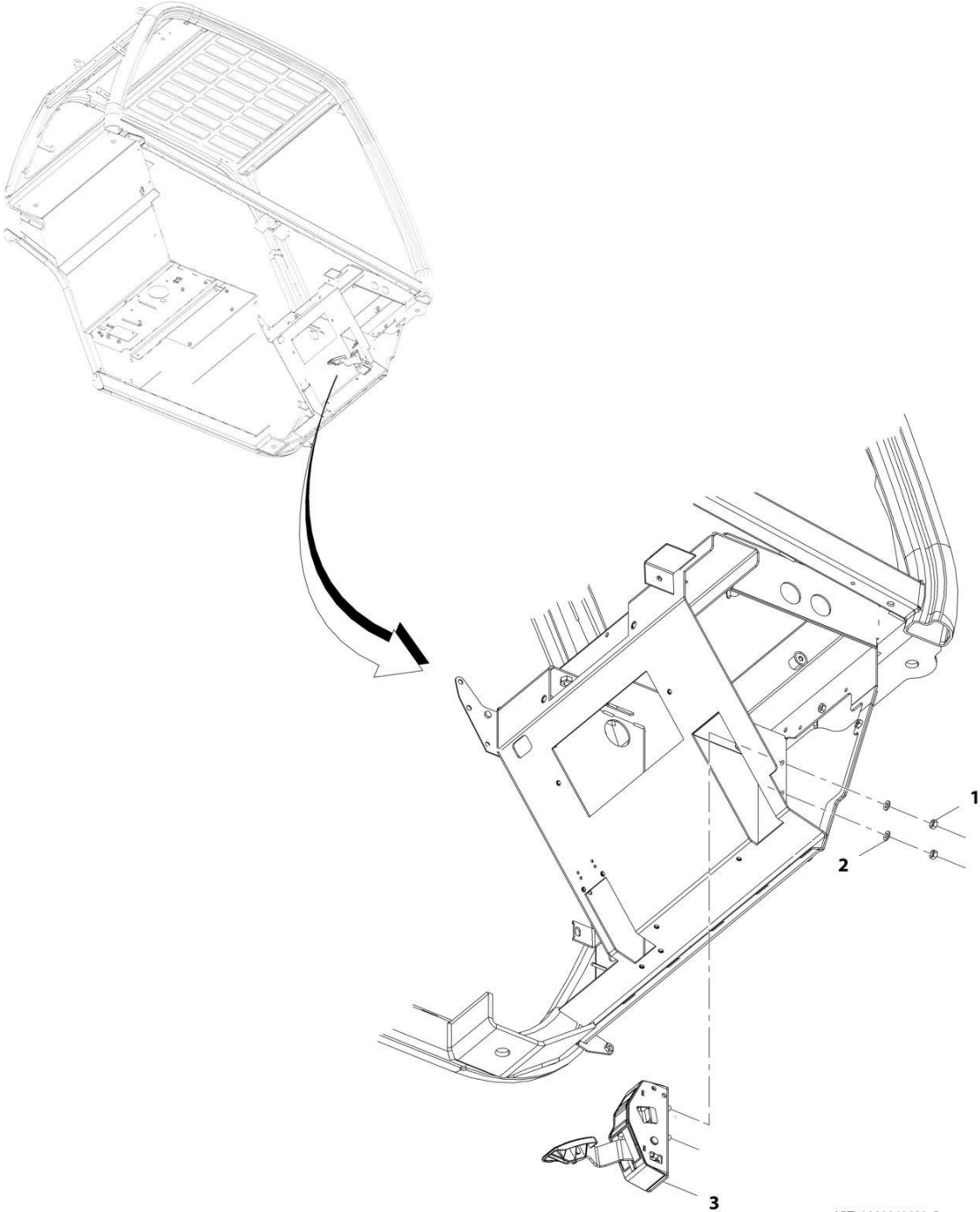
FIGURE 6-76. FIRE EXTINGUISHER INSTALLATION

ITEM	PART NUMBER	QTY	DESCRIPTION	REV
	1001258099	Ref	FIRE EXTINGUISHER INSTALLATION	A
1	0760507	3	Bolt M5X14	
2	3290505	3	Nut M5	
3	4811600	6	Washer M5	
4	1001099699	1	Fire Extinguisher Assy	
5	1001241337	1	Bracket	

SECTION 7 - CONTROLS

SECTION 7 - CONTROLS

FIGURE 7-1. ACCELERATOR PEDAL INSTALLATION



ART_1001161499-C

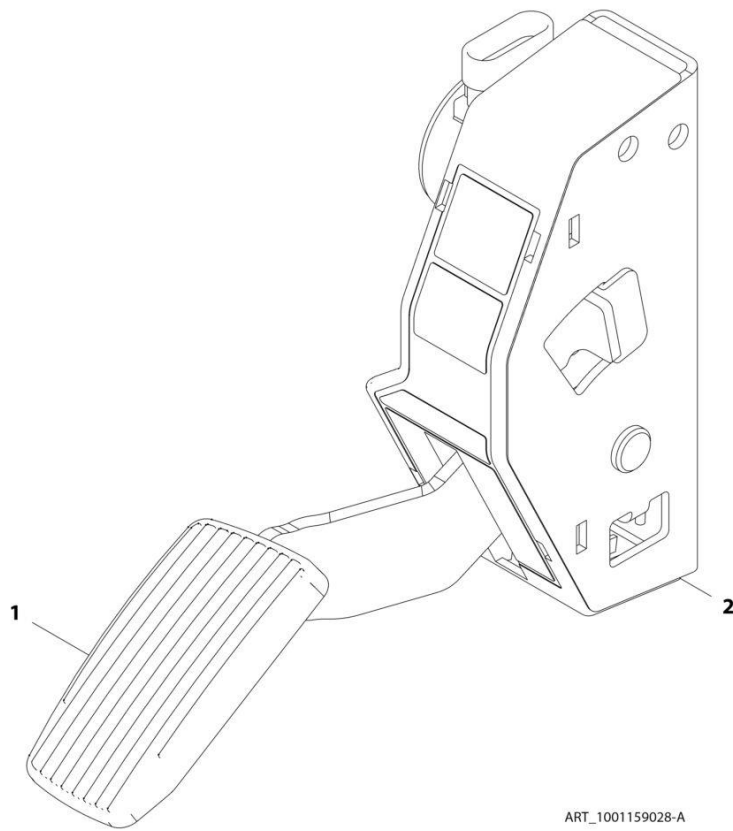
SECTION 7 - CONTROLS

FIGURE 7-1. ACCELERATOR PEDAL INSTALLATION

ITEM	PART NUMBER	QTY	DESCRIPTION	REV
	1001161499	Ref	Accelerator Pedal Installation	C
1	3290801	2	Nut, M8X1.25	
2	4811900	2	Washer, M8	
3	1001159028	1	Pedal, Accelerator (See Separate Breakdown in this Section)	

SECTION 7 - CONTROLS

FIGURE 7-2. ACCELERATOR PEDAL



ART_1001159028-A

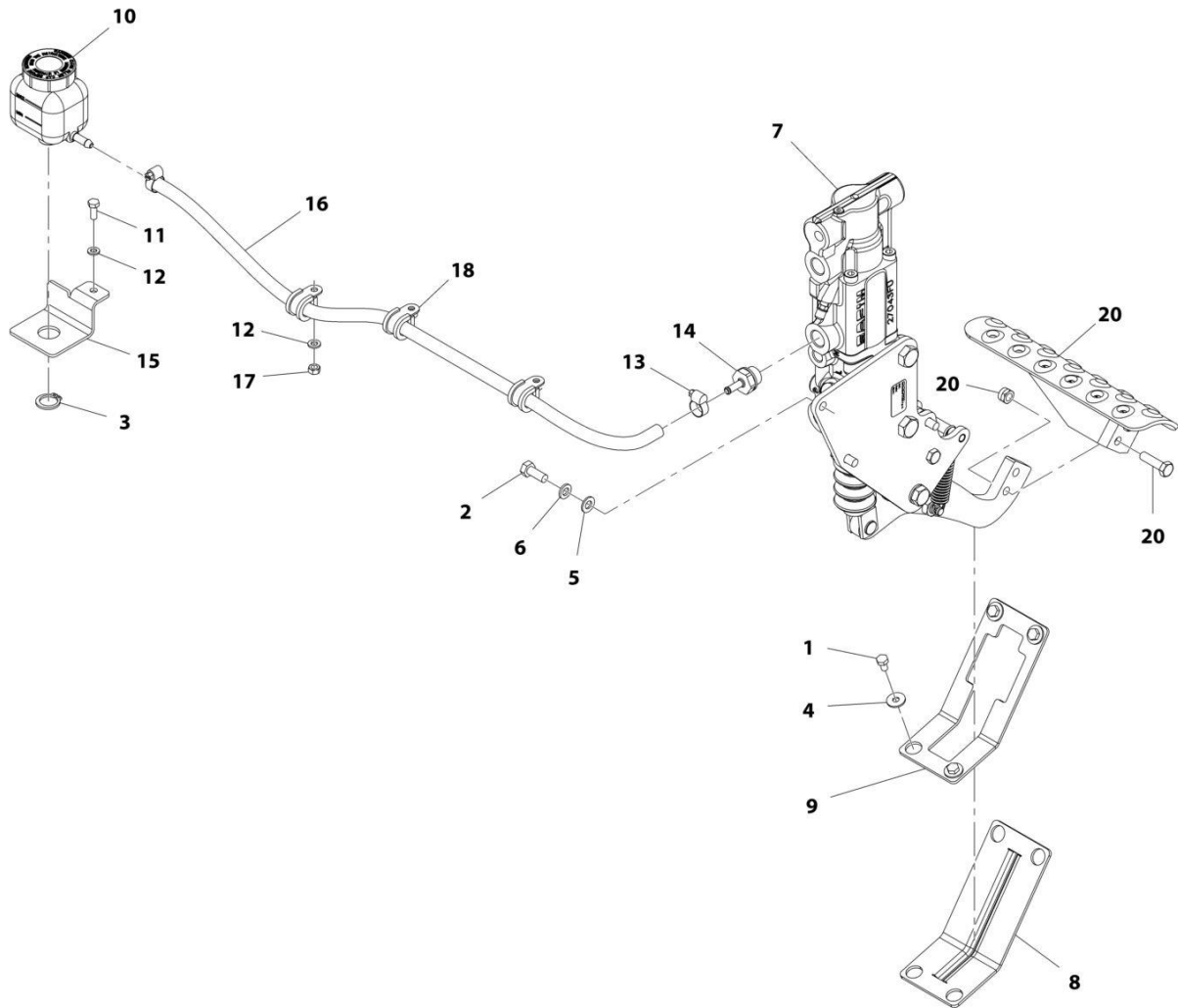
SECTION 7 - CONTROLS

FIGURE 7-2. ACCELERATOR PEDAL

ITEM	PART NUMBER	QTY	DESCRIPTION	REV
	1001159028	Ref	Accelerator Pedal	A
1	70025816	1	Pad, Rubber	
2	70025817	1	Cover, Rubber	

SECTION 7 - CONTROLS

FIGURE 7-3. BRAKE PEDAL INSTALLATION



ART_1001204225-C

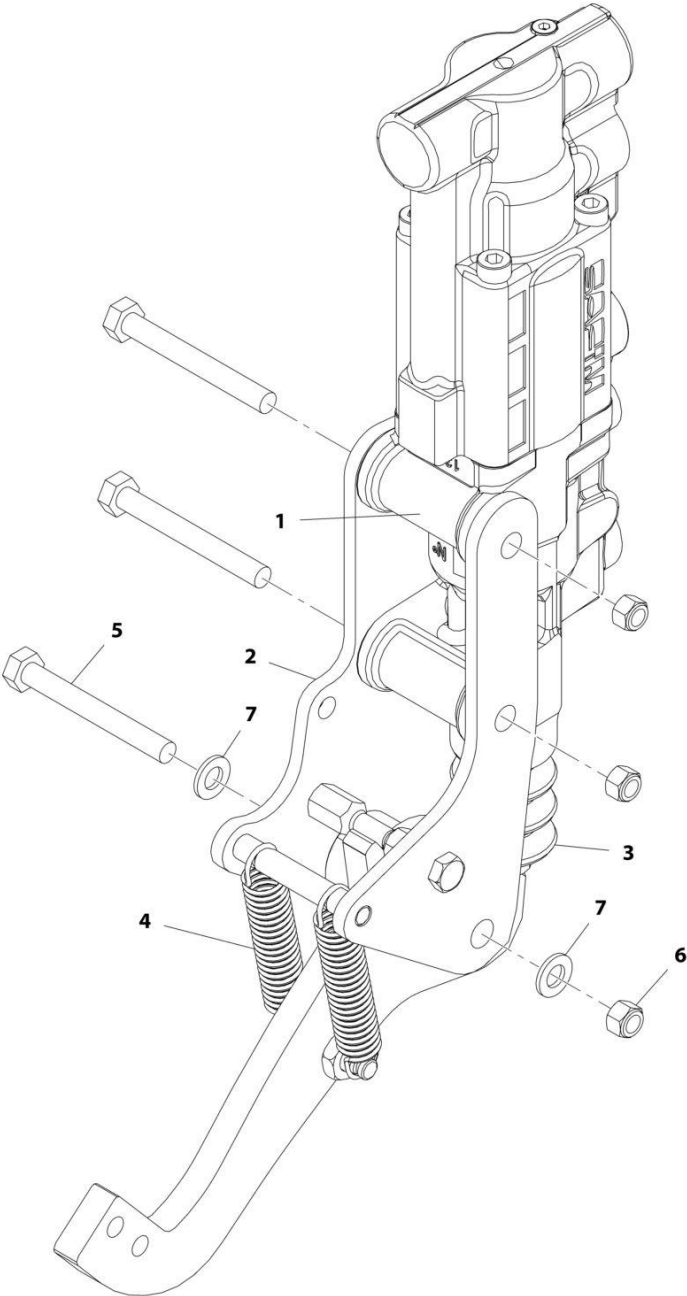
SECTION 7 - CONTROLS

FIGURE 7-3. BRAKE PEDAL INSTALLATION

ITEM	PART NUMBER	QTY	DESCRIPTION	REV
	1001204225	Ref	Brake Pedal Installation	C
1	0760605	4	Bolt, M6X10	
2	0760810	3	Bolt, M8X20	
3	3760348	1	Ring, Retaining	
4	4811702	4	Washer, M6	
5	4811900	3	Washer, M8	
6	4831900	3	Washer, Lock M8	
7	1001197138	1	Pedal, Brake (See Separate Breakdown in this Section)	
8	1001162920	1	Gasket, Brake Pedal	
9	1001162922	1	Plate	
10	1001214220	1	Reservoir, Brake	
11	0760608	1	Bolt, M6X16	
12	4811700	4	Washer, M6	
13	8405009	2	Clamp, Gear	
14	1001171874	1	Fitting, Hose Barb	
15	1001172088	1	Bracket, Brake Reservoir	
16	1001172094	1	Hose, Brake Reservoir	
17	3290601	3	Nut, M6X1	
18	1001170231	3	Clip, M6X15	
20	1001197139	1	Plate, Brake Pedal (See Separate Breakdown in this Section)	

SECTION 7 - CONTROLS

FIGURE 7-4. BRAKE PEDAL



ART_1001197138-D

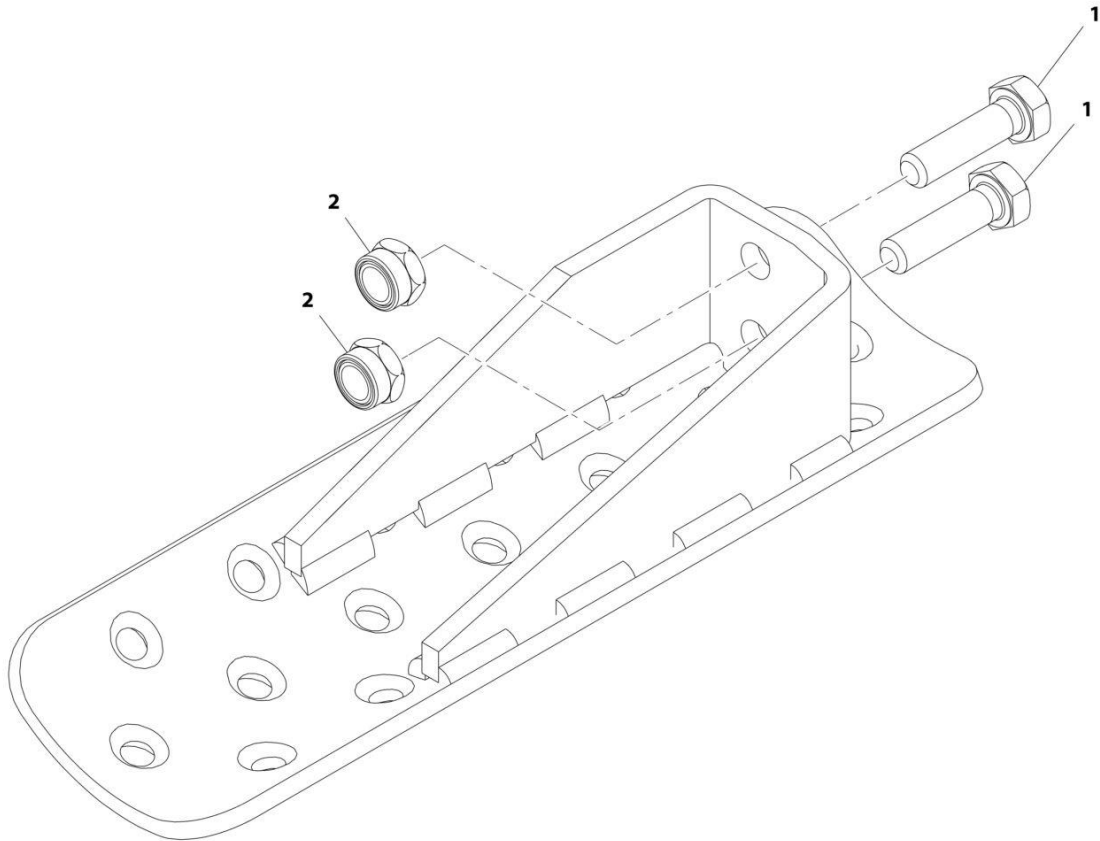
SECTION 7 - CONTROLS

FIGURE 7-4. BRAKE PEDAL

ITEM	PART NUMBER	QTY	DESCRIPTION	REV
	1001197138	Ref	Brake Pedal	D
1	70026432	1	Cylinder, Master	
2	70026433	1	Support	
3	70025859	1	Cover, Dust	
4	70025860	2	Spring, Return	
5	0701226	3	Bolt, M12X90	
6	3291205	3	Nut, Lock M12X1.75	
7	4812100	2	Washer, M12	

SECTION 7 - CONTROLS

FIGURE 7-5. BRAKE PEDAL PLATE



ART_1001197139-A

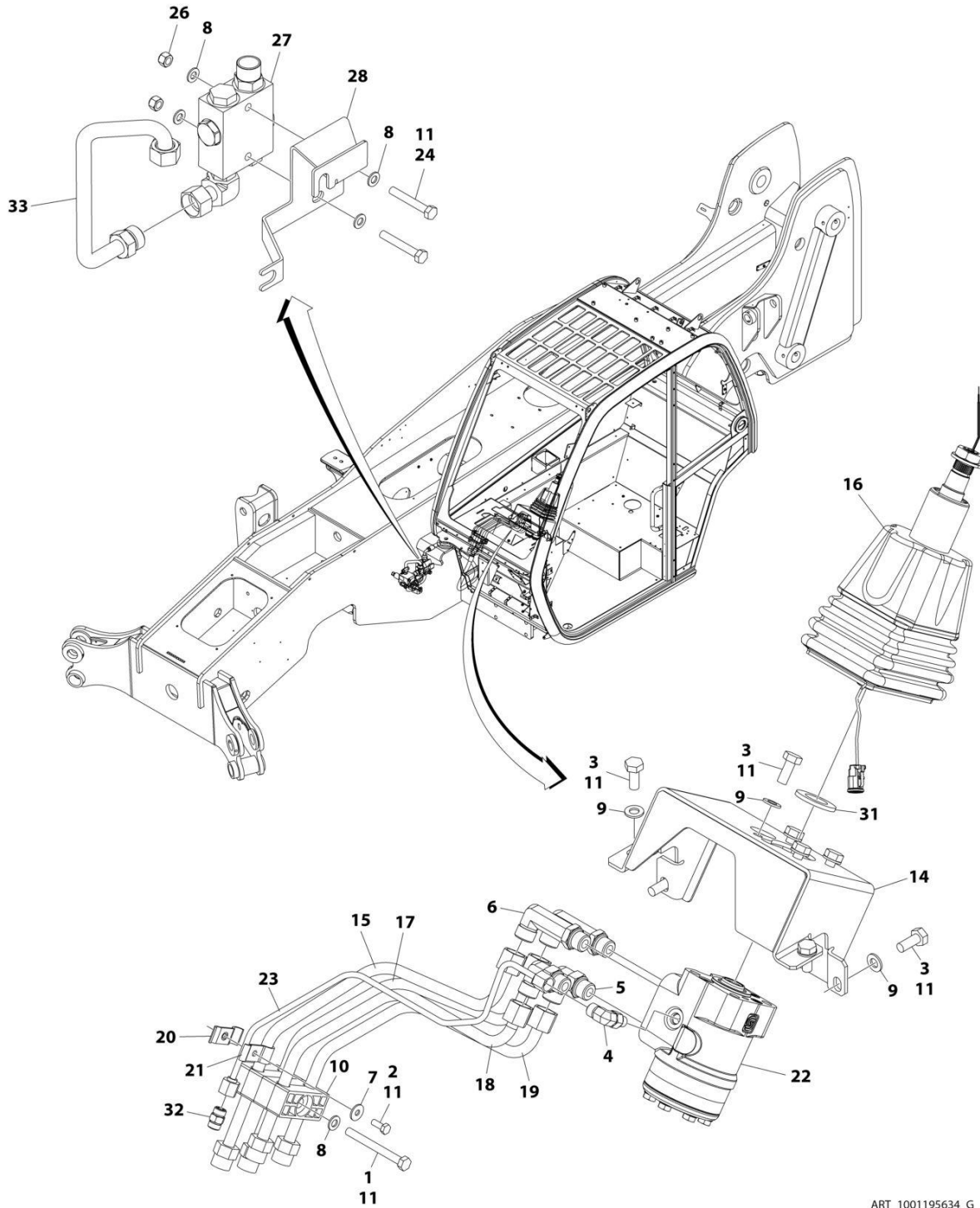
SECTION 7 - CONTROLS

FIGURE 7-5. BRAKE PEDAL PLATE

ITEM	PART NUMBER	QTY	DESCRIPTION	REV
	1001197139	Ref	Brake Pedal Plate	A
1	0770814	1	Bolt, M8X30 Grade 10.9	
2	3290805	1	Nut, Lock M8X1.25 Grade 8	

SECTION 7 - CONTROLS

FIGURE 7-6. STEERING COLUMN INSTALLATION NO FNR LEVER



ART_1001195634_G

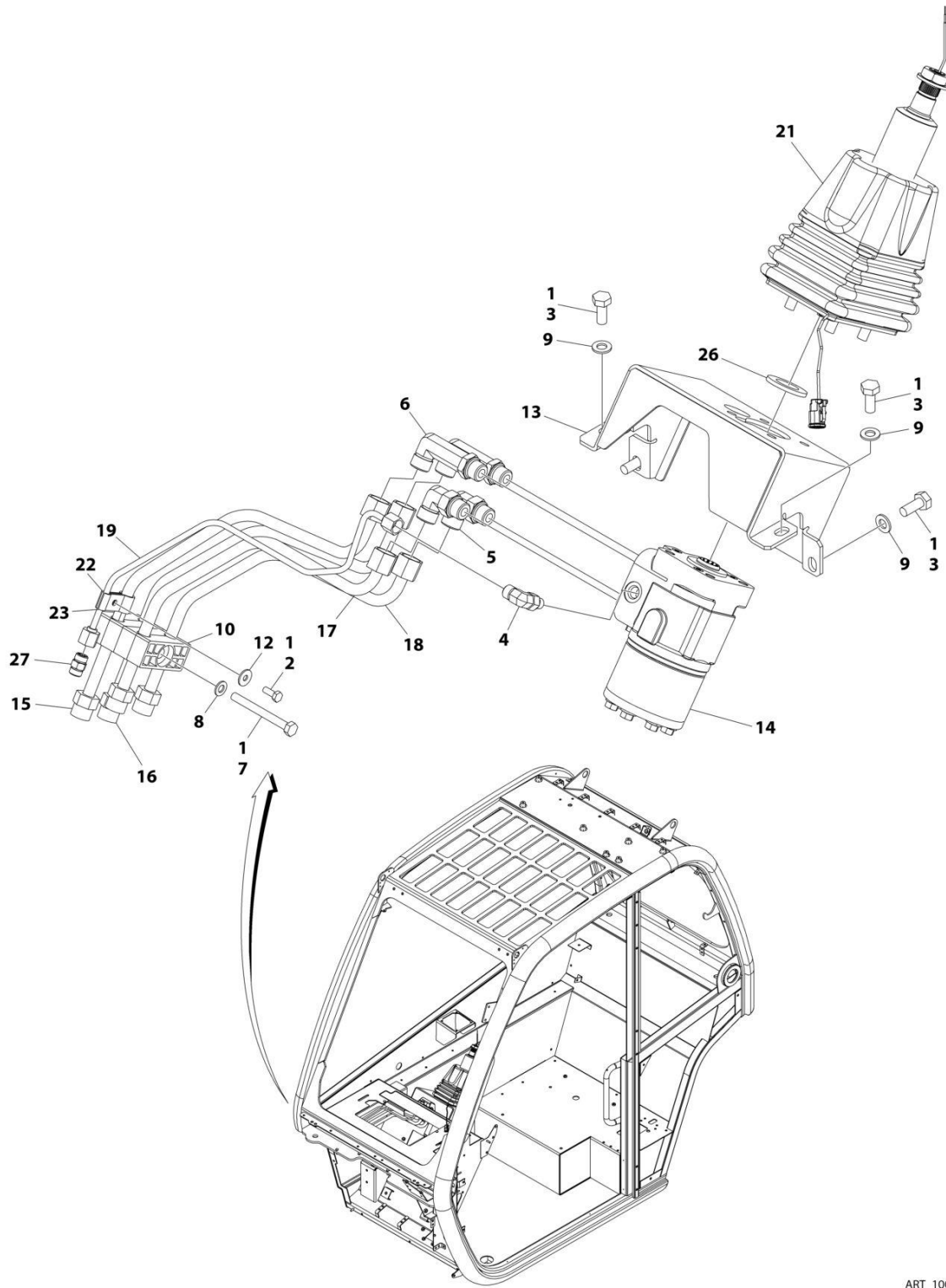
SECTION 7 - CONTROLS

FIGURE 7-6. STEERING COLUMN INSTALLATION NO FNR LEVER

ITEM	PART NUMBER	QTY	DESCRIPTION	REV
	1001195634	Ref	Steering Column Installation no FNR Lever	G
1	0700824	1	Bolt, M8X80	
2	0760608	1	Bolt, M6X16	
3	0761012	8	Bolt, M10X25	
4	2130404	1	Fitting, 90 ORFS	
5	2130808	2	Fitting, 90 ORFS	
6	2170208	2	Fitting, 90 ORFS	
7	4811702	1	Washer, M6	
8	4811900	5	Washer, M8	
9	4812000	8	Washer, M10	
10	1001004640	4	Clamp	
11	1001095650	AR	Compound, Locking	
14	1001156265	1	Plate	
15	1001161672	1	Pipe	
16	1001256952	1	Column, Steering	
17	1001161896	1	Pipe	
18	1001161897	1	Pipe	
19	1001161898	1	Pipe	
20	1001168142	1	Bracket	
21	1001168151	1	Bracket	
22	1001178670	1	Valve, Steering Unit	
23	1001194282	1	Pipe	
24	0700819	2	Bolt M8X55	
25	0761010	1	Bolt M10X20	
26	3290805	2	Nut M8	
27	1001210803	1	Check Valve Assembly (See Separate Breakdown in this Section)	
28	1001265742	1	Bracket, Check Valve Support	
31	1001214480	1	Washer	
32	1001143857	1	Adaptor	
33	1001265764	1	Pipe, Check Valve	

SECTION 7 - CONTROLS

FIGURE 7-7. STEERING COLUMN INSTALLATION



ART_1001155307_G

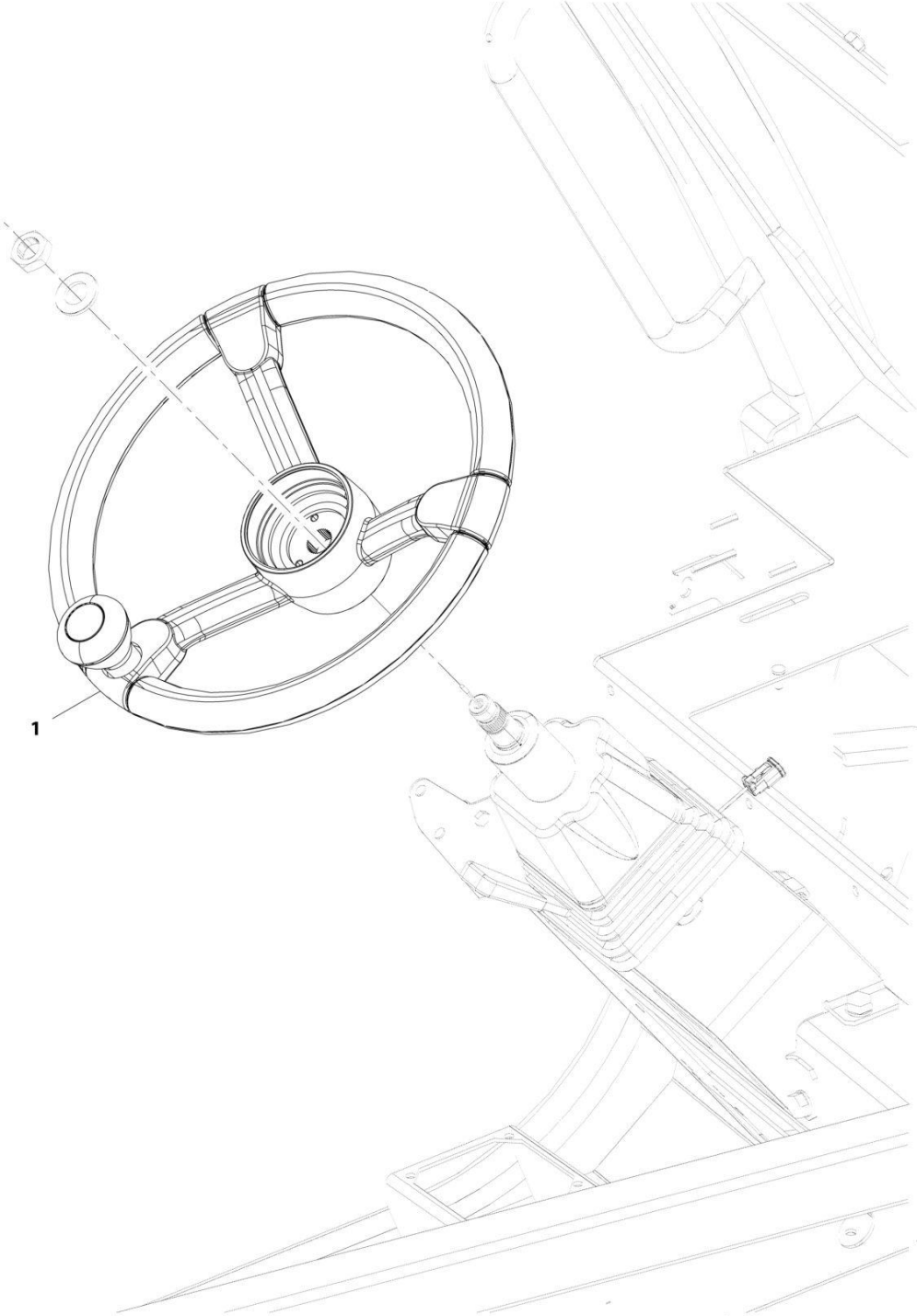
SECTION 7 - CONTROLS

FIGURE 7-7. STEERING COLUMN INSTALLATION

ITEM	PART NUMBER	QTY	DESCRIPTION	REV
	1001155307	Ref	Steering Column Installation	G
1	1001095650	AR	Compound, Locking	
2	0760608	1	Bolt, M6X16	
3	0761012	8	Bolt, M10X25	
4	2130404	1	Fitting, 90 ORFS	
5	2130808	2	Fitting, 90 ORFS	
6	2170208	2	Fitting, 90 ORFS	
7	0700824	1	Bolt, M8X80	
8	4811900	1	Washer, M8	
9	4812000	8	Washer, M10	
10	1001004640	4	Clamp	
12	4811702	1	Washer, M6	
13	1001156265	1	Cab, Steering Column Support	
14	1001158527	1	Valve, Steering (See Separate Breakdown in HYDRAULIC COMPONENTS Section)	
15	1001161672	1	Pipe	
16	1001161896	1	Pipe	
17	1001161897	1	Pipe	
18	1001161898	1	Pipe	
19	1001162979	1	Pipe	
21	1001256952	1	Column, Steering	
22	1001168142	1	Bracket	
23	1001168151	1	Bracket	
26	1001214480	1	Washer	
27	1001143857	1	Adaptor	

SECTION 7 - CONTROLS

FIGURE 7-8. STEERING WHEEL INSTALLATION



ART_1001169751-C

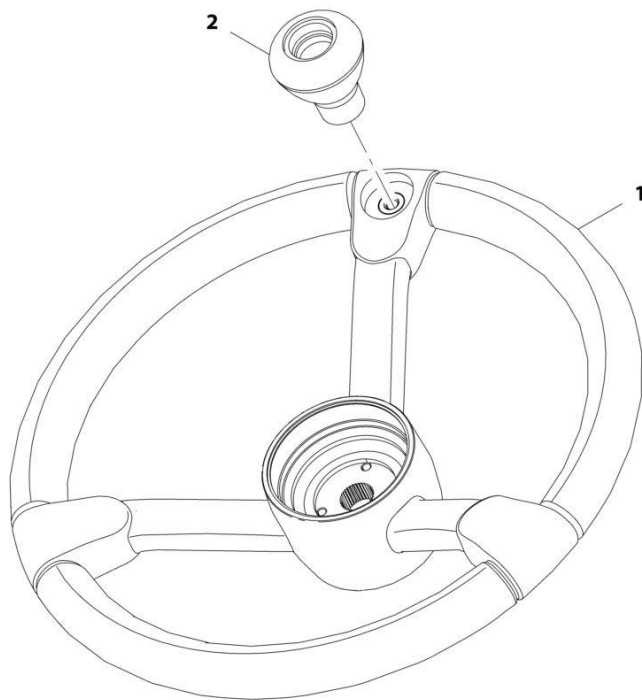
SECTION 7 - CONTROLS

FIGURE 7-8. STEERING WHEEL INSTALLATION

ITEM	PART NUMBER	QTY	DESCRIPTION	REV
1	1001169751 1001169354	Ref 1	Steering Wheel Installation Wheel, Steering (See Separate Breakdown in this Section)	C

SECTION 7 - CONTROLS

FIGURE 7-9. STEERING WHEEL



ART_1001169354-D

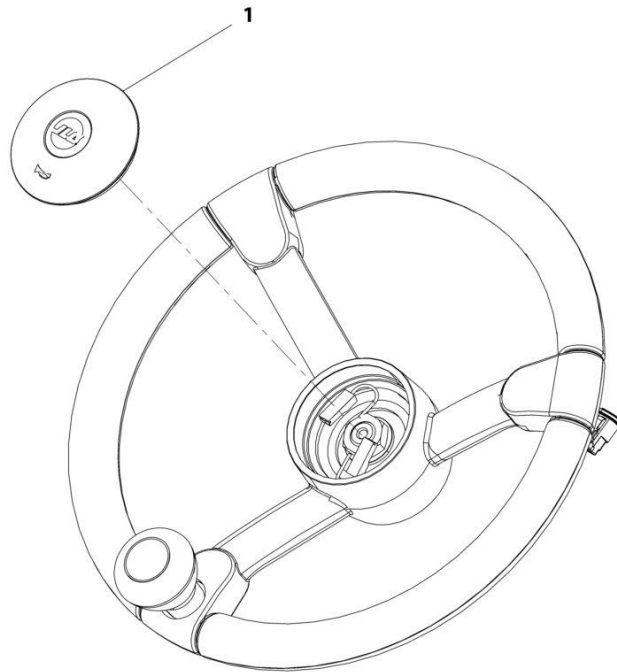
SECTION 7 - CONTROLS

FIGURE 7-9. STEERING WHEEL

ITEM	PART NUMBER	QTY	DESCRIPTION	REV
	1001169354	Ref	Steering Wheel	D
1	1001169367	1	Wheel, Steering	
2	1001169355	1	Handle, Steer Spinner	

SECTION 7 - CONTROLS

FIGURE 7-10. HORN BUTTON INSTALLATION



ART_1001169763-A

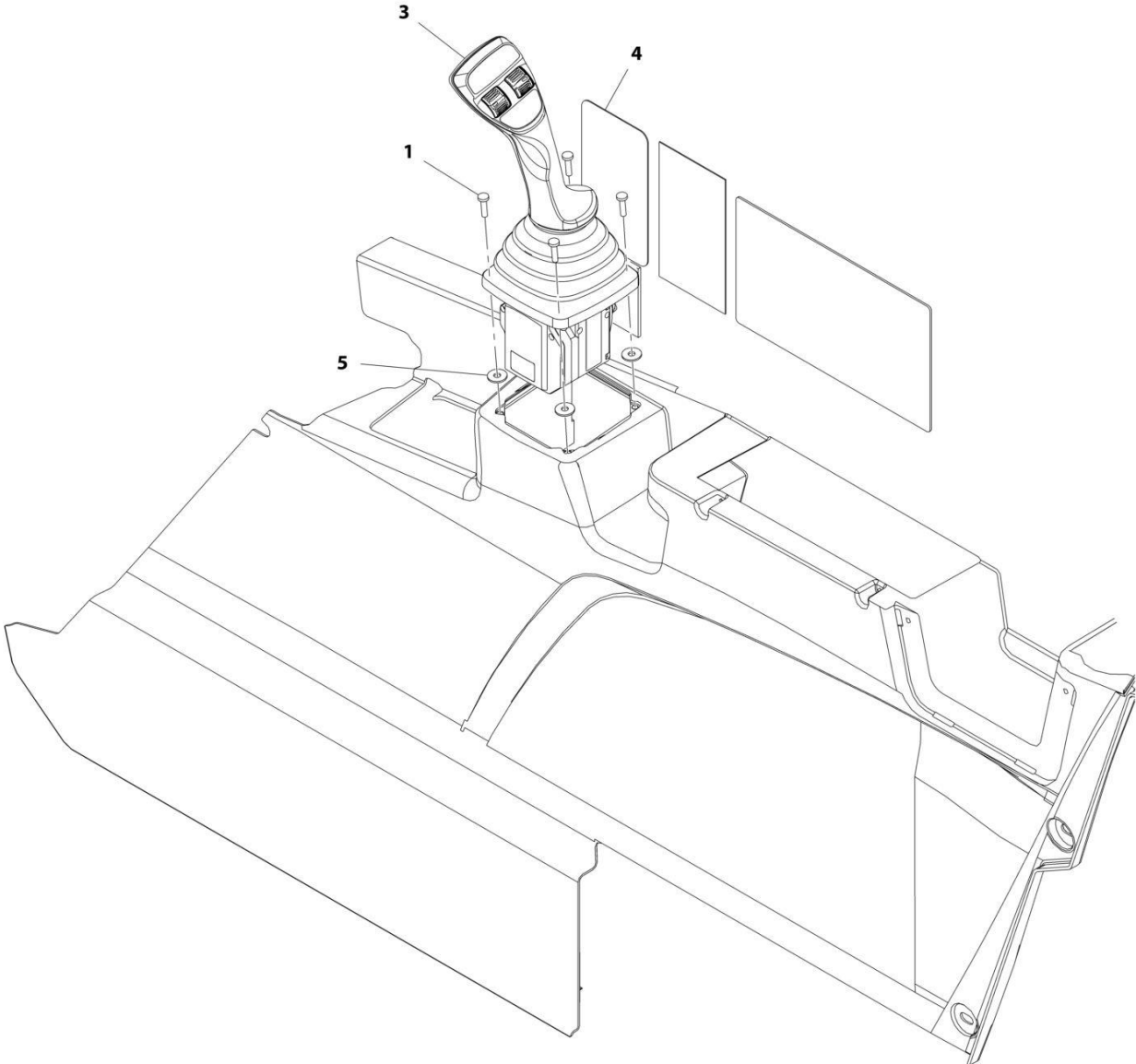
SECTION 7 - CONTROLS

FIGURE 7-10. HORN BUTTON INSTALLATION

ITEM	PART NUMBER	QTY	DESCRIPTION	REV
1	1001169763 1001169268	Ref 1	Horn Button Installation Button, Horn	A

SECTION 7 - CONTROLS

FIGURE 7-11. JOYSTICK INSTALLATION (ELOBAU BRAND)



ART_1001167001-E

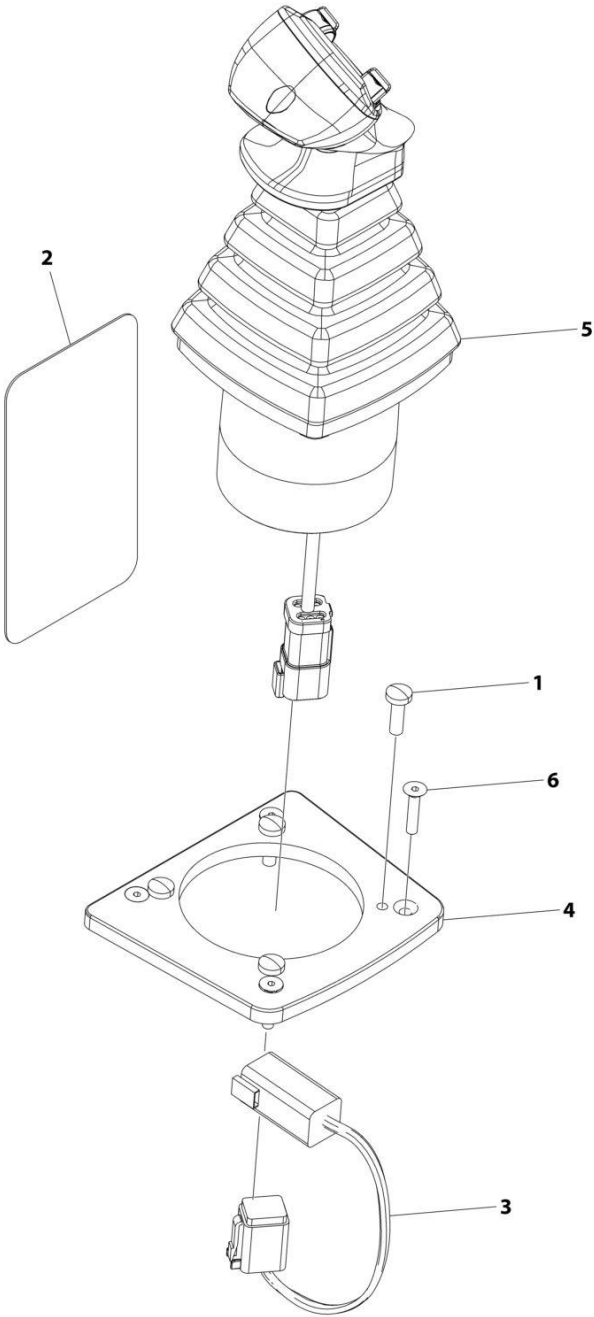
SECTION 7 - CONTROLS

FIGURE 7-11. JOYSTICK INSTALLATION (ELOBAU BRAND)

ITEM	PART NUMBER	QTY	DESCRIPTION	REV
	1001167001	Ref	Joystick Installation (2 Roller, 0 Button)	E
1	4010510	4	Screw, M5X20	
3	1001222609	1	Joystick (See Separate Breakdown in this Section)	
4	1001181543	1	Decal, Joystick	
5	4811702001	AR	Washer	

SECTION 7 - CONTROLS

FIGURE 7-12. JOYSTICK INSTALLATION (BOSCH/REXROTH BRAND)



ART_1001298454

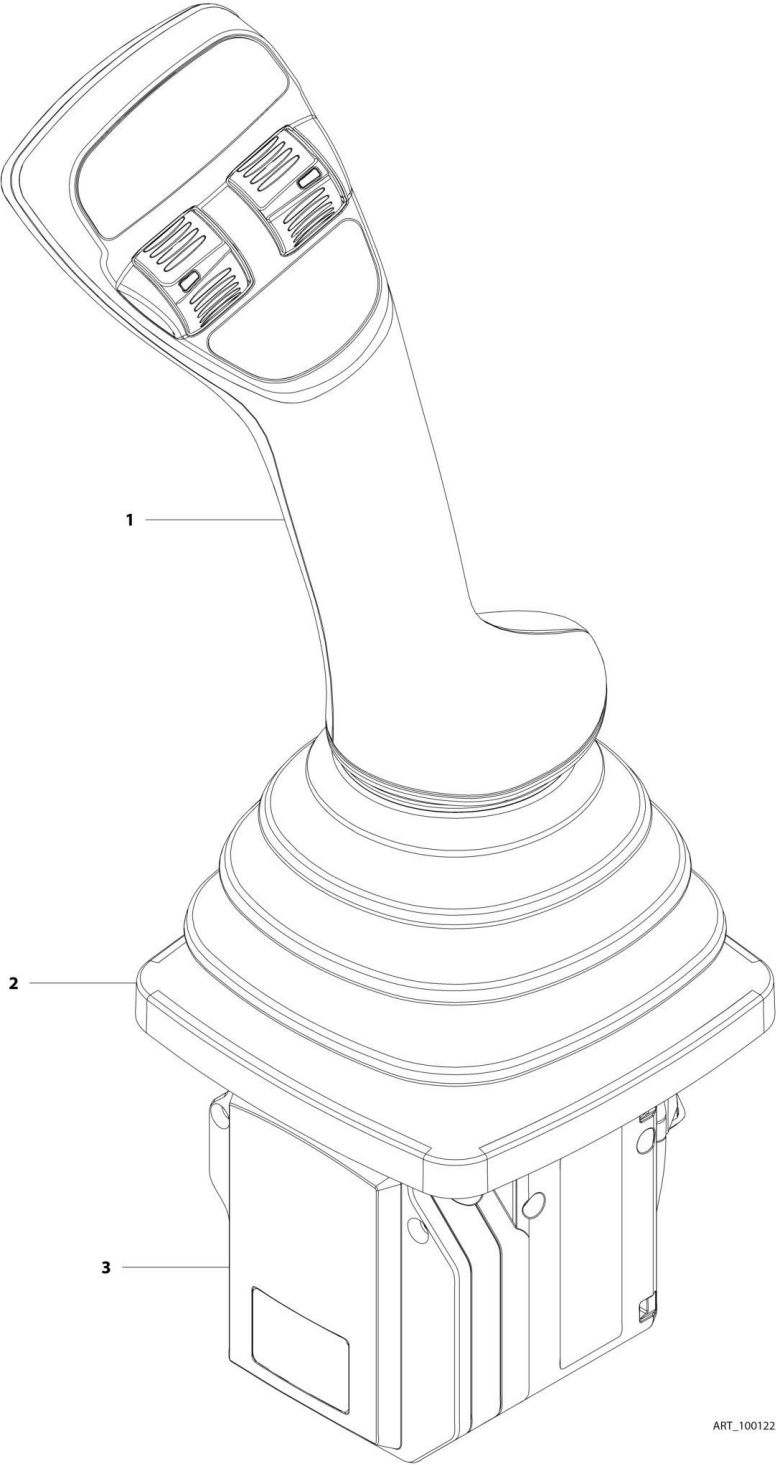
SECTION 7 - CONTROLS

FIGURE 7-12. JOYSTICK INSTALLATION (BOSCH/REXROTH BRAND)

ITEM	PART NUMBER	QTY	DESCRIPTION	REV
	1001298454	Ref	JOYSTICK INSTALLATION	A
1	4010610	4	Bolt M6 x 20	
2	1001181543	1	Decal – Joystick	
3	1001297247	1	Joystick Harness (See Separate Breakdown in ELECTRICAL Section)	
4	1001297803	1	Plate	
5	1001298306	1	Joystick Assembly (See Separate Breakdown in this Section)	
6	1001298623	4	Bolt M5 x 25	

SECTION 7 - CONTROLS

FIGURE 7-13. JOYSTICK ASSEMBLY (ELOBAU BRAND)



ART_1001222609-A

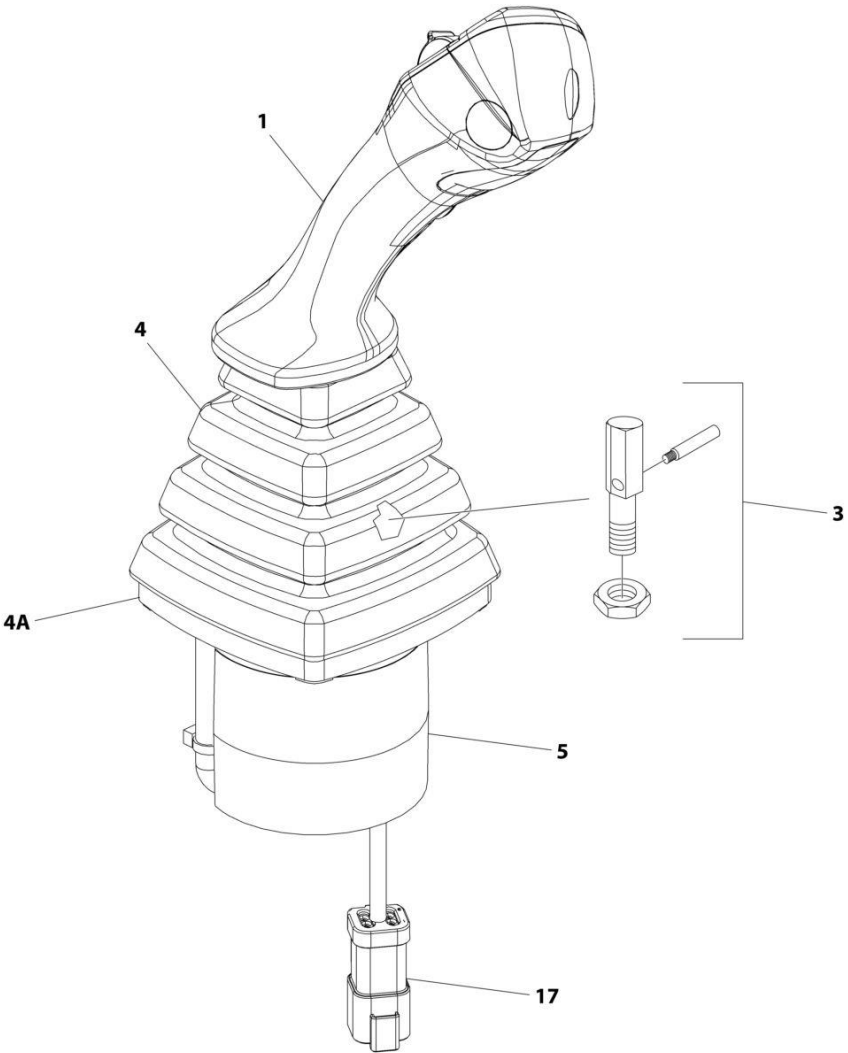
SECTION 7 - CONTROLS

FIGURE 7-13. JOYSTICK ASSEMBLY (ELOBAU BRAND)

ITEM	PART NUMBER	QTY	DESCRIPTION	REV
	1001222609	Ref	Joystick	A
1	70026257	1	Handle, Joystick	
2	70025844	1	Gaiter	
3	70026258	1	Base, Joystick	

SECTION 7 - CONTROLS

FIGURE 7-14. JOYSTICK ASSEMBLY (BOSCH/REXROTH BRAND)



ART_1001298306

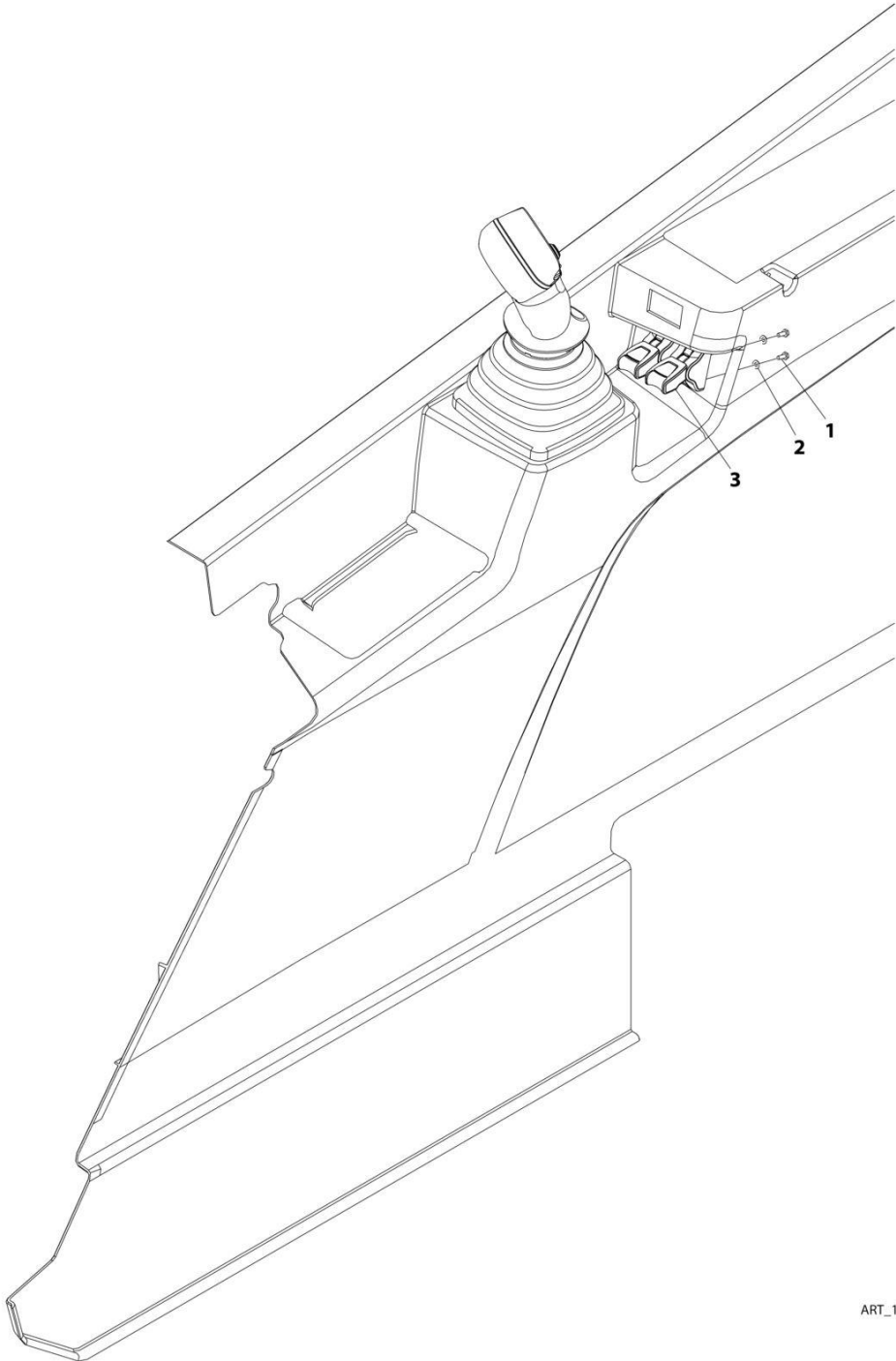
SECTION 7 - CONTROLS

FIGURE 7-14. JOYSTICK ASSEMBLY (BOSCH/REXROTH BRAND)

ITEM	PART NUMBER	QTY	DESCRIPTION	REV
	1001298306	Ref	JOYSTICK ASSEMBLY	B
1	70031450	1	Grip	
3	70020770	1	Lever Kit	
4	70031451	1	Boot	
4A	70031452	1	Base, Boot	
5	See Note	NSS	Base (Note: Purchase PN 1001298306)	
17	70031453	1	Connector Kit	

SECTION 7 - CONTROLS

FIGURE 7-15. OUTRIGGER SWITCHES INSTALLATION



ART_1001174478-C

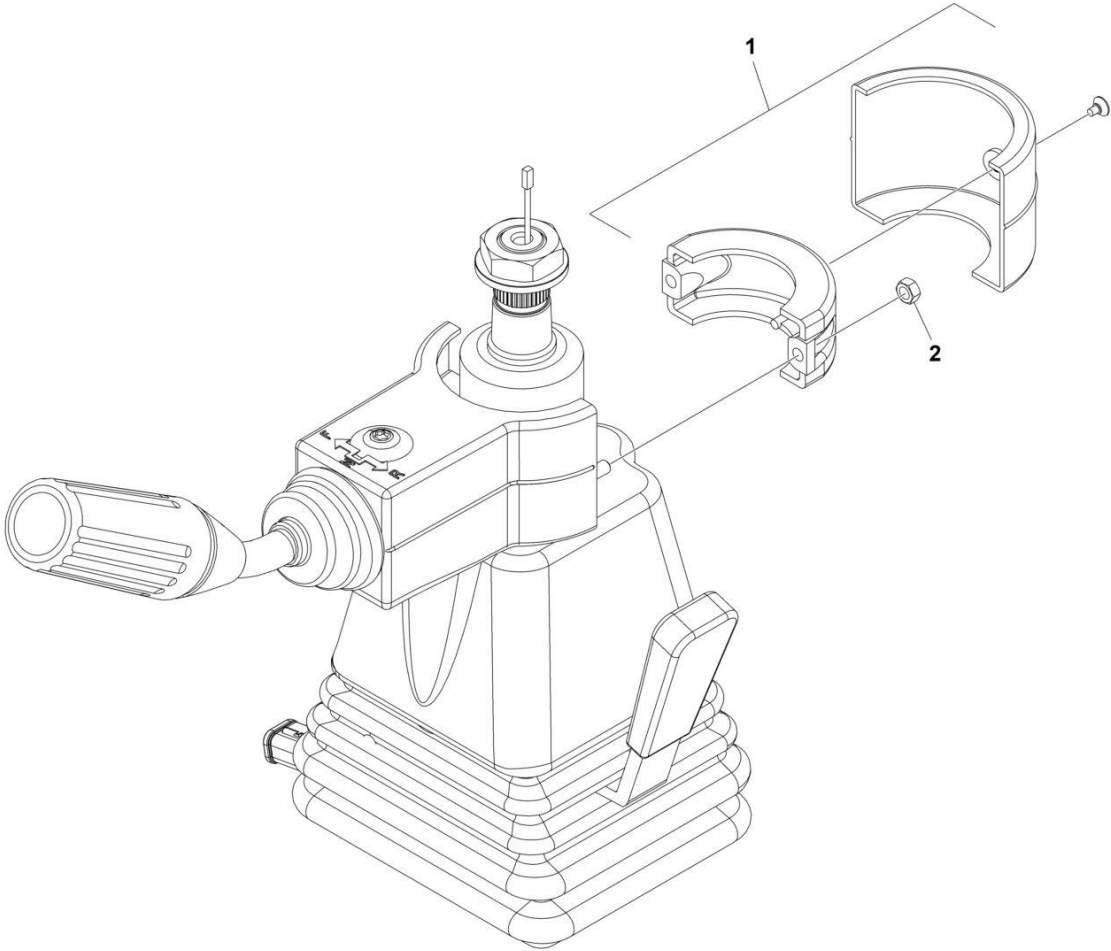
SECTION 7 - CONTROLS

FIGURE 7-15. OUTRIGGER SWITCHES INSTALLATION

ITEM	PART NUMBER	QTY	DESCRIPTION	REV
	1001174478	Ref	Outrigger Switches Installation	C
1	0760304	4	Bolt M3X8 GR8.8	
2	1001110544	4	Washer M3	
3	1001242098	2	Control, Fingertip Joystick	

SECTION 7 - CONTROLS

FIGURE 7-16. COLUMN CLAMP INSTALLATION



ART_1001182671_E

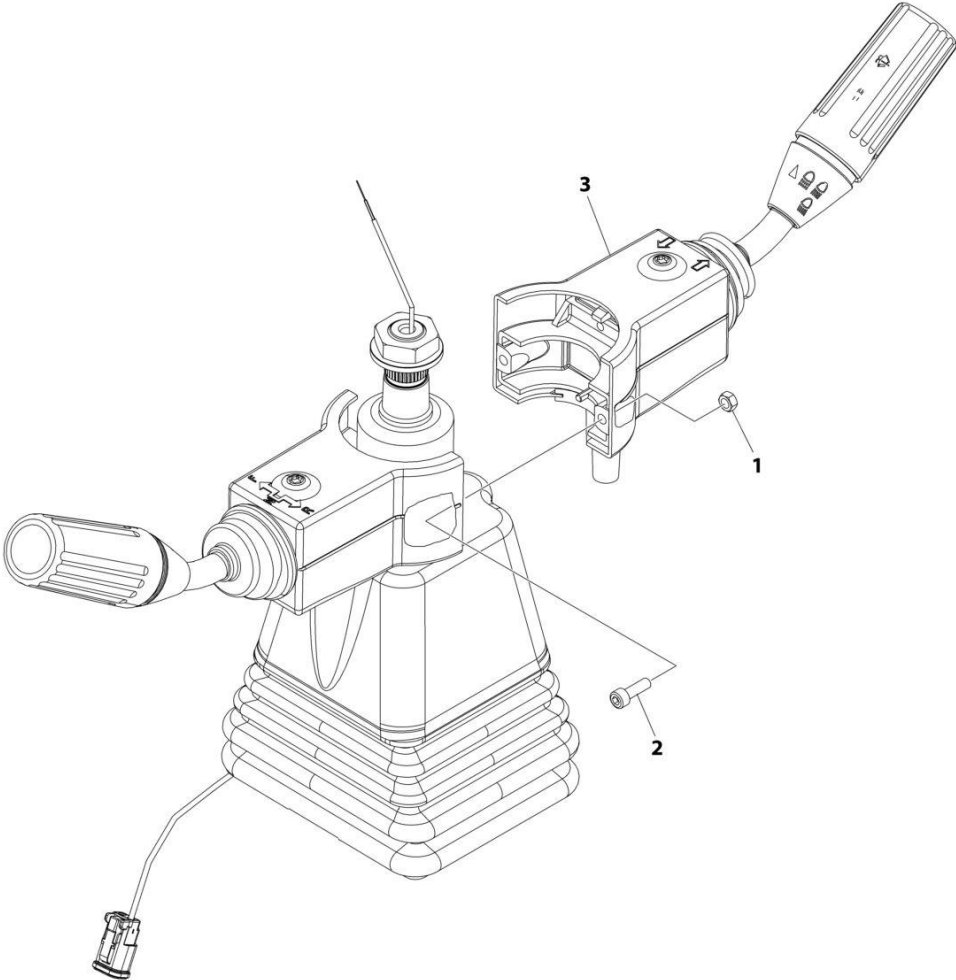
SECTION 7 - CONTROLS

FIGURE 7-16. COLUMN CLAMP INSTALLATION

ITEM	PART NUMBER	QTY	DESCRIPTION	REV
	1001182671	Ref	Column Clamp Installation	E
1	1001146949	1	Clamp	
2	3290505	2	Nut, Lock M5	

SECTION 7 - CONTROLS

FIGURE 7-17. WIPER-TURN SWITCH INSTALLATION



ART_1001257071

SECTION 7 - CONTROLS

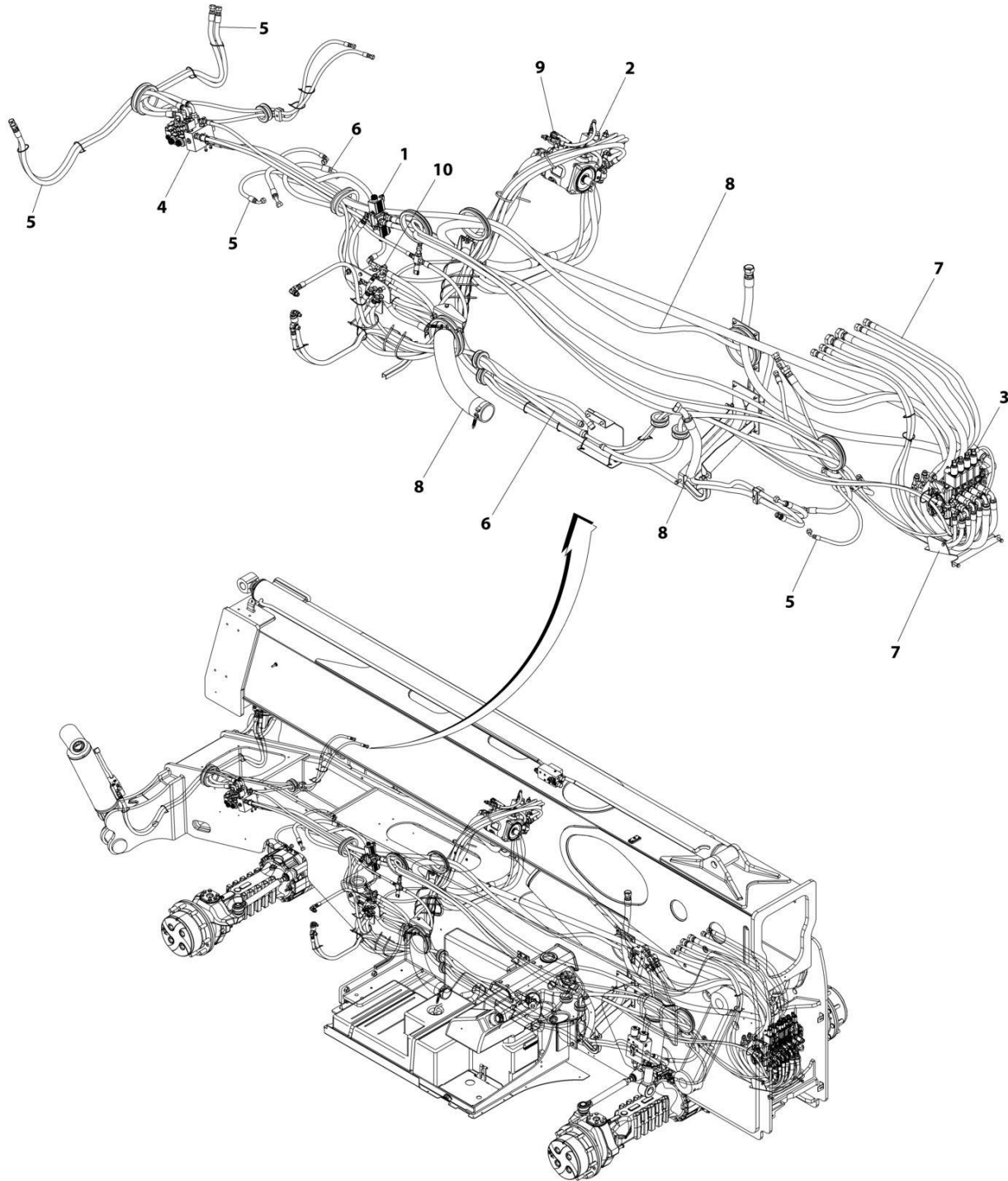
FIGURE 7-17. WIPER-TURN SWITCH INSTALLATION

ITEM	PART NUMBER	QTY	DESCRIPTION	REV
	1001257071	Ref	Wiper-Turn Switch Installation	B
1	3290505	2	Nut, Lock M5	
2	4031607	2	Capscrew M5 x 16	
3	1001256974	1	Switch, Turn-Wiper	

SECTION 8 - HYDRAULIC CIRCUITS

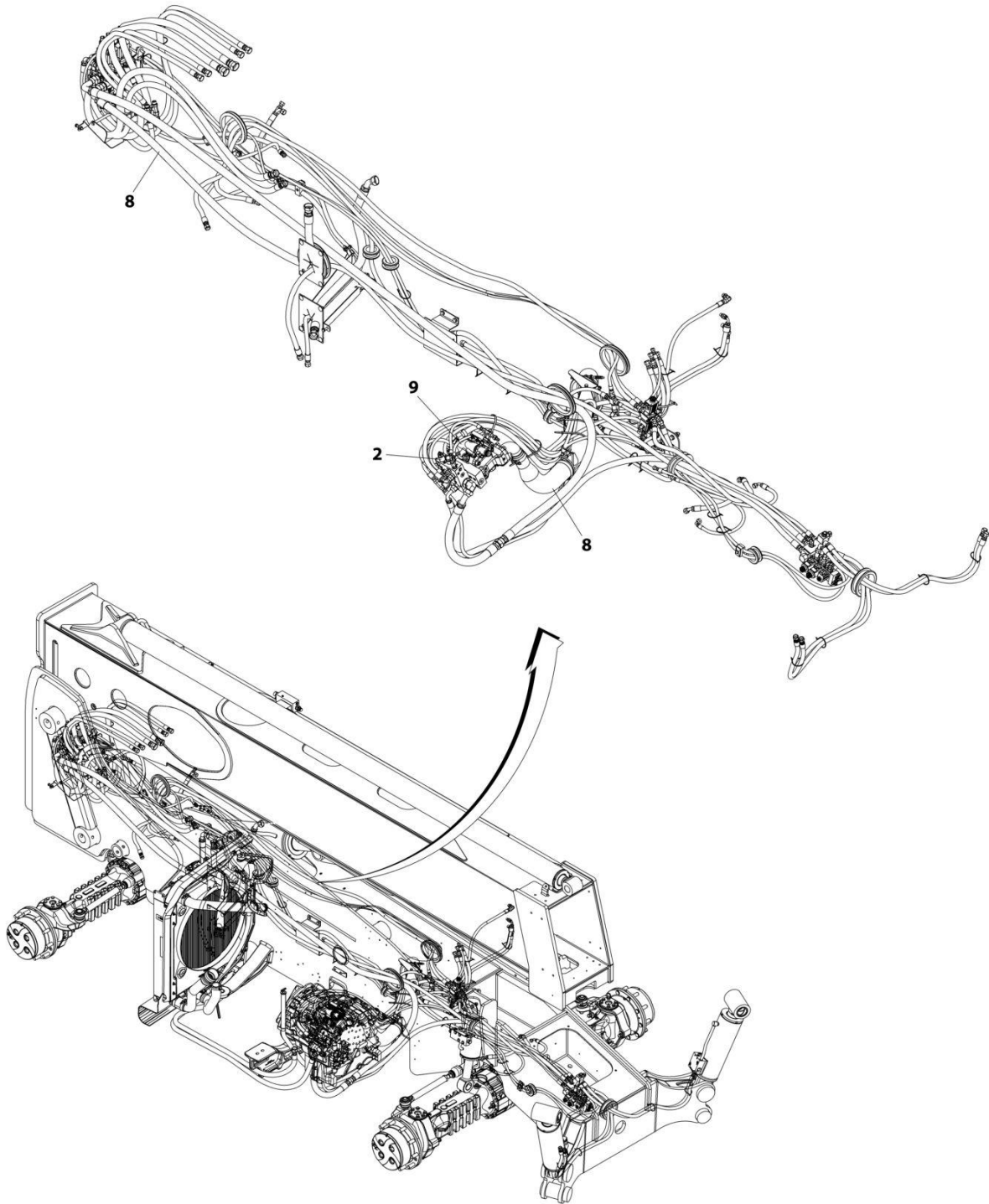
SECTION 8 - HYDRAULIC CIRCUITS

FIGURE 8-1. MAIN HYDRAULICS INSTALLATION



ART_1001160705_G_10F2

SECTION 8 - HYDRAULIC CIRCUITS



ART_1001160705_G_2OF2

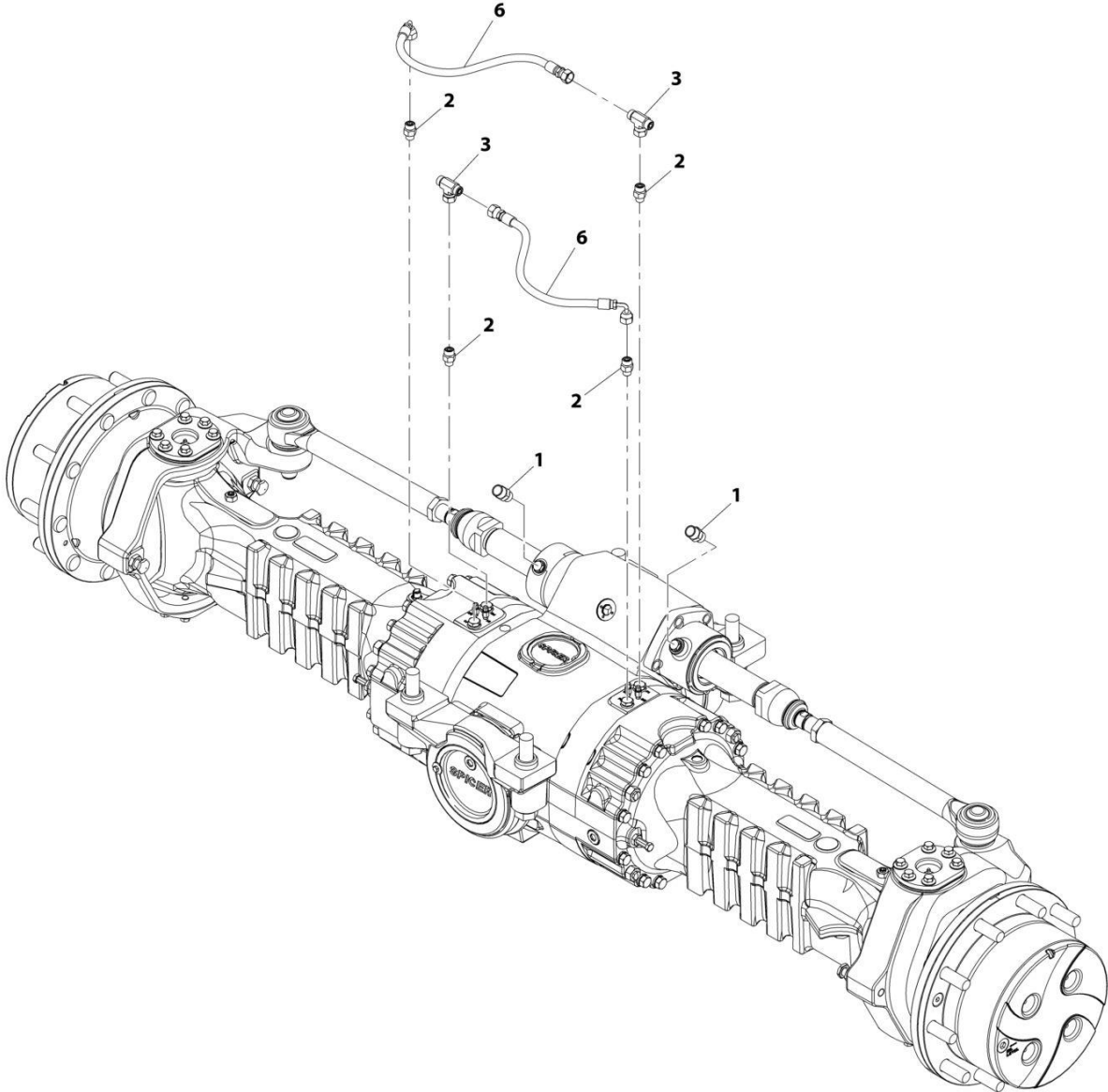
SECTION 8 - HYDRAULIC CIRCUITS

FIGURE 8-1. MAIN HYDRAULICS INSTALLATION

ITEM	PART NUMBER	QTY	DESCRIPTION	REV
	1001160705	Ref	MAIN HYDRAULICS INSTALLATION	G
1	1001161306	Ref	Installation, Steer Select Valve (See Separate Breakdown in this Section)	
2	1001161308	Ref	Installation, Priority Function Manifold (See Separate Breakdown in this Section)	
3	1001225751	Ref	Installation, Main Control Valve (See Separate Breakdown in this Section)	
4	1001159760	Ref	Installation, Frame Level and Outrigger Valve (See Separate Breakdown in this Section)	
5	1001161351	Ref	Installation, Frame Hydraulic (See Separate Breakdown in this Section)	
6	1001161352	Ref	Installation, Cab Hydraulic (See Separate Breakdown in this Section)	
7	1001194245	Ref	Installation, Boom Hydraulic (See Separate Breakdown in this Section)	
8	1001161780	Ref	Installation, Engine Bay Hydraulic (See Separate Breakdown in this Section)	
9	1001162670	Ref	Installation, Piston Pump (See Separate Breakdown in this Section)	
10	1001253371	Ref	Installation, SAHR Break Valve (See Separate Breakdown in this Section)	

SECTION 8 - HYDRAULIC CIRCUITS

FIGURE 8-2. AXLE (FRONT) LINES INSTALLATION



ART_1001161421-D

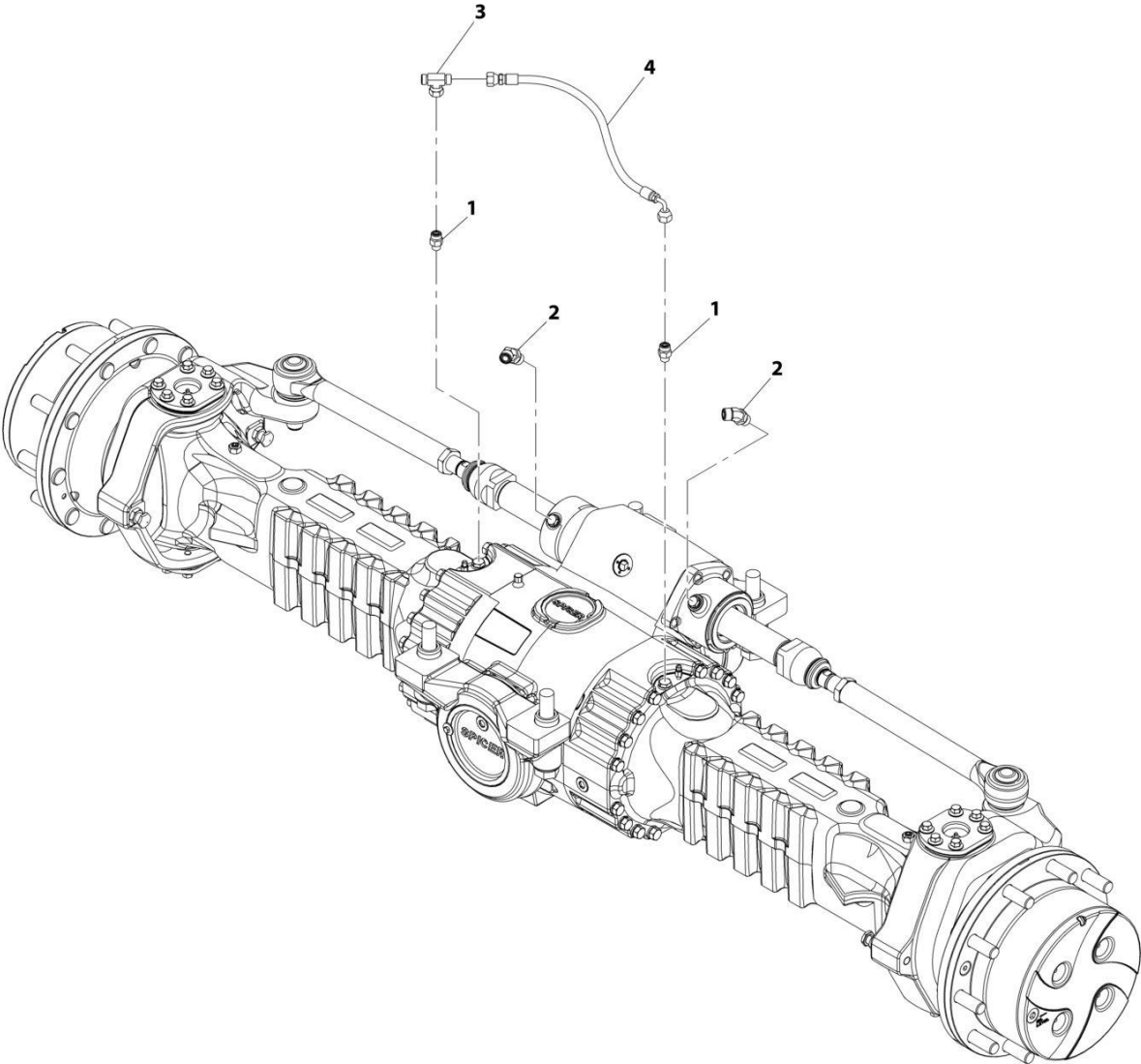
SECTION 8 - HYDRAULIC CIRCUITS

FIGURE 8-2. AXLE (FRONT) LINES INSTALLATION

ITEM	PART NUMBER	QTY	DESCRIPTION	REV
	1001161421	Ref	Front Axle Lines Installation	D
1	2110808	2	Fitting, Straight ORFS	
2	2144605	4	Fitting, Straight ORFS	
3	2170806	2	Fitting, Tee ORFS	
6	1001097810	2	Hose	

SECTION 8 - HYDRAULIC CIRCUITS

FIGURE 8-3. AXLE (REAR) LINES INSTALLATION



ART_1001161424-D

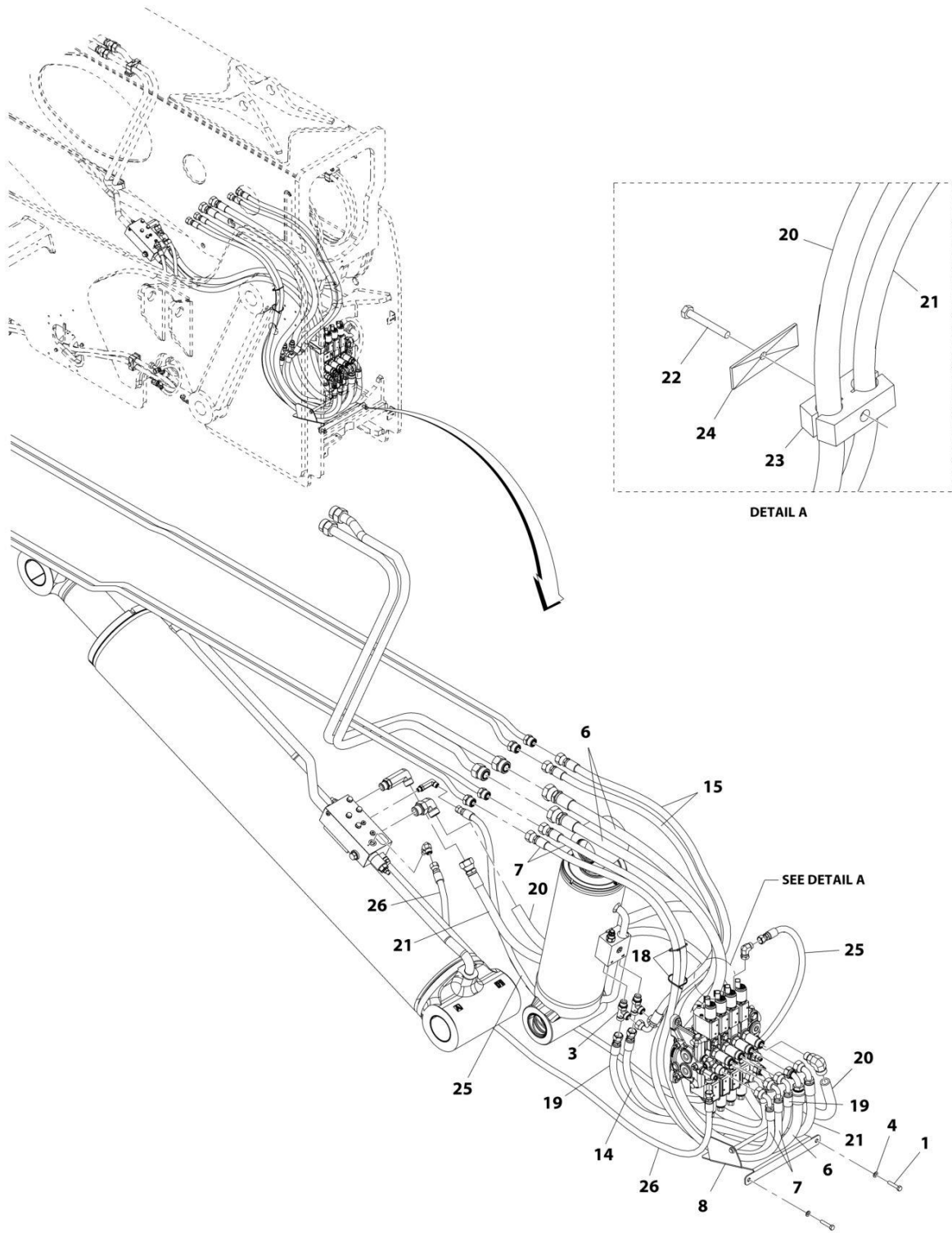
SECTION 8 - HYDRAULIC CIRCUITS

FIGURE 8-3. AXLE (REAR) LINES INSTALLATION

ITEM	PART NUMBER	QTY	DESCRIPTION	REV
	1001161424	Ref	Rear Axle Lines Installation	D
1	2144605	2	Fitting, Straight ORFS	
2	2150808	2	Fitting, 45 ORFS	
3	2170806	1	Fitting, Tee ORFS	
4	1001102509	1	Hose	

SECTION 8 - HYDRAULIC CIRCUITS

FIGURE 8-4. BOOM HYDRAULIC INSTALLATION



ART_1001194245-F

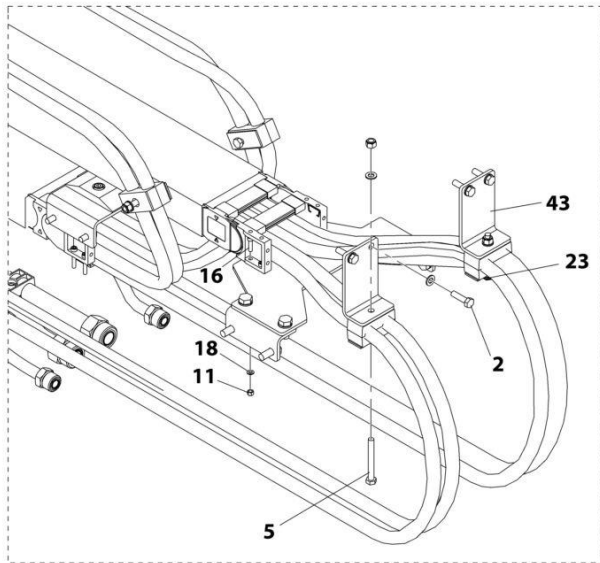
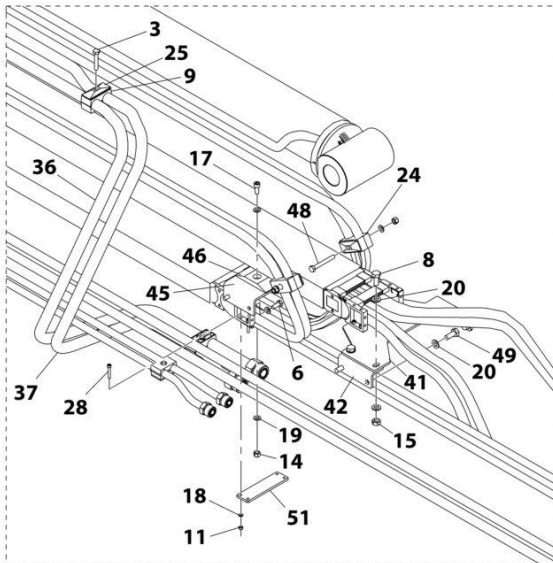
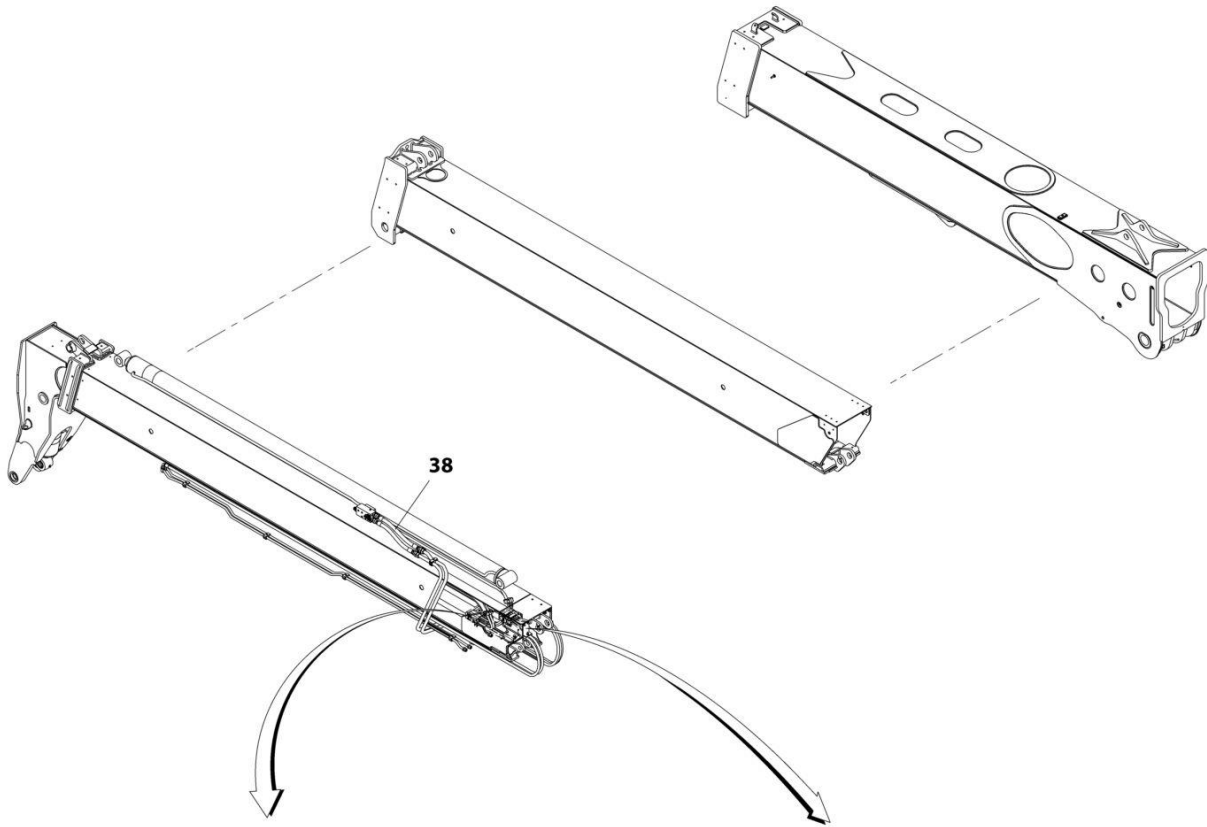
SECTION 8 - HYDRAULIC CIRCUITS

FIGURE 8-4. BOOM HYDRAULIC INSTALLATION

ITEM	PART NUMBER	QTY	DESCRIPTION	REV
	1001194245	Ref	Boom Hydraulic Installation	F
1	0700816	2	Bolt, M8X40	
3	2170308	2	Fitting, Tee ORFS	
4	4811900	2	Washer, M8	
6	1001169376	2	Hose	
7	1001169378	2	Hose	
8	1001193771	1	Channel, Boom Hose	
14	1001193781	1	Hose	
15	1001193782	2	Hose	
18	4240099	2	Tie, Wire	
19	1001188637	1	Hose	
20	1001201921	1	Hose	
21	1001226397	1	Hose	
22	0700820	1	Screw, M8X60	
23	8750024	1	Clamp	
24	8750025	1	Cover Plate	
25	1001226405	1	Hose	
26	1001226406	1	Hose	

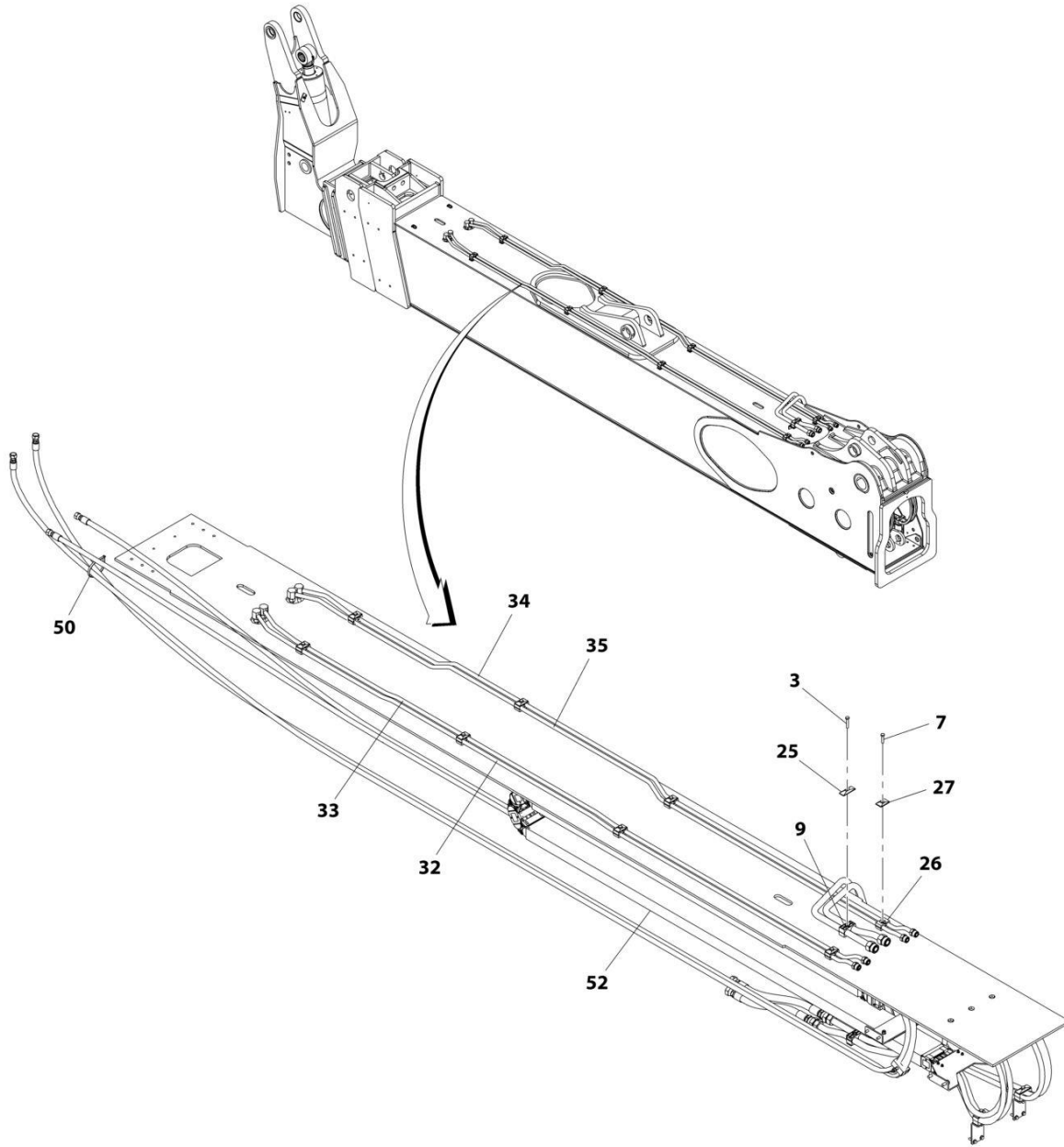
SECTION 8 - HYDRAULIC CIRCUITS

FIGURE 8-5. BOOM HYDRAULIC TUBES INSTALLATION



ART_1001174329_1-I

SECTION 8 - HYDRAULIC CIRCUITS



ART_1001174329_2-1

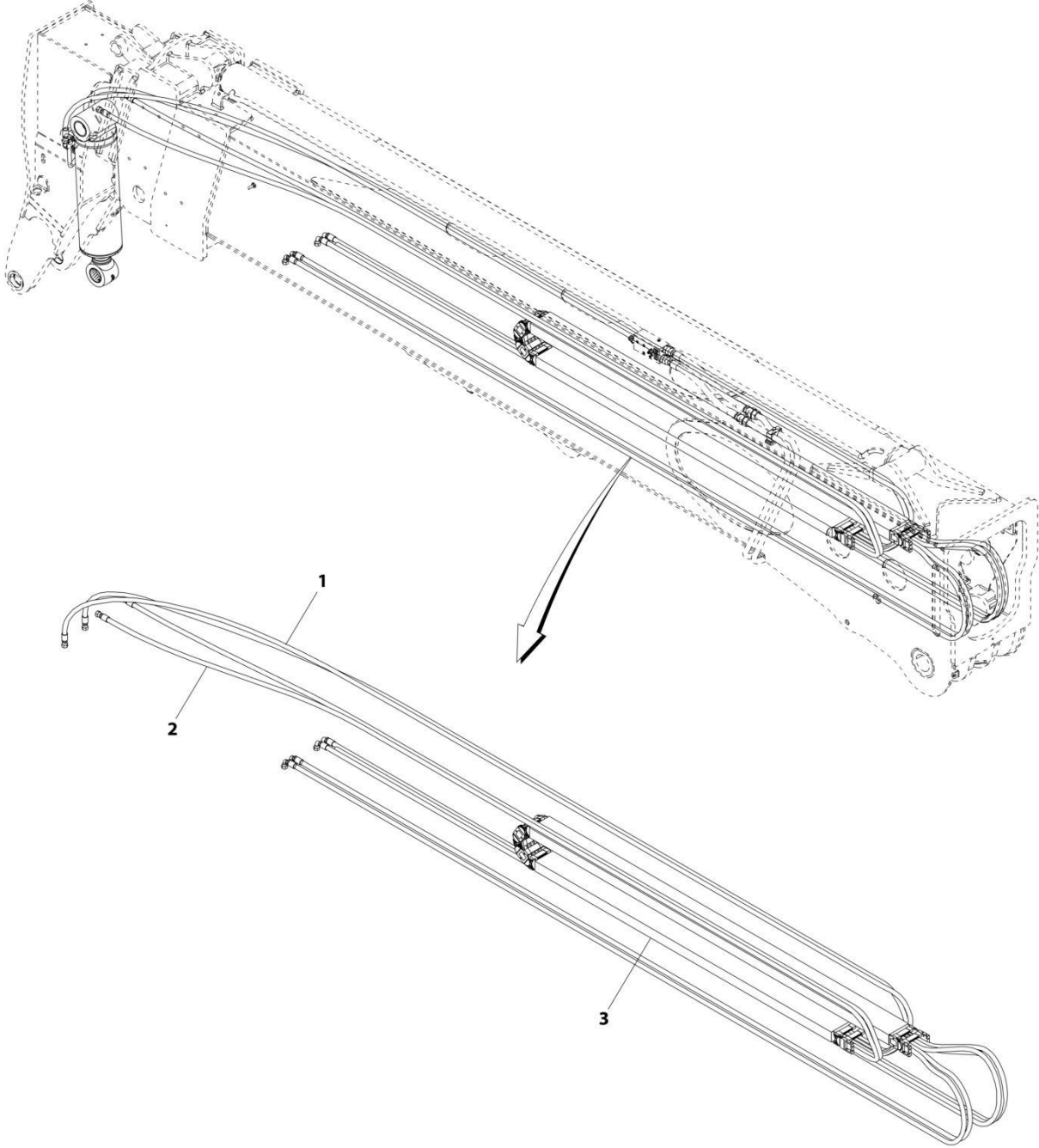
SECTION 8 - HYDRAULIC CIRCUITS

FIGURE 8-5. BOOM HYDRAULIC TUBES INSTALLATION

ITEM	PART NUMBER	QTY	DESCRIPTION	REV
	1001174329	Ref	Boom Hydraulic Tubes Installation	I
2	0700814	4	Bolt, M8X30	
3	0700817	2	Bolt, M8X45	
5	0700822	2	Bolt, M8X70	
6	0760810	4	Bolt, M8X20	
7	0760815	8	Bolt, M8X35	
8	0761012	2	Bolt, M10X25	
9	1321329	2	Clamp	
11	3290505	8	Nut, Lock M5X0.8	
14	3290805	6	Nut, Lock M8X1.25	
15	3291001	2	Nut, M10X1.5	
16	4031608	4	Bolt, M5X20	
17	4031908	2	Bolt, M8X20	
18	4811600	8	Washer, M5	
19	4811900	17	Washer, M8	
20	4812000	8	Washer, M10	
23	8406105	1	Clip	
24	77133136	4	Clamp	
25	77133137	6	Plate, Twin Hose Cover	
26	77133139	8	Clamp	
27	77133140	8	Plate, Cover	
28	1001104029	4	Bolt, M5X30	
32	1001170536	1	Tube	
33	1001170537	1	Tube	
34	1001170538	1	Tube	
35	1001170539	1	Tube	
36	1001170540	1	Tube	
37	1001170541	1	Tube	
38	1001170549	2	Hose	
41	1001173953	1	Bracket	
42	1001173954	1	Bracket	
43	1001173955	2	Bracket	
45	1001174100	1	Bracket	
46	1001174145	1	Pad	
48	0700821	2	Bolt, M8X65	
49	0761010	4	Bolt, M10X20	
50	8881800	1	Tie Strap	
51	1001202303	1	Plate	
52	1001233919	1	Installation, Twin/Tri Line Hoses (See Separate Breakdown in this Section)	

SECTION 8 - HYDRAULIC CIRCUITS

FIGURE 8-6. BOOM HOSES INSTALLATION



ART_1001233919-A

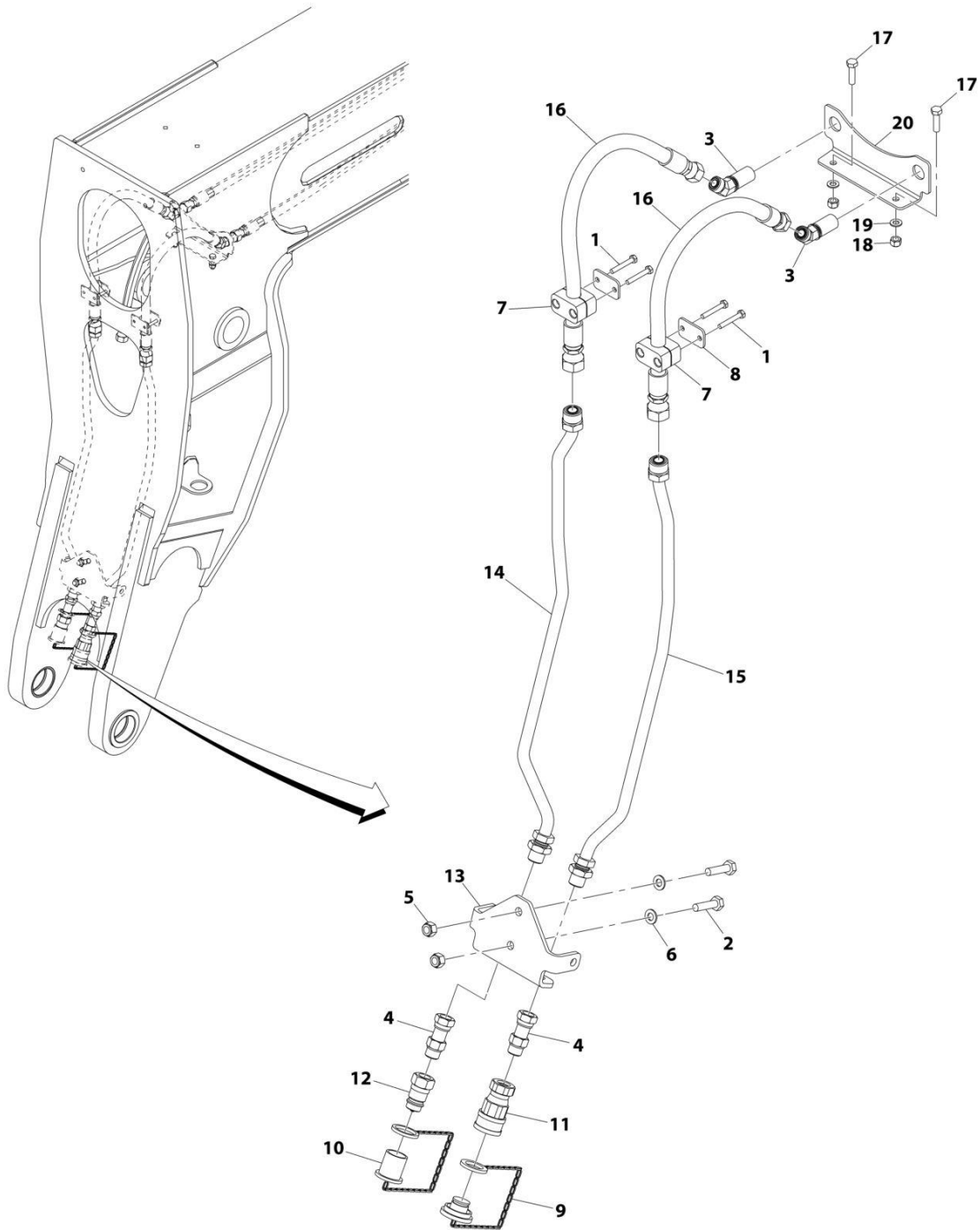
SECTION 8 - HYDRAULIC CIRCUITS

FIGURE 8-6. BOOM HOSES INSTALLATION

ITEM	PART NUMBER	QTY	DESCRIPTION	REV
	1001233919	Ref	Twin/Tri Line Hose Installation	A
1	1001173934	1	Hose	
2	1001173935	1	Hose	
3	1001175033	1	Carrier, Hose	

SECTION 8 - HYDRAULIC CIRCUITS

FIGURE 8-7. BOOM AUXILIARY HYDRAULIC INSTALLATION



ART_1001167781-H

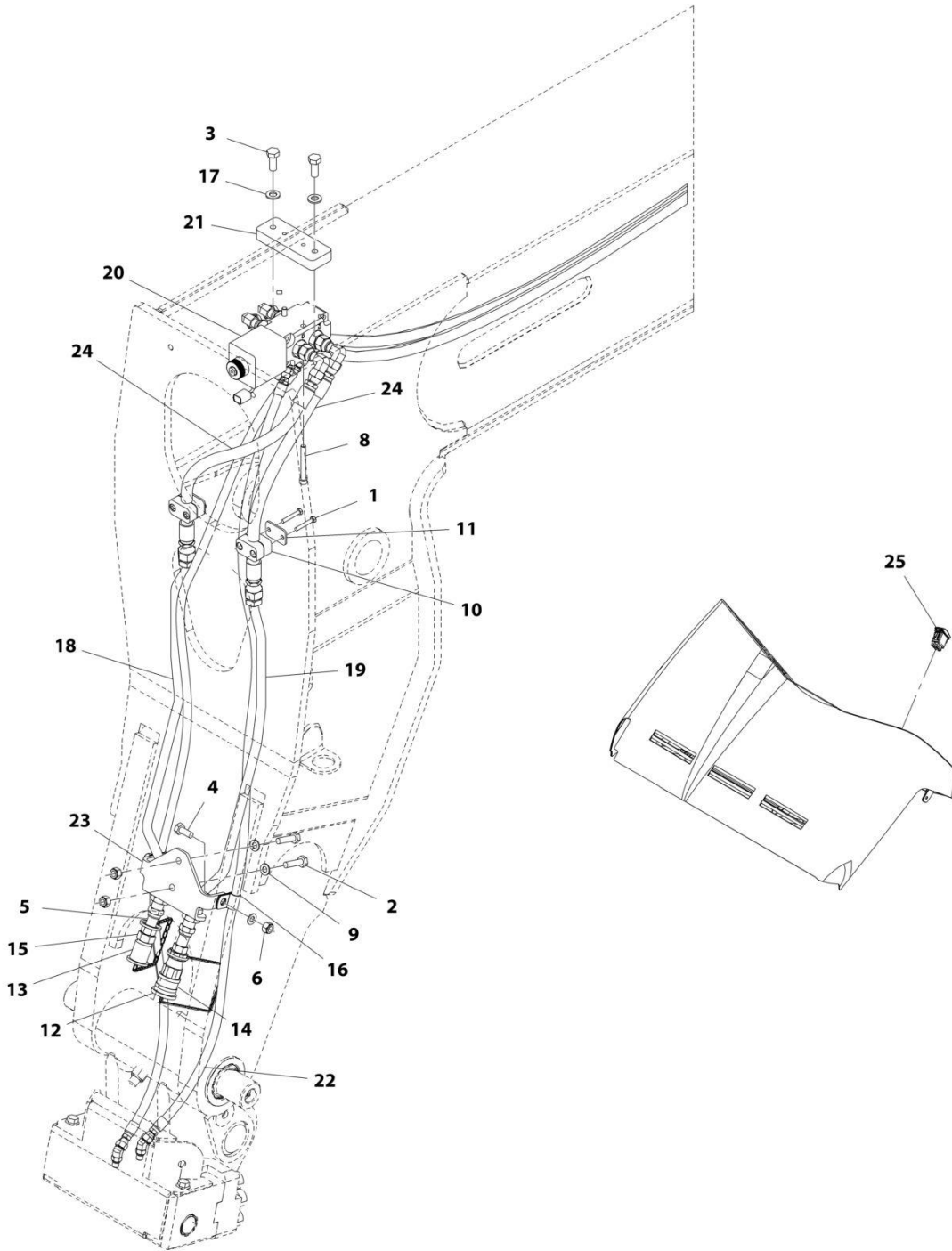
SECTION 8 - HYDRAULIC CIRCUITS

FIGURE 8-7. BOOM AUXILIARY HYDRAULIC INSTALLATION

ITEM	PART NUMBER	QTY	DESCRIPTION	REV
	1001167781	Ref	Boom Auxiliary Hydraulic Installation	H
1	0700616	4	Bolt, M6X40	
2	0701016	2	Bolt, M10X40	
3	2171308	2	Fitting, 45 ORFS	
4	2180849	2	Fitting, Straight ORFS	
5	3291005	2	Nut, Lock M10X1.5	
6	4812000	2	Washer, M10	
7	1024044	2	Clamp	
8	8769153	2	Plate, Cover	
9	91043125	1	Plug, Dust	
10	91043126	1	Cap, Dust	
11	91403413	1	Coupler, Female	
12	91403414	1	Coupler, Male	
13	1001164948	1	Bracket	
14	1001211627	1	Hose	
15	1001211628	1	Hose	
16	1001178060	2	Hose	
17	0700814	2	Bolt, M8X30	
18	3290805	2	Nut, Lock M8X1.25	
19	4811900	2	Washer, M8	
20	1001169653	1	Support	

SECTION 8 - HYDRAULIC CIRCUITS

FIGURE 8-8. BOOM AUXILIARY HYDRAULIC INSTALLATION WITH HYDRAULIC COUPLER



ART_1001167787-I

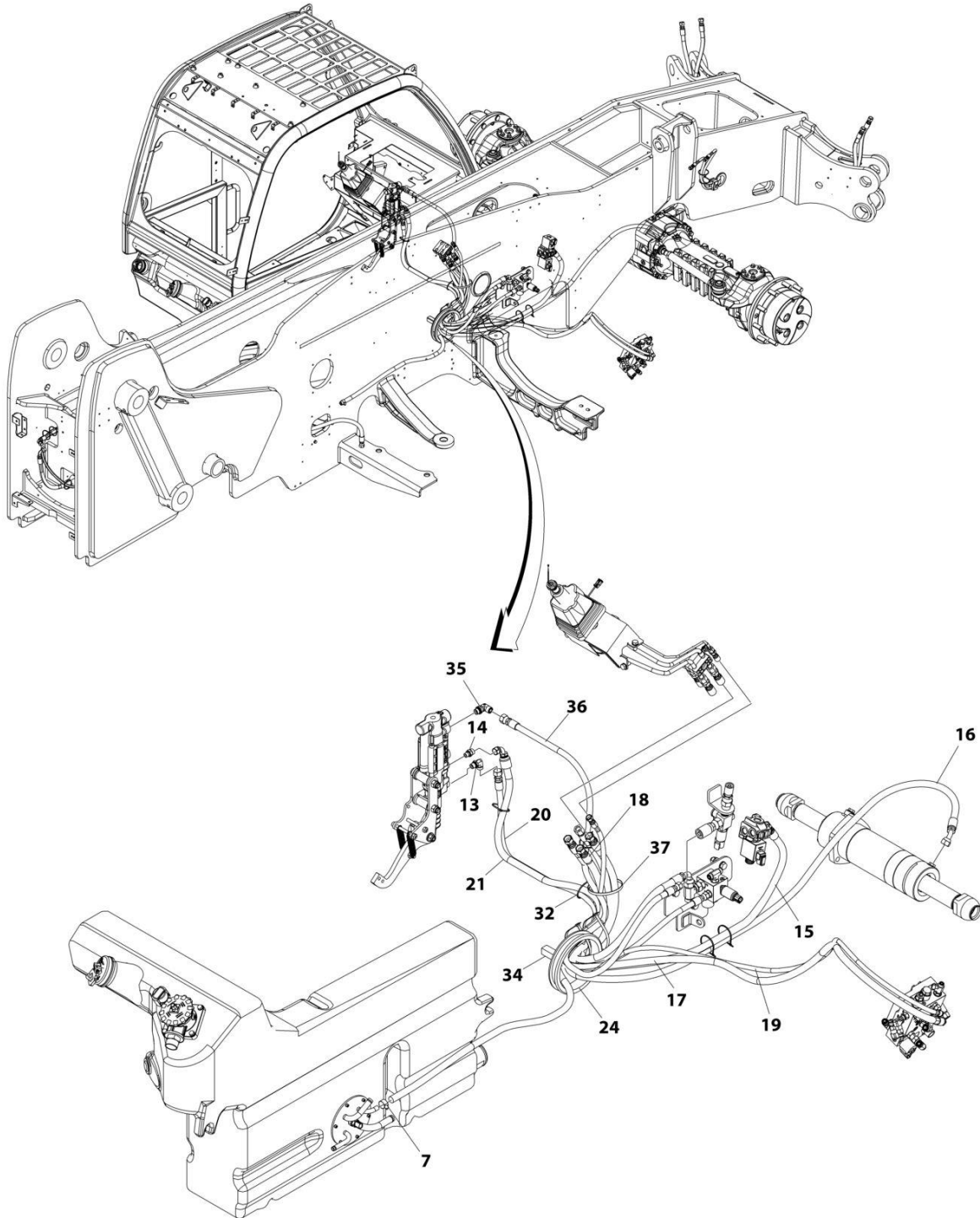
SECTION 8 - HYDRAULIC CIRCUITS

FIGURE 8-8. BOOM AUXILIARY HYDRAULIC INSTALLATION WITH HYDRAULIC COUPLER

ITEM	PART NUMBER	QTY	DESCRIPTION	REV
	1001167787	Ref	Hydraulic Auxiliary with Coupler Installation	1
1	0700616	4	Bolt, M6X40	
2	0701016	2	Bolt, M10X40	
3	0761214	2	Bolt, M12X30	
4	0761012	2	Bolt, M10X25	
5	2180849	2	Fitting, Straight ORFS	
6	3291005	4	Nut, Lock M10X1.5	
8	4031918	2	Bolt, M8X70	
9	4812000	4	Washer, M10	
10	1024044	2	Clamp	
11	8769153	2	Plate, Cover	
12	91043125	1	Plug, Dust	
13	91043126	1	Cap, Dust	
14	91403413	1	Coupler, Female	
15	91403414	1	Coupler, Male	
16	1001080996	2	Clamp	
17	1001125117	2	Washer, M12	
18	1001211627	1	Hose	
19	1001211628	1	Hose	
20	1001164869	1	Assembly, Quick Attach Valve (See Separate Breakdown in this Section)	
21	1001164870	1	Plate, Valve Attachment	
22	1001164873	2	Hose	
23	1001164948	1	Bracket, Aux Mount	
24	1001178060	2	Hose	
25	1001080375	1	Switch, Quick Switch	

SECTION 8 - HYDRAULIC CIRCUITS

FIGURE 8-9. CAB HYDRAULIC INSTALLATION



ART_1001161352

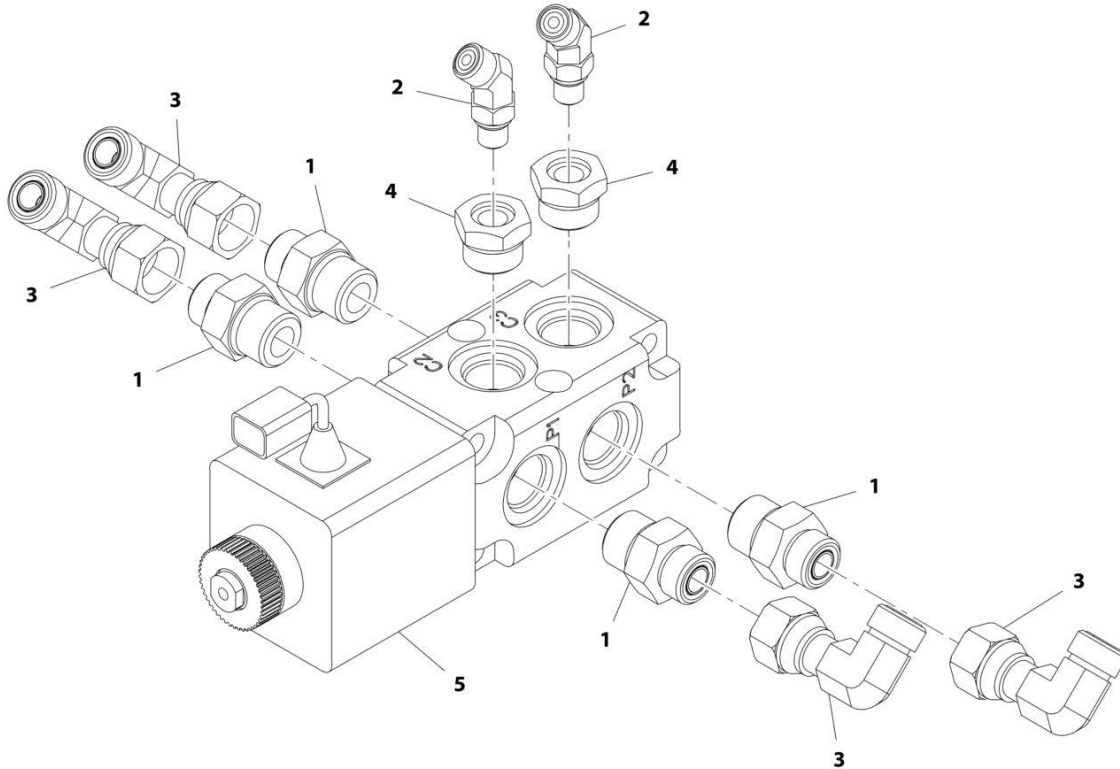
SECTION 8 - HYDRAULIC CIRCUITS

FIGURE 8-9. CAB HYDRAULIC INSTALLATION

ITEM	PART NUMBER	QTY	DESCRIPTION	REV
	1001161352	Ref	FRAME HYDRAULIC INSTALLATION	N
7	8405006	1	Clamp, Gear	
13	8770120	1	Fitting, 90 ORFS	
14	80233218	1	Fitting, Straight ORFS	
15	1001204152	1	Hose	
16	1001204153	1	Hose	
17	1001253154	1	Hose	
18	1001253156	1	Hose	
19	1001253097	1	Hose	
20	1001253103	1	Hose	
21	1001161528	1	Hose	
24	1001169830	1	Grommet	
32	4240099	5	Tie, Wire	
34	4060919	230 mm	Shield	
35	1001168054	1	Adapter	
36	1001203067	1	Hose	
37	4240018	3	Strap	

SECTION 8 - HYDRAULIC CIRCUITS

FIGURE 8-10. COUPLER VALVE & FITTING ASSEMBLY



ART_1001164869-B

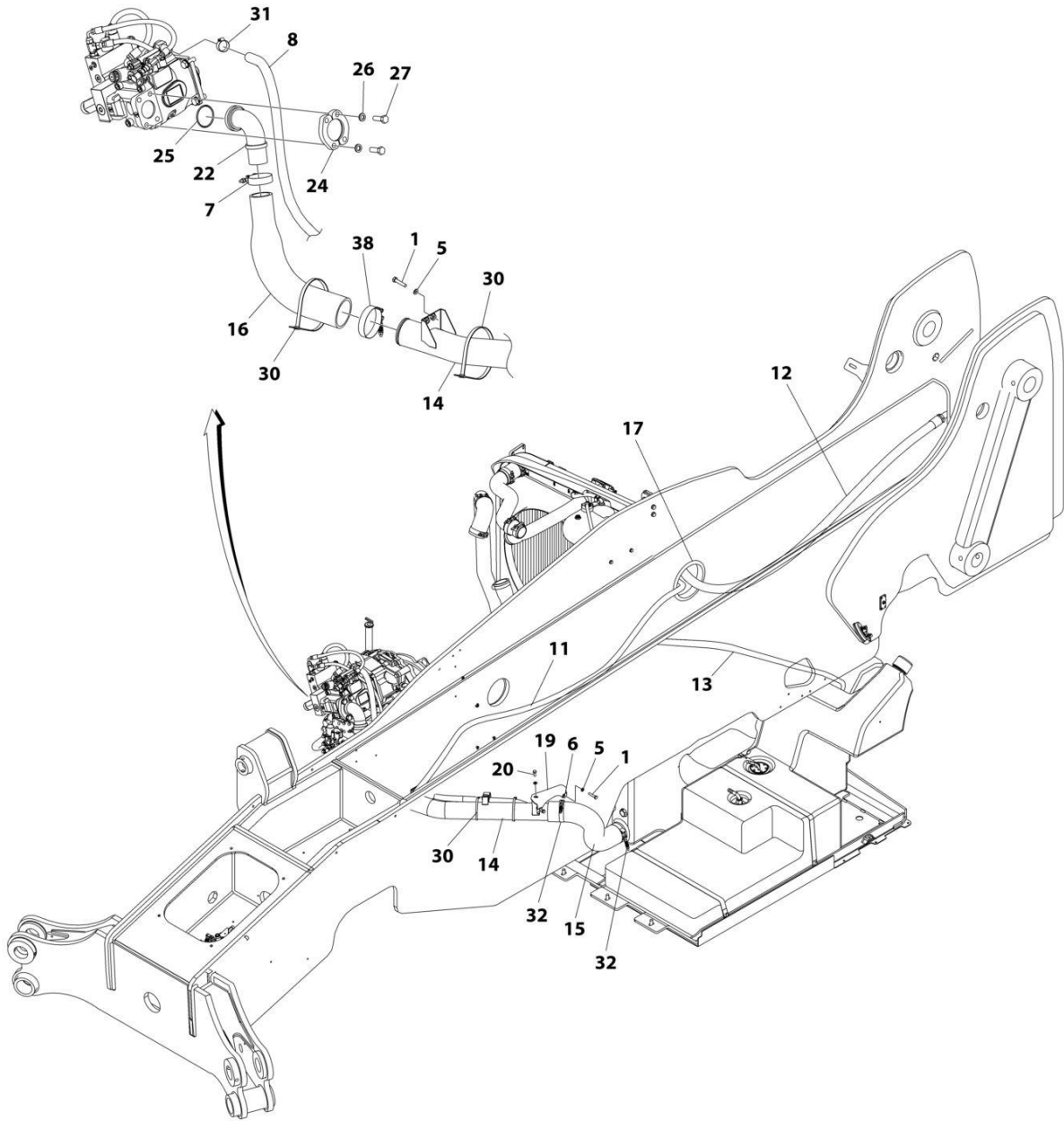
SECTION 8 - HYDRAULIC CIRCUITS

FIGURE 8-10. COUPLER VALVE & FITTING ASSEMBLY

ITEM	PART NUMBER	QTY	DESCRIPTION	REV
	1001164869	Ref	Quick Coupler Valve Assembly	B
1	2110810	4	Adapter	
2	2150404	2	Adapter	
3	2172108	4	Adapter	
4	1001001568	2	Reducer	
5	1001104477	1	Valve, Quick Coupler (See Separate Breakdown in HYDRAULIC COMPONENTS Section)	

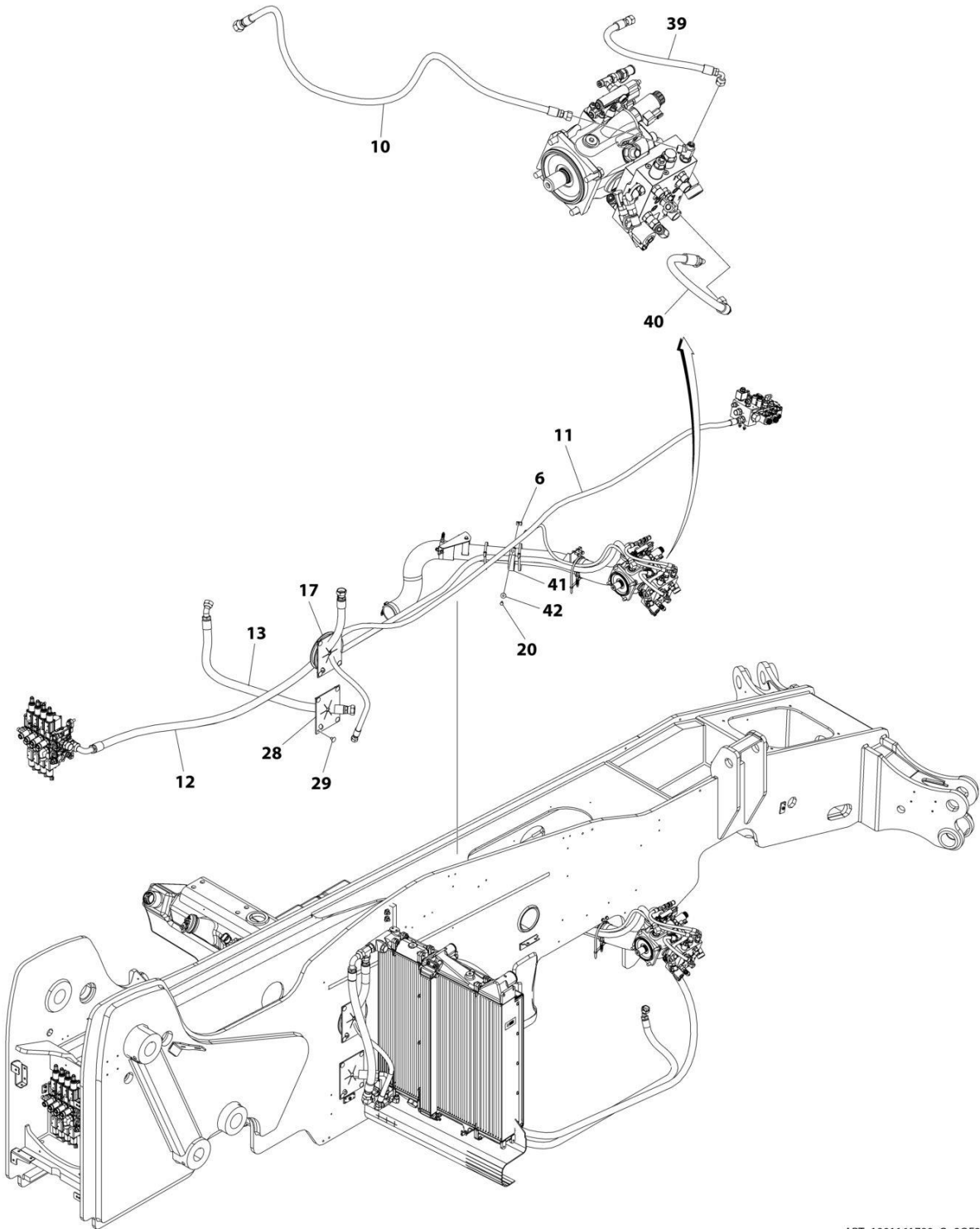
SECTION 8 - HYDRAULIC CIRCUITS

FIGURE 8-11. ENGINE BAY HYDRAULIC INSTALLATION



ART_1001161780_O_10F2

SECTION 8 - HYDRAULIC CIRCUITS



ART_1001161780_O_20F2

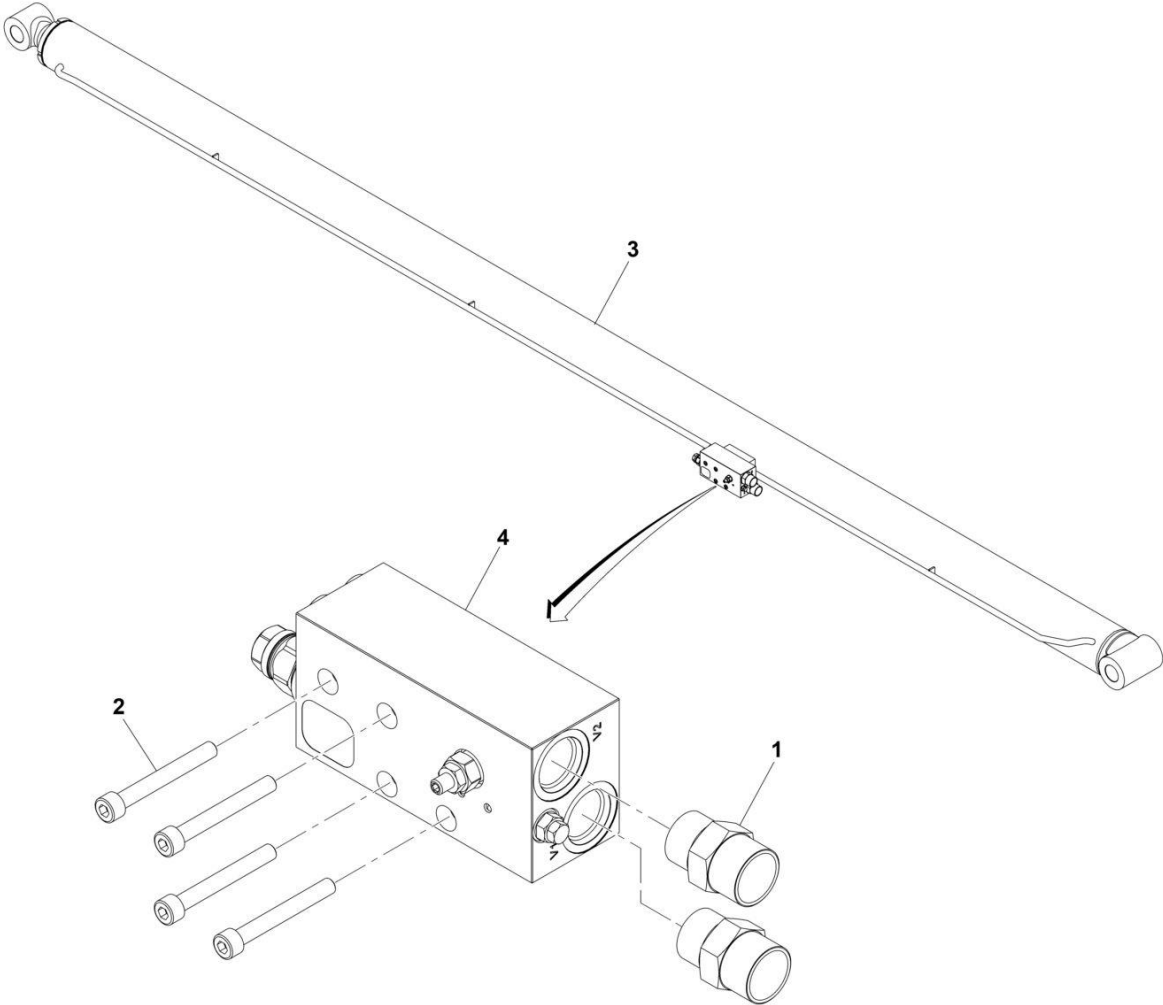
SECTION 8 - HYDRAULIC CIRCUITS

FIGURE 8-11. ENGINE BAY HYDRAULIC INSTALLATION

ITEM	PART NUMBER	QTY	DESCRIPTION	REV
	1001161780	Ref	ENGINE BAY HYDRAULIC INSTALLATION	O
1	0700816	4	Bolt M8 x 40	
5	4811900	5	Washer M8	
6	8310686	4	Nut M8 x 12.5	
7	8405209	1	Clamp, T-Bolt	
8	1001186418	1	Hose	
10	1001253089	1	Hose	
11	1001161912	1	Hose	
12	1001161977	1	Hose	
13	1001161978	1	Hose	
14	1001173446	1	Pipe	
15	1001173451	1	Hose	
16	1001173450	1	Hose	
17	1001169830	1	Grommet	
19	1001174338	1	Bracket, Suction Tube	
20	0760810	2	Bolt M8 x 20	
22	8424233	1	Elbow, 90	
24	8546407	2	Flange, Half	
25	3790228	1	O-Ring	
26	4761800	4	Washer 1/2	
27	0641812	4	Bolt 1/2-13	
28	1001175347	2	Grommet, Rubber	
29	1001180306	8	Screw	
30	1001158298	3	Strap, Tie	
31	8405007	2	Clamp, Hose	
32	1001186843	2	Clamp, T-Bolt	
38	1001232377	1	Clamp, T-Bolt	
39	1001253086	1	Hose	
40	1001260572	1	Hose	
41	1320219	1	Clamp	
42	4811902	1	Washer M8	

SECTION 8 - HYDRAULIC CIRCUITS

FIGURE 8-12. EXTEND/RETRACT CYLINDER VALVE INSTALLATION



ART_1001171330-H

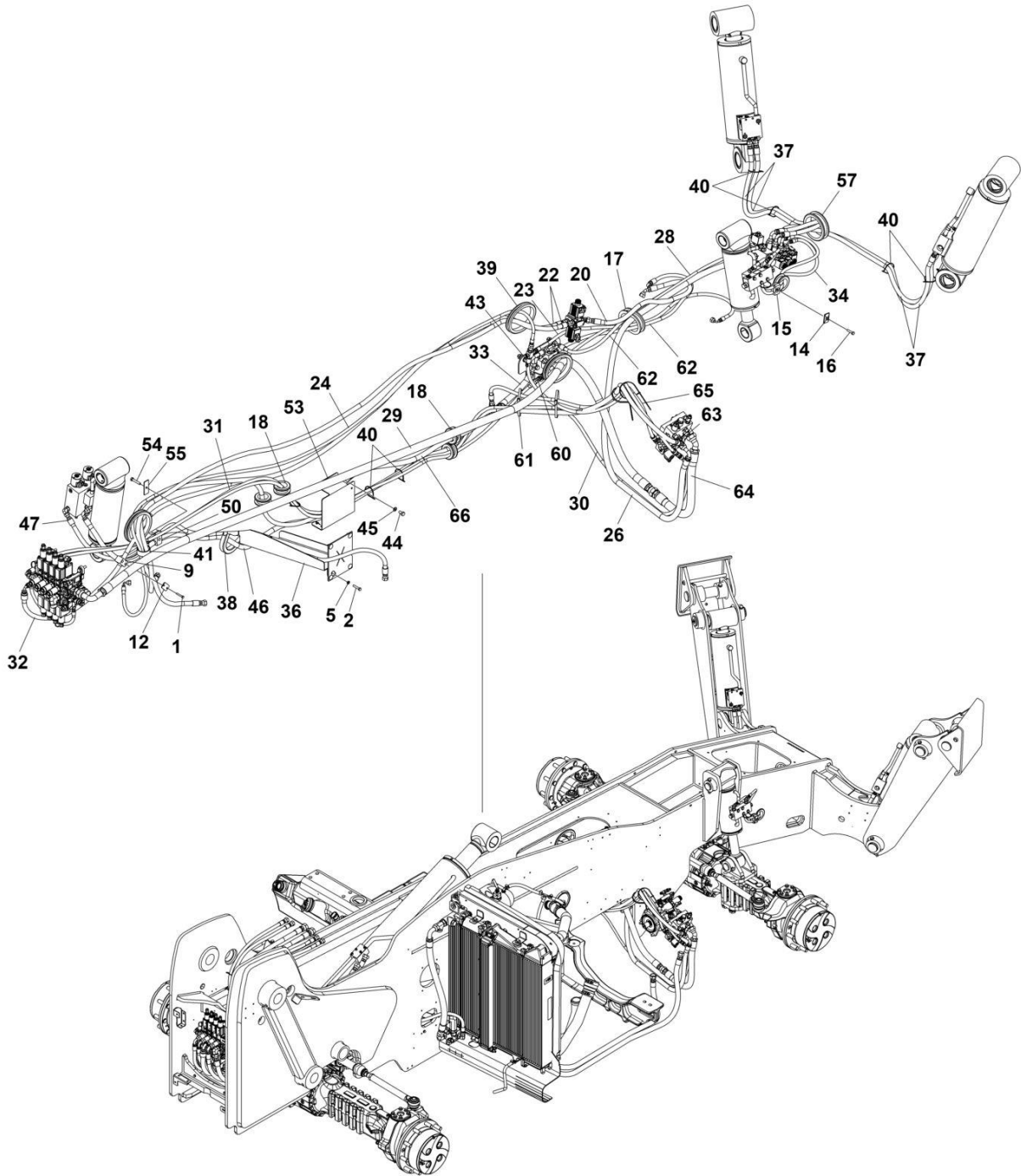
SECTION 8 - HYDRAULIC CIRCUITS

FIGURE 8-12. EXTEND/RETRACT CYLINDER VALVE INSTALLATION

ITEM	PART NUMBER	QTY	DESCRIPTION	REV
	1001171330	Ref	Extend/Retract Cylinder Installation	H
1	2111212	2	Adapter	
2	4031917	4	Bolt, M8X65	
3	1001251067	1	Cylinder, Extend/Retract (See Separate Breakdown in HYDRAULIC COMPONENTS Section)	
4	1001231065	1	Valve, Tele CBV	

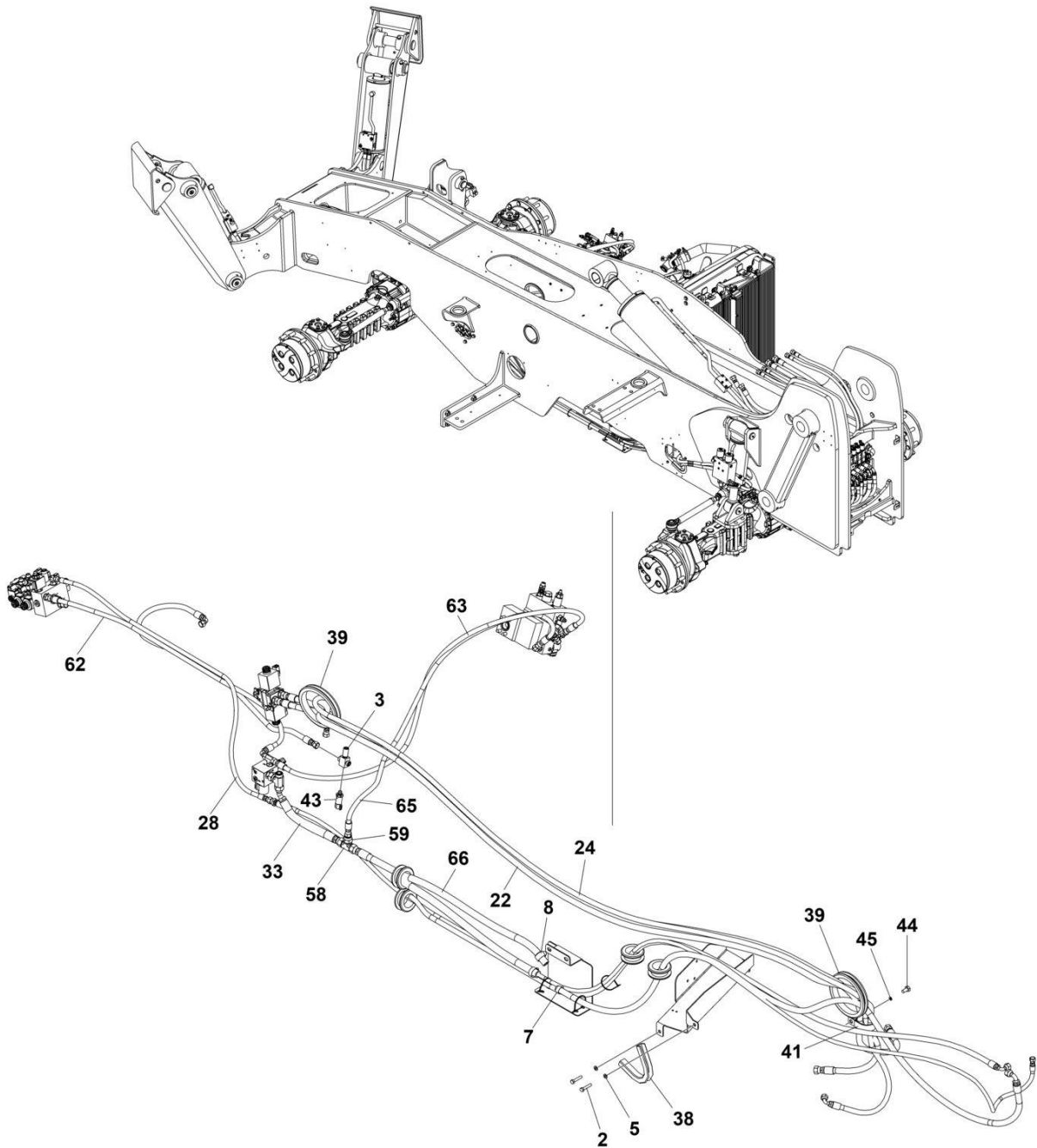
SECTION 8 - HYDRAULIC CIRCUITS

FIGURE 8-13. FRAME HYDRAULIC INSTALLATION



ART_1001161351_AA_10F2

SECTION 8 - HYDRAULIC CIRCUITS



ART_1001161351_AA_2OF2

SECTION 8 - HYDRAULIC CIRCUITS

FIGURE 8-13. FRAME HYDRAULIC INSTALLATION

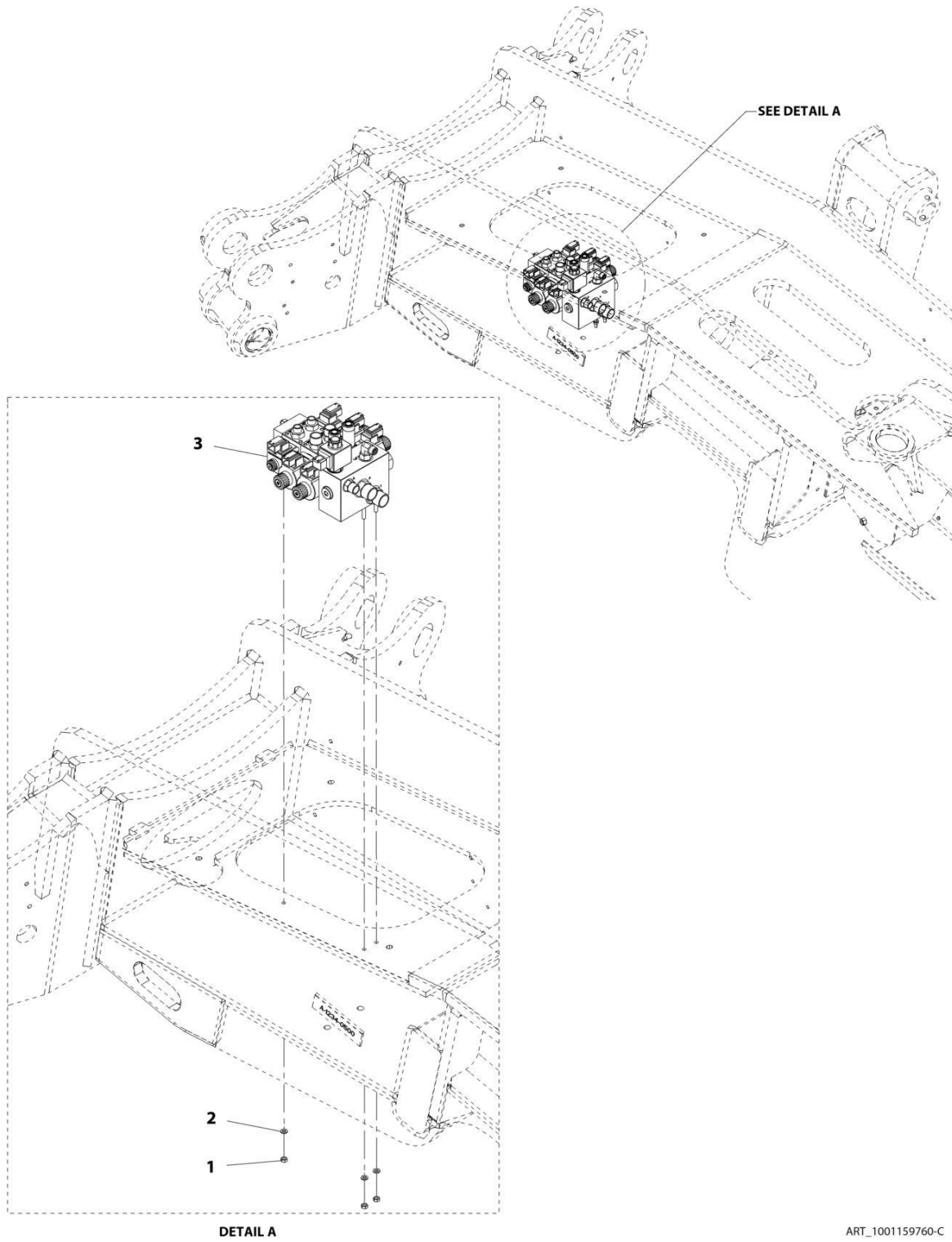
ITEM	PART NUMBER	QTY	DESCRIPTION	REV
	1001161351	Ref	FRAME HYDRAULIC INSTALLATION	AA
1	0700616	2	Bolt M6 x 40	
2	0700815	4	Bolt M8 x 40	
3	1001205756	1	Fitting, Tee	
5	4811900	4	Washer, M8	
7	8405006	1	Clamp, Gear	
8	8410009	1	Clamp, Gear	
9	8750029	1	Clamp, Hose	
12	8769153	1	Plate, Cover	
14	77133140	1	Plate, Cover	
15	77133168	1	Clamp, Twin Hose	
16	0760815	1	Bolt M8 x 35	
17	1001166397	1	Grommet	
18	1001028308	5	Grommet	
20	1001161340	1	Hose	
22	1001161343	2	Hose	
23	1001202846	1	Hose	
24	1001202847	1	Hose	
26	1001253084	1	Hose	
28	1001253090	1	Hose	
29	1001253076	1	Hose	
30	1001253111	1	Hose	
31	1001253096	1	Hose	
32	1001225467	1	Hose	
33	1001253078	1	Hose	
34	1001162069	2	Hose	
36	1001257763	1	Channel, Hose	
37	1001214468	4	Hose	
38	4060919	225 mm	Trim, Hose Protection	
39	1001177704	3	Grommet	
40	4240099	15	Tie, Wire	
41	80673025	1	P-Clamp, 2.25	
43	1001147340	1	Sensor, Pressure	
44	0761010	3	Bolt M10 x 20	
45	4812000	3	Washer M10	
46	1001253160	1	Hose	
47	1001192042	1	Hose	
50	8750016	1	Clamp, Twin Hose	
53	1001208881	1	Bracket, Hose Guide	
54	0700817	1	Bolt M8 x 45	
55	77133137	1	Plate, Twin Hose Cover	
57	1001244138	1	Grommet	
58	2170510	1	Adaptor	
59	2221244	1	Fitting	
60	88662434	1	Fitting	
61	1001158298	2	Strap	
62	1001253102	2	Hose	
63	1001253107	1	Hose	
64	1001259141	1	Hose	
65	1001260573	1	Hose	

SECTION 8 - HYDRAULIC CIRCUITS

ITEM	PART NUMBER	QTY	DESCRIPTION	REV
66	1001260599	1	Hose	

SECTION 8 - HYDRAULIC CIRCUITS

FIGURE 8-14. FRAME LEVEL AND OUTRIGGER VALVE INSTALLATION



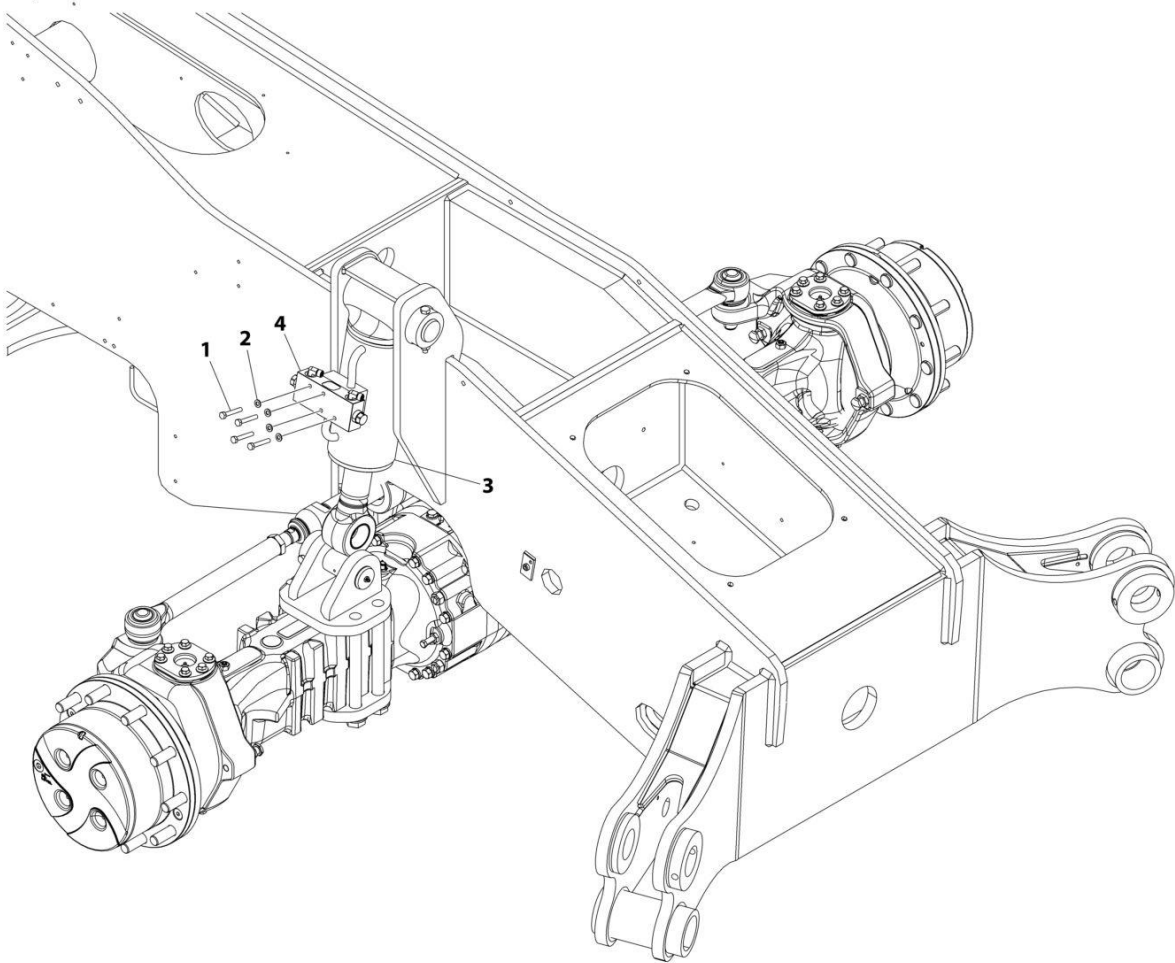
SECTION 8 - HYDRAULIC CIRCUITS

FIGURE 8-14. FRAME LEVEL AND OUTRIGGER VALVE INSTALLATION

ITEM	PART NUMBER	QTY	DESCRIPTION	REV
	1001159760	Ref	Frame Level and Outrigger Valve Installation	C
1	3290601	3	Nut, M6X1	
2	4811700	3	Washer, M6	
3	1001159847	1	Assembly, Frame Level and Outrigger Valve (See Separate Breakdown in this Section)	

SECTION 8 - HYDRAULIC CIRCUITS

FIGURE 8-15. FRAME LEVEL CYLINDER INSTALLATION



ART_1001162076_E

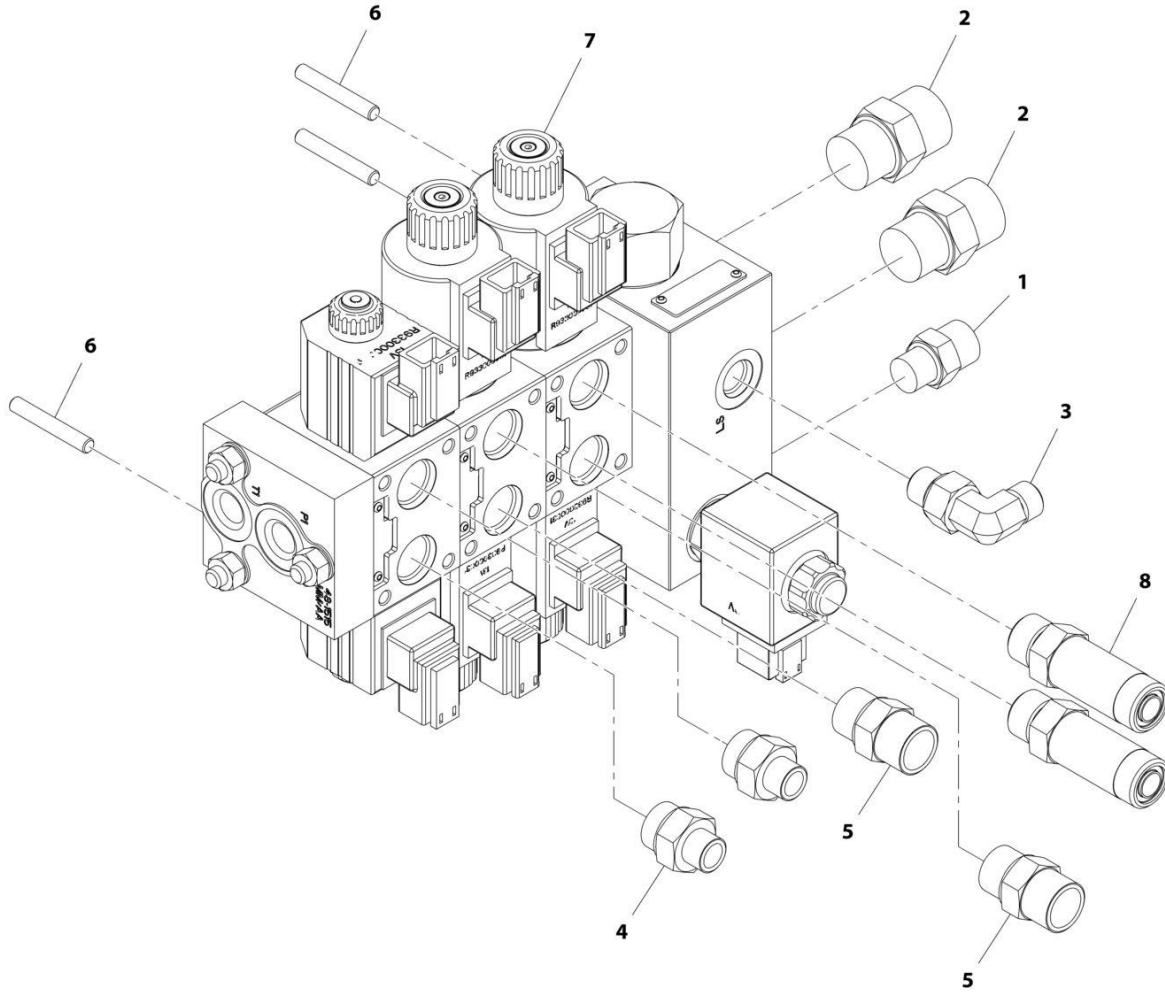
SECTION 8 - HYDRAULIC CIRCUITS

FIGURE 8-15. FRAME LEVEL CYLINDER INSTALLATION

ITEM	PART NUMBER	QTY	DESCRIPTION	REV
	1001162076	Ref	FRAME LEVEL CYLINDER INSTALLATION	E
1	0700818	4	Bolt M8 x 50	
2	4811900	4	Washer M8	
3	1001267970	1	Cylinder, Frame Stability (See Separate Breakdown in this Section)	
4	1001252522	1	Valve, Counterbalance	

SECTION 8 - HYDRAULIC CIRCUITS

FIGURE 8-16. FRAME LEVEL AND OUTRIGGER VALVE & FITTINGS ASSEMBLY



ART_1001159847-E

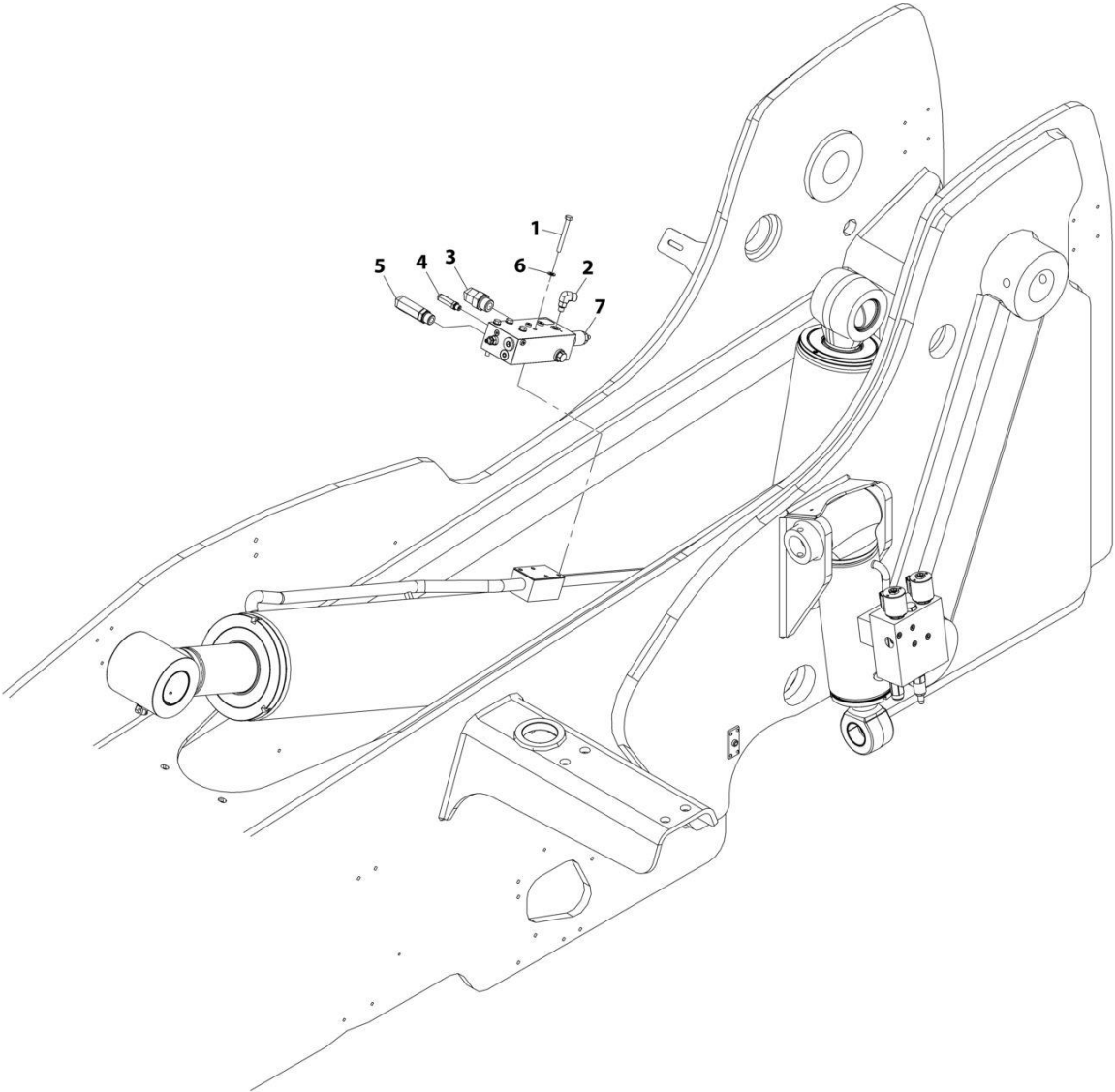
SECTION 8 - HYDRAULIC CIRCUITS

FIGURE 8-16. FRAME LEVEL AND OUTRIGGER VALVE & FITTINGS ASSEMBLY

ITEM	PART NUMBER	QTY	DESCRIPTION	REV
	1001159847	Ref	Frame Level and Outrigger Valve Assembly	E
1	2110606	1	Fitting, Straight	
2	2111010	2	Fitting, Straight ORFS	
3	2130406	1	Fitting, 90 ORFS	
4	2110408	2	Fitting, Straight ORFS	
5	2110808	2	Fitting, Straight ORFS	
6	1001177702	3	Stud, M6X40	
7	1001157972	1	Valve, Frame Level and Outrigger (See Separate Breakdown in HYDRAULIC COMPONENTS Section)	
8	2170108	2	Fitting	

SECTION 8 - HYDRAULIC CIRCUITS

FIGURE 8-17. LIFT CYLINDER VALVE INSTALLATION WITHOUT RIDE CONTROL



ART_1001226362-A

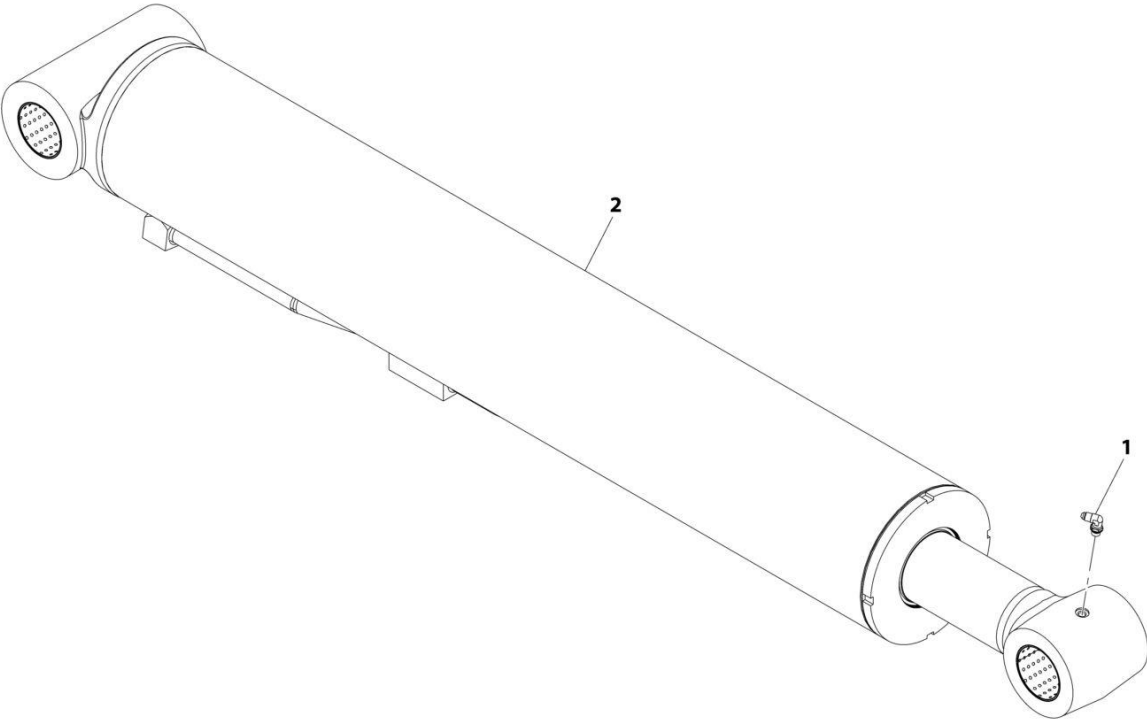
SECTION 8 - HYDRAULIC CIRCUITS

FIGURE 8-17. LIFT CYLINDER VALVE INSTALLATION WITHOUT RIDE CONTROL

ITEM	PART NUMBER	QTY	DESCRIPTION	REV
	1001226362	Ref	Lift Cylinder Valve Installation, No Ride Control	A
1	0700823	4	Bolt, M8X75	
2	2130604	1	Adapter, 90	
3	2131212	1	Adapter, 90	
4	2170204	1	Fitting, 90	
5	2170210	1	Fitting, 90	
6	4811900	4	Washer, M8	
7	1001226035	1	Valve, Counterbalance (Note: Sold as Complete Assembly Only)	
7A	70028453	2	O-Ring (Between Valve & Cylinder) (Not Shown)	

SECTION 8 - HYDRAULIC CIRCUITS

FIGURE 8-18. LIFT CYLINDER & FITTING ASSEMBLY - 1055



ART_1001208766-B

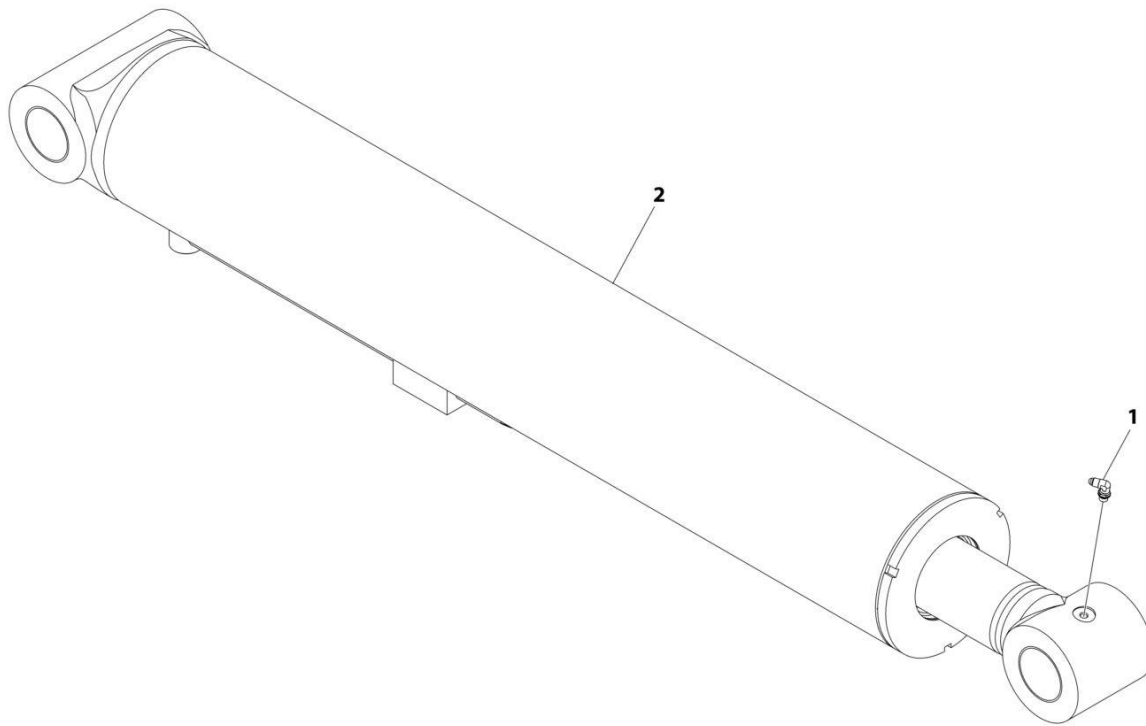
SECTION 8 - HYDRAULIC CIRCUITS

FIGURE 8-18. LIFT CYLINDER & FITTING ASSEMBLY - 1055

ITEM	PART NUMBER	QTY	DESCRIPTION	REV
	1001208766	Ref	Lift Cylinder Installation - 1055	B
1	8770215	1	Fitting, 90 ORFS	
2	1001211607	1	Cylinder, Lift - 1055 (See Separate Breakdown in HYDRAULIC COMPONENTS Section)	

SECTION 8 - HYDRAULIC CIRCUITS

FIGURE 8-19. LIFT CYLINDER INSTALLATION - 1255



ART_1001208765_B

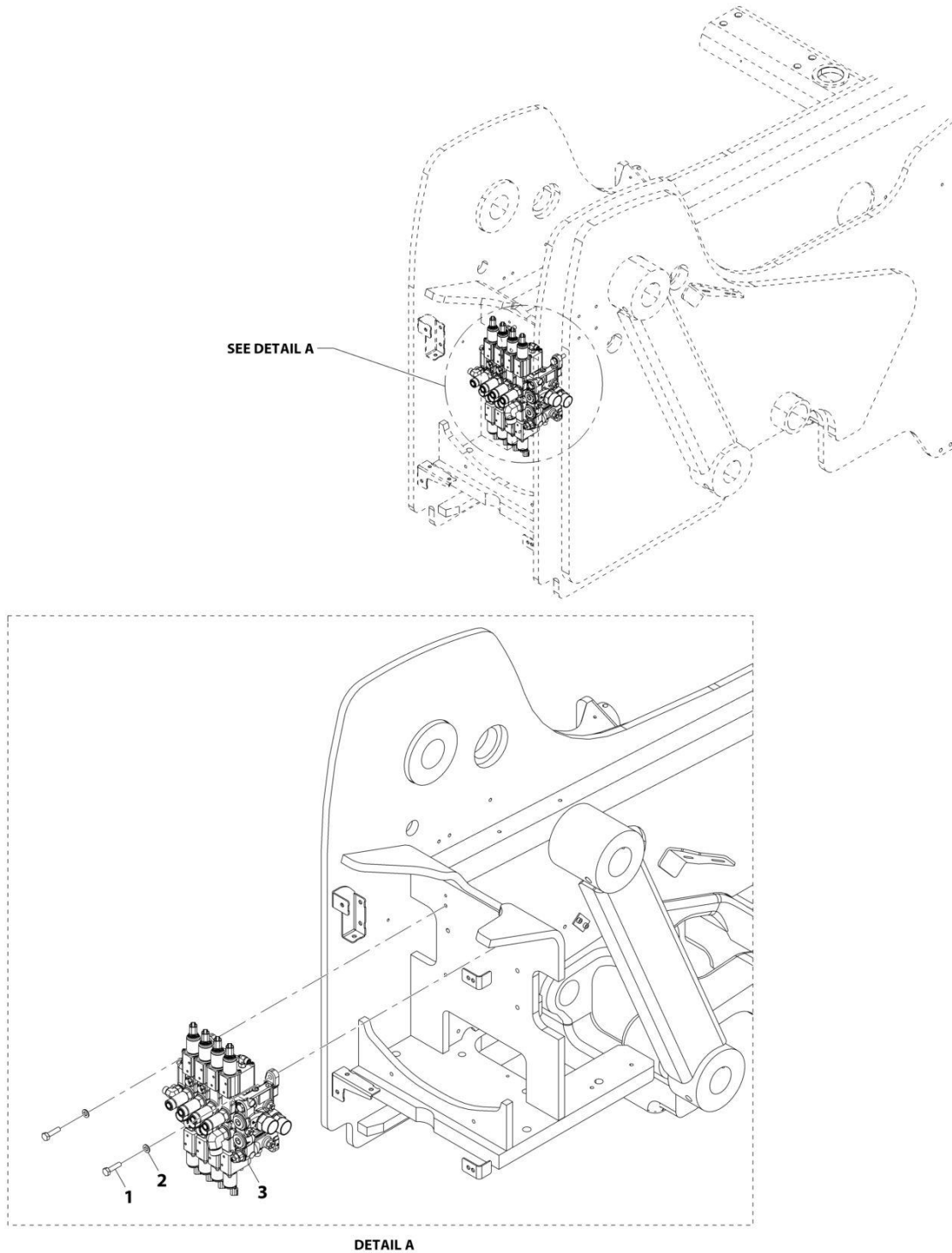
SECTION 8 - HYDRAULIC CIRCUITS

FIGURE 8-19. LIFT CYLINDER INSTALLATION - 1255

ITEM	PART NUMBER	QTY	DESCRIPTION	REV
	1001208765	Ref	LIFT CYLINDER INSTALLATION - 1255	C
1	8770215	1	Fitting, 90 ORFS	
2	1001267971	1	Cylinder, Lift - 1255 (See Separate Breakdown in HYDRAULIC COMPONENTS Section)	

SECTION 8 - HYDRAULIC CIRCUITS

FIGURE 8-20. MAIN CONTROL VALVE INSTALLATION



ART_1001225751-A

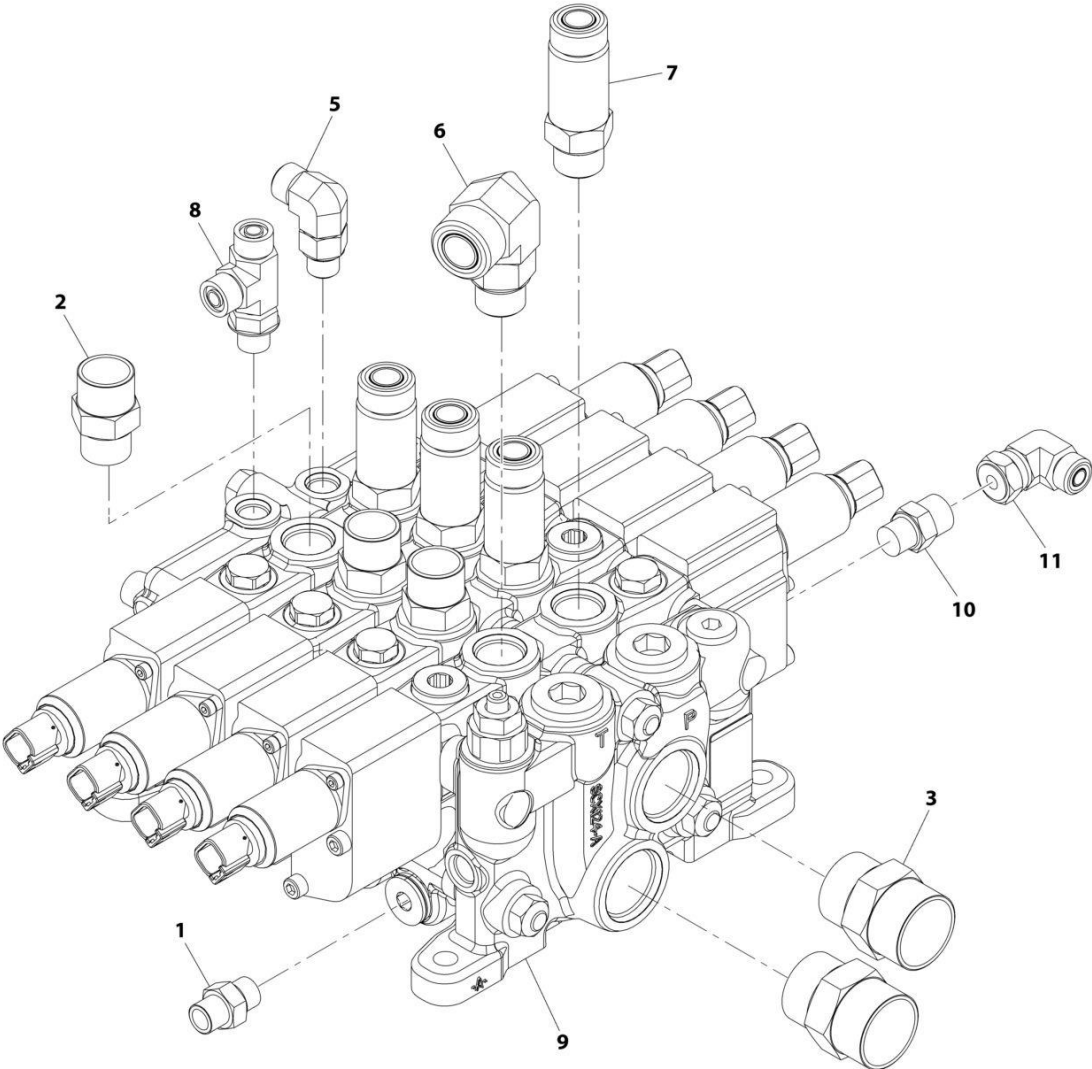
SECTION 8 - HYDRAULIC CIRCUITS

FIGURE 8-20. MAIN CONTROL VALVE INSTALLATION

ITEM	PART NUMBER	QTY	DESCRIPTION	REV
	1001225751	Ref	Main Control Valve Installation	A
1	0701016	3	Bolt, M10X40	
2	4812000	3	Washer, M10	
3	1001225752	1	Assembly, Main Control Valve Assembly (See Separate Breakdown in this Section)	

SECTION 8 - HYDRAULIC CIRCUITS

FIGURE 8-21. MAIN CONTROL VALVE & FITTINGS ASSEMBLY



ART_1001225752-D

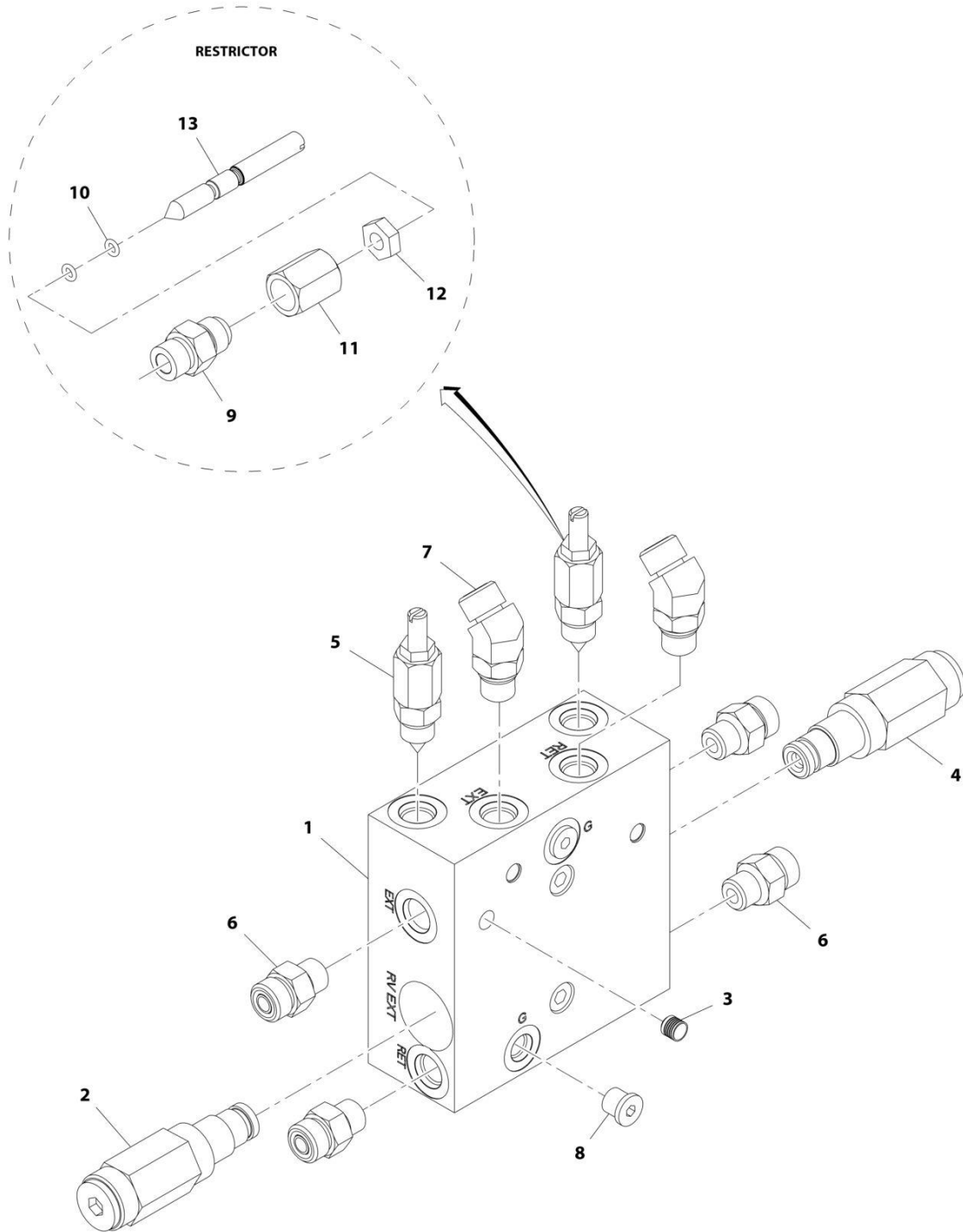
SECTION 8 - HYDRAULIC CIRCUITS

FIGURE 8-21. MAIN CONTROL VALVE & FITTINGS ASSEMBLY

ITEM	PART NUMBER	QTY	DESCRIPTION	REV
	1001225752	Ref	Main Control Valve Assembly	D
1	2110406	1	Fitting, Straight ORFS	
2	2111010	3	Fitting, Straight ORFS	
3	2111616	2	Fitting, Straight ORFS	
5	2130606	1	Fitting, 90 ORFS	
6	2131210	1	Fitting, 90 ORFS	
7	2170110	4	Fitting, Straight ORFS	
8	2170306	1	Fitting, Tee ORFS	
9	1001241879	Ref	Valve, Main Control (See Separate Breakdown in HYDRAULIC COMPONENTS Section)	
10	2110606	1	Fitting, Straight ORFS	
11	2172106	1	Adapter, 90	

SECTION 8 - HYDRAULIC CIRCUITS

FIGURE 8-22. PIPE HANDLER VALVE & FITTINGS ASSEMBLY



ART_70026589

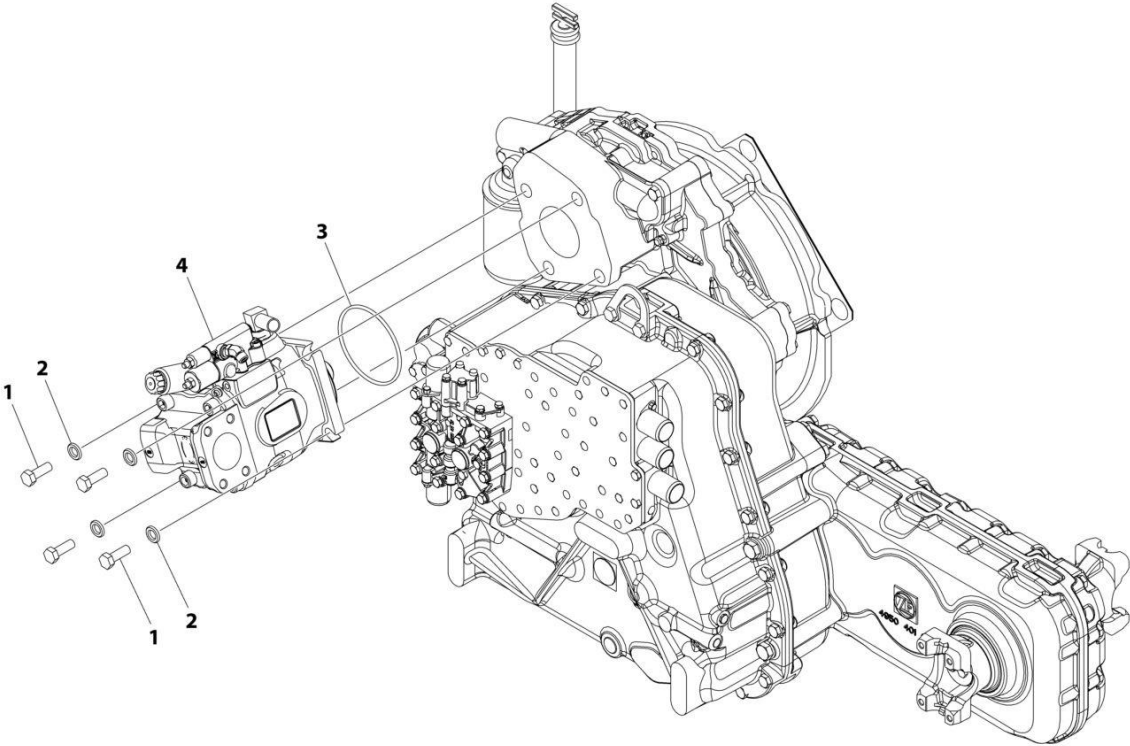
SECTION 8 - HYDRAULIC CIRCUITS

FIGURE 8-22. PIPE HANDLER VALVE & FITTINGS ASSEMBLY

ITEM	PART NUMBER	QTY	DESCRIPTION	REV
	70026589	Ref	Valve Assembly	
1	70026612	NLA	Manifold (Purchase Complete Assembly)	
2	70026613	1	Cartridge	
3	70026614	4	Plug	
4	70026478	1	Cartridge	
5	70026615	2	Restrictor	
6	70024130	4	Fitting	
7	70026616	2	Fitting	
8	70024129	2	Plug	
9	70026617	1	Fitting	
10	70026618	2	O-Ring	
11	70026619	1	Cap	
12	70026620	1	Jam Nut	
13	70026621	1	Plunger	

SECTION 8 - HYDRAULIC CIRCUITS

FIGURE 8-23. PISTON PUMP INSTALLATION



ART_1001162670_D

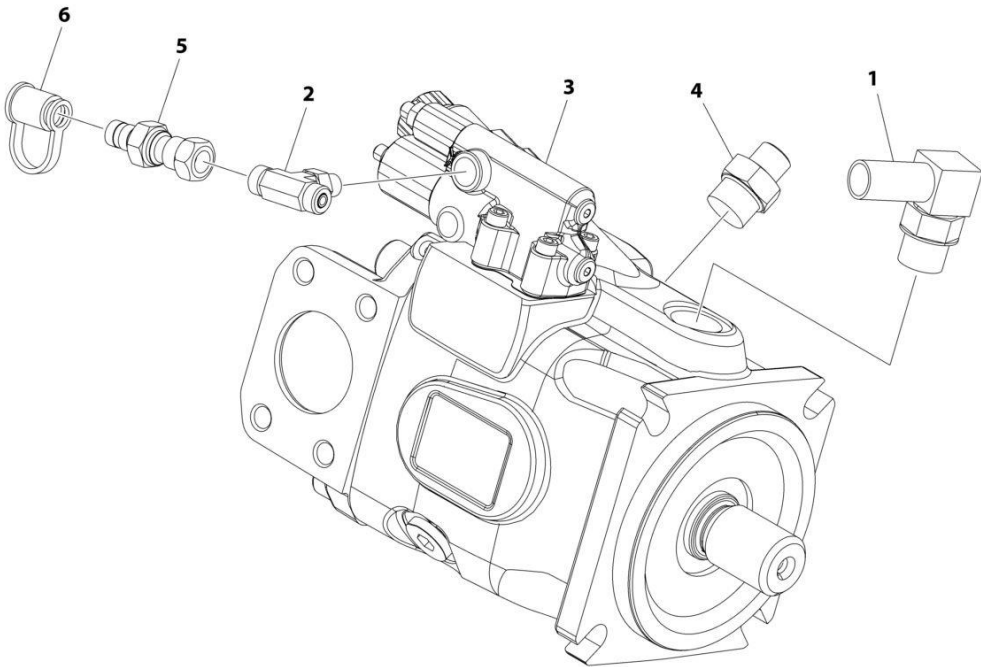
SECTION 8 - HYDRAULIC CIRCUITS

FIGURE 8-23. PISTON PUMP INSTALLATION

ITEM	PART NUMBER	QTY	DESCRIPTION	REV
	1001162670	Ref	Piston Pump Installation	D
1	0761215	4	Bolt, M12X35	
2	4740532	4	Washer	
3	80933113	1	O-Ring	
4	1001162674	1	Assembly, Piston Pump (See Separate Breakdown in this Section)	

SECTION 8 - HYDRAULIC CIRCUITS

FIGURE 8-24. PISTON PUMP & FITTINGS ASSEMBLY



ART_1001162674_E

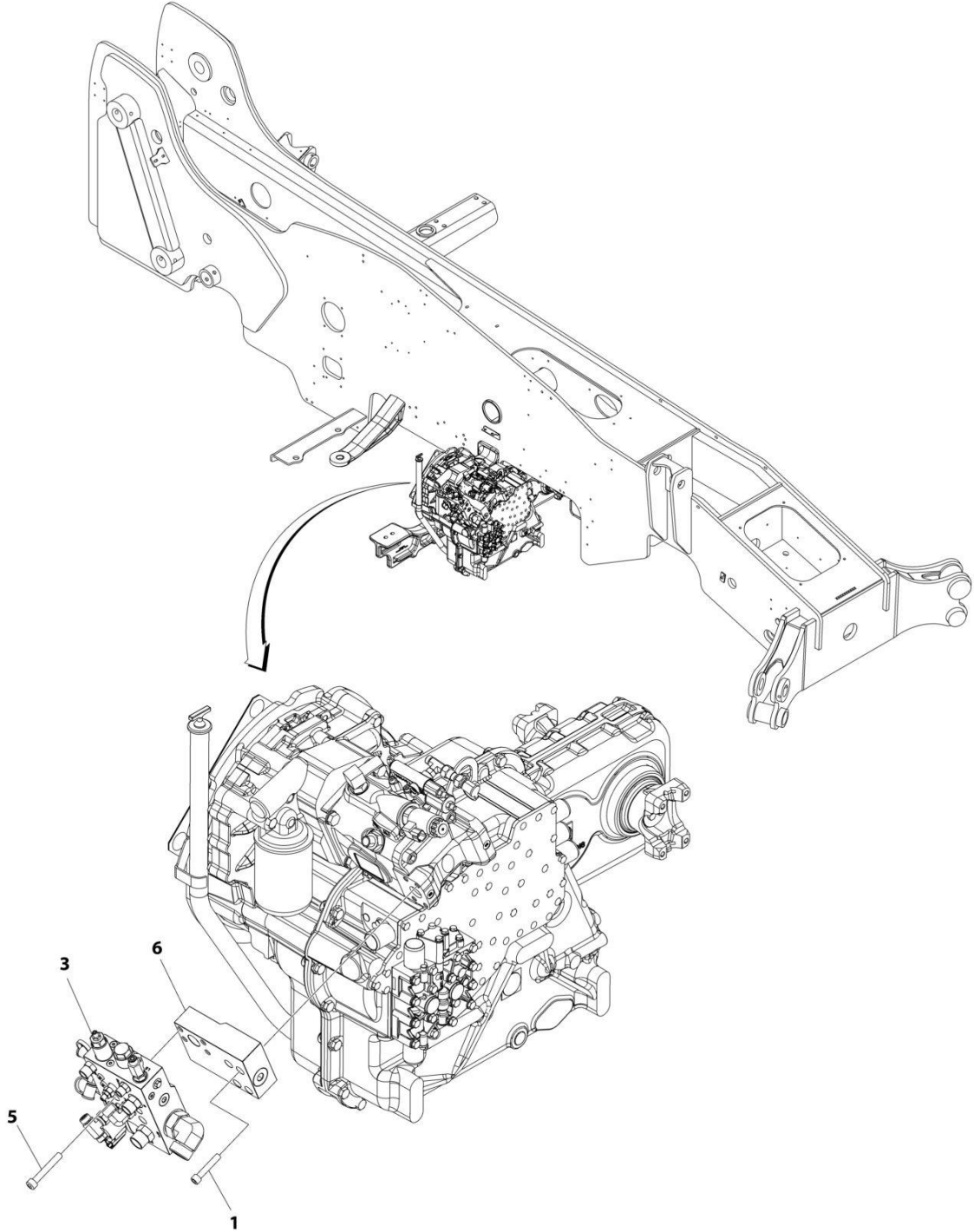
SECTION 8 - HYDRAULIC CIRCUITS

FIGURE 8-24. PISTON PUMP & FITTINGS ASSEMBLY

ITEM	PART NUMBER	QTY	DESCRIPTION	REV
	1001162674	Ref	PISTON PUMP ASSEMBLY	E
1	8424217	1	Fitting, 90	
2	2170404	1	Fitting, Tee ORFS/ORB/ORFS	
3	1001182279	1	Piston Pump (See Separate Breakdown in HYDRAULIC COMPONENTS Section)	
4	2110610	1	Fitting, Straight ORFS/ORB	
5	2221229	1	Fitting, Straight ORFS	
6	8430032	1	Plug	

SECTION 8 - HYDRAULIC CIRCUITS

FIGURE 8-25. PRIORITY FUNCTION MANIFOLD INSTALLATION



ART_1001161308_D

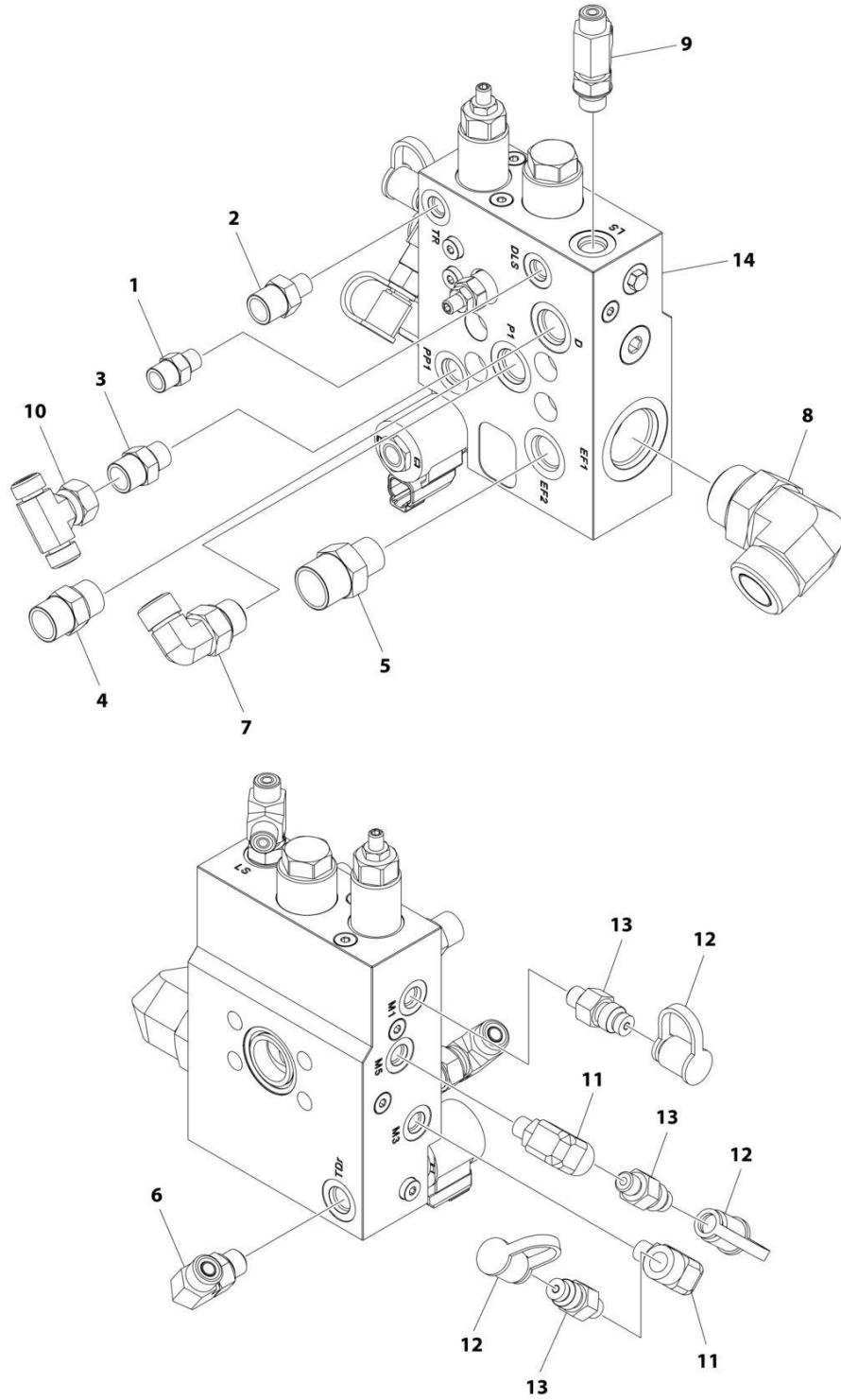
SECTION 8 - HYDRAULIC CIRCUITS

FIGURE 8-25. PRIORITY FUNCTION MANIFOLD INSTALLATION

ITEM	PART NUMBER	QTY	DESCRIPTION	REV
	1001161308	Ref	Priority Function Manifold Installation	D
1	3931632	4	Bolt 3/8X2	
3	1001253252	1	Assembly, Priority Manifold Valve (See Separate Breakdown in this Section)	
5	4032017	4	Bolt M10X65	
6	1001252571	1	Valve, Spacer	

SECTION 8 - HYDRAULIC CIRCUITS

FIGURE 8-26. PRIORITY FUNCTION MANIFOLD & FITTINGS ASSEMBLY



ART_1001253252

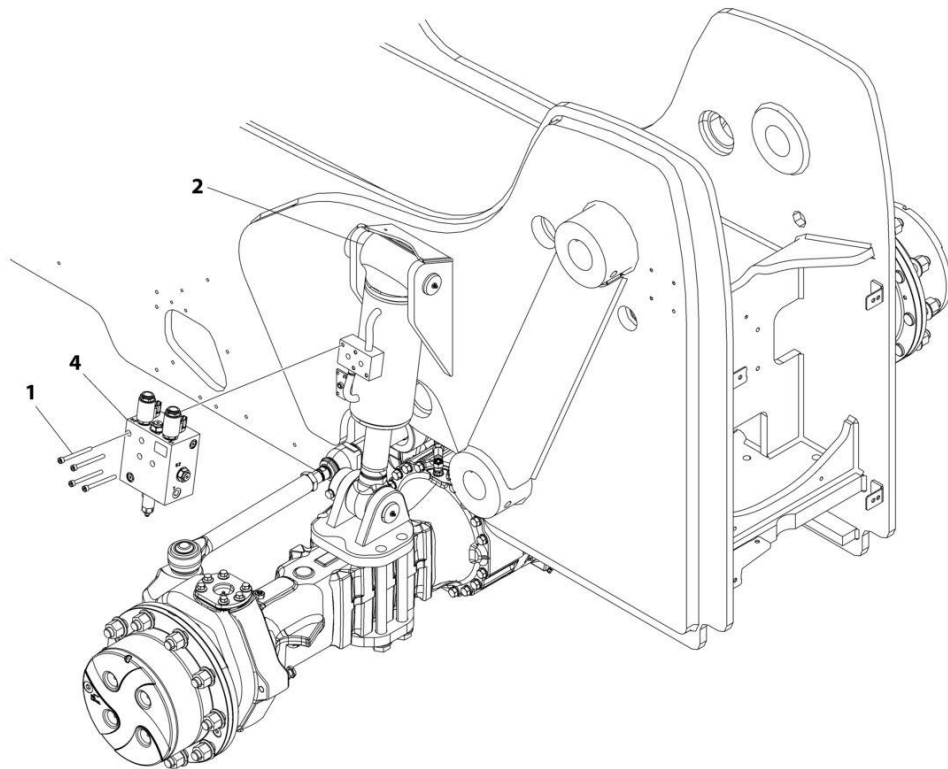
SECTION 8 - HYDRAULIC CIRCUITS

FIGURE 8-26. PRIORITY FUNCTION MANIFOLD & FITTINGS ASSEMBLY

ITEM	PART NUMBER	QTY	DESCRIPTION	REV
	1001253252	Ref	Priority Function Manifold Valve Assembly	B
1	2110406	1	Fitting, Straight ORFS	
2	2110604	1	Fitting, Straight ORFS	
3	2110606	1	Fitting, Straight ORFS	
4	2110808	1	Fitting, Straight ORFS	
5	2111008	1	Fitting, Straight ORFS	
6	2130606	1	Fitting, 90 ORFS	
7	2130808	1	Fitting, 90 ORFS	
8	2131616	1	Fitting, 90 ORFS	
9	2170350	1	Fitting, Tee ORFS/ORB/ORFS	
10	2170806	1	Fitting, Tee ORFS	
11	2221116	2	Fitting, 90 ORB	
12	8430032	3	Plug	
13	8430033	3	Fitting, Straight	
14	1001252567	1	Valve, Priority Manifold (See Separate Breakdown in HYDRAULIC COMPONENTS Section)	

SECTION 8 - HYDRAULIC CIRCUITS

FIGURE 8-27. CYLINDER & VALVE INSTALLATION - STABILIZER (REAR AXLE)



ART_1001164036_G

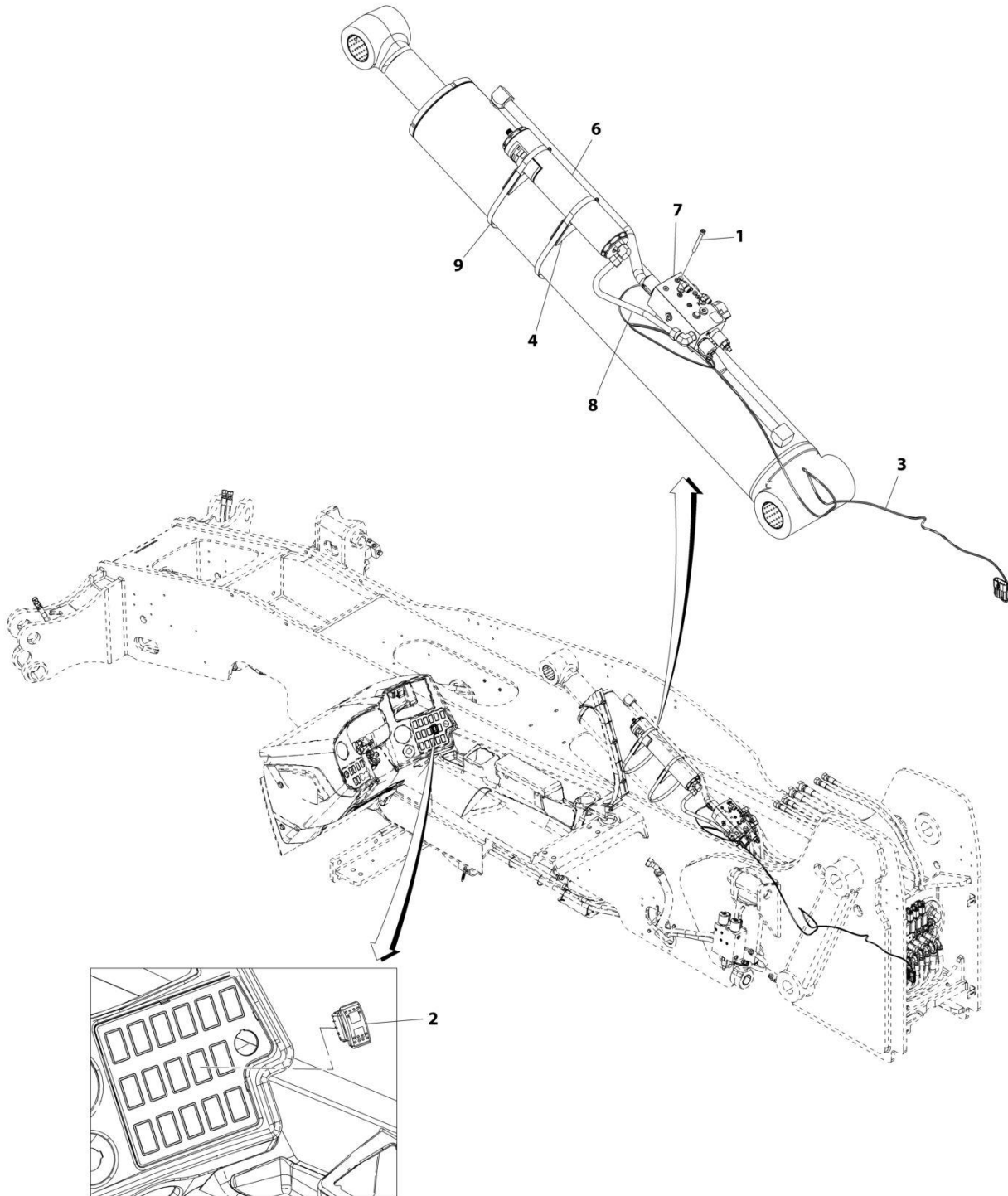
SECTION 8 - HYDRAULIC CIRCUITS

FIGURE 8-27. CYLINDER & VALVE INSTALLATION - STABILIZER (REAR AXLE)

ITEM	PART NUMBER	QTY	DESCRIPTION	REV
	1001164036	Ref	REAR AXLE STABILIZER CYLINDER INSTALLATION	G
1	4031922	4	Screw M8 x 90	
2	1001267969	1	Cylinder, Frame Stability (See Separate Breakdown in this Section)	
4	1001293251	1	Valve	

SECTION 8 - HYDRAULIC CIRCUITS

FIGURE 8-28. RIDE CONTROL INSTALLATION - 1055



ART_1001226364-C

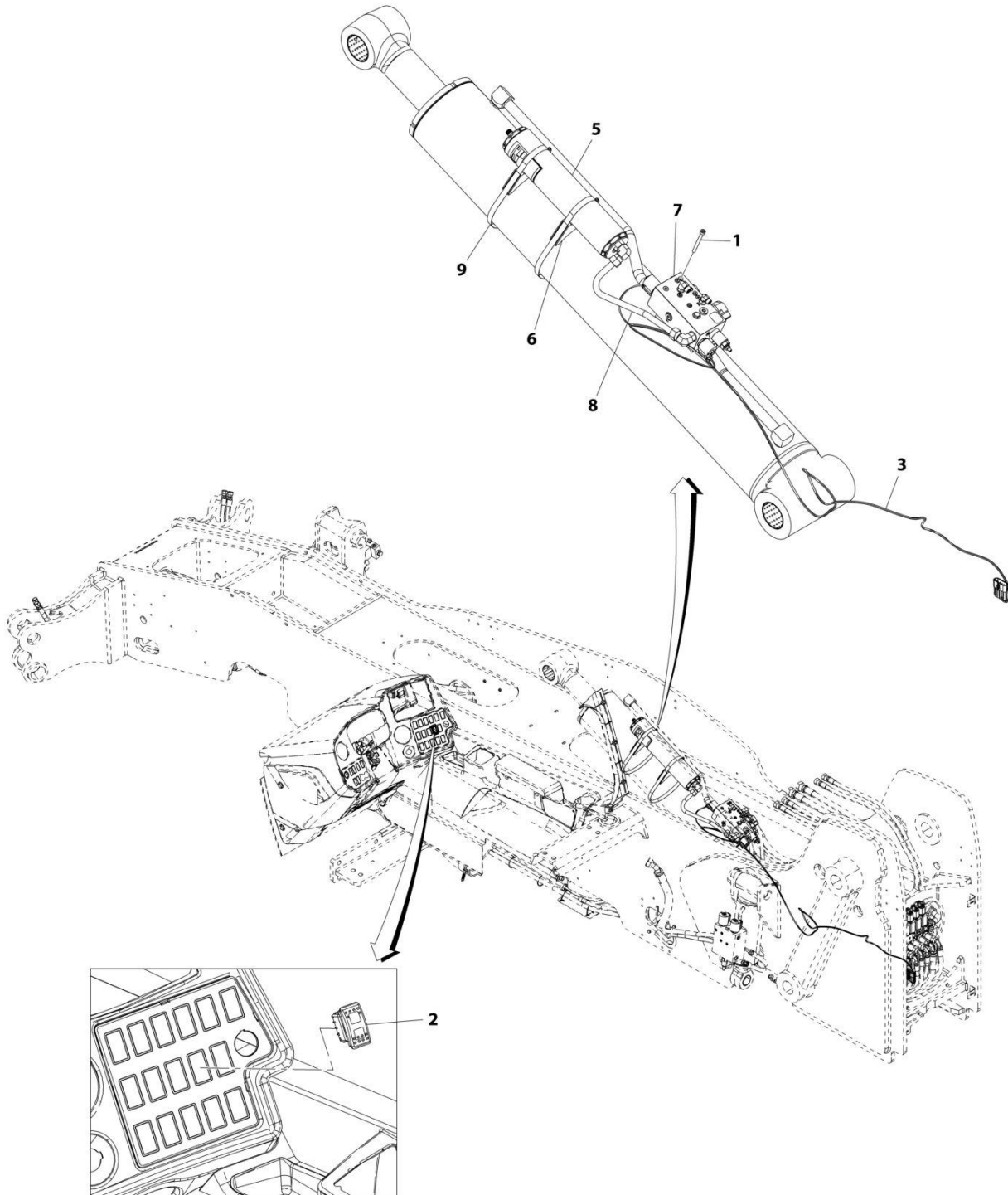
SECTION 8 - HYDRAULIC CIRCUITS

FIGURE 8-28. RIDE CONTROL INSTALLATION - 1055

ITEM	PART NUMBER	QTY	DESCRIPTION	REV
	1001226364	Ref	Ride Control Installation - 1055	C
1	4031921	4	Bolt, M8X85	
2	1001159745	1	Switch, Boom Ride	
3	1001169613	1	Installation, Wiring Ride Control (See Separate Breakdown in ELECTRICAL Section)	
4	1001169680	2	Bumper, Cylinder Saddle	
6	1001192435	1	Cylinder	
7	1001227056	1	Valve, Counterbalance (Lift - Ride Control) (See Separate Breakdown in HYDRAULIC COMPONENTS Section)	
8	1001228861	1	Installation, Lines, Ride Control (See Separate Breakdown in this Section)	
9	1001170287	2	Clamp, Hose	

SECTION 8 - HYDRAULIC CIRCUITS

FIGURE 8-29. RIDE CONTROL INSTALLATION - 1255



ART_1001226363-C

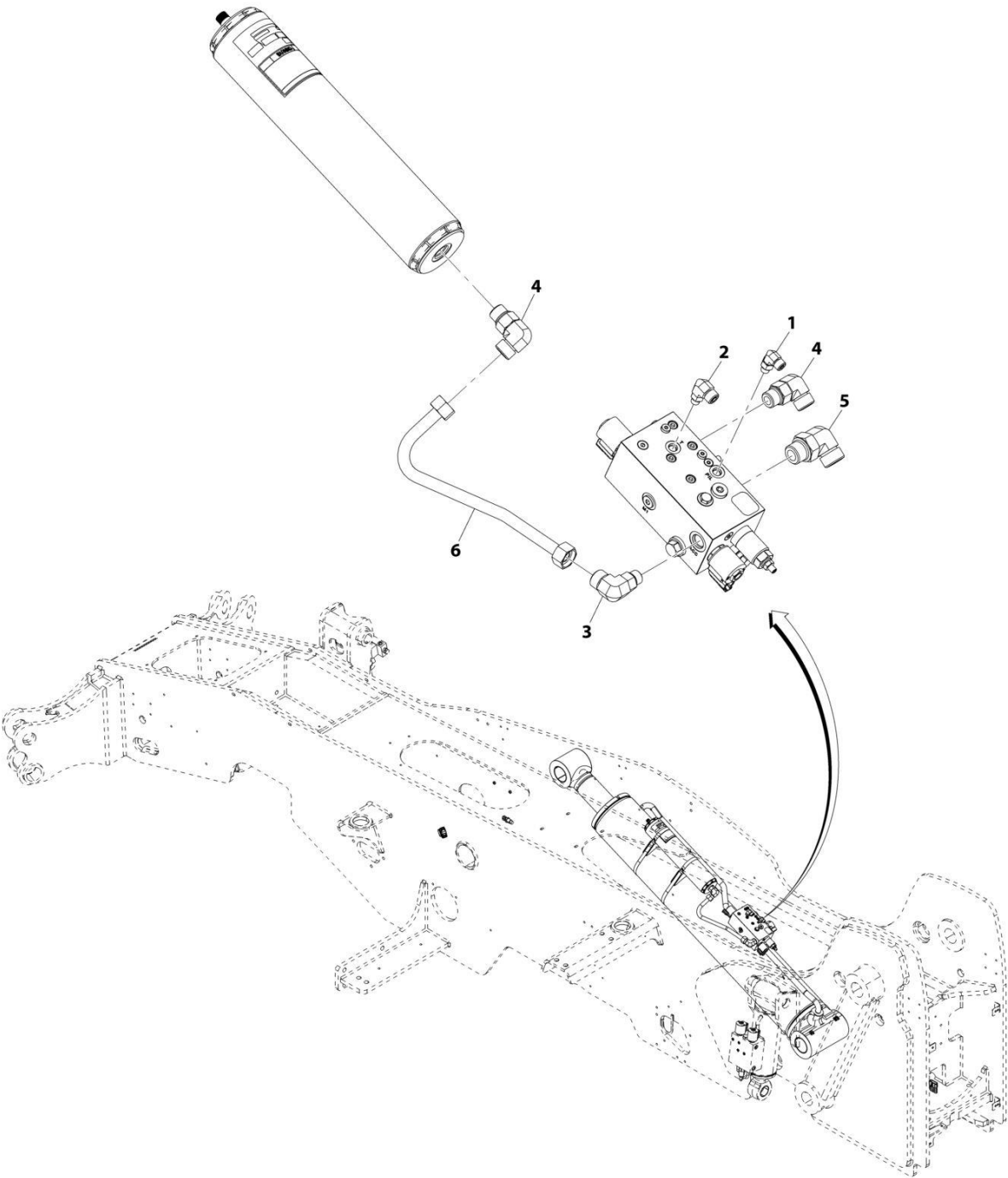
SECTION 8 - HYDRAULIC CIRCUITS

FIGURE 8-29. RIDE CONTROL INSTALLATION - 1255

ITEM	PART NUMBER	QTY	DESCRIPTION	REV
	1001226363	Ref	Ride Control Installation - 1255	C
1	4031921	4	Bolt, M8X85	
2	1001159745	1	Switch, Boom Ride	
3	1001169613	1	Installation, Wiring Ride Control (See Separate Breakdown in ELECTRICAL Section)	
5	1001192435	1	Cylinder	
6	1001193775	2	Bumper	
7	1001227056	1	Valve, Counterbalance (Lift - Ride Control) (See Separate Breakdown in HYDRAULIC COMPONENTS Section)	
8	1001228861	1	Installation, Lines, Ride Control (See Separate Breakdown in this Section)	
9	1001170287	2	Clamp, Hose	

SECTION 8 - HYDRAULIC CIRCUITS

FIGURE 8-30. RIDE CONTROL HYDRAULIC LINES



ART_1001228861-A

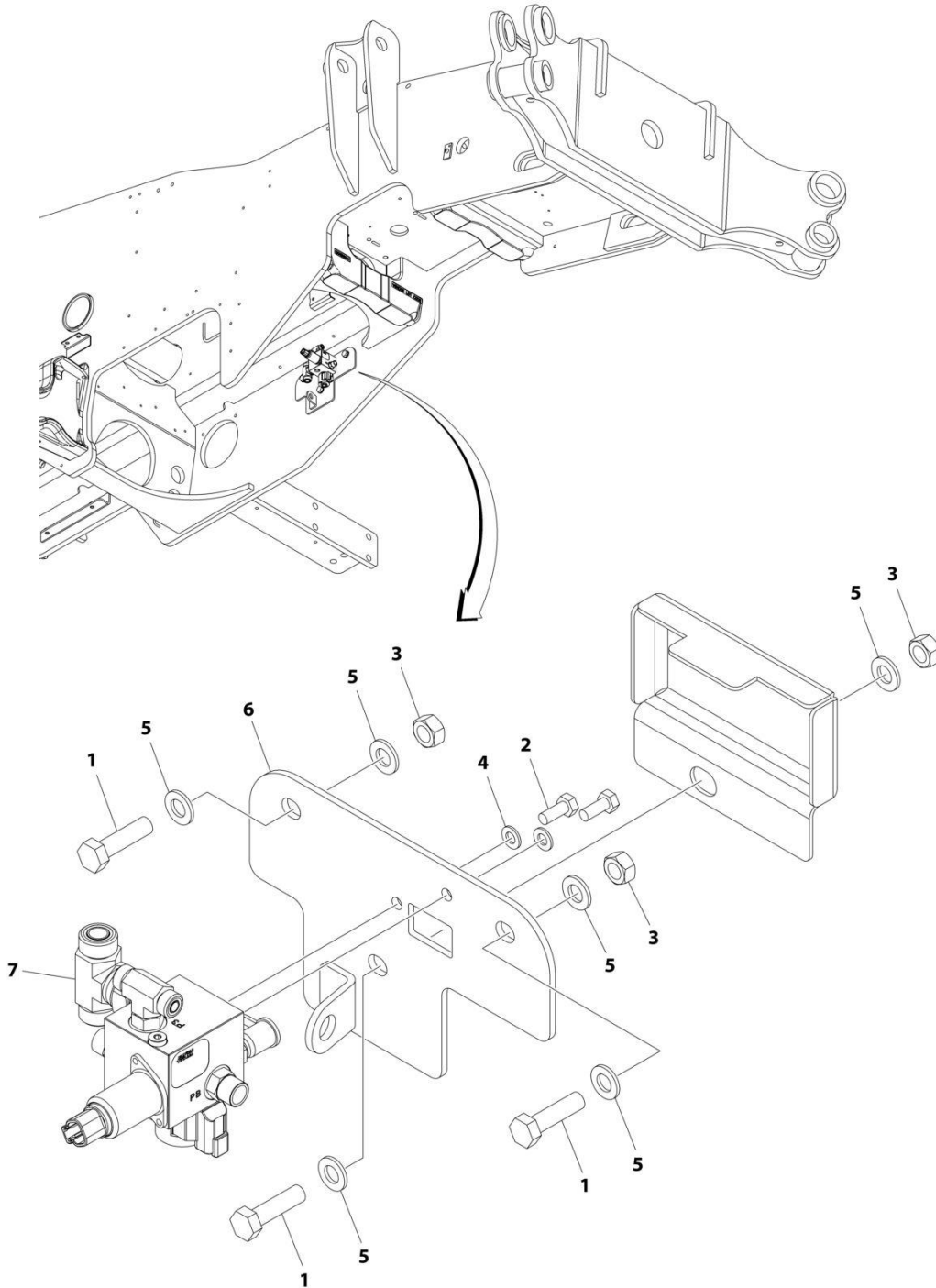
SECTION 8 - HYDRAULIC CIRCUITS

FIGURE 8-30. RIDE CONTROL HYDRAULIC LINES

ITEM	PART NUMBER	QTY	DESCRIPTION	REV
	1001228861	Ref	Ride Control Hydraulic Lines	A
1	2130404	1	Fitting, 90 ORFS	
2	2130604	1	Fitting, 90 ORFS	
3	2131008	1	Adapter	
4	2131010	2	Adapter	
5	2131212	1	Adapter	
6	1001226398	1	Pipe	

SECTION 8 - HYDRAULIC CIRCUITS

FIGURE 8-31. SAHR BRAKE VALVE INSTALLATION



ART_1001253371

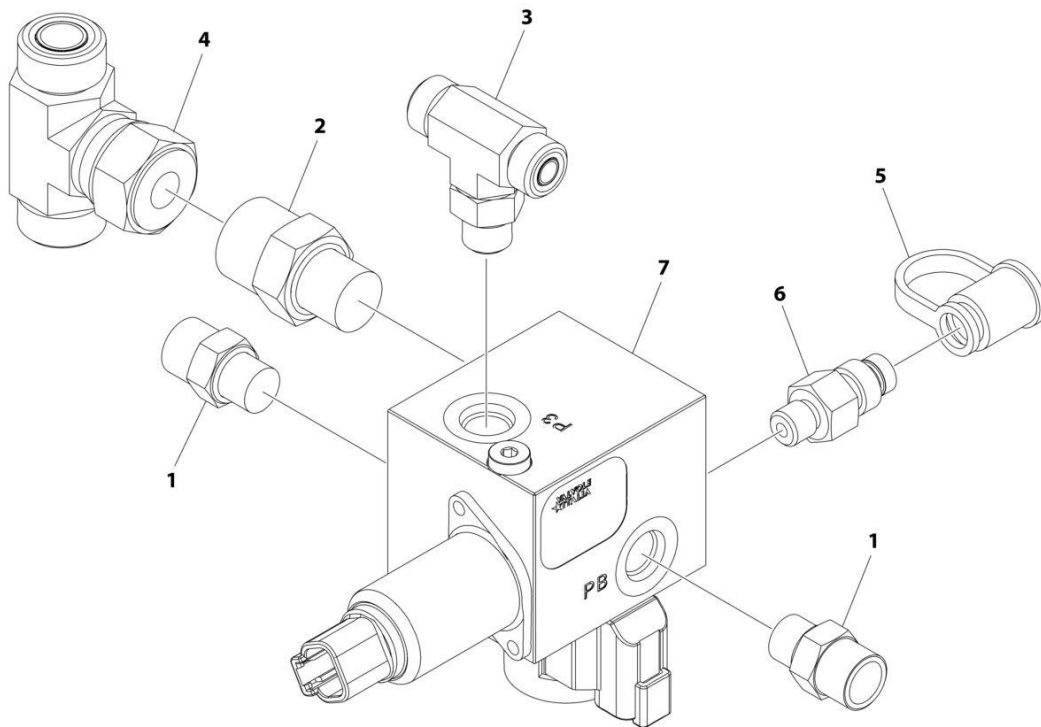
SECTION 8 - HYDRAULIC CIRCUITS

FIGURE 8-31. SAHR BRAKE VALVE INSTALLATION

ITEM	PART NUMBER	QTY	DESCRIPTION	REV
	1001253371	Ref	Valve Installation - Sahr Brake	A
1	0701217	3	Bolt, M12X45	
2	0760810	2	Bolt M8X20	
3	3291201	3	Nut M12	
4	4811900	2	Washer M8	
5	4812100	6	Washer M12	
6	1001234277	1	Plate, Mounting	
7	1001253253	1	Valve, Sahr Brake (See Separate Breakdown in this Section)	

SECTION 8 - HYDRAULIC CIRCUITS

FIGURE 8-32. SAHR BRAKE VALVE & FITTINGS ASSEMBLY



ART_1001253253

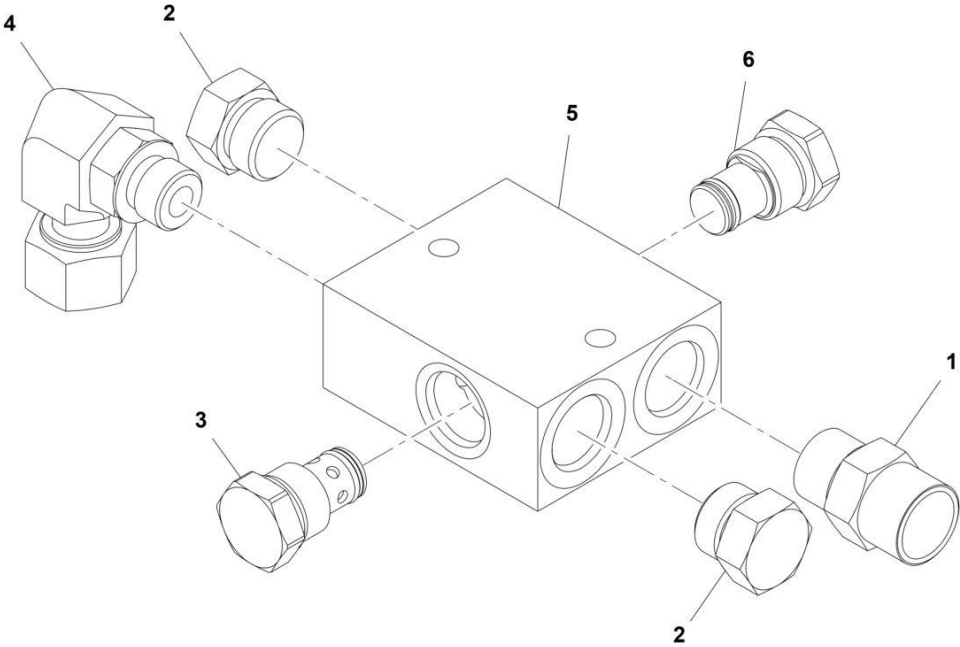
SECTION 8 - HYDRAULIC CIRCUITS

FIGURE 8-32. SAHR BRAKE VALVE & FITTINGS ASSEMBLY

ITEM	PART NUMBER	QTY	DESCRIPTION	REV
	1001253253	Ref	Valve Assembly - Sahr Brake	B
1	2110606	2	Fitting, Straight ORFS/ORB	
2	2111008	1	Fitting, Straight ORFS/ORB	
3	2170406	1	Fitting, Tee ORFS/ORB/ORFS	
4	2170810	1	Fitting, Tee ORFS/FSORFS/ORFS	
5	8430032	1	Plug	
6	8430033	1	Fitting, Straight ORB	
7	1001234127	1	Valve, Sahr Brake (See Separate Breakdown in HYDRAULIC COMPONENTS Section)	

SECTION 8 - HYDRAULIC CIRCUITS

FIGURE 8-33. STEER COLUMN CHECK VALE & FITTINGS ASSEMBLY



ART_1001210803-B

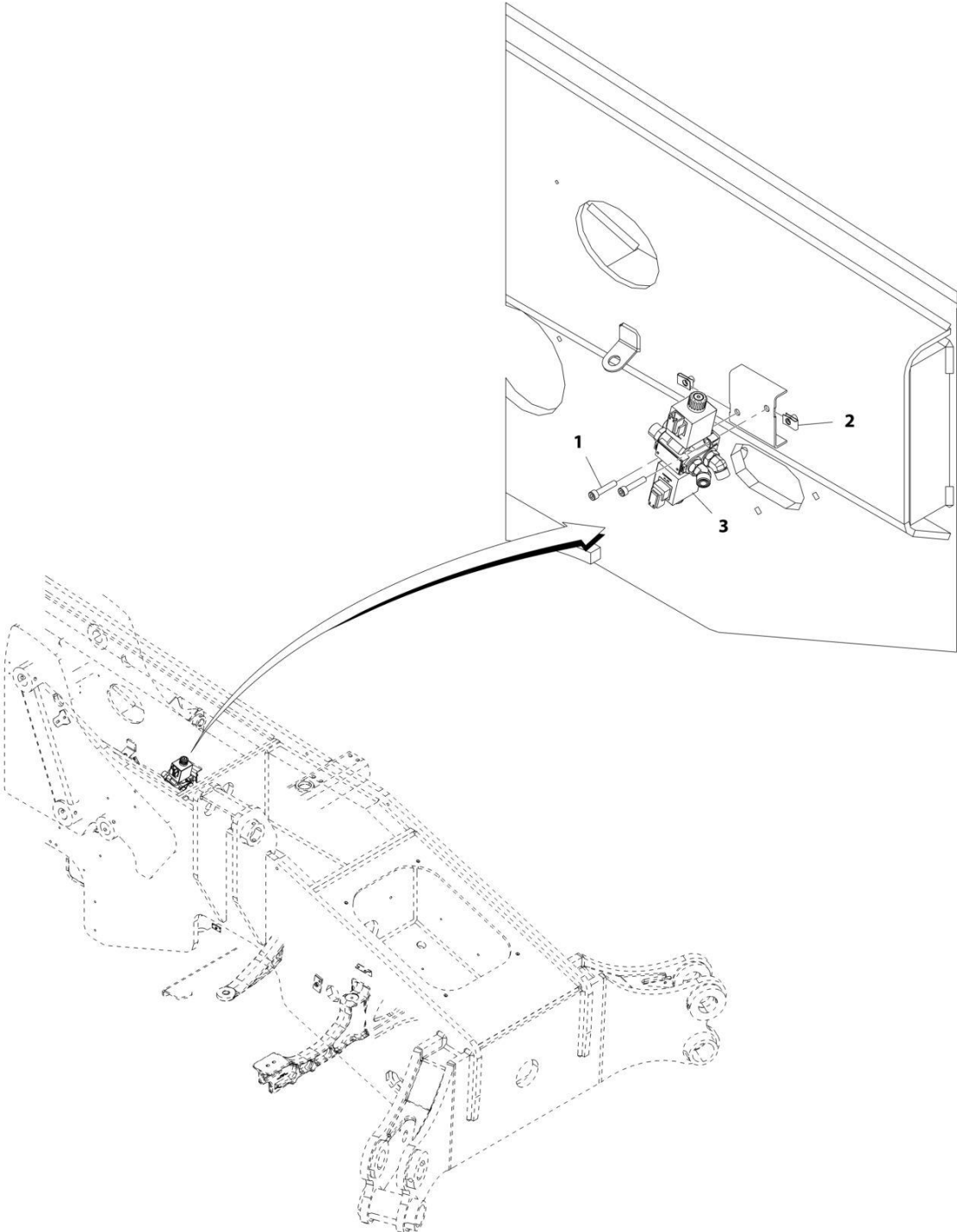
SECTION 8 - HYDRAULIC CIRCUITS

FIGURE 8-33. STEER COLUMN CHECK VALE & FITTINGS ASSEMBLY

ITEM	PART NUMBER	QTY	DESCRIPTION	REV
	1001210803	Ref	Check Valve Assembly	B
1	2111010	1	Fitting, Straight	
2	2220239	2	Plug	
3	4641192	1	Valve, Check	
4	1001096679	1	Fitting, 90	
5	1001210780	1	Manifold, Dual Check	
6	1001210801	1	Valve, Check	

SECTION 8 - HYDRAULIC CIRCUITS

FIGURE 8-34. STEER SELECT VALVE INSTALLATION



ART_1001161306-C

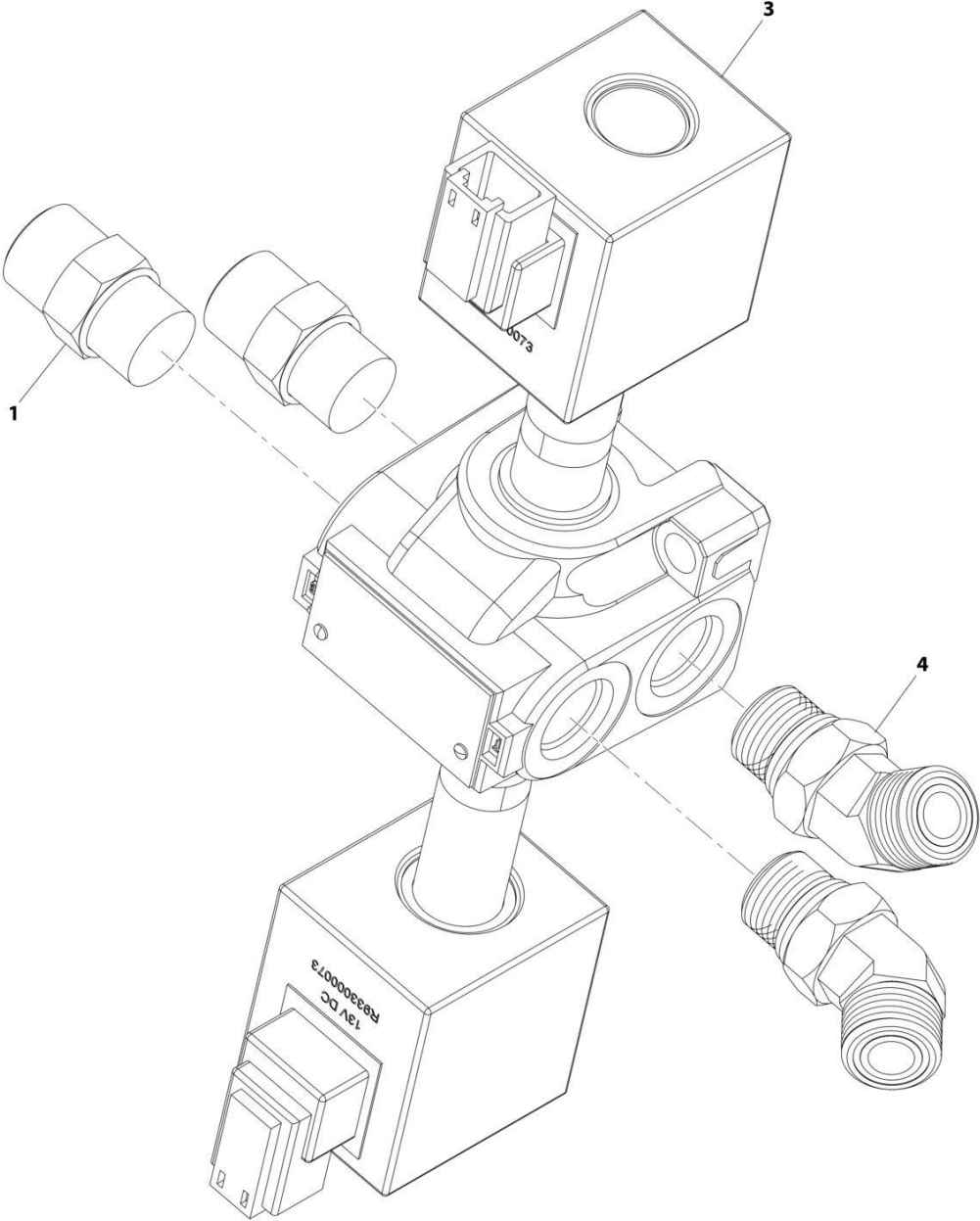
SECTION 8 - HYDRAULIC CIRCUITS

FIGURE 8-34. STEER SELECT VALVE INSTALLATION

ITEM	PART NUMBER	QTY	DESCRIPTION	REV
	1001161306	Ref	Steer Select Valve Installation	C
1	4031912	2	Bolt, M8X40	
2	8310686	2	Nut, M8X12.5	
3	1001161304	1	Assembly, Steer Select Valve (See Separate Breakdown in this Section)	

SECTION 8 - HYDRAULIC CIRCUITS

FIGURE 8-35. STEER SELECT VALVE & FITTINGS ASSEMBLY



ART_1001161304-B

SECTION 8 - HYDRAULIC CIRCUITS

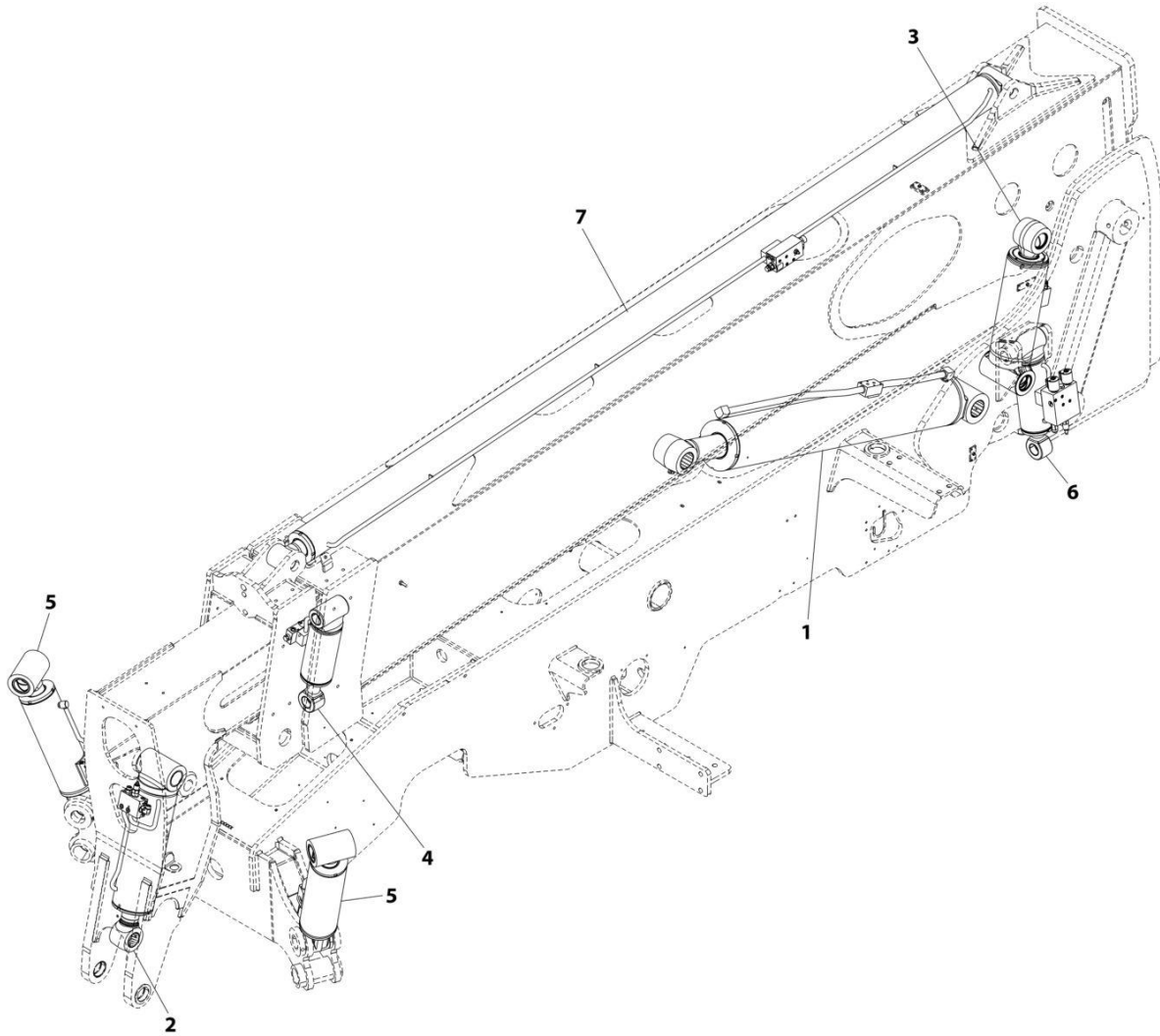
FIGURE 8-35. STEER SELECT VALVE & FITTINGS ASSEMBLY

ITEM	PART NUMBER	QTY	DESCRIPTION	REV
	1001161304	Ref	Steering Select Valve Assembly	B
1	2110808	2	Fitting, Straight ORFS	
3	1001153748	1	Assembly, Valve (See Separate Breakdown in HYDRAULIC COMPONENTS Section)	
4	2150808	2	Fitting, 45 ORFS	

SECTION 9 - HYDRAULIC COMPONENTS

SECTION 9 - HYDRAULIC COMPONENTS

FIGURE 9-1. CYLINDER GROUP INSTALLATION (1055)



ART_1001160721-H

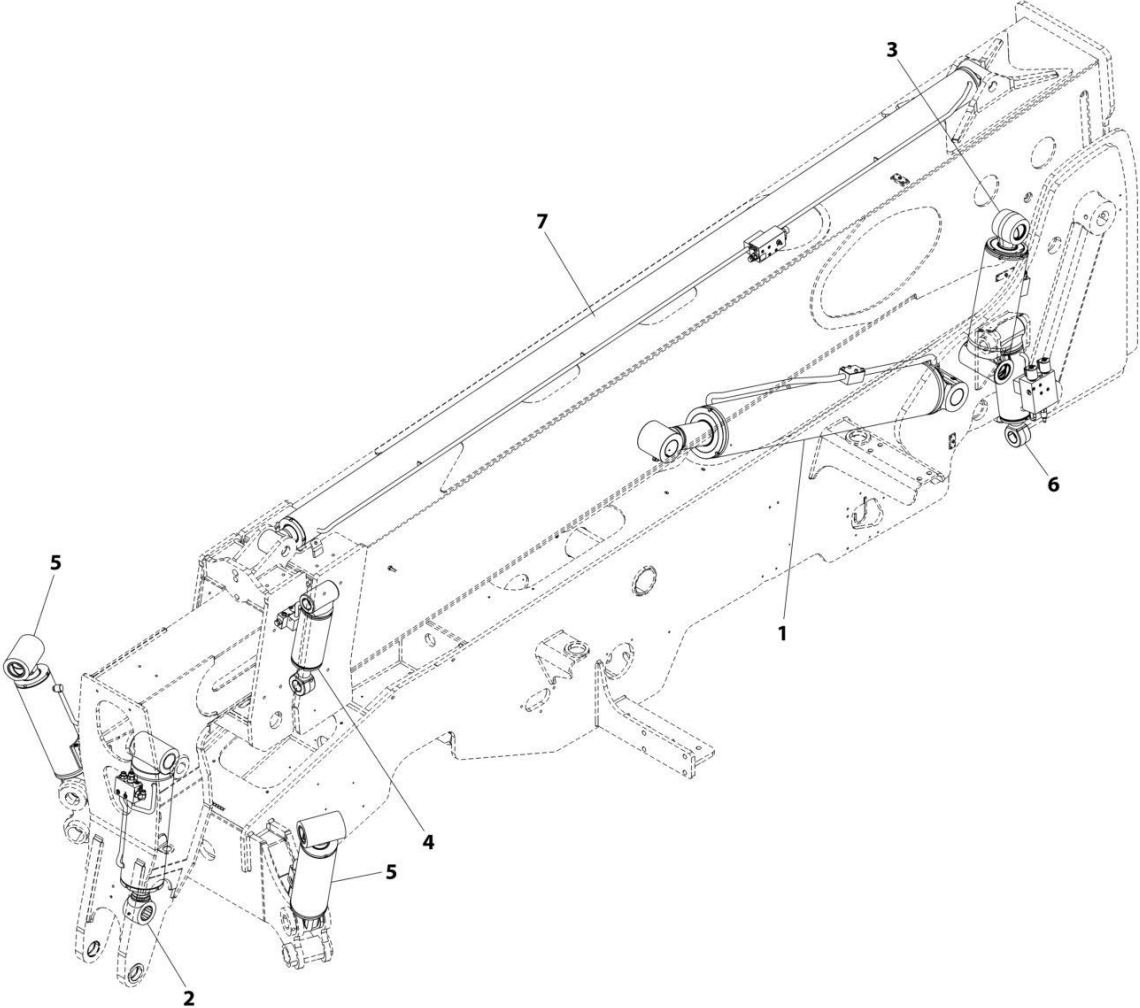
SECTION 9 - HYDRAULIC COMPONENTS

FIGURE 9-1. CYLINDER GROUP INSTALLATION (1055)

ITEM	PART NUMBER	QTY	DESCRIPTION	REV
1	1001160721	Ref	Cylinder Group Installation - 1055	H
	1001208766	Ref	Installation, Lift Cylinder (See Separate Breakdown in HYDRAULIC CIRCUITS Section)	
2	1001196455	Ref	Cylinder, Tilt - 1055 (See Separate Breakdown in this Section)	
3	1001184452	Ref	Cylinder, Compensation - 1055 (See Separate Breakdown in this Section)	
4	1001162076	Ref	Installation, Frame Level Cylinder (See Separate Breakdown in HYDRAULIC CIRCUITS Section)	
5	1001213065	Ref	Cylinder, Outrigger (See Separate Breakdown in this Section)	
6	1001164036	Ref	Installation, Rear Axle Stabilizer Cylinder (See Separate Breakdown in HYDRAULIC CIRCUITS Section)	
7	1001171330	Ref	Installation, Extend/Retract Cylinder (See Separate Breakdown in HYDRAULIC CIRCUITS Section)	

SECTION 9 - HYDRAULIC COMPONENTS

FIGURE 9-2. CYLINDER GROUP INSTALLATION (1255)



ART_1001160720-I

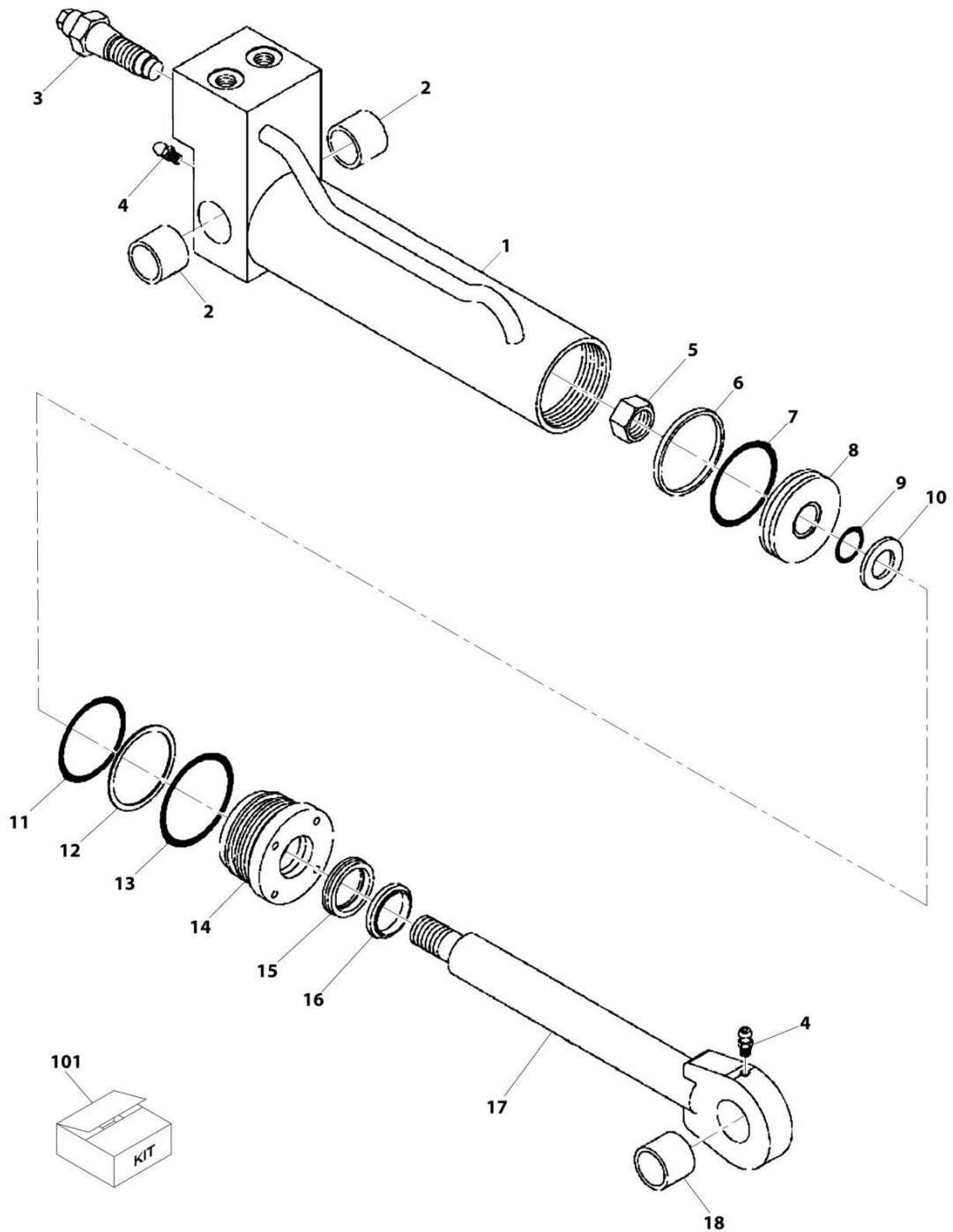
SECTION 9 - HYDRAULIC COMPONENTS

FIGURE 9-2. CYLINDER GROUP INSTALLATION (1255)

ITEM	PART NUMBER	QTY	DESCRIPTION	REV
1	1001160720	Ref	Cylinder Group Installation - 1255	1
	1001208765	Ref	Installation, Lift Cylinder (See Separate Breakdown in HYDRAULIC CIRCUITS Section)	
2	1001196454	Ref	Cylinder, Tilt - 1255 (See Separate Breakdown in this Section)	
3	1001184453	Ref	Cylinder, Compensation - 1255 (See Separate Breakdown in this Section)	
4	1001162076	Ref	Installation, Frame Level Cylinder (See Separate Breakdown in HYDRAULIC CIRCUITS Section)	
5	1001213065	Ref	Cylinder, Outrigger (See Separate Breakdown in this Section)	
6	1001164036	Ref	Installation, Rear Axle Stabilizer Cylinder (See Separate Breakdown in HYDRAULIC CIRCUITS Section)	
7	1001171330	Ref	Installation, Extend/Retract Cylinder (See Separate Breakdown in HYDRAULIC CIRCUITS Section)	

SECTION 9 - HYDRAULIC COMPONENTS

FIGURE 9-3. CYLINDER ASSEMBLY - BUCKET (GRAPPLE)



ART_70021393-A

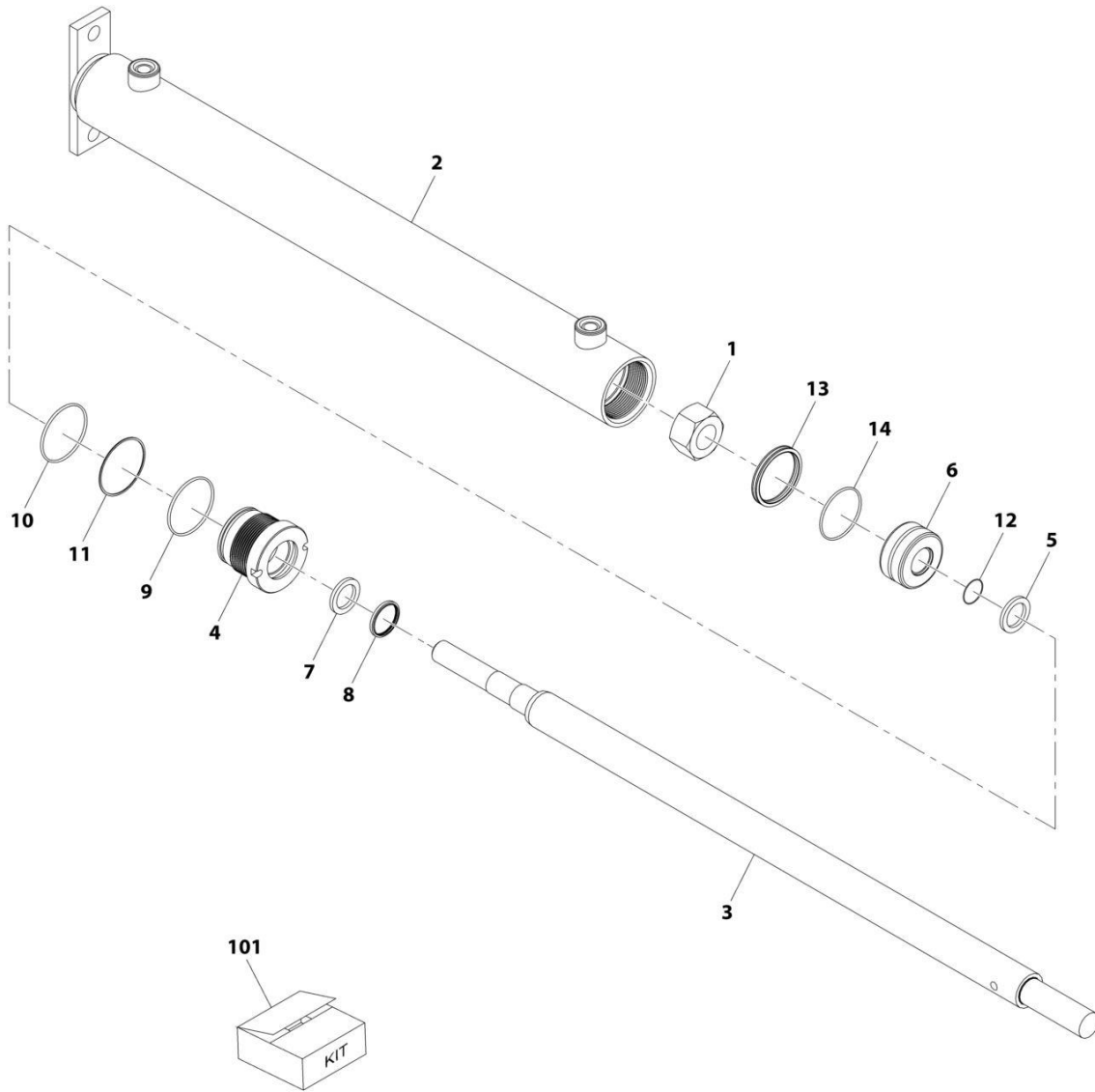
SECTION 9 - HYDRAULIC COMPONENTS

FIGURE 9-3. CYLINDER ASSEMBLY - BUCKET (GRAPPLE)

ITEM	PART NUMBER	QTY	DESCRIPTION	REV
	70021393	Ref	Grapple Bucket Cylinder	A
		Ref	Note: Original Cylinder May Have Been Replaced with Service Replacement. Identify PN Stamped on Cylinder Before Ordering Parts.	
1	70021465	1	Barrel	
2	70021448	2	Bushing	
3	70021464	2	Cartridge, Valve	
4	90554045	2	Fitting, Grease	
5	70021440	1	Nut	
6	Kit	NSS	Ring, Piston (Note: Use Item 101)	
7	Kit	NSS	O-Ring (Note: Use Item 101)	
8	70021451	1	Piston	
9	Kit	NSS	O-Ring (Note: Use Item 101)	
10	70021444	1	Washer	
11	Kit	NSS	O-Ring (Note: Use Item 101)	
12	Kit	NSS	Washer, Back-Up (Note: Use Item 101)	
13	Kit	NSS	O-Ring (Note: Use Item 101)	
14	70021446	1	Head	
15	Kit	NSS	Seal, Poly-Pak (Note: Use Item 101)	
16	Kit	NSS	Wiper, Rod (Note: Use Item 101)	
17	70021466	1	Rod	
18	70021447	1	Bushing	
101	70021452	1	Kit, Seal (includes items 6, 7, 9, 11 thru 13, 15 & 16)	

SECTION 9 - HYDRAULIC COMPONENTS

FIGURE 9-4. CYLINDER ASSEMBLY - CARRIAGE DUAL FORKS



ART_70026772

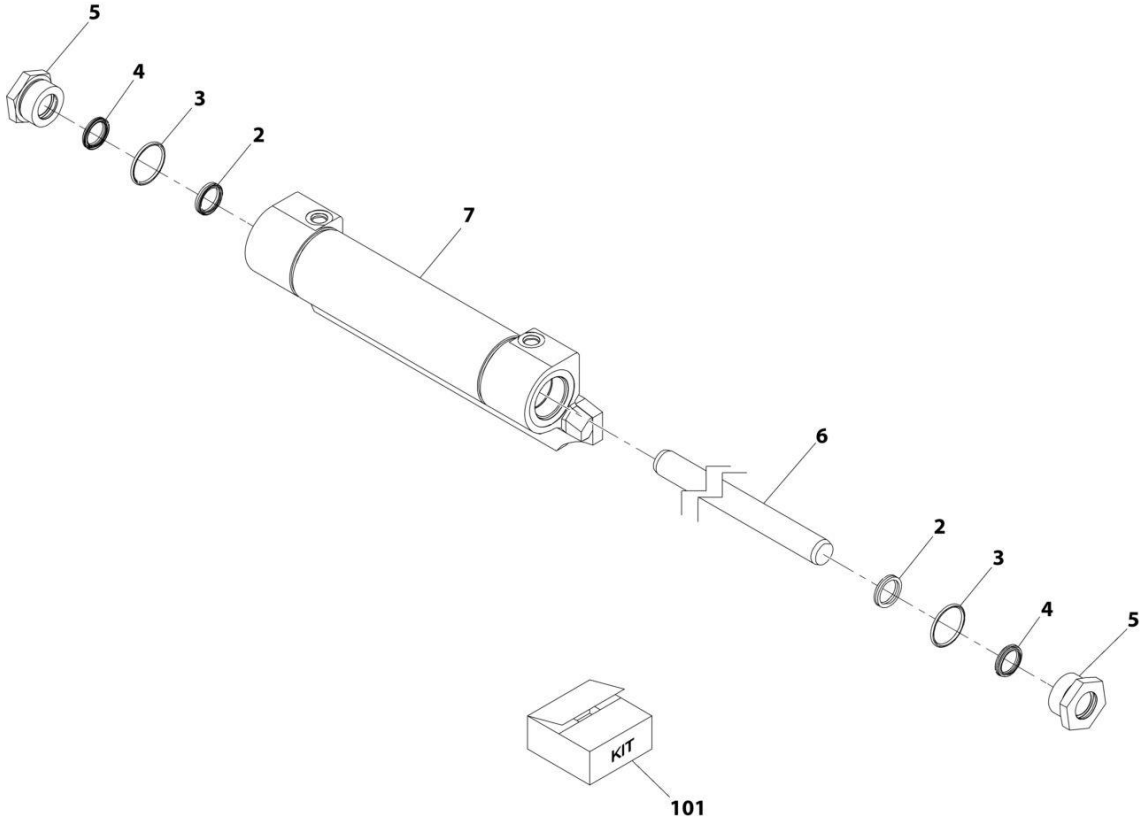
SECTION 9 - HYDRAULIC COMPONENTS

FIGURE 9-4. CYLINDER ASSEMBLY - CARRIAGE DUAL FORKS

ITEM	PART NUMBER	QTY	DESCRIPTION	REV
	70026772	Ref	Dual Fork Cylinder Assembly	
		Ref	Note: Original Cylinder May Have Been Replaced with Service Replacement. Identify PN Stamped on Cylinder Before Ordering Parts.	
1	70026770	1	Nut	
2	N.S.S.	1	Weldment, Cylinder Tube	
3	70026773	1	Cylinder Rod	
4	70026774	1	Gland	
5	70026775	1	Washer	
6	70026771	1	Cylinder Piston	
7	Kit	1	Seal	
8	Kit	1	Rod Wiper	
9	Kit	1	O-Ring	
10	Kit	1	O-Ring	
11	Kit	1	O-Ring, Back-Up	
12	Kit	1	O-Ring	
13	Kit	1	Piston Ring	
14	Kit	1	O-Ring	
101	8036733	1	Kit, Seal (includes items 7 thru 14)	

SECTION 9 - HYDRAULIC COMPONENTS

FIGURE 9-5. CYLINDER ASSEMBLY - CARRIAGE SIDE SHIFT



ART_70024539-B

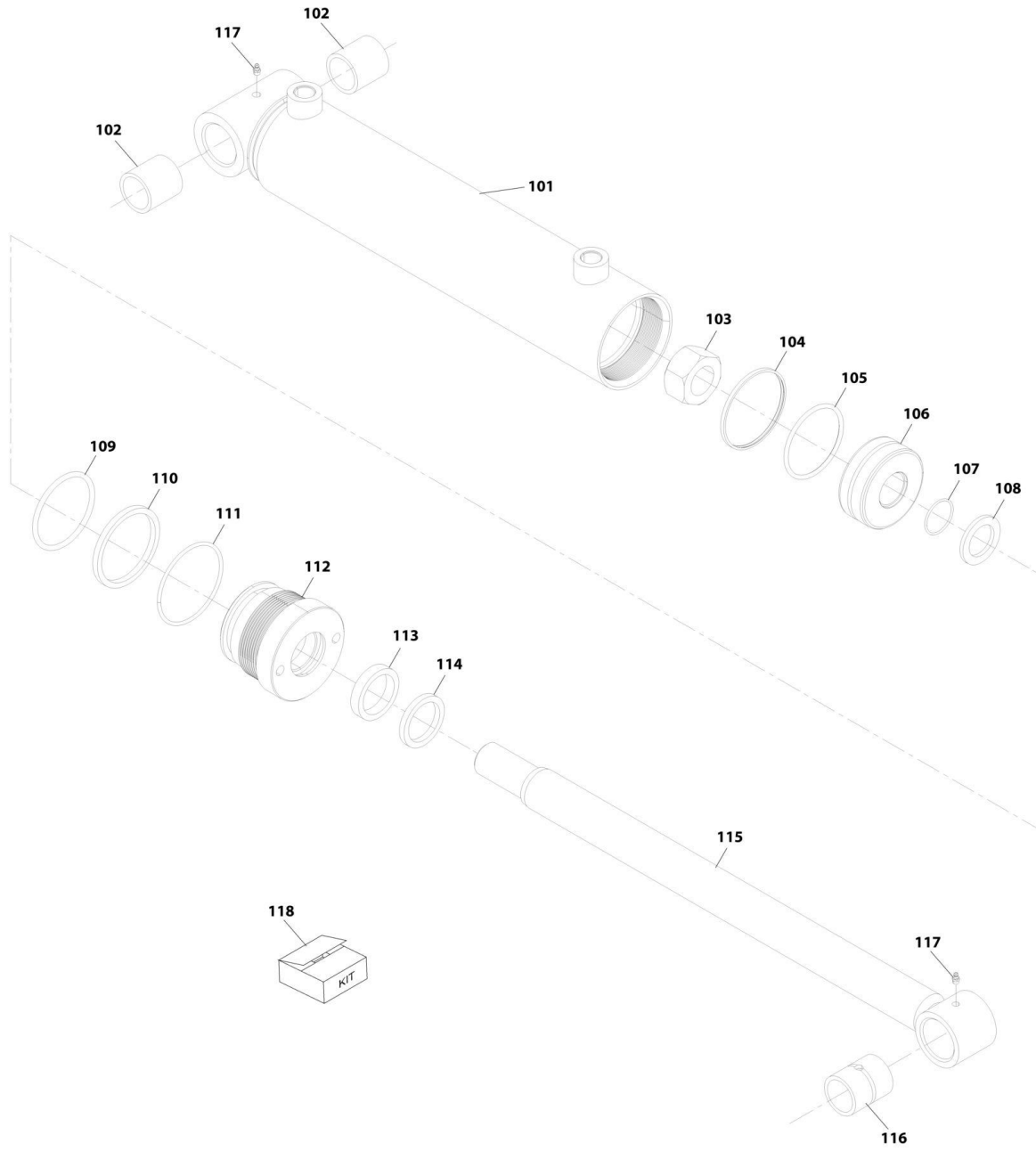
SECTION 9 - HYDRAULIC COMPONENTS

FIGURE 9-5. CYLINDER ASSEMBLY - CARRIAGE SIDE SHIFT

ITEM	PART NUMBER	QTY	DESCRIPTION	REV
	70024539	Ref	Side Shift Carriage Cylinder	B
		Ref	Note: Original Cylinder May Have Been Replaced with Service Replacement. Identify PN Stamped on Cylinder Before Ordering Parts.	
2	Kit	NSS	Seal, Rod (Note: Use Item 101)	
3	70024547	2	O-Ring	
4	Kit	NSS	Seal, Rod Wiper (Note: Use Item 101)	
5	70024548	2	Seal, Retainer	
6	N.S.S.	NSS	Rod (Note: Use PN 70024539)	
7	N.S.S.	NSS	Barrel (Note: Use PN 70024539)	
101	70024549	1	Kit, Seal (includes items 2 & 4)	

SECTION 9 - HYDRAULIC COMPONENTS

FIGURE 9-6. CYLINDER ASSEMBLY - CARRIAGE SIDE SHIFT



ART_70021376

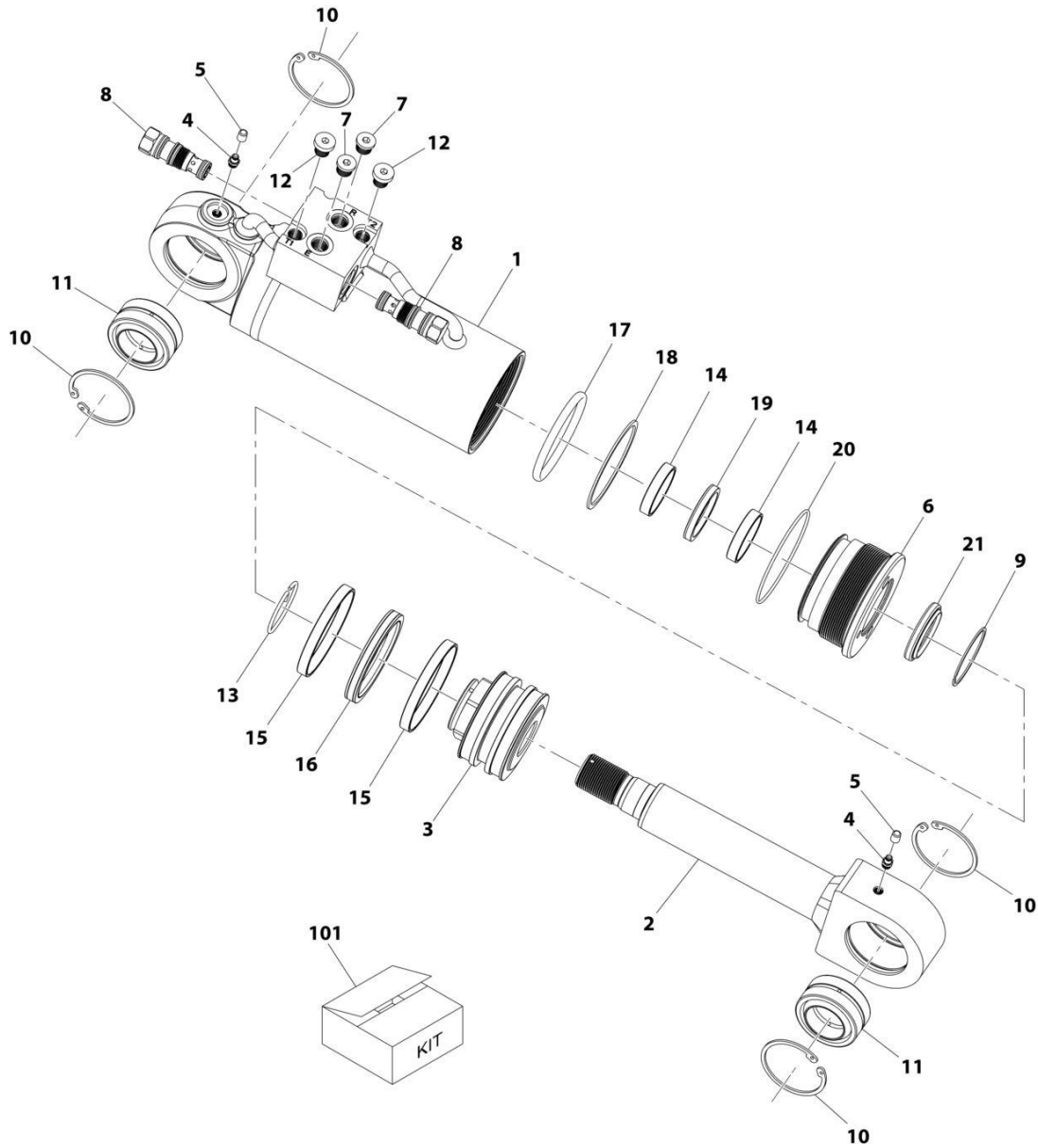
SECTION 9 - HYDRAULIC COMPONENTS

FIGURE 9-6. CYLINDER ASSEMBLY - CARRIAGE SIDE SHIFT

ITEM	PART NUMBER	QTY	DESCRIPTION	REV
	70021376	1	Cylinder Assembly, Side Shift Carriage 12K	
		Ref	Note: Original Cylinder May Have Been Replaced with Service Replacement. Identify PN Stamped on Cylinder Before Ordering Parts.	
101	See Note	NSS	Barrel (Note: Use PN 70021376)	
102	70021448	2	Bushing	
103	70021440	1	Nut	
104	See Note	NSS	Ring, Piston (Note Use Item 118)	
105	See Note	NSS	O-Ring (Note: Use Item 118)	
106	70021451	1	Piston	
107	See Note	NSS	O-Ring (Note: Use Item 118)	
108	70021444	1	Spacer, Sheave	
109	See Note	NSS	O-Ring (Note: Use Item 118)	
110	See Note	NSS	Washer, Back-Up (Note: Use Item 118)	
111	See Note	NSS	O-Ring (Note: Use Item 118)	
112	70021446	1	Head	
113	See Note	NSS	Seal (Note: Use Item 118)	
114	See Note	NSS	Wiper, Rod (Note: Use Item 118)	
115	70021445	1	Rod	
116	70021447	1	Bushing	
117	90554045	2	Grease Fitting	
118	70021452	1	Seal Kit, (includes items 104, 105, 107, 109, 110, 111, 113 & 114)	

SECTION 9 - HYDRAULIC COMPONENTS

FIGURE 9-7. CYLINDER ASSEMBLY - CARRIAGE SIDE TILT



ART_1001163414-A

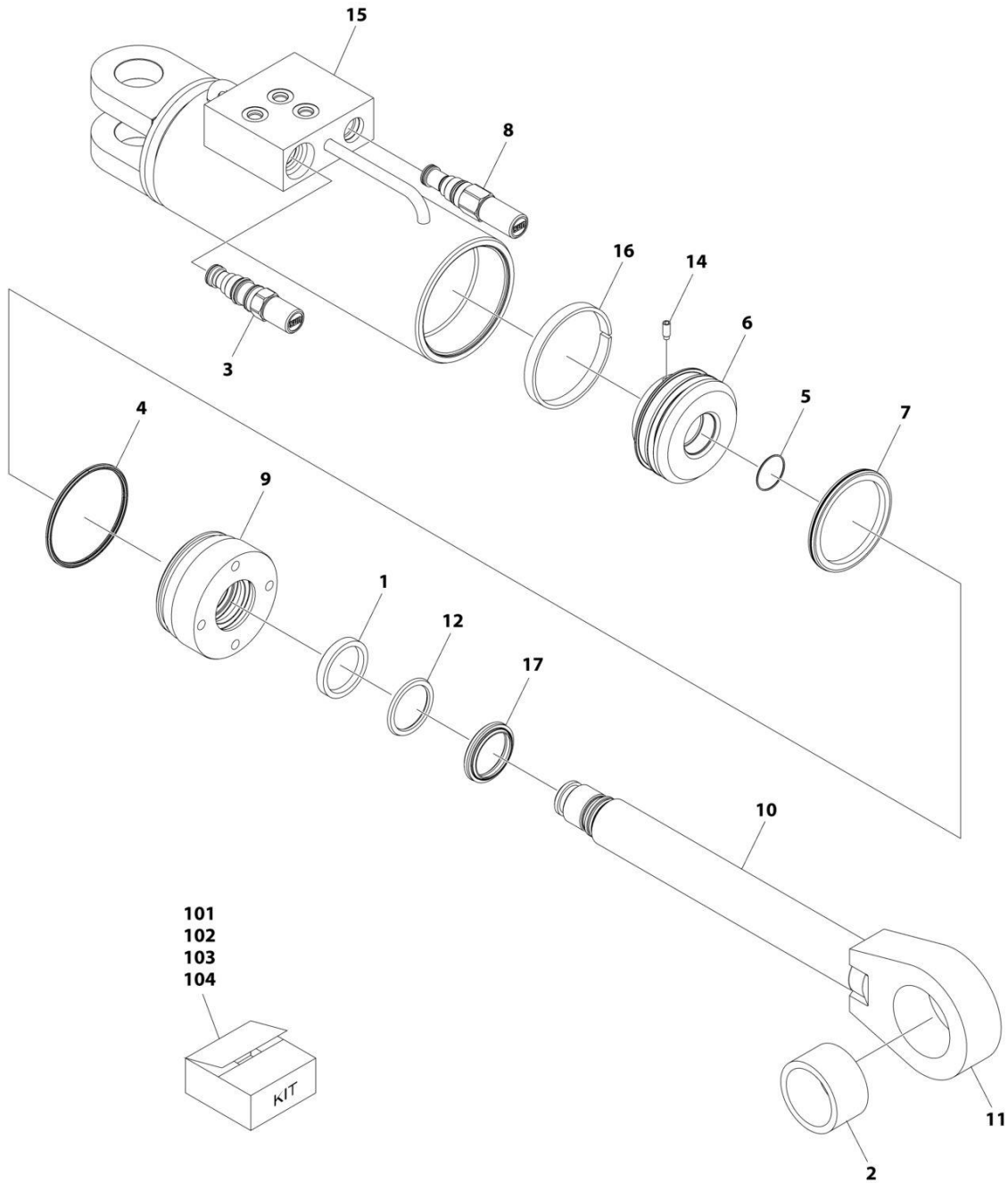
SECTION 9 - HYDRAULIC COMPONENTS

FIGURE 9-7. CYLINDER ASSEMBLY - CARRIAGE SIDE TILT

ITEM	PART NUMBER	QTY	DESCRIPTION	REV
	1001163414	Ref	Side Tilt Cylinder	A
		Ref	Note: Original Cylinder May Have Been Replaced with Service Replacement. Identify PN Stamped on Cylinder Before Ordering Parts.	
1	70026056	1	Barrel	
2	70026057	1	Rod	
3	70026058	1	Piston	
4	70025606	2	Nipple, Grease	
5	70024020	2	Fitting, Grease	
6	70003849	1	Head	
7	70025959	2	Plug	
8	70026059	2	Valve, Check	
9	70002219	1	Ring, Retaining	
10	70026060	4	Ring, Retaining	
11	70026061	2	Bearing	
12	70024262	2	Plug	
13	70002224	1	Ring, Lock	
14	Kit	NSS	Ring, Rod Bearing (Note: Use Item 101)	
15	Kit	NSS	Ring, Piston Bearing (Note: Use Item 101)	
16	Kit	NSS	Seal, Piston (Note: Use Item 101)	
17	Kit	NSS	O-Ring (Note: Use Item 101)	
18	Kit	NSS	Ring, Back-Up (Note: Use Item 101)	
19	Kit	NSS	Seal, Rod (Note: Use Item 101)	
20	Kit	NSS	O-Ring (Note: Use Item 101)	
21	Kit	NSS	Seal, Wiper (Note: Use Item 101)	
101	70026062	1	Kit, Seal (includes items 14 thru 21)	

SECTION 9 - HYDRAULIC COMPONENTS

FIGURE 9-8. CYLINDER ASSEMBLY - CARRIAGE SWING



ART_1001293182

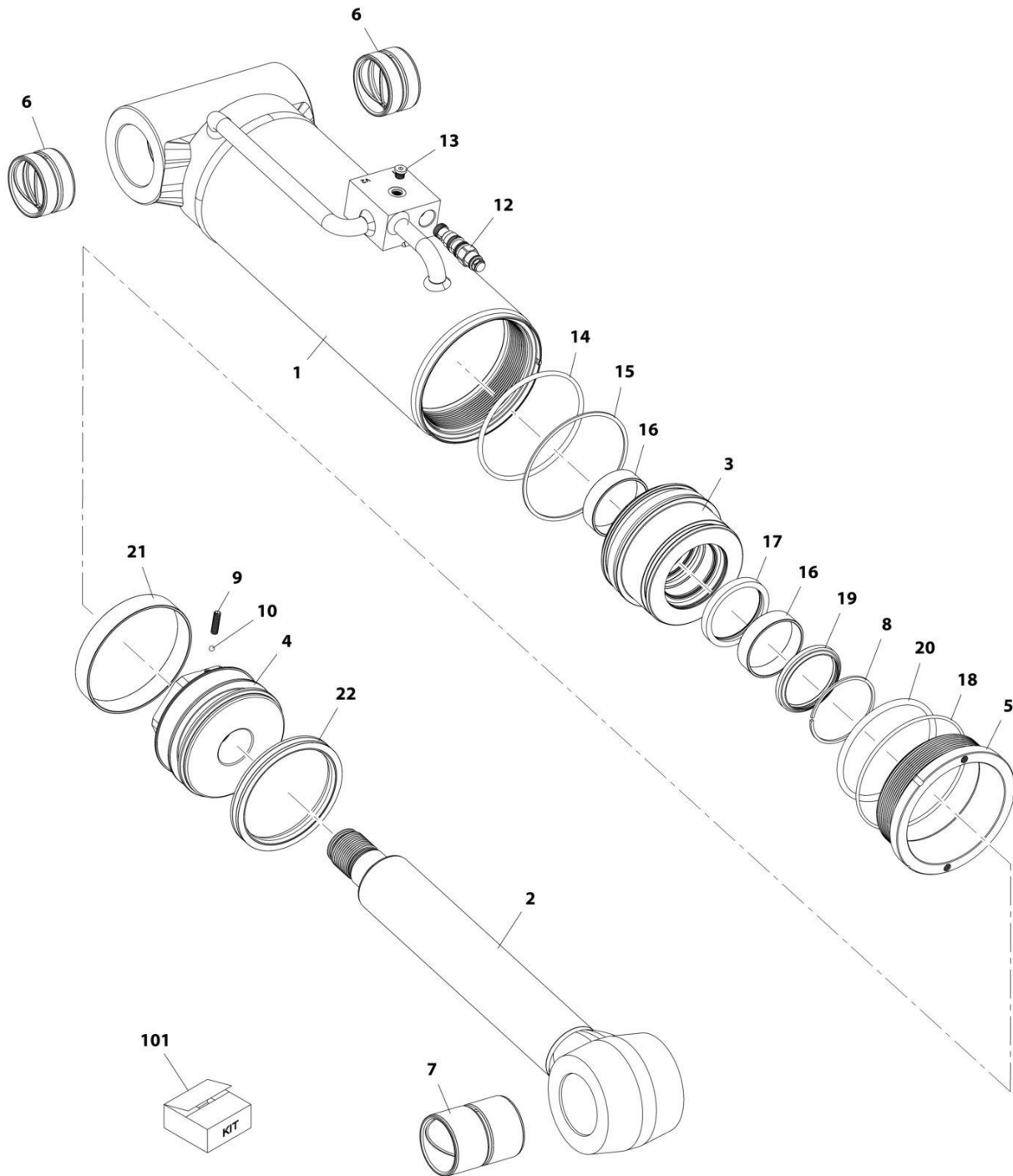
SECTION 9 - HYDRAULIC COMPONENTS

FIGURE 9-8. CYLINDER ASSEMBLY - CARRIAGE SWING

ITEM	PART NUMBER	QTY	DESCRIPTION	REV
	1001293182	Ref	SWING CARRIAGR CYLINDER	A
		Ref	Note: Original Cylinder May Have Been Replaced with Service Replacement. Identify PN Stamped on Cylinder Before Ordering Parts.	
1	See Note	NSS	Ring, Buffer (Note: Use Item 101 or 102)	
2	70031329	1	Bushing (Note: Use Item 104)	
3	8033786	1	Valve, Counterbalance	
4	See Note	NSS	Seal, Head (Note: Use Item 101 or 102)	
5	See Note	NSS	O-Ring (Note: Use Item 101)	
6	See Note	NSS	Piston (Note: Use Item 103)	
7	See Note	NSS	Seal, Piston (Note: Use Item 101 or 103)	
8	8902842	1	Valve, Relief	
9	See Note	NSS	Retainer (Note: Use Item 102)	
10	See Note	NSS	Rod (Note: Use Item 104)	
11	See Note	NSS	Rod End (Note: Use Item 104)	
12	See Note	NSS	Seal, Rod (Note: Use Item 101 or 102)	
14	See Note	NSS	Setscrew (Note: Use Item 103)	
15	See Note	NSS	Shell Assembly (Note: No Service Parts Available)	
16	See Note	NSS	Ring, Wear (Note: Use Items 101 or 103)	
17	See Note	NSS	Wiper (Note: Use Items 101 or 102)	
101	70031325	1	Seal Kit (Includes Items # 1, 4-5, 7, 12, 16 & 17)	
102	70031326	1	Retainer Kit (Includes Items # 1, 4, 9, 12 & 17)	
103	70031327	1	Piston Kit (Includes Items # 6-7, 14 & 16)	
104	70031328	1	Rod Service Kit (Includes Items # 2 & 10-11)	

SECTION 9 - HYDRAULIC COMPONENTS

FIGURE 9-9. CYLINDER ASSEMBLY - COMPENSATION (1055)



ART_1001184452-A

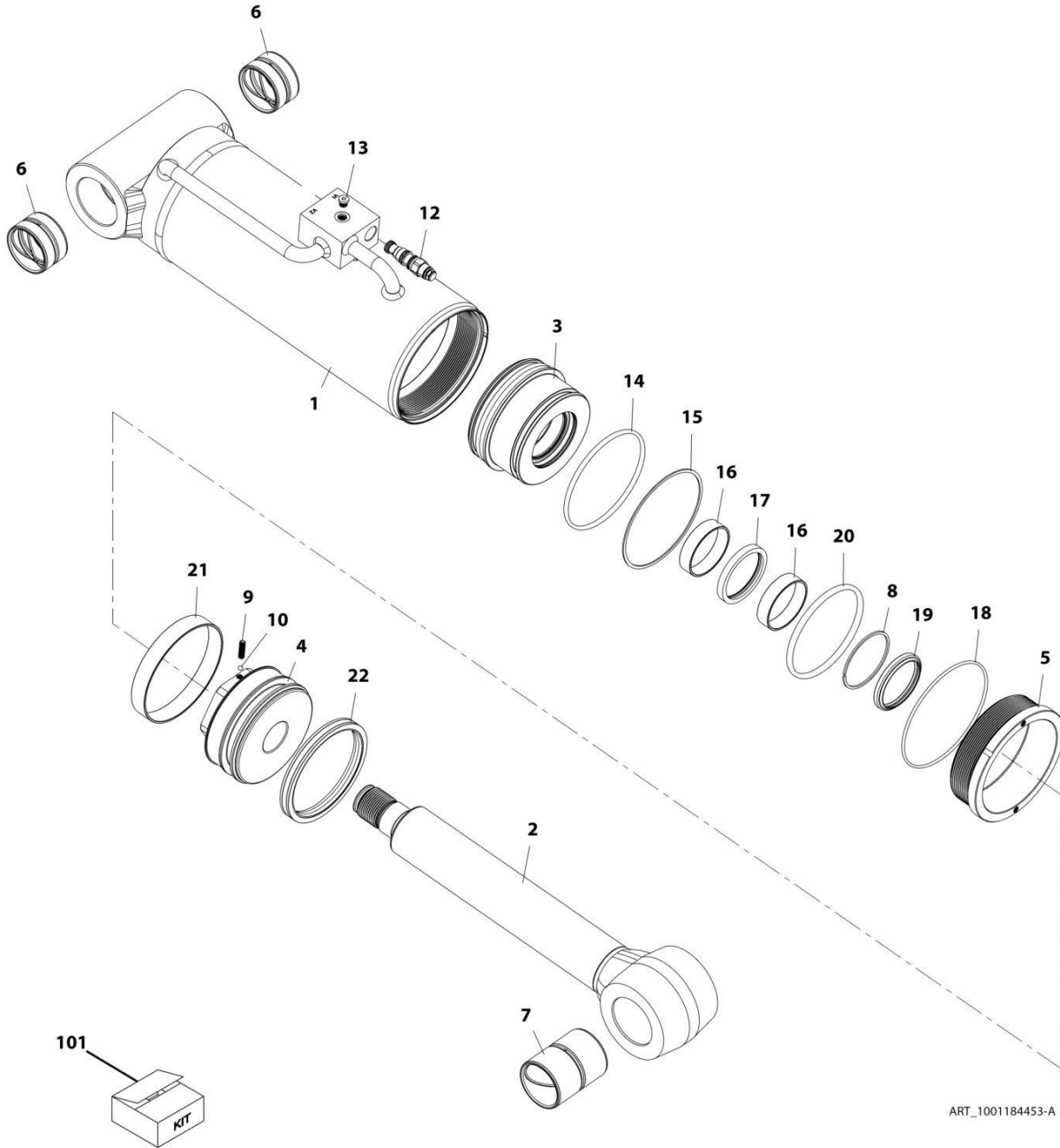
SECTION 9 - HYDRAULIC COMPONENTS

FIGURE 9-9. CYLINDER ASSEMBLY - COMPENSATION (1055)

ITEM	PART NUMBER	QTY	DESCRIPTION	REV
	1001184452	Ref	Compensation Cylinder - 1055	A
		Ref	Note: Original Cylinder May Have Been Replaced with Service Replacement. Identify PN Stamped on Cylinder Before Ordering Parts.	
1	70026337	1	Barrel	
2	70026338	1	Rod	
3	70026339	1	Gland	
4	70026163	1	Head, Piston	
5	70026164	1	Collar, Gland Locking	
6	70026157	2	Bushing	
7	70026158	1	Bushing	
8	70023086	1	Ring, Snap	
9	70026159	1	Screw	
10	70005014	1	Ball, Steel	
12	70026336	1	Valve, Counterbalance	
13	70025619	1	Plug	
14	Kit	1	O-Ring	
15	Kit	1	Ring, Backup	
16	Kit	2	Ring, Bearing	
17	Kit	1	Seal, Rod	
18	Kit	1	O-Ring	
19	Kit	1	Seal, Wiper	
20	Kit	1	O-Ring	
21	Kit	1	Ring, Bearing	
22	Kit	1	Seal, Piston	
101	70026340	1	Kit, Seal (includes items 14 thru 22)	

SECTION 9 - HYDRAULIC COMPONENTS

FIGURE 9-10. CYLINDER ASSEMBLY - COMPENSATION (1255)



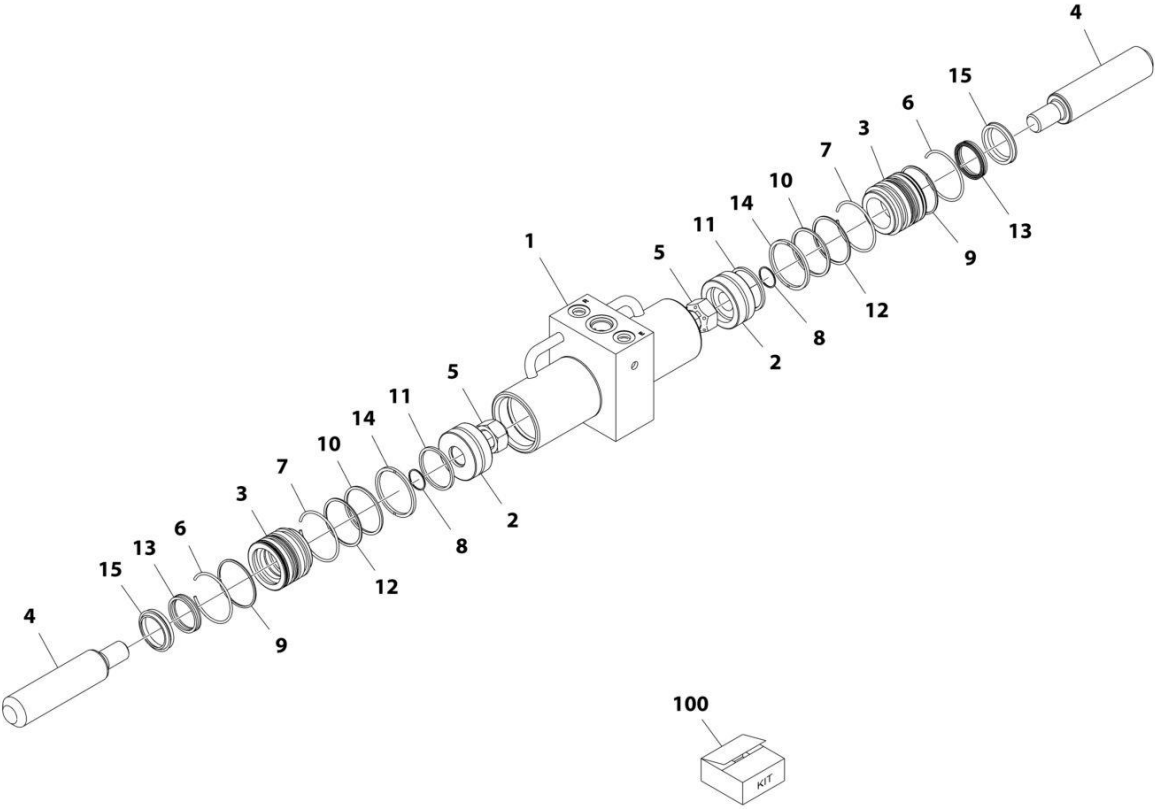
SECTION 9 - HYDRAULIC COMPONENTS

FIGURE 9-10. CYLINDER ASSEMBLY - COMPENSATION (1255)

ITEM	PART NUMBER	QTY	DESCRIPTION	REV
	1001184453	Ref	Compensation Cylinder - 1255	A
		Ref	Note: Original Cylinder May Have Been Replaced with Service Replacement. Identify PN Stamped on Cylinder Before Ordering Parts.	
1	70026341	1	Barrel	
2	70026342	1	Rod	
3	70026154	1	Gland	
4	70026155	1	Head, Piston	
5	70026156	1	Collar, Gland Locking	
6	70026157	2	Bushing	
7	70026158	1	Bushing	
8	70023086	1	Ring, Snap	
9	70026159	1	Screw	
10	70005014	1	Ball, Steel	
12	70026336	1	Valve, Counterbalance	
13	70025619	1	Plug	
14	Kit	1	O-Ring	
15	Kit	1	Ring, Backup	
16	Kit	2	Ring, Bearing	
17	Kit	1	Seal, Rod	
18	Kit	1	O-Ring	
19	Kit	1	Seal, Wiper	
20	Kit	1	O-Ring	
21	Kit	1	Ring, Bearing	
22	Kit	1	Seal, Piston	
101	70026343	1	Kit, Seal (includes items 14 thru 22)	

SECTION 9 - HYDRAULIC COMPONENTS

FIGURE 9-11. CYLINDER ASSEMBLY - COUPLER



ART_1001120163-D

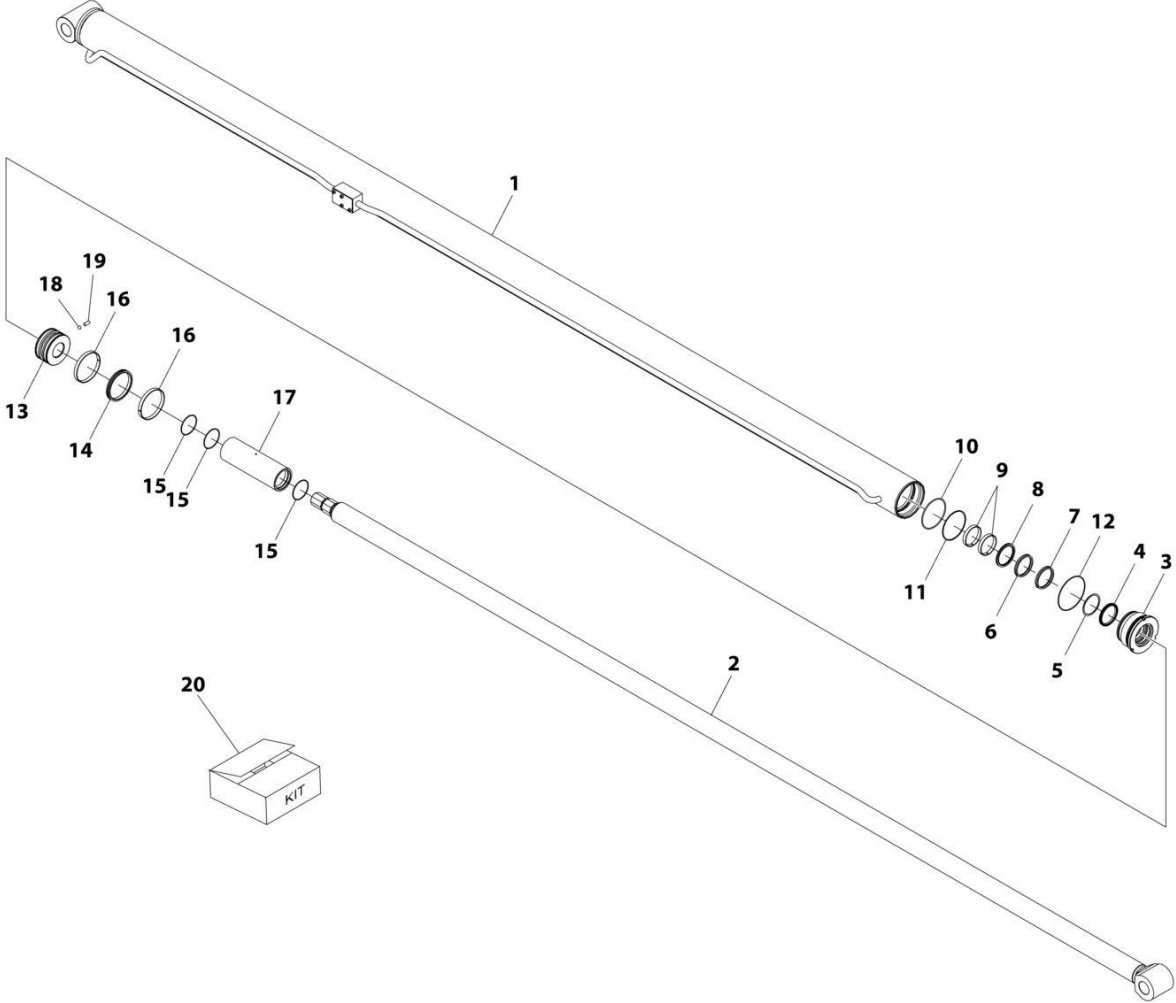
SECTION 9 - HYDRAULIC COMPONENTS

FIGURE 9-11. CYLINDER ASSEMBLY - COUPLER

ITEM	PART NUMBER	QTY	DESCRIPTION	REV
	1001120163	Ref	Quick Coupler Cylinder	D
		Ref	Note: Original Cylinder May Have Been Replaced with Service Replacement. Identify PN Stamped on Cylinder Before Ordering Parts.	
1	70026211	1	Barrel	
2	70026212	2	Piston	
3	70026213	2	Head Gland	
4	70026214	2	Cylinder Rod	
5	8037140	2	Locknut	
6	Kit	2	Round Retaining Ring	
7	Kit	2	Round Retaining Ring	
8	Kit	2	O-Ring	
9	Kit	2	O-Ring	
10	Kit	2	O-Ring	
11	Kit	2	Square Ring	
12	Kit	2	Backup Ring	
13	Kit	2	Rod Seal	
14	Kit	2	Piston Seal	
15	Kit	2	Rod Wiper	
100	70026215	1	Seal Kit (includes items 6 thru 15)	

SECTION 9 - HYDRAULIC COMPONENTS

FIGURE 9-12. CYLINDER ASSEMBLY - EXTENT/RETRACT



ART_1001251067

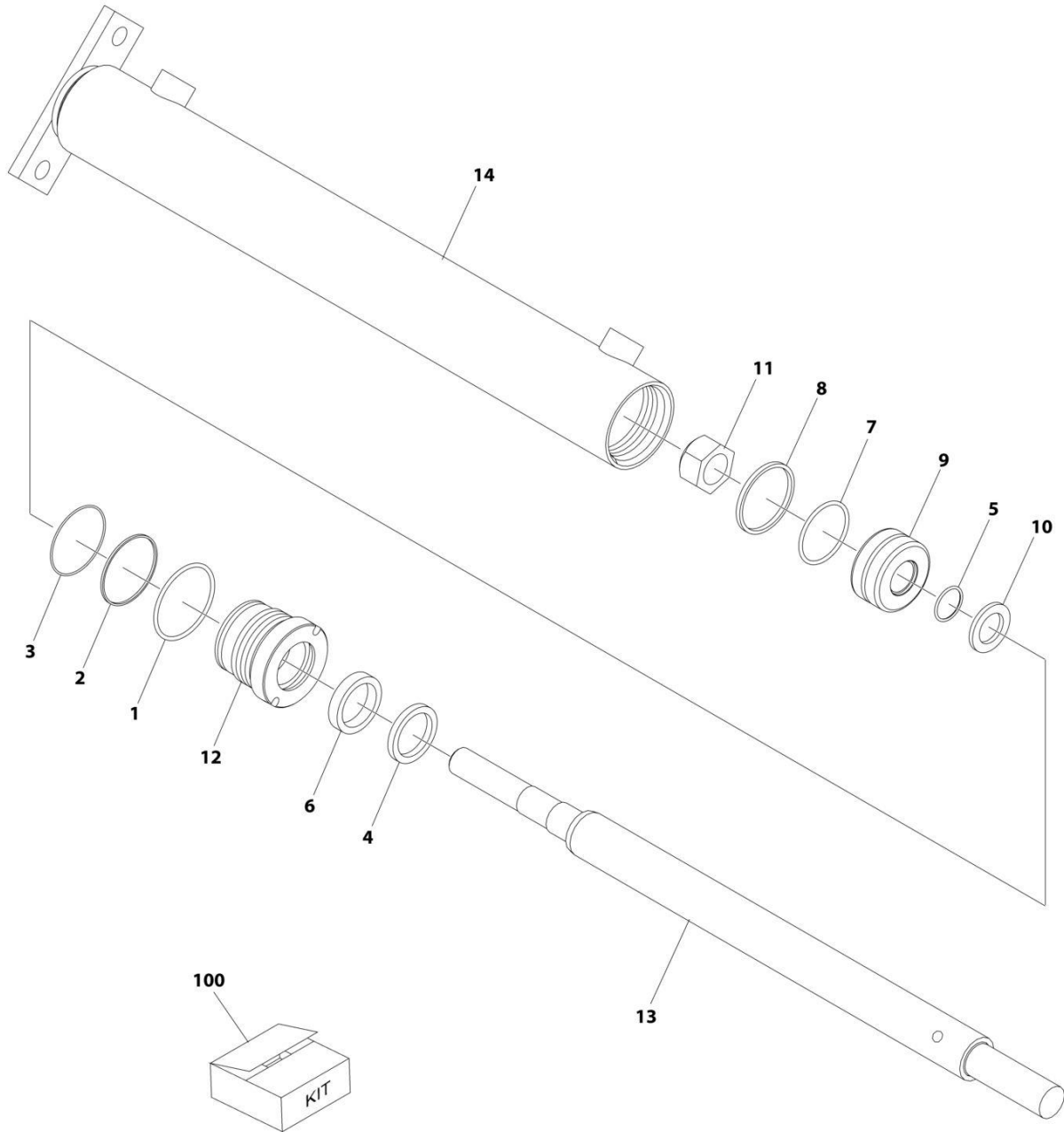
SECTION 9 - HYDRAULIC COMPONENTS

FIGURE 9-12. CYLINDER ASSEMBLY - EXTENT/RETRACT

ITEM	PART NUMBER	QTY	DESCRIPTION	REV
	1001251067	Ref	Extend/Retract Cylinder	A
		Ref	Note: Original Cylinder May Have Been Replaced with Service Replacement. Identify PN Stamped on Cylinder Before Ordering Parts.	
1	N.S.S.	1	Barrel	
2	70029460	1	Rod	
3	70029461	1	Gland	
4	Kit	1	Dust Wiper	
5	70023379	1	Retaining Ring	
6	Kit	1	Rod Seal	
7	Kit	1	Back-Up Ring	
8	Kit	1	Buffer Seal	
9	Kit	2	Wear Ring	
10	Kit	1	O-Ring	
11	Kit	1	Back-Up Ring	
12	Kit	1	O-Ring	
13	70029462	1	Piston	
14	Kit	1	Piston Seal	
15	Kit	3	O-Ring	
16	Kit	2	Wear Ring	
17	70029463	1	Spacer	
18	70022564	1	Steel Ball	
19	70006596	1	Set Screw	
20	70029464	1	Seal Kit (includes items 4, 6 through 12, 14, 15 & 16)	

SECTION 9 - HYDRAULIC COMPONENTS

FIGURE 9-13. CYLINDER ASSEMBLY - FORK POSITIONING



ART_2717283

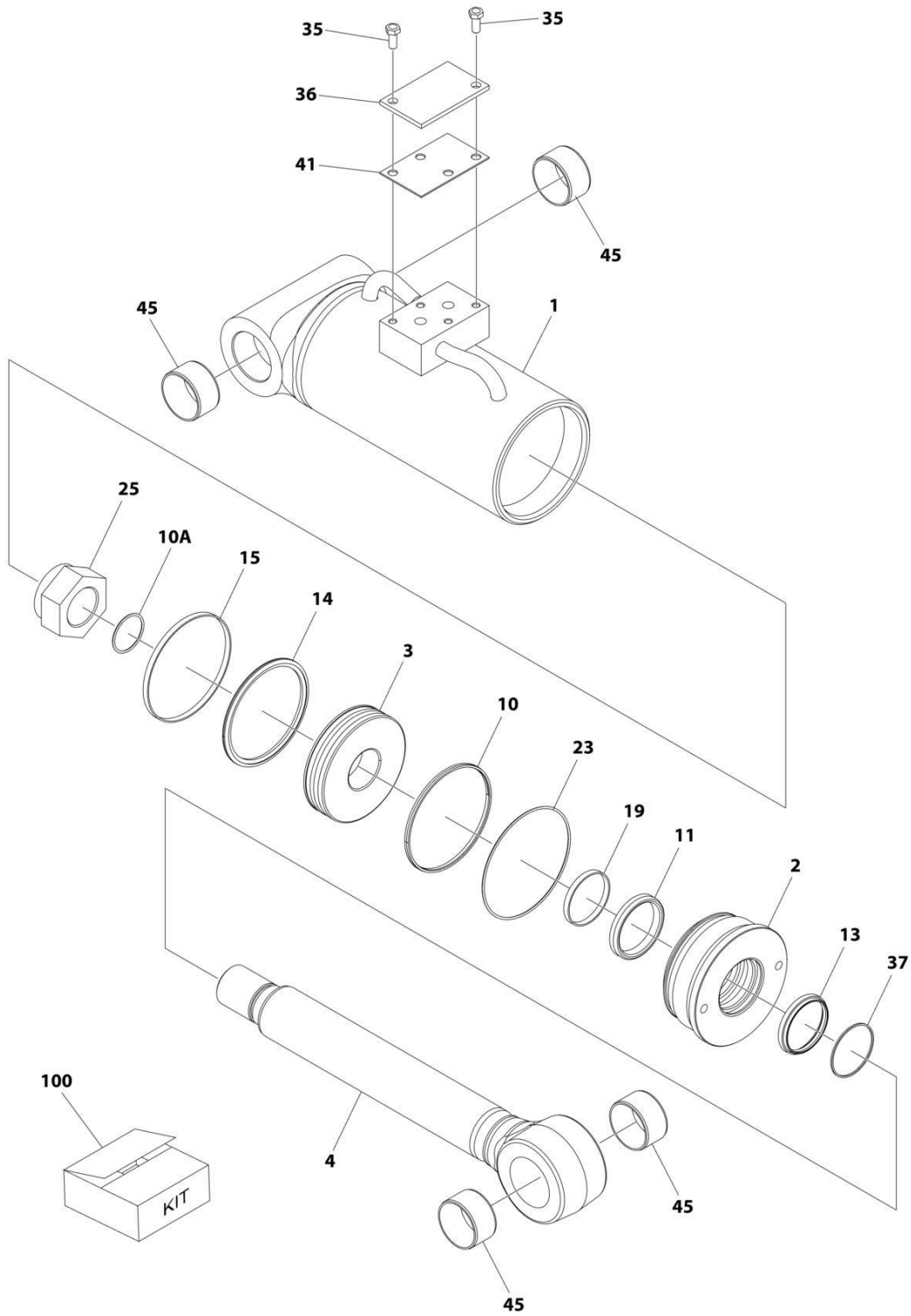
SECTION 9 - HYDRAULIC COMPONENTS

FIGURE 9-13. CYLINDER ASSEMBLY - FORK POSITIONING

ITEM	PART NUMBER	QTY	DESCRIPTION	REV
	2717283	Ref	FORK POSITIONING CYLINDER	B
		Ref	Note: Original Cylinder May Have Been Replaced with Service Replacement. Identify PN Stamped on Cylinder Before Ordering Parts.	
1	See Note	NSS	O-Ring (Use Item 100)	
2	See Note	NSS	Ring, Back-up (Use Item 100)	
3	See Note	NSS	O-Ring (Use Item 100)	
4	See Note	NSS	Seal (Use Item 100)	
5	See Note	NSS	O-Ring (Use Item 100)	
6	See Note	NSS	Seal (Use Item 100)	
7	See Note	NSS	O-Ring (Use Item 100)	
8	See Note	NSS	Seal (Use Item 100)	
9	70026771	1	Piston	
10	70026775	1	Washer	
11	70026770	1	Nut	
12	70026774	1	Head	
13	70026773	1	Rod	
14	See Note	NSS	Barrel (Note: Use PN 2717283)	
100	8036733	1	Seal Kit (includes items 1 thru 8)	

SECTION 9 - HYDRAULIC COMPONENTS

FIGURE 9-14. CYLINDER ASSEMBLY - FRAME LEVEL



ART_1001267970

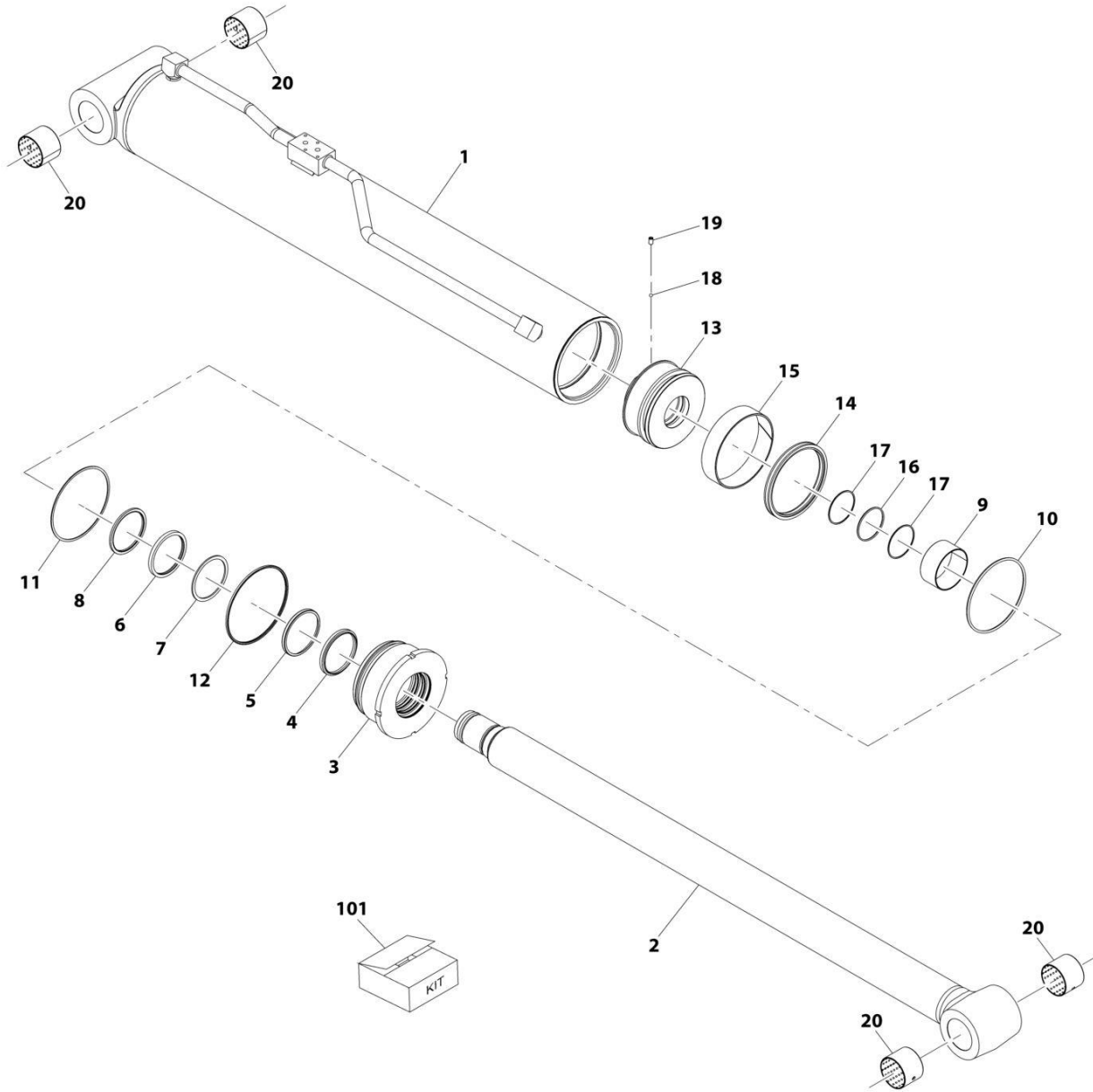
SECTION 9 - HYDRAULIC COMPONENTS

FIGURE 9-14. CYLINDER ASSEMBLY - FRAME LEVEL

ITEM	PART NUMBER	QTY	DESCRIPTION	REV
	1001267970	Ref	CYLINDER ASSEMBLY	B
		Ref	Note: Original Cylinder May Have Been Replaced with Service Replacement. Identify PN Stamped on Cylinder Before Ordering Parts.	
1	See Note	NSS	Barrel (Note: Use PN 1001267970)	
2	70030388	1	Head	
3	70030389	1	Piston	
4	70030395	1	Rod	
10	See Note	NSS	Seal, Dual (Note: Use Item 100)	
10A	See Note	NSS	O-Ring (Note: Use Item 100)	
11	See Note	NSS	Seal, Rod (Note: Use Item 100)	
13	See Note	NSS	Wiper (Note: Use Item 100)	
14	See Note	NSS	Seal, Piston (Note: Use Item 100)	
15	See Note	NSS	Ring, Wear (Note: Use Item 100)	
19	See Note	NSS	Ring, Wear (Note: Use Item 100)	
23	See Note	NSS	Seal, Environmental (Note: Use Item 100)	
25	70030391	1	Nut 1-3/4	
35		Ref	Bolt M8 x 1-1/4	
36		Ref	Plate, Shipping	
37	70030392	1	Mask, Wiper	
41		Ref	Gasket, Shipping	
45	70030393	4	Bushing	
100	70030394	1	Seal Kit (Includes Items 10, 10A, 11, 13, 14, 15, 19 & 23)	

SECTION 9 - HYDRAULIC COMPONENTS

FIGURE 9-15. CYLINDER ASSEMBLY - LIFT (1055)



ART_1001211607-B

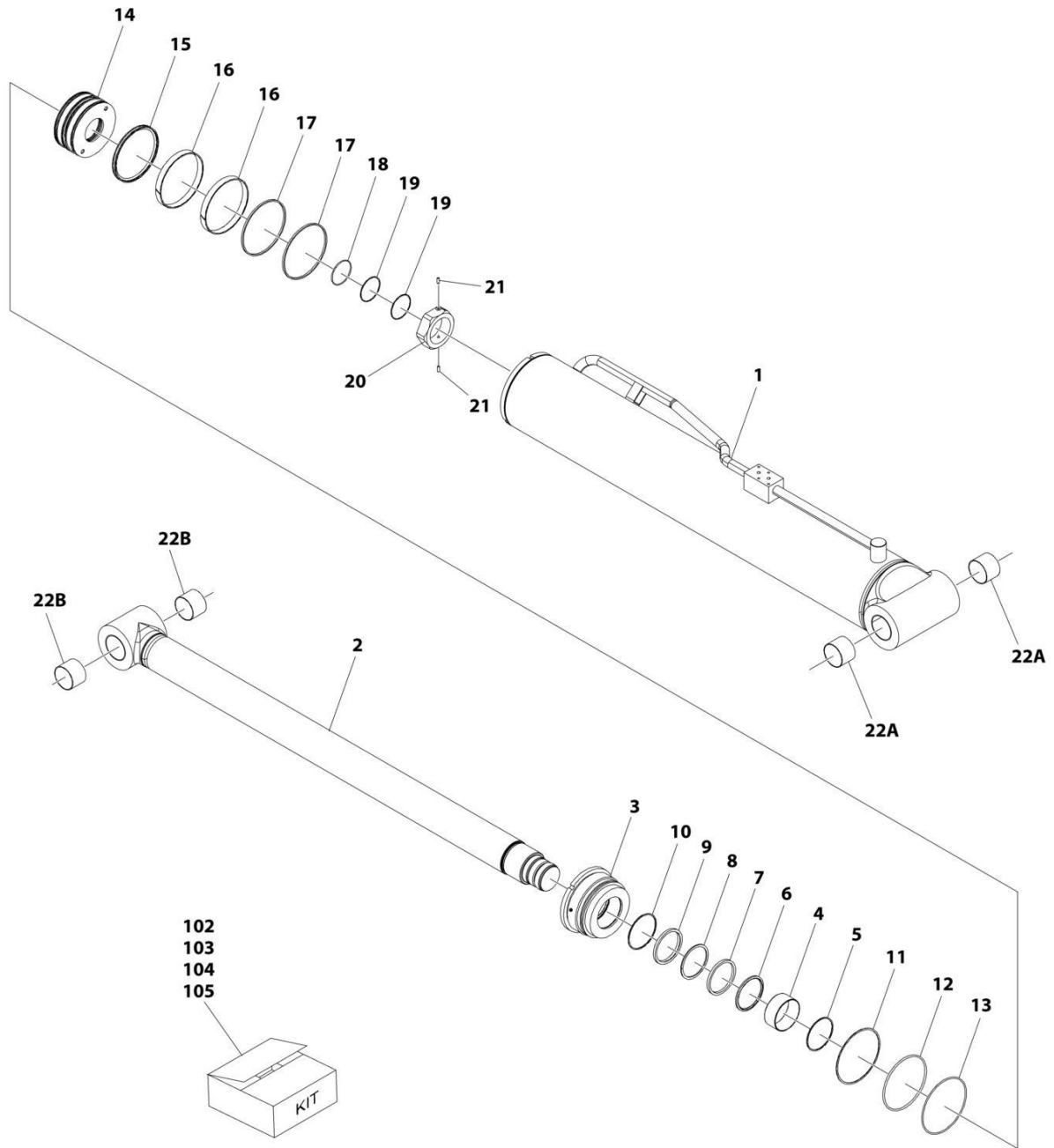
SECTION 9 - HYDRAULIC COMPONENTS

FIGURE 9-15. CYLINDER ASSEMBLY - LIFT (1055)

ITEM	PART NUMBER	QTY	DESCRIPTION	REV
	1001211607	Ref	Lift Cylinder - 1055	B
1	70026491	1	Barrel Assembly	
2	N.S.S.	1	Rod Assembly	
3	70026282	1	Gland	
4	N.S.S.	1	Dust Wiper	
5	70026283	1	Retain Ring	
6	Kit	1	Rod Seal	
7	Kit	1	Back-up Ring	
8	Kit	1	Buffer Ring	
9	70026284	1	Bearing	
10	Kit	1	O-Ring	
11	Kit	1	Back-up Ring	
12	Kit	1	O-Ring	
13	70026285	1	Piston	
14	Kit	1	Piston Seal	
15	Kit	1	Wear Ring	
16	Kit	1	O-Ring	
17	Kit	2	Back-up Ring	
18	N.S.S.	1	Steel Ball	
19	N.S.S.	1	Set Screw	
20	70026288	4	Bearing	
101	70026291	1	Kit, Seal (includes items 6 thru 8, 10 thru 12 & 14 thru 17)	

SECTION 9 - HYDRAULIC COMPONENTS

FIGURE 9-16. CYLINDER ASSEMBLY - LIFT (1255)



ART_1001267971

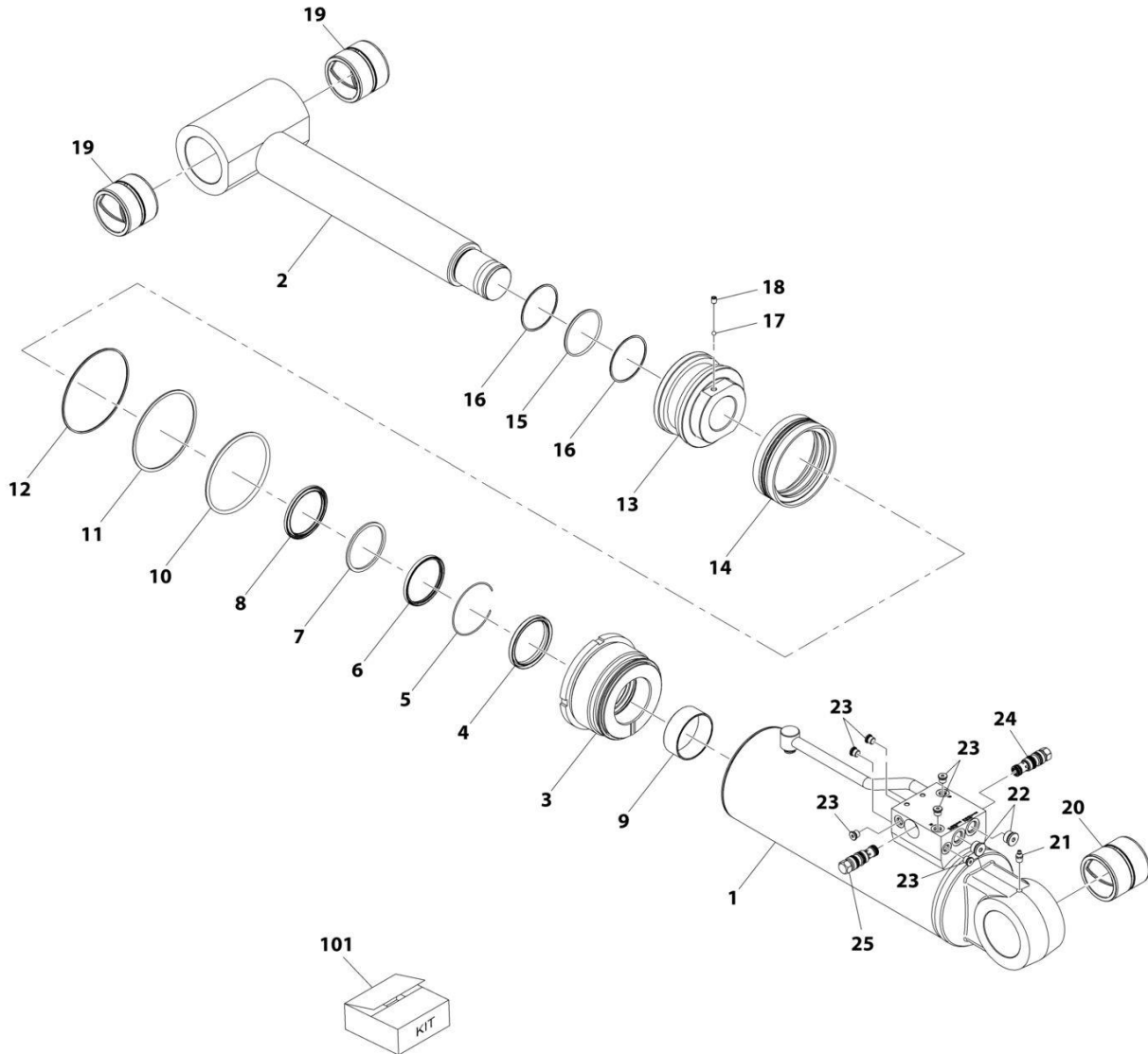
SECTION 9 - HYDRAULIC COMPONENTS

FIGURE 9-16. CYLINDER ASSEMBLY - LIFT (1255)

ITEM	PART NUMBER	QTY	DESCRIPTION	REV
	1001267971	Ref	CYLINDER ASSEMBLY Note: Original Cylinder May Have Been Replaced with Service Replacement. Identify PN Stamped on Cylinder Before Ordering Parts.	A
		Ref		
1	See Note	NSS	Barrel (Note: Use PN 1001267971)	
2	See Note	1	Rod (Note: Use Item 102)	
3	See Note	1	Head (Note: Use Item 103)	
4	See Note	1	Bushing (Note: Use Item 103)	
5	See Note	1	Ring, Retaining (Note: Use Item 103)	
6	See Note	1	Seal (Note: Use Item 104)	
7	See Note	1	U-Packing (Note: Use Item 104)	
8	See Note	1	Ring, Backup (Note: Use Item 104)	
9	See Note	1	Wiper (Note: Use Item 104)	
10	See Note	1	Ring, Retaining (Note: Use Item 104)	
11	See Note	1	O-Ring (Note: Use Item 104)	
12	See Note	1	Ring, Backup (Note: Use Item 104)	
13	See Note	1	O-Ring (Note: Use Item 104)	
14	70030111	1	Piston	
15	See Note	1	Seal, Piston (Note: Use Item 104)	
16	See Note	2	Ring, Wear (Note: Use Item 104)	
17	See Note	2	Ring, Dust (Note: Use Item 104)	
18	See Note	1	O-Ring (Note: Use Item 104)	
19	See Note	2	Ring, Backup (Note: Use Item 104)	
20	See Note	1	Nut (Note: Use item 105)	
21	See Note	2	Set Screw (Note: Use Item 105)	
22A	See Note	1	Bushing (Note: Use PN 1001267971)	
22B	See Note	2	Bushing (Note: Use Item 102)	
102	70031242	1	Rod Kit (Includes Items 2 & 22B)	
103	70031243	1	Rod Cover Kit (Includes Items 3-5)	
104	70031244	1	Seal Kit (Includes Items 6-13 & 15-19)	
105	70030112	1	Piston Nut (Includes Items 20 & 21)	

SECTION 9 - HYDRAULIC COMPONENTS

FIGURE 9-17. CYLINDER ASSEMBLY - OUTRIGGER



ART_1001213065-C

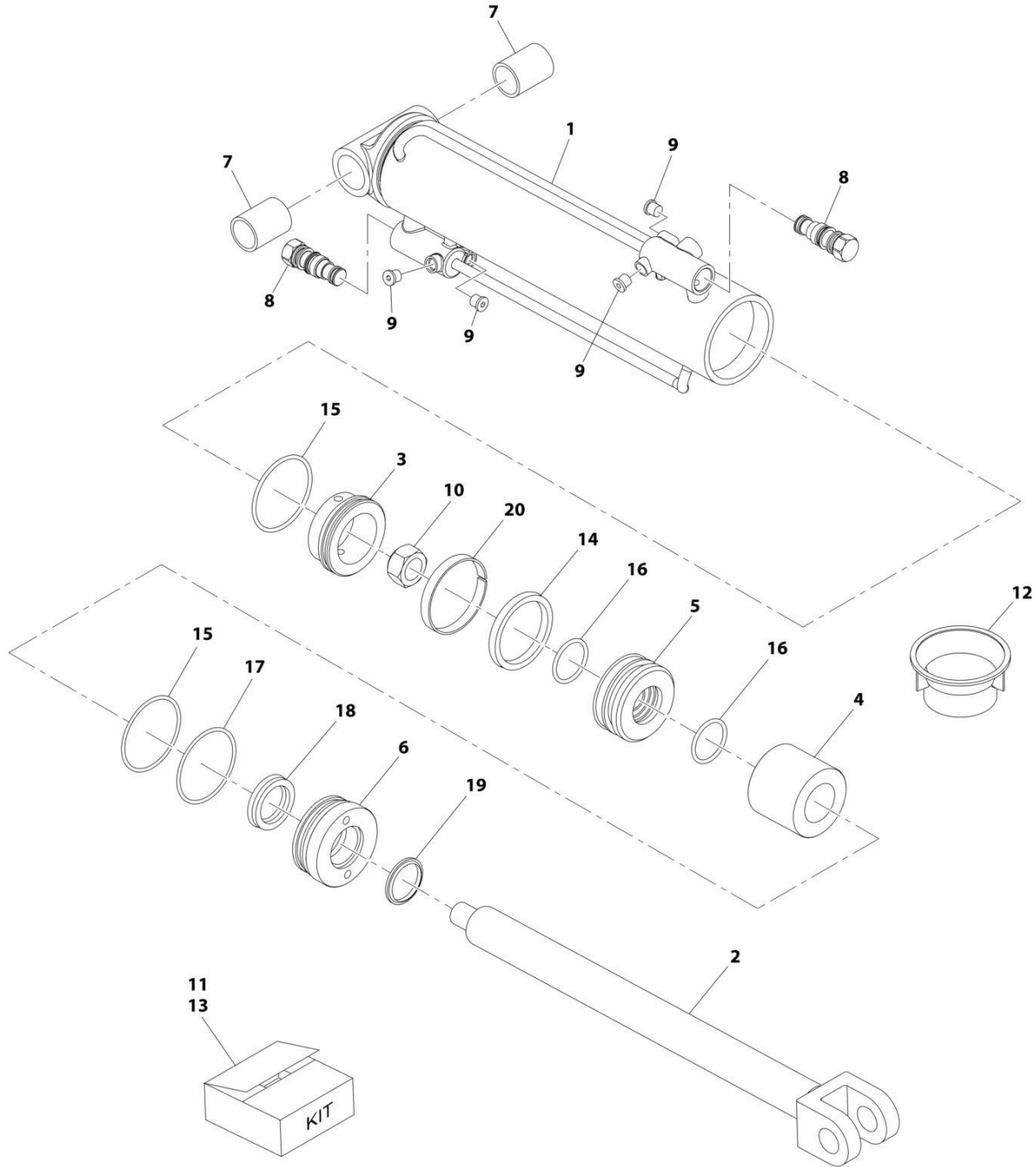
SECTION 9 - HYDRAULIC COMPONENTS

FIGURE 9-17. CYLINDER ASSEMBLY - OUTRIGGER

ITEM	PART NUMBER	QTY	DESCRIPTION	REV
	1001213065	Ref	Outrigger Cylinder	C
		Ref	Note: Original Cylinder May Have Been Replaced with Service Replacement. Identify PN Stamped on Cylinder Before Ordering Parts.	
1	70027758	1	Tube Assembly	
2	70026300	1	Rod Assembly	
3	70026301	1	Gland	
4	Kit	1	Dust Wiper	
5	70023379	1	Retain Ring	
6	Kit	1	Rod Seal	
7	Kit	1	Back-up Ring	
8	Kit	1	Buffer Ring	
9	70026302	1	Dry Bearing	
10	Kit	1	O-ring	
11	Kit	1	Back-up Ring	
12	Kit	1	O-ring	
13	70026303	1	Piston	
14	Kit	1	Piston Seal	
15	Kit	1	O-ring	
16	Kit	2	Back-up Ring	
17	70022564	1	Steel Ball	
18	70023369	1	Set Screw	
19	70026304	2	Pin Bush	
20	70026305	1	Pin Bush	
21	70026308	1	Grease Nipple	
22	2220886	2	Hex Soc. Plug	
23	2220883	6	Hex Soc. Plug	
24	1001214653	1	Counter Balance Valve	
25	1001214654	1	Counter Balance Valve	
101	70026309	1	Kit, Seal (includes items 4, 6, 7, 8, 10, 11, 12 & 14 thru 16)	

SECTION 9 - HYDRAULIC COMPONENTS

FIGURE 9-18. CYLINDER ASSEMBLY - PIPE HANDLER



ART_70026587

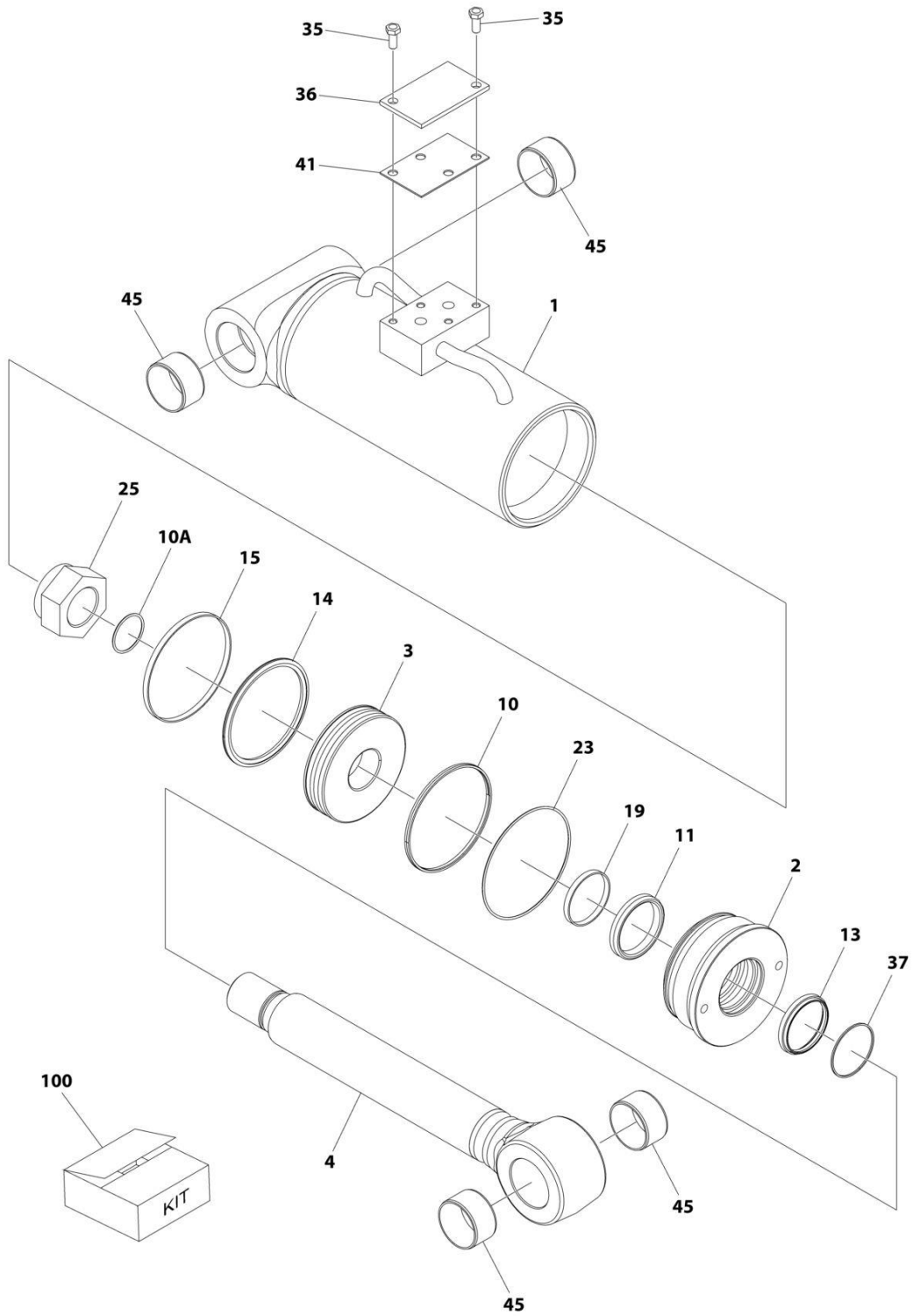
SECTION 9 - HYDRAULIC COMPONENTS

FIGURE 9-18. CYLINDER ASSEMBLY - PIPE HANDLER

ITEM	PART NUMBER	QTY	DESCRIPTION	REV
	70026587	Ref	Pipe Handler Cylinder	
		Ref	Note: Original Cylinder May Have Been Replaced with Service Replacement. Identify PN Stamped on Cylinder Before Ordering Parts.	
1	70026495	1	Barrel	
2	70026610	1	Rod	
3	70026497	1	Spacer	
4	70026611	1	Spacer	
5	70026499	1	Piston	
6	70026500	1	Retainer	
7	70026501	2	Bushing	
8	70026502	2	Valve, Check	
9	70024129	4	Fitting, 4	
10	70026503	1	Nut	
11	70024734	1	Kit, Check Valve Service	
12	70026505	1	Seal Loader	
13	70026506	1	Seal Kit (includes items 14 thru 20)	
14	Kit	AR	Seal (Note: Use Item 13)	
15	Kit	AR	O-Ring (Note: Use Item 13)	
16	Kit	AR	O-Ring (Note: Use Item 13)	
17	Kit	AR	Ring, Back-up (Note: Use Item 13)	
18	Kit	AR	Seal (Note: Use Item 13)	
19	Kit	AR	Wiper (Note: Use Item 13)	
20	Kit	AR	Ring, Wear (Note: Use Item 13)	

SECTION 9 - HYDRAULIC COMPONENTS

FIGURE 9-19. CYLINDER ASSEMBLY - STABILIZER (REAR AXLE)



ART_1001267969

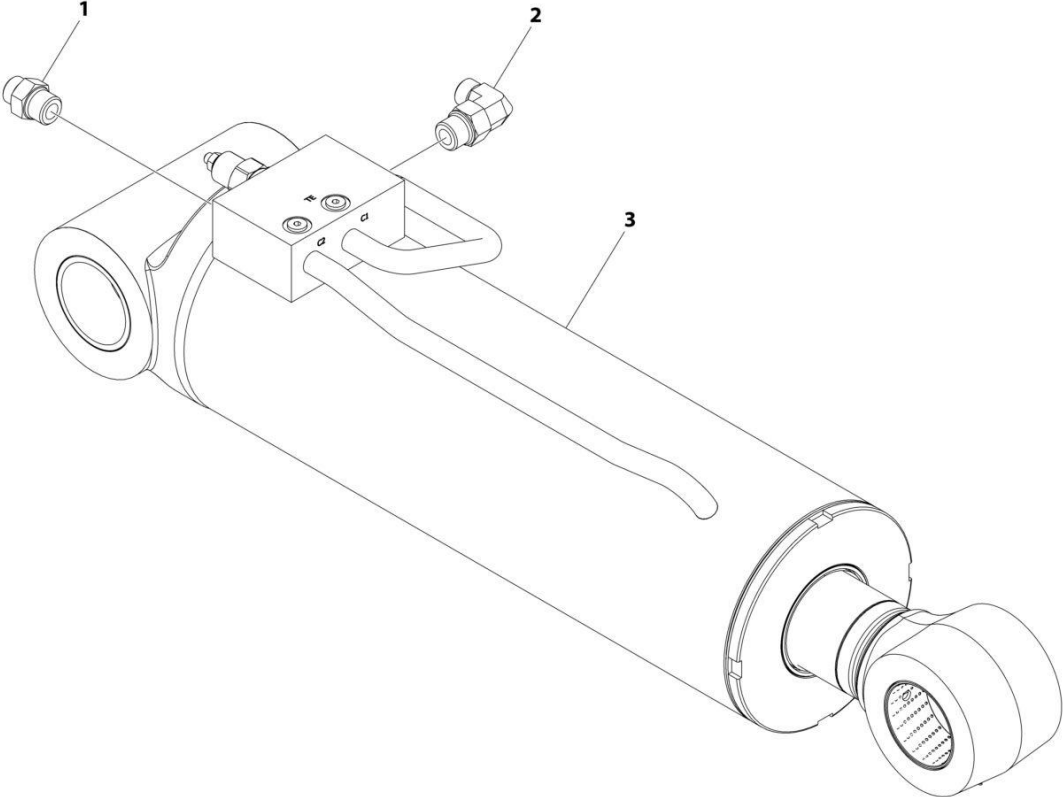
SECTION 9 - HYDRAULIC COMPONENTS

FIGURE 9-19. CYLINDER ASSEMBLY - STABILIZER (REAR AXLE)

ITEM	PART NUMBER	QTY	DESCRIPTION	REV
	1001267969	Ref	CYLINDER ASSEMBLY	B
		Ref	Note: Original Cylinder May Have Been Replaced with Service Replacement. Identify PN Stamped on Cylinder Before Ordering Parts.	
1	See Note	NSS	Barrel (Note: Use PN 1001267969)	
2	70030388	1	Head	
3	70030389	1	Piston	
4	70030390	1	Rod	
10	See Note	NSS	Seal, Dual (Note: Use Item 100)	
10A	See Note	NSS	O-Ring (Note: Use Item 100)	
11	See Note	NSS	Seal, Rod (Note: Use Item 100)	
13	See Note	NSS	Wiper (Note: Use Item 100)	
14	See Note	NSS	Seal, Piston (Note: Use Item 100)	
15	See Note	NSS	Ring, Wear (Note: Use Item 100)	
19	See Note	NSS	Ring, Wear (Note: Use Item 100)	
23	See Note	NSS	Seal, Environmental (Note: Use Item 100)	
25	70030391	1	Nut 1-3/4	
35		Ref	Bolt M8 x 1-1/4	
36		Ref	Plate, Shipping	
37	70030392	1	Mask, Wiper	
41		Ref	Gasket, Shipping	
45	70030393	4	Bushing	
100	70030394	1	Seal Kit (Includes Items 10, 10A, 11, 13, 14, 15, 19 & 23)	

SECTION 9 - HYDRAULIC COMPONENTS

FIGURE 9-20. CYLINDER AND FITTINGS ASSEMBLY - TILT (1055)



ART_1001196455-D

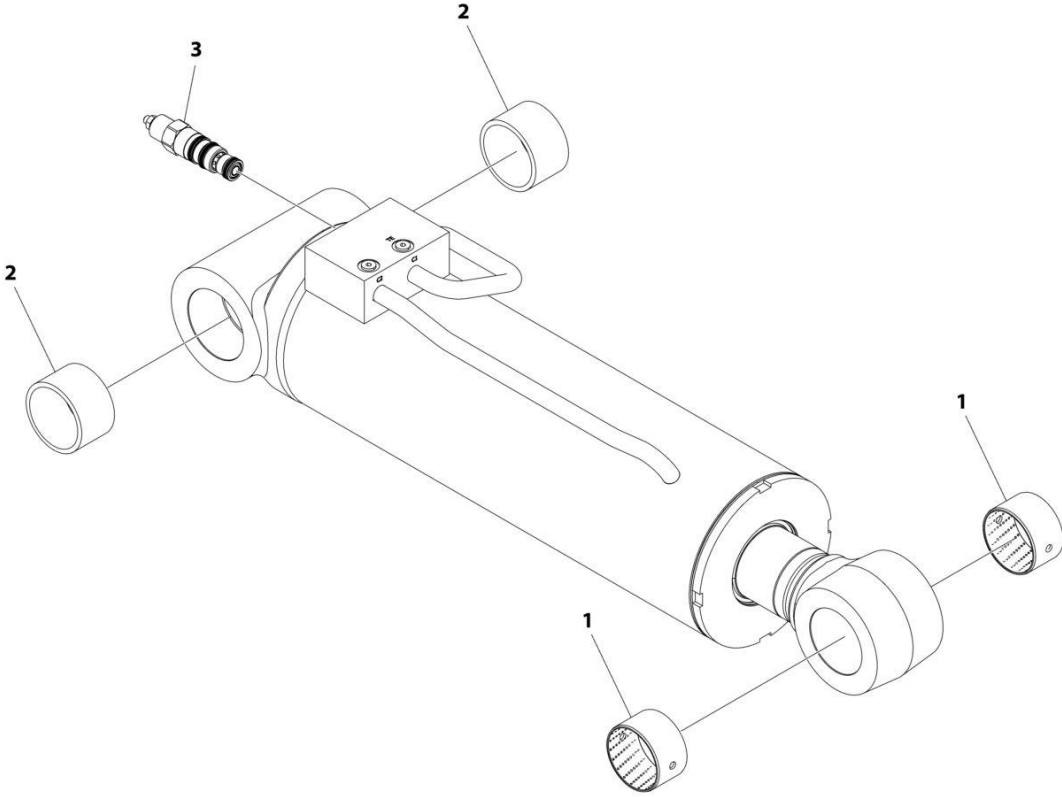
SECTION 9 - HYDRAULIC COMPONENTS

FIGURE 9-20. CYLINDER AND FITTINGS ASSEMBLY - TILT (1055)

ITEM	PART NUMBER	QTY	DESCRIPTION	REV
	1001196455	Ref	TILT CYLINDER INSTALLATION	D
1	2110810	1	Fitting, Straight ORFS	
2	2130810	1	Fitting, 90 ORFS	
3	1001251069	1	Tilt Cylinder (See Separate Breakdown in this Section)	

SECTION 9 - HYDRAULIC COMPONENTS

FIGURE 9-21. CYLINDER ASSEMBLY - TILT (1055)



ART_1001251069

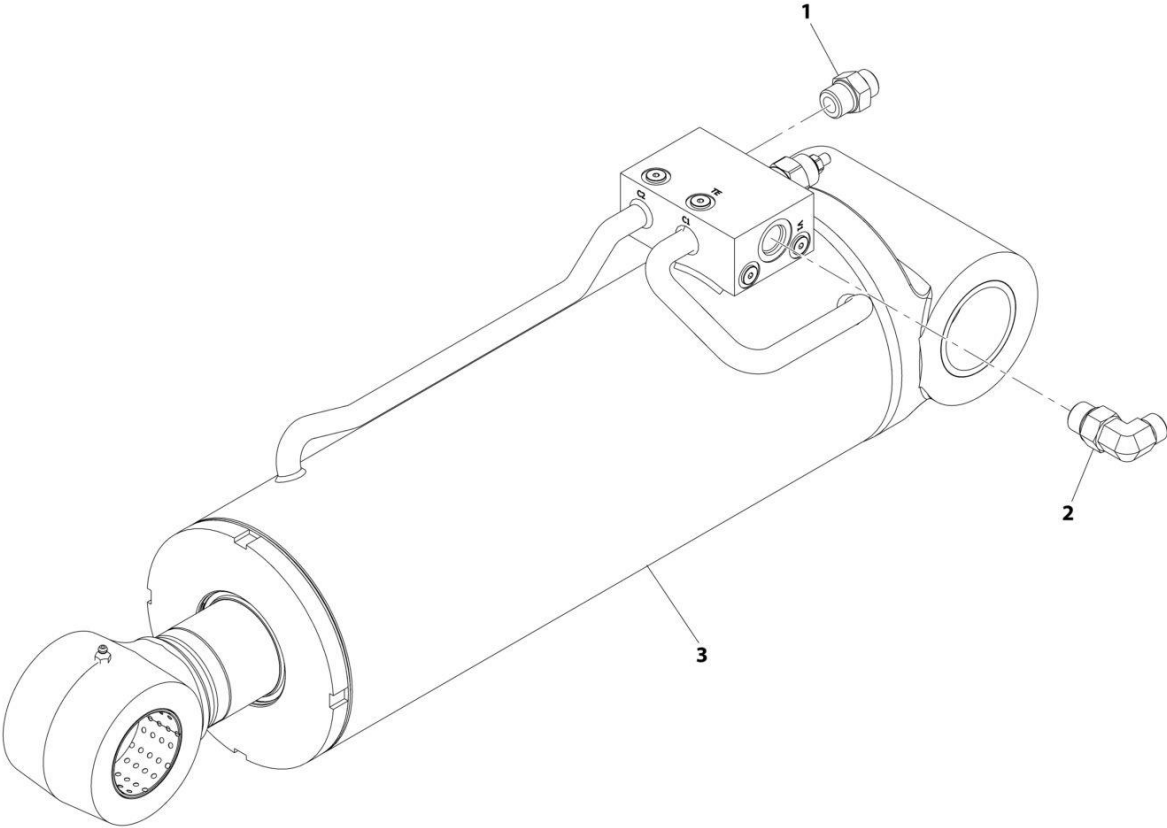
SECTION 9 - HYDRAULIC COMPONENTS

FIGURE 9-21. CYLINDER ASSEMBLY - TILT (1055)

ITEM	PART NUMBER	QTY	DESCRIPTION	REV
	1001251069	Ref	TILT CYLINDER ASSEMBLY	B
		Ref	Note: Original Cylinder May Have Been Replaced with Service Replacement. Identify PN Stamped on Cylinder Before Ordering Parts.	
		Ref	Note: No Other Service Parts Available at Time of Printing	
1	1001163149	2	Bushing	
2	1001163844	2	Bushing	
3	1001189888	1	Valve, Counterbalance	

SECTION 9 - HYDRAULIC COMPONENTS

FIGURE 9-22. CYLINDER AND FITTINGS ASSEMBLY - TILT (1255)



ART_1001196454-D

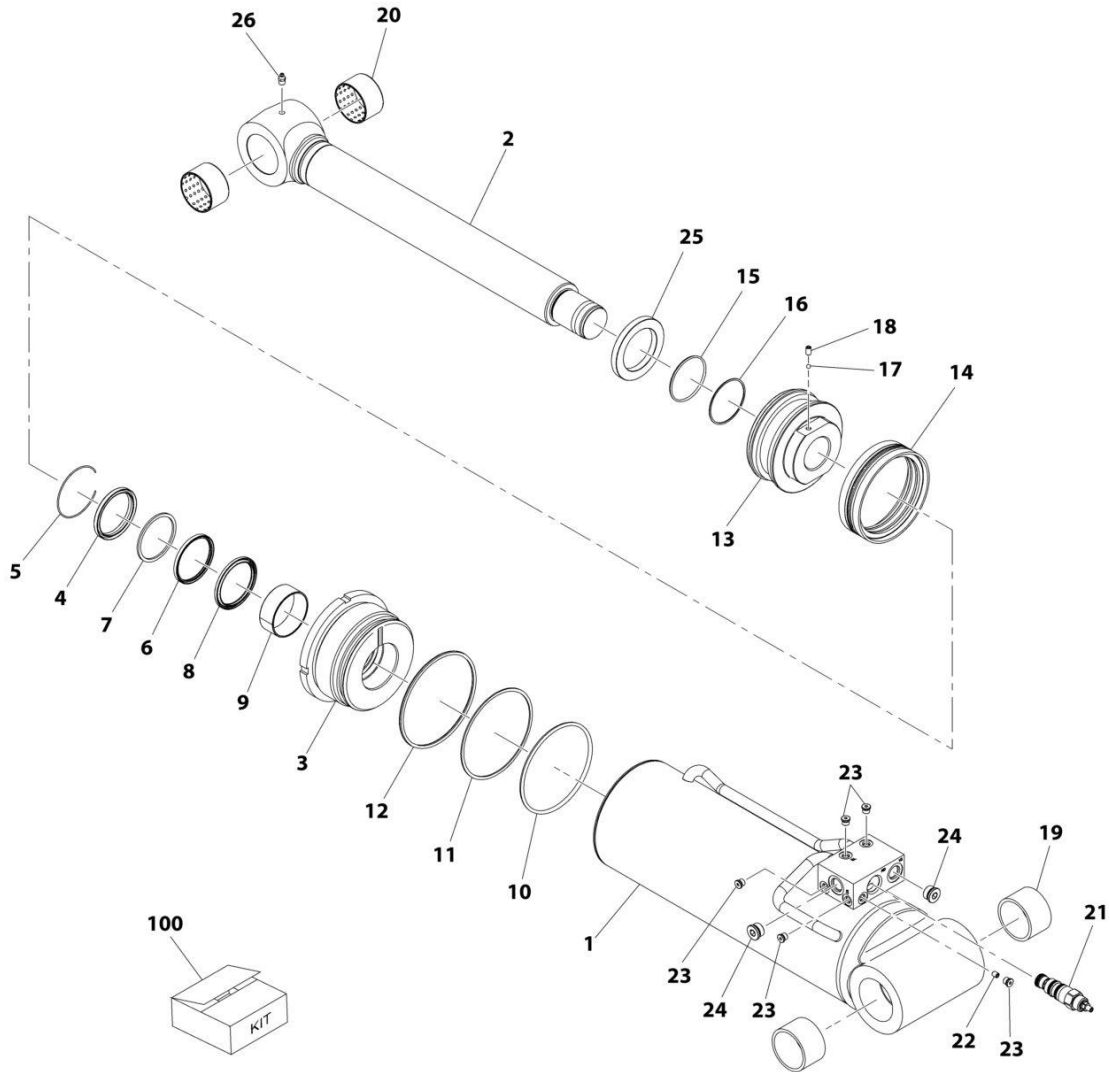
SECTION 9 - HYDRAULIC COMPONENTS

FIGURE 9-22. CYLINDER AND FITTINGS ASSEMBLY - TILT (1255)

ITEM	PART NUMBER	QTY	DESCRIPTION	REV
	1001196454	Ref	Tilt Cylinder Installation - 1255	D
1	2110810	1	Fitting, Straight ORFS	
2	2130810	1	Fitting, Straight ORFS	
3	1001251068	1	Tilt Cylinder (See Separate Breakdown in this Section)	

SECTION 9 - HYDRAULIC COMPONENTS

FIGURE 9-23. CYLINDER ASSEMBLY - TILT (1255)



ART_1001251068-A

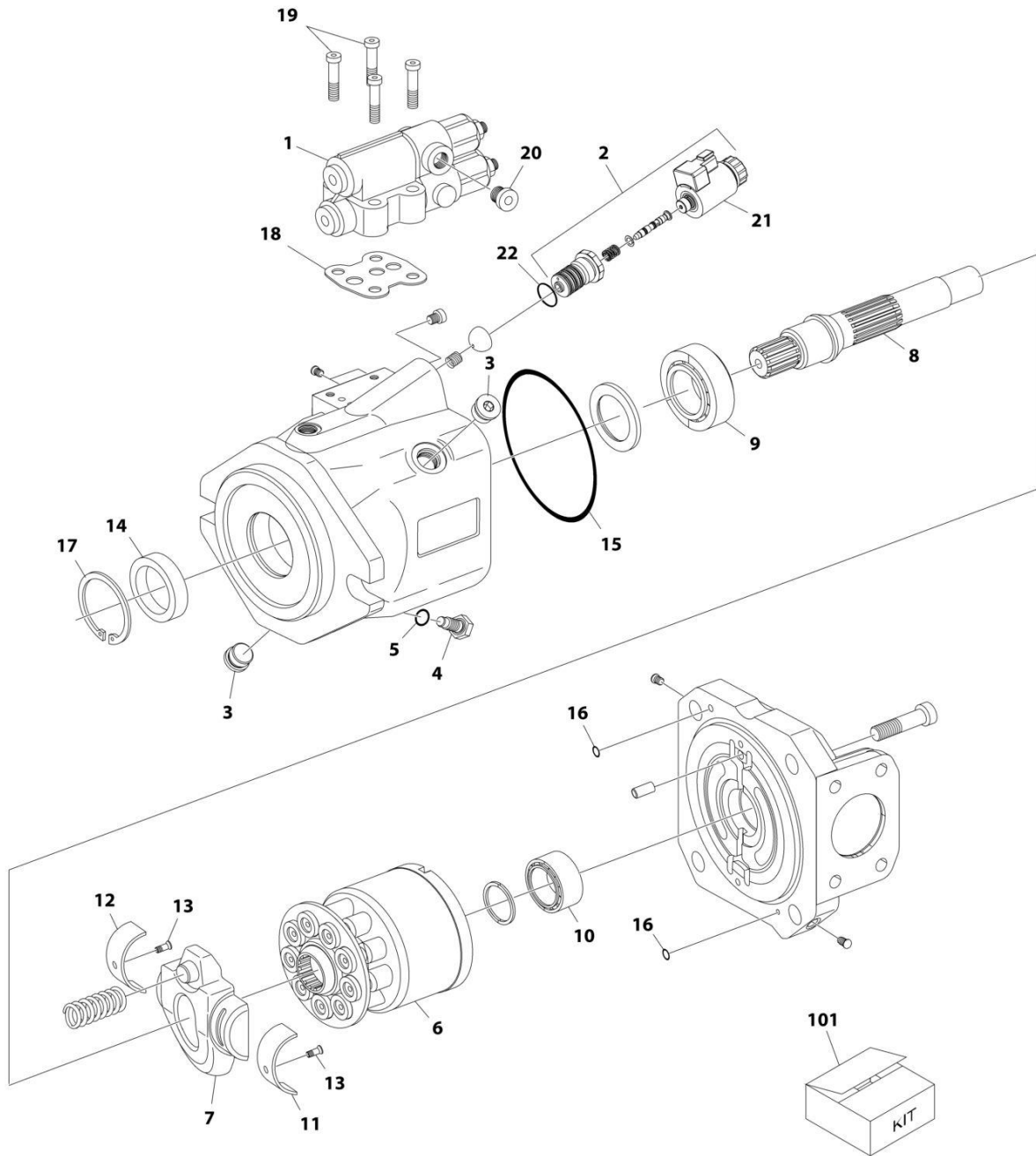
SECTION 9 - HYDRAULIC COMPONENTS

FIGURE 9-23. CYLINDER ASSEMBLY - TILT (1255)

ITEM	PART NUMBER	QTY	DESCRIPTION	REV
	1001251068	Ref	Tilt Cylinder	A
1	N.S.S.	1	Barrel	
2	70029465	1	Rod	
3	70029466	1	Head	
4	N.S.S.	1	Dust Wiper	
5	70023379	1	Ring, Retaining	
6	N.S.S.	1	Seal, Rod	
7	N.S.S.	1	Ring, Backup	
8	N.S.S.	1	Ring, Buffer	
9	70026302	1	Bearing, Dry	
10	N.S.S.	1	O-Ring	
11	N.S.S.	1	Ring, Backup	
12	N.S.S.	1	O-Ring	
13	70028467	1	Piston	
14	N.S.S.	1	Seal, Piston	
15	N.S.S.	1	O-Ring	
16	N.S.S.	1	Ring, Backup	
17	70022564	1	Steel Ball	
18	70029468	1	Screw	
19	1001163844	2	Bearing	
20	70027753	2	Bearing	
21	1001189888	1	Valve, Counterbalance	
22	70029507	1	Orifice	
23	2220883	5	Plug	
24	70005433	2	Plug	
25	70029508	1	Spacer	
26	70029469	1	Grease Nipple	
100	70029470	1	Kit, Seal (includes items 4, 6 thru 8, 10 thru 12 & 14 thru 16)	

SECTION 9 - HYDRAULIC COMPONENTS

FIGURE 9-24. PUMP ASSEMBLY - PISTON



ART_1001182279

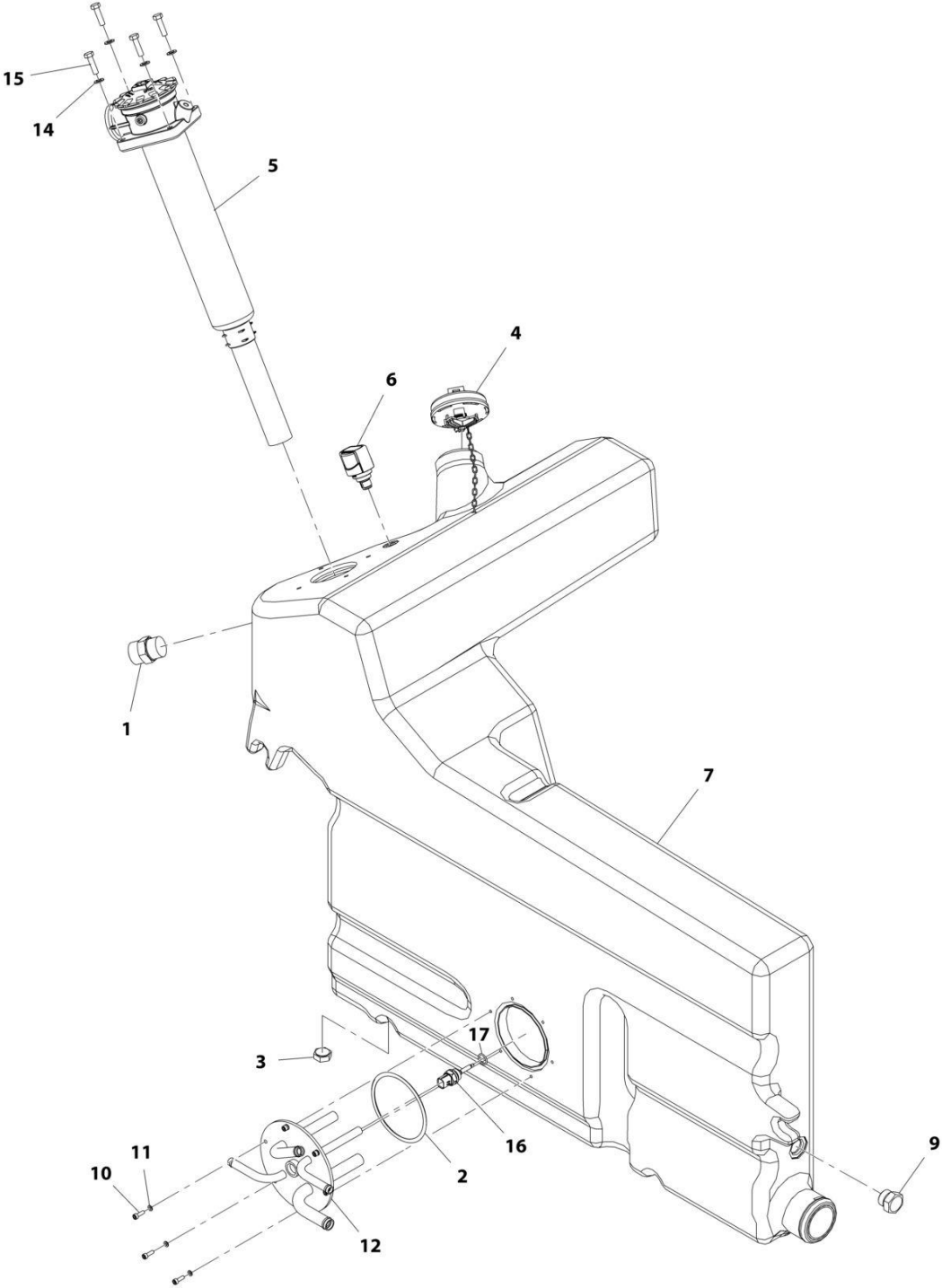
SECTION 9 - HYDRAULIC COMPONENTS

FIGURE 9-24. PUMP ASSEMBLY - PISTON

ITEM	PART NUMBER	QTY	DESCRIPTION	REV
	1001182279	Ref	Piston Pump Assembly	B
1	70026572	1	Valve, Control	
2	70024186	1	Valve, Control (Includes Item 21)	
3	70024407	2	Plug	
4	70024408	1	Screw, Stop	
5	Kit	1	O-Ring	
6	70024188	1	Group, Rotary	
7	70026583	1	Plate, Swash	
8	7024939	1	Shaft, Drive	
9	7024943	1	Bearing, Front	
10	7024944	1	Bearing, Rear	
11	70024414	1	Liner, Bearing	
12	70024415	1	Liner, Bearing	
13	7024953	2	Screw, M5X16	
14	80634004	1	Seal, Shaft	
15	Kit	1	O-Ring	
16	Kit	2	Sing, Seal	
17	80334277	1	Ring, Safety	
18	70021867	1	Gasket	
19	7024954	4	Screw, M6X30	
20	70024416	1	Plug	
21	70025897	1	Coil (Part of Item 2)	
22	Kit	1	O-Ring	
101	70024189	1	Kit, Seal (includes items 5, 15 thru 16 & 22)	

SECTION 9 - HYDRAULIC COMPONENTS

FIGURE 9-25. TANK ASSEMBLY - HYDRAULIC



ART_1001163067-O

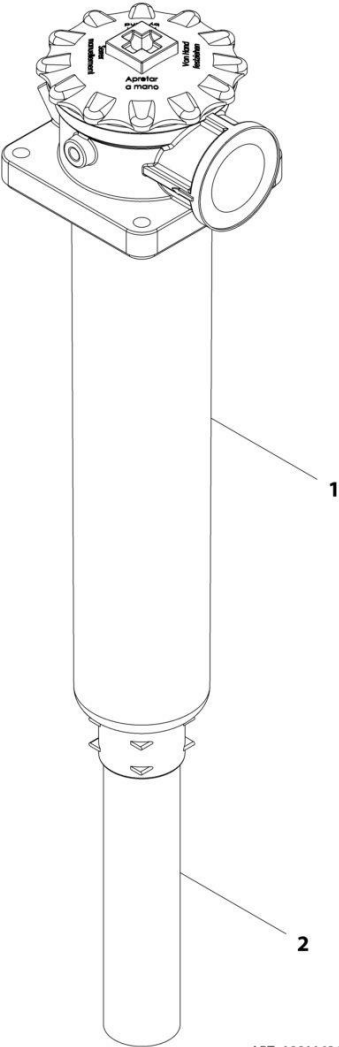
SECTION 9 - HYDRAULIC COMPONENTS

FIGURE 9-25. TANK ASSEMBLY - HYDRAULIC

ITEM	PART NUMBER	QTY	DESCRIPTION	REV
	1001163067	Ref	Hydraulic Tank	O
1	2111616	1	Fitting, Straight ORFS	
2	1001003301	1	Seal O-Ring	
3	2220239	1	Plug	
4	1001194981	1	Cap	
5	1001162660	1	Filter Assembly (See Separate Breakdown in this Section)	
6	1001162662	1	Filter, Breather	
7	1001162765	1	Tank	
9	2220240	1	Adapter	
10	4031607	6	Screw, M5-0.8X16	
11	4831600	6	Washer, Lock M5	
12	1001167281	1	Manifold, Hydraulic Return	
14	4811900	4	Washer, M8	
15	0700814	4	Bolt, M8X30	
16	1001128478	1	Sensor	
17	1001009163	1	Seal	

SECTION 9 - HYDRAULIC COMPONENTS

FIGURE 9-26. TANK FILTER ASSEMBLY - HYDRAULIC



ART_1001162660-C

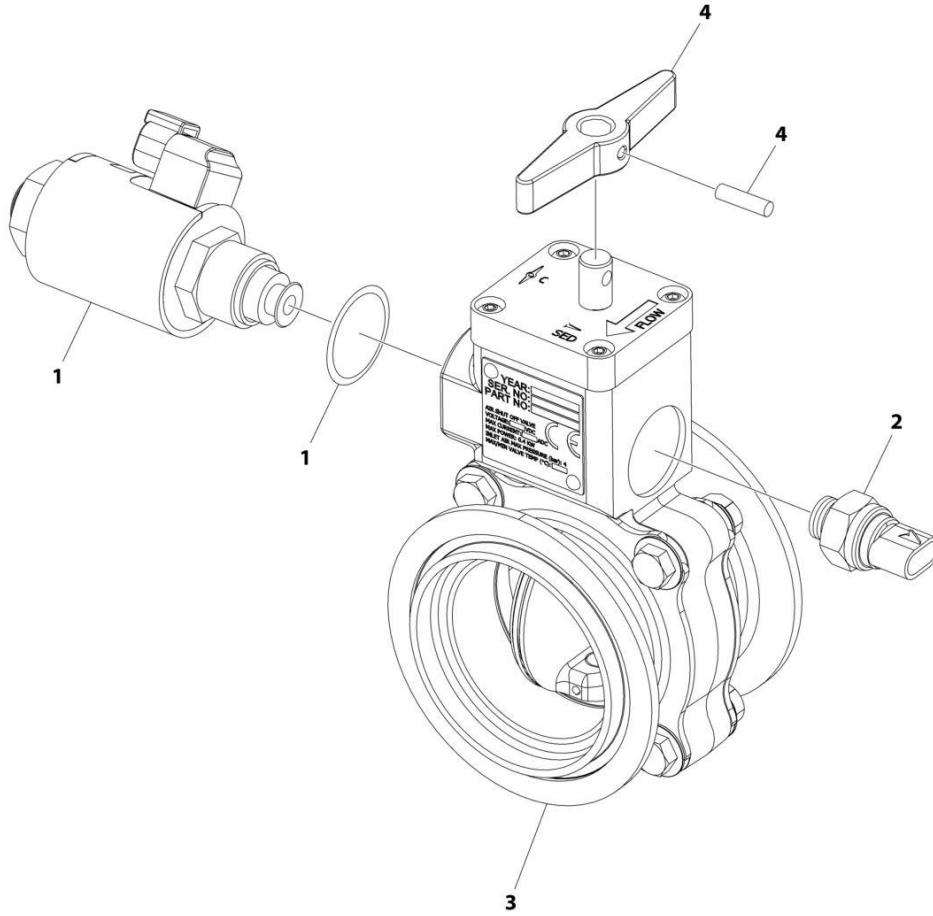
SECTION 9 - HYDRAULIC COMPONENTS

FIGURE 9-26. TANK FILTER ASSEMBLY - HYDRAULIC

ITEM	PART NUMBER	QTY	DESCRIPTION	REV
1	1001162660	Ref	Hydraulic Filter	C
	1001162661	1	Filter	
	1001162663	1	Element, Filter	
2	1001162667	1	Pipe, Filter Return	

SECTION 9 - HYDRAULIC COMPONENTS

FIGURE 9-27. VALVE ASSEMBLY - AIR SHUT OFF



ART_1001204032_C

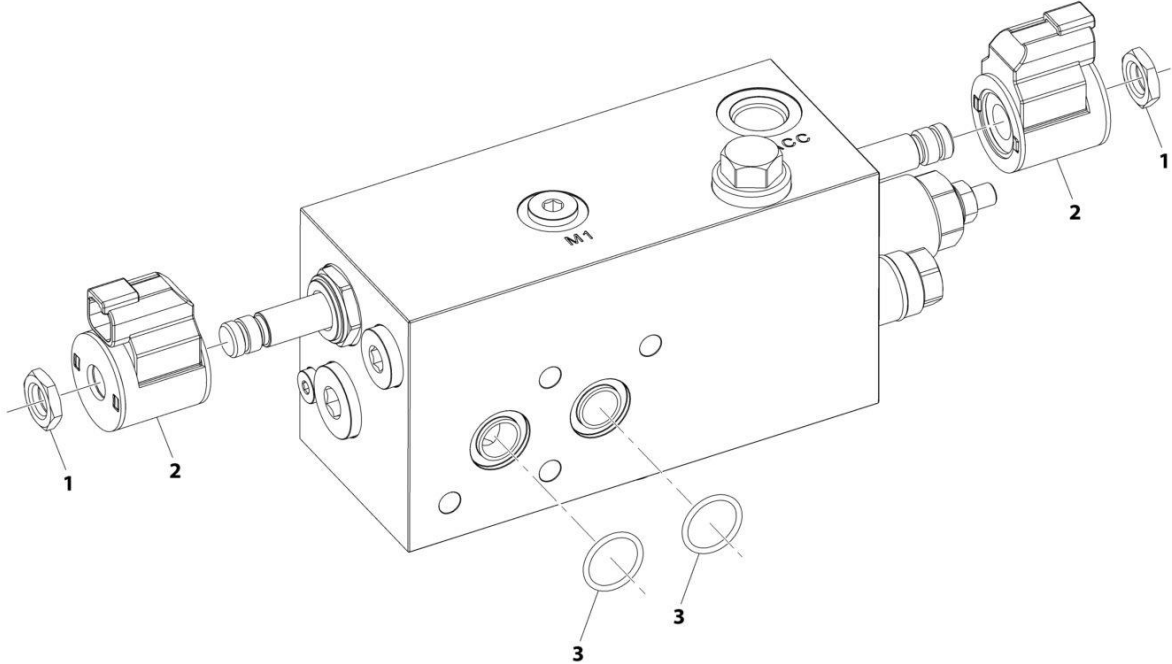
SECTION 9 - HYDRAULIC COMPONENTS

FIGURE 9-27. VALVE ASSEMBLY - AIR SHUT OFF

ITEM	PART NUMBER	QTY	DESCRIPTION	REV
	1001204032	Ref	Air Shut Off Valve	C
1	70028514	1	Kit, Solenoid 12V (Includes Solenoid, Coil, O-Ring)	
2	70028515	1	Kit, Switch (Includes Ball Switch & O-Ring)	
3	70028516	1	Kit, Flange and Hardware (Includes Flanges (Male & Female) & Mounting Hardware)	
4	70028517	1	Kit, Handle (Includes Handle & Pin)	

SECTION 9 - HYDRAULIC COMPONENTS

FIGURE 9-28. VALVE ASSEMBLY - COUNTERBALANCE



ART_1001227056-D

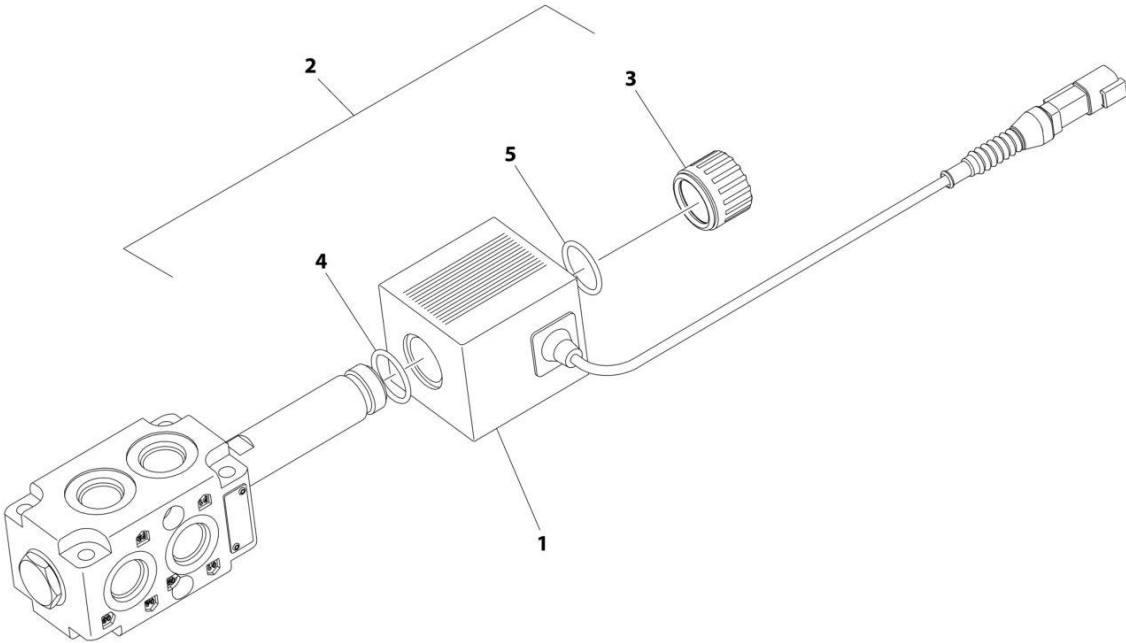
SECTION 9 - HYDRAULIC COMPONENTS

FIGURE 9-28. VALVE ASSEMBLY - COUNTERBALANCE

ITEM	PART NUMBER	QTY	DESCRIPTION	REV
	1001227056	Ref	Counterbalance Valve Hydraulic Lines (Lift - Ride Control)	D
1	7022390	2	Nut	
2	70028281	2	Coil	
3	70028453	2	O-Ring	

SECTION 9 - HYDRAULIC COMPONENTS

FIGURE 9-29. VALVE ASSEMBLY - COUPLER DIVERTER



ART_1001104477

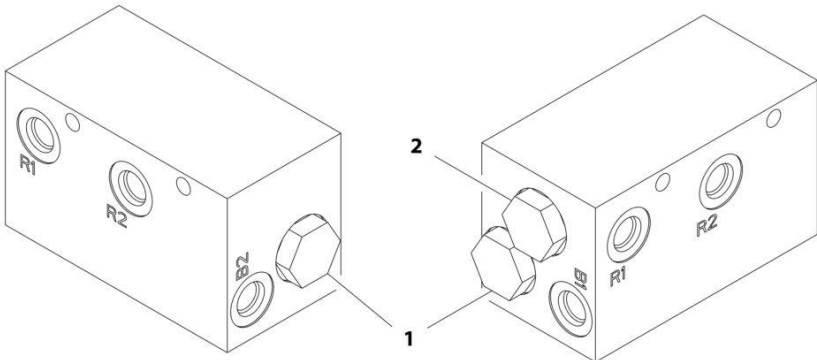
SECTION 9 - HYDRAULIC COMPONENTS

FIGURE 9-29. VALVE ASSEMBLY - COUPLER DIVERTER

ITEM	PART NUMBER	QTY	DESCRIPTION	REV
	1001104477	Ref	DIVERTOR VALVE	D
1	70020764	1	Coil	
2	70021531	1	Retainer Kit (Includes Items 3-5)	
3	Kit	1	Nut	
4	Kit	1	O-Ring	
5	Kit	1	O-Ring	

SECTION 9 - HYDRAULIC COMPONENTS

FIGURE 9-30. VALVE ASSEMBLY - FLOW DIVIDER (CARRIAGE WITH DUAL FORKS)



ART_4641501-A

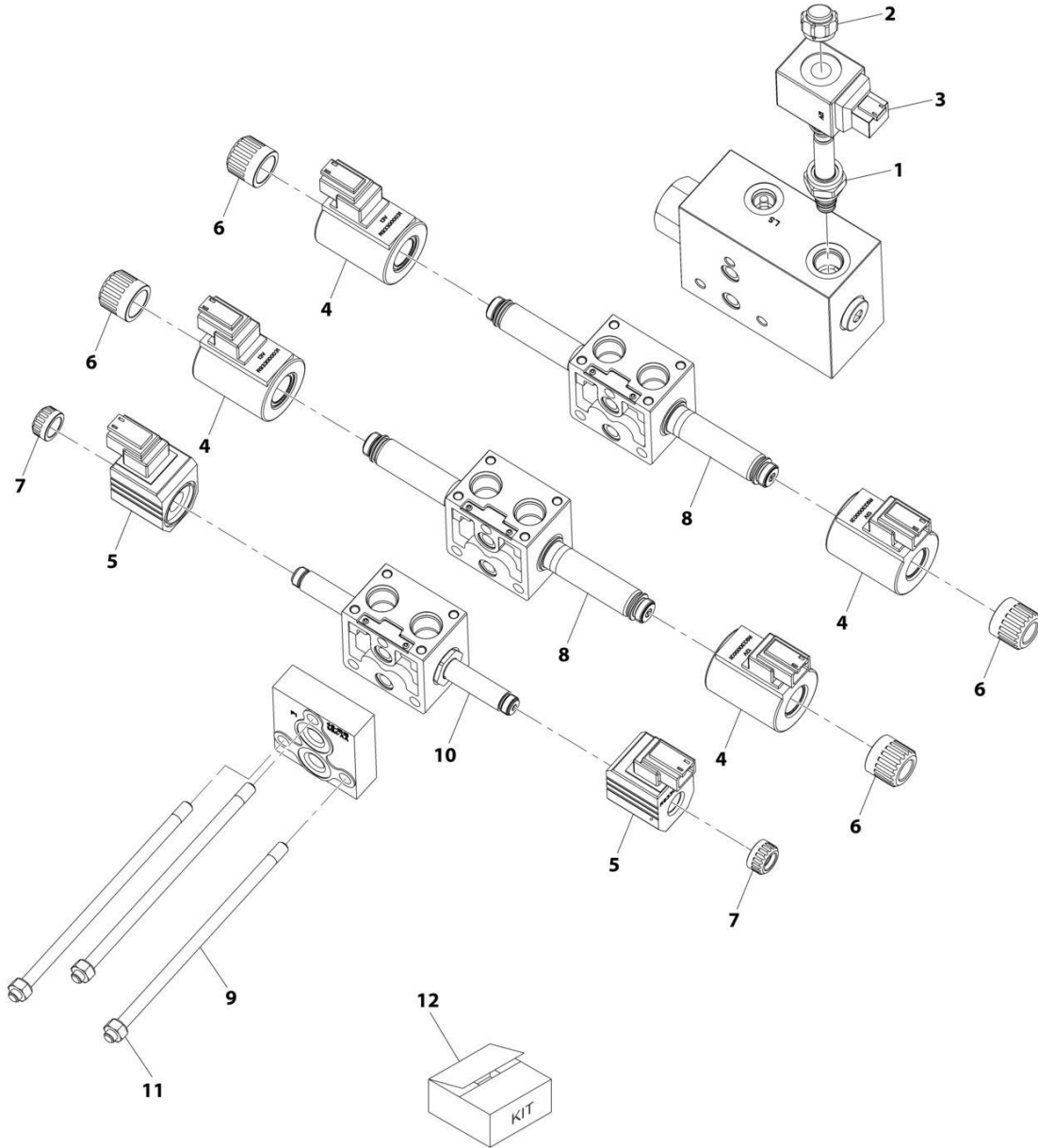
SECTION 9 - HYDRAULIC COMPONENTS

FIGURE 9-30. VALVE ASSEMBLY - FLOW DIVIDER (CARRIAGE WITH DUAL FORKS)

ITEM	PART NUMBER	QTY	DESCRIPTION	REV
	4641501	Ref	Flow Divider Valve	A
1	70023928	2	Valve, Check	
2	70023929	1	Valve, Cartridge	

SECTION 9 - HYDRAULIC COMPONENTS

FIGURE 9-31. VALVE ASSEMBLY - FRAME & OUTRIGGER



ART_1001157972-F

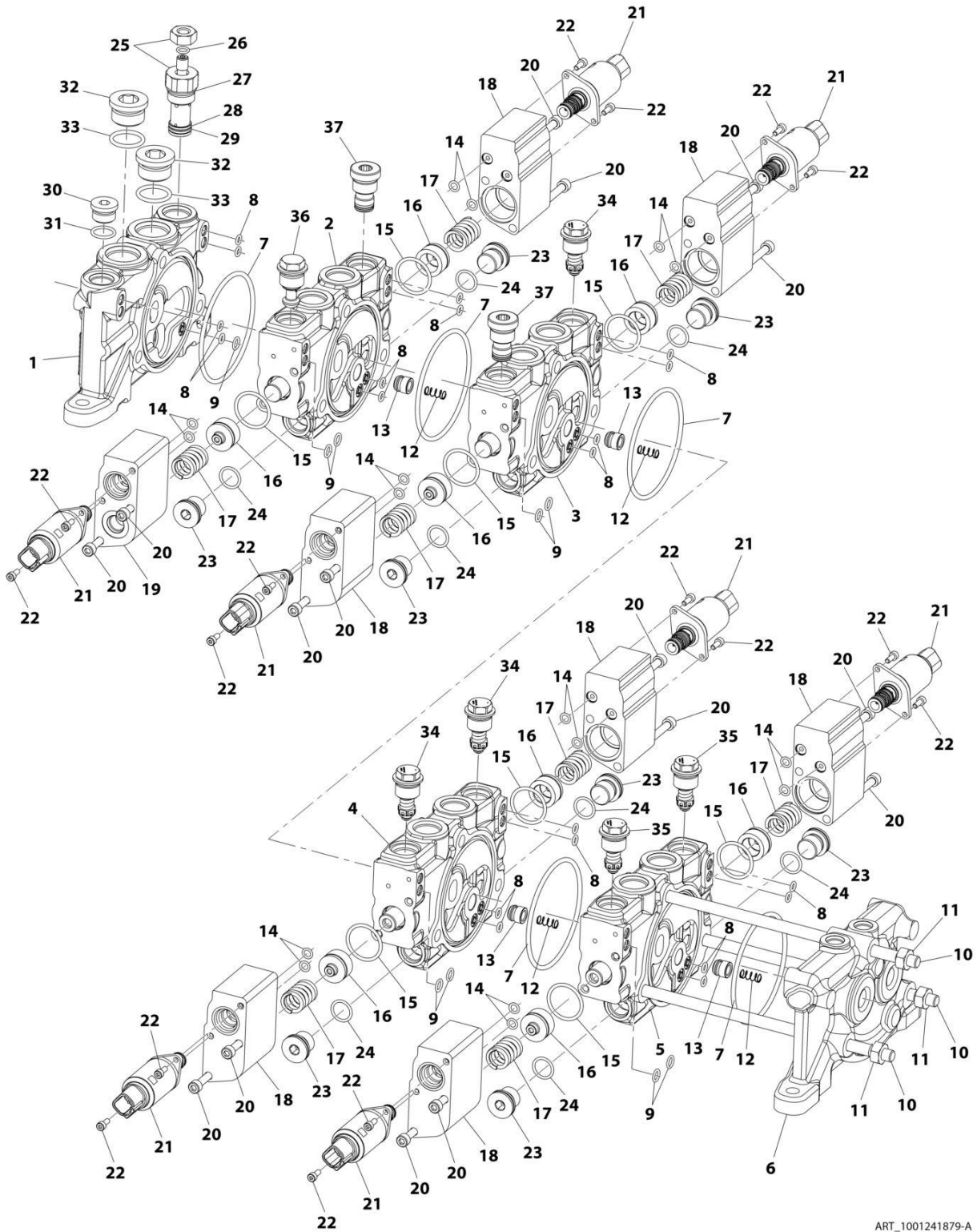
SECTION 9 - HYDRAULIC COMPONENTS

FIGURE 9-31. VALVE ASSEMBLY - FRAME & OUTRIGGER

ITEM	PART NUMBER	QTY	DESCRIPTION	REV
	1001157972	Ref	Valve, Frame Level and Outrigger	F
1	70023327	1	Solenoid	
2	70004654	1	Nut, Coil	
3	70022147	1	Coil	
4	70020868	4	Coil	
5	70021208	2	Coil	
6	70020867	4	Kit, Retainer, W/Seals	
7	70021209	2	Kit, Retainer, W/Seals	
8	70026568	2	Section, Outrigger Valve	
9	70026569	3	Rod, Tie	
10	70021213	1	Section, Frame Level	
11	70026570	3	Nut	
12	70026571	1	Kit, Seal	
	Kit	1	O-Ring	
	Kit	1	O-Ring	
	Kit	1	O-Ring	
	Kit	1	O-Ring	
	Kit	1	O-Ring	
	Kit	1	O-Ring	
	Kit	4	O-Ring	
	Kit	4	O-Ring	
	Kit	2	O-Ring	
	Kit	2	O-Ring	

SECTION 9 - HYDRAULIC COMPONENTS

FIGURE 9-32. VALVE ASSEMBLY - MAIN CONTROL



ART_1001241879-A

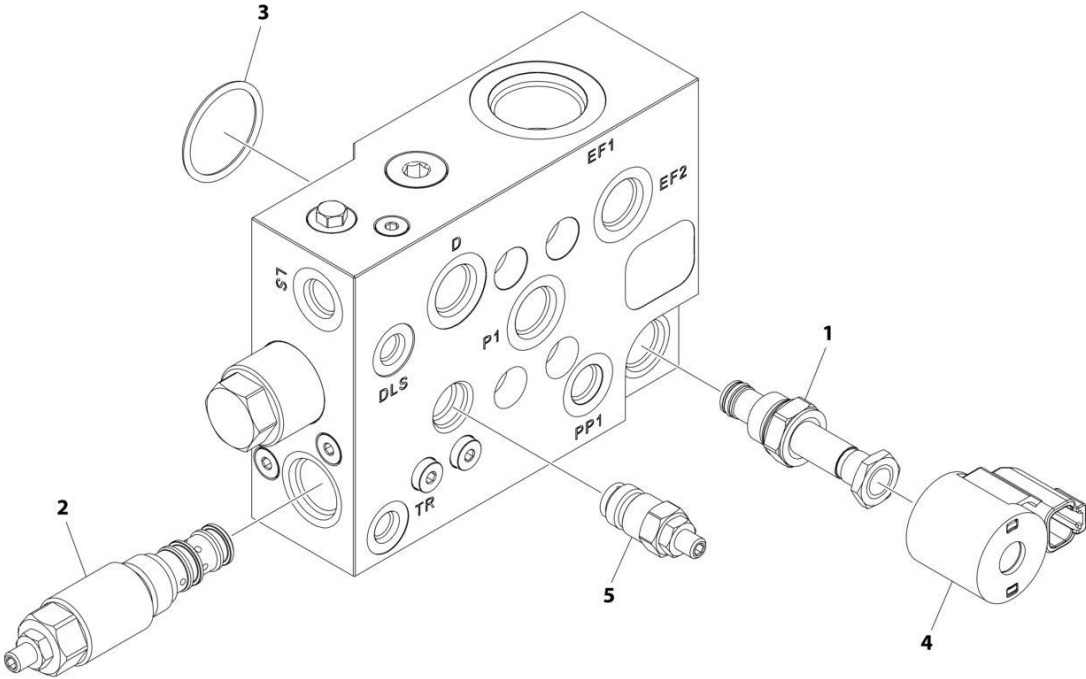
SECTION 9 - HYDRAULIC COMPONENTS

FIGURE 9-32. VALVE ASSEMBLY - MAIN CONTROL

ITEM	PART NUMBER	QTY	DESCRIPTION	REV
	1001241879	Ref	Main Control Valve	A
1	70028478	1	Inlet Section Assembly	
2	70029816	1	Lift Section Assembly	
3	70029817	1	Extend/Retract Section Assembly	
4	70029818	1	Tilt Section Assembly	
5	70029819	1	Aux Section Assembly	
6	70026389	1	Outlet Section Assembly	
7	8034697	5	O-Ring	
8	70050508	20	O-Ring	
9	70050507	9	O-Ring	
10	70026375	3	Tie Rod	
11	70050481	6	Nut-Metric	
12	10837937	4	Spring	
13	10837929	4	Poppet	
14	70026369	16	O-Ring	
15	70026380	8	O-Ring	
16	70026378	8	Spring Seat	
17	70026377	8	Spring	
18	70026381	7	Solenoid, End Cap	
19	70028482	1	Solenoid, End Cap	
20	70026383	16	Screw	
21	70029820	8	Solenoid, Cartridge Valve	
22	70022014	16	Screw	
23	70050504	8	Plug Assembly	
24	70027130	8	O-Ring	
25	70022012	1	Drain Regulator Assembly	
26	70026373	1	O-Ring	
27	10837928	1	O-Ring	
28	70026376	1	Back-Up Ring	
29	70026370	1	O-Ring	
30	8035382	1	Plug Assembly	
31	70024202	1	O-Ring	
32	70050472	2	Plug Assembly (With O-Ring)	
33	70026374	2	O-Ring	
34	70022010	3	Relief Valve Assembly, 280 Bar	
35	70027098	2	Relief Valve Assembly, 205 Bar	
36	70028484	1	Anti-Void Assembly	
37	70022008	2	Shut-Off Plug Assembly	

SECTION 9 - HYDRAULIC COMPONENTS

FIGURE 9-33. VALVE ASSEMBLY - PRIORITY MANIFOLD VALVE



ART_1001252567

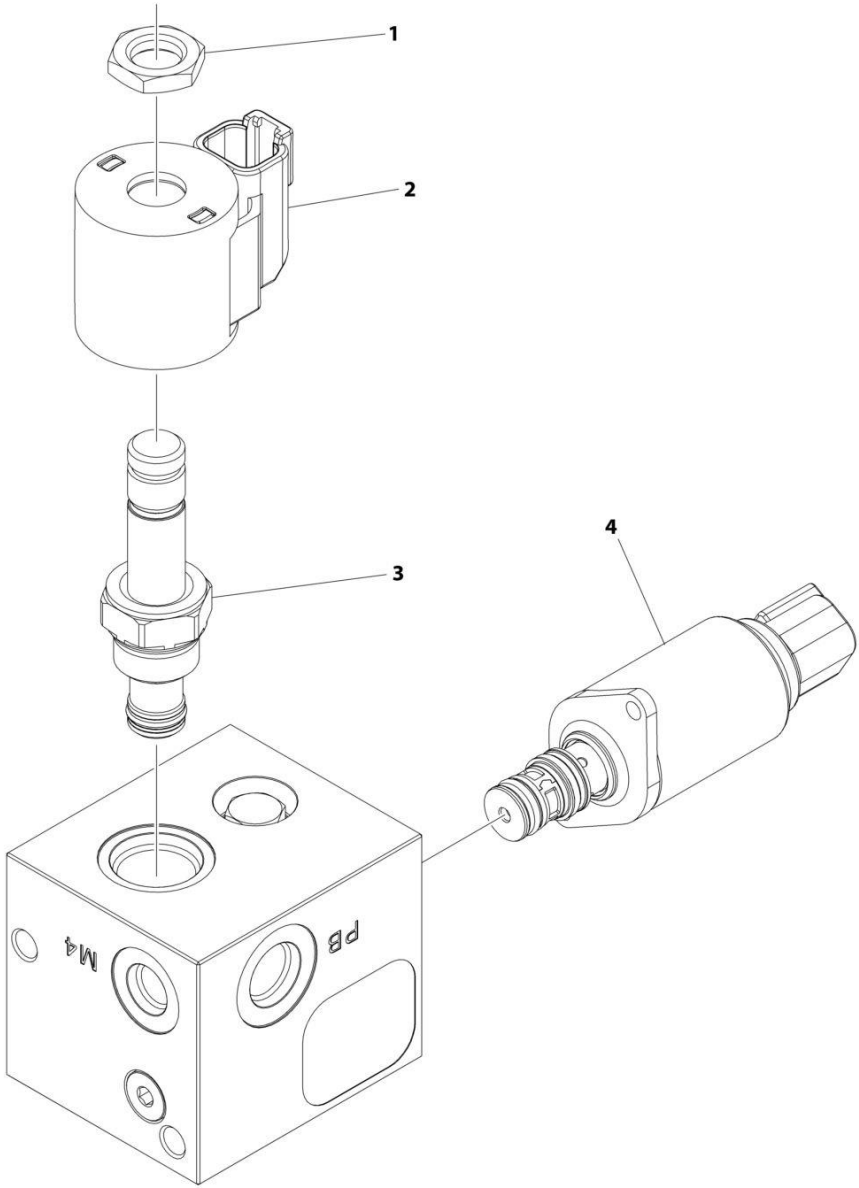
SECTION 9 - HYDRAULIC COMPONENTS

FIGURE 9-33. VALVE ASSEMBLY - PRIORITY MANIFOLD VALVE

ITEM	PART NUMBER	QTY	DESCRIPTION	REV
	1001252567	Ref	PRIORITY MANIFOLD VALVE	D
1	70029976	1	Cartridge	
2	70029977	1	Valve, Check	
3	70030100	1	O-Ring	
4	70002963	1	Coil	
5	70030101	1	Valve, Check	

SECTION 9 - HYDRAULIC COMPONENTS

FIGURE 9-34. VALVE ASSEMBLY - SAHR BRAKE



ART_1001234127

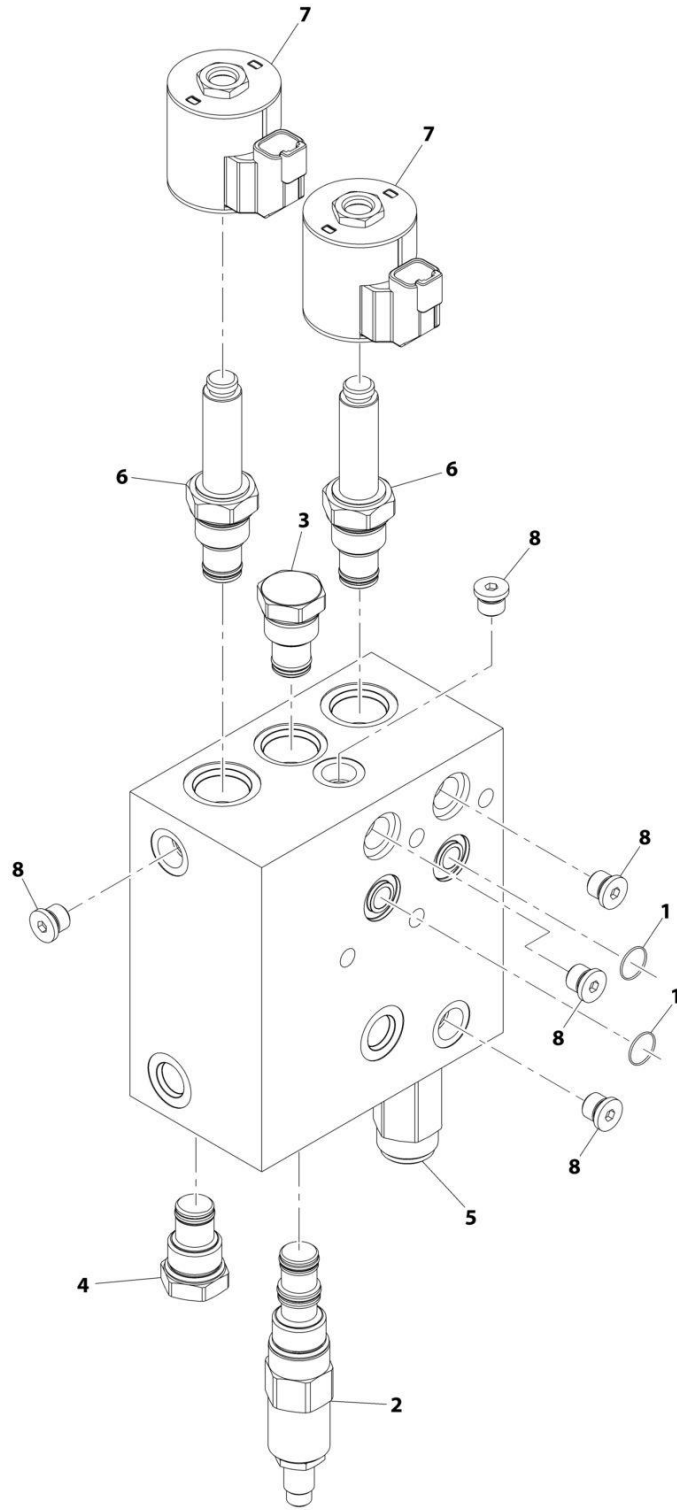
SECTION 9 - HYDRAULIC COMPONENTS

FIGURE 9-34. VALVE ASSEMBLY - SAHR BRAKE

ITEM	PART NUMBER	QTY	DESCRIPTION	REV
	1001234127	Ref	Sahr Brake Valve	C
1	7022390	1	Nut	
2	70002963	1	Coil	
3	70002955	1	Cartridge	
4	70030036	1	Solenoid Valve	

SECTION 9 - HYDRAULIC COMPONENTS

FIGURE 9-35. VALVE ASSEMBLY - STABILIZER (REAR AXLE)



ART_1001197600-A

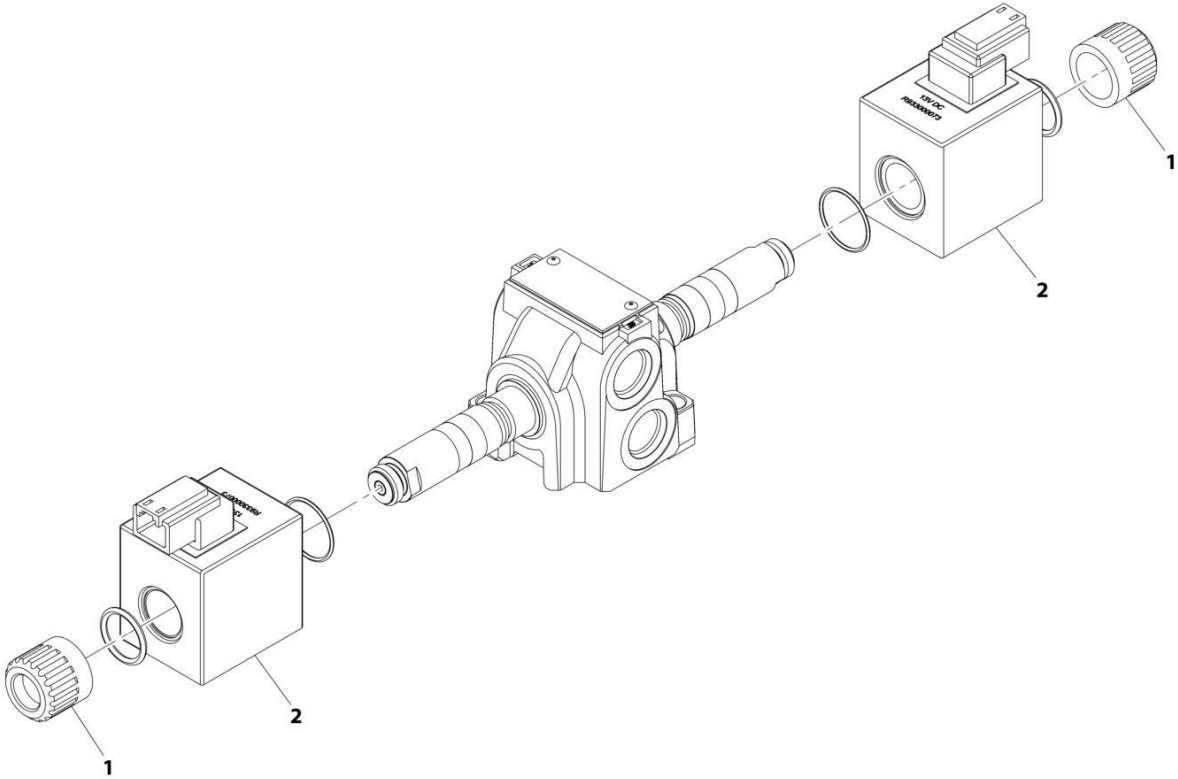
SECTION 9 - HYDRAULIC COMPONENTS

FIGURE 9-35. VALVE ASSEMBLY - STABILIZER (REAR AXLE)

ITEM	PART NUMBER	QTY	DESCRIPTION	REV
	1001197600	Ref	Rear Axle Stabilizer Valve	A
1	70026440	2	O-Ring	
2	70026442	1	Cartridge Valve	
2	7012510	1	Seal Kit	
2	Kit	1	O-Ring	
2	Kit	1	O-Ring	
2	Kit	1	O-Ring	
3	70026443	1	Cartridge Valve	
3	7024808	1	Seal Kit	
3	Kit	1	O-Ring	
3	Kit	1	O-Ring	
4	70026444	1	Cartridge Valve	
4	7022399	1	Seal Kit	
4	Kit	1	O-Ring	
4	Kit	1	O-Ring	
5	70028451	1	Cartridge Valve	
5	7024808	1	Seal Kit	
5	Kit	1	O-Ring	
5	Kit	1	O-Ring	
6	70026445	2	Cartridge Valve	
6	70026446	1	Seal Kit	
6	Kit	1	O-Ring	
7	70003788	2	Coil	
8	2220883	5	Plug	

SECTION 9 - HYDRAULIC COMPONENTS

FIGURE 9-36. VALVE ASSEMBLY - STEER VALVE



ART_1001153748-C

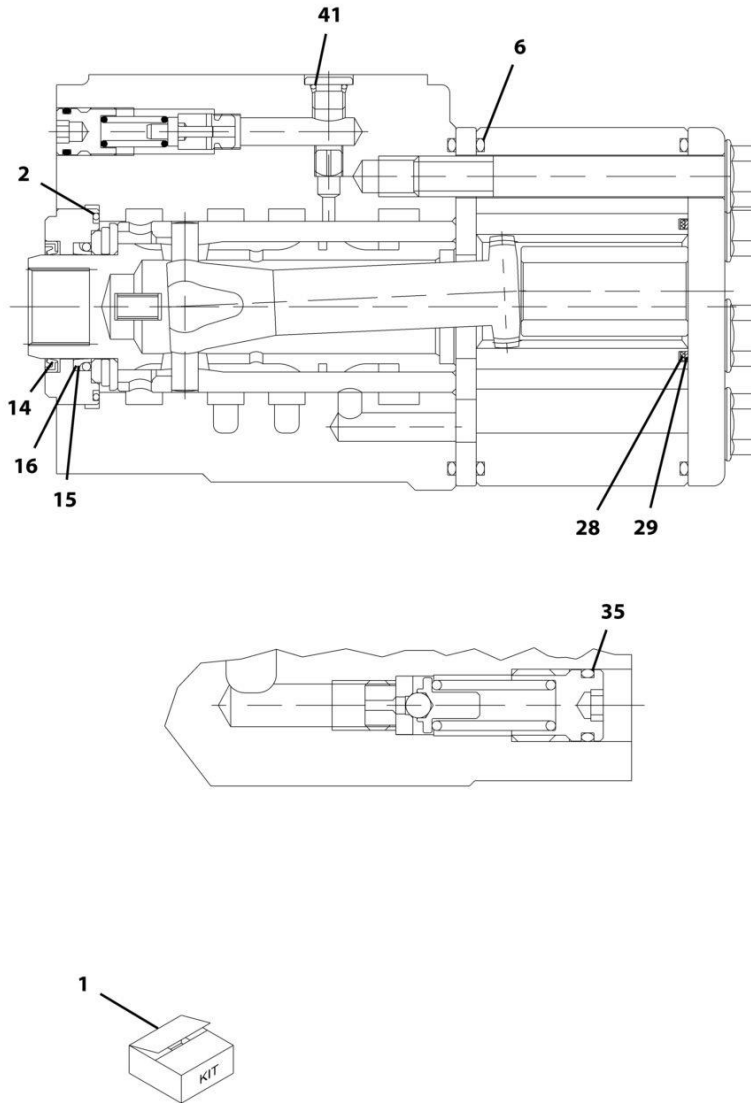
SECTION 9 - HYDRAULIC COMPONENTS

FIGURE 9-36. VALVE ASSEMBLY - STEER VALVE

ITEM	PART NUMBER	QTY	DESCRIPTION	REV
	1001153748	Ref	Steering Select Valve	C
1	70020867	2	Nut, Coil	
2	70026582	2	Coil	

SECTION 9 - HYDRAULIC COMPONENTS

FIGURE 9-37. VALVE ASSEMBLY - STEER VALVE (ORBITAL)



ART_1001158527-E

SECTION 9 - HYDRAULIC COMPONENTS

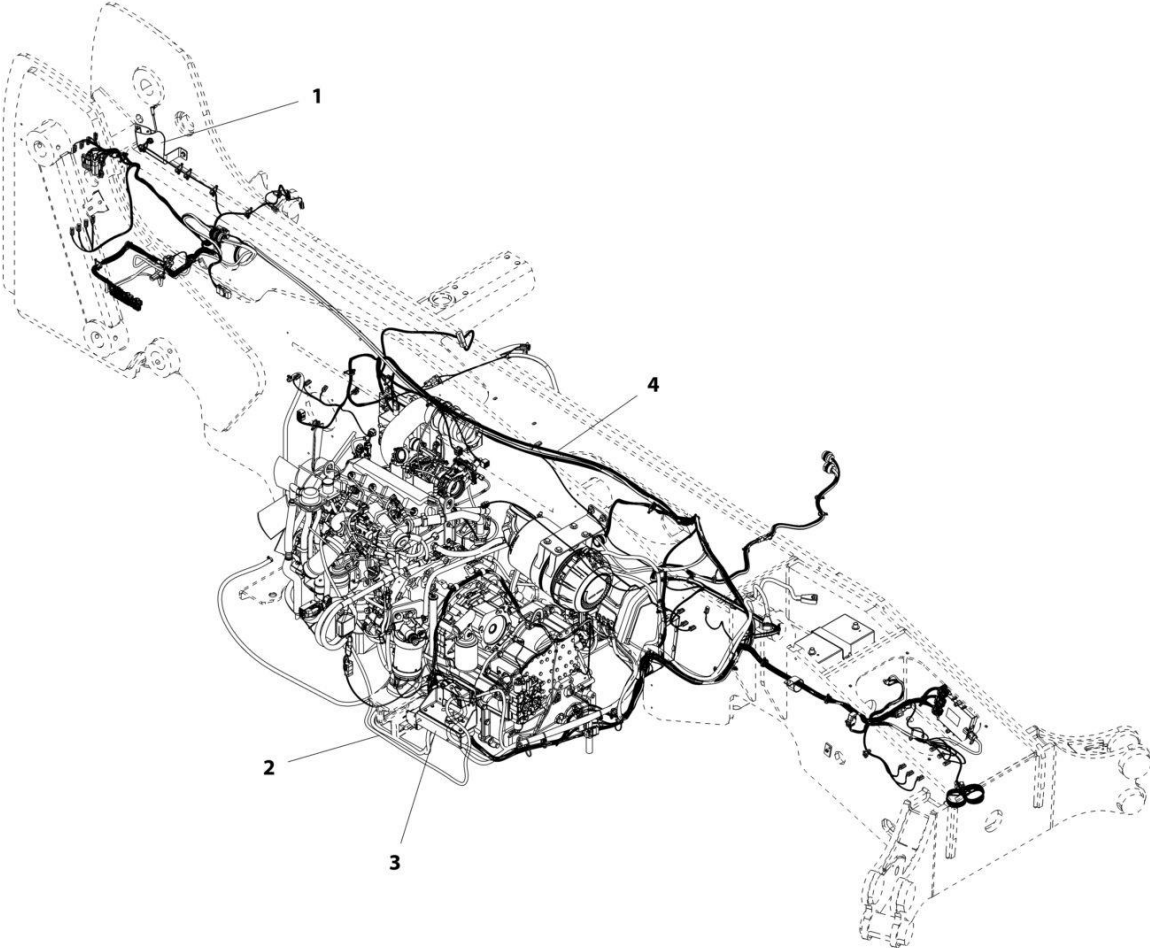
FIGURE 9-37. VALVE ASSEMBLY - STEER VALVE (ORBITAL)

ITEM	PART NUMBER	QTY	DESCRIPTION	REV
	1001158527	1	Steering Orbital Valve	E
1	70026401	1	Kit, Seal (includes items 2 thru 41)	
2	Kit	1	O-Ring	
6	Kit	3	O-Ring	
14	Kit	1	Seal, Dust	
15	Kit	1	O-Ring	
16	Kit	1	Seal, Shaft	
28	Kit	1	Washer, Back-Up	
29	Kit	1	Seal, Ring	
35	Kit	3	O-Ring	
41	Kit	2	O-Ring	

SECTION 10 - ELECTRICAL

SECTION 10 - ELECTRICAL

FIGURE 10-1. MAIN ELECTRICAL INSTALLATION (ULS)



ART_1001160438-C

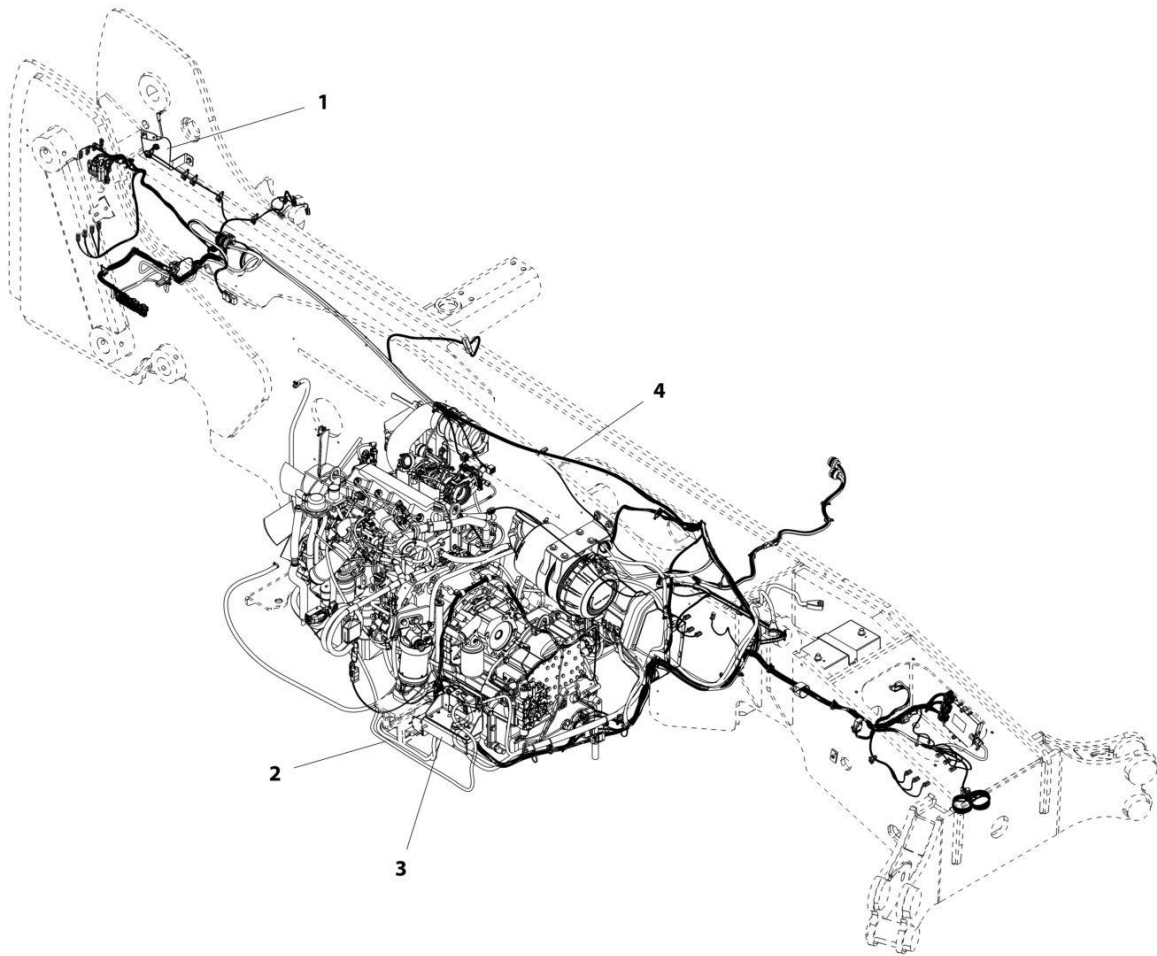
SECTION 10 - ELECTRICAL

FIGURE 10-1. MAIN ELECTRICAL INSTALLATION (ULS)

ITEM	PART NUMBER	QTY	DESCRIPTION	REV
1	1001160438	Ref	Main Electrical Installation (if equipped for ULS)	C
	1001161732	Ref	Installation, Electrical Frame (See Separate Breakdown in this Section)	
2	1001163255	Ref	Installation, Engine Bay Wiring 3.8L Engine (See Separate Breakdown in this Section)	
3	1001163127	Ref	Installation, Electrical Engine Bay (See Separate Breakdown in this Section)	
4	1001164287	Ref	Installation, Frame Wiring (See Separate Breakdown in this Section)	

SECTION 10 - ELECTRICAL

FIGURE 10-2. MAIN ELECTRICAL INSTALLATION (LS)



ART_1001182805-C

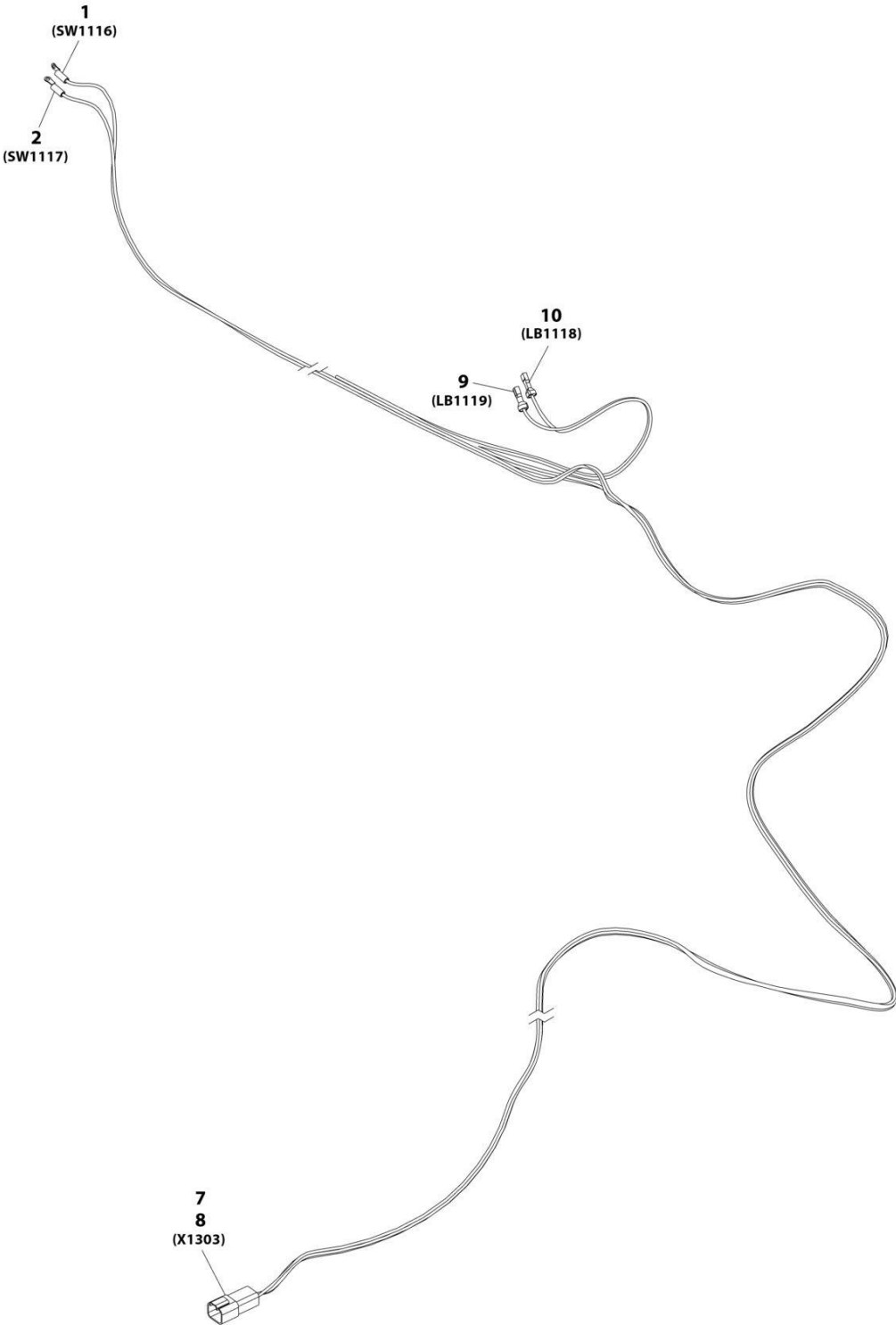
SECTION 10 - ELECTRICAL

FIGURE 10-2. MAIN ELECTRICAL INSTALLATION (LS)

ITEM	PART NUMBER	QTY	DESCRIPTION	REV
1	1001182805	Ref	Main Electrical Installation (if equipped for LS)	C
	1001161732	Ref	Installation, Electrical Frame (See Separate Breakdown in this Section)	
2	1001188403	Ref	Installation, Engine Bay Wiring 3.8L (See Separate Breakdown in this Section)	
3	1001185889	Ref	Installation, Electrical Engine Bay (See Separate Breakdown in this Section)	
4	1001182807	Ref	Installation, Frame Wiring (See Separate Breakdown in this Section)	

SECTION 10 - ELECTRICAL

FIGURE 10-3. AIR SHUT OFF VALVE HARNESS



ART_1001231407-C

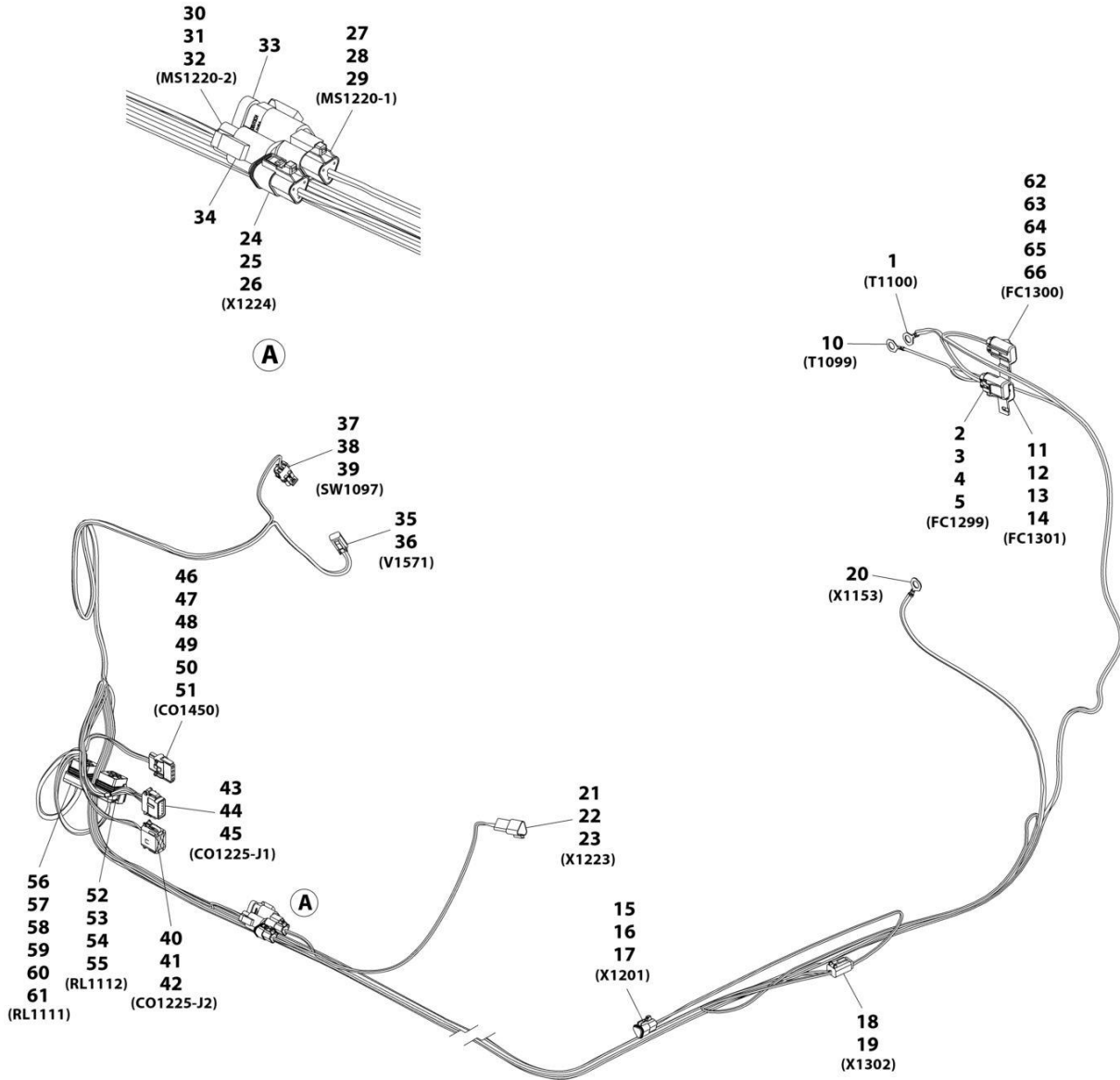
SECTION 10 - ELECTRICAL

FIGURE 10-3. AIR SHUT OFF VALVE HARNESS

ITEM	PART NUMBER	QTY	DESCRIPTION	REV
	1001231407	1	Air Shutoff Valve Harness	C
1	8220035	1	Terminal, Ring	
2	8220035	1	Terminal, Ring	
7	4460932	1	Connector	
8	4460464	4	Pin	
9	8220108	1	Connector, Female	
10	8220108	1	Connector, Female	

SECTION 10 - ELECTRICAL

FIGURE 10-4. AIR SHUT OFF VALVE HARNESS (ENGINE)



ART_1001231483_D

SECTION 10 - ELECTRICAL

FIGURE 10-4. AIR SHUT OFF VALVE HARNESS (ENGINE)

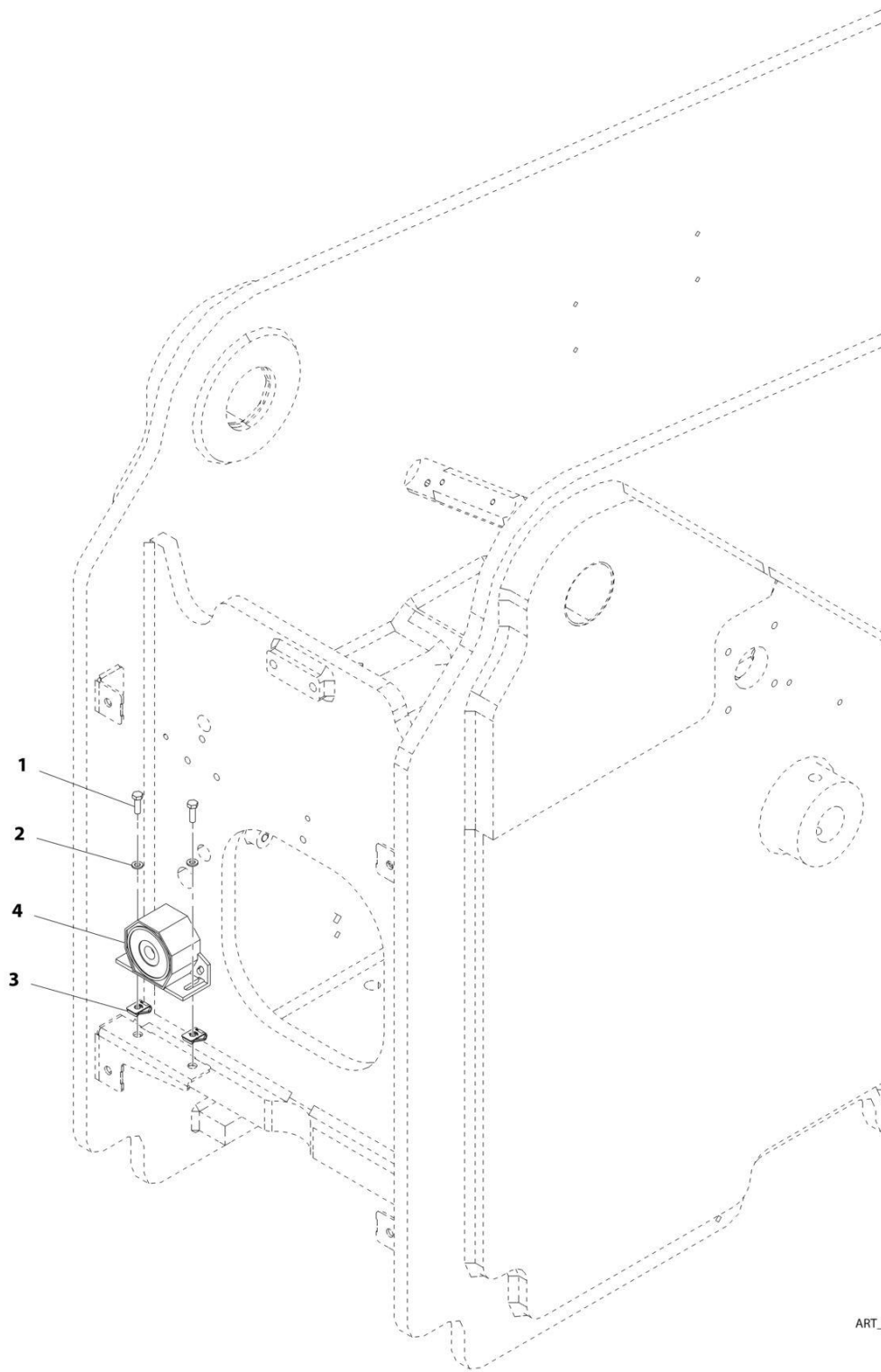
ITEM	PART NUMBER	QTY	DESCRIPTION	REV
	1001231483	Ref	Air Shut Off Valve Harness (Engine)	D
1	1001187079	1	Terminal, Ring	
2	1001231397	1	Connector	
3	8229235	1	Fuse, 20amp	
4	1001231401	2	Terminal	
5	1001230402	2	Seal	
10	1001187078	1	Terminal, Ring	
11	1001231397	1	Connector	
12	8229261	1	Fuse, 5amp	
13	1001231400	2	Terminal	
14	1001230403	2	Seal	
15	1001116812	1	Connector	
16	4460465	2	Terminal	
17	4460466	1	Plug	
18	4460884	1	Connector	
19	4460465	4	Terminal	
20	1001187079	1	Terminal, Ring	
21	1001144147	1	Connector	
22	4460464	2	Terminal	
23	4460466	1	Plug	
24	1001116812	1	Connector	
25	4460465	2	Terminal	
26	4460466	1	Plug	
27	1001116812	1	Connector	
28	4460465	2	Terminal	
29	4460466	1	Plug	
30	4460539	1	Connector	
31	4460465	2	Terminal	
32	4460466	1	Plug	
33	1001116815	1	Connector, 3 Pin	
34	4460945	1	Terminal, 3 Way "T" Receptacle	
35	4460891	1	Connector	
36	1001157890	2	Terminal	
37	4460742	1	Connector	
38	4460475	2	Terminal	
39	4460458	2	Plug	
40	1001116774	1	Connector	
41	4460518	8	Plug	
42	1001126008	4	Terminal	
43	1001116808	1	Connector	
44	1001126008	9	Terminal	
45	4460518	3	Plug	
46	4460761	1	Connector	
47	4460321	1	Terminal	
48	1001118378	4	Terminal	
49	4460809	4	Plug	
50	1001143551	1	Seal	
51	1001218358	1	Lanyard Rope	
52	1001231398	1	Connector	
53	1001231400	4	Terminal	

SECTION 10 - ELECTRICAL

ITEM	PART NUMBER	QTY	DESCRIPTION	REV
54	1001231404	4	Seal	
55	1001231406	1	Plug	
56	1001231398	1	Connector	
57	1001231401	2	Terminal	
58	1001231402	2	Seal	
59	1001231400	2	Terminal	
60	1001231404	2	Seal	
61	1001231406	1	Plug	
62	1001231397	1	Connector	
63	8229234	1	Fuse, 10amp	
64	1001231400	2	Terminal	
65	1001230403	1	Seal	
66	1001230404	1	Seal	

SECTION 10 - ELECTRICAL

FIGURE 10-5. ALARM INSTALLATION - BACKUP



ART_1001192393-D

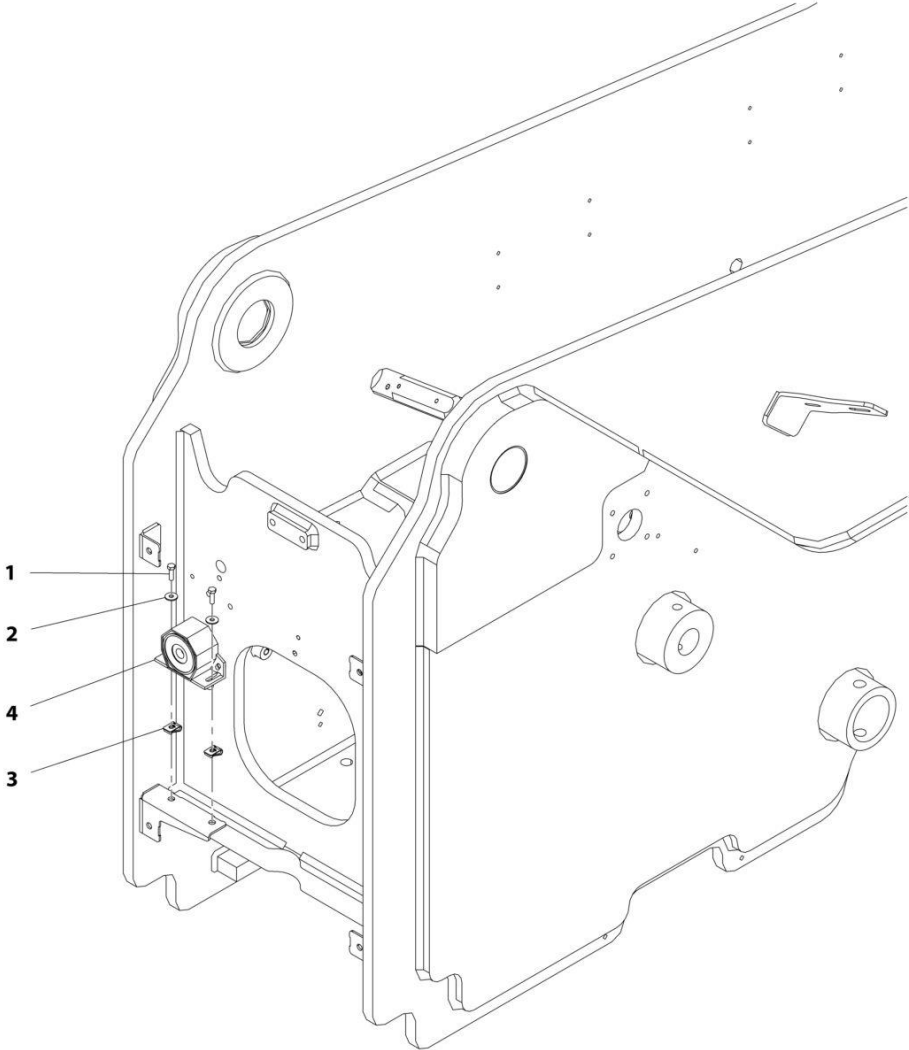
SECTION 10 - ELECTRICAL

FIGURE 10-5. ALARM INSTALLATION - BACKUP

ITEM	PART NUMBER	QTY	DESCRIPTION	REV
	1001192393	Ref	Backup Alarm Installation (97 dB)	D
1	0700610	2	Bolt, M6X20	
2	4811702	2	Washer, M6	
3	8305919	2	Nut, M6	
4	1001101808	1	Alarm, Backup	

SECTION 10 - ELECTRICAL

FIGURE 10-6. ALARM INSTALLATION - WHITE NOISE



ART_1001192394-D

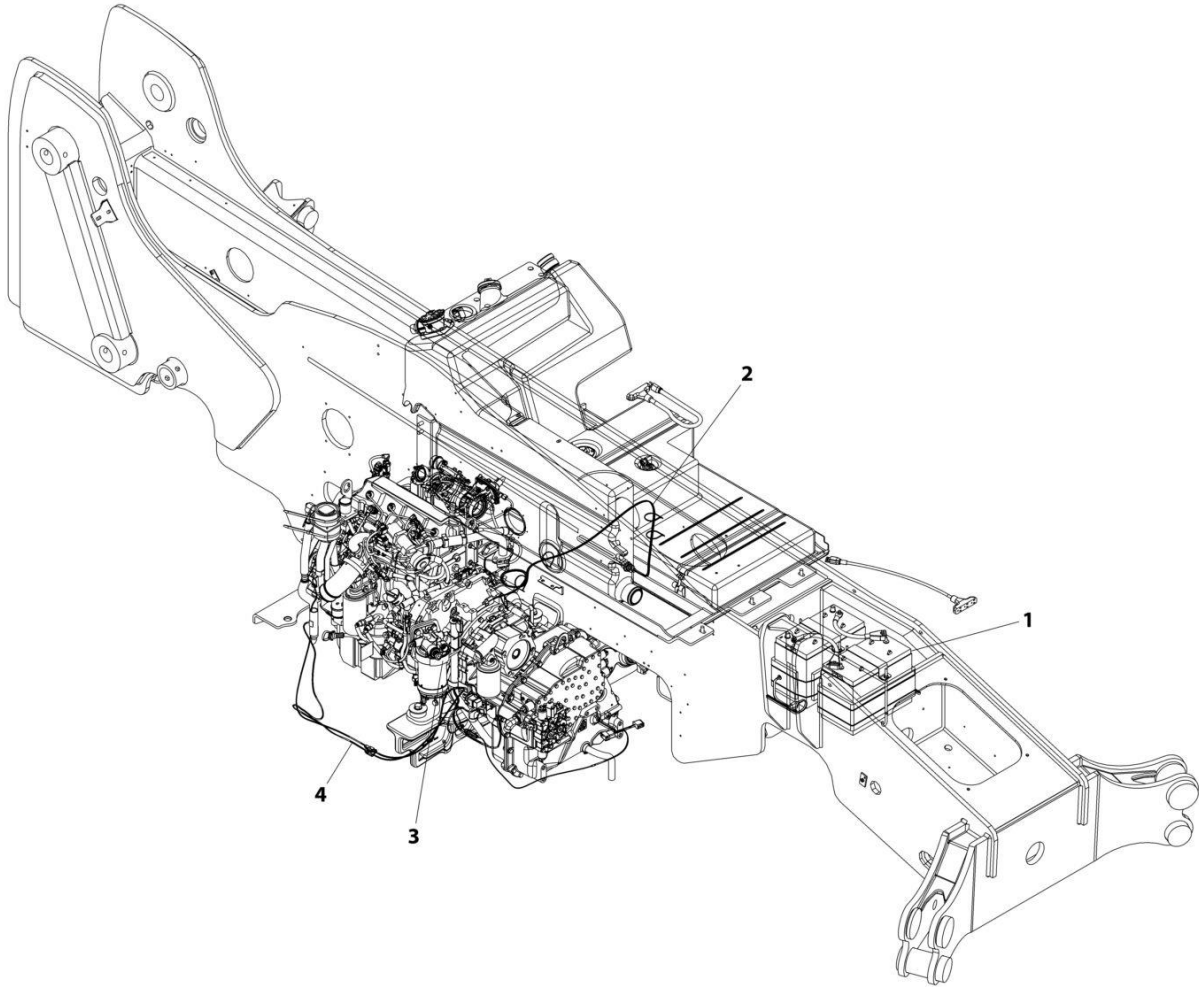
SECTION 10 - ELECTRICAL

FIGURE 10-6. ALARM INSTALLATION - WHITE NOISE

ITEM	PART NUMBER	QTY	DESCRIPTION	REV
	1001192394	Ref	White Noise Backup Alarm Installation	D
1	0700610	2	Bolt, M6X20	
2	4811702	2	Washer, M6	
3	8305919	2	Nut, M6	
4	1001165827	1	Alarm, White Noise Backup	

SECTION 10 - ELECTRICAL

FIGURE 10-7. ARCTIC COLD WEATHER PACKAGE INSTALLATION (ULS)



ART_1001190179_E

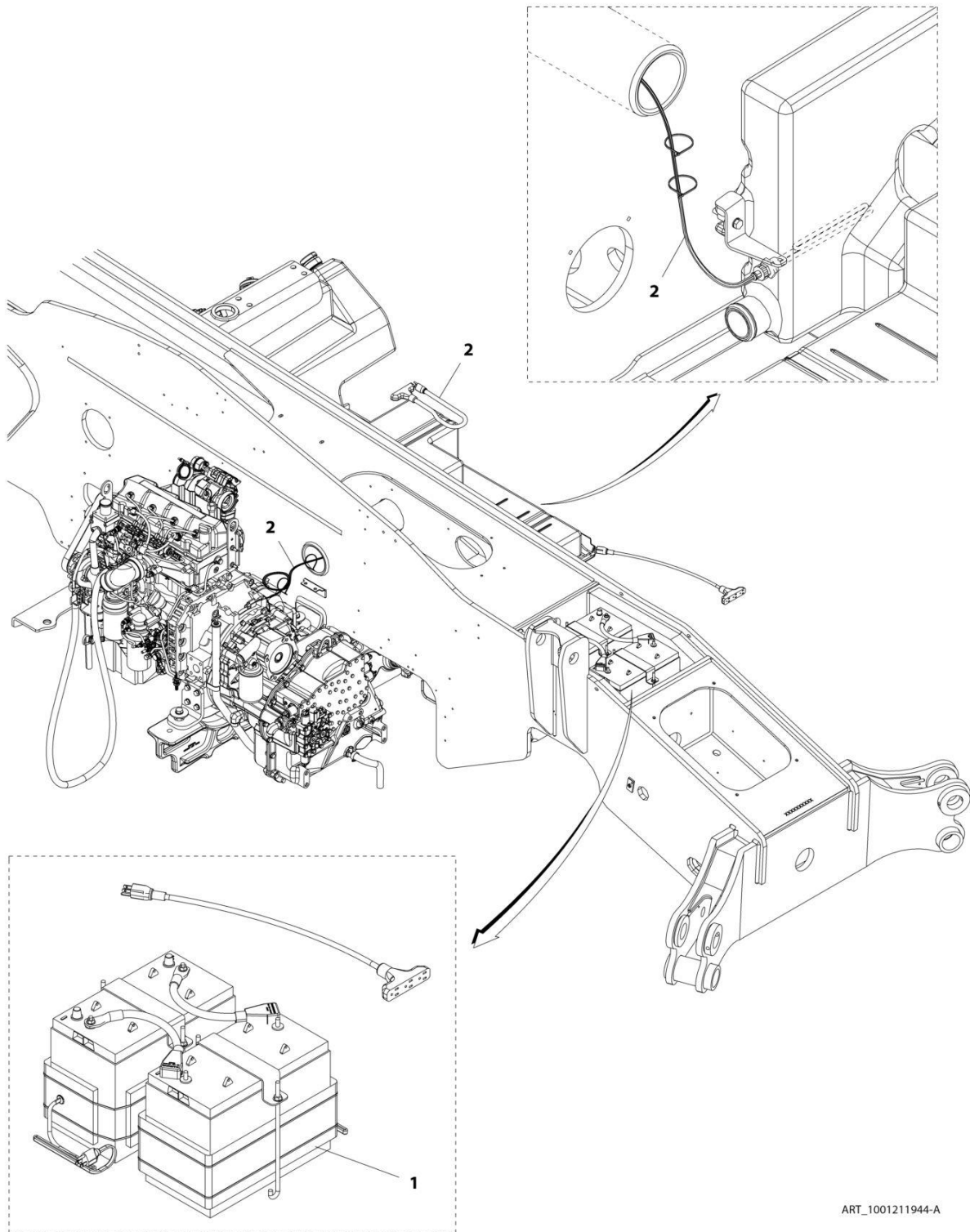
SECTION 10 - ELECTRICAL

FIGURE 10-7. ARCTIC COLD WEATHER PACKAGE INSTALLATION (ULS)

ITEM	PART NUMBER	QTY	DESCRIPTION	REV
1	1001190179	Ref	Arctic Weather Package Installation - 110 HP (ULS)	E
	1001190670	Ref	Installation, Arctic Batteries (See Separate Breakdown in this Section)	
2	1001190671	Ref	Installation, Tank Heater (See Separate Breakdown in this Section)	
3	1001204095	Ref	Installation, Fuel Filter Heater (See Separate Breakdown in this Section)	
4	1001232751	Ref	Heater, Breather - 110 HP (See Separate Breakdown in this Section)	

SECTION 10 - ELECTRICAL

FIGURE 10-8. ARCTIC COLD WEATHER PACKAGE INSTALLATION (LS)



ART_1001211944-A

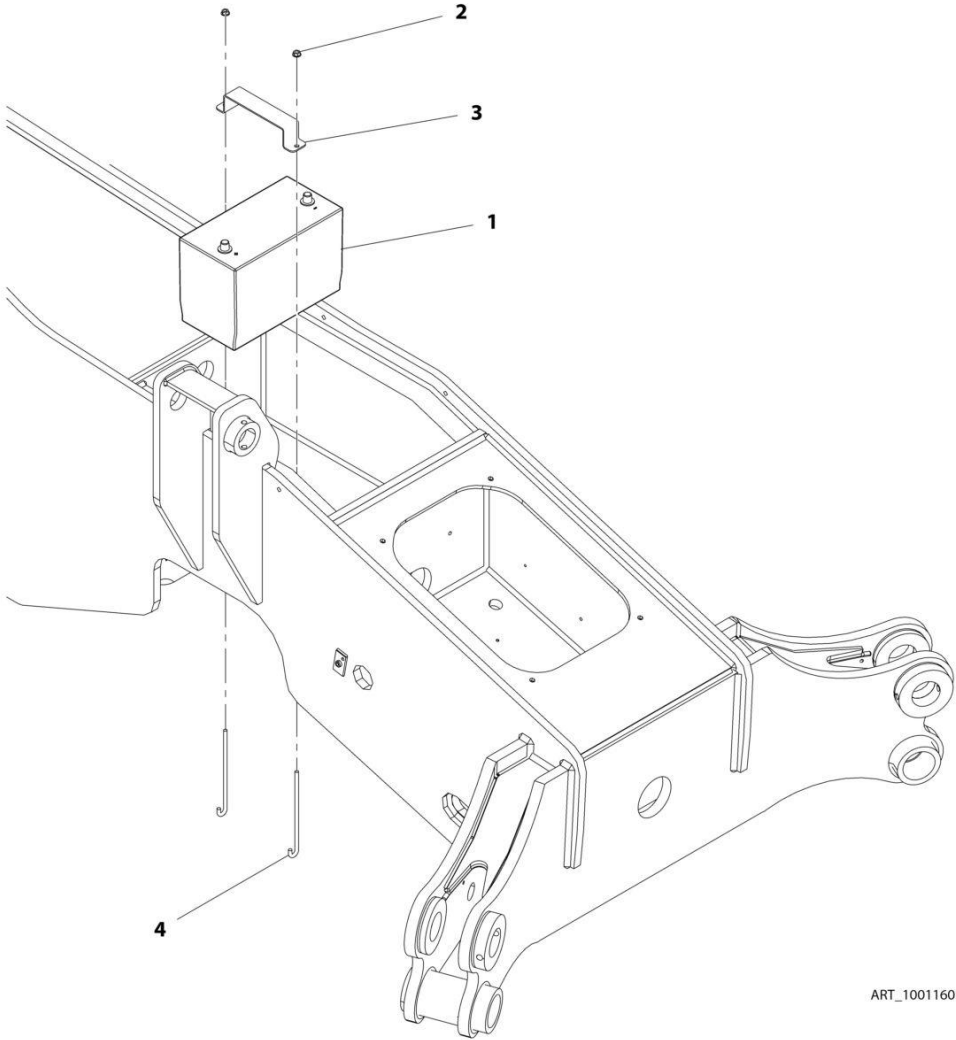
SECTION 10 - ELECTRICAL

FIGURE 10-8. ARCTIC COLD WEATHER PACKAGE INSTALLATION (LS)

ITEM	PART NUMBER	QTY	DESCRIPTION	REV
1	1001211944	Ref	Arctic Weather Package Installation (LS)	A
	1001190670	Ref	Installation, Arctic Batteries (See Separate Breakdown in this Section)	
2	1001190671	Ref	Installation, Tank Heater (See Separate Breakdown in this Section)	

SECTION 10 - ELECTRICAL

FIGURE 10-9. BATTERY INSTALLATION



ART_1001160711-C

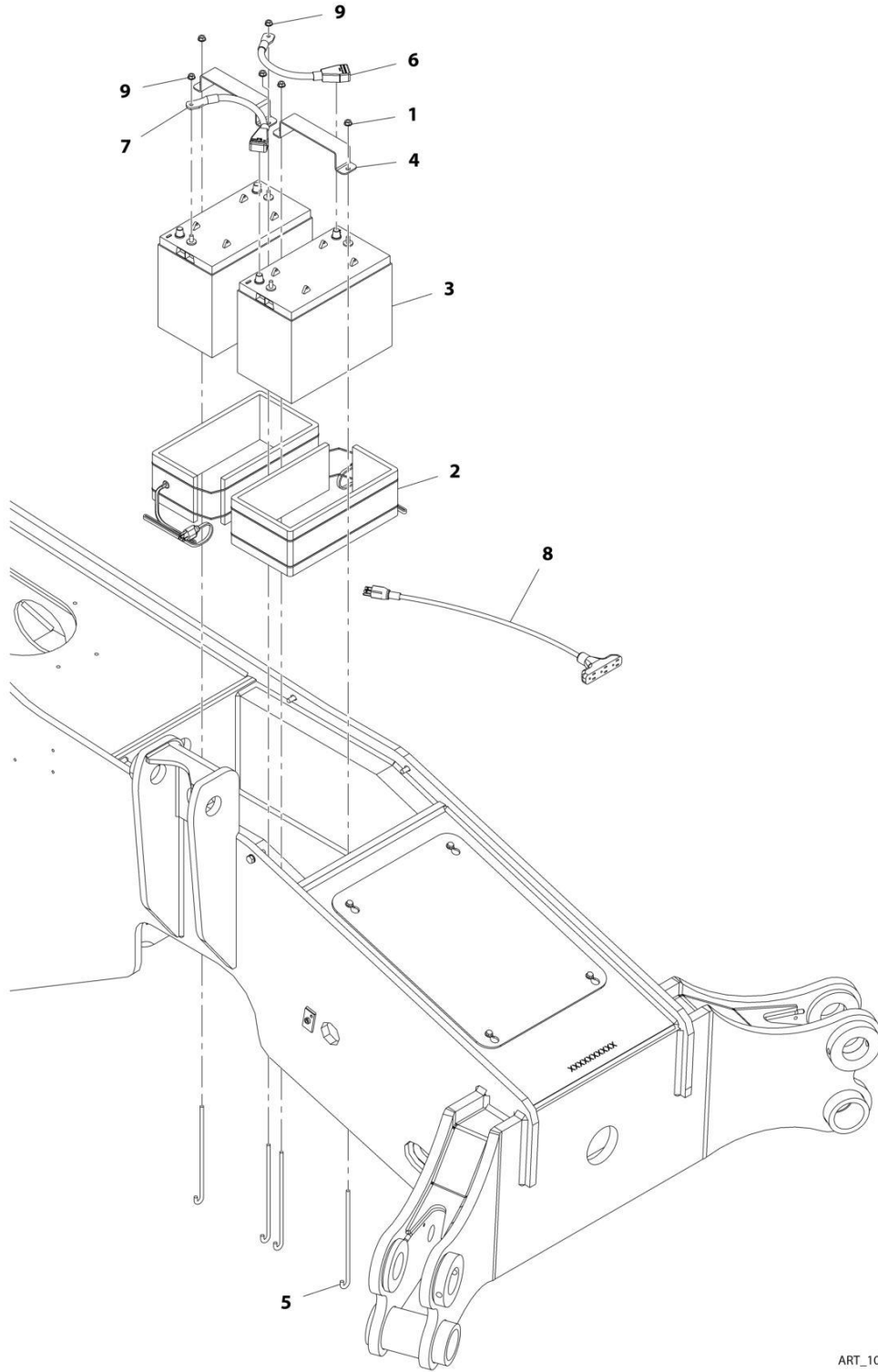
SECTION 10 - ELECTRICAL

FIGURE 10-9. BATTERY INSTALLATION

ITEM	PART NUMBER	QTY	DESCRIPTION	REV
	1001160711	Ref	Battery Installation	C
1	0400075	1	Battery, 12V	
2	5220800	2	Nut, M8	
3	1001160927	1	Plate	
4	1001181961	2	J-Bolt	

SECTION 10 - ELECTRICAL

FIGURE 10-10. BATTERY INSTALLATION - ARCTIC



ART_1001190670-C

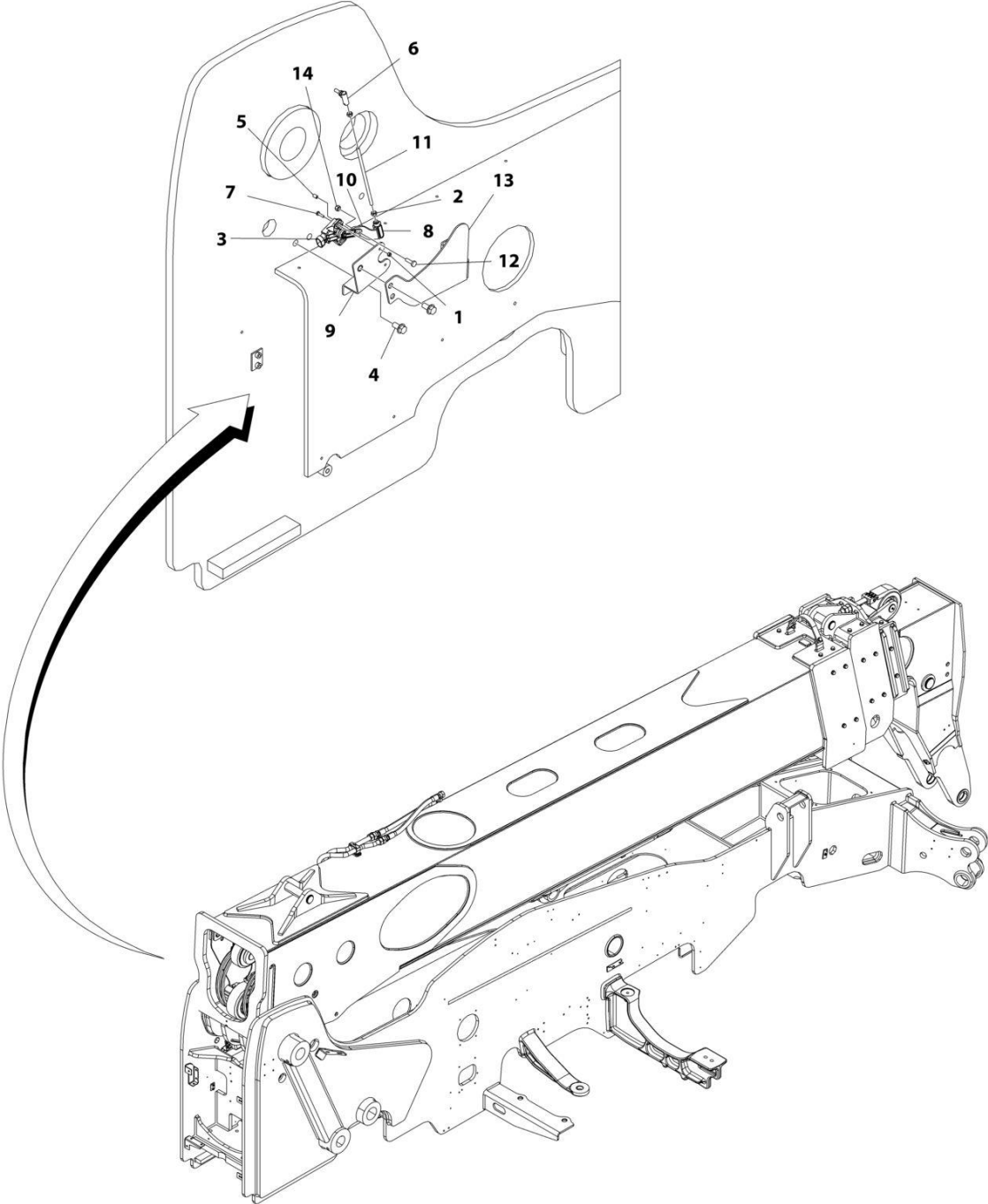
SECTION 10 - ELECTRICAL

FIGURE 10-10. BATTERY INSTALLATION - ARCTIC

ITEM	PART NUMBER	QTY	DESCRIPTION	REV
	1001190670	Ref	Artic Batteries Installation	C
1	5220800	4	Nut, M8	
2	1001093564	2	Heater, Battery	
3	1001098762	2	Battery, 12V	
4	1001160927	2	Plate	
5	1001160928	4	J-Bolt	
6	1001172495	1	Cable	
7	1001172496	1	Cable	
8	1060626	1	Cord, 3-Way Extension	
9	3311508	2	Nut	

SECTION 10 - ELECTRICAL

FIGURE 10-11. BOOM ANGLE SENSOR INSTALLATION



ART_1001168479_G

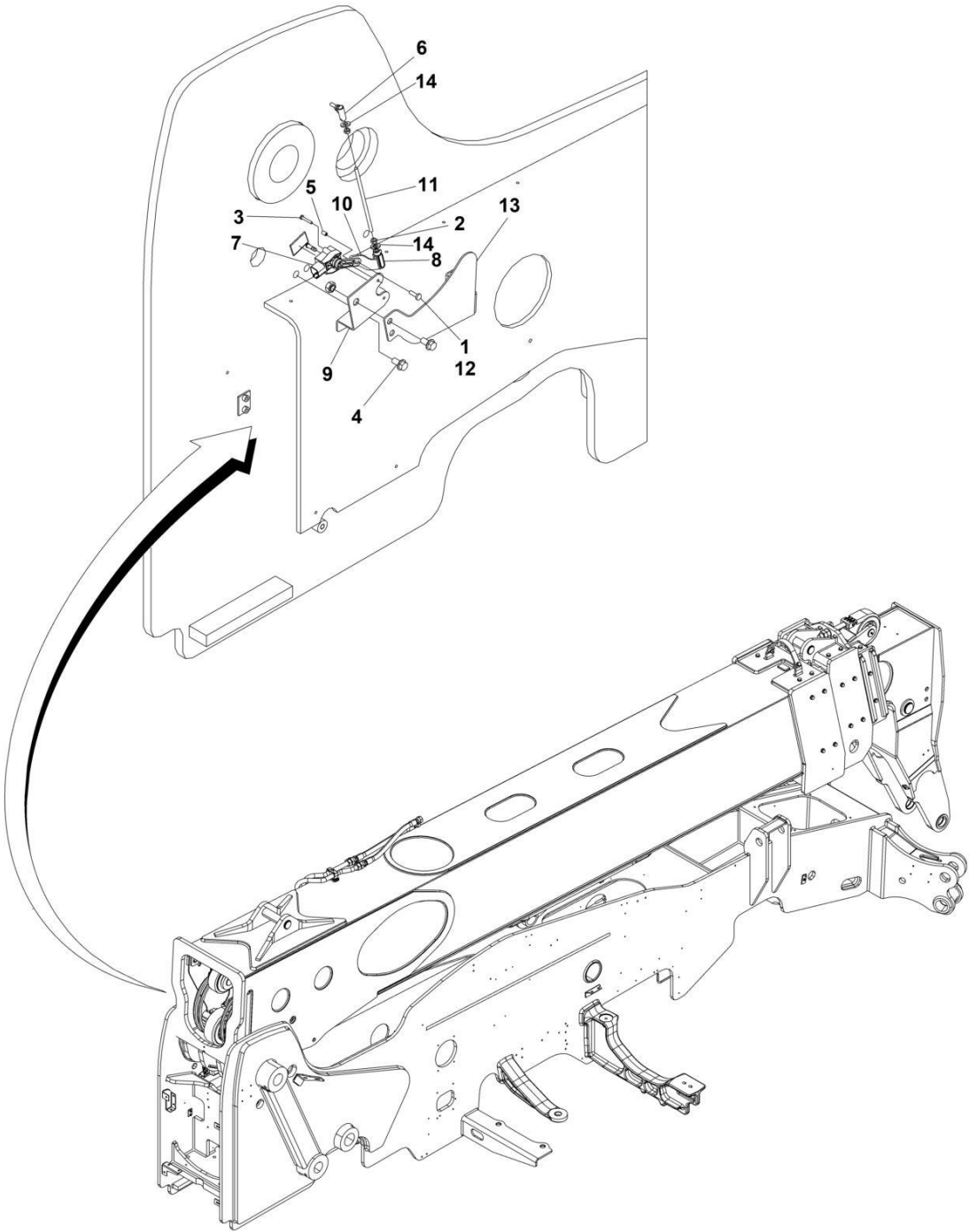
SECTION 10 - ELECTRICAL

FIGURE 10-11. BOOM ANGLE SENSOR INSTALLATION

ITEM	PART NUMBER	QTY	DESCRIPTION	REV
	1001168479	Ref	BOOM ANGLE SENSOR INSTALLATION	G
1	3290405	2	Nut M4 x 0.7 Grd8	
2	3290601	2	Nut M6 x 1 Grd8	
3	1001278028	1	Sensor, Angle	
4	5201010	4	Bolt M10 x 20	
5	1001103156	1	Pin	
6	1001184484	1	Joint, Ball	
7	1001126837	2	Screw M4 x 16	
8	1001134274	1	Clevis	
9	1001188782	1	Bracket	
10	1001188787	1	Link	
11	1001168482	1	Rod	
12	4010610002	1	Screw M6 x 20	
13	1001188778	1	Bracket	
14	3290605	1	Nut M6 x 1	

SECTION 10 - ELECTRICAL

FIGURE 10-12. BOOM ANGLE SENSOR INSTALLATION (CAN ONLY)



ART_1001259081

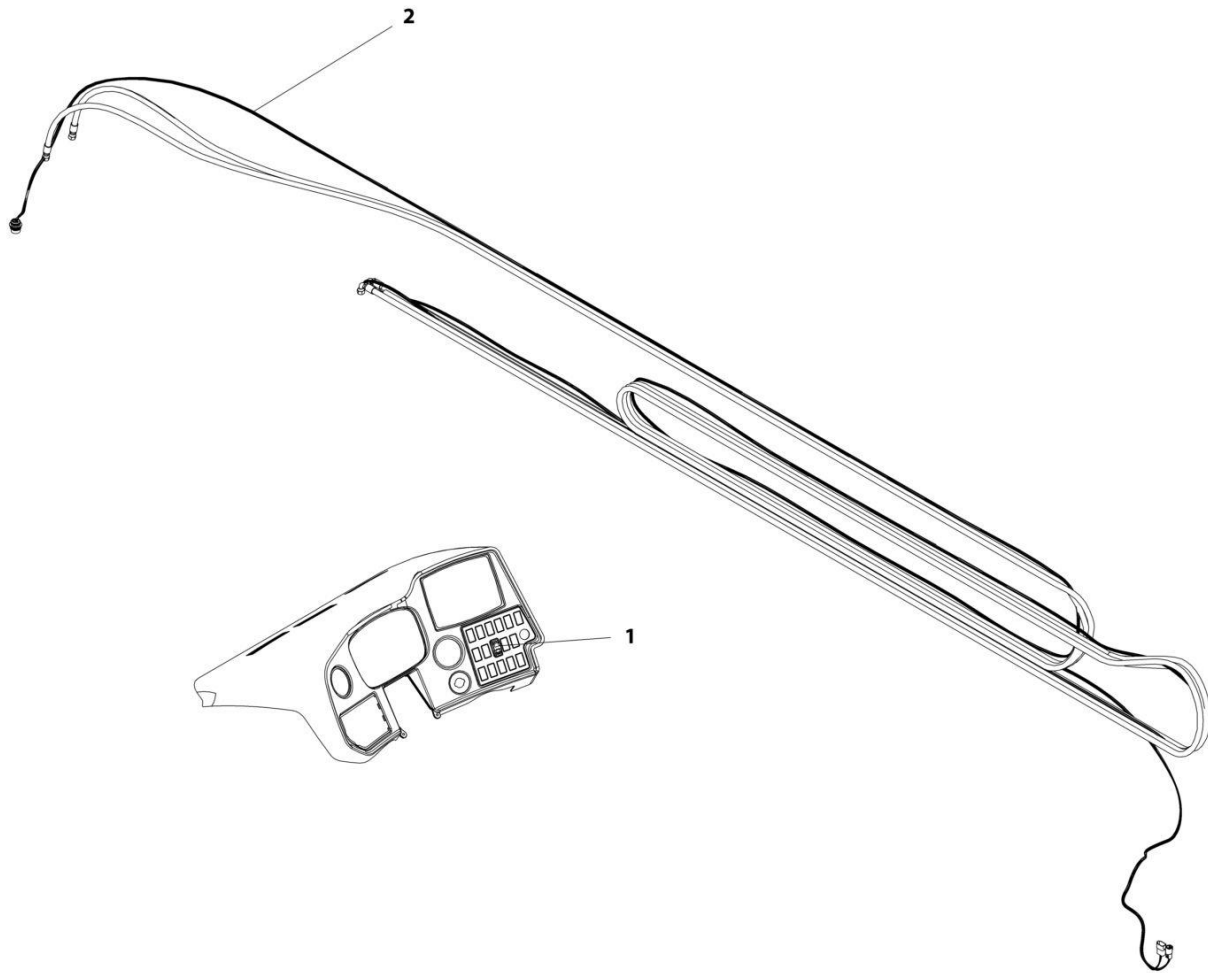
SECTION 10 - ELECTRICAL

FIGURE 10-12. BOOM ANGLE SENSOR INSTALLATION (CAN ONLY)

ITEM	PART NUMBER	QTY	DESCRIPTION	REV
	1001259081	Ref	BOOM ANGLE SENSOR INSTALLATION	B
1	3290605	1	Nut M6 x 1	
2	3290601	2	Nut M6 x 1	
3	4010415	2	Screw M4X35	
4	5201010	4	Bolt M10 x 20	
5	1001103156	1	Pin	
6	1001184484	1	Joint, Ball	
7	1001099717	1	Sensor, Angle 90	
8	1001134274	1	Clevis	
9	1001188782	1	Bracket	
10	1001188787	1	Link	
11	1001168482	1	Rod	
12	4010610002	1	Screw M6 x 20	
13	1001188778	1	Bracket	
14	4761400	2	Washer 1/4	

SECTION 10 - ELECTRICAL

FIGURE 10-13. BOOM AUXILIARY ELECTRIC INSTALLATION



ART_1001185494-A

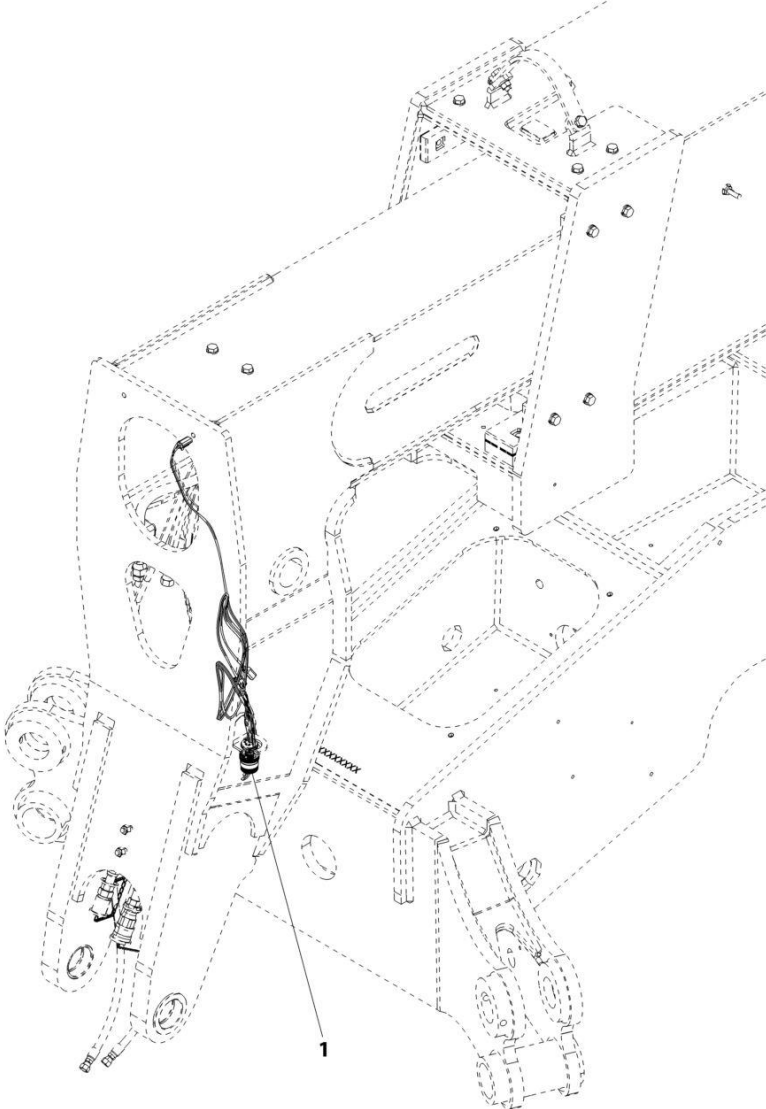
SECTION 10 - ELECTRICAL

FIGURE 10-13. BOOM AUXILIARY ELECTRIC INSTALLATION

ITEM	PART NUMBER	QTY	DESCRIPTION	REV
	1001185494	Ref	Boom Auxiliary Electric Installation	A
1	1001159746	1	Switch, AUX	
2	1001160168	1 Ref	Installation, Boom Auxiliary Electric Harness	D
2	1001166323	1	Harness, Boom Auxiliary (See Separate Breakdown in this Section)	

SECTION 10 - ELECTRICAL

FIGURE 10-14. BOOM AUXILIARY ELECTRIC HARNESS INSTALLATION



ART_1001167799-B

SECTION 10 - ELECTRICAL

FIGURE 10-14. BOOM AUXILIARY ELECTRIC HARNESS INSTALLATION

ITEM	PART NUMBER	QTY	DESCRIPTION	REV
1	1001167799 1001167695	Ref 1	Boom Auxiliary Electric Harness Installation Harness, Platform (See Separate Breakdown in this Section)	B

SECTION 10 - ELECTRICAL

FIGURE 10-15. BOOM AUXILIARY ELECTRIC HARNESS



ART_1001166323-D

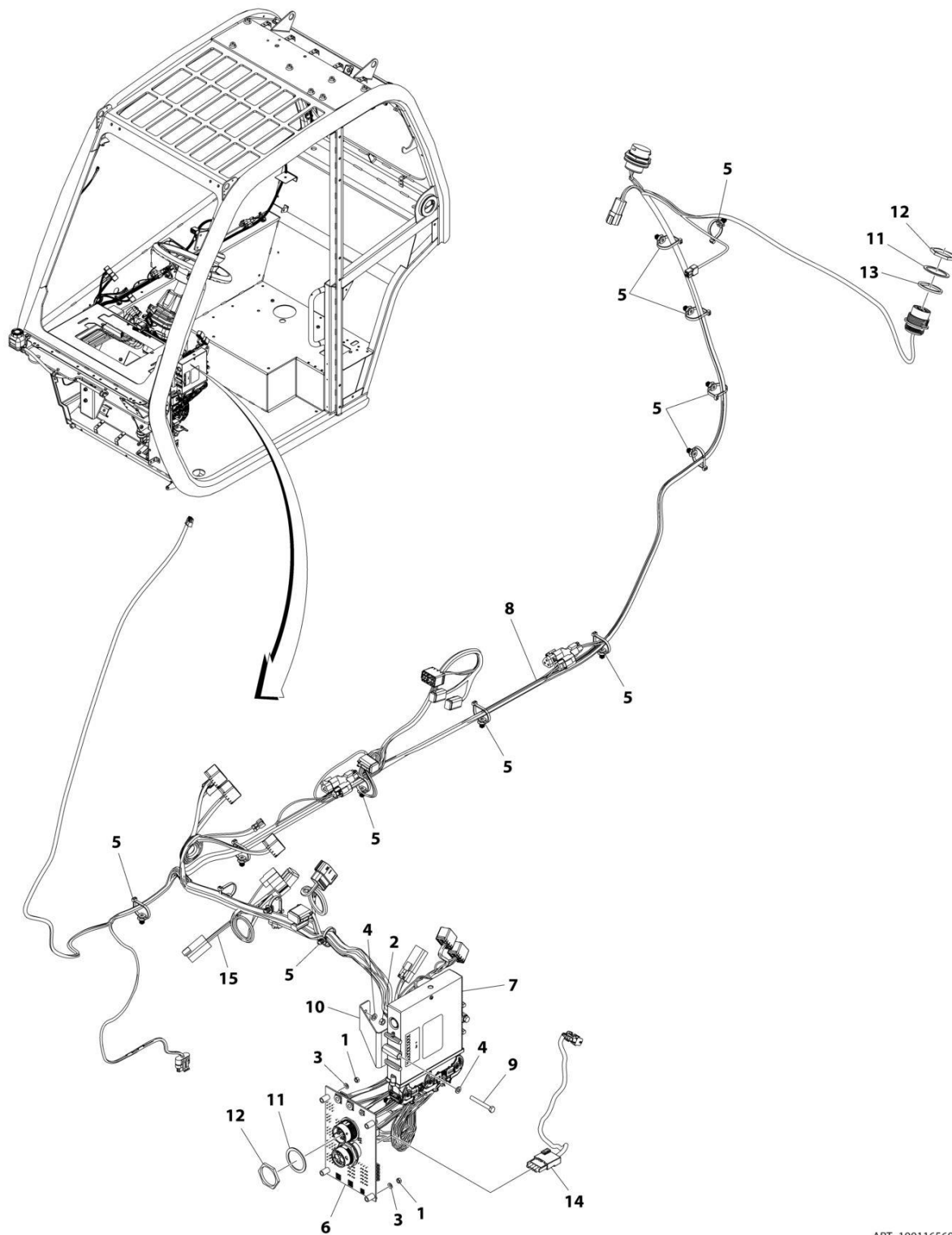
SECTION 10 - ELECTRICAL

FIGURE 10-15. BOOM AUXILIARY ELECTRIC HARNESS

ITEM	PART NUMBER	QTY	DESCRIPTION	REV
	1001166323	Ref	Boom Auxiliary Harness	D
1	4460931	1	Connector	
2	91503106	1	Wedge Lock	
3	4460464	4	Terminal	
4	4460943	2	Terminal	
5	4460466	2	Plug	
6	4461017	1	Connector	
7	4460508	2	Terminal	
8	1001112612	1	Connector	
9	1001157891	2	Terminal	
10	4460464	4	Terminal	
11	4460943	2	Terminal	
12	4460466	1	Plug	
13	4460497	1	Nut	
14	1001125784	1	Washer	

SECTION 10 - ELECTRICAL

FIGURE 10-16. CAB ELECTRICAL INSTALLATION



ART_1001165699_M

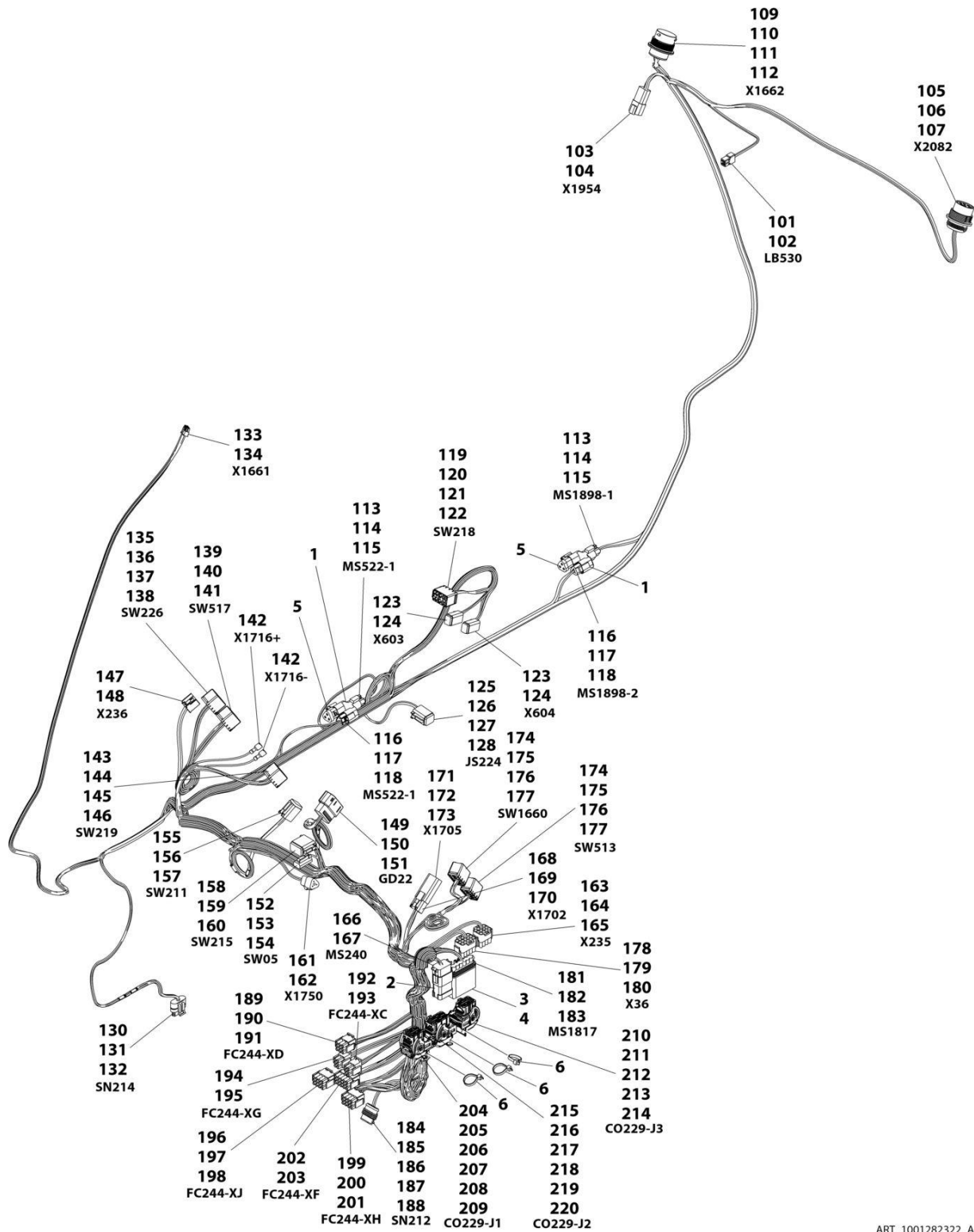
SECTION 10 - ELECTRICAL

FIGURE 10-16. CAB ELECTRICAL INSTALLATION

ITEM	PART NUMBER	QTY	DESCRIPTION	REV
	1001165699	Ref	CAB ELECTRICAL INSTALLATION	M
1	3290501	3	Nut M5 x 0.8	
2	3290601	2	Nut M6 x 1	
3	120034	3	Washer, Plastic	
4	4811700	4	Washer M6	
5	1001146588	16	Tie Strap	
6	1001161769	1	Assembly, Standard Electrical Board (See Separate Breakdown in this Section)	
7	1001270466	1	Module	
8	1001282322	1	Harness, Cab (See Separate Breakdown in this Section)	
9	0700618	2	Bolt M6 x 50	
10	1001178933	1	Bracket	
11	4460496	4	Washer, Terminal Lock	
12	4460497	4	Nut, Terminal	
13	1001211693	2	Seal	
14	1001213988	1	Cable (See Separate Breakdown in this Section)	
15	1001241610	1	Key Harness (See Separate Breakdown in this Section)	

SECTION 10 - ELECTRICAL

FIGURE 10-17. CAB HARNESS



ART_1001282322_A

SECTION 10 - ELECTRICAL

FIGURE 10-17. CAB HARNESS

ITEM	PART NUMBER	QTY	DESCRIPTION	REV
	1001282322	Ref	CAB HARNESS	B
1	4460945	2	Terminal, 3 Way "T" Receptacle	
2	4460984	1	Plug, 8 Pin	
3	8220375	1	Cap	
4	1001177597	2	Diode, 6amp	
5	1001116815	1	Connector, 3 Pin	
6	1001008559	3	Tie-Strap	
101	1001116991	1	Connector	
102	1001118384	2	Terminal	
103	4460932	1	Connector	
104	4460941	4	Terminal	
105	1001112612	1	Connector	
106	4460464	5	Terminal	
107	4460943	4	Terminal	
109	4461016	1	Connector	
110	4460941	6	Terminal	
111	4460464	5	Terminal	
112	4460466	3	Plug	
113	1001116812	2	Connector	
114	4460944	4	Terminal	
115	4460466	2	Plug	
116	4460539	2	Connector	
117	4460944	4	Terminal	
118	4460466	2	Plug	
119	1001117081	1	Connector	
120	1001223455	2	Terminal	
121	1001118384	2	Terminal	
122	1001116723	2	Terminal	
123	4460884	2	Connector	
124	4460465	8	Terminal	
125	4460894	1	Connector	
126	4460465	3	Terminal	
127	4460944	2	Terminal	
128	4460466	1	Plug	
130	1001230931	1	Connector	
131	1001116748	4	Terminal	
132	1001273991	2	Terminal	
133	1001150735	1	Connector	
134	1001150737	7	Terminal	
135	1001117081	1	Connector	
136	1001118384	3	Terminal	
137	1001223455	1	Terminal	
138	1001116723	4	Terminal	
139	1001117081	1	Connector	
140	1001116723	6	Terminal	
141	1001223455	1	Terminal	
142	1001194421	1	Connector	
143	1001117081	1	Connector	
144	1001223455	3	Terminal	
145	1001118384	2	Terminal	

SECTION 10 - ELECTRICAL

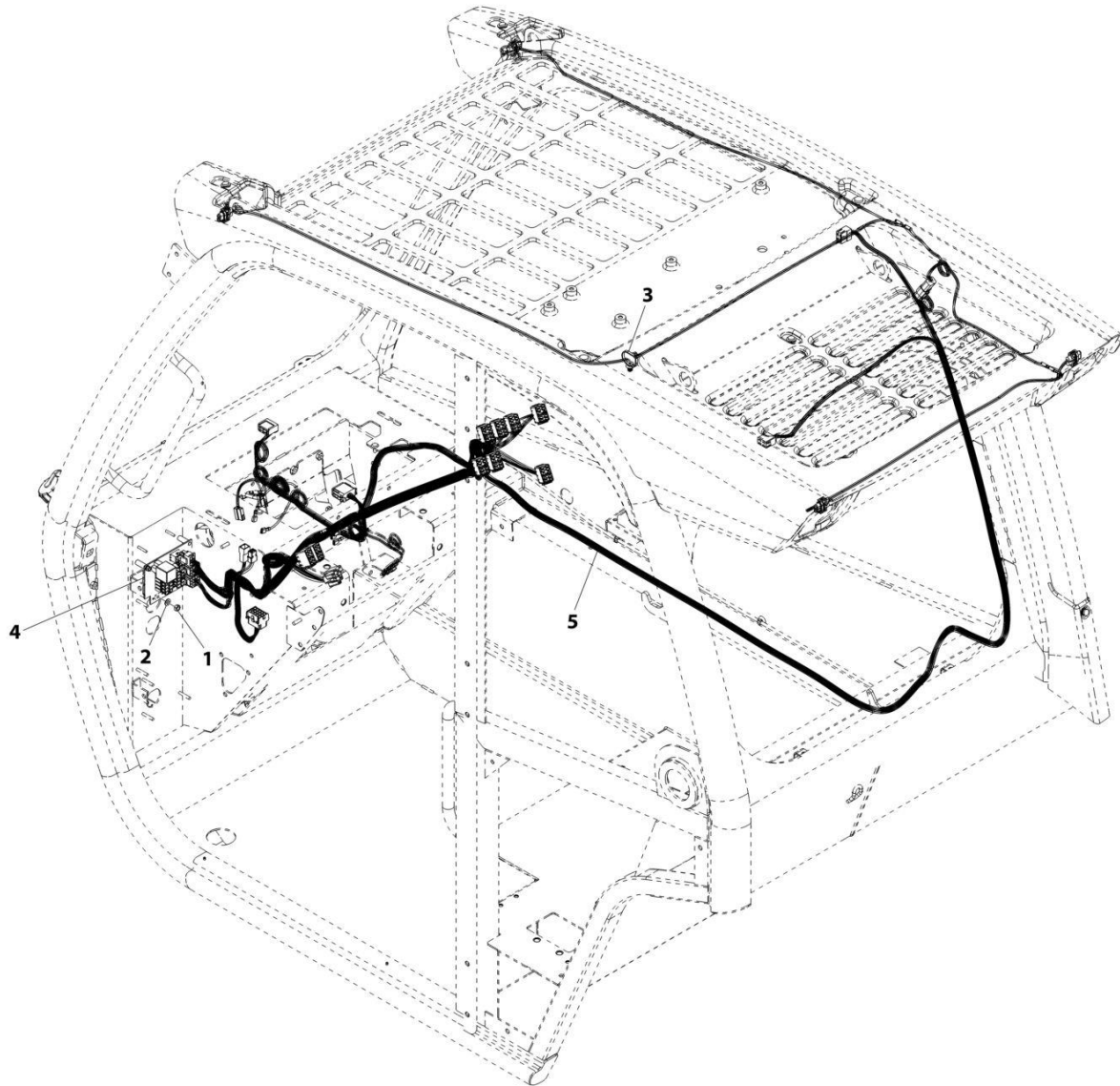
ITEM	PART NUMBER	QTY	DESCRIPTION	REV
146	1001116723	6	Terminal	
147	1001118684	1	Connector	
148	1001116754	2	Terminal	
149	1001162886	1	Connector	
150	1001162887	7	Terminal	
151	1001163340	13	Plug	
152	4460897	1	Connector	
153	4460464	1	Terminal	
154	4460466	1	Plug	
155	4460894	1	Connector	
156	4460465	4	Terminal	
157	4460466	2	Plug	
158	4460933	1	Connector	
159	4460465	9	Terminal	
160	4460466	3	Plug	
161	4460539	1	Connector	
162	4460465	3	Terminal	
163	4460343	1	Connector	
164	4460268	6	Terminal	
165	1001223457	15	Terminal	
166	4460930	1	Connector	
167	4460465	8	Terminal	
168	4460894	1	Connector	
169	4460465	5	Terminal	
170	4460466	1	Plug	
171	4460899	1	Connector	
172	4460464	1	Terminal	
173	4460466	5	Plug	
174	1001117081	2	Connector	
175	1001118384	2	Terminal	
176	1001223455	2	Terminal	
177	1001116723	8	Terminal	
178	4460434	1	Connector	
179	4460268	6	Terminal	
180	1001223457	7	Terminal	
181	4460744	1	Connector	
182	4460746	6	Terminal	
183	1001175265	6	Seal	
184	1001103012	1	Connector	
185	1001116698	2	Plug	
186	1001116697	1	Terminal	
187	1001237212	1	Terminal	
188	1001116763	2	Seal	
189	4460265	1	Connector	
190	4460268	7	Terminal	
191	1001223457	2	Terminal	
192	4460225	1	Connector	
193	4460267	6	Terminal	
194	4460225	1	Connector	
195	4460268	5	Terminal	
196	4460343	1	Connector	

SECTION 10 - ELECTRICAL

ITEM	PART NUMBER	QTY	DESCRIPTION	REV
197	4460267	11	Terminal	
198	1001223456	1	Terminal	
199	4460343	1	Connector	
200	4460268	8	Terminal	
201	1001223457	1	Terminal	
202	4460434	1	Connector	
203	4460268	12	Terminal	
204	1001160498	1	Connector	
205	1001161097	22	Terminal	
206	1001161098	6	Terminal	
207	1001161099	1	Terminal	
208	1001161100	2	Plug	
209	1001161101	1	Plug	
210	1001161959	1	Connector	
211	1001161097	12	Terminal	
212	1001161098	1	Terminal	
213	1001161100	10	Plug	
214	1001161101	7	Plug	
215	1001160502	1	Connector	
216	1001161097	21	Terminal	
217	1001161098	5	Terminal	
218	1001161099	1	Terminal	
219	1001161100	19	Plug	
220	1001161101	2	Plug	

SECTION 10 - ELECTRICAL

FIGURE 10-18. CAB (ENCLOSED) ELECTRICAL INSTALLATION WITH OPTIONS



ART_1001166763-E

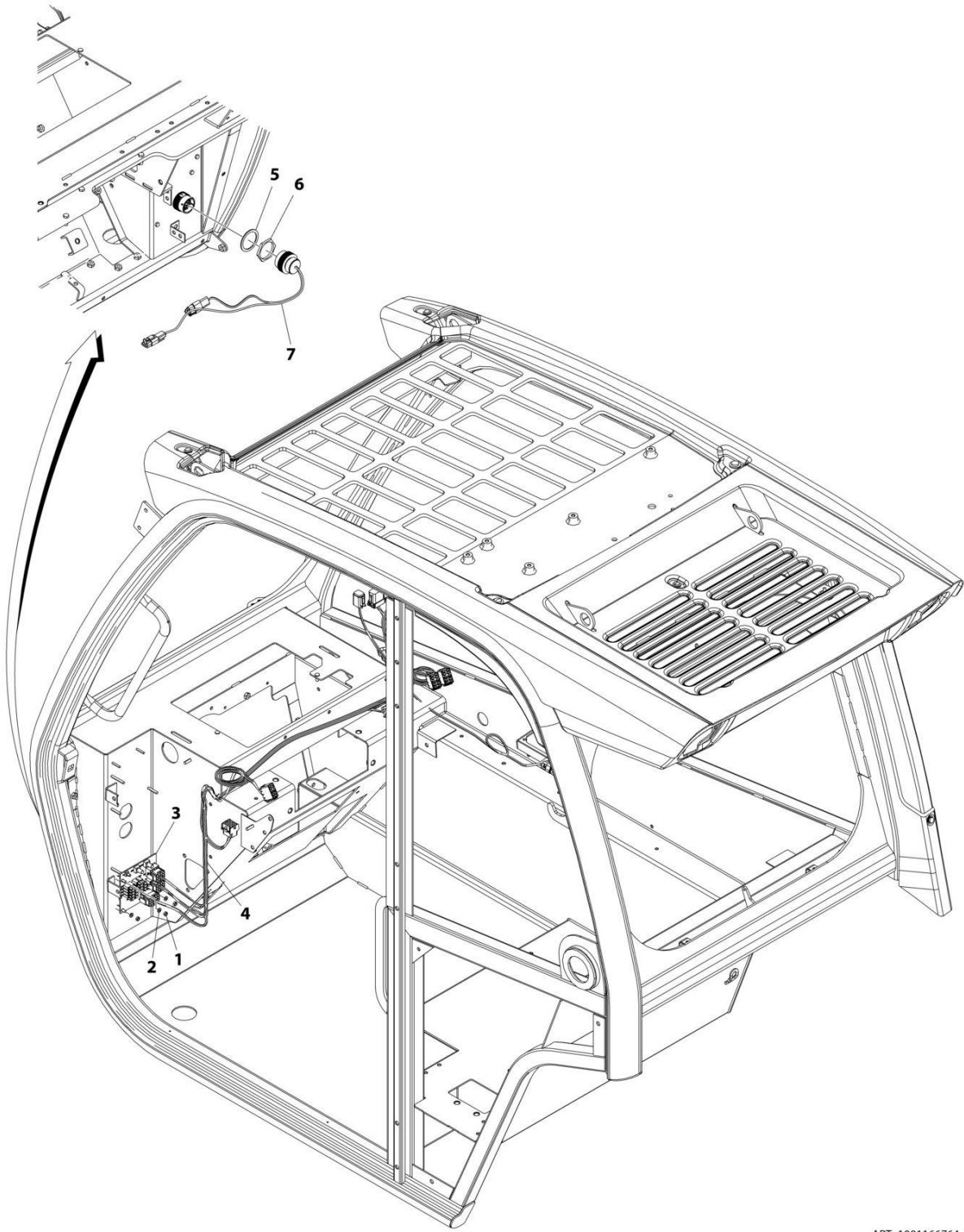
SECTION 10 - ELECTRICAL

FIGURE 10-18. CAB (ENCLOSED) ELECTRICAL INSTALLATION WITH OPTIONS

ITEM	PART NUMBER	QTY	DESCRIPTION	REV
	1001166763	Ref	Enclosed Cab Electrical Installation with Options	E
1	3290501	1	Nut, M5X0.8	
2	120034	1	Washer, Plastic	
3	1001146588	1	Strap, Tie	
4	1001161770	1	Assembly, Option 1 Electrical Board (See Separate Breakdown in this Section)	
5	1001163371	1	Harness, Option 1 Cab (See Separate Breakdown in this Section)	

SECTION 10 - ELECTRICAL

FIGURE 10-19. CAB ELECTRICAL INSTALLATION - OPEN



ART_1001166764_G

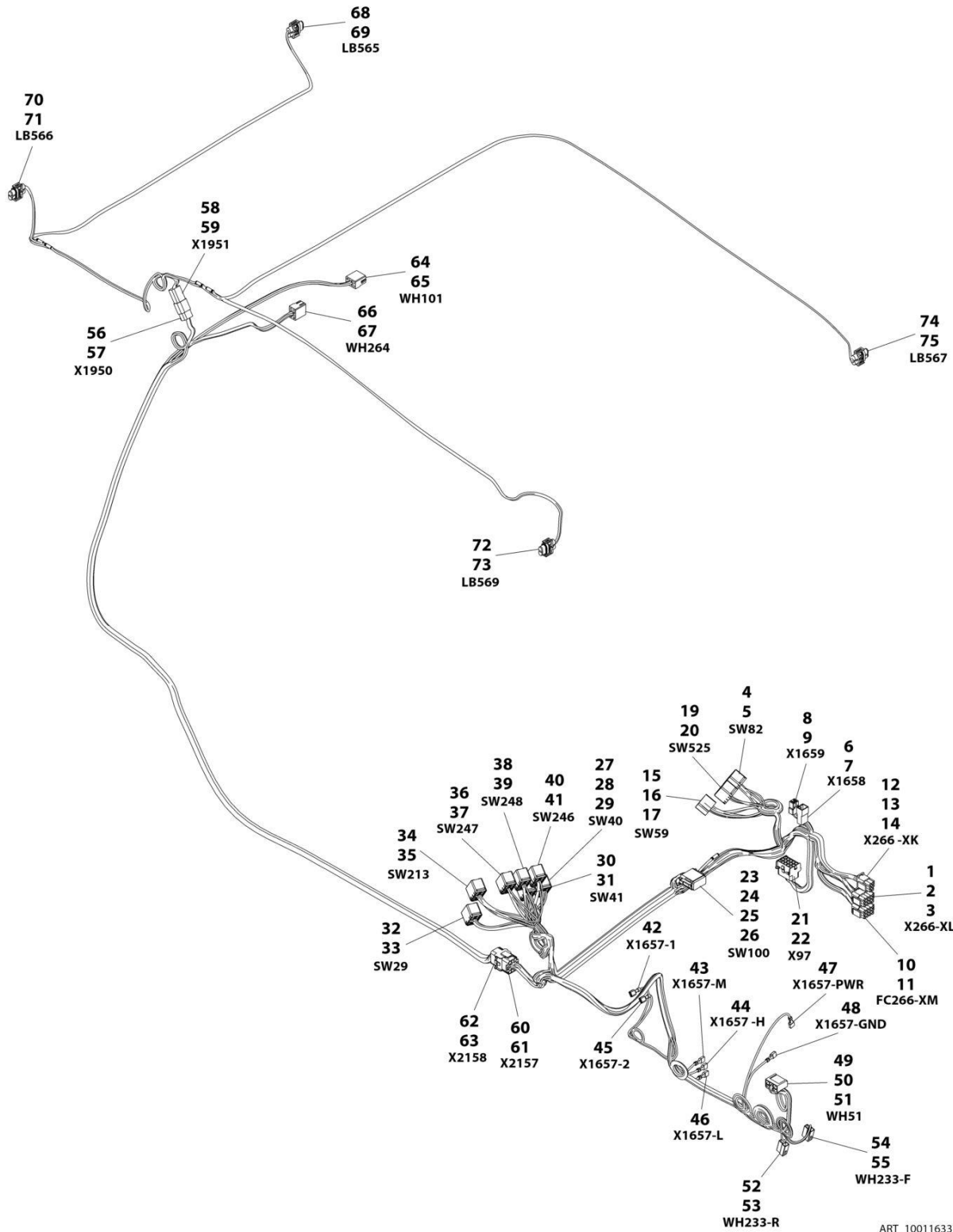
SECTION 10 - ELECTRICAL

FIGURE 10-19. CAB ELECTRICAL INSTALLATION - OPEN

ITEM	PART NUMBER	QTY	DESCRIPTION	REV
	1001166764	Ref	CAB ELECTRICAL INSTALLATION - OPEN	G
1	3290501	3	Nut M5 x 5/16	
2	120034	3	Washer, Plastic	
3	1001161771	1	Assembly, Option 2 Electrical Board (See Separate Breakdown in this Section)	
4	1001283420	1	Harness, Option 2 Cab (See Separate Breakdown in this Section)	
5	4460496	1	Washer, Terminal Lock	
6	4460497	1	Nut, Terminal	
7	1001271436	1	Harness, Cab Option (See Separate Breakdown in this Section)	

SECTION 10 - ELECTRICAL

FIGURE 10-20. CAB OPTION 1 HARNESS



ART_1001163371_J

SECTION 10 - ELECTRICAL

FIGURE 10-20. CAB OPTION 1 HARNESS

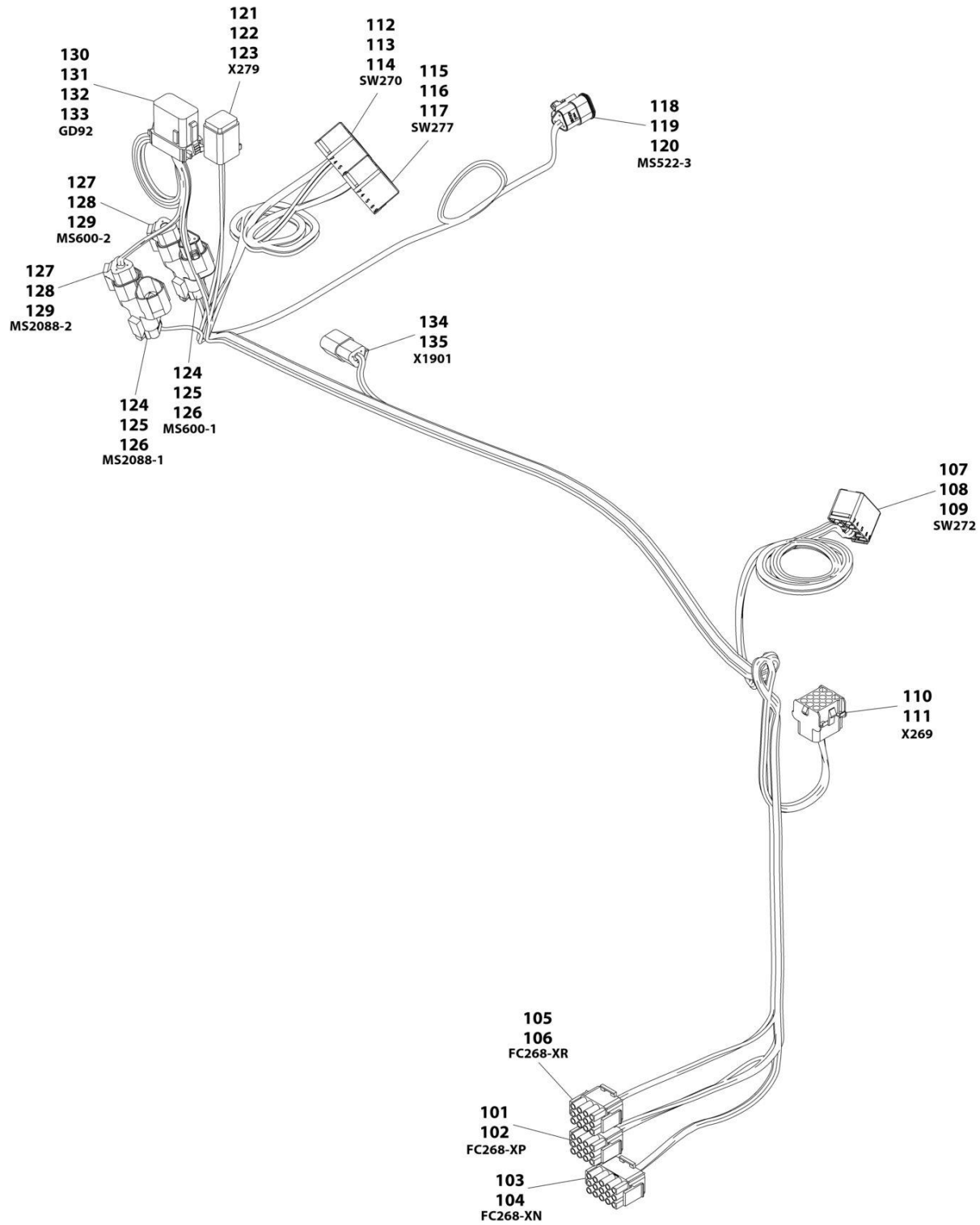
ITEM	PART NUMBER	QTY	DESCRIPTION	REV
	1001163371	Ref	CAB OPTION 1 HARNESS	I
1	4460343	1	Connector	
2	4460268	10	Terminal	
3	4460906	1	Terminal	
4	1001117081	1	Connector	
5	1001118384	7	Terminal	
6	1001116999	1	Connector	
7	1001116700	4	Terminal	
8	1001116991	1	Connector	
9	1001118384	2	Terminal	
10	4460343	1	Connector	
11	4460267	6	Terminal	
12	4460225	1	Connector	
13	4460267	5	Terminal	
14	4460705	1	Terminal	
15	1001173411	1	Connector	
16	1001265008	3	Terminal	
17	1001118384	3	Terminal	
19	1001117081	1	Connector	
20	1001118384	6	Terminal	
21	4460708	1	Connector	
22	4460267	14	Terminal	
23	4460836	1	Connector	
24	4460942	3	Terminal	
25	4460465	8	Terminal	
26	1001157890	1	Terminal	
27	1001117081	1	Connector	
28	1001118384	8	Terminal	
29	1001116723	2	Terminal	
30	1001117081	1	Connector	
31	1001118384	7	Terminal	
32	1001117081	1	Connector	
33	1001118384	10	Terminal	
34	1001274300	1	Connector	
35	1001118384	8	Terminal	
36	1001117081	1	Connector	
37	1001118384	4	Terminal	
38	1001117081	1	Connector	
39	1001118384	6	Terminal	
40	1001117081	1	Connector	
41	1001118384	6	Terminal	
42	8220051	1	Female Blade Coupler	
43	8220051	1	Female Blade Coupler	
44	8220051	1	Female Blade Coupler	
45	8220051	1	Female Blade Coupler	
46	8220051	1	Female Blade Coupler	
47	8220051	1	Female Blade Coupler	
48	8220051	1	Female Blade Coupler	
49	1001116997	1	Connector	
50	1001118384	4	Terminal	

SECTION 10 - ELECTRICAL

ITEM	PART NUMBER	QTY	DESCRIPTION	REV
51	1001116723	1	Terminal	
52	4460994	1	Connector	
53	1001118384	2	Terminal	
54	4460994	1	Connector	
55	1001118384	3	Terminal	
56	4460884	1	Connector	
57	4460942	4	Terminal	
58	4460932	1	Connector	
59	4460941	4	Terminal	
60	4460343	1	Connector	
61	4460268	12	Terminal	
62	4460367	1	Connector	
63	4460267	12	Terminal	
64	1001116986	1	Connector	
65	1001118384	4	Terminal	
66	1001116986	1	Connector	
67	1001118384	4	Terminal	
68	4461115	1	Connector	
69	1001116747	2	Terminal	
70	4461115	1	Connector	
71	1001116747	2	Terminal	
72	4461115	1	Connector	
73	1001116747	2	Terminal	
74	4461115	1	Connector	
75	1001116747	2	Terminal	

SECTION 10 - ELECTRICAL

FIGURE 10-21. CAB OPTION 2 HARNESS



ART_1001283420_A

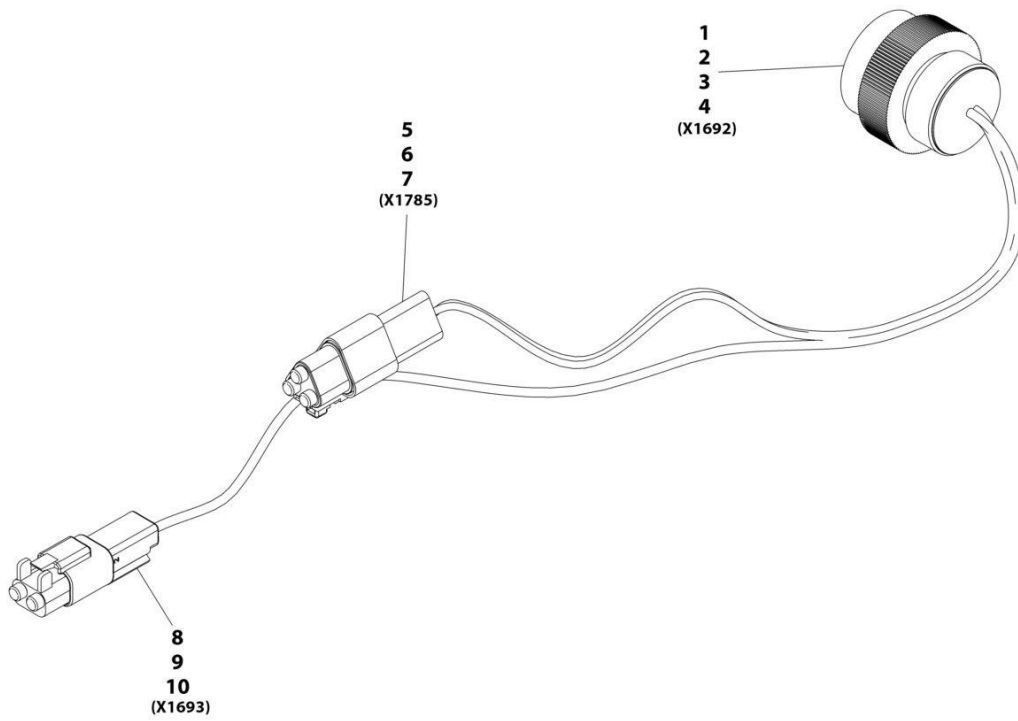
SECTION 10 - ELECTRICAL

FIGURE 10-21. CAB OPTION 2 HARNESS

ITEM	PART NUMBER	QTY	DESCRIPTION	REV
	1001283420	Ref	CAB OPTION 2 HARNESS	A
101	4460343	1	Connector	
102	4460268	6	Terminal	
103	4460434	1	Connector	
104	4460268	8	Terminal	
105	4460343	1	Connector	
106	4460267	3	Terminal	
107	1001117081	1	Connector	
108	1001118384	1	Terminal	
109	1001116723	6	Terminal	
110	4460367	1	Connector	
111	4460267	7	Terminal	
112	1001117081	1	Connector	
113	1001118384	2	Terminal	
114	1001116723	4	Terminal	
115	1001117081	1	Connector	
116	1001118384	3	Terminal	
117	1001116723	2	Terminal	
118	1001116812	1	Connector	
119	4460944	2	Terminal	
120	4460466	1	Plug	
121	4460930	1	Connector	
122	4460466	6	Plug	
123	4460465	2	Terminal	
124	1001116812	2	Connector	
125	4460944	4	Terminal	
126	4460466	2	Plug	
127	4460539	2	Connector	
128	4460944	4	Terminal	
129	4460466	2	Plug	
130	1001176333	1	Connector	
131	4460466	11	Plug	
132	4460465	3	Terminal	
133	4460944	4	Terminal	
134	4460539	1	Connector	
135	4460465	3	Terminal	

SECTION 10 - ELECTRICAL

FIGURE 10-22. CAB - OPTION HARNESS



ART_1001271436-A

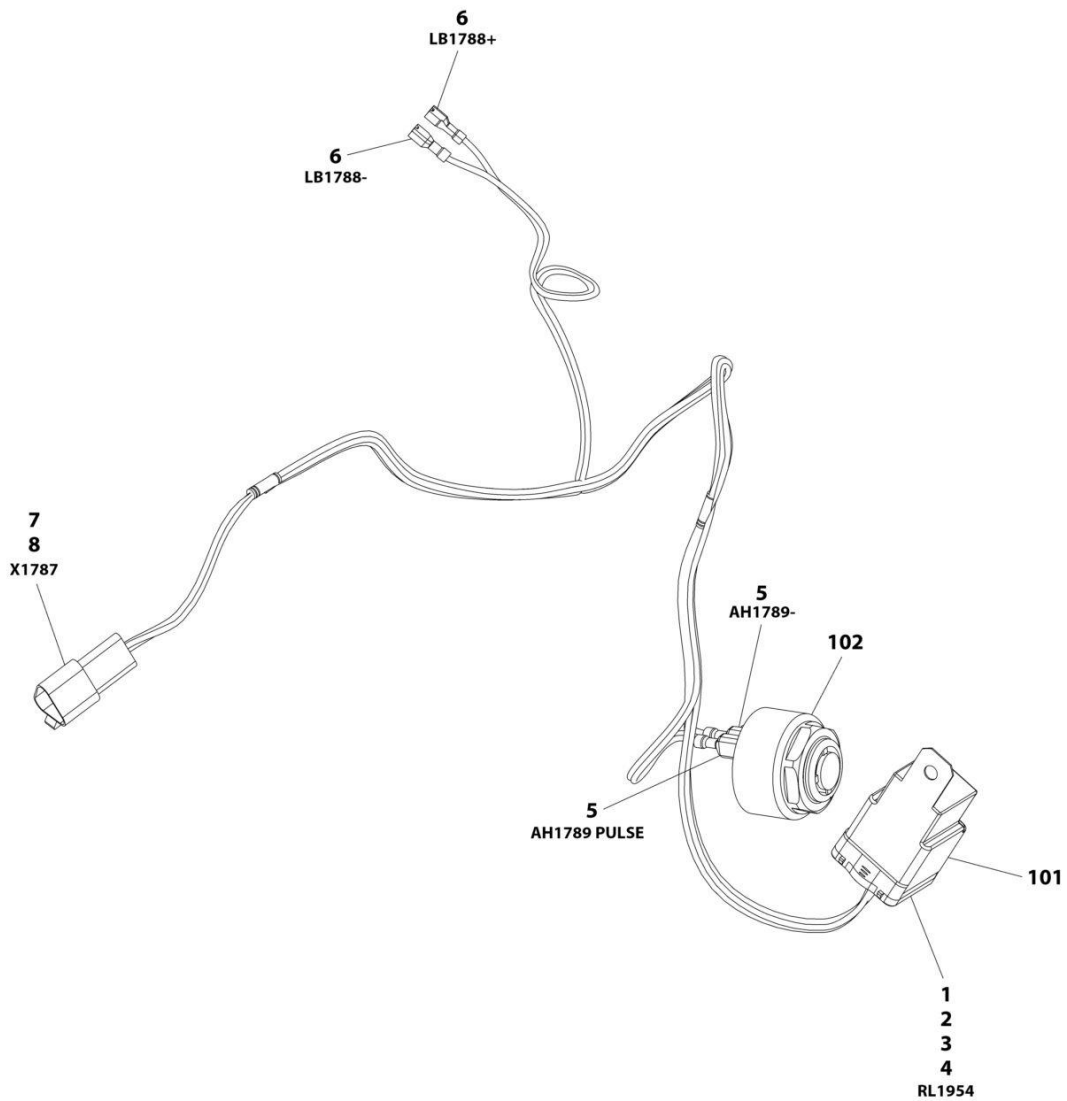
SECTION 10 - ELECTRICAL

FIGURE 10-22. CAB - OPTION HARNESS

ITEM	PART NUMBER	QTY	DESCRIPTION	REV
	1001271436	Ref	CAB OPTION HARNESS	A
1	4461015	1	Connector	
2	4460465	2	Terminal	
3	4460942	1	Terminal	
4	4460466	11	Plug	
5	1001144147	1	Connector	
6	4460943	2	Terminal	
7	4460466	1	Plug	
8	4460897	1	Connector	
9	4460941	1	Terminal	
10	4460466	1	Plug	

SECTION 10 - ELECTRICAL

FIGURE 10-23. CAB ALARM HARNESS - SEAT BELT



ART_1001268744

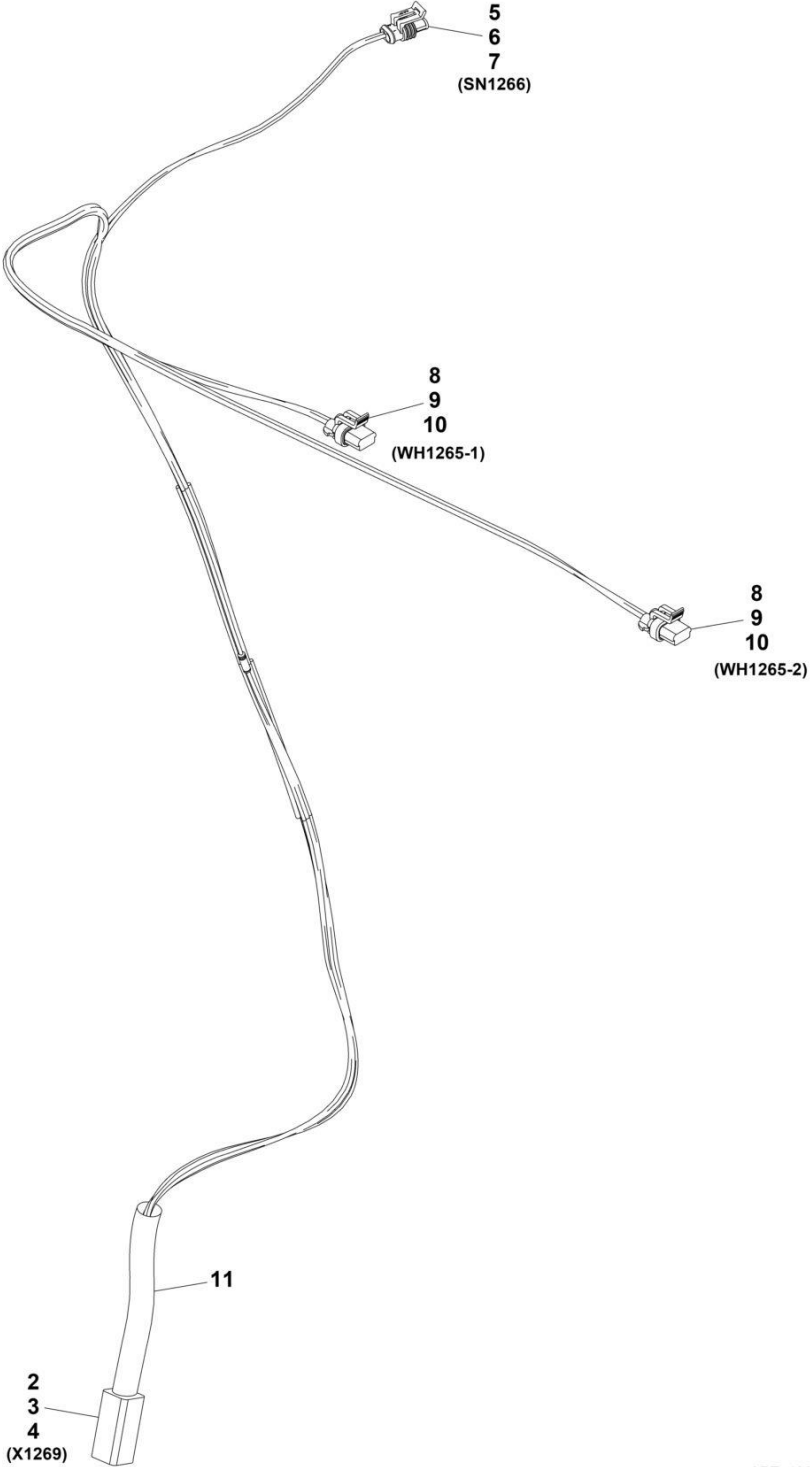
SECTION 10 - ELECTRICAL

FIGURE 10-23. CAB ALARM HARNESS - SEAT BELT

ITEM	PART NUMBER	QTY	DESCRIPTION	REV
	1001268744	Ref	SEAT BELT ALARAM HARNESS	B
1	1001231398	1	Connector	
2	1001231400	4	Terminal	
3	1001231406	1	Terminal	
4	1001231404	4	Plug	
5	1001194421	2	Terminal	
6	1001201885	2	Terminal	
7	4460536	1	Connector	
8	4460464	3	Terminal	
101	3740080	1	Relay, Weather Proof	
102	1001091751	1	Buzzer Alarm	

SECTION 10 - ELECTRICAL

FIGURE 10-24. CAB - A/C OPTION HARNESS



ART_1001169151

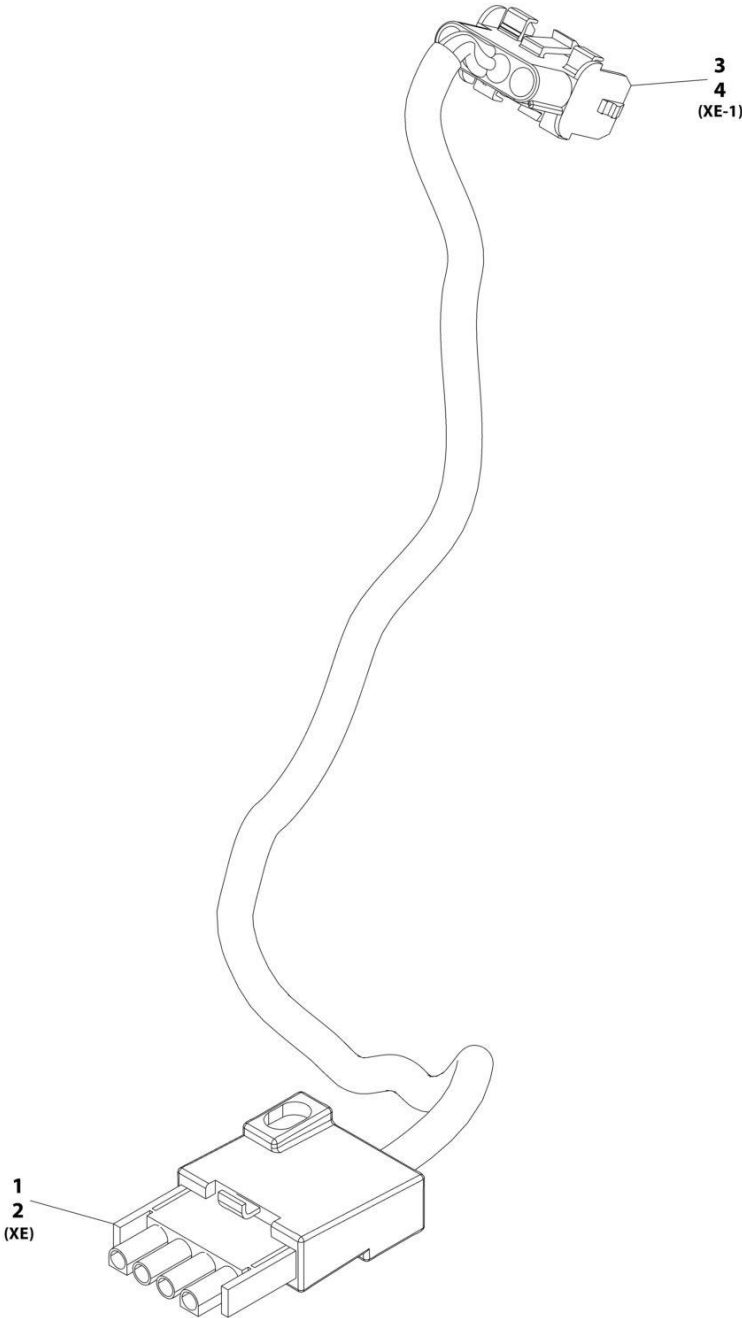
SECTION 10 - ELECTRICAL

FIGURE 10-24. CAB - A/C OPTION HARNESS

ITEM	PART NUMBER	QTY	DESCRIPTION	REV
	1001169151	Ref	A/C Option Harness	G
2	4460899	1	Connector	
3	4460941	4	Terminal	
4	4460464	2	Terminal	
5	4461118	1	Connector	
6	1001107854	2	Terminal	
7	1001116763	2	Seal	
8	1001117021	2	Connector	
9	1001116747	4	Terminal	
10	4460789	4	Seal	
11	70028546	1	Backshell	

SECTION 10 - ELECTRICAL

FIGURE 10-25. CAB - COMMUNICATION ANALYZER CABLE



ART_1001213988-A

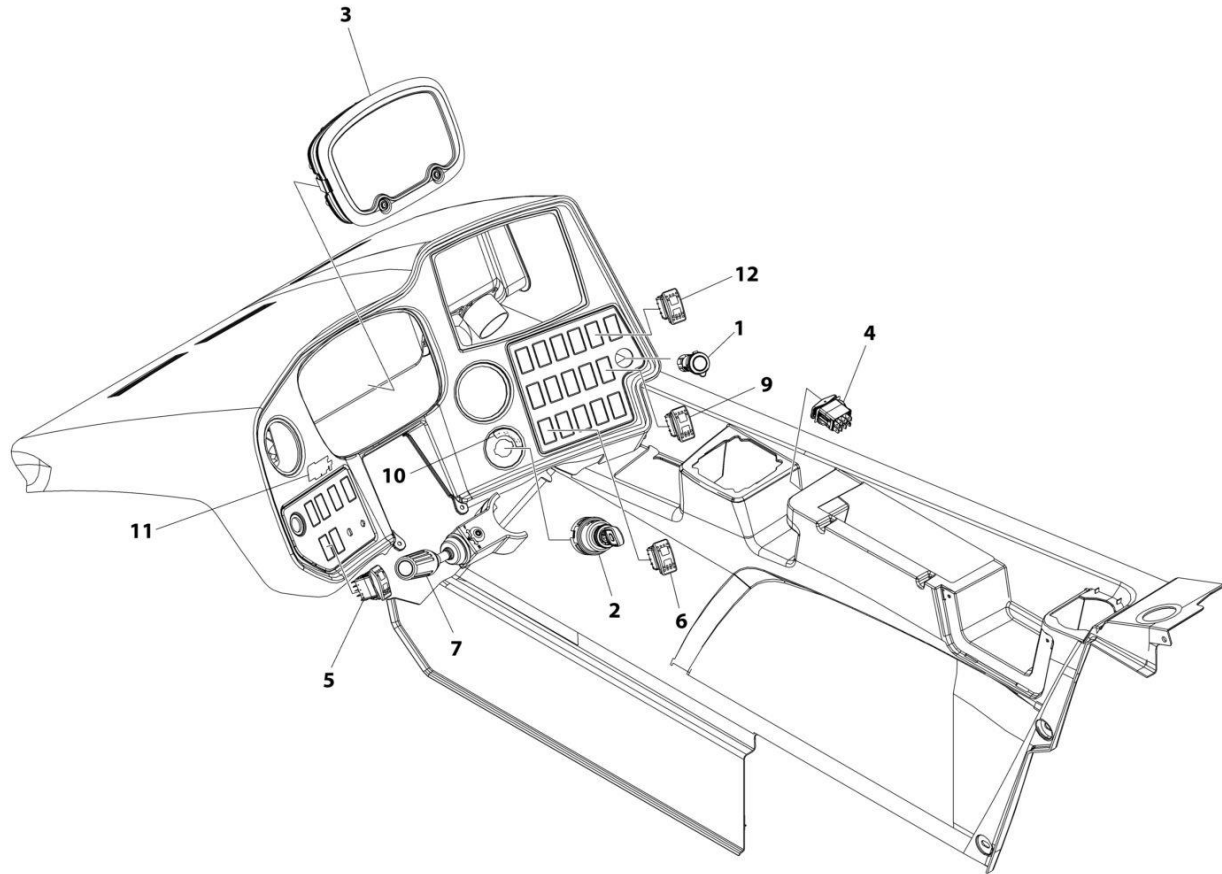
SECTION 10 - ELECTRICAL

FIGURE 10-25. CAB - COMMUNICATION ANALYZER CABLE

ITEM	PART NUMBER	QTY	DESCRIPTION	REV
	1001213988	Ref	Communication Analyzer Cable	A
1	4460321	1	Connector	
2	4460268	4	Terminal	
3	4460761	1	Connector	
4	4460267	4	Terminal	

SECTION 10 - ELECTRICAL

FIGURE 10-26. CAB - DASH ELECTRICAL INSTALLATION (LS)



ART_1001203225_F

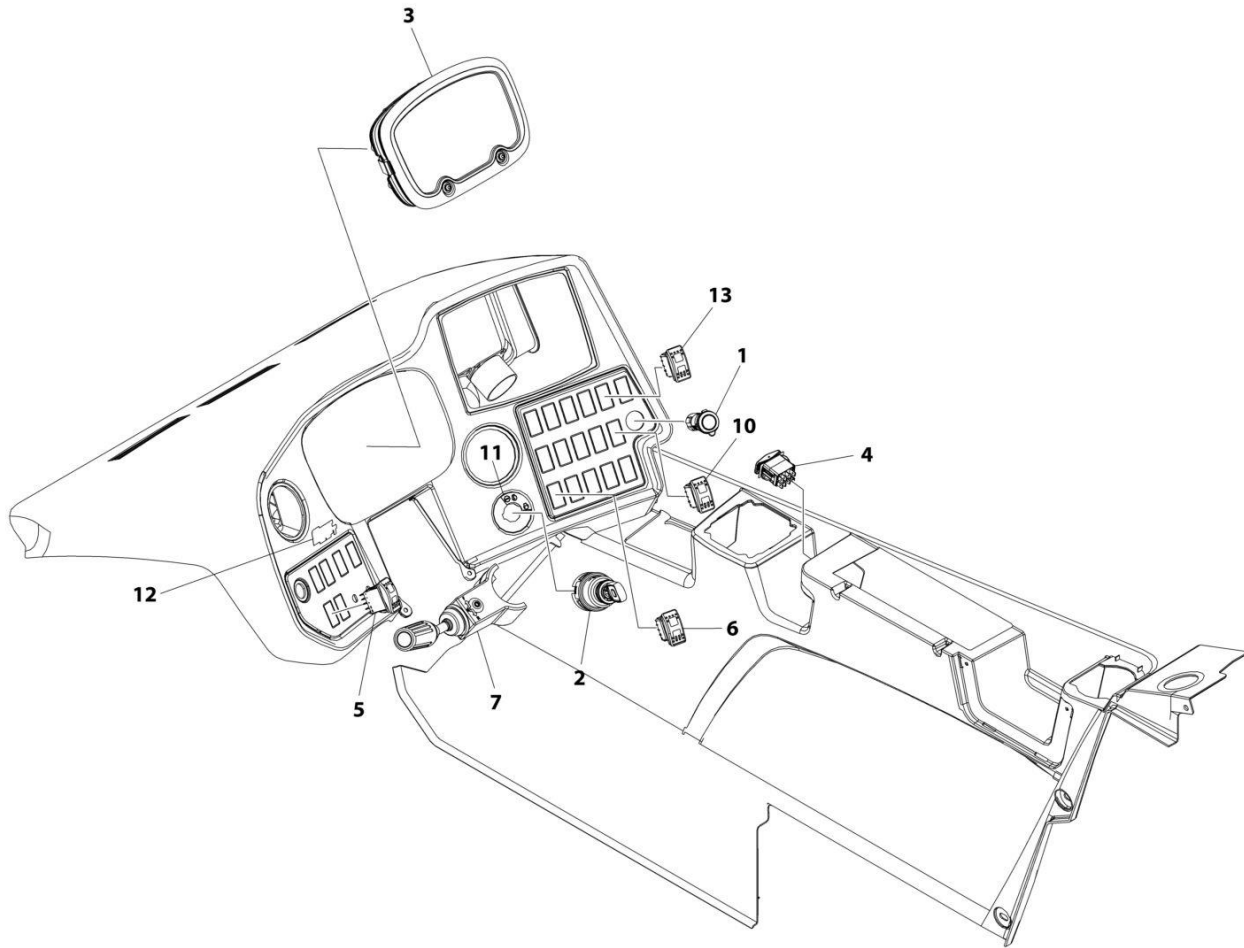
SECTION 10 - ELECTRICAL

FIGURE 10-26. CAB - DASH ELECTRICAL INSTALLATION (LS)

ITEM	PART NUMBER	QTY	DESCRIPTION	REV
	1001203225	Ref	DASH ELECTRICAL INSTALLATION (LS)	F
1	1001095804	1	Connector, 12V Power Socket	
2	1001102502	1	Switch, 4 Position Key	
2	70022765	1	Key, Ignition	
3	1001202454	1	Cluster, Electrical Gauge	
4	1001212470	1	Switch, Frame Level	
5	1001159753	1	Switch, Park Brake	
6	1001159849	1	Switch, Steer Mode	
7	1001239793	1	Switch, FNR 4 Speed	
9	1001104654	1	Switch, AUX	
10	1001181531	1	Decal, Ignition Switch	
11	1001262072	1	Decal, Smart Shift Logo	
12	1001285715	1	Switch, Beacon	

SECTION 10 - ELECTRICAL

FIGURE 10-27. CAB - DASH ELECTRICAL INSTALLATION (ULS)



ART_1001173849_J

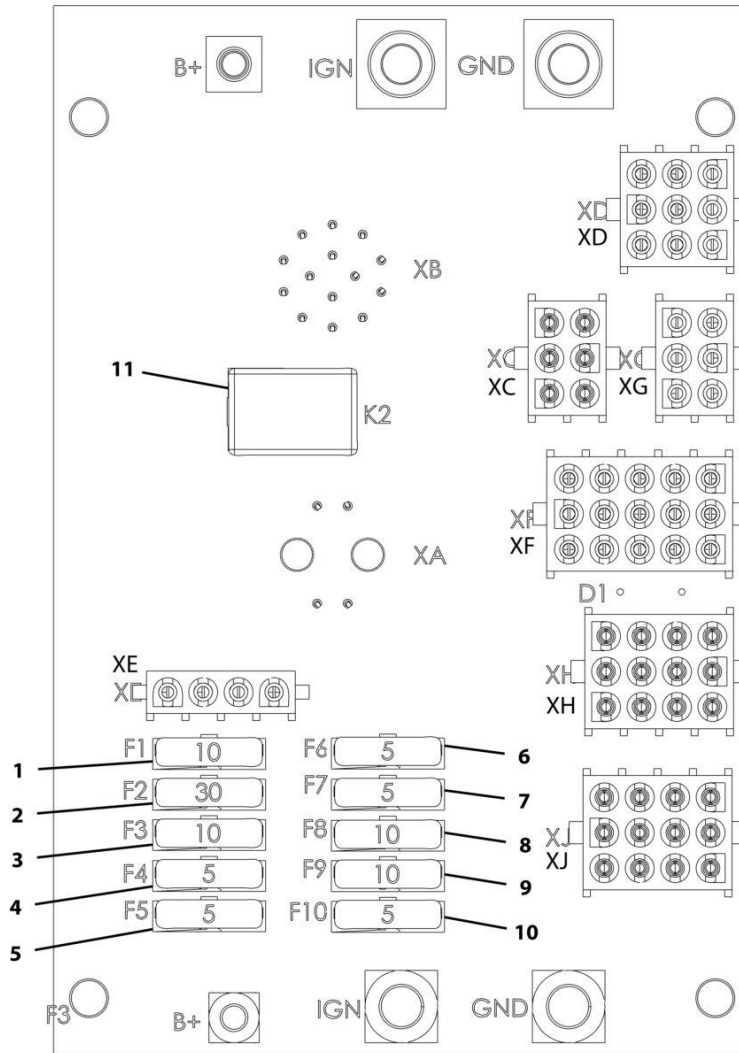
SECTION 10 - ELECTRICAL

FIGURE 10-27. CAB - DASH ELECTRICAL INSTALLATION (ULS)

ITEM	PART NUMBER	QTY	DESCRIPTION	REV
	1001173849	Ref	DASH ELECTRICAL INSTALLATION (IF EQUIPPED FOR ULS)	J
1	1001095804	1	Connector, 12V Power Socket	
2	1001102502	1	Switch, 4 Position Key	
2	70022765	1	Key, Ignition	
3	1001158146	1	Cluster, Electrical Gauge	
4	1001212470	1	Switch, Frame Level	
5	1001159753	1	Switch, Park Brake	
6	1001159849	1	Switch, Steer Mode	
7	1001239793	1	Switch, FNR 4 Speed	
10	1001104654	1	Switch, AUX	
11	1001181531	1	Decal, Ignition Switch	
12	1001262072	1	Decal, Smart Shift Logo	
13	1001285715	1	Switch, Beacon	

SECTION 10 - ELECTRICAL

FIGURE 10-28. CAB FUSE BOARD ASSEMBLY - STANDARD



ART_1001161769-C

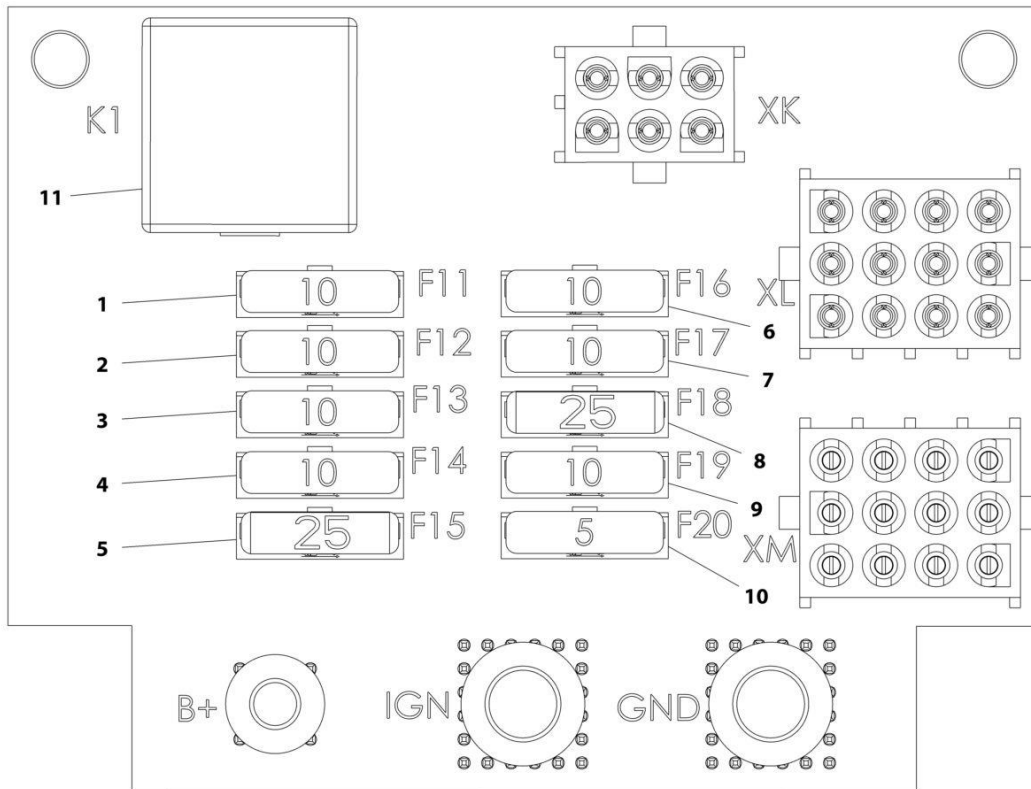
SECTION 10 - ELECTRICAL

FIGURE 10-28. CAB FUSE BOARD ASSEMBLY - STANDARD

ITEM	PART NUMBER	QTY	DESCRIPTION	REV
	1001161769	Ref	Standard Electrical Board Assembly	C
1	80983191	1	Fuse, 10AMP	
2	8229245	1	Fuse, 30AMP	
3	80983191	1	Fuse, 10AMP	
4	8229242	1	Fuse, 5AMP	
5	8229242	1	Fuse, 5AMP	
6	8229242	1	Fuse, 5AMP	
7	8229242	1	Fuse, 5AMP	
8	80983191	1	Fuse, 10AMP	
9	80983191	1	Fuse, 10AMP	
10	8229242	1	Fuse, 5AMP	
11	70026292	1	Fuse, 35AMP	

SECTION 10 - ELECTRICAL

FIGURE 10-29. CAB FUSE BOARD ASSEMBLY - OPTION 1



ART_1001161770-C

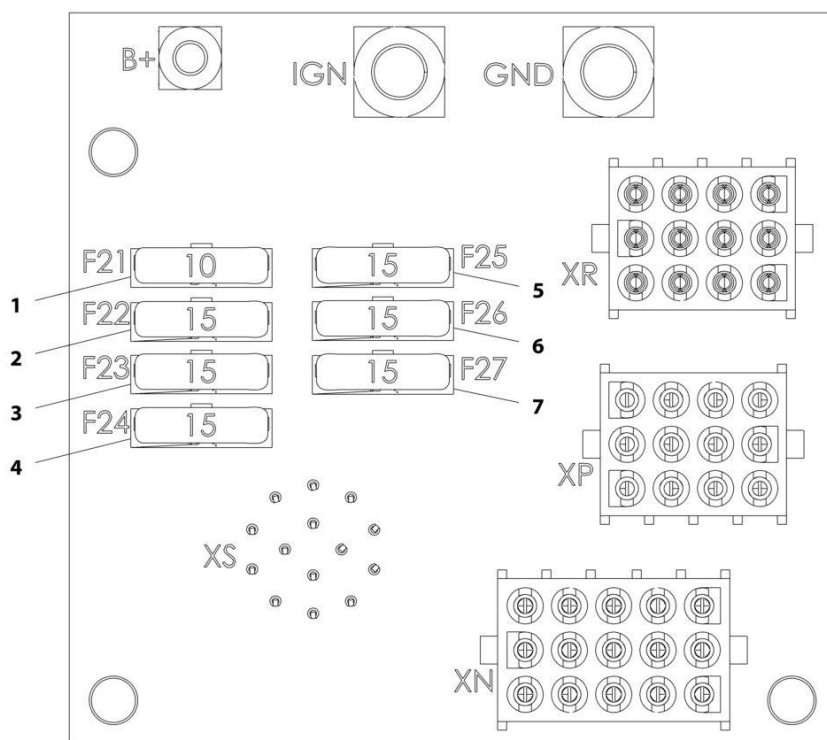
SECTION 10 - ELECTRICAL

FIGURE 10-29. CAB FUSE BOARD ASSEMBLY - OPTION 1

ITEM	PART NUMBER	QTY	DESCRIPTION	REV
	1001161770	Ref	Option 1 Electrical Board Assembly	C
1	80983191	1	Fuse, 10AMP	
2	80983191	1	Fuse, 10AMP	
3	80983191	1	Fuse, 10AMP	
4	80983191	1	Fuse, 10AMP	
5	8229247	1	Fuse, 25AMP	
6	80983191	1	Fuse, 10AMP	
7	80983191	1	Fuse, 10AMP	
8	8229247	1	Fuse, 25AMP	
9	80983191	1	Fuse, 10AMP	
10	8229242	1	Fuse, 5AMP	
11	70026293	1	Fuse, 50AMP	

SECTION 10 - ELECTRICAL

FIGURE 10-30. CAB FUSE BOARD ASSEMBLY - OPTION 2



ART_1001161771-B

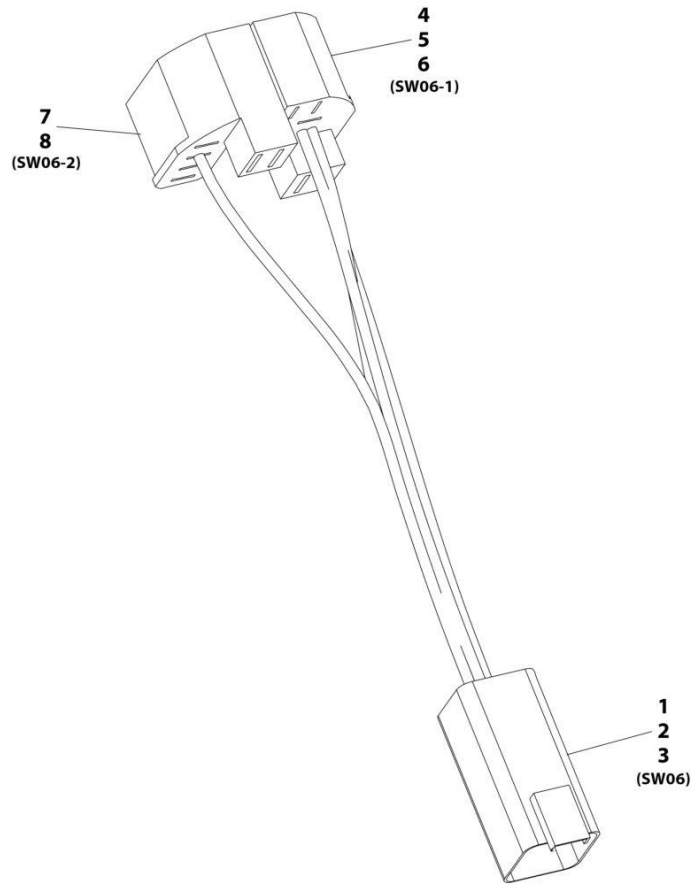
SECTION 10 - ELECTRICAL

FIGURE 10-30. CAB FUSE BOARD ASSEMBLY - OPTION 2

ITEM	PART NUMBER	QTY	DESCRIPTION	REV
	1001161771	Ref	Option 2 Electrical Board Assembly	B
1	80983191	1	Fuse, 10AMP	
2	8229244	1	Fuse, 15AMP	
3	8229244	1	Fuse, 15AMP	
4	8229244	1	Fuse, 15AMP	
5	8229244	1	Fuse, 15AMP	
6	8229244	1	Fuse, 15AMP	
7	8229244	1	Fuse, 15AMP	

SECTION 10 - ELECTRICAL

FIGURE 10-31. CAB KEY HARNESS



ART_1001241610-A

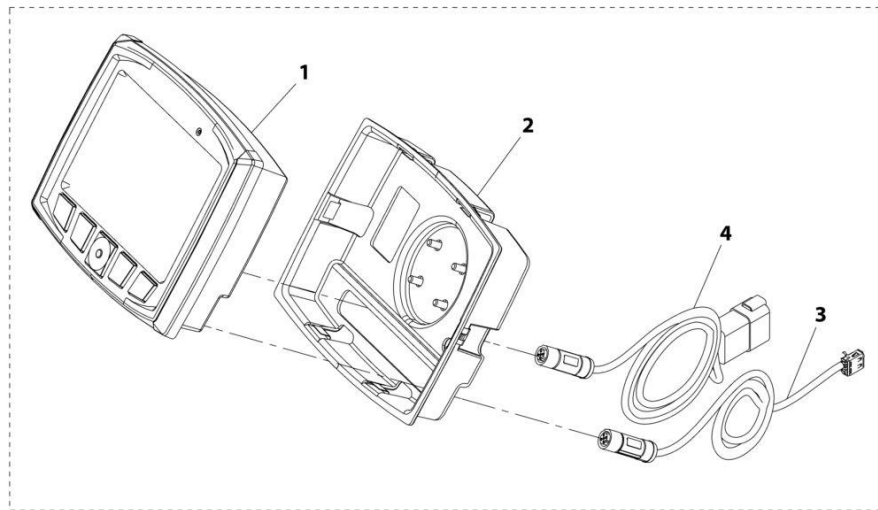
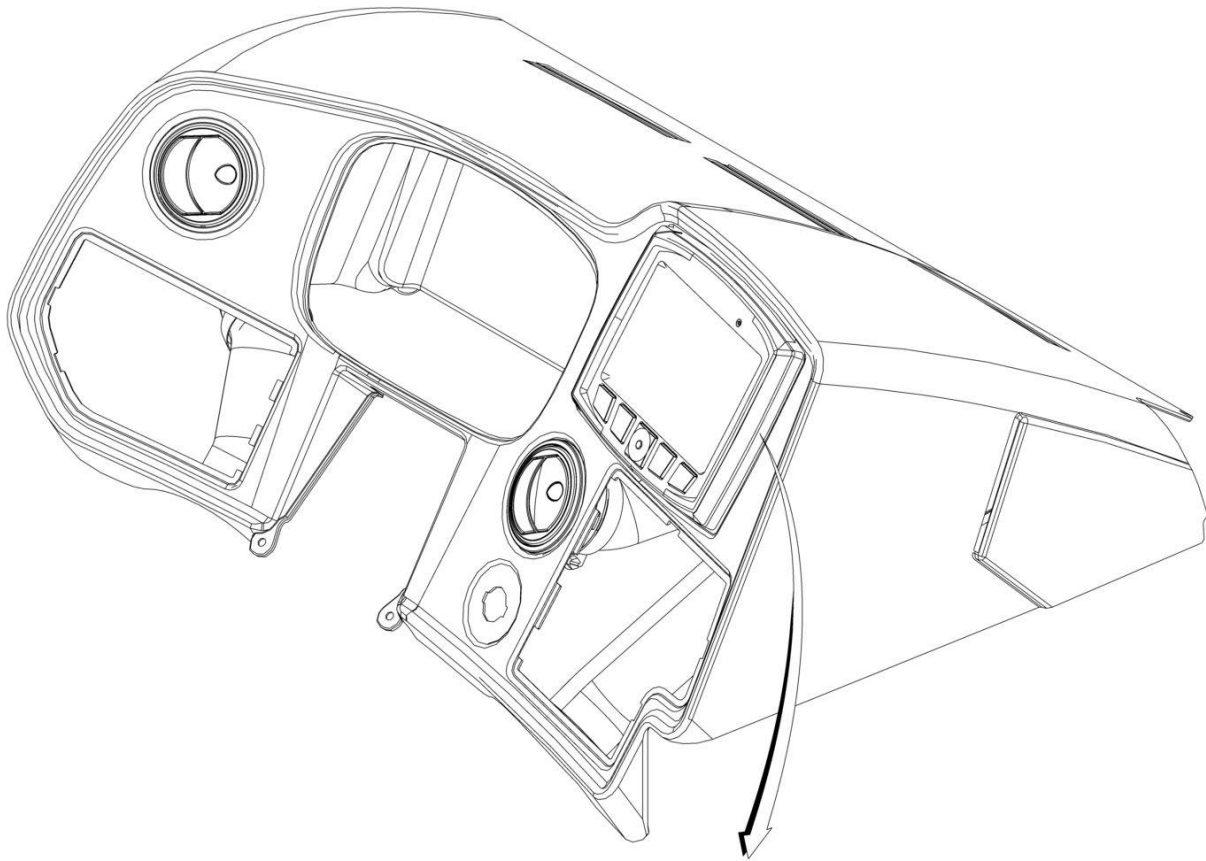
SECTION 10 - ELECTRICAL

FIGURE 10-31. CAB KEY HARNESS

ITEM	PART NUMBER	QTY	DESCRIPTION	REV
	1001241610	Ref	Key Harness	A
1	4460899	1	Connector	
2	4460464	4	Terminal	
3	4460466	2	Plug	
4	1001118685	1	Connector	
5	1001104519	2	Terminal	
6	1001118383	1	Terminal	
7	1001117121	1	Connector	
8	1001104519	1	Terminal	

SECTION 10 - ELECTRICAL

FIGURE 10-32. CAB - MULTIFUNCTION DISPLAY INSTALLATION



ART_1001176338-C

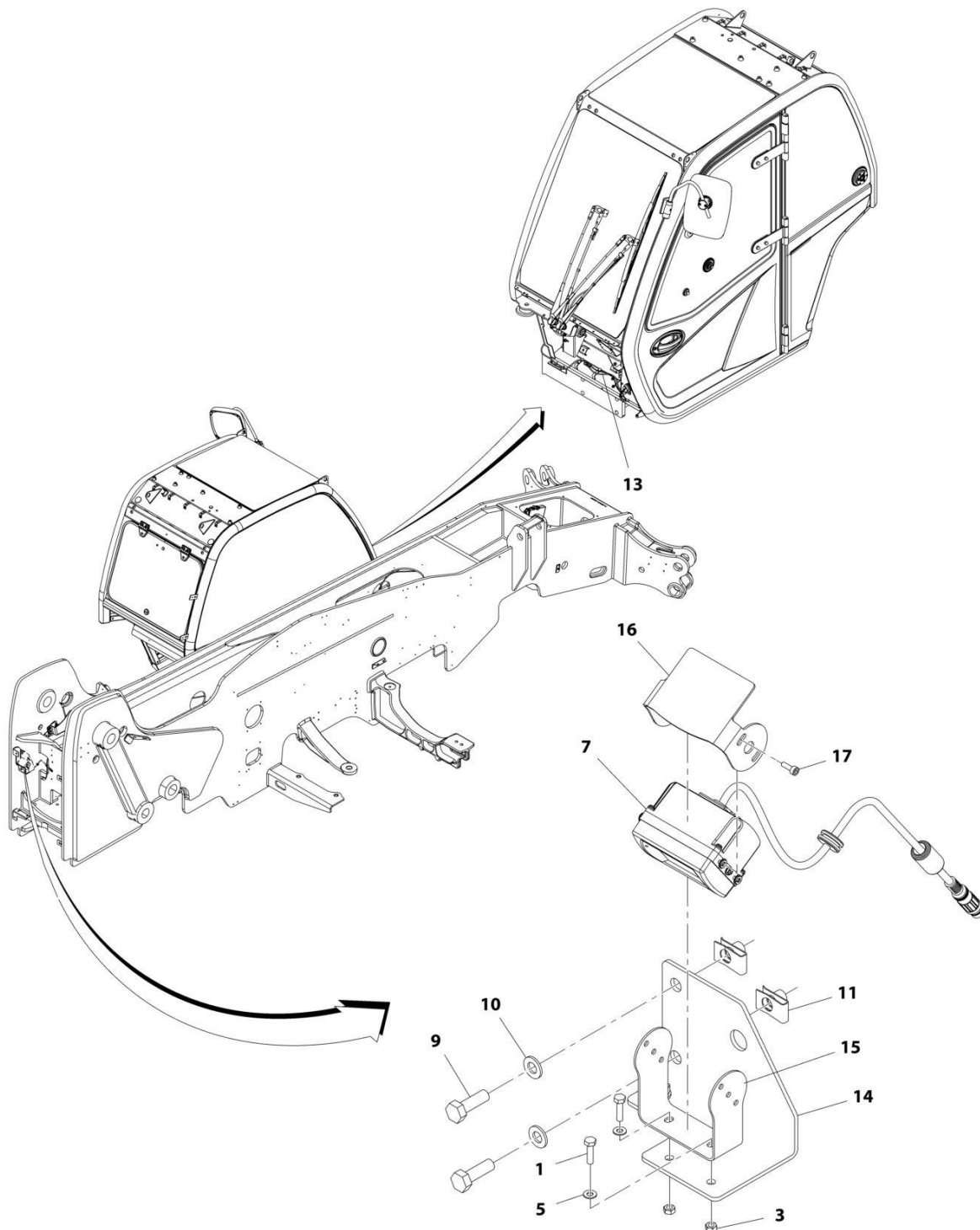
SECTION 10 - ELECTRICAL

FIGURE 10-32. CAB - MULTIFUNCTION DISPLAY INSTALLATION

ITEM	PART NUMBER	QTY	DESCRIPTION	REV
	1001176338	Ref	Multifunction Display Installation	C
1	1001250161	1	Display	
2	1001178783	1	Bezel	
3	1001180682	1	Cable	
4	1001180683	1	Cable, Video	

SECTION 10 - ELECTRICAL

FIGURE 10-33. CAMERA INSTALLATION - REVERSE



ART_1001168031-E

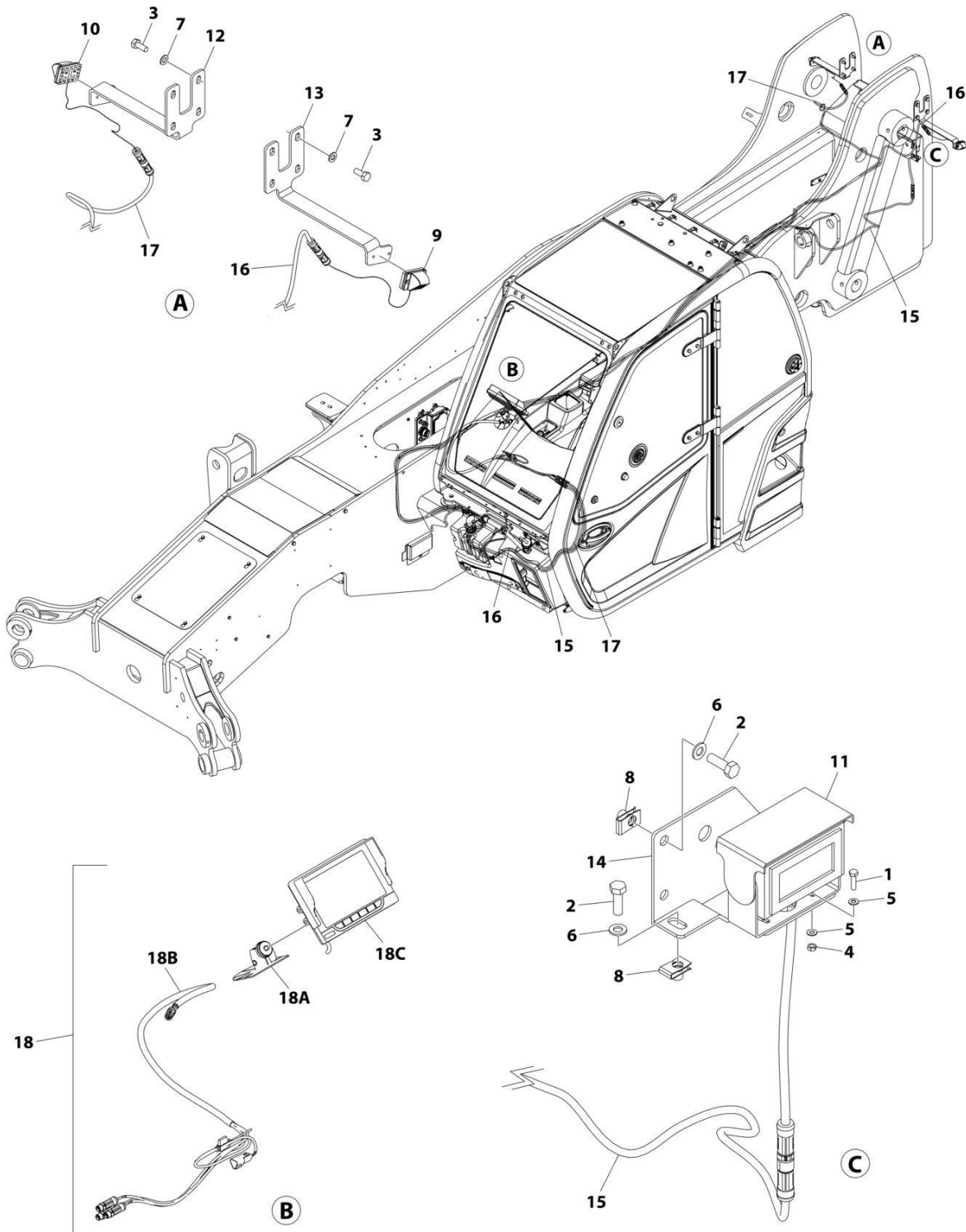
SECTION 10 - ELECTRICAL

FIGURE 10-33. CAMERA INSTALLATION - REVERSE

ITEM	PART NUMBER	QTY	DESCRIPTION	REV
	1001168031	Ref	Reverse Camera Installation	E
1	0700408	2	Bolt, M4X16	
3	3290401	2	Nut, M4X0.7	
5	4811400	2	Washer, M4	
7	1001167017	1	Camera	
9	0760812	3	Bolt, M8X25	
10	4811900	3	Washer, M8	
11	8310686	3	Nut, Retainer M8X12.5	
13	1001171962	1	Cable, Reverse Camera	
14	1001202620	1	Bracket, Reverse Camera Mount	
15	1001202621	1	Bracket, Reverse Camera Mount	
16	1001202622	1	Bracket, Reverse Sun Shield	
17	4031205	4	Bolt, M3X10	

SECTION 10 - ELECTRICAL

FIGURE 10-34. MULTI VIEW CAMERA INSTALLATION



ART_1001297563

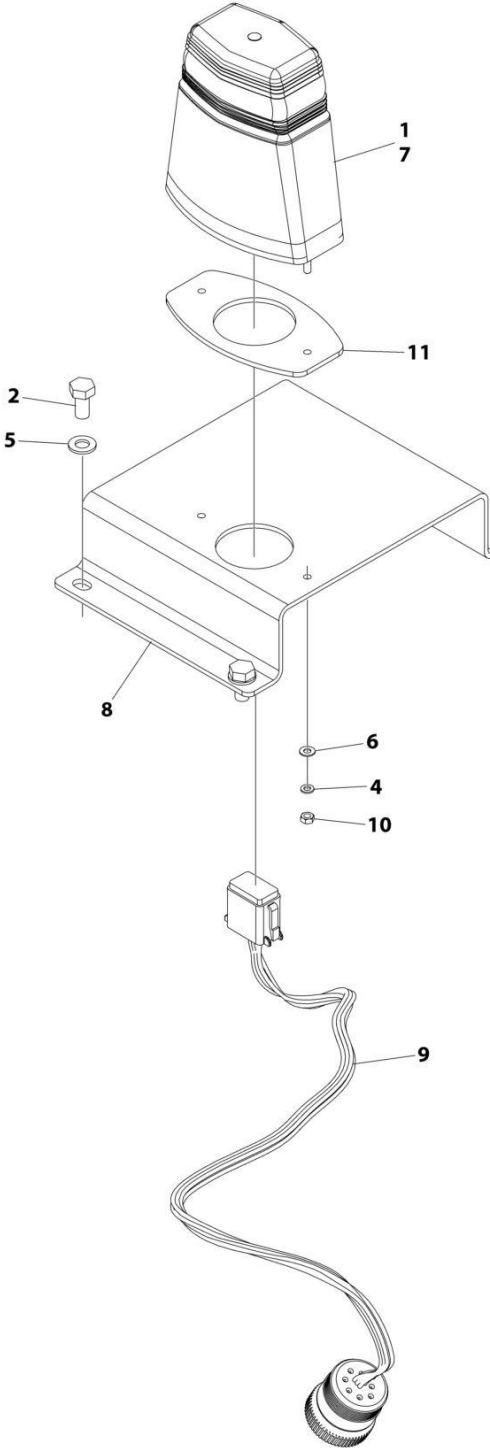
SECTION 10 - ELECTRICAL

FIGURE 10-34. MULTI VIEW CAMERA INSTALLATION

ITEM	PART NUMBER	QTY	DESCRIPTION	REV
	1001297563	Ref	MULTI VIEW CAMERA INSTALLATION	A
1	0700408	2	Bolt M4 x 16	
2	0760812	3	Bolt M8 x 25	
3	0761012	8	Bolt M10 x 25	
4	3290401	2	Nut M4	
5	4811400	4	Washer M4	
6	4811900	3	Washer M8	
7	4812000	8	Washer M10	
8	8310686	3	Nut, Retainer M8	
9	1001264534	1	Camera, Side View (LH)	
10	1001264536	1	Camera, Side View (RH)	
11	1001233174	1	Camera, Rear View	
12	1001280434	1	Bracket, Camera (RH)	
13	1001280435	1	Bracket, Camera (LH)	
14	1001291685	1	Bracket, Rear Camera	
15	1001233434	1	Extension Cable Camera Harness	
16	1001265979	1	Extension Cable Camera Harness (LH)	
17	1001265980	1	Extension Cable Camera Harness (RH)	
18	1001289479	1	Quad View Monitor Assembly	C
18A	1001233217	1	Bracket	
18B	1001294608	1	Quad View Monitor Harness	
18C	1001302410	1	Monitor LED Display	

SECTION 10 - ELECTRICAL

FIGURE 10-35. CLEARSKY CS550 INSTALLATION



ART_1001289792_B

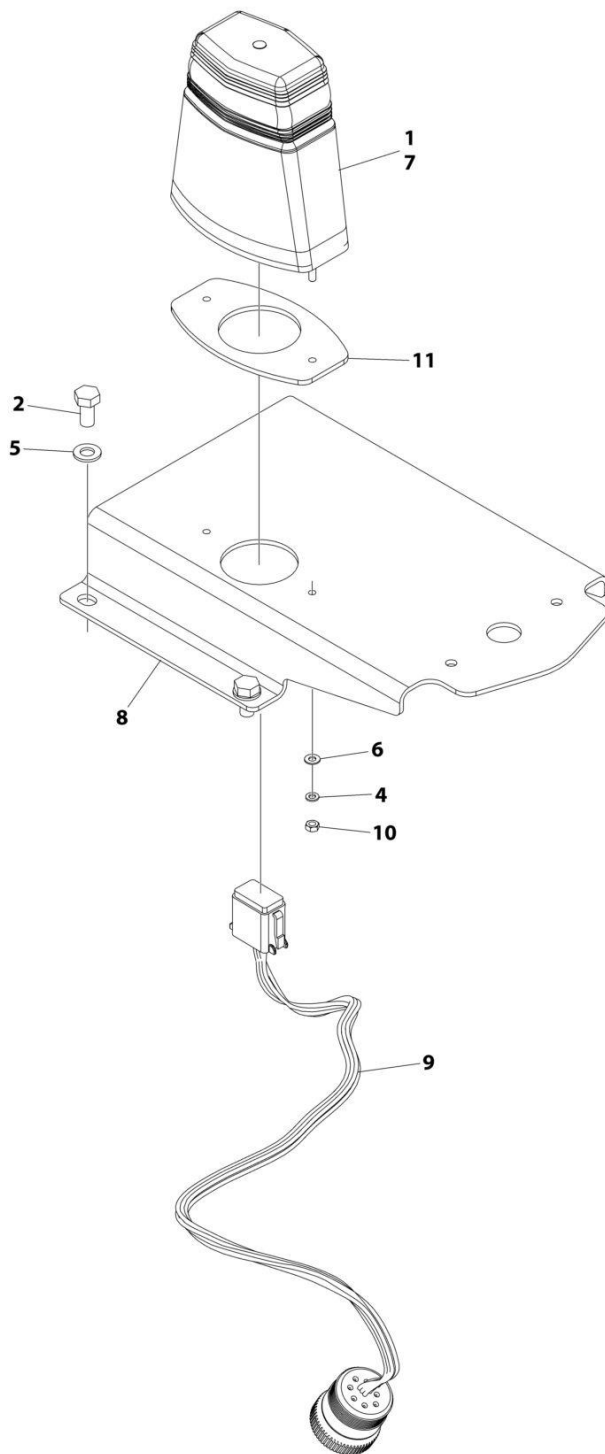
SECTION 10 - ELECTRICAL

FIGURE 10-35. CLEARSKY CS550 INSTALLATION

ITEM	PART NUMBER	QTY	DESCRIPTION	REV
	1001289792	Ref	CLEARSKY INSTALLATION	B
1	0100011	AR	Compound, Locking	
2	0760808	3	Bolt M8 x 16	
4	4811400	2	Washer M4	
5	4811900	3	Washer M8	
6	4831400	2	Washer, Lock M4	
7	1001280661	1	Module, ClearSky	
8	1001287012	1	Bracket, ClearSky Mounting	
9	1001286941	1	Harness, ClearSky (See Separate Breakdown in this Section)	
10	3290401	2	Nut M4	
11	1001291056	1	Gasket	

SECTION 10 - ELECTRICAL

FIGURE 10-36. CLEARSKY CS550 WITH BEACON INSTALLATION



ART_1001289812_B

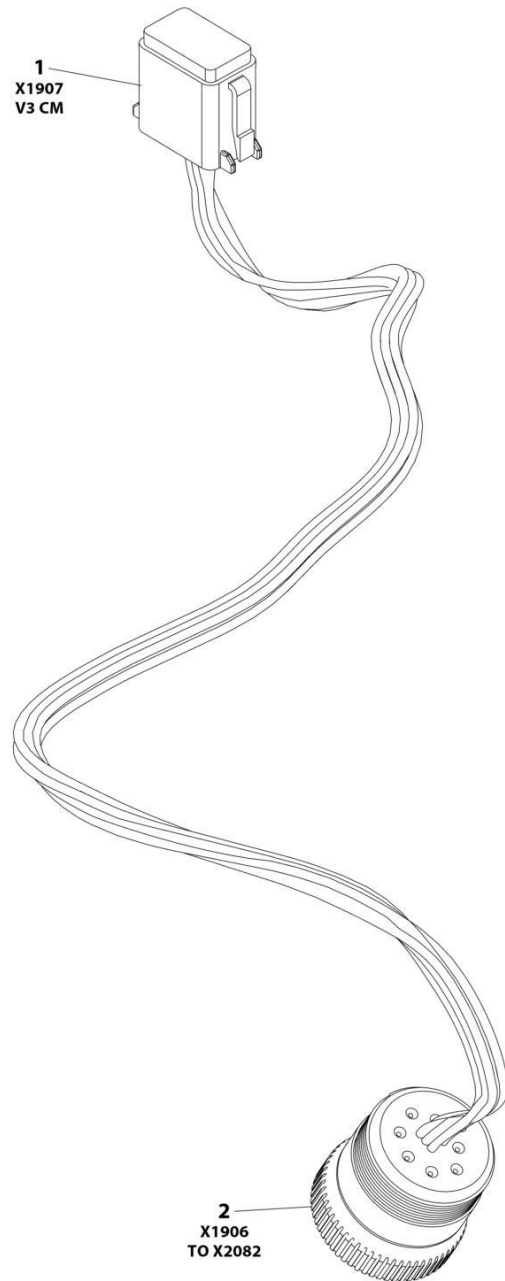
SECTION 10 - ELECTRICAL

FIGURE 10-36. CLEARSKY CS550 WITH BEACON INSTALLATION

ITEM	PART NUMBER	QTY	DESCRIPTION	REV
	1001289812	Ref	CLEARSKY WITH BEACON INSTALLATION	B
1	0100011	AR	Compound, Locking	
2	0760808	3	Bolt M8 x 16	
4	4811400	2	Washer M4	
5	4811900	3	Washer M8	
6	4831400	2	Washer M4	
7	1001280661	1	Module, ClearSky	
8	1001287012	1	Bracket, ClearSky Mounting	
9	1001286941	1	Harness, ClearSky (See Separate Breakdown in this Section)	
10	3290401	2	Nut M4	
11	1001291056	1	Gasket	

SECTION 10 - ELECTRICAL

FIGURE 10-37. CLEARSKY HARNESS



ART_1001286941

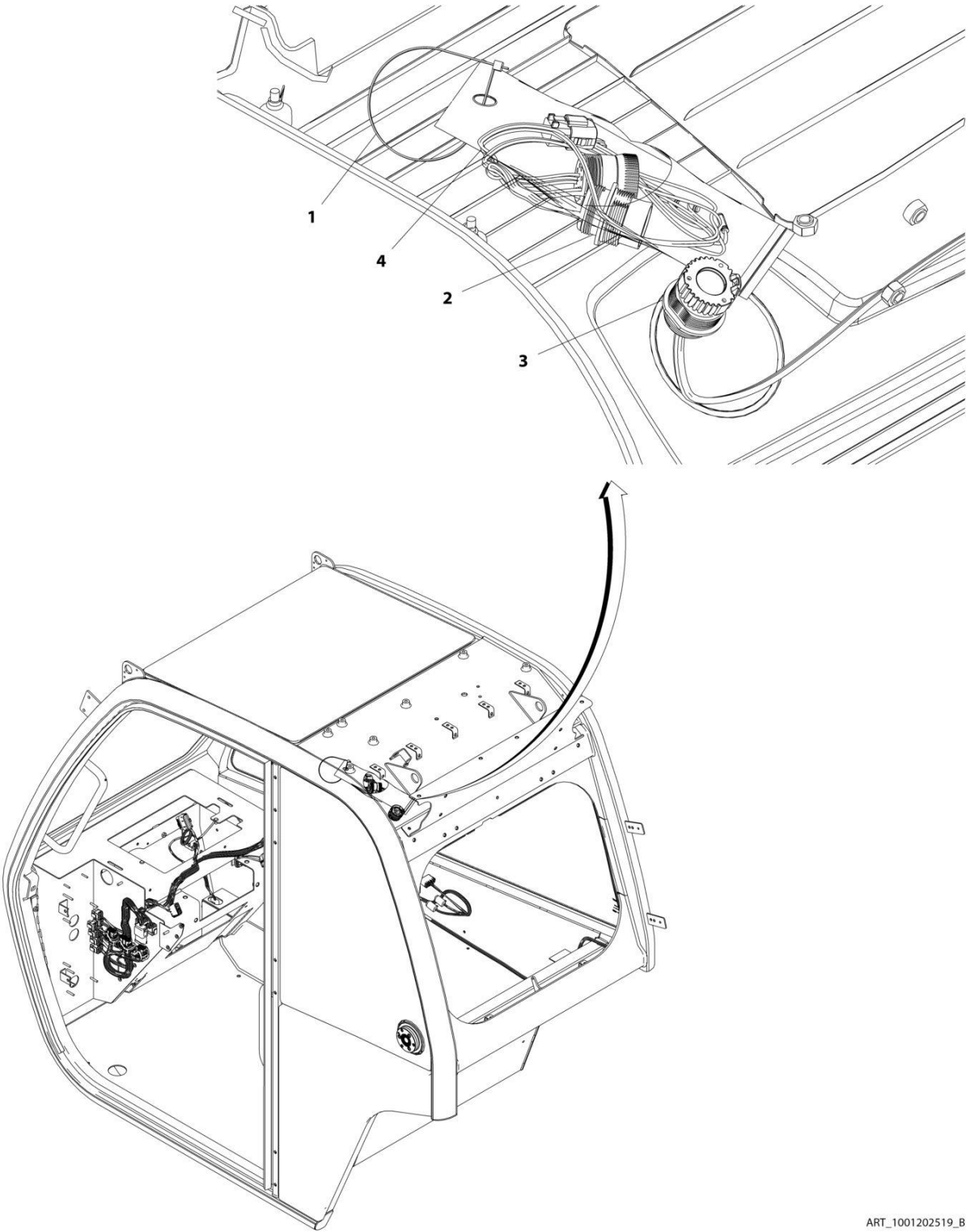
SECTION 10 - ELECTRICAL

FIGURE 10-37. CLEARSKY HARNESS

ITEM	PART NUMBER	QTY	DESCRIPTION	REV
	1001286941	Ref	CLEARSKY HARNESS	A
1	4460930	1	Connector	
1	4460465	8	Socket	
2	1001112796	1	Connector	
2	4460465	8	Socket	
2	4460466	1	Plug	

SECTION 10 - ELECTRICAL

FIGURE 10-38. CLEARSKY TELEMATICS READY INSTALLATION



ART_1001202519_B

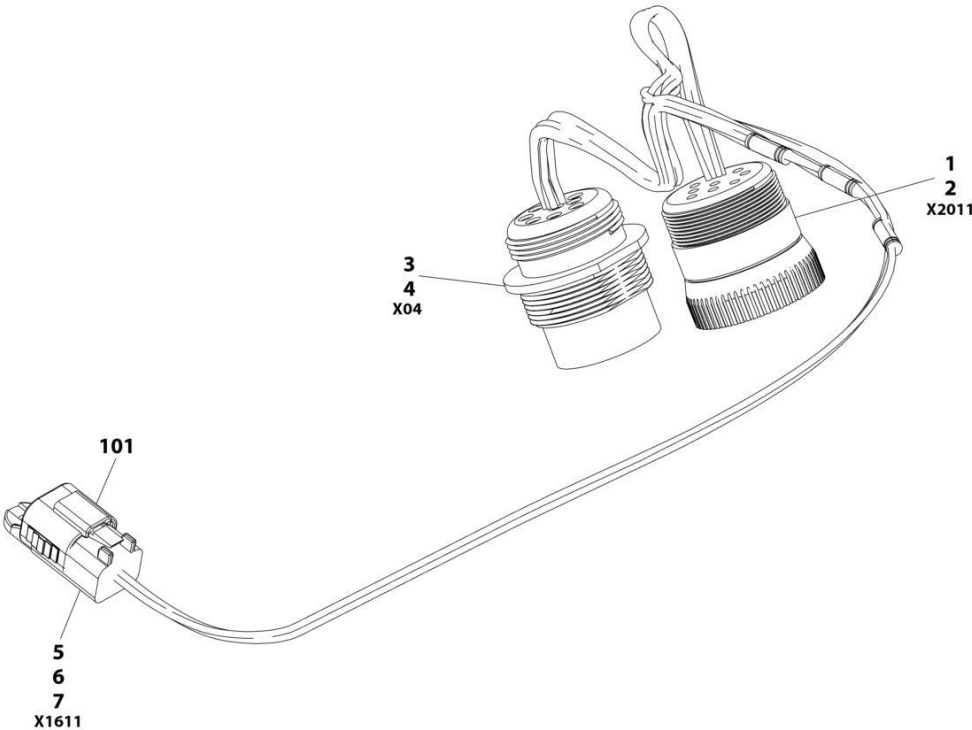
SECTION 10 - ELECTRICAL

FIGURE 10-38. CLEARSKY TELEMATICS READY INSTALLATION

ITEM	PART NUMBER	QTY	DESCRIPTION	REV
	1001202519	Ref	TELEMATICS READY INSTALLATION	B
1	8584003	1	Strap, Tie	
2	1001291182	1	Harness, Telematics Ready (See Separate Breakdown in ELECTRICAL Section)	
3	1001201162	1	Cap	
4	1001202617	1	Bag	

SECTION 10 - ELECTRICAL

FIGURE 10-39. CLEARSKY TELEMATICS READY INSTALLATION



ART_1001291182

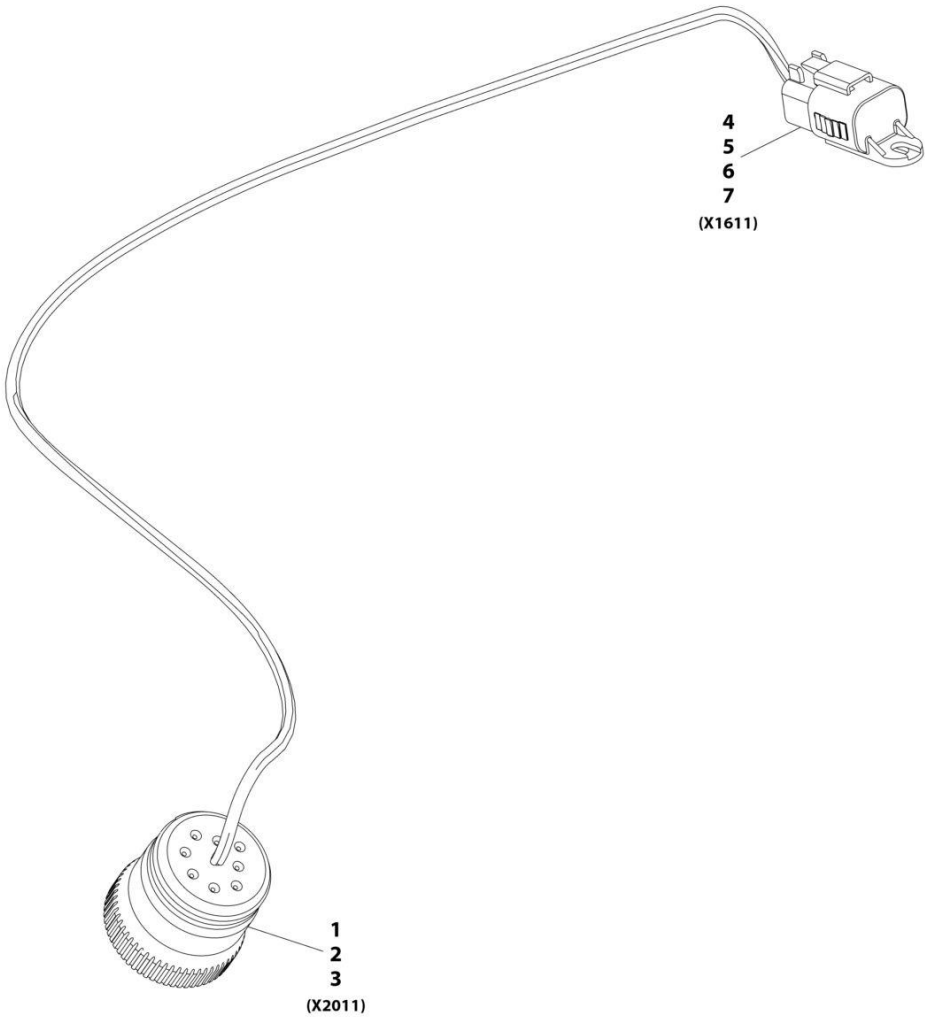
SECTION 10 - ELECTRICAL

FIGURE 10-39. CLEARSKY TELEMATICS READY INSTALLATION

ITEM	PART NUMBER	QTY	DESCRIPTION	REV
	1001291182	Ref	TELEMATICS READY HARNESS	A
1	1001112796	1	Connector	
2	4460465	9	Terminal	
3	1001112612	1	Connector	
4	4460464	9	Terminal	
5	4460884	1	Connector	
6	4460465	3	Terminal	
7	4460466	1	Plug	
101	1001192401	1	Dust Cap	

SECTION 10 - ELECTRICAL

FIGURE 10-40. CLEARSKY/TELEMATICS READY HARNESS



ART_1001196289-A

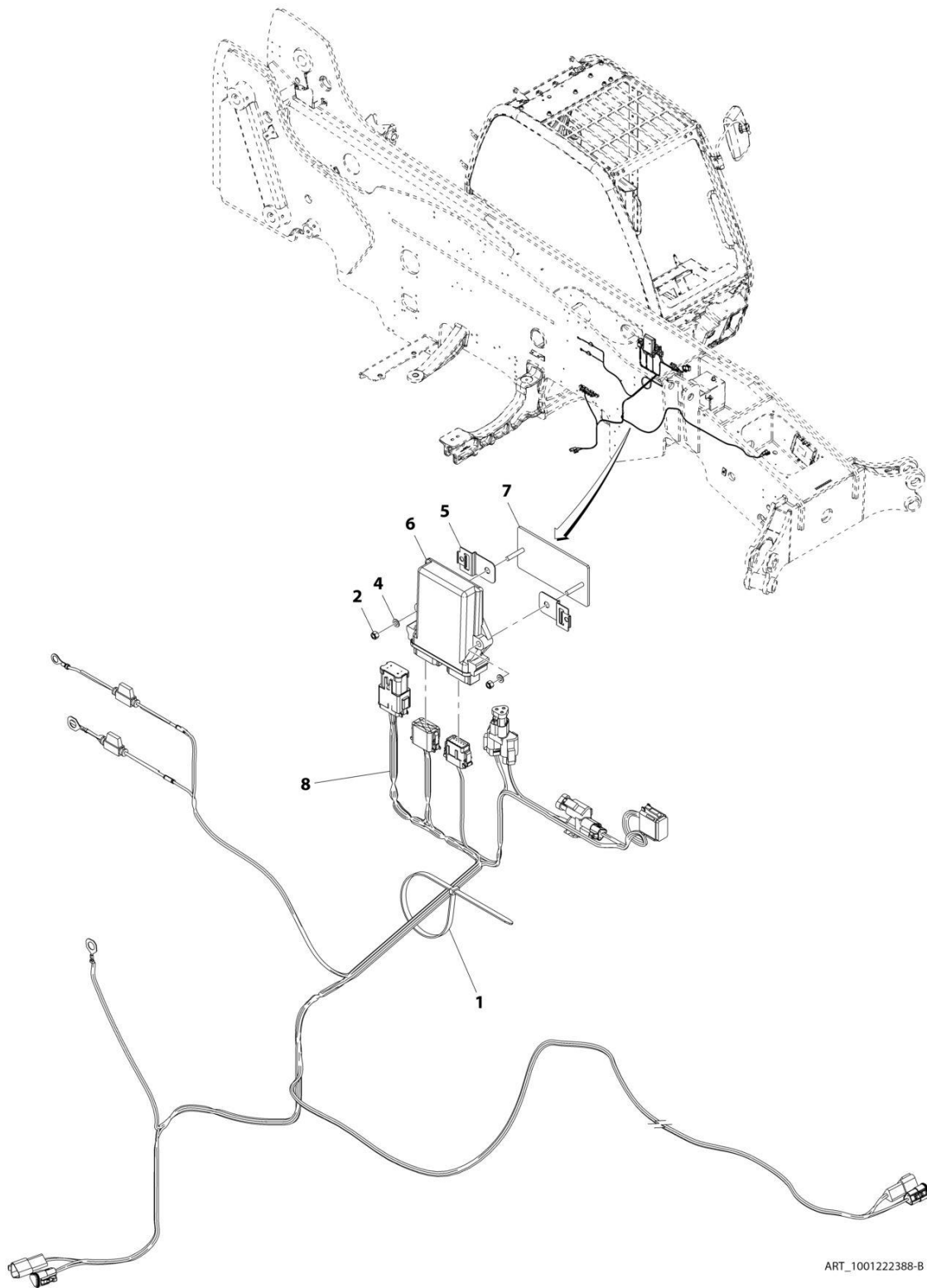
SECTION 10 - ELECTRICAL

FIGURE 10-40. CLEARSKY/TELEMATICS READY HARNESS

ITEM	PART NUMBER	QTY	DESCRIPTION	REV
	1001196289	Ref	Telematics Ready Harness	A
1	1001112796	1	Connector	
2	4460465	3	Terminal	
3	4460466	6	Plug	
4	4460884	1	Connector	
5	80604021	1	Lock, Connector	
6	4460465	3	Terminal	
7	4460466	1	Terminal	

SECTION 10 - ELECTRICAL

FIGURE 10-41. CLEARSKY/TELEMATICS INSTALLATION (CUSTOMER SUPPLIED)



ART_1001222388-B

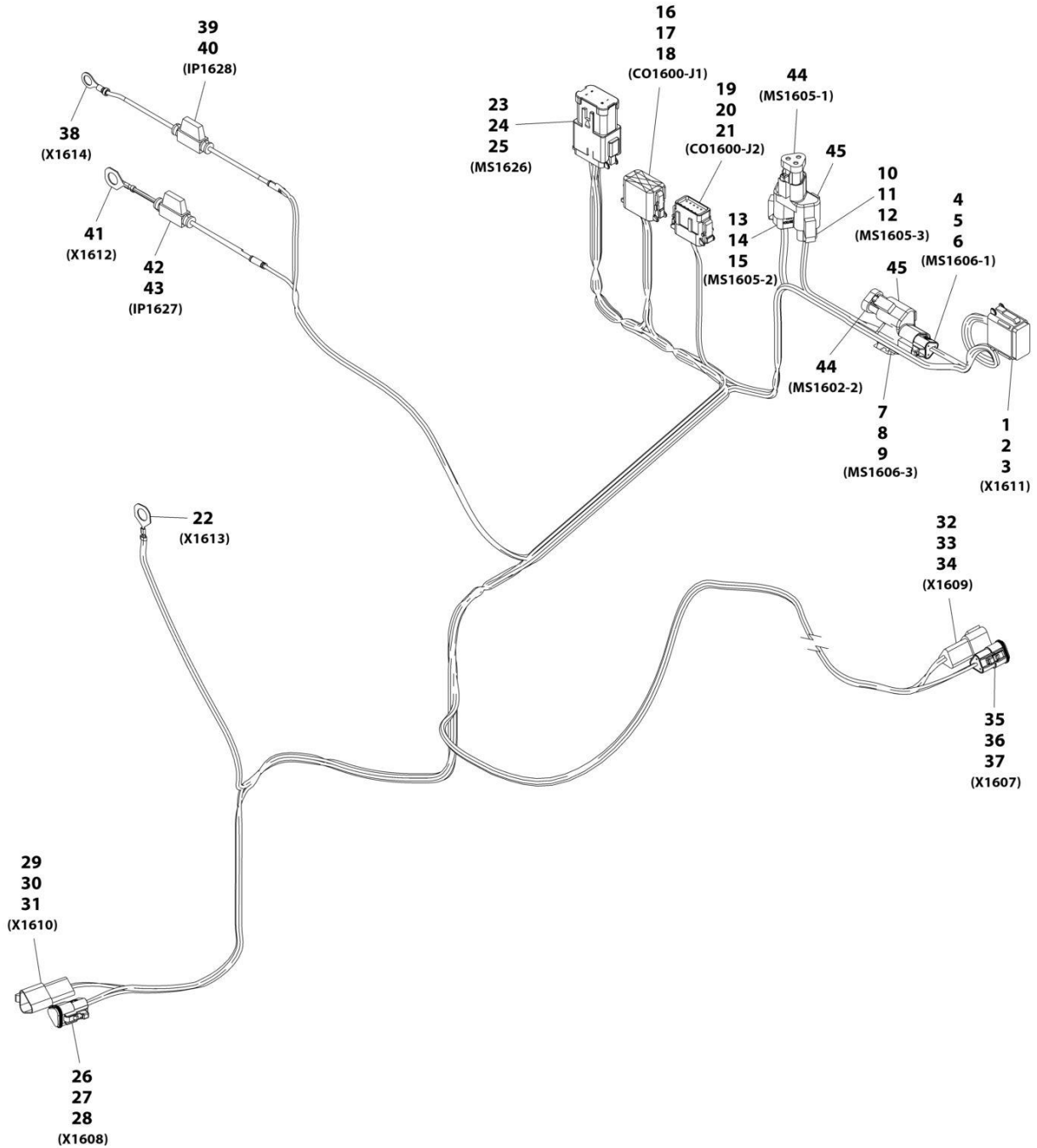
SECTION 10 - ELECTRICAL

FIGURE 10-41. CLEARSKY/TELEMATICS INSTALLATION (CUSTOMER SUPPLIED)

ITEM	PART NUMBER	QTY	DESCRIPTION	REV
	1001222388	Ref	Customer Supplied Telematics Canbus	B
1	1062255	AR	Tie, Strap	
2	3290505	2	Nut, Lock M5X0.8	
4	4811600	2	Washer, M5	
5	1001153749	2	Clip	
6	1001229458	1	Controller, Gateway	
7	1001219082	1	Bracket	
8	1001225259	1	Harness, 4ward Telematics (See Separate Breakdown in this section)	

SECTION 10 - ELECTRICAL

FIGURE 10-42. CLEARSKY/TELEMATICS HARNESS - CUSTOMER SUPPLIED VERSION



ART_1001225259-B

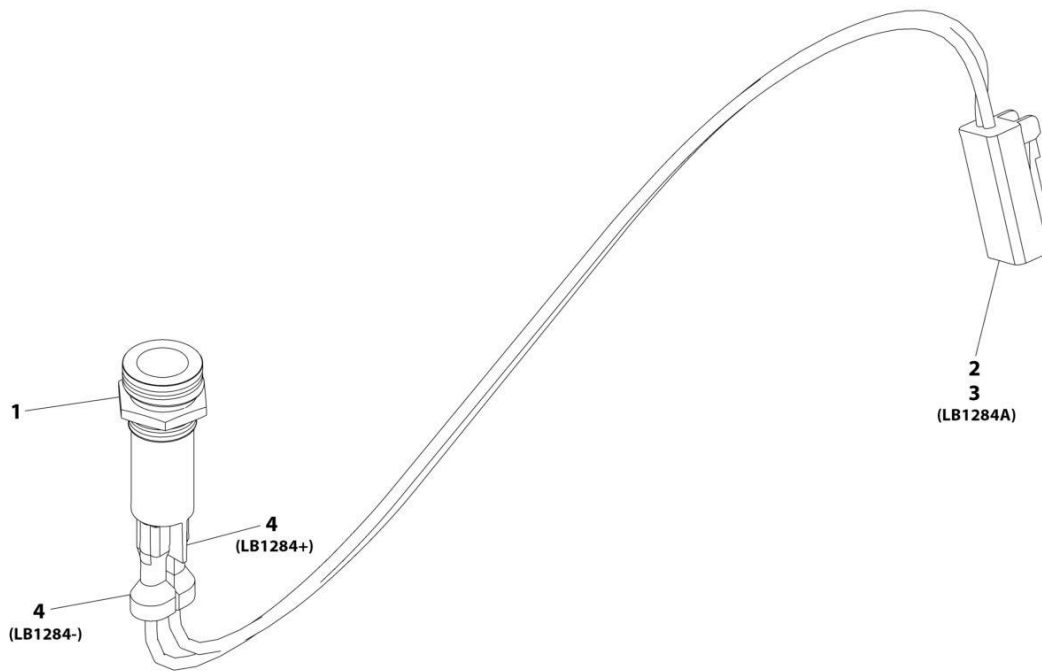
SECTION 10 - ELECTRICAL

FIGURE 10-42. CLEARSKY/TELEMATICS HARNESS - CUSTOMER SUPPLIED VERSION

ITEM	PART NUMBER	QTY	DESCRIPTION	REV
	1001225259	Ref	Telematic Harness	B
1	4460933	1	Connector	
2	4460465	5	Terminal	
3	4460466	7	Plug	
4	1001116812	1	Connector	
5	4460465	2	Terminal	
6	4460466	1	Plug	
7	4460539	1	Connector	
8	4460465	2	Terminal	
9	4460466	1	Plug	
10	4460539	1	Connector	
11	4460465	2	Terminal	
12	4460466	1	Plug	
13	1001116812	1	Connector	
14	4460465	2	Terminal	
15	4460466	1	Plug	
16	1001116774	1	Connector	
17	4460518	6	Plug	
18	1001126008	6	Terminal	
19	1001116808	1	Connector	
20	4460518	10	Plug	
21	1001126008	2	Terminal	
22	1001187081	1	Connector	
23	4460933	1	Connector	
24	1001200206	1	Connector, DT 12 Pin 4X3 Buss	
25	4460465	13	Terminal	
26	1001116812	1	Connector	
27	4460465	2	Terminal	
28	4460466	1	Plug	
29	1001144147	1	Connector	
30	4460464	2	Terminal	
31	4460466	1	Plug	
32	1001144147	1	Connector	
33	4460464	2	Terminal	
34	4460466	1	Plug	
35	1001116812	1	Connector	
36	4460465	2	Terminal	
37	4460466	1	Plug	
38	4460670	1	Connector	
39	2400060	1	Connector	
40	8229242	1	Terminal	
41	1001187078	1	Connector	
42	2400060	1	Connector	
43	8229242	1	Terminal	
44	1001116815	2	Connector, 3 Pin	
45	4460945	2	Terminal, 3 Way "T" Receptacle	

SECTION 10 - ELECTRICAL

FIGURE 10-43. DEF PURGE LIGHT HARNESS



ART_1001232288-A

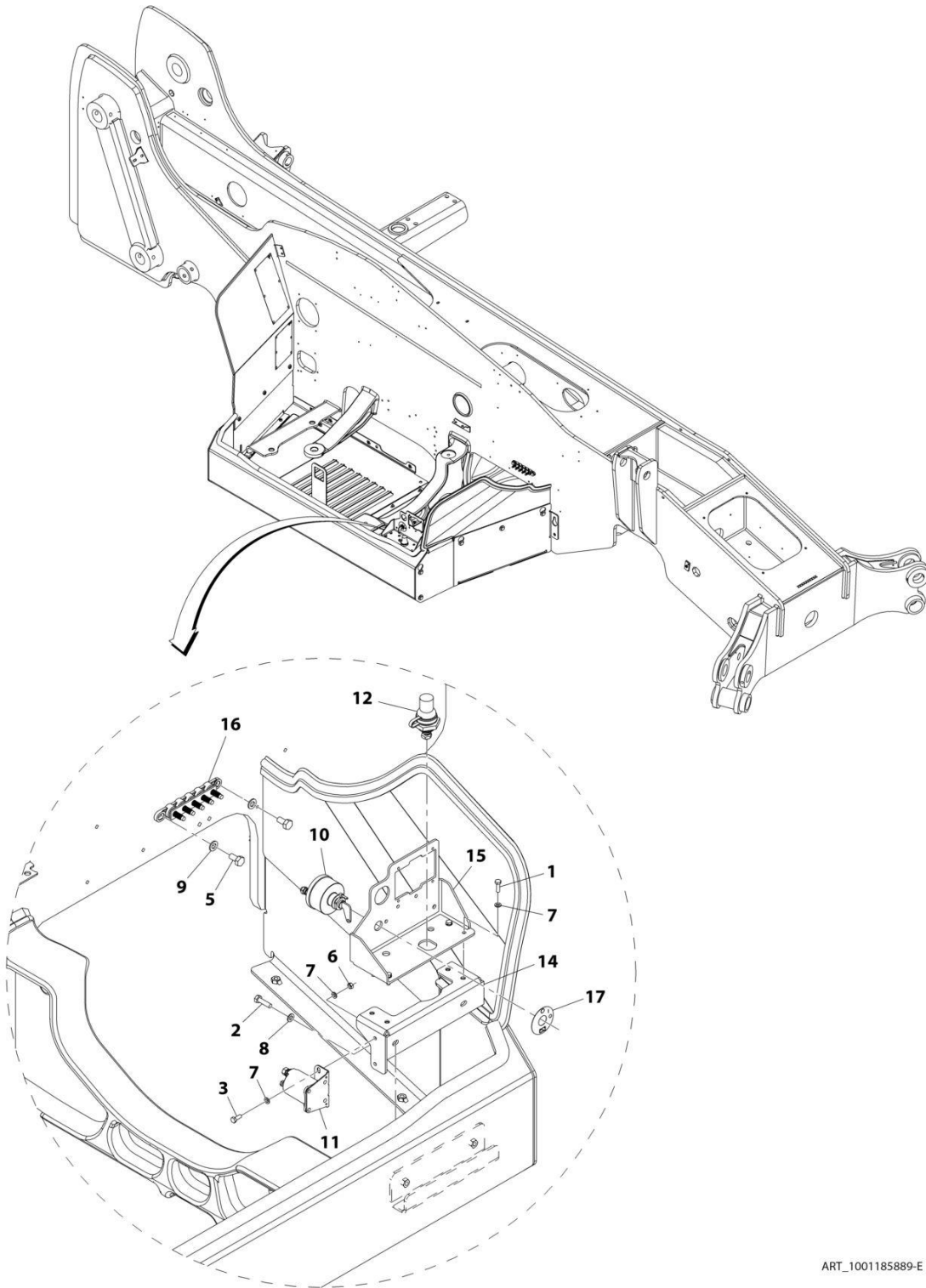
SECTION 10 - ELECTRICAL

FIGURE 10-43. DEF PURGE LIGHT HARNESS

ITEM	PART NUMBER	QTY	DESCRIPTION	REV
	1001232288	Ref	DEF Purge Light Harness	A
1	1001169825	1	LED Lamp 12V	
2	4461290	1	Connector	
3	1001126008	2	Terminal	
4	8220108	2	Connector	

SECTION 10 - ELECTRICAL

FIGURE 10-44. ENGINE BAY ELECTRICAL INSTALLATION (LS)



ART_1001185889-E

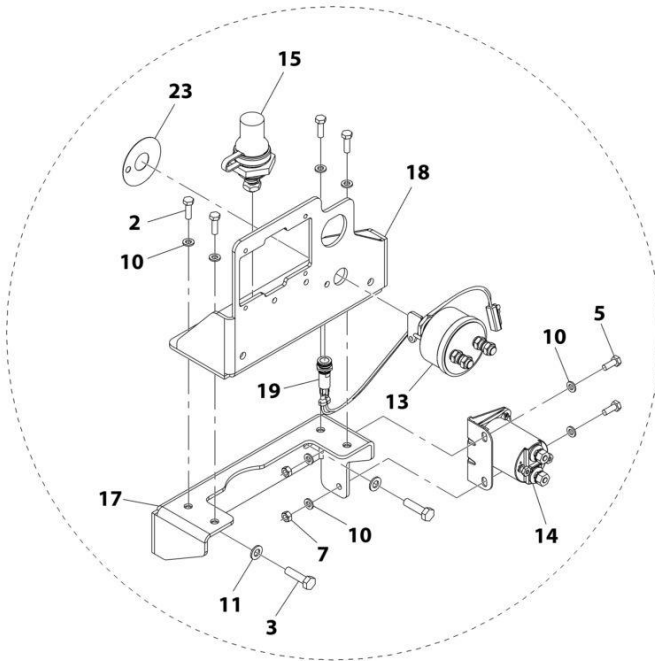
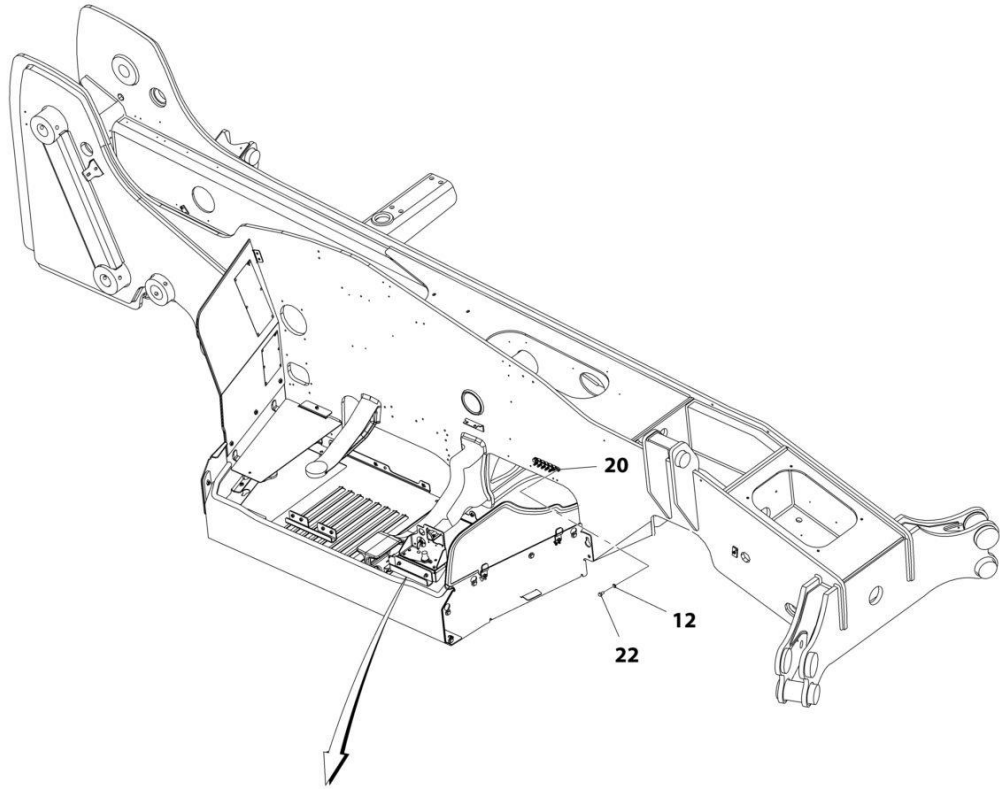
SECTION 10 - ELECTRICAL

FIGURE 10-44. ENGINE BAY ELECTRICAL INSTALLATION (LS)

ITEM	PART NUMBER	QTY	DESCRIPTION	REV
	1001185889	Ref	Engine Bay Electrical Installation (if equipped for LS)	E
1	0700610	4	Bolt, M6X20	
2	0700814	2	Bolt, M8X30	
3	0760608	2	Bolt, M6X16	
5	0761010	2	Bolt, M10X20	
6	3290601	2	Nut, M6X1 Grade 8	
7	4811700	8	Washer, M6	
8	4811900	2	Washer, M8	
9	4812000	2	Washer, M10	
10	1001192142	1	Switch	
11	1001117308	1	Relay, 200 Amp	
12	1001193993	1	Terminal	
14	1001199099	1	Bracket	
15	1001198321	1	Bracket	
16	1001181128	1	Bussbar	
17	1001008540	1	Plate	

SECTION 10 - ELECTRICAL

FIGURE 10-45. ENGINE BAY ELECTRICAL INSTALLATION (ULS)



ART_1001163127-J

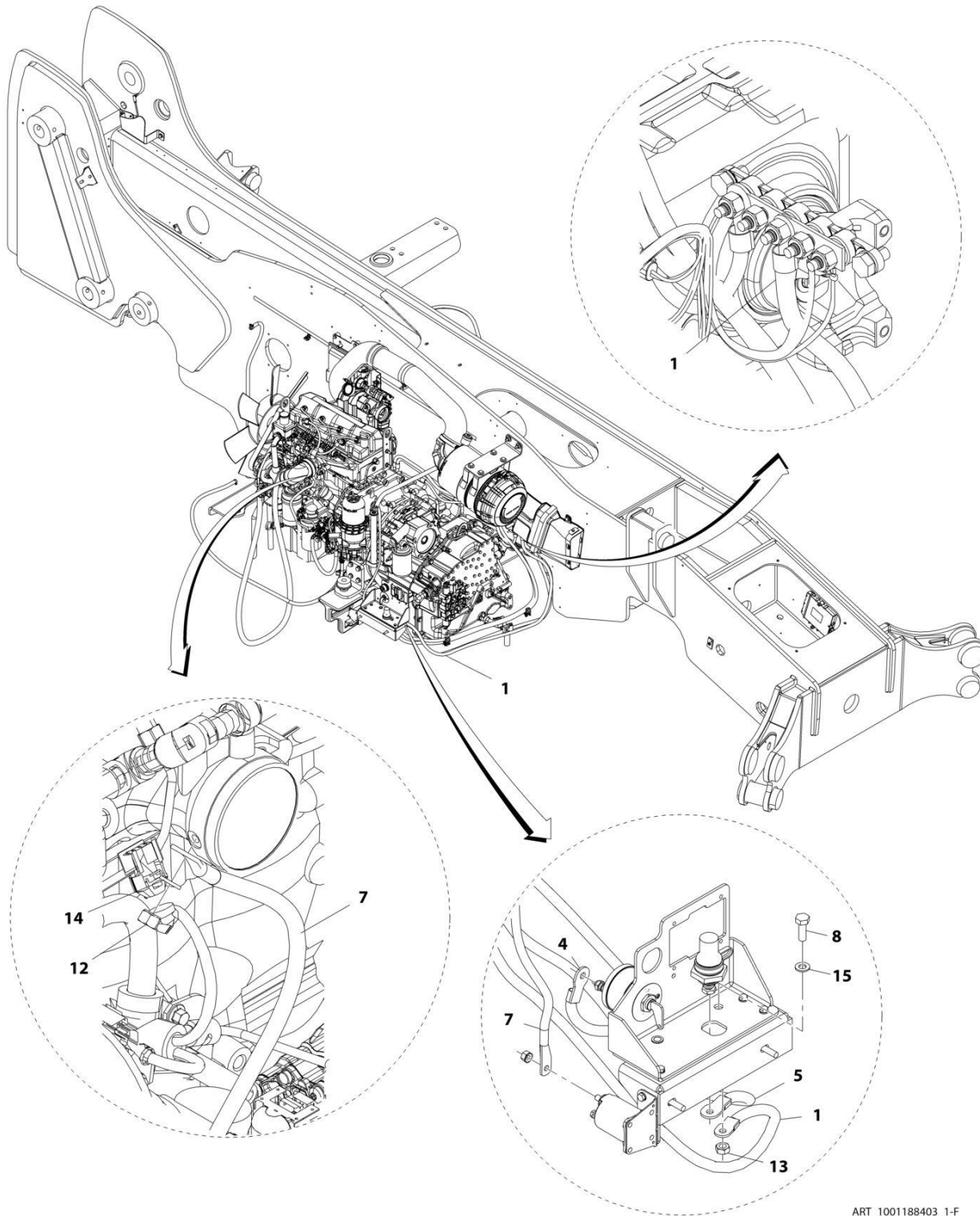
SECTION 10 - ELECTRICAL

FIGURE 10-45. ENGINE BAY ELECTRICAL INSTALLATION (ULS)

ITEM	PART NUMBER	QTY	DESCRIPTION	REV
	1001163127	Ref	Engine Bay Electrical Installation (if equipped for ULS)	J
2	0700610	4	Bolt, M6X20	
3	0700814	2	Bolt, M8X30	
5	0760608	2	Bolt, M6X16	
7	3290601	2	Nut, M6X1 Grade 8	
10	4811700	8	Washer, M6	
11	4811900	2	Washer, M8	
12	4812000	2	Washer, M10	
13	1001192142	1	Switch, Disconnect	
14	1001117308	1	Relay	
15	1001193993	1	Terminal	
17	1001199099	1	Bracket	
18	1001198321	1	Bracket	
19	1001232288	Ref	Harness, DEF Purge Light, (See Separate Breakdown in this Section)	
20	1001181128	1	Bussbar	
22	0761010	2	Bolt, M10X20	
23	1001008540	1	Plate	

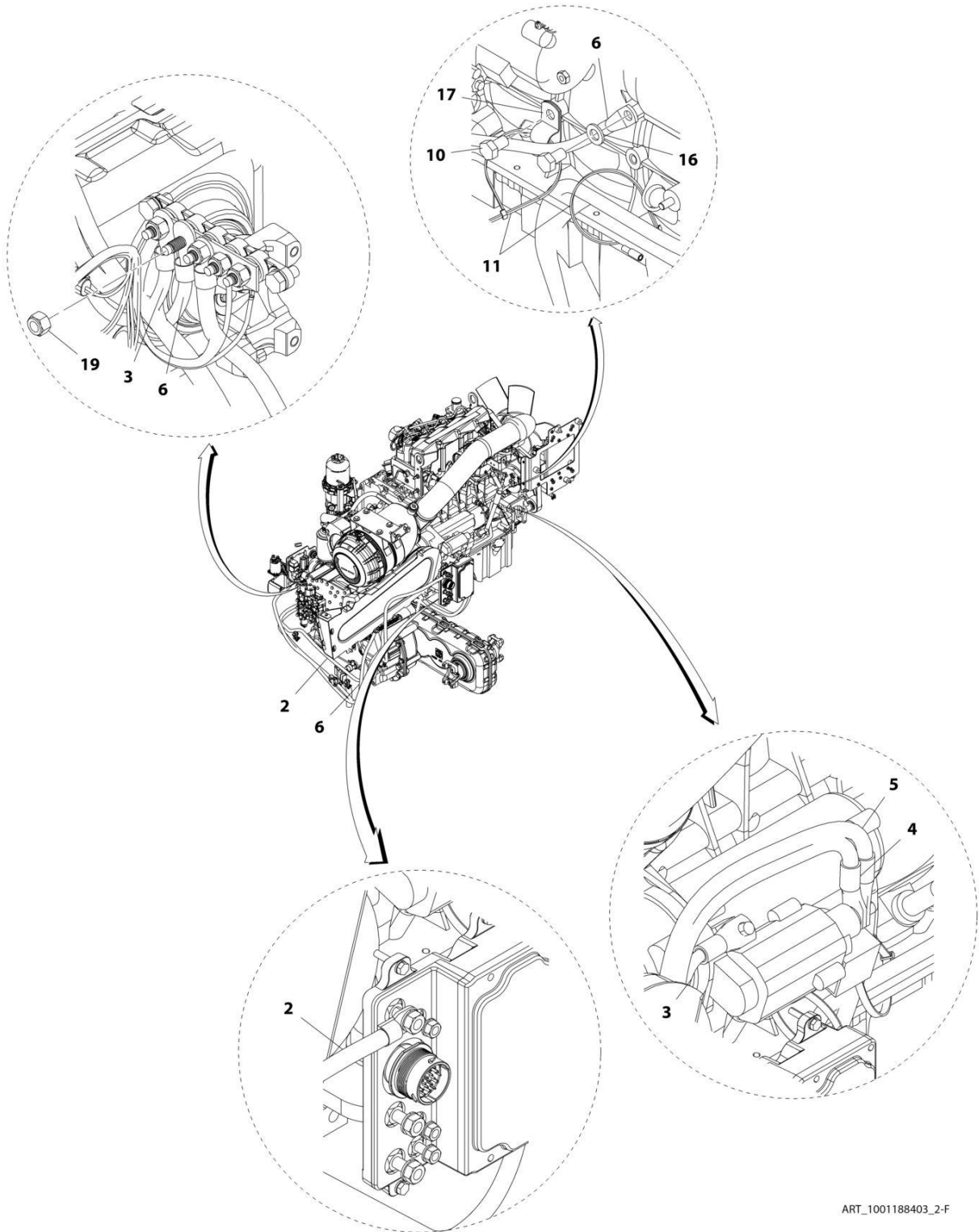
SECTION 10 - ELECTRICAL

FIGURE 10-46. ENGINE BAY WIRING INSTALLATION (LS)



ART_1001188403_1-F

SECTION 10 - ELECTRICAL



ART_1001188403_2-F

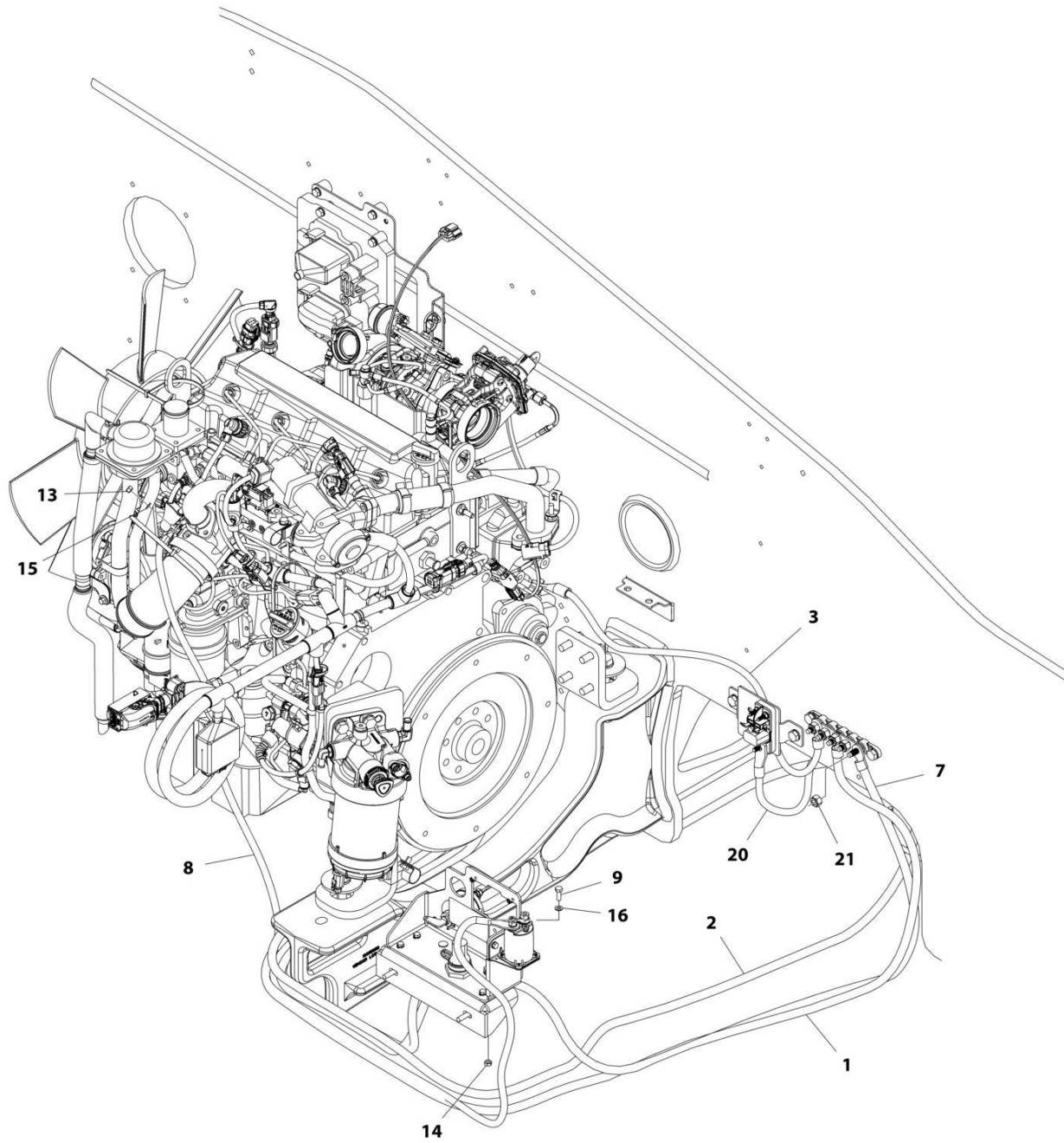
SECTION 10 - ELECTRICAL

FIGURE 10-46. ENGINE BAY WIRING INSTALLATION (LS)

ITEM	PART NUMBER	QTY	DESCRIPTION	REV
	1001188403	Ref	Engine Bay Wiring Installation (if equipped for LS)	F
1	1001200102	1	Cable, Ground Bus to Remote Ground	
2	1001205254	1	Cable, PDM to Alternator	
3	1001170320	1	Cable, Starter Ground	
4	1001187623	1	Cable, Starter to Battery	
5	1001187624	1	Cable, Starter to Remote B+	
6	1001205255	1	Cable, Engine Ground	
7	1001170816	1	Cable, Grid Heater	
8	0701014	1	Bolt, M10X30	
10	0761210	2	Bolt, M12X20	
11	1062255	4	Tie Strap	
12	3290605	1	Nut, Lock M6X1 Grade 8	
13	3291001	1	Nut, M10X1.5 Grade 8	
14	4811700	1	Washer, M6	
15	4812000	1	Washer, M10	
16	4812100	1	Washer, M12	
17	8406105	1	Clip	
19	3291005	5	Nut, Lock M0X1.5 Grade 8	

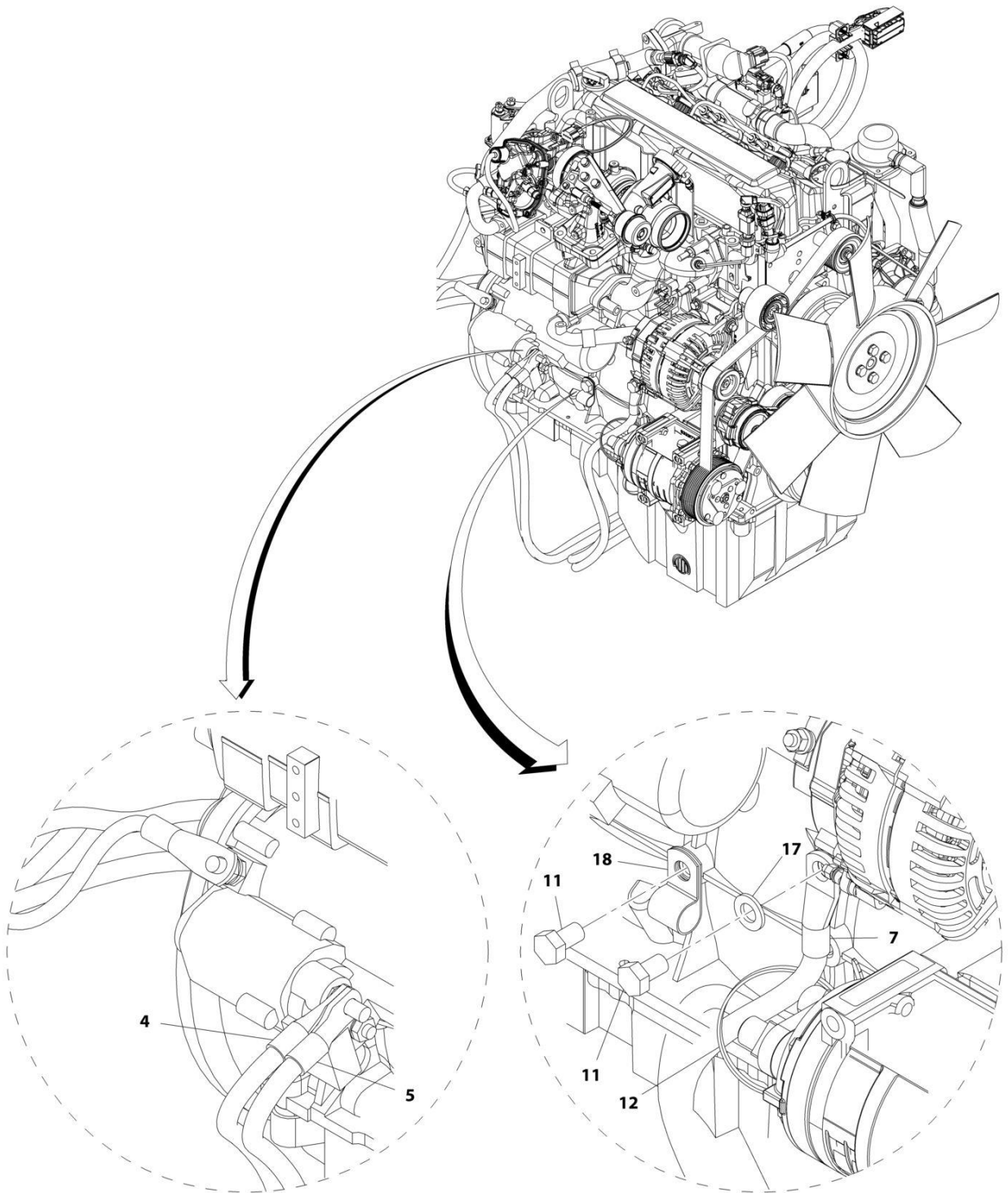
SECTION 10 - ELECTRICAL

FIGURE 10-47. ENGINE BAY WIRING INSTALLATION (ULS)



ART_1001163255_1-H

SECTION 10 - ELECTRICAL



ART_1001163225_2-H

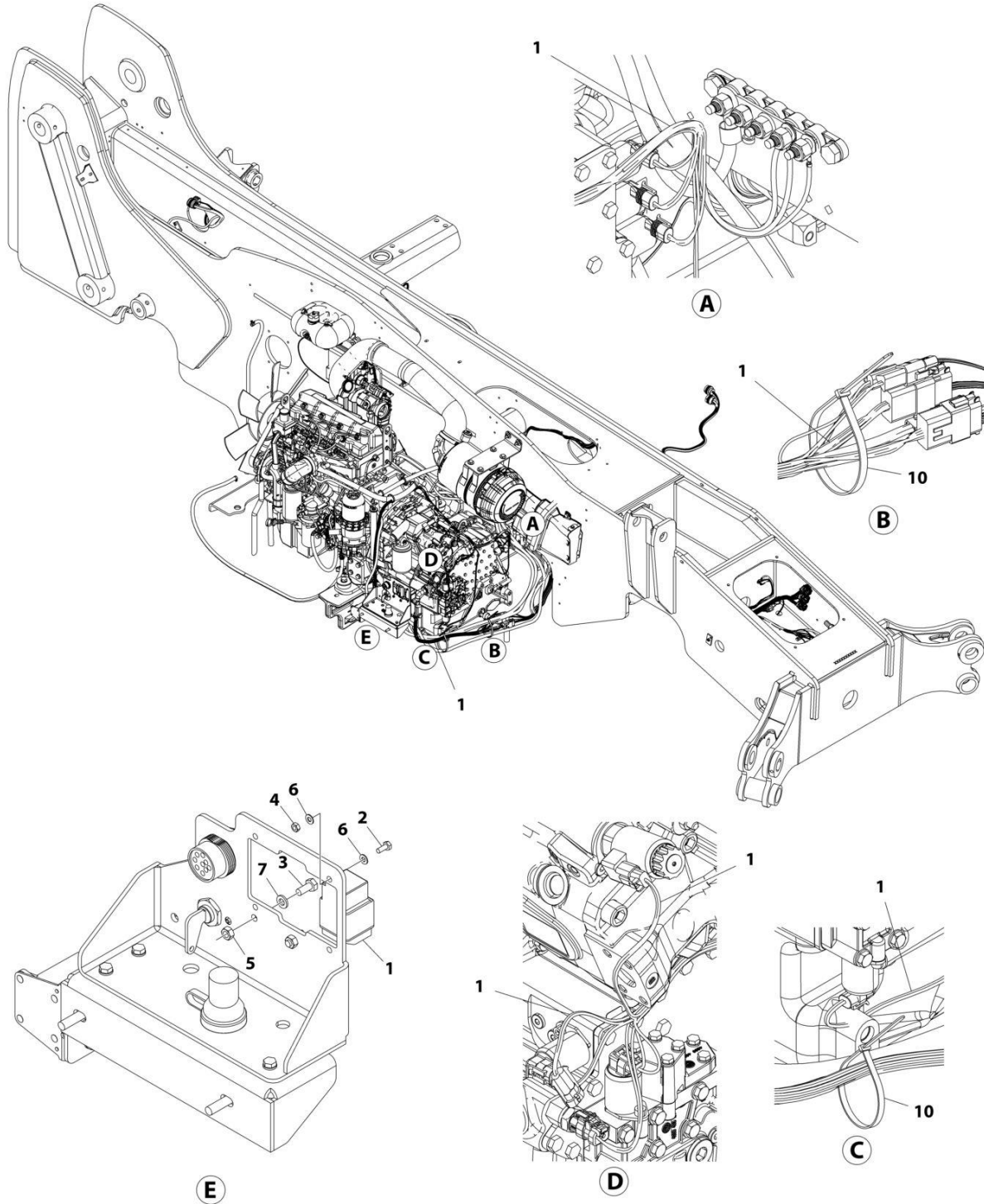
SECTION 10 - ELECTRICAL

FIGURE 10-47. ENGINE BAY WIRING INSTALLATION (ULS)

ITEM	PART NUMBER	QTY	DESCRIPTION	REV
	1001163255	Ref	Engine Bay Wiring Installation (if equipped for ULS)	H
1	1001200102	1	Cable, Ground Bus to Remote Ground	
2	1001170215	1	Cable, PDM to Alternator	
3	1001170320	1	Cable, Starter Ground	
4	1001170740	1	Cable, Starter to Battery	
5	1001170741	1	Cable, Starter to Remote B+	
7	1001170749	1	Cable, Engine Ground	
8	1001170816	1	Cable, Grid Heater	
9	0701014	1	Bolt, M10X30	
11	0761210	2	Bolt, M12X20	
12	1062255	1	Tie Strap	
13	3290605	1	Nut, Lock M6X1 Grade 8	
14	3291001	1	Nut, M10X1.5 Grade 8	
15	4811700	1	Washer, M6	
16	4812000	1	Washer, M10	
17	4812100	1	Washer, M12	
18	8406105	1	Clip	
20	1001190585	1	Cable, Glow Plug	
21	3291005	5	Nut, Lock M0X1.5 Grade 8	

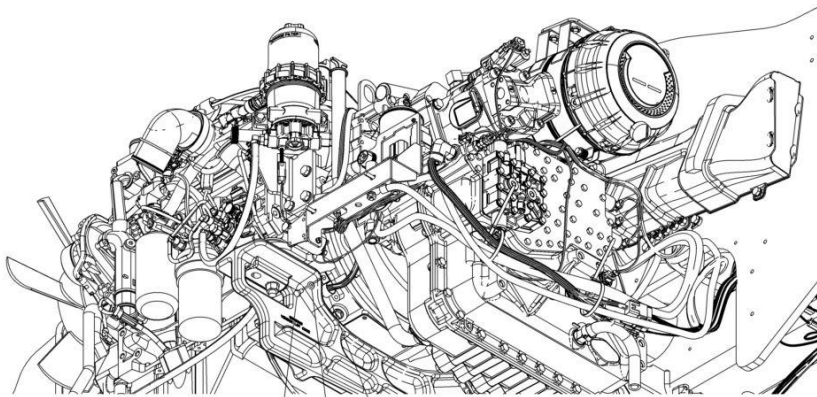
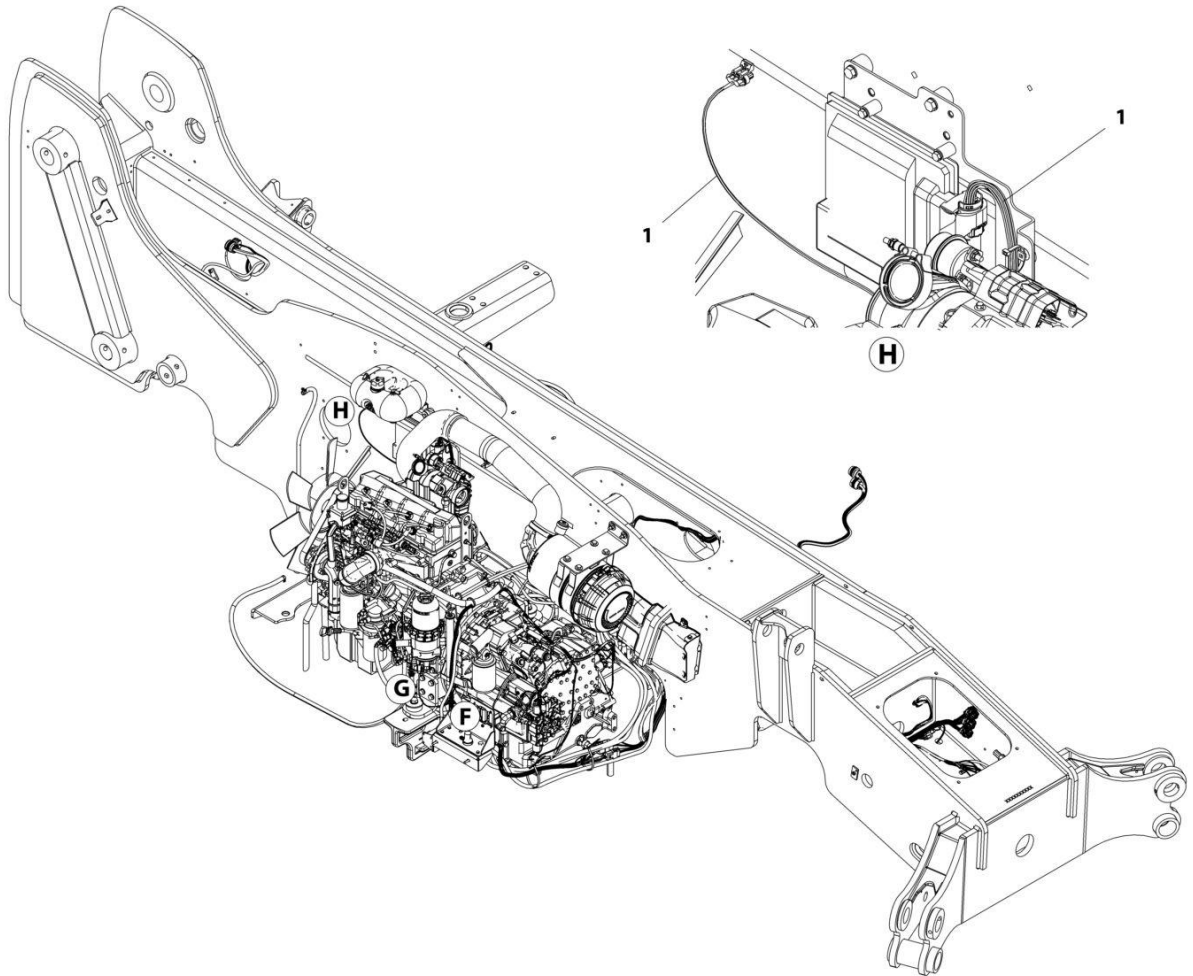
SECTION 10 - ELECTRICAL

FIGURE 10-48. ENGINE WIRING INSTALLATION (LS)

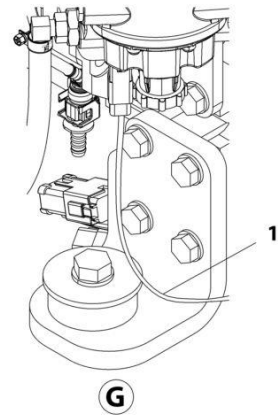


ART_1001163242_J_10F3

SECTION 10 - ELECTRICAL



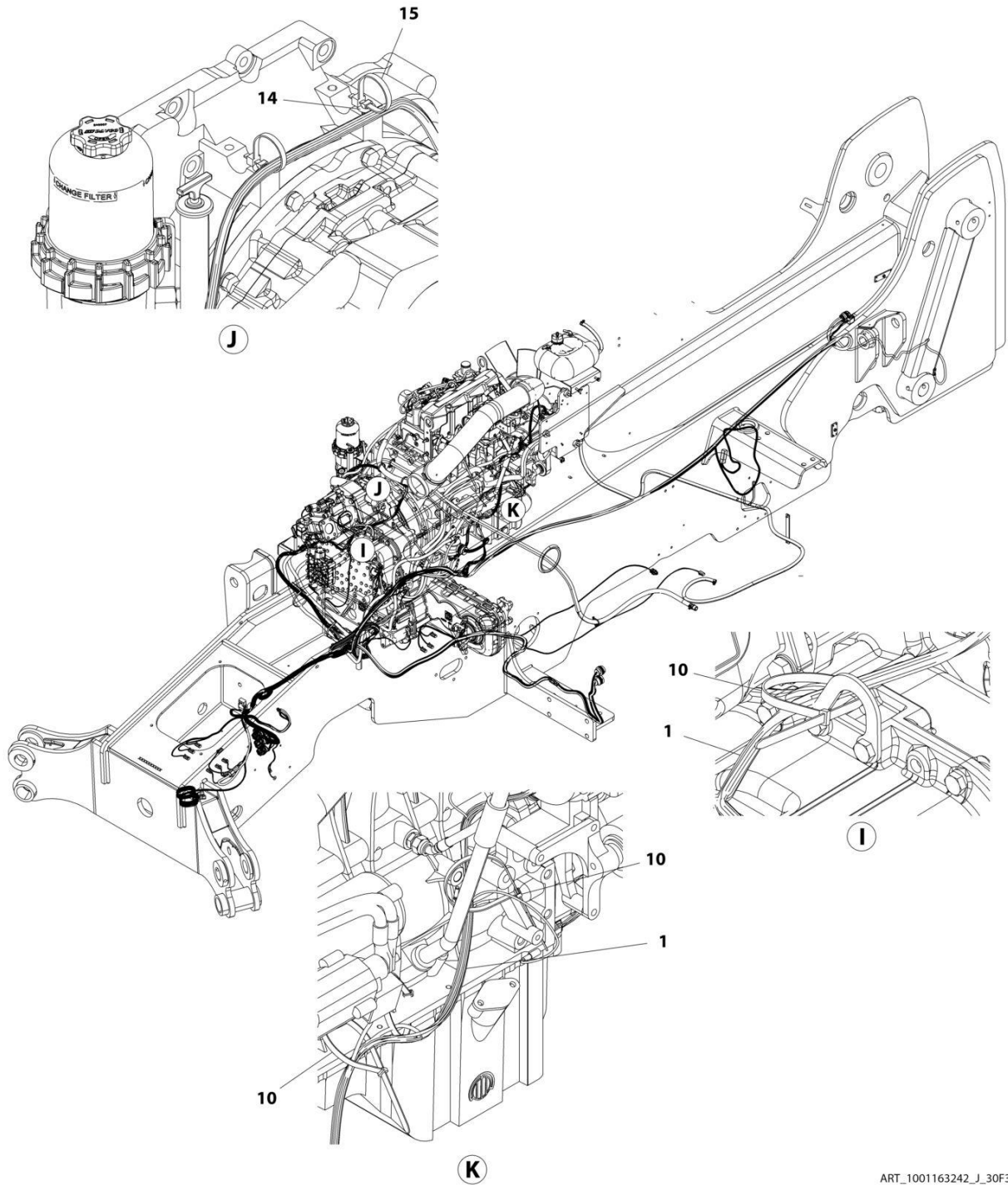
8 11 13 (F)



(G)

ART_1001163242_J_20F3

SECTION 10 - ELECTRICAL



ART_1001163242_J_30F3

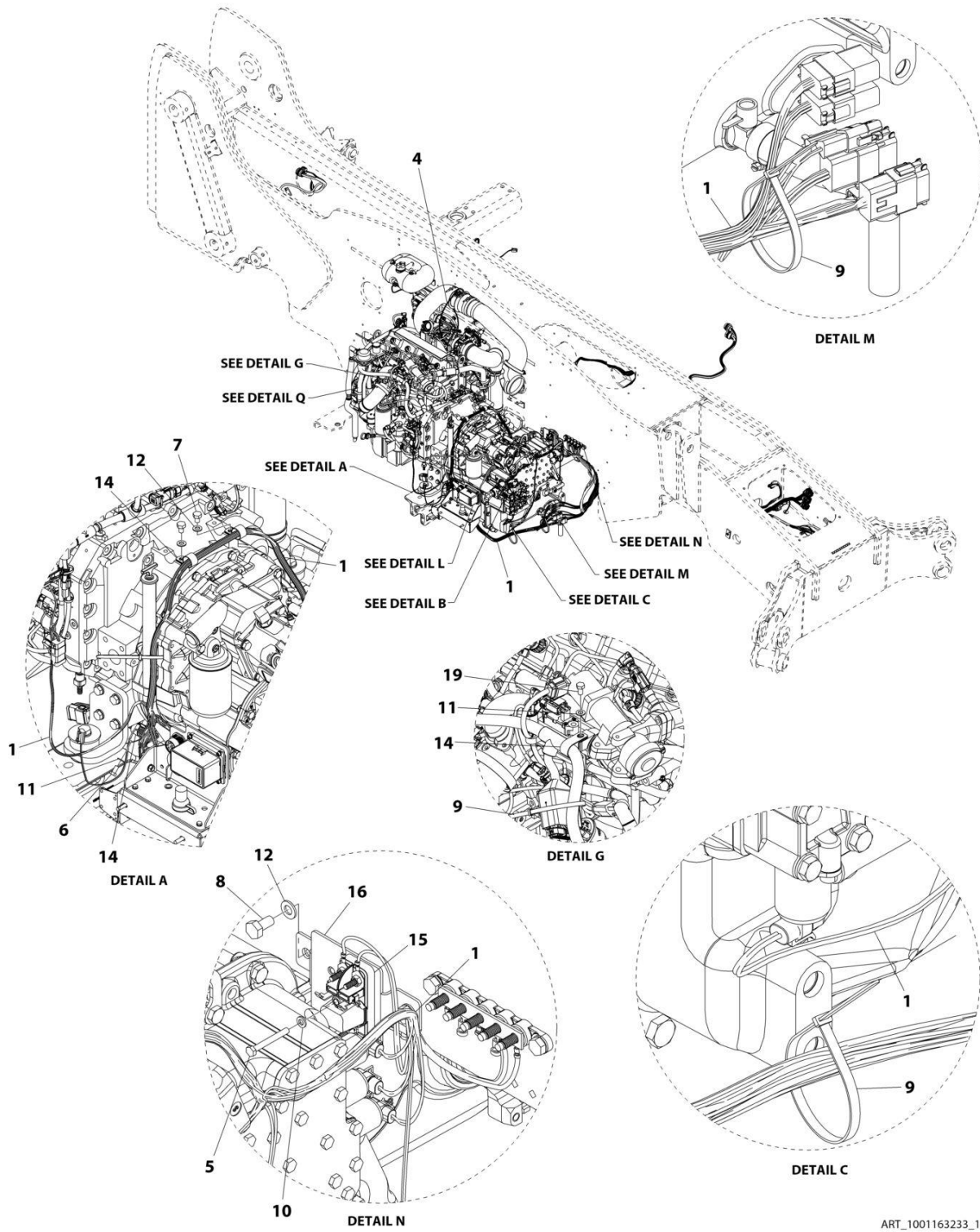
SECTION 10 - ELECTRICAL

FIGURE 10-48. ENGINE WIRING INSTALLATION (LS)

ITEM	PART NUMBER	QTY	DESCRIPTION	REV
	1001163242	Ref	Engine Wiring Installation (LS)	J
1	1001222715	1	Harness, Engine (LS) (See Separate Breakdown in this Section)	
2	0760405	1	Bolt, M4X10	
3	0760607	2	Bolt, M6X14	
4	3290401	1	Nut, M4X0.7	
5	3290601	2	Nut, M6X1 Grade 8	
6	4811400	2	Washer, M4	
7	4811700	2	Washer, M6	
8	0760808	1	Bolt, M8X16	
10	1062255	5	Strap, Tie	
11	4811900	1	Washer, M8	
13	8406201	1	Clip	
14	1001202986	2	Strap, Tie	
15	1001008559	2	Strap, Tie	

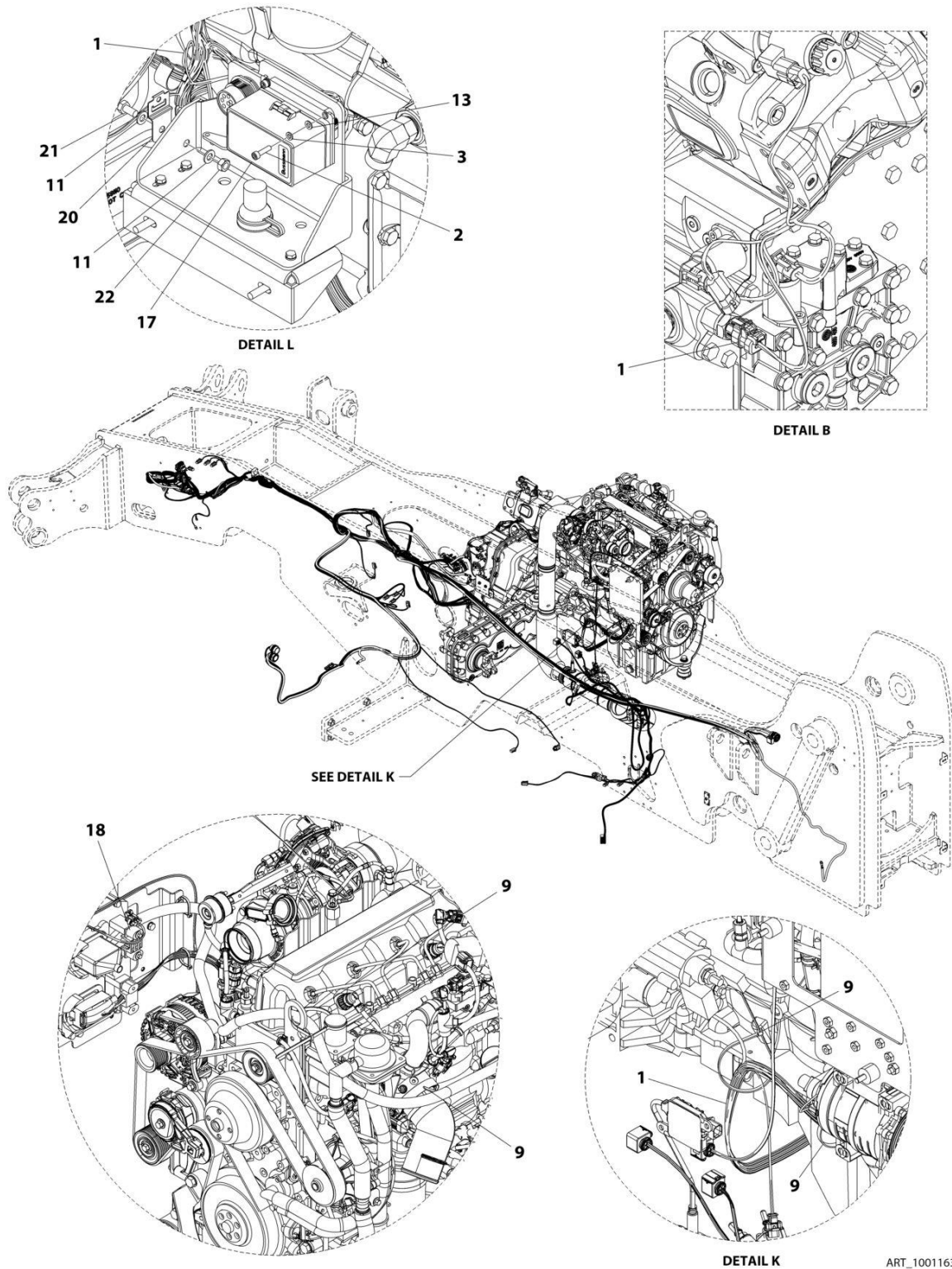
SECTION 10 - ELECTRICAL

FIGURE 10-49. ENGINE WIRING INSTALLATION (ULS)

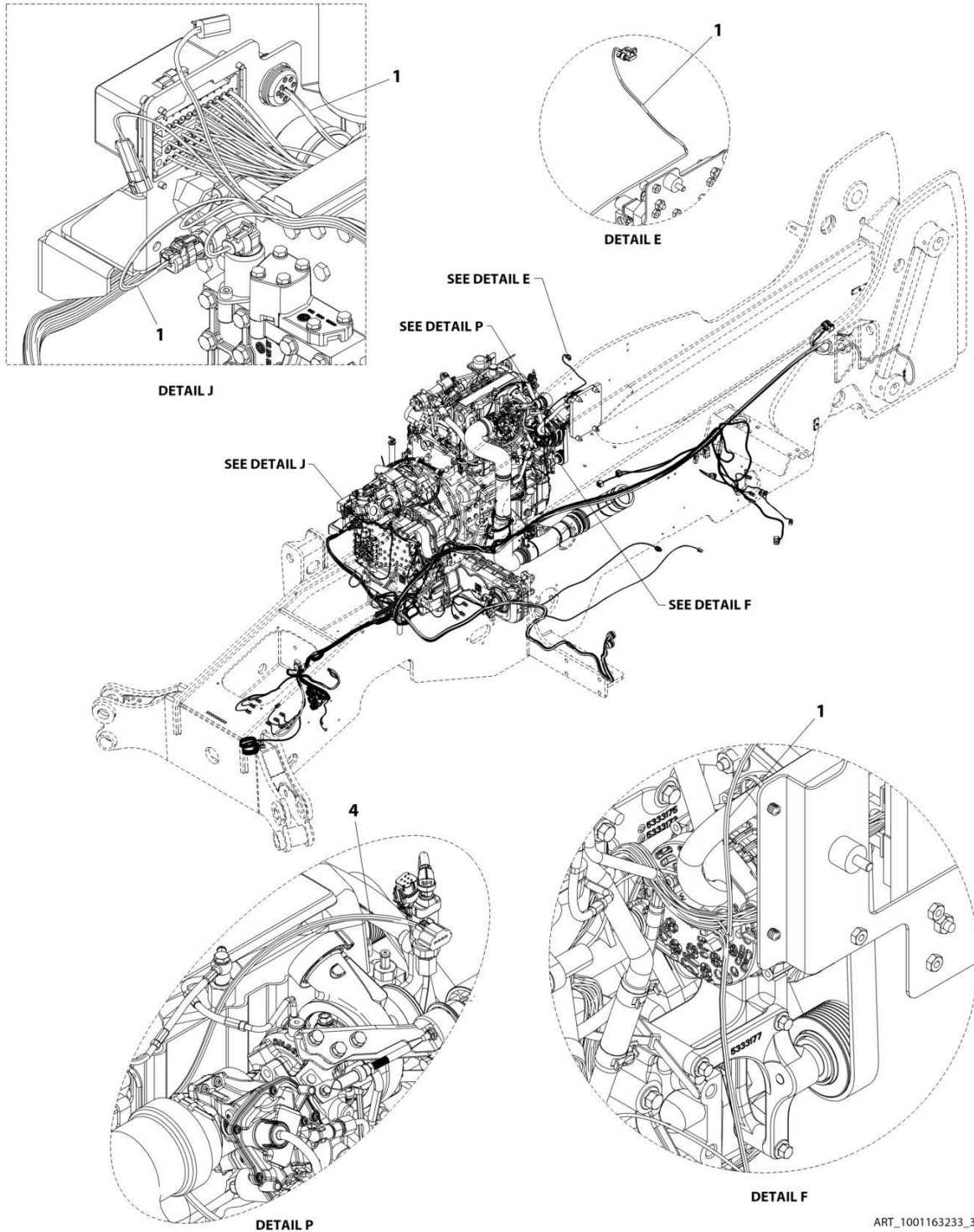


ART_1001163233_1-M

SECTION 10 - ELECTRICAL



SECTION 10 - ELECTRICAL



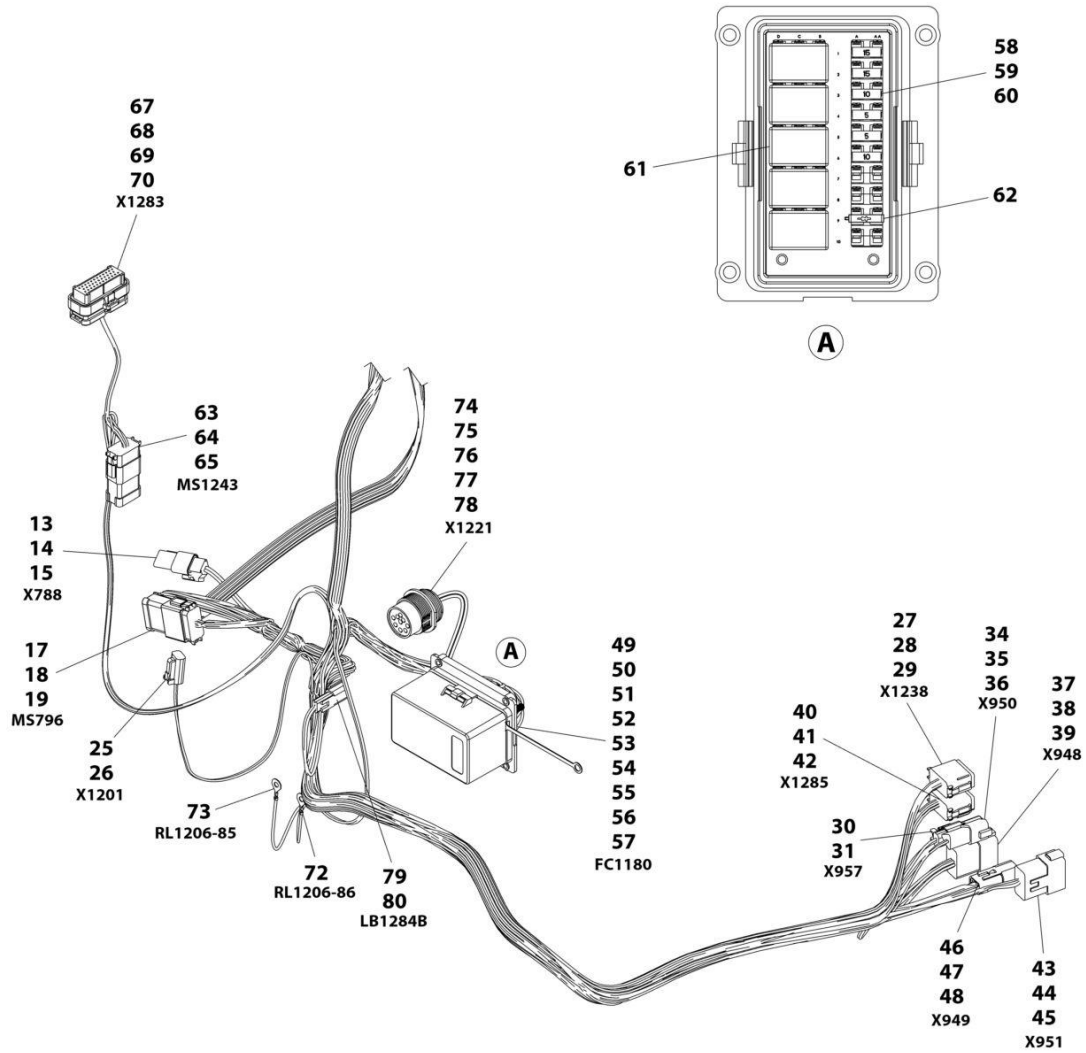
SECTION 10 - ELECTRICAL

FIGURE 10-49. ENGINE WIRING INSTALLATION (ULS)

ITEM	PART NUMBER	QTY	DESCRIPTION	REV
	1001163233	Ref	Engine Wiring Installation (ULS)	M
1	1001235696	1	Harness, Engine (ULS) (See Separate Breakdown in this Section)	
2	4031608	4	Screw, M5X20	
3	4811600	4	Washer, M5	
4	1001184835	1	Harness, TBAP (See Separate Breakdown in this Section)	
5	0700618	1	Bolt, M6X50	
6	0760808	1	Bolt, M8X16	
7	0761007	2	Bolt, M10X14	
8	0761010	2	Bolt, M10X20	
9	1062255	8	Strap, Tie	
10	4811700	1	Washer, M6	
11	4811900	4	Washer, M8	
12	4812000	4	Washer, M10	
13	4831600	4	Washer, Lock M5	
14	8406201	4	Clip, Tube	
15	1001131177	1	Fuse, Power Module	
16	1001189046	1	Bracket	
17	1001191486	1	Decal	
18	1001167646	1	Connector, Strain Relief	
19	0760807	1	Bolt, M8X14	
20	1001153749	1	Clip	
21	0700808	1	Bolt, M8X16	
22	3290801	1	Hex Nut, M8X1.25	

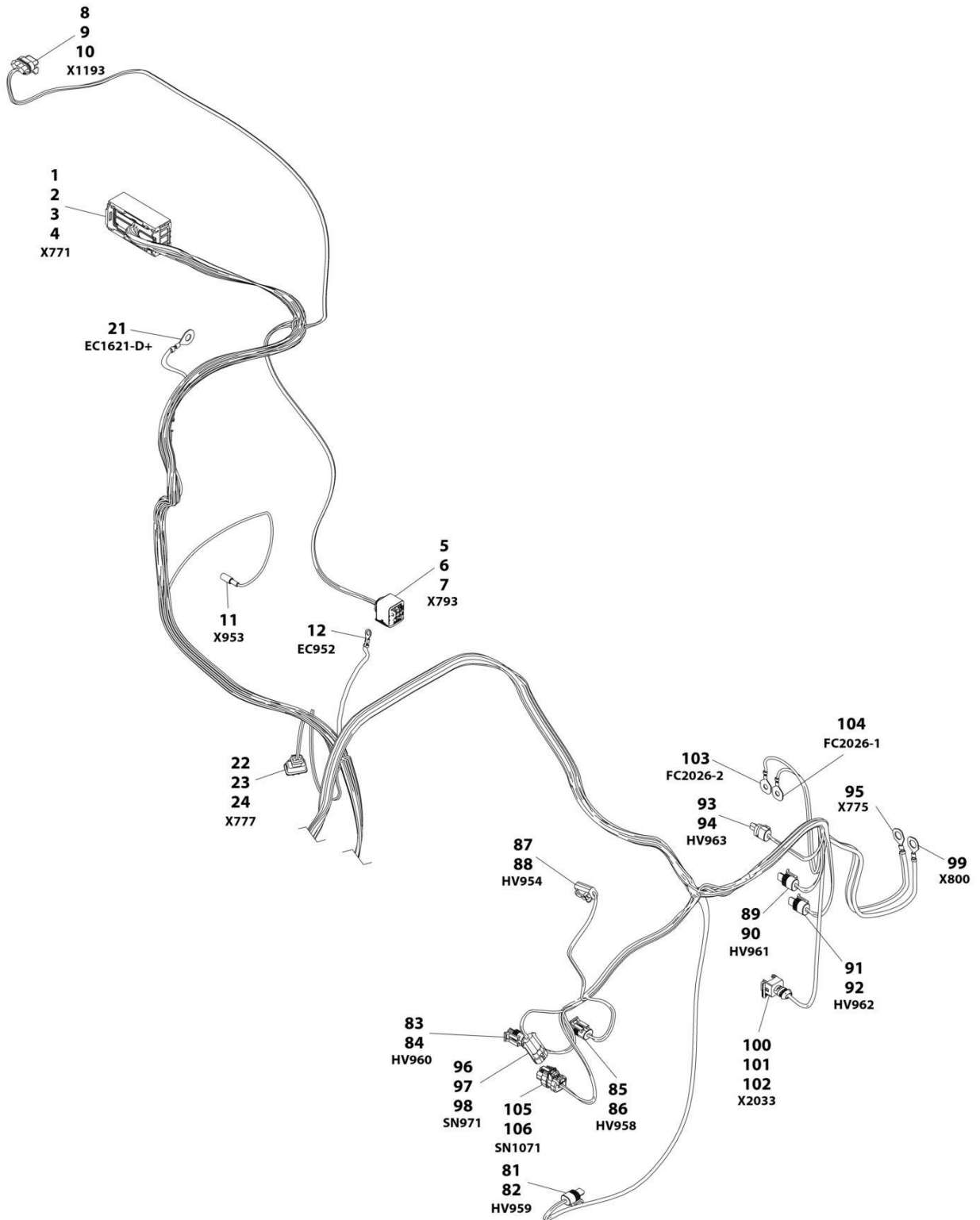
SECTION 10 - ELECTRICAL

FIGURE 10-50. ENGINE HARNESS



ART_1001235696_C_1OF2

SECTION 10 - ELECTRICAL



ART_1001235696_C_20F2

SECTION 10 - ELECTRICAL

FIGURE 10-50. ENGINE HARNESS

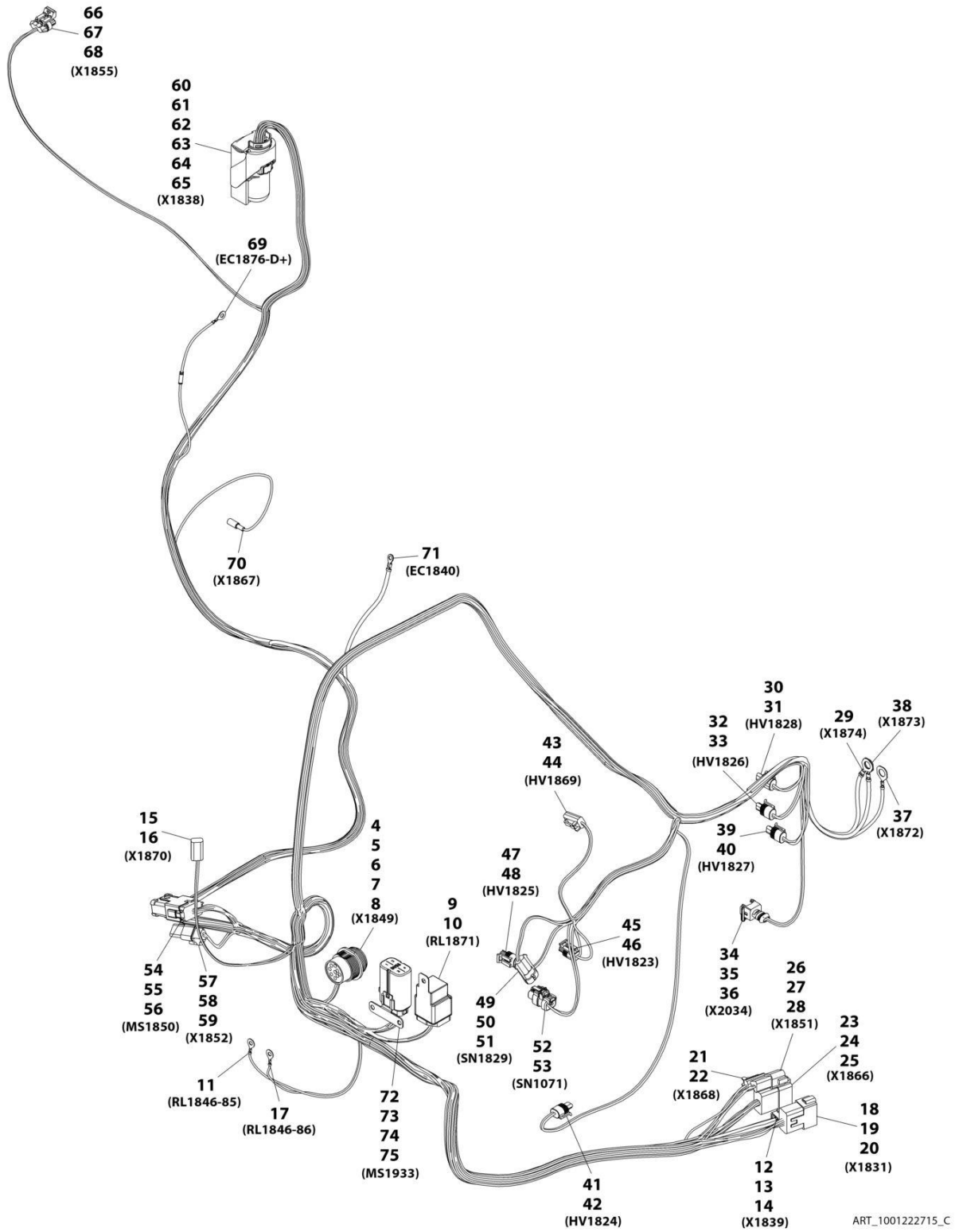
ITEM	PART NUMBER	QTY	DESCRIPTION	REV
	1001235696	Ref	Engine Harness (if equipped for ULS)	D
1	1001167641	1	Connector	
2	1001167648	10	Terminal	
3	1001167649	27	Terminal	
4	1001167650	59	Plug	
5	1001176935	1	Connector	
6	1001166704	4	Terminal	
7	4461006	4	Seal	
8	1001125027	1	Connector	
9	8220124	3	Terminal	
10	4460608	3	Seal	
11	1001246391	1	Terminal, Snap Plug	
12	1001197407	1	Ring, Terminal	
13	4461095	1	Connector	
14	4460944	2	Terminal	
15	4460466	1	Plug	
17	4460933	1	Connector	
18	4460465	8	Terminal	
19	4460466	4	Plug	
21	1001187070	1	Ring, Terminal	
22	1001126487	1	Connector	
23	1001167656	2	Terminal	
24	1001167657	2	Seal	
25	4460891	1	Connector	
26	4460465	2	Terminal	
27	4460934	1	Connector	
28	4460465	10	Terminal	
29	4460466	2	Plug	
30	4460891	1	Connector	
31	4460465	2	Terminal	
34	1001144147	1	Connector	
35	4460464	2	Terminal	
36	4460466	1	Plug	
37	4460950	1	Connector	
38	4460464	9	Terminal	
39	4460466	3	Plug	
40	4460935	1	Connector	
41	4460465	11	Terminal	
42	4460466	1	Plug	
43	4460970	1	Connector	
44	4460464	8	Terminal	
45	4460466	4	Plug	
46	1001116811	1	Connector	
47	4460508	3	Terminal	
48	1001150610	1	Terminal	
49	1001167616	1	Connector	
50	1001190921	1	Seal, Foam Fuse Box	
51	8220098	3	Terminal	
52	4460789	9	Seal	
53	8220097	29	Terminal	

SECTION 10 - ELECTRICAL

ITEM	PART NUMBER	QTY	DESCRIPTION	REV
54	4460458	23	Seal	
55	4460748	11	Plug	
56	1001116725	2	Terminal	
57	80963067	2	Plug	
58	8229244	2	Fuse, 15amp	
59	80983191	2	Fuse, 10amp	
60	8229242	2	Fuse, 5amp	
61	1001205172	5	Relay, 35amp	
62	1001177597	1	Diode, 6amp	
63	4460930	1	Connector	
64	4460465	6	Terminal	
65	4460466	2	Plug	
67	1001125083	1	Connector	
68	1001195782	7	Plug	
69	1001195781	14	Plug	
70	1001125085	3	Terminal	
72	1001187070	1	Ring, Terminal	
73	1001187070	1	Ring, Terminal	
74	1001112612	1	Connector	
75	4469464	4	Terminal	
76	4460466	5	Plug	
77	4460497	1	Nut	
78	4460496	1	Lockwasher	
79	1001153612	1	Connector	
80	1001126011	1	Terminal	
81	4460955	1	Connector	
82	1001116748	2	Terminal	
83	4460955	1	Connector	
84	1001116748	2	Terminal	
85	4460955	1	Connector	
86	1001116748	2	Terminal	
87	4460891	1	Connector	
88	4460465	2	Terminal	
89	4460955	1	Connector	
90	1001116748	2	Terminal	
91	4460955	1	Connector	
92	1001116748	2	Terminal	
93	4460955	1	Connector	
94	1001116748	2	Terminal	
95	1001187080	1	Ring, Terminal	
96	1001117073	1	Connector	
97	1001116749	2	Terminal	
98	4460608	2	Seal	
99	1001187079	1	Ring, Terminal	
100	1001190322	1	Connector	
101	4461005	2	Terminal	
102	4461054	2	Seal	
103	1001207171	1	Ring, Terminal	
104	1001207171	1	Ring, Terminal	
105	1001116950	1	Connector	
106	4460465	2	Terminal	

SECTION 10 - ELECTRICAL

FIGURE 10-51. ENGINE HARNESS



SECTION 10 - ELECTRICAL

FIGURE 10-51. ENGINE HARNESS

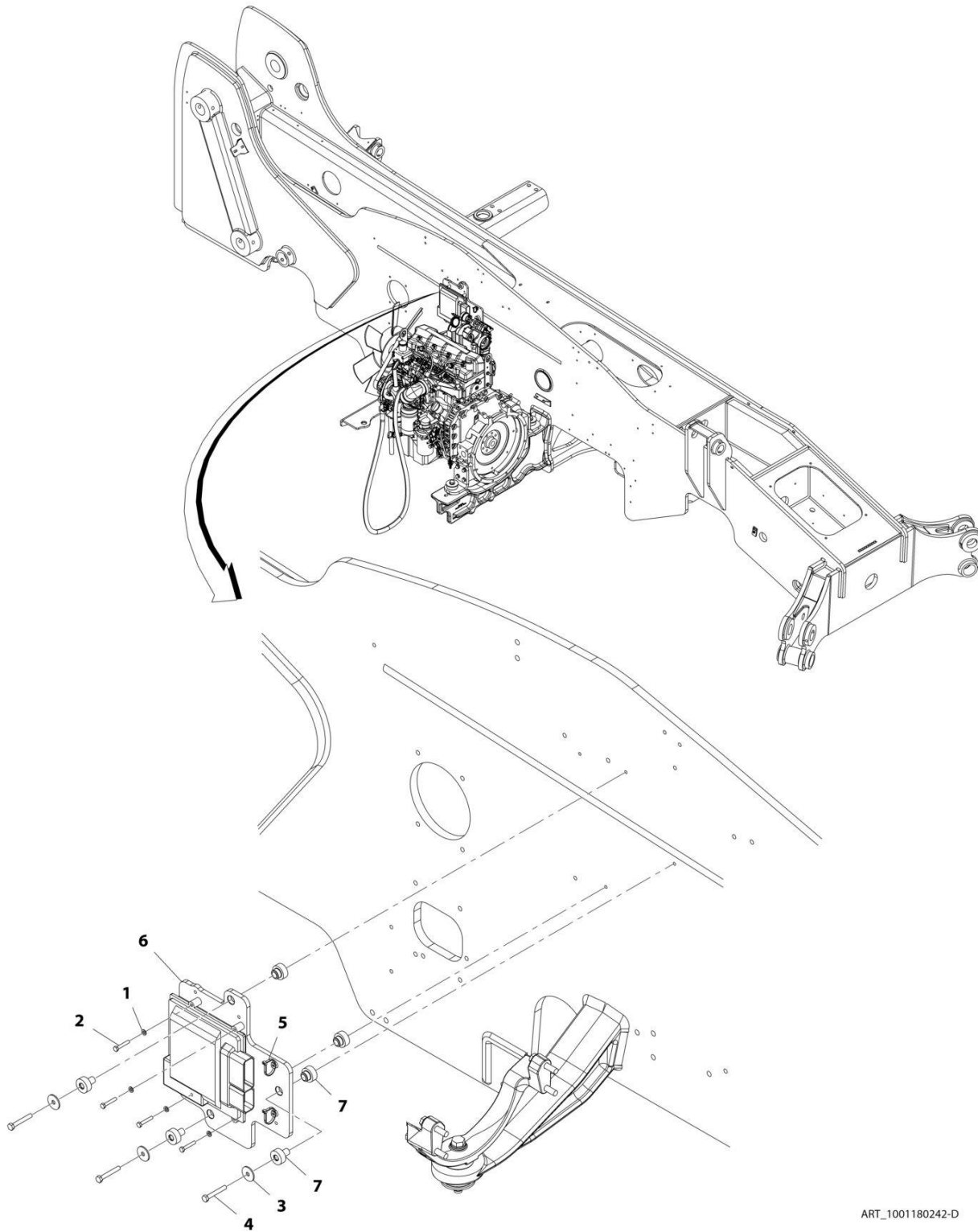
ITEM	PART NUMBER	QTY	DESCRIPTION	REV
	1001222715	Ref	Engine Harness (LS)	C
4	1001112612	1	Connector	
5	4460464	4	Terminal	
6	4460466	5	Plug	
7	4460497	1	Nut	
8	4460496	1	Washer	
9	1001145707	1	Connector	
10	1001116732	4	Terminal	
11	1001187070	1	Ring, Terminal	
12	1001116811	1	Connector	
13	4460508	3	Terminal	
14	1001150610	1	Terminal	
15	4460891	1	Connector	
16	4460465	2	Terminal	
17	1001187070	1	Ring, Terminal	
18	4460970	1	Connector	
19	4460464	8	Terminal	
20	4460466	4	Plug	
21	4460891	1	Connector	
22	4460465	2	Terminal	
23	4460950	1	Connector	
24	4460464	9	Terminal	
25	4460466	3	Plug	
26	1001144147	1	Connector	
27	4460464	2	Terminal	
28	4460466	1	Plug	
29	1001187079	1	Ring, Terminal	
30	4460955	1	Connector	
31	1001116748	2	Terminal	
32	4460955	1	Connector	
33	1001116748	2	Terminal	
34	1001190322	1	Connector	
35	4461005	2	Terminal	
36	4461006	2	Seal	
37	1001187078	1	Ring, Terminal	
38	1001187079	1	Ring, Terminal	
39	4460955	1	Connector	
40	1001116748	2	Terminal	
41	4460955	1	Connector	
42	1001116748	2	Terminal	
43	4460891	1	Connector	
44	4460465	2	Terminal	
45	4460955	1	Connector	
46	1001116748	2	Terminal	
47	4460955	1	Connector	
48	1001116748	2	Terminal	
49	1001117073	1	Connector	
50	1001116749	2	Terminal	
51	4460608	2	Seal	
52	1001116950	1	Connector	

SECTION 10 - ELECTRICAL

ITEM	PART NUMBER	QTY	DESCRIPTION	REV
53	4460465	2	Terminal	
54	4460933	1	Connector	
55	4460465	8	Terminal	
56	4460466	4	Plug	
57	4461095	1	Connector	
58	4460943	2	Terminal	
59	4460466	1	Plug	
60	1001126349	1	Connector	
61	1001185824	6	Terminal	
62	1001185823	11	Terminal	
63	1001126353	6	Seal	
64	1001126357	4	Plug	
65	1001126356	73	Plug	
66	1001125027	1	Connector	
67	8220124	3	Terminal	
68	4460608	3	Seal	
69	1001187070	1	Ring, Terminal	
70	1001246391	1	Terminal, Snap Plug	
71	1001197407	1	Ring, Terminal	
72	1001184551	1	Connector	
73	1001234800	1	Terminal	
74	4460746	7	Terminal	
75	4460458	8	Seal	

SECTION 10 - ELECTRICAL

FIGURE 10-52. ENGINE ECU INSTALLATION (LS)



ART_1001180242-D

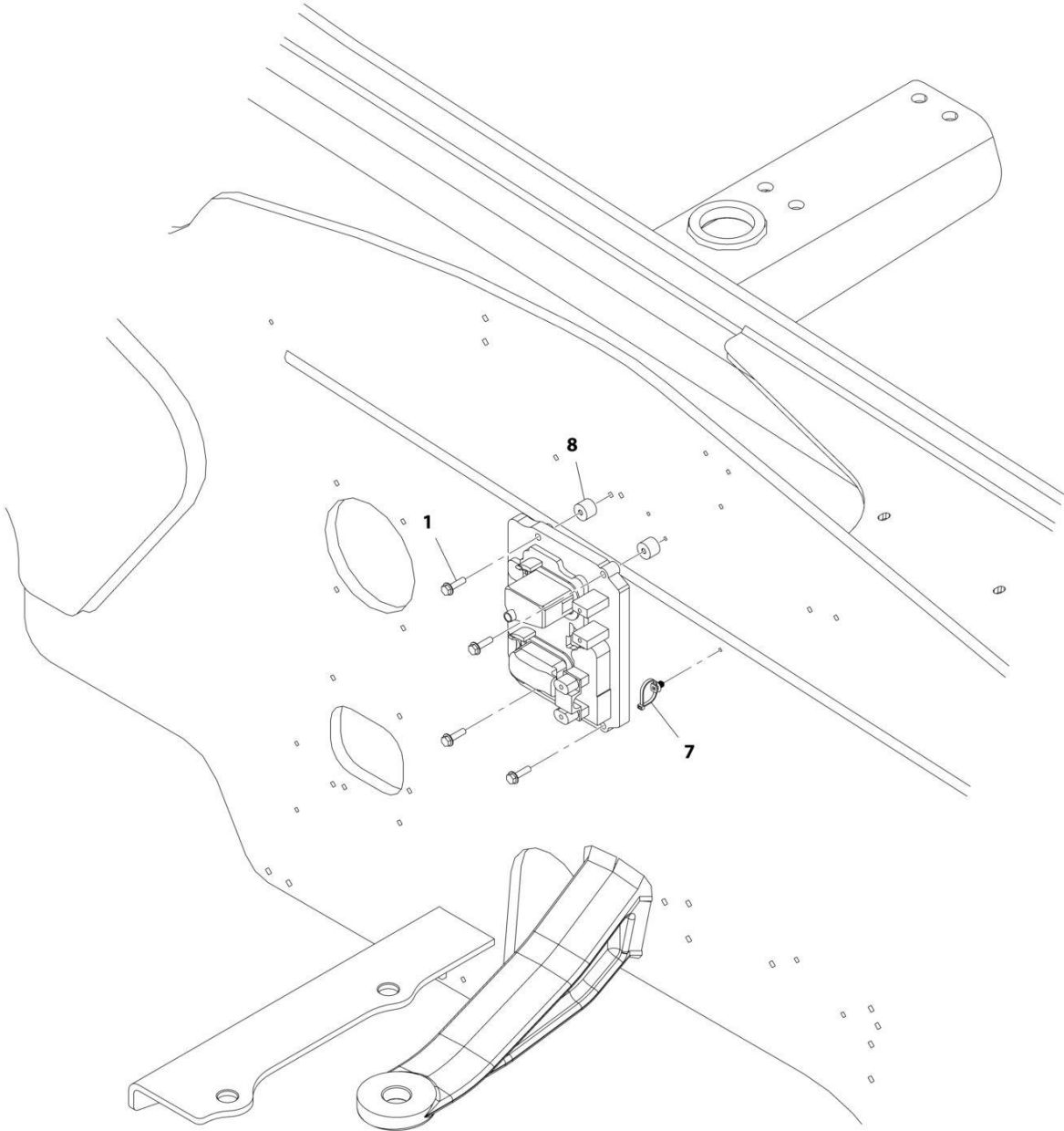
SECTION 10 - ELECTRICAL

FIGURE 10-52. ENGINE ECU INSTALLATION (LS)

ITEM	PART NUMBER	QTY	DESCRIPTION	REV
	1001180242	Ref	Engine ECM Installation (LS)	D
1	4811700	4	Washer, M6	
2	0760615	4	Bolt, M6X35	
3	1001195089	3	Washer	
4	0700819	3	Bolt, Grade 8	
5	1001146588	2	Strap, Tie	
6	1001192468	1	Bracket	
7	1001192471	3	Mount, Isolator	

SECTION 10 - ELECTRICAL

FIGURE 10-53. ENGINE ECU INSTALLATION (ULS)



ART_1001170722-G

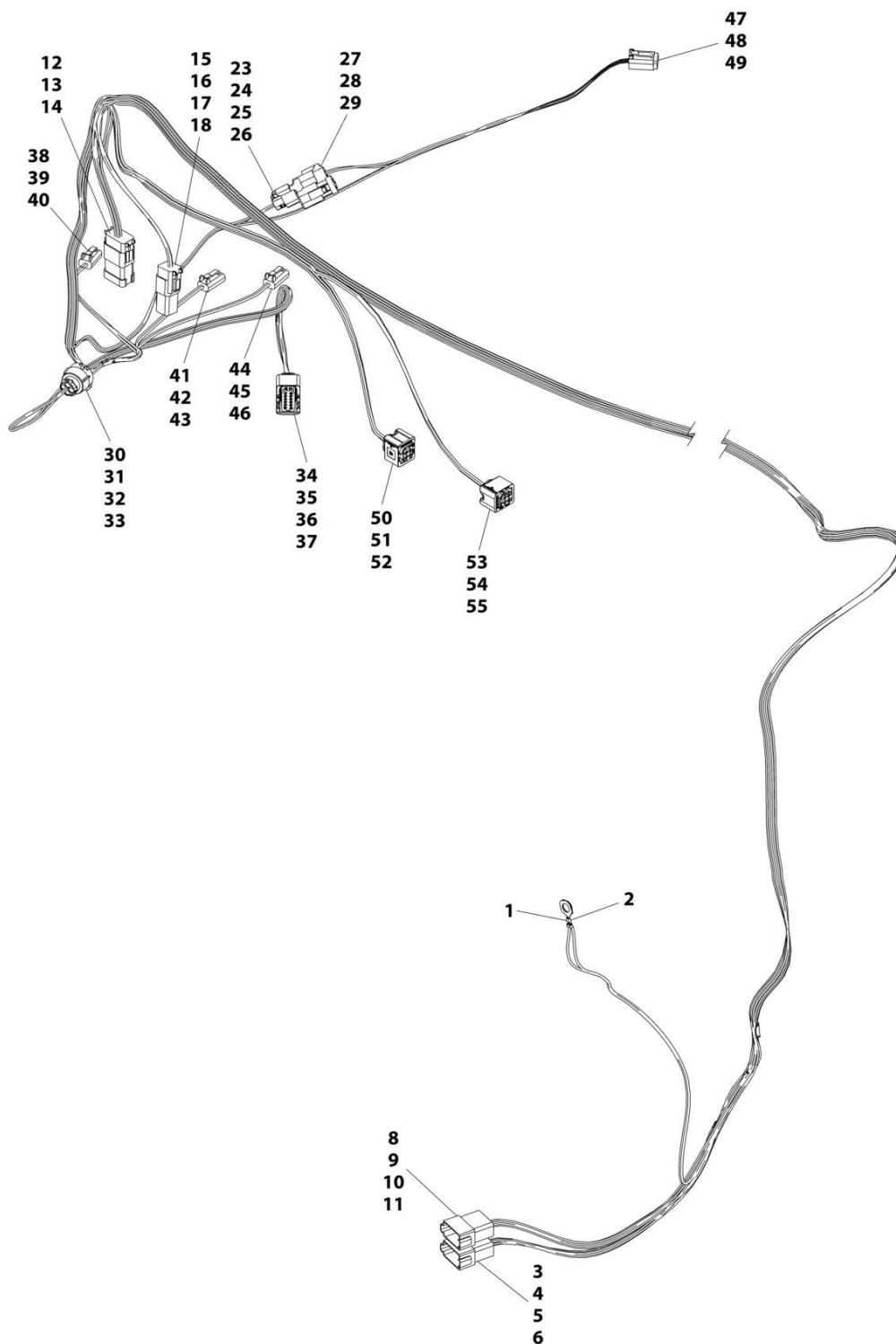
SECTION 10 - ELECTRICAL

FIGURE 10-53. ENGINE ECU INSTALLATION (ULS)

ITEM	PART NUMBER	QTY	DESCRIPTION	REV
	1001170722	Ref	Engine ECU Installation (if equipped for ULS)	G
1	5250814	4	Bolt, M8X30	
7	1001146588	1	Strap, Tie	
8	1001179907	4	Mount, Isolator	

SECTION 10 - ELECTRICAL

FIGURE 10-54. ENGINE/FRAME HARNESS



ART_1001168952-H

SECTION 10 - ELECTRICAL

FIGURE 10-54. ENGINE/FRAME HARNESS

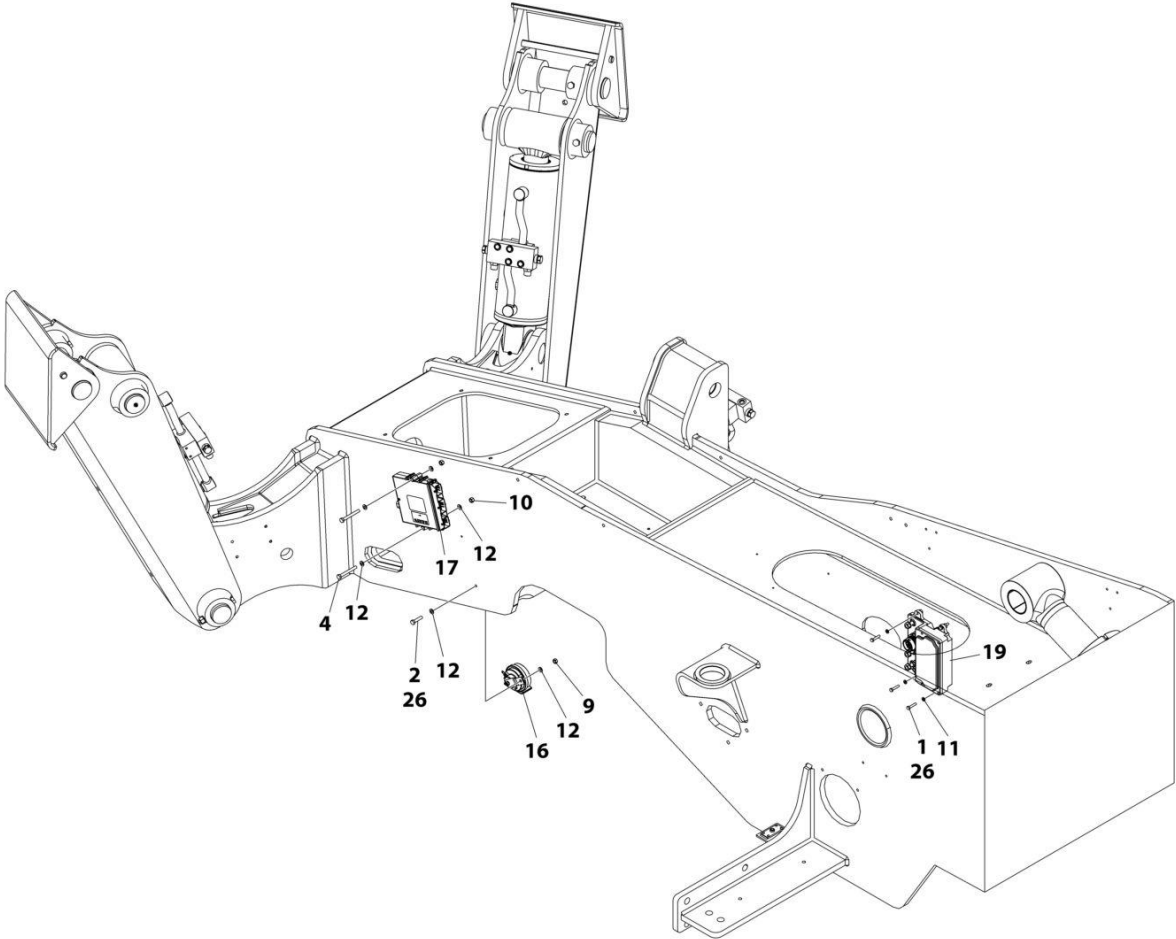
ITEM	PART NUMBER	QTY	DESCRIPTION	REV
	1001168952	Ref	Engine Chassis Harness	H
1	1001187077	1	Ring, Terminal	
2	1001187077	1	Ring, Terminal	
3	1001152742	1	Connector	
4	80363179	1	Lock, Connector	
5	4460464	10	Terminal	
6	4460466	2	Plug	
8	4460982	1	Connector	
9	80363179	1	Lock, Connector	
10	4460464	11	Terminal	
11	4460466	1	Plug	
12	4460930	1	Connector	
13	8220525	1	Lock, Connector	
14	4460465	8	Terminal	
15	4460894	1	Connector	
16	91504107	1	Lock, Connector	
17	4460465	4	Terminal	
18	4460466	2	Plug	
23	1001116812	1	Connector	
24	91554019	1	Lock, Connector	
25	4460944	2	Terminal	
26	4460466	1	Plug	
27	4460539	1	Connector	
28	4460944	2	Terminal	
29	4460466	1	Plug	
30	1001167620	1	Connector	
31	1001176004	2	Terminal	
32	1001176002	2	Seal, Terminal	
33	1001167624	2	Plug	
34	1001165194	1	Connector	
35	1001166703	10	Terminal	
36	1001126393	10	Seal, Terminal	
37	1001126391	2	Plug	
38	4460891	1	Connector	
39	80604018	1	Lock, Connector	
40	4460465	2	Terminal	
41	4460891	1	Connector	
42	80604018	1	Lock, Connector	
43	4460465	2	Terminal	
44	4460891	1	Connector	
45	80604018	1	Lock, Connector	
46	4460465	2	Terminal	
47	4460884	1	Connector	
48	80604021	1	Lock, Connector	
49	4460465	4	Terminal	
50	1001176935	1	Connector	
51	1001166704	4	Terminal	
52	1001137578	4	Seal, Terminal	
53	1001167528	1	Connector	
54	1001166704	4	Terminal	

SECTION 10 - ELECTRICAL

ITEM	PART NUMBER	QTY	DESCRIPTION	REV
55	1001137578	4	Seal, Terminal	

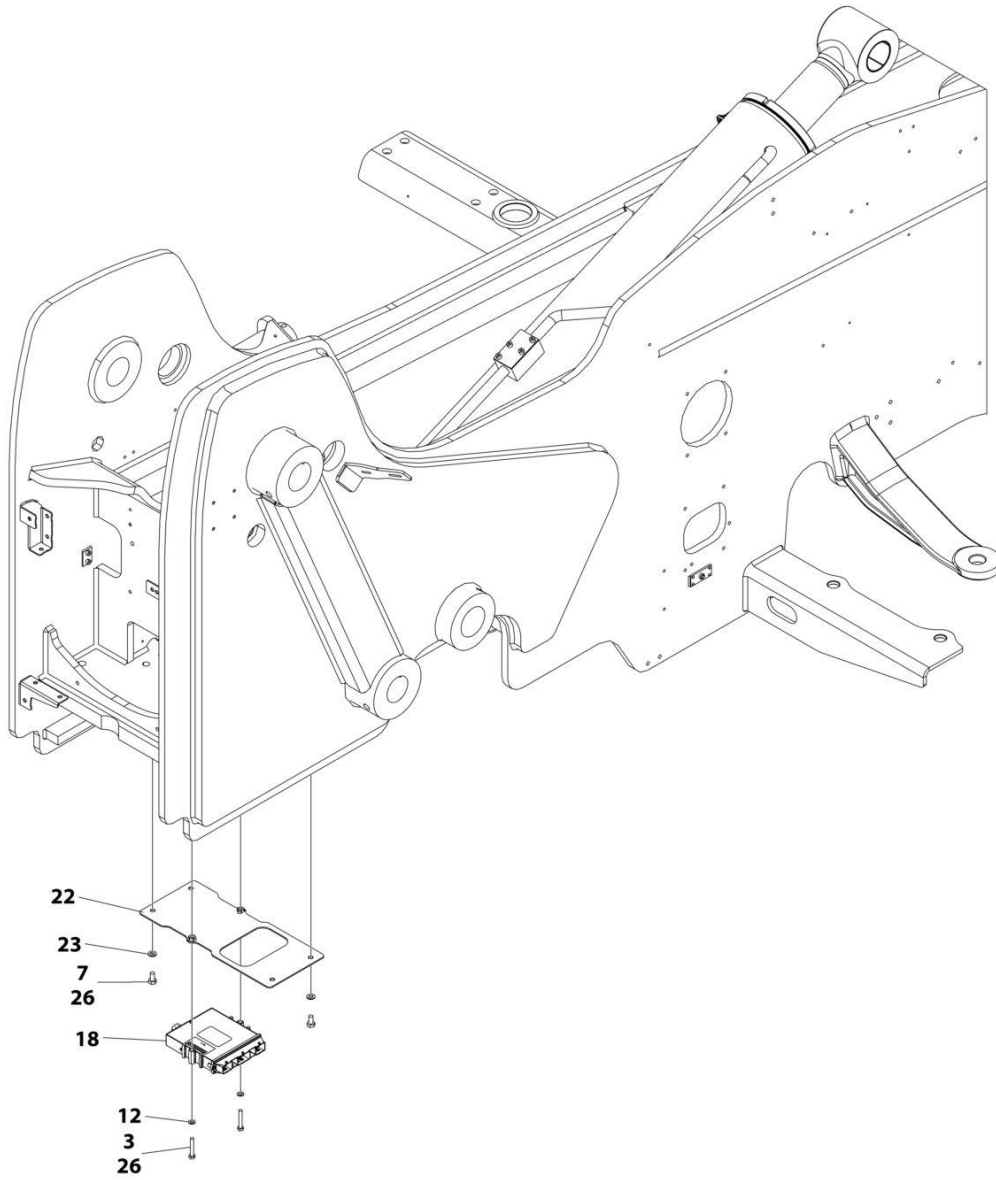
SECTION 10 - ELECTRICAL

FIGURE 10-55. FRAME ELECTRICAL INSTALLATION



ART_1001161732_M_10F2

SECTION 10 - ELECTRICAL



ART_1001161732_M_20F2

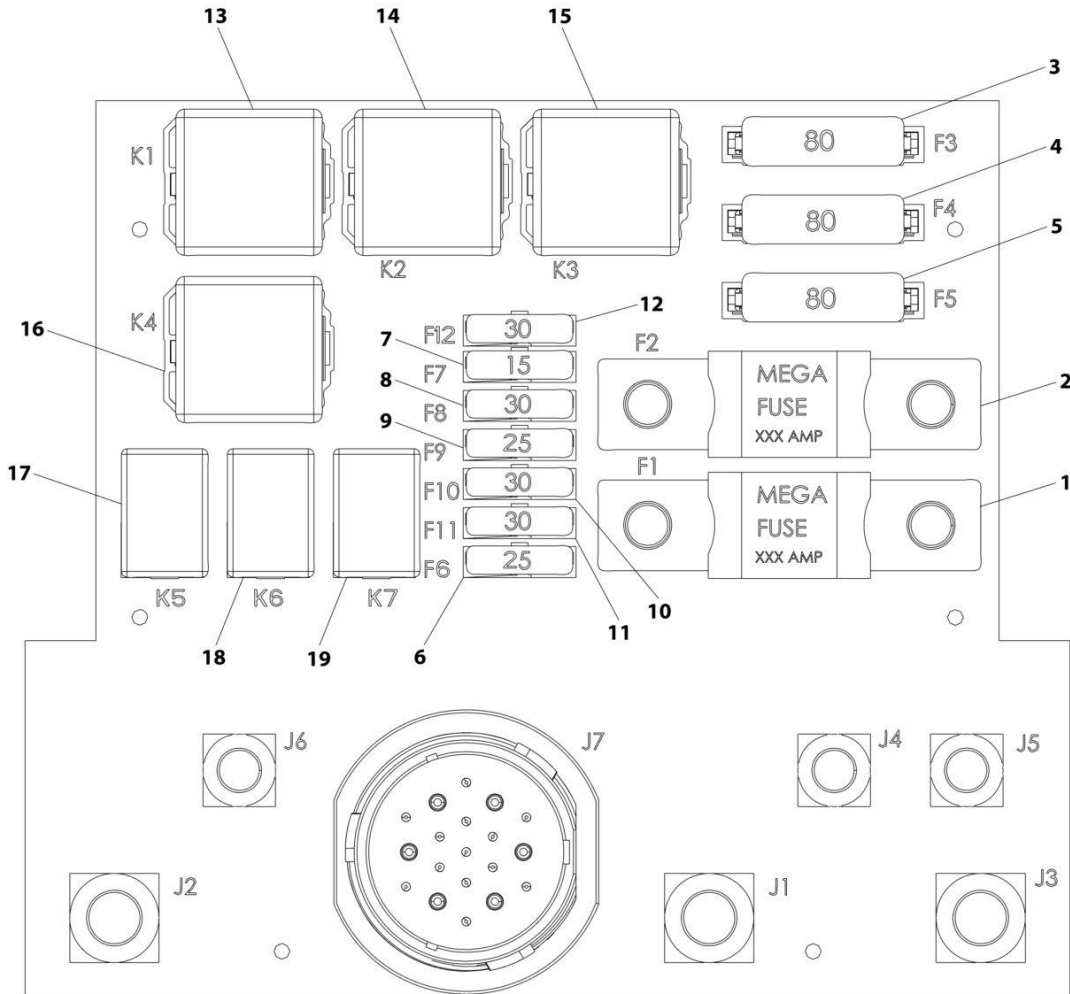
SECTION 10 - ELECTRICAL

FIGURE 10-55. FRAME ELECTRICAL INSTALLATION

ITEM	PART NUMBER	QTY	DESCRIPTION	REV
	1001161732	Ref	ELECTRICAL FRAME INSTALLATION	M
1	0700610	4	Bolt M6 x 20	
2	0760815	1	Bolt M8 x 35	
3	0700818	2	Bolt M8 x 50	
4	0700822	2	Bolt M8 x 70	
7	0761010	2	Bolt M10 x 20	
9	3290801	1	Nut M8 x 1.25 Grd8	
10	3290805	2	Nut M8 x 1.25 Grd8	
11	4811700	4	Washer M6	
12	4811900	8	Washer M8	
16	10713707	1	Horn	
17	1001270467	1	Control, Front Frame Module	
18	1001270468	1	Control, Rear Frame Module	
19	1001164402	1	Assembly, Power distribution Box (See Separate Breakdown in this Section)	
22	1001210450	1	Plate	
23	4812000	2	Washer M10	
26	1001180620	AR	Adhesive	

SECTION 10 - ELECTRICAL

FIGURE 10-56. FRAME POWER DISTRIBUTION ELECTRICAL BOX



ART_1001164402-G

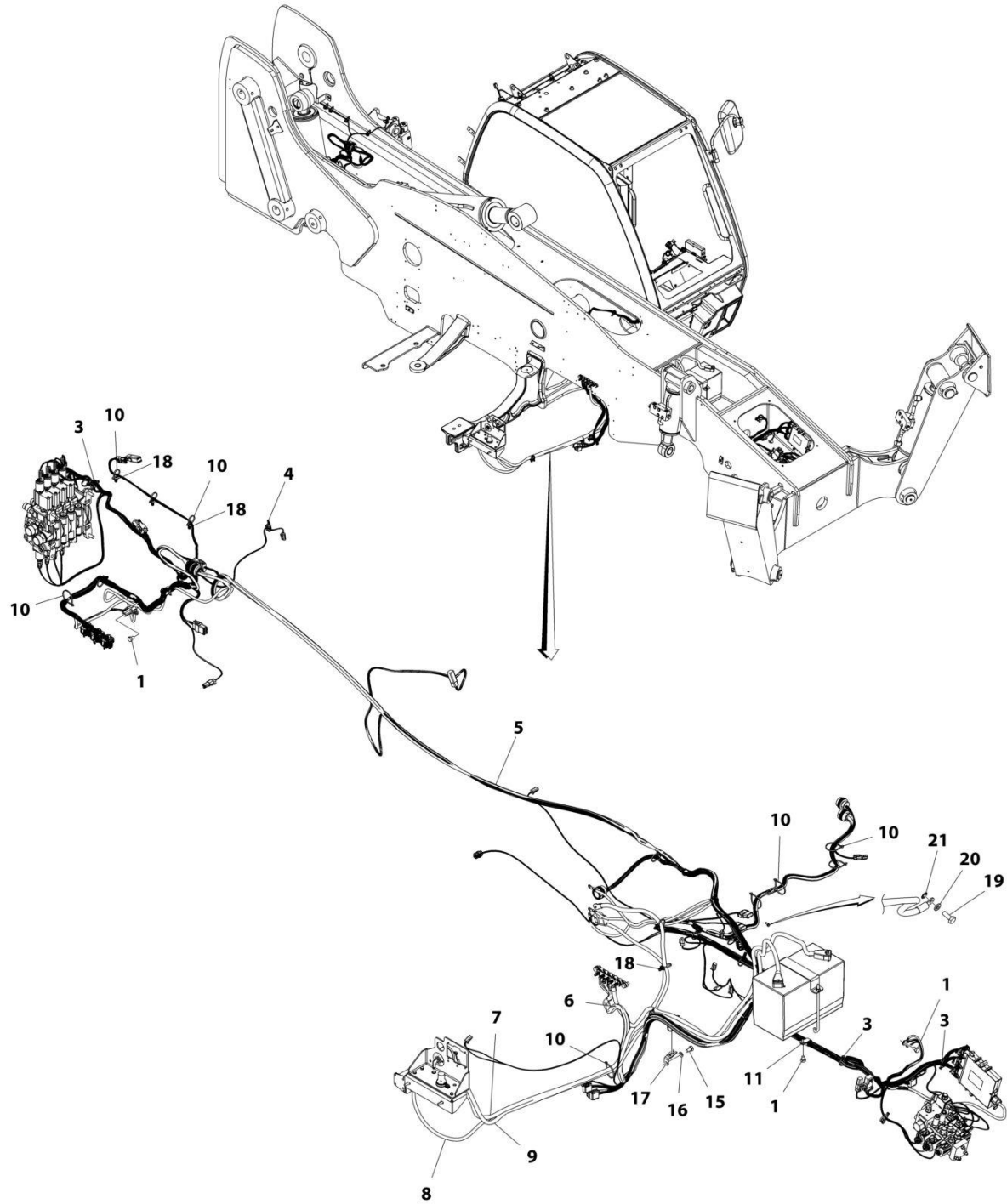
SECTION 10 - ELECTRICAL

FIGURE 10-56. FRAME POWER DISTRIBUTION ELECTRICAL BOX

ITEM	PART NUMBER	QTY	DESCRIPTION	REV
	1001164402	Ref	Power Distribution Electrical Box	G
1	1001095336	1	Fuse, 150AMP	
2	70026296	1	Fuse, 200AMP	
3	70026297	1	Fuse, 80AMP	
4	70026297	1	Fuse, 80AMP	
5	70026297	1	Fuse, 80AMP	
6	8229247	1	Fuse, 25AMP	
7	8229244	1	Fuse, 15AMP	
8	8229245	1	Fuse, 30AMP	
9	8229247	1	Fuse, 25AMP	
10	8229245	1	Fuse, 30AMP	
11	8229245	1	Fuse, 30AMP	
12	8229245	1	Fuse, 30AMP	
13	70026294	1	Fuse, 70AMP	
14	70026294	1	Fuse, 70AMP	
15	70026294	1	Fuse, 70AMP	
16	70026294	1	Fuse, 70AMP	
17	70026295	1	Fuse, 35AMP	
18	70026295	1	Fuse, 35AMP	
19	70026295	1	Fuse, 35AMP	

SECTION 10 - ELECTRICAL

FIGURE 10-57. FRAME WIRING INSTALLATION (LS)



ART_1001182807_P

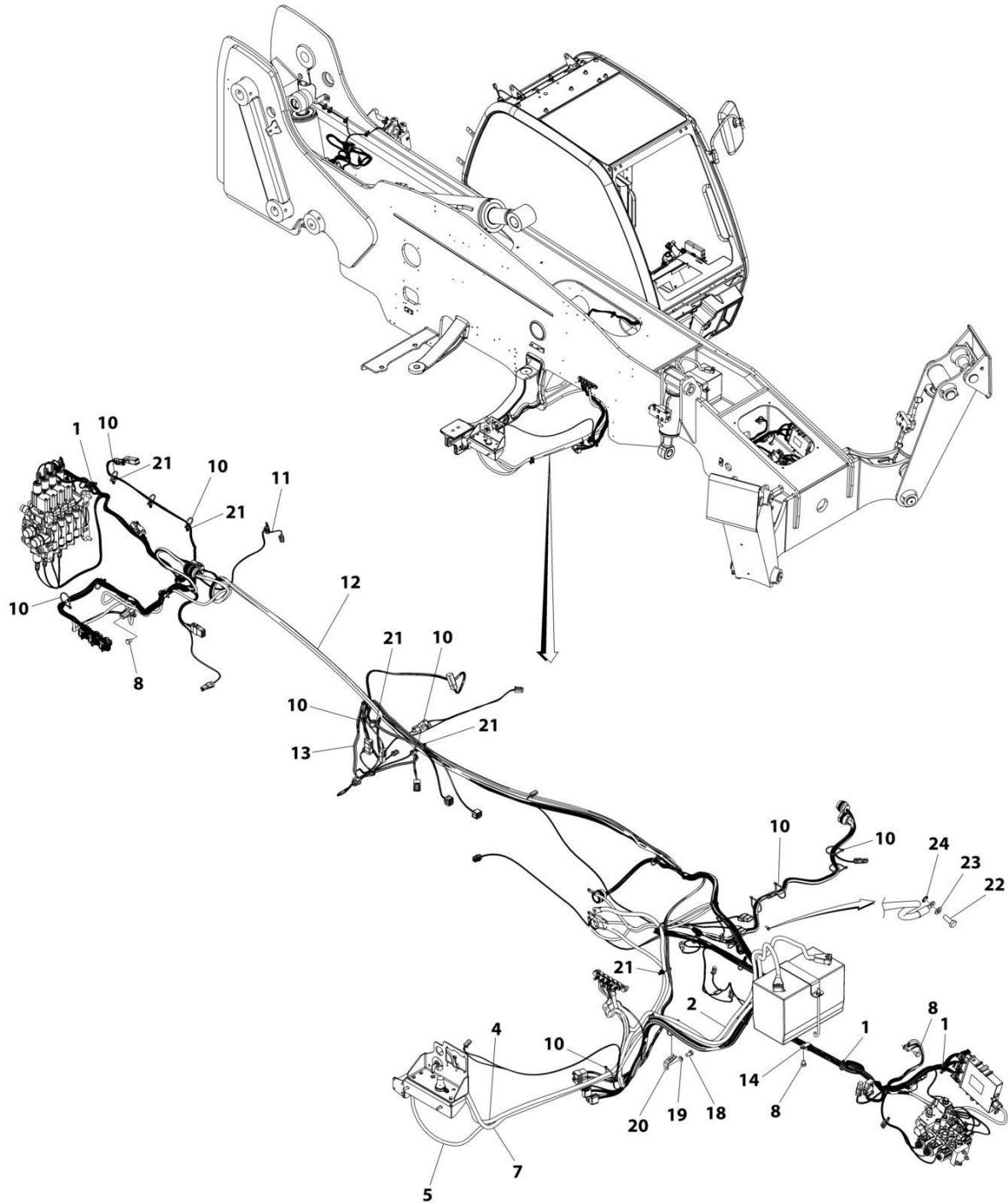
SECTION 10 - ELECTRICAL

FIGURE 10-57. FRAME WIRING INSTALLATION (LS)

ITEM	PART NUMBER	QTY	DESCRIPTION	REV
	1001182807	Ref	FRAME WIRING INSTALLATION (IF EQUIPPED FOR LS)	P
1	0761007	3	Bolt M10 x 14	
3	1001146588	12	Strap, Cable	
4	1001266666	1	Harness, Rear Frame (See Separate Breakdown in this Section)	
5	1001280768	1	Harness, Front Frame (See Separate Breakdown in this Section)	
6	1001169365	1	Cable, Battery Negative	
7	1001170566	1	Cable, Battery to PDM	
8	1001200082	1	Cable, PDM to Grid Heater	
9	1001170624	1	Cable, B+ to Disconnect	
10	1001008559	21	Strap, Cable	
11	8406201	1	Clip	
15	0761010	1	Bolt M10 x 20	
16	4812000	1	Washer M10	
17	1001025753	1	Clip	
18	1001202986	14	Strap	
19	0760608	1	Bolt M6 x 16	
20	4811700	1	Washer M6	
21	4871700	1	Washer M6	

SECTION 10 - ELECTRICAL

FIGURE 10-58. FRAME WIRING INSTALLATION (ULS)



ART_1001164287_R

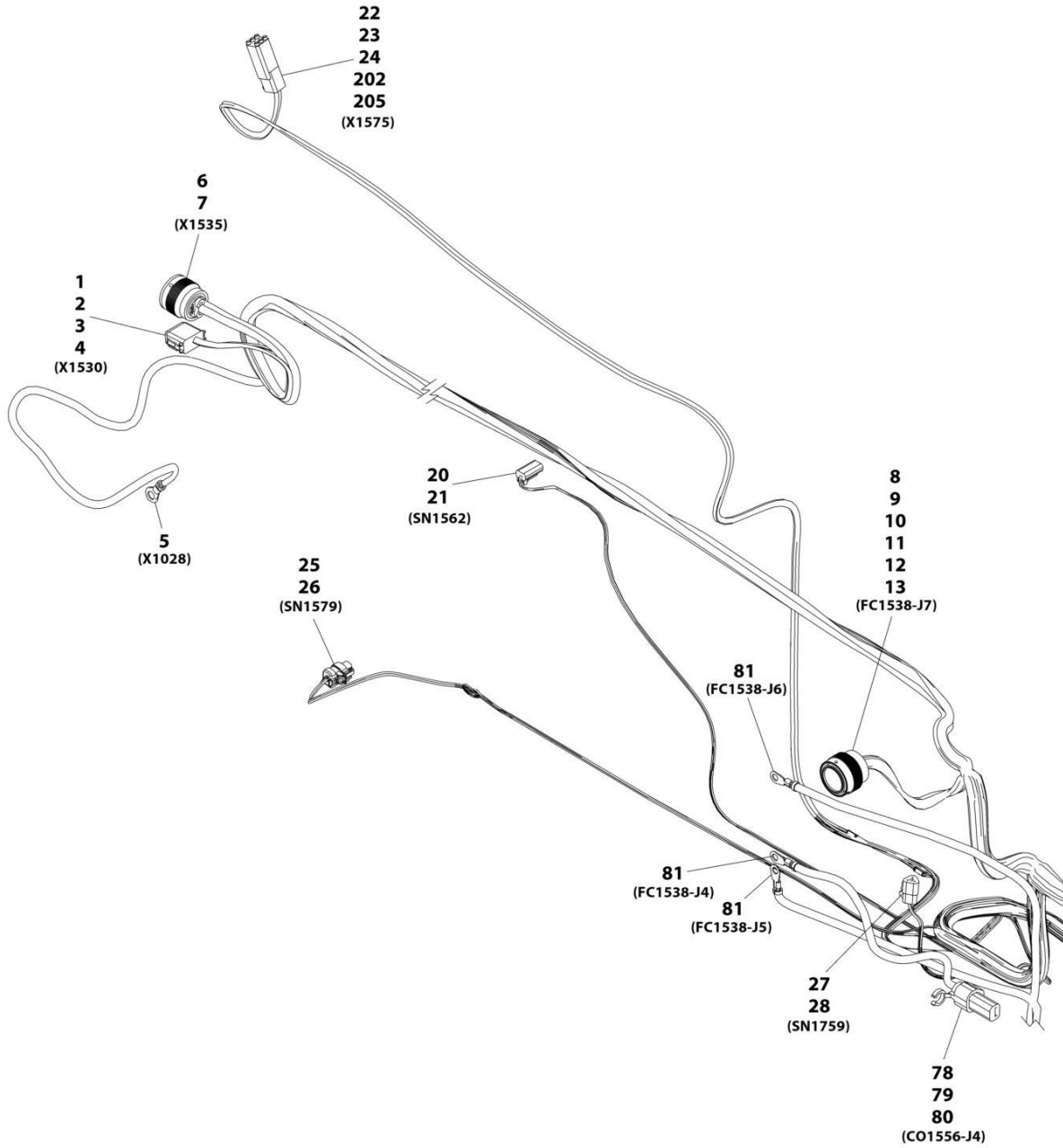
SECTION 10 - ELECTRICAL

FIGURE 10-58. FRAME WIRING INSTALLATION (ULS)

ITEM	PART NUMBER	QTY	DESCRIPTION	REV
	1001164287	Ref	FRAME WIRING INSTALLATION (IF EQUIPPED FOR ULS)	R
1	1001146588	12	Strap, Cable	
2	1001169365	1	Cable, Battery Negative	
4	1001170566	1	Cable, Battery to PDM	
5	1001200082	1	Cable, PDM to Grid Heater	
7	1001170624	1	Cable, B+ to Disconnect	
8	0761007	3	Bolt M10 x 14	
10	1001008559	23	Strap	
11	1001266666	1	Harness, Rear Frame (See Separate Breakdown in this Section)	
12	1001280768	1	Harness, Front Frame (See Separate Breakdown in this Section)	
13	1001168952	1	Harness, Cummins (See Separate Breakdown in this Section)	
14	8406201	1	Clip	
18	0761010	1	Bolt M10 x 20	
19	4812000	1	Washer M10	
20	1001025753	1	Clip	
21	1001202986	16	Strap	
22	0760608	1	Bolt M6 x 16	
23	4811700	1	Washer M6	
24	4871700	1	Washer M6	

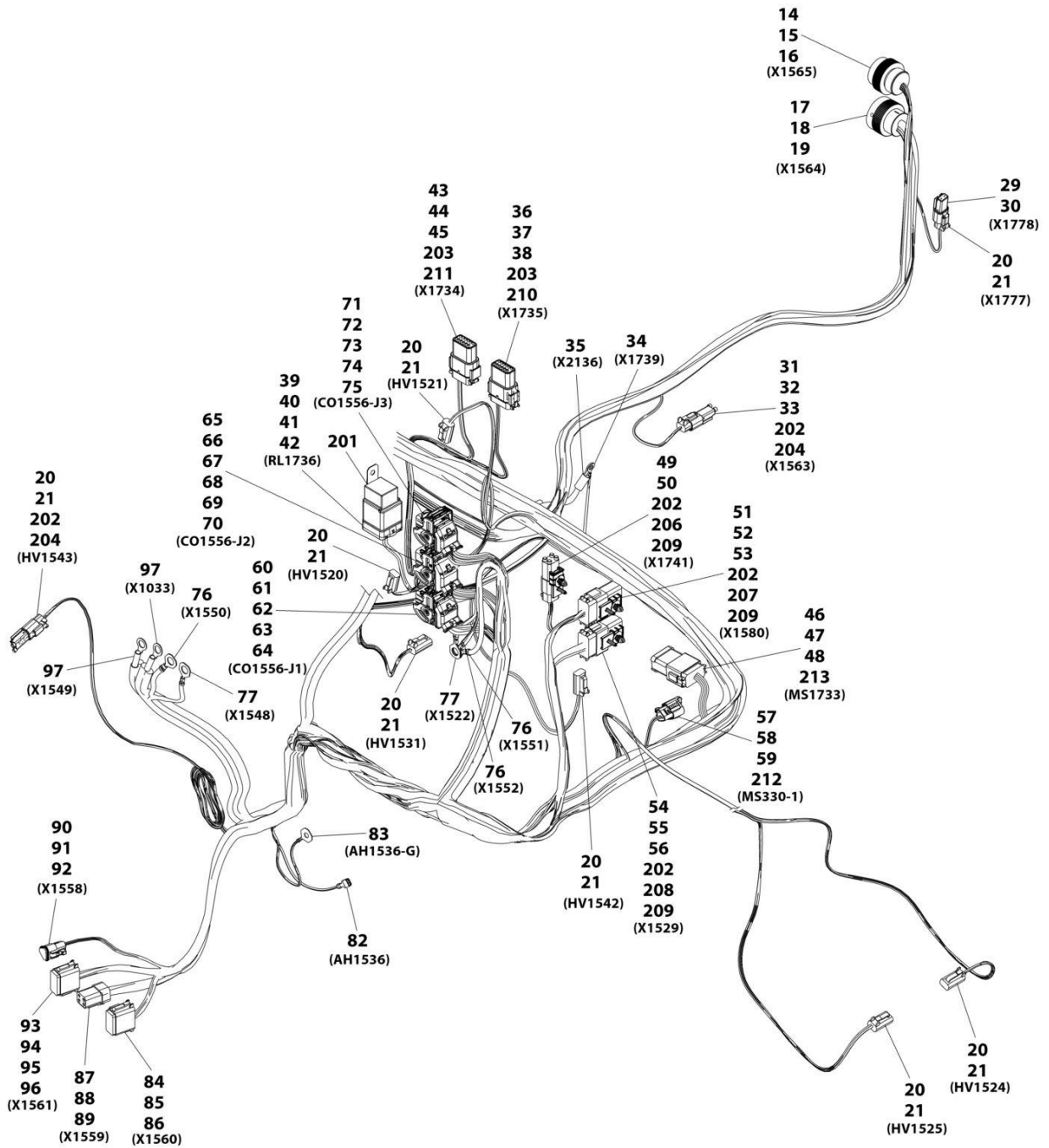
SECTION 10 - ELECTRICAL

FIGURE 10-59. FRONT FRAME HARNESS



ART_1001268340_10F2

SECTION 10 - ELECTRICAL



ART_1001268340_20F2

SECTION 10 - ELECTRICAL

FIGURE 10-59. FRONT FRAME HARNESS

ITEM	PART NUMBER	QTY	DESCRIPTION	REV
	1001268340	Ref	FRONT FRAME HARNESS	C
1	4460933	1	Connector	
2	4460465	4	Terminal	
3	4460942	2	Terminal	
4	4460466	6	Plug	
5	1001187076	1	Connector	
6	1001165310	1	Connector	
7	91013192	2	Terminal	
8	1001165309	1	Connector	
9	4460466	2	Plug	
10	4460465	8	Terminal	
11	4460942	3	Terminal	
12	4460509	3	Terminal	
13	1001150611	3	Terminal	
14	4461015	1	Connector	
15	4460465	12	Terminal	
16	4460466	2	Plug	
17	1001118323	1	Connector	
18	4460942	4	Terminal	
19	91013192	2	Terminal	
20	4460891	8	Connector	
21	4460465	16	Terminal	
22	4460894	1	Connector	
23	4460465	2	Terminal	
24	4460942	4	Terminal	
25	1001116950	1	Connector	
26	4460465	2	Terminal	
27	4460539	1	Connector	
28	4460465	3	Plug	
29	4460897	1	Connector	
30	4460464	2	Terminal	
31	4460891	1	Connector	
32	4460942	1	Terminal	
33	4460465	1	Terminal	
34	1001207173	1	Connector	
35	8220116	1	Connector	
36	1001116774	1	Connector	
37	4460518	10	Plug	
38	1001126008	2	Terminal	
39	1001231398	1	Connector	
40	1001231400	4	Terminal	
41	1001231406	1	Plug	
42	1001231404	4	Seal	
43	1001116808	1	Connector	
44	4460518	9	Plug	
45	1001126008	3	Terminal	
46	4460933	1	Connector	
47	4460465	10	Terminal	
48	4460466	2	Terminal	
49	4460884	1	Connector	

SECTION 10 - ELECTRICAL

ITEM	PART NUMBER	QTY	DESCRIPTION	REV
50	4460465	4	Terminal	
51	4460836	1	Connector	
52	4460465	7	Terminal	
53	4460466	5	Plug	
54	4460933	1	Connector	
55	4460942	10	Terminal	
56	4460466	2	Terminal	
57	1001116812	1	Connector	
58	4460944	2	Terminal	
59	4460466	1	Terminal	
60	1001161957	1	Connector	
61	1001161097	19	Terminal	
62	1001161100	5	Plug	
63	1001161101	7	Plug	
64	1001161098	1	Terminal	
65	1001161963	1	Connector	
66	1001161097	19	Terminal	
67	1001161100	21	Plug	
68	1001161098	1	Terminal	
69	1001161099	5	Terminal	
70	1001161101	2	Plug	
71	1001160500	1	Connector	
72	1001161100	15	Plug	
73	1001161097	9	Terminal	
74	1001161099	7	Terminal	
75	1001161101	1	Plug	
76	1001187080	3	Connector	
77	1001187079	2	Connector	
78	1001160509	1	Connector	
79	1001160510	1	Terminal	
80	1001175267	1	Seal	
81	1001187075	3	Connector	
82	8220051	1	Connector	
83	1001211775	1	Connector	
84	4460933	1	Connector	
85	4460465	8	Terminal	
86	4460466	4	Plug	
87	1001116810	1	Connector	
88	4460509	1	Terminal	
89	1001150611	3	Terminal	
90	1001116812	1	Connector	
91	4460465	2	Terminal	
92	4460466	1	Plug	
93	4460836	1	Connector	
94	4460942	1	Terminal	
95	4460465	10	Terminal	
96	4460466	1	Terminal	
97	1001128127	1	Connector	
201	3740080	1	Relay	
202	4460466	38	Plug	
203	4460518	24	Terminal	

SECTION 10 - ELECTRICAL

ITEM	PART NUMBER	QTY	DESCRIPTION	REV
204	4460897	2	Connector	
205	4460899	1	Connector	
206	4460932	1	Connector	
207	4460950	1	Connector	
208	4460970	1	Connector	
209	1001121172	3	Bracket, Mounting	
210	1001132169	1	Connector	
211	1001132170	1	Connector	
212	1001144296	1	Cap	
213	1001125677	1	Buss Bar	

SECTION 10 - ELECTRICAL

FIGURE 10-60. FRAME HARNESS - FRONT

ITEM	PART NUMBER	QTY	DESCRIPTION	REV
	1001280768	Ref	FRONT FRAME HARNESS	A
1	3740080	1	Relay, Weather Proof	
2	4460466	27	Plug	
3	4460518	24	Plug	
4	4460536	1	Connector	
5	4460897	1	Connector	
6	4460899	1	Terminal, 6 Position DT Series	
7	4460932	1	Connector	
8	4460945	1	Receptacle, 3 Way	
9	4460970	1	Connector	
10	1001008559	3	Tie - Strap	
11	1001125677	1	Buss Bar	
12	1001132169	1	Connector	
13	1001132170	1	Connector	
101	1001161957	1	Connector	
102	1001161097	19	Terminal	
103	1001161100	5	Plug	
104	1001161101	7	Plug	
105	1001161098	1	Terminal	
106	1001161963	1	Connector	
107	1001161097	17	Terminal	
108	1001161100	22	Plug	
109	1001161098	1	Terminal	
110	1001161099	5	Terminal	
111	1001161101	2	Plug	
112	1001160500	1	Connector	
113	1001161100	14	Plug	
114	1001161097	9	Terminal	
115	1001161099	7	Terminal	
116	1001161101	1	Plug	
117	1001116812	1	Connector	
118	4460944	2	Terminal	
119	4460466	1	Plug	
120	4460933	1	Connector	
121	4460465	10	Terminal	
122	4460466	2	Plug	
123	1001187073	1	Connector	
124	8220051	1	Connector	
125	1001187080	3	Connector	
126	1001187079	2	Connector	
127	4460884	1	Connector	
128	4460465	4	Terminal	
129	4460891	14	Connector	
130	4460465	28	Terminal	
131	4460933	1	Connector	
132	4460942	10	Terminal	
133	4460466	2	Terminal	
134	1001128127	2	Connector	
135	4460539	1	Connector	
136	4460465	3	Terminal	

SECTION 10 - ELECTRICAL

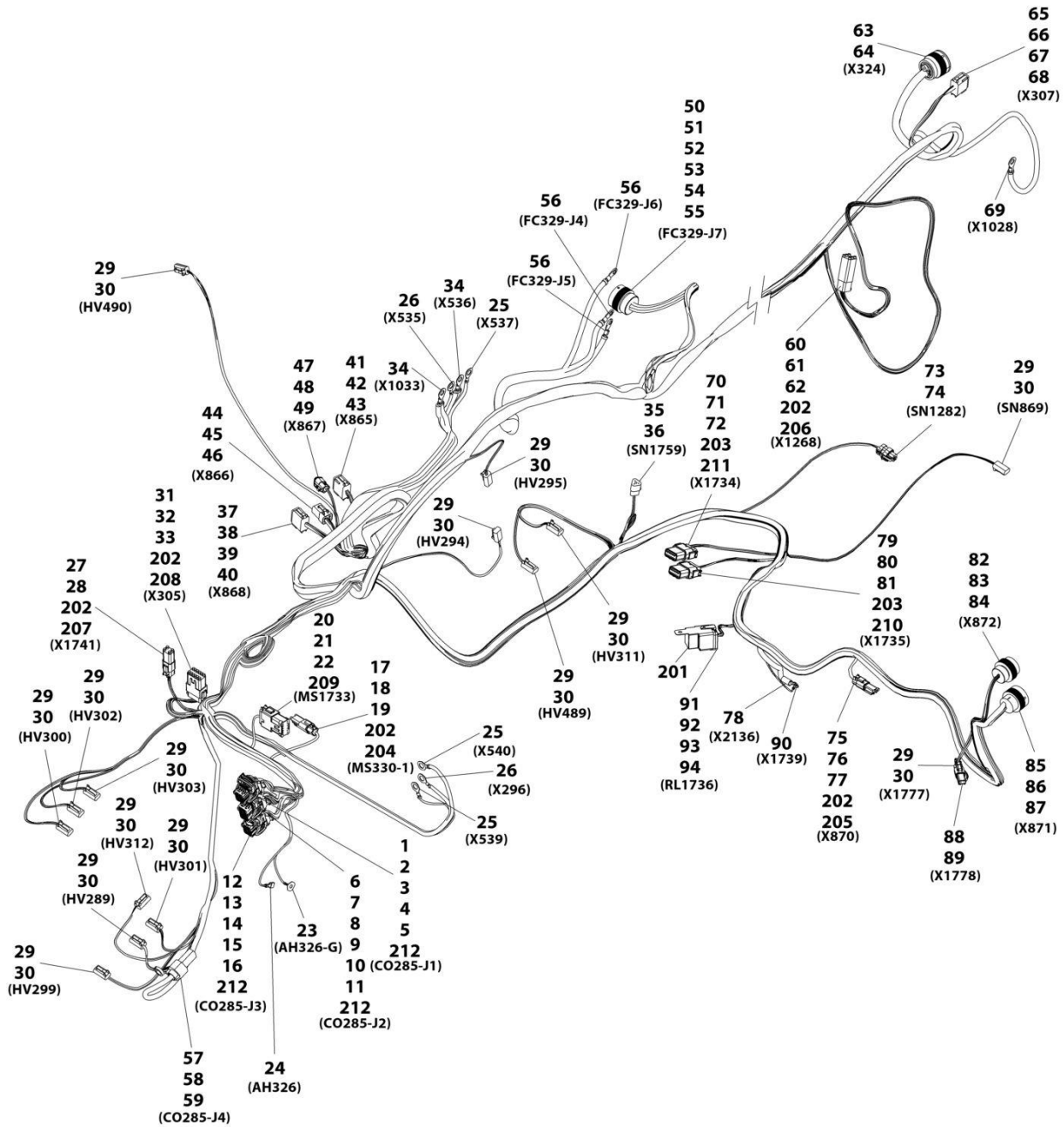
ITEM	PART NUMBER	QTY	DESCRIPTION	REV
137	4460836	1	Connector	
138	4460942	1	Terminal	
139	4460465	10	Terminal	
140	4460466	1	Terminal	
141	1001116812	1	Connector	
142	4460465	2	Terminal	
143	4460466	1	Plug	
144	1001116810	1	Connector	
145	1001150611	3	Terminal	
146	4460509	1	Terminal	
147	4460933	1	Connector	
148	4460465	8	Terminal	
149	4460466	4	Plug	
150	1001165309	1	Connector	
151	4460466	2	Plug	
152	4460465	8	Terminal	
153	4460942	3	Terminal	
154	1001150611	3	Terminal	
155	4460509	3	Terminal	
156	1001187075	3	Connector	
157	1001160509	1	Connector	
158	1001160510	1	Terminal	
159	1001175267	1	Seal	
160	4460894	1	Connector	
161	4460942	4	Terminal	
162	4460465	2	Terminal	
163	1001165310	1	Connector	
164	91013192	2	Terminal	
165	4460933	1	Connector	
166	4460465	4	Terminal	
167	4460942	2	Terminal	
168	4460466	6	Plug	
169	1001187076	1	Connector	
170	1001116808	1	Connector	
171	4460518	9	Plug	
172	1001126008	3	Terminal	
173	1001116950	1	Connector	
174	4460465	2	Terminal	
175	4460891	1	Connector	
176	4460942	1	Terminal	
177	4460466	1	Plug	
178	8220116	1	Connector	
179	1001116774	1	Connector	
180	4460518	10	Plug	
181	1001126008	2	Terminal	
182	4461015	1	Connector	
183	4460465	14	Terminal	
185	1001118323	1	Connector	
186	4460942	4	Terminal	
187	91013192	2	Terminal	
188	4460897	1	Connector	

SECTION 10 - ELECTRICAL

ITEM	PART NUMBER	QTY	DESCRIPTION	REV
189	4460464	2	Terminal	
190	1001207173	1	Connector	
191	1001231398	1	Connector	
192	1001231400	4	Terminal	
193	1001231406	1	Plug	
194	1001231404	4	Seal	
195	1001116812	2	Connector	
196	4460944	4	Terminal	
197	4460466	2	Plug	
198	4460539	1	Connector	
199	4460944	2	Terminal	
200	4460466	1	Plug	

SECTION 10 - ELECTRICAL

FIGURE 10-61. FRAME HARNESS - FRONT



ART_1001266692

SECTION 10 - ELECTRICAL

FIGURE 10-61. FRAME HARNESS - FRONT

ITEM	PART NUMBER	QTY	DESCRIPTION	REV
	1001266692	Ref	FRONT FRAME HARNESS	C
1	1001161957	1	Connector	
2	1001161097	19	Terminal	
3	1001161100	5	Plug	
4	1001161101	7	Plug	
5	1001161098	1	Terminal	
6	1001161963	1	Connector	
7	1001161097	19	Terminal	
8	1001161100	21	Plug	
9	1001161098	1	Terminal	
10	1001161099	5	Terminal	
11	1001161101	2	Plug	
12	1001160500	1	Connector	
13	1001161100	15	Plug	
14	1001161097	9	Terminal	
15	1001161099	7	Terminal	
16	1001161101	1	Plug	
17	1001116812	1	Connector	
18	4460944	2	Terminal	
19	4460466	1	Plug	
20	4460933	1	Connector	
21	4460465	10	Terminal	
22	4460466	2	Plug	
23	1001187073	1	Connector	
24	8220051	1	Connector	
25	1001187080	3	Connector	
26	1001187079	2	Connector	
27	4460884	1	Connector	
28	4460465	4	Terminal	
29	4460891	14	Connector	
30	4460465	28	Terminal	
31	4460933	1	Connector	
32	4460942	10	Terminal	
33	4460466	2	Terminal	
34	1001128127	2	Connector	
35	4460539	1	Connector	
36	4460465	3	Terminal	
37	4460836	1	Connector	
38	4460942	1	Terminal	
39	4460465	10	Terminal	
40	4460466	1	Terminal	
41	1001116812	1	Connector	
42	4460465	2	Terminal	
43	4460466	1	Plug	
44	1001116810	1	Connector	
45	1001150611	3	Terminal	
46	4460509	1	Terminal	
47	4460933	1	Connector	
48	4460465	8	Terminal	
49	4460466	4	Plug	

SECTION 10 - ELECTRICAL

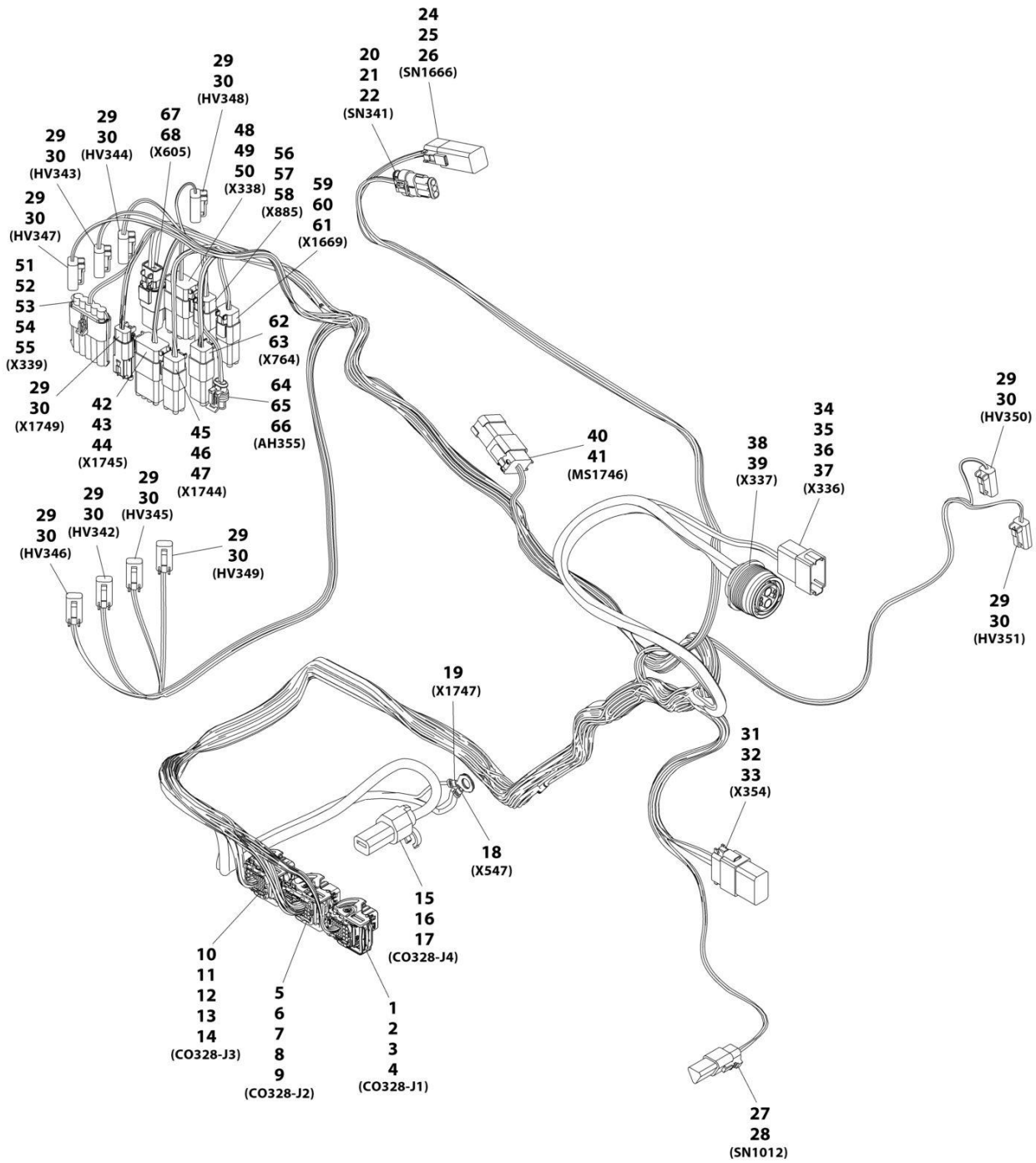
ITEM	PART NUMBER	QTY	DESCRIPTION	REV
50	1001165309	1	Connector	
51	4460466	2	Plug	
52	4460465	8	Terminal	
53	4460942	3	Terminal	
54	1001150611	3	Terminal	
55	4460509	3	Terminal	
56	1001187075	3	Connector	
57	1001160509	1	Connector	
58	1001160510	1	Terminal	
59	1001175267	1	Seal	
60	4460894	1	Connector	
61	4460942	4	Terminal	
62	4460465	2	Terminal	
63	1001165310	1	Connector	
64	91013192	2	Terminal	
65	4460933	1	Connector	
66	4460465	4	Terminal	
67	4460942	2	Terminal	
68	4460466	6	Plug	
69	1001187076	1	Connector	
70	1001116808	1	Connector	
71	4460518	9	Plug	
72	1001126008	3	Terminal	
73	1001116950	1	Connector	
74	4460465	2	Terminal	
75	4460891	1	Connector	
76	4460942	1	Terminal	
77	4460466	1	Plug	
78	8220116	1	Connector	
79	1001116774	1	Connector	
80	4460518	10	Plug	
81	1001126008	2	Terminal	
82	4461015	1	Connector	
83	4460465	12	Terminal	
84	4460466	2	Terminal	
85	1001118323	1	Connector	
86	4460942	4	Terminal	
87	91013192	2	Terminal	
88	4460897	1	Connector	
89	4460464	2	Terminal	
90	1001207173	1	Connector	
91	1001231398	1	Connector	
92	1001231400	4	Terminal	
93	1001231406	1	Plug	
94	1001231404	4	Seal	
201	3740080	1	Relay	
202	4460466	27	Plug	
203	4460518	24	Plug	
204	4460536	1	Connector	
205	4460897	1	Connector	
206	4460899	1	Connector	

SECTION 10 - ELECTRICAL

ITEM	PART NUMBER	QTY	DESCRIPTION	REV
207	4460932	1	Connector	
208	4460970	1	Connector	
209	1001125677	1	Buss bar	
210	1001132169	1	Connector	
211	1001132170	1	Connector	
212	643191201	3	Cover	

SECTION 10 - ELECTRICAL

FIGURE 10-62. FRAME HARNESS - REAR



ART_1001266666

SECTION 10 - ELECTRICAL

FIGURE 10-62. FRAME HARNESS - REAR

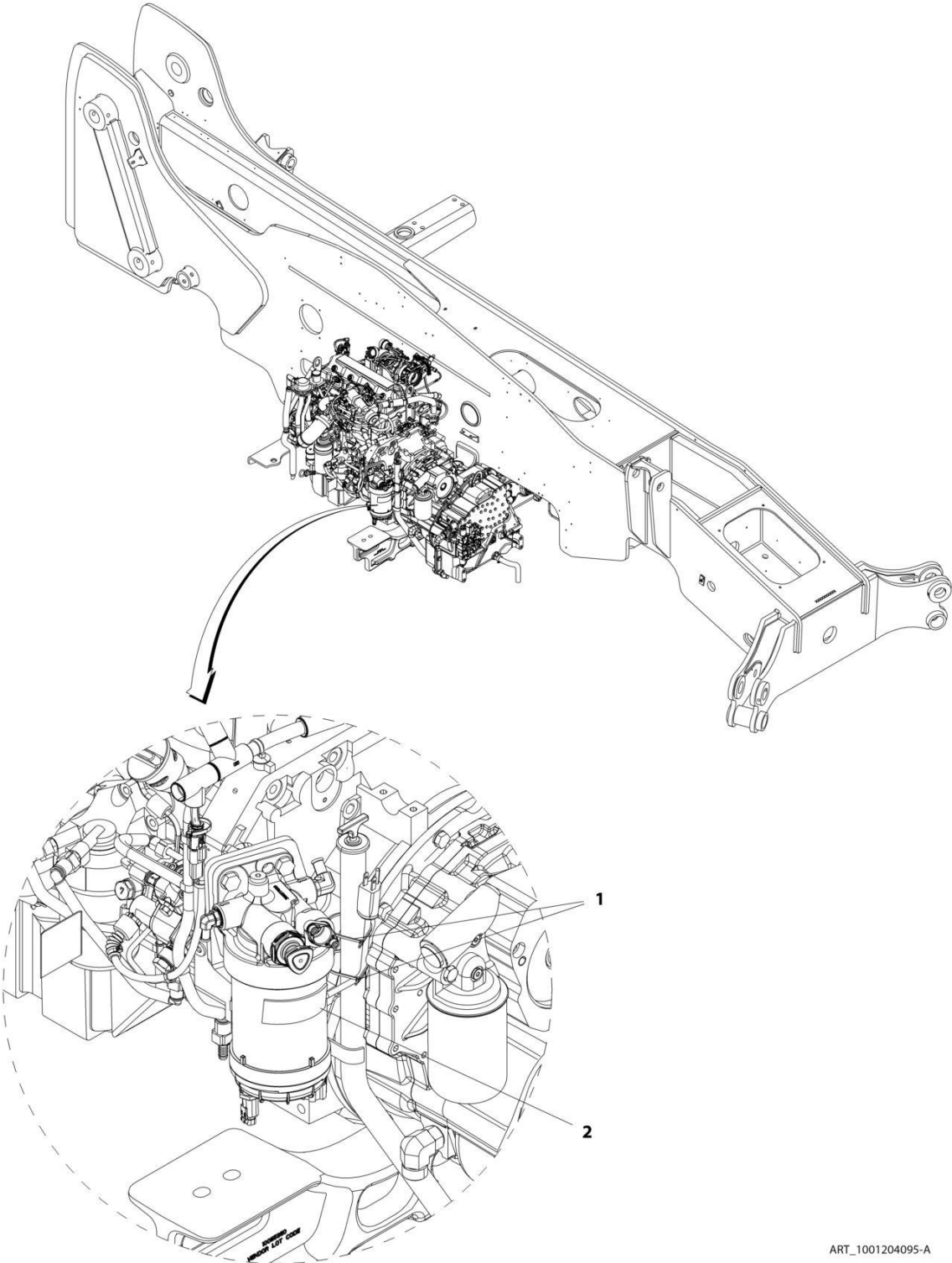
ITEM	PART NUMBER	QTY	DESCRIPTION	REV
	1001266666	Ref	REAR FRAME HARNESS	D
1	1001161957	1	Connector	
2	1001161097	7	Terminal	
3	1001161100	17	Plug	
4	1001161101	8	Plug	
5	1001161963	1	Connector	
6	1001161097	26	Terminal	
7	1001161100	14	Plug	
8	1001161099	5	Terminal	
9	1001161101	3	Plug	
10	1001160500	1	Connector	
11	1001161100	20	Plug	
12	1001161097	4	Terminal	
13	1001161099	7	Terminal	
14	1001161101	1	Plug	
15	1001160509	1	Connector	
16	1001160510	1	Terminal	
17	1001175267	1	Seal	
18	1001187076	1	Connector	
19	1001187078	1	Connector	
20	4461262	1	Connector	
21	1001107854	3	Terminal	
22	1001114498	3	Seal	
24	4460894	1	Connector	
25	4460465	4	Terminal	
26	4460466	2	Plug	
27	4460539	1	Connector	
28	4460465	3	Terminal	
29	4460891	1	Connector	
30	4460465	2	Terminal	
31	4460933	1	Connector	
32	4460942	10	Terminal	
33	4460466	2	Plug	
34	4460970	1	Connector	
35	4460464	5	Terminal	
36	4460941	1	Terminal	
37	4460466	6	Plug	
38	1001165311	1	Connector	
39	91013191	2	Terminal	
40	4460933	1	Connector	
41	4460465	12	Terminal	
42	4460930	1	Connector	
43	4460465	6	Terminal	
44	4460466	2	Plug	
45	4460894	1	Connector	
46	4460465	3	Terminal	
47	4460466	3	Plug	
48	4460930	1	Connector	
49	4460466	6	Plug	
50	4460465	2	Terminal	

SECTION 10 - ELECTRICAL

ITEM	PART NUMBER	QTY	DESCRIPTION	REV
51	1001121726	1	Connector	
52	1001116728	3	Terminal	
53	1001116727	2	Plug	
54	1001175265	2	Seal	
55	4460458	1	Seal	
56	4460884	1	Connector	
57	4460465	2	Terminal	
58	4460466	2	Plug	
59	4460884	1	Connector	
60	4460465	4	Terminal	
61	4460466	1	Plug	
62	4460884	1	Connector	
63	4460465	4	Terminal	
64	4461118	1	Connector	
65	1001107854	2	Terminal	
66	1001116763	2	Seal	
67	4461018	1	Connector	
68	4460509	2	Terminal	

SECTION 10 - ELECTRICAL

FIGURE 10-63. HEATER INSTALLATION - FUEL FILTER



ART_1001204095-A

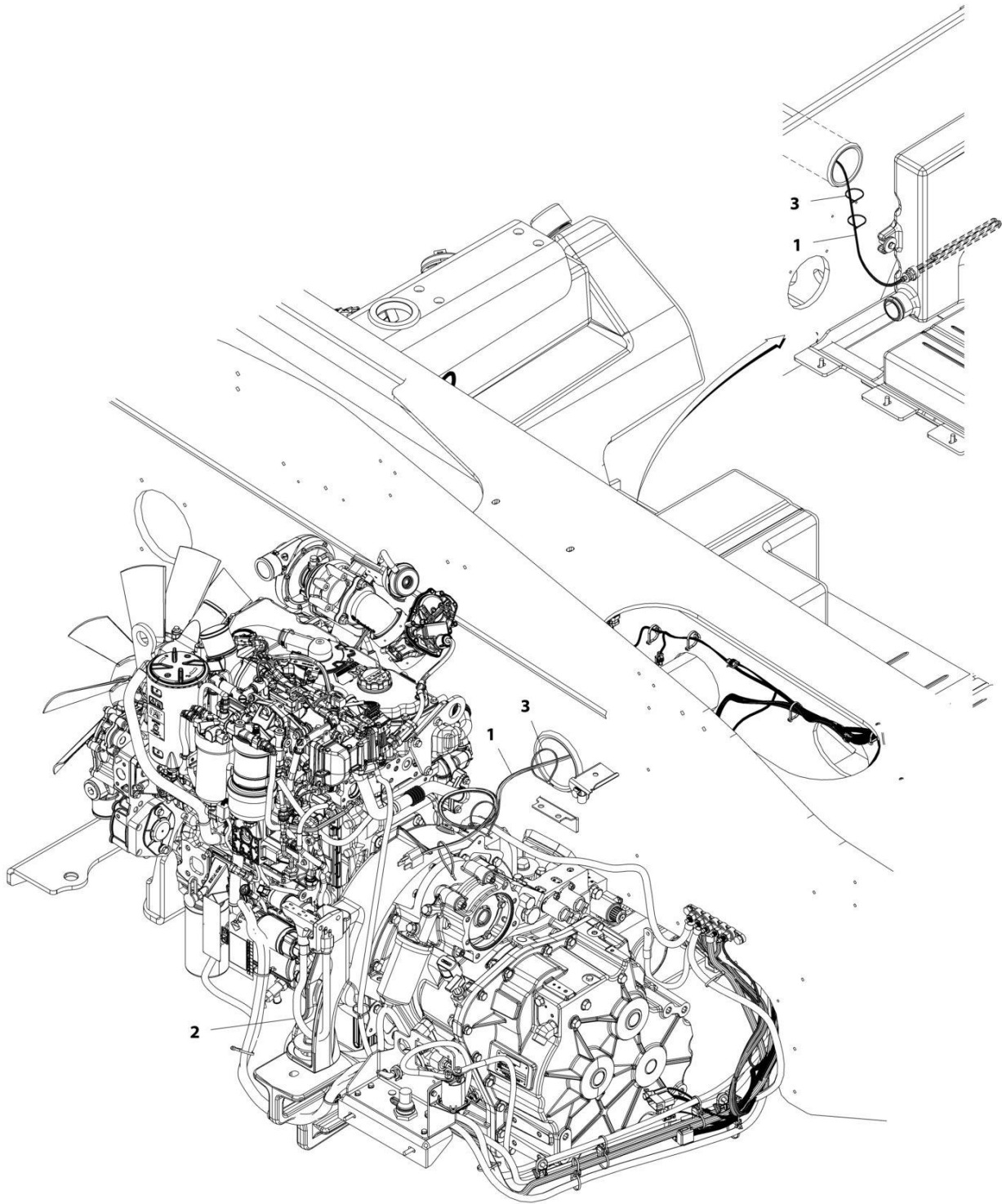
SECTION 10 - ELECTRICAL

FIGURE 10-63. HEATER INSTALLATION - FUEL FILTER

ITEM	PART NUMBER	QTY	DESCRIPTION	REV
	1001204095	Ref	Fuel Filter Heater Installation	A
1	4240099	2	Strap, Tie	
2	1001202498	1	Pad	

SECTION 10 - ELECTRICAL

FIGURE 10-64. HEATER INSTALLATION - TANK (HYDRAULIC)



ART_1001190671-B

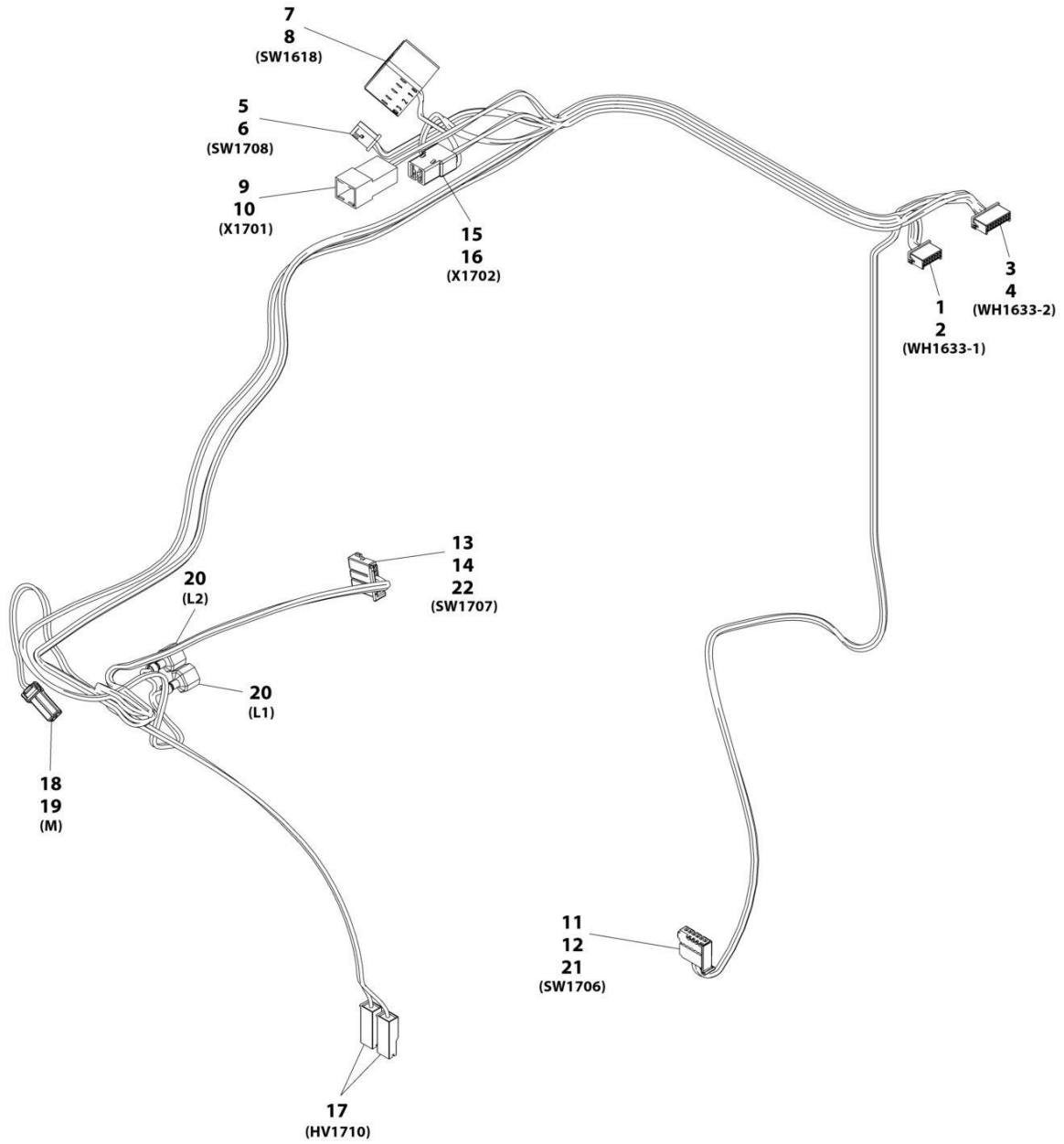
SECTION 10 - ELECTRICAL

FIGURE 10-64. HEATER INSTALLATION - TANK (HYDRAULIC)

ITEM	PART NUMBER	QTY	DESCRIPTION	REV
	1001190671	Ref	Hydraulic Tank Heater Installation	B
1	1001105886	1	Heater, Immersion	
2	1060626	1	Cord, 3-Way Extension	
3	4240099	5	Strap, Tie	

SECTION 10 - ELECTRICAL

FIGURE 10-65. HVAC ACTUATOR HARNESS



ART_1001268830

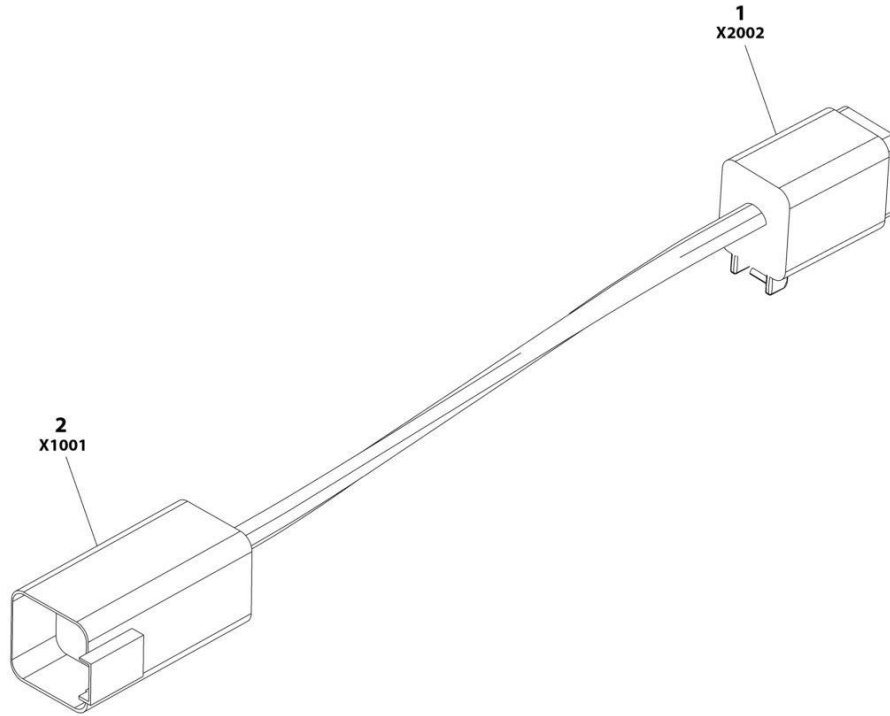
SECTION 10 - ELECTRICAL

FIGURE 10-65. HVAC ACTUATOR HARNESS

ITEM	PART NUMBER	QTY	DESCRIPTION	REV
	1001268830	Ref	CAB HVAC ACTUATOR HARNESS	B
1	1001274536	1	Connector	
2	1001274543	10	Terminal	
3	1001274537	1	Connector	
4	1001274543	8	Terminal	
5	1001184473	1	Connector	
6	1001184479	3	Terminal	
7	1001274533	1	Connector	
8	1001274539	4	Terminal	
9	1001116999	1	Connector	
10	1001274540	2	Terminal	
11	1001274534	1	Connector	
12	1001274541	2	Terminal	
13	1001274534	1	Connector	
14	1001274541	5	Terminal	
15	1001116991	1	Connector	
16	1001116720	2	Terminal	
17	1001274535	2	Connector	
18	1001274538	1	Connector	
19	1001274544	2	Terminal	
20	8220050	2	Terminal	
21	1001274553	1	Retainer	
22	1001274553	1	Retainer	

SECTION 10 - ELECTRICAL

FIGURE 10-66. JOYSTICK HARNESS



ART_1001297247

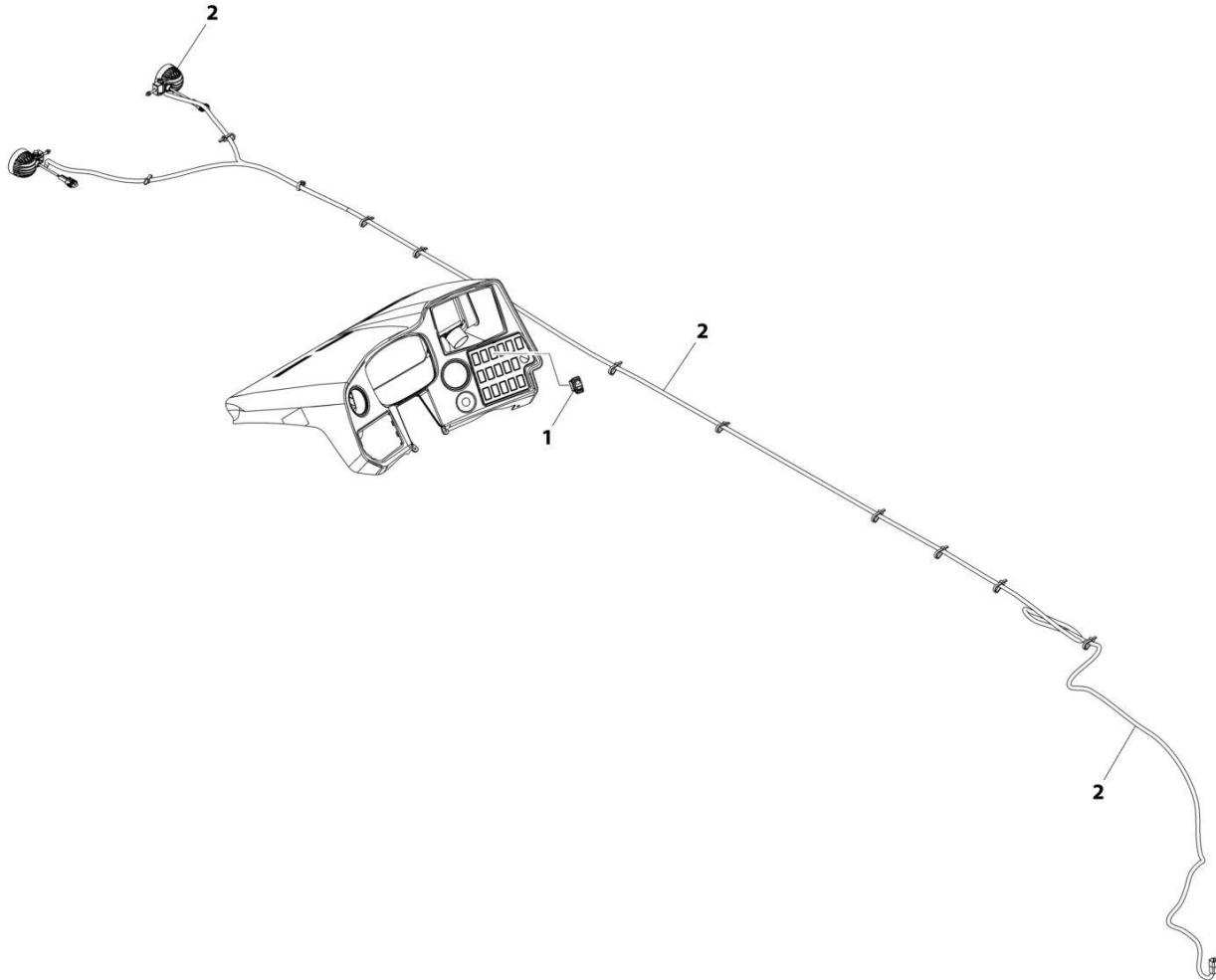
SECTION 10 - ELECTRICAL

FIGURE 10-66. JOYSTICK HARNESS

ITEM	PART NUMBER	QTY	DESCRIPTION	REV
	1001297247	Ref	BOSCH JOYSTICK HARNESS	A
1	4460894	1	Connector	
2	4460899	2	Connector	

SECTION 10 - ELECTRICAL

FIGURE 10-67. LIGHTS - BOOM WORKLIGHTS & SWITCH INSTALLATION



ART_1001230599-A

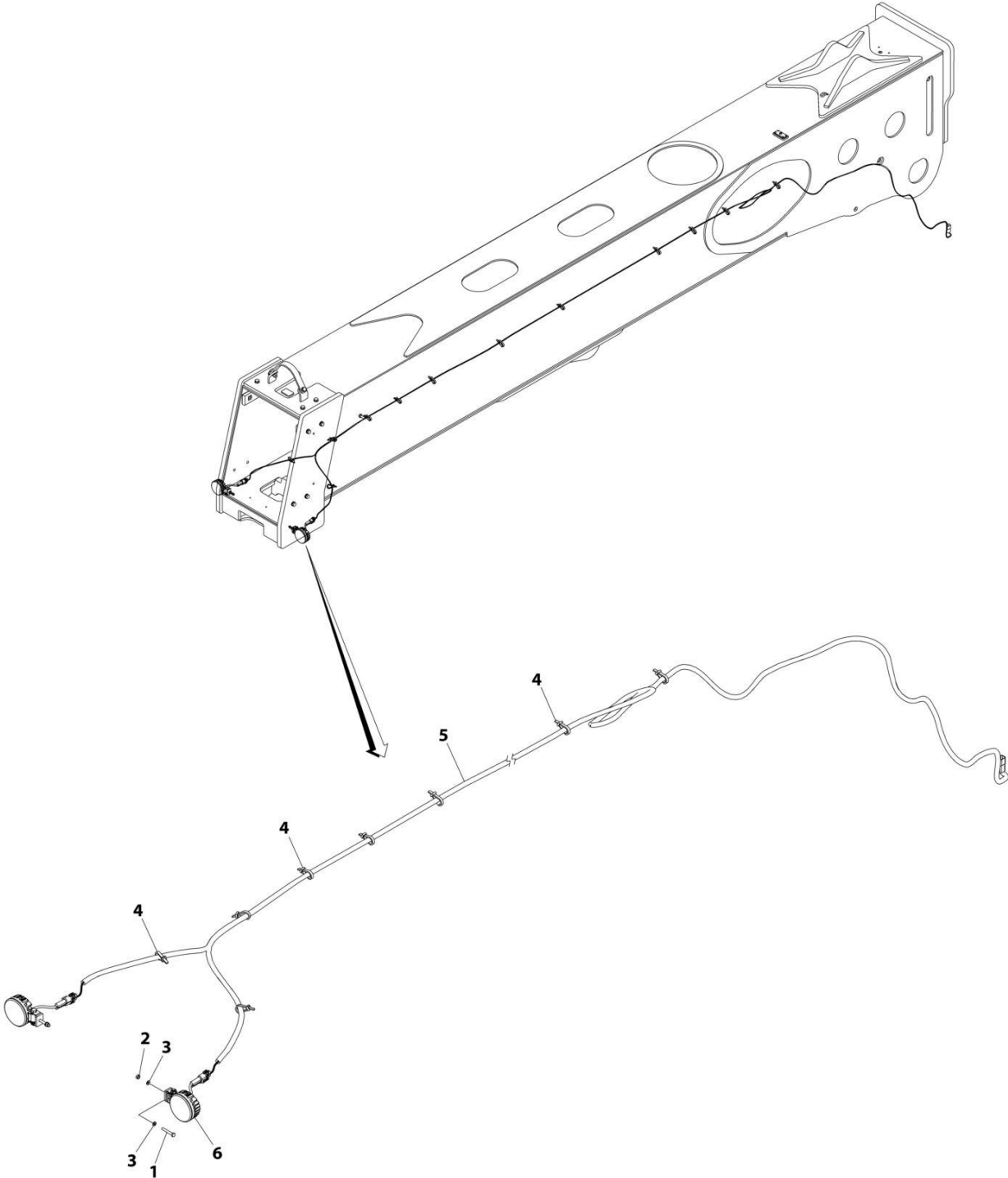
SECTION 10 - ELECTRICAL

FIGURE 10-67. LIGHTS - BOOM WORKLIGHTS & SWITCH INSTALLATION

ITEM	PART NUMBER	QTY	DESCRIPTION	REV
1	1001230599	Ref	Boom Work Lights Installation	A
	1001159739	1	Switch, Boom Work Lights	
2	1001230623	1	Installation, Boom LED Work Lights (See Separate Breakdown in this Section)	

SECTION 10 - ELECTRICAL

FIGURE 10-68. LIGHTS - BOOM WORKLIGHTS HARNESS INSTALLATION (LED)



ART_1001230623_B

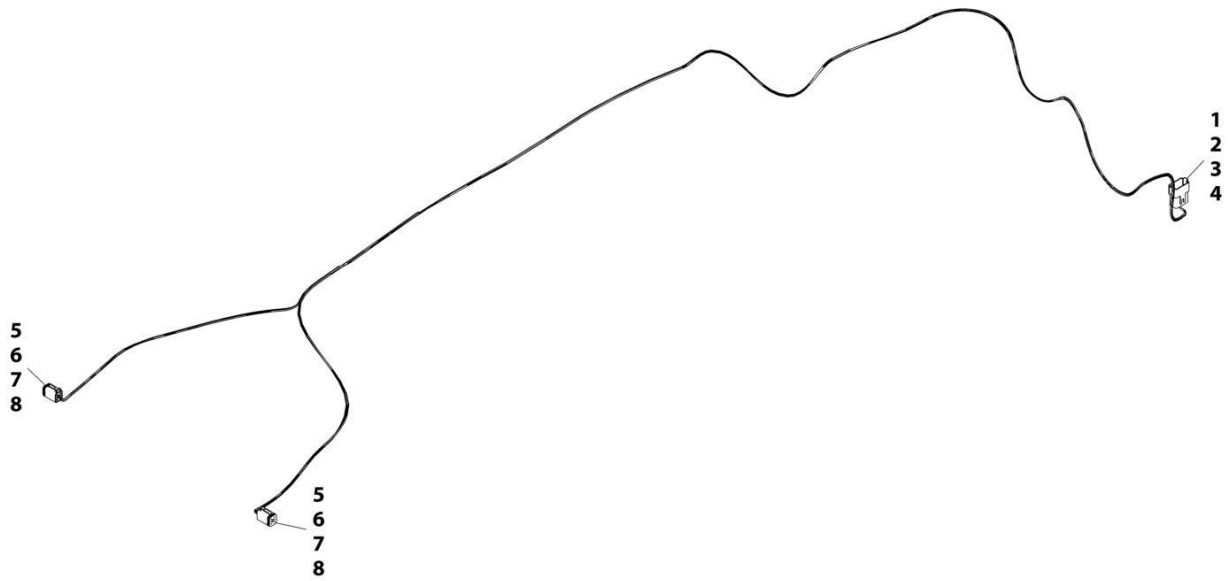
SECTION 10 - ELECTRICAL

FIGURE 10-68. LIGHTS - BOOM WORKLIGHTS HARNESS INSTALLATION (LED)

ITEM	PART NUMBER	QTY	DESCRIPTION	REV
	1001230623	Ref	BOOM WORK LIGHTS HARNESS INSTALLATION (LED)	B
1	0700616	2	Bolt M6 x 40	
2	3290601	2	Nut M6	
3	4811700	4	Washer M6	
4	1001008923	AR	Strap, Cable	
5	1001167608	1	Harness, Boom Worklights (See Separate Breakdown in this Section)	
6	1001273635	2	Lamp, LED Work light	

SECTION 10 - ELECTRICAL

FIGURE 10-69. LIGHTS - BOOM WORKKLIGHTS HARNESS



ART_1001167608-E

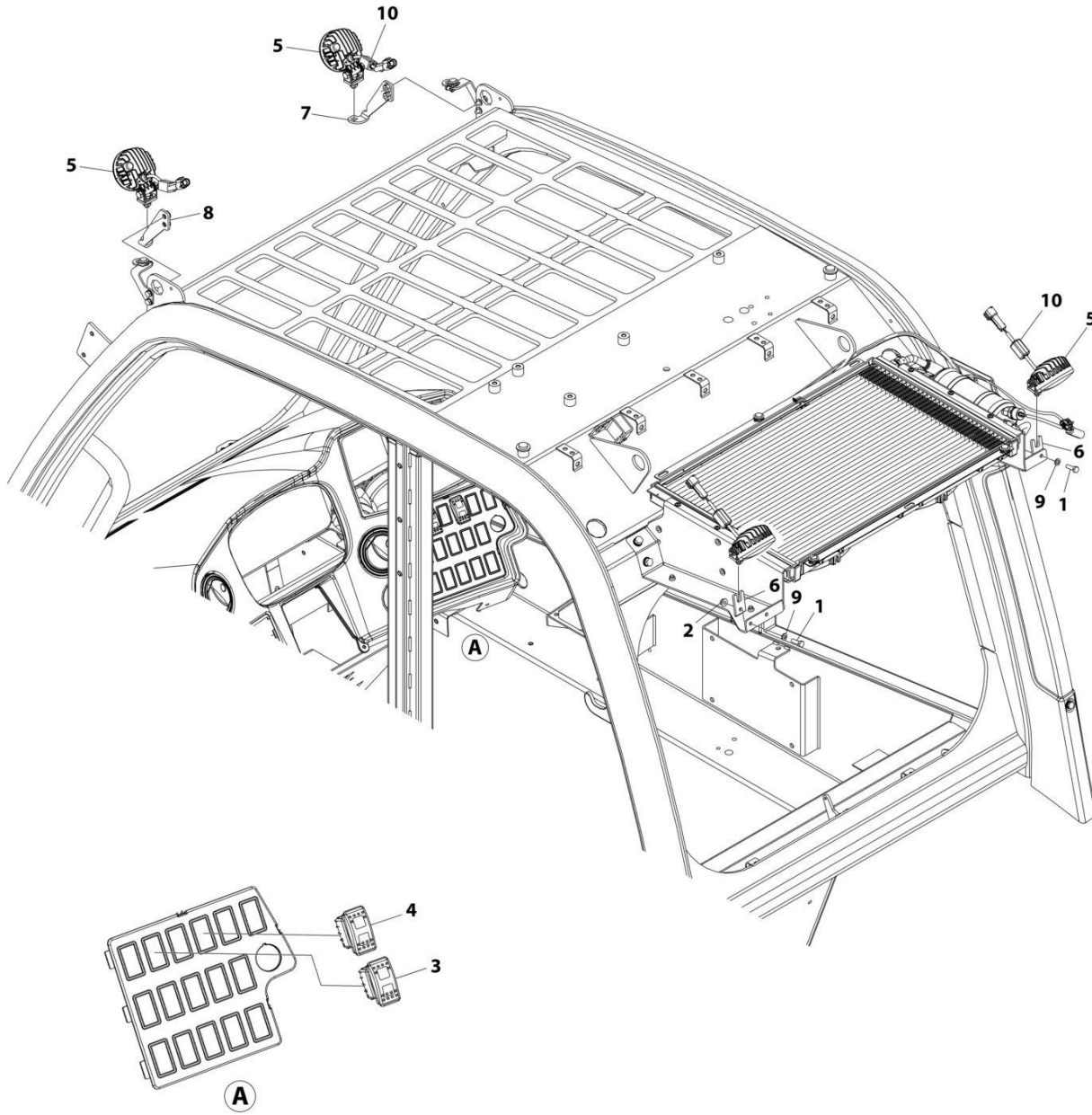
SECTION 10 - ELECTRICAL

FIGURE 10-69. LIGHTS - BOOM WORKKLIGHTS HARNESS

ITEM	PART NUMBER	QTY	DESCRIPTION	REV
	1001167608	Ref	Boom Worklights Harness	E
1	4460932	1	Connector	
2	80604020	1	Lock, Connector	
3	4460464	2	Terminal	
4	4460466	2	Plug	
5	4461115	2	Connector	
6	1001103564	2	Lock, Terminal	
7	1001116728	2	Terminal	
8	4460458	2	Seal	

SECTION 10 - ELECTRICAL

FIGURE 10-70. LIGHTS - CAB WORK LIGHTS INSTALLATION (A/C) (LED)



ART_1001200539_E

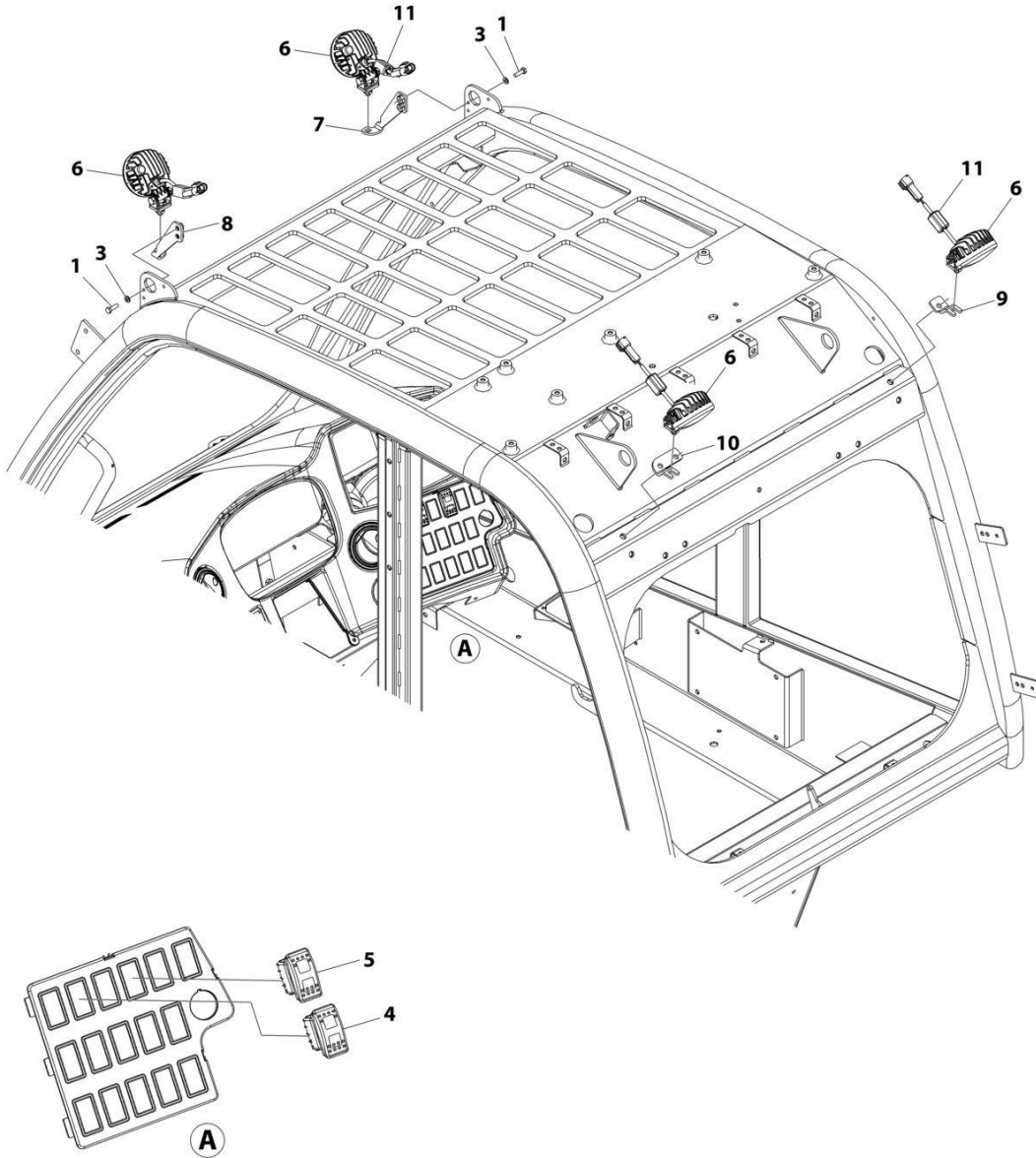
SECTION 10 - ELECTRICAL

FIGURE 10-70. LIGHTS - CAB WORK LIGHTS INSTALLATION (A/C) (LED)

ITEM	PART NUMBER	QTY	DESCRIPTION	REV
	1001200539	Ref	LIGHTS - CAB WORK LIGHTS INSTALLATION (A/C) (LED)	E
1	0700610	2	Bolt M6 x 20	
2	5220600	2	Nut M6	
3	1001159845	1	Switch, Front Worklights	
4	1001159846	1	Switch, Rear Worklights	
5	1001273635	4	Lamp, LED Worklights	
6	1001204060	2	Bracket	
7	1001244193	1	Support, LED Work Light RH	
8	1001244192	1	Support, LED Work Light LH	
9	4811700	2	Washer M6	
10	1001228989	4	Harness, Ferrite	

SECTION 10 - ELECTRICAL

FIGURE 10-71. LIGHTS - CAB WORK LIGHTS INSTALLATION (NO A/C) (LED)



ART_1001200538_E

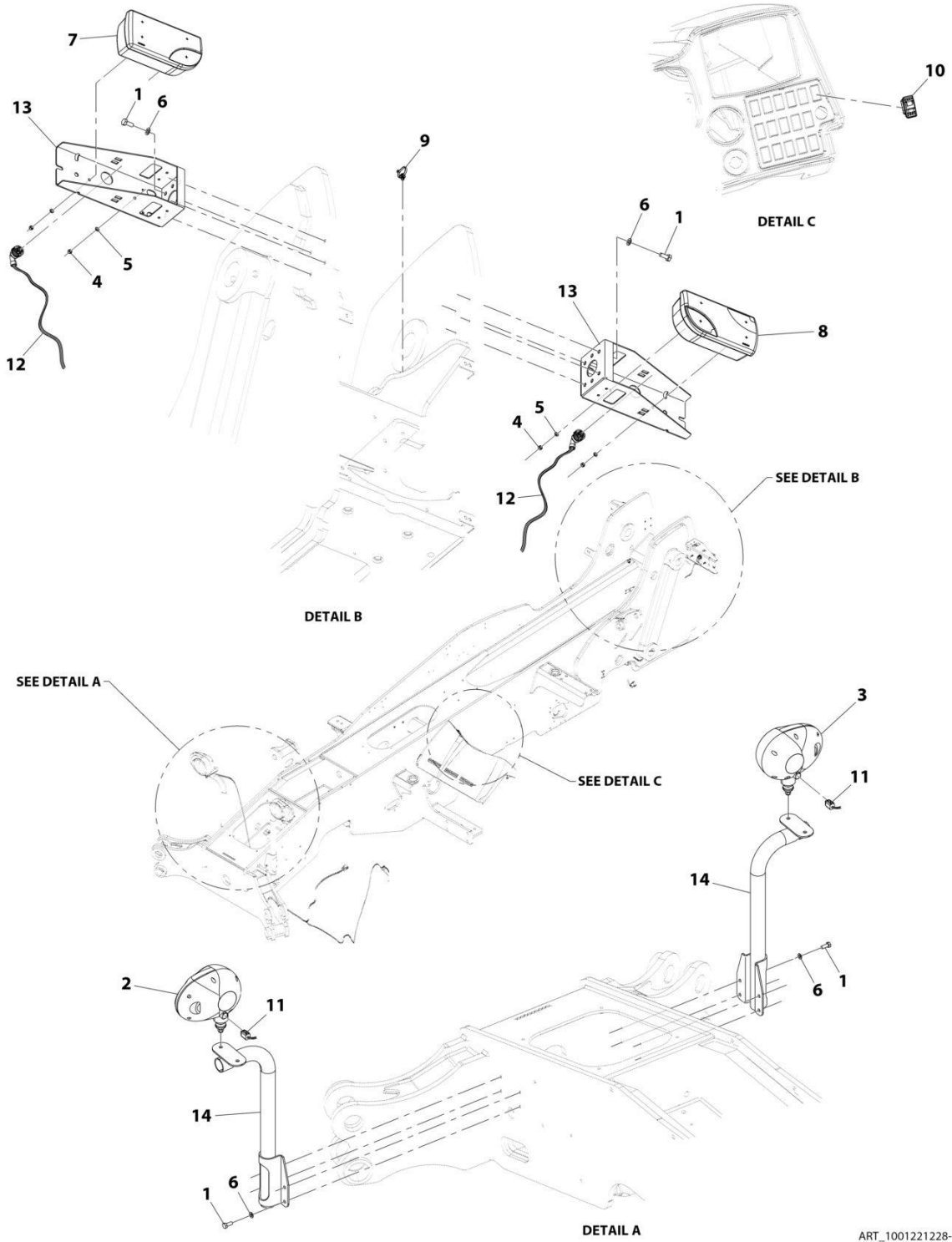
SECTION 10 - ELECTRICAL

FIGURE 10-71. LIGHTS - CAB WORK LIGHTS INSTALLATION (NO A/C) (LED)

ITEM	PART NUMBER	QTY	DESCRIPTION	REV
	1001200538	Ref	LIGHTS - CAB WORK LIGHTS INSTALLATION (NO A/C) (LED)	E
1	0700610	4	Bolt M6 x 20	
3	4811700	4	Washer M6	
4	1001159845	1	Switch, Front Worklights	
5	1001159846	1	Switch, Rear Worklights	
6	1001273635	4	Lamp, LED Work Light	
7	1001244193	1	Support, LED Work Light RH	
8	1001244192	1	Support, LED Work Light LH	
9	1001204528	1	Support, LED Work Light RH	
10	1001204530	1	Support, LED Work Light LH	
11	1001228989	4	Harness, Ferrite	

SECTION 10 - ELECTRICAL

FIGURE 10-72. LIGHTS - ROADLIGHTS INSTALLATION



ART_1001221228-A

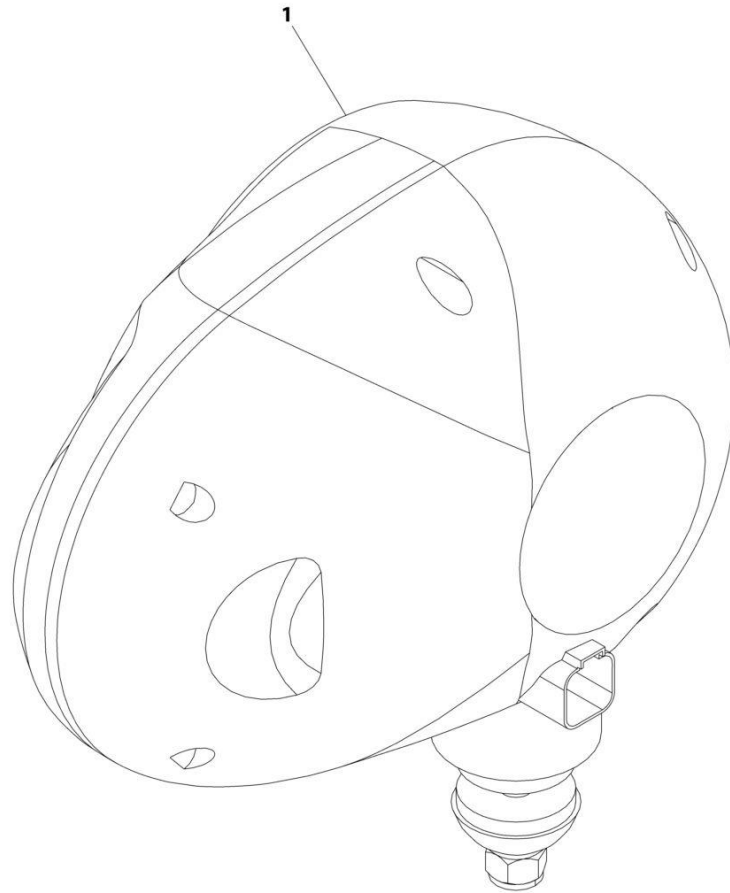
SECTION 10 - ELECTRICAL

FIGURE 10-72. LIGHTS - ROADLIGHTS INSTALLATION

ITEM	PART NUMBER	QTY	DESCRIPTION	REV
	1001221228	Ref	Road Lights Installation	A
1	0761012	16	Bolt, M10X25	
2	2920207	1	Driving Light, LH	
3	2920208	1	Driving Light, RH	
4	3290607	4	Nut, M6X1	
5	4811700	4	Washer, M6	
6	4812000	16	Washer, M10	
7	1001091715	1	Lamp, Rear LH	
8	1001091716	1	Lamp, Rear RH	
9	1001146588	1	Strap, Cable	
10	1001159734	1	Switch, Hazard	
11	1001165360	1	Harness, Front Frame Headlight (See Separate Breakdown in this Section)	
12	1001165594	1	Harness, HBP Tail Lights (See Separate Breakdown in this Section)	
13	1001196100	2	Bracket	
14	1001220817	2	Bracket	

SECTION 10 - ELECTRICAL

FIGURE 10-73. LIGHTS - ROADLIGHTS DRIVING LIGHTS (LH)



ART_2920207-F

SECTION 10 - ELECTRICAL

FIGURE 10-73. LIGHTS - ROADLIGHTS DRIVING LIGHTS (LH)

ITEM	PART NUMBER	QTY	DESCRIPTION	REV
	2920207	Ref	Driving Light (RHD - LH)	F
	7029969	1	Bulb, 4W	

SECTION 10 - ELECTRICAL

FIGURE 10-74. LIGHTS - ROADLIGHTS DRIVING LIGHTS (RH)



ART_2920208-C

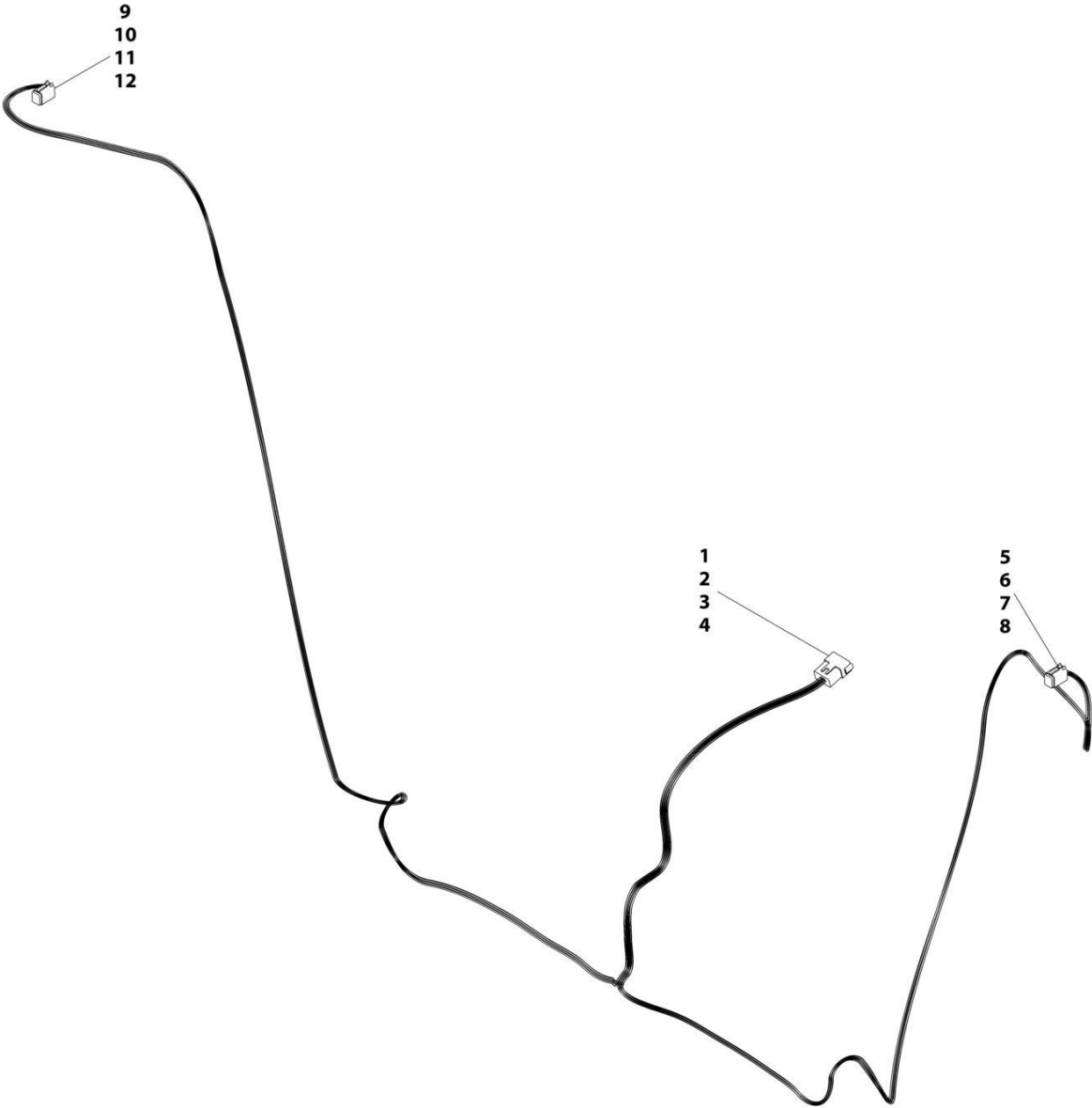
SECTION 10 - ELECTRICAL

FIGURE 10-74. LIGHTS - ROADLIGHTS DRIVING LIGHTS (RH)

ITEM	PART NUMBER	QTY	DESCRIPTION	REV
	2920208	Ref	Driving Light (RHD - RH)	C
	7029969	1	Bulb, 4W	
	7029970	1	Bulb, 55W	
	7029971	1	Bulb, 21W	

SECTION 10 - ELECTRICAL

FIGURE 10-75. LIGHTS - ROADLIGHTS DRIVING LIGHTS HARNESS



ART_1001165360-D

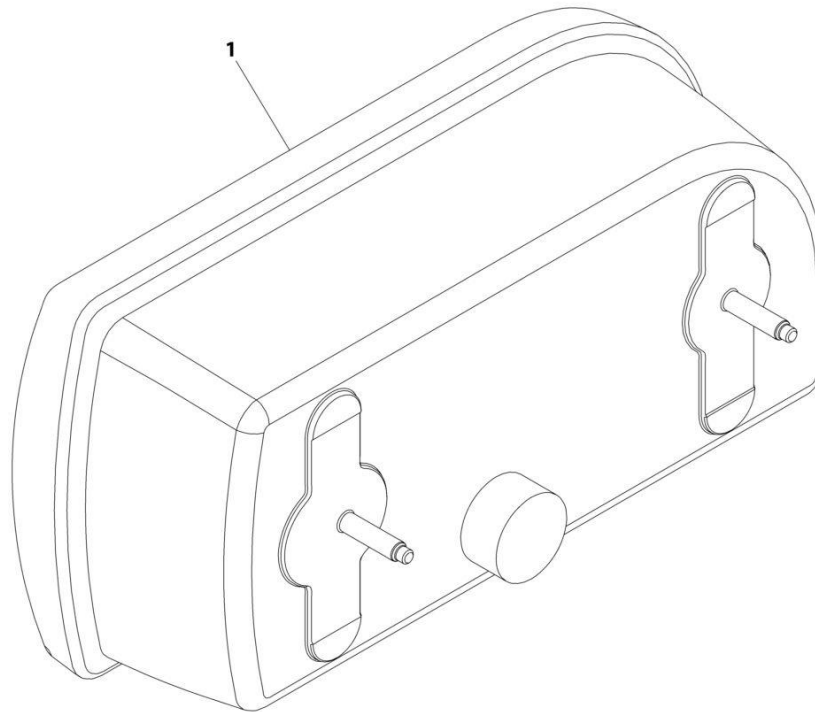
SECTION 10 - ELECTRICAL

FIGURE 10-75. LIGHTS - ROADLIGHTS DRIVING LIGHTS HARNESS

ITEM	PART NUMBER	QTY	DESCRIPTION	REV
	1001165360	Ref	Front Frame Headlight Harness	D
1	4460970	1	Connector	
2	80363179	1	Lock, Connector	
3	4460941	10	Terminal	
4	4460466	2	Plug	
5	4460894	1	Connector	
6	91504107	1	Lock, Connector	
7	4460942	5	Terminal	
8	4460466	1	Plug	
9	4460894	1	Connector	
10	91504107	1	Lock, Connector	
11	4460942	5	Terminal	
12	4460466	1	Plug	

SECTION 10 - ELECTRICAL

FIGURE 10-76. LIGHTS - ROADLIGHTS TAILLIGHT (LH)



ART_1001091715-C

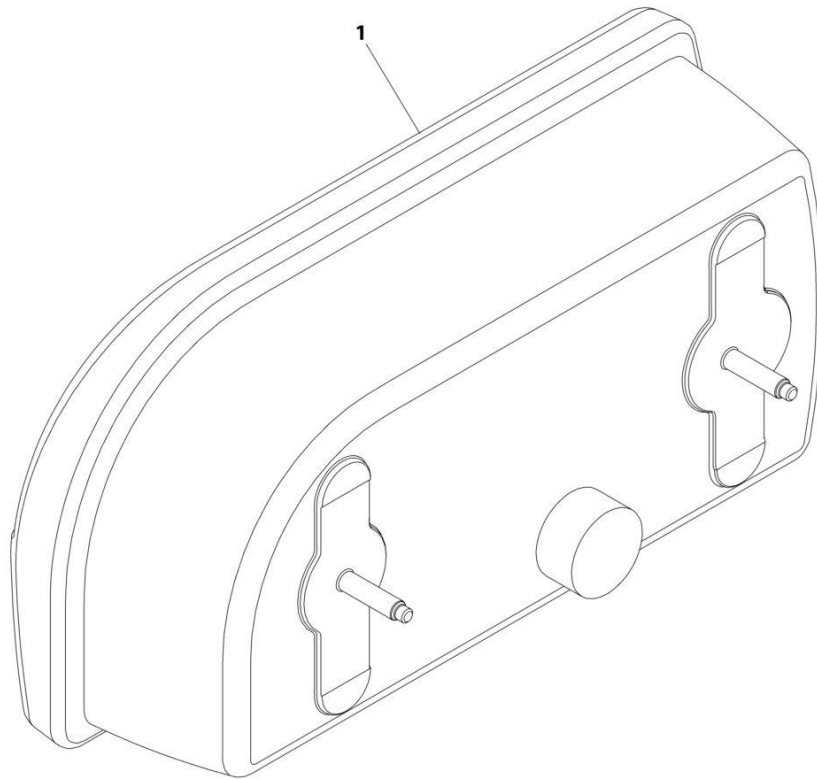
SECTION 10 - ELECTRICAL

FIGURE 10-76. LIGHTS - ROADLIGHTS TAILLIGHT (LH)

ITEM	PART NUMBER	QTY	DESCRIPTION	REV
	1001091715	Ref	Rear Light (LH)	C
	70021341	1	Bulb, 5W	
	70021340	1	Bulb, 21W	
	7029971	1	Bulb, 21W	

SECTION 10 - ELECTRICAL

FIGURE 10-77. LIGHTS - ROADLIGHTS TAILLIGHT (RH)



ART_1001091716-C

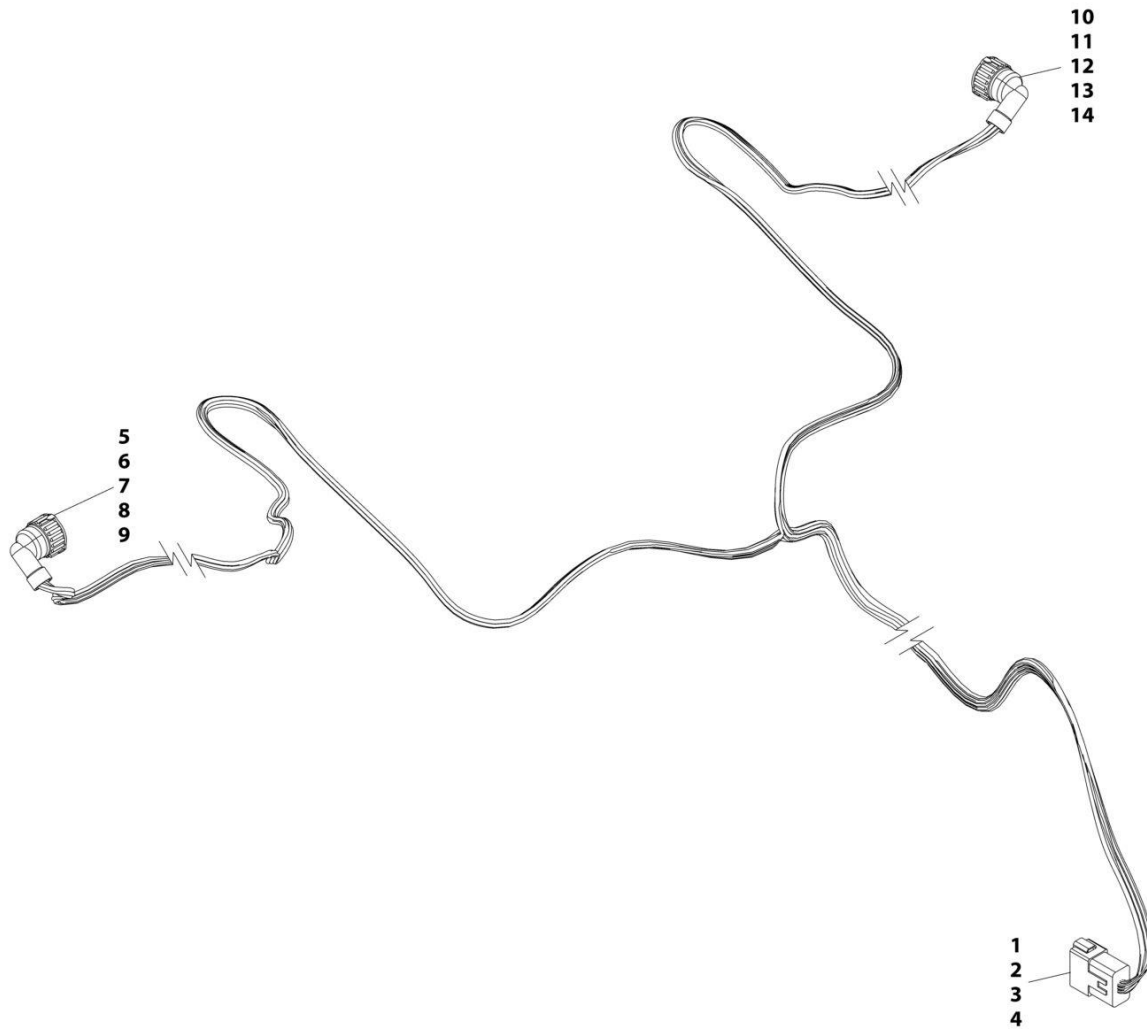
SECTION 10 - ELECTRICAL

FIGURE 10-77. LIGHTS - ROADLIGHTS TAILLIGHT (RH)

ITEM	PART NUMBER	QTY	DESCRIPTION	REV
	1001091716	Ref	Rear Light (RH)	C
	70021341	1	Bulb, 5W	
	70021340	1	Bulb, 21W	
	7029971	1	Bulb, 21W	

SECTION 10 - ELECTRICAL

FIGURE 10-78. LIGHTS - TAILLIGHTS HARNESS



ART_1001165594-E

SECTION 10 - ELECTRICAL

FIGURE 10-78. LIGHTS - TAILLIGHTS HARNESS

ITEM	PART NUMBER	QTY	DESCRIPTION	REV
	1001165594	Ref	Tail Lights Harness	E
1	4460970	1	Connector	
2	80363179	1	Connector Lock	
3	4460941	10	Terminal	
4	4460466	2	Plug	
5	1001116996	1	Connector	
6	7028639	1	Cap	
7	1001118392	5	Terminal	
8	828905	5	Terminal Seal	
9	1001116696	2	Plug	
10	1001116996	1	Connector	
11	7028639	1	Cap	
12	1001118392	5	Terminal	
13	828905	5	Terminal Seal	
14	1001116696	2	Plug	

SECTION 10 - ELECTRICAL

FIGURE 10-79. LSI HARNESS - BOOM RETRACT



ART_1001259062-A

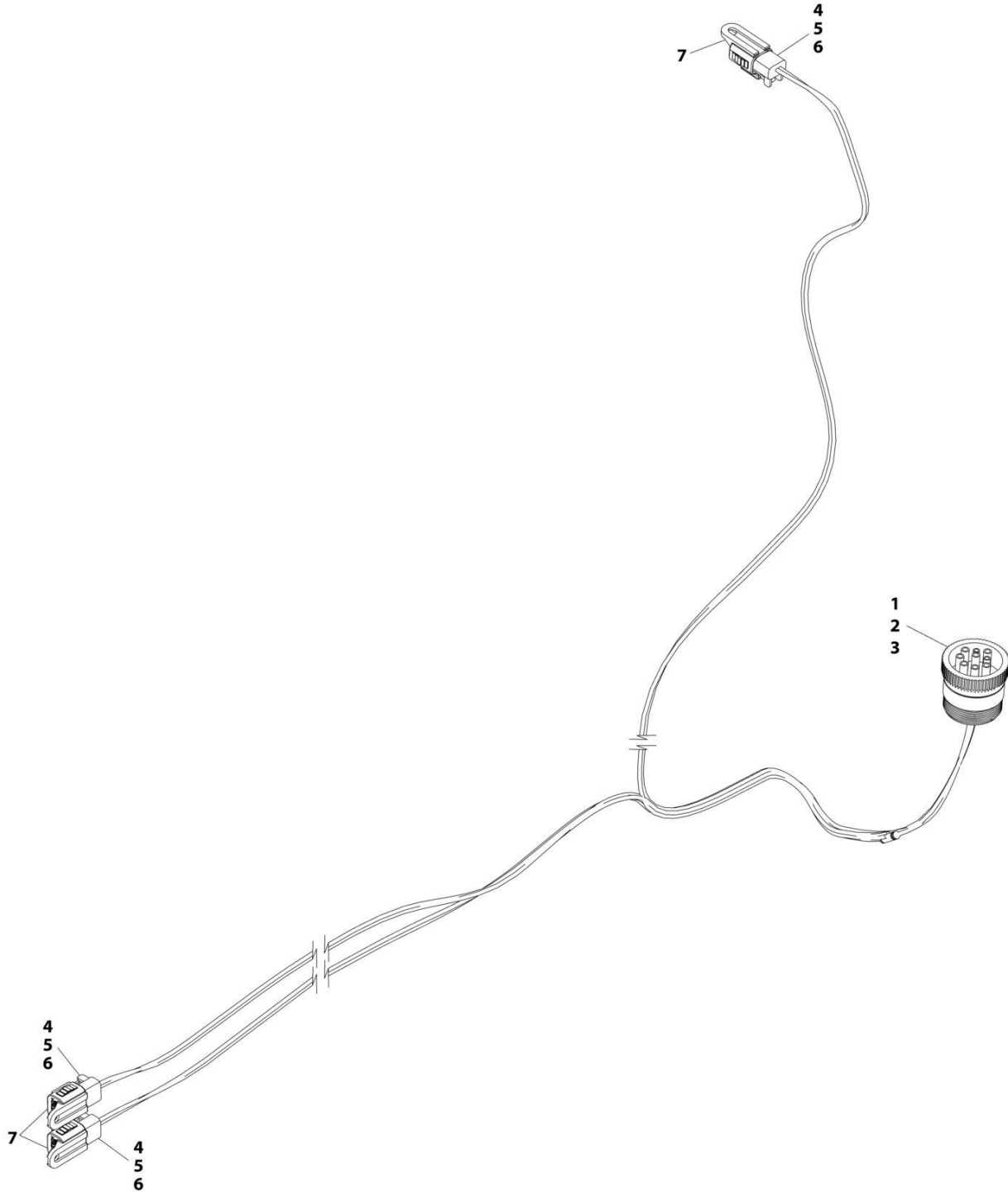
SECTION 10 - ELECTRICAL

FIGURE 10-79. LSI HARNESS - BOOM RETRACT

ITEM	PART NUMBER	QTY	DESCRIPTION	REV
	1001259062	Ref	Boom Retract Harness	B
1	4461262	1	Connector	
2	1001107854	3	Terminal	
3	1001104498	3	Seal	
4	4460932	1	Connector	
5	4460464	3	Terminal	
6	4460466	1	Plug	

SECTION 10 - ELECTRICAL

FIGURE 10-80. PLATFORM HARNESS



ART_1001167695-C

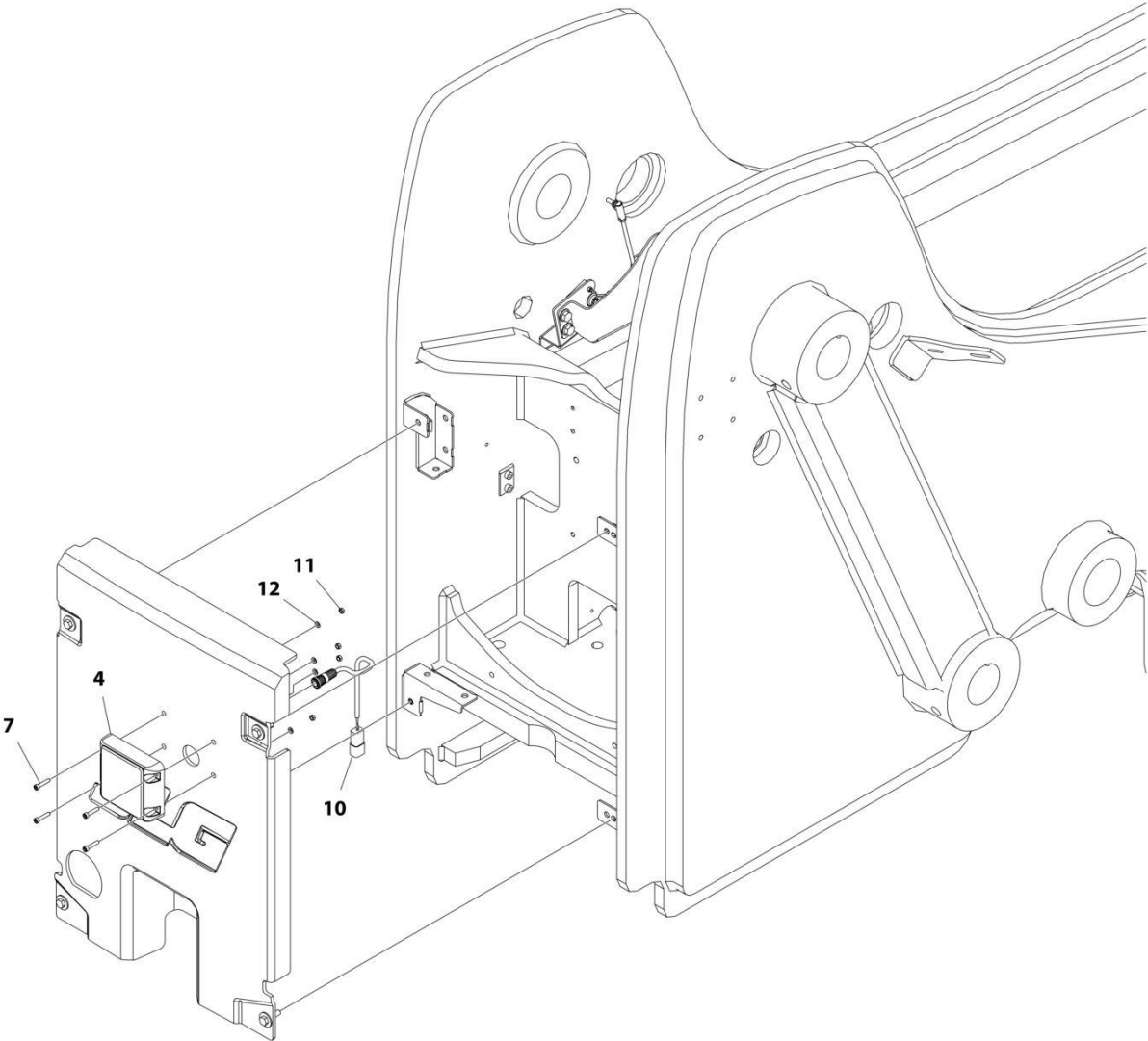
SECTION 10 - ELECTRICAL

FIGURE 10-80. PLATFORM HARNESS

ITEM	PART NUMBER	QTY	DESCRIPTION	REV
	1001167695	Ref	Platform Harness	C
1	1001112796	1	Connector	
2	4460466	5	Terminal	
3	4460465	4	Terminal	
4	4460891	3	Connector, (includes rear seal)	
5	80604018	2	Lock, Connector	
6	4460465	2	Terminal	
7	1001155806	3	Cap, Dust	

SECTION 10 - ELECTRICAL

FIGURE 10-81. REVERSE SENSOR INSTALLATION



ART_1001172536_I

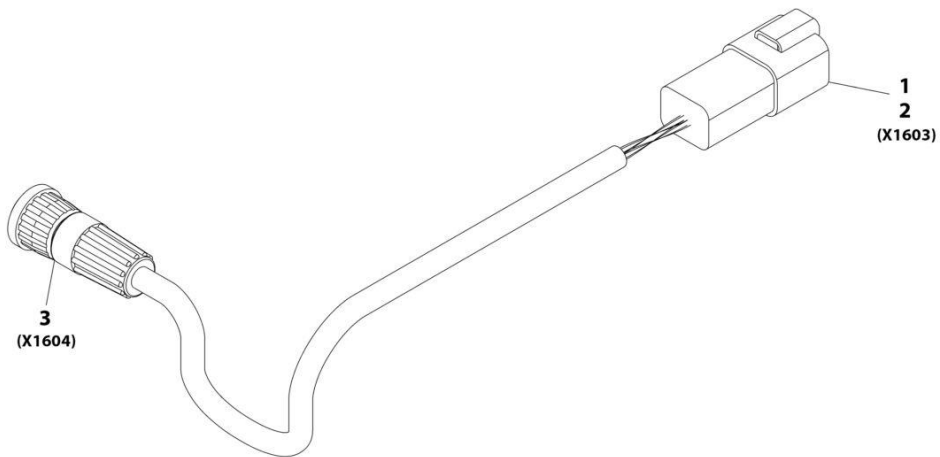
SECTION 10 - ELECTRICAL

FIGURE 10-81. REVERSE SENSOR INSTALLATION

ITEM	PART NUMBER	QTY	DESCRIPTION	REV
	1001172536	Ref	Reverse Sensor Installation	I
4	1001247421	1	Sensor, Reverse	
7	5271609	4	Screw, M5X25	
10	1001175776	1	Harness, Reverse Sensor (See Separate Breakdown in this Section)	
11	3290501	4	Nut, M5X0.8	
12	4811600	4	Washer, M5	

SECTION 10 - ELECTRICAL

FIGURE 10-82. REVERSE SENSOR HARNESS



ART_1001175776-C

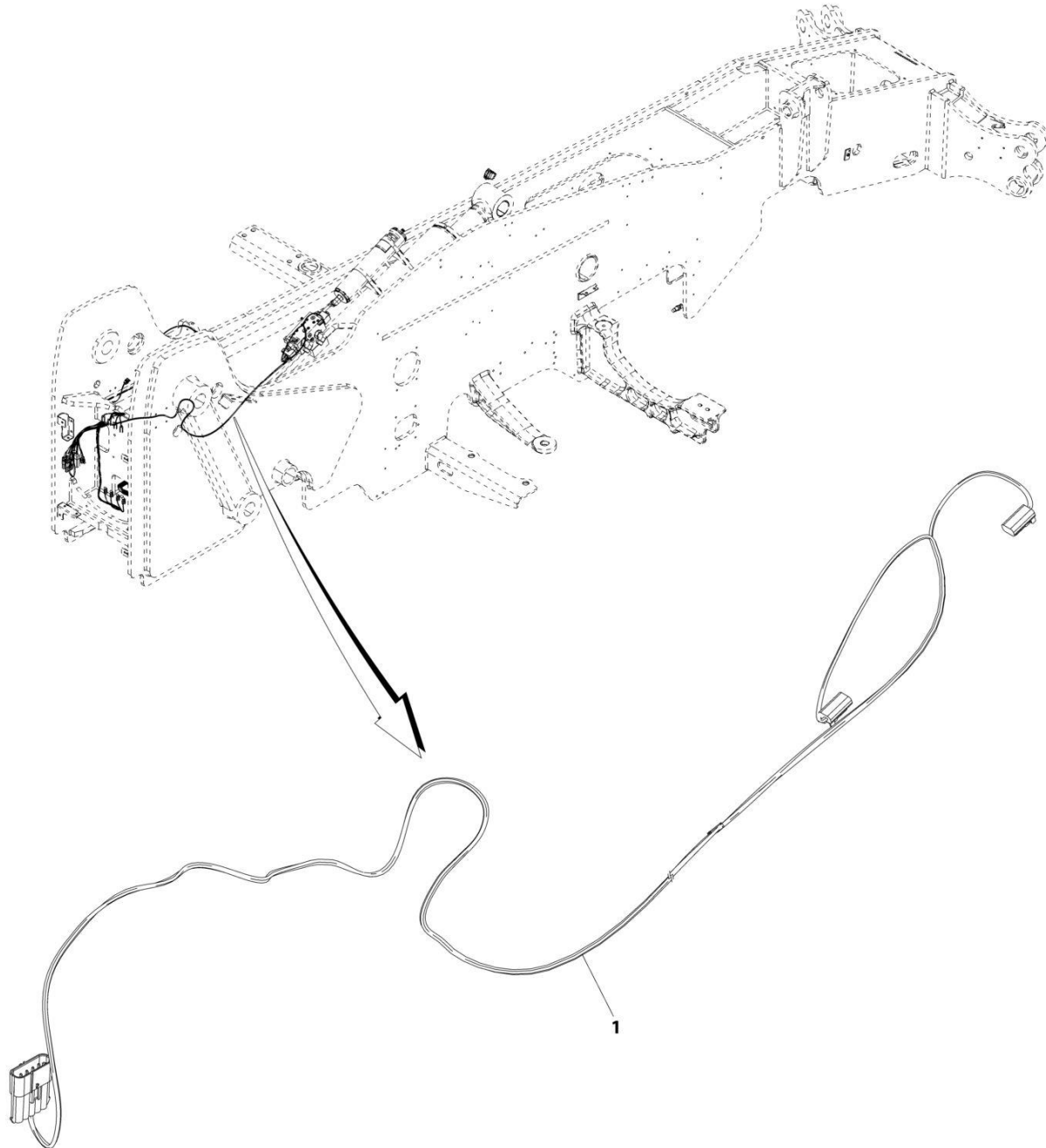
SECTION 10 - ELECTRICAL

FIGURE 10-82. REVERSE SENSOR HARNESS

ITEM	PART NUMBER	QTY	DESCRIPTION	REV
	1001175776	Ref	Reverse Sensor Harness	C
1	4460932	1	Connector	
2	4460464	4	Terminal	
3	1001175733	1	Connector	

SECTION 10 - ELECTRICAL

FIGURE 10-83. RIDE CONTROL HARNESS INSTALLATION



ART_1001169613-B

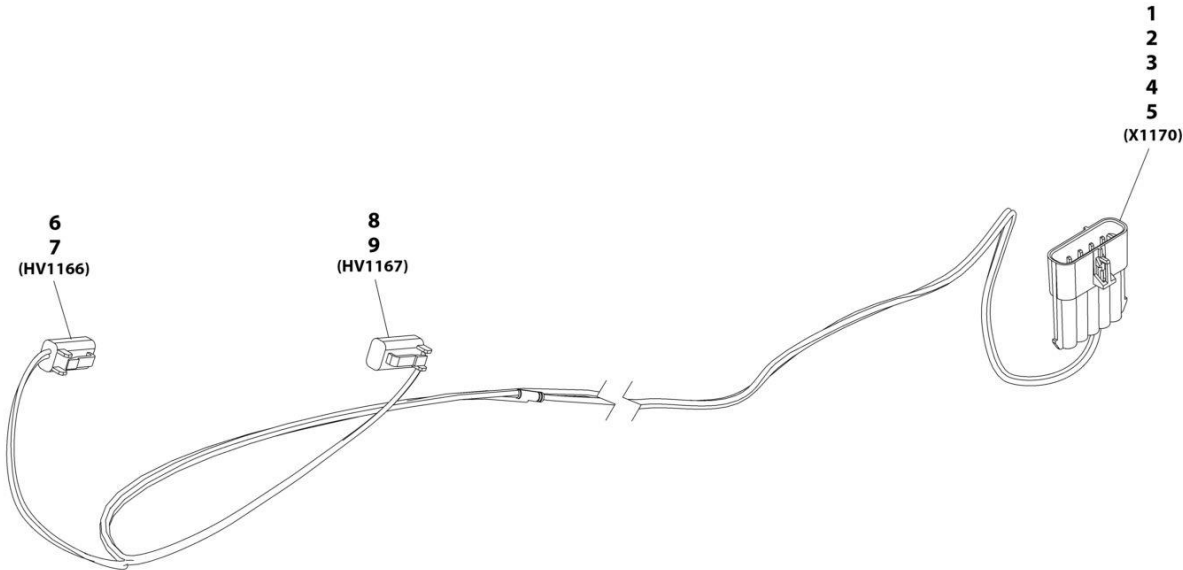
SECTION 10 - ELECTRICAL

FIGURE 10-83. RIDE CONTROL HARNESS INSTALLATION

ITEM	PART NUMBER	QTY	DESCRIPTION	REV
1	1001169613 1001167694	Ref 1	Ride Control Installation Boom Ride Float Harness (See Separate Breakdown in this Section)	B

SECTION 10 - ELECTRICAL

FIGURE 10-84. RIDE CONTROL BOOM FLAT HARNESS



ART_1001167694-D

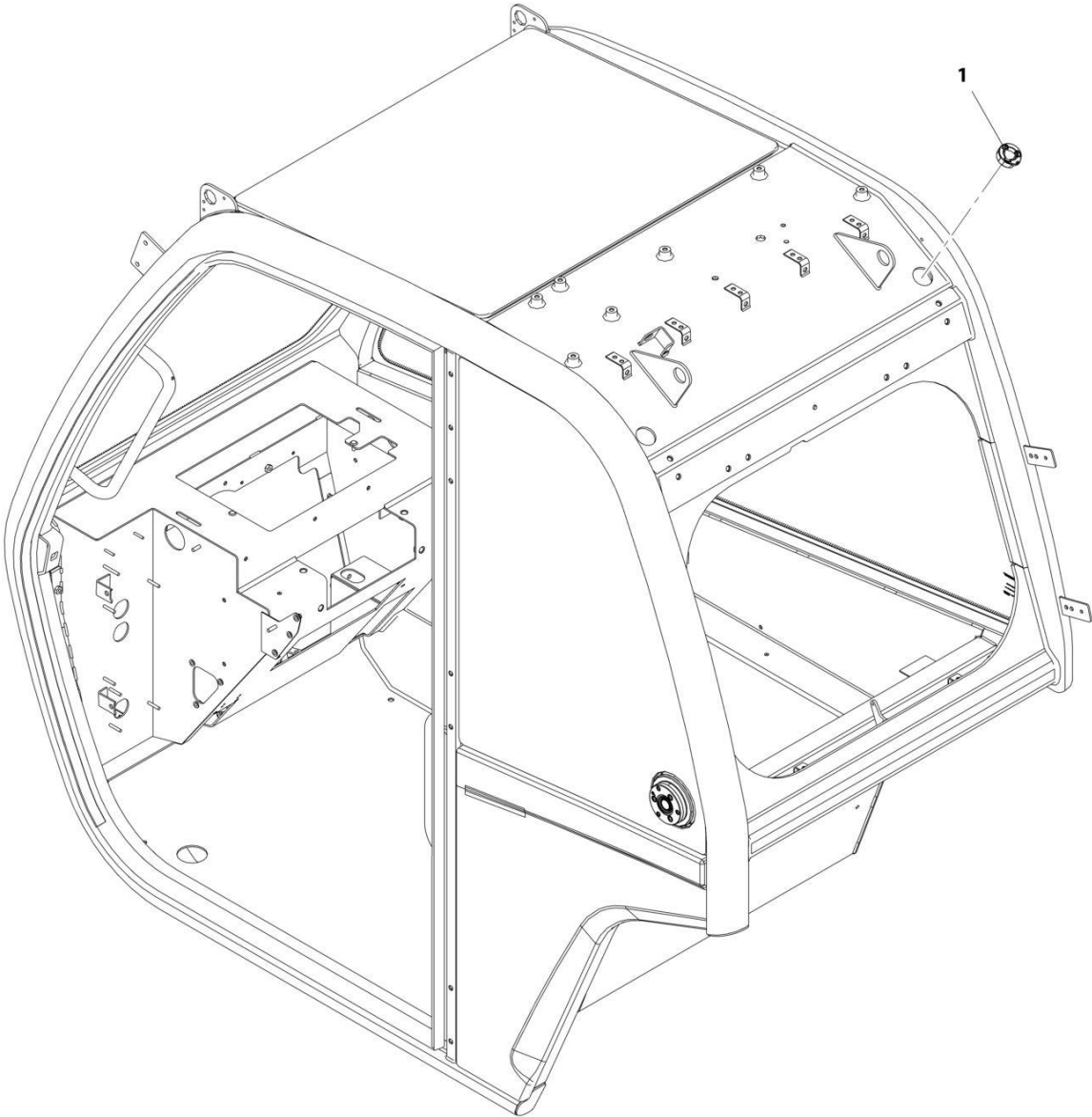
SECTION 10 - ELECTRICAL

FIGURE 10-84. RIDE CONTROL BOOM FLAT HARNESS

ITEM	PART NUMBER	QTY	DESCRIPTION	REV
	1001167694	Ref	Boom Ride Float Harness	D
1	1001121727	1	Connector	
2	1001116727	2	Plug	
3	1001116745	2	Terminal	
4	1001116729	1	Terminal	
5	4460458	3	Seal	
6	4460891	1	Connector	
7	4460465	2	Terminal	
8	4460891	1	Connector	
9	4460465	2	Terminal	

SECTION 10 - ELECTRICAL

FIGURE 10-85. ROOF PIGTAIL HARNESS INSTALLATION



ART_1001202138-A

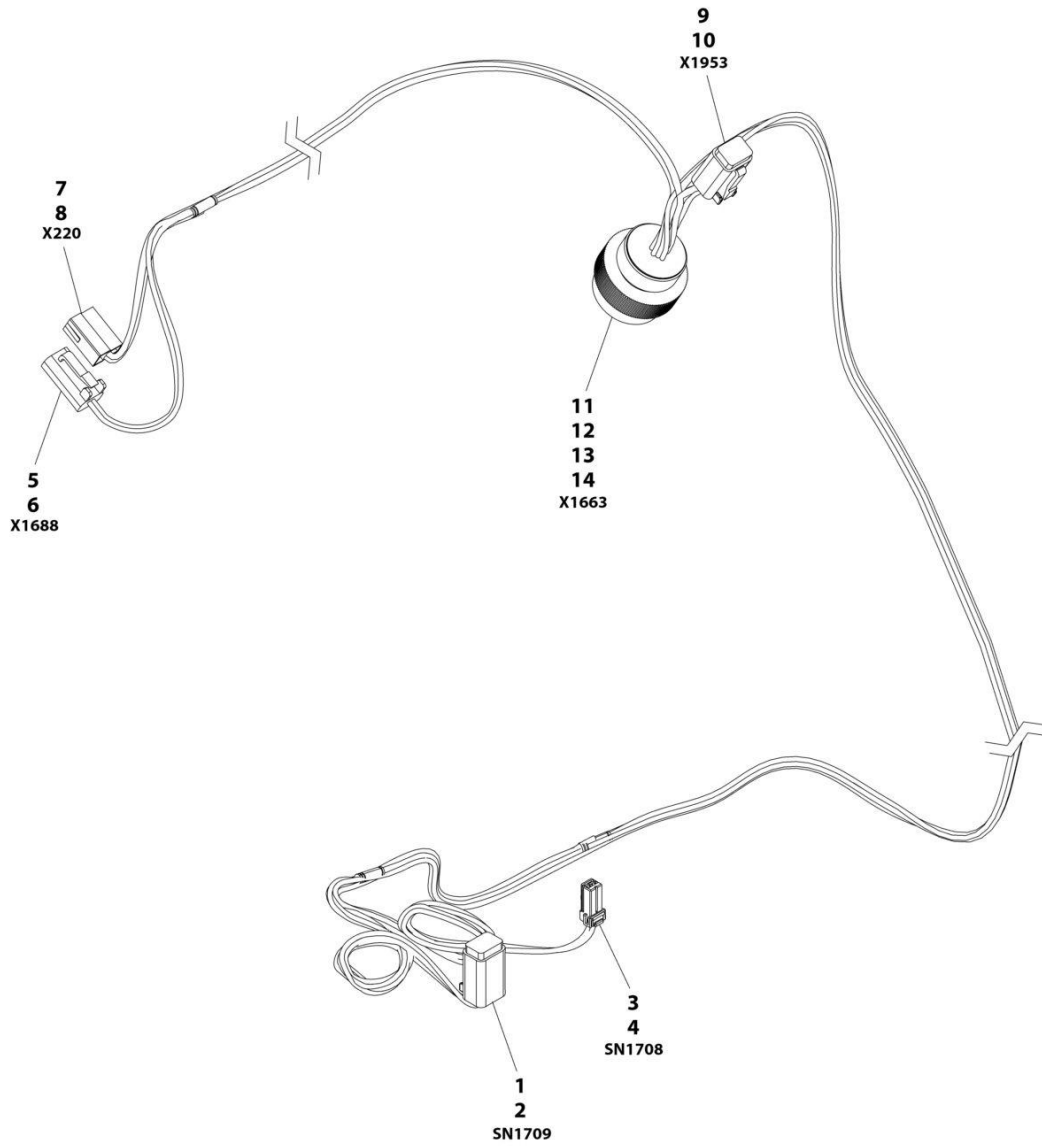
SECTION 10 - ELECTRICAL

FIGURE 10-85. ROOF PIGTAIL HARNESS INSTALLATION

ITEM	PART NUMBER	QTY	DESCRIPTION	REV
1	1001202138 1001202134	Ref 1	Roof Pigtail Cap Installation Cap, Deutsch Dust	A

SECTION 10 - ELECTRICAL

FIGURE 10-86. ROOF PIGTAIL HARNESS



ART_1001265200

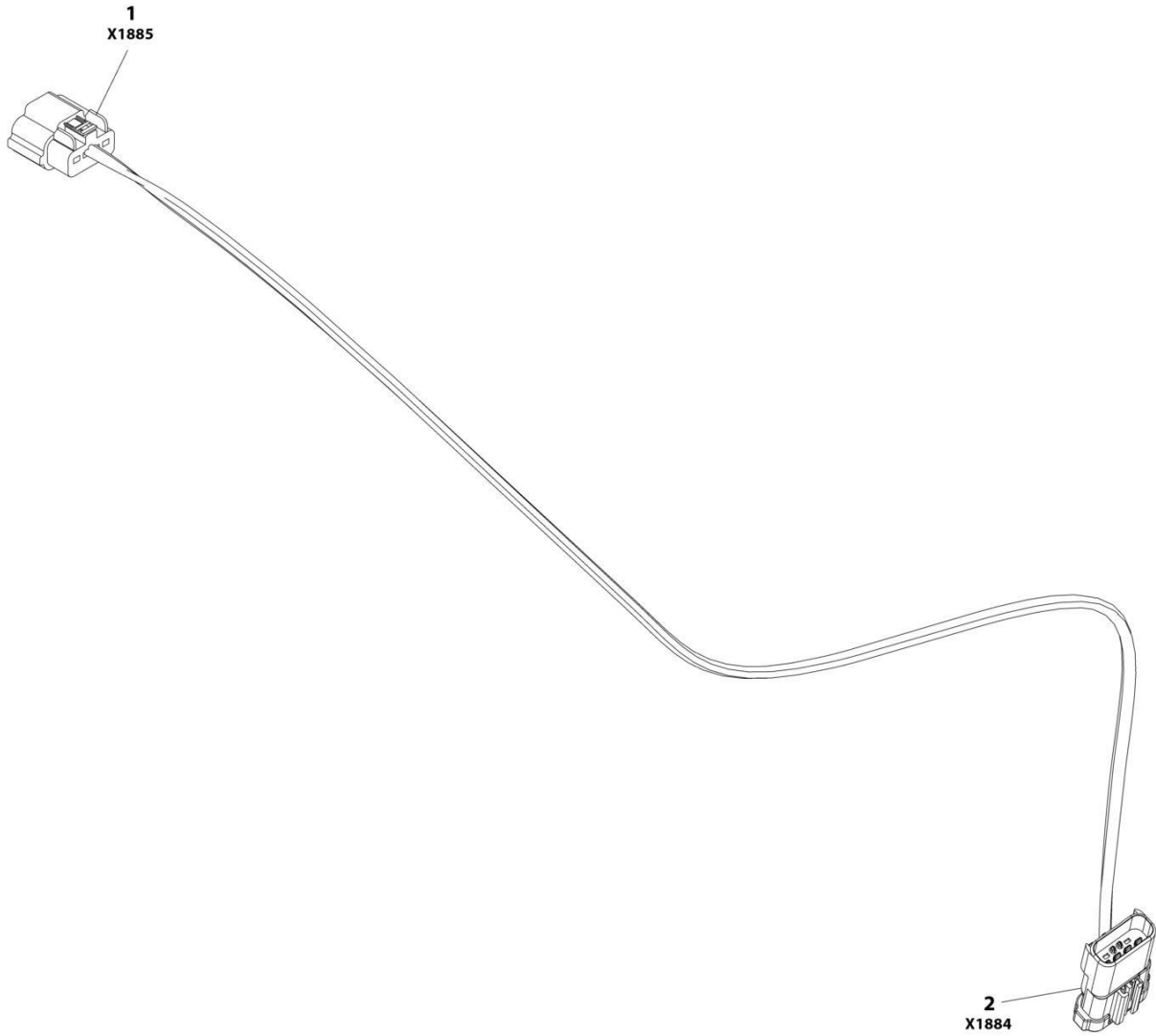
SECTION 10 - ELECTRICAL

FIGURE 10-86. ROOF PIGTAIL HARNESS

ITEM	PART NUMBER	QTY	DESCRIPTION	REV
	1001265200	Ref	Roof Pigtail Harness	A
1	4460884	1	Connector	
2	4460465	4	Terminal	
3	1001264844	1	Connector	
4	1001264861	2	Terminal	
5	4460891	1	Connector	
6	4460465	2	Terminal	
7	4460994	1	Connector	
8	1001118384	2	Terminal	
9	4460884	1	Connector	
10	4460942	4	Terminal	
11	4461015	1	Connector	
12	4460942	6	Terminal	
13	4460465	5	Terminal	
14	4460466	3	Plug	

SECTION 10 - ELECTRICAL

FIGURE 10-87. TBAP HARNESS



ART_1001184835

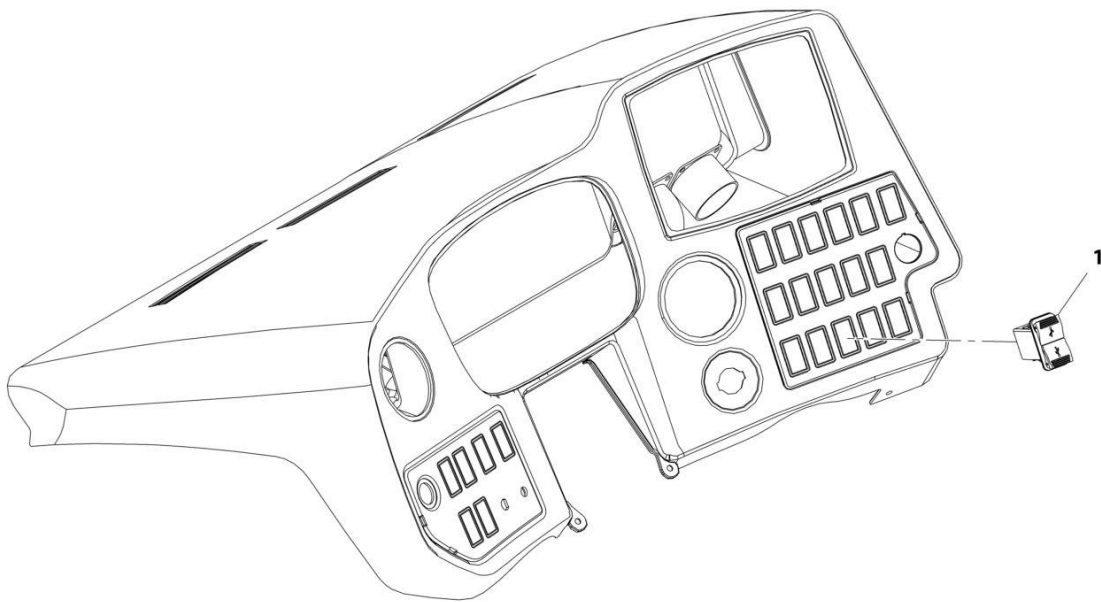
SECTION 10 - ELECTRICAL

FIGURE 10-87. TBAP HARNESS

ITEM	PART NUMBER	QTY	DESCRIPTION	REV
1	1001184835	Ref	TBAP Harness	C
	10011184495	1	Connector	
	1001260509	4	Terminal	
	1001184496	4	Seal	
2	1001184491	1	Connector	
	1001184493	4	Terminal	

SECTION 10 - ELECTRICAL

FIGURE 10-88. USB CHARGER INSTALLATION



ART_1001200152-A

SECTION 10 - ELECTRICAL

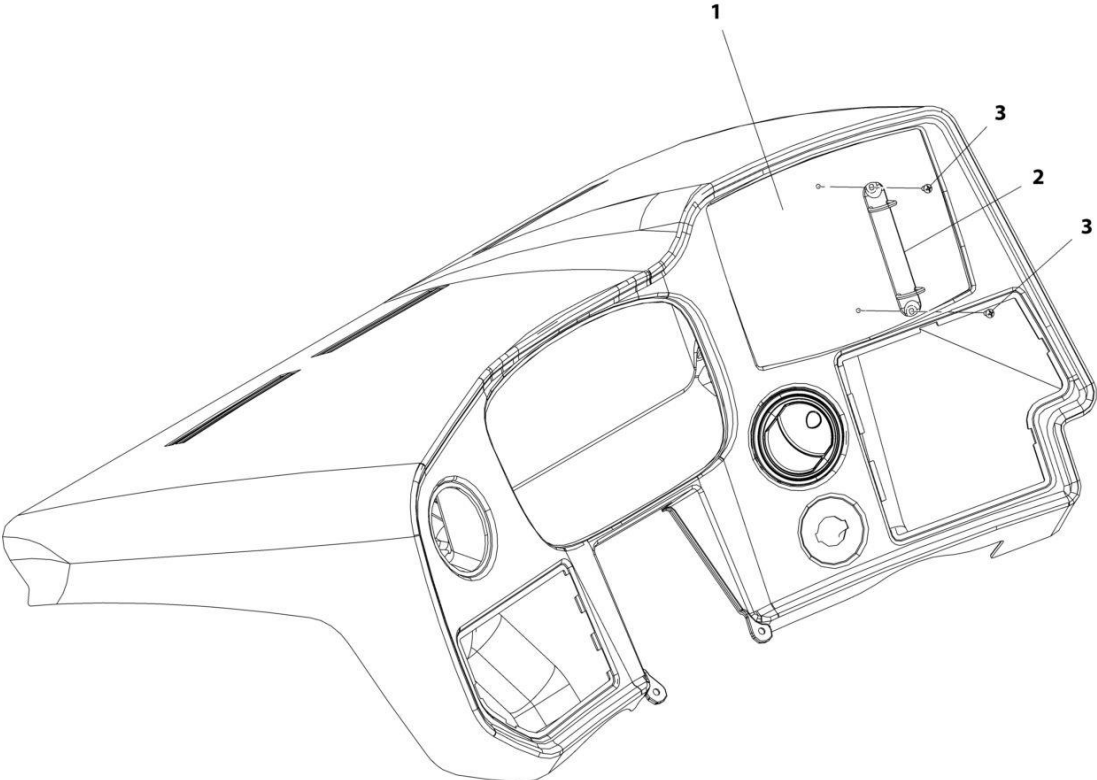
FIGURE 10-88. USB CHARGER INSTALLATION

ITEM	PART NUMBER	QTY	DESCRIPTION	REV
1	1001200152 1001174712	Ref 1	USB Charger Installation USB Charger Assembly	A

SECTION 11 - DECALS

SECTION 11 - DECALS

FIGURE 11-1. CAPACITY CHART HOLDER INSTALLATION



ART_1001178706-A

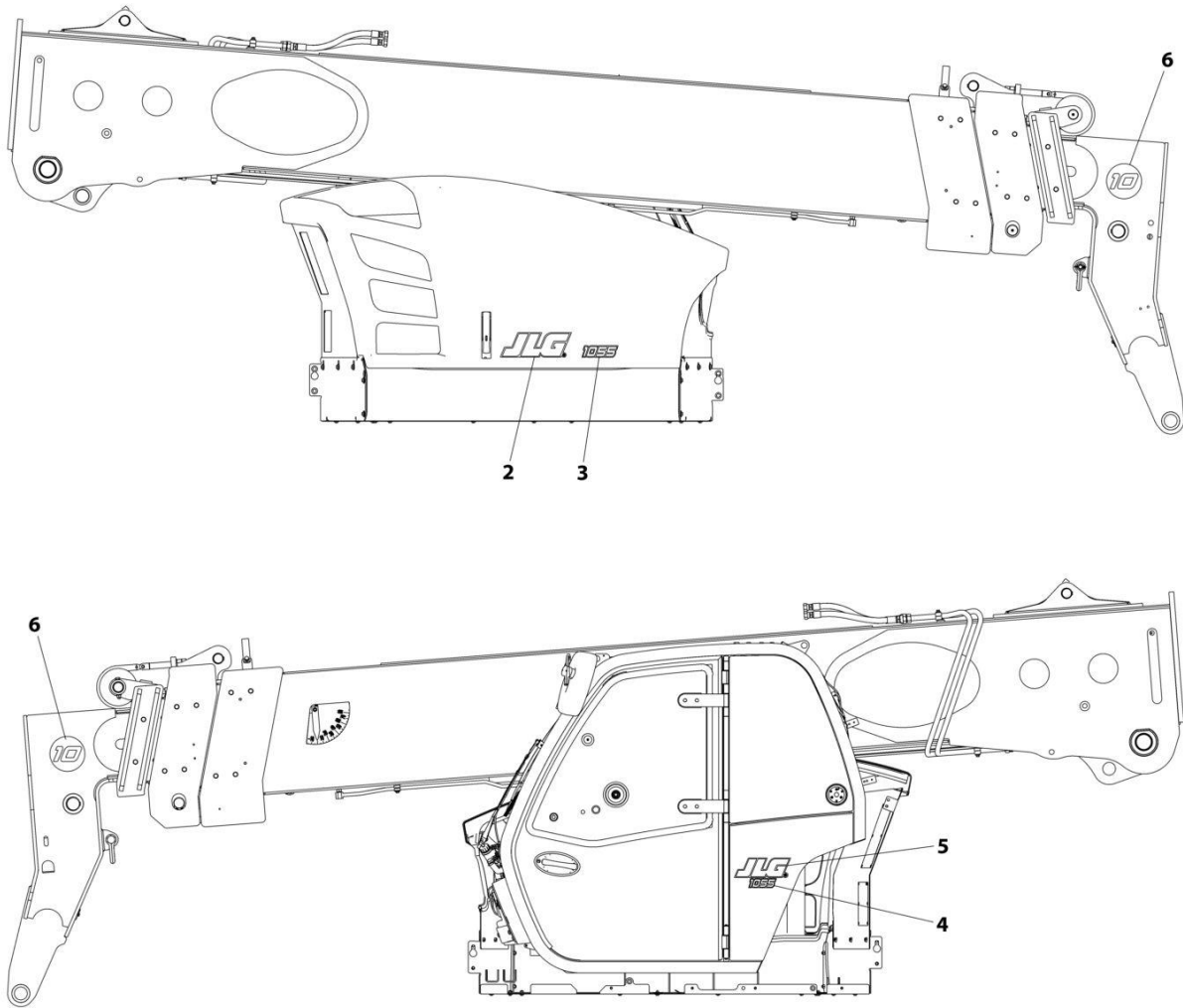
SECTION 11 - DECALS

FIGURE 11-1. CAPACITY CHART HOLDER INSTALLATION

ITEM	PART NUMBER	QTY	DESCRIPTION	REV
	1001178706	Ref	Capacity Chart Holder Installation	A
1	1001179297	1	Load Chart, Bezel	
2	1001005960	1	Holder	
3	7029486	2	Screw	

SECTION 11 - DECALS

FIGURE 11-2. DECAL INSTALLATION - 1055



ART_1001160626_F

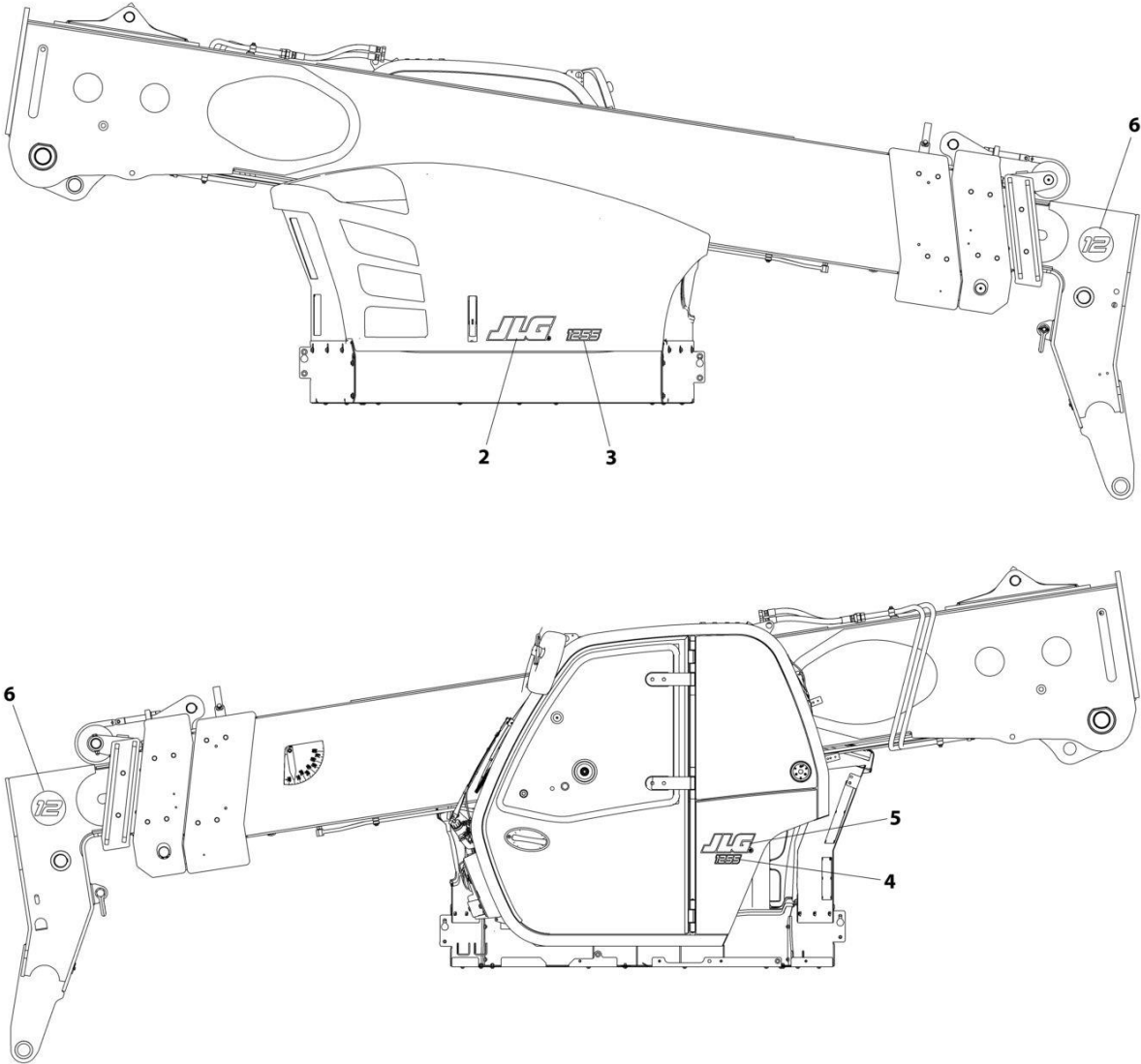
SECTION 11 - DECALS

FIGURE 11-2. DECAL INSTALLATION - 1055

ITEM	PART NUMBER	QTY	DESCRIPTION	REV
	1001160626	Ref	DECAL INSTALLATION - 1055	F
2	1001160775	1	Decal, JLG 5 Black	
3	1001276762	1	Decal, JLG 1055 Hood	
4	1001276763	1	Decal, JLG 1055 Cab	
5	1001169674	1	Decal, JLG M100 x 285	
6	1001279167	2	Decal, Boom Head	

SECTION 11 - DECALS

FIGURE 11-3. DECAL INSTALLATION - 1255



ART_1001160625_F

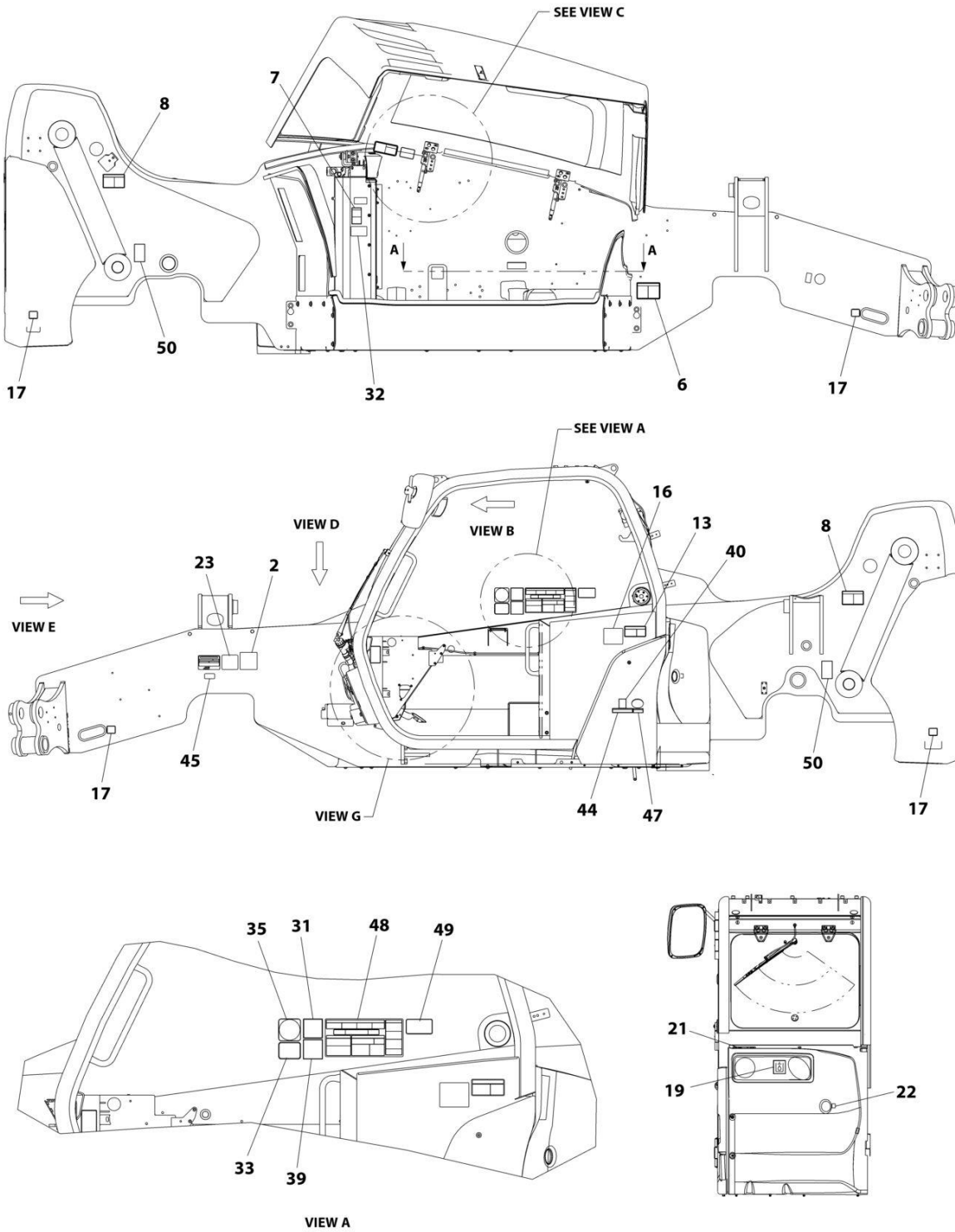
SECTION 11 - DECALS

FIGURE 11-3. DECAL INSTALLATION - 1255

ITEM	PART NUMBER	QTY	DESCRIPTION	REV
	1001160625	Ref	DECAL INSTALLATION - 1255	F
2	1001160775	1	Decal, JLG 5 Black	
3	1001276764	1	Decal, JLG 1255 Hood	
4	1001276765	1	Decal, JLG 1255 Cab	
5	1001169674	1	Decal, JLG M100 x 285	
6	1001279168	2	Decal, Boom Head	

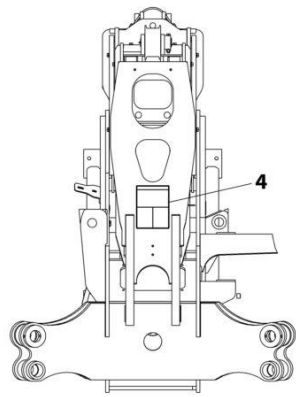
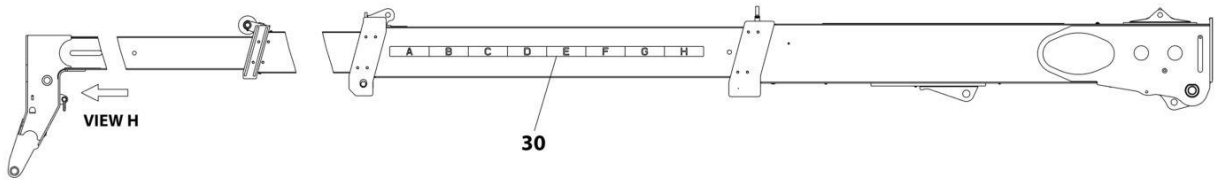
SECTION 11 - DECALS

FIGURE 11-4. DECAL INSTALLATION (ANSI)

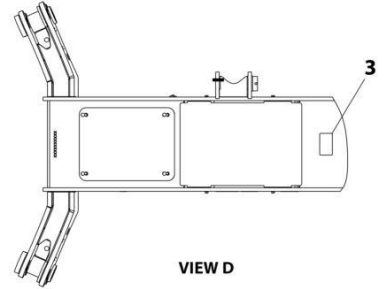
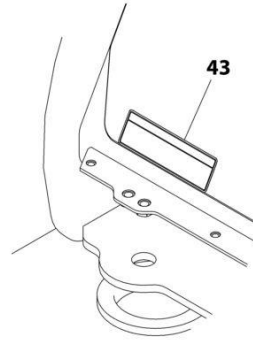


ART_1001160673_1-P

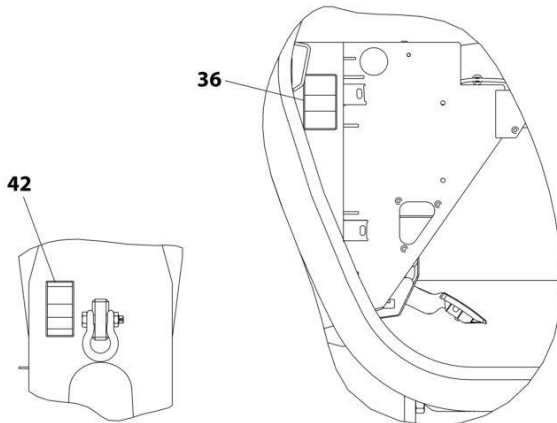
SECTION 11 - DECALS



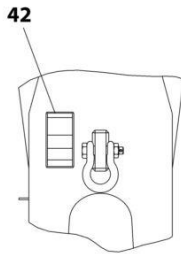
VIEW E



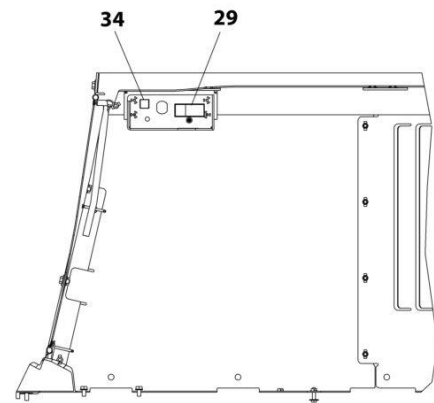
VIEW D



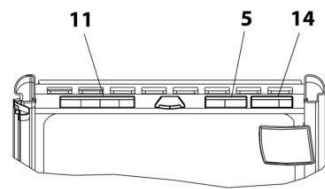
VIEW G



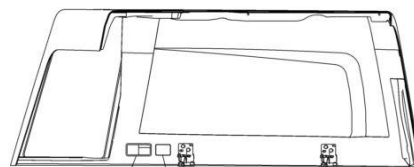
VIEW H



SECTION A-A



VIEW B



VIEW C

ART_1001160673_2-P

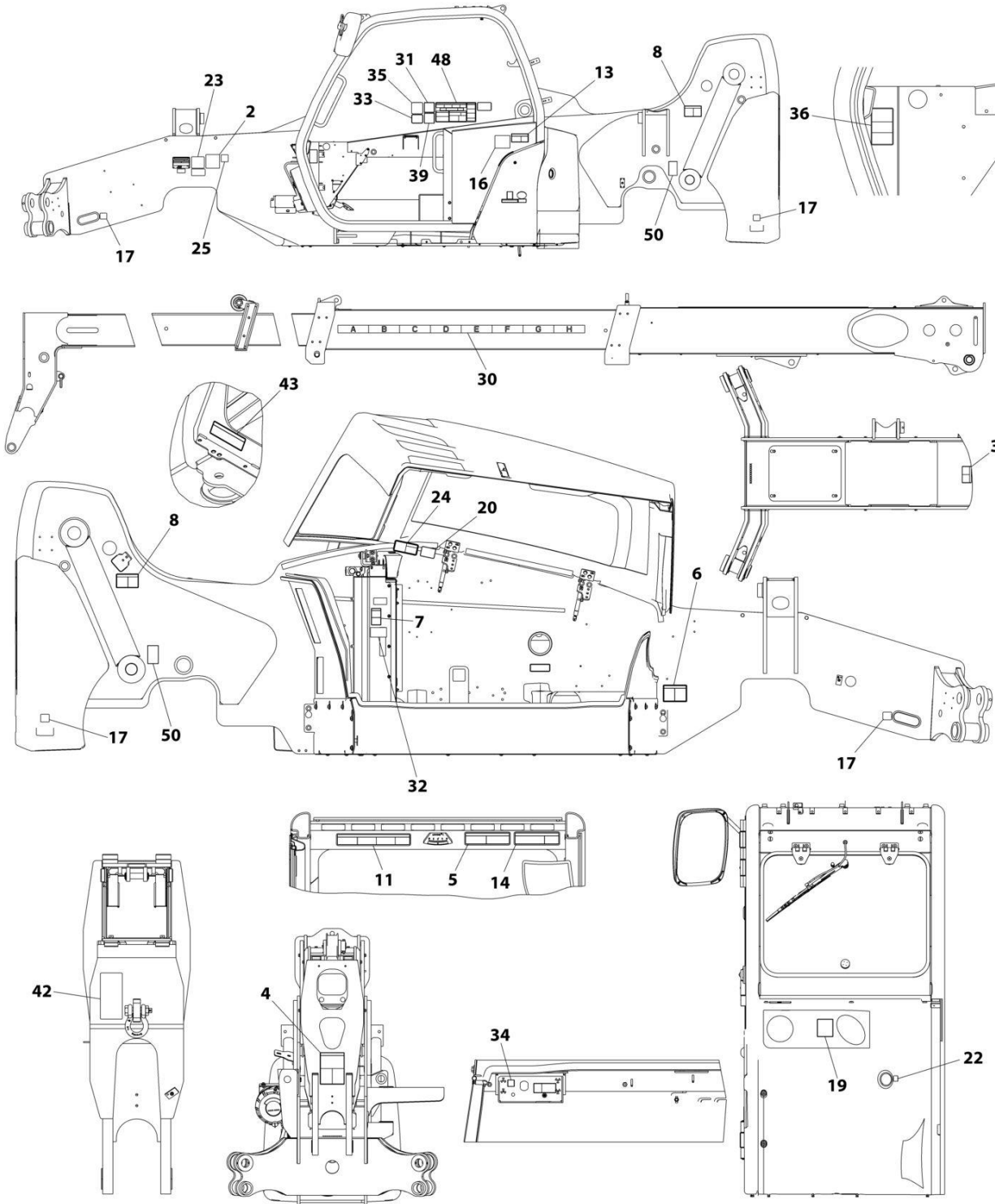
SECTION 11 - DECALS

FIGURE 11-4. DECAL INSTALLATION (ANSI)

ITEM	PART NUMBER	QTY	DESCRIPTION	REV
	1001160673	Ref	Decal Installation (ANSI)	P
2	1702631	1	Decal, Bar Code	
3	1706296	1	Decal, Battery Warning	
4	1001195849	1	Decal, Carry Personnel	
5	1706299	1	Decal, Contacting Power Lines Warning	
6	1706300	1	Decal, Ether Warning	
7	1706301	1	Decal, Keep Clear Of Rotating Parts Warning	
8	1706302	2	Decal, Pinch Point Boom Holes	
11	1706306	1	Decal, Tip Over Warning	
13	1706768	1	Decal, Vehicle Roll Away	
14	1706850	1	Decal, Crush Hazard Warning	
16	3251813	1	Decal, USA	
17	4109801	4	Decal, Tie Down Point	
19	1001094708	1	Decal, Hydraulic Oil	
20	1001109053	1	Decal, Coolant Fill	
21	1001218704	1	Decal, Ultra Low Sulfur Diesel	
22	1001130323	1	Decal, Oil Level	
23	1001131271	1	Decal, Patent	
24	1001139578	1	Decal, Hot Fluid Warning	
29	1001195855	1	Decal, Battery Disconnect	
30	1001171277	1	Decal, Boom Extend	
31	1001172035	1	Decal, No Weld or Drill	
32	1001172037	1	Decal, 130HP	
33	1001181537	1	Decal, Outrigger Switches	
34	1001184632	1	Decal, Battery Positive	
35	1001188372	1	Decal, Sway	
36	1001191229	1	Decal, Fuse Panel	
39	1001200101	1	Decal, Manual	
40	1001196806	1	Decal, Diesel Exhaust Fluid	
42	1001207217	1	Decal, Danger Swinging Load	
43	1001218659	1	Decal, Brake Fluid Spec	
44	1001219212	1	Decal, Def Fluid	
45	1001223453	1	Decal, Ices (CAN)	
47	1001230310	1	Decal, JLG DEF Tank Service	
48	1707078	1	Decal, Warning/Danger Cab	
49	1001231801	1	Decal, Warning Prop 65	
50	1001222650	2	Decal, Axle Lift	

SECTION 11 - DECALS

FIGURE 11-5. DECAL INSTALLATION (ISO)



ART_1001160647-P

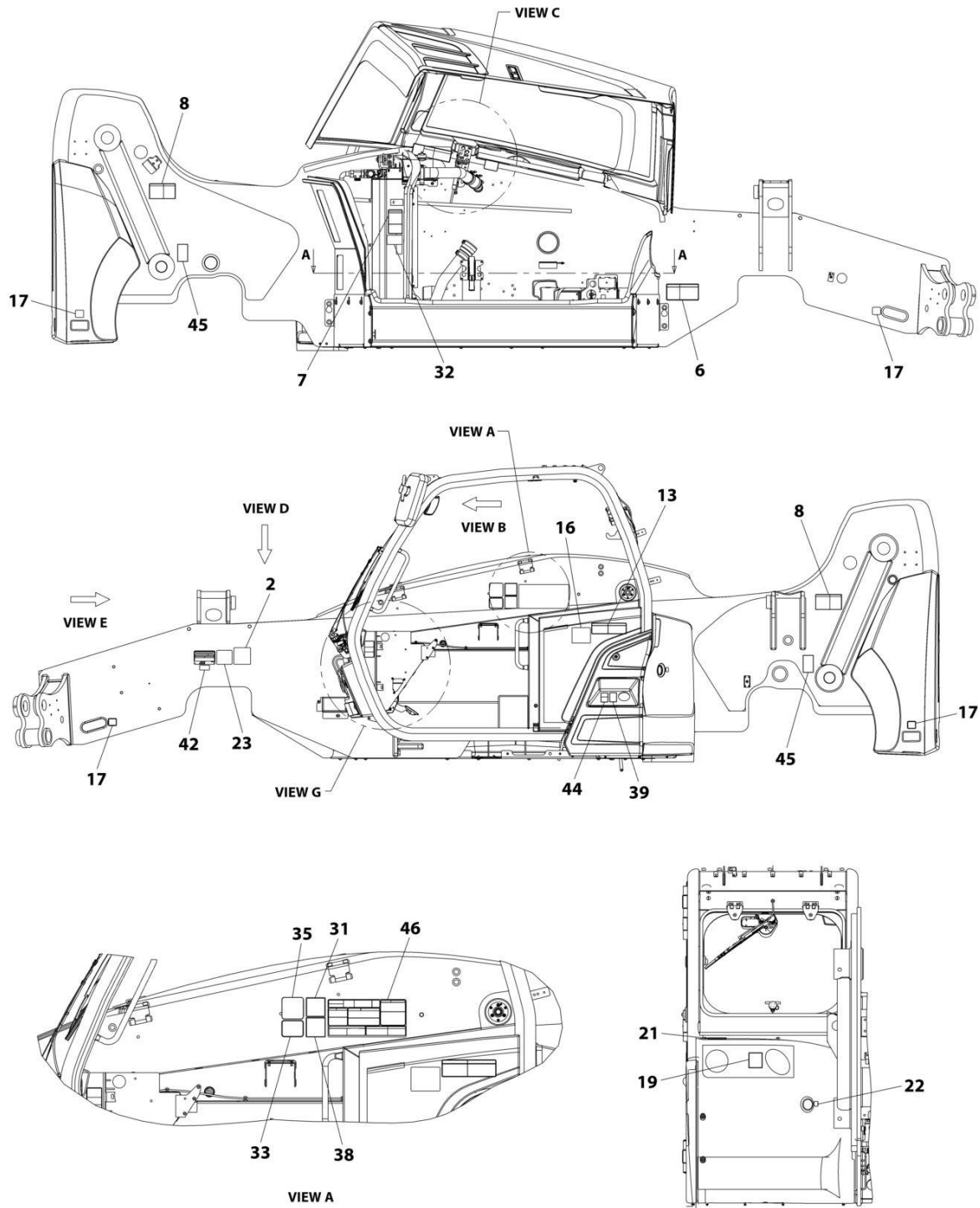
SECTION 11 - DECALS

FIGURE 11-5. DECAL INSTALLATION (ISO)

ITEM	PART NUMBER	QTY	DESCRIPTION	REV
	1001160647	Ref	Decal Installation (ISO)	P
2	1702631	1	Decal, Bar Code	
3	1706281	1	Decal, Battery Warning	
4	1706282	1	Decal, Carry Personnel	
5	1706284	1	Decal, Contacting Power Lines Warning	
6	1706098	1	Decal, Ether Warning	
7	1706285	1	Decal, Moving Parts	
8	1706292	2	Decal, Pinch Point Boom Holes	
11	1706288	1	Decal, Tip Over Warning	
13	1001092878	1	Decal, No Riders	
14	1001092877	1	Decal, Crush Hazard Warning	
16	3251813	1	Decal, USA	
17	4109801	4	Decal, Tie Down Point	
19	1001094708	1	Decal, Hydraulic Oil	
20	1001109053	1	Decal, Coolant Fill	
22	1001130323	1	Decal, Oil Level	
23	1001131271	1	Decal, Patent	
24	1001139942	1	Decal, Hot Fluid Warning	
25	1001143852	1	Decal, LRC EPA	
30	1001171277	1	Decal, Boom Extend	
31	1001172035	1	Decal, No Weld or Drill	
32	1001172037	1	Decal, 130HP	
33	1001181537	1	Decal, Outrigger Switches	
34	1001184632	1	Decal, Battery Positive	
35	1001188372	1	Decal, Sway	
36	1001191229	1	Decal, Fuse Panel	
39	1001200101	1	Decal, Manual	
42	1001207218	1	Decal, Danger Swinging Load	
43	1001219211	1	Decal, Brake Fluid Spec (not shown)	
48	1001101895	1	Decal, Warning	
50	1001222650	2	Decal, Axle Lift	

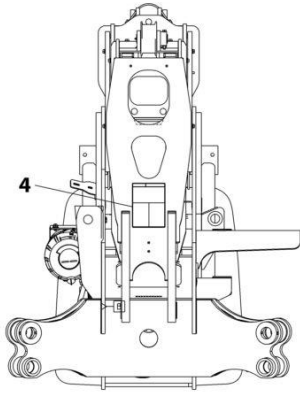
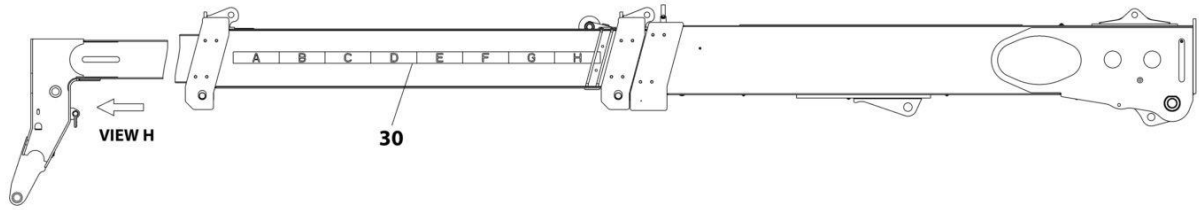
SECTION 11 - DECALS

FIGURE 11-6. DECAL INSTALLATION

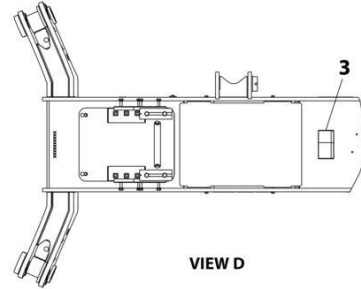
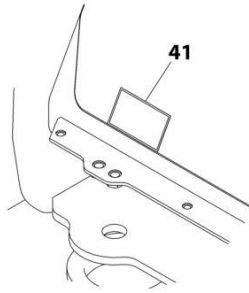


ART_1001160667_1-Q

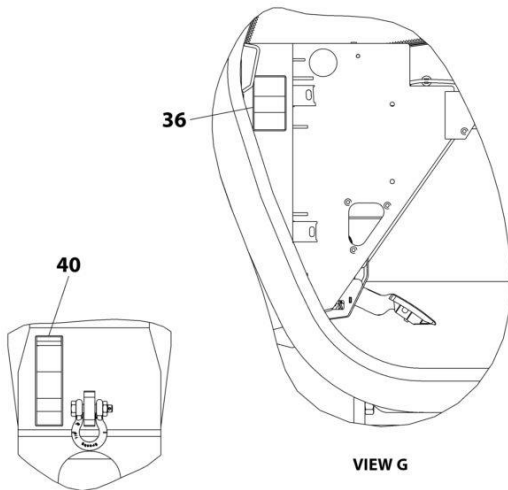
SECTION 11 - DECALS



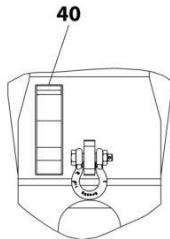
VIEW E



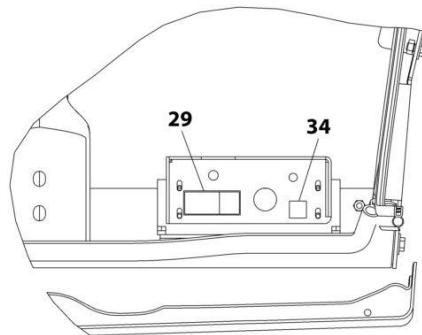
VIEW D



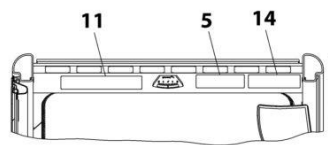
VIEW G



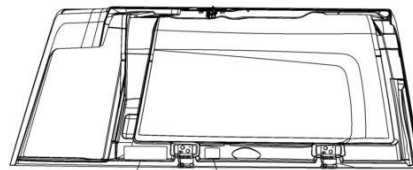
VIEW H



SECTION A-A



VIEW B



VIEW C

ART_1001160667_2-Q

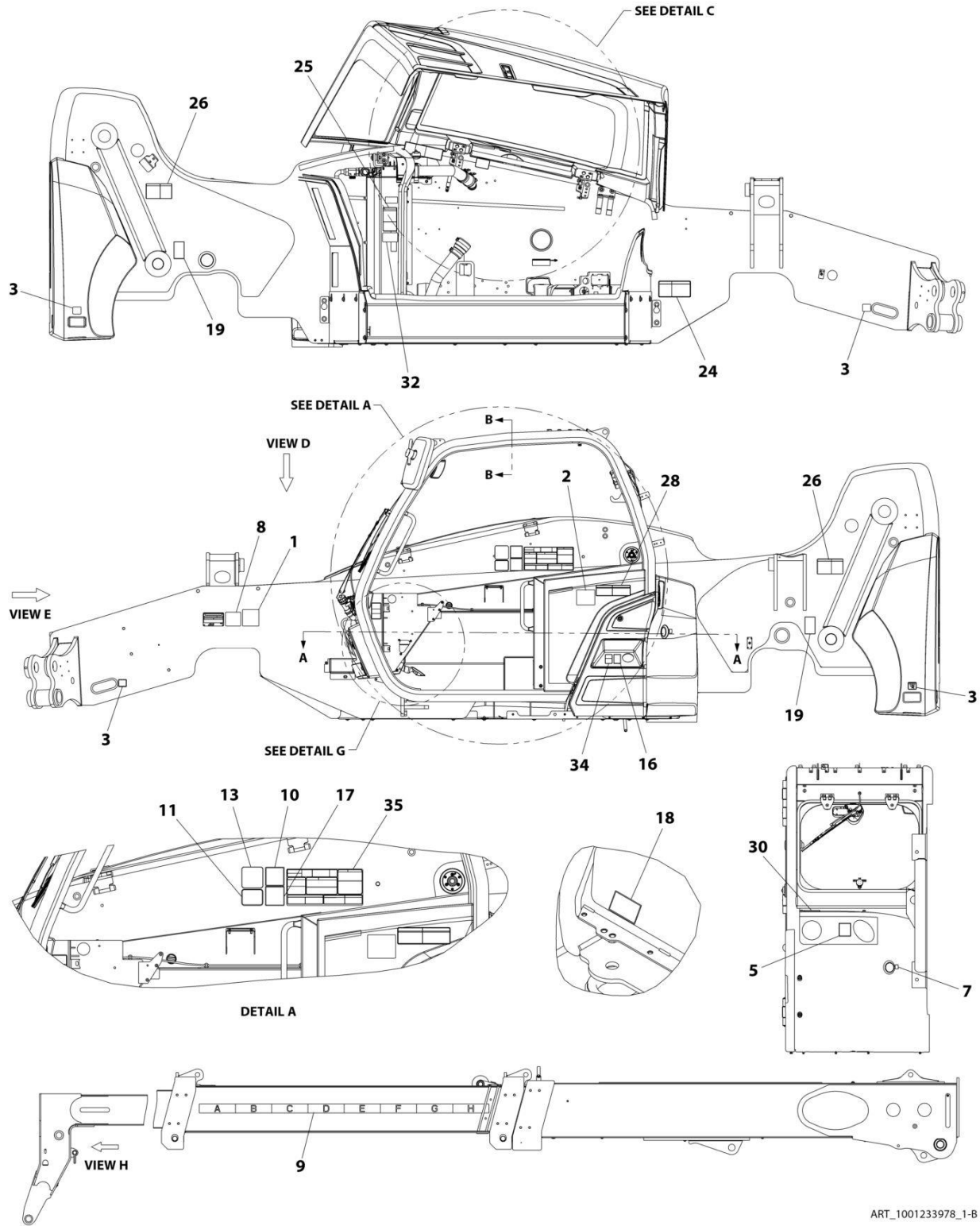
SECTION 11 - DECALS

FIGURE 11-6. DECAL INSTALLATION

ITEM	PART NUMBER	QTY	DESCRIPTION	REV
	1001160667	Ref	Decal Installation (ENGLISH/FRENCH)	Q
2	1702631	1	Decal, Bar Code	
3	1001163174	1	Decal, Battery Warning	
4	1001195851	1	Decal, Carry Personnel	
5	1001163210	1	Decal, Electrocutation Hazard	
6	1001163212	1	Decal, Warning No Either	
7	1001163222	1	Decal, Moving Parts	
8	1001163223	2	Decal, Pinch Point	
11	1001163285	1	Decal, Warning Tip Over	
13	1001163300	1	Decal, No Riders	
14	1001163304	1	Decal, Warning Crushing Hazard	
16	3251813	1	Decal, USA	
17	4109801	4	Decal, Tie Down Point	
19	1001094708	1	Decal, Hydraulic Oil	
20	1001109053	1	Decal, Coolant Fill	
21	1001163355	1	Decal, Ultra Low Sulfur Diesel	
22	1001130323	1	Decal, Oil Level	
23	1001131271	1	Decal, Patent, Telehandlers	
24	1001163323	1	Decal, Warning Hot Fluid	
29	1001195855	1	Decal, Battery Disconnect	
30	1001171277	1	Decal, Boom Extend	
31	1001172035	1	Decal, No Weld Or Drill	
32	1001172037	1	Decal, MCO, 130HP	
33	1001181537	1	Decal, Outrigger Switches	
34	1001184632	1	Decal, Battery Positive	
35	1001188372	1	Decal, Sway	
36	1001191229	1	Decal, Fuse Panel	
38	1001200101	1	Decal, Manual	
39	1001196806	1	Decal, Diesel Exhaust Fluid	
40	1001209625	1	Decal, Danger Swinging Load	
41	1001219211	1	Decal, Brake Fluid	
42	1001223453	1	Decal, ICES (CAN)	
44	1001230311	1	Decal, EN/FR JLG DEF Tank Service	
45	1001222650	2	Decal, Axle Lift	
46	1001233558	1	Decal, Warning/Danger EN/FR Cab	

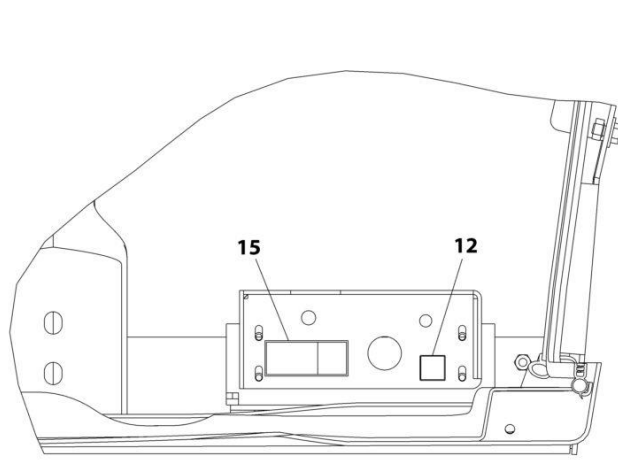
SECTION 11 - DECALS

FIGURE 11-7. DECAL INSTALLATION (ENGLISH/SPANISH)

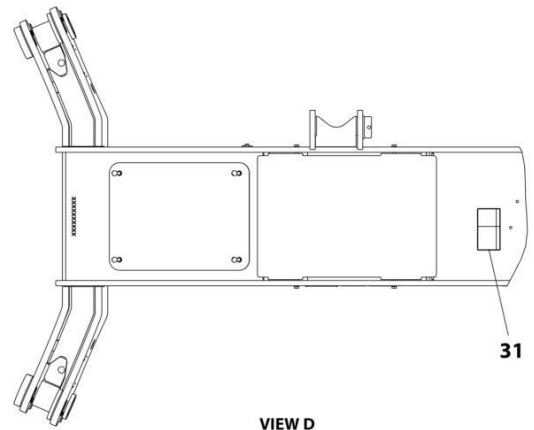


ART_1001233978_1-B

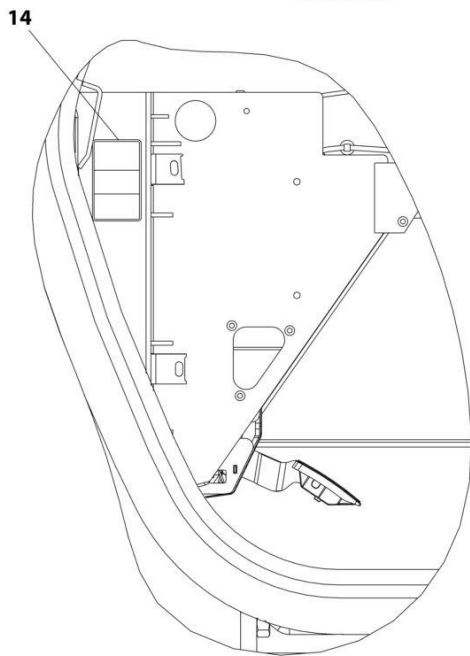
SECTION 11 - DECALS



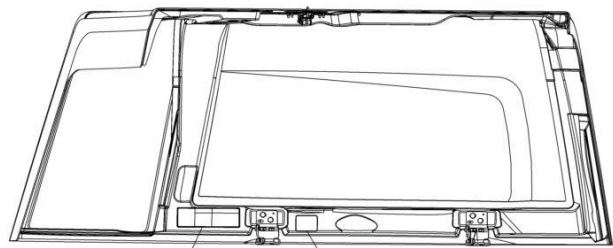
SECTION A-A



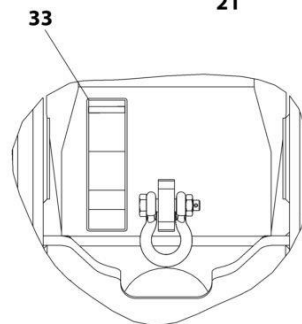
VIEW D



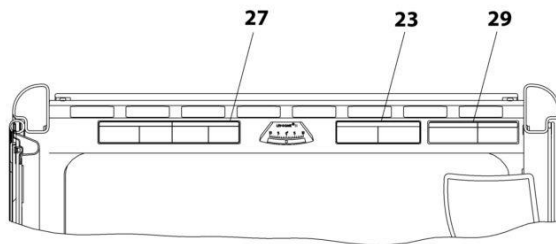
DETAIL G



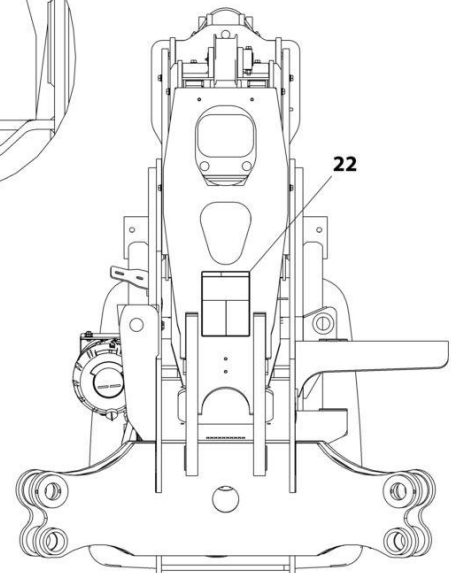
DETAIL C



VIEW H



SECTION B-B



VIEW E

ART_1001233978_2-B

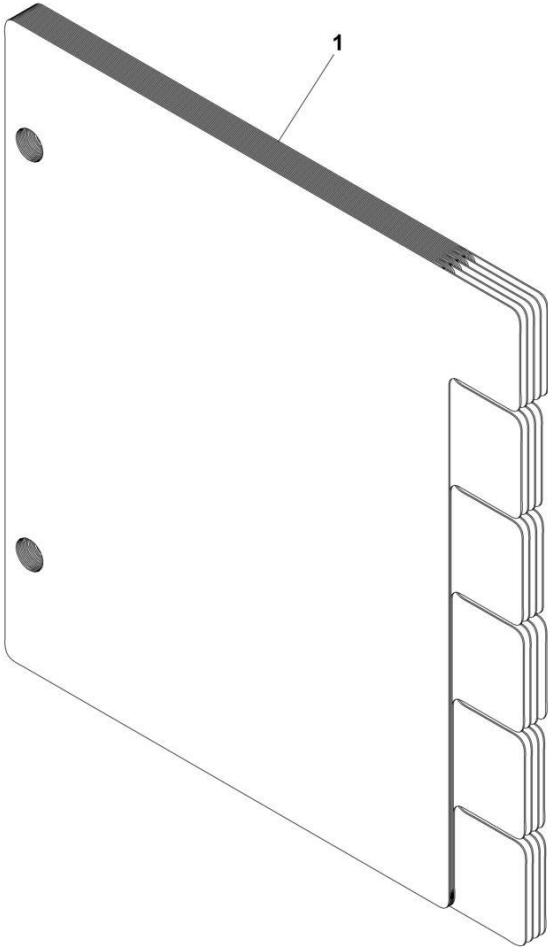
SECTION 11 - DECALS

FIGURE 11-7. DECAL INSTALLATION (ENGLISH/SPANISH)

ITEM	PART NUMBER	QTY	DESCRIPTION	REV
	1001233978	Ref	Decal Installation (English/Spanish)	B
1	1702631	1	Decal, Bar Code	
2	3251813	1	Decal, USA	
3	4109801	4	Decal, Tie Down Point	
5	1001094708	1	Decal, Hydraulic Oil	
6	1001109053	1	Decal, Coolant Fill	
7	1001130323	1	Decal, Oil Level	
8	1001131271	1	Decal, Patent, Telehandlers	
9	1001171277	1	Decal, Boom Extend	
10	1001172035	1	Decal, No Weld or Drill	
11	1001181537	1	Decal, Outrigger Switches	
12	1001184632	1	Decal, Battery Positive	
13	1001188372	1	Decal, Sway	
14	1001191229	1	Decal, Fuse Panel	
15	1001195855	1	Decal, Battery Disconnect	
16	1001196806	1	Decal, Diesel Exhaust Fluid	
17	1001200101	1	Decal, Manual	
18	1001219211	1	Decal, Brake Fluid Spec	
19	1001222650	2	Decal, Axle Lift	
21	1001235805	1	Decal, Warning Hot Fluid	
22	1001235796	1	Decal, Carry Personal	
23	1001235797	1	Decal, Electrocutation Hazard	
24	1001235798	1	Decal, Warning No Ether	
25	1001235799	1	Decal, Moving Parts	
26	1001235800	2	Decal, Pinch Point	
27	1001235801	1	Decal, Warning Tip Over	
28	1001235802	1	Decal, No Riding	
29	1001235803	1	Decal, Warning Crushing Hazard	
30	1001235804	1	Decal, Ultra Low Sulfur Diesel	
31	1001235794	1	Decal, Battery Warning	
32	1001235806	1	Decal, MCO 130HP	
33	1001235807	1	Decal, Danger Swinging Load	
34	1001235808	1	Decal, Spanish JLG DEF Tank Service	
35	1001235809	1	Decal, Warning Cab	

SECTION 11 - DECALS

FIGURE 11-8. CAPACITY CHART (ANSI) - 1055



ART_1001211156-I

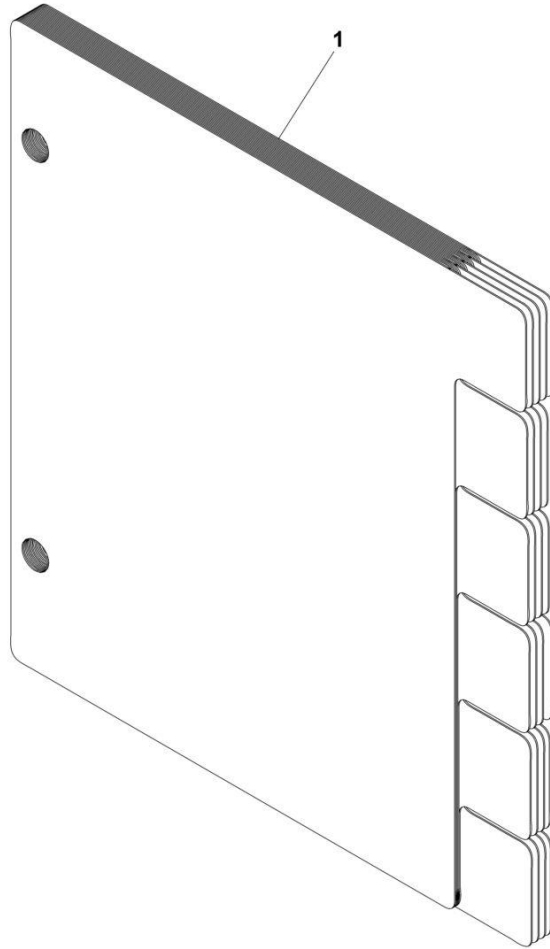
SECTION 11 - DECALS

FIGURE 11-8. CAPACITY CHART (ANSI) - 1055

ITEM	PART NUMBER	QTY	DESCRIPTION	REV
1	1001211156	1	Capacity Chart (ANSI) - 1055	I

SECTION 11 - DECALS

FIGURE 11-9. CAPACITY CHART (ANSI) - 1255



ART_1001211153-I

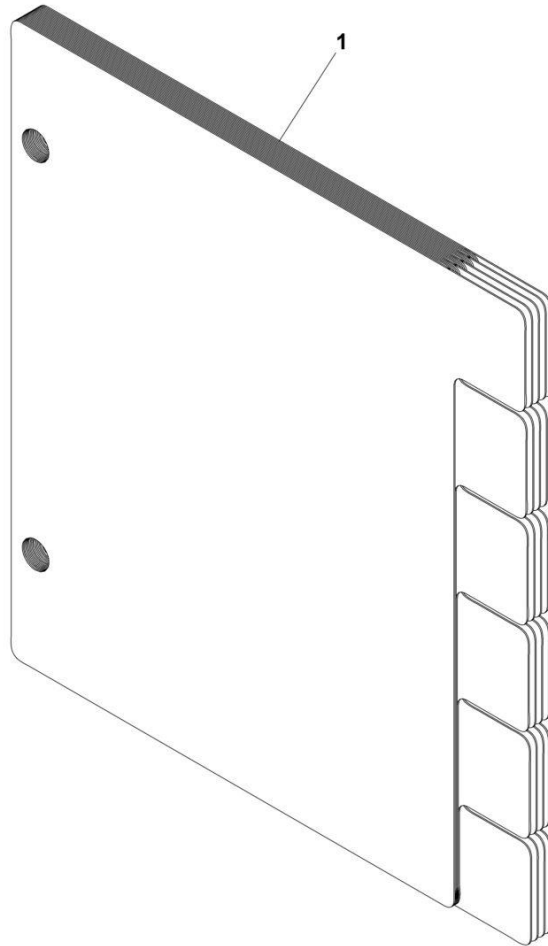
SECTION 11 - DECALS

FIGURE 11-9. CAPACITY CHART (ANSI) - 1255

ITEM	PART NUMBER	QTY	DESCRIPTION	REV
1	1001211153	1	Capacity Chart (ANSI) - 1255	I

SECTION 11 - DECALS

FIGURE 11-10. CAPACITY CHART (METRIC) - 1055



ART_1001211157-J

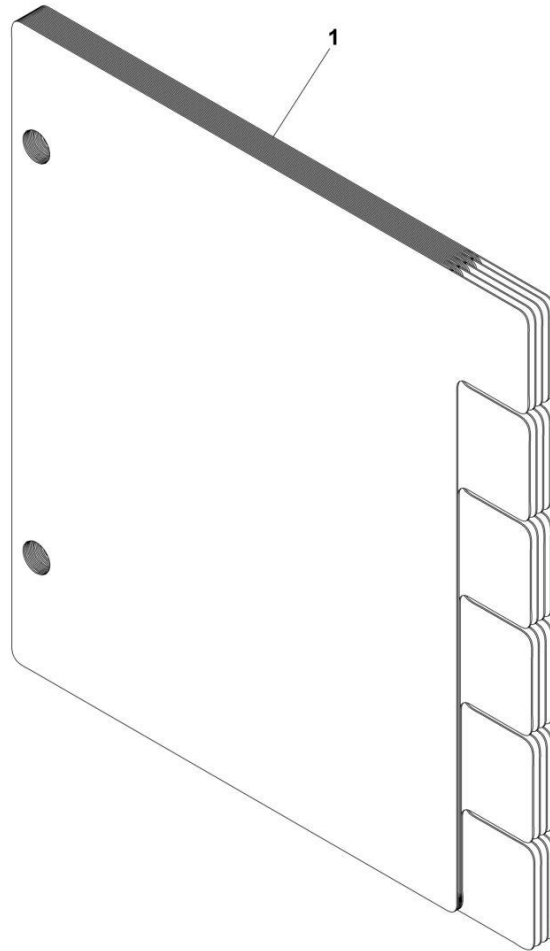
SECTION 11 - DECALS

FIGURE 11-10. CAPACITY CHART (METRIC) - 1055

ITEM	PART NUMBER	QTY	DESCRIPTION	REV
1	1001211157	1	Capacity Chart (Metric) - 1055	J

SECTION 11 - DECALS

FIGURE 11-11. CAPACITY CHART (METRIC) - 1255



ART_1001211155-J

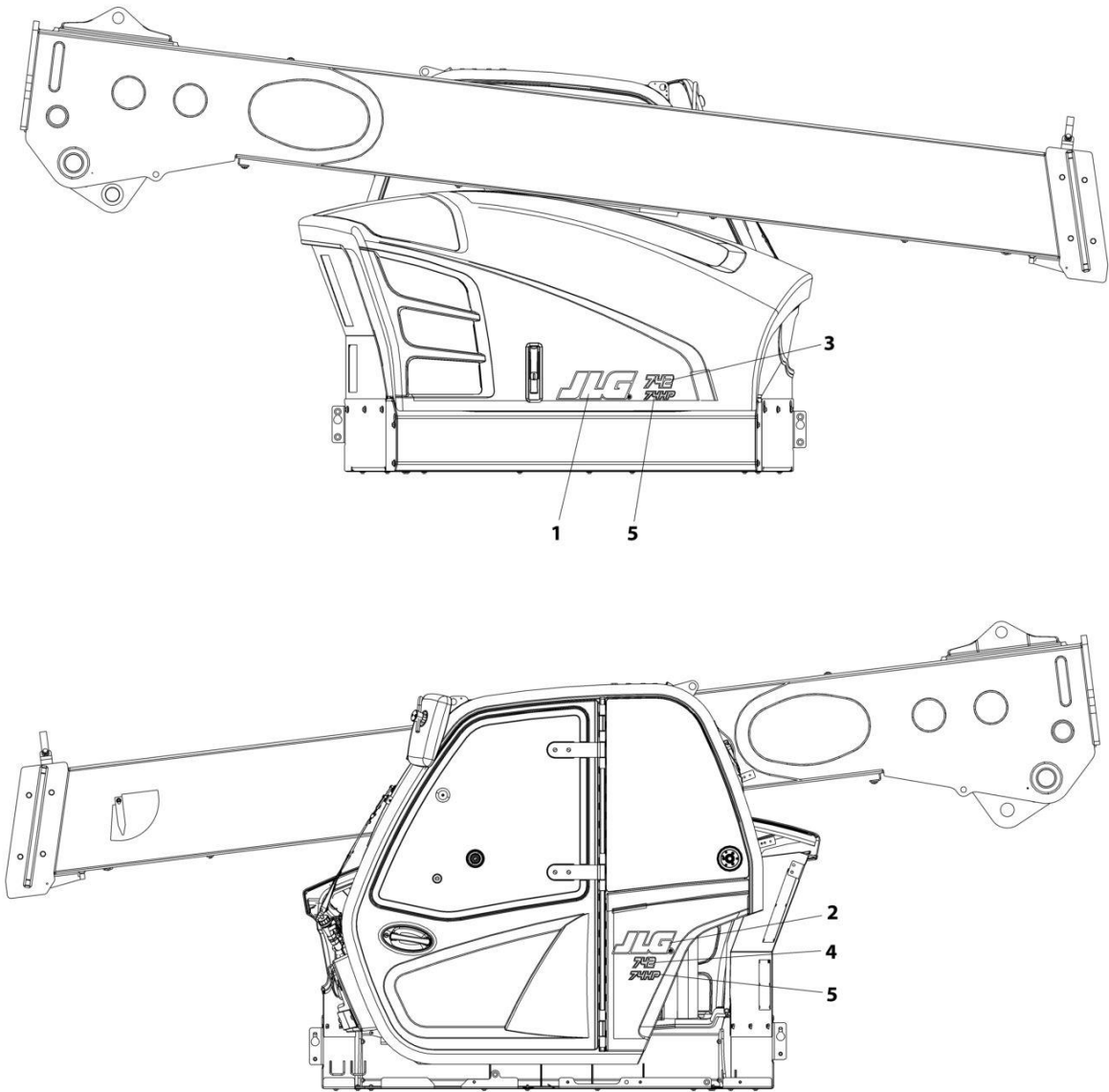
SECTION 11 - DECALS

FIGURE 11-11. CAPACITY CHART (METRIC) - 1255

ITEM	PART NUMBER	QTY	DESCRIPTION	REV
1	1001211155	1	Capacity Chart (Metric) - 1255	J

SECTION 11 - DECALS

FIGURE 11-12. DECAL INSTALLATION - JLG (74HP)



ART_1001272680

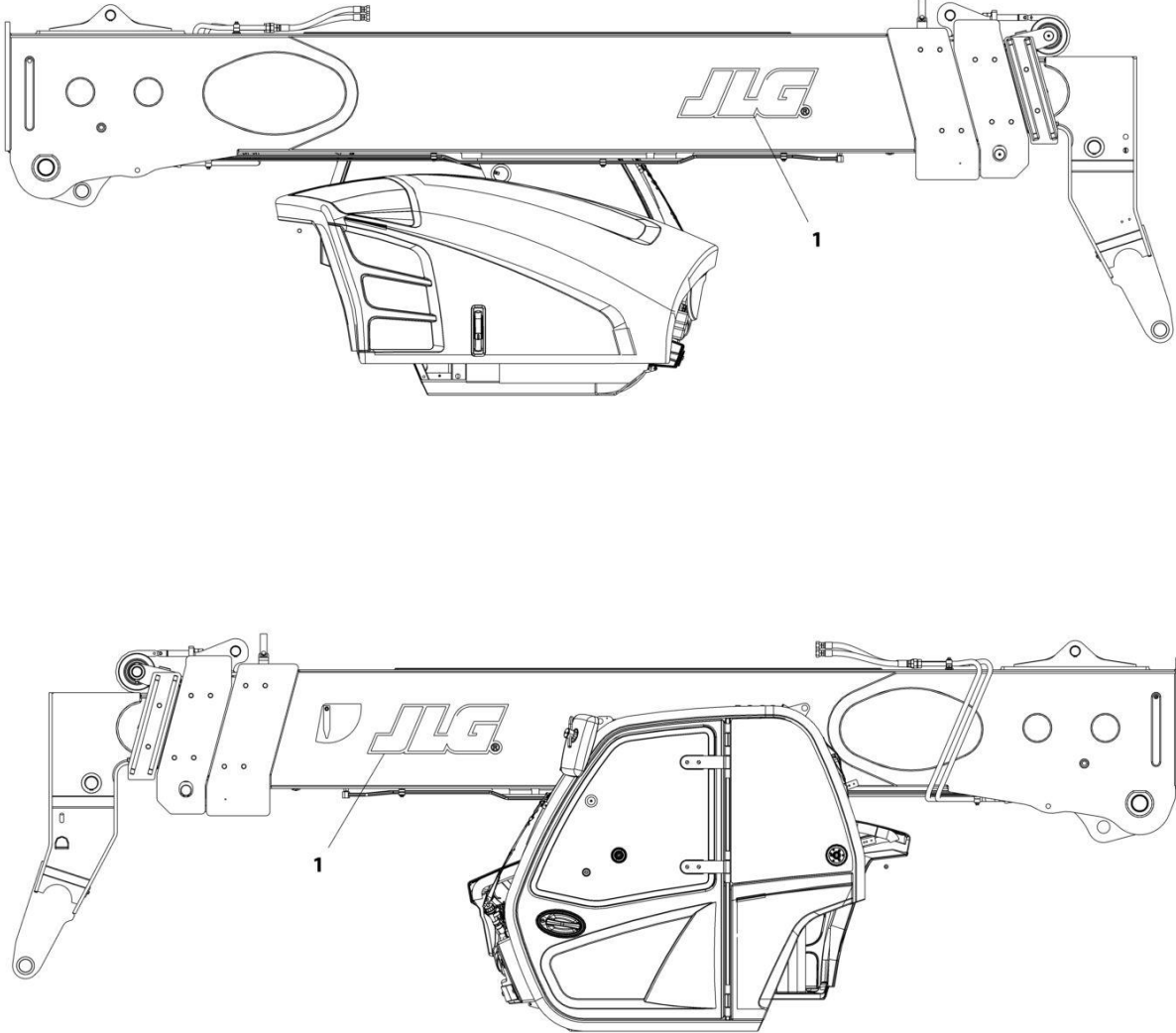
SECTION 11 - DECALS

FIGURE 11-12. DECAL INSTALLATION - JLG (74HP)

ITEM	PART NUMBER	QTY	DESCRIPTION	REV
	1001272680	Ref	DECAL INSTALLATION - JLG (74HP)	B
1	1001160775	1	Decal, JLG 5in Black	
2	1001169674	1	Decal, JLG	
3	1001276749	1	Decal, JLG 742	
4	1001276750	1	Decal, JLG 742 Cab	
5	1001276759	2	Decal, JLG 74 HP	

SECTION 11 - DECALS

FIGURE 11-13. DECAL INSTALLATION - JLG (110HP)



ART_1001200720-A

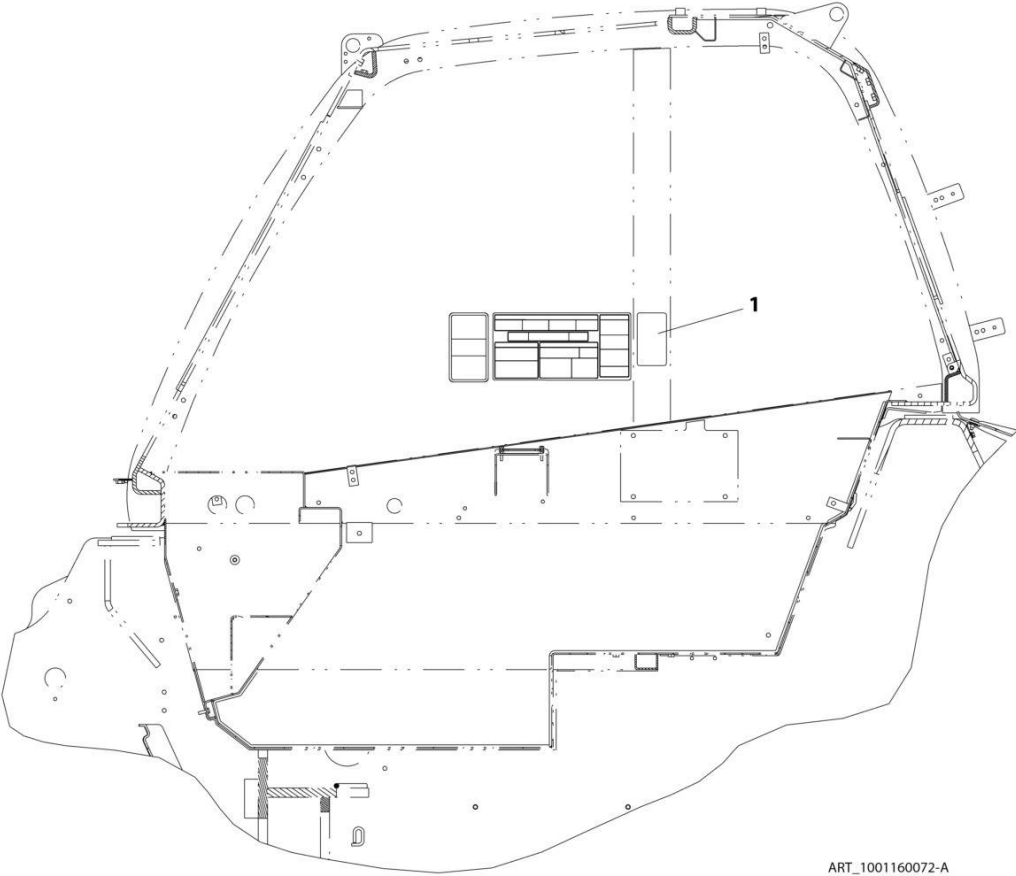
SECTION 11 - DECALS

FIGURE 11-13. DECAL INSTALLATION - JLG (110HP)

ITEM	PART NUMBER	QTY	DESCRIPTION	REV
1	1001200720 1001159728	Ref 1	Decal Installation Decal, JLG Logo	A

SECTION 11 - DECALS

FIGURE 11-14. REVERSE SENSOR SYSTEM DECAL (ENGLISH)



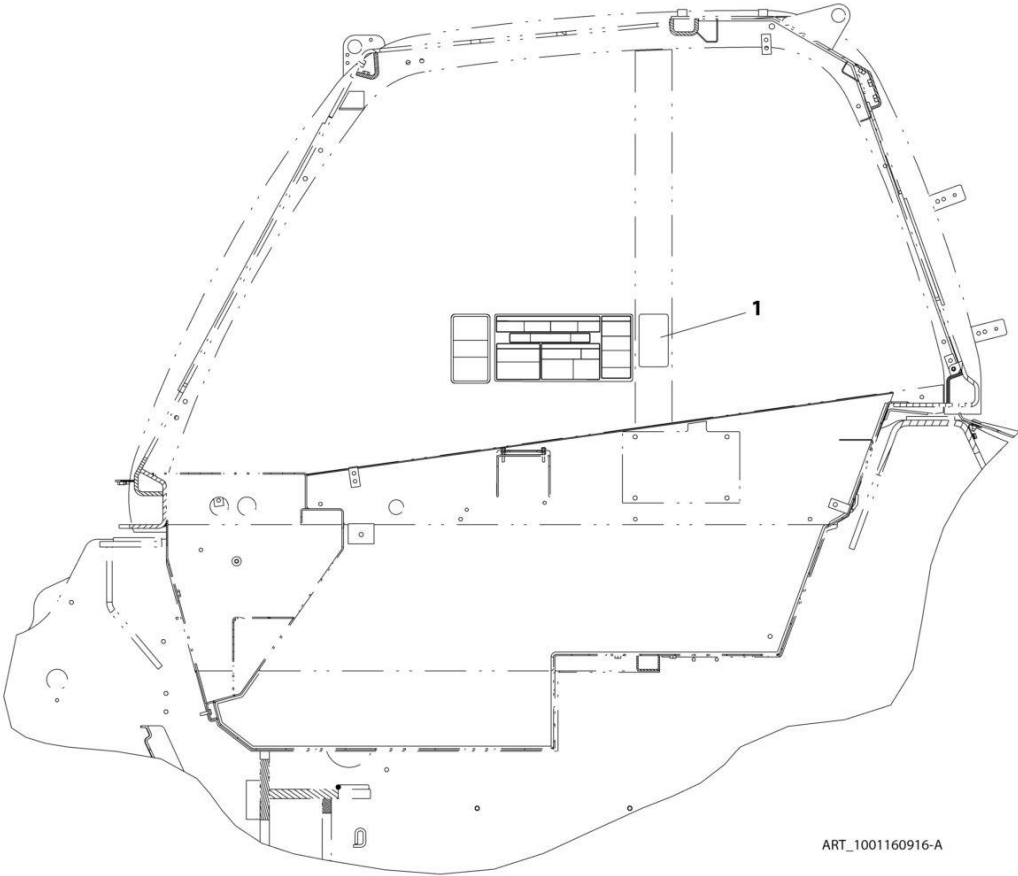
SECTION 11 - DECALS

FIGURE 11-14. REVERSE SENSOR SYSTEM DECAL (ENGLISH)

ITEM	PART NUMBER	QTY	DESCRIPTION	REV
1	1001160072	1	Reverse Sensor System Decal (English)	A

SECTION 11 - DECALS

FIGURE 11-15. REVERSE SENSOR SYSTEM DECAL



ART_1001160916-A

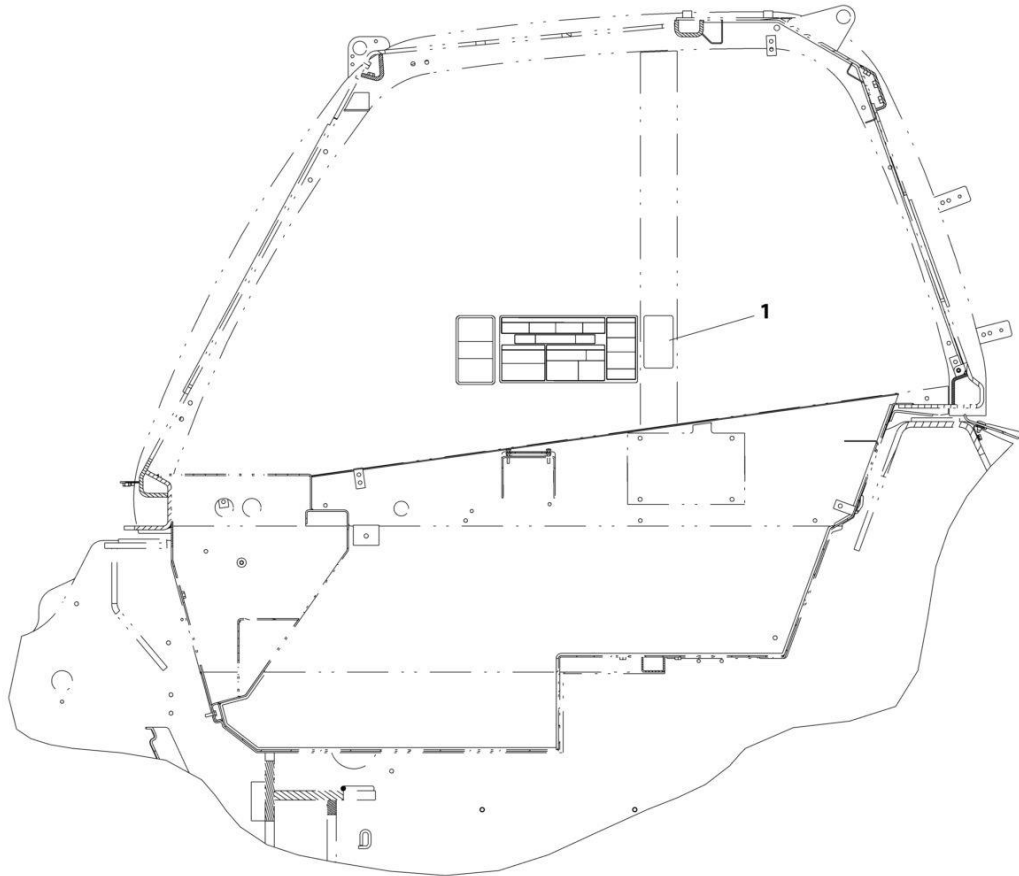
SECTION 11 - DECALS

FIGURE 11-15. REVERSE SENSOR SYSTEM DECAL

ITEM	PART NUMBER	QTY	DESCRIPTION	REV
1	1001160916	1	Reverse Sensor System Decal (ISO)	A

SECTION 11 - DECALS

FIGURE 11-16. REVERSE SENSING SYSTEM DECAL, (ENGLISH/FRENCH)



ART_1001160945-A

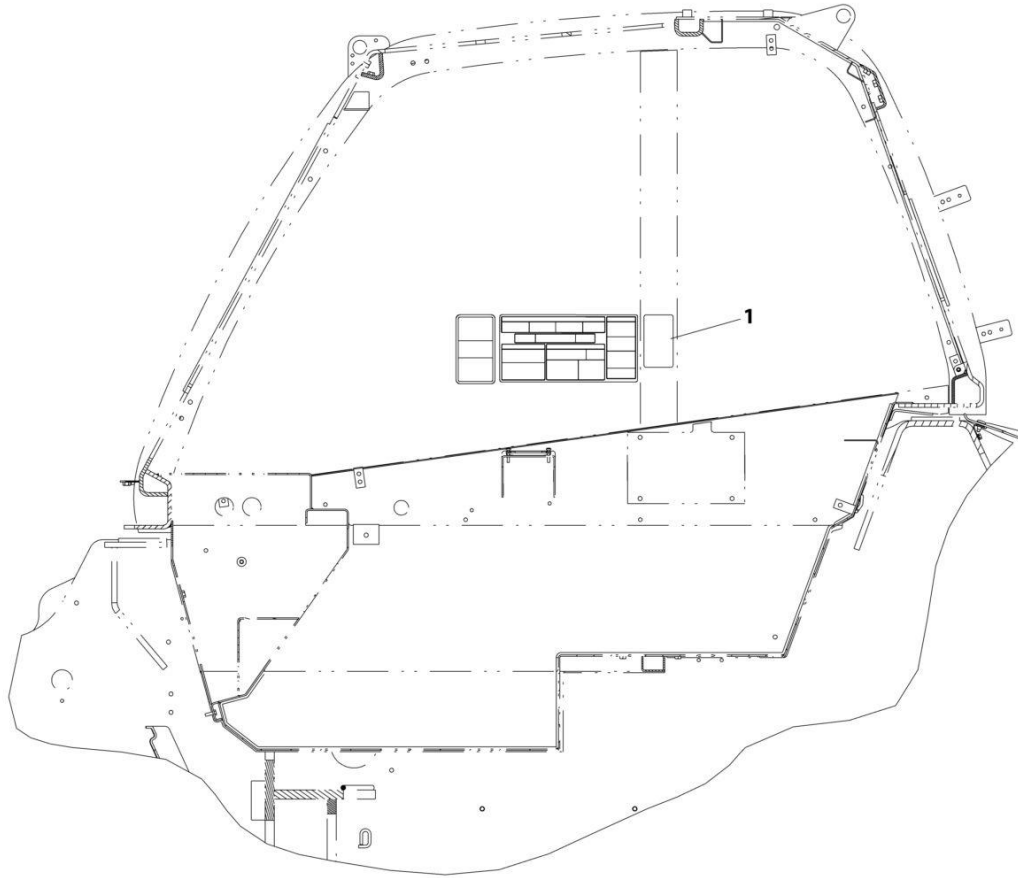
SECTION 11 - DECALS

FIGURE 11-16. REVERSE SENSING SYSTEM DECAL, (ENGLISH/FRENCH)

ITEM	PART NUMBER	QTY	DESCRIPTION	REV
1	1001160945	1	Reverse Sensor System Decal (ENGLISH/FRENCH)	A

SECTION 11 - DECALS

FIGURE 11-17. REVERSE SENSOR SYSTEM DECAL (ENGLISH/SPANISH)



ART_1001237846-A

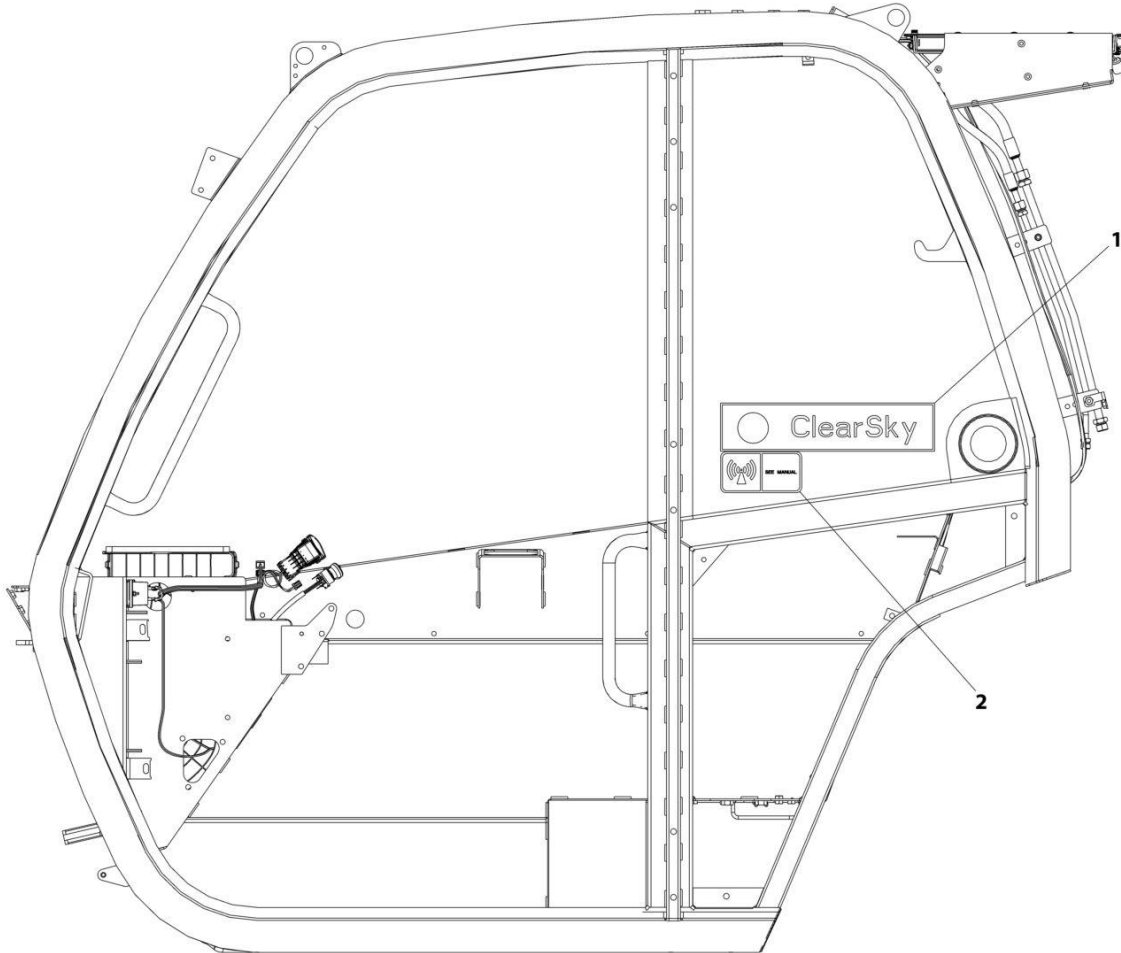
SECTION 11 - DECALS

FIGURE 11-17. REVERSE SENSOR SYSTEM DECAL (ENGLISH/SPANISH)

ITEM	PART NUMBER	QTY	DESCRIPTION	REV
1	1001237846	Ref	REVERSE SENSOR SYSTEM DECAL (ENGLISH/SPANISH LANGUAGES)	A

SECTION 11 - DECALS

FIGURE 11-18. CLEARSKY DECAL INSTALLATION



ART_1001229707

SECTION 11 - DECALS

FIGURE 11-18. CLEARSKY DECAL INSTALLATION

ITEM	PART NUMBER	QTY	DESCRIPTION	REV
	1001229707	Ref	Clearsky Decal Installation	C
1	1001294815	1	Decal - ClearSky	
2	1001120989	1	Radio Frequency Decal	

SECTION 12 - RECOMMENDED SERVICE PARTS STOCK

SECTION 12 - RECOMMENDED SERVICE PARTS STOCK

SECTION 12 - RECOMMENDED SERVICE PARTS STOCK

FIGURE 12-1. RECOMMENDED SERVICE PARTS STOCK

ITEM	PART NUMBER	QTY	DESCRIPTION	REV
		Ref	Note: The following list will service one machine (built to current production per date on the front cover) with emergency repair parts which can be installed in the field. Parts from the list should be replaced when inventory is depleted to keep service parts stock supplied. For further information, contact your JLG dealer or the JLG Industries Parts Department.	
	70029597	1	Coil, 12V (Drywall Valve)	
	70028281	1	Coil (Counterbalance Valve)	
	70020764	1	Coil (Coupler Diverter)	
	70022147	1	Coil (Frame & Outrigger Valve)	
	70020868	1	Coil (Frame & Outrigger Valve)	
	70021208	1	Coil (Frame & Outrigger Valve)	
	70002963	1	Coil (Priority Valve & Sahr Brake)	
	70003788	1	Coil (Stabilizer Valve)	
	70026582	1	Coil (Steer Valve)	
	1001159028	1	Controller, Accelerator	
	1001197138	1	Controller, Brake	
	1001242098	1	Controller, Fingertip Joystick (Outrigger Switches Installation)	
	1001222609	1	Controller, Joystick (Elobau)	
	1001298306	1	Controller, Joystick (Bosch/Rexroth)	
	1001177597	2	Diode, 6amp (Cab Harness & Engine Harness)	
	1001162663	12	Element, Hydraulic (Tank Filter Assembly)	
	70026234	12	Element, Primary Fuel (LS Engine)	
	70026801	12	Element, Secondary Fuel (LS Engine)	
	1001162662	12	Filter, Breather	
	70026237	12	Filter, Oil (LS & ULS Engines)	
	70025850	12	Filter, Primary Air (LS & ULS Engines)	
	70025851	12	Filter, Secondary Air (LS & ULS Engines)	
	8229261	2	Fuse, 5A (ASOV & Cab Fuse Assembly-Standard)	
	8229242	2	Fuse, 5A (Cab Fuse Board Assembly-Standard, Cab Option 1 Board, Clearsky Harness, Engine Harness)	
	80983191	2	Fuse, 10A (Cab Fuse Board Assembly-Standard, Cab Option 1 Board, Cab Option 2 Board, Engine Harness)	
	8229244	2	Fuse, 15A (Cab Option 2 Board, Engine Harness, Frame Power Distribution Box)	
	8229235	2	Fuse, 20A (Cab Fuse Board Assembly-Standard)	
	8229247	2	Fuse, 25A (Cab Option 1 Board, Frame Power Distribution Box)	
	8229245	2	Fuse, 30A (Cab Fuse Board Assembly-Standard, Frame Power Distribution Box)	
	70026297	2	Fuse, 80A (Frame Power Distribution Box)	
	1001095336	2	Fuse, 150A (Frame Power Distribution Box)	
	70026296	2	Fuse, 200A (Frame Power Distribution Box)	
	1001131177	2	Fuse, Power Module (Engine Wiring Installation)	
	70022765	1	Key, Ignition	
	2940074	1	Latch (Fork Mounted Platform)	
	1001203181	1	Module, Accessory (ASOV)	
	1001270466	1	Module (Cab Electrical Install)	
	1001229955	1	Module (ClearSky ANSI)	
	1001239194	1	Module (ClearSky CE)	
	1001270467	1	Module, Front Frame Module	

SECTION 12 - RECOMMENDED SERVICE PARTS STOCK

ITEM	PART NUMBER	QTY	DESCRIPTION	REV
	1001229458	1	Module, Gateway	
	1001270468	1	Module, Rear Frame Module	
	1001226328	1	Module, 3W TCU (ClearSky ANSI)	
	1001233236	1	Module, 3W TCU (ClearSky CE)	
	3740080	1	Relay (ASOV & Cab Alarm Seatbelt Harness)	
	70026292	1	Relay, 35A (Cab Fuse Board Assembly-Standard)	
	70026295	1	Relay, 35A (Frame Power Distribution Box)	
	1001205172	1	Relay, 35A (Engine Harness)	
	70026293	1	Relay, 50A (Cab Option 1 Board)	
	70026294	1	Relay, 70A (Frame Power Distribution Box)	
	1001117308	1	Relay, 200A (Engine Bay Electrical Installation)	
	4000015	1	Sensor, Angle (Boom Angle Sensor Installation)	
	1001121955	1	Sensor, Coolant Level	
	1001183024	1	Sensor, Proximity (LSI)	
	1001160730	1	Sensor, Rear Axle, LSI	
	1001247421	1	Sensor, Reverse	
	1001269578	1	Sensor, Temperature (Heater & A/C)	
	1001128478	1	Sensor (Tank Hydraulic)	
	1001104654	1	Switch, AUX	
	1001159746	1	Switch, Auxiliary Electric	
	1001159738	1	Switch, Beacon	
	1001159745	1	Switch, Boom Ride (Ride Control)	
	1001159739	1	Switch, Boom Work Lights	
	1001192142	1	Switch, Disconnect	
	1001163639	1	Switch, Driving Lights	
	1001239793	1	Switch, FNR 4 Speed	
	1001212470	1	Switch, Frame Level	
	1001159845	1	Switch, Front Worklights	
	1001159734	1	Switch, Hazard (Roadlights)	
	1001169268	1	Switch, Horn Button	
	1001160326	1	Switch, HVAC On/Off (Heater & AC)	
	1001159925	1	Switch, HVAC Recycle (Heater & AC)	
	1001172547	1	Switch, HVAC Rotary 3 Speed (Heater & AC)	
	1001159742	1	Switch, LSI Override	
	1001159753	1	Switch, Park Brake	
	1001080375	1	Switch, Quick Switch (Hydraulic Coupler)	
	1001159735	1	Switch, Rear Wiper (Enclosed Cab)	
	1001159846	1	Switch, Rear Worklights	
	1001159736	1	Switch, Roof Wiper (Enclosed Cab)	
	1001159849	1	Switch, Steer Mode	
	1001215941	1	Switch, Toggle (ASOV)	
	1001256974	1	Switch, Turn-Wiper	
	1001102502	1	Switch, 4 Position Key	

SECTION 13 - SPECIAL OPTIONS/ACCESSORIES/KITS

SECTION 13 - SPECIAL OPTIONS/ACCESSORIES/KITS

SECTION 13 - SPECIAL OPTIONS/ACCESSORIES/KITS

FIGURE 13-1. SPECIAL OPTIONS/ACCESSORIES/KITS

ITEM	PART NUMBER	QTY	DESCRIPTION	REV
	See Note	Ref	Note: This list is to accommodate machines ordered with special equipment. Options may not be applicable to all models. For more specific parts information contact JLG Parts Department.	
		Ref	SPECIAL OPTIONS/ACCESSORIES/KITS	
	1001254401	Ref	Access Control Kit	S
	1001202371	Ref	Aftermarket Kits	
	1001199376	Ref	Beacon Kit	
	1001199368	Ref	Boom Brushes Kit	
	1001208523	Ref	Boom Kit - 1055	
	1001208524	Ref	Boom Kit - 1255	
	1001208647	Ref	Boom Wear Pads Kit	
	1001213286	Ref	Cab Display Kit	
	1001210341	Ref	Cab Electrical Option 1	
	1001210342	Ref	Cab Electrical Option 2	
	1001290616	1	Cab Electrical Prep Installation - Open	
	1001213334	Ref	Cab Enclosure Kit	
	1001213342	Ref	Cab Enclosure Kit with Heater (ULS /LS)	
	1001213344	Ref	Cab Enclosure Kit with Heater and A/C (LS) (ANSI Export and Latin America)	
	1001213343	Ref	Cab Enclosure Kit with Heater and A/C (ULS) (ANSI, ANSI Export and Canada)	
	1001199382	Ref	Cab Guard Kit (Front and Top)	
	1001199381	Ref	Cab Guard Kit (Front)	
	1001199380	Ref	Cab Guard Kit (Top)	
	1001213340	Ref	Cab Heater and A/C Kit (LS) (ANSI Export and Latin America)	
	1001213339	Ref	Cab Heater and A/C Kit (ULS) (ANSI, ANSI Export and Canada)	
	1001213336	Ref	Cab Heater Kit (ULS /LS)	
	1001268341	Ref	Camera (Rear View) Add-on Kit(Dealer Installed)	
	1001254400	Ref	ClearSky Telematics Extension Kit - Canbus	
	1001243188	Ref	ClearSky Telematics Kit - Canbus (CE) (ANSI Export and CE)	
	1001254390	Ref	ClearSky Telematics Kit - Canbus (CE) (ANSI Export and CE)	
	1001254389	Ref	ClearSky Telematics Kit - Canbus (North America) (ANSI Export and Canada)	
	1001243187	Ref	ClearSky Telematics Kit - Canbus (North America) (ANSI, ANSI Export and Canada)	
	1001199333	Ref	ClearSky Telematics Kit - Long Roof Cap (ANSI, ANSI Export and Canada)	
	1001199334	Ref	ClearSky Telematics Kit - Short Roof Cap (ANSI, ANSI Export and Canada)	
	1001276923	Ref	ClearSky Telematics Add-on Kit (Contact JLG for Approved Countries)	
	1001291382	1	ClearSky Prep Installation	
	1001211992	Ref	Cold Weather Kit (LS) (ANSI Export and Latin America)	
	1001211991	Ref	Cold Weather Kit (ULS) (ANSI, ANSI Export and Canada)	
	1001211920	Ref	Decal Kit - 1055	
	1001211921	Ref	Decal Kit - 1255	
	1001239095	Ref	DEF Sensor Upgrade Kit - Short Hoses (ANSI, ANSI Export and Canada)	
	1001238953	Ref	DEF Sensor Upgrade Kit (ANSI, ANSI Export and Canada)	
	1001272892	1	EROPS Service Kit	
	1001214167	Ref	External Rear Window Release Kit	

SECTION 13 - SPECIAL OPTIONS/ACCESSORIES/KITS

ITEM	PART NUMBER	QTY	DESCRIPTION	REV
	1001199378	Ref	Fender Kit	
	1001199739	Ref	Filter Kit - 250Hour	
	1001199740	Ref	Filter Kit - 1000Hour	
	1001239961	Ref	Fire Extinguisher Kit	
	1001278325	Ref	Fuel Cap Cover Kit	
	1001213350	Ref	Heater Only to Heater and A/C Upgrade Kit (LS) (ANSI Export and Latin America)	
	1001213349	Ref	Heater Only to Heater and A/C Upgrade Kit (ULS) (ANSI, ANSI Export and Canada)	
	1001236255	Ref	Hood Hinge Support - JLG (Prior to SN 0160085018)	
	1001302426	Ref	Joystick Kit	
	1001247444	Ref	Latch - 180Deg Swing (ANSI)	
	1001247442	Ref	Latch - 180Deg Swing - Hydraulic (ANSI)	
	1001209981	Ref	Lights – Boom Worklight Kit	
	1001230083	Ref	Lights - Roadlights Kit (SN 0160079247 to Present, Including 0160079187)	
	1001199370	Ref	Lights - Roadlights Kit - High Boom (Prior to SN 0160079247, Excluding 0160079187)	
	1001208847	Ref	Lights - Worklight Kit	
	1001235921	Ref	Lights - Worklight Kit (LED)	
	1001272890	Ref	OROPS Service Kit	
	1001199362	Ref	Rear Wiper Kit	
	1001199366	Ref	Reverse Camera Kit	
	1001245914	Ref	Reverse Camera Kit (4WARD)	
	1001252086	Ref	Reverse Sensing System Kit	
	1001199328	Ref	Roof Wiper Kit	
	1001213289	Ref	Short Roof Cap Kit	
	1001260947	Ref	Smart Shift Kit	
	1001274892	Ref	Steering Column Service Kit - 0 Speed FNR (with Worklights)	
	1001275150	Ref	Steering Column Service Kit - 2 Speed FNR (with Worklights)	
	1001274891	Ref	Steering Column Service Kit - 2 Speed FNR (with Clamp)	
	1001274889	Ref	Steering Column Service Kit - 4 Speed FNR (with Worklights)	
	1001274890	Ref	Steering Column Service Kit - 4 Speed FNR (with Clamp)	
	1001229799	Ref	Strainer Kit	
	1001274257	Ref	Tire Set – Solid 13x28 Dir	
	1001274302	Ref	Tire Set – Solid 13x28 Non-Dir	
	1001274305	Ref	Tire Set – Solid 14x28 Dir	
	1001274307	Ref	Tire Set – Solid 14x28 Non-Dir	
	1001274718	Ref	Tire Set – Solid 13x24 Dir	
	1001274721	Ref	Tire Set – Solid 14x24 Dir	
	1001115743	Ref	TL12 Boom Kit	
	1001249695	Ref	Tools- Analyzer and Cable Kit	
	1001249941	Ref	Tools- Analyzer and Cable Kit (Battery Powered)	
	1001262959	Ref	Voltage Regulator Relocation Kit	

SECTION 13 - SPECIAL OPTIONS/ACCESSORIES/KITS

PART NUMBER INDEX

SECTION 13 - SPECIAL OPTIONS/ACCESSORIES/KITS

0100011.....173, 175, 179, 181, 187, 189, 941, 943	0711216... 63, 65, 67, 69, 71, 73	0761210 ... 313, 357, 964, 968	1001094708..1084, 1087, 1090, 1094
01043892.....383	0711217 ... 63, 65, 67, 69, 71, 73, 103	0761214 35, 117, 121, 123, 455, 729	1001095336.....999, 1120
0400075.....885	0711218.... 63, 65, 71, 73	0761215 33, 763	1001095418.....191
0498748.....557	0711219.... 67, 69, 71, 73	0761218 313, 315	1001095650.....121, 123, 685, 687
0641405.....135	0711220 67, 69	0770814 683	1001095738.....431
0641510.....285	0711221 73	0771210 ... 67, 69, 71, 73, 315	1001095804.....923, 925
0641610.....125	0711223 63, 65	0771212 75, 77	1001095810.....135
0641612.....173, 179, 187	0711224 67, 69	0781016 309	1001096019.....131
0641812.....736	0711226 71, 73	0791605 331	1001096020.....131
0642032.... 165, 173, 175, 177, 179, 181, 183, 187, 189	0711227 71, 73	0860520 135	1001096021.....133
0651607.....125	0711228 67, 69	0930020 157	1001096023.....133
0681810.... 173, 175, 179, 181, 187, 189	0711229 101	1001001568 733	1001096024.....131
0700408.....937, 939	0711626 37	1001002946 659	1001096025.....133
070061021, 23, 300, 304, 371, 631, 877, 879, 959, 961, 996, 1037, 1039	0711629 37	1001002947 659	1001096365.....659
0700614.....285, 610	0711630 37, 99	1001002953 659	1001096679.....783
0700616.... 727, 729, 742, 1033	0711631 99, 115	1001002957 659	1001097053.....389
0700618.....899, 977	0712020 521	1001003043 555	1001097110.....225
0700808.....977	0712022 521	1001003227 41	1001097202.....523, 525
0700812.....511	0712027 519	1001003301 839	1001097205.....251
070081421, 23, 335, 722, 727, 839, 959, 961	0712042 49, 51	1001003427 311	1001097412.....60
0700815.....742	0712442 25, 27	1001003590 27	1001097540..21, 23, 591, 593
0700816.... 331, 337, 339, 719, 736	0741610... 173, 175, 179, 181, 187, 189	1001004640 685, 687	1001097586.....555
0700817 722, 742	0760304 703	1001005368 657	1001097587.....463, 467
0700818.....747, 996	0760405 ... 145, 147, 149, 151, 153, 155, 159, 165, 173, 175, 177, 179, 181, 183, 187, 189, 191, 973	1001005960 1077	1001097588.....321, 323
0700819.....685, 987	0760507 311, 671	1001007056 113	1001097810.....715
0700820.... 527, 529, 531, 719	0760512 573	1001008540 959, 961	1001098762.....887
0700821.....722	0760605 ... 321, 361, 557, 679	1001008559 300, 304, 473, 475, 537, 539, 649, 901, 973, 1001, 1003, 1011	1001098769.....105
0700822.....722, 996	0760606 21, 23	1001008575 35	1001098828... 71, 73, 103
0700823.....751	0760607 ... 300, 304, 383, 557, 973	1001008687 47	1001099113.....173, 175, 179, 181, 187, 189
0700824.....685, 687	0760608 ... 103, 347, 523, 525, 565, 567, 573, 645, 679, 685, 687, 959, 961, 1001, 1003	1001008742 573	1001099115.....173, 175, 179, 181, 187, 189
0700826.....361	0760610 561	1001008857 659	1001099170.....545
0700827.....373, 375	0760615 987	1001008923 1033	1001099351.....143
0701014... 39, 41, 45, 349, 964, 968	0760807 371, 977	1001008988 557	1001099457.....217
0701016.. 21, 23, 47, 349, 511, 727, 729, 757	0760808 ... 515, 563, 631, 633, 941, 943, 973, 977	1001009163 389, 839	1001099699.....671
0701017.....351, 353	0760810. 41, 56, 60, 351, 527, 531, 571, 595, 597, 607, 610, 633, 679, 722, 736, 779	1001025750 357	1001099717.....891
0701018.... 313, 315, 341, 343, 473	0760812 ... 353, 361, 375, 509, 525, 659, 937, 939	1001025753 .. 1001, 1003	1001099901.....149
0701020.....35, 313, 315	0760815 39, 349, 361, 659, 722, 742, 996	1001028308 742	1001099902.....145
0701027.....333	0760823 33, 359	1001047062 557	1001100265.....153
0701215.....309	0761007. 977, 1001, 1003	1001080375 ... 729, 1121	1001100266.....155
0701216.....37, 307	0761010 ... 21, 23, 41, 43, 47, 321, 323, 341, 343, 389, 475, 685, 722, 742, 959, 961, 977, 996, 1001, 1003	1001080996 729	1001100267.....159
0701217.....779	0761012 ... 313, 315, 341, 343, 377, 685, 687, 722, 729, 939, 1041	1001090063 173, 179, 187	1001100822.....153
0701220.....37	0761017 147, 151	1001090064 173, 179, 187	1001100823.....155
0701226.....681		1001090140 173, 175, 179, 181, 187, 189	1001100824.....159
0701227.....37		1001090343 629	1001100967.....141
0701229.....29		1001091715 .. 1041, 1049	1001101458.....121, 123
0701232.....29		1001091716 .. 1041, 1051	1001101808.....877
0711015.....389		1001091751 917	1001101867.... 67, 71, 73
0711027.....25, 27		1001091951 97, 101	1001101895.....1087
0711214.... 67, 69, 73, 75, 77		1001092481 129	1001102502.....923, 925, 1121
0711215.... 67, 69, 71, 73, 75, 77		1001092482 129	1001102509.....717
		1001092877 1087	1001103012.....902
		1001092878 1087	1001103156.....889, 891
		1001093171 251	1001103564.....1035
		1001093564 887	1001104029.....722
		1001093826 185	1001104477.....733, 847
		1001093827 185	1001104498.....1055
		1001094134 241	1001104519.....933
		1001094136 241	1001104654.....923, 925, 1121
			1001104685.....371
			1001105441.....119

SECTION 13 - SPECIAL OPTIONS/ACCESSORIES/KITS

1001105886..... 1025	1001117081..... 901, 902, 909, 913	1001131271..1084, 1087, 1090, 1094	1001154511 291, 295
1001107192 557	1001117121..... 933	1001132168..... 43	1001154721 541, 547
1001107854 ... 919, 1019, 1020, 1055	1001117308..... 959, 961, 1121	1001132169..1008, 1011, 1017	1001154790 293, 297
1001108668 256	1001118323.. 1006, 1012, 1016	1001132170..1008, 1011, 1017	1001154984 533
1001109053. 1084, 1087, 1090, 1094	1001118378..... 873	1001133072..... 179, 187	1001155020 588
1001110544 703	1001118383..... 933	1001133534..... 309	1001155261 349
1001110704 191, 195	1001118384..... 901, 902, 909, 910, 913, 1069	1001134274..... 889, 891	1001155307 687
1001111076 645	1001118392..... 1053	1001136975..... 300, 304	1001155446 517, 519
1001111147 645	10011184495..... 1071	1001137512..... 243	1001155447 535, 571
1001111190 191, 256, 260	1001118684..... 902	1001137578..... 991, 992	1001155486 629
1001111317 547, 553	1001118685..... 933	1001138348..... 325, 327	1001155540 313, 315
1001112612 897, 901, 949, 981, 983	1001120163..... 113, 811	1001139551..... 629	1001155796 631
1001112796 945, 949, 951, 1057	1001120178..... 501, 503, 505, 507	1001139552..... 627	1001155800 631
1001112902 21, 23	1001120179..... 501, 505	1001139568..... 657	1001155806 1057
1001114495 325, 327	1001120914..... 173, 175, 179, 181, 187, 189	1001139578..... 1084	1001156265 685, 687
1001114498 1019	1001120915..... 173, 175, 179, 181, 187, 189	1001139942..... 1087	1001157481 657
1001114803 313, 315	1001120989..... 1117	1001141246..... 659	1001157487 657
1001115743 1125	1001121103..... 501	1001141281..... 571	1001157663 373, 375
1001116128 473, 475	1001121105..... 505	1001141311..... 629	1001157890 873, 909
1001116696 1053	1001121109..... 501	1001141312..... 627	1001157891 897
1001116697 902	1001121172..... 1008	1001141313..... 629	1001157972 749, 851
1001116698 902	1001121726..... 1020	1001141400..... 300, 304	1001158146 925
1001116700 909	1001121727..... 1065	1001142247 268	1001158298 736, 742
1001116720 1027	1001121955..... 1121	1001143200..... 549, 559	1001158527 687, 863
1001116723 901, 902, 909, 910, 913	1001125027..... 980, 984	1001143551 873	1001159028 675, 677, 1120
1001116725 981	1001125083..... 981	1001143692..... 119	1001159347 313, 315, 317
1001116727 .. 1020, 1065	1001125085..... 981	1001143852..... 1087	1001159605 101
1001116728 .. 1020, 1035	1001125117... 63, 65, 67, 69, 71, 73, 75, 77, 729	1001143857..... 685, 687	1001159609 79
1001116729 1065	1001125410..... 505	1001144147 873, 915, 955, 980, 983	1001159611 67, 69
1001116732 983	1001125465..... 473, 475	1001144296..... 1008	1001159612 73
1001116745 1065	1001125677.. 1008, 1011, 1017	1001144629J 135	1001159613 71, 73
1001116747 910, 919	1001125784..... 897	1001145539..... 610	1001159728 1107
1001116748 901, 981, 983	1001126008..... 873, 955, 957, 1006, 1012, 1016	1001145707..... 983	1001159734 .. 1041, 1121
1001116749 981, 983	1001126011..... 981	1001145716..... 139	1001159735 627, 1121
1001116754 902	1001126349..... 984	1001146160..... 139	1001159736 629, 1121
1001116763 902, 919, 1020	1001126353..... 984	1001146588..... 300, 304, 649, 899, 905, 987, 989, 1001, 1003, 1041	1001159738 1121
1001116774 873, 955, 1006, 1012, 1016	1001126356..... 984	1001146949..... 705	1001159742 537, 539, 1121
1001116808 873, 955, 1006, 1012, 1016	1001126357..... 984	1001147340..... 742	1001159745 773, 775, 1121
1001116810 . 1007, 1012, 1015	1001126391..... 991	1001147449..... 588	1001159746 893, 1121
1001116811 980, 983	1001126393..... 991	1001147623..... 85, 91	1001159753 923, 925, 1121
1001116812 873, 901, 913, 955, 991, 1007, 1011, 1012, 1013, 1015	1001126487..... 980	1001149160..... 21, 23	1001159760 712, 745
1001116815 873, 901, 955	1001126837..... 551, 561, 889	1001149278..... 588	1001159736 629, 1121
1001116950 981, 983, 1006, 1012, 1016	1001128127.. 1007, 1011, 1015	1001150610..... 980, 983	1001159739 .. 1031, 1121
1001116986 910	1001128144..... 331	1001150611..1006, 1007, 1012, 1015, 1016	1001159742 537, 539, 1121
1001116991 901, 909, 1027	1001128341..... 331	1001150735..... 901	1001159745 773, 775, 1121
1001116996 1053	1001128478..... 389, 839, 1121	1001150737..... 901	1001159746 893, 1121
1001116997 909	1001128594..... 295, 297	1001151101 487	1001159753 923, 925, 1121
1001116999 909, 1027	1001128890..... 139	1001151102..... 487	1001159760 712, 745
1001117021 919	1001129423..... 473	1001151108..... 487	1001159845 . 1037, 1039, 1121
1001117073 981, 983	1001129425..... 473	1001152415..... 493	1001159846 . 1037, 1039, 1121
	1001130220..... 21, 23	1001152416..... 493	1001159847 745, 749
	1001130323.. 1084, 1087, 1090, 1094	1001152430..... 493	1001159849 923, 925, 1121
	1001131177..... 977, 1120	1001152742..... 991	1001159881 349
		1001152915..... 553	1001159882 349
		1001152934..... 553	1001159925 607, 610, 1121
		1001152947..... 547, 553	1001159943 95
		1001153612..... 981	1001159947 95, 97
		1001153748..... 787, 861	1001159957 60
		1001153749..... 953, 977	1001159958 56
		1001154365..... 543, 553	1001159966 60, 65
		1001154419..... 553	1001159967 56, 63
			1001159970J 65
			1001159971J 63
			1001160013 60, 69

SECTION 13 - SPECIAL OPTIONS/ACCESSORIES/KITS

1001160014.....56, 67	1001161099 ... 903, 1007, 1011, 1015, 1019	1001162674 763, 765	1001163414..... 173, 175, 179, 181, 187, 189, 803
1001160023.....60, 73	1001161100 ... 903, 1007, 1011, 1015, 1019	1001162765 839	1001163546.....349
1001160024.....56, 71	1001161101 ... 903, 1007, 1011, 1015, 1019	1001162789 535, 573	1001163619..... 73
1001160032.....60, 77	1001161304 785, 787	1001162886 902	1001163637.....331
1001160033.....56, 75	1001161306 712, 785	1001162887 902	1001163638..... 71, 75, 77
1001160042.....610	1001161308 712, 767	1001162920 679	1001163639.....639, 1121
1001160043.....607	1001161340 742	1001162922 679	1001163693..... 71, 75, 77
1001160072.....1109	1001161343 742	1001162953 610, 621	1001163723.....319
1001160116.....37	1001161351 712, 742	1001162979 687	1001163765.....455, 459
1001160168.....893	1001161352 712, 731	1001162988 291, 341	1001163841.....81, 85, 87, 91
1001160176.....107	1001161418 445, 461	1001163034 ... 63, 65, 67, 69, 71, 73, 75, 77	1001163842.....83, 89, 93
1001160177.....109	1001161419 445, 465	1001163038 71, 73	1001163844.....831, 835
1001160250.....49, 51	1001161420 461, 463	1001163067 35, 839	1001163880.....79
1001160253.....39	1001161421 461, 715	1001163082 313, 315, 319	1001163881.....56, 60, 79
1001160255.....45	1001161422 465, 467	1001163103 ... 63, 65, 67, 69, 71, 73, 75, 77	1001163900.....67
1001160326.....610, 1121	1001161423 465, 717	1001163104 67, 69	1001163903.....71
1001160387.....291	1001161424 465, 533, 535, 675	1001163105 ... 71, 73, 75, 77	1001163908.....75
1001160396.....293	1001161528 731	1001163107 71	1001163987.....447, 455
1001160397.....313	1001161538 547	1001163108 ... 67, 71, 73, 75, 77	1001164036.....771, 791, 793
1001160402.....315	1001161564 29	1001163112 ... 63, 65, 67, 69	1001164039.....81, 83, 85, 87, 89, 91, 93
1001160409.....349	1001161664 291, 293, 389	1001163113 63, 65	1001164287.....867, 1003
1001160417.....351	1001161672 685, 687	1001163114 67, 69	1001164402.....996, 999
1001160420.....335	1001161732 867, 869, 996	1001163127 867, 961	1001164404.....349
1001160426.....373	1001161769 899, 927	1001163133 369	1001164436.....29
1001160438.....867	1001161770 905, 929	1001163134 371	1001164454.....29
1001160496.....527	1001161771 907, 931	1001163149 831	1001164498.....595, 597
1001160498.....903	1001161780 712, 736	1001163151 645	1001164567.....119
1001160500..1007, 1011, 1015, 1019	1001161854 584, 588, 603	1001163170 645	1001164571.....107, 119
1001160502.....903	1001161855 584, 588	1001163174 1090	1001164615.....595
1001160503.....527, 531	1001161896 685, 687	1001163210 1090	1001164655.....563
1001160506.....529	1001161897 685, 687	1001163212 1090	1001164726.....557
1001160508.....533, 535, 563	1001161898 685, 687	1001163222 1090	1001164845.....109, 111
1001160509..1007, 1012, 1016, 1019	1001161912 736	1001163223 1090	1001164846.....111
1001160510..1007, 1012, 1016, 1019	1001161920 325, 327	1001163227 37, 291, 293	1001164858.....111
1001160625.....1081	1001161957. 1007, 1011, 1015, 1019	1001163228 291, 337	1001164859.....111
1001160626.....1079	1001161959 903	1001163230 291, 293, 333	1001164860.....111
1001160647.....1087	1001161963. 1007, 1011, 1015, 1019	1001163231 291, 300	1001164869.....729, 733
1001160667.....1090	1001161977 736	1001163232 291, 355	1001164870.....729
1001160669.....25	1001161978 736	1001163233 291, 977	1001164871.....115
1001160673.....1084	1001162069 742	1001163235 291, 307	1001164873.....729
1001160679.....27	1001162076 747, 791, 793	1001163238 293, 339	1001164881.....117
1001160705.....712	1001162212 355	1001163239 293, 343	1001164884.....107, 109
1001160710.....21	1001162239 39, 41	1001163241 293, 304	1001164885.....107, 109
1001160711.....885	1001162240J 41	1001163242 293, 973	1001164888.....99
1001160720.....793	1001162262 77	1001163245 313, 321	1001164889.....101
1001160721.....791	1001162281 349, 351	1001163246 313, 325	1001164948.....727, 729
1001160730.....473, 1121	1001162286 69	1001163247 313, 315, 329	1001164971.....25, 27
1001160735.....31	1001162376 73	1001163248 315, 323	1001164972.....25, 27
1001160775..1079, 1081, 1105	1001162469 ... 63, 65, 67, 69	1001163249 315, 327	1001165022.....669
1001160888.....37	1001162597 349	1001163254 373, 375, 377	1001165022J.....665
1001160914.....103	1001162660 839, 841	1001163255 867, 968	1001165036.....87
1001160916.....1111	1001162661 841	1001163285 1090	1001165040.....81
1001160927.....885, 887	1001162662 839, 1120	1001163300 1090	1001165042.....91
1001160928.....887	1001162663 841, 1120	1001163304 1090	1001165043.....85
1001160945.....1113	1001162667 841	1001163323 1090	1001165045.....56, 87
1001161054.....67, 69	1001162670 712, 763	1001163340 902	1001165046.....56, 81
1001161055.....71, 73		1001163355 1090	1001165047.....56, 91
1001161069.....581		1001163371 905, 909	1001165048.....56, 60, 85
1001161097...903, 1007, 1011, 1015, 1019			1001165080.....543, 557
1001161098...903, 1007, 1011, 1015			1001165171...63, 65, 67, 69, 71, 73, 75, 77
			1001165172...71, 73, 75, 77

SECTION 13 - SPECIAL OPTIONS/ACCESSORIES/KITS

1001165173 ... 67, 69, 71, 73, 75, 77	1001167001.....695	1001169155.....337, 339	1001170627 ... 67, 69, 71, 73
1001165175 67, 69	1001167010.....95, 99	1001169173.....313, 315	1001170645 21, 23
1001165194 991	1001167011.....95, 101	1001169174.....313, 315	1001170665 21, 23
1001165269 573, 655	1001167015.....581	1001169207.....329	1001170717 581
1001165270 573	1001167017.....937	1001169265.....41	1001170722 291, 989
1001165273 655	1001167025.....67, 69	1001169268.....693, 1121	1001170740 968
1001165275 659	1001167027.....69	1001169354.....689, 691	1001170741 968
1001165276 665	1001167078.....313, 315, 331	1001169355.....691	1001170749 968
1001165292 89	1001167167.....349	1001169365...1001, 1003	1001170816 964, 968
1001165293 83	1001167168.....349	1001169367.....691	1001170944 659
1001165294 93	1001167186.....335	1001169376.....719	1001170993 651
1001165295 60, 89	1001167266.....621, 625	1001169378.....719	1001171001 56, 60
1001165296 60, 83	1001167281.....839	1001169393.....329	1001171037 669
1001165297 60, 93	1001167357.....373, 375	1001169409.....355	1001171153 31, 33
1001165309 .. 1006, 1012, 1016	1001167491.....56, 60	1001169410.....355	1001171154 31, 35
1001165310 .. 1006, 1012, 1016	1001167528.....991	1001169454.....33	1001171178 63, 65
1001165311 1019	1001167608...1033, 1035	1001169461.....35	1001171179 35
1001165327 655	1001167616.....980	1001169602.....33	1001171182 657
1001165351 573	1001167620.....991	1001169603.....584, 588	1001171183 657
1001165360 .. 1041, 1047	1001167624.....991	1001169604.....588	1001171242 509
1001165367 ... 71, 73, 75, 77	1001167641.....980	1001169605.....584, 588	1001171277 .. 1084, 1087, 1090, 1094
1001165407 573	1001167646.....977	1001169613.....773, 775, 1063	1001171330 739, 791, 793
1001165409 51	1001167648.....980	1001169653.....727	1001171634 669
1001165416 573	1001167649.....980	1001169674..1079, 1081, 1105	1001171756 573
1001165421 49	1001167650.....980	1001169680.....773	1001171767 651
1001165455 573	1001167656.....980	1001169682.....445, 447	1001171772 21, 23
1001165458 573	1001167657.....980	1001169751.....689	1001171808 105
1001165483 87	1001167694...1063, 1065	1001169763.....693	1001171874 679
1001165484 56, 60	1001167695.....895, 1057	1001169825.....957	1001171885 39
1001165486 ... 83, 89, 93	1001167761.....107, 109, 115	1001169830.....731, 736	1001171889 517
1001165487 89	1001167762.....107, 109, 117	1001169881.....557, 665	1001171890 517, 521
1001165493 83	1001167781.....727	1001169883.....669	1001171962 937
1001165496 93	1001167787.....729	1001169885.....669	1001171991 111
1001165590 ... 81, 85, 87, 91	1001167799.....895	1001169965.....313, 315	1001172035 .. 1084, 1087, 1090, 1094
1001165594 .. 1041, 1053	1001167806.....105	1001170071.....33	1001172037 .. 1084, 1087, 1090
1001165637 571	1001167937.....663	1001170072.....33	1001172088 679
1001165699 899	1001167958.....557, 663	1001170215.....968	1001172094 679
1001165739 81	1001168030.....313, 315	1001170231.....679	1001172146 35
1001165827 879	1001168031.....937	1001170287.....773, 775	1001172147 35
1001165978 47, 511	1001168054.....731	1001170308.....349, 361	1001172153 111
1001166323 893, 897	1001168142.....685, 687	1001170320.....964, 968	1001172154 111
1001166385 645	1001168151.....685, 687	1001170326.....653	1001172178 311
1001166397 742	1001168264.....509, 525	1001170366.....535, 565	1001172193 547, 553, 665
1001166416 325, 327	1001168272.....359	1001170374.....549	1001172401 533, 535, 569
1001166430 321, 323	1001168281.....29	1001170495.....541, 549	1001172495 887
1001166449 337, 339	1001168286.....67	1001170500.....543, 555	1001172496 887
1001166450 337	1001168286.....67	1001170502.....555, 657	1001172536 1059
1001166451 337, 339	1001168327.....610	1001170504.....584, 588	1001172547 607, 610, 1121
1001166455 63, 65	1001168330.....610	1001170509.....447, 451	1001172550 607, 610
1001166565 341, 343, 345	1001168331.....610	1001170515.....595, 597	1001172553 607, 610
1001166634 659, 665	1001168456.....610	1001170518.....584, 588	1001172591 325, 327
1001166703 991	1001168479.....889	1001170524.....445	1001172606 584
1001166704 980, 991	1001168482.....889, 891	1001170530.....447, 449	1001172608 584
1001166716 343	1001168560.....349	1001170536.....722	1001172638 23
1001166754 519	1001168629.....25, 27	1001170537.....722	1001172755 300, 304
1001166755 519	1001168635.....349, 351	1001170538.....722	1001172774 531
1001166763 905	1001168638.....349, 359	1001170539.....722	1001172953 321
1001166764 907	1001168760.....21, 23	1001170540.....722	1001172997 103
1001166925 325	1001168761.....23	1001170541.....722	1001173000 103
1001166975 97	1001168771.....337	1001170549.....722	
1001166993 325	1001168795.....37	1001170566...1001, 1003	
	1001168797.....37	1001170601J.....557	
	1001168822.....355	1001170603.....543, 559	
	1001168952.....991, 1003	1001170615.....451, 453	
	1001169151.....610, 919	1001170624...1001, 1003	

SECTION 13 - SPECIAL OPTIONS/ACCESSORIES/KITS

1001173257.....529	1001176228.....293	1001182123.....549, 559	1001187078.....873, 955, 983, 1019
1001173298.....557	1001176272.....549, 559	1001182139.....549, 559	1001187079.....873, 981, 983, 1007, 1011, 1015
1001173411.....909	1001176273.....549, 559	1001182279.....765, 837	1001187080.....981, 1007, 1011, 1015
1001173419.....535	1001176333.....913	1001182328.....633	1001187081.....955
1001173446.....736	1001176338.....935	1001182671.....705	1001187335.....523, 525
1001173450.....736	1001176490J.....51	1001182805.....869	1001187623.....964
1001173451.....736	1001176492J.....49	1001182807.....869, 1001	1001187624.....964
1001173452.....313, 315	1001176515.....137	1001182839.....561	1001188048.....523, 525
1001173457.....313, 315	1001176626.....549, 559	1001183024.....537, 539, 1121	1001188372..1084, 1087, 1090, 1094
1001173468.....21, 23	1001176650.....351	1001183177.....341	1001188403.....869, 964
1001173546.....313, 315	1001176935.....980, 991	1001183550.....603	1001188590.....607, 610
1001173576.....103	1001176945.....349	1001183759.....349	1001188592.....619
1001173678.....103	1001177597.....901, 981, 1120	1001183827.....347	1001188594.....615, 619
1001173679.....103	1001177702.....749	1001183829.....347	1001188602.....615, 619
1001173688.....103	1001177704.....742	1001183831.....341, 343	1001188603.....615, 619
1001173689.....103	1001178060.....727, 729	1001183835.....341, 343, 347	1001188604.....615, 619
1001173690.....103	1001178123.....573	1001183836.....349	1001188610.....615, 619
1001173691.....103	1001178170.....610	1001184017.....377	1001188612.....615, 619
1001173692.....103	1001178670.....685	1001184052.....337	1001188614.....615, 619
1001173693.....103	1001178706.....1077	1001184076.....41	1001188618.....619
1001173728.....103	1001178729.....47	1001184280.....619	1001188619.....619
1001173739.....103	1001178783.....935	1001184296.....615, 619	1001188637.....719
1001173849.....925	1001178791.....359	1001184297.....615, 619	1001188720.....615, 619
1001173926.....75, 77	1001178826.....637	1001184403.....623	1001188725.....615, 619
1001173934.....725	1001178933.....899	1001184404.....623	1001188729.....615, 619
1001173935.....725	1001179008.....575, 577, 579, 637	1001184405.....623	1001188733.....615
1001173953.....722	1001179009.....575, 577, 579, 637	1001184406.....623	1001188778.....889, 891
1001173954.....722	1001179080.....621	1001184427.....619	1001188782.....889, 891
1001173965.....584, 588	1001179081.....621	1001184439.....557	1001188787.....889, 891
1001174100.....722	1001179130.....621, 623	1001184452.....791, 807	1001188817.....619
1001174145.....722	1001179297.....1077	1001184453.....793, 809	1001188818.....619
1001174295.....557, 667	1001179376.....327	1001184473.....1027	1001189023.....619
1001174320.....553	1001179484.....603	1001184479.....1027	1001189024.....619
1001174321.....659	1001179548.....21	1001184484.....889, 891	1001189046.....977
1001174329.....56, 60, 722	1001179547.....989	1001184491.....1071	1001189048.....619
1001174338.....736	1001179907.....899	1001184493.....1071	1001189054.....619
1001174356.....313, 315	1001179968.....351, 353	1001184496.....1071	1001189211.....169
1001174478.....29, 703	1001179972.....351	1001184551.....984	1001189888.....831, 835
1001174581.....603	1001179973.....353	1001184632..1084, 1087, 1090, 1094	1001190179.....881
1001174712.....1073	1001180076.....293, 309	1001184632..1084, 1087, 1090, 1094	1001190322.....981, 983
1001174741.....631	1001180078.....309	1001184835.....977, 1071	1001190347.....584
1001174788.....29	1001180226.....353	1001184975.....588	1001190585.....968
1001174795.....365	1001180227.....353	1001185179.....584, 588	1001190589.....584, 588
1001174800.....631	1001180242.....293, 987	1001185494.....893	1001190670.....881, 883, 887
1001174801.....631	1001180263.....529, 531	1001185498.....339	1001190671.....881, 883, 1025
1001174832.....327	1001180306.....736	1001185633.....633	1001190881.....427
1001175033.....725	1001180542.....321, 323	1001185823.....984	1001190921.....980
1001175201.....359	1001180553.....321, 323	1001185824.....984	1001190980.....304
1001175265.....902, 1020	1001180620.....996	1001185846.....633	1001191091.....667
1001175267..1007, 1012, 1016, 1019	1001180682.....935	1001185889.....869, 959	1001191229..1084, 1087, 1090, 1094
1001175269.....333	1001180683.....935	1001186225.....389	1001191348.....351
1001175347.....736	1001181128.....959, 961	1001186342.....300, 304	1001191486.....977
1001175470.....653	1001181411.....657	1001186418.....736	1001191603.....45
1001175471.....565, 651	1001181531.....923, 925	1001186705.....377	1001191617.....584, 588
1001175477.....557	1001181537..1084, 1087, 1090, 1094	1001186843.....736	1001191635.....45
1001175733.....1061	1001181543.....695, 697	1001186898.....341, 343	1001192042.....742
1001175776..1059, 1061	1001181625.....321, 323	1001187070.....980, 981, 983, 984	1001192142.....959, 961, 1121
1001175903.....588	1001181815.....351	1001187073..1011, 1015	1001192240.....603
1001175904.....584	1001181920.....549, 559	1001187075..1007, 1012, 1016	
1001176002.....991	1001181921.....549, 559	1001187076..1006, 1012, 1016, 1019	
1001176004.....991	1001181961.....885	1001187077.....991	
1001176121.....565, 567, 653	1001182011.....321, 323		
1001176164.....627	1001182012.....321, 323		
	1001182094.....307		

SECTION 13 - SPECIAL OPTIONS/ACCESSORIES/KITS

1001192309..... 557	1001197151..... 111, 113	1001202617..... 947	1001208338..... 509
1001192393..... 877	1001197217..... 635	1001202620..... 937	1001208523..... 1124
1001192394..... 879	1001197218..... 635	1001202621..... 937	1001208524..... 1124
1001192401..... 949	1001197219..... 635	1001202622..... 937	1001208647..... 1124
1001192435..... 773, 775	1001197259..... 635	1001202786..... 509, 525	1001208765..... 755, 793
1001192468..... 987	1001197282..... 639	1001202846..... 742	1001208766..... 753, 791
1001192471..... 987	1001197299..... 300, 304	1001202847..... 742	1001208847..... 1125
1001192643..... 661	1001197339..... 39	1001202904..... 271, 273,	1001208881..... 742
1001192644..... 663	1001197407..... 980, 984	275, 277, 279, 281, 283	1001209028..... 551
1001192646..... 557	1001197600..... 859	1001202986..... 300, 304,	1001209387..... 43
1001192711..... 285	1001197709..... 477	973, 1001, 1003	1001209388..... 41
1001192720..... 285	1001197715..... 477	1001203067..... 731	1001209463..... 645
1001192766..... 557, 661	1001197716..... 477	1001203181..... 385, 1120	1001209625..... 1090
1001192836..... 47	1001198291..... 477	1001203225..... 923	1001209899..... 549, 559
1001192875..... 285	1001198321..... 959, 961	1001203503..... 285	1001209981..... 1125
1001192876..... 285	1001198355..... 285	1001203932..... 39	1001210341..... 1124
1001192877..... 285	1001199099..... 959, 961	1001203933..... 39	1001210342..... 1124
1001193026..... 373, 375	1001199328..... 1125	1001203934..... 39	1001210450..... 996
1001193210..... 665	1001199333..... 1124	1001204032..... 385, 843	1001210707..... 35
1001193540..... 285	1001199334..... 1124	1001204045..... 75, 77	1001210780..... 783
1001193729..... 285	1001199362..... 1125	1001204060..... 1037	1001210782..... 521
1001193771..... 719	1001199366..... 1125	1001204066..... 659	1001210801..... 783
1001193775..... 775	1001199368..... 1124	1001204086..... 41	1001210803..... 685, 783
1001193781..... 719	1001199370..... 1125	1001204095..... 881, 1023	1001211041..... 643
1001193782..... 719	1001199376..... 1124	1001204115..... 659	1001211153..... 1099
1001193993..... 959, 961	1001199378..... 1125	1001204120..... 659	1001211155..... 1103
1001194245..... 712, 719	1001199380..... 1124	1001204152..... 731	1001211156..... 1097
1001194282..... 685	1001199381..... 1124	1001204153..... 731	1001211157..... 1101
1001194421..... 901, 917	1001199382..... 1124	1001204225..... 679	1001211428..... 311
1001194534..... 341, 343	1001199645..... 361	1001204486..... 41	1001211429..... 311
1001194978..... 381	1001199670..... 361	1001204528..... 1039	1001211432..... 33, 311
1001194981..... 839	1001199739..... 1125	1001204530..... 1039	1001211516..... 183
1001195089..... 987	1001199740..... 1125	1001204598..... 535, 647	1001211607..... 753, 819
1001195342..... 625	1001199824..... 357	1001204709..... 637	1001211627..... 727, 729
1001195343..... 625	1001199825..... 349, 357	1001205172..... 981, 1121	1001211628..... 727, 729
1001195345..... 625	1001200082... 1001, 1003	1001205254..... 964	1001211693..... 899
1001195346..... 625	1001200101.. 1084, 1087,	1001205255..... 964	1001211747..... 311
1001195385..... 625	1090, 1094	1001205402..... 545	1001211775..... 1007
1001195386..... 625	1001200102..... 964, 968	1001205532..... 557, 659	1001211907..... 584, 588
1001195437..... 625	1001200152..... 1073	1001205756..... 742	1001211920..... 1124
1001195438..... 625	1001200206..... 955	1001205976..... 551	1001211921..... 1124
1001195518..... 37	1001200239..... 309	1001206019..... 307	1001211944..... 883
1001195634..... 685	1001200538..... 1039	1001206248... 67, 69, 71,	1001211991..... 1124
1001195781..... 981	1001200539..... 1037	73	1001211992..... 1124
1001195782..... 981	1001200555..... 371	1001206332..... 375	1001212011..... 667
1001195849..... 1084	1001200720..... 1107	1001206448..... 375	1001212047..... 575
1001195851..... 1090	1001200989... 71, 73, 75,	1001206588..... 300, 304	1001212048..... 577
1001195855.. 1084, 1090,	77	1001206746..... 23	1001212049..... 575
1094	1001201162..... 947	1001206980..... 385	1001212050..... 577
1001195878..... 547, 553	1001201331..... 573	1001207171..... 981	1001212369..... 571
1001195970..... 161	1001201646..... 21, 23	1001207173.. 1006, 1013,	1001212470..... 923, 925,
1001195972..... 523	1001201885..... 917	1016	1121
1001196076..... 595, 597	1001201921..... 719	1001207217..... 1084	1001213065..... 791, 793,
1001196100..... 1041	1001202133..... 649	1001207218..... 1087	823
1001196289..... 951	1001202134... 641, 1067	1001207282..... 311	1001213126J..... 41
1001196404..... 41	1001202138... 641, 1067	1001207291J..... 29	1001213200J..... 499
1001196422..... 41	1001202247..... 385	1001207292..... 29	1001213210..... 361, 363
1001196426J..... 41	1001202303..... 722	1001207299..... 21, 23	1001213286..... 1124
1001196440..... 300, 304	1001202371..... 1124	1001207557..... 311	1001213289..... 1125
1001196454..... 793, 833	1001202454..... 923	1001207594..... 537, 561	1001213331..... 659
1001196455..... 791, 829	1001202487..... 385	1001207606..... 249	1001213334..... 1124
1001196491..... 377	1001202491..... 385	1001207939..... 99	1001213336..... 1124
1001196806.. 1084, 1090,	1001202498..... 1023	1001207963..... 584, 588	1001213339..... 1124
1094	1001202512..... 509, 525	1001208050..... 56, 60	1001213340..... 1124
1001197138..... 679, 681,	1001202513..... 509	1001208106..... 521	1001213342..... 1124
1120	1001202519..... 947	1001208192..... 643	1001213343..... 1124
1001197139..... 679, 683	1001202526..... 355	1001208308..... 584, 588	1001213344..... 1124

SECTION 13 - SPECIAL OPTIONS/ACCESSORIES/KITS

1001213349.....1125	1001226362..... 751	1001231400 873, 874, 917, 1006, 1013, 1016	1001238565..... 129, 131, 133, 135
1001213350.....1125	1001226363..... 775	1001231401 873, 874	1001238566.....285
1001213752.....551, 561	1001226364..... 773	1001231402 874	1001238570.....285
1001213791.....557	1001226397..... 719	1001231404 874, 917, 1006, 1013, 1016	1001238627.....195
1001213988.....899, 921	1001226398..... 777	1001231406 874, 917, 1006, 1013, 1016	1001238653.....129
1001214092.....571	1001226405..... 719	1001231407 385, 871	1001238654.....133
1001214156.....631	1001226406..... 719	1001231483 385, 873	1001238655.....131
1001214167.....1124	1001227056 773, 775, 845	1001231692 139	1001238953.....1124
1001214220.....679	1001227077 385	1001231801 1084	1001239095.....1124
1001214326.....533, 535, 545	1001227186..... 553	1001232148 121	1001239194.....1120
1001214331.....533, 541	1001227187..... 665	1001232288 957, 961	1001239510.....367
1001214332.....535, 543	1001227188..... 665	1001232299 121, 123	1001239511.....367
1001214401.....561	1001227379..... 231	1001232339 121	1001239539.....385
1001214468.....742	1001227382..... 235	1001232355 237	1001239734.....173, 175, 179, 181, 187, 189
1001214480.....685, 687	1001227670 137, 141, 143, 145, 147, 149, 151, 153, 155, 157, 159, 163, 165, 167, 169, 173, 175, 177, 179, 181, 183, 185, 187, 189, 191, 196, 201, 249, 256, 260, 268, 271	1001232377 736	1001239793.....923, 925, 1121
1001214535.....633	1001227802 557	1001232439 383	1001239961.....1125
1001214653.....823	1001227964 385	1001232500 139	1001241308.....661
1001214654.....823	1001228273 385	1001232556 383	1001241318.....349
1001215319.....365, 367	1001228643 385	1001232587 125	1001241337.....671
1001215476.....385	1001228861 773, 775, 777	1001232624 383	1001241482.....349
1001215531.....659	1001228872 355	1001232751 383, 881	1001241610.....899, 933
1001215941.....385, 1121	1001228989.. 1037, 1039	1001233174 939	1001241836.....39
1001217467.....307	1001229235 511	1001233217 939	1001241837.....503, 507
1001218255.....260	1001229458 953, 1121	1001233236 1121	1001241841.....503
1001218341.....49, 51	1001229540 591	1001233383 173	1001241842.....507
1001218358.....873	1001229541 593	1001233385 187	1001241848.....503
1001218542.....607, 610	1001229550 591	1001233385 187	1001241849.....507
1001218659.....1084	1001229551 593	1001233434 939	1001241879.....759, 853
1001218704.....1084	1001229707 1117	1001233558 1090	1001242098.....703, 1120
1001218996.....607, 610	1001229799 1125	1001233919 722, 725	1001242644.....163
1001219076.....584, 588	1001229955 1120	1001233978 1094	1001243187.....1124
1001219082.....385, 953	1001230083 1125	1001234127 781, 857	1001243188.....1124
1001219211..1087, 1090, 1094	1001230163 667	1001234137 123	1001243214.....199
1001219212.....1084	1001230239 139	1001234254 123	1001244138.....742
1001219220.....549, 559	1001230241 139	1001234277 779	1001244192...1037, 1039
1001219865.....584, 588	1001230310 1084	1001234455 43	1001244193...1037, 1039
1001220540.....519	1001230311 1090	1001234800 984	1001245914.....1125
1001220760.....389	1001230402 873	1001235100 311	1001246001.....497
10012208171041	1001230403 873, 874	1001235696 977, 980	1001246022.....199
1001221057619	1001230404 874	1001235794 1094	1001246391.....980, 984
1001221058619	1001230599 1031	1001235796 1094	1001247421...1059, 1121
1001221059.....607, 610	1001230623 .. 1031, 1033	1001235797 1094	1001247442.....1125
1001221228.....1041	1001230713J 47, 511	1001235798 1094	1001247444.....1125
1001221295.....607, 610	1001230765 199, 201, 203, 205, 207, 209, 211, 213, 215	1001235799 1094	1001249695.....1125
1001221318.....551, 561	1001230931 901	1001235800 1094	1001249941.....1125
1001221319.....551, 561	1001231000 357	1001235801 1094	1001250161.....935
1001221504.....499	1001231001 357	1001235802 1094	1001250331.....25, 27
1001222388.....953	1001231065 739	1001235803 1094	1001251067.....739, 813
1001222609.....695, 699, 1120	1001231221 121, 123, 125	1001235804 1094	1001251068.....833, 835
1001222650..1084, 1087, 1090, 1094	1001231244 47	1001235805 1094	1001251069.....829, 831
1001222715.....973, 983	1001231397 873, 874	1001235806 1094	1001252086.....1125
1001222741659	1001231398 873, 874, 917, 1006, 1013, 1016	1001235807 1094	1001252522.....747
1001223265.....584, 588		1001235808 1094	1001252567.....769, 855
1001223453...1084, 1090		1001235809 1094	1001252571.....767
1001223455.....901, 902		1001235921 1125	1001252986.....497
1001223456.....903		1001235963 39, 43	1001253076.....742
1001223457.....902, 903		1001236255 1125	1001253078.....742
1001225259.....953, 955		1001236542 525	1001253084.....742
1001225467742		1001237212 902	1001253086.....736
1001225751.....712, 757		1001237845 579	1001253089.....736
1001225752.....757, 759		1001237846 1115	1001253090.....742
1001226035.....751		1001237852 579	1001253096.....742
1001226328.....1121		1001238560 135, 285	1001253097.....731
			1001253102.....742

SECTION 13 - SPECIAL OPTIONS/ACCESSORIES/KITS

1001253103..... 731	1001265008..... 909	1001274718..... 1125	1001287012..... 941, 943
1001253107..... 742	1001265200..... 649, 1069	1001274719..... 485	1001287742..... 147, 151
1001253111..... 742	1001265742..... 685	1001274720..... 485	1001288138..... 467, 469
1001253154..... 731	1001265764..... 685	1001274721..... 485, 1125	1001288139..... 463, 471
1001253156..... 731	1001265979..... 939	1001274889..... 1125	1001289105..... 475
1001253160..... 742	1001265980..... 939	1001274890..... 1125	1001289198..... 515
1001253252..... 767, 769	1001266488..... 597	1001274891..... 1125	1001289296..... 475
1001253253..... 779, 781	1001266666.. 1001, 1003, 1019	1001274892..... 1125	1001289479..... 939
1001253331..... 383	1001266692..... 1015	1001275150..... 1125	1001289559..... 365
1001253371..... 712, 779	1001267969..... 771, 827	1001275637..... 483, 503, 507	1001289561..... 359, 365
1001254389..... 1124	1001267970..... 747, 817	1001275638..... 483, 503, 507	1001289792..... 941
1001254390..... 1124	1001267971..... 755, 821	1001275841..... 147, 151	1001289812..... 943
1001254400..... 1124	1001268340..... 1006	1001275852..... 151	1001290616..... 1124
1001254401..... 1124	1001268341..... 1124	1001275853..... 147	1001290669..... 475
1001256073..... 547, 553	1001268744..... 597, 917	1001275929..... 595, 599	1001291056..... 941, 943
1001256952..... 685, 687	1001268804..... 597	1001275931..... 597, 601	1001291182..... 947, 949
1001256974..... 707, 1121	1001268827..... 607, 613	1001275933..... 599, 605	1001291379..... 515
1001257058..... 551	1001268828..... 613, 615	1001276666..... 189	1001291382..... 1124
1001257059..... 551	1001268829..... 613, 617	1001276749..... 1105	1001291685..... 939
1001257067..... 551	1001268830..... 613, 617, 1027	1001276750..... 1105	1001293104..... 533, 567
1001257069..... 551	1001268831..... 610, 617	1001276759..... 1105	1001293182..... 191, 805
1001257071..... 707	1001268832..... 617, 619	1001276762..... 1079	1001293251..... 771
1001257087..... 551	1001268846..... 584, 588	1001276763..... 1079	1001294608..... 939
1001257763..... 742	1001269555..... 615, 619	1001276764..... 1081	1001294815..... 1117
1001258099..... 671	1001269556..... 615, 619	1001276765..... 1081	1001297247... 697, 1029
1001258217..... 473, 537	1001269558..... 615, 619	1001276923..... 1124	1001297563..... 939
1001258244..... 605	1001269559..... 615, 619	1001277290..... 175	1001297803..... 697
1001258245..... 605	1001269560..... 615, 619	1001277338..... 181	1001298306..... 697, 701, 1120
1001258563..... 539, 551	1001269561..... 615, 619	1001278028..... 889	1001298454..... 697
1001258605..... 221	1001269563..... 615, 619	1001278325..... 1125	1001298623..... 697
1001258606..... 349	1001269564..... 615, 619	1001278919..... 365	1001301393..... 245
1001258644..... 475	1001269578..... 619, 1121	1001279167..... 1079	1001301527..... 287
1001258706..... 473	1001269579..... 619	1001279168..... 1081	1001301599..... 191
1001258806..... 539	1001270117..... 653	1001280434..... 939	1001301600..... 191
1001258807..... 537	1001270466..... 899, 1120	1001280435..... 939	1001302410..... 939
1001258862..... 537, 539	1001270467..... 996, 1120	1001280661..... 941, 943	1001302426..... 1125
1001259062..... 537, 539, 1055	1001270468..... 996, 1121	1001280768.. 1001, 1003, 1011	1001303246..... 247
1001259081..... 891	1001270976..... 607, 610	1001281182..... 483	1001305477..... 253
1001259141..... 742	1001271436..... 907, 915	1001281184..... 483	1024044..... 727, 729
1001259206..... 223	1001272680..... 1105	1001281186..... 483	1060379..... 135
1001259635..... 497	1001272890..... 1125	1001281297..... 379	1060626..... 887, 1025
1001260171..... 389, 391, 393, 395, 397, 399, 401, 403, 405, 407, 409, 411, 413, 415, 417, 419, 421, 423, 425, 427, 429, 431, 433, 435, 437, 439, 441, 443	1001272892..... 1124	1001281298..... 379	1062255... 191, 375, 953, 964, 968, 973, 977
1001260509..... 1071	1001273635.. 1033, 1037, 1039	1001281301..... 379	10700681..... 241
1001260572..... 736	1001273991..... 901	1001281302..... 379	10705034..... 167
1001260573..... 742	1001274257..... 1125	1001281303..... 379	10713707..... 996
1001260599..... 743	1001274300..... 909	1001281304..... 379	10719267..... 339
1001260947..... 1125	1001274302..... 1125	1001281305..... 379	10731709..... 421, 425
1001262072..... 923, 925	1001274303..... 489	1001281354..... 379	10731744..... 401
1001262959..... 1125	1001274304..... 489	1001281360..... 379	10731845.. 407, 409, 413
1001263011..... 481	1001274305..... 489, 1125	1001281468..... 379	10731959..... 443
1001263046..... 111	1001274306..... 491	1001281656..... 379	10732072..... 421
1001264415..... 551	1001274307..... 491, 1125	1001281888..... 379	10732095..... 419
1001264534..... 939	1001274533..... 1027	1001282009..... 379	10837928..... 853
1001264536..... 939	1001274534..... 1027	1001282010..... 379	10837929..... 853
1001264700..... 481	1001274535..... 1027	1001282011..... 379	10837937..... 853
1001264713..... 481	1001274536..... 1027	1001282232..... 185	1170021..... 165
1001264844..... 1069	1001274537..... 1027	1001282322..... 899, 901	1170024..... 177
1001264861..... 1069	1001274538..... 1027	1001283420..... 907, 913	120034..... 899, 905, 907
1001264976..... 613, 617	1001274539..... 1027	1001283990..... 379	1319229..... 393
	1001274540..... 1027	1001285715..... 923, 925	1319436..... 437
	1001274541..... 1027	1001286175..... 331	1319558..... 397
	1001274543..... 1027	1001286534..... 191	1319563..... 397
	1001274544..... 1027	1001286941..... 941, 943, 945	1319571... 399, 401, 417, 433, 437
	1001274553..... 1027		1319576..... 417

SECTION 13 - SPECIAL OPTIONS/ACCESSORIES/KITS

1319590.....399, 417	1706292 1087	2170510 742	3291001.... 313, 315, 341,
1319593....403, 405, 407,	1706296 1084	2170806 715, 717, 769	343, 349, 351, 722,
409, 411, 413	1706299 1084	2170810 781	964, 968
1319594....403, 405, 407,	1706300 1084	2171308 727	3291005 25, 27, 105, 727,
409, 411, 413	1706301 1084	2172106 ... 173, 175, 179,	729, 964, 968
1319595....403, 405, 407,	1706302 285, 1084	181, 187, 189, 759	3291007..... 147, 151
409, 413	1706306 1084	2172108 733	3291201 63, 65, 121, 123,
1319600....403, 405, 407,	1706768 1084	2180467 331	779
409, 411, 413	1706850 1084	2180849 727, 729	3291205..29, 71, 73, 101,
1319601....403, 405, 407,	1706892 129	2200223 315, 369	455, 681
409, 411, 413	1707078 1084	2200224 321, 323	3291605.97, 99, 101, 115
1319602....403, 405, 407,	1784861 121, 123	2220218 309	3292001.....521
409, 411, 413	2080040 135	2220237 313, 315	3300240.... 165, 173, 175,
1319606.....409, 413	2080078 657	2220239 783, 839	177, 179, 181, 183,
1319608.....407, 417	2080086 547, 553	2220240 839	187, 189
1319613.....407	2080087 547, 553	2220242 319	3311405..... 135
1319614.....409	2080092 565	2220415 191	3311502..... 285
1319615....403, 405, 409,	2110406 759, 769	2220468 191	3311505..... 595, 597
413	2110408 749	2220473 191	3311508..... 887
1319617 403, 405	2110604 769	2220810 309	3311605..... 125
1319618 403, 405	2110606... 171, 173, 175,	2220883 823, 835, 859	3331615..... 37
1319620 403, 405	179, 181, 187, 189,	2220886 823	3332011..... 519
1319621 403, 405	749, 759, 769, 781	2221116 769	3332411..... 56, 60
1319622 403, 405	2110610 765	2221229 765	3333011..... 60
1319623 403, 405	2110808 29, 715, 749,	2221244 742	3340843..... 125
1319624 403, 405	769, 787	2340037 219	3391410..... 285
1319625 403, 405	2110810 733, 829, 833	2340038 233	3421453..... 135
1319626 403, 405	2111008 769, 781	2340039 239	3423242.... 177, 179, 181
1319627 403, 405	2111010 749, 759, 783	2340045 227	3423275.... 165, 173, 175
1319628 403, 405	2111212 739	2400060 955	3423276.... 183, 187, 189,
1319630 403, 405	2111616 759, 839	24921332 349, 351	191
1319631 403, 405	2130404 685, 687, 777	2600281 135	3423307.... 173, 175, 179,
1319632 403, 405	2130406 25, 749	2716143 260	181, 187, 189
1319635 413	2130604 751, 777	2717160 167	3440620..... 139
1319636 403, 405, 413	2130606 27, 167, 171,	2717161 167	3520072..... 135
1319638 403, 405	759, 769	2717162 167	3520186..... 45
1319647 443	2130608 167	2717283 167, 169, 815	3520198..... 135
1319648 443	2130806 27	2920207 1041, 1043	3575947..... 333
1319683 421	2130808 ... 173, 175, 179,	2920208 1041, 1045	3740080.. 385, 917, 1007,
1319684 421	181, 187, 189, 685,	2940074 135, 1120	1011, 1016, 1121
1319685 421	687, 769	31200160 129	3760170..... 135
1319686 421	2130810 319, 829, 833	31200386 131	3760348..... 679
1319687 421	2131008 777	31200387 133	3760493..... 79
1319688 421	2131010 319, 777	31200388 133	3790151..... 385
1319689 421	2131210 389, 759	3251813 1084, 1087,	3790152..... 385
1319694 421	2131212 329, 751, 777	1090, 1094	3790228..... 736
1319726 429	2131616 319, 769	3290401 ... 607, 610, 937,	3820020..... 135
1320022 610	2144605 715, 717	939, 941, 943, 973	3841203.... 173, 175, 179,
1320219 736	2150404 113, 733	3290405 661, 889	181, 187, 189
1320748 441	2150808 717, 787	3290501 ... 383, 899, 905,	3900379. 21, 23, 591, 593
1320754 441	2160016 ... 25, 27, 29, 63,	907, 1059	3931632..... 767
1321094 295, 297	65, 67, 69, 71, 73, 99,	3290505 ... 103, 385, 671,	4000015..... 1121
1321329 722	101, 115	705, 707, 722, 953	4010415..... 891
1322039 295, 297	2160018 67, 69, 71, 73	3290601 ... 103, 285, 300,	4010508002..... 584, 588
1322040 295, 297	2170108 749	304, 371, 383, 610,	4010510..... 695
1701509 135	2170110 759	631, 679, 745, 889,	4010608002..... 557, 584,
1702631 1084, 1087,	2170204 751	891, 899, 959, 961,	588, 595, 597, 631, 645
1090, 1094	2170208 685, 687	973, 1033	4010610..... 697
1702773.... 129, 131, 133	2170210 751	3290605 43, 584, 588,	4010610002..... 584, 588,
1704277 135	2170212 329	889, 891, 964, 968	631, 889, 891
1704885 129, 131, 133	2170216 319	3290607 1041	4010612002..... 665
1706098 1087	2170306 759	3290801 ... 337, 339, 349,	4031205..... 937
1706281 1087	2170308 719	375, 557, 675, 977, 996	4031607..... 707, 839
1706282 1087	2170316 319	3290805 47, 511, 537,	4031608.... 383, 722, 977
1706284 1087	2170350 769	539, 683, 685, 722,	4031608001..... 584, 588
1706285 1087	2170404 765	727, 996	4031708..... 551
1706288 1087	2170406 781	3290806 657	4031708001..... 581

SECTION 13 - SPECIAL OPTIONS/ACCESSORIES/KITS

4031908	722	4460539 ...	873, 901, 902, 913, 955, 991, 1006, 1011, 1013, 1015, 1019	4461015915, 1006, 1012, 1016, 1069	4811902 ...	21, 23, 39, 41, 335, 337, 339, 607, 610, 631, 633, 736	
4031910	529, 531	4460608 ...	980, 981, 983, 984	4461016.....	901	4812000 ...	21, 23, 25, 27, 35, 39, 43, 45, 47, 105, 313, 315, 321, 323, 333, 341, 343, 349, 351, 353, 377, 389, 473, 475, 511, 685, 687, 722, 727, 729, 742, 757, 939, 959, 961, 964, 968, 977, 996, 1001, 1003, 1041
4031912	785	4460670	955	4461017.....	897	481200239, 41, 313, 315, 341, 343	
4031917	739	4460705	909	4461018.....	1020	4812100 ...	29, 33, 35, 37, 71, 73, 101, 307, 309, 455, 681, 779, 964, 968
4031918	729	4460708	909	4461054.....	981	4812102	33, 313, 315, 509, 525
4031921	773, 775	4460742	873	4461095.....	980, 984	4812300 ...	37, 97, 99, 101
4031922	771	4460744	902	4461115.....	910, 1035	4812500	519, 521
4032017	767	4460746	902, 984	4461118.....	919, 1020	4812700	56, 60
4060919	731, 742	4460748	981	4461262.....	1019, 1055	4831400 ...	607, 610, 941, 943
4105262	105	4460761	873, 921	4461290.....	957	4831600	383, 839, 977
4109801	1084, 1087, 1090, 1094	4460789	919, 980	4469464.....	981	4831700	300, 304, 631
4110422 ...	139, 141, 143, 145, 147, 149, 151	4460809	873	4520356.....	497	4831900 ...	335, 607, 610, 679
4110473	167	4460836909, 1007, 1012, 1015	4460884 ...	4520482.....	479	4832000	313, 315
4240018	731	4460884 ...	873, 901, 910, 949, 951, 991, 1006, 1011, 1015, 1020, 1069	4520519.....	495	4832100	313, 315
4240033	649	4460891 ...	873, 980, 981, 983, 991, 1006, 1011, 1012, 1015, 1016, 1019, 1057, 1065, 1069	4641122.....	497	4871700	1001, 1003
4240099 ...	719, 731, 742, 1023, 1025	4460894 ...	901, 902, 991, 1006, 1012, 1016, 1019, 1029, 1047	4641192.....	783	4891800 ...	173, 175, 179, 181, 187, 189
4460225	902, 909	4460897 .	902, 915, 1006, 1008, 1011, 1012, 1016	4641501.....	171, 849	4892600	463, 467
4460265	902	4460899 ...	902, 919, 933, 1008, 1011, 1016, 1029	4641502.....	167, 171	5201010	889, 891
4460267 ...	902, 903, 909, 910, 913, 921	4460906	909	4711400.....	135	5201210	111
4460268 ...	902, 903, 909, 910, 913, 921	4460930 ...	902, 913, 945, 981, 991, 1019	471678.....	573	5220600	1037
4460321	873, 921	4460931	897	4740003.....	117	5220800	885, 887
4460343 ...	902, 903, 909, 910, 913	4460932 ...	871, 901, 910, 1008, 1011, 1017, 1035, 1055, 1061	4740274.....	313, 315	5240800	67, 69, 71, 73
4460367	910, 913	4460933 ...	902, 955, 980, 984, 1006, 1007, 1011, 1012, 1015, 1016, 1019	4740532.....	763	5241000	147, 151
4460434	902, 903, 913	4460934	980	4761400.....	891	5242400	25, 27, 285
4460458 ...	873, 981, 984, 1020, 1035, 1065	4460935	980	4761800.....	736	5250608	625
4460464 ...	871, 873, 897, 901, 902, 917, 919, 933, 949, 955, 980, 983, 991, 1006, 1013, 1016, 1019, 1035, 1055, 1061	4460941 ...	901, 910, 915, 919, 1019, 1047, 1053	4807718.....	627	5250814	21, 23, 989
4460465 ...	873, 901, 902, 909, 913, 915, 945, 949, 951, 955, 980, 981, 983, 984, 991, 1006, 1007, 1011, 1012, 1015, 1016, 1019, 1020, 1057, 1065, 1069	4460942 ...	909, 910, 915, 1006, 1007, 1011, 1012, 1015, 1016, 1019, 1047, 1069	4811600....	103, 383, 385, 584, 588, 671, 722, 953, 977, 1059	5271609	1059
4460466 ...	873, 897, 901, 902, 913, 915, 933, 945, 949, 951, 955, 980, 981, 983, 984, 991, 1006, 1007, 1011, 1012, 1013, 1015, 1016, 1019, 1020, 1035, 1047, 1053, 1055, 1057, 1069	4460943 ...	897, 901, 915, 984	4811602001.....	584, 588	5271808	67, 69, 71, 73
4460475	873	4460944 ...	901, 913, 980, 991, 1007, 1011, 1013, 1015	4811700....	21, 23, 43, 103, 285, 300, 304, 361, 371, 383, 523, 525, 547, 551, 553, 557, 561, 573, 581, 595, 597, 610, 631, 645, 679, 745, 899, 959, 961, 964, 968, 973, 977, 987, 996, 1001, 1003, 1033, 1037, 1039, 1041	5272012	473, 475
4460496 ...	899, 907, 981, 983	4460945 ...	873, 901, 955, 1011	4811700001.....	584, 588	643191201	1017
4460497 ...	897, 899, 907, 981, 983	4460950 ..	980, 983, 1008	4811702....	347, 371, 523, 525, 565, 567, 631, 679, 685, 687, 877, 879	70000656	421
4460508	897, 980, 983	4460955	981, 983	4811702001.....	557, 584, 588, 665, 695	70002219.....	803
4460509	1006, 1007, 1012, 1015, 1016, 1020	4460970 .	980, 983, 1008, 1011, 1017, 1019, 1047, 1053	4811900..	33, 56, 60, 331, 349, 351, 353, 359, 361, 371, 373, 375, 511, 515, 527, 529, 531, 537, 539, 557, 563, 571, 595, 597, 610, 633, 659, 675, 679, 685, 687, 719, 722, 727, 736, 742, 747, 751, 779, 839, 937, 939, 941, 943, 959, 961, 973, 977, 996	70002224.....	803
4460518 .	873, 955, 1006, 1007, 1011, 1012, 1016	4460982	991	4811900....	347, 371, 523, 525, 565, 567, 631, 679, 685, 687, 877, 879	70002955.....	857
4460536	917, 1011, 1016	4460984	901	4811900..	33, 56, 60, 331, 349, 351, 353, 359, 361, 371, 373, 375, 511, 515, 527, 529, 531, 537, 539, 557, 563, 571, 595, 597, 610, 633, 659, 675, 679, 685, 687, 719, 722, 727, 736, 742, 747, 751, 779, 839, 937, 939, 941, 943, 959, 961, 973, 977, 996	70003788.....	859, 1120
		4460994	910, 1069	4811900..	33, 56, 60, 331, 349, 351, 353, 359, 361, 371, 373, 375, 511, 515, 527, 529, 531, 537, 539, 557, 563, 571, 595, 597, 610, 633, 659, 675, 679, 685, 687, 719, 722, 727, 736, 742, 747, 751, 779, 839, 937, 939, 941, 943, 959, 961, 973, 977, 996	70003849.....	803
		4461005	981, 983	4811900..	33, 56, 60, 331, 349, 351, 353, 359, 361, 371, 373, 375, 511, 515, 527, 529, 531, 537, 539, 557, 563, 571, 595, 597, 610, 633, 659, 675, 679, 685, 687, 719, 722, 727, 736, 742, 747, 751, 779, 839, 937, 939, 941, 943, 959, 961, 973, 977, 996	70004654.....	851
		4461006	980, 983	4811900..	33, 56, 60, 331, 349, 351, 353, 359, 361, 371, 373, 375, 511, 515, 527, 529, 531, 537, 539, 557, 563, 571, 595, 597, 610, 633, 659, 675, 679, 685, 687, 719, 722, 727, 736, 742, 747, 751, 779, 839, 937, 939, 941, 943, 959, 961, 973, 977, 996	70005014.....	807, 809
				4811900..	33, 56, 60, 331, 349, 351, 353, 359, 361, 371, 373, 375, 511, 515, 527, 529, 531, 537, 539, 557, 563, 571, 595, 597, 610, 633, 659, 675, 679, 685, 687, 719, 722, 727, 736, 742, 747, 751, 779, 839, 937, 939, 941, 943, 959, 961, 973, 977, 996	70005433.....	835
				4811900..	33, 56, 60, 331, 349, 351, 353, 359, 361, 371, 373, 375, 511, 515, 527, 529, 531, 537, 539, 557, 563, 571, 595, 597, 610, 633, 659, 675, 679, 685, 687, 719, 722, 727, 736, 742, 747, 751, 779, 839, 937, 939, 941, 943, 959, 961, 973, 977, 996	70006596.....	813
				4811900..	33, 56, 60, 331, 349, 351, 353, 359, 361, 371, 373, 375, 511, 515, 527, 529, 531, 537, 539, 557, 563, 571, 595, 597, 610, 633, 659, 675, 679, 685, 687, 719, 722, 727, 736, 742, 747, 751, 779, 839, 937, 939, 941, 943, 959, 961, 973, 977, 996	70020002 .	163, 169, 185, 195
				4811900..	33, 56, 60, 331, 349, 351, 353, 359, 361, 371, 373, 375, 511, 515, 527, 529, 531, 537, 539, 557, 563, 571, 595, 597, 610, 633, 659, 675, 679, 685, 687, 719, 722, 727, 736, 742, 747, 751, 779, 839, 937, 939, 941, 943, 959, 961, 973, 977, 996	70020004.....	275
				4811900..	33, 56, 60, 331, 349, 351, 353, 359, 361, 371, 373, 375, 511, 515, 527, 529, 531, 537, 539, 557, 563, 571, 595, 597, 610, 633, 659, 675, 679, 685, 687, 719, 722, 727, 736, 742, 747, 751, 779, 839, 937, 939, 941, 943, 959, 961, 973, 977, 996	70020015.....	195
				4811900..	33, 56, 60, 331, 349, 351, 353, 359, 361, 371, 373, 375, 511, 515, 527, 529, 531, 537, 539, 557, 563, 571, 595, 597, 610, 633, 659, 675, 679, 685, 687, 719, 722, 727, 736, 742, 747, 751, 779, 839, 937, 939, 941, 943, 959, 961, 973, 977, 996	70020017.....	195
				4811900..	33, 56, 60, 331, 349, 351, 353, 359, 361, 371, 373, 375, 511, 515, 527, 529, 531, 537, 539, 557, 563, 571, 595, 597, 610, 633, 659, 675, 679, 685, 687, 719, 722, 727, 736, 742, 747, 751, 779, 839, 937, 939, 941, 943, 959, 961, 973, 977, 996	70020025.....	195
				4811900..	33, 56, 60, 331, 349, 351, 353, 359, 361, 371, 373, 375, 511, 515, 527, 529, 531, 537, 539, 557, 563, 571, 595, 597, 610, 633, 659, 675, 679, 685, 687, 719, 722, 727, 736, 742, 747, 751, 779, 839, 937, 939, 941, 943, 959, 961, 973, 977, 996	70020026.....	195
				4811900..	33, 56, 60, 331, 349, 351, 353, 359, 361, 371, 373, 375, 511, 515, 527, 529, 531, 537, 539, 557, 563, 571, 595, 597, 610, 633, 659, 675, 679, 685, 687, 719, 722, 727, 736, 742, 747, 751, 779, 839, 937, 939, 941, 943, 959, 961, 973, 977, 996	70020027.....	195

SECTION 13 - SPECIAL OPTIONS/ACCESSORIES/KITS

70020028..163, 169, 185, 195	70021981 157	70023000 ..209, 260, 268	70025816.....677
70020555.....249, 251	70021982 157	70023001 260	70025817677
70020562.....157	70022008 853	70023003 256, 261	70025844.....699
70020764.....847, 1120	70022010 853	70023004 256, 263	70025850.....345, 1120
70020770.....701	70022012 853	70023005 256, 263	70025851.....345, 1120
70020867.....851, 861	70022014 853	70023006 256, 263	70025859.....681
70020868.....851, 1120	70022028 141, 143	70023007 256, 263	70025860.....681
70021208.....851, 1120	70022075 . 403, 405, 409, 411, 413	70023008 ..256, 261, 263	70025897.....837
70021209.....851	70022147 851, 1120	70023009 256, 261	70025959.....803
70021213.....851	70022527 .. 141, 143, 157	70023010 256, 260	70026056.....803
70021227.....411	70022528 141, 143	70023014 256, 261	70026057.....803
70021228.....411	70022529 141, 143	70023015 256	70026058.....803
70021268.....411	70022530 195	70023016 .. 256, 260, 261	70026059.....803
70021269.....411	70022564 .. 813, 823, 835	70023086 807, 809	70026060.....803
70021338.....195	70022634 295, 297	70023327 851	70026061.....803
70021340.....1049, 1051	70022765 923, 925, 1120	70023369 823	70026062.....803
70021341.....1049, 1051	70022931 256, 260	70023379 .. 813, 823, 835	70026081.....317
70021342.....143, 157	70022932 256, 260	70023474 435	70026082.....317
70021349...141, 143, 185	70022933 260	70023476 437	70026154.....809
70021351.....163	70022934 256, 260	70023736 295, 297	70026155.....809
70021358.....157	70022935 257, 260	70023800 437	70026156.....809
70021359.....157	70022936 256, 260	70023801 437	70026157.....807, 809
70021360.....157	70022937 256, 260	70023885 401, 431	70026158.....807, 809
70021361.....157	70022938 260	70023925 .. 256, 261, 265	70026159.....807, 809
70021362.....157	70022939 257, 260	70023928 849	70026163.....807
70021364.....157	70022940 260	70023929 849	70026164.....807
70021365.....157	70022941 260	70023933 295	70026211.....811
70021366.....157	70022942 256, 260	70024016 295, 297	70026212.....811
70021367.....157, 195	70022943 260	70024020 803	70026213.....811
70021376.....163, 801	70022944 260	70024059 141, 143	70026214.....811
70021377.....163	70022945 260	70024060 143	70026215.....811
70021378.....163	70022946 257, 260	70024062 137	70026220.....295
70021379.....163	70022947 260	70024123 268	70026222.....297
70021382.....163, 195	70022948 260	70024127 209	70026223.....295
70021387.....141, 157	70022949 .. 256, 257, 260	70024129 .. 213, 761, 825	70026224.....295, 297
70021389.....163	70022950 256, 260	70024130 761	70026225.....295, 297
70021391.....157	70022951 260	70024186 837	70026226.....295, 297
70021392.....157	70022952 256	70024188 837	70026228.....295, 297
70021393.....157, 795	70022957 256, 261	70024189 837	70026229.....295, 297
70021399.....157	70022960 256, 261	70024202 853	70026230.....295, 297
70021415.....141, 143	70022966 261	70024262 803	70026231.....295, 297
70021429.....195	70022969 256, 261	70024306 243	70026232.....295, 297
70021440..137, 169, 196, 795, 801	70022970 256, 261	70024307 243	70026233.....297
70021442.....196	70022971 260	70024407 837	70026234.....297, 1120
70021443.....196	70022972 260	70024408 837	70026235.....295, 297
70021444.....795, 801	70022973 260	70024414 837	70026236.....295
70021445.....801	70022974 260	70024415 837	70026237.295, 297, 1120
70021446.....795, 801	70022975 260	70024416 837	70026241.....295, 297
70021447.....795, 801	70022976 260	70024538 268	70026244.....363
70021448.....795, 801	70022977 260	70024539 799	70026245.....363
70021451.....795, 801	70022978 260	70024547 799	70026247.....363
70021452.....795, 801	70022979 261	70024548 799	70026248.....363
70021464.....795	70022980 257, 260	70024549 799	70026257.....699
70021465.....795	70022982 260	70024550 268	70026258.....699
70021466.....795	70022984 256, 261	70024551 203	70026282.....819
70021526.....417	70022985 256, 261	70024552 203	70026283.....819
70021531.....847	70022987 256, 261	70024679 205	70026284.....819
70021867.....837	70022988 260	70024684 205	70026285.....819
70021920.....401	70022990 257, 261	70024721 205, 209	70026288.....819
70021921.....141, 143	70022992 256, 261	70024733 213	70026291.....819
70021935.....141, 143	70022993 256, 261	70024734 213, 825	70026292.....927, 1121
70021977.....141, 143	70022994 256, 261	70024759 205, 215	70026293.....929, 1121
70021978.....141, 143	70022995 256, 261	70024761 205, 215	70026294.....999, 1121
70021979.....141, 143	70022996 268	70024902 407, 413	70026295.....999, 1121
70021980.....157	70022998 257, 260	70025353 261	70026296.....999, 1120
	70022999 260	70025606 803	70026297.....999, 1120
		70025619 807, 809	70026300.....823

SECTION 13 - SPECIAL OPTIONS/ACCESSORIES/KITS

70026301	823	70026515	397	70026747	137	70028528	169
70026302	823, 835	70026516	397, 399, 401, 431	70026770	797, 815	70028529	169
70026303	823	70026517	399, 421, 425	70026771	797, 815	70028530	169, 185
70026304	823	70026518	399	70026772	797	70028531	169, 185
70026305	823	70026519	401	70026773	797, 815	70028546	919
70026308	823	70026529	403, 405, 407, 409, 411, 413	70026774	797, 815	70028554	185
70026309	823	70026530	407	70026775	797, 815	70028593	185
70026336	807, 809	70026532	411	70026800	297	70028599	185
70026337	807	70026533	409, 413	70026801	297, 1120	70028620	185
70026338	807	70026535	415, 435, 437	70026944	137	70028661	209
70026339	807	70026539	419	70026946	137	70028672	209
70026340	807	70026544	419, 421	70026948	137	70028701	203, 215
70026341	809	70026547	421	70026949	137	70028702	203, 215
70026342	809	70026548	421	70027009	141	70028703	203, 215
70026343	809	70026554	421	70027024	599	70028706	215
70026347	268	70026555	421	70027026	599	70028707	215
70026353	317	70026556	421	70027027	599	70028708	215
70026354	317	70026568	851	70027028	599	70028768	209
70026355	317	70026569	851	70027030	599	70028853	401
70026356	317	70026570	851	70027032	599	70028854	401
70026357	317	70026571	851	70027033	599	70028855	401
70026358	317	70026572	837	70027035	599	70029050	185
70026359	317	70026582	861, 1120	70027098	853	70029051	185
70026360	317	70026583	837	70027130	853	70029053	185
70026369	853	70026585	268	70027281	297	70029054	185
70026370	853	70026586	268	70027283	169	70029459	185
70026373	853	70026587	268, 825	70027641	195	70029460	813
70026374	853	70026588	268	70027642	163, 185, 195	70029461	813
70026375	853	70026589	268, 761	70027644	195	70029462	813
70026376	853	70026590	268	70027645	195	70029463	813
70026377	853	70026591	268	70027647	196	70029464	813
70026378	853	70026592	268	70027649	196	70029465	835
70026380	853	70026593	268	70027651	401, 417, 425	70029466	835
70026381	853	70026594	268	70027705	363	70029468	835
70026383	853	70026595	268	70027706	363	70029469	835
70026389	853	70026596	268	70027753	835	70029470	835
70026395	345	70026597	268	70027758	823	70029478	195
70026396	345	70026598	268	70027773	195	70029479	196
70026401	863	70026599	268	70027951	261	70029480	195
70026432	681	70026600	268	70028119	211	70029481	195
70026433	681	70026601	268	70028130	209	70029492	185
70026440	859	70026602	268	70028153	205, 215	70029494	185
70026442	859	70026603	268	70028154	205, 215	70029507	835
70026443	859	70026604	268	70028155	205, 215	70029508	835
70026444	859	70026605	268	70028163	437	70029525	399, 437
70026445	859	70026606	268	70028281	845, 1120	70029526	407, 409, 413
70026446	859	70026607	268	70028450	295	70029527	417
70026453	295	70026608	268	70028451	859	70029528	419
70026470	268	70026609	268	70028453	751, 845	70029530	419, 421
70026471	268	70026610	268	70028467	835	70029531	421
70026472	268	70026611	825	70028478	853	70029532	421
70026473	268	70026612	761	70028482	853	70029533	421
70026476	268	70026613	761	70028484	853	70029534	421
70026478	761	70026614	761	70028486	169, 195	70029535	421
70026480	203	70026615	761	70028514	843	70029536	421
70026481	209, 268	70026616	761	70028515	843	70029537	421
70026482	209, 268	70026617	761	70028516	843	70029538	425
70026491	819	70026618	761	70028517	843	70029539	427
70026495	825	70026619	761	70028519	169	70029540	419, 421
70026497	825	70026620	761	70028520	169, 185	70029541	419, 421
70026499	825	70026621	761	70028521	169, 185	70029542	419
70026500	825	70026622	761	70028522	169	70029543	419
70026501	268, 825	70026698	141, 143	70028523	169	70029553	195
70026502	825	70026699	137	70028524	169	70029554	195
70026503	213, 825	70026745	249	70028525	169, 185, 195	70029556	195
70026505	825	70026746	249	70028526	169, 196	70029586	203
70026506	825			70028527	169	70029587	203

SECTION 13 - SPECIAL OPTIONS/ACCESSORIES/KITS

70029588.....	203	70029658.....	215	70029731.....	281	70029816.....	853
70029592.....	213	70029659.....	209	70029732.....	275, 283	70029817.....	853
70029593.....	213	70029660.....	209	70029733.....	283	70029818.....	853
70029594.....	213	70029661.....	209	70029734 ..	273, 275, 283	70029819.....	853
70029595.....	203, 209	70029662.....	209	70029735.....	273, 275	70029820.....	853
70029596.....	211	70029663.....	209	70029736.....	275	70029976.....	855
70029597.....	211, 1120	70029664.....	209	70029737.....	283	70029977.....	855
70029598.....	211	70029665.....	209	70029738.....	273, 275	70030036.....	857
70029599.....	211	70029666.....	209	70029739 ..	273, 275, 277, 279	70030100.....	855
70029600.....	211	70029667.....	209	70029740.....	273	70030101.....	855
70029601.....	211	70029668.....	209	70029741 ..	275, 277, 279	70030111.....	821
70029602.....	211	70029669.....	209	70029742.....	273, 275	70030112.....	821
70029603.....	213	70029670.....	209	70029743 ..	273, 275, 277	70030141.....	163
70029604.....	213	70029671.....	209	70029744.....	279	70030142.....	163
70029605.....	213	70029672.....	209	70029745.....	275	70030143.....	163
70029606.....	213	70029673.....	209	70029746.....	277, 279	70030144.....	163
70029607.....	213	70029674.....	209	70029747.....	273, 275	70030145.....	163
70029608.....	203	70029675.....	209	70029748.....	279	70030317.....	295
70029609.....	203	70029676.....	209	70029749.....	277, 279	70030347.....	295
70029610.....	203	70029677.....	209	70029750.....	273	70030388.....	817, 827
70029611.....	203	70029678.....	209	70029751.....	275	70030389.....	817, 827
70029612.....	203	70029679.....	209	70029752.....	275	70030390.....	827
70029613.....	203	70029680.....	209	70029753.....	283	70030391.....	817, 827
70029614.....	203	70029681.....	207	70029754.....	283	70030392.....	817, 827
70029615.....	203	70029682.....	207	70029755.....	275	70030393.....	817, 827
70029616.....	203	70029683.....	207	70029756.....	273, 275	70030394.....	817, 827
70029617.....	203	70029684.....	207	70029757.....	275	70030395.....	817
70029618.....	203	70029685.....	207	70029758.....	283	70031047.....	185
70029619.....	203	70029686.....	207	70029759.....	283	70031242.....	821
70029620.....	203	70029687.....	207	70029759.....	283	70031243.....	821
70029621.....	203	70029688.....	207	70029760.....	275	70031244.....	821
70029622.....	203	70029689.....	207	70029761.....	277	70031325.....	805
70029623.....	203	70029690.....	207	70029762.....	273, 275	70031326.....	805
70029624.....	203	70029691.....	207	70029763.....	279	70031327.....	805
70029625.....	203	70029692.....	207	70029764.....	275	70031328.....	805
70029626.....	203	70029693.....	207	70029765.....	275	70031329.....	805
70029627.....	203	70029694.....	207	70029766.....	275	70031329.....	805
70029628.....	203	70029695.....	207	70029767.....	275	70031350.....	295
70029629.....	203	70029701.....	195	70029768.....	275	70031351.....	295
70029630.....	203	70029702.....	195	70029769.....	277	70031352.....	295
70029631.....	203	70029704.....	283	70029770.....	279	70031380.....	295
70029632.....	205	70029705.....	283	70029771.....	277	70031440.....	209
70029633.....	205	70029706.....	283	70029772.....	277	70031441.....	209
70029634.....	205	70029707.....	283	70029773.....	275	70031442.....	268
70029635.....	205	70029708.....	283	70029774.....	275	70031443.....	167, 169
70029636.....	205	70029709.....	283	70029775.....	275	70031444.....	163
70029637.....	205	70029710.....	283	70029776.....	275	70031445.....	141, 143
70029638.....	205	70029711.....	283	70029777.....	273, 275	70031446.....	157
70029639.....	205	70029712.....	283	70029778.....	275	70031447.....	209
70029640.....	205	70029713.....	283	70029779.....	275	70031448.....	268
70029641.....	205	70029714.....	283	70029780.....	273, 275	70031450.....	701
70029642.....	205	70029715.....	283	70029781.....	273, 275	70031451.....	701
70029643.....	205	70029716.....	283	70029782.....	281	70031452.....	701
70029644.....	207	70029717.....	277	70029783.....	281	70031453.....	701
70029645.....	207	70029718.....	277	70029784.....	275	70041616.....	295, 297
70029646.....	207	70029719.....	277	70029785.....	273	70041617.....	295, 297
70029647.....	213	70029720.....	275	70029786.....	275	70041619.....	295, 297
70029648.....	203	70029721.....	275	70029787.....	279	70041620.....	295, 297
70029649.....	215	70029722.....	275	70029788.....	275	70050472.....	853
70029650.....	215	70029723.....	275	70029789.....	277, 279	70050481.....	853
70029651.....	215	70029724.....	275	70029790.....	275	70050504.....	853
70029652.....	215	70029725.....	273, 275	70029791.....	283	70050507.....	853
70029653.....	215	70029726.....	275	70029792.....	273	70050508.....	853
70029654.....	215	70029727.....	281	70029793.....	275	7012510.....	859
70029655.....	215	70029728.....	275	70029794.....	273, 275	7022390.....	845, 857
70029656.....	215	70029729.....	275	70029795.....	283	7022399.....	859
70029657.....	215	70029730.....	281	70029796.....	283	7024808.....	859
						7024939.....	837

SECTION 13 - SPECIAL OPTIONS/ACCESSORIES/KITS

7024943 837	7029692 143, 157	80983191..927, 929, 931, 981, 1120	8410019 321
7024944 837	7029703 185, 195	82033995.....355, 371	8420053... 141, 163, 167, 169, 173, 175, 179, 181, 187, 189, 191, 196, 209, 260
7024953 837	7029711 163	8220035.....871	8420055... 141, 163, 167, 169, 173, 175, 179, 181, 187, 189, 191, 196, 209, 260
7024954 837	7029714 157	8220050.....1027	8424217 765
7026577 437	7029849 ... 403, 405, 409, 411, 413	8220051 909, 1007, 1011, 1015	8424233 736
7026578 437	7029850 ... 403, 405, 407, 409, 411, 413	8220097.....980	8430032 27, 765, 769, 781
7026744 393	7029852 ... 403, 405, 407, 409, 411, 413	8220098.....980	8430033 769, 781
7026745 393	7029969 1043, 1045	8220108..... 871, 957	8430034 309
7026746 395	7029970 1045	8220116..... 1006, 1012, 1016	8466306 569
7026747 397	7029971 1045, 1049, 1051	8220124.....980, 984	8546407 736
7026748 397	7029973 399	8220375.....901	8580315 191
7026749 397	7029996 195	8220525.....991	8584003 947
7026750 399	7029997 195	8229234.....874	8630003 167
7026751 399	7062922 191	8229235.....873, 1120	8642207 191
7026752 399	7110702 191	8229242...927, 929, 955, 981, 1120	86683122 383
7026754 401	7110712 191	8229244...931, 981, 999, 1120	86883127 349
7026755 401	7110722 191	8229245...927, 999, 1120	8750016 742
7026756 401	7117502 67, 71, 73	8229247...929, 999, 1120	8750024 719
7026757 403	7139918 167	8229261.....873, 1120	8750025 719
7026758 ... 403, 405, 407, 409, 411, 413	7150580 449, 457	8275212.....349	8750029 742
7026759 ... 403, 405, 407, 409, 411, 413	7300435 37	8278020.....313, 315	8769132 191
7026760 ... 403, 405, 407, 409, 411, 413	7301295 167	828905.....1053	8769153... 727, 729, 742
7026761 ... 403, 405, 407, 409, 411, 413	7301408 229	8303620....483, 503, 507	8770016 191
7026762 405	760812 537, 539	8303634.....167, 191	8770120 731
7026765 411	77133136 722	8303658.....167	8770215 753, 755
7026766 411	77133137 722, 742	8303715.....191	8780039 493
7026769 ... 411, 417, 439, 441	77133139 722	8305624.....167	8786514 ... 477, 479, 481, 483, 501, 503, 505, 507
7026771 417	77133140 722, 742	8305643.....167, 191	88581157 56, 60
7026772 417	77133168 742	8305645....483, 503, 507	88662434 742
7026773 417	8000759 657	8305919...347, 565, 567, 584, 588, 631, 877, 879	88671001. 173, 175, 179, 181, 187, 189
7026774 417	8000803 557	8307110....483, 503, 507	8880218-OM ... 449, 451, 455
7026775 417	8004398 657	8307904.....191	8881800 722
7026776 419	8005870 647	8307918.....191	8881802 357
7026780 419	80233218 731	8310160.....191	8902842 805
7026781 419	80304227 411	8310161.....191	90200003. 165, 167, 173, 175, 177, 179, 181, 183, 187, 189, 191
7026782 423	80304405 397	8310302.....167	90206198 41
7026783 423	80334277 837	8310435.....167	90451058 167
7026784 423	8033786 805	8310559.....667	90554016. 137, 141, 143, 157, 163, 169, 185, 249
7026787 421	8034697 853	8310620.....49, 51	90554017 157
7026788 421	8035382 853	8310686...351, 736, 785, 937, 939	90554018 157
7026789 421	8035779 457	8405006.....731, 742	90554019 169
7026791 425	8036190 407, 409	8405007....321, 389, 736	90554020. 141, 143, 163, 195
7026792 401, 425	8036250 425	8405009...321, 323, 359, 679	90554021 195
7026793 425	80363179 991, 1047, 1053	8405101.....321, 323	90554024 195
7026794 401, 425	80363195 563	8405201....321, 323, 588	90554025 195
7026796 439	8036433 457	8405202.....321, 323	90554026 195
7026798 599	8036528 419, 421	8405209.....736	90554027 195
7027254 433	8036529 419	8405212....325, 327, 385	90554033 137
7027255 433	8036733 797, 815	8405305....325, 327, 385	90554034 137, 185
7027265 407, 409	8036847 399, 401	8405402....337, 341, 343	90554035 195
7027267 411	8037140 811	8406102.....377	90554039 195
7027269 439	80604018 991, 1057	8406105....722, 964, 968	90554040 195
7027270 439	80604020 1035	8406112.....300, 304	
7027271 441	80604021 951, 991	8406201....371, 973, 977, 1001, 1003	
7027272 441	806253 511	8410009...355, 371, 607, 610, 742	
7027273 443	806264 511	8410011.....337, 339	
7028639 1053	80634004 837	8410013....321, 323, 355	
7029031 401	8065062 191		
7029267 419, 421	80673025 742		
7029486 581, 1077	80933113 763		
7029520 251	80933367 337, 339		
7029521 251	80963067 981		

SECTION 13 - SPECIAL OPTIONS/ACCESSORIES/KITS

90554042..141, 143, 185, 195	91013192..... 1006, 1012, 1016	181, 185, 187, 189, 191, 196, 209, 257, 260, 269, 727, 729	91503106.....897
90554043..... 195	91041596..... 69, 73	91403414 . 141, 163, 167, 169, 173, 175, 179, 181, 185, 187, 189, 191, 196, 209, 256, 260, 269, 727, 729	91504107.....991, 1047
90554044..... 195	91043084..... 479	91403448 139	91513266..... 509, 525
90554045..195, 196, 795, 801	91043125.. 257, 727, 729	91403530 125	91514118..... 509, 525
90554046..... 196	91043126.. 256, 727, 729	91413025 337, 339	91554019..... 991
90554054..... 141, 143	91053419 385	91473206 . 477, 479, 481, 483	91561240..... 111
90554062..... 143, 157	91083385 493, 495	91474035 453, 459	91563025..... 69, 73
90554065... 157, 163, 185	91355037 479		91563250..... 493, 495
90554067..... 163, 195	91355038 479		91565005..... 69, 73
90554076..... 143, 157	91403119 69, 73		91565039..... 495
90554080..... 251	91403193..... 445		91565040..... 495
91013191..... 1019	91403413 . 141, 163, 167, 169, 173, 175, 179,		SEE NOTE 469



**Corporate Office
JLG Industries, Inc.
1 JLG Drive
McConnellsburg, PA 17233-9533 USA
☎ (717) 485-5161 (Corporate)
☎ (877) 554-5438 (Customer Support)
📠 (717) 485-6417**

**Visit our website for JLG Worldwide Locations.
www.jlg.com**



OSHKOSH™